

**2002**

**ULTIMATE FREEDOM**

**Q-SERIES**

**WASHED MAPLE**

**NQ0 PORTOFINO - BLUE**

**NQ2 HARVEST TAPESTRY - GREEN**

**NQ4 CHAMPAGNE PEARL - BEIGE**

**SALEM CHERRY**

**NQ1 PORTOFINO - BLUE**

**NQ3 HARVEST TAPESTRY - GREEN**

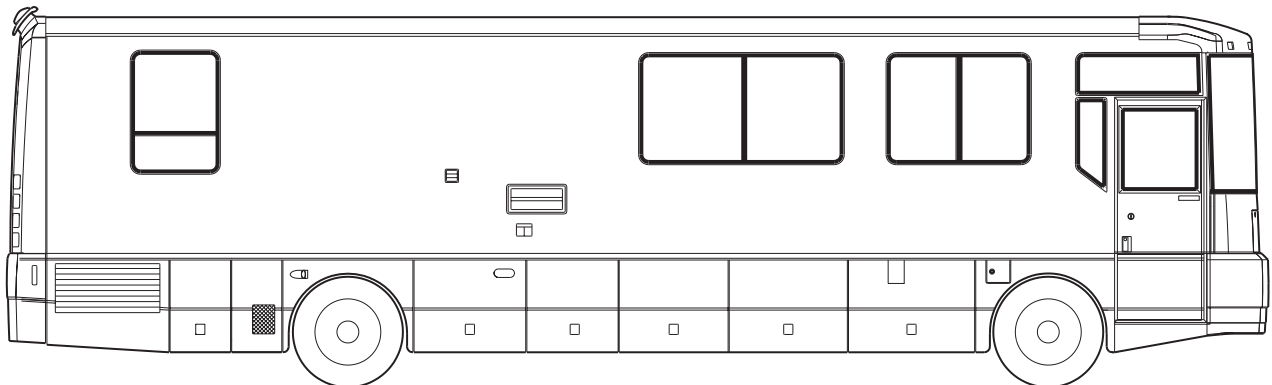
**NQ5 CHAMPAGNE PEARL - BEIGE**

**PORTSMOUTH OAK**

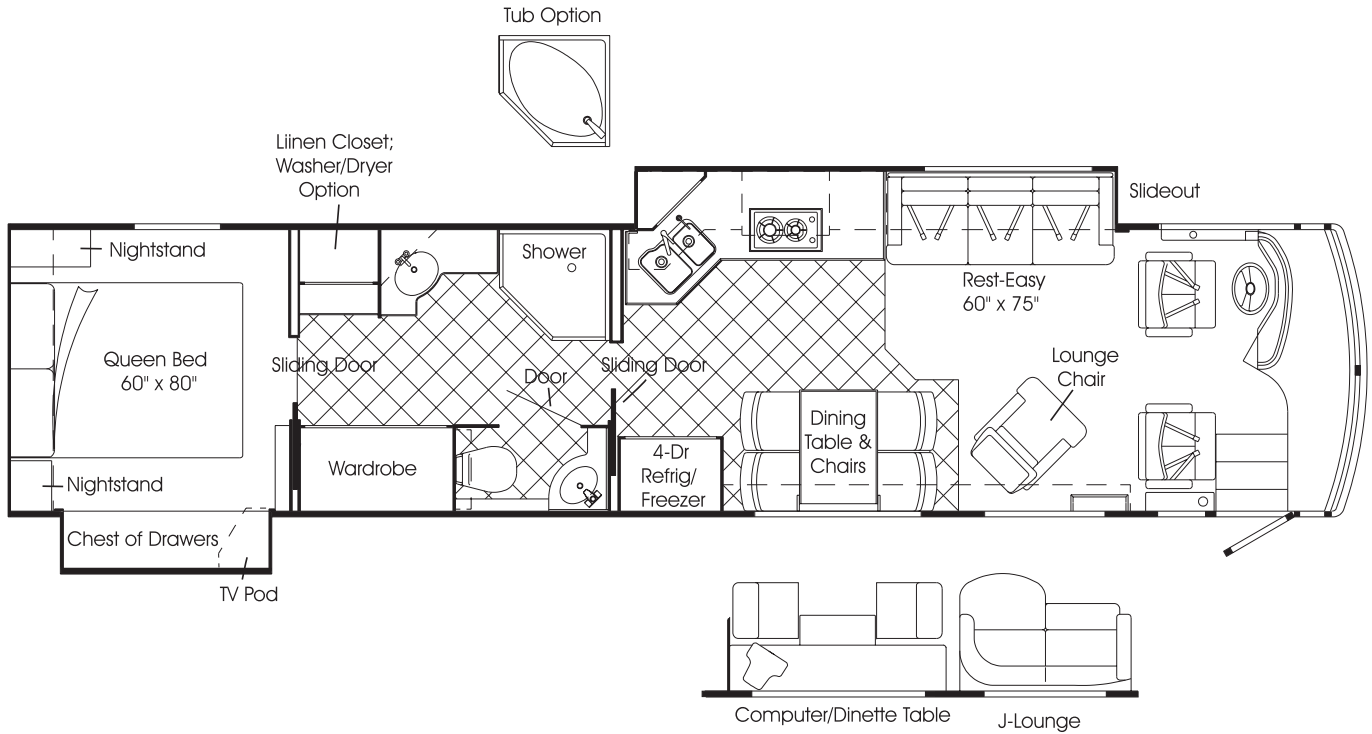
**NQ6 PORTOFINO - BLUE**

**NQ7 HARVEST TAPESTRY - GREEN**

**NQ8 CHAMPAGNE PEARL - BEIGE**



# 2002 USQ40JD



## FLOORPLAN

# CONTENTS

<b>FLOORPLAN</b> .....	<b>2</b>
<b>ACCESSORIES GROUP</b> .....	<b>8</b>
OPERATORS MANUAL .....	8
<b>APPLIANCE GROUP</b> .....	<b>9</b>
APPLIANCES .....	9
COMPONENT PARTS FOR APPLIANCE .....	13
108186-02-000 .....	13
108186-03-000 .....	13
115504-01-000 .....	13
119267-04-01A .....	13
119267-06-01A .....	13
119296-03-01A .....	14
124236-01-000 .....	16
125242-02-01A .....	16
129561-01-01A .....	25
133004-02-01A .....	25
<b>AUDIO VIDEO GROUP</b> .....	<b>26</b>
RADIO SYSTEM .....	26
COMPONENT PARTS FOR RADIO SYSTEM .....	27
127517-06-000, 127517-08-000, 127517-09-000 .....	27
REAR VIEW MONITOR .....	28
COMPONENT PARTS FOR REAR VIEW MONITOR .....	29
093040-10-000 .....	29
TELEPHONE .....	30
TV & VCR .....	30
COMPONENT PARTS FOR TV & VCR .....	31
076319-23-000 .....	31
076319-25-000 .....	31
124073-10-000 .....	32
124073-11-000 .....	32
128138-01-000 .....	33
137135-01-000 .....	35
141454-01-01A .....	37
EXTERIOR ENTERTAINMENT .....	39
<b>BATH GROUP</b> .....	<b>40</b>
CABINETS .....	40
SHOWER .....	44
COMPONENT PARTS FOR SHOWER .....	46
123242-01-01A & 123242-01-02A .....	46
139047-01-01A, 139047-01-02A, 139047-02-01A, 139047-02-02A, 139047-03-01A, 139047-03-02A, 139047-04-02A .....	47
<b>BEDROOM GROUP</b> .....	<b>48</b>
CABINETS .....	48
TV CABINETS .....	50
<b>CHASSIS GROUP</b> .....	<b>51</b>
FRAME .....	51
FRONT END .....	53
AIR INTAKE .....	54
INSULATION .....	55
STEPWELL COVER .....	56
COMPONENT PARTS FOR STEPWELL COVER .....	57
123666-03-000 .....	57
124628-01-000 .....	57
EXHAUST .....	58
HITCH .....	58
REAR BUMPER .....	59
COMPONENT PARTS FOR REAR BUMPER .....	61
130464-01-01A .....	61
FUEL SYSTEM .....	62
HYDRAULIC LEVELING .....	63
COMPONENT PARTS FOR HYDRAULIC LEVELING .....	64
107889-03-000 .....	64
WHEEL, TIRE, COVERS &/OR LINERS .....	65

# CONTENTS (CONTINUED)

<b>CURTAIN &amp; CUSHION GROUP</b> .....	<b>66</b>
NOTICE .....	66
CUSHION LAYOUT .....	67
WINDOW TREATMENT .....	69
HARDWARE .....	72
ACCESSORIES .....	74
FABRICS .....	75
<b>DINETTE GROUP</b> .....	<b>77</b>
CABINETS .....	77
TABLE .....	78
<b>DRIVERS COMPARTMENT GROUP</b> .....	<b>80</b>
DASH .....	80
BEVERAGE TRAY .....	81
FRONT INTERIOR .....	82
CABINETS .....	84
<b>ELECTRICAL GROUP</b> .....	<b>86</b>
12V BODY WIRING .....	86
FRONT END WIRING .....	93
COMPONENT PARTS FOR LIGHTS & SWITCHES .....	96
008089-02-000 .....	96
091206-04-000 .....	96
091937-08-000 .....	96
091937-09-000 .....	96
097917-01-06A .....	96
098024-01-03A .....	96
102756-03-000 .....	96
108354-01-01A .....	96
121935-01-01A .....	96
123774-01-01A .....	96
123775-01-01A .....	96
130051-01-000 .....	96
CIRCUIT BREAKERS & FUSES .....	97
CONVERTER, INVERTER, LOAD CENTERS .....	97
110V WIRING .....	98
ENTERTAINMENT WIRING .....	101
BOXES & CORDS .....	102
WIRE ASSEMBLIES .....	102
CONNECTORS & CONDUIT .....	103
BOOTS, SOLENOIDS, RELAYS & MISCELLANEOUS .....	105
COMPONENT PARTS FOR BOOTS, SOLENOIDS, RELAYS & MISCELLANEOUS .....	106
113832-02-01A .....	106
113832-03-01A .....	106

# CONTENTS (CONTINUED)

<b>EXTERIOR BODY GROUP .....</b>	<b>107</b>
AIR HORN .....	107
COMPONENT PARTS FOR AIR HORN .....	108
077497-03-000 .....	108
077497-06-000 .....	108
077497-09-000 .....	108
GRAPHICS & PAINT .....	109
PANELS & TRIMS .....	111
COMPONENT PARTS FOR PANELS & TRIMS .....	113
138827-01-000 .....	113
FRONT END .....	114
COMPONENT PARTS FOR FRONT END .....	116
091955-02-000 .....	116
LADDER .....	117
MIRRORS .....	117
COMPONENT PARTS FOR MIRRORS .....	118
129656-01-01A .....	118
129656-02-01A .....	118
STRUCTURAL COMPONENTS .....	119
AWNINGS .....	120
COMPONENT PARTS FOR AWNINGS .....	121
130483-01-01A .....	121
<b>EXTERIOR DOORS &amp; COMPARTMENTS GROUP .....</b>	<b>122</b>
DOOR & COMPARTMENT LAYOUT .....	122
COMPONENT PARTS FOR DOOR & COMPARTMENT LAYOUT .....	125
084103-08-000 .....	125
094708-03-01A .....	125
110506-A1-000 .....	125
COMPARTMENT DOOR PIECE PARTS .....	126
ENTRY .....	128
COMPONENT PARTS FOR ENTRY .....	129
128913-04-02A & 128913-08-01A .....	129
128913-10-01A .....	135
129676-01-000 THRU 129676-10-000 .....	141
<b>EXTERIOR SLIDEOUT GROUP .....</b>	<b>142</b>
FRONT LEFT .....	142
COMPONENT PARTS FOR FRONT LEFT .....	146
125687-01-000 .....	146
RIGHT REAR .....	147
COMPONENT PARTS FOR RIGHT REAR .....	151
135250-01-000 .....	151
135250-04-000 .....	151
135250-06-000 .....	151
<b>GALLEY GROUP .....</b>	<b>152</b>
CABINETS .....	152
DOORS & DRAWERS .....	154
<b>GENERATOR GROUP .....</b>	<b>156</b>
DIESEL .....	156
COMPONENT PARTS FOR DIESEL .....	157
130294-01-01A .....	157

# CONTENTS (CONTINUED)

<b>HEATING &amp; A/C GROUP</b> .....	<b>158</b>
AUTOMOTIVE .....	158
COMPONENT PARTS FOR HEATING & A/C .....	160
072342-15-000 .....	160
072342-22-000 .....	161
072342-23-000 .....	161
103930-43-000 .....	161
103930-51-000 .....	162
103930-52-000 .....	163
FURNACE .....	165
COMPONENT PARTS FOR FURNACE .....	166
098668-19-000 .....	166
098668-21-000 .....	168
139980-01-000 .....	170
139980-03-000 .....	172
CENTRAL .....	174
COMPONENT PARTS FOR CENTRAL .....	175
105620-11-000 .....	175
105620-12-000 .....	177
105620-15-000 .....	178
<b>INTERIOR FINISH GROUP</b> .....	<b>179</b>
MOLDINGS & TRIMS .....	179
PANELING & LAMINATES .....	183
ACCESSORIES .....	183
COMPONENT PARTS FOR ACCESSORIES .....	184
094499-02-000 .....	184
FLOOR COVERINGS .....	185
HARDWARE .....	186
<b>LABELS GROUP</b> .....	<b>192</b>
<b>LP GROUP</b> .....	<b>217</b>
LP SYSTEM .....	217
COMPONENT PARTS FOR LP SYSTEM .....	218
117432-03-000 .....	218
<b>LOUNGE GROUP</b> .....	<b>219</b>
CABINETS .....	219
TABLES .....	220
<b>SEALANTS &amp; FASTENERS GROUP</b> .....	<b>221</b>
SEALANTS & ADHESIVES .....	221
BOLTS, NUTS AND WASHERS .....	222
SCREWS .....	224
CLAMPS, CLIPS, GROMMETS, RIVETS & PLUGS .....	227
MISCELLANEOUS FASTENERS .....	228
<b>WATER &amp; SEWAGE GROUP</b> .....	<b>229</b>
DRAINAGE SYSTEM .....	229
COMPONENT PARTS FOR DRAINAGE SYSTEM .....	231
062415-01-000 .....	231
136729-01-01A .....	231
WATER SYSTEM .....	233
COMPONENT PARTS FOR WATER SYSTEM .....	242
051391-05-000 .....	242
098607-01-000 .....	243
118569-03-000 .....	243
135027-01-01A .....	244
136915-01-000 .....	244

# CONTENTS (CONTINUED)

<b>WINDOW &amp; VENTS GROUP .....</b>	<b>245</b>
WINDOW & VENT LAYOUT .....	245
COMPONENT PARTS FOR WINDOWS & VENT LAYOUT .....	246
106466-15-01A .....	246
106466-16-01A .....	246
106467-09-01A .....	246
112795-76-01A .....	247
112795-77-01A .....	248
112795-79-01A .....	248
122757-02-01A .....	248
123780-03-01A .....	249
123780-05-01A .....	250
129929-08-01A .....	251
<b>WINDSHIELD &amp; WIPER GROUP .....</b>	<b>252</b>
WINDSHIELD .....	252
WIPER .....	253
COMPONENT PARTS FOR WIPER .....	254
095964-01-000 .....	254
096505-09-000 .....	254
117769-01-000 .....	254

**ACCESSORIES GROUP**  
**OPERATORS MANUAL**

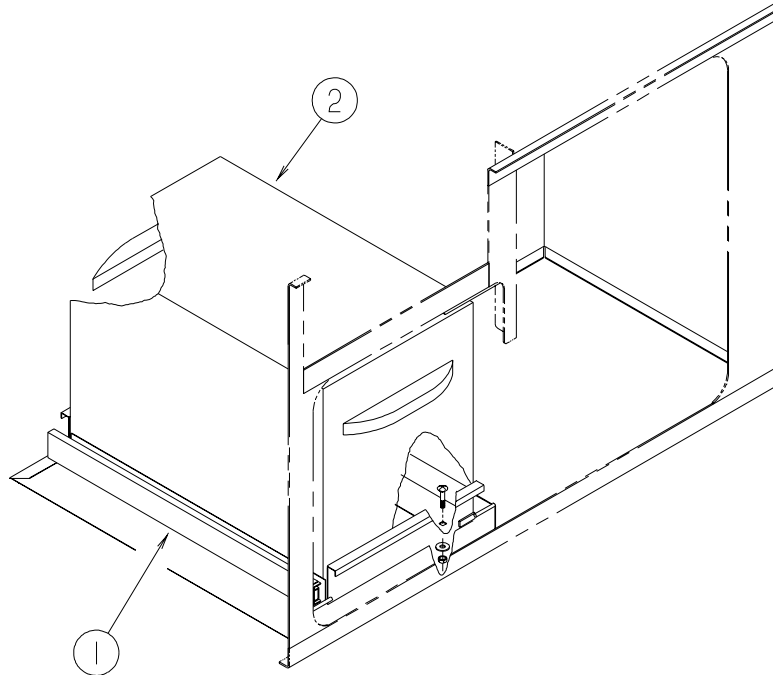
<b>KEY</b>	<b>PART NUMBER</b>	<b>U/M</b>	<b>DESCRIPTION</b>
	129079-03-01A	EA	CASE - VINYL/BLK-EXPANDABLE ACCORDION SIDES-11"WX9"HX14"L
	132000-10-002	EA	MANUAL/OWNER - ULTIMATE FREEDOM - 2002
	137542-01-000	DW	TOP LEVEL-Q,2002
	137943-01-000	EA	SAFE - STEEL



## APPLIANCE GROUP APPLIANCES

KEY	PART NUMBER	U/M	DESCRIPTION
	107752-03-01A	EA	DISHWASHER - 18" - BLACK
			FROM: 00-00-00 THRU: 04-29-01
	107752-04-01A	EA	DISHWASHER - 18" - BLACK
			FROM: 04-30-01 THRU: 99-99-99
*	124236-01-000	EA	DISPENSER - SOAP/HAND LOTION - POLISHED BRASS
	133200-01-01A	EA	RANGE TOP - 2 BURNER - BLACK
*	108186-02-000	EA	TOOL SET - VACUUM - W/O POWER BRUSH W/30' HOSE
*	108186-03-000	EA	VACUUM CLEANER - BUILT IN
	108187-01-000	EA	PIPE - 2" X 8' PVC - VACUUM SYSTEM
	108187-02-000	EA	ELBOW - 90 DEGREE STREET PVC - VACUUM SYSTEM
	108187-03-000	EA	COUPLING - 2" PVC - VACUUM SYSTEM
	108187-06-000	EA	INLET - REDUCER
	138584-01-01A	EA	COFFEE MAKER/CARAFE - BLACK - NO TIMER - KRUPS
*	115504-01-000	EA	PANEL - SOLAR 10 WATT - 12.2"W X 26.9"L X 1.2"H
*	133004-02-01A	EA	PANEL - MONITOR - 2 TANK DIGITAL VOLT METER - SOLAR
*	129561-01-01A	EA	PANEL/MONITOR - READ OUT ONLY - HOLDING/WATER TANK - Q40WD
	130818-01-01A	EA	TRASH CONTAINER - W/SLIDE-OUT

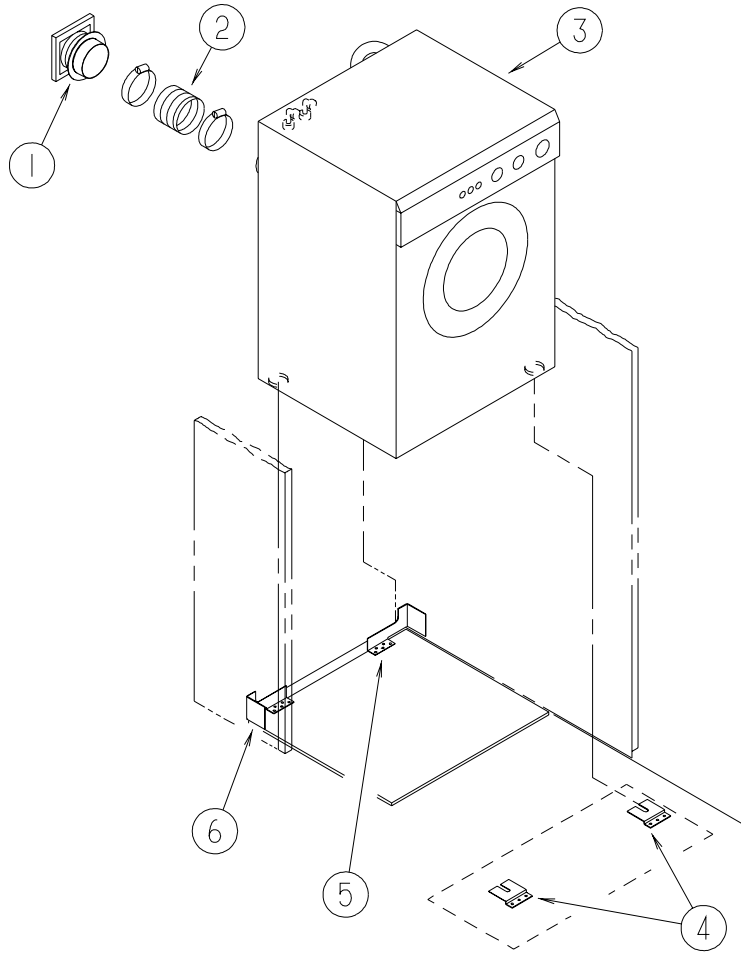
**\*COMPONENT PARTS LISTED LATER IN THIS GROUP**



KEY	PART NUMBER	U/M	DESCRIPTION
1	120320-01-000	EA	TRAY - REFRIGERATOR/FREEZER
2*	119296-03-01A	EA	FREEZER - PORTABLE - DUAL PLUG

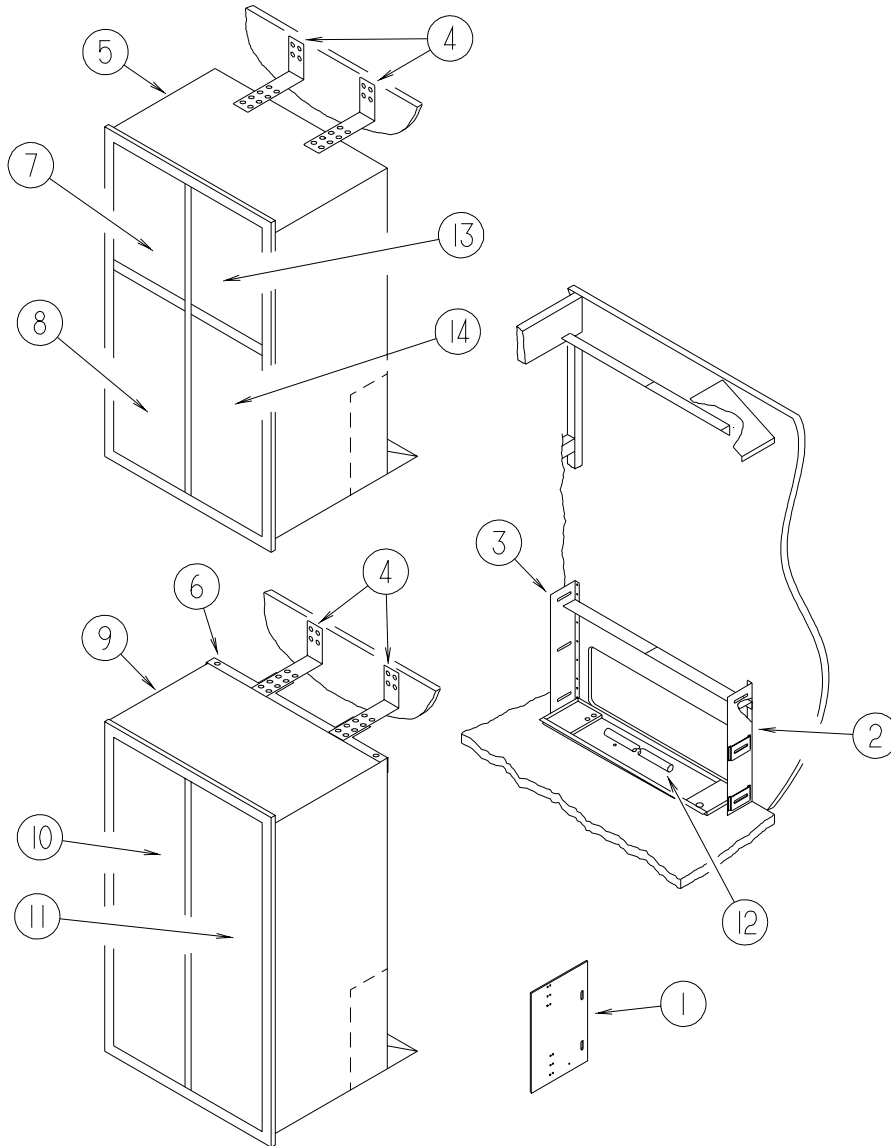
**\*COMPONENT PARTS LISTED LATER IN THIS GROUP**

**APPLIANCE GROUP (CONTINUED)**  
**APPLIANCES (CONTINUED)**



KEY	PART NUMBER	U/M	DESCRIPTION
1	111947-02-01A	EA	VENT - DRYER - 3"
2	116653-02-000	FT	DUCT - FLEXIBLE - 3' COMPRESSED/8' EXTENDED
3	107753-03-01A	EA	WASHER - DRYER - VENTED - UL/CSA - WHITE
4	111913-01-01A	EA	BRACKET - WASHER - TIE DOWN
5	113795-03-02B	EA	BRACKET - WASHER - E-COATED
6	113795-04-02B	EA	BRACKET - WASHER - E-COATED

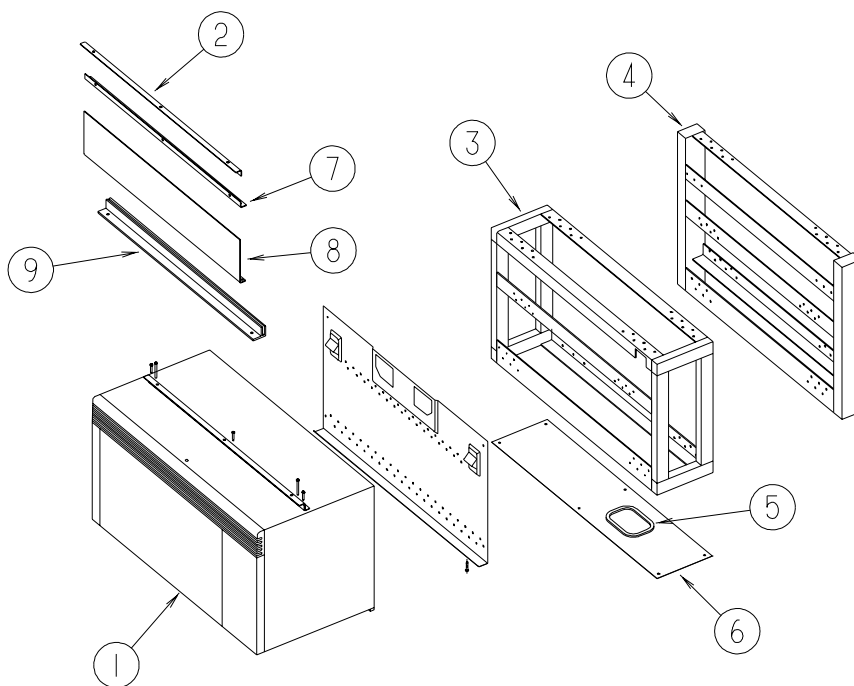
**APPLIANCE GROUP (CONTINUED)**  
**APPLIANCES (CONTINUED)**



KEY	PART NUMBER	U/M	DESCRIPTION
1	065225-01-000	EA	PLATE - TIEDOWN/REFRIGERATOR
2	093646-01-000	EA	BRACKET - TIEDOWN/REFRIGERATOR - RIGHT HAND
3	093646-02-000	EA	BRACKET - TIEDOWN/REFRIGERATOR - LEFT HAND
4	093369-02-000	EA	STRAP - REFRIGERATOR
5*	125242-02-01A	EA	REFRIGERATOR-4 DR-W/ICE MKR-W/CONTOURED HANDLENORCOLD1201
6	NOT USED		
7	P34457-01-L94	EA	PANEL - INSERT RAISED MEMBRANE - 16.1" X 18.3" - WASHED MAPLE
7	P34457-01-LQ1	EA	PANEL - INSERT RAISED MEMBRANE - 16.1" X 18.3" - SALEM CHERRY
8	P34457-02-L94	EA	PANEL - INSERT RAISED MEMBRANE - 16.1" X 41.1" - WASHED MAPLE
8	P34457-02-LQ1	EA	PANEL - INSERT RAISED MEMBRANE - 16.1" X 41.1" - SALEM CHERRY
9	NOT USED		
10	NOT USED		
11	NOT USED		
12	112176-01-000	FT	TUBING - VINYL - REINFORCED - 1/2" ID
13	P34457-01-L94	EA	PANEL - INSERT RAISED MEMBRANE - 16.1" X 18.3" - WASHED MAPLE
13	P34457-01-LQ1	EA	PANEL - INSERT RAISED MEMBRANE - 16.1" X 18.3" - SALEM CHERRY
14	P34457-02-L94	EA	PANEL - INSERT RAISED MEMBRANE - 16.1" X 41.1" - WASHED MAPLE
14	P34457-02-LQ1	EA	PANEL - INSERT RAISED MEMBRANE - 16.1" X 41.1" - SALEM CHERRY
	118871-05-01A	EA	TRAY - REFRIGERATOR - SIDE/SIDE - BLACK - 35.5" LONG
	090329-01-000	EA	SEAL/T - REFRIGERATOR CABINET
	054450-01-000	EA	LEVEL - REFRIGERATOR

**\*COMPONENT PARTS LISTED LATER IN THIS GROUP**

**APPLIANCE GROUP (CONTINUED)**  
**APPLIANCES (CONTINUED)**



KEY	PART NUMBER	U/M	DESCRIPTION
1*	119267-04-01A	EA	OVEN - MICROWAVE/CONVECTION W/HOOD - SHARP-#1850A/#1855 - <b>US</b> FROM: 00-00-00 THRU: 08-19-01
	119267-05-000	EA	FILTER - HOOD - CHARCOAL - SHARP #RK220 - <b>US</b> FROM: 00-00-00 THRU: 08-19-01
1	140147-01-01A	EA	OVEN/MICROWAVE - 1.4 CUBIC FT - 30" CONVECTION/BLK FACE - <b>US</b> FROM: 08-20-01 THRU: 99-99-99
	140147-03-000	EA	FILTER/CHARCOAL - MICROWAVE - <b>US</b> FROM: 08-20-01 THRU: 99-99-99
1*	119267-06-01A	EA	OVEN - MICROWAVE/CONVECTION W/HOOD - CSA - <b>CANADIAN</b>
	119267-05-000	EA	FILTER - HOOD - CHARCOAL - SHARP #RK220 - <b>CANADIAN</b>
1	140147-02-01A	EA	OVEN/MICROWAVE - 1.4 CUBIC FT - STAINLESS STEEL FACE - <b>W/SPEEDCOOK</b>
	140147-03-000	EA	FILTER/CHARCOAL - MICROWAVE - <b>W/SPEEDCOOK</b>
2	129836-02-02B	EA	ANGLE - W/HOLES - .7" X 1" X 28.3" - E-COATED
3	129552-02-02B	EA	BRACKET - MICROWAVE - E-COATED FROM: 00-00-00 THRU: 08-20-01
3	129552-04-02B	EA	BRACKET - MICROWAVE - E-COATED FROM: 08-21-01 THRU: 99-99-99
4	NOT USED		
5	093305-01-01A	FT	TRIM - EDGE C-TYPE - WIRE CARRIER - .35" X .24" - VINYL
6	129547-02-02B	EA	PLATE-COVER,MICROWAVE,E-CT
7	129836-01-02B	EA	ANGLE - W/HOLES - .7" X 1" X 28.3" - E-COATED - <b>Q40JD</b>
8	NOT USED		
9	NOT USED		

**\*COMPONENT PARTS LISTED LATER IN THIS GROUP**

**APPLIANCE GROUP (CONTINUED)**  
**COMPONENT PARTS FOR APPLIANCE**

**108186-02-000**

<b>KEY</b>	<b>PART NUMBER</b>	<b>U/M</b>	<b>DESCRIPTION</b>	<b>VENDOR NO.</b>
	092304-02-701	EA	TOOL-DUSTING	1142
	092304-02-702	EA	TOOL-RUG	4982
	092304-02-703	EA	TOOL-CREVICE	1141
	092304-02-707	EA	TOOL-UPHOLSTERY	7029
	092304-02-708	EA	WAND-PLASTIC	4978
	092304-02-709	EA	HOSE ASM., 30' COMPLETE	4988-30-G

**108186-03-000**

<b>KEY</b>	<b>PART NUMBER</b>	<b>U/M</b>	<b>DESCRIPTION</b>	<b>VENDOR NO.</b>
	092304-02-700	EA	BRUSH-POWER, VACUUM (RUGRAT)	6970
	092304-02-701	EA	TOOL-DUSTING	1142
	092304-02-702	EA	TOOL-RUG	4982
	092304-02-703	EA	TOOL-CREVICE	1141
	092304-02-707	EA	TOOL-UPHOLSTERY	7029
	092304-02-708	EA	WAND-PLASTIC	4978
	092304-02-709	EA	HOSE ASM., 30' COMPLETE	4988-30-G
	092304-02-710	EA	SECONDARY FILTER	4929
	108186-03-700	EA	PAPER BAG - 3-PKG	7767
	108186-03-701	EA	MOTOR F/RV2000	7756
	108186-03-702	EA	REDUCER	5531
	108186-03-703	EA	VALVE - INLET - WHITE	4935
	108186-03-704	EA	BRUSH - TURBINE (HAND HELD)	7834-B

**115504-01-000**

<b>KEY</b>	<b>PART NUMBER</b>	<b>U/M</b>	<b>DESCRIPTION</b>	<b>VENDOR NO.</b>
	115504-01-700	EA	PLUG & CABLE, 10 WATT PANEL	600-016

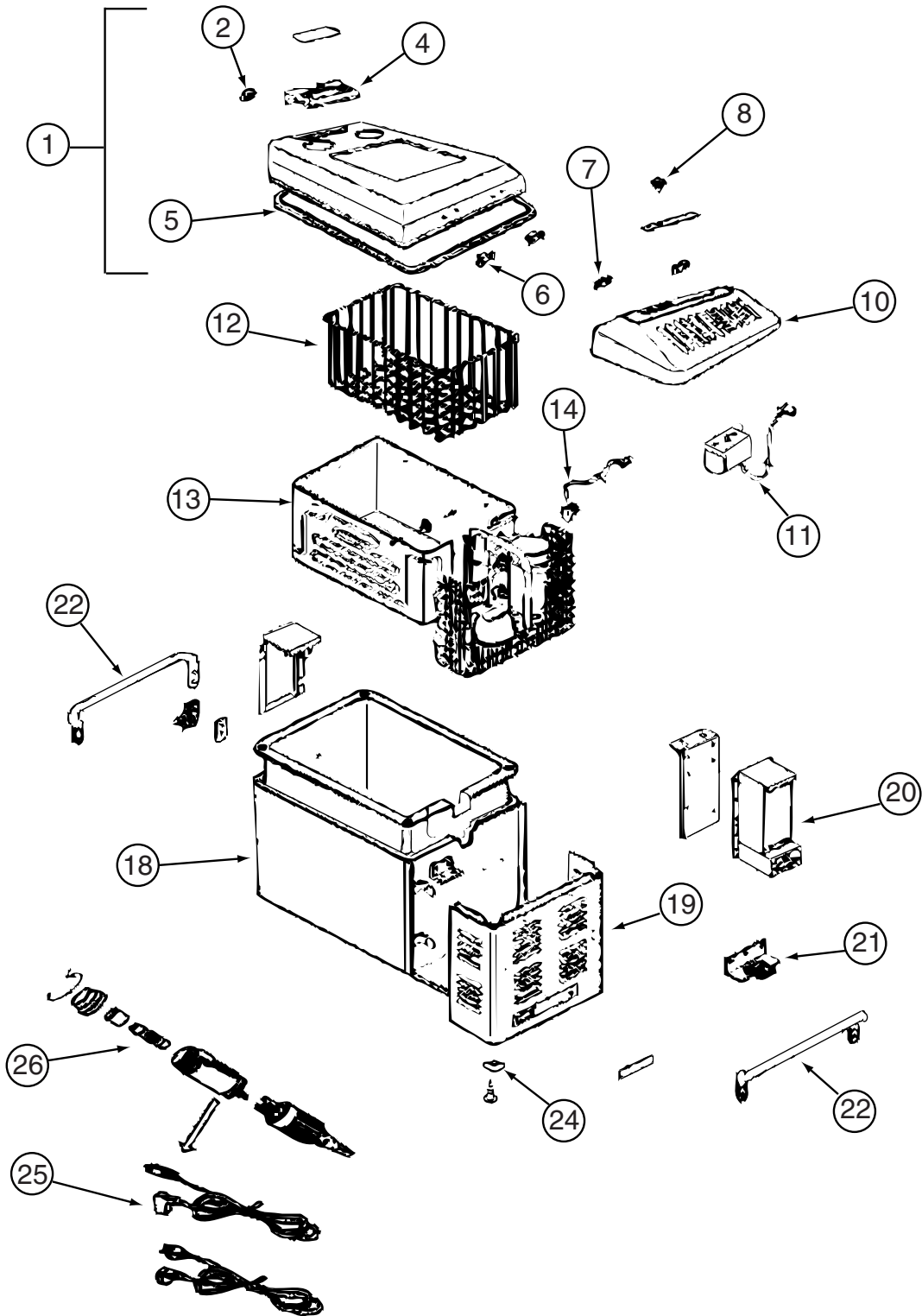
**119267-04-01A**

<b>KEY</b>	<b>PART NUMBER</b>	<b>U/M</b>	<b>DESCRIPTION</b>	<b>VENDOR NO.</b>
	119267-04-700	EA	FILTER-GREASE	BOO2
	119267-04-704	EA	LIGHT COVER	FANGKB009MRYO
	119267-04-706	EA	BULB/LIGHT (CARDED)	
	119267-04-708	EA	PAN-BOTTOM (MICROWAVE)	

**119267-06-01A**

<b>KEY</b>	<b>PART NUMBER</b>	<b>U/M</b>	<b>DESCRIPTION</b>	<b>VENDOR NO.</b>
	119267-04-700	EA	FILTER-GREASE	BOO2
	119267-04-703	EA	PLATE-MOUNTING W/2 SCREWS	FANGTB003MRV0

**APPLIANCE GROUP (CONTINUED)**  
**COMPONENT PARTS FOR APPLIANCE (CONTINUED)**



119296-03-01A

**APPLIANCE GROUP (CONTINUED)**  
**COMPONENT PARTS FOR APPLIANCE (CONTINUED)**

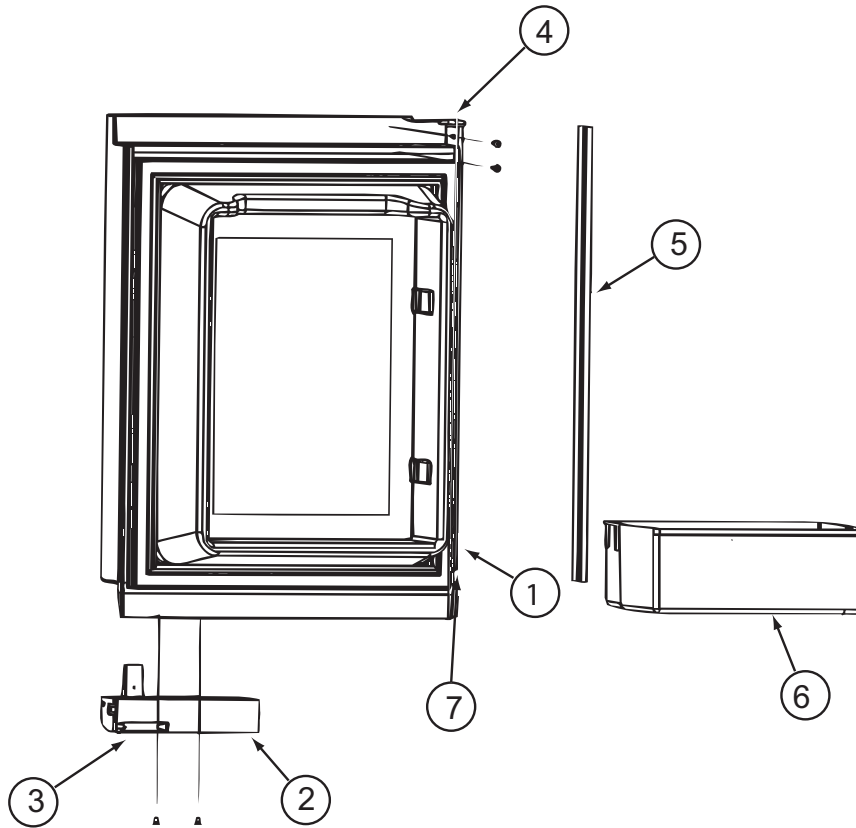
**119296-03-01A (CONTINUED)**

<b>KEY</b>	<b>PART NUMBER</b>	<b>U/M</b>	<b>DESCRIPTION</b>	<b>VENDOR NO.</b>
1	119296-03-700	EA	DOOR ASSEMBLY/STAT/EVAPORATOR	160044800
2	119296-03-701	EA	LATCH ASSEMBLY	160935600
4	119296-01-702	EA	HANDLE-DOOR	422500401
5	119296-03-702	EA	DOOR GASKET	414803100
6	119296-03-703	EA	HINGE ASSEMBLY SET	160934500
8	119296-01-709	EA	DIAL ASSEMBLY, THERMOSTAT	160206700
10	119296-03-704	EA	MOTOR COVER ASSEMBLY	160220300
11	119296-03-705	EA	THERMOSTAT	160116910
12	119296-03-706	EA	BASKET	523003800
13	119296-03-707	EA	COOLING UNIT	161011610
14	119296-02-703	EA	THERMISTER - EVAPORATOR	605505410
18	119296-03-708	EA	CABINET ASSEMBLY	160044700
19	119296-03-709	EA	COVER ASSEMBLY-CASE	160934700
20	119296-03-710	EA	POWER SUPPLY	160116810
21	119296-02-706	EA	FAN ASSEMBLY	160928900
22	119296-03-711	EA	HANDLE-CABINET	32330100
24	119296-03-712	EA	CUSHION-CORNER	427400930
25	119296-03-713	EA	CORD ASSEMBLY-DC	191240400
26	119296-03-714	EA	FUSE-SPECIAL TERMINAL	160300200

**APPLIANCE GROUP (CONTINUED)**  
**COMPONENT PARTS FOR APPLIANCE (CONTINUED)**

124236-01-000

KEY	PART NUMBER	U/M	DESCRIPTION	VENDOR NO.
	124236-01-700	EA	HEAD - DISPENSER	RP21905
	124236-01-701	EA	PUMP - DISPENSER	RP21908
	124236-01-702	EA	BODY - DISPENSER	RP21906
	124236-01-703	EA	BASE & GASKET - DISPENSER	RP21907
	124236-01-704	EA	NUT - DISPENSER	RP21945
	124236-01-705	EA	BOTTLE - DISPENSER	RP21904

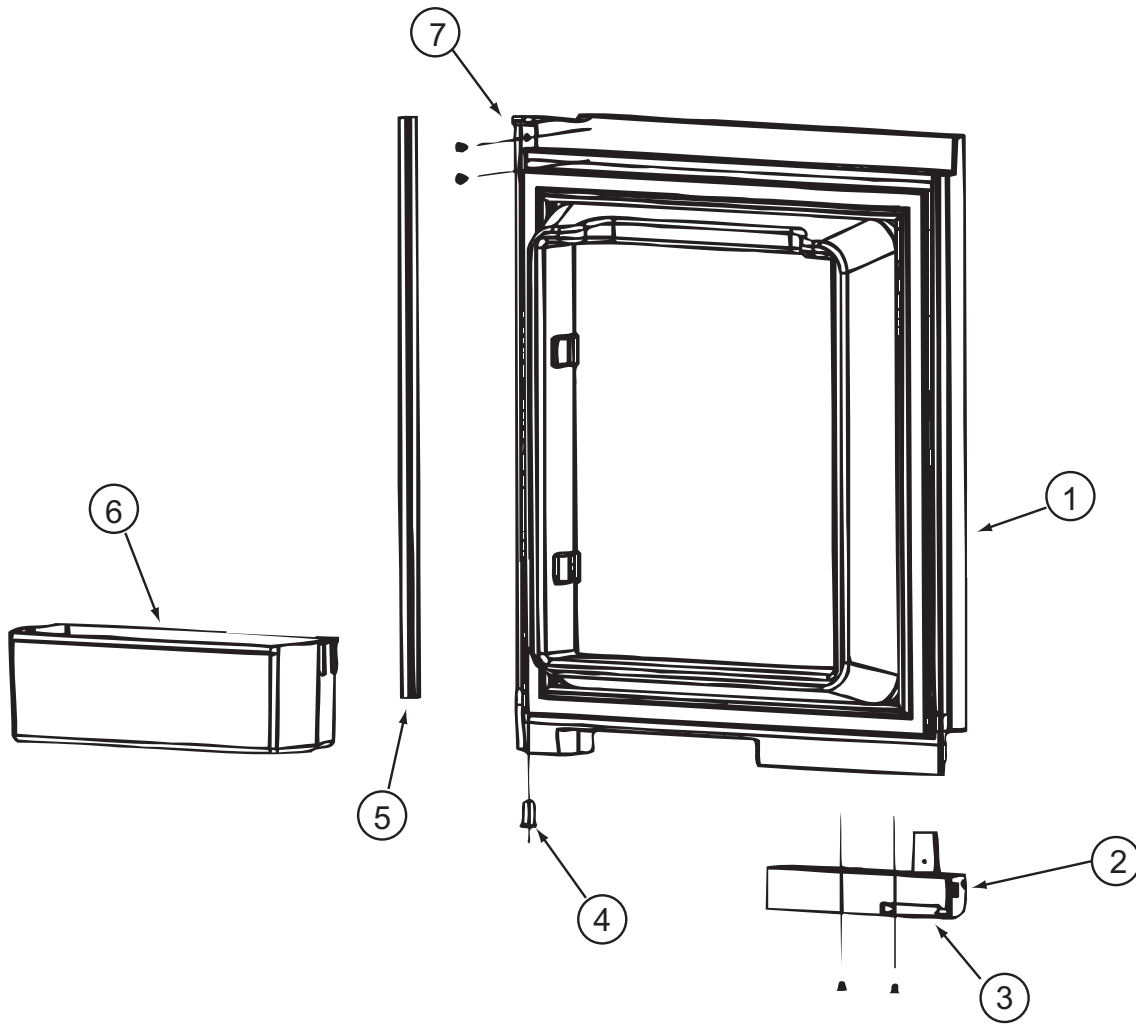


125242-02-01A

KEY	PART NUMBER	U/M	DESCRIPTION	VENDOR NO.
1	125242-01-762	EA	LINER/FOAMED-UPPER/LH-WHITE	619839
2	125242-02-700	EA	HANDLE(CONTOUR)TOP LH BTM RH	621107
3	125242-02-722	EA	LATCH-STORAGE DR/BLK POINTED	619374
4	125242-02-724	EA	HINGE - DOOR	618792
5	125242-02-723	EA	RETAINER/PANEL-UPPER DOOR	621974
6	125242-01-711	EA	DOOR BIN	618765
7	125242-01-704	EA	BUSHING-HINGE MIDDLE	618746
	125242-02-725	EA	DOOR ASM/UPR LH/WHITE GASKET	621148



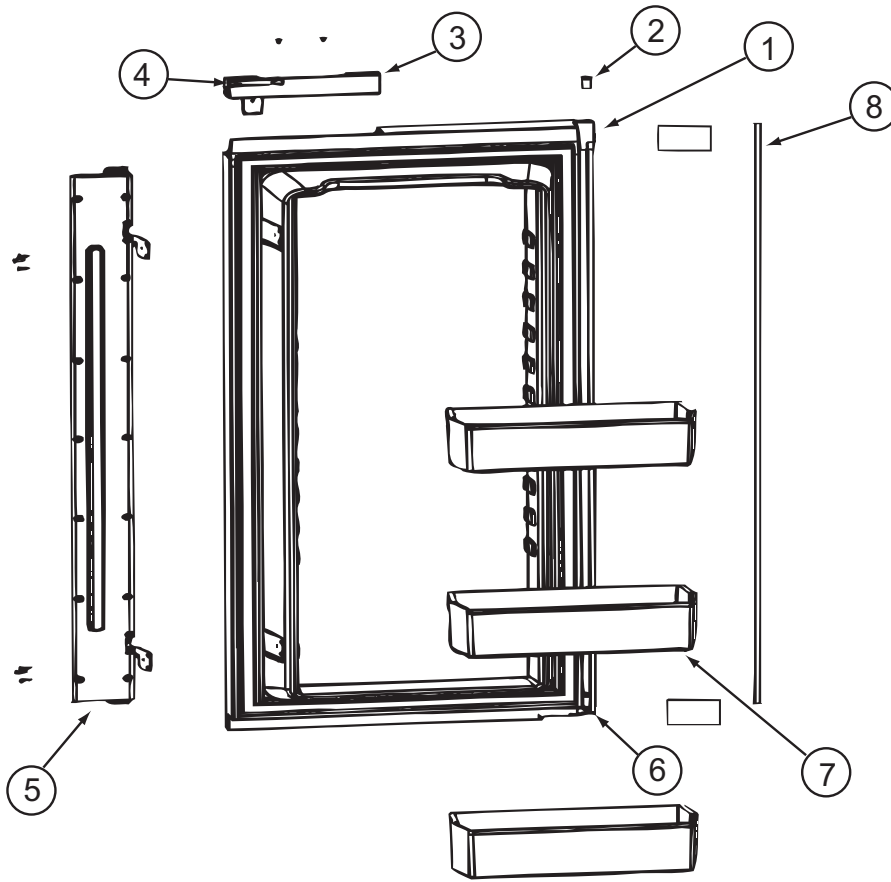
**APPLIANCE GROUP (CONTINUED)**  
**COMPONENT PARTS FOR APPLIANCE (CONTINUED)**



**125242-02-01A (CONTINUED)**

KEY	PART NUMBER	U/M	DESCRIPTION	VENDOR NO.
1	125242-01-763	EA	LINER/FOAMED-UPPER/RH-WHITE	619840
2	125242-02-701	EA	HANDLE(CONTOUR)TOP RH LWR LH	621106
3	125242-02-722	EA	LATCH-STORAGE DR/BLK POINTED	619374
4	125242-01-704	EA	BUSHING-HINGE MIDDLE	618746
5	125242-02-723	EA	RETAINER/PANEL-UPPER DOOR	621974
6	125242-01-711	EA	DOOR BIN	618765
7	125242-02-724	EA	HINGE - DOOR	618792
	125242-02-721	EA	DOOR ASM-UPR/RH/WHITE GASKET	621149

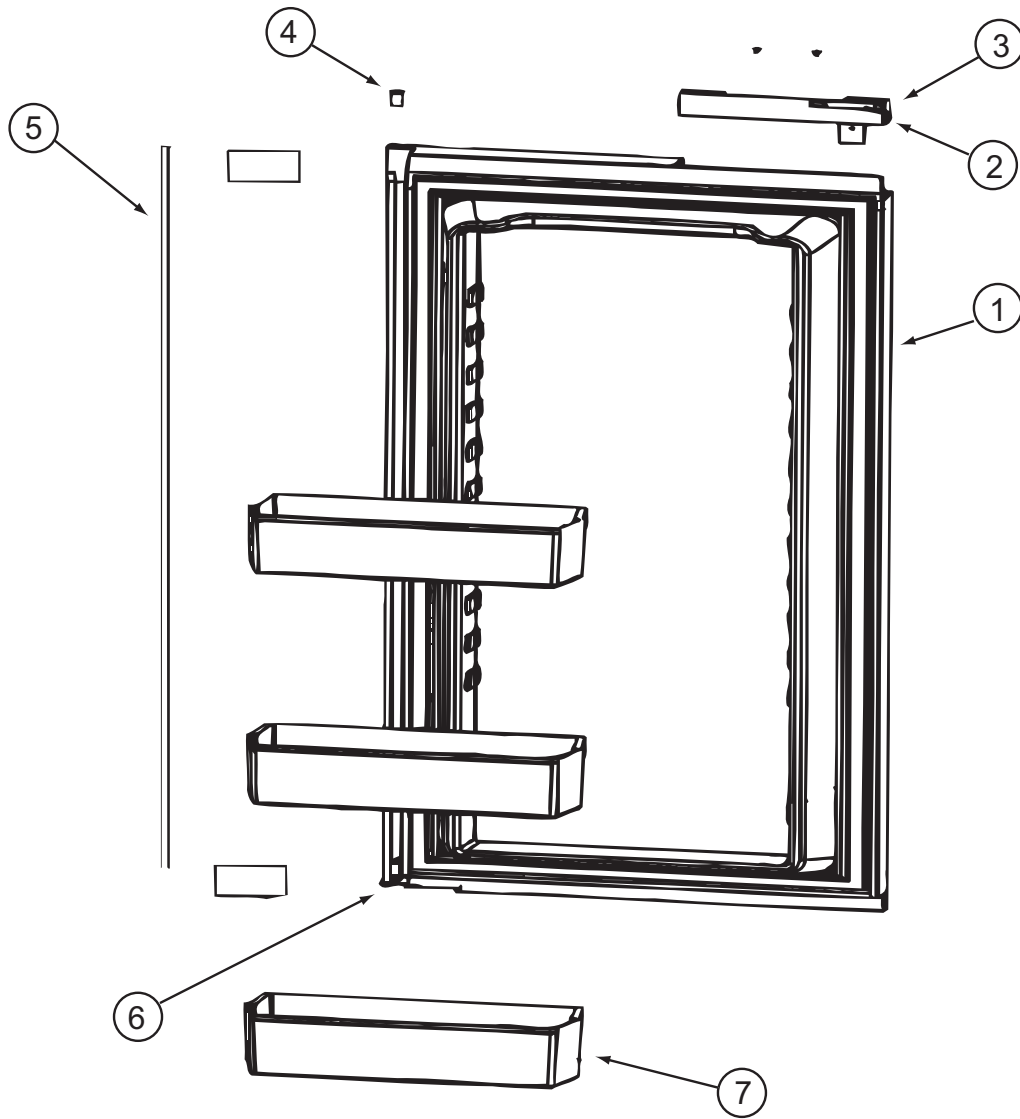
**APPLIANCE GROUP (CONTINUED)**  
**COMPONENT PARTS FOR APPLIANCE (CONTINUED)**



**125242-02-01A (CONTINUED)**

KEY	PART NUMBER	U/M	DESCRIPTION	VENDOR NO.
1	125242-01-765	EA	LINER/FOAMED-LOWER-LH-WHITE	619837
2	125242-01-704	EA	BUSHING-HINGE MIDDLE	618746
3	125242-02-701	EA	HANDLE(CONTOUR)TOP RH LWR LH	621106
4	125242-02-722	EA	LATCH-STORAGE DR/BLK POINTED	619374
5	125242-02-727	EA	FLAPPER ASM DOUBLE POLE	619845
6	125242-02-724	EA	HINGE - DOOR	618792
7	125242-01-711	EA	DOOR BIN	618765
8	125242-02-728	EA	RETAINER/PANEL - LOWER	621973
	125242-01-736	EA	CONTACT-PROBE PIN	618886
	125242-02-726	EA	DOOR ASM-LWR LH/WHITE GASKET	621150

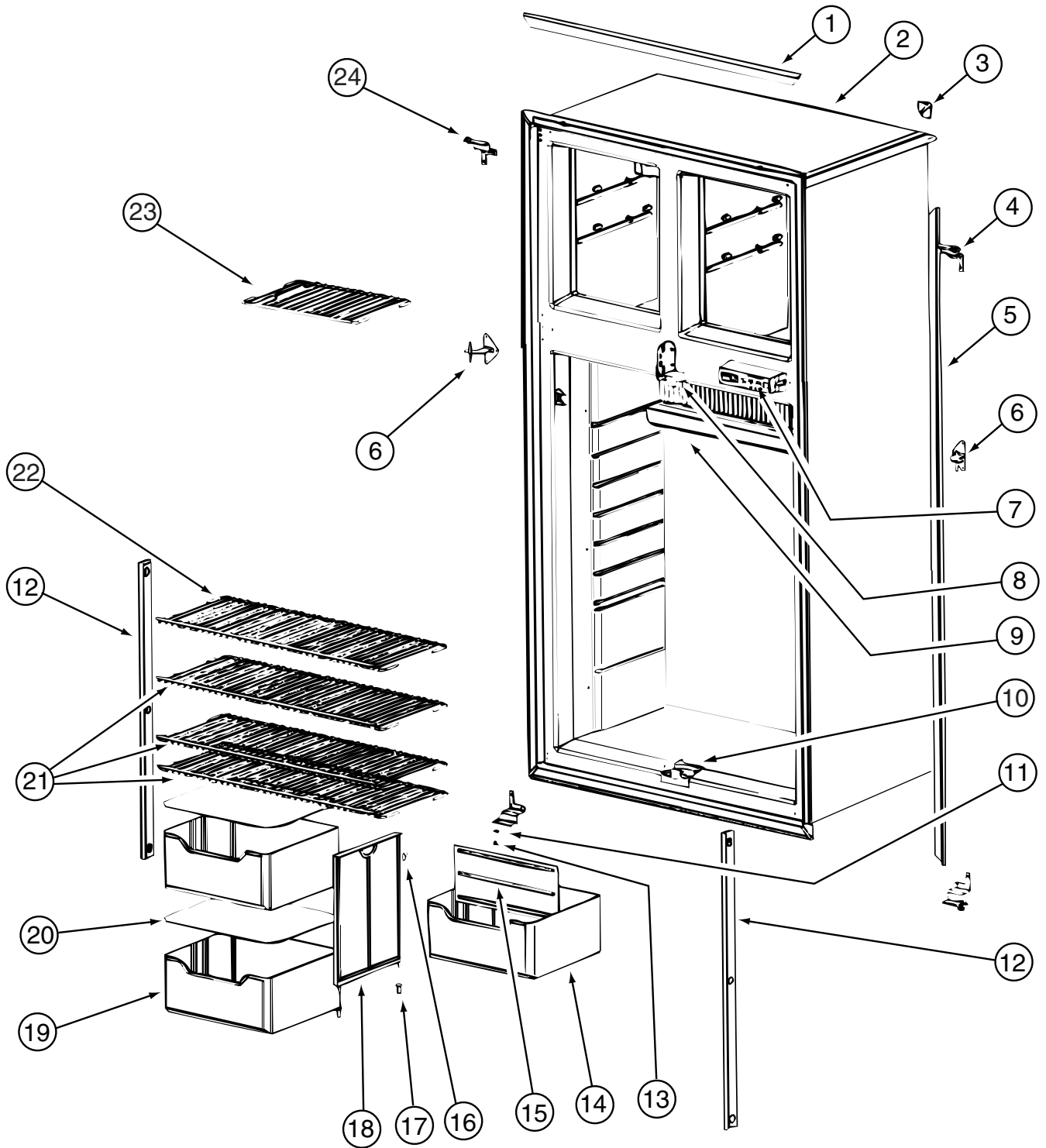
**APPLIANCE GROUP (CONTINUED)**  
**COMPONENT PARTS FOR APPLIANCE (CONTINUED)**



**125242-02-01A (CONTINUED)**

KEY	PART NUMBER	U/M	DESCRIPTION	VENDOR NO.
1	125242-01-764	EA	LINER/FOAMED-LOWER/RH-WHITE	619838
2	125242-02-700	EA	HANDLE(CONTOUR)TOP LH BTM RH	621107
3	125242-02-722	EA	LATCH-STORAGE DR/BLK POINTED	619374
4	125242-01-704	EA	BUSHING-HINGE MIDDLE	618746
5	125242-02-728	EA	RETAINER/PANEL - LOWER	621973
6	125242-02-724	EA	HINGE - DOOR	618792
7	125242-01-711	EA	DOOR BIN	618765
	125242-01-729	EA	FAN-EXTERNAL DC	618856
	125242-02-716	EA	GUIDE ASM LWR(SER#540294 DN)	620042
	125242-02-717	EA	GUIDE ASM LWR(SER#540295 UP)	620043

**APPLIANCE GROUP (CONTINUED)**  
**COMPONENT PARTS FOR APPLIANCE (CONTINUED)**



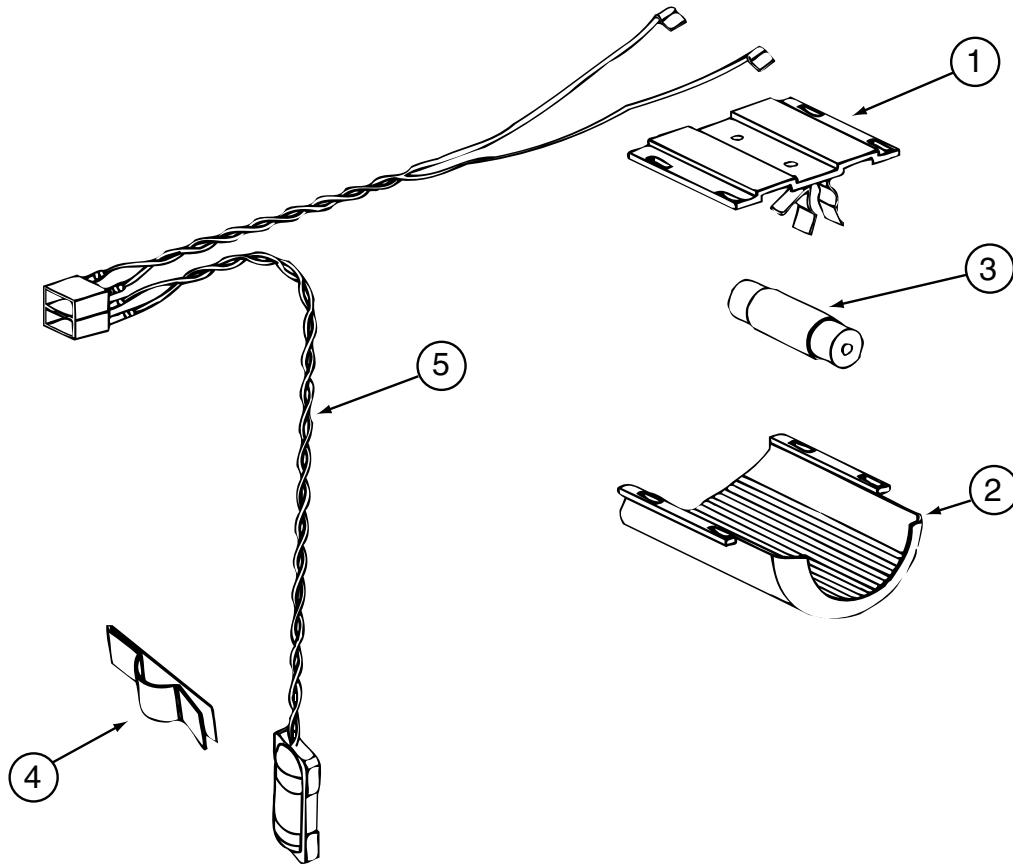
125242-02-01A (CONTINUED)

**APPLIANCE GROUP (CONTINUED)**  
**COMPONENT PARTS FOR APPLIANCE (CONTINUED)**

**125242-02-01A (CONTINUED)**

<b>KEY</b>	<b>PART NUMBER</b>	<b>U/M</b>	<b>DESCRIPTION</b>	<b>VENDOR NO.</b>
1	125242-01-723	EA	TRIM - HORIZONTAL	618845
2	125242-01-748	EA	CABINET/FOAMED ASSEMBLY	618748
3	125242-01-722	EA	TRIM - CORNER	618844
4	125242-01-715	EA	HINGE - TOP RH/BOTTOM LH	618798
5	125242-01-724	EA	TRIM - SIDE	618846
6	125242-01-713	EA	HINGE-MIDDLE (PAINTED)	618794
7	125242-02-704	EA	DISPLAY ASSEMBLY	621188
8	125242-01-751	EA	BLOCK - GUIDE - UPPER	618789
9	125242-01-712	EA	DRIP TRAY	618774
10	125242-01-752	EA	BLOCK - GUIDE - LOWER	618788
11	120075-01-708	EA	BUSHING - DOOR HINGE	618144
12	120075-01-730	EA	RETAINER - SHELF	618181
13	120075-01-727	EA	PIN - HINGE	618145
14	125242-01-734	EA	CRISPER/BOTTLE BIN	618878
15	125242-01-733	EA	DIVIDER - BOTTLE CRISPER	618877
16	125242-01-750	EA	CLIP	61409622
17	113737-01-701	EA	BUSHING - HINGE	61742022
18	125242-01-749	EA	SUPPORT - WALL	618840
19	125242-01-734	EA	CRISPER/BOTTLE BIN	618878
20	125242-01-706	EA	COVER - CRISPER	618757
21	125242-01-726	EA	SHELF - WIRE (LONG)	618848
22	125242-01-727	EA	SHELF - WIRE (SHORT)	618849
23	125242-01-725	EA	SHELF - FREEZER (WIRE)	618847
24	125242-01-714	EA	HINGE - TOP LH/BOTTOM RH	618796
	125242-01-735	EA	SWITCH - DOOR LIGHT	618884

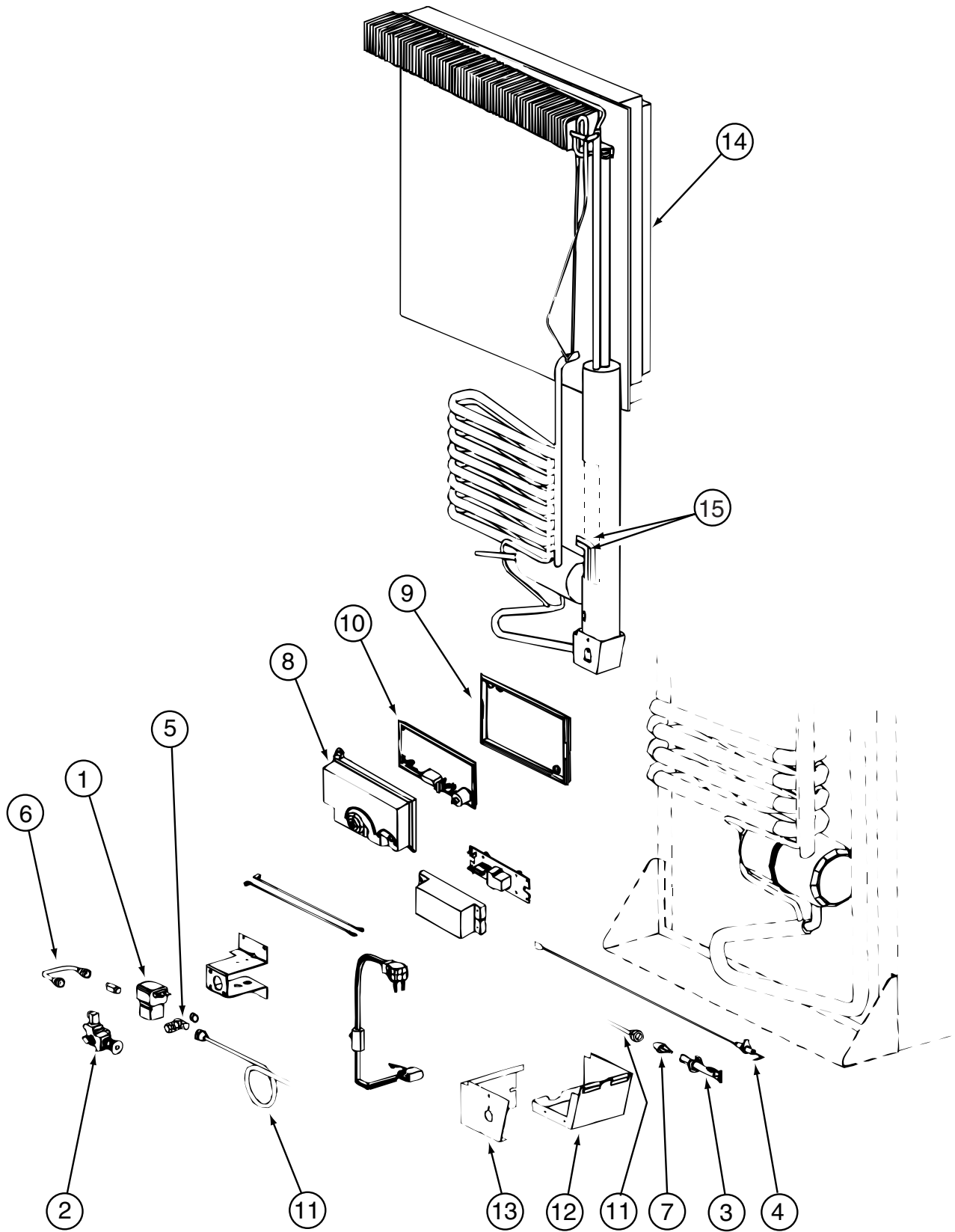
**APPLIANCE GROUP (CONTINUED)**  
**COMPONENT PARTS FOR APPLIANCE (CONTINUED)**



**125242-02-01A (CONTINUED)**

<b>KEY</b>	<b>PART NUMBER</b>	<b>U/M</b>	<b>DESCRIPTION</b>	<b>VENDOR NO.</b>
1	084880-03-705	EA	BRACKET - LIGHT - INTERIOR	61629722
2	120075-01-734	EA	COVER - LENS	618190
3	084880-03-706	EA	BULB - LAMP	61628922
4	084880-01-760	EA	CLIP (THERMISTER)	61689122
5	120075-01-735	EA	THERMISTER W/LAMP & WIRE/ASM	618548

**APPLIANCE GROUP (CONTINUED)**  
**COMPONENT PARTS FOR APPLIANCE (CONTINUED)**

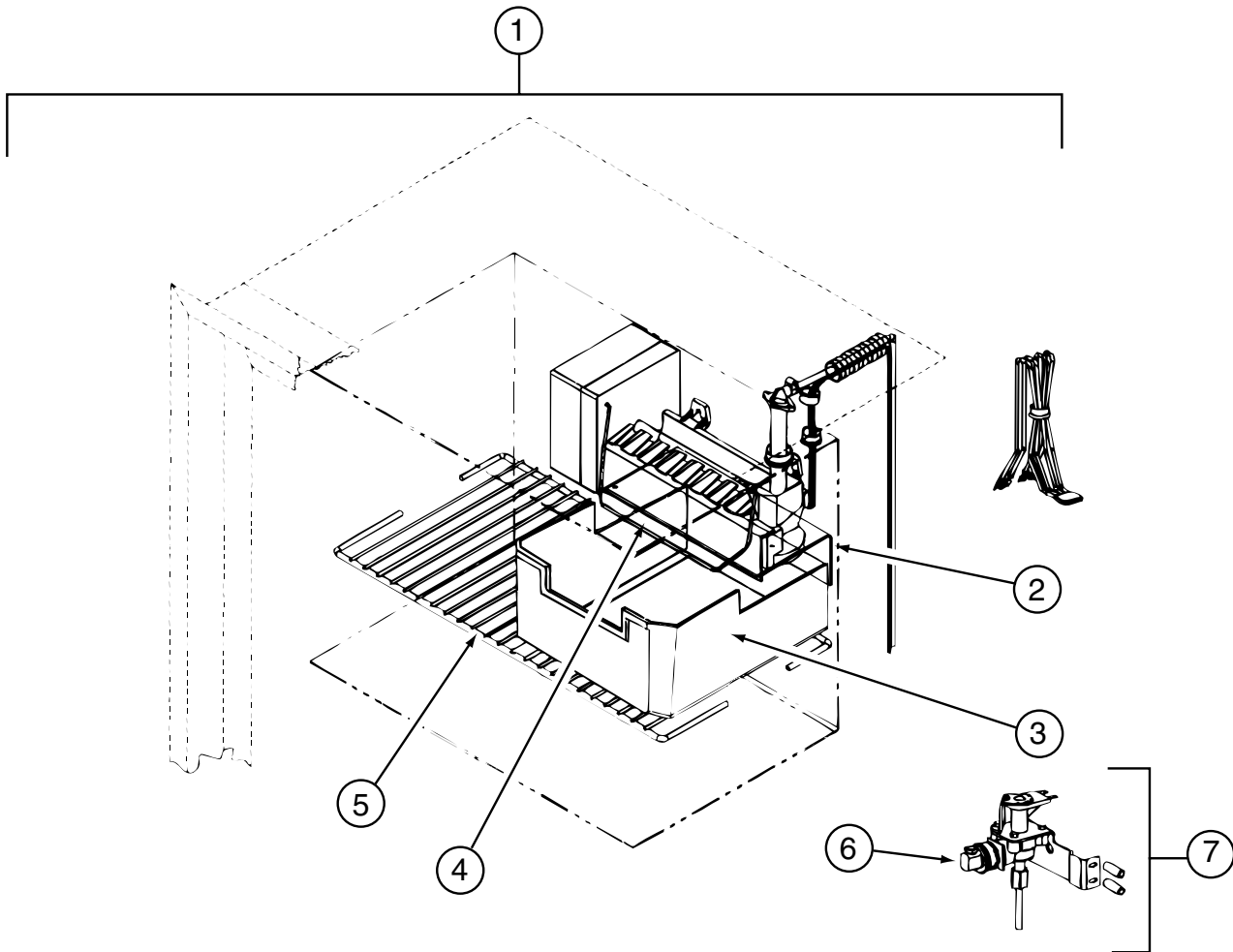


125242-02-01A (CONTINUED)

**APPLIANCE GROUP (CONTINUED)**  
**COMPONENT PARTS FOR APPLIANCE (CONTINUED)**

**125242-02-01A (CONTINUED)**

KEY	PART NUMBER	U/M	DESCRIPTION	VENDOR NO.
1	084880-01-718	EA	VALVE-GAS, (ASCO)	61551822
2	121568-03-720	EA	VALVE/SHUT OF-MANUAL ELECT.	618696
3	125242-01-743	EA	BURNER - 8 SLOT	618932
4	104137-06-715	EA	ELECTRODE-SPARK/SENSOR, SGL	61692222
5	113737-01-716	EA	TAP-PRESSURE	61594422
6	113737-01-750	EA	TUBE-UNION	61694622
7	125242-01-717	EA	ORIFICE-JEWELED	618814
8	120075-01-738	EA	COVER-POWER BOARD	618185
9	120075-01-740	EA	COVER-BASE, POWER BOARD	618186
10	125242-02-703	EA	POWER BOARD	621271
11	125242-01-744	EA	BURNER TUBE	618937
12	125242-01-739	EA	BASE-BURNER BOX	618902
13	125242-02-740	EA	COVER-BURNER BOX	618910
14	125242-01-746	EA	COOLING UNIT - 1200	618964
15	125242-01-732	EA	HEATER AC - 225W/110VAC	618872
	125242-01-753	EA	KIT - GAS VALVE/BURNER TUBE	620610



**125242-02-01A (CONTINUED)**

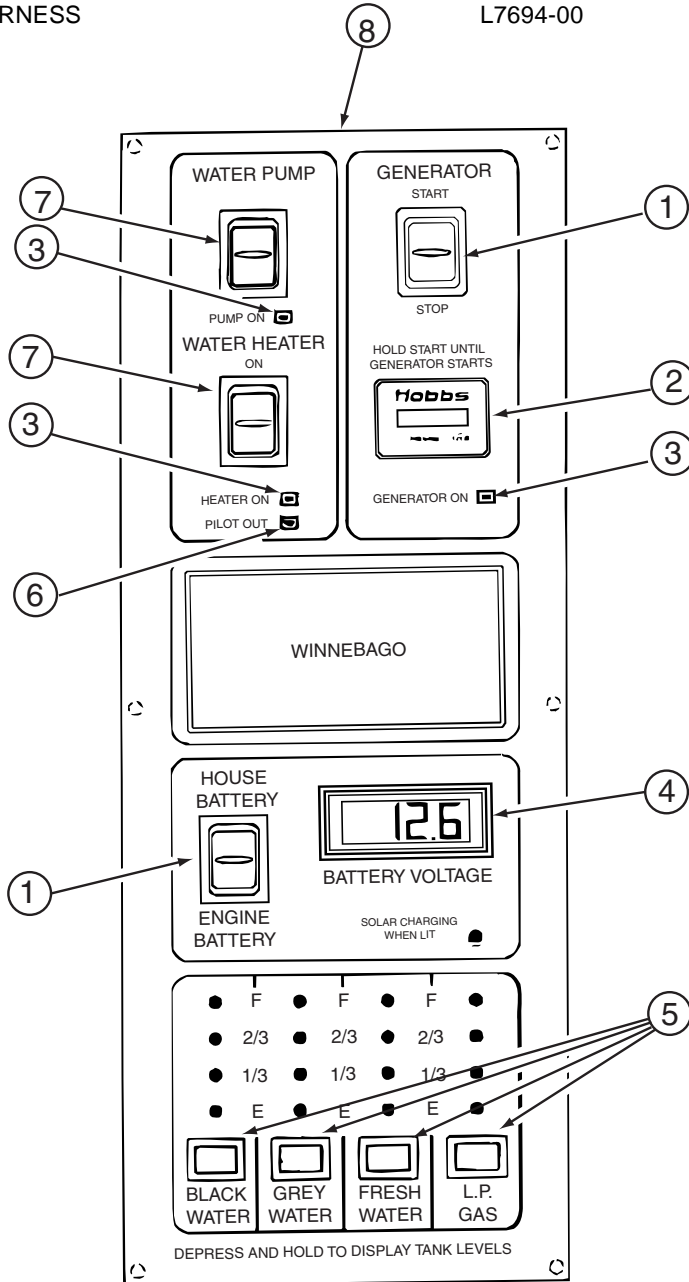
KEY	PART NUMBER	U/M	DESCRIPTION	VENDOR NO.
1	094039-07-706	EA	ICE MAKER W/O PLATES	61656522
2	125242-01-737	EA	BRACKET - MOUNTING (ICE MAKER)	618894
3	125242-01-716	EA	ICE BIN	618803
4	120075-03-703	EA	ARM - SHUT OFF	61656922
5	125242-01-725	EA	SHELF - FREEZER (WIRE)	618847
6	120075-03-702	EA	NUT/COMPRESSION - FITTING	61678722
7	120075-03-701	EA	VALVE - WATER - W/BRACKET	618523



**APPLIANCE GROUP (CONTINUED)**  
**COMPONENT PARTS FOR APPLIANCE (CONTINUED)**

129561-01-01A

KEY	PART NUMBER	U/M DESCRIPTION	VENDOR NO.
	129561-01-700	EA PC BOARD	L5097-09
	129561-01-701	EA CHASSIS SCREENED	C00399
	129561-01-702	EA LABEL	L0451-0
	129561-01-703	EA HARNESS	L7694-00



133004-02-01A

KEY	PART NUMBER	U/M DESCRIPTION	VENDOR NO.
1	133004-01-702	EA SWITCH/DPDT MOM=ON-OFF-ON	L1011-00
2	100258-10-701	EA GAUGE-HOUR MTR-CLIP ON (LCD)	L0775-00
3	133004-01-706	EA LED - GREEN - PANEL MOUNT	L0785
4	133004-01-704	EA METER/VOLT-DIGITAL - LCD	L1008-00
5	133004-01-705	EA SWITCH/MOM ON - PUSH BUTTON	L0950-00
6	133004-01-703	EA LED - RED - PANEL MOUNT	L1009-00
7	133004-01-701	EA SWITCH/DPDT ON-ON/MAINTAINED	L1025-00
8	133004-02-701	EA SCREENED - CHASSIS	CC0547-00
	133004-02-700	EA BOARD - PC	L5113-03

## AUDIO VIDEO GROUP

### RADIO SYSTEM

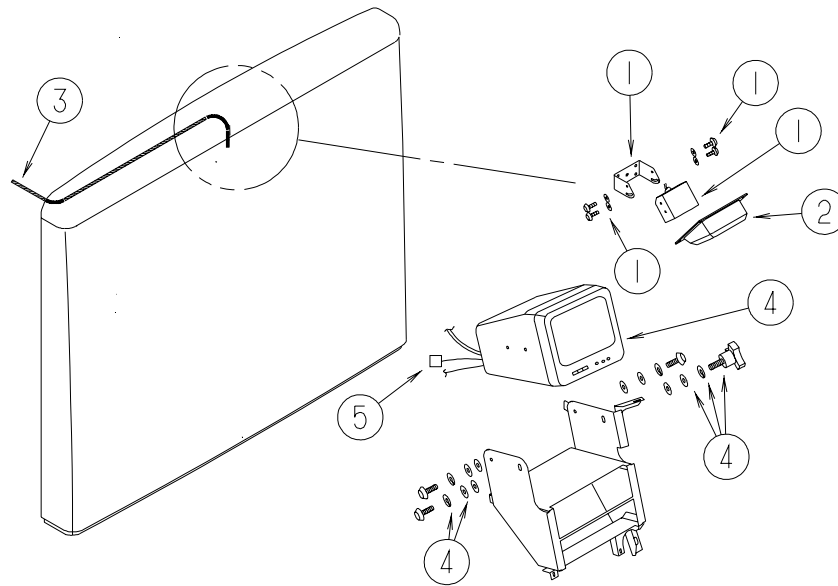
KEY	PART NUMBER	U/M	DESCRIPTION
	110469-01-000	EA	SPEAKER - 4" X 6" OVAL - COAXIAL - EXTERIOR ENTERTAINMENT
	110470-01-01A	EA	GRILLE - 4" X 6" OVAL SPEAKER - BLACK - EXTERIOR ENTERTAINMENT
	127517-07-000	EA	RADIO - AM/FM STEREO/CD PLAYER - CDX-1200 - EXT CMP - EXTERIOR ENTERTAINMENT W/CD FROM: 00-00-00 THRU: 08-02-01
	127517-10-000	EA	RADIO - AM/FM STEREO/CD PLAYER - CDX-L250 - EXTERIOR ENTERTAINMENT W/CD FROM: 08-03-01 THRU: 02-10-02
	127517-11-000	EA	RADIO - AM/FM STEREO/CD PLAYER - SONY CDX-L300 - EXTERIOR ENTERTAINMENT W/CD FROM: 02-11-02 THRU: 99-99-99
	097460-15-000	EA	RADIO - AM/FM CASSETTE/CD - SONY XR-C2200 - EXTERIOR ENTERTAINMENT
	124883-02-000	EA	SPEAKER - CUBE - W/BRACKET - DELUXE SOUND SYSTEM
	124884-01-000	EA	SPEAKER - 6" X 9" - SUB-WOOFER - DELUXE SOUND SYSTEM
	124885-01-000	EA	GRILLE - SPEAKER - 6" X 9" - SUB-WOOFER - DELUXE SOUND SYSTEM
	126387-01-000	EA	BRACKET - SPEAKER MOUNTING W/WING NUTS
	097460-16-000	EA	RADIO - AM/FM CASSETTE/CD - REMOTE - SONY XR-C5300X - DELUXE SOUND SYSTEM FROM: 00-00-00 THRU: 04-03-01
	097460-17-000	EA	RADIO - AM/FM CASSETTE/CD - REMOTE CONTROL-SONY XR-CA600X - DELUXE SOUND SYSTEM FROM: 04-04-01 THRU: 99-99-99
	117424-04-000	EA	REMOTE - RADIO - SONY RM-X91 - DASH FROM: 00-00-00 THRU: 05-14-01
	117424-05-000	EA	REMOTE - RADIO - SONY RM-X114 - DASH FROM: 05-15-01 THRU: 06-01-01
*	127517-06-000	EA	RADIO - AM/FM STEREO/CD-REMOTE CONTROL - SONY CDX-C5005X - DASH W/CD FROM: 09-19-00 THRU: 05-13-01
*	127517-09-000	EA	RADIO - AM/FM/CD - REMOTE CONTROL - SONY CDX-CA650X - DASH W/CD FROM: 05-14-01 THRU: 99-99-99
	133307-02-000	EA	RADIO - WALL MOUNT - CD W/ALARM - AUDIOVOX AWN-930 - REAR STEREO W/CD
	133307-01-000	EA	RADIO - WALL MOUNT - CASSETTE W/ALARM - AUDIOVOX AWM-820 - REAR STEREO W/CASSETTE
	089340-02-000	EA	GRILLE - SPEAKER - 6.5" SQUARE
	094097-01-000	EA	SPEAKER - RADIO/TV - W/O GRILLE - 5.25" DIAMETER
	077069-02-000	EA	CABLE - ANTENNA/EXTENSION - RADIO - 96"
	090944-01-000	EA	ANTENNA - RADIO - 16" RUBBER - W/72" LEAD WIRE
	108847-01-000	EA	BRACKET - ANTENNA GROUND
	109889-04-000	EA	EXTENDER - ANTENNA SHAFT - 3.7"
	123256-01-000	EA	ANTENNA - CB - W/O CABLE
	123256-02-000	EA	CABLE - CB - COAX
	102080-13-000	EA	CHANGER - COMPACT DISC - SONY CDX-636 FROM: 00-00-00 THRU: 06-05-01
	102080-16-000	EA	CHANGER - COMPACT DISC - SONY CDX-646 FROM: 06-06-01 THRU: 02-01-02
	102080-19-000	EA	CHANGER - COMPACT DISC - SONY CDX-656 FROM: 02-02-02 THRU: 99-99-99
	140600-05-01B	EA	BRACKET/ANTENNA MOUNT - MILL FINISH

\*COMPONENT PARTS LISTED LATER IN THIS GROUP

**AUDIO VIDEO GROUP (CONTINUED)**  
**COMPONENT PARTS FOR RADIO SYSTEM**

<b>KEY</b>	<b>PART NUMBER</b>	<b>U/M</b>	<b>DESCRIPTION</b>	<b>127517-06-000, 127517-08-000, 127517-09-000</b>	<b>VENDOR NO.</b>
	127517-06-700	EA	REMOTE		RMX91

**AUDIO VIDEO GROUP (CONTINUED)**  
**REAR VIEW MONITOR**



KEY	PART NUMBER	U/M DESCRIPTION	
1	093040-09-000	EA CAMERA - REAR VIEW - W/BRACKET - SONY	
2	123281-01-01A	EA SHROUD - CAMERA/OUTER - BRIGHT WHITE	
3	093041-01-000	EA CABLE - MONITOR/CAMERA - INTERNAL USE - 65.6'	
4*	093040-10-000	EA MONITOR - 7" REAR VIEW - W/BRACKET - SONY	
	110530-01-000	FT SEAL - SPONGE - .31" X .62"	
5	096717-04-000	EA WIRE ASSEMBLY - REAR MONITOR - UPPER	
	098819-01-000	EA SPEAKER - 4" - 2 WATT - 8 OHM	
	093214-01-01A	EA GRILL - SPEAKER - 4" - BLACK	
			FROM: 00-00-00 THRU: 11-26-01
	093214-01-03A	EA GRILLE - SPEAKER - 4" - GLACIER	
			FROM: 11-27-01 THRU: 99-99-99

\*COMPONENT PARTS LISTED LATER IN THIS GROUP

**AUDIO VIDEO GROUP (CONTINUED)**  
**COMPONENT PARTS FOR REAR VIEW MONITOR**

**093040-10-000**

<b>KEY</b>	<b>PART NUMBER</b>	<b>U/M DESCRIPTION</b>	<b>VENDOR NO.</b>
	093040-10-700	EA LENS-MONITOR, REAR VIEW F/7"	3-708-537-01

## AUDIO VIDEO GROUP (CONTINUED)

### TELEPHONE

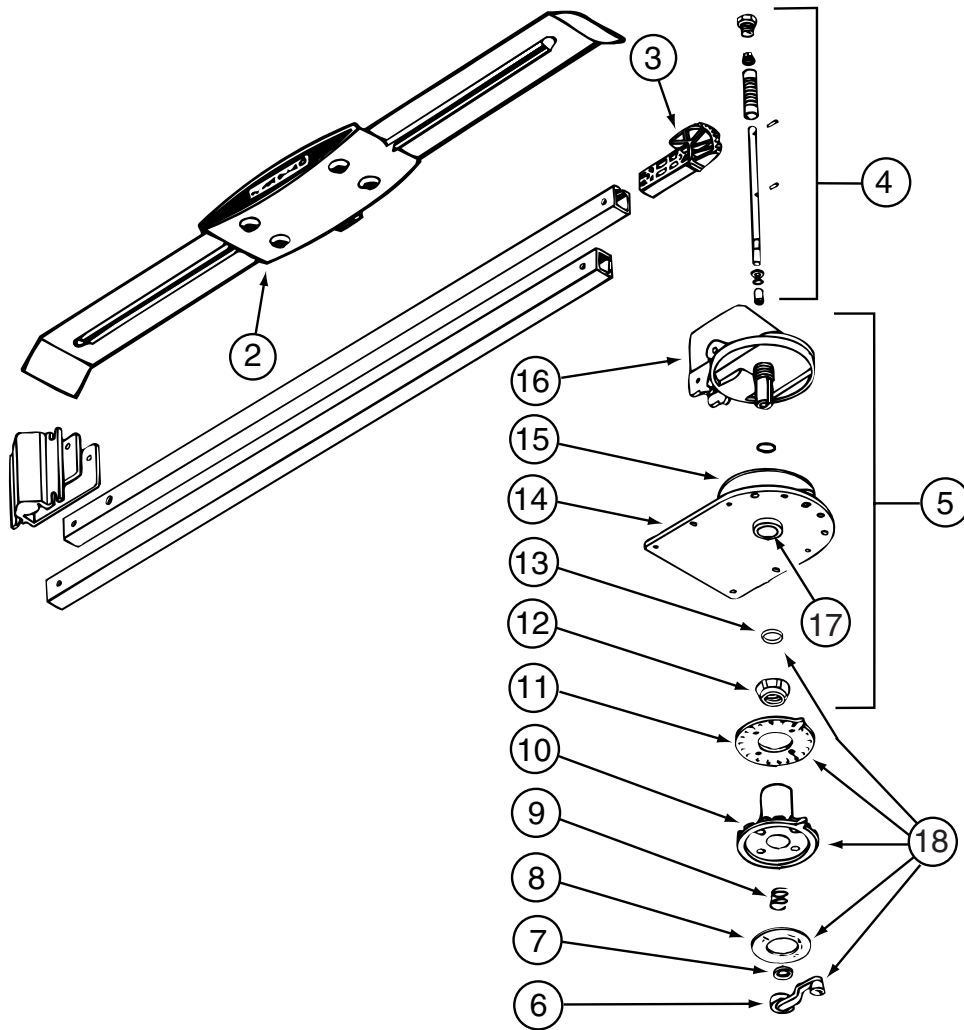
KEY	PART NUMBER	U/M	DESCRIPTION
	093253-01-02A	EA	PLATE - WALL - TELEPHONE - BROWN
	130686-01-01A	EA	PLATE - WALL - TELEPHONE/COAX - WHITE

### TV & VCR

KEY	PART NUMBER	U/M	DESCRIPTION
*	076319-23-000	EA	ANTENNA - TV ROOF MOUNT - 44.5" MAST
*	076319-25-000	EA	KIT - HARDWARE INTERIOR
	117420-03-000	EA	CABLE - RCA - MALE - MALE - 20 FOOT
	136860-01-000	EA	CABLE - RCA - #3 MALE TO #12F MALE CONNECTOR
	120233-03-000	EA	CERTIFICATE - SATELLITE RECEIVER
*	137135-01-000	EA	ANTENNA - SATELLITE DSS - W/SENSOR
			FROM: 00-00-00 THRU: 04-08-02
	137135-02-000	EA	ANTENNA - SATELLITE DSS - W/SENSOR
			FROM: 04-09-02 THRU: 99-99-99
	076319-09-000	EA	WALLPLATE - CABLE RECEPTACLE - TV - SINGLE - BROWN
*	128138-01-000	EA	ANTENNA/SATELLITE - AUTOMATIC
			FROM: 00-00-00 THRU: 12-09-01
*	141454-01-01A	EA	ANTENNA - SATELLITE - AUTOMATIC
			FROM: 12-10-01 THRU: 99-99-99
	069726-02-000	EA	BUMPER - .88" OD X .40" THICK - BLACK
	076319-03-000	FT	CABLE - COAXIAL - 75 OHM
	076319-12-000	EA	CONNECTOR - COAXIAL - ONE PIECE
	082134-01-000	EA	ADAPTER - TV - CABLE TO CABLE
	082136-01-000	EA	NUT - HEX JAM - 3/8-32
	086777-06-000	EA	WALLPLATE - TV CABLE - ANTENNA BOOSTER/1 OUTPUT - BLACK
	140065-01-000	EA	STEREO - AM/FM/DVD PLAYER W/5 SPEAKERS - SONY DAU-S300
			FROM: 00-00-00 THRU: 08-05-01
	140626-01-000	EA	STERO - AM/FM DVD - W/SPEAKERS
			FROM: 08-06-01 THRU: 99-99-99
	086757-04-000	EA	CONTROL CENTER - SWITCH - VCR/TV - 5 INPUTS
	086756-01-000	EA	SPLITTER - TV/2 WAY
	114870-02-000	EA	PLUG - AUDIO W/LEADS - 10"
	113906-02-K81	EA	HOLDER - REMOTE
			FROM: 00-00-00 THRU: 01-16-01
	124075-05-000	EA	TV - 19" - 1/8 JACK - UL/CSA - RCA F19422 - REAR
			FROM: 00-00-00 THRU: 06-30-01
	124075-06-000	EA	TV - 19" - 1/8 JACK - UL/CSA - RCA F19424M - REAR
			FROM: 07-01-01 THRU: 99-99-99
	123324-01-000	EA	FILTER - GROUND LOOP
	136162-01-000	EA	TV - 27" STEREO W/5 JACKS - RCA F27648 - FRONT
			FROM: 00-00-00 THRU: 04-22-02
	136162-02-000	EA	TV - 27" STEREO W/5 JACKS - RCA F27689 - FRONT
			FROM: 04-23-02 THRU: 99-99-99
	093214-01-02A	EA	GRILLE - SPEAKER - 4" BROWN
	134006-01-03B	EA	PLATE - COAXIAL CABLE/OFF WHITE
	124073-09-000	EA	VCR-VHS - HI-FI STEREO - RCA VR634HF
			FROM: 00-00-00 THRU: 02-06-01
*	124073-10-000	EA	VCR-VHS/HI-FI STEREO - BLACK CASE - RCA VR623HF
			FROM: 02-07-01 THRU: 04-08-01
*	124073-11-000	EA	VCR-VHS/HI-FI STEREO - SILVER CASE - RCA VR651HF
			FROM: 04-09-01 THRU: 05-16-02
	124073-12-000	EA	VCR-VHS/HI-FI STEREO - SILVER CASE - RCA VR637HF
			FROM: 05-17-02 THRU: 99-99-99

\*COMPONENT PARTS LISTED LATER IN THIS GROUP

**AUDIO VIDEO GROUP (CONTINUED)**  
**COMPONENT PARTS FOR TV & VCR**



**076319-23-000**

KEY	PART NUMBER	U/M	DESCRIPTION	VENDOR NO.
2	076319-01-700	EA	HEAD - ANTENNA - AMPLIFIED	RVSA U/V
3	076319-01-701	EA	GEAR - ELEVATING - PLASTIC	2200046
4	076319-01-702	EA	SHAFT ASM - ELEVATING	RVP-400A
5	076319-01-711	EA	BASE & LIFT ASM	2762802
7	076319-01-705	EA	BEARING - NYLON - 7/8"ID	3200658
8	076319-01-708	EA	DECAL-CRANK	5413002
9	076319-01-707	EA	SPRING - HANDLE	5160822
11	076319-01-709	EA	PLATE-CEILING (IVORY)	3200621
11	076319-01-712	EA	PLATE - CEILING	3200608
12	076319-01-715	EA	NUT (GEAR HOUSING)	2200047
14	076319-01-713	EA	BASE PLATE	3100523
15	076319-01-703	EA	BEARING - NYLON - 5"OD	3200656
16	076319-01-714	EA	HOUSING - ROTATING GEAR	2200049
	076319-01-716	EA	TUBING, ELEVATING	RP-2900
17	076319-01-704	EA	BEARING-NYLON, 1.25"OD	3200657

CONTACT WINNEBAGO PART SALES FOR UNLISTED COMPONENT

**076319-25-000**

KEY	PART NUMBER	U/M	DESCRIPTION	VENDOR NO.
6	076319-01-706	EA	CRANK-ELEVATING W/SET SCREW	2750897
6	120233-01-710	EA	HANDLE-CRANK	RP-6795
8	076319-01-708	EA	DECAL-CRANK	5413002
9	076319-01-707	EA	SPRING-HANDLE	2160822
10	076319-25-700	EA	DIRECTIONAL HANDLE(WHITE)	3200612
11	076319-25-701	EA	PLATE - CEILING(WHITE)	3200609
13	120233-01-709	EA	WASHER-NYLON	RP-2658

CONTACT WINNEBAGO PART SALES FOR UNLISTED COMPONENTS

**AUDIO VIDEO GROUP (CONTINUED)**  
**COMPONENT PARTS FOR TV & VCR (CONTINUED)**

124073-10-000

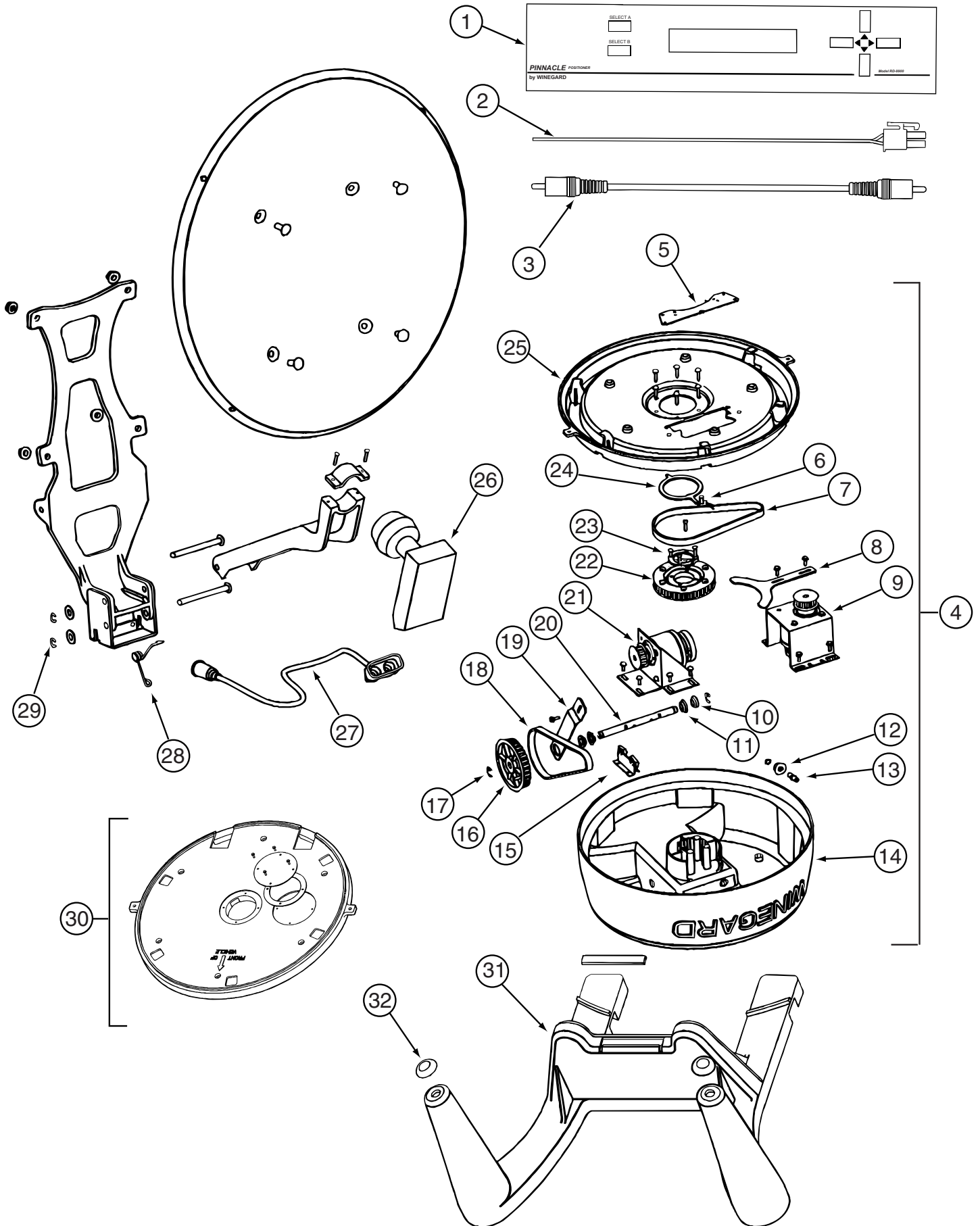
<b>KEY</b>	<b>PART NUMBER</b>	<b>U/M</b>	<b>DESCRIPTION</b>	<b>VENDOR NO.</b>
	124073-10-700	EA	REMOTE	241772

124073-11-000

<b>KEY</b>	<b>PART NUMBER</b>	<b>U/M</b>	<b>DESCRIPTION</b>	<b>VENDOR NO.</b>
	126697-04-700	EA	REMOTE	239040



**AUDIO VIDEO GROUP (CONTINUED)**  
**COMPONENT PARTS FOR TV & VCR (CONTINUED)**



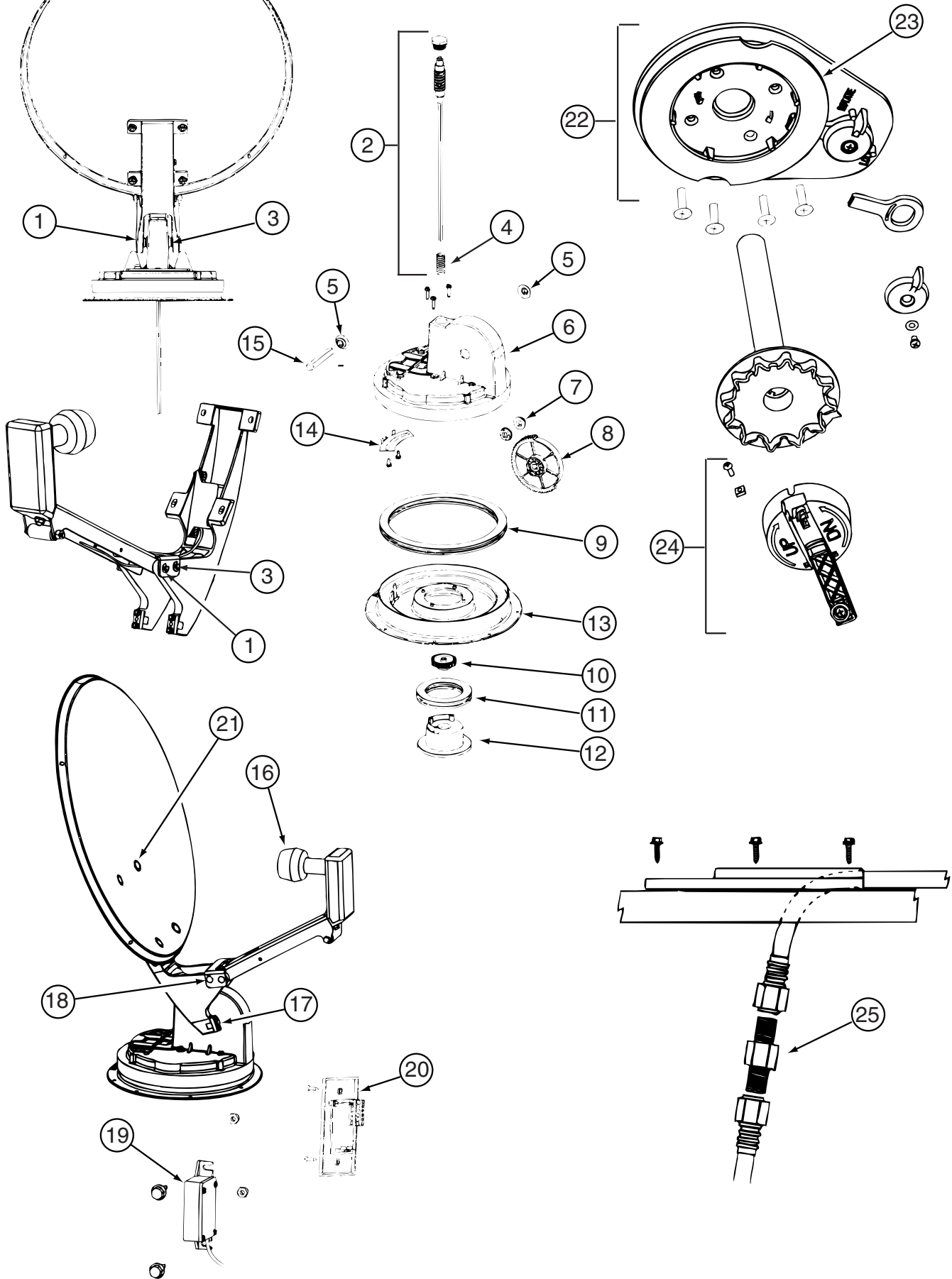
128138-01-000

**AUDIO VIDEO GROUP (CONTINUED)**  
**COMPONENT PARTS FOR TV & VCR (CONTINUED)**

**128138-01-000 (CONTINUED)**

<b>KEY</b>	<b>PART NUMBER</b>	<b>U/M</b>	<b>DESCRIPTION</b>	<b>VENDOR NO.</b>
1	128138-01-700	EA	POSITIONER SATELLITE	RD-9900
2	128138-01-728	EA	WIRE HARNESS/WARNING DEVICE	2753254
3	128138-01-729	EA	CABLE 36" - RCA	2231044
4	128138-01-703	EA	MOUNT ASSEMBLY	2762832
5	128138-01-705	EA	SWITCH ASSEMBLY - ROTATION	2762835
6	128138-01-706	EA	SPRING - ROTATION	2160819
7	128138-01-707	EA	DRIVER BELT - ROTATION	2200140
8	128138-01-708	EA	TENSIONER - MOTOR ROTATE	3711303
9	128138-01-709	EA	MOTOR ASSEMBLY - ROTATION	2762838
10	128138-01-710	EA	BUSHING - OIL LUBE	2180509
11	128138-01-711	EA	SEAL- LIFT ARM SHAFT	2200851
12	128138-01-712	EA	BOOT COLLAR-F/F-8100 CON	3200206
13	128138-01-713	EA	CONNECTORF-8100 MALE/MALE	2360060
14	128138-01-714	EA	TOP COVER	2200844
15	128138-01-715	EA	SWITCH ASSEMBLY - ELEVATION	2762836
16	128138-01-716	EA	PULLEY - ELEVATION	2200850
17	128138-01-717	EA	E-CLIP	2160699
18	128138-01-718	EA	DRIVE BELT - ELEVATION	2200141
19	128138-01-719	EA	TENSIONER - MOTOR ELEVATION	3711304
20	128138-01-720	EA	SHAFT - LIFT ARM	2590345
21	128138-01-721	EA	MOTOR ASSEMBLY - ELEVATION	2762837
22	128138-01-722	EA	PULLEY - ROTATION	2201848
23	128138-01-723	EA	RING - STOP/FIXED	3711297
24	128138-01-724	EA	RING - STOP/ROTATION	3711295
25	128138-01-704	EA	MOUNT BASE ONLY	2200846
26	128138-01-730	EA	LOW NOISE BLOCK FILTER	2780160
27	128138-01-731	EA	CABLE-COAX/18' W/CONNECTORS	2753067
28	128138-01-732	EA	SPRING	2160821
29	128138-01-733	EA	E-CLIP	
30	128138-01-726	EA	MOUNT BASE ASSEMBLY	2762831
31	128138-01-701	EA	SUPPORT - ANTENNA	2200845
32	128138-01-702	EA	BUMPER - ANTENNA SUPPORT	2240025
	128138-01-725	EA	COAX CABLE 4' RG-6	2753018

**AUDIO VIDEO GROUP (CONTINUED)**  
**COMPONENT PARTS FOR TV & VCR (CONTINUED)**



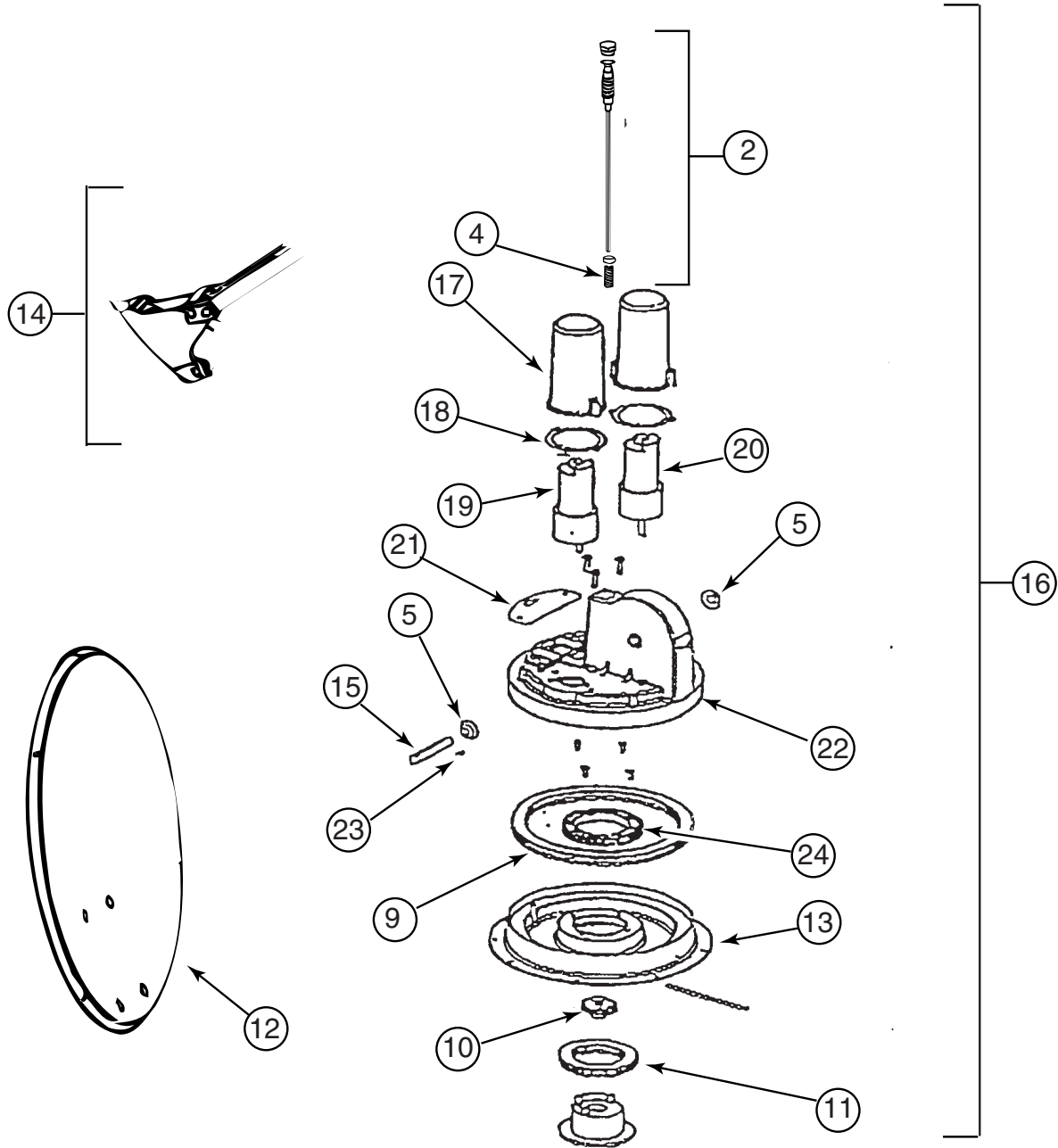
137135-01-000

**AUDIO VIDEO GROUP (CONTINUED)**  
**COMPONENT PARTS FOR TV & VCR (CONTINUED)**

**137135-01-000 (CONTINUED)**

<b>KEY</b>	<b>PART NUMBER</b>	<b>U/M</b>	<b>DESCRIPTION</b>	<b>VENDOR NO.</b>
1	120233-01-714	EA	CLIP-E	5160818
2	137135-01-703	EA	SHAFT-ELEVATING(SPRING/PLUG)	RP-4400
3	137135-01-704	EA	PIN - 1/4" X 3.25"	2160813
4	137135-01-705	EA	SPRING	2160818
5	137135-01-707	EA	SEAL - PIVOT SHAFT	2200852
6	137135-01-708	EA	TURRET	3100728
7	137135-01-709	EA	PIVOT BEARING	2200470
8	137135-01-711	EA	GEAR - ELEVATING	2200464
9	137135-01-712	EA	BEARING - OUTER	2590347
10	137135-01-714	EA	GEAR - ELEVATING SHAFT	2200465
11	137135-01-715	EA	BEARING - INNER	2590348
12	137135-01-716	EA	HUB	3100731
13	137135-01-713	EA	TURRET BASE	3100730
14	137135-01-710	EA	PLATE - ROTATE LIMIT	3720052
15	137135-01-706	EA	PIVOT SHAFT	2590344
16	120233-01-734	EA	LOW NOISE BLOCK FILTER (SGL)	LB10003
17	137135-01-722	EA	CLAMP	2590343
18	137135-01-719	EA	BRACKET - PIVOT	2744945
19	137135-01-720	EA	DE-SENSOR UNIT W/43" CABLE	276342
20	137135-01-721	EA	WALL PLATE	3200213
21	137135-01-717	EA	BOLT - FLAT HEAD	216032
22	120233-01-722	EA	PLATE ASSEMBLY (CEILING)	2762826
23	120233-01-704	EA	DIAL - DIRECTIONAL	3200364
24	120233-01-721	EA	CRANK HANDLE ASSEMBLY	2762825
25	137135-01-701	EA	CONNECTOR - F - MALE TO MALE	FS-8100
	137135-01-700	EA	ROOF WEDGE W/GASKET	RW-5000
	137135-01-718	EA	REFLECTOR/WHITE - 46CM	2745282

**AUDIO VIDEO GROUP (CONTINUED)**  
**COMPONENT PARTS FOR TV & VCR (CONTINUED)**



141454-01-01A

**AUDIO VIDEO GROUP (CONTINUED)**  
**COMPONENT PARTS FOR TV & VCR (CONTINUED)**

**141454-01-01A (CONTINUED)**

<b>KEY</b>	<b>PART NUMBER</b>	<b>U/M</b>	<b>DESCRIPTION</b>	<b>VENDOR NO.</b>
2	141454-01-700	EA	KIT ELEV-SHAFT/GEARS/SPRING	RP-RM20
4	137135-01-705	EA	SPRING	2160818
5	137135-01-707	EA	SEAL - PIVOT SHAFT	2200852
9	137135-01-712	EA	BEARING - OUTER	2590347
10	137135-01-714	EA	GEAR - ELEVATING SHAFT	2200465
11	137135-01-715	EA	BEARING - INNER	2590348
12	137135-01-718	EA	REFLECTOR/WHITE-46CM W/HDWE	RP-35RM
13	137135-01-713	EA	TURRET BASE	3100730
14	137135-01-723	EA	SUPPORT/FRAME-BACKUP-W/HDWE	RP-RM00
15	137135-01-706	EA	PIVOT SHAFT	2590344
16	141454-01-704	EA	KIT LIFT ASSEMBLY COMPLETE	2590344
17	141454-01-705	EA	HOUSING - MOTOR	3200260
18	141454-01-706	EA	GASKET - MOTOR HOUSING	2240054
19	141454-01-707	EA	MOTOR - AZIMUTH	2665039
20	141454-01-708	EA	MOTOR - ELEVATION	2665038
21	141454-01-709	EA	GASKET	2240056
22	141454-01-710	EA	TURRET	3100729
23	141454-01-711	EA	ROLL PIN	2160842
24	141454-01-712	EA	GEAR - ROTATE	2200469
	141454-01-701	EA	KIT - GEAR/MOTOR-GEAR/ROTATE	RP-RM25
	141454-01-702	EA	HOUSING/ELECTRONICS - UPPER	RP-RM10
	141454-01-703	EA	HOUSING/ELECTRONICS - LOWER	RP-RM15
	141454-01-713	EA	PANEL/FRT-W/DIGITAL READOUT	2764586

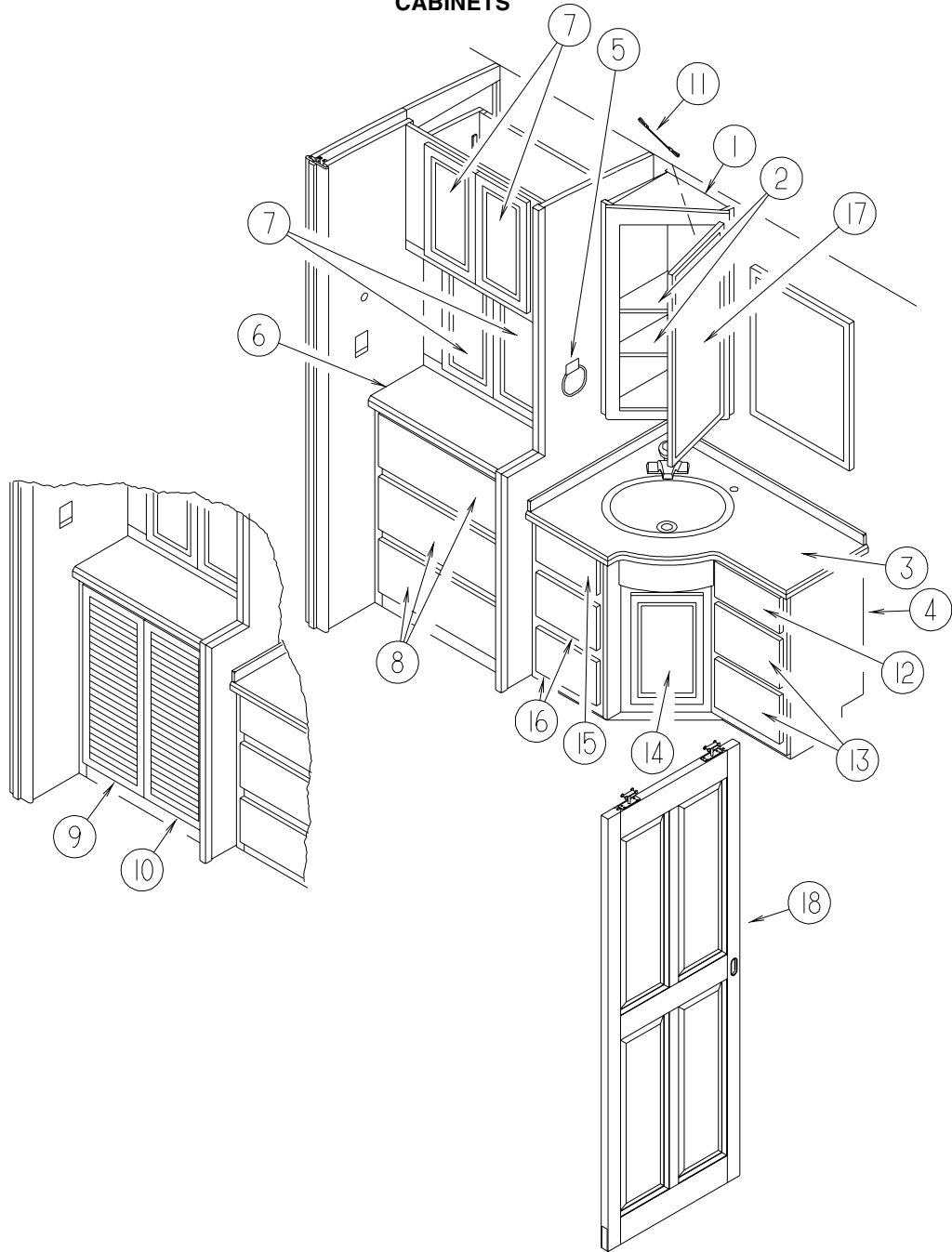
CONTACT WINNEBAGO PART SALES FOR UNLISTED COMPONENT

**AUDIO VIDEO GROUP (CONTINUED)**

**EXTERIOR ENTERTAINMENT**

<b>KEY</b>	<b>PART NUMBER</b>	<b>U/M</b>	<b>DESCRIPTION</b>
	126123-01-K30	EA	PLATE - RADIO MOUNTING - WHITE LAMINATE

## BATH GROUP CABINETS



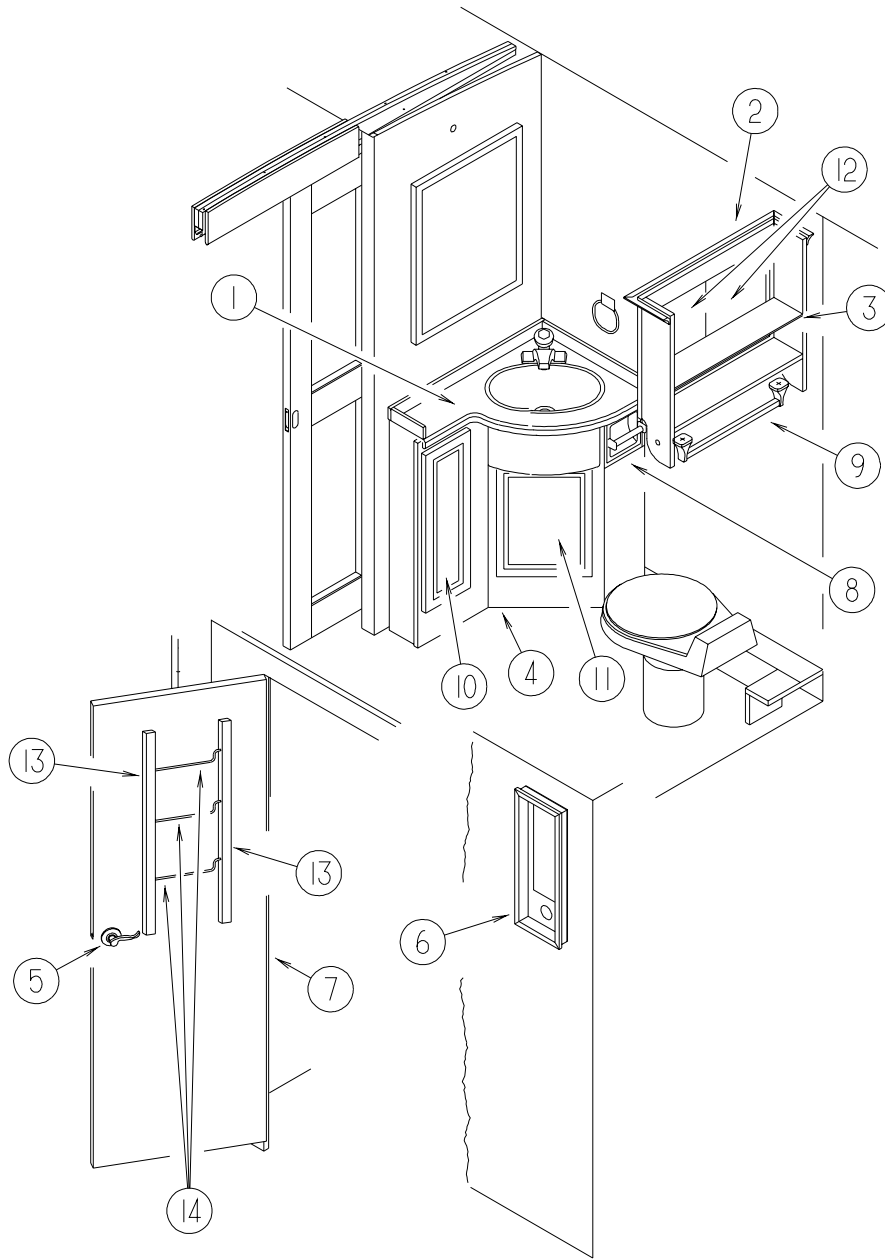
KEY	PART NUMBER	U/M	DESCRIPTION
1	131171-02-LQ0	EA	CABINET - OVERHEAD/BATH - W/O DOORS/HARDWARE - WASHED MAPLE
1	131171-02-LQ1	EA	CABINET - OVERHEAD/BATH - W/O DOORS/HARDWARE - SALEM CHERRY
1	131171-02-NQ6	EA	CABINET - OVERHEAD/BATH - W/O DOORS/HARDWARE - PORTSMOUTH OAK
2	131171-13-K90	EA	SHELF - W/EDGE MOLDING - WASHED MAPLE
2	131171-13-M94	EA	SHELF - W/EDGE MOLDING - SALEM CHERRY
2	131171-13-N95	EA	SHELF - W/EDGE MOLDING - PORTSMOUTH OAK
3	138786-01-02A	EA	COUNTERTOP - 1/2" CORIAN - MAGNA SAVANNAH
	124236-01-000	EA	DISPENSER - SOAP/HAND LOTION - POLISHED BRASS
4	137619-02-NQ0	EA	CABINET ASM-LAVATORY,LH - WASHED MAPLE
4	137619-02-NQ1	EA	CABINET ASM-LAVATORY,LH - SALEM CHERRY
4	137619-02-NQ6	EA	CABINET ASM-LAVATORY,LH - PORTSMOUTH OAK
5	130859-01-01A	EA	TOWEL RING - BRASS
6	133539-11-01A	EA	COUNTERTOP - 1/2" CORIAN - 27" X 18.8" - MAGNA SAVANNAH
7	132062-08-LQ0	EA	DOOR - RAIL/SOLID PANEL - 11.2" X 19.5" - W/O HARDWARE - WASHED MAPLE
7	132062-08-LQ1	EA	DOOR - RAIL/SOLID PANEL - 11.2" X 19.5" - W/O HARDWARE - SALEM CHERRY
7	132062-08-NQ6	EA	DOOR - RAIL/SOLID PANEL - 11.2" X 19.5" - W/O HARDWARE - PORTSMOUTH OAK



**BATH GROUP (CONTINUED)**  
**CABINETS (CONTINUED)**

<b>KEY</b>	<b>PART NUMBER</b>	<b>U/M</b>	<b>DESCRIPTION</b>
8	P28813-28-L94	EA	DRAWER - OGEE EDGE - 22.9"W X 15.7"D - W/O SLIDES/HARDWARE - WASHED MPL
8	P28813-28-K91	EA	DRAWER - OGEE EDGE - 22.9"W X 15.7"D - W/O SLIDES/HARDWARE - SALEM CHRY
8	P28813-28-NQ6	EA	DRAWER - OGEE EDGE - 22.9"W X 15.7"D - W/O SLIDES/HARDWARE - PORTSMOUTH OAK
9	132850-04-L94	EA	DOOR - LOUVERED ACCESS - 12.4" X 32.3" - W/O HARDWARE - WASHED MAPLE
9	132850-04-LQ1	EA	DOOR - LOUVERED ACCESS - 12.4" X 32.3" - W/O HARDWARE - SALEM CHERRY
9	132850-04-NQ6	EA	DOOR - LOUVERED ACCESS - 12.4" X 32.3" - W/O HARDWARE - PORTSMOUTH OAK
10	132850-06-L94	EA	DOOR - LOUVERED ACCESS - 12.4" X 32.3" - W/O HARDWARE - WASHED MAPLE
10	132850-06-LQ1	EA	DOOR - LOUVERED ACCESS - 12.4" X 32.3" - W/O HARDWARE - SALEM CHERRY
10	132850-06-NQ6	EA	DOOR - LOUVERED ACCESS - 12.4" X 32.3" - W/O HARDWARE - PORTSMOUTH OAK
11	076767-04-000	EA	CABLE - STAINLESS STEEL - 5.9"
12	P28813-53-NQ0	EA	DRAWER - OGEE EDGE - 8.4"W X 13.8"D - W/O SLIDES/HARDWARE - WASHED MAPLE
12	P28813-53-NQ1	EA	DRAWER - OGEE EDGE - 8.4"W X 13.8"D - W/O SLIDES/HARDWARE - SALEM CHERRY
12	P28813-53-NQ6	EA	DRAWER - OGEE EDGE - 8.4"W X 13.8"D - W/O SLIDES/HARDWARE - PORTSMOUTH OAK
13	P28813-54-NQ0	EA	DRAWER - OGEE EDGE - 8.4"W X 13.8"D - W/O SLIDES/HARDWARE - WASHED MAPLE
13	P28813-54-NQ1	EA	DRAWER - OGEE EDGE - 8.4"W X 13.8"D - W/O SLIDES/HARDWARE - SALEM CHERRY
13	P28813-54-NQ6	EA	DRAWER - OGEE EDGE - 8.4"W X 13.8"D - W/O SLIDES/HARDWARE - PORTSMOUTH OAK
14	132062-39-LQ0	EA	DOOR - RAIL/SOLID PANEL - 10" X 19" - W/O HARDWARE - WASHED MAPLE
14	132062-39-LQ1	EA	DOOR - RAIL/SOLID PANEL - 10" X 19" - W/O HARDWARE - SALEM CHERRY
14	132062-39-NQ6	EA	DOOR - RAIL/SOLID PANEL - 10" X 19" - W/O HARDWARE - PORTSMOUTH OAK
15	110941-27-NQ0	EA	DRAWER - TIPOUT - W/HIDDEN TRAY - WASHED MAPLE
15	110941-27-NQ1	EA	DRAWER - TIPOUT - W/HIDDEN TRAY - SALEM CHERRY
15	110941-27-NQ6	EA	DRAWER - TIPOUT - W/HIDDEN TRAY - PORTSMOUTH OAK
	108127-01-01A	EA	CAP - TRAY
	108128-01-01A	EA	TRAY - HIDDEN
16	P28813-55-NQ0	EA	DRAWER - OGEE EDGE - 9.2"W X 11.8"D - W/O SLIDES/HARDWARE - WASHED MAPLE
16	P28813-55-NQ1	EA	DRAWER - OGEE EDGE - 9.2"W X 11.8"D - W/O SLIDES/HARDWARE - SALEM CHERRY
16	P28813-55-NQ6	EA	DRAWER - OGEE EDGE - 9.2"W X 11.8"D - W/O SLIDES/HARDWARE - PORTSMOUTH OAK
17	132062-40-LQ0	EA	DOOR - RAIL/SOLID PANEL - 14" X 33" - W/O HARDWARE - WASHED MAPLE
17	132062-40-LQ1	EA	DOOR - RAIL/SOLID PANEL - 14" X 33" - W/O HARDWARE - SALEM CHERRY
17	132062-40-NQ6	EA	DOOR - RAIL/SOLID PANEL - 14" X 33" - W/O HARDWARE - PORTSMOUTH OAK
18	120756-08-LQ0	EA	DOOR - SLIDING - W/O HARDWARE - WASHED MAPLE
18	120756-08-LQ1	EA	DOOR - SLIDING - W/O HARDWARE - SALEM CHERRY
18	120756-08-NQ6	EA	DOOR - SLIDING - W/O HARDWARE - PORTSMOUTH OAK
	103868-14-01A	EA	TRACK - SLIDING DOOR - 56.4" - OFF WHITE

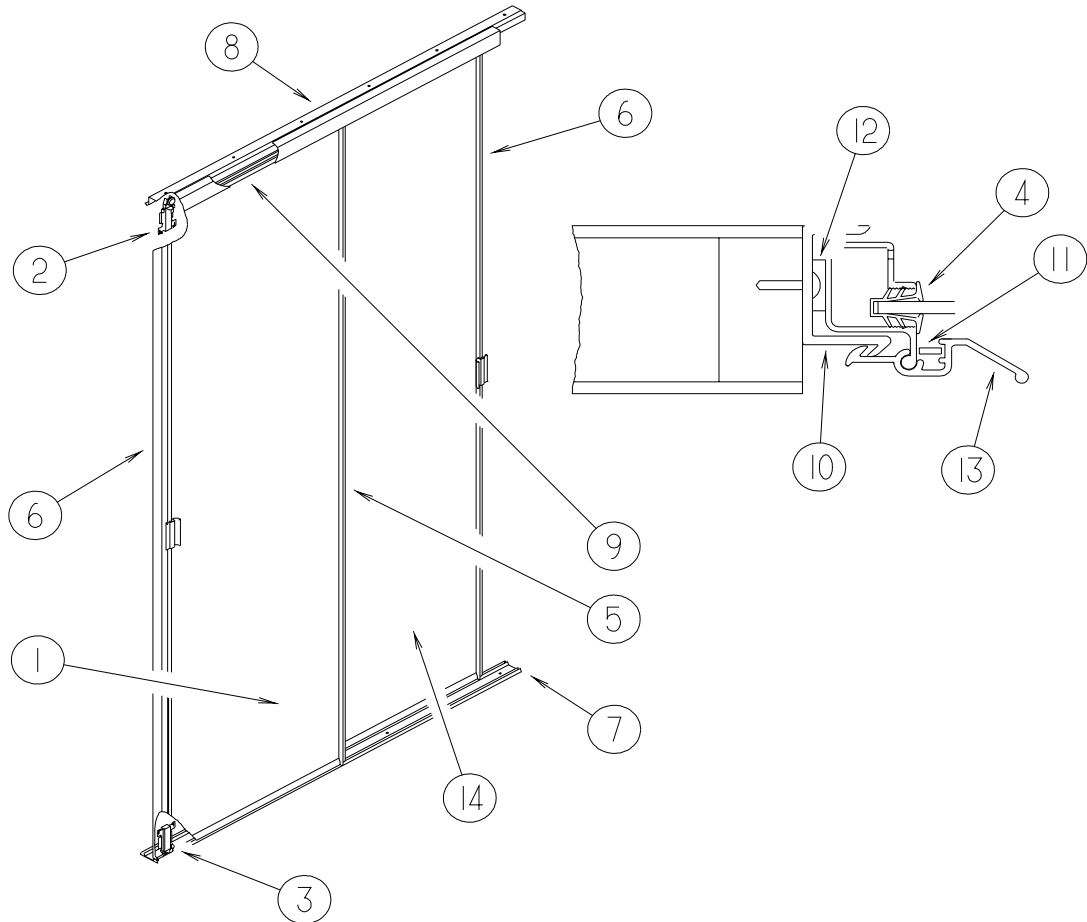
## BATH GROUP (CONTINUED) CABINETS (CONTINUED)



KEY	PART NUMBER	U/M	DESCRIPTION
1	133538-07-01A	EA	COUNTERTOP/FORMED W/SINK - 1/2" CORIAN - MAGNA SAVANNAH
2	128948-04-MQ0	EA	CABINET - OVERHEAD/BATH - W/O DOORS/HARDWARE - WASHED MAPLE
2	128948-04-MQ1	EA	CABINET - OVERHEAD/BATH - W/O DOORS/HARDWARE - SALEM CHERRY
2	128948-04-NQ6	EA	CABINET - OVERHEAD/BATH - W/O DOORS/HARDWARE - PORTSMOUTH OAK
3	128948-12-K80	EA	SHELF - W/EDGE MOLDING - WASHED MAPLE
3	128948-12-M94	EA	SHELF - W/EDGE MOLDING - SALEM CHERRY
3	128948-12-N95	EA	SHELF - W/EDGE MOLDING - PORTSMOUTH OAK
4	137685-02-NQ0	EA	CABINET - LAVATORY - W/O COUNTERTOP/DOORS/DRAWERS/HARDWARE - WASHED MAPLE
4	137685-02-NQ1	EA	CABINET - LAVATORY - W/O COUNTERTOP/DOORS/DRAWERS/HARDWARE - SALEM CHERRY
4	137685-02-NQ6	EA	CABINET - LAVATORY - W/O COUNTERTOP/DOORS/DRAWERS/HARDWARE - PORTSMOUTH OAK
5	138882-19-NQ0	EA	SHELF - W/EDGE MOLDING - WASHED MAPLE
5	138882-19-N94	EA	SHELF - W/EDGE MOLDING - SALEM CHERRY
5	138882-19-N95	EA	SHELF - W/EDGE MOLDING - PORTSMOUTH OAK
6	131096-06-M84	EA	WALL POCKET - MONITOR PANEL - WASHED MAPLE
6	131096-06-M52	EA	WALL POCKET - MONITOR PANEL - SALEM CHERRY
6	131096-06-N70	EA	WALL POCKET - MONITOR PANEL - PORTSMOUTH OAK

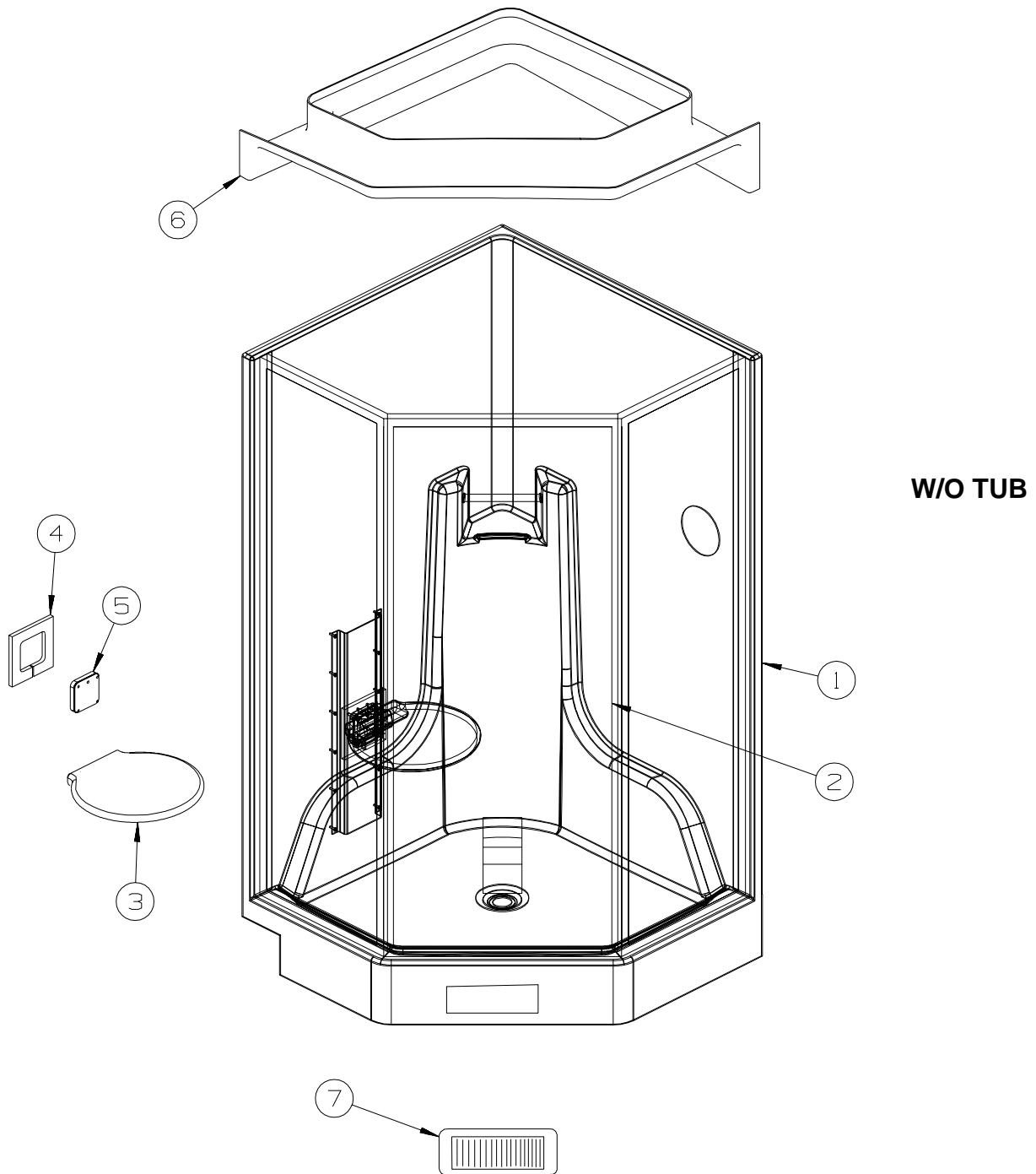
## BATH GROUP (CONTINUED) CABINETS (CONTINUED)

KEY	PART NUMBER	U/M	DESCRIPTION
7	134063-03-02A	EA	DOOR - HINGED - 27.5" X 72.7" - WASHED MAPLE
7	134063-03-03A	EA	DOOR - HINGED - 27.5" X 72.7" - SALEM CHERRY
7	134063-03-04A	EA	DOOR - HINGED - 27.5" X 72.7" - PORTSMOUTH OAK
	111155-09-01A	EA	LOCK - PRIVACY
8	085278-01-000	EA	HOLDER - TOILET PAPER - RECESSED - BRASS
9	130860-01-01A	EA	TOWEL BAR - 18" - BRASS
10	132062-41-LQ0	EA	DOOR - RAIL/SOLID PANEL - 9 $\hat{1}$ X 26.5 $\hat{1}$ - W/O HARDWARE - WASHED MAPLE
10	132062-41-LQ1	EA	DOOR - RAIL/SOLID PANEL - 9 $\hat{1}$ X 26.5 $\hat{1}$ - W/O HARDWARE - SALEM CHERRY
10	132062-41-NQ6	EA	DOOR - RAIL/SOLID PANEL - 9 $\hat{1}$ X 26.5 $\hat{1}$ - W/O HARDWARE - PORTSMOUTH OAK
11	132062-42-LQ0	EA	DOOR - RAIL/SOLID PANEL - 12.8 $\hat{1}$ X 17.7 $\hat{1}$ - W/O HARDWARE - WASHED MAPLE
11	132062-42-LQ1	EA	DOOR - RAIL/SOLID PANEL - 12.8 $\hat{1}$ X 17.7 $\hat{1}$ - W/O HARDWARE - SALEM CHERRY
11	132062-42-NQ6	EA	DOOR - RAIL/SOLID PANEL - 12.8 $\hat{1}$ X 17.7 $\hat{1}$ - W/O HARDWARE - PORTSMOUTH OAK
12	132062-36-LQ0	EA	DOOR - RAIL/SOLID PANEL - 11.4 $\hat{1}$ X 16.1 $\hat{1}$ - W/O HARDWARE - WASHED MAPLE
12	132062-36-LQ1	EA	DOOR - RAIL/SOLID PANEL - 11.4 $\hat{1}$ X 16.1 $\hat{1}$ - W/O HARDWARE - SALEM CHERRY
12	132062-36-NQ6	EA	DOOR - RAIL/SOLID PANEL - 11.4 $\hat{1}$ X 16.1 $\hat{1}$ - W/O HARDWARE - PORTSMOUTH OAK



KEY	PART NUMBER	U/M	DESCRIPTION
1	136681-17-N94	EA	DOOR-MIRRORED/WARDROBE-LH-W/HANGARS/GUIDES/LATCH-75.3"X23"
	058331-L8-000	EA	MIRROR - SAFETY GLASS - 22.4" X 74.6"
2	107390-02-000	EA	CORNER HANGER (DOUBLE ROLLER W/BACKET) (SOLD AS 1 EACH)
3	107391-01-000	EA	GUIDE - BOTTOM - BY-PASS (4 USED PER DOOR)
4	111575-01-01A	FT	CHANNEL - GLAZING - SWING DOOR
5	114104-01-01A	EA	STILE - DOOR - SLIDING - 75.4" - TERRATONE
6	114104-05-01A	EA	STILE - DOOR - SLIDING - 75.4" - TERRATONE
7	114105-21-01A	EA	TRACK - SLIDING DOOR - LOWER - 45.7" - TERRATONE
8	114106-21-01A	EA	TRACK - SLIDING DOOR - UPPER - 45.7" - TERRATONE
9	114107-02-01A	EA	RAIL - DOOR/SLIDING - UPPER/LOWER - 21.8" - TERRATONE
10	115538-01-01A	EA	JAMB - DOOR - WARDROBE/MIRRORED
11	115541-01-000	EA	SPRING - DOOR - SLIDING
12	123655-01-000	FT	SEAL - CLOSED CELL/FOAM
13	132038-01-01A	EA	LATCH - DOOR/WARDROBE - TERRATONE
14	136680-17-N94	EA	DOOR-MIRRORED/WARDROBE-RH-W/HANGARS/GUIDES/LATCH-75.3"X23"
	058331-L8-000	EA	MIRROR - SAFETY GLASS - 22.4" X 74.6"

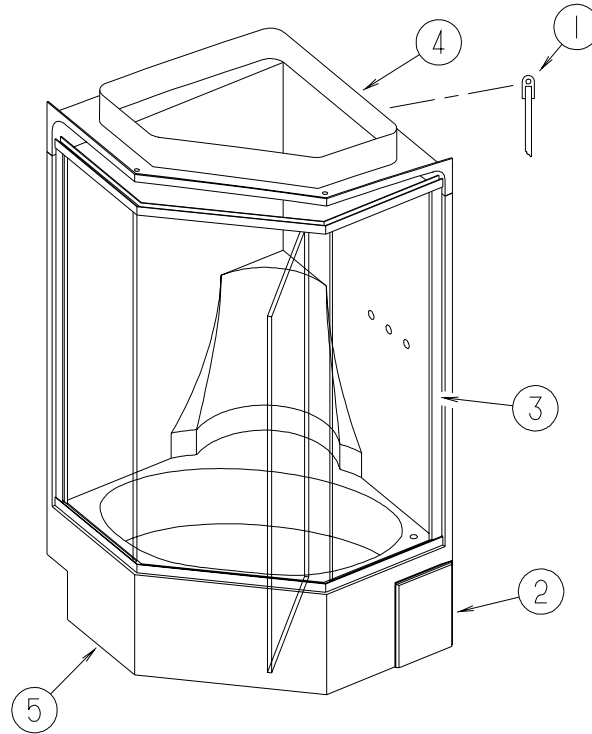
## BATH GROUP (CONTINUED) SHOWER



KEY	PART NUMBER	U/M	DESCRIPTION
1	138698-01-01A	EA	SHOWER STALL W/CAP - SOFT WHITE
2*	123242-01-01A	EA	DOOR-TUB/SHOWER-58.4"H-GOLD-BRONZE/OPAQUE GLASS (NON-CLR) FROM: 00-00-00 THRU: 06-03-01
2*	139047-02-01A	EA	DOOR - SHOWER - NEO ANGLE - GOLD/BRONZE - 65.9" TALL FROM: 06-04-01 THRU: 99-99-99
3	135607-03-01A	EA	SEAT - SHOWER/FOLDING
4	137921-01-000	EA	SPACER - FOAM - SHOWER SEAT
5	139791-01-02B	EA	PLATE/SHIM - SHOWER SEAT - E-COATED
6	125281-01-01A	FT	SEAL - SKYLIGHT
7	NOT USED		

\*COMPONENT PARTS LISTED LATER IN THIS GROUP

**BATH GROUP (CONTINUED)**  
**SHOWER (CONTINUED)**

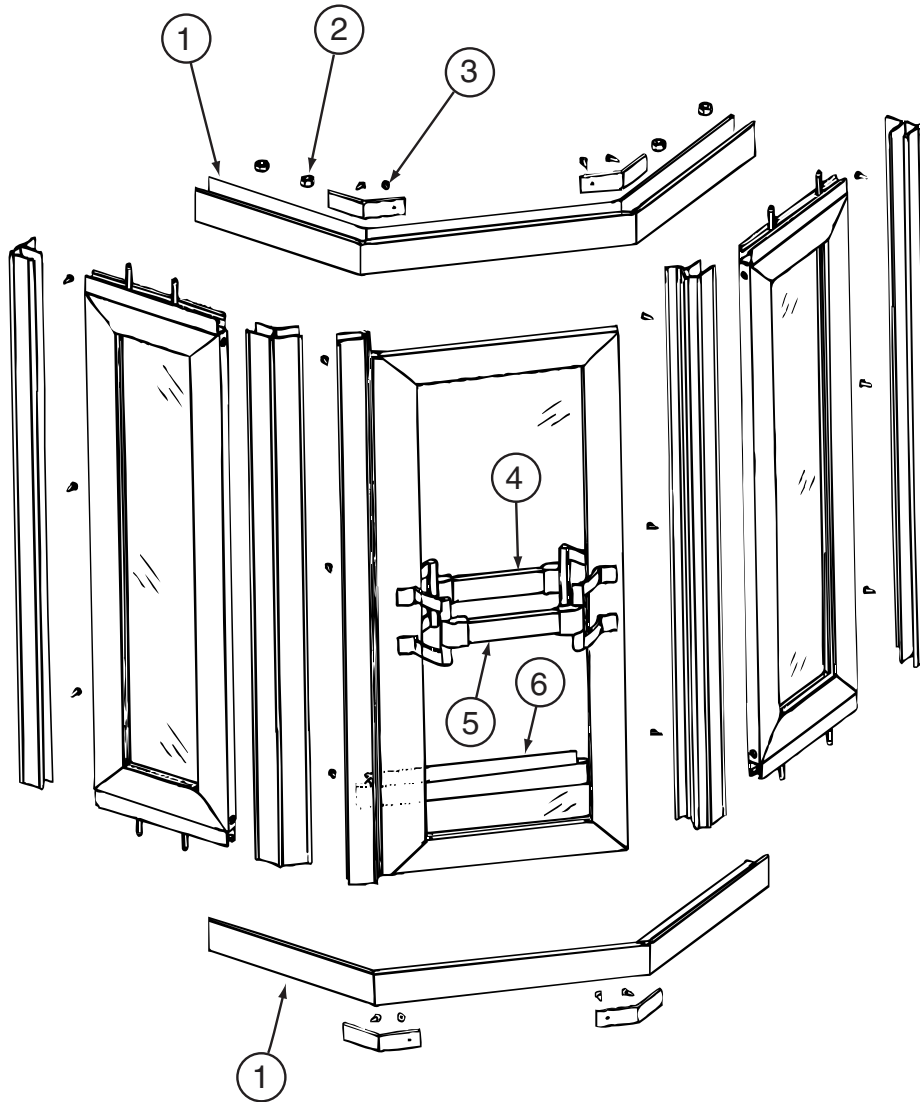


**W/TUB**

KEY	PART NUMBER	U/M	DESCRIPTION
1	125281-01-01A	FT	SEAL - SKYLIGHT
2	127563-01-02A	EA	COVER - ACCESS - SHOWER
3*	123242-01-01A	EA	DOOR-TUB/SHOWER-58.4"H-GOLD-BRONZE/OPAQUE GLASS (NON-CLR) FROM: 00-00-00 THRU: 06-03-01
3*	139047-01-01A	EA	DOOR - SHOWER - NEO ANGLE - GOLD/BRONZE - 58.4" TALL FROM: 06-04-01 THRU: 99-99-99
4	NOT USED		
5	123151-06-01A	EA	TUB/SHOWER - W/CAP - FIBERGLASS - SOFT WHITE

**\*COMPONENT PARTS LISTED LATER IN THIS GROUP**

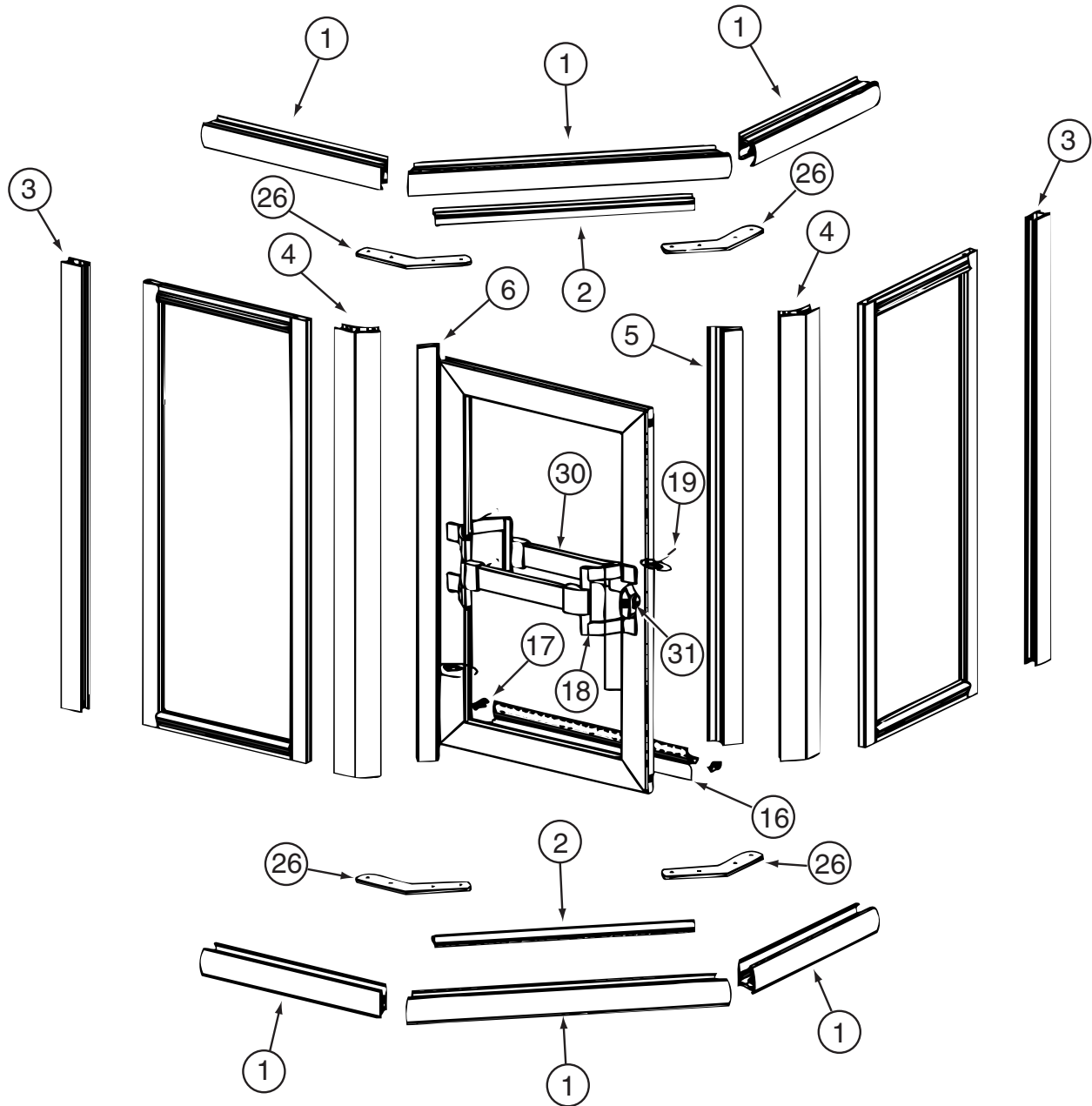
**BATH GROUP (CONTINUED)**  
**COMPONENT PARTS FOR SHOWER**



**123242-01-01A & 123242-01-02A**

KEY	PART NUMBER	U/M	DESCRIPTION	VENDOR NO.
1	123242-01-700	EA	HEADER/SILL - (WINNEBAGO 34)	CST 70
2	089318-01-704	EA	BOLT-PIVOT, TOP OR BOTTOM	1428B
3	092574-01-704	EA	SCREW-GOLD #6 3/8	638G
4	092574-01-701	EA	BRACKET-STUD, TOWEL BAR, GOLD	8141G
5	116814-01-700	EA	BAR-TOWEL 17 5/16"	68G
6	092574-01-708	EA	DRIP RAIL - (SWEEP)	34G
	089318-01-707	EA	LATCH/CATCH - SAFETY - GOLD	9730G
	092574-01-705	EA	STRIP-MAGNETIC, 66"	98-41G
	107878-01-703	EA	CAP-DRIP, PLUG SET	DCP2

**BATH GROUP (CONTINUED)**  
**COMPONENT PARTS FOR SHOWER (CONTINUED)**

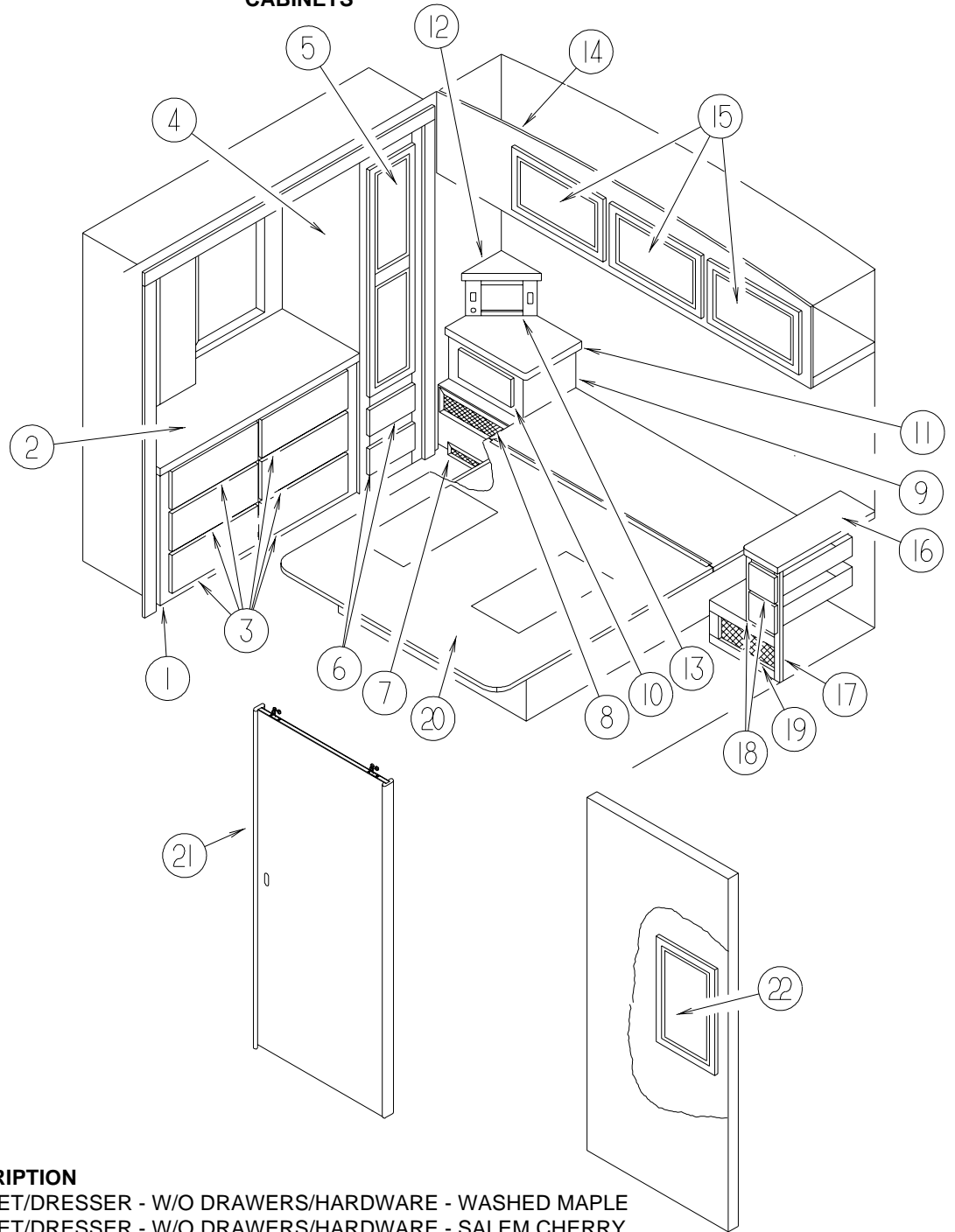


139047-01-01A, 139047-01-02A, 139047-02-01A, 139047-02-02A, 139047-03-01A, 139047-03-02A, 139047-04-02A

KEY	PART NUMBER	U/M	DESCRIPTION	VENDOR NO.
1	139047-01-700	EA	HEADER/SILL - 30" (PAIR)	900
2	139047-01-701	EA	DAM STRIP-TOP/BOTTOM-35.4"	901
3	139047-01-702	EA	JAMB - WALL - 65.9"	903
4	139047-01-703	EA	CORNER POST-45 DEGREE- 65.9"	909
5	139047-01-704	EA	STRIKE - JAMB - 64.6"	926
6	139047-01-705	EA	HINGE/POST - DOOR - 64.5"	920
16	139047-01-710	FT	VINYL SWEEP	C176G
17	139047-01-711	EA	PLUG - DRIP CAP (SET)	CP933
18	092574-01-701	EA	BRACKET-STUD, TOWEL BAR, GOLD	8141G
19	092574-01-710	EA	SCREW-GOLD, FOR TOWEL BAR	83212G
26	139047-01-712	EA	HEADER - CORNER BRACKET	313.45C
30	116814-01-700	EA	BAR-TOWEL 17 5/16"	68G
31	089318-01-707	EA	LATCH/CATCH - SAFETY - BLACK	9730B
	139047-01-706	EA	HINGE PINS	CP932
	139047-01-707	EA	WASHERS - HINGE	CP148TW
	139047-01-708	EA	HINGE - SLEEVE - 61.5"	C921B
	139047-01-709	EA	STRIP - MAGNETIC- 55"	98-42
	139047-01-713	EA	RAIL DRIP - 31.6"	927G

CONTACT WINNEBAGO PART SALES FOR UNLISTED COMPONENT

## BEDROOM GROUP CABINETS



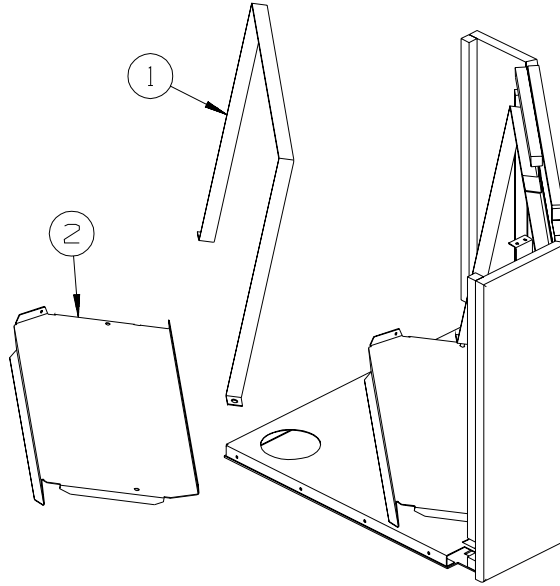
KEY	PART NUMBER	U/M	DESCRIPTION
1	P39221-01-NQ0	EA	CABINET/DRESSER - W/O DRAWERS/HARDWARE - WASHED MAPLE
1	P39221-01-NQ1	EA	CABINET/DRESSER - W/O DRAWERS/HARDWARE - SALEM CHERRY
1	P39221-01-NQ6	EA	CABINET/DRESSER - W/O DRAWERS/HARDWARE - PORTSMOUTH OAK
2	133539-19-01A	EA	COUNTERTOP - 1/2" CORIAN - MAGNA SAVANNAH
3	P28813-58-NQ0	EA	DRAWER - OGEE EDGE - 22.9"W X 17.7"D - W/O SLIDES/HARDWARE - WASHED MAPLE
3	P28813-58-NQ1	EA	DRAWER - OGEE EDGE - 22.9"W X 17.7"D - W/O SLIDES/HARDWARE - SALEM CHERRY
3	P28813-58-NQ6	EA	DRAWER - OGEE EDGE - 22.9"W X 17.7"D - W/O SLIDES/HARDWARE - PORTSMOUTH OAK
4	139257-01-NQ0	EA	CABINET - SHIRT CLOSET - W/O DOORS/HARDWARE - W/O SAFE
4	139257-01-NQ1	EA	CABINET - SHIRT CLOSET - W/O DOORS/HARDWARE - W/O SAFE
4	139257-01-NQ2	EA	CABINET - SHIRT CLOSET - W/O DOORS/HARDWARE - W/O SAFE
4	139257-01-NQ3	EA	CABINET - SHIRT CLOSET - W/O DOORS/HARDWARE - W/O SAFE
4	139257-01-NQ4	EA	CABINET - SHIRT CLOSET - W/O DOORS/HARDWARE - W/O SAFE
4	139257-01-NQ5	EA	CABINET - SHIRT CLOSET - W/O DOORS/HARDWARE - W/O SAFE
4	139257-01-NQ6	EA	CABINET - SHIRT CLOSET - W/O DOORS/HARDWARE - W/O SAFE
4	139257-01-NQ7	EA	CABINET - SHIRT CLOSET - W/O DOORS/HARDWARE - W/O SAFE
4	139257-01-NQ8	EA	CABINET - SHIRT CLOSET - W/O DOORS/HARDWARE - W/O SAFE
4	139257-02-NQ0	EA	CABINET - SHIRT CLOSET - W/O DOORS/HARDWARE - W/SAFE
4	139257-02-NQ1	EA	CABINET - SHIRT CLOSET - W/O DOORS/HARDWARE - W/SAFE



**BEDROOM GROUP (CONTINUED)**  
**CABINETS (CONTINUED)**

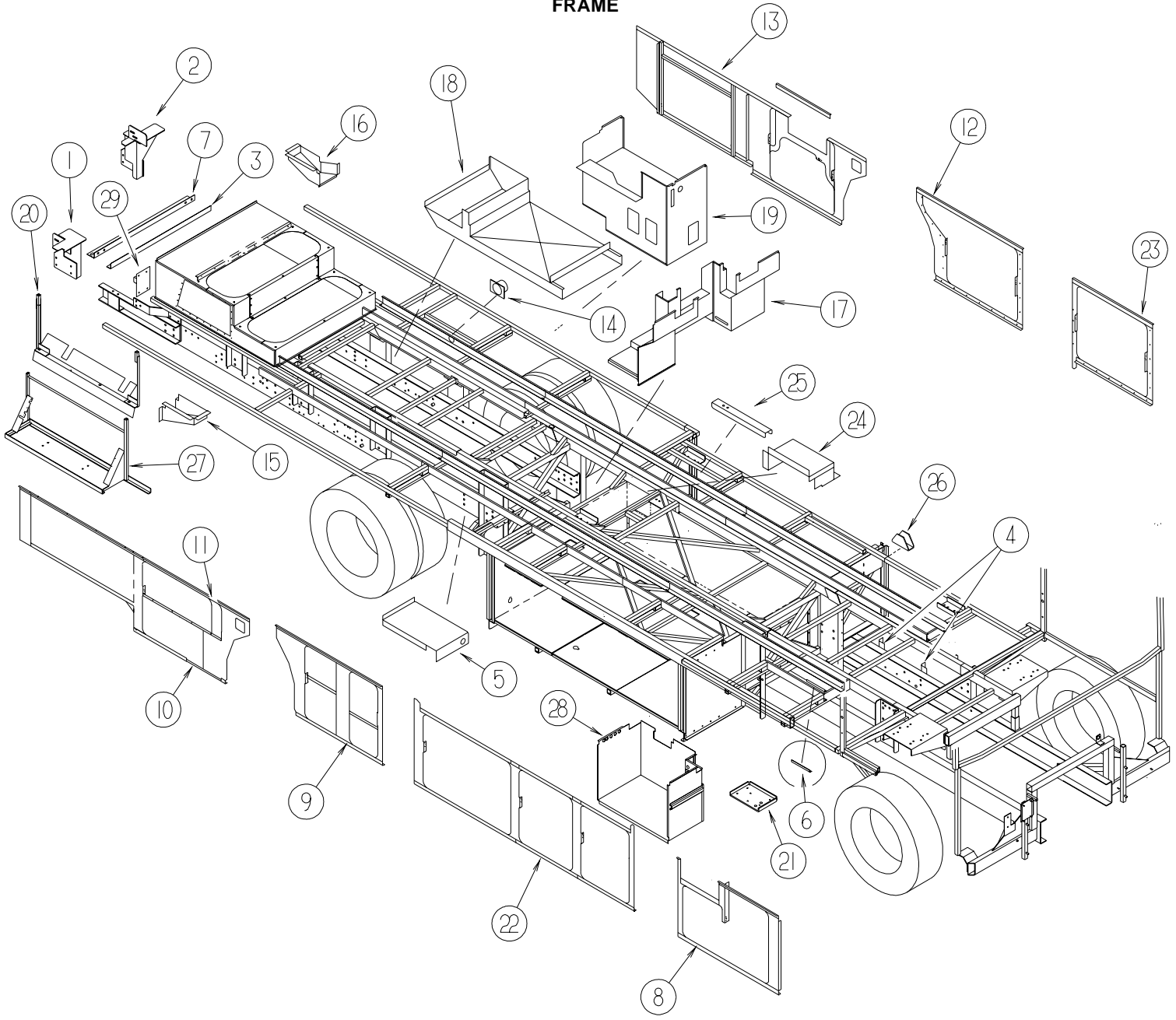
KEY	PART NUMBER	U/M	DESCRIPTION
4	139257-02-NQ2	EA	CABINET - SHIRT CLOSET - W/O DOORS/HARDWARE - W/SAFE
4	139257-02-NQ3	EA	CABINET - SHIRT CLOSET - W/O DOORS/HARDWARE - W/SAFE
4	139257-02-NQ4	EA	CABINET - SHIRT CLOSET - W/O DOORS/HARDWARE - W/SAFE
4	139257-02-NQ5	EA	CABINET - SHIRT CLOSET - W/O DOORS/HARDWARE - W/SAFE
4	139257-02-NQ6	EA	CABINET - SHIRT CLOSET - W/O DOORS/HARDWARE - W/SAFE
4	139257-02-NQ7	EA	CABINET - SHIRT CLOSET - W/O DOORS/HARDWARE - W/SAFE
4	139257-02-NQ8	EA	CABINET - SHIRT CLOSET - W/O DOORS/HARDWARE - W/SAFE
5	132062-49-NQ0	EA	DOOR - RAIL/SOLID PANEL - 12" X 48" - W/O HARDWARE - WASHED MAPLE
5	132062-49-NQ1	EA	DOOR - RAIL/SOLID PANEL - 12" X 48" - W/O HARDWARE - SALEM CHERRY
5	132062-49-NQ6	EA	DOOR - RAIL/SOLID PANEL - 12" X 48" - W/O HARDWARE - PORTSMOUTH OAK
6	P28813-59-NQ0	EA	DRAWER - OGEE EDGE - 9.9"W X 17.7"D - W/O SLIDES/HARDWARE - WASHED MAPLE
6	P28813-59-NQ1	EA	DRAWER - OGEE EDGE - 9.9"W X 17.7"D - W/O SLIDES/HARDWARE - SALEM CHERRY
6	P28813-59-NQ6	EA	DRAWER - OGEE EDGE - 9.9"W X 17.7"D - W/O SLIDES/HARDWARE - PORTSMOUTH OAK
7	140594-05-01A	EA	GRILL - RETURN AIR - 3.1" X 19.9" - BLACK
			FROM: 12-17-01 THRU: 99-99-99
	138905-28-NQ0	EA	FRAME - RETURNED AIR - 5.4" X 23.6" - W/O GRILLE - WASHED MAPLE
			FROM: 12-17-01 THRU: 99-99-99
	138905-28-PA1	EA	FRAME - RETURNED AIR - 5.4" X 23.6" - W/O GRILLE - SALEM CHERRY
			FROM: 12-17-01 THRU: 99-99-99
	138905-28-N95	EA	FRAME - RETURNED AIR - 5.4" X 23.6" - W/O GRILLE - PORTSMOUTH OAK
			FROM: 12-17-01 THRU: 99-99-99
8	140594-04-01A	EA	GRILL - RETURN AIR - 4" X 22.2" - BLACK
			FROM: 12-17-01 THRU: 99-99-99
8	138905-27-NQ0	EA	FRAME - RETURN AIR - 4.6" X 21.3" - W/O GRILLE - WASHED MAPLE
			FROM: 12-17-01 THRU: 99-99-99
8	138905-27-PA1	EA	FRAME - RETURN AIR - 4.6" X 21.3" - W/O GRILLE - SALEM CHERRY
			FROM: 12-17-01 THRU: 99-99-99
8	138905-27-N95	EA	FRAME - RETURN AIR - 4.6" X 21.3" - W/O GRILLE - PORTSMOUTH OAK
			FROM: 12-17-01 THRU: 99-99-99
9	138905-02-NQ0	EA	CABINET-NIGHTSTAND/RIGHT HAND-W/O COUNTERTOP/DOOR/DRWR/HDW - WASHED MAPLE
9	138905-02-NQ1	EA	CABINET-NIGHTSTAND/RIGHT HAND-W/O COUNTERTOP/DOOR/DRWR/HDW - SALEM CHERRY
9	138905-02-NQ6	EA	CABINET-NIGHTSTAND/RIGHT HAND-W/O COUNTERTOP/DOOR/DRWR/HDW - PORTSMOUTH OAK
10	P28813-60-NQ0	EA	DRAWER - OGEE EDGE - 13.5"W X 13.8"D - W/O SLIDES/HARDWARE - WASHED MAPLE
10	P28813-60-NQ1	EA	DRAWER - OGEE EDGE - 13.5"W X 13.8"D - W/O SLIDES/HARDWARE - SALEM CHERRY
10	P28813-60-NQ6	EA	DRAWER - OGEE EDGE - 13.5"W X 13.8"D - W/O SLIDES/HARDWARE - PORTSMOUTH OAK
11	133539-20-01A	EA	COUNTERTOP - 1/2" CORIAN - MAGNA SAVANNAH
12	133539-22-01A	EA	COUNTERTOP - 1/2" CORIAN - MAGNA SAVANNAH
13	139174-01-NQ0	EA	CABINET - RADIO - W/O COUNTERTOP/DOORS/HARDWARE - WASHED MAPLE
13	139174-01-N94	EA	CABINET - RADIO - W/O COUNTERTOP/DOORS/HARDWARE - SALEM CHERRY
13	139174-01-N95	EA	CABINET - RADIO - W/O COUNTERTOP/DOORS/HARDWARE - PORTSMOUTH OAK
14	138109-05-NQ0	EA	CABINET - OVERHEAD/REAR/RIGHT HAND - W/O DOORS/HARDWARE - WASHED MAPLE
14	138109-05-NQ1	EA	CABINET - OVERHEAD/REAR/RIGHT HAND - W/O DOORS/HARDWARE - SALEM CHERRY
14	138109-05-NQ6	EA	CABINET - OVERHEAD/REAR/RIGHT HAND - W/O DOORS/HARDWARE - PORTSMOUTH OAK
15	132062-17-LQ0	EA	DOOR - RAIL/SOLID PANEL - 12.7" X 21.8" - W/O HARDWARE - WASHED MAPLE
15	132062-17-NQ1	EA	DOOR - RAIL/SOLID PANEL - 12.7" X 21.8" - W/O HARDWARE - SALEM CHERRY
15	132062-17-NQ6	EA	DOOR - RAIL/SOLID PANEL - 12.7" X 21.8" - W/O HARDWARE - PORTSMOUTH OAK
16	133539-21-01A	EA	COUNTERTOP - 1/2" CORIAN - MAGNA SAVANNAH
17	138906-02-NQ0	EA	CABINET-NIGHTSTAND/LEFT HAND-W/O COUNTERTOP/DOOR/DRWR/HDW - WASHED MAPLE
17	138906-02-NQ1	EA	CABINET-NIGHTSTAND/LEFT HAND-W/O COUNTERTOP/DOOR/DRWR/HDW - SALEM CHERRY
17	138906-02-NQ6	EA	CABINET-NIGHTSTAND/LEFT HAND-W/O COUNTERTOP/DOOR/DRWR/HDW - PORTSMOUTH OAK
18	P28813-64-NQ0	EA	DRAWER - OGEE EDGE - 5.2"W X 19.7"D - W/O SLIDES/HARDWARE - WASHED MAPLE
18	P28813-64-NQ1	EA	DRAWER - OGEE EDGE - 5.2"W X 19.7"D - W/O SLIDES/HARDWARE - SALEM CHERRY
18	P28813-64-NQ6	EA	DRAWER - OGEE EDGE - 5.2"W X 19.7"D - W/O SLIDES/HARDWARE - PORTSMOUTH OAK
19	140594-01-01A	EA	GRILL - RETURN AIR - 17.1" X 6.7" - BLACK
20	M07571-15-M94	EA	TOP - BED/QUEEN - (HINGED PORTION) - W/O HARDWARE
	097872-04-000	EA	DOWEL - WOOD - 1 $\frac{1}{2}$ " DIAMETER X 1.38 $\frac{1}{2}$ " LONG - UNFINISHED
	126263-02-02B	EA	BRACKET - GAS SPRING W/BALL STUD - E-COATED
	126263-08-02B	EA	BRACKET - GAS SPRING W/CENTERED BALL STUD - E-COATED
21	120756-08-LQ0	EA	DOOR - SLIDING - W/O HARDWARE - WASHED MAPLE
21	120756-08-LQ1	EA	DOOR - SLIDING - W/O HARDWARE - SALEM CHERRY
21	120756-08-NQ6	EA	DOOR - SLIDING - W/O HARDWARE - PORTSMOUTH OAK
	103868-12-01A	EA	TRACK - SLIDING DOOR - 57.8" - OFF WHITE
22	132062-21-LQ0	EA	DOOR - RAIL/SOLID PANEL - 14.3" X 26.7" - W/O HARDWARE - WASHED MAPLE
22	132062-21-LQ1	EA	DOOR - RAIL/SOLID PANEL - 14.3" X 26.7" - W/O HARDWARE - SALEM CHERRY
22	132062-21-NQ6	EA	DOOR - RAIL/SOLID PANEL - 14.3" X 26.7" - W/O HARDWARE - PORTSMOUTH OAK

**BEDROOM GROUP (CONTINUED)**  
**TV CABINETS**



<b>KEY</b>	<b>PART NUMBER</b>	<b>U/M</b>	<b>DESCRIPTION</b>
1	139341-01-02B	EA	BRACKET - TIEDOWN/TV - E-COATED
	115466-08-01B	EA	TIEDOWN STRAP - TV
2	139287-01-02B	EA	SHELF - TV SUPPORT - E-COATED

# CHASSIS GROUP FRAME



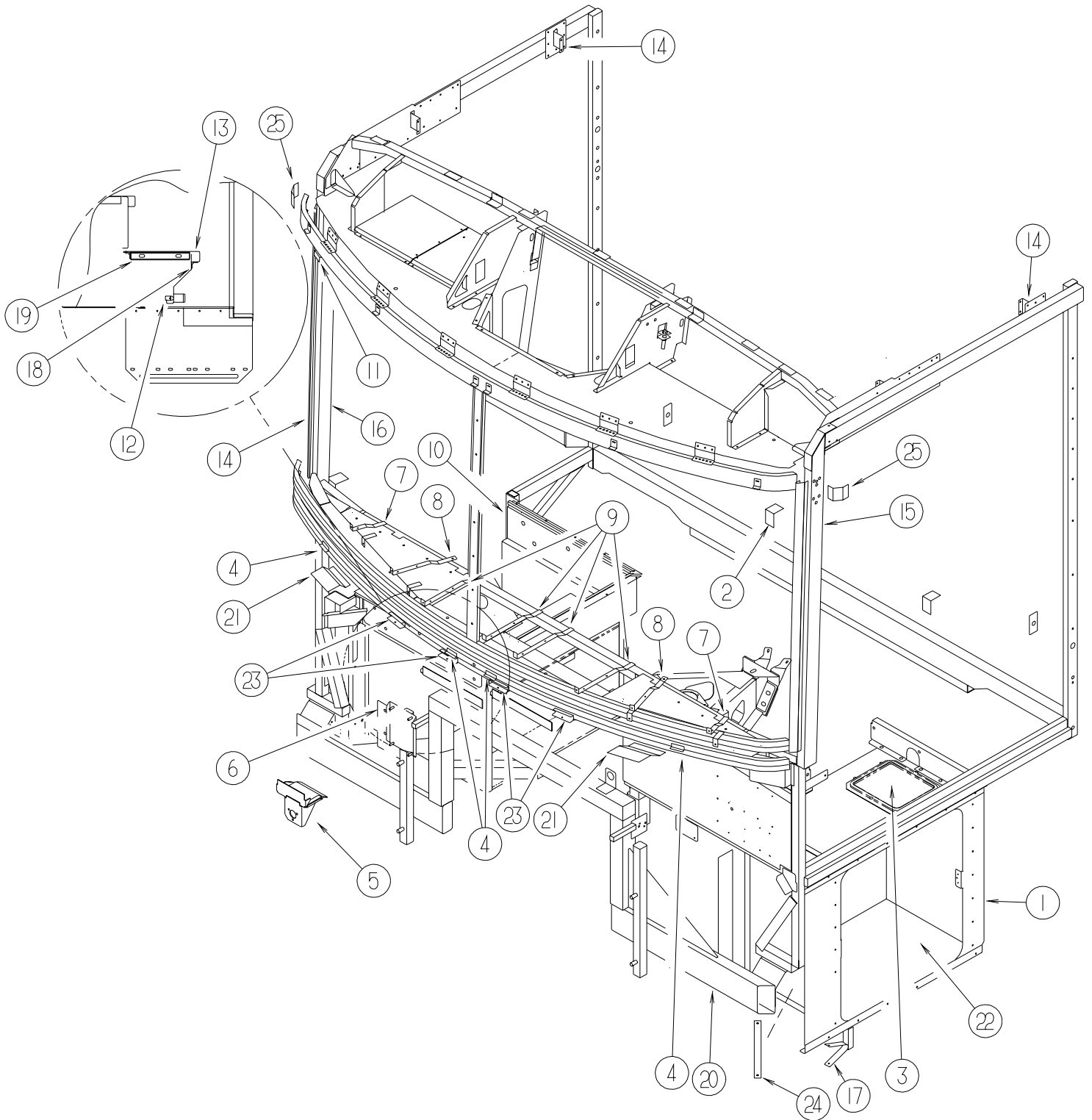
KEY	PART NUMBER	U/M	DESCRIPTION
1	128673-03-02B	EA	SUPPORT - REAR RISER - RIGHT HAND - E-COAT
2	128673-04-02B	EA	SUPPORT - REAR RISER - LEFT HAND - E-COAT
3	139946-01-02B	EA	BRACKET - MUDFLAP - E-COATED
4	128087-01-02B	EA	BRACKET - MOUNTING - LP TANK
5	138273-01-02B	EA	PANEL/COMPARTMENT - HOLDING TANK - E-COATED
6	127635-07-02B	EA	ANGLE - FORMED - W/HOLES - E-COATED
7	122922-07-02B	EA	BRACKET/SUPPORT - CYLINDER - E-COATED
8	129867-01-02B	EA	SEAL PLANE - ENTRY/CENTER/RIGHT HAND - E-COATED
9	138050-01-02B	EA	SEAL PLANE - WATER/RIGHT HAND - E-COATED
10	138051-01-02B	EA	SEAL PLANE - RIGHT HAND/REAR - E-COATED
11	138200-01-02B	EA	PLATE - SEAL - E-COATED
12	129870-01-02B	EA	SEAL PLANE - DRAIN/LEFT HAND - E-COATED
13	129871-04-02B	EA	SEAL PLANE - REAR/LEFT HAND - E-COATED
14	092776-01-000	EA	ADAPTER - DUCT - 2"
15	138571-01-02B	EA	DUCT - RIGHT HAND/REAR/E-COATED
16	132380-02-02B	EA	DUCT - E-COAT

**CHASSIS GROUP (CONTINUED)**  
**FRAME (CONTINUED)**

<b>KEY</b>	<b>PART NUMBER</b>	<b>U/M</b>	<b>DESCRIPTION</b>
17	137944-01-02B	EA	COMPARTMENT - HOLDING TANK - E-COATED
	138172-01-02B	EA	PANEL/COMPARTMENT - HOLDING TANK - E-COATED
	138238-01-02B	EA	PANEL- COMPARTMENT BOTTOM
18	132615-02-02B	EA	DUCT - FURNACE - REAR - E-COATED
19	137942-01-02B	EA	COMPARTMENT - WATER - E-COATED
20	138481-01-02B	EA	HANGER - A/C COACH - E-COATED
21	138799-01-02B	EA	SHIM - BODY - E-COATED
22	128393-13-02B	EA	SEAL PLANE - E-COATED
23	128393-14-02B	EA	SEAL PLANE - E-COATED
24	139911-01-02B	EA	PANEL - CLOSEOUT/HOSE - E-COATED
25	139731-01-02B	EA	BRACKET - PUMP - LEVELING - E-COATED
26	135727-01-02B	EA	BRACKET - SPLICE - TUBE - E-COATED
27	139915-01-02B	EA	BRACKET - CONDENSER - E-COATED
			FROM: 06-04-01 THRU: 09-21-01
27	139915-02-02B	EA	BRACKET - CONDENSER - E-COATED
			FROM: 09-22-01 THRU: 99-99-99
28	140192-01-02B	EA	COMPARTMENT - ENTERTAINMENT CENTER - E-COATED
			FROM: 12-05-01 THRU: 99-99-99
29	141664-01-02B	EA	BRACKET - AIR FILTER - E-COATED
			FROM: 02-25-02 THRU: 99-99-99

# CHASSIS GROUP (CONTINUED)

## FRONT END



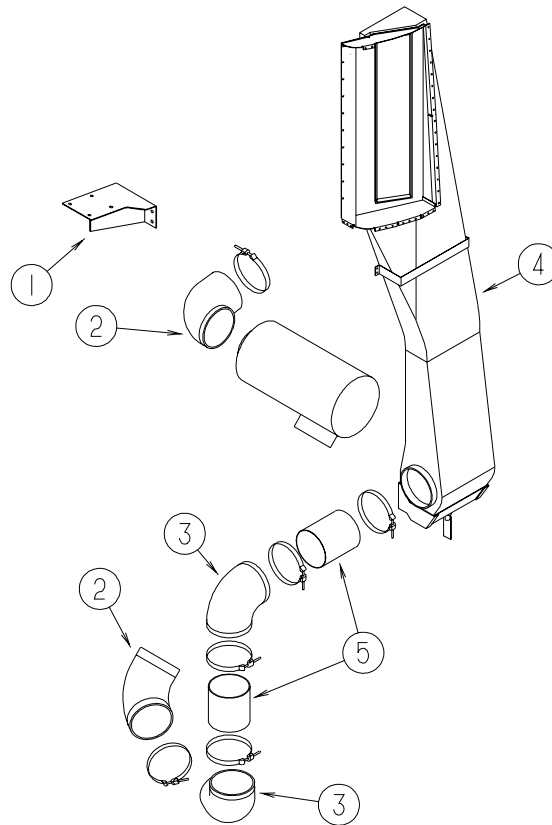
KEY	PART NUMBER	U/M	DESCRIPTION
1	129991-01-02B	EA	SEAL PLANE - FRONT/LEFT HAND - E-COATED
2	121269-13-01B	EA	FRAME-WINDSHIELD,A PILLAR,ML
3	123767-01-02B	EA	CAP/COMPARTMENT - E-COATED
4	076364-57-000	EA	ANGLE - FORMED
5	134506-01-01B	EA	BRACKET - WIPER MOTOR
6	115024-01-01B	EA	BRACKET - TANK - AIR HORN
7	104797-05-000	EA	BRACKET - DEFROSTER
8	104797-04-000	EA	BRACKET - DEFROSTER
9	104797-03-000	EA	BRACKET - DEFROSTER
10	132987-01-02B	EA	STEP - ENTRY DOOR - E-COATED

FROM: 00-00-00 THRU: 10-14-01

## CHASSIS GROUP (CONTINUED)

### FRONT END (CONTINUED)

KEY	PART NUMBER	U/M	DESCRIPTION
10	132987-02-02B	EA	STEP - ENTRY DOOR - E-COATED FROM: 10-15-01 THRU: 99-99-99
11	120363-01-01B	EA	BRACKET - WINDSHIELD
12	120863-08-000	EA	BUMPER - RUBBER - W/INSERT
13	131519-02-L94	EA	STEP - FOLD UP/ENTRY DOOR
14	104409-01-000	EA	PLATE - MOUNTING/SIDEWALL FROM: 00-00-00 THRU: 03-28-01
14	139383-01-02B	EA	PLATE/MOUNT - SIDEWALL - E-COATED FROM: 03-29-01 THRU: 99-99-99
15	129420-01-01B	EA	TUBE-MITERED,A PILLAR,MILL
16	129420-02-01B	EA	TUBE-MITERED,A PILLAR,MILL
17	114761-01-01B	EA	BRACKET-EXHAUST,GENERATOR,ML
18	129753-01-01A	EA	HINGE - SPRING LOADED - 19" X 19" - BLACK
19	131539-02-02B	EA	SUPPORT - STEP/FOLD UP - E-COATED
20	135808-01-02B	EA	SUPPORT - FRONT - E-COATED
21	134202-01-01B	EA	REINFORCEMENT - SUPPORT - LOWER WINDSHIELD/MIDDLE
22	140614-01-02B	EA	COMPARTMENT - LUGGAGE - E-COATED 134097-01-02B FROM: 08-07-01 THRU: 99-99-99
23	117462-01-01B	EA	CHANNEL - SUPPORT
24	115023-01-000	EA	ISOLATOR - RUBBER
25	120363-02-01B	EA	BRACKET - WINDSHIELD

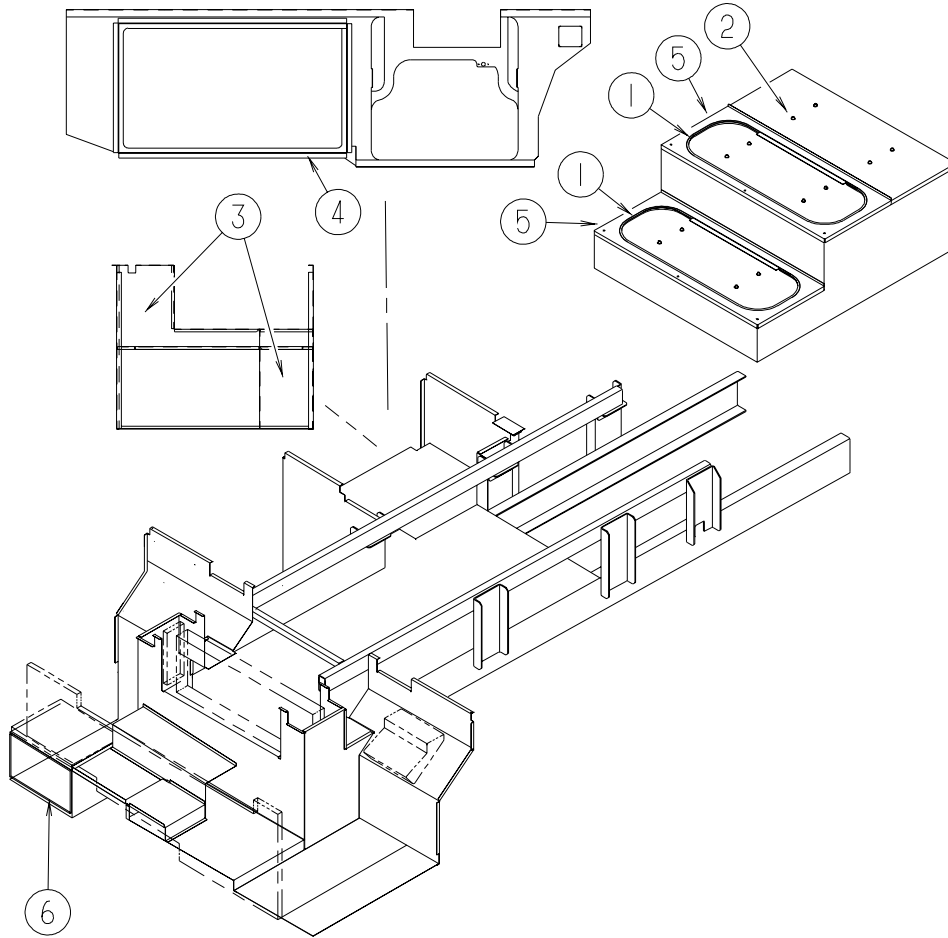


### AIR INTAKE

KEY	PART NUMBER	U/M	DESCRIPTION
1	NOT USED	EA	BRACKET/AIR FILTER - E-COATED
2	NOT USED	EA	ELBOW - RUBBER - 68 DEGREE 6" ID
3	123362-02-000	EA	ELBOW - AIR INTAKE - RUBBER - 90 DEGREE 6" ID
4	129514-02-01A	EA	DUCT - INTAKE AIR - W/FITTING
	129514-01-01A	EA	DUCT - INTAKE AIR
5	129839-02-01A	EA	TUBE-6" OD,BEAD ONE END,MILL

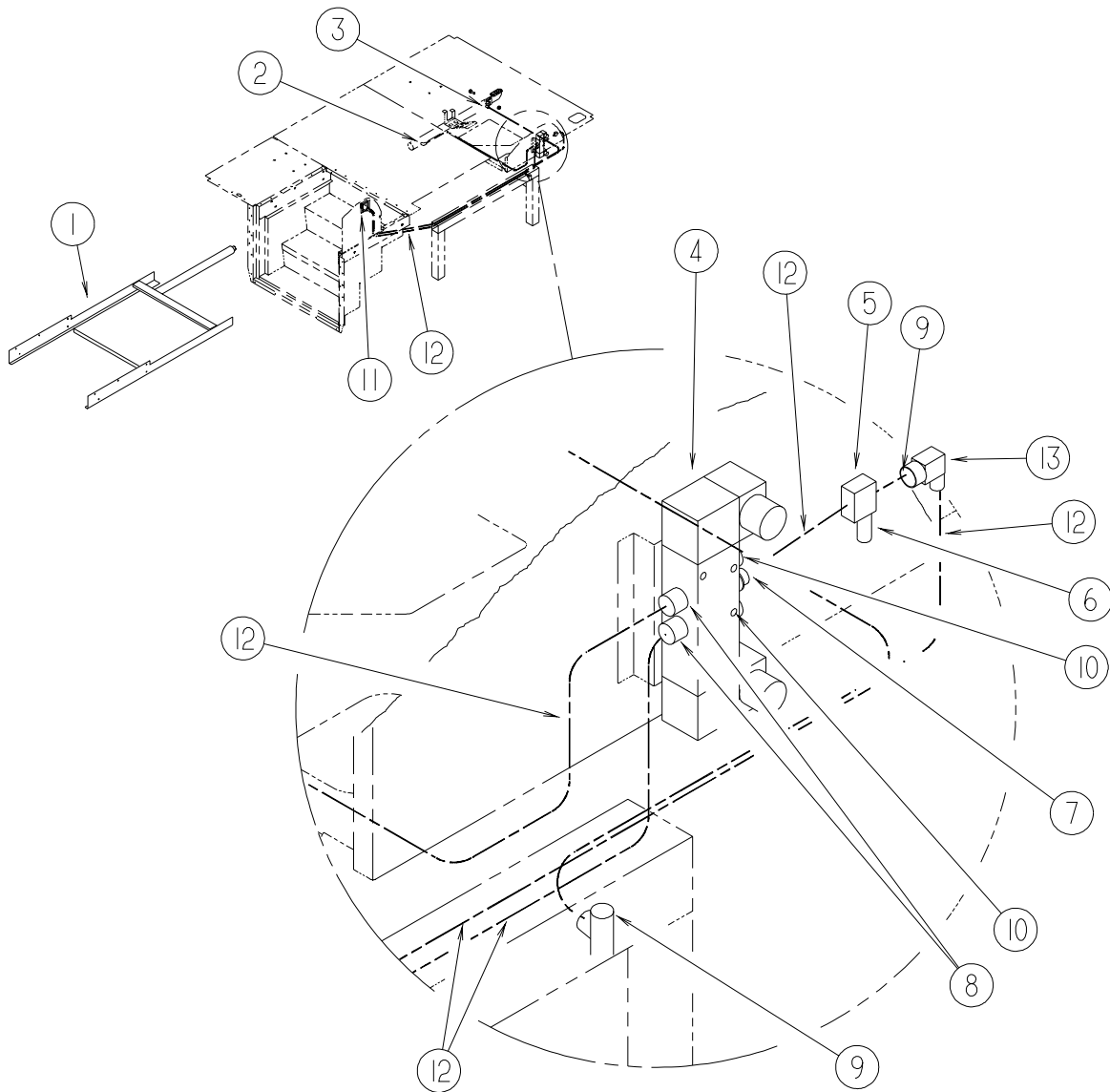
## CHASSIS GROUP (CONTINUED)

### INSULATION



KEY	PART NUMBER	U/M	DESCRIPTION
1	039623-01-000	EA	SEAL - MOTOR COVER - RUBBER BULB TYPE
	072877-03-000	EA	INSULATION - SOUND BARRIER- 1" X 36" X 57" - ADHESIVE BACK
2	106648-01-000	EA	CAP - STUD - .120 TO .130 DIAMETER
3	105290-01-000	SF	INSULATION - AIR POCKET W/FOIL
4	115076-03-000	FT	SEAL - SLIDEOUT
5	138525-01-02B	EA	COVER - ENGINE - E-COATED
6	138497-03-N94	EA	PANEL - WATER CENTER

## CHASSIS GROUP (CONTINUED) STEPWELL COVER



KEY	PART NUMBER	U/M	DESCRIPTION
1*	123666-03-000	EA	STEP COVER - SLIDING
2	071387-05-000	EA	ELBOW - MALE - BRAKE TUBE - 1/4 X 1/4
3	071386-06-000	EA	CONNECTOR - MALE - 1/4 TUBE X 1/4
4	124625-01-000	EA	VALVE - AIR - DOUBLE SOLENOID
5	124382-01-000	EA	REGULATOR - AIR/MINIATURE
6	086241-02-000	EA	VALVE - AIR - 1/8" MPT - TANK
7	124625-04-000	EA	FITTING - STRAIGHT REDUCER
8	124625-05-000	EA	FITTING - ELBOW REDUCER
9	071386-06-000	EA	CONNECTOR - MALE - 1/4 TUBE X 1/4
10	124625-03-000	EA	SILENCERS - AIR VALVE
11*	124628-01-000	EA	VALVE - AIR - OVERRIDE - 3-WAY
11	127452-01-02B	EA	PLATE - AIR VALVE - E-COAT
11	124628-02-000	EA	KNOB - F/MANUAL OVERRIDE VALVE
11	124039-01-01A	EA	APPLIQUE - MANUAL VALVE
12	071390-04-000	FT	TUBING - AIR BRAKE - 1/4" OD-BLK WEATHERHEAD(BRKS & HORN)
13	071387-05-000	EA	ELBOW - MALE - BRAKE TUBE - 1/4 X 1/4

**\*COMPONENT PARTS LISTED LATER IN THIS GROUP**



**CHASSIS GROUP (CONTINUED)**  
**COMPONENT PARTS FOR STEPWELL COVER**

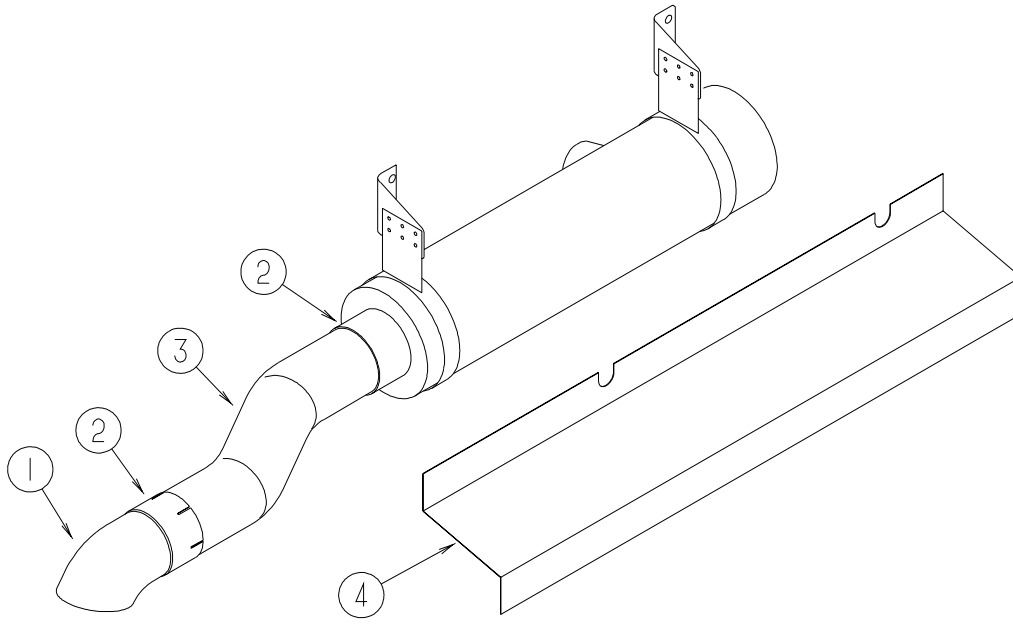
**123666-03-000**

<b>KEY</b>	<b>PART NUMBER</b>	<b>U/M</b>	<b>DESCRIPTION</b>	<b>VENDOR NO.</b>
	123666-03-700	EA	SPRING - .75" X .080 PLATED	1217500 - KWIKEE
	123666-03-701	EA	ROLLER - NYLON - 1 3/8" OD	1610030 - KWIKEE
	123666-03-702	EA	AIR CYLINDER - 2" X 26.2"	1901260 - KWIKEE
	123666-03-703	EA	AXLE - F/NYLON ROLLER	1912110 - KWIKEE
	123666-03-704	EA	GUIDE - SPRING - PLATED	3669130

**124628-01-000**

<b>KEY</b>	<b>PART NUMBER</b>	<b>U/M</b>	<b>DESCRIPTION</b>	<b>VENDOR NO.</b>
	124628-01-700	EA	TUBE NUT KIT (2 PC.)	P-069594-K0000

**CHASSIS GROUP (CONTINUED)**  
**EXHAUST**

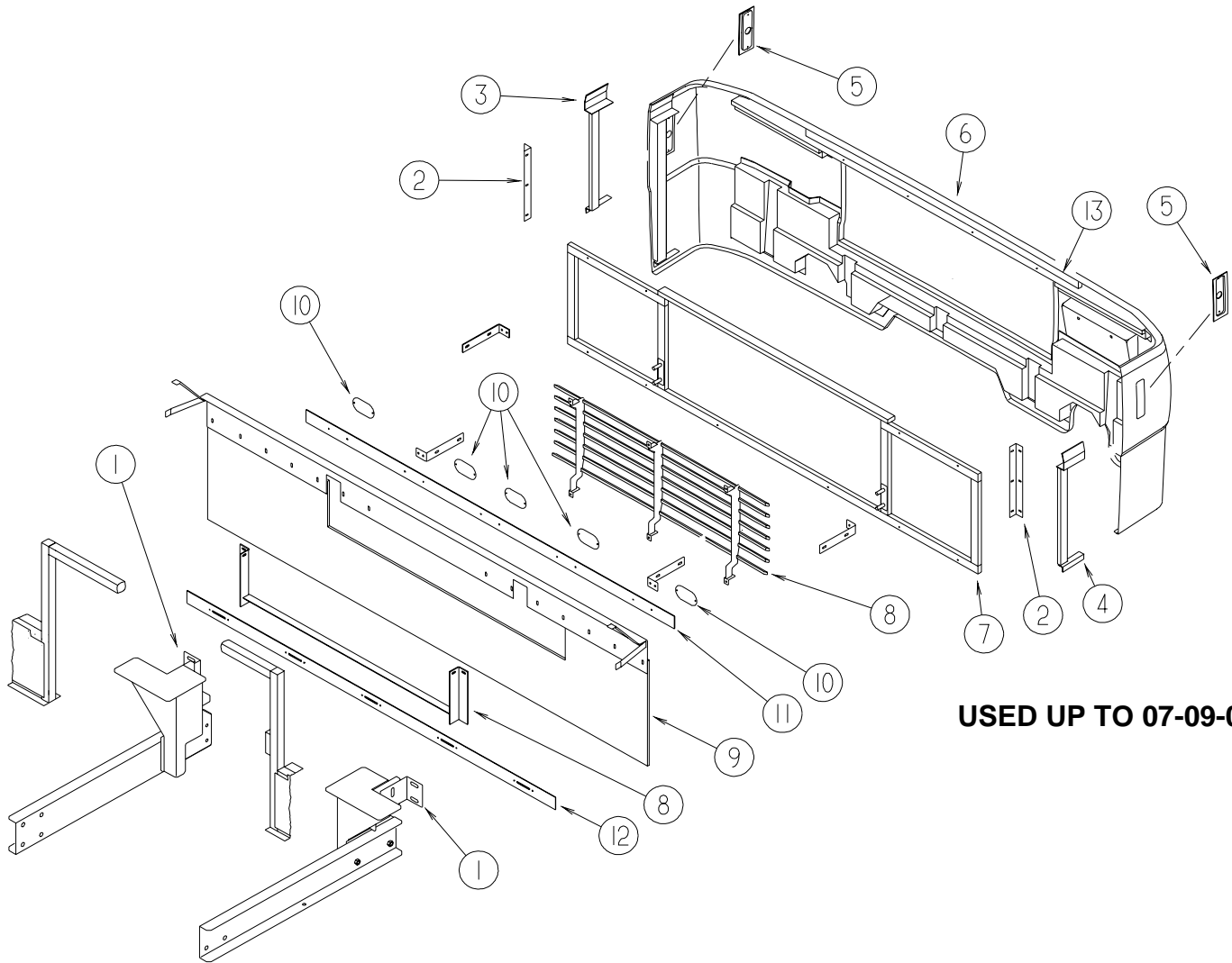


KEY	PART NUMBER	U/M	DESCRIPTION
1	116425-02-000	EA	EXTENSION - EXHAUST - CHROMED - 5"
2	094918-08-000	EA	CLAMP - EXHAUST - 5"
3	114869-11-000	EA	PIPE - EXHAUST
4	128461-01-02B	EA	SHIELD - MUFFLER - E-COATED - Q36C

**HITCH**

KEY	PART NUMBER	U/M	DESCRIPTION
	133706-02-02B	EA	SHIM - HITCH
	134016-01-01A	EA	DRAWBAR - HITCH - CLASS 4

## CHASSIS GROUP (CONTINUED) REAR BUMPER

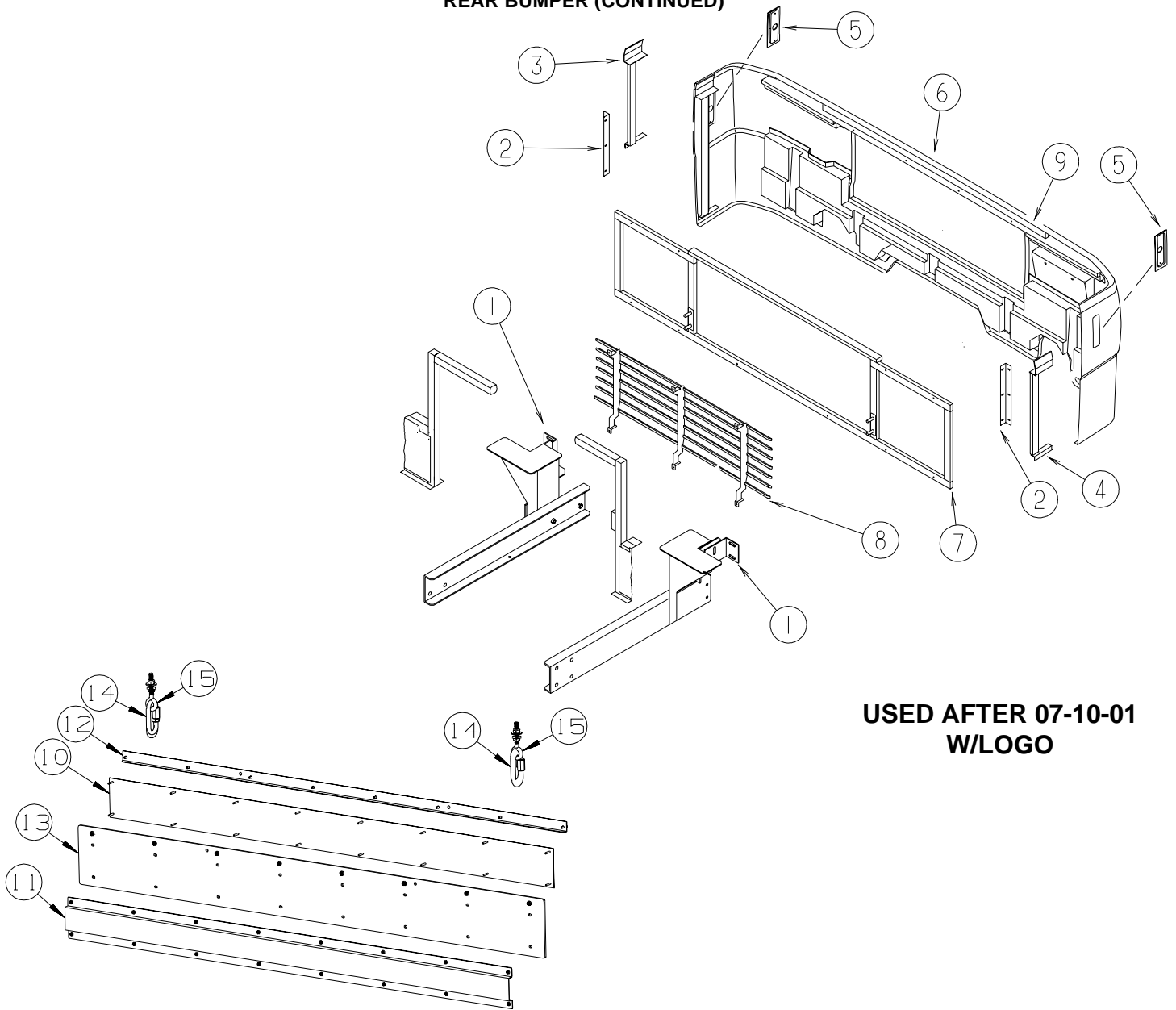


**USED UP TO 07-09-01**

KEY	PART NUMBER	U/M	DESCRIPTION
1	107524-04-000	EA	ANGLE - BUMPER - INNER/RIGHT & LEFT HAND
2	113041-03-02B	EA	ANGLE - BUMPER MOUNT - 14.9"
3	124837-05-01A	EA	SUPPORT - BUMPER - REAR/PASSENGER - BLACK
4	124837-06-01A	EA	SUPPORT - BUMPER - REAR/DRIVER - BLACK
5	118374-01-01A	EA	POCKET - SIDE MARKER LIGHT - BLACK - FLAT WALL
6	P29397-02-KQ0	EA	PANEL - BUMPER/REAR
7	129374-01-02B	EA	FRAME/BUMPER - REAR - E-COATED
8	129377-01-KQ0	EA	GRILLE - BUMPER/REAR
9*	130464-01-01A	EA	MUD FLAP - REAR/RADIATOR SIDE - STAINLESS STEEL
10	130464-04-01A	EA	REFLECTOR ONLY - REAR MUD FLAP (1 PKG = 5 REFLECTORS)
11	130464-03-01A	EA	TRIM/FASTENER PKG - REAR MUD FLAP
12	135067-01-02B	EA	ANGLE - MUDFLAP - E-COATED
13	124861-01-02A	EA	SUPPORT - BUMPER - REAR/PASSENGER/UPPER - BLACK

**\*COMPONENT PARTS LISTED LATER IN THIS GROUP**

## CHASSIS GROUP (CONTINUED) REAR BUMPER (CONTINUED)



**USED AFTER 07-10-01  
W/LOGO**

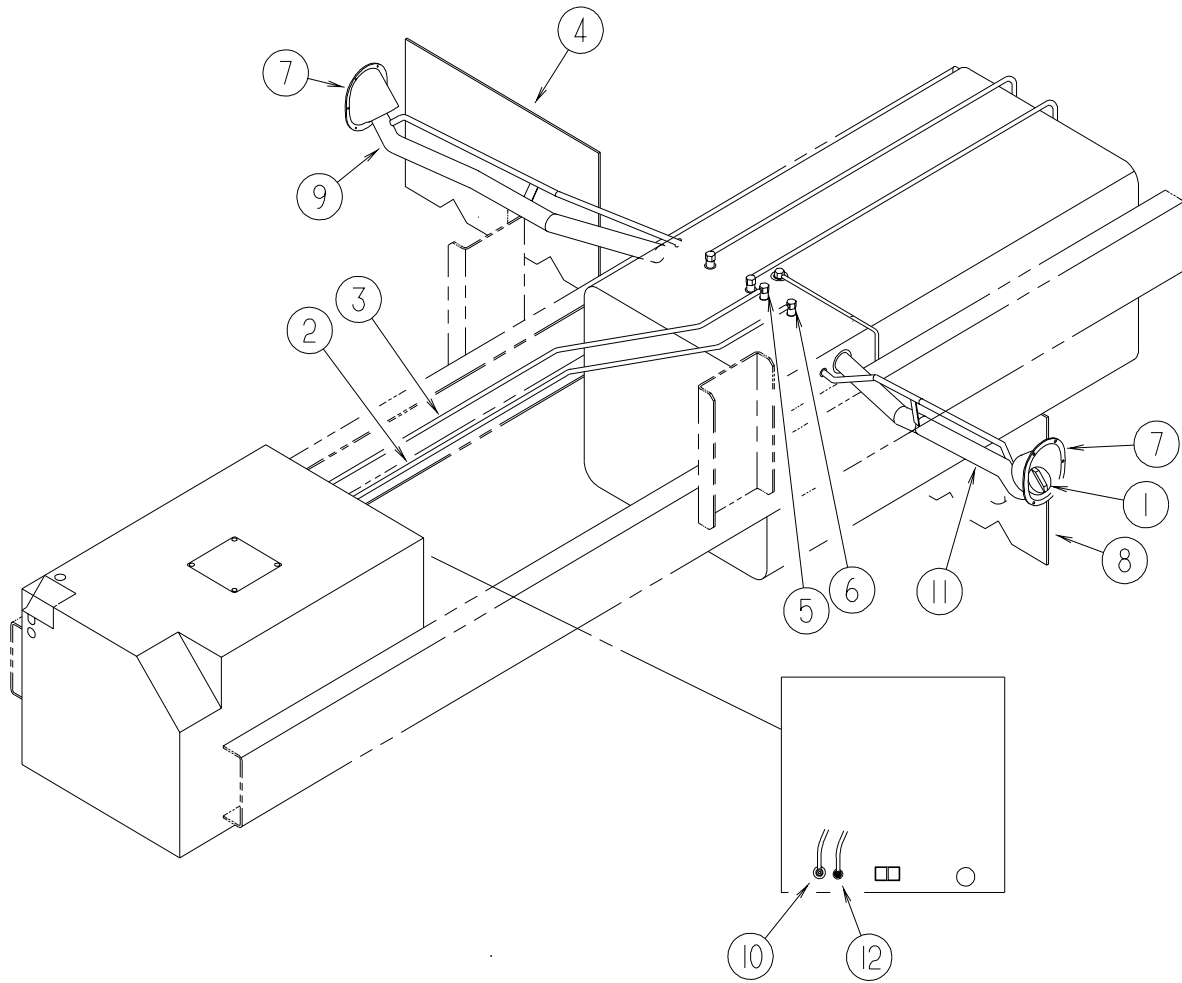
KEY	PART NUMBER	U/M	DESCRIPTION
1	107524-04-000	EA	ANGLE - BUMPER - INNER/RIGHT & LEFT HAND
2	113041-03-02B	EA	ANGLE - BUMPER MOUNT - 14.9"
3	124837-05-01A	EA	SUPPORT - BUMPER - REAR/PASSENGER - BLACK
4	124837-06-01A	EA	SUPPORT - BUMPER - REAR/DRIVER - BLACK
5	118374-01-01A	EA	POCKET - SIDE MARKER LIGHT - BLACK - FLAT WALL
6	P29397-02-KQ0	EA	PANEL - BUMPER/REAR
7	129374-01-02B	EA	FRAME/BUMPER - REAR - E-COATED
8	129377-01-KQ0	EA	GRILLE - BUMPER/REAR
9	124861-01-02A	EA	SUPPORT - BUMPER - REAR/PASSENGER/UPPER - BLACK
10	139238-01-01A	EA	PLATE - MUD FLAP - FREEDOM LOGO
11	139416-01-02B	EA	STIFFENER - MUDFLAP - E-COATED
12	139417-01-02B	EA	ANGLE - FORMED - MUDFLAP - E-COATED
			FROM: 00-00-00 THRU: 04-02-02
12	139417-01-04B	EA	ANGLE - FORMED - MUDFLAP - BLACK
			FROM: 04-03-02 THRU: 99-99-99
13	139635-01-01A	EA	MUD FLAP - FULL WIDTH
14	139818-01-01A	EA	LINK - QUICK - STAINLESS STEEL
15	139820-02-01A	EA	BOLT - HANGER EYE - 5/16" - STAINLESS STEEL

**CHASSIS GROUP (CONTINUED)**  
**COMPONENT PARTS FOR REAR BUMPER**

**130464-01-01A**

<b>KEY</b>	<b>PART NUMBER</b>	<b>U/M</b>	<b>DESCRIPTION</b>	<b>VENDOR NO.</b>
	130464-01-700	EA	BAR - SS W/STUDS - 70"	NO VDR#
	130464-01-701	EA	REFLECTOR - RED	NO VDR#

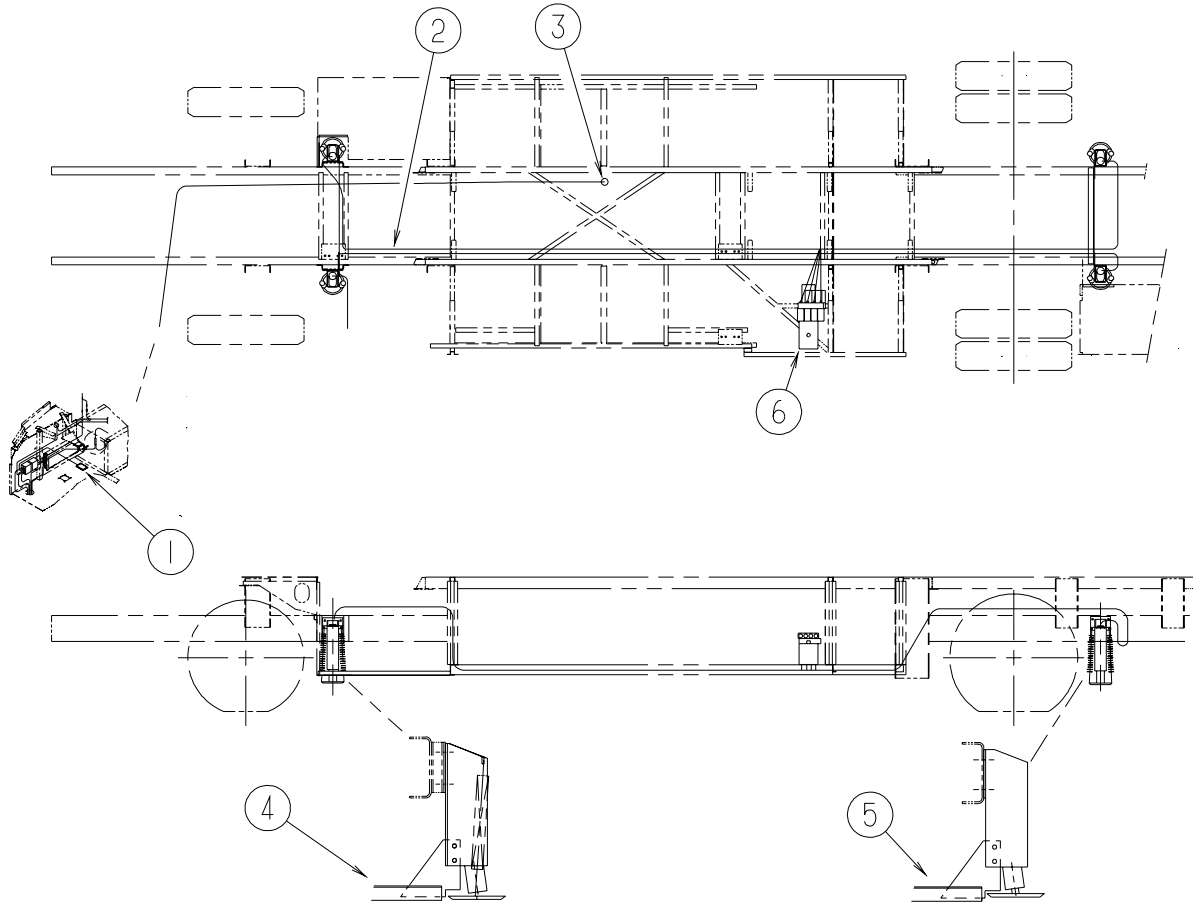
## CHASSIS GROUP (CONTINUED) FUEL SYSTEM



KEY	PART NUMBER	U/M	DESCRIPTION
1	073220-04-000	EA	CAP - FUEL FILL - NON LOCKING DIESEL
2	024138-01-000	FT	HOSE - FUEL - 5/16" ID
3	128139-03-000	FT	HOSE - FUEL - LOW PERMEABILITY - 1/4" DIAMETER
4	118726-04-000	EA	BAFFLE - FUEL FILL - RIGHT HAND
5	114253-01-000	EA	ELBOW - 1/4 SINGLE BARB X 1/8 MPT
5	068382-06-000	EA	BUSHING - BRASS - 3/8"MPT X 1/8"FPT
6	114253-02-000	EA	ELBOW - 5/16 SINGLE BARB X 1/4 MPT
6	068382-01-000	EA	BUSHING - BRASS - 1/2 MPT X 1/4 FPT
7	128299-01-01A	EA	SHROUD - FUEL FILL
8	118726-03-000	EA	BAFFLE - FUEL FILL - LEFT HAND
9	132108-02-000	EA	NECK ASSEMBLY - FUEL FILL/PASSENGER
10	114254-02-000	EA	ADAPTER - 5/16 SINGLE BARB X 1/8 MPT
11	132108-01-000	EA	NECK ASSEMBLY - FUEL FILL/DRIVER
12	114254-01-000	EA	ADAPTER - 1/4 BARB X 1/8 MPT

## CHASSIS GROUP (CONTINUED)

### HYDRAULIC LEVELING



KEY	PART NUMBER	U/M	DESCRIPTION
1*	107889-03-000	EA	PANEL - CONTROL - TOUCH - AIR DUMP
2	100536-53-000	EA	HOSE KIT - LEVELING JACKS
3	117183-01-02B	EA	COVER - SENSOR - LEVELING
4	128411-01-02B	EA	BRACKET - JACK - E-COATED
5	128411-04-02B	EA	BRACKET - JACK - E-COATED
6	131306-28-000	EA	LEVELING SYSTEM - 610 SYSTEM - F/2 ROOM SLIDE - SPARTAN

**\*COMPONENT PARTS LISTED LATER IN THIS GROUP**

**CHASSIS GROUP (CONTINUED)**  
**COMPONENT PARTS FOR HYDRAULIC LEVELING**

107889-03-000

<b>KEY</b>	<b>PART NUMBER</b>	<b>U/M</b>	<b>DESCRIPTION</b>	<b>VENDOR NO.</b>
	100532-09-702	EA	CABLE-MODULAR 5'	RAP1020
	107889-03-700	EA	PANEL-TOUCH	RAP1088



## CHASSIS GROUP (CONTINUED)

### WHEEL, TIRE, COVERS &/OR LINERS

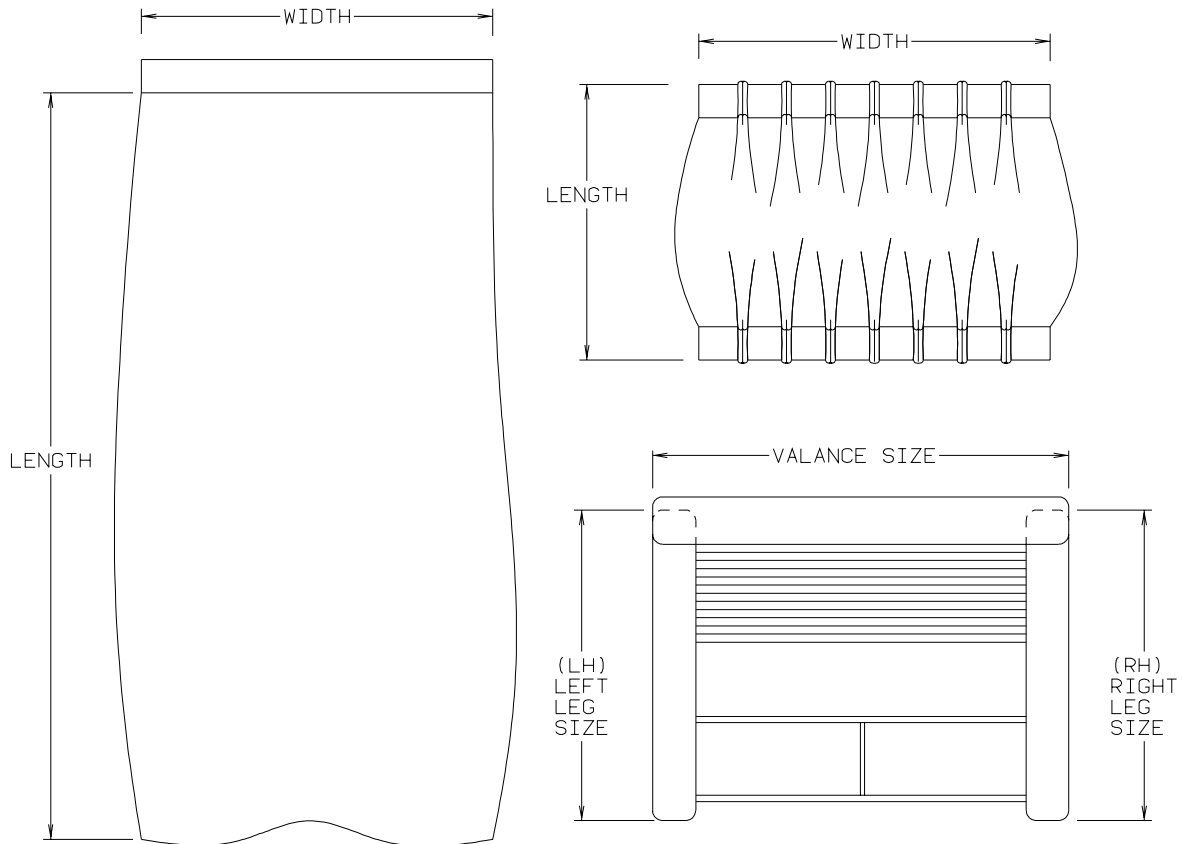
KEY	PART NUMBER	U/M	DESCRIPTION
	129058-10-000	EA	COVER - NUT - 1.9"H X 2"BASE X 1.4" NUT
	129058-11-000	EA	COVER - NUT - 2.24"H X 2" BASE X 1.4" NUT (REAR WHEELS) FROM: 00-00-00 THRU: 02-19-02
	129058-14-000	EA	COVER - FRONT AXLE - 10 BOLT FRONT - W/LOGO FROM: 02-20-02 THRU: 99-99-99
	129058-15-000	EA	COVER - REAR AXLE - 10 BOLT REAR - W/LOGO FROM: 02-20-02 THRU: 99-99-99
	129058-16-000	EA	CAP - REAR - THREADED - W/LOGO FROM: 02-20-02 THRU: 99-99-99
	129058-17-000	EA	BRACKET - REAR - THREADED FROM: 02-20-02 THRU: 99-99-99
	133429-01-000	EA	WHEEL - ALUMINUM - 22.5" X 8.25" - POLISHED/OUTSIDE
	133429-02-000	EA	WHEEL - ALUMINUM - 22.5" X 8.25" - POLISHED/INSIDE
	077030-02-000	EA	EXTENSION - VALVE STEM - 1.25"
	080208-04-000	EA	LUG WRENCH - 1 3/16" - OSHKOSH/SPARTAN
	080208-05-000	EA	BAR - LEVERAGE - LUG WRENCH - .75"DIA. - OSHKOSH/SPARTAN

## CURTAIN & CUSHION GROUP

### NOTICE

IN ORDER TO ASSIST OUR PARTS SALES DEPT. IN PROVIDING INTERIOR SOFTWARE ITEMS, PLEASE INCLUDE THE SERIAL NUMBER AND THE COLOR CODE NUMBER FROM THE VEHICLE CERTIFICATION LABEL WHEN ORDERING. THIS LABEL IS LOCATED ON THE LEFT SIDEWALL AT THE END OF THE DASH (A-BODY), OR ON THE DRIVER'S DOOR LATCH PLATE (C-BODY).

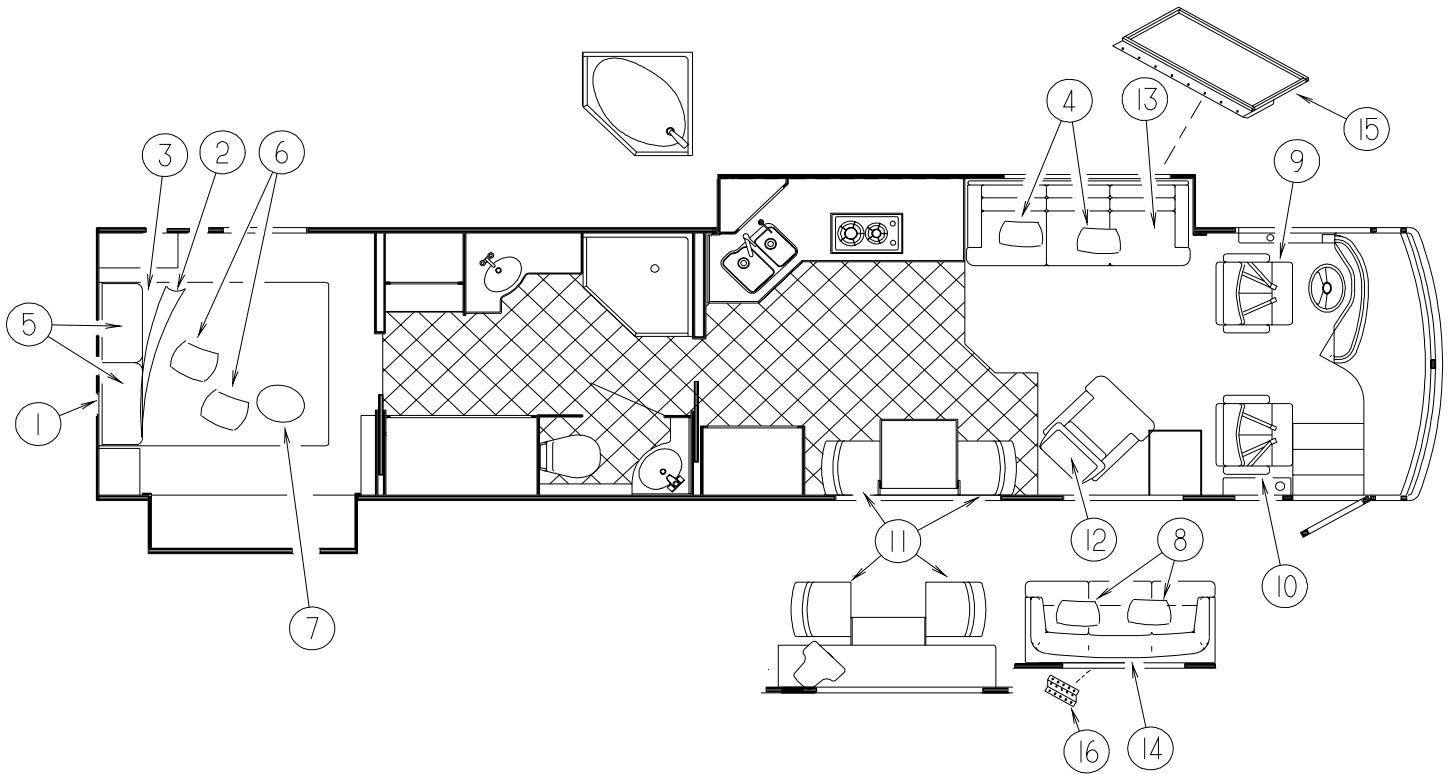
AN EXAMPLE OF A COLOR CODE NUMBER IS B07, WHICH DESIGNATES AN OVERALL COLOR SCHEME OF A PARTICULAR UNIT. THE COLOR LISTED AFTER THE ITEM DESCRIPTION ON THE MICROFICHE, INDICATES THE OVERALL UNIT COLOR. ORDER THE ITEM YOU DESIRE ACCORDING TO UNIT COLOR CODE. IF ALL COLORS USE THE SAME ITEM NO COLOR CODE WILL BE NOTED.



NOTE: USE THIS ILLUSTRATION WHEN DETERMINING LENGTH AND WIDTH MEASUREMENTS FOR CURTAINS. YOU WILL NOTE THE WIDTH MEASUREMENT IS TAKEN ON THE TOP OF THE CURTAIN WITH THE CURTAIN FULLY EXTENDED. THE LENGTH MEASUREMENT IS TAKEN FROM TOP TO BOTTOM. LEFT AND RIGHT WINDOW LEGS ARE DETERMINED WHEN FACING THE WINDOW.

## CURTAIN & CUSHION GROUP (CONTINUED)

### CUSHION LAYOUT



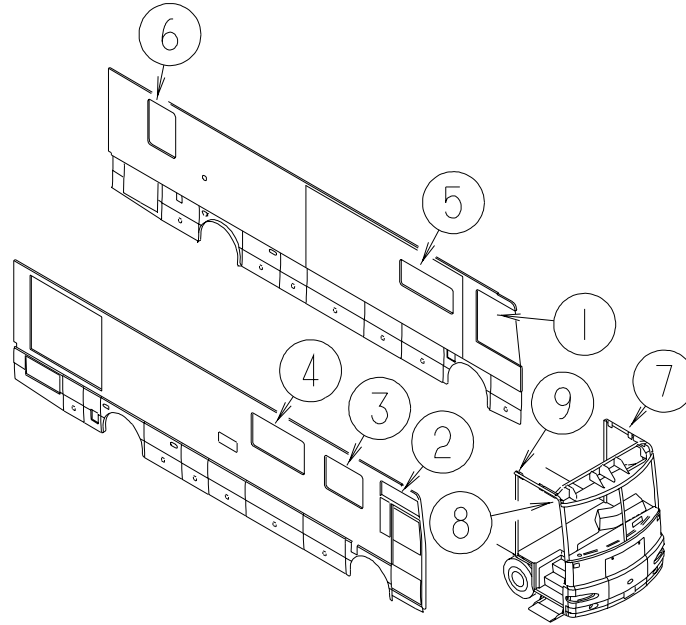
KEY	PART NUMBER	U/M	DESCRIPTION
1	127571-04-NQ0	EA	HEADBOARD - SLEIGH - F/QUEEN BED - FABRIC COVERED (NQ0, NQ1, NQ6)
1	127571-04-NQ2	EA	HEADBOARD - SLEIGH - F/QUEEN BED - FABRIC COVERED (NQ2, NQ3, NQ7)
1	127571-04-NQ4	EA	HEADBOARD - SLEIGH - F/QUEEN BED - FABRIC COVERED (NQ4, NQ5, NQ8)
2	124574-18-000	EA	BEDSPREAD - 60" X 80" (NQ0, NQ1, NQ6)
2	124574-19-000	EA	BEDSPREAD - 60" X 80" (NQ2, NQ3, NQ7)
2	124574-20-000	EA	BEDSPREAD - 60" X 80" (NQ4, NQ5, NQ8)
3	123013-01-000	EA	MATTRESS - INNERSPRING - 60" X 80"
4	139679-04-NQ0	EA	PILLOW - 15" X 15" - W/BOXING & OVERLAY (NQ0, NQ1, NQ6)
4	139679-04-NQ2	EA	PILLOW - 15" X 15" - W/BOXING & OVERLAY (NQ2, NQ3, NQ7)
4	139679-04-NQ4	EA	PILLOW - 15" X 15" - W/BOXING & OVERLAY (NQ4, NQ5, NQ8)
5	119249-01-000	EA	PILLOW - 20" X 33" - QUEEN
5	124575-18-000	EA	PILLOW SHAM (NQ0, NQ1, NQ6)
5	124575-19-000	EA	PILLOW SHAM (NQ2, NQ3, NQ7)
5	124575-20-000	EA	PILLOW SHAM (NQ4, NQ5, NQ8)
6	139680-04-NQ0	EA	PILLOW - 13" X 20" - W/BOXING & OVERLAY (NQ0, NQ1, NQ6)
6	139680-04-NQ2	EA	PILLOW - 13" X 20" - W/BOXING & OVERLAY (NQ2, NQ3, NQ7)
6	139680-04-NQ4	EA	PILLOW - 13" X 20" - W/BOXING & OVERLAY (NQ4, NQ5, NQ8)
7	139766-02-NQ0	EA	PILLOW - 16" (NQ0, NQ1, NQ6)
7	139766-02-NQ2	EA	PILLOW - 16" (NQ2, NQ3, NQ7)
7	139766-02-NQ4	EA	PILLOW - 16" (NQ4, NQ5, NQ8)
8	139679-06-NQ0	EA	PILLOW - 15" X 15" - W/BOXING (NQ0, NQ1, NQ6)
8	139679-06-NQ2	EA	PILLOW - 15" X 15" - W/BOXING (NQ2, NQ3, NQ7)
8	139679-06-NQ4	EA	PILLOW - 15" X 15" - W/BOXING (NQ4, NQ5, NQ8)
9	139617-01-000	EA	BUCKET SEAT - PILOT - LEATHER/GLACIER
10	139617-02-000	EA	BUCKET SEAT - QUEEN - LEATHER/GLACIER
	139617-99-000	EA	PEDESTAL - DRIVER/PASSENGER
	133342-91-000	EA	BEARING KIT - SWIVEL - VILLA - <a href="#">PASSENGER</a>

**CURTAIN & CUSHION GROUP (CONTINUED)**  
**CUSHION LAYOUT (CONTINUED)**

<b>KEY</b>	<b>PART NUMBER</b>	<b>U/M</b>	<b>DESCRIPTION</b>
11	139623-01-000	EA	CHAIR/DINING - MIST/MAPLE (NQ0)
11	139623-02-000	EA	CHAIR/DINING - MIST/CHERRY (NQ1)
11	139623-03-000	EA	CHAIR/DINING - FRENCH PLUME/MAPLE (NQ2)
11	139623-04-000	EA	CHAIR/DINING - FRENCH PLUME/CHERRY (NQ3)
11	139623-05-000	EA	CHAIR/DINING - LIZBETTE/MAPLE (NQ4)
11	139623-06-000	EA	CHAIR/DINING - LIZBETTE/CHERRY (NQ5)
11	139623-09-000	EA	CHAIR/DINING - MIST/PORTSMOUTH OAK (NQ6)
11	139623-10-000	EA	CHAIR/DINING - FRENCH PLUME/PORTSMOUTH OAK (NQ7)
11	139623-11-000	EA	CHAIR/DINING - LIZBETTE/PORTSMOUTH OAK (NQ8)
	135600-62-000	EA	CHAIR - FOLDING - MIST/MAPLE (NQ0)
	135600-63-000	EA	CHAIR - FOLDING - MIST/CHERRY (NQ1)
	135600-64-000	EA	CHAIR - FOLDING - FRENCH PLUME/MAPLE (NQ2)
	135600-65-000	EA	CHAIR - FOLDING - FRENCH PLUME/CHERRY (NQ3)
	135600-66-000	EA	CHAIR - FOLDING - LIZBETTE/MAPLE (NQ4)
	135600-67-000	EA	CHAIR - FOLDING - LIZBETTE/CHERRY (NQ5)
	135600-86-000	EA	CHAIR - FOLDING - MIST/PORTSMOUTH OAK (NQ6)
	135600-87-000	EA	CHAIR - FOLDING - FRENCH PLUME/PORTSMOUTH OAK (NQ7)
	135600-88-000	EA	CHAIR - FOLDING - LIZBETTE/PORTSMOUTH OAK (NQ8)
	129529-02-000	EA	STRAP - CHAIR RETAINING - 81.9"
12	139628-01-000	EA	CHAIR/RECLINER - GLACIER/LEATHER - <a href="#">LOUNGE CHAIR W/TABLE</a>
12	139626-01-000	EA	CHAIR/DESK - GLACIER/LEATHER - <a href="#">POWERED LOUNGE CHAIR W/TABLE</a>
	113983-94-000	EA	SWIVEL KIT - VILLA SEAT PED. 2 PLATES W/BEARINGS BETWEEN
	119730-94-000	EA	PEDESTAL - VILLA
	119730-95-000	EA	TOP PLATE - VILLA
13	139618-01-000	EA	SOFA/SLEEPER/HIDE-A-BED/ELC -77"- RAISED - WHISPER (NQ0, NQ1, NQ6) - REST EASY LOUNGE
13	139618-02-000	EA	SOFA/SLEEPER/HIDE-A-BED/ELC -77"- RAISED - JEWEL (NQ2, NQ3, NQ7) - REST EASY LOUNGE
13	139618-03-000	EA	SOFA/SLEEPER/HIDE-A-BED/ELC -77"- RAISED - LEDA (NQ4, NQ5, NQ8) - REST EASY LOUNGE
13	139621-04-000	EA	SOFA/SLEEPER - HIDE-A-BED/ELECTRIC -77"- RAISED - GLACIER - REST EASY DUAL LEATHER
14	139627-01-000	EA	SOFA/LOUNGE - 56" - GLACIER/LEATHER - J LOVE SEAT
15	139236-01-02B	EA	BRACKET - F/SLIDEOUT - EZ - E-COATED
16	116104-03-02B	EA	BRACKET - ZEE W/HOLES - 5.9" - E-COATED

## CURTAIN & CUSHION GROUP (CONTINUED)

### WINDOW TREATMENT

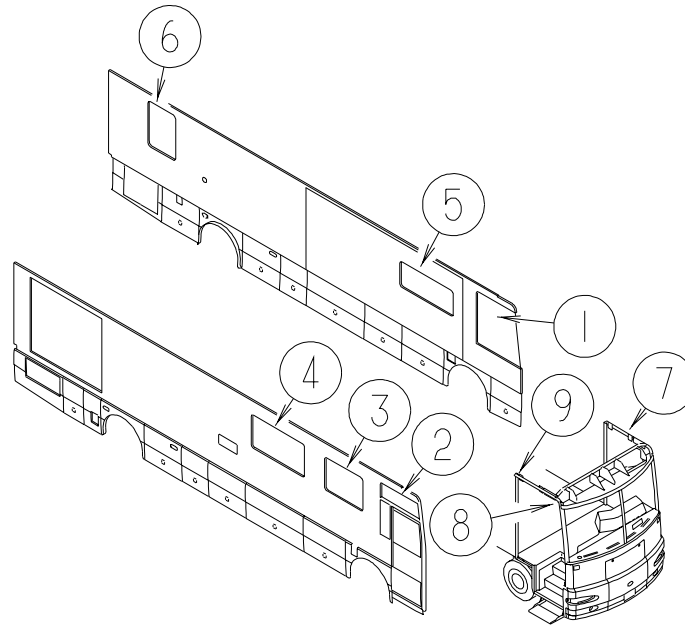


KEY	PART NUMBER	U/M	DESCRIPTION
1	126841-01-000	EA	SHADE - PULL - CHARCOAL MESH - 45" X 60"
2	126841-08-000	EA	SHADE - PULL - SUNSCREEN - 33" X 60"
3	139773-04-NQ0	EA	LAMBREQUIN - GOTHIC - 45" - W/DAY/NIGHTER BLINDS
3	139773-08-NQ0	EA	LAMBREQUIN - GOTHIC - 45" - W/WOOD BLINDS
3	139773-04-NQ1	EA	LAMBREQUIN - GOTHIC - 45" - W/DAY/NIGHTER BLINDS
3	139773-08-NQ1	EA	LAMBREQUIN - GOTHIC - 45" - W/WOOD BLINDS
3	139773-04-NQ2	EA	LAMBREQUIN - GOTHIC - 45" - W/DAY/NIGHTER BLINDS
3	139773-08-NQ2	EA	LAMBREQUIN - GOTHIC - 45" - W/WOOD BLINDS
3	139773-04-NQ3	EA	LAMBREQUIN - GOTHIC - 45" - W/DAY/NIGHTER BLINDS
3	139773-08-NQ3	EA	LAMBREQUIN - GOTHIC - 45" - W/WOOD BLINDS
3	139773-04-NQ4	EA	LAMBREQUIN - GOTHIC - 45" - W/DAY/NIGHTER BLINDS
3	139773-08-NQ4	EA	LAMBREQUIN - GOTHIC - 45" - W/WOOD BLINDS
3	139773-04-NQ5	EA	LAMBREQUIN - GOTHIC - 45" - W/DAY/NIGHTER BLINDS
3	139773-08-NQ5	EA	LAMBREQUIN - GOTHIC - 45" - W/WOOD BLINDS
3	139773-04-NQ6	EA	LAMBREQUIN - GOTHIC - 45" - W/DAY/NIGHTER BLINDS
3	139773-08-NQ6	EA	LAMBREQUIN - GOTHIC - 45" - W/WOOD BLINDS
3	139773-04-NQ7	EA	LAMBREQUIN - GOTHIC - 45" - W/DAY/NIGHTER BLINDS
3	139773-08-NQ7	EA	LAMBREQUIN - GOTHIC - 45" - W/WOOD BLINDS
3	139773-04-NQ8	EA	LAMBREQUIN - GOTHIC - 45" - W/DAY/NIGHTER BLINDS
3	139773-08-NQ8	EA	LAMBREQUIN - GOTHIC - 45" - W/WOOD BLINDS
3	111910-06-N94	EA	BLIND - DAY/NIGHTER - 42.5" X 32" (NQ0, NQ1, NQ6) FROM: 00-00-00 THRU: 11-04-01
3	140789-21-N94	EA	BLIND - DAY/NIGHTER - 42.5" X 32" (NQ0, NQ1, NQ6) FROM: 11-05-01 THRU: 99-99-99
3	111910-06-N96	EA	BLIND - DAY/NIGHTER - 42.5" X 32" (NQ2, NQ3, NQ4, NQ5, NQ7, NQ8) FROM: 00-00-00 THRU: 11-04-01
3	140789-21-N96	EA	BLIND - DAY/NIGHTER - 42.5" X 32" (NQ2, NQ3, NQ4, NQ5, NQ7, NQ8) FROM: 11-05-01 THRU: 99-99-99
3	114214-07-03A	EA	BLIND - WOOD - 2" SLATS - 42" X 31.5" - NATURAL (NQ0, NQ2, NQ4)
3	114214-07-04A	EA	BLIND - WOOD - 2" SLATS - 42" X 31.5" - CHERRY (NQ1, NQ3, NQ5)
3	NOT AVAILABLE	EA	BLIND - WOOD - 2" SLATS - 42" X 31.5" - PORTSMOUTH OAK (NQ6, NQ7, NQ8)

**CURTAIN & CUSHION GROUP (CONTINUED)**  
**WINDOW TREATMENT (CONTINUED)**

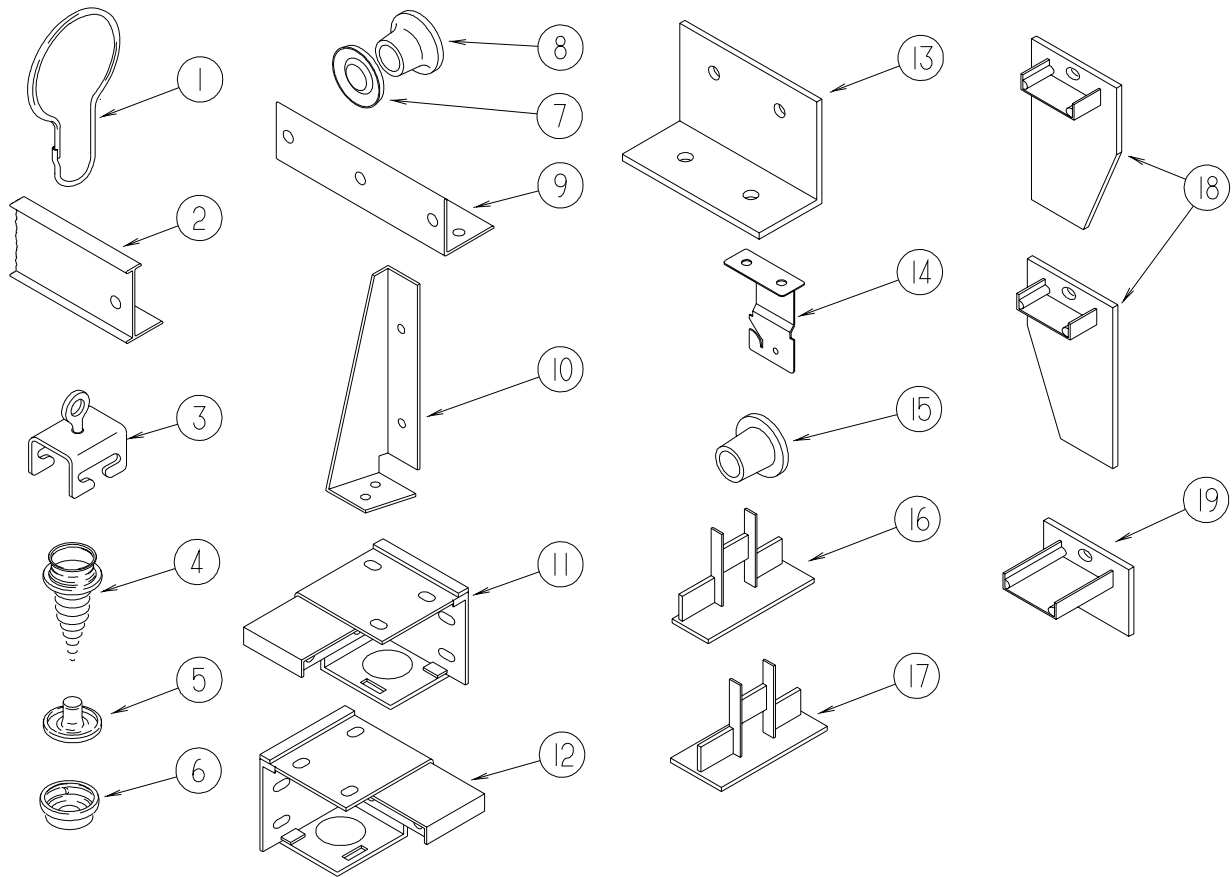
KEY	PART NUMBER	U/M	DESCRIPTION
4	139773-02-NQ0	EA	LAMBREQUIN - GOTHIC - 61" - W/DAY/NIGHTER BLINDS
4	139773-06-NQ0	EA	LAMBREQUIN - GOTHIC - 61" - W/WOOD BLINDS
4	139773-02-NQ1	EA	LAMBREQUIN - GOTHIC - 61" - W/DAY/NIGHTER BLINDS
4	139773-06-NQ1	EA	LAMBREQUIN - GOTHIC - 61" - W/WOOD BLINDS
4	139773-02-NQ2	EA	LAMBREQUIN - GOTHIC - 61" - W/DAY/NIGHTER BLINDS
4	139773-06-NQ2	EA	LAMBREQUIN - GOTHIC - 61" - W/WOOD BLINDS
4	139773-02-NQ3	EA	LAMBREQUIN - GOTHIC - 61" - W/DAY/NIGHTER BLINDS
4	139773-06-NQ3	EA	LAMBREQUIN - GOTHIC - 61" - W/WOOD BLINDS
4	139773-02-NQ4	EA	LAMBREQUIN - GOTHIC - 61" - W/DAY/NIGHTER BLINDS
4	139773-06-NQ4	EA	LAMBREQUIN - GOTHIC - 61" - W/WOOD BLINDS
4	139773-02-NQ5	EA	LAMBREQUIN - GOTHIC - 61" - W/DAY/NIGHTER BLINDS
4	139773-06-NQ5	EA	LAMBREQUIN - GOTHIC - 61" - W/WOOD BLINDS
4	139773-02-NQ6	EA	LAMBREQUIN - GOTHIC - 61" - W/DAY/NIGHTER BLINDS
4	139773-06-NQ6	EA	LAMBREQUIN - GOTHIC - 61" - W/WOOD BLINDS
4	139773-02-NQ7	EA	LAMBREQUIN - GOTHIC - 61" - W/DAY/NIGHTER BLINDS
4	139773-06-NQ7	EA	LAMBREQUIN - GOTHIC - 61" - W/WOOD BLINDS
4	139773-02-NQ8	EA	LAMBREQUIN - GOTHIC - 61" - W/DAY/NIGHTER BLINDS
4	139773-06-NQ8	EA	LAMBREQUIN - GOTHIC - 61" - W/WOOD BLINDS
4	111910-12-N94	EA	BLIND - DAY/NIGHTER - 58" X 33" (NQ0, NQ1, NQ6) FROM: 00-00-00 THRU: 11-04-01
4	140789-20-N94	EA	BLIND - DAY/NIGHTER - 58" X 33" (NQ0, NQ1, NQ6) FROM: 11-05-01 THRU: 99-99-99
4	111910-12-N96	EA	BLIND - DAY/NIGHTER - 58" X 33" (NQ2, NQ3, NQ4, NQ5, NQ7, NQ8) FROM: 00-00-00 THRU: 11-04-01
4	140789-20-N96	EA	BLIND - DAY/NIGHTER - 58" X 33" (NQ2, NQ3, NQ4, NQ5, NQ7, NQ8) FROM: 11-05-01 THRU: 99-99-99
4	114214-03-01A	EA	BLIND - WOOD - 2" SLATS - 58" X 31.5" - NATURAL (NQ0, NQ2, NQ4)
4	114214-03-04A	EA	BLIND - WOOD - 2" SLATS - 58" X 31.5" - CHERRY (NQ1, NQ3, NQ5)
4	NOT AVAILABLE	EA	BLIND - WOOD - 2" SLATS - 58" X 31.5" - PORTSMOUTH OAK (NQ6, NQ7, NQ8)
5	139773-01-NQ0	EA	LAMBREQUIN - GOTHIC - 61" - W/DAY/NIGHTER BLINDS
5	139773-05-NQ0	EA	LAMBREQUIN - GOTHIC - 61" - W/WOOD BLINDS
5	139773-01-NQ1	EA	LAMBREQUIN - GOTHIC - 61" - W/DAY/NIGHTER BLINDS
5	139773-05-NQ1	EA	LAMBREQUIN - GOTHIC - 61" - W/WOOD BLINDS
5	139773-01-NQ2	EA	LAMBREQUIN - GOTHIC - 61" - W/DAY/NIGHTER BLINDS
5	139773-05-NQ2	EA	LAMBREQUIN - GOTHIC - 61" - W/WOOD BLINDS
5	139773-01-NQ3	EA	LAMBREQUIN - GOTHIC - 61" - W/DAY/NIGHTER BLINDS
5	139773-05-NQ3	EA	LAMBREQUIN - GOTHIC - 61" - W/WOOD BLINDS
5	139773-01-NQ4	EA	LAMBREQUIN - GOTHIC - 61" - W/DAY/NIGHTER BLINDS
5	139773-05-NQ4	EA	LAMBREQUIN - GOTHIC - 61" - W/WOOD BLINDS
5	139773-01-NQ5	EA	LAMBREQUIN - GOTHIC - 61" - W/DAY/NIGHTER BLINDS
5	139773-05-NQ5	EA	LAMBREQUIN - GOTHIC - 61" - W/WOOD BLINDS
5	139773-01-NQ6	EA	LAMBREQUIN - GOTHIC - 61" - W/DAY/NIGHTER BLINDS
5	139773-05-NQ6	EA	LAMBREQUIN - GOTHIC - 61" - W/WOOD BLINDS
5	139773-01-NQ7	EA	LAMBREQUIN - GOTHIC - 61" - W/DAY/NIGHTER BLINDS
5	139773-05-NQ7	EA	LAMBREQUIN - GOTHIC - 61" - W/WOOD BLINDS
5	139773-01-NQ8	EA	LAMBREQUIN - GOTHIC - 61" - W/DAY/NIGHTER BLINDS
5	139773-05-NQ8	EA	LAMBREQUIN - GOTHIC - 61" - W/WOOD BLINDS
5	111910-55-N44	EA	BLIND - DAY/NIGHTER - 59" X 26.5" (NQ0, NQ1, NQ6) FROM: 00-00-00 THRU: 11-04-01
5	140789-08-N44	EA	BLIND - DAY/NIGHTER - 59" X 26.5" (NQ0, NQ1, NQ6) FROM: 11-05-01 THRU: 99-99-99
5	111910-55-N09	EA	BLIND - DAY/NIGHTER - 59" X 26.5" (NQ2, NQ3, NQ4, NQ5, NQ7, NQ8) FROM: 00-00-00 THRU: 11-04-01
5	140789-08-N09	EA	BLIND - DAY/NIGHTER - 59" X 26.5" (NQ2, NQ3, NQ4, NQ5, NQ7, NQ8) FROM: 11-05-01 THRU: 99-99-99
5	114214-08-01A	EA	BLIND - WOOD - 2" SLATS - 59" X 26.5" - NATURAL (NQ0, NQ2, NQ4)
5	114214-08-03A	EA	BLIND - WOOD - 2" SLATS - 59" X 26.5" - CHERRY (NQ1, NQ3, NQ5)
5	NOT AVAILABLE	EA	BLIND - WOOD - 2" SLATS - 59" X 26.5" - PORTSMOUTH OAK (NQ6, NQ7, NQ8)

**CURTAIN & CUSHION GROUP (CONTINUED)**  
**WINDOW TREATMENT (CONTINUED)**



KEY	PART NUMBER	U/M	DESCRIPTION
6	139706-01-NQ0	EA	LAMBREQUIN - QUEBEC - 34"
6	139706-01-NQ1	EA	LAMBREQUIN - QUEBEC - 34"
6	139706-01-NQ2	EA	LAMBREQUIN - QUEBEC - 34"
6	139706-01-NQ3	EA	LAMBREQUIN - QUEBEC - 34"
6	139706-01-NQ4	EA	LAMBREQUIN - QUEBEC - 34"
6	139706-01-NQ5	EA	LAMBREQUIN - QUEBEC - 34"
6	139706-01-NQ6	EA	LAMBREQUIN - QUEBEC - 34"
6	139706-01-NQ7	EA	LAMBREQUIN - QUEBEC - 34"
6	139706-01-NQ8	EA	LAMBREQUIN - QUEBEC - 34"
6	136684-01-NQ0	EA	BLIND - ROMAN SHADE - 30" X 46" (NQ0, NQ1, NQ6) FROM: 00-00-00 THRU: 11-04-01
6	141694-01-NQ0	EA	BLIND - ROMAN SHADE - 30" X 46" (NQ0, NQ1, NQ6) FROM: 11-05-01 THRU: 99-99-99
6	136684-01-NQ2	EA	BLIND - ROMAN SHADE - 30" X 46" (NQ2, NQ3, NQ7) FROM: 00-00-00 THRU: 11-04-01
6	141694-01-NQ2	EA	BLIND - ROMAN SHADE - 30" X 46" (NQ2, NQ3, NQ7) FROM: 11-05-01 THRU: 99-99-99
6	136684-01-NQ4	EA	BLIND - ROMAN SHADE - 30" X 46" (NQ4 NQ5, NQ8) FROM: 00-00-00 THRU: 11-04-01
6	141694-01-NQ4	EA	BLIND - ROMAN SHADE - 30" X 46" (NQ4 NQ5, NQ8) FROM: 11-05-01 THRU: 99-99-99
6	114214-05-01A	EA	BLIND - WOOD - 2" SLATS - 30" X 46" - NATURAL (NQ0, NQ2, NQ4)
6	114214-05-04A	EA	BLIND - WOOD - 2" SLATS - 30" X 46" - CHERRY (NQ1, NQ3, NQ5)
6	NOT AVAILABLE	EA	BLIND - WOOD - 2" SLATS - 30" X 46" - PORTSMOUTH OAK (NQ6, NQ7, NQ8)
7	093487-23-02A	EA	CURTAIN - WRAPAROUND/PRIVACY/PLEATED - 47" X 108" - DR
8	093487-27-02A	EA	CURTAIN - WRAPAROUND/PRIVACY/PLEATED- 47.5" X 87" PASS FRT
9	093487-28-02A	EA	CURTAIN - WRAPAROUND/PRIVACY/PLEATED- 51" X 62"- PASS REAR

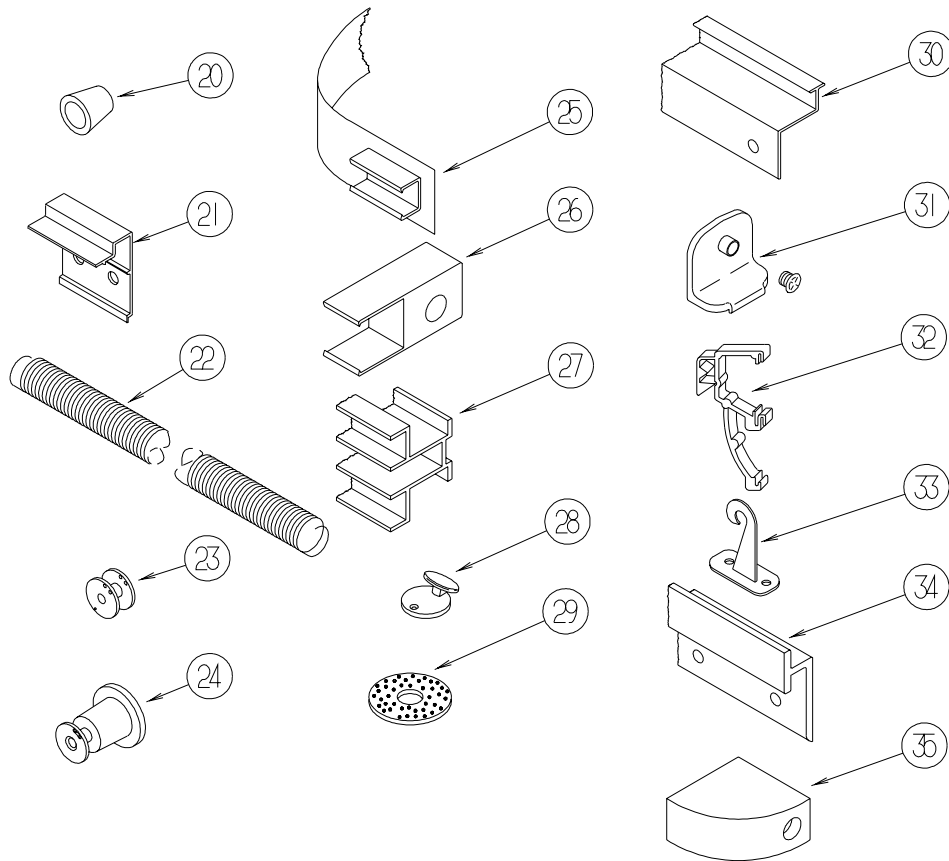
## CURTAIN & CUSHION GROUP (CONTINUED) HARDWARE



KEY	PART NUMBER	U/M	DESCRIPTION
1	009136-02-000	EA	HANGER - RING - PIN TYPE - CURTAIN - BRASS
2	009700-04-002	EA	TRACK - CURTAIN - L SHAPED - 15.5' - OFF WHITE - <b>400 SERIES</b>
2	118896-05-04A	EA	TRACK/WRAPAROUND - PASSENGER - GLACIER - <b>Q-SERIES</b>
2	118897-04-04A	EA	TRACK/WRAPAROUND - PASSENGER - GLACIER - <b>Q-SERIES</b>
2	126456-03-04A	EA	TRACK/WRAPAROUND - PASSENGER - GLACIER - <b>G-SERIES</b>
2	126456-04-04A	EA	TRACK/WRAPAROUND - DRIVER - GLACIER - <b>G-SERIES</b>
3	009702-01-000	EA	END STOP - CURTAIN CARRIER - L ROD
4	029130-01-000	EA	SCREW - SNAP STUD - #8-16 X 3/8" LONG
4	029130-03-000	EA	SCREW - SNAP STUD - #8-16 X 1" LONG
5	029155-01-000	EA	CAP - SNAP - 5/32" OUTSIDE DIAMETER OF PIN
6	029156-01-000	EA	SOCKET - SNAP - 9/16" O.D.
7	046867-02-000	EA	WASHER - HANDY BUTTON #3
8	046867-03-000	EA	GROMMET - HANDY BUTTON #3
9	075943-10-000	EA	BRACE - VALANCE - 20" - OFF WHITE
9	105648-01-02A	EA	BRACE - VALANCE - OFF/WHITE - 14"
10	076827-02-000	EA	BRACKET/LEG - 2.9" X 1.8" - TRIANGULAR - LEFT/E-COATED
11	083170-01-000	EA	BRACKET/BLIND - LEFT SIDE WHEN FACING WINDOW - CLEAR
12	083170-02-000	EA	BRACKET/BLIND - RIGHT SIDE WHEN FACING WINDOW - CLEAR
13	083125-07-000	EA	BRACE - ANGLE/COUCH - 2.5" - OFF WHITE
13	083125-08-000	EA	BRACE - ANGLE/COUCH - .75" - OFF WHITE
14	084434-01-000	EA	BRACKET - MOUNTING - ROLLER SHADE - 1 3/8"
15	094896-02-000	EA	GROMMET - CORD/PLEATED BLIND - NYLON - GRAY
16	094907-02-000	EA	END CAP - PLEATED BLIND/TOP - RH/LH - GRAY PLASTIC
17	094907-04-000	EA	END CAP - PLEATED BLIND/BOTTOM - RH/LH
18	094907-05-000	EA	END CAP - PLEATED BLIND/BOTTOM - PULL TYPE - PLASTIC
19	094907-06-000	EA	END CAP - PLEATED BLIND/TOP



**CURTAIN & CUSHION GROUP (CONTINUED)**  
**HARDWARE (CONTINUED)**



KEY	PART NUMBER	U/M	DESCRIPTION
20	097564-03-000	EA	HANDLE - KNOB - E-Z LIFT SHADE - TAN
20	097564-05-000	EA	HANDLE - KNOB - E-Z LIFT SHADE - TEAL
20	097564-06-000	EA	HANDLE - KNOB - E-Z LIFT SHADE - ALABASTER
21	097565-01-000	EA	BRACKET - MOUNTING - PLEATED BLIND
21	097565-02-000	EA	BRACKET - MOUNTING
22	097591-01-000	EA	SPRING - EXTENSION/PLEATED BLIND
23	097592-01-000	EA	SPOOL - CORD - ELEVATED BLIND HOLDUP - SMALL - CLEAR
24	097592-02-000	EA	SPOOL - CORD - ELEVATED BLIND HOLDUP - LARGE - CLEAR
	097593-02-000	FT	CORD - BLIND - PLEATED - GRAY
	097593-06-000	FT	CORD - BLIND - PLEATED - PEWTER
	097593-07-000	FT	CORD - BLIND - PLEATED - PALE JADE
	097593-10-000	FT	CORD - BLIND - PLEATED - VANILLA
25	101031-01-000	YD	TAPE/GLIDE - 4.25" SPACING
26	101033-02-000	EA	END CAP - LOW PROFILE TRACK - CLEAR
27	101033-08-000	EA	TRACK/WALL - 75"
27	101033-09-000	EA	TRACK/WALL - 32"
28	102555-03-000	EA	CLEAT - BLIND CORD - MILKY WHITE - PLASTIC
29	103242-01-000	EA	VELCRO HOOK - BEIGE 7/8" ROUND W/CENTER HOLE
29	103242-02-000	EA	VELCRO HOOK - BLACK 7/8" ROUND W/CENTER HOLE
30	105450-14-01A	EA	TRACK - CURTAIN - 90" - OFF WHITE - <b>300-SERIES</b>
30	105450-15-01A	EA	TRACK - CURTAIN - 82.3" - OFF WHITE - <b>200-SERIES</b>
31	106544-01-000	EA	PULL - SHADE/BRASS
	106544-01-001	EA	SCREW - SHADE/BRASS
32	109353-04-000	EA	CLIP - VALANCE SLAT MOUNTING - CLEAR PLASTIC
	109441-02-000	EA	SPACER/BRACKET - BLIND HOLD DOWN
33	109441-03-000	EA	BRACKET/HOOK - BLIND HOLD DOWN - CLOUDY
34	127254-03-05A	EA	TRACK/WRAPAROUND - PASSENGER - GLACIER - <b>D-SERIES</b>
34	127254-04-05A	EA	TRACK/WRAPAROUND - DRIVER - GLACIER - <b>D-SERIES &amp; F-SERIES</b>
34	127254-14-03A	EA	TRACK/WRAPAROUND - PASSENGER - GLACIER - <b>F-SERIES</b>
34	133235-01-04A	EA	TRACK - CURTAIN/LEFT HAND - GLACIER - <b>P-SERIES</b>
34	133236-01-04A	EA	TRACK - CURTAIN/RIGHT HAND - GLACIER - <b>P-SERIES</b>
35	132504-01-N92	EA	BRACKET - SHADE

## CURTAIN & CUSHION GROUP (CONTINUED)

### ACCESSORIES

KEY	PART NUMBER	U/M	DESCRIPTION
	057534-08-000	EA	TIEBACK - CLEAR PLASTIC - 16"
	057534-04-000	EA	TIEBACK - CLEAR PLASTIC - 20"
	056271-01-000	EA	SEAT BELT - 2" X 102" - BLACK
	007021-01-000	EA	SEAT BELT - 2" X 90" - BLACK
	099717-13-000	EA	TIEDOWN - STRAP W/BUCKLE
	129491-01-000	EA	CATCH - SNAP HOOK - 1"
	118337-02-NQ0	EA	BUTTON - #60 - FABRIC COVERED (NQ1, NQ1, NQ6)
	118337-02-NQ2	EA	BUTTON - #60 - FABRIC COVERED (NQ2, NQ3, NQ7)
	118337-02-NQ6	EA	BUTTON - #60 - FABRIC COVERED (NQ4, NQ5, NQ8)
	074494-02-000	EA	BUTTON - RETAINING PIVOT - #60
	074494-04-000	EA	BUTTON - JOINED/PIVOT - W 3/4 TACK
	099717-01-000	EA	STRAP - W/24" FEMALE STRAP AND 14.2" MALE STRAP
	140221-01-02B	EA	WASHER - SEAT BELT - E - COAT

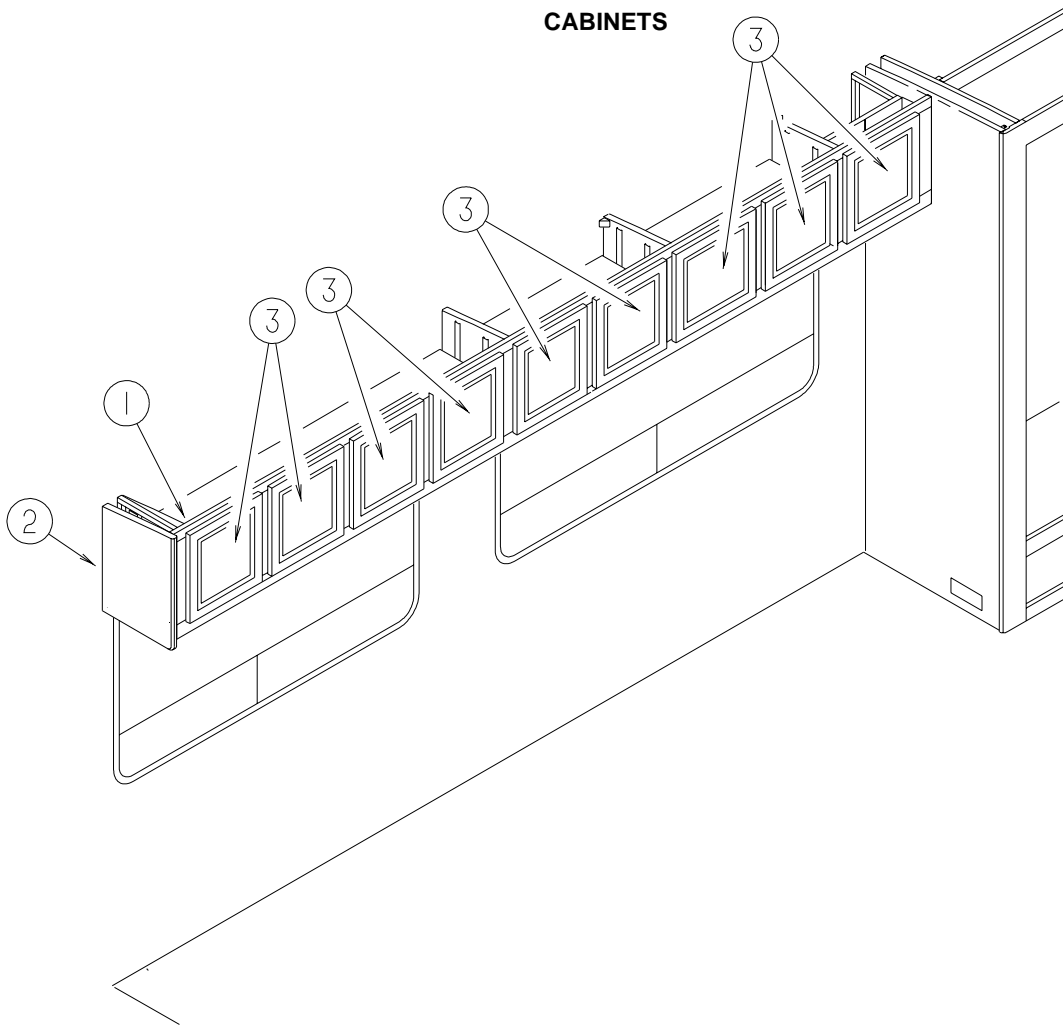
**CURTAIN & CUSHION GROUP (CONTINUED)**  
FABRICS

<b>2002 FAMILY</b>	<b>NQ0/NQ1/NQ6 PORTOFINO</b>	<b>NQ2/NQ3/NQ7 HARVEST TAPESTRY</b>	<b>NQ4/NQ5/NQ8 CHAMPAGNE PEARL</b>
<b>BUCKET</b>	DELANO PRESTWICK GLACIER	DELANO PRESTWICK GLACIER	DELANO PRESTWICK GLACIER
<b>LOUNGE CHAIR</b>	DELANO HOOP CHAIR PRESTWICK GLACIER	DELANO HOOP CHAIR PRESTWICK GLACIER	DELANO HOOP CHAIR PRESTWICK GLACIER
<b>DESK CHAIR (HEAT &amp; MASSAGE)</b>	DELANO PRESTWICK GLACIER	DELANO PRESTWICK GLACIER	DELANO PRESTWICK GLACIER
<b>DINING CHAIRS</b>	(2) DELANO STYLE 126883-J7-000	(2) DELANO STYLE 126883-J6-000	(2) DELANO STYLE 126883-E1-000
<b>FOLDING CHAIRS</b>	(2) REM 126883-J7-000	(2) REM 126883-J6-000	(2) REM 126883-E1-000
<b>SOFA</b>	DELANO ELECTRIC SOFA 126883-J4-000 *OPTIONAL LEATHER PRESTWICK GLACIER	DELANO ELECTRIC SOFA 126883-J5-000 *OPTIONAL LEATHER PRESTWICK GLACIER	DELANO ELECTRIC SOFA 126883-E0-000 *OPTIONAL LEATHER PRESTWICK GLACIER
<b>"J" LOUNGE</b>	DELANO STYLE PRESTWICK GLACIER	DELANO STYLE PRESTWICK GLACIER	DELANO STYLE PRESTWICK GLACIER
<b>LOUNGE PILLOW</b>	(2) 16X16 W/4 SQUARE OVLYS W/BOXING & TASSEL 126883-J4-000/126883-J7-000 TASSELS - 139727-08-000	(2) 16X16 W/4 SQUARE OVLYS W/BOXING & TASSEL 126883-J5-000/126883-J6-000 TASSELS - 139727-09-000	(2) 16X16 W/4 SQUARE OVLYS W/BOXING & TASSEL 126883-E0-000/126883-E1-000 TASSELS - 139727-10-000
<b>BANQUETTE PILLOW</b>	(2) 14" SQUARE PILLOW W/VINYL BOXING 126883-J4-000/079680-42-000	(2) 14" SQUARE PILLOW W/VINYL BOXING 126883-J5-000/079680-42-000	(2) 14" SQUARE PILLOW W/VINYL BOXING 126883-E0-000/079680-42-000
<b>LOUNGE WINDOWS</b>	GOTHIC LAMBREQUIN 126883-J7-000/126883-J4-000 <u>UNDERLAY/OVERLAY</u> WELT TRIM - 126883-J7-000	GOTHIC LAMBREQUIN 126883-J6-000/126883-J5-000 <u>UNDERLAY/OVERLAY</u> WELT TRIM - 126883-J6-000	GOTHIC LAMBREQUIN 126883-E1-000/126883-E0-000 <u>UNDERLAY/OVERLAY</u> WELT TRIM - 126883-E1-000
<b>FRONT WRAP</b>	PURCHASED PLEATED	PURCHASED PLEATED	PURCHASED PLEATED

**CURTAIN & CUSHION GROUP (CONTINUED)**  
**FABRICS (CONTINUED)**

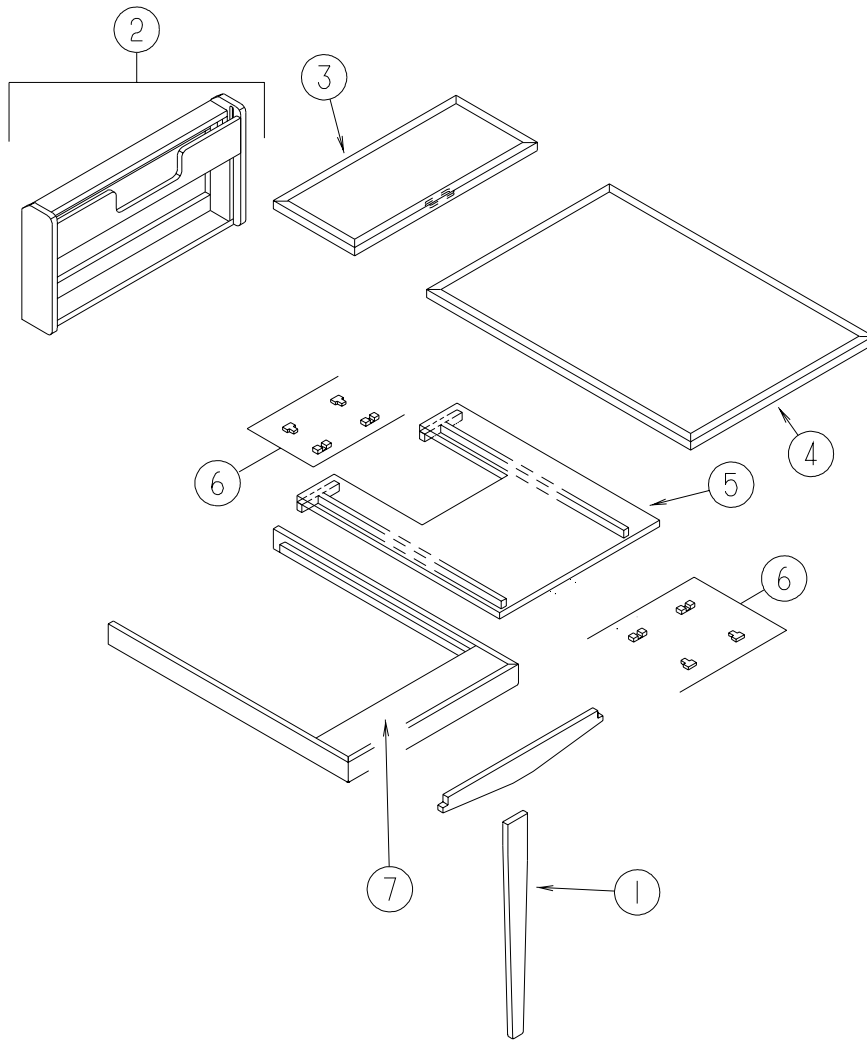
<b>2002 FAMILY</b>	<b>NQ0/NQ1/NQ6 PORTOFINO</b>	<b>NQ2/NQ3/NQ7 HARVEST TAPESTRY</b>	<b>NQ4/NQ5/NQ8 CHAMPAGNE PEARL</b>
<b>DAY/NIGHTER</b>	094911-56-000/126883-50-000 EGGSHELL/WT. DECO	094911-58-000/126883-50-000 PUTTY/WT. DECO	094911-56-000/126883-50-000 EGGSHELL/WT. DECO
<b>GALLEY BLINDS</b>	ALABASTER PEARL	ALABASTER PEARL	ALABASTER PEARL
<b>BEDROOM WDO TREATMENT</b>	QUEBEC LAMBREQUIN 137813-10-000/139041-09-000 UNDERLAY/OVERLAY TRIM - 084415-G2-000	QUEBEC LAMBREQUIN 137813-08-000/137813-07-000 UNDERLAY/OVERLAY TRIM - 139041-05-000	QUEBEC LAMBREQUIN 105745-W6-000/105745-W5-000 UNDERLAY/OVERLAY TRIM - 139041-07-000
<b>BEDCOVER</b>	KAY & L (PURCHASED) THROW W/TIE DOWNS & WLT 137813-09-000/137813-10-000 TRIM - 084415-G2-000	KAY & L (PURCHASED) THROW W/TIE DOWNS & WLT 137813-07-000/137813-08-000 TRIM - 139041-05-000	KAY & L (PURCHASED) THROW W/TIE DOWNS & WLT 105745-W5-000/105745-W6-000 TRIM - 139041-07-000
<b>SHAMS</b>	KAY & L (PURCHASED) FLANGED W/CORD INSET 137813-10-000/139041-09-000 TRIM - 084415-G2-000	KAY & L (PURCHASED) FLANGED W/CORD INSET 137813-08-000/137813-07-000 TRIM - 139041-05-000	KAY & L (PURCHASED) FLANGED W/CORD INSET 105745-W6-000/105745-W5-000 TRIM - 139041-07-000
<b>BED PILLOW</b>	(2) 12X20 W/½ MOON OVLY 137813-09-000/137813-10-000 WELT - 137813-10-000	(2) 12X20 W/½ MOON OVLY 137813-07-000/137813-08-000 WELT - 137813-08-000	(2) 12X20 W/½ MOON OVLY 105745-W5-000/105745-W6-000 WELT - 105745-W6-000
	(1) CLOVER STYLE W/BUTTON 137813-10-000 #60 BUTTON - 137813-10-000	(1) CLOVER STYLE W/BUTTON 137813-08-000 #60 BUTTON - 137813-08-000	(1) CLOVER STYLE W/BUTTON 105745-W6-000 #60 BUTTON - 105745-W6-000
<b>HEADBOARD</b>	SLEIGH STYLE WRAP - 137813-09-000 TRIM - 139041-03-000	SLEIGH STYLE WRAP - 137813-07-000 TRIM - 139041-05-000	SLEIGH STYLE WRAP - 105745-W5-000 TRIM - 139041-07-000
<b>BEDBOARD</b>	137813-10-000	137813-08-000	105745-W6-000
<b>CARPET</b>	139056-01-000 C4366 BLUEGRASS	096060-K2-000 #34207 ALOE	096060-J3-000 #0166 WOODBRIDGE
<b>CEILING</b>	113979-12-01A	113979-12-01A	113979-12-01A
<b>VINYL</b>	079680-42-000 FROM: 00-00-00 THRU: 04-14-02	079680-42-000 FROM: 00-00-00 THRU: 04-14-02	079680-42-000 FROM: 00-00-00 THRU: 04-14-02
	079680-50-000 FROM: 04-15-02 THRU: 99-99-99	079680-50-000 FROM: 04-15-02 THRU: 99-99-99	079680-50-000 FROM: 04-15-02 THRU: 99-99-99

## DINETTE GROUP CABINETS



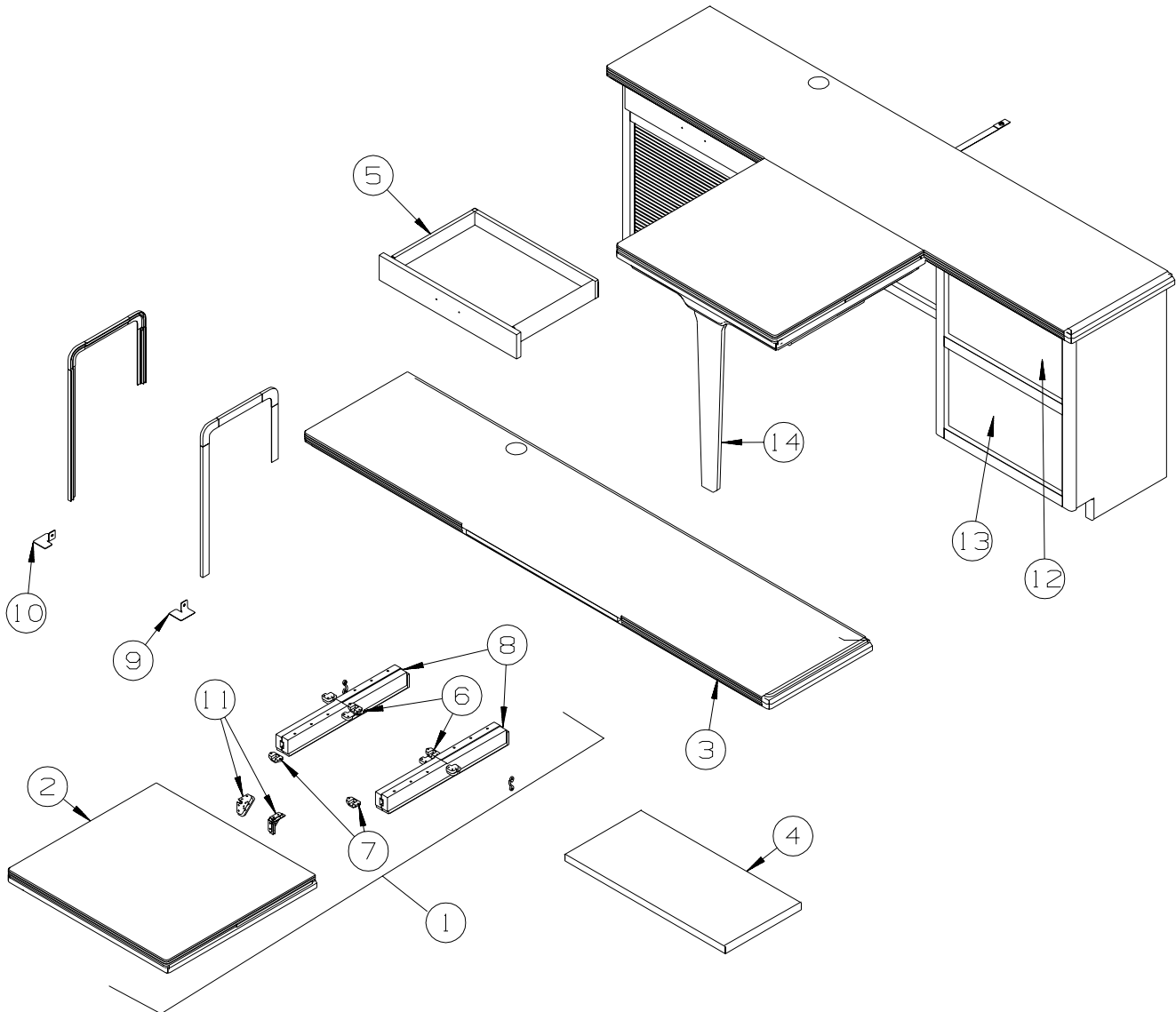
KEY	PART NUMBER	U/M	DESCRIPTION
1	133532-03-MQ0	EA	CABINET - OVERHEAD/FRONT/RIGHT HAND - W/O DOORS/HARDWARE - WASHED MAPLE - <a href="#">Q40JD</a>
1	133532-03-MQ1	EA	CABINET - OVERHEAD/FRONT/RIGHT HAND - W/O DOORS/HARDWARE - SALEM CHERRY - <a href="#">Q40JD</a>
1	133532-03-NQ6	EA	CABINET - OVERHEAD/FRONT/RIGHT HAND - W/O DOORS/HARDWARE - PORTSMOUTH OAK - <a href="#">Q40JD</a>
1	133532-04-MQ0	EA	CBT - OVHD/FRT/RH - W/O DRS/HDW - WASHED MAPLE - <a href="#">Q40WD W/WATER HEATER BYPASS VALVE</a>
1	133532-04-MQ1	EA	CBT - OVHD/FRT/RH - W/O DRS/HDW - SALEM CHERRY - <a href="#">Q40WD W/WATER HEATER BYPASS VALVE</a>
1	133532-04-NQ6	EA	CBT - OVHD/FRT/RH - W/O DRS/HDW - PORTSMOUTH OAK - <a href="#">Q40WD W/WTR HEATER BYPASS VALVE</a>
1	133532-05-MQ0	EA	CBT - OVHD/FRT/RH - W/O DRS/HDW - WASHED MAPLE - <a href="#">Q40WD W/WINTERIZATION KIT</a>
1	133532-05-MQ1	EA	CBT - OVHD/FRT/RH - W/O DRS/HDW - SALEM CHERRY - <a href="#">Q40WD W/WINTERIZATION KIT</a>
1	133532-05-NQ6	EA	CBT - OVHD/FRT/RH - W/O DRS/HDW - PORTSMOUTH OAK - <a href="#">Q40WD W/WINTERIZATION KIT</a>
2	113292-09-JQ0	EA	END CAP - OVERHEAD CABINET - WASHED MAPLE
2	113292-09-HQ1	EA	END CAP - OVERHEAD CABINET - SALEM CHERRY
2	113292-09-N95	EA	END CAP - OVERHEAD CABINET - PORTSMOUTH OAK
3	132062-14-LQ0	EA	DOOR - RAIL/SOLID PANEL - 14.3" X 14.3" - W/O HARDWARE - WASHED MAPLE
3	132062-14-LQ1	EA	DOOR - RAIL/SOLID PANEL - 14.3" X 14.3" - W/O HARDWARE - SALEM CHERRY
3	132062-14-NQ6	EA	DOOR - RAIL/SOLID PANEL - 14.3" X 14.3" - W/O HARDWARE - PORTSMOUTH OAK

## DINETTE GROUP (CONTINUED) TABLE



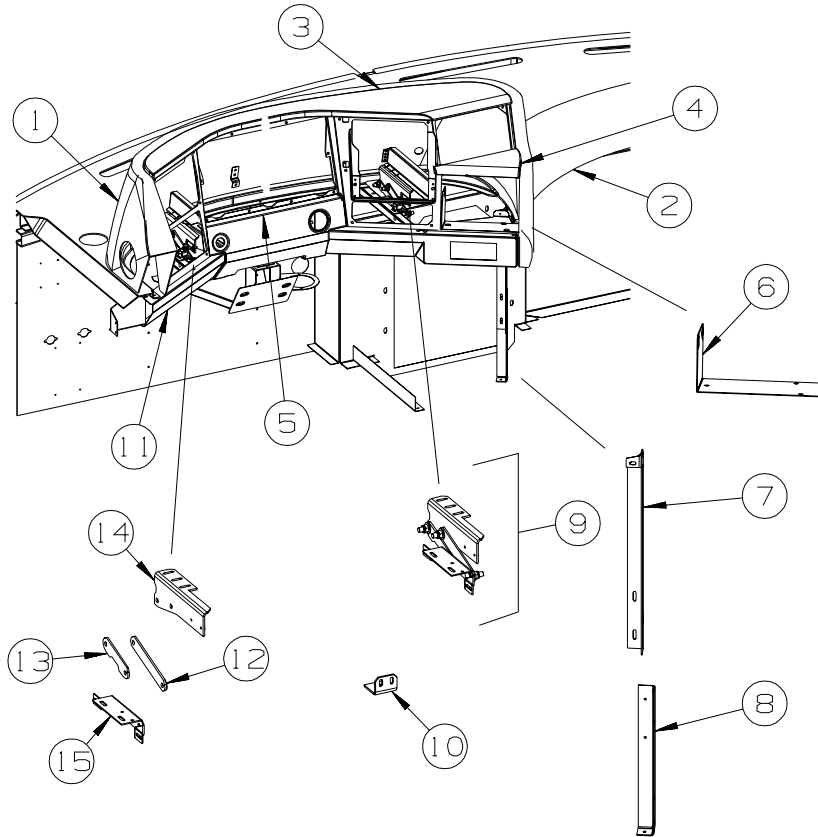
KEY	PART NUMBER	U/M	DESCRIPTION
1	135491-34-03A	EA	LEG - TABLE - WASHED MAPLE
1	135491-34-02A	EA	LEG - TABLE - SALEM CHERRY
1	135491-34-04A	EA	LEG - TABLE - PORTSMOUTH OAK
	135491-01-LQ0	EA	CABINET ONLY - W/PULLOUT TABLE - W/O CORIAN INSERTS - WASHED MAPLE
	135491-01-LQ1	EA	CABINET ONLY - W/PULLOUT TABLE - W/O CORIAN INSERTS - SALEM CHERRY
	135491-01-NQ6	EA	CABINET ONLY - W/PULLOUT TABLE - W/O CORIAN INSERTS - PORTSMOUTH OAK
2	135491-22-03A	EA	END/CABINET - F/PULLOUT TABLE - WASHED MAPLE
2	135491-22-02A	EA	END/CABINET - F/PULLOUT TABLE - SALEM CHERRY
2	135491-22-04A	EA	END/CABINET - F/PULLOUT TABLE - PORTSMOUTH OAK
3	133539-06-01A	EA	COUNTERTOP - 1/4" CORIAN - 26.9" X 12" - MAGNA SAVANNAH
4	133539-05-01A	EA	COUNTERTOP - 1/4" CORIAN - 26.9" X 38.9" - MAGNA SAVANNAH
5	135491-11-03A	EA	TABLE - W/O TRIM/CORIAN INSERT - WASHED MAPLE
5	135491-11-02A	EA	TABLE - W/O TRIM/CORIAN INSERT - SALEM CHERRY
5	135491-11-04A	EA	TABLE - W/O TRIM/CORIAN INSERT - PORTSMOUTH OAK
6	009050-02-000	EA	LEVELER - TABLE TOP - MALE END W/4 SCREWS - PLASTIC
6	009050-03-000	EA	LEVELER - TABLE TOP - FEMALE END W/2 SCREWS - PLASTIC
7	135491-16-03A	EA	TRIM - DINETTE TABLE - WASHED MAPLE
7	135491-16-02A	EA	TRIM - DINETTE TABLE - SALEM CHERRY
7	135491-16-04A	EA	TRIM - DINETTE TABLE - PORTSMOUTH OAK

**DINETTE GROUP (CONTINUED)**  
**TABLE (CONTINUED)**



KEY	PART NUMBER	U/M	DESCRIPTION
1	137379-29-NQ0	EA	TABLE - WASHED MAPLE - <a href="#">INCLUDES KEY 14</a>
1	137379-29-NQ1	EA	TABLE - SALEM CHERRY - <a href="#">INCLUDES KEY 14</a>
1	137379-29-NQ6	EA	TABLE - PORTSMOUTH OAK - <a href="#">INCLUDES KEY 14</a>
2	133539-18-01A	EA	COUNTERTOP - 1/2" CORIAN - MAGNA SAVANNAH
3	133539-16-01A	EA	COUNTERTOP - 1/2" CORIAN - MAGNA SAVANNAH
4	133539-17-01A	EA	COUNTERTOP - 1/2" CORIAN - MAGNA SAVANNAH
5	P36353-02-NQ0	EA	DRAWER - KEYBOARD - W/SLIDES - WASHED MAPLE
5	P36353-02-N94	EA	DRAWER - KEYBOARD - W/SLIDES - SALEM CHERRY
5	P36353-02-N95	EA	DRAWER - KEYBOARD - W/SLIDES - PORTSMOUTH OAK
6	009050-03-000	EA	LEVELER - TABLE TOP - FEMALE END W/2 SCREWS - PLASTIC
7	009050-02-000	EA	LEVELER - TABLE TOP - MALE END W/4 SCREWS - PLASTIC
8	110749-01-000	EA	SLIDE/EXTENSION - 19 3/4" TO 33 1/4"
9	139264-01-02B	EA	STOP - DOOR - TAMBOUR - E-COATED
10	139264-02-02B	EA	STOP - DOOR - TAMBOUR - E-COATED
11	102810-01-04A	EA	BRACE - TABLE LEG - BLACK
11	102810-01-03A	EA	BRACE - TABLE LEG - MILL
12	P28813-10-K80	EA	DRAWER - OGEE EDGE - 18.6"W X 13.8"D - W/O SLIDES/HARDWARE - WASHED MAPLE
12	P28813-10-K81	EA	DRAWER - OGEE EDGE - 18.6"W X 13.8"D - W/O SLIDES/HARDWARE - SALEM CHERRY
12	P28813-10-NQ6	EA	DRAWER - OGEE EDGE - 18.6"W X 13.8"D - W/O SLIDES/HARDWARE - PORTSMOUTH OAK
13	P28813-52-NQ0	EA	DRAWER - OGEE EDGE - 18.6"W X 13.8"D - W/O SLIDES/HARDWARE - WASHED MAPLE
13	P28813-52-NQ1	EA	DRAWER - OGEE EDGE - 18.6"W X 13.8"D - W/O SLIDES/HARDWARE - SALEM CHERRY
13	P28813-52-NQ6	EA	DRAWER - OGEE EDGE - 18.6"W X 13.8"D - W/O SLIDES/HARDWARE - PORTSMOUTH OAK
14	137379-32-N84	EA	TABLE LEG - F/DINETTE/COMPUTER TABLE - WASHED MAPLE
14	137379-32-N74	EA	TABLE LEG - F/DINETTE/COMPUTER TABLE - SALEM CHERRY
14	137379-32-N75	EA	TABLE LEG - F/DINETTE/COMPUTER TABLE - PORTSMOUTH OAK

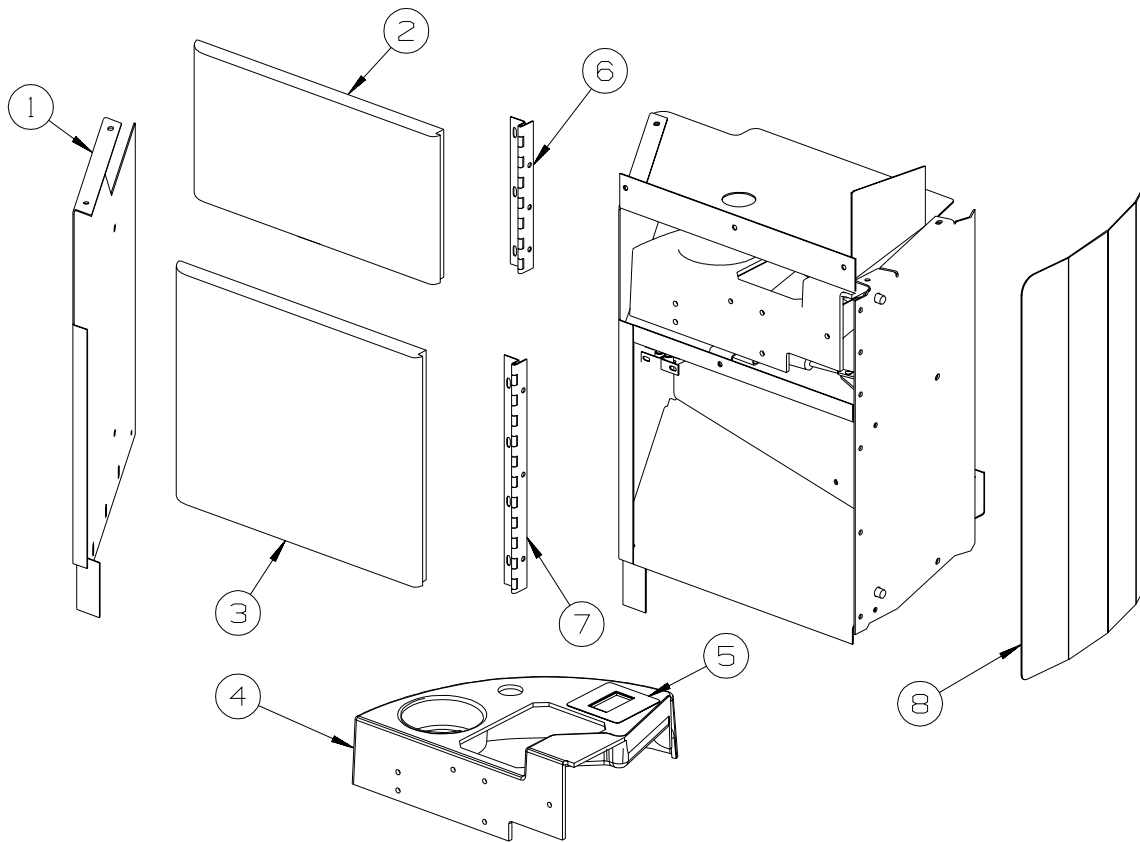
## DRIVERS COMPARTMENT GROUP DASH



KEY	PART NUMBER	U/M	DESCRIPTION
1	134554-01-02A	EA	POD - DASH - GLACIER
2	134586-01-02A	EA	EXTENSION - DASH POD - RIGHT HAND - GLACIER
3	P35573-01-MQ0	EA	PANEL TRIM - DASH POD - UPPER - WASHED MAPLE
3	P35573-01-M94	EA	PANEL TRIM - DASH POD - UPPER - SALEM CHERRY
3	P35573-01-N95	EA	PANEL TRIM - DASH POD - UPPER - PORTSMOUTH OAK
4	P35573-02-MQ0	EA	PANEL TRIM - DASH POD - LOWER - WASHED MAPLE
4	P35573-02-M94	EA	PANEL TRIM - DASH POD - LOWER - SALEM CHERRY
4	P35573-02-N95	EA	PANEL TRIM - DASH POD - LOWER - PORTSMOUTH OAK
5	115870-01-000	FT	SEAL - TRIM - EDGE
6	134742-02-02B	EA	MOUNT - MONITOR - E-COATED
7	134804-01-02B	EA	SUPPORT - DASH - UPPER/CENTER - E-COATED
8	134805-01-02B	EA	SUPPORT - DASH - LOWER/CENTER - E-COATED
9	134856-01-M94	EA	HINGE - DASH POD
10	135229-01-02B	EA	ANGLE - DASH SUPPORT - LEFT HAND - E-COATED
11	136513-01-02A	EA	COVER - DASH/LOWER LEFT - VINYL - GLACIER
	106569-12-02A	YD	VINYL - LAMINATE - 1/4" X 54" - GLACIER
	106569-09-05A	EA	VINYL - LAMINATE - 1/4" X 25" X 100" - GLACIER
12	134858-01-02B	EA	LINK - HINGE - E-COATED
13	134858-02-02B	EA	LINK - HINGE - E-COATED
14	134859-02-02B	EA	BRACKET - HINGE/LINK - E-COATED
15	134860-02-02B	EA	BRACKET - HINGE/LINK - E-COATED



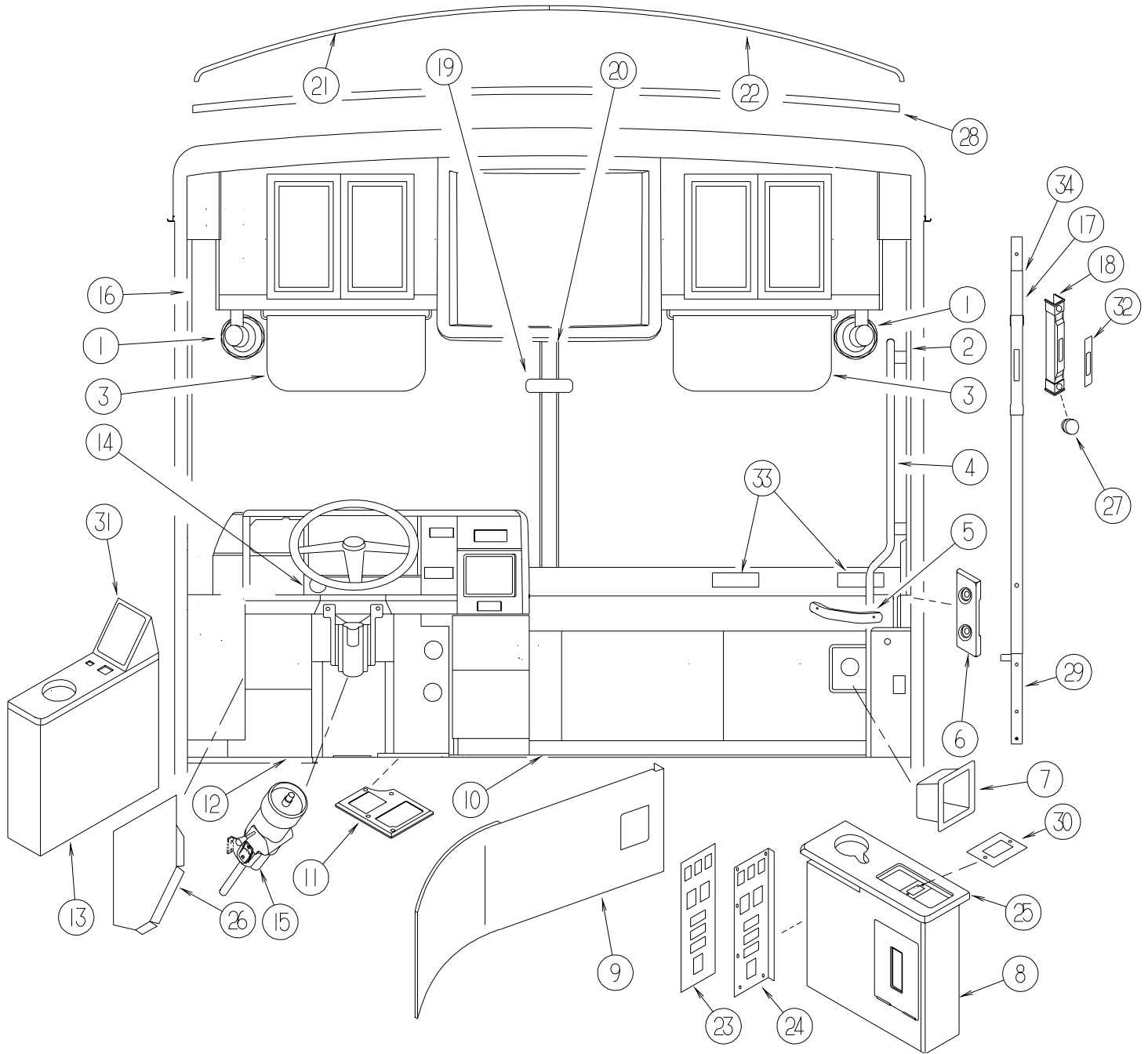
**DRIVERS COMPARTMENT GROUP (CONTINUED)**  
**BEVERAGE TRAY**



KEY	PART NUMBER	U/M	DESCRIPTION
1	P34621-01-N94	EA	CONSOLE - CENTER - VINYL COVERED
	106569-12-02A	YD	VINYL - LAMINATE - 1/4" X 54" - GLACIER
2	P35708-01-MQ0	EA	DOOR - CONSOLE - 5.7" - WASHED MAPLE
2	P35708-01-M94	EA	DOOR - CONSOLE - 5.7" - SALEM CHERRY
2	P35708-01-NQ6	EA	DOOR - CONSOLE - 5.7" - PORTSMOUTH OAK
3	P35708-02-MQ0	EA	DOOR - CONSOLE - 8.8" - WASHED MAPLE
3	P35708-02-M94	EA	DOOR - CONSOLE - 8.8" - SALEM CHERRY
3	P35708-02-NQ6	EA	DOOR - CONSOLE - 8.8" - PORTSMOUTH OAK
4	134631-02-N94	EA	TRAY - CONSOLE - GLACIER
	134631-01-02A	EA	TRAY - CONSOLE - GLACIER
5	132946-02-01A	EA	APPLIQUE - SLIDEOUT SWITCH
6	136652-01-01A	EA	HINGE - PIANO - BLACK
7	136652-02-01A	EA	HINGE - PIANO
8	134759-01-01B	EA	PANEL - CONSOLE - SWEEP - E-COATED

## DRIVERS COMPARTMENT GROUP (CONTINUED)

### FRONT INTERIOR



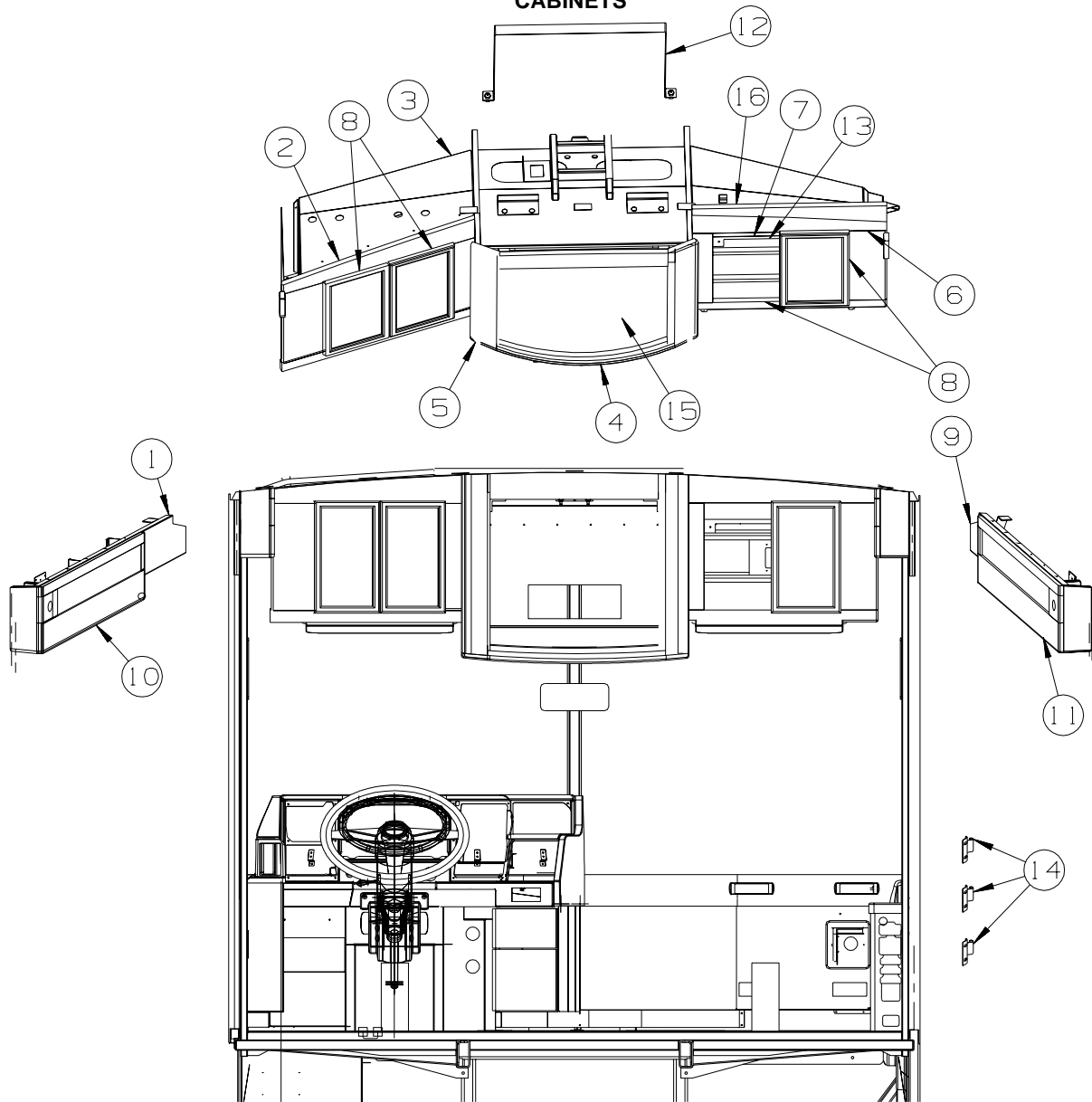
KEY	PART NUMBER	U/M	DESCRIPTION
1	122856-01-01A	EA	FAN-DEFROSTER-2 SPEED W/SWIVEL BASE/NON-OSCILLATING-CHROME
2	136351-01-02A	EA	TRIM - A-PILLAR - INTERIOR/PASSENGER - GLACIER
3	123298-04-05A	EA	SUNVISOR - 10.5" X 21" - DRIVER/PASSENGER - GLACIER
4	123577-01-01A	EA	HANDRAIL - ASSIST - ENTRY
5	123246-01-05A	EA	HANDLE - GRAB - GLACIER
6	136456-01-02A	EA	COVER - BRACKET - STRIKER BOLT - GLACIER
7	135294-01-02A	EA	BEZEL - AIR VALVE PLATE - GLACIER
8	134639-01-MQ0	EA	CABINET - CONSOLE/RIGHT HAND - W/O DOORS/HARDWARE - WASHED MAPLE
8	134639-01-M94	EA	CABINET - CONSOLE/RIGHT HAND - W/O DOORS/HARDWARE - SALEM CHERRY
8	134639-01-N95	EA	CABINET - CONSOLE/RIGHT HAND - YW/O DOORS/HARDWARE - PORTSMOUTH OAK
9	P34764-01-N94	EA	PANEL ASM-TRIM,DASH, RT W/VINYL
	106569-12-02A	YD	VINYL - LAMINATE - 1/4" X 54" - GLACIER
	134764-01-02B	EA	PANEL - TRIM/DASH - PASSENGER - E-COATED
10	134758-01-11B	EA	PANEL - TOE KICK - RIGHT HAND - BLACK

**DRIVERS COMPARTMENT GROUP (CONTINUED)**  
**FRONT INTERIOR (CONTINUED)**

KEY	PART NUMBER	U/M	DESCRIPTION
11	116993-01-01A	EA	COVER - PEDALS - BLACK
12	108152-03-000	EA	MAT - FLOOR - DRIVER
13	P35110-01-NQ0	EA	CONSOLE ASM-SHIFTER,LH W/VIN
			FROM: 00-00-00 TRHU: 06-12-01
	131358-03-02A	EA	RETAINER - U-CHANNEL - 14.8" - GLACIER
13	P35110-02-N94	EA	CONSOLE ASM-SHIFTER,LH W/VIN
			FROM: 06-13-01 TRHU: 99-99-99
	131358-03-02A	EA	RETAINER - U-CHANNEL - 14.8" - GLACIER
14	136457-01-02A	EA	PROTECTOR - VINYL - PARK BRAKE - GLACIER
15	095933-07-000	EA	STOP-TILT,COLUMN DOUGLAS
			FROM: 04-27-01 THRU: 99-99-99
16	136351-02-02A	EA	TRIM - A-PILLAR - INTERIOR/DRIVER - GLACIER
17	NOT USED		
18	NOT USED		
19	134154-01-000	EA	MIRROR - CONVEX - 4" X 11.8"
20	118452-08-05A	EA	TRIM - WINDSHIELD/ICENTER - GLACIER
21	129004-02-05A	EA	TRIM - WINDSHIELD - INTERIOR/DRIVER TOP - GLACIER
22	129004-01-05A	EA	TRIM - WINDSHIELD - INTERIOR/PASSENGER TOP - GLACIER
23	135429-01-01A	EA	APPLIQUE 2002 - QiS
23	135429-03-01A	EA	APPLIQUE - <a href="#">ELECTRIC AWNINGS</a>
24	135119-01-02B	EA	PLATE - SWITCH - CONSOLE/RIGHT HAND - E-COATED
25	133539-04-02A	EA	COUNTERTOP - 1/2" CORIAN - MAGNA SAVANNA
26	135106-01-02B	EA	PANEL - CLOSEOUT - SHIFTER - E-COATED
27	NOT USED		
28	133771-02-MQ0	EA	MOLDING - CAP - WASHED MAPLE
28	133771-02-M94	EA	MOLDING - CAP - SALEM CHERRY
28	133771-02-N95	EA	MOLDING - CAP - PORTSMOUTH OAK
29	NOT USED		
30	135844-01-02B	EA	PLATE - SWITCH - E-COATED
31	135111-01-02A	EA	TOP - SHIFTER/CONSOLE - GLACIER BEIGE
32	NOT USED		
33	135803-03-01A	EA	LOUVER - A/C - OPEN FRAME
34	024700-69-000	EA	COVER - SIDEWALL ROLL BAR - SOFT WHITE

# DRIVERS COMPARTMENT GROUP (CONTINUED)

## CABINETS



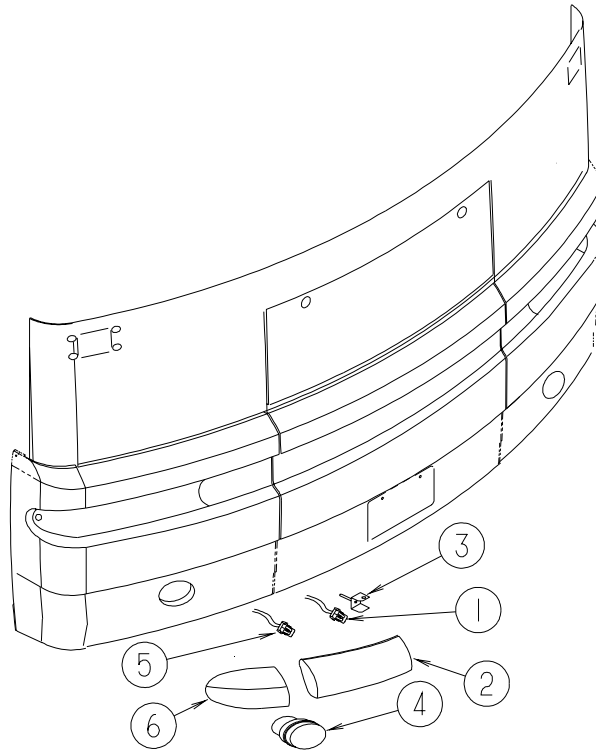
KEY	PART NUMBER	U/M	DESCRIPTION
1	P35582-02-N94	EA	PANEL - OVERHEAD/LEFT HAND - VINYL COVERED
	135582-02-02B	EA	PANEL - OVERHEAD/LEFT HAND - E-COATED
	106569-12-02A	YD	VINYL - LAMINATE - 1/4" X 54" - GLACIER
2	135503-02-MQ0	EA	CABINET/FACE - ENTERTAINMENT CENTER - DRIVER - WASHED MAPLE
2	135503-02-M94	EA	CABINET/FACE - ENTERTAINMENT CENTER - DRIVER - SALEM CHERRY
2	135503-02-N95	EA	CABINET/FACE - ENTERTAINMENT CENTER - DRIVER - PORTSMOUTH OAK
3	135493-01-02B	EA	PANEL - ENTERTAINMENT CENTER/LEFT HAND - E-COATED
4	135527-01-N94	EA	CABINET - ENTERTAINMENT CENTER/TV
5	133544-03-M84	EA	CABINET FACE - OVERHEAD/TV - WASHED MAPLE
5	133544-03-M85	EA	CABINET FACE - OVERHEAD/TV - SALEM CHERRY
5	133544-03-NQ6	EA	CABINET FACE - OVERHEAD/TV - PORTSMOUTH OAK
6	135503-01-MQ0	EA	CABINET/FACE - ENTERTAINMENT CENTER - PASSENGER - WASHED MAPLE
6	135503-01-M94	EA	CABINET/FACE - ENTERTAINMENT CENTER - PASSENGER - SALEM CHERRY
6	135503-01-N95	EA	CABINET/FACE - ENTERTAINMENT CENTER - PASSENGER - PORTSMOUTH OAK
7	136392-02-02B	EA	PANEL - COVER - SWITCHBOX - E-COATED - <b>SATELLITE DISH</b>
			FROM: 00-00-00 THRU: 12-10-01
7	136392-01-02B	EA	PANEL - COVER - SWITCHBOX - E-COATED - <b>SATELLITE DISH</b>
			FROM: 12-11-01 THRU: 99-99-99
8	131995-Z5-MQ0	EA	DOOR - RAIL/SOLID PANEL - 10.8" X 21.8" - W/O HARDWARE - WASHED MAPLE
8	131995-Z5-NQ1	EA	DOOR - RAIL/SOLID PANEL - 10.8" X 21.8" - W/O HARDWARE - SALEM CHERRY
8	131995-Z5-NQ6	EA	DOOR - RAIL/SOLID PANEL - 10.8" X 21.8" - W/O HARDWARE - PORTSMOUTH OAK
	100708-25-000	EA	DOOR - GLASS - TV CABINET - W/O HARDWARE

**DRIVERS COMPARTMENT GROUP (CONTINUED)**  
**CABINETS (CONTINUED)**

<b>KEY</b>	<b>PART NUMBER</b>	<b>U/M</b>	<b>DESCRIPTION</b>
9	P35582-01-N94	EA	PANEL - OVERHEAD/RIGHT HAND - VINYL COVERED
	135582-01-02B	EA	PANEL - OVERHEAD/RIGHT HAND - E-COATED
	106569-12-02A	YD	VINYL - LAMINATE - 1/4" X 54" - GLACIER
10	135532-02-MQ0	EA	FACE - CABINET - OVERHEAD/LEFT HAND - W/O HARDWARE - WASHED MAPLE
10	135532-02-M94	EA	FACE - CABINET - OVERHEAD/LEFT HAND - W/O HARDWARE - SALEM CHERRY
10	135532-02-N95	EA	FACE - CABINET - OVERHEAD/LEFT HAND - W/O HARDWARE - PORTSMOUTH OAK
11	135532-01-MQ0	EA	FACE - CABINET - OVERHEAD/RIGHT HAND - W/O HARDWARE - WASHED MAPLE
11	135532-01-M94	EA	FACE - CABINET - OVERHEAD/RIGHT HAND - W/O HARDWARE - SALEM CHERRY
11	135532-01-N95	EA	FACE - CABINET - OVERHEAD/RIGHT HAND - W/O HARDWARE - PORTSMOUTH OAK
12	136441-02-02B	EA	STRAP - TV - E-COATED
13	136387-01-N94	EA	PANEL - VINYL COVERED
	136386-01-02B	EA	PANEL - COVER/FRONT - E-COATED
	106569-09-05A	EA	VINYL - LAMINATE - 1/4" X 25" X 100" - GLACIER
14	073050-03-000	EA	MOUNTING CLIP - VALANCE PANEL
15	140364-01-01A	EA	FOAM - PAD - .5" X 8" X 8"
16	135505-01-02B	EA	PANEL - ENTERTAINMENT CENTER/RIGHT HAND - E-COATED

## ELECTRICAL GROUP

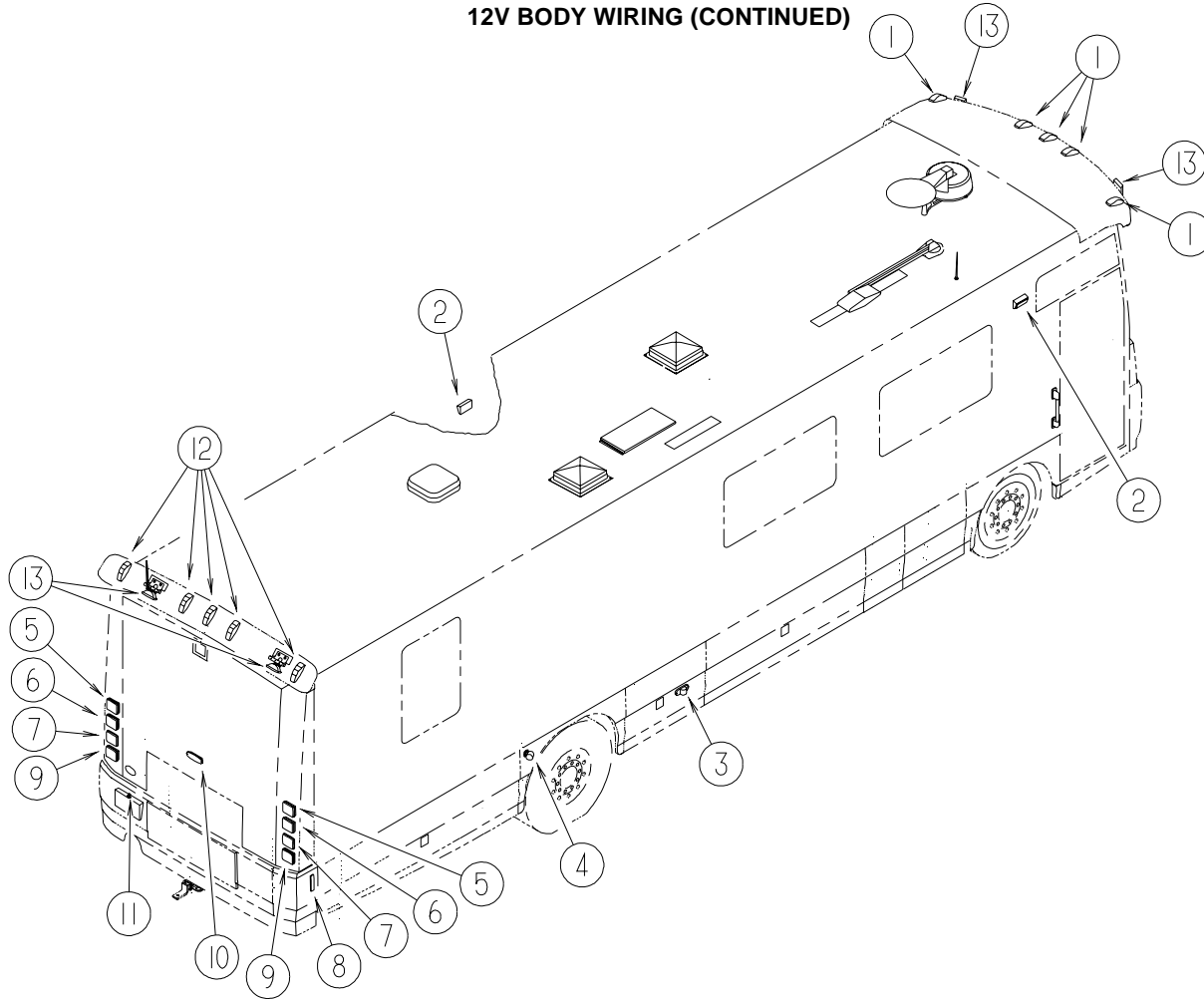
### 12V BODY WIRING



KEY	PART NUMBER	U/M	DESCRIPTION
1	124187-02-000	EA	SOCKET/HOUSING - HIGH BEAM HEADLAMP
2	129927-01-000	EA	HEADLAMP - W/HALOGEN - RIGHT HAND - FORD
	129927-02-000	EA	HEADLAMP - W/HALOGEN - LEFT HAND - FORD
	124163-01-000	EA	CLIP - HEADLAMP/MOUNTING BRACKET - FORD #E9DZ-13N129A
3	135879-02-02B	EA	BRACKET - PARKLAMP/RIGHT HAND - E-COATED
	135879-03-02B	EA	BRACKET - PARKLAMP/LEFT HAND - E-COATED
4*	130051-01-000	EA	LAMP - FOG W/BRACKET - CLEAR/ROUND - PASSENGER
	130051-02-000	EA	LAMP - FOG W/BRACKET - CLEAR/ROUND - DRIVER
5	124187-01-000	EA	SOCKET/HOUSING - LOW BEAM HEADLAMP
6	124161-01-000	EA	LAMP - PASSENGER PARK/TURN
	124161-02-000	EA	LAMP - DRIVER PARK/TURN
	130672-01-01A	EA	SPOTLIGHT - POWER - REMOTE - WHITE

**\*COMPONENT PARTS LISTED LATER IN THIS GROUP**

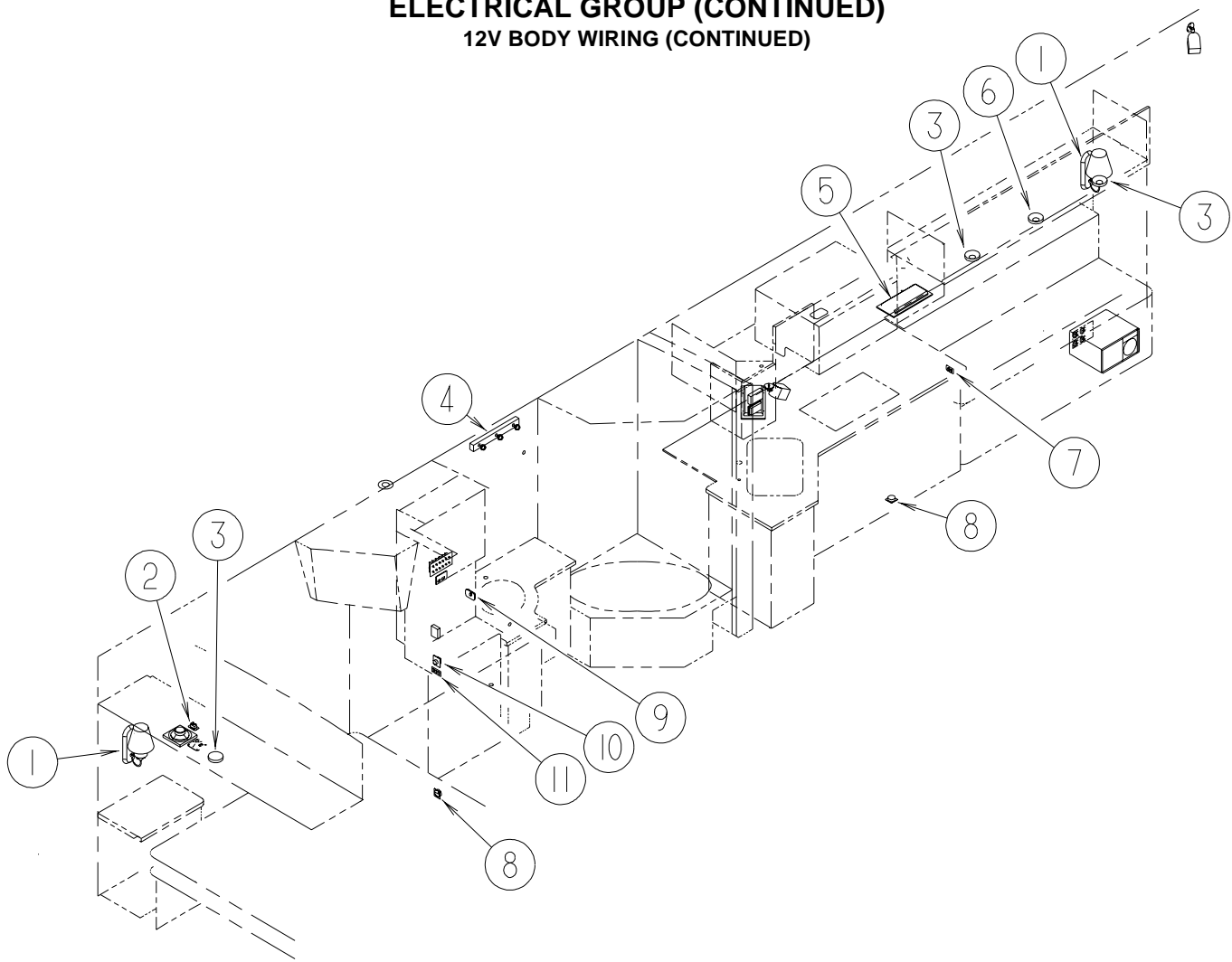
**ELECTRICAL GROUP (CONTINUED)**  
**12V BODY WIRING (CONTINUED)**



KEY	PART NUMBER	U/M	DESCRIPTION
1	129942-01-000	EA	LAMP - CLEARANCE - AMBER
2*	097917-01-06A	EA	LIGHT - PORCH - BRIGHT WHITE
	008215-01-000	EA	BULB - 12 VOLT - #1003 - .94 AMP
2*	008089-02-000	EA	LIGHT - PORCH - RECESSED - CANADIAN
	008214-01-000	EA	BULB - 12 VOLT - #67 - .59 AMP
3	113293-01-000	EA	LAMP - (LENS/BASE) SIDEMARKER/TURN SIGNAL - AMBER
3	037935-01-000	EA	BULB - 12V - #1157 OR #2057 - 2.1 AMP - CLEAR GLASS
3	106687-02-000	EA	SOCKET - LIGHT - 3-WIRE
4	129746-01-000	EA	LAMP - DOCKING/DRIVING W/MOUNT BRACKET
4	129301-02-01A	EA	COVER - DOCKING LIGHT - BLACK
5	124186-03-000	EA	LIGHT - STOP/TAIL - RED
5	124234-01-000	EA	BULB - 12 VOLT/1.7-.42AMP #7528
6	124186-02-000	EA	LIGHT - TURN/AMBER
6	124220-01-000	EA	BULB - 12 VOLT/1.75 AMP/21 WATT - #7506
7	124186-04-000	EA	REFLECTOR - RED
8	117826-01-000	EA	SIDE MARKER LAMP ASSEMBLY - RED
8	117826-03-000	EA	GASKET - MARKER LIGHT
8	036196-01-000	EA	BULB - 12V - #194 - .27 AMP - BAYONETTE
8	067789-02-000	EA	SOCKET - LAMP
9	124186-01-000	EA	LIGHT - BACKUP (WHITE/CLEAR)
9	124220-01-000	EA	BULB - 12 VOLT/1.75 AMP/21 WATT - #7506
10	136917-01-000	EA	LIGHT ASSEMBLY - BRAKE - CENTER MOUNT - OVAL
11	087201-01-000	EA	LIGHT - HALF ROUND - 1" X 1.7" - PLASTIC - BLACK
12	129942-02-000	EA	LAMP - CLEARANCE - RED
	113589-01-000	EA	CONNECTOR - PLUG - TRAILER
	113589-02-000	EA	CONNECTOR - SOCKET - TRAILER
13	129928-01-000	EA	LAMP - FOG - CLEAR LENS/RECTANGULAR

\*COMPONENT PARTS LISTED LATER IN THIS GROUP

**ELECTRICAL GROUP (CONTINUED)**  
**12V BODY WIRING (CONTINUED)**



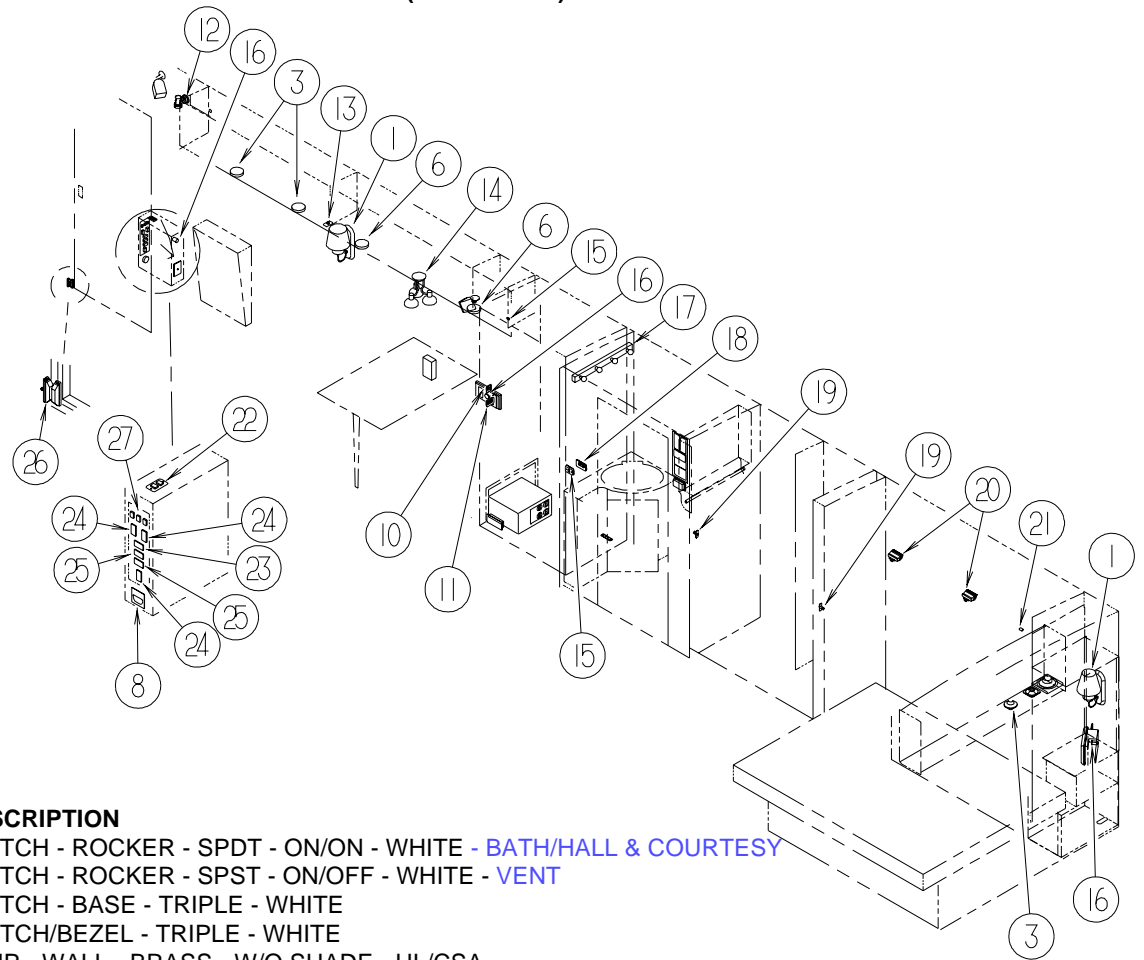
KEY	PART NUMBER	U/M	DESCRIPTION
1	135740-02-02A	EA	SWITCH - ROCKER - SPDT - ON/ON - WHITE - BATH/HALL & COURTESY
1	135740-01-02A	EA	SWITCH - ROCKER - SPST - ON/OFF - WHITE - VENT
1	135741-03-02A	EA	SWITCH - BASE - TRIPLE - WHITE
1	135742-03-02A	EA	SWITCH/BEZEL - TRIPLE - WHITE
2	119258-36-01A	EA	LAMP - WALL - BRASS - W/O SHADE - UL/CSA
2	067479-01-000	EA	BULB - 12V - #1076 - 1.80 AMP
2	119257-17-01A	EA	SHADE - LAMP - RECTANGULAR - WHISPER CHABLIS
3	108357-10-000	EA	SWITCH - ROCKER - SPDT - W/LIGHT - MOM/NONE/MOM-5 TERMINAL - GENERATOR
3	108356-05-01A	EA	COVER/ACTUATOR SWITCH-3 GROOVES W/LENS-GEN SET-CONTURA III
3	098351-07-01A	EA	PLATE/SWITCH - 1 GANG - POLISHED BRASS - GENERATOR
3	108355-01-000	EA	HOUSING - SWITCH
4	132427-01-01A	EA	LIGHT - READING/SWIVEL/ROUND - BRASS
	123917-01-000	EA	BULB - 12V - HALOGEN SPOT
5	123774-03-01A	EA	LIGHT - MAKE UP - 3 BULB
5	123918-01-000	EA	BULB - 12V - MAKEUP WHITE
6*	091937-09-000	EA	LIGHT-FLOURESCENT-12V/30 WATT RECESSED - W/SWITCH
6	133312-01-01A	EA	LENS - CLEAR DIFFUSER - 23.7" X 47.8"
7*	123775-01-01A	EA	LIGHT - HALOGEN - ROUND
7	123775-02-01A	EA	COLLAR - F/SURFACE MOUNT
8	135740-01-02A	EA	SWITCH - ROCKER - SPST - ON/OFF - WHITE - GALLEY
8	135740-02-02A	EA	SWITCH - ROCKER - SPDT - ON/ON - WHITE - COURTESY LAMP
8	135741-02-02A	EA	SWITCH - BASE - DOUBLE - WHITE
8	135742-02-02A	EA	SWITCH - BEZEL - DOUBLE - WHITE
9*	108354-01-01A	EA	LIGHT - COURTESY
10	135740-01-02A	EA	SWITCH - ROCKER - SPST - ON/OFF - WHITE
10	135741-01-02A	EA	SWITCH - BASE - SINGLE - WHITE
10	135742-01-02A	EA	SWITCH - BEZEL - SINGLE - WHITE
11	137889-01-000	EA	SWITCH - LIGHT DIMMER

\*COMPONENT PARTS LISTED LATER IN THIS GROUP



## ELECTRICAL GROUP (CONTINUED)

### 12V BODY WIRING (CONTINUED)



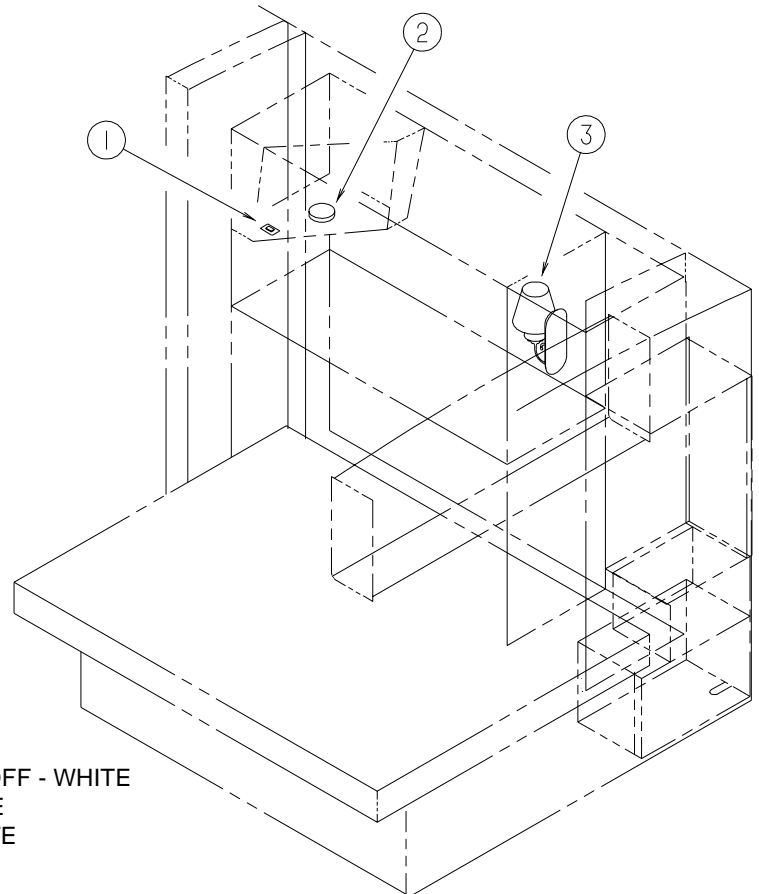
KEY	PART NUMBER	U/M	DESCRIPTION
1	135740-02-02A	EA	SWITCH - ROCKER - SPDT - ON/ON - WHITE - BATH/HALL & COURTESY
1	135740-01-02A	EA	SWITCH - ROCKER - SPST - ON/OFF - WHITE - VENT
1	135741-03-02A	EA	SWITCH - BASE - TRIPLE - WHITE
1	135742-03-02A	EA	SWITCH/BEZEL - TRIPLE - WHITE
2	119258-36-01A	EA	LAMP - WALL - BRASS - W/O SHADE - UL/CSA
2	067479-01-000	EA	BULB - 12V - #1076 - 1.80 AMP
2	119257-17-01A	EA	SHADE - LAMP - RECTANGULAR - WHISPER CHABLIS
3	108357-10-000	EA	SWITCH - ROCKER - SPDT - W/LIGHT - MOM/NONE/MOM-5 TERMINAL - GENERATOR
3	108356-05-01A	EA	COVER/ACTUATOR SWITCH-3 GROOVES W/LENS-GEN SET-CONTURA III
3	098351-07-01A	EA	PLATE/SWITCH - 1 GANG - POLISHED BRASS - GENERATOR
3	108355-01-000	EA	HOUSING - SWITCH
4	132427-01-01A	EA	LIGHT - READING/SWIVEL/ROUND - BRASS
	123917-01-000	EA	BULB - 12V - HALOGEN SPOT
5	123774-03-01A	EA	LIGHT - MAKE UP - 3 BULB
5	123918-01-000	EA	BULB - 12V - MAKEUP WHITE
6*	091937-09-000	EA	LIGHT-FLOURESCENT-12V/30 WATT RECESSED - W/SWITCH
7*	123775-01-01A	EA	LIGHT - HALOGEN - ROUND
7	123775-02-01A	EA	COLLAR - F/SURFACE MOUNT
8	135740-01-02A	EA	SWITCH - ROCKER - SPST - ON/OFF - WHITE - GALLEY
8	135740-02-02A	EA	SWITCH - ROCKER - SPDT - ON/ON - WHITE - COURTESY LAMP
8	135741-02-02A	EA	SWITCH - BASE - DOUBLE - WHITE
8	135742-02-02A	EA	SWITCH - BEZEL - DOUBLE - WHITE
9*	108354-01-01A	EA	LIGHT - COURTESY
10	135740-01-02A	EA	SWITCH - ROCKER - SPST - ON/OFF - WHITE
10	135741-01-02A	EA	SWITCH - BASE - SINGLE - WHITE
10	135742-01-02A	EA	SWITCH - BEZEL - SINGLE - WHITE
11	137889-01-000	EA	SWITCH - LIGHT DIMMER
12	128786-01-01A	EA	LIGHT - READING/SWIVEL
	123917-01-000	EA	BULB - 12V - HALOGEN SPOT
13	132180-01-01A	EA	SWITCH - PADDLE - SPST - ON/OFF - BLACK
13	098351-01-01A	EA	PLATE/SWITCH - 1 GANG - POLISHED BRASS - W/O LABEL
14	093575-25-01A	EA	LIGHT - CEILING/DOUBLE - BRASS
14	067479-01-000	EA	BULB - 12V - #1076 - 1.80 AMP
14	119257-17-01A	EA	SHADE - LAMP - RECTANGULAR - WHISPER CHABLIS
15	135740-02-02A	EA	SWITCH - ROCKER - SPDT - ON/ON - WHITE
15	135741-01-02A	EA	SWITCH - BASE - SINGLE - WHITE
15	135742-01-02A	EA	SWITCH - BEZEL - SINGLE - WHITE

## ELECTRICAL GROUP (CONTINUED)

### 12V BODY WIRING (CONTINUED)

KEY	PART NUMBER	U/M	DESCRIPTION
16	135740-01-02A	EA	SWITCH - ROCKER - SPST - ON/OFF - WHITE
16	135741-02-02A	EA	SWITCH - BASE - DOUBLE - WHITE
16	135742-02-02A	EA	SWITCH - BEZEL - DOUBLE - WHITE
17	041250-01-000	EA	SWITCH - PUSH BUTTON/DOOR JAMB - METAL - CHROME
18*	123774-01-01A	EA	LIGHT - MAKE UP - 4 BULB
19	135740-01-02A	EA	SWITCH - ROCKER - SPST - ON/OFF - WHITE - <a href="#">GALLEY/DINETTE CEILING</a>
19	135740-02-02A	EA	SWITCH - ROCKER - SPDT - ON/ON - WHITE - <a href="#">LOUNGE CEILING</a>
19	135741-03-02A	EA	SWITCH - BASE - TRIPLE - WHITE
19	135742-03-02A	EA	SWITCH/BEZEL - TRIPLE - WHITE
20	079364-07-000	EA	SWITCH - MOM/OFF/MOM ROCKER - BLACK - <a href="#">STEP COVER</a>
20	079364-04-000	EA	SWITCH - ON/OFF ROCKER - 2 TERMINAL - BLACK - <a href="#">MAP</a>
20	098351-12-01A	EA	PLATE/SWITCH - 2 GANG - POLISHED BRASS - STEP COVER/LAMP
21	108357-01-000	EA	SWITCH - ROCKER - SPST - ON/OFF - 2 TERMINAL - <a href="#">STEP</a>
21	108356-01-01A	EA	COVER/ACTUATOR SWITCH - 3 GROOVES - CONTURA III - BLACK
21	108355-01-000	EA	HOUSING - SWITCH
22	108357-06-000	EA	SWITCH - ROCKER - DPDT - MOM/OFF/MOM - 6 TERMINAL - <a href="#">DOOR LOCK &amp; BATTERY DISCONNECT</a>
22	108356-01-01A	EA	COVER/ACTUATOR SWITCH - 3 GROOVES - CONTURA III - BLACK
22	108355-01-000	EA	HOUSING - SWITCH
23	108357-07-000	EA	SWITCH - ROCKER - SPDT - MOM/OFF/MOM - 3 TERMINAL - <a href="#">DOOR AWNING &amp; PATIO AWNING</a>
23	108356-12-01A	EA	COVER/ACTUATOR SWITCH - 3 GROOVES
23	108355-01-000	EA	HOUSING - SWITCH
24	108357-06-000	EA	SWITCH - ROCKER - DPDT - MOM/OFF/MOM - 6 TERMINAL - <a href="#">COMPARTMENT DOOR LOCK</a>
24	108356-01-01A	EA	COVER/ACTUATOR SWITCH - 3 GROOVES - CONTURA III - BLACK
24	108355-01-000	EA	HOUSING - SWITCH
25	132180-01-01A	EA	SWITCH - PADDLE - SPST - ON/OFF - BLACK - <a href="#">CEILING/PORCH</a>
25	132180-02-01A	EA	SWITCH - PADDLE - SPDT - ON/ON - BLACK - COMPARTMENT LAMPS
26	116995-02-000	EA	SWITCH/MAGNET - ELECTRIC STEP - BLACK/WHITE-CLOSED CIRCUIT
27	132958-01-000	EA	RECEPTACLE - 12 VOLT - MOUNTING FLANGE - BLACK

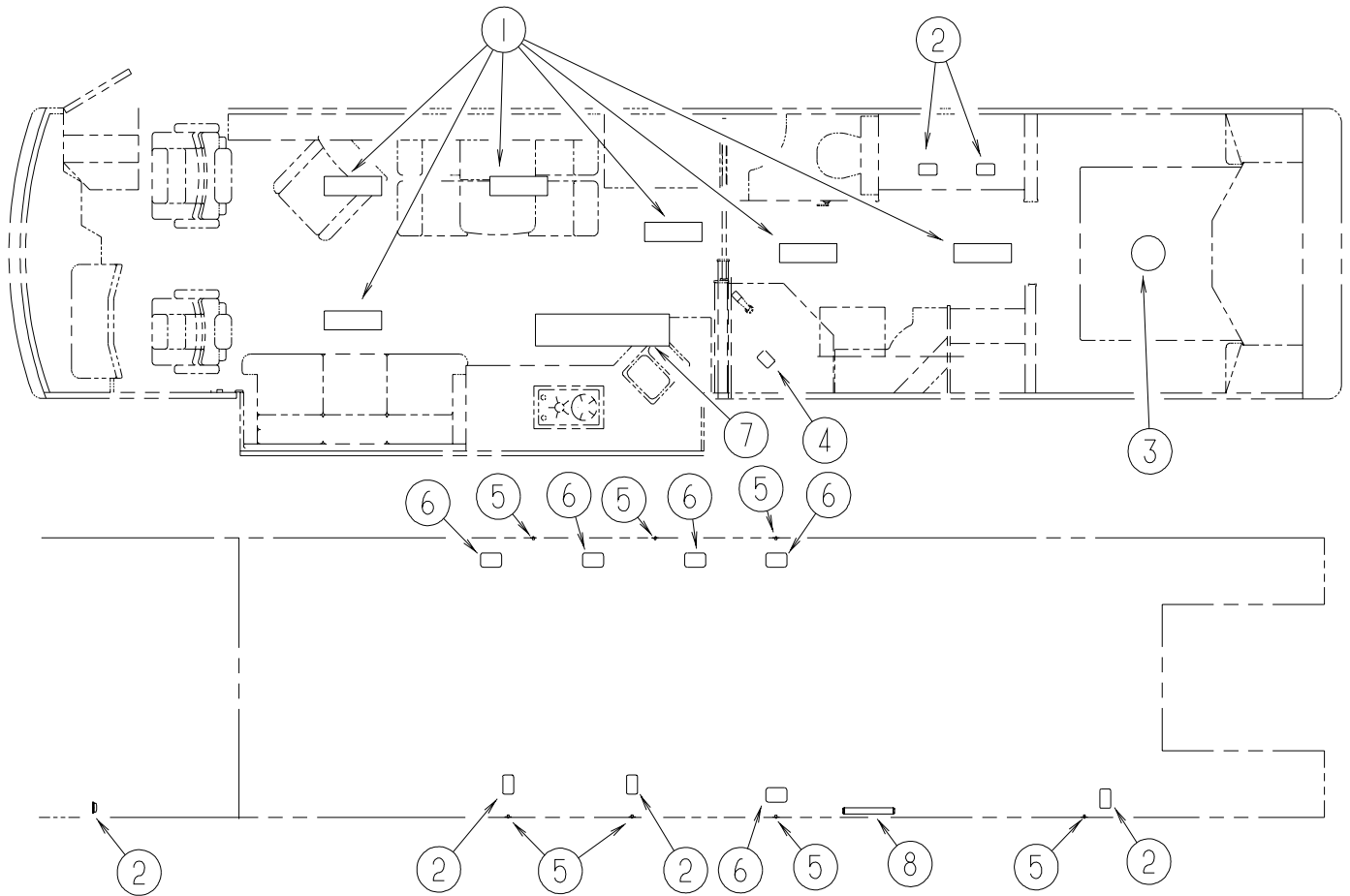
\*COMPONENT PARTS LISTED LATER IN THIS GROUP



KEY	PART NUMBER	U/M	DESCRIPTION
1	135740-01-02A	EA	SWITCH - ROCKER - SPST - ON/OFF - WHITE
1	135741-01-02A	EA	SWITCH - BASE - SINGLE - WHITE
1	135742-01-02A	EA	SWITCH - BEZEL - SINGLE - WHITE
2*	123775-01-01A	EA	LIGHT - HALOGEN - ROUND
2	123775-02-01A	EA	COLLAR - F/SURFACE MOUNT
3	119258-36-01A	EA	LAMP - WALL - BRASS - W/O SHADE - UL/CSA
3	067479-01-000	EA	BULB - 12V - #1076 - 1.80 AMP
3	119257-17-01A	EA	SHADE - LAMP - RECTANGULAR - WHISPER CHABLIS

## ELECTRICAL GROUP (CONTINUED)

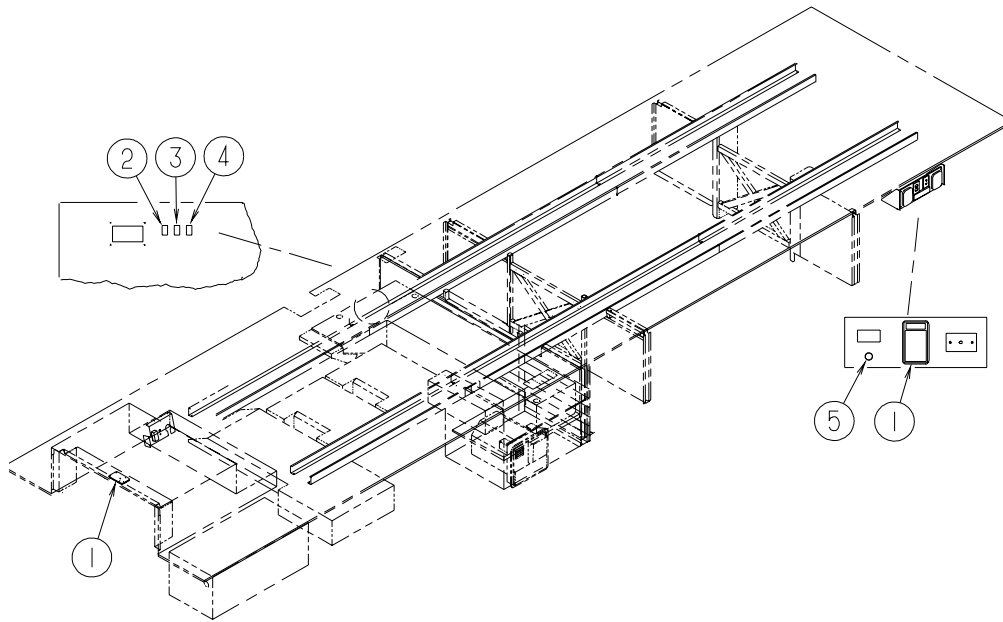
### 12V BODY WIRING (CONTINUED)



KEY	PART NUMBER	U/M	DESCRIPTION
1*	091937-08-000	EA	LIGHT-FLOURESCENT-12V/30 WATT RECESSED - W/O SWITCH
	091937-03-000	EA	BULB - FLUORESCENT LIGHT - 12 VOLT
2*	098024-01-03A	EA	LIGHT - DOME - 1 BULB - WHITE
	008218-01-000	EA	BULB - 12 VOLT - #1141 - 1.44 AMP
3*	121935-01-01A	EA	LIGHT - DOME - SHOWER
4	041250-01-000	EA	SWITCH-PUSH BUTTON, IN DOOR JAMB - METAL - CHROME
5	133416-01-000	EA	LIGHT - FLOURESCENT - 48" - 2 BULB
6*	098024-01-03A	EA	LIGHT - DOME - 1 BULB - WHITE
	008218-01-000	EA	BULB - 12 VOLT - #1141 - 1.44 AMP
6	098023-01-02A	EA	SHROUD - CEILING LIGHT - SINGLE WHITE
7	127327-01-01A	EA	LAMP - FLUORESCENT - BLACK/THIN LITE
8	093575-24-01A	EA	LIGHT - CEILING/ROUND - BRASS

**\*COMPONENT PARTS LISTED LATER IN THIS GROUP**

**ELECTRICAL GROUP (CONTINUED)**  
**12V BODY WIRING (CONTINUED)**

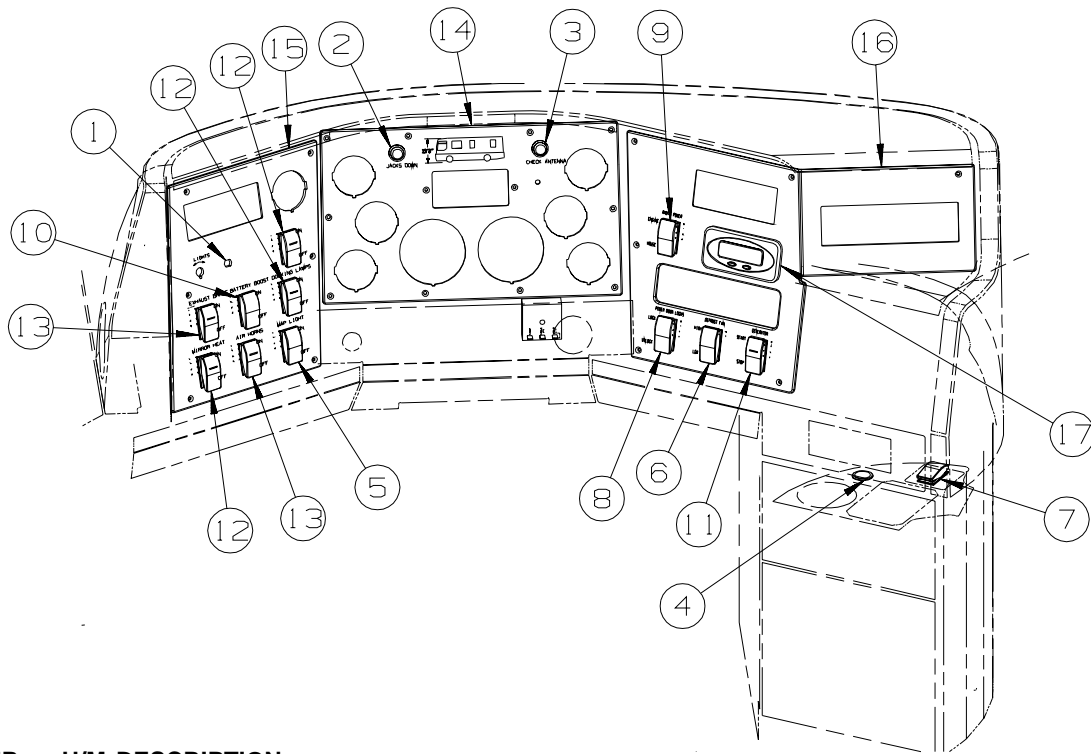


KEY	PART NUMBER	U/M	DESCRIPTION
1*	098024-01-03A	EA	LIGHT - DOME - 1 BULB - WHITE
2	108357-01-000	EA	SWITCH - ROCKER - SPST - ON/OFF - 2 TERMINAL - SERVICE LAMP
2	108356-02-01A	EA	COVER/ACTUATOR SWITCH - 2 ROWS DIMPLES- CONTURA II - BLACK
2	108355-01-000	EA	HOUSING - SWITCH
3	108357-09-000	EA	SWITCH - ROCKER - SPDT - ON/NONE/MOM - 3 TERMINAL - MONITOR
3	108356-02-01A	EA	COVER/ACTUATOR SWITCH - 2 ROWS DIMPLES- CONTURA II - BLACK
3	108355-01-000	EA	HOUSING - SWITCH
4	108357-15-000	EA	SWITCH - ROCKER - DPDT - ON/NONE/ON - PUMP
4	108356-04-01A	EA	COVER/ACTUATOR SWITCH - 2 ROWS DIMPLES W/LENS-CONTURA-BLK
4	108355-01-000	EA	HOUSING - SWITCH
5	111414-01-000	EA	RECEPTACLE/SOCKET - 12 VOLT- PORTABLE REFRIGERATOR/FREEZER

\*COMPONENT PARTS LISTED LATER IN THIS GROUP

## ELECTRICAL GROUP (CONTINUED)

### FRONT END WIRING



KEY	PART NUMBER	U/M	DESCRIPTION
	137424-01-000	EA	GPS-NAVIGATION SYS-W/DVD DIVIT/MAPS/GPS ANT & WIRE HARNESS - <a href="#">MAPPING SYSTEM</a>
	137424-02-000	EA	MONITOR - LCD - COLOR 6.5" - W/INTERFACE BOX & HARNESS - <a href="#">MAPPING SYSTEM</a>
			FROM: 00-00-00 THRU: 06-11-02
	137424-03-000	EA	MONITOR/LCD - COLOR - <a href="#">MAPPING SYSTEM</a>
			FROM: 06-12-02 THRU: 99-99-99
1*	091206-04-000	EA	MODULE KIT - WIPER CONTROL - DYNAMIC PARK
2	133534-01-000	EA	LIGHT - RED INDICATOR WITH 1/4" TERMINALS
3	133534-02-000	EA	LIGHT - AMBER INDICATOR WITH 1/4" TERMINALS
4	089294-01-000	EA	LIGHTER - CIGARETTE - W/SOCKET & WIRE
5	108357-01-000	EA	SWITCH - ROCKER - SPST - ON/OFF - 2 TERMINAL
5	108355-01-000	EA	HOUSING - SWITCH
5	108356-01-01A	EA	COVER/ACTUATOR SWITCH - 3 GROOVES - CONTURA III - BLACK
6	108357-03-000	EA	SWITCH - ROCKER - SPDT - ON/OFF/ON - 3 TERMINAL
6	108355-01-000	EA	HOUSING - SWITCH
6	108356-01-01A	EA	COVER/ACTUATOR SWITCH - 3 GROOVES - CONTURA III - BLACK
7	108357-06-000	EA	SWITCH - ROCKER - DPDT - MOM/OFF/MOM - 6 TERMINAL
7	108355-01-000	EA	HOUSING - SWITCH
7	108356-01-01A	EA	COVER/ACTUATOR SWITCH - 3 GROOVES - CONTURA III - BLACK
8	108357-07-000	EA	SWITCH - ROCKER - SPDT - MOM/OFF/MOM - 3 TERMINAL
8	108355-01-000	EA	HOUSING - SWITCH
8	108356-01-01A	EA	COVER/ACTUATOR SWITCH - 3 GROOVES - CONTURA III - BLACK
9	108357-08-000	EA	SWITCH - ROCKER - DPDT - 0N/NONE/ON - 6 TERMINAL
9	108355-01-000	EA	HOUSING - SWITCH
9	108356-01-01A	EA	COVER/ACTUATOR SWITCH - 3 GROOVES - CONTURA III - BLACK
10	108357-09-000	EA	SWITCH - ROCKER - SPDT - ON/NONE/MOM - 3 TERMINAL
10	108355-01-000	EA	HOUSING - SWITCH
10	108356-01-01A	EA	COVER/ACTUATOR SWITCH - 3 GROOVES - CONTURA III - BLACK
11	108357-10-000	EA	SWITCH - ROCKER - SPDT - W/LIGHT - MOM/NONE/MOM-5 TERMINAL
11	108355-01-000	EA	HOUSING - SWITCH
11	108356-03-01A	EA	COVER/ACTUATOR SWITCH -3 GROOVES W/LIGHT-CONTRA III-BLACK
12	108357-14-000	EA	SWITCH - ROCKER - SPST - W/LIGHT - ON/OFF - 4 TERMINAL
12	108355-01-000	EA	HOUSING - SWITCH
12	108356-03-01A	EA	COVER/ACTUATOR SWITCH -3 GROOVES W/LIGHT-CONTRA III-BLACK
13	108357-15-000	EA	SWITCH - ROCKER - DPDT - ON/NONE/ON
13	108355-01-000	EA	HOUSING - SWITCH
13	108356-03-01A	EA	COVER/ACTUATOR SWITCH -3 GROOVES W/LIGHT-CONTRA III-BLACK
14	134552-02-01A	EA	BEZEL - DASH - CENTER

FROM: 00-00-00 THRU: 08-12-01

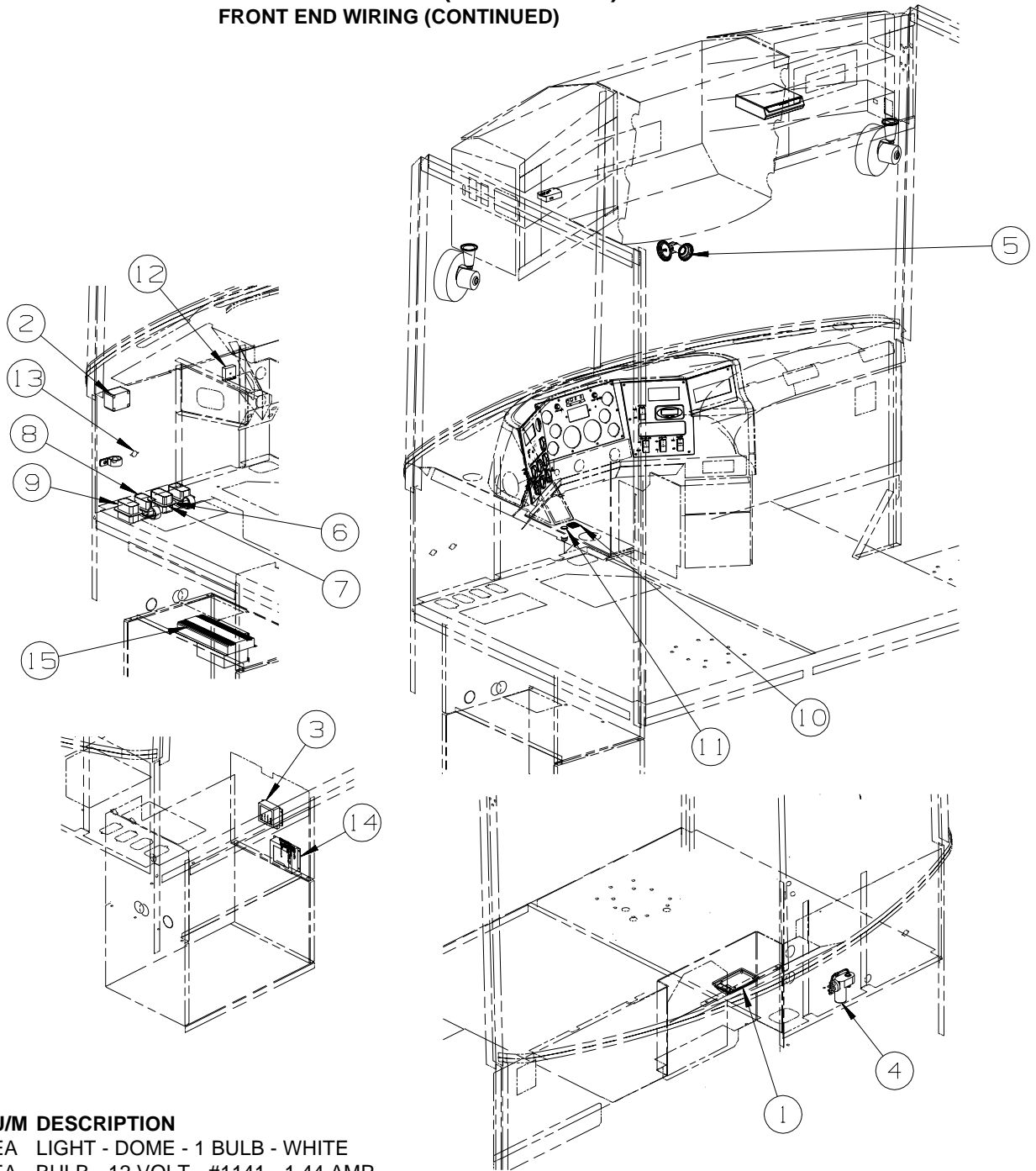
**ELECTRICAL GROUP (CONTINUED)**  
**FRONT END WIRING (CONTINUED)**

<b>KEY</b>	<b>PART NUMBER</b>	<b>U/M</b>	<b>DESCRIPTION</b>
14	134552-03-01A	EA	BEZEL - DASH/CENTER - MATTE BLACK FROM: 08-13-01 THRU: 99-99-99
15	134553-03-01A	EA	BEZEL - DASH/DRIVER - MATT BLACK FROM: 00-00-00 THRU: 08-12-01
15	134553-04-01A	EA	BEZEL - DASH/DRIVER - MATTE BLACK FROM: 08-13-01 THRU: 99-99-99
16	134556-01-01A	EA	BEZEL - DASH/RIGHT HAND - MATTE BLACK FROM: 00-00-00 THRU: 08-12-01
16	134556-03-01A	EA	BEZEL - DASH/PASSENGER - MATTE BLACK FROM: 08-13-01 THRU: 99-99-99
17	136119-01-000	EA	COMPASS/THERMOMETER - ELECTRONIC

**\*COMPONENT PARTS LISTED LATER IN THIS GROUP**

## ELECTRICAL GROUP (CONTINUED)

### FRONT END WIRING (CONTINUED)



KEY	PART NUMBER	U/M	DESCRIPTION
1*	137417-01-01A	EA	LIGHT - DOME - 1 BULB - WHITE
	008218-01-000	EA	BULB - 12 VOLT - #1141 - 1.44 AMP
2	128074-02-000	EA	FILTER - NOISE - 12 VOLT DC W/PLUGS
3	130366-01-000	EA	MODULE - CHARGE CONTROL
4	114802-01-000	EA	PUMP - VACUUM - 12V
5	123917-01-000	EA	BULB - 12V - HALOGEN SPOT
5	128786-01-01A	EA	LIGHT - READING/SWIVEL
6	118571-03-000	EA	BRACKET - MOUNTING
7	118571-04-000	EA	GASKET
8	134747-01-000	EA	RETAINER - HOUSING - IS NOW CHASSIS SUPPLIED
9	134747-02-000	EA	RETAINER - HOUSING - IS NOW CHASSIS SUPPLIED
10	088246-01-000	EA	SWITCH/REMOTE MIRROR - W/2PIN & 6 PIN CONNECTORS/PIGTAIL
11	132958-01-000	EA	RECEPTACLE - 12 VOLT - MOUNTING FLANGE - BLACK
12	133535-01-000	EA	MODULE - TIMER 20 SECOND - WARNING LIGHT - TS61120P
13	113452-01-000	FT	SEAL/TRIM - FRONT - VINYL W/WIRE CARRIER - .020"
14*	102756-03-000	EA	REMOTE - KEYLESS ENTRY CARGO
15	140062-01-000	EA	SWITCH - SPEAKER - 6 CHANNEL

\*COMPONENT PARTS LISTED LATER IN THIS GROUP

**ELECTRICAL GROUP (CONTINUED)**  
**COMPONENT PARTS FOR LIGHTS & SWITCHES**

**008089-02-000**

<b>KEY</b>	<b>PART NUMBER</b>	<b>U/M</b>	<b>DESCRIPTION</b>
	008089-01-700	EA	LENS-LIGHT, RECESSED, PORCH DECO

**091206-04-000**

<b>KEY</b>	<b>PART NUMBER</b>	<b>U/M</b>	<b>DESCRIPTION</b>	<b>VENDOR NO.</b>
	091206-02-700	EA	KNOB-INNER	66C-00019
	091206-02-701	EA	KNOB-OUTER	66C-00020
	091206-04-700	EA	SWITCH ASSEM. ONLY	250-6623
	102362-03-700	EA	MODULE-WIPER CONT., DYNAMIC	66D-00093

**091937-08-000**

<b>KEY</b>	<b>PART NUMBER</b>	<b>U/M</b>	<b>DESCRIPTION</b>	<b>VENDOR NO.</b>
	091937-08-700	EA	LENS - LIGHT - FLUORESCENT	D-766

**091937-09-000**

<b>KEY</b>	<b>PART NUMBER</b>	<b>U/M</b>	<b>DESCRIPTION</b>	<b>VENDOR NO.</b>
	091937-09-700	EA	LENS - LIGHT - FLUORESCENT	D-762

**097917-01-06A**

<b>KEY</b>	<b>PART NUMBER</b>	<b>U/M</b>	<b>DESCRIPTION</b>	<b>VENDOR NO.</b>
	097917-01-700	EA	LENS-LIGHT, CLEAR	30-78-021

**098024-01-03A**

<b>KEY</b>	<b>PART NUMBER</b>	<b>U/M</b>	<b>DESCRIPTION</b>	<b>VENDOR NO.</b>
	098024-01-700	EA	LENS-LIGHT	807877

**102756-03-000**

<b>KEY</b>	<b>PART NUMBER</b>	<b>U/M</b>	<b>DESCRIPTION</b>	<b>VENDOR NO.</b>
	102756-02-702	EA	BATTERY-12 VOLT	402-1002
	102756-03-700	EA	MODULE BOARD	202-3219
	102756-03-701	EA	REMOTE-KEYLESS ENTRY	412-1115
	102756-03-702	EA	RELAY- 30AMP - SPDT	463-1000
	102756-03-703	EA	WIRE HARNESS - KEYLESS ENTRY	203-6879

**108354-01-01A**

<b>KEY</b>	<b>PART NUMBER</b>	<b>U/M</b>	<b>DESCRIPTION</b>	<b>VENDOR NO.</b>
	108354-01-700	EA	BULB-COURTESY LIGHT	395-B

**121935-01-01A**

<b>KEY</b>	<b>PART NUMBER</b>	<b>U/M</b>	<b>DESCRIPTION</b>	<b>VENDOR NO.</b>
	121935-01-700	EA	LENS ONLY	809511

**123774-01-01A**

<b>KEY</b>	<b>PART NUMBER</b>	<b>U/M</b>	<b>DESCRIPTION</b>	<b>VENDOR NO.</b>
	123774-01-700	EA	BULB - MAKEUP LIGHT/CLEAR	719019C CLEAR
	123774-01-701	EA	BULB - MAKEUP LIGHT/FROSTED	719019F FROSTED

**123775-01-01A**

<b>KEY</b>	<b>PART NUMBER</b>	<b>U/M</b>	<b>DESCRIPTION</b>	<b>VENDOR NO.</b>
	123775-01-700	EA	BULB - 10 WATT - HALOGEN	71-JC10
	123775-01-701	EA	BEZEL/LENS - RECESSED LIGHT	

**130051-01-000**

<b>KEY</b>	<b>PART NUMBER</b>	<b>U/M</b>	<b>DESCRIPTION</b>	<b>VENDOR NO.</b>
	130051-01-700	EA	BULB/REPLACEMENT	689D



**ELECTRICAL GROUP (CONTINUED)**  
**CIRCUIT BREAKERS & FUSES**

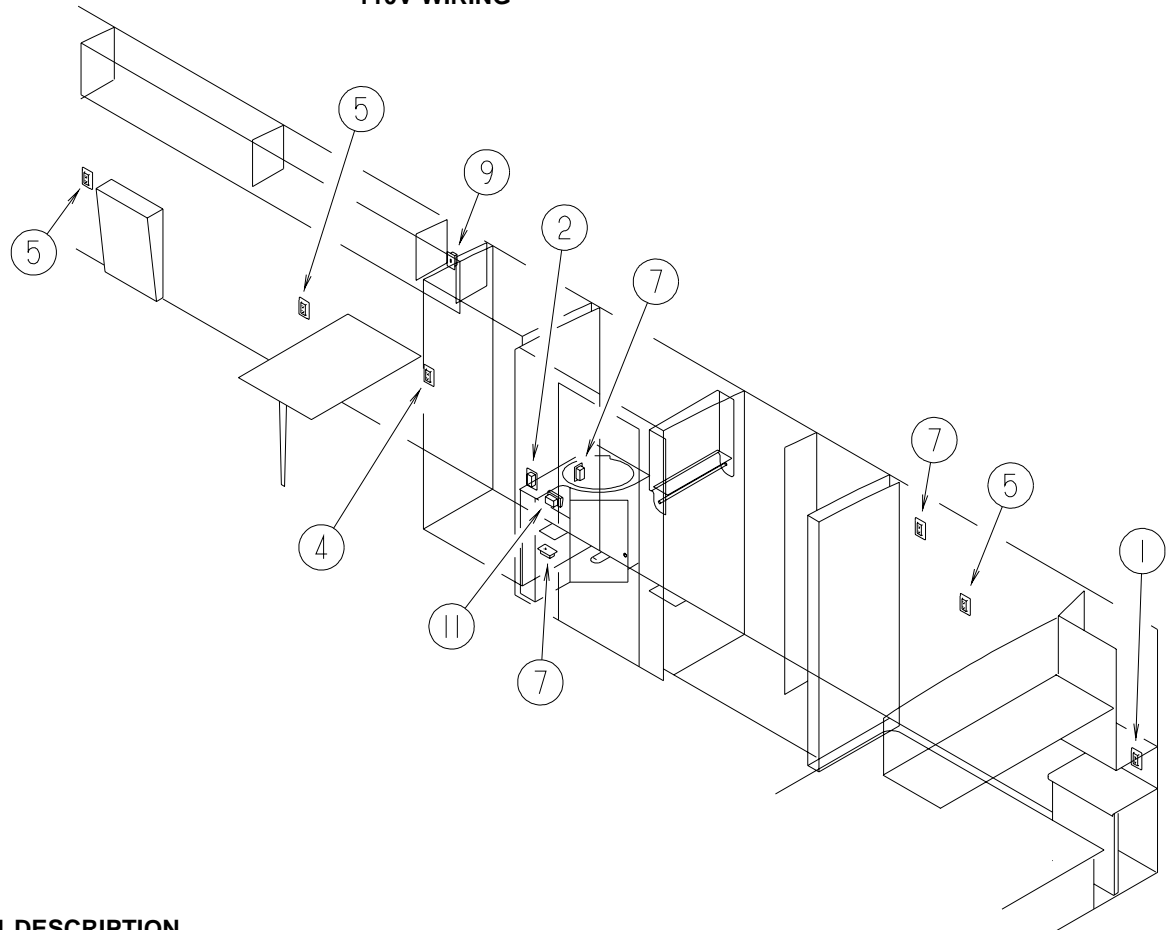
KEY	PART NUMBER	U/M	DESCRIPTION
	008233-01-000	EA	FUSE - 12 VOLT - 6 AMP
	008235-01-000	EA	FUSE - 15 AMP/12VOLT - AUTOMOTIVE
	033573-01-000	EA	CIRCUIT BREAKER W/MOUNT-20A, 12V - FASCO 1711-2026
	062037-02-000	EA	HOUSING - AUTO FUSE - GREEN
	062037-04-000	EA	HOUSING - AUTO FUSE - BLUE
	062037-07-000	EA	HOUSING - AUTO FUSE - RED
	062901-02-000	EA	FUSE - 5 AMP - AUTOMOTIVE
	062901-05-000	EA	FUSE - 15 AMP - AUTOMOTIVE
	062901-06-000	EA	FUSE - 20 AMP - AUTOMOTIVE
	062901-07-000	EA	FUSE - 25 AMP - AUTOMOTIVE
	062901-08-000	EA	FUSE - 30 AMP - AUTOMOTIVE
	083209-01-000	EA	CIRCUIT BREAKER - 15 AMP - 120 VOLT - CANADIAN
	083209-02-000	EA	CIRCUIT BREAKER - 15/15 AMP - 120 VOLT
	083209-03-000	EA	CIRCUIT BREAKER - 15/20 AMP - 120 VOLT
	083209-04-000	EA	CIRCUIT BREAKER - 30 AMP - 120 VOLT
	083209-05-000	EA	CIRCUIT BREAKER - 20 AMP - 120 VOLT
	083209-06-000	EA	CIRCUIT BREAKER - 30/15 AMP - 120 VOLT
	083209-07-000	EA	CIRCUIT BREAKER - 20/20 AMP - 120 VOLT
	083209-10-000	EA	CIRCUIT BREAKER - 20/30 AMP - 120 VOLT
	083209-11-000	EA	CIRCUIT BREAKER - 20/15 AMP - 120 VOLT
	092786-02-000	EA	BUSS BAR - 3.3" LONG
	092786-03-000	EA	BUSS BAR - 6.9" LONG
	092786-06-000	EA	BUSS BAR
	093654-01-000	EA	CIRCUIT BREAKER - 6 AMP - 12 VOLT - PUSH BUTTON - WHITE
	093654-02-000	EA	CIRCUIT BREAKER - 15 AMP - 12 VOLT - PUSH BUTTON - WHITE
	093654-03-000	EA	CIRCUIT BREAKER - 20 AMP - 12 VOLT - PUSH BUTTON - WHITE
	093654-11-000	EA	COVER - RESET BUTTON
	093655-01-000	EA	CIRCUIT BREAKER - 25 AMP - 12 VOLT - PUSH BUTTON - WHITE
	093655-02-000	EA	CIRCUIT BREAKER - 30 AMP - 12 VOLT - PUSH BUTTON - WHITE
	093655-03-000	EA	CIRCUIT BREAKER - 40 AMP - 12 VOLT - PUSH BUTTON - WHITE
	093674-01-000	EA	PLATE - CIRCUIT BREAKER - HOUSE - 8.4" X 4.1" - STEEL
	097611-01-000	EA	CIRCUIT BREAKER - 10 AMP
	100341-01-000	EA	FUSE HOLDER - IN LINE TYPE
	106656-01-000	EA	FUSE BLOCK - 4 CAVITY - AUTOFUSE
	108567-01-000	EA	CIRCUIT BREAKER - 40 AMP - 12 VOLT - TYPE II
	108669-01-000	EA	HOUSING - AUTO FUSE HOLDER
	111683-01-000	EA	FUSE - HOLDER - GLASS - 1/4" X 1 1/4"
	113482-01-000	EA	CIRCUIT BREAKER - 55 AMP - MANUAL
	115187-01-000	EA	FUSE - 300 AMP - NON-DELAY
	115187-02-000	EA	FUSE HOLDER - BUSS ANN/ANL BLOCK
	118531-04-02B	EA	PLATE - CIRCUIT BREAKER - E-COATED
	118531-05-02B	EA	PLATE - CIRCUIT BREAKER - E-COAT
	122811-01-000	EA	CIRCUIT BREAKER - 20/50/50/20
	125986-04-000	EA	FUSE - 10 AMP - AUTO - MINI BLADE
	125986-05-000	EA	FUSE - 15 AMP - AUTO - MINI BLADE
	134127-01-000	EA	CIRCUIT BREAKER - 10 AMP - MINI

**CONVERTER, INVERTER, LOAD CENTERS**

KEY	PART NUMBER	U/M	DESCRIPTION
	108915-03-000	EA	LOAD CENTER - 120/240 VOLT - 100 AMP FROM: 00-00-00 THRU: 01-06-02
	141258-01-000	EA	LOAD CENTER - 120/240 - 50 AMP FROM: 01-07-02 THRU: 99-99-99
	141258-02-000	EA	LOAD CENTER - COVER FROM: 01-07-02 THRU: 99-99-99
	109677-01-000	EA	LOAD CENTER - 120 VOLT - 40 AMP
	113685-01-000	EA	INVERTER - CHARGER - 2000W AC
	113685-05-000	EA	REMOTE PANEL - INVERTER/CHARGER
	113685-06-000	EA	CABLE - MODULAR JACK - 50'
	127002-04-000	EA	MODULE - EMS CONTROL - W/REMOTE SENSOR
	127002-05-000	EA	PANEL/MONITOR - ENERGY MANAGEMENT SYSTEMS CTRL - W/PLUG
	127002-07-000	EA	SENSOR - CURRENT
	127002-08-000	EA	MODULE - EMS CENTER - W/REMOTE SENSOR

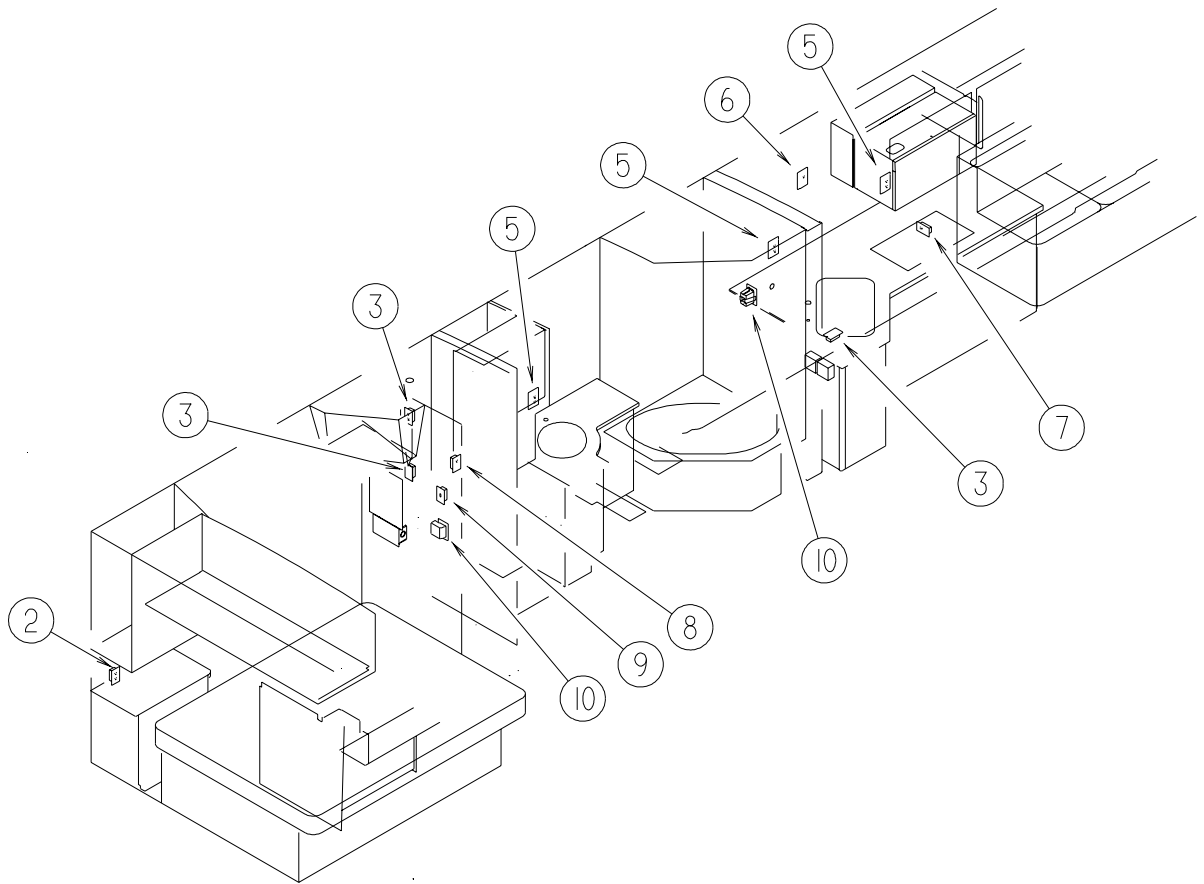
## ELECTRICAL GROUP (CONTINUED)

### 110V WIRING



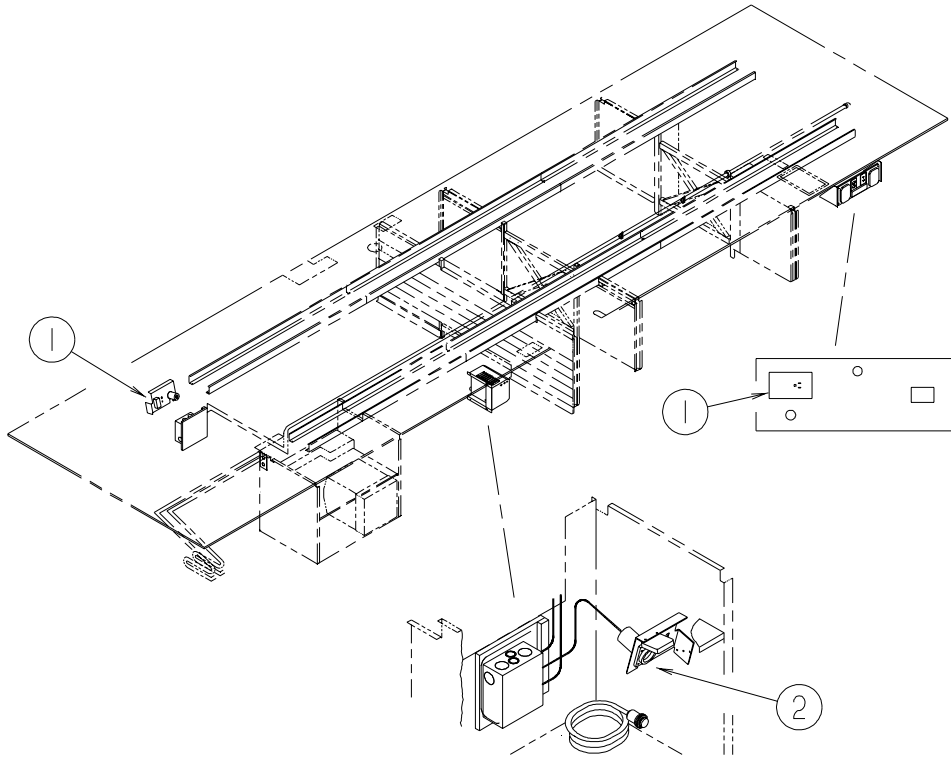
KEY	PART NUMBER	U/M	DESCRIPTION
1	058708-01-000	EA	RECEPTACLE - ELECTRIC - DOUBLE - BROWN - REAR STEREO SYSTEM
1	058708-02-000	EA	RECEPTACLE - ELECTRIC - DOUBLE - IVORY - W/O REAR STEREO SYSTEM
1	133713-06-02A	EA	SPACER/RECEPTACLE - PHONE - VINYL/WASHED MAPLE - W/O REAR STEREO SYSTEM
1	133713-06-03A	EA	SPACER/RECEPTACLE - PHONE - VINYL/SALEM CHERRY - W/O REAR STEREO SYSTEM
1	133713-06-08A	EA	SPACER/RECEPTACLE - PHONE - VINYL/VINYL/PORTSMOUTH OAK - W/O REAR STEREO SYSTEM
2	058708-01-000	EA	RECEPTACLE - ELECTRIC - DOUBLE - BROWN
3	058707-02-000	EA	RECEPTACLE - BLANK - JUNCTION BOX
4	058708-02-000	EA	RECEPTACLE - ELECTRIC - DOUBLE - IVORY
4	133713-06-02A	EA	SPACER/RECEPTACLE - PHONE - VINYL/WASHED MAPLE
4	133713-06-03A	EA	SPACER/RECEPTACLE - PHONE - VINYL/SALEM CHERRY
4	133713-06-08A	EA	SPACER/RECEPTACLE - PHONE - VINYL/VINYL/PORTSMOUTH OAK
5	058708-02-000	EA	RECEPTACLE - ELECTRIC - DOUBLE - IVORY
5	133713-01-02A	EA	SPACER/RECEPTACLE - VINYL/WASHED MAPLE
5	133713-01-03A	EA	SPACER/RECEPTACLE - VINYL/SALEM CHERRY
5	133713-01-08A	EA	SPACER/RECEPTACLE - VINYL/PORTSMOUTH OAK
6	058708-05-000	EA	RECEPTACLE - ELECTRIC - SINGLE - BROWN
6	133713-01-02A	EA	SPACER/RECEPTACLE - VINYL/WASHED MAPLE
6	133713-01-08A	EA	SPACER/RECEPTACLE - VINYL/PORTSMOUTH OAK
6	133713-01-03A	EA	SPACER/RECEPTACLE - VINYL/SALEM CHERRY
7	058707-01-000	EA	RECEPTACLE - ELECTRIC - SINGLE - BROWN
8	058708-05-000	EA	RECEPTACLE - ELECTRIC - SINGLE - BROWN
9	084420-03-000	EA	SWITCH - TOGGLE - 15 AMP - 120 VOLT - IVORY
10	084076-02-000	EA	RECEPTACLE - GFI - 15 AMP/125 VOLT - BROWN - W/COVER
11	131826-01-01A	EA	RECEPTACLE - EXTERIOR - W/COVER/GASKET - WHITE

**ELECTRICAL GROUP (CONTINUED)**  
**110V WIRING (CONTINUED)**



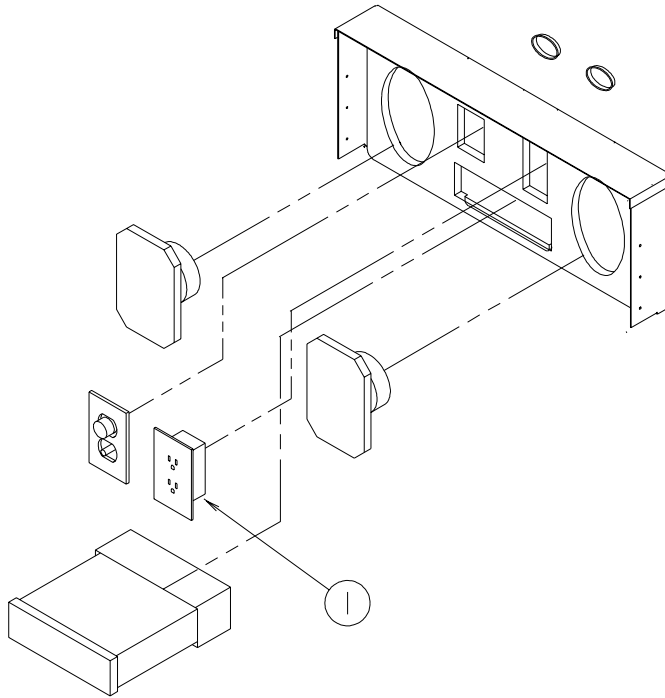
KEY	PART NUMBER	U/M	DESCRIPTION
1	058708-01-000	EA	RECEPTACLE - ELECTRIC - DOUBLE - BROWN - REAR STEREO SYSTEM
1	058708-02-000	EA	RECEPTACLE - ELECTRIC - DOUBLE - IVORY - W/O REAR STEREO SYSTEM
1	133713-06-02A	EA	SPACER/RECEPTACLE - PHONE - VINYL/WASHED MAPLE - W/O REAR STEREO SYSTEM
1	133713-06-03A	EA	SPACER/RECEPTACLE - PHONE - VINYL/SALEM CHERRY - W/O REAR STEREO SYSTEM
1	133713-06-08A	EA	SPACER/RECEPTACLE - PHONE - VINYL/VINYL/PORTSMOUTH OAK - W/O REAR STEREO SYSTEM
2	058708-01-000	EA	RECEPTACLE - ELECTRIC - DOUBLE - BROWN
3	058707-02-000	EA	RECEPTACLE - BLANK - JUNCTION BOX
4	058708-02-000	EA	RECEPTACLE - ELECTRIC - DOUBLE - IVORY
4	133713-06-02A	EA	SPACER/RECEPTACLE - PHONE - VINYL/WASHED MAPLE
4	133713-06-03A	EA	SPACER/RECEPTACLE - PHONE - VINYL/SALEM CHERRY
4	133713-06-08A	EA	SPACER/RECEPTACLE - PHONE - VINYL/VINYL/PORTSMOUTH OAK
5	058708-02-000	EA	RECEPTACLE - ELECTRIC - DOUBLE - IVORY
5	133713-01-02A	EA	SPACER/RECEPTACLE - VINYL/WASHED MAPLE
5	133713-01-03A	EA	SPACER/RECEPTACLE - VINYL/SALEM CHERRY
5	133713-01-08A	EA	SPACER/RECEPTACLE - VINYL/PORTSMOUTH OAK
6	058708-05-000	EA	RECEPTACLE - ELECTRIC - SINGLE - BROWN
6	133713-01-02A	EA	SPACER/RECEPTACLE - VINYL/WASHED MAPLE
6	133713-01-08A	EA	SPACER/RECEPTACLE - VINYL/PORTSMOUTH OAK
6	133713-01-03A	EA	SPACER/RECEPTACLE - VINYL/SALEM CHERRY
7	058707-01-000	EA	RECEPTACLE - ELECTRIC - SINGLE - BROWN
8	058708-05-000	EA	RECEPTACLE - ELECTRIC - SINGLE - BROWN
9	084420-03-000	EA	SWITCH - TOGGLE - 15 AMP - 120 VOLT - IVORY
10	084076-02-000	EA	RECEPTACLE - GFI - 15 AMP/125 VOLT - BROWN - W/COVER
11	131826-01-01A	EA	RECEPTACLE - EXTERIOR - W/COVER/GASKET - WHITE

**ELECTRICAL GROUP (CONTINUED)**  
**110V WIRING (CONTINUED)**

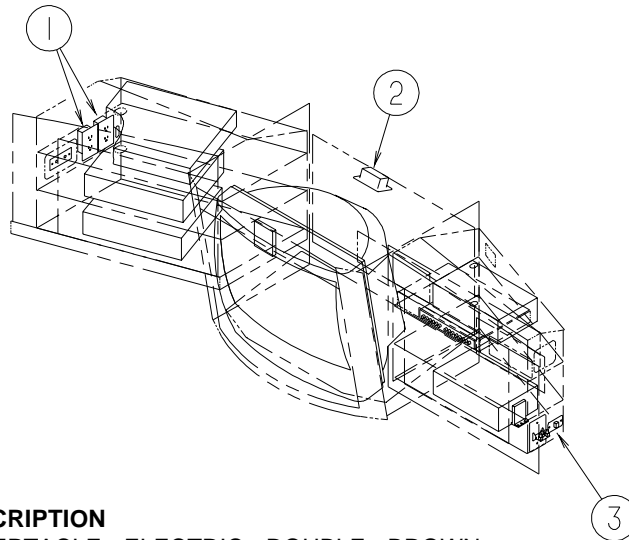


KEY	PART NUMBER	U/M	DESCRIPTION
1	058708-05-000	EA	RECEPTACLE - ELECTRIC - SINGLE - BROWN - ENGINE HEATER/FREEZER
2	115930-02-000	EA	RECEPTACLE/EXTERIOR INLET W/COVER - 50AMP/240 VOLT

## ELECTRICAL GROUP (CONTINUED) ENTERTAINMENT WIRING



KEY	PART NUMBER	U/M	DESCRIPTION
1	058708-01-000	EA	RECEPTACLE - ELECTRIC - DOUBLE - BROWN



KEY	PART NUMBER	U/M	DESCRIPTION
1	058708-01-000	EA	RECEPTACLE - ELECTRIC - DOUBLE - BROWN
2	058708-05-000	EA	RECEPTACLE - ELECTRIC - SINGLE - BROWN
3	079364-04-000	EA	SWITCH - ON/OFF ROCKER - 2 TERMINAL - BLACK
3	098351-16-01A	EA	PLATE/SWITCH - 1 GANG W/LABEL

## ELECTRICAL GROUP (CONTINUED)

### BOXES & CORDS

KEY	PART NUMBER	U/M	DESCRIPTION
	008289-01-000	EA	BOX - ELECTRIC/STEEL - 1/2" & 3/4" KNOCKOUTS - 4" X 4"
	008294-01-000	EA	COVER - ELECTRIC BOX - BLANK/STEEL - 4" X 4" - GRAY
	008294-02-000	EA	COVER - ELECTRICAL BOX - BLANK/STEEL - 4" X 4" - CANADIAN
	091910-01-000	EA	BOX - ELECTRIC - 3.8" X 3.5" X 1.8" - PLASTIC - Q40JD
	091910-02-000	EA	BOX - ELECTRIC - 2.2" X 3.5" X 1.8" - PLASTIC - Q40JD
	106071-05-000	EA	SWITCH - AUTOMATIC TRANSFER - 50/70 - MAGNETEK
	108934-02-000	EA	CORD - POWER - 50 AMP - 4-WIRE - 36'
	109172-01-000	EA	CORD - POWER - 13 AMP - 3-WIRE - 4'
	121470-01-000	EA	CORD/EXTENSION - 6 FOOT - 16-2 WIRE
	133070-01-000	EA	BOX - ELECTRIC/PLASTIC - 3" X 2" X 2.8" - UL - Q40WD
	133070-02-000	EA	BOX - ELECTRIC/PLASTIC - 3" X 2" X 2.8" - CSA - Q40WD
	115832-01-000	EA	CORD - HEAVY DUTY - 12-2W GROUND

### WIRE ASSEMBLIES

KEY	PART NUMBER	U/M	DESCRIPTION
	090986-02-000	EA	WIRE ASSEMBLY - ELECTRIC STEP
	093040-06-000	EA	WIRE ASSEMBLY-MONITOR-F/NON-PRE-WIRED AFTER MARKET INSTALL
	097618-01-000	EA	WIRE ASSEMBLY - MONITOR PANEL- W/3 WIRES & ORANGE RESISTOR
	120233-05-000	EA	WIRE ASSEMBLY - 30" CONNECTS TO WALLPLATE DISPLAY - Q40JD
	124336-12-000	EA	WIRE - REAR STEREO - 12 PIN
			FROM: 00-00-00 THRU: 10-14-01
	124842-03-000	EA	WIRE ASSEMBLY - SPEAKER/ADAPTOR
	125853-04-000	EA	WIRE LOOM - ENTERTAINMENT CENTER
	127002-06-000	EA	WIRE ASSEMBLY - EMS - W/PLUG
	128138-02-000	EA	WIRE - F/SATELLITE - AUTOMATIC - Q40JD
	129560-01-000	EA	WIRE ASSEMBLY - 2 MONITOR PANEL
	129888-01-000	EA	WIRE LOOM - INSTRUMENT PANEL - AIR HORN
	140062-02-000	EA	WIRE LOOM - SPEAKER
	140167-01-000	EA	WIRE LOOM - GPS ADAPTER
	135131-01-000	EA	WIRE ASSEMBLY - THERMOSTAT - Q40WD
	137135-03-000	EA	WIRE LOOM - DIGITAL ELEVATION SENSOR
	137135-04-000	EA	WIRE HARNESS - POWER - DIGITAL ELEVATION SENSOR
	140062-02-000	EA	WIRE LOOM - SPEAKER
	140167-01-000	EA	WIRE LOOM - GPS SPEAKER
	141454-02-000	EA	WIRE LOOM - SATELLITE - AUTOMATIC

**ELECTRICAL GROUP (CONTINUED)**  
**CONNECTORS & CONDUIT**

KEY	PART NUMBER	U/M	DESCRIPTION
	007942-01-000	EA	TAB - WIRE 10 TO 14 AWG
	007954-01-000	EA	RECEPTACLE - HOUSING - 6 POSITION
	007956-05-000	EA	INSULATOR - SHRINK - 1/4" ID X 1 1/2"
	008311-01-000	EA	CONNECTOR - WIRE NUT - INSULATED - RED
	008312-01-000	EA	CONNECTOR - WIRE NUT - INSULATED - BLUE
	008313-01-000	EA	CONNECTOR - WIRE NUT - INSULATED - YELLOW
	008314-01-000	EA	CONNECTOR - WIRE NUT - INSULATED - GRAY
	008326-01-000	EA	TERMINAL - RING - 16/14 WIRE - 3/8" STUD
	008328-01-000	EA	TERMINAL - RING - 12/10 WIRE - #10 STUD FIT
	008331-01-000	EA	TERMINAL - RING - TONGUE - #4 WIRE - 3/8" STUD - COPPER
	008348-01-000	EA	TERMINAL - RING - 3/8" STUD 2 GA. WIRE
	008355-01-000	EA	CONNECTOR - CABLE CLAMPING - 3/4"
	008356-01-000	EA	CONNECTOR - PLASTIC - 3/8" AVG
	008356-02-000	EA	CONNECTOR - PLASTIC - 21/32
	008394-01-000	FT	CONDUIT - FLEXIBLE - 1/2"
	008398-01-000	EA	CONNECTOR - 1/2" X 90 DEGREE - FLEX CONDUIT - UL & CSA
	035416-04-000	EA	TERMINAL - RING - #10 STUD FIT - INSULATED BARREL #16/14
	041953-01-000	FT	CONDUIT - CONVOLUTE SLIT - .5" ID - POLYETHYLENE
	041953-03-000	FT	CONDUIT - CONVOLUTE SLIT - 1" ID (CLOTHES ROD COVER)
	041953-05-000	FT	CONDUIT - CONVOLUTE SOLID - .62" ID - POLYETHYLENE
	041953-06-000	FT	CONDUIT - CONVOLUTE SLIT - .4" ID - POLYETHYLENE
	041953-07-000	FT	CONDUIT - CONVOLUTE SLIT - .25" ID - POLYETHYLENE
	041953-08-000	FT	CONDUIT - CONVOLUTE SLIT - 1.5" ID - POLYETHYLENE
	041953-09-000	FT	CONDUIT - CONVOLUTE SLIT - .5" ID - NYLON
	041953-10-000	FT	CONDUIT - CONVOLUTE SLIT - .75" ID - NYLON
	041953-11-000	FT	CONDUIT - CONVOLUTE SLIT - 1.06" ID - NYLON
	041953-12-000	FT	CONDUIT - CONVOLUTE SOLID - 1.1" ID - NYLON
	041953-13-000	FT	CONDUIT - CONVOLUTE SLIT - 1.25
	047443-01-000	EA	TERMINAL - .250 RECEPTACLE FIT - INSULATED - 16/14 AWG
	047443-02-000	EA	TERMINAL - .250 RECEPTACLE FIT - INSULATED - 12/10 AWG
	058028-01-000	EA	CONNECTOR - ELECTRICAL PIGTAIL - NYLON - CLEAR
	062036-01-000	EA	TERMINAL - PACK - CON - 12/10 AWG
	074017-02-000	EA	HOUSING - 5 POSITION - RIGHT ANGLED
	077479-01-000	EA	BOOT - BATTERY TERMINAL - DOUBLE CABLE
	077479-02-000	EA	BOOT - BATTERY TERMINAL - SINGLE CABLE
	080015-02-000	EA	RECEPTACLE - FLAG - .185 - 16/14 GAUGE
	080015-03-000	EA	RECEPTACLE - FLAG - .250 - 14/16 GAUGE
	082109-01-000	EA	HOUSING - CONNECTOR - PACKARD
	082741-01-000	EA	CONNECTOR BODY - 2 CONNECTOR MALE
	085724-01-000	EA	SOCKET - DOUBLE CONTACT - TAILLIGHT
	087225-01-000	FT	SLEEVING - 1/2" - TYPE H
	087949-01-000	EA	BUSS BAR - 2 POSITION - .6" X 1.5"
	087949-02-000	EA	BUSS BAR - 3 POSITION - .6" X 2.4"
	087949-03-000	EA	BUSS BAR - 4 POSITION
	087949-05-000	EA	BUSS BAR - 7 POSITION
	088473-01-000	EA	HOUSING - PIN - 12 CAVITY (3 ROWS OF 4)
	088473-02-000	EA	HOUSING - PIN - 15 CAVITY (3 ROWS OF 5)
	088473-03-000	EA	HOUSING - PIN - 9 CAVITY (3 ROWS OF 3)
	088473-04-000	EA	HOUSING - PIN - 8 CAVITY IN-LINE
	088473-06-000	EA	HOUSING - PIN - 6 CAVITY (2 ROWS OF 3)
	088473-07-000	EA	HOUSING - PIN - 5 CAVITY - IN-LINE
	088473-08-000	EA	HOUSING - PIN - 4 CAVITY - IN-LINE
	088473-09-000	EA	HOUSING - PIN - 3 CAVITY - IN-LINE
	088473-10-000	EA	HOUSING - PIN - 2 CAVITY - IN LINE
	088474-01-000	EA	HOUSING - SOCKET - 12 CAVITY
	088474-02-000	EA	HOUSING - SOCKET - 15 CAVITY
	088474-03-000	EA	HOUSING - SOCKET - 9 CAVITY
	088474-04-000	EA	HOUSING - SOCKET - 8 CAVITY
	088474-06-000	EA	HOUSING - SOCKET - 6 CAVITY
	088474-07-000	EA	HOUSING - SOCKET - 5 CAVITY
	088474-08-000	EA	HOUSING - SOCKET - 4 CAVITY
	088474-09-000	EA	HOUSING - SOCKET - 3 CAVITY
	088474-10-000	EA	HOUSING - SOCKET - 2 CAVITY
	088475-01-000	EA	PIN - CONNECTOR - 14-20 AWG

**ELECTRICAL GROUP (CONTINUED)**  
**CONNECTORS & CONDUIT (CONTINUED)**

KEY	PART NUMBER	U/M	DESCRIPTION
	088475-02-000	EA	PIN - CONNECTOR - 10-12 AWG
	088476-01-000	EA	TERMINAL - ELECTRICAL
	088476-02-000	EA	SOCKET - CONNECTOR - 12-10 GA - PRE-TIN
	098261-02-000	EA	SOCKET - CONNECTOR - WEATHERPACK - 14-18 AWG
	098262-01-000	EA	SEAL - CONNECTOR - WEATHERPACK
	098262-05-000	EA	SEAL - CAVITY
	098263-02-000	EA	HOUSING - 3 PIN - WEATHER PACK
	098264-01-000	EA	HOUSING - 2 PIN - WEATHER PACK - MALE W/FEMALE PINS
	098264-02-000	EA	HOUSING - 2 PIN - WEATHER PACK - FEMALE W/MALE PINS
	098265-02-000	EA	PIN - CONNECTOR - WEATHER PACK
	102777-02-000	EA	TERMINAL - RING - #6 STUD - 10 AWG
	104100-01-000	EA	HOUSING - 1 POSITION - 75 AMPS
	104100-03-000	EA	TERMINAL - 75 AMP
	106655-01-000	EA	TERMINAL - FUSE BLOCK - 14-16 AWG
	106655-02-000	EA	TERMINAL - FUSE BLOCK - 10-12 AWG
	110178-01-000	EA	HOUSING - WIPER MOTOR
	112823-01-000	EA	SPLICE - REDUCER - 16-14 TO 18-22
	113135-01-000	EA	TERMINAL - FEMALE - M/P - 14-16 - F/SEALED TERMINAL
	113306-01-000	EA	TERMINAL - FEMALE - M/P - 14-16 - F/NON-SEALED TERMINAL
	113307-01-000	EA	TERMINAL - FEMALE - M/P - 16-20
	113308-01-000	EA	TERMINAL - FEMALE - M/P - 14-16 - 280
	113452-01-000	FT	SEAL/TRIM - FRONT - VINYL W/WIRE CARRIER - .020"
	113452-02-000	FT	SEAL/TRIM - FRONT - VINYL W/WIRE CARRIER - .027"
	113468-01-000	EA	HOUSING - 2 POSITION-FEMALE-USED ON WIPER/WASHER WIRE ASM
	115556-02-000	EA	HOUSING - 2 POSITION - FEMALE/PARALLEL
	115931-02-000	EA	COVER - CONNECTOR - 50 AMP W/LOCKING RING
	115932-02-000	EA	CONNECTOR - FEMALE - 50 AMP/240 VOLT
	116811-01-000	EA	TERMINAL - .110 RECEPTACLE - 16-14 AWG
	118571-01-000	EA	CONNECTOR - 3-WAY - MALE/SEALED
	118571-02-000	EA	CONNECTOR - 3-WAY - FEMALE/SEALED
	118571-03-000	EA	BRACKET - MOUNTING
	118571-04-000	EA	GASKET
	118571-05-000	EA	LOCK - SECONDARY - FEMALE
	118571-06-000	EA	LOCK - SECONDARY - MALE
	118597-01-000	EA	TERMINAL - MALE - M/P - 480 - 14-16
	118599-01-000	EA	TERMINAL - MALE - M/P - 280 - 14-16
	118820-01-000	EA	INSULATOR - TERMINAL
	119223-01-000	EA	HOUSING - 6 POSITION - MALE - WEATHERPACK
	119248-02-000	EA	HOUSING - 7 POSITION - FEMALE
	124625-02-000	EA	CONNECTOR - 12 VOLT
	125323-02-000	EA	HOUSING - 8 POSITION - MALE
	125323-03-000	EA	LOCK - SECONDARY 8 POSITION
	125323-04-000	EA	LOCK - SECONDARY 10 POSITION
	125323-05-000	EA	HOUSING - 6 POSITION - MALE
	125323-06-000	EA	LOCK - SECONDARY 6 POSITION
	125324-01-000	EA	TERMINAL - MALE - METRI-PACK - 150
	125325-01-000	EA	SEAL - CAVITY
	126403-01-000	EA	CONNECTOR - 2 CIRCUIT
	126403-02-000	EA	CONNECTOR - 3 CIRCUIT
	129233-01-000	EA	HOUSING - 2-POSITION/FEMALE - 280-SERIES
	129233-02-000	EA	HOUSING - 2-POSITION/FEMALE - 280-SERIES
	129234-01-000	EA	HOUSING - 6-POSITION/FEMALE - 280-SERIES
	129234-02-000	EA	HOUSING - 6-POSITION/FEMALE - 280-SERIES
	129234-03-000	EA	LOCK - SECONDARY - 6-POSITION
	129235-01-000	EA	HOUSING - 2-POSITION/FEMALE - 630-SERIES
	129235-02-000	EA	LOCK - SECONDARY - 2-POSITION
	129236-01-000	EA	TERMINAL - FEMALE - M/P - 630 - 10-12
	131515-01-000	EA	HOUSING - 2 POSITON JR. POWER TIMER - F/HALOGEN FOG LIGHT
	131681-01-000	EA	CONNECTOR - 3/4" SO CORD - UL/CS
	137207-01-000	EA	HOUSING - PIN - 2 CAVITY/HIGH AMP
	137208-01-000	EA	HOUSING - SOCKET - 2 CAVITY/HIGH AMP
	137209-01-000	EA	PIN - CONNECTOR - 10AWG/HIGH AMP
	137210-01-000	EA	SOCKET - CONNECTOR - 10 AWG/HIGH AMP
	138419-03-000	EA	SOCKET - LAMP - 3 WIRE



## ELECTRICAL GROUP (CONTINUED)

### BOOTS, SOLENOIDS, RELAYS & MISCELLANEOUS

KEY	PART NUMBER	U/M	DESCRIPTION
	008188-02-000	EA	SOLENOID - VENTED - HEAVY DUTY
	063910-01-000	EA	HOUSING - RELAY
	063912-02-000	EA	RELAY - CANISTER - SPDT
	086233-01-000	EA	STUD - ISOLATED - 3/8" X 7/8" LONG
	086273-01-000	EA	RELAY - BATTERY DISCONNECT
*	113832-02-01A	EA	SLIDE - BATTERY TRAY - HEAVY DUTY
*	113832-03-01A	EA	SLIDE - BATTERY TRAY

**\*COMPONENT PARTS LISTED LATER IN THIS GROUP**

## ELECTRICAL GROUP (CONTINUED)

### COMPONENT PARTS FOR BOOTS, SOLENOIDS, RELAYS & MISCELLANEOUS

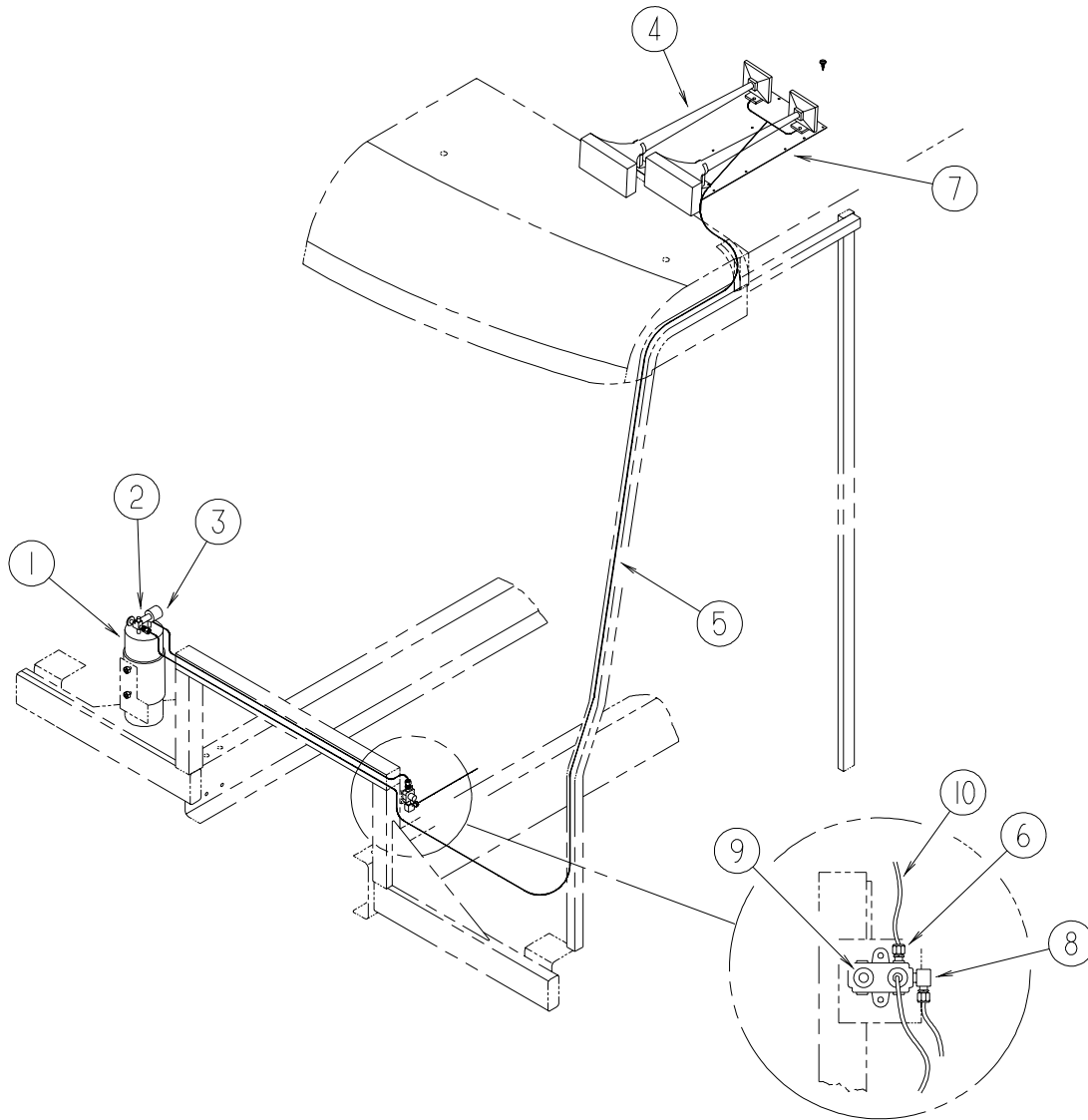
113832-02-01A

KEY	PART NUMBER	U/M	DESCRIPTION	VENDOR NO.
	113832-01-700	EA	STRAP-FLAT W/J-HOOK & LATCH	8323

113832-03-01A

KEY	PART NUMBER	U/M	DESCRIPTION	VENDOR NO.
	113832-01-700	EA	STRAP-FLAT W/J-HOOK & LATCH	8323

## EXTERIOR BODY GROUP AIR HORN



KEY	PART NUMBER	U/M	DESCRIPTION
1*	077497-09-000	EA	TANK - AIR - SOLENOID KIT - AUXILIARY HORN
2	071387-07-000	EA	ELBOW - MALE - BRAKE TUBE - 1/4" X 1/8"
3*	077497-03-000	EA	FITTING KIT - HOSE/HOSE FITTING/AIR GAUGE - F/AUX HORN
4*	077497-06-000	EA	HORN - AIR - CHROME - TWIN
5	071390-04-000	FT	TUBING - AIR BRAKE - 1/4" OD-BLK WEATHERHEAD (BRKS & HORN)
6	071386-06-000	EA	CONNECTOR - MALE - 1/4 TUBE X 1/4
7	125123-01-12B	EA	PLATE/MOUNTING - AIR HORN - 25" X 13" - BRIGHT WHITE
8	071387-04-000	EA	ELBOW - MALE - BRAKE TUBE 3/8 X 1/4
9	086241-01-000	EA	VALVE - AIR - 1/4 MPT X TIRE STEM
10	077497-02-000	EA	HOSE - AUXILIARY AIR HORN

**\*COMPONENT PARTS LISTED LATER IN THIS GROUP**

**EXTERIOR BODY GROUP (CONTINUED)**  
**COMPONENT PARTS FOR AIR HORN**

**077497-03-000**

<b>KEY</b>	<b>PART NUMBER</b>	<b>U/M</b>	<b>DESCRIPTION</b>	<b>VENDOR NO.</b>
	077497-01-710	EA	GAUGE-AIR PRESSURE	14212S

**077497-06-000**

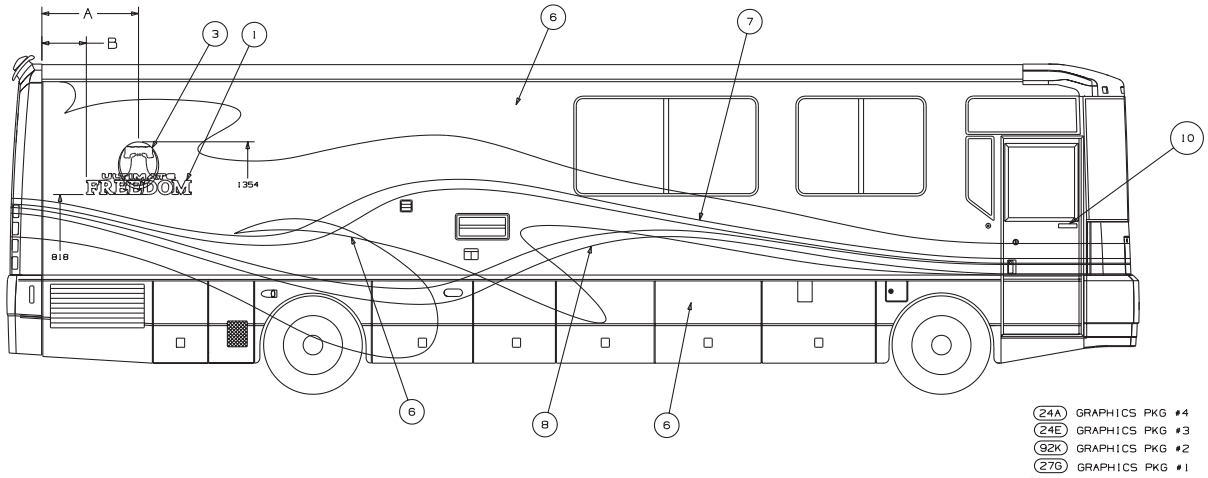
<b>KEY</b>	<b>PART NUMBER</b>	<b>U/M</b>	<b>DESCRIPTION</b>	<b>VENDOR NO.</b>
	077497-01-701	EA	SWITCH - COMPRESSOR	13940-S
	077497-01-702	EA	SWITCH - TOGGLE - W/WIRE	12949-S

**077497-09-000**

<b>KEY</b>	<b>PART NUMBER</b>	<b>U/M</b>	<b>DESCRIPTION</b>	<b>VENDOR NO.</b>
	077497-01-700	EA	SOLENOID-AIR TANK	550B
	077497-01-703	EA	TANK-AIR	751-N
	077497-01-709	EA	PLUNGER & SPRING F/SOLENOID	H136215

# EXTERIOR BODY GROUP (CONTINUED)

## GRAPHICS & PAINT



3. CENTER DECAL ON SLIDEOUT.

2. CENTER ON UNIT.

1. APPLY PROTECTOR 116424-01 TO WATER HEATER LATCH.

NOTES:

1951	2480	40RD
1951	2480	40JD
RT-HD	LT-HD	RT-HD
B	A	UNIT

KEY	QTY	PART NUMBER	U/M	DESCRIPTION ASPEN EXTERIOR
27G	1	136181-01-CHT101A	EA	DECAL-ULTIMATE FREEDOM,LG - CHROME/BLACK/BRT,WHITE/GOLD
	2	136181-03-CHT101A	EA	DECAL-ULTIMATE FREEDOM,SML - BRT WHITE/DK,BROWN/BLACK/CHROME/GOLD
	3	136181-02-CHT101A	EA	DECAL-BELL - BRT,WHITE/DK BROWN/BLACK
	4	137618-02-CHT101A	EA	DECAL/BEZEL-DOMED GRILLE LOGO - BLACK/CHROME
	6	91828-07-000	GL	PAINT CHROMAPRMR,SAGE MET - DUPONT #LM109
	7	91828-08-000	GL	PAINT CHROMAPRMR,CITRUS MET - DUPONT #YM131
	8	91828-09-000	GL	PAINT CHROMAPRMR,DK,TRUE GREEN MET - DUPONT #DM109
	9	135089-04-CHT101A	EA	DECAL-DOMED,HORSEPOWER 370 - BRT WHITE/CHROME/BLACK
	10	132664-01-CHT101A	EA	DECAL-LOGO,DOMED,WINNEBAGO

KEY	QTY	PART NUMBER	U/M	DESCRIPTION SUNFIRE EXTERIOR
92K	1	136181-01-CHT101A	EA	DECAL-ULTIMATE FREEDOM,LG - CHROME/BLACK/BRT,WHITE/GOLD
	2	136181-03-CHT101A	EA	DECAL-ULTIMATE FREEDOM,SML - BRT WHITE/DK,BROWN/BLACK/CHROME/GOLD
	3	136181-02-CHT101A	EA	DECAL-BELL - BRT,WHITE/DK BROWN/BLACK
	4	137618-02-CHT101A	EA	DECAL/BEZEL-DOMED GRILLE LOGO - BLACK/CHROME
	6	91828-C0-000	GL	PAINT CHROMAPRMR,CRANBERRY MET - DUPONT #RM285
	7	91828-C1-000	GL	PAINT CHROMAPRMR,SUNSET MET - DUPONT #RM286
	8	91828-C2-000	GL	PAINT CHROMAPRMR,PAPRIKA MET - DUPONT #RM329
	9	135089-04-CHT101A	EA	DECAL-DOMED,HORSEPOWER 370 - BRT WHITE/CHROME/BLACK
	10	132664-01-CHT101A	EA	DECAL-LOGO,DOMED,WINNEBAGO

KEY	QTY	PART NUMBER	U/M	DESCRIPTION BIG SKY EXTERIOR
24E	1	136181-01-CHT101A	EA	DECAL-ULTIMATE FREEDOM,LG - CHROME/BLACK/BRT,WHITE/GOLD
	2	136181-03-CHT101A	EA	DECAL-ULTIMATE FREEDOM,SML - BRT WHITE/DK,BROWN/BLACK/CHROME/GOLD
	3	136181-02-CHT101A	EA	DECAL-BELL - BRT,WHITE/DK BROWN/BLACK
	4	137618-02-CHT101A	EA	DECAL/BEZEL-DOMED GRILLE LOGO - BLACK/CHROME
	6	91828-C3-000	GL	PAINT CHROMAPRMR,ARCTIC BLUE MET - DUPONT #MM519
	7	91828-C4-000	GL	PAINT CHROMAPRMR,SKY BLUE MET - DUPONT #MM206
	8	91828-C5-000	GL	PAINT CHROMAPRMR,SILVER BLUE MET - DUPONT #MM499
	9	135089-04-CHT101A	EA	DECAL-DOMED,HORSEPOWER 370 - BRT WHITE/CHROME/BLACK
	10	132664-01-CHT101A	EA	DECAL-LOGO,DOMED,WINNEBAGO

KEY	QTY	PART NUMBER	U/M	DESCRIPTION TIMBER RIDGE EXTERIOR
24A	1	136181-01-CHT101A	EA	DECAL-ULTIMATE FREEDOM,LG - CHROME/BLACK/BRT,WHITE/GOLD
	2	136181-03-CHT101A	EA	DECAL-ULTIMATE FREEDOM,SML - BRT WHITE/DK,BROWN/BLACK/CHROME/GOLD
	3	136181-02-CHT101A	EA	DECAL-BELL - BRT,WHITE/DK BROWN/BLACK
	4	137618-02-CHT101A	EA	DECAL/BEZEL-DOMED GRILLE LOGO - BLACK/CHROME
	6	91828-C6-000	GL	PAINT CHROMAPRMR,WOODLAND GREEN MET - DUPONT #YM544
	7	91828-C7-000	GL	PAINT CHROMAPRMR,AUTUM MET - DUPONT #DM117
	8	91828-C8-000	GL	PAINT CHROMAPRMR,LT SAND MET - DUPONT #MM079
	9	135089-04-CHT101A	EA	DECAL-DOMED,HORSEPOWER 370 - BRT WHITE/CHROME/BLACK
	10	132664-01-CHT101A	EA	DECAL-LOGO,DOMED,WINNEBAGO

**KEY PART NUMBER**  
041561-03-000

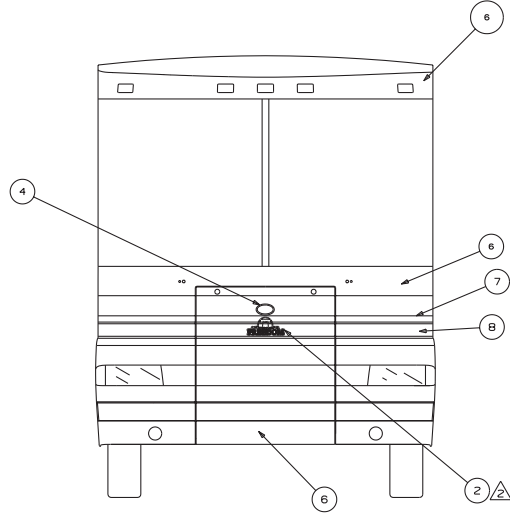
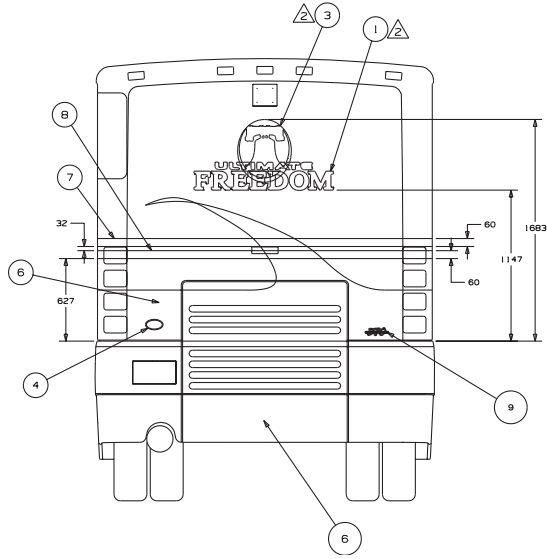
**U/M DESCRIPTION**  
EA PAINT - 16 OUNCE SPRAY - OFF WHITE

### DUPONT COLOR CODES

AZTEC SILVER MET.	F2573
DEEP STAR BLUE MET.	BM514
OPAL BLUE MET.	P0084HN
KHAKI MET.	F4574
CANYON RED MET.	H8288
SAHARA MET.	M1024HN
DEEP FOREST GREEN	DM107F
MOSS GREEN MET.	P0035HN

# EXTERIOR BODY GROUP (CONTINUED)

## GRAPHICS & PAINT (CONTINUED)



KEY	QTY	PART NUMBER	UNM	DESCRIPTION ASPEN EXTERIOR
275	1	136181-01-CHT101A	EA	DECAL-ULTIMATE FREEDOM,LG - CHROME/BLACK/BRT.WHYTE/GOLD
	2	136181-03-CHT101A	EA	DECAL-ULTIMATE FREEDOM,SML - BRT.WHYTE/DK.BROWN/BLACK/CHROME/GOLD
	3	136181-02-CHT101A	EA	DECAL-BELL - BRT.WHYTE/DK.BROWN/BLACK
	4	137618-02-CHT101A	EA	DECAL/BEZEL-DOMED GRILLE LOGO - BLACK/CHROME
	6	91828-B7-000	GL	PAINT CHROMAPRMR,SAGE MET - DUPONT #LM189
	7	91828-B8-000	GL	PAINT CHROMAPRMR,CITRUS MET - DUPONT #YM131
	8	91828-B9-000	GL	PAINT CHROMAPRMR,DK.TRUE GREEN MET - DUPONT #DM109
	9	135089-04-CHT101A	EA	DECAL-DOMED,HORSEPOWER 370 - BRT.WHYTE/CHROME/BLACK
	10	132664-01-CHT101A	EA	DECAL-LOGO,DOMED,#WINNEBAGO

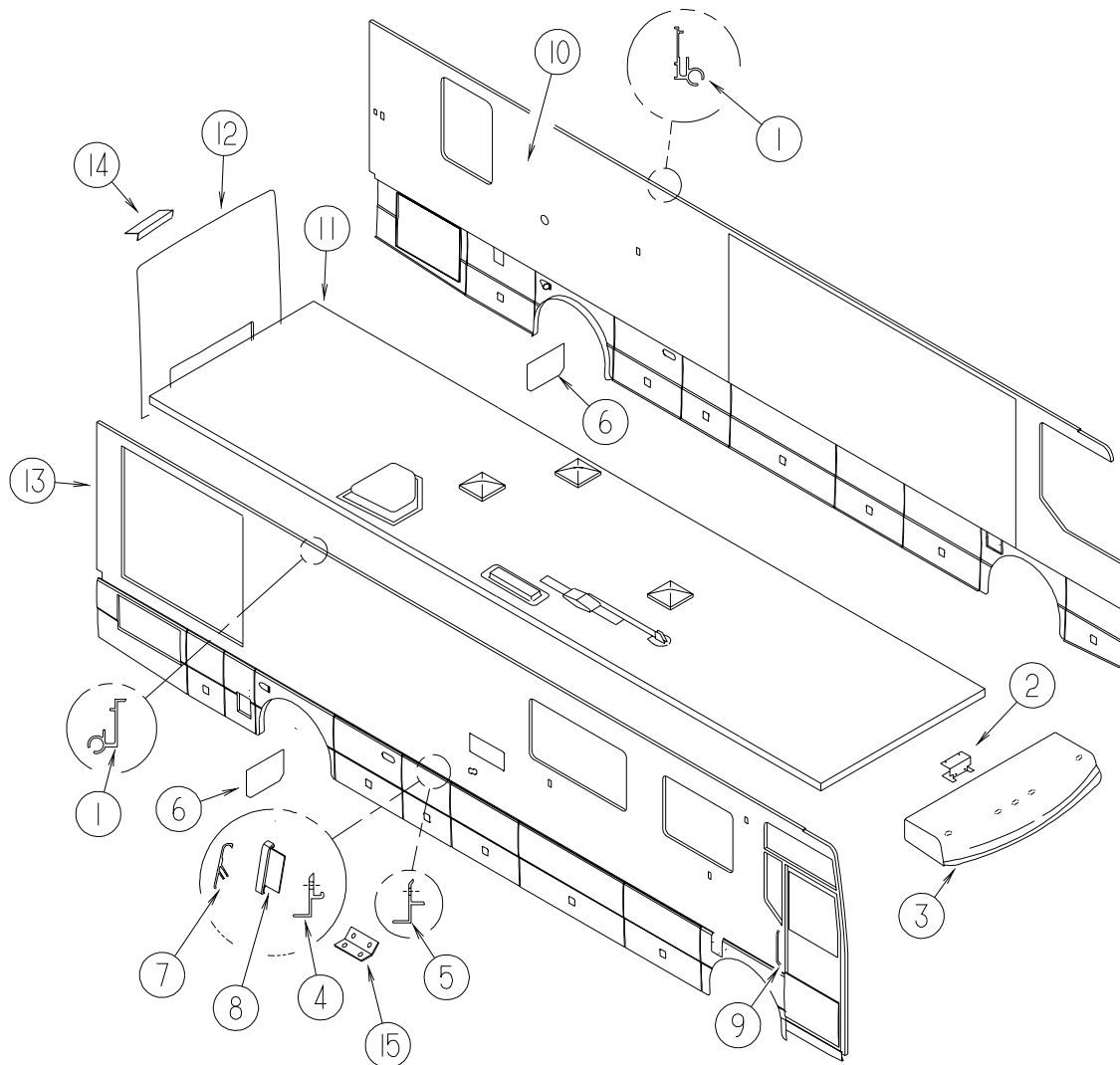
KEY	QTY	PART NUMBER	UNM	DESCRIPTION SUNFIRE EXTERIOR
92K	1	136181-01-CHT101A	EA	DECAL-ULTIMATE FREEDOM,LG - CHROME/BLACK/BRT.WHYTE/GOLD
	2	136181-03-CHT101A	EA	DECAL-ULTIMATE FREEDOM,SML - BRT.WHYTE/DK.BROWN/BLACK/CHROME/GOLD
	3	136181-02-CHT101A	EA	DECAL-BELL - BRT.WHYTE/DK.BROWN/BLACK
	4	137618-02-CHT101A	EA	DECAL/BEZEL-DOMED GRILLE LOGO - BLACK/CHROME
	6	91828-C0-000	GL	PAINT CHROMAPRMR,CRANBERRY MET - DUPONT #RM265
	7	91828-C1-000	GL	PAINT CHROMAPRMR,SUNSET MET - DUPONT #RM266
	8	91828-C2-000	GL	PAINT CHROMAPRMR,PAPRIKA MET - DUPONT #RM329
	9	135089-04-CHT101A	EA	DECAL-DOMED,HORSEPOWER 370 - BRT.WHYTE/CHROME/BLACK
	10	132664-01-CHT101A	EA	DECAL-LOGO,DOMED,#WINNEBAGO

KEY	QTY	PART NUMBER	UNM	DESCRIPTION BIG SKY EXTERIOR
24E	1	136181-01-CHT101A	EA	DECAL-ULTIMATE FREEDOM,LG - CHROME/BLACK/BRT.WHYTE/GOLD
	2	136181-03-CHT101A	EA	DECAL-ULTIMATE FREEDOM,SML - BRT.WHYTE/DK.BROWN/BLACK/CHROME/GOLD
	3	136181-02-CHT101A	EA	DECAL-BELL - BRT.WHYTE/DK.BROWN/BLACK
	4	137618-02-CHT101A	EA	DECAL/BEZEL-DOMED GRILLE LOGO - BLACK/CHROME
	6	91828-C3-000	GL	PAINT CHROMAPRMR,ARCTIC BLUE MET - DUPONT #MM519
	7	91828-C4-000	GL	PAINT CHROMAPRMR,SKY BLUE MET - DUPONT #MM205
	8	91828-C5-000	GL	PAINT CHROMAPRMR,SILVER BLUE MET - DUPONT #MM499
	9	135089-04-CHT101A	EA	DECAL-DOMED,HORSEPOWER 370 - BRT.WHYTE/CHROME/BLACK
	10	132664-01-CHT101A	EA	DECAL-LOGO,DOMED,#WINNEBAGO

KEY	QTY	PART NUMBER	UNM	DESCRIPTION TIMBER RIDGE EXTERIOR
24A	1	136181-01-CHT101A	EA	DECAL-ULTIMATE FREEDOM,LG - CHROME/BLACK/BRT.WHYTE/GOLD
	2	136181-03-CHT101A	EA	DECAL-ULTIMATE FREEDOM,SML - BRT.WHYTE/DK.BROWN/BLACK/CHROME/GOLD
	3	136181-02-CHT101A	EA	DECAL-BELL - BRT.WHYTE/DK.BROWN/BLACK
	4	137618-02-CHT101A	EA	DECAL/BEZEL-DOMED GRILLE LOGO - BLACK/CHROME
	6	91828-C6-000	GL	PAINT CHROMAPRMR,WOODLAND GREEN MET - DUPONT #YM544
	7	91828-C7-000	GL	PAINT CHROMAPRMR,AUTUM MET - DUPONT #DM017
	8	91828-C8-000	GL	PAINT CHROMAPRMR,LT SAND MET - DUPONT #MM079
	9	135089-04-CHT101A	EA	DECAL-DOMED,HORSEPOWER 370 - BRT.WHYTE/CHROME/BLACK
	10	132664-01-CHT101A	EA	DECAL-LOGO,DOMED,#WINNEBAGO

## EXTERIOR BODY GROUP (CONTINUED)

### PANELS & TRIMS



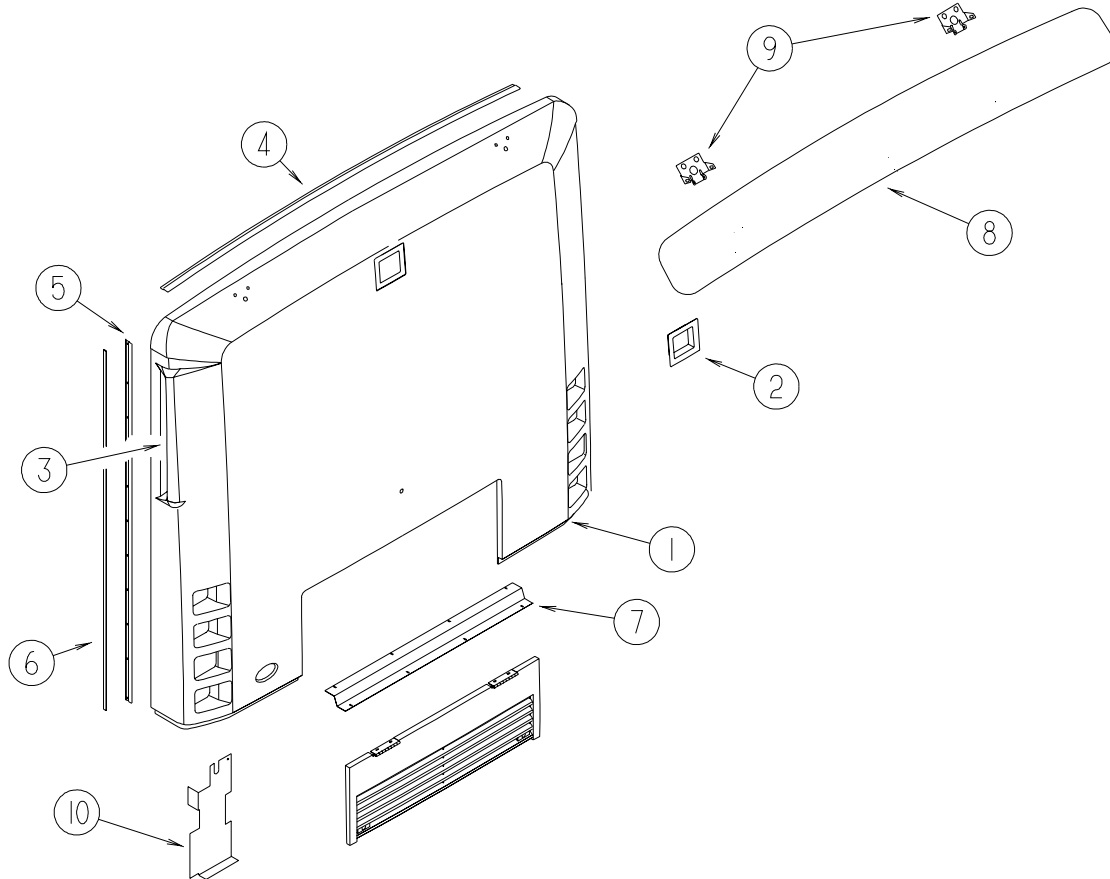
KEY	PART NUMBER	U/M	DESCRIPTION
1	131483-01-01A	EA	RAIL - AWNING - 192" - BRIGHT WHITE
2	134774-01-02B	EA	BRACKET - CAB ATTACHMENT - E-COATED
3	128342-02-KQ0	EA	PANEL - ROOF CAP - W/O LIGHTS/WIRING
4	123880-01-01A	EA	TRIM - VALANCE/RETAINER - 144"
			FROM: 00-00-00 THRU: 02-17-02
	125285-51-001	EA	TRIM - VALANCE/RETAINER - 12'
5	133376-01-01A	EA	TRIM - RETAINER - 144" - MILL
			FROM: 02-18-02 THRU: 99-99-99
6	017516-04-000	EA	MUD FLAP - BLACK - 23.5"W X 16.5"H
			FROM: 00-00-00 THRU: 10-23-01
6	141594-01-01A	EA	MUD FLAP - BLACK
			FROM: 10-24-01 THRU: 99-99-99
	140922-01-02B	EA	PLATE - MUD FLAP - E-COATED
			FROM: 10-24-01 THRU: 99-99-99
7	123993-01-03A	EA	TRIM - COVER - 182" ALUMINUM - BRIGHT WHITE
8	126775-02-01A	EA	END CAP - VALANCE TRIM - LEFT HAND
	126775-01-01A	EA	END CAP - VALANCE TRIM - RIGHT HAND
9*	138827-01-000	EA	BELL/DOOR - W/EXTERIOR HANDLE LIGHTED W/ULTIMATE ENGRAVED
10	138779-01-NQ0	EA	SIDEWALL - DRIVER - W/O WINDOWS/TRIMS (NQ0)
10	138779-01-N94	EA	SIDEWALL - DRIVER - W/O WINDOWS/TRIMS (NQ1)
10	138779-01-NQ2	EA	SIDEWALL - DRIVER - W/O WINDOWS/TRIMS (NQ2)
10	138779-01-N98	EA	SIDEWALL - DRIVER - W/O WINDOWS/TRIMS (NQ3)
10	138779-01-NQ4	EA	SIDEWALL - DRIVER - W/O WINDOWS/TRIMS (NQ4)
10	138779-01-N96	EA	SIDEWALL - DRIVER - W/O WINDOWS/TRIMS (NQ5)
10	138779-01-N95	EA	SIDEWALL - DRIVER - W/O WINDOWS/TRIMS (NQ6)
10	138779-01-N99	EA	SIDEWALL - DRIVER - W/O WINDOWS/TRIMS (NQ7)
10	138779-01-N97	EA	SIDEWALL - DRIVER - W/O WINDOWS/TRIMS (NQ8)

## EXTERIOR BODY GROUP (CONTINUED)

### PANELS & TRIMS (CONTINUED)

KEY	PART NUMBER	U/M	DESCRIPTION
11	138778-02-NQ0	EA	ROOF - W/O LIGHTS/VENTS - W/WIRING
12	132784-07-N94	EA	BACKWALL - W/O WINDOW/TRIMS (NQ0,NQ1) FROM: 00-00-00 THRU: 06-13-01
12	140143-02-N94	EA	BACKWALL - W/O WINDOW/TRIMS (NQ0, NQ1, NQ6) FROM: 06-14-01 THRU: 99-99-99
12	132784-07-N98	EA	BACKWALL - W/O WINDOW/TRIMS (NQ2, NQ3) FROM: 00-00-00 THRU: 06-13-01
12	140143-02-N98	EA	BACKWALL - W/O WINDOW/TRIMS (NQ2, NQ3, NQ7) FROM: 06-14-01 THRU: 99-99-99
12	132784-07-N96	EA	BACKWALL - W/O WINDOW/TRIMS (NQ4, NQ5) FROM: 00-00-00 THRU: 06-13-01
12	140143-02-N96	EA	BACKWALL - W/O WINDOW/TRIMS (NQ4, NQ5, NQ8) FROM: 06-14-01 THRU: 99-99-99
13	138780-02-NQ0	EA	SIDEWALL - PASSENGER - W/O WINDOWS/TRIMS (NQ0, NQ1, NQ6)
13	138780-02-NQ2	EA	SIDEWALL - PASSENGER - W/O WINDOWS/TRIMS (NQ2, NQ3, NQ7)
13	138780-02-NQ4	EA	SIDEWALL - PASSENGER - W/O WINDOWS/TRIMS (NQ4, NQ5, NQ8)
14	114248-02-01A	EA	ANGLE - PLASTIC - 96.6"
15	132597-01-02B	EA	ANGLE/SUPPORT/TRIM - E - COATED

**\*COMPONENT PARTS LISTED LATER IN THIS GROUP**



KEY	PART NUMBER	U/M	DESCRIPTION
1	128928-02-KQ0	EA	PANEL - REAR CAP - W/DOOR - W/O HARDWARE
2	P23280-01-01A	EA	SHROUD - CAMERA - INNER
3	129683-01-02A	EA	PANEL - AIR INTAKE - BLACK
4	083805-23-000	EA	TRIM - ROOF CAP - 92.1" - BRIGHT WHITE
5	092041-02-03A	EA	TRIM - BACKWALL/SIDEWALL - 77.1" - BRIGHT WHITE
6	091985-01-07A	EA	INSERT - TRIM - .65" WIDE - BRIGHT WHITE
7	118741-06-02B	EA	SHIELD - ENGINE/UPPER - E-COATED
8	129172-01-01A	EA	SPOILER - REAR - W/O CLEARANCE LIGHTS
9	129302-02-02B	EA	BRACKET - MOUNTING/SPOILER - E-COATED
10	134559-01-02B	EA	PLATE - FILLER - SIDE RADIATOR - E-COATED



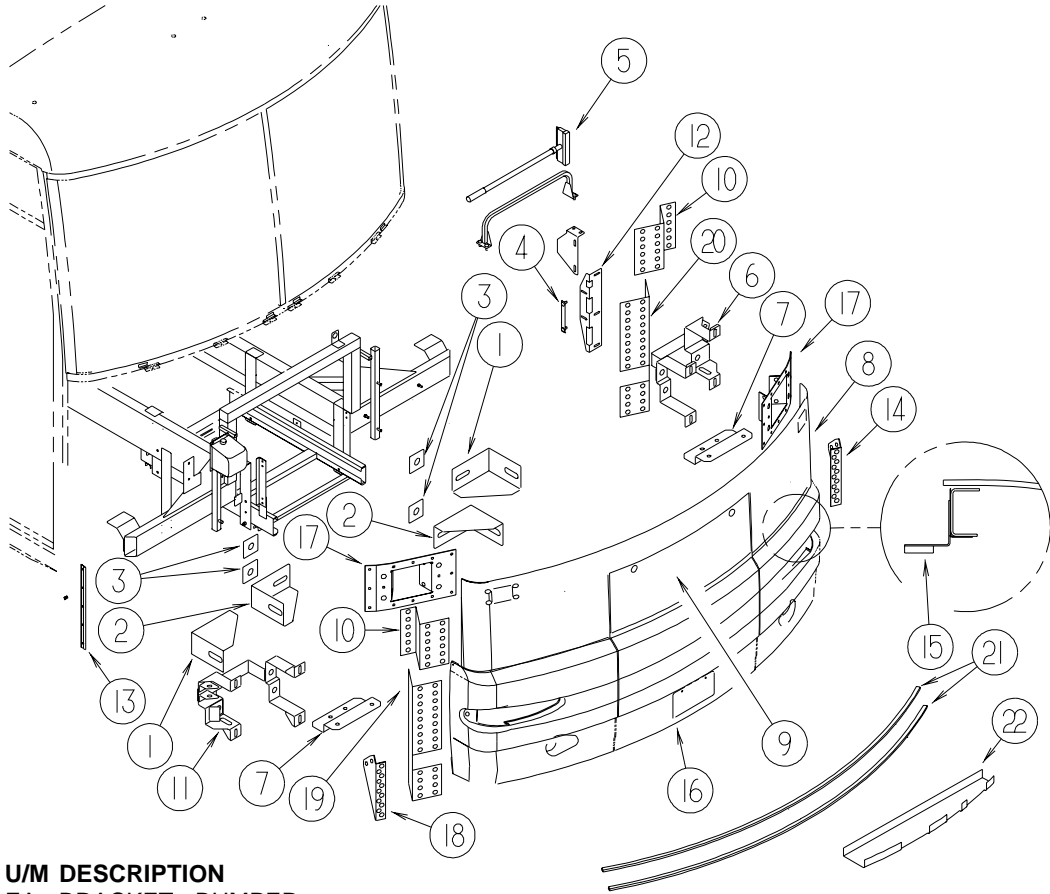
**EXTERIOR BODY GROUP (CONTINUED)**  
**COMPONENT PARTS FOR PANELS & TRIMS**

138827-01-000

<b>KEY</b>	<b>PART NUMBER</b>	<b>U/M</b>	<b>DESCRIPTION</b>	<b>VENDOR NO.</b>
	138827-01-700	EA	HANDLE - ULTIMATE	71211AU
	138827-01-701	EA	CHIME BOX	71211CB

## EXTERIOR BODY GROUP (CONTINUED)

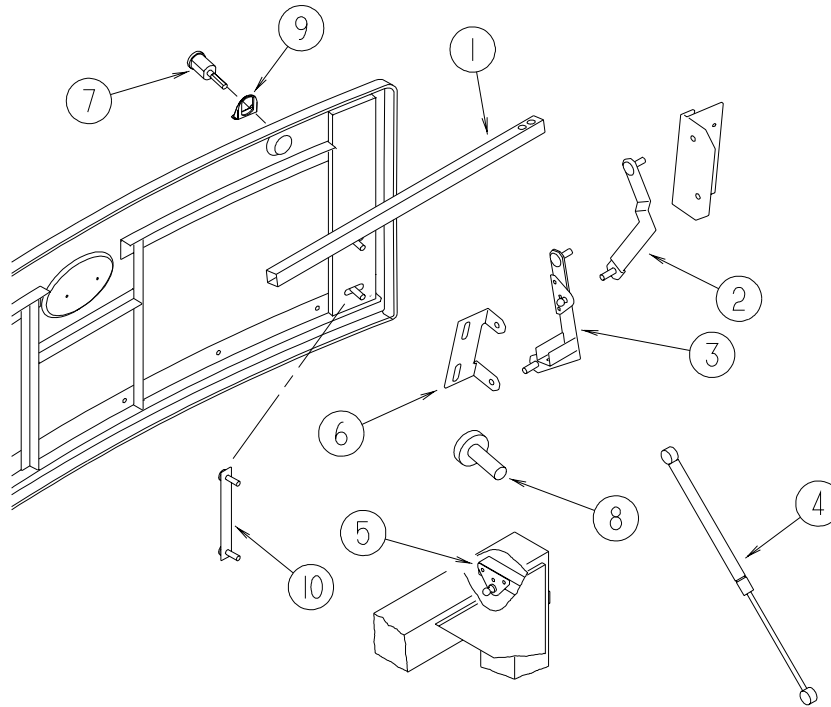
### FRONT END



KEY	PART NUMBER	U/M	DESCRIPTION
1	128455-01-02B	EA	BRACKET - BUMPER
2	128455-02-02B	EA	BRACKET - BUMPER
3	116617-02-02B	EA	SPACER - BUMPER
4	106730-04-000	EA	PLATE - STUD
	106730-03-000	EA	PLATE - STUD
5*	091955-02-000	EA	SQUEEGEE - EXTENDED HANDLE
6	129273-02-02B	EA	FRAME - HEADLAMP/LEFT HAND - E-COATED
7	131497-01-02B	EA	BRACKET - FOGlamp - MOUNT - E-COATED
8	131293-04-KQ0	EA	PANEL - FRONT/LOWER - W/O DLLOR/BUMPER/HEADLIGHTS
9	129271-01-KQ0	EA	HOOD - FRONT
10	113495-05-02B	EA	SUPPORT - HINGE
11	129273-01-02B	EA	FRAME - HEADLAMP/RIGHT HAND - E-COATED
12	114396-03-02B	EA	ANGLE - BUMPER MOUNT/PASSENGER - E-COATED
12	114396-04-02B	EA	ANGLE - BUMPER MOUNT/DRIVER - E-COATED
13	125818-02-01A	EA	TRIM - PANEL - FIBERGLASS - BRIGHT WHITE
			FROM: 00-00-00 THRU: 11-18-01
13	092041-06-01A	EA	TRIM - REAR - CAP TO SIDEWALL - BRIGHT WHITE
			FROM: 11-19-01 THRU: 99-99-99
13	091985-01-07A	FT	INSERT - TRIM - BRIGHT WHITE - 1"
14	131498-02-02B	EA	BRACKET - FOGlamp - SUPPORT - E-COATED
15	134417-01-02B	EA	PLATE/SPACER - FRONT - E-COATED
			FROM: 00-00-00 THRU: 02-13-02
16	131294-02-KQ0	EA	PANEL - BUMPER - GENERATOR
17	NOT USED		
18	131498-01-02B	EA	BRACKET - FOGlamp - SUPPORT - E-COATED
19	131304-01-02B	EA	SUPPORT - BUMPER - FRONT/PASSENGER - E-COATED
20	131304-02-02B	EA	SUPPORT - BUMPER - FRONT/DRIVER - E-COATED
21	130270-01-KQ0	EA	SUPPORT - WIPER
22	131305-01-02B	EA	SUPPORT-BUMPER,FRONT,SIDE,EC

\*COMPONENT PARTS LISTED LATER IN THIS GROUP

**EXTERIOR BODY GROUP (CONTINUED)**  
**FRONT END (CONTINUED)**



KEY	PART NUMBER	U/M	DESCRIPTION
1	138814-08-02B	EA	TUBE-TIMING - HOOD HINGE - 39.2" - E-COATED
2	131661-01-02B	EA	LINK - HINGE - UPPER HOOD - E-COATED
	131661-02-02B	EA	LINK - HINGE - UPPER HOOD - E-COATED
3	131662-01-02B	EA	LINK - HINGE - LOWER HOOD - E-COATED
	131662-02-02B	EA	LINK - HINGE - LOWER HOOD - E-COATED
4	107796-04-000	EA	SPRING/GAS - 12" COMPRESSED/20" EXTENDED - 20LB FROM: 00-00-00 THRU: 05-31-02
4	142569-07-000	EA	SPRING - GAS - 20"/20 LB FROM: 06-01-02 THRU: 99-99-99
5	126263-08-02B	EA	BRACKET - GAS SPRING W/CENTERED BALL STUD - E-COATED
6	113505-01-02B	EA	ANGLE - HOOD LINK - PASSENGER - E-COATED
	113505-02-02B	EA	ANGLE - HOOD LINK - DRIVER - E-COATED
7	102330-02-000	EA	LATCH - VISE ACTION/KEY OPERATED
	102328-01-000	EA	KEY - BARREL - NICKEL PLATED
8	058786-02-000	EA	BOLT - ADJUSTING HOOD - 5/16"-18 X .75"-1.1" - W/BLACK PAD
9	131664-01-01A	EA	PULL-LOCK, BLACK
10	106730-10-000	EA	PLATE - STUD - F/HOOD

**EXTERIOR BODY GROUP (CONTINUED)**  
**COMPONENT PARTS FOR FRONT END**

**091955-02-000**

<b>KEY</b>	<b>PART NUMBER</b>	<b>U/M</b>	<b>DESCRIPTION</b>	<b>VENDOR NO.</b>
	091955-01-701	EA	HANDLE-EXTENSION 24" TO 40"	

## EXTERIOR BODY GROUP (CONTINUED)

### LADDER

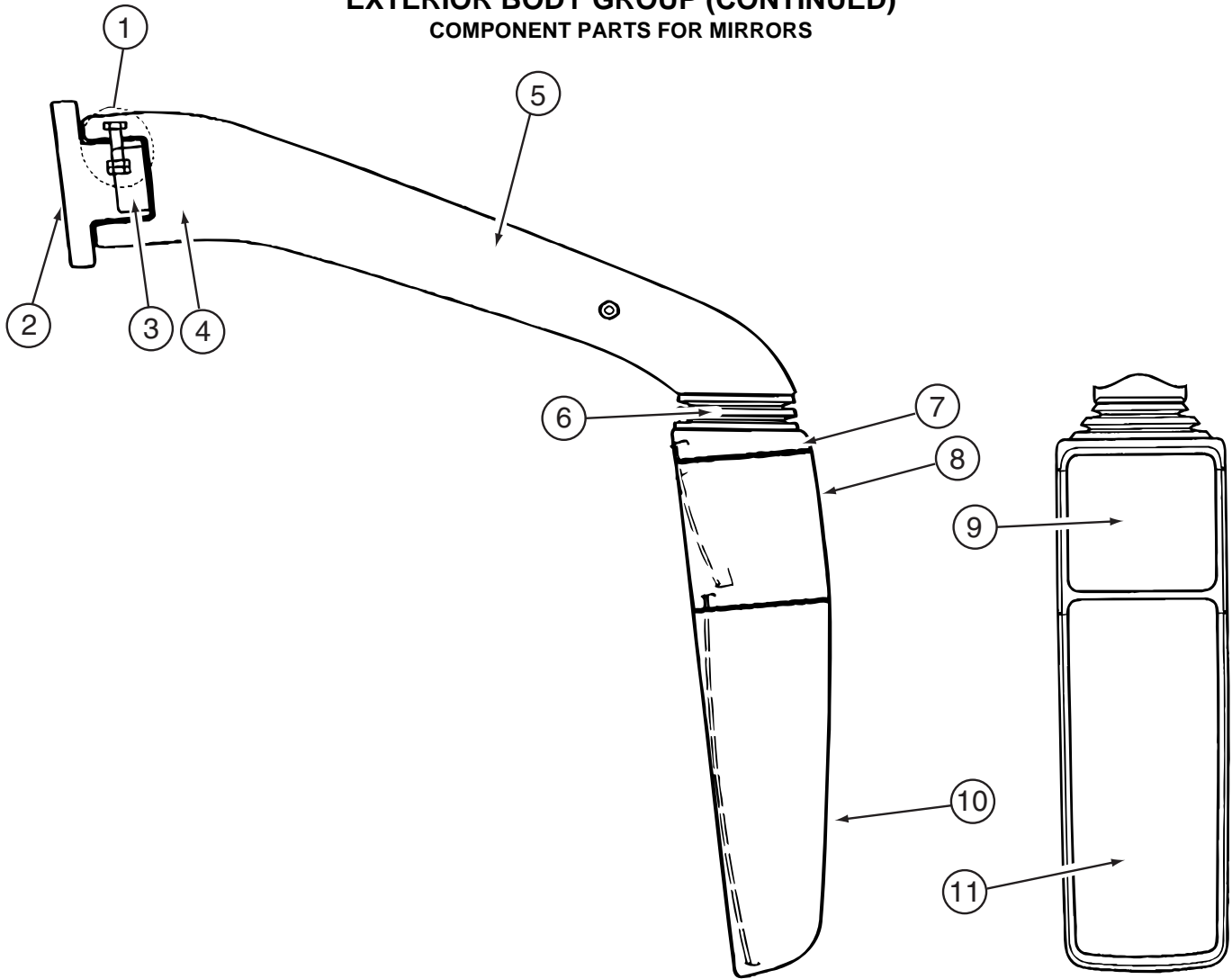
KEY	PART NUMBER	U/M	DESCRIPTION
	129375-02-000	EA	SEAL - LADDER BRACKET
	130163-01-01A	EA	LADDER - LOWER - BRUSHED ALUMINUM
	130164-01-01A	EA	LADDER - UPPER - BRUSHED ALUMINUM

### MIRRORS

KEY	PART NUMBER	U/M	DESCRIPTION
*	129656-01-01A	EA	MIRROR - EXTERIOR REMOTE/HEAT - PASSENGER - SMOOTH SURFACE
*	129656-02-01A	EA	MIRROR - EXTERIOR REMOTE/HEAT - DRIVER - SMOOTH SURFACE
	129486-01-01A	EA	SPACER/MIRROR - BLACK
	129607-03-01A	EA	BRACKET - MOUNTING/MIRROR
	129607-04-01A	EA	WIRE - MIRROR - EUROPEAN

\*COMPONENT PARTS LISTED LATER IN THIS GROUP

**EXTERIOR BODY GROUP (CONTINUED)**  
**COMPONENT PARTS FOR MIRRORS**



**129656-01-01A**

KEY	PART NUMBER	U/M	DESCRIPTION	VENDOR NO.
1	129656-01-700	EA	HARDWARE-FASTENING F/HOLDER8HS	563 390-00
2	129656-01-703	EA	HOLDER ASSEMBLY	9XD 563 637-01
3	129656-01-702	EA	CAP	9HD 562 802-01
4	129656-01-701	EA	HOLDER/SUPPORT ASSEMBLY	9BP 563 482-00
5	129656-01-704	EA	COVER - F/ARM ASSEMBLY 551MM	8SB 501 246
6	129656-01-705	EA	BELLOWS	9GH 562 803-00
7	129656-01-706	EA	HOUSING-MIRROR/UPPER SUPPORT	9BG 562 812-00
8	129656-01-707	EA	HOUSING-MIRROR/CTR SUPPORT	9BG 562 813-00
9	129656-01-709	EA	MIRROR-CONVEX GLASS/CARRIER	9MX 562 846-01
10	129656-01-708	EA	HOUSING-MIRROR/LWR SUPPORT	9GB 562 814-00
11	129656-01-710	EA	MIRROR-FLAT GLASS/CARRIER -PASS	9MX 562 841-05

**129656-02-01A**

KEY	PART NUMBER	U/M	DESCRIPTION	VENDOR NO.
1	129656-01-700	EA	HARDWARE-FASTENING F/HOLDER	8HS 563 390-00
2	129656-01-703	EA	HOLDER ASSEMBLY	9XD 563 637-01
3	129656-01-702	EA	CAP	9HD 562 802-01
4	129656-01-701	EA	HOLDER/SUPPORT ASSEMBLY	9BP 563 482-00
5	129656-01-704	EA	COVER - F/ARM ASSEMBLY 551MM	9HB 562 824-02
6	129656-01-705	EA	BELLOWS	9GH 562 803-00
7	129656-01-706	EA	HOUSING-MIRROR/UPPER SUPPORT	9BG 562 812-00
8	129656-01-707	EA	HOUSING-MIRROR/CTR SUPPORT	9BG 562 813-00
9	129656-01-709	EA	MIRROR-CONVEX GLASS/CARRIER	9MX 562 846-01
10	129656-01-708	EA	HOUSING-MIRROR/LWR SUPPORT	9GB 562 814-00
11	129656-02-700	EA	MIRROR-CONVEX	9MX 562 841-01

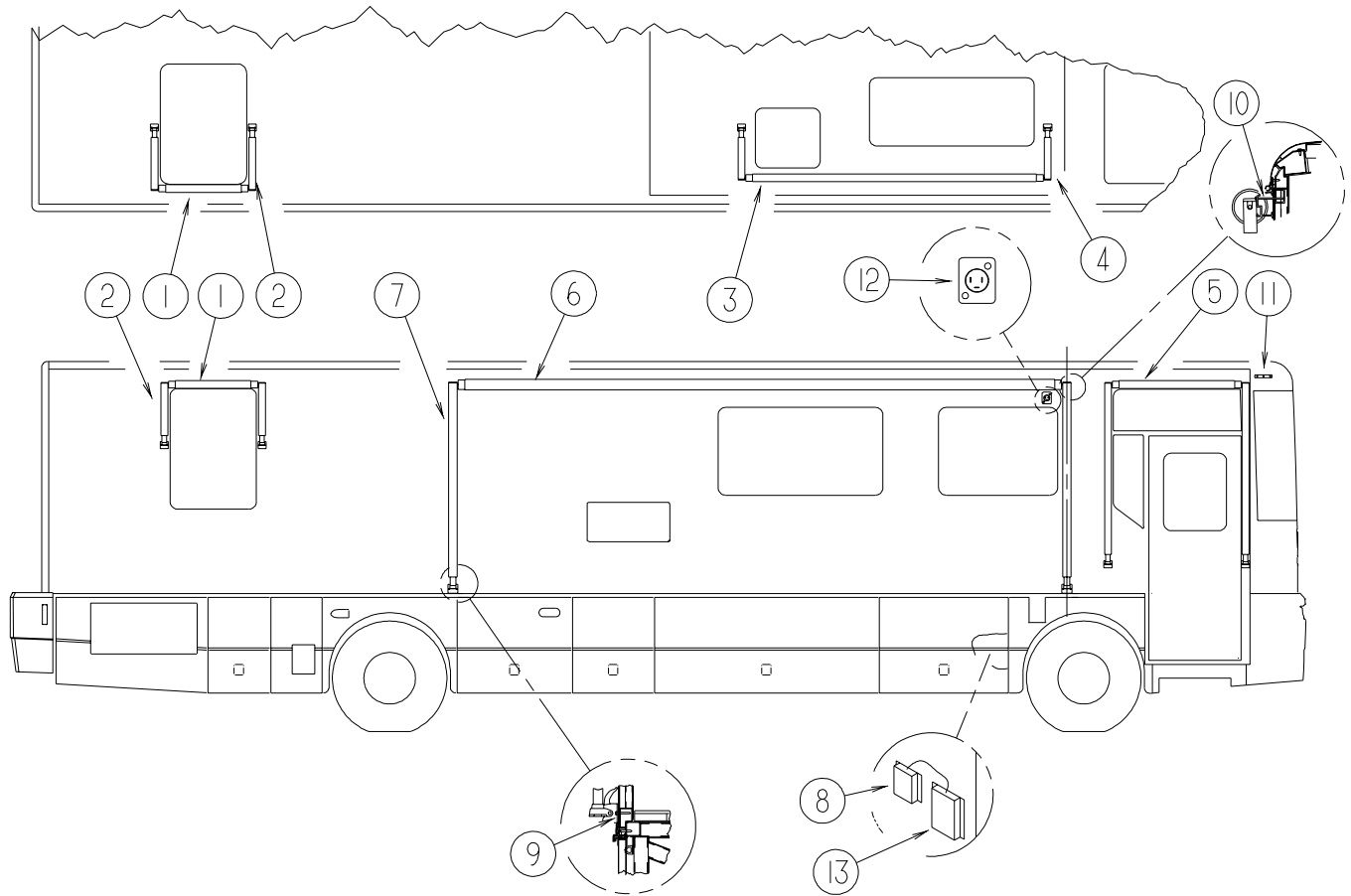
## EXTERIOR BODY GROUP (CONTINUED)

### STRUCTURAL COMPONENTS

KEY	PART NUMBER	U/M	DESCRIPTION
	068716-01-001	EA	BRACE - 90 DEGREE - L-ANGLE - 16'
	076054-Y2-000	EA	FIBERGLASS SHEET - 102" X 320.9" - BRIGHT WHITE
	089297-01-000	SF	PLYWOOD - LUAN - OVERLAY GRADE - 4' X 8'
	100619-01-000	BF	FOAM - EXPANDED POLYSTYRENE - 1.34" X 48" X 96"
	100619-02-000	BF	FOAM - EXPANDED POLYSTYRENE - 1.5" X 48" X 96"
	100619-04-000	BF	FOAM - EXPANDED POLYSTYRENE - .5" X 48" X 96"
	100619-05-000	BF	FOAM - EXPANDED POLYSTYRENE - .75" X 48" X 96"-1.5 DENSITY
	100619-11-000	BF	FOAM - EXPANDED POLYSTYRENE - 2" X 48" X 96"
	100619-13-000	BF	FOAM - EXPANDED POLYSTYRENE - .34" X 34.65" X 96"
	100619-16-000	BF	FOAM - EXPANDED POLYSTYRENE - .75" X 48" X 96"-2.0 DENSITY
	100619-27-000	BF	FOAM - EXPANDED POLYSTYRENE - 48" X 92.8" X 3"
	113192-06-01A	EA	FIBERGLASS/LUAN LAMINATED SHEET-79"X446" - HIGH GLOSS-B/W
	120107-01-000	EA	FOAM - ROOF COVE - 2.8" X 96" LONG
	120107-02-000	EA	FOAM - PLUG - ROOF TUBE - 2.2" X 2.9" X 1.8" LONG
	120107-03-000	EA	FOAM - PLUG - SIDEWALL TUBE - 1.2" X 2.1" X 1.8" LONG
	128782-03-01A	EA	FIBERGLASS SHEET - 26.1" X 68.2" - HIGH GLOSS/SLIDEOUT-B/W
	128782-07-01A	EA	FIBERGLASS SHEET - 79" X 456" - HIGH GLOSS - BRIGHT WHITE
	128782-08-01A	EA	FIBERGLASS SHEET - 22" X 68.3" - HIGH GLOSS - BRIGHT WHITE

## EXTERIOR BODY GROUP (CONTINUED)

### AWNINGS

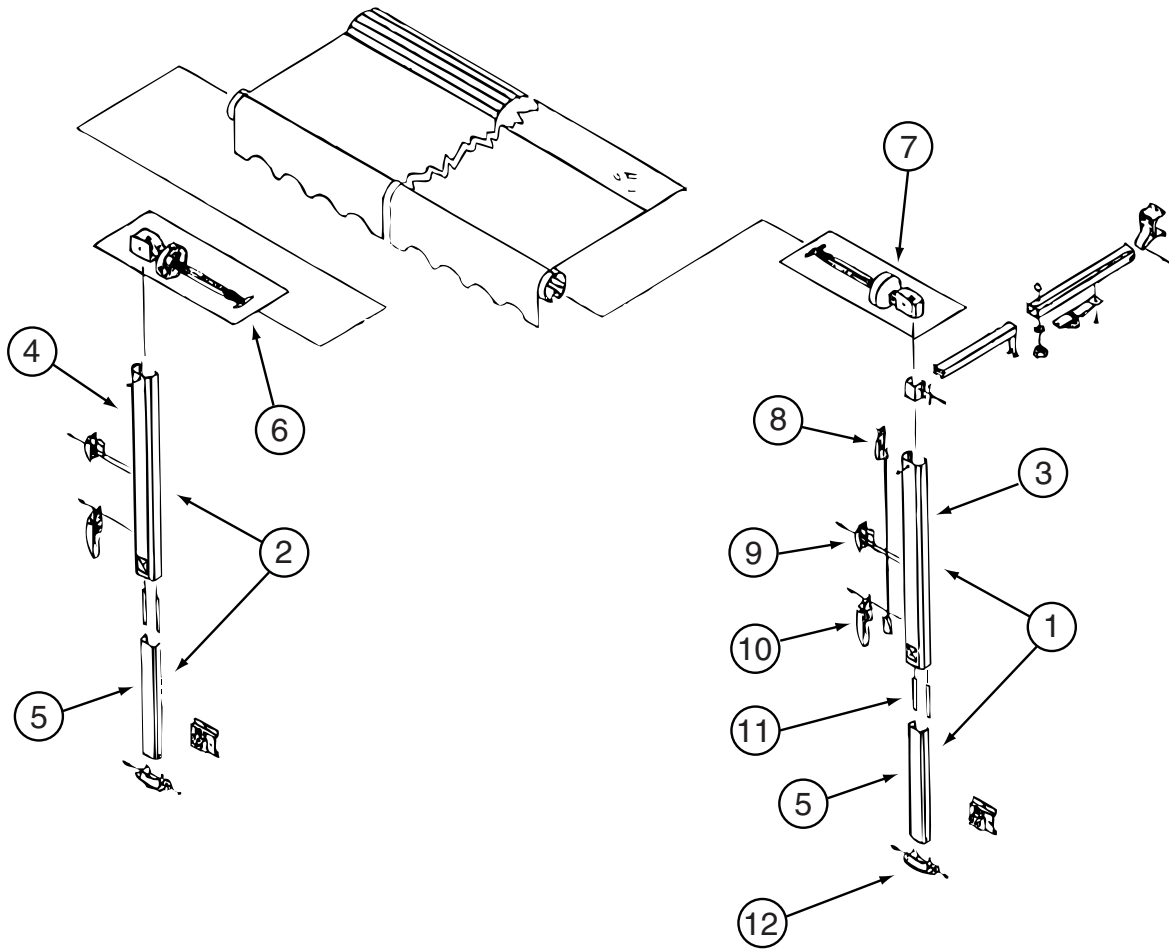


KEY	PART NUMBER	U/M	DESCRIPTION
1	134483-02-06A	EA	AWNING/WINDOW XL - 42" - ALPINE - METAL WRAP/BRT W
1	134483-02-13A	EA	AWNING/WINDOW XL - 42" - SAPP BLUE - METAL WRAP/BRT WHT
1	134483-02-14A	EA	AWNING - WINDOW - BLACK CHERRY-42"-BRIGHT WHITE/METAL WRAP
2	134483-01-01A	EA	AWNING - WINDOW - BRIGHT WHITE
3	130485-03-06A	EA	AWNING/WINDOW - W/O HDW - 66" VINYL/METAL WRAP - ALPINE
3	130485-03-13A	EA	AWNING/WINDOW - W/O HDW - 66" VINYL/METAL WRAP -SAPP BLUE
3	130485-03-14A	EA	AWNING - WINDOW - BLACK CHERRY-66"-BRIGHT WHITE/METALWRAP
4	130485-01-01A	EA	HARDWARE KIT - WINDOW AWNING - BRIGHT WHITE
5	136767-01-02A	EA	AWNING/DOOR - 56" - MANUAL - WHITE ACRYLIC
5	136770-03-01A	EA	SPACER - AWNING - 2" - BRIGHT WHITE
5	136767-02-02A	EA	AWNING/DOOR - 56" - ELECTRIC - WHITE ACRYLIC - <b>ELECTRIC</b>
6	130483-04-06A	EA	AWNING - 18' ALPINE VINYL - BRIGHT WHITE METAL WRAP
6	130483-04-13A	EA	AWNING - 18' SAPP BLUE VINYL - BRIGHT WHITE METAL WRAP
6	130483-04-14A	EA	AWNING - 20' - BLACK CHERRY - BRIGHT WHITE/METAL WRAP
6	130483-04-13A	EA	AWNING - 20' SAPP BLUE VINYL - BRIGHT WHITE/METAL WRAP
6	137148-04-06A	EA	AWNING - 1 TOUCH/ALPINE 20'- METAL WRAP/BRT WHT - <b>ELECTRIC</b>
6	137148-04-13A	EA	AWNING - 1 TOUCH/SAPPHIRE BLUE 20'- METAL WRAP/BRT WHT - <b>ELECTRIC</b>
6	137148-04-14A	EA	AWNING/1 TOUCH - BLACK CHERRY -20'-BRIGHT WHITE/METAL WRAP
7*	130483-01-01A	EA	AWNING - HARDWARE KIT - PATIO - BRIGHT WHITE
7	130483-02-01A	EA	AWNING - POWER PACK - PATIO - BRIGHT WHITE
7	137148-01-01A	EA	AWNING-1 TOUCH,HARDWARE KIT - <b>ELECTRIC</b>
8	137148-02-01A	EA	AWNING-1 TOUCH,ELECTRIC KIT - <b>ELECTRIC</b>
9	113874-11-01A	EA	SCREW/LAG - AWNING - 1/4" X 1" STAINLESS STEEL
10	113874-12-01A	EA	SCREW/LAG - AWNING - 1/4" X 2 3/4" STAINLESS STEEL
11	137029-02-01A	EA	BRACKET - AWNING - BRIGHT WHITE
12	137148-03-01A	EA	AWNING - 1 TOUCH - <b>ELECTRIC</b>
13	137084-02-01A	EA	AWNING - 1-STEP/ELECTRICAL KIT - <b>ELECTRIC</b>
	139586-01-000	EA	AWNING - PULL ROD - <b>ELECTRIC</b>

\*COMPONENT PARTS LISTED LATER IN THIS GROUP



**EXTERIOR BODY GROUP (CONTINUED)**  
**COMPONENT PARTS FOR AWNINGS**

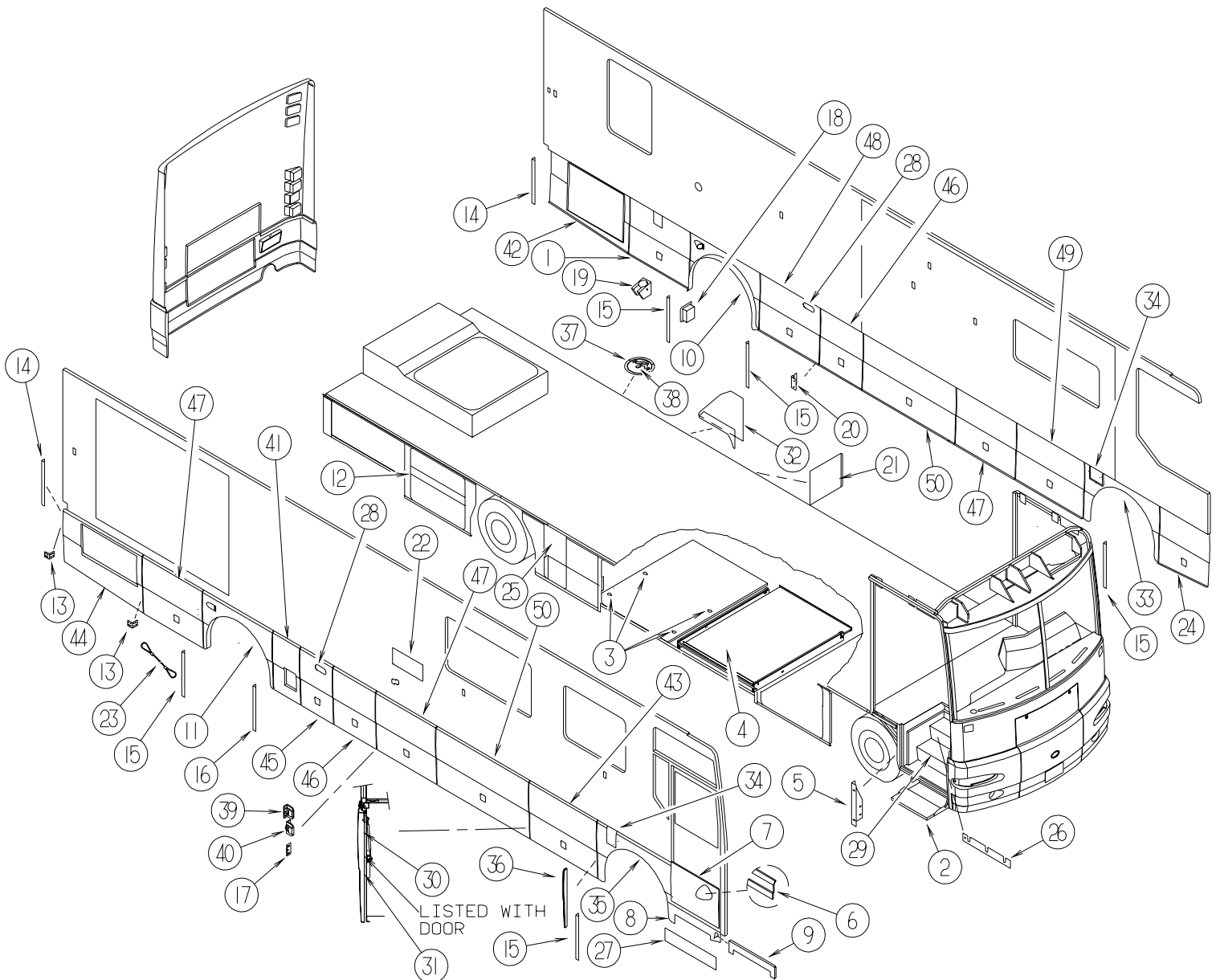


**130483-01-01A**

KEY	PART NUMBER	U/M	DESCRIPTION	VENDOR NO.
1	130483-01-700	EA	HARDWARE SET/FRONT 1/2 (WW)	R00415-101-55
2	130483-01-701	EA	HARDWARE SET/REAR 1/2 (WW)	R00416-101-55
3	130483-01-702	EA	ARM/UPPER - FRONT - UNI (WW)	R00410-101-55
4	130483-01-703	EA	ARM/UPPER - REAR - UNI (WW)	R00411-101-55
5	130483-01-704	EA	ARM/LOWER - RT/LT - UNI (WW)	R00412-101-55
6	130483-01-705	EA	SPRINGS/ REAR - (WW)	R012408WHT
7	130483-01-706	EA	SPRINGS/FRONT - (WW)	R012407WHT
8	130483-01-707	EA	LOCK/REMOTE - UNIVERSAL	R00631W
9	130483-01-708	EA	LOCK/TRAVEL	901017W
10	130483-01-709	EA	HANDLE	901015W
11	130483-01-710	EA	GLIDE - PLASTIC	041178-001
12	130483-01-711	EA	FOOT/CARPORT	901020W
	130483-01-712	EA	STANDOFF/TOP BRACKET (WW)	249153WHT
	130483-01-713	EA	BRACKET/BOTTOM-CARPORT BRKT	90109W

# EXTERIOR DOORS & COMPARTMENTS GROUP

## DOOR & COMPARTMENT LAYOUT



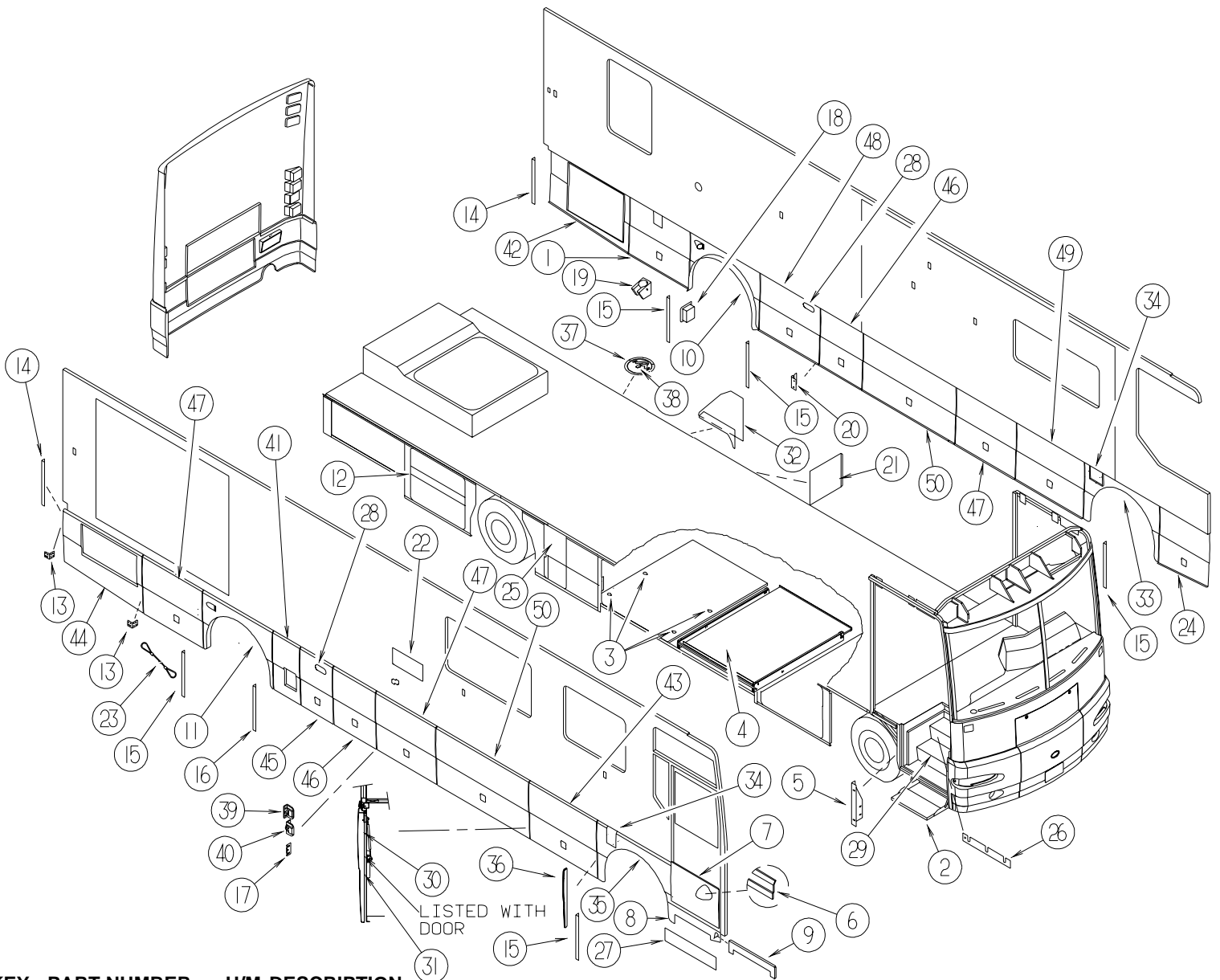
KEY	PART NUMBER	U/M	DESCRIPTION
1	135604-06-N94	EA	VALANCE/DOOR - FURNACE - W/O LATCH/HINGE
	107796-23-000	EA	SPRING/GAS - 11.3" COMPRESSED/18.5" EXTENDED - 45 LB.
2*	094708-03-01A	EA	STEP - ELECTRIC - SINGLE - BLACK CONTROL BOX - KWIKEE
3	130838-01-01A	EA	RING - FLUSH LIFT - CHROME PLATED ZAMAK
4	131682-01-01A	EA	SLIDE - LUGGAGE TRAY - W/2 TRIM ANGLES/ATTACH TO FLOOR
5	113041-12-02B	EA	ANGLE - BUMPER MOUNT - E-COATED
6	130034-01-02B	EA	CLIP - TRIM - E-COATED
7	130044-02-KQ0	EA	PANEL/VALANCE - ENTRY DOOR - W/O HARDWARE
8	133078-01-01A	EA	PANEL-ENTRANCE DOOR, LOWER
9	134125-01-02B	EA	SUPPORT - VALANCE - E-COATED
10	P28911-02-KQ0	EA	WHEEL LIP - REAR W/LIGHT
	129116-01-01A	EA	HINGE - SINGLE PIVOT - MILL
11	P28911-03-N94	EA	WHEEL LIP ASM-REAR W/LGHT
	129116-01-01A	EA	HINGE - SINGLE PIVOT - MILL
12	107721-08-000	FT	SEAL - ACCESS DOOR - .9" WIDE X .9" HIGH
13	109216-03-000	EA	ANGLE - DOOR/FURNACE
14	113041-03-02B	EA	ANGLE - BUMPER MOUNT - E-COATED
15	113041-03-02B	EA	ANGLE - BUMPER MOUNT - E-COATED
16	113904-07-02B	EA	ANGLE - ATTACHMENT/WHEEL LIP - 8" - E-COAT
17	120494-03-02B	EA	SHIM - STRIKER - LUGGAGE DOOR - .20 - E-COATED
18	129301-02-01A	EA	COVER - DOCKING LIGHT - BLACK

**EXTERIOR DOORS & COMPARTMENTS GROUP (CONTINUED)**  
**DOOR & COMPARTMENT LAYOUT (CONTINUED)**

KEY	PART NUMBER	U/M	DESCRIPTION
19	131383-03-02A	EA	BRACKET - SHOWER HEAD - WHITE
20	132585-01-02B	EA	BRACKET - CATCH - VALANCE DOOR - E-COATED
21	141683-01-02B	EA	PANEL - CLOSEOUT/ELECTRICAL - E-COATED
			FROM: 12-08-01 THRU: 99-99-99
22*	084103-08-000	EA	DOOR - VENT - REFRIGERATOR - W/O JAMB - BRIGHT WHITE
22	084104-08-000	EA	JAMB - VENT DOOR/REFRIGERATOR - BRIGHT WHITE
23	076767-01-000	EA	CABLE - STAINLESS STEEL - 12"
24	138063-14-N94	EA	VALANCE/DOOR - PASS W/O PADDLE LATCH - 33" X 33" X 30"
	107796-23-000	EA	SPRING/GAS - 11.3" COMPRESSED/18.5" EXTENDED - 45 LB.
25	138489-01-02B	EA	PANEL - ACCESS - WATER HEATER - E-COATED
26	134417-01-02B	EA	PLATE/SPACER - FRONT - E-COATED
			FROM: 00-00-00 THRU: 02-13-02
27	109506-01-000	EA	FILM - URETHANE - PROTECTANT - 4.25" X 26.75"
28	115792-03-02A	EA	COVER - WIRE - WHITE
	115792-01-02A	EA	COVER - WIRE - WHITE
29	120231-01-02A	EA	FLOORING - RUBBER - 66.4" X 19.8"
30	126263-05-02B	EA	BRACKET - GAS SPRING W/BALL STUD - E-COATED
31	126263-08-02B	EA	BRACKET - GAS SPRING W/CENTERED BALL STUD - E-COATED
32	128140-01-02B	EA	SEAL PLANE - E-COATED
33	128912-06-N94	EA	WHEEL LIP - FRONT - W/O HARDWARE
34	128910-03-N94	EA	DOOR - FUEL FILL
	121677-01-01A	EA	HINGE - SINGLE PIVOT
	129515-03-01A	EA	DOOR - FUEL FILL
	138290-01-000	EA	CASE - W/CAM - W/O CYLINDER/KEY
	129116-01-01A	EA	HINGE - SINGLE PIVOT - MILL
35	128912-08-N94	EA	WHEEL LIP - FRONT - W/O HARDWARE
36	123451-03-01A	EA	CAP - BUMPER END
37	129015-01-K80	EA	PORT W/HATCH - F/ELECTRICAL/DRAIN
38	121175-02-01A	EA	LATCH - SWELL
39	130053-01-01A	EA	STRIKER - LUGGAGE DOOR - FLUSH - BLACK
40	130053-02-01A	EA	STRIKER - LUGGAGE DOOR - OFF SET - BLACK
41	132057-02-K90	EA	VALANCE/PANEL - W/O LATCH/HINGE - 18" X 33.6"
*	110506-A1-000	EA	LOCK ASM-TWIST,17.65MM
	110506-50-000	EA	CASE/CYLINDER - TWIST LATCH - W/O CAM - .65" - 596952
	110506-60-000	EA	CAM - LATCHING - STRAIGHT 2.4"
	129116-01-01A	EA	HINGE - SINGLE PIVOT - MILL
42	134737-01-L94	EA	VALANCE/PANEL - DEPARTURE/LEFT HAND
	140309-03-02B	EA	ANGLE - FURNACE DOOR - E-COATED
43	135604-05-N94	EA	VALANCE/DOOR - FURNACE - W/O LATCH/HINGE
	107796-25-000	EA	SPRING/GAS - 11.3" COMPRESSED/18.5" EXTENDED - 90 LB.
			FROM: 00-00-00 THRU: 11-01-01
	107796-35-000	EA	SPRING/GAS - 11.3" COMPRESSED/18.5" EXTENDED - 120 LB.
			FROM: 11-02-01 THRU: 99-99-99
44	138059-01-N94	EA	VALANCE/DOOR
45	138063-01-N94	EA	VALANCE/DOOR - W/O PADDLE LATCH - 19" X 33"
	107796-24-000	EA	SPRING/GAS - 11.3" COMPRESSED/18.5" EXTENDED - 60 LB.
46	138063-03-N94	EA	VALANCE/DOOR - W/O PADDLE LATCH - 28" X 33"
	107796-23-000	EA	SPRING/GAS - 11.3" COMPRESSED/18.5" EXTENDED - 45 LB.
47	138063-06-N94	EA	VALANCE/DOOR - W/O PADDLE LATCH - 39" X 33"
	107796-23-000	EA	SPRING/GAS - 11.3" COMPRESSED/18.5" EXTENDED - 45 LB.
48	138063-07-N94	EA	VALANCE/DOOR - W/O PADDLE LATCH - 39" X 33"
	107796-23-000	EA	SPRING/GAS - 11.3" COMPRESSED/18.5" EXTENDED - 45 LB.
49	138063-09-N94	EA	VALANCE/DOOR - W/O PADDLE LATCH - 45" X 33"
			FROM: 00-00-00 THRU: 05-16-01
49	139995-01-NQ0	EA	VALANCE/DOOR
			FROM: 05-17-01 THRU: 99-99-99
	140060-01-01A	EA	LATCH/DOOR - COMPRESSION
	107796-23-000	EA	SPRING/GAS - 11.3" COMPRESSED/18.5" EXTENDED - 45 LB.
50	138063-12-N94	EA	VALANCE/DOOR - W/O PADDLE LATCH - 61" X 33"
	089329-02-000	EA	CLIP - SPRING - <b>HOLDS AWNING ROD</b>
	107796-24-000	EA	SPRING/GAS - 11.3" COMPRESSED/18.5" EXTENDED - 60 LB.

# EXTERIOR DOORS & COMPARTMENTS GROUP (CONTINUED)

## DOOR & COMPARTMENT LAYOUT (CONTINUED)



**KEY PART NUMBER U/M DESCRIPTION**

**LOCK ASSEMBLY USED UP TO 04-30-01**

129686-01-000	EA	CYLINDER - LOCK ASSEMBLY - COMPARTMENT/DRIVER DOOR
129686-02-000	EA	CYLINDER - LOCK ASSEMBLY - COMPARTMENT/DRIVER DOOR
129686-03-000	EA	CYLINDER - LOCK ASSEMBLY - COMPARTMENT/DRIVER DOOR
129686-04-000	EA	CYLINDER - LOCK ASSEMBLY - COMPARTMENT/DRIVER DOOR
129686-05-000	EA	CYLINDER - LOCK ASSEMBLY - COMPARTMENT/DRIVER DOOR
129686-06-000	EA	CYLINDER - LOCK ASSEMBLY - COMPARTMENT/DRIVER DOOR
129686-07-000	EA	CYLINDER - LOCK ASSEMBLY - COMPARTMENT/DRIVER DOOR
129686-08-000	EA	CYLINDER - LOCK ASSEMBLY - COMPARTMENT/DRIVER DOOR
129686-09-000	EA	CYLINDER - LOCK ASSEMBLY - COMPARTMENT/DRIVER DOOR
129686-10-000	EA	CYLINDER - LOCK ASSEMBLY - COMPARTMENT/DRIVER DOOR

**LOCK ASSEMBLY USED AFTER 05-01-01**

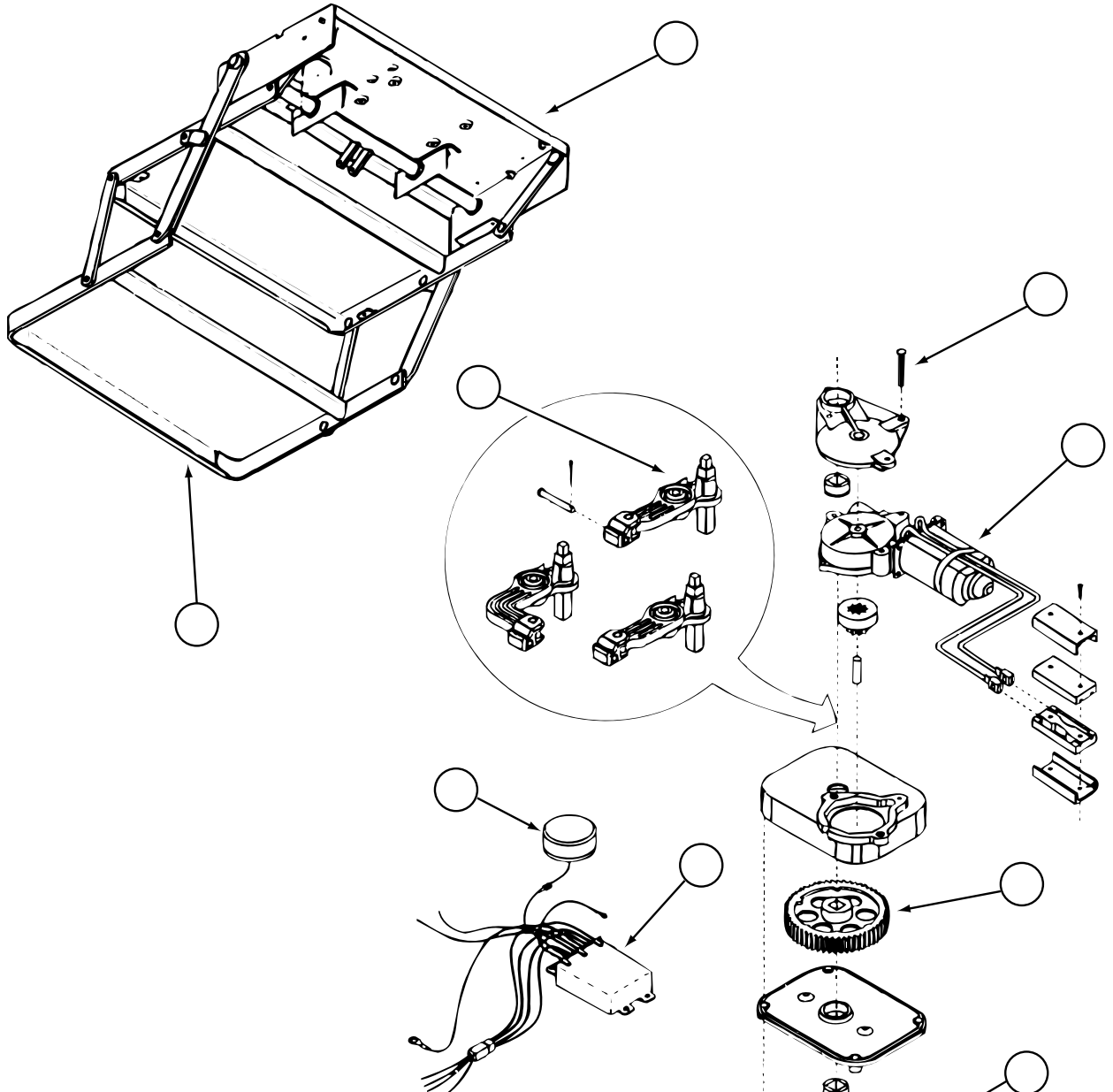
138289-01-000	EA	CYLINDER - LOCKING
138289-02-000	EA	CYLINDER - LOCKING
138289-03-000	EA	CYLINDER - LOCKING
138289-04-000	EA	CYLINDER - LOCKING
138289-05-000	EA	CYLINDER - LOCKING
138289-06-000	EA	CYLINDER - LOCKING
138289-07-000	EA	CYLINDER - LOCKING
138289-08-000	EA	CYLINDER - LOCKING
138289-09-000	EA	CYLINDER - LOCKING
138289-10-000	EA	CYLINDER - LOCKING

**\*COMPONENT PARTS LISTED LATER IN THIS GROUP**

**EXTERIOR DOORS & COMPARTMENTS GROUP (CONTINUED)**  
**COMPONENT PARTS FOR DOOR & COMPARTMENT LAYOUT**

084103-08-000

KEY	PART NUMBER	U/M	DESCRIPTION	VENDOR NO.
	084104-01-700	EA	LOCK-MALE, FASTENER	201-721-010
	084104-01-701	EA	LOCK-FEMALE, FASTENER	201-802-010



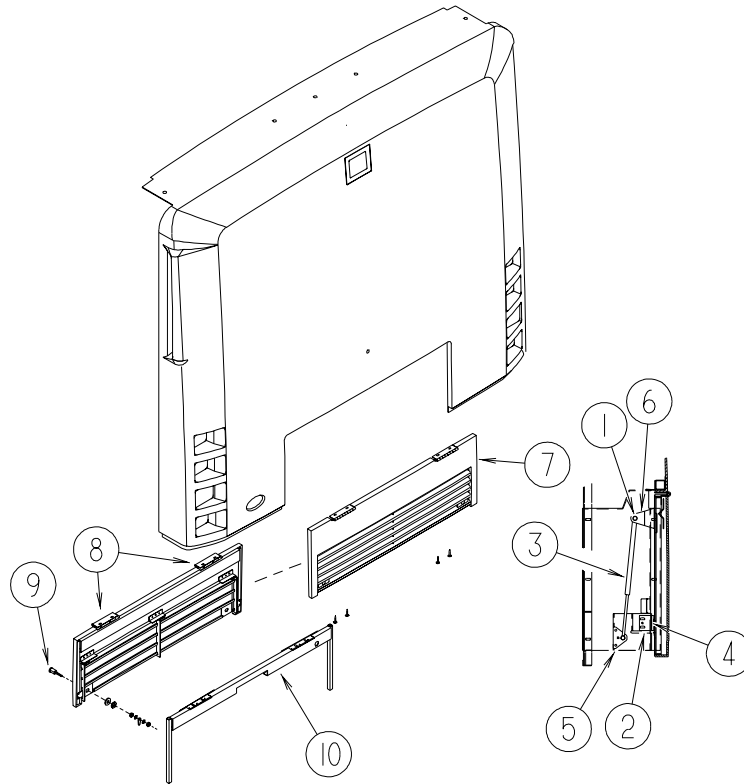
094708-03-01A

KEY	PART NUMBER	U/M	DESCRIPTION	VENDOR NO.
1	088746-01-709	EA	FRAME W/SGL STEP,2800 SERIES	908028
2	094707-02-703	EA	BEARING & PINS	909530
3	094707-02-700	EA	MOTOR ASM.,W/BEARINGS & PINS	909520
4	094707-02-702	EA	GEAR KIT(GEAR-BEARING-PINS)	909525
5	094707-02-704	EA	CONNECTOR-MOTOR ASM.W/PLATES	909537
6	094707-03-700	EA	KIT CONTROL/SWITCH-RETROFIT	909506005
7	088733-01-700	EA	BULB	9004
7	088746-01-705	EA	LIGHT-UNDER STEP	9004
8	094708-03-700	EA	LINKAGE ASSEMBLY-SERIES 28	909533
9	094707-02-707	EA	TREAD - NON-SKID - BLACK	909333
	094707-03-701	EA	PLUG - 4-WAY - PACKARD	909306

110506-A1-000

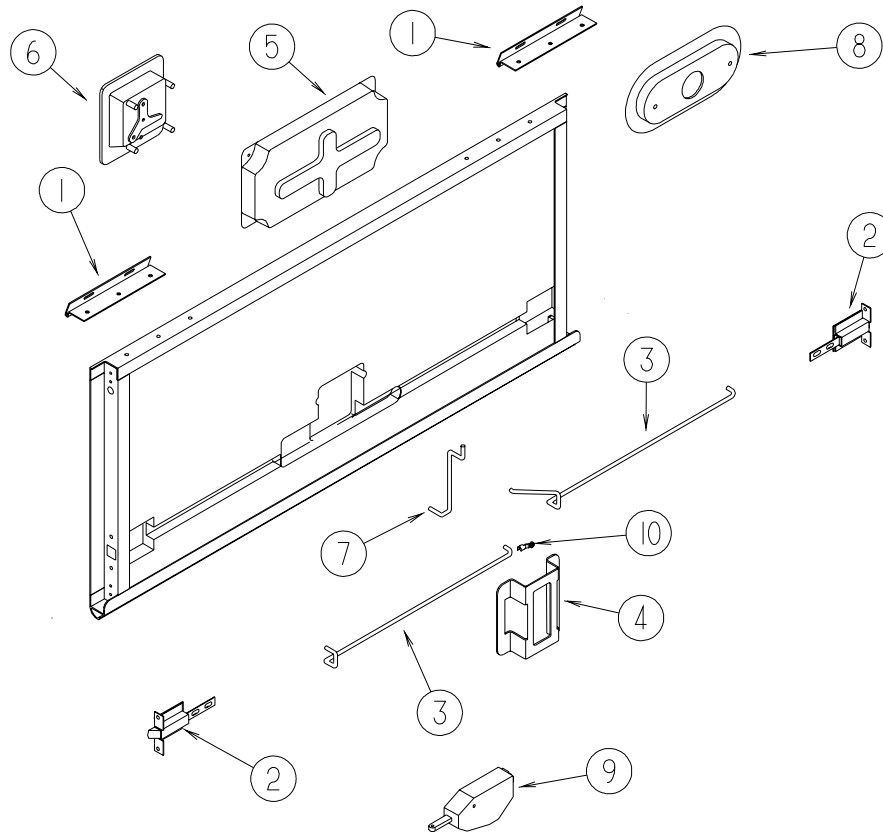
KEY	PART NUMBER	U/M	DESCRIPTION	VENDOR NO .
	110506-40-700	EA	HARDWARE PACKAGE-CYLINDER/CASE	596950AAL

**EXTERIOR DOORS & COMPARTMENTS GROUP (CONTINUED)**  
**COMPARTMENT DOOR PIECE PARTS**



KEY	PART NUMBER	U/M	DESCRIPTION
1	057460-02-000	EA	BALL STUD - F/GAS SPRING .39" - 5/16"-18
2	107719-01-01A	EA	STRIKE - VALANCE DOOR
3	107796-23-000	EA	SPRING/GAS - 11.3" COMPRESSED/18.5" EXTENDED - 45 LB. FROM: 00-00-00 THRU: 05-31-02
3	142569-08-000	EA	SPRING - GAS - 18.5"/45 LB FROM: 06-01-02 THRU: 99-99-99
4	118931-01-02B	EA	SHIM - STRIKER - DOOR
5	126263-08-02B	EA	BRACKET - GAS SPRING W/CENTERED BALL STUD - E-COATED
6	126263-10-02B	EA	BRACKET - GAS SPRING W/BALL STUD - E-COATED
7	129786-01-K90	EA	DOOR - REAR ENGINE
8	102325-02-07A	EA	HINGE/TRUNK DOOR - 6" W/.6" OFF SET - BRIGHT WHITE
9	102330-02-000	EA	LATCH - VISE ACTION/KEY OPERATED
10	113310-03-02B	EA	FRAME - DOOR/REAR ENGINE - E-COATED

**EXTERIOR DOORS & COMPARTMENTS GROUP (CONTINUED)**  
**COMPARTMENT DOOR PIECE PARTS (CONTINUED)**



KEY	PART NUMBER	U/M	DESCRIPTION	
1	121677-01-01A	EA	HINGE - SINGLE PIVOT	
2	121947-01-01A	EA	BOLT - SLIDE W/PLASTIC PLUNGER	
3	132873-01-000	EA	ROD - LATCH (BLANK)	
	102265-03-000	EA	CLIP-ROD END, LEFT HAND - .18" - METAL	
4	137296-01-02B	EA	BRACKET - BACKER PLATE - E-COATED	
5	135318-01-01A	EA	COVER - LATCH - INNER - BLACK	
6	135626-03-01A	EA	LATCH - VISE ACTION/KEY OPERATED	
6	135626-02-02A	EA	LATCH - PADDLE - NON-LOCKING - WHITE	
	108678-01-000	EA	GASKET - LATCH	
7	135868-01-01A	EA	ROD - ACTUATOR	
8	113598-02-01A	EA	POCKET - LIGHT - SIDE MARKER	
9	113638-01-000	EA	ACTUATOR - POWER DOOR LOCK	
				FROM: 00-00-00 THRU: 05-27-01
	113638-02-000	EA	CONNECTOR - ACTUATOR	
				FROM: 00-00-00 THRU: 05-27-01
	138898-01-000	EA	ACTUATOR/LOCK - ELECTRIC	
				FROM: 05-28-01 THRU: 99-99-99

## EXTERIOR DOORS & COMPARTMENTS GROUP (CONTINUED)

### ENTRY

KEY	PART NUMBER	U/M	DESCRIPTION
*	128913-08-01A	EA	DOOR - ENTRY/FRONT - POWER LOCK - GLACIER FROM: 00-00-00 THRU: 08-21-01
*	128913-10-01A	EA	DOOR - ENTRY/FRONT - POWER LOCK FROM: 08-22-01 THRU: 99-99-99
	134450-02-01A	EA	TAPE - ANTI SLIP - 1.25" X 29.9" - BLACK

#### LOCK ASSEMBLY USED UP TO 04-30-01

*	129676-01-000	EA	KEY - T/M 14472-07-1431
*	129676-02-000	EA	KEY - T/M 14472-07-1432
*	129676-03-000	EA	KEY - T/M 14472-07-1433
*	129676-04-000	EA	KEY - T/M 14472-07-1434
*	129676-05-000	EA	KEY - T/M 14472-07-1435
*	129676-06-000	EA	KEY - T/M 14472-07-1436
*	129676-07-000	EA	KEY - T/M 14472-07-1437
*	129676-08-000	EA	KEY - T/M 14472-07-1438
*	129676-09-000	EA	KEY - T/M 14472-07-1439
*	129676-10-000	EA	KEY - T/M 14472-07-1440
	129685-01-000	EA	CYLINDER - LOCK ASSEMBLY - ENTRANCE DOOR (J)
	129685-02-000	EA	CYLINDER - LOCK ASSEMBLY - ENTRANCE DOOR (J)
	129685-03-000	EA	CYLINDER - LOCK ASSEMBLY - ENTRANCE DOOR (J)
	129685-04-000	EA	CYLINDER - LOCK ASSEMBLY - ENTRANCE DOOR (J)
	129685-05-000	EA	CYLINDER - LOCK ASSEMBLY - ENTRANCE DOOR (J)
	129685-06-000	EA	CYLINDER - LOCK ASSEMBLY - ENTRANCE DOOR (J)
	129685-07-000	EA	CYLINDER - LOCK ASSEMBLY - ENTRANCE DOOR (J)
	129685-08-000	EA	CYLINDER - LOCK ASSEMBLY - ENTRANCE DOOR (J)
	129685-09-000	EA	CYLINDER - LOCK ASSEMBLY - ENTRANCE DOOR (J)
	129685-10-000	EA	CYLINDER - LOCK ASSEMBLY - ENTRANCE DOOR (J)

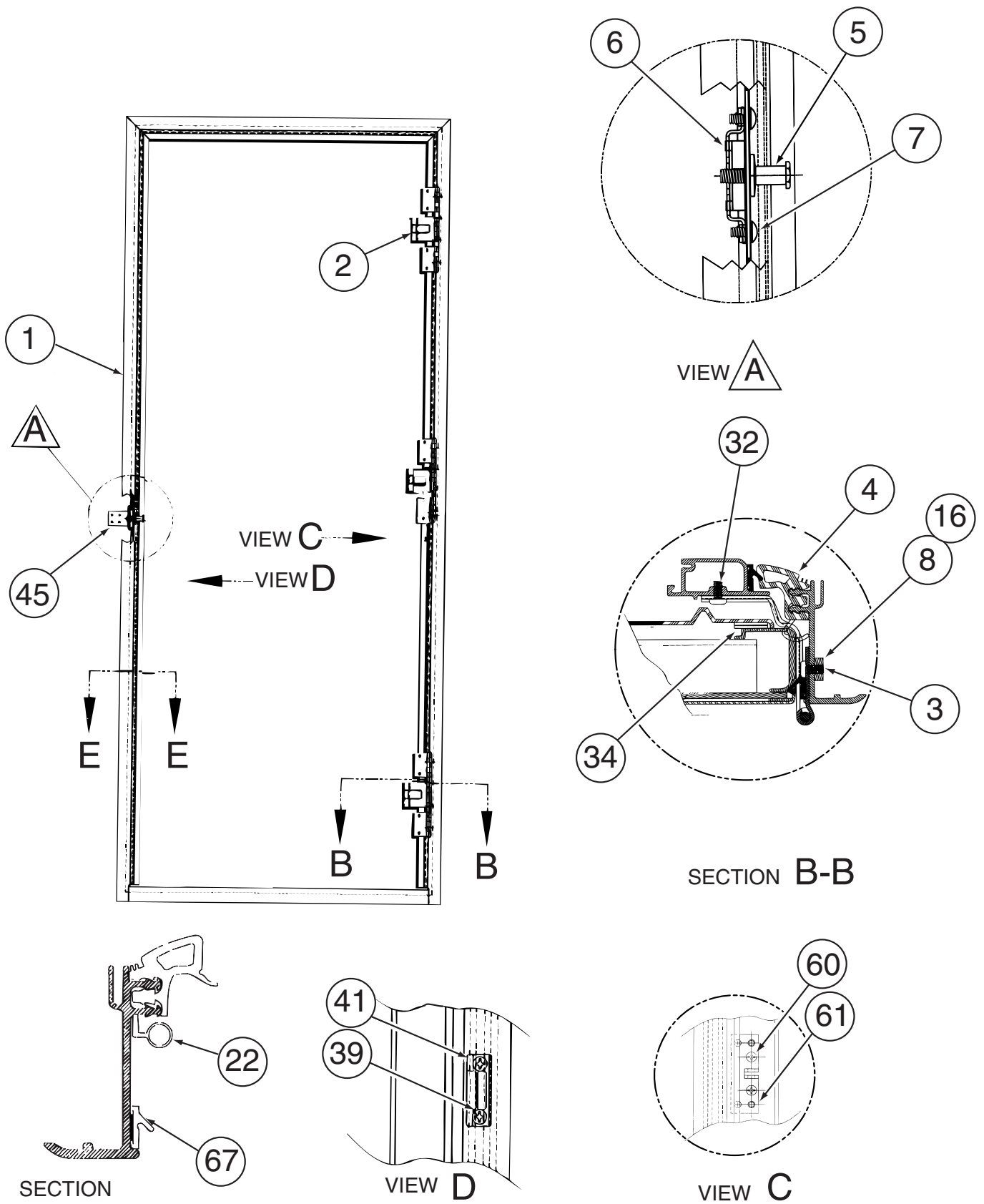
#### LOCK ASSEMBLY USED AFTER 05-01-01

	138287-01-000	EA	CYLINDER/LOCK - ENTRY DOOR (MASTER)
	138287-02-000	EA	CYLINDER/LOCK - ENTRY DOOR (MASTER)
	138287-03-000	EA	CYLINDER/LOCK - ENTRY DOOR (MASTER)
	138287-04-000	EA	CYLINDER/LOCK - ENTRY DOOR (MASTER)
	138287-05-000	EA	CYLINDER/LOCK - ENTRY DOOR (MASTER)
	138287-06-000	EA	CYLINDER/LOCK - ENTRY DOOR (MASTER)
	138287-07-000	EA	CYLINDER/LOCK - ENTRY DOOR (MASTER)
	138287-08-000	EA	CYLINDER/LOCK - ENTRY DOOR (MASTER)
	138287-09-000	EA	CYLINDER/LOCK - ENTRY DOOR (MASTER)
	138287-10-000	EA	CYLINDER/LOCK - ENTRY DOOR (MASTER)
	138288-01-000	EA	KEY - REVERSIBLE - #1151 - T/M 16169-02-3091
	138288-02-000	EA	KEY - REVERSIBLE - #1152 - T/M 16169-02-3092
	138288-03-000	EA	KEY - REVERSIBLE - #1153 - T/M 16169-02-3093
	138288-04-000	EA	KEY - REVERSIBLE - #1154 - T/M 16169-02-3094
	138288-05-000	EA	KEY - REVERSIBLE - #1155 - T/M 16169-02-3095
	138288-06-000	EA	KEY - REVERSIBLE - #1156 - T/M 16169-02-3096
	138288-07-000	EA	KEY - REVERSIBLE - #1157 - T/M 16169-02-3097
	138288-08-000	EA	KEY - REVERSIBLE - #1158 - T/M 16169-02-3098
	138288-09-000	EA	KEY - REVERSIBLE - #1159 - T/M 16169-02-3099
	138288-10-000	EA	KEY - REVERSIBLE - #1150 - T/M 16169-02-3100
	138292-01-000	EA	SEAL - LOCK CYLINDER

\*COMPONENT PARTS LISTED LATER IN THIS GROUP



**EXTERIOR DOORS & COMPARTMENTS GROUP (CONTINUED)**  
**COMPONENT PARTS FOR ENTRY**



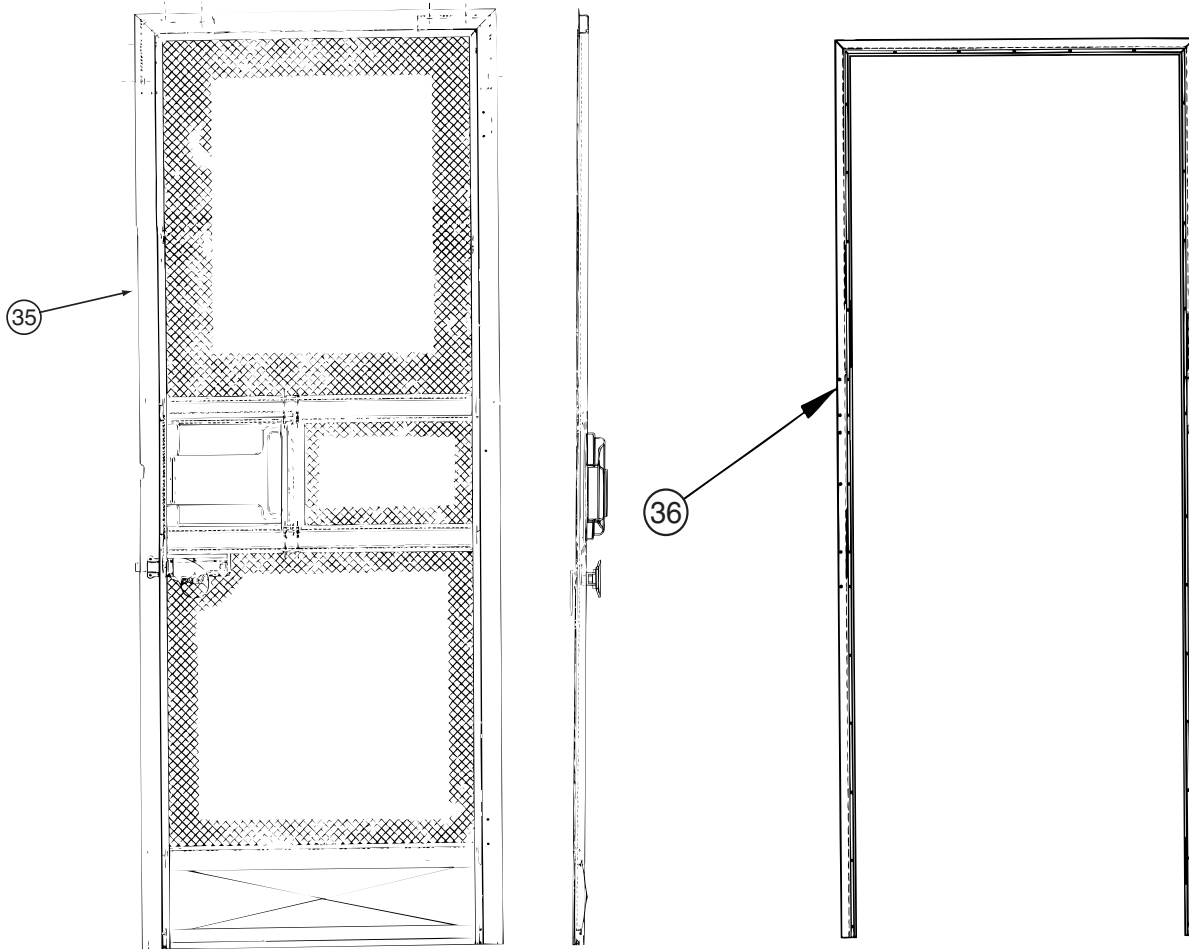
128913-04-02A & 128913-08-01A

**EXTERIOR DOORS & COMPARTMENTS GROUP (CONTINUED)**  
**COMPONENT PARTS FOR ENTRY (CONTINUED)**

**128913-04-02A & 128913-08-01A (CONTINUED)**

KEY	PART NUMBER	U/M	DESCRIPTION	VENDOR NO.
1	128913-04-711	EA	FRAME/OUTER-SUB ASSY-BLACK	V266-19
2	128913-01-729	EA	HINGE	211-041740
4	128913-01-728	EA	SEAL - DOOR/CORNER- MITERED	122-041917
6	106469-04-704	EA	NUT ASSEMBLY-CAGED W/STRIKER	11920-16
22	128913-01-747	EA	SEAL/BULB-CUT PC/VULCANIZED	133-042557
41	128913-01-709	EA	STRIKER-SCREEN DR/FRAME MT	130-041824
61	128913-01-704	EA	BRACKET - PIVOT/BRASS	370-042315
67	128913-01-732	FT	SEAL - LAZY T	122-041986
	128913-01-745	EA	FASTNER (1 1/2")MALE/FEMALE	V196-42

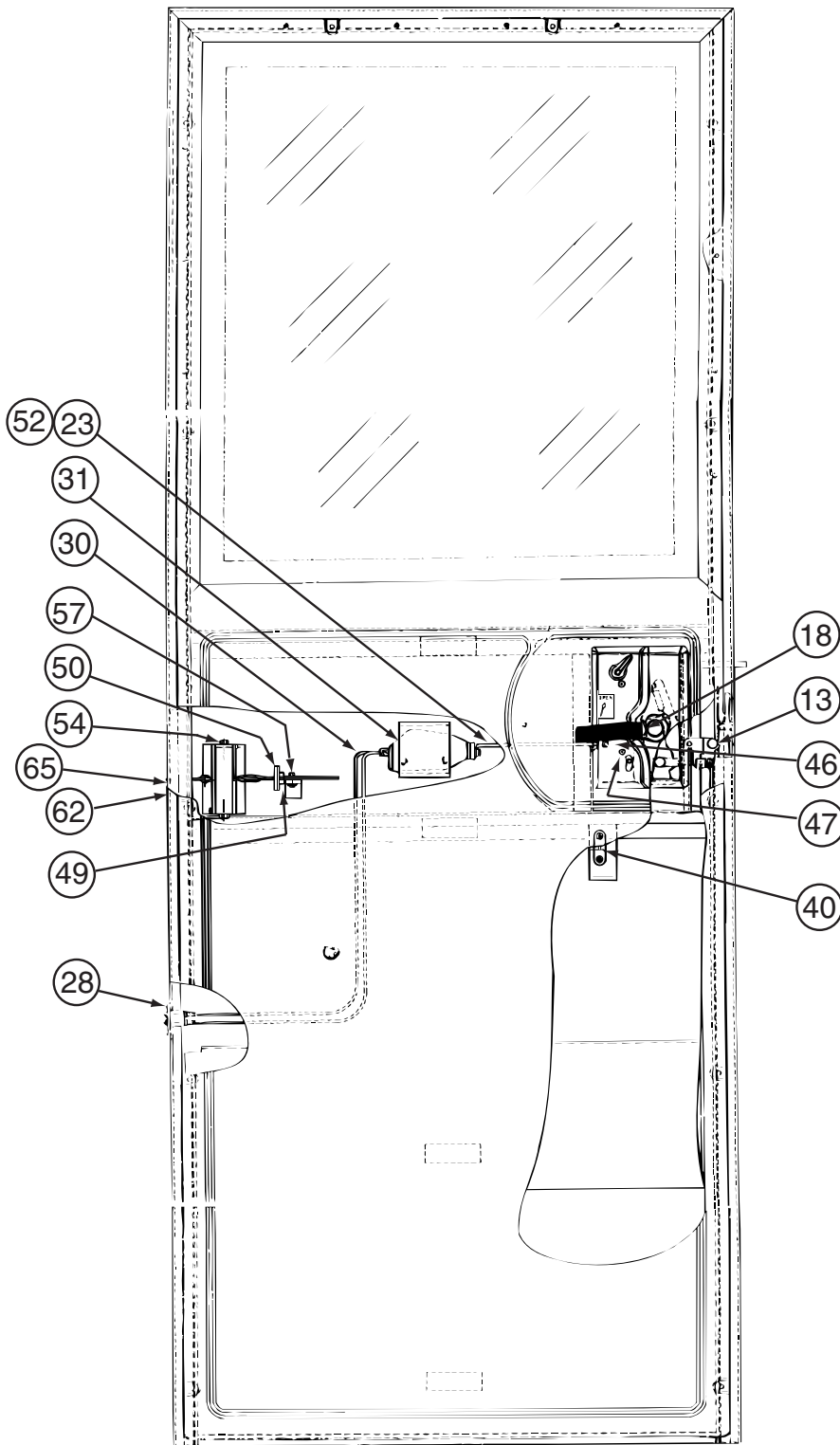
CONTACT WINNEBAGO PARTS SALES FOR UNLISTED COMPONENTS



**128913-04-02A & 128913-08-01A (CONTINUED)**

KEY	PART NUMBER	U/M	DESCRIPTION	VENDOR NO.
35*	128913-09-700	EA	SCREEN DOOR ASSEMBLY	490056
36	128913-04-701	EA	FRAME/CLAMP - WELD ASSM	V266-25

**EXTERIOR DOORS & COMPARTMENTS GROUP (CONTINUED)**  
**COMPONENT PARTS FOR ENTRY (CONTINUED)**



**128913-04-02A & 128913-08-01A (CONTINUED)**

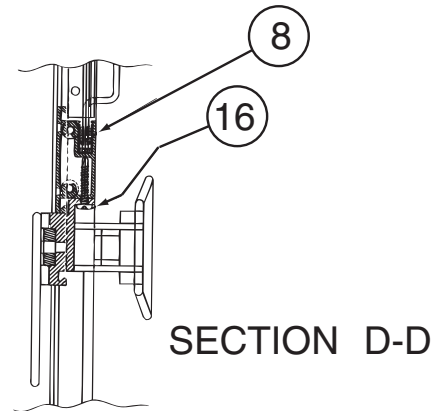
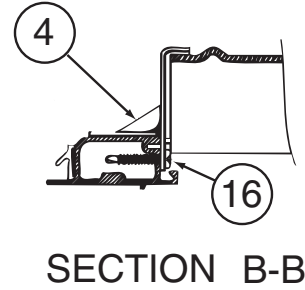
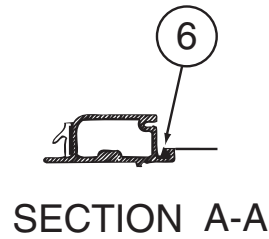
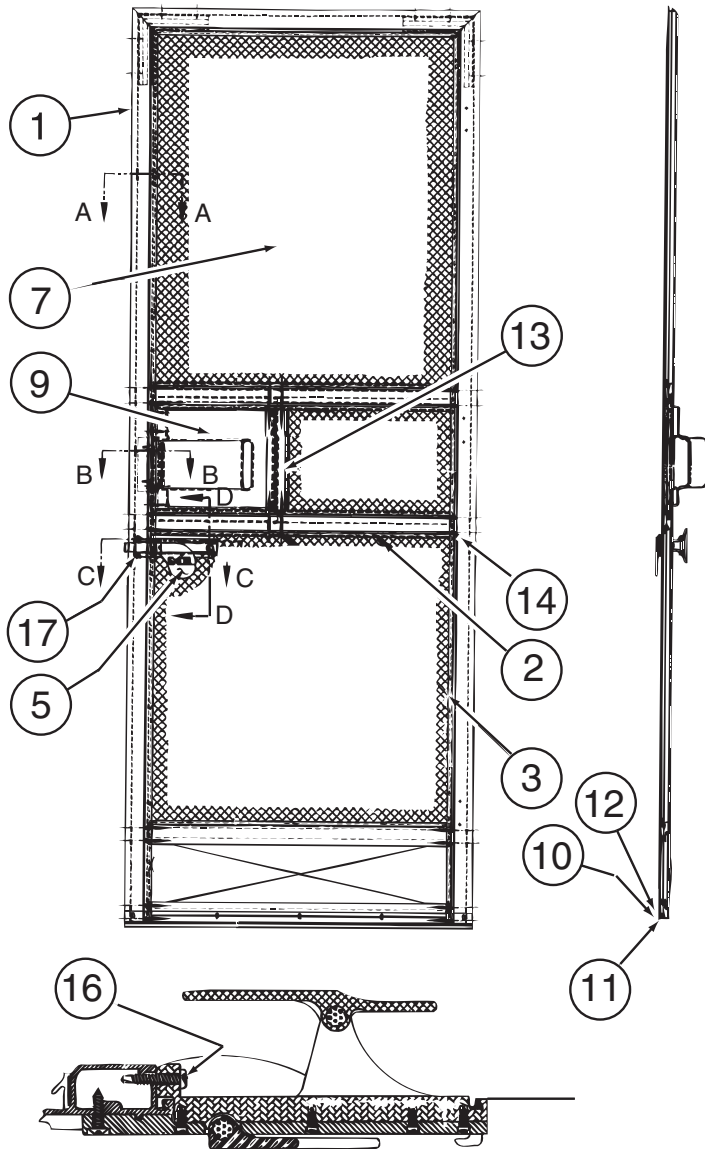
**EXTERIOR DOORS & COMPARTMENTS GROUP (CONTINUED)**  
**COMPONENT PARTS FOR ENTRY (CONTINUED)**

**128913-04-02A & 128913-08-01A (CONTINUED)**

<b>KEY</b>	<b>PART NUMBER</b>	<b>U/M</b>	<b>DESCRIPTION</b>	<b>VENDOR NO.</b>
23	128913-04-704	EA	ROD/LOCK - (POWER)	17705-01
28	128913-01-714	EA	CONTACT - MALE/2-POSITION	400-041934
30	128913-01-712	EA	WIRE HARNESS-POWER DOOR LOCK	400-041935
40	128913-01-710	EA	STRIKER - LATCH/SCREEN DOOR	130-041815
46	128913-02-711	EA	SLIDE BAR ASSEMBLY	V196-29
47	128913-01-746	EA	SCREW #8 X 3/4" OVAL HEAD	276-042030
49	128913-02-712	EA	PIN - COILED SPRING	248-042237
50	128913-02-713	EA	BUMPER STOP	V196-24
52	106469-05-700	EA	ROD CLIP	231-041095
54	128913-01-733	EA	DOOR CHECK-SUB ASM ADJUST	V196-04
57	128913-01-705	EA	BOLT - SHOULDER - #10 X 1/4	268-042011
62	128913-02-714	EA	GUIDE BLOCK - DOOR CHECK	146-042045
65	128913-04-709	EA	PIN/CLEVIS-GROOVED W/E-RING	245-042260

CONTACT WINNEBAGO PARTS SALES FOR UNLISTED COMPONENTS

**EXTERIOR DOORS & COMPARTMENTS GROUP (CONTINUED)**  
**COMPONENT PARTS FOR ENTRY (CONTINUED)**



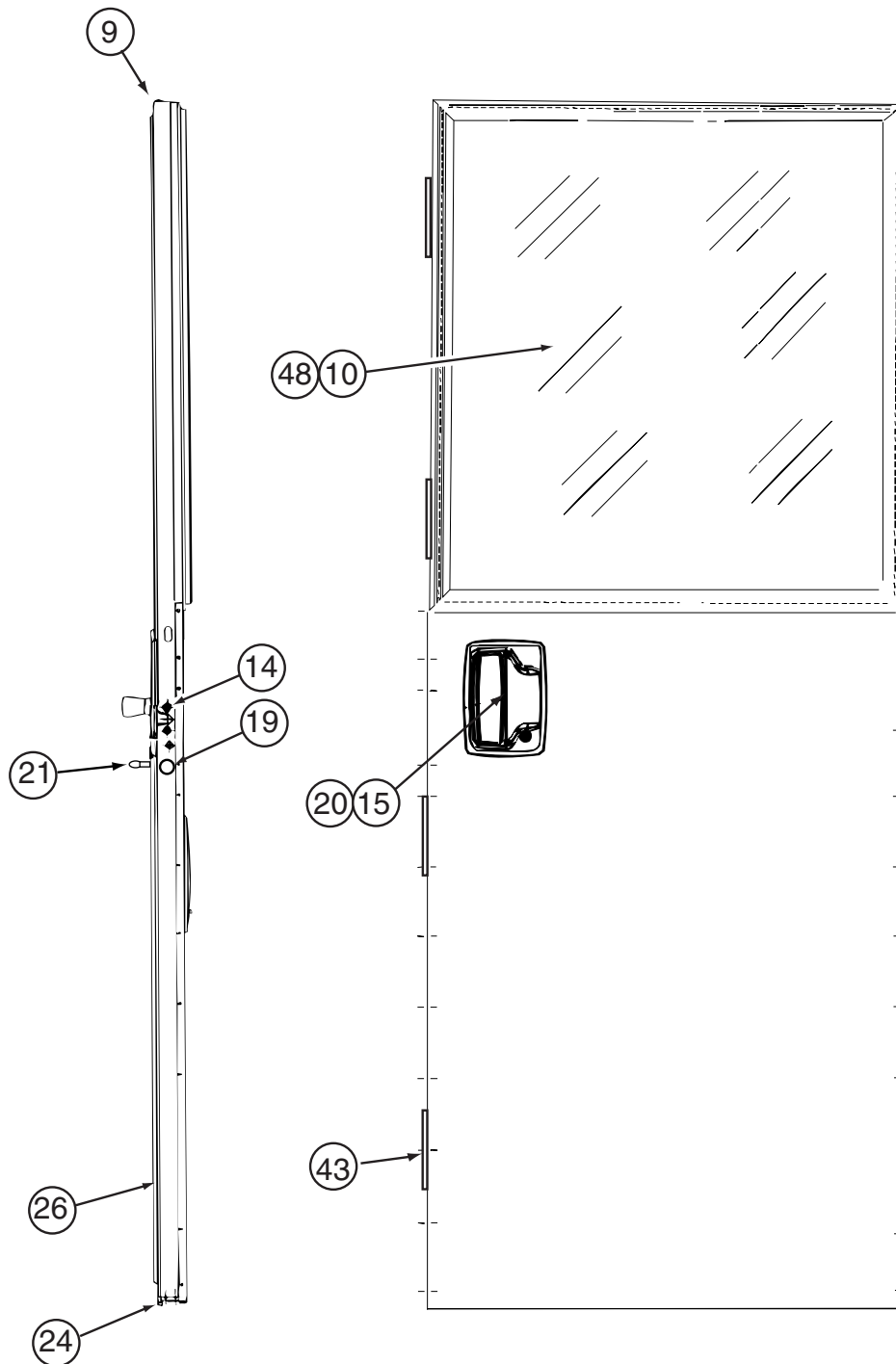
SECTION C-C

**128913-04-02A & 128913-08-01A (CONTINUED)**

KEY	PART NUMBER	U/M	DESCRIPTION	VENDOR NO.
2	128913-09-704	EA	RAIL/MID SCREEN-GLACIER BEIG	490054
4	128913-09-703	EA	END CAP - GLACIER BEIGE	490061
5	128913-01-731	EA	LATCH - SCREEN DOOR	146-041950
6	128913-01-742	FT	SPLINE - SCREEN	132-041775
7	128913-01-741	EA	SCREEN ONLY - SCREENDOOR	110-041928
8	128913-01-740	FT	RUN CHANNEL-SCREEN DR SLIDER	170-041263
9	128913-09-702	EA	SLIDER/SCREENDOOR-GLACIER BE	490059
10	128913-09-701	EA	SWEEPER/SCREENDOOR- GLACIER	490052
11	128913-01-736	FT	WEATHERSTRIP-SCREEN DOOR	171-041284
13	128913-01-738	FT	WEATHERSTRIP - SLIDER	171-041285

CONTACT WINNEBAGO PARTS SALES FOR UNLISTED COMPONENTS

**EXTERIOR DOORS & COMPARTMENTS GROUP (CONTINUED)**  
**COMPONENT PARTS FOR ENTRY (CONTINUED)**

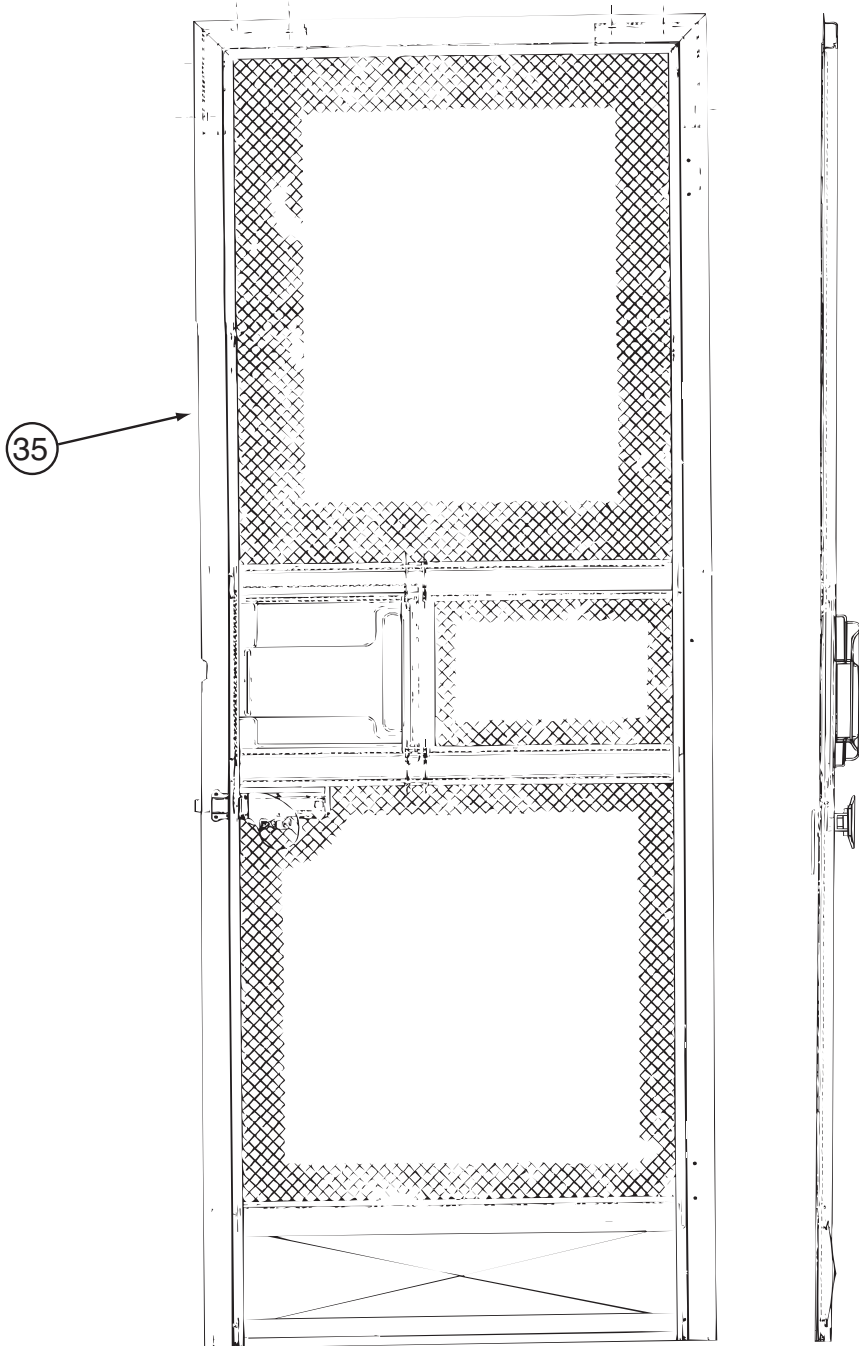


**128913-04-02A & 128913-08-01A (CONTINUED)**

KEY	PART NUMBER	U/M	DESCRIPTION	VENDOR NO.
9	128913-04-708	EA	DOOR FRAME - SUB ASM - BLACK	V266-90
10	128913-04-707	EA	WINDOW-DUAL PANE	V231-85
14	128913-03-713	EA	BOLT-ROTARY LATCH-1/4"-20	81066-01
20	112782-04-01A	EA	GASKET	
21	112782-05-01A	EA	CAP - VINYL - RED	
24	128913-01-744	EA	SEAL/BULB-STICK ON/THRESHOLD	122-042230
26	128913-04-712	EA	PANEL - INNER PLASTIC	490057
48	128913-04-700	FT	TAPE/BUTYL - FOAM CORE	154-041549

CONTACT WINNEBAGO PARTS SALES FOR UNLISTED COMPONENTS

**EXTERIOR DOORS & COMPARTMENTS GROUP (CONTINUED)**  
**COMPONENT PARTS FOR ENTRY (CONTINUED)**



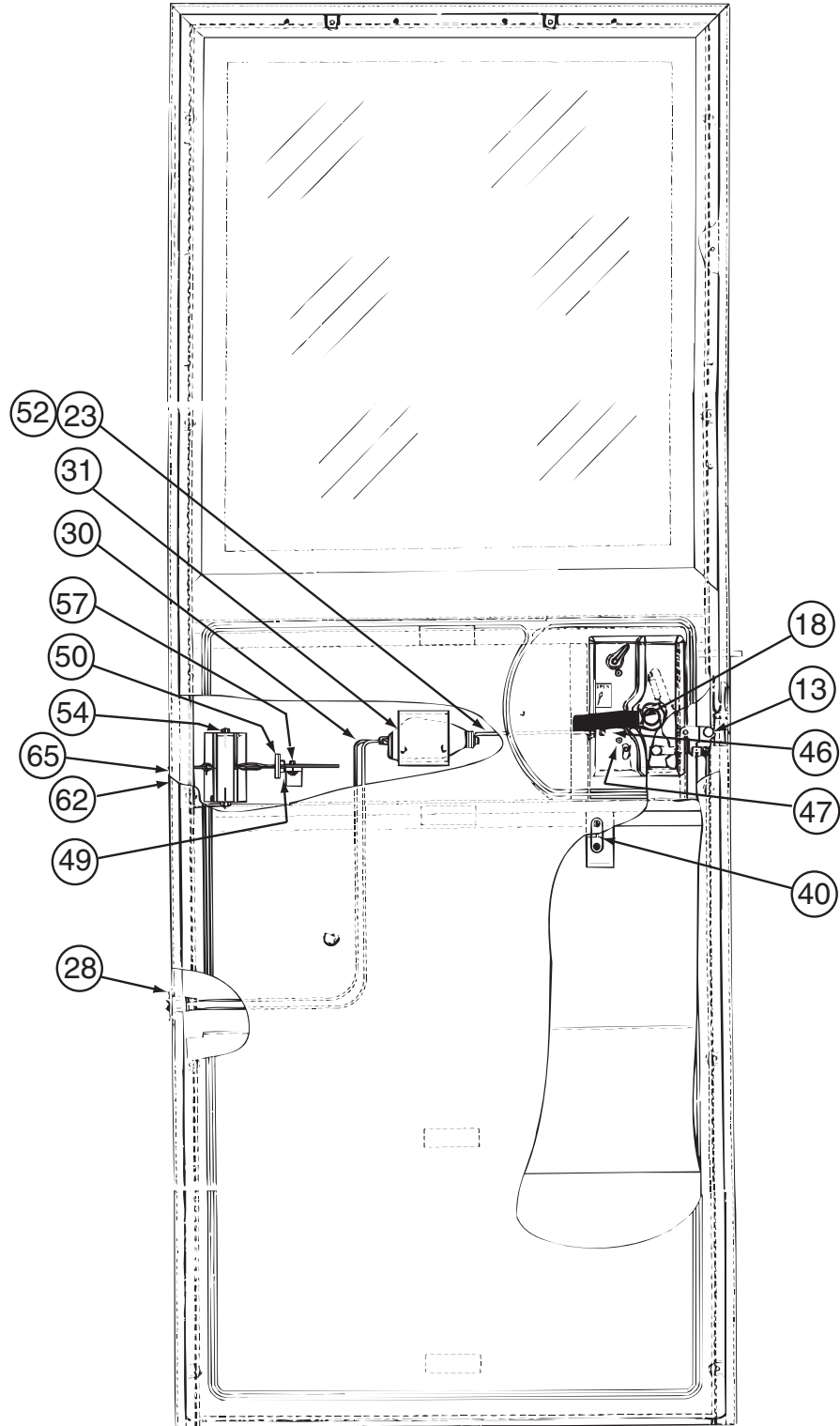
**KEY PART NUMBER**  
35 128913-09-700

**U/M DESCRIPTION**  
EA SCREEN DOOR ASSEMBLY

**128913-10-01A**

**VENDOR NO.**  
490056

**EXTERIOR DOORS & COMPARTMENTS GROUP (CONTINUED)**  
**COMPONENT PARTS FOR ENTRY (CONTINUED)**



**128913-10-01A (CONTINUED)**

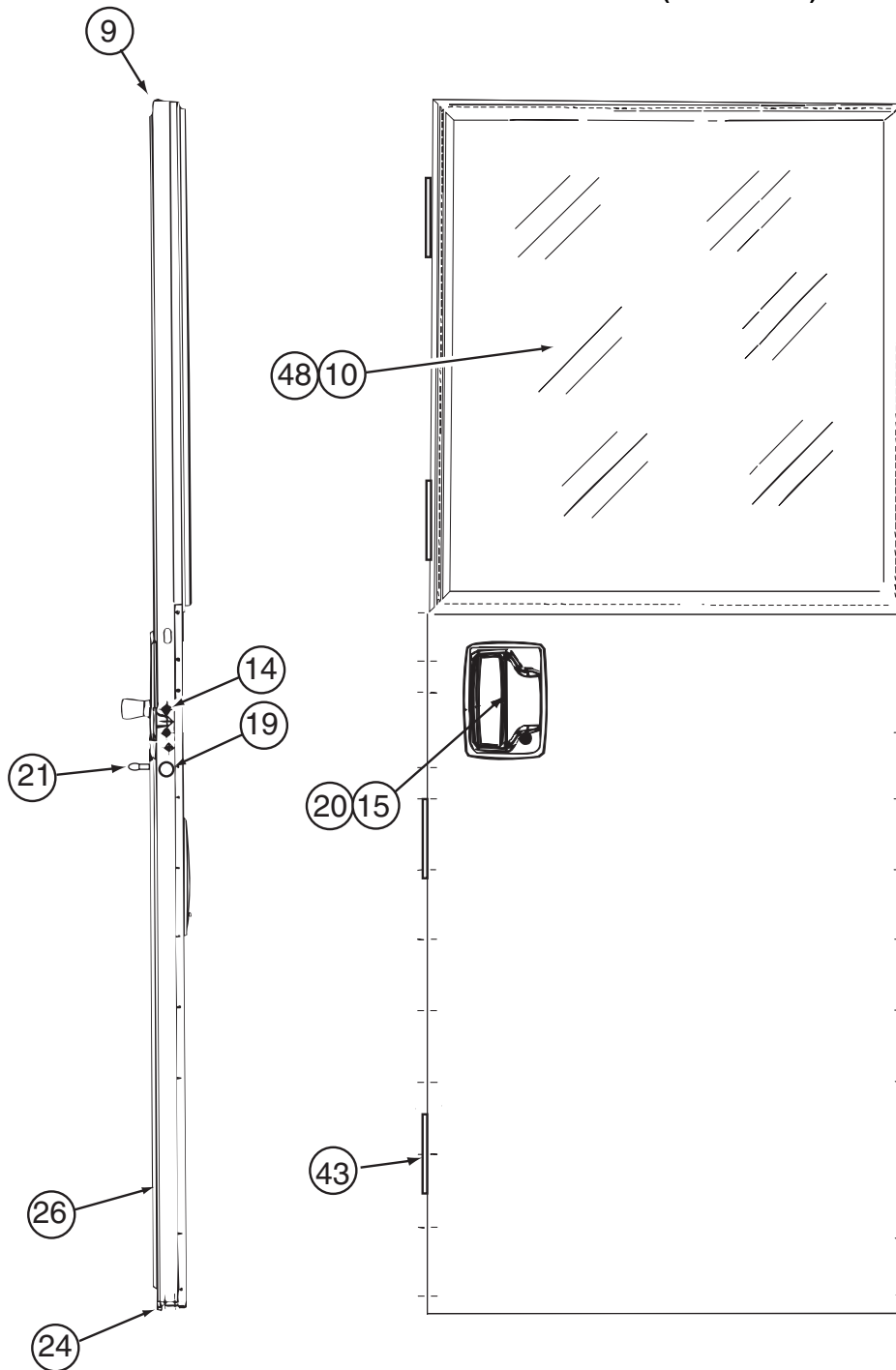


**EXTERIOR DOORS & COMPARTMENTS GROUP (CONTINUED)**  
**COMPONENT PARTS FOR ENTRY (CONTINUED)**

**128913-10-01A (CONTINUED)**

<b>KEY</b>	<b>PART NUMBER</b>	<b>U/M</b>	<b>DESCRIPTION</b>	<b>VENDOR NO.</b>
13	128913-04-706	FT	LATCH/ROTARY - W/LINKAGE RH	B248-041726/T/M1799
18	128913-08-700	EA	HANDLE - INSIDE - REV.	248-041725
23	128913-04-704	EA	ROD/LOCK - (POWER)	17705-01
28	128913-01-714	EA	CONTACT - MALE/2-POSITION	400-041934
30	128913-01-712	EA	WIRE HARNESS-POWER DOOR LOCK	400-041935
31	106469-05-701	EA	ACTUATOR, F/ELECTRICE LOCK	4110-041096
40	128913-01-710	EA	STRIKER - LATCH/SCREEN DOOR	130-041815
46	128913-02-711	EA	SLIDE BAR ASSEMBLY	V196-29
47	128913-01-746	EA	SCREW #8 X 3/4" OVAL HEAD	276-042030
49	128913-02-712	EA	PIN - COILED SPRING	248-042237
50	128913-02-713	EA	BUMPER STOP	V196-24
54	128913-01-733	EA	DOOR CHECK-SUB ASM ADJUST	V196-04
57	128913-01-705	EA	BOLT - SHOULDER - #10 X 1/4	268-042011
62	128913-02-714	EA	GUIDE BLOCK - DOOR CHECK	146-042045
65	128913-04-709	EA	PIN/CLEVIS-GROOVED W/E-RING	245-042260
			CONTACT WINNEBAGO PARTS SALES FOR UNLISTED COMPONENTS	

**EXTERIOR DOORS & COMPARTMENTS GROUP (CONTINUED)**  
**COMPONENT PARTS FOR ENTRY (CONTINUED)**

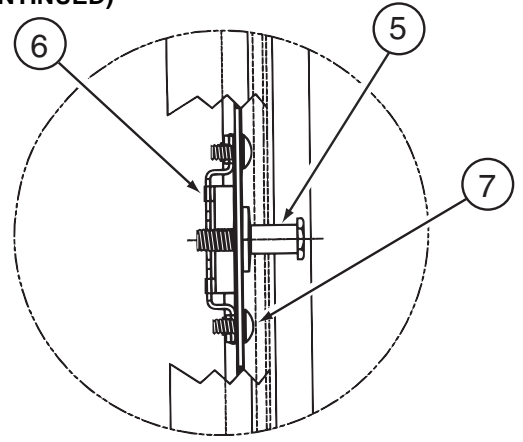
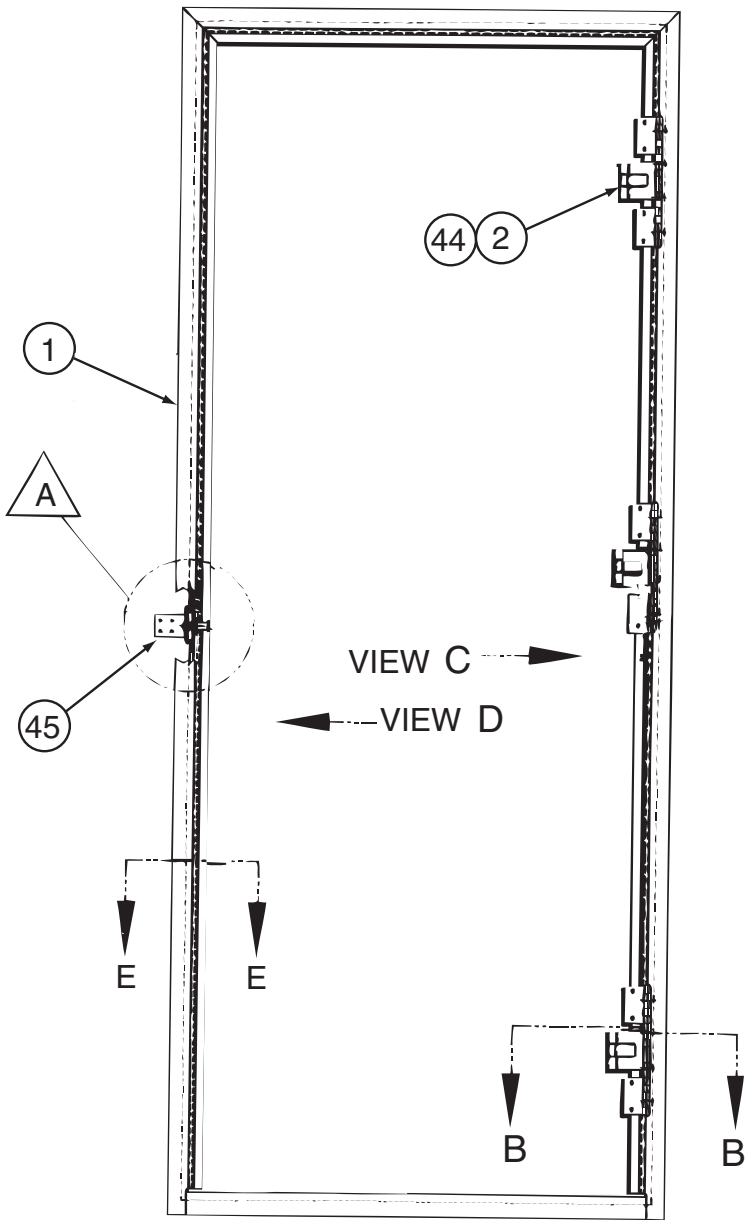


**128913-10-01A (CONTINUED)**

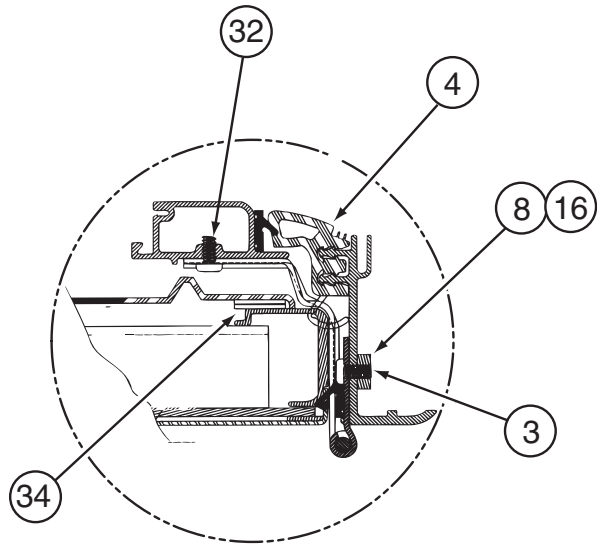
KEY	PART NUMBER	U/M	DESCRIPTION	VENDOR NO.
9	128913-04-708	EA	DOOR FRAME - SUB ASM - BLACK	V266-90
10	128913-04-707	EA	WINDOW-DUAL PANE	V231-85
14	128913-03-713	EA	BOLT-ROTARY LATCH - 1/4" -20	81066-01
15	128913-08-701	EA	PADDLE ASM - OUTSIDE	490060
20	128913-04-705	EA	GASKET - OUTSIDE HANDLE	81480
21	128913-04-717	EA	CAP - VINYL- RED	130-042257
24	128913-01-744	EA	SEAL/BULB-STICK ON/THRESHOLD	122-042230
26	128913-04-712	EA	PANEL - INNER PLASTIC	490057
48	128913-04-700	FT	TAPE/BUTYL - FOAM CORE	154-041549

CONTACT WINNEBAGO PARTS SALES FOR UNLISTED COMPONENTS

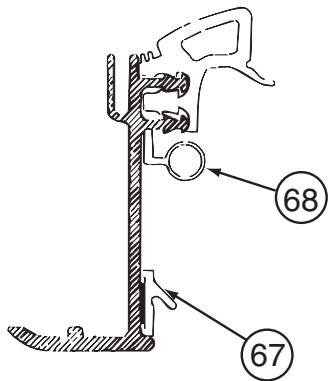
**EXTERIOR DOORS & COMPARTMENTS GROUP (CONTINUED)**  
**COMPONENT PARTS FOR ENTRY (CONTINUED)**



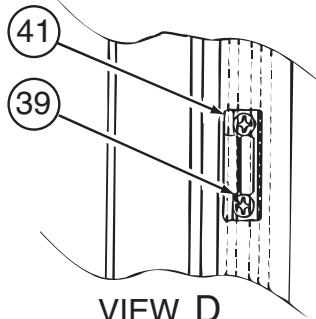
VIEW A



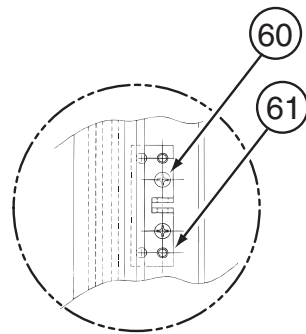
SECTION B-B



SECTION E-E



VIEW D



VIEW C

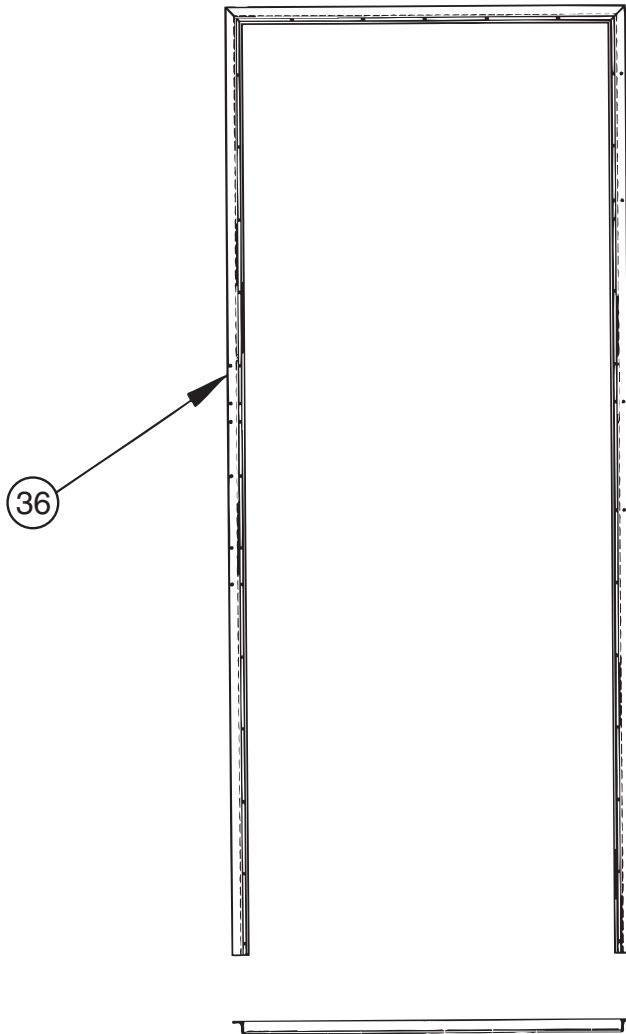
128913-10-01A (CONTINUED)

**EXTERIOR DOORS & COMPARTMENTS GROUP (CONTINUED)**  
**COMPONENT PARTS FOR ENTRY (CONTINUED)**

**128913-10-01A (CONTINUED)**

KEY	PART NUMBER	U/M	DESCRIPTION	VENDOR NO.
1	128913-10-701	EA	FRAME/OUTER ASM - BLACK	490191
2	128913-01-729	EA	HINGE	211-041740
4	128913-01-728	EA	SEAL - DOOR/CORNER- MITERED	122-041917
5	128913-01-727	EA	STRIKER - BOLT - LONG	11628-16
6	128913-01-726	EA	NUT ASSEMBLY-CAGED (STRIKER)	11920-16
41	128913-01-709	EA	STRIKER-SCREEN DR/FRAME MT	130-041824
44	128913-03-708	EA	SEAL/HINGE (3 PER DOOR)	124-042236
45	128913-02-700	EA	LATCH - BRACKET	210-042215
61	128913-01-704	EA	BRACKET - PIVOT/BRASS	370-042315
67	128913-01-732	FT	SEAL - LAZY T	122-041986
68	128913-01-748	FT	SEAL/BULB	132-042483

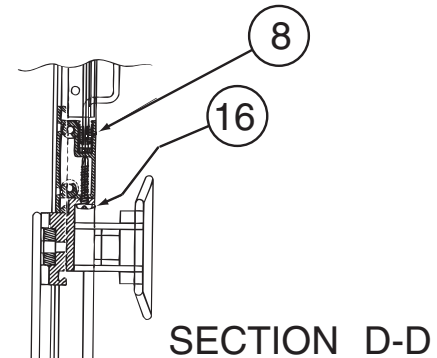
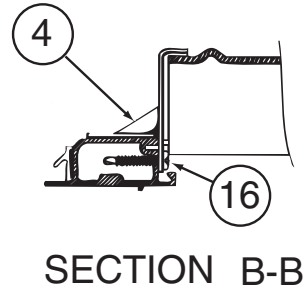
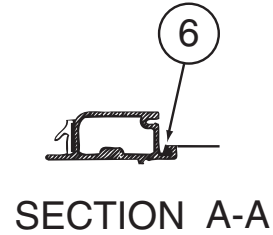
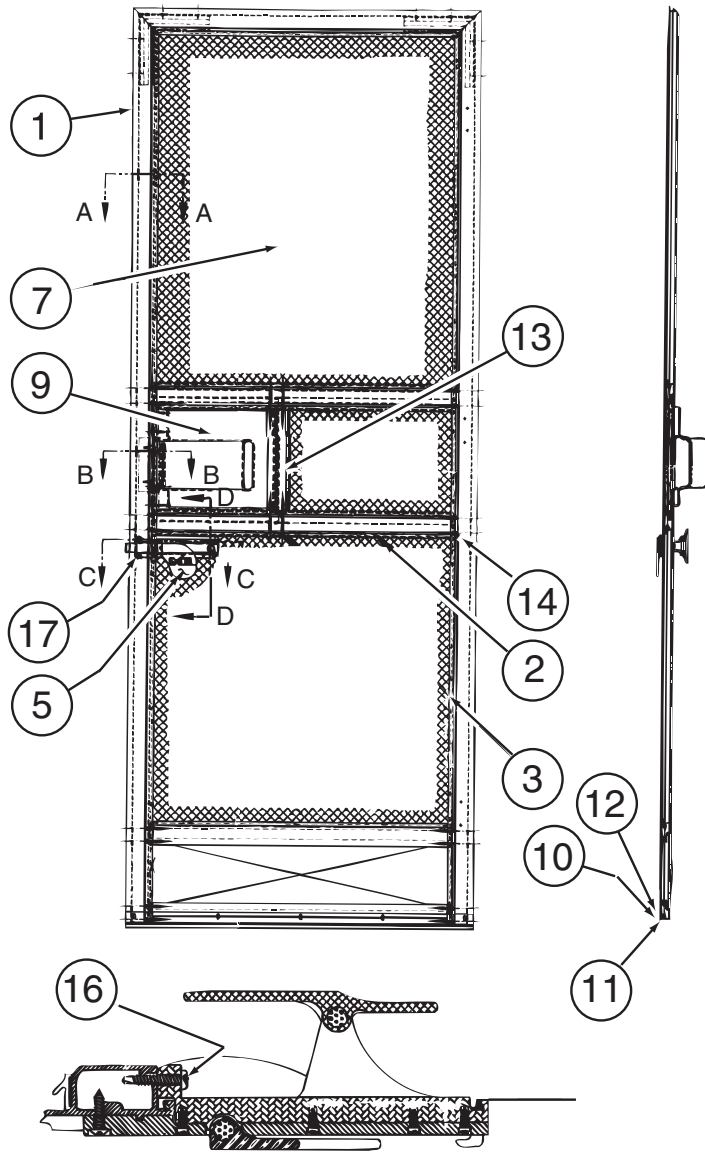
CONTACT WINNEBAGO PARTS SALES FOR UNLISTED COMPONENTS



**128913-10-01A (CONTINUED)**

KEY	PART NUMBER	U/M	DESCRIPTION	VENDOR NO.
36	128913-10-700	EA	FRAME/CLAMP - WELD ASM BLACK ASM	490195

**EXTERIOR DOORS & COMPARTMENTS GROUP (CONTINUED)**  
**COMPONENT PARTS FOR ENTRY (CONTINUED)**



SECTION C-C

**12891310-01A (CONTINUED)**

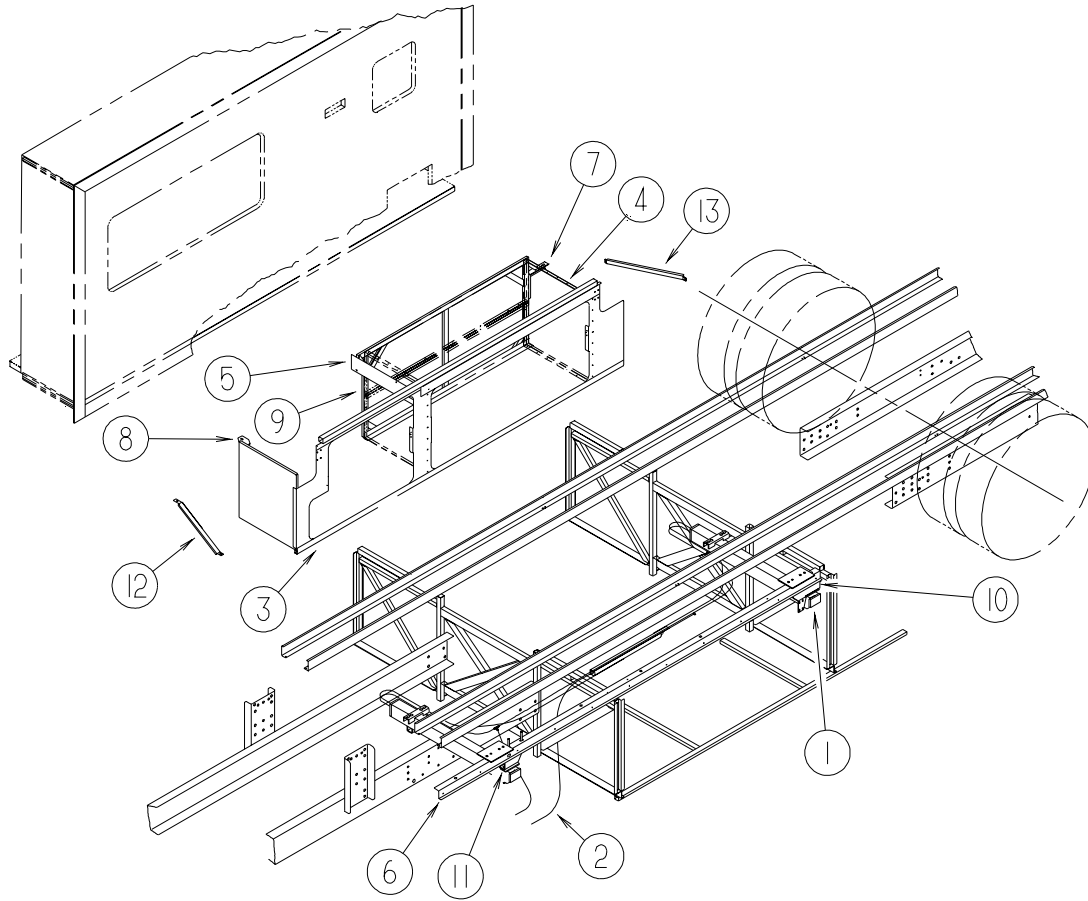
KEY	PART NUMBER	U/M	DESCRIPTION	VENDOR NO.
2	128913-09-704	EA	RAIL/MID SCREEN-GLACIER BEIG	490054
4	128913-09-703	EA	END CAP - GLACIER BEIGE	490061
5	128913-01-731	EA	LATCH - SCREEN DOOR	146-041950
6	128913-01-742	FT	SPLINE - SCREEN	132-041775
7	128913-01-741	EA	SCREEN ONLY - SCREENDOOR	110-041928
8	128913-01-740	FT	RUN CHANNEL-SCREEN DR SLIDER	170-041263
9	128913-09-702	EA	SLIDER/SCREENDOOR-GLACIER BE	490059
10	128913-09-701	EA	SWEeper/SCREENDOOR- GLACIER	490052
11	128913-01-736	FT	WEATHERSTRIP-SCREEN DOOR	171-041284
13	128913-01-738	FT	WEATHERSTRIP - SLIDER	171-041285

CONTACT WINNEBAGO PARTS SALES FOR UNLISTED COMPONENTS

**129676-01-000 THRU 129676-10-000**

KEY	PART NUMBER	U/M	DESCRIPTION	VENDOR NO .
	129685-01-701	EA	KEY - BLANK KS 150	144472-07-2001

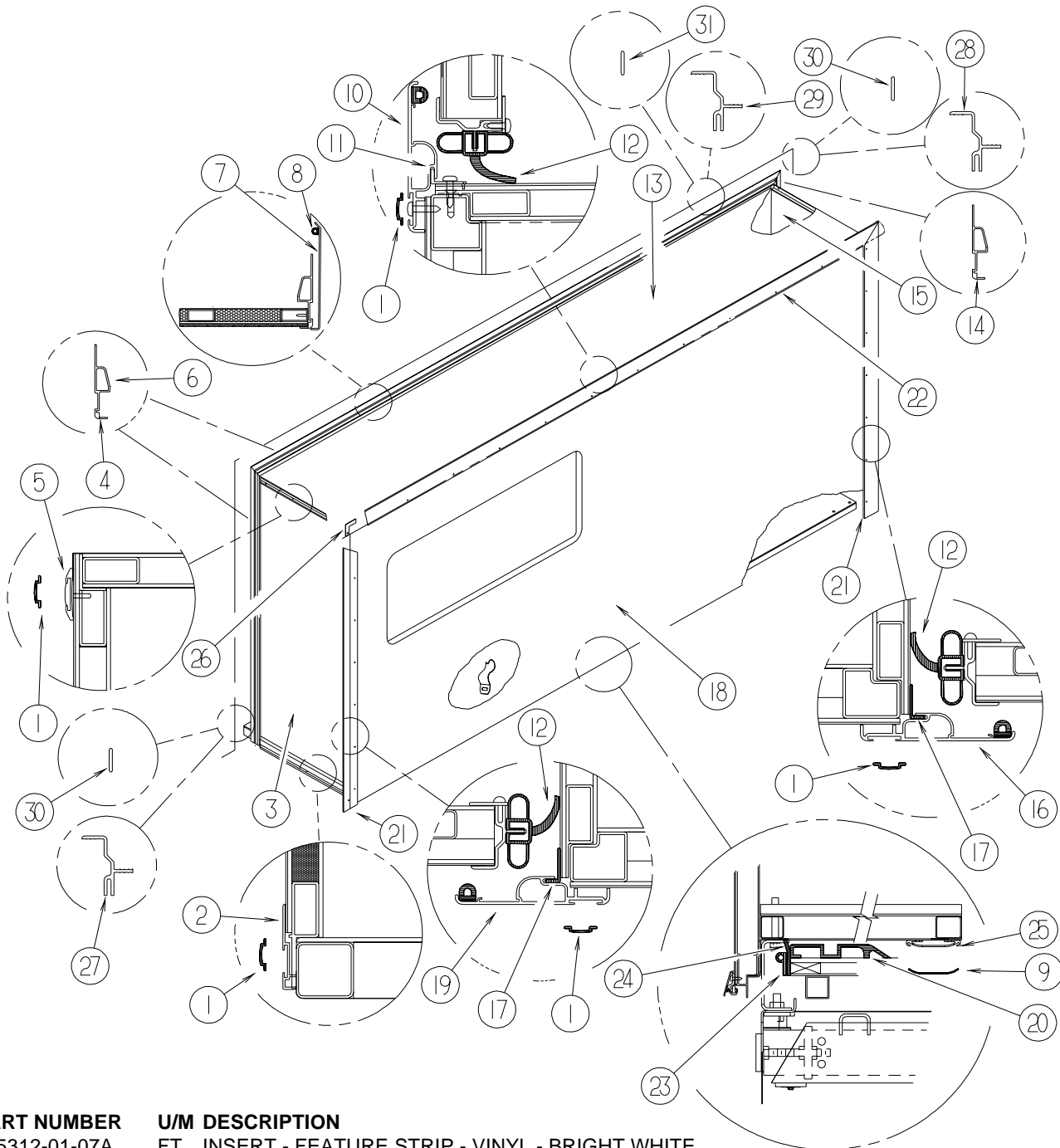
## EXTERIOR SLIDEOUT GROUP FRONT LEFT



KEY	PART NUMBER	U/M	DESCRIPTION	
1*	125687-01-000	EA	SLIDEOUT - HYDRAULIC	
				FROM: 00-00-00 THRU: 07-08-01
1	140121-01-000	EA	SLIDEOUT - HYDRAULIC - 20"	
				FROM: 07-09-01 THRU: 99-99-99
2	100536-44-000	EA	HOSE KIT - SLIDEOUT	
				FROM: 00-00-00 THRU: 05-06-01
2	100536-15-000	EA	HOSE KIT - HWH #AP0043	
				FROM: 05-07-01 THRU: 99-99-99
3	128904-02-02B	EA	PANEL - SEAL - SLIDEOUT	
4	126390-10-000	EA	COMPARTMENT ASM-SLIDEOUT	
				FROM: 00-00-00 THRU: 05-20-01
4	126390-28-000	EA	COMPARTMENT - SLIDEOUT	
				FROM: 05-21-01 THRU: 99-99-99
5	113797-07-01A	EA	STRIP - RECTANGULAR - .2" X 23.4"	
6	128621-17-01A	EA	BRACKET/ZEE - SLIDEOUT	
7	125888-03-02B	EA	BRACKET/SLIDEOUT COMPARTMENT - RIGHT HAND - E-COATED	
8	125888-04-02B	EA	BRACKET/SLIDEOUT COMPARTMENT - LEFT HAND - E-COATED	
9	126050-11-KQ0	EA	SUPPORT - SLIDEOUT COMPARTMENT	
10	127030-06-02B	EA	BRACKET - INNER REAR/MOUNT - E-COATED	
11	127030-05-02B	EA	BRACKET - INNER FRONT/MOUNT - E-COATED	
12	126497-05-02B	EA	SUPPORT - VALANCE - E-COATED	
13	126497-06-02B	EA	SUPPORT - VALANCE - E-COATED	

**\*COMPONENT PARTS LISTED LATER IN THIS GROUP**

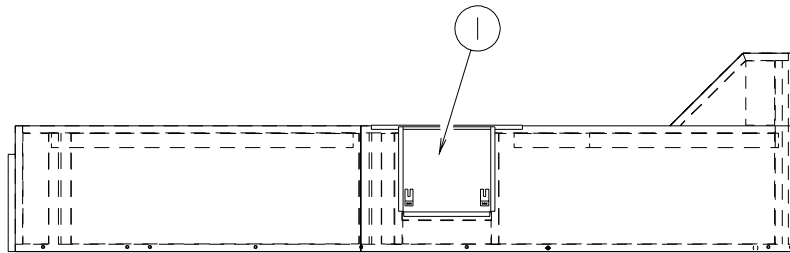
**EXTERIOR SLIDEOUT GROUP (CONTINUED)**  
**FRONT LEFT (CONTINUED)**



KEY	PART NUMBER	U/M	DESCRIPTION
1	105312-01-07A	FT	INSERT - FEATURE STRIP - VINYL - BRIGHT WHITE
2	125051-01-01A	EA	STRIP - FEATURE - LOWER - 20.2" - BRIGHT WHITE
3	121401-02-NQ0	EA	PANEL - SLIDEOUT/FRONT - W/O HARDWARE (NQ0, NQ1, NQ6)
3	121401-02-NQ2	EA	PANEL - SLIDEOUT/FRONT - W/O HARDWARE (NQ2, NQ3, NQ7)
3	121401-02-M52	EA	PANEL - SLIDEOUT/FRONT - W/O HARDWARE (NQ4, NQ5, NQ8)
4	117004-01-03A	EA	TRIM - SEAL/INNER/RT HAND-W/MITERED END - 73.5" - BRT/WHT FROM: 00-00-00 THRU: 05-05-02
4	139624-01-01A	EA	TRIM/SEAL - INNER/RIGHT HAND - 73.4" - BRIGHT WHITE FROM: 05-06-02 THRU: 99-99-99
5	138659-01-01A	EA	TRIM/FEATURE STRIP - 181.7" - BRIGHT WHITE
6	117004-11-01A	EA	TRIM - SEAL/INNER/UPPER-W/MITERED ENDS-170" OFF WHITE FROM: 00-00-00 THRU: 05-05-02
6	139624-24-01A	EA	TRIM/SEAL - INNER - BRIGHT WHITE FROM: 05-06-02 THRU: 99-99-99
7	125466-04-01A	EA	SUPPORT - ROOF/INTERIOR - OFF WHITE
8	112091-01-000	FT	SEAL/D - NEOPRENE - HEAT ACTIVE ADHESIVE - .9"
9	115661-01-000	FT	SHOE/GLIDE - SLIDEOUT ROOM - 1/16" X 3" - POLYETHYLENE

**EXTERIOR SLIDEOUT GROUP (CONTINUED)**  
**FRONT LEFT (CONTINUED)**

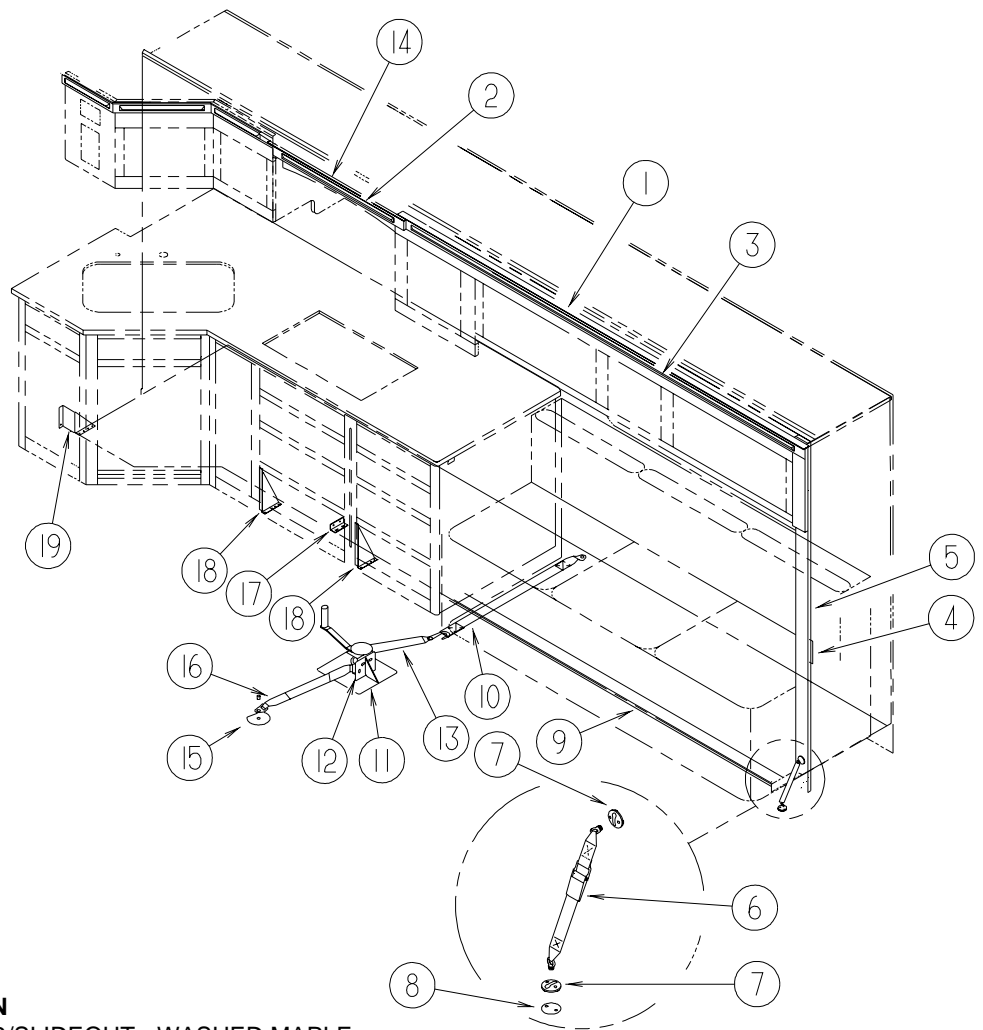
KEY	PART NUMBER	U/M	DESCRIPTION
10	133955-17-01A	EA	TRIM/SEAL - W/MITERED ENDS - 171.7" - BRIGHT WHITE
11	133954-15-01A	EA	TRIM/SEAL - W/MITERED ENDS - 166.5" - BRIGHT WHITE
12	115076-03-000	FT	SEAL - SLIDEOUT
13	P28916-01-MQ0	EA	ROOF - F/SLIDEOUT
14	117004-02-03A	EA	TRIM - SEAL/INNER/LT HAND-W/MITERED END - 73.5" - BRT/WHT FROM: 00-00-00 THRU: 05-05-02
14	139624-02-01A	EA	TRIM/SEAL - INNER/LEFT HAND - 73.4" - BRIGHT WHITE FROM: 05-06-02 THRU: 99-99-99
15	121402-03-N84	EA	PANEL - SLIDEOUT/REAR - W/O HARDWARE (NQ0, NQ1, NQ6)
15	121402-03-M76	EA	PANEL - SLIDEOUT/REAR - W/O HARDWARE (NQ2, NQ3, NQ7)
15	121402-03-M31	EA	PANEL - SLIDEOUT/REAR - W/O HARDWARE (NQ4, NQ5, NQ8)
16	133955-10-01A	EA	TRIM/SEAL - W/MITERED ENDS - 75.7" - BRIGHT WHITE
17	133954-09-01A	EA	TRIM/SEAL - W/MITERED ENDS - 71.6" - BRIGHT WHITE
18	119783-42-N94	EA	PANEL - SLIDEOUT/OUTER (NQ0, NQ1, NQ6)
18	119783-42-N98	EA	PANEL - SLIDEOUT/OUTER (NQ2, NQ3, NQ7)
18	119783-42-N96	EA	PANEL - SLIDEOUT/OUTER (NQ4, NQ5, NQ8)
19	133955-09-01A	EA	TRIM/SEAL - W/MITERED ENDS - 75.7" - BRIGHT WHITE
20	134756-02-L76	EA	RAMP - FABRIC COVERED - SLIDEOUT - 51.1"
	089275-02-000	FT	STRIP - 3/4" X 84" BLACK POLYETHYLENE
21	126546-01-02A	EA	COVER - END/SIDEWALL SLIDEOUT - BRIGHT WHITE
22	136781-04-01A	EA	AWNING-SLIDE CVR,WHT 4368 FROM: 00-00-00 THRU: 08-19-01 FROM: 08-20-01 THRU: 99-99-99
22	140019-04-01A	EA	AWNING - SLIDEOUT COVER W/SPOILER - 172" - BRT WHT ACRYLIC FROM: 08-20-01 THRU: 99-99-99
23	121283-01-000	FT	SEAL - P SHAPED
24	115075-02-000	FT	SEAL - WIPE - .25" X 2.9"
25	115325-05-02A	EA	RAIL - FLOOR/SLIDEOUT ROOM - BLACK - 72.7" LONG
26	116444-04-12B	EA	TRIM/KEY CORNER - SLIDEOUT - 3.1"X3.1" - BRT WHT
27	115863-13-01A	EA	TRIM - SIDEWALL/SLIDEOUT - LEFT HAND - 75.4" - BRT WHT
28	115863-14-01A	EA	TRIM - SIDEWALL/SLIDEOUT - RIGHT HAND - 75.4" - BRT WHT
29	115863-21-01A	EA	TRIM - SIDEWALL/SLIDEOUT - TOP - 171.2" - BRIGHT WHITE
30	115886-02-03A	EA	RETAINER - SIDEWALL - BRIGHT WHITE - 73.5"
31	115886-09-01A	EA	RETAINER - SIDEWALL - BRIGHT WHITE - 170.9"



KEY	PART NUMBER	U/M	DESCRIPTION
1	130314-01-02B	EA	PAN - SLIDEOUT - E - COATED



## EXTERIOR SLIDEOUT GROUP (CONTINUED) FRONT LEFT (CONTINUED)



KEY	PART NUMBER	U/M	DESCRIPTION
1	120514-11-KQ0	EA	TRIM - UPPER/SLIDEOUT - WASHED MAPLE
1	120514-11-KQ1	EA	TRIM - UPPER/SLIDEOUT - SALEM CHERR
1	120514-11-NQ6	EA	TRIM - UPPER/SLIDEOUT - PORTSMOUTH OA
2	119433-10-KQ0	EA	MOLDING - TRIM/VEE - SLIDEOUT - 29.6" - WASHED MAPLE
2	119433-10-KQ1	EA	MOLDING - TRIM/VEE - SLIDEOUT - 29.6" - SALEM CHERRY
2	119433-10-NQ6	EA	MOLDING - TRIM/VEE - SLIDEOUT - 29.6" - PORTSMOUTH OAK
3	119433-09-KQ0	EA	MOLDING - TRIM/VEE - SLIDEOUT - 96.4" - WASHED MAPLE
3	119433-09-KQ1	EA	MOLDING - TRIM/VEE - SLIDEOUT - 96.4" - SALEM CHERRY
3	119433-09-NQ6	EA	MOLDING - TRIM/VEE - SLIDEOUT - 96.4" - PORTSMOUTH OAK
4	130262-01-000	EA	PROTECTOR - CORNER SAVER - .7" X .7" X 48"
5	116951-11-KQ0	EA	MOLDING - TRIM - 3.5" X 75.9" - WASHED MAPLE
5	116951-11-KQ1	EA	MOLDING - TRIM - 3.5" X 75.9" - SALEM CHERRY
5	116951-11-N95	EA	MOLDING - TRIM - 3.5" X 75.9" - PORTSMOUTH OAK
6	135619-01-01A	EA	STRAP - TIEDOWN - SLIDEOUT ROOM
7	135619-02-01A	EA	PLATE - TIEDOWN - SLIDEOUT ROOM
8	135622-01-01B	EA	PLATE - TIEDOWN - SLIDEOUT ROOM
9	136839-01-01A	EA	TRIM-J - CARPET EDGE/SLIDEOUT - 79.5" - BLACK
10	116101-02-F31	EA	STRAP - WINCH - 34" CENTER BRACKET/STRAP END
11	115767-02-000	EA	WINCH - SLIDEOUT W/10' STRAP
12	116082-03-02B	EA	BRACKET - WINCH
13	140281-01-02B	EA	STRAP - WINCH - E-COATED
14	116082-01-02B	EA	BRACKET - WINCH
15	057759-01-000	EA	WASHER BRACKET - SEAT BELT - 4" DIAMETER
16	116101-01-F31	EA	STRAP - WINCH - 17.8" CENTER/CENTER BRACKET
17	128252-01-02B	EA	BRACKET/ANGLE - SLIDEOUT - E-COAT
18	123440-04-02B	EA	SUPPORT/VALANCE PANEL - E-COATED - 9.9"/7.6"X4.7"
19	130281-01-02B	EA	BRACKET/TIEDOWN - SLIDEOUT
20	120514-10-LQ0	EA	TRIM - UPPER/SLIDEOUT - WASHED MAPLE
20	120514-10-LQ1	EA	TRIM - UPPER/SLIDEOUT - SALEM CHERRY
20	120514-10-NQ6	EA	TRIM - UPPER/SLIDEOUT - PORTSMOUTH OAK

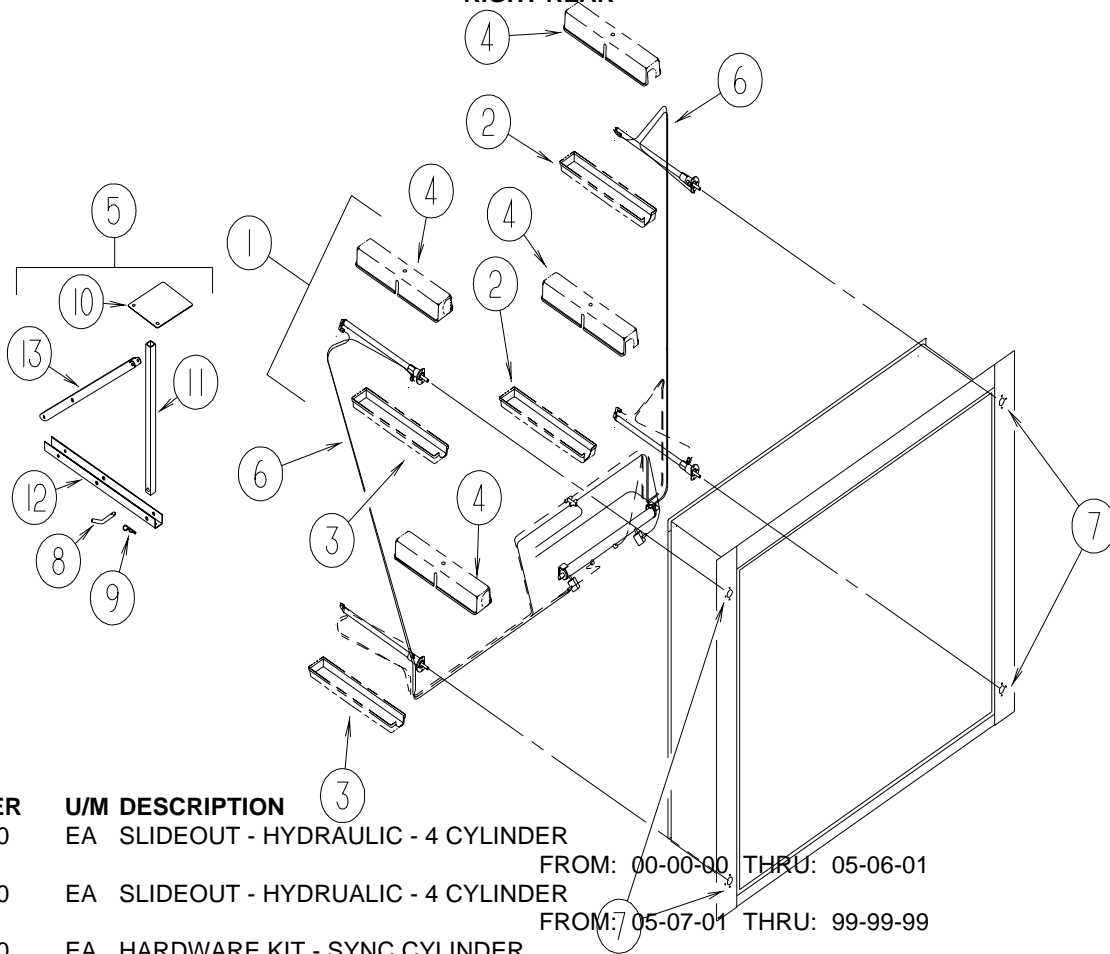
**EXTERIOR SLIDEOUT GROUP (CONTINUED)**  
**COMPONENT PARTS FOR FRONT LEFT**

125687-01-000

<b>KEY</b>	<b>PART NUMBER</b>	<b>U/M</b>	<b>DESCRIPTION</b>	<b>VENDOR NO.</b>
	100536-10-701	EA	HOSE-HYDRAULIC-116"	RAP90349
	125687-01-700	EA	CYLINDER/RAM - 21" STROKE	RAP90512
	125687-01-701	EA	HOSE - HYDRAULIC - 120"	AP13772
	125687-01-702	EA	CYLINDER - SYNCHRONIZING	RAP90471
	125687-01-703	EA	TUBE/STEEL - HYDRAULIC 31"	RAP90526/AP13592
	125687-01-704	EA	BOLT - SLIDE ROOM ADJUSTER	RAP90864/P13685
	132540-01-702	EA	HOSE-HYD-3/16" X 12'	AP18016

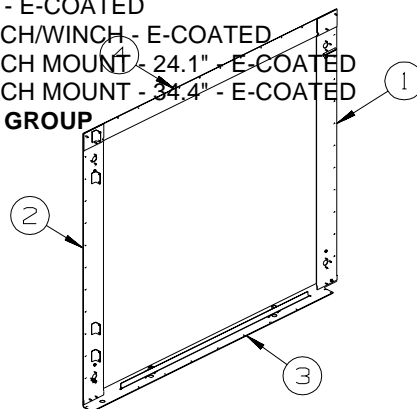
# EXTERIOR SLIDEOUT GROUP (CONTINUED)

RIGHT REAR



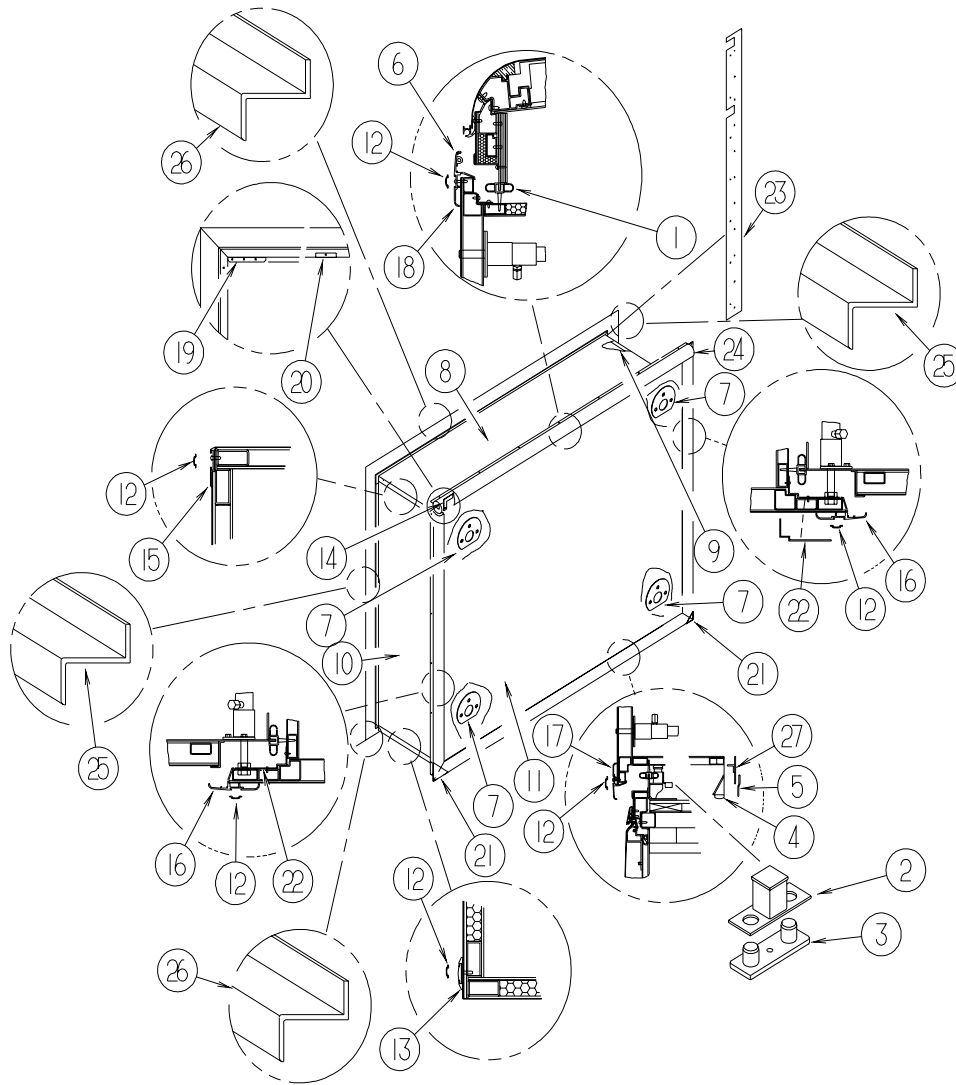
KEY	PART NUMBER	U/M	DESCRIPTION
1*	135250-01-000	EA	SLIDEOUT - HYDRAULIC - 4 CYLINDER
1*	135250-06-000	EA	SLIDEOUT - HYDRUALIC - 4 CYLINDER
	135250-03-000	EA	HARDWARE KIT - SYNC CYLINDER
*	135250-04-000	EA	HOSE KIT - F/SLIDEOUT
2	135255-01-01A	EA	COVER - CYLINDER - FOLDING - BLACK
3	135255-02-01A	EA	COVER - CYLINDER - FOLDING - BLACK
4	135748-01-01A	EA	COVER - CYLINDER/LID - BLACK
5	131720-02-K90	EA	WINCH - F/SLIDEOUT COMPLETE
6	112176-01-000	FT	TUBING - VINYL - REINFORCED - 1/2" ID
7	058786-02-000	EA	BOLT - ADJUSTING HOOD - 5/16"-18 X .75"-1.1" - W/BLACK PAD
8	034512-01-000	EA	PIN - LOCKING - DRAWBAR
9	034513-01-000	EA	PIN - HITCH - 3/16" WIRE
10	131863-01-02B	EA	PLATE - UPPER - E-COATED
11	136511-02-02B	EA	CHANNEL - WINCH/WINCH - E-COATED
12	131717-02-02B	EA	CHANNEL - WINCH MOUNT - 24.1" - E-COATED
13	131718-02-02B	EA	CHANNEL - WINCH MOUNT - 34.4" - E-COATED

\*COMPONENT PARTS LISTED LATER IN THIS GROUP



KEY	PART NUMBER	U/M	DESCRIPTION
1	137954-04-12B	EA	PLATE/MOUNTING - SIDE - BRIGHT WHITE
2	137954-03-12B	EA	PLATE/MOUNTING - SIDE - BRIGHT WHITE
2	137954-05-12B	EA	PLATE/MOUNTING - SIDE - BRIGHT WHITE
3	138134-01-12B	EA	PLATE - MOUNTING/LOWER - BRIGHT WHITE
4	138132-02-12B	EA	PLATE/MOUNTING - UPPER - BRIGHT WHITE

**EXTERIOR SLIDEOUT GROUP (CONTINUED)**  
**RIGHT REAR (CONTINUED)**

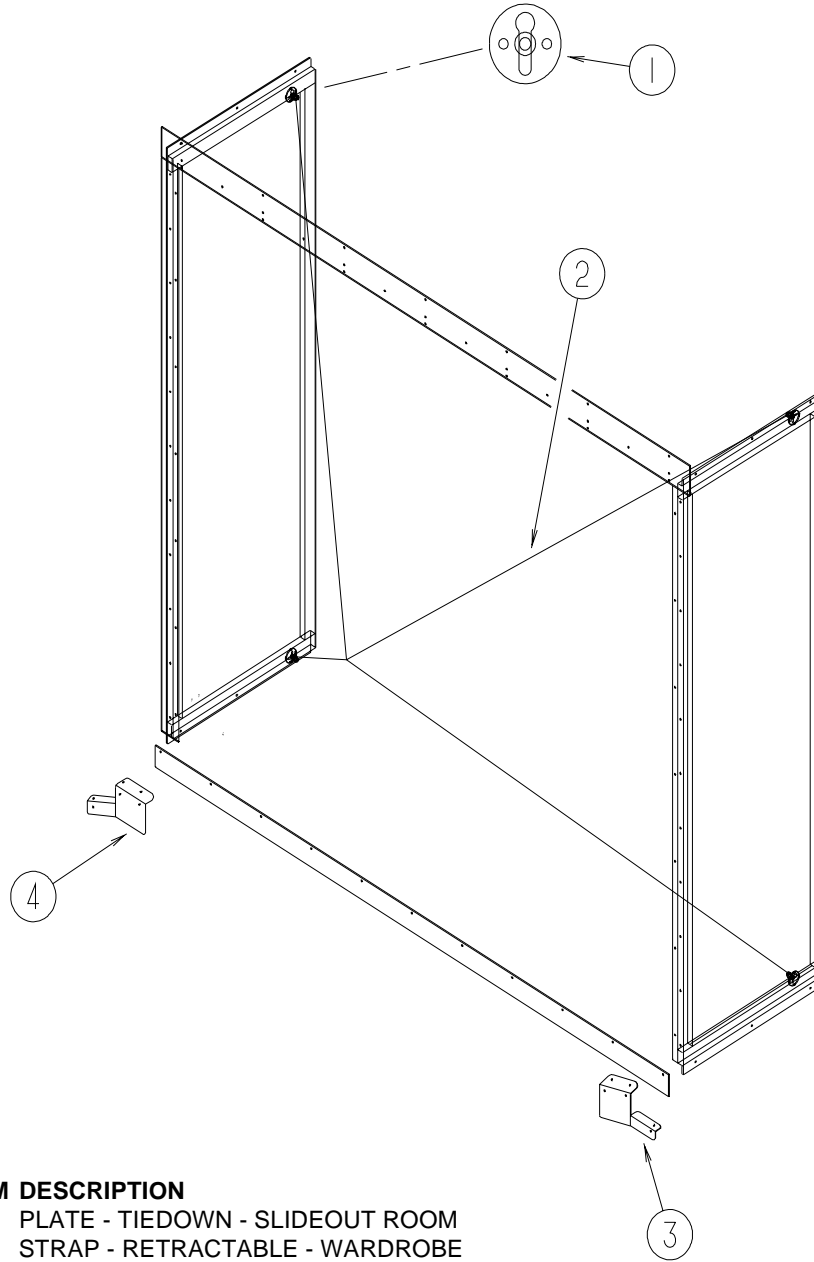


KEY	PART NUMBER	U/M	DESCRIPTION
1	115076-01-000	FT	SEAL - SLIDEOUT
2	126313-06-02B	EA	SUPPORT - ROLLER - E-COATED
3	134855-01-000	EA	KIT - BEARING PAD - NARROW
4	137284-01-01A	EA	GLIDE - F/SLIDEOUT
5	137186-01-02B	EA	MOUNT - GLIDE - F/SLIDEOUT - E-COATED
6	117058-01-01A	FT	TAPE - LOOP - 3/4" WIDE - ADHESIVE BACKED
7	134612-01-000	EA	GASKET - HYDRAULIC CYLINDER - SMALL 4-CYLINDER SLIDEOUT
8	137959-01-N94	EA	ROOF ASM-SLIDEOUT
9	138578-02-N94	EA	PANEL - REAR - F/SLIDEOUT
10	138579-01-N94	EA	PANEL - FRONT - F/SLIDEOUT
11	138780-11-N94	EA	SLUG - SLIDEOUT (NQ0, NQ1, NQ6) - Q40JD
11	139880-11-NQ0	EA	SLUG - SLIDEOUT (NQ0, NQ1, NQ6) - Q40WD
11	138780-11-NQ2	EA	SLUG - SLIDEOUT (NQ2, NQ3, NQ7) - Q40JD
11	139880-11-NQ2	EA	SLUG - SLIDEOUT (NQ2, NQ3, NQ7) - Q40WD
11	138780-11-NQ4	EA	SLUG - SLIDEOUT (NQ4, NQ5, NQ8) - Q40JD
11	139880-11-NQ4	EA	SLUG - SLIDEOUT (NQ4, NQ5, NQ8) - Q40WD
12	105312-01-07A	FT	INSERT - FEATURE STRIP - VINYL - BRIGHT WHITE
13	108688-03-03A	EA	STRIP - FEATURE - BRIGHT WHITE - 20.9"
14	116444-03-12B	EA	TRIM/KEY CORNER - SLIDEOUT - 3.1"X3.1" - BRT WHT
15	138659-01-01A	EA	TRIM/FEATURE STRIP - 181.7" - BRIGHT WHITE

**EXTERIOR SLIDEOUT GROUP (CONTINUED)**  
**RIGHT REAR (CONTINUED)**

<b>KEY</b>	<b>PART NUMBER</b>	<b>U/M</b>	<b>DESCRIPTION</b>
16	135850-02-01A	EA	TRIM/SEAL - W/MITERED ENDS - BRIGHT WHITE
17	135850-04-01A	EA	TRIM/SEAL - W/MITERED ENDS - BRIGHT WHITE
18	135850-05-01A	EA	TRIM/SEAL - W/MITERED ENDS - BRIGHT WHITE
19	137321-02-01A	EA	SPACER - SLIDE - COVER - BRIGHT WHITE
			FROM: 00-00-00 THRU: 12-03-01
20	137331-01-01A	EA	SLIDE - COVER - CENTER/BRIGHT WHITE
21	135275-01-01A	EA	PROTECTOR - CORNER - SLIDEOUT - WHITE
22	137956-01-01A	EA	RETAINER - SLIDEOUT
23	137953-01-12B	EA	PLATE/MOUNTING - SIDE - BRIGHT WHITE
24	136781-06-01A	EA	AWNING/SLIDEOUT W/COVER - 83.9" - ACRYLIC/METAL WRAP
			FROM: 00-00-00 THRU: 08-16-01
24	140019-05-01A	EA	AWNING - SLIDEOUT COVER W/SPOILER - 84" - BRT WHT ACRYLIC
			FROM: 08-17-01 THRU: 99-99-99
25	132671-02-01A	EA	TRIM - SIDEWALL - 74.9" - BRIGHT WHITE
26	132671-03-01A	EA	TRIM - SIDEWALL - 82.4" - BRIGHT WHITE
27	138259-01-02B	EA	PLATE/TRIM - LOWER - BRIGHT WHITE

**EXTERIOR SLIDEOUT GROUP (CONTINUED)**  
**RIGHT REAR (CONTINUED)**



KEY	PART NUMBER	U/M	DESCRIPTION
1	135619-02-01A	EA	PLATE - TIEDOWN - SLIDEOUT ROOM
2	136026-01-01A	EA	STRAP - RETRACTABLE - WARDROBE
3	NOT USED		
4	140659-01-04B	EA	BRACKET - WIRE SUPPORT - RIGHT HAND - BLACK

**EXTERIOR SLIDEOUT GROUP (CONTINUED)**  
**COMPONENT PARTS FOR RIGHT REAR**

**135250-01-000**

<b>KEY</b>	<b>PART NUMBER</b>	<b>U/M</b>	<b>DESCRIPTION</b>	<b>VENDOR NO.</b>
	130606-01-704	EA	SYNCRONIZING CYLINDER	RAP90649/AP18543
	131644-01-700	EA	RAM/CYLINDER - SLIDEOUT ROOM	RAP90685/AP18729
	135250-01-700	EA	HOSE - HYDRAULIC- 1/4" X 11"	AP11560
	135250-01-701	EA	HOSE-HYDRAULIC- 3/16" X 180"	AP19028
	135250-01-702	EA	HOSE-HYDRAULIC- 3/16" X 240"	AP20751
	135250-01-703	EA	HOSE-HYDRAULIC - 1/4" X 132"	AP4062
	135250-01-704	EA	HOSE-HYDRAULIC - 1/4" X 100"	AP7832

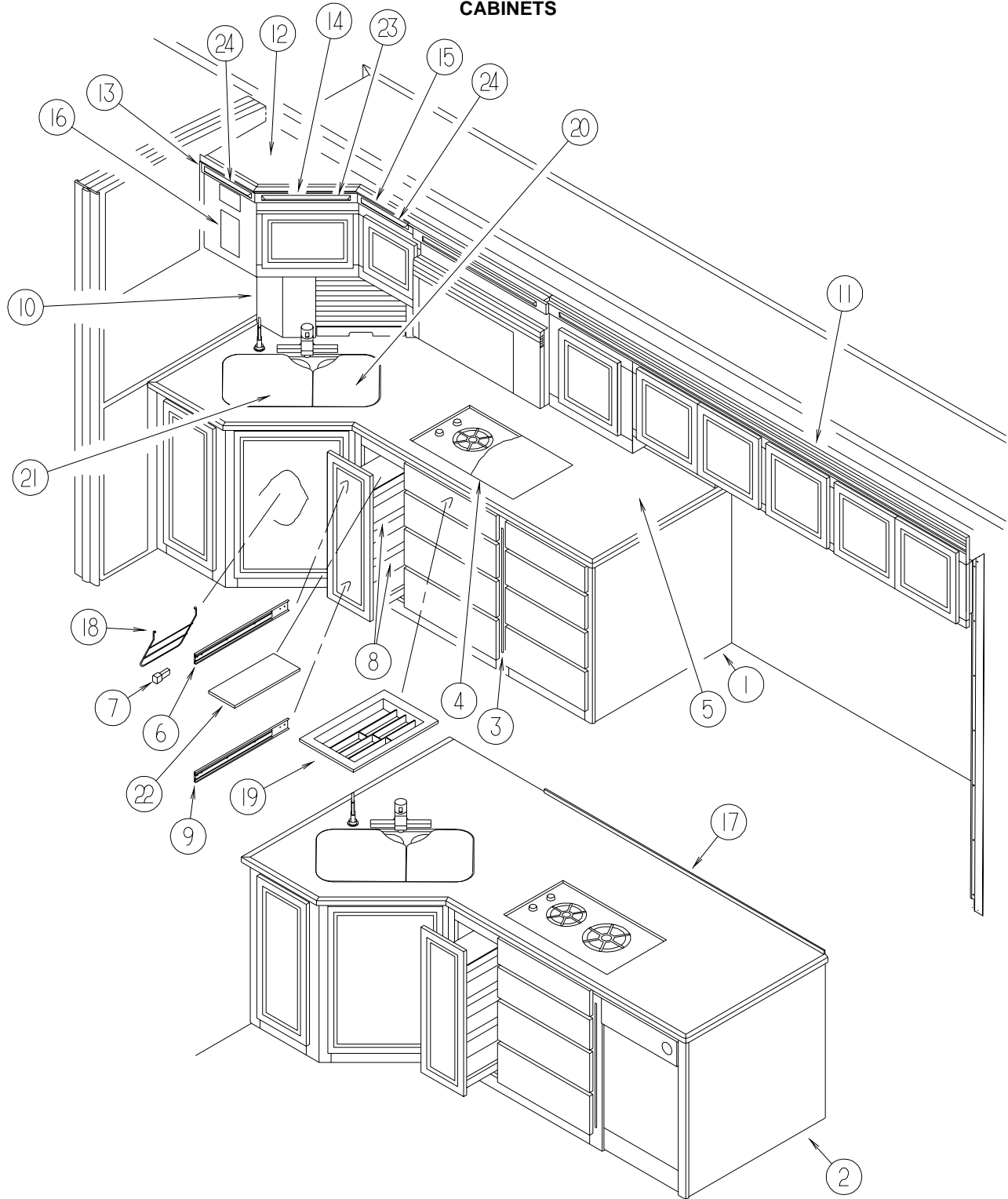
**135250-04-000**

<b>KEY</b>	<b>PART NUMBER</b>	<b>U/M</b>	<b>DESCRIPTION</b>	<b>VENDOR NO.</b>
	135250-04-700	EA	HOSE/QUICK CONNECT-COUP 360"	AP24296
	135250-04-701	EA	HOSE/QUICK CONNECT-NIP 356" ,	AP24927

**135250-06-000**

<b>KEY</b>	<b>PART NUMBER</b>	<b>U/M</b>	<b>DESCRIPTION</b>	<b>VENDOR NO.</b>
	100536-42-701	EA	HOSE/HYDRAULIC - 175"-RETURN	RAP90350/AP7358
	131644-01-701	EA	SWITCH/PRESSURE - SYNC CYL	RAP90787/AP22718
	135250-01-700	EA	HOSE - HYDRAULIC- 1/4" X 11"	RAP90347/AP11560
	135250-01-704	EA	HOSE-HYDRAULIC - 1/4" X 100"	RAP90077/AP7832
	135250-01-709	EA	SYNCRONIZING CYLINDER	RAP90783/AP21543
	135250-06-700	EA	HOSE - HYDRAULIC 1/8" X 180"	AP24651
	135250-06-701	EA	HOSE - HYDRAULIC 1/8" X 240"	AP24658

## GALLEY GROUP CABINETS



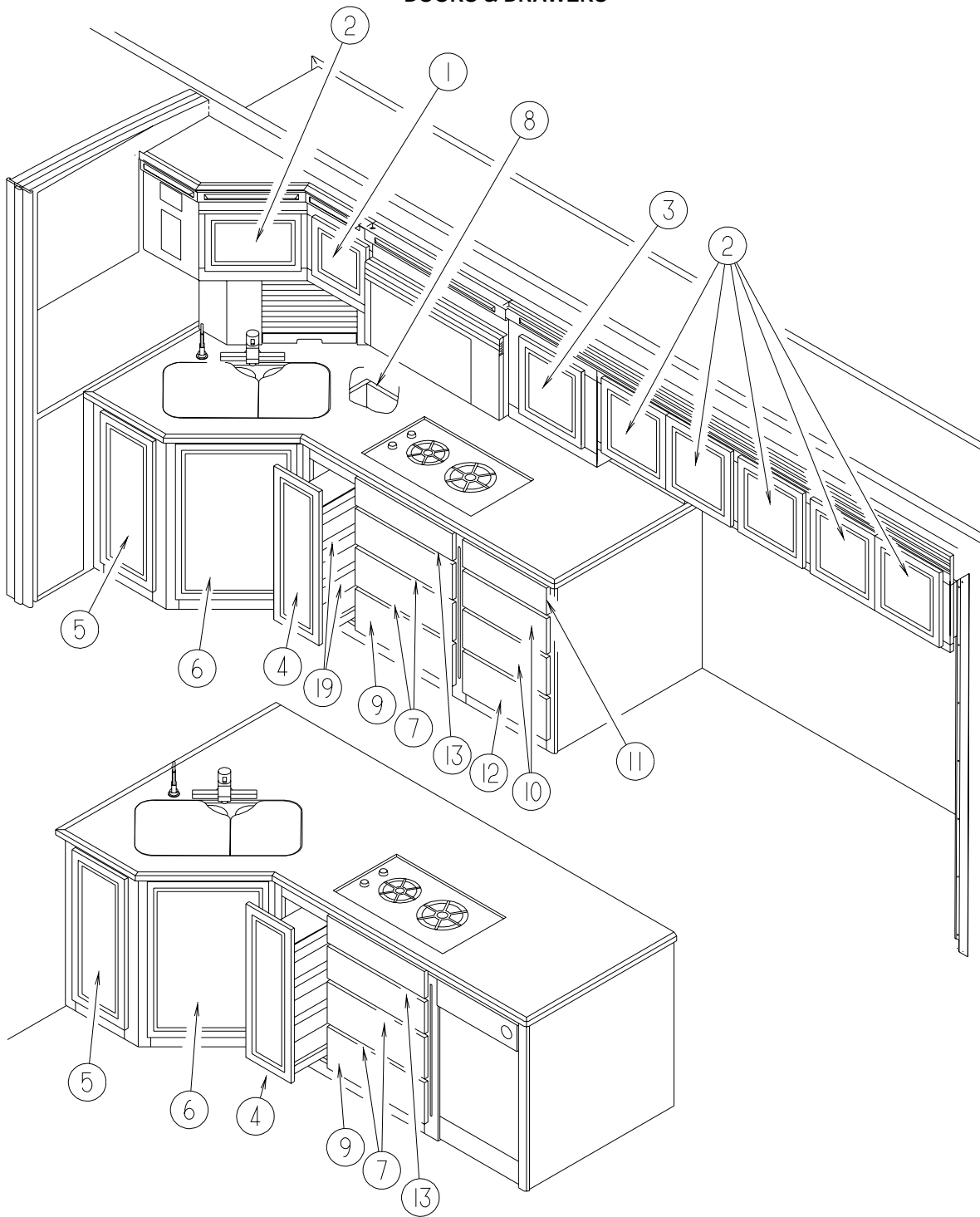
KEY	PART NUMBER	U/M	DESCRIPTION
1	137687-01-NQ0	EA	CABINET - GALLEY - W/O COUNTERTOP/DRS/DRAWERS/HDW - WASHED MAPLE
1	137687-01-NQ1	EA	CABINET - GALLEY - W/O COUNTERTOP/DRS/DRAWERS/HDW - SALEM CHERRY
1	137687-01-NQ6	EA	CABINET - GALLEY - W/O COUNTERTOP/DRS/DRAWERS/HDW - PORTSMOUTH OAK
2	137687-02-NQ0	EA	CABINET - GALLEY - W/O COUNTERTOP/DRS/DRAWERS/HDW - WASHED MAPLE - DISHWASHER
2	137687-02-NQ1	EA	CABINET - GALLEY - W/O COUNTERTOP/DRS/DRAWERS/HDW - SALEM CHERRY - DISHWASHER
2	137687-02-NQ6	EA	CABINET - GALLEY - W/O COUNTERTOP/DRS/DRAWERS/HDW - PORTSMOUTH OAK - DISHWASHER
3	042077-01-000	FT	U-CHANNEL - WEATHERSTRIP W/FUZZ - F/3/16" GLASS
4	120445-02-01A	EA	COUNTERTOP - STOVE LID - CORIAN
5	133537-09-01A	EA	COUNTERTOP - 1/2" CORIAN - MAGNA SAVANNAH
6	122360-01-000	EA	SLIDE - PANTRY - W/LOCK - LEFT HAND (FACING PANEL)
7	123673-01-01A	EA	KNOB - PANTRY SLIDE



**GALLEY GROUP (CONTINUED)**  
**CABINETS (CONTINUED)**

<b>KEY</b>	<b>PART NUMBER</b>	<b>U/M</b>	<b>DESCRIPTION</b>
8	122325-15-KQ0	EA	SHELF - W/EDGE MOLDING - WASHED MAPLE
8	122325-15-M94	EA	SHELF - W/EDGE MOLDING - SALEM CHERRY
8	122325-15-N75	EA	SHELF - W/EDGE MOLDING - PORTSMOUTH OAK
9	122360-02-000	EA	SLIDE - PANTRY - W/O LOCK - RIGHT/LEFT HAND
10	130453-01-KQ0	EA	CABINET - STORAGE/APPLIANCE - W/O DRS/HDW - WASHED MAPLE
10	130453-01-K91	EA	CABINET - STORAGE/APPLIANCE - W/O DRS/HDW - SALEM CHERRY
10	130453-01-N95	EA	CABINET - STORAGE/APPLIANCE - W/O DRS/HDW - PORTSMOUTH OAK
11	133530-03-MQ0	EA	CABINET - OVERHEAD/FRONT/LEFT HAND - W/O DRS/HDW - WASHED MAPLE
11	133530-03-MQ1	EA	CABINET - OVERHEAD/FRONT/LEFT HAND - W/O DRS/HDW - SALEM CHERRY
11	133530-03-NQ6	EA	CABINET - OVERHEAD/FRONT/LEFT HAND - W/O DRS/HDW - PORTSMOUTH OAK
12	130455-05-MQ0	EA	CABINET - OVERHEAD/GALLEY - W/O DRS/HDW - WASHED MAPLE
12	130455-05-MQ1	EA	CABINET - OVERHEAD/GALLEY - W/O DRS/HDW - SALEM CHERRY
12	130455-05-NQ6	EA	CABINET - OVERHEAD/GALLEY - W/O DRS/HDW - PORTSMOUTH OAK
13	120514-12-LQ0	EA	TRIM - UPPER/SLIDEOUT - WASHED MAPLE
13	120514-12-LQ1	EA	TRIM - UPPER/SLIDEOUT - SALEM CHERRY
13	120514-12-NQ6	EA	TRIM - UPPER/SLIDEOUT - PORTSMOUTH OAK
14	120514-13-LQ0	EA	TRIM - UPPER/SLIDEOUT - WASHED MAPLE
14	120514-13-LQ1	EA	TRIM - UPPER/SLIDEOUT - SALEM CHERRY
14	120514-13-NQ6	EA	TRIM - UPPER/SLIDEOUT - PORTSMOUTH OAK
15	120514-14-LQ0	EA	TRIM - UPPER/SLIDEOUT - WASHED MAPLE
15	120514-14-LQ1	EA	TRIM - UPPER/SLIDEOUT - SALEM CHERRY
15	120514-14-NQ6	EA	TRIM - UPPER/SLIDEOUT - PORTSMOUTH OAK
16	131096-05-K90	EA	WALL POCKET - THERMOSTAT - WASHED MAPLE
16	131096-05-M94	EA	WALL POCKET - THERMOSTAT - SALEM CHERRY
16	131096-05-N95	EA	WALL POCKET - THERMOSTAT - PORTSMOUTH OAK
17	088090-84-MQ0	EA	BACKSPLASH - AVONITE
18	093605-02-01A	EA	RACK - TOWEL/WIRE - ALMOND
19	100081-01-01A	EA	TRAY - SILVERWARE - 9" X 13.3" RUBBERMAID ALMOND PLASTIC
20	107044-09-01A	EA	COVER - RECESSED SINK - CORIAN
21	107044-10-01A	EA	COVER - RECESSED SINK - CORIAN
22	130816-05-04A	EA	COUNTERTOP - 1/2" CORIAN - MAGNA SAVANNA
23	119433-03-J70	EA	MOLDING - TRIM/VEE - SLIDEOUT - 14.7" - WASHED MAPLE
23	119433-03-H57	EA	MOLDING - TRIM/VEE - SLIDEOUT - 14.7" - SALEM CHERRY
23	119433-03-NQ6	EA	MOLDING - TRIM/VEE - SLIDEOUT - 14.7" - PORTSMOUTH OAK
24	119433-11-KQ0	EA	MOLDING - TRIM/VEE - SLIDEOUT - 11" - WASHED MAPLE
24	119433-11-KQ1	EA	MOLDING - TRIM/VEE - SLIDEOUT - 11" - SALEM CHERRY
24	119433-11-NQ6	EA	MOLDING - TRIM/VEE - SLIDEOUT - 11" - PORTSMOUTH OAK

## GALLEY GROUP (CONTINUED) DOORS & DRAWERS

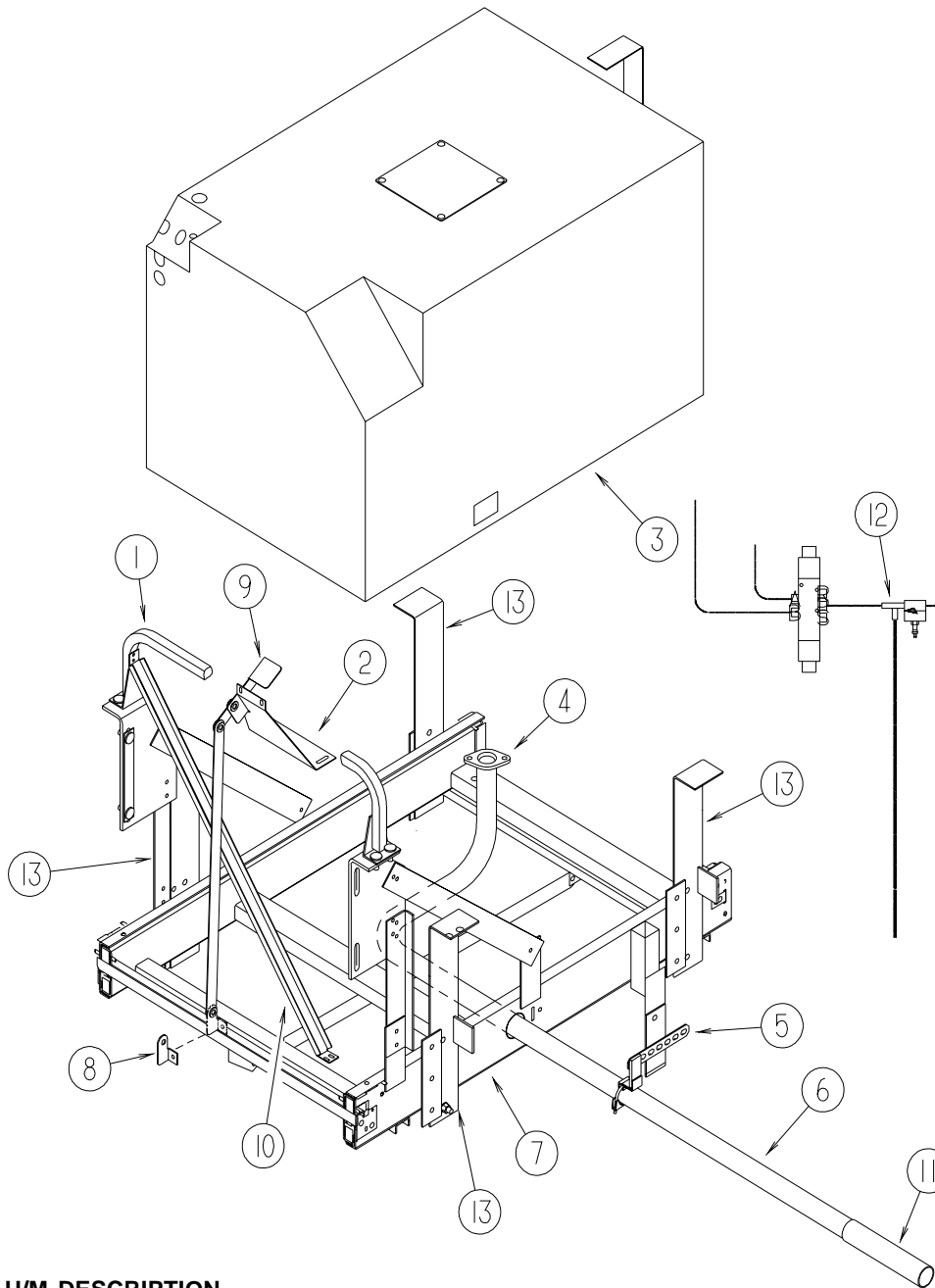


KEY	PART NUMBER	U/M	DESCRIPTION
1	132062-02-LQ0	EA	DOOR - RAIL/SOLID PANEL - 12" X 14" - W/O HARDWARE - WASHED MAPLE
1	132062-02-LQ1	EA	DOOR - RAIL/SOLID PANEL - 12" X 14" - W/O HARDWARE - SALEM CHERRY
1	132062-02-NQ6	EA	DOOR - RAIL/SOLID PANEL - 12" X 14" - W/O HARDWARE - PORTSMOUTH OAK
2	132062-14-LQ0	EA	DOOR - RAIL/SOLID PANEL - 14.3" X 14.3" - W/O HARDWARE - WASHED MAPLE
2	132062-14-LQ1	EA	DOOR - RAIL/SOLID PANEL - 14.3" X 14.3" - W/O HARDWARE - SALEM CHERRY
2	132062-14-NQ6	EA	DOOR - RAIL/SOLID PANEL - 14.3" X 14.3" - W/O HARDWARE - PORTSMOUTH OAK
3	132062-27-LQ0	EA	DOOR - RAIL/SOLID PANEL - 14.3" X 17.8" - W/O HARDWARE - WASHED MAPLE
3	132062-27-LQ1	EA	DOOR - RAIL/SOLID PANEL - 14.3" X 17.8" - W/O HARDWARE - SALEM CHERRY
3	132062-27-NQ6	EA	DOOR - RAIL/SOLID PANEL - 14.3" X 17.8" - W/O HARDWARE - PORTSMOUTH OAK
4	132062-34-LQ0	EA	DOOR - RAIL/SOLID PANEL - 10" X 29" - W/O HARDWARE - WASHED MAPLE
4	132062-34-LQ1	EA	DOOR - RAIL/SOLID PANEL - 10" X 29" - W/O HARDWARE - SALEM CHERRY
4	132062-34-NQ6	EA	DOOR - RAIL/SOLID PANEL - 10" X 29" - W/O HARDWARE - PORTSMOUTH OAK

**GALLEY GROUP (CONTINUED)**  
**DOORS & DRAWERS (CONTINUED)**

<b>KEY</b>	<b>PART NUMBER</b>	<b>U/M</b>	<b>DESCRIPTION</b>
5	132062-35-LQ0	EA	DOOR - RAIL/SOLID PANEL - 10" X 29" - W/O HARDWARE - WASHED MAPLE
5	132062-35-LQ1	EA	DOOR - RAIL/SOLID PANEL - 10" X 29" - W/O HARDWARE - SALEM CHERRY
5	132062-35-NQ6	EA	DOOR - RAIL/SOLID PANEL - 10" X 29" - W/O HARDWARE - PORTSMOUTH OAK
6	132062-43-LQ0	EA	DOOR - RAIL/SOLID PANEL - 19.6" X 29.5" - W/O HARDWARE - WASHED MAPLE
6	132062-43-LQ1	EA	DOOR - RAIL/SOLID PANEL - 19.6" X 29.5" - W/O HARDWARE - SALEM CHERRY
6	132062-43-NQ6	EA	DOOR - RAIL/SOLID PANEL - 19.6" X 29.5" - W/O HARDWARE - PORTSMOUTH OAK
7	P28813-02-L94	EA	DRAWER - OGEE EDGE - 19.7"W X 23.6"D - W/O SLIDES/HARDWARE - WASHED MAPLE
7	P28813-02-K81	EA	DRAWER - OGEE EDGE - 19.7"W X 23.6"D - W/O SLIDES/HARDWARE - SALEM CHERRY
7	P28813-02-NQ6	EA	DRAWER - OGEE EDGE - 19.7"W X 23.6"D - W/O SLIDES/HARDWARE - PORTSMOUTH OAK
8	P28813-33-L94	EA	DRAWER - OGEE EDGE - 9.9"W X 19.6"D - W/O SLIDES/HARDWARE - WASHED MAPLE
8	P28813-33-LQ1	EA	DRAWER - OGEE EDGE - 9.9"W X 19.6"D - W/O SLIDES/HARDWARE - SALEM CHERRY
8	P28813-33-NQ6	EA	DRAWER - OGEE EDGE - 9.9"W X 19.6"D - W/O SLIDES/HARDWARE - PORTSMOUTH OAK
9	P28813-41-LQ0	EA	DRAWER - OGEE EDGE - 19.7"W X 23.6"D - W/O SLIDES/HARDWARE - WASHED MAPLE
9	P28813-41-K81	EA	DRAWER - OGEE EDGE - 19.7"W X 23.6"D - W/O SLIDES/HARDWARE - SALEM CHERRY
9	P28813-41-NQ6	EA	DRAWER - OGEE EDGE - 19.7"W X 23.6"D - W/O SLIDES/HARDWARE - PORTSMOUTH OAK
10	P28813-26-L94	EA	DRAWER - OGEE EDGE - 17"W X 23.6"D - W/O SLIDES/HARDWARE - WASHED MAPLE
10	P28813-26-K91	EA	DRAWER - OGEE EDGE - 17"W X 23.6"D - W/O SLIDES/HARDWARE - SALEM CHERRY
10	P28813-26-NQ6	EA	DRAWER - OGEE EDGE - 17"W X 23.6"D - W/O SLIDES/HARDWARE - PORTSMOUTH OAK
11	P28813-29-L94	EA	DRAWER - OGEE EDGE - 17"W X 23.5"D - W/O SLIDES/HARDWARE - WASHED MAPLE
11	P28813-29-K91	EA	DRAWER - OGEE EDGE - 17"W X 23.5"D - W/O SLIDES/HARDWARE - SALEM CHERRY
11	P28813-29-NQ6	EA	DRAWER - OGEE EDGE - 17"W X 23.5"D - W/O SLIDES/HARDWARE - PORTSMOUTH OAK
12	P28813-42-L94	EA	DRAWER - OGEE EDGE - 17"W X 23"D - W/O SLIDES/HARDWARE - WASHED MAPLE
12	P28813-42-LQ1	EA	DRAWER - OGEE EDGE - 17"W X 23"D - W/O SLIDES/HARDWARE - SALEM CHERRY
12	P28813-42-NQ6	EA	DRAWER - OGEE EDGE - 17"W X 23"D - W/O SLIDES/HARDWARE - PORTSMOUTH OAK
13	110941-21-LQ0	EA	DRAWER - TIPOUT - W/HIDDEN TRAY - WASHED MAPLE
13	110941-21-LQ1	EA	DRAWER - TIPOUT - W/HIDDEN TRAY - SALEM CHERRY
13	110941-21-NQ6	EA	DRAWER - TIPOUT - W/HIDDEN TRAY - PORTSMOUTH OAK
	108127-01-01A	EA	CAP - TRAY
	108128-01-01A	EA	TRAY - HIDDEN

# GENERATOR GROUP DIESEL



KEY	PART NUMBER	U/M	DESCRIPTION
1	114169-02-02B	EA	HANDLE - BUMPER MOUNT - E-COATED
2	131507-01-02B	EA	BRACKET - GENERATOR - E-COATED
3	122425-01-000	EA	GENERATOR - DIESEL - 7.5
4	106235-01-000	EA	ADAPTOR - GENERATOR EXHAUST
5	007131-01-000	EA	HANGER - TAILPIPE - 6 SLOTS
6	131450-01-000	EA	PIPE - EXHAUST - GENERATOR
	007125-03-000	EA	CLAMP - MUFFLER - 1.5" DIAMETER
7*	130294-01-01A	EA	SLIDE - ELECTRIC POWERED - GENERATOR
8	NOT USED		
9	NOT USED		
10	NOT USED		
11	138246-01-01A	EA	EXTENSION - TAILPIPE - 1.6" I.D.
12	085763-02-000	EA	TEE - MAKE RUN - BRAKE TUBE - 1/4" X 1/4"
13	123141-03-02B	EA	BRACKET - HANGER/GENERATOR - E -COATED

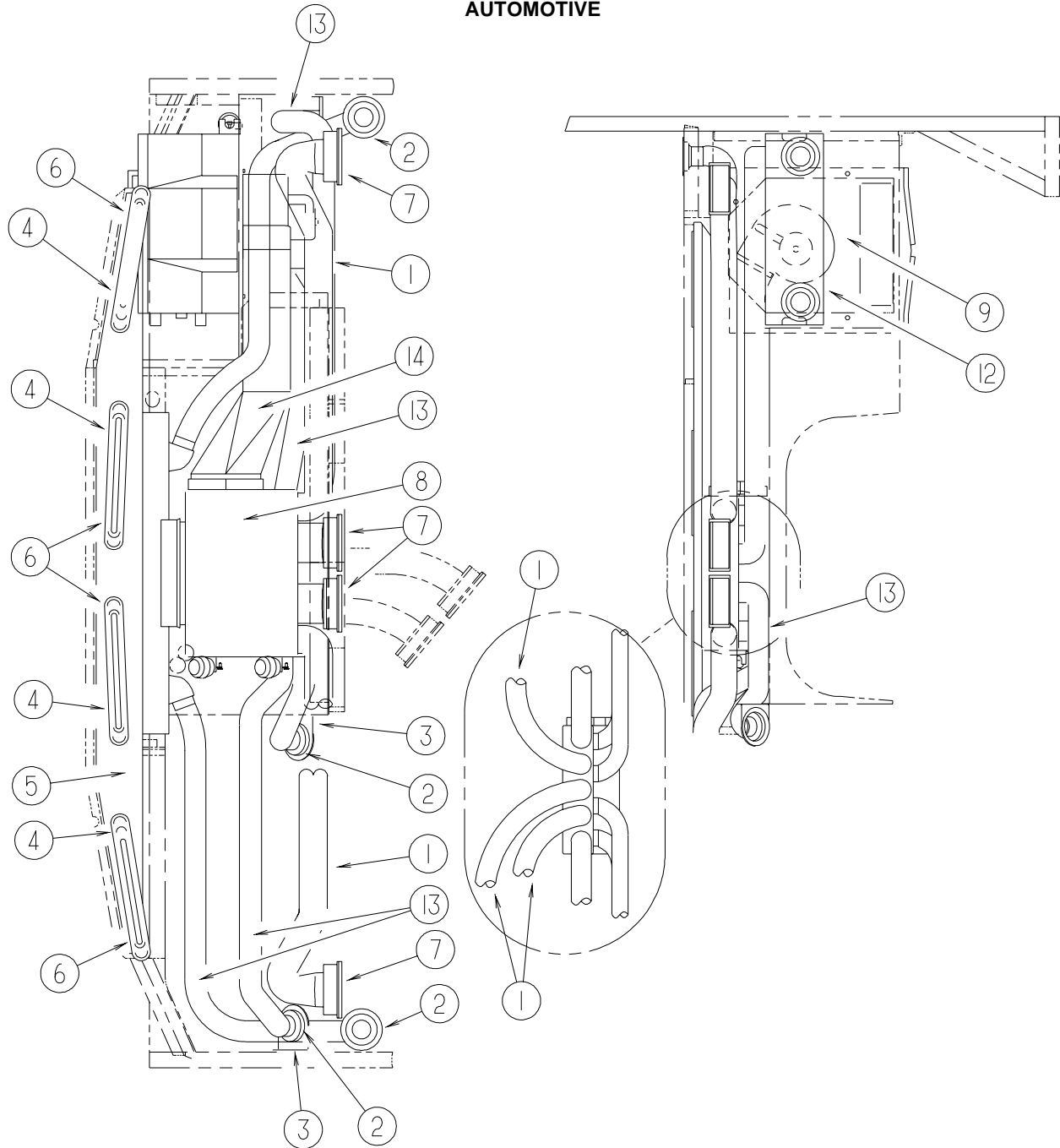
**\*COMPONENT PARTS LISTED LATER IN THIS GROUP**

**GENERATOR GROUP (CONTINUED)**  
**COMPONENT PARTS FOR DIESEL**

130294-01-01A

<b>KEY</b>	<b>PART NUMBER</b>	<b>U/M</b>	<b>DESCRIPTION</b>	<b>VENDOR NO.</b>
	130294-01-700	EA	CYLINDER/AIR-F/GEN. SLIDEOUT	1901262
	130294-01-701	EA	VALVE - FLOW CONTROL	1901101
	130294-01-702	EA	REGULATOR	1901325
	130294-01-703	EA	VALVE - 4-WAY TOGGLE	1901123

## HEATING & A/C GROUP AUTOMOTIVE

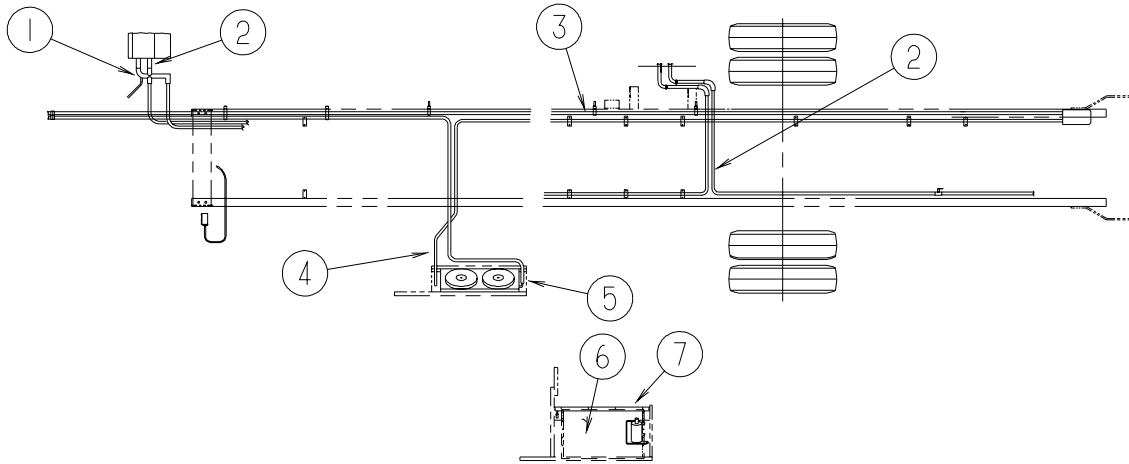


KEY	PART NUMBER	U/M	DESCRIPTION
1	007281-01-000	EA	HOSE - FLEXIBLE PVC - 2 1/2" ID X 50'
2	024990-12-000	EA	OUTLET - DEFROSTER - W/SWIVEL - 4" OD X 3" RO - GLACIER
3			NOT USED
4	077075-01-000	EA	GASKET - INSTRUMENT PANEL/DEFROSTER PLENUM - .6" X 10.2"
5	103017-03-000	EA	PLENUM - DEFROSTER
6	135265-01-04A	EA	VENT - DEFROSTER - PLASTIC - GLACIER
7	135803-02-01A	EA	LOUVER - A/C - 2.5" - W/HOLES
7	135803-01-01A	EA	LOUVER - A/C - 2.5" - BLACK
8*	103930-52-000	EA	CONTROL/PLENUM - LARGE ROTARY
9*	103930-43-000	EA	EVAPORATOR/HEATER ASSEMBLY - NON-CHARGED
10			NOT USED
11			NOT USED
12			NOT USED

## HEATING & A/C GROUP (CONTINUED) AUTOMOTIVE (CONTINUED)

KEY	PART NUMBER	U/M	DESCRIPTION	
13	007076-01-000	EA	HOSE - FLEXIBLE PVC - 2" ID - INCREMENTS OF 50'	
14	134275-01-01A	EA	PLENUM - TRANSITION	
	103930-37-000	EA	MANUAL/OWNERS - HEATER-A/C	FROM: 00-00-00 THRU: 10-26-01
	103930-54-000	EA	MANUAL - OWNERS - HEATER/AC	FROM: 10-27-01 THRU: 99-99-99

**\*COMPONENT PARTS LISTED LATER IN THIS GROUP**

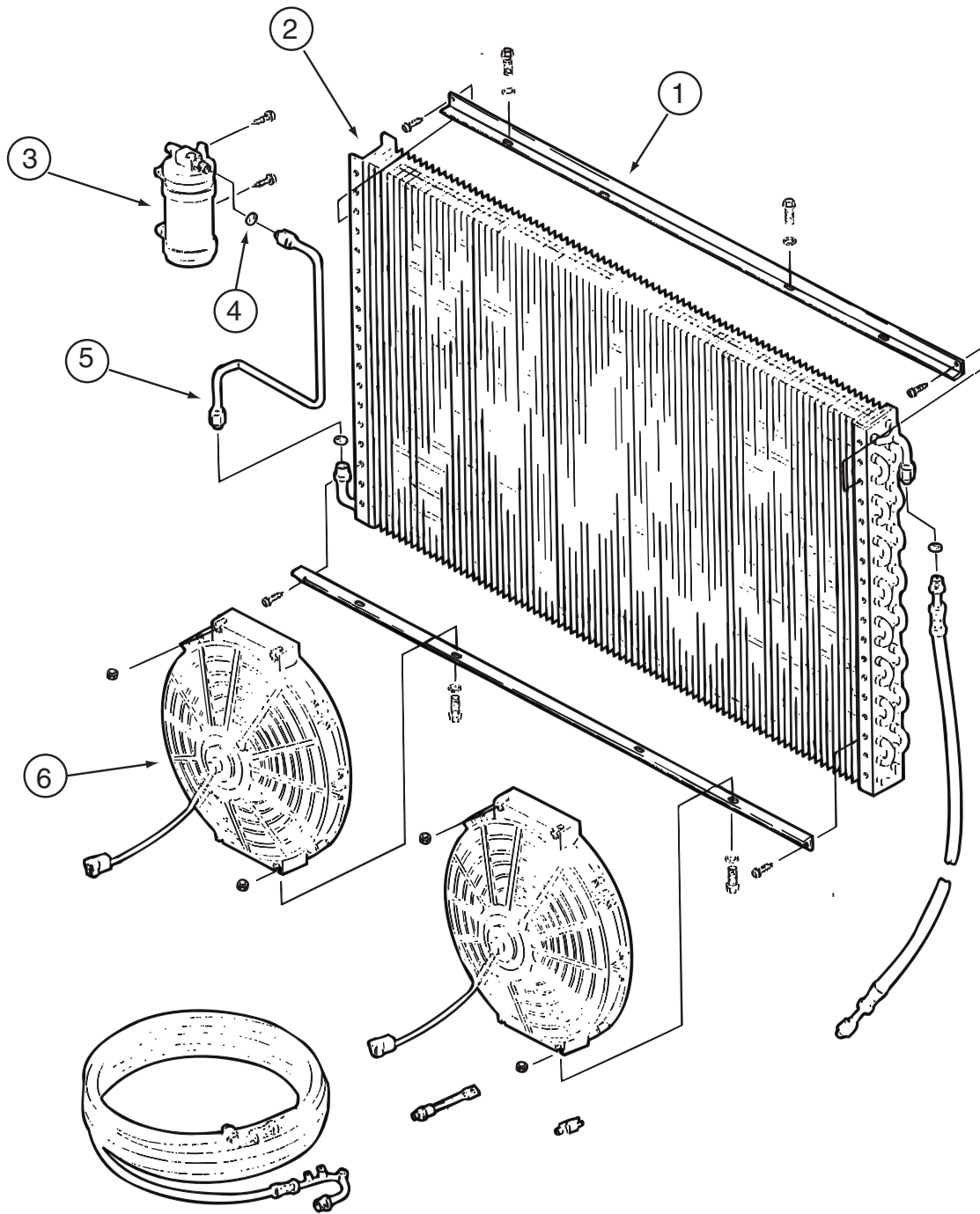


KEY	PART NUMBER	U/M	DESCRIPTION	
1	103930-24-000	EA	VALVE - WATER CONTROL - 4 PORT/VACUUM CONTROLLED	
2	007108-01-000	EA	HOSE - HEATER - 5/8" ID - HI-TEMP	
3*	103930-51-000	EA	HOSE KIT - #12 - COMPRESSOR/EVAPORATOR - 41.5' LONG	
4*	072342-22-000	EA	HOSE - #8/90 DEGREE END - 465" LONG	
5*	072342-23-000	EA	HOSE - #6 - 175" LONG	
6*	072342-15-000	EA	CONDENSER - W/FAN ON SIDE - NO HOSE	
7	139919-01-02B	EA	COVER - CONDENSER - E-COATED	FROM: 00-00-00 THRU: 09-21-01

**\*COMPONENT PARTS LISTED LATER IN THIS GROUP**

## HEATING & A/C GROUP (CONTINUED)

### COMPONENT PARTS FOR HEATING & A/C



**072342-15-000**

KEY	PART NUMBER	U/M	DESCRIPTION	VENDOR NO.
1	072342-13-700	EA	BRACKET - CONDENSER FAN	070-0148
2	072342-12-700	EA	COIL-CONDENSER	040-0027
3	072342-12-703	EA	RECEIVER DRIER	054-0001
4	113245-01-711	EA	O-RING #6	045-0129
5	072342-13-703	EA	TUBE ASM. #6	052-0040
6	072342-08-703	EA	FAN BLADE/MOTOR & SHROUD 11"	062-0097



## HEATING & A/C GROUP (CONTINUED)

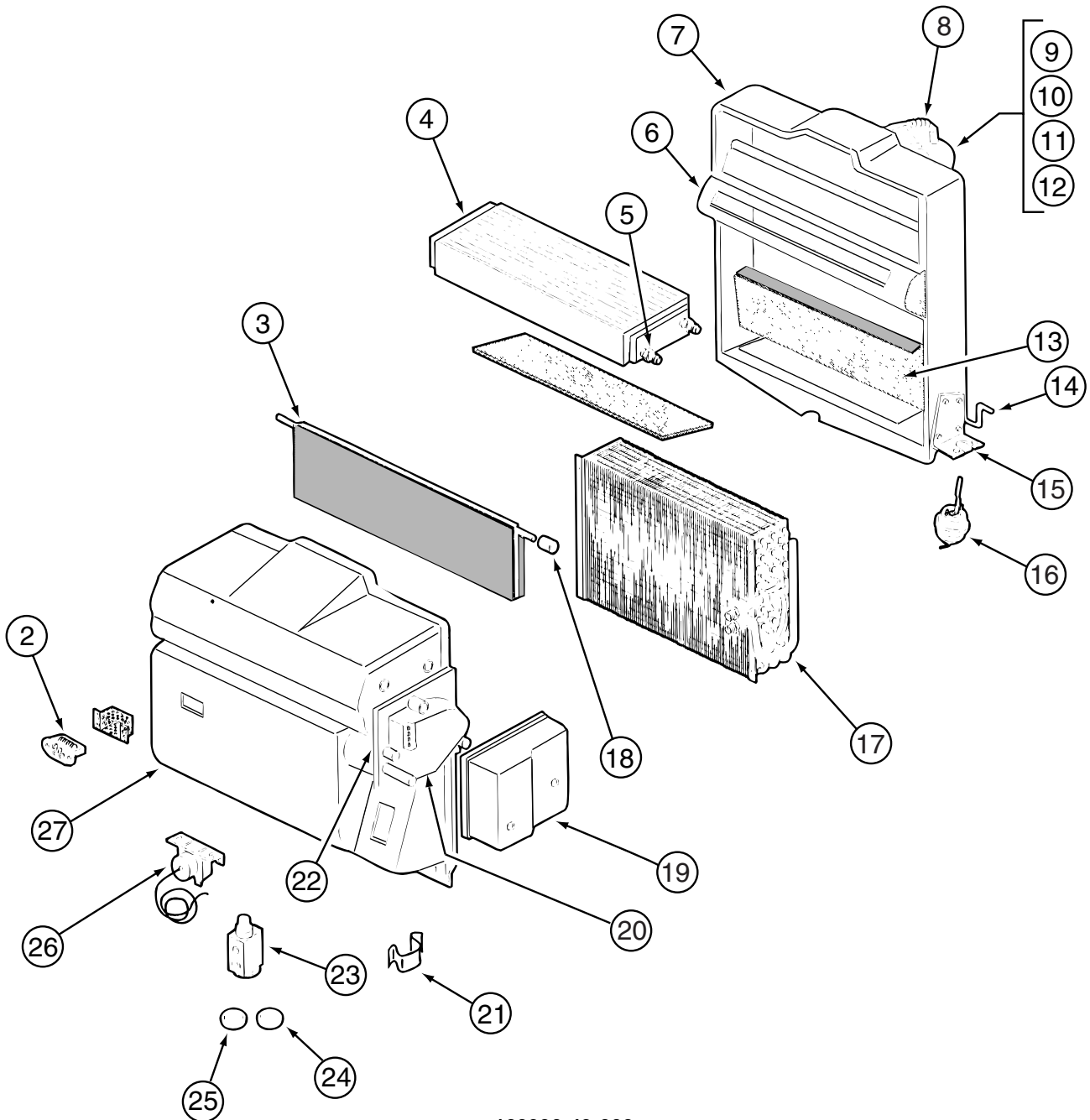
### COMPONENT PARTS FOR HEATING & A/C (CONTINUED)

072342-22-000

KEY	PART NUMBER	U/M	DESCRIPTION	VENDOR NO.
	072342-22-700	EA	HOSE - #8 COMP/COND - 38.8'	085-0541
	113245-01-707	EA	OIRING #8	045-0126

072342-23-000

KEY	PART NUMBER	U/M	DESCRIPTION	VENDOR NO.
	072342-23-700	EA	HOSE - #6 EVAP/DRIER - 14.6'	085-0540
	103930-01-716	EA	SWITCH-PRESSURE-PIGTAILED	032-0036
	103930-12-708	EA	SWITCH-BINARY-HI/LOW CUTOUT	032-0048
	113245-01-711	EA	OIRING #6	045-0129
	103930-51-000	EA	HOSE KIT - #12 - COMPRESSOR/EVAPORATOR - 41.5' LONG 10	



103930-43-000

**HEATING & A/C GROUP (CONTINUED)**  
**COMPONENT PARTS FOR HEATING & A/C (CONTINUED)**

**103930-43-000 (CONTINUED)**

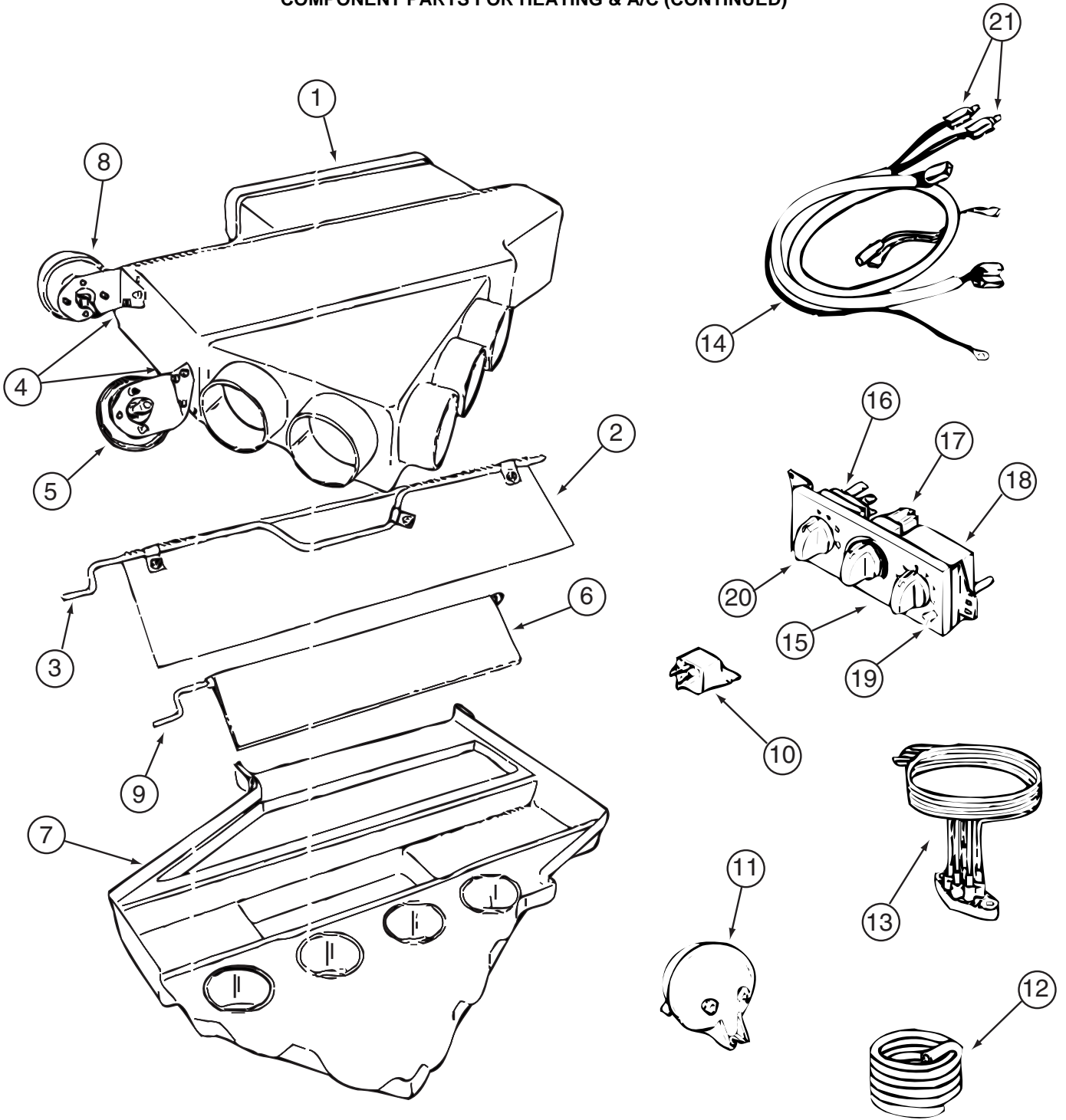
<b>KEY</b>	<b>PART NUMBER</b>	<b>U/M</b>	<b>DESCRIPTION</b>	<b>VENDOR NO</b>
2	103930-01-710	EA	RESISTOR-FUSED, A/C 4 TERM	035-0006
3	103930-30-705	EA	DOOR - AIR BLEND	071-0568
4	103930-01-703	EA	CORE-HEATER	042-0010
5	110279-01-712	EA	FITTING - HEATER CORE	050-0076
6	103930-30-707	EA	DIVIDER ASM.	086-0061
7	103930-20-711	EA	CASE-BACK, SUB-ASSEMBLY	062-0147
8	110279-01-703	EA	HOSE-VENT F/BLOWER MOTOR	051-0034
9	103930-20-707	EA	HOUSING-BLOWER	062-0145
10	103930-30-706	EA	MOTOR-BLOWER PM147 W/ADAPTER	030-0109
11	103930-01-717	EA	WHEEL-BLOWER, CLOCKWISE	062-0010
12	103930-20-708	EA	CLIP-MOTOR SHAFT	022-0001
13	103930-20-705	EA	PANEL-DOOR, RECIRCULATING	071-0213
14	103930-20-704	EA	ROD-DOOR-RECIRCULATING	073-0018
15	103930-01-708	EA	BRACKET-VACUUM MOTOR	070-0113
16	103930-02-708	EA	MOTOR-VACUUM SERVO, A/C	030-0025
17	103930-01-704	EA	COIL-EVAPORATOR	041-0017
18	103930-30-702	EA	BUSHING/DRIVE - BLEND DOOR	062-00634
19	103930-30-704	EA	COVER - SERVO	062-0545
20	103930-30-703	EA	MOTOR - SERVO	030-0104
21	103930-20-706	EA	CLIP-RETAINER - CASE ATTACH	022-0057
22	103930-30-701	EA	PLATE - MOTOR MOUNT	062-0544
23	103930-20-700	EA	VALVE-EXPANSION-BLOCK, 2 TON	034-0032
24	103930-17-702	EA	OIRING #10	045-0127
25	113245-01-707	EA	OIRING #8	045-0126
26	103930-01-711	EA	THERMOSTAT	033-0003
27	103930-30-700	EA	CASE - FRONT	062-0542
	094831-01-709	EA	CLAMP-ROD 3/16"	022-0025
	103930-02-714	EA	CLAMP-CLUTCH, BARREL	022-0006
	103930-20-713	EA	GASKET - BLEND AIR DOOR	045-0160
	103930-20-714	EA	GASKET - BLEND AIR DOOR	045-0161
	103930-30-708	EA	BUSHING/IDLER - BLEND DOOR	062-00167
	113245-01-718	FT	HOSE - DRAIN - 1/2"	051-0002

CONTACT WINNEBAGO PART SALES FOR UNLISTED COMPONENTS

**103930-51-000**

<b>KEY</b>	<b>PART NUMBER</b>	<b>U/M</b>	<b>DESCRIPTION</b>	<b>VENDOR NO.</b>
	103930-17-702	EA	OIRING #10	045-0127

**HEATING & A/C GROUP (CONTINUED)**  
**COMPONENT PARTS FOR HEATING & A/C (CONTINUED)**



103930-52-000

**HEATING & A/C GROUP (CONTINUED)**  
**COMPONENT PARTS FOR HEATING & A/C (CONTINUED)**

**103930-52-000 (CONTINUED)**

<b>KEY</b>	<b>PART NUMBER</b>	<b>U/M</b>	<b>DESCRIPTION</b>	<b>VENDOR NO.</b>
1	103930-52-700	EA	PLENUM/TOP	060-0580
2	103930-52-701	EA	PLATE/DEFROST DOOR	071-0728
3	103930-52-702	EA	ROD/DEFROST DOOR	073-0072
5	103930-02-708	EA	MOTOR-VACUUM SERVO, A/C	030-0025
6	103930-52-703	EA	PLATE/DOOR-AC/HEAT	071-0729
7	103930-52-704	EA	PLENUM/BOTTOM	060-0581
8	103930-33-701	EA	MOTOR - VACUUM, 3 STAGE	030-0105
9	103930-52-705	EA	ROOD/DOOR-A/C HEAT	073-0073
10	103930-02-707	EA	RELAY-BOSCH W/RESISTER	031-0001
11	103930-02-710	EA	CANISTER-VACUUM	054-0002
13	103930-33-703	EA	VACUUM HARNESS	036-0466
14	103930-49-701	EA	HARNESS - WIRE W/BULBS	036-0557
15	103930-49-703	EA	CONTROL PANEL - NON RECESSED	083-0223
16	103930-49-704	EA	SWITCH - BLOWER	032-0332
17	103930-49-705	EA	POTENTIOMETER	032-0182
18	103930-49-706	EA	SWITCH - VACUUM	032-0185
19	103930-49-707	EA	DECAL CONTROL PANEL-N/RECESS	058-0144
20	103930-49-708	EA	KNOB - BLOWER - NONRECESSED	062-0620
21	103930-33-705	EA	LIGHT BULBS	035-0030

CONTACT WINNEBAGO PARTS SALES FOR UNLISTED COMPONENTS

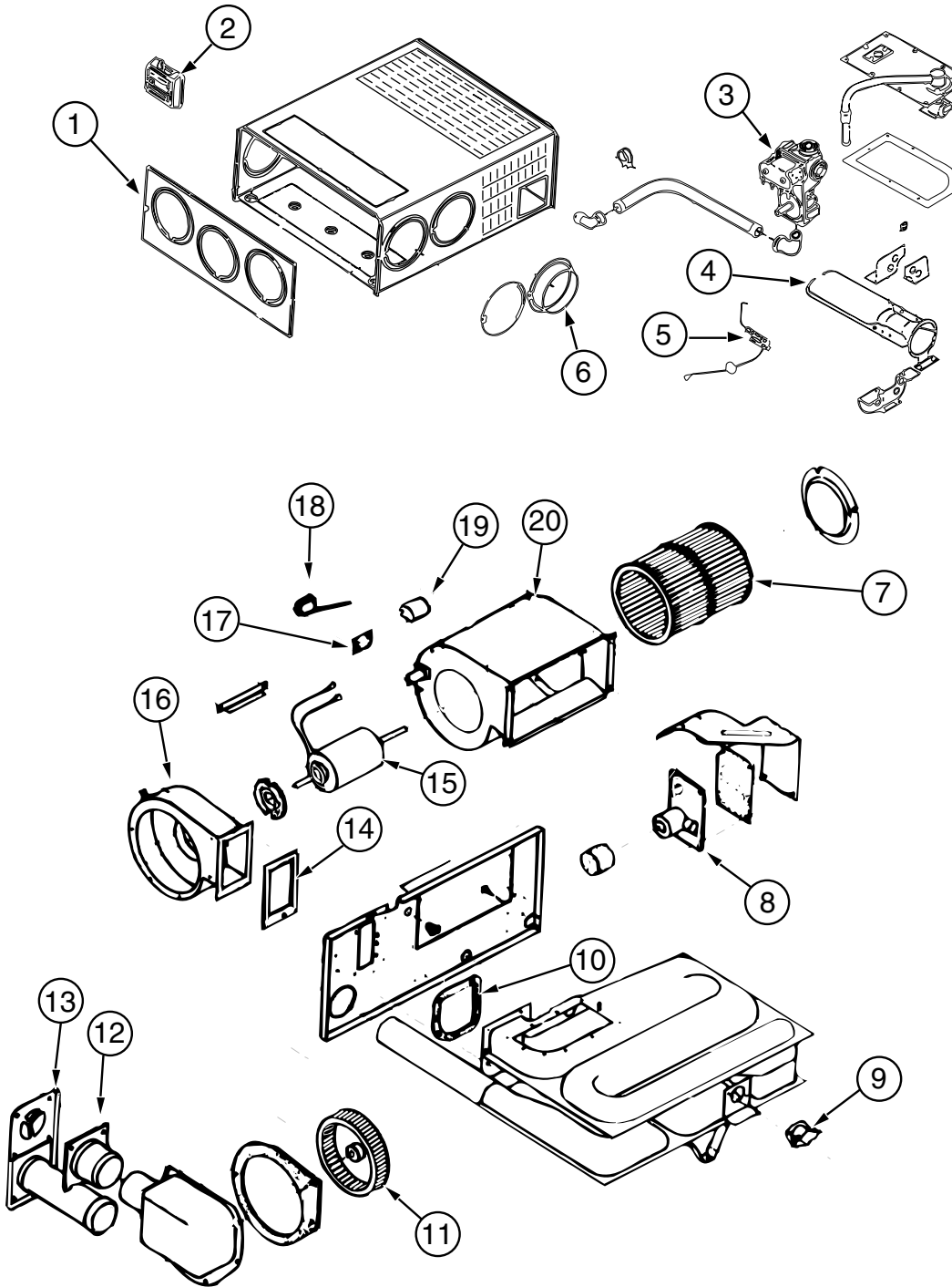
## HEATING & A/C GROUP (CONTINUED)

### FURNACE

KEY	PART NUMBER	U/M	DESCRIPTION
	098668-14-000	EA	GASKET - FIBERGLASS - .5" X 18" X 18"
	098668-15-000	EA	PLATE-FACE
	098668-16-000	EA	VENT - INTAKE
*	098668-21-000	EA	FURNACE - 35000 BTU - <b>PRIMARY</b>
			FROM: 00-00-00 THRU: 06-03-01
*	139980-03-000	EA	FURNACE - 35000 BTU - SF QUIET - SUBURBAN SF-35 2322J - <b>PRIMARY</b>
			FROM: 06-04-01 THRU: 99-99-99
*	098668-19-000	EA	FURNACE - 25000 BTU - <b>SECONDARY</b>
			FROM: 00-00-00 THRU: 06-03-01
*	139980-01-000	EA	FURNACE - 25000 BTU - SF QUIET - SUBURBAN SF-25 2320J - <b>SECONDARY</b>
			FROM: 06-04-01 THRU: 99-99-99
	115764-01-01A	EA	THERMOSTAT - FURNACE
	124643-02-01A	EA	SHROUD - FURNACE
	093614-03-02A	EA	GRILLE - AIR RETURN - 15.9" X 9.9" - BEIGE
	093614-04-02A	EA	GRILLE - AIR RETURN-15.9" X 9.9"/14" X 7.6" OPENING- BEIGE
	133524-01-02B	EA	PANEL - REGISTER - E-COATED
	133545-02-02B	EA	BONNET - REGISTER - E-COATED
	137965-03-01A	EA	REGISTER - 2.25" X 10" - W/O DAMPER - ANTIQUE BRASS
	137965-04-01A	EA	REGISTER - 2.25" X 10" - W/DAMPER - ANTIQUE BRASS
	137965-05-01A	EA	REGISTER - 4" X 10" - W/O DAMPER - ANTIQUE BRASS
	137965-07-01A	EA	REGISTER - 3.5" X 8" - W/O DAMPER - ANTIQUE BRASS
	009198-02-000	FT	DUCT - HEAT - FLEXIBLE - 2" ID X 25"
	024990-05-000	EA	OUTLET - DEFROSTER - W/SWIVEL - 2" SLEEVE/4" OD - BLACK

**\*COMPONENT PARTS LISTED LATER IN THIS GROUP**

**HEATING & A/C GROUP (CONTINUED)**  
**COMPONENT PARTS FOR FURNACE**



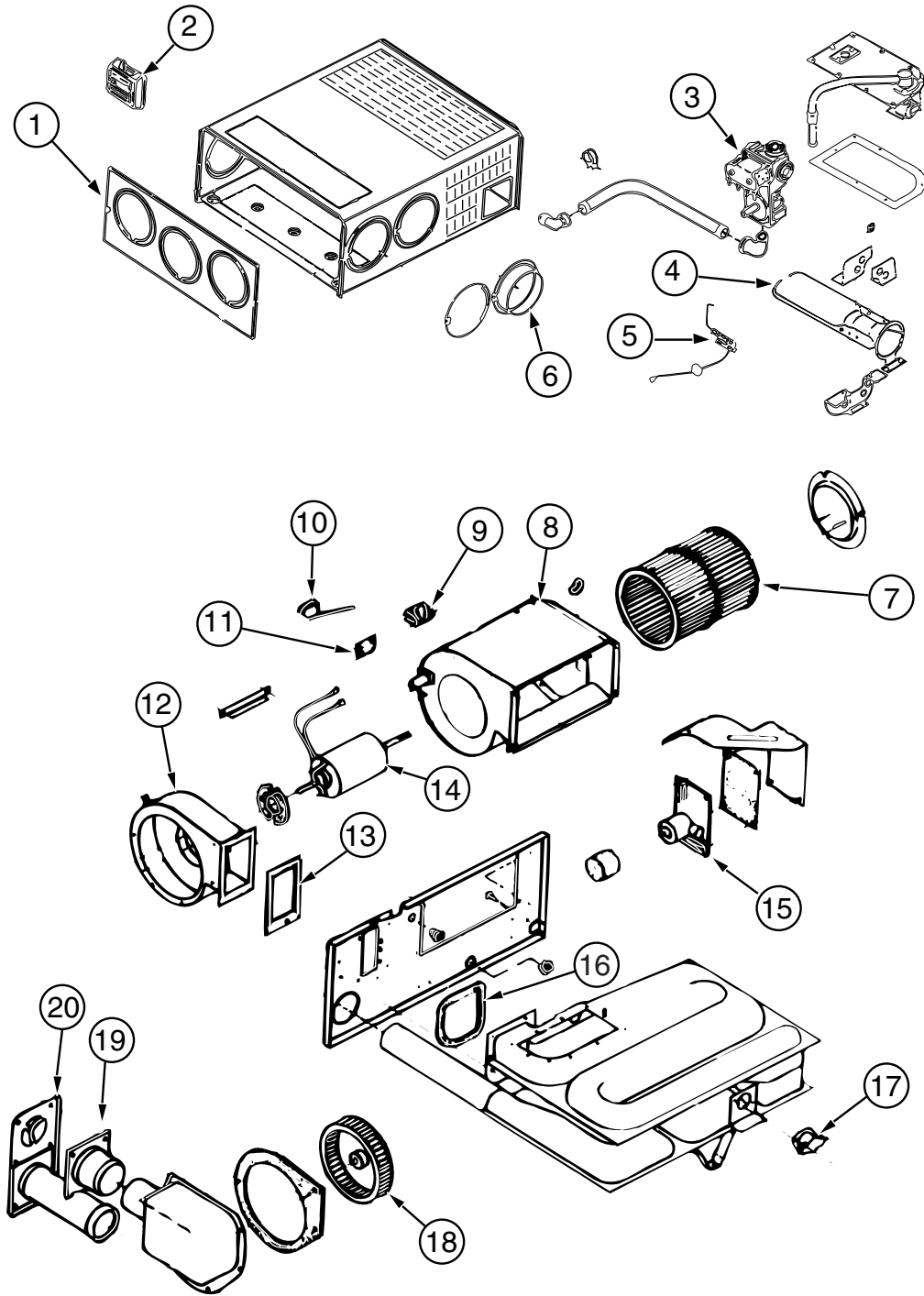
098668-19-000

**HEATING & A/C GROUP (CONTINUED)**  
**COMPONENT PARTS FOR FURNACE (CONTINUED)**

**098668-19-000 (CONTINUED)**

<b>KEY</b>	<b>PART NUMBER</b>	<b>U/M</b>	<b>DESCRIPTION</b>	<b>VENDOR NO.</b>
1	098668-01-700	EA	CABINET FRONT	101242
2	093365-01-000	EA	THERMOSTAT-FURNACE,SUBURBAN	REP'IL BY 115764-01
3	098668-01-714	EA	VALVE-GAS,SF S.N. 921401821	161070
4	098668-01-703	EA	BURNER ASSEMBLY	10762
5	098668-01-715	EA	ELECTRODE ASM., SINGLE PROBE	232166
6	075696-02-703	EA	COLLAR-DUCT	50715
7	098668-01-711	EA	WHEEL-BLOWER, ROOM AIR	350129
8	098668-01-712	EA	BOARD-MODULE	520741
9	098668-21-701	EA	SWITCH - LIMIT	231799
10	098668-01-717	EA	GASKET-FIREWALL, BLOWER SIDE	70809
11	098668-01-706	EA	WHEEL-COMBUSTION AIR	350184
12	098668-01-713	EA	TUBE ASSEMBLY, INTAKE	51248
13	098668-01-707	EA	TUBE ASSEMBLY, EXHAUST W/CAP	260231
14	098668-01-716	EA	GASKET-FIREWALL,CHAMBER SIDE	70808
15	098668-01-709	EA	MOTOR ASM., F/SF-25, SF-30	231706
16	098668-01-708	EA	HOUSING-BLOWER, COMBUSTION	390441
17	101990-01-714	EA	GASKET-MICROSWITCH	230877
18	098668-21-700	EA	SWITCH-MICRO-W/O FLAG 3 1/4"	232261
19	074466-01-702	EA	RELAY, TIME DELAY	230625
20	098668-01-710	EA	HOUSING-BLOWER, ROOM AIR	390440
	090039-01-703	EA	ORIFICE-MAIN BURNER	180193
	098668-01-702	EA	ELECTRODE	231740

**HEATING & A/C GROUP (CONTINUED)**  
**COMPONENT PARTS FOR FURNACE (CONTINUED)**



098668-21-000



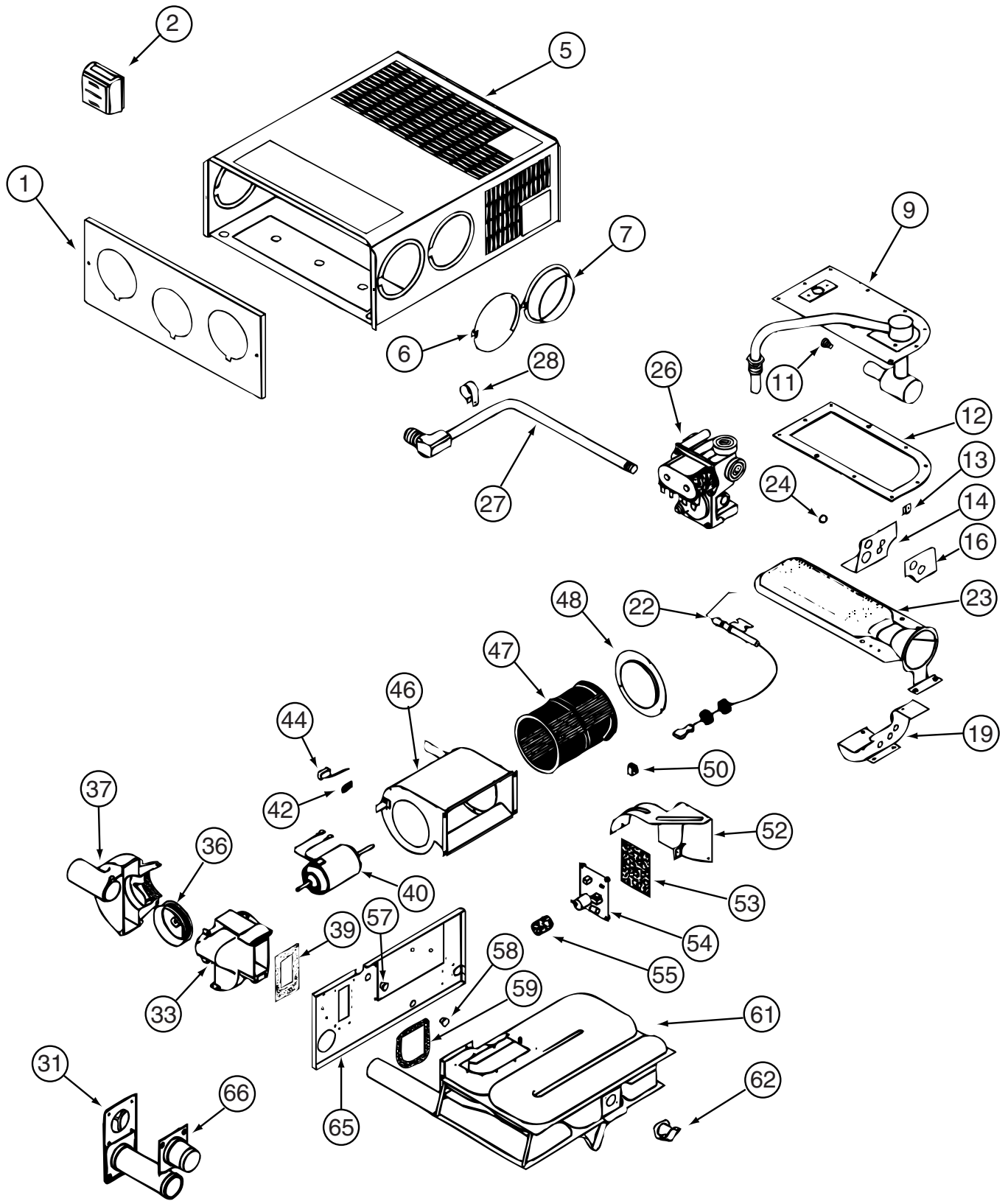
**HEATING & A/C GROUP (CONTINUED)**  
**COMPONENT PARTS FOR FURNACE (CONTINUED)**

**098668-21-000 (CONTINUED)**

<b>KEY</b>	<b>PART NUMBER</b>	<b>U/M</b>	<b>DESCRIPTION</b>	<b>VENDOR NO.</b>
1	098668-01-700	EA	CABINET FRONT	101242
3	098668-01-714	EA	VALVE-GAS,SF S.N. 921401821	161070
4	098668-02-700	EA	BURNER ASSEMBLY,SF-30 & SF35	010745
5	098668-01-715	EA	ELECTRODE ASM., SINGLE PROBE	232166
6	075696-02-703	EA	COLLAR-DUCT	050715
7	098668-01-711	EA	WHEEL-BLOWER, ROOM AIR	350129
8	098668-01-710	EA	HOUSING-BLOWER, ROOM AIR	390440
9	074466-01-702	EA	RELAY, TIME DELAY	230625
10	098668-21-700	EA	SWITCH-MICRO-W/O FLAG 3 1/4"	232261
11	101990-01-714	EA	GASKET-MICROSWITCH	230877
12	098668-01-708	EA	HOUSING-BLOWER, COMBUSTION	390441
13	098668-01-717	EA	GASKET-FIREWALL, BLOWER SIDE	070809
14	098668-03-700	EA	MOTOR ASSEMBLY, SF-35	231707
15	098668-01-712	EA	BOARD-MODULE	520741
16	098668-01-716	EA	GASKET-FIREWALL,CHAMBER SIDE	070808
17	098668-21-701	EA	SWITCH - LIMIT	231799
18	098668-01-706	EA	WHEEL-COMBUSTION AIR	350184
19	098668-01-713	EA	TUBE ASSEMBLY, INTAKE	051248
20	098668-01-707	EA	TUBE ASSEMBLY, EXHAUST W/CAP	260231
	098668-08-701	EA	MODULE BD/FAN CONT-UNITED TE	232614

CONTACT WINNEBAGO PART SALES FOR UNLISTED COMPONENTS

**HEATING & A/C GROUP (CONTINUED)**  
**COMPONENT PARTS FOR FURNACE (CONTINUED)**



139980-01-000

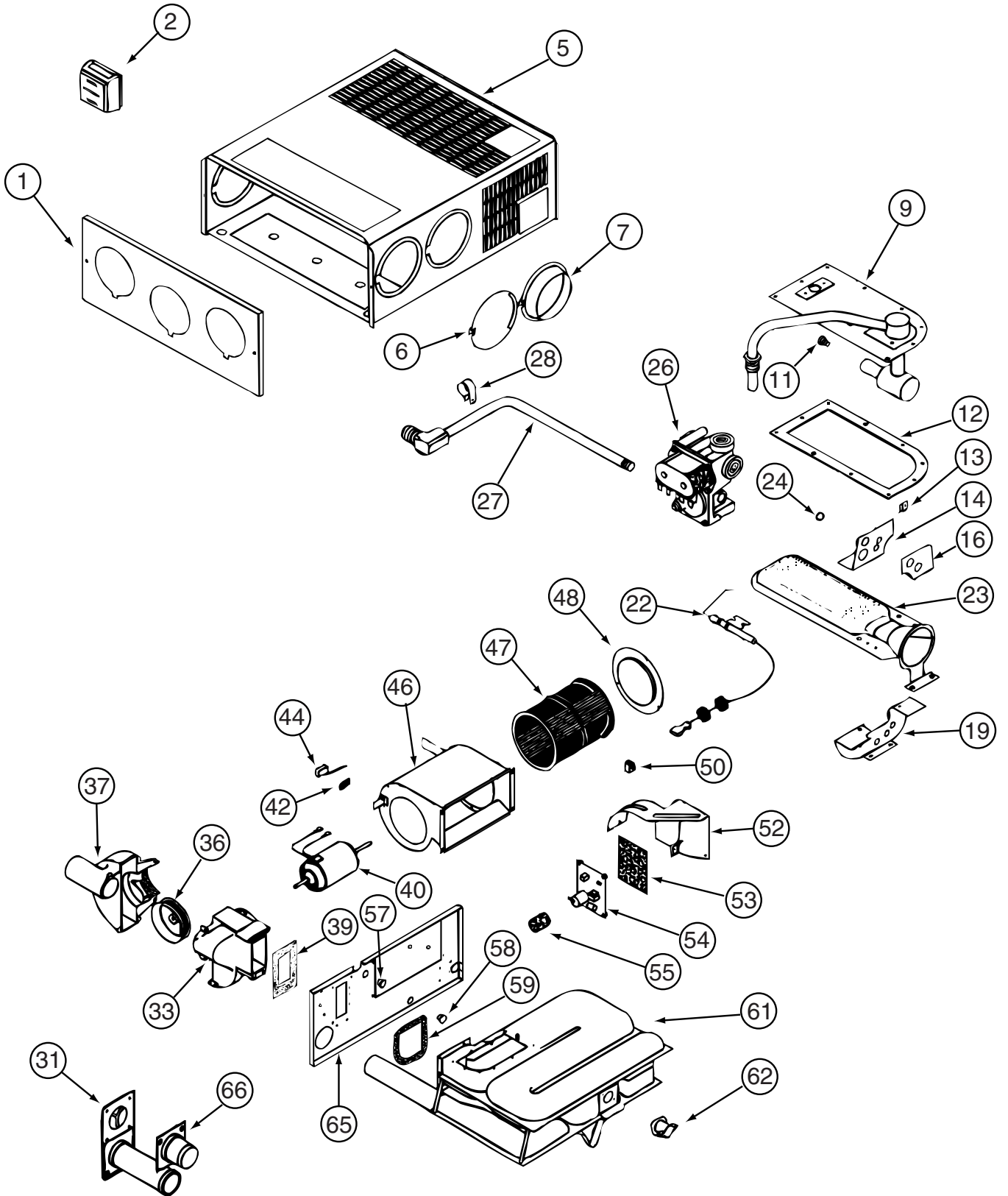
**HEATING & A/C GROUP (CONTINUED)**  
**COMPONENT PARTS FOR FURNACE (CONTINUED)**

**139980-01-000 (CONTINUED)**

<b>KEY</b>	<b>PART NUMBER</b>	<b>U/M</b>	<b>DESCRIPTION</b>	<b>VENDOR NO.</b>
9	139980-01-700	EA	MANIFOLD ASSEMBLY	171571
11	090039-01-703	EA	ORIFICE-MAIN BURNER	180193
12	098668-22-703	EA	GASKET - BURNER ACCESS COVER	070811
22	139980-01-701	EA	ELECTRODE	232286
23	098668-01-703	EA	BURNER ASSEMBLY	010762
26	098668-01-718	EA	VALVE-GAS SF S.N.974903079	161122
27	139980-01-702	EA	PIPE ASSEMBLY/GAS INLET	171574
31	098668-01-707	EA	TUBE ASSEMBLY, EXHAUST W/CAP	260231
33	139980-01-703	EA	HOUSING/COMB. - FRONT/HALF	390852
36	098668-01-706	EA	WHEEL-COMBUSTION AIR	350184
37	139980-01-704	EA	HOUSING/COMB. - REAR/HALF	390848
39	139980-01-705	EA	GASKET/FIREWALL-COMB AIR	071084
40	139980-01-706	EA	MOTOR ASSEMBLY W/GASKET	232682
42	101990-01-714	EA	GASKET-MICROSWITCH	230877
44	098668-21-700	EA	SWITCH-MICRO-W/O FLAG 3 1/4"	232261
46	139980-01-708	EA	BLOWER ASSEMBLY - ROOM AIR	390739BK
47	098668-01-711	EA	WHEEL-BLOWER, ROOM AIR	350129
48	139980-01-709	EA	ORFICE RING	390696
50	139980-01-710	EA	SWITCH - ON/OFF	232351
52	139980-01-711	EA	PANEL ASSEMBLY-MODULE BD	101663
53	139980-01-712	EA	INSULATOR - MODULE BD	070807
54	098668-22-705	EA	MODULE BD W/RELAY TIME DELAY	520820
55	139980-01-713	EA	CAP/INSULATOR-MODULE BD	070973
57	139980-01-714	EA	BUSHING - UNIVERSAL	070362
58	139980-01-715	EA	BUSHING - STRAIN RELIEF	231809
59	098668-01-716	EA	GASKET-FIREWALL,CHAMBER SIDE	070808
61	139980-01-716	EA	CHAMBER ASSEMBLY - FINAL	021149BK
62	098668-21-701	EA	SWITCH - LIMIT	232504
66	098668-01-713	EA	TUBE ASSEMBLY, INTAKE	051248

CONTACT WINNEBAGO PART SALES FOR UNLISTED COMPONENTS

**HEATING & A/C GROUP (CONTINUED)**  
**COMPONENT PARTS FOR FURNACE (CONTINUED)**



139980-03-000

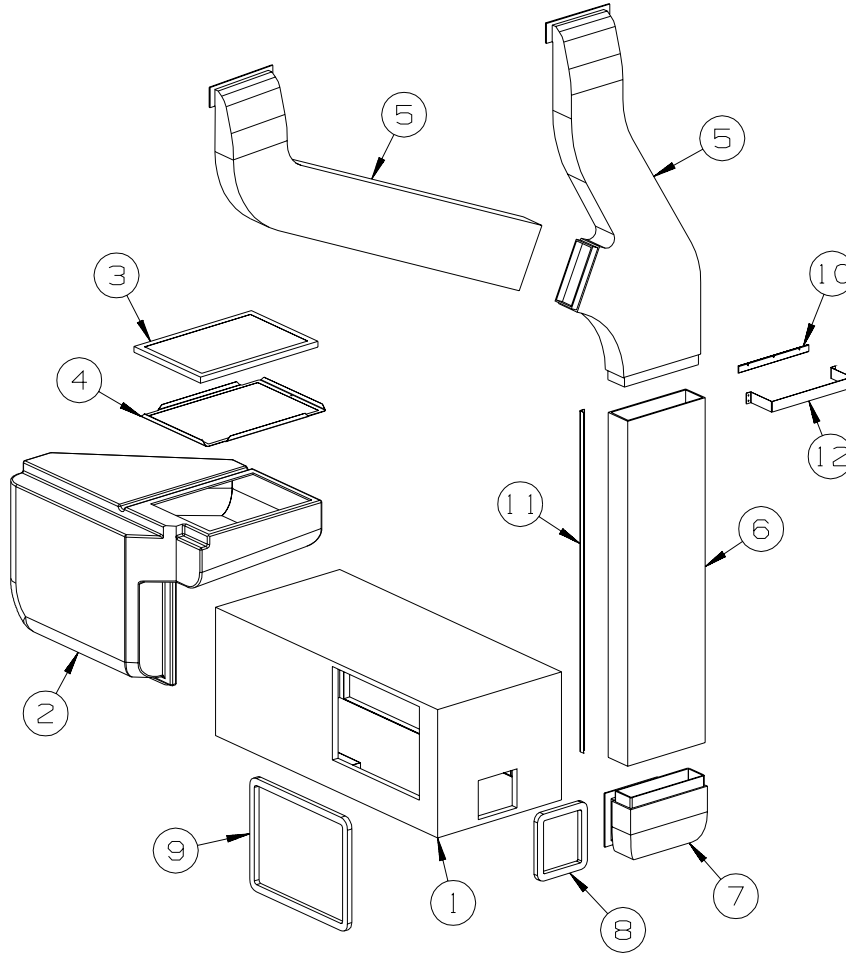
**HEATING & A/C GROUP (CONTINUED)**  
**COMPONENT PARTS FOR FURNACE (CONTINUED)**

**139980-03-000 (CONTINUED)**

<b>KEY</b>	<b>PART NUMBER</b>	<b>U/M</b>	<b>DESCRIPTION</b>	<b>VENDOR NO.</b>
9	139980-01-700	EA	MANIFOLD ASSEMBLY	171571
11	069634-01-720	EA	ORIFICE-MAIN BURNER	180222
12	098668-22-703	EA	GASKET - BURNER ACCESS COVER	070811
22	139980-01-701	EA	ELECTRODE	232286
23	098668-02-700	EA	BURNER ASSEMBLY,SF-30 & SF35	010745
26	098668-01-718	EA	VALVE-GAS SF S.N.974903079	161122
27	139980-01-702	EA	PIPE ASSEMBLY/GAS INLET	171574
31	098668-01-707	EA	TUBE ASSEMBLY, EXHAUST W/CAP	260231
33	139980-01-703	EA	COMBUSTION AIR HOUS FRT/HALF	390852
36	098668-01-706	EA	WHEEL-COMBUSTION AIR	350184
37	139980-01-704	EA	COMBUSTION AIR HOUS RR HALF	390848
39	139980-01-705	EA	GASKET/FIREWALL-COMB AIR	071084
40	139980-01-707	EA	MOTOR ASSEMBLY W/GASKET SF35	232684
42	101990-01-714	EA	GASKET-MICROSWITCH	230877
44	098668-21-700	EA	SWITCH-MICRO-W/O FLAG 3 1/4"	232261
46	139980-01-708	EA	BLOWER ASSEMBLY - ROOM AIR	390739BK
47	098668-01-711	EA	WHEEL-BLOWER, ROOM AIR	350129
48	139980-01-709	EA	ORFICE RING	390696
50	139980-01-710	EA	SWITCH - ON/OFF	232351
52	139980-01-711	EA	PANEL ASSEMBLY-MODULE BD	101663
53	139980-01-712	EA	INSULATOR - MODULE BD	070807
54	098668-22-705	EA	MODULE BD W/RELAY TIME DELAY	520820
55	139980-01-713	EA	CAP/INSULATOR-MODULE BD	070973
57	139980-01-714	EA	BUSHING - UNIVERSAL	070362
58	139980-01-715	EA	BUSHING - STRAIN RELIEF	231809
59	098668-01-716	EA	GASKET-FIREWALL,CHAMBER SIDE	070808
61	139980-01-716	EA	CHAMBER ASSEMBLY - FINAL	021149BK
62	098668-21-701	EA	SWITCH - LIMIT	232504
66	098668-01-713	EA	TUBE ASSEMBLY, INTAKE	051248

CONTACT WINNEBAGO PART SALES FOR UNLISTED COMPONENTS

## HEATING & A/C GROUP (CONTINUED) CENTRAL

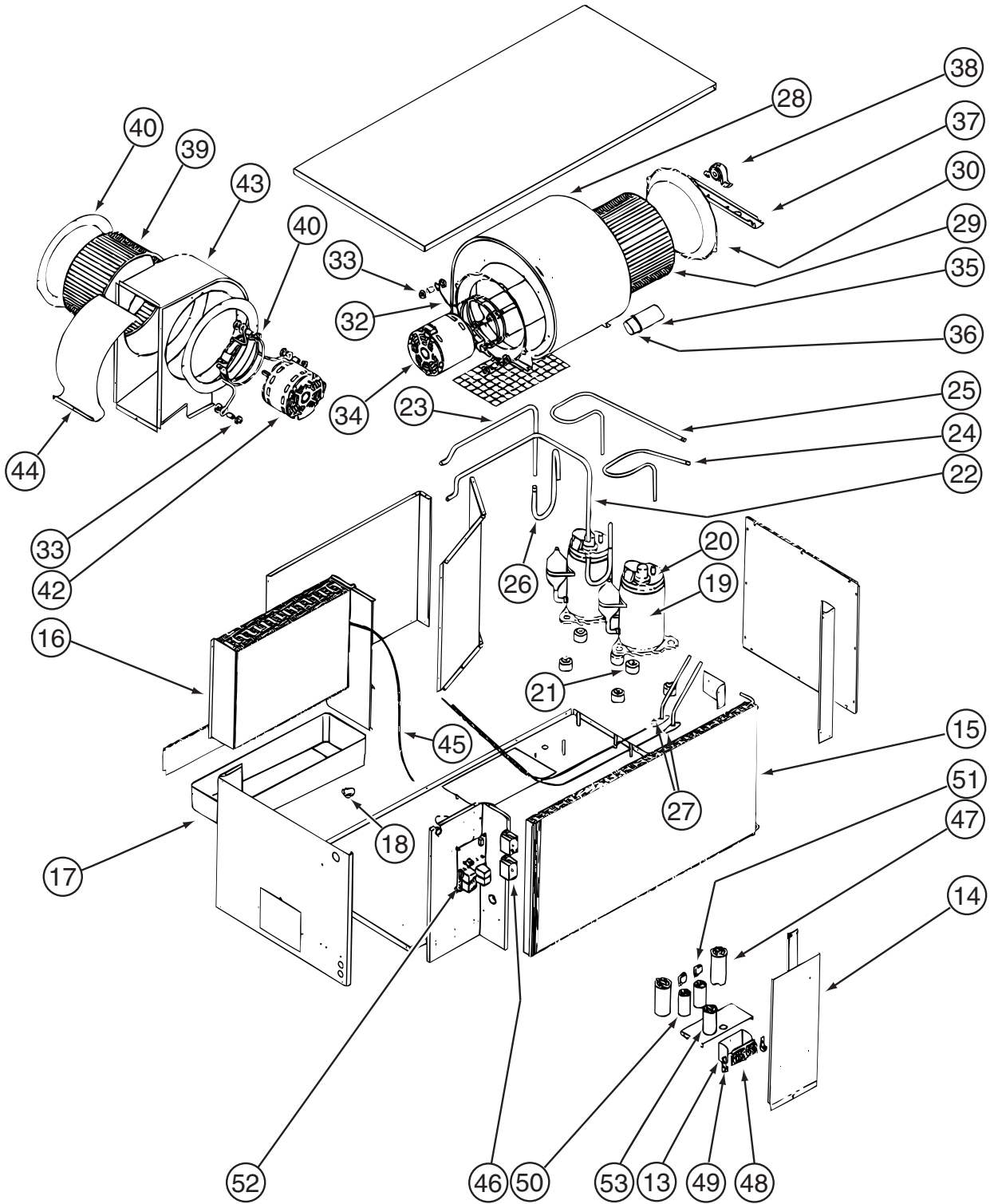


KEY	PART NUMBER	U/M	DESCRIPTION
1*	105620-11-000	EA	A/C CENTRAL PACKAGE - RIGHT HAND POWER SAVER/LARGE BLOWER
1*	105620-12-000	EA	A/C - CONTROL PACK RIGHT HAND/HEAT PUMP - 12,000BTU COMP
2	138052-01-01A	EA	DUCT - CENTRAL AIR RETURN
3	109050-02-000	EA	FILTER/FURNACE-AC - FIBERGLASS - 1" X 14" X 20"
4	139757-01-02B	EA	PANEL - TRY - A/C FILTER - E-COATED
5	M09204-01-000	EA	DUCT/AC - UPPER RIGHT HAND & LEFT HAND
	128862-01-000	EA	DUCT/AIR - UPPER LEFT HAND
	128868-01-000	EA	DUCT/AIR - UPPER RIGHT HAND
5	105290-01-000	EA	INSULATION - AIR POCKET W/FOIL
6	117870-10-01A	EA	PLENUM - A/C - 48.5"
7	P28855-01-000	EA	DUCT/CENTRAL AIR - LOWER
	128855-01-000	EA	DUCT/LOWER - CENTRAL FORCED AIR
8	134588-04-000	EA	GASKET - DUCT - 13.9" X 18.2" IS - 15.9" X 20.2" OS FROM: 06-01-01 THRU: 99-99-99
9	134588-02-000	EA	GASKET - DUCT - 6.4" X 7.4" IS - 8.3" X 9.4" OS FROM: 06-01-01 THRU: 99-99-99
10	115886-11-02A	EA	RETAINER - SIDEWALL - BRIGHT WHITE - 11.8"
	120134-01-02A	EA	REGISTER - W/DAMPER - 4" PIPE/7" O.D. FACE - WHITE
	105620-14-000	EA	THERMOSTAT - A/C AND FURNACE
*	105620-15-000	EA	THERMOSTAT - FURNACE/HEAT PUMP
11	130262-01-000	EA	PROTECTOR - CORNER SAVER - .7" X .7" X 48"
12	129047-01-02B	EA	STRAP/MOUNTING - AIR DUCT - E-COATED
	120863-06-000	EA	BUMPER - RUBBER/RADIUS TOP - 3/4" X 3/8"

\*COMPONENT PARTS LISTED LATER IN THIS GROUP

# HEATING & A/C GROUP (CONTINUED)

## COMPONENT PARTS FOR CENTRAL



105620-11-000

**HEATING & A/C GROUP (CONTINUED)**  
**COMPONENT PARTS FOR CENTRAL (CONTINUED)**

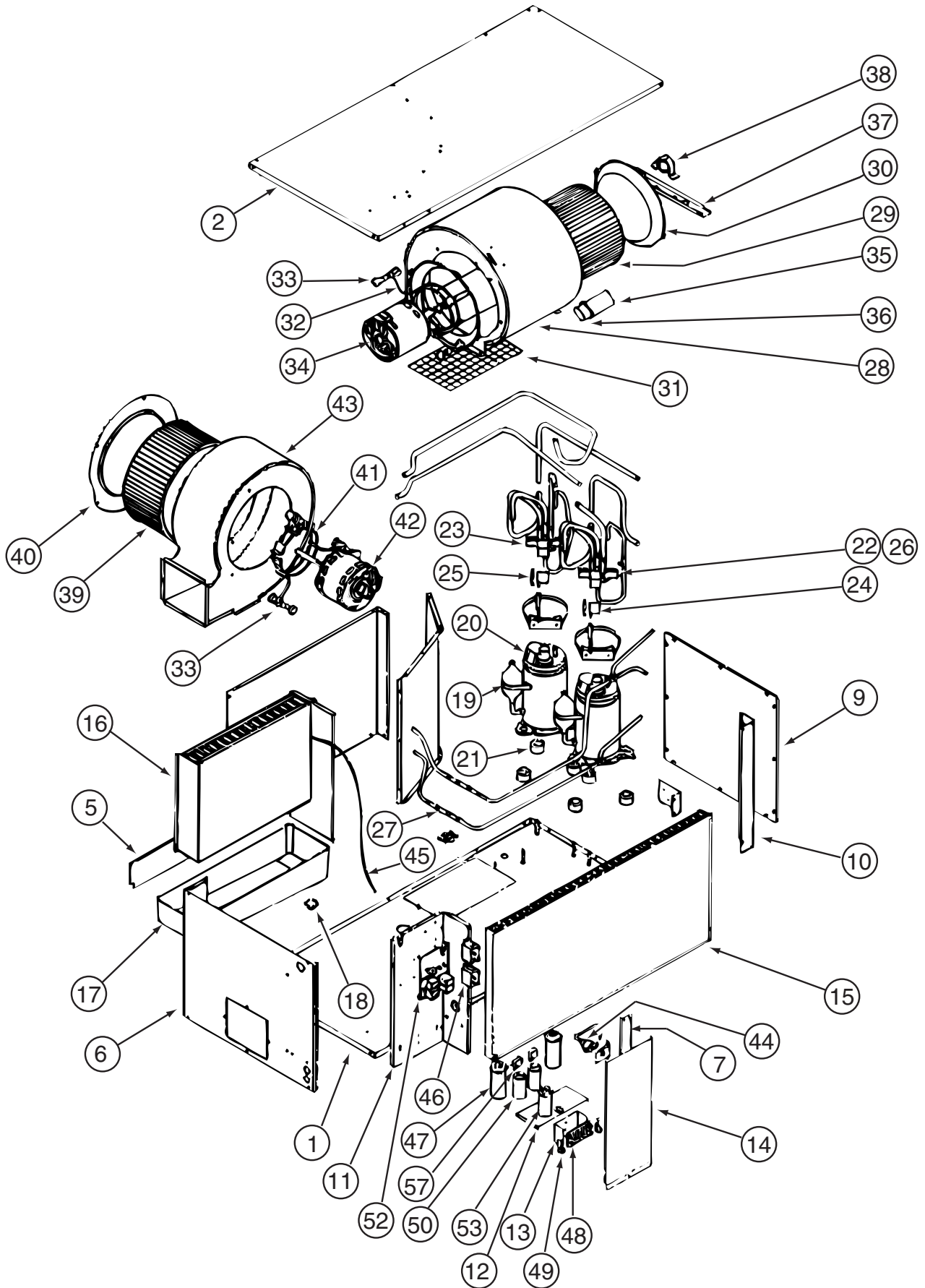
**105620-11-000 (CONTINUED)**

<b>KEY</b>	<b>PART NUMBER</b>	<b>U/M</b>	<b>DESCRIPTION</b>	<b>VENDOR NO.</b>
15	105620-10-707	EA	CONDENSER COIL	1452-1541
16	105620-10-708	EA	EVAPORATOR COIL	1452A1531
17	105620-10-709	EA	DRAIN PAN	6636-304
18	105620-10-717	EA	VALVE - DRAIN	6531-503
19	126860-01-700	EA	COMPRESSOR RK136AT-002-A4Y	1450A2119
20	126860-01-701	EA	OVERLOAD PROTECTOR MRA# 1460	1450-0071
21	105620-01-706	EA	MOUNTING PKG.,COMP., 3 PER	6759-3081
22	105620-10-710	EA	SUCTION LINE ASSY COIL#1	6636-131
23	105620-10-711	EA	SUCTION LINE ASSY COIL#2	6636-129
24	105620-10-712	EA	DISCHARGE LINE ASSEMBLY#1	6636-126
25	105620-10-713	EA	DISCHARGE LINE ASSEMBLY#2	6636-125
26	105620-10-714	EA	SUCTION LINE ASSY COMP#1&2	6636-130
27	105620-10-719	EA	LIQUID LINE ASSEMBLY COMP.	6636-520
28	105620-10-718	EA	BLOWER HOUSING/OUTSIDE AIR	6536-515
29	105620-01-713	EA	WHEEL-BLOWER/OUTSIDE AIR	1472-1011
32	105620-01-715	EA	MOUNT-BLOWER/OUTSIDE AIR	6795A3011
34	105620-10-721	EA	MOTOR/BLOWER-8 3/4" SHAFT	1468A3029
35	105620-01-718	EA	CAPACITOR-FAN, 12.5 MFD/370V	1499-5631
36	105620-10-715	EA	RUBBER CAPACITOR BOOT	1499-951
37	105620-10-700	EA	BEARING BRACKET/OUTSIDE AIR	6536-574
38	105620-10-701	EA	BEARING/PILLOW BLOCK-O/S AIR	6536-3011
39	105620-11-701	EA	BLOWER WHEEL/INSIDE AIR	1472-1121
40	105620-11-702	EA	BLOWER VENTURI/INSIDE AIR	6535-287
41	105620-01-723	EA	MOUNT-BLOWER MOTOR - I/S AIR	6795-3021
42	105620-11-703	EA	BLOWER MOTOR/INSIDE AIR	1468-3219
43	105620-11-704	EA	BLOWER HOUSING/INSIDE AIR	6535-589
46	105620-01-729	EA	RELAY-COMPRESSOR -4 TERMINAL	1460-1131
47	126859-01-703	EA	CAPACITOR - RUN	1499-5671
48	105620-01-738	EA	BOARD-TERMINAL, HIGH VOLTAGE	6795-315
51	105620-10-705	EA	PTCR (START DEVICE) - W/CAP.	8333A9021
52	105620-05-700	EA	BOARD-PRINTED CIRCUIT, 2 TON	6795A3201
53	093763-01-704	EA	CAPACITOR-FAN	1499-5461
	105620-10-720	EA	FUSE/BUSS(8AMP/250V) 2 PKG	6535-3081

CONTACT WINNEBAGO PARTS SALES FOR UNLISTED COMPONENTS



**HEATING & A/C GROUP (CONTINUED)**  
**COMPONENT PARTS FOR CENTRAL (CONTINUED)**



105620-12-000

**HEATING & A/C GROUP (CONTINUED)**  
**COMPONENT PARTS FOR CENTRAL (CONTINUED)**

**105620-12-000 (CONTINUED)**

<b>KEY</b>	<b>PART NUMBER</b>	<b>U/M</b>	<b>DESCRIPTION</b>	<b>VENDOR NO.</b>
15	105620-12-701	EA	COIL - CONDENSER	1452-1621
16	105620-12-702	EA	COIL - EVAPORATOR	1452A1611
17	105620-10-709	EA	DRAIN PAN	6636-304
18	105620-01-703	EA	VALVE-DRAIN, RH & LH	6795-200
18	105620-12-703	EA	VALVE - DRAIN	6795-200
19	105620-12-704	EA	COMPRESSOR	1450-2149
21	105620-01-706	EA	MOUNTING PKG.,COMP., 3 PER	6759-3081
22	105620-12-706	EA	REVERSING VALVE ASSEMBLY #1	6535A533
23	105620-12-707	EA	REVERSING VALVE ASSEMBLY #2	6535-5321
24	105620-12-708	EA	COIL - SOLENOID	1460-1081
25	105620-12-709	EA	WIRE HARNESS-REVERSING VALVE	6536-111
26	105620-12-710	EA	VALVE - REVERSE ONLY	1454A350
27	105620-12-711	EA	RESTRICTOR - BY FLOW	1454-2521
28	105620-12-712	EA	BLOWER HOUSING/OUTSIDE AIR	6536-515
29	105620-01-713	EA	WHEEL-BLOWER/OUTSIDE AIR	1472-1011
32	105620-01-715	EA	MOUNT-BLOWER/OUTSIDE AIR	6795A3011
34	105620-10-721	EA	MOTOR/BLOWER-8 3/4" SHAFT	1468A3029
35	105620-01-718	EA	CAPACITOR-FAN, 12.5 MFD/370V	1499-5631
37	105620-12-713	EA	BRACKET/BEARING-O/S AIR BLWR	6536-514
38	105620-10-701	EA	BEARING/PILLOW BLOCK-O/S AIR	6536-3011
39	105620-11-701	EA	BLOWER WHEEL/INSIDE AIR	1472-1121
40	105620-12-715	EA	BLOWER VENTURI/INSIDE AIR	6535A287
41	105620-01-723	EA	MOUNT-BLOWER MOTOR - I/S AIR	6795-3021
42	105620-12-716	EA	BLOWER MOTOR-REVERSIBLE-I/S	1468-3219
43	105620-12-717	EA	BLOWER HOUSING/INSIDE AIR	6535A589
44	105620-12-718	EA	SWITCH ASSM. - HIGH PRESSURE	6535-5291
45	105620-12-719	EA	COIL SENSOR	7330A3231
46	105620-01-729	EA	RELAY-COMPRESSOR -4 TERMINAL	1460-1131
48	105620-01-738	EA	BOARD-TERMINAL, HIGH VOLTAGE	6795-315
51	105620-10-705	EA	PTCR (START DEVICE) - W/CAP.	8333A9021
52	105620-12-720	EA	KIT-CIRCUIT BD (6535-SERIES)	6535-3209
52	105620-12-721	EA	CIRCUIT BD(6535 A SERIES)	6535-3201
53	093763-01-704	EA	CAPACITOR-FAN	1499-5461
	105620-10-720	EA	FUSE/BUSS(8AMP/250V) 2 PKG	6535-3081

CONTACT WINNEBAGO PART SALES FOR UNLISTED COMPONENTS

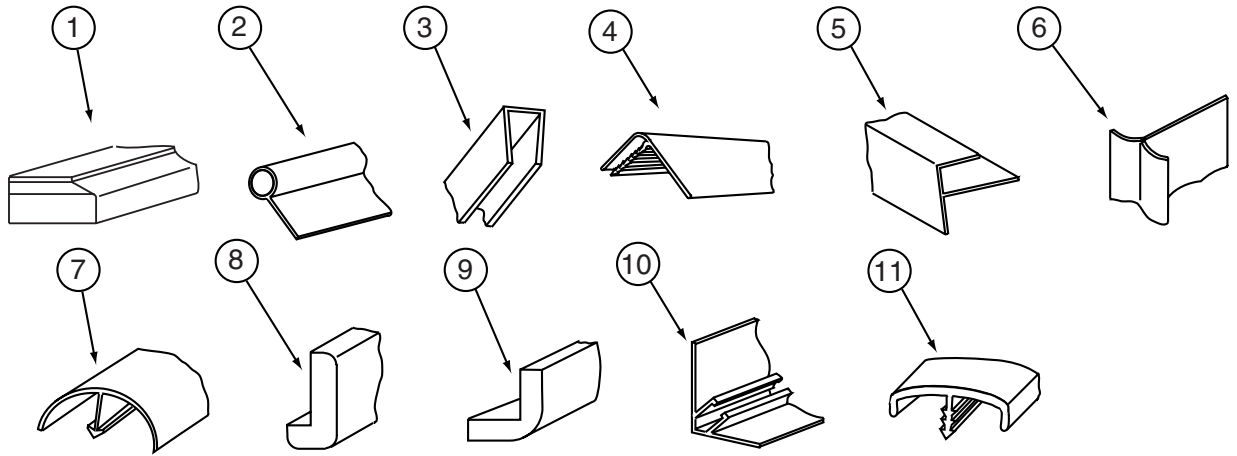
**105620-15-000**

<b>KEY</b>	<b>PART NUMBER</b>	<b>U/M</b>	<b>DESCRIPTION</b>	<b>VENDOR NO</b>
	105620-15-700	EA	FUSE/BUSS(2AMP/250V)3 PER PK	8330-3343

# INTERIOR FINISH GROUP

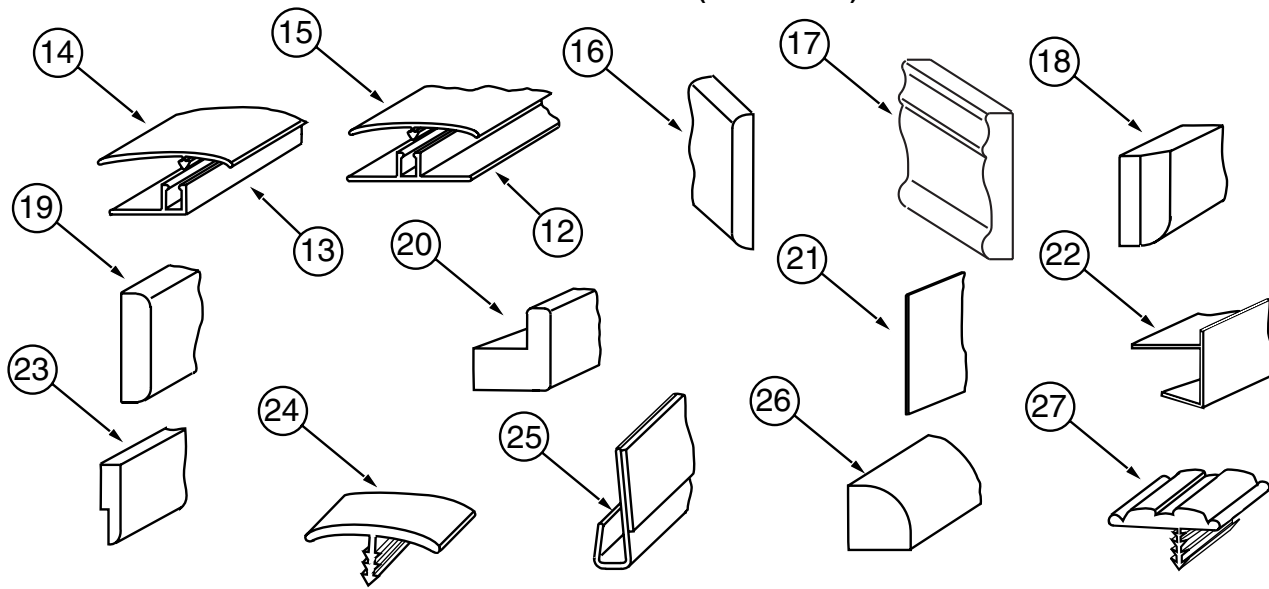
## MOLDINGS & TRIMS

### WASHED MAPLE, SALEM CHERRY & PORTSMOUTH OAK



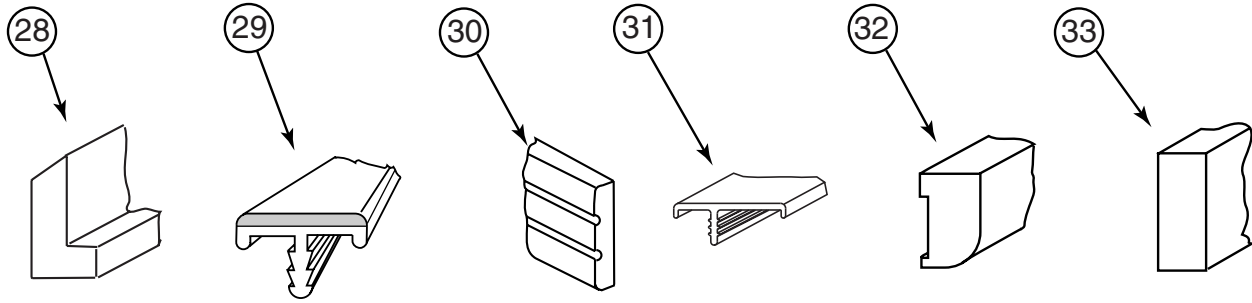
KEY	PART NUMBER	U/M	DESCRIPTION
1	P34052-01-N75	EA	TRIM/TABLE - 29.7" - PORTSMOUTH OAK
1	P34052-01-M84	EA	TRIM/TABLE - 29.7" - WASHED MAPLE
1	P34052-01-M52	EA	TRIM/TABLE - 29.7" - SALEM CHERRY
1	P34052-02-N47	EA	TRIM/TABLE - 24"
2	009767-12-000	FT	WELTING - ANTIQUE WHITE
2	009767-17-000	FT	WELTING - PORTSMOUTH OAK
3	009778-25-000	FT	U-CHANNEL - 1" - BEIGE ILLUSION
3	009778-27-000	FT	U-CHANNEL - 1" - WASHED MAPLE
3	009778-30-000	FT	U-CHANNEL - 1" - VILLAGE OAK
3	009778-31-000	FT	U-CHANNEL - 1" - GRADY BROWN
3	009778-32-000	FT	U-CHANNEL - 1" - PORTSMOUTH OAK
3	009778-34-000	FT	U-CHANNEL - 1" - CONCERT CHERRY
3	070504-36-000	FT	U-CHANNEL - PLASTIC - .13" X 96" - WATERFORD OAK
3	070504-42-000	FT	U-CHANNEL - PLASTIC - .13" X 84" - BEIGE ILLUSION
3	070504-50-000	FT	U-CHANNEL - PLASTIC - .13" X 96" - WASHED MAPLE
3	070504-51-000	FT	U-CHANNEL - PLASTIC - .9" X 96" - WASHED MAPLE
3	070504-54-000	FT	U-CHANNEL - PLASTIC - .9" X 96" - VILLAGE OAK
3	070504-56-000	FT	U-CHANNEL - PLASTIC - .8" X 72" - VW LIGHT GRAY
3	070504-57-000	FT	U-CHANNEL - PLASTIC - .6" X 84" - PORTSMOUTH OAK
3	070504-58-000	FT	U-CHANNEL - PLASTIC - .8" X 84" - PORTSMOUTH OAK
3	070504-60-000	FT	EXTRUSION-U CHANNEL,1.65 - CONCERT CHERRY
3	070504-61-000	FT	U-CHANNEL - PLASTIC - .8" X 84" - CONCERT CHERRY
4	009809-30-000	EA	MOLDING - CORNER - OUTSIDE - 1" X 84" - BEIGE ILLUSION
4	009809-31-000	EA	MOLDING - CORNER - OUTSIDE - 1" X 84" - WASHED MAPLE
4	009809-32-000	EA	MOLDING - CORNER - OUTSIDE - 1" X 84" - PORTSMOUTH OAK
4	009809-33-000	EA	MOLDING - CORNER - OUTSIDE - 1" X 84" - WORMY PECAN
5	009812-31-000	EA	MOLDING - CORNER - 1/2" W/1/4"CHAN X 84" - BEIGE ILLUSION
5	009812-33-000	EA	MOLDING - CORNER - 1/2" W/1/4"CHAN X 84" - WASHED MAPLE
5	009812-35-000	EA	MOLDING - CORNER - 1/2" W/1/4"CHAN X 84" - PORTSMOUTH OAK
5	009812-36-000	EA	MOLDING - CORNER - 1/2" W/1/4"CHAN X 84" - CONCERT CHERRY
6	022992-14-000	FT	MOLDING - REVERSE COVE - T-SHAPED - BRIGHT WHITE
6	022992-15-000	FT	MOLDING - REVERSE COVE - T-SHAPED - VW GRAY
7	042357-25-000	EA	MOLDING - CORNER - RADIUS/PLASTIC - WASHED MAPLE
7	042357-26-000	EA	MOLDING - CORNER - RADIUS/PLASTIC - PORTSMOUTH OAK
7	042357-27-000	EA	MOLDING - CORNER - RADIUS/PLASTIC - CONCERT CHERRY
8	077840-01-E41	EA	MOLDING - WALL CAP - 8' - SALEM CHERRY
8	077840-01-N30	EA	MOLDING - WALL CAP - 8' - PORTSMOUTH AOK
8	077840-01-M91	EA	MOLDING - WALL CAP - 8' - WASHED MAPLE
9	080176-08-000	EA	CAP - CORNER - RADIUS MOLDING - PLASTIC - WASHED MAPLE
10	081521-02-007	EA	MOUNT - METAL MOLDING - F/RADIUS CORNER MOLDING - 151.5"
11	083620-09-000	FT	MOLDING-T - W/EDGE LIP - 7/8" FACE - MODERN IVORY
11	083620-19-000	FT	MOLDING-T - W/EDGE LIP - 7/8" FACE - WASHED MAPLE
11	083620-20-000	FT	MOLDING-T - W/EDGE LIP - 7/8" FACE - PORTSMOUTH OAK
11	083620-21-000	FT	MOLDING-T - W/EDGE LIP - 7/8" FACE - CONCERT CHERRY
11	104676-02-08A	FT	MOLDING-T - W/EDGE LIP - 11/16" FACE - PORTSMOUTH OAK
11	104676-02-06A	FT	MOLDING-T - W/EDGE LIP - 11/16" FACE - WASHED MAPLE

**INTERIOR FINISH GROUP (CONTINUED)**  
**MOLDINGS & TRIMS (CONTINUED)**



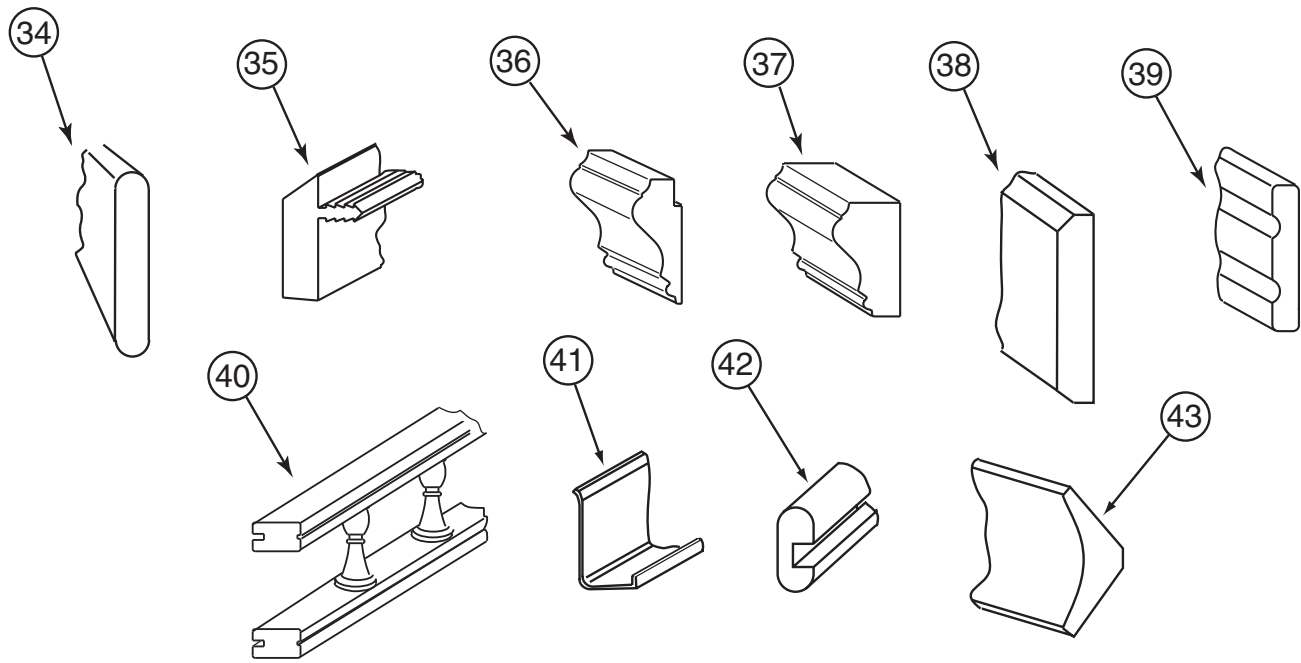
KEY	PART NUMBER	U/M	DESCRIPTION
12	086229-01-000	EA	RETAINER - BATTEN - .75" X 92.1" - ANY COLOR
13	086229-11-000	EA	RETAINER - OFFSET - 97"
14	086229-12-000	EA	BATTEN - 1.5" OFFSET X 97.01" IVORY
14	086229-21-000	EA	BATTEN - 1.5" X 83.9" OFFSET - WHITE
15	086229-13-000	EA	BATTEN - 1" X 96" - IVORY
15	086229-19-000	EA	BATTEN - 1" X 98.4" - OFF WHITE
15	086229-20-000	EA	BATTEN - 1" X 96" - BEIGE
16	091985-01-08A	FT	INSERT - TRIM - .65" WIDE - SOFT WHITE
17	100182-10-E41	EA	TRIM - CHAIR RAIL - 2.5" X 8' EACH - WOOD
17	100182-10-J70	EA	TRIM - CHAIR RAIL - 2.5" X 8' EACH - WOOD
17	100182-10-K29	EA	TRIM - CHAIR RAIL - 2.5" X 8' EACH - WOOD
17	100182-10-N47	EA	TRIM/RAIL
18	100659-27-M70	EA	MOLDING/TRIM - VINYL FLOOR - CHERRY III
18	100659-30-N75	EA	MOLDING - TRIM - PORTSMOUTH OAK
18	100659-30-N74	EA	MOLDING - TRIM - CHERRY
18	100659-30-M84	EA	MOLDING-TRIM,VINYL FLOOR - 01 G-SERIES GENERAL
19	100818-01-12A	EA	MOLDING - VINYL WRAPPED - 1.6" X .4" X 84"-PORTSMOUTH OAK
19	100818-01-10A	EA	MOLDING - VINYL WRAPPED - 1.6" X .4" X 84" - CHERRY
19	100818-01-08A	EA	MOLDING - VINYL WRAPPED - 1.6" X .4" X 84"-WASHED MAPLE
20	100819-01-08A	EA	MOLDING - VINYL WRAPPED-L-SHAPED-1.5"X1.5"X84"-WASHED MPL
20	100819-01-09A	EA	MOLDING - VINYL WRAPPED-L-SHAPED-1.5"X1.5"X84"-PRTSMTH OAK
20	100819-01-10A	EA	MOLDING - VINYL WRAPPED-L-SHAPED-1.5"X1.5"X84"-CNCRT CHERR
20	100819-01-12A	EA	MOLDING - VINYL WRAPPED-L-SHAPED - 1.5" X 1.5" X 84" - OAK
21	101957-01-06A	EA	EXTRUDED - PLASTIC - WASHED MAPLE
22	103186-01-10A	FT	MOLDING - PLASTIC - 3/8" U-CHANNEL-3/4"FACE-CONCERT CHERRY
22	103186-01-09A	FT	MOLDING - PLASTIC - 3/8" U-CHANNEL-3/4"FACE-PORTSMOUTH OAK
22	103186-01-07A	FT	MOLDING - PLASTIC - 3/8" U-CHANNEL-3/4"FACE - BEIGE ILLUS
22	103186-02-10A	FT	MOLDING - PLASTIC - 1" U-CHANNEL-1 3/8"FACE-CONCERT CHERRY
22	103186-02-09A	FT	MOLDING - PLASTIC - 1" U-CHANNEL-1 3/8"FACE-PORTSMOUTH OAK
22	103186-02-08A	FT	MOLDING - PLASTIC - 1" U-CHANNEL-1 3/8"FACE-WASHED MAPLE
22	103186-02-07A	FT	MOLDING - PLASTIC - 1" U-CHANNEL-1 3/8"FACE-BEIGE ILLUSION
23	105004-01-10A	EA	MOLDING - VINYL WRAPPED 1" X 96" - SALEM CHERRY
23	105004-01-08A	EA	MOLDING - VINYL WRAPPED - 1" X 96" - WASHED MAPLE
23	105004-01-10A	EA	MOLDING - VINYL WRAPPED 1" X 96" - SALEM CHERRY
23	105004-01-12A	EA	MOLDING - VINYL WRAPPED 1" X 96" - PORTSMOUTH OAK
24	009815-10-000	FT	MOLDING-T - W/EDGE LIP - 3/4" FACE - BEIGE ILLUSION
24	105709-02-000	FT	MOLDING-T - W/EDGE LIP - 3/4" FACE - BEIGE ILLUSION
25	109332-02-01A	FT	TRIM-J - W/O ADHESIVE - BRASS
26	109410-01-J70	EA	MOLDING - TRIM - 8' - WHITE MAPLE/WASHED MAPLE
26	109410-01-E41	EA	MOLDING - TRIM - 8' - BLACK CHERRY/SALEM CHERRY
26	109410-01-N75	EA	MOLDING - TRIM - 8' - PORTSMOUTH OAK/PORTSMOUTH OAK
27	109736-02-01A	FT	MOLDING-T/OFFSET - W/EDGE LIP - 1" FACE - NAT OAK/BRASS

**INTERIOR FINISH GROUP (CONTINUED)**  
**MOLDINGS & TRIMS (CONTINUED)**



KEY	PART NUMBER	U/M	DESCRIPTION
28	111235-01-E74	EA	MOLDING - COUNTERTOP - 1.4" X 8' - BLACK CHERRY-UNSTAINED - SALEM CHERRY
28	111235-01-N42	EA	MOLDING - COUNTERTOP - 1.4" X 8' - PORTSMOUTH
28	111235-01-H56	EA	MOLDING - COUNTERTOP - 1.4" X 8' - WHITE MAPLE - UNSTAINED - WASHED MAPLE
29	113757-02-01A	FT	T-MOLDING - BULB
30	116951-15-N09	EA	MOLDING - TRIM - 1.7" X 11" - PORTSMOUTH OAK
30	116951-15-K09	EA	MOLDING - TRIM - 1.7" X 11" - WASHED MAPLE
30	116951-15-K13	EA	MOLDING - TRIM - 1.7" X 11" - SALEM CHERRY
31	119520-01-01A	FT	MOLDING-T/OFFSET - W/EDGE LIP - 1"FACE - OFF WHITE
31	119520-02-01A	FT	MOLDING-T/OFFSET - W/EDGE LIP - 1"FACE
32	126204-D2-134	EA	MOLDING - VINYL WRAPPED - .7" X 1.6" X 84" - WASHED MAPLE
32	126204-F2-134	EA	MOLDING - VINYL WRAPPED - .7" X 2.5" X 84" - WASHED MAPLE
32	126204-F2-438	EA	MOLDING - VINYL WRAPPED - .7" X 2.6" X 96" - WASHED MAPLE
32	137895-D2-134	EA	MOLDING - VINYL WRAPPED - .7" X 1.6" X 84" - PORTSMOUTH OAK
32	137895-F2-743	EA	MOLDING-018X063X2743 MM - PORTSMOUTH OAK
33	126205-D2-438	EA	LUMBER - VINYL WRAPPED - .7" X 1.5" X 96" - WASHED MAPLE
33	126205-E2-438	EA	LUMBER - VINYL WRAPPED - .7" X 2" X 96" - WASHED MAPLE
33	126205-F2-438	EA	LUMBER - VINYL WRAPPED - .7" X 2.5" X 96" - WASHED MAPLE
33	126205-G2-438	EA	LUMBER - STAINED - .7" X 3" X 96" - WASHED MAPLE
33	126205-J2-438	EA	LUMBER - VINYL WRAPPED - .7" X 5.5" X 96" - WASHED MAPLE
33	136030-F2-743	EA	MOLDING-018X065X2743MM PAPER WRAPPED-CHERRY - SALEM CHERRY FROM: 00-00-00 THRU: 09-03-01
33	136045-D2-438	EA	LUMBER - PAPER WRAPPED - .7" X 1.5" X 96" - CHERRY FROM: 00-00-00 THRU: 09-03-01
33	136045-E2-438	EA	LUMBER - PAPER WRAPPED - .7" X 2" X 96" - CHERRY FROM: 00-00-00 THRU: 09-03-01
33	136045-F2-438	EA	LUMBER - PAPER WRAPPED - .7" X 2.6" X 96" - CHERRY FROM: 00-00-00 THRU: 09-03-01
33	136045-G2-438	EA	LUMBER - PAPER WRAPPED - .7" X 3" X 96" - CHERRY FROM: 00-00-00 THRU: 09-03-01
33	136045-H2-438	EA	LUMBER - PAPER WRAPPED - .7" X 3.5" X 96" - CHERRY FROM: 00-00-00 THRU: 09-03-01
33	136045-J2-438	EA	LUMBER - PAPER WRAPPED - .7" X 5.5" X 96" - CHERRY FROM: 00-00-00 THRU: 09-03-01
33	136045-R2-438	EA	LUMBER - PAPER WRAPPED - .7" X 3" X 96" - CHERRY FROM: 00-00-00 THRU: 09-03-01
33	137894-A2-438	EA	LUMBER - VINYL WRAPPED - .7" X .75 X 96" - PORTSMOUTH OAK
33	137894-D2-022	EA	LUMBER-018X038X2022 MM - WRAPPED - PORTSMOUTH OAK
33	137894-D2-014	EA	LUMBER-018X038X2014 MM - WRAPPED - PORTSMOUTH OAK
33	137894-D2-001	EA	LUMBER-018X038X2000 MM - WRAPPED - PORTSMOUTH OAK
33	137894-D2-438	EA	LUMBER - VINYL WRAPPED - .7" X 1.5" X 96" - PORTSMOUTH OAK
33	137894-D2-134	EA	LUMBER-018X038X2134 MM - WRAPPED - PORTSMOUTH OAK
33	137894-D2-026	EA	LUMBER-018X038X2026 MM - WRAPPED - PORTSMOUTH OAK
33	137894-D2-024	EA	LUMBER-018X038X2024 MM - WRAPPED - PORTSMOUTH OAK
33	137894-E2-438	EA	LUMBER - VINYL WRAPPED - .7" X 2" X 96" - PORTSMOUTH OAK
33	137894-F2-438	EA	LUMBER - VINYL WRAPPED - .7" X 2.5" X 96" - PORTSMOUTH OAK
33	137894-G2-438	EA	LUMBER - VINYL WRAPPED - .7" X 3" X 96" - PORTSMOUTH OAK
33	137894-H2-438	EA	LUMBER - VINYL WRAPPED - .7" X 3.5" X 96" - PORTSMOUTH OAK
33	137894-J2-438	EA	LUMBER - VINYL WRAPPED - .7" X 5.5" X 96" - PORTSMOUTH OAK
33	137894-J2-743	EA	LUMBER-018X140X2743 MM - PORTSMOUTH OAK
33	137894-R2-438	EA	LUMBER - VINYL WRAPPED - .7" X 3" X 96" - PORTSMOUTH OAK

**INTERIOR FINISH GROUP (CONTINUED)**  
**MOLDINGS & TRIMS (CONTINUED)**



KEY	PART NUMBER	U/M	DESCRIPTION
34	127842-01-01A	FT	SEAL - SIGHT SHIELD - 2" BLACK
35	130247-01-05A	FT	MOLDING-T/OFF SET - 1.3" FACE - CONCERT CHERRY - SALEM CHERRY
35	130247-01-04A	FT	MOLDING-T/OFF SET - 1.3" FACE - PORTSMOUTH OAK
35	130247-01-02A	FT	MOLDING-T/OFF SET - 1.3" FACE - WASHED MAPLE
36	131923-02-02A	FT	MOLDING - PICTURE - CHERRY - SALEM CHERRY
36	131923-02-03A	FT	MOLDING - PICTURE - HARD WHITE MAPLE - WASHED MAPLE
36	131923-02-04A	FT	MOLDING - PICTURE - 42.8" - PORTSMOUTH
37	131923-03-02A	FT	MOLDING - CROWN - DIVIDER - CHERRY - SALEM CHERRY
37	131923-03-03A	FT	MOLDING - CROWN - DIVIDER - HARD WHITE MAPLE - WASHED MAPLE
37	131923-03-04A	FT	MOLDING - MOLDING - CROWN - DIVIDER - OAK - PORTSMOUTH
38	132647-01-05A	EA	MOLDING/TRIM - DASH - PORTSMOUTH OAK
39	134156-01-03A	EA	MOLDING - VINYL WRAP - .7" X 3.8" X 33.8" - WASHED MAPLE
39	134156-01-05A	EA	MOLDING - PAPER WRAP - .7" X 3.8" X 33.8" - CONCERT CHERRY - SALEM CHERRY FROM: 00-00-00 THRU: 09-03-01
39	134156-01-07A	EA	MOLDING - VINYL WRAP - .7" X 3.8" X 33.8" - CONCERT CHERRY - SALEM CHERRY FROM: 09-04-01 THRU: 00-00-00
39	134156-01-08A	EA	MOLDING - VINYL WRAP - .7" X 3.8" X 33.8" - PORTSMOUTH OAK
39	134156-03-03A	EA	MOLDING - VINYL WRAP - .7" X 3.4" X 28.3" - WASHED MAPLE
39	134156-03-05A	EA	MOLDING - PAPER WRAP - .7" X 3.4" X 28.3" - CONCERT CHERRY - SALEM CHERRY FROM: 00-00-00 THRU: 09-03-01
39	134156-03-07A	EA	MOLDING - VINYL WRAP - .7" X 3.4" X 28.3" - CONCERT CHERRY - SALEM CHERRY FROM: 09-04-01 THRU: 00-00-00
39	134156-03-08A	EA	MOLDING - VINYL WRAP - .7" X 3.4" X 28.3" - PORTSMOUTH OAK
39	134156-05-05A	EA	MOLDING - PAPER WRAP - .7" X 3.8" X 34.4" - SALEM CHERRY FROM: 00-00-00 THRU: 09-03-01
39	134156-05-07A	EA	MOLDING - VINYL WRAP - .7" X 3.8" X 34.4" - CONCERT CHERRY - SALEM CHERRY FROM: 09-04-01 THRU: 00-00-00
39	134156-05-08A	EA	MOLDING - VINYL WRAP - .7" X 3.8" X 33.8" - PORTSMOUTH OAK
40	137108-01-07A	EA	RAIL - DECORATIVE - PORTSMOUTH OAK
40	137108-01-03A	EA	RAIL - DECORATIVE - WASHED MAPLE
40	137108-01-02A	EA	RAIL - DECORATIVE - SALEM CHERRY
41	085746-04-000	EA	TRIM-J - CARPET 1.2" X .5" ANGLE - 10' LONG - OFF WHITE
42	M09412-62-M52	EA	MOLDING/SHELF EDGE - W/.4" NOTCH - CHERRY IV
42	M09412-62-M62	EA	MOLDING/SHELF EDGE - W/.4" NOTCH - WASHED MAPLE
42	M09412-62-N42	EA	MOLDING/SHELF EDGE - W/.4" NOTCH - PORTSMOUTH II
43	Y00074-22-438	EA	MOLDING/CROWN - VINYL WRAPPED - MAPLE - 96"
43	Y00074-62-438	EA	MOLDING/CROWN - VINYL WRAPPED - CONCERT CHERRY - 96"
43	Y00074-72-438	EA	MOLDING/CROWN - VINYL WRAPPED - PORTSMOUTH OAK - 96"

**INTERIOR FINISH GROUP (CONTINUED)**  
**PANELING & LAMINATES**

KEY	PART NUMBER	U/M	DESCRIPTION
	000846-01-000	SF	PLYWOOD - 5/16" X 48" X 96" - CD GRADE
	000885-A5-000	SF	PARTICLE BOARD - 3/8" X 4' X 8'- WHT PEB EMBOSSED-1 SIDED
	000885-89-000	SF	PARTICLE BOARD - 3/8" X 4' X 8' - WASHED MAPLE - 2-SIDED
	000885-91-000	SF	PARTICLE BOARD - 3/4" X 4' X 8' - WASHED MAPLE - 2-SIDED
	000885-A3-000	SF	PARTICLE BOARD - 3/4" X 4' X 8' - SALEM CHERRY - 2 SIDED
	000885-71-000	SF	PARTICLE BOARD - 3/8" X 4' X 8' - SALEM CHERRY - 2 SIDED
	000885-95-000	SF	PARTICLE BOARD - 3/4" X 4' X 8' - PORTSMOUTH OAK - 2-SIDED
	000885-93-000	SF	PARTICLE BOARD - 3/8" X 4' X 8' - PORTSMOUTH OAK - 2-SIDED
	083618-07-000	SF	PLYWOOD - MAPLE - 1 SIDE 3/16" X 4' X 8'
	083618-04-000	SF	PLYWOOD - CHERRY - 1 SIDE 3/16" X 4' X 8'
	074498-82-000	SF	LAMINATE - PLASTIC - WASHED MAPLE - 4' X 8'
	074498-96-000	SF	LAMINATE - PLASTIC - CHERRY - 4' X 8'
	074498-95-000	SF	LAMINATE - PLASTIC - PORTSMOUTH OAK - 4' X 8'
	079666-03-000	SF	PANELING - CLOSET - CEDAR - 4' X 7'
	074497-39-000	SF	PANELING - WASHED MAPLE - 4' X 8'
	074497-23-000	SF	PANELING - CHERRY - 4' X 8'
	074497-42-000	SF	PANELING - PORTSMOUTH OAK - 4' X 8'
	076773-14-000	SF	PANELING - 2 SIDED/WASHED MAPLE - 1/8" X 4' X 8'
	088272-K3-000	SF	PANELING - STARLIGHT - 4' X 7' (NQ0, NQ1, NQ6)
	088272-J9-000	SF	PANELING - ALABASTER - 4' X 7' (NQ2, NQ3, NQ7)
	088272-K1-000	SF	PANELING - GRAY - 4' X 7' (NQ4, NQ5, NQ8)
	085284-F5-000	FT	BATT TAPE - ADHESIVE BACKED - WASHED MAPLE
	085284-H2-000	FT	BATT TAPE - ADHESIVE BACKED - SALEM CHERRY
	085284-H5-000	FT	BATT TAPE - ADHESIVE BACKED - PORTSMOUTH OAK
	085284-H4-000	FT	BATT TAPE - ADHESIVE BACKED - DECORATIVE - STARLIGHT (NQ0, NQ1, NQ6)
	085284-G9-000	FT	BATT TAPE - ADHESIVE BACKED - DECORATIVE - ALABASTER (NQ2, NQ3, NQ7)
	085284-H1-000	FT	BATT TAPE - ADHESIVE BACKED - DECORATIVE - GRAY (NQ4, NQ5, NQ8)
	069733-86-000	EA	BATT STRIP - WOODGRAINED/WASHED MAPLE - 8'
	069733-88-000	EA	BATT STRIP - WOODGRAINED/SALEM CHERRY - 8'
	069733-87-000	EA	BATT STRIP - WOODGRAINED/PORTSMOUTH OAK - 8'
	088263-H1-000	EA	BATT STRIP - DECORATIVE - STARLIGHT - 8' LONG (NQ0, NQ1, NQ6)
	088263-G9-000	EA	BATT STRIP - DECORATIVE - CORK/ALABASTER - 8' (NQ2, NQ3, NQ7)
	088263-H0-000	EA	BATT STRIP - DECORATIVE - VILLA/GRAY - 8' LONG (NQ4, NQ5, NQ8)

**ACCESSORIES**

KEY	PART NUMBER	U/M	DESCRIPTION
	072852-01-000	EA	DETECTOR - SMOKE - W/9 VOLT BATTERY - US
	072852-02-000	EA	DETECTOR - SMOKE - W/9 VOLT BATTERY - CANADIAN
	094499-03-000	EA	EXTINGUISHER/FIRE - DRY - 10BC - W/GAUGE - W/O BRACKET
*	094499-02-000	EA	EXTINGUISHER/FIRE - DRY - 10BC - W/GAUGE - CANADIAN
	093606-14-000	EA	MIRROR - BEVELED EDGE - 12.4" X 26"
	113195-17-01A	EA	MIRROR - BEVELED SAFETY GLASS - CLEAR - 16.6" X 26.2"
	113195-27-01A	EA	MIRROR - BEVELED SAFETY GLASS - 79"T X 13"H X 78.5"B
	113195-28-01A	EA	MIRROR - BEVELED SAFETY GLASS - 13" X 43" X 42"
	113195-29-01A	EA	MIRROR - BEVELED SAFETY GLASS - 11" X 23"
	113195-38-01A	EA	MIRROR - BEVELED SAFETY GLASS - 22.1" X 23.7"
	113195-40-01A	EA	MIRROR - BEVELED SAFETY GLASS - 12.9" X 33.8"
	113195-41-01A	EA	MIRROR - BEVELED SAFETY GLASS - 11.4" X 63.3"
	131494-07-01A	EA	MIRROR - BEVELED/RECTANGLE - 16" X 59.9" - W/MEDALLION
	140374-53-000	EA	MIRROR - SAFETY GLASS - 22.4" X 74.6"
	129779-04-NQ0	EA	FRAME - W/O MIRROR - 30.4"H X 20.8"W - WASHED MAPLE
	129779-04-NQ1	EA	FRAME - W/O MIRROR - 30.4"H X 20.8"W - SALEM CHERRY
	129779-04-N30	EA	FRAME - W/O MIRROR - 30.4"H X 20.8"W - PORTSMOUTH OAK
	134504-02-11B	EA	BRACKET - MIRROR - MOUNTING
	096764-02-000	FT	SLIPNOT - ANTISLIP - 1" WIDE (180' ROLLS) - WHITE
	091261-01-000	FT	SLIPNOT - ANTISLIP - 1" WIDE X 12' - BLACK
	125136-02-000	EA	CO DETECTOR - GAS MODEL - 9 VOLT
	131493-02-05A	EA	PICTURE - DECORATIVE - 13" X 15" - VIOLIN
	131493-02-06A	EA	PICTURE - DECORATIVE - 13" X 15" - TOPAZ BOTANICAL (NQ0, NQ1, NQ6)
	131493-02-09A	EA	PICTURE - DECORATIVE - 13" X 15" - MEDITERRANEAN (NQ2, NQ3, NQ7)
	131493-02-10A	EA	PICTURE - DECORATIVE - 13" X 15" - HYDRANGEA (NQ4, NQ5, NQ8)
	064781-06-000	EA	HOLDER/CUP - TWO STEP - OFF WHITE

\*COMPONENT PARTS LISTED LATER IN THIS GROUP

**INTERIOR FINISH GROUP (CONTINUED)**  
**COMPONENT PARTS FOR ACCESSORIES**

094499-02-000

<b>KEY</b>	<b>PART NUMBER</b>	<b>U/M</b>	<b>DESCRIPTION</b>	<b>VENDOR NO</b>
	094499-01-700	EA	BRACKET MTG. W/PLAS. STRAP	294039

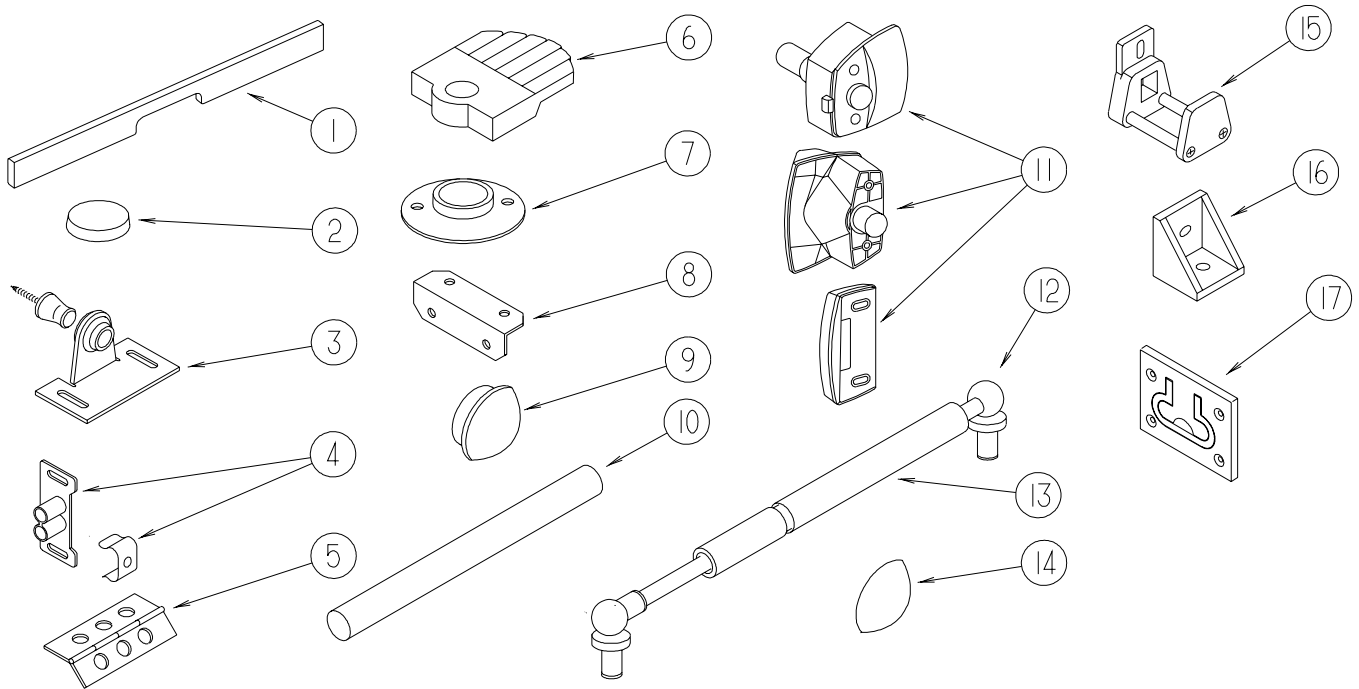


**INTERIOR FINISH GROUP (CONTINUED)**  
**FLOOR COVERINGS**

<b>KEY</b>	<b>PART NUMBER</b>	<b>U/M</b>	<b>DESCRIPTION</b>
	042720-14-000	SY	VINYL - FLOOR COVERING - 6' WIDE - CAPRI - SILVER GRAY
	093873-01-01A	EA	TRIM - CARPET - L-ANGLE 1.1" X 1.3" X 12' - GRAY VINYL
	093486-01-000	SY	CARPET - COMPARTMENT - 72" WIDE - DARK GRAY
			FROM: 00-00-00 THRU: 08-19-01
	093486-02-000	SY	CARPET - COMPARTMENT - 72" WIDE - LIGHT GRAY
			FROM: 08-20-01 THRU: 99-99-99
	123994-01-05A	EA	TILE/CERAMIC FLOOR - 13" X 13" - CALCIT
	124742-01-02A	EA	MOLDING - TRIM - TILE - SOFT WHITE
	139056-01-000	SY	CARPET - BLUEGRASS - 4 SQUARE YARD INCREMENTS (NQ0, NQ1, NQ6)
	096060-K3-000	SY	CARPET - ALO - INCREMENTS OF 4 SQ YARDS (NQ2, NQ3, NQ7)
	096060-J3-000	SY	CARPET - WOODBRIDGE - INCREMENTS OF 4 SQ YDS (NQ4, NQ5, NQ8)

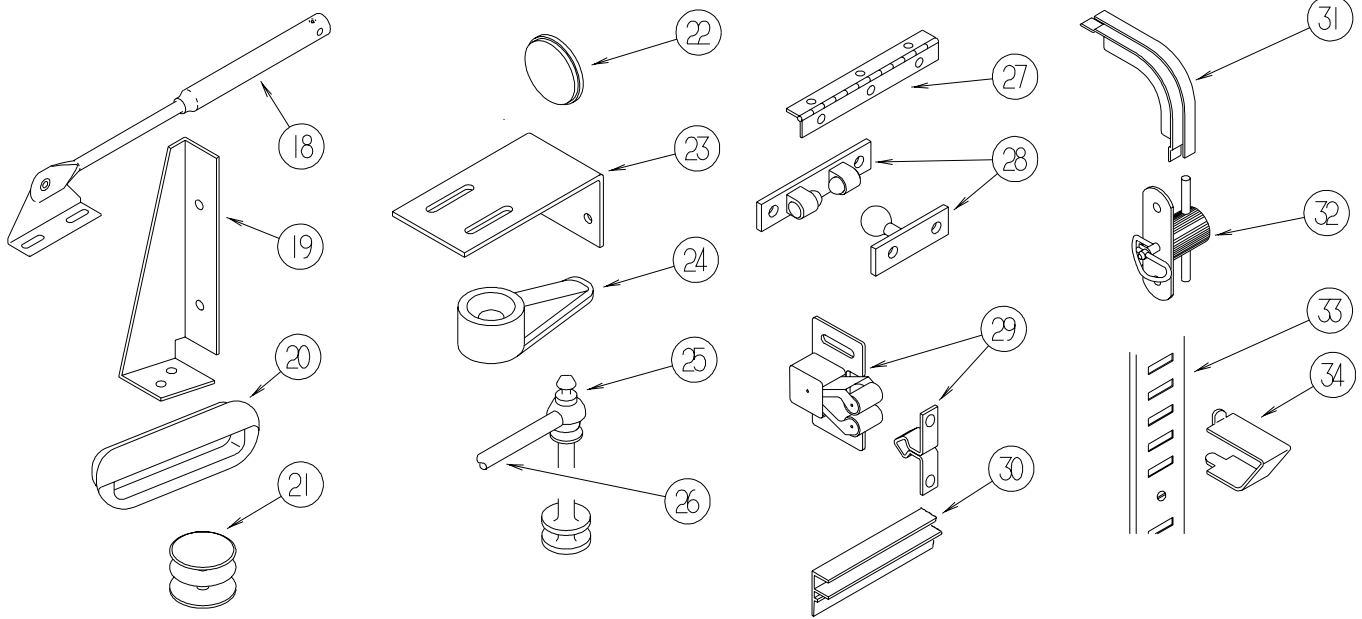
## INTERIOR FINISH GROUP (CONTINUED)

### HARDWARE



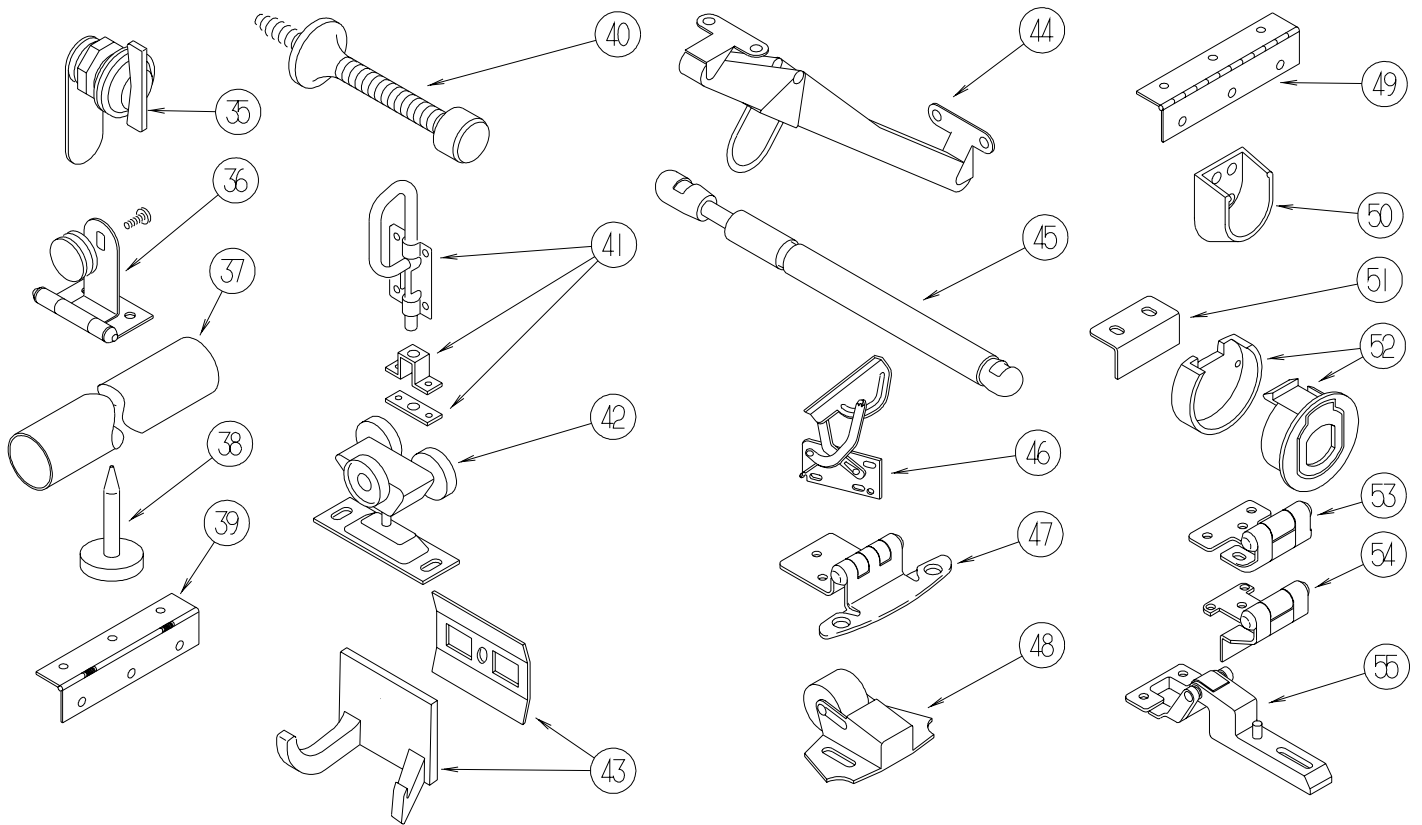
KEY	PART NUMBER	U/M	DESCRIPTION
1	P26866-09-KQ1	EA	HANDLE - DOOR/TAMBOUR - 14.7" - CHERRY/CHERRY III
1	P26866-10-K09	EA	HANDLE - DOOR/TAMBOUR - 11.6" - MAPLE/WASHED MAPLE
1	P26866-10-M07	EA	HANDLE - DOOR/TAMBOUR - 11.6" - ASH/PORTSMOUTH OAK - PORTSMOUTH OAK
2	004354-01-000	EA	BUMPER - RUBBER - .5" DIA - BROWN
2	023320-01-000	EA	PAD - FELT 3/8" DIAMETER
3	009013-01-000	EA	CATCH - BULLDOG - MALE/FEMALE
4	009021-01-000	EA	CATCH - GRILLE - NYLON
4	009021-02-000	EA	STRIKE - SPRING STEEL - .68"
5	009059-01-000	EA	HINGE - DOOR - 2" X 1.4" - BRASS
5	009059-02-000	EA	HINGE - DOOR - 2" X 2.7" - BRASS
5	009059-03-000	EA	HINGE - BRASS - 1.75"
5	041389-25-000	EA	HINGE - PIANO - 1 1/2" X 55" - UNPAINTED
6	009089-01-000	EA	CLIP - MIRROR
7	009112-01-000	EA	FLANGE - PLASTIC - 1" CLOTHES ROD - OFF WHITE
8	016604-01-000	EA	BRACE - ANGLE - 2 1/2" - UNPAINTED METAL
8	016604-05-000	EA	BRACE - ANGLE - 2 1/2" - OFF WHITE METAL
8	016604-07-000	EA	BRACE - ANGLE - 2 1/2" - VW GRAY
8	016604-09-000	EA	BRACE - ANGLE - VW LIGHT GRAY
9	042356-01-000	EA	PLUG - MAHOGANY - 3/8" DOWEL X 1/2" HEAD
9	074045-08-000	EA	PLUG - OAK - 3/8" DOWEL-1/2" HEAD - SALEM CHERRY
9	074045-12-000	EA	PLUG - OAK - 3/8" DOWEL-1/2" HEAD - WASHED MAPLE
9	074045-13-000	EA	PLUG - OAK - 3/8" DOWEL-1/2" HEAD - PORTSMOUTH OAK
10	042438-01-000	EA	DOWEL - WOOD - CLOTHES ROD - 1" X 4'
10	042438-02-000	EA	DOWEL - WOOD - CLOTHES ROD - 2" X 2'
10	042438-06-000	EA	DOWEL - WOOD - 1.5" X 26"
11	058335-03-000	EA	LATCH W/O LOCK - BATHROOM DOOR BLACK - <a href="#">RIALTA, 200-SERIES</a>
12	057460-02-000	EA	BALL STUD - F/GAS SPRING .39" - 5/16"-18
13	057460-04-000	EA	SPRING/GAS - BALL STUD STYLE - 120 PI - iSPD6209†
14	057671-01-000	EA	COVER - SCREW - OFF WHITE - #8
14	057671-13-000	EA	COVER - SCREW - DARK GRAY - #8
14	057671-15-000	EA	COVER - SCREW - #8 - BRIGHT WHITE
14	057671-16-000	EA	COVER - SCREW - #8 - SOFT WHITE
14	057671-17-000	EA	COVER - SCREW - VW LT GRAY - #8
15	064467-01-000	EA	GUIDE - POCKET - SLIDING DOOR - WALL MOUNTED
16	065740-01-000	EA	BRACE - CABINET/CORNER - PLASTIC
17	072871-01-000	EA	PULL - FLUSH - CHROME - <a href="#">RIALTA, 200-SERIES</a>

**INTERIOR FINISH GROUP (CONTINUED)**  
**HARDWARE (CONTINUED)**



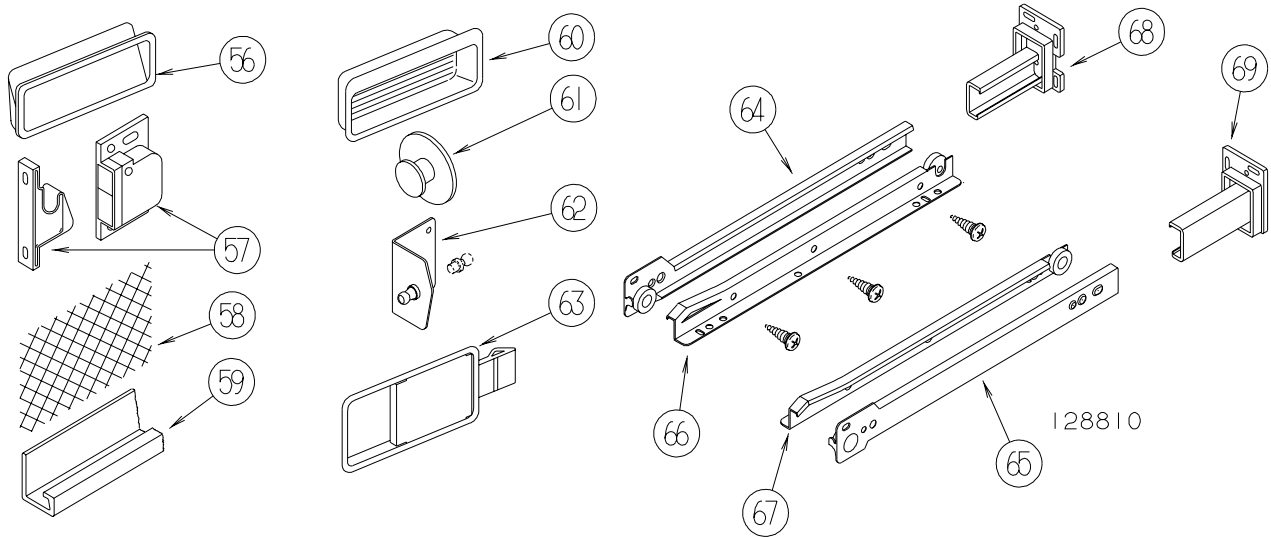
KEY	PART NUMBER	U/M	DESCRIPTION
18	074493-02-000	EA	SUPPORT - PISTON SPRING - CABINET DOOR - 26 LBS
18	074493-03-000	EA	SUPPORT - PISTON SPRING - CABINET DOOR - 12 LBS
18	074493-04-000	EA	SUPPORT - PISTON SPRING - CABINET DOOR - 32 LBS
19	076827-02-000	EA	BRACKET/LEG - 2.9" X 1.8" - TRIANGULAR - LEFT/E-COATED
20	080736-01-000	EA	PULL - RECESSED - 1.25" X 4" - OAK
21	081114-02-000	EA	CAP - INSERT - ROUND - 1" DIAMETER - WHITE PLASTIC
22	081914-01-000	EA	BUMPER - RUBBER - ROUND - 1/2" DIA. X 1/8" THICK
22	120760-01-000	EA	RUBBER BUMPER - CLEAR - .1" THICK X .8" DIAMETER
23	083125-07-000	EA	BRACE - ANGLE/COUCH - 2.5" - OFF WHITE
23	132871-02-02B	EA	BRACKET/L-ANGLE W/HOLES - 1.9" X 2.8" - E-COATED
24	083204-03-000	EA	BUTTON - RETAINING MIRROR 5/16" TIP
25	084070-03-000	EA	POST - END - 2.4" - SHINY BRASS
26	084071-05-000	EA	ROD - BRASS - 15"
26	084071-08-000	EA	ROD - BRASS - 9.3"
26	084071-19-000	EA	ROD - BRASS - 7.1"
26	084071-20-000	EA	ROD - BRASS - 9.8"
26	084071-23-000	EA	ROD - BRASS - 13.1"
26	084071-24-000	EA	ROD - BRASS - 3.8"
26	084071-28-000	EA	ROD - BRASS - 6"
26	084071-30-000	EA	ROD - BRASS - 11.6"
26	084071-31-000	EA	ROD - BRASS - 14.8"
26	084071-33-000	EA	ROD - BRASS - 20.4"
27	084413-01-000	EA	HINGE - 1" X 72" - ALUMINUM - W/HOLES
27	084625-07-000	EA	HINGE - ALUMINUM - W/HOLES - 13" - OFF/WHITE
27	084625-11-000	EA	HINGE - ALUMINUM - W/HOLES - 22" - OFF/WHITE
27	114278-02-000	EA	HINGE - CONTINUOUS - 3 1/2" WIDE
28	084451-01-000	EA	CATCH & LATCH - 1.7" - BRASS
29	093586-03-000	EA	CATCH - SPRING ROLLER - .377"
29	093586-04-000	EA	STRIKE - SPRING STEEL - 1.14"
29	093586-05-000	EA	STRIKE - SPRING STEEL - .943"
29	093586-06-000	EA	CATCH - SPRING ROLLER - .236"
30	093622-01-000	EA	TRACK - DOOR - TAMBOUR - PLASTIC - 8' LENGTHS
31	093623-01-000	EA	CORNER - TRACK - TAMBOUR DOOR
32	098196-01-000	EA	LATCH - 1/4 TURN - T-BAR
33	098979-01-000	EA	CLIP - ADJUSTABLE SHELF
34	098980-01-000	EA	PILASTER - ADJUSTABLE SHELF - 18"
34	098980-02-000	EA	PILASTER - ADJUSTABLE SHELF - 12"
34	098980-03-000	EA	PILASTER - ADJUSTABLE SHELF - 9"
34	098980-04-000	EA	PILASTER - ADJUSTABLE SHELF - 48"
34	098980-05-000	EA	PILASTER - ADJUSTABLE SHELF - 15"
34	098980-06-000	EA	PILASTER - ADJUSTABLE SHELF - 24"

**INTERIOR FINISH GROUP (CONTINUED)**  
**HARDWARE (CONTINUED)**



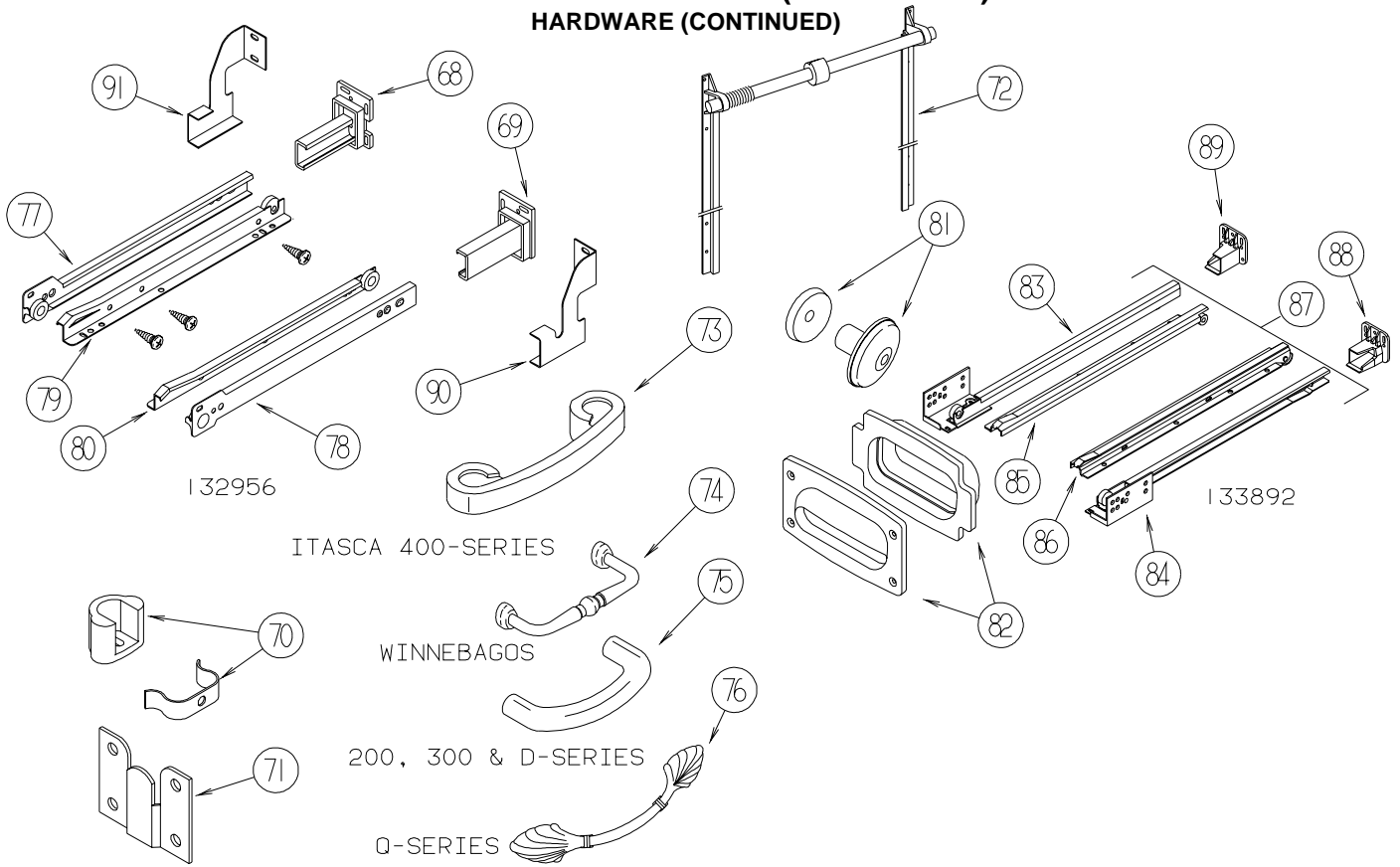
KEY	PART NUMBER	U/M	DESCRIPTION
35	100710-01-01A	EA	LOCK - GLASS DOOR/TWIST TYPE - BRASS
36	100711-01-01A	EA	HINGE - GLASS DOOR
37	102075-06-02A	EA	ROD - SHOWER CURTAIN - 1" OD X 33.5" - SOFT WHITE
37	102075-09-02A	EA	ROD - SHOWER CURTAIN - 3/4"OD X 29.5" - SOFT WHITE
37	102075-16-02A	EA	ROD - SHOWER CURTAIN - 3/4"OD X 34.2" - SOFT WHITE
37	102075-18-02A	EA	ROD - SHOWER CURTAIN - 1" OD X 38.9" - SOFT WHITE
38	102194-01-000	EA	GUIDE - PLASTIC - 1" (HEAD/PIN)
39	102920-01-01A	EA	HINGE - SPRING LOADED - BRASS
40	103194-01-000	EA	STOP - BATH DOOR
41	103256-01-000	EA	LATCH COMPLETE (SLIDE)
42	103874-01-000	EA	HANGER - SLIDING DOOR
43	104174-01-000	EA	HOOK - ROBE - DOUBLE
44	104181-01-01A	EA	SUPPORT - LEAF 5.3" EXTENDS TO 7.5" - SAFETY RING - METAL
45	107796-05-000	EA	BRACKET - SUPPORT - GAS SPRING TO BED - FLAT (LOWER)
45	107796-06-000	EA	SPRING/GAS - 12" COMPRESSED/20" EXTENDED - 120 LB.
45	107796-08-000	EA	SPRING/GAS - 11" COMPRESSED/17" EXTENDED - 60 LB.
45	107796-09-000	EA	SPRING/GAS - 5.5" COMPRESSED/7.5" EXTENDED - 40 LB.
45	107796-15-000	EA	SPRING/GAS - 24" COMPRESSED/40" EXTENDED - 15 LB.
45	107796-16-000	EA	SPRING/GAS - 6.4" COMPRESSED/9.6" EXTENDED - 65 LB.
46	108126-01-000	EA	TRAY HINGE SET (QTY. 2 PER SET)
47	107327-01-000	EA	HINGE - BURNISHED BRASS - SPRING SELF CLOSING - <b>WHEN CATCH &amp; STRIKE ARE NOT USED</b>
47	108138-01-000	EA	HINGE - CABINET DOOR - BURNISHED BRASS - <b>ULTIMATE ADVANTAGE &amp; FREEDOM, Q-SERIES</b>
47	108138-03-000	EA	HINGE - BRIGHT BRASS
48	109403-01-000	EA	CATCH - SINGLE ROLLER - SCREEN DOOR
49	110496-01-01A	EA	HINGE - BRASS
50	113236-01-01A	EA	BRACKET - CLOTHES - ROD
51	113375-02-01A	EA	STRIKE - DOOR - CHROME - <b>RIALTA, 200-SERIES</b>
52	113375-05-01A	EA	LATCH - SLAM - BACK - .8" THICK - <b>RIALTA, 200-SERIES</b>
52	113375-06-01A	EA	LATCH - SLAM - FACE - .7" THICK - <b>RIALTA, 200-SERIES</b>
53	113676-01-01A	EA	HINGE - OVERLAY - VARIABLE - BURNISHED BRASS - <b>RIALTA, 200-SERIES</b>
54	113677-01-01A	EA	HINGE - SELF CLOSING - <b>RIALTA, 200-SERIES</b>
55	114443-01-01A	EA	HINGE - CABINET DOOR

**INTERIOR FINISH GROUP (CONTINUED)**  
**HARDWARE (CONTINUED)**



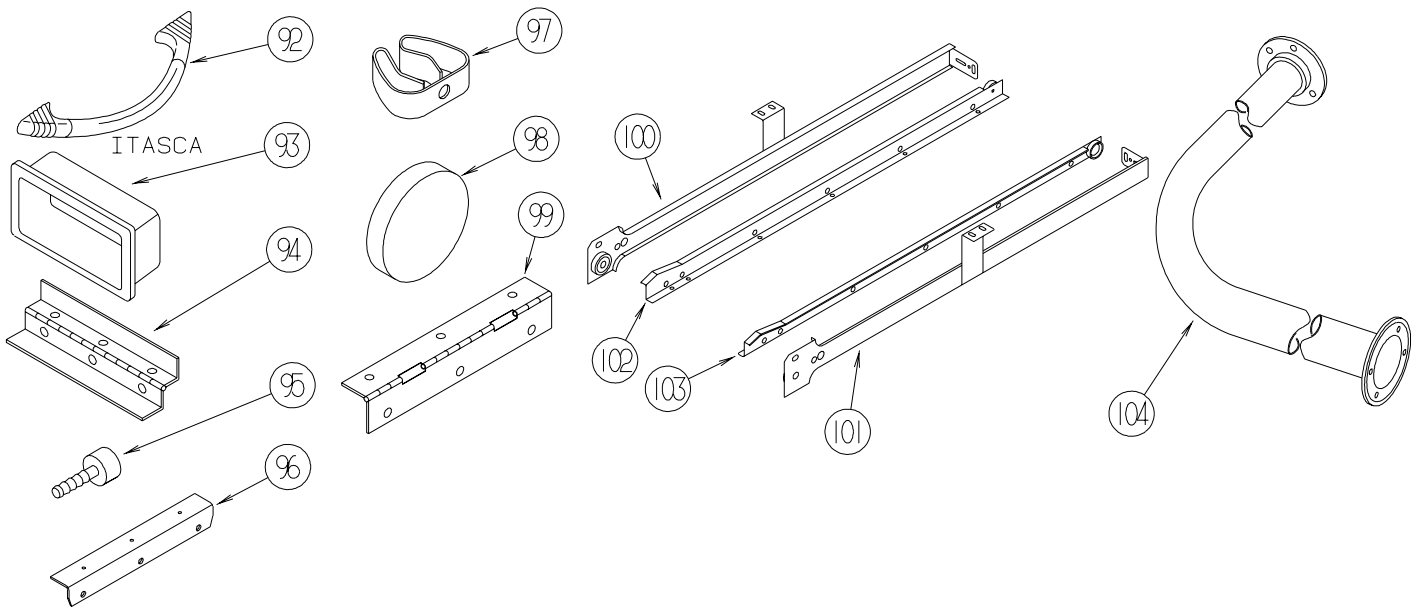
KEY	PART NUMBER	U/M	DESCRIPTION
56	115994-01-01A	EA	HANDLE - POCKET - <a href="#">RIALTA, 200-SERIES</a>
57	117095-01-01A	EA	LATCH - DOOR - GRABBER W/KEEPER - PLASTIC - BLK-5 LB PULL
58	118200-01-01A	SF	MESH - PLASTIC 1/2" - 48" X LENGTH = SF - BLACK
58	118200-07-01A	SF	MESH - PLASTIC 1/2" - 10.5" X 24.7" - BLACK
59	118933-01-01A	EA	SUPPORT - HINGE LOCK
60	124311-01-01A	EA	HANDLE - RECESSED - BRASS
61	125221-01-01A	EA	PULL - MIRROR - W/ROUND HANDLE
62	126263-06-02B	EA	BRACKET - GAS SPRING W/INSIDE BALL STUD - E-COATED
63	127349-01-01A	EA	LATCH - PADDLE - <a href="#">RIALTA, 200-SERIES</a>
64	128810-01-01A	EA	SLIDE - DRAWER - 12" - LEFT CABINET
64	128810-05-01A	EA	SLIDE - DRAWER - 14" - LEFT CABINET
64	128810-09-01A	EA	SLIDE - DRAWER - 16" - LEFT CABINET
64	128810-13-01A	EA	SLIDE - DRAWER - 18" - LEFT CABINET
64	128810-17-01A	EA	SLIDE - DRAWER - 20" - LEFT CABINET
64	128810-21-01A	EA	SLIDE - DRAWER - 22" - LEFT CABINET
64	128810-25-01A	EA	SLIDE - DRAWER - 24" - LEFT CABINET
64	128810-29-01A	EA	SLIDE - DRAWER - 9" - LEFT CABINET
65	128810-02-01A	EA	SLIDE - DRAWER - 12" - RIGHT CABINET
65	128810-06-01A	EA	SLIDE - DRAWER - 14" - RIGHT CABINET
65	128810-10-01A	EA	SLIDE - DRAWER - 16" - RIGHT CABINET
65	128810-10-01A	EA	SLIDE - DRAWER - 16" - RIGHT CABINET
65	128810-14-01A	EA	SLIDE - DRAWER - 18" - RIGHT CABINET
65	128810-18-01A	EA	SLIDE - DRAWER - 20" - RIGHT CABINET
65	128810-22-01A	EA	SLIDE - DRAWER - 22" - RIGHT CABINET
65	128810-26-01A	EA	SLIDE - DRAWER - 24" - RIGHT CABINET
65	128810-30-01A	EA	SLIDE - DRAWER - 9" - RIGHT CABINET
66	128810-03-01A	EA	SLIDE - DRAWER - 12" - LEFT DRAWER
66	128810-07-01A	EA	SLIDE - DRAWER - 14" - LEFT DRAWER
66	128810-11-01A	EA	SLIDE - DRAWER - 16" - LEFT DRAWER
66	128810-15-01A	EA	SLIDE - DRAWER - 18" - LEFT DRAWER
66	128810-19-01A	EA	SLIDE - DRAWER - 20" - LEFT DRAWER
66	128810-23-01A	EA	SLIDE - DRAWER - 22" - LEFT DRAWER
66	128810-27-01A	EA	SLIDE - DRAWER - 24" - LEFT DRAWER
66	128810-31-01A	EA	SLIDE - DRAWER - 9" - LEFT DRAWER
67	128810-04-01A	EA	SLIDE - DRAWER - 12" - RIGHT DRAWER
67	128810-08-01A	EA	SLIDE - DRAWER - 14" - RIGHT DRAWER
67	128810-12-01A	EA	SLIDE - DRAWER - 16" - RIGHT DRAWER
67	128810-16-01A	EA	SLIDE - DRAWER - 18" - RIGHT DRAWER
67	128810-20-01A	EA	SLIDE - DRAWER - 20" - RIGHT DRAWER
67	128810-24-01A	EA	SLIDE - DRAWER - 22" - RIGHT DRAWER
67	128810-28-01A	EA	SLIDE - DRAWER - 24" - RIGHT DRAWER
67	128810-32-01A	EA	SLIDE - DRAWER - 9" - RIGHT DRAWER
68	128811-01-01A	EA	BACKSOCKET - ADJUSTABLE - LEFT
69	128811-02-01A	EA	BACKSOCKET - ADJUSTABLE - RIGHT

## INTERIOR FINISH GROUP (CONTINUED) HARDWARE (CONTINUED)



KEY	PART NUMBER	U/M	DESCRIPTION
68	128811-01-01A	EA	BACKSOCKET - ADJUSTABLE - LEFT
69	128811-02-01A	EA	BACKSOCKET - ADJUSTABLE - RIGHT
70	129703-01-01A	EA	CATCH ASSEMBLY (SPRING)
71	130120-01-01A	EA	BRACKET - MIRROR
72	130787-01-000	EA	TRACK - TAMBOUR DOOR/SPRING - 15.9"
72	130787-02-000	EA	TRACK - TAMBOUR DOOR/SPRING - 24"
72	130787-04-000	EA	TRACK - TAMBOUR DOOR - SPRING
73	131962-01-01A	EA	PULL - DOOR/DRAWER - POLISHED BRASS - <b>SUNDANCER, ITASCA 400-SERIES ONLY</b>
74	131963-01-01A	EA	PULL - DOOR/DRAWER - POLISHED BRASS - <b>F, G, L, P &amp; 400-SERIES WINNEBAGOS</b>
75	131964-01-01A	EA	PULL - DOOR/DRAWER - POLISHED BRASS - <b>200, 300 &amp; D-SERIES</b>
76	131965-01-01A	EA	PULL - DOOR/DRAWER - 6.3" - BURNISHED BRASS - <b>ULTIMATE ADVANTAGE &amp; FREEDOM, Q-SERIES</b>
77	132956-01-01A	EA	SLIDE - DRAWER - LEFT CABINET - 37.5"
77	132956-05-01A	EA	SLIDE - DRAWER - LEFT CABINET - 32"
78	132956-02-01A	EA	SLIDE - DRAWER - RIGHT CABINET - 37.5"
78	132956-06-01A	EA	SLIDE - DRAWER - RIGHT CABINET - 32"
79	132956-03-01A	EA	SLIDE - DRAWER - LEFT DRAWER - 37.5"
79	132956-07-01A	EA	SLIDE - DRAWER - LEFT DRAWER - 32"
80	132956-04-01A	EA	SLIDE - DRAWER - RIGHT DRAWER - 37.5"
80	132956-08-01A	EA	SLIDE - DRAWER - RIGHT DRAWER - 32"
81	133313-01-01A	EA	PULL - DOOR/DRAWER - BURNISHED BRASS
81	133313-01-02A	EA	PULL - DOOR/DRAWER - BRIGHT BRASS
82	133607-01-01A	EA	PULL - LATCH - BLACK PLASTIC
83	133892-01-01A	EA	SLIDE - DRAWER - LEFT CABINET - 16"
83	133892-06-01A	EA	SLIDE - DRAWER - LEFT CABINET - 22"
84	133892-02-01A	EA	SLIDE - DRAWER - RIGHT CABINET - 16"
84	133892-07-01A	EA	SLIDE - DRAWER - RIGHT CABINET - 22"
85	133892-03-01A	EA	SLIDE - DRAWER - LEFT DRAWER - 16"
85	133892-08-01A	EA	SLIDE - DRAWER - LEFT DRAWER - 22"
86	133892-04-01A	EA	SLIDE - DRAWER - RIGHT DRAWER - 16"
86	133892-09-01A	EA	SLIDE - DRAWER - RIGHT DRAWER - 22"
87	133892-05-01A	EA	SLIDE - DRAWER - FULL SET - 9"
88	133907-01-01A	EA	BACKSOCKET - RIGHT HAND
89	133907-02-01A	EA	BACKSOCKET - LEFT HAND
90	134649-01-02B	EA	SUPPORT - BACKSOCKET - E-COATED
91	134649-02-02B	EA	SUPPORT - BACKSOCKET - E-COATED

**INTERIOR FINISH GROUP (CONTINUED)**  
**HARDWARE (CONTINUED)**



KEY	PART NUMBER	U/M	DESCRIPTION
92	137446-01-01A	EA	PULL - CABINET - CHROME/BRASS - F, G, L, P-SERIES ITASCAS
93	139136-01-01A	EA	HANDLE - RECESSED - 2.9" X 1.3"/2.7" X 1" X .7" C/O- BRASS
93	139136-02-01A	EA	HANDLE - RECESSED - 2.9" X 1.3"/2.7" X 1" X .4" C/O- BRASS
94	135538-01-01A	EA	HINGE - PIANO - FULL WRAP - BRASS PLATED
94	135538-02-01A	EA	HINGE - PIANO - FULL WRAP - STOCKER BRASS
94	135538-03-01A	EA	HINGE - PIANO - FULL WRAP - STOCKER BRASS
94	135538-04-01A	EA	HINGE - PIANO - FULL WRAP
94	135538-05-01A	EA	HINGE - PIANO - FULL WRAP
95	079921-01-000	EA	ROLLER - NYLON - W/STEEL SHAFT - BARBED
96	089025-01-000	EA	SUPPORT - SPRING TO BED - ANGLE 1.5" X 11.8"
97	091952-01-000	EA	CLIP - GRIPPER - 1"
98	122717-01-01A	EA	PAD - NON SKID - 4" DIAMETER ROUND
99	129753-01-01A	EA	HINGE - SPRING LOADED - 19" X 19" - BLACK
100	139566-01-01A	EA	SLIDE - DRAWER - 37.5" - LEFT CABINET
100	139566-05-01A	EA	SLIDE - DRAWER - 32" - LEFT CABINET
101	139566-02-01A	EA	SLIDE - DRAWER - 37.5" - RIGHT CABINET
101	139566-06-01A	EA	SLIDE - DRAWER - 32" - RIGHT CABINET
102	139566-03-01A	EA	SLIDE - DRAWER - 37.5" - LEFT DRAWER
102	139566-07-01A	EA	SLIDE - DRAWER - 32" - LEFT DRAWER
103	139566-04-01A	EA	SLIDE - DRAWER - 37.5" - RIGHT DRAWER
103	139566-08-01A	EA	SLIDE - DRAWER - 32" - RIGHT DRAWER
104	140494-01-02A	EA	ROD - SHOWER - SOFT WHITE
104	140494-01-01A	EA	ROD - SHOWER

## LABELS GROUP

SEWAGE

**KEY PART NUMBER U/M DESCRIPTION**  
006187-01-000 EA LABEL - SEWAGE

WASTE WATER

**KEY PART NUMBER U/M DESCRIPTION**  
006188-01-000 EA LABEL - WASTE WATER

EXIT

**KEY PART NUMBER U/M DESCRIPTION**  
039290-01-000 EA LABEL - WARNING - EXIT

↑  
OPEN

**KEY PART NUMBER U/M DESCRIPTION**  
040944-01-000 EA LABEL - ENTRANCE DOOR - iOPENi

### CAUTION

THIS MOTOR HOME HAS BEEN DESIGNED, MANUFACTURED AND TESTED WITH CONCERN FOR THE PROTECTION OF IT'S OCCUPANTS. WE RECOMMEND YOU PERFORM THE FOLLOWING INSPECTIONS FOR YOUR SAFETY AND THE SAFETY OF YOUR PASSENGERS BEFORE STARTING YOUR VEHICLE.

1. LP GAS SYSTEM- TURN OFF AT TANK FOR TRAVELING. TEST FOR LEAKS UPON ARRIVAL AT DESTINATION. BEFORE LIGHTING PILOTS.
2. WHEELS- INSPECT FOR DAMAGE AND CHECK LUG NUTS FOR TIGHTNESS.
3. TIRES- INSPECT FOR WEAR AND DAMAGE AND CHECK FOR RECOMMENDED AIR PRESSURE.
4. LIGHTING- TEST FOR PROPER OPERATION OF ALL INTERIOR AND EXTERIOR LIGHTS INCLUDING DASH LIGHTS, HEADLIGHTS, TAIL LIGHTS, BRAKE LIGHTS, CLEARANCE LIGHTS AND TURN SIGNALS.
5. EXITS- INSPECT RELEASE MECHANISM ON EMERGENCY EXIT WINDOW, TEST BOTH LOCKS ON MAIN ENTRANCE DOOR FOR EASE OF OPERATION AND INSTRUCT PASSENGERS HOW TO USE BOTH MEANS OF EXIT.
6. SEAT BELTS- DIRECT PASSENGERS TO DESIGNATED SEATS AND REQUIRE USE OF SEAT BELTS.
7. APPLIANCES- TURN OFF AND LATCH OR LOCK DOORS WHERE PROVIDED.
8. LOOSE PARCELS- STORE SECURELY.
9. UTILITY SUPPLY LINES- DISCONNECT ALL ELECTRIC, SEWER AND WATER LINES AND SECURE PROPERLY.
10. ENTRANCE DOOR STEP- PLACE IN RETRACTED POSITION FOR TRAVELING.

READ YOUR MOTOR HOME AND CHASSIS OWNER'S  
MANUAL FOR FURTHER PRECAUTIONS

**KEY PART NUMBER U/M DESCRIPTION**  
056259-01-000 EA LABEL - SAFETY CHECK LIST

UNLEADED FUEL ONLY

**KEY PART NUMBER U/M DESCRIPTION**  
062043-01-000 EA LABEL - FUEL - UNLEADED



## LABELS GROUP (CONTINUED)

**WARNING** DISCONNECT BATTERIES BEFORE  
CONNECTING EXTERNAL CHARGING EQUIPMENT.

**KEY PART NUMBER U/M DESCRIPTION**  
065748-01-000 EA LABEL - CAUTION - BATTERY CHARGING

AVERTISSEMENT : DEBRANCHER LES BATTERIES AVANT  
DE BRANCHER TOUT EQUIPEMENT DE CHARGE EXTERIEUR.

**KEY PART NUMBER U/M DESCRIPTION**  
065748-02-000 EA LABEL - WARNING - BATTERY/FRENCH - CANADIAN

DIESEL FUEL ONLY

**KEY PART NUMBER U/M DESCRIPTION**  
068383-01-000 EA LABEL - DIESEL FUEL

VEHICLE EMISSION CONTROL INFORMATION

THIS VEHICLE CONFORMS TO U.S. EPA  
REGULATIONS APPLICABLE TO XXXX MODEL  
YEAR NEW VEHICLES.

072887-01-000-2 CATALYST

**KEY PART NUMBER U/M DESCRIPTION**  
072887-13-000 EA LABEL - EPA - 2001 MODEL YEAR

IF YOU SMELL GAS

1. EXTINGUISH ANY OPEN FLAME, PILOT LIGHTS AND ALL SMOKING MATERIALS.
2. DO NOT TOUCH ELECTRICAL SWITCHES.
3. SHUT OFF THE GAS SUPPLY AT THE TANK VALVE(S) OR GAS SUPPLY CONNECTION.
4. OPEN DOORS AND OTHER VENTILATING OPENINGS.
5. LEAVE THE AREA UNTIL ODOR CLEARS.
6. HAVE THE GAS SYSTEM CHECKED AND LEAKAGE SOURCE CORRECTED BEFORE USING AGAIN.

**KEY PART NUMBER U/M DESCRIPTION**  
073998-01-000 EA LABEL - LPG ODOR WARNING

WARNING: TEST SMOKE DETECTOR  
OPERATION AFTER VEHICLE HAS BEEN IN  
STORAGE, BEFORE EACH TRIP AND AT  
LEAST ONCE PER WEEK DURING USE.

**KEY PART NUMBER U/M DESCRIPTION**  
077956-01-000 EA LABEL - WARNING - SMOKE DETECTOR

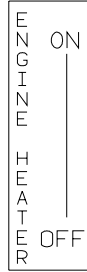
WARNING  
MUST BE STOWED  
IN LATCHED POSITION  
WHILE VEHICLE IS IN MOTION

**KEY PART NUMBER U/M DESCRIPTION**  
079966-01-000 EA LABEL - WARNING - STOWED - MOTION

## LABELS GROUP (CONTINUED)



**KEY PART NUMBER U/M DESCRIPTION**  
 083588-01-000 EA LABEL - ON/OFF - WATER HEATER



**KEY PART NUMBER U/M DESCRIPTION**  
 083588-02-000 EA LABEL - ON/OFF - ENGINE HEATER

<b>CAUTION</b>	TO HELP AVOID PERSONAL INJURY DURING REMOVAL OF FUEL FILLER CAP, SLOWLY LOOSEN CAP 1/2 TURN TO ALLOW ANY FUEL PRESSURE TO BE RELIEVED BEFORE TURNING CAP FURTHER.
FUEL SPRAY MAY CAUSE PERSONAL INJURY	STOP ADDING FUEL AFTER FIRST SHUTOFF BY AUTOMATIC NOZZLE WHEN TANK IS NEARLY FULL. DO NOT OVERFILL FUEL TANK. SEE OWNERS MANUAL FOR ADDITIONAL INFORMATION. <small>PRINTED IN U.S.A. <span style="float: right;">WLC PT NO 15611763</span></small>

**KEY PART NUMBER U/M DESCRIPTION**  
 087207-05-000 EA LABEL - FUEL CAP REMOVAL



**KEY PART NUMBER U/M DESCRIPTION**  
 087236-01-000 EA LABEL - CABLE - INPUT

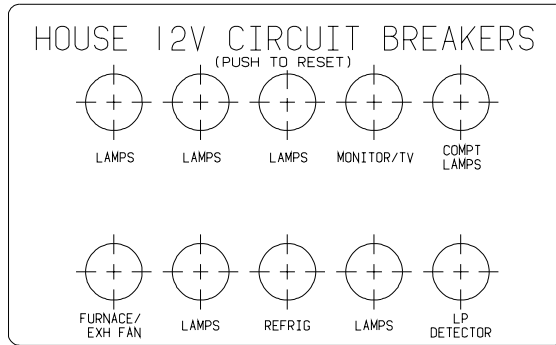


**KEY PART NUMBER U/M DESCRIPTION**  
 087236-02-000 EA LABEL - TV OUTLET

AIR CONDITIONING CIRCUIT.  
 THIS CONNECTION IS FOR  
 AIR CONDITIONERS RATED 110-  
 125 VOLT AC, 60 HZ, 16  
 AMPERES MAXIMUM. DO NOT  
 EXCEED CIRCUIT RATING.

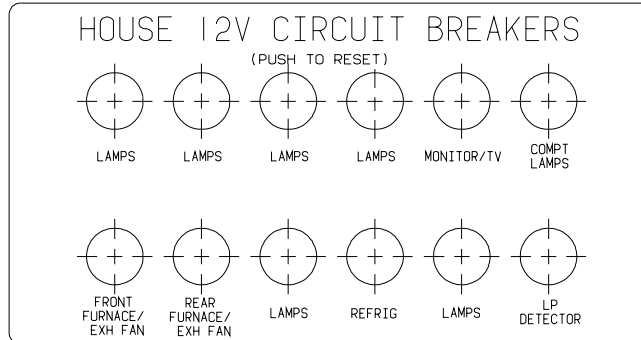
**KEY PART NUMBER U/M DESCRIPTION**  
 091243-01-000 EA LABEL - A/C COVER ìAIR CONDITIONING CIRCUIT ETC.î

## LABELS GROUP (CONTINUED)



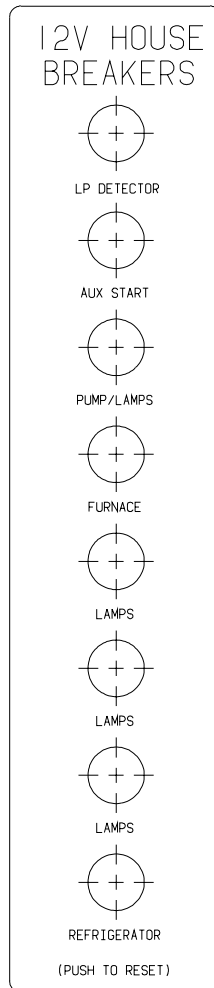
**KEY PART NUMBER**  
092547-06-000

**U/M DESCRIPTION**  
EA LABEL - CIRCUIT BREAKER



**KEY PART NUMBER**  
092547-07-000

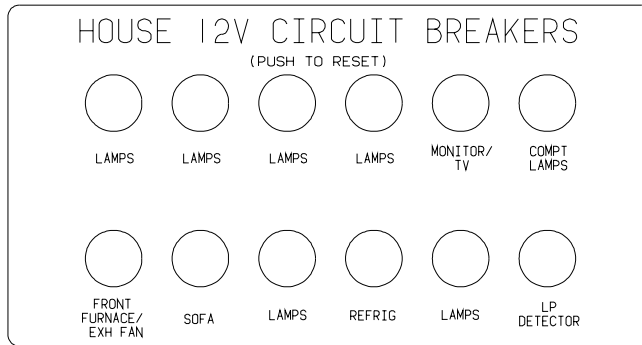
**U/M DESCRIPTION**  
EA LABEL - CIRCUIT BREAKER



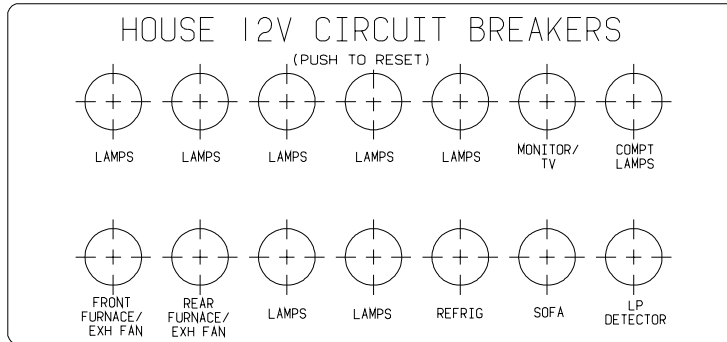
**KEY PART NUMBER**  
092547-08-000

**U/M DESCRIPTION**  
EA LABEL - CIRCUIT BREAKER

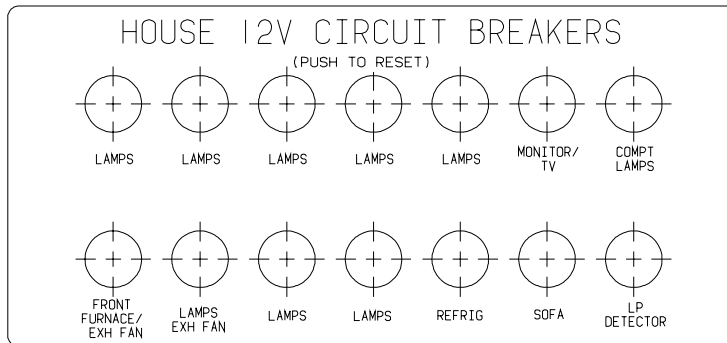
## LABELS GROUP (CONTINUED)



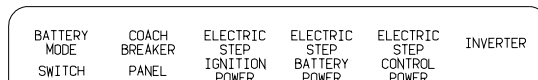
**KEY PART NUMBER** 092547-10-000 **U/M DESCRIPTION**  
EA LABEL - CIRCUIT BREAKER



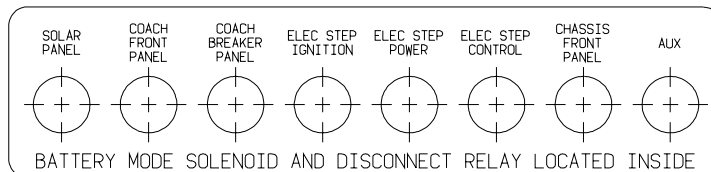
**KEY PART NUMBER** 092547-11-000 **U/M DESCRIPTION**  
EA LABEL - CIRCUIT BREAKER



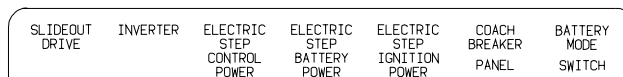
**KEY PART NUMBER** 092547-12-000 **U/M DESCRIPTION**  
EA LABEL - CIRCUIT BREAKER



**KEY PART NUMBER** 093236-08-000 **U/M DESCRIPTION**  
EA LABEL - CIRCUIT BREAKER



**KEY PART NUMBER** 093236-13-000 **U/M DESCRIPTION**  
EA LABEL - CIRCUIT BREAKER



**KEY PART NUMBER** 093236-15-000 **U/M DESCRIPTION**  
EA LABEL - CIRCUIT BREAKER

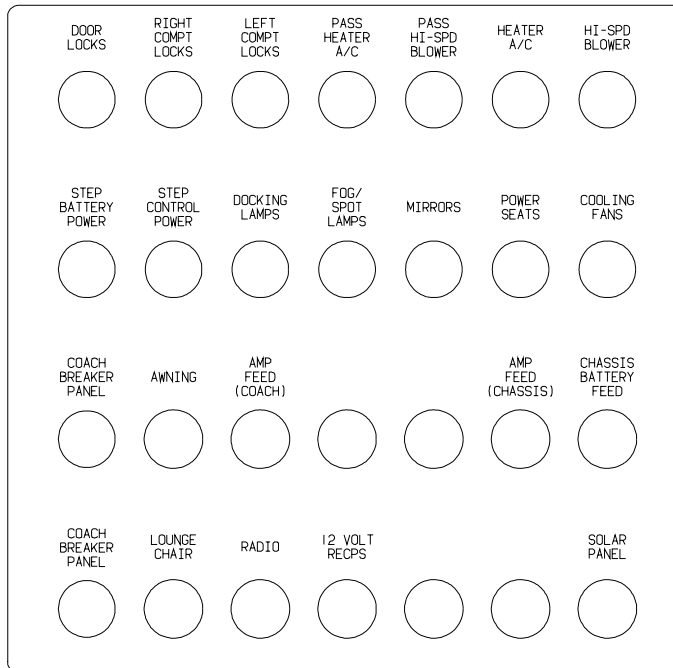
## LABELS GROUP (CONTINUED)

BATTERY MODE SWITCH	COACH BREAKER PANEL	ELECTRIC STEP IGNITION POWER	ELECTRIC STEP BATTERY POWER	ELECTRIC STEP CONTROL POWER	INVERTER	SLIDEOUT POWER
---------------------------	---------------------------	---------------------------------------	--------------------------------------	--------------------------------------	----------	-------------------

**KEY PART NUMBER U/M DESCRIPTION**  
 093236-18-000 EA LABEL - CIRCUIT BREAKER

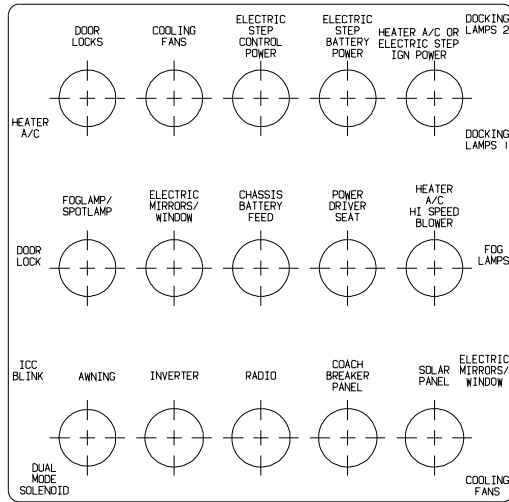
SLIDEOUT CONTROL	BATTERY MODE SWITCH	COACH BREAKER PANEL	ELECTRIC STEP IGNITION POWER	ELECTRIC STEP BATTERY POWER	ELECTRIC STEP CONTROL POWER	INVERTER
---------------------	---------------------------	---------------------------	---------------------------------------	--------------------------------------	--------------------------------------	----------

**KEY PART NUMBER U/M DESCRIPTION**  
 093236-21-000 EA LABEL - CIRCUIT BREAKER



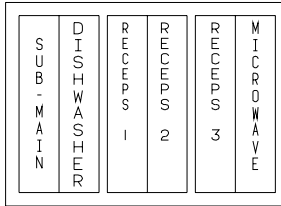
**KEY PART NUMBER U/M DESCRIPTION**  
 093236-22-000 EA LABEL - CIRCUIT BREAKER

## LABELS GROUP (CONTINUED)



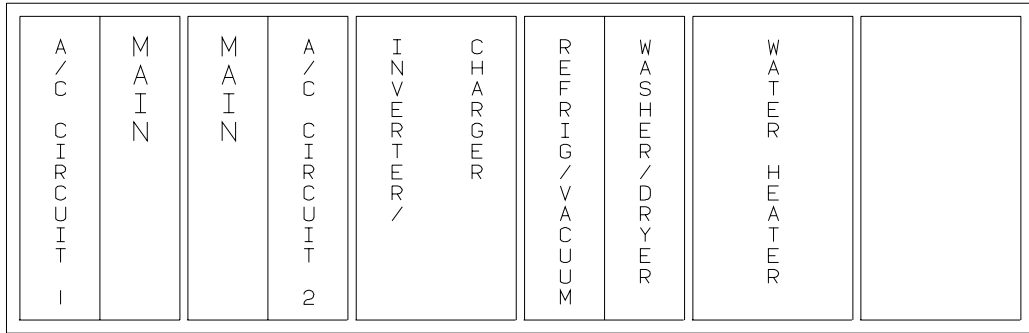
**KEY PART NUMBER**  
093236-23-000

**U/M DESCRIPTION**  
EA LABEL - CIRCUIT BREAKER - MAIN



**KEY PART NUMBER**  
095721-20-000

**U/M DESCRIPTION**  
EA LABEL - CONTROL CENTER W/INVERTER



**KEY PART NUMBER**  
095721-22-000

**U/M DESCRIPTION**  
EA LABEL - CONTROL CENTER - 50 AMP

## LABELS GROUP (CONTINUED)

A / C C I R C U I T 1	M A I N	A / C C I R C U I T 2	R E F F R I G / C O N V	M I C R O W A V E	R E C P S 1	R E C P S 2	R E C P S 3	W A S H E R / D R Y E R	W A T E R H E A T E R	
-----------------------------	---------	-----------------------------	-------------------------	-------------------	----------------	----------------	----------------	-------------------------	--------------------------	--

**KEY PART NUMBER**  
095721-31-000

**U/M DESCRIPTION**  
EA LABEL - CONTROL CENTER - 30 AMP - US

A / C C I R C U I T 1	M A I N	A / C C I R C U I T 2	I N V E R T E R / C H A R G E R	R E F F R I G E R A T O R	W A S H E R / D R Y E R	W A T E R H E A T E R	
-----------------------------	---------	-----------------------------	------------------------------------	---------------------------	-------------------------	--------------------------	--

**KEY PART NUMBER**  
095721-32-000

**U/M DESCRIPTION**  
EA LABEL - CONTROL CENTER - 30 AMP W/INVERTER

A / C C I R C U I T 1	M A I N	M A I N	A / C C I R C U I T 2	R E F F R I G / C O N V	M I C R O W A V E	R E C P S 1	R E C P S 2	R E C P S 3	W A S H E R / D R Y E R	W A T E R H E A T E R
-----------------------------	---------	---------	-----------------------------	-------------------------	-------------------	----------------	----------------	----------------	-------------------------	--------------------------

**KEY PART NUMBER**  
095721-33-000

**U/M DESCRIPTION**  
EA LABEL - CONTROL CENTER - 50 AMP - US

A / C C I R C U I T 1	M A I N	M A I N	A / C C I R C U I T 2	I N V E R T E R / C H A R G E R	R E F F R I G E R A T O R	W A S H E R / D R Y E R	W A T E R H E A T E R	
-----------------------------	---------	---------	-----------------------------	------------------------------------	---------------------------	-------------------------	--------------------------	--

**KEY PART NUMBER**  
095721-34-000

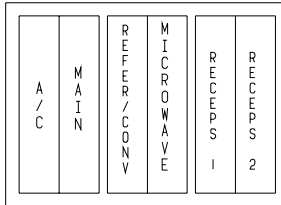
**U/M DESCRIPTION**  
EA LABEL - CONTROL CENTER - 50 AMP

M A I N	M I C R O W A V E	G F I / R E C E P S	R E F E R / C O N V	W A T E R H T R	A / C
---------	-------------------	---------------------	---------------------	--------------------	-------

**KEY PART NUMBER**  
095721-38-000

**U/M DESCRIPTION**  
EA LABEL - CONTROL CENTER - 30 AMP - US

## LABELS GROUP (CONTINUED)



**KEY PART NUMBER U/M DESCRIPTION**  
 095721-40-000 EA LABEL - CONTROL CENTER

AUTOMOTIVE AND COACH  
CIRCUIT BREAKERS

**KEY PART NUMBER U/M DESCRIPTION**  
 098379-01-000 EA LABEL - CIRCUIT BREAKER - FRONT BOX

CIRCUIT BREAKERS  
AND AUTOMOTIVE  
FUSE PANEL

**KEY PART NUMBER U/M DESCRIPTION**  
 098379-03-000 EA LABEL - ELECTRICAL BOX - FRONT

BATTERY MODE  
SOLENOID AND  
RELAYS

**KEY PART NUMBER U/M DESCRIPTION**  
 098379-04-000 EA LABEL - ELECTRICAL BOX - SIDE

UNLEADED  
FUEL ONLY

**KEY PART NUMBER U/M DESCRIPTION**  
 098641-01-000 EA LABEL - FUEL - UNLEADED - DASH

FOR AWNING INSTALLATION  
CONTACT YOUR MOTORHOME  
DEALERSHIP

**KEY PART NUMBER U/M DESCRIPTION**  
 099509-01-000 EA LABEL - AWNING INSTALLATION

WARNING  
THIS VEHICLE, LIKE OTHER  
VEHICLES, MAY CONTAIN SMALL  
AMOUNTS OF ONE OR MORE  
SUBSTANCES WHICH ARE LISTED  
BY THE STATE OF CALIFORNIA  
FOR CAUSING CANCER OR  
REPRODUCTIVE TOXICITY.

**KEY PART NUMBER U/M DESCRIPTION**  
 099689-01-000 EA LABEL - WARNING - CANCER/TOXICITY



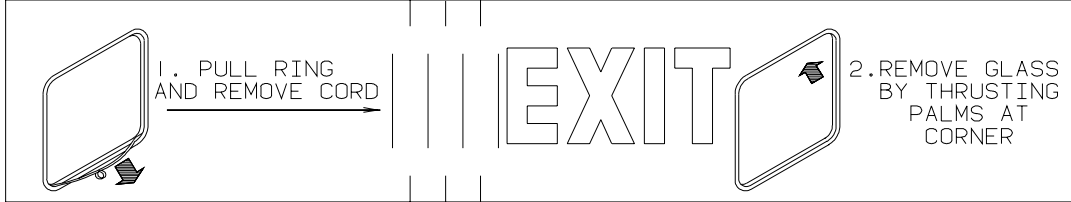
## LABELS GROUP (CONTINUED)

NOTE: TUNE ANTENNA  
PER MANUFACTURER'S  
DIRECTIONS. FAILURE TO  
COMPLY COULD RESULT IN  
DAMAGE TO CB.

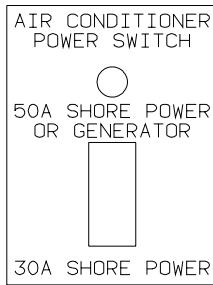
CB POWER PROVISION

RED +12 V  
BLACK GROUND  
COAX ANTENNA  
(SEE REVERSE ALSO)

**KEY PART NUMBER U/M DESCRIPTION**  
104678-01-000 EA LABEL - CB PREP



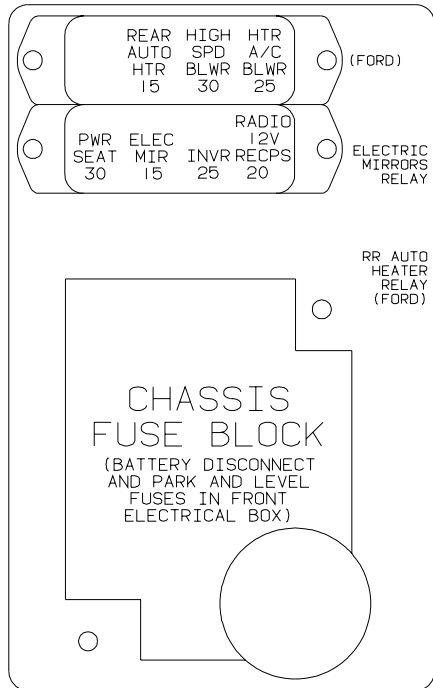
**KEY PART NUMBER U/M DESCRIPTION**  
107571-01-000 EA LABEL - EXIT/ESCAPE WINDOW



**KEY PART NUMBER U/M DESCRIPTION**  
109051-02-000 EA LABEL - SWITCH - 50 AMP POWER

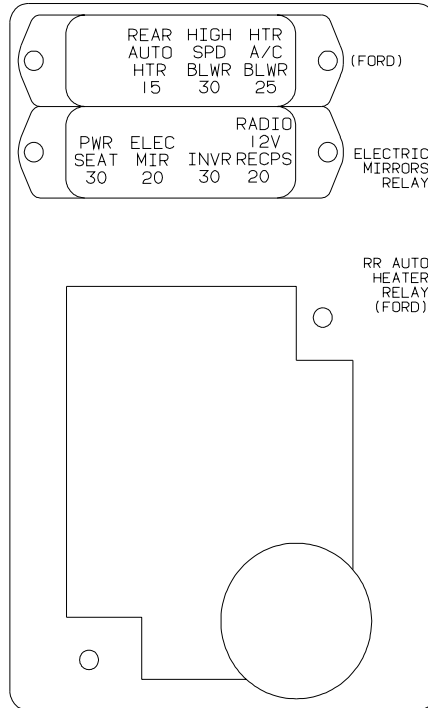


**KEY PART NUMBER U/M DESCRIPTION**  
111104-01-000 EA LABEL - HITCH - READ MANUAL - WHITE



**KEY PART NUMBER U/M DESCRIPTION**  
111537-08-000 EA LABEL - FUSES

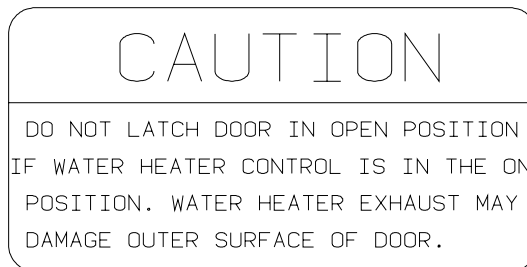
## LABELS GROUP (CONTINUED)



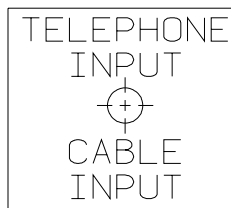
**KEY PART NUMBER U/M DESCRIPTION**  
 111537-09-000 EA LABEL - FUSES

WARNING: CONTAINS "CFC" A SUBSTANCE WHICH HARMS PUBLIC HEALTH AND ENVIRONMENT BY DESTROYING OZONE IN THE UPPER ATMOSPHERE.

**KEY PART NUMBER U/M DESCRIPTION**  
 111802-01-000 EA LABEL - CFC WARNING

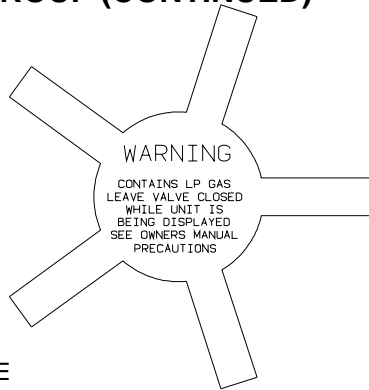


**KEY PART NUMBER U/M DESCRIPTION**  
 113402-01-000 EA LABEL - CAUTION - WATER HEATER EXHAUST



**KEY PART NUMBER U/M DESCRIPTION**  
 114866-02-000 EA LABEL - PHONE & CABLE INPUT - WHITE/CLEAR BACKGROUND  
 114866-03-000 EA LABEL - PHONE & CABLE INPUT - BLACK/CLEAR BACKGROUND

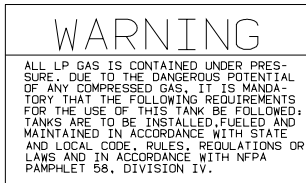
## LABELS GROUP (CONTINUED)



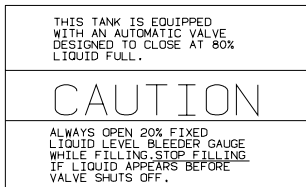
**KEY PART NUMBER U/M DESCRIPTION**  
 115600-01-000 EA LABEL - WARNING LPG VALVE

WARNING: REPLACE TIRE ONLY WITH ONE OF EXACTLY SAME TYPE AND RATING. DO NOT REPLACE WITH PASSENGER CAR TIRE. SEE OPERATOR'S MANUAL FOR MORE INFORMATION CALL WINNEBAGO OWNER RELATIONS AT 1-800-537-1885.

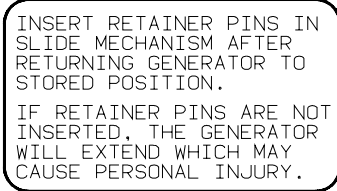
**KEY PART NUMBER U/M DESCRIPTION**  
 115869-01-000 EA LABEL - WARNING - TIRE



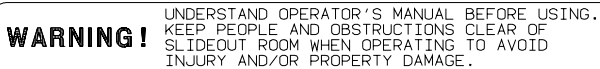
**KEY PART NUMBER U/M DESCRIPTION**  
 116112-01-000 EA LABEL - WARNING - LP



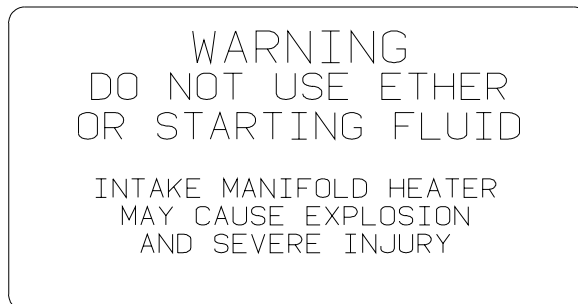
**KEY PART NUMBER U/M DESCRIPTION**  
 116113-01-000 EA LABEL - CAUTION - LP



**KEY PART NUMBER U/M DESCRIPTION**  
 116273-01-000 EA LABEL - WARNING - GENERATOR

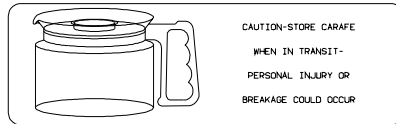


**KEY PART NUMBER U/M DESCRIPTION**  
 116549-01-000 EA LABEL - WARNING - SLIDEOUT



**KEY PART NUMBER U/M DESCRIPTION**  
 116756-02-000 EA LABEL - WARNING - ETHER/STARTING

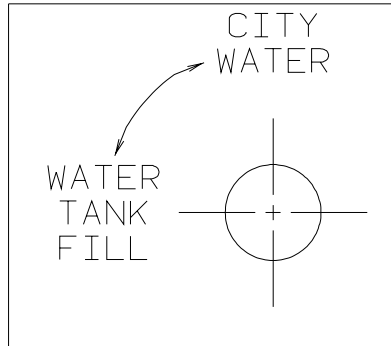
## LABELS GROUP (CONTINUED)



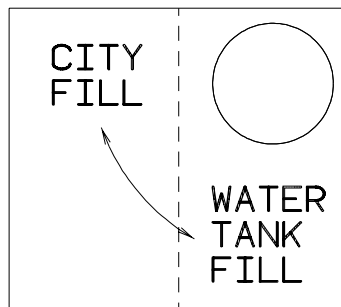
**KEY PART NUMBER U/M DESCRIPTION**  
116829-02-000 EA LABEL - COFFEEMAKER



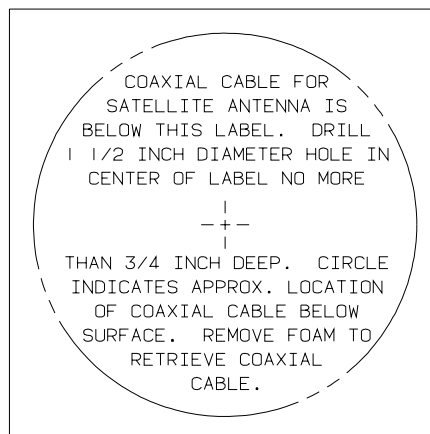
**KEY PART NUMBER U/M DESCRIPTION**  
117628-02-000 EA LABEL - SWITCH - WATER PUMP/LIGHTS-WHITE/CLEAR BACKGROUND



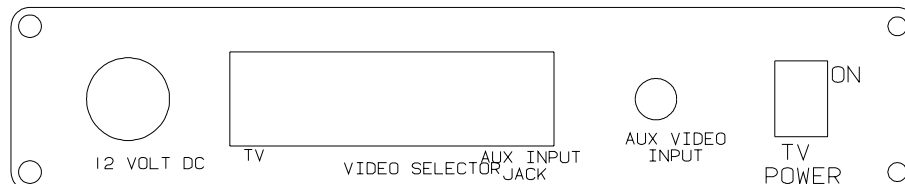
**KEY PART NUMBER U/M DESCRIPTION**  
117629-03-000 EA LABEL - WATER PUMP/FILL-BLK LETTERS/CLEAR BACKGROUND-.31"



**KEY PART NUMBER U/M DESCRIPTION**  
117629-04-000 EA LABEL - CITY WATER/TANK FILL



**KEY PART NUMBER U/M DESCRIPTION**  
120431-01-000 EA LABEL - LOCATION - COAXIAL CABLE/SATELLITE ANTENNA



**KEY PART NUMBER U/M DESCRIPTION**  
120677-01-000 EA LABEL - TV

## LABELS GROUP (CONTINUED)

KEEP THE SERVICE INLET ACCESS  
IN THE CLOSED POSITION WHEN  
UTILITY CONNECTIONS ARE NOT IN USE

KEY	PART NUMBER	U/M DESCRIPTION
	123562-01-000	EA LABEL - SERVICE/UTILITY ACCESS

WARNING

ALL PILOT LIGHTS, APPLIANCES AND THEIR  
IGNITORS (SEE OPERATING INSTRUCTIONS) SHALL  
BE TURNED OFF DURING REFUELING OF MOTOR  
FUEL TANKS AND/OR LP GAS CONTAINERS

KEY	PART NUMBER	U/M DESCRIPTION
	124519-01-01A	EA LABEL - WARNING/REFUELING - BLACK ON CLEAR
	124519-01-02A	EA LABEL - WARNING/REFUELING - WHITE ON CLEAR

WARNING:

ALL PILOT LIGHTS AND APPLIANCES SHALL BE TURNED  
OFF DURING REFUELING OF MOTOR FUEL TANKS AND/  
OR PROPANE CONTAINERS.

AVERTISSEMENT :

FERMER TOUTES LES VEILLEUSES AINSI QUE TOUS LES  
APPAREILS LORSQU'ON FAIT LE PLEIN DES RESERVOIRS  
À CARBURANT OU À PROPANE.

124519-02

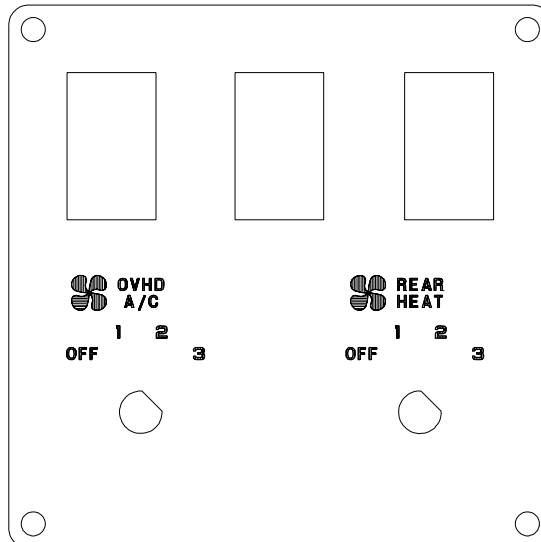
KEY	PART NUMBER	U/M DESCRIPTION
	124519-02-01A	EA LABEL - WARNING/REFUELING - BLACK ON CLEAR - CSA
	124519-02-02A	EA LABEL - WARNING/REFUELING - WHITE ON CLEAR - CSA

LP-GAS SYSTEM  
THIS GAS PIPING SYSTEM IS  
DESIGNED FOR USE OF  
LIQUIFIED PETROLEUM GAS  
ONLY. DO NOT CONNECT  
NATURAL GAS TO THIS  
SYSTEM.

SECURE CAP INLET(S) WHEN NOT  
CONNECTED FOR USE. AFTER TURNING  
ON GAS, EXCEPT AFTER NORMAL  
CONTAINER REPLACEMENT, TEST GAS  
PIPING AND CONNECTIONS TO  
APPLIANCES FOR LEAKAGE WITH SOAPY  
WATER OR BUBBLE SOLUTION. DO NOT  
USE PRODUCTS THAT CONTAIN AMMONIA  
OR CLORINE.

124520

KEY	PART NUMBER	U/M DESCRIPTION
	124520-01-01A	EA LABEL - LP GAS ONLY - BLACK ON CLEAR
	124520-01-02A	EA LABEL - LP GAS ONLY - WHITE ON CLEAR



KEY	PART NUMBER	U/M DESCRIPTION
	124572-01-000	EA LABEL - SWITCHES

## LABELS GROUP (CONTINUED)

THIS CONNECTION IS FOR  
 (B) VOLT AC, 60 HZ (CYCLES)  
 (A) AMPERE SUPPLY

DO NOT CONNECT TO  
 HIGHER VOLTAGE

KEY	PART NUMBER	U/M	DESCRIPTION
	125306-01-01A	EA	LABEL - ELECTRICAL ENTRANCE - 110V 30 AMP - BLACK ON CLEAR
	125306-01-02A	EA	LABEL - ELECTRICAL ENTRANCE - 110V 30 AMP - WHITE ON CLEAR

THIS CONNECTION IS FOR  
 (B) VOLT AC, 3-POLE, 4 WIRE  
 60 HZ (CYCLES), (A) AMPERE SUPPLY

DO NOT CONNECT TO  
 HIGHER VOLTAGE

KEY	PART NUMBER	U/M	DESCRIPTION
	125306-04-01A	EA	LABEL-ELECTRICAL ENTRANCE-120/240V 50 AMP-BLACK ON CLEAR
	125306-04-02A	EA	LABEL - ELECTRICAL ENTRANCE-120/240V 50 AMP-WHITE ON CLEAR



KEY	PART NUMBER	U/M	DESCRIPTION
	125697-07-000	EA	LABEL - CAUTION - FLUSHING SYSTEM

REMOVE PRIMARY TIRE HANGER BEFORE USING  
 SPARE TIRE HOIST-SEE OWNERS MANUAL - PERSONAL  
 INJURY MAY RESULT IF NOT FOLLOWED

KEY	PART NUMBER	U/M	DESCRIPTION
	126024-01-01A	EA	LABEL - TIRE HANGER REMOVAL

# GRAY HOLDING TANK

KEY	PART NUMBER	U/M	DESCRIPTION
	126247-05-000	EA	LABEL - GRAY HOLDING TANK-BLACK LETTERS/CLEAR BACKGROUND

# BLACK HOLDING TANK

KEY	PART NUMBER	U/M	DESCRIPTION
	126247-06-000	EA	LABEL - BLACK HOLDING TANK-BLACK LETTERS/CLEAR BACKGROUND

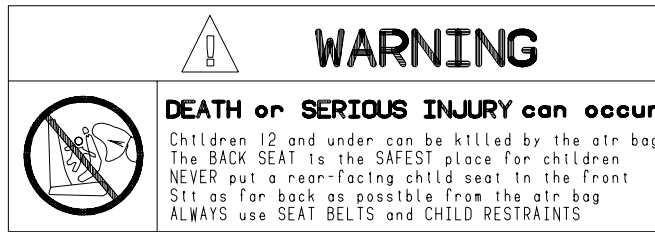
# EXTERIOR SHOWER

KEY	PART NUMBER	U/M	DESCRIPTION
	126248-03-000	EA	LABEL - EXTERIOR SHOWER

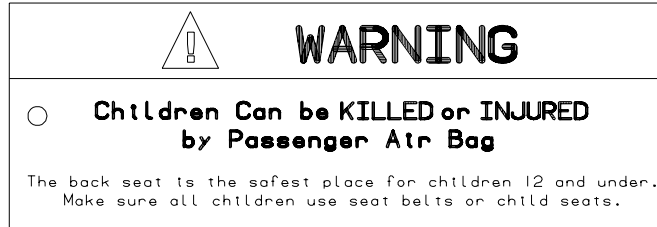
# CITY WATER FILL

KEY	PART NUMBER	U/M	DESCRIPTION
	126249-03-000	EA	LABEL - CITY WATER FILL-BLK LETTERS/CLEAR BACKGROUND .31"

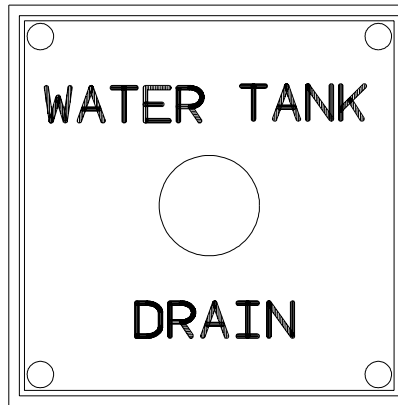
**LABEL GROUP (CONTINUED)**



**KEY PART NUMBER U/M DESCRIPTION**  
 126611-01-000 EA LABEL - AIR BAG - VISOR



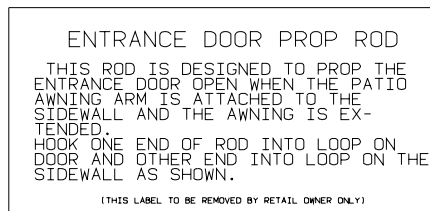
**KEY PART NUMBER U/M DESCRIPTION**  
 126612-01-000 EA LABEL - HANG TAG - AIR BAG - DASH



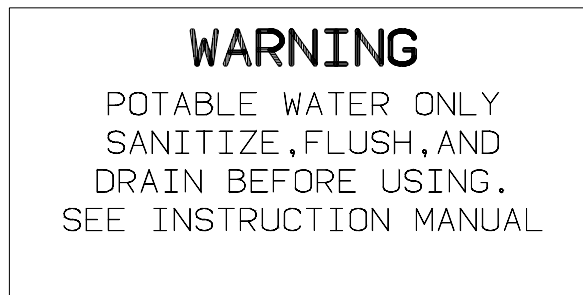
**KEY PART NUMBER U/M DESCRIPTION**  
 127170-01-000 EA LABEL - WATER TANK DRAIN



**KEY PART NUMBER U/M DESCRIPTION**  
 128218-01-01A EA LABEL - WARNING - SLIPPERY ROOF

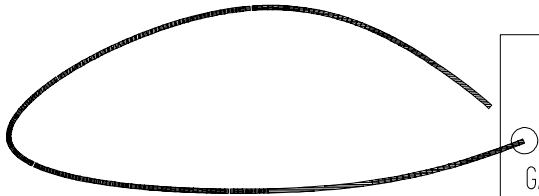


**KEY PART NUMBER U/M DESCRIPTION**  
 128658-01-000 EA LABEL - PROP ROD - ENTRY DOOR



**KEY PART NUMBER U/M DESCRIPTION**  
 128725-01-01A EA LABEL - POTABLE WATER ONLY - BLACK ON CLEAR

**LABELS GROUP (CONTINUED)**



**ATTENTION**  
 REMEMBER TO DETACH THE OTHER TRAVEL LATCH LOCATED IN GALLEY CABINET BEFORE EXTENDING THIS ROOM.

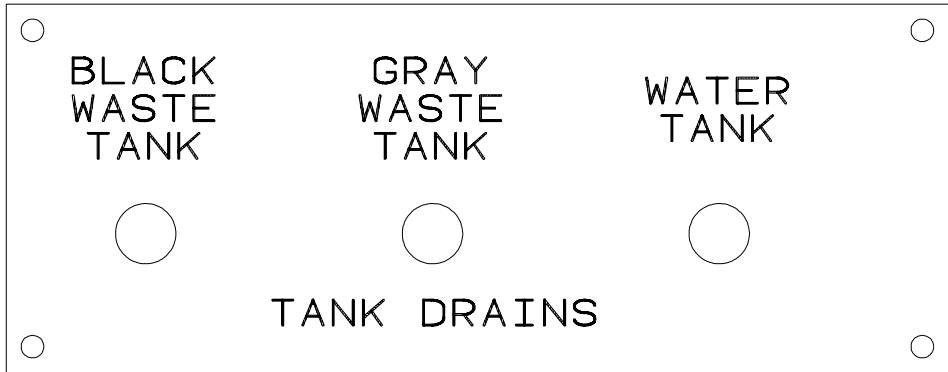
**KEY PART NUMBER U/M DESCRIPTION**  
 129033-01-000 EA LABEL - HANG TAG - TRAVEL LATCH - 1.5" X 3"

TOW VEHICLE RATING MAY BE LESS THAN HITCH RATING.  
 MAXIMUM VERTICAL HITCH LOAD: 350 LBS  
 DO NOT EXCEED REAR AXLE RATING.  
 SEE OWNER'S MANUAL FOR ADDITIONAL INFORMATION.

**KEY PART NUMBER U/M DESCRIPTION**  
 129669-01-01A EA LABEL - HITCH/VEHICLE RATE - 350 - WHITE ON CLEAR  
 129669-02-01A EA LABEL - HITCH/VEHICLE RATE - 500- WHITE ON CLEAR  
 129669-02-02A EA LABEL - HITCH/VEHICLE RATE - 500 - BLACK ON CLEAR

TIRE ROTATION  
 SEE RIALTA OWNERS MANUAL  
 SECTION 9

**KEY PART NUMBER U/M DESCRIPTION**  
 129684-01-000 EA LABEL - TIRE ROTATION



**KEY PART NUMBER U/M DESCRIPTION**  
 130166-01-000 EA LABEL - DRAIN

H  
O  
S  
E  
  
S  
T  
O  
R  
A  
G

**KEY PART NUMBER U/M DESCRIPTION**  
 130167-02-000 EA LABEL - HOSE STORAGE

WASTE TANK FLUSH

**KEY PART NUMBER U/M DESCRIPTION**  
 130168-01-000 EA LABEL - WASTE TANK FLUSH



**LABELS GROUP (CONTINUED)**

MONITOR WATER  
PANEL LIGHT PUMP

**KEY PART NUMBER U/M DESCRIPTION**  
130170-01-000 EA LABEL - SWITCH PANEL - BLK/CLEAR BACKGROUND-1.8"H X 5.9"L

LIGHTS WATER  
PUMP

**KEY PART NUMBER U/M DESCRIPTION**  
130170-02-000 EA LABEL - SWITCH PANEL-BLK/CLEAR BACKGROUND-1.4"H X 3.9"L

WATER  
PUMP

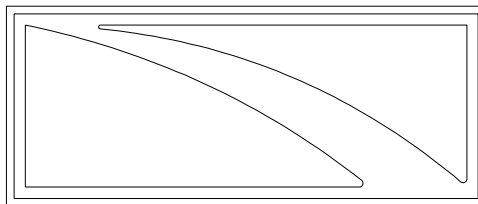
**KEY PART NUMBER U/M DESCRIPTION**  
130170-03-000 EA LABEL - PANEL SWITCH

CAUTION:  
OPEN A WINDOW OR VENT WHILE  
OPERATING DRYER. IT IS DANGEROUS  
TO CREATE A NEGATIVE AIR PRESSURE  
INSIDE A VEHICLE CONTAINING  
FUEL-BURNING APPLIANCES

**KEY PART NUMBER U/M DESCRIPTION**  
130670-01-01A EA LABEL - CAUTION DRYER VENTING - BLACK ON CLEAR

PUSH TO  
RELEASE  
GENERATOR  
SLIDE ASM

**KEY PART NUMBER U/M DESCRIPTION**  
131779-01-01A EA LABEL - GENERATOR



**KEY PART NUMBER U/M DESCRIPTION**  
132651-01-01A EA DECAL - MIRROR/GALLEY

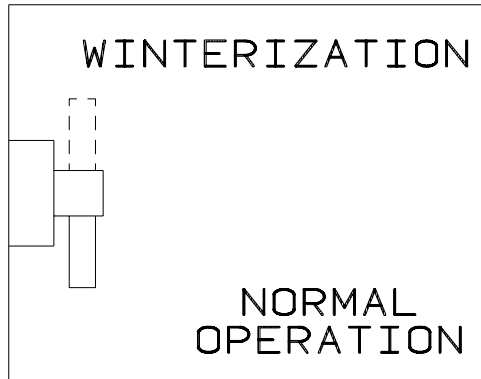
OPEN ○  
DRAIN  
CLOSED ○

**KEY PART NUMBER U/M DESCRIPTION**  
133423-01-01A EA LABEL - DRAIN

## LABELS GROUP (CONTINUED)

WATER HEATER BY-PASS	NORMAL OPERATION
-------------------------	---------------------

**KEY PART NUMBER U/M DESCRIPTION**  
133424-01-01A EA LABEL - BYPASS - WATER HEATER



**KEY PART NUMBER U/M DESCRIPTION**  
133425-01-01A EA LABEL - VALVE - WINTERIZATION

JACKS DOWN
------------

**KEY PART NUMBER U/M DESCRIPTION**  
133533-01-01A EA LABEL - JACKS DOWN - CLEAR W/WHITE LETTERING

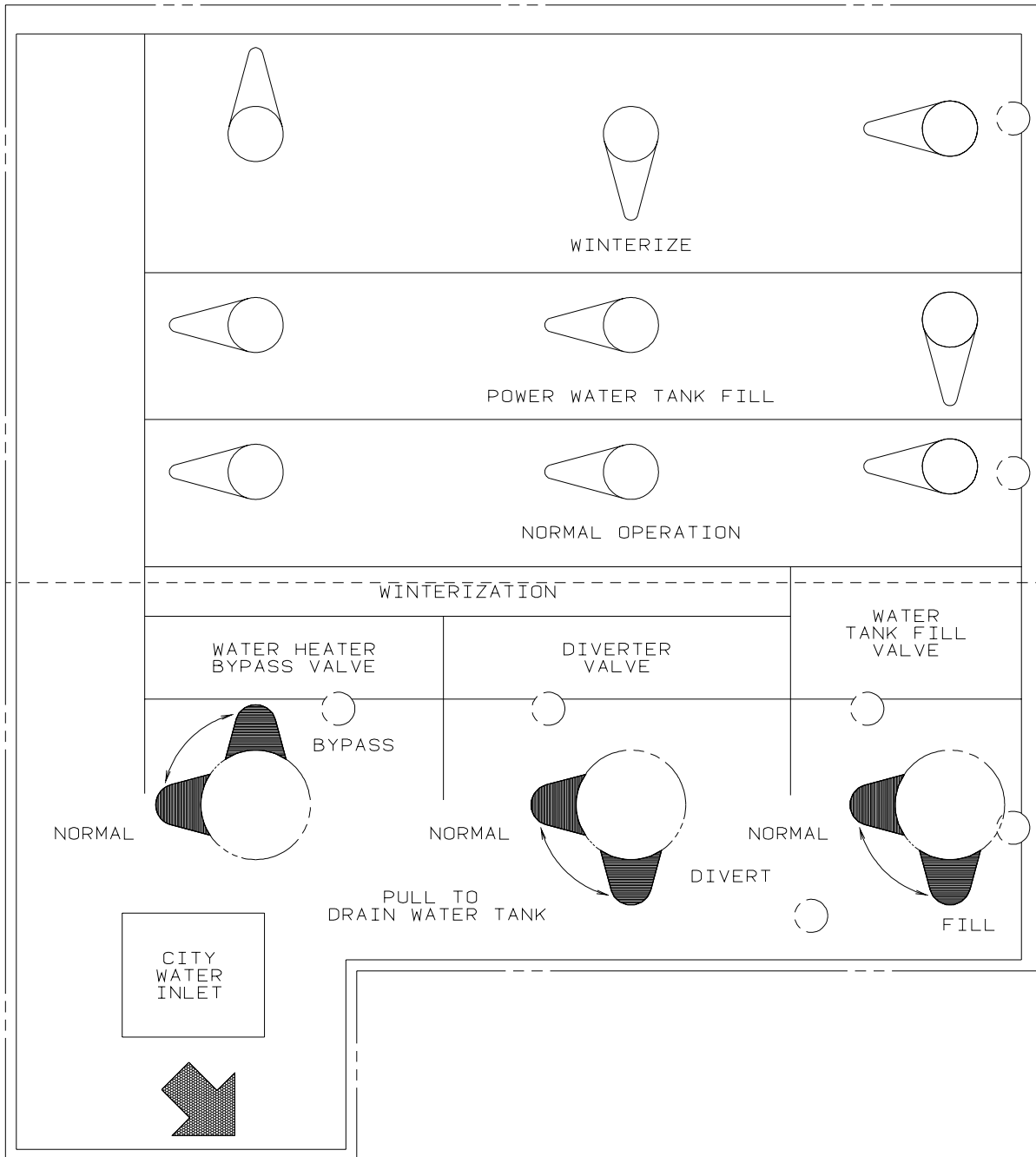
CHECK ANTENNA
---------------

**KEY PART NUMBER U/M DESCRIPTION**  
133533-02-01A EA LABEL - CHECK ANTENNA - CLEAR W/WHITE LETTERING



**KEY PART NUMBER U/M DESCRIPTION**  
133533-03-01A EA LABEL - LOCK/UNLOCK - BLACK/WHITE

## LABELS GROUP (CONTINUED)



KEY	PART NUMBER	U/M DESCRIPTION
	133629-01-01A	EA LABEL - WATER CENTER

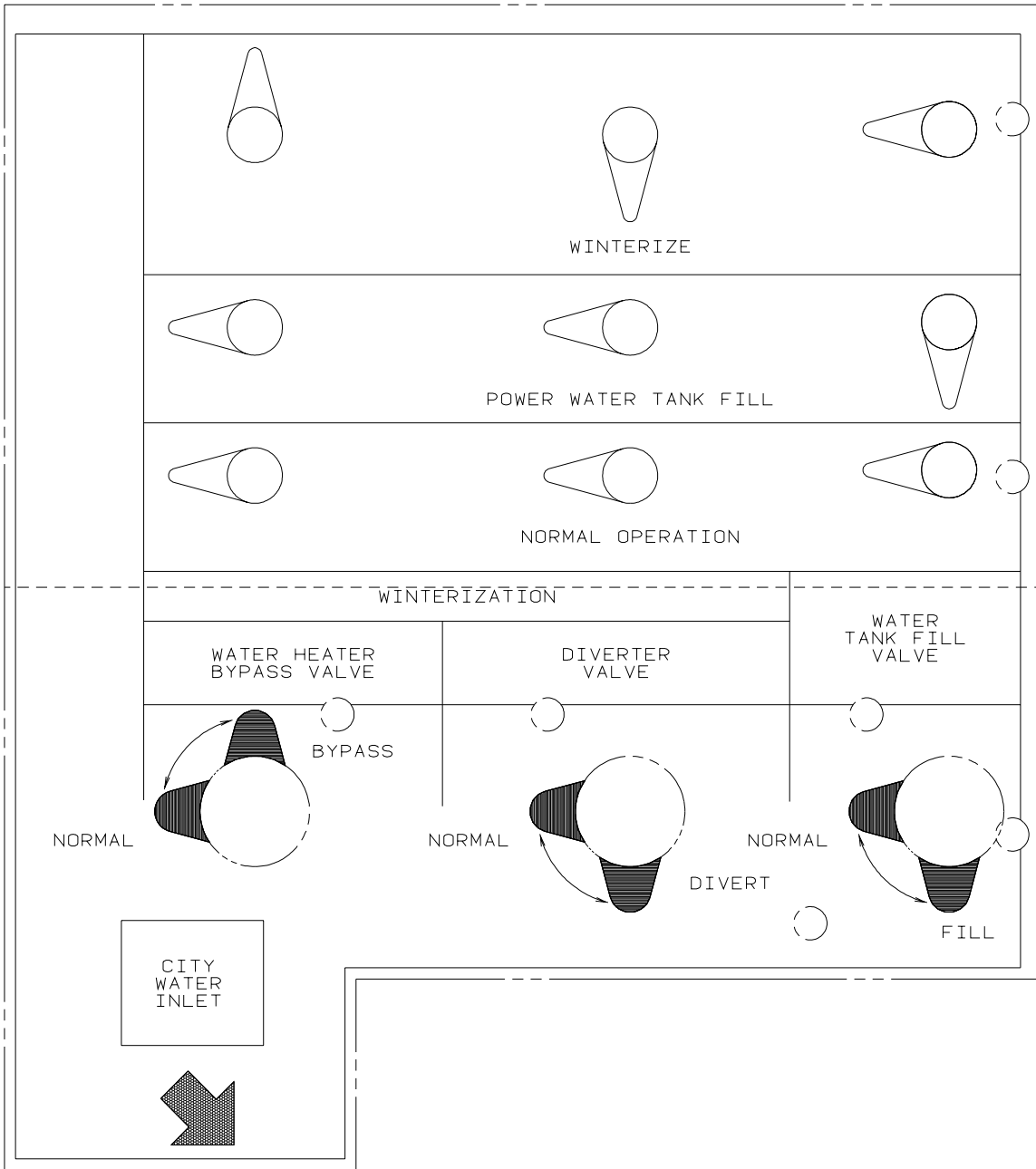
THIS VEHICLE MAY INCLUDE MERCURY-CONTAINING DEVICES INSTALLED BY THE MANUFACTURER:  
FLUORESCENT TUBES, RANGES WITH OVEN, HWH LEVEL SENSING UNIT.

REMOVE DEVICES BEFORE VEHICLE DISPOSAL UPON REMOVAL OF  
 DEVICES: PLEASE REUSE, RECYCLE, OR DISPOSE AS HAZARDOUS WASTE

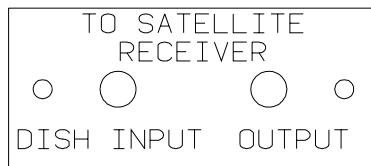
135869-01A

KEY	PART NUMBER	U/M DESCRIPTION
	135869-01-01A	EA LABEL - MERCURY CONTENT - BLACK ON CLEAR

## LABELS GROUP (CONTINUED)



**KEY PART NUMBER U/M DESCRIPTION**  
 133629-02-01A EA LABEL - WATER CENTER - BLACK/CLEAR



**KEY PART NUMBER U/M DESCRIPTION**  
 134250-01-01A EA LABEL - SATELLITE RECEIVER - BLACK/CLEAR

THIS SEAT IS NOT INTENDED  
FOR OCCUPANCY WHEN  
VEHICLE IS IN MOTION

**KEY PART NUMBER U/M DESCRIPTION**  
 134538-01-01A EA LABEL - OCCUPANCY - NO SEAT BELT - BLACK ON CLEAR - US

## LABELS GROUP (CONTINUED)

DST ISICE SIEGE N/EST PAS DESTINE A ETRE OCCUPE LORSQUE LE VEHICULE EST IN MOVUEMENT	THIS SEAT IS NOT INTENDED FOR OCCUPANCY WHILE VEHICLE IS IN MOTION
--	--

**KEY PART NUMBER U/M DESCRIPTION**  
 134538-02-01A EA LABEL - OCCUPANCY - NO SEAT BELT - BLACK ON CLEAR - CSA

**WARNING**

IT IS NOT SAFE TO USE COOKING  
APPLICANCES FOR COMFORT HEATING

COOKING APPLICANCES NEED FRESH AIR FOR SAFE OPERATION  
BEFORE OPERATION.

1. OPEN OVERHEAD VENT OR TURN ON EXHAUST FAN AND;  
2. OPEN WINDOW.

**KEY PART NUMBER U/M DESCRIPTION**  
 134539-01-01A EA LABEL - WARNING - STOVE/HEATING - US - BLACK ON CLEAR

**HOLDING TANK HEATER**

TURN OFF WHEN NOT IN USE  
SEE OPERATOR'S MANUAL

**KEY PART NUMBER U/M DESCRIPTION**  
 134563-01-01A EA LABEL - SWITCH - HEATER

THIS VEHICLE MAY INCLUDE MERCURY-CONTAINING DEVICES INSTALLED BY THE MANUFACTURER:

FLUORESCENT TUBES, RANGES WITH OVEN, HWH LEVEL SENSING UNIT.

REMOVE DEVICES BEFORE VEHICLE DISPOSAL UPON REMOVAL OF  
DEVICES: PLEASE REUSE, RECYCLE, OR DISPOSE AS HAZARDOUS WASTE

135869-01A

**KEY PART NUMBER U/M DESCRIPTION**  
 135869-01-01A EA LABEL - MERCURY CONTENT - BLACK ON CLEAR

**LIQUID SOAP**

**KEY PART NUMBER U/M DESCRIPTION**  
 136047-01-01A EA LABEL - LIQUID SOAP

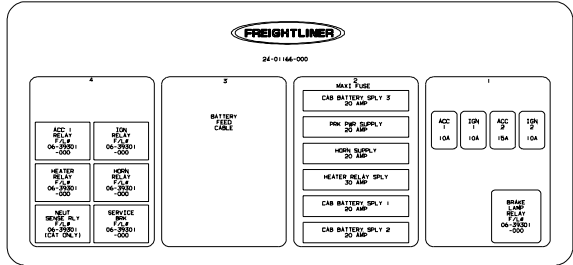
DOOR LOCK	DOOR UNLOCK	RIGHT COMPT DOOR LOCK	RIGHT COMPT DOOR UNLOCK	LEFT COMPT DOOR LOCK	LEFT COMPT DOOR UNLOCK	AUX START SOLENOID	AMP SOURCE
POWER MIRRORS	HEATER BLOWER	PASS HEATER BLOWER	FOG LAMPS	DOCKING LAMPS	DOCKING LAMPS SWITCH TRIGGER	COOLING FANS	

**KEY PART NUMBER U/M DESCRIPTION**  
 136161-01-01A EA LABEL - RELAY - MATTE BLACK/WHITE LETTERS

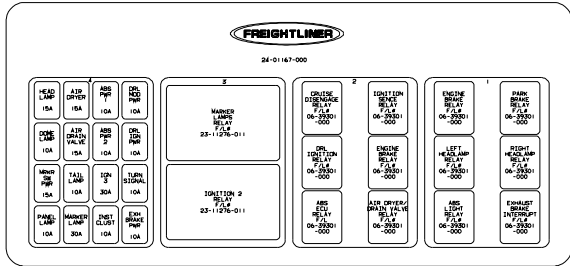
## LABELS GROUP (CONTINUED)



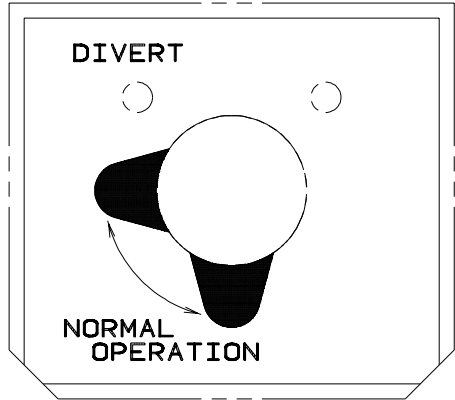
**KEY PART NUMBER**    **U/M DESCRIPTION**  
 136360-01-01A    EA LABEL - AIR BAGS



**KEY PART NUMBER**    **U/M DESCRIPTION**  
 137090-01-000    EA LABEL - ELECTRICAL CENTER



**KEY PART NUMBER**    **U/M DESCRIPTION**  
 137090-02-000    EA LABEL - 4 MODULE BASE



**KEY PART NUMBER**    **U/M DESCRIPTION**  
 137997-01-01A    EA LABEL - WINTERIZATION VALVE - BLACK/CLEAR

## LABELS GROUP (CONTINUED)

### WARNING

THIS SYSTEM IS DESIGNED FOR USE WITH PROPANE ONLY  
DO NOT CONNECT NATURAL GAS TO THIS SYSTEM

BEFORE TURNING ON PROPANE:

- (A) BE CERTAIN APPLIANCES ARE CERTIFIED FOR PROPANE AND ARE EQUIPPED WITH CORRECT BURNING ORIFICES.
- (B) MAKE CERTAIN ALL PROPANE CONNECTIONS ARE TIGHT BY TESTING WITH SOAPY WATER. ALL APPLIANCE VALVES ARE TURNED OFF, AND ANY UNCONNECTED OUTLETS ARE CAPPED.

AFTER TURNING ON PROPANE:

- (A) LIGHT ALL PILOT LIGHTS
- (B) (B) ALL CONNECTIONS, INCLUDING THOSE AT THE APPLIANCES, REGULATORS AND CYLINDERS SHOULD BE LEAK-TESTED PERIODICALLY WITH SOAPY WATER BY THE OCCUPANT. NEVER USE A LIGHTED MATCH OR OTHER FLAME WHEN CHECKING FOR LEAKS.
- (C) DO NOT LEAVE SYSTEM TURNED ON OF CONTAINERS CONNECTED UNTIL THE SYSTEM HAS BEEN PROVEN TO BE FREE OF LEAKS.
- (D) COOKING APPLIANCES SHOULD NOT BE USED FOR SPACE HEATING.
- (E) WHEN THE CONTAINERS ARE DISCONNECTED THE PROPANE SUPPLY LINE SHOULD BE CAPPED OR PLUGGED.

### AVERTISSEMENT

CETTE INSTALLATION EST CONÇUE POUR LE PROPANE SEULEMENT  
NE PAS L'ALIMENTER EN GAZ NATUREL

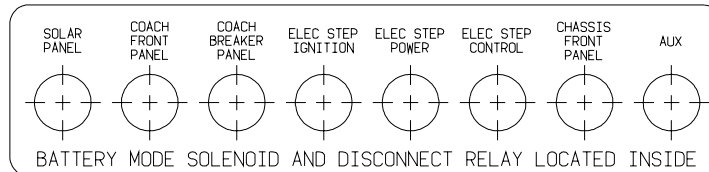
AVANT LA MISE EN SERVICE:

- (A) S'ASSURER QUE LES APPAREILS SONT CERTIFIÉS POUR LE PROPANE ET MUNIS D'ORIFICES DE BRÛLEUR APPROPRIÉS.
- (B) VÉRIFIER L'ÉTANCHEITÉ DE TOUS LES RACCORDEMENTS AU PROPANE. LA PERMÉTURE DE TOUS LES ROBINETS D'APPAREILS ET L'OBTURATION DE TOUTES LES SORTIES NON RACCORDEES.

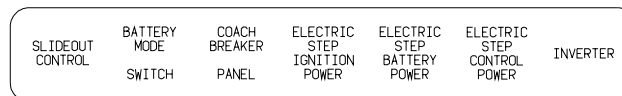
APRES LA MISE EN SERVICE:

- (A) ALLUMER TOUTES LES VEILLEUSES.
- (B) L'OCCUPANT DOIT ÉPROUVER PÉRIODIQUEMENT L'ÉTANCHEITÉ DE TOUS LES RACCORDEMENTS Y COMPRIS CEUX AUX APPAREILS, AUX DÉTENDEURS ET AUX BOUTEILLES, EN Y APPLIQUANT DE L'EAU SAVONNEUSE NE JAMAIS SE SERVIR D'UNE ALLUMETTE OU AUTRE POUR LA DÉTECTION DES FUITES.
- (C) NE PAS LAISSER L'ALIMENTATION OUVERTE NI LES RÉCIPIENTS RACCORDES AVANT D'AVOIR COMPLÉTÉ L'ÉPREUVE D'ÉTANCHEITÉ AU PROPANE DE L'INSTALLATION.
- (D) LES APPAREILS DE CUISSON NE DOIVENT PAS ÊTRE UTILISÉS POUR LE CHAUFFAGE DES LOCAUX.
- (E) LORSQUE LES RÉCIPIENTS SONT DÉCONNECTÉS, L'ALIMENTATION DE PROPANE DOIT ÊTRE OBTURÉE OU SCELLÉE.

**KEY PART NUMBER**      **U/M DESCRIPTION**  
023769-01-000      EA LABEL - WARNING - LPG - CANADIAN



**KEY PART NUMBER**      **U/M DESCRIPTION**  
093236-24-000      EA LABEL - CIRCUIT BREAKER



**KEY PART NUMBER**      **U/M DESCRIPTION**  
093236-25-000      EA LABEL - CIRCUIT BREAKER



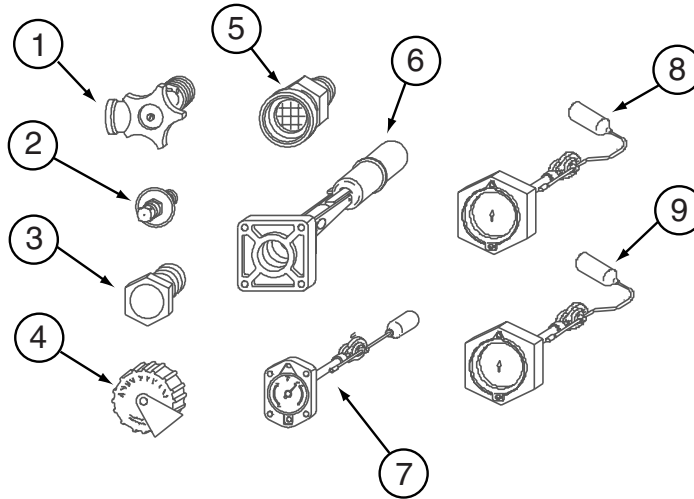


**LP GROUP**  
**LP SYSTEM**

<b>KEY</b>	<b>PART NUMBER</b>	<b>U/M</b>	<b>DESCRIPTION</b>
	010323-01-000	EA	ADAPTER - BRASS - 3/8"F X 1/2"MPT
	010326-01-000	EA	ADAPTER - FLARE - W/CONE GASKET - 3/8"F X 1/2"F
	010329-01-000	EA	ADAPTER - BRASS - 1/2"F X 1/2"MPT
	010377-02-000	EA	NUT - BRASS - 3/8" FLARE - FORGED
	010380-02-000	EA	NUT - BRASS - 1/2" FLARE - FORGED
	040440-03-000	EA	TRANSMITTER - DIAL/SNAP-ON - 0-90 OHM 2 TERM(POWER/GROUND)
	045703-03-000	EA	HOSE - LP - 3/8"ID X 18" - 3/8"MPT X 1/2"F SWIVEL - U.S.
	045703-12-000	EA	HOSE - LP - 3/8"ID X 18" - 3/8"MPT X 1/2"F SWIVEL - CANADA
	045703-15-000	EA	HOSE - LP - 3/8"ID X 142" - 1/2"F SWIVEL X 3/8"F SWIVEL
	045703-17-000	EA	HOSE - LP - 3/8"ID X 24" US - 1/2"F SWIVEL X 3/8"F SWIVEL
	103613-03-000	EA	DETECTOR - LP GAS - W/O SHUT-OFF VALVE
	105658-01-000	EA	COMPARTMENT - LP REGULATOR
	106150-01-000	EA	REGULATOR - TWO STAGE-W/90 DEGREE ELBOW & 3/8" FPT OUTLET
*	117432-03-000	EA	TANK - LP - 130 LB - 20" DIAMETER X 35" - VAPOR DRAW ONLY
	129741-01-02B	EA	BRACKET - LP
	008042-01-000	FT	TUBING - VINYL - .65" ID

**\*COMPONENT PARTS LISTED LATER IN THIS GROUP**

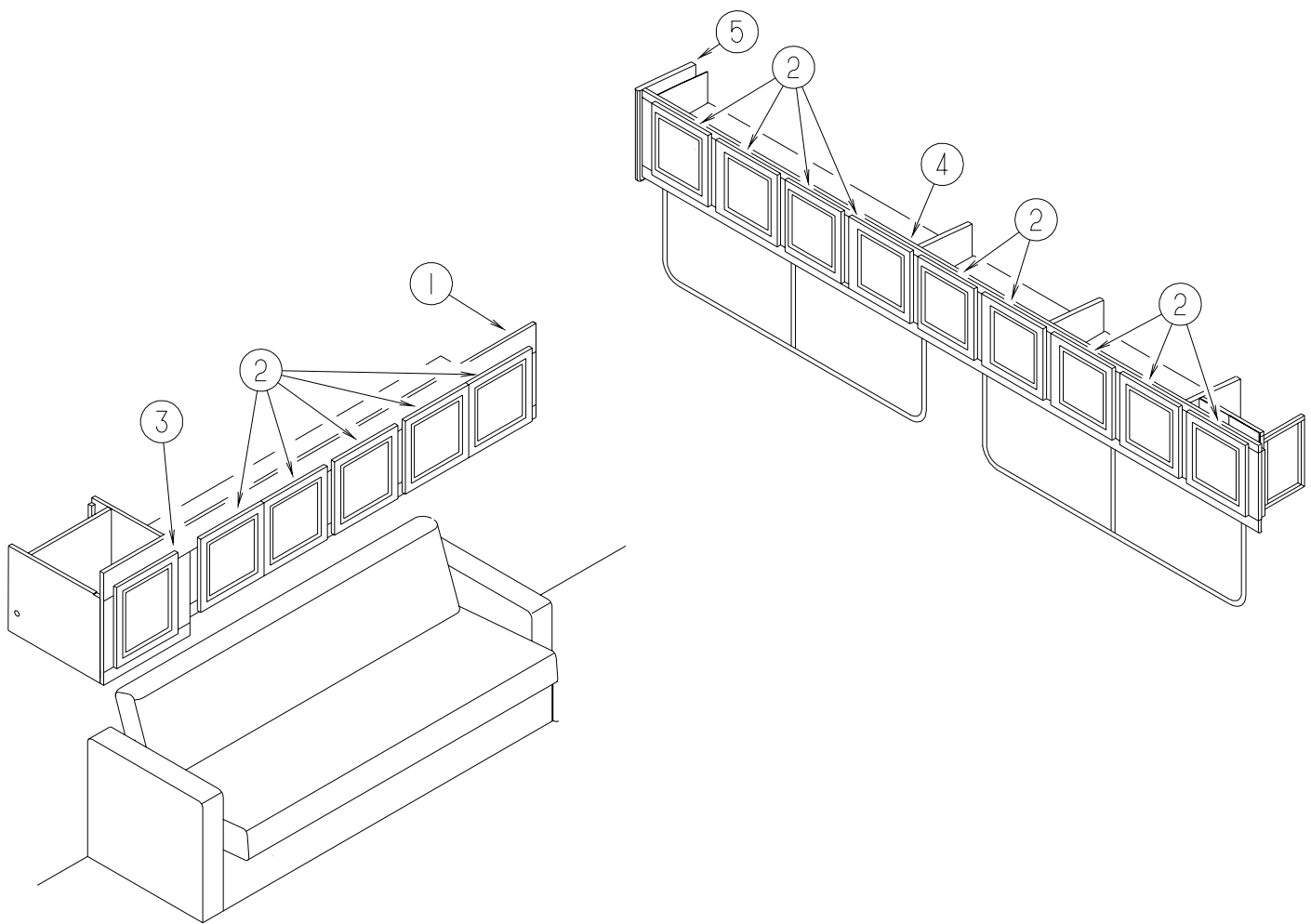
**LP GROUP (CONTINUED)**  
**COMPONENT PARTS FOR LP SYSTEM**



117432-03-000

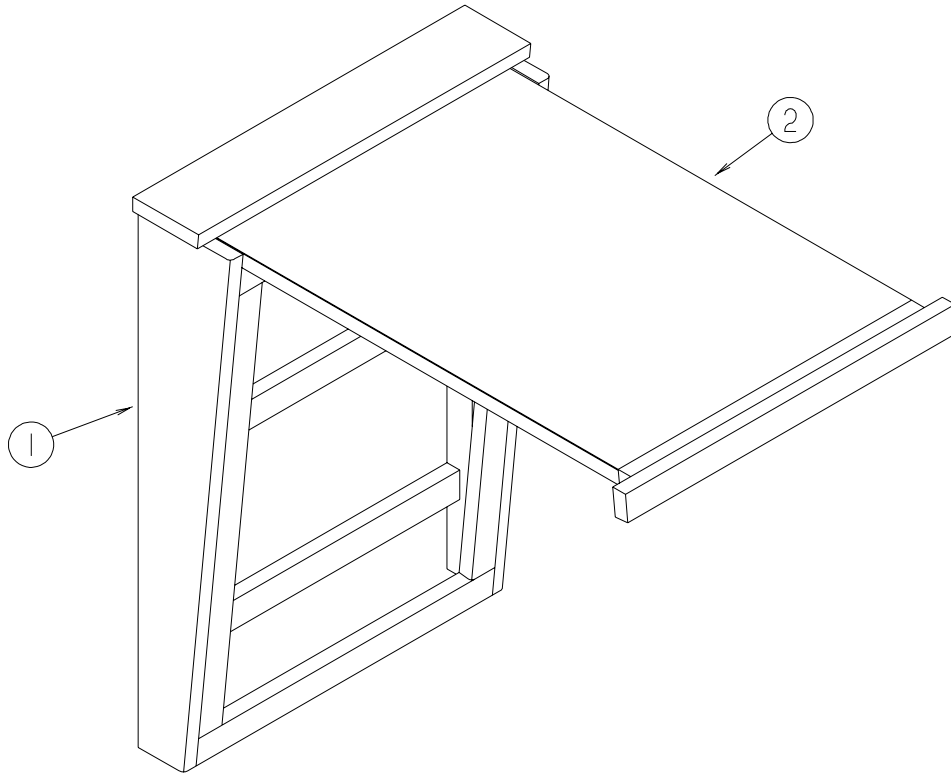
KEY	PART NUMBER	U/M	DESCRIPTION	VENDOR NO.
1	040421-01-708	EA	HANDWHEEL-SERVICE VALVE	G-1015-A
1	040421-01-712	EA	VALVE,SERV. W/O VAPOR RELIEF	29000853
2	040421-01-700	EA	VALVE-LIQUID LEVEL, 20%	G-1013
3	040421-01-713	EA	VALVE-RELIEF 1" W/SPRING 7"	29000587
4	040421-01-702	EA	CAP-FILL VALVE, PLASTIC	G-1014-A
5	040421-01-701	EA	VALVE-FILL-SHORT, LP	7547B
6	040421-01-711	EA	VALVE-80% FILL W/AUTO STOP	LLL/TL3
7			NOT WHAT IS ILLUSTRATED HERE	
8			NOT WHAT IS ILLUSTRATED HERE	
9			NOT WHAT IS ILLUSTRATED HERE	
	091970-01-700	EA	FLOAT/BOLT ON-SCREW ON DIAL	SG20C0000801
	091970-01-701	EA	FLOAT/SCREW IN-SNAP ON DIAL	SG20C0001595

## LOUNGE GROUP CABINETS



KEY	PART NUMBER	U/M	DESCRIPTION
1	133530-03-MQ0	EA	CABINET - OVHD/FRONT/LH - W/O DRS/HDW - WASHED MAPLE
1	133530-03-MQ1	EA	CABINET - OVHD/FRONT/LH - W/O DRS/HDW - SALEM CHERRY
1	133530-03-NQ6	EA	CABINET - OVHD/FRONT/LH - W/O DRS/HDW - PORTSMOUTH OAK
2	132062-14-LQ0	EA	DOOR - RAIL/SOLID PANEL - 14.3" X 14.3" - W/O HARDWARE - WASHED MAPLE
2	132062-14-LQ1	EA	DOOR - RAIL/SOLID PANEL - 14.3" X 14.3" - W/O HARDWARE - SALEM CHERRY
2	132062-14-NQ6	EA	DOOR - RAIL/SOLID PANEL - 14.3" X 14.3" - W/O HARDWARE - PORTSMOUTH OAK
3	132062-27-LQ0	EA	DOOR - RAIL/SOLID PANEL - 14.3" X 17.8" - W/O HARDWARE - WASHED MAPLE
3	132062-27-LQ1	EA	DOOR - RAIL/SOLID PANEL - 14.3" X 17.8" - W/O HARDWARE - SALEM CHERRY
3	132062-27-NQ6	EA	DOOR - RAIL/SOLID PANEL - 14.3" X 17.8" - W/O HARDWARE - PORTSMOUTH OAK
4	133532-03-NQ0	EA	CABINET - OVHD/FRONT/RH - W/O DRS/HDW - WASHED MAPLE - <a href="#">Q40JD</a>
4	133532-03-MQ1	EA	CABINET - OVHD/FRONT/RH - W/O DRS/HDW - SALEM CHERRY - <a href="#">Q40JD</a>
4	133532-03-NQ6	EA	CABINET - OVHD/FRONT/RH - W/O DRS/HDW - PORTSMOUTH OAK - <a href="#">Q40JD</a>
4	133532-04-MQ0	EA	CABINET - OVHD/FRONT/RH - W/O DRS/HDW - WASHED MAPLE - <a href="#">Q40WD</a>
4	133532-04-MQ1	EA	CABINET - OVHD/FRONT/RH - W/O DRS/HDW - SALEM CHERRY - <a href="#">Q40WD</a>
4	133532-04-NQ6	EA	CABINET - OVHD/FRONT/RH - W/O DRS/HDW - PORTSMOUTH OAK - <a href="#">Q40WD</a>
4	133532-05-MQ0	EA	CABINET - OVHD/FRONT/RH - W/O DRS/HDW - WASHED MAPLE - <a href="#">Q40WD W/WINTERIZATION KIT</a>
4	133532-05-MQ1	EA	CABINET - OVHD/FRONT/RH - W/O DRS/HDW - SALEM CHERRY - <a href="#">Q40WD W/WINTERIZATION KIT</a>
4	133532-05-NQ6	EA	CABINET - OVHD/FRONT/RH - W/O DRS/HDW - PORTSMOUTH OAK - <a href="#">Q40WD W/WINTERIZATION KIT</a>
5	113292-09-JQ0	EA	END CAP - OVHD CABINET - WASHED MAPLE
5	113292-09-NQ1	EA	END CAP - OVHD CABINET - SALEM CHERRY
5	113292-09-N95	EA	END CAP - OVHD CABINET - PORTSMOUTH OAK

**LOUNGE GROUP (CONTINUED)**  
**TABLES**



KEY	PART NUMBER	U/M	DESCRIPTION
1	114134-01-JQ0	EA	CABINET - W/PULLOUT TABLE - W/O HARDWARE - WASHED MAPLE
1	114134-01-FQ1	EA	CABINET - W/PULLOUT TABLE - W/O HARDWARE - SALEM CHERRY
1	114134-01-N95	EA	CABINET - W/PULLOUT TABLE - W/O HARDWARE - PORTSMOUTH OAK
2	114134-13-JQ0	EA	TABLE TOP - W/O HARDWARE - WASHED MAPLE
2	114134-13-FQ1	EA	TABLE TOP - W/O HARDWARE - SALEM CHERRY
2	114134-13-N95	EA	TABLE TOP - W/O HARDWARE - PORTSMOUTH OAK

**SEALANTS & FASTENERS GROUP**  
**SEALANTS & ADHESIVES**

KEY	PART NUMBER	U/M	DESCRIPTION
	004001-05-000	EA	ADHESIVE - SCOTCH-WELD - 3M DP100 - CLEAR - 50ML
	004020-01-000	QT	ADHESIVE - ABS CEMENT - QUART
	010405-02-000	EA	TAPE - THREAD SEALING - 3/8"
	034552-15-000	EA	SILICONE - TUBE - W/O NOZZLE - BRIGHT WHITE
	053766-06-000	EA	BEDDING COMPOUND - TUBE - CLEAR
	062917-03-000	EA	ADHESIVE - LOCTITE 242
	063642-01-000	FT	TAPE - ADHESIVE - .4" X 1.5" X 180'
	067788-01-000	EA	ADHESIVE - SPRAY - 3M - 19.5 OZ AEROSOL CAN
	069640-01-000	FT	SEALER - RIBBON - 1/4" DIAMETER X 30' - BLACK
	069640-02-000	FT	SEALER - TAPE - .13"THICK X .5"WIDE X 60' - GRAY
	069640-03-000	FT	SEALER - TAPE - .13"THICK X .75"WIDE X 60' - BLACK
	069640-07-000	FT	SEALER - TAPE - .09" THICK X 2" WIDE X 45' - GRAY
	069640-09-000	FT	SEALER - TAPE - .03" THICK X 2.50"WIDE X 80' - GRAY
	069640-10-000	FT	SEALER - TAPE - .03" THICK X 1.50" WIDE X 90' - GRAY
	069640-11-000	FT	SEALER - TAPE - .19" THICK X .38" WIDE X 40' - BLACK
	069640-13-000	FT	SEALER - TAPE - .03" THICK X 2" WIDE X 45' - BLACK
	069640-14-000	FT	SEALER - TAPE - .06" THICK X 1" WIDE X 100' - GRAY
	069640-15-000	FT	SEALER - TAPE - .06"THICK X .38"WIDE X 100' - GRAY
	069640-17-000	FT	SEALER - TAPE - .03" THICK X 1" WIDE X 90' - GRAY
	069640-18-000	FT	SEALER - TAPE - .50" THICK X .13" WIDE X 60' - BRT WHITE
	069640-19-000	FT	SEALER - TAPE - .75" THICK X .13" WIDE X 60' - BRT WHITE
	069640-20-000	FT	SEALER - TAPE - .50" THICK X 1/8" WIDE X 60' - BLACK
	069640-21-000	FT	SEALER - TAPE - .50" THICK X 1/16" WIDE X 100'-BRIGHT WHT
	069640-22-000	FT	SEALER - TAPE - .25" THICK X 1/32" WIDE X 100'- BRIGHT WHT
	069640-23-000	FT	SEALER - TAPE - .06" THICK X 3/4" WIDE X 100' - BRT WHITE
	069640-25-000	FT	SEALER - TAPE - .06" THICK X 3.5" WIDE X 50' - GRAY
	069640-27-000	FT	SEALER - TAPE - .06" THICK X 2.25" WIDE - BRIGHT WHITE
	069640-28-000	FT	SEALER - TAPE - 1/32" X 2"
	072889-01-000	EA	SEALANT - URETHANE - BLACK - TUBE
	076322-01-000	FT	TAPE-DOUBLE COATED/ADHESIVE BK-.03"THK X .8"W X 216'- WHT
	076322-02-000	FT	TAPE-DOUBLE COATED/ADHESIVE BK-.05"THK X 1"W X 108' - WHT
	076322-03-000	FT	TAPE-DOUBLE COATED/ADHESIVE BK-.05"THK X .5"W X 108' - WHT
	076322-04-000	FT	TAPE-DOUBLE COATED/ADHESIVE BK-.05"THK X .8"W X 108' - WHT
	076322-05-000	FT	TAPE-DOUBLE COATED/ADHESIVE BK-.05"THK X .8"W X 108' - WHT
	076322-07-000	FT	TAPE-DOUBLE COATED/ADHESIVE BK-.05"THK X .5"W X 200' - BLK
	076322-11-000	FT	TAPE-DOUBLE COATED/ADHESIVE BK-.02"THK X 1"W X 216' - CLR
	086276-01-000	EA	TAPE - DOUBLE SIDED - 1/2" WIDE X 108' LONG (SOLD BY ROLL)
	088479-01-000	EA	TAPE - ALUMINUM - 3"
	090340-01-000	FT	SEAL - FOAM - CLOSED CELL - 1/4" X 1/2" X 50'
	091255-02-000	FT	SEAL - ADHESIVE BACKED/FOAM - 3/64" THICK X 3/16"W X 1000'
	091255-03-000	FT	SEAL - ADHESIVE BACKED/FOAM - 1/4" THICK X 1/4"W X 1000'
	094401-03-000	EA	SEALER - BODY SEAM - BLACK
	094401-04-000	EA	SEALER - BODY SEAM - CLEAR
	098408-01-000	FT	SEAL - SPONGE RUBBER - CLOSED CELL
	099069-01-000	FT	SEAL - RUBBER - CLOSED SPONGE - .5" WIDE X .12" THICK -BLK
	099418-01-000	FT	SEAL - D-SECTION/ADHESIVE BACK - .44" X .44"- BLK RUBBER
	099418-02-000	FT	SEAL - D SECTION - WHITE
	099952-01-000	FT	CORE - SEAL - BULB SUPPORT
	100128-02-000	FT	SEAL - FOAM/ADHESIVE BACK - .37" WIDE X .37" THICK
	104692-01-000	FT	SEAL - ADHESIVE BACKED FOAM - 3/4" THICK X 3/4" WIDE X 25'
	104692-03-000	FT	SEAL - ADHESIVE BACKED FOAM - 1" THICK X 1 3/4" WIDE X 15'
	106206-01-000	EA	SEALER - PUMPABLE - TUBE - BLACK - MANUS
	107828-01-000	EA	SEALANT - SB - 190 EVERSEAL
	109506-12-000	EA	FILM/ABRASION-RESISTANT - TRANSPARENT - 1 1/2 DIA.
	110274-01-000	FT	TAPE - DOUBLE SIDED/FOAM - .45" X 1" X 216' - BLACK
	112864-01-000	FT	SEAL - FOAM/BUTYL COVERED - 3/8" X 35'
	112864-02-000	FT	FOAM - BUTYL COVERED 5/16" X 44'
	112901-02-000	EA	ADHESIVE - PLEXUS - MA330 - 50ML - GRAY
	112901-03-000	EA	ADHESIVE - PLEXUS - MA300 - 50ML - WHITE
	112902-01-000	EA	NOZZLE - ELEMENT - 3/8 X 24
	112902-02-000	EA	NOZZLE-BELL 3/8X24 - TAH 160-824
	112902-03-000	EA	MIXER NOZZLE - F/GUN #00400102000 - SCOTCH-WELD & PLEXUS
	113366-01-000	EA	ADHESIVE - INSTANT - 1 OZ

## SEALANTS & FASTENERS GROUP (CONTINUED)

### SEALANTS & ADHESIVES (CONTINUED)

KEY	PART NUMBER	U/M	DESCRIPTION
	113452-02-000	FT	SEAL/TRIM - FRONT - VINYL W/WIRE CARRIER - .027"
	120074-02-03A	EA	SILICONE - TUBE - W/O NOZZLE - SMOKEY WHITE
	120074-02-02A	EA	SILICONE - TUBE - W/O NOZZLE - LOW ODOR - SOFT WHITE
	120534-01-01A	EA	TAPE - SCOTCH - 3M - 1/2" FINE LINE
	123244-01-000	FT	TAPE - DOUBLE SIDED/FOAM - 5/64" THICK X 3/4" WIDE
	123244-02-000	FT	TAPE - DOUBLE SIDED/FOAM - 5/64" THICK X 1/2" WIDE X 108'
	123816-01-000	FT	TAPE - DOUBLE SIDED - 1" X 100'
	123816-02-000	FT	TAPE - DOUBLE SIDED - 1/2" X 1 1/3" X 100'
	123816-03-000	FT	TAPE - DOUBLE SIDED - 1/2" X 3/4" X 100'
	123816-04-000	FT	TAPE - DOUBLE SIDED - 6" X 750'
	126427-01-000	EA	ADHESIVE - ALL PURPOSE - ABS/PVC
	126427-02-000	EA	PRIMER - CLEANER - FLEX PIPING
	131264-01-01A	EA	SILICONE - TUBE - W/O NOZZLE - BLACK
	131264-01-02A	EA	SILICONE - TUBE - W/O NOZZLE - CLEAR
	131264-02-01A	EA	SILICONE - TUBE - W/O NOZZLE - VW GRAY - BATH ONLY
	131264-03-01A	EA	SILICONE - TUBE - W/O NOZZLE - SELF LEVELING - BRIGHT WHITE
	131264-04-01A	EA	SILICONE - CLEAR - ADHESIVE
	131384-01-000	EA	ADHESIVE - JETWELD
	900390-01-000	EA	NOZZLE - SILICONE TUBE - 2.5" LONG
	900390-03-000	EA	NOZZLE - SILICONE TUBE - 4.3" LONG

### BOLTS, NUTS AND WASHERS

KEY	PART NUMBER	U/M	DESCRIPTION
	000C12-04-08B	EA	BOLT - HEX - 1/4-20 X 1/2 - GRADE #5 - ZINC
	000C12-04-40B	EA	BOLT - HEX - 1/4-20 X 2 1/2 - GRADE 5 ZINC
	000C12-05-16B	EA	BOLT - HEX - 5/16-18 X 1 - GRADE #5 - ZINC
	000C12-05-12B	EA	BOLT - HEX - 5/16-18 X 3/4 - GRADE #5 - ZINC
	000C12-06-16B	EA	BOLT - HEX - 3/8-16 X 1 - GRADE #5 - ZINC
	000C12-06-44B	EA	BOLT - HEX - 3/8-16 X 2 3/4 - GRADE 5 - ZINC
	000C12-07-20B	EA	BOLT - HEX - 7/16-14 X 1 1/4 - GRADE #5 - ZINC
	000C12-07-24B	EA	BOLT - HEX TAP - 1/2-13NC X 4 - GRADE 5 - FULL THREAD/ZINC
	000C12-08-16B	EA	BOLT - HEX - 1/2-13 X 1 - GRADE #5 - ZINC
	000C12-08-28B	EA	BOLT - HEX - 1/2-13 X 1 3/4 - GRADE #5 - ZINC
	000C12-08-24B	EA	BOLT - HEX - 1/2-13 X 1 1/2 - GRADE #5 - ZINC
	000C12-10-24B	EA	BOLT - HEX - 5/8-11 X 1 1/2 - GRADE #5 - ZINC
	000C13-07-40B	EA	BOLT - HEX - 7/16-20 X 2 1/2 - GRADE #5 - ZINC
	000C13-07-48B	EA	BOLT - HEX - 7/16-20 X 3 - GRADE #5 - ZINC
	000C14-07-28B	EA	BOLT - HEX - 7/16-14 X 1 3/4 - GRADE #8 - ZINC
	000C14-08-64B	EA	BOLT-HEX-1/2-13X4 ZN 8 - 01 431C
	000C14-10-32K	EA	BOLT - HEX - 5/8-11 X 2 - GRADE #8 - ZINC
	000C14-10-24K	EA	BOLT - HEX - 5/8-11 X 1 1/2 - GRADE #8 - ZINC
	000C18-05-40A	EA	BOLT - ELEVATOR - 5/16-18 X 2 1/2 - PL
	000C18-06-48B	EA	BOLT - ELEVATOR - 3/8-16 X 3 - GRADE 5 - ZINC
	000C26-04-14B	EA	BOLT - HEX - SERRATED FLANGE - 1/4-20 X 7/8 - ZINC
	000C26-04-10B	EA	BOLT - HEX - SERRATED FLANGE - 1/4-20 X 5/8 - ZINC
	000C26-04-18B	EA	BOLT - HEX - SERRATED FLANGE - 1/4-20 X 1 1/8 - ZINC
	000C26-05-20B	EA	BOLT - HEX - SERRATED FLANGE - 5/16-18 X 1 1/4 - ZINC
	000C26-05-12B	EA	BOLT - HEX - SERRATED FLANGE - 5/16-18 X 3/4 - ZINC
	000C26-05-249	EA	BOLT - HEX - SERRATED FLANGE - 5/16-18 X 1 1/2
	000C26-06-16B	EA	BOLT - HEX - SERRATED FLANGE - 3/8-16 X 1 - ZINC
	000C26-06-12B	EA	BOLT - HEX - SERRATED FLANGE - 3/8-16 X 3/4 - ZINC
	000C26-06-20B	EA	BOLT - HEX - SERRATED FLANGE - 3/8-16 X 1 1/4 - ZINC
	000C26-06-40B	EA	BOLT - HEX - SERRATED FLANGE - 3/8-16 X 2 1/2 - ZINC
	000C26-06-28B	EA	BOLT - HEX - SERRATED FLANGE - 3/8-16 X 1 3/4 - ZINC
	000C26-08-24B	EA	BOLT - HEX - SERRATED FLANGE - 1/2-13 X 1 1/2 - ZINC
	000C27-04-40B	EA	BOLT - CARRIAGE - 1/4-20 X 2 1/2 - ZINC
	000C27-05-44I	EA	BOLT-CARR,5/16-18X2.75" - BLACK ZINC
	000D16-07-00B	EA	NUT - HEX - 7/16-14 - ZINC
	000D24-10-00B	EA	NUT - HEX - SELF LOCKING - 10-32 ZINC
	000D28-10-00B	EA	NUT - HEX - W/NYLON LOCK - 10-32 ZINC
	000D29-04-00B	EA	NUT - HEX - SELF LOCKING - 1/4 X 20 - ZINC
	000D29-06-00B	EA	NUT - HEX - W/NYLON LOCK - 3/8-16 - ZINC
	000D29-09-00B	EA	NUT - HEX - SELF LOCKING - 9/16-12 - ZINC

**SEALANTS & FASTENERS GROUP (CONTINUED)**  
**BOLTS, NUTS AND WASHERS (CONTINUED)**

KEY	PART NUMBER	U/M	DESCRIPTION
	000D30-07-00B	EA	NUT - HEX LOCK - NYLON 7/16 X 20
	000D34-04-00B	EA	NUT - HEX - LOCKING - 1/4-20 - ZINC
	000D34-06-00B	EA	NUT - HEX - LOCKING - 3/8-16 GRADE C - ZINC
	000D39-04-00B	EA	NUT - HEX - LOCKING W/SERRATED FLANGE - 1/4-20 - ZINC
	000D39-05-00B	EA	NUT - HEX - LOCKING W/SERRATED FLANGE - 5/16-18 - ZINC
	000D39-06-00D	EA	NUT - HEX - LOCKING W/SERRATED FLANGE - 3/8"-16 BLACK
	000D39-06-00B	EA	NUT - HEX - LOCKING W/SERRATED FLANGE - 3/8-18 - ZINC
	000D39-07-00B	EA	NUT - HEX - LOCKING W/SERRATED FLANGE - 7/16-14 - ZINC
	000D39-08-00B	EA	NUT - HEX - LOCKING W/SERRATED FLANGE - 1/2-13 - ZINC
	000D44-04-00B	EA	NUT - HEX - LOCKING W/SERRATED FLANGE - 1/4-28 - ZINC
	000D44-07-00B	EA	NUT - HEX - LOCKING W/SERRATED FLANGE - 7/16-20 - ZINC
	000D44-08-00B	EA	NUT - HEX - SERRATED FLANGE - 1/2-20 - GRADE #5 - ZINC
	000D46-04-00A	EA	NUT - HEX - WELD - 1/4-20 - PLAIN
	000D58-06-00A	EA	NUT - HEX - WELD 3/8-16 - PLAIN
	000D65-08-00B	EA	NUT - HEX - LOCKING W/SERRATED FLANGE - 8-32 - ZINC
	000D67-10-00B	EA	NUT - HEX - LOCK - 5/8-11 - ZINC
	000D73-08-00C	EA	NUT - HEX FLANGE - 1/2-13
	000D75-09-00B	EA	NUT - HEX LOCKING - 9/16-12 - ZINC
	000D76-06-00B	EA	NUT - HEX FLANGE - 3/8-16
	000E11-04-00F	EA	WASHER - LOCKING - 1/4 MED SPLIT - STAINLESS STEEL
	000E11-07-00B	EA	WASHER - LOCKING - 7/16 MED SPLIT - ZINC
	000E11-08-00B	EA	WASHER - LOCKING - 1/2 MED SPLIT - ZINC
	000E13-17-00B	EA	WASHER - FLAT - 3/8 AR - ZINC
	000E13-18-00B	EA	WASHER - FLAT - 3/8 WIDE - ZINC
	000E13-20-00B	EA	WASHER - FLAT - 7/16 WIDE - ZINC
	000E13-22-00B	EA	WASHER - FLAT - 1/2 WIDE - ZINC
	000E13-26-00B	EA	WASHER - FLAT - 5/8 WIDE - ZINC
	000E14-10-00B	EA	WASHER - LOCKING - #10 EXTERNAL TOOTH - ZINC
	000E16-10-00B	EA	WASHER - HARDENED - 5/8 - FLAT - ZINC
	000G45-05-16B	EA	BOLT - LAG - 5/16-9 X 1 - ZINC
	000G62-08-24B	EA	SCREW - SF/DR - 8-18 X 1 1/2 PFH
	040921-03-000	EA	NUT - SPEED - U TYPE - #10
	040921-04-000	EA	NUT - SPEED - U TYPE - #8-.59" LENGTH X .44" WIDTH
	040921-05-000	EA	NUT - SPEED - U-TYPE - 8-.67" X .44" WIDE
	041322-01-000	EA	WASHER - FLANGE - 15/32 ID X 2 3/8 OD - F/SEAT BELT MTG
	044364-02-000	EA	NUT - SPEED - FLAT - ROUND
	044533-01-000	EA	WASHER - PLASTIC - 1 3/8 OD - FOR BUTTONS
	051387-06-000	EA	BOLT - CARRIAGE W/O HOLE - 5/16-18 X 9 1/2 - ZINC
	058716-02-000	EA	WASHER - FLAT NYLON
	058716-03-000	EA	WASHER - FLAT/NYLON - .500 X 1 1/4 X 060
	064081-03-000	EA	NUT - WING 3/8-16 - W/WELD NUT
	077071-01-000	EA	WASHER - FENDER - 3/16 ID X 1 OD
	084406-01-000	EA	NUT - CAPPED - CROSS RECESSED - BLACK - 1/4-20 THD
	087234-01-000	EA	NUT - JACK - 1/4 X 20 THD - MOLLY
	087718-01-000	EA	MONOBOLT - STEEL - 3/16 DIAMETER
	088787-12-000	EA	STUD - WELD - 1/4 - 20 X 1.0 LG - MN
	102333-01-06A	EA	BOLT - CARRIAGE - 7/16-14 STAINLESS STEEL CAP
	102333-02-01A	EA	BOLT - CARRIAGE - 1/4-20
	102540-02-000	EA	SEAL - SCREW
	103020-02-000	EA	BOLT-U - #8-32 - GRADE 5 ZINC
	104369-01-000	EA	NUT - HEX - HEAVY - 5/8-11 UNC
	106166-01-000	EA	BOLT/COLLARED HANGER - 8-32 X 1
	106956-03-000	EA	BOLT - HEX TAP - 1/2-12NC X 3 - GRADE 5 - FULL THREAD/ZINC
	106956-08-000	EA	BOLT - HEX TAP - 1/2-13NC X 4 - GRADE 5 - FULL THREAD/ZINC
	107397-01-000	EA	WASHER - FENDER - 3/4 ID X 1 OD
	108067-03-000	EA	STUD - WELD - 1/4 - 20 X 1/2 CD
	109917-01-000	EA	WASHER - 1.5" X 1.25"
	109917-03-000	EA	WASHER - 1" X .50"
	109917-04-000	EA	WASHER - 1" X .75"
	113985-02-000	EA	BOLT - FLANGE - M10-1 1/2 X 30CL 10.9
	114259-05-000	EA	BOLT - 7/16-20 X 1 1/4 W/WASHER
	120506-01-01A	EA	RIVET - PLASTIC - 3/16 DIAMETER
	128444-01-000	EA	WASHER - SPRING - CONICAL

**SEALANTS & FASTENERS GROUP (CONTINUED)**  
**BOLTS, NUTS AND WASHERS (CONTINUED)**

KEY	PART NUMBER	U/M	DESCRIPTION
	131377-01-000	EA	NUT-HEX HEAD W/WASHER-1/4-20 X 2" STEEL W/3/4" OD WASHER
	135092-01-01A	EA	BOLT - HEX - SERRATED FLANGE - 1/2-20 X 1 3/4-GRADE 5 ZINC
	135092-02-01A	EA	BOLT - HEX - SERRATED FLANGE - 1/2-20 X 2 1/2-GRADE 5 ZINC
	135092-04-01A	EA	BOLT - HEX - SERRATED FLANGE - 1/2-20 X 4 1/2 GRADE 5 ZINC

**SCREWS**

KEY	PART NUMBER	U/M	DESCRIPTION
	0G1106-08-240	EA	SCREW - 6-20 X 1/2 PPH - VW LIGHT GRAY
	0G1108-12-240	EA	SCREW - 8-18 X 3/4 PPH - VW LIGHT GRAY
	0G1208-12-170	EA	SCREW - 8-18 X 3/4 POH - BRIGHT WHITE
	0G1308-10-240	EA	SCREW - 8-18 X 5/8 PFH - VW LIGHT GRAY
	0G3804-22-180	EA	SCREW - MACHINE - 1/4-20 X 1 3/8 PFH - BLACK
	0G3908-08-160	EA	SCREW - SF/DR - 8-18 X 1/2 PPH - VW WHITE
	0G3908-08-170	EA	SCREW - SF/DR - 8-18 X 1/2 PPH - BRIGHT WHITE
	0G3908-12-240	EA	SCREW - SF/DR - 8-18 X .75 PPH - VW LIGHT GRAY
	0G3908-12-250	EA	SCREW - SF/DR - 8-18 X 3/4 PPH - DARK GRAY
	0G3908-24-170	EA	SCREW - SF/DR - 8-18 X 1 1/2 PPH - BRIGHT WHITE
	0G3910-10-240	EA	SCREW - SF/DR - 10-16 X 5/8 PPH - VW LIGHT GRAY
	0G3910-10-320	EA	SCREW - SF/DR - 10-16 X 5/8 PPH - GLACIER
	0G3910-10-330	EA	SCREW - SF/DR - 20-16 X 5/8 PPH - PUTTY
	0G3910-12-170	EA	SCREW - SF/DR - 10-16 X 3/4 PPH - BRIGHT WHITE
	0G3910-12-320	EA	SCREW - SF/DR - 10-16 X .75 PPH - GLACIER
	0G5508-08-250	EA	SCREW - SF/DR - 8-18 X 1/2 PWH - VW DARK GRAY
	0G5508-12-170	EA	SCREW - SF/DR - 8-18 X 3/4 PWH - BRIGHT WHITE
	0G5508-12-240	EA	SCREW - SF/DR - 8-18 X 3/4 PWH - VW LIGHT GRAY
	0G5508-12-330	EA	SCREW - SF/DR - 8-18 X 3/4 PWH - PUTTY
	0G5508-12-320	EA	SCREW - SF/DR - 8-18 X 3/4 PWH - GLACIER
	0G5508-16-260	EA	SCREW - SF/DR - 8-18 X 1 PWH ZINC - INTERIOR ANTELOPE
	0G5508-16-250	EA	SCREW - SF/DR - 8-18 X 1 PWH - VW DARK GRAY
	0G5508-16-310	EA	SCREW - SF/DR - 8-18 X 1 PWH - CADDY CREAM
	0G5508-16-330	EA	SCREW - SF/DR - 8-18 X 1 PWH - PUTTY
	0G6008-16-170	EA	SCREW - SF/DR - 8-18 X 1 POH - BRIGHT WHITE
	0G6710-08-110	EA	SCREW - 10-12 X 1/2 PPH - HAMPTON TAN
	0G6710-08-240	EA	SCREW - 10-12 X 1/2 PPH TAUPE - VW LIGHT GRAY
	0G6710-08-170	EA	SCREW - 10-12 X 1/2 PPH - BRIGHT WHITE
	0G6710-12-170	EA	SCREW - 10-12 X 3/4 PPH - BRIGHT WHITE
	0G6806-16-170	EA	SCREW - 6-18 X 1 POH - BRIGHT WHITE
	0G6810-24-280	EA	SCREW - 10-12 X 1 1/2 POH - SOFT WHITE
	000C20-05-28F	EA	SCREW - 5/16-18 X 1 3/4 FLAT SOC - STAINLESS STEEL
	000C20-06-24T	EA	SCREW - 3/8-16 X 1 1/2 - FLAT SOCKET
	000G11-06-24B	EA	SCREW - 6-20 X 1 1/2 PPH ZINC
	000G11-06-10J	EA	SCREW - 6-20 X 5/8 PPH - BRASS
	000G11-06-10B	EA	SCREW - 6-20 X 5/8 PPH - ZINC
	000G11-06-08B	EA	SCREW - 6-20 X 1/2 PPH - ZINC
	000G11-06-06B	EA	SCREW - 6-20 X 3/8 PPH - ZINC
	000G11-07-08B	EA	SCREW - 7-19 X 1/2 PPH - ZINC
	000G11-08-20B	EA	SCREW - 8-18 X 1 1/4 PPH - ZINC
	000G11-08-20G	EA	SCREW - 8-18 X 1 1/4 - ANTIQUE BRASS
	000G11-08-16B	EA	SCREW - 8-18 X 1 PPH - ZINC
	000G11-08-12T	EA	SCREW - 8-18 X 3/4 PPH - BLACK MAGNESIUM
	000G11-08-12P	EA	SCREW - 8-18 X 3/4 PPH - DARK BROWN
	000G11-08-12D	EA	SCREW - 8-18 X 3/4 PPH - BLACK PHOSPHATE
	000G11-08-12B	EA	SCREW - 8-18 X 3/4 PPH - ZINC
	000G11-08-08T	EA	SCREW - 8-18 X 1/2 PPH - FLUOROCARBON COATING
	000G11-08-06J	EA	SCREW - 8-18 X 3/8 PPH BRASS
	000G11-08-06B	EA	SCREW - 8-18 X 3/8 PPH - ZINC
	000G11-10-12S	EA	SCREW - 10-16 X 3/4 PPH - OFF WHITE
	000G11-10-12D	EA	SCREW - 10-16 X 3/4 PPH - BLACK
	000G12-06-08T	EA	SCREW - 6-20 X 1/2 POH - BLACK
	000G12-08-12S	EA	SCREW - 8-18 X 3/4 POH - OFF WHITE
	000G13-05-10B	EA	SCREW - 5-12 X 5/8 PFH - ZINC
	000G13-06-08B	EA	SCREW - 6-20 X 1/2 PFH - ZINC



**SEALANTS & FASTENERS GROUP (CONTINUED)**  
**SCREWS (CONTINUED)**

KEY	PART NUMBER	U/M	DESCRIPTION
	000G13-06-06I	EA	SCREW - 6-20 X 3/8 PFH - BLACK ZINC
	000G13-06-24J	EA	SCREW - 6-20 X 1 1/2 PFH - BRASS
	000G13-06-16J	EA	SCREW - 6-20 X 1 PFH - BRASS
	000G13-06-16S	EA	SCREW - 6-20 X 1 PFH - OFF WHITE
	000G13-06-10J	EA	SCREW - 6-20 X 5/8 PFH - BRASS
	000G13-06-10G	EA	SCREW - 6-20 X 5/8 PFH - ANTIQUE BRASS
	000G13-06-08G	EA	SCREW - 6-20 X 1/2 PFH - ANTIQUE BRASS
	000G13-07-12B	EA	SCREW - 7-19 X 3/4 PFH - ZINC
	000G13-07-10H	EA	SCREW - 7-19 X 5/8 PFH - BLACK
	000G13-08-24B	EA	SCREW - 8-18 X 1 1/2 PFH - ZINC
	000G13-08-16B	EA	SCREW - 8-18 X 1 PFH - ZINC
	000G13-08-109	EA	SCREW - 8-18 X 5/8 PFH
	000G16-04-24B	EA	SCREW - MACHINE - 1/4-20 X 1 1/2 PPH
	000G18-08-16B	EA	SCREW - MACHINE - 8-32 X 1 PPH - ZINC
	000G18-08-24B	EA	SCREW - MACHINE - 8-32 X 1 1/2 PPH - ZINC
	000G18-08-22B	EA	SCREW - MACHINE - 8-32 X 1 3/8 PPH - ZINC
	000G18-08-12B	EA	SCREW - MACHINE - 8-32 X 3/4 PPH - ZINC
	000G19-10-08B	EA	SCREW - MACHINE - 10-32 X 1/2 PPH - ZINC
	000G19-10-20B	EA	SCREW - MACHINE - 10-32 X 1 1/2 PPH - ZINC
	000G19-10-12F	EA	SCREW - MACHINE - 10-32 X 3/4 PPH - STAINLESS STEEL
	000G19-10-10B	EA	SCREW - MACHINE - 10-32 X 5/8 - PPH - ZINC
	000G32-10-06B	EA	SCREW - 10-32 X 3/8 PPH - ZINC
	000G37-08-089	EA	SCREW - 8 X 18 X 1/2 PPH - FLUOROCARBON SILVER
	000G39-06-10T	EA	SCREW - SF/DR - 6-20 X 5/8 PPH - BLACK
	000G39-06-16T	EA	SCREW - SF/DR - 6-20 X 1 PPH - BLACK
	000G39-08-08B	EA	SCREW - SF/DR - 8-18 X 1/2 PPH - ZINC
	000G39-08-06B	EA	SCREW - SF/DR - 8-18 X 3/8 PPH - ZINC
	000G39-08-32B	EA	SCREW - SF/DR - 8-18 X 2 PPH - ZINC
	000G39-08-24T	EA	SCREW - SF/DR - 8-18 X 1 1/2 PPH - BLACK
	000G39-08-24B	EA	SCREW - SF/DR - 8-18 X 1 1/2 PPH - ZINC
	000G39-08-16T	EA	SCREW - SF/DR - 6-20 X 1 PPH - BLACK
	000G39-08-16B	EA	SCREW - SF/DR - 8-18 X 1 PPH - ZINC
	000G39-08-12T	EA	SCREW - SF/DR - 8-18 X 3/4 PPH - BLACK
	000G39-08-12B	EA	SCREW - SF/DR - 8-18 X 3/4 PPH - ZINC
	000G39-08-08T	EA	SCREW - SF/DR - 8-18 X 1/2 PPH - BLACK
	000G39-08-08S	EA	SCREW - SF/DR - 8-18 X 1/2 PPH - OFF WHITE
	000G39-10-088	EA	SCREW - SF/DR - 10-16 X 1/2 PPH - FLEX FLUOROCARBON
	000G39-10-08B	EA	SCREW - SF/DR - 10-16 X 1/2 PPH - ZINC
	000G39-10-12B	EA	SCREW - SF/DR - 10-16 X 3/4 PPH - ZINC
	000G39-10-10T	EA	SCREW - SF/DR - 10-16 X 5/8 - BLACK
	000G39-10-10B	EA	SCREW - SF/DR - 10-16 X 5/8 - ZINC
	000G39-10-48B	EA	SCREW - SF/DR - 10-16 X 3 - PPH - ZINC
	000G39-10-40D	EA	SCREW - SF/DR - 10-16 X 2 1/2 PPH - BLACK
	000G39-10-32I	EA	SCREW - SELF TAPPING - 10-16 X 2 PPH - BLACK
	000G39-10-32B	EA	SCREW - SF/DR - 10-16 X 2 - PPH - ZINC
	000G39-10-209	EA	SCREW - SF/DR - 10-16 X 1 1/4 PPH - FLUOROCARBON SILVER
	000G39-10-20T	EA	SCREW - SF/DR - 10-16 X 1 1/4 PPH - BLACK
	000G39-10-20B	EA	SCREW - SF/DR - 10-16 X 1 1/4 PPH - ZINC
	000G39-10-169	EA	SCREW - SF/DR - 10-16 X 1 PPH - FLUOROCARBON SILVER
	000G39-10-129	EA	SCREW - SF/DR - 10-16 X 3/4 PPH - FLUOROCARBON SILVER
	000G39-10-12T	EA	SCREW - SF/DR - 10-16 X 3/4 - BLACK
	000G39-10-12S	EA	SCREW - SF/DR - 10-16 X 3/4 PPH - OFF WHITE
	000G39-12-12E	EA	SCREW - SF/DR - 12-14 X 3/4 PPH - CHROME
	000G42-04-24B	EA	SCREW - SF/DR - 1/4-14 X 1 1/2 - ZINC
	000G42-04-16B	EA	SCREW - SF/DR - 1/4-14 X 1 HWH - ZINC
	000G50-04-12B	EA	SCREW - MACHINE - 1/4-20 X 3/4 PPH - ZINC
	000G50-04-06B	EA	SCREW - MACHINE - 1/4-20 X 3/8 PTH - ZINC
	000G51-06-12B	EA	SCREW - 6-20 X 3/4 PTH - ZINC
	000G52-06-06B	EA	SCREW - MACHINE - 6-32 X 3/8 PTN - ZINC
	000G52-06-05B	EA	SCREW - MACHINE - 6-32 X 5/16 PTH ZINC
	000G55-08-16T	EA	SCREW - SF/DR - 8-18 X 1 PWH - BLACK
	000G55-08-12S	EA	SCREW - SF/DR - 8-18 X 3/4 PWH - OFF WHITE
	000G56-12-48B	EA	SCREW - WOOD - 12-11 X 3 POH - SPECIAL HARDENED

**SEALANTS & FASTENERS GROUP (CONTINUED)**  
**SCREWS (CONTINUED)**

KEY	PART NUMBER	U/M	DESCRIPTION
	000G57-14-72B	EA	SCREW-14-10-X4-1/2 PFH ZN GENERAL MOTORHOMES
	000G57-14-64B	EA	SCREW - 14-10 X 4 PFH ZINC
	000G60-08-22B	EA	SCREW - SF/DR - 8-18 X 1.38 POH - ZINC
	000G60-08-20F	EA	SCREW - SF/DR - 8-19X1.25 POH
	000G60-08-16E	EA	SCREW - SF/DR - 8-1 X 1 POH - CHROME
	000G60-10-20B	EA	SCREW - SF/DR - 10-16 X 1 1/4 POH - ZINC
	000G60-10-28T	EA	SCREW - SF/DR - 10-16 X 1 3/4 - BLACK
	000G60-10-209	EA	SCREW - SF/DR - 10-16 X 1 1/4 POH - SILVER STALGAARD
	000G67-08-32B	EA	SCREW - 8-15 X 2 PPH - ZINC
	000G67-10-08B	EA	SCREW - 10-12 X 1/2 PPH - ZINC
	000G67-10-10S	EA	SCREW - 10-12 X 5/8 PPH - OFF WHITE
	000G67-10-10P	EA	SCREW - 10-12 X 5/8 PPH - DARK BROWN
	000G67-10-10B	EA	SCREW - 10-12 X 5/8 PPH - ZINC - TYPE A
	000G67-10-08S	EA	SCREW - 10-12 X 1/2 PPH - OFF WHITE
	000G67-10-32B	EA	SCREW - 10-12 X 2 PPH - ZINC
	000G67-10-24B	EA	SCREW - 10-12 X 1 1/2 PPH - ZINC
	000G67-10-20D	EA	SCREW - 10-12 X 1 1/4 PPH - BLACK
	000G67-10-16B	EA	SCREW - 10-12 X 1 PPH - ZINC
	000G67-10-12P	EA	SCREW - 10-12 X 3/4 PPH - DARK BROWN
	000G67-10-12B	EA	SCREW - 10-12 X 3/4 PPH - ZINC
	000G67-10-10T	EA	SCREW - 10-12 X 5/8 PPH - BLACK
	000G68-06-10G	EA	SCREW - 6-18 X 5/8 POH - ANTIQUE BRASS
	000G68-06-12J	EA	SCREW - 6-18 X 3/4 POH - BRASS
	000G68-06-12B	EA	SCREW - 6-18 X 3/4 POH - ZINC & CLEAR
	000G68-06-10J	EA	SCREW - 6-18 X 5/8 POH - BRASS
	000G68-10-20I	EA	SCREW - 10-12 X 1 1/4 POH - BLACK
	029130-05-000	EA	SCREW - SNAP STUD - #8-16 X 5/8" LONG
	049465-03-000	EA	SCREW - 10-16 X 1 POH W/WASHER - OFF WHITE
	049465-04-000	EA	SCREW - 10-16 X 1 PTH W/WASHER - BEIGE
	049465-17-000	EA	SCREW - 10-16 X 1 POH W/WASHER - BRIGHT WHITE
	049465-23-000	EA	SCREW - 10-16 X 1.5 POH W/WASHER - VW LIGHT GRAY
	054434-02-000	EA	SCREW - SF/DR - 10-16 X 2 - ZINC
	054434-03-000	EA	SCREW - SF/DR - 10-16 X 2 - PWH - ZINC - W/O WINGS
	075908-01-000	EA	SCREW - MACHINE - 10-32 X .56 PTH - EXTERNAL TOOTH - ZINC
	076790-01-000	EA	SCREW - 6-20 X 1 1/4 PPH - BLACK
	076790-03-000	EA	SCREW - 6-20 X 1 PPH - BLACK
	076790-05-000	EA	SCREW - 6-20 X 1/2 PPH - BLACK - THREAD CUTTING/WOOD
	087721-01-000	EA	SCREW - FLAT HEAD - TAPPING - 1/4 X 1 1/4 LONG - ZINC
	090033-02-000	EA	SCREW - 1/4-20 X 5/8 - ROUND WASHER HEAD - OFF/WHITE
	091230-06-000	EA	SCREW-MACH,8-32X3/4 POH SS - BRIGHT WHITE
	097974-01-000	EA	SCREW - PARTICLE BOARD - 7-9 X 3/4 PPH
	101618-01-000	EA	SCREW - 1/4-20 X 3/4 HEX - TAPPING - STALGARD TYPE F
	105126-01-000	EA	SCREW - MACHINE - 8-32 X 1 PPH TAPTIT
	110460-05-02A	EA	SCREW - MACHINE - 10-24 X 2 1/2 PFH - WHITE
	113563-01-01A	EA	SCREW - 8 X 5/8 LONG SHOULDER/WASHER HEAD
	117478-01-04A	EA	SCREW - 8-18 X 3/4 PPH W/WASHER - VW LIGHT GRAY
	118383-01-09A	EA	RETAINER/RECESSED - F/.22" SCREW - GLACIER
	118383-01-05A	EA	RETAINER/RECESSED - F/.22" SCREW - VW LIGHT GRAY
	118383-01-04A	EA	RETAINER/RECESSED - F/.22" SCREW - BRIGHT WHITE
	118383-02-05A	EA	RETAINER/RECESSED - F/.27" SCREW - VW LIGHT GRAY
	118383-02-09A	EA	RETAINER/RECESSED - F/.27" SCREW - GLACIER
	118383-03-09A	EA	RETAINER/RECESSED - F/.32" SCREW - GLACIER
	118383-03-05A	EA	RETAINER/RECESSED - F/.32" SCREW - VW LT. GRAY
	118383-04-09A	EA	CAP - F/RECESSED RETAINER - GLACIER
	118383-04-05A	EA	CAP - F/RECESSED RETAINER - VW LIGHT GRAY
	118383-04-04A	EA	CAP - F/RECESSED RETAINER - BRIGHT WHITE
	134126-01-01A	EA	SCREW/NAIL - HEX HEAD - 3/4"
	134126-02-01A	EA	SCREW/NAIL - HEX HEAD - 1 1/4"
	140040-01-000	EA	SCREW - 1/4-20X1 - BUTTON HEAD SOCKET - W/LOCTITE

**SEALANTS & FASTENERS GROUP (CONTINUED)**  
**CLAMPS, CLIPS, GROMMETS, RIVETS & PLUGS**

KEY	PART NUMBER	U/M	DESCRIPTION
	000F10-06-32B	EA	PIN - COTTER - 3/16" X 2" - ZINC
	000H14-06-06R	EA	RIVET-MANDREL BLIND,3/16 AL - CHERRY BSP-66
	000H16-04-06R	EA	RIVET - POP ALUMINUM - 1/8 X .313 - .375
	000H16-06-10R	EA	RIVET - POP ALUMINUM - 3/16 X .501-.625
	007161-01-000	EA	CLAMP - HOSE - SPRING TYPE - 1/2"
	008384-01-000	EA	GROMMET - SNAP - 3/4 DIAMETER - NYLON
	008386-01-000	EA	GROMMET - SNAP - 3/8" DIAMETER - NYLON
	010495-01-000	EA	CLAMP - CABLE - 9/16"
	010495-02-000	EA	CLAMP - CABLE - 3/8"
	010495-04-000	EA	CLAMP - CABLE - 11/16" - WHITE
	010497-01-000	EA	CLAMP - CLOSED - 5/8" ID
	010497-03-000	EA	CLAMP - CLOSED - 1" ID - CUSHIONED
	010497-04-000	EA	CLAMP - CLOSED - 1 5/8" ID
	010497-05-000	EA	CLAMP - CLOSED - 1/2" ID
	010497-07-000	EA	CLAMP - CLOSED - 3/8" ID
	010499-01-000	EA	CLAMP - CLOSED - 3/8" ID
	016188-03-000	EA	GROMMET - L/P LINE - 3/8" HOLE X 2 1/2" LONG - RUBBER
	016188-04-000	EA	GROMMET - L/P LINE - 1/2" HOLE X 2 1/2" LONG - RUBBER
	016188-05-000	EA	GROMMET - L/P LINE - 3/8" HOLE X 1 1/4" LONG - RUBBER
	016188-06-000	EA	GROMMET - L/P LINE - 3/8" X 31 1/4" LONG
	016188-07-000	EA	GROMMET - L/P LINE - 1/2" X 3 1/4" LONG
	023942-01-000	EA	GROMMET - RUBBER - 2" OD
	034141-02-000	EA	PLUG/NYLON - .38" - BLACK
	056134-01-000	EA	HOLDER - RING - 3.6" DIAMETER - METAL
	056134-02-000	EA	HOLDER - RING - 1.8" DIAMETER - METAL
	061420-04-000	EA	PLUG/PLASTIC - 1 1/4" DIAMETER
	061420-05-000	EA	PLUG/PLASTIC - 1 1/2" DIAMETER
	061420-08-000	EA	PLUG/PLASTIC - 2 1/2" DIAMETER
	061420-09-000	EA	PLUG/PLASTIC - 1.00" - DIAMETER
	061420-10-000	EA	PLUG/PLASTIC - 1 1/2" DIAMETER - BLACK
	061420-15-000	EA	PLUG/PLASTIC - 2" DIAMETER - BLACK
	062401-01-000	EA	CLAMP - HOSE - WORMGEAR - .25" - 1"
	062401-02-000	EA	CLAMP - HOSE - WORMGEAR - 1.56" - 2.5"
	062401-03-000	EA	CLAMP - HOSE - WORMGEAR - .22" - 1"
	062401-04-000	EA	CLAMP - HOSE - WORMGEAR - .69" - 1.25"
	062401-05-000	EA	CLAMP - HOSE - WORMGEAR - 2" - 3" ID
	062401-06-000	EA	CLAMP - HOSE - WORMGEAR - .22" - .62" ID
	062401-09-000	EA	CLAMP - HOSE - WORMGEAR - 2.8" - 3.75"
	062401-11-000	EA	CLAMP - HOSE - WORMGEAR - 3.50" - 4.50"
	062401-12-000	EA	CLAMP - HOSE - WORMGEAR - .79" X 1.26"
	071015-11-000	EA	GROMMET - RUBBER - 1"ID FITS .12 MATERIAL - BLACK
	071015-19-000	EA	GROMMET - RUBBER - .38 ID - FITS .06 MATERIAL - BLACK
	071015-26-000	EA	GROMMET - RUBBER - 1.5" ID X 2.1" OD W/.06" GROOVE-BLACK
	071015-29-000	EA	GROMMET - RUBBER - .3" ID X 1.3"OD W/.12" GROOVE - BLACK
	071015-30-000	EA	GROMMET - RUBBER - .31" ID X .81" OD W/.12" GROOVE-BLACK
	071015-39-000	EA	GROMMET - .75 ID FITS .06 MTL
	071015-40-000	EA	GROMMET - .38 ID FITS .09 MTL
	071015-41-000	EA	GROMMET - .125 ID FITS .188 MTL
	075148-02-000	EA	CLAMP - GROUNDING - BRONZE SCREWS
	077955-01-000	EA	CLIP/J - 3/8" - VINYL COATED
	080211-03-000	EA	CLIP - XMAS TREE W/PANEL RETAINING HEAD - 3/4" SHANK
	080734-02-000	EA	CLIP - WIRE NYLON
	081211-03-000	EA	PLUG/PLASTIC - .50 DIAMETER - BLACK
	081211-04-000	EA	PLUG/PLASTIC - .46 DIAMETER - BLACK
	083609-01-000	EA	CLAMP - WIRE - DUAL - EQUAL DIAMETERS - 5/8"
	083610-01-000	EA	CLAMP - WIRE - DUAL - UNEQUAL DIAMETERS - 3/4" & 1 1/4"
	083610-02-000	EA	CLAMP - WIRE - DUAL - UNEQUAL DIAMETERS - 3/4" & 2"
	083610-03-000	EA	CLAMP - WIRE - DUAL - EQUAL DIAMETERS - 2"
	088756-01-000	EA	GROMMET - WEB - 1 1/8 i i.D.
	091952-01-000	EA	CLIP - GRIPPER - 1"
	091952-02-000	EA	CLIP - GRIPPER - 3/4"
	094362-02-000	EA	CLIP - XMAS TREE - BINDER HEAD - .9" LONG
	094362-05-000	EA	CLIP - XMAS TREE - ROUND HEAD - 1.4" LONG

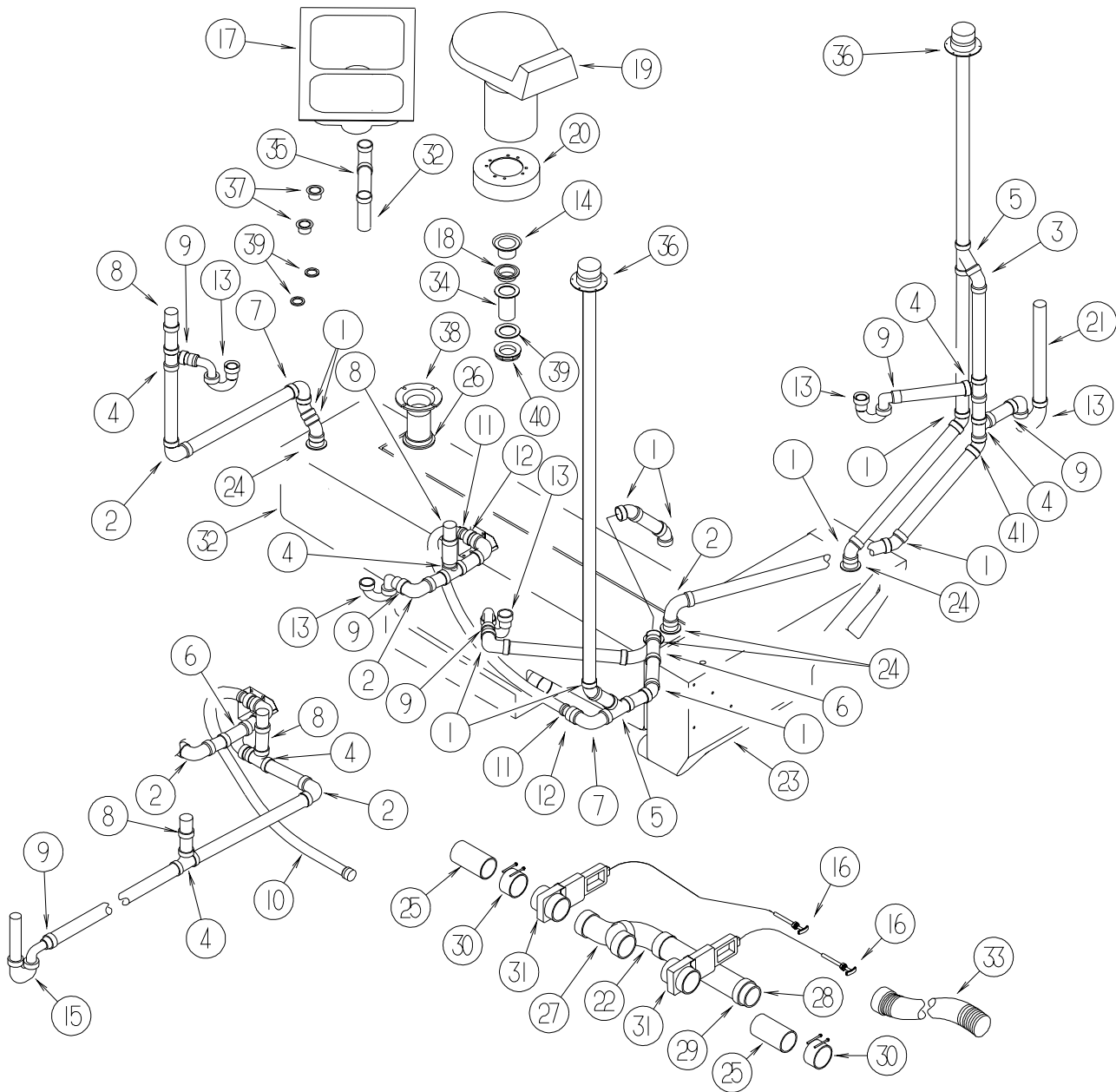
**SEALANTS & FASTENERS GROUP (CONTINUED)**  
**CLAMPS, CLIPS, GROMMETS, RIVETS & PLUGS (CONTINUED)**

KEY	PART NUMBER	U/M	DESCRIPTION
	114208-01-000	EA	GROMMET - EDGE LINER - FITS 1 3/4"
	114208-03-000	EA	GROMMET - EDGE LINER - FITS 2 1/2"
	114208-04-000	EA	GROMMET - EDGE LINER - FITS 1"
	114208-05-000	EA	GROMMET - EDGE LINER - FITS 2"
	118626-01-01A	EA	RIVET - POP - ALUMINUM - 3/16 X .08 - .375
	118626-02-01A	EA	RIVET - POP - ALUMINUM - 3/16 X .500 - .750
	137014-01-02A	EA	GROMMET - CABLE - BROWN
	137014-01-01A	EA	GROMMET - CABLE - ALMOND
	139118-01-01A	EA	GROMMET - PLASTIC/SCREW
	139118-02-01A	EA	GROMMET - SCREW - PLASTIC
	140171-02-000	EA	CLAMP - HOSE - STEPLESS EAR - .250

**MISCELLANEOUS FASTENERS**

KEY	PART NUMBER	U/M	DESCRIPTION
	008343-01-000	EA	TIE - WIRE - 6"
	008343-02-000	EA	TIE - WIRE - 14"
	008343-03-000	EA	TIE - WIRE - 7 1/2" - BLACK
	029094-04-000	YD	VELCRO TAPE - LOOP - 1" WIDE - BLACK
	029096-03-000	YD	VELCRO TAPE - HOOK - 1" WIDE - BLACK
	029096-04-000	YD	VELCRO TAPE - HOOK - 1" WIDE - BLACK
	048394-02-000	YD	VELCRO TAPE - HOOK - ADHESIVE BACK - 3/4" WIDE - BEIGE
	085774-01-000	FT	FASTENER - DUAL LOCK - 1" WIDE - ADHESIVE BACK - BLACK
	085774-02-000	FT	FASTENER - DUAL HOOK - 1" WIDE - ADHESIVE BACK - BLACK
	085774-03-000	FT	FASTENER - DUAL LOCK - 1/2" WIDE - ADHESIVE BACK - BLACK
	085774-04-000	FT	FASTENER - DUAL HOOK - 1/2" WIDE - ADHESIVE BACK - BLACK
	088792-02-000	YD	VELCRO TAPE - LOOP - 3/4" - ADHESIVE BACK - BEIGE
	088792-04-000	YD	VELCRO TAPE - HOOK - 5/8" - NON-ADHESIVE BACK - WHITE
	088792-05-000	YD	VELCRO TAPE - LOOP - 5/8" - NON-ADHESIVE BACK - WHITE
	108046-01-000	EA	CABLE TIE - SCREW MOUNT 8"
	108046-02-000	EA	CABLE TIE - SCREW MOUNT 15"
	110943-02-000	FT	FELT STRIP - 3/8" - ADHESIVE BACK - WHITE
	113133-02-01A	EA	RIVET - POP - ALUMINUM - 3/16 X .252 - .504 - BLACK
	123816-04-000	FT	TAPE - DOUBLE SIDED - 6" X 750'
	127960-01-01A	EA	RETAINER - 3/8" - STAINLESS STEEL

## WATER & SEWAGE GROUP DRAINAGE SYSTEM



KEY	PART NUMBER	U/M DESCRIPTION
1	010006-01-000	EA ELBOW - 45 DEGREE - 1 1/2" HUB X HUB - PLASTIC
2	010008-01-000	EA ELBOW - 90 DEGREE - 1 1/2" HUB X HUB - PLASTIC
3	010051-01-000	EA ELBOW - 45 DEGREE - 1 1/2" SPIGOT X HUB - PLASTIC
4	010071-01-000	EA TEE - SANITARY - 1 1/2" HUB X HUB X HUB - PLASTIC
5	010073-01-000	EA WYE - 45 DEGREE - 1 1/2" HUB X HUB X HUB - PLASTIC
6	031365-02-000	EA TEE - PLASTIC - 1 1/2" EXTRA LONG TURN
7	033761-01-000	EA ELBOW - 90 DEGREE - TURN - 1 1/2" HUB X 1 1/2" SPIGOT
8	079968-01-000	EA VENT - MECHANICAL/TRAP ARM - ANTI-SIPHON-2" X 7.3" PLASTIC
9	109571-01-000	EA ADAPTER - P-TRAP - 1 1/2" P X 1 1/4" MPT
10	126426-01-000	FT PIPE - 1 1/2" FLEXIBLE
11	130685-01-000	EA ADAPTER - 1 7/8" FEMALE SLIP X 1 1/2" FEMALE THREAD/O-RING
12	130685-03-000	EA ADAPTER - 1 7/8" MALE SLIP X 1 1/2" MALE THREAD/O-RING
13	107538-01-000	EA P-TRAP - PLASTIC - 1 1/4" W/EXTENSION ARM
13	011071-01-000	EA P-TRAP - PLASTIC - 1 1/2" - CSA
14	120981-01-01A	EA DRAIN - BATH/SHOWER W/SPRING LOADED PLUNGER - BRASS
15	037763-01-000	EA P-TRAP - PLASTIC - 1 1/2" HXH W/UNION
16	062421-04-000	EA CABLE/ROD - F/DUMP VALVE - W/HANDLE - 36"
17	134851-01-01A	EA SINK - DOUBLE/GALLEY - LARGE/SMALL - 25" X 18" X 6.9"D-WHT

**WATER & SEWAGE GROUP (CONTINUED)**  
**DRAINAGE SYSTEM (CONTINUED)**

KEY	PART NUMBER	U/M	DESCRIPTION
18	132376-01-01A	EA	GASKET - FOAM - 1 1/2" - TUB STRAINER
18	066440-01-000	EA	STRAINER - SHOWER DRAIN - W/RUBBER WASHER
18	066729-01-000	EA	STRAINER - TUB/SHOWER W/PLUG - CHROME - <a href="#">CANADIAN</a>
19*	136729-01-01A	EA	TOILET - CHINA - STANDARD W/SPRAYER - WHITE
20	131786-03-01A	EA	SPACER - TOILET - ROUND - 10" DIAM. X 1.3" HIGH - SOFT WHT
21	126588-02-000	EA	ARM - WASTE - 1 1/2 X 20" - FEMALE
22	041956-01-000	EA	ELBOW - 3" STREET - 90 DEGREE PLASTIC
23	128993-01-700	EA	TANK-HOLDING 54 GAL 3"NIPPLE
24	061607-01-000	EA	GROMMET - HOLDING TANK - 1 1/2" NPS
25	010129-03-000	EA	NIPPLE - PLASTIC - 3" X 3" TOE
26	061607-02-000	EA	GROMMET - HOLDING TANK - 3" NPS
27	010065-01-000	EA	TEE - PLASTIC - 3" FEMALE
28*	062415-01-000	EA	CAP - SEWER - 3" DIAMETER
29	062417-01-000	EA	ADAPTER - TERMINATION - 3"
30	078406-01-000	EA	COUPLER - RUBBER - W/CLAMPS - 3" X 3"
31	129147-01-000	EA	VALVE - 3" HUB X 3" HUB - REMOTE
32	128996-01-000	EA	TANK - HOLDING - 70 GALLON - W/O FITTINGS
33	010201-01-000	EA	HOSE - SEWER - 3" ID X 8'
			FROM: 00-00-00 THRU: 06-10-01
33	139513-02-000	EA	HOSE - SEWER - 3" X 20' - W/ADAPTER
			FROM: 06-11-01 THRU: 99-99-99
34	011069-06-000	EA	TAILPIECE - 1 1/2" X 1 1/4" X 2 1/2"
35	011091-02-000	EA	WASTE - CONTINUOUS - DOUBLE SINK
36	083558-03-000	EA	VENT - PLUMBING - ROOF PIPE COVERED - OFF WHITE
37	092303-01-000	EA	STRAINER - W/BASKET - GALLEY SINK - 4" OD
38	116644-01-000	EA	FLANGE/CLOSET - 4 BOLT X 3" FEMALE
39	127440-02-01A	EA	WASHER - RUBBER - 1.8" X .1"
40	130403-01-000	EA	NUT - SLIP - W/WINGS 1 1/2"
41	010006-01-000	EA	ELBOW - 45 DEGREE - 1 1/2" HUB X HUB - PLASTIC
41	010051-01-000	EA	ELBOW - 45 DEGREE - 1 1/2" SPIGOT X HUB - PLASTIC - <a href="#">W/WASHER &amp; DRYER</a>

**\*COMPONENT PARTS LISTED LATER IN THIS GROUP**

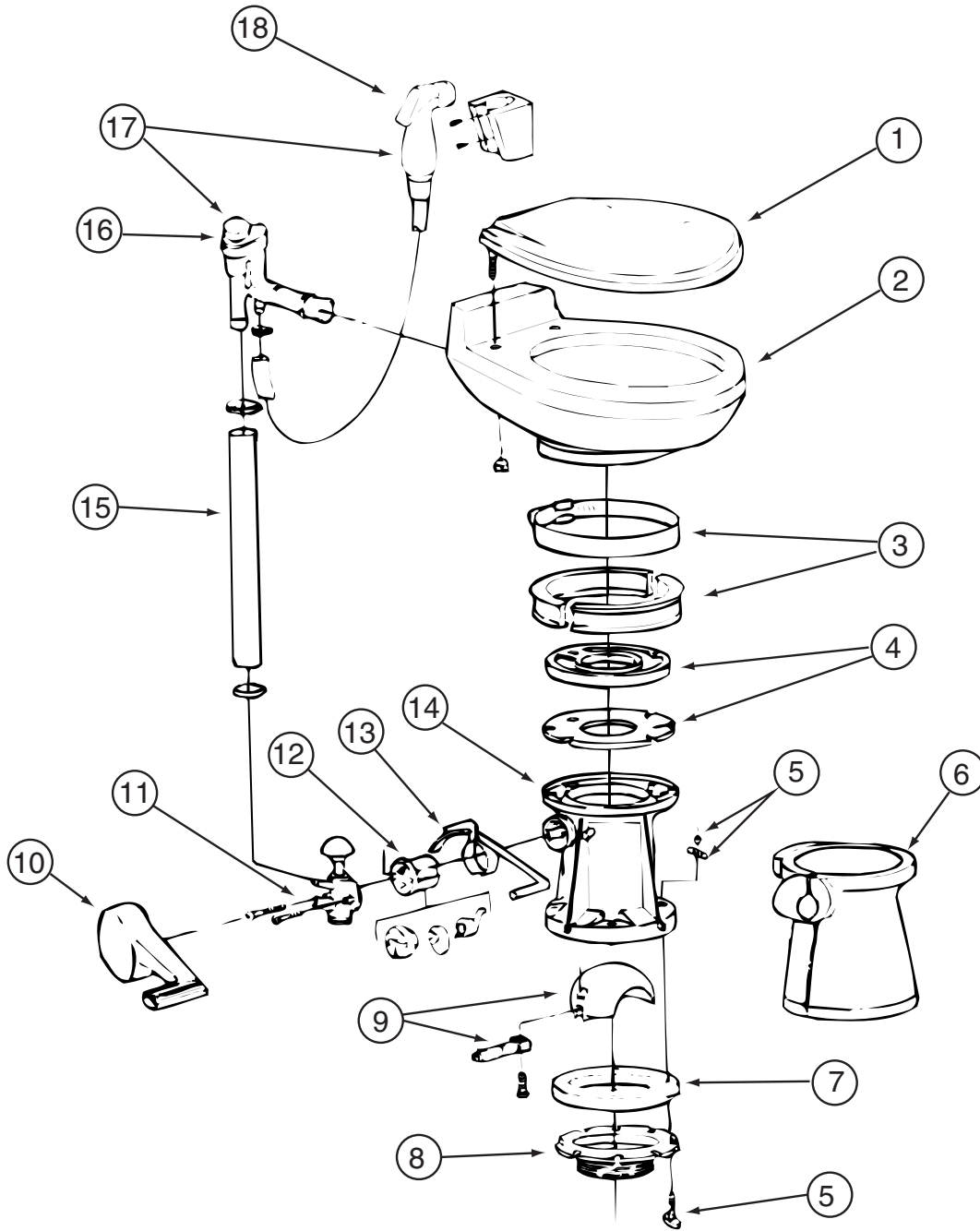
**WATER & SEWAGE GROUP (CONTINUED)**  
**COMPONENT PARTS FOR DRAINAGE SYSTEM**

062415-01-000

**KEY PART NUMBER**  
062415-01-700

**U/M DESCRIPTION**  
EA STRING-SEWER CAP

**VENDOR NO.**  
V#SV7 STRAP



136729-01-01A

**WATER & SEWAGE GROUP (CONTINUED)**  
**COMPONENT PARTS FOR DRAINAGE SYSTEM (CONTINUED)**

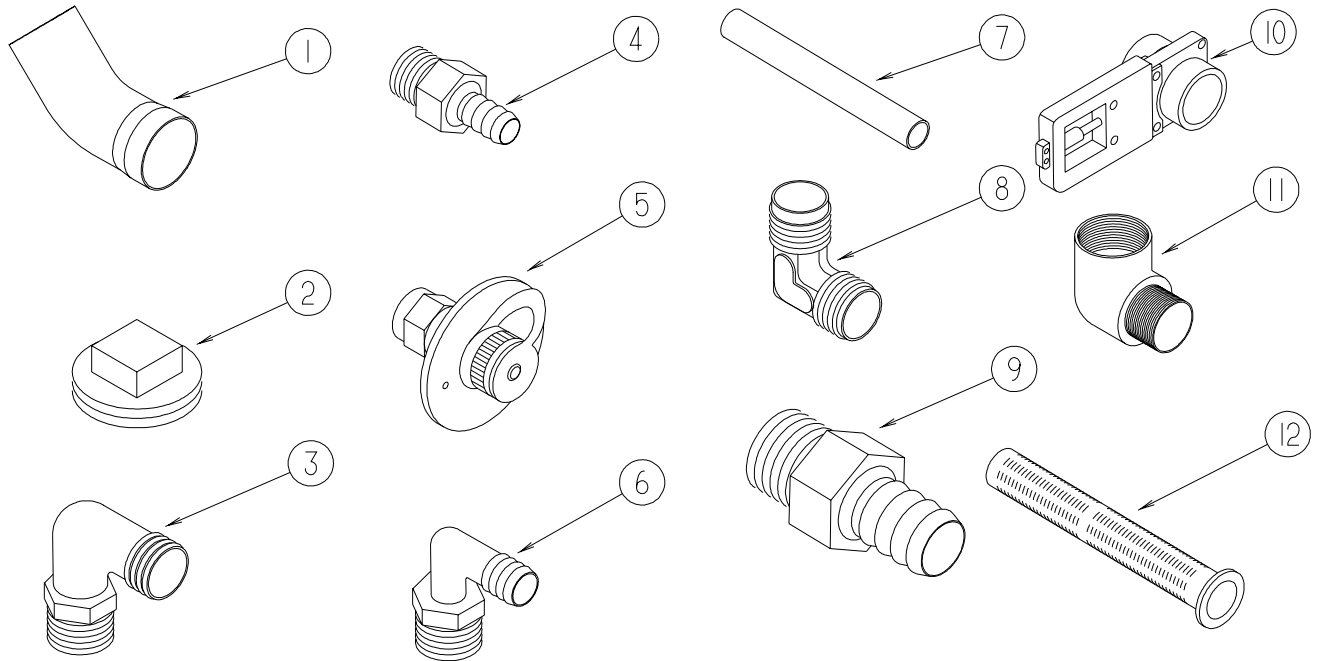
**136729-01-01A (CONTINUED)**

<b>KEY</b>	<b>PART NUMBER</b>	<b>U/M</b>	<b>DESCRIPTION</b>	<b>VENDOR NO.</b>
1	136729-01-700	EA	SEAT ASSEMBLY - WHITE	343829
2	136729-01-701	EA	BOWL/CHINA - WHITE	310739
3	085330-01-703	EA	RING & HALF CLAMPS, BONE	385310048
4	085330-01-704	EA	TEFLON & RUBBER SEAL KIT	385316140
5	085330-01-717	EA	BOLT MOUNTING PACKAGE	3100-64
6	085330-09-704	EA	PEDESTAL COVER - WHITE	310111
7	085330-01-714	EA	SEAL-FLANGE, FLOOR	390343892
8	085330-01-716	EA	FLANGE-FLOOR, 3" MPT	345889
10	085330-09-702	EA	COVER/PEDAL KIT - WHITE	310114
11	085330-01-709	EA	VALVE-WATER	385314349
12	085330-01-707	EA	CARTRIDGE SPRING ASSEMBLY	381236096
13	085330-06-703	EA	LEVER-FLUSH	340873
14	085330-09-703	EA	BASE KIT - BONE	310120
16	085330-06-701	EA	BREAKER-VACUUM/DIVERTER(900)	230335
18	085330-04-701	EA	HAND SPRAY W/HOSE(500 & 900)	340683
CONTACT WINNEBAGO PART SALES FOR UNLISTED COMPONENTS				



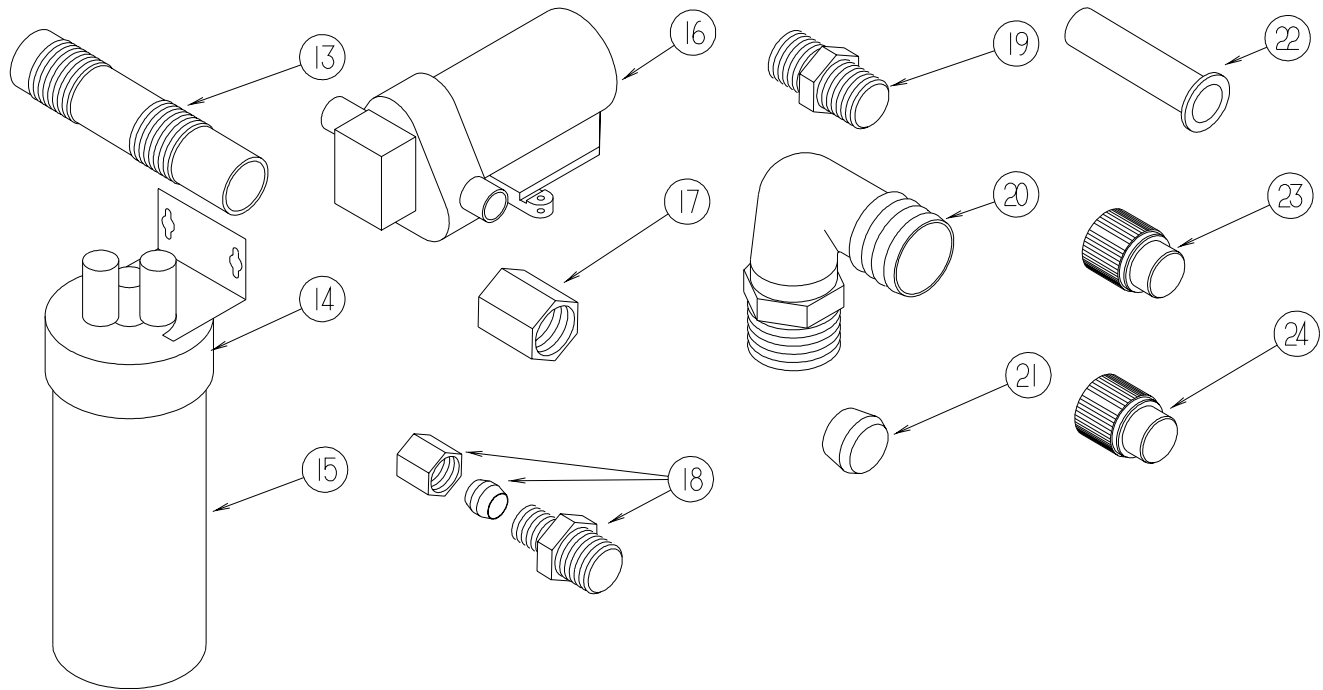
## WATER & SEWAGE GROUP (CONTINUED)

### WATER SYSTEM



KEY	PART NUMBER	U/M	DESCRIPTION
1	010009-01-000	EA	ELBOW - 90 DEGREE - 1/4 BEND - 1 1/2" PLASTIC
2	010166-01-000	EA	PLUG/THREADED - 1 1/4"MPT - PLASTIC - BLACK - UL
3	010219-01-000	EA	ELBOW - 1 1/4 MPT X 1 1/4 BARB - WATER FILL - PLASTIC
4	010224-01-000	EA	ADAPTER - HOSE TO PIPE - 3/8 MPT X 3/8 BARB - PLASTIC
5	010230-06-000	EA	FILL - CITY WATER - W/CHECK VALVE - MPT - BRUSHED ALUM
6	035539-01-000	EA	ELBOW - 3/8 MPT X 3/8 BARB - PLASTIC
7	039800-04-000	FT	TUBING - POLYBUTYL - 1/4"OD
7	074462-02-000	FT	TUBING - VINYL - 3/8 ID X 20' - CLEAR
7	112176-01-000	FT	TUBING - VINYL - REINFORCED - 1/2" ID
7	124188-01-000	FT	TUBING - PEX - 1/2" ID X 20' - BLUE(COLD)
7	124188-02-000	FT	TUBING - PEX - 1/2" ID X 20' - RED(HOT)
8	039808-03-000	EA	ELBOW - 1/2" MPT X 1/2" MPT - PLASTIC
9	044927-01-000	EA	ADAPTER - HOSE TO PIPE-1 1/4 MPTX1 1/4 BARB-BLACK PLASTIC
10	062421-03-000	EA	VALVE/DUMP W/O HANDLE - 1 1/2" X 1 1/2" HUB
11	065318-02-000	EA	ELBOW - 90 DEGREE - 3/8" MPT TO 3/8" FPT
12	077954-02-000	EA	FILTER - WATER TANK - W/SCREEN IN TANK

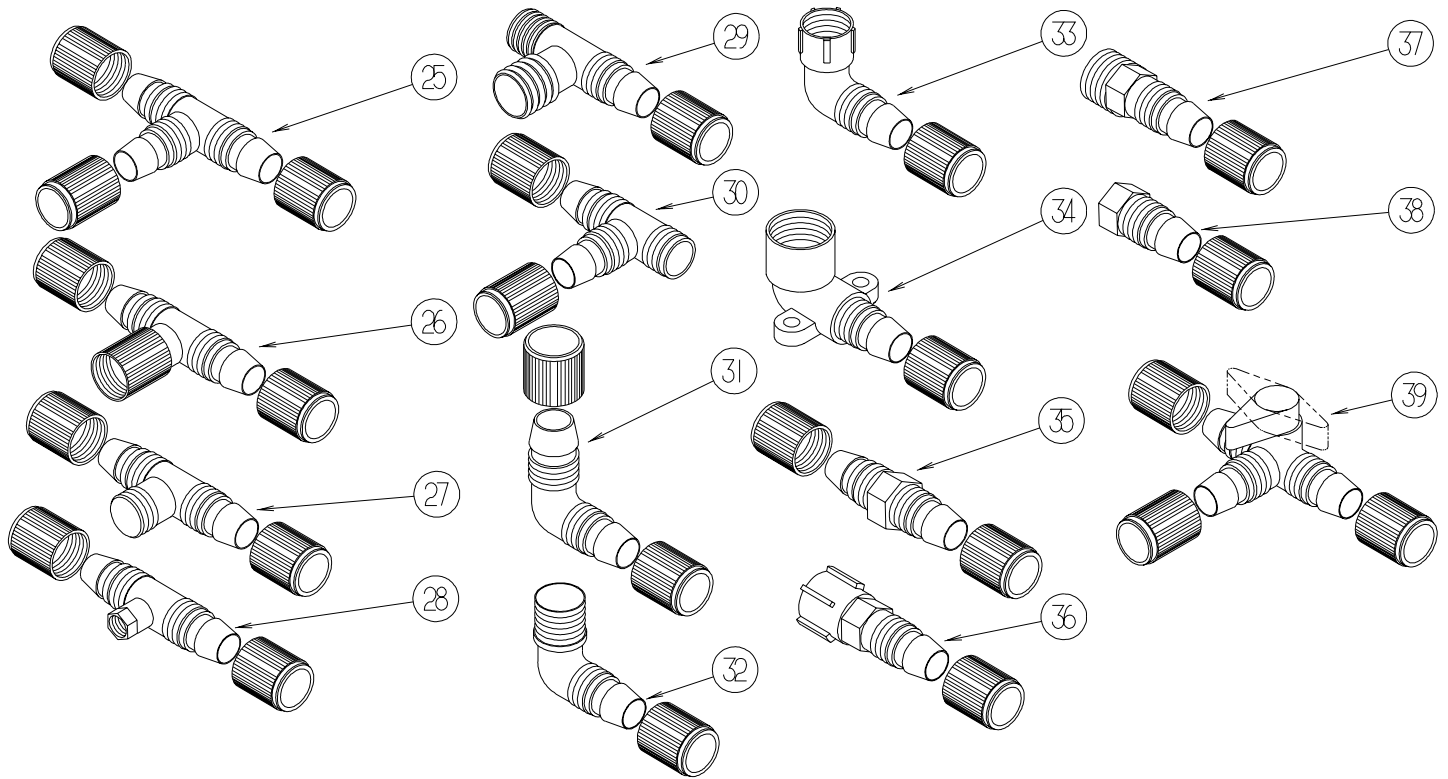
**WATER & SEWAGE GROUP (CONTINUED)**  
**WATER SYSTEM (CONTINUED)**



KEY	PART NUMBER	U/M	DESCRIPTION
13	079381-01-000	FT	TUBING - RIBBED FLEXIBLE - WATER FILL - 1.4" ID
14	087200-01-000	EA	FILTER-WATER PURIFICATION, EVERPURE QC2-AC
15	087200-02-000	EA	CARTRIDGE-WATER FILTER,AC - EVERPURE 9601-11
16*	098607-01-000	EA	PUMP - WATER - W/.5" MPT FITTING - FLOW 2.8 GPM
17	101814-01-000	EA	COUPLING - FEMALE - 1/2" X 1/2" FPT - GRAY
18	103798-01-000	EA	CONNECTOR - 1/4 OD X 3/8 MPT
19	110438-02-000	EA	VALVE - CHECK - BRASS - 1/2 MPT X 1/2 MPT
20	111223-02-000	EA	ELBOW - 1/2" MPT X 3/8" BARB - PLASTIC
20	111223-03-000	EA	ELBOW - 3/4" MPT X 1/2" BARB - PLASTIC
20	111223-04-000	EA	ELBOW - 1/2" MPT X 1/2" BARB - PLASTIC
21	111888-01-000	EA	FERRULE - PLASTIC - .250 ID X .375 OD
22	111888-02-000	EA	INSERT - BRASS - 1/4 COMP
23	113697-01-000	EA	CAP - 3/8"P
24	114427-01-000	EA	CAP - 1/2"P

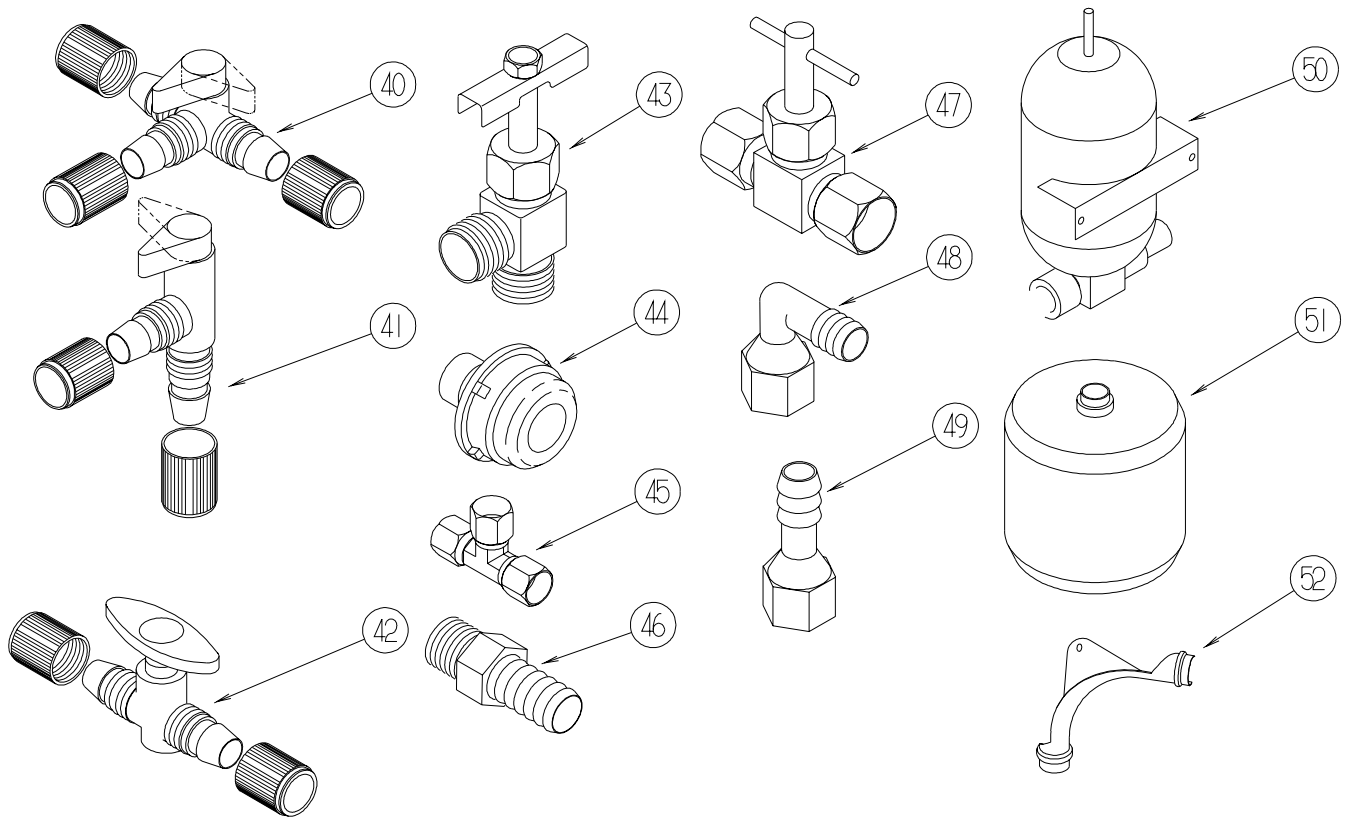
\*COMPONENT PARTS LISTED LATER IN THIS GROUP

**WATER & SEWAGE GROUP (CONTINUED)**  
**WATER SYSTEM (CONTINUED)**



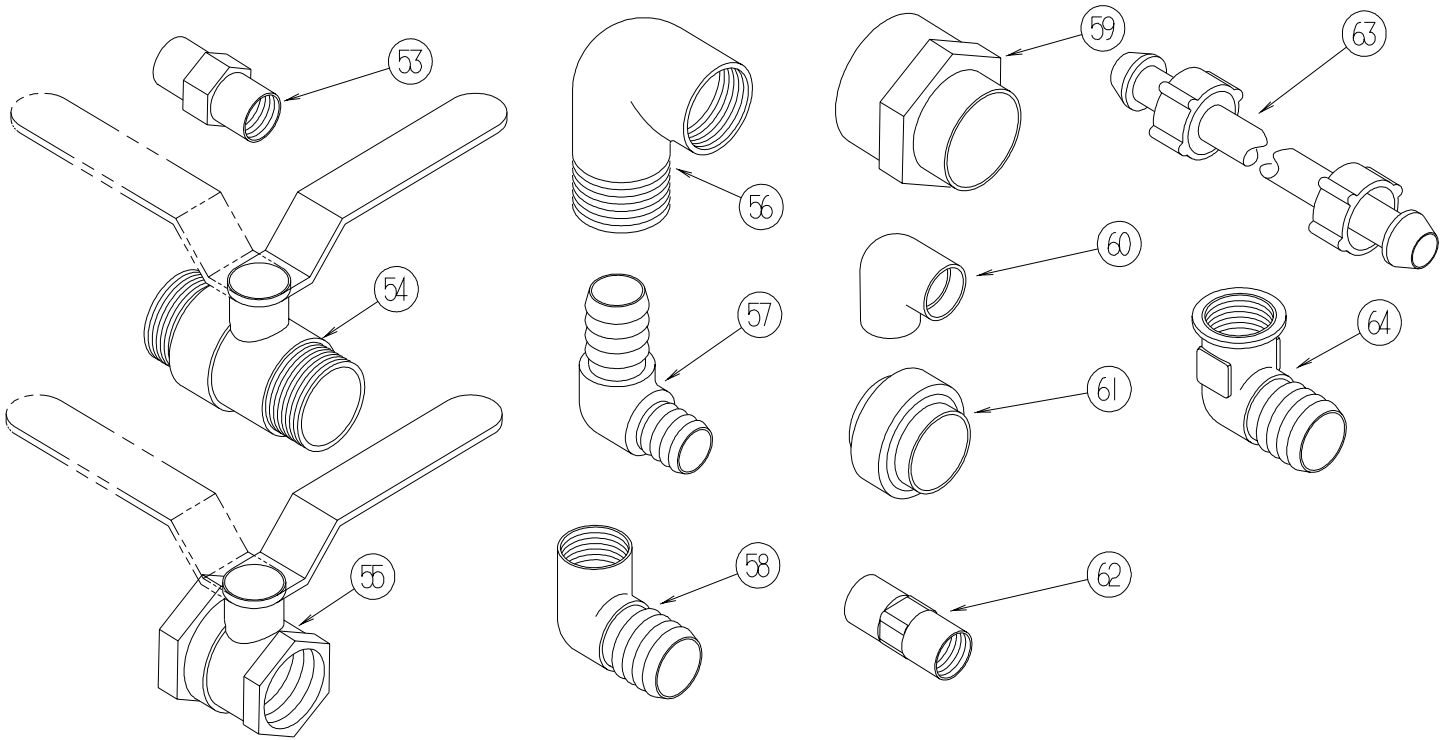
KEY	PART NUMBER	U/M	DESCRIPTION
25	114428-01-000	EA	TEE - 1/2"P X 1/2"P X 1/2"P
26	114428-02-000	EA	TEE - SWIVEL - 1/2"P X 1/2"P X 1/2"FPT
27	114428-03-000	EA	TEE - 1/2"P X 1/2"P X 1/2"MPT
28	114428-04-000	EA	TEE - 1/2"P X 1/2"P X 1/8"FPT
29	114428-06-000	EA	TEE - 1/2" P X 1/2" MPT X 1/2" MPT
30	114428-07-000	EA	TEE - 1/2" P X 1/2" MPT X 1/2" P
31	114429-01-000	EA	ELBOW - 1/2"P X 1/2"P
32	114429-02-000	EA	ELBOW - 1/2"P X 1/2"MPT
32	114429-04-000	EA	ELBOW - 1/2"P X 3/8"MPT
32	114429-05-000	EA	ELBOW - 1/2"P X 3/4"MPT
33	114429-03-000	EA	ELBOW - SWIVEL - 1/2"P X 1/2"FPT
33	114429-06-000	EA	ELBOW - SWIVEL - 1/2"P X 3/4"FPT
33	114429-08-000	EA	ELBOW - SWIVEL - 1/2"P X 1/2"FPT
34	114429-09-000	EA	ELBOW - 1/2"P X 1/2"FPT DROP EAR
35	114430-01-000	EA	ADAPTER - 1/2"P X 1/2"P
36	114430-02-000	EA	ADAPTER - SWIVEL - 1/2"P X 1/2"FPT
37	114430-03-000	EA	ADAPTER - 1/2"P X 1/2"MPT
38	114430-06-000	EA	ADAPTER - 1/2"P X 3/8"FPT
39	114431-01-000	EA	VALVE - 180 DEGREE/CENTER DRAIN - 1/2"P - THREE WAY

**WATER & SEWAGE GROUP (CONTINUED)**  
**WATER SYSTEM (CONTINUED)**



KEY	PART NUMBER	U/M	DESCRIPTION
40	114431-02-000	EA	VALVE - WATER BYPASS - 1/2"P - THREE WAY (WATER HEATER)
41	114431-03-000	EA	VALVE - 90 DEGREE DRAIN - 1/2"P
42	114431-04-000	EA	VALVE - iINLINE SHUT-OFFi - 1/2"P
43	114431-05-000	EA	VALVE - NEEDLE - 1/8" MPT X 1/4" COMPRESSION (ICE MAKER)
44	114966-01-000	EA	FILTER - IN LINE - TWIST ON - 1/2"
45	118423-01-000	EA	FITTING - BRASS-TEE - 1/4C X 1/4C X 1/4C
46	118809-02-000	EA	ADAPTER - 1/2" MPT X 1/2" BARB - PLASTIC
47	120868-01-000	EA	VALVE - NEEDLE - 1/4" COMPRESSION X 1/4" COMPRESSION
48	123150-01-000	EA	ELBOW - 1/2 FPT X 1/2 BARB - SWIVEL
49	123152-01-000	EA	ADAPTER - 1/2 FPT X 1/2 BARB - SWIVEL
50	123243-01-000	EA	TANK - ACCUMULATOR - 24 OZ
51	123317-01-000	EA	TANK - ACCUMULATOR - 2 GALLON
52	124184-01-000	EA	SUPPORT - WATER LINE - BEND

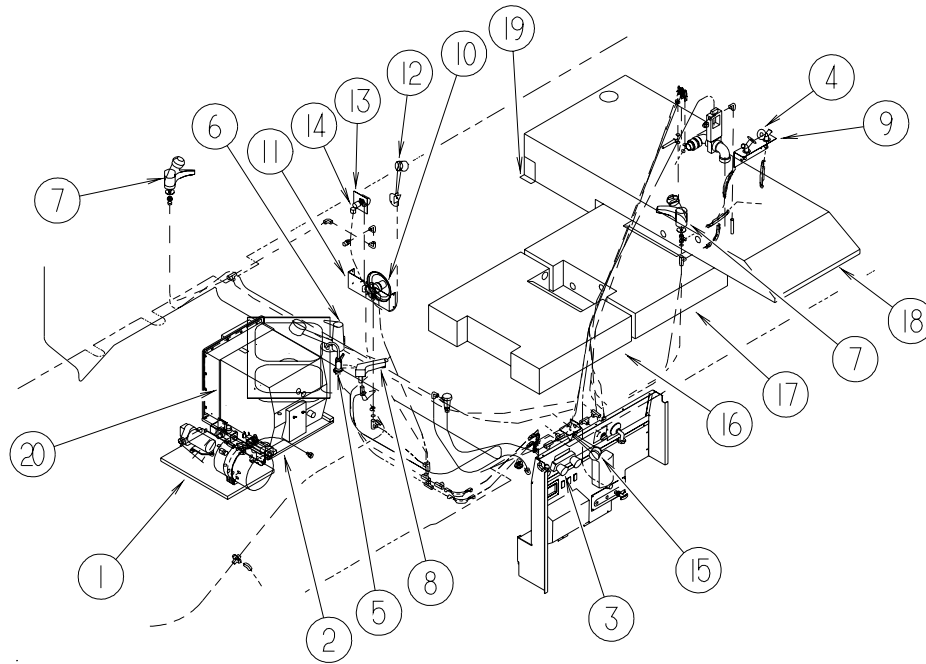
**WATER & SEWAGE GROUP (CONTINUED)**  
**WATER SYSTEM (CONTINUED)**



KEY	PART NUMBER	U/M	DESCRIPTION
53	132148-01-000	EA	CONNECTOR - 1/2" X 1/2" MPT - BRASS
54	132483-01-000	EA	VALVE/BALL - 1" - THREADED ENDS
55	132483-02-000	EA	VALVE/BALL - 1/2" - BRASS - FPT
56	132484-01-000	EA	ELBOW - 90 DEGREE - 1 MPT X 1 FPT - PLASTIC
57	132781-01-000	EA	ELBOW - 1.3" BARB X 1.3" BARB - 90 DEGREE - PLASTIC
58	132782-01-000	EA	ELBOW - 1" FPT X 1.3" BARB - 90 DEGREE - PLASTIC
59	133835-01-000	EA	ADAPTER - REDUCING - 1 1/2" X 1 1/4"
60	133837-01-000	EA	ELBOW - 1 1/2" X 90 DEGREE - DOUBLE SLIP
61	133889-01-000	EA	UNION - 1 1/2" DOUBLE SLIP - PVC
62	135386-01-000	EA	NIPPLE - 1/2"
63	140821-01-000	EA	TUBE - WATER SUPPLY - 3/8" X 24"
63	140821-02-000	EA	TUBE - WATER SUPPLY - 3/8" X 30"
63	140821-03-000	EA	TUBE - WATER SUPPLY - 3/8" X 36"
63	140821-04-000	EA	TUBE - WATER SUPPLY - 3/8" X 48"
63	140821-05-000	EA	TUBE - WATER SUPPLY - 3/8" X 54"
63	140821-06-000	EA	TUBE - WATER SUPPLY - 3/8" X 60"
63	140821-07-000	EA	TUBE - WATER SUPPLY - 3/8" X 72"
64	142812-01-000	EA	ELBOW - BRASS - 1/2" MPT X 1/2" FPT

**\*COMPONENT PARTS LISTED LATER IN THIS GROUP**

**WATER & SEWAGE GROUP (CONTINUED)**  
**WATER SYSTEM (CONTINUED)**



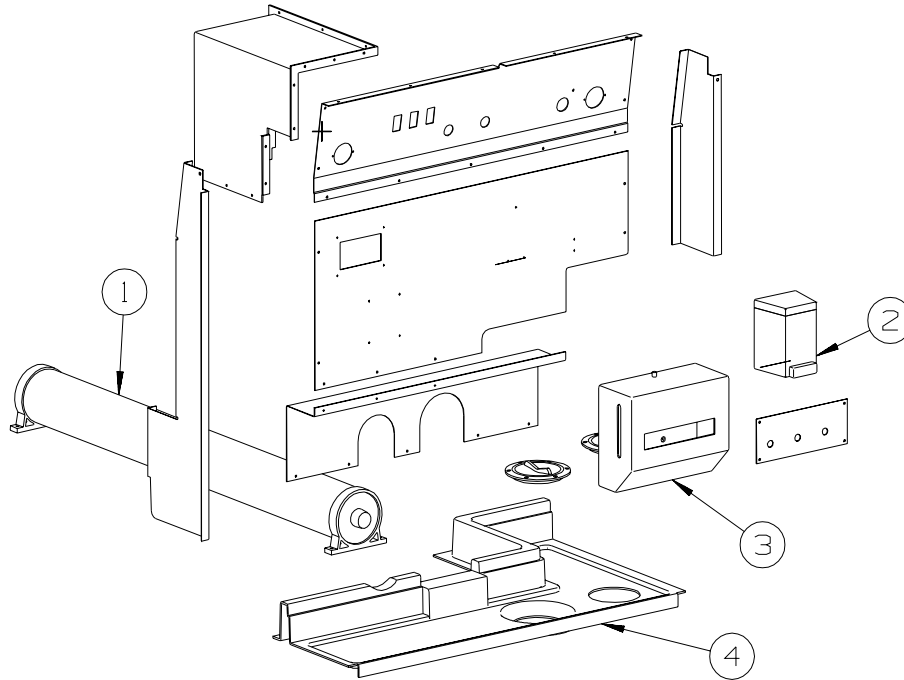
KEY	PART NUMBER	U/M	DESCRIPTION
1	138497-01-N94	EA	PANEL - WATER CENTER - <a href="#">WATER HEATER BYPASS VALVE</a>
2	138497-02-N94	EA	PANEL - WATER CENTER - <a href="#">10 GALLON ELECTRIC WATER HEATER</a>
3	075241-06-000	EA	FAUCET - SHOWER/BRIGHT WHITE - .5" MPT W/1.9" INLET PIPES - <a href="#">EXTERIOR WASH STATION</a>
4	098419-01-000	EA	FAUCET - WASHER - 90 DEGREE - <a href="#">WASHER DRYER</a>
5	103635-03-000	EA	FAUCET - WATER PURIFIER - WHITE
6	123744-01-02A	EA	FAUCET - GALLEY - SINGLE CONTROL - WHITE
7	134735-01-01A	EA	FAUCET - LAVATORY - SINGLE CONTROL - BRASS
	110760-04-000	EA	TAILPIECE W/POP-UP DRAIN MECHANISM - POLISHED BRASS
8	135035-01-01A	EA	SPOUT - TUB - DECK MOUNT - BRASS - <a href="#">SHOWER TUB W/SURROUND</a>
9	111842-02-02B	EA	BRACKET - FAUCET - WASHER - <a href="#">WASHER DRYER</a>
10	131340-02-01A	EA	VALVE/BRASS - W/O SHOWER HEAD/ARM EXTENSION/WALL TEMPLATE- <a href="#">SHOWER SURROUND</a>
10*	135027-01-01A	EA	FAUCET - VALVE - SHOWER/TUB - SINGLE CONTROL/BRASS - <a href="#">SHOWER TUB W/SURROUND</a>
	128974-01-01A	EA	VALVE - SHOWER HEAD/WATER SAVER (ON/OFF) - BRIGHT BRASS - <a href="#">SHOWER TUB W/SURROUND</a>
11	133721-01-02B	EA	BRACKET - SHOWER CONTROL - E-COATED- <a href="#">SHOWER SURROUND</a>
12	129390-01-01A	EA	SHOWER HEAD - W/HOSE & BRACKET - BRASS
			FROM: 00-00-00 THRU: 03-03-02
12	129390-03-01A	EA	SHOWER HEAD - W/HOSE & BRACKET - BRASS
			FROM: 03-04-02 THRU: 99-99-99
13	133726-01-02B	EA	BRACKET - SHOWER HEAD - E-COATED
14	135028-01-01A	EA	DROP ELL - F/SHOWER HOSE - BRASS - 1/2"
15	131383-01-02A	EA	SHOWER HEAD - W/60" HOSE & BRACKET - WHITE - <a href="#">EXTERIOR WASH STATION</a>
	140309-05-02B	EA	ANGLE - FURNACE DOOR - E-COATED - <a href="#">WINTERIZATION KIT</a>
*	118569-03-000	EA	WINTERIZATION SYSTEM - W/O TANK
16	128785-03-000	EA	TANK - WATER - 21 GALLON - W/FITTINGS
	128785-01-000	EA	TANK - WATER - 21 GALLON - W/O FITTINGS
	042989-03-000	EA	FITTING - SPINWELD - 1 1/4"NPT - PLASTIC
	049032-01-000	EA	PATCH - SPINWELD - 3/8" - PLASTIC
17	128785-02-000	EA	TANK - WATER - 21 GALLON - W/FITTINGS
	128785-01-000	EA	TANK - WATER - 21 GALLON - W/O FITTINGS
	042989-03-000	EA	FITTING - SPINWELD - 1 1/4"NPT - PLASTIC
	049032-01-000	EA	PATCH - SPINWELD - 3/8" - PLASTIC
18	128784-03-000	EA	TANK - WATER - 60 GALLON - W/FITTINGS
	128784-01-000	EA	TANK - WATER - 60 GALLON - W/O FITTINGS
	042989-03-000	EA	FITTING - SPINWELD - 1 1/4"NPT - PLASTIC
	042989-05-000	EA	FITTING - SPINWELD - 1/2"FPT - PLASTIC
	042989-07-000	EA	FITTING - SPINWELD - 1 1/2"FPT - PLASTIC
	120069-01-000	EA	PLUG - 3" - POLYETHYLENE MPT
	120070-01-000	EA	FITTING - SPINWELD - PLASTIC 3" FPT
	049032-01-000	EA	PATCH - SPINWELD - 3/8" - PLASTIC
	039861-01-000	EA	SENDING UNIT - W/SCREW - WASHER - WELL NUT/TERMINAL RING

**WATER & SEWAGE GROUP (CONTINUED)**  
**WATER SYSTEM (CONTINUED)**

<b>KEY</b>	<b>PART NUMBER</b>	<b>U/M</b>	<b>DESCRIPTION</b>
19	140163-01-02B	EA	BRACKET - HOLDING TANK - E-COATED
	102024-01-000	EA	NIPPLE - PLASTIC - 1.5" X 2.62" TOE
20*	051391-05-000	EA	WATER HEATER/MOTOR AID-GAS/ELECT IGN - GCH10A-3E - 10 GAL
	125420-01-03A	EA	DOOR - WATER HEATER - 10 GALLON - BLACK W/BLACK GRILLE

**\*COMPONENT PARTS LISTED LATER IN THIS GROUP**

**WATER & SEWAGE GROUP (CONTINUED)**  
**WATER SYSTEM (CONTINUED)**

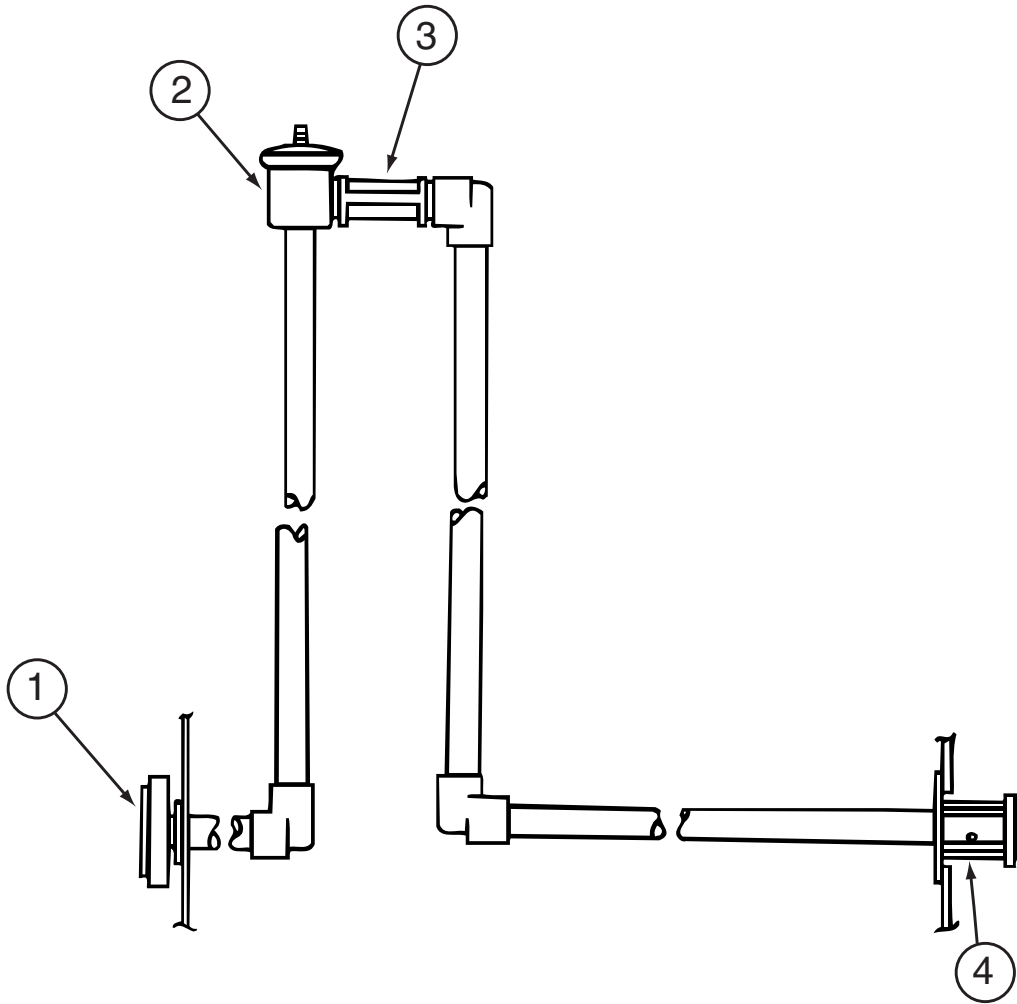


KEY	PART NUMBER	U/M	DESCRIPTION
1	129850-01-01A	EA	COMPARTMENT - SEWER HOSE
2	136909-01-000	EA	DISPENSER - SOAP/LIQUID
3*	136915-01-000	EA	DISPENSER - TOWEL/PAPER - 9"H X 10.8"L X 4.8"D - WHITE
4	134740-01-01A	EA	PLATE - ACCESS - 4"

**\*COMPONENT PARTS LISTED LATER IN THIS GROUP**



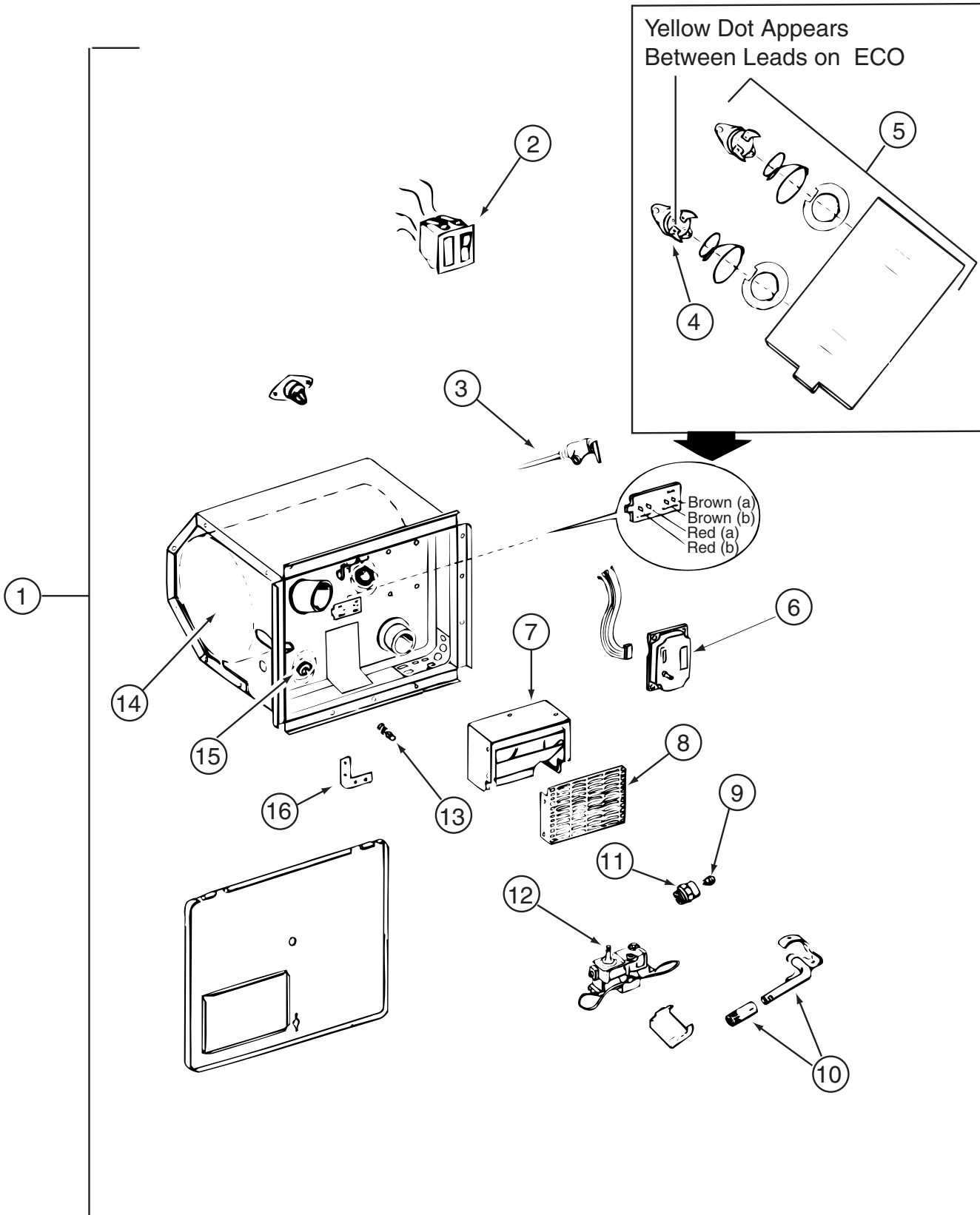
**WATER & SEWAGE GROUP (CONTINUED)**  
**WATER SYSTEM (CONTINUED)**



KEY	PART NUMBER	U/M	DESCRIPTION
1	125697-05-000	EA	INLET - WATER - FLUSHING SYSTEM
2	125697-04-000	EA	BREAKER - VACUUM - FLUSHING SYSTEM
3	125697-03-000	EA	CHECK VALVE - FLUSHING SYSTEM
4	125697-02-000	EA	NOZZLE - WELD-A-FLUSH
	125697-06-000	EA	INSTRUCTIONS - USER - FLUSHING SYSTEM

# WATER & SEWAGE GROUP (CONTINUED)

## COMPONENT PARTS FOR WATER SYSTEM



051391-05-000

**WATER & SEWAGE GROUP (CONTINUED)**  
**COMPONENT PARTS FOR WATER SYSTEM (CONTINUED)**

**051391-05-000 (CONTINUED)**

<b>KEY</b>	<b>PART NUMBER</b>	<b>U/M</b>	<b>DESCRIPTION</b>	<b>VENDOR NO.</b>
2	051393-01-701	EA	SWITCH - REMOTE - W/LIGHT	91959
3	051391-01-704	EA	VALVE-RELIEF, 1/2" FITTING	91604
4	051391-04-701	EA	THERMOSTAT 12V DC-120 PRESET	91470
5	051391-05-707	EA	THERMOSTAT & ECO - 110 VOLT	91873
6	051393-01-704	EA	BOARD-CIRCUIT	93865
7	051391-04-707	EA	KIT-EXHAUST, (FLUE & GASKET)	90960
8	051391-01-717	EA	GRILLE-WATER HEATER DOOR	92640
9	051391-05-701	EA	ORIFICE-MAIN BURNER	93914
10	051391-05-700	EA	BURNER-MAIN	93221
11	051391-03-700	EA	HOLDER-ORIFICE	91563
12	051393-01-726	EA	VALVE-SOLENOID, W/O BRACKET	93870
13	051391-01-715	EA	PLUG-DRAIN, 1 EA = 2 PER PKG	91857
14	051391-05-704	EA	TANK-INNER	93593
15	051391-05-706	EA	ELEMENT-HEATING 1500 WATT	91160 W/GASKET
16	111129-01-711	EA	BRACKET-CORNER, SET OF FOUR	91928
	051391-05-703	EA	HARDWARE KIT-DOOR	91858
	051391-05-705	EA	SWITCH - ON/OFF SWITCH - BOX	91182
	051393-01-721	EA	THERMOSTAT W/ECO, 140 FRT MT	91447
	051393-01-723	EA	SWITCH - THERMAL CUTOUT 2/PK	93866
	051393-01-725	EA	ELECTRODE-SGL SPADE CONNECT.	93868
	051393-01-730	EA	BRACKET - F/10 GAL SYSTEM	93862

CONTACT WINNEBAGO PARTS SALES FOR UNLISTED COMPONENTS

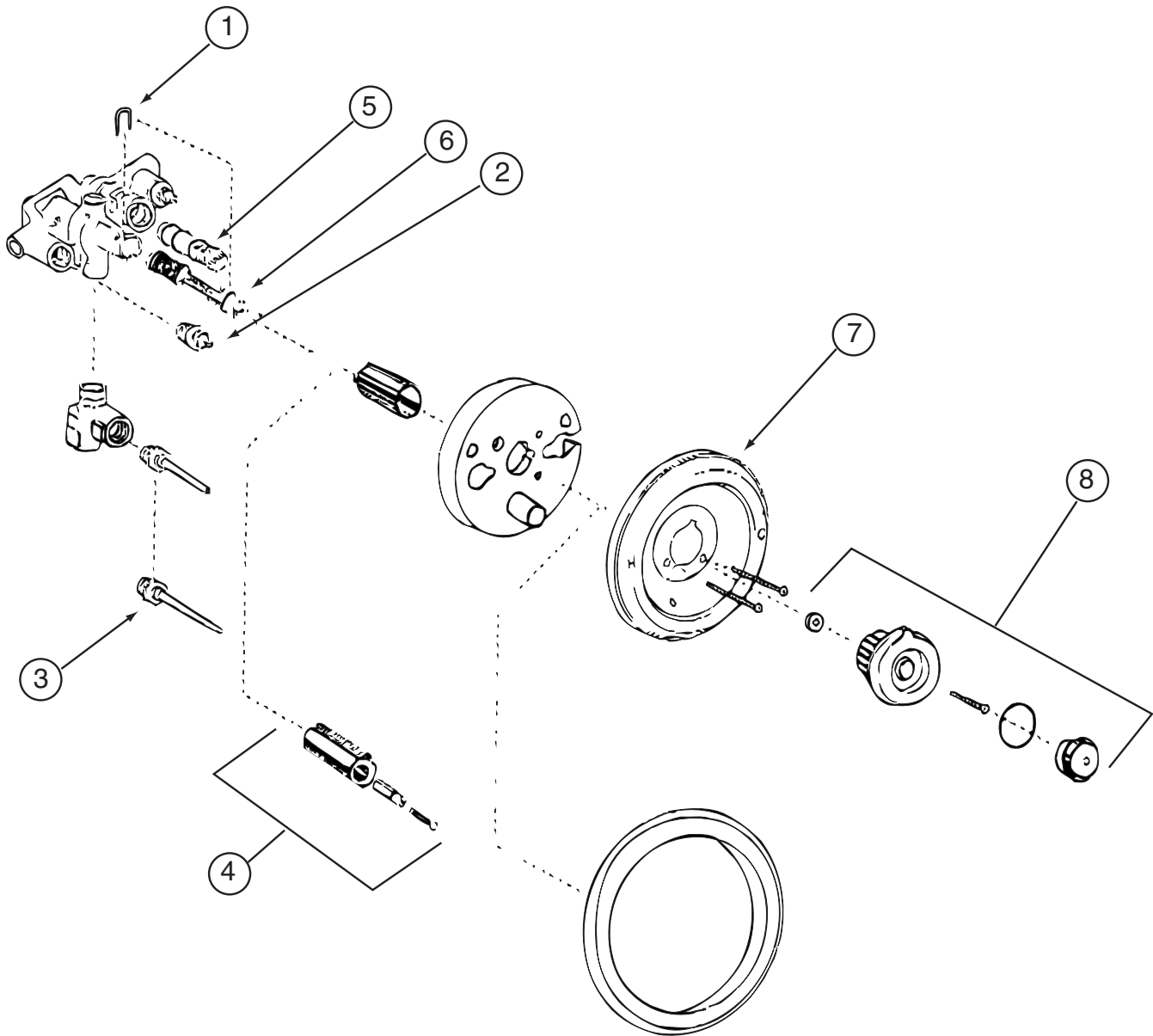
**098607-01-000**

<b>KEY</b>	<b>PART NUMBER</b>	<b>U/M</b>	<b>DESCRIPTION</b>	<b>VENDOR NO.</b>
	098607-01-702	EA	DIAPHRAGM/DRIVE ASSEMBLY KIT	94-238-04
	098607-01-703	EA	VALVE KIT	94-232-00
	098607-01-705	EA	VALVE-CHECK, KIT	94-237-00
	098607-01-706	EA	HOUSING, W/SWITCH ONLY	94-231-20
	098607-01-707	EA	MOTOR W/BASEPLATE	11-148-04

**118569-03-000**

<b>KEY</b>	<b>PART NUMBER</b>	<b>U/M</b>	<b>DESCRIPTION</b>	<b>VENDOR NO</b>
	118569-01-700	EA	VALVE/SOLENOID-ELECT CONTROL	NO VDR#
	118569-01-701	EA	SWITCH - ELECTRIC	EA1-31
	118569-01-702	EA	PLATE - SWITCH	ERUS-1
	118569-01-704	EA	PLUG - 3/4 MPT	NO VDR#
	118569-01-705	EA	PLUG - 1/2 MPT	NO VDR#
	118569-01-706	EA	SCREEN - WHITE	NO VDR#

**WATER & SEWAGE GROUP (CONTINUED)**  
**COMPONENT PARTS FOR WATER SYSTEM (CONTINUED)**



**135027-01-01A**

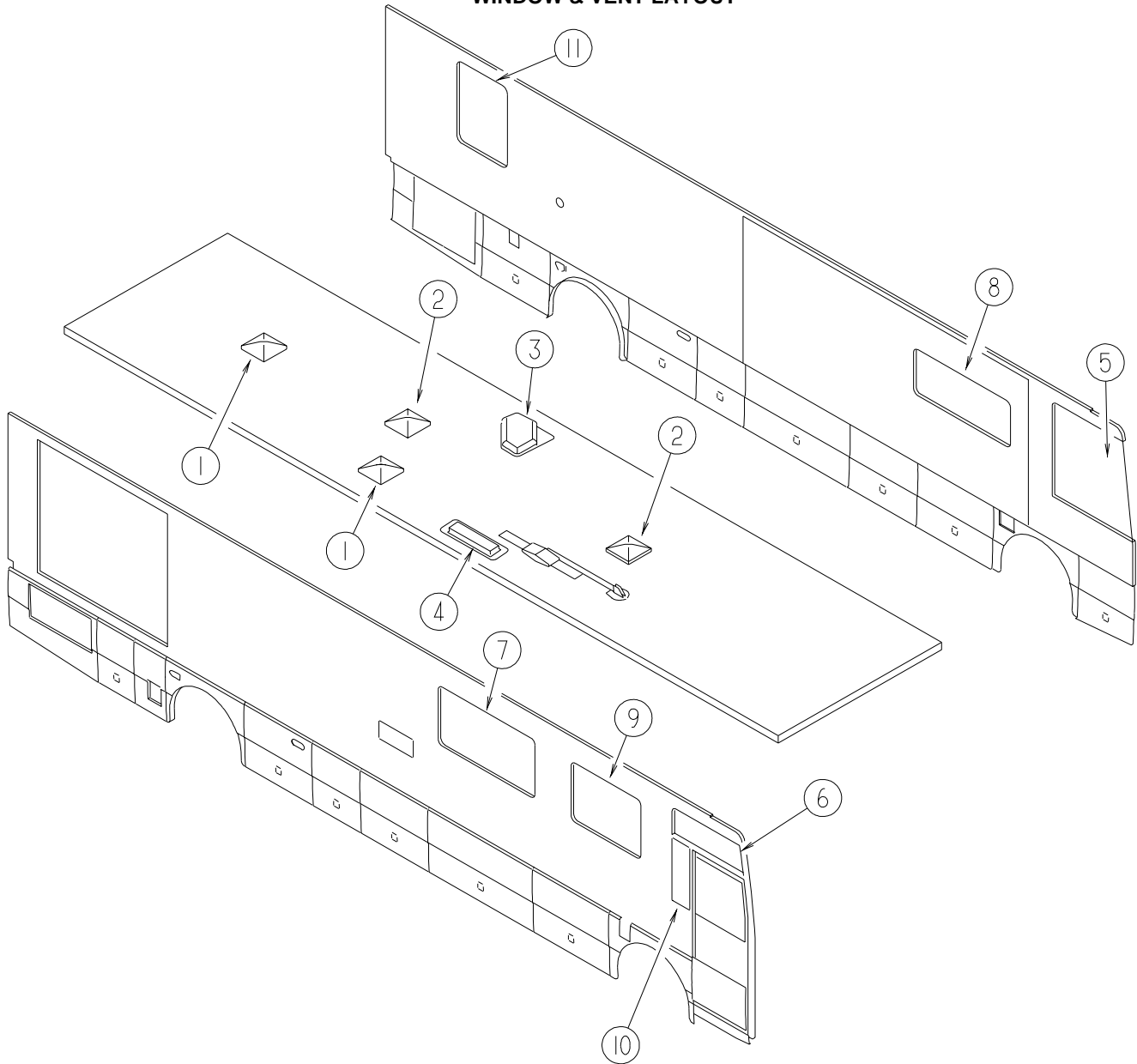
KEY	PART NUMBER	U/M	DESCRIPTION	VENDOR NO.
1	135027-01-700	EA	CLIP - RETAINER	883
2	135027-01-701	EA	STOP-CHECK VALVE KIT CHROME	12318
3	135027-01-702	EA	DIVERTER-PUSH BUTTON-CHROME	1394
4	135027-01-703	EA	HANDLE/EXT - 1" - CHROME	1136
5	135027-01-704	EA	BALANCING SPOON	1423
6	135027-01-705	EA	CARTRIDGE REPLACEMENT	1200-1225
7	135027-01-706	EA	ESCUTCHEON - GOLD	150T
8	135027-01-707	EA	KNOB KIT - CLEAR PLASTIC	13094

**136915-01-000**

KEY	PART NUMBER	U/M	DESCRIPTION	VENDOR NO.
	136915-01-700	EA	TOWEL - PAPER/FOLDING PKG.	1999

## WINDOW & VENTS GROUP

### WINDOW & VENT LAYOUT



KEY	PART NUMBER	U/M	DESCRIPTION
1*	123780-03-01A	EA	FANTASTIC VENT - 3"-4" ROOF - W/FAN - W/O THERM/PWR LIFT
	009440-01-000	EA	GEAR/ARM - LIFT - ROOF VENT COVER
2*	123780-05-01A	EA	FANTASTIC VENT - 3"-4" ROOF - W/FAN/THERMOSTAT/POWER LIFT
	009440-01-000	EA	GEAR/ARM - LIFT - ROOF VENT COVER
3	125281-01-01A	FT	SEAL - SKYLIGHT
3	123245-02-01A	EA	SKYLIGHT
4	084073-04-000	EA	BASE/VENT - ROOF/REFRIGERATOR - BLACK - NORCOLD
4	084073-07-000	EA	CAP - ROOF/REFRIGERATOR VENT - 10" X 32" - BRIGHT WHITE
5*	106466-15-01A	EA	WINDOW - CAB/DRVR/THERM- 45.1"T X 50.3"W X 46.7"B W/TAPPER
			FROM: 00-00-00 THRU: 07-18-01
5*	106466-16-01A	EA	WINDOW - DRIVER CAB - THERMO - 45.1"T X 50.3"H X 46.7"B
			FROM: 07-19-01 THRU: 99-99-99
6*	106467-09-01A	EA	WINDOW - PASSENGER VISTA/THERMO - 45.1"T X 45.7"B X 15.6"H
7*	112795-76-01A	EA	WINDOW - PASSENGER HORIZ SLIDER - THERMO - 30.7" X 57.7"
8*	112795-77-01A	EA	WINDOW - DRIVER HORIZONTAL SLIDER - THERMO - 57.5" X 23.6"
9*	112795-79-01A	EA	WINDOW - PASSENGER HORIZ SLIDER - THERMO - 30.7" X 41.4"
10*	122757-02-01A	EA	WINDOW - REAR SLANT THERMO - PASSENGER
			FROM: 00-00-00 THRU: 07-18-01
10	140069-01-01A	EA	WINDOW - VERTICAL SLIDER - THERMO - 32.7" X 10.5"
			FROM: 07-19-01 THRU: 99-99-99
11*	129929-08-01A	EA	WINDOW - TORQUE - THERMO/ESCAPE - 42.2" X 30.2"

\*COMPONENT PARTS LISTED LATER IN THIS GROUP

**WINDOW & VENTS GROUP (CONTINUED)**  
**COMPONENT PARTS FOR WINDOWS & VENT LAYOUT**

**106466-15-01A**

<b>KEY</b>	<b>PART NUMBER</b>	<b>U/M</b>	<b>DESCRIPTION</b>	<b>VENDOR NO.</b>
	098644-01-706	FT	WEATHERSTRIP - GLASS	171-010668
	098644-01-710	FT	TRACK - SCREEN SPACER 12'	132-017135
	098644-01-713	EA	CLIP - SCREEN - METAL	226-016966
	098644-01-717	FT	SPLINE - SCREEN	132-004716
	112795-01-700	EA	LATCH ASM., BLK.,(BOLT ON)	DH287-CK
	112795-01-701	EA	SLIDE-STOP	132-019092
	112795-01-703	IN	CHANNEL-RUN (INCHES)	122-027566
	112795-01-704	FT	PLUG FILLER (DOUBLE GLAZED)	122-018737
	112795-01-705	FT	VINYL - GLAZING	132-027331
	125582-01-701	EA	CLIP - SCREEN - PLASTIC	130-005153
	125582-01-708	EA	WEEPHOLE COVER - RIGHT HAND	130-026598
	125582-01-709	EA	WEEPHOLE COVER - LEFT HAND	130-026599
	106466-15-703	EA	SCREEN ASM - W/SEALS & CLIPS	H699-03L
	106466-15-700	EA	GLASS - STATIONARY - UPPER	390-028426
	106466-15-701	EA	GLASS - STATIONARY - LOWER	390-028407
	106466-15-702	EA	GLASS-SLIDING W/SASH & LATCH	DH699-A9L
	106466-10-705	EA	RETAINER - TRIM	H617-41L
	106466-10-706	EA	RETAINER - TRIM	H617-42L

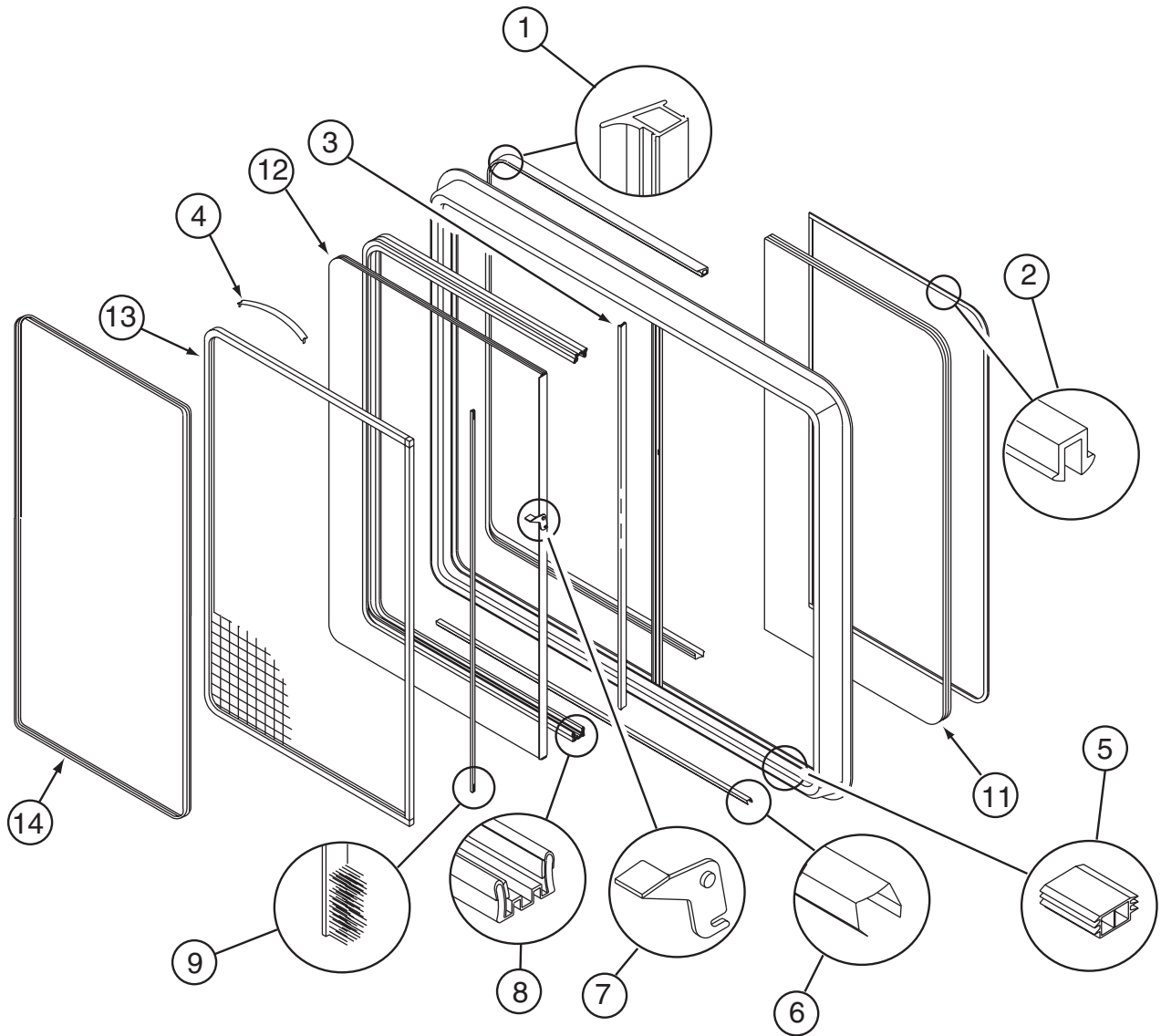
**106466-16-01A**

<b>KEY</b>	<b>PART NUMBER</b>	<b>U/M</b>	<b>DESCRIPTION</b>	<b>VENDOR NO.</b>
	098644-01-706	FT	WEATHERSTRIP - GLASS	171-010668
	098644-01-710	FT	TRACK - SCREEN SPACER 12'	132-017135
	098644-01-713	EA	CLIP - SCREEN - METAL	226-016966
	098644-01-717	FT	SPLINE - SCREEN	132-004716
	112795-01-700	EA	LATCH ASM., BLK.,(BOLT ON)	DH287-CK
	112795-01-701	EA	SLIDE-STOP	132-019092
	112795-01-703	IN	CHANNEL-RUN (INCHES)	122-027566
	112795-01-704	FT	PLUG FILLER (DOUBLE GLAZED)	122-018737
	112795-01-705	FT	VINYL - GLAZING	132-027331
	125582-01-701	EA	CLIP - SCREEN - PLASTIC	130-005153

**106467-09-01A**

<b>KEY</b>	<b>PART NUMBER</b>	<b>U/M</b>	<b>DESCRIPTION</b>	<b>VENDOR NO.</b>
	106467-09-700	EA	GLASS - STATIONARY	390-026726
	116000-01-704	FT	VINYL - GLAZING	132-018161
	106467-09-701	EA	RETAINER - TRIM	H619-27R

**WINDOW & VENTS GROUP (CONTINUED)**  
**COMPONENT PARTS FOR WINDOWS & VENT LAYOUT (CONTINUED)**



112795-76-01A

KEY	PART NUMBER	U/M	DESCRIPTION	VENDOR NO.
1	112795-01-704	FT	PLUG FILLER (DOUBLE GLAZED)	122-018737
2	112795-01-705	FT	VINYL - GLAZING	132-025736
3	098644-01-706	FT	WEATHERSTRIP - GLASS	171-010668
4	098644-01-713	EA	CLIP - SCREEN - METAL	226-016966
4	125582-01-701	EA	CLIP - SCREEN - PLASTIC	130-005153
	098644-01-717	FT	SPLINE - SCREEN	132-004716
5	112795-01-701	EA	SLIDE-STOP	132-019092
6	098644-01-710	FT	TRACK - SCREEN SPACER 12'	132-017135
7	112795-01-700	EA	LATCH ASM., BLK.,(BOLT ON)	DH287-CK
8	112795-01-703	IN	CHANNEL-RUN (INCHES)	122-018736
9	098644-01-711	FT	WEATHERSTRIP - SCREEN BLACK	171-016965
11	112795-76-700	EA	GLASS - STATIONARY	390-028347
12	112795-76-701	EA	GLASS - SLIDING W/SASH LATCH	DH112-G8
13	112795-33-704	EA	SCREEN ASSY - W/SEAL & CLIPS	410-019247
14	112795-33-705	EA	RETAINER - TRIM	H112-66

**WINDOW & VENTS GROUP (CONTINUED)**  
**COMPONENT PARTS FOR WINDOWS & VENT LAYOUT (CONTINUED)**

**112795-77-01A**

KEY	PART NUMBER	U/M	DESCRIPTION	VENDOR NO.
1	112795-01-704	FT	PLUG FILLER (DOUBLE GLAZED)	122-018737
2	112795-01-705	FT	VINYL - GLAZING	132-025736
3	098644-01-706	FT	WEATHERSTRIP - GLASS	171-010668
4	098644-01-713	EA	CLIP - SCREEN - METAL	226-016966
4	125582-01-701	EA	CLIP - SCREEN - PLASTIC	130-005153
	098644-01-717	FT	SPLINE - SCREEN	132-004716
5	112795-01-701	EA	SLIDE-STOP	132-019092
6	098644-01-710	FT	TRACK - SCREEN SPACER 12'	132-017135
7	112795-01-700	EA	LATCH ASM., BLK.,(BOLT ON)	DH287-CK
8	112795-01-703	IN	CHANNEL-RUN (INCHES)	122-018736
9	098644-01-711	FT	WEATHERSTRIP - SCREEN BLACK	171-016965
11	112795-77-700	EA	GLASS - STATIONARY	390-28313
12	112795-77-701	EA	GLASS - SLIDING W/SASH LATCH	DH493-G8
13	098647-47-702	EA	SCREEN ASSY - W/SEAL & CLIPS	410-025226
14	098647-47-704	EA	RETAINER - TRIM	H493-66

**112795-79-01A**

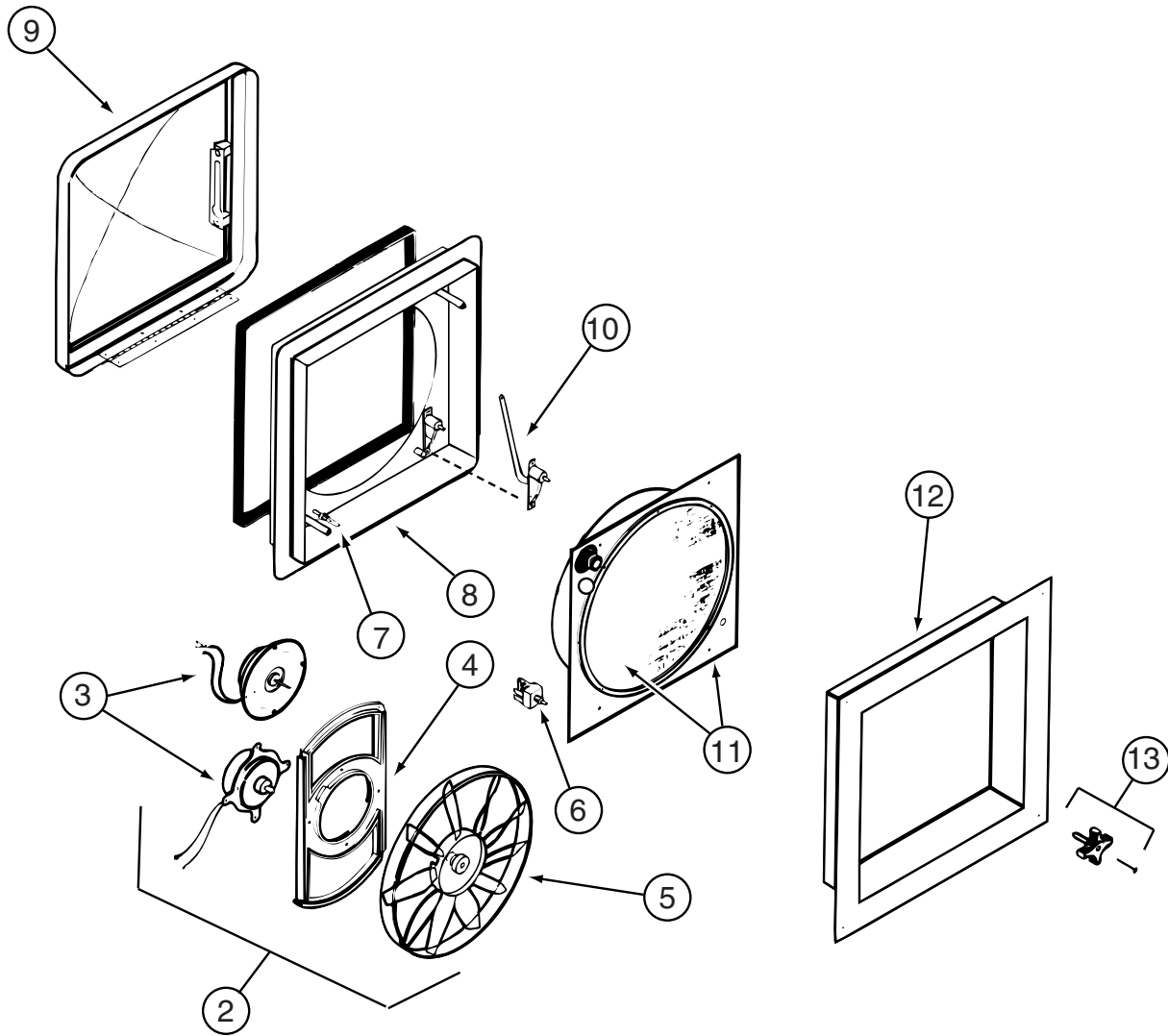
KEY	PART NUMBER	U/M	DESCRIPTION	VENDOR NO.
1	112795-01-704	FT	PLUG FILLER (DOUBLE GLAZED)	122-018737
2	112795-01-705	FT	VINYL - GLAZING	132-025736
3	098644-01-706	FT	WEATHERSTRIP - GLASS	171-010668
4	098644-01-713	EA	CLIP - SCREEN - METAL	226-016966
4	125582-01-701	EA	CLIP - SCREEN - PLASTIC	130-005153
	098644-01-717	FT	SPLINE - SCREEN	132-004716
5	112795-01-701	EA	SLIDE-STOP	132-019092
6	098644-01-710	FT	TRACK - SCREEN SPACER 12'	132-017135
7	112795-01-700	EA	LATCH ASM., BLK.,(BOLT ON)	DH287-CK
8	112795-01-703	IN	CHANNEL-RUN (INCHES)	122-018736
9	098644-01-711	FT	WEATHERSTRIP - SCREEN BLACK	171-016965
11	112795-79-700	EA	GLASS - STATIONARY	390-028334
12	112795-79-701	EA	GLASS - SLIDING W/SASH LATCH	DH560-G8
13	112795-60-701	EA	SCREEN ASSY - W/SEAL & CLIPS	410-025968
14	112795-60-704	EA	RETAINER - TRIM	H560-66

**122757-02-01A**

KEY	PART NUMBER	U/M	DESCRIPTION	VENDOR NO.
	115630-02-700	EA	GLASS - STATIONARY - E-GLASS	390-019848
	116000-01-704	FT	VINYL - GLAZING	132-018161
	122757-02-701	EA	RETAINER - TRIM - BENT	H518-41R
	122757-02-702	EA	RETAINER - TRIM - FRONT	H518-42R
	122757-02-703	EA	RETAINER - TRIM - TOP	H518-43



**WINDOW & VENTS GROUP (CONTINUED)**  
**COMPONENT PARTS FOR WINDOWS & VENT LAYOUT (CONTINUED)**

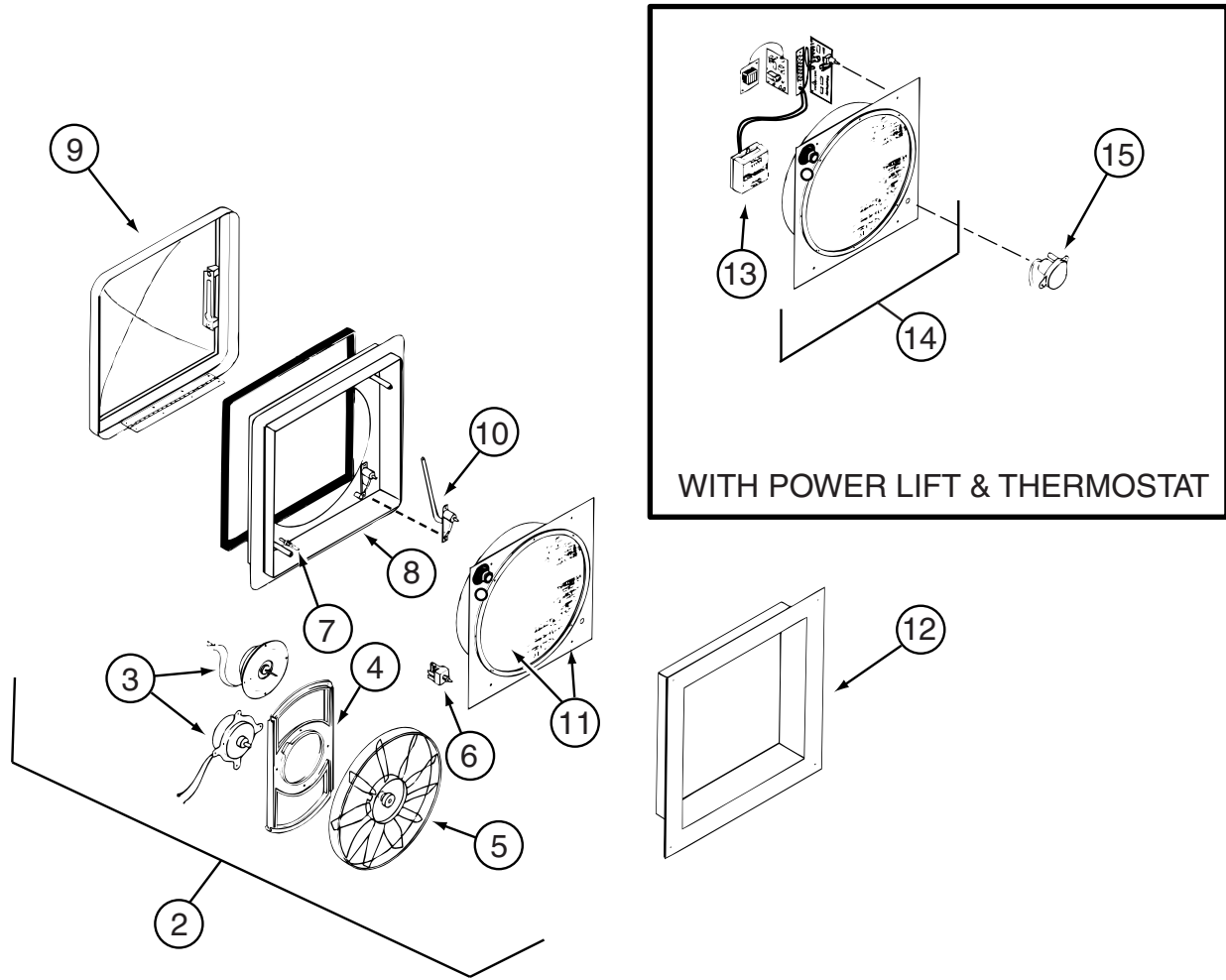


**123780-03-01A**

KEY	PART NUMBER	U/M	DESCRIPTION	VENDOR NO.
2	084079-11-700	EA	MOTOR, BRKT., FAN BLADE, KIT	4017K-09
3	084079-01-705	EA	MOTOR	1080-00
4	084079-01-711	EA	H-MOLDING, MOTOR MOUNT	
5	084079-01-704	EA	BLADE-FAN	1070-00
6	084079-01-709	EA	SWITCH - MAIN - 3 SPEED	1031-05
7	084079-01-707	EA	SWITCH - SAFETY	1122.05
8	123780-05-700	EA	BASE - MAIN BRIGHT WHITE	1010K-81
9	123780-01-700	EA	COVER - VENT W/HINGE & SLIDE	1020K-81
10	009440-01-000	EA	GEAR/ARM - LIFT - ROOF VENT COVER	
11	123780-03-701	EA	SCREEN ASM 78-100MM W/SWITCH	1030BT-81
12	123780-03-700	EA	GARNISH - INT. 3"-4" BRT/WHT	2040-81
13	084079-01-703	EA	KNOB-LIFT, W/EXT.	1140K-00
	084079-01-706	EA	PLUG, 12 VOLT	1090
	123780-01-702	EA	SCREEN W/FRAME	103581

CONTACT WINNEBAGO PART SALES FOR UNLISTED COMPONENTS

**WINDOW & VENTS GROUP (CONTINUED)**  
**COMPONENT PARTS FOR WINDOWS & VENT LAYOUT (CONTINUED)**

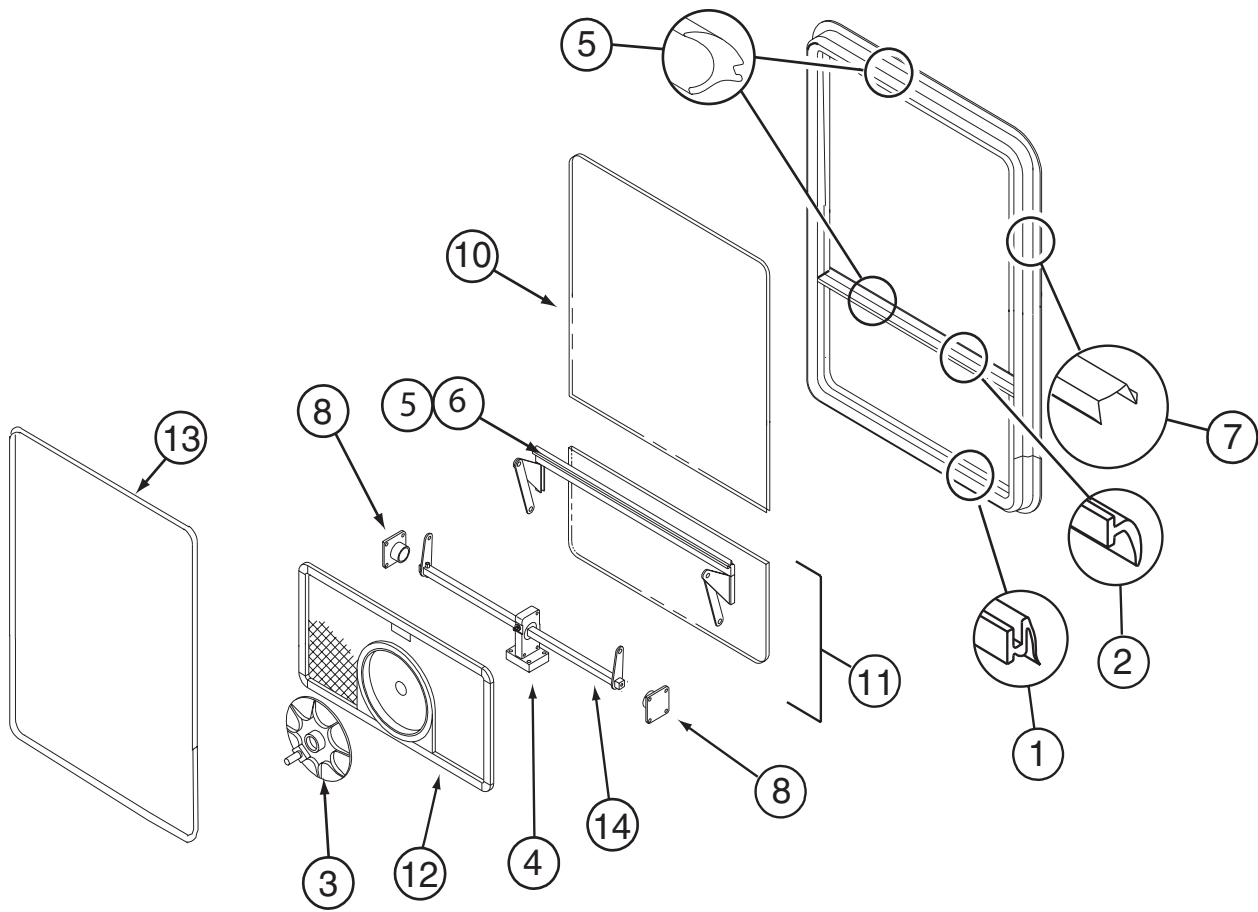


**123780-05-01A**

KEY	PART NUMBER	U/M	DESCRIPTION	VENDOR NO.
2	084079-11-700	EA	MOTOR, BRKT., FAN BLADE, KIT	4017K-09
3	084079-11-705	EA	MOTOR - LIFT (BC MOTOR)	5050-40
4	084079-01-711	EA	H-MOLDING, MOTOR MOUNT	
5	084079-01-704	EA	BLADE-FAN	1070-00
6	084079-01-709	EA	SWITCH - MAIN - 3 SPEED	1031-05
7	084079-01-707	EA	SWITCH - SAFETY	1122.05
8	123780-05-700	EA	BASE - MAIN BRIGHT WHITE	1010K-81
9	123780-01-700	EA	COVER - VENT W/HINGE & SLIDE	1020K-81
10	084079-11-701	EA	ARM-LIFT ASSEMBLY, AUTOMATIC	2011-05
11	123780-01-702	EA	SCREEN W/FRAME	103581
12	123780-03-700	EA	GARNISH - INT. 3"-4" BRT/WHT	2040-81
13	084079-01-710	EA	THERMOSTAT, WALL MOUNT	9988-39
14	123780-05-701	EA	SCREEN ASM., INT W/SWITCHES	2000TK-8115
15	084079-11-703	EA	MOTOR-LIFT (AUTOTROL) W/CAP	6050-05

CONTACT WINNEBAGO PART SALES FOR UNLISTED COMPONENTS

**WINDOW & VENTS GROUP (CONTINUED)**  
**COMPONENT PARTS FOR WINDOWS & VENT LAYOUT (CONTINUED)**



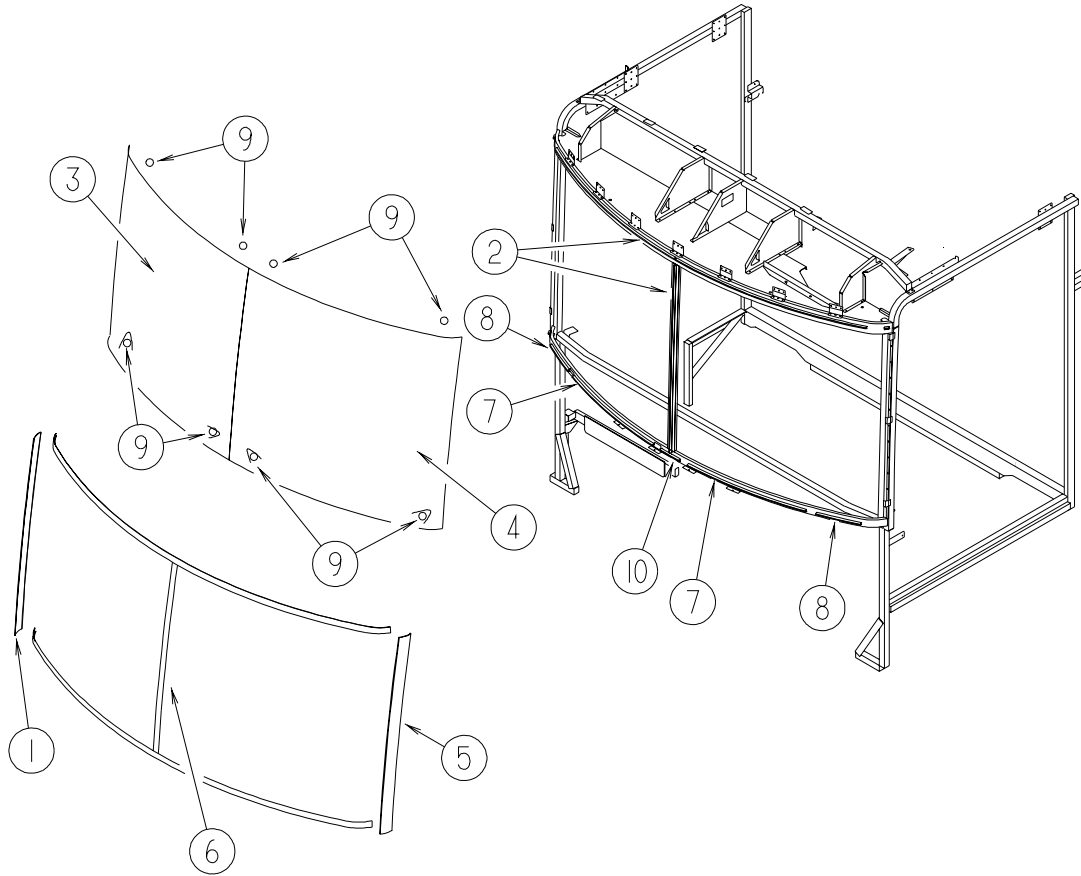
**129929-08-01A**

KEY	PART NUMBER	U/M	DESCRIPTION	VENDOR NO .
1	100322-01-701	FT	SEAL-VENT	122-016071
3	100322-01-718	EA	HANDLE-DIAL	410-016081
4	129929-01-710	EA	TORQUE-CTR SUPPORT (2 HOLE)	410-026806
5	129929-01-705	FT	GLAZING VINYL	132-026811
6	129929-01-707	FT	COVER/SCREW-FILLER STRIP	132-026808
8	129929-01-708	EA	SUPPORT - TORQUE BAR - RT/LT	130-026804
10	129929-08-700	EA	GLASS - STATIONARY	390-028303
11	129929-10-701	EA	VENT GLASS ASSEMBLY	DTH002-G8
12	129929-02-702	EA	SCREEN ASM - W/SEALS & CLIPS	410-026861
13	129929-02-707	EA	RETAINER - TRIM	CH10162
14	129929-02-704	EA	OPERATOR BAR ASSEMBLY	DTH002-15
	100322-01-717	FT	SEAL - VENT	122-016071
	129929-01-706	FT	SEAL - TOP F/CENTER EGRESS	132-026811
	129929-02-706	FT	SEAL - FOAM	140-027022

CONTACT WINNEBAGO PART SALES FOR UNLISTED COMPONENTS

# WINDSHIELD & WIPER GROUP

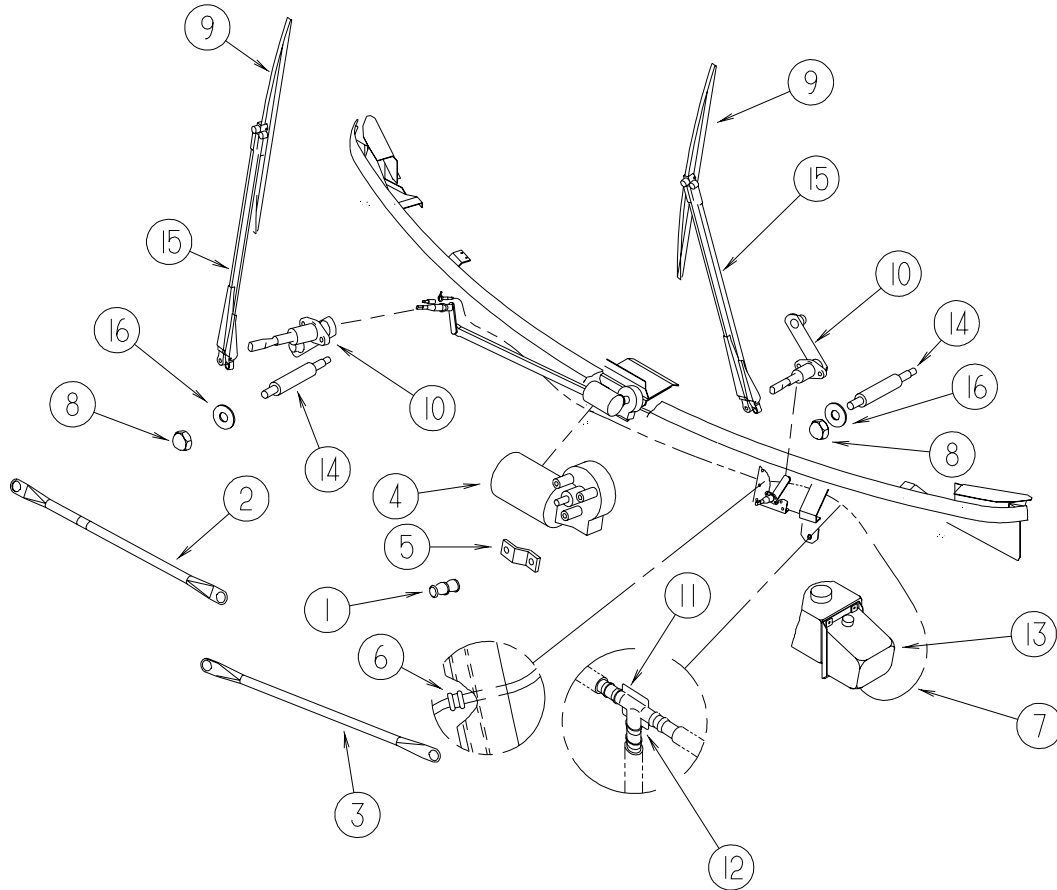
## WINDSHIELD



KEY	PART NUMBER	U/M	DESCRIPTION
1	129497-01-02A	EA	TRIM - PASSENGER A-PILLAR - BLACK
2	127862-01-000	EA	CARRIER - REVEAL - WINDSHIELD - 47.2"
3	124591-01-000	EA	WINDSHIELD - PASSENGER - CURVED - 52.3" X 48.8"
4	124591-02-000	EA	WINDSHIELD - DRIVER - CURVED - 52.3" X 48.8"
5	129497-02-02A	EA	TRIM - DRIVER A-PILLAR - BLACK
6	120533-01-000	FT	MOLDING - REVEAL - WINDSHIELD
7	117335-06-000	EA	CARRIER - REVEAL - 29.8"
8	132375-02-000	EA	CARRIER/REVEAL/WINDSHIELD - 10"
9	081914-02-000	EA	BUMPER - RUBBER - ROUND - 5/16" DIA. X 13/64" THICK
10	132375-01-000	EA	CARRIER/REVEAL - WINDSHIELD - 5.5"

# WINDSHIELD & WIPER GROUP (CONTINUED)

## WIPER



KEY	PART NUMBER	U/M	DESCRIPTION
1	067188-01-000	EA	STUD - CRANK - WIPER MOTOR
	117322-01-000	EA	SCREW - 1/4-28 UNFINISHED - 2A - TORX
2	117770-01-000	EA	LINK - CONNECTING - 24" - CLOSED GROMMET/OPEN GROMMET
3	117770-02-000	EA	LINK - CONNECTING - 24" - CLOSED GROMMET/CLOSED GROMMET
4	104346-05-000	EA	WIPER MOTOR - W/INTERNAL BREAKER - DYNAMIC PARK - FORD
5	104347-04-000	EA	ARM - DRIVE - WIPER MOTOR
6	061603-01-000	EA	GROMMET - SNAP - 3/16"ID - 3/8" HOLE - PLASTIC BLACK
7	045794-01-000	FT	HOSE - WASHER - WINDSHIELD - 5/32" ID - BLACK
8	077049-02-000	EA	NUT - ACORN - 10-32 BLACK/ANODIZED
9*	095964-01-000	EA	BILADE - WINDSHIELD WIPER - 24"
10*	096505-09-000	EA	SHAFT/PIVOT - WINDSHIELD WIPER
11	110605-01-000	EA	TEE - PLASTIC - BARBED - 1/8" X 1/8" X 3/16"
12	NOT USED		
13	117766-02-000	EA	RESERVOIR/PUMP - WINDSHIELD WASHER
14	117768-01-000	EA	SHAFT - ADAPTER - PANTOGRAPH ARM
15*	117769-01-000	EA	ARM - WIPER - PANTOGRAPH - 28"
16	110742-02-000	EA	GASKET - NEOPRENE - WIPER ADAPTER SHAFT - .5" ID X .9" OD

\*COMPONENT PARTS LISTED LATER IN THIS GROUP

**WINDSHIELD & WIPER GROUP (CONTINUED)**  
**COMPONENT PARTS FOR WIPER**

**095964-01-000**

<b>KEY</b>	<b>PART NUMBER</b>	<b>U/M</b>	<b>DESCRIPTION</b>	<b>VENDOR NO.</b>
	095964-01-000	EA	BLADE - WINDSHIELD WIPER - 24"	
	095964-01-700	EA	BLADE-REFILL 24" EA= 1 PAIR	12360

**096505-09-000**

<b>KEY</b>	<b>PART NUMBER</b>	<b>U/M</b>	<b>DESCRIPTION</b>	<b>VENDOR NO.</b>
	096505-09-000	EA	SHAFT/PIVOT - WINDSHIELD WIPER	UT 6706220SH25WJ
	096505-02-700	EA	DRIVER-KNURLED,(HD) BRL .687	NT721017
	096505-02-701	EA	NUT-HEX (HD) W/.687 BARREL	NT721021
	096505-02-702	EA	CAP-RUBBER (HD) BARREL .687	CP721084
	096505-02-703	EA	NUT/ACORN - HD W/.687 BRL	51065-40-NT27WC

**117769-01-000**

<b>KEY</b>	<b>PART NUMBER</b>	<b>U/M</b>	<b>DESCRIPTION</b>	<b>VENDOR NO.</b>
	117769-01-000	EA	ARM - WIPER - PANTOGRAPH - 28"	UT 6701620LE25WJ
	096931-01-700	FT	HOSE - WASHER - 1/8" ID	XTU-66-0001
	117769-01-700	EA	RETAINER CLIP - HOSE	