

2002

ULTIMATE ADVANTAGE

Q-SERIES

SALEM CHERRY

N94 SWEDISH BLUE - BLUE

N96 TAJ MAHAL - NEUTRAL

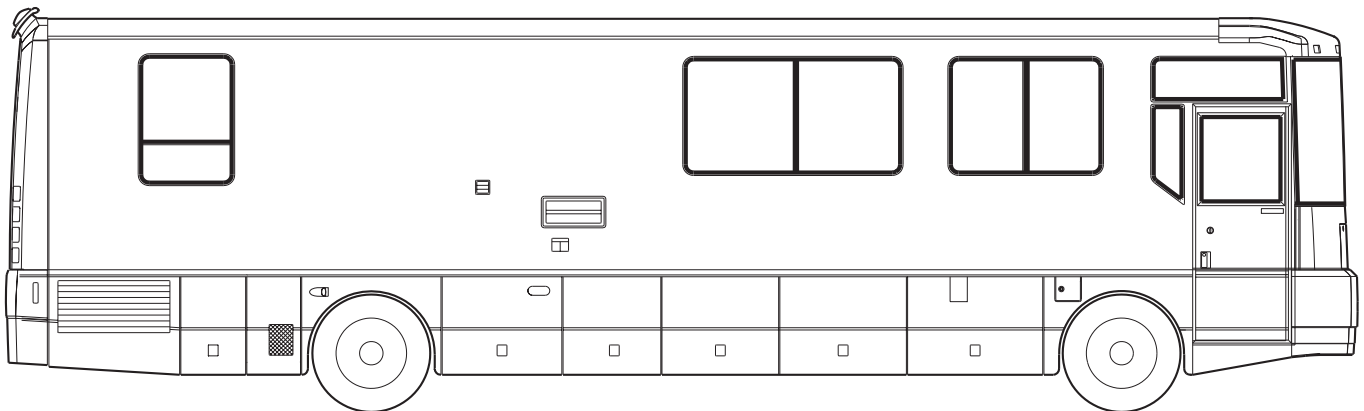
N98 GREENBRIER - SAGE

PORTSMOUTH OAK

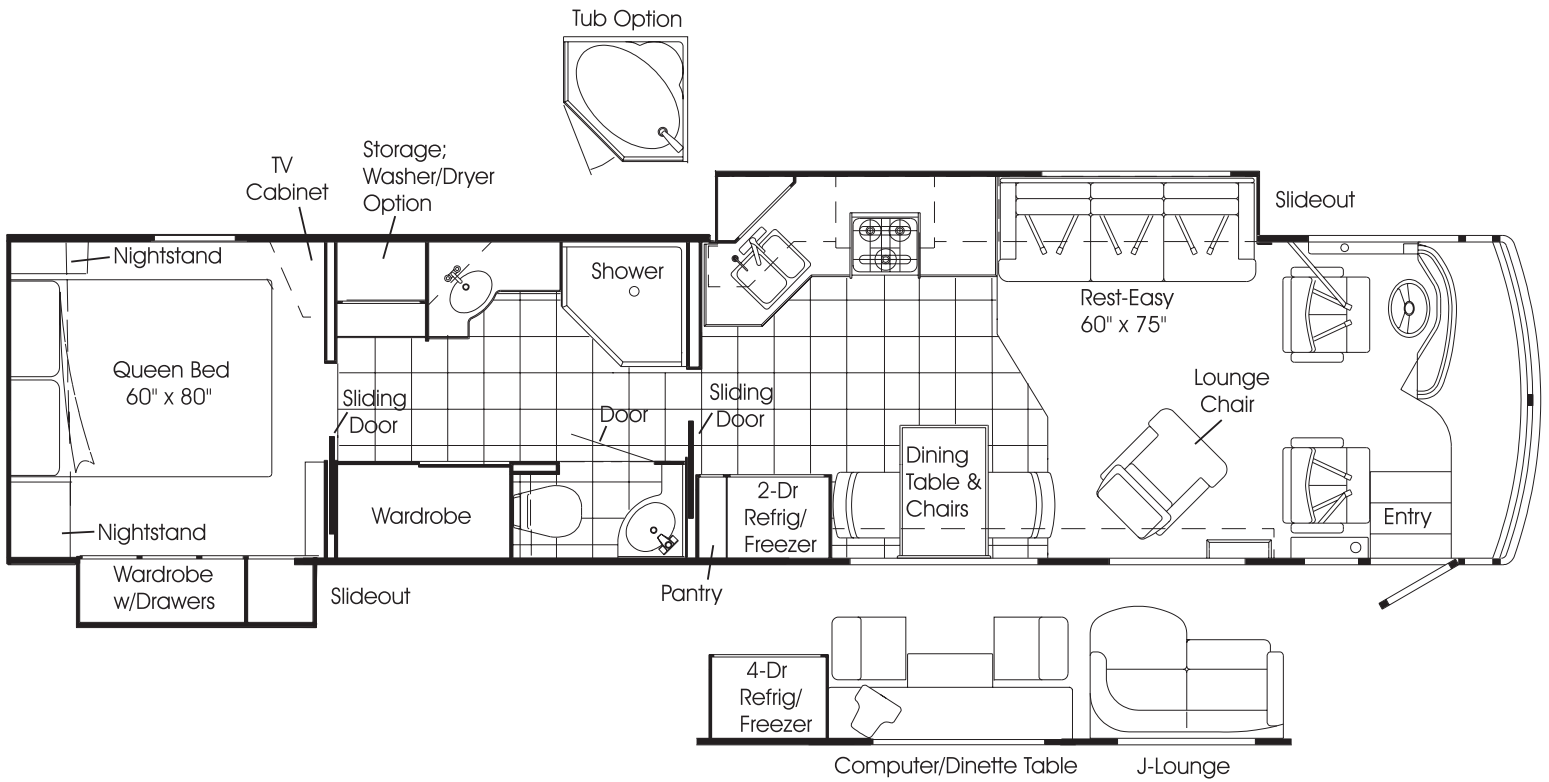
N95 SWEDISH BLUE - BLUE

N97 TAJ MAHAL - NEUTRAL

N99 GREENBRIER - SAGE



2002 USQ40J



FLOOR PLAN

CONTENTS

| | |
|---|-----------|
| FLOOR PLAN | 2 |
| ACCESSORIES GROUP | 8 |
| OPERATORS MANUAL | 8 |
| APPLIANCE GROUP | 9 |
| APPLIANCES | 9 |
| COMPONENT PARTS FOR APPLIANCE | 14 |
| 108186-02-000 | 14 |
| 108186-03-000 | 14 |
| 115504-01-000 | 14 |
| 119267-04-01A | 14 |
| 119267-06-01A | 14 |
| 120075-13-01A, 120075-14-01A, 120075-15-01A | 15 |
| 121148-06-01A | 22 |
| 125242-02-01A | 23 |
| 126022-01-01A, 126022-02-01A, 126022-03-01A | 32 |
| 129561-01-01A | 32 |
| 133004-02-01A | 33 |
| 135065-01-01A & 135065-02-01A | 34 |
| 135065-01-01A, 135065-02-01A | 34 |
| 135066-01-01A | 36 |
| 135066-02-01A | 36 |
| AUDIO VIDEO GROUP | 40 |
| RADIO SYSTEM | 40 |
| COMPONENT PARTS FOR RADIO SYSTEM | 41 |
| 127517-06-000, 127517-08-000, 127517-09-000 | 41 |
| REAR VIEW MONITOR | 42 |
| COMPONENT PARTS FOR REAR VIEW MONITOR | 43 |
| 093040-10-000 | 43 |
| TELEPHONE | 44 |
| TV & VCR | 44 |
| COMPONENT PARTS FOR TV & VCR | 45 |
| 076319-23-000 | 45 |
| 076319-25-000 | 45 |
| 124073-09-000 | 46 |
| 124073-11-000 | 46 |
| 124073-10-000 | 46 |
| 124073-11-000 | 46 |
| 124075-05-000 | 46 |
| 124075-06-000 | 46 |
| 128138-01-000 | 47 |
| 130121-05-000 | 48 |
| 130121-05-000 | 48 |
| 130121-06-000 | 48 |
| 137135-01-000 | 49 |
| 141454-01-01A | 51 |
| EXTERIOR ENTERTAINMENT | 53 |
| BATH GROUP | 54 |
| CABINETS | 54 |
| SHOWER | 58 |
| COMPONENT PARTS FOR SHOWER | 60 |
| 123242-01-01A & 123242-01-02A | 60 |
| 139047-01-01A, 139047-01-02A, 139047-02-01A, 139047-02-02A, 139047-03-01A, 139047-03-02A, 139047-04-02A | 61 |
| BEDROOM GROUP | 62 |
| CABINETS | 62 |
| TV CABINETS | 64 |

CONTENTS (CONTINUED)

| | |
|--|-----------|
| CHASSIS GROUP | 65 |
| FRAME | 65 |
| FRONT END | 67 |
| AIR INTAKE | 68 |
| INSULATION | 69 |
| STEPWELL COVER | 73 |
| COMPONENT PARTS FOR STEPWELL COVER | 74 |
| 124628-01-000 | 74 |
| 131281-01-000 | 74 |
| EXHAUST | 75 |
| HITCH | 75 |
| REAR BUMPER | 76 |
| COMPONENT PARTS FOR REAR BUMPER | 78 |
| 130464-01-01A | 78 |
| FUEL SYSTEM | 79 |
| HYDRAULIC LEVELING | 80 |
| COMPONENT PARTS FOR HYDRAULIC LEVELING | 81 |
| 107889-03-000 | 81 |
| WHEEL, TIRE, COVERS &/OR LINERS | 82 |
| CURTAIN & CUSHION GROUP | 83 |
| NOTICE | 83 |
| CUSHION LAYOUT | 84 |
| BUCKET SEATS | 86 |
| LOUNGE CHAIR | 86 |
| WINDOW TREATMENT | 87 |
| HARDWARE | 89 |
| ACCESSORIES | 91 |
| COMPONENT PARTS FOR ACCESSORIES | 92 |
| 091990-08-01A | 92 |
| FABRICS | 93 |
| DINETTE GROUP | 95 |
| CABINETS | 95 |
| TABLE | 96 |
| DRIVERS COMPARTMENT GROUP | 98 |
| DASH | 98 |
| BEVERAGE TRAY | 99 |
| FRONT INTERIOR | 100 |
| CABINETS | 102 |

CONTENTS (CONTINUED)

| | |
|--|------------|
| ELECTRICAL GROUP | 104 |
| 12V BODY WIRING | 104 |
| FRONT END WIRING | 110 |
| COMPONENT PARTS FOR LIGHTS & SWITCHES | 113 |
| 008089-02-000 | 113 |
| 087694-01-000 | 113 |
| 091206-04-000 | 113 |
| 091937-08-000 | 113 |
| 091937-09-000 | 113 |
| 093575-22-01A | 113 |
| 097917-01-06A | 113 |
| 098024-01-03A | 113 |
| 102756-03-000 | 113 |
| 108354-01-01A | 113 |
| 121935-01-01A | 113 |
| 123774-01-01A | 113 |
| 123775-01-01A | 113 |
| 130051-01-000 | 113 |
| CIRCUIT BREAKERS & FUSES | 114 |
| CONVERTER, INVERTER, LOAD CENTERS | 114 |
| 110V WIRING | 115 |
| ENTERTAINMENT WIRING | 117 |
| BOXES & CORDS | 118 |
| WIRE ASSEMBLIES | 118 |
| CONNECTORS & CONDUIT | 119 |
| BOOTS, SOLENOIDS, RELAYS & MISCELLANEOUS | 121 |
| COMPONENT PARTS FOR BOOTS, SOLENOIDS, RELAYS & MISCELLANEOUS | 122 |
| 113832-02-01A | 122 |
| 113832-03-01A | 122 |
| EXTERIOR BODY GROUP | 123 |
| AIR HORN | 123 |
| COMPONENT PARTS FOR AIR HORN | 124 |
| 077497-03-000 | 124 |
| 077497-06-000 | 124 |
| 077497-09-000 | 124 |
| GRAPHICS & PAINT | 125 |
| PANELS & TRIMS | 127 |
| FRONT END | 130 |
| COMPONENT PARTS FOR FRONT END | 132 |
| 091955-02-000 | 132 |
| LADDER | 133 |
| MIRRORS | 133 |
| COMPONENT PARTS FOR MIRRORS | 134 |
| 106015-18-01A & 106015-19-01A | 134 |
| 131431-06-01A & 02A | 134 |
| STRUCTURAL COMPONENTS | 135 |
| AWNINGS | 136 |
| COMPONENT PARTS FOR AWNINGS | 138 |
| 130483-01-01A | 138 |
| EXTERIOR DOORS & COMPARTMENTS GROUP | 139 |
| DOOR & COMPARTMENT LAYOUT | 139 |
| COMPONENT PARTS FOR DOOR & COMPARTMENT LAYOUT | 142 |
| 084103-08-000 | 142 |
| 094708-03-01A | 142 |
| COMPARTMENT DOOR PIECE PARTS | 143 |
| ENTRY | 145 |
| COMPONENT PARTS FOR ENTRY | 146 |
| 128913-04-02A & 128913-08-01A | 146 |
| 128913-10-01A | 152 |
| 129676-01-000 THRU 129676-10-000 | 158 |

CONTENTS (CONTINUED)

| | |
|---|------------|
| EXTERIOR SLIDEOUT GROUP | 159 |
| FRONT LEFT | 159 |
| COMPONENT PARTS FOR FRONT SLIDEOUT | 163 |
| 125687-01-000 | 163 |
| 140121-01-000 | 163 |
| REAR RIGHT | 164 |
| COMPONENT PARTS FOR REAR SLIDEOUT | 168 |
| 135250-01-000 | 168 |
| 135250-04-000 | 168 |
| 135250-06-000 | 168 |
| GALLEY GROUP | 169 |
| CABINETS | 169 |
| GENERATOR GROUP | 172 |
| HEATING & A/C GROUP | 173 |
| AUTOMOTIVE | 173 |
| COMPONENT PARTS FOR AUTOMOTIVE | 175 |
| 072342-15-000 | 175 |
| 072342-17-000 | 176 |
| 072342-18-000 | 176 |
| 103930-43-000 | 177 |
| 103930-51-000 | 178 |
| 103930-52-000 | 179 |
| FURNACE | 181 |
| COMPONENT PARTS FOR FURNACE | 182 |
| 098668-19-000 | 182 |
| 098668-21-000 | 184 |
| 098668-22-000 | 186 |
| 139980-01-000 | 187 |
| 139980-03-000 | 189 |
| 139980-04-000 | 191 |
| CENTRAL | 193 |
| COMPONENT PARTS FOR CENTRAL | 195 |
| 105620-11-000 | 195 |
| 105620-12-000 | 197 |
| 105620-15-000 | 198 |
| INTERIOR FINISH GROUP | 199 |
| MOLDINGS & TRIMS | 199 |
| PANELING & LAMINATES | 203 |
| ACCESSORIES | 204 |
| COMPONENT PARTS FOR ACCESSORIES | 205 |
| 094499-02-000 | 205 |
| FLOOR COVERINGS | 206 |
| HARDWARE | 207 |
| LABELS GROUP | 213 |
| LP GROUP | 236 |
| LP SYSTEM | 236 |
| COMPONENT PARTS FOR LP SYSTEM | 237 |
| 117432-02-000 | 237 |
| 117432-03-000 | 237 |
| LOUNGE GROUP | 238 |
| CABINETS | 238 |
| TABLES | 240 |
| SEALANTS & FASTENERS GROUP | 241 |
| SEALANTS & ADHESIVES | 241 |
| BOLTS, NUTS AND WASHERS | 242 |
| SCREWS | 244 |
| CLAMPS, CLIPS, GROMMETS, RIVETS & PLUGS | 247 |
| MISCELLANEOUS FASTENERS | 248 |

CONTENTS (CONTINUED)

| | |
|---|------------|
| WATER & SEWAGE GROUP | 249 |
| DRAINAGE SYSTEM | 249 |
| COMPONENT PARTS FOR DRAINAGE SYSTEM | 251 |
| 062415-01-000 | 251 |
| 136729-01-01A | 252 |
| WATER SYSTEM | 253 |
| COMPONENT PARTS FOR WATER SYSTEM | 261 |
| 051391-05-000 | 261 |
| 098607-01-000 | 262 |
| 118569-03-000 | 262 |
| 135027-01-01A | 263 |
| WINDOW & VENTS GROUP | 264 |
| WINDOW & VENT LAYOUT | 264 |
| COMPONENT PARTS FOR WINDOWS & VENT LAYOUT | 266 |
| 106466-15-01A | 266 |
| 106466-16-01A | 266 |
| 106467-09-01A | 266 |
| 112795-76-01A | 267 |
| 112795-77-01A | 268 |
| 112795-79-01A | 268 |
| 122757-02-01A | 269 |
| 122882-04-01A, 122882-05-01A | 269 |
| 123780-03-01A | 270 |
| 123780-05-01A | 271 |
| 129929-08-01A | 272 |
| WINDSHIELD & WIPER GROUP | 273 |
| WINDSHIELD | 273 |
| WIPER | 274 |
| COMPONENT PARTS FOR WIPER | 275 |
| 095964-01-000 | 275 |
| 096505-09-000 | 275 |
| 117769-01-000 | 275 |

ACCESSORIES GROUP
OPERATORS MANUAL

| KEY | PART NUMBER | U/M | DESCRIPTION |
|------------|--------------------|------------|---|
| | 129079-03-01A | EA | CASE - VINYL/BLK-EXPANDABLE ACCORDION SIDES-11"WX9"HX14"L |
| | 132000-11-002 | EA | MANUAL/OWNER - ULTIMATE ADVANTAGE - 2002 |
| | 137542-01-000 | DW | TOP LEVEL-Q,2002 |

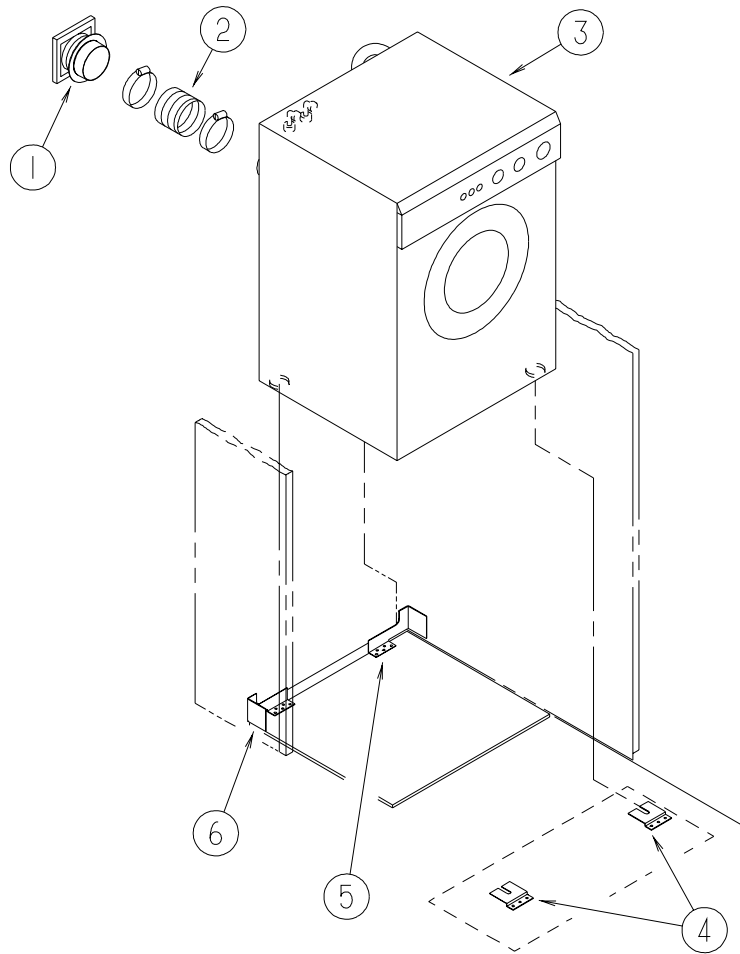
APPLIANCE GROUP

APPLIANCES

| KEY | PART NUMBER | U/M | DESCRIPTION |
|-----|---------------|-----|--|
| | 107752-03-01A | EA | DISHWASHER - 18" - BLACK - Q38K , Q40J , Q40E FROM: 00-00-00 THRU: 04-29-01 |
| | 107752-04-01A | EA | DISHWASHER - 18" - BLACK - Q38K , Q40J , Q40E FROM: 04-30-01 THRU: 99-99-99 |
| * | 135066-01-01A | EA | RANGE - 3 BURNER W/OVEN - SEALED BURNERS - 22"/BLACK - US |
| * | 135066-02-01A | EA | RANGE - 3 BURNER W/OVEN - SEALED BURNERS - 22"/BLACK-CSA - CANADIAN |
| | 136382-06-04B | EA | BRACKET - TIEDOWN/OVEN - REAR - BLACK - RANGE W/OVEN - Q36C |
| | 136382-07-04B | EA | BRACKET - TIEDOWN/OVEN - BLACK - RANGE W/OVEN - Q36C |
| | 136382-03-04B | EA | BRACKET - TIEDOWN/OVEN - BLACK - RANGE W/OVEN - Q38K , Q40J , Q40E |
| | 136382-04-04B | EA | BRACKET - TIEDOWN/OVEN - BLACK - RANGE W/OVEN - Q38K , Q40J , Q40E |
| * | 135065-01-01A | EA | RANGE - 3 BURNER W/O OVEN - SEALED BURNERS - BLACK TOP - US |
| * | 135065-02-01A | EA | RANGE - 3 BURNER W/O OVEN - SEALED BURNERS - CSA - CANADIAN |
| | 106936-36-04B | EA | BRACKET - STOVE TIEDOWN/REAR - BLACK - RANGE TOP - Q36C |
| | 106936-37-04B | EA | BRACKET - STOVE TIEDOWN/FRONT - BLACK - RANGE TOP - Q36C |
| | 106936-29-04B | EA | BRACKET - STOVE TIEDOWN/REAR - BLACK - RANGE TOP - Q38K , Q40J , Q40E |
| | 106936-30-04B | EA | BRACKET - STOVE TIEDOWN/FRONT - BLACK - RANGE TOP - Q38K , Q40J , Q40E |
| * | 108186-02-000 | EA | TOOL SET - VACUUM - W/O POWER BRUSH W/30' HOSE |
| * | 108186-03-000 | EA | VACUUM CLEANER - BUILT IN |
| | 108187-06-000 | EA | INLET - REDUCER |
| | 108187-03-000 | EA | COUPLING - 2" PVC - VACUUM SYSTEM |
| | 108187-01-000 | EA | PIPE - 2" X 8' PVC - VACUUM SYSTEM |
| | 108187-02-000 | EA | ELBOW - 90 DEGREE STREET PVC - VACUUM SYSTEM |
| | 138584-01-01A | EA | COFFEE MAKER/CARAFE - BLACK - NO TIMER - KRUPS |
| * | 115504-01-000 | EA | PANEL - SOLAR 10 WATT - 12.2"W X 26.9"L X 1.2"H |
| * | 133004-02-01A | EA | PANEL - MONITOR - 2 TANK DIGITAL VOLT METER - SOLAR |
| * | 121148-06-01A | EA | PANEL - MONITOR - 2 PANEL/2 TANK |
| * | 129561-01-01A | EA | PANEL/MONITOR - READ OUT ONLY - HOLDING/WATER TANK - Q36C , Q40J , Q40E |
| | M05904-05-M94 | EA | COVER - STOVE - W/SOLID COUNTERTOP |
| * | 126022-01-01A | EA | COVER - RANGE/BI-FOLD - 16" & 22" - BLACK TEXTURED |
| | 130818-02-01A | EA | TRASH CONTAINER - 20 QUART ALMOND |

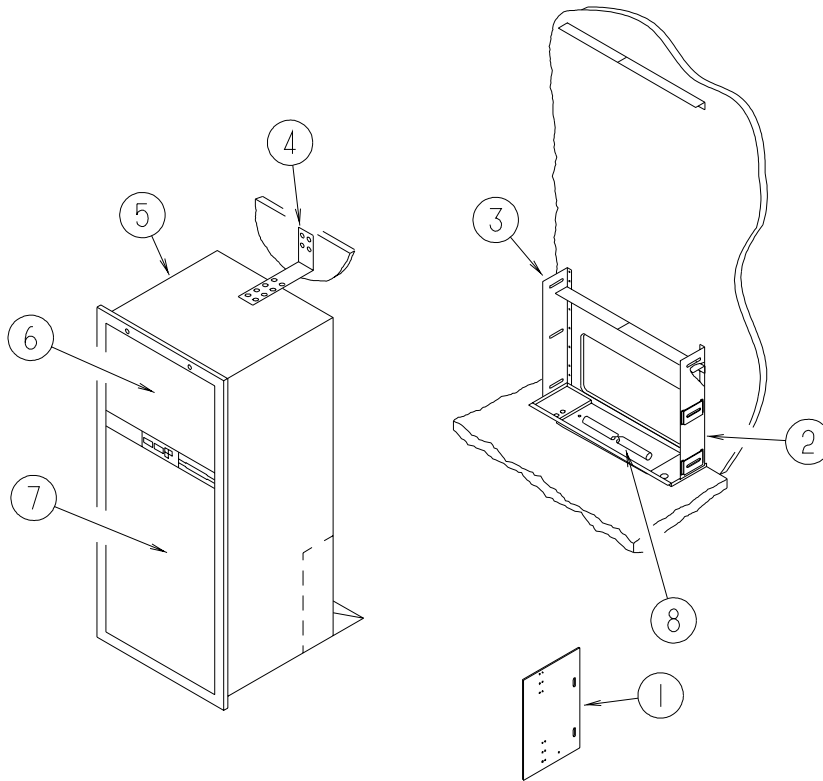
***COMPONENT PARTS LISTED LATER IN THIS GROUP**

APPLIANCE GROUP (CONTINUED)
APPLIANCES (CONTINUED)



| KEY | PART NUMBER | U/M | DESCRIPTION |
|-----|---------------|-----|---|
| 1 | 111947-02-01A | EA | VENT - DRYER - 3" |
| 2 | 116653-02-000 | FT | DUCT - FLEXIBLE - 3' COMPRESSED/8' EXTENDED |
| 3 | 107753-03-01A | EA | WASHER - DRYER - VENTED - UL/CSA - WHITE |
| 4 | 111913-01-01A | EA | BRACKET - WASHER - TIE DOWN |
| 5 | 113795-03-02B | EA | BRACKET - WASHER - E-COATED |
| 6 | 113795-04-02B | EA | BRACKET - WASHER - E-COATED |

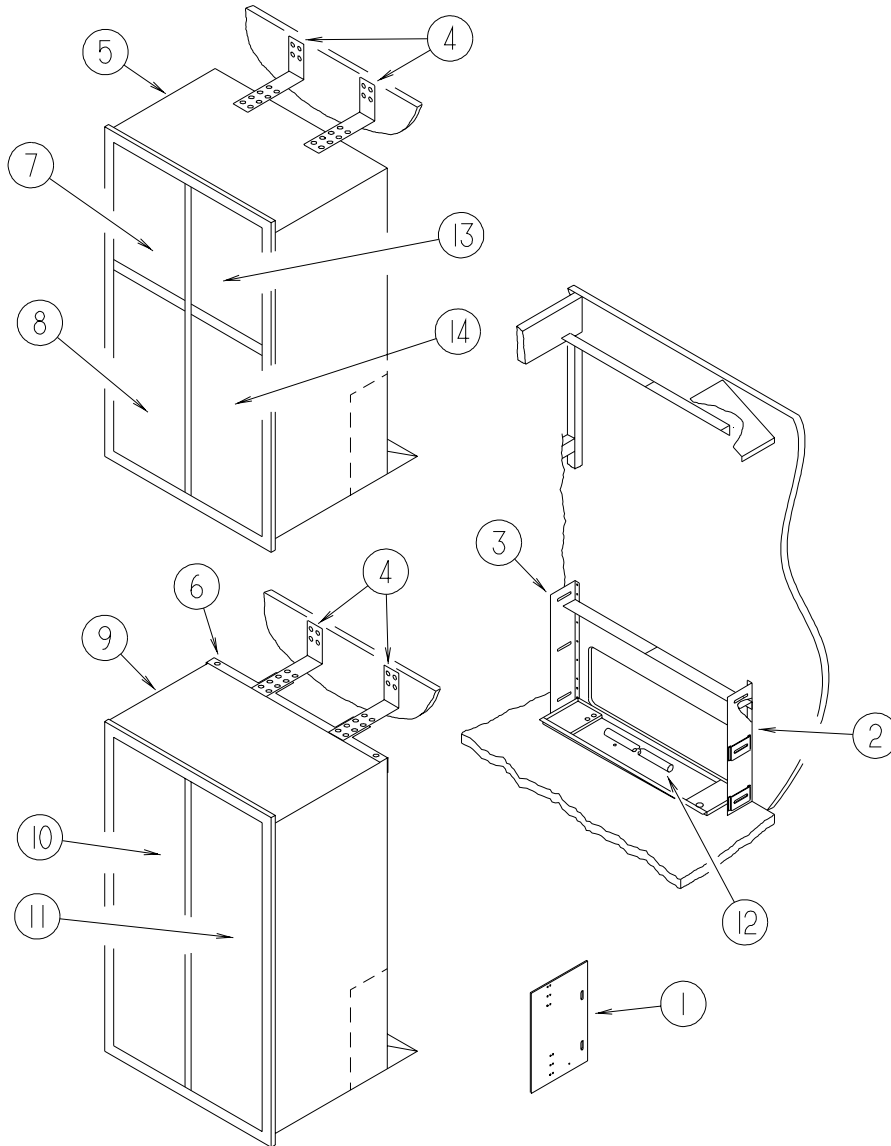
APPLIANCE GROUP (CONTINUED)
APPLIANCES (CONTINUED)



| KEY | PART NUMBER | U/M | DESCRIPTION |
|-----|---------------|-----|---|
| 1 | 065225-04-000 | EA | PLATE - TIEDOWN/REFRIGERATOR |
| 2 | 093646-01-000 | EA | BRACKET - TIEDOWN/REFRIGERATOR - RIGHT HAND |
| 3 | 093646-02-000 | EA | BRACKET - TIEDOWN/REFRIGERATOR - LEFT HAND |
| 4 | 093369-02-000 | EA | STRAP - REFRIGERATOR |
| 5* | 120075-13-01A | EA | REFRIGERATOR-LARGE DOUBLE DOOR/RH - 2-WAY -ICE MAKER-BLACK |
| 6 | P34457-03-L85 | EA | PANEL - INSERT RAISED MEMBRANE - 21.5" X 14.5" - SALEM CHERRY |
| 6 | P34457-03-N47 | EA | PANEL - INSERT RAISED MEMBRANE - 21.5" X 14.5" - PORTSMOUTH OAK |
| 7 | P34457-04-L85 | EA | PANEL - INSERT RAISED MEMBRANE - 21.5" X 38.5" - SALEM CHERRY |
| 7 | P34457-04-N47 | EA | PANEL - INSERT RAISED MEMBRANE - 21.5" X 38.5" - PORTSMOUTH OAK |
| 8 | 112176-01-000 | FT | TUBING - VINYL - REINFORCED - 1/2" ID |
| | 116751-02-01A | EA | TRAY - REFRIGERATOR - BLACK - Q36C |
| | 118871-02-01A | EA | TRAY - REFRIGERATOR - SIDE/SIDE - BLACK - 34.4" LONG - Q38K , Q40J , Q40E |
| | 090329-01-000 | EA | SEAL/T - REFRIGERATOR CABINET |
| | 054450-01-000 | EA | LEVEL - REFRIGERATOR |

***COMPONENT PARTS LISTED LATER IN THIS GROUP**

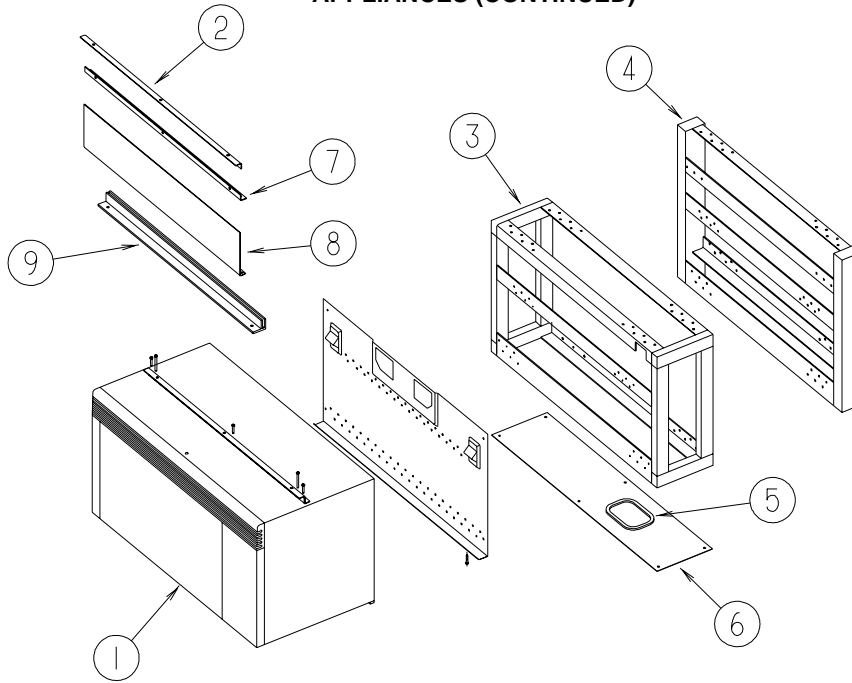
APPLIANCE GROUP (CONTINUED)
APPLIANCES (CONTINUED)



| KEY | PART NUMBER | U/M | DESCRIPTION |
|-----|---------------|-----|---|
| 1 | 065225-01-000 | EA | PLATE - TIEDOWN/REFRIGERATOR |
| 2 | 093646-01-000 | EA | BRACKET - TIEDOWN/REFRIGERATOR - RIGHT HAND |
| 3 | 093646-02-000 | EA | BRACKET - TIEDOWN/REFRIGERATOR - LEFT HAND |
| 4 | 093369-02-000 | EA | STRAP - REFRIGERATOR |
| 5* | 125242-02-01A | EA | REFRIGERATOR-4 DR-W/ICE MKR-W/CONTOURED HANDLENORCOLD1201 |
| 6 | NOT USED | | |
| 7 | P34457-01-LQ1 | EA | PANEL - INSERT RAISED MEMBRANE - 16.1" X 18.3" - SALEM CHERRY |
| 7 | P34457-01-N75 | EA | PANEL - INSERT RAISED MEMBRANE - 16.1" X 18.3" - PORTSMOUTH OAK |
| 8 | P34457-02-LQ1 | EA | PANEL - INSERT RAISED MEMBRANE - 16.1" X 41.1" - SALEM CHERRY |
| 8 | P34457-02-N75 | EA | PANEL - INSERT RAISED MEMBRANE - 16.1" X 41.1" - PORTSMOUTH OAK |
| 9 | NOT USED | | |
| 10 | NOT USED | | |
| 11 | NOT USED | | |
| 12 | 112176-01-000 | FT | TUBING - VINYL - REINFORCED - 1/2" ID |
| 13 | P34457-01-LQ1 | EA | PANEL - INSERT RAISED MEMBRANE - 16.1" X 18.3" - SALEM CHERRY |
| 13 | P34457-01-N75 | EA | PANEL - INSERT RAISED MEMBRANE - 16.1" X 18.3" - PORTSMOUTH OAK |
| 14 | P34457-02-LQ1 | EA | PANEL - INSERT RAISED MEMBRANE - 16.1" X 41.1" - SALEM CHERRY |
| 14 | P34457-02-N75 | EA | PANEL - INSERT RAISED MEMBRANE - 16.1" X 41.1" - PORTSMOUTH OAK |
| | 118871-02-01A | EA | TRAY - REFRIGERATOR - SIDE/SIDE - BLACK - 34.4" LONG - Q36C |
| | 118871-05-01A | EA | TRAY - REFRIGERATOR - SIDE/SIDE - BLACK - 35.5" LONG - Q38K , Q40J , Q40E |
| | 090329-01-000 | EA | SEAL/T - REFRIGERATOR CABINET |
| | 054450-01-000 | EA | LEVEL - REFRIGERATOR |

***COMPONENT PARTS LISTED LATER IN THIS GROUP**

APPLIANCE GROUP (CONTINUED)
APPLIANCES (CONTINUED)



| KEY | PART NUMBER | U/M | DESCRIPTION |
|-----|---------------|-----|---|
| 1* | 119267-04-01A | EA | OVEN - MICROWAVE/CONVECTION W/HOOD - SHARP-#1850A/#1855 - US FROM: 00-00-00 THRU: 08-19-01 |
| | 119267-05-000 | EA | FILTER - HOOD - CHARCOAL - SHARP #RK220 - US FROM: 00-00-00 THRU: 08-19-01 |
| 1 | 140147-01-01A | EA | OVEN/MICROWAVE - 1.4 CUBIC FT - 30" CONVECTION/BLK FACE - US FROM: 08-20-01 THRU: 99-99-99 |
| | 140147-03-000 | EA | FILTER/CHARCOAL - MICROWAVE - US FROM: 08-20-01 THRU: 99-99-99 |
| 1* | 119267-06-01A | EA | OVEN - MICROWAVE/CONVECTION W/HOOD - CSA - CANADIAN |
| | 119267-05-000 | EA | FILTER - HOOD - CHARCOAL - SHARP #RK220 - CANADIAN |
| 1 | 140147-02-01A | EA | OVEN/MICROWAVE - 1.4 CUBIC FT - STAINLESS STEEL FACE - W/SPEEDCOOK |
| | 140147-03-000 | EA | FILTER/CHARCOAL - MICROWAVE - W/SPEEDCOOK |
| 2 | 129836-02-02B | EA | ANGLE - W/HOLES - .7" X 1" X 28.3" - E-COATED - Q38K, Q40J, Q40E |
| 3 | 129552-01-02B | EA | BRACKET - MICROWAVE - E-COATED - Q38K |
| 3 | 129552-04-02B | EA | BRACKET - MICROWAVE - E-COATED - US - Q40E, Q40J |
| 3 | 129552-02-02B | EA | BRACKET - MICROWAVE - E-COATED - CANADIAN - Q40E, Q40J |
| 4 | NOT USED | | |
| 5 | 093305-01-01A | FT | TRIM - EDGE C-TYPE - WIRE CARRIER - .35" X .24" - VINYL - Q38K, Q40J, Q40E |
| 6 | 129547-01-02B | EA | PLATE-COVER,MICROWAVE,E-CT - Q38K |
| 6 | 129547-02-02B | EA | PLATE-COVER,MICROWAVE,E-CT - Q40E, Q40J |
| 7 | 129836-01-02B | EA | ANGLE - W/HOLES - .7" X 1" X 28.3" - E-COATED - Q38K, Q40J, Q40E |
| 8 | NOT USED | | |
| 9 | NOT USED | | |

***COMPONENT PARTS LISTED LATER IN THIS GROUP**

APPLIANCE GROUP (CONTINUED)
COMPONENT PARTS FOR APPLIANCE

108186-02-000

| KEY | PART NUMBER | U/M | DESCRIPTION | VENDOR NO. |
|------------|--------------------|------------|-------------------------|-------------------|
| | 092304-02-701 | EA | TOOL-DUSTING | 1142 |
| | 092304-02-702 | EA | TOOL-RUG | 4982 |
| | 092304-02-703 | EA | TOOL-CREVICE | 1141 |
| | 092304-02-707 | EA | TOOL-UPHOLSTERY | 7029 |
| | 092304-02-708 | EA | WAND-PLASTIC | 4978 |
| | 092304-02-709 | EA | HOSE ASM., 30' COMPLETE | 4988-30-G |

108186-03-000

| KEY | PART NUMBER | U/M | DESCRIPTION | VENDOR NO. |
|------------|--------------------|------------|------------------------------|-------------------|
| | 092304-02-700 | EA | BRUSH-POWER, VACUUM (RUGRAT) | 6970 |
| | 092304-02-701 | EA | TOOL-DUSTING | 1142 |
| | 092304-02-702 | EA | TOOL-RUG | 4982 |
| | 092304-02-703 | EA | TOOL-CREVICE | 1141 |
| | 092304-02-707 | EA | TOOL-UPHOLSTERY | 7029 |
| | 092304-02-708 | EA | WAND-PLASTIC | 4978 |
| | 092304-02-709 | EA | HOSE ASM., 30' COMPLETE | 4988-30-G |
| | 092304-02-710 | EA | SECONDARY FILTER | 4929 |
| | 108186-03-700 | EA | PAPER BAG - 3-PKG | 7767 |
| | 108186-03-701 | EA | MOTOR F/RV2000 | 7756 |
| | 108186-03-702 | EA | REDUCER | 5531 |
| | 108186-03-703 | EA | VALVE - INLET - WHITE | 4935 |
| | 108186-03-704 | EA | BRUSH - TURBINE (HAND HELD) | 7834-B |

115504-01-000

| KEY | PART NUMBER | U/M | DESCRIPTION | VENDOR NO. |
|------------|--------------------|------------|-----------------------------|-------------------|
| | 115504-01-700 | EA | PLUG & CABLE, 10 WATT PANEL | 600-016 |

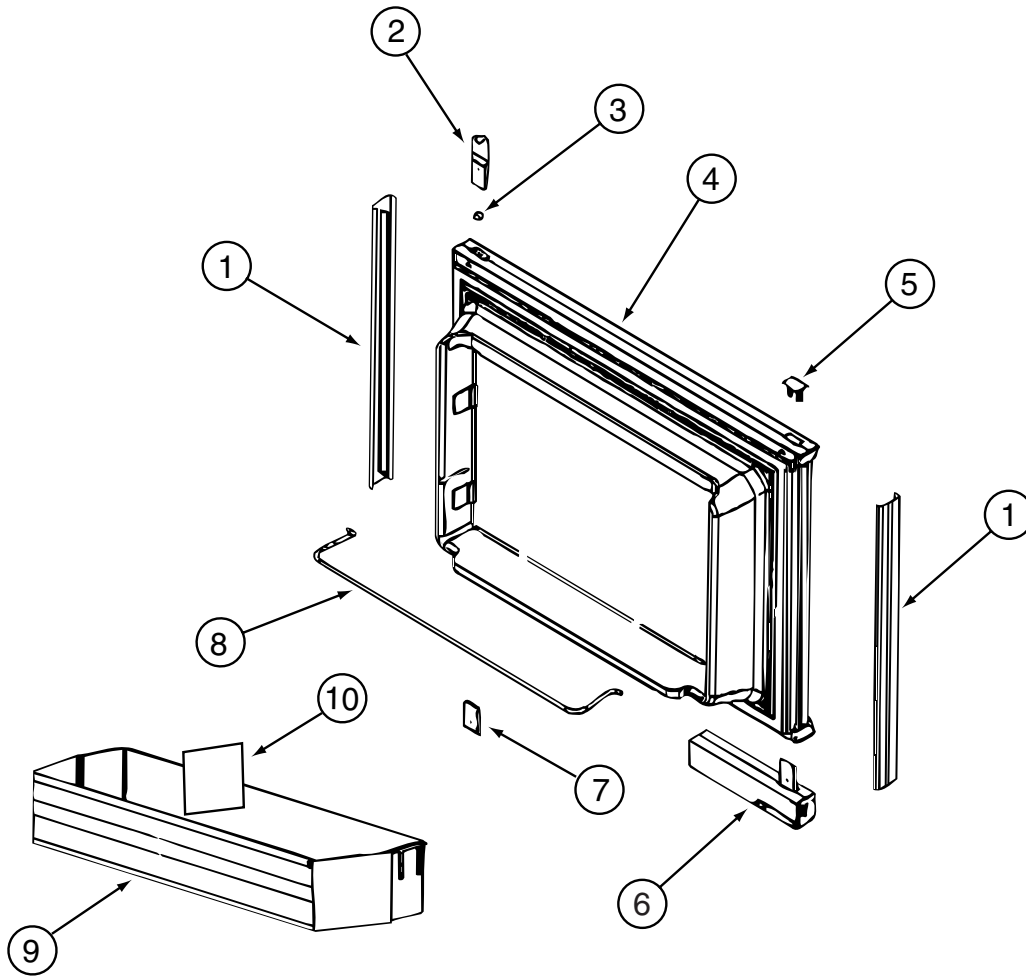
119267-04-01A

| KEY | PART NUMBER | U/M | DESCRIPTION | VENDOR NO. |
|------------|--------------------|------------|------------------------|-------------------|
| | 119267-04-700 | EA | FILTER-GREASE | BOO2 |
| | 119267-04-704 | EA | LIGHT COVER | FANGKB009MRYO |
| | 119267-04-706 | EA | BULB/LIGHT (CARDED) | |
| | 119267-04-708 | EA | PAN-BOTTOM (MICROWAVE) | |

119267-06-01A

| KEY | PART NUMBER | U/M | DESCRIPTION | VENDOR NO. |
|------------|--------------------|------------|---------------------------|-------------------|
| | 119267-04-700 | EA | FILTER-GREASE | BOO2 |
| | 119267-04-703 | EA | PLATE-MOUNTING W/2 SCREWS | FANGTB003MRV0 |

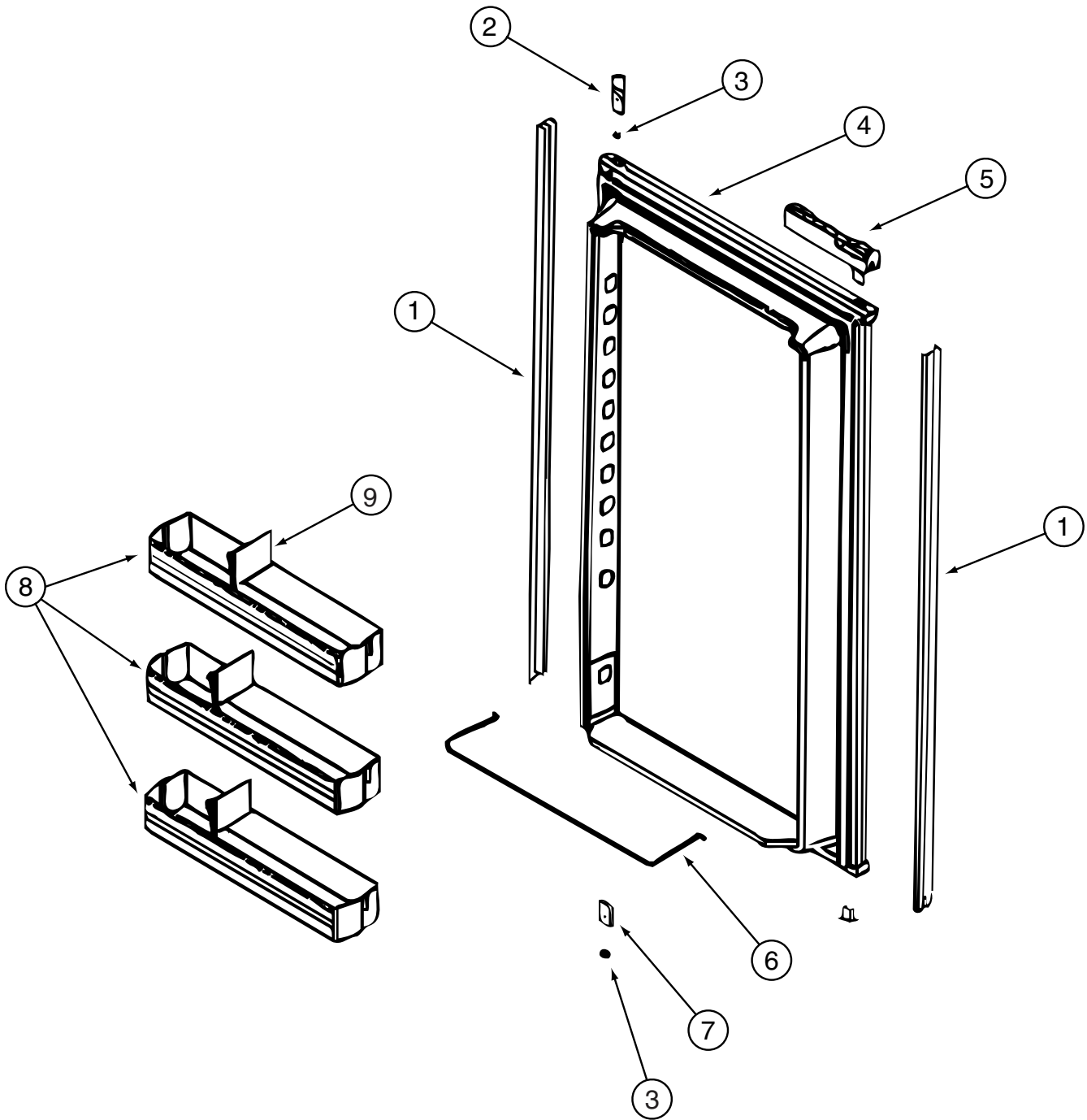
APPLIANCE GROUP (CONTINUED)
COMPONENT PARTS FOR APPLIANCE (CONTINUED)



120075-13-01A, 120075-14-01A, 120075-15-01A

| KEY | PART NUMBER | U/M | DESCRIPTION | VENDOR NO. |
|-----|---------------|-----|------------------------------|---------------------|
| 1 | 121568-03-700 | EA | RETAINER - DOOR PANEL/BLACK | 619558 |
| 2 | 120075-01-701 | EA | HINGE-TOP RH/BOTTOM LH(DOOR) | 618511 |
| 3 | 121568-03-701 | EA | BUSHING - HINGE PIN/GRAY | 619671 |
| 4 | 121568-03-702 | EA | DOOR LINER - W/TRIM/BLACK | 619627 - SMALL DOOR |
| 5 | 120075-01-702 | EA | CAP, (HINGE PLUG) | 618160 |
| 6 | 120075-12-700 | EA | HANDLE(CONTOUR)TOP LH/BTM RH | 621105 |
| | 120075-12-702 | EA | HANDLE/HOUSING-TOP-LH/BTM RH | 618159GEN |
| 6 | 120075-12-701 | EA | HANDLE(CONTOUR)TOP RH/BTM LH | 621104 |
| | 120075-12-709 | EA | HANDLE/HOUSING-BTM LH/TOP RH | 618122GEN |
| | 120075-12-703 | EA | HANDLE - PLASTIC - NEW STYLE | 620928 |
| | 120075-12-704 | EA | SPRING - COMPRESSION | 618182 |
| | 120075-12-705 | EA | LATCH - HANDLE | 618121 |
| | 120075-12-706 | EA | PIN - STEEL | 618622 |
| | 120075-12-707 | EA | LATCH | 619648 |
| | 120075-12-708 | EA | LATCH - SPRING | 620960 |
| 6 | 121568-03-703 | EA | HANDLE/FLUSH-TOP/RH-LWR/LH | 619865 |
| 6 | 121568-03-708 | EA | HANDLE/FLUSH-TOP/LH-LWR/RH | 619866 |
| 7 | 120075-01-705 | EA | HINGE-TOP LH/BOTTOM RH(DOOR) | 618510 |
| 8 | 121568-01-700 | EA | RAIL - DOOR UPPER | 618618 |
| 9 | 120075-07-700 | EA | DOOR BIN - CLEAR | 619006 |
| 10 | 120075-07-701 | EA | DIVIDER/DOOR BIN CLEAR | 619008 |
| | 121568-03-704 | EA | TRAVEL LATCH - GRAY | 619647 |
| | 121568-03-705 | EA | STORAGE LATCH - GRAY | 619648 |

APPLIANCE GROUP (CONTINUED)
COMPONENT PARTS FOR APPLIANCE (CONTINUED)



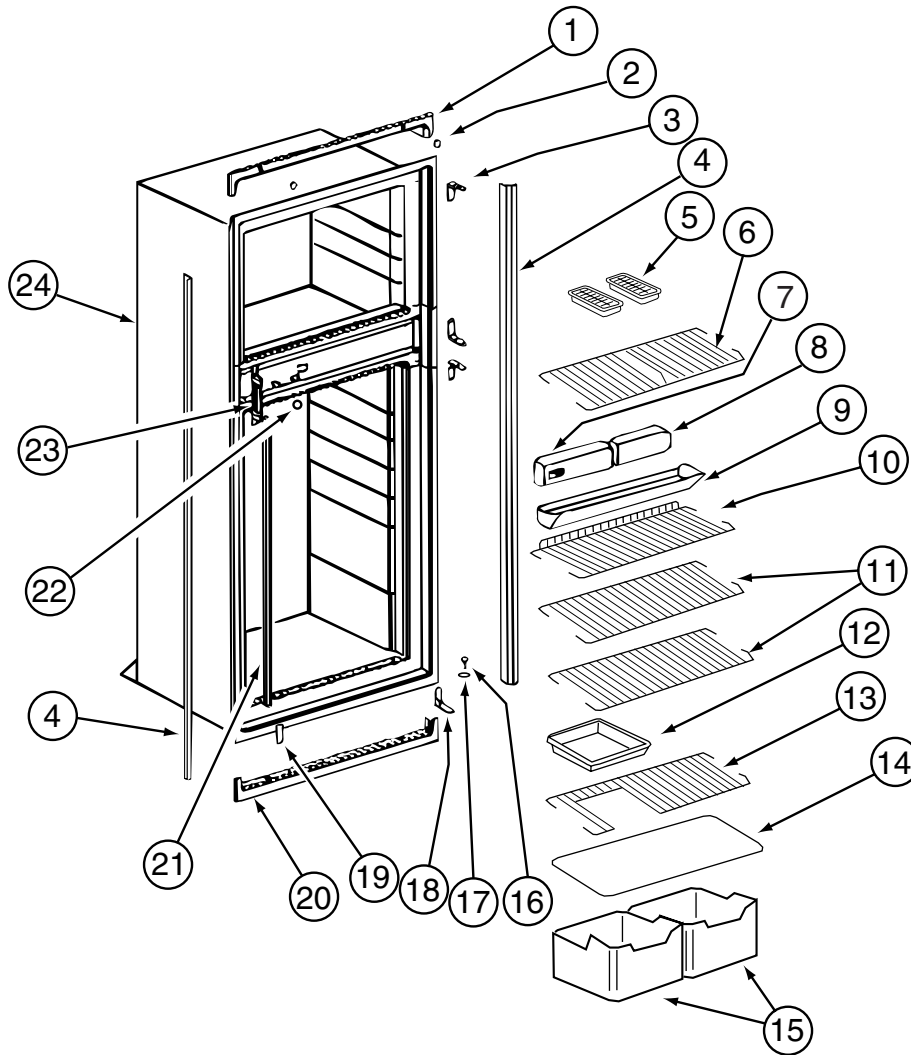
120075-13-01A, 120075-14-01A, 120075-15-01A (CONTINUED)

APPLIANCE GROUP (CONTINUED)
COMPONENT PARTS FOR APPLIANCE (CONTINUED)

120075-13-01A, 120075-14-01A, 120075-15-01A (CONTINUED)

| KEY | PART NUMBER | U/M | DESCRIPTION | VENDOR NO. |
|------------|--------------------|------------|------------------------------|---------------------|
| 1 | 120075-07-702 | EA | RETAINER - DOOR PANEL/BLACK | 619560 |
| 2 | 120075-01-701 | EA | HINGE-TOP RH/BOTTOM LH(DOOR) | 618511 |
| 3 | 121568-03-701 | EA | BUSHING - HINGE PIN/GRAY | 619671 |
| 4 | 120075-07-703 | EA | DOOR LINER - BLACK | 619631 - LARGE DOOR |
| 5 | 120075-12-700 | EA | HANDLE(CONTOUR)TOP LH/BTM RH | 621105 |
| | 120075-12-702 | EA | HANDLE/HOUSING-TOP-LH/BTM RH | 618159GEN |
| 5 | 120075-12-701 | EA | HANDLE(CONTOUR)TOP RH/BTM LH | 621104 |
| | 120075-12-709 | EA | HANDLE/HOUSING-BTM LH/TOP RH | 618122GEN |
| | 120075-12-703 | EA | HANDLE - PLASTIC - NEW STYLE | 620928 |
| | 120075-12-704 | EA | SPRING - COMPRESSION | 618182 |
| | 120075-12-705 | EA | LATCH - HANDLE | 618121 |
| | 120075-12-706 | EA | PIN - STEEL | 618622 |
| | 120075-12-707 | EA | LATCH | 619648 |
| | 120075-12-708 | EA | LATCH - SPRING | 620960 |
| 5 | 121568-03-703 | EA | HANDLE/FLUSH-TOP/RH-LWR/LH | 619865 |
| 5 | 121568-03-708 | EA | HANDLE/FLUSH-TOP/LH-LWR/RH | 619866 |
| 6 | 121568-01-704 | EA | RAIL - DOOR LOWER | 618578 |
| 7 | 120075-01-705 | EA | HINGE-TOP LH/BOTTOM RH(DOOR) | 618510 |
| 8 | 120075-07-700 | EA | DOOR BIN - CLEAR | 619006 |
| 8 | 120075-07-704 | EA | DOOR BIN - LARGE/CLEAR | 619005 |
| 9 | 120075-07-701 | EA | DIVIDER/DOOR BIN CLEAR | 619008 |
| | 121568-03-704 | EA | TRAVEL LATCH - GRAY | 619647 |
| | 121568-03-705 | EA | STORAGE LATCH - GRAY | 619648 |

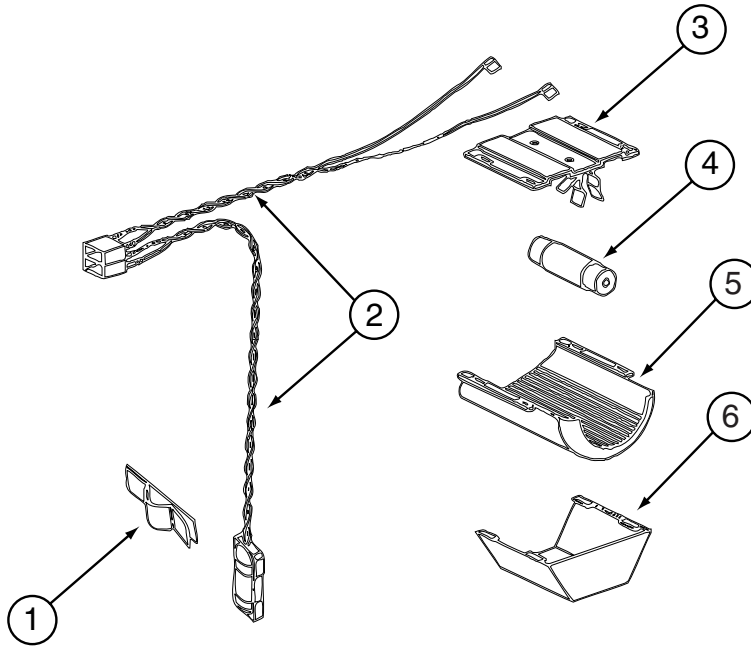
APPLIANCE GROUP (CONTINUED)
COMPONENT PARTS FOR APPLIANCE (CONTINUED)



120075-13-01A, 120075-14-01A, 120075-15-01A (CONTINUED)

| KEY | PART NUMBER | U/M | DESCRIPTION | VENDOR NO. |
|-----|---------------|-----|-----------------------------|------------|
| 1 | 121568-03-709 | EA | TRIM - TOP/BLACK | 619687 |
| 2 | 120075-01-714 | EA | PLUG-HOLE | 618170 |
| 3 | 121568-03-710 | EA | HINGE/CABINET-TOP/RH-LWR/LH | 619335 |
| 4 | 120075-07-705 | EA | TRIM - SIDE - BLACK | 619802 |
| 5 | 104137-06-724 | EA | ICE TRAY | 61630422 |
| 6 | 120075-07-706 | EA | SHELF - WIRE/FREEZER | 620249 |
| 7 | 120075-07-707 | EA | CONTROL BOX - BLACK | 619665 |
| 8 | 121568-03-713 | EA | FRONT BOX/DECORATIVE-BLACK | 619282 |
| 9 | 120075-01-720 | EA | TRAY-DRIP | 618137 |
| 10 | 120075-01-722 | EA | SHELF-WIRE, SHORT | 618239 |
| 11 | 120075-01-723 | EA | SHELF-WIRE | 618114 |
| 12 | 104137-06-718 | EA | SHELF-TRAY, WHITE, W/CUTOUT | 617756 |
| 13 | 120075-01-724 | EA | SHELF-WIRE, W/CUTOUT | 618177 |
| 14 | 120075-01-725 | EA | COVER-CRISPER | 618158 |
| 15 | 120075-07-708 | EA | CRISPER/ICE BIN | 619007 |
| 16 | 120075-01-727 | EA | PIN-HINGE | 618145 |
| 17 | 121568-03-701 | EA | BUSHING - HINGE PIN/GRAY | 619671 |
| 18 | 121568-03-715 | EA | HINGE/CABINET-TOP/LH-LWR/RH | 619336 |
| 19 | 121568-03-716 | EA | COVER - HINGE HOLES | 619301 |
| 20 | 120075-01-729 | EA | TRIM-BOTTOM PIECE | 618136 |
| 21 | 120075-01-730 | EA | RETAINER-SHELF | 618181 |
| 22 | 121568-03-717 | EA | HOLE PLUG - WHITE | 619561 |
| 23 | 120075-01-732 | EA | PLATE-STRIKE | 618167 |
| 24 | 120075-09-700 | EA | CABINET - FOAMED | 619660 |
| | 120075-01-721 | EA | LOUVER-DRIP TRAY | 618176 |

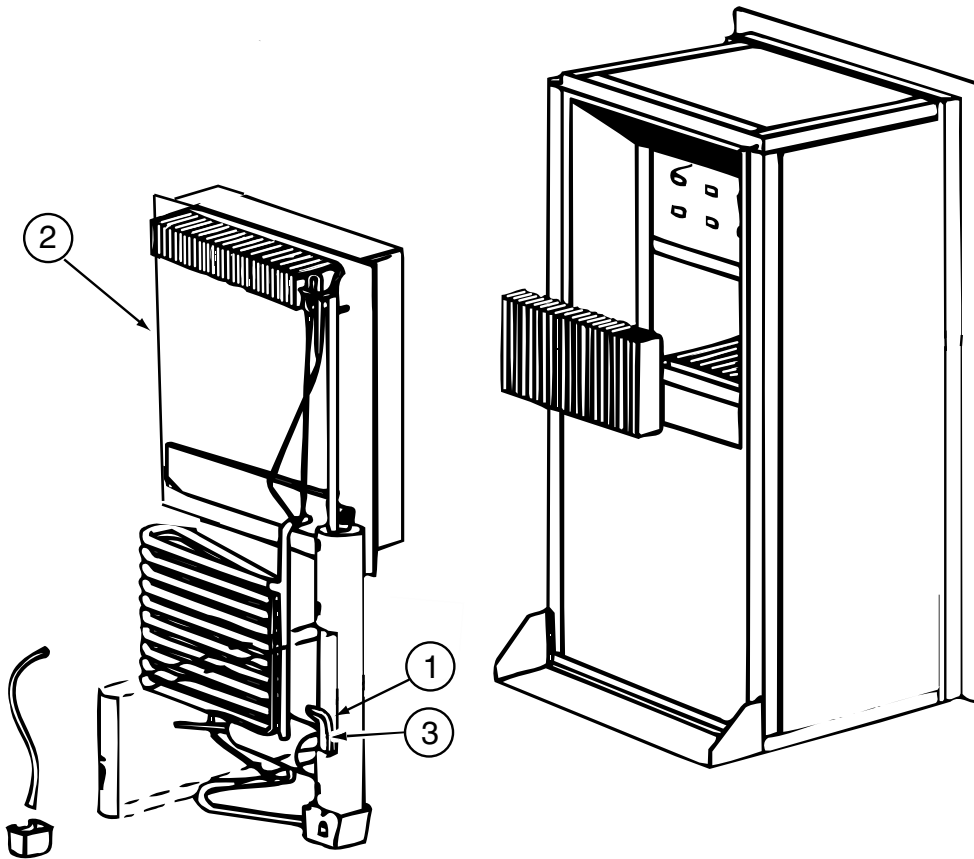
APPLIANCE GROUP (CONTINUED)
COMPONENT PARTS FOR APPLIANCE (CONTINUED)



120075-13-01A, 120075-14-01A, 120075-15-01A (CONTINUED)

| KEY | PART NUMBER | U/M | DESCRIPTION | VENDOR NO. |
|-----|---------------|-----|------------------------------|------------|
| 1 | 084880-01-760 | EA | CLIP (THERMISTER) | 61689122 |
| 2 | 120075-01-735 | EA | THERMISTER W/LAMP & WIRE/ASM | 618548 |
| 3 | 084880-03-705 | EA | BRACKET-LIGHT-INTERIOR | 61629722 |
| 4 | 084880-03-706 | EA | BULB-LAMP | 61628922 |
| 5 | 120075-01-734 | EA | COVER-LENS | 618190 |
| 6 | 084880-03-707 | EA | COVER-LAMP, LENS | 61627922 |

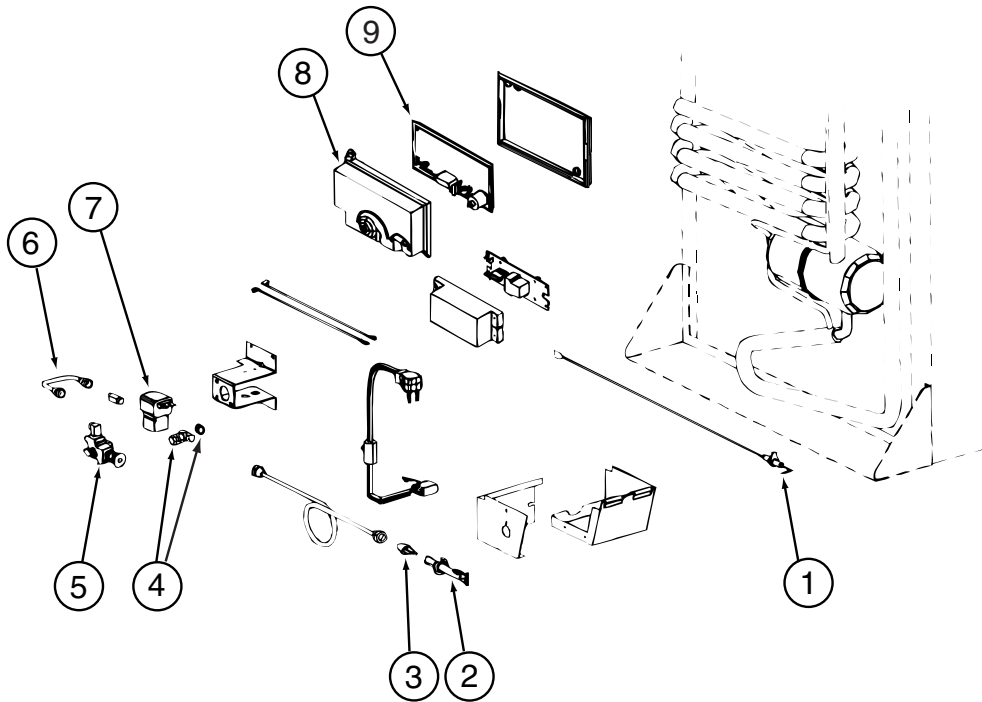
APPLIANCE GROUP (CONTINUED)
COMPONENT PARTS FOR APPLIANCE (CONTINUED)



120075-13-01A, 120075-14-01A, 120075-15-01A (CONTINUED)

| KEY | PART NUMBER | U/M | DESCRIPTION | VENDOR NO. |
|-----|---------------|-----|----------------------------|------------|
| 1 | 088248-01-710 | EA | HEATER DC (HORIZONTAL) | 61562822 |
| 2 | 120075-01-736 | EA | COOLING UNIT, SERVICE PACK | 618542 |
| 3 | 088248-01-709 | EA | HEATER-AC (HORIZONTAL) | 61562722 |

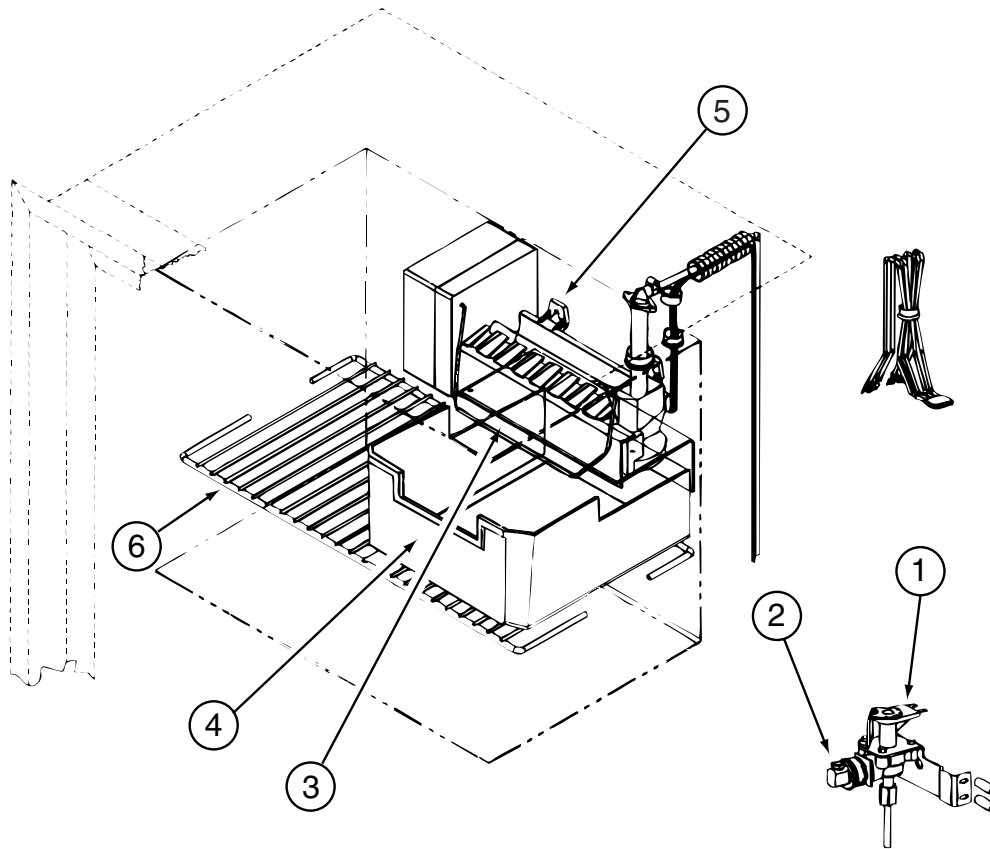
APPLIANCE GROUP (CONTINUED)
COMPONENT PARTS FOR APPLIANCE (CONTINUED)



120075-13-01A, 120075-14-01A, 120075-15-01A (CONTINUED)

| KEY | PART NUMBER | U/M | DESCRIPTION | VENDOR NO. |
|-----|---------------|-----|------------------------------|------------|
| 1 | 104137-06-715 | EA | ELECTRODE-SPARK/SENSOR, SGL | 61692222 |
| 2 | 104137-06-714 | EA | BURNER ASSEMBLY, 5-SLOT | 61705222 |
| 3 | 120075-01-737 | EA | ORIFICE - JEWEL - .0155 | 618284 |
| 4 | 113737-01-702 | EA | PLUG 1/8" F/PRESSURE TAP | 61445322 |
| 4 | 113737-01-716 | EA | TAP-PRESSURE | 61594422 |
| 5 | 104137-06-734 | EA | VALVE-SHUT OFF/MAN-OLD STYLE | 61694922 |
| 6 | 113737-01-750 | EA | TUBE-UNION | 61694622 |
| 7 | 084880-01-718 | EA | VALVE-GAS, (ASCO) | 61551822 |
| 8 | 120075-01-738 | EA | COVER-POWER BOARD | 618185 |
| 9 | 120075-07-710 | EA | POWER - BOARD - 2-WAY | 619360 |
| | 104137-06-734 | EA | VALVE-SHUT OFF/MAN-NEW STYLE | 618696 |
| | 120075-01-744 | EA | KIT - GAS VALVE/BURNER TUBE | 620609 |

APPLIANCE GROUP (CONTINUED)
COMPONENT PARTS FOR APPLIANCE (CONTINUED)



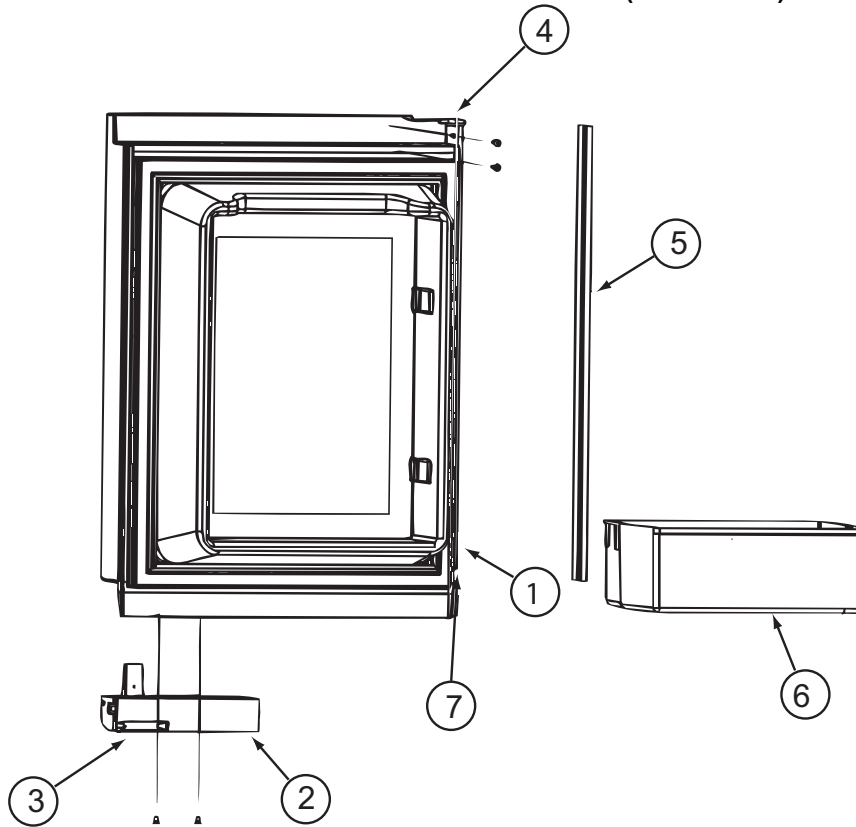
120075-13-01A, 120075-14-01A (CONTINUED)

| KEY | PART NUMBER | U/M | DESCRIPTION | VENDOR NO. |
|-----|---------------|-----|---------------------------|------------|
| 1 | 120075-09-701 | EA | WATER VALVE W/BRACKET | 618253 |
| 2 | 120075-03-702 | EA | NUT/COMPRESSION - FITTING | 61678722 |
| 3 | 120075-03-703 | EA | ARM-SHUT OFF | 61656922 |
| 4 | 120075-03-704 | EA | BIN-ICE CUBE | 618154 |
| 5 | 094039-07-706 | EA | ICE MAKER W/O PLATES | 61656522 |
| 6 | 120075-01-717 | EA | SHELF-FREEZER, WIRE | 618172 |
| | 120075-09-702 | EA | RELAY - 12 VOLT | 620239 |

121148-06-01A

| KEY | PART NUMBER | U/M | DESCRIPTION | VENDOR NO. |
|-----|---------------|-----|------------------------------|------------|
| 1 | 100258-10-701 | EA | GAUGE-HOUR METER-CLIP ON LCD | L0775-00 |
| 2 | 096983-01-702 | EA | SWITCH - MOM/OFF/MOM/3 TERM | L0112-00 |
| 3 | 096983-01-700 | EA | SWITCH - ON/OFF | L0108-00 |
| 4 | 096983-01-701 | EA | SWITCH - SPST/MOM 2 TERMINAL | L0111-00 |
| 5 | 096983-01-703 | EA | SWITCH - ON/ON | L0115-00 |
| 6 | 113566-03-702 | EA | LABEL | L0451-00 |
| 7 | 121148-02-700 | EA | BOARD - CIRCUIT | L5099-20 |
| | 100258-10-702 | EA | HOUR METER(CLIP ON)SW & WIRE | L4441-00 |

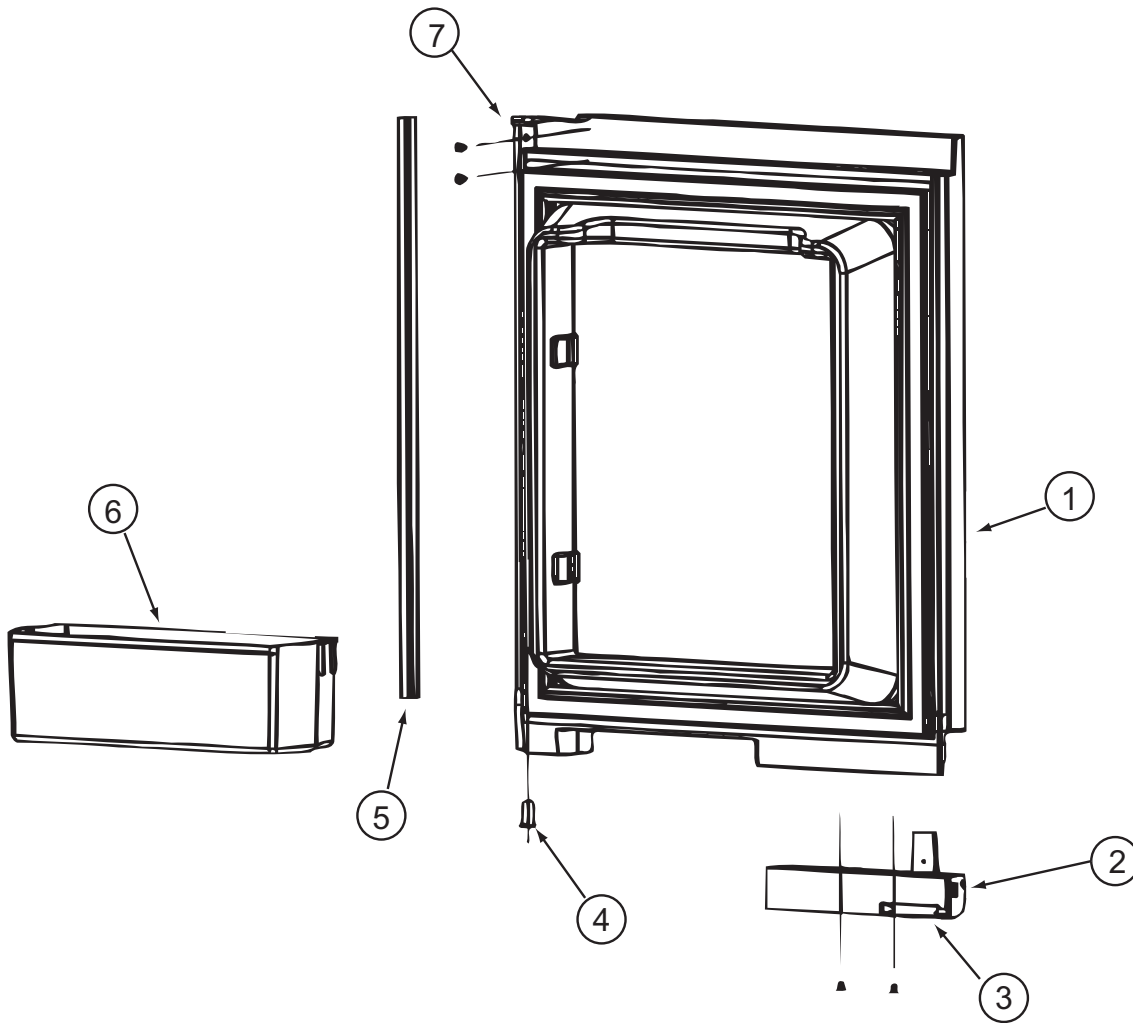
APPLIANCE GROUP (CONTINUED)
COMPONENT PARTS FOR APPLIANCE (CONTINUED)



125242-02-01A

| KEY | PART NUMBER | U/M | DESCRIPTION | VENDOR NO. |
|-----|---------------|-----|------------------------------|------------|
| 1 | 125242-01-762 | EA | LINER/FOAMED-UPPER/LH-WHITE | 619839 |
| 2 | 125242-02-700 | EA | HANDLE(CONTOUR)TOP LH BTM RH | 621107 |
| 3 | 125242-02-722 | EA | LATCH-STORAGE DR/BLK POINTED | 619374 |
| 4 | 125242-02-724 | EA | HINGE - DOOR | 618792 |
| 5 | 125242-02-723 | EA | RETAINER/PANEL-UPPER DOOR | 621974 |
| 6 | 125242-01-711 | EA | DOOR BIN | 618765 |
| 7 | 125242-01-704 | EA | BUSHING-HINGE MIDDLE | 618746 |
| | 125242-02-725 | EA | DOOR ASM/UPR LH/WHITE GASKET | 621148 |

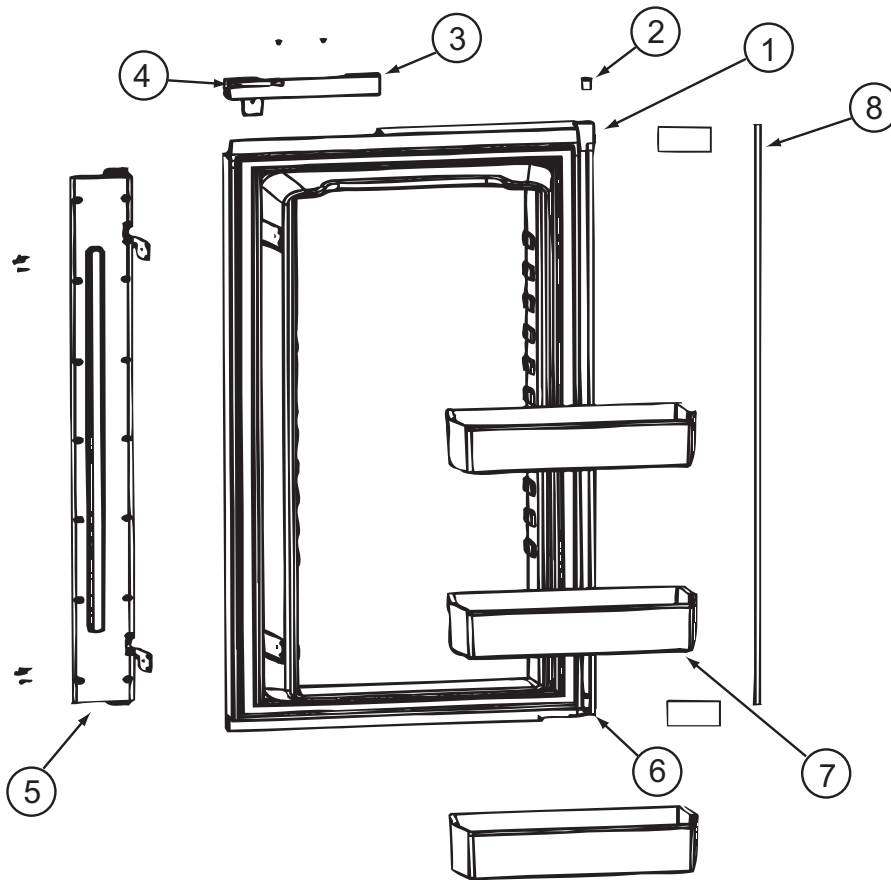
APPLIANCE GROUP (CONTINUED)
COMPONENT PARTS FOR APPLIANCE (CONTINUED)



125242-02-01A (CONTINUED)

| KEY | PART NUMBER | U/M | DESCRIPTION | VENDOR NO. |
|-----|---------------|-----|------------------------------|------------|
| 1 | 125242-01-763 | EA | LINER/FOAMED-UPPER/RH-WHITE | 619840 |
| 2 | 125242-02-701 | EA | HANDLE(CONTOUR)TOP RH LWR LH | 621106 |
| 3 | 125242-02-722 | EA | LATCH-STORAGE DR/BLK POINTED | 619374 |
| 4 | 125242-01-704 | EA | BUSHING-HINGE MIDDLE | 618746 |
| 5 | 125242-02-723 | EA | RETAINER/PANEL-UPPER DOOR | 621974 |
| 6 | 125242-01-711 | EA | DOOR BIN | 618765 |
| 7 | 125242-02-724 | EA | HINGE - DOOR | 618792 |
| | 125242-02-721 | EA | DOOR ASM-UPR/RH/WHITE GASKET | 621149 |

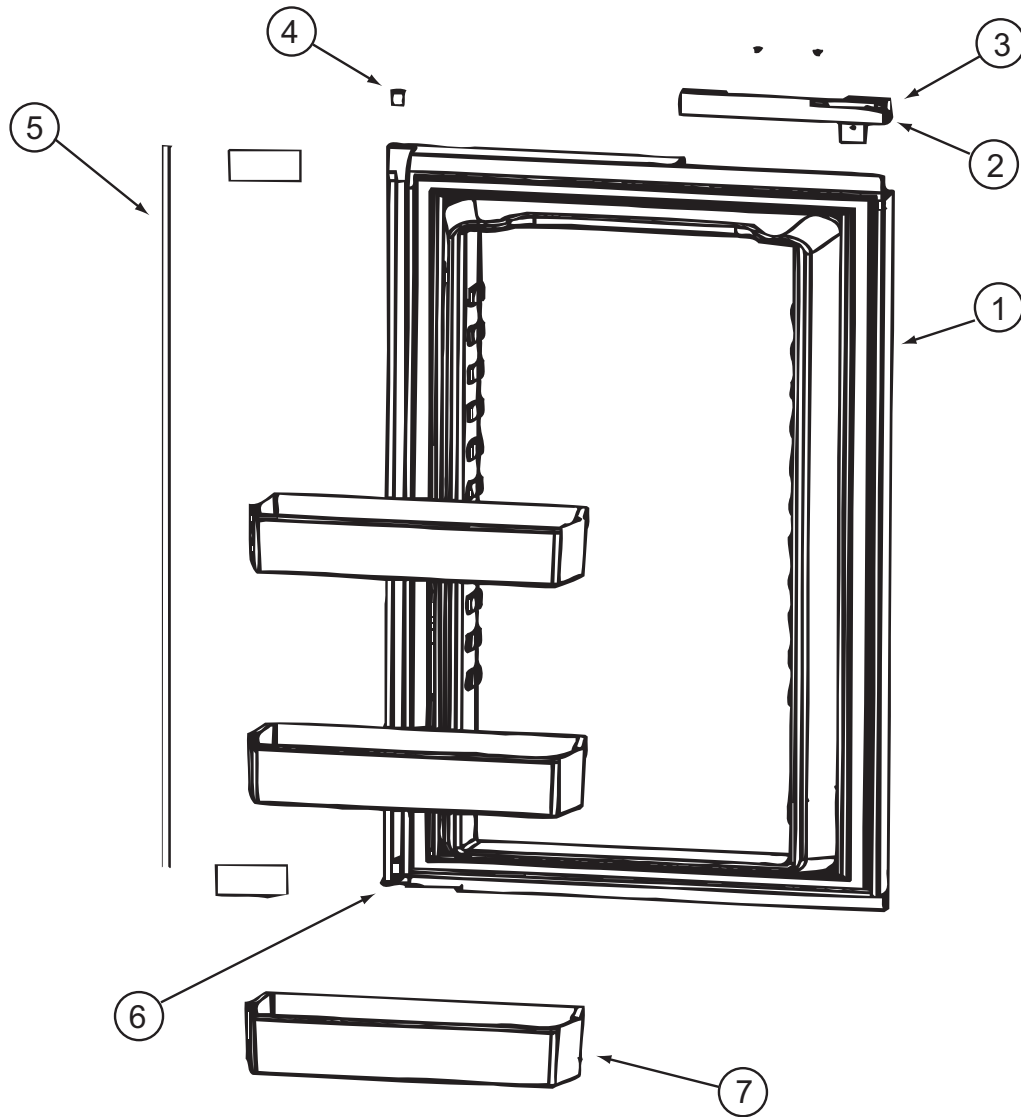
APPLIANCE GROUP (CONTINUED)
COMPONENT PARTS FOR APPLIANCE (CONTINUED)



125242-02-01A (CONTINUED)

| KEY | PART NUMBER | U/M | DESCRIPTION | VENDOR NO. |
|-----|---------------|-----|------------------------------|------------|
| 1 | 125242-01-765 | EA | LINER/FOAMED-LOWER-LH-WHITE | 619837 |
| 2 | 125242-01-704 | EA | BUSHING-HINGE MIDDLE | 618746 |
| 3 | 125242-02-701 | EA | HANDLE(CONTOUR)TOP RH LWR LH | 621106 |
| 4 | 125242-02-722 | EA | LATCH-STORAGE DR/BLK POINTED | 619374 |
| 5 | 125242-02-727 | EA | FLAPPER ASM DOUBLE POLE | 619845 |
| 6 | 125242-02-724 | EA | HINGE - DOOR | 618792 |
| 7 | 125242-01-711 | EA | DOOR BIN | 618765 |
| 8 | 125242-02-728 | EA | RETAINER/PANEL - LOWER | 621973 |
| | 125242-01-736 | EA | CONTACT-PROBE PIN | 618886 |
| | 125242-02-726 | EA | DOOR ASM-LWR LH/WHITE GASKET | 621150 |

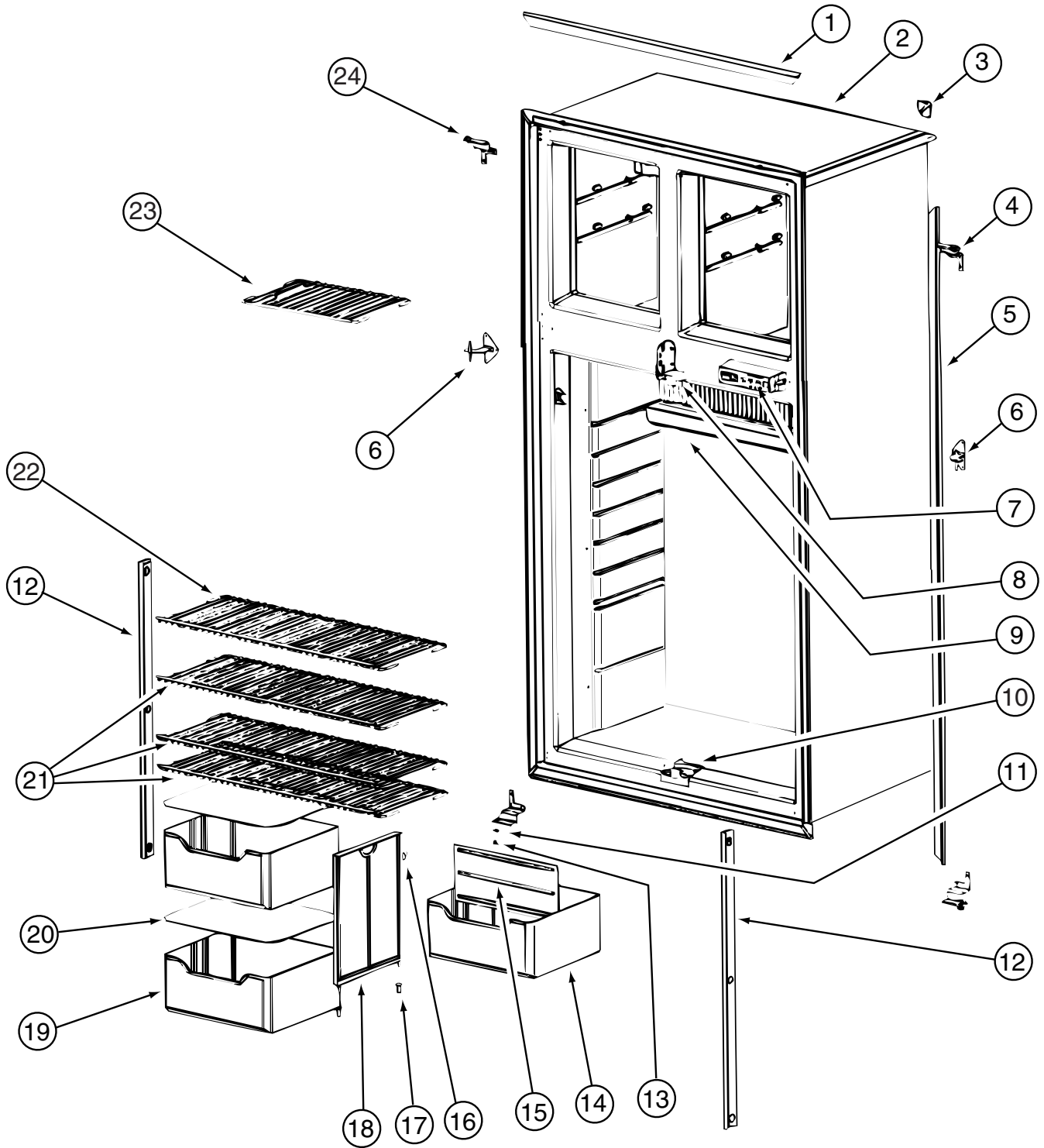
APPLIANCE GROUP (CONTINUED)
COMPONENT PARTS FOR APPLIANCE (CONTINUED)



125242-02-01A (CONTINUED)

| KEY | PART NUMBER | U/M | DESCRIPTION | VENDOR NO. |
|-----|---------------|-----|------------------------------|------------|
| 1 | 125242-01-764 | EA | LINER/FOAMED-LOWER/RH-WHITE | 619838 |
| 2 | 125242-02-700 | EA | HANDLE(CONTOUR)TOP LH BTM RH | 621107 |
| 3 | 125242-02-722 | EA | LATCH-STORAGE DR/BLK POINTED | 619374 |
| 4 | 125242-01-704 | EA | BUSHING-HINGE MIDDLE | 618746 |
| 5 | 125242-02-728 | EA | RETAINER/PANEL - LOWER | 621973 |
| 6 | 125242-02-724 | EA | HINGE - DOOR | 618792 |
| 7 | 125242-01-711 | EA | DOOR BIN | 618765 |
| | 125242-01-729 | EA | FAN-EXTERNAL DC | 618856 |
| | 125242-02-716 | EA | GUIDE ASM LWR(SER#540294 DN) | 620042 |
| | 125242-02-717 | EA | GUIDE ASM LWR(SER#540295 UP) | 620043 |

APPLIANCE GROUP (CONTINUED)
COMPONENT PARTS FOR APPLIANCE (CONTINUED)



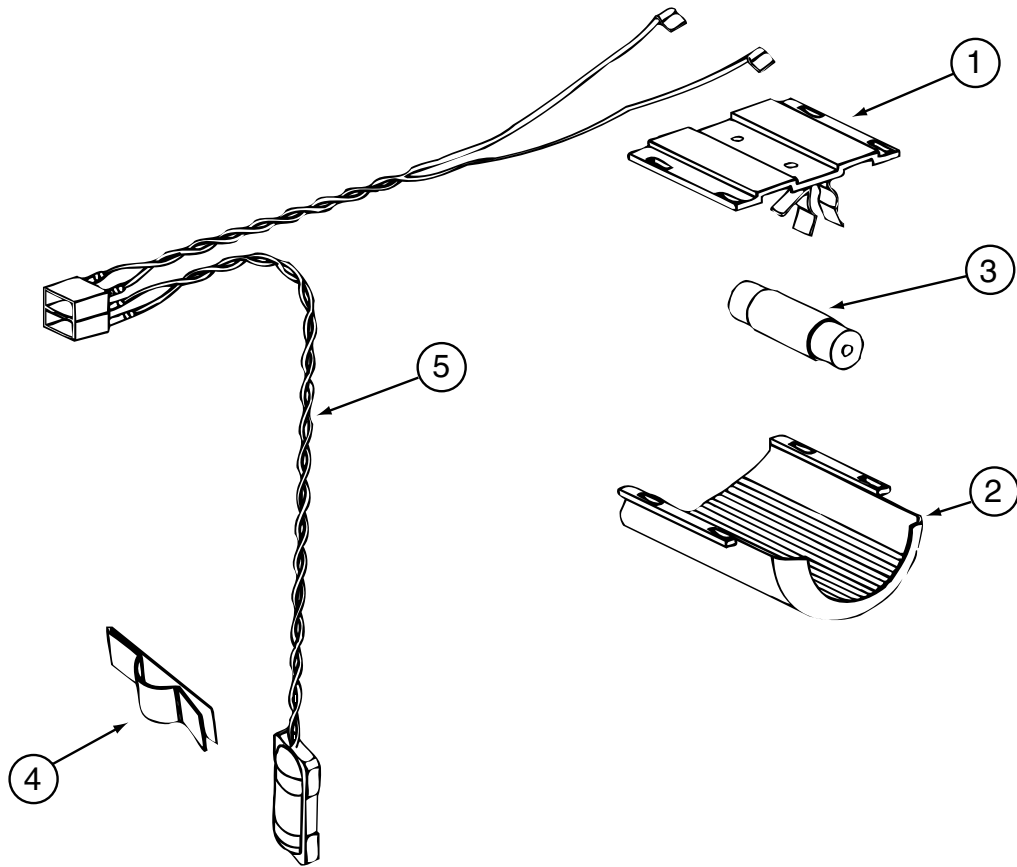
125242-02-01A (CONTINUED)

APPLIANCE GROUP (CONTINUED)
COMPONENT PARTS FOR APPLIANCE (CONTINUED)

125242-02-01A (CONTINUED)

| KEY | PART NUMBER | U/M | DESCRIPTION | VENDOR NO. |
|------------|--------------------|------------|--------------------------|-------------------|
| 1 | 125242-01-723 | EA | TRIM - HORIZONTAL | 618845 |
| 2 | 125242-01-748 | EA | CABINET/FOAMED ASSEMBLY | 618748 |
| 3 | 125242-01-722 | EA | TRIM - CORNER | 618844 |
| 4 | 125242-01-715 | EA | HINGE - TOP RH/BOTTOM LH | 618798 |
| 5 | 125242-01-724 | EA | TRIM - SIDE | 618846 |
| 6 | 125242-01-713 | EA | HINGE-MIDDLE (PAINTED) | 618794 |
| 7 | 125242-02-704 | EA | DISPLAY ASSEMBLY | 621188 |
| 8 | 125242-01-751 | EA | BLOCK - GUIDE - UPPER | 618789 |
| 9 | 125242-01-712 | EA | DRIP TRAY | 618774 |
| 10 | 125242-01-752 | EA | BLOCK - GUIDE - LOWER | 618788 |
| 11 | 120075-01-708 | EA | BUSHING - DOOR HINGE | 618144 |
| 12 | 120075-01-730 | EA | RETAINER - SHELF | 618181 |
| 13 | 120075-01-727 | EA | PIN - HINGE | 618145 |
| 14 | 125242-01-734 | EA | CRISPER/BOTTLE BIN | 618878 |
| 15 | 125242-01-733 | EA | DIVIDER - BOTTLE CRISPER | 618877 |
| 16 | 125242-01-750 | EA | CLIP | 61409622 |
| 17 | 113737-01-701 | EA | BUSHING - HINGE | 61742022 |
| 18 | 125242-01-749 | EA | SUPPORT - WALL | 618840 |
| 19 | 125242-01-734 | EA | CRISPER/BOTTLE BIN | 618878 |
| 20 | 125242-01-706 | EA | COVER - CRISPER | 618757 |
| 21 | 125242-01-726 | EA | SHELF - WIRE (LONG) | 618848 |
| 22 | 125242-01-727 | EA | SHELF - WIRE (SHORT) | 618849 |
| 23 | 125242-01-725 | EA | SHELF - FREEZER (WIRE) | 618847 |
| 24 | 125242-01-714 | EA | HINGE - TOP LH/BOTTOM RH | 618796 |
| | 125242-01-735 | EA | SWITCH - DOOR LIGHT | 618884 |

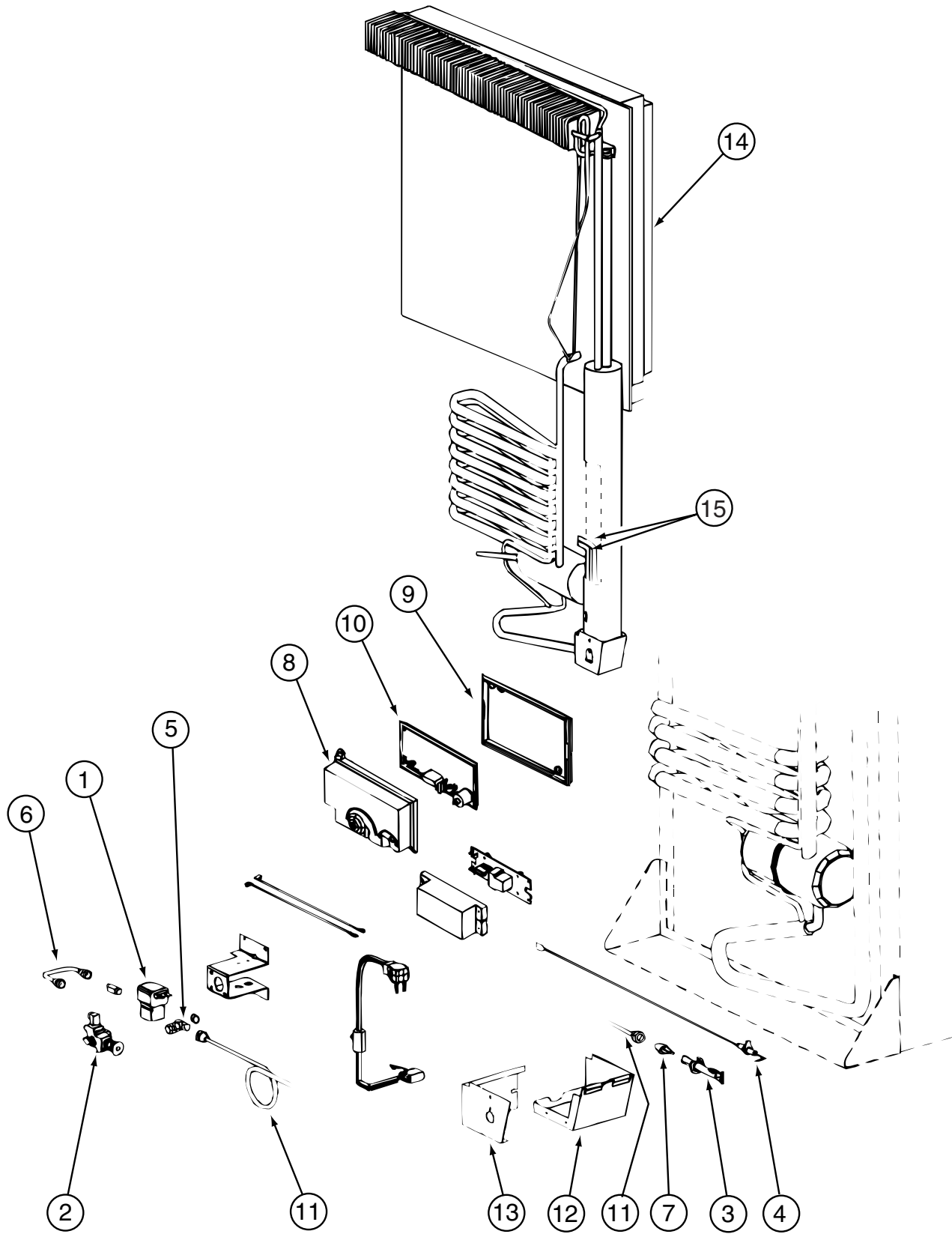
APPLIANCE GROUP (CONTINUED)
COMPONENT PARTS FOR APPLIANCE (CONTINUED)



125242-02-01A (CONTINUED)

| KEY | PART NUMBER | U/M | DESCRIPTION | VENDOR NO. |
|-----|---------------|-----|------------------------------|------------|
| 1 | 084880-03-705 | EA | BRACKET - LIGHT - INTERIOR | 61629722 |
| 2 | 120075-01-734 | EA | COVER - LENS | 618190 |
| 3 | 084880-03-706 | EA | BULB - LAMP | 61628922 |
| 4 | 084880-01-760 | EA | CLIP (THERMISTER) | 61689122 |
| 5 | 120075-01-735 | EA | THERMISTER W/LAMP & WIRE/ASM | 618548 |

APPLIANCE GROUP (CONTINUED)
COMPONENT PARTS FOR APPLIANCE (CONTINUED)

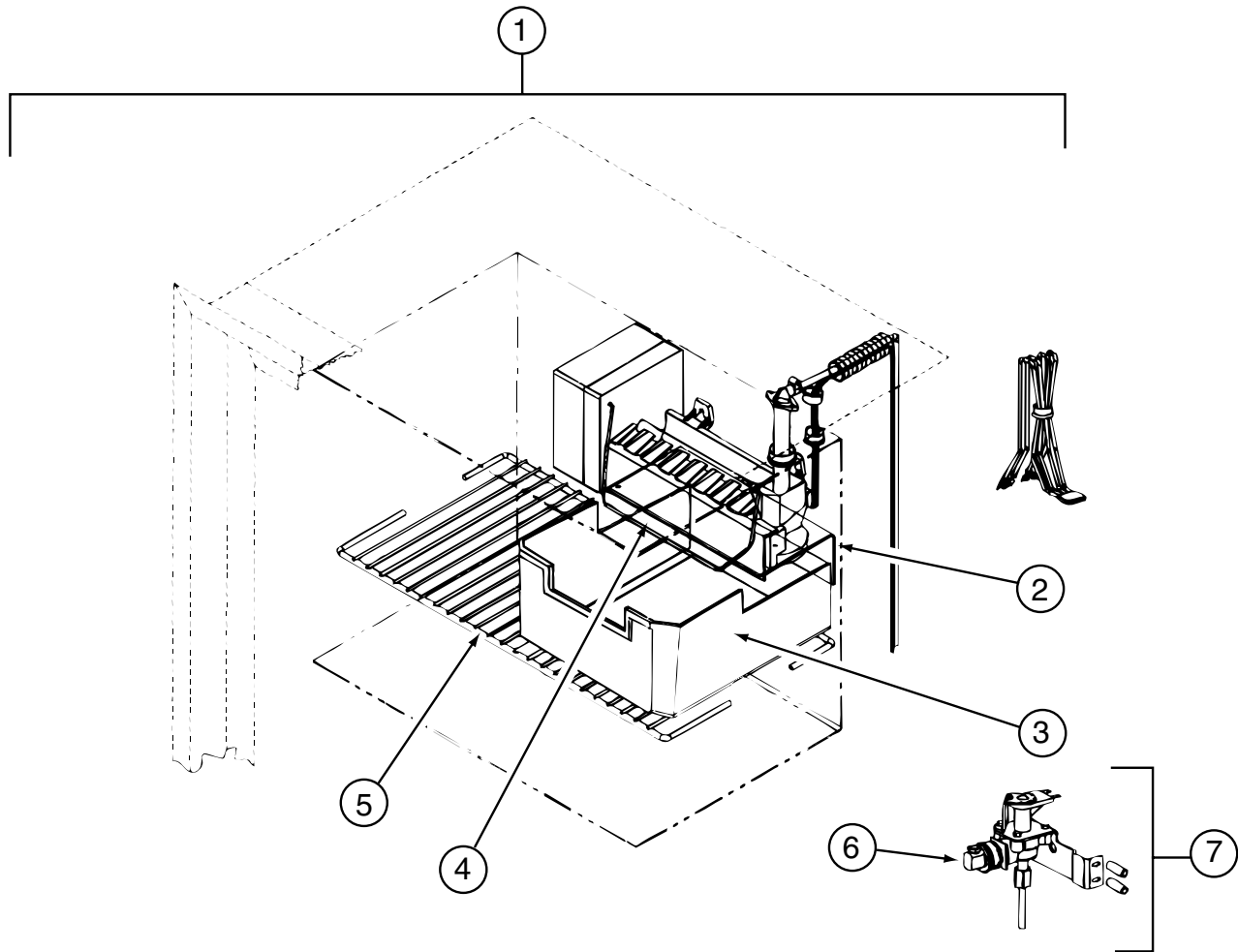


125242-02-01A (CONTINUED)

APPLIANCE GROUP (CONTINUED)
COMPONENT PARTS FOR APPLIANCE (CONTINUED)

125242-02-01A (CONTINUED)

| KEY | PART NUMBER | U/M | DESCRIPTION | VENDOR NO. |
|-----|---------------|-----|-----------------------------|------------|
| 1 | 084880-01-718 | EA | VALVE-GAS, (ASCO) | 61551822 |
| 2 | 121568-03-720 | EA | VALVE/SHUT OF-MANUAL ELECT. | 618696 |
| 3 | 125242-01-743 | EA | BURNER - 8 SLOT | 618932 |
| 4 | 104137-06-715 | EA | ELECTRODE-SPARK/SENSOR, SGL | 61692222 |
| 5 | 113737-01-716 | EA | TAP-PRESSURE | 61594422 |
| 6 | 113737-01-750 | EA | TUBE-UNION | 61694622 |
| 7 | 125242-01-717 | EA | ORIFICE-JEWELED | 618814 |
| 8 | 120075-01-738 | EA | COVER-POWER BOARD | 618185 |
| 9 | 120075-01-740 | EA | COVER-BASE, POWER BOARD | 618186 |
| 10 | 125242-02-703 | EA | POWER BOARD | 621271 |
| 11 | 125242-01-744 | EA | BURNER TUBE | 618937 |
| 12 | 125242-01-739 | EA | BASE-BURNER BOX | 618902 |
| 13 | 125242-02-740 | EA | COVER-BURNER BOX | 618910 |
| 14 | 125242-01-746 | EA | COOLING UNIT - 1200 | 618964 |
| 15 | 125242-01-732 | EA | HEATER AC - 225W/110VAC | 618872 |
| | 125242-01-753 | EA | KIT - GAS VALVE/BURNER TUBE | 620610 |



125242-02-01A (CONTINUED)

| KEY | PART NUMBER | U/M | DESCRIPTION | VENDOR NO. |
|-----|---------------|-----|--------------------------------|------------|
| 1 | 094039-07-706 | EA | ICE MAKER W/O PLATES | 61656522 |
| 2 | 125242-01-737 | EA | BRACKET - MOUNTING (ICE MAKER) | 618894 |
| 3 | 125242-01-716 | EA | ICE BIN | 618803 |
| 4 | 120075-03-703 | EA | ARM - SHUT OFF | 61656922 |
| 5 | 125242-01-725 | EA | SHELF - FREEZER (WIRE) | 618847 |
| 6 | 120075-03-702 | EA | NUT/COMPRESSION - FITTING | 61678722 |
| 7 | 120075-03-701 | EA | VALVE - WATER - W/BRACKET | 618523 |

APPLIANCE GROUP (CONTINUED)
COMPONENT PARTS FOR APPLIANCE (CONTINUED)

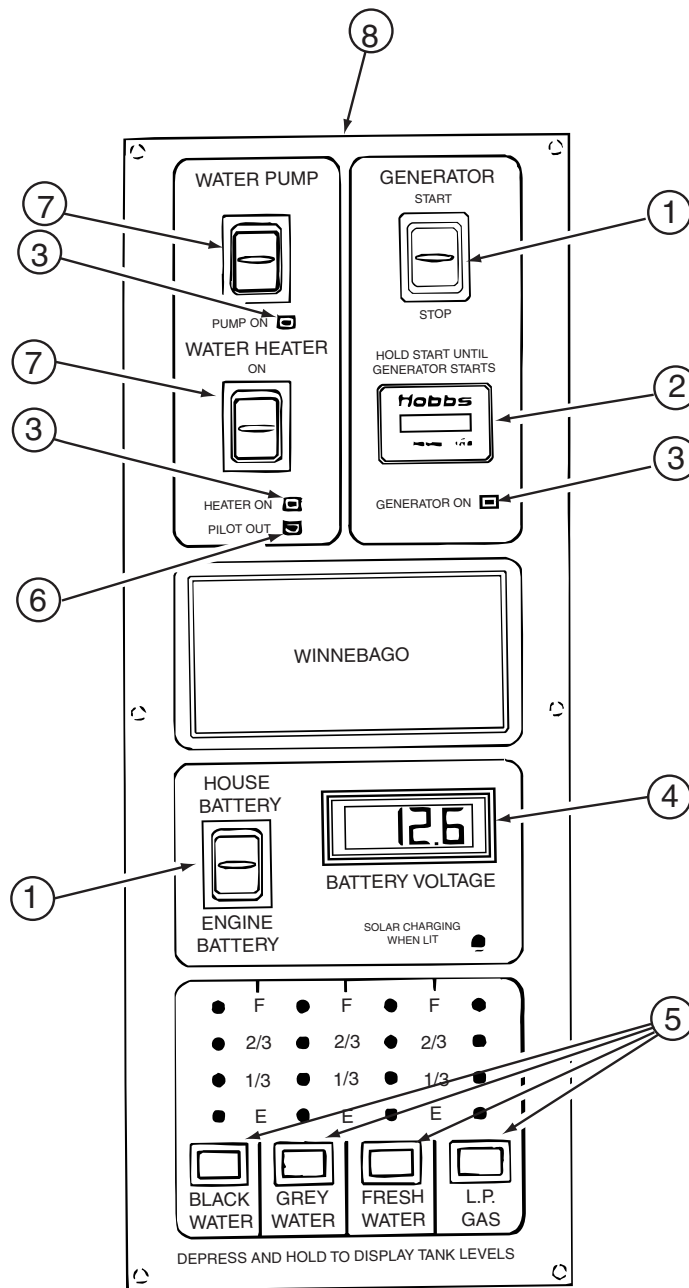
126022-01-01A, 126022-02-01A, 126022-03-01A

| KEY | PART NUMBER | U/M | DESCRIPTION | VENDOR NO. |
|------------|--------------------|------------|------------------------------|-------------------|
| | 114030-01-707 | EA | PLUG BUTTON BLACK | 74002628 |
| | 126022-01-700 | EA | BUMPER - RANGE BIFOLD COVER | MAGIC 8003P007-60 |
| | 126022-01-701 | EA | HINGE-RANGE BIFOLD COVER-22" | MAGIC 3418F067-34 |

129561-01-01A

| KEY | PART NUMBER | U/M | DESCRIPTION | VENDOR NO. |
|------------|--------------------|------------|--------------------|-------------------|
| | 129561-01-700 | EA | PC BOARD | L5097-09 |
| | 129561-01-701 | EA | CHASSIS SCREENED | C00399 |
| | 129561-01-702 | EA | LABEL | L0451-0 |
| | 129561-01-703 | EA | HARNESS | L7694-00 |

APPLIANCE GROUP (CONTINUED)
COMPONENT PARTS FOR APPLIANCE (CONTINUED)



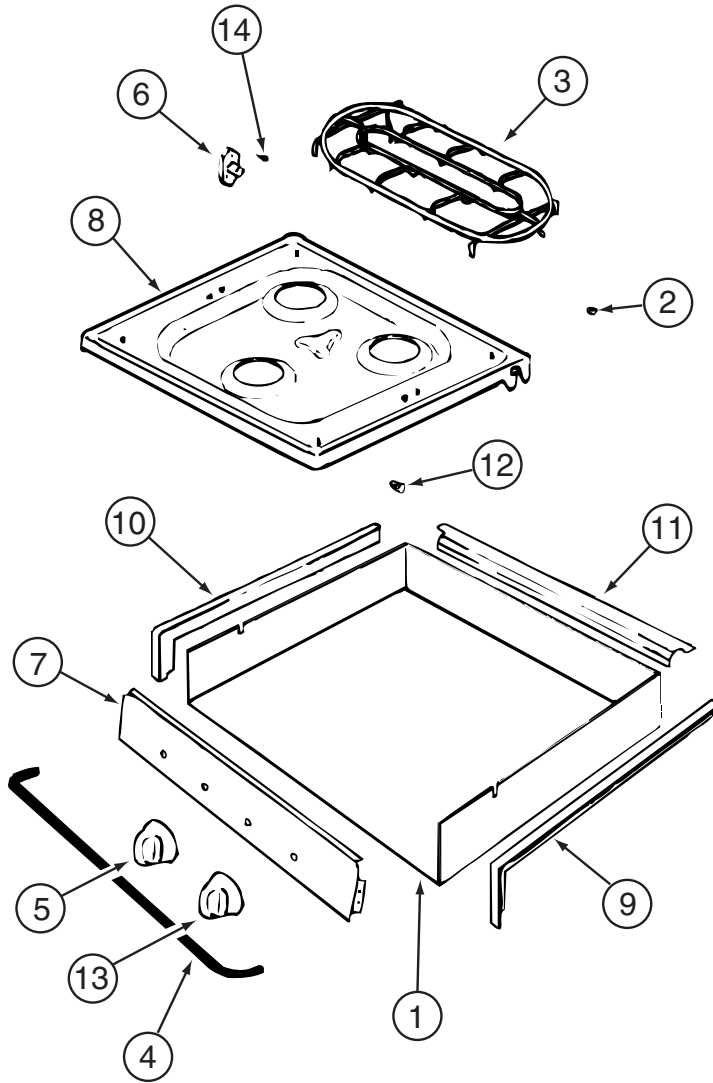
133004-02-01A

| KEY | PART NUMBER | U/M | DESCRIPTION | VENDOR NO. |
|-----|---------------|-----|------------------------------|------------|
| 1 | 133004-01-702 | EA | SWITCH/DPDT MOM=ON-OFF-ON | L1011-00 |
| 2 | 100258-10-701 | EA | GAUGE-HOUR MTR-CLIP ON (LCD) | L0775-00 |
| 3 | 133004-01-706 | EA | LED - GREEN - PANEL MOUNT | L0785 |
| 4 | 133004-01-704 | EA | METER/VOLT-DIGITAL - LCD | L1008-00 |
| 5 | 133004-01-705 | EA | SWITCH/MOM ON - PUSH BUTTON | L0950-00 |
| 6 | 133004-01-703 | EA | LED - RED - PANEL MOUNT | L1009-00 |
| 7 | 133004-01-701 | EA | SWITCH/DPDT ON-ON/MAINTAINED | L1025-00 |
| 8 | 133004-02-701 | EA | SCREENED - CHASSIS | CC0547-00 |
| | 133004-02-700 | EA | BOARD - PC | L5113-03 |

APPLIANCE GROUP (CONTINUED)
COMPONENT PARTS FOR APPLIANCE (CONTINUED)

135065-01-01A & 135065-02-01A

| KEY | PART NUMBER | U/M DESCRIPTION | VENDOR NO. |
|-----|---------------|-----------------------|------------|
| | 128728-01-705 | EA TOP - MAIN - BLACK | 74003928 |

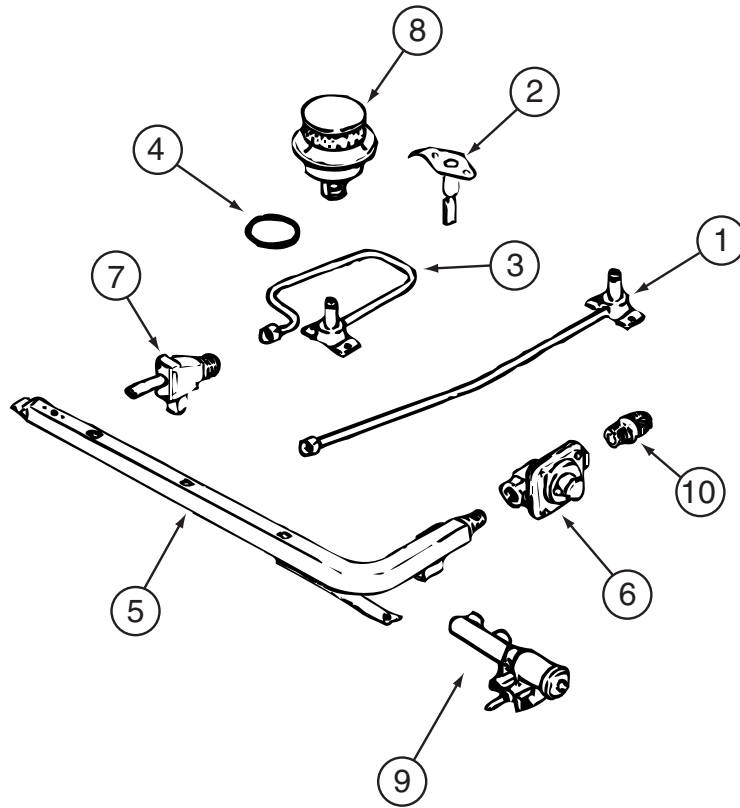


135065-01-01A, 135065-01-02A & 135065-02-01A (CONTINUED)

| KEY | PART NUMBER | U/M DESCRIPTION | VENDOR NO. |
|-----|---------------|--------------------------------|--------------|
| 2 | 102020-01-709 | EA BUMPER-GRATE | 8007-P020-60 |
| 3 | 128728-01-700 | EA GRATE - BURNER | 74003948 |
| 4 | 114030-02-700 | EA GUARD/FABRIC - TOWEL BAR | 3609F006-70 |
| 5 | 112881-01-705 | EA KNOB-TOP BURNER | 7733P072-60 |
| 5 | 112881-01-718 | EA KNOB - TOP BURNER HI-OUTPUT | 74001794 |
| 6 | 128728-01-703 | EA PIN/T-NUT F/HINGE | 7103P109-60 |
| 7 | 135065-01-700 | EA PANEL/MANIFOLD | 74003354 |
| 8 | 135066-01-700 | EA TOP - MAIN - BISQUE | 74005332 |
| 9 | 114030-01-704 | EA TRIM - RIGHT/BLACK TEXTURED | 74002839 |
| 10 | 114030-01-705 | EA TRIM - LEFT/BLACK TEXTURED | 74002840 |
| 11 | 114030-01-706 | EA TRIM - REAR/BLACK TEXTURED | 74002841 |
| 12 | 102020-01-724 | EA BUMPER-MAIN TOP | 8003P008-60 |
| 13 | 126023-01-720 | EA KNOB - IGNITER | 74002414 |

CONTACT WINNEBAGO PART SALES FOR UNLISTED COMPONENTS

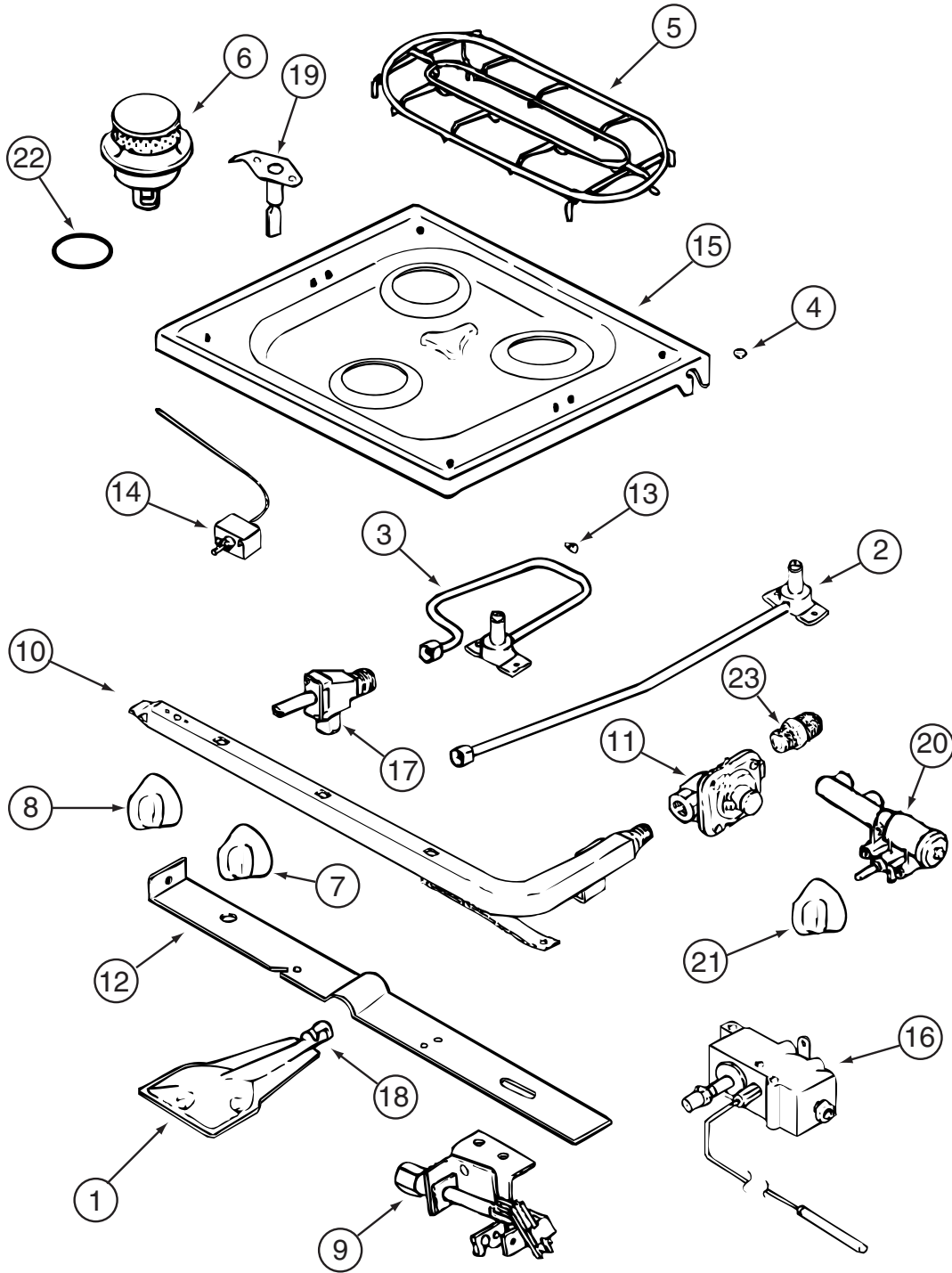
APPLIANCE GROUP (CONTINUED)
COMPONENT PARTS FOR APPLIANCE (CONTINUED)



135065-01-01A, 135065-01-02A, 135065-02-01A (CONTINUED)

| KEY | PART NUMBER | U/M | DESCRIPTION | VENDOR NO. |
|-----|---------------|-----|------------------------------|------------|
| 1 | 128728-01-708 | EA | FITTING W/ORFICE/TUBE - REAR | 74003931 |
| 2 | 135065-01-701 | EA | IGNITOR/TOP BURNER | 74004053 |
| 3 | 128728-01-710 | EA | FITTING W/ORFICE/TUBE - FRT | 74003930 |
| 4 | 128728-01-711 | EA | GASKET - BURNER | 74002745 |
| 5 | 135065-01-702 | EA | PIPE/MANIFOLD | 74004642 |
| 6 | 126023-02-703 | EA | REGULATOR - PRESSURE | 74004235 |
| 7 | 135065-01-703 | EA | VALVE/BURNER - REAR | 74004643 |
| 7 | 135065-01-704 | EA | VALVE/BURNER-FRT-HI | 74004644 |
| 8 | 135065-01-705 | EA | BURNER/SEALED ASSEMBLY | 12001497 |
| 9 | 128728-01-716 | EA | BURNER - IGNITOR | 74003946 |
| 9 | 128728-01-717 | EA | WIRES - IGNITOR | 74003947 |

APPLIANCE GROUP (CONTINUED)
COMPONENT PARTS FOR APPLIANCE (CONTINUED)



135066-01-01A

135066-02-01A

APPLIANCE GROUP (CONTINUED)
COMPONENT PARTS FOR APPLIANCE (CONTINUED)

135066-01-01A (CONTINUED)

| KEY | PART NUMBER | U/M | DESCRIPTION | VENDOR NO. |
|------------|--------------------|------------|------------------------------|-------------------|
| 1 | 126023-01-717 | EA | BURNER - OVEN | 74003343 |
| 2 | 128728-01-708 | EA | FITTING W/ORFICE TUBE - REAR | 74003931 |
| 3 | 128728-01-710 | EA | FITTING W/ORFICE TUBE - FRT | 74003930 |
| 4 | 102020-01-709 | EA | BUMPER-GRATE | 8007-P020-60 |
| 5 | 128728-01-700 | EA | GRATE - BURNER | 74003948 |
| 6 | 135065-01-705 | EA | BURNER/SEALED ASSEMBLY | 12001497 |
| 7 | 112881-01-705 | EA | KNOB-TOP BURNER | 7733P072-60 |
| 7 | 112881-01-718 | EA | KNOB - TOP BURNER HI-OUTPUT | 74001794 |
| 8 | 126023-02-700 | EA | KNOB - THERMOSTAT | 74004359 |
| 9 | 126023-02-701 | EA | PILOT - OVEN | 74004586 |
| 10 | 126023-02-702 | EA | PIPE - MANIFOLD | 74004360 |
| 11 | 126023-02-703 | EA | REGULATOR - PRESSURE | 74004235 |
| 13 | 102020-01-724 | EA | BUMPER-MAIN TOP | 8003P008-60 |
| 14 | 126023-01-734 | EA | THERMOSTAT OVEN 11/CLY MODEL | 74004361 |
| 15 | 128728-01-705 | EA | TOP - MAIN - BLACK | 74003928 |
| 16 | 126023-02-704 | EA | VALVE - OVEN - MERCURY | 74004585 |
| 17 | 135065-01-703 | EA | VALVE/BURNER - REAR | 74004643 |
| 17 | 135065-01-704 | EA | VALVE/BURNER-FRT-HI | 74004644 |
| 18 | 135656-01-701 | EA | MIXER/AIR | 3411F003-34 |
| 19 | 135065-01-701 | EA | IGNITOR/TOP BURNER | 74004053 |
| 20 | 128728-01-716 | EA | BURNER - IGNITOR | 74003946 |
| 20 | 128728-01-717 | EA | WIRES - IGNITOR | 74003947 |
| 21 | 126023-01-720 | EA | KNOB - IGNITER | 74002414 |
| 22 | 128728-01-711 | EA | GASKET - BURNER | 74002745 |

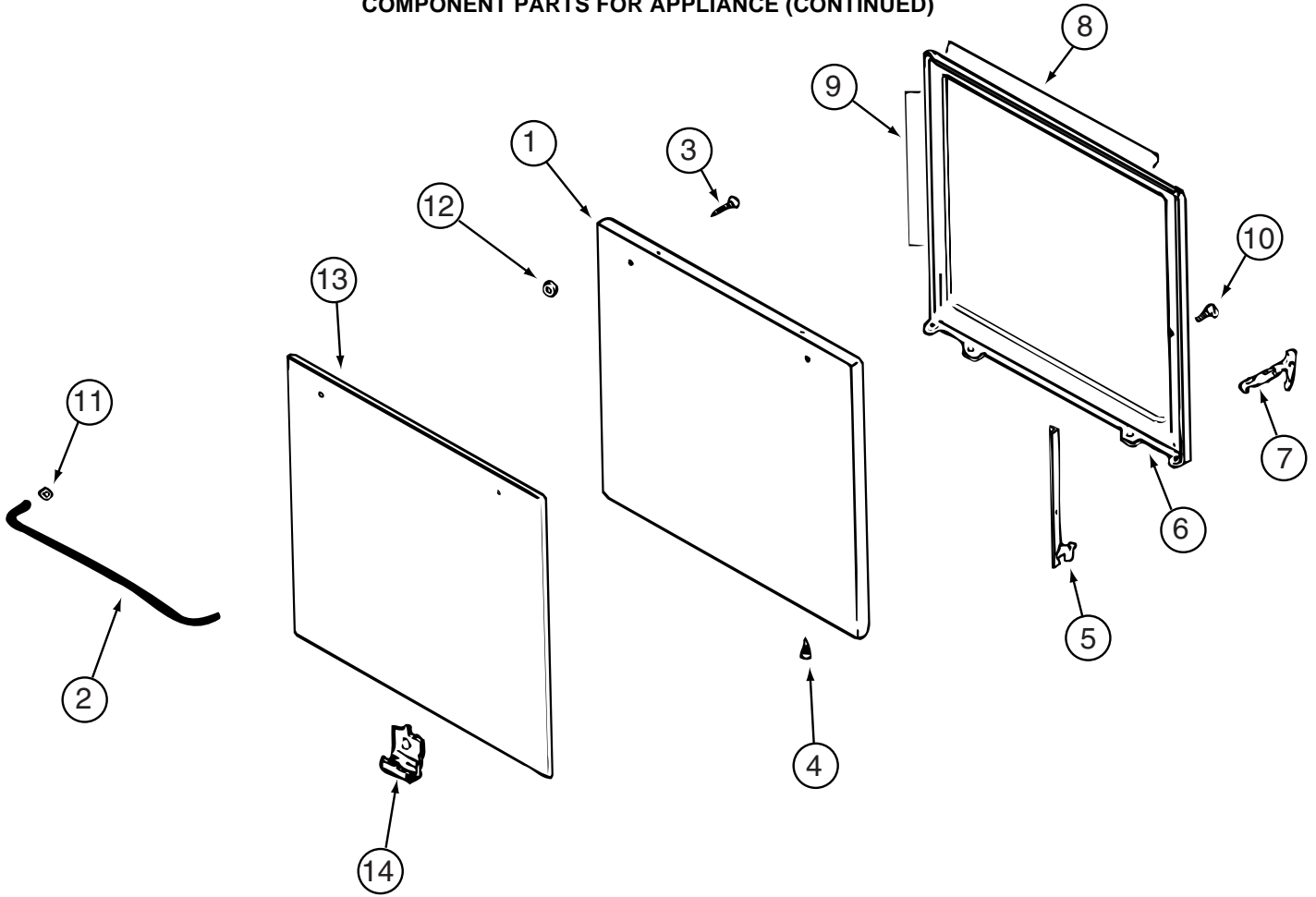
CONTACT WINNEBAGO PART SALES FOR UNLISTED COMPONENTS

135066-02-01A (CONTINUED)

| KEY | PART NUMBER | U/M | DESCRIPTION | VENDOR NO. |
|------------|--------------------|------------|------------------------------|-------------------|
| 1 | 126023-01-717 | EA | BURNER - OVEN | 74003343 |
| 2 | 128728-01-708 | EA | FITTING W/ORFICE TUBE - REAR | 74003931 |
| 3 | 128728-01-710 | EA | FITTING W/ORFICE TUBE - FRT | 74003930 |
| 4 | 102020-01-709 | EA | BUMPER-GRATE | 8007-P020-60 |
| 5 | 128728-01-700 | EA | GRATE - BURNER | 74003948 |
| 6 | 135065-01-705 | EA | BURNER/SEALED ASSEMBLY | 12001497 |
| 7 | 112881-01-705 | EA | KNOB-TOP BURNER | 7733P072-60 |
| 7 | 112881-01-718 | EA | KNOB - TOP BURNER HI-OUTPUT | 74001794 |
| 8 | 135656-01-700 | EA | KNOB/THERMOSTAT | 74002529 |
| 9 | 126023-02-701 | EA | PILOT - OVEN | 74004586 |
| 10 | 126023-02-702 | EA | PIPE - MANIFOLD | 74004360 |
| 11 | 135066-02-700 | EA | REGULATOR - PRESSURE | 74004236 |
| 13 | 102020-01-724 | EA | BUMPER-MAIN TOP | 8003P008-60 |
| 14 | 126023-01-734 | EA | THERMOSTAT OVEN 11/CLY MODEL | 74004361 |
| 15 | 128728-01-705 | EA | TOP - MAIN - BLACK | 74003928 |
| 16 | 126023-02-704 | EA | VALVE - OVEN - MERCURY | 74004585 |
| 17 | 135065-01-703 | EA | VALVE/BURNER - REAR | 74004643 |
| 17 | 135065-01-704 | EA | VALVE/BURNER-FRT-HI | 74004644 |
| 18 | 135656-01-701 | EA | MIXER/AIR | 3411F003-34 |
| 19 | 135065-01-701 | EA | IGNITOR/TOP BURNER | 74004053 |
| 20 | 128728-01-716 | EA | BURNER - IGNITOR | 74003946 |
| 20 | 128728-01-717 | EA | WIRES - IGNITOR | 74003947 |
| 21 | 126023-01-720 | EA | KNOB - IGNITER | 74002414 |

CONTACT WINNEBAGO PART SALES FOR UNLISTED COMPONENTS

APPLIANCE GROUP (CONTINUED)
COMPONENT PARTS FOR APPLIANCE (CONTINUED)

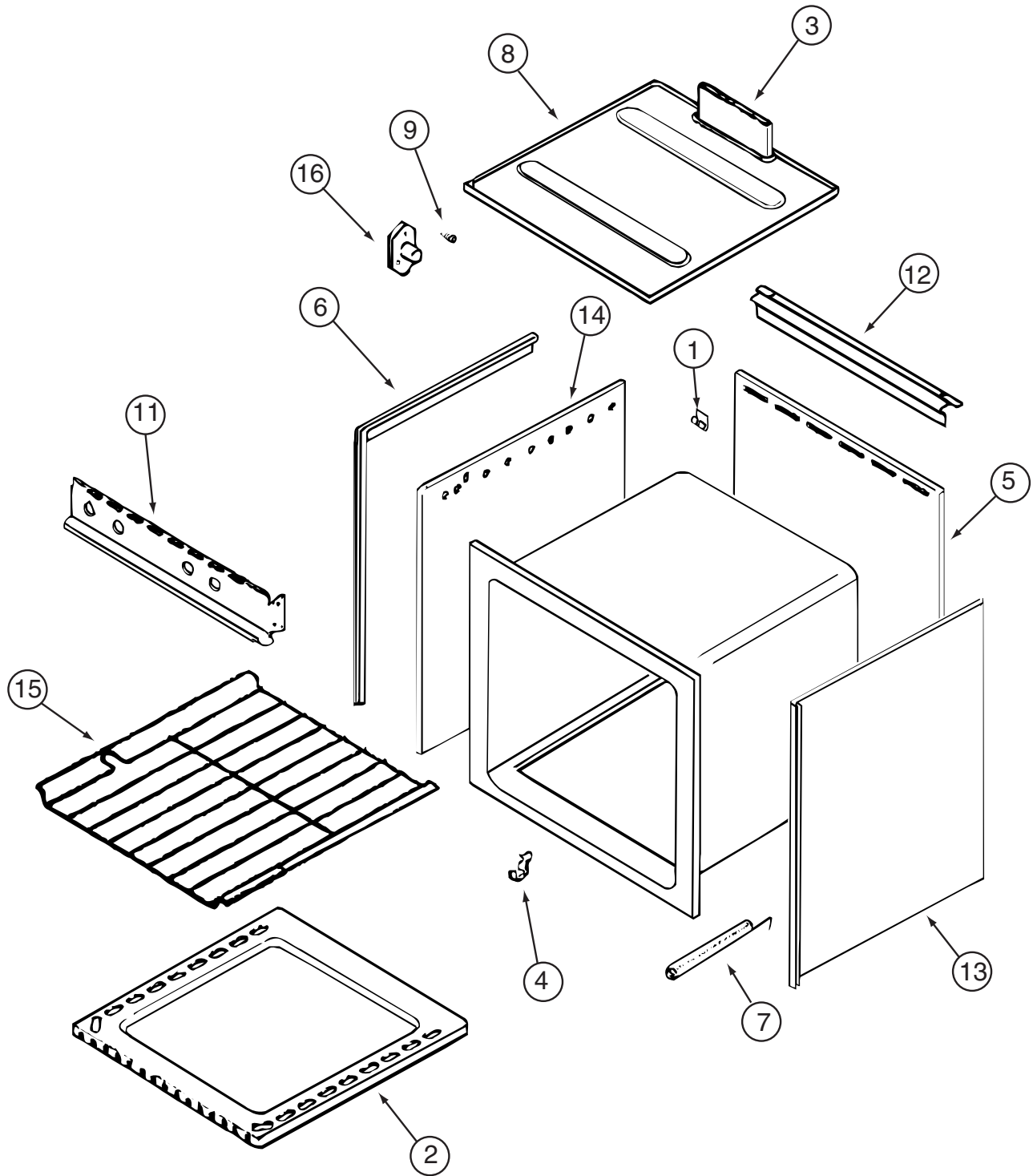


135066-01-01A, 135066-01-02A, 135066-02-01A (CONTINUED)

| KEY | PART NUMBER | U/M | DESCRIPTION | VENDOR NO. |
|-----|---------------|-----|--------------------------|-------------|
| 1 | 126023-01-712 | EA | PANEL - DOOR (BLACK) | 74001190 |
| 2 | 102020-01-701 | EA | HANDLE,DOOR | 7701P092-60 |
| 8 | 126023-01-732 | EA | SEAL/OVEN DR TOP | 7212P014-60 |
| 9 | 126023-01-733 | EA | SEAL/OVEN DR SIDES(2PCS) | 7212P038-60 |
| 13 | 102020-01-725 | EA | GLASS OUTER | 7902P266-60 |

CONTACT WINNEBAGO PART SALES FOR UNLISTED COMPONENTS

APPLIANCE GROUP (CONTINUED)
COMPONENT PARTS FOR APPLIANCE (CONTINUED)



135066-01-01A, 135066-01-02A, 135066-02-01A (CONTINUED)

| KEY | PART NUMBER | U/M | DESCRIPTION | VENDOR NO. |
|-----|---------------|-----|---------------------|-------------|
| 1 | 112881-03-702 | EA | CLIP - MAIN TOP | 74003998 |
| 2 | 126023-01-731 | EA | BOTTOM - OVEN | 2205F016-19 |
| 3 | 126023-01-718 | EA | FLUE BOX ASSEMBLY | 4006W075-80 |
| 6 | 126023-01-713 | EA | TRIM - SIDE (RIGHT) | 74002827 |
| 6 | 126023-01-714 | EA | TRIM - SIDE (LEFT) | 74002828 |
| 11 | 126023-01-729 | EA | PANEL - MANIFOLD | 74003351 |
| 15 | 126023-01-716 | EA | RACK - OVEN | 74003106 |

CONTACT WINNEBAGO PART SALES FOR UNLISTED COMPONENTS

AUDIO VIDEO GROUP
RADIO SYSTEM

| KEY | PART NUMBER | U/M | DESCRIPTION |
|-----|---------------|-----|--|
| | 110469-01-000 | EA | SPEAKER - 4" X 6" OVAL - COAXIAL - EXTERIOR ENTERTAINMENT |
| | 110470-01-01A | EA | GRILLE - 4" X 6" OVAL SPEAKER - BLACK - EXTERIOR ENTERTAINMENT |
| | 127517-07-000 | EA | RADIO - AM/FM STEREO/CD PLAYER - CDX-1200 - EXT CMP - EXTERIOR ENTERTAINMENT W/CD FROM: 04-03-00 THRU: 08-02-01 |
| | 127517-10-000 | EA | RADIO - AM/FM STEREO/CD PLAYER - CDX-L250 - EXTERIOR ENTERTAINMENT W/CD FROM: 08-03-01 THRU: 02-10-02 |
| | 127517-11-000 | EA | RADIO - AM/FM STEREO/CD PLAYER - SONY CDX-L300 - EXTERIOR ENTERTAINMENT W/CD FROM: 02-11-02 THRU: 06-02-02 |
| | 143509-01-000 | EA | RADIO - AM/FM CD - W/REMOTE - JENSEN CD3010X-W - EXTERIOR ENTERTAINMENT W/CD FROM: 06-03-02 THRU: 99-99-99 |
| | 097460-15-000 | EA | RADIO - AM/FM CASSETTE/CD - SONY XR-C2200 - EXTERIOR ENTERTAINMENT |
| | 124883-02-000 | EA | SPEAKER - CUBE - W/BRACKET - DELUXE SOUND SYSTEM |
| | 124883-03-000 | EA | SPEAKER - CUBE - W/O CASE - DELUXE SOUND SYSTEM |
| | 124883-04-000 | EA | SPEAKER - GRILLE - F/CUBE - DELUXE SOUND SYSTEM |
| | 124884-01-000 | EA | SPEAKER - 6" X 9" - SUB-WOOFER - DELUXE SOUND SYSTEM |
| | 124885-01-000 | EA | GRILLE - SPEAKER - 6" X 9" - SUB-WOOFER - DELUXE SOUND SYSTEM |
| | 124881-02-000 | EA | AMPLIFIER - AUDIO - MTS Q SURROUND - ORANGE LABEL (LATEST) - DELUXE SOUND SYSTEM |
| | 097460-16-000 | EA | RADIO - AM/FM CASSETTE/CD - REMOTE - SONY XR-C5300X - DELUXE SOUND SYSTEM FROM: 00-00-00 THRU: 04-03-01 |
| | 097460-17-000 | EA | RADIO - AM/FM CASSETTE/CD - REMOTE CONTROL-SONY XR-CA600X - DELUXE SOUND SYSTEM FROM: 04-04-01 THRU: 99-99-99 |
| | 127517-06-000 | EA | RADIO - AM/FM STEREO/CD-REMOTE CONTROL - SONY CDX-C5005X - DASH W/CD FROM: 09-19-00 THRU: 05-13-01 |
| * | 127517-09-000 | EA | RADIO - AM/FM/CD - REMOTE CONTROL - SONY CDX-CA650X - DASH W/CD FROM: 05-14-01 THRU: 99-99-99 |
| | 117424-05-000 | EA | REMOTE - RADIO - SONY RM-X114 - DASH W/CD FROM: 00-00-00 THRU: 06-01-01 |
| | 133307-02-000 | EA | RADIO - WALL MOUNT - CD W/ALARM - AUDIOVOX AWN-930 - REAR STEREO W/CD |
| | 133307-01-000 | EA | RADIO - WALL MOUNT - CASSETTE W/ALARM - AUDIOVOX AWM-820 - REAR STEREO W/CASSETTE |
| | 089340-02-000 | EA | GRILLE - SPEAKER - 6.5" SQUARE |
| | 094097-01-000 | EA | SPEAKER - RADIO/TV - W/O GRILLE - 5.25" DIAMETER |
| | 077069-02-000 | EA | CABLE - ANTENNA/EXTENSION - RADIO - 96" |
| | 090944-01-000 | EA | ANTENNA - RADIO - 16" RUBBER - W/72" LEAD WIRE |
| | 108847-01-000 | EA | BRACKET - ANTENNA GROUND |
| | 140600-05-01B | EA | BRACKET/ANTENNA MOUNT - MILL FINISH |
| | 109889-04-000 | EA | EXTENDER - ANTENNA SHAFT - 3.7" |
| | 123256-01-000 | EA | ANTENNA - CB - W/O CABLE |
| | 123256-02-000 | EA | CABLE - CB - COAX |
| | 102080-13-000 | EA | CHANGER - COMPACT DISC - SONY CDX-636 FROM: 00-00-00 THRU: 06-05-01 |
| | 102080-16-000 | EA | CHANGER - COMPACT DISC - SONY CDX-646 FROM: 06-06-01 THRU: 02-21-02 |
| | 102080-19-000 | EA | CHANGER - COMPACT DISC - SONY CDX-656 FROM: 02-22-02 THRU: 99-99-99 |

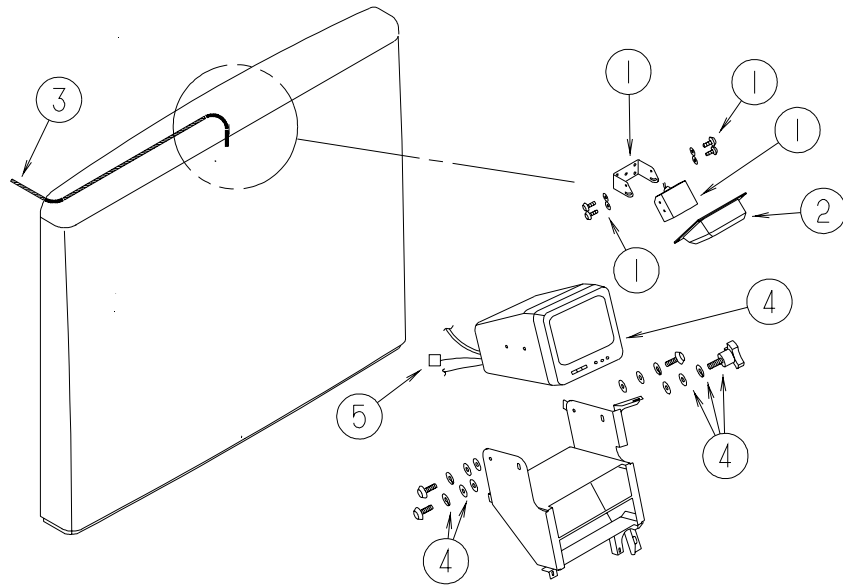
*COMPONENT PARTS LISTED LATER IN THIS GROUP

AUDIO VIDEO GROUP (CONTINUED)
COMPONENT PARTS FOR RADIO SYSTEM

| KEY | PART NUMBER | U/M | DESCRIPTION | 127517-06-000, 127517-08-000, 127517-09-000 | VENDOR NO. |
|------------|--------------------|------------|--------------------|--|-------------------|
| | 127517-06-700 | EA | REMOTE | | RMX91 |

AUDIO VIDEO GROUP (CONTINUED)

REAR VIEW MONITOR



| KEY | PART NUMBER | U/M | DESCRIPTION | |
|-----|---------------|-----|---|-------------------------------|
| 1 | 093040-09-000 | EA | CAMERA - REAR VIEW - W/BRACKET - SONY | |
| 2 | 123281-01-01A | EA | SHROUD - CAMERA/OUTER - BRIGHT WHITE | |
| 3 | 093041-01-000 | EA | CABLE - MONITOR/CAMERA - INTERNAL USE - 65.6' | |
| 4* | 093040-10-000 | EA | MONITOR - 7" REAR VIEW - W/BRACKET - SONY | |
| | 110530-01-000 | FT | SEAL - SPONGE - .31" X .62" | |
| 5 | 096717-04-000 | EA | WIRE ASSEMBLY - REAR MONITOR - UPPER | |
| | 098819-01-000 | EA | SPEAKER - 4" - 2 WATT - 8 OHM | |
| | 093214-01-01A | EA | GRILL - SPEAKER - 4" - BLACK | FROM: 00-00-00 THRU: 11-26-01 |
| | 093214-01-03A | EA | GRILLE - SPEAKER - 4" - GLACIER | FROM: 11-27-01 THRU: 99-99-99 |

*COMPONENT PARTS LISTED LATER IN THIS GROUP

AUDIO VIDEO GROUP (CONTINUED)
COMPONENT PARTS FOR REAR VIEW MONITOR

093040-10-000

| KEY | PART NUMBER | U/M DESCRIPTION | VENDOR NO. |
|------------|--------------------|---------------------------------|-------------------|
| | 093040-10-700 | EA LENS-MONITOR, REAR VIEW F/7" | 3-708-537-01 |

AUDIO VIDEO GROUP (CONTINUED)

TELEPHONE

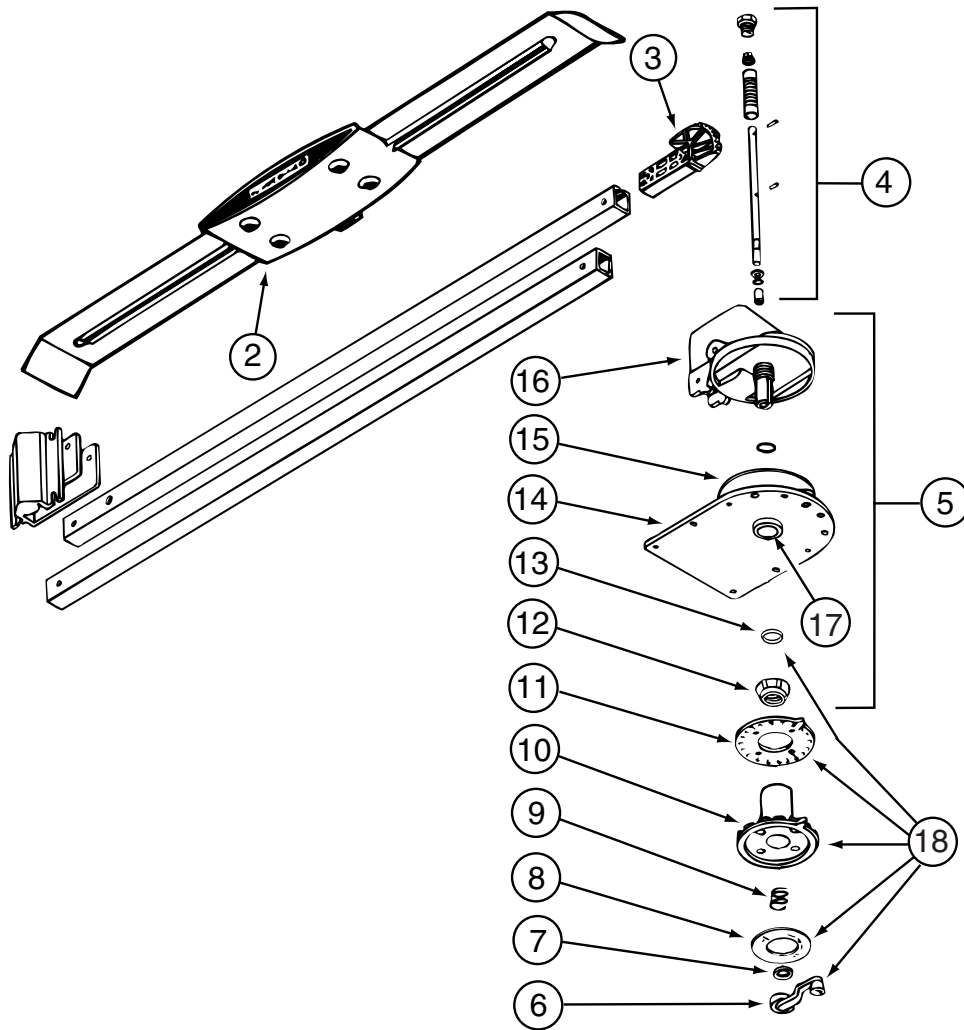
| KEY | PART NUMBER | U/M | DESCRIPTION |
|-----|---------------|-----|---------------------------------------|
| | 093253-01-02A | EA | PLATE - WALL - TELEPHONE - BROWN |
| | 130686-01-01A | EA | PLATE - WALL - TELEPHONE/COAX - WHITE |

TV & VCR

| KEY | PART NUMBER | U/M | DESCRIPTION |
|-----|---------------|-----|--|
| * | 076319-23-000 | EA | ANTENNA - TV ROOF MOUNT - 44.5" MAST |
| * | 076319-25-000 | EA | KIT - HARDWARE INTERIOR |
| | 136860-01-000 | EA | CABLE - RCA - #3 MALE TO #12F MALE CONNECTOR |
| | 120233-03-000 | EA | CERTIFICATE - SATELLITE RECEIVER |
| * | 137135-01-000 | EA | ANTENNA - SATELLITE DSS - W/SENSOR |
| | | | FROM: 00-00-00 THRU: 04-08-02 |
| | 137135-02-000 | EA | ANTENNA - SATELLITE DSS - W/SENSOR |
| | | | FROM: 04-09-02 THRU: 99-99-99 |
| | 076319-09-000 | EA | WALLPLATE - CABLE RECEPTACLE - TV - SINGLE - BROWN |
| * | 128138-01-000 | EA | ANTENNA/SATELLITE - AUTOMATIC |
| | | | FROM: 00-00-00 THRU: 12-09-01 |
| * | 141454-01-01A | EA | ANTENNA - SATELLITE - AUTOMATIC |
| | | | FROM: 12-10-01 THRU: 99-99-99 |
| | 076319-03-000 | FT | CABLE - COAXIAL - 75 OHM |
| | 076319-12-000 | EA | CONNECTOR - COAXIAL - ONE PIECE |
| | 082134-01-000 | EA | ADAPTER - TV - CABLE TO CABLE |
| | 082136-01-000 | EA | NUT - HEX JAM - 3/8-32 |
| | 086777-06-000 | EA | WALLPLATE - TV CABLE - ANTENNA BOOSTER/1 OUTPUT - BLACK |
| | 136764-01-000 | EA | DVD PLAYER - RCA RC5225P |
| | | | FROM: 00-00-00 THRU: 07-15-01 |
| | 136764-02-000 | EA | DVD PLAYER - RCA RC5240P |
| | | | FROM: 07-16-01 THRU: 99-99-99 |
| | 086757-04-000 | EA | CONTROL CENTER - SWITCH - VCR/TV - 5 INPUTS |
| | 086756-01-000 | EA | SPLITTER - TV/2 WAY |
| | 114870-02-000 | EA | PLUG - AUDIO W/LEADS - 10" |
| | 113906-02-K81 | EA | HOLDER - REMOTE |
| | | | FROM: 00-00-00 THRU: 01-16-01 |
| * | 124075-05-000 | EA | TV - 19" - 1/8 JACK - UL/CSA - RCA F19422 - REAR |
| | | | FROM: 05-01-00 THRU: 06-30-01 |
| * | 124075-06-000 | EA | TV - 19" - 1/8 JACK - UL/CSA - RCA F19424M - REAR |
| | | | FROM: 07-01-01 THRU: 99-99-99 |
| | 123324-01-000 | EA | FILTER - GROUND LOOP |
| * | 130121-05-000 | EA | TV - 25" - COLOR/STEREO W/5 JACKS - RCA F25648 - BLACK - FRONT |
| | | | FROM: 00-00-00 THRU: 09-26-01 |
| * | 130121-06-000 | EA | TV - 25" - COLOR/STEREO W/5 JACKS - RCA F25649 - FRONT |
| | | | FROM: 09-27-01 THRU: 99-99-99 |
| | 093214-01-02A | EA | GRILLE - SPEAKER - 4" BROWN |
| | 134006-01-03B | EA | PLATE - COAXIAL CABLE/OFF WHITE |
| * | 124073-09-000 | EA | VCR-VHS - HI-FI STEREO - RCA VR634HF |
| | | | FROM: 00-00-00 THRU: 02-06-01 |
| * | 124073-10-000 | EA | VCR-VHS/HI-FI STEREO - BLACK CASE - RCA VR623HF |
| | | | FROM: 02-07-01 THRU: 04-08-01 |
| * | 124073-11-000 | EA | VCR-VHS/HI-FI STEREO - SILVER CASE - RCA VR651HF |
| | | | FROM: 04-09-01 THRU: 05-16-02 |
| | 124073-12-000 | EA | VCR-VHS/HI-FI STEREO - SILVER CASE - RCA VR637HF |
| | | | FROM: 05-17-02 THRU: 99-99-99 |

*COMPONENT PARTS LISTED LATER IN THIS GROUP

AUDIO VIDEO GROUP (CONTINUED)
COMPONENT PARTS FOR TV & VCR



076319-23-000

| KEY | PART NUMBER | U/M | DESCRIPTION | VENDOR NO. |
|-----|---------------|-----|----------------------------|------------|
| 2 | 076319-01-700 | EA | HEAD - ANTENNA - AMPLIFIED | RVSA U/V |
| 3 | 076319-01-701 | EA | GEAR - ELEVATING - PLASTIC | 2200046 |
| 4 | 076319-01-702 | EA | SHAFT ASM - ELEVATING | RVP-400A |
| 5 | 076319-01-711 | EA | BASE & LIFT ASM | 2762802 |
| 7 | 076319-01-705 | EA | BEARING - NYLON - 7/8"ID | 3200658 |
| 8 | 076319-01-708 | EA | DECAL-CRANK | 5413002 |
| 9 | 076319-01-707 | EA | SPRING - HANDLE | 5160822 |
| 11 | 076319-01-709 | EA | PLATE-CEILING (IVORY) | 3200621 |
| 11 | 076319-01-712 | EA | PLATE - CEILING | 3200608 |
| 12 | 076319-01-715 | EA | NUT (GEAR HOUSING) | 2200047 |
| 14 | 076319-01-713 | EA | BASE PLATE | 3100523 |
| 15 | 076319-01-703 | EA | BEARING - NYLON - 5"OD | 3200656 |
| 16 | 076319-01-714 | EA | HOUSING - ROTATING GEAR | 2200049 |
| | 076319-01-716 | EA | TUBING, ELEVATING | RP-2900 |
| 17 | 076319-01-704 | EA | BEARING-NYLON, 1.25"OD | 3200657 |

CONTACT WINNEBAGO PART SALES FOR UNLISTED COMPONENT

076319-25-000

| KEY | PART NUMBER | U/M | DESCRIPTION | VENDOR NO. |
|-----|---------------|-----|-----------------------------|------------|
| 6 | 076319-01-706 | EA | CRANK-ELEVATING W/SET SCREW | 2750897 |
| 6 | 120233-01-710 | EA | HANDLE-CRANK | RP-6795 |
| 8 | 076319-01-708 | EA | DECAL-CRANK | 5413002 |
| 9 | 076319-01-707 | EA | SPRING-HANDLE | 2160822 |
| 10 | 076319-25-700 | EA | DIRECTIONAL HANDLE(WHITE) | 3200612 |
| 11 | 076319-25-701 | EA | PLATE - CEILING(WHITE) | 3200609 |
| 13 | 120233-01-709 | EA | WASHER-NYLON | RP-2658 |

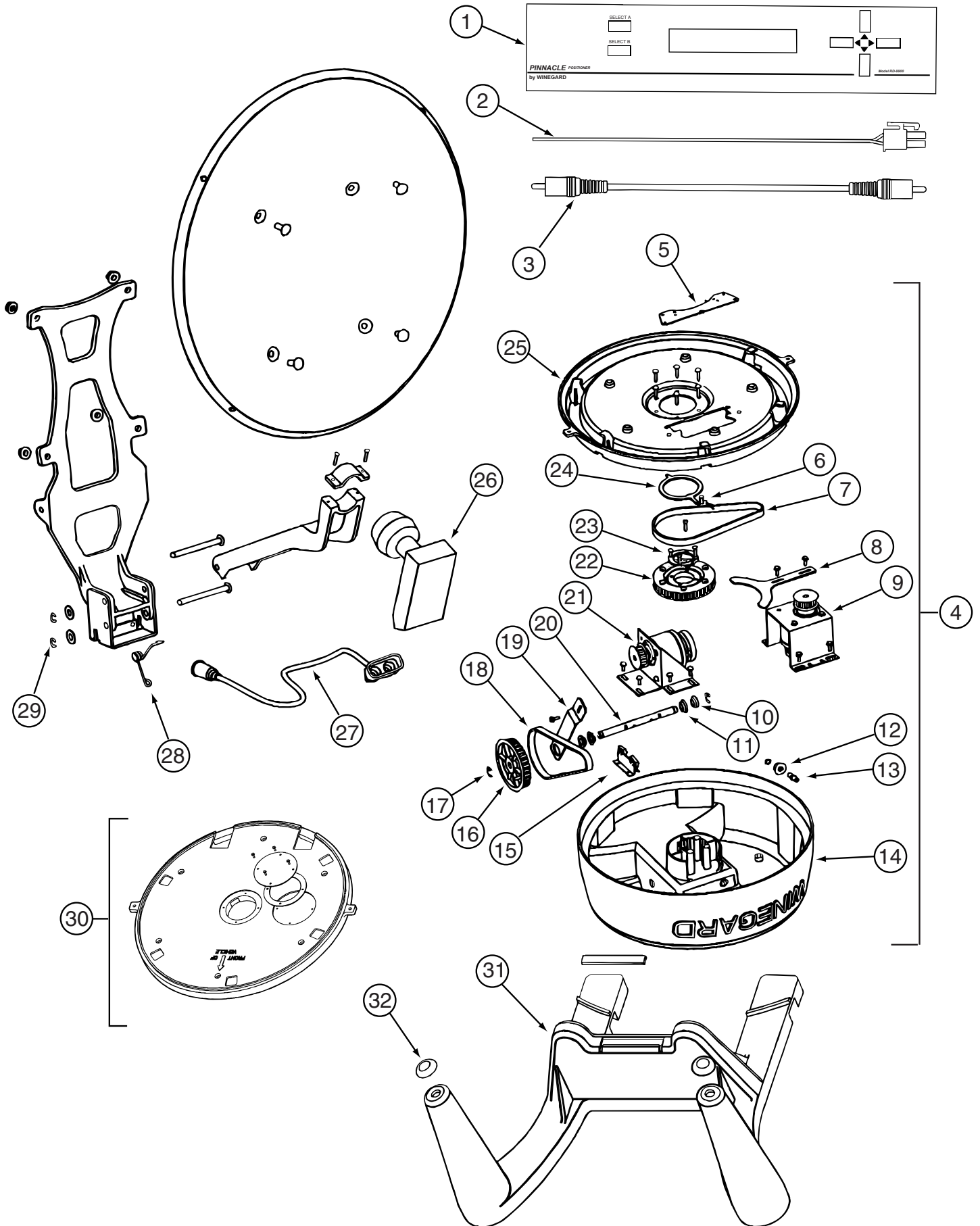
CONTACT WINNEBAGO PART SALES FOR UNLISTED COMPONENTS

AUDIO VIDEO GROUP (CONTINUED)
COMPONENT PARTS FOR TV & VCR (CONTINUED)

| | | | 124073-09-000 | |
|------------|--------------------|------------------------|----------------------|-------------------|
| KEY | PART NUMBER | U/M DESCRIPTION | | VENDOR NO. |
| | 126697-04-700 | EA REMOTE | | 239040 |
| | | | 124073-10-000 | |
| KEY | PART NUMBER | U/M DESCRIPTION | | VENDOR NO. |
| | 124073-10-700 | EA REMOTE | | 241772 |
| | | | 124073-11-000 | |
| KEY | PART NUMBER | U/M DESCRIPTION | | VENDOR NO. |
| | 126697-04-700 | EA REMOTE | | 239040 |
| | | | 124075-05-000 | |
| KEY | PART NUMBER | U/M DESCRIPTION | | VENDOR NO. |
| | 124075-05-700 | EA REMOTE | | 242778 |
| | | | 124075-06-000 | |
| KEY | PART NUMBER | U/M DESCRIPTION | | VENDOR NO. |
| | 124075-05-700 | EA REMOTE | | 242778 |

AUDIO VIDEO GROUP (CONTINUED)

COMPONENT PARTS FOR TV & VCR (CONTINUED)



128138-01-000

AUDIO VIDEO GROUP (CONTINUED)
COMPONENT PARTS FOR TV & VCR (CONTINUED)

128138-01-000 (CONTINUED)

| KEY | PART NUMBER | U/M | DESCRIPTION | VENDOR NO. |
|------------|--------------------|------------|-----------------------------|-------------------|
| 1 | 128138-01-700 | EA | POSITIONER SATELLITE | RD-9900 |
| 2 | 128138-01-728 | EA | WIRE HARNESS/WARNING DEVICE | 2753254 |
| 3 | 128138-01-729 | EA | CABLE 36" - RCA | 2231044 |
| 4 | 128138-01-703 | EA | MOUNT ASSEMBLY | 2762832 |
| 5 | 128138-01-705 | EA | SWITCH ASSEMBLY - ROTATION | 2762835 |
| 6 | 128138-01-706 | EA | SPRING - ROTATION | 2160819 |
| 7 | 128138-01-707 | EA | DRIVER BELT - ROTATION | 2200140 |
| 8 | 128138-01-708 | EA | TENSIONER - MOTOR ROTATE | 3711303 |
| 9 | 128138-01-709 | EA | MOTOR ASSEMBLY - ROTATION | 2762838 |
| 10 | 128138-01-710 | EA | BUSHING - OIL LUBE | 2180509 |
| 11 | 128138-01-711 | EA | SEAL- LIFT ARM SHAFT | 2200851 |
| 12 | 128138-01-712 | EA | BOOT COLLAR-F/F-8100 CON | 3200206 |
| 13 | 128138-01-713 | EA | CONNECTORF-8100 MALE/MALE | 2360060 |
| 14 | 128138-01-714 | EA | TOP COVER | 2200844 |
| 15 | 128138-01-715 | EA | SWITCH ASSEMBLY - ELEVATION | 2762836 |
| 16 | 128138-01-716 | EA | PULLEY - ELEVATION | 2200850 |
| 17 | 128138-01-717 | EA | E-CLIP | 2160699 |
| 18 | 128138-01-718 | EA | DRIVE BELT - ELEVATION | 2200141 |
| 19 | 128138-01-719 | EA | TENSIONER - MOTOR ELEVATION | 3711304 |
| 20 | 128138-01-720 | EA | SHAFT - LIFT ARM | 2590345 |
| 21 | 128138-01-721 | EA | MOTOR ASSEMBLY - ELEVATION | 2762837 |
| 22 | 128138-01-722 | EA | PULLEY - ROTATION | 2201848 |
| 23 | 128138-01-723 | EA | RING - STOP/FIXED | 3711297 |
| 24 | 128138-01-724 | EA | RING - STOP/ROTATION | 3711295 |
| 25 | 128138-01-704 | EA | MOUNT BASE ONLY | 2200846 |
| 26 | 128138-01-730 | EA | LOW NOISE BLOCK FILTER | 2780160 |
| 27 | 128138-01-731 | EA | CABLE-COAX/18' W/CONNECTORS | 2753067 |
| 28 | 128138-01-732 | EA | SPRING | 2160821 |
| 29 | 128138-01-733 | EA | E-CLIP | |
| 30 | 128138-01-726 | EA | MOUNT BASE ASSEMBLY | 2762831 |
| 31 | 128138-01-701 | EA | SUPPORT - ANTENNA | 2200845 |
| 32 | 128138-01-702 | EA | BUMPER - ANTENNA SUPPORT | 2240025 |
| | 128138-01-725 | EA | COAX CABLE 4' RG-6 | 2753018 |

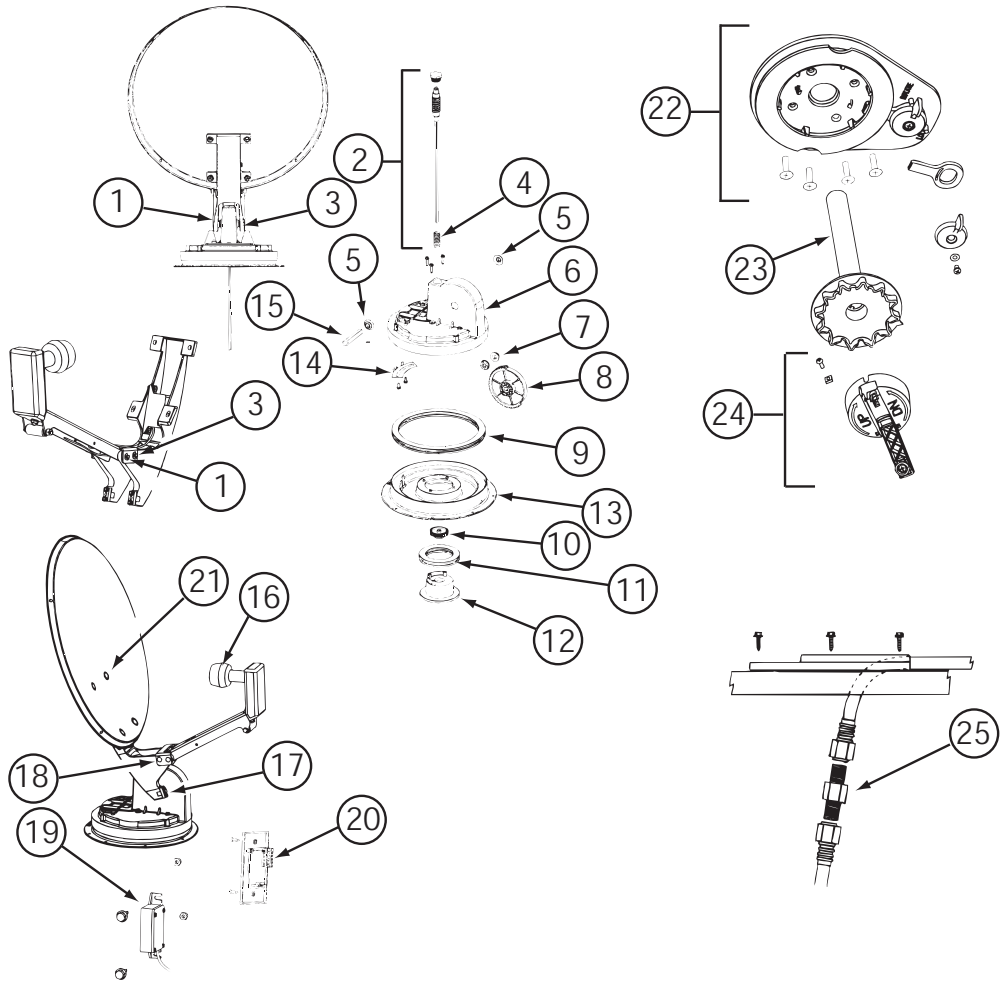
130121-05-000

| KEY | PART NUMBER | U/M | DESCRIPTION | VENDOR NO. |
|------------|--------------------|------------|--------------------|-------------------|
| | 130121-05-700 | EA | REMOTE | 242524 |

130121-06-000

| KEY | PART NUMBER | U/M | DESCRIPTION | VENDOR NO. |
|------------|--------------------|------------|--------------------|-------------------|
| | 130121-05-700 | EA | REMOTE | 242524 |

AUDIO VIDEO GROUP (CONTINUED)
COMPONENT PARTS FOR TV & VCR (CONTINUED)



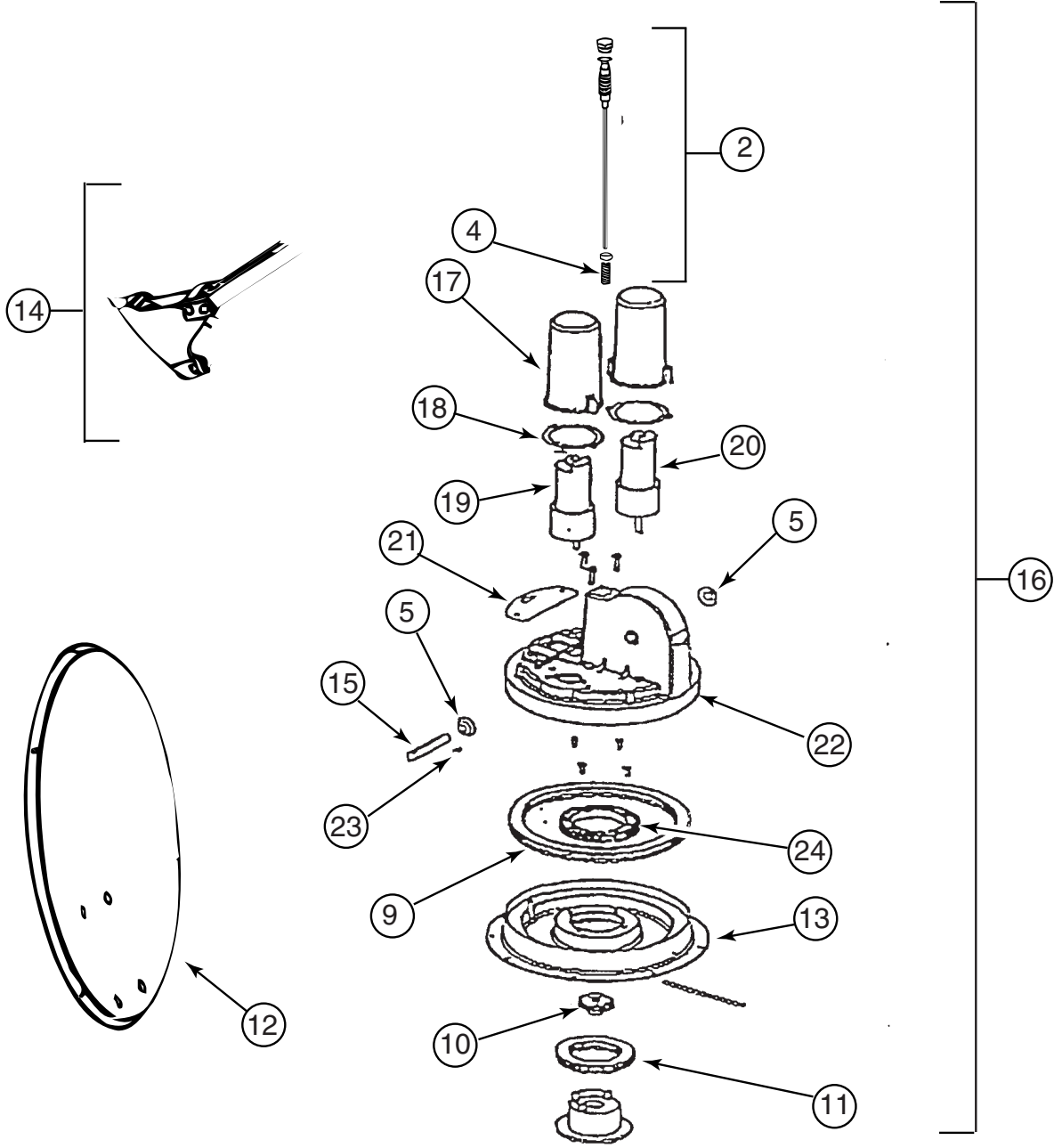
137135-01-000

AUDIO VIDEO GROUP (CONTINUED)
COMPONENT PARTS FOR TV & VCR (CONTINUED)

137135-01-000 (CONTINUED)

| KEY | PART NUMBER | U/M | DESCRIPTION | VENDOR NO. |
|------------|--------------------|------------|------------------------------|-------------------|
| 1 | 120233-01-714 | EA | CLIP-E | 5160818 |
| 2 | 137135-01-703 | EA | SHAFT-ELEVATING(SPRING/PLUG) | RP-4400 |
| 3 | 137135-01-704 | EA | PIN - 1/4" X 3.25" | 2160813 |
| 4 | 137135-01-705 | EA | SPRING | 2160818 |
| 5 | 137135-01-707 | EA | SEAL - PIVOT SHAFT | 2200852 |
| 6 | 137135-01-708 | EA | TURRET | 3100728 |
| 7 | 137135-01-709 | EA | PIVOT BEARING | 2200470 |
| 8 | 137135-01-711 | EA | GEAR - ELEVATING | 2200464 |
| 9 | 137135-01-712 | EA | BEARING - OUTER | 2590347 |
| 10 | 137135-01-714 | EA | GEAR - ELEVATING SHAFT | 2200465 |
| 11 | 137135-01-715 | EA | BEARING - INNER | 2590348 |
| 12 | 137135-01-716 | EA | HUB | 3100731 |
| 13 | 137135-01-713 | EA | TURRET BASE | 3100730 |
| 14 | 137135-01-710 | EA | PLATE - ROTATE LIMIT | 3720052 |
| 15 | 137135-01-706 | EA | PIVOT SHAFT | 2590344 |
| 16 | 120233-01-734 | EA | LOW NOISE BLOCK FILTER (SGL) | LB10003 |
| 17 | 137135-01-722 | EA | CLAMP | 2590343 |
| 18 | 137135-01-719 | EA | BRACKET - PIVOT | 2744945 |
| 19 | 137135-01-720 | EA | DE-SENSOR UNIT W/43" CABLE | 276342 |
| 20 | 137135-01-721 | EA | WALL PLATE | 3200213 |
| 21 | 137135-01-717 | EA | BOLT - FLAT HEAD | 216032 |
| 22 | 120233-01-722 | EA | PLATE ASSEMBLY (CEILING) | 2762826 |
| 23 | 120233-01-704 | EA | DIAL - DIRECTIONAL | 3200364 |
| 24 | 120233-01-721 | EA | CRANK HANDLE ASSEMBLY | 2762825 |
| 25 | 137135-01-701 | EA | CONNECTOR - F - MALE TO MALE | FS-8100 |
| | 137135-01-700 | EA | ROOF WEDGE W/GASKET | RW-5000 |
| | 137135-01-718 | EA | REFLECTOR/WHITE - 46CM | 2745282 |

AUDIO VIDEO GROUP (CONTINUED)
COMPONENT PARTS FOR TV & VCR (CONTINUED)



141454-01-01A

AUDIO VIDEO GROUP (CONTINUED)
COMPONENT PARTS FOR TV & VCR (CONTINUED)

141454-01-01A (CONTINUED)

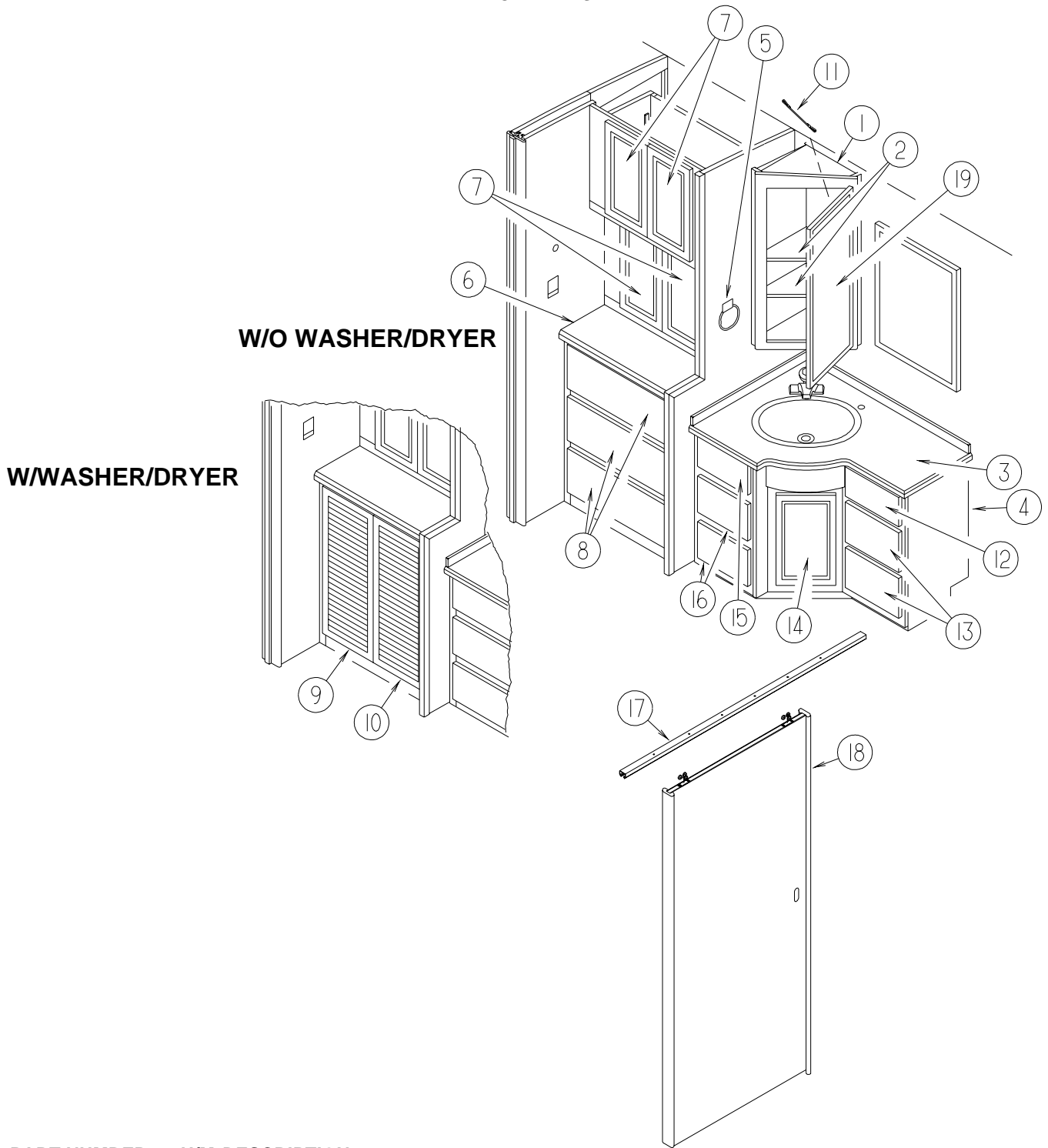
| KEY | PART NUMBER | U/M | DESCRIPTION | VENDOR NO. |
|------------|--------------------|------------|------------------------------|-------------------|
| 2 | 141454-01-700 | EA | KIT ELEV-SHAFT/GEARS/SPRING | RP-RM20 |
| 4 | 137135-01-705 | EA | SPRING | 2160818 |
| 5 | 137135-01-707 | EA | SEAL - PIVOT SHAFT | 2200852 |
| 9 | 137135-01-712 | EA | BEARING - OUTER | 2590347 |
| 10 | 137135-01-714 | EA | GEAR - ELEVATING SHAFT | 2200465 |
| 11 | 137135-01-715 | EA | BEARING - INNER | 2590348 |
| 12 | 137135-01-718 | EA | REFLECTOR/WHITE-46CM W/HDWE | RP-35RM |
| 13 | 137135-01-713 | EA | TURRET BASE | 3100730 |
| 14 | 137135-01-723 | EA | SUPPORT/FRAME-BACKUP-W/HDWE | RP-RM00 |
| 15 | 137135-01-706 | EA | PIVOT SHAFT | 2590344 |
| 16 | 141454-01-704 | EA | KIT LIFT ASSEMBLY COMPLETE | 2590344 |
| 17 | 141454-01-705 | EA | HOUSING - MOTOR | 3200260 |
| 18 | 141454-01-706 | EA | GASKET - MOTOR HOUSING | 2240054 |
| 19 | 141454-01-707 | EA | MOTOR - AZIMUTH | 2665039 |
| 20 | 141454-01-708 | EA | MOTOR - ELEVATION | 2665038 |
| 21 | 141454-01-709 | EA | GASKET | 2240056 |
| 22 | 141454-01-710 | EA | TURRET | 3100729 |
| 23 | 141454-01-711 | EA | ROLL PIN | 2160842 |
| 24 | 141454-01-712 | EA | GEAR - ROTATE | 2200469 |
| | 141454-01-701 | EA | KIT - GEAR/MOTOR-GEAR/ROTATE | RP-RM25 |
| | 141454-01-702 | EA | HOUSING/ELECTRONICS - UPPER | RP-RM10 |
| | 141454-01-703 | EA | HOUSING/ELECTRONICS - LOWER | RP-RM15 |
| | 141454-01-713 | EA | PANEL/FRT-W/DIGITAL READOUT | 2764586 |

CONTACT WINNEBAGO PART SALES FOR UNLISTED COMPONENT

AUDIO VIDEO GROUP (CONTINUED)
EXTERIOR ENTERTAINMENT

| KEY | PART NUMBER | U/M | DESCRIPTION |
|------------|--------------------|------------|---|
| | 126123-01-K30 | EA | PLATE - RADIO MOUNTING - WHITE LAMINATE |

BATH GROUP CABINETS

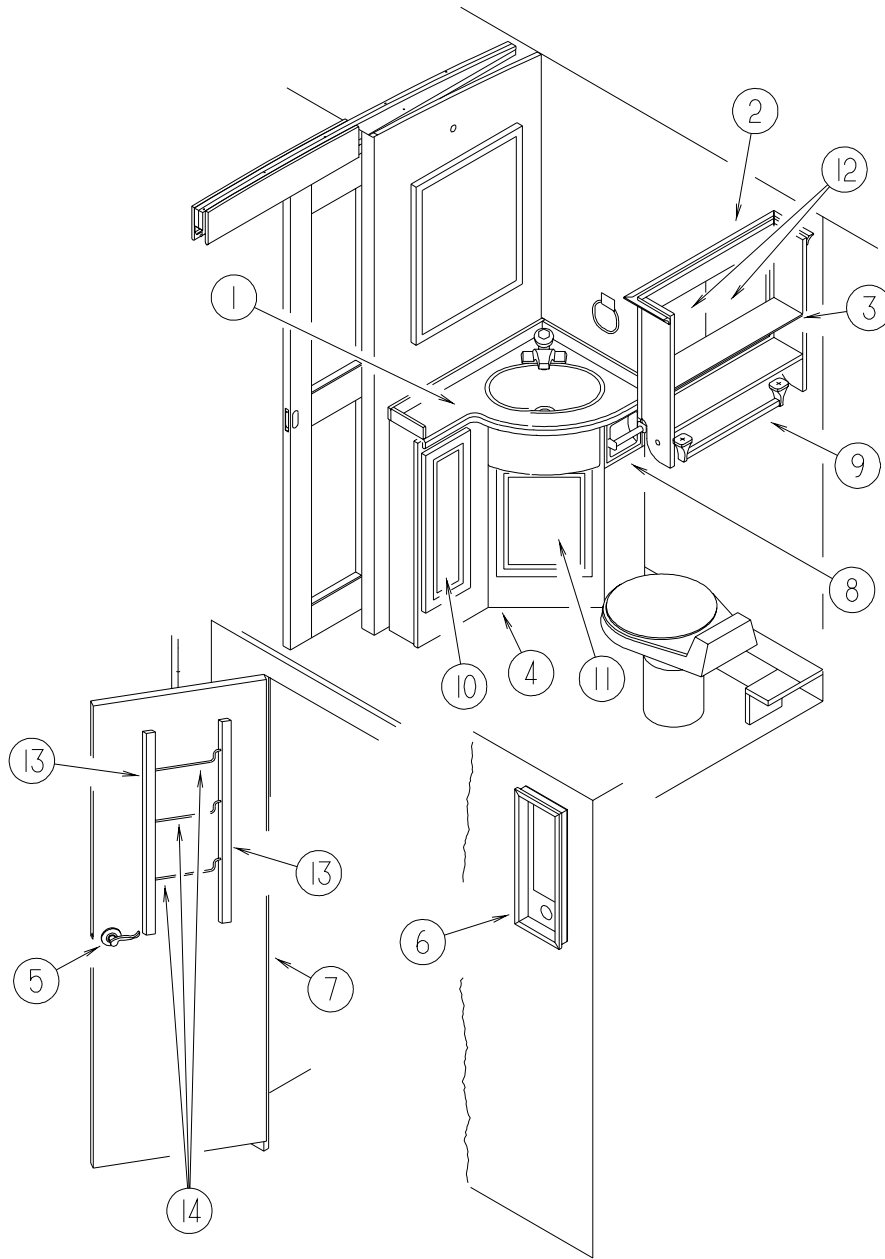


| KEY | PART NUMBER | U/M | DESCRIPTION |
|-----|---------------|-----|---|
| 1 | 131171-01-M94 | EA | CABINET - OVERHEAD/BATH - W/O DOORS/HARDWARE - SALEM CHERRY |
| 1 | 131171-01-N95 | EA | CABINET - OVERHEAD/BATH - W/O DOORS/HARDWARE - PORTSMOUTH OAK |
| 2 | 131171-13-M94 | EA | SHELF - W/EDGE MOLDING - SALEM CHERRY |
| 2 | 131171-13-N95 | EA | SHELF - W/EDGE MOLDING - PORTSMOUTH OAK |
| 3 | 138786-02-01A | EA | COUNTERTOP - 1/2" CORIAN - SIERRA AURORA |
| 4 | 137619-01-N94 | EA | CABINET - LAVATORY/LEFT HAND-W/O COUNTERTOP/DOORS/DRWS/HDW - SALEM CHERRY |
| 4 | 137619-01-N95 | EA | CABINET - LAVATORY/LEFT HAND-W/O COUNTERTOP/DOORS/DRWS/HDW - PORTSMOUTH OAK |
| 5 | 130859-01-01A | EA | TOWEL RING - BRASS |
| 6 | 133539-07-01A | EA | COUNTERTOP - 1/2" CORIAN - 26.9" X 18.8" - SIERRA AURORA |
| 7 | 134845-02-M94 | EA | DOOR - RAIL/ARCHED TOP - 19.6î X 11.2î - W/O HARDWARE - SALEM CHERRY |
| 7 | 134845-02-N95 | EA | DOOR - RAIL/ARCHED TOP - 19.6î X 11.2î - W/O HARDWARE - PORTSMOUTH OAK |
| 8 | P34844-15-M94 | EA | DRAWER - PENCIL EDGE - 22.9îW X 15.7îD - W/O SLIDES/HDW-SALEM CHERRY-W/O WASHER/DRYER |
| 8 | P34844-15-N95 | EA | DRAWER-PENCIL EDGE-22.9îW X 15.7îD-W/O SLIDES/HDW-PORTSMOUTH OAK-W/O WASHER/DRYER |

BATH GROUP (CONTINUED)
CABINETS (CONTINUED)

| KEY | PART NUMBER | U/M | DESCRIPTION |
|-----|---------------|-----|---|
| 9 | 134847-01-M94 | EA | DOOR - LOUVERED/ACCESS - 12.4î X 32.2î - W/O HARDWARE - SALEM CHERRY - WASHER/DRYER |
| 9 | 134847-01-N95 | EA | DOOR - LOUVERED/ACCESS - 12.4î X 32.2î - W/O HARDWARE - PORTSMOUTH OAK - WASHER/DRYER |
| 10 | 134847-03-M94 | EA | DOOR - LOUVERED/ACCESS - 12.4î X 32.2î - W/O HARDWARE - SALEM CHERRY - WASHER/DRYER |
| 10 | 134847-03-N95 | EA | DOOR - LOUVERED/ACCESS - 12.4î X 32.2î - W/O HARDWARE - PORTSMOUTH OAK - WASHER/DRYER |
| 11 | 076767-04-000 | EA | CABLE - STAINLESS STEEL - 5.9î |
| 12 | P34844-36-N94 | EA | DRAWER - PENCIL EDGE - 8.4"W X 13.7"D - W/O SLIDES/HDW - SALEM CHERRY |
| 12 | P34844-36-N95 | EA | DRAWER - PENCIL EDGE - 8.4"W X 13.7îD - W/O SLIDES/HDW - PORTSMOUTH OAK |
| 13 | P34844-37-N94 | EA | DRAWER - PENCIL EDGE - 8.4"W X 13.7"D - W/O SLIDES/HDW - SALEM CHERRY |
| 13 | P34844-37-N95 | EA | DRAWER - PENCIL EDGE - 8.4"W X 13.7îD - W/O SLIDES/HDW - PORTSMOUTH OAK |
| 14 | 134783-59-M94 | EA | DOOR - RAIL/SOLID PANEL - 10î X 19.1î - W/O HARDWARE - SALEM CHERRY |
| 14 | 134783-59-N95 | EA | DOOR - RAIL/SOLID PANEL - 10î X 19.1î - W/O HARDWARE - PORTSMOUTH OAK |
| 15 | 134842-06-N94 | EA | DRAWER - TIPOUT - W/HIDDEN TRAY - SALEM CHERRY |
| 15 | 134842-06-N95 | EA | DRAWER - TIPOUT - W/HIDDEN TRAY - PORTSMOUTH OAK |
| | 108127-01-01A | EA | CAP - TRAY |
| | 108128-01-01A | EA | TRAY - HIDDEN |
| 16 | P34844-39-N94 | EA | DRAWER - PENCIL EDGE - 9.5"W X 11.8"D - W/O SLIDES/HDW - SALEM CHERRY |
| 16 | P34844-39-N95 | EA | DRAWER - PENCIL EDGE - 9.5"W X 11.8îD - W/O SLIDES/HDW - PORTSMOUTH OAK |
| 17 | 137422-16-01A | EA | TRACK - DOOR - OFF WHITE |
| | | | FROM: 00-00-00 THRU: 09-05-01 |
| 17 | 137422-02-01A | EA | TRACK/DOOR - OFF WHITE |
| | | | FROM: 09-06-01 THRU: 99-99-99 |
| 18 | 104013-05-M85 | EA | DOOR - SLIDING - W/O HARDWARE - SALEM CHERRY |
| 18 | 104013-05-L81 | EA | DOOR - SLIDING - W/O HARDWARE - PORTSMOUTH OAK |
| | 136843-01-01A | EA | SPRING - F/SLIDING DOOR |
| | | | FROM: 00-00-00 THRU: 09-05-01 |
| 19 | 134845-07-M94 | EA | DOOR - RAIL/ARCHED TOP - 33.4î X 14.3î - W/O HARDWARE - SALEM CHERRY |
| 19 | 134845-07-N95 | EA | DOOR - RAIL/ARCHED TOP - 33.4î X 14.3î - W/O HARDWARE - PORTSMOUTH OAK |

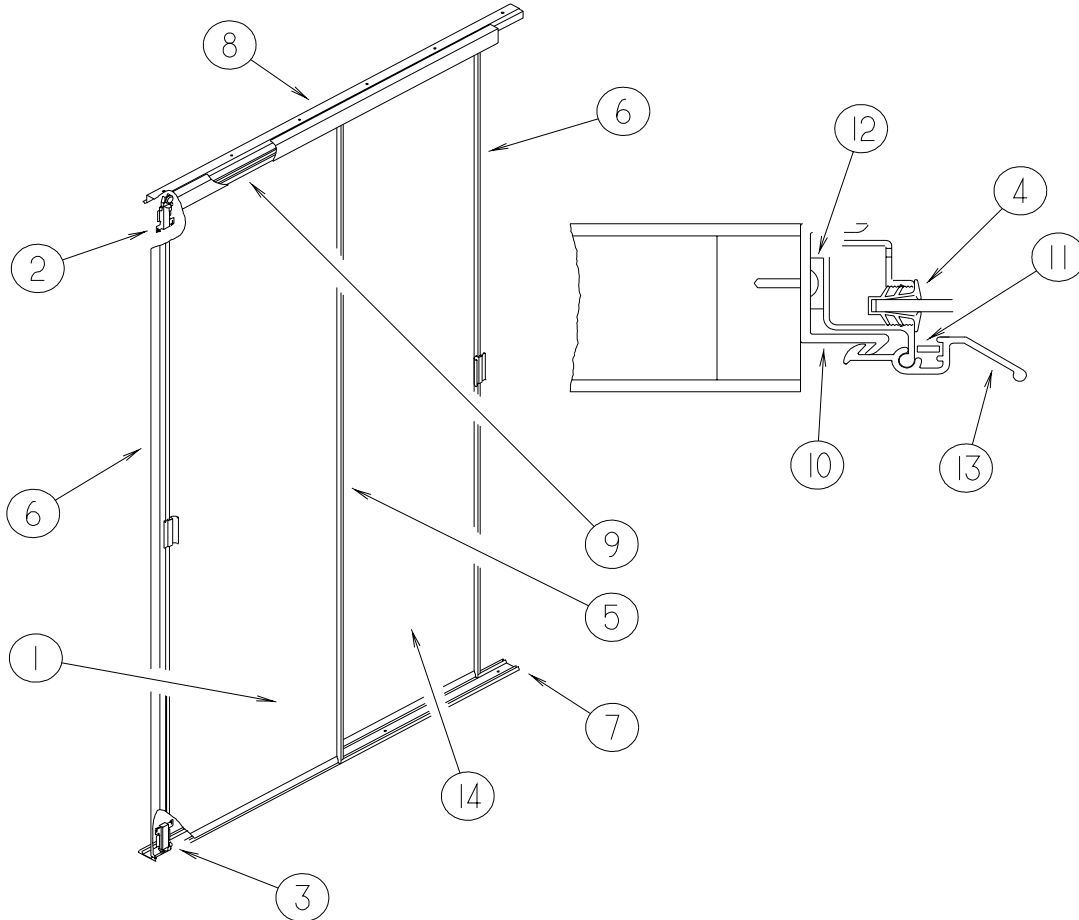
BATH GROUP (CONTINUED) CABINETS (CONTINUED)



| KEY | PART NUMBER | U/M | DESCRIPTION |
|-----|---------------|-----|---|
| 1 | 133538-03-01A | EA | COUNTERTOP/FORMED W/SINK - 1/2" CORIAN - SIERRA AURORA |
| 2 | 128948-03-M94 | EA | CABINET - OVERHEAD/BATH - W/O DOORS/HARDWARE - SALEM CHERRY |
| 2 | 128948-03-N95 | EA | CABINET - OVERHEAD/BATH - W/O DOORS/HARDWARE - PORTSMOUTH OAK |
| 3 | 128948-12-M94 | EA | SHELF - W/EDGE MOLDING - SALEM CHERRY |
| 3 | 128948-12-N95 | EA | SHELF - W/EDGE MOLDING - PORTSMOUTH OAK |
| 4 | 137685-01-N94 | EA | CABINET - LAVATORY - W/O COUNTERTOP/DOORS/DRAWERS/HARDWARE - SALEM CHERRY |
| 4 | 137685-01-N95 | EA | CABINET - LAVATORY - W/O COUNTERTOP/DOORS/DRAWERS/HARDWARE - PORTSMOUTH OAK |
| 5 | 111155-05-01A | EA | LOCK - PRIVACY/LOCKING - POLISHED BRASS - iSi SHAPE HANDLE FROM: 00-00-00 THRU: 08-19-01 |
| 5 | 111155-09-01A | EA | LOCK - PRIVACY FROM: 08-20-01 THRU: 99-99-99 |
| 6 | 137602-01-N74 | EA | POCKET - MONITOR PANEL - SALEM CHERRY |
| 6 | 137602-01-N42 | EA | POCKET - MONITOR PANEL - PORTSMOUTH OAK |
| 7 | 131933-10-M94 | EA | DOOR - BATH - W/O HARDWARE - SALEM CHERRY |
| 7 | 131933-10-M95 | EA | DOOR - BATH - W/O HARDWARE - PORTSMOUTH OAK |
| 8 | 085278-01-000 | EA | HOLDER - TOILET PAPER - RECESSED - BRASS |
| 9 | 130860-01-01A | EA | TOWEL BAR - 18" - BRASS |
| 10 | 134783-56-M94 | EA | DOOR - RAIL/SOLID PANEL - 9' X 26.5' - W/O HARDWARE - SALEM CHERRY |
| 10 | 134783-56-N95 | EA | DOOR - RAIL/SOLID PANEL - 9' X 26.5' - W/O HARDWARE - PORTSMOUTH OAK |

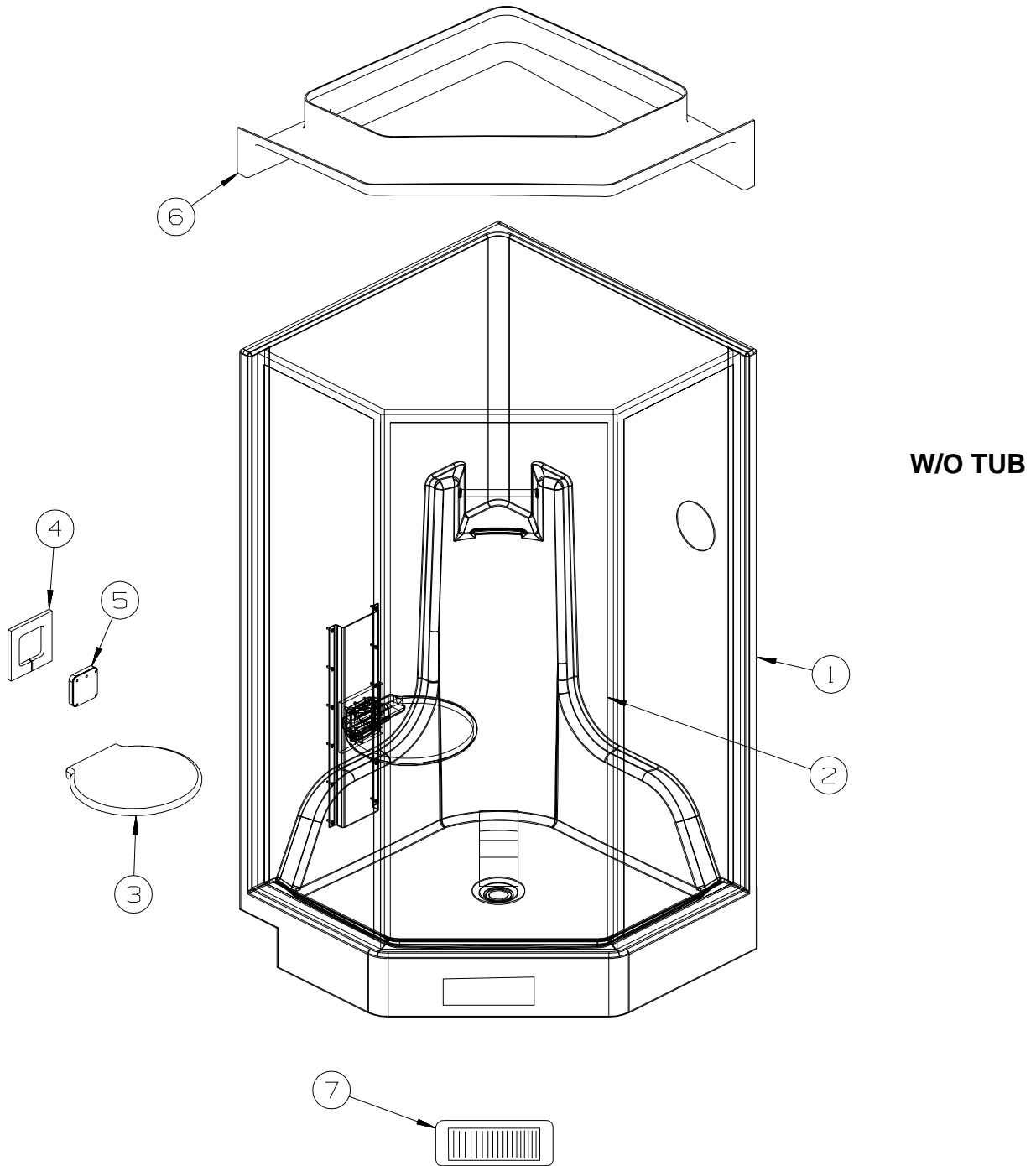
BATH GROUP (CONTINUED) CABINETS (CONTINUED)

| KEY | PART NUMBER | U/M | DESCRIPTION |
|-----|---------------|-----|---|
| 11 | 134783-71-N94 | EA | DOOR - RAIL/SOLID PANEL - 10.8î X 17.7î - W/O HARDWARE - SALEM CHERRY |
| 11 | 134783-71-N95 | EA | DOOR - RAIL/SOLID PANEL - 10.8î X 17.7î - W/O HARDWARE - PORTSMOUTH OAK |
| 12 | 134845-04-M94 | EA | DOOR - RAIL/ARCHED TOP - 16.1î X 11.4î - W/O HARDWARE - SALEM CHERRY |
| 12 | 134845-04-N95 | EA | DOOR - RAIL/ARCHED TOP - 16.1î X 11.4î - W/O HARDWARE - PORTSMOUTH OAK |
| 13 | P34509-01-E41 | EA | RAIL END - RH/LH - TOWEL RACK - SALEM CHERRY |
| 13 | P34509-01-N01 | EA | RAIL END - RH/LH - TOWEL RACK - PORTSMOUTH OAK |
| 14 | 100357-01-000 | EA | ROD - F/TOWEL BAR - BRASS |



| KEY | PART NUMBER | U/M | DESCRIPTION |
|-----|---------------|-----|--|
| 1 | 136681-17-N94 | EA | DOOR-MIRRORED/WARDROBE-LH-W/HANGARS/GUIDES/LATCH-75.3"X23" |
| | 058331-L8-000 | EA | MIRROR - SAFETY GLASS - 22.4" X 74.6" |
| 2 | 107390-02-000 | EA | CORNER HANGER (DOUBLE ROLLER W/BRACKET) (SOLD AS 1 EACH) |
| 3 | 107391-01-000 | EA | GUIDE - BOTTOM - BY-PASS (4 USED PER DOOR) |
| 4 | 111575-01-01A | FT | CHANNEL - GLAZING - SWING DOOR |
| 5 | 114104-01-01A | EA | STILE - DOOR - SLIDING - 75.4" - TERRATONE |
| 6 | 114104-05-01A | EA | STILE - DOOR - SLIDING - 75.4" - TERRATONE |
| 7 | 114105-21-01A | EA | TRACK - SLIDING DOOR - LOWER - 45.7" - TERRATONE |
| 8 | 114106-21-01A | EA | TRACK - SLIDING DOOR - UPPER - 45.7" - TERRATONE |
| 9 | 114107-02-01A | EA | RAIL - DOOR/SLIDING - UPPER/LOWER - 21.8" - TERRATONE |
| 10 | 115538-01-01A | EA | JAMB - DOOR - WARDROBE/MIRRORED |
| 11 | 115541-01-000 | EA | SPRING - DOOR - SLIDING |
| 12 | 123655-01-000 | FT | SEAL - CLOSED CELL/FOAM |
| 13 | 132038-01-01A | EA | LATCH - DOOR/WARDROBE - TERRATONE |
| 14 | 136680-17-N94 | EA | DOOR-MIRRORED/WARDROBE-RH-W/HANGARS/GUIDES/LATCH-75.3"X23" |
| | 058331-L8-000 | EA | MIRROR - SAFETY GLASS - 22.4" X 74.6" |

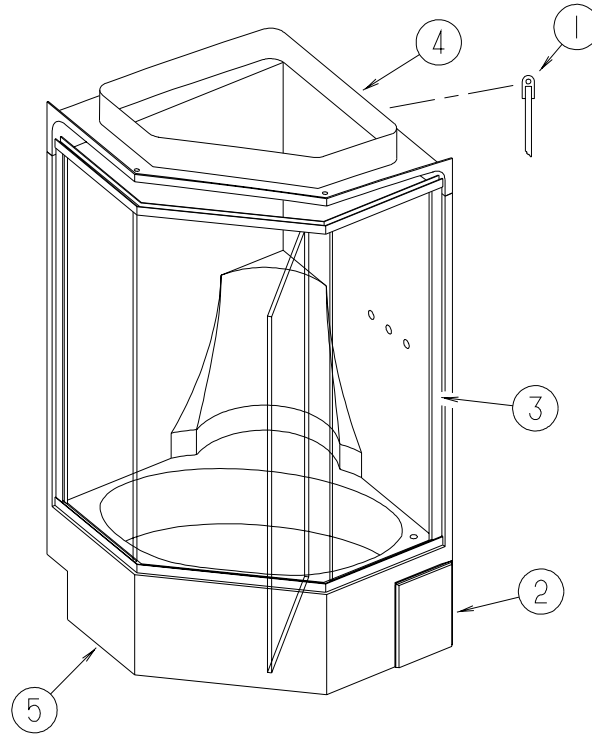
BATH GROUP (CONTINUED) SHOWER



| KEY | PART NUMBER | U/M | DESCRIPTION |
|-----|---------------|-----|--|
| 1 | 136732-01-01A | EA | SHOWER - FIBERGLASS - SOFT WHITE |
| 2* | 139047-02-02A | EA | DOOR - SHOWER - NEO ANGLE - GOLD/CLEAR - 65.9" TALL |
| 3 | 135607-03-01A | EA | SEAT - SHOWER/FOLDING(FOR REPLACEMENT OR OPTION INST ONLY) |
| 4 | 137921-01-000 | EA | SPACER - FOAM - SHOWER SEAT |
| 5 | 139791-01-02B | EA | PLATE/SHIM - SHOWER SEAT - E-COATED |
| 6 | NOT USED | | |
| 7 | NOT USED | | |

***COMPONENT PARTS LISTED LATER IN THIS GROUP**

BATH GROUP (CONTINUED)
SHOWER (CONTINUED)

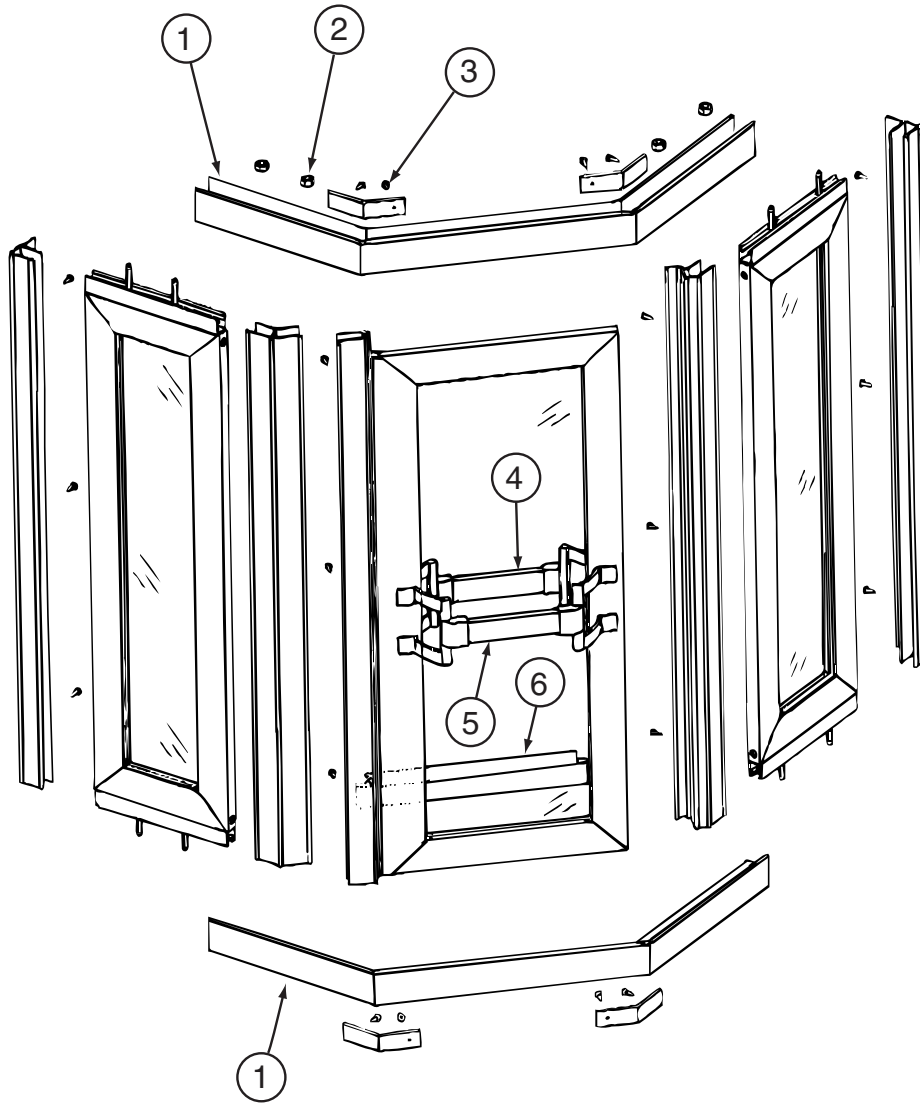


W/TUB

| KEY | PART NUMBER | U/M | DESCRIPTION |
|-----|---------------|-----|--|
| 1 | NOT USED | | |
| 2 | 127563-01-02A | EA | COVER - ACCESS - SHOWER |
| 3* | 123242-01-01A | EA | DOOR-TUB/SHOWER-58.4"H-GOLD-BRONZE/OPAQUE GLASS (NON-CLR) FROM: 00-00-00 THRU: 06-03-01 |
| 3* | 139047-04-02A | EA | DOOR - SHOWER - NEO ANGLE - 55.7" TALL - GOLD/CLEAR FROM: 06-04-01 THRU: 99-99-99 |
| 4 | NOT USED | | |
| 5 | 123151-05-01A | EA | TUB/SHOWER - FIBERGLASS - SOFT WHITE |

***COMPONENT PARTS LISTED LATER IN THIS GROUP**

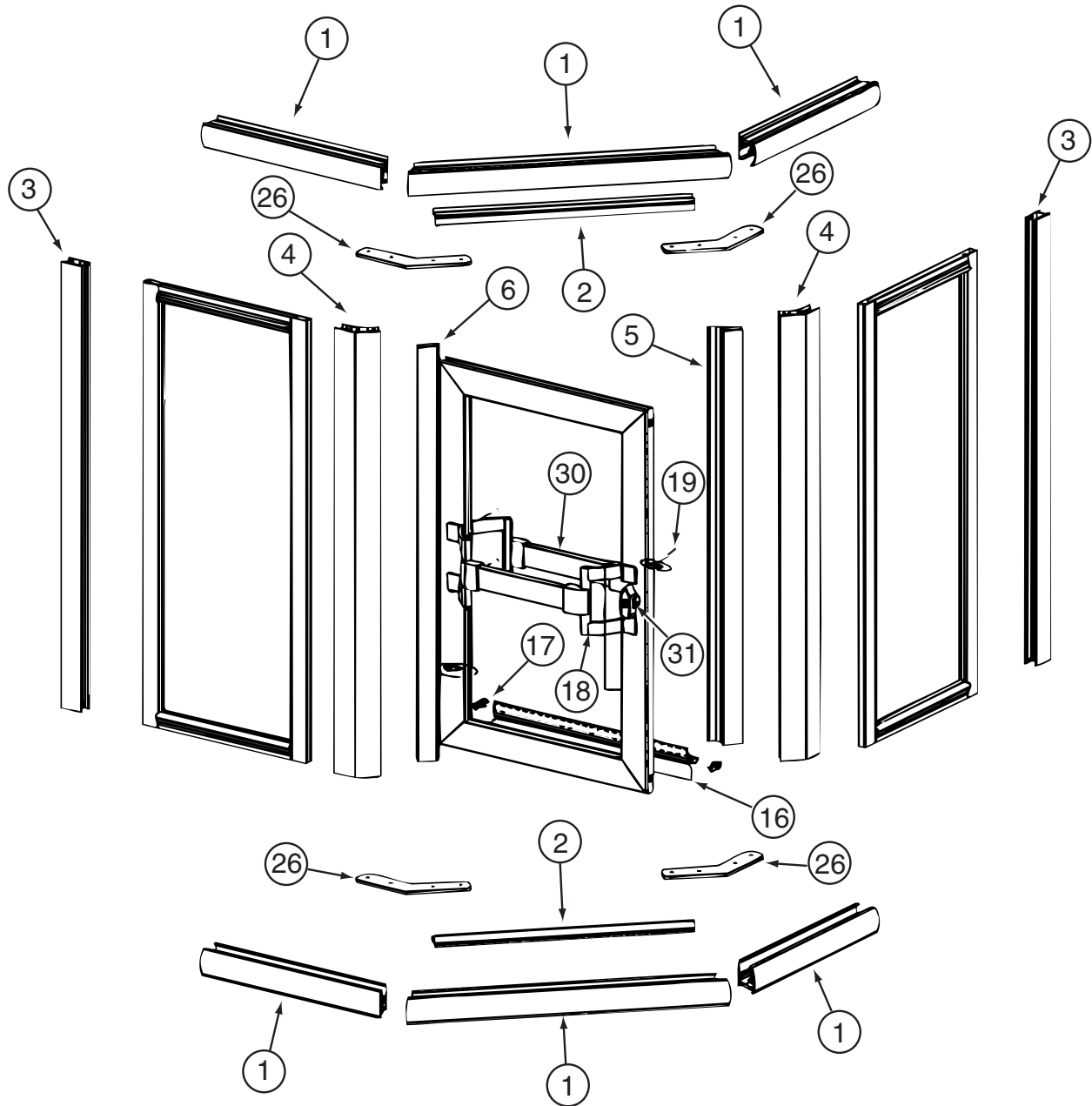
BATH GROUP (CONTINUED)
COMPONENT PARTS FOR SHOWER



123242-01-01A & 123242-01-02A

| KEY | PART NUMBER | U/M | DESCRIPTION | VENDOR NO. |
|-----|---------------|-----|-------------------------------|------------|
| 1 | 123242-01-700 | EA | HEADER/SILL - (WINNEBAGO 34) | CST 70 |
| 2 | 089318-01-704 | EA | BOLT-PIVOT, TOP OR BOTTOM | 1428B |
| 3 | 092574-01-704 | EA | SCREW-GOLD #6 3/8 | 638G |
| 4 | 092574-01-701 | EA | BRACKET-STUD, TOWEL BAR, GOLD | 8141G |
| 5 | 116814-01-700 | EA | BAR-TOWEL 17 5/16" | 68G |
| 6 | 092574-01-708 | EA | DRIP RAIL - (SWEEP) | 34G |
| | 089318-01-707 | EA | LATCH/CATCH - SAFETY - GOLD | 9730G |
| | 092574-01-705 | EA | STRIP-MAGNETIC, 66" | 98-41G |
| | 107878-01-703 | EA | CAP-DRIP, PLUG SET | DCP2 |

BATH GROUP (CONTINUED)
COMPONENT PARTS FOR SHOWER (CONTINUED)

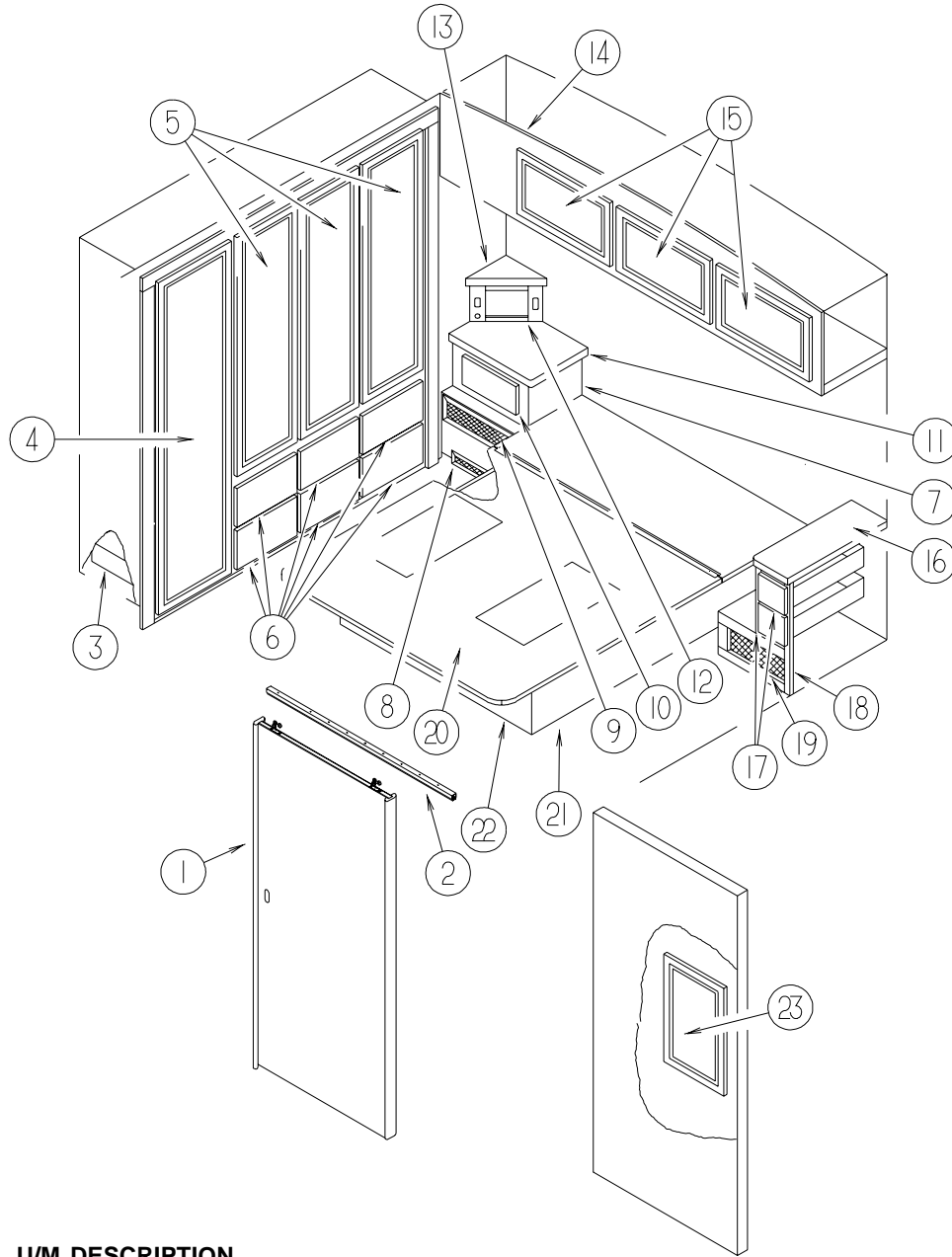


139047-01-01A, 139047-01-02A, 139047-02-01A, 139047-02-02A, 139047-03-01A, 139047-03-02A, 139047-04-02A

| KEY | PART NUMBER | U/M | DESCRIPTION | VENDOR NO. |
|-----|---------------|-----|-------------------------------|------------|
| 1 | 139047-01-700 | EA | HEADER/SILL - 30" (PAIR) | 900 |
| 2 | 139047-01-701 | EA | DAM STRIP-TOP/BOTTOM-35.4" | 901 |
| 3 | 139047-01-702 | EA | JAMB - WALL - 65.9" | 903 |
| 4 | 139047-01-703 | EA | CORNER POST-45 DEGREE- 65.9" | 909 |
| 5 | 139047-01-704 | EA | STRIKE - JAMB - 64.6" | 926 |
| 6 | 139047-01-705 | EA | HINGE/POST - DOOR - 64.5" | 920 |
| 16 | 139047-01-710 | FT | VINYL SWEEP | C176G |
| 17 | 139047-01-711 | EA | PLUG - DRIP CAP (SET) | CP933 |
| 18 | 092574-01-701 | EA | BRACKET-STUD, TOWEL BAR, GOLD | 8141G |
| 19 | 092574-01-710 | EA | SCREW-GOLD, FOR TOWEL BAR | 83212G |
| 26 | 139047-01-712 | EA | HEADER - CORNER BRACKET | 313.45C |
| 30 | 116814-01-700 | EA | BAR-TOWEL 17 5/16" | 68G |
| 31 | 089318-01-707 | EA | LATCH/CATCH - SAFETY - BLACK | 9730B |
| | 139047-01-706 | EA | HINGE PINS | CP932 |
| | 139047-01-707 | EA | WASHERS - HINGE | CP148TW |
| | 139047-01-708 | EA | HINGE - SLEEVE - 61.5" | C921B |
| | 139047-01-709 | EA | STRIP - MAGNETIC- 55" | 98-42 |
| | 139047-01-713 | EA | RAIL DRIP - 31.6" | 927G |

CONTACT WINNEBAGO PART SALES FOR UNLISTED COMPONENT

BEDROOM GROUP CABINETS



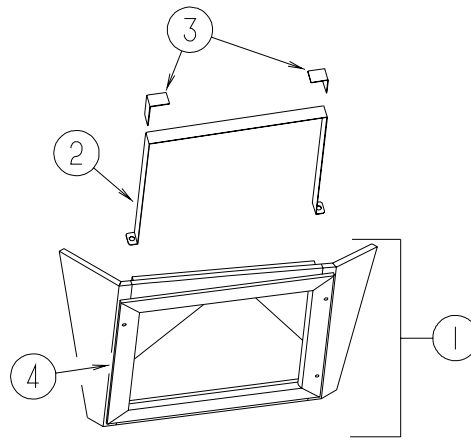
| KEY | PART NUMBER | U/M | DESCRIPTION |
|-------------------------------|---------------|-----|---|
| 1 | 104013-05-M85 | EA | DOOR - SLIDING - W/O HARDWARE - SALEM CHERRY |
| 1 | 104013-05-L81 | EA | DOOR - SLIDING - W/O HARDWARE - PORTSMOUTH OAK |
| | 136843-01-01A | EA | SPRING - F/SLIDING DOOR |
| FROM: 00-00-00 THRU: 09-05-01 | | | |
| 2 | 137422-02-01A | EA | TRACK/DOOR - OFF WHITE |
| 3 | 137949-01-N94 | EA | CABINET - SAFE - SALEM CHERRY - W/SECURITY SAFE |
| 3 | 137949-01-N95 | EA | CABINET - SAFE - PORTSMOUTH OAK - W/SECURITY SAFE |
| 3 | 137949-01-N96 | EA | CABINET - SAFE - SALEM CHERRY - W/SECURITY SAFE |
| 3 | 137949-01-N97 | EA | CABINET - SAFE - PORTSMOUTH OAK - W/SECURITY SAFE |
| 3 | 137949-01-N98 | EA | CABINET - SAFE - SALEM CHERRY - W/SECURITY SAFE |
| 3 | 137949-01-N99 | EA | CABINET - SAFE - PORTSMOUTH OAK - W/SECURITY SAFE |
| 4 | 134786-01-M16 | EA | DOOR - MIRROR/MITERED CORNERS - 16.11 X 65.21-W/O HARDWARE - SALEM CHERRY |
| 4 | 134786-01-N04 | EA | DOOR - MIRROR/MITERED CORNERS - 16.11 X 65.21-W/O HARDWARE - PORTSMOUTH OAK |
| 5 | 134845-08-M94 | EA | DOOR - RAIL/ARCHED TOP - 45.41 X 15.51 - W/O HARDWARE - SALEM CHERRY |
| 5 | 134845-08-N95 | EA | DOOR - RAIL/ARCHED TOP - 45.41 X 15.51 - W/O HARDWARE - PORTSMOUTH OAK |
| 6 | P34844-26-M94 | EA | DRAWER - PENCIL EDGE - 13.51W X 17.71D - W/O SLIDES/HDW - SALEM CHERRY |
| 6 | P34844-26-N95 | EA | DRAWER - PENCIL EDGE - 13.51W X 17.71D - W/O SLIDES/HDW - PORTSMOUTH OAK |
| 7 | 138905-01-N94 | EA | CABINET-NIGHTSTAND/RIGHT HAND-W/O COUNTERTOP/DOOR/DRWR/HDW - SALEM CHERRY |
| 7 | 138905-01-N95 | EA | CABINET-NIGHTSTAND/RIGHT HAND-W/O COUNTERTOP/DOOR/DRWR/HDW - PORTSMOUTH OAK |

BEDROOM GROUP (CONTINUED)
QUEEN CABINETS (CONTINUED)

| KEY | PART NUMBER | U/M | DESCRIPTION |
|-----|---------------|-----|--|
| 8 | 140594-05-01A | EA | GRILL - RETURN AIR - 3.1" X 19.9" - BLACK FROM: 12-17-01 THRU: 99-99-99 |
| 9 | 140594-04-01A | EA | GRILL - RETURN AIR - 4" X 22.2" - BLACK FROM: 12-17-01 THRU: 99-99-99 |
| 10 | P34844-35-N94 | EA | DRAWER - PENCIL EDGE - 13.5îW X 13.7îD - W/O SLIDES/HDW - SALEM CHERRY |
| 10 | P34844-35-N95 | EA | DRAWER - PENCIL EDGE - 13.5îW X 13.7îD - W/O SLIDES/HDW - PORTSMOUTH OAK |
| 11 | 133655-40-N94 | EA | COUNTERTOP - LAMINATED - BROWN PLANK CHERRY |
| 11 | 133655-40-N95 | EA | COUNTERTOP - LAMINATED - PORTSMOUTH OAK |
| 12 | 139174-01-N94 | EA | CABINET - RADIO - W/O COUNTERTOP/DOORS/HARDWARE - SALEM CHERRY - W/RR STEREO SYS |
| 12 | 139174-01-N95 | EA | CABINET - RADIO - W/O COUNTERTOP/DOORS/HARDWARE - PORTSMOUTH OAK-W/RR STEREO SYS |
| 13 | 133655-44-N94 | EA | COUNTERTOP - LAMINATED - BROWN PLANK CHERR - W/RR STEREO SYSY |
| 13 | 133655-44-N95 | EA | COUNTERTOP - LAMINATED - PORTSMOUTH OAK - W/RR STEREO SYS |
| 14 | 138109-01-N94 | EA | CABINET - OVERHEAD/REAR/RIGHT HAND - W/O DRS/HDW - SALEM CHERRY - W/RR STEREO SYS |
| 14 | 138109-01-N95 | EA | CABINET - OVERHEAD/REAR/RIGHT HAND - W/O DRS/HDW - PORTSMOUTH OAK -W/RR STEREO SYS |
| 14 | 138109-04-N94 | EA | CABINET - OVERHEAD/REAR/RIGHT HAND - W/O DRS/HDW - SALEM CHERRY - W/O RR STEREO SYS |
| 14 | 138109-04-N95 | EA | CABINET - OVERHEAD/REAR/RIGHT HAND - W/O DRS/HDW-PORTSMOUTH OAK-W/O RR STEREO SYS |
| 15 | 134845-16-N94 | EA | DOOR - RAIL/ARCHED TOP - 12.8î X 21.8î - W/O HARDWARE - SALEM CHERRY |
| 15 | 134845-16-N95 | EA | DOOR - RAIL/ARCHED TOP - 12.8î X 21.8î - W/O HARDWARE - PORTSMOUTH OAK |
| 16 | 133655-41-N94 | EA | COUNTERTOP - LAMINATED - BROWN PLANK CHERRY |
| 16 | 133655-41-N95 | EA | COUNTERTOP - LAMINATED - PORTSMOUTH OAK |
| 17 | P34844-24-M94 | EA | DRAWER - PENCIL EDGE - 5.2îW X 19.6îD - W/O SLIDES/HDW - SALEM CHERRY FROM: 00-00-00 THRU: 09-04-01 |
| 17 | P34844-44-N94 | EA | DRAWER - PENCIL EDGE - 5.2îW X 19.7îD - W/O SLIDES/HDW - SALEM CHERRY FROM: 09-05-01 THRU: 99-99-99 |
| 17 | P34844-24-N95 | EA | DRAWER - PENCIL EDGE - 5.2îW X 19.6îD - W/O SLIDES/HDW - PORTSMOUTH OAK FROM: 00-00-00 THRU: 09-04-01 |
| 17 | P34844-44-N95 | EA | DRAWER - PENCIL EDGE - 5.2îW X 19.7îD - W/O SLIDES/HDW - PORTSMOUTH OAK FROM: 09-05-01 THRU: 99-99-99 |
| 18 | 138906-01-N94 | EA | CABINET-NIGHTSTAND/LEFT HAND-W/O COUNTERTOP/DOOR/DRWR/HDW - SALEM CHERRY |
| 18 | 138906-01-N95 | EA | CABINET-NIGHTSTAND/LEFT HAND-W/O COUNTERTOP/DOOR/DRWR/HDW - PORTSMOUTH OAK |
| 19 | 140594-01-01A | EA | GRILL - RETURN AIR - 17.1" X 6.7" - BLACK FROM: 12-17-01 THRU: 99-99-99 |
| 20 | M07571-15-M94 | EA | TOP - BED/QUEEN - (HINGED PORTION) - W/O HARDWARE |
| | 097872-04-000 | EA | DOWEL - WOOD - 1î DIAMETER X 1.38î LONG - UNFINISHED |
| 21 | 138823-02-N94 | EA | CABINET/BASE - QUEEN BED - SALEM CHERRY |
| 21 | 138823-02-N95 | EA | CABINET/BASE - QUEEN BED - PORTSMOUTH OAK |
| 22 | 138823-20-N94 | EA | CABINET FACE/QUEEN BED - FABRIC COVERED (N94, N95) |
| 22 | 138823-20-N96 | EA | CABINET FACE/QUEEN BED - FABRIC COVERED (N96) |
| 22 | 138823-20-N97 | EA | CABINET FACE/QUEEN BED - FABRIC COVERED (N97) |
| 22 | 138823-20-N98 | EA | CABINET FACE/QUEEN BED - FABRIC COVERED (N98, N99) |
| 23 | 134845-15-M94 | EA | DOOR - RAIL/ARCHED TOP - 26.7î X 14.3î - W/O HARDWARE - SALEM CHERRY |
| 23 | 134845-15-N95 | EA | DOOR - RAIL/ARCHED TOP - 26.7î X 14.3î - W/O HARDWARE - PORTSMOUTH OAK |

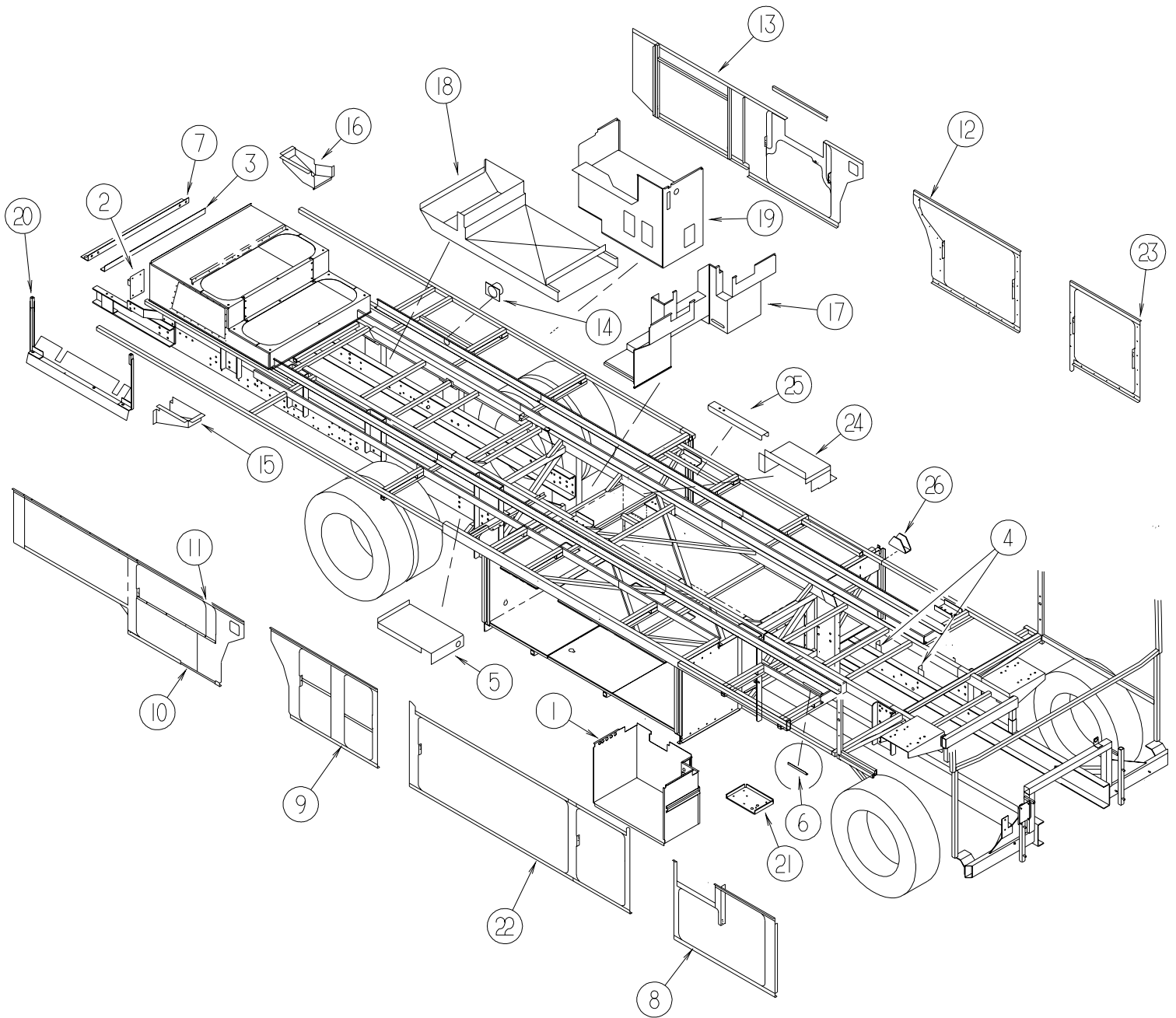
BEDROOM GROUP (CONTINUED)

TV CABINETS



| KEY | PART NUMBER | U/M | DESCRIPTION |
|-----|---------------|-----|---|
| 1 | M08975-17-KQ1 | EA | FACE ASM-TV CABT DTL A - SALEM CHERRY |
| 1 | M08975-17-N95 | EA | FACE ASM-TV CABT DTL A - PORTSMOUTH OAK |
| 2 | 131453-02-02B | EA | BRACKET - TIEDOWN/TV - E-COATED |
| 3 | 123655-01-000 | FT | SEAL - CLOSED CELL/FOAM |
| 4 | 131379-01-LQ1 | EA | TRIM - TV CABINET FACE - SALEM CHERRY |
| 4 | 131379-01-M95 | EA | TRIM - TV CABINET FACE - PORTSMOUTH OAK |

CHASSIS GROUP FRAME



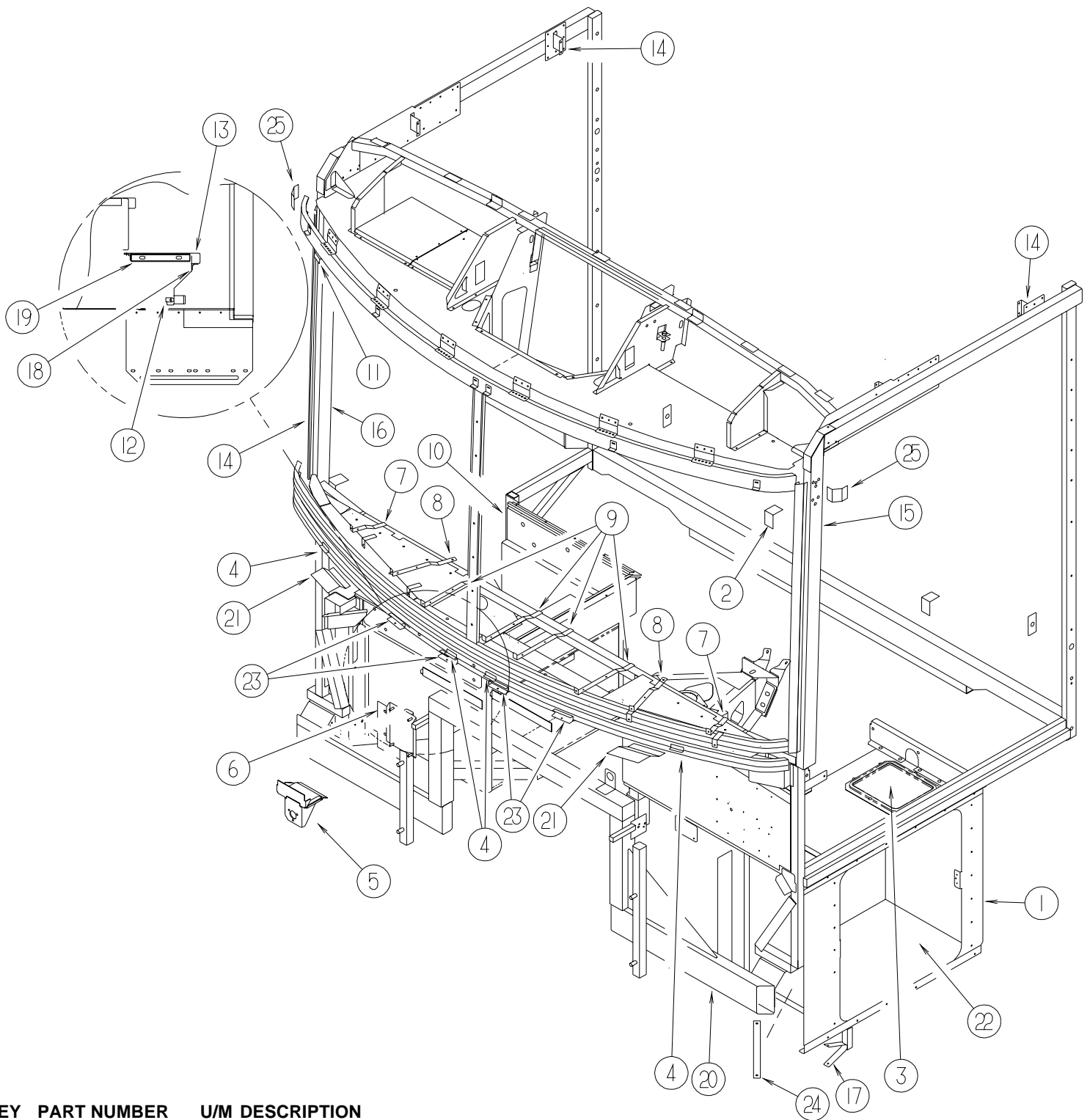
| KEY | PART NUMBER | U/M | DESCRIPTION |
|-----|---------------|-----|--|
| 1 | 140192-01-02B | EA | COMPARTMENT - ENTERTAINMENT CENTER - E-COATED FROM: 12-05-01 THRU: 99-99-99 |
| 2 | 141664-01-02B | EA | BRACKET - AIR FILTER - E-COATED FROM: 02-25-02 THRU: 99-99-99 |
| 3 | 139946-01-02B | EA | BRACKET - MUDFLAP - E-COATED |
| 4 | 128087-01-02B | EA | BRACKET - MOUNTING - LP TANK |
| 5 | 138273-01-02B | EA | PANEL/COMPARTMENT - HOLDING TANK - E-COATED |
| 6 | 127635-07-02B | EA | ANGLE - FORMED - W/HOLES - E-COATED |
| 7 | 122922-07-02B | EA | BRACKET/SUPPORT - CYLINDER - E-COATED |
| 8 | 129867-01-02B | EA | SEAL PLANE - ENTRY/CENTER/RIGHT HAND - E-COATED |
| 9 | 138050-01-02B | EA | SEAL PLANE - WATER/RIGHT HAND - E-COATED |
| 10 | 138051-01-02B | EA | SEAL PLANE - RIGHT HAND/REAR - E-COATED |
| 11 | 138200-01-02B | EA | PLATE - SEAL - E-COATED |
| 12 | 129870-01-02B | EA | SEAL PLANE - DRAIN/LEFT HAND - E-COATED |
| 13 | 129871-04-02B | EA | SEAL PLANE - REAR/LEFT HAND - E-COATED |
| 14 | 092776-01-000 | EA | ADAPTER - DUCT - 2" |
| 15 | 138571-01-02B | EA | DUCT - RIGHT HAND/REAR/E-COATED |
| 16 | 132380-02-02B | EA | DUCT - E-COAT |

CHASSIS GROUP (CONTINUED)
FRAME (CONTINUED)

| KEY | PART NUMBER | U/M | DESCRIPTION |
|------------|--------------------|------------|---|
| 17 | 137944-01-02B | EA | COMPARTMENT - HOLDING TANK - E-COATED |
| | 138172-01-02B | EA | PANEL/COMPARTMENT - HOLDING TANK - E-COATED |
| | 138238-01-02B | EA | PANEL- COMPARTMENT BOTTOM |
| 18 | 132615-02-02B | EA | DUCT - FURNACE - REAR - E-COATED |
| 19 | 137942-01-02B | EA | COMPARTMENT - WATER - E-COATED |
| 20 | 138481-01-02B | EA | HANGER - A/C COACH - E-COATED |
| 21 | 138799-01-02B | EA | SHIM - BODY - E-COATED |
| 22 | 128393-13-02B | EA | SEAL PLANE - E-COATED |
| 23 | 128393-14-02B | EA | SEAL PLANE - E-COATED |
| 24 | 139911-01-02B | EA | PANEL - CLOSEOUT/HOSE - E-COATED |
| 25 | 139731-01-02B | EA | BRACKET - PUMP - LEVELING - E-COATED |
| 26 | 135727-01-02B | EA | BRACKET - SPLICE - TUBE - E-COATED |

CHASSIS GROUP (CONTINUED)

FRONT END

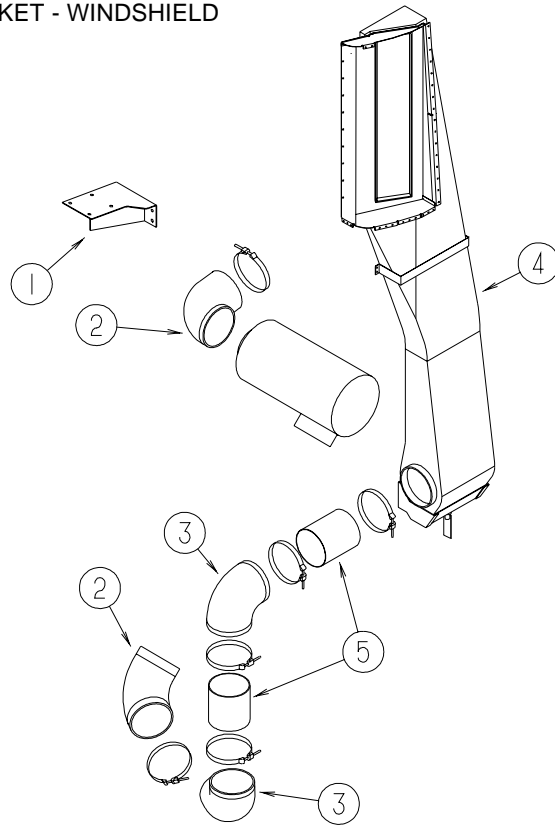


| KEY | PART NUMBER | U/M | DESCRIPTION |
|-----|---------------|-----|---|
| 1 | 129991-01-02B | EA | SEAL PLANE - FRONT/LEFT HAND - E-COATED |
| 2 | 121269-13-01B | EA | FRAME-WINDSHIELD,A PILLAR,ML |
| 3 | 123767-01-02B | EA | CAP/COMPARTMENT - E-COATED |
| 4 | 076364-57-000 | EA | ANGLE - FORMED |
| 5 | 134506-01-01B | EA | BRACKET - WIPER MOTOR |
| 6 | 115024-01-01B | EA | BRACKET - TANK - AIR HORN |
| 7 | 104797-05-000 | EA | BRACKET - DEFROSTER |
| 8 | 104797-04-000 | EA | BRACKET - DEFROSTER |
| 9 | 104797-03-000 | EA | BRACKET - DEFROSTER |
| 10 | 132987-01-02B | EA | STEP - ENTRY DOOR - E-COATED |

FROM: 00-00-00 THRU: 10-14-01

CHASSIS GROUP (CONTINUED) FRONT END (CONTINUED)

| KEY | PART NUMBER | U/M | DESCRIPTION |
|-----|---------------|-----|---|
| 11 | 120363-01-01B | EA | BRACKET - WINDSHIELD |
| 12 | 120863-08-000 | EA | BUMPER - RUBBER - W/INSERT |
| 13 | 131519-02-L94 | EA | STEP - FOLD UP/ENTRY DOOR |
| 14 | 104409-01-000 | EA | PLATE - MOUNTING/SIDEWALL |
| 14 | 139383-01-02B | EA | PLATE/MOUNT - SIDEWALL - E-COATED FROM: 00-00-00 THRU: 03-28-01 FROM: 03-29-01 THRU: 99-99-99 |
| 15 | 129420-01-01B | EA | TUBE-MITERED,A PILLAR,MILL |
| 16 | 129420-02-01B | EA | TUBE-MITERED,A PILLAR,MILL |
| 17 | 114761-01-01B | EA | BRACKET-EXHAUST,GENERATOR,ML |
| 18 | 129753-01-01A | EA | HINGE - SPRING LOADED - 19" X 19" - BLACK |
| 19 | 131539-02-02B | EA | SUPPORT - STEP/FOLD UP - E-COATED |
| 20 | 135808-01-02B | EA | SUPPORT - FRONT - E-COATED |
| 21 | 134202-01-01B | EA | REINFORCEMENT - SUPPORT - LOWER WINDSHIELD/MIDDLE |
| 22 | 140614-01-02B | EA | COMPARTMENT - LUGGAGE - E-COATED 134097-01-02B FROM: 08-07-01 THRU: 99-99-99 |
| 23 | 117462-01-01B | EA | CHANNEL - SUPPORT |
| 24 | 115023-01-000 | EA | ISOLATOR - RUBBER |
| 25 | 120363-02-01B | EA | BRACKET - WINDSHIELD |

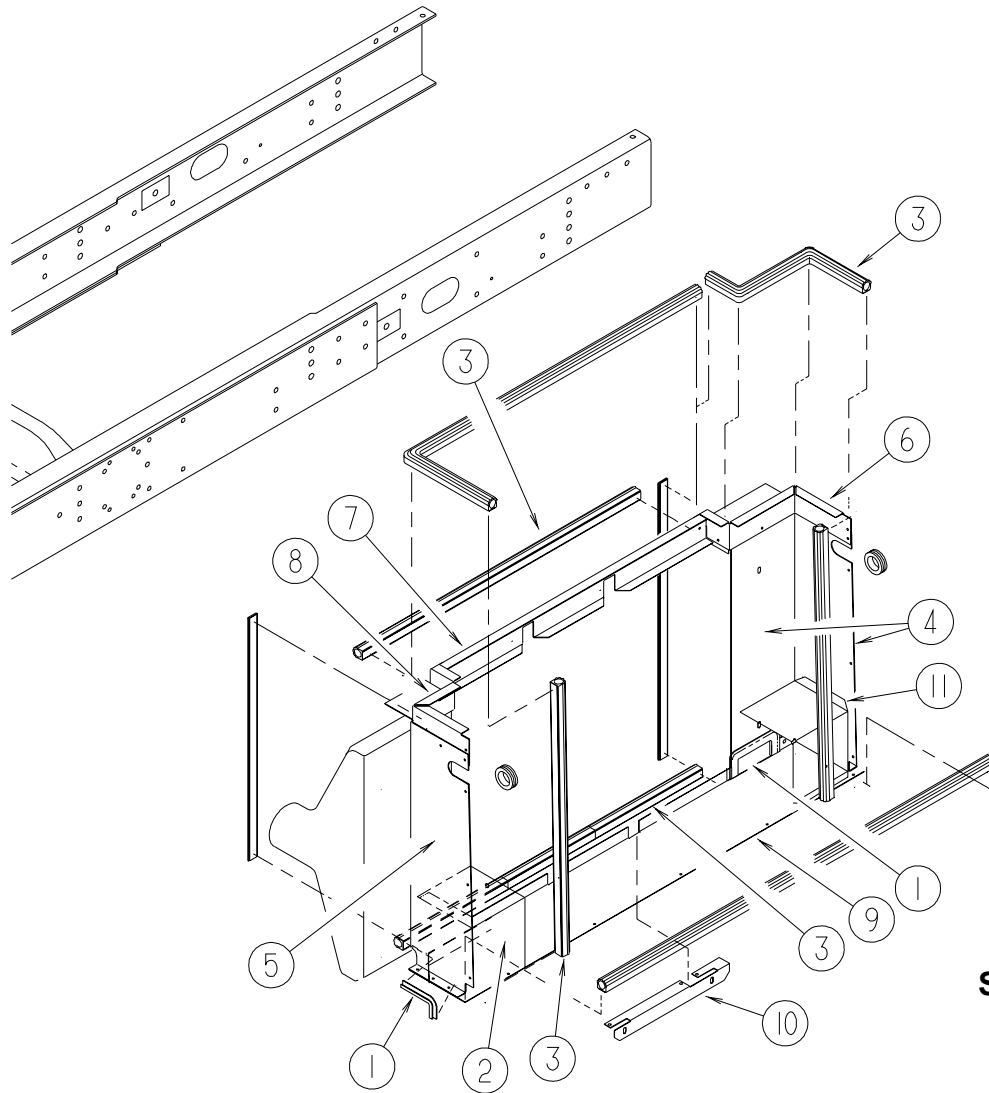


AIR INTAKE

| KEY | PART NUMBER | U/M | DESCRIPTION |
|-----|----------------|-----|---|
| 1 | NOT USED | EA | BRACKET/AIR FILTER - E-COATED |
| 2 | NOT USED | EA | ELBOW - RUBBER - 68 DEGREE 6" ID |
| 3 | 123362-02-000 | EA | ELBOW - AIR INTAKE - RUBBER - 90 DEGREE 6" ID |
| 4 | 12†9514-02-01A | EA | DUCT - INTAKE AIR - W/FITTING |
| | 129514-01-01A | EA | DUCT - INTAKE AIR |
| 5 | 129839-02-01A | EA | TUBE-6" OD,BEAD ONE END,MILL |

CHASSIS GROUP (CONTINUED)

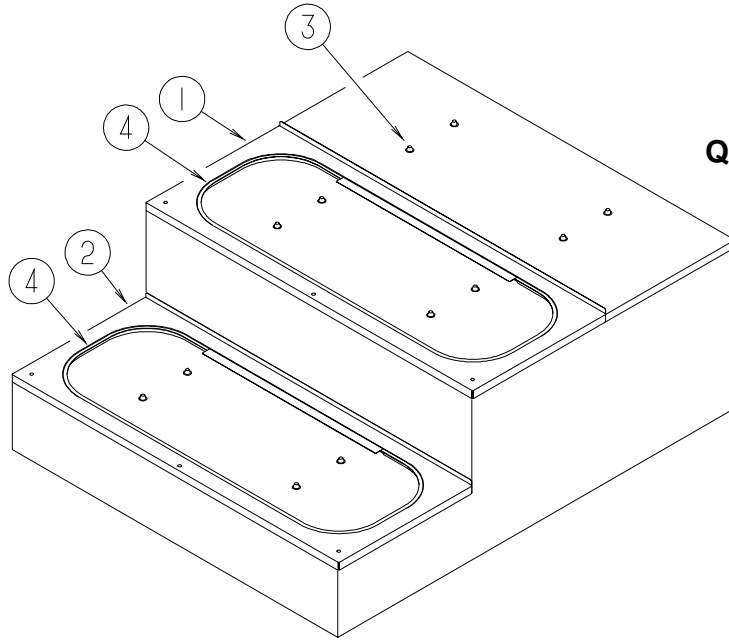
INSULATION



SIDE RADIATOR

| KEY | PART NUMBER | U/M | DESCRIPTION |
|-----|---------------|-----|---|
| 1 | 072368-02-000 | FT | TRIM - VINYL - EDGE - BLACK |
| 2 | 140505-01-02B | EA | COVER/HOSE - OIL COOLER - E-COATED |
| 3 | 107721-07-000 | FT | SEAL - ACCESS DOOR - .9" WIDE X 1.1" HIGH |
| 4 | 131125-03-02B | EA | BAFFLE - RADIATOR - RT - SPT - E-COATED |
| 5 | 131125-05-02B | EA | BAFFLE - RADIATOR - LT - SPT - E-COATED |
| 6 | 134558-02-02B | EA | BAFFLE - RADIATOR - E-COATED |
| 7 | 134558-04-02B | EA | BAFFLE - RADIATOR/SIDE - E-COATED |
| 8 | 134558-05-02B | EA | BAFFLE - RADIATOR/SIDE - E-COATED |
| 9 | 134558-06-02B | EA | BAFFLE - RADIATOR/SIDE - E-COATED |
| 10 | 134598-01-02B | EA | MOUNT - BAFFLE - E-COATED |
| 11 | 140505-02-02B | EA | COVER/HOSE - OIL COOLER - E - COATED |

CHASSIS GROUP (CONTINUED)
INSULATION (CONTINUED)

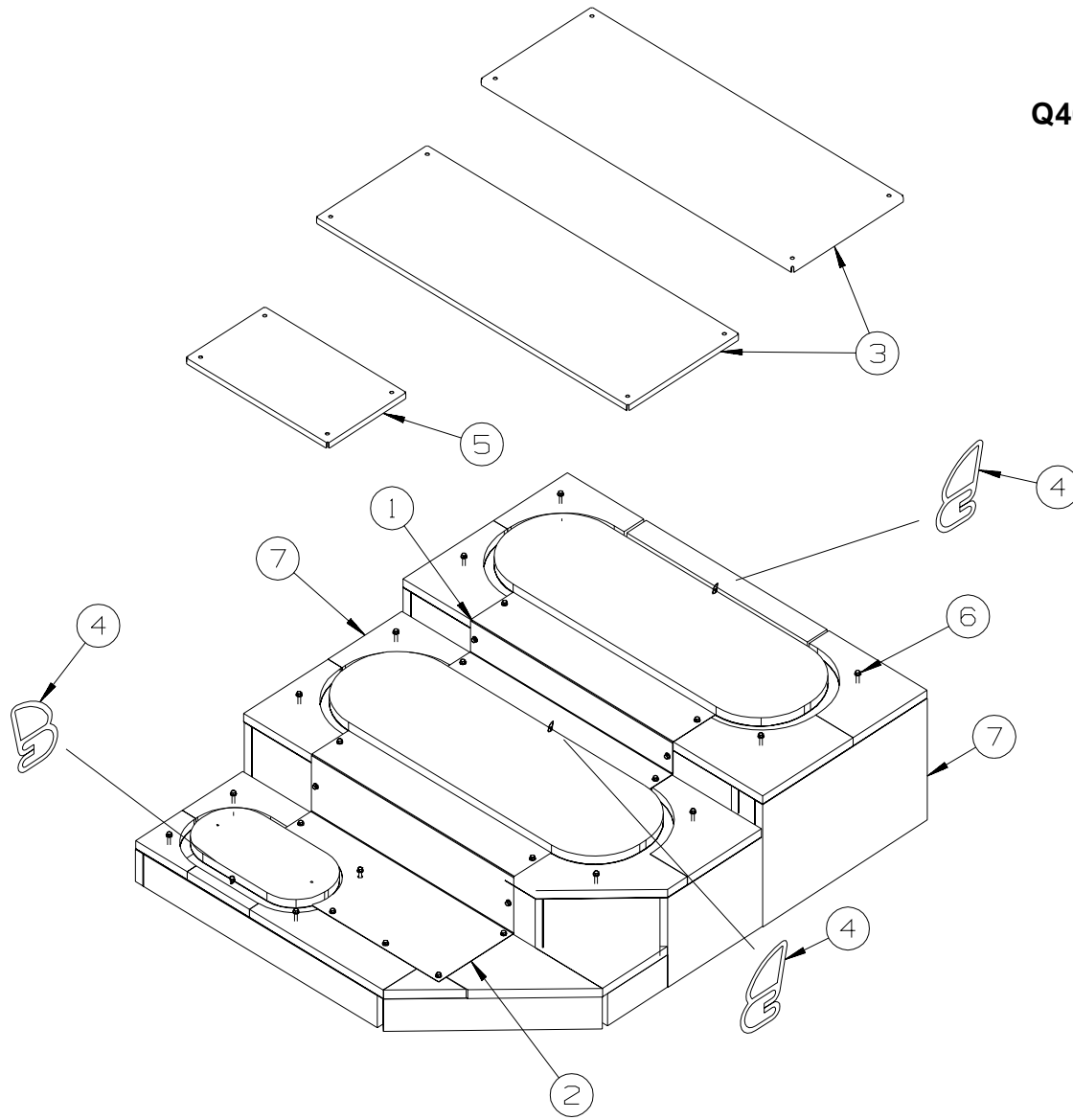


Q36C, Q38K, Q40J

| KEY | PART NUMBER | U/M | DESCRIPTION |
|-----|---------------|-----|--|
| 1 | 138525-01-02B | EA | COVER - ENGINE - E-COATED - Q38K, Q40J |
| 1 | 134340-01-02B | EA | COVER - ENGINE - E-COATED - Q36C |
| 2 | 140505-01-02B | EA | COVER/HOSE - OIL COOLER - E-COATED |
| 3 | 106648-01-000 | EA | CAP - STUD - .120 TO .130 DIAMETER |
| 4 | 039623-01-000 | EA | SEAL - MOTOR COVER - RUBBER BULB TYPE |

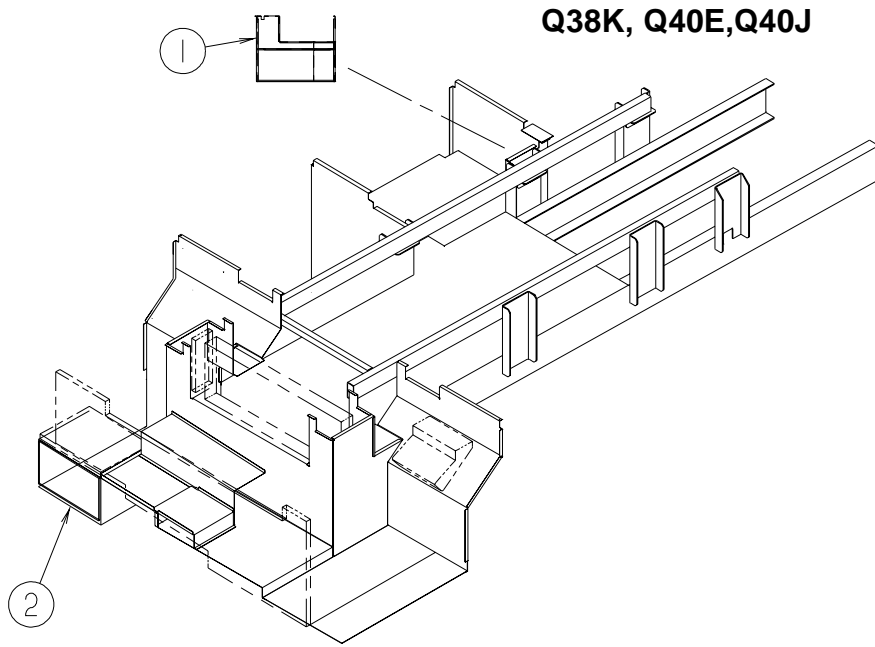
CHASSIS GROUP (CONTINUED)
INSULATION (CONTINUED)

Q40E



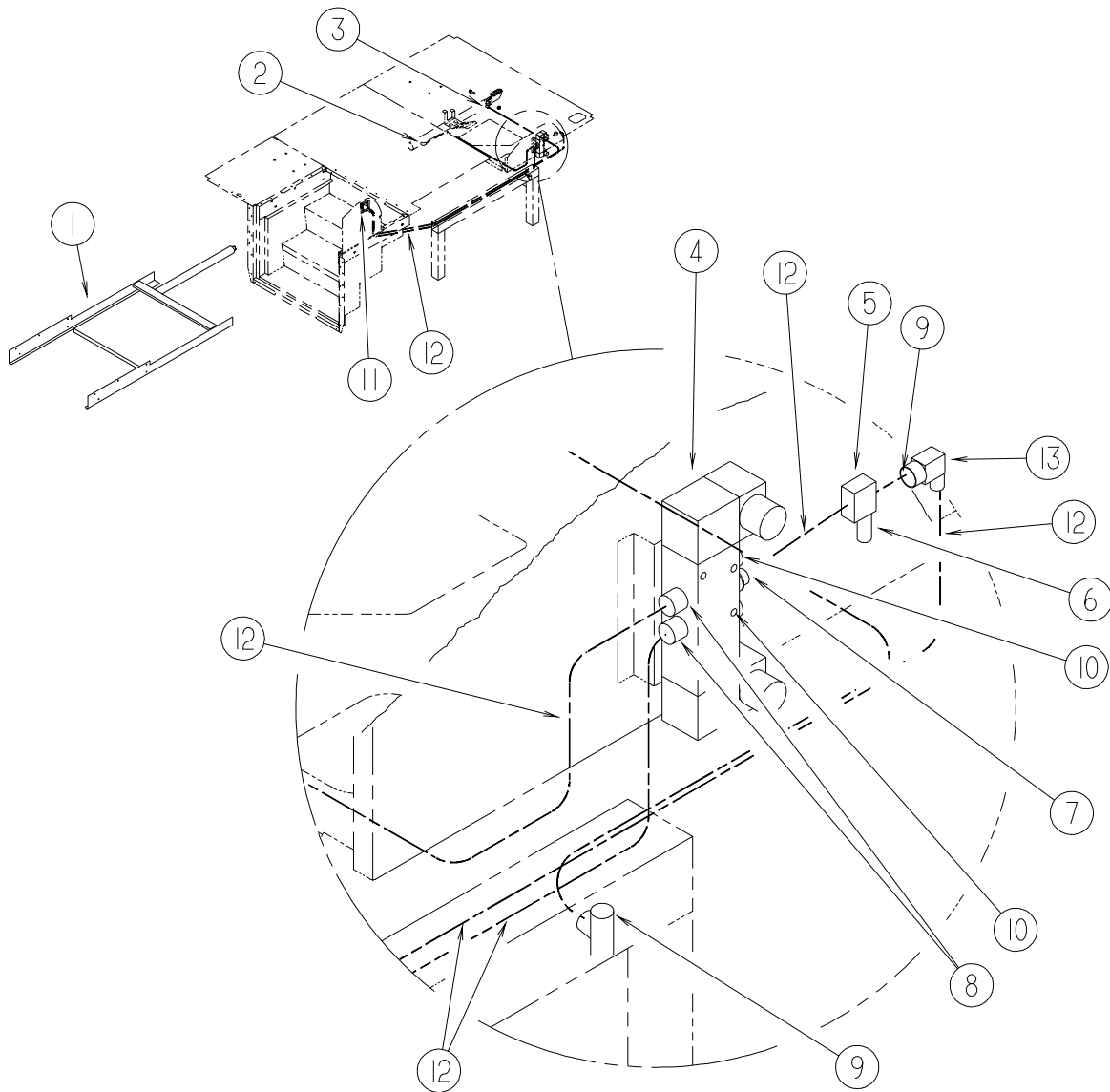
| KEY | PART NUMBER | U/M | DESCRIPTION |
|-----|---------------|-----|--|
| 1 | 140351-02-02B | EA | PANEL - ACCESS/COMPARTMENT - E-COATED |
| 2 | 140388-02-02B | EA | PANEL - ACCESS/COMPARTMENT - E-COATED |
| 3 | 140399-01-02B | EA | COVER - ENGINE - E-COATED |
| 4 | 039623-01-000 | EA | SEAL - MOTOR COVER - RUBBER BULB TYPE |
| 5 | 140420-01-02B | EA | COVER - ENGINE - E-COATED |
| 6 | 106648-01-000 | EA | CAP - STUD - .120 TO .130 DIAMETER |
| 7 | 072877-03-000 | EA | INSULATION - SOUND BARRIER- 1" X 36" X 57" - ADHESIVE BACK |

CHASSIS GROUP (CONTINUED)
INSULATION (CONTINUED)



| KEY | PART NUMBER | U/M | DESCRIPTION |
|-----|---------------|-----|--------------------------------|
| 1 | 105290-01-000 | SF | INSULATION - AIR POCKET W/FOIL |
| 2 | 138497-03-N94 | EA | PANEL - WATER CENTER |

CHASSIS GROUP (CONTINUED) STEPWELL COVER



| KEY | PART NUMBER | U/M | DESCRIPTION |
|-----|---------------|-----|---|
| 1* | 131281-01-000 | EA | STEP COVER - SLIDING - W/AIR CYLINDER |
| 2 | 071387-07-000 | EA | ELBOW - MALE - BRAKE TUBE - 1/4" X 1/8" |
| 3 | 071386-03-000 | EA | CONNECTOR - MALE - 1/4 TUBE X 1/8 |
| 4 | 124625-01-000 | EA | VALVE - AIR - DOUBLE SOLENOID |
| 5 | 124382-01-000 | EA | REGULATOR - AIR/MINIATURE |
| 6 | 086241-02-000 | EA | VALVE - AIR - 1/8" MPT - TANK |
| 7 | 124625-04-000 | EA | FITTING - STRAIGHT REDUCER |
| 8 | 124625-05-000 | EA | FITTING - ELBOW REDUCER |
| 9 | 124625-03-000 | EA | SILENCERS - AIR VALVE |
| 10* | 124628-01-000 | EA | VALVE - AIR - OVERRIDE - 3-WAY |
| 10 | 127452-01-02B | EA | PLATE - AIR VALVE - E-COAT |
| 10 | 124628-02-000 | EA | KNOB - F/MANUAL OVERRIDE VALVE |
| 10 | 124039-01-01A | EA | APPLIQUE - MANUAL VALVE |
| 11 | 071390-04-000 | FT | TUBING - AIR BRAKE - 1/4" OD-BLK WEATHERHEAD(BRKS & HORN) |
| 12 | 071387-05-000 | EA | ELBOW - MALE - BRAKE TUBE - 1/4 X 1/4 |

***COMPONENT PARTS LISTED LATER IN THIS GROUP**

CHASSIS GROUP (CONTINUED)
COMPONENT PARTS FOR STEPWELL COVER

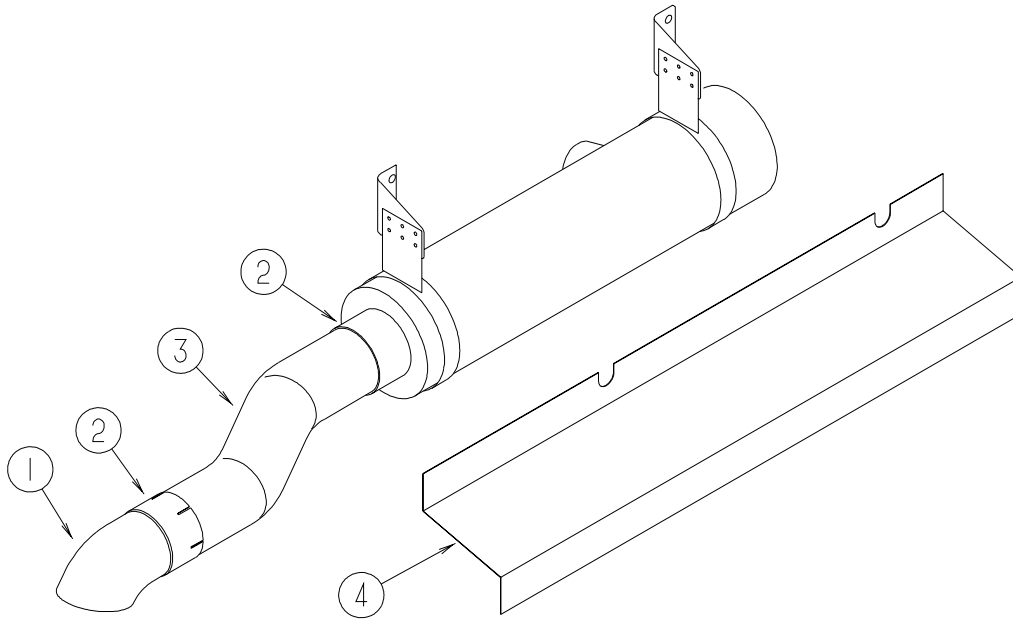
124628-01-000

| KEY | PART NUMBER | U/M | DESCRIPTION | VENDOR NO. |
|------------|--------------------|------------|----------------------|-------------------|
| | 124628-01-700 | EA | TUBE NUT KIT (2 PC.) | P-069594-K0000 |

131281-01-000

| KEY | PART NUMBER | U/M | DESCRIPTION | VENDOR NO. |
|------------|--------------------|------------|-------------------------|-------------------|
| | 131281-01-700 | EA | SLIDER BLOCK | 1912105 - KWIKEE |
| | 131281-01-701 | EA | CYLINDER - SLIDING STEP | 1501212 - KWIKEE |

CHASSIS GROUP (CONTINUED)
EXHAUST



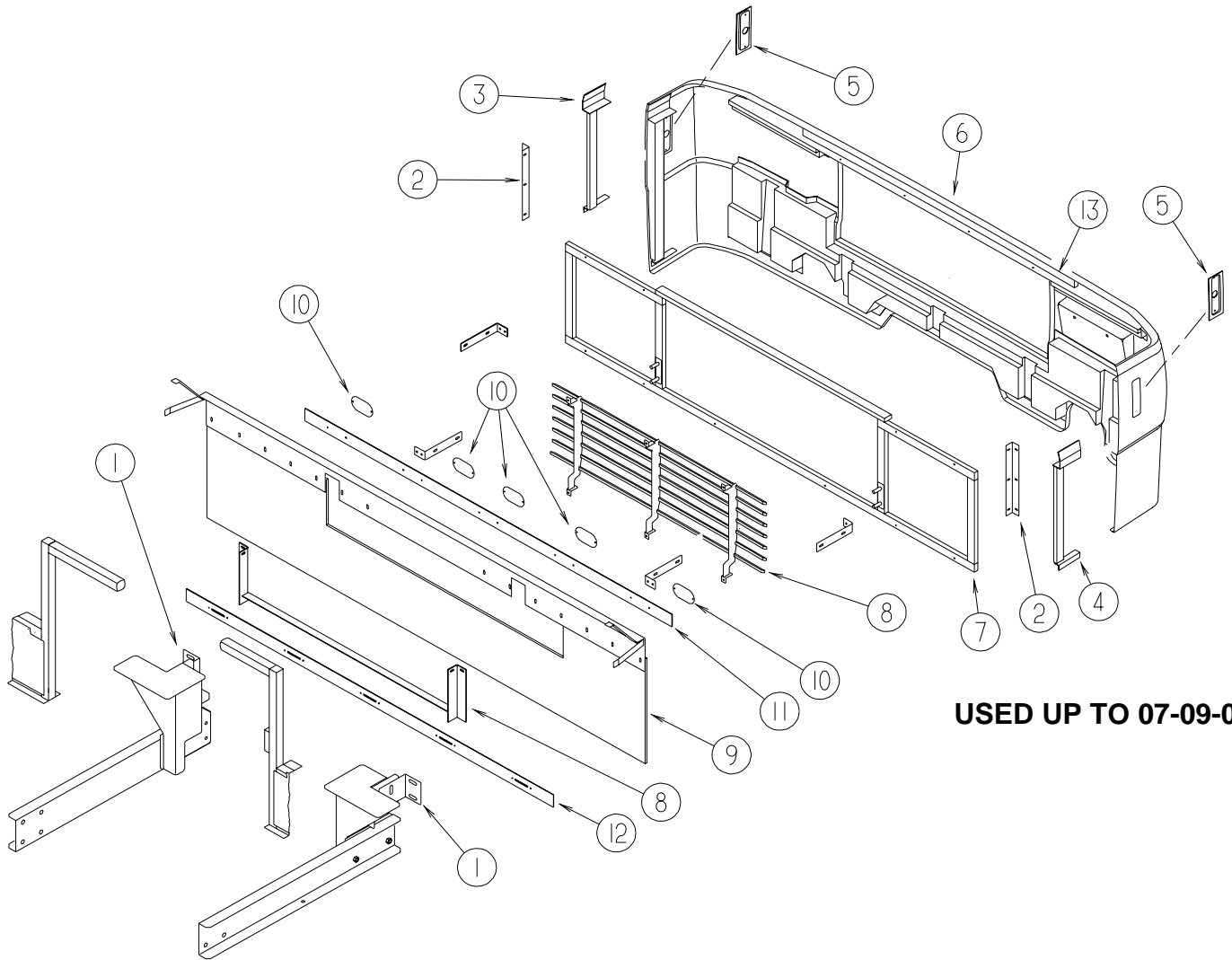
| KEY | PART NUMBER | U/M | DESCRIPTION |
|-----|---------------|-----|------------------------------------|
| 1 | 116425-02-000 | EA | EXTENSION - EXHAUST - CHROMED - 5" |
| 2 | 094918-08-000 | EA | CLAMP - EXHAUST - 5" |
| 3 | 114869-11-000 | EA | PIPE - EXHAUST |
| 4 | 128461-01-02B | EA | SHIELD - MUFFLER - E-COATED - Q36C |

HITCH

| KEY | PART NUMBER | U/M | DESCRIPTION |
|-----|---------------|-----|---------------------------|
| | 133706-02-02B | EA | SHIM - HITCH |
| | 134016-01-01A | EA | DRAWBAR - HITCH - CLASS 4 |
| | 034512-01-000 | EA | PIN - LOCKING - DRAWBAR |
| | 034513-01-000 | EA | PIN - HITCH - 3/16" WIRE |

CHASSIS GROUP (CONTINUED)

REAR BUMPER

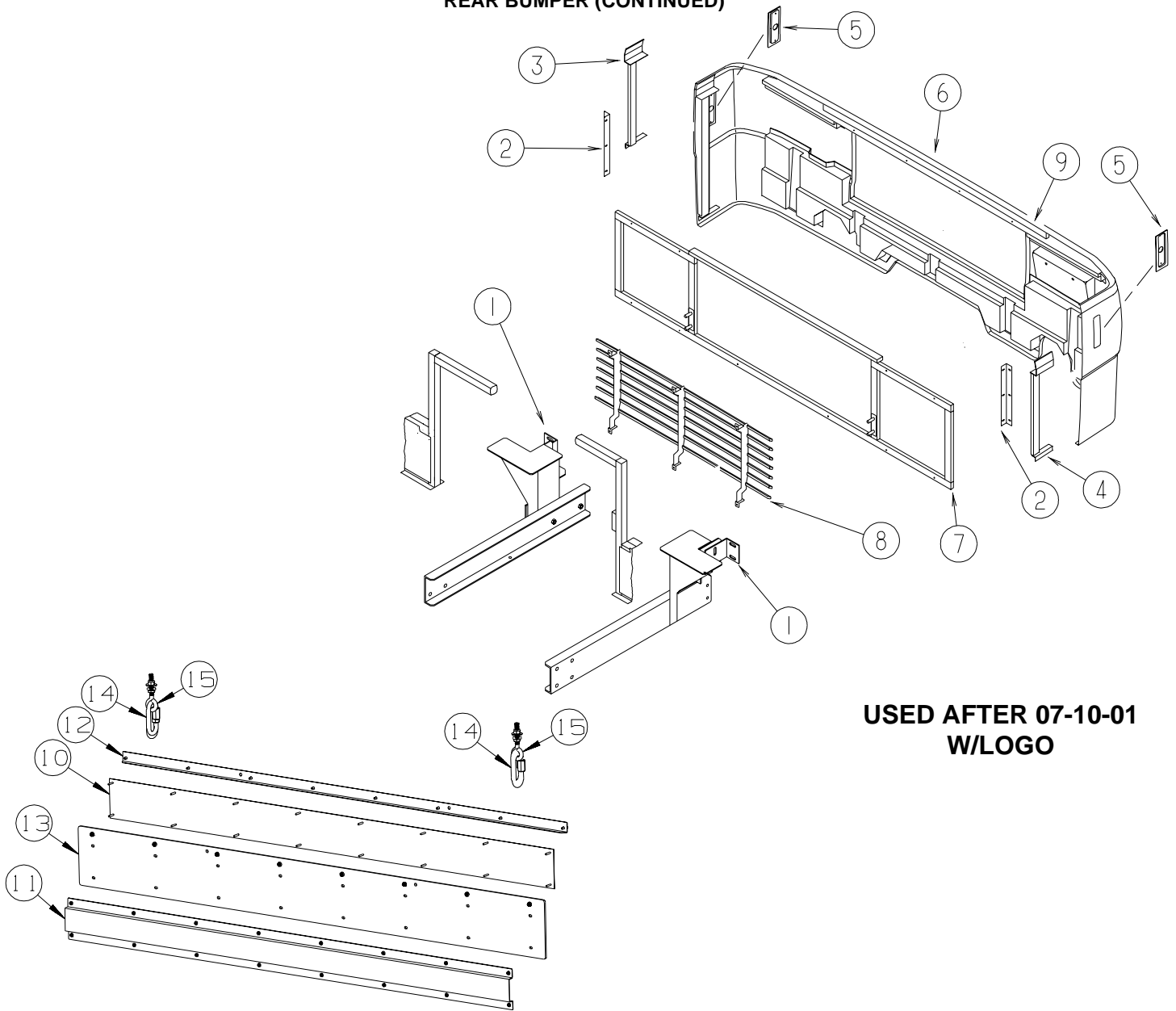


USED UP TO 07-09-01

| KEY | PART NUMBER | U/M | DESCRIPTION |
|-----|---------------|-----|---|
| 1 | 107524-04-000 | EA | ANGLE - BUMPER - INNER/RIGHT & LEFT HAND |
| 2 | 113041-03-02B | EA | ANGLE - BUMPER MOUNT - 14.9" |
| 3 | 124837-05-01A | EA | SUPPORT - BUMPER - REAR/PASSENGER - BLACK |
| 4 | 124837-06-01A | EA | SUPPORT - BUMPER - REAR/DRIVER - BLACK |
| 5 | 118374-01-01A | EA | POCKET - SIDE MARKER LIGHT - BLACK - FLAT WALL |
| 6 | P29397-02-KQ0 | EA | PANEL - BUMPER/REAR |
| 7 | 129374-01-02B | EA | FRAME/BUMPER - REAR - E-COATED |
| 8 | 129377-01-KQ0 | EA | GRILLE - BUMPER/REAR |
| 9* | 130464-01-01A | EA | MUD FLAP - REAR/RADIATOR SIDE - STAINLESS STEEL |
| 10 | 130464-04-01A | EA | REFLECTOR ONLY - REAR MUD FLAP (1 PKG = 5 REFLECTORS) |
| 11 | 130464-03-01A | EA | TRIM/FASTENER PKG - REAR MUD FLAP |
| 12 | 135067-01-02B | EA | ANGLE - MUDFLAP - E-COATED |
| 13 | 124861-01-02A | EA | SUPPORT - BUMPER - REAR/PASSENGER/UPPER - BLACK |

***COMPONENT PARTS LISTED LATER IN THIS GROUP**

CHASSIS GROUP (CONTINUED) REAR BUMPER (CONTINUED)



**USED AFTER 07-10-01
W/LOGO**

| KEY | PART NUMBER | U/M | DESCRIPTION |
|-----|---------------|-----|---|
| 1 | 107524-04-000 | EA | ANGLE - BUMPER - INNER/RIGHT & LEFT HAND |
| 2 | 113041-03-02B | EA | ANGLE - BUMPER MOUNT - 14.9" |
| 3 | 124837-05-01A | EA | SUPPORT - BUMPER - REAR/PASSENGER - BLACK |
| 4 | 124837-06-01A | EA | SUPPORT - BUMPER - REAR/DRIVER - BLACK |
| 5 | 118374-01-01A | EA | POCKET - SIDE MARKER LIGHT - BLACK - FLAT WALL |
| 6 | P29397-02-KQ0 | EA | PANEL - BUMPER/REAR |
| 7 | 129374-01-02B | EA | FRAME/BUMPER - REAR - E-COATED |
| 8 | 129377-01-KQ0 | EA | GRILLE - BUMPER/REAR |
| 9 | 124861-01-02A | EA | SUPPORT - BUMPER - REAR/PASSENGER/UPPER - BLACK |
| 10 | 139238-02-01A | EA | PLATE - MUD FLAP - ADVANTAGE LOGO |
| 11 | 139416-01-02B | EA | STIFFENER - MUDFLAP - E-COATED |
| 12 | 139417-01-04B | EA | ANGLE - FORMED - MUDFLAP - E-COATED |
| 13 | 139635-01-01A | EA | MUD FLAP - FULL WIDTH |
| 14 | 139818-01-01A | EA | LINK - QUICK - STAINLESS STEEL |
| 15 | 139820-02-01A | EA | BOLT - HANGER EYE - 5/16" - STAINLESS STEEL |

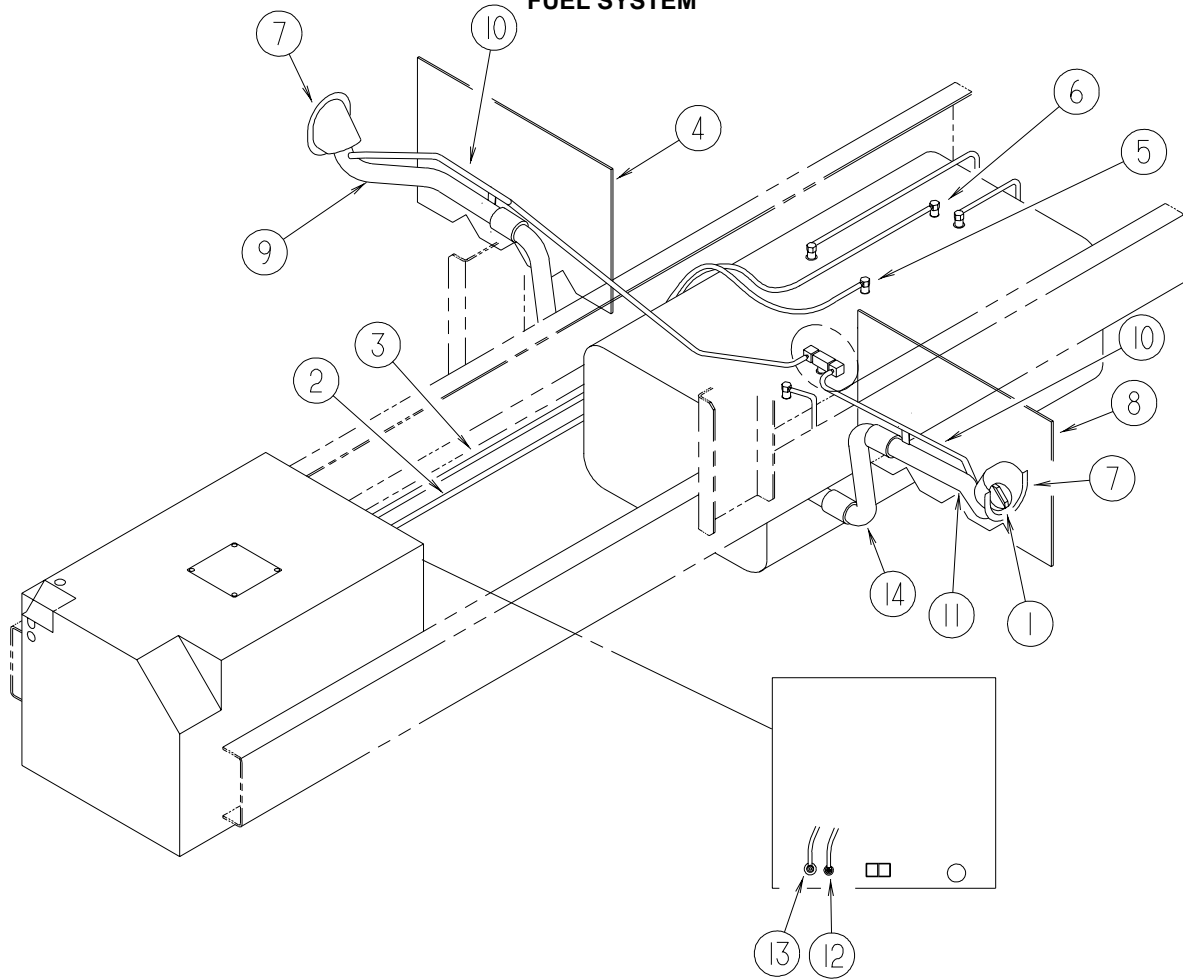
CHASSIS GROUP (CONTINUED)
COMPONENT PARTS FOR REAR BUMPER

130464-01-01A

| KEY | PART NUMBER | U/M | DESCRIPTION | VENDOR NO. |
|------------|--------------------|------------|------------------------|-------------------|
| | 130464-01-700 | EA | BAR - SS W/STUDS - 70" | NO VDR# |
| | 130464-01-701 | EA | REFLECTOR - RED | NO VDR# |

CHASSIS GROUP (CONTINUED)

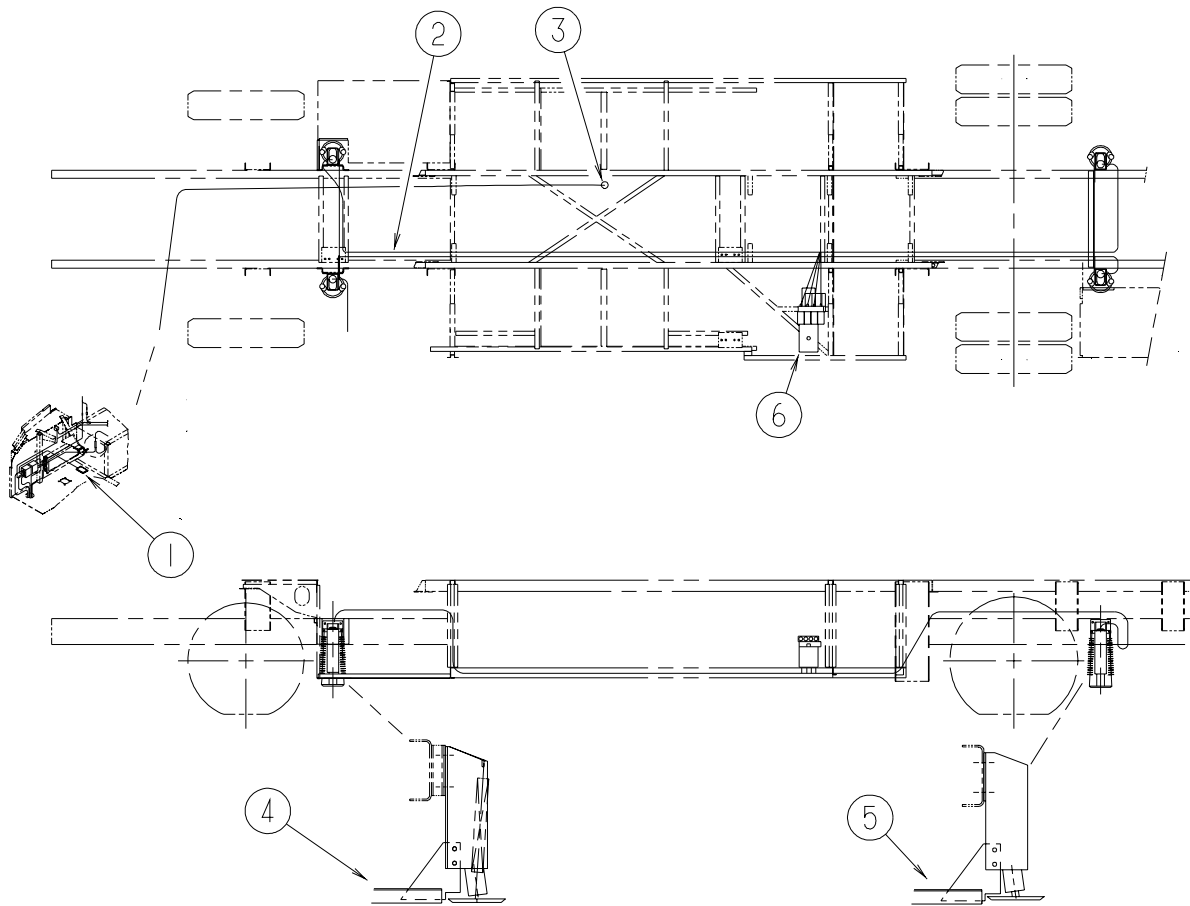
FUEL SYSTEM



| KEY | PART NUMBER | U/M | DESCRIPTION |
|-----|---------------|-----|--|
| 1 | 073220-04-000 | EA | CAP - FUEL FILL - NON LOCKING DIESEL |
| 2 | 024138-01-000 | FT | HOSE - FUEL - 5/16" ID |
| 3 | 128139-03-000 | FT | HOSE - FUEL - LOW PERMEABILITY - 1/4" DIAMETER |
| 4 | 118726-04-000 | EA | BAFFLE - FUEL FILL - RIGHT HAND |
| 5 | 114253-01-000 | EA | ELBOW - 1/4 SINGLE BARB X 1/8 MPT |
| 5 | 068382-06-000 | EA | BUSHING - BRASS - 3/8"MPT X 1/8"FPT |
| 6 | 114253-02-000 | EA | ELBOW - 5/16 SINGLE BARB X 1/4 MPT |
| 6 | 068382-01-000 | EA | BUSHING - BRASS - 1/2 MPT X 1/4 FPT |
| 7 | 128299-01-01A | EA | SHROUD - FUEL FILL |
| 8 | 118726-03-000 | EA | BAFFLE - FUEL FILL - LEFT HAND |
| 9 | 132108-02-000 | EA | NECK ASSEMBLY - FUEL FILL/PASSENGER |
| 10 | 066732-01-000 | FT | HOSE - FUEL - .62"ID |
| 11 | 132108-01-000 | EA | NECK ASSEMBLY - FUEL FILL/DRIVER |
| 12 | 114254-01-000 | EA | ADAPTER - 1/4 BARB X 1/8 MPT |
| 13 | 114254-02-000 | EA | ADAPTER - 5/16 SINGLE BARB X 1/8 MPT |
| 14 | 100140-09-000 | EA | TUBE-FUEL INLET |

CHASSIS GROUP (CONTINUED)

HYDRAULIC LEVELING



| KEY | PART NUMBER | U/M | DESCRIPTION |
|-----|---------------|-----|---|
| 1* | 107889-03-000 | EA | PANEL - CONTROL - TOUCH - AIR DUMP |
| 2 | 100536-53-000 | EA | HOSE KIT - LEVELING JACKS |
| 3 | 117183-01-02B | EA | COVER - SENSOR - LEVELING |
| 4 | 128411-01-02B | EA | BRACKET - JACK - E-COATED |
| 5 | 128411-04-02B | EA | BRACKET - JACK - E-COATED |
| 6 | 131306-28-000 | EA | LEVELING SYSTEM - 610 SYSTEM - F/2 ROOM SLIDE - SPARTAN |

***COMPONENT PARTS LISTED LATER IN THIS GROUP**

CHASSIS GROUP (CONTINUED)
COMPONENT PARTS FOR HYDRAULIC LEVELING

107889-03-000

| KEY | PART NUMBER | U/M | DESCRIPTION | VENDOR NO. |
|-----|---------------|-----|------------------|------------|
| | 100532-09-702 | EA | CABLE-MODULAR 5' | RAP1020 |
| | 107889-03-700 | EA | PANEL-TOUCH | RAP1088 |

CHASSIS GROUP (CONTINUED)
WHEEL, TIRE, COVERS &/OR LINERS

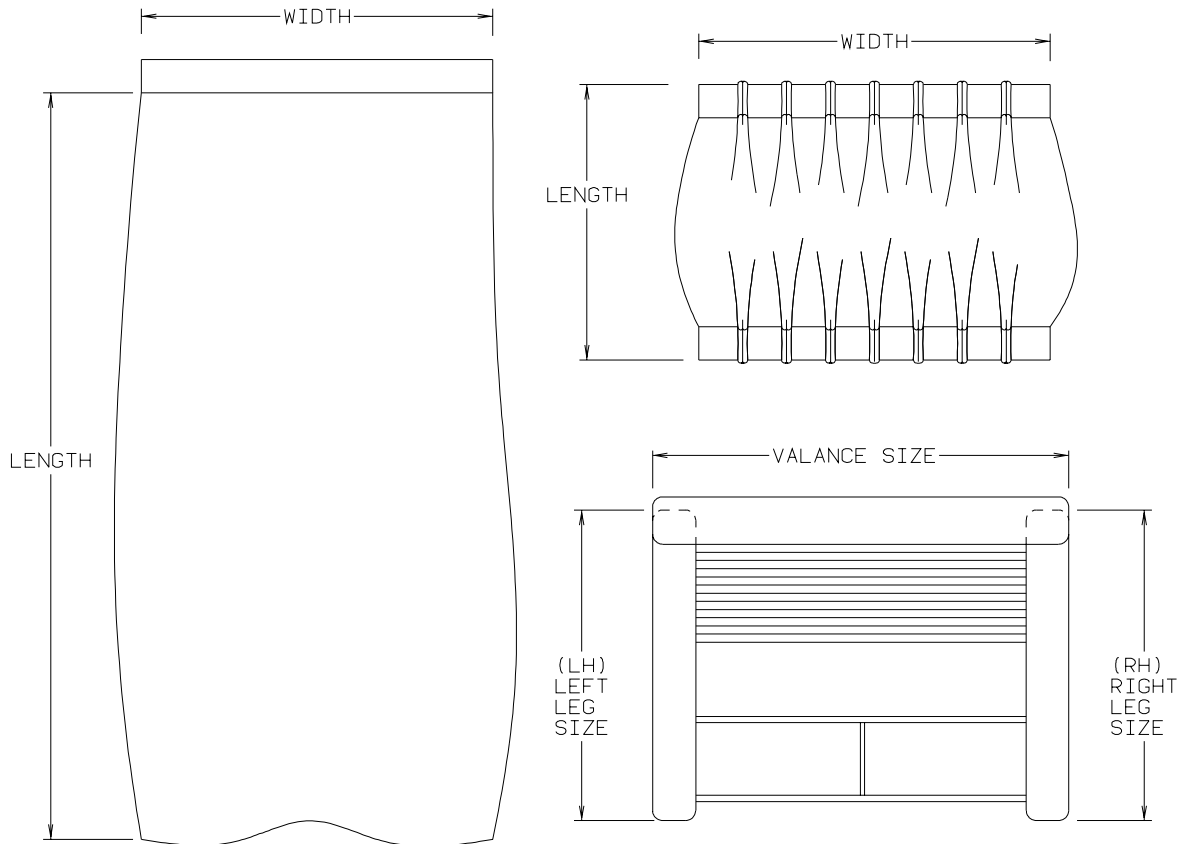
| KEY | PART NUMBER | U/M | DESCRIPTION |
|------------|--------------------|------------|--|
| | 129058-10-000 | EA | COVER - NUT - 1.9"H X 2"BASE X 1.4" NUT |
| | 129058-11-000 | EA | COVER - NUT - 2.24"H X 2" BASE X 1.4" NUT (REAR WHEELS) FROM: 00-00-00 THRU: 02-19-02 |
| | 129058-14-000 | EA | COVER - FRONT AXLE - 10 BOLT FRONT - W/LOGO FROM: 02-20-02 THRU: 99-99-99 |
| | 129058-15-000 | EA | COVER - REAR AXLE - 10 BOLT REAR - W/LOGO FROM: 02-20-02 THRU: 99-99-99 |
| | 129058-16-000 | EA | CAP - REAR - THREADED - W/LOGO FROM: 02-20-02 THRU: 99-99-99 |
| | 129058-17-000 | EA | BRACKET - REAR - THREADED FROM: 02-20-02 THRU: 99-99-99 |
| | 133429-01-000 | EA | WHEEL - ALUMINUM - 22.5" X 8.25" - POLISHED/OUTSIDE |
| | 133429-02-000 | EA | WHEEL - ALUMINUM - 22.5" X 8.25" - POLISHED/INSIDE |
| | 077030-02-000 | EA | EXTENSION - VALVE STEM - 1.25" |
| | 080208-04-000 | EA | LUG WRENCH - 1 3/16" - OSHKOSH/SPARTAN |
| | 080208-05-000 | EA | BAR - LEVERAGE - LUG WRENCH - .75"DIA. - OSHKOSH/SPARTAN |

CURTAIN & CUSHION GROUP

NOTICE

IN ORDER TO ASSIST OUR PARTS SALES DEPT. IN PROVIDING INTERIOR SOFTWARE ITEMS, PLEASE INCLUDE THE SERIAL NUMBER AND THE COLOR CODE NUMBER FROM THE VEHICLE CERTIFICATION LABEL WHEN ORDERING. THIS LABEL IS LOCATED ON THE LEFT SIDEWALL AT THE END OF THE DASH (A-BODY), OR ON THE DRIVER'S DOOR LATCH PLATE (C-BODY).

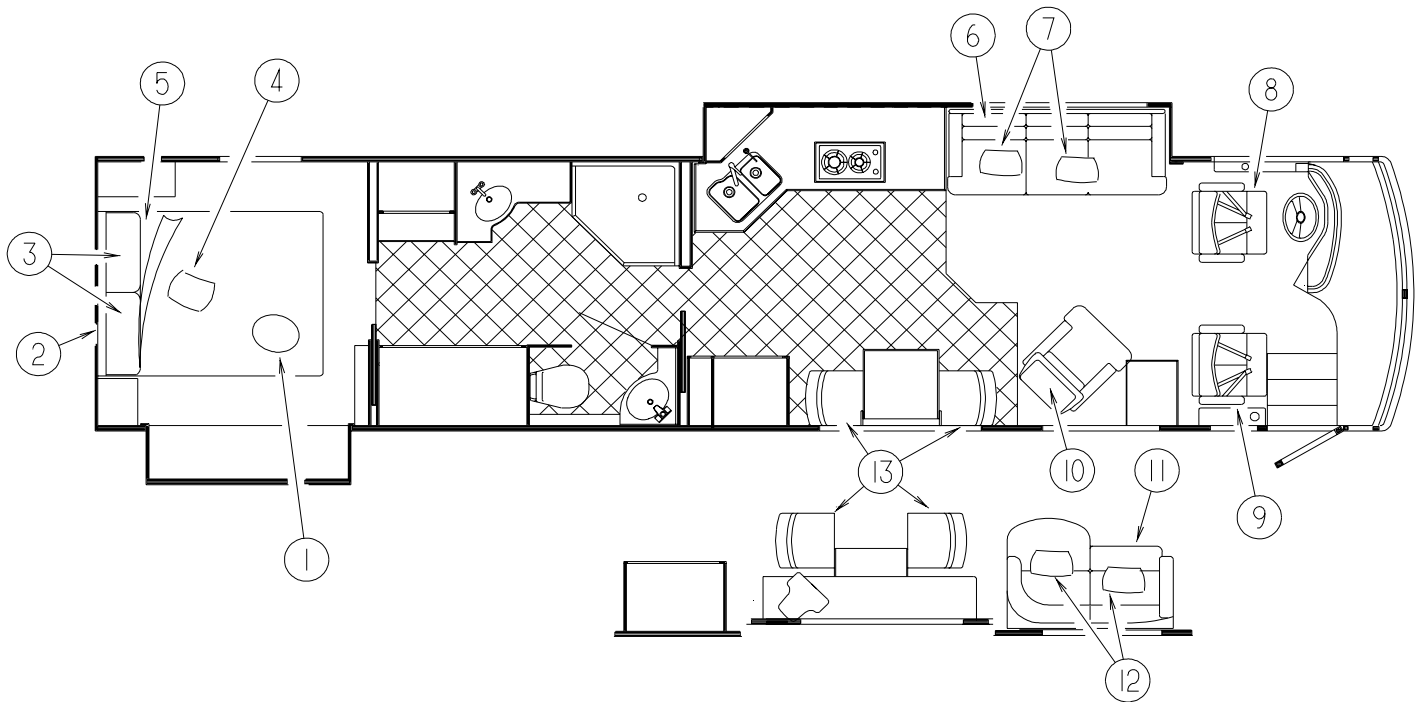
AN EXAMPLE OF A COLOR CODE NUMBER IS B07, WHICH DESIGNATES AN OVERALL COLOR SCHEME OF A PARTICULAR UNIT. THE COLOR LISTED AFTER THE ITEM DESCRIPTION ON THE MICROFICHE, INDICATES THE OVERALL UNIT COLOR. ORDER THE ITEM YOU DESIRE ACCORDING TO UNIT COLOR CODE. IF ALL COLORS USE THE SAME ITEM NO COLOR CODE WILL BE NOTED.



NOTE: USE THIS ILLUSTRATION WHEN DETERMINING LENGTH AND WIDTH MEASUREMENTS FOR CURTAINS. YOU WILL NOTE THE WIDTH MEASUREMENT IS TAKEN ON THE TOP OF THE CURTAIN WITH THE CURTAIN FULLY EXTENDED. THE LENGTH MEASUREMENT IS TAKEN FROM TOP TO BOTTOM. LEFT AND RIGHT WINDOW LEGS ARE DETERMINED WHEN FACING THE WINDOW.

CURTAIN & CUSHION GROUP (CONTINUED)

CUSHION LAYOUT



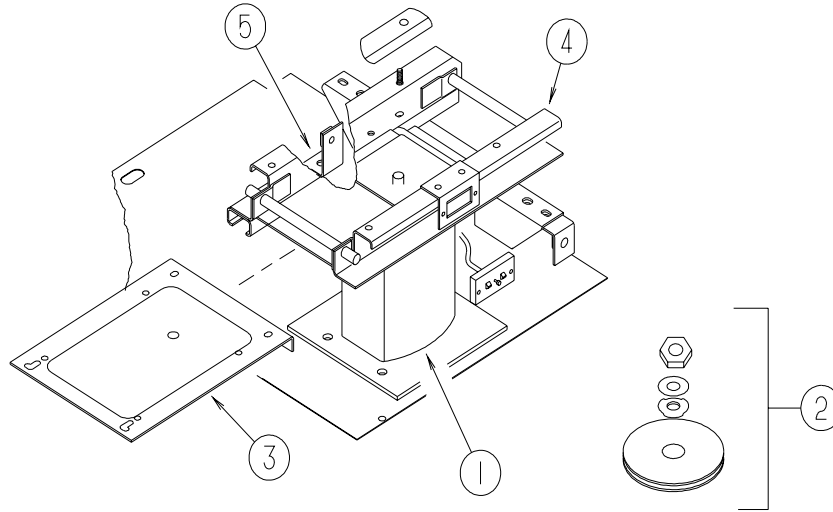
| KEY | PART NUMBER | U/M | DESCRIPTION |
|-----|---------------|-----|--|
| 1 | 139766-01-N94 | EA | PILLOW - 16" ROUND (N94, N95) |
| 1 | 139766-01-N96 | EA | PILLOW - 16" ROUND (N96, N97) |
| 1 | 139766-01-N98 | EA | PILLOW - 16" ROUND (N98, N99) |
| 2 | 117059-12-N94 | EA | HEADBOARD - PRINCE - 62.5" X 30" - FABRIC COVERED (N94, N95) |
| 2 | 117059-12-N96 | EA | HEADBOARD - PRINCE - 62.5" X 30" - FABRIC COVERED (N96, N97) |
| 2 | 117059-12-N98 | EA | HEADBOARD - PRINCE - 62.5" X 30" - FABRIC COVERED (N98, N99) |
| 3 | 124575-15-000 | EA | PILLOW SHAM (N94, N95) |
| 3 | 124575-16-000 | EA | PILLOW SHAM (N96, N97) |
| 3 | 124575-17-000 | EA | PILLOW SHAM (N98, N99) |
| 3 | 119249-01-000 | EA | PILLOW - 20" X 33" - QUEEN |
| 4 | 139679-05-N94 | EA | PILLOW - 15" X 15" - W/BOXING (N94, N95) |
| 4 | 139679-05-N96 | EA | PILLOW - 15" X 15" - W/BOXING (N96, N97) |
| 4 | 139679-05-N98 | EA | PILLOW - 15" X 15" - W/BOXING (N98, N99) |
| 5 | 124574-15-000 | EA | BEDSPREAD - 60" X 80" (N94, N95) |
| 5 | 124574-16-000 | EA | BEDSPREAD - 60" X 80" (N96, N97) |
| 5 | 124574-17-000 | EA | BEDSPREAD - 60" X 80" (N98, N99) |
| | 123015-07-000 | EA | MATTRESS - INNERSPRING - 60" X 79.5" |
| 6 | 139245-04-000 | EA | SOFA/SLEEPER - HIDE-A-BED/ELECTRIC - 77" (N94, N95) |
| 6 | 139245-05-000 | EA | SOFA/SLEEPER - HIDE-A-BED/ELECTRIC - 77" (N96, N97) |
| 6 | 139245-06-000 | EA | SOFA/SLEEPER - HIDE-A-BED/ELECTRIC - 77" (N98, N99) |
| 6 | 139245-08-000 | EA | SOFA/SLEEPER - HIDE-A-BED/ELECTRIC - 77" - LEATHER |
| | 116104-04-02B | EA | BRACKET - ZEE W/HOLES - 3.2" - E-COATED |
| 7 | 139680-03-N94 | EA | PILLOW - 13" X 20" - W/BOXING & OVERLAY (N94, N95) |
| 7 | 139680-03-N96 | EA | PILLOW - 13" X 20" - W/BOXING & OVERLAY (N95, N96) |
| 7 | 139680-03-N98 | EA | PILLOW - 13" X 20" - W/BOXING & OVERLAY (N97, N98) |
| 8 | 139205-01-000 | EA | BUCKET - FINLEY - PILOT - 6 WAY POWER - GLACIER LEATHER |
| 9 | 139205-02-000 | EA | BUCKET - FINLEY - QUEEN - 6 WAY POWER - GLACIER LEATHER |
| 10 | 139209-02-000 | EA | CHAIR - RECLINER - W/HOOP (N94, N95) |
| 10 | 139209-03-000 | EA | CHAIR - RECLINER - W/HOOP (N96, N97) |
| 10 | 139209-04-000 | EA | CHAIR - RECLINER - W/HOOP (N98, N99) |
| 10 | 139209-01-000 | EA | CHAIR - RECLINER - W/HOOP - LEATHER |
| 11 | 139248-01-000 | EA | SOFA - iJi LOVE SEAT - 60" - PRESTWICK GLACIER - LEATHER |
| 12 | 139679-03-N94 | EA | PILLOW - 15" X 15" - W/BOXING & OVERLAY (N94, N95) |
| 12 | 139679-03-N96 | EA | PILLOW - 15" X 15" - W/BOXING & OVERLAY (N96, N97) |
| 12 | 139679-03-N98 | EA | PILLOW - 15" X 15" - W/BOXING & OVERLAY (N98, N99) |

CURTAIN & CUSHION GROUP (CONTINUED)
CUSHION LAYOUT (CONTINUED)

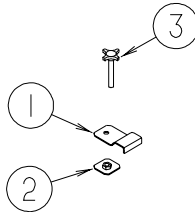
| KEY | PART NUMBER | U/M | DESCRIPTION |
|------------|--------------------|------------|--|
| 13 | 139218-01-000 | EA | CHAIR - DINETTE - CHERRY (N94) |
| 13 | 139218-02-000 | EA | CHAIR - DINETTE - PORTSMOUTH OAK (N95) |
| 13 | 139218-03-000 | EA | CHAIR - DINETTE - CHERRY (N96) |
| 13 | 139218-04-000 | EA | CHAIR - DINETTE - PORTSMOUTH OAK (N97) |
| 13 | 139218-05-000 | EA | CHAIR - DINETTE - CHERRY (N98) |
| 13 | 139218-06-000 | EA | CHAIR - DINETTE - PORTSMOUTH OAK (N99) |
| 13 | 135600-58-000 | EA | CHAIR - FOLDING - CHERRY (N94) |
| 13 | 135600-59-000 | EA | CHAIR - FOLDING - PORTSMOUTH OAK (N95) |
| 13 | 135600-60-000 | EA | CHAIR - FOLDING - CHERRY (N96) |
| 13 | 135600-61-000 | EA | CHAIR - FOLDING - PORTSMOUTH OAK (N97) |
| 13 | 135600-26-000 | EA | CHAIR - FOLDING - CHERRY (N98) |
| 13 | 135600-27-000 | EA | CHAIR - FOLDING - PORTSMOUTH OAK (N99) |
| | 129529-04-000 | EA | STRAP - CHAIR RETAINING - 104" |

CURTAIN & CUSHION GROUP (CONTINUED)

BUCKET SEATS



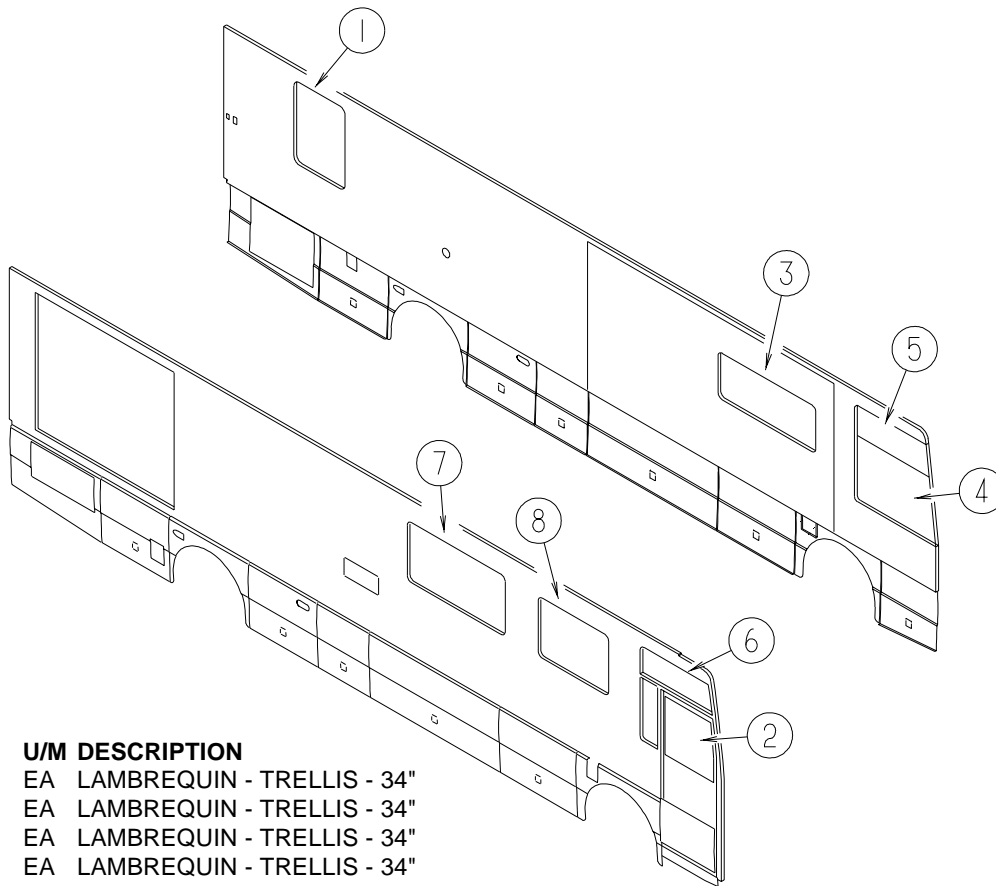
| KEY | PART NUMBER | U/M | DESCRIPTION |
|-----|---------------|-----|---|
| | 139205-01-000 | EA | BUCKET - FINLEY - PILOT - 6 WAY POWER/LEATHER - GLACIER - DRIVER |
| | 139205-02-000 | EA | BUCKET - FINLEY - QUEEN - 6 WAY POWER/LEATHER - GLACIER - PASSENGER |
| 1 | 139167-03-000 | EA | PEDESTAL - DRIVER/PASSENGER - VILLA |
| 2 | 139167-01-000 | EA | BEARING KIT - SWIVEL - VILLA |
| 3 | 139167-02-000 | EA | TOP PLATE - VILLA |
| 4 | NOT USED | | |
| 5 | 139167-05-000 | EA | SEAT BELT FLOOR BRACKET - VILLA |
| | 129529-02-000 | EA | STRAP - CHAIR RETAINING - 81.9" |



LOUNGE CHAIR

| KEY | PART NUMBER | U/M | DESCRIPTION |
|-----|---------------|-----|--------------------------------------|
| | 139209-02-000 | EA | CHAIR - RECLINER - W/HOOP (N94, N95) |
| | 139209-03-000 | EA | CHAIR - RECLINER - W/HOOP (N96, N97) |
| | 139209-04-000 | EA | CHAIR - RECLINER - W/HOOP (N98, N99) |
| | 139209-01-000 | EA | CHAIR - RECLINER - W/HOOP - LEATHER |
| 1 | 134057-01-11B | EA | BRACKET - RECLINER - FLAT BLACK |
| 2 | 134128-02-02B | EA | PLATE - W/HOLES - E-COATED |
| 3 | 134194-01-01A | EA | KNOB - HOLD DOWN - RECLINER - BLACK |

CURTAIN & CUSHION GROUP (CONTINUED)
WINDOW TREATMENT

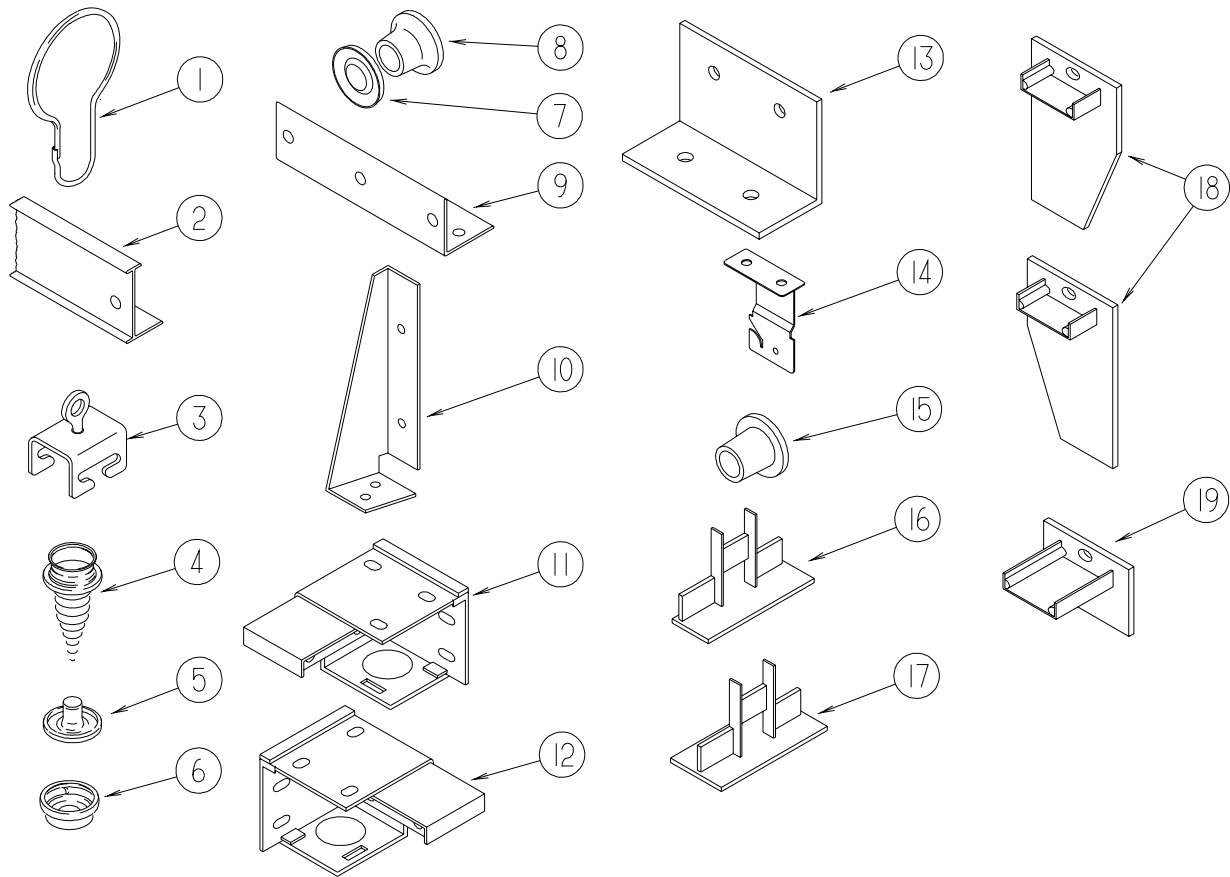


| KEY | PART NUMBER | U/M | DESCRIPTION |
|-----|---------------|-----|---|
| 1 | 136029-02-N94 | EA | LAMBREQUIN - TRELLIS - 34" |
| 1 | 136029-02-N95 | EA | LAMBREQUIN - TRELLIS - 34" |
| 1 | 136029-02-N96 | EA | LAMBREQUIN - TRELLIS - 34" |
| 1 | 136029-02-N97 | EA | LAMBREQUIN - TRELLIS - 34" |
| 1 | 136029-02-N98 | EA | LAMBREQUIN - TRELLIS - 34" |
| 1 | 136029-02-N99 | EA | LAMBREQUIN - TRELLIS - 34" |
| 1 | 111910-13-N87 | EA | BLIND - DAY/NIGHTER - 30" X 46" (N94, N95, N98, N99) FROM: 00-00-00 THRU: 11-04-01 |
| 1 | 140789-18-N76 | EA | BLIND - DAY/NIGHTER - 30" X 46" (N94, N95, N98, N99) FROM: 11-05-01 THRU: 99-99-99 |
| 1 | 111910-13-N88 | EA | BLIND - DAY/NIGHTER - 30" X 46" (N96, N97) FROM: 00-00-00 THRU: 11-04-01 |
| 1 | 140789-18-N70 | EA | BLIND - DAY/NIGHTER - 30" X 46" (N96, N97) FROM: 11-05-01 THRU: 99-99-99 |
| 2 | 093487-28-02A | EA | CURTAIN - PLTD- 51" X 62"- PASS REAR / 093487-27-02A FRONT 47.5 X 87 |
| 3 | 139256-01-N94 | EA | LAMBREQUIN - WOODMARK - 61" |
| 3 | 139256-01-N95 | EA | LAMBREQUIN - WOODMARK - 61" |
| 3 | 139256-01-N96 | EA | LAMBREQUIN - WOODMARK - 61" |
| 3 | 139256-01-N97 | EA | LAMBREQUIN - WOODMARK - 61" |
| 3 | 139256-04-N98 | EA | LAMBREQUIN - WOODMARK - 61" |
| 3 | 139256-04-N99 | EA | LAMBREQUIN - WOODMARK - 61" |
| 3 | 111910-55-N44 | EA | BLIND - DAY/NIGHTER - 59" X 26.5" (N94, N95, N98, N99) FROM: 00-00-00 THRU: 11-04-01 |
| 3 | 140789-08-N44 | EA | BLIND - DAY/NIGHTER - 59" X 26.5" (N94, N95, N98, N99) FROM: 11-05-01 THRU: 99-99-99 |
| 3 | 111910-55-N09 | EA | BLIND - DAY/NIGHTER - 59" X 26.5" (N96, N97) FROM: 00-00-00 THRU: 11-04-01 |
| 3 | 140789-08-N09 | EA | BLIND - DAY/NIGHTER - 59" X 26.5" (N96, N97) FROM: 11-05-01 THRU: 99-99-99 |
| 4 | 093487-23-02A | EA | CURTAIN - WRAPAROUND/PRIVACY/PLEATED - 47" X 108" - DR |
| 5 | 126841-01-000 | EA | SHADE - PULL - CHARCOAL MESH - 45" X 60" |
| 6 | 126841-08-000 | EA | SHADE - PULL - SUNSCREEN - 33" X 60" |
| 7 | 139256-07-N94 | EA | LAMBREQUIN - WOODMARK - 61" |
| 7 | 139256-07-N95 | EA | LAMBREQUIN - WOODMARK - 61" |
| 7 | 139256-07-N96 | EA | LAMBREQUIN - WOODMARK - 61" |
| 7 | 139256-07-N97 | EA | LAMBREQUIN - WOODMARK - 61" |
| 7 | 139256-08-N98 | EA | LAMBREQUIN - WOODMARK - 61" |
| 7 | 139256-08-N99 | EA | LAMBREQUIN - WOODMARK - 61" |

CURTAIN & CUSHION GROUP (CONTINUED)
WINDOW TREATMENT (CONTINUED)

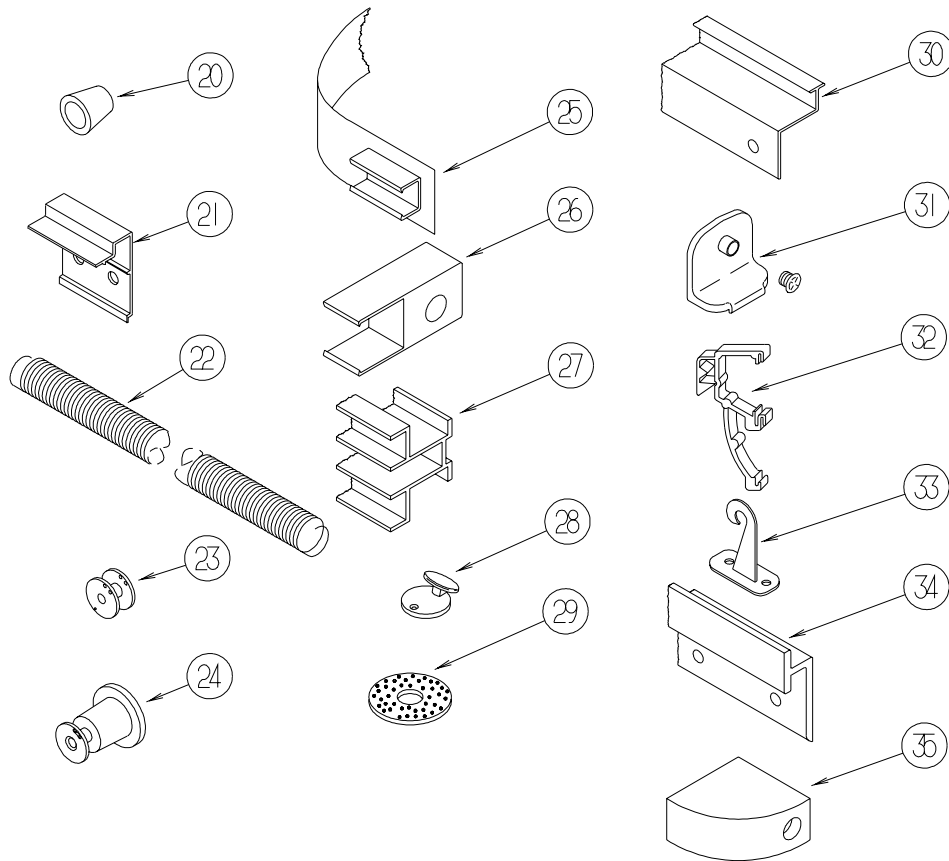
| KEY | PART NUMBER | U/M | DESCRIPTION |
|-----|---------------|-----|---|
| 7 | 111910-12-N94 | EA | BLIND - DAY/NIGHTER - 58" X 33" (N94, N95, N98, N99) FROM: 00-00-00 THRU: 11-04-01 |
| 7 | 140789-20-N94 | EA | BLIND - DAY/NIGHTER - 58" X 33" (N94, N95, N98, N99) FROM: 11-05-01 THRU: 99-99-99 |
| 7 | 111910-12-N96 | EA | BLIND - DAY/NIGHTER - 58" X 33" (N96, N97) FROM: 00-00-00 THRU: 11-04-01 |
| 7 | 140789-20-N96 | EA | BLIND - DAY/NIGHTER - 58" X 33" (N96, N97) FROM: 11-05-01 THRU: 99-99-99 |
| 8 | 139256-09-N94 | EA | LAMBREQUIN - WOODMARK - 45" |
| 8 | 139256-09-N95 | EA | LAMBREQUIN - WOODMARK - 45" |
| 8 | 139256-09-N96 | EA | LAMBREQUIN - WOODMARK - 45" |
| 8 | 139256-09-N97 | EA | LAMBREQUIN - WOODMARK - 45" |
| 8 | 139256-10-N98 | EA | LAMBREQUIN - WOODMARK - 45" |
| 8 | 139256-10-N99 | EA | LAMBREQUIN - WOODMARK - 45" |
| 8 | 111910-06-N94 | EA | BLIND - DAY/NIGHTER - 42.5" X 32" (N94, N95, N98, N99) FROM: 00-00-00 THRU: 11-04-01 |
| 8 | 140789-21-N94 | EA | BLIND - DAY/NIGHTER - 42.5" X 32" (N94, N95, N98, N99) FROM: 11-05-01 THRU: 99-99-99 |
| 8 | 111910-06-N96 | EA | BLIND - DAY/NIGHTER - 42.5" X 32" (N96, N97) FROM: 00-00-00 THRU: 11-04-01 |
| 8 | 140789-21-N96 | EA | BLIND - DAY/NIGHTER - 42.5" X 32" (N96, N97) FROM: 11-05-01 THRU: 99-99-99 |

CURTAIN & CUSHION GROUP (CONTINUED) HARDWARE



| KEY | PART NUMBER | U/M | DESCRIPTION |
|-----|---------------|-----|--|
| 1 | 009136-02-000 | EA | HANGER - RING - PIN TYPE - CURTAIN - BRASS |
| 2 | 009700-04-002 | EA | TRACK - CURTAIN - L SHAPED - 15.5' - OFF WHITE - 400 SERIES |
| 2 | 118896-05-04A | EA | TRACK/WRAPAROUND - PASSENGER - GLACIER - Q-SERIES |
| 2 | 118897-04-04A | EA | TRACK/WRAPAROUND - PASSENGER - GLACIER - Q-SERIES |
| 2 | 126456-03-04A | EA | TRACK/WRAPAROUND - PASSENGER - GLACIER - G-SERIES |
| 2 | 126456-04-04A | EA | TRACK/WRAPAROUND - DRIVER - GLACIER - G-SERIES |
| 3 | 009702-01-000 | EA | END STOP - CURTAIN CARRIER - L ROD |
| 4 | 029130-01-000 | EA | SCREW - SNAP STUD - #8-16 X 3/8" LONG |
| 4 | 029130-03-000 | EA | SCREW - SNAP STUD - #8-16 X 1" LONG |
| 5 | 029155-01-000 | EA | CAP - SNAP - 5/32" OUTSIDE DIAMETER OF PIN |
| 6 | 029156-01-000 | EA | SOCKET - SNAP - 9/16" O.D. |
| 7 | 046867-02-000 | EA | WASHER - HANDY BUTTON #3 |
| 8 | 046867-03-000 | EA | GROMMET - HANDY BUTTON #3 |
| 9 | 075943-10-000 | EA | BRACE - VALANCE - 20" - OFF WHITE |
| 9 | 105648-01-02A | EA | BRACE - VALANCE - OFF/WHITE - 14" |
| 10 | 076827-02-000 | EA | BRACKET/LEG - 2.9" X 1.8" - TRIANGULAR - LEFT/E-COATED |
| 11 | 083170-01-000 | EA | BRACKET/BLIND - LEFT SIDE WHEN FACING WINDOW - CLEAR |
| 12 | 083170-02-000 | EA | BRACKET/BLIND - RIGHT SIDE WHEN FACING WINDOW - CLEAR |
| 13 | 083125-07-000 | EA | BRACE - ANGLE/COUCH - 2.5" - OFF WHITE |
| 13 | 083125-08-000 | EA | BRACE - ANGLE/COUCH - .75" - OFF WHITE |
| 14 | 084434-01-000 | EA | BRACKET - MOUNTING - ROLLER SHADE - 1 3/8" |
| 15 | 094896-02-000 | EA | GROMMET - CORD/PLEATED BLIND - NYLON - GRAY |
| 16 | 094907-02-000 | EA | END CAP - PLEATED BLIND/TOP - RH/LH - GRAY PLASTIC |
| 17 | 094907-04-000 | EA | END CAP - PLEATED BLIND/BOTTOM - RH/LH |
| 18 | 094907-05-000 | EA | END CAP - PLEATED BLIND/BOTTOM - PULL TYPE - PLASTIC |
| 19 | 094907-06-000 | EA | END CAP - PLEATED BLIND/TOP |

CURTAIN & CUSHION GROUP (CONTINUED)
HARDWARE (CONTINUED)

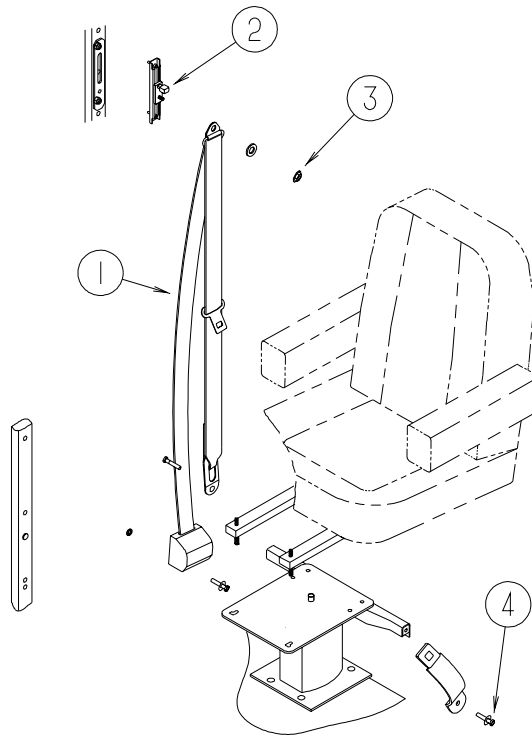


| KEY | PART NUMBER | U/M | DESCRIPTION |
|-----|---------------|-----|--|
| 20 | 097564-03-000 | EA | HANDLE - KNOB - E-Z LIFT SHADE - TAN |
| 20 | 097564-05-000 | EA | HANDLE - KNOB - E-Z LIFT SHADE - TEAL |
| 20 | 097564-06-000 | EA | HANDLE - KNOB - E-Z LIFT SHADE - ALABASTER |
| 21 | 097565-01-000 | EA | BRACKET - MOUNTING - PLEATED BLIND |
| 21 | 097565-02-000 | EA | BRACKET - MOUNTING |
| 22 | 097591-01-000 | EA | SPRING - EXTENSION/PLEATED BLIND |
| 23 | 097592-01-000 | EA | SPOOL - CORD - ELEVATED BLIND HOLDUP - SMALL - CLEAR |
| 24 | 097592-02-000 | EA | SPOOL - CORD - ELEVATED BLIND HOLDUP - LARGE - CLEAR |
| | 097593-02-000 | FT | CORD - BLIND - PLEATED - GRAY |
| | 097593-06-000 | FT | CORD - BLIND - PLEATED - PEWTER |
| | 097593-07-000 | FT | CORD - BLIND - PLEATED - PALE JADE |
| | 097593-10-000 | FT | CORD - BLIND - PLEATED - VANILLA |
| 25 | 101031-01-000 | YD | TAPE/GLIDE - 4.25" SPACING |
| 26 | 101033-02-000 | EA | END CAP - LOW PROFILE TRACK - CLEAR |
| 27 | 101033-08-000 | EA | TRACK/WALL - 75" |
| 27 | 101033-09-000 | EA | TRACK/WALL - 32" |
| 28 | 102555-03-000 | EA | CLEAT - BLIND CORD - MILKY WHITE - PLASTIC |
| 29 | 103242-01-000 | EA | VELCRO HOOK - BEIGE 7/8" ROUND W/CENTER HOLE |
| 29 | 103242-02-000 | EA | VELCRO HOOK - BLACK 7/8" ROUND W/CENTER HOLE |
| 30 | 105450-14-01A | EA | TRACK - CURTAIN - 90" - OFF WHITE - 300-SERIES |
| 30 | 105450-15-01A | EA | TRACK - CURTAIN - 82.3" - OFF WHITE - 200-SERIES |
| 31 | 106544-01-000 | EA | PULL - SHADE/BRASS |
| | 106544-01-001 | EA | SCREW - SHADE/BRASS |
| 32 | 109353-04-000 | EA | CLIP - VALANCE SLAT MOUNTING - CLEAR PLASTIC |
| | 109441-02-000 | EA | SPACER/BRACKET - BLIND HOLD DOWN |
| 33 | 109441-03-000 | EA | BRACKET/HOOK - BLIND HOLD DOWN - CLOUDY |
| 34 | 127254-03-05A | EA | TRACK/WRAPAROUND - PASSENGER - GLACIER - D-SERIES |
| 34 | 127254-04-05A | EA | TRACK/WRAPAROUND - DRIVER - GLACIER - D-SERIES & F-SERIES |
| 34 | 127254-14-03A | EA | TRACK/WRAPAROUND - PASSENGER - GLACIER - F-SERIES |
| 34 | 133235-01-04A | EA | TRACK - CURTAIN/LEFT HAND - GLACIER - P-SERIES |
| 34 | 133236-01-04A | EA | TRACK - CURTAIN/RIGHT HAND - GLACIER - P-SERIES |
| 35 | 132504-01-N92 | EA | BRACKET - SHADE |

CURTAIN & CUSHION GROUP (CONTINUED)

ACCESSORIES

| KEY | PART NUMBER | U/M | DESCRIPTION |
|-----|---------------|-----|---|
| | 007021-01-000 | EA | SEAT BELT - 2" X 90" - BLACK |
| | 056271-01-000 | EA | SEAT BELT - 2" X 102" - BLACK |
| | 056271-01-000 | EA | SEAT BELT - 2" X 102" - BLACK |
| | 127038-01-01A | EA | TIEDOWN STRAP - W/VELCRO ENDS |
| | 129491-01-000 | EA | CATCH - SNAP HOOK - 1" |
| | 127038-01-01A | EA | TIEDOWN STRAP - W/VELCRO ENDS |
| | 057534-03-000 | EA | TIEBACK - CLEAR PLASTIC - 7.5" |
| | 057534-04-000 | EA | TIEBACK - CLEAR PLASTIC - 20" |
| | 057534-08-000 | EA | TIEBACK - CLEAR PLASTIC - 16" |
| | 099717-01-000 | EA | STRAP - W/24" FEMALE STRAP AND 14.2" MALE STRAP |



| KEY | PART NUMBER | U/M | DESCRIPTION |
|-----|---------------|-----|--|
| 1* | 091990-08-01A | EA | SEAT BELT - 3 POINT - .766" DIAMETER HOLE IN D-LOOP BRKT |
| 2 | 127598-01-01A | EA | ADJUSTER - SEATBELT - D-LOOP - ADJUSTER |
| 3 | 127598-02-000 | EA | NUT - HEX FLANGE - M10 X 1.5 - CLASS 10 |
| 4 | 095076-02-000 | EA | WASHER - FL - 7/16"ID X 2"OD X .06 |

*COMPONENT PARTS LISTED LATER IN THIS GROUP

CURTAIN & CUSHION GROUP (CONTINUED)
COMPONENT PARTS FOR ACCESSORIES

091990-08-01A

| KEY | PART NUMBER | U/M | DESCRIPTION | VENDOR NO. |
|------------|--------------------|------------|------------------------------|-------------------|
| | 091990-01-701 | EA | EXTENDER 9" FOR A8408 3 PT | I-1331-02 |
| | 091990-01-703 | EA | RECEIVER/FEMALE END-SEATBELT | I-1159-02 |
| | 091990-05-700 | EA | SLEEVE/BUCKLE COVER-PLASTIC | 209S-2 |
| | 091990-05-701 | EA | CAP/COVER - BOLT HOLE COVER | 209SC-02 |
| | 091990-05-702 | EA | SLEEVE/RETRACTABLE COVER | 309C-02 |

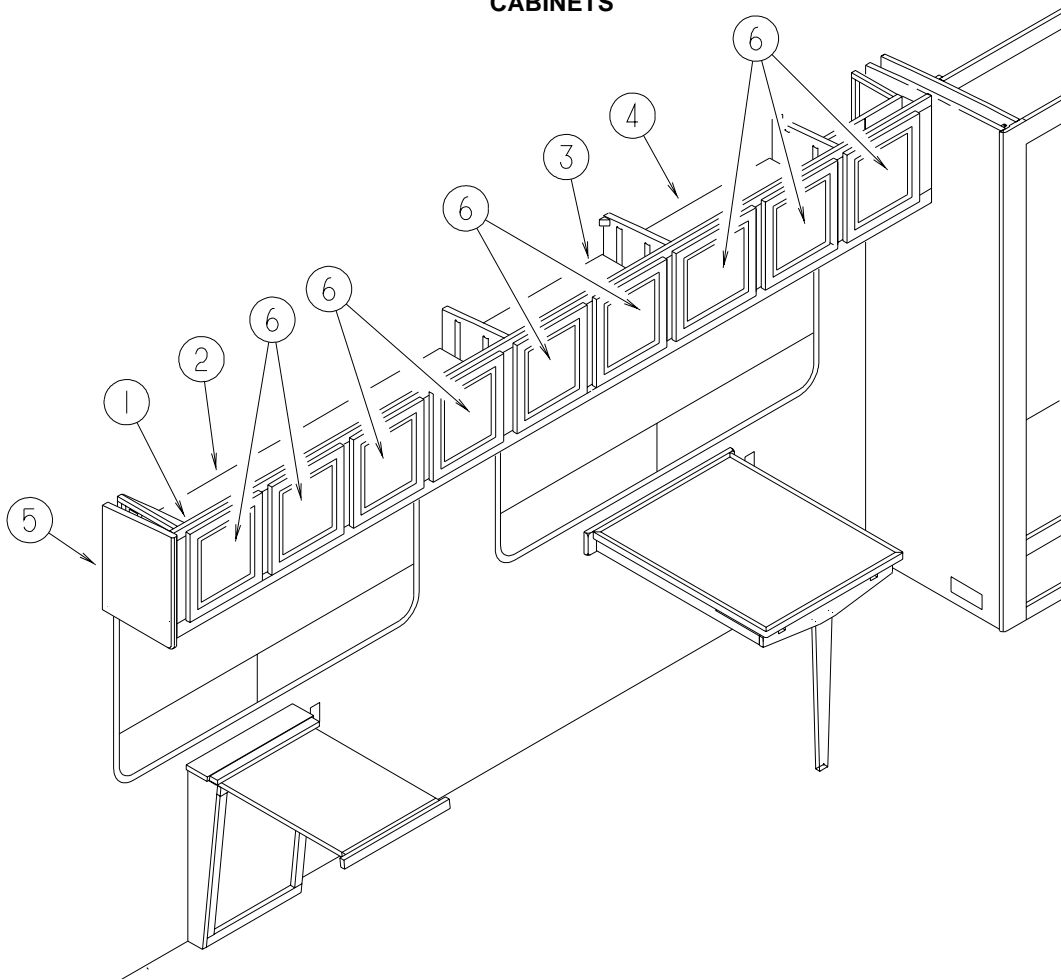
CURTAIN & CUSHION GROUP (CONTINUED)
FABRICS

| 2002 FAMILY | N94/N95 SWEDISH BLUE | N96/N97 TAJ MAHAL | N98/N99 GREENBRIER |
|-----------------------------|---------------------------------|------------------------------|-------------------------------|
| BUCKET | FINLEY STYLE | FINLEY STYLE | FINLEY STYLE |
| | GLACIER | GLACIER | GLACIER |
| DINING CHAIRS | (2) FINLEY STYLE | (2) FINLEY STYLE | (2) FINLEY STYLE |
| | 137813-05-000 | 126883-J3-000 | 126883-D5-000 |
| | (2) REM STYLE (Q36C ONLY) | (2) REM STYLE (Q36C ONLY) | (2) REM STYLE (Q36C ONLY) |
| | 137813-05-000 | 126883-J3-000 | 126883-D5-000 |
| FOLDING CHAIRS | (2) REM | (2) REM | (2) REM |
| | 137813-05-000 | 126883-J3-000 | 126883-D5-000 |
| SOFA | FINLEY ELECTRIC SOFA | FINLEY ELECTRIC SOFA | FINLEY ELECTRIC SOFA |
| | 126883-J1-000 | 126883-J2-000 | 126883-D3-000 |
| | *OPTIONAL LEATHER | *OPTIONAL LEATHER | *OPTIONAL LEATHER |
| | PRESTWICK GLACIER | PRESTWICK GLACIER | PRESTWICK GLACIER |
| LOUNGE PILLOW | (2) 12X20 RECTANGLE PILLOW | (2) 12X20 RECTANGLE PILLOW | (2) 12X20 RECTANGLE PILLOW |
| | W/BOXING & TASSEL | W/BOXING & TASSEL | W/BOXING & TASSEL |
| | 126883-J1-000/137813-05-000 | 126883-J2-000/126883-J3-000 | 126883-D3-000/126883-D4-000 |
| | BUTTON TASSEL - 137813- | | |
| BANQUETTE PILLOW | (2) 14" SQUARE PILLOW | (2) 14" SQUARE PILLOW | (2) 14" SQUARE PILLOW |
| | W/BOXING & TASSEL | W/BOXING & TASSEL | W/BOXING & TASSEL |
| | 126883-J1-000/137813-05-000 | 126883-J2-000/126883-J3-000 | 126883-D3-000/126883-D4-000 |
| LOUNGE CHAIR | FINLEY STYLE RECLINER | FINLEY STYLE RECLINER | FINLEY STYLE RECLINER |
| | 137813-05-000 | 126883-J3-000 | 126883-D5-000 |
| | *OPTIONAL LEATHER | *OPTIONAL LEATHER | *OPTIONAL LEATHER |
| | PRESTWICK GLACIER | PRESTWICK GLACIER | PRESTWICK GLACIER |
| "J" LOVE SEAT | 60" FINLEY LOVE SEAT | 60" FINLEY LOVE SEAT | 60" FINLEY LOVE SEAT |
| | GLACIER | GLACIER | GLACIER |
| LOUNGE WINDOWS | WOODMARK LAMBREQUIN | WOODMARK LAMBREQUIN | WOODMARK LAMBREQUIN |
| | 126883-J1-000/137813-05-000 | 126883-J2-000/126883-J3-000 | 126883-D5-000/126883-D4-000 |
| | UNDERLAY/OVERLAY | UNDERLAY/OVERLAY | UNDERLAY/OVERLAY |
| FRONT WRAP | PURCHASED PLEATED | PURCHASED PLEATED | PURCHASED PLEATED |
| DAY/NIGHTER | 094911-56-000/126883-50-000 | 094911-58-000/126883-50-000 | 094911-56-000/126883-50-000 |
| | EGGSHELL/WT. DECO | PUTTY/WT. DECO | EGGSHELL/WT. DECO |
| GALLEY BLINDS | ALABASTER PEARL | ALABASTER PEARL | ALABASTER PEARL |

CURTAIN & CUSHION GROUP (CONTINUED)
FABRICS (CONTINUED)

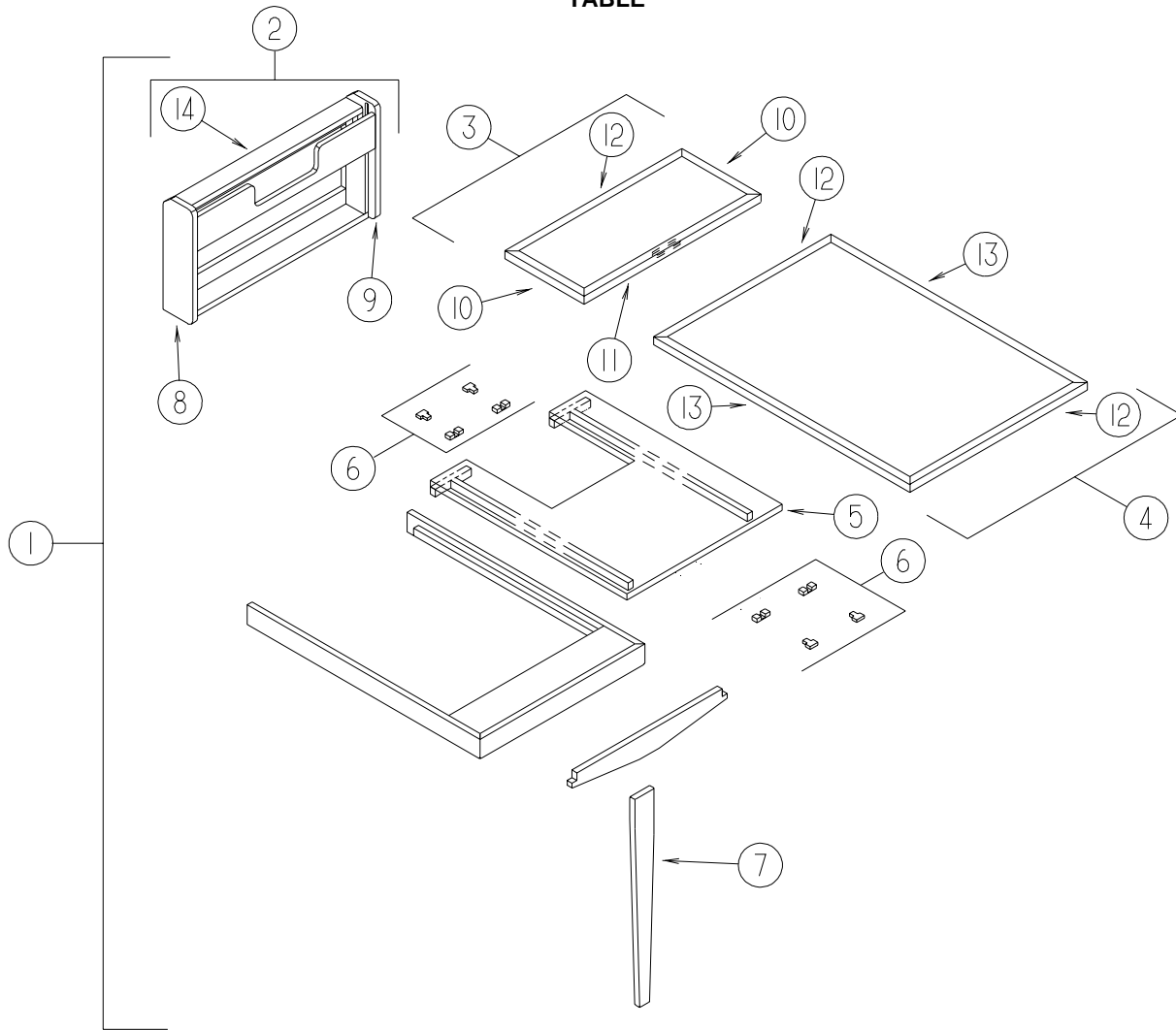
| 2002 FAMILY | N94/N95 SWEDISH BLUE | N96/N97 TAJ MAHAL | N98/N99 GREENBRIER |
|----------------------------------|--|--|--|
| BEDROOM WDO TREATMENT | TRELLIS VALANCE 137813-05-000/137813-06-000 | TRELLIS VALANCE 137813-03-000/137813-04-000 | TRELLIS VALANCE 105745-W0-000/105745-R4-000 |
| BEDCOVER | KAY & L (PURCHASED) THROW W/TIE DOWNS & WLT 105745-X9-000/084415-F2-000 | KAY & L (PURCHASED) THROW W/TIE DOWNS & WLT 105745-U2-000/084415-F7-000 | KAY & L (PURCHASED) THROW W/TIE DOWNS & WLT 105745-Y2-000/084415-D3-000 |
| SHAMS | KAY & L (PURCHASED) FLANGED W/CORD INSET 137813-06-000/139041-01-000 | KAY & L (PURCHASED) FLANGED W/CORD INSET 137813-04-000/084415-D8-000 | KAY & L (PURCHASED) FLANGED W/CORD INSET 105745-R4-000/084415-F1-000 |
| BED PILLOW | (2) 17" W/DIAMOND INSET 105745-Y0-000/105745-X9-000 CORD - 084415-D8-000 | (2) 17" W/DIAMOND INSET 105745-N8-000/105745-U2-000 CORD - 084415-F2-000 | (2) 17" W/DIAMOND INSET 105745-Y2-000/105745-Y1-000 CORD - 084415-D3-000 |
| HEADBOARD | (1) ROUND W/½ WELT BOXING 137813-06-000/137813-05-000 | (1) ROUND W/½ WELT BOXING 137813-04-000/137813-03-000 | (1) ROUND W/½ WELT BOXING 105745-R4-000/105745-W0-000 |
| BEDBOARD | PRINCE (CHANNEL) WRAP - 137813-06-000 2" SURROUND - 137813-05-000 ¼" WELT - 137813-05-000 | PRINCE (CHANNEL) WRAP - 137813-04-000 2" SURROUND - 137813-03-000 ¼" WELT - 137813-03-000 | PRINCE (CHANNEL) WRAP - 105745-R4-000 2" SURROUND - 105745-W0-000 ¼" WELT - 105745-W0-000 |
| CARPET | 096060-K4-000 SLATE #93302 | 096060-K2-000 TAUPE #84402 | 096060-H3-000 TARRAGON |
| CEILING | 113979-12-01A | 113979-12-01A | 113979-12-01A |

DINETTE GROUP CABINETS



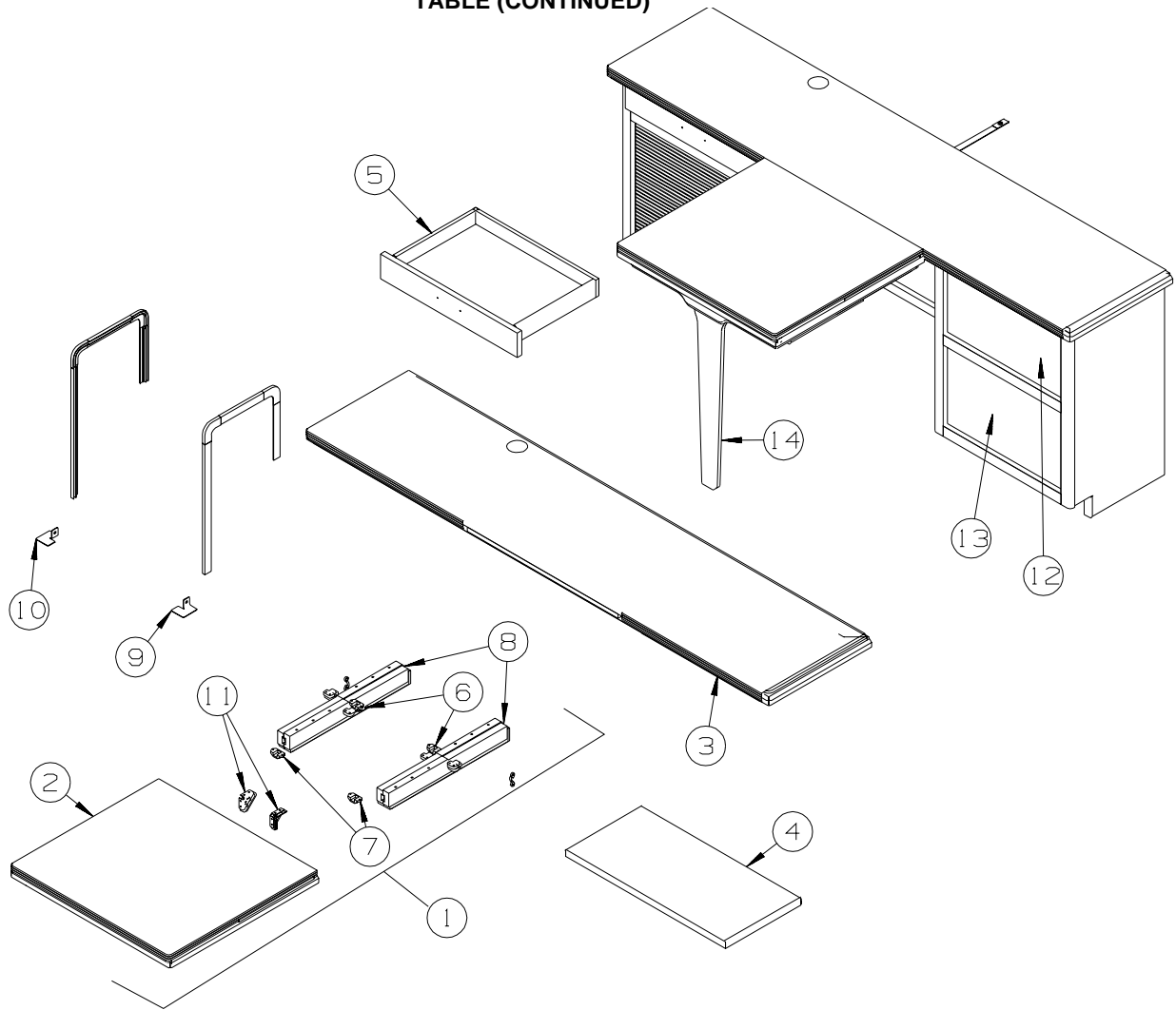
| KEY | PART NUMBER | U/M | DESCRIPTION |
|-----|---------------|-----|---|
| 1 | 133532-02-N94 | EA | CABINET - OVERHEAD/FRONT/RIGHT HAND - W/O DOORS/HARDWARE - SALEM CHERRY |
| 1 | 133532-02-N95 | EA | CABINET - OVERHEAD/FRONT/RIGHT HAND - W/O DOORS/HARDWARE - PORTSMOUTH OAK |
| 2 | 133532-25-M94 | EA | SHELF - W/PLASTIC EDGE MOLDING - SALEM CHERRY |
| 2 | 133532-25-M95 | EA | SHELF - W/PLASTIC EDGE MOLDING - PORTSMOUTH OAK |
| 3 | 133532-26-M94 | EA | SHELF - W/PLASTIC EDGE MOLDING - SALEM CHERRY |
| 3 | 133532-26-M95 | EA | SHELF - W/PLASTIC EDGE MOLDING - PORTSMOUTH OAK |
| 4 | 133532-27-M94 | EA | SHELF - W/PLASTIC EDGE MOLDING - SALEM CHERRY |
| 4 | 133532-27-M95 | EA | SHELF - W/PLASTIC EDGE MOLDING - PORTSMOUTH OAK |
| 5 | 113292-09-HQ1 | EA | END CAP - OVERHEAD CABINET - SALEM CHERRY |
| 5 | 113292-09-N95 | EA | END CAP - OVERHEAD CABINET - PORTSMOUTH OAK |
| 6 | 134845-14-M94 | EA | DOOR - RAIL/ARCHED TOP - 14.3î X 14.3î - W/O HARDWARE - SALEM CHERRY |
| 6 | 134845-14-N95 | EA | DOOR - RAIL/ARCHED TOP - 14.3î X 14.3î - W/O HARDWARE - PORTSMOUTH OAK |

DINETTE GROUP (CONTINUED) TABLE



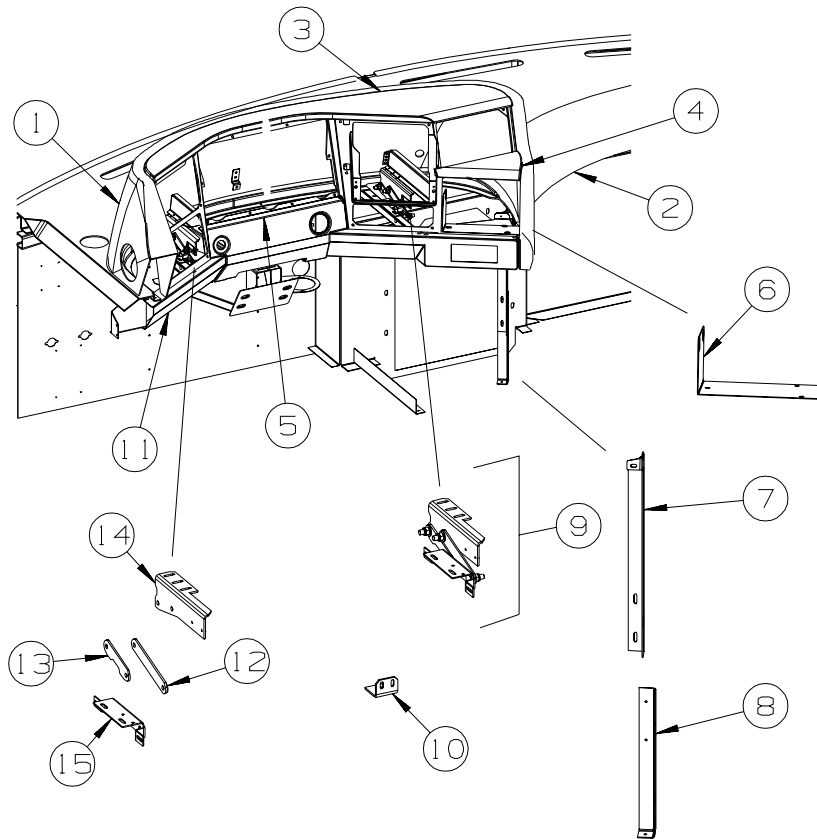
| KEY | PART NUMBER | U/M | DESCRIPTION |
|-----|---------------|-----|--|
| 1 | 131637-01-M94 | EA | TABLE COMPLETE - W/LEG & WALL MOUNT - SALEM CHERRY |
| 1 | 131637-01-N75 | EA | TABLE COMPLETE - W/LEG & WALL MOUNT - PORTSMOUTH OAK |
| 2 | 131637-31-M94 | EA | CABINET/WALL - F/TABLE STORAGE - SALEM CHERRY |
| 2 | 131637-31-N75 | EA | CABINET/WALL - F/TABLE STORAGE - PORTSMOUTH OAK |
| 3 | 131637-12-M94 | EA | TABLE TOP - SMALL HINGED SECTION - SALEM CHERRY |
| 3 | 131637-12-N75 | EA | TABLE TOP - SMALL HINGED SECTION - PORTSMOUTH OAK |
| 4 | 131637-11-M94 | EA | TABLE TOP - LARGE HINGED SECTION - SALEM CHERRY |
| 4 | 131637-11-N75 | EA | TABLE TOP - LARGE HINGED SECTION - PORTSMOUTH OAK |
| 5 | 131637-17-M94 | EA | SLIDE - TABLE TOP - SALEM CHERRY |
| 5 | 131637-17-N75 | EA | SLIDE - TABLE TOP - PORTSMOUTH OAK |
| 6 | 009050-02-000 | EA | LEVELER - TABLE TOP - MALE END W/4 SCREWS - PLASTIC |
| 6 | 009050-03-000 | EA | LEVELER - TABLE TOP - FEMALE END W/2 SCREWS - PLASTIC |
| 7 | 131637-28-M94 | EA | LEG - TABLE - SALEM CHERRY |
| 7 | 131637-28-N75 | EA | LEG - TABLE - PORTSMOUTH OAK |
| 8 | 131637-27-M94 | EA | END - RIGHT HAND - F/TABLE CABINET - SALEM CHERRY |
| 8 | 131637-27-N75 | EA | END - RIGHT HAND - F/TABLE CABINET - PORTSMOUTH OAK |
| 9 | 131637-26-M94 | EA | END - LEFT HAND - F/TABLE CABINET - SALEM CHERRY |
| 9 | 131637-26-N75 | EA | END - LEFT HAND - F/TABLE CABINET - PORTSMOUTH OAKMOLDING - TRIM - TABLE TOP |
| 10 | 131637-15-M94 | EA | MOLDING - TRIM - TABLE TOP - SALEM CHERRY |
| 10 | 131637-15-N75 | EA | MOLDING - TRIM - TABLE TOP - PORTSMOUTH OAK |
| 11 | 131637-16-M94 | EA | MOLDING - TRIM - TABLE TOP - SALEM CHERRY |
| 11 | 131637-16-N75 | EA | MOLDING - TRIM - TABLE TOP - PORTSMOUTH OAK |
| 12 | 131637-14-M94 | EA | MOLDING - TRIM - TABLE TOP - SALEM CHERRY |
| 12 | 131637-14-N75 | EA | MOLDING - TRIM - TABLE TOP - PORTSMOUTH OAK |
| 13 | 131637-13-M94 | EA | MOLDING - TRIM - TABLE TOP - SALEM CHERRY |
| 13 | 131637-13-N75 | EA | MOLDING - TRIM - TABLE TOP - PORTSMOUTH OAK |
| 14 | 131637-23-M94 | EA | SHELF - REAR OF TABLE TOP - SALEM CHERRY |
| 14 | 131637-23-M95 | EA | SHELF - REAR OF TABLE TOP - PORTSMOUTH OAK |

DINETTE GROUP (CONTINUED)
TABLE (CONTINUED)



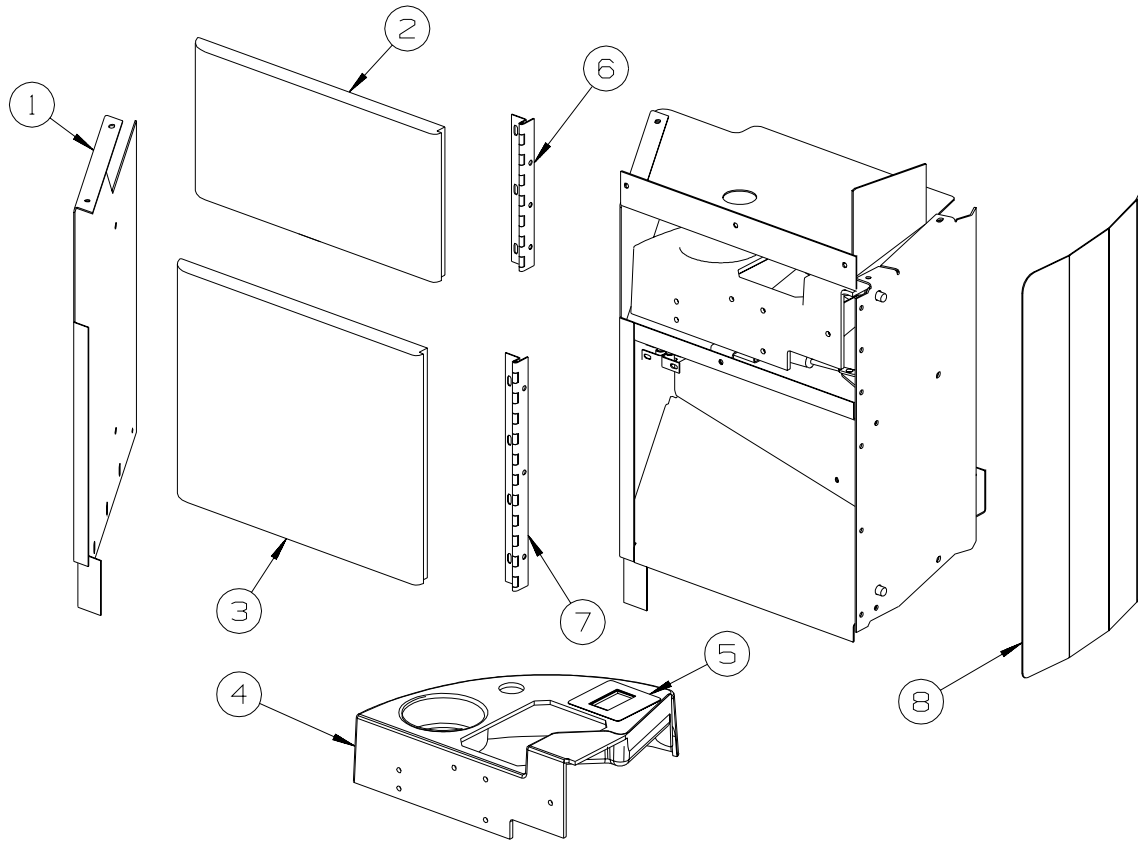
| KEY | PART NUMBER | U/M | DESCRIPTION |
|-----|---------------|-----|---|
| | 137379-05-N94 | EA | CABINET - DINETTE/COMPUTER - W/O COUNTERTOPS/DRAWERS/HDW - SALEM CHERRY |
| | 137379-05-N95 | EA | CABINET - DINETTE/COMPUTER - W/O COUNTERTOPS/DRAWERS/HDW - PORTSMOUTH OAK |
| 1 | 137379-41-N94 | EA | TABLE TOP - F/DINETTE/COMPUTER - SALEM CHERRY - INCLUDES KEY 14 |
| 1 | 137379-41-N95 | EA | TABLE TOP - F/DINETTE/COMPUTER - PORTSMOUTH OAK - INCLUDES KEY 14 |
| 2 | 137883-03-N94 | EA | COUNTERTOP - LAMINATED - 26.7" X 24.8" -BROWN PLANK CHERRY - SALEM CHERRY |
| 2 | 137883-03-N95 | EA | COUNTERTOP - LAMINATED - 26.7" X 24.8" - PORTSMOUTH OAK |
| 3 | 137883-04-N94 | EA | COUNTERTOP - LAMINATED - 16.8" X 75.6" -BROWN PLANK CHERRY - SALEM CHERRY |
| 3 | 137883-04-N95 | EA | COUNTERTOP - LAMINATED - 16.8" X 75.6" - PORTSMOUTH OAK |
| 4 | 137883-02-N94 | EA | COUNTERTOP - LAMINATED - 26.7" X 12.6" - BRN PLANK CHERRY - SALEM CHERRY |
| 4 | 137883-02-N95 | EA | COUNTERTOP - LAMINATED - 26.7" X 12.6" - PORTSMOUTH OAK |
| 5 | P36353-03-N94 | EA | DRAWER - KEYBOARD - W/SLIDES - SALEM CHERRY |
| 5 | P36353-03-N95 | EA | DRAWER - KEYBOARD - W/SLIDES - PORTSMOUTH OAK |
| 6 | 009050-03-000 | EA | LEVELER - TABLE TOP - FEMALE END W/2 SCREWS - PLASTIC |
| 7 | 009050-02-000 | EA | LEVELER - TABLE TOP - MALE END W/4 SCREWS - PLASTIC |
| 8 | 110749-01-000 | EA | SLIDE/EXTENSION - 19 3/4" TO 33 1/4" |
| 9 | 139264-02-02B | EA | STOP - DOOR - TAMBOUR - E-COATED |
| 10 | 139264-01-02B | EA | STOP - DOOR - TAMBOUR - E-COATED |
| 11 | 102810-01-04A | EA | BRACE - TABLE LEG - BLACK |
| 12 | P34844-33-N94 | EA | DRAWER - PENCIL EDGE - 18.6"W X 13.8"D - W/O SLIDES/HDW - SALEM CHERRY |
| 12 | P34844-33-N95 | EA | DRAWER - PENCIL EDGE - 18.6"W X 13.8"D - W/O SLIDES/HDW - PORTSMOUTH OAK |
| 13 | P34844-34-N94 | EA | DRAWER - PENCIL EDGE - 18.6"W X 13.8"D - W/O SLIDES/HDW - SALEM CHERRY |
| 13 | P34844-34-N95 | EA | DRAWER - PENCIL EDGE - 18.6"W X 13.8"D - W/O SLIDES/HDW - PORTSMOUTH OAK |
| 14 | 137379-32-N74 | EA | TABLE LEG - F/DINETTE/COMPUTER TABLE - SALEM CHERRY |
| 14 | 137379-32-N75 | EA | TABLE LEG - F/DINETTE/COMPUTER TABLE - PORTSMOUTH OAK |

DRIVERS COMPARTMENT GROUP DASH



| KEY | PART NUMBER | U/M | DESCRIPTION |
|-----|---------------|-----|--|
| 1 | 134554-01-02A | EA | POD - DASH - GLACIER |
| 2 | 134586-01-02A | EA | EXTENSION - DASH POD - RIGHT HAND - GLACIER |
| 3 | P35573-01-M94 | EA | PANEL TRIM - DASH POD - UPPER - SALEM CHERRY |
| 3 | P35573-01-N95 | EA | PANEL TRIM - DASH POD - UPPER - PORTSMOUTH OAK |
| 4 | P35573-02-M94 | EA | PANEL TRIM - DASH POD - LOWER - SALEM CHERRY |
| 4 | P35573-02-N95 | EA | PANEL TRIM - DASH POD - LOWER - PORTSMOUTH OAK |
| 5 | 115870-01-000 | FT | SEAL - TRIM - EDGE |
| 6 | 134742-02-02B | EA | MOUNT - MONITOR - E-COATED |
| 7 | 134804-01-02B | EA | SUPPORT - DASH - UPPER/CENTER - E-COATED |
| 8 | 134805-01-02B | EA | SUPPORT - DASH - LOWER/CENTER - E-COATED |
| 9 | 134856-01-M94 | EA | HINGE - DASH POD |
| 10 | 135229-01-02B | EA | ANGLE - DASH SUPPORT - LEFT HAND - E-COATED |
| 11 | 136513-01-02A | EA | COVER - DASH/LOWER LEFT - VINYL - GLACIER |
| | 106569-12-02A | YD | VINYL - LAMINATE - 1/4" X 54" - GLACIER |
| | 106569-09-05A | EA | VINYL - LAMINATE - 1/4" X 25" X 100" - GLACIER |
| 12 | 134858-01-02B | EA | LINK - HINGE - E-COATED |
| 13 | 134858-02-02B | EA | LINK - HINGE - E-COATED |
| 14 | 134859-02-02B | EA | BRACKET - HINGE/LINK - E-COATED |
| 15 | 134860-02-02B | EA | BRACKET - HINGE/LINK - E-COATED |

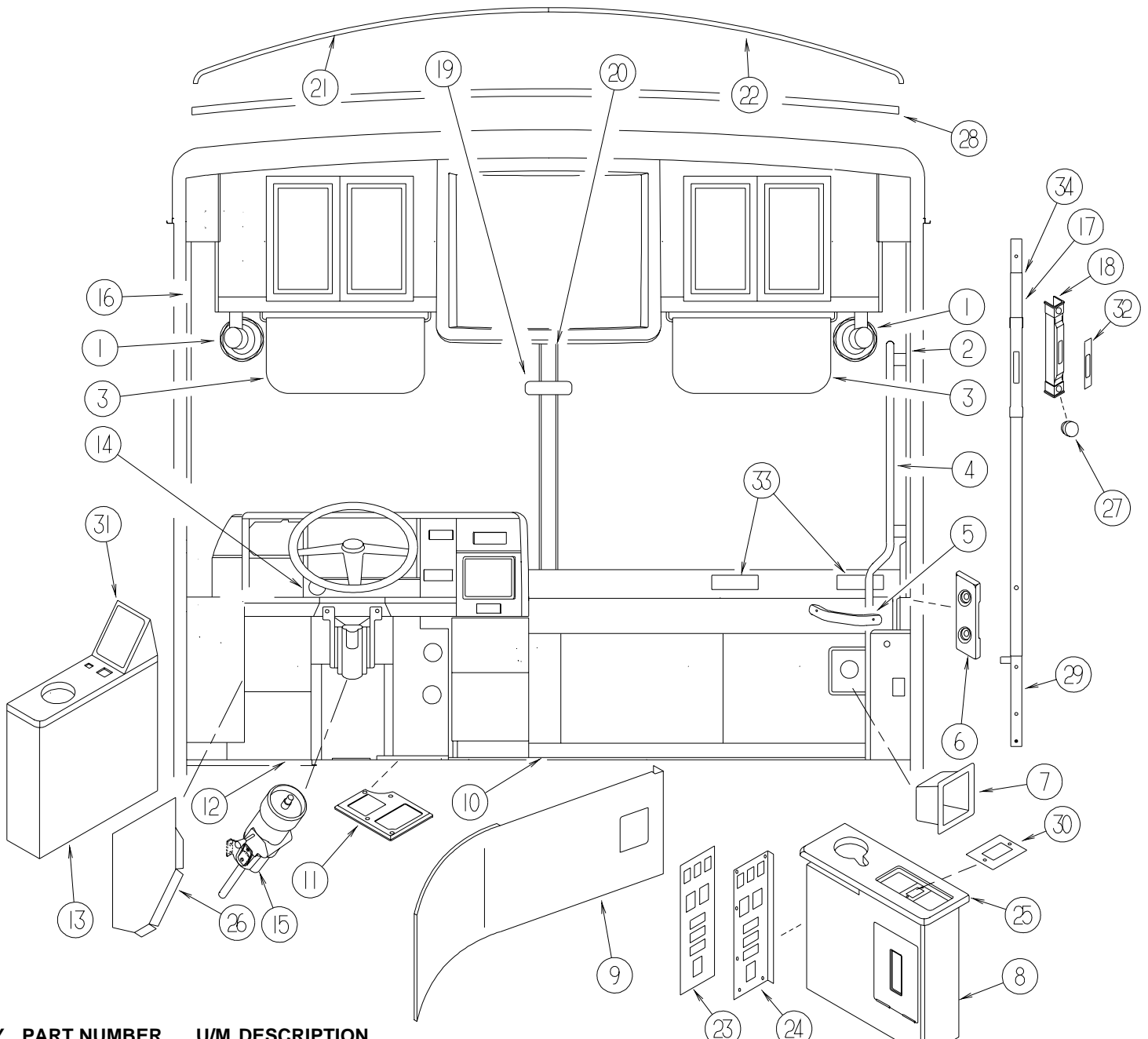
DRIVERS COMPARTMENT GROUP (CONTINUED)
BEVERAGE TRAY



| KEY | PART NUMBER | U/M | DESCRIPTION |
|-----|---------------|-----|---|
| 1 | P34621-01-N94 | EA | CONSOLE - CENTER - VINYL COVERED |
| | 106569-12-02A | YD | VINYL - LAMINATE - 1/4" X 54" - GLACIER |
| 2 | P35708-01-M94 | EA | DOOR - CONSOLE - 5.7" - SALEM CHERRY |
| 2 | P35708-01-N95 | EA | DOOR - CONSOLE - 5.7" - PORTSMOUTH OAK |
| 3 | P35708-02-M94 | EA | DOOR - CONSOLE - 8.8" - SALEM CHERRY |
| 3 | P35708-02-N95 | EA | DOOR - CONSOLE - 8.8" - PORTSMOUTH OAK |
| 4 | 134631-02-N94 | EA | TRAY - CONSOLE - GLACIER |
| | 134631-01-02A | EA | TRAY - CONSOLE - GLACIER |
| 5 | 132946-02-01A | EA | APPLIQUE - SLIDEOUT SWITCH |
| 6 | 136652-01-01A | EA | HINGE - PIANO - BLACK |
| 7 | 136652-02-01A | EA | HINGE - PIANO |
| 8 | 134759-01-01B | EA | PANEL - CONSOLE - SWEEP - E-COATED |

DRIVERS COMPARTMENT GROUP (CONTINUED)

FRONT INTERIOR

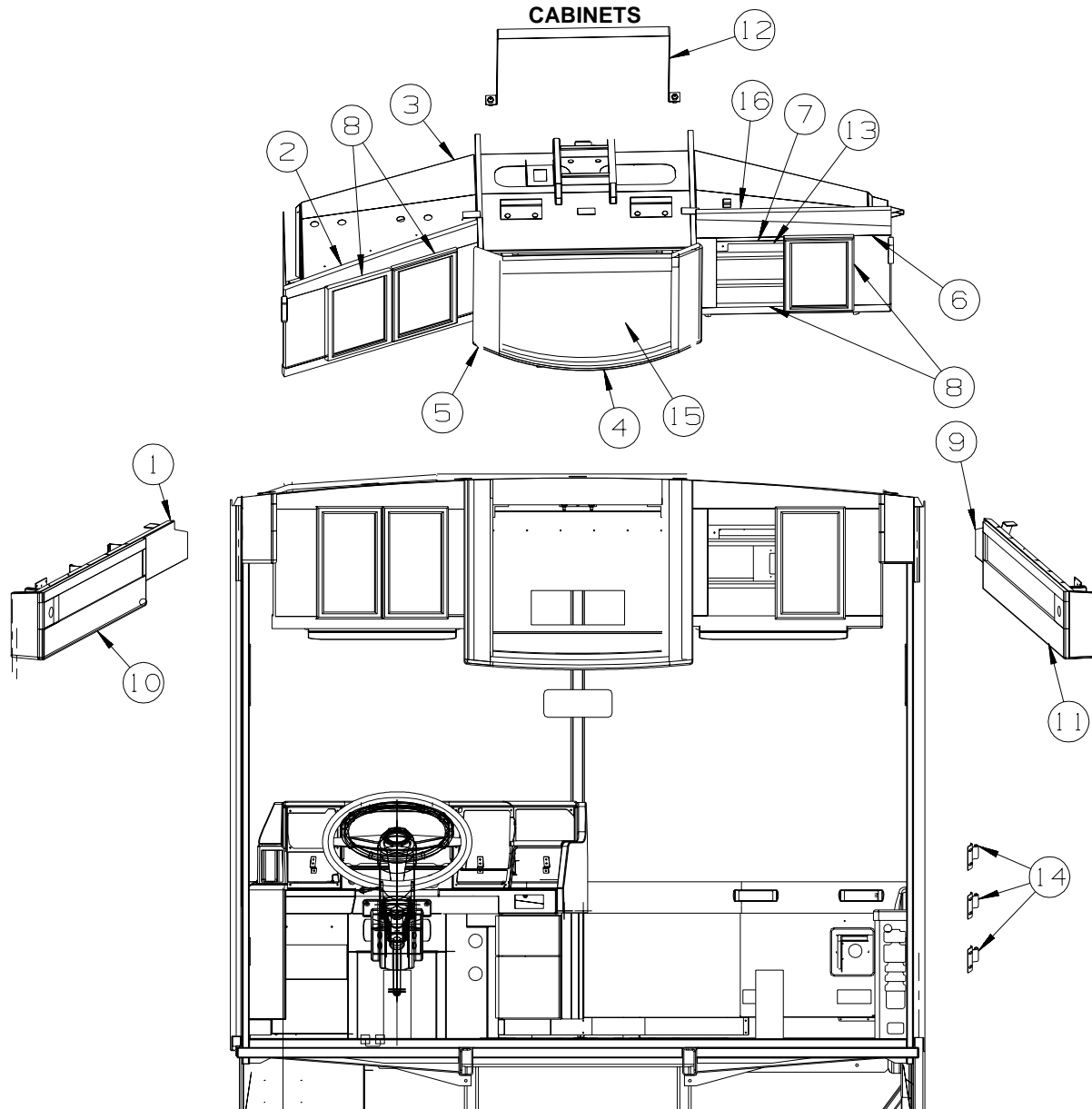


| KEY | PART NUMBER | U/M | DESCRIPTION |
|-----|---------------|-----|--|
| 1 | 122856-01-01A | EA | FAN-DEFROSTER-2 SPEED W/SWIVEL BASE/NON-OSCILLATING-CHROME |
| 2 | 136351-01-02A | EA | TRIM - A-PILLAR - INTERIOR/PASSENGER - GLACIER |
| 3 | 123298-04-05A | EA | SUNVISOR - 10.5" X 21" - DRIVER/PASSENGER - GLACIER |
| 4 | 123577-01-01A | EA | HANDRAIL - ASSIST - ENTRY |
| 5 | 123246-01-05A | EA | HANDLE - GRAB - GLACIER |
| 6 | 136456-01-02A | EA | COVER - BRACKET - STRIKER BOLT - GLACIER |
| 7 | 135294-01-02A | EA | BEZEL - AIR VALVE PLATE - GLACIER |
| 8 | 134639-01-M94 | EA | CABINET - CONSOLE/RIGHT HAND - W/O DOORS/HARDWARE - SALEM CHERRY |
| 8 | 134639-01-N95 | EA | CABINET - CONSOLE/RIGHT HAND - W/O DOORS/HARDWARE - PORTSMOUTH OAK |
| 9 | P34764-01-N94 | EA | PANEL ASM-TRIM,DASH, RT W/VINYL |
| 9 | 106569-12-02A | YD | VINYL - LAMINATE - 1/4" X 54" - GLACIER |
| 9 | 134764-01-02B | EA | PANEL - TRIM/DASH - PASSENGER - E-COATED |
| 10 | 134758-01-11B | EA | PANEL - TOE KICK - RIGHT HAND - BLACK |
| 11 | 116993-01-01A | EA | COVER - PEDALS - BLACK |
| 12 | 108152-03-000 | EA | MAT - FLOOR - DRIVER |
| 13 | P35110-02-N94 | EA | CONSOLE ASM-SHIFTER,LH W/VIN |
| 13 | 131358-03-02A | EA | RETAINER - U - CHANNEL - 14.8î - GLACIER |
| 14 | 136457-01-02A | EA | PROTECTOR - VINYL - PARK BRAKE - GLACIER |

DRIVERS COMPARTMENT GROUP (CONTINUED)
FRONT INTERIOR (CONTINUED)

| KEY | PART NUMBER | U/M | DESCRIPTION |
|-----|---------------|-----|---|
| 15 | 095933-07-000 | EA | STOP-TILT,COLUMN DOUGLAS FROM: 04-27-01 THRU: 99-99-99 |
| 16 | 136351-02-02A | EA | TRIM - A-PILLAR - INTERIOR/DRIVER - GLACIER |
| 17 | 024700-60-000 | EA | COVER - ROLL BAR - U-CHANNEL - 40" - OFF WHITE PLASTIC |
| 18 | 127721-01-01A | EA | COVER - SLIDE - OFF WHITE FROM: 00-00-00 THRU: 10-07-01 |
| 18 | 140151-01-01A | EA | COVER - SEAT BELT - OFF WHITE FROM: 10-08-01 THRU: 99-99-99 |
| 19 | 134154-01-000 | EA | MIRROR - CONVEX - 4" X 11.8" |
| 20 | 118452-08-05A | EA | TRIM - WINDSHIELD/ICENTER - GLACIER |
| 21 | 129004-02-05A | EA | TRIM - WINDSHIELD - INTERIOR/DRIVER TOP - GLACIER |
| 22 | 129004-01-05A | EA | TRIM - WINDSHIELD - INTERIOR/PASSENGER TOP - GLACIER |
| 23 | 135429-01-01A | EA | APPLIQUE 2002 - QiS |
| 23 | 135429-03-01A | EA | APPLIQUE - ELECTRIC AWNINGS |
| 24 | 135119-01-02B | EA | PLATE - SWITCH - CONSOLE/RIGHT HAND - E-COATED |
| 25 | 133539-04-01A | EA | COUNTERTOP - 1/2" CORIAN - SIERRA AURORA |
| 26 | 135106-01-02B | EA | PANEL - CLOSEOUT - SHIFTER - E-COATED |
| 27 | 127798-01-01A | EA | COVER - SLIDE - INNER - 1.5" X 11.4" - BLACK FROM: 00-00-00 THRU: 10-07-01 |
| 27 | 140151-03-01A | EA | COVER - SEAT BELT - OFF WHITE FROM: 10-08-01 THRU: 99-99-99 |
| 28 | 133771-02-M94 | EA | MOLDING - CAP - SALEM CHERRY |
| 28 | 133771-02-N95 | EA | MOLDING - CAP - PORTSMOUTH OAK |
| 29 | 024700-59-000 | EA | COVER - ROLL BAR - SIDEWALL - 44.1" - OFF WHITE |
| 30 | 135844-01-02B | EA | PLATE - SWITCH - E-COATED |
| 31 | 135111-01-02A | EA | TOP - SHIFTER/CONSOLE - GLACIER BEIGE |
| 32 | 140151-02-01A | EA | COVER - SCREW - OFF WHITE FROM: 10-08-01 THRU: 99-99-99 |
| 33 | 135803-03-01A | EA | LOUVER - A/C - OPEN FRAME |
| 34 | NOT USED | | |

DRIVERS COMPARTMENT GROUP (CONTINUED)

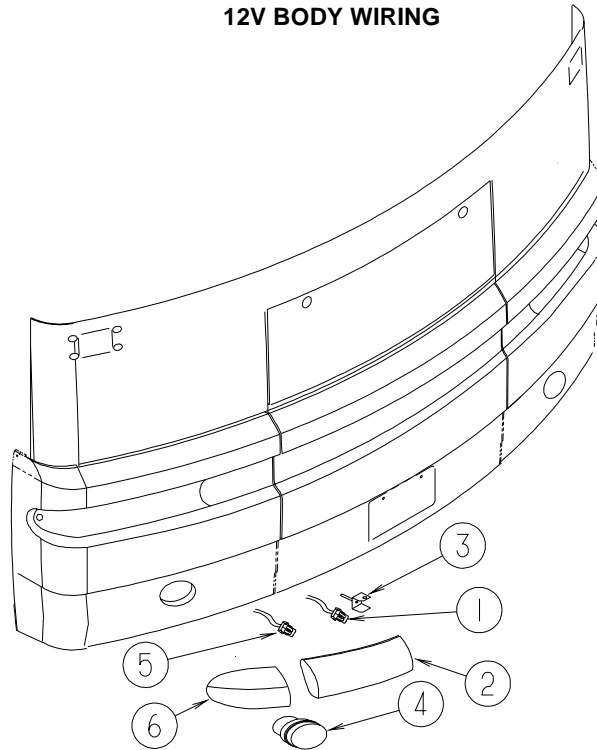


| KEY | PART NUMBER | U/M | DESCRIPTION |
|-----|---------------|-----|---|
| 1 | P35582-02-N94 | EA | PANEL - OVERHEAD/LEFT HAND - VINYL COVERED |
| | 135582-02-02B | EA | PANEL - OVERHEAD/LEFT HAND - E-COATED |
| | 106569-12-02A | YD | VINYL - LAMINATE - 1/4" X 54" - GLACIER |
| 2 | 135503-02-M94 | EA | CABINET/FACE - ENTERTAINMENT CENTER - DRIVER - SALEM CHERRY |
| 2 | 135503-02-N95 | EA | CABINET/FACE - ENTERTAINMENT CENTER - DRIVER - PORTSMOUTH OAK |
| 3 | 135493-01-02B | EA | PANEL - ENTERTAINMENT CENTER/LEFT HAND - E-COATED |
| 4 | 135527-01-N94 | EA | CABINET - ENTERTAINMENT CENTER/TV |
| 5 | 133544-04-N94 | EA | CABINET FACE - OVERHEAD/TV - SALEM CHERRY |
| 5 | 133544-04-N95 | EA | CABINET FACE - OVERHEAD/TV - PORTSMOUTH OAK |
| 6 | 135503-01-M94 | EA | CABINET/FACE - ENTERTAINMENT CENTER - PASSENGER - SALEM CHERRY |
| 6 | 135503-01-N95 | EA | CABINET/FACE - ENTERTAINMENT CENTER - PASSENGER - PORTSMOUTH OAK |
| 7 | 136392-02-02B | EA | PANEL - COVER - SWITCHBOX - E-COATED - SATELLITE DISH |
| | | | FROM: 00-00-00 THRU: 12-10-01 |
| 7 | 136392-01-02B | EA | PANEL - COVER - SWITCHBOX - E-COATED - SATELLITE DISH |
| | | | FROM: 12-11-01 THRU: 99-99-99 |
| 8 | 134783-K3-M94 | EA | DOOR - RAIL/SOLID PANEL - 10.8" X 16.5" - W/O HARDWARE - SALEM CHERRY |
| 8 | 134783-K3-N95 | EA | DOOR - RAIL/SOLID PANEL - 10.8" X 16.5" - W/O HARDWARE - PORTSMOUTH OAK |
| | 100708-25-000 | EA | DOOR - GLASS - TV CABINET - W/O HARDWARE |
| 9 | P35582-01-N94 | EA | PANEL - OVERHEAD/RIGHT HAND - VINYL COVERED |
| | 135582-01-02B | EA | PANEL - OVERHEAD/RIGHT HAND - E-COATED |
| | 106569-12-02A | YD | VINYL - LAMINATE - 1/4" X 54" - GLACIER |
| 10 | 135532-02-M94 | EA | FACE - CABINET - OVERHEAD/LEFT HAND - W/O HARDWARE - SALEM CHERRY |
| 10 | 135532-02-N95 | EA | FACE - CABINET - OVERHEAD/LEFT HAND - W/O HARDWARE - PORTSMOUTH OAK |

DRIVERS COMPARTMENT GROUP (CONTINUED)
CABINETS (CONTINUED)

| KEY | PART NUMBER | U/M | DESCRIPTION |
|------------|--------------------|------------|--|
| 11 | 135532-01-M94 | EA | FACE - CABINET - OVERHEAD/RIGHT HAND - W/O HARDWARE - SALEM CHERRY |
| 11 | 135532-01-N95 | EA | FACE - CABINET - OVERHEAD/RIGHT HAND - W/O HARDWARE - PORTSMOUTH OAK |
| 12 | 136441-01-02B | EA | STRAP - TV - E-COATED |
| 13 | 136387-01-N94 | EA | PANEL - VINYL COVERED |
| | 136386-01-02B | EA | PANEL - COVER/FRONT - E-COATED |
| | 106569-09-05A | EA | VINYL - LAMINATE - 1/4" X 25" X 100" - GLACIER |
| 14 | 073050-03-000 | EA | MOUNTING CLIP - VALANCE PANEL |
| 15 | 140364-01-01A | EA | FOAM - PAD - 5" X 8" X 8" |
| 16 | 135505-01-02B | EA | PANEL - ENTERTAINMENT CENTER/RIGHT HAND - E- COATED |

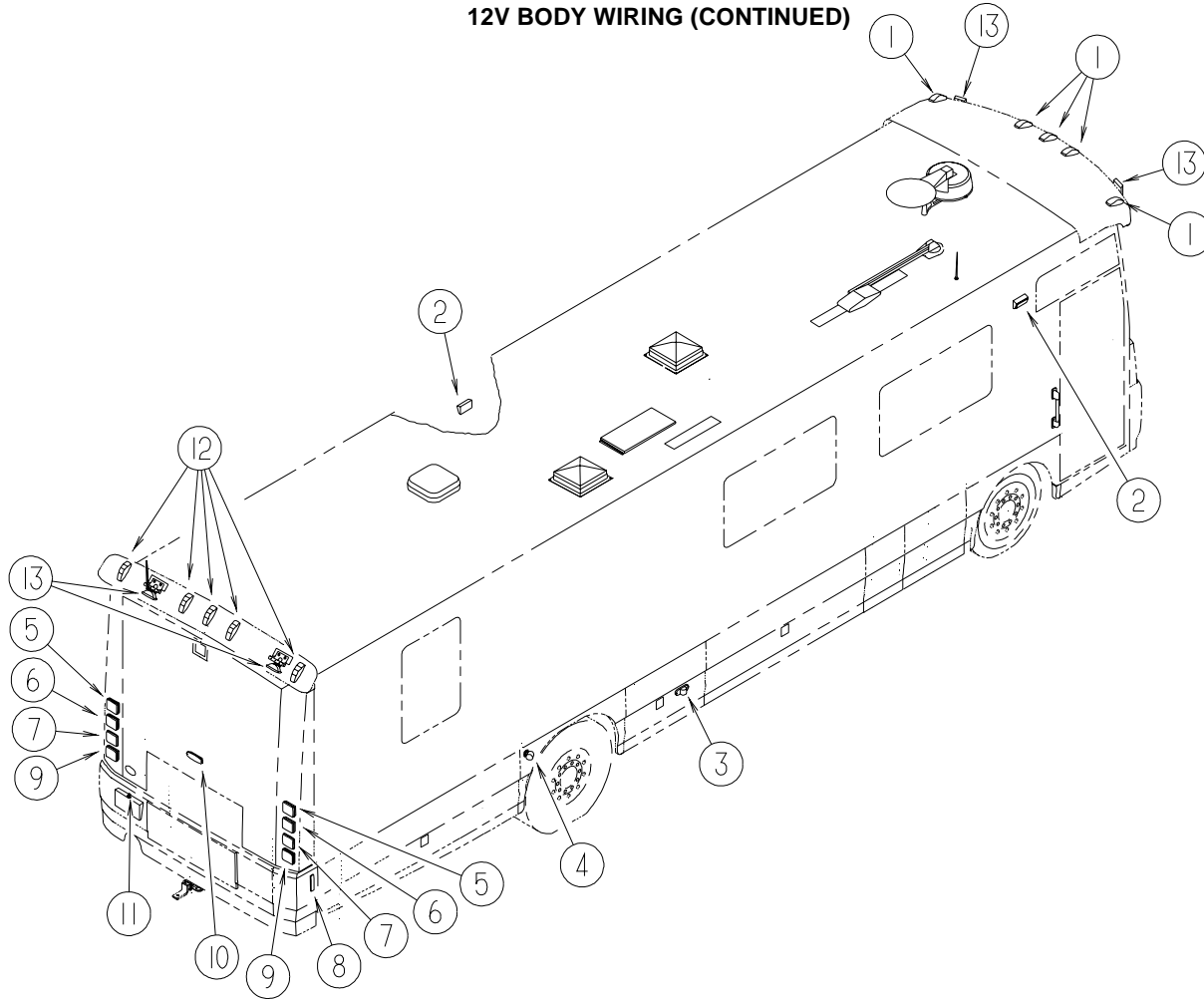
ELECTRICAL GROUP
12V BODY WIRING



| KEY | PART NUMBER | U/M | DESCRIPTION |
|-----|---------------|-----|---|
| 1 | 124187-02-000 | EA | SOCKET/HOUSING - HIGH BEAM HEADLAMP |
| 2 | 129927-01-000 | EA | HEADLAMP - W/HALOGEN - RIGHT HAND - FORD |
| | 129927-02-000 | EA | HEADLAMP - W/HALOGEN - LEFT HAND - FORD |
| | 124163-01-000 | EA | CLIP - HEADLAMP/MOUNTING BRACKET - FORD #E9DZ-13N129A |
| 3 | 135879-02-02B | EA | BRACKET - PARKLAMP/RIGHT HAND - E-COATED |
| | 135879-03-02B | EA | BRACKET - PARKLAMP/LEFT HAND - E-COATED |
| 4* | 130051-01-000 | EA | LAMP - FOG W/BRACKET - CLEAR/ROUND - PASSENGER |
| | 130051-02-000 | EA | LAMP - FOG W/BRACKET - CLEAR/ROUND - DRIVER |
| 5 | 124187-01-000 | EA | SOCKET/HOUSING - LOW BEAM HEADLAMP |
| 6 | 124161-01-000 | EA | LAMP - PASSENGER PARK/TURN |
| | 124161-02-000 | EA | LAMP - DRIVER PARK/TURN |
| | 130672-01-01A | EA | SPOTLIGHT - POWER - REMOTE - WHITE |

***COMPONENT PARTS LISTED LATER IN THIS GROUP**

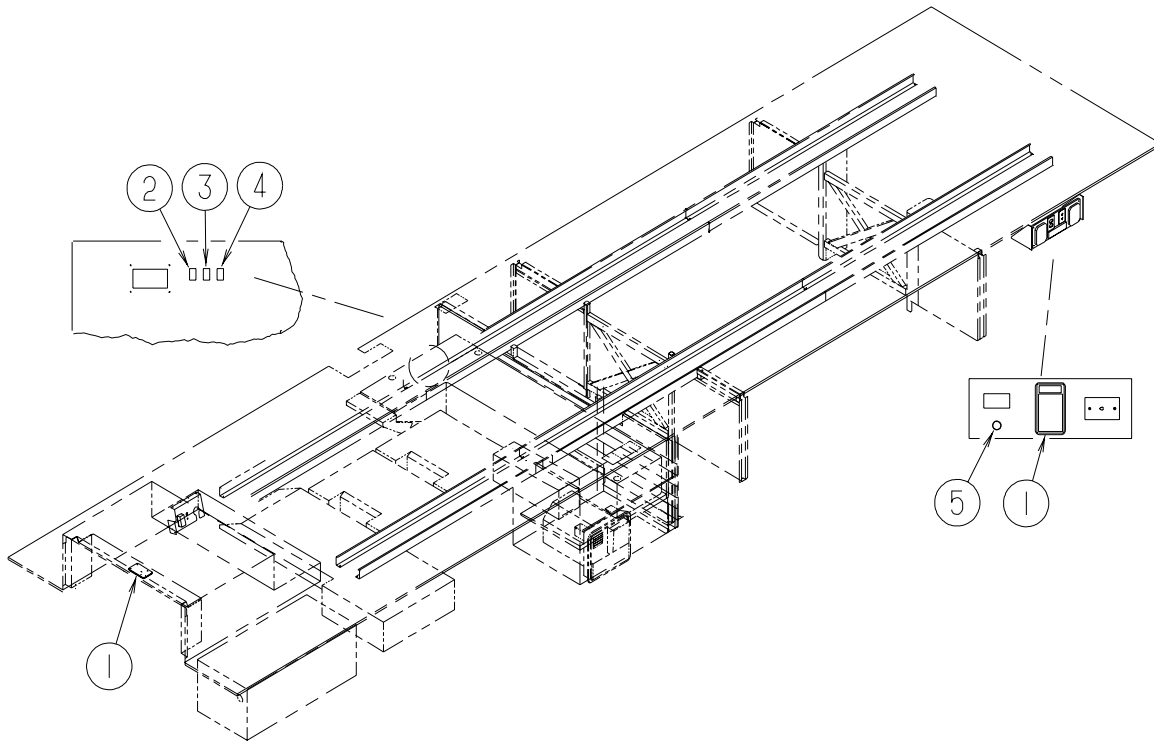
ELECTRICAL GROUP (CONTINUED)
12V BODY WIRING (CONTINUED)



| KEY | PART NUMBER | U/M | DESCRIPTION |
|-----|---------------|-----|---|
| 1 | 129942-01-000 | EA | LAMP - CLEARANCE - AMBER |
| 2* | 097917-01-06A | EA | LIGHT - PORCH - BRIGHT WHITE |
| | 008215-01-000 | EA | BULB - 12 VOLT - #1003 - .94 AMP |
| 2* | 008089-02-000 | EA | LIGHT - PORCH - RECESSED - CANADIAN |
| 2 | 091981-01-000 | EA | GASKET - PORCH LIGHT |
| | 008214-01-000 | EA | BULB - 12 VOLT - #67 - .59 AMP |
| 3 | 113293-01-000 | EA | LAMP - (LENS/BASE) SIDEMARKER/TURN SIGNAL - AMBER |
| 3 | 037935-01-000 | EA | BULB - 12V - #1157 OR #2057 - 2.1 AMP - CLEAR GLASS |
| 3 | 106687-02-000 | EA | SOCKET - LIGHT - 3-WIRE |
| 4 | 129746-01-000 | EA | LAMP - DOCKING/DRIVING W/MOUNT BRACKET |
| 4 | 129301-02-01A | EA | COVER - DOCKING LIGHT - BLACK |
| 5 | 124186-03-000 | EA | LIGHT - STOP/TAIL - RED |
| 5 | 124234-01-000 | EA | BULB - 12 VOLT/1.7-.42AMP #7528 |
| 6 | 124186-02-000 | EA | LIGHT - TURN/AMBER |
| 6 | 124220-01-000 | EA | BULB - 12 VOLT/1.75 AMP/21 WATT - #7506 |
| 7 | 124186-04-000 | EA | REFLECTOR - RED |
| 8 | 117826-01-000 | EA | SIDE MARKER LAMP ASSEMBLY - RED |
| 8 | 036196-01-000 | EA | BULB - 12V - #194 - .27 AMP - BAYONETTE |
| 8 | 067789-02-000 | EA | SOCKET - LAMP |
| 9 | 124186-01-000 | EA | LIGHT - BACKUP (WHITE/CLEAR) |
| 9 | 124220-01-000 | EA | BULB - 12 VOLT/1.75 AMP/21 WATT - #7506 |
| 10 | 136917-01-000 | EA | LIGHT ASSEMBLY - BRAKE - CENTER MOUNT - OVAL |
| 11 | 087201-01-000 | EA | LIGHT - HALF ROUND - 1" X 1.7" - PLASTIC - BLACK |
| 12 | 129942-02-000 | EA | LAMP - CLEARANCE - RED |
| | 113589-01-000 | EA | CONNECTOR - PLUG - TRAILER |
| | 113589-02-000 | EA | CONNECTOR - SOCKET - TRAILER |

*COMPONENT PARTS LISTED LATER IN THIS GROUP

ELECTRICAL GROUP (CONTINUED)
12V BODY WIRING (CONTINUED)

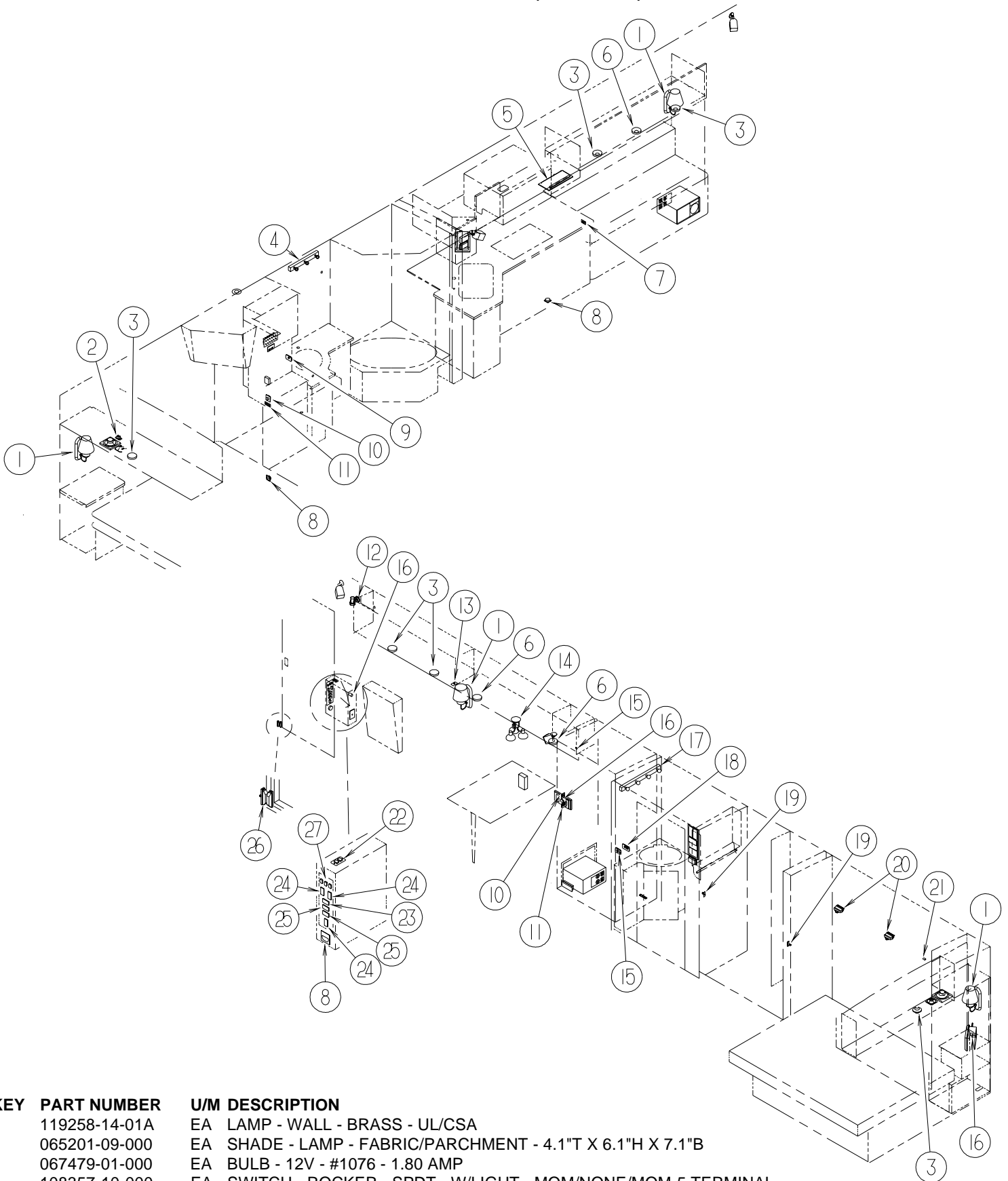


| KEY | PART NUMBER | U/M | DESCRIPTION |
|-----|---------------|-----|--|
| 1* | 098024-01-03A | EA | LIGHT - DOME - 1 BULB - WHITE |
| | 008218-01-000 | EA | BULB - 12 VOLT - #1141 - 1.44 AMP |
| 2 | 108357-01-000 | EA | SWITCH - ROCKER - SPST - ON/OFF - 2 TERMINAL |
| 2 | 108356-02-01A | EA | COVER/ACTUATOR SWITCH - 2 ROWS DIMPLES- CONTURA II - BLACK |
| 2 | 108355-01-000 | EA | HOUSING - SWITCH |
| 3 | 108357-09-000 | EA | SWITCH - ROCKER - SPDT - ON/NONE/MOM - 3 TERMINAL |
| 3 | 108356-02-01A | EA | COVER/ACTUATOR SWITCH - 2 ROWS DIMPLES- CONTURA II - BLACK |
| 3 | 108355-01-000 | EA | HOUSING - SWITCH |
| 4 | 108357-15-000 | EA | SWITCH - ROCKER - DPDT - ON/NONE/ON - LIGHTED |
| 4 | 108356-04-01A | EA | COVER/ACTUATOR SWITCH - 2 ROWS DIMPLES W/LENS-CONTURA-BLK |
| 4 | 108355-01-000 | EA | HOUSING - SWITCH |
| 5 | 111414-01-000 | EA | RECEPTACLE/SOCKET - 12 VOLT |

***COMPONENT PARTS LISTED LATER IN THIS GROUP**

ELECTRICAL GROUP (CONTINUED)

12V BODY WIRING (CONTINUED)



| KEY | PART NUMBER | U/M | DESCRIPTION |
|-----|---------------|-----|--|
| 1 | 119258-14-01A | EA | LAMP - WALL - BRASS - UL/CSA |
| 1 | 065201-09-000 | EA | SHADE - LAMP - FABRIC/PARCHMENT - 4.1"T X 6.1"H X 7.1"B |
| 1 | 067479-01-000 | EA | BULB - 12V - #1076 - 1.80 AMP |
| 2 | 108357-10-000 | EA | SWITCH - ROCKER - SPDT - W/LIGHT - MOM/NONE/MOM-5 TERMINAL |
| 2 | 108356-05-01A | EA | COVER/ACTUATOR SWITCH-3 GROOVES W/LENS-GEN SET-CONTURA III |
| 2 | 108355-01-000 | EA | HOUSING - SWITCH |
| 2 | 098351-07-01A | EA | PLATE/SWITCH - 1 GANG - POLISHED BRASS - GENERATOR |
| 3 | 132427-01-01A | EA | LIGHT - READING/SWIVEL/ROUND - BRASS |
| | 123917-01-000 | EA | BULB - 12V - HALOGEN SPOT |

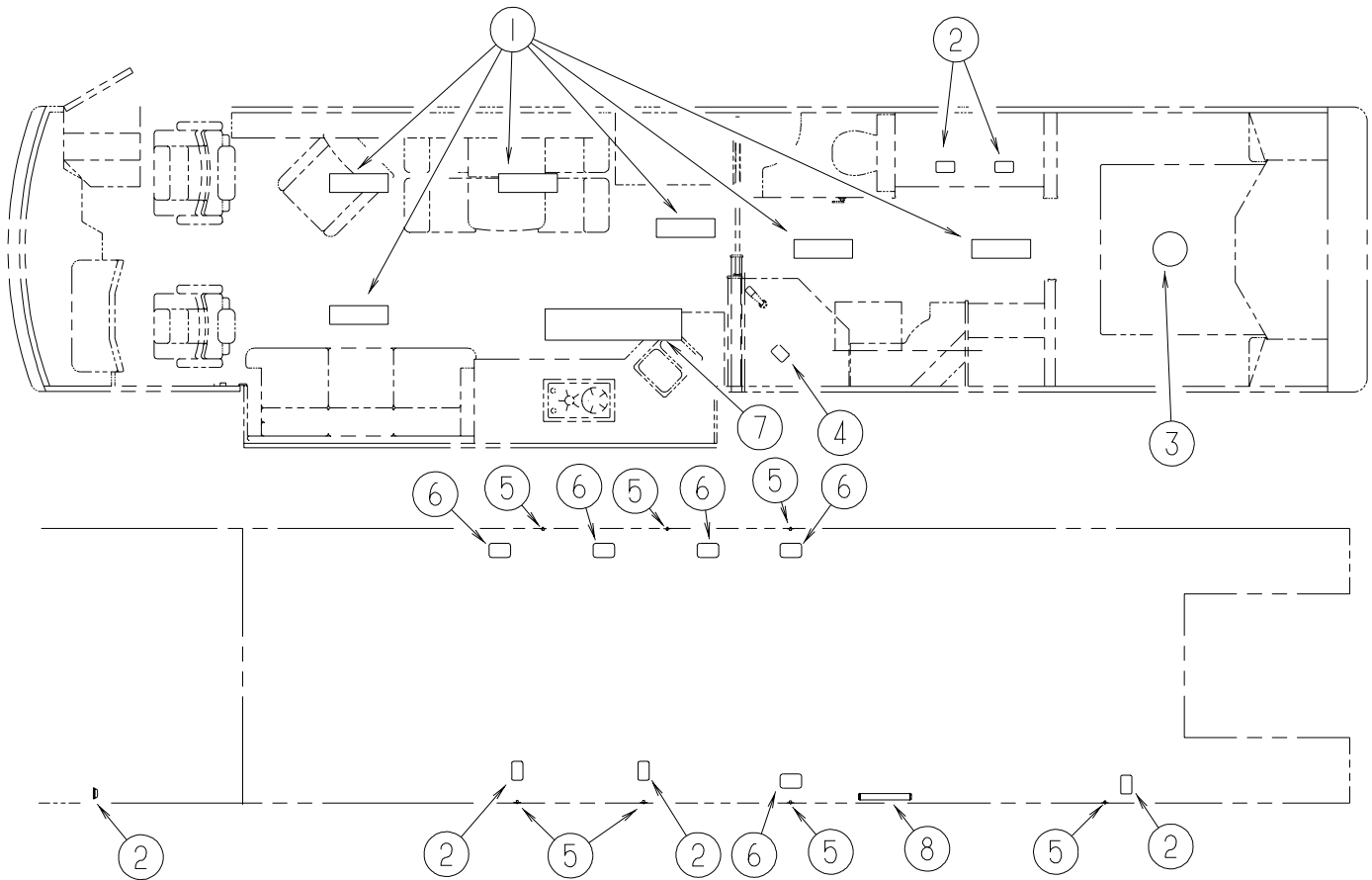
ELECTRICAL GROUP (CONTINUED)
12V BODY WIRING (CONTINUED)

| KEY | PART NUMBER | U/M | DESCRIPTION |
|-----|---------------|-----|--|
| 4 | 123774-03-01A | EA | LIGHT - MAKE UP - 3 BULB |
| 4 | 123918-01-000 | EA | BULB - 12V - MAKEUP WHITE |
| 5* | 091937-09-000 | EA | LIGHT-FLOURESCENT-12V/30 WATT RECESSED - W/SWITCH |
| 6* | 123775-01-01A | EA | LIGHT - HALOGEN - ROUND |
| 6 | 123775-02-01A | EA | COLLAR - F/SURFACE MOUNT |
| 6 | 123917-01-000 | EA | BULB - 12V - HALOGEN SPOT |
| 7 | 135740-01-02A | EA | SWITCH - ROCKER - SPST - ON/OFF - WHITE |
| 7 | 135740-02-02A | EA | SWITCH - ROCKER - SPDT - ON/ON - WHITE |
| 7 | 135741-02-02A | EA | SWITCH - BASE - DOUBLE - WHITE |
| 7 | 135742-02-02A | EA | SWITCH - BEZEL - DOUBLE - WHITE |
| 8* | 108354-01-01A | EA | LIGHT - COURTESY |
| 9 | 135740-01-02A | EA | SWITCH - ROCKER - SPST - ON/OFF - WHITE |
| 9 | 135741-02-02A | EA | SWITCH - BASE - DOUBLE - WHITE |
| 9 | 135742-02-02A | EA | SWITCH - BEZEL - DOUBLE - WHITE |
| 10 | 137889-01-000 | EA | SWITCH - LIGHT DIMMER |
| 11 | 135740-01-02A | EA | SWITCH - ROCKER - SPST - ON/OFF - WHITE |
| 11 | 135740-02-02A | EA | SWITCH - ROCKER - SPDT - ON/ON - WHITE |
| 11 | 135741-03-02A | EA | SWITCH - BASE - TRIPLE - WHITE |
| 11 | 135742-03-02A | EA | SWITCH/BEZEL - TRIPLE - WHITE |
| 12 | 128786-01-01A | EA | LIGHT - READING/SWIVEL |
| 12 | 123917-01-000 | EA | BULB - 12V - HALOGEN SPOT |
| 13 | 132180-01-01A | EA | SWITCH - PADDLE - SPST - ON/OFF - BLACK |
| 13 | 098351-01-01A | EA | PLATE/SWITCH - 1 GANG - POLISHED BRASS - W/O LABEL |
| 14 | 093575-14-01A | EA | LIGHT - CEILING/TRIPLE - BRASS - UL/CSA |
| 14 | 117806-01-000 | EA | BULB - 12V - #912 - 1.0 AMP |
| 15 | 135740-02-02A | EA | SWITCH - ROCKER - SPDT - ON/ON - WHITE |
| 15 | 135741-01-02A | EA | SWITCH - BASE - SINGLE - WHITE |
| 15 | 135742-01-02A | EA | SWITCH - BEZEL - SINGLE - WHITE |
| 16 | 132958-01-000 | EA | RECEPTACLE - 12 VOLT - MOUNTING FLANGE - BLACK |
| 17* | 123774-01-01A | EA | LIGHT - MAKE UP - 4 BULB |
| 17 | 123918-01-000 | EA | BULB - 12V - MAKEUP WHITE |
| 18 | 135740-01-02A | EA | SWITCH - ROCKER - SPST - ON/OFF - WHITE |
| 18 | 135740-03-02A | EA | SWITCH - ROCKER - DPDT - MOM/OFF/MOM - WHITE |
| 18 | 135741-03-02A | EA | SWITCH - BASE - TRIPLE - WHITE |
| 18 | 135742-03-02A | EA | SWITCH/BEZEL - TRIPLE - WHITE |
| 19 | 041250-01-000 | EA | SWITCH - PUSH BUTTON/DOOR JAMB - METAL - CHROME |
| 20* | 087694-01-000 | EA | LIGHT - WARDROBE/CLOSET - W/SWITCH |
| 21 | 056264-01-000 | EA | SWITCH - LEAF ACTUATOR - CABINET DOOR JAMB |
| 22 | 079364-07-000 | EA | SWITCH - MOM/OFF/MOM ROCKER - BLACK |
| 22 | 079364-04-000 | EA | SWITCH - ON/OFF ROCKER - 2 TERMINAL - BLACK |
| 22 | 098351-12-01A | EA | PLATE/SWITCH - 2 GANG - POLISHED BRASS - STEP COVER/LAMP |
| 23 | 108357-01-000 | EA | SWITCH - ROCKER - SPST - ON/OFF - 2 TERMINAL |
| 23 | 108356-01-01A | EA | COVER/ACTUATOR SWITCH - 3 GROOVES - CONTURA III - BLACK |
| 23 | 108355-01-000 | EA | HOUSING - SWITCH |
| 24 | 108357-06-000 | EA | SWITCH - ROCKER - DPDT - MOM/OFF/MOM - 6 TERMINAL |
| 24 | 108356-01-01A | EA | COVER/ACTUATOR SWITCH - 3 GROOVES - CONTURA III - BLACK |
| 24 | 108355-01-000 | EA | HOUSING - SWITCH |
| 25 | 108357-07-000 | EA | SWITCH - ROCKER - SPDT - MOM/OFF/MOM - 3 TERMINAL |
| 25 | 108356-12-01A | EA | COVER/ACTUATOR SWITCH - 3 GROOVES |
| 25 | 108355-01-000 | EA | HOUSING - SWITCH |
| 26 | 116995-02-000 | EA | SWITCH/MAGNET - ELECTRIC STEP - BLACK/WHITE-CLOSED CIRCUIT |
| 27 | 132180-01-01A | EA | SWITCH - PADDLE - SPST - ON/OFF - BLACK |
| 27 | 132180-02-01A | EA | SWITCH - PADDLE - SPDT - ON/ON - BLACK |

*COMPONENT PARTS LISTED LATER IN THIS GROUP

ELECTRICAL GROUP (CONTINUED)

12V BODY WIRING (CONTINUED)

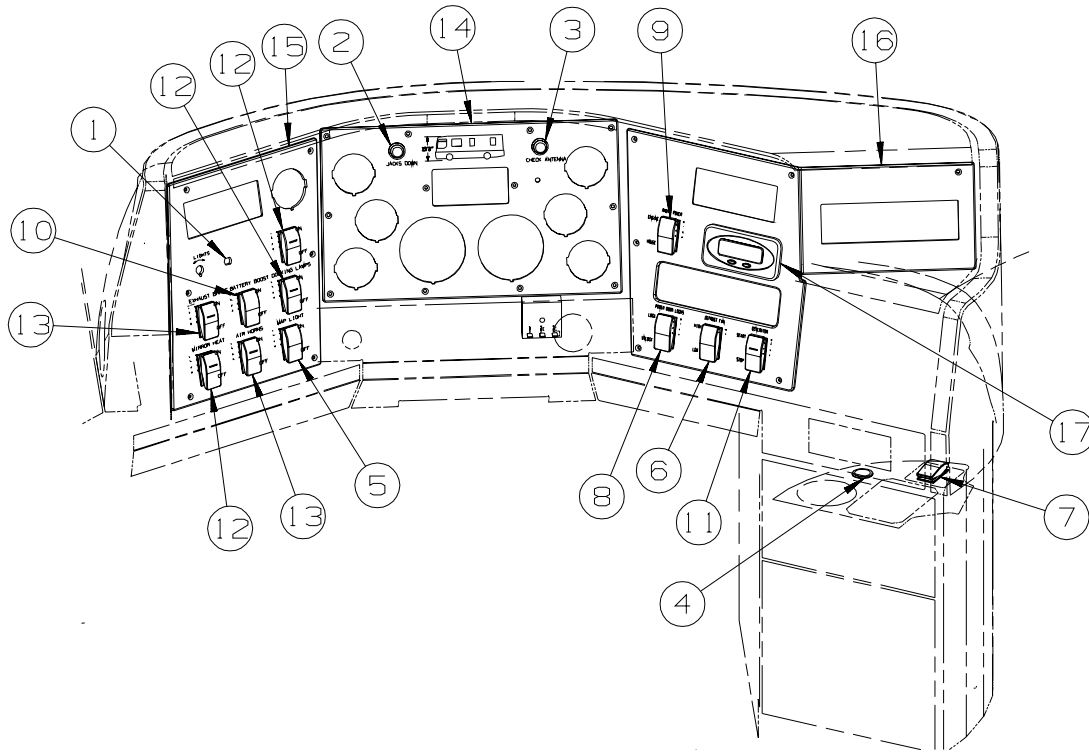


| KEY | PART NUMBER | U/M | DESCRIPTION |
|-----|---------------|-----|---|
| 1* | 091937-08-000 | EA | LIGHT-FLOURESCENT-12V/30 WATT RECESSED - W/O SWITCH |
| | 091937-03-000 | EA | BULB - FLUORESCENT LIGHT - 12 VOLT |
| 2* | 098024-01-03A | EA | LIGHT - DOME - 1 BULB - WHITE |
| | 008218-01-000 | EA | BULB - 12 VOLT - #1141 - 1.44 AMP |
| 3* | 093575-22-01A | EA | LIGHT - CEILING/ROUND - BRASS - UL/CSA |
| 3 | 117805-01-000 | EA | BULB - 12V - # 921F - 1.4 AMPS |
| 4* | 121935-01-01A | EA | LIGHT - DOME - SHOWER |
| | 008218-01-000 | EA | BULB - 12 VOLT - #1141 - 1.44 AMP |
| 5 | 041250-01-000 | EA | SWITCH - PUSH BUTTON/DOOR JAMB - METAL - CHROME |
| 6* | 098024-01-03A | EA | LIGHT - DOME - 1 BULB - WHITE |
| | 008218-01-000 | EA | BULB - 12 VOLT - #1141 - 1.44 AMP |
| 6 | 098023-01-02A | EA | SHROUD - CEILING LIGHT - SINGLE WHITE |
| 7 | 133416-01-000 | EA | LIGHT - FLOURESCENT W/O LENS - 48" - 1 BULB |
| 7 | 133312-01-01A | EA | LENS - CLEAR DIFFUSER - 23.7" X 47.8" |
| 8 | 127327-01-01A | EA | LAMP - FLUORESCENT - BLACK/THIN LITE |

***COMPONENT PARTS LISTED LATER IN THIS GROUP**

ELECTRICAL GROUP (CONTINUED)

FRONT END WIRING



| KEY | PART NUMBER | U/M | DESCRIPTION |
|-----|---------------|-----|---|
| | 137424-01-000 | EA | GPS-NAVIGATION SYS-W/DVD DIVIT/MAPS/GPS ANT & WIRE HARNESS - MAPPING SYSTEM |
| | 137424-02-000 | EA | MONITOR - LCD - COLOR 6.5" - W/INTERFACE BOX & HARNESS - MAPPING SYSTEM |
| 1* | 091206-04-000 | EA | MODULE KIT - WIPER CONTROL - DYNAMIC PARK |
| 2 | 133534-01-000 | EA | LIGHT - RED INDICATOR WITH 1/4" TERMINALS |
| 3 | 133534-02-000 | EA | LIGHT - AMBER INDICATOR WITH 1/4" TERMINALS |
| 4 | 089294-01-000 | EA | LIGHTER - CIGARETTE - W/SOCKET & WIRE |
| 5 | 108357-01-000 | EA | SWITCH - ROCKER - SPST - ON/OFF - 2 TERMINAL |
| 5 | 108355-01-000 | EA | HOUSING - SWITCH |
| 5 | 108356-01-01A | EA | COVER/ACTUATOR SWITCH - 3 GROOVES - CONTURA III - BLACK |
| 6 | 108357-03-000 | EA | SWITCH - ROCKER - SPDT - ON/OFF/ON - 3 TERMINAL |
| 6 | 108355-01-000 | EA | HOUSING - SWITCH |
| 6 | 108356-01-01A | EA | COVER/ACTUATOR SWITCH - 3 GROOVES - CONTURA III - BLACK |
| 7 | 108357-06-000 | EA | SWITCH - ROCKER - DPDT - MOM/OFF/MOM - 6 TERMINAL |
| 7 | 108355-01-000 | EA | HOUSING - SWITCH |
| 7 | 108356-01-01A | EA | COVER/ACTUATOR SWITCH - 3 GROOVES - CONTURA III - BLACK |
| 8 | 108357-07-000 | EA | SWITCH - ROCKER - SPDT - MOM/OFF/MOM - 3 TERMINAL |
| 8 | 108355-01-000 | EA | HOUSING - SWITCH |
| 8 | 108356-01-01A | EA | COVER/ACTUATOR SWITCH - 3 GROOVES - CONTURA III - BLACK |
| 9 | 108357-08-000 | EA | SWITCH - ROCKER - DPDT - 0N/NONE/ON - 6 TERMINAL |
| 9 | 108355-01-000 | EA | HOUSING - SWITCH |
| 9 | 108356-01-01A | EA | COVER/ACTUATOR SWITCH - 3 GROOVES - CONTURA III - BLACK |
| 10 | 108357-09-000 | EA | SWITCH - ROCKER - SPDT - ON/NONE/MOM - 3 TERMINAL |
| 10 | 108355-01-000 | EA | HOUSING - SWITCH |
| 10 | 108356-01-01A | EA | COVER/ACTUATOR SWITCH - 3 GROOVES - CONTURA III - BLACK |
| 11 | 108357-10-000 | EA | SWITCH - ROCKER - SPDT - W/LIGHT - MOM/NONE/MOM-5 TERMINAL |
| 11 | 108355-01-000 | EA | HOUSING - SWITCH |
| 11 | 108356-03-01A | EA | COVER/ACTUATOR SWITCH - 3 GROOVES W/LIGHT-CONTRA III-BLACK |
| 12 | 108357-14-000 | EA | SWITCH - ROCKER - SPST - W/LIGHT - ON/OFF - 4 TERMINAL |
| 12 | 108355-01-000 | EA | HOUSING - SWITCH |
| 12 | 108356-03-01A | EA | COVER/ACTUATOR SWITCH - 3 GROOVES W/LIGHT-CONTRA III-BLACK |
| 13 | 108357-15-000 | EA | SWITCH - ROCKER - DPDT - ON/NONE/ON |
| 13 | 108355-01-000 | EA | HOUSING - SWITCH |
| 13 | 108356-03-01A | EA | COVER/ACTUATOR SWITCH - 3 GROOVES W/LIGHT-CONTRA III-BLACK |

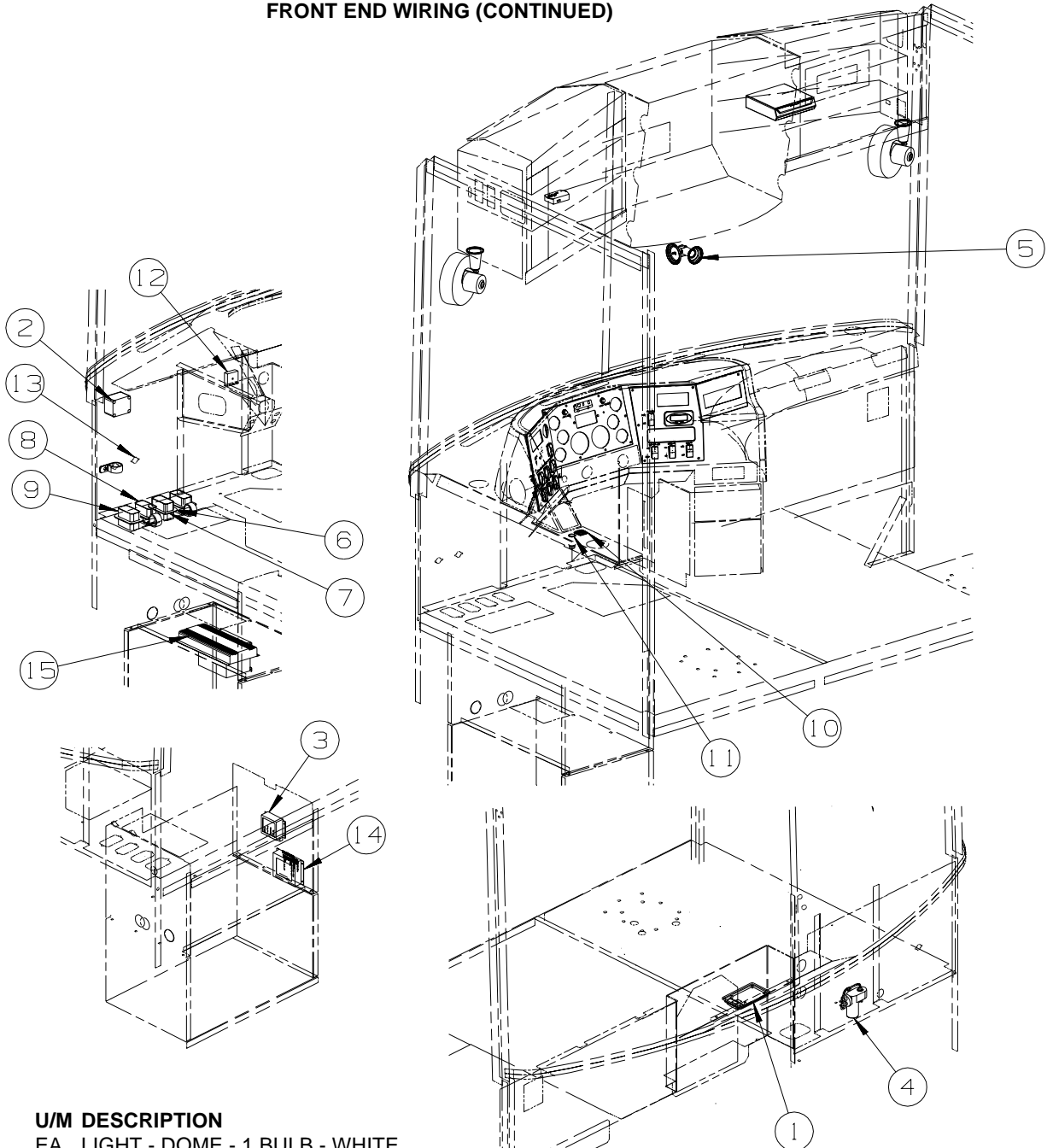
ELECTRICAL GROUP (CONTINUED)
FRONT END WIRING (CONTINUED)

| KEY | PART NUMBER | U/M | DESCRIPTION |
|-----|---------------|-----|--|
| 14 | 134552-02-01A | EA | BEZEL - DASH - CENTER FROM: 00-00-00 THRU: 08-12-01 |
| 14 | 134552-03-01A | EA | BEZEL - DASH/CENTER - MATTE BLACK FROM: 08-13-01 THRU: 99-99-99 |
| 15 | 134553-03-01A | EA | BEZEL - DASH/DRIVER - MATT BLACK FROM: 00-00-00 THRU: 08-12-01 |
| 15 | 134553-04-01A | EA | BEZEL - DASH/DRIVER - MATTE BLACK FROM: 08-13-01 THRU: 99-99-99 |
| 16 | 134556-01-01A | EA | BEZEL - DASH/RIGHT HAND - MATTE BLACK FROM: 00-00-00 THRU: 08-12-01 |
| 16 | 134556-03-01A | EA | BEZEL - DASH/PASSENGER - MATTE BLACK FROM: 08-13-01 THRU: 99-99-99 |
| 17 | 136119-01-000 | EA | COMPASS/THERMOMETER - ELECTRONIC |

***COMPONENT PARTS LISTED LATER IN THIS GROUP**

ELECTRICAL GROUP (CONTINUED)

FRONT END WIRING (CONTINUED)



| KEY | PART NUMBER | U/M | DESCRIPTION |
|-----|---------------|-----|--|
| 1* | 098024-01-03A | EA | LIGHT - DOME - 1 BULB - WHITE |
| | 008218-01-000 | EA | BULB - 12 VOLT - #1141 - 1.44 AMP |
| 2 | 128074-02-000 | EA | FILTER - NOISE - 12 VOLT DC W/PLUGS |
| 3 | 130366-01-000 | EA | MODULE - CHARGE CONTROL |
| 4 | 114802-01-000 | EA | PUMP - VACUUM - 12V |
| 5 | 123917-01-000 | EA | BULB - 12V - HALOGEN SPOT |
| 5 | 128786-01-01A | EA | LIGHT - READING/SWIVEL |
| 6 | 118571-03-000 | EA | BRACKET - MOUNTING |
| 7 | 118571-04-000 | EA | GASKET |
| 8 | 134747-01-000 | EA | RETAINER - HOUSING |
| 9 | 134747-02-000 | EA | RETAINER - HOUSING |
| 10 | 088246-01-000 | EA | SWITCH/REMOTE MIRROR - W/2PIN & 6 PIN CONNECTORS/PIGTAIL |
| 11 | 132958-01-000 | EA | RECEPTACLE - 12 VOLT - MOUNTING FLANGE - BLACK |
| 12 | 133535-01-000 | EA | MODULE - TIMER 20 SECOND - WARNING LIGHT - TS61120P |
| 13 | 113452-01-000 | FT | SEAL/TRIM - FRONT - VINYL W/WIRE CARRIER - .020" |
| 14* | 102756-03-000 | EA | REMOTE - KEYLESS ENTRY CARGO |
| 15 | NOT USED | | |

FROM: 00-00-00 THRU: 02-15-02

FROM: 00-00-00 THRU: 02-15-02

*COMPONENT PARTS LISTED LATER IN THIS GROUP

ELECTRICAL GROUP (CONTINUED)
COMPONENT PARTS FOR LIGHTS & SWITCHES

008089-02-000

| KEY | PART NUMBER | U/M | DESCRIPTION |
|------------|--------------------|------------|----------------------------------|
| | 008089-01-700 | EA | LENS-LIGHT, RECESSED, PORCH DECO |

087694-01-000

| KEY | PART NUMBER | U/M | DESCRIPTION | VENDOR NO. |
|------------|--------------------|------------|--------------------|-------------------|
| | 087694-01-700 | EA | BULB | GE561 |

091206-04-000

| KEY | PART NUMBER | U/M | DESCRIPTION | VENDOR NO. |
|------------|--------------------|------------|-----------------------------|-------------------|
| | 091206-02-700 | EA | KNOB-INNER | 66C-00019 |
| | 091206-02-701 | EA | KNOB-OUTER | 66C-00020 |
| | 091206-04-700 | EA | SWITCH ASSEM. ONLY | 250-6623 |
| | 102362-03-700 | EA | MODULE-WIPER CONT., DYNAMIC | 66D-00093 |

091937-08-000

| KEY | PART NUMBER | U/M | DESCRIPTION | VENDOR NO. |
|------------|--------------------|------------|----------------------------|-------------------|
| | 091937-08-700 | EA | LENS - LIGHT - FLUORESCENT | D-766 |

091937-09-000

| KEY | PART NUMBER | U/M | DESCRIPTION | VENDOR NO. |
|------------|--------------------|------------|----------------------------|-------------------|
| | 091937-09-700 | EA | LENS - LIGHT - FLUORESCENT | D-762 |

093575-22-01A

| KEY | PART NUMBER | U/M | DESCRIPTION | VENDOR NO. |
|------------|--------------------|------------|------------------------|-------------------|
| | 093575-19-700 | EA | GLOBE F/55-556X2 LIGHT | 9088 |

097917-01-06A

| KEY | PART NUMBER | U/M | DESCRIPTION | VENDOR NO. |
|------------|--------------------|------------|--------------------|-------------------|
| | 097917-01-700 | EA | LENS-LIGHT, CLEAR | 30-78-021 |

098024-01-03A

| KEY | PART NUMBER | U/M | DESCRIPTION | VENDOR NO. |
|------------|--------------------|------------|--------------------|-------------------|
| | 098024-01-700 | EA | LENS-LIGHT | 807877 |

102756-03-000

| KEY | PART NUMBER | U/M | DESCRIPTION | VENDOR NO. |
|------------|--------------------|------------|------------------------------|-------------------|
| | 102756-02-702 | EA | BATTERY-12 VOLT | 402-1002 |
| | 102756-03-700 | EA | MODULE BOARD | 202-3219 |
| | 102756-03-701 | EA | REMOTE-KEYLESS ENTRY | 412-1115 |
| | 102756-03-702 | EA | RELAY- 30AMP - SPDT | 463-1000 |
| | 102756-03-703 | EA | WIRE HARNESS - KEYLESS ENTRY | 203-6879 |

108354-01-01A

| KEY | PART NUMBER | U/M | DESCRIPTION | VENDOR NO. |
|------------|--------------------|------------|---------------------|-------------------|
| | 108354-01-700 | EA | BULB-COURTESY LIGHT | 395-B |

121935-01-01A

| KEY | PART NUMBER | U/M | DESCRIPTION | VENDOR NO. |
|------------|--------------------|------------|--------------------|-------------------|
| | 121935-01-700 | EA | LENS ONLY | 809511 |

123774-01-01A

| KEY | PART NUMBER | U/M | DESCRIPTION | VENDOR NO. |
|------------|--------------------|------------|-----------------------------|-------------------|
| | 123774-01-700 | EA | BULB - MAKEUP LIGHT/CLEAR | 719019C CLEAR |
| | 123774-01-701 | EA | BULB - MAKEUP LIGHT/FROSTED | 719019F FROSTED |

123775-01-01A

| KEY | PART NUMBER | U/M | DESCRIPTION | VENDOR NO. |
|------------|--------------------|------------|-----------------------------|-------------------|
| | 123775-01-700 | EA | BULB - 10 WATT - HALOGEN | 71-JC10 |
| | 123775-01-701 | EA | BEZEL/LENS - RECESSED LIGHT | |

130051-01-000

| KEY | PART NUMBER | U/M | DESCRIPTION | VENDOR NO. |
|------------|--------------------|------------|--------------------|-------------------|
| | 130051-01-700 | EA | BULB/REPLACEMENT | 689D |

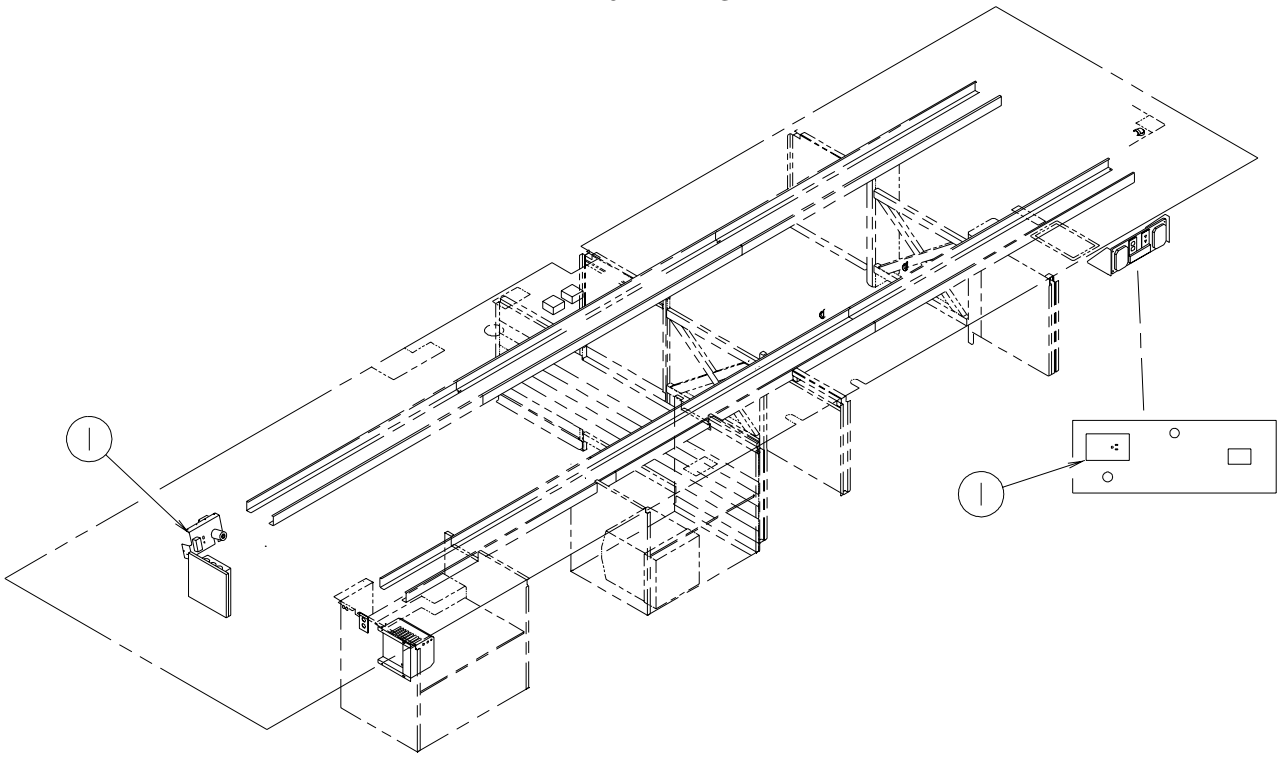
ELECTRICAL GROUP (CONTINUED)
CIRCUIT BREAKERS & FUSES

| KEY | PART NUMBER | U/M | DESCRIPTION |
|------------|--------------------|------------|--|
| | 008233-01-000 | EA | FUSE - 12 VOLT - 6 AMP |
| | 008235-01-000 | EA | FUSE - 15 AMP/12VOLT - AUTOMOTIVE |
| | 033573-01-000 | EA | CIRCUIT BREAKER W/MOUNT-20A, 12V - FASCO 1711-2026 |
| | 062037-02-000 | EA | HOUSING - AUTO FUSE - GREEN |
| | 062037-04-000 | EA | HOUSING - AUTO FUSE - BLUE |
| | 062037-07-000 | EA | HOUSING - AUTO FUSE - RED |
| | 062901-02-000 | EA | FUSE - 5 AMP - AUTOMOTIVE |
| | 062901-05-000 | EA | FUSE - 15 AMP - AUTOMOTIVE |
| | 062901-06-000 | EA | FUSE - 20 AMP - AUTOMOTIVE |
| | 062901-07-000 | EA | FUSE - 25 AMP - AUTOMOTIVE |
| | 062901-08-000 | EA | FUSE - 30 AMP - AUTOMOTIVE |
| | 083209-01-000 | EA | CIRCUIT BREAKER - 15 AMP - 120 VOLT - CANADIAN |
| | 083209-02-000 | EA | CIRCUIT BREAKER - 15/15 AMP - 120 VOLT |
| | 083209-03-000 | EA | CIRCUIT BREAKER - 15/20 AMP - 120 VOLT |
| | 083209-04-000 | EA | CIRCUIT BREAKER - 30 AMP - 120 VOLT |
| | 083209-05-000 | EA | CIRCUIT BREAKER - 20 AMP - 120 VOLT |
| | 083209-06-000 | EA | CIRCUIT BREAKER - 30/15 AMP - 120 VOLT |
| | 083209-07-000 | EA | CIRCUIT BREAKER - 20/20 AMP - 120 VOLT |
| | 083209-10-000 | EA | CIRCUIT BREAKER - 20/30 AMP - 120 VOLT |
| | 083209-11-000 | EA | CIRCUIT BREAKER - 20/15 AMP - 120 VOLT |
| | 092786-02-000 | EA | BUSS BAR - 3.3" LONG |
| | 092786-03-000 | EA | BUSS BAR - 6.9" LONG |
| | 092786-06-000 | EA | BUSS BAR |
| | 093654-01-000 | EA | CIRCUIT BREAKER - 6 AMP - 12 VOLT - PUSH BUTTON - WHITE |
| | 093654-02-000 | EA | CIRCUIT BREAKER - 15 AMP - 12 VOLT - PUSH BUTTON - WHITE |
| | 093654-03-000 | EA | CIRCUIT BREAKER - 20 AMP - 12 VOLT - PUSH BUTTON - WHITE |
| | 093654-11-000 | EA | COVER - RESET BUTTON |
| | 093655-01-000 | EA | CIRCUIT BREAKER - 25 AMP - 12 VOLT - PUSH BUTTON - WHITE |
| | 093655-02-000 | EA | CIRCUIT BREAKER - 30 AMP - 12 VOLT - PUSH BUTTON - WHITE |
| | 093655-03-000 | EA | CIRCUIT BREAKER - 40 AMP - 12 VOLT - PUSH BUTTON - WHITE |
| | 093674-01-000 | EA | PLATE - CIRCUIT BREAKER - HOUSE - 8.4" X 4.1" - STEEL |
| | 097611-01-000 | EA | CIRCUIT BREAKER - 10 AMP |
| | 100341-01-000 | EA | FUSE HOLDER - IN LINE TYPE |
| | 106656-01-000 | EA | FUSE BLOCK - 4 CAVITY - AUTOFUSE |
| | 108567-01-000 | EA | CIRCUIT BREAKER - 40 AMP - 12 VOLT - TYPE II |
| | 108669-01-000 | EA | HOUSING - AUTO FUSE HOLDER |
| | 111683-01-000 | EA | FUSE - HOLDER - GLASS - 1/4" X 1 1/4" |
| | 113482-01-000 | EA | CIRCUIT BREAKER - 55 AMP - MANUAL |
| | 115187-01-000 | EA | FUSE - 300 AMP - NON-DELAY |
| | 115187-02-000 | EA | FUSE HOLDER - BUSS ANN/ANL BLOCK |
| | 118531-04-02B | EA | PLATE - CIRCUIT BREAKER - E-COATED |
| | 118531-05-02B | EA | PLATE - CIRCUIT BREAKER - E-COAT |
| | 122811-01-000 | EA | CIRCUIT BREAKER - 20/50/50/20 |
| | 125986-04-000 | EA | FUSE - 10 AMP - AUTO - MINI BLADE |
| | 125986-05-000 | EA | FUSE - 15 AMP - AUTO - MINI BLADE |
| | 134127-01-000 | EA | CIRCUIT BREAKER - 10 AMP - MINI |

CONVERTER, INVERTER, LOAD CENTERS

| KEY | PART NUMBER | U/M | DESCRIPTION |
|------------|--------------------|------------|---|
| | 108915-03-000 | EA | LOAD CENTER - 120/240 VOLT - 100 AMP |
| | 109677-01-000 | EA | LOAD CENTER - 120 VOLT - 40 AMP |
| | 113685-04-000 | EA | INVERTER - CHARGER - 1500W AC |
| | | | FROM: 00-00-00 THRU: 06-19-01 |
| | 113685-07-000 | EA | INVERTER/CHARGER - 1500W AC |
| | | | FROM: 06-20-01 THRU: 99-99-99 |
| | 113685-05-000 | EA | REMOTE PANEL - INVERTER/CHARGER |
| | 113685-06-000 | EA | CABLE - MODULAR JACK - 50' |
| | 127002-04-000 | EA | MODULE - EMS CONTROL - W/REMOTE SENSOR |
| | 127002-05-000 | EA | PANEL/MONITOR - ENERGY MANAGEMENT SYSTEMS CTRL - W/PLUG |
| | 127002-07-000 | EA | SENSOR - CURRENT |

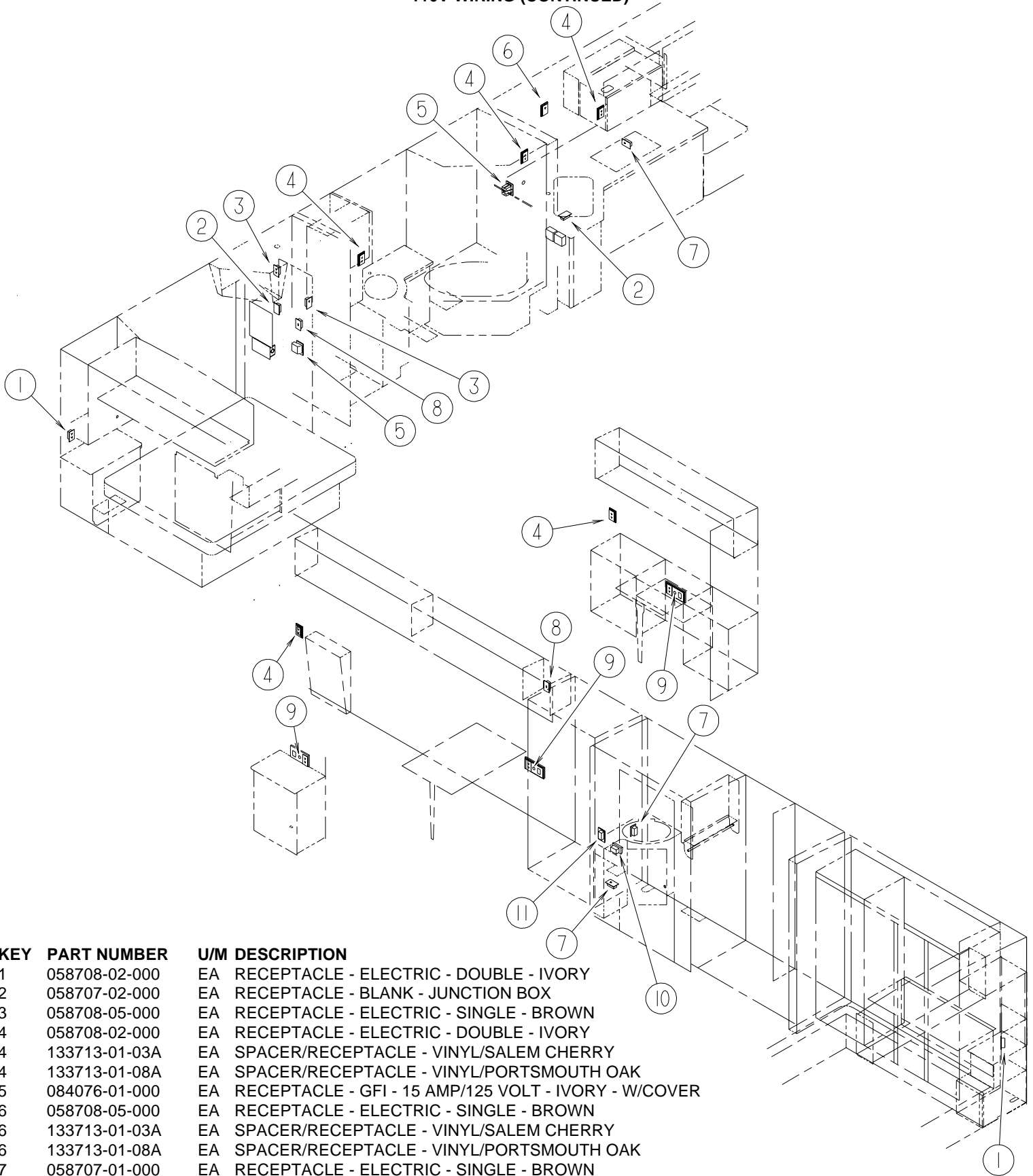
ELECTRICAL GROUP (CONTINUED)
110V WIRING



| KEY | PART NUMBER | U/M | DESCRIPTION |
|-----|---------------|-----|--|
| 1 | 058708-05-000 | EA | RECEPTACLE - ELECTRIC - SINGLE - BROWN |

ELECTRICAL GROUP (CONTINUED)

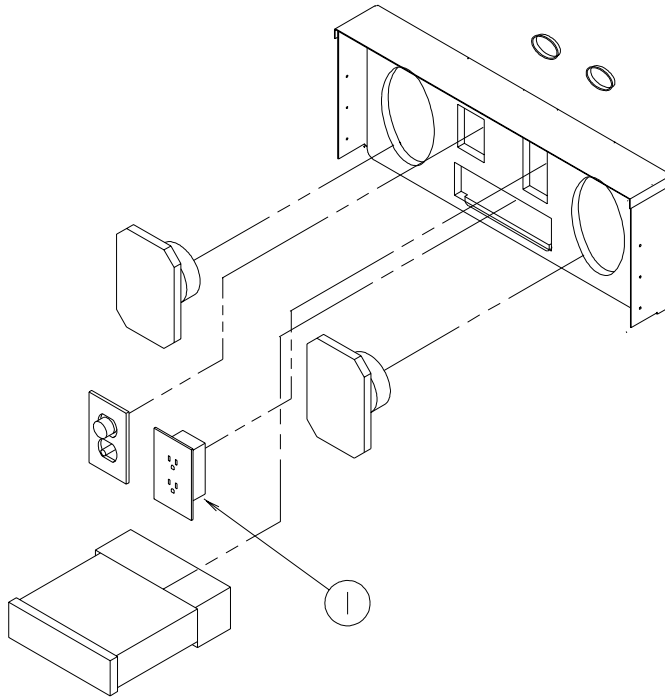
110V WIRING (CONTINUED)



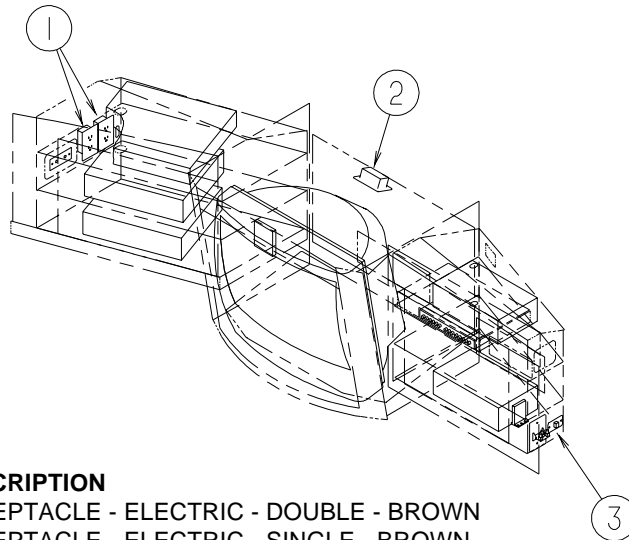
| KEY | PART NUMBER | U/M | DESCRIPTION |
|-----|---------------|-----|--|
| 1 | 058708-02-000 | EA | RECEPTACLE - ELECTRIC - DOUBLE - IVORY |
| 2 | 058707-02-000 | EA | RECEPTACLE - BLANK - JUNCTION BOX |
| 3 | 058708-05-000 | EA | RECEPTACLE - ELECTRIC - SINGLE - BROWN |
| 4 | 058708-02-000 | EA | RECEPTACLE - ELECTRIC - DOUBLE - IVORY |
| 4 | 133713-01-03A | EA | SPACER/RECEPTACLE - VINYL/SALEM CHERRY |
| 4 | 133713-01-08A | EA | SPACER/RECEPTACLE - VINYL/PORTSMOUTH OAK |
| 5 | 084076-01-000 | EA | RECEPTACLE - GFI - 15 AMP/125 VOLT - IVORY - W/COVER |
| 6 | 058708-05-000 | EA | RECEPTACLE - ELECTRIC - SINGLE - BROWN |
| 6 | 133713-01-03A | EA | SPACER/RECEPTACLE - VINYL/SALEM CHERRY |
| 6 | 133713-01-08A | EA | SPACER/RECEPTACLE - VINYL/PORTSMOUTH OAK |
| 7 | 058707-01-000 | EA | RECEPTACLE - ELECTRIC - SINGLE - BROWN |
| 8 | 084420-03-000 | EA | SWITCH - TOGGLE - 15 AMP - 120 VOLT - IVORY |
| 9 | 058708-02-000 | EA | RECEPTACLE - ELECTRIC - DOUBLE - IVORY |
| 9 | 133713-06-03A | EA | SPACER/RECEPTACLE - PHONE - VINYL/SALEM CHERRY |
| 9 | 133713-06-08A | EA | SPACER/RECEPTACLE - PHONE - VINYL/PORTSMOUTH OAK |
| 10 | 131826-01-01A | EA | RECEPTACLE - EXTERIOR - W/COVER/GASKET - WHITE |
| 11 | 058708-01-000 | EA | RECEPTACLE - ELECTRIC - DOUBLE - BROWN |

ELECTRICAL GROUP (CONTINUED)

ENTERTAINMENT WIRING



| KEY | PART NUMBER | U/M | DESCRIPTION |
|-----|---------------|-----|--|
| 1 | 058708-01-000 | EA | RECEPTACLE - ELECTRIC - DOUBLE - BROWN |



| KEY | PART NUMBER | U/M | DESCRIPTION |
|-----|---------------|-----|---|
| 1 | 058708-01-000 | EA | RECEPTACLE - ELECTRIC - DOUBLE - BROWN |
| 2 | 058708-05-000 | EA | RECEPTACLE - ELECTRIC - SINGLE - BROWN |
| 3 | 079364-04-000 | EA | SWITCH - ON/OFF ROCKER - 2 TERMINAL - BLACK |
| 3 | 098351-16-01A | EA | PLATE/SWITCH - 1 GANG W/LABEL |

ELECTRICAL GROUP (CONTINUED)

BOXES & CORDS

| KEY | PART NUMBER | U/M | DESCRIPTION |
|-----|---------------|-----|--|
| | 008289-01-000 | EA | BOX - ELECTRIC/STEEL - 1/2" & 3/4" KNOCKOUTS - 4" X 4" |
| | 008289-02-000 | EA | BOX - ELECTRIC/STEEL - 1/2" & 3/4" KNOCKOUTS - 4" X 4"-CAN |
| | 008294-01-000 | EA | COVER - ELECTRIC BOX - BLANK/STEEL - 4" X 4" - GRAY |
| | 008294-02-000 | EA | COVER - ELECTRICAL BOX - BLANK/STEEL - 4" X 4" - CANADIAN |
| | 091910-01-000 | EA | BOX - ELECTRIC - 3.8î X 3.5î X 1.8î - PLASTIC |
| | 091910-02-000 | EA | BOX - ELECTRIC - 2.2î X 3.5î X 1.8î - PLASTIC |
| | 106071-05-000 | EA | SWITCH - AUTOMATIC TRANSFER - 50/70 - MAGNETEK |
| | 108934-02-000 | EA | CORD - POWER - 50 AMP - 4-WIRE - 36' |
| | 109172-01-000 | EA | CORD - POWER - 13 AMP - 3-WIRE - 4í |
| | 121470-01-000 | EA | CORD/EXTENSION - 6 FOOT - 16-2 WIRE |
| | 131679-01-000 | EA | BOX-ELEC-WATERPROOF SEALED 4" X 4" W/4 3/4"OUTLETS-UL/CSA |
| | 131680-01-000 | EA | COVER - W/GASKET FOR WATERPROOF 4" X 4" BOX - UL/CSA |
| | 133070-01-000 | EA | BOX - ELECTRIC/PLASTIC - 3" X 2" X 2.8" - UL |
| | 133070-02-000 | EA | BOX - ELECTRIC/PLASTIC - 3" X 2" X 2.8" - CSA |

WIRE ASSEMBLIES

| KEY | PART NUMBER | U/M | DESCRIPTION |
|-----|---------------|-----|---|
| | 090986-02-000 | EA | WIRE ASSEMBLY - ELECTRIC STEP |
| | 093040-06-000 | EA | WIRE ASSEMBLY-MONITOR-F/NON-PRE-WIRED AFTER MARKET INSTALL |
| | 097618-01-000 | EA | WIRE ASSEMBLY - MONITOR PANEL- W/3 WIRES & ORANGE RESISTOR |
| | 120233-05-000 | EA | WIRE ASSEMBLY - 30" CONNECTS TO WALLPLATE DISPLAY - Q36C , Q38K |
| | 124842-03-000 | EA | WIRE ASSEMBLY - SPEAKER/ADAPTOR |
| | 124864-04-000 | EA | WIRE - SPEAKER - DELUXE EXTENSION |
| | 124882-09-000 | EA | WIRE LOOM - AMPLIFIER - Q SURROUND |
| | 125853-04-000 | EA | WIRE LOOM - ENTERTAINMENT CENTER |
| | 127002-03-000 | EA | WIRE ASSEMBLY - ENERGY MANAGEMENT SYSTEM - Q40E |
| | 127002-06-000 | EA | WIRE ASSEMBLY - EMS - W/PLUG - Q36C , Q38K |
| | 128138-02-000 | EA | WIRE - F/SATELLITE - AUTOMATIC - Q36C |
| | 129365-02-000 | EA | WIRE ASSEMBLY - CLEARANCE LAMPS - REAR |
| | 129560-01-000 | EA | WIRE ASSEMBLY - 2 MONITOR PANEL |
| | 129888-01-000 | EA | WIRE LOOM - INSTRUMENT PANEL - AIR HORN |
| | 135131-01-000 | EA | WIRE ASSEMBLY - THERMOSTAT - Q36C , Q38K , Q40E |
| | 140167-01-000 | EA | WIRE LOOM - GPS ADAPTER |

ELECTRICAL GROUP (CONTINUED)
CONNECTORS & CONDUIT

| KEY | PART NUMBER | U/M | DESCRIPTION |
|-----|---------------|-----|--|
| | 007942-01-000 | EA | TAB - WIRE 10 TO 14 AWG |
| | 007954-01-000 | EA | RECEPTACLE - HOUSING - 6 POSITION |
| | 007956-05-000 | EA | INSULATOR - SHRINK - 1/4" ID X 1 1/2" |
| | 008311-01-000 | EA | CONNECTOR - WIRE NUT - INSULATED - RED |
| | 008312-01-000 | EA | CONNECTOR - WIRE NUT - INSULATED - BLUE |
| | 008313-01-000 | EA | CONNECTOR - WIRE NUT - INSULATED - YELLOW |
| | 008314-01-000 | EA | CONNECTOR - WIRE NUT - INSULATED - GRAY |
| | 008326-01-000 | EA | TERMINAL - RING - 16/14 WIRE - 3/8" STUD |
| | 008328-01-000 | EA | TERMINAL - RING - 12/10 WIRE - #10 STUD FIT |
| | 008331-01-000 | EA | TERMINAL - RING - TONGUE - #4 WIRE - 3/8" STUD - COPPER |
| | 008348-01-000 | EA | TERMINAL - RING - 3/8" STUD 2 GA. WIRE |
| | 008355-01-000 | EA | CONNECTOR - CABLE CLAMPING - 3/4" |
| | 008356-01-000 | EA | CONNECTOR - PLASTIC - 3/8" AVG |
| | 008356-02-000 | EA | CONNECTOR - PLASTIC - 21/32 |
| | 008394-01-000 | FT | CONDUIT - FLEXIBLE - 1/2" |
| | 008398-01-000 | EA | CONNECTOR - 1/2" X 90 DEGREE - FLEX CONDUIT - UL & CSA |
| | 035416-04-000 | EA | TERMINAL - RING - #10 STUD FIT - INSULATED BARREL #16/14 |
| | 041953-01-000 | FT | CONDUIT - CONVOLUTE SLIT - .5" ID - POLYETHYLENE |
| | 041953-03-000 | FT | CONDUIT - CONVOLUTE SLIT - 1" ID (CLOTHES ROD COVER) |
| | 041953-05-000 | FT | CONDUIT - CONVOLUTE SOLID - .62" ID - POLYETHYLENE |
| | 041953-06-000 | FT | CONDUIT - CONVOLUTE SLIT - .4" ID - POLYETHYLENE |
| | 041953-07-000 | FT | CONDUIT - CONVOLUTE SLIT - .25" ID - POLYETHYLENE |
| | 041953-08-000 | FT | CONDUIT - CONVOLUTE SLIT - 1.5" ID - POLYETHYLENE |
| | 041953-09-000 | FT | CONDUIT - CONVOLUTE SLIT - .5" ID - NYLON |
| | 041953-10-000 | FT | CONDUIT - CONVOLUTE SLIT - .75" ID - NYLON |
| | 041953-11-000 | FT | CONDUIT - CONVOLUTE SLIT - 1.06" ID - NYLON |
| | 041953-12-000 | FT | CONDUIT - CONVOLUTE SOLID - 1.1" ID - NYLON |
| | 041953-13-000 | FT | CONDUIT - CONVOLUTE SLIT - 1.25 |
| | 047443-01-000 | EA | TERMINAL - .250 RECEPTACLE FIT - INSULATED - 16/14 AWG |
| | 047443-02-000 | EA | TERMINAL - .250 RECEPTACLE FIT - INSULATED - 12/10 AWG |
| | 058028-01-000 | EA | CONNECTOR - ELECTRICAL PIGTAIL - NYLON - CLEAR |
| | 062036-01-000 | EA | TERMINAL - PACK - CON - 12/10 AWG |
| | 074017-02-000 | EA | HOUSING - 5 POSITION - RIGHT ANGLED |
| | 077479-01-000 | EA | BOOT - BATTERY TERMINAL - DOUBLE CABLE |
| | 077479-02-000 | EA | BOOT - BATTERY TERMINAL - SINGLE CABLE |
| | 080015-02-000 | EA | RECEPTACLE - FLAG - .185 - 16/14 GAUGE |
| | 080015-03-000 | EA | RECEPTACLE - FLAG - .250 - 14/16 GAUGE |
| | 082109-01-000 | EA | HOUSING - CONNECTOR - PACKARD |
| | 082741-01-000 | EA | CONNECTOR BODY - 2 CONNECTOR MALE |
| | 085724-01-000 | EA | SOCKET - DOUBLE CONTACT - TAILLIGHT |
| | 087225-01-000 | FT | SLEEVING - 1/2" - TYPE H |
| | 087949-01-000 | EA | BUSS BAR - 2 POSITION - .6" X 1.5" |
| | 087949-02-000 | EA | BUSS BAR - 3 POSITION - .6" X 2.4" |
| | 087949-03-000 | EA | BUSS BAR - 4 POSITION |
| | 087949-05-000 | EA | BUSS BAR - 7 POSITION |
| | 088473-01-000 | EA | HOUSING - PIN - 12 CAVITY (3 ROWS OF 4) |
| | 088473-02-000 | EA | HOUSING - PIN - 15 CAVITY (3 ROWS OF 5) |
| | 088473-03-000 | EA | HOUSING - PIN - 9 CAVITY (3 ROWS OF 3) |
| | 088473-04-000 | EA | HOUSING - PIN - 8 CAVITY IN-LINE |
| | 088473-06-000 | EA | HOUSING - PIN - 6 CAVITY (2 ROWS OF 3) |
| | 088473-07-000 | EA | HOUSING - PIN - 5 CAVITY - IN-LINE |
| | 088473-08-000 | EA | HOUSING - PIN - 4 CAVITY - IN-LINE |
| | 088473-09-000 | EA | HOUSING - PIN - 3 CAVITY - IN-LINE |
| | 088473-10-000 | EA | HOUSING - PIN - 2 CAVITY - IN LINE |
| | 088474-01-000 | EA | HOUSING - SOCKET - 12 CAVITY |
| | 088474-02-000 | EA | HOUSING - SOCKET - 15 CAVITY |
| | 088474-03-000 | EA | HOUSING - SOCKET - 9 CAVITY |
| | 088474-04-000 | EA | HOUSING - SOCKET - 8 CAVITY |
| | 088474-06-000 | EA | HOUSING - SOCKET - 6 CAVITY |
| | 088474-07-000 | EA | HOUSING - SOCKET - 5 CAVITY |
| | 088474-08-000 | EA | HOUSING - SOCKET - 4 CAVITY |
| | 088474-09-000 | EA | HOUSING - SOCKET - 3 CAVITY |
| | 088474-10-000 | EA | HOUSING - SOCKET - 2 CAVITY |
| | 088475-01-000 | EA | PIN - CONNECTOR - 14-20 AWG |

ELECTRICAL GROUP (CONTINUED)
CONNECTORS & CONDUIT (CONTINUED)

| KEY | PART NUMBER | U/M | DESCRIPTION |
|-----|---------------|-----|---|
| | 088475-02-000 | EA | PIN - CONNECTOR - 10-12 AWG |
| | 088476-01-000 | EA | TERMINAL - ELECTRICAL |
| | 088476-02-000 | EA | SOCKET - CONNECTOR - 12-10 GA - PRE-TIN |
| | 098261-02-000 | EA | SOCKET - CONNECTOR - WEATHERPACK - 14-18 AWG |
| | 098262-01-000 | EA | SEAL - CONNECTOR - WEATHERPACK |
| | 098262-05-000 | EA | SEAL - CAVITY |
| | 098263-02-000 | EA | HOUSING - 3 PIN - WEATHER PACK |
| | 098264-01-000 | EA | HOUSING - 2 PIN - WEATHER PACK - MALE W/FEMALE PINS |
| | 098264-02-000 | EA | HOUSING - 2 PIN - WEATHER PACK - FEMALE W/MALE PINS |
| | 098265-02-000 | EA | PIN - CONNECTOR - WEATHER PACK |
| | 102777-02-000 | EA | TERMINAL - RING - #6 STUD - 10 AWG |
| | 104100-01-000 | EA | HOUSING - 1 POSITION - 75 AMPS |
| | 104100-03-000 | EA | TERMINAL - 75 AMP |
| | 106655-01-000 | EA | TERMINAL - FUSE BLOCK - 14-16 AWG |
| | 106655-02-000 | EA | TERMINAL - FUSE BLOCK - 10-12 AWG |
| | 110178-01-000 | EA | HOUSING - WIPER MOTOR |
| | 112823-01-000 | EA | SPLICE - REDUCER - 16-14 TO 18-22 |
| | 113135-01-000 | EA | TERMINAL - FEMALE - M/P - 14-16 - F/SEALED TERMINAL |
| | 113306-01-000 | EA | TERMINAL - FEMALE - M/P - 14-16 - F/NON-SEALED TERMINAL |
| | 113307-01-000 | EA | TERMINAL - FEMALE - M/P - 16-20 |
| | 113308-01-000 | EA | TERMINAL - FEMALE - M/P - 14-16 - 280 |
| | 113452-01-000 | FT | SEAL/TRIM - FRONT - VINYL W/WIRE CARRIER - .020" |
| | 113452-02-000 | FT | SEAL/TRIM - FRONT - VINYL W/WIRE CARRIER - .027" |
| | 113468-01-000 | EA | HOUSING - 2 POSITION-FEMALE-USED ON WIPER/WASHER WIRE ASM |
| | 115556-02-000 | EA | HOUSING - 2 POSITION - FEMALE/PARALLEL |
| | 115931-02-000 | EA | COVER - CONNECTOR - 50 AMP W/LOCKING RING |
| | 115932-02-000 | EA | CONNECTOR - FEMALE - 50 AMP/240 VOLT |
| | 116811-01-000 | EA | TERMINAL - .110 RECEPTACLE - 16-14 AWG |
| | 118571-01-000 | EA | CONNECTOR - 3-WAY - MALE/SEALED |
| | 118571-02-000 | EA | CONNECTOR - 3-WAY - FEMALE/SEALED |
| | 118571-03-000 | EA | BRACKET - MOUNTING |
| | 118571-04-000 | EA | GASKET |
| | 118571-05-000 | EA | LOCK - SECONDARY - FEMALE |
| | 118571-06-000 | EA | LOCK - SECONDARY - MALE |
| | 118597-01-000 | EA | TERMINAL - MALE - M/P - 480 - 14-16 |
| | 118599-01-000 | EA | TERMINAL - MALE - M/P - 280 - 14-16 |
| | 118820-01-000 | EA | INSULATOR - TERMINAL |
| | 119223-01-000 | EA | HOUSING - 6 POSITION - MALE - WEATHERPACK |
| | 119248-02-000 | EA | HOUSING - 7 POSITION - FEMALE |
| | 124625-02-000 | EA | CONNECTOR - 12 VOLT |
| | 125323-02-000 | EA | HOUSING - 8 POSITION - MALE |
| | 125323-03-000 | EA | LOCK - SECONDARY 8 POSITION |
| | 125323-04-000 | EA | LOCK - SECONDARY 10 POSITION |
| | 125323-05-000 | EA | HOUSING - 6 POSITION - MALE |
| | 125323-06-000 | EA | LOCK - SECONDARY 6 POSITION |
| | 125324-01-000 | EA | TERMINAL - MALE - METRI-PACK - 150 |
| | 125325-01-000 | EA | SEAL - CAVITY |
| | 126403-01-000 | EA | CONNECTOR - 2 CIRCUIT |
| | 126403-02-000 | EA | CONNECTOR - 3 CIRCUIT |
| | 129233-01-000 | EA | HOUSING - 2-POSITION/FEMALE - 280-SERIES |
| | 129233-02-000 | EA | HOUSING - 2-POSITION/FEMALE - 280-SERIES |
| | 129234-01-000 | EA | HOUSING - 6-POSITION/FEMALE - 280-SERIES |
| | 129234-02-000 | EA | HOUSING - 6-POSITION/FEMALE - 280-SERIES |
| | 129234-03-000 | EA | LOCK - SECONDARY - 6-POSITION |
| | 129235-01-000 | EA | HOUSING - 2-POSITION/FEMALE - 630-SERIES |
| | 129235-02-000 | EA | LOCK - SECONDARY - 2-POSITION |
| | 129236-01-000 | EA | TERMINAL - FEMALE - M/P - 630 - 10-12 |
| | 131515-01-000 | EA | HOUSING - 2 POSITON JR. POWER TIMER - F/HALOGEN FOG LIGHT |
| | 131681-01-000 | EA | CONNECTOR - 3/4" SO CORD - UL/CS |
| | 137207-01-000 | EA | HOUSING - PIN - 2 CAVITY/HIGH AMP |
| | 137208-01-000 | EA | HOUSING - SOCKET - 2 CAVITY/HIGH AMP |
| | 137209-01-000 | EA | PIN - CONNECTOR - 10AWG/HIGH AMP |
| | 137210-01-000 | EA | SOCKET - CONNECTOR - 10 AWG/HIGH AMP |
| | 138419-03-000 | EA | SOCKET - LAMP - 3 WIRE |

ELECTRICAL GROUP (CONTINUED)

BOOTS, SOLENOIDS, RELAYS & MISCELLANEOUS

| KEY | PART NUMBER | U/M | DESCRIPTION |
|-----|---------------|-----|--|
| | 008188-02-000 | EA | SOLENOID - VENTED - HEAVY DUTY |
| | 063910-01-000 | EA | HOUSING - RELAY |
| | 063912-02-000 | EA | RELAY - CANISTER - SPDT |
| | 086233-01-000 | EA | STUD - ISOLATED - 3/8" X 7/8" LONG |
| | 086273-01-000 | EA | RELAY - BATTERY DISCONNECT |
| * | 113832-02-01A | EA | SLIDE - BATTERY TRAY - HEAVY DUTY - Q36C , Q38K , Q40J |
| * | 113832-03-01A | EA | SLIDE - BATTERY TRAY |

***COMPONENT PARTS LISTED LATER IN THIS GROUP**

ELECTRICAL GROUP (CONTINUED)
COMPONENT PARTS FOR BOOTS, SOLENOIDS, RELAYS & MISCELLANEOUS

113832-02-01A

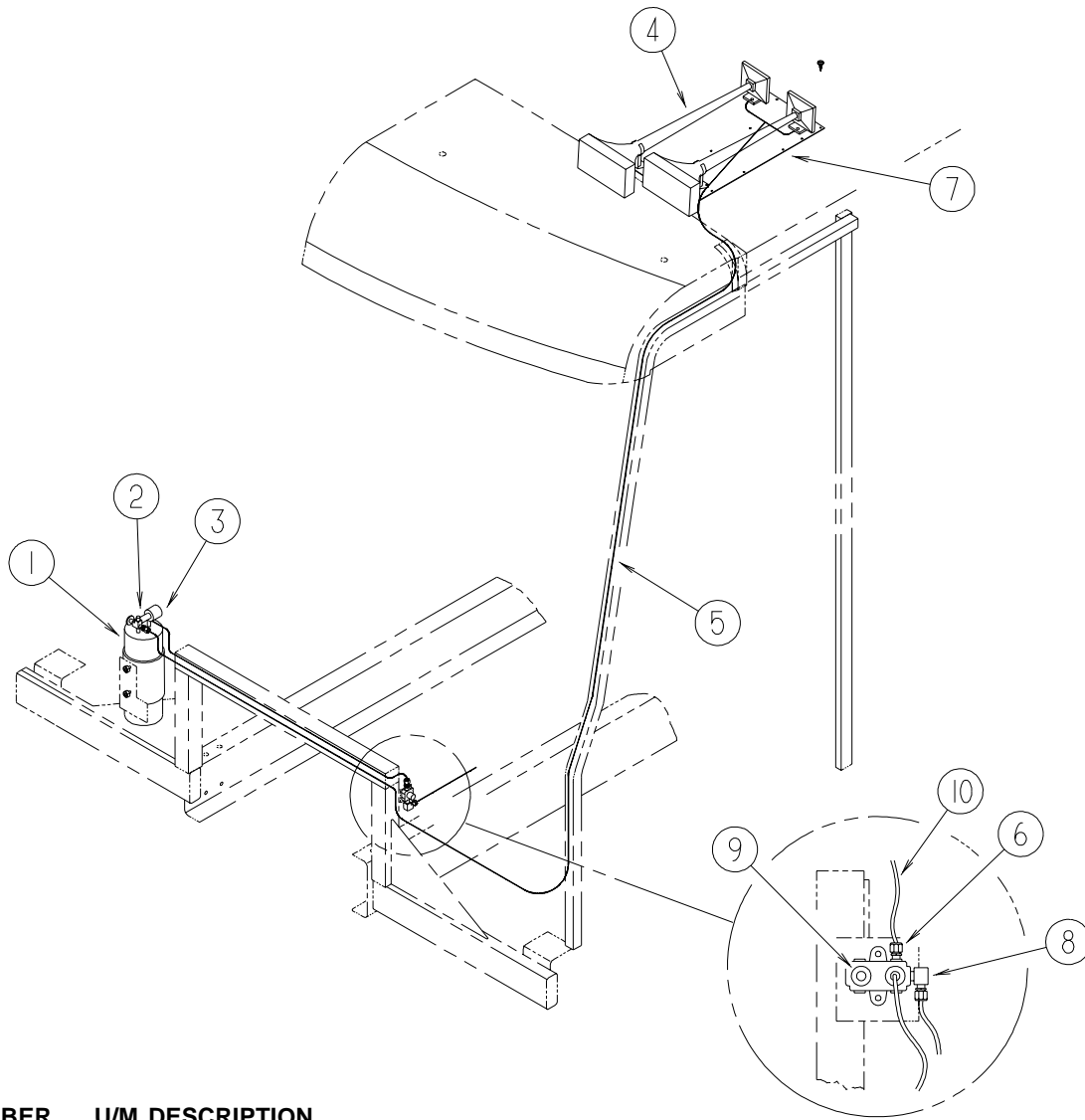
| KEY | PART NUMBER | U/M DESCRIPTION | VENDOR NO. |
|------------|--------------------|--------------------------------|-------------------|
| | 113832-01-700 | EA STRAP-FLAT W/J-HOOK & LATCH | 8323 |

113832-03-01A

| KEY | PART NUMBER | U/M DESCRIPTION | VENDOR NO. |
|------------|--------------------|--------------------------------|-------------------|
| | 113832-01-700 | EA STRAP-FLAT W/J-HOOK & LATCH | 8323 |

EXTERIOR BODY GROUP

AIR HORN



| KEY | PART NUMBER | U/M | DESCRIPTION |
|-----|---------------|-----|--|
| 1* | 077497-09-000 | EA | TANK - AIR - SOLENOID KIT - AUXILIARY HORN |
| 2 | 071387-07-000 | EA | ELBOW - MALE - BRAKE TUBE - 1/4" X 1/8" |
| 3* | 077497-03-000 | EA | FITTING KIT - HOSE/HOSE FITTING/AIR GAUGE - F/AUX HORN |
| 4* | 077497-06-000 | EA | HORN - AIR - CHROME - TWIN |
| 5 | 071390-04-000 | FT | TUBING - AIR BRAKE - 1/4" OD-BLK WEATHERHEAD (BRKS & HORN) |
| 6 | 071386-06-000 | EA | CONNECTOR - MALE - 1/4 TUBE X 1/4 |
| 7 | 125123-01-12B | EA | PLATE/MOUNTING - AIR HORN - 25" X 13" - BRIGHT WHITE |
| 8 | 071387-04-000 | EA | ELBOW - MALE - BRAKE TUBE 3/8 X 1/4 |
| 9 | 086241-01-000 | EA | VALVE - AIR - 1/4 MPT X TIRE STEM |
| 10 | 077497-02-000 | EA | HOSE - AUXILIARY AIR HORN |

***COMPONENT PARTS LISTED LATER IN THIS GROUP**

EXTERIOR BODY GROUP (CONTINUED)
COMPONENT PARTS FOR AIR HORN

077497-03-000

| KEY | PART NUMBER | U/M | DESCRIPTION | VENDOR NO. |
|------------|--------------------|------------|--------------------|-------------------|
| | 077497-01-710 | EA | GAUGE-AIR PRESSURE | 14212S |

077497-06-000

| KEY | PART NUMBER | U/M | DESCRIPTION | VENDOR NO. |
|------------|--------------------|------------|--------------------------|-------------------|
| | 077497-01-701 | EA | SWITCH - COMPRESSOR | 13940-S |
| | 077497-01-702 | EA | SWITCH - TOGGLE - W/WIRE | 12949-S |

077497-09-000

| KEY | PART NUMBER | U/M | DESCRIPTION | VENDOR NO. |
|------------|--------------------|------------|-----------------------------|-------------------|
| | 077497-01-700 | EA | SOLENOID-AIR TANK | 550B |
| | 077497-01-703 | EA | TANK-AIR | 751-N |
| | 077497-01-709 | EA | PLUNGER & SPRING F/SOLENOID | H136215 |

EXTERIOR BODY GROUP (CONTINUED)

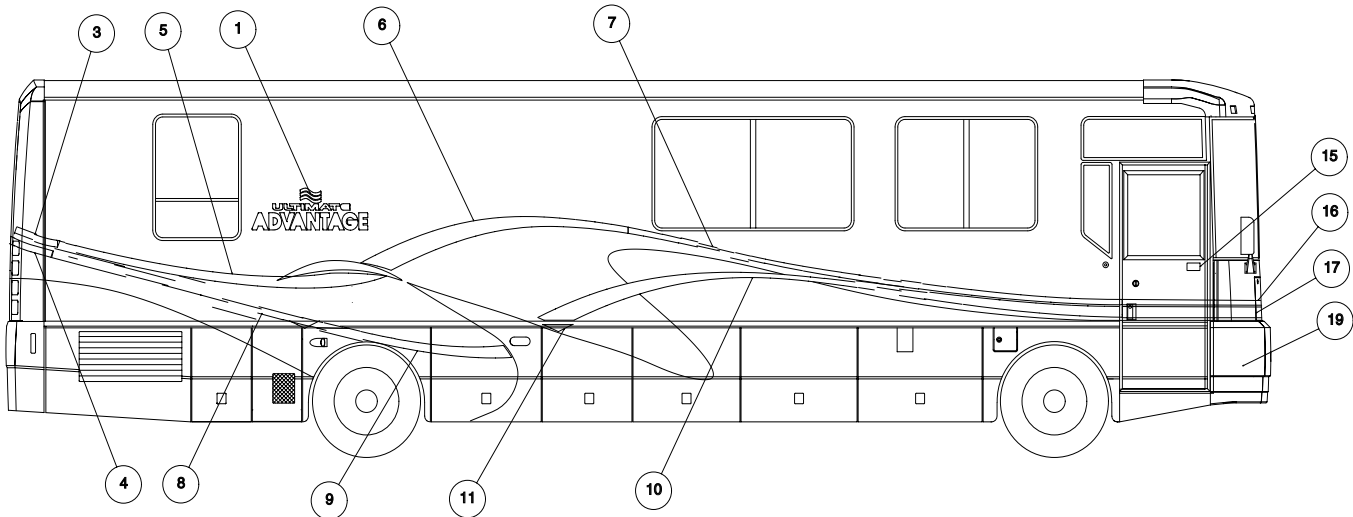
GRAPHICS & PAINT

| KEY | PART NUMBER | EA | DESCRIPTION |
|-----|--------------------|----|--|
| 1 | 136180-01-CHT(01A) | EA | DECAL-ULTIMATE ADVANTAGE ,LG - HOT RED/BLACK/CHROME/TRANS GOLD/BRT WHITE |
| 2 | 136180-02-CHT(01A) | EA | DECAL-ULTIMATE ADVANTAGE,SML - HOT RED/BLACK/CHROME/TRANS GOLD/BRT WHITE |
| 3 | 136224-01-CHT(05A) | EA | DECAL-CORNER ,UPPER,RR,RH - KHAKI MET |
| 3 | 136224-02-CHT(05A) | EA | DECAL-CORNER ,UPPER,RR,LH - KHAKI MET |
| 4 | 136225-01-CHT(05A) | EA | DECAL-CORNER-LWR,RR,RH - DEEP FOREST GREEN MET |
| 4 | 136225-02-CHT(05A) | EA | DECAL-CORNER-LWR,RR,LH - DEEP FOREST GREEN MET |
| 5 | 136219-01-CHT(05A) | EA | DECAL-#5,RH - KHAKI MET |
| 5 | 136219-02-CHT(05A) | EA | DECAL-#5,LH - KHAKI MET |
| 6 | 136218-01-CHT(05A) | EA | DECAL-#6,RH - KHAKI MET |
| 6 | 136218-02-CHT(05A) | EA | DECAL-#6,LH - KHAKI MET |
| 7 | 136217-01-CHT(05A) | EA | DECAL-#7,RH - KHAKI MET |
| 7 | 136217-02-CHT(05A) | EA | DECAL-#7,LH - KHAKI MET |
| 8 | 136223-01-CHT(05A) | EA | DECAL-#1,RH - DEEP FOREST GREEN MET |
| 8 | 136223-02-CHT(05A) | EA | DECAL-#1,LH - DEEP FOREST GREEN MET |
| 9 | 136222-01-CHT(05A) | EA | DECAL-#2,RH - DEEP FOREST GREEN MET |
| 9 | 136222-02-CHT(05A) | EA | DECAL-#2,LH - DEEP FOREST GREEN MET |
| 10 | 136221-01-CHT(05A) | EA | DECAL-#3,RH - DEEP FOREST GREEN MET |
| 10 | 136221-02-CHT(05A) | EA | DECAL-#3,LH - DEEP FOREST GREEN MET |
| 11 | 136220-01-CHT(05A) | EA | DECAL-#4,RH - DEEP FOREST GREEN MET |
| 11 | 136220-02-CHT(05A) | EA | DECAL-#4,LH - DEEP FOREST GREEN MET |
| 12 | 135089-01-CHT(01A) | EA | DECAL-HORSEPOWER - BRT WHITE/CHROME/BLACK |
| 13 | 137618-01-CHT(01A) | EA | DECAL/BEZEL-DOMED,GRILLE LOGO - BL A CR/GOLD |
| 15 | 132664-01-CHT(01A) | EA | DECAL -DOMED ,WINNEBAGO - GOLD CHROME/BLACK |
| 16 | 093681-64-CHT(05A) | FT | FILM-47.6MM - KHAKI MET |
| 17 | 093681-65-CHT(05A) | FT | FILM-65.3MM - DEEP FOREST GREEN MET |
| 18 | 105781-81-CHT(05A) | FT | MULTISTRIPES 152.4MM - KHAKI MET/DEEP FOREST GREEN MET |
| 19 | 136243-10-000 | GL | PAINT - MOSS GREEN MET,(DUPONT #P0035) |

| KEY | PART NUMBER | EA | DESCRIPTION |
|-----|--------------------|----|--|
| 1 | 136180-01-CHT(01A) | EA | DECAL-ULTIMATE ADVANTAGE ,LG - HOT RED/BLACK/CHROME/TRANS GOLD/BRT WHITE |
| 2 | 136180-02-CHT(01A) | EA | DECAL-ULTIMATE ADVANTAGE,SML - HOT RED/BLACK/CHROME/TRANS GOLD/BRT WHITE |
| 3 | 136224-01-CHT(04A) | EA | DECAL-CORNER ,UPPER,RR,RH - DEEP STAR BLUE MET |
| 3 | 136224-02-CHT(04A) | EA | DECAL-CORNER ,UPPER,RR,LH - DEEP STAR BLUE MET |
| 4 | 136225-01-CHT(04A) | EA | DECAL-CORNER-LWR,RR,RH - AZTEC SILVER MET |
| 4 | 136225-02-CHT(04A) | EA | DECAL-CORNER-LWR,RR,LH - AZTEC SILVER MET |
| 5 | 136219-01-CHT(04A) | EA | DECAL-#5,RH - DEEP STAR BLUE MET |
| 5 | 136219-02-CHT(04A) | EA | DECAL-#5,LH - DEEP STAR BLUE MET |
| 6 | 136218-01-CHT(04A) | EA | DECAL-#6,RH - DEEP STAR BLUE MET |
| 6 | 136218-02-CHT(04A) | EA | DECAL-#6,LH - DEEP STAR BLUE MET |
| 7 | 136217-01-CHT(04A) | EA | DECAL-#7,RH - DEEP STAR BLUE MET |
| 7 | 136217-02-CHT(04A) | EA | DECAL-#7,LH - DEEP STAR BLUE MET |
| 8 | 136223-01-CHT(04A) | EA | DECAL-#1,RH - AZTEC SILVER MET |
| 8 | 136223-02-CHT(04A) | EA | DECAL-#1,LH - AZTEC SILVER MET |
| 9 | 136222-01-CHT(04A) | EA | DECAL-#2,RH - AZTEC SILVER MET |
| 9 | 136222-02-CHT(04A) | EA | DECAL-#2,LH - AZTEC SILVER MET |
| 10 | 136221-01-CHT(04A) | EA | DECAL-#3,RH - AZTEC SILVER MET |
| 10 | 136221-02-CHT(04A) | EA | DECAL-#3,LH - AZTEC SILVER MET |
| 11 | 136220-01-CHT(04A) | EA | DECAL-#4,RH - AZTEC SILVER MET |
| 11 | 136220-02-CHT(04A) | EA | DECAL-#4,LH - AZTEC SILVER MET |
| 12 | 135089-01-CHT(01A) | EA | DECAL-HORSEPOWER - BRT WHITE/CHROME/BLACK |
| 13 | 137618-01-CHT(01A) | EA | DECAL/BEZEL-DOMED,GRILLE LOGO - BL A CR/GOLD |
| 15 | 132664-01-CHT(01A) | EA | DECAL -DOMED ,WINNEBAGO - GOLD CHROME/BLACK |
| 16 | 093681-64-CHT(04A) | FT | FILM-47.6MM - DEEP STAR BLUE MET |
| 17 | 093681-65-CHT(04A) | FT | FILM-65.3MM - AZTEC SILVER MET |
| 18 | 105781-81-CHT(04A) | FT | MULTISTRIPES 152.4MM - DEEP STAR BLUE MET/AZTEC SILVER MET |
| 19 | 136243-12-000 | GL | PAINT - OPAL BLUE MET ,(DUPONT #P0035) |

| KEY | PART NUMBER | EA | DESCRIPTION |
|-----|--------------------|----|--|
| 1 | 136180-01-CHT(01A) | EA | DECAL-ULTIMATE ADVANTAGE ,LG - HOT RED/BLACK/CHROME/TRANS GOLD/BRT WHITE |
| 2 | 136180-02-CHT(01A) | EA | DECAL-ULTIMATE ADVANTAGE,SML - HOT RED/BLACK/CHROME/TRANS GOLD/BRT WHITE |
| 3 | 136224-01-CHT(05A) | EA | DECAL-CORNER ,UPPER,RR,RH - KHAKI MET |
| 3 | 136224-02-CHT(05A) | EA | DECAL-CORNER ,UPPER,RR,LH - KHAKI MET |
| 4 | 136225-01-CHT(05A) | EA | DECAL-CORNER-LWR,RR,RH - CANYON RED MET |
| 4 | 136225-02-CHT(05A) | EA | DECAL-CORNER-LWR,RR,LH - CANYON RED MET |
| 5 | 136219-01-CHT(05A) | EA | DECAL-#5,RH - KHAKI MET |
| 5 | 136219-02-CHT(05A) | EA | DECAL-#5,LH - KHAKI MET |
| 6 | 136218-01-CHT(05A) | EA | DECAL-#6,RH - KHAKI MET |
| 6 | 136218-02-CHT(05A) | EA | DECAL-#6,LH - KHAKI MET |
| 7 | 136217-01-CHT(05A) | EA | DECAL-#7,RH - KHAKI MET |
| 7 | 136217-02-CHT(05A) | EA | DECAL-#7,LH - KHAKI MET |
| 8 | 136223-01-CHT(05A) | EA | DECAL-#1,RH - CANYON RED MET |
| 8 | 136223-02-CHT(05A) | EA | DECAL-#1,LH - CANYON RED MET |
| 9 | 136222-01-CHT(05A) | EA | DECAL-#2,RH - CANYON RED MET |
| 9 | 136222-02-CHT(05A) | EA | DECAL-#2,LH - CANYON RED MET |
| 10 | 136221-01-CHT(05A) | EA | DECAL-#3,RH - CANYON RED MET |
| 10 | 136221-02-CHT(05A) | EA | DECAL-#3,LH - CANYON RED MET |
| 11 | 136220-01-CHT(05A) | EA | DECAL-#4,RH - CANYON RED MET |
| 11 | 136220-02-CHT(05A) | EA | DECAL-#4,LH - CANYON RED MET |
| 12 | 135089-01-CHT(01A) | EA | DECAL-HORSEPOWER - BRT WHITE/CHROME/BLACK |
| 13 | 137618-01-CHT(01A) | EA | DECAL/BEZEL-DOMED,GRILLE LOGO - BL A CR/GOLD |
| 15 | 132664-01-CHT(01A) | EA | DECAL -DOMED ,WINNEBAGO - GOLD CHROME/BLACK |
| 16 | 093681-64-CHT(05A) | FT | FILM-47.6MM - KHAKI MET |
| 17 | 093681-65-CHT(05A) | FT | FILM-65.3MM - CANYON RED MET |
| 18 | 105781-81-CHT(05A) | FT | MULTISTRIPES 152.4MM - KHAKI MET/CANYON RED MET |
| 19 | 136243-02-000 | GL | PAINT - SAHARA MET ,(DUPONT #P0035) |

SEE NEXT PAGE FOR CORRECT DUPONT #S



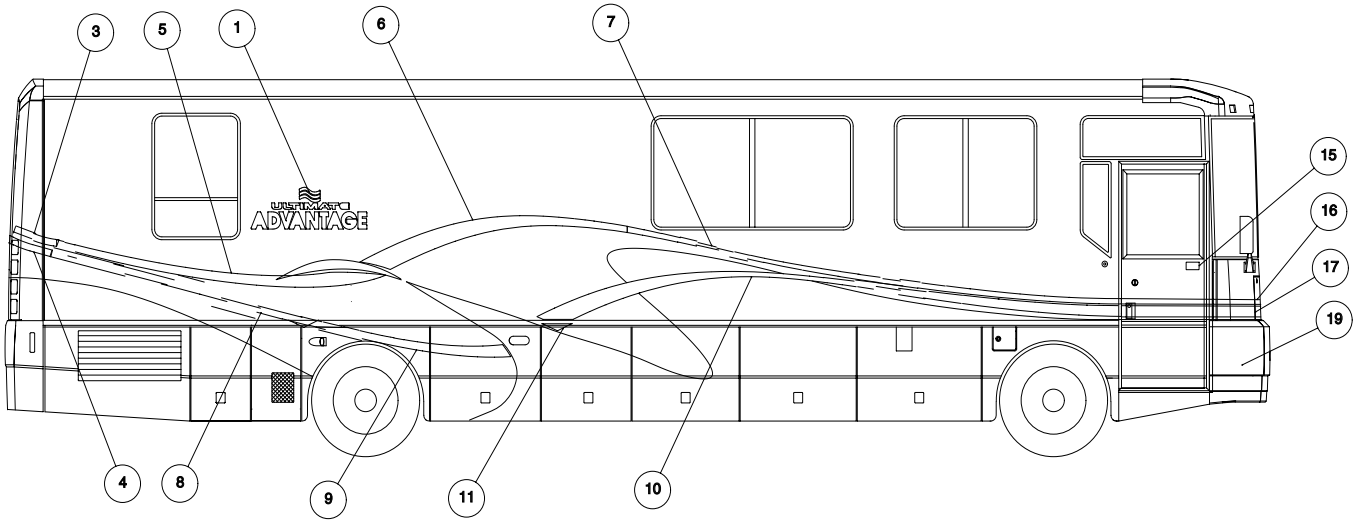
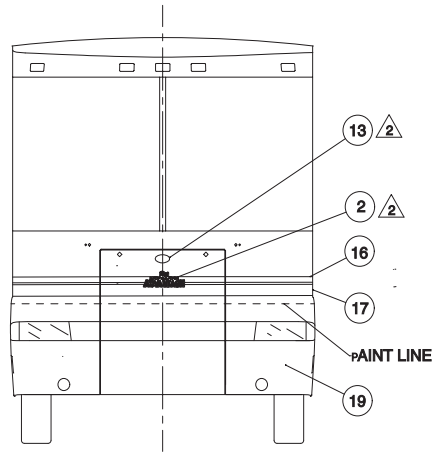
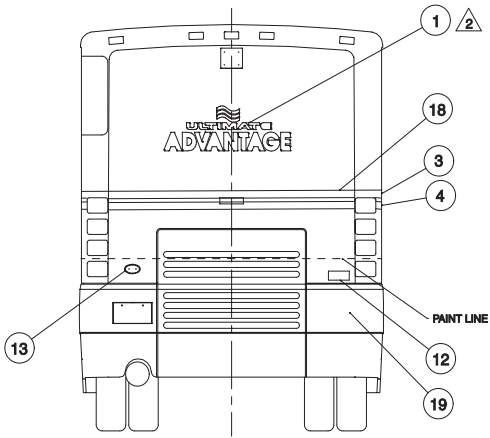
- 5. 24E GRAPHICS PKG #3.
- 4. 82K GRAPHICS PKG #2.
- 3. 27G GRAPHICS PKG #1.
- 2. CENTER ON UNIT.

1. APPLY PROTECTOR 116424-01 TO WATER HEATER LATCH.

NOTES:

EXTERIOR BODY GROUP (CONTINUED)

GRAPHICS & PAINT (CONTINUED)



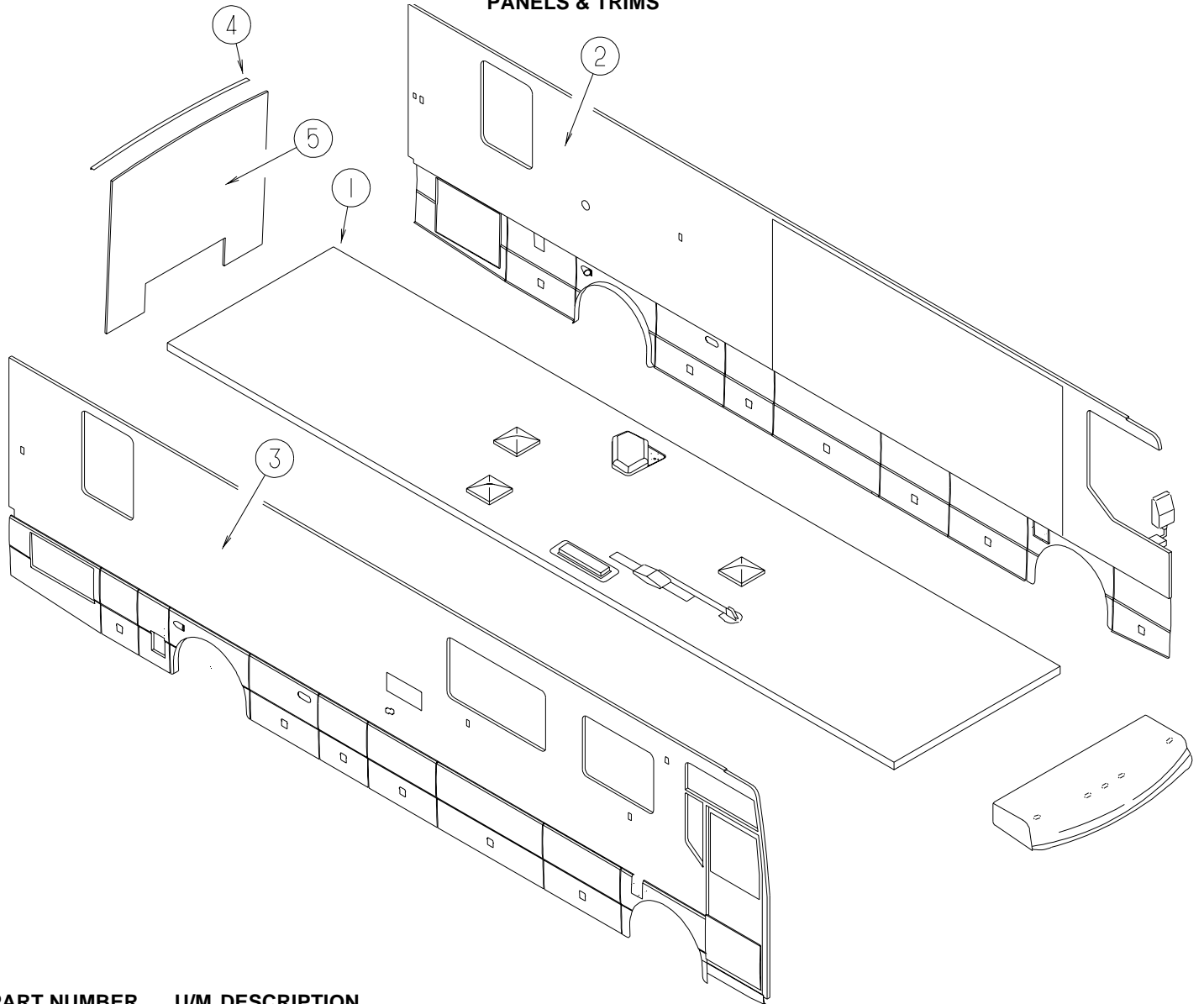
- △ 5. 24E GRAPHICS PKG #3.
- △ 4. 92K GRAPHICS PKG #2.
- △ 3. 27G GRAPHICS PKG #1.
- △ 2. CENTER ON UNIT.
- 1. APPLY PROTECTOR 116424-01 TO WATER HEATER LATCH.

NOTES:

| KEY PART NUMBER | U/M DESCRIPTION | |
|-----------------|---------------------------------------|---------------------------|
| 041561-03-000 | EA PAINT - 16 OUNCE SPRAY - OFF WHITE | |
| | | DUPONT COLOR CODES |
| | AZTEC SILVER MET. | F2573 |
| | DEEP STAR BLUE MET. | BM514 |
| | OPAL BLUE MET. | P0084HN |
| | KHAKI MET. | F4574 |
| | CANYON RED MET. | H8288 |
| | SAHARA MET. | M1024HN |
| | DEEP FOREST GREEN | DM107F |
| | MOSS GREEN MET. | P0035HN |

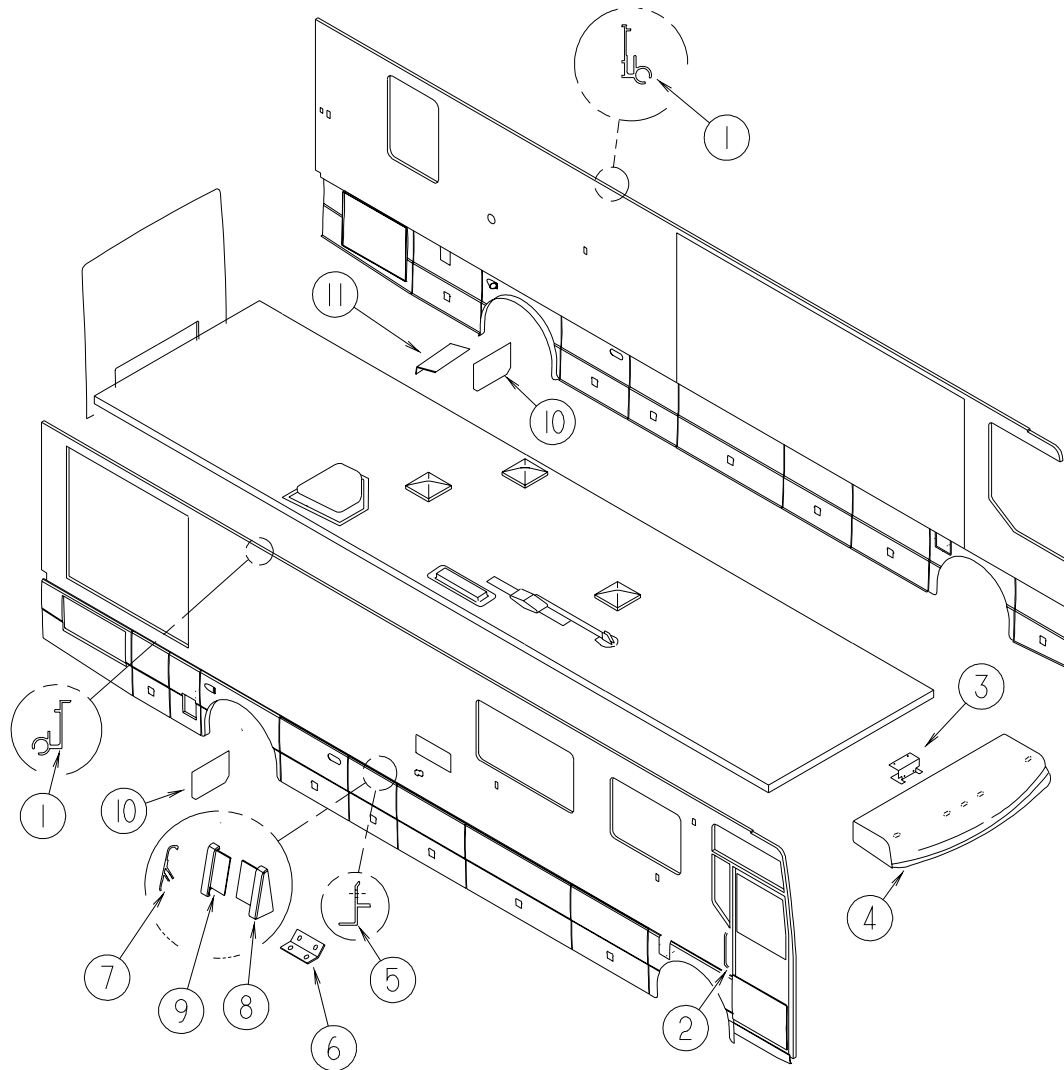
EXTERIOR BODY GROUP (CONTINUED)

PANELS & TRIMS



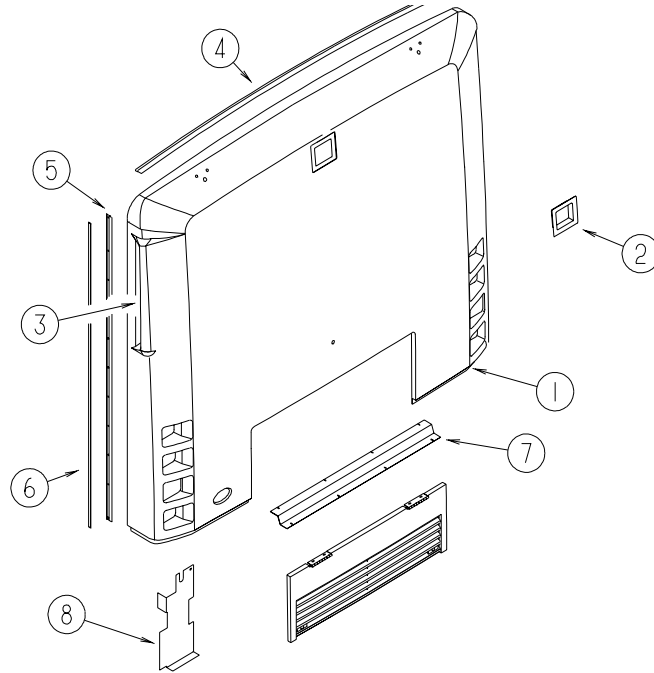
| KEY | PART NUMBER | U/M | DESCRIPTION |
|-----|---------------|-----|--|
| 1 | 138778-01-N94 | EA | ROOF - W/O LIGHTS/VENTS - W/WIRING |
| 2 | 138779-01-N94 | EA | SIDEWALL - DRIVER - W/O WINDOWS/TRIMS |
| 2 | 138779-01-N95 | EA | SIDEWALL - DRIVER - W/O WINDOWS/TRIMS |
| 2 | 138779-01-N96 | EA | SIDEWALL - DRIVER - W/O WINDOWS/TRIMS |
| 2 | 138779-01-N97 | EA | SIDEWALL - DRIVER - W/O WINDOWS/TRIMS |
| 2 | 138779-01-N98 | EA | SIDEWALL - DRIVER - W/O WINDOWS/TRIMS |
| 2 | 138779-01-N99 | EA | SIDEWALL - DRIVER - W/O WINDOWS/TRIMS |
| 3 | 138780-01-N94 | EA | SIDEWALL - PASSENGER - W/O WINDOWS/TRIMS(N94, N95) |
| 3 | 138780-01-N96 | EA | SIDEWALL - PASSENGER - W/O WINDOWS/TRIMS(N96, N97) |
| 3 | 138780-01-N98 | EA | SIDEWALL - PASSENGER - W/O WINDOWS/TRIMS(N98, N99) |
| 4 | 114248-02-01A | EA | ANGLE - PLASTIC - 96.6" |
| 5 | 132784-07-N94 | EA | BACKWALL - W/O WINDOW/TRIMS(N94, N95) FROM: 00-00-00 THRU: 06-13-01 |
| 5 | 140143-02-N94 | EA | BACKWALL - W/O WINDOW/TRIMS(N94, N95) FROM: 06-14-01 THRU: 99-99-99 |
| 5 | 132784-07-N96 | EA | BACKWALL - W/O WINDOW/TRIMS(N96, N97) FROM: 00-00-00 THRU: 06-13-01 |
| 5 | 140143-02-N96 | EA | BACKWALL - W/O WINDOW/TRIMS(N96, N97) FROM: 06-14-01 THRU: 99-99-99 |
| 5 | 132784-07-N98 | EA | BACKWALL - W/O WINDOW/TRIMS(N98, N99) FROM: 00-00-00 THRU: 06-13-01 |
| 5 | 140143-02-N98 | EA | BACKWALL - W/O WINDOW/TRIMS(N98, N99) FROM: 06-14-01 THRU: 99-99-99 |

EXTERIOR BODY GROUP (CONTINUED)
PANELS & TRIMS (CONTINUED)



| KEY | PART NUMBER | U/M | DESCRIPTION |
|-----|---------------|-----|---|
| 1 | 131483-01-01A | EA | RAIL - AWNING - 192" - BRIGHT WHITE |
| 2* | 138827-01-000 | EA | BELL/DOOR - W/EXTERIOR HANDLE LIGHTED W/ULTIMATE ENGRAVED |
| 3 | 134774-01-02B | EA | BRACKET - CAB ATTACHMENT - E-COATED |
| 4 | 128342-02-KQ0 | EA | PANEL - ROOF CAP - W/O LIGHTS/WIRING |
| 5 | 123880-01-01A | EA | TRIM - VALANCE/RETAINER - 144" |
| | | | FROM: 00-00-00 THRU: 02-17-02 |
| 5 | 133376-01-01A | EA | TRIM - RETAINER - 144" - MILL |
| | | | FROM: 02-18-02 THRU: 99-99-99 |
| 6 | 132597-01-02B | EA | ANGLE/SUPPORT/TRIM - E-COATED |
| 7 | 123993-01-03A | EA | TRIM - COVER - 182" ALUMINUM - BRIGHT WHITE |
| 8 | 126775-01-01A | EA | END CAP - VALANCE TRIM - RIGHT HAND |
| 9 | 126775-02-01A | EA | END CAP - VALANCE TRIM - LEFT HAND |
| 10 | 017516-04-000 | EA | MUD FLAP - BLACK - 16.5"H X 23.5"W - W/NOTCH |
| | | | FROM: 00-00-00 THRU: 02-19-02 |
| | 140922-01-02B | EA | PLATE - MUD FLAP - E-COATED |
| 10 | 141594-01-01A | EA | MUD FLAP - BLACK |
| | | | FROM: 02-20-02 THRU: 99-99-99 |
| | 140922-01-02B | EA | PLATE - MUD FLAP - E-COATED |
| 11 | 093873-01-01A | EA | TRIM - CARPET - L-ANGLE 1.1" X 1.3" X 12' - GRAY VINYL |

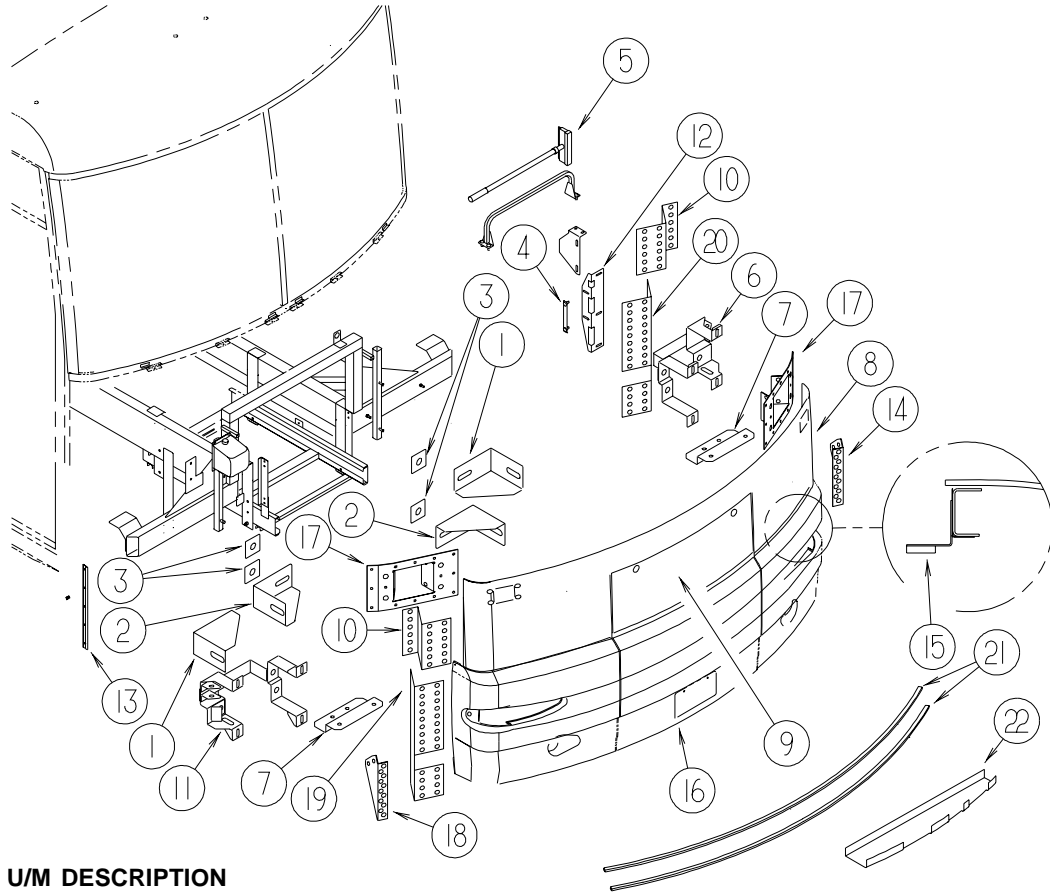
EXTERIOR BODY GROUP (CONTINUED)
PANELS & TRIMS (CONTINUED)



| KEY | PART NUMBER | U/M | DESCRIPTION |
|-----|---------------|-----|---|
| 1 | 128928-04-K90 | EA | PANEL - REAR CAP - W/DOOR - W/O HARDWARE |
| 2 | P23280-01-01A | EA | SHROUD - CAMERA - INNER |
| 3 | 129683-01-02A | EA | PANEL - AIR INTAKE - BLACK |
| 4 | 083805-23-000 | EA | TRIM - ROOF CAP - 92.1" - BRIGHT WHITE |
| 5 | 092041-02-03A | EA | TRIM - BACKWALL/SIDEWALL - 77.1" - BRIGHT WHITE |
| 6 | 091985-01-07A | FT | INSERT - TRIM - .65" WIDE - BRIGHT WHITE |
| 7 | 118741-06-02B | EA | SHIELD - ENGINE/UPPER - E-COATED |
| 8 | 134559-01-02B | EA | PLATE - FILLER - SIDE RADIATOR - E-COATED |

EXTERIOR BODY GROUP (CONTINUED)

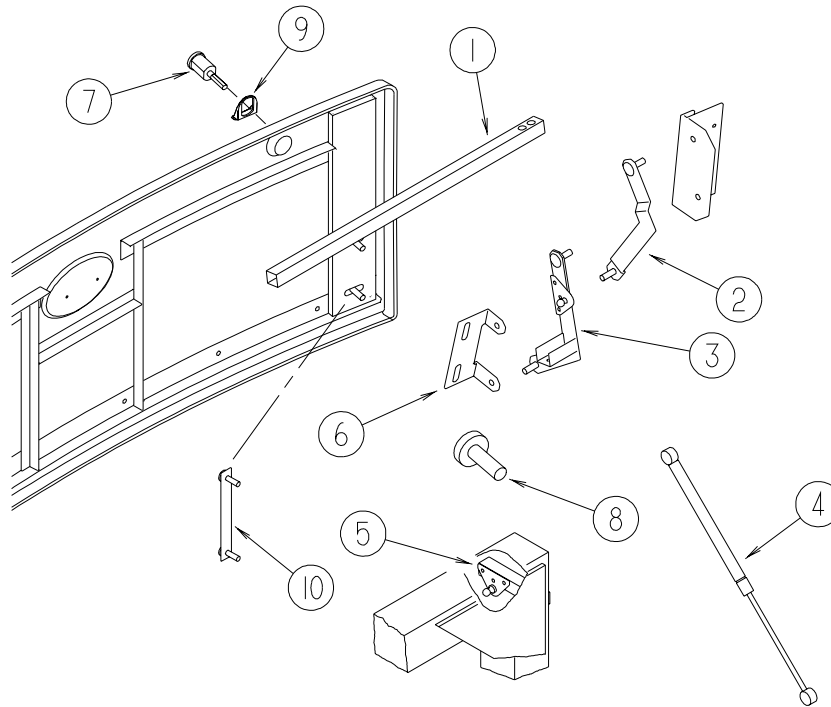
FRONT END



| KEY | PART NUMBER | U/M | DESCRIPTION |
|-----|---------------|-----|--|
| 1 | 128455-01-02B | EA | BRACKET - BUMPER |
| 2 | 128455-02-02B | EA | BRACKET - BUMPER |
| 3 | 116617-02-02B | EA | SPACER - BUMPER |
| 4 | 106730-04-000 | EA | PLATE - STUD |
| | 106730-03-000 | EA | PLATE - STUD |
| 5* | 091955-02-000 | EA | SQUEEGEE - EXTENDED HANDLE |
| 6 | 129273-02-02B | EA | FRAME - HEADLAMP/LEFT HAND - E-COATED |
| 7 | 131497-01-02B | EA | BRACKET - FOGLAMP - MOUNT - E-COATED |
| 8 | 131293-06-M94 | EA | PANEL - FRONT/LOWER - W/O DOOR/BUMPER/HEADLIGHTS |
| 9 | 129271-01-KQ0 | EA | HOOD - FRONT - Q-SERIES |
| 10 | 113495-05-02B | EA | SUPPORT - HINGE |
| 11 | 129273-01-02B | EA | FRAME - HEADLAMP/RIGHT HAND - E-COATED |
| 12 | 114396-03-02B | EA | ANGLE - BUMPER MOUNT/PASSENGER - E-COATED |
| 12 | 114396-04-02B | EA | ANGLE - BUMPER MOUNT/DRIVER - E-COATED |
| 13 | 125818-03-01A | EA | TRIM - FIBERGLASS PANEL - 22" - BRIGHT WHITE |
| | | | FROM: 00-00-00 THRU: 04-19-01 |
| 13 | 125818-02-01A | EA | TRIM - FIBERGLASS PANEL - 25.5" - BRIGHT WHITE |
| | | | FROM: 04-20-01 THRU: 11-18-01 |
| 13 | 092041-06-01A | EA | TRIM - REAR - CAP TO SIDEWALL - BRIGHT WHITE |
| | | | FROM: 11-19-01 THRU: 99-99-99 |
| 13 | 091985-01-07A | FT | INSERT - TRIM - BRIGHT WHITE - 1" |
| 14 | 131498-02-02B | EA | BRACKET - FOGLAMP - SUPPORT - E-COATED |
| 15 | 134417-01-02B | EA | PLATE/SPACER - FRONT - E-COATED |
| 16 | 131294-02-KQ0 | EA | PANEL/BUMPER - FRONT/CENTER ACCESS F/GENERATOR |
| 17 | 120850-04-02B | EA | PLATE - SUPPORT/MIRROR - E-COATED |
| 18 | 131498-01-02B | EA | BRACKET - FOGLAMP - SUPPORT - E-COATED |
| 19 | 131304-01-02B | EA | SUPPORT - BUMPER - FRONT/PASSENGER - E-COATED |
| 20 | 131304-02-02B | EA | SUPPORT - BUMPER - FRONT/DRIVER - E-COATED |
| 21 | 130270-01-KQ0 | EA | SUPPORT - WIPER |
| 22 | 131305-01-02B | EA | SUPPORT-BUMPER,FRONT,SIDE,EC |

*COMPONENT PARTS LISTED LATER IN THIS GROUP

EXTERIOR BODY GROUP (CONTINUED)
FRONT END (CONTINUED)



| KEY | PART NUMBER | U/M | DESCRIPTION |
|-----|---------------|-----|---|
| 1 | 105096-08-000 | EA | TUBE - HOOD HINGE TIMING W/WELDNUTS FROM: 00-00-00 THRU: 03-29-01 |
| 1 | 138814-08-02B | EA | TUBE-TIMING - HOOD HINGE - 39.2" - E-COATED FROM: 03-30-01 THRU: 99-99-99 |
| 2 | 131661-01-02B | EA | LINK - HINGE - UPPER HOOD - E-COATED |
| | 131661-02-02B | EA | LINK - HINGE - UPPER HOOD - E-COATED |
| 3 | 131662-01-02B | EA | LINK - HINGE - LOWER HOOD - E-COATED |
| | 131662-02-02B | EA | LINK - HINGE - LOWER HOOD - E-COATED |
| 4 | 107796-04-000 | EA | SPRING/GAS - 12" COMPRESSED/20" EXTENDED - 20LB. FROM: 00-00-00 THRU: 05-31-02 |
| 4 | 142569-07-000 | EA | SPRING - GAS - 20"/20 LB FROM: 06-01-02 THRU: 99-99-99 |
| 5 | 126263-08-02B | EA | BRACKET - GAS SPRING W/CENTERED BALL STUD - E-COATED |
| 6 | 113505-01-02B | EA | ANGLE - HOOD LINK - PASSENGER - E-COATED |
| | 113505-02-02B | EA | ANGLE - HOOD LINK - DRIVER - E-COATED |
| 7 | 102330-02-000 | EA | LATCH - VISE ACTION/KEY OPERATED |
| 8 | 058786-01-000 | EA | BOLT - HOOD ADJUSTMENT - 5/16"-18 X 1.5"-2"- W/BLACK PAD |
| 9 | 131664-01-01A | EA | PULL-LOCK,BLACK |
| 10 | 106730-10-000 | EA | PLATE - STUD - F/HOOD |

EXTERIOR BODY GROUP (CONTINUED)
COMPONENT PARTS FOR FRONT END

091955-02-000

| KEY | PART NUMBER | U/M | DESCRIPTION | VENDOR NO. |
|------------|--------------------|------------|-----------------------------|-------------------|
| | 091955-01-701 | EA | HANDLE-EXTENSION 24" TO 40" | |

EXTERIOR BODY GROUP (CONTINUED)

LADDER

| KEY | PART NUMBER | U/M | DESCRIPTION |
|-----|---------------|-----|--|
| | 130163-01-01A | EA | LADDER EXTENSION/LOWER - 47.6" - 4 STEP - BRUSHED ALUMINUM |
| | 130164-01-01A | EA | LADDER - UPPER - BRUSHED ALUMINUM |

MIRRORS

| KEY | PART NUMBER | U/M | DESCRIPTION |
|-----|---------------|-----|---|
| * | 106015-19-02A | EA | MIRROR - EXTERIOR/REMOTE/HEAT - DRIVER |
| | 108825-03-000 | EA | GASKET - MIRROR |
| * | 131431-06-02A | EA | MIRROR - EXTERIOR/REMOTE/HEAT - PASSENGER |
| | 133379-01-01A | EA | SCREW - MACHINE - 5/16-18 X 2.00 - TORX |

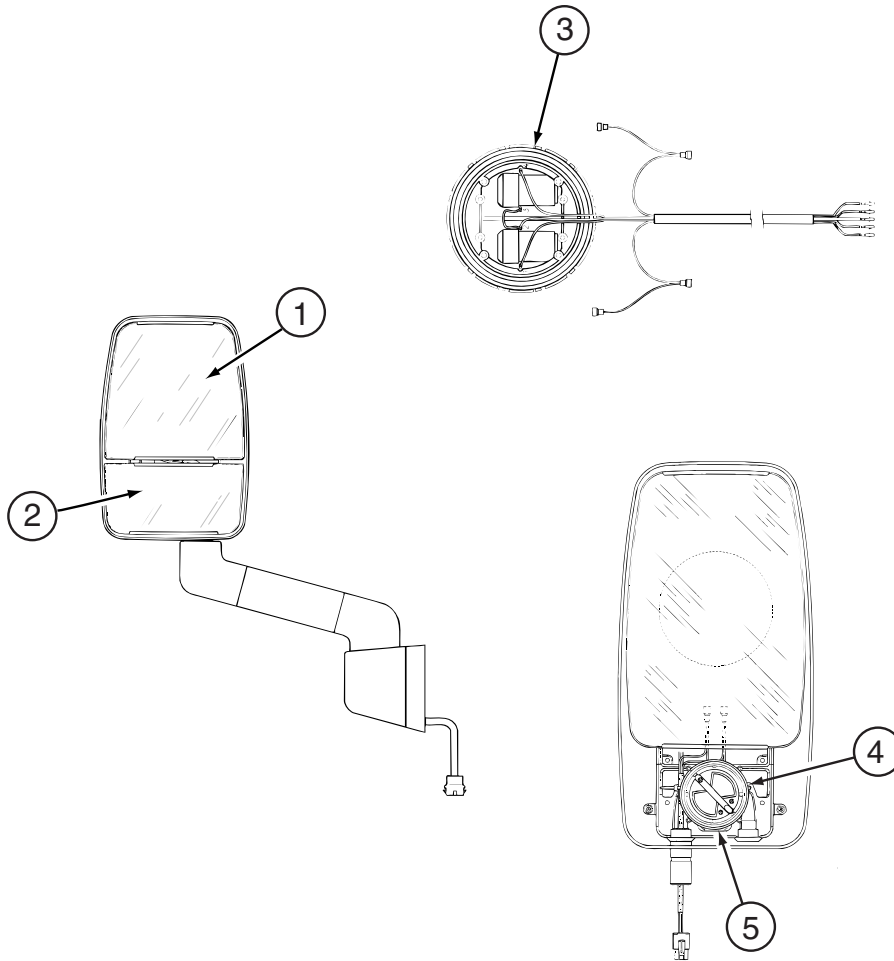
*COMPONENT PARTS LISTED LATER IN THIS GROUP

EXTERIOR BODY GROUP (CONTINUED)

COMPONENT PARTS FOR MIRRORS

106015-18-01A & 106015-19-01A

| KEY | PART NUMBER | U/M | DESCRIPTION | VENDOR NO. |
|-----|---------------|-----|--------------------------------------|------------|
| | 106015-16-700 | EA | GLASS-FLAT W/HEAT ELEMENT | 709450 |
| | 106015-18-700 | EA | GLASS/CONVEX-KIT W/CLIP | 709650 |
| | 106015-18-701 | EA | ACTUATOR - CONVEX GLAS | 7475410 |
| | 106015-18-702 | EA | MOTOR - FLAT GLASS | 747118 |
| | 106015-18-703 | EA | CONVEX REBUILT KIT | 709651 |
| | 106015-19-700 | EA | VIBRATION KIT - MIRROR GLASS, VELVAC | 709645 |



131431-06-01A & 02A

| KEY | PART NUMBER | U/M | DESCRIPTION | VENDOR NO. |
|-----|---------------|-----|------------------------------|------------|
| 1 | 106015-16-700 | EA | GLASS-FLAT W/HEAT ELEMENT | 709450 |
| 2 | 106015-18-700 | EA | GLASS - CONVEX/21"RADIUS | 7021220 |
| 3 | 106015-18-702 | EA | MOTOR - FLAT GLASS | 7476730 |
| 5 | 106015-18-701 | EA | ACTUATOR - CONVEX GLASS | 7475410 |
| | 131431-01-702 | EA | KIT(SCREW COVER)ROUND & OVAL | 748345 |

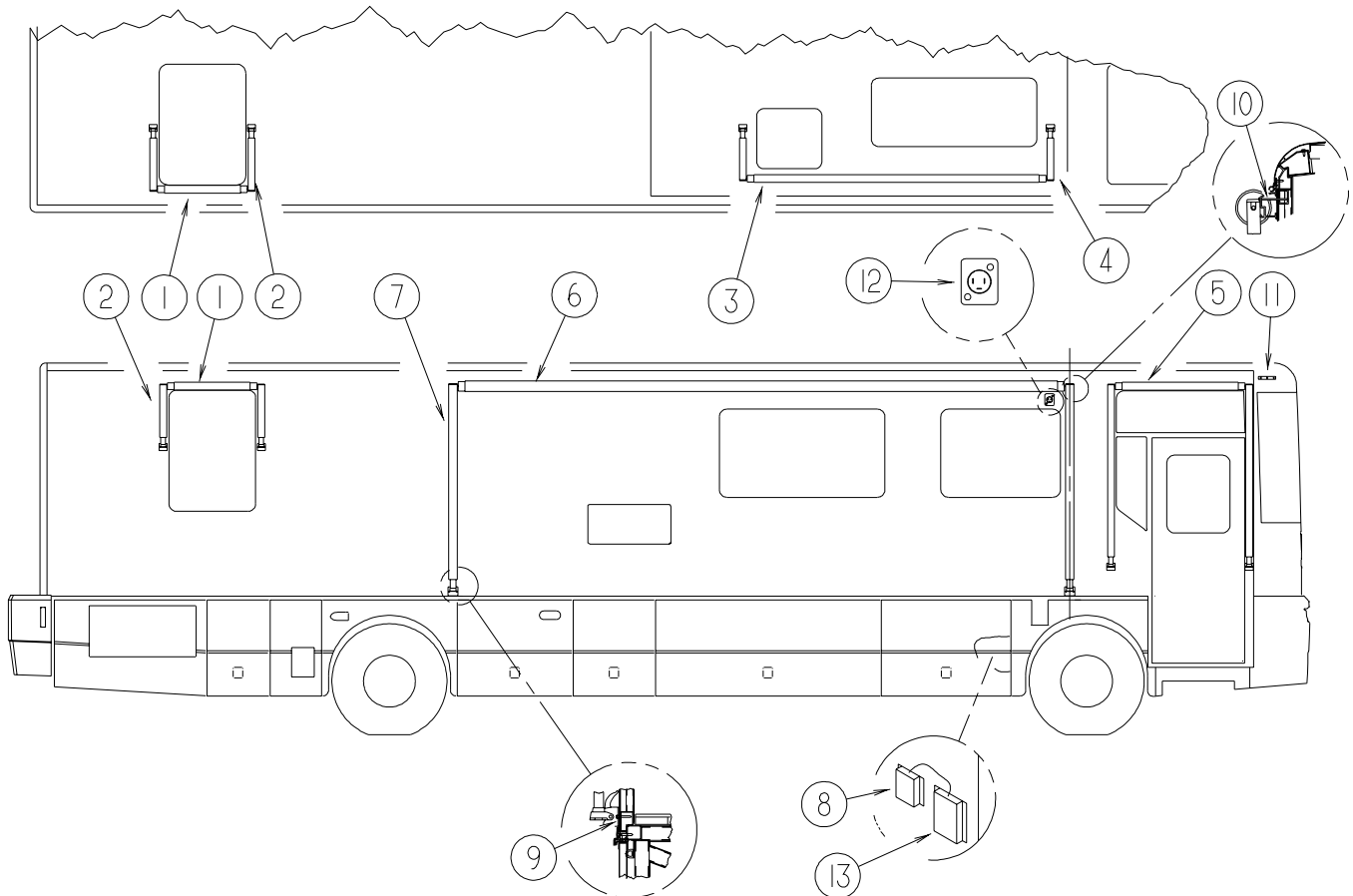
CONTACT WINNEBAGO PART SALES FOR THIS COMPONENT

EXTERIOR BODY GROUP (CONTINUED)
STRUCTURAL COMPONENTS

| KEY | PART NUMBER | U/M | DESCRIPTION |
|-----|---------------|-----|--|
| | 068716-01-001 | EA | BRACE - 90 DEGREE - L-ANGLE - 16' |
| | 076054-Y2-000 | EA | FIBERGLASS SHEET - 102" X 320.9" - BRIGHT WHITE |
| | 089297-01-000 | SF | PLYWOOD - LUAN - OVERLAY GRADE - 4' X 8' |
| | 100619-01-000 | BF | FOAM - EXPANDED POLYSTYRENE - 1.34" X 48" X 96" |
| | 100619-02-000 | BF | FOAM - EXPANDED POLYSTYRENE - 1.5" X 48" X 96" |
| | 100619-04-000 | BF | FOAM - EXPANDED POLYSTYRENE - .5" X 48" X 96" |
| | 100619-05-000 | BF | FOAM - EXPANDED POLYSTYRENE - .75" X 48" X 96"-1.5 DENSITY |
| | 100619-11-000 | BF | FOAM - EXPANDED POLYSTYRENE - 2" X 48" X 96" |
| | 100619-13-000 | BF | FOAM - EXPANDED POLYSTYRENE - .34" X 34.65" X 96" |
| | 100619-16-000 | BF | FOAM - EXPANDED POLYSTYRENE - .75" X 48" X 96"-2.0 DENSITY |
| | 100619-27-000 | BF | FOAM - EXPANDED POLYSTYRENE - 48" X 92.8" X 3" |
| | 120107-01-000 | EA | FOAM - ROOF COVE - 2.8" X 96" LONG |
| | 120107-02-000 | EA | FOAM - PLUG - ROOF TUBE - 2.2" X 2.9" X 1.8" LONG |
| | 120107-03-000 | EA | FOAM - PLUG - SIDEWALL TUBE - 1.2" X 2.1" X 1.8" LONG |
| | 108535-05-702 | EA | FIBERGLASS SHEET - FLAT - 108" X 396" BRIGHT WHITE - ROOF |
| | 113192-06-01A | EA | FIBERGLASS/LUAN LAMINATED SHEET-79"X446" - HIGH GLOSS-B/W - |
| | 128782-07-01A | EA | FIBERGLASS SHEET - 79" X 456" - HIGH GLOSS - BRIGHT WHITE - Q40E - RR/SLIDEOUT |
| | 128782-03-01A | EA | FIBERGLASS SHEET - 26.1" X 68.2" - HIGH GLOSS/SLIDEOUT-B/W - Q36C, Q38K, Q40J - RR/SLIDEOUT FROM: 00-00-00 THRU: 02-11-02 |
| | 128782-07-01A | EA | FIBERGLASS SHEET - 79" X 456" - HIGH GLOSS - BRIGHT WHITE - Q36C, Q38K, Q40J - RR/SLIDEOUT FROM: 02-12-02 THRU: 99-99-99 |
| | 128782-03-01A | EA | FIBERGLASS SHEET - 26.1" X 68.2" - HIGH GLOSS/SLIDEOUT-B/W - Q38K, Q40J, Q40E - FR/SLIDEOUT |
| | 128782-07-01A | EA | FIBERGLASS SHEET - 79" X 456" - HIGH GLOSS - BRIGHT WHITE - Q36C - FR/SLIDEOUT FROM: 00-00-00 THRU: 04-31-02 |
| | 128782-09-01A | EA | FIBERGLASS-SHT,HG 787X1736 - *BRT WHT VETROLIGHT - Q36C - FR/SLIDEOUT FROM: 05-01-02 THRU: 99-99-99 |

EXTERIOR BODY GROUP (CONTINUED)

AWNINGS



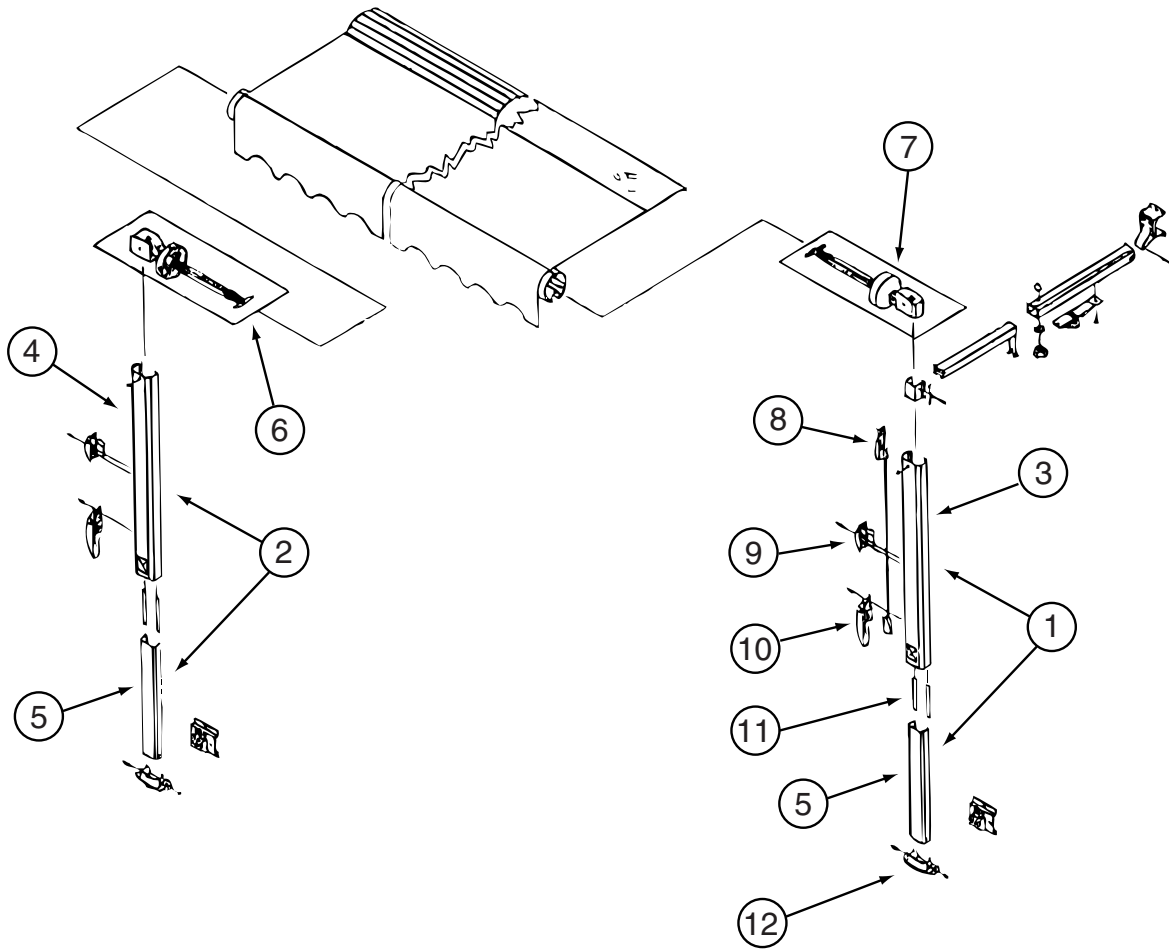
| KEY | PART NUMBER | U/M | DESCRIPTION |
|-----|---------------|-----|--|
| 1 | 134483-02-13A | EA | AWNING/WINDOW XL - 42" - SAPP BLUE - METAL WRAP/BRT WHT |
| 1 | 134483-02-11A | EA | AWNING/WINDOW XL - 42" - TAUPE - METAL WRAP/BRT WHT |
| 1 | 134483-02-06A | EA | AWNING/WINDOW XL - 42" - ALPINE - METAL WRAP/BRT WHT |
| 2 | 134483-01-01A | EA | AWNING HARDWARE - WINDOW/XL - BRIGHT WHITE |
| 3 | 130485-05-13A | EA | AWNING/WNDO-144"VINYL(SAPP BLUE)METAL WRAP/BRT WHT-W/O HDW - Q36C |
| 3 | 130485-05-11A | EA | AWNING/WNDO-144"VINYL(TAUPE)METAL WRAP/BRT WHT-W/O HDW - Q36C |
| 3 | 130485-05-06A | EA | AWNING/WNDO-144"VINYL(ALPINE)METAL WRAP/BRT WHT-W/O HDW - Q36C |
| 3 | 130485-04-13A | EA | AWNING/WNDO-108"VINYL(SAPP BLUE)METAL WRAP/BRT WHT-W/O HDW - Q38K |
| 3 | 130485-04-11A | EA | AWNING/WNDO-108"VINYL(TAUPE)METAL WRAP/BRT WHT-W/O HDW - Q38K |
| 3 | 130485-04-06A | EA | AWNING/WNDO-108"VINYL(ALPINE)METAL WRAP/BRT WHT-W/O HDW - Q38K |
| 3 | 130485-03-13A | EA | AWNING/WNDO-66"VINYL(SAPP BLUE)METAL WRAP/BRT WHT-W/O HDW - Q40E,Q40J |
| 3 | 130485-03-11A | EA | AWNING/WNDO-66"VINYL(TAUPE)METAL WRAP/BRT WHT-W/O HDW - Q40E,Q40J |
| 3 | 130485-03-06A | EA | AWNING/WNDO-66"VINYL(ALPINE)METAL WRAP/BRT WHT-W/O HDW - Q40E,Q40J |
| 4 | 130485-01-01A | EA | HARDWARE KIT - WINDOW AWNING - BRIGHT WHITE |
| 5 | 136767-01-02A | EA | AWNING/DOOR - 56" - MANUAL - WHITE ACRYLIC |
| 5 | 136767-02-02A | EA | AWNING/DOOR - 56" - ELECTRIC - WHITE ACRYLIC |
| 5 | 136770-03-01A | EA | SPACER - AWNING - 2" - BRIGHT WHITE |
| 6 | 130483-06-13A | EA | AWNING - 18' SAPP BLUE VINYL - BRIGHT WHITE METAL WRAP - Q36C |
| 6 | 130483-06-11A | EA | AWNING - 18' TAUPE VINYL - BRIGHT WHITE METAL WRAP - Q36C |
| 6 | 130483-06-06A | EA | AWNING - 18' ALPINE VINYL - BRIGHT WHITE METAL WRAP - Q36C |
| 6 | 137148-06-13A | EA | AWNING - 1 TOUCH - 18' VINYL(SAPP BLUE)-METAL WRAP/BRT WHT - ELECTRIC - Q36C |
| 6 | 137148-06-11A | EA | AWNING - 1 TOUCH - 18' VINYL(TAUPE)-METAL WRAP/BRT WHT - ELECTRIC - Q36C |
| 6 | 137148-06-06A | EA | AWNING - 1 TOUCH - 18' VINYL(ALPINE)-METAL WRAP/BRT WH - ELECTRIC - Q36C |
| 6 | 130483-04-13A | EA | AWNING - 20' SAPP BLUE VINYL - BRIGHT WHITE/METAL WRAP - Q38K, Q40E, Q40J |
| 6 | 130483-04-11A | EA | AWNING - 20' TAUPE VINYL - BRIGHT WHITE METAL WRAP - Q38K, Q40E, Q40J |
| 6 | 130483-04-06A | EA | AWNING - 20' ALPINE VINYL - BRT/WHT METAL WRAP - Q38K, Q40E, Q40J |
| 6 | 137148-04-13A | EA | AWNING - 1 TOUCH - 20' VINYL(SAPP BLUE)-METAL WRAP/BRT WHT - ELECTRIC - Q38K, Q40E, Q40J |
| 6 | 137148-04-11A | EA | AWNING - 1 TOUCH - 20' VINYL(TAUPE)-METAL WRAP/BRT WHT - ELECTRIC- Q38K, Q40E, Q40J |
| 6 | 137148-04-06A | EA | AWNING - 1 TOUCH - 20' VINYL(ALPINE)-METAL WRAP/BRT WHT - ELECTRIC - Q38K, Q40E, Q40J |

EXTERIOR BODY GROUP (CONTINUED)
AWNINGS (CONTINUED)

| KEY | PART NUMBER | U/M | DESCRIPTION |
|------------|--------------------|------------|--|
| 7 | 137148-01-01A | EA | HARDWARE KIT - AWNING/1 TOUCH - BRIGHT WHITE - ELECTRIC |
| 7* | 130483-01-01A | EA | AWNING HARDWARE - PATIO - BRIGHT WHITE |
| 8 | 137148-02-01A | EA | AWNING HARDWARE KIT - ELECTRIC/1 TOUCH |
| 9 | 113874-11-01A | EA | SCREW/LAG - AWNING - 1/4" X 1" STAINLESS STEEL |
| 10 | 113874-12-01A | EA | SCREW/LAG - AWNING - 1/4" X 2 3/4" STAINLESS STEEL |
| 11 | 137029-02-01A | EA | BRACKET - AWNING - BRIGHT WHITE |
| 12 | 137148-03-01A | EA | OUTLET/ELECTRIC - 1 TOUCH AWNING |
| 13 | 137084-02-01A | EA | AWNING - 1 STEP/ELECTRICAL KIT |
| | 139586-01-000 | EA | AWNING - PULL ROD - ELECTRIC |

***COMPONENT PARTS LISTED LATER IN THIS GROUP**

EXTERIOR BODY GROUP (CONTINUED)
COMPONENT PARTS FOR AWNINGS

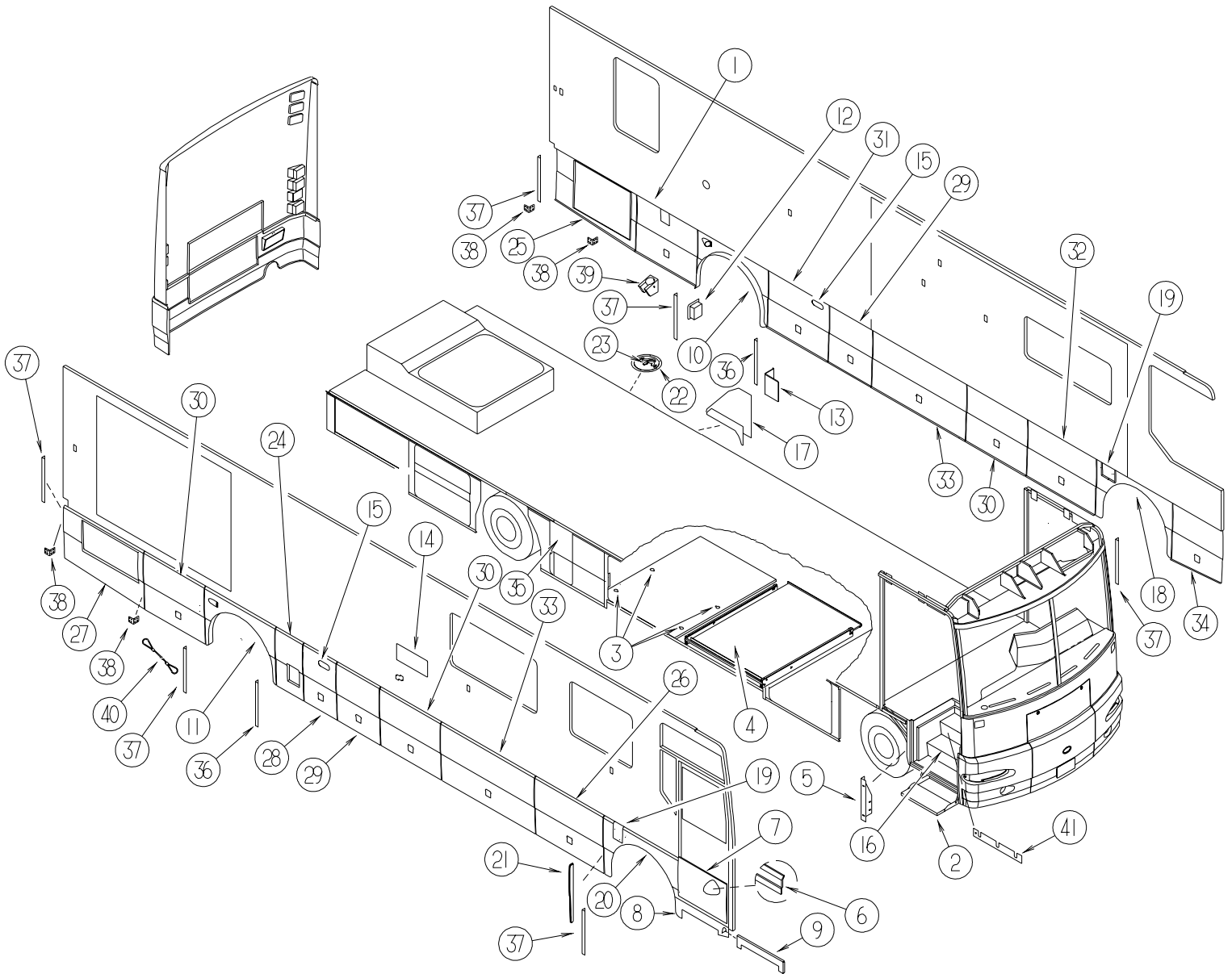


130483-01-01A

| KEY | PART NUMBER | U/M | DESCRIPTION | VENDOR NO. |
|-----|---------------|-----|------------------------------|---------------|
| 1 | 130483-01-700 | EA | HARDWARE SET/FRONT 1/2 (WW) | R00415-101-55 |
| 2 | 130483-01-701 | EA | HARDWARE SET/REAR 1/2 (WW) | R00416-101-55 |
| 3 | 130483-01-702 | EA | ARM/UPPER - FRONT - UNI (WW) | R00410-101-55 |
| 4 | 130483-01-703 | EA | ARM/UPPER - REAR - UNI (WW) | R00411-101-55 |
| 5 | 130483-01-704 | EA | ARM/LOWER - RT/LT - UNI (WW) | R00412-101-55 |
| 6 | 130483-01-705 | EA | SPRINGS/ REAR - (WW) | R012408WHT |
| 7 | 130483-01-706 | EA | SPRINGS/FRONT - (WW) | R012407WHT |
| 8 | 130483-01-707 | EA | LOCK/REMOTE - UNIVERSAL | R00631W |
| 9 | 130483-01-708 | EA | LOCK/TRAVEL | 901017W |
| 10 | 130483-01-709 | EA | HANDLE | 901015W |
| 11 | 130483-01-710 | EA | GLIDE - PLASTIC | 041178-001 |
| 12 | 130483-01-711 | EA | FOOT/CARPORT | 901020W |
| | 130483-01-712 | EA | STANDOFF/TOP BRACKET (WW) | 249153WHT |
| | 130483-01-713 | EA | BRACKET/BOTTOM-CARPORT BRKT | 90109W |

EXTERIOR DOORS & COMPARTMENTS GROUP

DOOR & COMPARTMENT LAYOUT



| KEY | PART NUMBER | U/M | DESCRIPTION |
|-----|---------------|-----|---|
| 1 | 135604-06-N94 | EA | VALANCE/DOOR - FURNACE - W/O LATCH/HINGE - W/25,000 BTU FURNACE |
| | 107796-23-000 | EA | SPRING/GAS - 11.3" COMPRESSED/18.5" EXTENDED - 45 LB. |
| 1 | 138063-05-N94 | EA | VALANCE/DOOR - W/O PADDLE LATCH - 34" X 33" |
| | 107796-23-000 | EA | SPRING/GAS - 11.3" COMPRESSED/18.5" EXTENDED - 45 LB. |
| 2* | 094708-03-01A | EA | STEP - ELECTRIC - SINGLE - BLACK CONTROL BOX - KWIKEE |
| 3 | 130838-01-01A | EA | RING - FLUSH LIFT - CHROME PLATED ZAMAK |
| 4 | 131682-01-01A | EA | SLIDE - LUGGAGE TRAY - W/2 TRIM ANGLES/ATTACH TO FLOOR |
| 5 | 113041-12-02B | EA | ANGLE - BUMPER MOUNT - E-COATED |
| 6 | 130034-01-02B | EA | CLIP - TRIM - E-COATED |
| 7 | 130044-02-KQ0 | EA | PANEL/VALANCE - ENTRY DOOR - W/O HARDWARE |
| 8 | 133078-01-01A | EA | PANEL - ENTRY DOOR/LOWER |
| 9 | 134125-01-02B | EA | SUPPORT - DOOR/VALANCE - E-COATED |
| 10 | P28911-02-KQ0 | EA | WHEEL LIP - REAR W/LIGHT |
| | 129116-01-01A | EA | HINGE - SINGLE PIVOT - MILL |
| 11 | P28911-03-N94 | EA | WHEEL LIP - REAR W/LIGHT |
| | 129116-01-01A | EA | HINGE - SINGLE PIVOT - MILL |
| 12 | 129301-02-01A | EA | COVER - DOCKING LIGHT - BLACK |
| 13 | 141683-01-02B | EA | PANEL - CLOSEOUT/ELECTRICAL - E-COATED |
| | | | FROM: 12-08-01 THRU: 99-99-99 |
| 14* | 084103-08-000 | EA | DOOR - VENT - REFRIGERATOR - W/O JAMB - BRIGHT WHITE |
| | 084104-08-000 | EA | JAMB - VENT DOOR/REFRIGERATOR - BRIGHT WHITE |

EXTERIOR DOORS & COMPARTMENTS GROUP(CONTINUED)
DOOR & COMPARTMENT LAYOUT(CONTINUED)

| KEY | PART NUMBER | U/M | DESCRIPTION |
|------------|--------------------|------------|--|
| 15 | 115792-03-02A | EA | COVER - WIRE - WHITE |
| 16 | 120231-01-02A | EA | FLOORING - RUBBER - 66.4" X 19.8" |
| 17 | 128140-01-02B | EA | SEAL PLANE - E-COATED |
| 18 | 128912-02-KQ0 | EA | WHEEL LIP - FRONT - DRIVER |
| | | | FROM: 00-00-00 THRU: 04-30-01 |
| | 129116-01-01A | EA | HINGE - SINGLE PIVOT - MILL |
| 18 | 128912-06-N94 | EA | WHEEL LIP - FRONT - W/O HARDWARE |
| | | | FROM: 05-01-01 THRU: 99-99-99 |
| | 129116-01-01A | EA | HINGE - SINGLE PIVOT - MILL |
| 19 | 128910-02-KQ0 | EA | DOOR - FUEL FILL |
| | | | FROM: 00-00-00 THRU: 04-30-01 |
| | 121677-01-01A | EA | HINGE - SINGLE PIVOT |
| | 130005-01-000 | EA | LOCK - W/O CYLINDER & KEYS - W/CAM - F/KEY ONE SYSTEM |
| 19 | 128910-03-N94 | EA | DOOR - FUEL FILL |
| | | | FROM: 05-01-01 THRU: 99-99-99 |
| | 121677-01-01A | EA | HINGE - SINGLE PIVOT |
| | 138290-01-000 | EA | CASE - W/CAM - W/O CYLINDER/KEY |
| 20 | 128912-01-KQ0 | EA | WHEEL LIP - FRONT - PASSENGER |
| | | | FROM: 00-00-00 THRU: 04-30-01 |
| | 129116-01-01A | EA | HINGE - SINGLE PIVOT - MILL |
| 20 | 128912-08-N94 | EA | WHEEL LIP - FRONT - W/O HARDWARE |
| | | | FROM: 05-01-01 THRU: 99-99-99 |
| | 129116-01-01A | EA | HINGE - SINGLE PIVOT - MILL |
| 21 | 123451-03-01A | EA | CAP - BUMPER END |
| 22 | 129015-01-K80 | EA | PORT W/HATCH - F/ELECTRICAL/DRAIN |
| 23 | 121175-02-01A | EA | LATCH - SWELL |
| 24 | 132057-02-K90 | EA | VALANCE/PANEL - W/O LATCH/HINGE - 18" X 33.6" |
| | 110506-A1-000 | EA | LOCK ASM-TWIST,17.65MM |
| | 110506-40-700 | EA | HDWE KIT 596950AAL |
| | 110506-50-000 | EA | CASE/CYLINDER - TWIST LATCH - W/O CAM - .65" - 596952 |
| | 110506-60-000 | EA | CAM - LATCHING - STRAIGHT 2.4" |
| 25 | 134737-01-L94 | EA | VALANCE/PANEL - DEPARTURE/LEFT HAND |
| 26 | 135604-05-N94 | EA | VALANCE/DOOR - FURNACE - W/O LATCH/HINGE |
| | 107796-25-000 | EA | SPRING/GAS - 11.3" COMPRESSED/18.5" EXTENDED - 90 LB. |
| | | | FROM: 00-00-00 THRU: 11-01-01 |
| | 107796-35-000 | EA | SPRING-GAS 18.5"LONG,120LB |
| | | | FROM: 11-02-01 THRU: 99-99-99 |
| 27 | 138059-01-N94 | EA | VALANCE/DOOR |
| 28 | 138063-01-N94 | EA | VALANCE/DOOR - W/O PADDLE LATCH - 19" X 33" |
| | 107796-24-000 | EA | SPRING/GAS - 11.3" COMPRESSED/18.5" EXTENDED - 60 LB. |
| 29 | 138063-03-N94 | EA | VALANCE/DOOR - W/O PADDLE LATCH - 28" X 33" |
| | 107796-23-000 | EA | SPRING/GAS - 11.3" COMPRESSED/18.5" EXTENDED - 45 LB. |
| 30 | 138063-06-N94 | EA | VALANCE/DOOR - W/O PADDLE LATCH - 39" X 33" |
| | 107796-23-000 | EA | SPRING/GAS - 11.3" COMPRESSED/18.5" EXTENDED - 45 LB. |
| 31 | 138063-07-N94 | EA | VALANCE/DOOR - W/O PADDLE LATCH - 39" X 33" |
| | 107796-23-000 | EA | SPRING/GAS - 11.3" COMPRESSED/18.5" EXTENDED - 45 LB. |
| 32 | 138063-09-N94 | EA | VALANCE/DOOR - W/O PADDLE LATCH - 45" X 33" |
| | 107796-23-000 | EA | SPRING/GAS - 11.3" COMPRESSED/18.5" EXTENDED - 45 LB. |
| 33 | 138063-12-N94 | EA | VALANCE/DOOR - W/O PADDLE LATCH - 61" X 33" |
| | 107796-24-000 | EA | SPRING/GAS - 11.3" COMPRESSED/18.5" EXTENDED - 60 LB. |
| 34 | 138063-14-N94 | EA | VALANCE/DOOR - PASS W/O PADDLE LATCH - 33" X 33" X 30" |
| | 107796-23-000 | EA | SPRING/GAS - 11.3" COMPRESSED/18.5" EXTENDED - 45 LB. |
| 35 | 138489-01-02B | EA | PANEL - ACCESS - WATER HEATER - E-COATED |
| 36 | 113904-07-02B | EA | ANGLE - ATTACHMENT/WHEEL LIP - 8" - E-COAT |
| 37 | 113041-03-02B | EA | ANGLE - BUMPER MOUNT - E-COATED |
| 38 | 140309-03-02B | EA | ANGLE - FURNACE DOOR - E-COATED |
| 39 | 131383-03-02A | EA | BRACKET - SHOWER HEAD - WHITE |
| 40 | 076767-01-000 | EA | CABLE - STAINLESS STEEL - 12" |
| 41 | 134417-01-02B | EA | PLATE/SPACER - FRONT - E-COATED |
| | 089329-02-000 | EA | CLIP - SPRING |

EXTERIOR DOORS & COMPARTMENTS GROUP(CONTINUED)
DOOR & COMPARTMENT LAYOUT(CONTINUED)

KEY PART NUMBER U/M DESCRIPTION

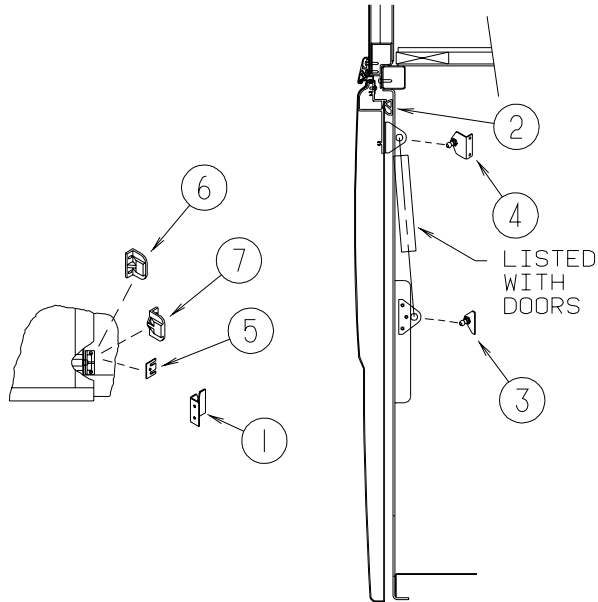
LOCK ASSEMBLY USED UP TO 04-30-01

| | | |
|---------------|----|--|
| 129686-01-000 | EA | CYLINDER - LOCK ASSEMBLY - COMPARTMENT/DRIVER DOOR |
| 129686-02-000 | EA | CYLINDER - LOCK ASSEMBLY - COMPARTMENT/DRIVER DOOR |
| 129686-03-000 | EA | CYLINDER - LOCK ASSEMBLY - COMPARTMENT/DRIVER DOOR |
| 129686-04-000 | EA | CYLINDER - LOCK ASSEMBLY - COMPARTMENT/DRIVER DOOR |
| 129686-05-000 | EA | CYLINDER - LOCK ASSEMBLY - COMPARTMENT/DRIVER DOOR |
| 129686-06-000 | EA | CYLINDER - LOCK ASSEMBLY - COMPARTMENT/DRIVER DOOR |
| 129686-07-000 | EA | CYLINDER - LOCK ASSEMBLY - COMPARTMENT/DRIVER DOOR |
| 129686-08-000 | EA | CYLINDER - LOCK ASSEMBLY - COMPARTMENT/DRIVER DOOR |
| 129686-09-000 | EA | CYLINDER - LOCK ASSEMBLY - COMPARTMENT/DRIVER DOOR |
| 129686-10-000 | EA | CYLINDER - LOCK ASSEMBLY - COMPARTMENT/DRIVER DOOR |

LOCK ASSEMBLY USED AFTER 05-01-01

| | | |
|---------------|----|--------------------|
| 138289-01-000 | EA | CYLINDER - LOCKING |
| 138289-02-000 | EA | CYLINDER - LOCKING |
| 138289-03-000 | EA | CYLINDER - LOCKING |
| 138289-04-000 | EA | CYLINDER - LOCKING |
| 138289-05-000 | EA | CYLINDER - LOCKING |
| 138289-06-000 | EA | CYLINDER - LOCKING |
| 138289-07-000 | EA | CYLINDER - LOCKING |
| 138289-08-000 | EA | CYLINDER - LOCKING |
| 138289-09-000 | EA | CYLINDER - LOCKING |
| 138289-10-000 | EA | CYLINDER - LOCKING |

***COMPONENT PARTS LISTED LATER IN THIS GROUP**



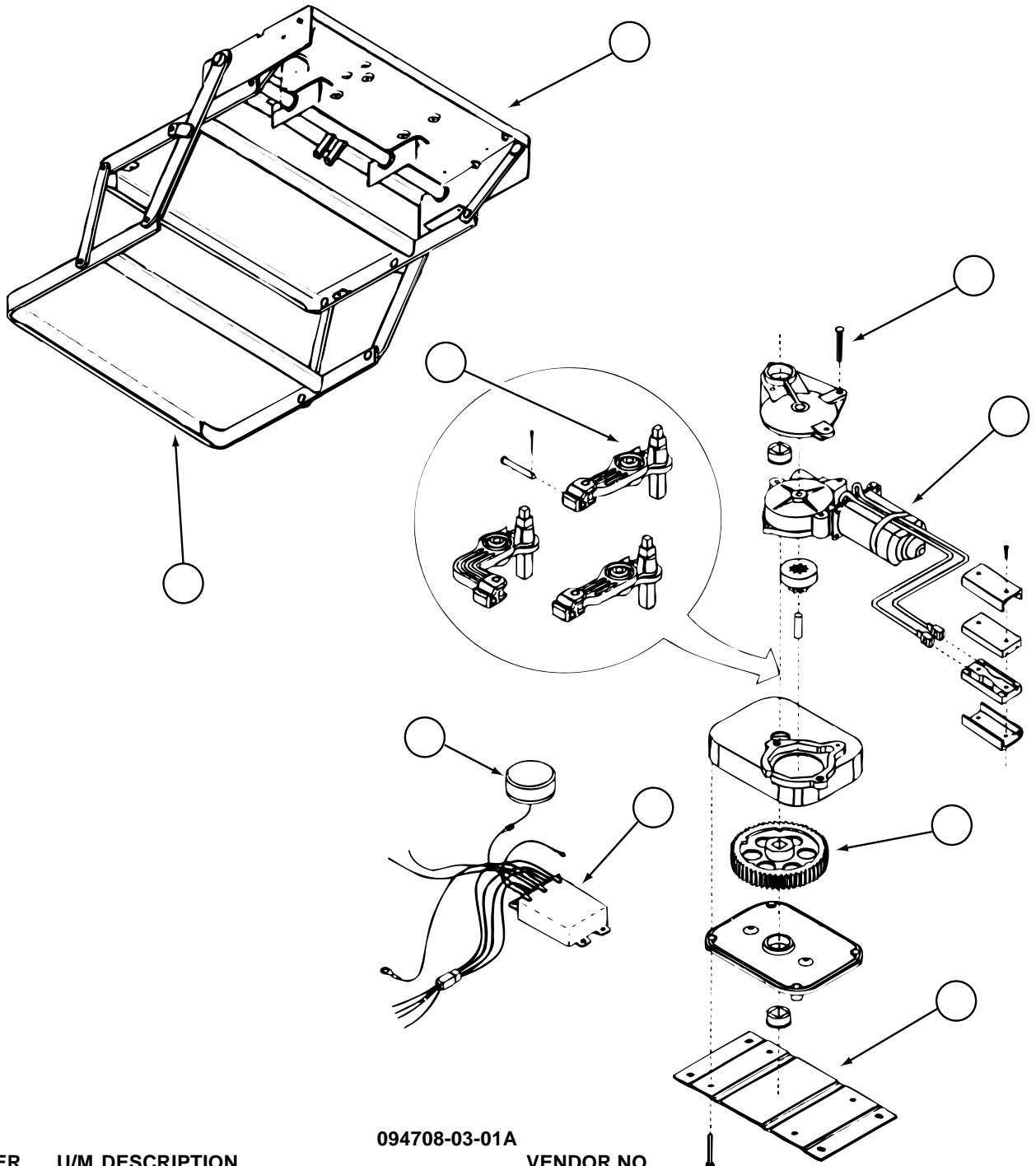
KEY PART NUMBER U/M DESCRIPTION

| | | | |
|---|---------------|----|--|
| 1 | 132585-01-02B | EA | BRACKET - CATCH - VALANCE DOOR - E-COATED |
| 2 | 107721-08-000 | FT | SEAL - ACCESS DOOR - .9" WIDE X .9" HIGH |
| 3 | 126263-08-02B | EA | BRACKET - GAS SPRING W/CENTERED BALL STUD - E-COATED |
| 4 | 126263-05-02B | EA | BRACKET - GAS SPRING W/BALL STUD - E-COATED |
| 5 | 120494-03-02B | EA | SHIM - STRIKER - LUGGAGE DOOR - .20 - E-COATED |
| 6 | 130053-02-01A | EA | STRIKER - LUGGAGE DOOR - OFF SET - BLACK |
| 7 | 130053-01-01A | EA | STRIKER - LUGGAGE DOOR - FLUSH - BLACK |

EXTERIOR DOORS & COMPARTMENTS GROUP (CONTINUED)
COMPONENT PARTS FOR DOOR & COMPARTMENT LAYOUT

084103-08-000

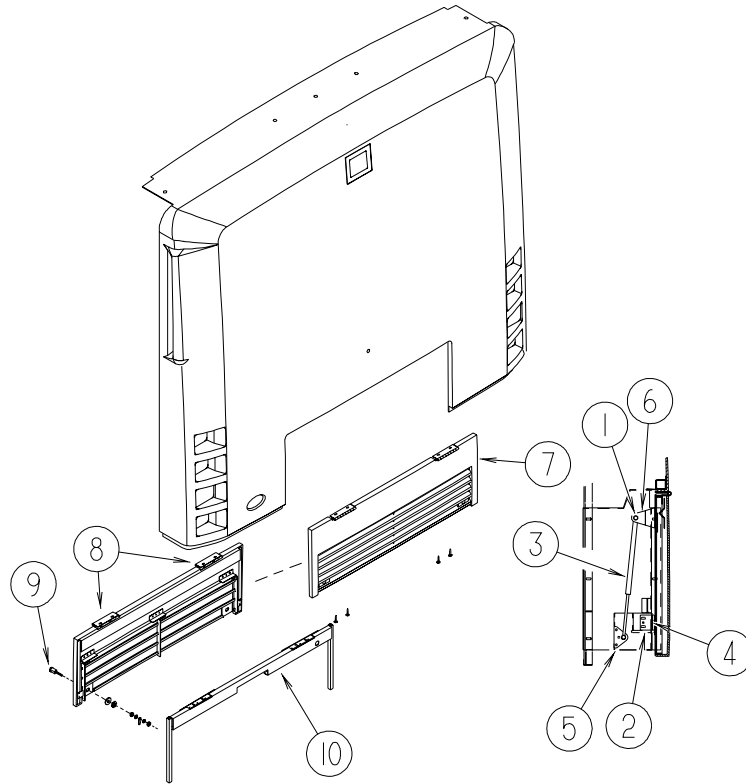
| KEY | PART NUMBER | U/M | DESCRIPTION | VENDOR NO. |
|-----|---------------|-----|-----------------------|-------------|
| | 084104-01-700 | EA | LOCK-MALE, FASTENER | 201-721-010 |
| | 084104-01-701 | EA | LOCK-FEMALE, FASTENER | 201-802-010 |



094708-03-01A

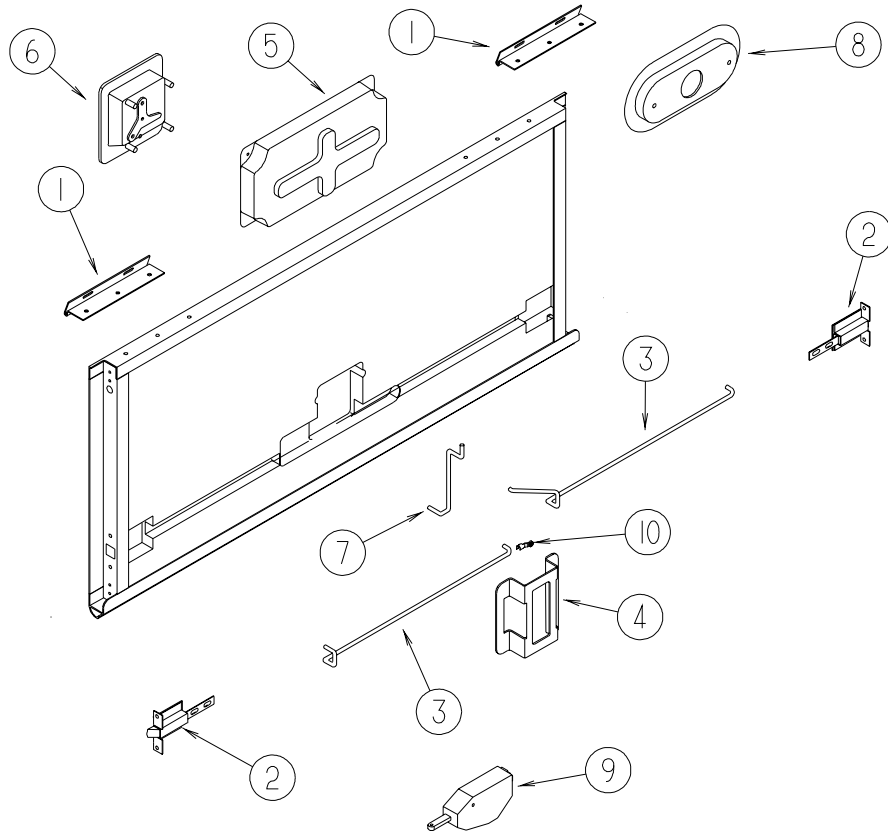
| KEY | PART NUMBER | U/M | DESCRIPTION | VENDOR NO. |
|-----|---------------|-----|------------------------------|------------|
| 1 | 088746-01-709 | EA | FRAME W/SGL STEP,2800 SERIES | 908028 |
| 2 | 094707-02-703 | EA | BEARING & PINS | 909530 |
| 3 | 094707-02-700 | EA | MOTOR ASM.,W/BEARINGS & PINS | 909520 |
| 4 | 094707-02-702 | EA | GEAR KIT(GEAR-BEARING-PINS) | 909525 |
| 5 | 094707-02-704 | EA | CONNECTOR-MOTOR ASM.W/PLATES | 909537 |
| 6 | 094707-03-700 | EA | KIT CONTROL/SWITCH-RETROFIT | 909506005 |
| 7 | 088733-01-700 | EA | BULB | 9004 |
| 7 | 088746-01-705 | EA | LIGHT-UNDER STEP | 9004 |
| 8 | 094708-03-700 | EA | LINKAGE ASSEMBLY-SERIES 28 | 909533 |
| 9 | 094707-02-707 | EA | TREAD - NON-SKID - BLACK | 909333 |
| | 094707-03-701 | EA | PLUG - 4-WAY - PACKARD | 909306 |

EXTERIOR DOORS & COMPARTMENTS GROUP (CONTINUED)
COMPARTMENT DOOR PIECE PARTS



| KEY | PART NUMBER | U/M | DESCRIPTION |
|-----|---------------|-----|--|
| 1 | 057460-02-000 | EA | BALL STUD - F/GAS SPRING .39" - 5/16"-18 |
| 2 | 107719-01-01A | EA | STRIKE - VALANCE DOOR |
| 3 | 107796-23-000 | EA | SPRING/GAS - 11.3" COMPRESSED/18.5" EXTENDED - 45 LB. FROM: 00-00-00 THRU: 05-31-02 |
| 3 | 142569-08-000 | EA | SPRING - GAS - 18.5"/45 LB FROM: 06-01-02 THRU: 99-99-99 |
| 4 | 118931-01-02B | EA | SHIM - STRIKER - DOOR |
| 5 | 126263-08-02B | EA | BRACKET - GAS SPRING W/CENTERED BALL STUD - E-COATED |
| 6 | 126263-10-02B | EA | BRACKET - GAS SPRING W/BALL STUD - E-COATED |
| 7 | 129786-01-K90 | EA | DOOR - REAR ENGINE |
| 8 | 102325-02-07A | EA | HINGE/TRUNK DOOR - 6" W/.6" OFF SET - BRIGHT WHITE |
| 9 | 102330-02-000 | EA | LATCH - VISE ACTION/KEY OPERATED |
| 10 | 113310-03-02B | EA | FRAME - DOOR/REAR ENGINE - E-COATED |

EXTERIOR DOORS & COMPARTMENTS GROUP (CONTINUED)
COMPARTMENT DOOR PIECE PARTS (CONTINUED)



| KEY | PART NUMBER | U/M | DESCRIPTION |
|-----|---------------|-----|--|
| 1 | 121677-01-01A | EA | HINGE - SINGLE PIVOT |
| 2 | 121947-01-01A | EA | BOLT - SLIDE W/PLASTIC PLUNGER |
| 3 | 132873-01-000 | EA | ROD - LATCH (BLANK) |
| 4 | 137296-01-02B | EA | BRACKET - BACKER PLATE - E-COATED |
| 5 | 135318-01-01A | EA | COVER - LATCH - INNER - BLACK |
| 6 | 135626-01-02A | EA | LATCH - PADDLE - W/O LOCK CYLINDER - WHITE |
| 6 | 135626-03-01A | EA | LATCH - VISE ACTION/KEY OPERATED |
| | | | FROM: 00-00-00 THRU: 04-30-01 |
| | | | FROM: 05-01-01 THRU: 99-99-99 |
| 7 | 135868-01-01A | EA | ROD - ACTUATOR |
| 8 | 113598-02-01A | EA | POCKET - LIGHT - SIDE MARKER |
| 9 | 113638-01-000 | EA | ACTUATOR - POWER DOOR LOCK |
| 9 | 138898-01-000 | EA | ACTUATOR/LOCK - ELECTRIC |
| | | | FROM: 00-00-00 THRU: 05-27-01 |
| | | | FROM: 05-28-01 THRU: 99-99-99 |
| 10 | 102265-03-000 | EA | CLIP-ROD END, LEFT HAND - .18" - METAL |
| | 108678-01-000 | EA | GASKET - LATCH |

EXTERIOR DOORS & COMPARTMENTS GROUP (CONTINUED)
ENTRY

| KEY | PART NUMBER | U/M | DESCRIPTION |
|------------|--------------------|------------|--|
| * | 128913-04-02A | EA | DOOR - ENTRY/FRONT - POWER LOCK - GLACIER FROM: 00-00-00 THRU: 04-30-01 |
| * | 128913-08-01A | EA | DOOR - ENTRY/FRONT - POWER LOCK - GLACIER FROM: 05-01-01 THRU: 08-21-01 |
| * | 128913-10-01A | EA | DOOR - ENTRY/FRONT - POWER LOCK FROM: 08-22-01 THRU: 99-99-99 |
| | 038327-05-000 | EA | TAPE - ANTI SLIP - 5/8"X 60' - BLACK FROM: 00-00-00 THRU: 04-30-01 |
| | 134450-02-01A | EA | TAPE - ANTI SLIP - 1.25" X 29.9" - BLACK FROM: 05-01-01 THRU: 99-99-99 |

LOCK ASSEMBLY USED UP TO 04-30-01

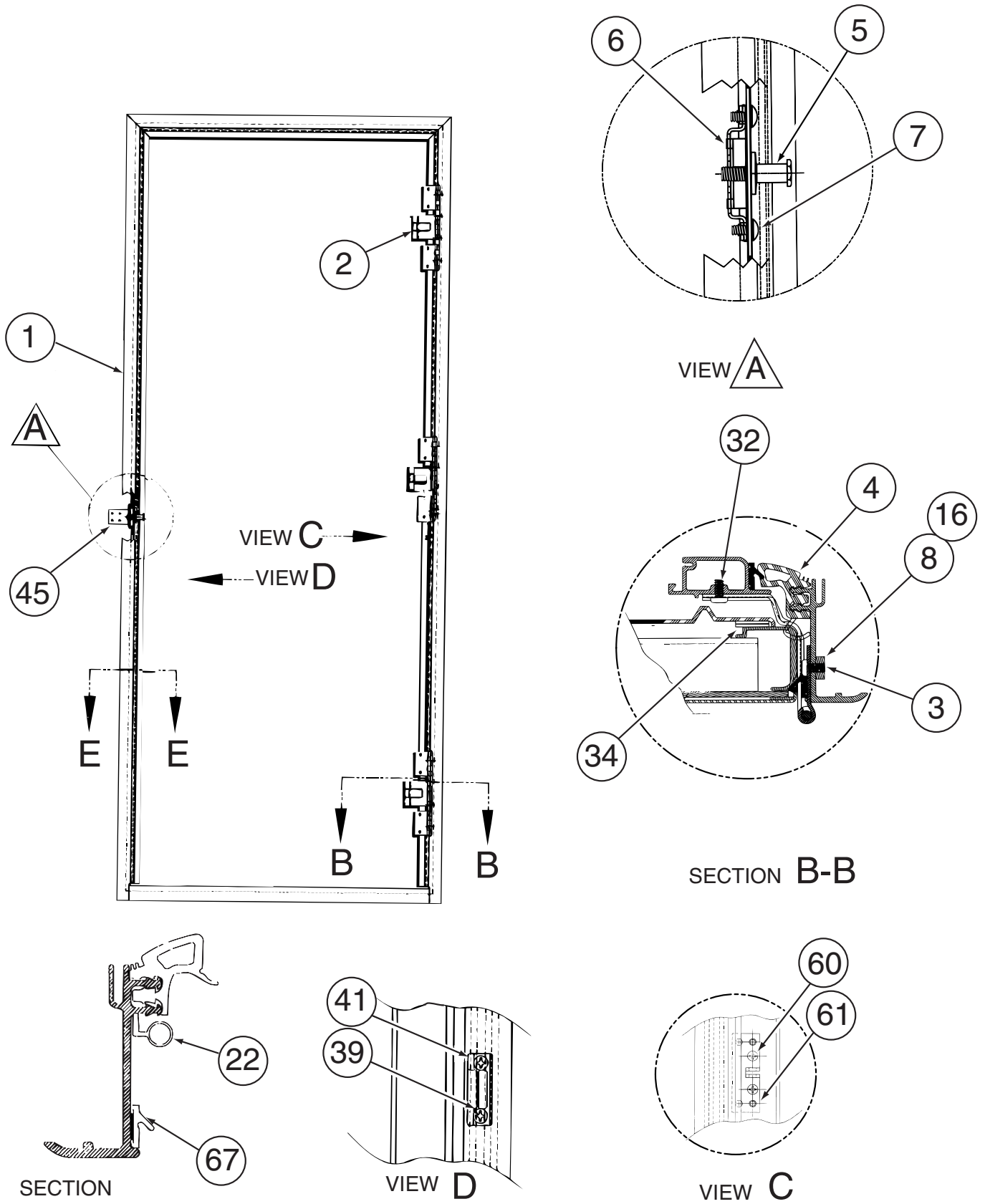
| | | | |
|---|---------------|----|--|
| * | 129676-01-000 | EA | KEY - T/M 14472-07-1431 |
| * | 129676-02-000 | EA | KEY - T/M 14472-07-1432 |
| * | 129676-03-000 | EA | KEY - T/M 14472-07-1433 |
| * | 129676-04-000 | EA | KEY - T/M 14472-07-1434 |
| * | 129676-05-000 | EA | KEY - T/M 14472-07-1435 |
| * | 129676-06-000 | EA | KEY - T/M 14472-07-1436 |
| * | 129676-07-000 | EA | KEY - T/M 14472-07-1437 |
| * | 129676-08-000 | EA | KEY - T/M 14472-07-1438 |
| * | 129676-09-000 | EA | KEY - T/M 14472-07-1439 |
| * | 129676-10-000 | EA | KEY - T/M 14472-07-1440 |
| | 129685-01-000 | EA | CYLINDER - LOCK ASSEMBLY - ENTRANCE DOOR (J) |
| | 129685-02-000 | EA | CYLINDER - LOCK ASSEMBLY - ENTRANCE DOOR (J) |
| | 129685-03-000 | EA | CYLINDER - LOCK ASSEMBLY - ENTRANCE DOOR (J) |
| | 129685-04-000 | EA | CYLINDER - LOCK ASSEMBLY - ENTRANCE DOOR (J) |
| | 129685-05-000 | EA | CYLINDER - LOCK ASSEMBLY - ENTRANCE DOOR (J) |
| | 129685-06-000 | EA | CYLINDER - LOCK ASSEMBLY - ENTRANCE DOOR (J) |
| | 129685-07-000 | EA | CYLINDER - LOCK ASSEMBLY - ENTRANCE DOOR (J) |
| | 129685-08-000 | EA | CYLINDER - LOCK ASSEMBLY - ENTRANCE DOOR (J) |
| | 129685-09-000 | EA | CYLINDER - LOCK ASSEMBLY - ENTRANCE DOOR (J) |
| | 129685-10-000 | EA | CYLINDER - LOCK ASSEMBLY - ENTRANCE DOOR (J) |

LOCK ASSEMBLY USED AFTER 05-01-01

| | | | |
|--|---------------|----|--|
| | 138287-01-000 | EA | CYLINDER/LOCK - ENTRY DOOR (MASTER) |
| | 138287-02-000 | EA | CYLINDER/LOCK - ENTRY DOOR (MASTER) |
| | 138287-03-000 | EA | CYLINDER/LOCK - ENTRY DOOR (MASTER) |
| | 138287-04-000 | EA | CYLINDER/LOCK - ENTRY DOOR (MASTER) |
| | 138287-05-000 | EA | CYLINDER/LOCK - ENTRY DOOR (MASTER) |
| | 138287-06-000 | EA | CYLINDER/LOCK - ENTRY DOOR (MASTER) |
| | 138287-07-000 | EA | CYLINDER/LOCK - ENTRY DOOR (MASTER) |
| | 138287-08-000 | EA | CYLINDER/LOCK - ENTRY DOOR (MASTER) |
| | 138287-09-000 | EA | CYLINDER/LOCK - ENTRY DOOR (MASTER) |
| | 138287-10-000 | EA | CYLINDER/LOCK - ENTRY DOOR (MASTER) |
| | 138288-01-000 | EA | KEY - REVERSIBLE - #1151 - T/M 16169-02-3091 |
| | 138288-02-000 | EA | KEY - REVERSIBLE - #1152 - T/M 16169-02-3092 |
| | 138288-03-000 | EA | KEY - REVERSIBLE - #1153 - T/M 16169-02-3093 |
| | 138288-04-000 | EA | KEY - REVERSIBLE - #1154 - T/M 16169-02-3094 |
| | 138288-05-000 | EA | KEY - REVERSIBLE - #1155 - T/M 16169-02-3095 |
| | 138288-06-000 | EA | KEY - REVERSIBLE - #1156 - T/M 16169-02-3096 |
| | 138288-07-000 | EA | KEY - REVERSIBLE - #1157 - T/M 16169-02-3097 |
| | 138288-08-000 | EA | KEY - REVERSIBLE - #1158 - T/M 16169-02-3098 |
| | 138288-09-000 | EA | KEY - REVERSIBLE - #1159 - T/M 16169-02-3099 |
| | 138288-10-000 | EA | KEY - REVERSIBLE - #1150 - T/M 16169-02-3100 |

***COMPONENT PARTS LISTED LATER IN THIS GROUP**

EXTERIOR DOORS & COMPARTMENTS GROUP (CONTINUED)
COMPONENT PARTS FOR ENTRY



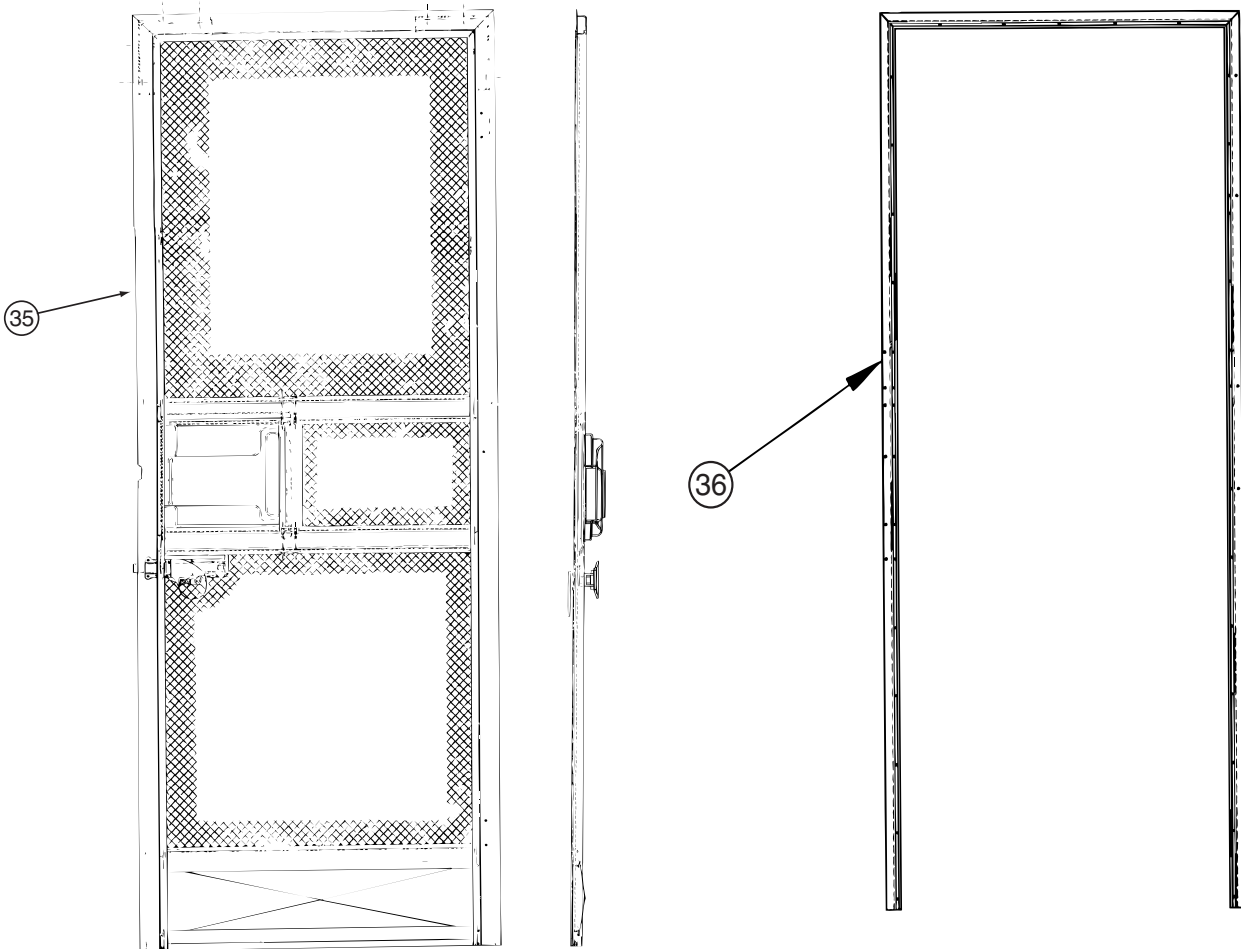
128913-04-02A & 128913-08-01A

EXTERIOR DOORS & COMPARTMENTS GROUP (CONTINUED)
COMPONENT PARTS FOR ENTRY (CONTINUED)

128913-04-02A & 128913-08-01A (CONTINUED)

| KEY | PART NUMBER | U/M | DESCRIPTION | VENDOR NO. |
|-----|---------------|-----|------------------------------|------------|
| 1 | 128913-04-711 | EA | FRAME/OUTER-SUB ASSY-BLACK | V266-19 |
| 2 | 128913-01-729 | EA | HINGE | 211-041740 |
| 4 | 128913-01-728 | EA | SEAL - DOOR/CORNER- MITERED | 122-041917 |
| 6 | 106469-04-704 | EA | NUT ASSEMBLY-CAGED W/STRIKER | 11920-16 |
| 22 | 128913-01-747 | EA | SEAL/BULB-CUT PC/VULCANIZED | 133-042557 |
| 41 | 128913-01-709 | EA | STRIKER-SCREEN DR/FRAME MT | 130-041824 |
| 61 | 128913-01-704 | EA | BRACKET - PIVOT/BRASS | 370-042315 |
| 67 | 128913-01-732 | FT | SEAL - LAZY T | 122-041986 |
| | 128913-01-745 | EA | FASTNER (1 1/2")MALE/FEMALE | V196-42 |

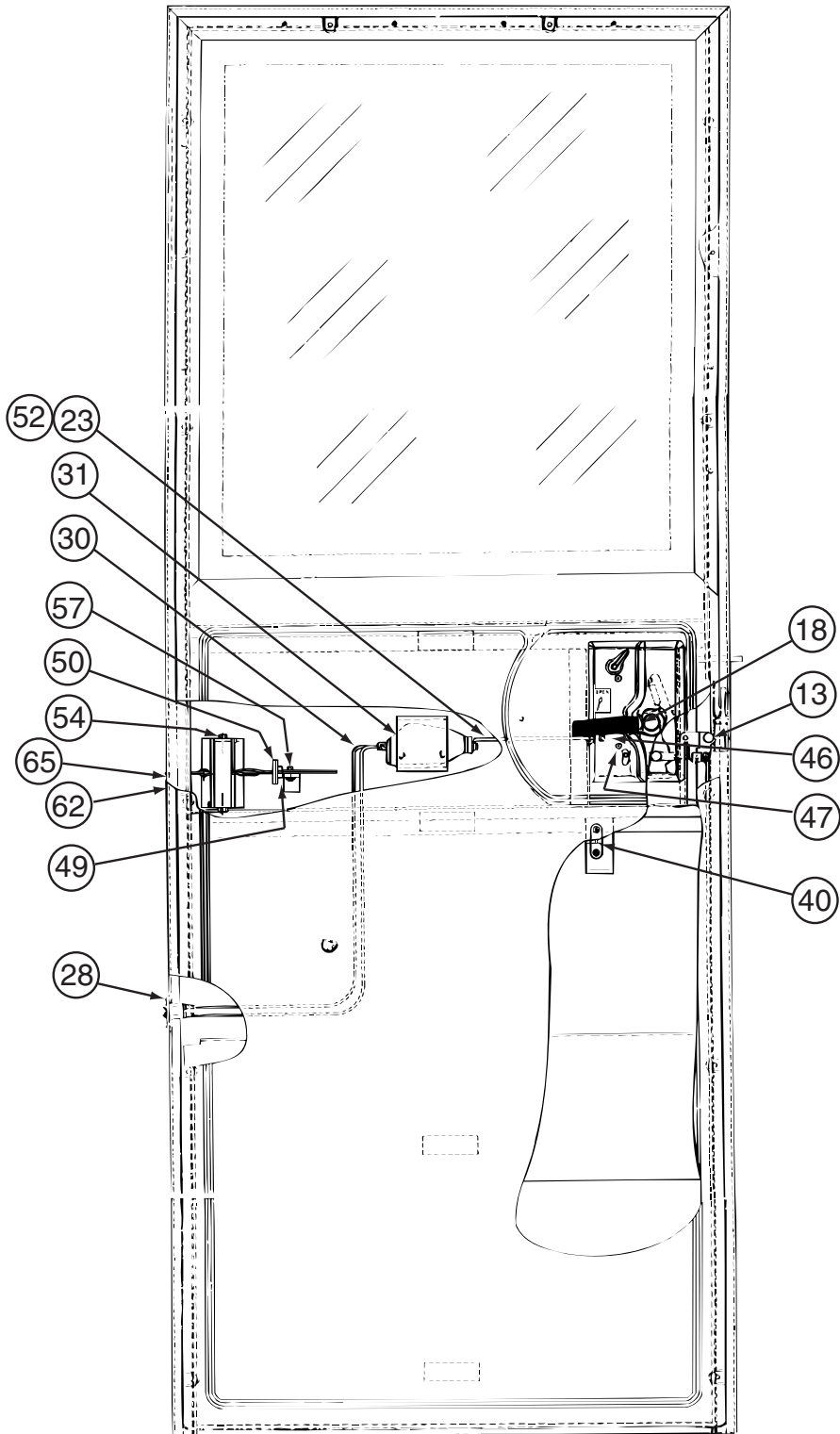
CONTACT WINNEBAGO PARTS SALES FOR UNLISTED COMPONENTS



128913-04-02A & 128913-08-01A (CONTINUED)

| KEY | PART NUMBER | U/M | DESCRIPTION | VENDOR NO. |
|-----|---------------|-----|-------------------------|------------|
| 35* | 128913-09-700 | EA | SCREEN DOOR ASSEMBLY | 490056 |
| 36 | 128913-04-701 | EA | FRAME/CLAMP - WELD ASSM | V266-25 |

EXTERIOR DOORS & COMPARTMENTS GROUP (CONTINUED)
COMPONENT PARTS FOR ENTRY (CONTINUED)



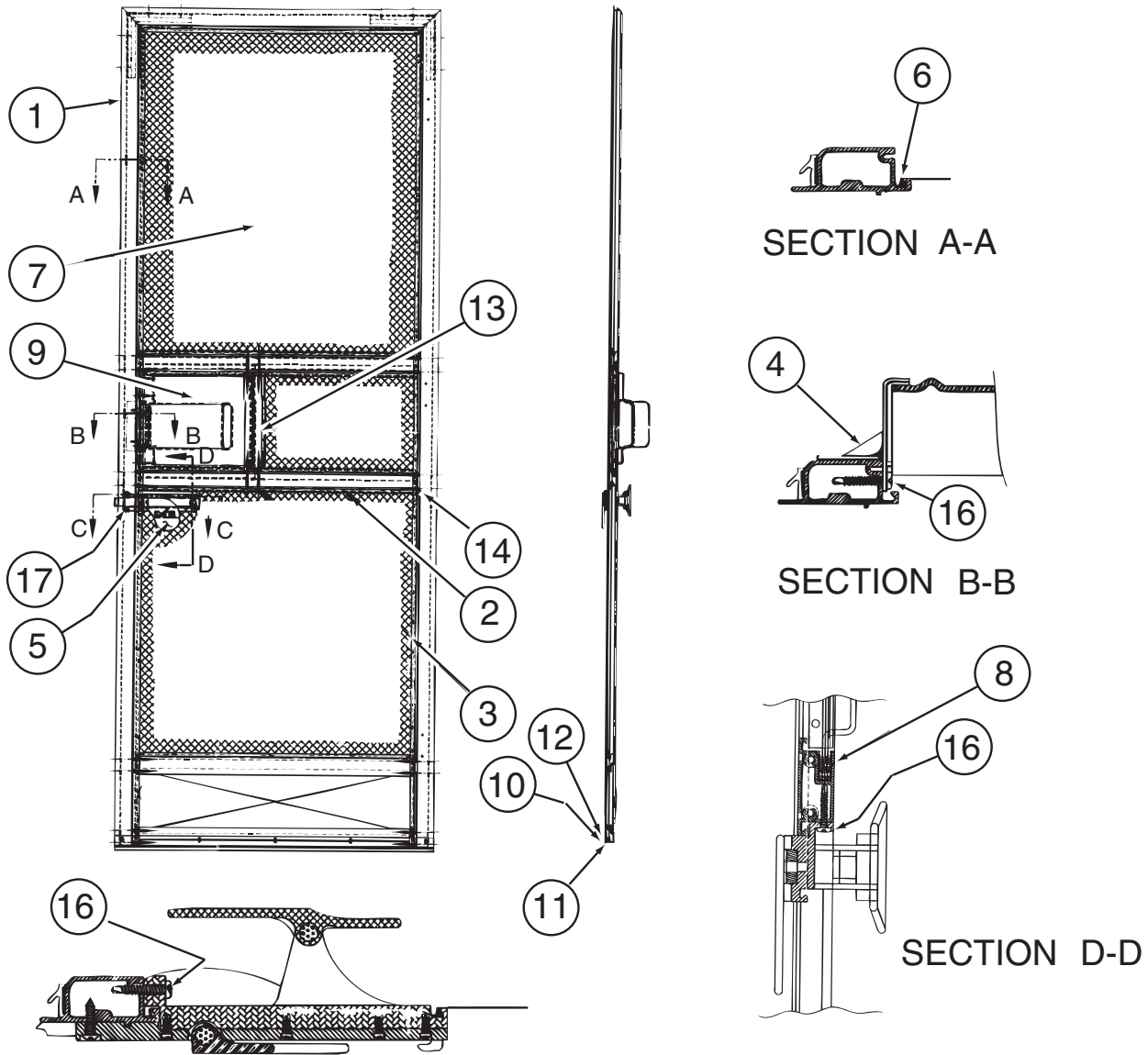
128913-04-02A & 128913-08-01A (CONTINUED)

EXTERIOR DOORS & COMPARTMENTS GROUP (CONTINUED)
COMPONENT PARTS FOR ENTRY (CONTINUED)

128913-04-02A & 128913-08-01A (CONTINUED)

| KEY | PART NUMBER | U/M | DESCRIPTION | VENDOR NO. |
|------------|--------------------|------------|---|-------------------|
| 23 | 128913-04-704 | EA | ROD/LOCK - (POWER) | 17705-01 |
| 28 | 128913-01-714 | EA | CONTACT - MALE/2-POSITION | 400-041934 |
| 30 | 128913-01-712 | EA | WIRE HARNESS-POWER DOOR LOCK | 400-041935 |
| 40 | 128913-01-710 | EA | STRIKER - LATCH/SCREEN DOOR | 130-041815 |
| 46 | 128913-02-711 | EA | SLIDE BAR ASSEMBLY | V196-29 |
| 47 | 128913-01-746 | EA | SCREW #8 X 3/4" OVAL HEAD | 276-042030 |
| 49 | 128913-02-712 | EA | PIN - COILED SPRING | 248-042237 |
| 50 | 128913-02-713 | EA | BUMPER STOP | V196-24 |
| 52 | 106469-05-700 | EA | ROD CLIP | 231-041095 |
| 54 | 128913-01-733 | EA | DOOR CHECK-SUB ASM ADJUST | V196-04 |
| 57 | 128913-01-705 | EA | BOLT - SHOULDER - #10 X 1/4 | 268-042011 |
| 62 | 128913-02-714 | EA | GUIDE BLOCK - DOOR CHECK | 146-042045 |
| 65 | 128913-04-709 | EA | PIN/CLEVIS-GROOVED W/E-RING | 245-042260 |
| | | | CONTACT WINNEBAGO PARTS SALES FOR UNLISTED COMPONENTS | |

EXTERIOR DOORS & COMPARTMENTS GROUP (CONTINUED)
COMPONENT PARTS FOR ENTRY (CONTINUED)

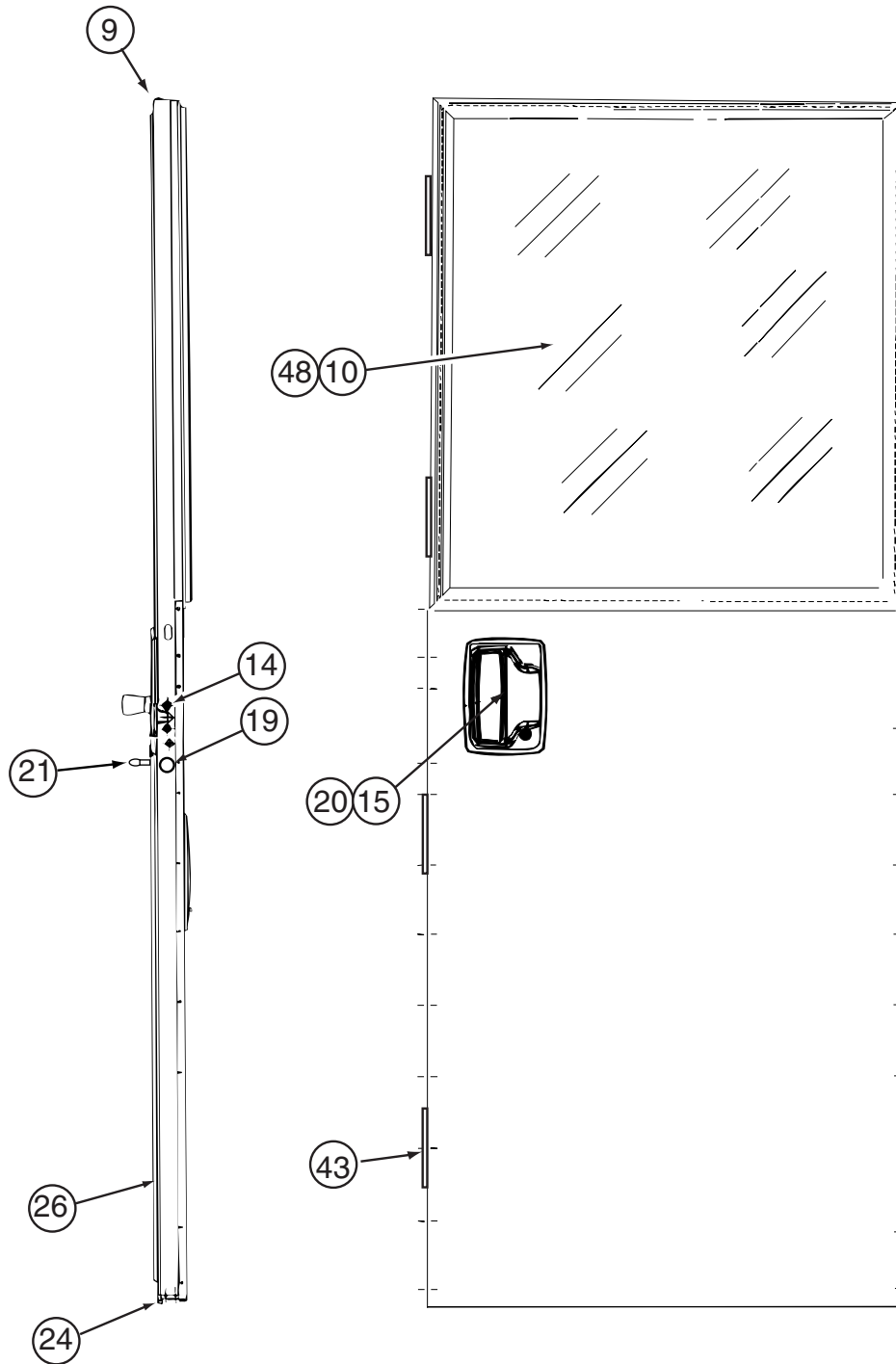


128913-04-02A & 128913-08-01A (CONTINUED)

| KEY | PART NUMBER | U/M | DESCRIPTION | VENDOR NO. |
|-----|---------------|-----|------------------------------|------------|
| 2 | 128913-09-704 | EA | RAIL/MID SCREEN-GLACIER BEIG | 490054 |
| 4 | 128913-09-703 | EA | END CAP - GLACIER BEIGE | 490061 |
| 5 | 128913-01-731 | EA | LATCH - SCREEN DOOR | 146-041950 |
| 6 | 128913-01-742 | FT | SPLINE - SCREEN | 132-041775 |
| 7 | 128913-01-741 | EA | SCREEN ONLY - SCREENDOOR | 110-041928 |
| 8 | 128913-01-740 | FT | RUN CHANNEL-SCREEN DR SLIDER | 170-041263 |
| 9 | 128913-09-702 | EA | SLIDER/SCREENDOOR-GLACIER BE | 490059 |
| 10 | 128913-09-701 | EA | SWEEPER/SCREENDOOR- GLACIER | 490052 |
| 11 | 128913-01-736 | FT | WEATHERSTRIP-SCREEN DOOR | 171-041284 |
| 13 | 128913-01-738 | FT | WEATHERSTRIP - SLIDER | 171-041285 |

CONTACT WINNEBAGO PARTS SALES FOR UNLISTED COMPONENTS

EXTERIOR DOORS & COMPARTMENTS GROUP (CONTINUED)
COMPONENT PARTS FOR ENTRY (CONTINUED)

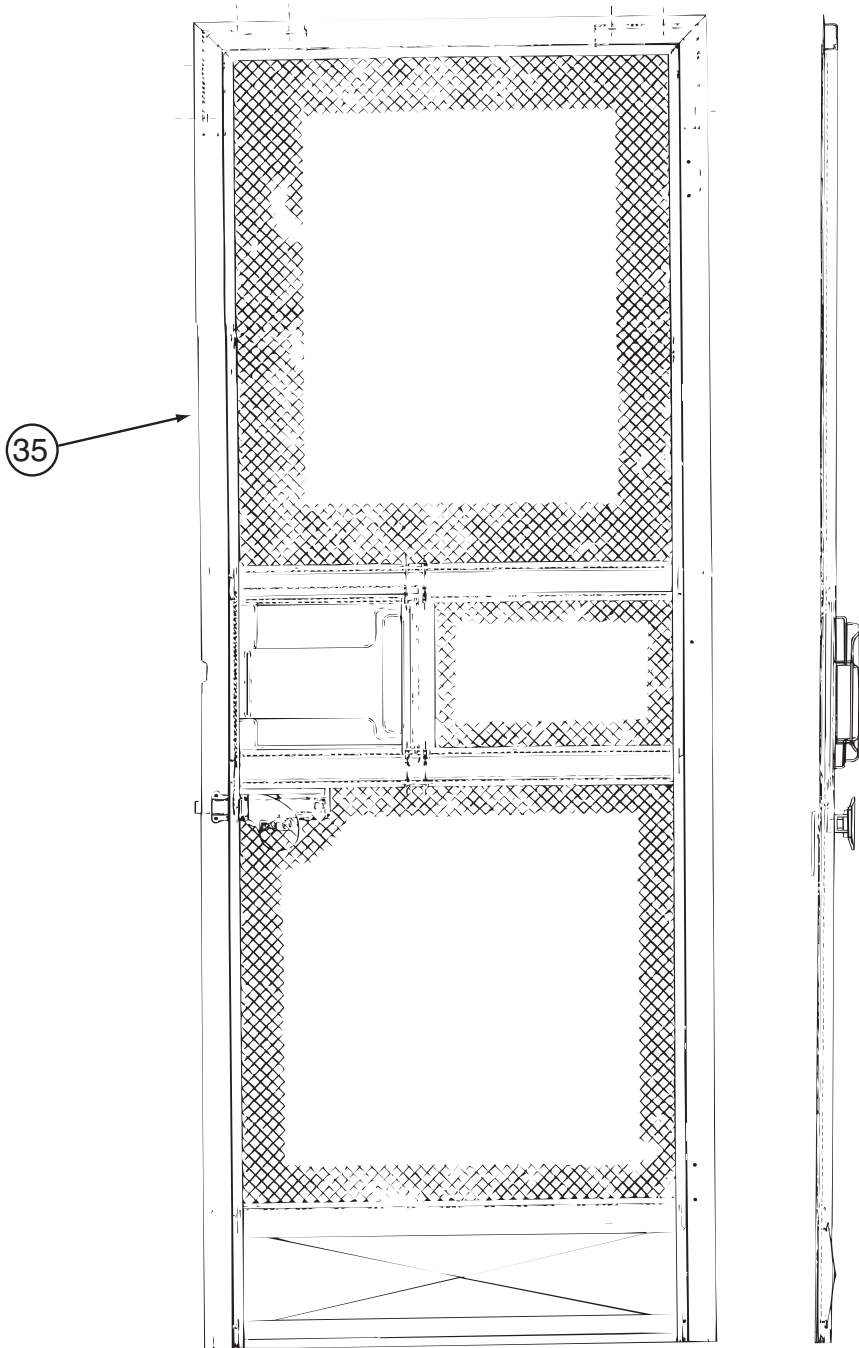


128913-04-02A & 128913-08-01A (CONTINUED)

| KEY | PART NUMBER | U/M | DESCRIPTION | VENDOR NO. |
|-----|---------------|-----|------------------------------|------------|
| 9 | 128913-04-708 | EA | DOOR FRAME - SUB ASM - BLACK | V266-90 |
| 10 | 128913-04-707 | EA | WINDOW-DUAL PANE | V231-85 |
| 14 | 128913-03-713 | EA | BOLT-ROTARY LATCH-1/4"-20 | 81066-01 |
| 20 | 112782-04-01A | EA | GASKET | |
| 21 | 112782-05-01A | EA | CAP - VINYL - RED | |
| 24 | 128913-01-744 | EA | SEAL/BULB-STICK ON/THRESHOLD | 122-042230 |
| 26 | 128913-04-712 | EA | PANEL - INNER PLASTIC | 490057 |
| 48 | 128913-04-700 | FT | TAPE/BUTYL - FOAM CORE | 154-041549 |

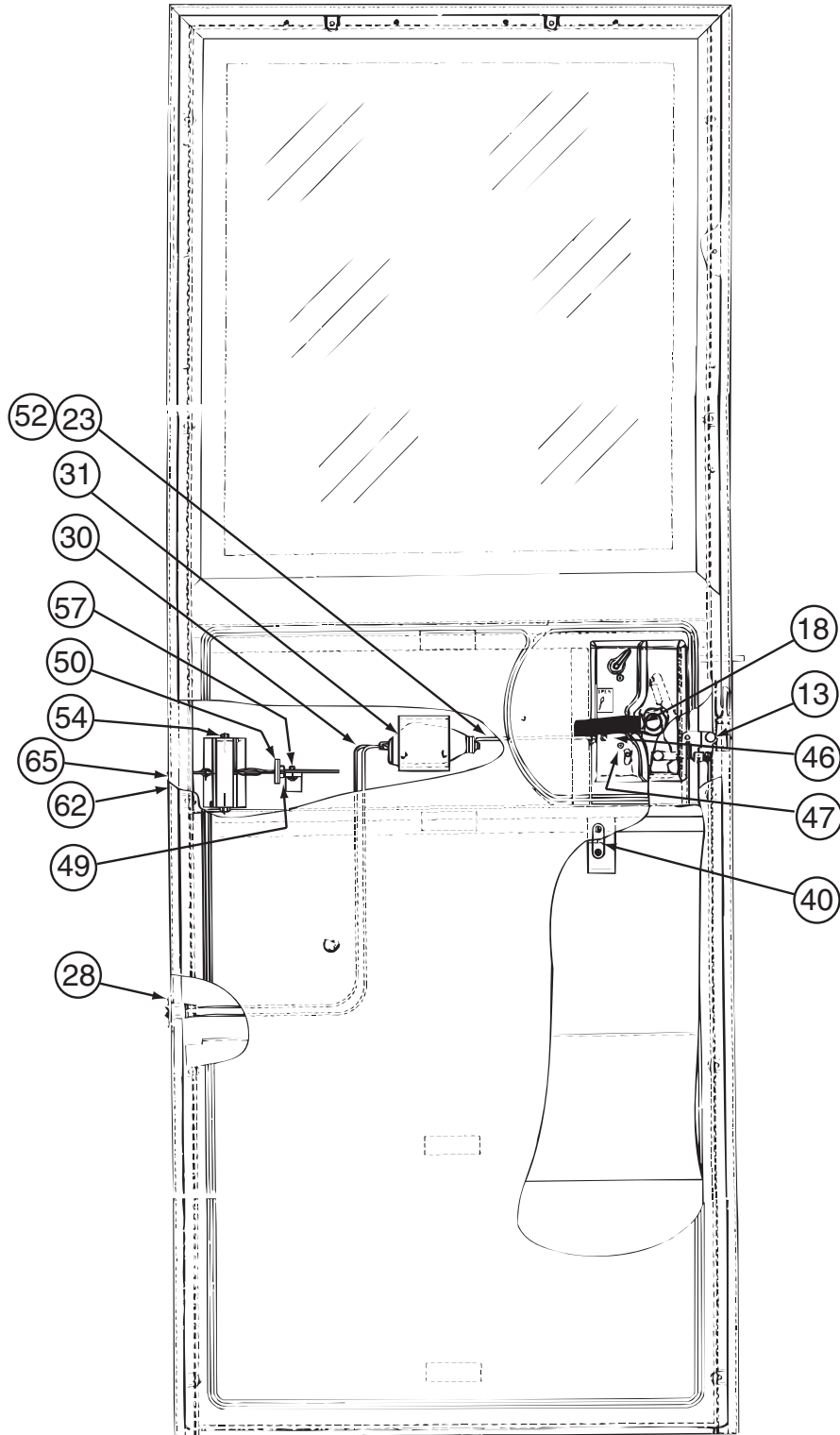
CONTACT WINNEBAGO PARTS SALES FOR UNLISTED COMPONENTS

EXTERIOR DOORS & COMPARTMENTS GROUP (CONTINUED)
COMPONENT PARTS FOR ENTRY (CONTINUED)



| KEY | PART NUMBER | U/M | DESCRIPTION | 128913-10-01A | VENDOR NO. |
|-----|---------------|-----|----------------------|---------------|------------|
| 35 | 128913-09-700 | EA | SCREEN DOOR ASSEMBLY | | 490056 |

EXTERIOR DOORS & COMPARTMENTS GROUP (CONTINUED)
COMPONENT PARTS FOR ENTRY (CONTINUED)



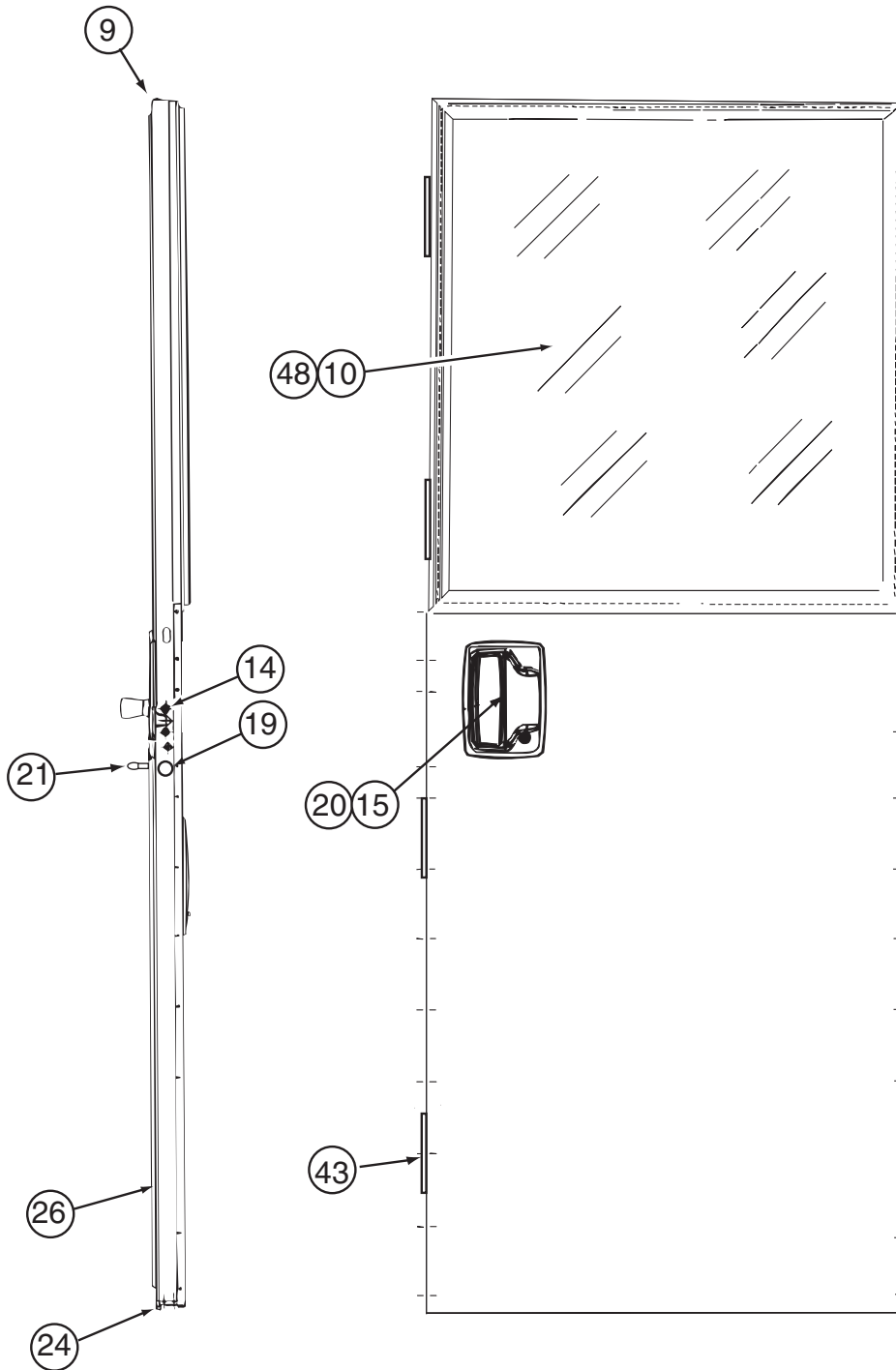
128913-10-01A (CONTINUED)

EXTERIOR DOORS & COMPARTMENTS GROUP (CONTINUED)
COMPONENT PARTS FOR ENTRY (CONTINUED)

128913-10-01A (CONTINUED)

| KEY | PART NUMBER | U/M | DESCRIPTION | VENDOR NO. |
|------------|--------------------|------------|---|---------------------|
| 13 | 128913-04-706 | FT | LATCH/ROTARY - W/LINKAGE RH | B248-041726/T/M1799 |
| 18 | 128913-08-700 | EA | HANDLE - INSIDE - REV. | 248-041725 |
| 23 | 128913-04-704 | EA | ROD/LOCK - (POWER) | 17705-01 |
| 28 | 128913-01-714 | EA | CONTACT - MALE/2-POSITION | 400-041934 |
| 30 | 128913-01-712 | EA | WIRE HARNESS-POWER DOOR LOCK | 400-041935 |
| 31 | 106469-05-701 | EA | ACTUATOR, F/ELECTRICE LOCK | 4110-041096 |
| 40 | 128913-01-710 | EA | STRIKER - LATCH/SCREEN DOOR | 130-041815 |
| 46 | 128913-02-711 | EA | SLIDE BAR ASSEMBLY | V196-29 |
| 47 | 128913-01-746 | EA | SCREW #8 X 3/4" OVAL HEAD | 276-042030 |
| 49 | 128913-02-712 | EA | PIN - COILED SPRING | 248-042237 |
| 50 | 128913-02-713 | EA | BUMPER STOP | V196-24 |
| 54 | 128913-01-733 | EA | DOOR CHECK-SUB ASM ADJUST | V196-04 |
| 57 | 128913-01-705 | EA | BOLT - SHOULDER - #10 X 1/4 | 268-042011 |
| 62 | 128913-02-714 | EA | GUIDE BLOCK - DOOR CHECK | 146-042045 |
| 65 | 128913-04-709 | EA | PIN/CLEVIS-GROOVED W/E-RING | 245-042260 |
| | | | CONTACT WINNEBAGO PARTS SALES FOR UNLISTED COMPONENTS | |

EXTERIOR DOORS & COMPARTMENTS GROUP (CONTINUED)
COMPONENT PARTS FOR ENTRY (CONTINUED)

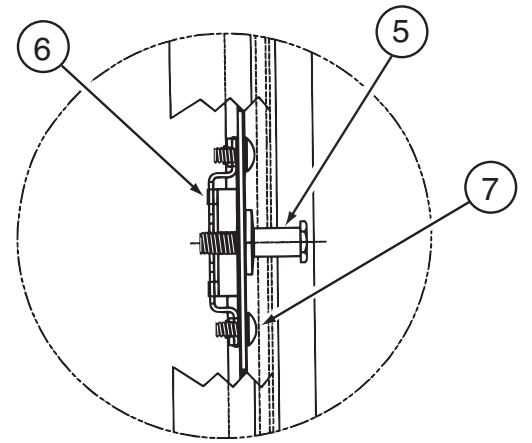
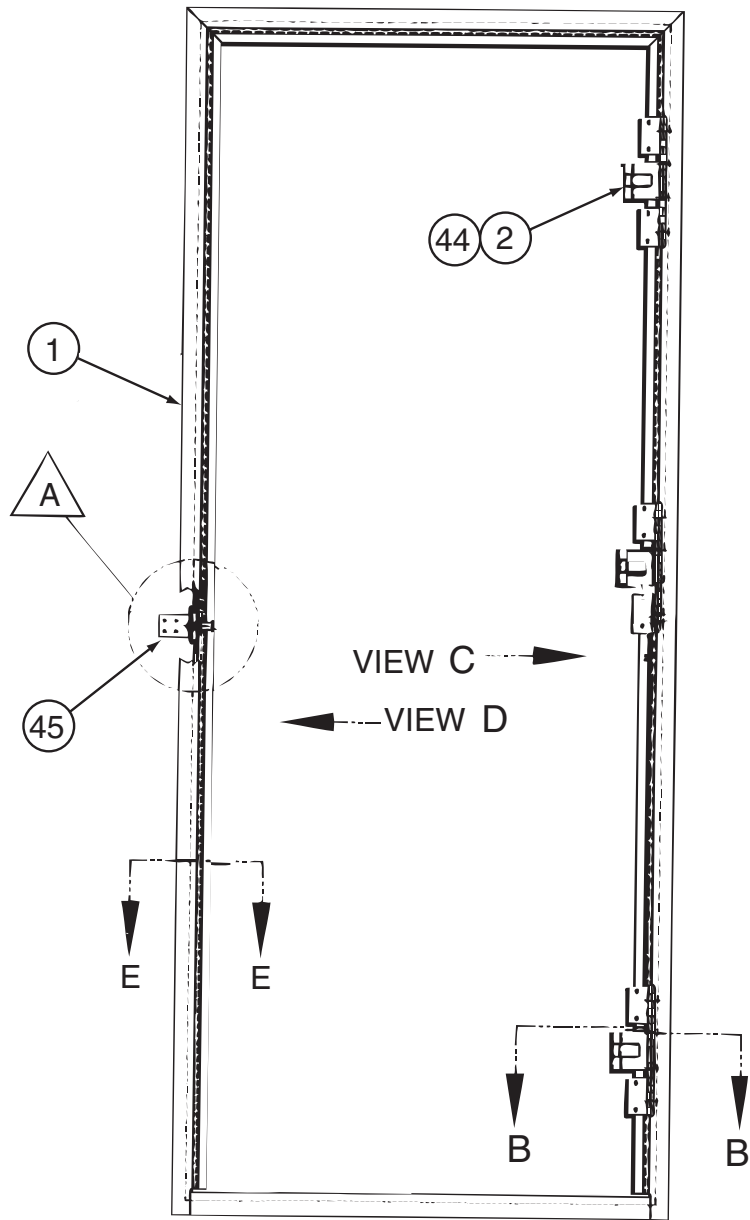


128913-10-01A (CONTINUED)

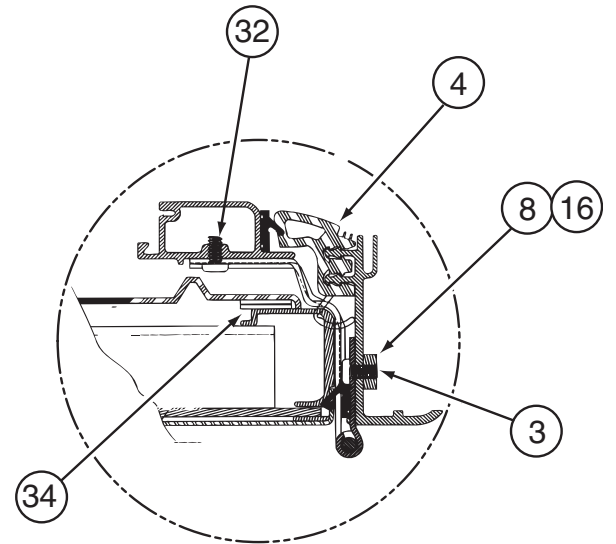
| KEY | PART NUMBER | U/M | DESCRIPTION | VENDOR NO. |
|-----|---------------|-----|------------------------------|------------|
| 9 | 128913-04-708 | EA | DOOR FRAME - SUB ASM - BLACK | V266-90 |
| 10 | 128913-04-707 | EA | WINDOW-DUAL PANE | V231-85 |
| 14 | 128913-03-713 | EA | BOLT-ROTARY LATCH - 1/4" -20 | 81066-01 |
| 15 | 128913-08-701 | EA | PADDLE ASM - OUTSIDE | 490060 |
| 20 | 128913-04-705 | EA | GASKET - OUTSIDE HANDLE | 81480 |
| 21 | 128913-04-717 | EA | CAP - VINYL- RED | 130-042257 |
| 24 | 128913-01-744 | EA | SEAL/BULB-STICK ON/THRESHOLD | 122-042230 |
| 26 | 128913-04-712 | EA | PANEL - INNER PLASTIC | 490057 |
| 48 | 128913-04-700 | FT | TAPE/BUTYL - FOAM CORE | 154-041549 |

CONTACT WINNEBAGO PARTS SALES FOR UNLISTED COMPONENTS

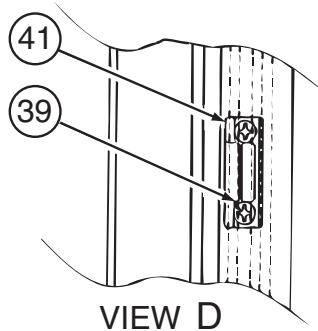
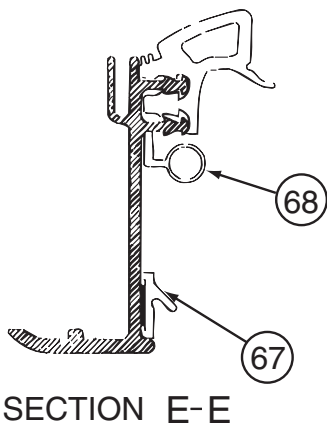
EXTERIOR DOORS & COMPARTMENTS GROUP (CONTINUED)
COMPONENT PARTS FOR ENTRY (CONTINUED)



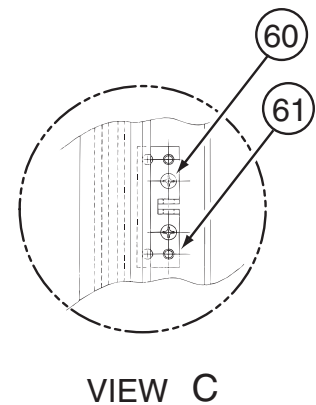
VIEW A



SECTION B-B



128913-10-01A (CONTINUED)



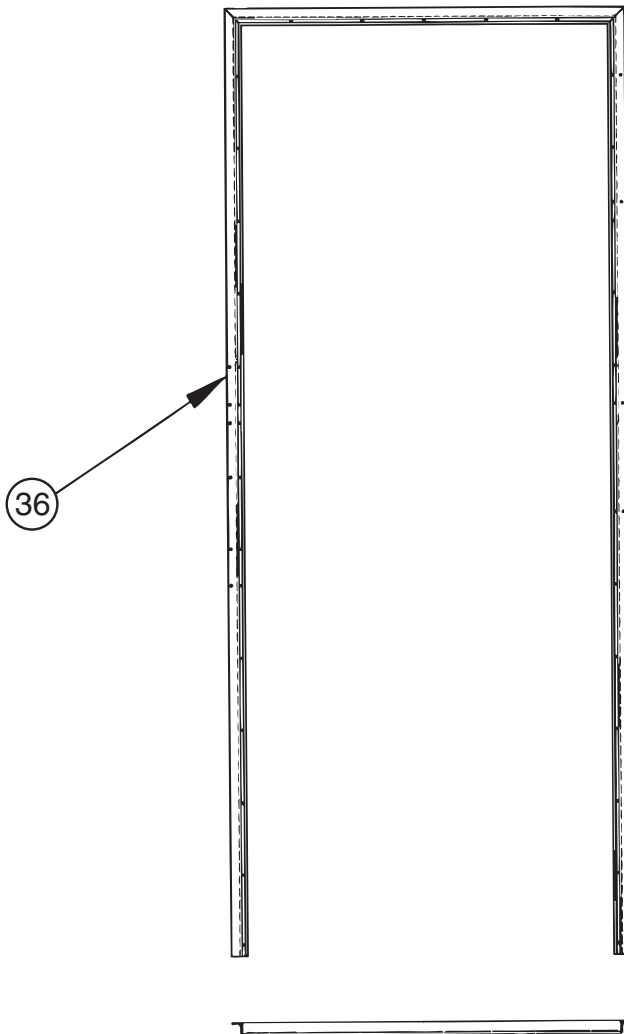
VIEW C

EXTERIOR DOORS & COMPARTMENTS GROUP (CONTINUED)
COMPONENT PARTS FOR ENTRY (CONTINUED)

128913-10-01A (CONTINUED)

| KEY | PART NUMBER | U/M | DESCRIPTION | VENDOR NO. |
|------------|--------------------|------------|------------------------------|-------------------|
| 1 | 128913-10-701 | EA | FRAME/OUTER ASM - BLACK | 490191 |
| 2 | 128913-01-729 | EA | HINGE | 211-041740 |
| 4 | 128913-01-728 | EA | SEAL - DOOR/CORNER- MITERED | 122-041917 |
| 5 | 128913-01-727 | EA | STRIKER - BOLT - LONG | 11628-16 |
| 6 | 128913-01-726 | EA | NUT ASSEMBLY-CAGED (STRIKER) | 11920-16 |
| 41 | 128913-01-709 | EA | STRIKER-SCREEN DR/FRAME MT | 130-041824 |
| 44 | 128913-03-708 | EA | SEAL/HINGE (3 PER DOOR) | 124-042236 |
| 45 | 128913-02-700 | EA | LATCH - BRACKET | 210-042215 |
| 61 | 128913-01-704 | EA | BRACKET - PIVOT/BRASS | 370-042315 |
| 67 | 128913-01-732 | FT | SEAL - LAZY T | 122-041986 |
| 68 | 128913-01-748 | FT | SEAL/BULB | 132-042483 |

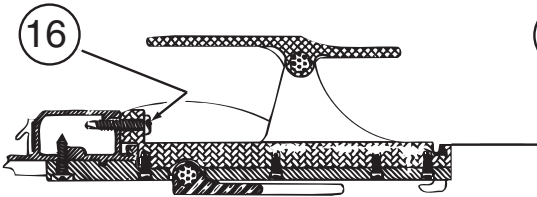
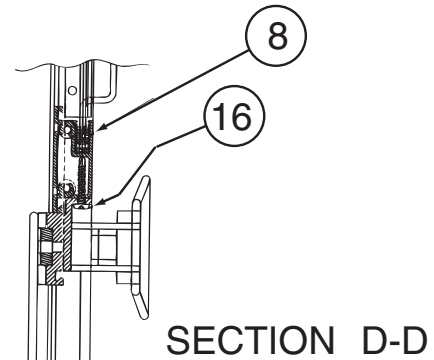
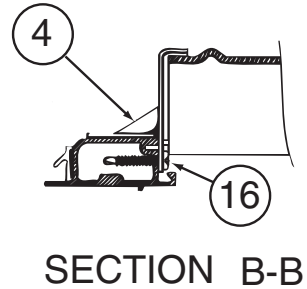
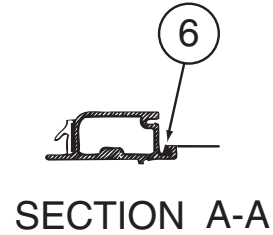
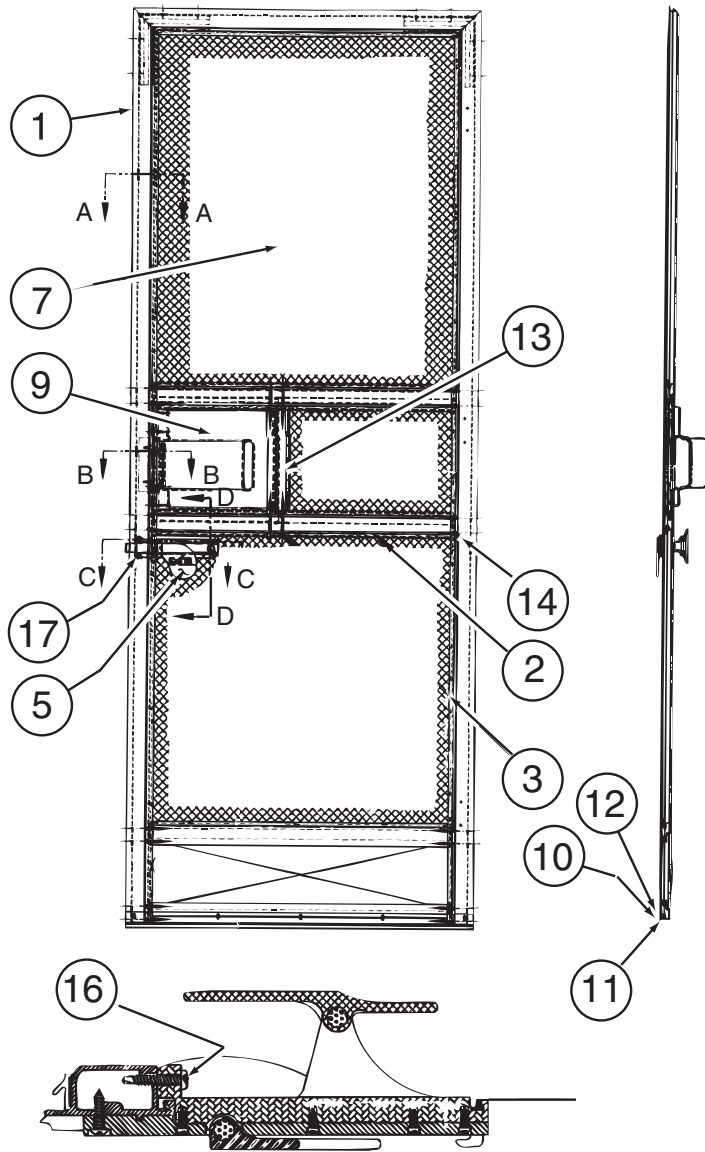
CONTACT WINNEBAGO PARTS SALES FOR UNLISTED COMPONENTS



128913-10-01A (CONTINUED)

| KEY | PART NUMBER | U/M | DESCRIPTION | VENDOR NO. |
|------------|--------------------|------------|----------------------------------|-------------------|
| 36 | 128913-10-700 | EA | FRAME/CLAMP - WELD ASM BLACK ASM | 490195 |

EXTERIOR DOORS & COMPARTMENTS GROUP (CONTINUED)
COMPONENT PARTS FOR ENTRY (CONTINUED)



SECTION C-C

12891310-01A (CONTINUED)

| KEY | PART NUMBER | U/M | DESCRIPTION | VENDOR NO. |
|-----|---------------|-----|------------------------------|------------|
| 2 | 128913-09-704 | EA | RAIL/MID SCREEN-GLACIER BEIG | 490054 |
| 4 | 128913-09-703 | EA | END CAP - GLACIER BEIGE | 490061 |
| 5 | 128913-01-731 | EA | LATCH - SCREEN DOOR | 146-041950 |
| 6 | 128913-01-742 | FT | SPLINE - SCREEN | 132-041775 |
| 7 | 128913-01-741 | EA | SCREEN ONLY - SCREENDOOR | 110-041928 |
| 8 | 128913-01-740 | FT | RUN CHANNEL-SCREEN DR SLIDER | 170-041263 |
| 9 | 128913-09-702 | EA | SLIDER/SCREENDOOR-GLACIER BE | 490059 |
| 10 | 128913-09-701 | EA | SWEeper/SCREENDOOR- GLACIER | 490052 |
| 11 | 128913-01-736 | FT | WEATHERSTRIP-SCREEN DOOR | 171-041284 |
| 13 | 128913-01-738 | FT | WEATHERSTRIP - SLIDER | 171-041285 |

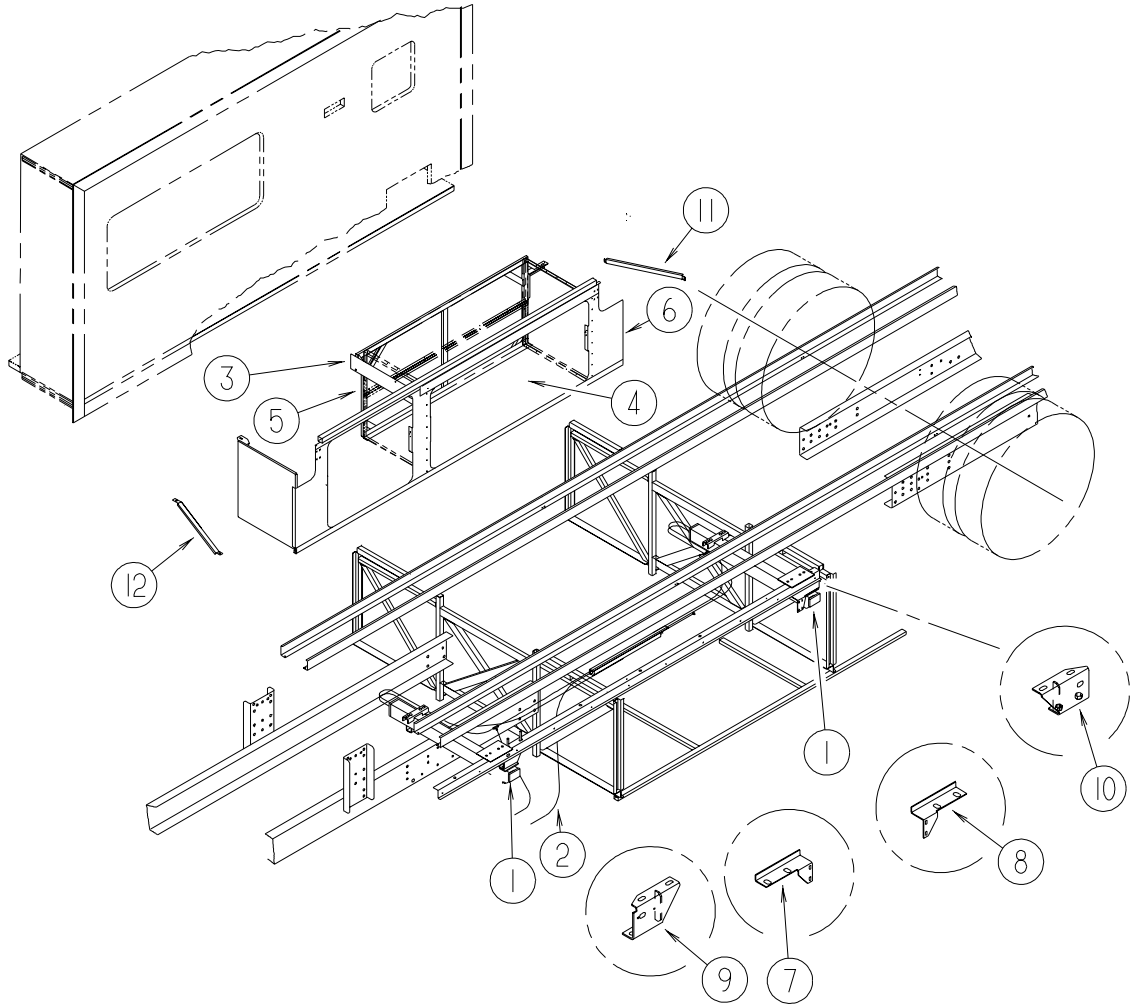
CONTACT WINNEBAGO PARTS SALES FOR UNLISTED COMPONENTS

129676-01-000 THRU 129676-10-000

| KEY | PART NUMBER | U/M | DESCRIPTION | VENDOR NO . |
|-----|---------------|-----|--------------------|----------------|
| | 129685-01-701 | EA | KEY - BLANK KS 150 | 144472-07-2001 |

EXTERIOR SLIDEOUT GROUP

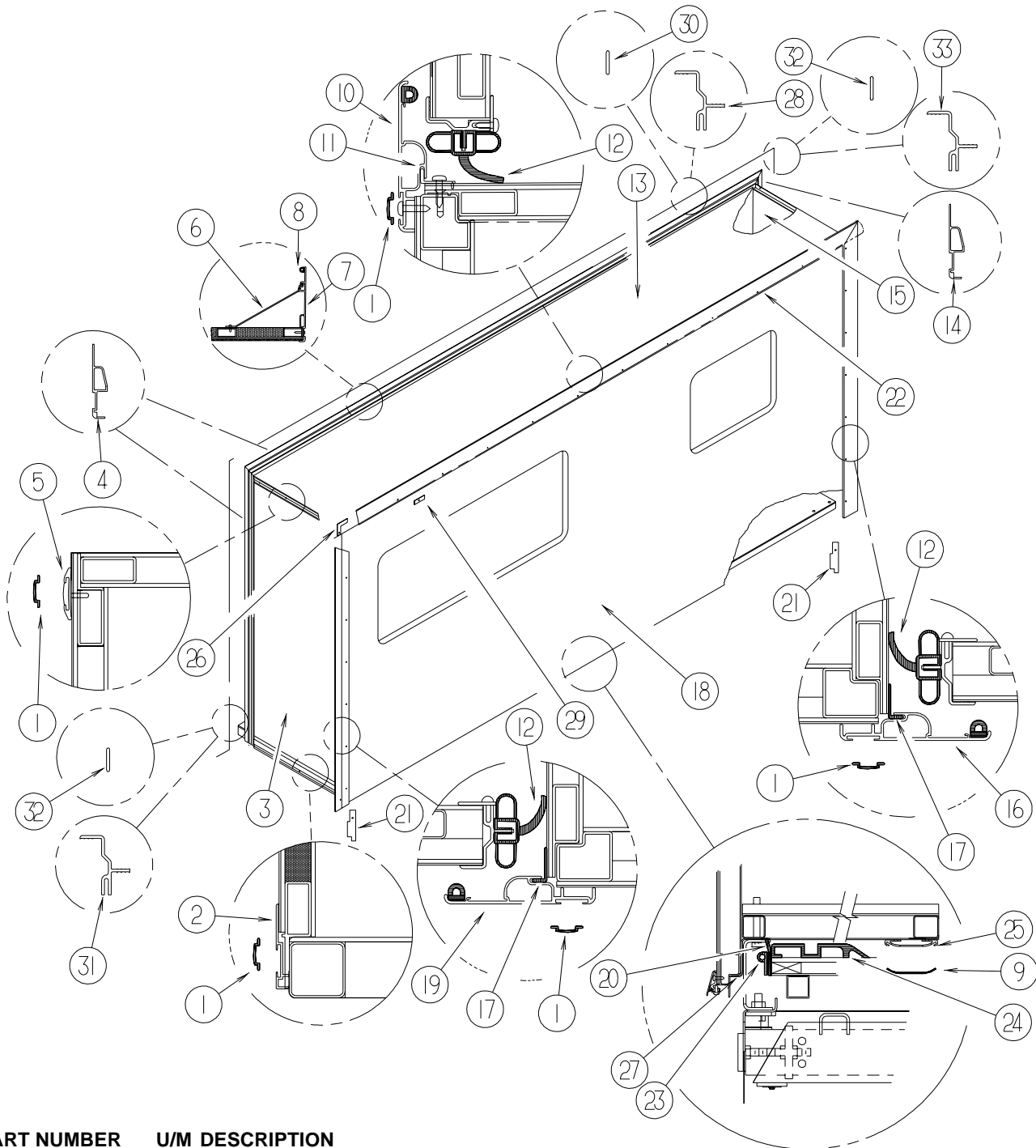
FRONT LEFT



| KEY | PART NUMBER | U/M | DESCRIPTION |
|-----|---------------|-----|--|
| 1* | 125687-01-000 | EA | SLIDEOUT - HYDRAULIC |
| | | | FROM: 00-00-00 THRU: 07-08-01 |
| 1* | 140121-01-000 | EA | SLIDEOUT - HYDRAULIC - 20" |
| | | | FROM: 07-09-01 THRU: 99-99-99 |
| 2 | 100536-15-000 | EA | HOSE KIT - JACKS/SLIDEOUT ROOM - HWH #AP0043 |
| 3 | 113797-07-01A | EA | STRIP - RECTANGULAR - .2" X 23.4" |
| 4 | 126390-28-000 | EA | COMPARTMENT - SLIDEOUT |
| 5 | 126050-11-KQ0 | EA | SUPPORT - SLIDEOUT COMPARTMENT |
| 6 | 128904-02-02B | EA | PANEL - SEAL - SLIDEOUT |
| 7 | 125888-04-02B | EA | BRACKET/SLIDEOUT COMPARTMENT - LEFT HAND - E-COATED |
| 8 | 125888-03-02B | EA | BRACKET/SLIDEOUT COMPARTMENT - RIGHT HAND - E-COATED |
| 9 | 127030-05-02B | EA | BRACKET - INNER FRONT/MOUNT - E-COATED |
| 10 | 127030-06-02B | EA | BRACKET - INNER REAR/MOUNT - E-COATED |
| 11 | 126497-05-02B | EA | SUPPORT - VALANCE - E-COATED |
| 12 | 126497-06-02B | EA | SUPPORT - VALANCE - E-COATED |

*COMPONENT PARTS LISTED LATER IN THIS GROUP

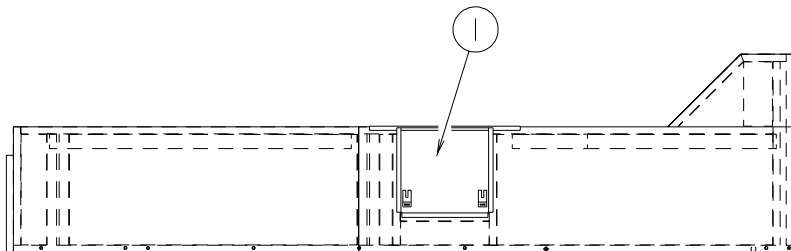
EXTERIOR SLIDEOUT GROUP (CONTINUED)
FRONT LEFT (CONTINUED)



| KEY | PART NUMBER | U/M | DESCRIPTION |
|-----|---------------|-----|--|
| 1 | 105312-01-07A | FT | INSERT - FEATURE STRIP - VINYL - BRIGHT WHITE |
| 2 | 125051-01-01A | EA | STRIP - FEATURE - LOWER - 20.2" - BRIGHT WHITE |
| 3 | 121401-03-N94 | EA | PANEL - SLIDEOUT/FRONT - W/O HARDWARE (N94, N95) |
| 3 | 121401-03-M96 | EA | PANEL - SLIDEOUT/FRONT - W/O HARDWARE (N96, N97) |
| 3 | 121401-03-M98 | EA | PANEL - SLIDEOUT/FRONT - W/O HARDWARE (N98, N99) |
| 4 | 117004-01-03A | EA | TRIM - SEAL/INNER/RT HAND-W/MITERED END - 73.5" - BRT/WHT FROM: 00-00-00 THRU: 05-05-02 |
| 4 | 139624-01-01A | EA | TRIM/SEAL - INNER/RIGHT HAND - 73.4" - BRIGHT WHITE FROM: 05-06-02 THRU: 99-99-99 |
| 5 | 138659-01-01A | EA | TRIM/FEATURE STRIP - 181.7" - BRIGHT WHITE |
| 6 | 125466-04-01A | EA | SUPPORT - ROOF/INTERIOR - OFF WHITE |
| 7 | 117004-11-01A | EA | TRIM - SEAL/INNER/UPPER-W/MITERED ENDS-170" OFF WHITE FROM: 00-00-00 THRU: 05-05-02 |
| 7 | 139624-24-01A | EA | TRIM/SEAL - INNER - BRIGHT WHITE FROM: 05-06-02 THRU: 99-99-99 |

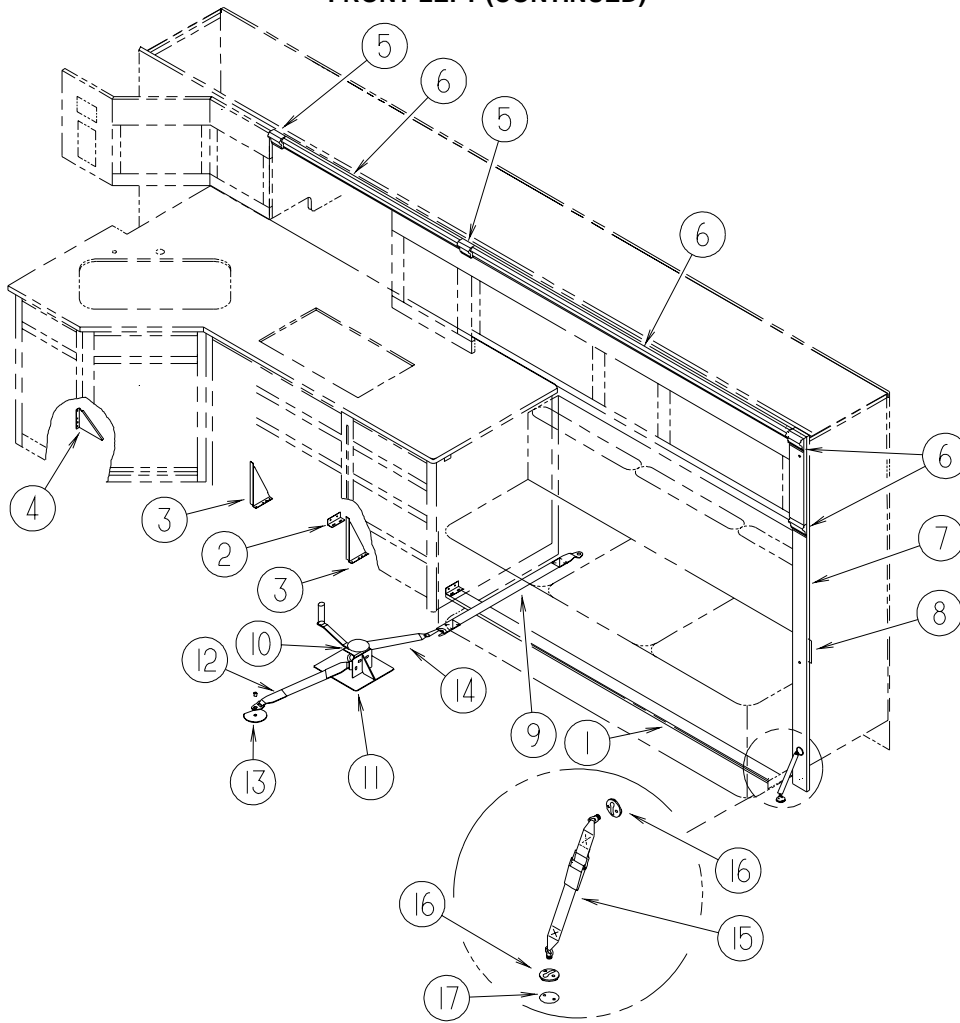
EXTERIOR SLIDEOUT GROUP (CONTINUED)
FRONT LEFT (CONTINUED)

| KEY | PART NUMBER | U/M | DESCRIPTION |
|-----|---------------|-----|---|
| 8 | 112091-01-000 | FT | SEAL/D - NEOPRENE - HEAT ACTIVE ADHESIVE - .9" |
| 9 | 115661-01-000 | FT | SHOE/GLIDE - SLIDEOUT ROOM - 1/16" X 3" - POLYETHYLENE |
| 10 | 133955-17-01A | EA | TRIM/SEAL - W/MITERED ENDS - 171.7" - BRIGHT WHITE |
| 11 | 133954-15-01A | EA | TRIM/SEAL - W/MITERED ENDS - 166.5" - BRIGHT WHITE |
| 12 | 115076-01-000 | FT | SEAL - SLIDEOUT |
| 13 | P28916-01-MQ0 | EA | ROOF - F/SLIDEOUT |
| 14 | 117004-02-03A | EA | TRIM - SEAL/INNER/LT HAND-W/MITERED END - 73.5" - BRT/WHT FROM: 00-00-00 THRU: 05-05-02 |
| 14 | 139624-02-01A | EA | TRIM/SEAL - INNER/LEFT HAND - 73.4" - BRIGHT WHITE FROM: 05-06-02 THRU: 99-99-99 |
| 15 | 121402-04-N94 | EA | PANEL - SLIDEOUT/REAR - W/O HARDWARE (N94, N95) |
| 15 | 121402-04-M96 | EA | PANEL - SLIDEOUT/REAR - W/O HARDWARE (N96, N97) |
| 15 | 121402-04-M98 | EA | PANEL - SLIDEOUT/REAR - W/O HARDWARE (N98, N99) |
| 16 | 133955-10-01A | EA | TRIM/SEAL - W/MITERED ENDS - 75.7" - BRIGHT WHITE |
| 17 | 133954-09-01A | EA | TRIM/SEAL - W/MITERED ENDS - 71.6" - BRIGHT WHITE |
| 18 | 119783-42-N94 | EA | PANEL - SLIDEOUT/OUTER (N94, N95) |
| 18 | 119783-42-N96 | EA | PANEL - SLIDEOUT/OUTER (N96, N97) |
| 18 | 119783-42-N98 | EA | PANEL - SLIDEOUT/OUTER (N98, N99) |
| 19 | 133955-09-01A | EA | TRIM/SEAL - W/MITERED ENDS - 75.7" - BRIGHT WHITE |
| 20 | 115075-02-000 | FT | SEAL - WIPE - .25" X 2.9" |
| 20 | 089275-02-000 | FT | STRIP - 3/4" X 84" BLACK POLYETHYLENE |
| 21 | 126546-01-02A | EA | COVER - END/SIDEWALL SLIDEOUT - BRIGHT WHITE |
| 22 | 136781-04-01A | EA | AWNING-SLIDE CVR,WHT 4368 FROM: 00-00-00 THRU: 08-19-01 FROM: 08-20-01 THRU: 99-99-99 |
| 22 | 140019-04-01A | EA | AWNING - SLIDEOUT CVR - 172" - WHITE - METAL CASE/BRT WHT FROM: 08-20-01 THRU: 99-99-99 |
| 23 | 121283-01-000 | FT | SEAL - P SHAPED |
| 24 | 134756-01-L76 | EA | RAMP - FABRIC COVERED - SLIDEOUT - 66.8" |
| 25 | 115325-05-02A | EA | RAIL - FLOOR/SLIDEOUT ROOM - BLACK - 72.7" LONG |
| 26 | 116444-04-12B | EA | TRIM/KEY CORNER - SLIDEOUT - 3.1"X3.1" - BRT WHT |
| 27 | 128621-17-01A | EA | BRACKET/ZEE - SLIDEOUT - 165" - MILL |
| 28 | 115863-21-01A | EA | TRIM - SIDEWALL/SLIDEOUT - TOP - 171.2" - BRIGHT WHITE |
| 29 | 137331-01-01A | EA | SLIDE - COVER - CENTER/BRIGHT WHITE |
| 30 | 115886-09-01A | EA | RETAINER - SIDEWALL - BRIGHT WHITE - 170.9" |
| 31 | 115863-13-01A | EA | TRIM - SIDEWALL/SLIDEOUT - LEFT HAND - 75.4" - BRT WHT |
| 32 | 115886-02-03A | EA | RETAINER - SIDEWALL - BRIGHT WHITE - 73.5" |
| 33 | 115863-14-01A | EA | TRIM - SIDEWALL/SLIDEOUT - RIGHT HAND - 75.4" - BRT WHT |



| KEY | PART NUMBER | U/M | DESCRIPTION |
|-----|---------------|-----|---|
| 1 | 130314-01-02B | EA | PAN - SLIDEOUT - E-COATED - DISHWASHER |

EXTERIOR SLIDEOUT GROUP (CONTINUED)
FRONT LEFT (CONTINUED)



| KEY | PART NUMBER | U/M | DESCRIPTION |
|-----|---------------|-----|---|
| 1 | 136839-01-01A | EA | TRIM-J - CARPET EDGE/SLIDEOUT - 79.5" - BLACK |
| 2 | 128252-01-02B | EA | BRACKET/ANGLE - SLIDEOUT - E-COAT |
| 3 | 123440-04-02B | EA | SUPPORT/VALANCE PANEL - E-COATED - 9.9"/7.6"X4.7" |
| 4 | 130281-01-02B | EA | BRACKET/TIEDOWN - SLIDEOUT |
| | | | FROM: 00-00-00 THRU: 11-25-01 |
| 4 | 123440-11-02B | EA | BRACKET/TIEDOWN - SLIDEOUT - E-COATED |
| | | | FROM: 11-26-01 THRU: 99-99-99 |
| 5 | 131923-03-02A | FT | MOLDING - CROWN - DIVIDER - CHERRY - SALEM CHERRY |
| 5 | 131923-03-04A | FT | MOLDING - CROWN - DIVIDER - OAK - PORTSMOUTH OAK |
| 6 | 131923-01-02A | FT | MOLDING - CROWN - CHERRY - 86î - SALEM CHERRY |
| 6 | 131923-01-04A | FT | MOLDING - CROWN - OAK - 86î - PORTSMOUTH OAK |
| 7 | 116951-11-KQ1 | EA | MOLDING - TRIM - 3.5" X 75.9" - SALEM CHERRY |
| 7 | 116951-11-N95 | EA | MOLDING - TRIM - 3.5" X 75.9" - PORTSMOUTH OAK |
| 8 | 130262-01-000 | EA | PROTECTOR - CORNER SAVER - .7" X .7" X 48" |
| 9 | 116101-02-F31 | EA | STRAP - WINCH - 34" CENTER BRACKET/STRAP END |
| 10 | 115767-02-000 | EA | WINCH - SLIDEOUT W/10' STRAP |
| 11 | 116082-01-02B | EA | BRACKET - WINCH - BANQUETTE |
| 11 | 116082-03-02B | EA | BRACKET - WINCH - LOUNGE CHAIR |
| | 069726-02-000 | EA | BUMPER - .88" OD X .40" THICK - BLACK |
| 12 | 116101-01-F31 | EA | STRAP - WINCH - 17.8" CENTER/CENTER BRACKET |
| 13 | 140221-01-02B | EA | WASHER - SEAT BELT - E-COAT |
| 14 | 140281-01-02B | EA | STRAP - WINCH - E-COATED - LOUNGE CHAIR |
| 15 | 135619-01-01A | EA | STRAP - TIEDOWN - SLIDEOUT ROOM |
| 16 | 135619-02-01A | EA | PLATE - TIEDOWN - SLIDEOUT ROOM |
| 17 | 135622-01-01B | EA | PLATE - TIEDOWN - SLIDEOUT ROOM |

EXTERIOR SLIDEOUT GROUP (CONTINUED)
COMPONENT PARTS FOR FRONT SLIDEOUT

125687-01-000

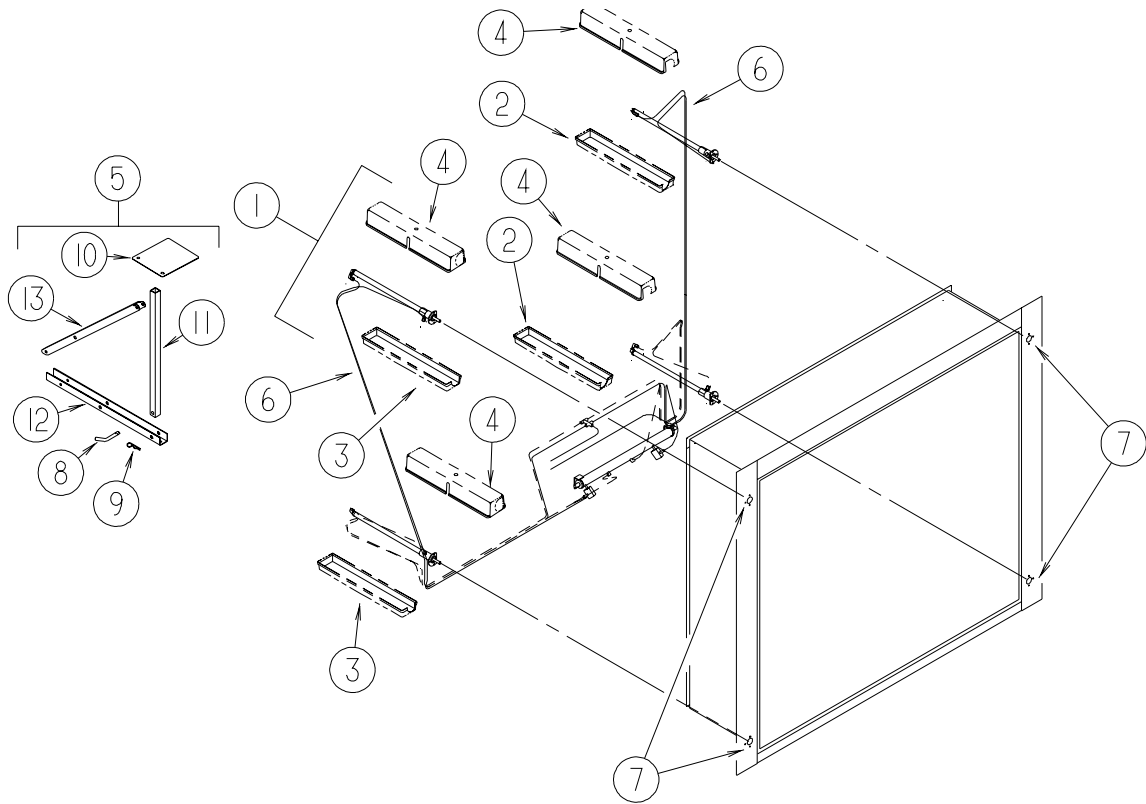
| KEY | PART NUMBER | U/M | DESCRIPTION | VENDOR NO. |
|------------|--------------------|------------|----------------------------|-------------------|
| | 100536-10-701 | EA | HOSE-HYDRAULIC-116" | RAP90349 |
| | 125687-01-700 | EA | CYLINDER/RAM - 21" STROKE | RAP90512 |
| | 125687-01-701 | EA | HOSE - HYDRAULIC - 120" | AP13772 |
| | 125687-01-702 | EA | CYLINDER - SYNCHRONIZING | RAP90471 |
| | 125687-01-703 | EA | TUBE/STEEL - HYDRAULIC 31" | RAP90526/AP13592 |
| | 125687-01-704 | EA | BOLT - SLIDE ROOM ADJUSTER | RAP90864/P13685 |
| | 132540-01-702 | EA | HOSE-HYD-3/16" X 12' | AP18016 |

140121-01-000

| KEY | PART NUMBER | U/M | DESCRIPTION | VENDOR NO. |
|------------|--------------------|------------|------------------------------|-------------------|
| | 125687-01-700 | EA | CYLINDER/RAM - 21" STROKE | RAP90512 |
| | 125687-01-702 | EA | CYLINDER - SYNCHRONIZING | RAP90471 |
| | 125687-01-704 | EA | BOLT - SLIDE ROOM ADJUSTER | RAP90864/P13685 |
| | 137196-01-700 | EA | HOSE-HYDRAULIC - HP X 120" | AP24642 |
| | 137196-01-701 | EA | HOSE-HYDRAULIC - 1/2" X 116" | AP5384 |

EXTERIOR SLIDEOUT GROUP (CONTINUED)

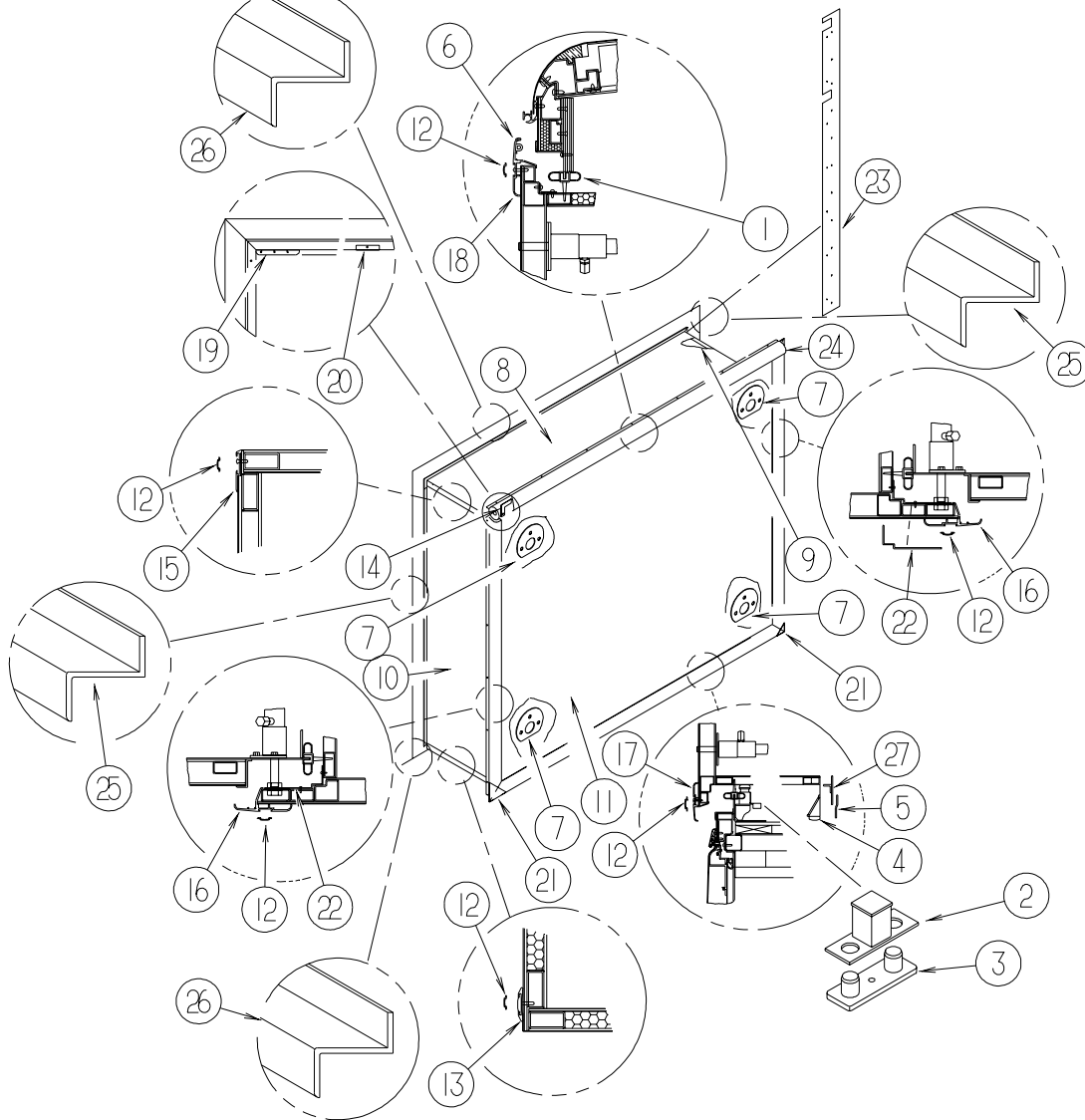
REAR RIGHT



| KEY | PART NUMBER | U/M | DESCRIPTION |
|-----|---------------|-----|--|
| 1* | 135250-01-000 | EA | SLIDEOUT - HYDRAULIC - 4 CYLINDER FROM: 00-00-00 THRU: 05-06-01 |
| 1* | 135250-06-000 | EA | SLIDEOUT - HYDRUALIC - 4 CYLINDER FROM: 05-07-01 THRU: 99-99-99 |
| | 135250-03-000 | EA | HARDWARE KIT - SYNC CYLINDER |
| * | 135250-04-000 | EA | HOSE KIT - F/SLIDEOUT |
| 2 | 135255-01-01A | EA | COVER - CYLINDER - FOLDING - BLACK |
| 3 | 135255-02-01A | EA | COVER - CYLINDER - FOLDING - BLACK |
| 4 | 135748-01-01A | EA | COVER - CYLINDER/LID - BLACK |
| 5 | 131720-02-K90 | EA | WINCH - F/SLIDEOUT COMPLETE |
| 6 | 112176-01-000 | FT | TUBING - VINYL - REINFORCED - 1/2" ID |
| 7 | 058786-02-000 | EA | BOLT - ADJUSTING HOOD - 5/16"-18 X .75"-1.1" - W/BLACK PAD |
| 8 | 034512-01-000 | EA | PIN - LOCKING - DRAWBAR |
| 9 | 034513-01-000 | EA | PIN - HITCH - 3/16" WIRE |
| 10 | 131863-01-02B | EA | PLATE - UPPER - E-COATED |
| 11 | 136511-02-02B | EA | CHANNEL - WINCH/WINCH - E-COATED |
| 12 | 131717-02-02B | EA | CHANNEL - WINCH MOUNT - 24.1" - E-COATED |
| 13 | 131718-02-02B | EA | CHANNEL - WINCH MOUNT - 34.4" - E-COATED |

***COMPONENT PARTS LISTED LATER IN THIS GROUP**

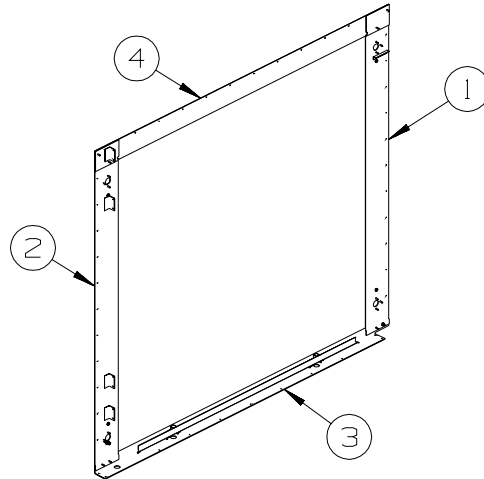
EXTERIOR SLIDEOUT GROUP (CONTINUED)
REAR RIGHT (CONTINUED)



| KEY | PART NUMBER | U/M | DESCRIPTION |
|-----|---------------|-----|---|
| 1 | 115076-01-000 | FT | SEAL - SLIDEOUT |
| 2 | 126313-06-02B | EA | SUPPORT - ROLLER - E-COATED |
| 3 | 134855-01-000 | EA | KIT - BEARING PAD - NARROW |
| 4 | 137284-01-01A | EA | GLIDE - F/SLIDEOUT |
| 5 | 137186-01-02B | EA | MOUNT - GLIDE - F/SLIDEOUT - E-COATED |
| 6 | 117058-01-01A | FT | TAPE - LOOP - 3/4" WIDE - ADHESIVE BACKED |
| 7 | 134612-01-000 | EA | GASKET - HYDRAULIC CYLINDER - SMALL 4-CYLINDER SLIDEOUT |
| 8 | 137959-01-N94 | EA | ROOF ASM-SLIDEOUT |
| 9 | 138578-01-N94 | EA | PANEL - REAR - F/SLIDEOUT |
| 10 | 138579-01-N94 | EA | PANEL - FRONT - F/SLIDEOUT |
| 11 | 138780-11-N94 | EA | SLUG - SLIDEOUT (N94, N95) |
| 11 | 138780-11-N96 | EA | SLUG - SLIDEOUT (N96, N97) |
| 11 | 138780-11-N98 | EA | SLUG - SLIDEOUT (N98, N99) |
| 12 | 105312-01-07A | FT | INSERT - FEATURE STRIP - VINYL - BRIGHT WHITE |
| 13 | 108688-03-03A | EA | STRIP - FEATURE - BRIGHT WHITE - 20.9" |
| 14 | 116444-03-12B | EA | TRIM/KEY CORNER - SLIDEOUT - 3.1"X3.1" - BRT WHT |
| 15 | 138659-01-01A | EA | TRIM/FEATURE STRIP - 181.7" - BRIGHT WHITE |

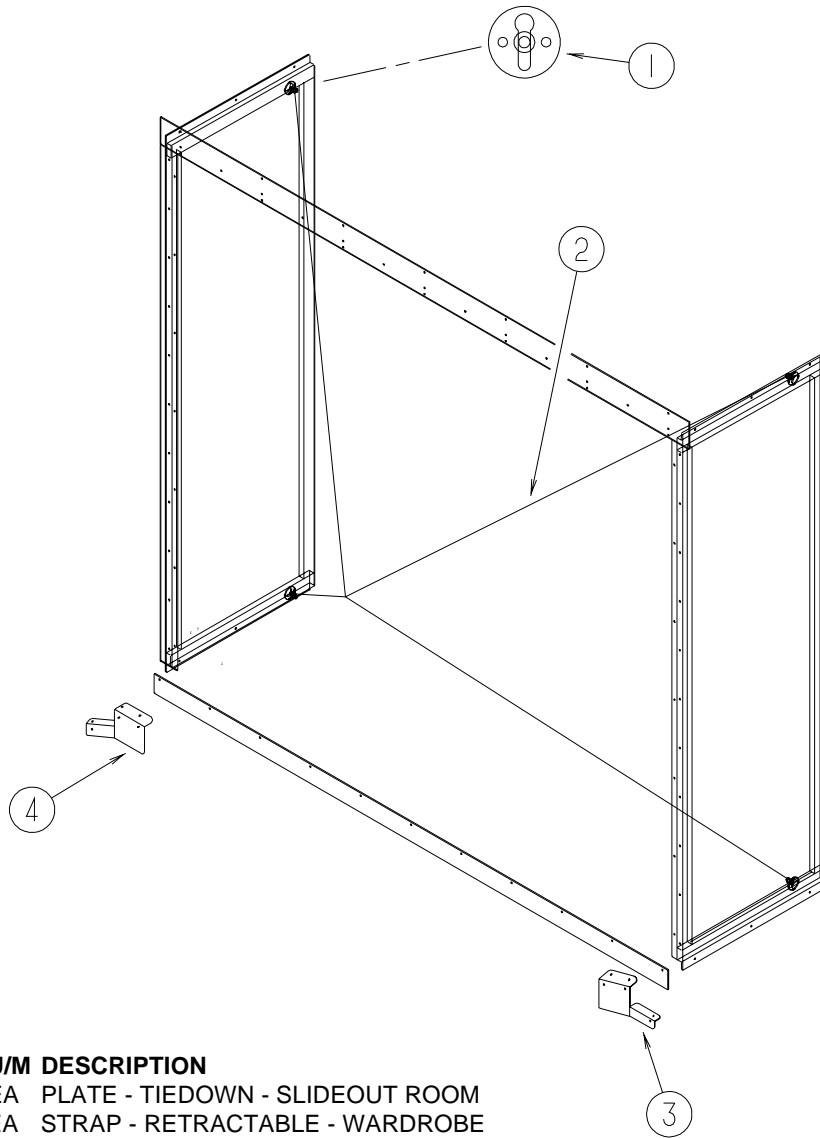
EXTERIOR SLIDEOUT GROUP (CONTINUED)
REAR RIGHT (CONTINUED)

| KEY | PART NUMBER | U/M | DESCRIPTION |
|-----|---------------|-----|---|
| 16 | 135850-02-01A | EA | TRIM/SEAL - W/MITERED ENDS - BRIGHT WHITE |
| 17 | 135850-04-01A | EA | TRIM/SEAL - W/MITERED ENDS - BRIGHT WHITE |
| 18 | 135850-05-01A | EA | TRIM/SEAL - W/MITERED ENDS - BRIGHT WHITE |
| 19 | 137321-02-01A | EA | SPACER - SLIDE - COVER - BRIGHT WHITE FROM: 00-00-00 THRU: 12-03-01 |
| 20 | 137331-01-01A | EA | SLIDE - COVER - CENTER/BRIGHT WHITE |
| 21 | 135275-01-01A | EA | PROTECTOR - CORNER - SLIDEOUT - WHITE |
| 22 | 137956-01-01A | EA | RETAINER - SLIDEOUT |
| 23 | 137953-01-12B | EA | PLATE/MOUNTING - SIDE - BRIGHT WHITE - FRONT OR REAR |
| 24 | 136781-06-01A | EA | AWNING/SLIDEOUT W/COVER - 83.9" - ACRYLIC/METAL WRAP FROM: 00-00-00 THRU: 07-16-01 |
| 24 | 140019-05-01A | EA | AWNING - SLIDEOUT CVR - 84" - WHITE - METAL CASE/BRT WHT FROM: 07-17-01 THRU: 99-99-99 |
| 25 | 132671-02-01A | EA | TRIM - SIDEWALL - 74.9" - BRIGHT WHITE |
| 26 | 132671-03-01A | EA | TRIM - SIDEWALL - 82.4" - BRIGHT WHITE |
| 27 | 138259-01-12B | EA | PLATE/TRIM - LOWER - BRIGHT WHITE |



| KEY | PART NUMBER | U/M | DESCRIPTION |
|-----|---------------|-----|---|
| 1 | 137954-04-12B | EA | PLATE/MOUNTING - SIDE - BRIGHT WHITE |
| 2 | 137954-03-12B | EA | PLATE/MOUNTING - SIDE - BRIGHT WHITE FROM: 00-00-00 THRU: 05-10-01 |
| 2 | 137954-05-12B | EA | PLATE/MOUNTING - SIDE - BRIGHT WHITE FROM: 05-11-01 THRU: 99-99-99 |
| 3 | 138134-01-12B | EA | PLATE/MOUNTING - LOWER - BRIGHT WHITE |
| 4 | 138132-02-12B | EA | PLATE/MOUNTING - UPPER - BRIGHT WHITE |

EXTERIOR SLIDEOUT GROUP (CONTINUED)
REAR RIGHT (CONTINUED)



| KEY | PART NUMBER | U/M | DESCRIPTION |
|-----|---------------|-----|---|
| 1 | 135619-02-01A | EA | PLATE - TIEDOWN - SLIDEOUT ROOM |
| 2 | 136026-01-01A | EA | STRAP - RETRACTABLE - WARDROBE |
| 3 | NOT USED | | |
| 4 | 140659-01-04B | EA | BRACKET - WIRE SUPPORT - RIGHT HAND - BLACK |

EXTERIOR SLIDEOUT GROUP (CONTINUED)
COMPONENT PARTS FOR REAR SLIDEOUT

135250-01-000

| KEY | PART NUMBER | U/M | DESCRIPTION | VENDOR NO. |
|------------|--------------------|------------|------------------------------|-------------------|
| | 130606-01-704 | EA | SYNCRONIZING CYLINDER | RAP90649/AP18543 |
| | 131644-01-700 | EA | RAM/CYLINDER - SLIDEOUT ROOM | RAP90685/AP18729 |
| | 135250-01-700 | EA | HOSE - HYDRAULIC- 1/4" X 11" | AP11560 |
| | 135250-01-701 | EA | HOSE-HYDRAULIC- 3/16" X 180" | AP19028 |
| | 135250-01-702 | EA | HOSE-HYDRAULIC- 3/16" X 240" | AP20751 |
| | 135250-01-703 | EA | HOSE-HYDRAULIC - 1/4" X 132" | AP4062 |
| | 135250-01-704 | EA | HOSE-HYDRAULIC - 1/4" X 100" | AP7832 |

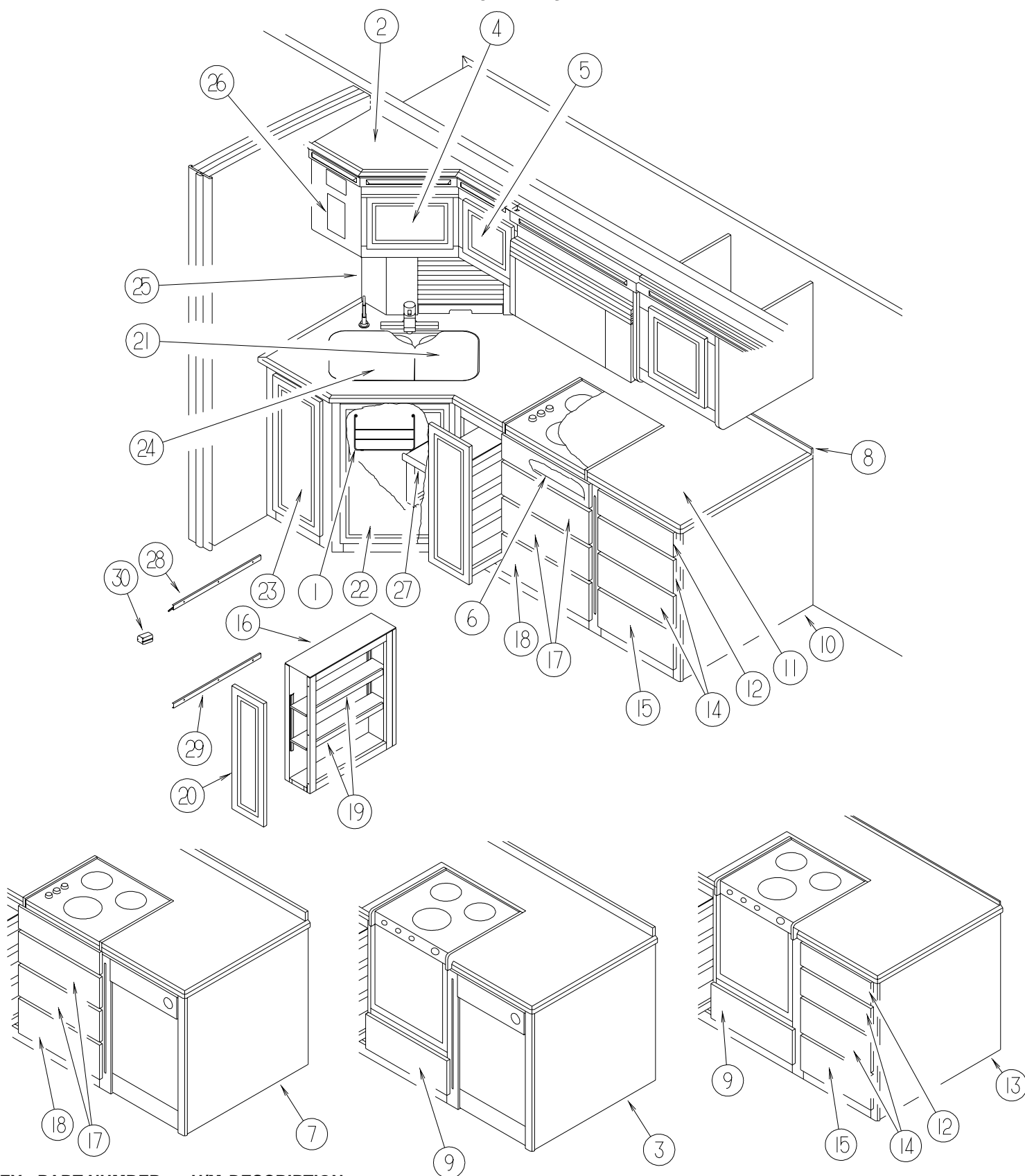
135250-04-000

| KEY | PART NUMBER | U/M | DESCRIPTION | VENDOR NO. |
|------------|--------------------|------------|-------------------------------|-------------------|
| | 135250-04-700 | EA | HOSE/QUICK CONNECT-COUP 360" | AP24296 |
| | 135250-04-701 | EA | HOSE/QUICK CONNECT-NIP 356" , | AP24927 |

135250-06-000

| KEY | PART NUMBER | U/M | DESCRIPTION | VENDOR NO. |
|------------|--------------------|------------|------------------------------|-------------------|
| | 100536-42-701 | EA | HOSE/HYDRAULIC - 175"-RETURN | RAP90350/AP7358 |
| | 131644-01-701 | EA | SWITCH/PRESSURE - SYNC CYL | RAP90787/AP22718 |
| | 135250-01-700 | EA | HOSE - HYDRAULIC- 1/4" X 11" | RAP90347/AP11560 |
| | 135250-01-704 | EA | HOSE-HYDRAULIC - 1/4" X 100" | RAP90077/AP7832 |
| | 135250-01-709 | EA | SYNCRONIZING CYLINDER | RAP90783/AP21543 |
| | 135250-06-700 | EA | HOSE - HYDRAULIC 1/8" X 180" | AP24651 |
| | 135250-06-701 | EA | HOSE - HYDRAULIC 1/8" X 240" | AP24658 |

GALLEY GROUP CABINETS

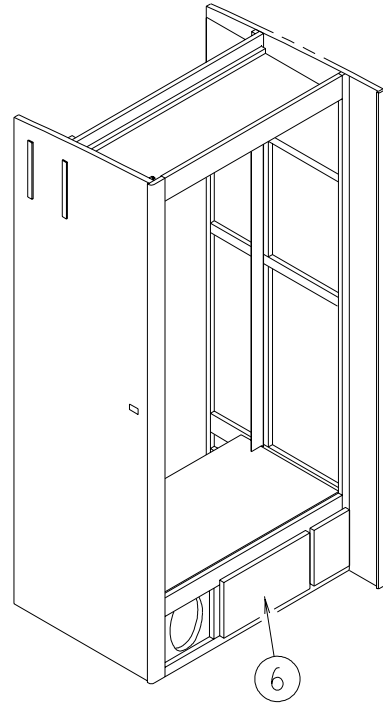
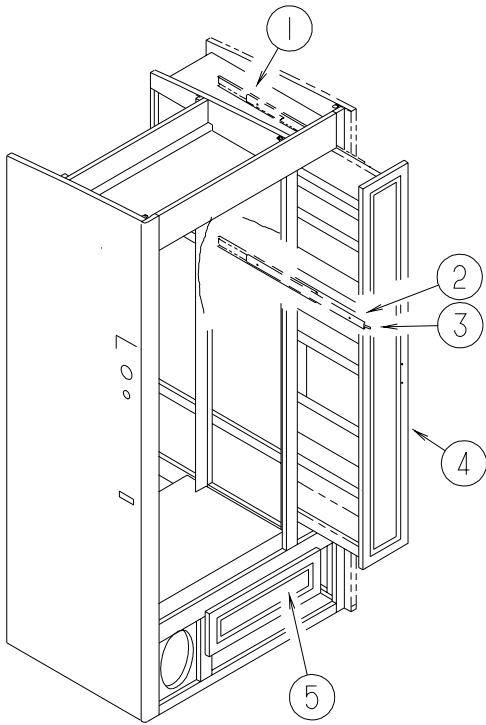


| KEY | PART NUMBER | U/M DESCRIPTION |
|-----|---------------|--|
| 1 | 093605-02-01A | EA RACK - TOWEL/WIRE - ALMOND |
| 2 | 130455-06-M94 | EA CABINET - OVERHEAD/GALLEY - W/O DOORS/HARDWARE - SALEM CHERRY |
| 2 | 130455-06-N95 | EA CABINET - OVERHEAD/GALLEY - W/O DOORS/HARDWARE - PORTSMOUTH OAK |
| 3 | 137696-04-N94 | EA CABINET - GALLEY - W/O COUNTERTOP/DOORS/DRAWERS/HARDWARE - SALEM CHERRY |
| 3 | 137696-04-N95 | EA CABINET - GALLEY - W/O COUNTERTOP/DOORS/DRAWERS/HARDWARE - PORTSMOUTH OAK |

GALLEY GROUP (CONTINUED)
CABINETS (CONTINUED)

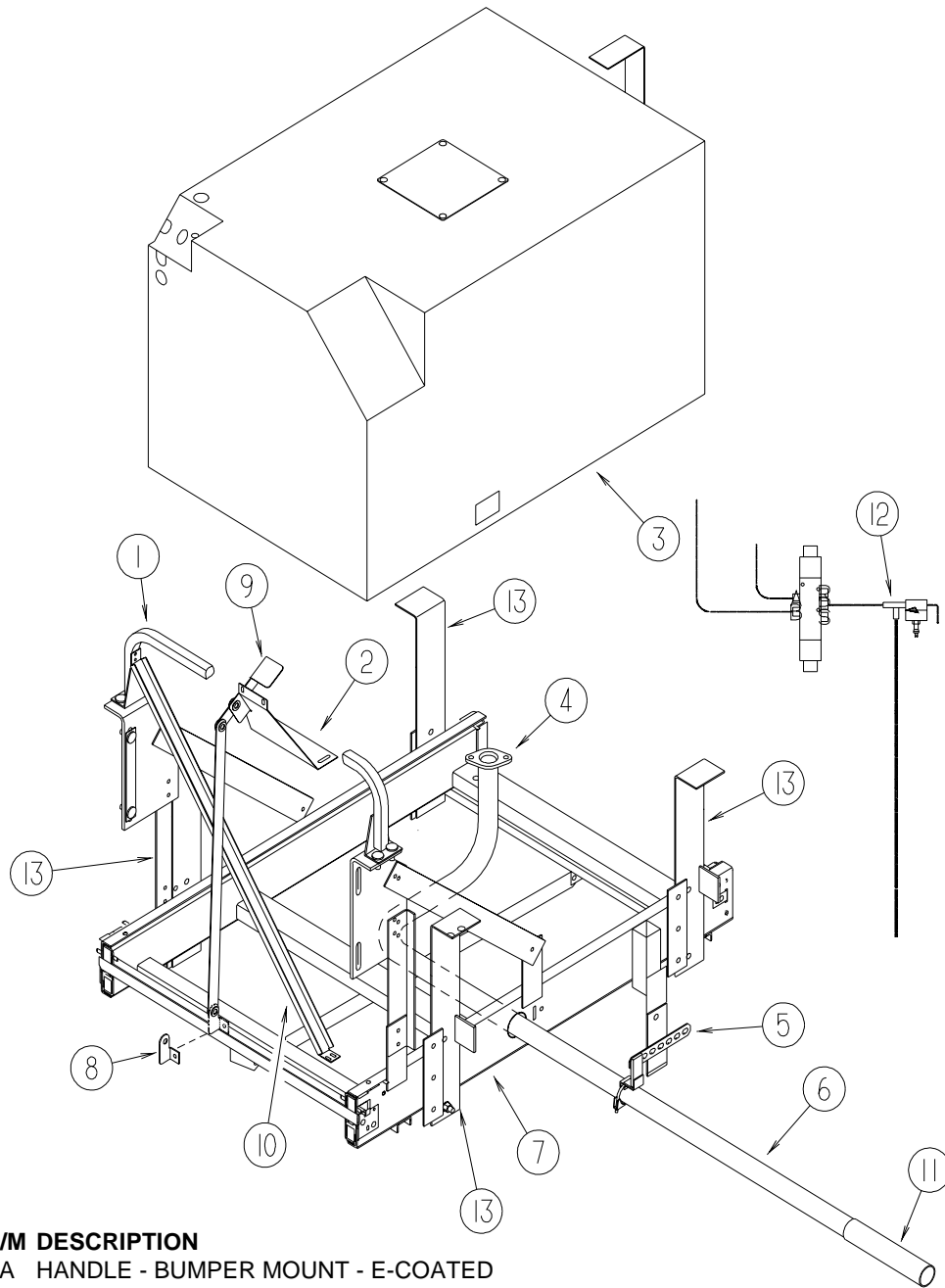
| KEY | PART NUMBER | U/M | DESCRIPTION |
|-----|---------------|-----|---|
| 4 | 134845-14-M94 | EA | DOOR - RAIL/ARCHED TOP - 14.3" X 14.3" - W/O HARDWARE - SALEM CHERRY |
| 4 | 134845-14-N95 | EA | DOOR - RAIL/ARCHED TOP - 14.3" X 14.3" - W/O HARDWARE - PORTSMOUTH OAK |
| 5 | 134845-03-M94 | EA | DOOR - RAIL/ARCHED TOP - 14.3" X 12.4" - W/O HARDWARE - SALEM CHERRY |
| 5 | 134845-03-N95 | EA | DOOR - RAIL/ARCHED TOP - 14.3" X 12.4" - W/O HARDWARE - PORTSMOUTH OAK |
| 6 | 100081-01-01A | EA | TRAY - SILVERWARE - 9" X 13.3" RUBBERMAID ALMOND PLASTIC |
| 7 | 137696-02-N94 | EA | CABINET - GALLEY - W/O COUNTERTOP/DOORS/DRAWERS/HARDWARE - SALEM CHERRY |
| 7 | 137696-02-N95 | EA | CABINET - GALLEY - W/O COUNTERTOP/DOORS/DRAWERS/HARDWARE - PORTSMOUTH OAK |
| 8 | 088090-77-K90 | EA | BACKSPLASH - COUNTERTOP - AVONITE - SIERRA AURORA |
| 9 | P34844-32-M94 | EA | DRAWER - PENCIL EDGE - 19.8"W X 23.6"D - W/O SLIDES/HDW - SALEM CHERRY |
| 9 | P34844-32-N95 | EA | DRAWER - PENCIL EDGE - 19.8"W X 23.6"D - W/O SLIDES/HDW - PORTSMOUTH OAK |
| 10 | 137696-01-N94 | EA | CABINET - GALLEY - W/O COUNTERTOP/DOORS/DRAWERS/HARDWARE - SALEM CHERRY |
| 10 | 137696-01-N95 | EA | CABINET - GALLEY - W/O COUNTERTOP/DOORS/DRAWERS/HARDWARE - PORTSMOUTH OAK |
| 11 | 133537-13-01A | EA | COUNTERTOP - 1/2" CORIAN - SIERRA AURORA |
| 12 | P34844-16-M94 | EA | DRAWER - PENCIL EDGE - 17"W X 23.6"D - W/O SLIDES/HDW - SALEM CHERRY |
| 12 | P34844-16-N95 | EA | DRAWER - PENCIL EDGE - 17"W X 23.6"D - W/O SLIDES/HDW - PORTSMOUTH OAK |
| 13 | 137696-03-N94 | EA | CABINET - GALLEY - W/O COUNTERTOP/DOORS/DRAWERS/HARDWARE - SALEM CHERRY |
| 13 | 137696-03-N95 | EA | CABINET - GALLEY - W/O COUNTERTOP/DOORS/DRAWERS/HARDWARE - PORTSMOUTH OAK |
| 14 | P34844-14-M94 | EA | DRAWER - PENCIL EDGE - 17"W X 23.6"D - W/O SLIDES/HDW - SALEM CHERRY |
| 14 | P34844-14-M95 | EA | DRAWER - PENCIL EDGE - 17"W X 23.6"D - W/O SLIDES/HDW - PORTSMOUTH OAK |
| 15 | P34844-28-M94 | EA | DRAWER - PENCIL EDGE - 17"W X 23.6"D - W/O SLIDES/HDW - SALEM CHERRY |
| 15 | P34844-28-N95 | EA | DRAWER - PENCIL EDGE - 17"W X 23.6"D - W/O SLIDES/HDW - PORTSMOUTH OAK |
| 16 | 130816-04-02A | EA | COUNTERTOP/STOVE LID - 1/4" VENDURA - SIERRA AURORA |
| 17 | P34844-02-M94 | EA | DRAWER - PENCIL EDGE - 19.8"W X 23.6"D - W/O SLIDES/HDW - SALEM CHERRY |
| 17 | P34844-02-N95 | EA | DRAWER - PENCIL EDGE - 19.8"W X 23.6"D - W/O SLIDES/HDW - PORTSMOUTH OAK |
| 18 | P34844-27-M94 | EA | DRAWER - PENCIL EDGE - 19.8"W X 23.6"D - W/O SLIDES/HDW - SALEM CHERRY |
| 18 | P34844-27-N95 | EA | DRAWER - PENCIL EDGE - 19.8"W X 23.6"D - W/O SLIDES/HDW - PORTSMOUTH OAK |
| 19 | 122325-15-M94 | EA | SHELF - W/EDGE MOLDING - SALEM CHERRY |
| 19 | 122325-15-N75 | EA | SHELF - W/EDGE MOLDING - PORTSMOUTH OAK |
| 20 | 134783-87-M94 | EA | DOOR - RAIL/SOLID PANEL - 10" X 29.5" - W/O HARDWARE - SALEM CHERRY |
| 20 | 134783-87-N95 | EA | DOOR - RAIL/SOLID PANEL - 10" X 29.5" - W/O HARDWARE - PORTSMOUTH OAK |
| 21 | 107044-09-02A | EA | COVER - RECESSED SINK - 10.1" X 14.4" |
| 22 | 134783-83-M94 | EA | DOOR - RAIL/SOLID PANEL - 19.6" X 29.5" - W/O HARDWARE - SALEM CHERRY |
| 22 | 134783-83-N95 | EA | DOOR - RAIL/SOLID PANEL - 19.6" X 29.5" - W/O HARDWARE - PORTSMOUTH OAK |
| 23 | 134783-80-M94 | EA | DOOR - RAIL/SOLID PANEL - 15.5" X 29.5" - W/O HARDWARE - SALEM CHERRY |
| 23 | 134783-80-N95 | EA | DOOR - RAIL/SOLID PANEL - 15.5" X 29.5" - W/O HARDWARE - PORTSMOUTH OAK |
| 24 | 107044-10-02A | EA | COVER - RECESSED SINK - 13.2" X 16.4" |
| 25 | 130453-01-K91 | EA | CABINET - STORAGE/APPLIANCE - W/O DOORS/HARDWARE - SALEM CHERRY |
| 25 | 130453-01-N95 | EA | CABINET - STORAGE/APPLIANCE - W/O DOORS/HARDWARE - PORTSMOUTH OAK |
| 26 | 131096-05-M94 | EA | WALL POCKET - THERMOSTAT - SALEM CHERRY |
| 26 | 131096-05-N95 | EA | WALL POCKET - THERMOSTAT - PORTSMOUTH OAK |
| 27 | P34844-20-M94 | EA | DRAWER - PENCIL EDGE - 9.9"W X 19.6"D - W/O SLIDES/HDW - SALEM CHERRY |
| 27 | P34844-20-N95 | EA | DRAWER - PENCIL EDGE - 9.9"W X 19.6"D - W/O SLIDES/HDW - PORTSMOUTH OAK |
| 28 | 122360-02-000 | EA | SLIDE - PANTRY - W/O LOCK - RIGHT/LEFT HAND |
| 29 | 122360-03-000 | EA | SLIDE - PANTRY - W/LOCK - RIGHT HAND (FACING PANEL) |
| 30 | 123673-01-01A | EA | KNOB - PANTRY SLIDE |

GALLEY GROUP (CONTINUED)
CABINETS (CONTINUED)



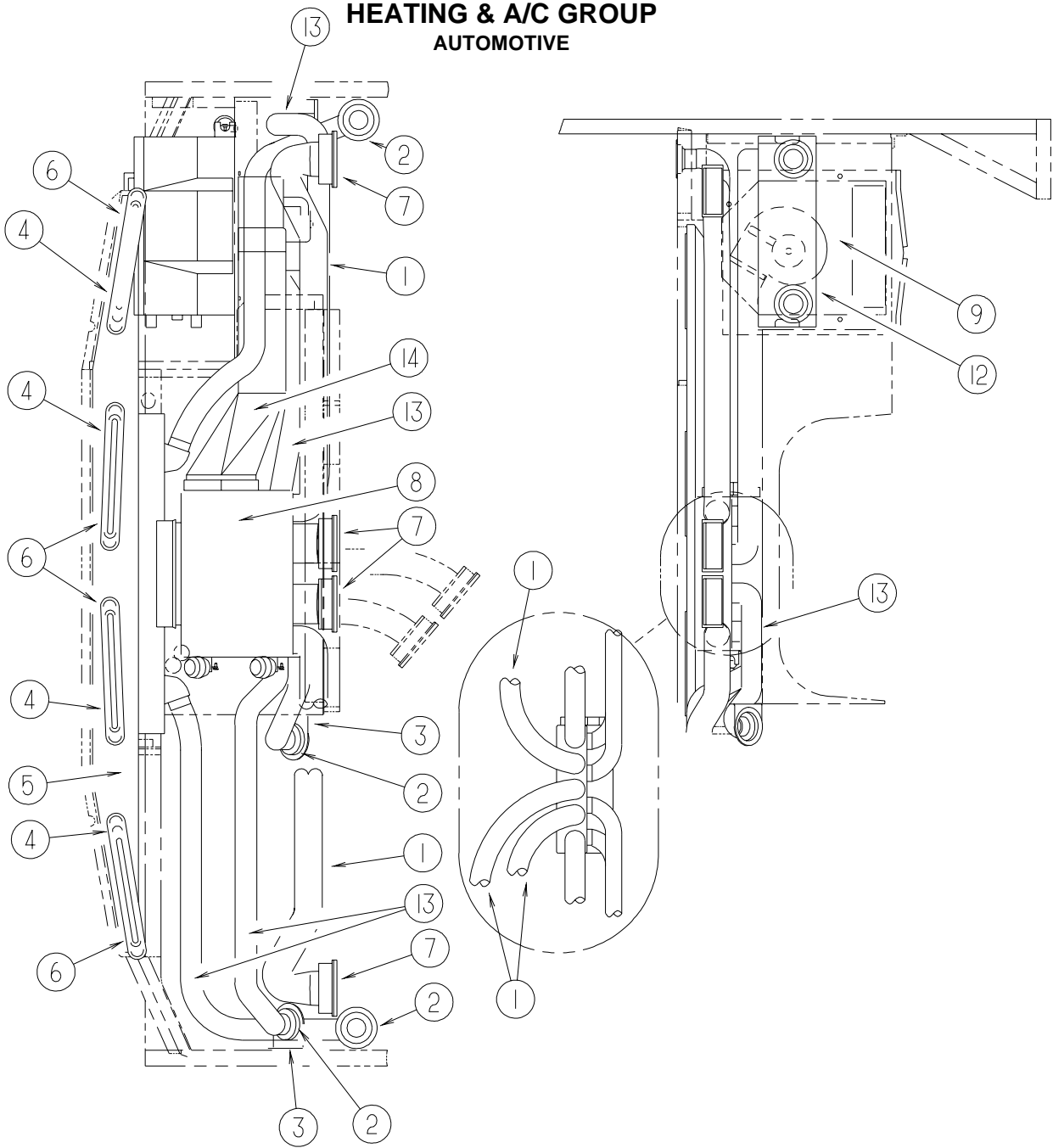
| KEY | PART NUMBER | U/M | DESCRIPTION |
|-----|---------------|-----|--|
| 1 | 122360-02-000 | EA | SLIDE - PANTRY - W/O LOCK - RIGHT/LEFT HAND |
| 2 | 122360-03-000 | EA | SLIDE - PANTRY - W/LOCK - RIGHT HAND (FACING PANEL) |
| 3 | 123673-01-01A | EA | KNOB - PANTRY SLIDE |
| 4 | 134783-86-M94 | EA | DOOR - RAIL/SOLID PANEL - 8.1" X 60.7" - W/O HARDWARE - SALEM CHERRY |
| 4 | 134783-86-N95 | EA | DOOR - RAIL/SOLID PANEL - 8.1" X 60.7" - W/O HARDWARE - PORTSMOUTH OAK |
| 5 | P34844-09-M94 | EA | DRAWER - PENCIL EDGE - 22.5"W X 17.7"D - W/O SLIDES/HDW - SALEM CHERRY |
| 5 | P34844-09-N95 | EA | DRAWER - PENCIL EDGE - 22.5"W X 17.7"D - W/O SLIDES/HDW - PORTSMOUTH OAK |
| 6 | 134783-T0-N94 | EA | DOOR - RAIL/SOLID PANEL - 9.8" X 12" - W/O HARDWARE - SALEM CHERRY |
| 6 | 134783-T0-N95 | EA | DOOR - RAIL/SOLID PANEL - 9.8" X 12" - W/O HARDWARE - PORTSMOUTH OAK |

GENERATOR GROUP



| KEY | PART NUMBER | U/M | DESCRIPTION |
|-----|---------------|-----|---|
| 1 | 114169-02-02B | EA | HANDLE - BUMPER MOUNT - E-COATED |
| 2 | 131507-01-02B | EA | BRACKET - GENERATOR - E-COATED - 7.5 DIESEL |
| 3 | 122425-01-000 | EA | GENERATOR - DIESEL - 7.5 - 7.5 DIESEL |
| 3 | 105559-04-000 | EA | GENERATOR - 6.5 KW - MUFFLER/TRAY - LP 30/30 - 6.5 LP |
| 4 | 106235-01-000 | EA | ADAPTOR - GENERATOR EXHAUST |
| 5 | 007131-01-000 | EA | HANGER - TAILPIPE - 6 SLOTS |
| 6 | 116381-09-000 | EA | PIPE - EXHAUST - GENERATOR - 7.5 DIESEL |
| 6 | 116381-10-000 | EA | PIPE - EXHAUST - GENERATOR - 6.5 LP |
| | 007125-03-000 | EA | CLAMP - MUFFLER - 1.5" DIAMETER |
| 7 | 130294-02-01A | EA | SLIDE - GENERATOR - NON-POWERED - 7.5 DIESEL |
| 7 | 130294-03-01A | EA | SLIDE - GENERATOR - MANUAL - LP 6.5 GEN - 6.5 LP |
| 8 | 131696-02-02B | EA | BRACKET - GENERATOR - E-COATED |
| 9 | 131887-01-02B | EA | BRACKET - GENERATOR - RELEASE - 6.5 LP |
| 10 | 126497-08-02B | EA | SUPPORT-VALANCE,E-COAT - 6.5 LP |
| 11 | 138246-01-01A | EA | EXTENSION - TAILPIPE - 1.6" I.D. |
| 12 | 085763-02-000 | EA | TEE - MAKE RUN - BRAKE TUBE - 1/4" X 1/4" |
| 13 | 123141-03-02B | EA | BRACKET - HANGER/GENERATOR - E -COATED |

HEATING & A/C GROUP AUTOMOTIVE



| KEY | PART NUMBER | U/M | DESCRIPTION |
|-----|---------------|-----|--|
| 1 | 007281-01-000 | EA | HOSE - FLEXIBLE PVC - 2 1/2" ID X 50' |
| 2 | 024990-12-000 | EA | OUTLET - DEFROSTER - W/SWIVEL - 4" OD X 3" RO - GLACIER |
| 3 | 136157-03-02B | EA | BRACKET - HEATER - E-COATED |
| 4 | 077075-01-000 | EA | GASKET - INSTRUMENT PANEL/DEFROSTER PLENUM - .6" X 10.2" |
| 5 | 103017-03-000 | EA | PLENUM - DEFROSTER |
| 6 | 135265-01-04A | EA | VENT - DEFROSTER - PLASTIC - GLACIER |
| 7 | 135803-02-01A | EA | LOUVER - A/C - 2.5" - W/HOLES |
| 7 | 135803-01-01A | EA | LOUVER - A/C - 2.5" - BLACK |
| 8* | 103930-52-000 | EA | CONTROL/PLENUM - LARGE ROTARY |
| 9* | 103930-43-000 | EA | EVAPORATOR/HEATER ASSEMBLY - NON-CHARGED |
| 10 | NOT USED | | |
| 11 | NOT USED | | |
| 12 | NOT USED | | |
| 13 | 007076-01-000 | EA | HOSE - FLEXIBLE PVC - 2" ID - INCREMENTS OF 50' |
| 14 | 134275-01-01A | EA | PLENUM - TRANSITION |
| | 103930-37-000 | EA | MANUAL/OWNERS - HEATER-A/C |
| | 103930-54-000 | EA | MANUAL - OWNERS - HEATER/AC |

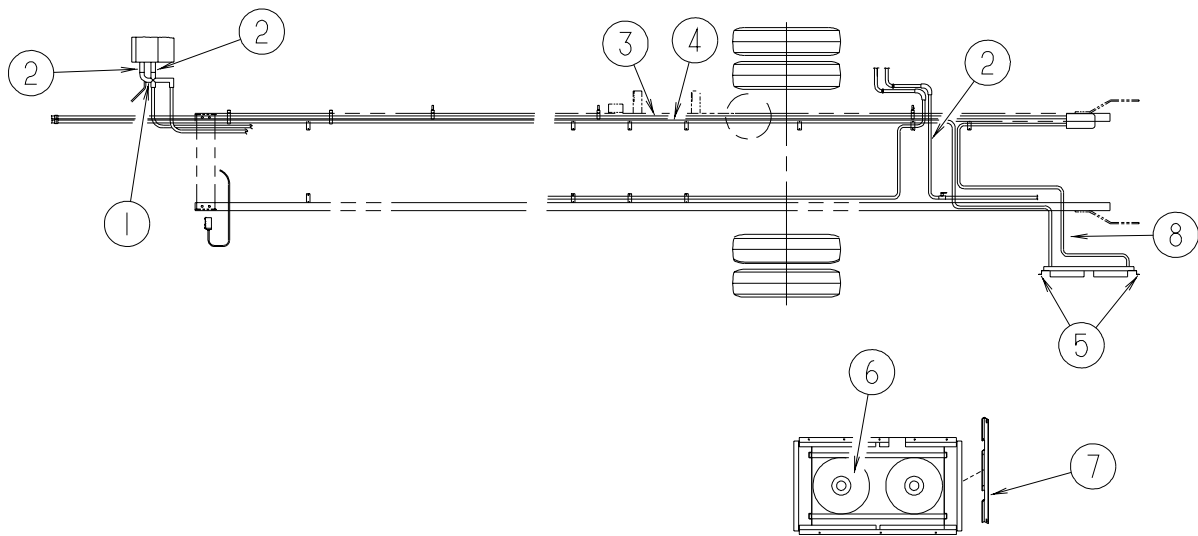
FROM: 00-00-00 THRU: 10-26-01

FROM: 10-27-01 THRU: 99-99-99

***COMPONENT PARTS LISTED LATER IN THIS GROUP**

HEATING & A/C GROUP (CONTINUED)

AUTOMOTIVE (CONTINUED)



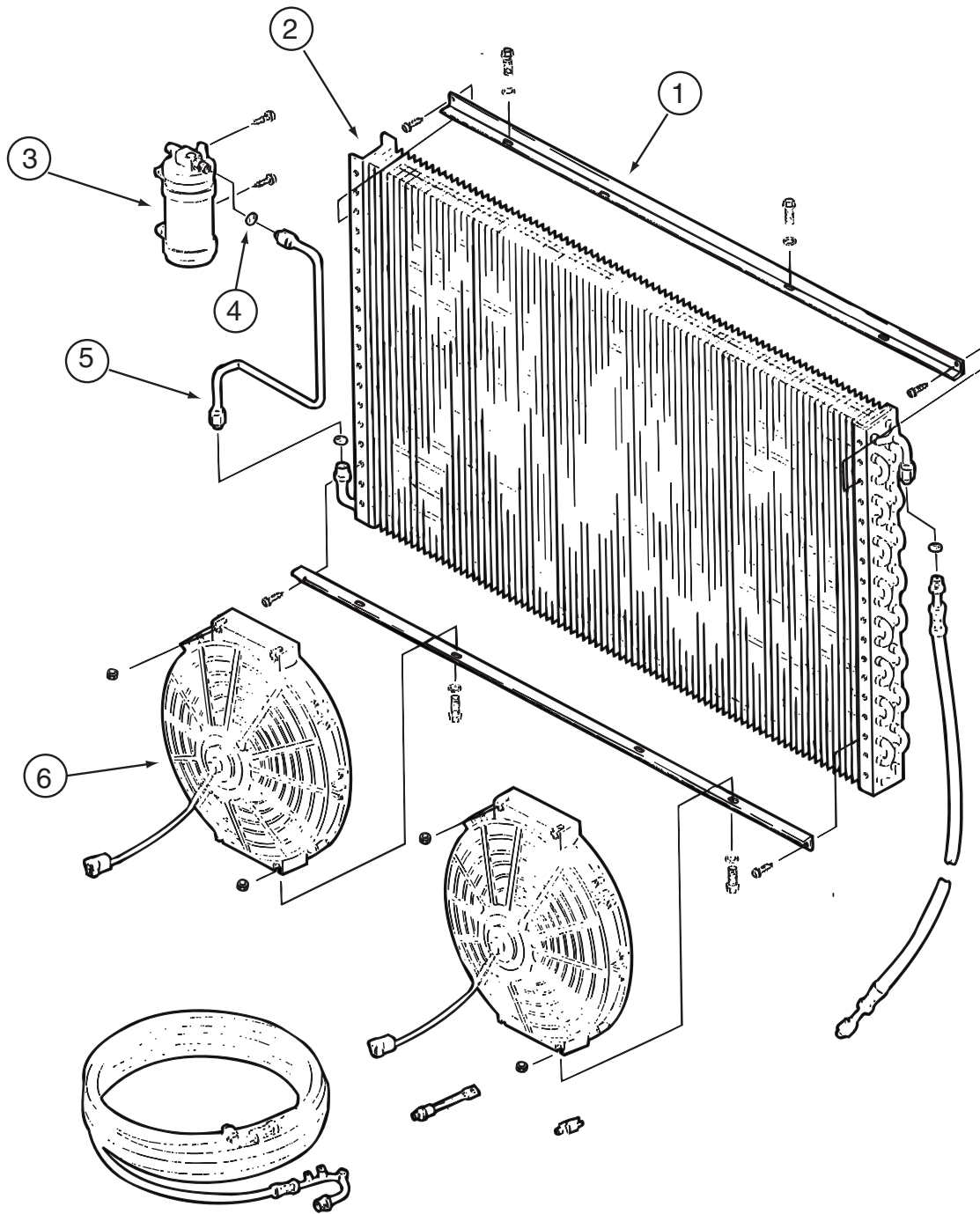
| KEY | PART NUMBER | U/M | DESCRIPTION |
|-----|---------------|-----|---|
| 1 | 103930-24-000 | EA | VALVE - WATER CONTROL - 4 PORT/VACUUM CONTROLLED |
| 2 | 007108-01-000 | EA | HOSE - HEATER - 5/8" ID - HI-TEMP |
| 3* | 103930-51-000 | EA | HOSE KIT - #12 - COMPRESSOR/EVAPORATOR - 41.5' LONG |
| 4* | 072342-18-000 | EA | HOSE - #6 - REC DRIER/EVAPORATOR - 42.8' LONG W/SWITCHES |
| 5 | 072368-02-000 | FT | TRIM - VINYL - EDGE - BLACK |
| 6* | 072342-15-000 | EA | CONDENSER - W/FAN ON SIDE - NO HOSE |
| 7 | 113574-05-02B | EA | BRACKET - A/C CONDENSOR/SIDE - RH/LH - E-COAT |
| 8* | 072342-17-000 | EA | HOSE - #8 - CONDENSER/COMPRESSOR - 7.9' - W/90 DEGREE END |

FROM: 05-14-01 THRU: 99-99-99

***COMPONENT PARTS LISTED LATER IN THIS GROUP**

HEATING & A/C GROUP (CONTINUED)

COMPONENT PARTS FOR AUTOMOTIVE



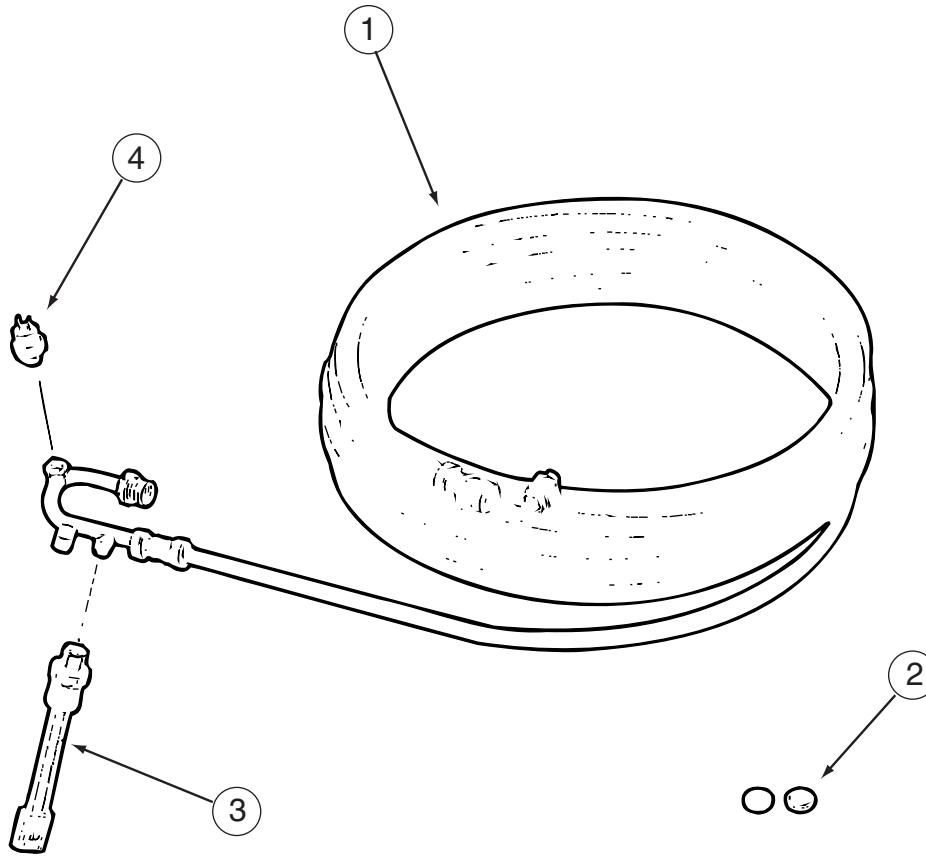
072342-15-000

| KEY | PART NUMBER | U/M | DESCRIPTION | VENDOR NO. |
|-----|---------------|-----|------------------------------|------------|
| 1 | 072342-13-700 | EA | BRACKET - CONDENSER FAN | 070-0148 |
| 2 | 072342-12-700 | EA | COIL-CONDENSER | 040-0027 |
| 3 | 072342-12-703 | EA | RECEIVER DRIER | 054-0001 |
| 4 | 113245-01-711 | EA | O-RING #6 | 045-0129 |
| 5 | 072342-13-703 | EA | TUBE ASM. #6 | 052-0040 |
| 6 | 072342-08-703 | EA | FAN BLADE/MOTOR & SHROUD 11" | 062-0097 |

HEATING & A/C GROUP (CONTINUED)
COMPONENT PARTS FOR AUTOMOTIVE (CONTINUED)

072342-17-000

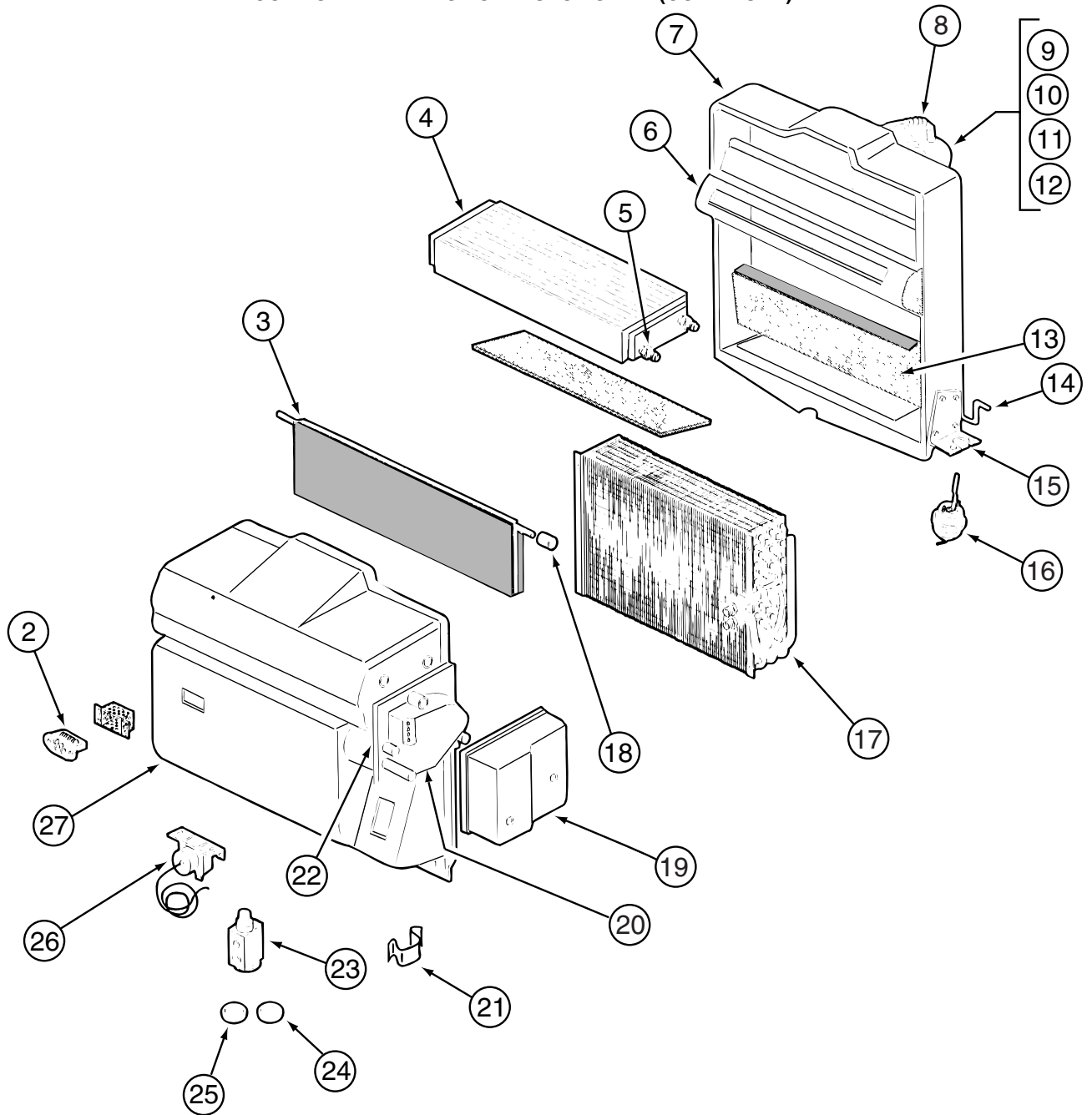
| KEY | PART NUMBER | U/M DESCRIPTION | VENDOR NO. |
|-----|---------------|-------------------------------|------------|
| | 072342-12-701 | EA HOSE ASM #8 CONDENSER/COMP | 085-0142 |
| | 113245-01-707 | EA OIRING #8 | 045-0126 |



072342-18-000

| KEY | PART NUMBER | U/M DESCRIPTION | VENDOR NO. |
|-----|---------------|--------------------------------|------------|
| 1 | 072342-13-702 | EA HOSE ASM. #6 | 085-0460 |
| 2 | 113245-01-711 | EA OIRING #6 | 045-0129 |
| 3 | 103930-01-716 | EA SWITCH - PRESSURE - FAN | 032-0036 |
| 4 | 103930-12-708 | EA SWITCH-BINARY-HI/LOW CUTOUT | 032-0048 |

HEATING & A/C GROUP (CONTINUED)
COMPONENT PARTS FOR AUTOMOTIVE (CONTINUED)



103930-43-000

HEATING & A/C GROUP (CONTINUED)
COMPONENT PARTS FOR AUTOMOTIVE (CONTINUED)

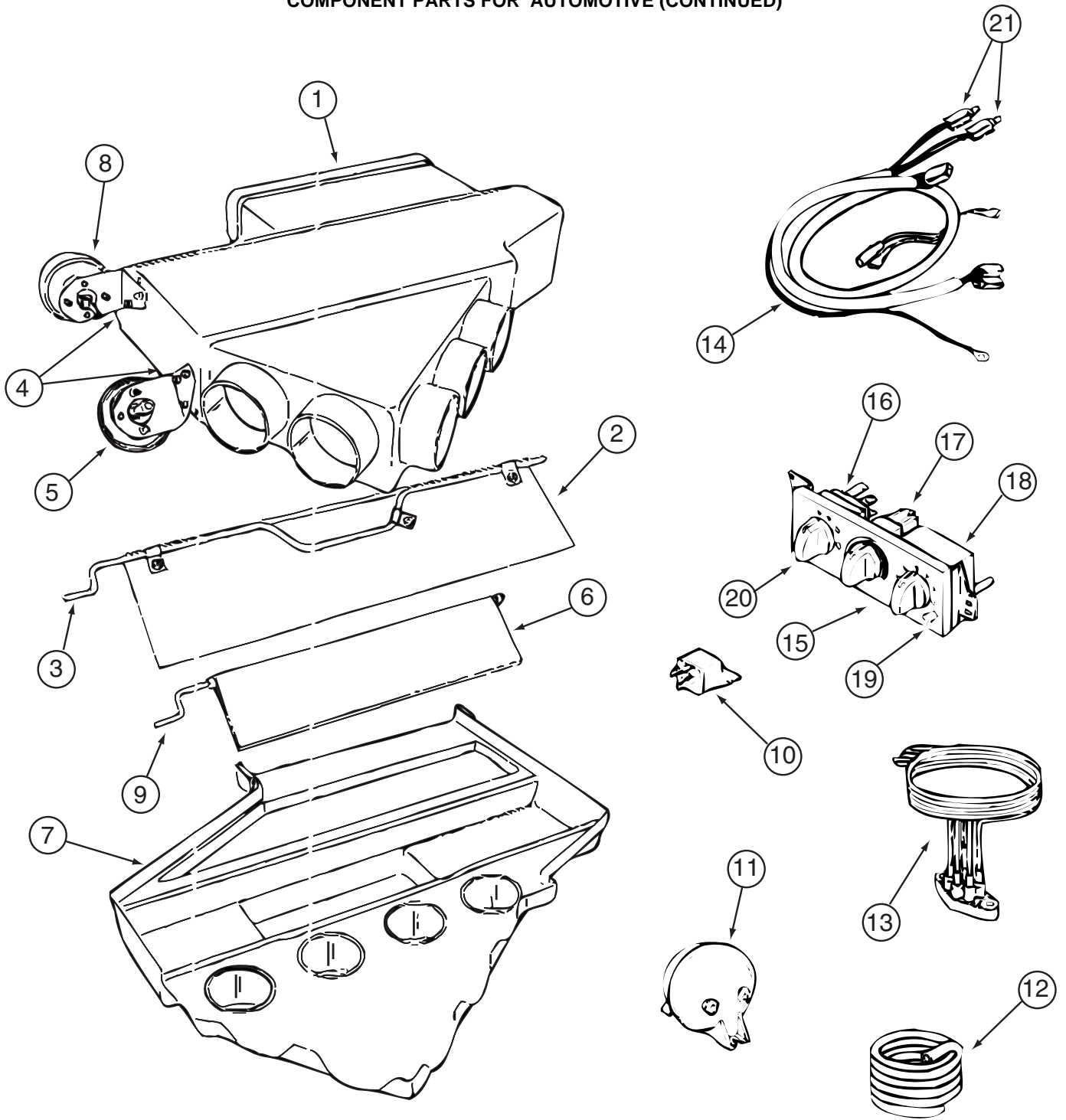
103930-43-000 (CONTINUED)

| KEY | PART NUMBER | U/M | DESCRIPTION | VENDOR NO |
|------------|--------------------|------------|--|------------------|
| 2 | 103930-01-710 | EA | RESISTOR-FUSED, A/C 4 TERM | 035-0006 |
| 3 | 103930-30-705 | EA | DOOR - AIR BLEND | 071-0568 |
| 4 | 103930-01-703 | EA | CORE-HEATER | 042-0010 |
| 5 | 110279-01-712 | EA | FITTING - HEATER CORE | 050-0076 |
| 6 | 103930-30-707 | EA | DIVIDER ASM. | 086-0061 |
| 7 | 103930-20-711 | EA | CASE-BACK, SUB-ASSEMBLY | 062-0147 |
| 8 | 110279-01-703 | EA | HOSE-VENT F/BLOWER MOTOR | 051-0034 |
| 9 | 103930-20-707 | EA | HOUSING-BLOWER | 062-0145 |
| 10 | 103930-30-706 | EA | MOTOR-BLOWER PM147 W/ADAPTER | 030-0109 |
| 11 | 103930-01-717 | EA | WHEEL-BLOWER, CLOCKWISE | 062-0010 |
| 12 | 103930-20-708 | EA | CLIP-MOTOR SHAFT | 022-0001 |
| 13 | 103930-20-705 | EA | PANEL-DOOR, RECIRCULATING | 071-0213 |
| 14 | 103930-20-704 | EA | ROD-DOOR-RECIRCULATING | 073-0018 |
| 15 | 103930-01-708 | EA | BRACKET-VACUUM MOTOR | 070-0113 |
| 16 | 103930-02-708 | EA | MOTOR-VACUUM SERVO, A/C | 030-0025 |
| 17 | 103930-01-704 | EA | COIL-EVAPORATOR | 041-0017 |
| 18 | 103930-30-702 | EA | BUSHING/DRIVE - BLEND DOOR | 062-00634 |
| 19 | 103930-30-704 | EA | COVER - SERVO | 062-0545 |
| 20 | 103930-30-703 | EA | MOTOR - SERVO | 030-0104 |
| 21 | 103930-20-706 | EA | CLIP-RETAINER - CASE ATTACH | 022-0057 |
| 22 | 103930-30-701 | EA | PLATE - MOTOR MOUNT | 062-0544 |
| 23 | 103930-20-700 | EA | VALVE-EXPANSION-BLOCK, 2 TON | 034-0032 |
| 24 | 103930-17-702 | EA | OIRING #10 | 045-0127 |
| 25 | 113245-01-707 | EA | OIRING #8 | 045-0126 |
| 26 | 103930-01-711 | EA | THERMOSTAT | 033-0003 |
| 27 | 103930-30-700 | EA | CASE - FRONT | 062-0542 |
| | 094831-01-709 | EA | CLAMP-ROD 3/16" | 022-0025 |
| | 103930-02-714 | EA | CLAMP-CLUTCH, BARREL | 022-0006 |
| | 103930-20-713 | EA | GASKET - BLEND AIR DOOR | 045-0160 |
| | 103930-20-714 | EA | GASKET - BLEND AIR DOOR | 045-0161 |
| | 103930-30-708 | EA | BUSHING/IDLER - BLEND DOOR | 062-00167 |
| | 113245-01-718 | FT | HOSE - DRAIN - 1/2" | 051-0002 |
| | | | CONTACT WINNEBAGO PART SALES FOR UNLISTED COMPONENTS | |

103930-51-000

| KEY | PART NUMBER | U/M | DESCRIPTION | VENDOR NO. |
|------------|--------------------|------------|--------------------|-------------------|
| | 103930-17-702 | EA | OIRING #10 | 045-0127 |

HEATING & A/C GROUP (CONTINUED)
COMPONENT PARTS FOR AUTOMOTIVE (CONTINUED)



103930-52-000

HEATING & A/C GROUP (CONTINUED)
COMPONENT PARTS FOR AUTOMOTIVE (CONTINUED)

103930-52-000 (CONTINUED)

| KEY | PART NUMBER | U/M | DESCRIPTION | VENDOR NO. |
|------------|--------------------|------------|------------------------------|-------------------|
| 1 | 103930-52-700 | EA | PLENUM/TOP | 060-0580 |
| 2 | 103930-52-701 | EA | PLATE/DEFROST DOOR | 071-0728 |
| 3 | 103930-52-702 | EA | ROD/DEFROST DOOR | 073-0072 |
| 5 | 103930-02-708 | EA | MOTOR-VACUUM SERVO, A/C | 030-0025 |
| 6 | 103930-52-703 | EA | PLATE/DOOR-AC/HEAT | 071-0729 |
| 7 | 103930-52-704 | EA | PLENUM/BOTTOM | 060-0581 |
| 8 | 103930-33-701 | EA | MOTOR - VACUUM, 3 STAGE | 030-0105 |
| 9 | 103930-52-705 | EA | ROOD/DOOR-A/C HEAT | 073-0073 |
| 10 | 103930-02-707 | EA | RELAY-BOSCH W/RESISTER | 031-0001 |
| 11 | 103930-02-710 | EA | CANISTER-VACUUM | 054-0002 |
| 13 | 103930-33-703 | EA | VACUUM HARNESS | 036-0466 |
| 14 | 103930-49-701 | EA | HARNESS - WIRE W/BULBS | 036-0557 |
| 15 | 103930-49-703 | EA | CONTROL PANEL - NON RECESSED | 083-0223 |
| 16 | 103930-49-704 | EA | SWITCH - BLOWER | 032-0332 |
| 17 | 103930-49-705 | EA | POTENTIOMETER | 032-0182 |
| 18 | 103930-49-706 | EA | SWITCH - VACUUM | 032-0185 |
| 19 | 103930-49-707 | EA | DECAL CONTROL PANEL-N/RECESS | 058-0144 |
| 20 | 103930-49-708 | EA | KNOB - BLOWER - NONRECESSED | 062-0620 |
| 21 | 103930-33-705 | EA | LIGHT BULBS | 035-0030 |

CONTACT WINNEBAGO PARTS SALES FOR UNLISTED COMPONENTS

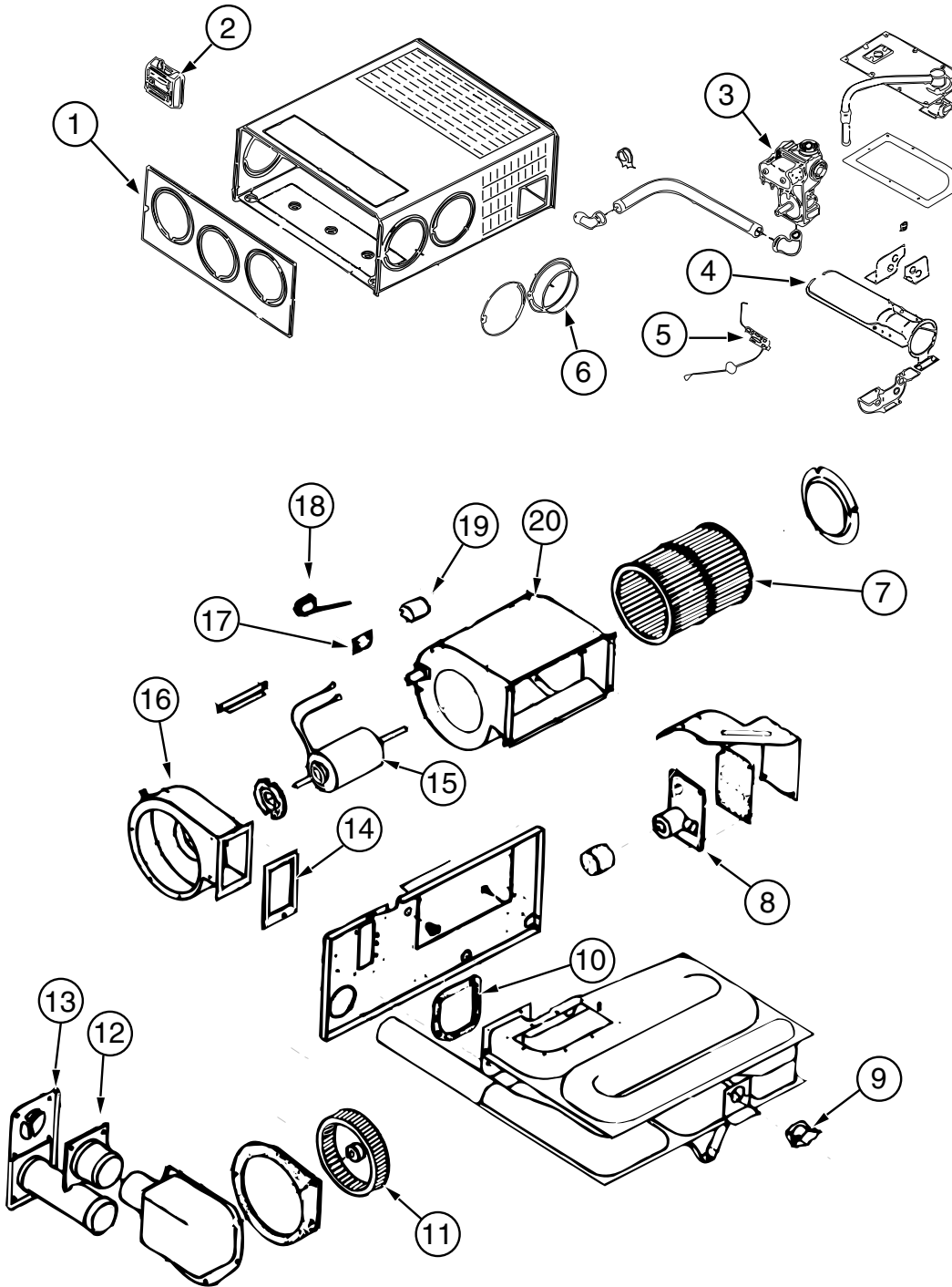
HEATING & A/C GROUP (CONTINUED)

FURNACE

| KEY | PART NUMBER | U/M | DESCRIPTION |
|-----|---------------|-----|---|
| | 009198-02-000 | FT | DUCT - HEAT - FLEXIBLE - 2" ID X 25' |
| | 092776-01-000 | EA | ADAPTER - DUCT - 2" |
| | 093614-03-02A | EA | GRILLE - AIR RETURN - 15.9" X 9.9" - BEIGE - Q36C |
| | 093614-04-02A | EA | GRILLE - AIR RETURN-15.9" X 9.9"/14" X 7.6" OPENING- BEIGE - Q38K, Q40E, Q40J |
| | 098668-14-000 | EA | GASKET - FIBERGLASS - .5" X 18" X 18" |
| | 098668-15-000 | EA | PLATE-FACE |
| | 098668-16-000 | EA | VENT - INTAKE |
| * | 098668-22-000 | EA | FURNACE - 40,000 BTU - PRIMARY Q36C FROM: 00-00-00 THRU: 09-30-01 |
| * | 139980-04-000 | EA | FURNACE - 40000 BTU - SF QUIET - SUBURBAN SF-42 2323J - PRIMARY Q36C FROM: 10-01-01 THRU: 99-99-99 |
| * | 098668-21-000 | EA | FURNACE - 35000 BTU - PRIMARY Q38K, Q40E, Q40J FROM: 00-00-00 THRU: 09-30-01 |
| * | 139980-03-000 | EA | FURNACE - 35000 BTU - SF QUIET - SUBURBAN SF-35 2322J - PRIMARY Q38K, Q40E, Q40J FROM: 10-01-01 THRU: 99-99-99 |
| * | 098668-19-000 | EA | FURNACE - 25000 BTU - SECONDARY Q38K, Q40E, Q40J FROM: 00-00-00 THRU: 06-03-01 |
| * | 139980-01-000 | EA | FURNACE - 25000 BTU - SF QUIET - SUBURBAN SF-25 2320J - SECONDARY Q38K, Q40E, Q40J FROM: 06-04-01 THRU: 99-99-99 |
| | 115764-01-01A | EA | THERMOSTAT - FURNACE - SECONDARY Q38K, Q40E, Q40J |
| | 124643-02-01A | EA | SHROUD - FURNACE |
| | 112091-01-000 | FT | SEAL/D - NEOPRENE - HEAT ACTIVE ADHESIVE - .9" |
| | 133524-01-02B | EA | PANEL - REGISTER - E-COATED |
| | 133545-01-02B | EA | BONNET - REGISTER - E-COATED |
| | 133545-02-02B | EA | BONNET - REGISTER - E-COATED |
| | 137965-03-01A | EA | REGISTER - 2.25" X 10" - W/O DAMPER - ANTIQUE BRASS - Q36C, Q40E, Q40J |
| | 137965-04-01A | EA | REGISTER - 2.25" X 10" - W/DAMPER - ANTIQUE BRASS |
| | 137965-05-01A | EA | REGISTER - 4" X 10" - W/O DAMPER - ANTIQUE BRASS - Q36C, Q38K, Q40J |
| | 137965-07-01A | EA | REGISTER - 3.5" X 8" - W/O DAMPER - ANTIQUE BRASS |
| | 137965-08-01A | EA | REGISTER - 3.5" X 8" - W/DAMPER - ANTIQUE BRASS - Q38K |
| | 024990-05-000 | EA | OUTLET - DEFROSTER - W/SWIVEL - 2" SLEEVE/4" OD - BLACK |

*COMPONENT PARTS LISTED LATER IN THIS GROUP

HEATING & A/C GROUP (CONTINUED)
COMPONENT PARTS FOR FURNACE



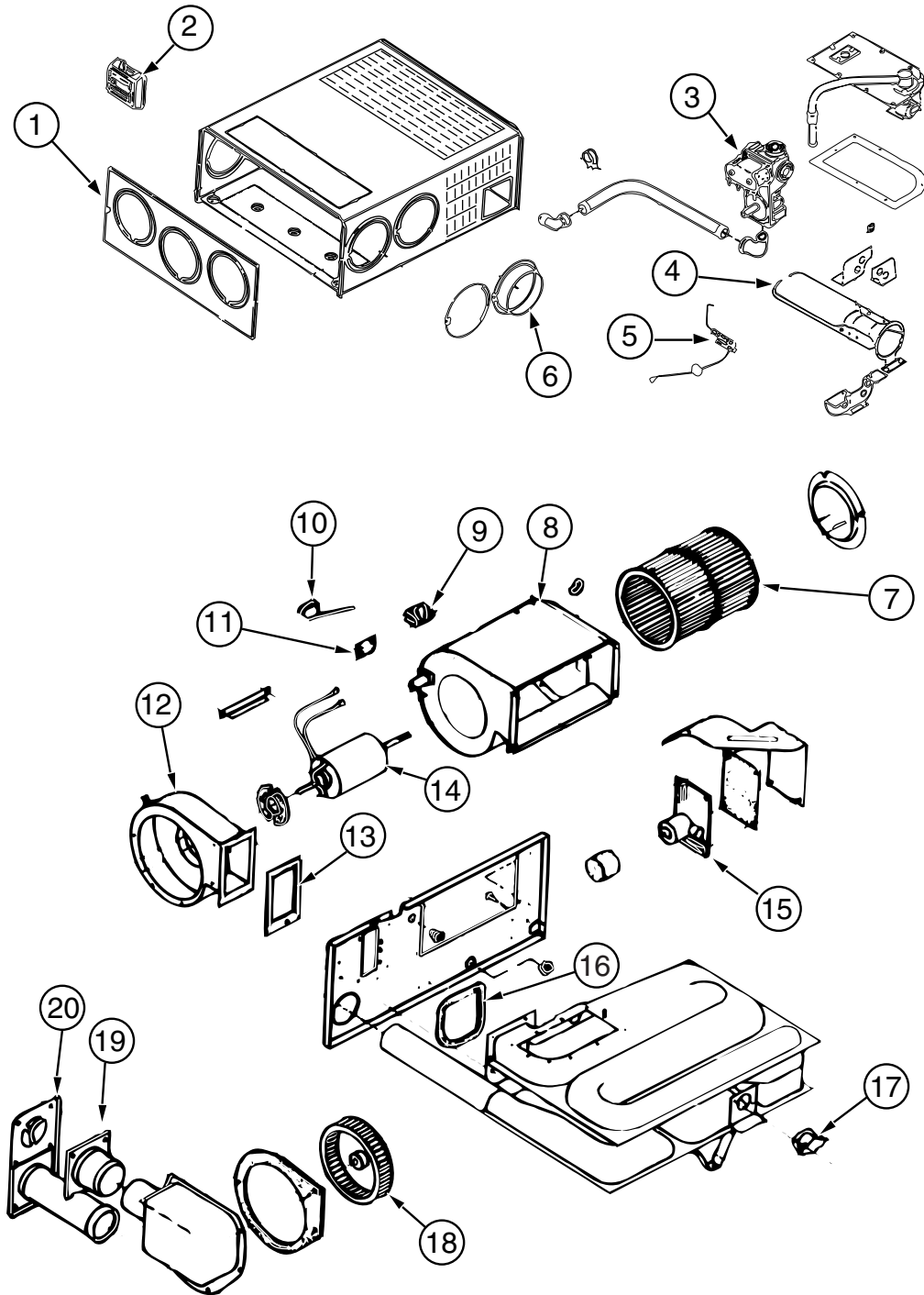
098668-19-000

HEATING & A/C GROUP (CONTINUED)
COMPONENT PARTS FOR FURNACE (CONTINUED)

098668-19-000 (CONTINUED)

| KEY | PART NUMBER | U/M | DESCRIPTION | VENDOR NO. |
|------------|--------------------|------------|------------------------------|---------------------|
| 1 | 098668-01-700 | EA | CABINET FRONT | 101242 |
| 2 | 093365-01-000 | EA | THERMOSTAT-FURNACE,SUBURBAN | REP'IL BY 115764-01 |
| 3 | 098668-01-714 | EA | VALVE-GAS,SF S.N. 921401821 | 161070 |
| 4 | 098668-01-703 | EA | BURNER ASSEMBLY | 10762 |
| 5 | 098668-01-715 | EA | ELECTRODE ASM., SINGLE PROBE | 232166 |
| 6 | 075696-02-703 | EA | COLLAR-DUCT | 50715 |
| 7 | 098668-01-711 | EA | WHEEL-BLOWER, ROOM AIR | 350129 |
| 8 | 098668-01-712 | EA | BOARD-MODULE | 520741 |
| 9 | 098668-21-701 | EA | SWITCH - LIMIT | 231799 |
| 10 | 098668-01-717 | EA | GASKET-FIREWALL, BLOWER SIDE | 70809 |
| 11 | 098668-01-706 | EA | WHEEL-COMBUSTION AIR | 350184 |
| 12 | 098668-01-713 | EA | TUBE ASSEMBLY, INTAKE | 51248 |
| 13 | 098668-01-707 | EA | TUBE ASSEMBLY, EXHAUST W/CAP | 260231 |
| 14 | 098668-01-716 | EA | GASKET-FIREWALL,CHAMBER SIDE | 70808 |
| 15 | 098668-01-709 | EA | MOTOR ASM., F/SF-25, SF-30 | 231706 |
| 16 | 098668-01-708 | EA | HOUSING-BLOWER, COMBUSTION | 390441 |
| 17 | 101990-01-714 | EA | GASKET-MICROSWITCH | 230877 |
| 18 | 098668-21-700 | EA | SWITCH-MICRO-W/O FLAG 3 1/4" | 232261 |
| 19 | 074466-01-702 | EA | RELAY, TIME DELAY | 230625 |
| 20 | 098668-01-710 | EA | HOUSING-BLOWER, ROOM AIR | 390440 |
| | 090039-01-703 | EA | ORIFICE-MAIN BURNER | 180193 |
| | 098668-01-702 | EA | ELECTRODE | 231740 |

HEATING & A/C GROUP (CONTINUED)
COMPONENT PARTS FOR FURNACE (CONTINUED)



098668-21-000

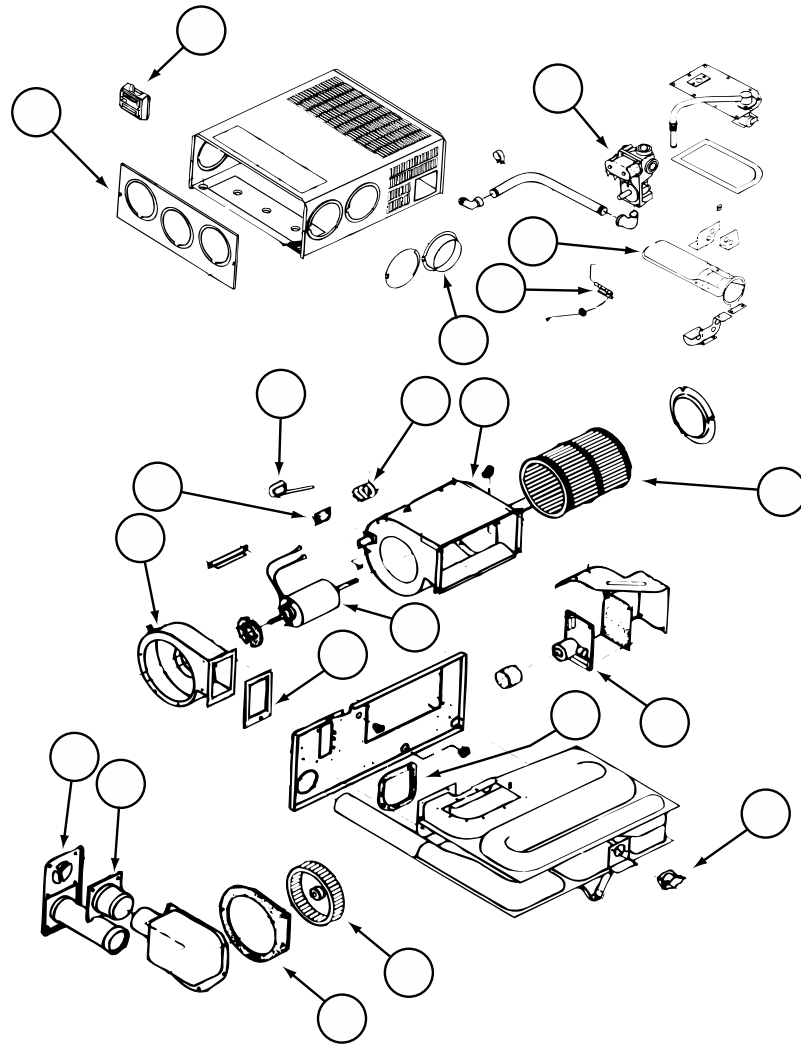
HEATING & A/C GROUP (CONTINUED)
COMPONENT PARTS FOR FURNACE (CONTINUED)

098668-21-000 (CONTINUED)

| KEY | PART NUMBER | U/M | DESCRIPTION | VENDOR NO. |
|------------|--------------------|------------|------------------------------|-------------------|
| 1 | 098668-01-700 | EA | CABINET FRONT | 101242 |
| 3 | 098668-01-714 | EA | VALVE-GAS,SF S.N. 921401821 | 161070 |
| 4 | 098668-02-700 | EA | BURNER ASSEMBLY,SF-30 & SF35 | 010745 |
| 5 | 098668-01-715 | EA | ELECTRODE ASM., SINGLE PROBE | 232166 |
| 6 | 075696-02-703 | EA | COLLAR-DUCT | 050715 |
| 7 | 098668-01-711 | EA | WHEEL-BLOWER, ROOM AIR | 350129 |
| 8 | 098668-01-710 | EA | HOUSING-BLOWER, ROOM AIR | 390440 |
| 9 | 074466-01-702 | EA | RELAY, TIME DELAY | 230625 |
| 10 | 098668-21-700 | EA | SWITCH-MICRO-W/O FLAG 3 1/4" | 232261 |
| 11 | 101990-01-714 | EA | GASKET-MICROSWITCH | 230877 |
| 12 | 098668-01-708 | EA | HOUSING-BLOWER, COMBUSTION | 390441 |
| 13 | 098668-01-717 | EA | GASKET-FIREWALL, BLOWER SIDE | 070809 |
| 14 | 098668-03-700 | EA | MOTOR ASSEMBLY, SF-35 | 231707 |
| 15 | 098668-01-712 | EA | BOARD-MODULE | 520741 |
| 16 | 098668-01-716 | EA | GASKET-FIREWALL,CHAMBER SIDE | 070808 |
| 17 | 098668-21-701 | EA | SWITCH - LIMIT | 231799 |
| 18 | 098668-01-706 | EA | WHEEL-COMBUSTION AIR | 350184 |
| 19 | 098668-01-713 | EA | TUBE ASSEMBLY, INTAKE | 051248 |
| 20 | 098668-01-707 | EA | TUBE ASSEMBLY, EXHAUST W/CAP | 260231 |
| | 098668-08-701 | EA | MODULE BD/FAN CONT-UNITED TE | 232614 |

CONTACT WINNEBAGO PART SALES FOR UNLISTED COMPONENTS

HEATING & A/C GROUP (CONTINUED)
COMPONENT PARTS FOR FURNACE (CONTINUED)

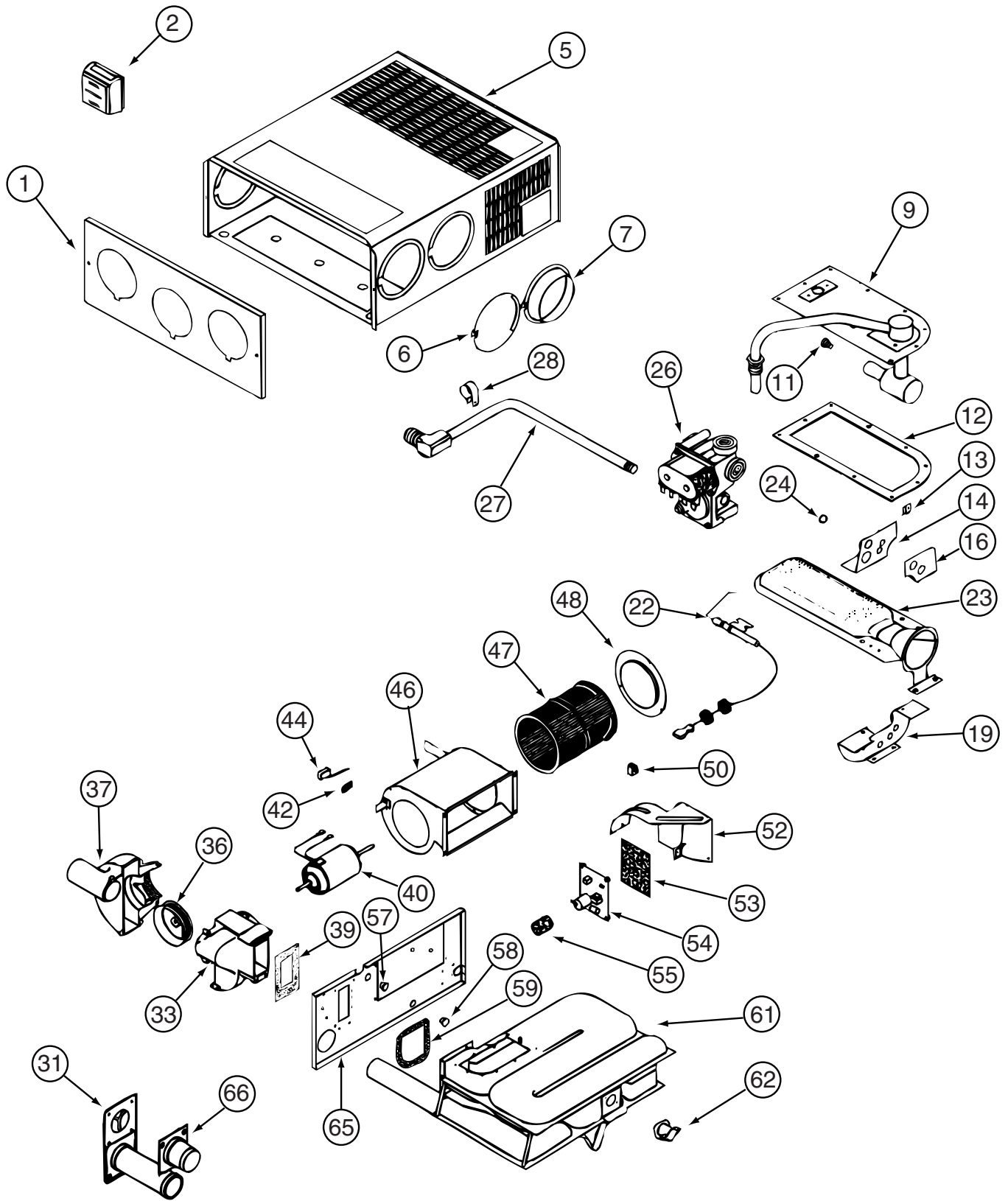


098668-22-000

| KEY | PART NUMBER | U/M | DESCRIPTION | VENDOR NO. |
|-----|---------------|-----|-------------------------------|------------|
| 1 | 098668-01-700 | EA | CABINET FRONT | 101242 |
| 3 | 098668-01-714 | EA | VALVE-GAS, SF | 161070 |
| 4 | 098668-11-701 | EA | BURNER ASSEMBLY, SF-42F | 010799 |
| 5 | 098668-01-715 | EA | ELECTRODE ASM., SINGLE PROBE | 232166 |
| 6 | 075696-02-703 | EA | COLLAR-DUCT | 050715 |
| 7 | 098668-11-704 | EA | BLOWER ASM., ROOM AIR SF-42F | 390698 |
| 8 | 074466-01-702 | EA | RELAY, TIME DELAY | 230625 |
| 9 | 098668-09-700 | EA | SWITCH-MICRO-W/O FLAG 3 1/4" | 232216 |
| 10 | 101990-01-714 | EA | GASKET-MICROSWITCH | 230877 |
| 11 | 098668-01-708 | EA | HOUSING-BLOWER, COMBUSTION | 390441 |
| 12 | 098668-01-707 | EA | TUBE ASSEMBLY, EXHAUST W/CAP | 260231 |
| 13 | 098668-01-713 | EA | TUBE ASSEMBLY, INTAKE | 051248 |
| 14 | 098668-01-717 | EA | GASKET-FIREWALL, BLOWER SIDE | 070809 |
| | 098668-11-700 | EA | ORIFICE-MAIN BURNER, SF-42F | 180216 |
| 15 | 098668-11-702 | EA | MOTOR ASSEMBLY, SF-42F | 232212 |
| 16 | 098668-01-711 | EA | WHEEL-BLOWER, ROOM AIR | 350129 |
| 17 | 098668-01-712 | EA | BOARD-MODULE | 520741 |
| 18 | 098668-01-716 | EA | GASKET-FIREWALL, CHAMBER SIDE | 070808 |
| 19 | 098668-11-706 | EA | SWITCH-LIMIT, SF42 & SF42F | 232217 |
| 20 | 098668-22-702 | EA | WHEEL-COMBUSTION AIR | 350183 |
| 21 | 098668-22-703 | EA | GASKET | 070811 |
| | 098668-08-700 | EA | MODULE BD/FAN CONT - FENWAL | 232613 |
| | 098668-08-701 | EA | MODULE BD/FAN CONT-UNITED TE | 232614 |

CONTACT WINNEBAGO PART SALES FOR UNLISTED COMPONENTS

HEATING & A/C GROUP (CONTINUED)
COMPONENT PARTS FOR FURNACE (CONTINUED)



139980-01-000

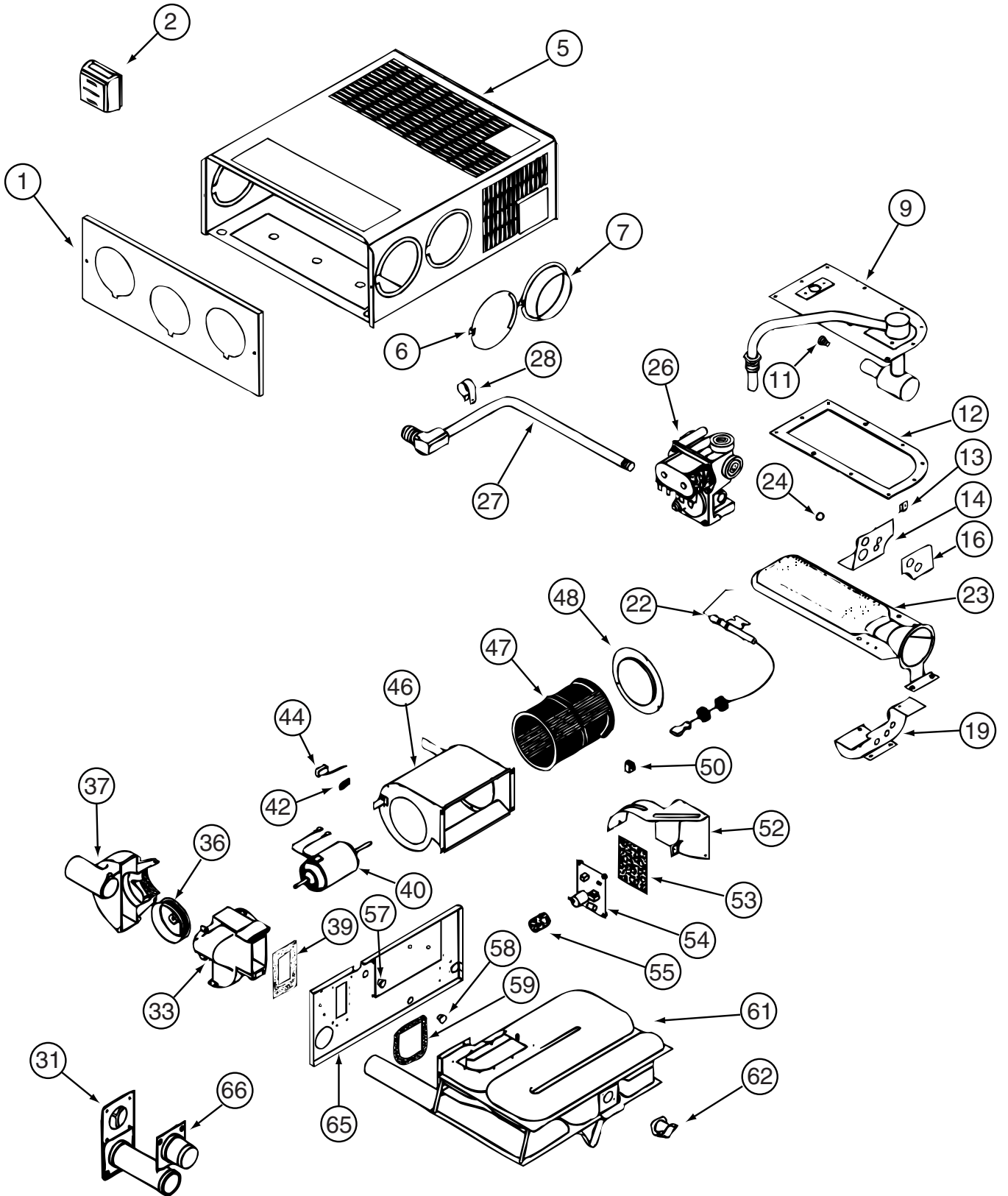
HEATING & A/C GROUP (CONTINUED)
COMPONENT PARTS FOR FURNACE (CONTINUED)

139980-01-000 (CONTINUED)

| KEY | PART NUMBER | U/M | DESCRIPTION | VENDOR NO. |
|------------|--------------------|------------|------------------------------|-------------------|
| 9 | 139980-01-700 | EA | MANIFOLD ASSEMBLY | 171571 |
| 11 | 090039-01-703 | EA | ORIFICE-MAIN BURNER | 180193 |
| 12 | 098668-22-703 | EA | GASKET - BURNER ACCESS COVER | 070811 |
| 22 | 139980-01-701 | EA | ELECTRODE | 232286 |
| 23 | 098668-01-703 | EA | BURNER ASSEMBLY | 010762 |
| 26 | 098668-01-718 | EA | VALVE-GAS SF S.N.974903079 | 161122 |
| 27 | 139980-01-702 | EA | PIPE ASSEMBLY/GAS INLET | 171574 |
| 31 | 098668-01-707 | EA | TUBE ASSEMBLY, EXHAUST W/CAP | 260231 |
| 33 | 139980-01-703 | EA | HOUSING/COMB. - FRONT/HALF | 390852 |
| 36 | 098668-01-706 | EA | WHEEL-COMBUSTION AIR | 350184 |
| 37 | 139980-01-704 | EA | HOUSING/COMB. - REAR/HALF | 390848 |
| 39 | 139980-01-705 | EA | GASKET/FIREWALL-COMB AIR | 071084 |
| 40 | 139980-01-706 | EA | MOTOR ASSEMBLY W/GASKET | 232682 |
| 42 | 101990-01-714 | EA | GASKET-MICROSWITCH | 230877 |
| 44 | 098668-21-700 | EA | SWITCH-MICRO-W/O FLAG 3 1/4" | 232261 |
| 46 | 139980-01-708 | EA | BLOWER ASSEMBLY - ROOM AIR | 390739BK |
| 47 | 098668-01-711 | EA | WHEEL-BLOWER, ROOM AIR | 350129 |
| 48 | 139980-01-709 | EA | ORFICE RING | 390696 |
| 50 | 139980-01-710 | EA | SWITCH - ON/OFF | 232351 |
| 52 | 139980-01-711 | EA | PANEL ASSEMBLY-MODULE BD | 101663 |
| 53 | 139980-01-712 | EA | INSULATOR - MODULE BD | 070807 |
| 54 | 098668-22-705 | EA | MODULE BD W/RELAY TIME DELAY | 520820 |
| 55 | 139980-01-713 | EA | CAP/INSULATOR-MODULE BD | 070973 |
| 57 | 139980-01-714 | EA | BUSHING - UNIVERSAL | 070362 |
| 58 | 139980-01-715 | EA | BUSHING - STRAIN RELIEF | 231809 |
| 59 | 098668-01-716 | EA | GASKET-FIREWALL,CHAMBER SIDE | 070808 |
| 61 | 139980-01-716 | EA | CHAMBER ASSEMBLY - FINAL | 021149BK |
| 62 | 098668-21-701 | EA | SWITCH - LIMIT | 232504 |
| 66 | 098668-01-713 | EA | TUBE ASSEMBLY, INTAKE | 051248 |

CONTACT WINNEBAGO PART SALES FOR UNLISTED COMPONENTS

HEATING & A/C GROUP (CONTINUED)
COMPONENT PARTS FOR FURNACE (CONTINUED)



139980-03-000

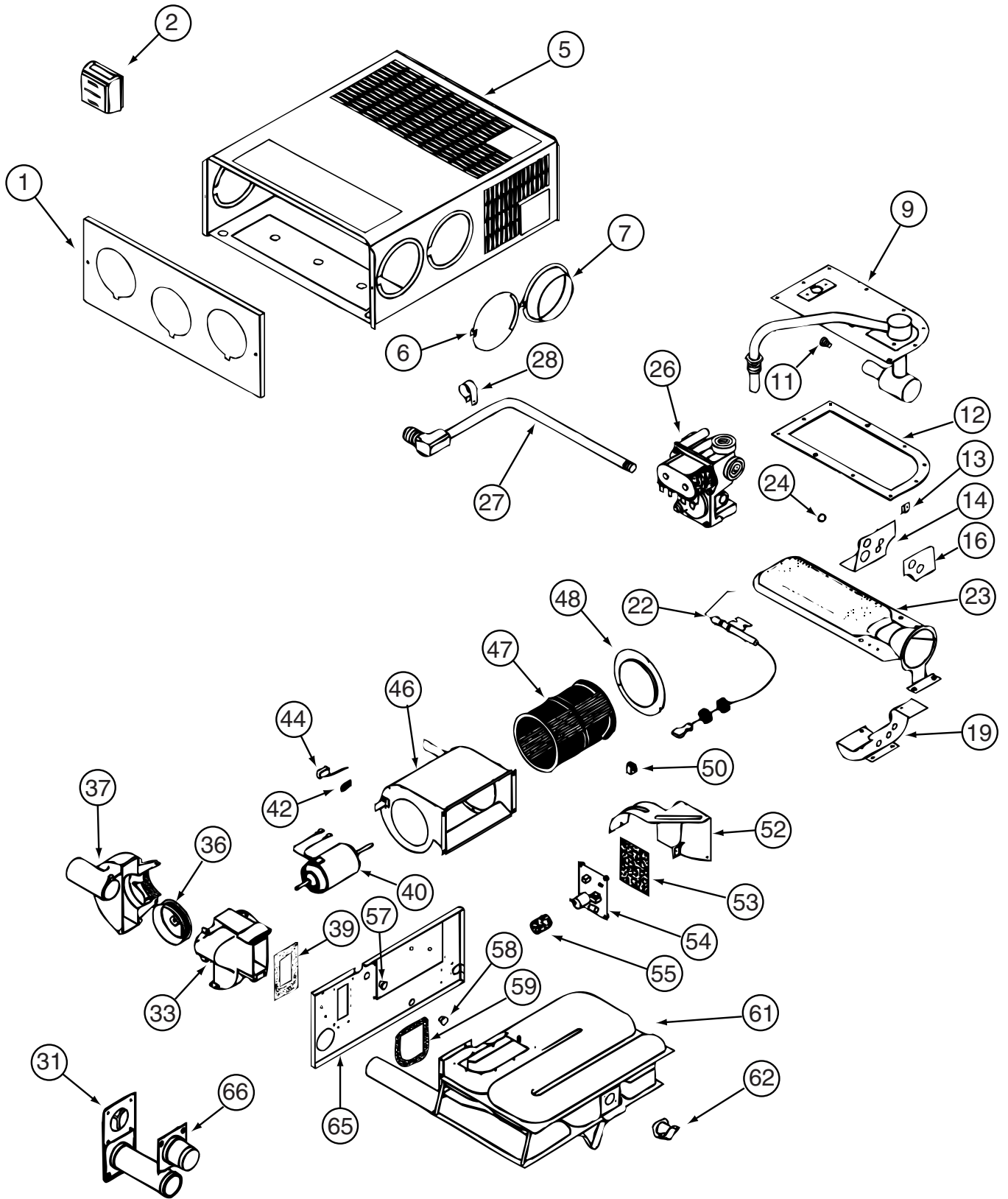
HEATING & A/C GROUP (CONTINUED)
COMPONENT PARTS FOR FURNACE (CONTINUED)

139980-03-000 (CONTINUED)

| KEY | PART NUMBER | U/M | DESCRIPTION | VENDOR NO. |
|------------|--------------------|------------|------------------------------|-------------------|
| 9 | 139980-01-700 | EA | MANIFOLD ASSEMBLY | 171571 |
| 11 | 069634-01-720 | EA | ORIFICE-MAIN BURNER | 180222 |
| 12 | 098668-22-703 | EA | GASKET - BURNER ACCESS COVER | 070811 |
| 22 | 139980-01-701 | EA | ELECTRODE | 232286 |
| 23 | 098668-02-700 | EA | BURNER ASSEMBLY,SF-30 & SF35 | 010745 |
| 26 | 098668-01-718 | EA | VALVE-GAS SF S.N.974903079 | 161122 |
| 27 | 139980-01-702 | EA | PIPE ASSEMBLY/GAS INLET | 171574 |
| 31 | 098668-01-707 | EA | TUBE ASSEMBLY, EXHAUST W/CAP | 260231 |
| 33 | 139980-01-703 | EA | COMBUSTION AIR HOUS FRT/HALF | 390852 |
| 36 | 098668-01-706 | EA | WHEEL-COMBUSTION AIR | 350184 |
| 37 | 139980-01-704 | EA | COMBUSTION AIR HOUS RR HALF | 390848 |
| 39 | 139980-01-705 | EA | GASKET/FIREWALL-COMB AIR | 071084 |
| 40 | 139980-01-707 | EA | MOTOR ASSEMBLY W/GASKET SF35 | 232684 |
| 42 | 101990-01-714 | EA | GASKET-MICROSWITCH | 230877 |
| 44 | 098668-21-700 | EA | SWITCH-MICRO-W/O FLAG 3 1/4" | 232261 |
| 46 | 139980-01-708 | EA | BLOWER ASSEMBLY - ROOM AIR | 390739BK |
| 47 | 098668-01-711 | EA | WHEEL-BLOWER, ROOM AIR | 350129 |
| 48 | 139980-01-709 | EA | ORFICE RING | 390696 |
| 50 | 139980-01-710 | EA | SWITCH - ON/OFF | 232351 |
| 52 | 139980-01-711 | EA | PANEL ASSEMBLY-MODULE BD | 101663 |
| 53 | 139980-01-712 | EA | INSULATOR - MODULE BD | 070807 |
| 54 | 098668-22-705 | EA | MODULE BD W/RELAY TIME DELAY | 520820 |
| 55 | 139980-01-713 | EA | CAP/INSULATOR-MODULE BD | 070973 |
| 57 | 139980-01-714 | EA | BUSHING - UNIVERSAL | 070362 |
| 58 | 139980-01-715 | EA | BUSHING - STRAIN RELIEF | 231809 |
| 59 | 098668-01-716 | EA | GASKET-FIREWALL,CHAMBER SIDE | 070808 |
| 61 | 139980-01-716 | EA | CHAMBER ASSEMBLY - FINAL | 021149BK |
| 62 | 098668-21-701 | EA | SWITCH - LIMIT | 232504 |
| 66 | 098668-01-713 | EA | TUBE ASSEMBLY, INTAKE | 051248 |

CONTACT WINNEBAGO PART SALES FOR UNLISTED COMPONENTS

HEATING & A/C GROUP (CONTINUED)
COMPONENT PARTS FOR FURNACE (CONTINUED)



139980-04-000

HEATING & A/C GROUP (CONTINUED)
COMPONENT PARTS FOR FURNACE (CONTINUED)

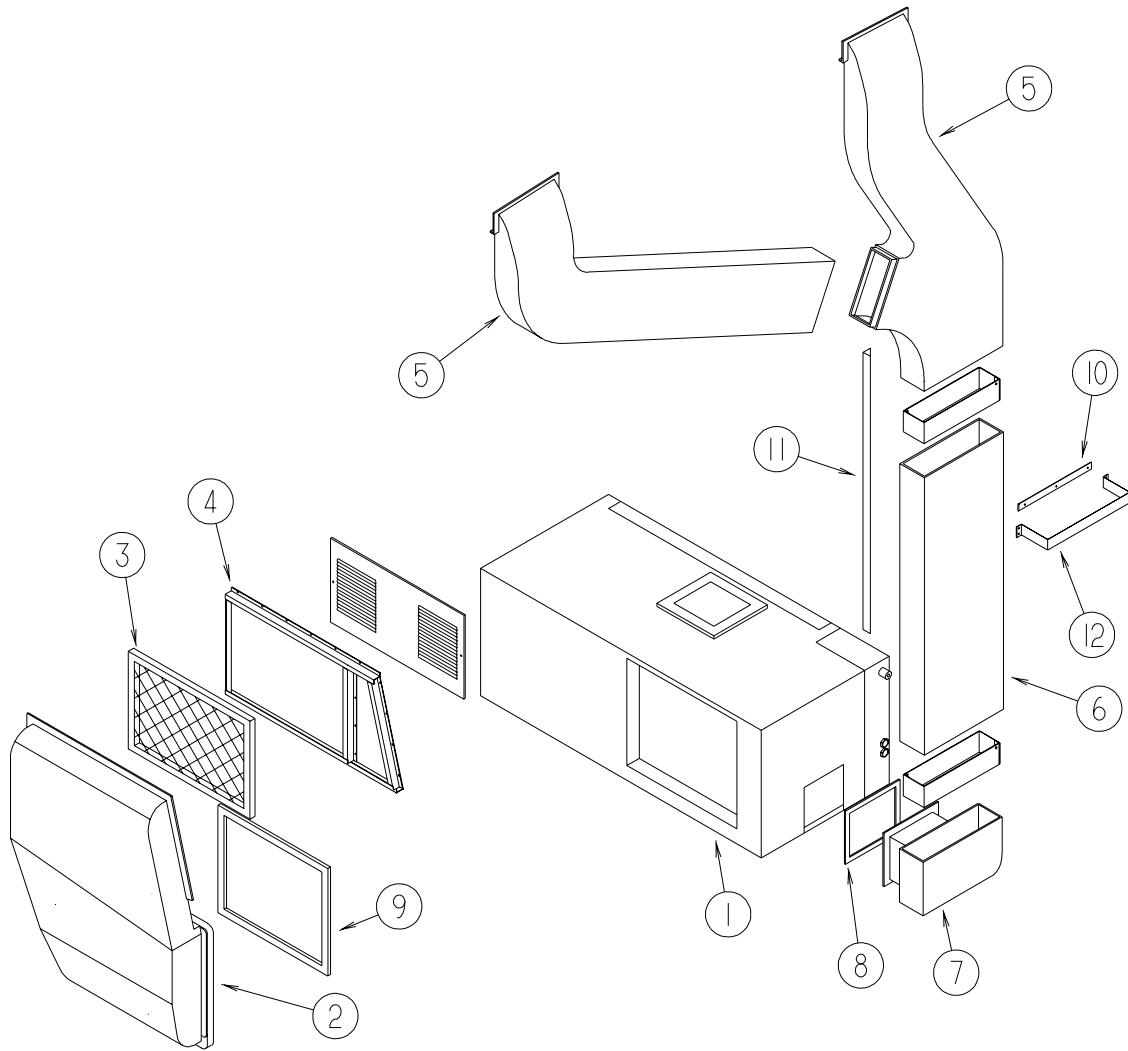
139980-04-000 (CONTNUED)

| KEY | PART NUMBER | U/M | DESCRIPTION | VENDOR NO. |
|------------|--------------------|------------|------------------------------|-------------------|
| 9 | 098668-20-700 | EA | MANIFOLD ASM. | 171517 |
| 11 | 139980-04-700 | EA | ORFICE - MAIN BURNER | 180242 |
| 12 | 098668-22-703 | EA | GASKET - BURNER ACCESS COVER | 070811 |
| 22 | 139980-01-701 | EA | ELECTRODE | 232286 |
| 23 | 098668-11-701 | EA | BURNER ASSEMBLY,SF-42F | 010799 |
| 26 | 098668-01-718 | EA | VALVE-GAS SF S.N.974903079 | 161122 |
| 27 | 139980-01-702 | EA | PIPE ASSEMBLY/GAS INLET | 171574 |
| 31 | 098668-01-707 | EA | TUBE ASSEMBLY, EXHAUST W/CAP | 260231 |
| 33 | 139980-01-703 | EA | COMBUSTION AIR HOUS FRT/HALF | 390852 |
| 36 | 098668-22-702 | EA | WHEEL-COMBUSTION AIR | 350183 |
| 37 | 139980-01-704 | EA | COMBUSTION AIR HOUS RR HALF | 390848 |
| 39 | 139980-01-705 | EA | GASKET/FIREWALL-COMB AIR | 071084 |
| 40 | 139980-04-701 | EA | MOTOR ASSEMBLY W/GASKET | 232683 |
| 42 | 101990-01-714 | EA | GASKET-MICROSWITCH | 230877 |
| 44 | 098668-21-700 | EA | SWITCH-MICRO-W/O FLAG 3 1/4" | 232261 |
| 46 | 139980-04-702 | EA | BLOWER ASSEMBLY/ROOM AIR | 390740BK |
| 47 | 098668-01-711 | EA | WHEEL-BLOWER, ROOM AIR | 350129 |
| 48 | 139980-01-709 | EA | ORFICE RING | 390696 |
| 50 | 139980-01-710 | EA | SWITCH - ON/OFF | 232351 |
| 52 | 139980-01-711 | EA | PANEL ASSEMBLY-MODULE BD | 101663 |
| 53 | 139980-01-712 | EA | INSULATOR - MODULE BD | 070807 |
| 54 | 098668-22-705 | EA | MODULE BD W/RELAY TIME DELAY | 520820 |
| 55 | 139980-01-713 | EA | CAP/INSULATOR-MODULE BD | 070973 |
| 57 | 139980-01-714 | EA | BUSHING - UNIVERSAL | 070362 |
| 58 | 139980-01-715 | EA | BUSHING - STRAIN RELIEF | 231809 |
| 59 | 098668-01-716 | EA | GASKET-FIREWALL,CHAMBER SIDE | 070808 |
| 61 | 139980-04-703 | EA | CHAMBER ASSEMBLY FINAL | 021150BK |
| 62 | 098668-22-706 | EA | SWITCH/LIMIT - 195 TRIP TEMP | 232505 |
| 66 | 098668-01-713 | EA | TUBE ASSEMBLY, INTAKE | 051248 |

CONTACT WINNEBAGO PART SALES FOR UNLISTED COMPONENTS

HEATING & A/C GROUP (CONTINUED)

CENTRAL



Q36C

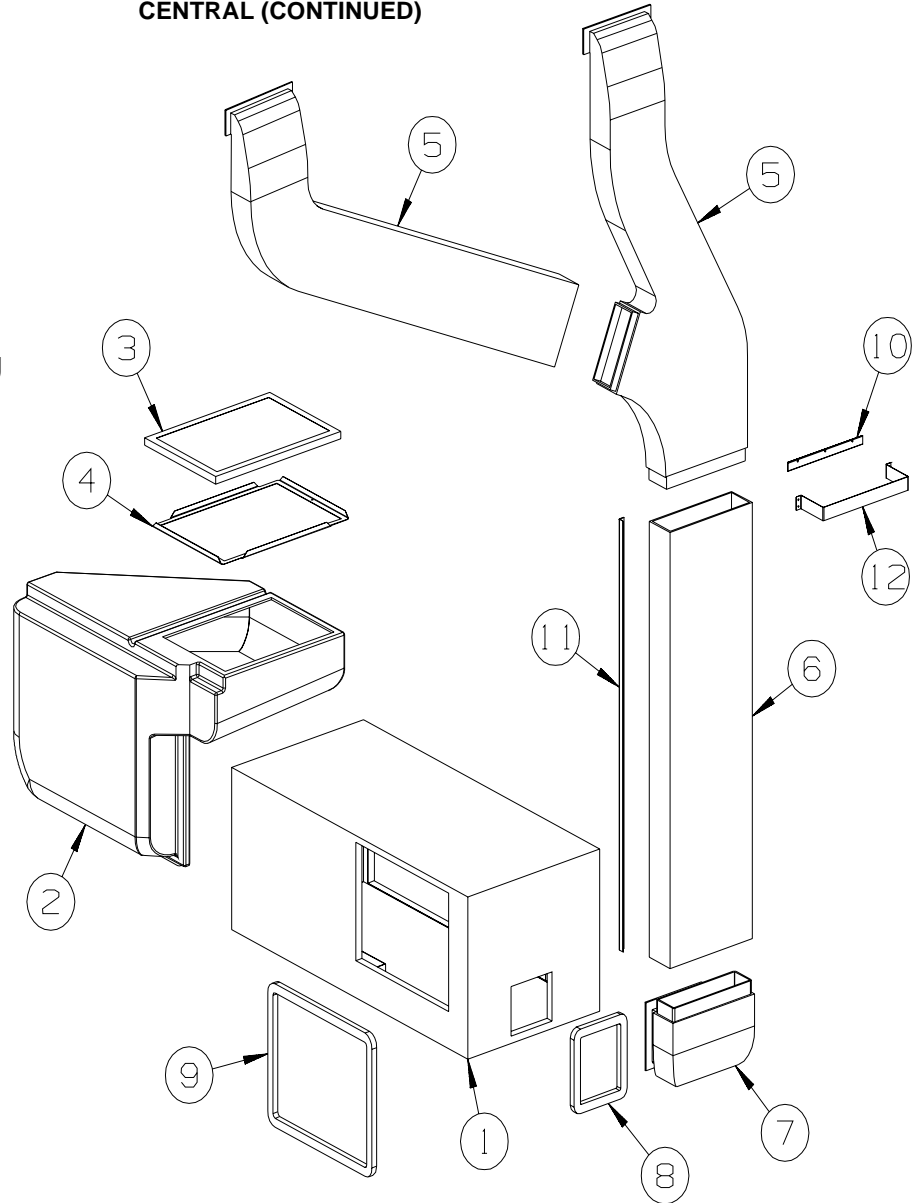
| KEY | PART NUMBER | U/M | DESCRIPTION |
|-----|---------------|-----|---|
| 1* | 105620-11-000 | EA | A/C CENTRAL PACKAGE - RIGHT HAND POWER SAVER/LARGE BLOWER |
| 1* | 105620-12-000 | EA | A/C - CONTROL PACK RIGHT HAND/HEAT PUMP - 12,000BTU COMP |
| 2 | 135036-01-000 | EA | DUCT - CENTRAL AIR - RETURN |
| 3 | 109050-02-000 | EA | FILTER - FIBERGLASS - 1" X 14" X 20" |
| 4 | 129604-01-KQ0 | EA | FRAME - A/C FILTER |
| 5 | M09204-01-000 | EA | DUCT/AC - UPPER RIGHT HAND & LEFT HAND |
| 5 | 105290-01-000 | EA | INSULATION - AIR POCKET W/FOIL |
| 6 | 117870-03-01A | EA | PLENUM - A/C |
| 7 | P28855-01-000 | EA | DUCT/CENTRAL AIR - LOWER |
| 7 | 105290-01-000 | EA | INSULATION - AIR POCKET W/FOIL |
| 8 | 134588-02-000 | EA | GASKET - DUCT - 6.4" X 7.4" IS - 8.3" X 9.4" OS |
| 9 | 134588-01-000 | EA | GASKET - DUCT - 15.5" X 18.2" IS - 17.4" X 20.2" OS |
| 10 | 115886-11-02A | EA | RETAINER - SIDEWALL - BRIGHT WHITE - 11.8" |
| 11 | 130262-01-000 | EA | PROTECTOR - CORNER SAVER - .7" X .7" X 48" |
| 12 | 129047-01-02B | EA | STRAP/MOUNTING - AIR DUCT - E-COATED |
| | 120134-01-02A | EA | REGISTER - W/DAMPER - 4" PIPE/7" O.D. FACE - WHITE |
| | 105620-14-000 | EA | THERMOSTAT - A/C AND FURNACE |
| | 105620-15-000 | EA | THERMOSTAT - FURNACE/HEAT PUMP |

***COMPONENT PARTS LISTED LATER IN THIS GROUP**

HEATING & A/C GROUP (CONTINUED)

CENTRAL (CONTINUED)

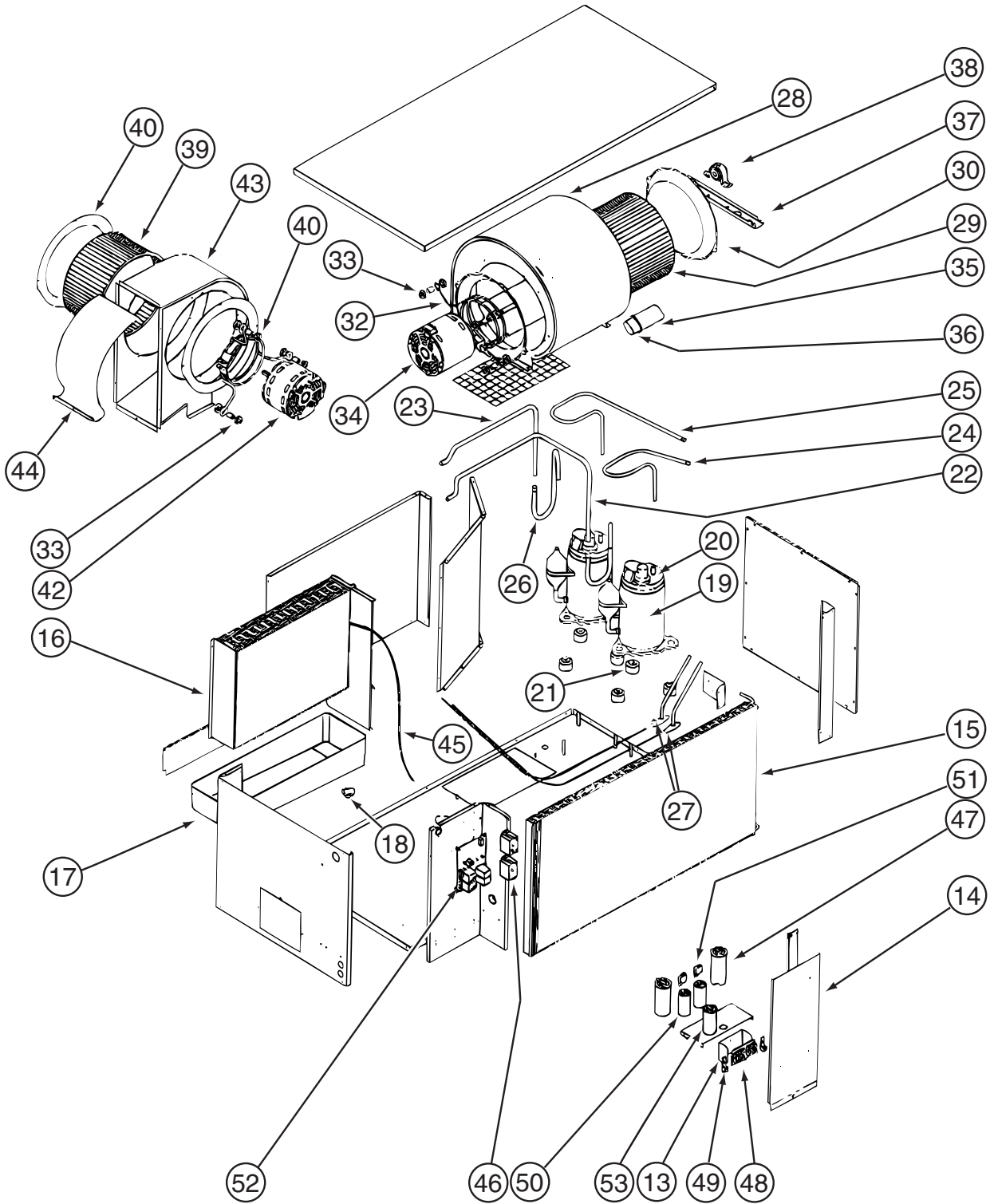
Q38K, Q40E, Q40J



| KEY | PART NUMBER | U/M | DESCRIPTION |
|-----|---------------|-----|---|
| 1* | 105620-11-000 | EA | A/C CENTRAL PACKAGE - RIGHT HAND POWER SAVER/LARGE BLOWER |
| 1* | 105620-12-000 | EA | A/C - CONTROL PACK RIGHT HAND/HEAT PUMP - 12,000BTU COMP |
| 2 | 138052-01-01A | EA | DUCT - CENTRAL AIR RETURN |
| 3 | 109050-02-000 | EA | FILTER/FURNACE-AC - FIBERGLASS - 1" X 14" X 20" |
| 4 | 139757-01-02B | EA | PANEL - TRY - A/C FILTER - E-COATED |
| 5 | M09204-01-000 | EA | DUCT/AC - UPPER RIGHT HAND & LEFT HAND |
| | 128862-01-000 | EA | DUCT/AIR - UPPER LEFT HAND |
| | 128868-01-000 | EA | DUCT/AIR - UPPER RIGHT HAND |
| 5 | 105290-01-000 | EA | INSULATION - AIR POCKET W/FOIL |
| 6 | 117870-10-01A | EA | PLENUM - A/C - 48.5" |
| 7 | P28855-01-000 | EA | DUCT/CENTRAL AIR - LOWER |
| | 128855-01-000 | EA | DUCT/LOWER - CENTRAL FORCED AIR |
| 8 | 134588-04-000 | EA | GASKET - DUCT - 13.9" X 18.2" IS - 15.9" X 20.2" OS |
| | | | FROM: 06-01-01 THRU: 99-99-99 |
| 9 | 134588-02-000 | EA | GASKET - DUCT - 6.4" X 7.4" IS - 8.3" X 9.4" OS |
| | | | FROM: 06-01-01 THRU: 99-99-99 |
| 10 | 115886-11-02A | EA | RETAINER - SIDEWALL - BRIGHT WHITE - 11.8" |
| | 120134-01-02A | EA | REGISTER - W/DAMPER - 4" PIPE/7" O.D. FACE - WHITE |
| | 105620-14-000 | EA | THERMOSTAT - A/C AND FURNACE |
| * | 105620-15-000 | EA | THERMOSTAT - FURNACE/HEAT PUMP |
| 11 | 130262-01-000 | EA | PROTECTOR - CORNER SAVER - .7" X .7" X 48" |
| 12 | 129047-01-02B | EA | STRAP/MOUNTING - AIR DUCT - E-COATED |
| | 120863-06-000 | EA | BUMPER - RUBBER/RADIUS TOP - 3/4" X 3/8" |

***COMPONENT PARTS LISTED LATER IN THIS GROUP**

HEATING & A/C GROUP (CONTINUED)
COMPONENT PARTS FOR CENTRAL



105620-11-000

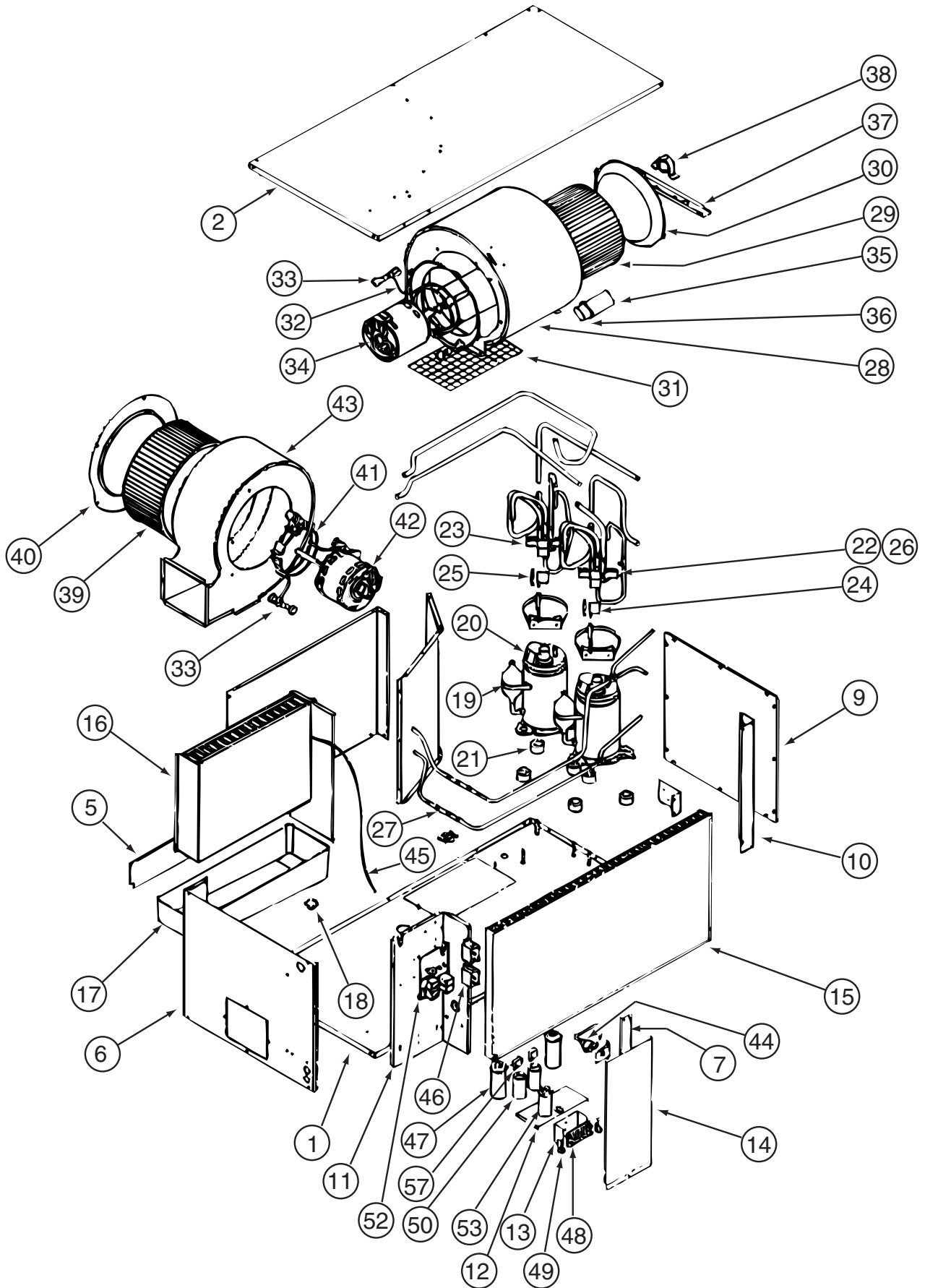
HEATING & A/C GROUP (CONTINUED)
COMPONENT PARTS FOR CENTRAL (CONTINUED)

105620-11-000 (CONTINUED)

| KEY | PART NUMBER | U/M | DESCRIPTION | VENDOR NO. |
|------------|--------------------|------------|------------------------------|-------------------|
| 15 | 105620-10-707 | EA | CONDENSER COIL | 1452-1541 |
| 16 | 105620-10-708 | EA | EVAPORATOR COIL | 1452A1531 |
| 17 | 105620-10-709 | EA | DRAIN PAN | 6636-304 |
| 18 | 105620-10-717 | EA | VALVE - DRAIN | 6531-503 |
| 19 | 126860-01-700 | EA | COMPRESSOR RK136AT-002-A4Y | 1450A2119 |
| 20 | 126860-01-701 | EA | OVERLOAD PROTECTOR MRA# 1460 | 1450-0071 |
| 21 | 105620-01-706 | EA | MOUNTING PKG.,COMP., 3 PER | 6759-3081 |
| 22 | 105620-10-710 | EA | SUCTION LINE ASSY COIL#1 | 6636-131 |
| 23 | 105620-10-711 | EA | SUCTION LINE ASSY COIL#2 | 6636-129 |
| 24 | 105620-10-712 | EA | DISCHARGE LINE ASSEMBLY#1 | 6636-126 |
| 25 | 105620-10-713 | EA | DISCHARGE LINE ASSEMBLY#2 | 6636-125 |
| 26 | 105620-10-714 | EA | SUCTION LINE ASSY COMP#1&2 | 6636-130 |
| 27 | 105620-10-719 | EA | LIQUID LINE ASSEMBLY COMP. | 6636-520 |
| 28 | 105620-10-718 | EA | BLOWER HOUSING/OUTSIDE AIR | 6536-515 |
| 29 | 105620-01-713 | EA | WHEEL-BLOWER/OUTSIDE AIR | 1472-1011 |
| 32 | 105620-01-715 | EA | MOUNT-BLOWER/OUTSIDE AIR | 6795A3011 |
| 34 | 105620-10-721 | EA | MOTOR/BLOWER-8 3/4" SHAFT | 1468A3029 |
| 35 | 105620-01-718 | EA | CAPACITOR-FAN, 12.5 MFD/370V | 1499-5631 |
| 36 | 105620-10-715 | EA | RUBBER CAPACITOR BOOT | 1499-951 |
| 37 | 105620-10-700 | EA | BEARING BRACKET/OUTSIDE AIR | 6536-574 |
| 38 | 105620-10-701 | EA | BEARING/PILLOW BLOCK-O/S AIR | 6536-3011 |
| 39 | 105620-11-701 | EA | BLOWER WHEEL/INSIDE AIR | 1472-1121 |
| 40 | 105620-11-702 | EA | BLOWER VENTURI/INSIDE AIR | 6535-287 |
| 41 | 105620-01-723 | EA | MOUNT-BLOWER MOTOR - I/S AIR | 6795-3021 |
| 42 | 105620-11-703 | EA | BLOWER MOTOR/INSIDE AIR | 1468-3219 |
| 43 | 105620-11-704 | EA | BLOWER HOUSING/INSIDE AIR | 6535-589 |
| 46 | 105620-01-729 | EA | RELAY-COMPRESSOR -4 TERMINAL | 1460-1131 |
| 47 | 126859-01-703 | EA | CAPACITOR - RUN | 1499-5671 |
| 48 | 105620-01-738 | EA | BOARD-TERMINAL, HIGH VOLTAGE | 6795-315 |
| 51 | 105620-10-705 | EA | PTCR (START DEVICE) - W/CAP. | 8333A9021 |
| 52 | 105620-05-700 | EA | BOARD-PRINTED CIRCUIT, 2 TON | 6795A3201 |
| 53 | 093763-01-704 | EA | CAPACITOR-FAN | 1499-5461 |
| | 105620-10-720 | EA | FUSE/BUSS(8AMP/250V) 2 PKG | 6535-3081 |

CONTACT WINNEBAGO PARTS SALES FOR UNLISTED COMPONENTS

HEATING & A/C GROUP (CONTINUED)
COMPONENT PARTS FOR CENTRAL (CONTINUED)



105620-12-000

HEATING & A/C GROUP (CONTINUED)
COMPONENT PARTS FOR CENTRAL (CONTINUED)

105620-12-000 (CONTINUED)

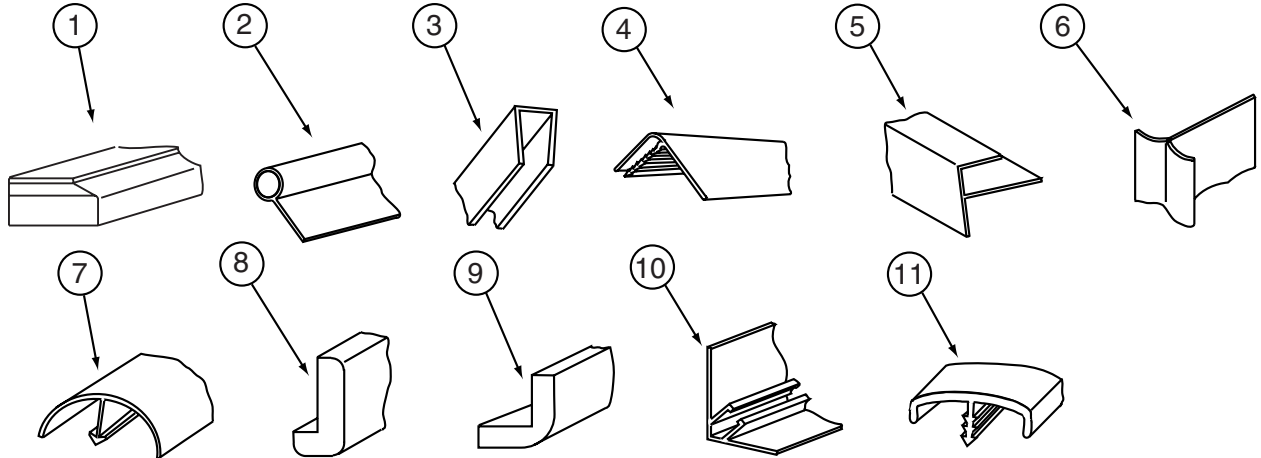
| KEY | PART NUMBER | U/M | DESCRIPTION | VENDOR NO. |
|------------|--------------------|------------|------------------------------|-------------------|
| 15 | 105620-12-701 | EA | COIL - CONDENSER | 1452-1621 |
| 16 | 105620-12-702 | EA | COIL - EVAPORATOR | 1452A1611 |
| 17 | 105620-10-709 | EA | DRAIN PAN | 6636-304 |
| 18 | 105620-01-703 | EA | VALVE-DRAIN, RH & LH | 6795-200 |
| 18 | 105620-12-703 | EA | VALVE - DRAIN | 6795-200 |
| 19 | 105620-12-704 | EA | COMPRESSOR | 1450-2149 |
| 21 | 105620-01-706 | EA | MOUNTING PKG.,COMP., 3 PER | 6759-3081 |
| 22 | 105620-12-706 | EA | REVERSING VALVE ASSEMBLY #1 | 6535A533 |
| 23 | 105620-12-707 | EA | REVERSING VALVE ASSEMBLY #2 | 6535-5321 |
| 24 | 105620-12-708 | EA | COIL - SOLENOID | 1460-1081 |
| 25 | 105620-12-709 | EA | WIRE HARNESS-REVERSING VALVE | 6536-111 |
| 26 | 105620-12-710 | EA | VALVE - REVERSE ONLY | 1454A350 |
| 27 | 105620-12-711 | EA | RESTRICTOR - BY FLOW | 1454-2521 |
| 28 | 105620-12-712 | EA | BLOWER HOUSING/OUTSIDE AIR | 6536-515 |
| 29 | 105620-01-713 | EA | WHEEL-BLOWER/OUTSIDE AIR | 1472-1011 |
| 32 | 105620-01-715 | EA | MOUNT-BLOWER/OUTSIDE AIR | 6795A3011 |
| 34 | 105620-10-721 | EA | MOTOR/BLOWER-8 3/4" SHAFT | 1468A3029 |
| 35 | 105620-01-718 | EA | CAPACITOR-FAN, 12.5 MFD/370V | 1499-5631 |
| 37 | 105620-12-713 | EA | BRACKET/BEARING-O/S AIR BLWR | 6536-514 |
| 38 | 105620-10-701 | EA | BEARING/PILLOW BLOCK-O/S AIR | 6536-3011 |
| 39 | 105620-11-701 | EA | BLOWER WHEEL/INSIDE AIR | 1472-1121 |
| 40 | 105620-12-715 | EA | BLOWER VENTURI/INSIDE AIR | 6535A287 |
| 41 | 105620-01-723 | EA | MOUNT-BLOWER MOTOR - I/S AIR | 6795-3021 |
| 42 | 105620-12-716 | EA | BLOWER MOTOR-REVERSIBLE-I/S | 1468-3219 |
| 43 | 105620-12-717 | EA | BLOWER HOUSING/INSIDE AIR | 6535A589 |
| 44 | 105620-12-718 | EA | SWITCH ASSM. - HIGH PRESSURE | 6535-5291 |
| 45 | 105620-12-719 | EA | COIL SENSOR | 7330A3231 |
| 46 | 105620-01-729 | EA | RELAY-COMPRESSOR -4 TERMINAL | 1460-1131 |
| 48 | 105620-01-738 | EA | BOARD-TERMINAL, HIGH VOLTAGE | 6795-315 |
| 51 | 105620-10-705 | EA | PTCR (START DEVICE) - W/CAP. | 8333A9021 |
| 52 | 105620-12-720 | EA | KIT-CIRCUIT BD (6535-SERIES) | 6535-3209 |
| 52 | 105620-12-721 | EA | CIRCUIT BD(6535 A SERIES) | 6535-3201 |
| 53 | 093763-01-704 | EA | CAPACITOR-FAN | 1499-5461 |
| | 105620-10-720 | EA | FUSE/BUSS(8AMP/250V) 2 PKG | 6535-3081 |

CONTACT WINNEBAGO PART SALES FOR UNLISTED COMPONENTS

105620-15-000

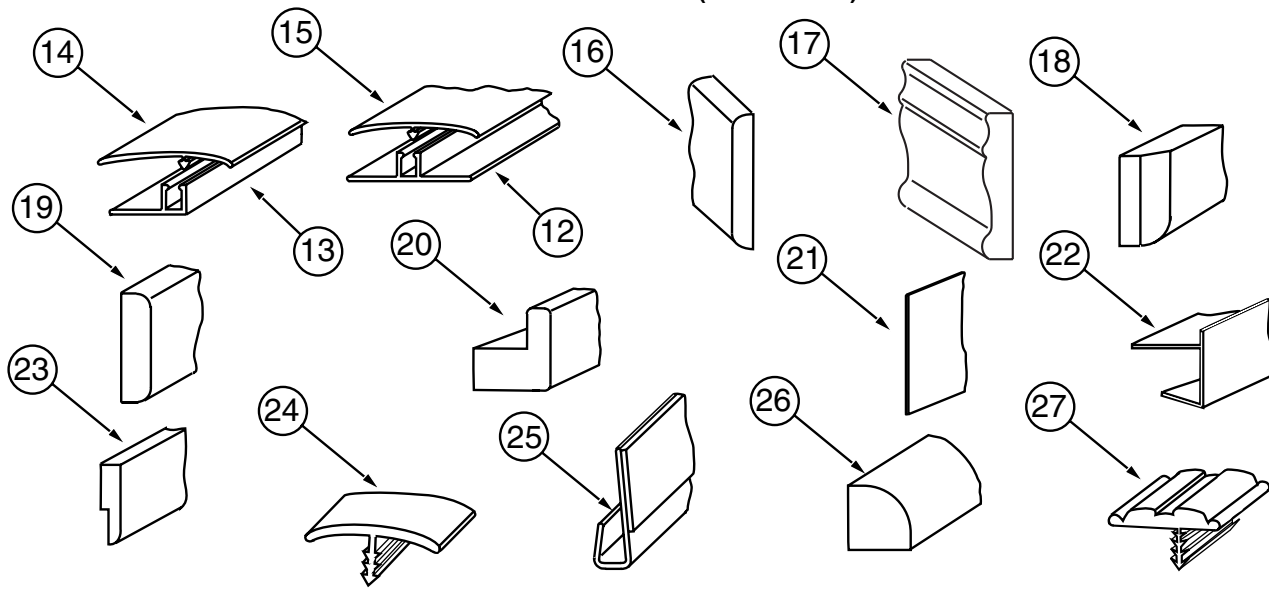
| KEY | PART NUMBER | U/M | DESCRIPTION | VENDOR NO |
|------------|--------------------|------------|------------------------------|------------------|
| | 105620-15-700 | EA | FUSE/BUSS(2AMP/250V)3 PER PK | 8330-3343 |

INTERIOR FINISH GROUP
MOLDINGS & TRIMS
SALEM CHERRY
PORTSMOUTH OAK



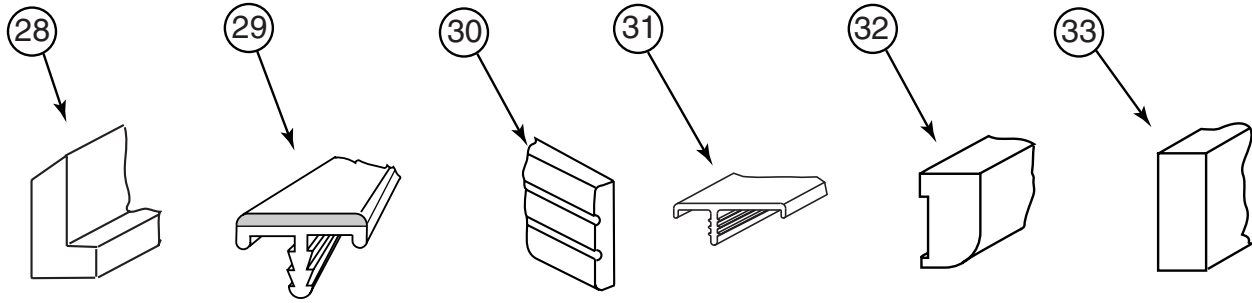
| KEY | PART NUMBER | U/M | DESCRIPTION |
|-----|---------------|-----|---|
| 1 | P34052-01-N75 | EA | TRIM/TABLE - 29.7" - PORTSMOUTH OAK |
| 1 | P34052-01-M84 | EA | TRIM/TABLE - 29.7" - WASHED MAPLE |
| 1 | P34052-01-M52 | EA | TRIM/TABLE - 29.7" - SALEM CHERRY |
| 1 | P34052-02-N47 | EA | TRIM/TABLE - 24" |
| 2 | 009767-12-000 | FT | WELTING - ANTIQUE WHITE |
| 2 | 009767-17-000 | FT | WELTING - PORTSMOUTH OAK |
| 3 | 009778-25-000 | FT | U-CHANNEL - 1" - BEIGE ILLUSION |
| 3 | 009778-27-000 | FT | U-CHANNEL - 1" - WASHED MAPLE |
| 3 | 009778-30-000 | FT | U-CHANNEL - 1" - VILLAGE OAK |
| 3 | 009778-31-000 | FT | U-CHANNEL - 1" - GRADY BROWN |
| 3 | 009778-32-000 | FT | U-CHANNEL - 1" - PORTSMOUTH OAK |
| 3 | 009778-34-000 | FT | U-CHANNEL - 1" - CONCERT CHERRY |
| 3 | 070504-36-000 | FT | U-CHANNEL - PLASTIC - .13" X 96" - WATERFORD OAK |
| 3 | 070504-42-000 | FT | U-CHANNEL - PLASTIC - .13" X 84" - BEIGE ILLUSION |
| 3 | 070504-50-000 | FT | U-CHANNEL - PLASTIC - .13" X 96" - WASHED MAPLE |
| 3 | 070504-51-000 | FT | U-CHANNEL - PLASTIC - .9" X 96" - WASHED MAPLE |
| 3 | 070504-54-000 | FT | U-CHANNEL - PLASTIC - .9" X 96" - VILLAGE OAK |
| 3 | 070504-56-000 | FT | U-CHANNEL - PLASTIC - .8" X 72" - VW LIGHT GRAY |
| 3 | 070504-57-000 | FT | U-CHANNEL - PLASTIC - .6" X 84" - PORTSMOUTH OAK |
| 3 | 070504-58-000 | FT | U-CHANNEL - PLASTIC - .8" X 84" - PORTSMOUTH OAK |
| 3 | 070504-60-000 | FT | EXTRUSION-U CHANNEL,1.65 - CONCERT CHERRY |
| 3 | 070504-61-000 | FT | U-CHANNEL - PLASTIC - .8" X 84" - CONCERT CHERRY |
| 4 | 009809-30-000 | EA | MOLDING - CORNER - OUTSIDE - 1" X 84" - BEIGE ILLUSION |
| 4 | 009809-31-000 | EA | MOLDING - CORNER - OUTSIDE - 1" X 84" - WASHED MAPLE |
| 4 | 009809-32-000 | EA | MOLDING - CORNER - OUTSIDE - 1" X 84" - PORTSMOUTH OAK |
| 4 | 009809-33-000 | EA | MOLDING - CORNER - OUTSIDE - 1" X 84" - WORMY PECAN |
| 5 | 009812-31-000 | EA | MOLDING - CORNER - 1/2" W/1/4"CHAN X 84" - BEIGE ILLUSION |
| 5 | 009812-33-000 | EA | MOLDING - CORNER - 1/2" W/1/4"CHAN X 84" - WASHED MAPLE |
| 5 | 009812-35-000 | EA | MOLDING - CORNER - 1/2" W/1/4"CHAN X 84" - PORTSMOUTH OAK |
| 5 | 009812-36-000 | EA | MOLDING - CORNER - 1/2" W/1/4"CHAN X 84" - CONCERT CHERRY |
| 6 | 022992-14-000 | FT | MOLDING - REVERSE COVE - T-SHAPED - BRIGHT WHITE |
| 6 | 022992-15-000 | FT | MOLDING - REVERSE COVE - T-SHAPED - VW GRAY |
| 7 | 042357-25-000 | EA | MOLDING - CORNER - RADIUS/PLASTIC - WASHED MAPLE |
| 7 | 042357-26-000 | EA | MOLDING - CORNER - RADIUS/PLASTIC - PORTSMOUTH OAK |
| 7 | 042357-27-000 | EA | MOLDING - CORNER - RADIUS/PLASTIC - CONCERT CHERRY |
| 8 | 077840-01-E41 | EA | MOLDING - WALL CAP - 8' - SALEM CHERRY |
| 8 | 077840-01-N30 | EA | MOLDING - WALL CAP - 8' - PORTSMOUTH AOK |
| 8 | 077840-01-M91 | EA | MOLDING - WALL CAP - 8' - WASHED MAPLE |
| 9 | 080176-08-000 | EA | CAP - CORNER - RADIUS MOLDING - PLASTIC - WASHED MAPLE |
| 10 | 081521-02-007 | EA | MOUNT - METAL MOLDING - F/RADIUS CORNER MOLDING - 151.5" |
| 11 | 083620-09-000 | FT | MOLDING-T - W/EDGE LIP - 7/8" FACE - MODERN IVORY |
| 11 | 083620-19-000 | FT | MOLDING-T - W/EDGE LIP - 7/8" FACE - WASHED MAPLE |
| 11 | 083620-20-000 | FT | MOLDING-T - W/EDGE LIP - 7/8" FACE - PORTSMOUTH OAK |
| 11 | 083620-21-000 | FT | MOLDING-T - W/EDGE LIP - 7/8" FACE - CONCERT CHERRY |
| 11 | 104676-02-08A | FT | MOLDING-T - W/EDGE LIP - 11/16" FACE - PORTSMOUTH OAK |
| 11 | 104676-02-06A | FT | MOLDING-T - W/EDGE LIP - 11/16" FACE - WASHED MAPLE |

INTERIOR FINISH GROUP (CONTINUED)
MOLDINGS & TRIMS (CONTINUED)



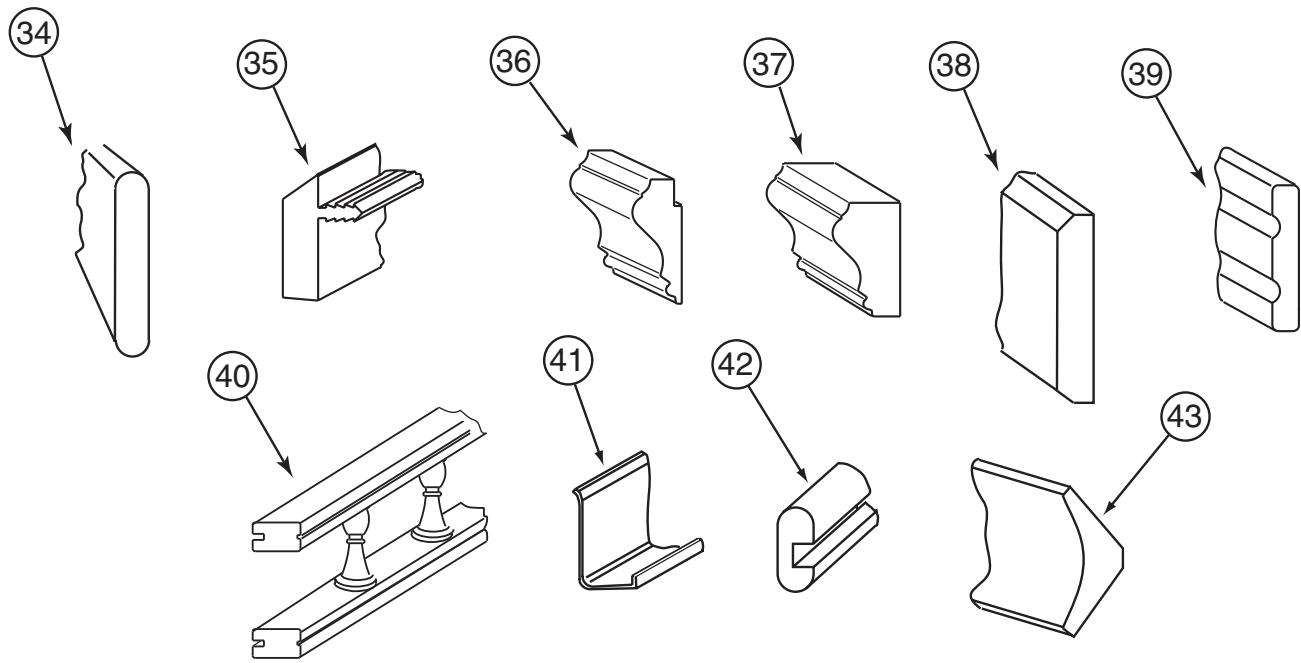
| KEY | PART NUMBER | U/M | DESCRIPTION |
|-----|---------------|-----|--|
| 12 | 086229-01-000 | EA | RETAINER - BATTEN - .75" X 92.1" - ANY COLOR |
| 13 | 086229-11-000 | EA | RETAINER - OFFSET - 97" |
| 14 | 086229-12-000 | EA | BATTEN - 1.5" OFFSET X 97.01" IVORY |
| 14 | 086229-21-000 | EA | BATTEN - 1.5" X 83.9" OFFSET - WHITE |
| 15 | 086229-13-000 | EA | BATTEN - 1" X 96" - IVORY |
| 15 | 086229-19-000 | EA | BATTEN - 1" X 98.4" - OFF WHITE |
| 15 | 086229-20-000 | EA | BATTEN - 1" X 96" - BEIGE |
| 16 | 091985-01-08A | FT | INSERT - TRIM - .65" WIDE - SOFT WHITE |
| 17 | 100182-10-E41 | EA | TRIM - CHAIR RAIL - 2.5" X 8' EACH - WOOD |
| 17 | 100182-10-J70 | EA | TRIM - CHAIR RAIL - 2.5" X 8' EACH - WOOD |
| 17 | 100182-10-K29 | EA | TRIM - CHAIR RAIL - 2.5" X 8' EACH - WOOD |
| 17 | 100182-10-N47 | EA | TRIM/RAIL |
| 18 | 100659-27-M70 | EA | MOLDING/TRIM - VINYL FLOOR - CHERRY III |
| 18 | 100659-30-N75 | EA | MOLDING - TRIM - PORTSMOUTH OAK |
| 18 | 100659-30-N74 | EA | MOLDING - TRIM - CHERRY |
| 18 | 100659-30-M84 | EA | MOLDING-TRIM,VINYL FLOOR - 01 G-SERIES GENERAL |
| 19 | 100818-01-12A | EA | MOLDING - VINYL WRAPPED - 1.6" X .4" X 84"-PORTSMOUTH OAK |
| 19 | 100818-01-10A | EA | MOLDING - VINYL WRAPPED - 1.6" X .4" X 84" - CHERRY |
| 19 | 100818-01-08A | EA | MOLDING - VINYL WRAPPED - 1.6" X .4" X 84"-WASHED MAPLE |
| 20 | 100819-01-08A | EA | MOLDING - VINYL WRAPPED-L-SHAPED-1.5"X1.5"X84"-WASHED MPL |
| 20 | 100819-01-09A | EA | MOLDING - VINYL WRAPPED-L-SHAPED-1.5"X1.5"X84"-PRTSMTH OAK |
| 20 | 100819-01-10A | EA | MOLDING - VINYL WRAPPED-L-SHAPED-1.5"X1.5"X84"-CNCRT CHERR |
| 20 | 100819-01-12A | EA | MOLDING - VINYL WRAPPED-L-SHAPED - 1.5" X 1.5" X 84" - OAK |
| 21 | 101957-01-06A | EA | EXTRUDED - PLASTIC - WASHED MAPLE |
| 22 | 103186-01-10A | FT | MOLDING - PLASTIC - 3/8" U-CHANNEL-3/4"FACE-CONCERT CHERRY |
| 22 | 103186-01-09A | FT | MOLDING - PLASTIC - 3/8" U-CHANNEL-3/4"FACE-PORTSMOUTH OAK |
| 22 | 103186-01-07A | FT | MOLDING - PLASTIC - 3/8" U-CHANNEL-3/4"FACE - BEIGE ILLUS |
| 22 | 103186-02-10A | FT | MOLDING - PLASTIC - 1" U-CHANNEL-1 3/8"FACE-CONCERT CHERRY |
| 22 | 103186-02-09A | FT | MOLDING - PLASTIC - 1" U-CHANNEL-1 3/8"FACE-PORTSMOUTH OAK |
| 22 | 103186-02-08A | FT | MOLDING - PLASTIC - 1" U-CHANNEL-1 3/8"FACE-WASHED MAPLE |
| 22 | 103186-02-07A | FT | MOLDING - PLASTIC - 1" U-CHANNEL-1 3/8"FACE-BEIGE ILLUSION |
| 23 | 105004-01-10A | EA | MOLDING - VINYL WRAPPED 1" X 96" - SALEM CHERRY |
| 23 | 105004-01-08A | EA | MOLDING - VINYL WRAPPED - 1" X 96" - WASHED MAPLE |
| 23 | 105004-01-10A | EA | MOLDING - VINYL WRAPPED 1" X 96" - SALEM CHERRY |
| 23 | 105004-01-12A | EA | MOLDING - VINYL WRAPPED 1" X 96" - PORTSMOUTH OAK |
| 24 | 009815-10-000 | FT | MOLDING-T - W/EDGE LIP - 3/4" FACE - BEIGE ILLUSION |
| 24 | 105709-02-000 | FT | MOLDING-T - W/EDGE LIP - 3/4" FACE - BEIGE ILLUSION |
| 25 | 109332-02-01A | FT | TRIM-J - W/O ADHESIVE - BRASS |
| 26 | 109410-01-J70 | EA | MOLDING - TRIM - 8' - WHITE MAPLE/WASHED MAPLE |
| 26 | 109410-01-E41 | EA | MOLDING - TRIM - 8' - BLACK CHERRY/SALEM CHERRY |
| 26 | 109410-01-N75 | EA | MOLDING - TRIM - 8' - PORTSMOUTH OAK/PORTSMOUTH OAK |
| 27 | 109736-02-01A | FT | MOLDING-T/OFFSET - W/EDGE LIP - 1" FACE - NAT OAK/BRASS |

INTERIOR FINISH GROUP (CONTINUED)
MOLDINGS & TRIMS (CONTINUED)



| KEY | PART NUMBER | U/M | DESCRIPTION |
|-----|---------------|-----|---|
| 28 | 111235-01-E74 | EA | MOLDING - COUNTERTOP - 1.4" X 8' - BLACK CHERRY-UNSTAINED - SALEM CHERRY |
| 28 | 111235-01-N42 | EA | MOLDING - COUNTERTOP - 1.4" X 8' - PORTSMOUTH |
| 28 | 111235-01-H56 | EA | MOLDING - COUNTERTOP - 1.4" X 8' - WHITE MAPLE - UNSTAINED - WASHED MAPLE |
| 29 | 113757-02-01A | FT | T-MOLDING - BULB |
| 30 | 116951-15-N09 | EA | MOLDING - TRIM - 1.7" X 11" - PORTSMOUTH OAK |
| 30 | 116951-15-K09 | EA | MOLDING - TRIM - 1.7" X 11" - WASHED MAPLE |
| 30 | 116951-15-K13 | EA | MOLDING - TRIM - 1.7" X 11" - SALEM CHERRY |
| 31 | 119520-01-01A | FT | MOLDING-T/OFFSET - W/EDGE LIP - 1"FACE - OFF WHITE |
| 31 | 119520-02-01A | FT | MOLDING-T/OFFSET - W/EDGE LIP - 1"FACE |
| 32 | 126204-D2-134 | EA | MOLDING - VINYL WRAPPED - .7" X 1.6" X 84" - WASHED MAPLE |
| 32 | 126204-F2-134 | EA | MOLDING - VINYL WRAPPED - .7" X 2.5" X 84" - WASHED MAPLE |
| 32 | 126204-F2-438 | EA | MOLDING - VINYL WRAPPED - .7" X 2.6" X 96" - WASHED MAPLE |
| 32 | 137895-D2-134 | EA | MOLDING - VINYL WRAPPED - .7" X 1.6" X 84" - PORTSMOUTH OAK |
| 32 | 137895-F2-743 | EA | MOLDING-018X063X2743 MM - PORTSMOUTH OAK |
| 33 | 126205-D2-438 | EA | LUMBER - VINYL WRAPPED - .7" X 1.5" X 96" - WASHED MAPLE |
| 33 | 126205-E2-438 | EA | LUMBER - VINYL WRAPPED - .7" X 2" X 96" - WASHED MAPLE |
| 33 | 126205-F2-438 | EA | LUMBER - VINYL WRAPPED - .7" X 2.5" X 96" - WASHED MAPLE |
| 33 | 126205-G2-438 | EA | LUMBER - STAINED - .7" X 3" X 96" - WASHED MAPLE |
| 33 | 126205-J2-438 | EA | LUMBER - VINYL WRAPPED - .7" X 5.5" X 96" - WASHED MAPLE |
| 33 | 136030-F2-743 | EA | MOLDING-018X065X2743MM PAPER WRAPPED-CHERRY - SALEM CHERRY FROM: 00-00-00 THRU: 09-03-01 |
| 33 | 136045-D2-438 | EA | LUMBER - PAPER WRAPPED - .7" X 1.5" X 96" - CHERRY FROM: 00-00-00 THRU: 09-03-01 |
| 33 | 136045-E2-438 | EA | LUMBER - PAPER WRAPPED - .7" X 2" X 96" - CHERRY FROM: 00-00-00 THRU: 09-03-01 |
| 33 | 136045-F2-438 | EA | LUMBER - PAPER WRAPPED - .7" X 2.6" X 96" - CHERRY FROM: 00-00-00 THRU: 09-03-01 |
| 33 | 136045-G2-438 | EA | LUMBER - PAPER WRAPPED - .7" X 3" X 96" - CHERRY FROM: 00-00-00 THRU: 09-03-01 |
| 33 | 136045-H2-438 | EA | LUMBER - PAPER WRAPPED - .7" X 3.5" X 96" - CHERRY FROM: 00-00-00 THRU: 09-03-01 |
| 33 | 136045-J2-438 | EA | LUMBER - PAPER WRAPPED - .7" X 5.5" X 96" - CHERRY FROM: 00-00-00 THRU: 09-03-01 |
| 33 | 136045-R2-438 | EA | LUMBER - PAPER WRAPPED - .7" X 3" X 96" - CHERRY FROM: 00-00-00 THRU: 09-03-01 |
| 33 | 137894-A2-438 | EA | LUMBER - VINYL WRAPPED - .7" X .75 X 96" - PORTSMOUTH OAK |
| 33 | 137894-D2-022 | EA | LUMBER-018X038X2022 MM - WRAPPED - PORTSMOUTH OAK |
| 33 | 137894-D2-014 | EA | LUMBER-018X038X2014 MM - WRAPPED - PORTSMOUTH OAK |
| 33 | 137894-D2-001 | EA | LUMBER-018X038X2000 MM - WRAPPED - PORTSMOUTH OAK |
| 33 | 137894-D2-438 | EA | LUMBER - VINYL WRAPPED - .7" X 1.5" X 96" - PORTSMOUTH OAK |
| 33 | 137894-D2-134 | EA | LUMBER-018X038X2134 MM - WRAPPED - PORTSMOUTH OAK |
| 33 | 137894-D2-026 | EA | LUMBER-018X038X2026 MM - WRAPPED - PORTSMOUTH OAK |
| 33 | 137894-D2-024 | EA | LUMBER-018X038X2024 MM - WRAPPED - PORTSMOUTH OAK |
| 33 | 137894-E2-438 | EA | LUMBER - VINYL WRAPPED - .7" X 2" X 96" - PORTSMOUTH OAK |
| 33 | 137894-F2-438 | EA | LUMBER - VINYL WRAPPED - .7" X 2.5" X 96" - PORTSMOUTH OAK |
| 33 | 137894-G2-438 | EA | LUMBER - VINYL WRAPPED - .7" X 3" X 96" - PORTSMOUTH OAK |
| 33 | 137894-H2-438 | EA | LUMBER - VINYL WRAPPED - .7" X 3.5" X 96" - PORTSMOUTH OAK |
| 33 | 137894-J2-438 | EA | LUMBER - VINYL WRAPPED - .7" X 5.5" X 96" - PORTSMOUTH OAK |
| 33 | 137894-J2-743 | EA | LUMBER-018X140X2743 MM - PORTSMOUTH OAK |
| 33 | 137894-R2-438 | EA | LUMBER - VINYL WRAPPED - .7" X 3" X 96" - PORTSMOUTH OAK |

INTERIOR FINISH GROUP (CONTINUED)
MOLDINGS & TRIMS (CONTINUED)



| KEY | PART NUMBER | U/M | DESCRIPTION |
|-----|---------------|-----|--|
| 34 | 127842-01-01A | FT | SEAL - SIGHT SHIELD - 2" BLACK |
| 35 | 130247-01-05A | FT | MOLDING-T/OFF SET - 1.3" FACE - CONCERT CHERRY - SALEM CHERRY |
| 35 | 130247-01-04A | FT | MOLDING-T/OFF SET - 1.3" FACE - PORTSMOUTH OAK |
| 35 | 130247-01-02A | FT | MOLDING-T/OFF SET - 1.3" FACE - WASHED MAPLE |
| 36 | 131923-02-02A | FT | MOLDING - PICTURE - CHERRY - SALEM CHERRY |
| 36 | 131923-02-03A | FT | MOLDING - PICTURE - HARD WHITE MAPLE - WASHED MAPLE |
| 36 | 131923-02-04A | FT | MOLDING - PICTURE - 42.8" - PORTSMOUTH |
| 37 | 131923-03-02A | FT | MOLDING - CROWN - DIVIDER - CHERRY - SALEM CHERRY |
| 37 | 131923-03-03A | FT | MOLDING - CROWN - DIVIDER - HARD WHITE MAPLE - WASHED MAPLE |
| 37 | 131923-03-04A | FT | MOLDING - MOLDING - CROWN - DIVIDER - OAK - PORTSMOUTH |
| 38 | 132647-01-05A | EA | MOLDING/TRIM - DASH - PORTSMOUTH OAK |
| 39 | 134156-01-03A | EA | MOLDING - VINYL WRAP - .7" X 3.8" X 33.8" - WASHED MAPLE |
| 39 | 134156-01-05A | EA | MOLDING - PAPER WRAP - .7" X 3.8" X 33.8" - CONCERT CHERRY - SALEM CHERRY FROM: 00-00-00 THRU: 09-03-01 |
| 39 | 134156-01-07A | EA | MOLDING - VINYL WRAP - .7" X 3.8" X 33.8" - CONCERT CHERRY - SALEM CHERRY FROM: 09-04-01 THRU: 00-00-00 |
| 39 | 134156-01-08A | EA | MOLDING - VINYL WRAP - .7" X 3.8" X 33.8" - PORTSMOUTH OAK |
| 39 | 134156-03-03A | EA | MOLDING - VINYL WRAP - .7" X 3.4" X 28.3" - WASHED MAPLE |
| 39 | 134156-03-05A | EA | MOLDING - PAPER WRAP - .7" X 3.4" X 28.3" - CONCERT CHERRY - SALEM CHERRY FROM: 00-00-00 THRU: 09-03-01 |
| 39 | 134156-03-07A | EA | MOLDING - VINYL WRAP - .7" X 3.4" X 28.3" - CONCERT CHERRY - SALEM CHERRY FROM: 09-04-01 THRU: 00-00-00 |
| 39 | 134156-03-08A | EA | MOLDING - VINYL WRAP - .7" X 3.4" X 28.3" - PORTSMOUTH OAK |
| 39 | 134156-05-05A | EA | MOLDING - PAPER WRAP - .7" X 3.8" X 34.4" - SALEM CHERRY FROM: 00-00-00 THRU: 09-03-01 |
| 39 | 134156-05-07A | EA | MOLDING - VINYL WRAP - .7" X 3.8" X 34.4" - CONCERT CHERRY - SALEM CHERRY FROM: 09-04-01 THRU: 00-00-00 |
| 39 | 134156-05-08A | EA | MOLDING - VINYL WRAP - .7" X 3.8" X 33.8" - PORTSMOUTH OAK |
| 40 | 137108-01-07A | EA | RAIL - DECORATIVE - PORTSMOUTH OAK |
| 40 | 137108-01-03A | EA | RAIL - DECORATIVE - WASHED MAPLE |
| 40 | 137108-01-02A | EA | RAIL - DECORATIVE - SALEM CHERRY |
| 41 | 085746-04-000 | EA | TRIM-J - CARPET 1.2" X .5" ANGLE - 10' LONG - OFF WHITE |
| 42 | M09412-62-M52 | EA | MOLDING/SHELF EDGE - W/.4" NOTCH - CHERRY IV |
| 42 | M09412-62-M62 | EA | MOLDING/SHELF EDGE - W/.4" NOTCH - WASHED MAPLE |
| 42 | M09412-62-N42 | EA | MOLDING/SHELF EDGE - W/.4" NOTCH - PORTSMOUTH II |
| 43 | Y00074-22-438 | EA | MOLDING/CROWN - VINYL WRAPPED - MAPLE - 96" |
| 43 | Y00074-62-438 | EA | MOLDING/CROWN - VINYL WRAPPED - CONCERT CHERRY - 96" |
| 43 | Y00074-72-438 | EA | MOLDING/CROWN - VINYL WRAPPED - PORTSMOUTH OAK - 96" |

INTERIOR FINISH GROUP (CONTINUED)
PANELING & LAMINATES

| KEY | PART NUMBER | U/M | DESCRIPTION |
|------------|--------------------|------------|---|
| | 000846-01-000 | SF | PLYWOOD - 5/16" X 48" X 96" - CD GRADE |
| | 000885-94-000 | SF | PARTICLE BOARD - 1/2" X 4' X 8' - PORTSMOUTH OAK - 2-SIDED |
| | 000885-A3-000 | SF | PARTICLE BOARD - 3/4" X 4' X 8' - SALEM CHERRY - 2 SIDED |
| | 000885-95-000 | SF | PARTICLE BOARD - 3/4" X 4' X 8' - PORTSMOUTH OAK - 2-SIDED |
| | 000885-A5-000 | SF | PARTICLE BOARD - 3/8" X 4' X 8' - WHT PEB EMBOSSED-1 SIDED |
| | 000885-98-000 | SF | PARTICLE BOARD - 3/8" X 4' X 8' - SALEM CHERRY - 2 SIDED |
| | 000885-93-000 | SF | PARTICLE BOARD - 3/8" X 4' X 8' - PORTSMOUTH OAK - 2-SIDED |
| | 057882-04-000 | SF | TAMBOUR - 48" X 96" SHEET - UNFINISHED |
| | 057882-06-000 | SF | TAMBOUR/ROLL UP - 4' X 8' |
| | 069733-88-000 | EA | BATT STRIP - WOODGRAINED/SALEM CHERRY - 8' |
| | 069733-87-000 | EA | BATT STRIP - WOODGRAINED/PORTSMOUTH OAK - 8' |
| | 074497-23-000 | SF | PANELING - CHERRY - 4' X 8' |
| | 074497-43-000 | SF | PANELING - SALEM CHERRY - 4' X 8' |
| | 074497-42-000 | SF | PANELING - PORTSMOUTH OAK - 4' X 8' |
| | 074498-95-000 | SF | LAMINATE - PLASTIC - PORTSMOUTH OAK - 4' X 8' |
| | 074498-96-000 | SF | LAMINATE - PLASTIC - CHERRY - 4' X 8' |
| | 076773-15-000 | SF | PANELING - WOODGRAINED - 2 SIDED/PORTSMOUTH OAK - 4' X 8' |
| | 076773-16-000 | SF | PANELING - WOODGRAINED - 2 SIDED/SALEM CHERRY - 4' X 8' |
| | 079666-03-000 | SF | PANELING - CLOSET - CEDAR - 4' X 7' |
| | 083618-07-000 | SF | PLYWOOD - MAPLE - 1 SIDE 3/16" X 4' X 8' |
| | 085284-H2-000 | FT | BATT TAPE - ADHESIVE BACKED - SALEM CHERRY |
| | 085284-H5-000 | FT | BATT TAPE - ADHESIVE BACKED - PORTSMOUTH OAK |
| | 085284-H4-000 | FT | BATT TAPE - ADHESIVE BACKED - DECORATIVE - STARLIGHT(N94, N95) |
| | 085284-H1-000 | FT | BATT TAPE - ADHESIVE BACKED - DECORATIVE - GRAY (N96, N97) |
| | 085284-G9-000 | FT | BATT TAPE - ADHESIVE BACKED - DECORATIVE - ALABASTER (N98, N99) |
| | 088263-H1-000 | EA | BATT STRIP - DECORATIVE - STARLIGHT - 8' LONG (N94, N95) |
| | 088263-H0-000 | EA | BATT STRIP - DECORATIVE - VILLA/GRAY - 8' LONG (N96, N97) |
| | 088263-G9-000 | EA | BATT STRIP - DECORATIVE - CORK/ALABASTER - 8' (N98, N99) |
| | 088272-K3-000 | SF | PANELING - STARLIGHT - 4' X 7' (N94, N95) |
| | 088272-K1-000 | SF | PANELING - GRAY - 4' X 7' (N96, N97) |
| | 088272-J9-000 | SF | PANELING - ALABASTER - 4' X 7' (N98, N99) |

INTERIOR FINISH GROUP (CONTINUED)
ACCESSORIES

| KEY | PART NUMBER | U/M | DESCRIPTION |
|-----|---------------|-----|---|
| | 064781-06-000 | EA | HOLDER/CUP - TWO STEP - OFF WHITE |
| | 072852-01-000 | EA | DETECTOR - SMOKE - W/9 VOLT BATTERY - US |
| | 072852-02-000 | EA | DETECTOR - SMOKE - W/9 VOLT BATTERY - CANADIAN |
| | 094499-03-000 | EA | EXTINGUISHER/FIRE - DRY - 10BC - W/GAUGE - W/O BRACKET |
| * | 094499-02-000 | EA | EXTINGUISHER/FIRE - DRY - 10BC - W/GAUGE - CANADIAN |
| | 094499-04-000 | EA | STRAP - FIRE EXTINGUISHER MOUNTING - METAL |
| | 091261-01-000 | FT | SLIPNOT - ANTISLIP - 1' WIDE X 12' - BLACK |
| | 096764-02-000 | FT | SLIPNOT - ANTISLIP - 1' WIDE (180' ROLLS) - WHITE |
| | P02786-04-K37 | EA | HANDRAIL ONLY - W/O BRACKET - SALEM CHERRY |
| | P02786-04-N95 | EA | HANDRAIL ONLY - W/O BRACKET - PORTSMOUTH OAK |
| | 099682-01-01A | EA | BRACKET - MOUNTING/HAND RAIL - ROUND BASE |
| | 125136-02-000 | EA | CO DETECTOR - GAS MODEL - 9 VOLT |
| | 093606-28-000 | EA | MIRROR - BEVELED EDGE - 17.5" X 27.9" |
| | 093606-30-000 | EA | MIRROR - BEVELED EDGE - 16.5" X 25.9" |
| | 093606-41-000 | EA | MIRROR - BEVELED EDGE - 13.8" X 25.9" |
| | 113195-17-01A | EA | MIRROR - BEVELED SAFETY GLASS - CLEAR - 16.6" X 26.2" |
| | 113195-27-01A | EA | MIRROR - BEVELED SAFETY GLASS - 79" T X 13" H X 78.5" B |
| | 113195-31-01A | EA | MIRROR - BEVELED SAFETY GLASS - 16.6" X 42.7" - CLEAR |
| | 113195-36-01A | EA | MIRROR - BEVELED SAFETY GLASS - 26.5" X 15.7" |
| | 113195-37-01A | EA | MIRROR - BEVELED SAFETY GLASS - 26.5" X 15.7" |
| | 113195-38-01A | EA | MIRROR - BEVELED SAFETY GLASS - 22.1" X 23.7" |
| | 113195-39-01A | EA | MIRROR - BEVELED SAFETY GLASS - 16" X 59.9" |
| | 113195-40-01A | EA | MIRROR - BEVELED SAFETY GLASS - 12.9" X 33.8" |
| | 113195-42-01A | EA | MIRROR - BEVELED SAFETY GLASS - 11.6" X 36.8" |
| | 131494-03-01A | EA | MIRROR - BEVELED/GLASS - OCTAGON - 1" X 20" X 36" |
| | 133485-01-01A | EA | GLASS MIRROR - 1" BEVEL W/VERTICAL GROOVE - 20" X 20.9" |
| | 133485-02-01A | EA | GLASS MIRROR - BEVELED W/2 VERTICAL GROOVES - 44.9" X 20.9" |
| | 133485-03-01A | EA | GLASS MIRROR - 1" BEVEL W/2 VERTICAL GROOVES - 30" X 20.9" |
| | 134504-02-11B | EA | BRACKET - MIRROR - MOUNTING |
| | 140374-53-000 | EA | MIRROR - SAFETY GLASS - 22.4" X 74.6" |
| | 140374-54-000 | EA | MIRROR - SAFETY GLASS - 25.2" X 74.6" |
| | 140374-57-000 | EA | MIRROR - SAFETY GLASS - 34.7" X 57.9" |
| | 131493-02-05A | EA | PICTURE - DECORATIVE - 13" X 15" - VIOLIN |
| | 112515-05-01A | EA | PICTURE |
| | | | FROM: 00-00-00 THRU: 08-06-01 |
| | 131493-02-12A | EA | PICTURE - DECORATIVE - 13" X 15" - AFRICAN LILY |
| | | | FROM: 08-07-01 THRU: 99-99-99 |

***COMPONENT PARTS LISTED LATER IN THIS GROUP**

INTERIOR FINISH GROUP (CONTINUED)
COMPONENT PARTS FOR ACCESSORIES

094499-02-000

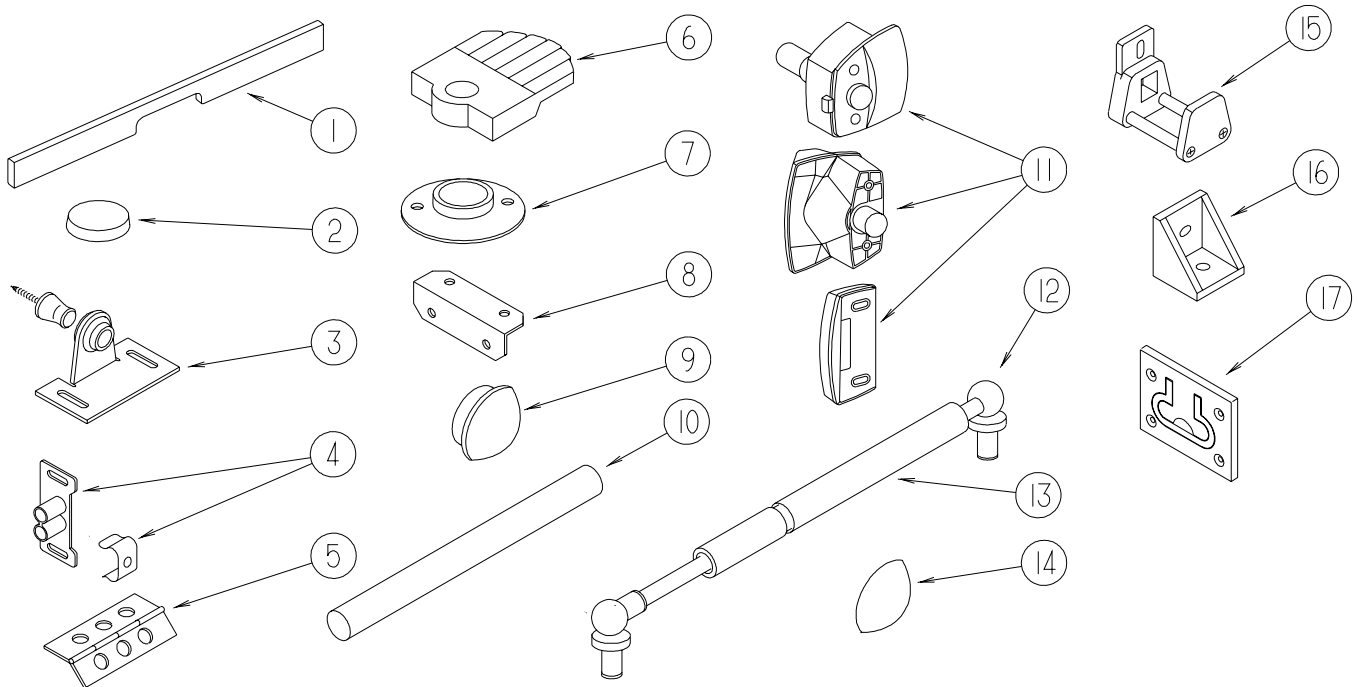
| KEY | PART NUMBER | U/M | DESCRIPTION | VENDOR NO |
|------------|--------------------|------------|----------------------------|------------------|
| | 094499-01-700 | EA | BRACKET MTG. W/PLAS. STRAP | 294039 |

INTERIOR FINISH GROUP (CONTINUED)
FLOOR COVERINGS

| KEY | PART NUMBER | U/M | DESCRIPTION |
|------------|--------------------|------------|--|
| | 042720-14-000 | SY | VINYL - FLOOR COVERING - 6' WIDE - CAPRI - SILVER GRAY |
| | 093486-01-000 | SY | CARPET - COMPARTMENT - 72" WIDE - DARK GRAY |
| | | | FROM: 00-00-00 THRU: 08-19-01 |
| | 093486-02-000 | SY | CARPET - COMPARTMENT - 72" WIDE - LIGHT GRAY |
| | | | FROM: 08-20-01 THRU: 99-99-99 |
| | 096060-K4-000 | SY | CARPET - SLATE - INCREMENTS OF 4 SQ YARDS (N94, N95) |
| | 096060-K2-000 | SY | CARPET - TAUPE - INCREMENTS OF 4 SQ YARDS (N96, N97) |
| | 096060-H3-000 | SY | CARPET - TARRAGON - INCREMENTS OF 4 SQ YDS (N98, N99) |
| | 123994-01-09A | EA | TILE/CERAMIC FLOOR - 13" X 13" - KOALA (N94, N95) |
| | 123994-01-08A | EA | TILE/CERAMIC FLOOR - 13" X 13" - DINGO (N96, N97) |
| | 123994-01-07A | EA | TILE/CERAMIC FLOOR - 13" X 13" - DUNDEE (N98, N99) |
| | 124742-01-02A | EA | MOLDING - TRIM - TILE - SOFT WHITE |

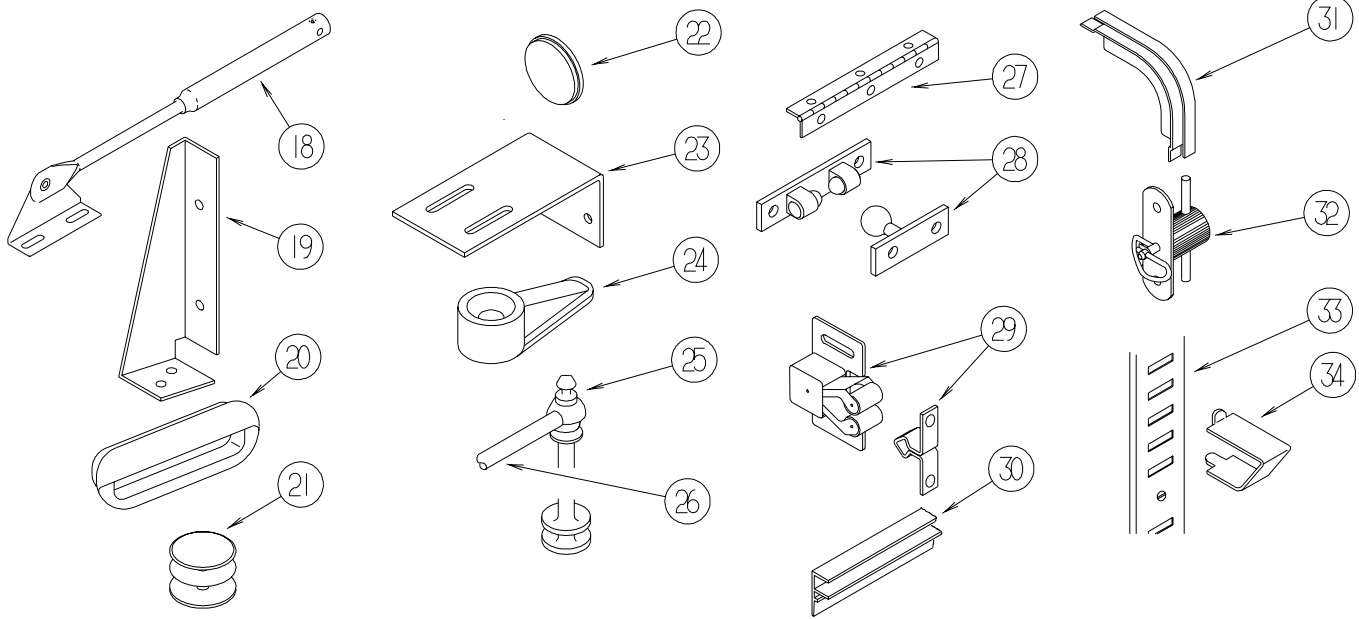
INTERIOR FINISH GROUP (CONTINUED)

HARDWARE



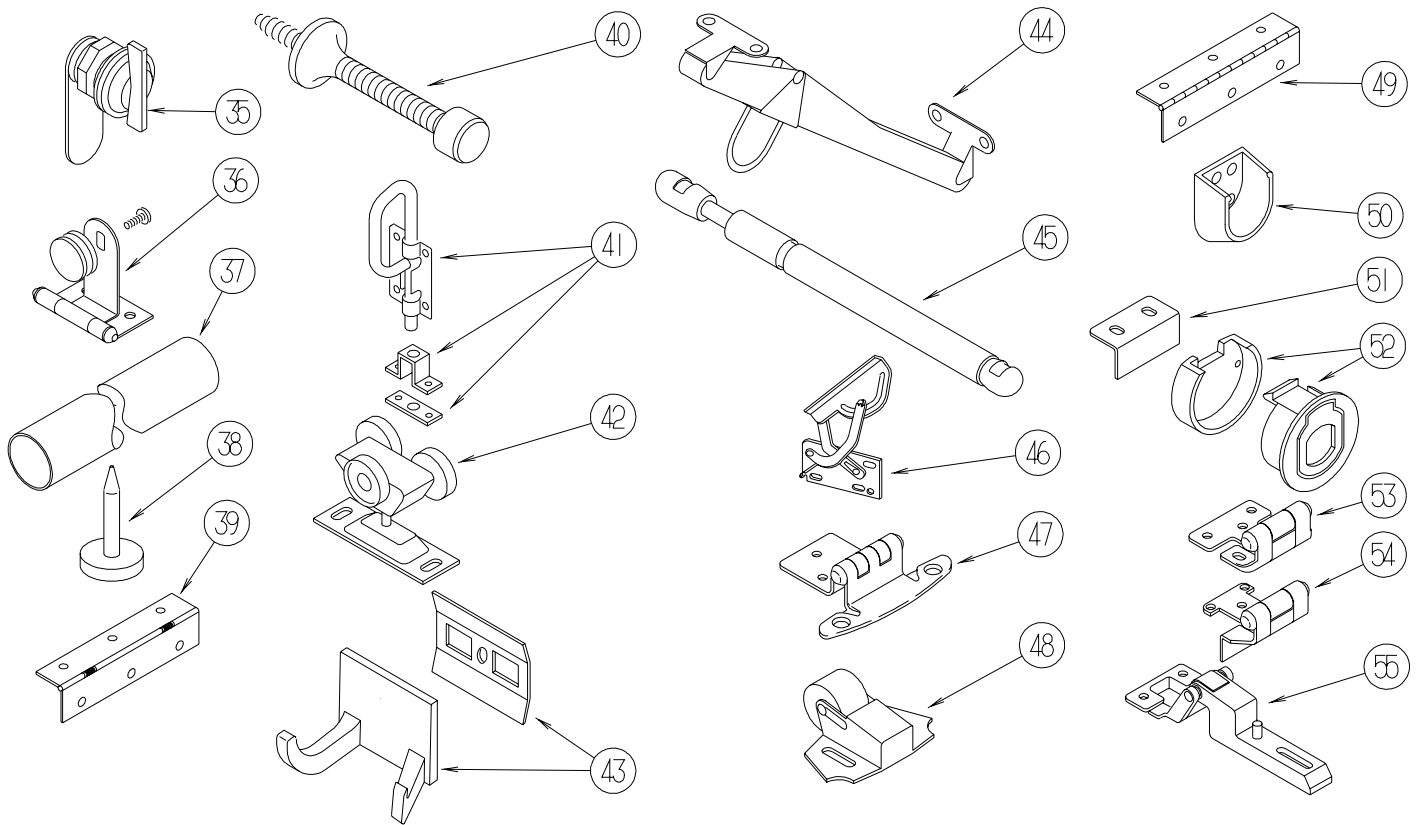
| KEY | PART NUMBER | U/M | DESCRIPTION |
|-----|---------------|-----|---|
| 1 | P26866-09-KQ1 | EA | HANDLE - DOOR/TAMBOUR - 14.7" - CHERRY/CHERRY III |
| 1 | P26866-10-K09 | EA | HANDLE - DOOR/TAMBOUR - 11.6" - MAPLE/WASHED MAPLE |
| 1 | P26866-10-M07 | EA | HANDLE - DOOR/TAMBOUR - 11.6" - ASH/PORTSMOUTH OAK - PORTSMOUTH OAK |
| 2 | 004354-01-000 | EA | BUMPER - RUBBER - .5" DIA - BROWN |
| 2 | 023320-01-000 | EA | PAD - FELT 3/8" DIAMETER |
| 3 | 009013-01-000 | EA | CATCH - BULLDOG - MALE/FEMALE |
| 4 | 009021-01-000 | EA | CATCH - GRILLE - NYLON |
| 4 | 009021-02-000 | EA | STRIKE - SPRING STEEL - .68" |
| 5 | 009059-01-000 | EA | HINGE - DOOR - 2" X 1.4" - BRASS |
| 5 | 009059-02-000 | EA | HINGE - DOOR - 2" X 2.7" - BRASS |
| 5 | 009059-03-000 | EA | HINGE - BRASS - 1.75" |
| 5 | 041389-25-000 | EA | HINGE - PIANO - 1 1/2" X 55" - UNPAINTED |
| 6 | 009089-01-000 | EA | CLIP - MIRROR |
| 7 | 009112-01-000 | EA | FLANGE - PLASTIC - 1" CLOTHES ROD - OFF WHITE |
| 8 | 016604-01-000 | EA | BRACE - ANGLE - 2 1/2" - UNPAINTED METAL |
| 8 | 016604-05-000 | EA | BRACE - ANGLE - 2 1/2" - OFF WHITE METAL |
| 8 | 016604-07-000 | EA | BRACE - ANGLE - 2 1/2" - VW GRAY |
| 8 | 016604-09-000 | EA | BRACE - ANGLE - VW LIGHT GRAY |
| 9 | 042356-01-000 | EA | PLUG - MAHOGANY - 3/8" DOWEL X 1/2" HEAD |
| 9 | 074045-08-000 | EA | PLUG - OAK - 3/8" DOWEL-1/2" HEAD - SALEM CHERRY |
| 9 | 074045-12-000 | EA | PLUG - OAK - 3/8" DOWEL-1/2" HEAD - WASHED MAPLE |
| 9 | 074045-13-000 | EA | PLUG - OAK - 3/8" DOWEL-1/2" HEAD - PORTSMOUTH OAK |
| 10 | 042438-01-000 | EA | DOWEL - WOOD - CLOTHES ROD - 1" X 4' |
| 10 | 042438-02-000 | EA | DOWEL - WOOD - CLOTHES ROD - 2" X 2' |
| 10 | 042438-06-000 | EA | DOWEL - WOOD - 1.5" X 26" |
| 11 | 058335-03-000 | EA | LATCH W/O LOCK - BATHROOM DOOR BLACK - RIALTA, 200-SERIES |
| 12 | 057460-02-000 | EA | BALL STUD - F/GAS SPRING .39" - 5/16"-18 |
| 13 | 057460-04-000 | EA | SPRING/GAS - BALL STUD STYLE - 120 PI - iSPD6209† |
| 14 | 057671-01-000 | EA | COVER - SCREW - OFF WHITE - #8 |
| 14 | 057671-13-000 | EA | COVER - SCREW - DARK GRAY - #8 |
| 14 | 057671-15-000 | EA | COVER - SCREW - #8 - BRIGHT WHITE |
| 14 | 057671-16-000 | EA | COVER - SCREW - #8 - SOFT WHITE |
| 14 | 057671-17-000 | EA | COVER - SCREW - VW LT GRAY - #8 |
| 15 | 064467-01-000 | EA | GUIDE - POCKET - SLIDING DOOR - WALL MOUNTED |
| 16 | 065740-01-000 | EA | BRACE - CABINET/CORNER - PLASTIC |
| 17 | 072871-01-000 | EA | PULL - FLUSH - CHROME - RIALTA, 200-SERIES |

INTERIOR FINISH GROUP (CONTINUED)
HARDWARE (CONTINUED)



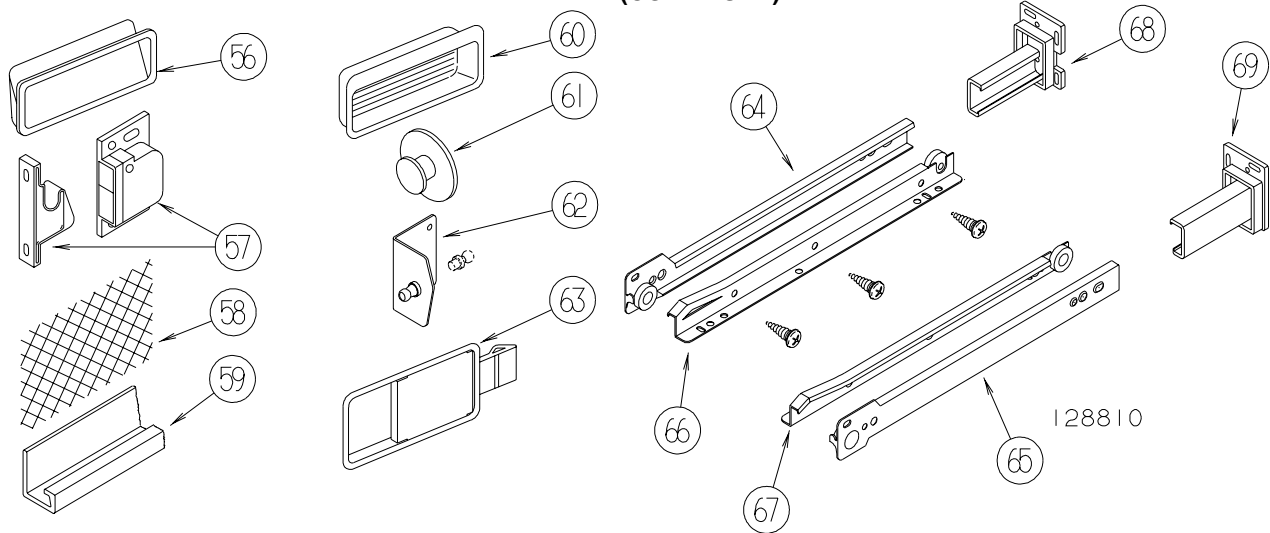
| KEY | PART NUMBER | U/M | DESCRIPTION |
|-----|---------------|-----|--|
| 18 | 074493-02-000 | EA | SUPPORT - PISTON SPRING - CABINET DOOR - 26 LBS |
| 18 | 074493-03-000 | EA | SUPPORT - PISTON SPRING - CABINET DOOR - 12 LBS |
| 18 | 074493-04-000 | EA | SUPPORT - PISTON SPRING - CABINET DOOR - 32 LBS |
| 19 | 076827-02-000 | EA | BRACKET/LEG - 2.9" X 1.8" - TRIANGULAR - LEFT/E-COATED |
| 20 | 080736-01-000 | EA | PULL - RECESSED - 1.25" X 4" - OAK |
| 21 | 081114-02-000 | EA | CAP - INSERT - ROUND - 1" DIAMETER - WHITE PLASTIC |
| 22 | 081914-01-000 | EA | BUMPER - RUBBER - ROUND - 1/2" DIA. X 1/8" THICK |
| 22 | 120760-01-000 | EA | RUBBER BUMPER - CLEAR - .1" THICK X .8" DIAMETER |
| 23 | 083125-07-000 | EA | BRACE - ANGLE/COUCH - 2.5" - OFF WHITE |
| 23 | 132871-02-02B | EA | BRACKET/L-ANGLE W/HOLES - 1.9" X 2.8" - E-COATED |
| 24 | 083204-03-000 | EA | BUTTON - RETAINING MIRROR 5/16" TIP |
| 25 | 084070-03-000 | EA | POST - END - 2.4" - SHINY BRASS |
| 26 | 084071-05-000 | EA | ROD - BRASS - 15" |
| 26 | 084071-08-000 | EA | ROD - BRASS - 9.3" |
| 26 | 084071-19-000 | EA | ROD - BRASS - 7.1" |
| 26 | 084071-20-000 | EA | ROD - BRASS - 9.8" |
| 26 | 084071-23-000 | EA | ROD - BRASS - 13.1" |
| 26 | 084071-24-000 | EA | ROD - BRASS - 3.8" |
| 26 | 084071-28-000 | EA | ROD - BRASS - 6" |
| 26 | 084071-30-000 | EA | ROD - BRASS - 11.6" |
| 26 | 084071-31-000 | EA | ROD - BRASS - 14.8" |
| 26 | 084071-33-000 | EA | ROD - BRASS - 20.4" |
| 27 | 084413-01-000 | EA | HINGE - 1" X 72" - ALUMINUM - W/HOLES |
| 27 | 084625-07-000 | EA | HINGE - ALUMINUM - W/HOLES - 13" - OFF/WHITE |
| 27 | 084625-11-000 | EA | HINGE - ALUMINUM - W/HOLES - 22" - OFF/WHITE |
| 27 | 114278-02-000 | EA | HINGE - CONTINUOUS - 3 1/2" WIDE |
| 28 | 084451-01-000 | EA | CATCH & LATCH - 1.7" - BRASS |
| 29 | 093586-03-000 | EA | CATCH - SPRING ROLLER - .377" |
| 29 | 093586-04-000 | EA | STRIKE - SPRING STEEL - 1.14" |
| 29 | 093586-05-000 | EA | STRIKE - SPRING STEEL - .943" |
| 29 | 093586-06-000 | EA | CATCH - SPRING ROLLER - .236" |
| 30 | 093622-01-000 | EA | TRACK - DOOR - TAMBOUR - PLASTIC - 8' LENGTHS |
| 31 | 093623-01-000 | EA | CORNER - TRACK - TAMBOUR DOOR |
| 32 | 098196-01-000 | EA | LATCH - 1/4 TURN - T-BAR |
| 33 | 098979-01-000 | EA | CLIP - ADJUSTABLE SHELF |
| 34 | 098980-01-000 | EA | PILASTER - ADJUSTABLE SHELF - 18" |
| 34 | 098980-02-000 | EA | PILASTER - ADJUSTABLE SHELF - 12" |
| 34 | 098980-03-000 | EA | PILASTER - ADJUSTABLE SHELF - 9" |
| 34 | 098980-04-000 | EA | PILASTER - ADJUSTABLE SHELF - 48" |
| 34 | 098980-05-000 | EA | PILASTER - ADJUSTABLE SHELF - 15" |
| 34 | 098980-06-000 | EA | PILASTER - ADJUSTABLE SHELF - 24" |

INTERIOR FINISH GROUP (CONTINUED)
HARDWARE (CONTINUED)



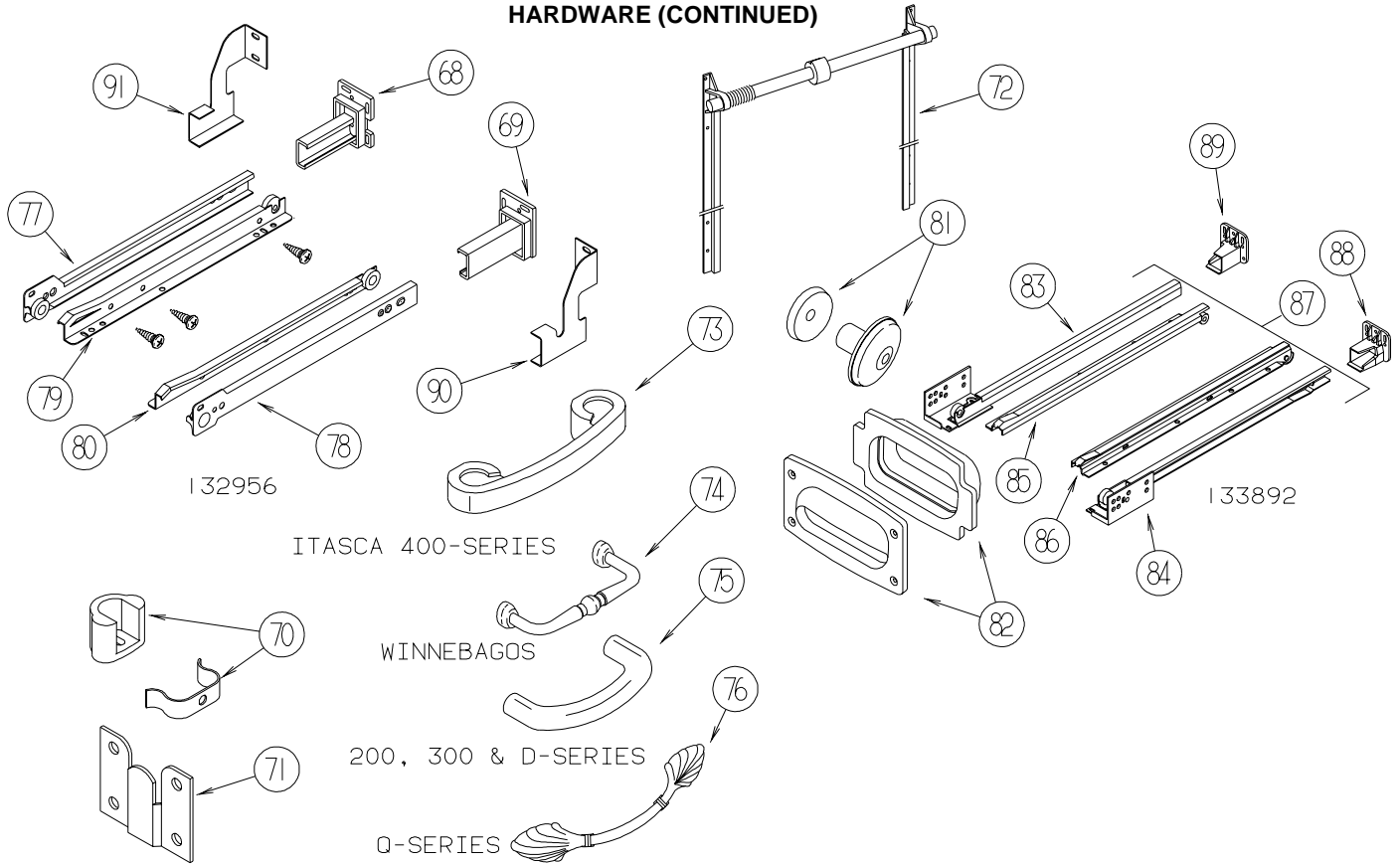
| KEY | PART NUMBER | U/M | DESCRIPTION |
|-----|---------------|-----|--|
| 35 | 100710-01-01A | EA | LOCK - GLASS DOOR/TWIST TYPE - BRASS |
| 36 | 100711-01-01A | EA | HINGE - GLASS DOOR |
| 37 | 102075-06-02A | EA | ROD - SHOWER CURTAIN - 1" OD X 33.5" - SOFT WHITE |
| 37 | 102075-09-02A | EA | ROD - SHOWER CURTAIN - 3/4"OD X 29.5" - SOFT WHITE |
| 37 | 102075-16-02A | EA | ROD - SHOWER CURTAIN - 3/4"OD X 34.2" - SOFT WHITE |
| 37 | 102075-18-02A | EA | ROD - SHOWER CURTAIN - 1" OD X 38.9" - SOFT WHITE |
| 38 | 102194-01-000 | EA | GUIDE - PLASTIC - 1" (HEAD/PIN) |
| 39 | 102920-01-01A | EA | HINGE - SPRING LOADED - BRASS |
| 40 | 103194-01-000 | EA | STOP - BATH DOOR |
| 41 | 103256-01-000 | EA | LATCH COMPLETE (SLIDE) |
| 42 | 103874-01-000 | EA | HANGER - SLIDING DOOR |
| 43 | 104174-01-000 | EA | HOOK - ROBE - DOUBLE |
| 44 | 104181-01-01A | EA | SUPPORT - LEAF 5.3" EXTENDS TO 7.5" - SAFETY RING - METAL |
| 45 | 107796-05-000 | EA | BRACKET - SUPPORT - GAS SPRING TO BED - FLAT (LOWER) |
| 45 | 107796-06-000 | EA | SPRING/GAS - 12" COMPRESSED/20" EXTENDED - 120 LB. |
| 45 | 107796-08-000 | EA | SPRING/GAS - 11" COMPRESSED/17" EXTENDED - 60 LB. |
| 45 | 107796-09-000 | EA | SPRING/GAS - 5.5" COMPRESSED/7.5" EXTENDED - 40 LB. |
| 45 | 107796-15-000 | EA | SPRING/GAS - 24" COMPRESSED/40" EXTENDED - 15 LB. |
| 45 | 107796-16-000 | EA | SPRING/GAS - 6.4" COMPRESSED/9.6" EXTENDED - 65 LB. |
| 46 | 108126-01-000 | EA | TRAY HINGE SET (QTY. 2 PER SET) |
| 47 | 107327-01-000 | EA | HINGE - BURNISHED BRASS - SPRING SELF CLOSING - WHEN CATCH & STRIKE ARE NOT USED |
| 47 | 108138-01-000 | EA | HINGE - CABINET DOOR - BURNISHED BRASS - ULTIMATE ADVANTAGE & FREEDOM, Q-SERIES |
| 47 | 108138-03-000 | EA | HINGE - BRIGHT BRASS |
| 48 | 109403-01-000 | EA | CATCH - SINGLE ROLLER - SCREEN DOOR |
| 49 | 110496-01-01A | EA | HINGE - BRASS |
| 50 | 113236-01-01A | EA | BRACKET - CLOTHES - ROD |
| 51 | 113375-02-01A | EA | EA STRIKE - DOOR - CHROME - RIALTA, 200-SERIES |
| 52 | 113375-05-01A | EA | EA LATCH - SLAM - BACK - .8" THICK - RIALTA, 200-SERIES |
| 52 | 113375-06-01A | EA | EA LATCH - SLAM - FACE - .7" THICK - RIALTA, 200-SERIES |
| 53 | 113676-01-01A | EA | EA HINGE - OVERLAY - VARIABLE - BURNISHED BRASS - RIALTA, 200-SERIES |
| 54 | 113677-01-01A | EA | EA HINGE - SELF CLOSING - RIALTA, 200-SERIES |
| 55 | 114443-01-01A | EA | EA HINGE - CABINET DOOR |

INTERIOR FINISH GROUP (CONTINUED)
HARDWARE (CONTINUED)



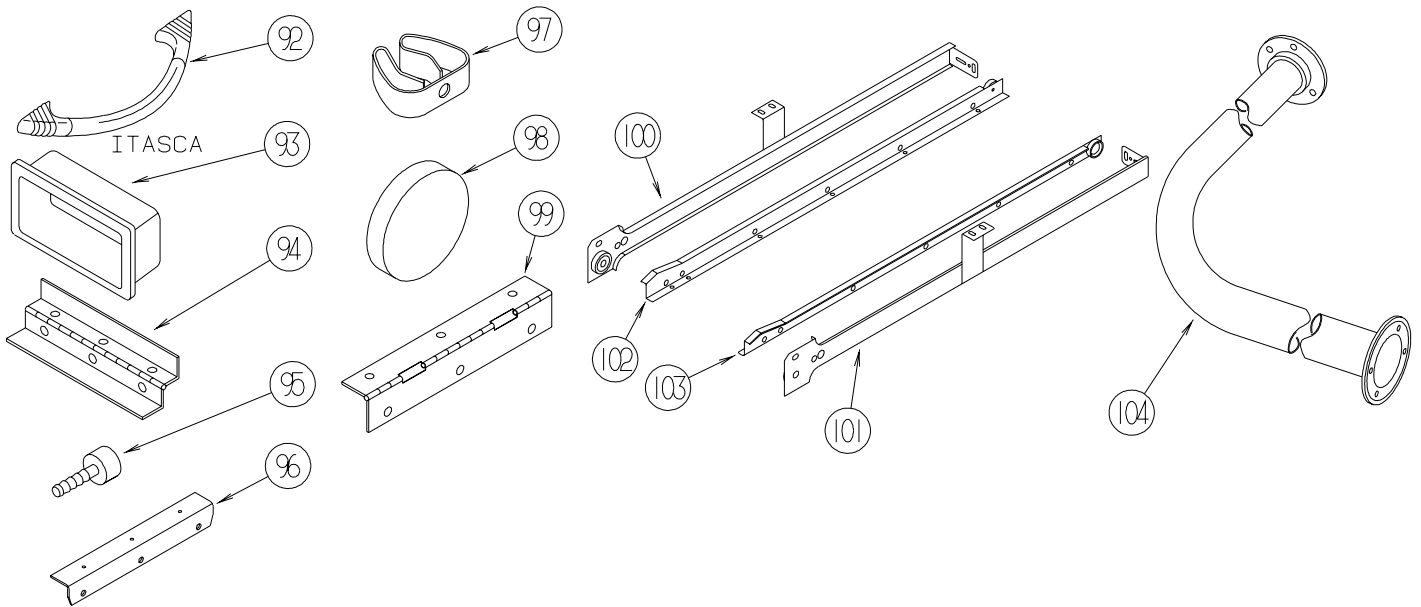
| KEY | PART NUMBER | U/M | DESCRIPTION |
|-----|---------------|-----|---|
| 56 | 115994-01-01A | EA | HANDLE - POCKET - RIALTA, 200-SERIES |
| 57 | 117095-01-01A | EA | LATCH - DOOR - GRABBER W/KEEPER - PLASTIC - BLK-5 LB PULL |
| 58 | 118200-01-01A | SF | MESH - PLASTIC 1/2" - 48" X LENGTH = SF - BLACK |
| 58 | 118200-07-01A | SF | MESH - PLASTIC 1/2" - 10.5" X 24.7" - BLACK |
| 59 | 118933-01-01A | EA | SUPPORT - HINGE LOCK |
| 60 | 124311-01-01A | EA | HANDLE - RECESSED - BRASS |
| 61 | 125221-01-01A | EA | PULL - MIRROR - W/ROUND HANDLE |
| 62 | 126263-06-02B | EA | BRACKET - GAS SPRING W/INSIDE BALL STUD - E-COATED |
| 63 | 127349-01-01A | EA | LATCH - PADDLE - RIALTA, 200-SERIES |
| 64 | 128810-01-01A | EA | SLIDE - DRAWER - 12" - LEFT CABINET |
| 64 | 128810-05-01A | EA | SLIDE - DRAWER - 14" - LEFT CABINET |
| 64 | 128810-09-01A | EA | SLIDE - DRAWER - 16" - LEFT CABINET |
| 64 | 128810-13-01A | EA | SLIDE - DRAWER - 18" - LEFT CABINET |
| 64 | 128810-17-01A | EA | SLIDE - DRAWER - 20" - LEFT CABINET |
| 64 | 128810-21-01A | EA | SLIDE - DRAWER - 22" - LEFT CABINET |
| 64 | 128810-25-01A | EA | SLIDE - DRAWER - 24" - LEFT CABINET |
| 64 | 128810-29-01A | EA | SLIDE - DRAWER - 9" - LEFT CABINET |
| 65 | 128810-02-01A | EA | SLIDE - DRAWER - 12" - RIGHT CABINET |
| 65 | 128810-06-01A | EA | SLIDE - DRAWER - 14" - RIGHT CABINET |
| 65 | 128810-10-01A | EA | SLIDE - DRAWER - 16" - RIGHT CABINET |
| 65 | 128810-10-01A | EA | SLIDE - DRAWER - 16" - RIGHT CABINET |
| 65 | 128810-14-01A | EA | SLIDE - DRAWER - 18" - RIGHT CABINET |
| 65 | 128810-18-01A | EA | SLIDE - DRAWER - 20" - RIGHT CABINET |
| 65 | 128810-22-01A | EA | SLIDE - DRAWER - 22" - RIGHT CABINET |
| 65 | 128810-26-01A | EA | SLIDE - DRAWER - 24" - RIGHT CABINET |
| 65 | 128810-30-01A | EA | SLIDE - DRAWER - 9" - RIGHT CABINET |
| 66 | 128810-03-01A | EA | SLIDE - DRAWER - 12" - LEFT DRAWER |
| 66 | 128810-07-01A | EA | SLIDE - DRAWER - 14" - LEFT DRAWER |
| 66 | 128810-11-01A | EA | SLIDE - DRAWER - 16" - LEFT DRAWER |
| 66 | 128810-15-01A | EA | SLIDE - DRAWER - 18" - LEFT DRAWER |
| 66 | 128810-19-01A | EA | SLIDE - DRAWER - 20" - LEFT DRAWER |
| 66 | 128810-23-01A | EA | SLIDE - DRAWER - 22" - LEFT DRAWER |
| 66 | 128810-27-01A | EA | SLIDE - DRAWER - 24" - LEFT DRAWER |
| 66 | 128810-31-01A | EA | SLIDE - DRAWER - 9" - LEFT DRAWER |
| 67 | 128810-04-01A | EA | SLIDE - DRAWER - 12" - RIGHT DRAWER |
| 67 | 128810-08-01A | EA | SLIDE - DRAWER - 14" - RIGHT DRAWER |
| 67 | 128810-12-01A | EA | SLIDE - DRAWER - 16" - RIGHT DRAWER |
| 67 | 128810-16-01A | EA | SLIDE - DRAWER - 18" - RIGHT DRAWER |
| 67 | 128810-20-01A | EA | SLIDE - DRAWER - 20" - RIGHT DRAWER |
| 67 | 128810-24-01A | EA | SLIDE - DRAWER - 22" - RIGHT DRAWER |
| 67 | 128810-28-01A | EA | SLIDE - DRAWER - 24" - RIGHT DRAWER |
| 67 | 128810-32-01A | EA | SLIDE - DRAWER - 9" - RIGHT DRAWER |
| 68 | 128811-01-01A | EA | BACKSOCKET - ADJUSTABLE - LEFT |
| 69 | 128811-02-01A | EA | BACKSOCKET - ADJUSTABLE - RIGHT |

INTERIOR FINISH GROUP (CONTINUED) HARDWARE (CONTINUED)



| KEY | PART NUMBER | U/M | DESCRIPTION |
|-----|---------------|-----|--|
| 68 | 128811-01-01A | EA | BACKSOCKET - ADJUSTABLE - LEFT |
| 69 | 128811-02-01A | EA | BACKSOCKET - ADJUSTABLE - RIGHT |
| 70 | 129703-01-01A | EA | CATCH ASSEMBLY (SPRING) |
| 71 | 130120-01-01A | EA | BRACKET - MIRROR |
| 72 | 130787-01-000 | EA | TRACK - TAMBOUR DOOR/SPRING - 15.9" |
| 72 | 130787-02-000 | EA | TRACK - TAMBOUR DOOR/SPRING - 24" |
| 72 | 130787-04-000 | EA | TRACK - TAMBOUR DOOR - SPRING |
| 73 | 131962-01-01A | EA | PULL - DOOR/DRAWER - POLISHED BRASS - SUNDANCER, ITASCA 400-SERIES ONLY |
| 74 | 131963-01-01A | EA | PULL - DOOR/DRAWER - POLISHED BRASS - F, G, L, P & 400-SERIES WINNEBAGOS |
| 75 | 131964-01-01A | EA | PULL - DOOR/DRAWER - POLISHED BRASS - 200, 300 & D-SERIES |
| 76 | 131965-01-01A | EA | PULL - DOOR/DRAWER - 6.3" - BURNISHED BRASS - ULTIMATE ADVANTAGE & FREEDOM, Q-SERIES |
| 77 | 132956-01-01A | EA | SLIDE - DRAWER - LEFT CABINET - 37.5" |
| 77 | 132956-05-01A | EA | SLIDE - DRAWER - LEFT CABINET - 32" |
| 78 | 132956-02-01A | EA | SLIDE - DRAWER - RIGHT CABINET - 37.5" |
| 78 | 132956-06-01A | EA | SLIDE - DRAWER - RIGHT CABINET - 32" |
| 79 | 132956-03-01A | EA | SLIDE - DRAWER - LEFT DRAWER - 37.5" |
| 79 | 132956-07-01A | EA | SLIDE - DRAWER - LEFT DRAWER - 32" |
| 80 | 132956-04-01A | EA | SLIDE - DRAWER - RIGHT DRAWER - 37.5" |
| 80 | 132956-08-01A | EA | SLIDE - DRAWER - RIGHT DRAWER - 32" |
| 81 | 133313-01-01A | EA | PULL - DOOR/DRAWER - BURNISHED BRASS |
| 81 | 133313-01-02A | EA | PULL - DOOR/DRAWER - BRIGHT BRASS |
| 82 | 133607-01-01A | EA | PULL - LATCH - BLACK PLASTIC |
| 83 | 133892-01-01A | EA | SLIDE - DRAWER - LEFT CABINET - 16" |
| 83 | 133892-06-01A | EA | SLIDE - DRAWER - LEFT CABINET - 22" |
| 84 | 133892-02-01A | EA | SLIDE - DRAWER - RIGHT CABINET - 16" |
| 84 | 133892-07-01A | EA | SLIDE - DRAWER - RIGHT CABINET - 22" |
| 85 | 133892-03-01A | EA | SLIDE - DRAWER - LEFT DRAWER - 16" |
| 85 | 133892-08-01A | EA | SLIDE - DRAWER - LEFT DRAWER - 22" |
| 86 | 133892-04-01A | EA | SLIDE - DRAWER - RIGHT DRAWER - 16" |
| 86 | 133892-09-01A | EA | SLIDE - DRAWER - RIGHT DRAWER - 22" |
| 87 | 133892-05-01A | EA | SLIDE - DRAWER - FULL SET - 9" |
| 88 | 133907-01-01A | EA | BACKSOCKET - RIGHT HAND |
| 89 | 133907-02-01A | EA | BACKSOCKET - LEFT HAND |
| 90 | 134649-01-02B | EA | SUPPORT - BACKSOCKET - E-COATED |
| 91 | 134649-02-02B | EA | SUPPORT - BACKSOCKET - E-COATED |

INTERIOR FINISH GROUP (CONTINUED)
HARDWARE (CONTINUED)



| KEY | PART NUMBER | U/M | DESCRIPTION |
|-----|---------------|-----|--|
| 92 | 137446-01-01A | EA | PULL - CABINET - CHROME/BRASS - F, G, L, P-SERIES ITASCAS |
| 93 | 139136-01-01A | EA | HANDLE - RECESSED - 2.9" X 1.3"/2.7" X 1" X .7" C/O- BRASS |
| 93 | 139136-02-01A | EA | HANDLE - RECESSED - 2.9" X 1.3"/2.7" X 1" X .4" C/O- BRASS |
| 94 | 135538-01-01A | EA | HINGE - PIANO - FULL WRAP - BRASS PLATED |
| 94 | 135538-02-01A | EA | HINGE - PIANO - FULL WRAP - STOCKER BRASS |
| 94 | 135538-03-01A | EA | HINGE - PIANO - FULL WRAP - STOCKER BRASS |
| 94 | 135538-04-01A | EA | HINGE - PIANO - FULL WRAP |
| 94 | 135538-05-01A | EA | HINGE - PIANO - FULL WRAP |
| 95 | 079921-01-000 | EA | ROLLER - NYLON - W/STEEL SHAFT - BARBED |
| 96 | 089025-01-000 | EA | SUPPORT - SPRING TO BED - ANGLE 1.5" X 11.8" |
| 97 | 091952-01-000 | EA | CLIP - GRIPPER - 1" |
| 98 | 122717-01-01A | EA | PAD - NON SKID - 4" DIAMETER ROUND |
| 99 | 129753-01-01A | EA | HINGE - SPRING LOADED - 19" X 19" - BLACK |
| 100 | 139566-01-01A | EA | SLIDE - DRAWER - 37.5" - LEFT CABINET |
| 100 | 139566-05-01A | EA | SLIDE - DRAWER - 32" - LEFT CABINET |
| 101 | 139566-02-01A | EA | SLIDE - DRAWER - 37.5" - RIGHT CABINET |
| 101 | 139566-06-01A | EA | SLIDE - DRAWER - 32" - RIGHT CABINET |
| 102 | 139566-03-01A | EA | SLIDE - DRAWER - 37.5" - LEFT DRAWER |
| 102 | 139566-07-01A | EA | SLIDE - DRAWER - 32" - LEFT DRAWER |
| 103 | 139566-04-01A | EA | SLIDE - DRAWER - 37.5" - RIGHT DRAWER |
| 103 | 139566-08-01A | EA | SLIDE - DRAWER - 32" - RIGHT DRAWER |
| 104 | 140494-01-02A | EA | ROD - SHOWER - SOFT WHITE |
| 104 | 140494-01-01A | EA | ROD - SHOWER |

LABELS GROUP

SEWAGE

KEY PART NUMBER U/M DESCRIPTION
006187-01-000 EA LABEL - SEWAGE

WASTE WATER

KEY PART NUMBER U/M DESCRIPTION
006188-01-000 EA LABEL - WASTE WATER

EXIT

KEY PART NUMBER U/M DESCRIPTION
039290-01-000 EA LABEL - WARNING - EXIT

↑
OPEN

KEY PART NUMBER U/M DESCRIPTION
040944-01-000 EA LABEL - ENTRANCE DOOR - iOPENi

CAUTION

THIS MOTOR HOME HAS BEEN DESIGNED, MANUFACTURED AND TESTED WITH CONCERN FOR THE PROTECTION OF IT'S OCCUPANTS. WE RECOMMEND YOU PERFORM THE FOLLOWING INSPECTIONS FOR YOUR SAFETY AND THE SAFETY OF YOUR PASSENGERS BEFORE STARTING YOUR VEHICLE.

1. LP GAS SYSTEM- TURN OFF AT TANK FOR TRAVELING. TEST FOR LEAKS UPON ARRIVAL AT DESTINATION. BEFORE LIGHTING PILOTS.
2. WHEELS- INSPECT FOR DAMAGE AND CHECK LUG NUTS FOR TIGHTNESS.
3. TIRES- INSPECT FOR WEAR AND DAMAGE AND CHECK FOR RECOMMENDED AIR PRESSURE.
4. LIGHTING- TEST FOR PROPER OPERATION OF ALL INTERIOR AND EXTERIOR LIGHTS INCLUDING DASH LIGHTS, HEADLIGHTS, TAIL LIGHTS, BRAKE LIGHTS, CLEARANCE LIGHTS AND TURN SIGNALS.
5. EXITS- INSPECT RELEASE MECHANISM ON EMERGENCY EXIT WINDOW. TEST BOTH LOCKS ON MAIN ENTRANCE DOOR FOR EASE OF OPERATION AND INSTRUCT PASSENGERS HOW TO USE BOTH MEANS OF EXIT.
6. SEAT BELTS- DIRECT PASSENGERS TO DESIGNATED SEATS AND REQUIRE USE OF SEAT BELTS.
7. APPLIANCES- TURN OFF AND LATCH OR LOCK DOORS WHERE PROVIDED.
8. LOOSE PARCELS- STORE SECURELY.
9. UTILITY SUPPLY LINES- DISCONNECT ALL ELECTRIC, SEWER AND WATER LINES AND SECURE PROPERLY.
10. ENTRANCE DOOR STEP- PLACE IN RETRACTED POSITION FOR TRAVELING.

READ YOUR MOTOR HOME AND CHASSIS OWNER'S
MANUAL FOR FURTHER PRECAUTIONS

KEY PART NUMBER U/M DESCRIPTION
056259-01-000 EA LABEL - SAFETY CHECK LIST

UNLEADED FUEL ONLY

KEY PART NUMBER U/M DESCRIPTION
062043-01-000 EA LABEL - FUEL - UNLEADED

LABELS GROUP (CONTINUED)

WARNING DISCONNECT BATTERIES BEFORE
CONNECTING EXTERNAL CHARGING EQUIPMENT.

KEY PART NUMBER U/M DESCRIPTION
065748-01-000 EA LABEL - CAUTION - BATTERY CHARGING

AVERTISSEMENT : DEBRANCHER LES BATTERIES AVANT
DE BRANCHER TOUT EQUIPEMENT DE CHARGE EXTERIEUR.

KEY PART NUMBER U/M DESCRIPTION
065748-02-000 EA LABEL - WARNING - BATTERY/FRENCH - CANADIAN

DIESEL FUEL ONLY

KEY PART NUMBER U/M DESCRIPTION
068383-01-000 EA LABEL - DIESEL FUEL

VEHICLE EMISSION CONTROL INFORMATION

THIS VEHICLE CONFORMS TO U.S. EPA
REGULATIONS APPLICABLE TO XXXX MODEL
YEAR NEW VEHICLES.

072887-01-000-2 CATALYST

KEY PART NUMBER U/M DESCRIPTION
072887-13-000 EA LABEL - EPA - 2001 MODEL YEAR

IF YOU SMELL GAS

1. EXTINGUISH ANY OPEN FLAME, PILOT LIGHTS AND ALL SMOKING MATERIALS.
2. DO NOT TOUCH ELECTRICAL SWITCHES.
3. SHUT OFF THE GAS SUPPLY AT THE TANK VALVE(S) OR GAS SUPPLY CONNECTION.
4. OPEN DOORS AND OTHER VENTILATING OPENINGS.
5. LEAVE THE AREA UNTIL ODOR CLEARS.
6. HAVE THE GAS SYSTEM CHECKED AND LEAKAGE SOURCE CORRECTED BEFORE USING AGAIN.

KEY PART NUMBER U/M DESCRIPTION
073998-01-000 EA LABEL - LPG ODOR WARNING

WARNING: TEST SMOKE DETECTOR
OPERATION AFTER VEHICLE HAS BEEN IN
STORAGE, BEFORE EACH TRIP AND AT
LEAST ONCE PER WEEK DURING USE.

KEY PART NUMBER U/M DESCRIPTION
077956-01-000 EA LABEL - WARNING - SMOKE DETECTOR

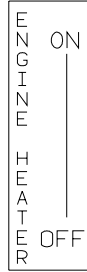
WARNING
MUST BE STOWED
IN LATCHED POSITION
WHILE VEHICLE IS IN MOTION

KEY PART NUMBER U/M DESCRIPTION
079966-01-000 EA LABEL - WARNING - STOWED - MOTION

LABELS GROUP (CONTINUED)



KEY PART NUMBER U/M DESCRIPTION
 083588-01-000 EA LABEL - ON/OFF - WATER HEATER



KEY PART NUMBER U/M DESCRIPTION
 083588-02-000 EA LABEL - ON/OFF - ENGINE HEATER

| | |
|--------------------------------------|---|
| CAUTION | TO HELP AVOID PERSONAL INJURY DURING REMOVAL OF FUEL FILLER CAP, SLOWLY LOOSEN CAP 1/2 TURN TO ALLOW ANY FUEL PRESSURE TO BE RELIEVED BEFORE TURNING CAP FURTHER. |
| FUEL SPRAY MAY CAUSE PERSONAL INJURY | STOP ADDING FUEL AFTER FIRST SHUTOFF BY AUTOMATIC NOZZLE WHEN TANK IS NEARLY FULL. DO NOT OVERFILL FUEL TANK. SEE OWNERS MANUAL FOR ADDITIONAL INFORMATION. PRINTED IN U.S.A. WLC PT NO 15611763 |

KEY PART NUMBER U/M DESCRIPTION
 087207-05-000 EA LABEL - FUEL CAP REMOVAL



KEY PART NUMBER U/M DESCRIPTION
 087236-01-000 EA LABEL - CABLE - INPUT

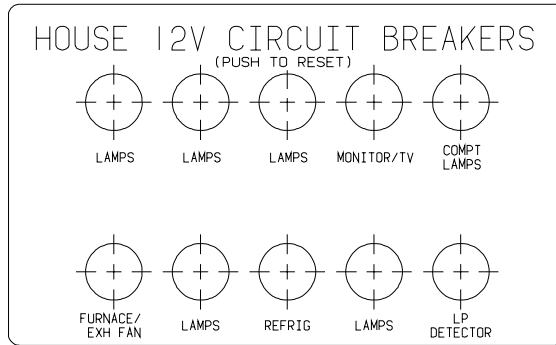


KEY PART NUMBER U/M DESCRIPTION
 087236-02-000 EA LABEL - TV OUTLET

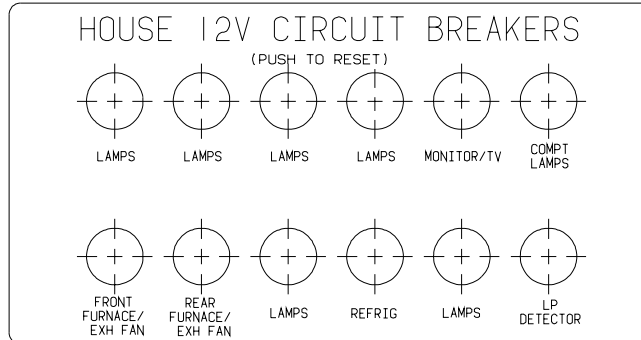
AIR CONDITIONING CIRCUIT.
 THIS CONNECTION IS FOR
 AIR CONDITIONERS RATED 110-
 125 VOLT AC, 60 HZ, 16
 AMPERES MAXIMUM. DO NOT
 EXCEED CIRCUIT RATING.

KEY PART NUMBER U/M DESCRIPTION
 091243-01-000 EA LABEL - A/C COVER ìAIR CONDITIONING CIRCUIT ETC.î

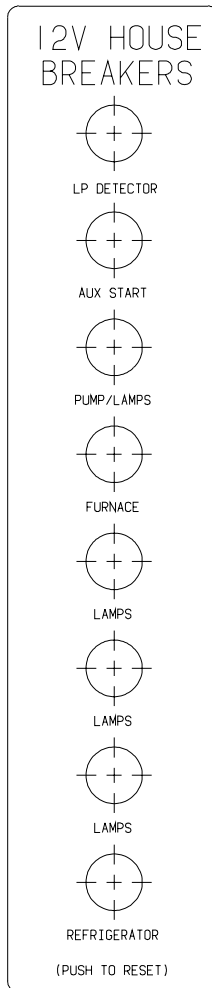
LABELS GROUP (CONTINUED)



| | | |
|------------|--------------------|----------------------------|
| KEY | PART NUMBER | U/M DESCRIPTION |
| | 092547-06-000 | EA LABEL - CIRCUIT BREAKER |

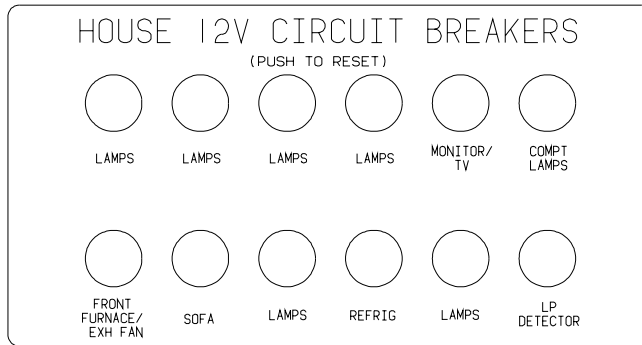


| | | |
|------------|--------------------|----------------------------|
| KEY | PART NUMBER | U/M DESCRIPTION |
| | 092547-07-000 | EA LABEL - CIRCUIT BREAKER |

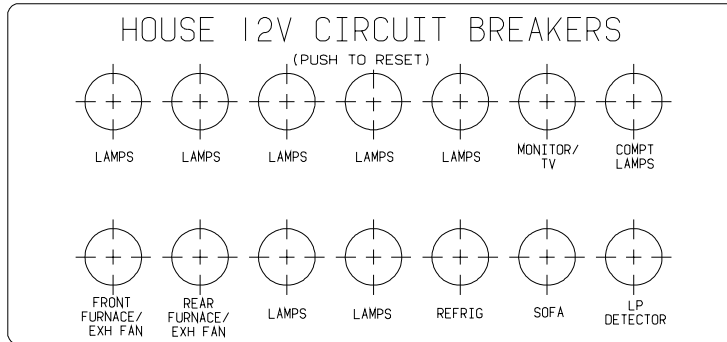


| | | |
|------------|--------------------|----------------------------|
| KEY | PART NUMBER | U/M DESCRIPTION |
| | 092547-08-000 | EA LABEL - CIRCUIT BREAKER |

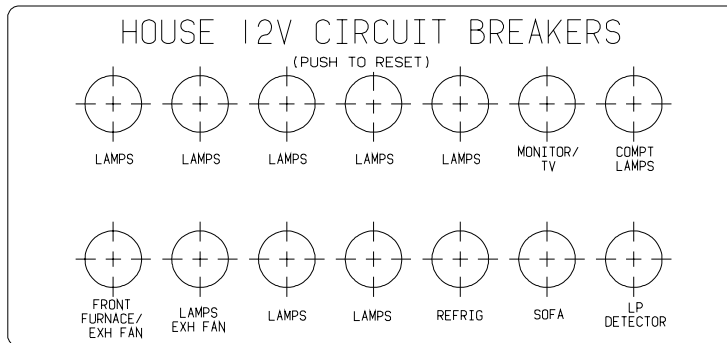
LABELS GROUP (CONTINUED)



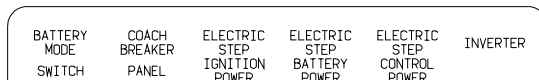
KEY PART NUMBER 092547-10-000 **U/M DESCRIPTION**
EA LABEL - CIRCUIT BREAKER



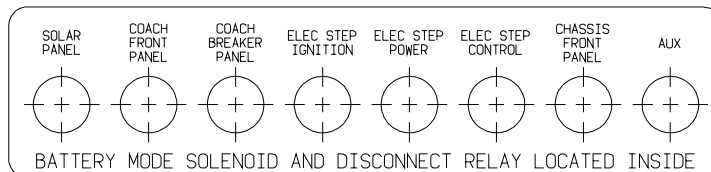
KEY PART NUMBER 092547-11-000 **U/M DESCRIPTION**
EA LABEL - CIRCUIT BREAKER



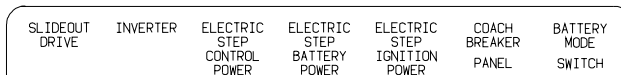
KEY PART NUMBER 092547-12-000 **U/M DESCRIPTION**
EA LABEL - CIRCUIT BREAKER



KEY PART NUMBER 093236-08-000 **U/M DESCRIPTION**
EA LABEL - CIRCUIT BREAKER



KEY PART NUMBER 093236-13-000 **U/M DESCRIPTION**
EA LABEL - CIRCUIT BREAKER



KEY PART NUMBER 093236-15-000 **U/M DESCRIPTION**
EA LABEL - CIRCUIT BREAKER

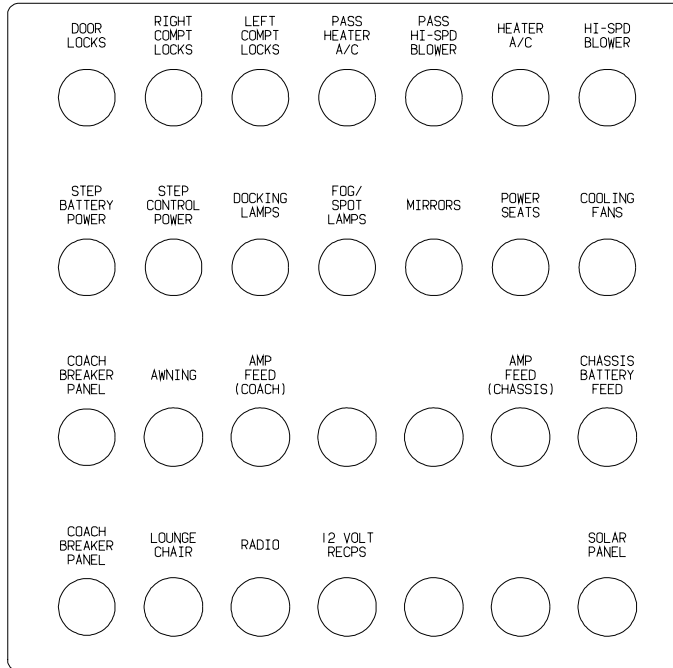
LABELS GROUP (CONTINUED)

| | | | | | | |
|---------------------------|---------------------------|---------------------------------------|--------------------------------------|--------------------------------------|----------|-------------------|
| BATTERY MODE SWITCH | COACH BREAKER PANEL | ELECTRIC STEP IGNITION POWER | ELECTRIC STEP BATTERY POWER | ELECTRIC STEP CONTROL POWER | INVERTER | SLIDEOUT POWER |
|---------------------------|---------------------------|---------------------------------------|--------------------------------------|--------------------------------------|----------|-------------------|

KEY PART NUMBER U/M DESCRIPTION
 093236-18-000 EA LABEL - CIRCUIT BREAKER

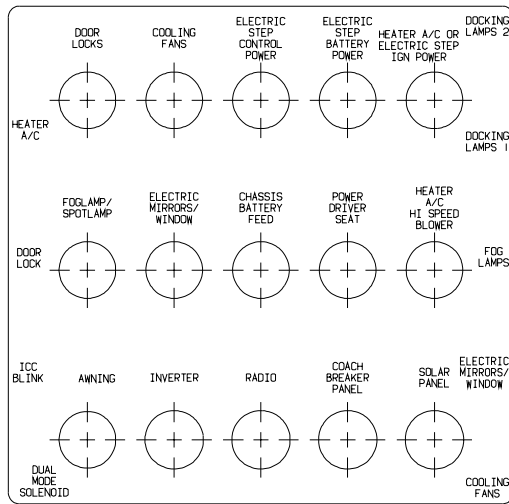
| | | | | | | |
|---------------------|---------------------------|---------------------------|---------------------------------------|--------------------------------------|--------------------------------------|----------|
| SLIDEOUT CONTROL | BATTERY MODE SWITCH | COACH BREAKER PANEL | ELECTRIC STEP IGNITION POWER | ELECTRIC STEP BATTERY POWER | ELECTRIC STEP CONTROL POWER | INVERTER |
|---------------------|---------------------------|---------------------------|---------------------------------------|--------------------------------------|--------------------------------------|----------|

KEY PART NUMBER U/M DESCRIPTION
 093236-21-000 EA LABEL - CIRCUIT BREAKER



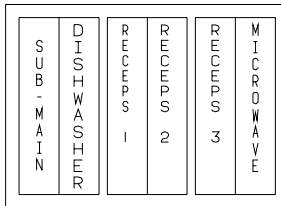
KEY PART NUMBER U/M DESCRIPTION
 093236-22-000 EA LABEL - CIRCUIT BREAKER

LABELS GROUP (CONTINUED)



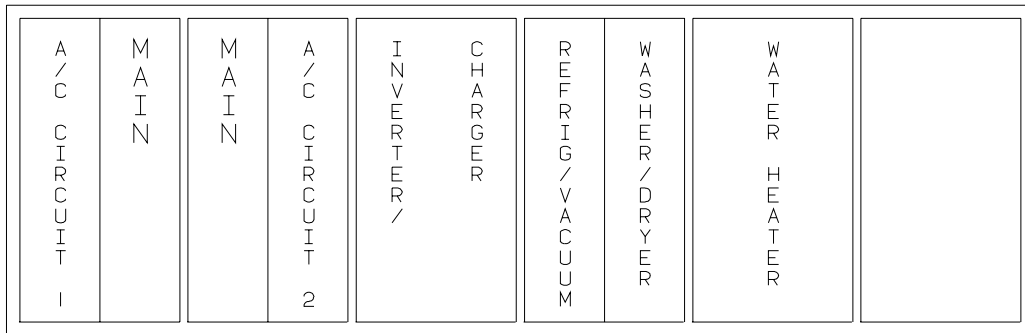
KEY PART NUMBER
093236-23-000

U/M DESCRIPTION
EA LABEL - CIRCUIT BREAKER - MAIN



KEY PART NUMBER
095721-20-000

U/M DESCRIPTION
EA LABEL - CONTROL CENTER W/INVERTER



KEY PART NUMBER
095721-22-000

U/M DESCRIPTION
EA LABEL - CONTROL CENTER - 50 AMP

LABELS GROUP (CONTINUED)

| | | | | | | | | | | |
|-----------------------------|------------|-----------------------------|-------------------------------|----------------------|-------------------|-------------------|-------------------|-------------------------------|--------------------------------|--|
| A / C C I R C U I T 1 | M A I N | A / C C I R C U I T 2 | R E F F R I G / C O N V | M I C R O W A V E | R E C P S 1 | R E C P S 2 | R E C P S 3 | W A S H E R / D R Y E R | W A T E R H E A T E R | |
|-----------------------------|------------|-----------------------------|-------------------------------|----------------------|-------------------|-------------------|-------------------|-------------------------------|--------------------------------|--|

KEY PART NUMBER
095721-31-000

U/M DESCRIPTION
EA LABEL - CONTROL CENTER - 30 AMP - US

| | | | | | | | |
|-----------------------------|------------|-----------------------------|--|------------------------------|-------------------------------|--------------------------------|--|
| A / C C I R C U I T 1 | M A I N | A / C C I R C U I T 2 | I N V E R T E R / C H A R G E R | R E F F R I G E R A T O R | W A S H E R / D R Y E R | W A T E R H E A T E R | |
|-----------------------------|------------|-----------------------------|--|------------------------------|-------------------------------|--------------------------------|--|

KEY PART NUMBER
095721-32-000

U/M DESCRIPTION
EA LABEL - CONTROL CENTER - 30 AMP W/INVERTER

| | | | | | | | | | | |
|-----------------------------|------------|------------|-----------------------------|-------------------------------|----------------------|-------------------|-------------------|-------------------|-------------------------------|--------------------------------|
| A / C C I R C U I T 1 | M A I N | M A I N | A / C C I R C U I T 2 | R E F F R I G / C O N V | M I C R O W A V E | R E C P S 1 | R E C P S 2 | R E C P S 3 | W A S H E R / D R Y E R | W A T E R H E A T E R |
|-----------------------------|------------|------------|-----------------------------|-------------------------------|----------------------|-------------------|-------------------|-------------------|-------------------------------|--------------------------------|

KEY PART NUMBER
095721-33-000

U/M DESCRIPTION
EA LABEL - CONTROL CENTER - 50 AMP - US

| | | | | | | | | |
|-----------------------------|------------|------------|-----------------------------|--|------------------------------|-------------------------------|--------------------------------|--|
| A / C C I R C U I T 1 | M A I N | M A I N | A / C C I R C U I T 2 | I N V E R T E R / C H A R G E R | R E F F R I G E R A T O R | W A S H E R / D R Y E R | W A T E R H E A T E R | |
|-----------------------------|------------|------------|-----------------------------|--|------------------------------|-------------------------------|--------------------------------|--|

KEY PART NUMBER
095721-34-000

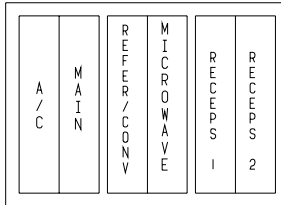
U/M DESCRIPTION
EA LABEL - CONTROL CENTER - 50 AMP

| | | | | | |
|------------|----------------------|---------------------------|-----------------------------|--------------------------|----------|
| M A I N | M I C R O W A V E | G F I / R E C E P S | R E F F E R / C O N V | W A T E R H T R | A / C |
|------------|----------------------|---------------------------|-----------------------------|--------------------------|----------|

KEY PART NUMBER
095721-38-000

U/M DESCRIPTION
EA LABEL - CONTROL CENTER - 30 AMP - US

LABELS GROUP (CONTINUED)



KEY PART NUMBER U/M DESCRIPTION
 095721-40-000 EA LABEL - CONTROL CENTER

AUTOMOTIVE AND COACH
CIRCUIT BREAKERS

KEY PART NUMBER U/M DESCRIPTION
 098379-01-000 EA LABEL - CIRCUIT BREAKER - FRONT BOX

CIRCUIT BREAKERS
AND AUTOMOTIVE
FUSE PANEL

KEY PART NUMBER U/M DESCRIPTION
 098379-03-000 EA LABEL - ELECTRICAL BOX - FRONT

BATTERY MODE
SOLENOID AND
RELAYS

KEY PART NUMBER U/M DESCRIPTION
 098379-04-000 EA LABEL - ELECTRICAL BOX - SIDE

UNLEADED
FUEL ONLY

KEY PART NUMBER U/M DESCRIPTION
 098641-01-000 EA LABEL - FUEL - UNLEADED - DASH

FOR AWNING INSTALLATION
CONTACT YOUR MOTORHOME
DEALERSHIP

KEY PART NUMBER U/M DESCRIPTION
 099509-01-000 EA LABEL - AWNING INSTALLATION

WARNING
 THIS VEHICLE, LIKE OTHER
VEHICLES, MAY CONTAIN SMALL
AMOUNTS OF ONE OR MORE
SUBSTANCES WHICH ARE LISTED
BY THE STATE OF CALIFORNIA
FOR CAUSING CANCER OR
REPRODUCTIVE TOXICITY.

KEY PART NUMBER U/M DESCRIPTION
 099689-01-000 EA LABEL - WARNING - CANCER/TOXICITY

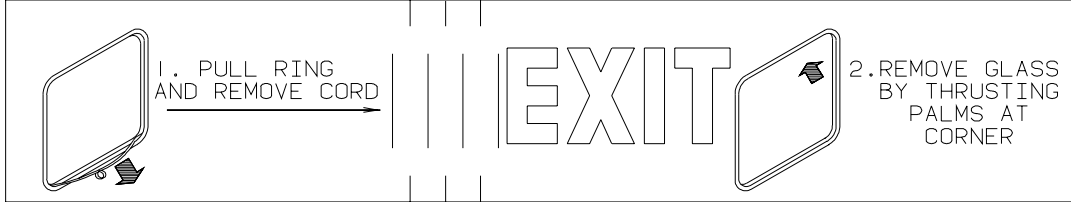
LABELS GROUP (CONTINUED)

NOTE: TUNE ANTENNA
PER MANUFACTURER'S
DIRECTIONS. FAILURE TO
COMPLY COULD RESULT IN
DAMAGE TO CB.

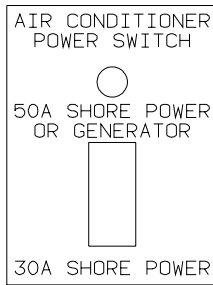
CB POWER PROVISION

RED +12 V
BLACK GROUND
COAX ANTENNA
(SEE REVERSE ALSO)

KEY PART NUMBER U/M DESCRIPTION
104678-01-000 EA LABEL - CB PREP



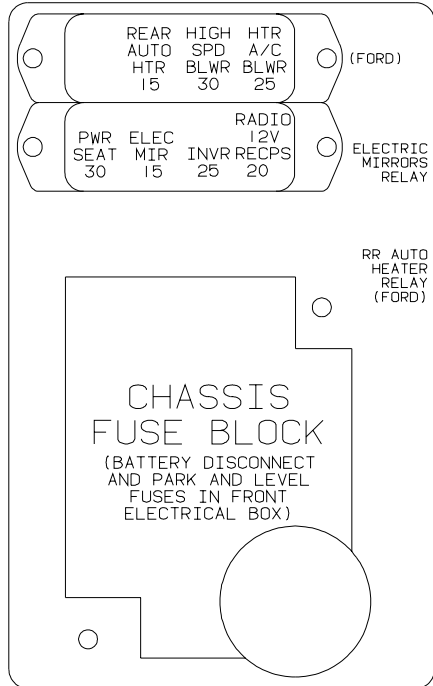
KEY PART NUMBER U/M DESCRIPTION
107571-01-000 EA LABEL - EXIT/ESCAPE WINDOW



KEY PART NUMBER U/M DESCRIPTION
109051-02-000 EA LABEL - SWITCH - 50 AMP POWER

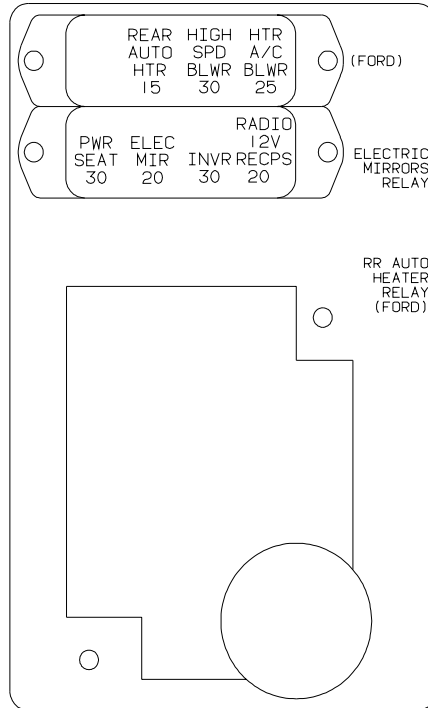


KEY PART NUMBER U/M DESCRIPTION
111104-01-000 EA LABEL - HITCH - READ MANUAL - WHITE



KEY PART NUMBER U/M DESCRIPTION
111537-08-000 EA LABEL - FUSES

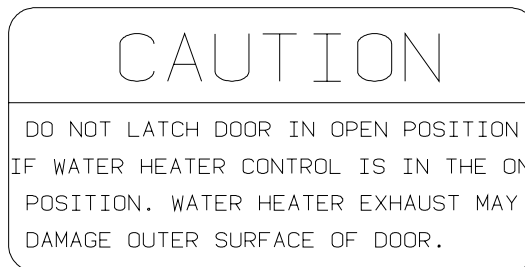
LABELS GROUP (CONTINUED)



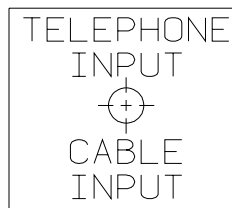
| KEY | PART NUMBER | U/M DESCRIPTION |
|-----|---------------|------------------|
| | 111537-09-000 | EA LABEL - FUSES |

WARNING: CONTAINS "CFC" A SUBSTANCE WHICH HARMS PUBLIC HEALTH AND ENVIRONMENT BY DESTROYING OZONE IN THE UPPER ATMOSPHERE.

| KEY | PART NUMBER | U/M DESCRIPTION |
|-----|---------------|------------------------|
| | 111802-01-000 | EA LABEL - CFC WARNING |

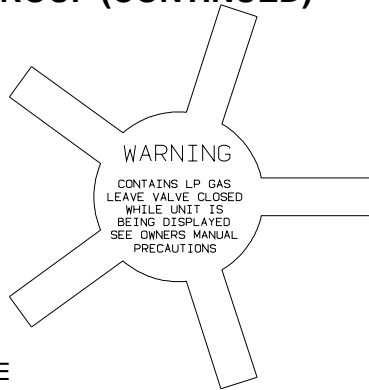


| KEY | PART NUMBER | U/M DESCRIPTION |
|-----|---------------|---|
| | 113402-01-000 | EA LABEL - CAUTION - WATER HEATER EXHAUST |



| KEY | PART NUMBER | U/M DESCRIPTION |
|-----|---------------|---|
| | 114866-02-000 | EA LABEL - PHONE & CABLE INPUT - WHITE/CLEAR BACKGROUND |
| | 114866-03-000 | EA LABEL - PHONE & CABLE INPUT - BLACK/CLEAR BACKGROUND |

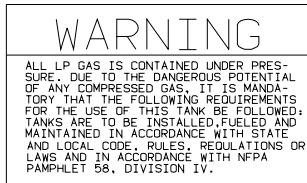
LABELS GROUP (CONTINUED)



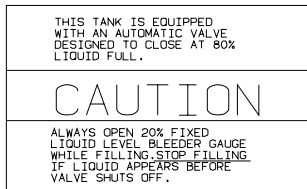
KEY PART NUMBER U/M DESCRIPTION
 115600-01-000 EA LABEL - WARNING LPG VALVE

WARNING: REPLACE TIRE ONLY WITH ONE OF EXACTLY SAME TYPE AND RATING. DO NOT REPLACE WITH PASSENGER CAR TIRE. SEE OPERATOR'S MANUAL FOR MORE INFORMATION CALL WINNEBAGO OWNER RELATIONS AT 1-800-537-1885.

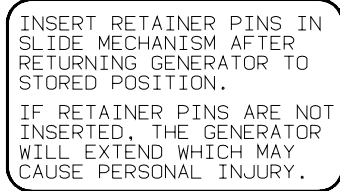
KEY PART NUMBER U/M DESCRIPTION
 115869-01-000 EA LABEL - WARNING - TIRE



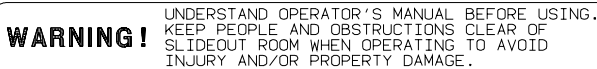
KEY PART NUMBER U/M DESCRIPTION
 116112-01-000 EA LABEL - WARNING - LP



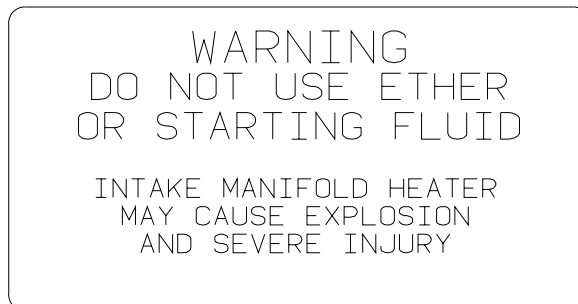
KEY PART NUMBER U/M DESCRIPTION
 116113-01-000 EA LABEL - CAUTION - LP



KEY PART NUMBER U/M DESCRIPTION
 116273-01-000 EA LABEL - WARNING - GENERATOR

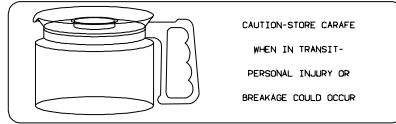


KEY PART NUMBER U/M DESCRIPTION
 116549-01-000 EA LABEL - WARNING - SLIDEOUT



KEY PART NUMBER U/M DESCRIPTION
 116756-02-000 EA LABEL - WARNING - ETHER/STARTING

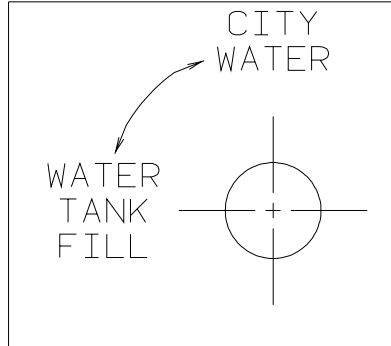
LABELS GROUP (CONTINUED)



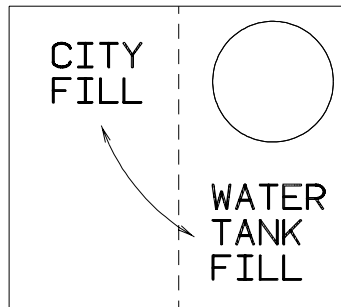
KEY PART NUMBER U/M DESCRIPTION
116829-02-000 EA LABEL - COFFEEMAKER



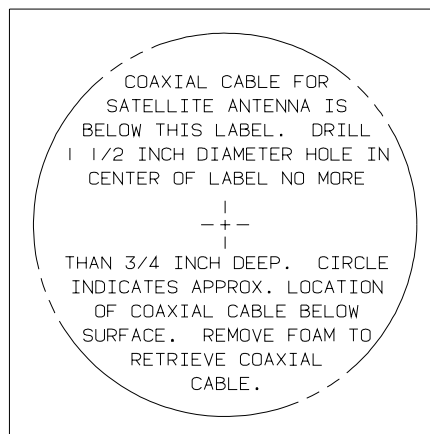
KEY PART NUMBER U/M DESCRIPTION
117628-02-000 EA LABEL - SWITCH - WATER PUMP/LIGHTS-WHITE/CLEAR BACKGROUND



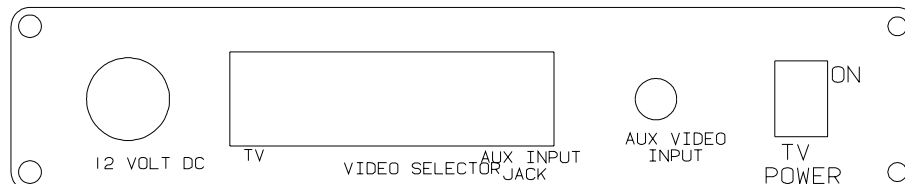
KEY PART NUMBER U/M DESCRIPTION
117629-03-000 EA LABEL - WATER PUMP/FILL-BLK LETTERS/CLEAR BACKGROUND-.31"



KEY PART NUMBER U/M DESCRIPTION
117629-04-000 EA LABEL - CITY WATER/TANK FILL



KEY PART NUMBER U/M DESCRIPTION
120431-01-000 EA LABEL - LOCATION - COAXIAL CABLE/SATELLITE ANTENNA



KEY PART NUMBER U/M DESCRIPTION
120677-01-000 EA LABEL - TV

LABELS GROUP (CONTINUED)

KEEP THE SERVICE INLET ACCESS
IN THE CLOSED POSITION WHEN
UTILITY CONNECTIONS ARE NOT IN USE

| KEY | PART NUMBER | U/M DESCRIPTION |
|-----|---------------|-----------------------------------|
| | 123562-01-000 | EA LABEL - SERVICE/UTILITY ACCESS |

WARNING

ALL PILOT LIGHTS, APPLIANCES AND THEIR
IGNITORS (SEE OPERATING INSTRUCTIONS) SHALL
BE TURNED OFF DURING REFUELING OF MOTOR
FUEL TANKS AND/OR LP GAS CONTAINERS

| KEY | PART NUMBER | U/M DESCRIPTION |
|-----|---------------|---|
| | 124519-01-01A | EA LABEL - WARNING/REFUELING - BLACK ON CLEAR |
| | 124519-01-02A | EA LABEL - WARNING/REFUELING - WHITE ON CLEAR |

WARNING:

ALL PILOT LIGHTS AND APPLIANCES SHALL BE TURNED
OFF DURING REFUELING OF MOTOR FUEL TANKS AND/
OR PROPANE CONTAINERS.

AVERTISSEMENT :

FERMER TOUTES LES VEILLEUSES AINSI QUE TOUS LES
APPAREILS LORSQU'ON FAIT LE PLEIN DES RESERVOIRS
À CARBURANT OU À PROPANE.

124519-02

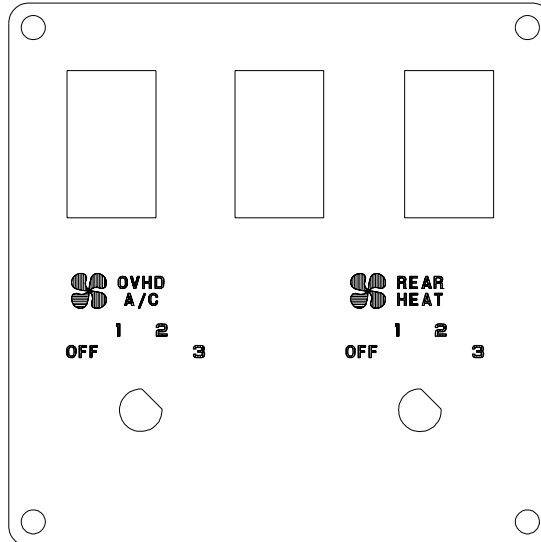
| KEY | PART NUMBER | U/M DESCRIPTION |
|-----|---------------|---|
| | 124519-02-01A | EA LABEL - WARNING/REFUELING - BLACK ON CLEAR - CSA |
| | 124519-02-02A | EA LABEL - WARNING/REFUELING - WHITE ON CLEAR - CSA |

LP-GAS SYSTEM
THIS GAS PIPING SYSTEM IS
DESIGNED FOR USE OF
LIQUIFIED PETROLEUM GAS
ONLY. DO NOT CONNECT
NATURAL GAS TO THIS
SYSTEM.

SECURE CAP INLET(S) WHEN NOT
CONNECTED FOR USE. AFTER TURNING
ON GAS, EXCEPT AFTER NORMAL
CONTAINER REPLACEMENT, TEST GAS
PIPING AND CONNECTIONS TO
APPLIANCES FOR LEAKAGE WITH SOAPY
WATER OR BUBBLE SOLUTION. DO NOT
USE PRODUCTS THAT CONTAIN AMMONIA
OR CLORINE.

124520

| KEY | PART NUMBER | U/M DESCRIPTION |
|-----|---------------|---|
| | 124520-01-01A | EA LABEL - LP GAS ONLY - BLACK ON CLEAR |
| | 124520-01-02A | EA LABEL - LP GAS ONLY - WHITE ON CLEAR |



| KEY | PART NUMBER | U/M DESCRIPTION |
|-----|---------------|---------------------|
| | 124572-01-000 | EA LABEL - SWITCHES |

LABELS GROUP (CONTINUED)

THIS CONNECTION IS FOR
 (B) VOLT AC, 60 HZ (CYCLES)
 (A) AMPERE SUPPLY

DO NOT CONNECT TO
 HIGHER VOLTAGE

| KEY | PART NUMBER | U/M | DESCRIPTION |
|-----|---------------|-----|--|
| | 125306-01-01A | EA | LABEL - ELECTRICAL ENTRANCE - 110V 30 AMP - BLACK ON CLEAR |
| | 125306-01-02A | EA | LABEL - ELECTRICAL ENTRANCE - 110V 30 AMP - WHITE ON CLEAR |

THIS CONNECTION IS FOR
 (B) VOLT AC, 3-POLE, 4 WIRE
 60 HZ (CYCLES), (A) AMPERE SUPPLY

DO NOT CONNECT TO
 HIGHER VOLTAGE

| KEY | PART NUMBER | U/M | DESCRIPTION |
|-----|---------------|-----|--|
| | 125306-04-01A | EA | LABEL-ELECTRICAL ENTRANCE-120/240V 50 AMP-BLACK ON CLEAR |
| | 125306-04-02A | EA | LABEL - ELECTRICAL ENTRANCE-120/240V 50 AMP-WHITE ON CLEAR |



| KEY | PART NUMBER | U/M | DESCRIPTION |
|-----|---------------|-----|-----------------------------------|
| | 125697-07-000 | EA | LABEL - CAUTION - FLUSHING SYSTEM |

REMOVE PRIMARY TIRE HANGER BEFORE USING
 SPARE TIRE HOIST-SEE OWNERS MANUAL - PERSONAL
 INJURY MAY RESULT IF NOT FOLLOWED

| KEY | PART NUMBER | U/M | DESCRIPTION |
|-----|---------------|-----|-----------------------------|
| | 126024-01-01A | EA | LABEL - TIRE HANGER REMOVAL |

GRAY HOLDING TANK

| KEY | PART NUMBER | U/M | DESCRIPTION |
|-----|---------------|-----|--|
| | 126247-05-000 | EA | LABEL - GRAY HOLDING TANK-BLACK LETTERS/CLEAR BACKGROUND |

BLACK HOLDING TANK

| KEY | PART NUMBER | U/M | DESCRIPTION |
|-----|---------------|-----|---|
| | 126247-06-000 | EA | LABEL - BLACK HOLDING TANK-BLACK LETTERS/CLEAR BACKGROUND |

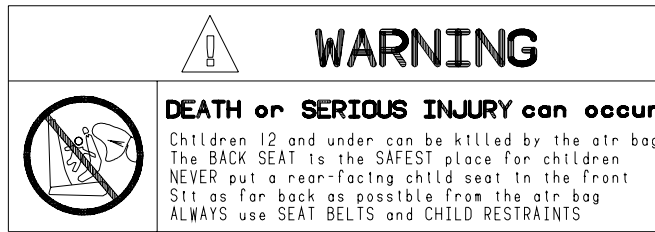
EXTERIOR SHOWER

| KEY | PART NUMBER | U/M | DESCRIPTION |
|-----|---------------|-----|-------------------------|
| | 126248-03-000 | EA | LABEL - EXTERIOR SHOWER |

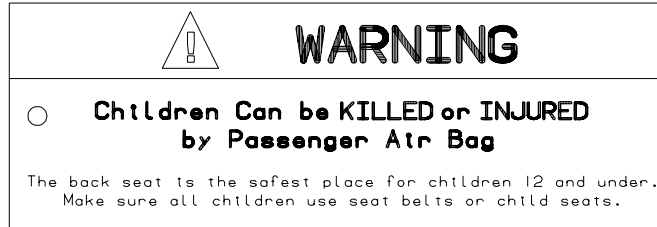
CITY WATER FILL

| KEY | PART NUMBER | U/M | DESCRIPTION |
|-----|---------------|-----|---|
| | 126249-03-000 | EA | LABEL - CITY WATER FILL-BLK LETTERS/CLEAR BACKGROUND .31" |

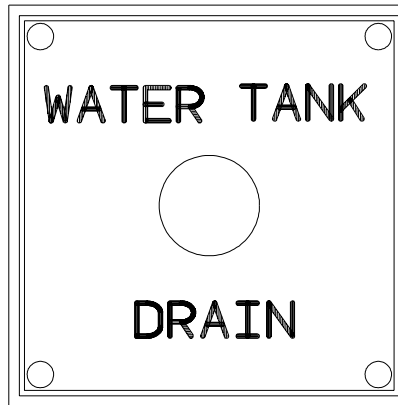
LABEL GROUP (CONTINUED)



KEY PART NUMBER U/M DESCRIPTION
 126611-01-000 EA LABEL - AIR BAG - VISOR



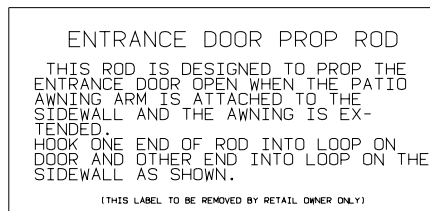
KEY PART NUMBER U/M DESCRIPTION
 126612-01-000 EA LABEL - HANG TAG - AIR BAG - DASH



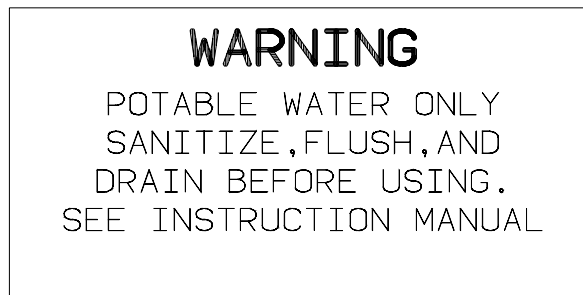
KEY PART NUMBER U/M DESCRIPTION
 127170-01-000 EA LABEL - WATER TANK DRAIN



KEY PART NUMBER U/M DESCRIPTION
 128218-01-01A EA LABEL - WARNING - SLIPPERY ROOF

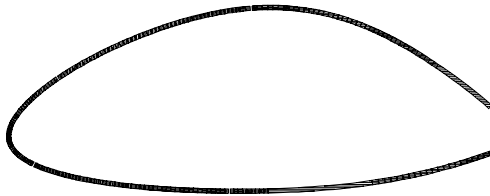


KEY PART NUMBER U/M DESCRIPTION
 128658-01-000 EA LABEL - PROP ROD - ENTRY DOOR



KEY PART NUMBER U/M DESCRIPTION
 128725-01-01A EA LABEL - POTABLE WATER ONLY - BLACK ON CLEAR

LABELS GROUP (CONTINUED)



ATTENTION
 REMEMBER TO DETACH THE OTHER TRAVEL LATCH LOCATED IN GALLEY CABINET BEFORE EXTENDING THIS ROOM.

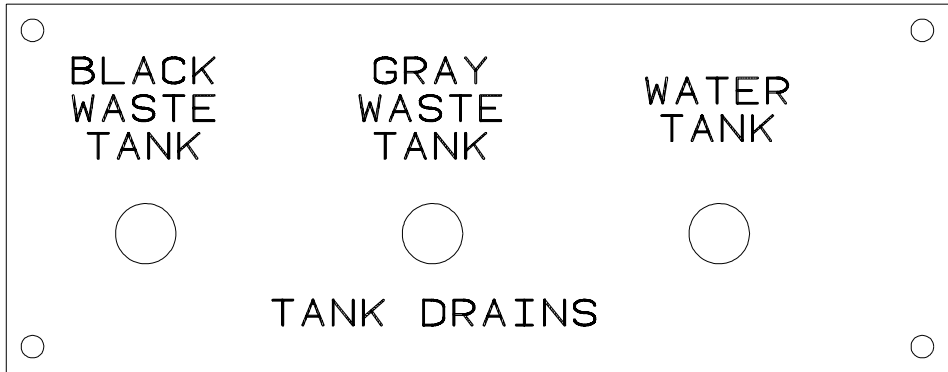
KEY PART NUMBER U/M DESCRIPTION
 129033-01-000 EA LABEL - HANG TAG - TRAVEL LATCH - 1.5" X 3"

TOW VEHICLE RATING MAY BE LESS THAN HITCH RATING.
 MAXIMUM VERTICAL HITCH LOAD: 350 LBS
 DO NOT EXCEED REAR AXLE RATING.
 SEE OWNER'S MANUAL FOR ADDITIONAL INFORMATION.

KEY PART NUMBER U/M DESCRIPTION
 129669-01-01A EA LABEL - HITCH/VEHICLE RATE - 350 - WHITE ON CLEAR
 129669-02-01A EA LABEL - HITCH/VEHICLE RATE - 500- WHITE ON CLEAR
 129669-02-02A EA LABEL - HITCH/VEHICLE RATE - 500 - BLACK ON CLEAR

TIRE ROTATION
 SEE RIALTA OWNERS MANUAL
 SECTION 9

KEY PART NUMBER U/M DESCRIPTION
 129684-01-000 EA LABEL - TIRE ROTATION



KEY PART NUMBER U/M DESCRIPTION
 130166-01-000 EA LABEL - DRAIN

H
O
S
E

S
T
O
R
A
G

KEY PART NUMBER U/M DESCRIPTION
 130167-02-000 EA LABEL - HOSE STORAGE

WASTE TANK FLUSH

KEY PART NUMBER U/M DESCRIPTION
 130168-01-000 EA LABEL - WASTE TANK FLUSH

LABELS GROUP (CONTINUED)

MONITOR WATER
 PANEL LIGHT PUMP

KEY PART NUMBER U/M DESCRIPTION
 130170-01-000 EA LABEL - SWITCH PANEL - BLK/CLEAR BACKGROUND-1.8"H X 5.9"L

LIGHTS WATER
 PUMP

KEY PART NUMBER U/M DESCRIPTION
 130170-02-000 EA LABEL - SWITCH PANEL-BLK/CLEAR BACKGROUND-1.4"H X 3.9"L

WATER
 PUMP

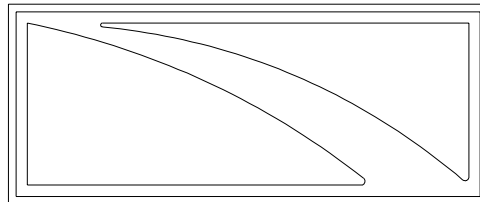
KEY PART NUMBER U/M DESCRIPTION
 130170-03-000 EA LABEL - PANEL SWITCH

CAUTION:
 OPEN A WINDOW OR VENT WHILE
 OPERATING DRYER. IT IS DANGEROUS
 TO CREATE A NEGATIVE AIR PRESSURE
 INSIDE A VEHICLE CONTAINING
 FUEL-BURNING APPLIANCES

KEY PART NUMBER U/M DESCRIPTION
 130670-01-01A EA LABEL - CAUTION DRYER VENTING - BLACK ON CLEAR

PUSH TO
 RELEASE
 GENERATOR
 SLIDE ASM

KEY PART NUMBER U/M DESCRIPTION
 131779-01-01A EA LABEL - GENERATOR



KEY PART NUMBER U/M DESCRIPTION
 132651-01-01A EA DECAL - MIRROR/GALLEY

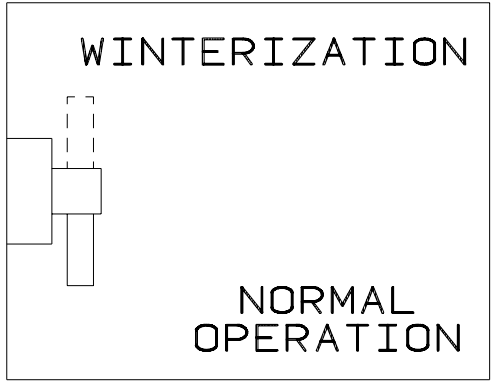
OPEN ○
 DRAIN
 CLOSED ○

KEY PART NUMBER U/M DESCRIPTION
 133423-01-01A EA LABEL - DRAIN

LABELS GROUP (CONTINUED)



KEY PART NUMBER U/M DESCRIPTION
133424-01-01A EA LABEL - BYPASS - WATER HEATER



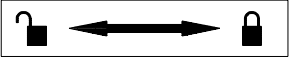
KEY PART NUMBER U/M DESCRIPTION
133425-01-01A EA LABEL - VALVE - WINTERIZATION



KEY PART NUMBER U/M DESCRIPTION
133533-01-01A EA LABEL - JACKS DOWN - CLEAR W/WHITE LETTERING

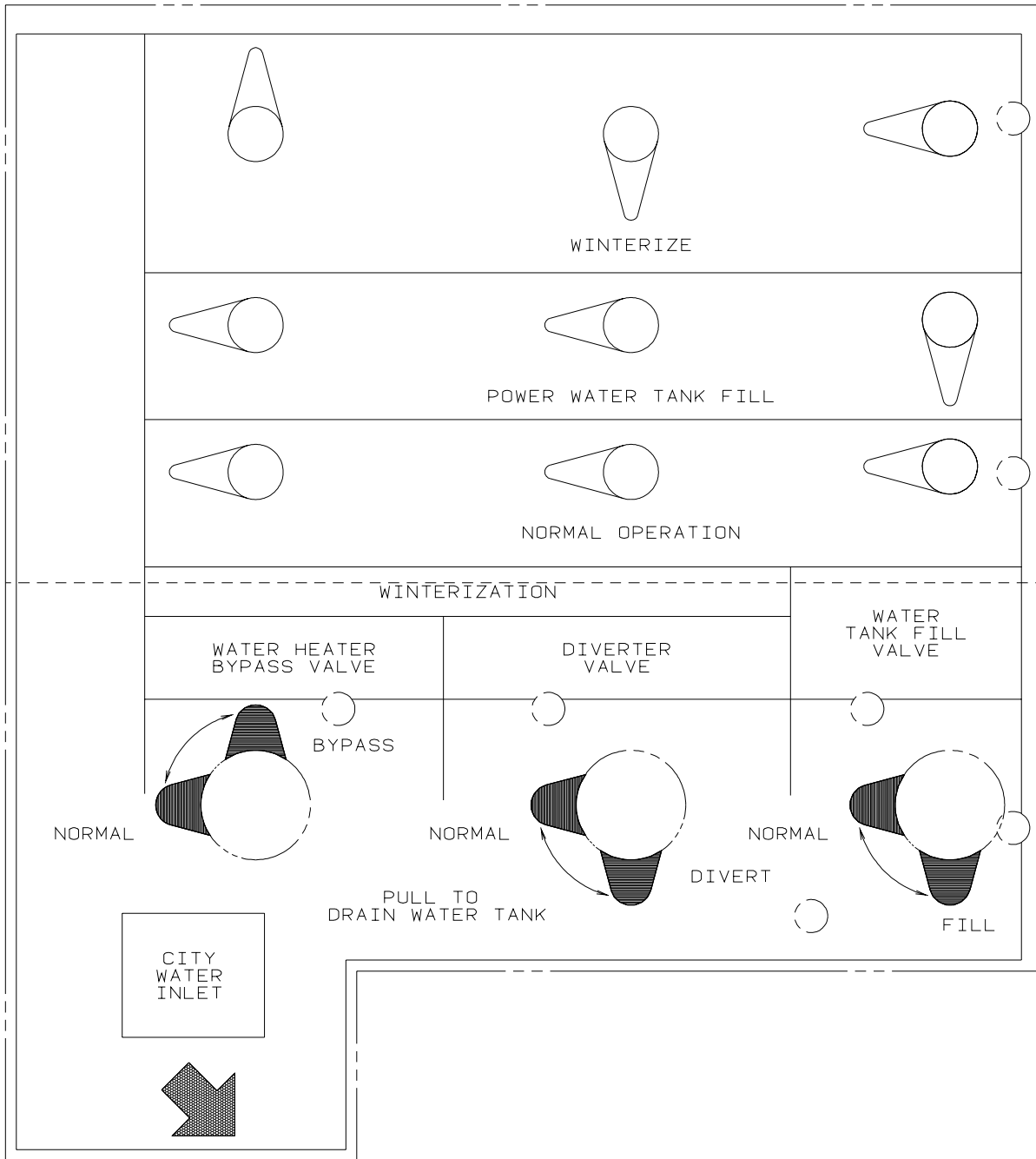


KEY PART NUMBER U/M DESCRIPTION
133533-02-01A EA LABEL - CHECK ANTENNA - CLEAR W/WHITE LETTERING



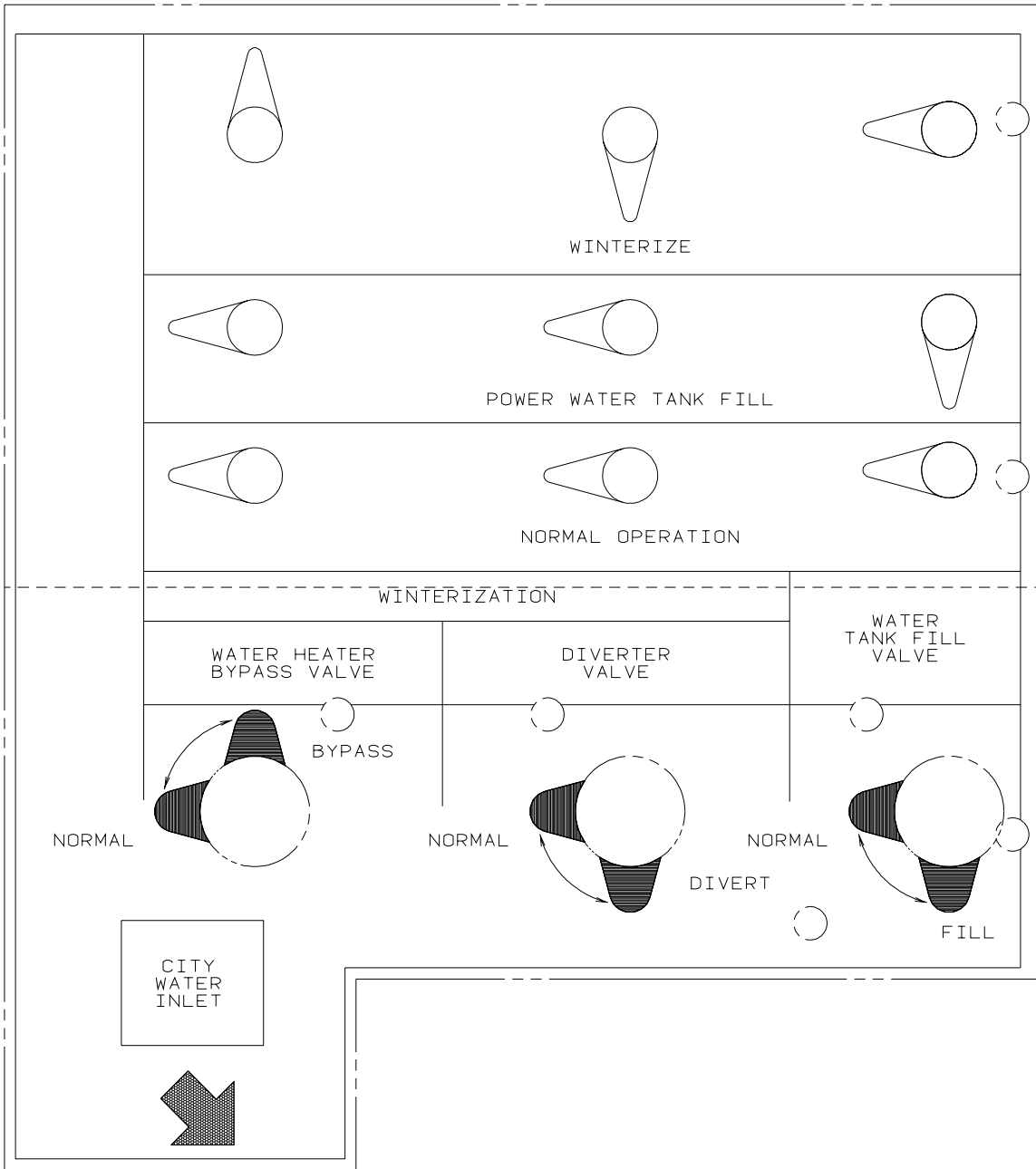
KEY PART NUMBER U/M DESCRIPTION
133533-03-01A EA LABEL - LOCK/UNLOCK - BLACK/WHITE

LABELS GROUP (CONTINUED)

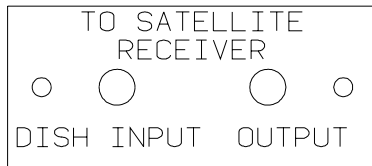


| KEY | PART NUMBER | U/M | DESCRIPTION |
|-----|---------------|-----|----------------------|
| | 133629-01-01A | EA | LABEL - WATER CENTER |

LABELS GROUP (CONTINUED)



| KEY | PART NUMBER | U/M DESCRIPTION |
|-----|---------------|---------------------------------------|
| | 133629-02-01A | EA LABEL - WATER CENTER - BLACK/CLEAR |



| KEY | PART NUMBER | U/M DESCRIPTION |
|-----|---------------|---|
| | 134250-01-01A | EA LABEL - SATELLITE RECEIVER - BLACK/CLEAR |

THIS SEAT IS NOT INTENDED
FOR OCCUPANCY WHEN
VEHICLE IS IN MOTION

| KEY | PART NUMBER | U/M DESCRIPTION |
|-----|---------------|---|
| | 134538-01-01A | EA LABEL - OCCUPANCY - NO SEAT BELT - BLACK ON CLEAR - US |

LABELS GROUP (CONTINUED)

| | |
|--|--|
| DST ISICE SIEGE N/EST PAS DESTINE A ETRE OCCUPE LORSQUE LE VEHICULE EST IN MOVUEMENT | THIS SEAT IS NOT INTENDED FOR OCCUPANCY WHILE VEHICLE IS IN MOTION |
|--|--|

KEY PART NUMBER U/M DESCRIPTION
134538-02-01A EA LABEL - OCCUPANCY - NO SEAT BELT - BLACK ON CLEAR - CSA

WARNING

IT IS NOT SAFE TO USE COOKING
APPLICANCES FOR COMFORT HEATING

COOKING APPLICANCES NEED FRESH AIR FOR SAFE OPERATION
BEFORE OPERATION.

1. OPEN OVERHEAD VENT OR TURN ON EXHAUST FAN AND;
2. OPEN WINDOW.

KEY PART NUMBER U/M DESCRIPTION
134539-01-01A EA LABEL - WARNING - STOVE/HEATING - US - BLACK ON CLEAR

HOLDING TANK HEATER

TURN OFF WHEN NOT IN USE
SEE OPERATOR'S MANUAL

KEY PART NUMBER U/M DESCRIPTION
134563-01-01A EA LABEL - SWITCH - HEATER

THIS VEHICLE MAY INCLUDE MERCURY-CONTAINING DEVICES INSTALLED BY THE MANUFACTURER:

FLUORESCENT TUBES, RANGES WITH OVEN, HWH LEVEL SENSING UNIT.

REMOVE DEVICES BEFORE VEHICLE DISPOSAL UPON REMOVAL OF
DEVICES: PLEASE REUSE, RECYCLE, OR DISPOSE AS HAZARDOUS WASTE

135869-01A

KEY PART NUMBER U/M DESCRIPTION
135869-01-01A EA LABEL - MERCURY CONTENT - BLACK ON CLEAR

LIQUID SOAP

KEY PART NUMBER U/M DESCRIPTION
136047-01-01A EA LABEL - LIQUID SOAP

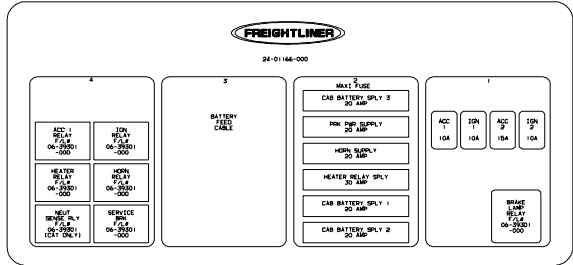
| | | | | | | | |
|------------------|------------------|--------------------------------|----------------------------------|-------------------------------|---------------------------------------|--------------------------|---------------|
| DOOR LOCK | DOOR UNLOCK | RIGHT COMPT DOOR LOCK | RIGHT COMPT DOOR UNLOCK | LEFT COMPT DOOR LOCK | LEFT COMPT DOOR UNLOCK | AUX START SOLENOID | AMP SOURCE |
| POWER MIRRORS | HEATER BLOWER | PASS HEATER BLOWER | FOG LAMPS | DOCKING LAMPS | DOCKING LAMPS SWITCH TRIGGER | COOLING FANS | |

KEY PART NUMBER U/M DESCRIPTION
136161-01-01A EA LABEL - RELAY - MATTE BLACK/WHITE LETTERS

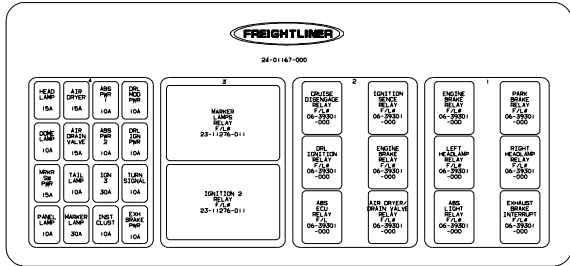
LABELS GROUP (CONTINUED)



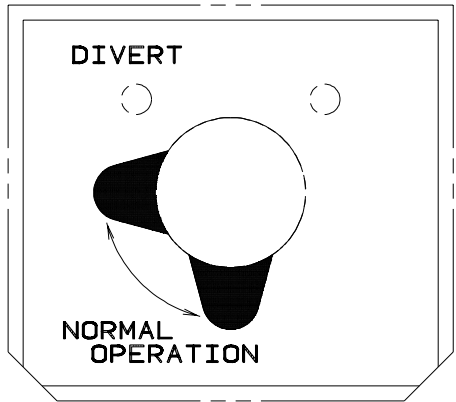
KEY PART NUMBER 136360-01-01A
U/M DESCRIPTION EA LABEL - AIR BAGS



KEY PART NUMBER 137090-01-000
U/M DESCRIPTION EA LABEL - ELECTRICAL CENTER



KEY PART NUMBER 137090-02-000
U/M DESCRIPTION EA LABEL - 4 MODULE BASE



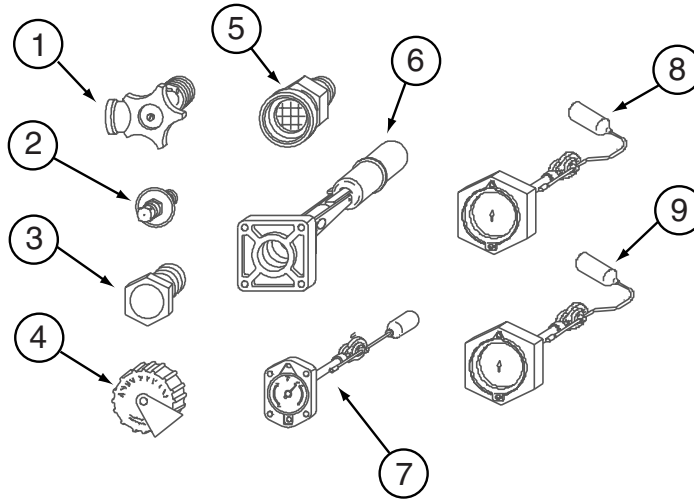
KEY PART NUMBER 137997-01-01A
U/M DESCRIPTION EA LABEL - WINTERIZATION VALVE - BLACK/CLEAR

LP GROUP
LP SYSTEM

| KEY | PART NUMBER | U/M | DESCRIPTION |
|------------|--------------------|------------|--|
| | 010251-02-000 | EA | ELBOW - BRASS - 90 DEGREE - 3/8 F X 1/4 MPT |
| | 010265-01-000 | EA | ELBOW - BRASS - 90 DEGREE - 3/8" F X 1/2" FPT |
| | 010323-01-000 | EA | ADAPTER - BRASS - 3/8" F X 1/2" MPT |
| | 010326-01-000 | EA | ADAPTER - FLARE - W/CONE GASKET - 3/8" F X 1/2" F |
| | 010329-01-000 | EA | ADAPTER - BRASS - 1/2" F X 1/2" MPT |
| | 010377-02-000 | EA | NUT - BRASS - 3/8" FLARE - FORGED |
| | 010380-02-000 | EA | NUT - BRASS - 1/2" FLARE - FORGED |
| | 010515-03-000 | EA | ELBOW - BLACK - 1/2 X 90 DEGREE STEEL |
| | 010536-02-000 | EA | TEE - STEEL BLACK - 1/2" |
| | 040440-03-000 | EA | TRANSMITTER - DIAL/SNAP-ON - 0-90 OHM 2 TERM(POWER/GROUND) |
| | 045703-03-000 | EA | HOSE - LP - 3/8" ID X 18" - 3/8" MPT X 1/2" F SWIVEL - U.S. |
| | 045703-12-000 | EA | HOSE - LP - 3/8" ID X 18" - 3/8" MPT X 1/2" F SWIVEL - CANADA |
| | 045703-15-000 | EA | ELBOW - BRASS - 90 DEGREE - 3/8" F X 1/2" FPT |
| | 045703-17-000 | EA | ELBOW - BRASS - 90 DEGREE - 3/8" F X 1/2" FPT |
| | 103613-03-000 | EA | DETECTOR - LP GAS - W/O SHUT-OFF VALVE |
| | 103613-03-000 | EA | DETECTOR - LP GAS - W/O SHUT-OFF VALVE |
| | 105658-01-000 | EA | COMPARTMENT - LP REGULATOR |
| | 106150-01-000 | EA | REGULATOR - TWO STAGE-W/90 DEGREE ELBOW & 3/8" FPT OUTLET |
| | 106846-01-000 | EA | VALVE - RELIEF |
| | 106871-01-000 | EA | BUSHING - 1/2 X 1/4 - BLACK |
| * | 117432-02-000 | EA | TANK - LP - 130 LB - 20" DIAMETER X 35" - LP GENERATOR |
| * | 117432-03-000 | EA | TANK - LP - 130 LB - 20" DIAMETER X 35" - VAPOR DRAW ONLY - DIESEL GENERATOR |
| | 129741-01-02B | EA | BRACKET - LP |

***COMPONENT PARTS LISTED LATER IN THIS GROUP**

LP GROUP (CONTINUED)
COMPONENT PARTS FOR LP SYSTEM



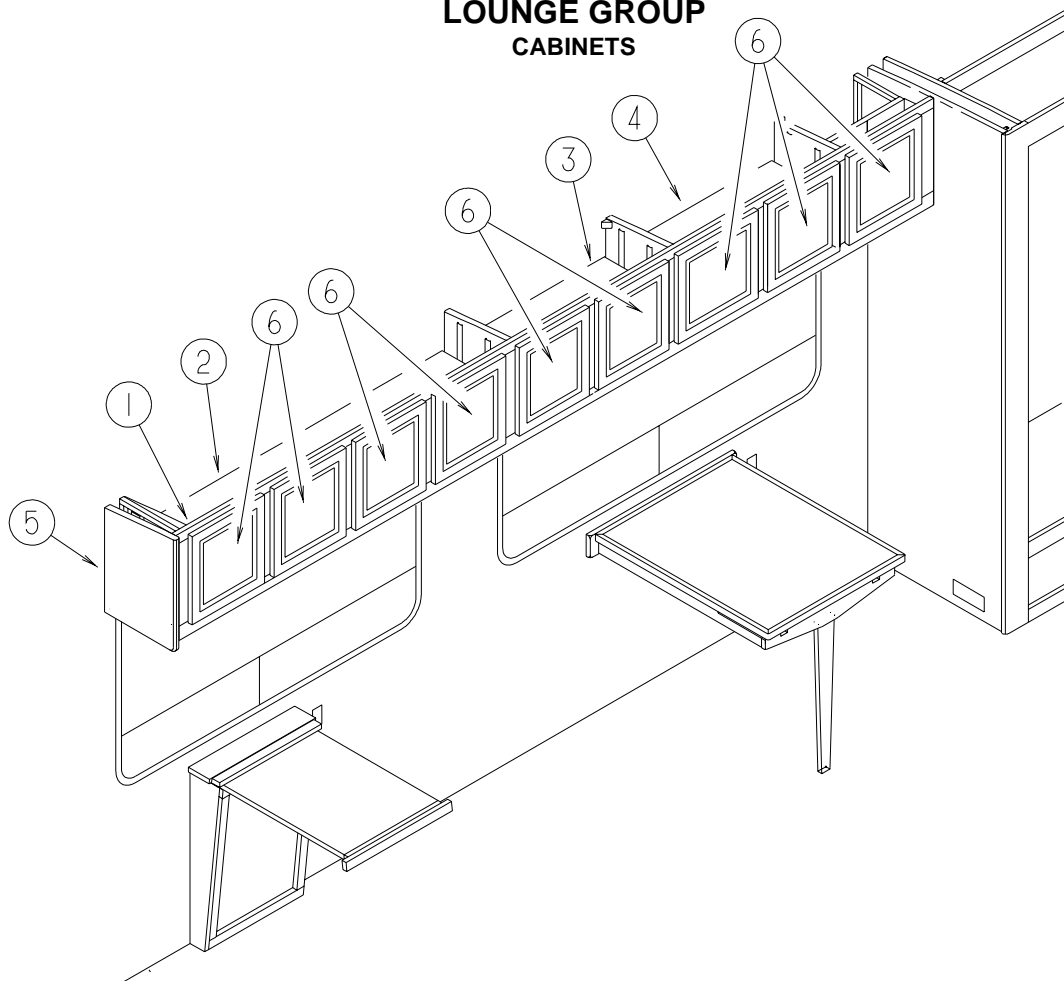
117432-02-000

| KEY | PART NUMBER | U/M | DESCRIPTION | VENDOR NO. |
|-----|---------------|-----|------------------------------|--------------|
| 1 | 040421-01-708 | EA | HANDWHEEL-SERVICE VALVE | G-1015-A |
| 1 | 040421-01-712 | EA | VALVE,SERV. W/O VAPOR RELIEF | 29000853 |
| 2 | 040421-01-700 | EA | VALVE-LIQUID LEVEL, 20% | G-1013 |
| 3 | 040421-01-713 | EA | VALVE-RELIEF 1" W/SPRING 7" | 29000587 |
| 4 | 040421-01-702 | EA | CAP-FILL VALVE, PLASTIC | G-1014-A |
| 5 | 040421-01-701 | EA | VALVE-FILL-SHORT, LP | 7547B |
| 6 | 040421-01-711 | EA | VALVE-80% FILL W/AUTO STOP | LLL/TL3 |
| 7 | | | NOT WHAT IS ILLUSTRATED HERE | |
| 8 | | | NOT WHAT IS ILLUSTRATED HERE | |
| 9 | | | NOT WHAT IS ILLUSTRATED HERE | |
| | 091970-01-700 | EA | FLOAT/BOLT ON-SCREW ON DIAL | SG20C0000801 |
| | 091970-01-701 | EA | FLOAT/SCREW IN-SNAP ON DIAL | SG20C0001595 |

117432-03-000

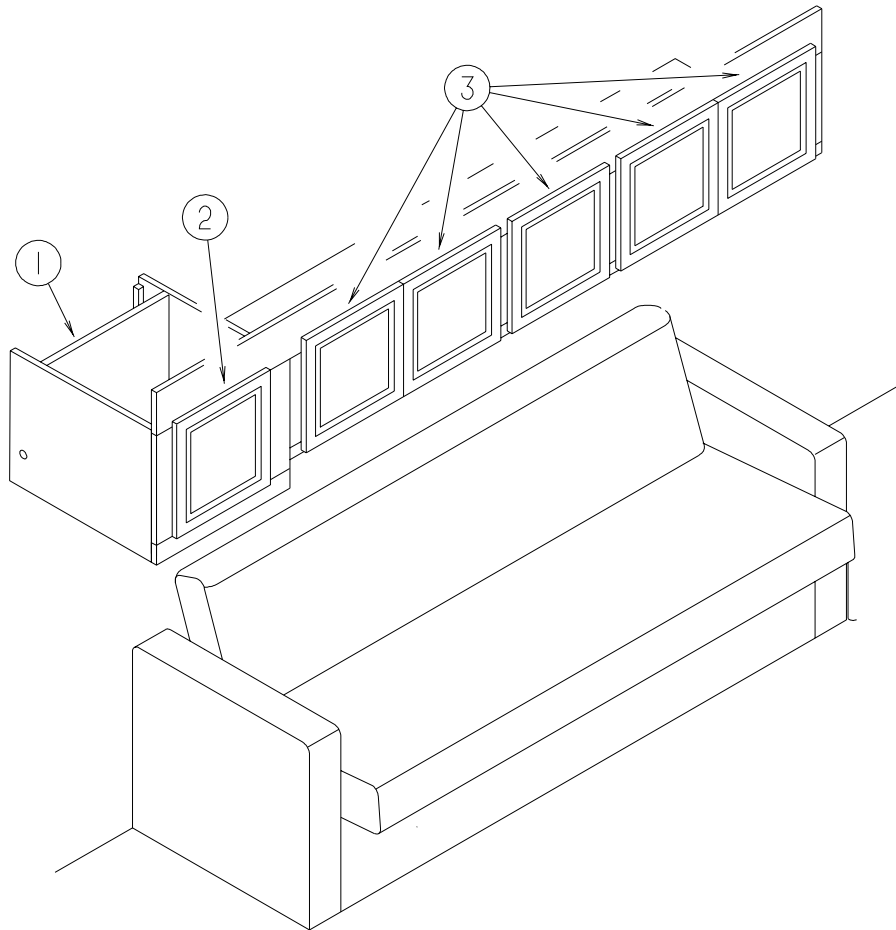
| KEY | PART NUMBER | U/M | DESCRIPTION | VENDOR NO. |
|-----|---------------|-----|------------------------------|--------------|
| 1 | 040421-01-708 | EA | HANDWHEEL-SERVICE VALVE | G-1015-A |
| 1 | 040421-01-712 | EA | VALVE,SERV. W/O VAPOR RELIEF | 29000853 |
| 2 | 040421-01-700 | EA | VALVE-LIQUID LEVEL, 20% | G-1013 |
| 3 | 040421-01-713 | EA | VALVE-RELIEF 1" W/SPRING 7" | 29000587 |
| 4 | 040421-01-702 | EA | CAP-FILL VALVE, PLASTIC | G-1014-A |
| 5 | 040421-01-701 | EA | VALVE-FILL-SHORT, LP | 7547B |
| 6 | 040421-01-711 | EA | VALVE-80% FILL W/AUTO STOP | LLL/TL3 |
| 7 | | | NOT WHAT IS ILLUSTRATED HERE | |
| 8 | | | NOT WHAT IS ILLUSTRATED HERE | |
| 9 | | | NOT WHAT IS ILLUSTRATED HERE | |
| | 091970-01-700 | EA | FLOAT/BOLT ON-SCREW ON DIAL | SG20C0000801 |
| | 091970-01-701 | EA | FLOAT/SCREW IN-SNAP ON DIAL | SG20C0001595 |

LOUNGE GROUP CABINETS



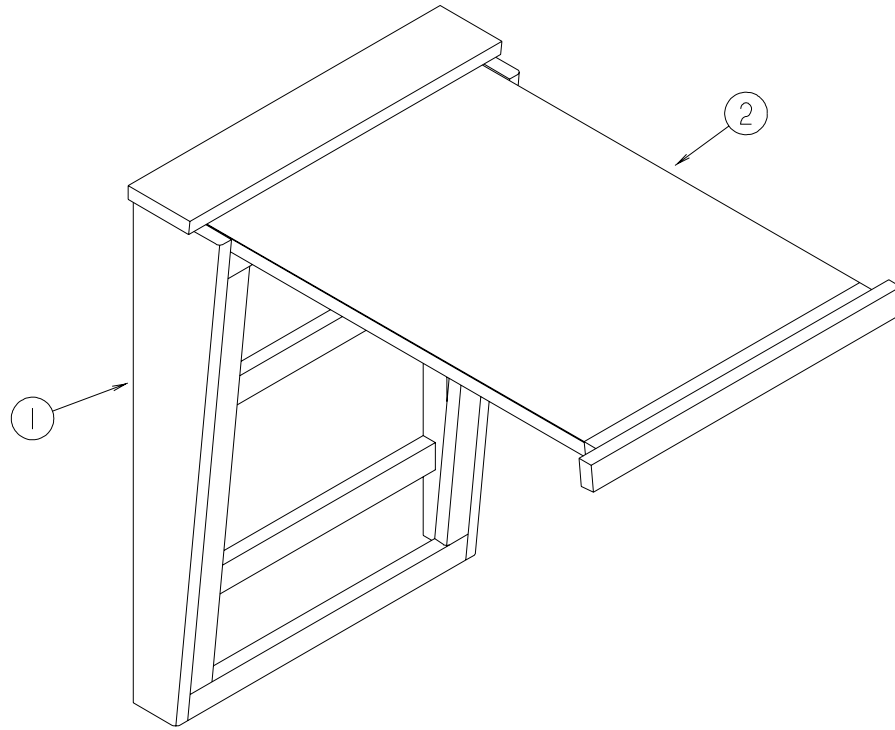
| KEY | PART NUMBER | U/M | DESCRIPTION |
|-----|---------------|-----|---|
| 1 | 133532-02-N94 | EA | CABINET - OVERHEAD/FRONT/RIGHT HAND - W/O DOORS/HARDWARE - SALEM CHERRY |
| 1 | 133532-02-N95 | EA | CABINET - OVERHEAD/FRONT/RIGHT HAND - W/O DOORS/HARDWARE - PORTSMOUTH OAK |
| 2 | 133532-25-M94 | EA | SHELF - W/PLASTIC EDGE MOLDING - SALEM CHERRY |
| 2 | 133532-25-M95 | EA | SHELF - W/PLASTIC EDGE MOLDING - PORTSMOUTH OAK |
| 3 | 133532-26-M94 | EA | SHELF - W/PLASTIC EDGE MOLDING - SALEM CHERRY |
| 3 | 133532-26-M95 | EA | SHELF - W/PLASTIC EDGE MOLDING - PORTSMOUTH OAK |
| 4 | 133532-27-M94 | EA | SHELF - W/PLASTIC EDGE MOLDING - SALEM CHERRY |
| 4 | 133532-27-M95 | EA | SHELF - W/PLASTIC EDGE MOLDING - PORTSMOUTH OAK |
| 5 | 113292-09-HQ1 | EA | END CAP - OVERHEAD CABINET - SALEM CHERRY |
| 5 | 113292-09-N95 | EA | END CAP - OVERHEAD CABINET - PORTSMOUTH OAK |
| 6 | 134845-14-M94 | EA | DOOR - RAIL/ARCHED TOP - 14.3î X 14.3î - W/O HARDWARE - SALEM CHERRY |
| 6 | 134845-14-N95 | EA | DOOR - RAIL/ARCHED TOP - 14.3î X 14.3î - W/O HARDWARE - PORTSMOUTH OAK |

LOUNGE GROUP (CONTINUED)
CABINETS (CONTINUED)



| KEY | PART NUMBER | U/M | DESCRIPTION |
|-----|---------------|-----|--|
| 1 | 133530-04-M94 | EA | CABINET - OVERHEAD/FRONT/LEFT HAND - W/O DOORS/HARDWARE - SALEM CHERRY |
| 1 | 133530-04-N95 | EA | CABINET - OVERHEAD/FRONT/LEFT HAND - W/O DOORS/HARDWARE - PORTSMOUTH OAK |
| 2 | 134845-13-M94 | EA | DOOR - RAIL/ARCHED TOP - 17.9" X 14.3" - W/O HARDWARE - SALEM CHERRY |
| 2 | 134845-13-N95 | EA | DOOR - RAIL/ARCHED TOP - 17.9" X 14.3" - W/O HARDWARE - PORTSMOUTH OAK |
| 3 | 134845-14-M94 | EA | DOOR - RAIL/ARCHED TOP - 14.3" X 14.3" - W/O HARDWARE - SALEM CHERRY |
| 3 | 134845-14-N95 | EA | DOOR - RAIL/ARCHED TOP - 14.3" X 14.3" - W/O HARDWARE - PORTSMOUTH OAK |

LOUNGE GROUP (CONTINUED)
TABLES



| KEY | PART NUMBER | U/M | DESCRIPTION |
|------------|--------------------|------------|---|
| 1 | 114134-01-FQ1 | EA | TABLE - PULLOUT - W/O HARDWARE - SALEM CHERRY |
| 1 | 114134-01-M95 | EA | TABLE - PULLOUT - W/O HARDWARE - PORTSMOUTH OAK |
| 2 | 114134-13-FQ1 | EA | TABLE TOP - W/O HARDWARE - SALEM CHERRY |
| 2 | 114134-13-M95 | EA | TABLE TOP - W/O HARDWARE - PORTSMOUTH OAK |

SEALANTS & FASTENERS GROUP

SEALANTS & ADHESIVES

| KEY | PART NUMBER | U/M | DESCRIPTION |
|-----|---------------|-----|--|
| | 004001-05-000 | EA | ADHESIVE - SCOTCH-WELD - 3M DP100 - CLEAR - 50ML |
| | 004020-01-000 | QT | ADHESIVE - ABS CEMENT - QUART |
| | 010405-02-000 | EA | TAPE - THREAD SEALING - 3/8" |
| | 034552-15-000 | EA | SILICONE - TUBE - W/O NOZZLE - BRIGHT WHITE |
| | 053766-06-000 | EA | BEDDING COMPOUND - TUBE - CLEAR |
| | 062917-03-000 | EA | ADHESIVE - LOCTITE 242 |
| | 063642-01-000 | FT | TAPE - ADHESIVE - .4" X 1.5" X 180' |
| | 067788-01-000 | EA | ADHESIVE - SPRAY - 3M - 19.5 OZ AEROSOL CAN |
| | 069640-01-000 | FT | SEALER - RIBBON - 1/4" DIAMETER X 30' - BLACK |
| | 069640-02-000 | FT | SEALER - TAPE - .13"THICK X .5"WIDE X 60' - GRAY |
| | 069640-03-000 | FT | SEALER - TAPE - .13"THICK X .75"WIDE X 60' - BLACK |
| | 069640-07-000 | FT | SEALER - TAPE - .09" THICK X 2" WIDE X 45' - GRAY |
| | 069640-09-000 | FT | SEALER - TAPE - .03" THICK X 2.50"WIDE X 80' - GRAY |
| | 069640-10-000 | FT | SEALER - TAPE - .03" THICK X 1.50" WIDE X 90' - GRAY |
| | 069640-11-000 | FT | SEALER - TAPE - .19" THICK X .38" WIDE X 40' - BLACK |
| | 069640-13-000 | FT | SEALER - TAPE - .03" THICK X 2" WIDE X 45' - BLACK |
| | 069640-14-000 | FT | SEALER - TAPE - .06" THICK X 1" WIDE X 100' - GRAY |
| | 069640-15-000 | FT | SEALER - TAPE - .06"THICK X .38"WIDE X 100' - GRAY |
| | 069640-17-000 | FT | SEALER - TAPE - .03" THICK X 1" WIDE X 90' - GRAY |
| | 069640-18-000 | FT | SEALER - TAPE - .50" THICK X .13" WIDE X 60' - BRT WHITE |
| | 069640-19-000 | FT | SEALER - TAPE - .75" THICK X .13" WIDE X 60' - BRT WHITE |
| | 069640-20-000 | FT | SEALER - TAPE - .50" THICK X 1/8" WIDE X 60' - BLACK |
| | 069640-21-000 | FT | SEALER - TAPE - .50" THICK X 1/16" WIDE X 100'-BRIGHT WHT |
| | 069640-22-000 | FT | SEALER - TAPE - .25" THICK X 1/32" WIDE X 100'- BRIGHT WHT |
| | 069640-23-000 | FT | SEALER - TAPE - .06" THICK X 3/4" WIDE X 100' - BRT WHITE |
| | 069640-25-000 | FT | SEALER - TAPE - .06" THICK X 3.5" WIDE X 50' - GRAY |
| | 069640-27-000 | FT | SEALER - TAPE - .06" THICK X 2.25" WIDE - BRIGHT WHITE |
| | 069640-28-000 | FT | SEALER - TAPE - 1/32" X 2" |
| | 072889-01-000 | EA | SEALANT - URETHANE - BLACK - TUBE |
| | 076322-01-000 | FT | TAPE-DOUBLE COATED/ADHESIVE BK-.03"THK X .8"W X 216'- WHT |
| | 076322-02-000 | FT | TAPE-DOUBLE COATED/ADHESIVE BK-.05"THK X 1"W X 108' - WHT |
| | 076322-03-000 | FT | TAPE-DOUBLE COATED/ADHESIVE BK-.05"THK X .5"W X 108' - WHT |
| | 076322-04-000 | FT | TAPE-DOUBLE COATED/ADHESIVE BK-.05"THK X .8"W X 108' - WHT |
| | 076322-05-000 | FT | TAPE-DOUBLE COATED/ADHESIVE BK-.05"THK X .8"W X 108' - WHT |
| | 076322-07-000 | FT | TAPE-DOUBLE COATED/ADHESIVE BK-.05"THK X .5"W X 200' - BLK |
| | 076322-11-000 | FT | TAPE-DOUBLE COATED/ADHESIVE BK-.02"THK X 1"W X 216' - CLR |
| | 086276-01-000 | EA | TAPE - DOUBLE SIDED - 1/2" WIDE X 108' LONG (SOLD BY ROLL) |
| | 088479-01-000 | EA | TAPE - ALUMINUM - 3" |
| | 090340-01-000 | FT | SEAL - FOAM - CLOSED CELL - 1/4" X 1/2" X 50' |
| | 091255-02-000 | FT | SEAL - ADHESIVE BACKED/FOAM - 3/64" THICK X 3/16"W X 1000' |
| | 091255-03-000 | FT | SEAL - ADHESIVE BACKED/FOAM - 1/4" THICK X 1/4"W X 1000' |
| | 094401-03-000 | EA | SEALER - BODY SEAM - BLACK |
| | 094401-04-000 | EA | SEALER - BODY SEAM - CLEAR |
| | 098408-01-000 | FT | SEAL - SPONGE RUBBER - CLOSED CELL |
| | 099069-01-000 | FT | SEAL - RUBBER - CLOSED SPONGE - .5" WIDE X .12" THICK -BLK |
| | 099418-01-000 | FT | SEAL - D-SECTION/ADHESIVE BACK - .44" X .44"- BLK RUBBER |
| | 099418-02-000 | FT | SEAL - D SECTION - WHITE |
| | 099952-01-000 | FT | CORE - SEAL - BULB SUPPORT |
| | 100128-02-000 | FT | SEAL - FOAM/ADHESIVE BACK - .37" WIDE X .37" THICK |
| | 104692-01-000 | FT | SEAL - ADHESIVE BACKED FOAM - 3/4" THICK X 3/4" WIDE X 25' |
| | 104692-03-000 | FT | SEAL - ADHESIVE BACKED FOAM - 1" THICK X 1 3/4" WIDE X 15' |
| | 106206-01-000 | EA | SEALER - PUMPABLE - TUBE - BLACK - MANUS |
| | 107828-01-000 | EA | SEALANT - SB - 190 EVERSEAL |
| | 109506-12-000 | EA | FILM/ABRASION-RESISTANT - TRANSPARENT - 1 1/2 DIA. |
| | 110274-01-000 | FT | TAPE - DOUBLE SIDED/FOAM - .45" X 1" X 216' - BLACK |
| | 112864-01-000 | FT | SEAL - FOAM/BUTYL COVERED - 3/8" X 35' |
| | 112864-02-000 | FT | FOAM - BUTYL COVERED 5/16" X 44' |
| | 112901-02-000 | EA | ADHESIVE - PLEXUS - MA330 - 50ML - GRAY |
| | 112901-03-000 | EA | ADHESIVE - PLEXUS - MA300 - 50ML - WHITE |
| | 112902-01-000 | EA | NOZZLE - ELEMENT - 3/8 X 24 |
| | 112902-02-000 | EA | NOZZLE-BELL 3/8X24 - TAH 160-824 |
| | 112902-03-000 | EA | MIXER NOZZLE - F/GUN #00400102000 - SCOTCH-WELD & PLEXUS |
| | 113366-01-000 | EA | ADHESIVE - INSTANT - 1 OZ |

SEALANTS & FASTENERS GROUP (CONTINUED)

SEALANTS & ADHESIVES (CONTINUED)

| KEY | PART NUMBER | U/M | DESCRIPTION |
|-----|---------------|-----|--|
| | 113452-02-000 | FT | SEAL/TRIM - FRONT - VINYL W/WIRE CARRIER - .027" |
| | 120074-02-03A | EA | SILICONE - TUBE - W/O NOZZLE - SMOKEY WHITE |
| | 120074-02-02A | EA | SILICONE - TUBE - W/O NOZZLE - LOW ODOR - SOFT WHITE |
| | 120534-01-01A | EA | TAPE - SCOTCH - 3M - 1/2" FINE LINE |
| | 123244-01-000 | FT | TAPE - DOUBLE SIDED/FOAM - 5/64" THICK X 3/4" WIDE |
| | 123244-02-000 | FT | TAPE - DOUBLE SIDED/FOAM - 5/64" THICK X 1/2" WIDE X 108' |
| | 123816-01-000 | FT | TAPE - DOUBLE SIDED - 1" X 100' |
| | 123816-02-000 | FT | TAPE - DOUBLE SIDED - 1/2" X 1 1/3" X 100' |
| | 123816-03-000 | FT | TAPE - DOUBLE SIDED - 1/2" X 3/4" X 100' |
| | 123816-04-000 | FT | TAPE - DOUBLE SIDED - 6" X 750' |
| | 126427-01-000 | EA | ADHESIVE - ALL PURPOSE - ABS/PVC |
| | 126427-02-000 | EA | PRIMER - CLEANER - FLEX PIPING |
| | 131264-01-01A | EA | SILICONE - TUBE - W/O NOZZLE - BLACK |
| | 131264-01-02A | EA | SILICONE - TUBE - W/O NOZZLE - CLEAR |
| | 131264-02-01A | EA | SILICONE - TUBE - W/O NOZZLE - VW GRAY - BATH ONLY |
| | 131264-03-01A | EA | SILICONE - TUBE - W/O NOZZLE- SELF LEVELING - BRIGHT WHITE |
| | 131264-04-01A | EA | SILICONE - CLEAR - ADHESIVE |
| | 131384-01-000 | EA | ADHESIVE - JETWELD |
| | 900390-01-000 | EA | NOZZLE - SILICONE TUBE - 2.5" LONG |
| | 900390-03-000 | EA | NOZZLE - SILICONE TUBE - 4.3" LONG |

BOLTS, NUTS AND WASHERS

| KEY | PART NUMBER | U/M | DESCRIPTION |
|-----|---------------|-----|--|
| | 000C12-04-08B | EA | BOLT - HEX - 1/4-20 X 1/2 - GRADE #5 - ZINC |
| | 000C12-04-40B | EA | BOLT - HEX - 1/4-20 X 2 1/2 - GRADE 5 ZINC |
| | 000C12-05-16B | EA | BOLT - HEX - 5/16-18 X 1 - GRADE #5 - ZINC |
| | 000C12-05-12B | EA | BOLT - HEX - 5/16-18 X 3/4 - GRADE #5 - ZINC |
| | 000C12-06-16B | EA | BOLT - HEX - 3/8-16 X 1 - GRADE #5 - ZINC |
| | 000C12-06-44B | EA | BOLT - HEX - 3/8-16 X 2 3/4 - GRADE 5 - ZINC |
| | 000C12-07-20B | EA | BOLT - HEX - 7/16-14 X 1 1/4 - GRADE #5 - ZINC |
| | 000C12-07-24B | EA | BOLT - HEX TAP - 1/2-13NC X 4 - GRADE 5 - FULL THREAD/ZINC |
| | 000C12-08-16B | EA | BOLT - HEX - 1/2-13 X 1 - GRADE #5 - ZINC |
| | 000C12-08-28B | EA | BOLT - HEX - 1/2-13 X 1 3/4 - GRADE #5 - ZINC |
| | 000C12-08-24B | EA | BOLT - HEX - 1/2-13 X 1 1/2 - GRADE #5 - ZINC |
| | 000C12-10-24B | EA | BOLT - HEX - 5/8-11 X 1 1/2 - GRADE #5 - ZINC |
| | 000C13-07-40B | EA | BOLT - HEX - 7/16-20 X 2 1/2 - GRADE #5 - ZINC |
| | 000C13-07-48B | EA | BOLT - HEX - 7/16-20 X 3 - GRADE #5 - ZINC |
| | 000C14-07-28B | EA | BOLT - HEX - 7/16-14 X 1 3/4 - GRADE #8 - ZINC |
| | 000C14-08-64B | EA | BOLT-HEX-1/2-13X4 ZN 8 - 01 431C |
| | 000C14-10-32K | EA | BOLT - HEX - 5/8-11 X 2 - GRADE #8 - ZINC |
| | 000C14-10-24K | EA | BOLT - HEX - 5/8-11 X 1 1/2 - GRADE #8 - ZINC |
| | 000C18-05-40A | EA | BOLT - ELEVATOR - 5/16-18 X 2 1/2 - PL |
| | 000C18-06-48B | EA | BOLT - ELEVATOR - 3/8-16 X 3 - GRADE 5 - ZINC |
| | 000C26-04-14B | EA | BOLT - HEX - SERRATED FLANGE - 1/4-20 X 7/8 - ZINC |
| | 000C26-04-10B | EA | BOLT - HEX - SERRATED FLANGE - 1/4-20 X 5/8 - ZINC |
| | 000C26-04-18B | EA | BOLT - HEX - SERRATED FLANGE - 1/4-20 X 1 1/8 - ZINC |
| | 000C26-05-20B | EA | BOLT - HEX - SERRATED FLANGE - 5/16-18 X 1 1/4 - ZINC |
| | 000C26-05-12B | EA | BOLT - HEX - SERRATED FLANGE - 5/16-18 X 3/4 - ZINC |
| | 000C26-05-249 | EA | BOLT - HEX - SERRATED FLANGE - 5/16-18 X 1 1/2 |
| | 000C26-06-16B | EA | BOLT - HEX - SERRATED FLANGE - 3/8-16 X 1 - ZINC |
| | 000C26-06-12B | EA | BOLT - HEX - SERRATED FLANGE - 3/8-16 X 3/4 - ZINC |
| | 000C26-06-20B | EA | BOLT - HEX - SERRATED FLANGE - 3/8-16 X 1 1/4 - ZINC |
| | 000C26-06-40B | EA | BOLT - HEX - SERRATED FLANGE - 3/8-16 X 2 1/2 - ZINC |
| | 000C26-06-28B | EA | BOLT - HEX - SERRATED FLANGE - 3/8-16 X 1 3/4 - ZINC |
| | 000C26-08-24B | EA | BOLT - HEX - SERRATED FLANGE - 1/2-13 X 1 1/2 - ZINC |
| | 000C27-04-40B | EA | BOLT - CARRIAGE - 1/4-20 X 2 1/2 - ZINC |
| | 000C27-05-44I | EA | BOLT-CARR,5/16-18X2.75" - BLACK ZINC |
| | 000D16-07-00B | EA | NUT - HEX - 7/16-14 - ZINC |
| | 000D24-10-00B | EA | NUT - HEX - SELF LOCKING - 10-32 ZINC |
| | 000D28-10-00B | EA | NUT - HEX - W/NYLON LOCK - 10-32 ZINC |
| | 000D29-04-00B | EA | NUT - HEX - SELF LOCKING - 1/4 X 20 - ZINC |
| | 000D29-06-00B | EA | NUT - HEX - W/NYLON LOCK - 3/8-16 - ZINC |
| | 000D29-09-00B | EA | NUT - HEX - SELF LOCKING - 9/16-12 - ZINC |

SEALANTS & FASTENERS GROUP (CONTINUED)
BOLTS, NUTS AND WASHERS (CONTINUED)

| KEY | PART NUMBER | U/M | DESCRIPTION |
|-----|---------------|-----|--|
| | 000D30-07-00B | EA | NUT - HEX LOCK - NYLON 7/16 X 20 |
| | 000D34-04-00B | EA | NUT - HEX - LOCKING - 1/4-20 - ZINC |
| | 000D34-06-00B | EA | NUT - HEX - LOCKING - 3/8-16 GRADE C - ZINC |
| | 000D39-04-00B | EA | NUT - HEX - LOCKING W/SERRATED FLANGE - 1/4-20 - ZINC |
| | 000D39-05-00B | EA | NUT - HEX - LOCKING W/SERRATED FLANGE - 5/16-18 - ZINC |
| | 000D39-06-00D | EA | NUT - HEX - LOCKING W/SERRATED FLANGE - 3/8"-16 BLACK |
| | 000D39-06-00B | EA | NUT - HEX - LOCKING W/SERRATED FLANGE - 3/8-18 - ZINC |
| | 000D39-07-00B | EA | NUT - HEX - LOCKING W/SERRATED FLANGE - 7/16-14 - ZINC |
| | 000D39-08-00B | EA | NUT - HEX - LOCKING W/SERRATED FLANGE - 1/2-13 - ZINC |
| | 000D44-04-00B | EA | NUT - HEX - LOCKING W/SERRATED FLANGE - 1/4-28 - ZINC |
| | 000D44-07-00B | EA | NUT - HEX - LOCKING W/SERRATED FLANGE - 7/16-20 - ZINC |
| | 000D44-08-00B | EA | NUT - HEX - SERRATED FLANGE - 1/2-20 - GRADE #5 - ZINC |
| | 000D46-04-00A | EA | NUT - HEX - WELD - 1/4-20 - PLAIN |
| | 000D58-06-00A | EA | NUT - HEX - WELD 3/8-16 - PLAIN |
| | 000D65-08-00B | EA | NUT - HEX - LOCKING W/SERRATED FLANGE - 8-32 - ZINC |
| | 000D67-10-00B | EA | NUT - HEX - LOCK - 5/8-11 - ZINC |
| | 000D73-08-00C | EA | NUT - HEX FLANGE - 1/2-13 |
| | 000D75-09-00B | EA | NUT - HEX LOCKING - 9/16-12 - ZINC |
| | 000D76-06-00B | EA | NUT - HEX FLANGE - 3/8-16 |
| | 000E11-04-00F | EA | WASHER - LOCKING - 1/4 MED SPLIT - STAINLESS STEEL |
| | 000E11-07-00B | EA | WASHER - LOCKING - 7/16 MED SPLIT - ZINC |
| | 000E11-08-00B | EA | WASHER - LOCKING - 1/2 MED SPLIT - ZINC |
| | 000E13-17-00B | EA | WASHER - FLAT - 3/8 AR - ZINC |
| | 000E13-18-00B | EA | WASHER - FLAT - 3/8 WIDE - ZINC |
| | 000E13-20-00B | EA | WASHER - FLAT - 7/16 WIDE - ZINC |
| | 000E13-22-00B | EA | WASHER - FLAT - 1/2 WIDE - ZINC |
| | 000E13-26-00B | EA | WASHER - FLAT - 5/8 WIDE - ZINC |
| | 000E14-10-00B | EA | WASHER - LOCKING - #10 EXTERNAL TOOTH - ZINC |
| | 000E16-10-00B | EA | WASHER - HARDENED - 5/8 - FLAT - ZINC |
| | 000G45-05-16B | EA | BOLT - LAG - 5/16-9 X 1 - ZINC |
| | 000G62-08-24B | EA | SCREW - SF/DR - 8-18 X 1 1/2 PFH |
| | 040921-03-000 | EA | NUT - SPEED - U TYPE - #10 |
| | 040921-04-000 | EA | NUT - SPEED - U TYPE - #8-.59" LENGTH X .44" WIDTH |
| | 040921-05-000 | EA | NUT - SPEED - U-TYPE - 8-.67" X .44" WIDE |
| | 041322-01-000 | EA | WASHER - FLANGE - 15/32 ID X 2 3/8 OD - F/SEAT BELT MTG |
| | 044364-02-000 | EA | NUT - SPEED - FLAT - ROUND |
| | 044533-01-000 | EA | WASHER - PLASTIC - 1 3/8 OD - FOR BUTTONS |
| | 051387-06-000 | EA | BOLT - CARRIAGE W/O HOLE - 5/16-18 X 9 1/2 - ZINC |
| | 058716-02-000 | EA | WASHER - FLAT NYLON |
| | 058716-03-000 | EA | WASHER - FLAT/NYLON - .500 X 1 1/4 X 060 |
| | 064081-03-000 | EA | NUT - WING 3/8-16 - W/WELD NUT |
| | 077071-01-000 | EA | WASHER - FENDER - 3/16 ID X 1 OD |
| | 084406-01-000 | EA | NUT - CAPPED - CROSS RECESSED - BLACK - 1/4-20 THD |
| | 087234-01-000 | EA | NUT - JACK - 1/4 X 20 THD - MOLLY |
| | 087718-01-000 | EA | MONOBOLT - STEEL - 3/16 DIAMETER |
| | 088787-12-000 | EA | STUD - WELD - 1/4 - 20 X 1.0 LG - MN |
| | 102333-01-06A | EA | BOLT - CARRIAGE - 7/16-14 STAINLESS STEEL CAP |
| | 102333-02-01A | EA | BOLT - CARRIAGE - 1/4-20 |
| | 102540-02-000 | EA | SEAL - SCREW |
| | 103020-02-000 | EA | BOLT-U - #8-32 - GRADE 5 ZINC |
| | 104369-01-000 | EA | NUT - HEX - HEAVY - 5/8-11 UNC |
| | 106166-01-000 | EA | BOLT/COLLARED HANGER - 8-32 X 1 |
| | 106956-03-000 | EA | BOLT - HEX TAP - 1/2-12NC X 3 - GRADE 5 - FULL THREAD/ZINC |
| | 106956-08-000 | EA | BOLT - HEX TAP - 1/2-13NC X 4 - GRADE 5 - FULL THREAD/ZINC |
| | 107397-01-000 | EA | WASHER - FENDER - 3/4 ID X 1 OD |
| | 108067-03-000 | EA | STUD - WELD - 1/4 - 20 X 1/2 CD |
| | 109917-01-000 | EA | WASHER - 1.5" X 1.25" |
| | 109917-03-000 | EA | WASHER - 1" X .50" |
| | 109917-04-000 | EA | WASHER - 1" X .75" |
| | 113985-02-000 | EA | BOLT - FLANGE - M10-1 1/2 X 30CL 10.9 |
| | 114259-05-000 | EA | BOLT - 7/16-20 X 1 1/4 W/WASHER |
| | 120506-01-01A | EA | RIVET - PLASTIC - 3/16 DIAMETER |
| | 128444-01-000 | EA | WASHER - SPRING - CONICAL |

SEALANTS & FASTENERS GROUP (CONTINUED)
BOLTS, NUTS AND WASHERS (CONTINUED)

| KEY | PART NUMBER | U/M | DESCRIPTION |
|-----|---------------|-----|--|
| | 131377-01-000 | EA | NUT-HEX HEAD W/WASHER-1/4-20 X 2" STEEL W/3/4" OD WASHER |
| | 135092-01-01A | EA | BOLT - HEX - SERRATED FLANGE - 1/2-20 X 1 3/4-GRADE 5 ZINC |
| | 135092-02-01A | EA | BOLT - HEX - SERRATED FLANGE - 1/2-20 X 2 1/2-GRADE 5 ZINC |
| | 135092-04-01A | EA | BOLT - HEX - SERRATED FLANGE - 1/2-20 X 4 1/2 GRADE 5 ZINC |

SCREWS

| KEY | PART NUMBER | U/M | DESCRIPTION |
|-----|---------------|-----|---|
| | 0G1106-08-240 | EA | SCREW - 6-20 X 1/2 PPH - VW LIGHT GRAY |
| | 0G1108-12-240 | EA | SCREW - 8-18 X 3/4 PPH - VW LIGHT GRAY |
| | 0G1208-12-170 | EA | SCREW - 8-18 X 3/4 POH - BRIGHT WHITE |
| | 0G1308-10-240 | EA | SCREW - 8-18 X 5/8 PFH - VW LIGHT GRAY |
| | 0G3804-22-180 | EA | SCREW - MACHINE - 1/4-20 X 1 3/8 PFH - BLACK |
| | 0G3908-08-160 | EA | SCREW - SF/DR - 8-18 X 1/2 PPH - VW WHITE |
| | 0G3908-08-170 | EA | SCREW - SF/DR - 8-18 X 1/2 PPH - BRIGHT WHITE |
| | 0G3908-12-240 | EA | SCREW - SF/DR - 8-18 X .75 PPH - VW LIGHT GRAY |
| | 0G3908-12-250 | EA | SCREW - SF/DR - 8-18 X 3/4 PPH - DARK GRAY |
| | 0G3908-24-170 | EA | SCREW - SF/DR - 8-18 X 1 1/2 PPH - BRIGHT WHITE |
| | 0G3910-10-240 | EA | SCREW - SF/DR - 10-16 X 5/8 PPH - VW LIGHT GRAY |
| | 0G3910-10-320 | EA | SCREW - SF/DR - 10-16 X 5/8 PPH - GLACIER |
| | 0G3910-10-330 | EA | SCREW - SF/DR - 20-16 X 5/8 PPH - PUTTY |
| | 0G3910-12-170 | EA | SCREW - SF/DR - 10-16 X 3/4 PPH - BRIGHT WHITE |
| | 0G3910-12-320 | EA | SCREW - SF/DR - 10-16 X .75 PPH - GLACIER |
| | 0G5508-08-250 | EA | SCREW - SF/DR - 8-18 X 1/2 PWH - VW DARK GRAY |
| | 0G5508-12-170 | EA | SCREW - SF/DR - 8-18 X 3/4 PWH - BRIGHT WHITE |
| | 0G5508-12-240 | EA | SCREW - SF/DR - 8-18 X 3/4 PWH - VW LIGHT GRAY |
| | 0G5508-12-330 | EA | SCREW - SF/DR - 8-18 X 3/4 PWH - PUTTY |
| | 0G5508-12-320 | EA | SCREW - SF/DR - 8-18 X 3/4 PWH - GLACIER |
| | 0G5508-16-260 | EA | SCREW - SF/DR - 8-18 X 1 PWH ZINC - INTERIOR ANTELOPE |
| | 0G5508-16-250 | EA | SCREW - SF/DR - 8-18 X 1 PWH - VW DARK GRAY |
| | 0G5508-16-310 | EA | SCREW - SF/DR - 8-18 X 1 PWH - CADDY CREAM |
| | 0G5508-16-330 | EA | SCREW - SF/DR - 8-18 X 1 PWH - PUTTY |
| | 0G6008-16-170 | EA | SCREW - SF/DR - 8-18 X 1 POH - BRIGHT WHITE |
| | 0G6710-08-110 | EA | SCREW - 10-12 X 1/2 PPH - HAMPTON TAN |
| | 0G6710-08-240 | EA | SCREW - 10-12 X 1/2 PPH TAUPE - VW LIGHT GRAY |
| | 0G6710-08-170 | EA | SCREW - 10-12 X 1/2 PPH - BRIGHT WHITE |
| | 0G6710-12-170 | EA | SCREW - 10-12 X 3/4 PPH - BRIGHT WHITE |
| | 0G6806-16-170 | EA | SCREW - 6-18 X 1 POH - BRIGHT WHITE |
| | 0G6810-24-280 | EA | SCREW - 10-12 X 1 1/2 POH - SOFT WHITE |
| | 000C20-05-28F | EA | SCREW - 5/16-18 X 1 3/4 FLAT SOC - STAINLESS STEEL |
| | 000C20-06-24T | EA | SCREW - 3/8-16 X 1 1/2 - FLAT SOCKET |
| | 000G11-06-24B | EA | SCREW - 6-20 X 1 1/2 PPH ZINC |
| | 000G11-06-10J | EA | SCREW - 6-20 X 5/8 PPH - BRASS |
| | 000G11-06-10B | EA | SCREW - 6-20 X 5/8 PPH - ZINC |
| | 000G11-06-08B | EA | SCREW - 6-20 X 1/2 PPH - ZINC |
| | 000G11-06-06B | EA | SCREW - 6-20 X 3/8 PPH - ZINC |
| | 000G11-07-08B | EA | SCREW - 7-19 X 1/2 PPH - ZINC |
| | 000G11-08-20B | EA | SCREW - 8-18 X 1 1/4 PPH - ZINC |
| | 000G11-08-20G | EA | SCREW - 8-18 X 1 1/4 - ANTIQUE BRASS |
| | 000G11-08-16B | EA | SCREW - 8-18 X 1 PPH - ZINC |
| | 000G11-08-12T | EA | SCREW - 8-18 X 3/4 PPH - BLACK MAGNESIUM |
| | 000G11-08-12P | EA | SCREW - 8-18 X 3/4 PPH - DARK BROWN |
| | 000G11-08-12D | EA | SCREW - 8-18 X 3/4 PPH - BLACK PHOSPHATE |
| | 000G11-08-12B | EA | SCREW - 8-18 X 3/4 PPH - ZINC |
| | 000G11-08-08T | EA | SCREW - 8-18 X 1/2 PPH - FLUOROCARBON COATING |
| | 000G11-08-06J | EA | SCREW - 8-18 X 3/8 PPH BRASS |
| | 000G11-08-06B | EA | SCREW - 8-18 X 3/8 PPH - ZINC |
| | 000G11-10-12S | EA | SCREW - 10-16 X 3/4 PPH - OFF WHITE |
| | 000G11-10-12D | EA | SCREW - 10-16 X 3/4 PPH - BLACK |
| | 000G12-06-08T | EA | SCREW - 6-20 X 1/2 POH - BLACK |
| | 000G12-08-12S | EA | SCREW - 8-18 X 3/4 POH - OFF WHITE |
| | 000G13-05-10B | EA | SCREW - 5-12 X 5/8 PFH - ZINC |
| | 000G13-06-08B | EA | SCREW - 6-20 X 1/2 PFH - ZINC |

SEALANTS & FASTENERS GROUP (CONTINUED)
SCREWS (CONTINUED)

| KEY | PART NUMBER | U/M | DESCRIPTION |
|-----|---------------|-----|---|
| | 000G13-06-06I | EA | SCREW - 6-20 X 3/8 PFH - BLACK ZINC |
| | 000G13-06-24J | EA | SCREW - 6-20 X 1 1/2 PFH - BRASS |
| | 000G13-06-16J | EA | SCREW - 6-20 X 1 PFH - BRASS |
| | 000G13-06-16S | EA | SCREW - 6-20 X 1 PFH - OFF WHITE |
| | 000G13-06-10J | EA | SCREW - 6-20 X 5/8 PFH - BRASS |
| | 000G13-06-10G | EA | SCREW - 6-20 X 5/8 PFH - ANTIQUE BRASS |
| | 000G13-06-08G | EA | SCREW - 6-20 X 1/2 PFH - ANTIQUE BRASS |
| | 000G13-07-12B | EA | SCREW - 7-19 X 3/4 PFH - ZINC |
| | 000G13-07-10H | EA | SCREW - 7-19 X 5/8 PFH - BLACK |
| | 000G13-08-24B | EA | SCREW - 8-18 X 1 1/2 PFH - ZINC |
| | 000G13-08-16B | EA | SCREW - 8-18 X 1 PFH - ZINC |
| | 000G13-08-109 | EA | SCREW - 8-18 X 5/8 PFH |
| | 000G16-04-24B | EA | SCREW - MACHINE - 1/4-20 X 1 1/2 PPH |
| | 000G18-08-16B | EA | SCREW - MACHINE - 8-32 X 1 PPH - ZINC |
| | 000G18-08-24B | EA | SCREW - MACHINE - 8-32 X 1 1/2 PPH - ZINC |
| | 000G18-08-22B | EA | SCREW - MACHINE - 8-32 X 1 3/8 PPH - ZINC |
| | 000G18-08-12B | EA | SCREW - MACHINE - 8-32 X 3/4 PPH - ZINC |
| | 000G19-10-08B | EA | SCREW - MACHINE - 10-32 X 1/2 PPH - ZINC |
| | 000G19-10-20B | EA | SCREW - MACHINE - 10-32 X 1 1/2 PPH - ZINC |
| | 000G19-10-12F | EA | SCREW - MACHINE - 10-32 X 3/4 PPH - STAINLESS STEEL |
| | 000G19-10-10B | EA | SCREW - MACHINE - 10-32 X 5/8 - PPH - ZINC |
| | 000G32-10-06B | EA | SCREW - 10-32 X 3/8 PPH - ZINC |
| | 000G37-08-089 | EA | SCREW - 8 X 18 X 1/2 PPH - FLUOROCARBON SILVER |
| | 000G39-06-10T | EA | SCREW - SF/DR - 6-20 X 5/8 PPH - BLACK |
| | 000G39-06-16T | EA | SCREW - SF/DR - 6-20 X 1 PPH - BLACK |
| | 000G39-08-08B | EA | SCREW - SF/DR - 8-18 X 1/2 PPH - ZINC |
| | 000G39-08-06B | EA | SCREW - SF/DR - 8-18 X 3/8 PPH - ZINC |
| | 000G39-08-32B | EA | SCREW - SF/DR - 8-18 X 2 PPH - ZINC |
| | 000G39-08-24T | EA | SCREW - SF/DR - 8-18 X 1 1/2 PPH - BLACK |
| | 000G39-08-24B | EA | SCREW - SF/DR - 8-18 X 1 1/2 PPH - ZINC |
| | 000G39-08-16T | EA | SCREW - SF/DR - 6-20 X 1 PPH - BLACK |
| | 000G39-08-16B | EA | SCREW - SF/DR - 8-18 X 1 PPH - ZINC |
| | 000G39-08-12T | EA | SCREW - SF/DR - 8-18 X 3/4 PPH - BLACK |
| | 000G39-08-12B | EA | SCREW - SF/DR - 8-18 X 3/4 PPH - ZINC |
| | 000G39-08-08T | EA | SCREW - SF/DR - 8-18 X 1/2 PPH - BLACK |
| | 000G39-08-08S | EA | SCREW - SF/DR - 8-18 X 1/2 PPH - OFF WHITE |
| | 000G39-10-088 | EA | SCREW - SF/DR - 10-16 X 1/2 PPH - FLEX FLUOROCARBON |
| | 000G39-10-08B | EA | SCREW - SF/DR - 10-16 X 1/2 PPH - ZINC |
| | 000G39-10-12B | EA | SCREW - SF/DR - 10-16 X 3/4 PPH - ZINC |
| | 000G39-10-10T | EA | SCREW - SF/DR - 10-16 X 5/8 - BLACK |
| | 000G39-10-10B | EA | SCREW - SF/DR - 10-16 X 5/8 - ZINC |
| | 000G39-10-48B | EA | SCREW - SF/DR - 10-16 X 3 - PPH - ZINC |
| | 000G39-10-40D | EA | SCREW - SF/DR - 10-16 X 2 1/2 PPH - BLACK |
| | 000G39-10-32I | EA | SCREW - SELF TAPPING - 10-16 X 2 PPH - BLACK |
| | 000G39-10-32B | EA | SCREW - SF/DR - 10-16 X 2 - PPH - ZINC |
| | 000G39-10-209 | EA | SCREW - SF/DR - 10-16 X 1 1/4 PPH - FLUOROCARBON SILVER |
| | 000G39-10-20T | EA | SCREW - SF/DR - 10-16 X 1 1/4 PPH - BLACK |
| | 000G39-10-20B | EA | SCREW - SF/DR - 10-16 X 1 1/4 PPH - ZINC |
| | 000G39-10-169 | EA | SCREW - SF/DR - 10-16 X 1 PPH - FLUOROCARBON SILVER |
| | 000G39-10-129 | EA | SCREW - SF/DR - 10-16 X 3/4 PPH - FLUOROCARBON SILVER |
| | 000G39-10-12T | EA | SCREW - SF/DR - 10-16 X 3/4 - BLACK |
| | 000G39-10-12S | EA | SCREW - SF/DR - 10-16 X 3/4 PPH - OFF WHITE |
| | 000G39-12-12E | EA | SCREW - SF/DR - 12-14 X 3/4 PPH - CHROME |
| | 000G42-04-24B | EA | SCREW - SF/DR - 1/4-14 X 1 1/2 - ZINC |
| | 000G42-04-16B | EA | SCREW - SF/DR - 1/4-14 X 1 HWH - ZINC |
| | 000G50-04-12B | EA | SCREW - MACHINE - 1/4-20 X 3/4 PPH - ZINC |
| | 000G50-04-06B | EA | SCREW - MACHINE - 1/4-20 X 3/8 PTH - ZINC |
| | 000G51-06-12B | EA | SCREW - 6-20 X 3/4 PTH - ZINC |
| | 000G52-06-06B | EA | SCREW - MACHINE - 6-32 X 3/8 PTN - ZINC |
| | 000G52-06-05B | EA | SCREW - MACHINE - 6-32 X 5/16 PTH ZINC |
| | 000G55-08-16T | EA | SCREW - SF/DR - 8-18 X 1 PWH - BLACK |
| | 000G55-08-12S | EA | SCREW - SF/DR - 8-18 X 3/4 PWH - OFF WHITE |
| | 000G56-12-48B | EA | SCREW - WOOD - 12-11 X 3 POH - SPECIAL HARDENED |

SEALANTS & FASTENERS GROUP (CONTINUED)
SCREWS (CONTINUED)

| KEY | PART NUMBER | U/M | DESCRIPTION |
|-----|---------------|-----|---|
| | 000G57-14-72B | EA | SCREW-14-10-X4-1/2 PFH ZN GENERAL MOTORHOMES |
| | 000G57-14-64B | EA | SCREW - 14-10 X 4 PFH ZINC |
| | 000G60-08-22B | EA | SCREW - SF/DR - 8-18 X 1.38 POH - ZINC |
| | 000G60-08-20F | EA | SCREW - SF/DR - 8-19X1.25 POH |
| | 000G60-08-16E | EA | SCREW - SF/DR - 8-1 X 1 POH - CHROME |
| | 000G60-10-20B | EA | SCREW - SF/DR - 10-16 X 1 1/4 POH - ZINC |
| | 000G60-10-28T | EA | SCREW - SF/DR - 10-16 X 1 3/4 - BLACK |
| | 000G60-10-209 | EA | SCREW - SF/DR - 10-16 X 1 1/4 POH - SILVER STALGAARD |
| | 000G67-08-32B | EA | SCREW - 8-15 X 2 PPH - ZINC |
| | 000G67-10-08B | EA | SCREW - 10-12 X 1/2 PPH - ZINC |
| | 000G67-10-10S | EA | SCREW - 10-12 X 5/8 PPH - OFF WHITE |
| | 000G67-10-10P | EA | SCREW - 10-12 X 5/8 PPH - DARK BROWN |
| | 000G67-10-10B | EA | SCREW - 10-12 X 5/8 PPH - ZINC - TYPE A |
| | 000G67-10-08S | EA | SCREW - 10-12 X 1/2 PPH - OFF WHITE |
| | 000G67-10-32B | EA | SCREW - 10-12 X 2 PPH - ZINC |
| | 000G67-10-24B | EA | SCREW - 10-12 X 1 1/2 PPH - ZINC |
| | 000G67-10-20D | EA | SCREW - 10-12 X 1 1/4 PPH - BLACK |
| | 000G67-10-16B | EA | SCREW - 10-12 X 1 PPH - ZINC |
| | 000G67-10-12P | EA | SCREW - 10-12 X 3/4 PPH - DARK BROWN |
| | 000G67-10-12B | EA | SCREW - 10-12 X 3/4 PPH - ZINC |
| | 000G67-10-10T | EA | SCREW - 10-12 X 5/8 PPH - BLACK |
| | 000G68-06-10G | EA | SCREW - 6-18 X 5/8 POH - ANTIQUE BRASS |
| | 000G68-06-12J | EA | SCREW - 6-18 X 3/4 POH - BRASS |
| | 000G68-06-12B | EA | SCREW - 6-18 X 3/4 POH - ZINC & CLEAR |
| | 000G68-06-10J | EA | SCREW - 6-18 X 5/8 POH - BRASS |
| | 000G68-10-20I | EA | SCREW - 10-12 X 1 1/4 POH - BLACK |
| | 029130-05-000 | EA | SCREW - SNAP STUD - #8-16 X 5/8" LONG |
| | 049465-03-000 | EA | SCREW - 10-16 X 1 POH W/WASHER - OFF WHITE |
| | 049465-04-000 | EA | SCREW - 10-16 X 1 PTH W/WASHER - BEIGE |
| | 049465-17-000 | EA | SCREW - 10-16 X 1 POH W/WASHER - BRIGHT WHITE |
| | 049465-23-000 | EA | SCREW - 10-16 X 1.5 POH W/WASHER - VW LIGHT GRAY |
| | 054434-02-000 | EA | SCREW - SF/DR - 10-16 X 2 - ZINC |
| | 054434-03-000 | EA | SCREW - SF/DR - 10-16 X 2 - PWH - ZINC - W/O WINGS |
| | 075908-01-000 | EA | SCREW - MACHINE - 10-32 X .56 PTH - EXTERNAL TOOTH - ZINC |
| | 076790-01-000 | EA | SCREW - 6-20 X 1 1/4 PPH - BLACK |
| | 076790-03-000 | EA | SCREW - 6-20 X 1 PPH - BLACK |
| | 076790-05-000 | EA | SCREW - 6-20 X 1/2 PPH - BLACK - THREAD CUTTING/WOOD |
| | 087721-01-000 | EA | SCREW - FLAT HEAD - TAPPING - 1/4 X 1 1/4 LONG - ZINC |
| | 090033-02-000 | EA | SCREW - 1/4-20 X 5/8 - ROUND WASHER HEAD - OFF/WHITE |
| | 091230-06-000 | EA | SCREW-MACH,8-32X3/4 POH SS - BRIGHT WHITE |
| | 097974-01-000 | EA | SCREW - PARTICLE BOARD - 7-9 X 3/4 PPH |
| | 101618-01-000 | EA | SCREW - 1/4-20 X 3/4 HEX - TAPPING - STALGARD TYPE F |
| | 105126-01-000 | EA | SCREW - MACHINE - 8-32 X 1 PPH TAPTIT |
| | 110460-05-02A | EA | SCREW - MACHINE - 10-24 X 2 1/2 PFH - WHITE |
| | 113563-01-01A | EA | SCREW - 8 X 5/8 LONG SHOULDER/WASHER HEAD |
| | 117478-01-04A | EA | SCREW - 8-18 X 3/4 PPH W/WASHER - VW LIGHT GRAY |
| | 118383-01-09A | EA | RETAINER/RECESSED - F/.22" SCREW - GLACIER |
| | 118383-01-05A | EA | RETAINER/RECESSED - F/.22" SCREW - VW LIGHT GRAY |
| | 118383-01-04A | EA | RETAINER/RECESSED - F/.22" SCREW - BRIGHT WHITE |
| | 118383-02-05A | EA | RETAINER/RECESSED - F/.27" SCREW - VW LIGHT GRAY |
| | 118383-02-09A | EA | RETAINER/RECESSED - F/.27" SCREW - GLACIER |
| | 118383-03-09A | EA | RETAINER/RECESSED - F/.32" SCREW - GLACIER |
| | 118383-03-05A | EA | RETAINER/RECESSED - F/.32" SCREW - VW LT. GRAY |
| | 118383-04-09A | EA | CAP - F/RECESSED RETAINER - GLACIER |
| | 118383-04-05A | EA | CAP - F/RECESSED RETAINER - VW LIGHT GRAY |
| | 118383-04-04A | EA | CAP - F/RECESSED RETAINER - BRIGHT WHITE |
| | 134126-01-01A | EA | SCREW/NAIL - HEX HEAD - 3/4" |
| | 134126-02-01A | EA | SCREW/NAIL - HEX HEAD - 1 1/4" |
| | 140040-01-000 | EA | SCREW - 1/4-20X1 - BUTTON HEAD SOCKET - W/LOCTITE |

SEALANTS & FASTENERS GROUP (CONTINUED)
CLAMPS, CLIPS, GROMMETS, RIVETS & PLUGS

| KEY | PART NUMBER | U/M | DESCRIPTION |
|-----|---------------|-----|--|
| | 000F10-06-32B | EA | PIN - COTTER - 3/16" X 2" - ZINC |
| | 000H14-06-06R | EA | RIVET-MANDREL BLIND,3/16 AL - CHERRY BSP-66 |
| | 000H16-04-06R | EA | RIVET - POP ALUMINUM - 1/8 X .313 - .375 |
| | 000H16-06-10R | EA | RIVET - POP ALUMINUM - 3/16 X .501-.625 |
| | 007161-01-000 | EA | CLAMP - HOSE - SPRING TYPE - 1/2" |
| | 008384-01-000 | EA | GROMMET - SNAP - 3/4 DIAMETER - NYLON |
| | 008386-01-000 | EA | GROMMET - SNAP - 3/8" DIAMETER - NYLON |
| | 010495-01-000 | EA | CLAMP - CABLE - 9/16" |
| | 010495-02-000 | EA | CLAMP - CABLE - 3/8" |
| | 010495-04-000 | EA | CLAMP - CABLE - 11/16" - WHITE |
| | 010497-01-000 | EA | CLAMP - CLOSED - 5/8" ID |
| | 010497-03-000 | EA | CLAMP - CLOSED - 1" ID - CUSHIONED |
| | 010497-04-000 | EA | CLAMP - CLOSED - 1 5/8" ID |
| | 010497-05-000 | EA | CLAMP - CLOSED - 1/2" ID |
| | 010497-07-000 | EA | CLAMP - CLOSED - 3/8" ID |
| | 010499-01-000 | EA | CLAMP - CLOSED - 3/8" ID |
| | 016188-03-000 | EA | GROMMET - L/P LINE - 3/8" HOLE X 2 1/2" LONG - RUBBER |
| | 016188-04-000 | EA | GROMMET - L/P LINE - 1/2" HOLE X 2 1/2" LONG - RUBBER |
| | 016188-05-000 | EA | GROMMET - L/P LINE - 3/8" HOLE X 1 1/4" LONG - RUBBER |
| | 016188-06-000 | EA | GROMMET - L/P LINE - 3/8" X 31 1/4" LONG |
| | 016188-07-000 | EA | GROMMET - L/P LINE - 1/2" X 3 1/4" LONG |
| | 023942-01-000 | EA | GROMMET - RUBBER - 2" OD |
| | 034141-02-000 | EA | PLUG/NYLON - .38" - BLACK |
| | 056134-01-000 | EA | HOLDER - RING - 3.6" DIAMETER - METAL |
| | 056134-02-000 | EA | HOLDER - RING - 1.8" DIAMETER - METAL |
| | 061420-04-000 | EA | PLUG/PLASTIC - 1 1/4" DIAMETER |
| | 061420-05-000 | EA | PLUG/PLASTIC - 1 1/2" DIAMETER |
| | 061420-08-000 | EA | PLUG/PLASTIC - 2 1/2" DIAMETER |
| | 061420-09-000 | EA | PLUG/PLASTIC - 1.00" - DIAMETER |
| | 061420-10-000 | EA | PLUG/PLASTIC - 1 1/2" DIAMETER - BLACK |
| | 061420-15-000 | EA | PLUG/PLASTIC - 2" DIAMETER - BLACK |
| | 062401-01-000 | EA | CLAMP - HOSE - WORMGEAR - .25" - 1" |
| | 062401-02-000 | EA | CLAMP - HOSE - WORMGEAR - 1.56" - 2.5" |
| | 062401-03-000 | EA | CLAMP - HOSE - WORMGEAR - .22" - 1" |
| | 062401-04-000 | EA | CLAMP - HOSE - WORMGEAR - .69" - 1.25" |
| | 062401-05-000 | EA | CLAMP - HOSE - WORMGEAR - 2" - 3" ID |
| | 062401-06-000 | EA | CLAMP - HOSE - WORMGEAR - .22" - .62" ID |
| | 062401-09-000 | EA | CLAMP - HOSE - WORMGEAR - 2.8" - 3.75" |
| | 062401-11-000 | EA | CLAMP - HOSE - WORMGEAR - 3.50" - 4.50" |
| | 062401-12-000 | EA | CLAMP - HOSE - WORMGEAR - .79" X 1.26" |
| | 071015-11-000 | EA | GROMMET - RUBBER - 1"ID FITS .12 MATERIAL - BLACK |
| | 071015-19-000 | EA | GROMMET - RUBBER - .38 ID - FITS .06 MATERIAL - BLACK |
| | 071015-26-000 | EA | GROMMET - RUBBER - 1.5" ID X 2.1" OD W/.06" GROOVE-BLACK |
| | 071015-29-000 | EA | GROMMET - RUBBER - .3" ID X 1.3"OD W/.12" GROOVE - BLACK |
| | 071015-30-000 | EA | GROMMET - RUBBER - .31" ID X .81" OD W/.12" GROOVE-BLACK |
| | 071015-39-000 | EA | GROMMET - .75 ID FITS .06 MTL |
| | 071015-40-000 | EA | GROMMET - .38 ID FITS .09 MTL |
| | 071015-41-000 | EA | GROMMET - .125 ID FITS .188 MTL |
| | 075148-02-000 | EA | CLAMP - GROUNDING - BRONZE SCREWS |
| | 077955-01-000 | EA | CLIP/J - 3/8" - VINYL COATED |
| | 080211-03-000 | EA | CLIP - XMAS TREE W/PANEL RETAINING HEAD - 3/4" SHANK |
| | 080734-02-000 | EA | CLIP - WIRE NYLON |
| | 081211-03-000 | EA | PLUG/PLASTIC - .50 DIAMETER - BLACK |
| | 081211-04-000 | EA | PLUG/PLASTIC - .46 DIAMETER - BLACK |
| | 083609-01-000 | EA | CLAMP - WIRE - DUAL - EQUAL DIAMETERS - 5/8" |
| | 083610-01-000 | EA | CLAMP - WIRE - DUAL - UNEQUAL DIAMETERS - 3/4" & 1 1/4" |
| | 083610-02-000 | EA | CLAMP - WIRE - DUAL - UNEQUAL DIAMETERS - 3/4" & 2" |
| | 083610-03-000 | EA | CLAMP - WIRE - DUAL - EQUAL DIAMETERS - 2" |
| | 088756-01-000 | EA | GROMMET - WEB - 1 1/8 i i.D. |
| | 091952-01-000 | EA | CLIP - GRIPPER - 1" |
| | 091952-02-000 | EA | CLIP - GRIPPER - 3/4" |
| | 094362-02-000 | EA | CLIP - XMAS TREE - BINDER HEAD - .9" LONG |
| | 094362-05-000 | EA | CLIP - XMAS TREE - ROUND HEAD - 1.4" LONG |

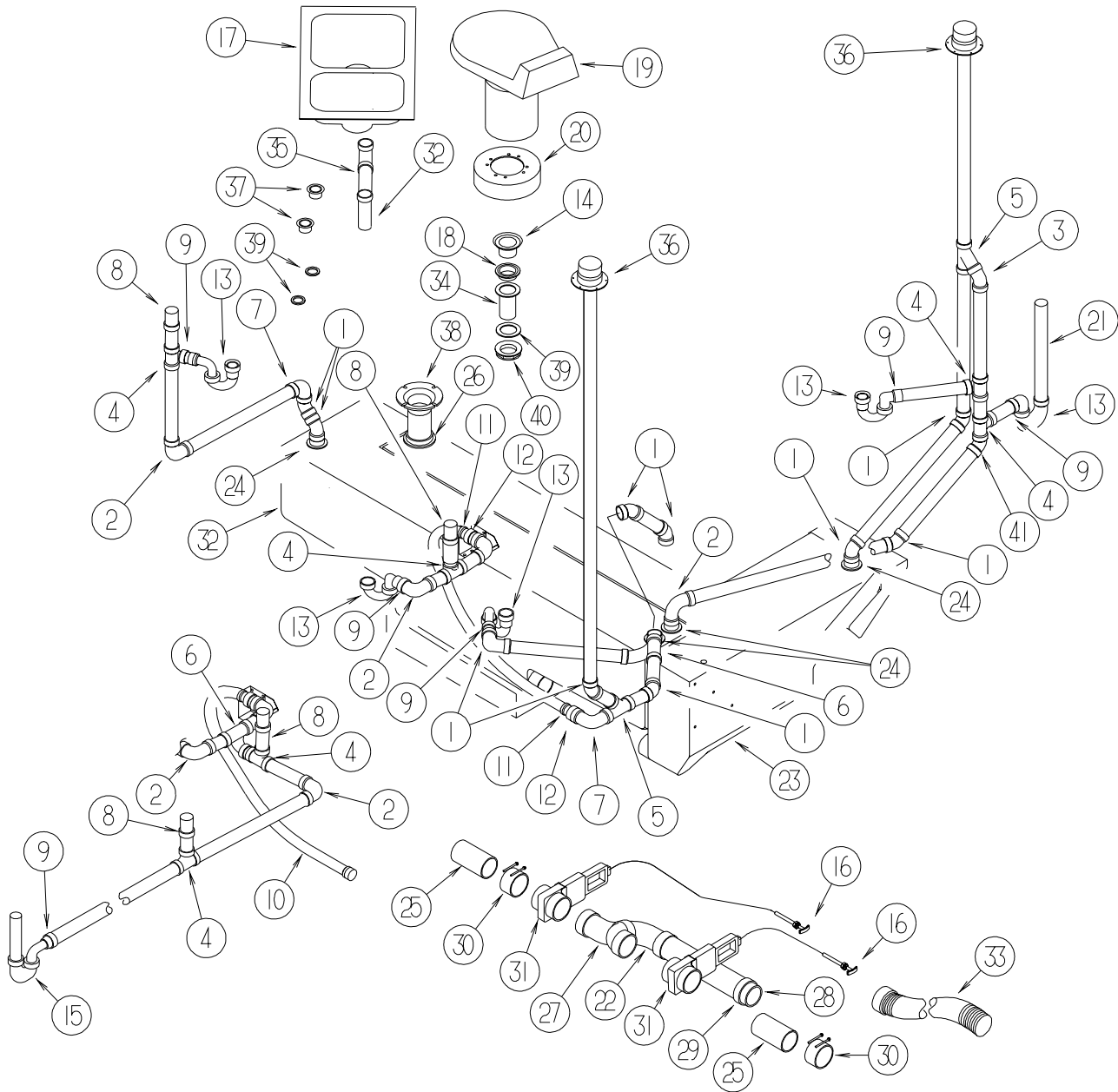
SEALANTS & FASTENERS GROUP (CONTINUED)
CLAMPS, CLIPS, GROMMETS, RIVETS & PLUGS (CONTINUED)

| KEY | PART NUMBER | U/M | DESCRIPTION |
|-----|---------------|-----|---|
| | 114208-01-000 | EA | GROMMET - EDGE LINER - FITS 1 3/4" |
| | 114208-03-000 | EA | GROMMET - EDGE LINER - FITS 2 1/2" |
| | 114208-04-000 | EA | GROMMET - EDGE LINER - FITS 1" |
| | 114208-05-000 | EA | GROMMET - EDGE LINER - FITS 2" |
| | 118626-01-01A | EA | RIVET - POP - ALUMINUM - 3/16 X .08 - .375 |
| | 118626-02-01A | EA | RIVET - POP - ALUMINUM - 3/16 X .500 - .750 |
| | 137014-01-02A | EA | GROMMET - CABLE - BROWN |
| | 137014-01-01A | EA | GROMMET - CABLE - ALMOND |
| | 139118-01-01A | EA | GROMMET - PLASTIC/SCREW |
| | 139118-02-01A | EA | GROMMET - SCREW - PLASTIC |
| | 140171-02-000 | EA | CLAMP - HOSE - STEPLESS EAR - .250 |

MISCELLANEOUS FASTENERS

| KEY | PART NUMBER | U/M | DESCRIPTION |
|-----|---------------|-----|--|
| | 008343-01-000 | EA | TIE - WIRE - 6" |
| | 008343-02-000 | EA | TIE - WIRE - 14" |
| | 008343-03-000 | EA | TIE - WIRE - 7 1/2" - BLACK |
| | 029094-04-000 | YD | VELCRO TAPE - LOOP - 1" WIDE - BLACK |
| | 029096-03-000 | YD | VELCRO TAPE - HOOK - 1" WIDE - BLACK |
| | 029096-04-000 | YD | VELCRO TAPE - HOOK - 1" WIDE - BLACK |
| | 048394-02-000 | YD | VELCRO TAPE - HOOK - ADHESIVE BACK - 3/4" WIDE - BEIGE |
| | 085774-01-000 | FT | FASTENER - DUAL LOCK - 1" WIDE - ADHESIVE BACK - BLACK |
| | 085774-02-000 | FT | FASTENER - DUAL HOOK - 1" WIDE - ADHESIVE BACK - BLACK |
| | 085774-03-000 | FT | FASTENER - DUAL LOCK - 1/2" WIDE - ADHESIVE BACK - BLACK |
| | 085774-04-000 | FT | FASTENER - DUAL HOOK - 1/2" WIDE - ADHESIVE BACK - BLACK |
| | 088792-02-000 | YD | VELCRO TAPE - LOOP - 3/4" - ADHESIVE BACK - BEIGE |
| | 088792-04-000 | YD | VELCRO TAPE - HOOK - 5/8" - NON-ADHESIVE BACK - WHITE |
| | 088792-05-000 | YD | VELCRO TAPE - LOOP - 5/8" - NON-ADHESIVE BACK - WHITE |
| | 108046-01-000 | EA | CABLE TIE - SCREW MOUNT 8" |
| | 108046-02-000 | EA | CABLE TIE - SCREW MOUNT 15" |
| | 110943-02-000 | FT | FELT STRIP - 3/8" - ADHESIVE BACK - WHITE |
| | 113133-02-01A | EA | RIVET - POP - ALUMINUM - 3/16 X .252 - .504 - BLACK |
| | 123816-04-000 | FT | TAPE - DOUBLE SIDED - 6" X 750' |
| | 127960-01-01A | EA | RETAINER - 3/8" - STAINLESS STEEL |

WATER & SEWAGE GROUP DRAINAGE SYSTEM



| KEY | PART NUMBER | U/M | DESCRIPTION |
|-----|---------------|-----|--|
| 1 | 010006-01-000 | EA | ELBOW - 45 DEGREE - 1 1/2" HUB X HUB - PLASTIC |
| 2 | 010008-01-000 | EA | ELBOW - 90 DEGREE - 1 1/2" HUB X HUB - PLASTIC |
| 3 | 010051-01-000 | EA | ELBOW - 45 DEGREE - 1 1/2" SPIGOT X HUB - PLASTIC |
| 4 | 010071-01-000 | EA | TEE - SANITARY - 1 1/2" HUB X HUB X HUB - PLASTIC |
| 5 | 010073-01-000 | EA | WYE - 45 DEGREE - 1 1/2" HUB X HUB X HUB - PLASTIC |
| 6 | 031365-02-000 | EA | TEE - PLASTIC - 1 1/2" EXTRA LONG TURN |
| 7 | 033761-01-000 | EA | ELBOW - 90 DEGREE - TURN - 1 1/2" HUB X 1 1/2" SPIGOT |
| 8 | 079968-01-000 | EA | VENT - MECHANICAL/TRAP ARM - ANTI-SIPHON-2" X 7.3" PLASTIC |
| 9 | 109571-01-000 | EA | ADAPTER - P-TRAP - 1 1/2" P X 1 1/4" MPT |
| 10 | 126426-01-000 | FT | PIPE - 1 1/2" FLEXIBLE |
| 11 | 130685-01-000 | EA | ADAPTER - 1 7/8" FEMALE SLIP X 1 1/2" FEMALE THREAD/O-RING |
| 12 | 130685-03-000 | EA | ADAPTER - 1 7/8" MALE SLIP X 1 1/2" MALE THREAD/O-RING |
| 13 | 107538-01-000 | EA | P-TRAP - PLASTIC - 1 1/4" W/EXTENSION ARM |
| 13 | 011071-01-000 | EA | P-TRAP - PLASTIC - 1 1/2" - CSA |
| 14 | 120981-01-01A | EA | DRAIN - BATH/SHOWER W/SPRING LOADED PLUNGER - BRASS |
| 15 | 037763-01-000 | EA | P-TRAP - PLASTIC - 1 1/2" HXW W/UNION |
| 16 | 062421-04-000 | EA | CABLE/ROD - F/DUMP VALVE - W/HANDLE - 36" |
| 17 | 134851-01-01A | EA | SINK - DOUBLE/GALLEY - LARGE/SMALL - 25" X 18" X 6.9"D-WHT |

WATER & SEWAGE GROUP (CONTINUED)
DRAINAGE SYSTEM (CONTINUED)

| KEY | PART NUMBER | U/M | DESCRIPTION |
|-----|---------------|-----|--|
| 18 | 132376-01-01A | EA | GASKET - FOAM - 1 1/2" - TUB STRAINER |
| 18 | 066440-01-000 | EA | STRAINER - SHOWER DRAIN - W/RUBBER WASHER |
| 18 | 066729-01-000 | EA | STRAINER - TUB/SHOWER W/PLUG - CHROME - CANADIAN |
| 19* | 136729-01-01A | EA | TOILET - CHINA - STANDARD W/SPRAYER - WHITE |
| 20 | 131786-03-01A | EA | SPACER - TOILET - ROUND - 10" DIAM. X 1.3" HIGH - SOFT WHT |
| 21 | 126588-02-000 | EA | ARM - WASTE - 1 1/2 X 20" - FEMALE |
| 22 | 041956-01-000 | EA | ELBOW - 3" STREET - 90 DEGREE PLASTIC |
| 23 | 128993-01-700 | EA | TANK-HOLDING 54 GAL 3"NIPPLE |
| 24 | 061607-01-000 | EA | GROMMET - HOLDING TANK - 1 1/2" NPS |
| 25 | 010129-03-000 | EA | NIPPLE - PLASTIC - 3" X 3" TOE |
| 26 | 061607-02-000 | EA | GROMMET - HOLDING TANK - 3" NPS |
| 27 | 010065-01-000 | EA | TEE - PLASTIC - 3" FEMALE |
| 28* | 062415-01-000 | EA | CAP - SEWER - 3" DIAMETER |
| 29 | 062417-01-000 | EA | ADAPTER - TERMINATION - 3" |
| 30 | 078406-01-000 | EA | COUPLER - RUBBER - W/CLAMPS - 3" X 3" |
| 31 | 129147-01-000 | EA | VALVE - 3" HUB X 3" HUB - REMOTE |
| 32 | 128996-01-000 | EA | TANK - HOLDING - 70 GALLON - W/O FITTINGS |
| 33 | 010201-01-000 | EA | HOSE - SEWER - 3" ID X 8' |
| | | | FROM: 00-00-00 THRU: 06-10-01 |
| 33 | 139513-02-000 | EA | HOSE - SEWER - 3" X 20' - W/ADAPTER |
| | | | FROM: 06-11-01 THRU: 99-99-99 |
| 34 | 011069-06-000 | EA | TAILPIECE - 1 1/2" X 1 1/4" X 2 1/2" |
| 35 | 011091-02-000 | EA | WASTE - CONTINUOUS - DOUBLE SINK |
| 36 | 083558-03-000 | EA | VENT - PLUMBING - ROOF PIPE COVERED - OFF WHITE |
| 37 | 092303-01-000 | EA | STRAINER - W/BASKET - GALLEY SINK - 4" OD |
| 38 | 116644-01-000 | EA | FLANGE/CLOSET - 4 BOLT X 3" FEMALE |
| 39 | 127440-02-01A | EA | WASHER - RUBBER - 1.8" X .1" |
| 40 | 130403-01-000 | EA | NUT - SLIP - W/WINGS 1 1/2" |
| 41 | 010006-01-000 | EA | ELBOW - 45 DEGREE - 1 1/2" HUB X HUB - PLASTIC |
| 41 | 010051-01-000 | EA | ELBOW - 45 DEGREE - 1 1/2" SPIGOT X HUB - PLASTIC - W/WASHER & DRYER |

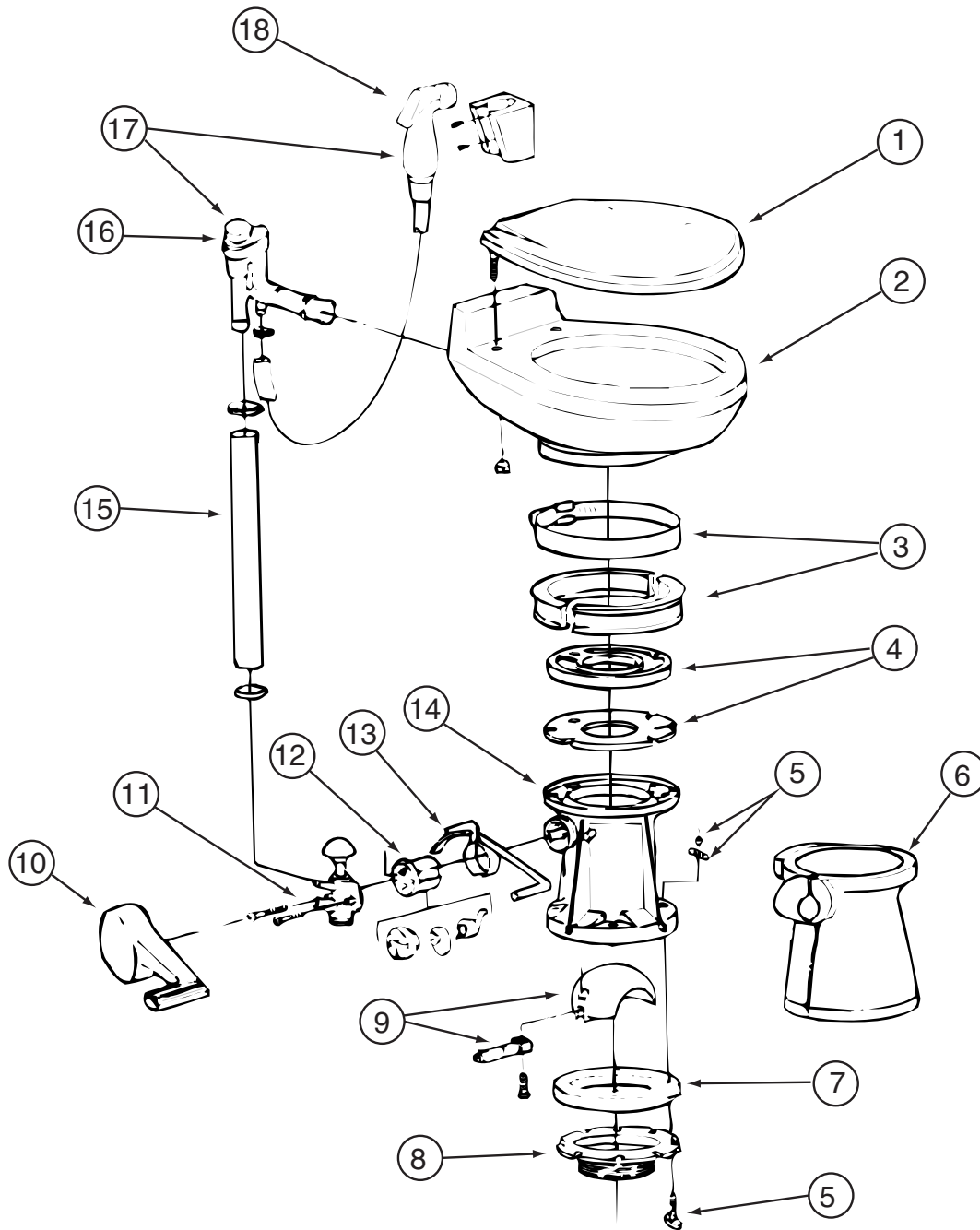
***COMPONENT PARTS LISTED LATER IN THIS GROUP**

WATER & SEWAGE GROUP (CONTINUED)
COMPONENT PARTS FOR DRAINAGE SYSTEM

062415-01-000

| KEY | PART NUMBER | U/M | DESCRIPTION | VENDOR NO. |
|------------|--------------------|------------|--------------------|-------------------|
| | 062415-01-700 | EA | STRING-SEWER CAP | V#SV7 STRAP |

WATER & SEWAGE GROUP (CONTINUED)
COMPONENT PARTS FOR DRAINAGE SYSTEM (CONTINUED)

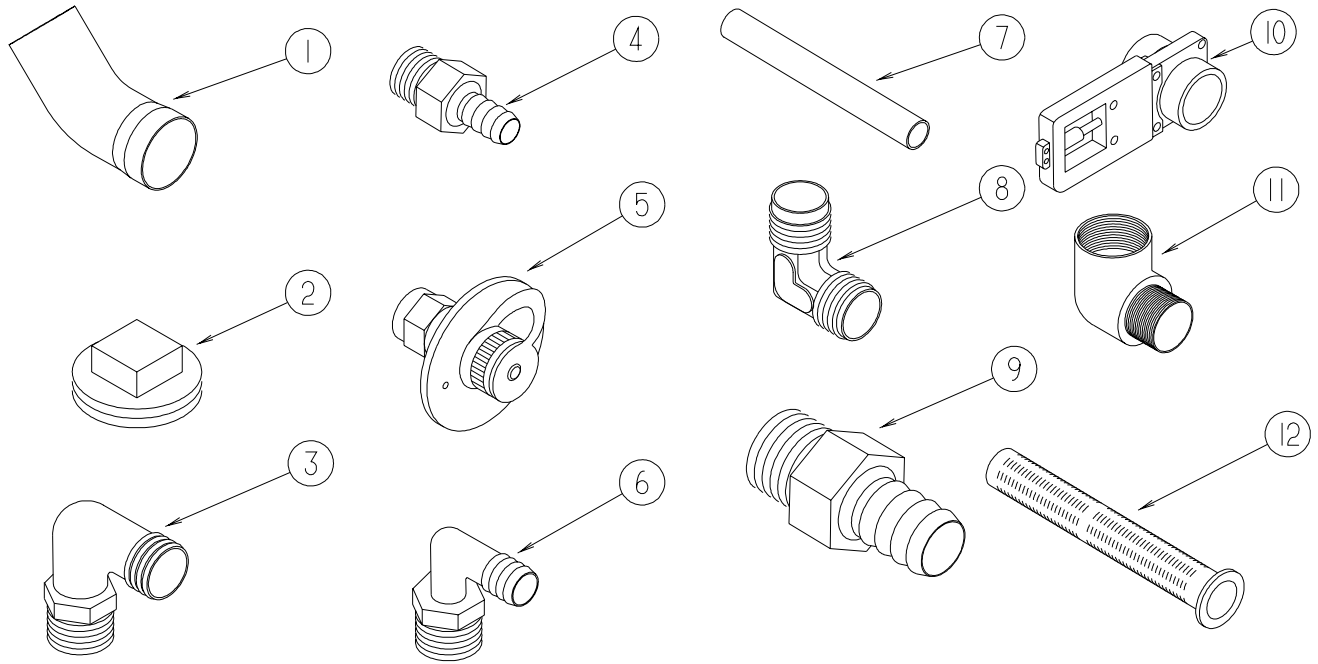


136729-01-01A
 136729-01-01A (CONTINUED)

| KEY | PART NUMBER | U/M | DESCRIPTION | VENDOR NO. |
|-----|---------------|-----|------------------------------|------------|
| 1 | 136729-01-700 | EA | SEAT ASSEMBLY - WHITE | 343829 |
| 2 | 136729-01-701 | EA | BOWL/CHINA - WHITE | 310739 |
| 3 | 085330-01-703 | EA | RING & HALF CLAMPS, BONE | 385310048 |
| 4 | 085330-01-704 | EA | TEFLON & RUBBER SEAL KIT | 385316140 |
| 5 | 085330-01-717 | EA | BOLT MOUNTING PACKAGE | 3100-64 |
| 6 | 085330-09-704 | EA | PEDESTAL COVER - WHITE | 310111 |
| 7 | 085330-01-714 | EA | SEAL-FLANGE, FLOOR | 390343892 |
| 8 | 085330-01-716 | EA | FLANGE-FLOOR, 3" MPT | 345889 |
| 10 | 085330-09-702 | EA | COVER/PEDAL KIT - WHITE | 310114 |
| 11 | 085330-01-709 | EA | VALVE-WATER | 385314349 |
| 12 | 085330-01-707 | EA | CARTRIDGE SPRING ASSEMBLY | 381236096 |
| 13 | 085330-06-703 | EA | LEVER-FLUSH | 340873 |
| 14 | 085330-09-703 | EA | BASE KIT - BONE | 310120 |
| 16 | 085330-06-701 | EA | BREAKER-VACUUM/DIVERTER(900) | 230335 |
| 18 | 085330-04-701 | EA | HAND SPRAY W/HOSE(500 & 900) | 340683 |

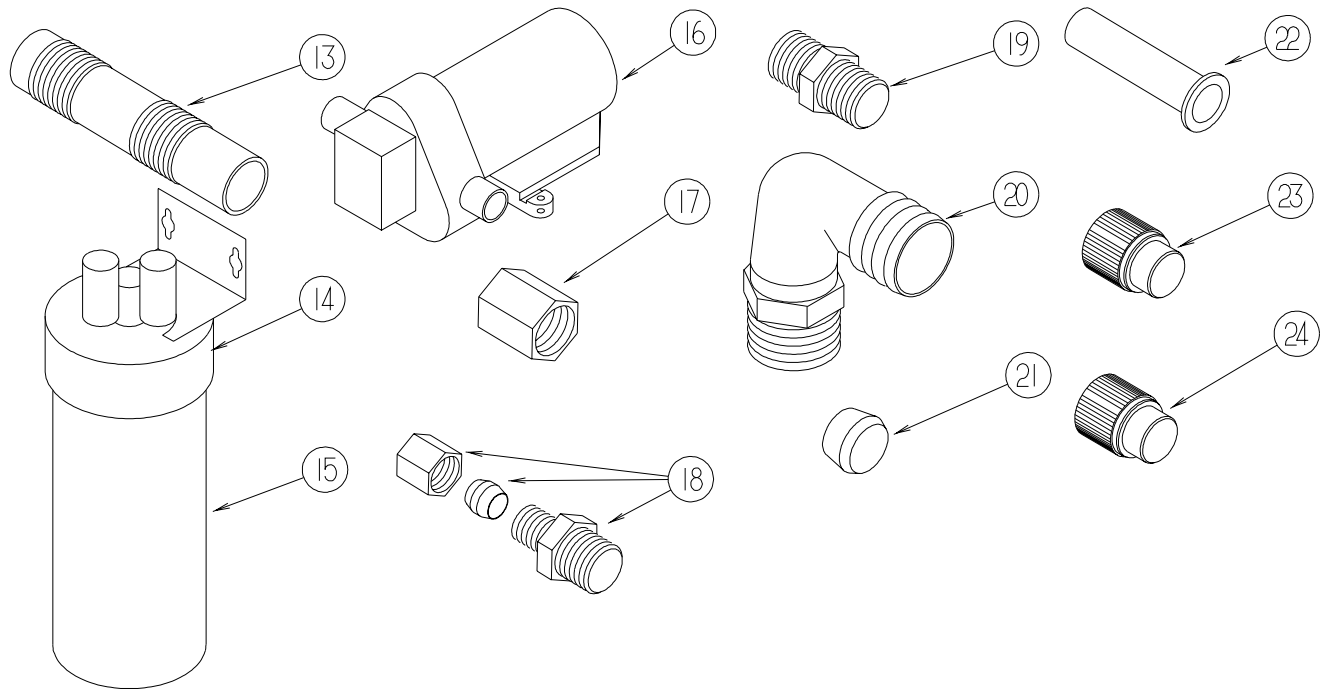
CONTACT WINNEBAGO PART SALES FOR UNLISTED COMPONENTS

WATER & SEWAGE GROUP (CONTINUED)
WATER SYSTEM



| KEY | PART NUMBER | U/M | DESCRIPTION |
|-----|---------------|-----|---|
| 1 | 010009-01-000 | EA | ELBOW - 90 DEGREE - 1/4 BEND - 1 1/2" PLASTIC |
| 2 | 010166-01-000 | EA | PLUG/THREADED - 1 1/4"MPT - PLASTIC - BLACK - UL |
| 3 | 010219-01-000 | EA | ELBOW - 1 1/4 MPT X 1 1/4 BARB - WATER FILL - PLASTIC |
| 4 | 010224-01-000 | EA | ADAPTER - HOSE TO PIPE - 3/8 MPT X 3/8 BARB - PLASTIC |
| 5 | 010230-06-000 | EA | FILL - CITY WATER - W/CHECK VALVE - MPT - BRUSHED ALUM |
| 6 | 035539-01-000 | EA | ELBOW - 3/8 MPT X 3/8 BARB - PLASTIC |
| 7 | 039800-04-000 | FT | TUBING - POLYBUTYL - 1/4"OD |
| 7 | 074462-02-000 | FT | TUBING - VINYL - 3/8 ID X 20' - CLEAR |
| 7 | 112176-01-000 | FT | TUBING - VINYL - REINFORCED - 1/2" ID |
| 7 | 124188-01-000 | FT | TUBING - PEX - 1/2" ID X 20' - BLUE(COLD) |
| 7 | 124188-02-000 | FT | TUBING - PEX - 1/2" ID X 20' - RED(HOT) |
| 8 | 039808-03-000 | EA | ELBOW - 1/2" MPT X 1/2" MPT - PLASTIC |
| 9 | 044927-01-000 | EA | ADAPTER - HOSE TO PIPE-1 1/4 MPTX1 1/4 BARB-BLACK PLASTIC |
| 10 | 062421-03-000 | EA | VALVE/DUMP W/O HANDLE - 1 1/2" X 1 1/2" HUB |
| 11 | 065318-02-000 | EA | ELBOW - 90 DEGREE - 3/8" MPT TO 3/8" FPT |
| 12 | 077954-02-000 | EA | FILTER - WATER TANK - W/SCREEN IN TANK |

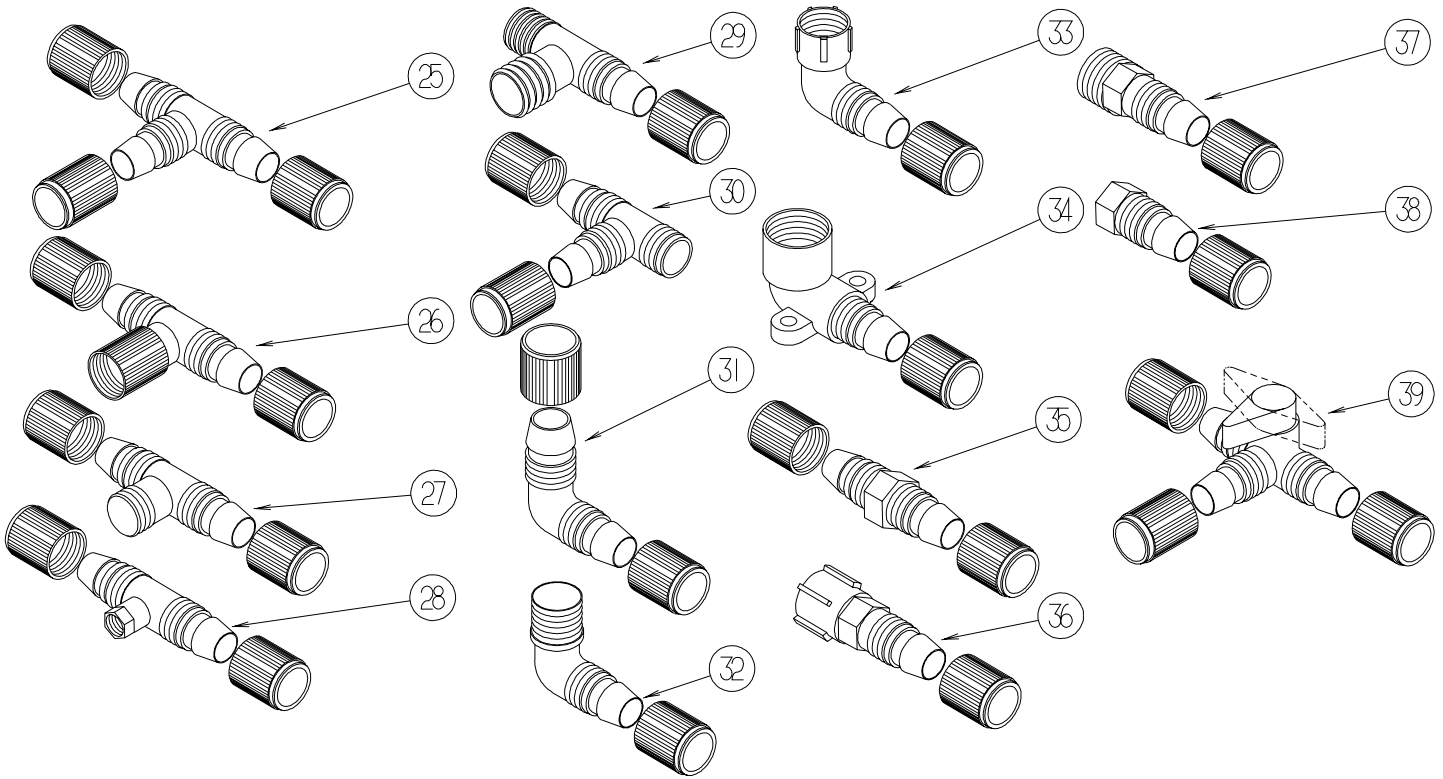
WATER & SEWAGE GROUP (CONTINUED)
WATER SYSTEM (CONTINUED)



| KEY | PART NUMBER | U/M | DESCRIPTION |
|-----|---------------|-----|---|
| 13 | 079381-01-000 | FT | TUBING - RIBBED FLEXIBLE - WATER FILL - 1.4" ID |
| 14 | 087200-01-000 | EA | FILTER-WATER PURIFICATION, EVERPURE QC2-AC |
| 15 | 087200-02-000 | EA | CARTRIDGE-WATER FILTER,AC - EVERPURE 9601-11 |
| 16* | 098607-01-000 | EA | PUMP - WATER - W/.5" MPT FITTING - FLOW 2.8 GPM |
| 17 | 101814-01-000 | EA | COUPLING - FEMALE - 1/2" X 1/2" FPT - GRAY |
| 18 | 103798-01-000 | EA | CONNECTOR - 1/4 OD X 3/8 MPT |
| 19 | 110438-02-000 | EA | VALVE - CHECK - BRASS - 1/2 MPT X 1/2 MPT |
| 20 | 111223-02-000 | EA | ELBOW - 1/2" MPT X 3/8" BARB - PLASTIC |
| 20 | 111223-03-000 | EA | ELBOW - 3/4" MPT X 1/2" BARB - PLASTIC |
| 20 | 111223-04-000 | EA | ELBOW - 1/2" MPT X 1/2" BARB - PLASTIC |
| 21 | 111888-01-000 | EA | FERRULE - PLASTIC - .250 ID X .375 OD |
| 22 | 111888-02-000 | EA | INSERT - BRASS - 1/4 COMP |
| 23 | 113697-01-000 | EA | CAP - 3/8"P |
| 24 | 114427-01-000 | EA | CAP - 1/2"P |

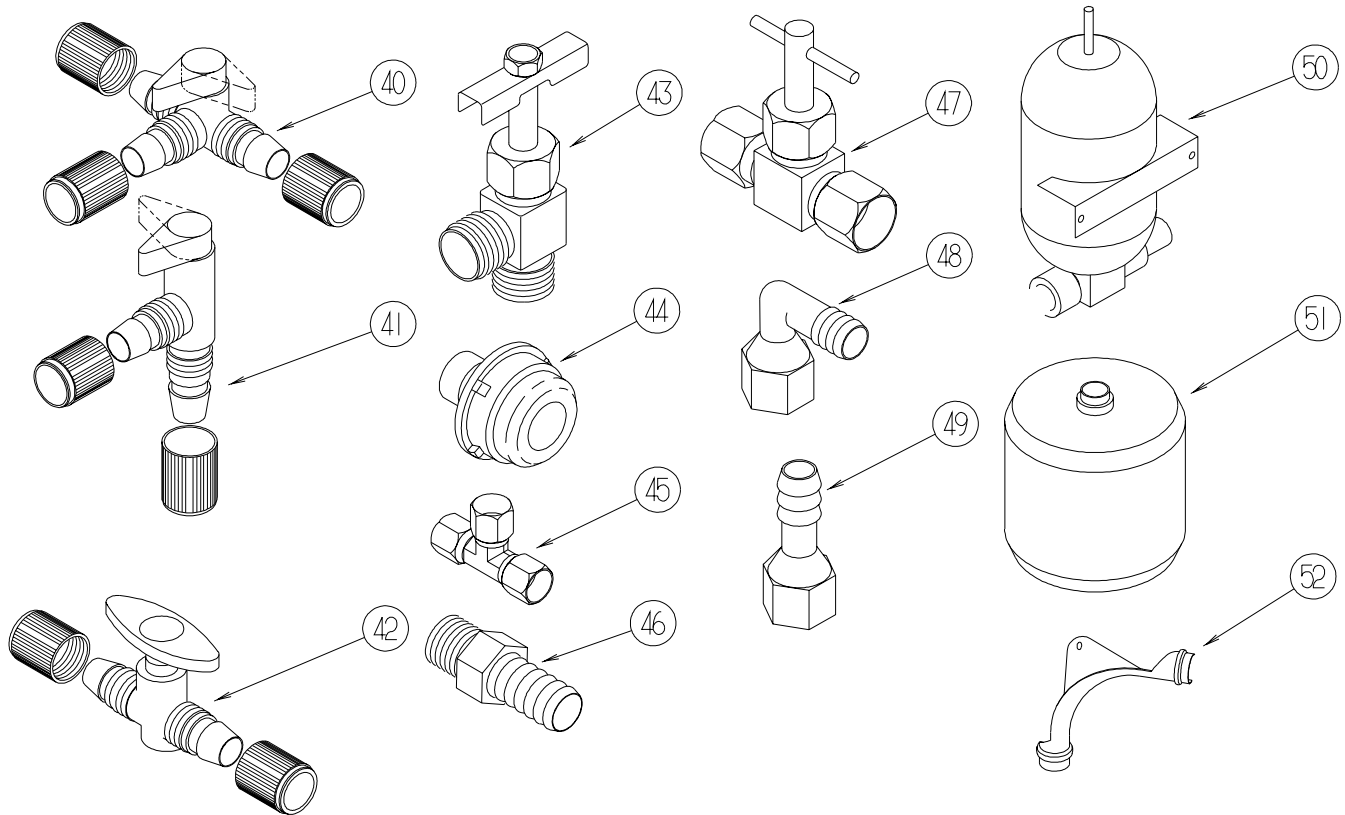
***COMPONENT PARTS LISTED LATER IN THIS GROUP**

WATER & SEWAGE GROUP (CONTINUED)
WATER SYSTEM (CONTINUED)



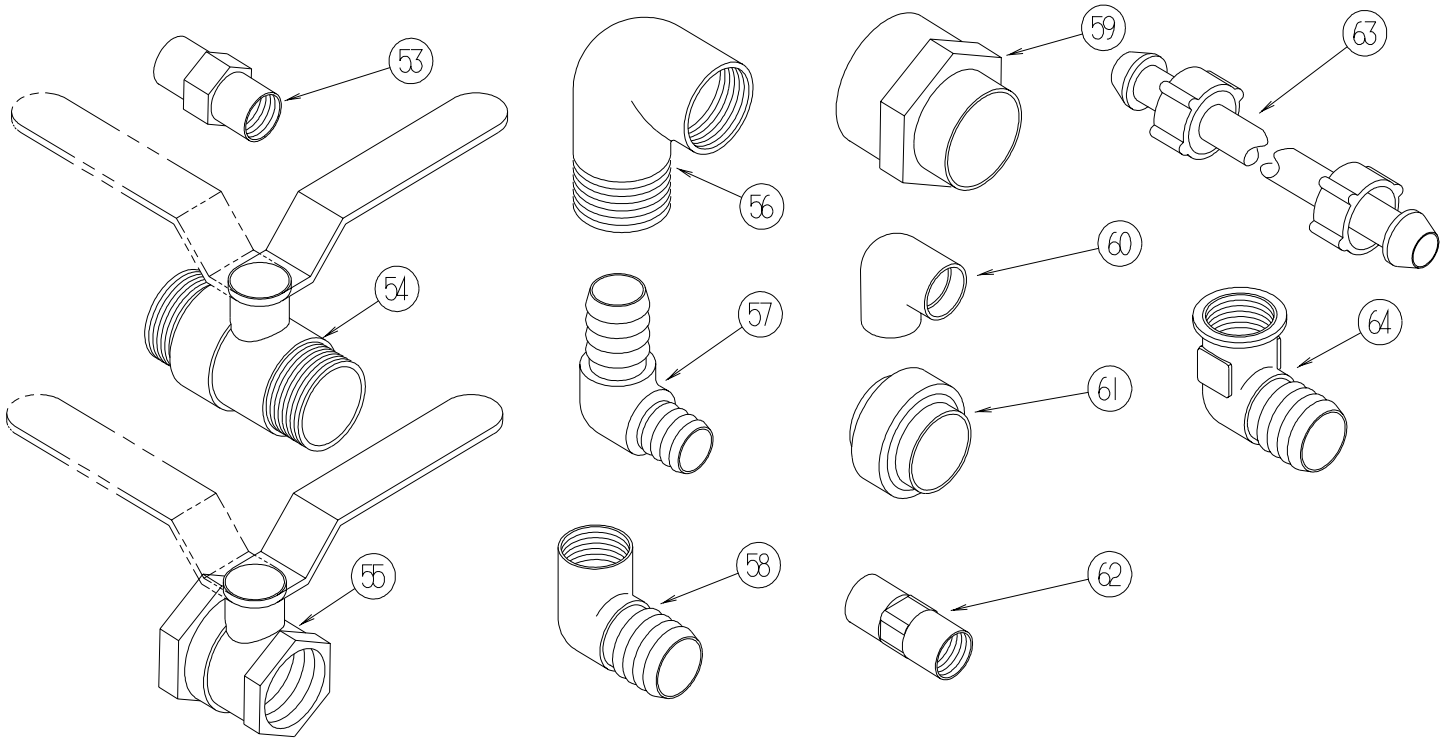
| KEY | PART NUMBER | U/M | DESCRIPTION |
|-----|---------------|-----|---|
| 25 | 114428-01-000 | EA | TEE - 1/2"P X 1/2"P X 1/2"P |
| 26 | 114428-02-000 | EA | TEE - SWIVEL - 1/2"P X 1/2"P X 1/2"FPT |
| 27 | 114428-03-000 | EA | TEE - 1/2"P X 1/2"P X 1/2"MPT |
| 28 | 114428-04-000 | EA | TEE - 1/2"P X 1/2"P X 1/8"FPT |
| 29 | 114428-06-000 | EA | TEE - 1/2" P X 1/2" MPT X 1/2" MPT |
| 30 | 114428-07-000 | EA | TEE - 1/2" P X 1/2" MPT X 1/2" P |
| 31 | 114429-01-000 | EA | ELBOW - 1/2"P X 1/2"P |
| 32 | 114429-02-000 | EA | ELBOW - 1/2"P X 1/2"MPT |
| 32 | 114429-04-000 | EA | ELBOW - 1/2"P X 3/8"MPT |
| 32 | 114429-05-000 | EA | ELBOW - 1/2"P X 3/4"MPT |
| 33 | 114429-03-000 | EA | ELBOW - SWIVEL - 1/2"P X 1/2"FPT |
| 33 | 114429-06-000 | EA | ELBOW - SWIVEL - 1/2"P X 3/4"FPT |
| 33 | 114429-08-000 | EA | ELBOW - SWIVEL - 1/2"P X 1/2"FPT |
| 34 | 114429-09-000 | EA | ELBOW - 1/2"P X 1/2"FPT DROP EAR |
| 35 | 114430-01-000 | EA | ADAPTER - 1/2"P X 1/2"P |
| 36 | 114430-02-000 | EA | ADAPTER - SWIVEL - 1/2"P X 1/2"FPT |
| 37 | 114430-03-000 | EA | ADAPTER - 1/2"P X 1/2"MPT |
| 38 | 114430-06-000 | EA | ADAPTER - 1/2"P X 3/8"FPT |
| 39 | 114431-01-000 | EA | VALVE - 180 DEGREE/CENTER DRAIN - 1/2"P - THREE WAY |

WATER & SEWAGE GROUP (CONTINUED)
WATER SYSTEM (CONTINUED)



| KEY | PART NUMBER | U/M | DESCRIPTION |
|-----|---------------|-----|--|
| 40 | 114431-02-000 | EA | VALVE - WATER BYPASS - 1/2" P - THREE WAY (WATER HEATER) |
| 41 | 114431-03-000 | EA | VALVE - 90 DEGREE DRAIN - 1/2" P |
| 42 | 114431-04-000 | EA | VALVE - iNLINE SHUT-OFFi - 1/2" P |
| 43 | 114431-05-000 | EA | VALVE - NEEDLE - 1/8" MPT X 1/4" COMPRESSION (ICE MAKER) |
| 44 | 114966-01-000 | EA | FILTER - IN LINE - TWIST ON - 1/2" |
| 45 | 118423-01-000 | EA | FITTING - BRASS-TEE - 1/4C X 1/4C X 1/4C |
| 46 | 118809-02-000 | EA | ADAPTER - 1/2" MPT X 1/2" BARB - PLASTIC |
| 47 | 120868-01-000 | EA | VALVE - NEEDLE - 1/4" COMPRESSION X 1/4" COMPRESSION |
| 48 | 123150-01-000 | EA | ELBOW - 1/2 FPT X 1/2 BARB - SWIVEL |
| 49 | 123152-01-000 | EA | ADAPTER - 1/2 FPT X 1/2 BARB - SWIVEL |
| 50 | 123243-01-000 | EA | TANK - ACCUMULATOR - 24 OZ |
| 51 | 123317-01-000 | EA | TANK - ACCUMULATOR - 2 GALLON |
| 52 | 124184-01-000 | EA | SUPPORT - WATER LINE - BEND |

WATER & SEWAGE GROUP (CONTINUED)
WATER SYSTEM (CONTINUED)



| KEY | PART NUMBER | U/M | DESCRIPTION |
|-----|---------------|-----|---|
| 53 | 132148-01-000 | EA | CONNECTOR - 1/2" X 1/2" IMPT - BRASS |
| 54 | 132483-01-000 | EA | VALVE/BALL - 1" - THREADED ENDS |
| 55 | 132483-02-000 | EA | VALVE/BALL - 1/2" - BRASS - FPT |
| 56 | 132484-01-000 | EA | ELBOW - 90 DEGREE - 1MPT X 1FPT - PLASTIC |
| 57 | 132781-01-000 | EA | ELBOW - 1.3" BARB X 1.3" BARB - 90 DEGREE - PLASTIC |
| 58 | 132782-01-000 | EA | ELBOW - 1" FPT X 1.3" BARB - 90 DEGREE - PLASTIC |
| 59 | 133835-01-000 | EA | ADAPTER - REDUCING - 1 1/2" X 1 1/4" |
| 60 | 133837-01-000 | EA | ELBOW - 1 1/2" X 90 DEGREE - DOUBLE SLIP |
| 61 | 133889-01-000 | EA | UNION - 1 1/2" DOUBLE SLIP - PVC |
| 62 | 135386-01-000 | EA | NIPPLE - 1/2" |
| 63 | 140821-01-000 | EA | TUBE - WATER SUPPLY - 3/8" X 24" |
| 63 | 140821-02-000 | EA | TUBE - WATER SUPPLY - 3/8" X 30" |
| 63 | 140821-03-000 | EA | TUBE - WATER SUPPLY - 3/8" X 36" |
| 63 | 140821-04-000 | EA | TUBE - WATER SUPPLY - 3/8" X 48" |
| 63 | 140821-05-000 | EA | TUBE - WATER SUPPLY - 3/8" X 54" |
| 63 | 140821-06-000 | EA | TUBE - WATER SUPPLY - 3/8" X 60" |
| 63 | 140821-07-000 | EA | TUBE - WATER SUPPLY - 3/8" X 72" |
| 64 | 142812-01-000 | EA | ELBOW - BRASS - 1/2" MPT X 1/2" FPT |

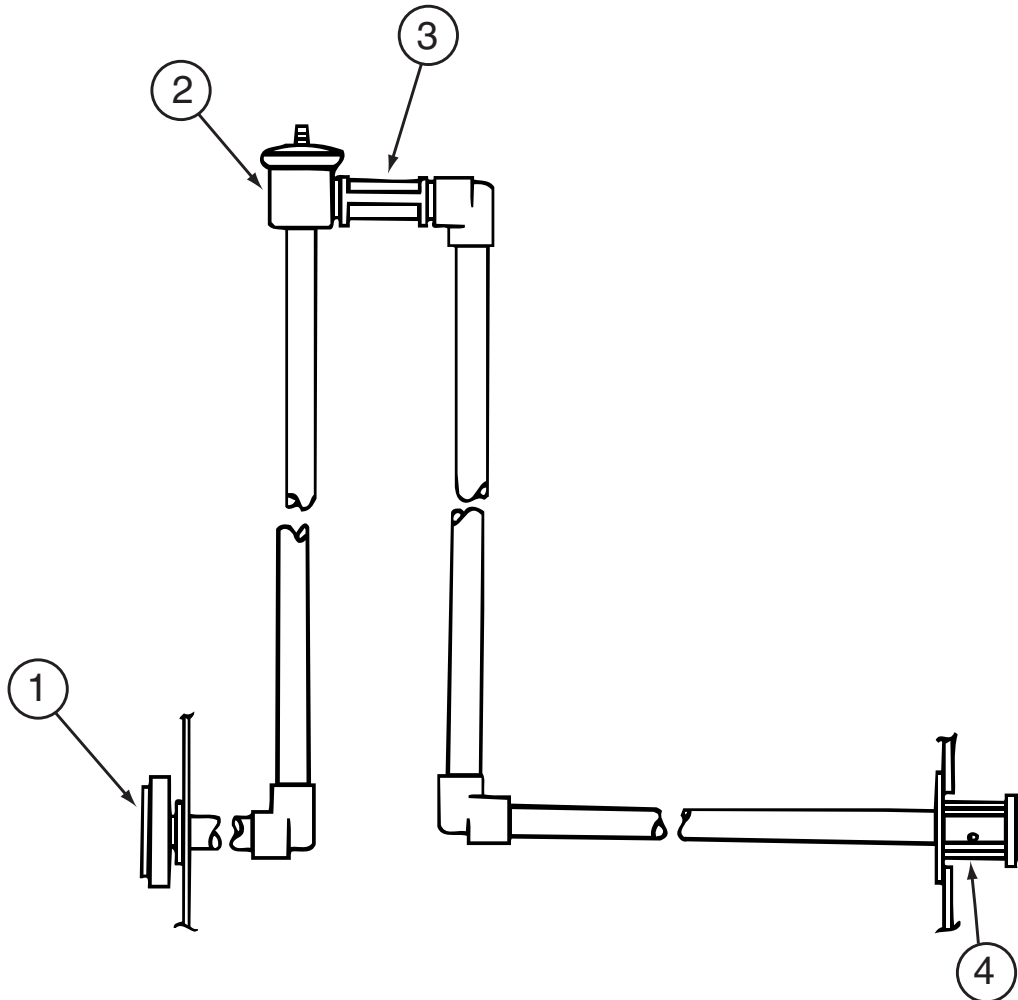
***COMPONENT PARTS LISTED LATER IN THIS GROUP**

WATER & SEWAGE GROUP (CONTINUED)

WATER SYSTEM (CONTINUED)

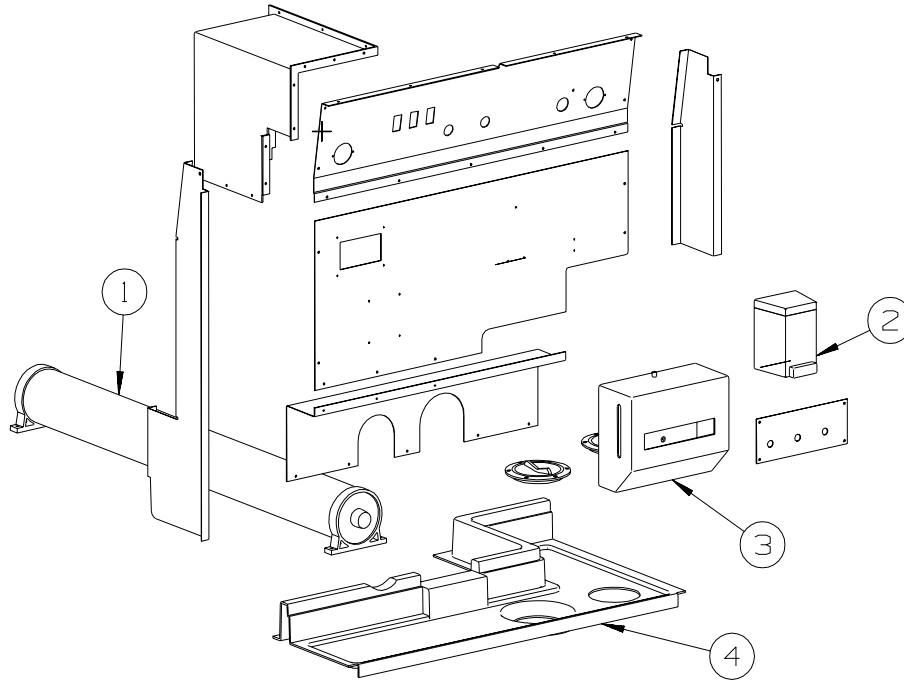
| KEY | PART NUMBER | U/M | DESCRIPTION |
|-----|---------------|-----|---|
| | 103635-01-000 | EA | FAUCET - SINGLE CONTROL/DRINKING WATER - WATER PURIFIER |
| | 123744-03-01A | EA | FAUCET - GALLEY/SINGLE CONTROL W/SPRAYER HEAD - CHROME |
| | 128997-01-01A | EA | FAUCET - LAVATORY - SINGLE CONTROL - POLISHED BRASS |
| | 098419-01-000 | EA | FAUCET - WASHER - 90 DEGREE - WASHER DRYER |
| | 075241-06-000 | EA | FAUCET - SHOWER/BRIGHT WHITE - .5" MPT W/1.9" INLET PIPES - EXTERIOR SHOWER |
| * | 135027-01-01A | EA | FAUCET - VALVE - SHOWER/TUB - SINGLE CONTROL/BRASS - Q38K, Q40E, Q40J |
| | 129390-01-01A | EA | SHOWER HEAD - W/HOSE & BRACKET - BRASS |
| | 135035-01-01A | EA | SPOUT - TUB - DECK MOUNT - BRASS - Q38K, Q40E, Q40J |
| | 128974-01-01A | EA | VALVE - SHOWER HEAD/WATER SAVER (ON/OFF) - BRIGHT BRASS - Q38K, Q40E, Q40J |
| | 130041-01-02A | EA | SPACER/SHOWER HAED - SOFT WHITE - Q36C |
| | 131551-01-02B | EA | BRACKET - SHOWER HEAD - Q36C |
| | 133726-01-02B | EA | BRACKET - SHOWER HEAD - E-COATED - Q38K, Q40E, Q40J |
| | 133721-01-02B | EA | BRACKET - SHOWER CONTROL - E-COATED - Q38K, Q40E,Q40J |
| | 131383-03-02A | EA | BRACKET - SHOWER HEAD - WHITE - EXTERIOR WASH STATION |
| | 135028-01-01A | EA | DROP ELL - F/SHOWER HOSE - BRASS - 1/2" |
| * | 118569-03-000 | EA | WINTERIZATION SYSTEM - W/O TANK |
| * | 051391-05-000 | EA | WATER HEATER/MOTOR AID-GAS/ELECT IGN - GCH10A-3E - 10 GAL |
| | 125420-01-03A | EA | DOOR - WATER HEATER - 10 GALLON - BLACK W/BLACK GRILLE |

*COMPONENT PARTS LISTED LATER IN THIS GROUP



| KEY | PART NUMBER | U/M | DESCRIPTION |
|-----|---------------|-----|---------------------------------------|
| 1 | 125697-05-000 | EA | INLET - WATER - FLUSHING SYSTEM |
| 2 | 125697-04-000 | EA | BREAKER - VACUUM - FLUSHING SYSTEM |
| 3 | 125697-03-000 | EA | CHECK VALVE - FLUSHING SYSTEM |
| 4 | 125697-02-000 | EA | NOZZLE - WELD-A-FLUSH |
| | 125697-06-000 | EA | INSTRUCTIONS - USER - FLUSHING SYSTEM |

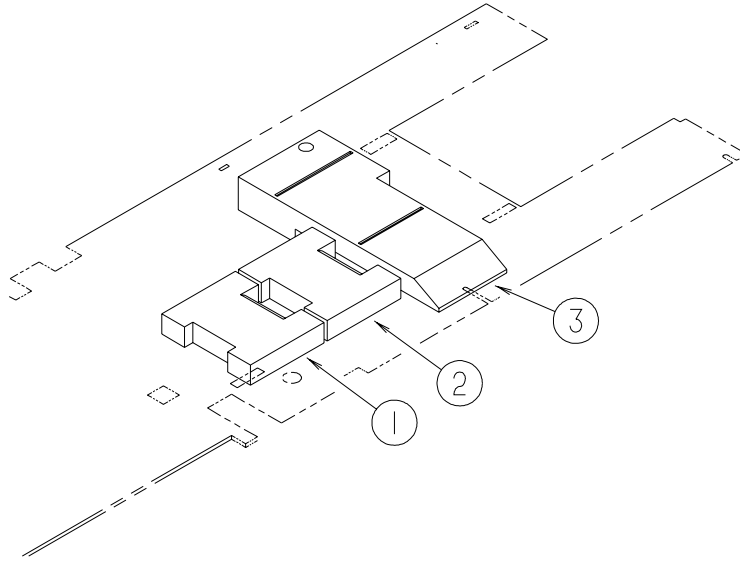
WATER & SEWAGE GROUP (CONTINUED)
WATER SYSTEM (CONTINUED)



| KEY | PART NUMBER | U/M | DESCRIPTION |
|-----|---------------|-----|--|
| 1 | 129850-01-01A | EA | COMPARTMENT - SEWER HOSE |
| 2 | 136909-01-000 | EA | DISPENSER - SOAP/LIQUID |
| 3* | 136915-01-000 | EA | DISPENSER - TOWEL/PAPER - 9"H X 10.8"L X 4.8"D - WHITE |
| 4 | 134740-01-01A | EA | PLATE - ACCESS - 4" |

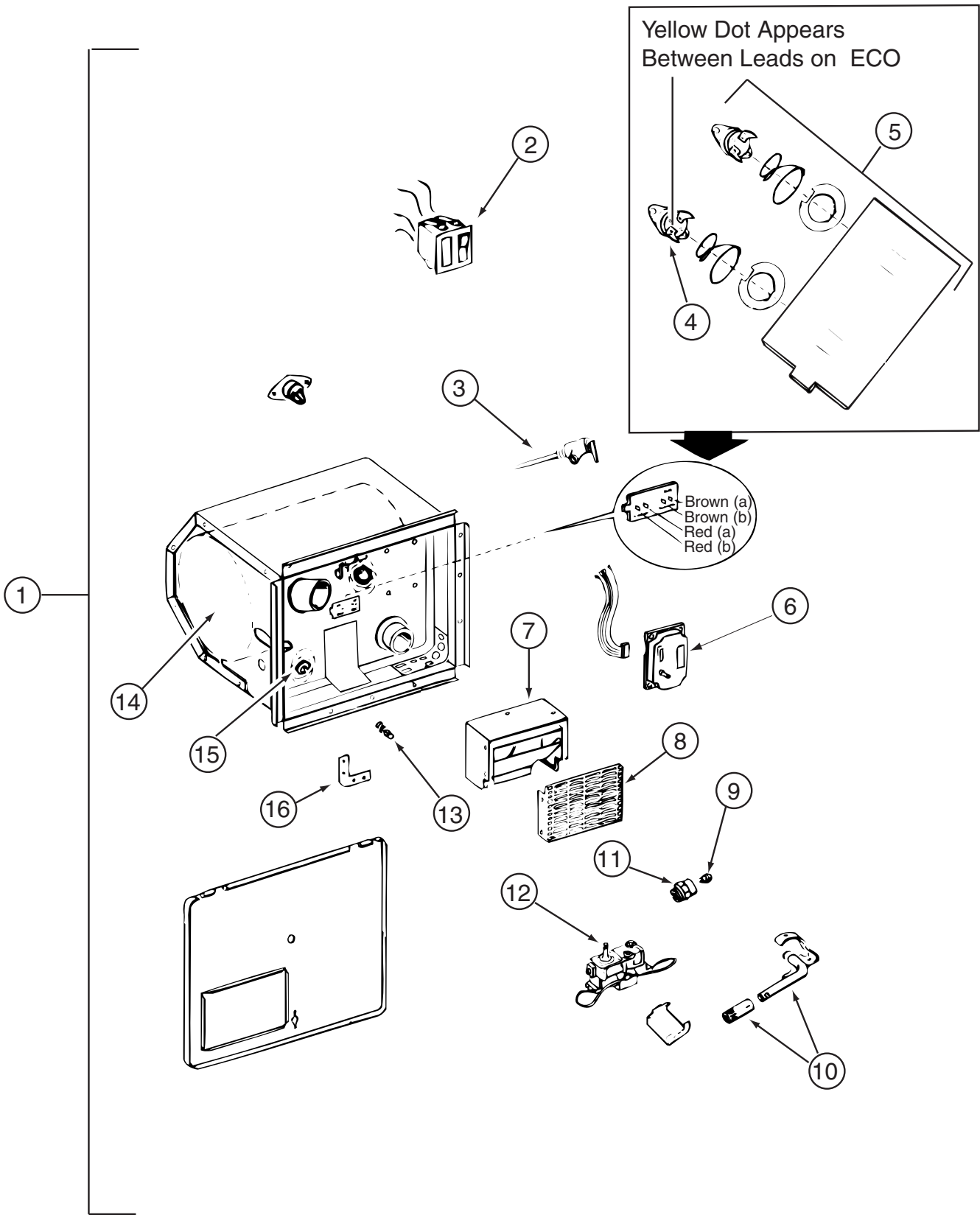
***COMPONENT PARTS LISTED LATER IN THIS GROUP**

WATER & SEWAGE GROUP (CONTINUED)
WATER SYSTEM (CONTINUED)



| KEY | PART NUMBER | U/M | DESCRIPTION |
|-----|---------------|-----|--|
| 1 | 128785-03-000 | EA | TANK - WATER - 21 GALLON - W/FITTINGS |
| | 128785-01-000 | EA | TANK - WATER - 21 GALLON - W/O FITTINGS |
| | 042989-03-000 | EA | FITTING - SPINWELD - 1 1/4"NPT - PLASTIC |
| | 049032-01-000 | EA | PATCH - SPINWELD - 3/8" - PLASTIC |
| 2 | 128785-02-000 | EA | TANK - WATER - 21 GALLON - W/FITTINGS |
| | 128785-01-000 | EA | TANK - WATER - 21 GALLON - W/O FITTINGS |
| | 042989-03-000 | EA | FITTING - SPINWELD - 1 1/4"NPT - PLASTIC |
| | 049032-01-000 | EA | PATCH - SPINWELD - 3/8" - PLASTIC |
| 3 | 128784-03-000 | EA | TANK - WATER - 60 GALLON - W/FITTINGS |
| | 128784-01-000 | EA | TANK - WATER - 60 GALLON - W/O FITTINGS |
| | 042989-03-000 | EA | FITTING - SPINWELD - 1 1/4"NPT - PLASTIC |
| | 049032-01-000 | EA | PATCH - SPINWELD - 3/8" - PLASTIC |
| | 042989-05-000 | EA | FITTING - SPINWELD - 1/2"FPT - PLASTIC |
| | 042989-07-000 | EA | FITTING - SPINWELD - 1 1/2"FPT - PLASTIC |
| | 120069-01-000 | EA | PLUG - 3" - POLYETHYLENE MPT |
| | 120070-01-000 | EA | FITTING - SPINWELD - PLASTIC 3" FPT |

WATER & SEWAGE GROUP (CONTINUED)
COMPONENT PARTS FOR WATER SYSTEM



051391-05-000

WATER & SEWAGE GROUP (CONTINUED)
COMPONENT PARTS FOR WATER SYSTEM (CONTINUED)

051391-05-000 (CONTINUED)

| KEY | PART NUMBER | U/M | DESCRIPTION | VENDOR NO. |
|------------|--------------------|------------|------------------------------|-------------------|
| 2 | 051393-01-701 | EA | SWITCH - REMOTE - W/LIGHT | 91959 |
| 3 | 051391-01-704 | EA | VALVE-RELIEF, 1/2" FITTING | 91604 |
| 4 | 051391-04-701 | EA | THERMOSTAT 12V DC-120 PRESET | 91470 |
| 5 | 051391-05-707 | EA | THERMOSTAT & ECO - 110 VOLT | 91873 |
| 6 | 051393-01-704 | EA | BOARD-CIRCUIT | 93865 |
| 7 | 051391-04-707 | EA | KIT-EXHAUST, (FLUE & GASKET) | 90960 |
| 8 | 051391-01-717 | EA | GRILLE-WATER HEATER DOOR | 92640 |
| 9 | 051391-05-701 | EA | ORIFICE-MAIN BURNER | 93914 |
| 10 | 051391-05-700 | EA | BURNER-MAIN | 93221 |
| 11 | 051391-03-700 | EA | HOLDER-ORIFICE | 91563 |
| 12 | 051393-01-726 | EA | VALVE-SOLENOID, W/O BRACKET | 93870 |
| 13 | 051391-01-715 | EA | PLUG-DRAIN, 1 EA = 2 PER PKG | 91857 |
| 14 | 051391-05-704 | EA | TANK-INNER | 93593 |
| 15 | 051391-05-706 | EA | ELEMENT-HEATING 1500 WATT | 91160 W/GASKET |
| 16 | 111129-01-711 | EA | BRACKET-CORNER, SET OF FOUR | 91928 |
| | 051391-05-703 | EA | HARDWARE KIT-DOOR | 91858 |
| | 051391-05-705 | EA | SWITCH - ON/OFF SWITCH - BOX | 91182 |
| | 051393-01-721 | EA | THERMOSTAT W/ECO, 140 FRT MT | 91447 |
| | 051393-01-723 | EA | SWITCH - THERMAL CUTOUT 2/PK | 93866 |
| | 051393-01-725 | EA | ELECTRODE-SGL SPADE CONNECT. | 93868 |
| | 051393-01-730 | EA | BRACKET - F/10 GAL SYSTEM | 93862 |

CONTACT WINNEBAGO PARTS SALES FOR UNLISTED COMPONENTS

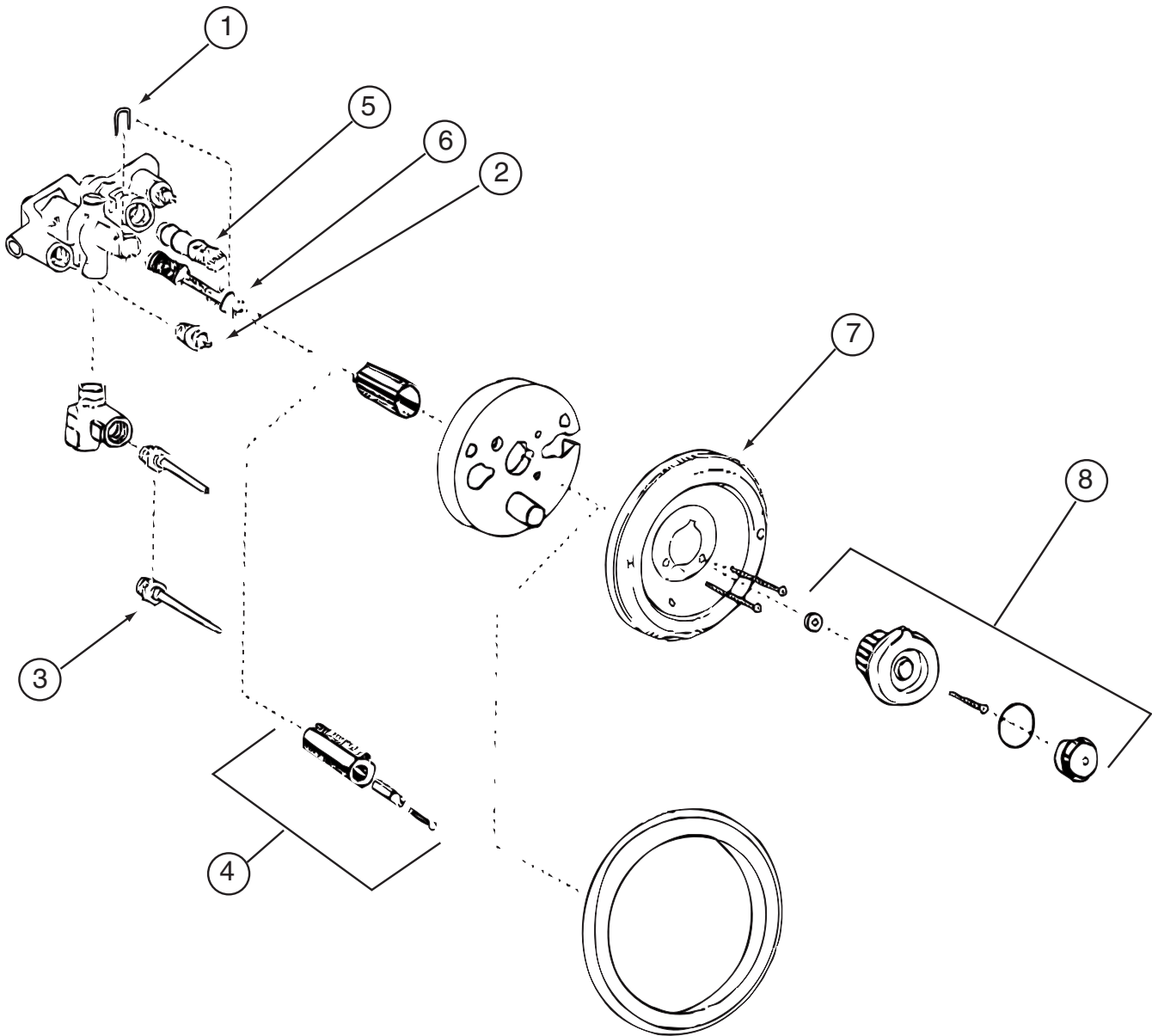
098607-01-000

| KEY | PART NUMBER | U/M | DESCRIPTION | VENDOR NO. |
|------------|--------------------|------------|------------------------------|-------------------|
| | 098607-01-702 | EA | DIAPHRAGM/DRIVE ASSEMBLY KIT | 94-238-04 |
| | 098607-01-703 | EA | VALVE KIT | 94-232-00 |
| | 098607-01-705 | EA | VALVE-CHECK, KIT | 94-237-00 |
| | 098607-01-706 | EA | HOUSING, W/SWITCH ONLY | 94-231-20 |
| | 098607-01-707 | EA | MOTOR W/BASEPLATE | 11-148-04 |

118569-03-000

| KEY | PART NUMBER | U/M | DESCRIPTION | VENDOR NO |
|------------|--------------------|------------|------------------------------|------------------|
| | 118569-01-700 | EA | VALVE/SOLENOID-ELECT CONTROL | NO VDR# |
| | 118569-01-701 | EA | SWITCH - ELECTRIC | EA1-31 |
| | 118569-01-702 | EA | PLATE - SWITCH | ERUS-1 |
| | 118569-01-704 | EA | PLUG - 3/4 MPT | NO VDR# |
| | 118569-01-705 | EA | PLUG - 1/2 MPT | NO VDR# |
| | 118569-01-706 | EA | SCREEN - WHITE | NO VDR# |

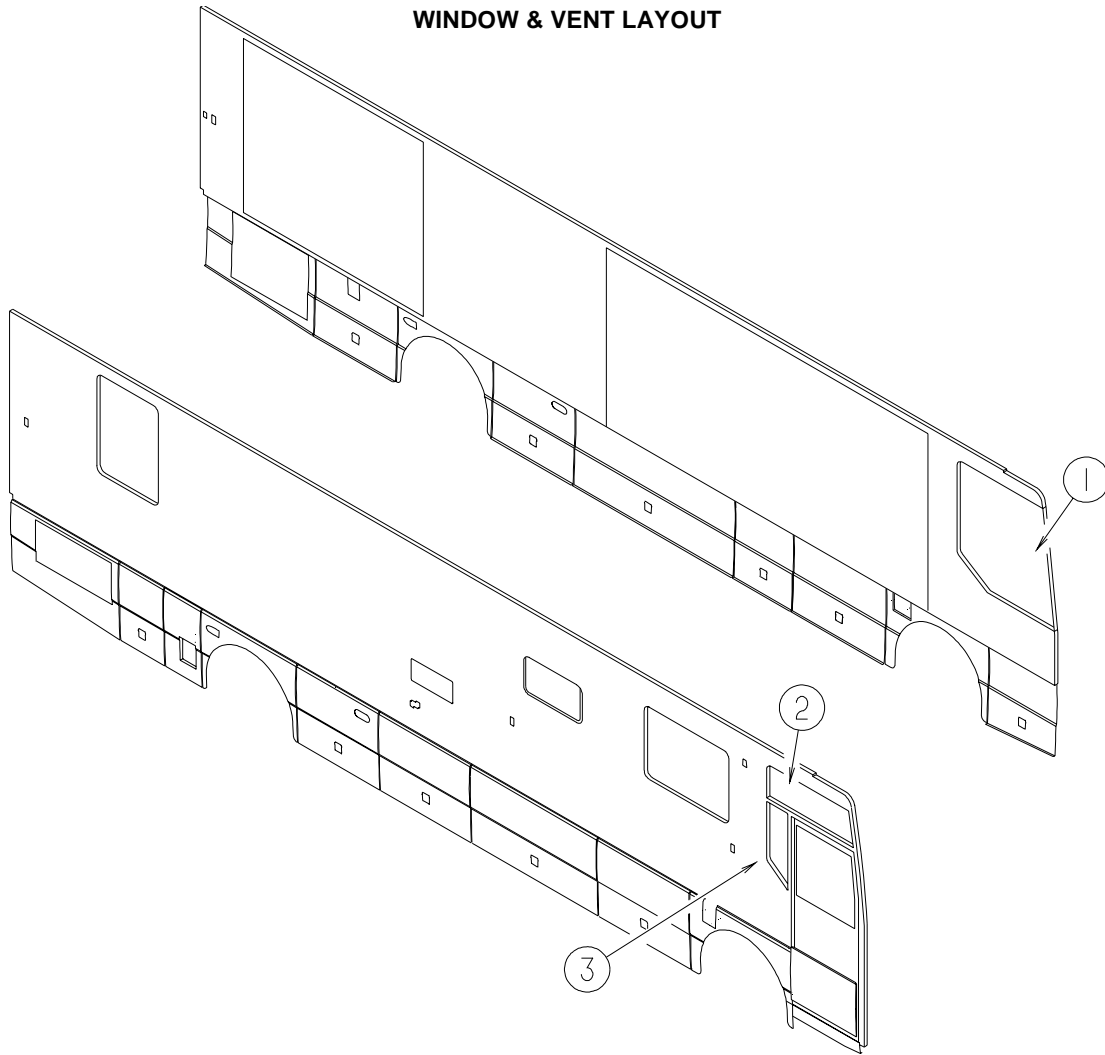
WATER & SEWAGE GROUP (CONTINUED)
COMPONENT PARTS FOR WATER SYSTEM (CONTINUED)



135027-01-01A

| KEY | PART NUMBER | U/M | DESCRIPTION | VENDOR NO. |
|-----|---------------|-----|-----------------------------|------------|
| 1 | 135027-01-700 | EA | CLIP - RETAINER | 883 |
| 2 | 135027-01-701 | EA | STOP-CHECK VALVE KIT CHROME | 12318 |
| 3 | 135027-01-702 | EA | DIVERTER-PUSH BUTTON-CHROME | 1394 |
| 4 | 135027-01-703 | EA | HANDLE/EXT - 1" - CHROME | 1136 |
| 5 | 135027-01-704 | EA | BALANCING SPOON | 1423 |
| 6 | 135027-01-705 | EA | CARTRIDGE REPLACEMENT | 1200-1225 |
| 7 | 135027-01-706 | EA | ESCUTCHEON - GOLD | 150T |
| 8 | 135027-01-707 | EA | KNOB KIT - CLEAR PLASTIC | 13094 |

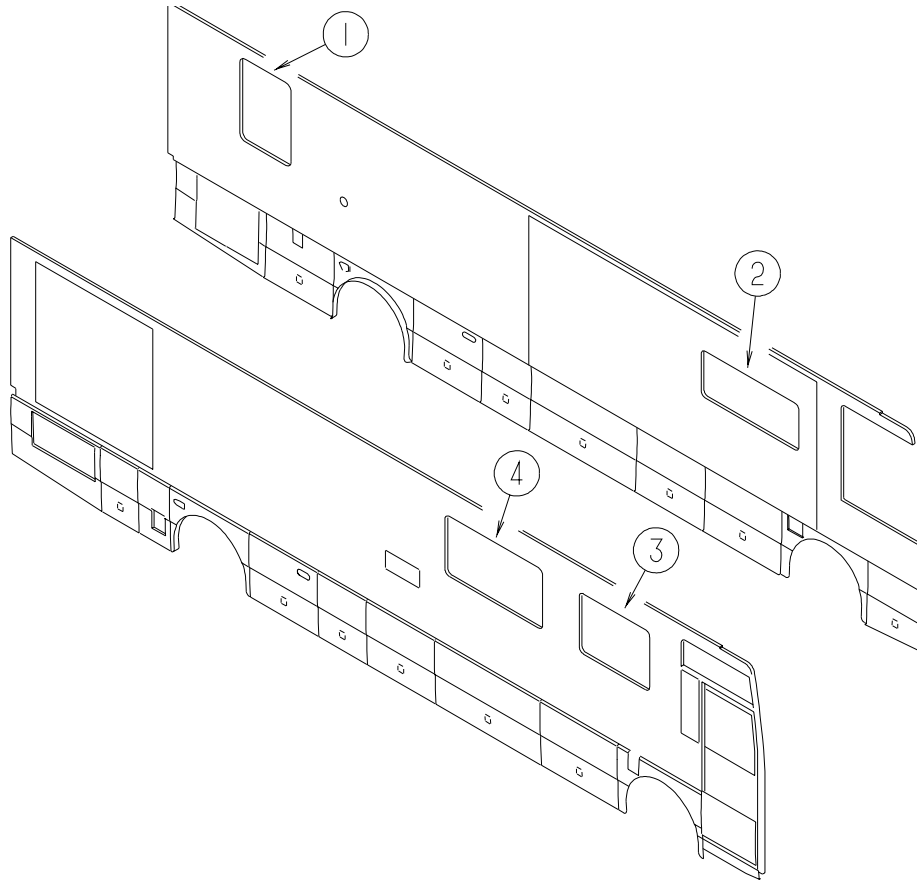
WINDOW & VENTS GROUP
WINDOW & VENT LAYOUT



| KEY | PART NUMBER | U/M | DESCRIPTION |
|-----|---------------|-----|--|
| * | 123780-03-01A | EA | FANTASTIC VENT - 3"-4" ROOF - W/FAN - W/O THERM/PWR LIFT |
| | 009440-01-000 | EA | GEAR/ARM - LIFT - ROOF VENT COVER |
| * | 123780-05-01A | EA | FANTASTIC VENT - 3"-4" ROOF - W/FAN/THERMOSTAT/POWER LIFT |
| | 009440-01-000 | EA | GEAR/ARM - LIFT - ROOF VENT COVER |
| | 122882-04-01A | EA | VENT - ROOF - W/FAN/POWER LIFT - W/O INSIDE GARNISH - UL |
| | 122882-05-01A | EA | VENT - ROOF - W/FAN/POWER LIFT - W/O INSIDE GARNISH - CSA |
| | 122882-07-01A | EA | GARNISH - ROOF VENT - 2.5" TO 4.1" |
| | 122214-01-02A | EA | PANEL - SKYLITE - INNER - W/ANGLED CORNER - WHITE |
| | 122215-01-02A | EA | PANEL - SKYLITE - OUTER - W/ANGLED CORNER - WHITE |
| | | | FROM: 00-00-00 THRU: 08-12-01 |
| | 138372-01-12B | EA | TRIM - CORNER - SKYLIGHT - BRIGHT WHITE |
| | | | FROM: 08-13-01 THRU: 99-99-99 |
| | 139411-01-01A | EA | PANEL - SKYLITE - OUTER - NEO ANGLE - WHITE |
| | | | FROM: 08-13-01 THRU: 99-99-99 |
| | 084073-04-000 | EA | BASE/VENT - ROOF/REFRIGERATOR - BLACK - NORCOLD |
| | 084073-07-000 | EA | CAP - ROOF/REFRIGERATOR VENT - 10" X 32" - BRIGHT WHITE |
| 1* | 106466-15-01A | EA | WINDOW - CAB/DRVR/THERM- 45.1"T X 50.3"W X 46.7"B W/TAPPER |
| | | | FROM: 00-00-00 THRU: 07-18-01 |
| 1* | 106466-16-01A | EA | WINDOW - DRIVER CAB - THERMO - 45.1"T X 50.3"H X 46.7"B |
| | | | FROM: 07-19-01 THRU: 99-99-99 |
| 2* | 106467-09-01A | EA | WINDOW - PASSENGER VISTA/THERMO - 45.1"T X 45.7"B X 15.6"H |
| 3* | 122757-02-01A | EA | WINDOW - REAR SLANT THERMO - PASSENGER |
| | | | FROM: 00-00-00 THRU: 07-18-01 |
| 3 | 140069-01-01A | EA | WINDOW - VERTICAL SLIDER - THERMO - 32.7" X 10.5" |
| | | | FROM: 07-19-01 THRU: 99-99-99 |

***COMPONENT PARTS LISTED LATER IN THIS GROUP**

WINDOW & VENTS GROUP (CONTINUED)
WINDOW & VENT LAYOUT (CONTINUED)



| KEY | PART NUMBER | U/M | DESCRIPTION |
|-----|---------------|-----|--|
| 1* | 129929-08-01A | EA | WINDOW - TORQUE - THERMO/ESCAPE - 42.2" X 30.2" |
| 2* | 112795-77-01A | EA | WINDOW - DRIVER HORIZONTAL SLIDER - THERMO - 57.4" X 23.6" |
| 3* | 112795-79-01A | EA | WINDOW - PASSENGER HORIZ SLIDER - THERMO - 30.7" X 41.4" |
| 4* | 112795-76-01A | EA | WINDOW - PASSENGER HORIZ SLIDER - THERMO - 30.7" X 57.7" |

***COMPONENT PARTS LISTED LATER IN THIS GROUP**

WINDOW & VENTS GROUP (CONTINUED)
COMPONENT PARTS FOR WINDOWS & VENT LAYOUT

106466-15-01A

| KEY | PART NUMBER | U/M | DESCRIPTION | VENDOR NO. |
|------------|--------------------|------------|------------------------------|-------------------|
| | 098644-01-706 | FT | WEATHERSTRIP - GLASS | 171-010668 |
| | 098644-01-710 | FT | TRACK - SCREEN SPACER 12' | 132-017135 |
| | 098644-01-713 | EA | CLIP - SCREEN - METAL | 226-016966 |
| | 098644-01-717 | FT | SPLINE - SCREEN | 132-004716 |
| | 112795-01-700 | EA | LATCH ASM., BLK.,(BOLT ON) | DH287-CK |
| | 112795-01-701 | EA | SLIDE-STOP | 132-019092 |
| | 112795-01-703 | IN | CHANNEL-RUN (INCHES) | 122-027566 |
| | 112795-01-704 | FT | PLUG FILLER (DOUBLE GLAZED) | 122-018737 |
| | 112795-01-705 | FT | VINYL - GLAZING | 132-027331 |
| | 125582-01-701 | EA | CLIP - SCREEN - PLASTIC | 130-005153 |
| | 125582-01-708 | EA | WEEPHOLE COVER - RIGHT HAND | 130-026598 |
| | 125582-01-709 | EA | WEEPHOLE COVER - LEFT HAND | 130-026599 |
| | 106466-15-703 | EA | SCREEN ASM - W/SEALS & CLIPS | H699-03L |
| | 106466-15-700 | EA | GLASS - STATIONARY - UPPER | 390-028426 |
| | 106466-15-701 | EA | GLASS - STATIONARY - LOWER | 390-028407 |
| | 106466-15-702 | EA | GLASS-SLIDING W/SASH & LATCH | DH699-A9L |
| | 106466-10-705 | EA | RETAINER - TRIM | H617-41L |
| | 106466-10-706 | EA | RETAINER - TRIM | H617-42L |

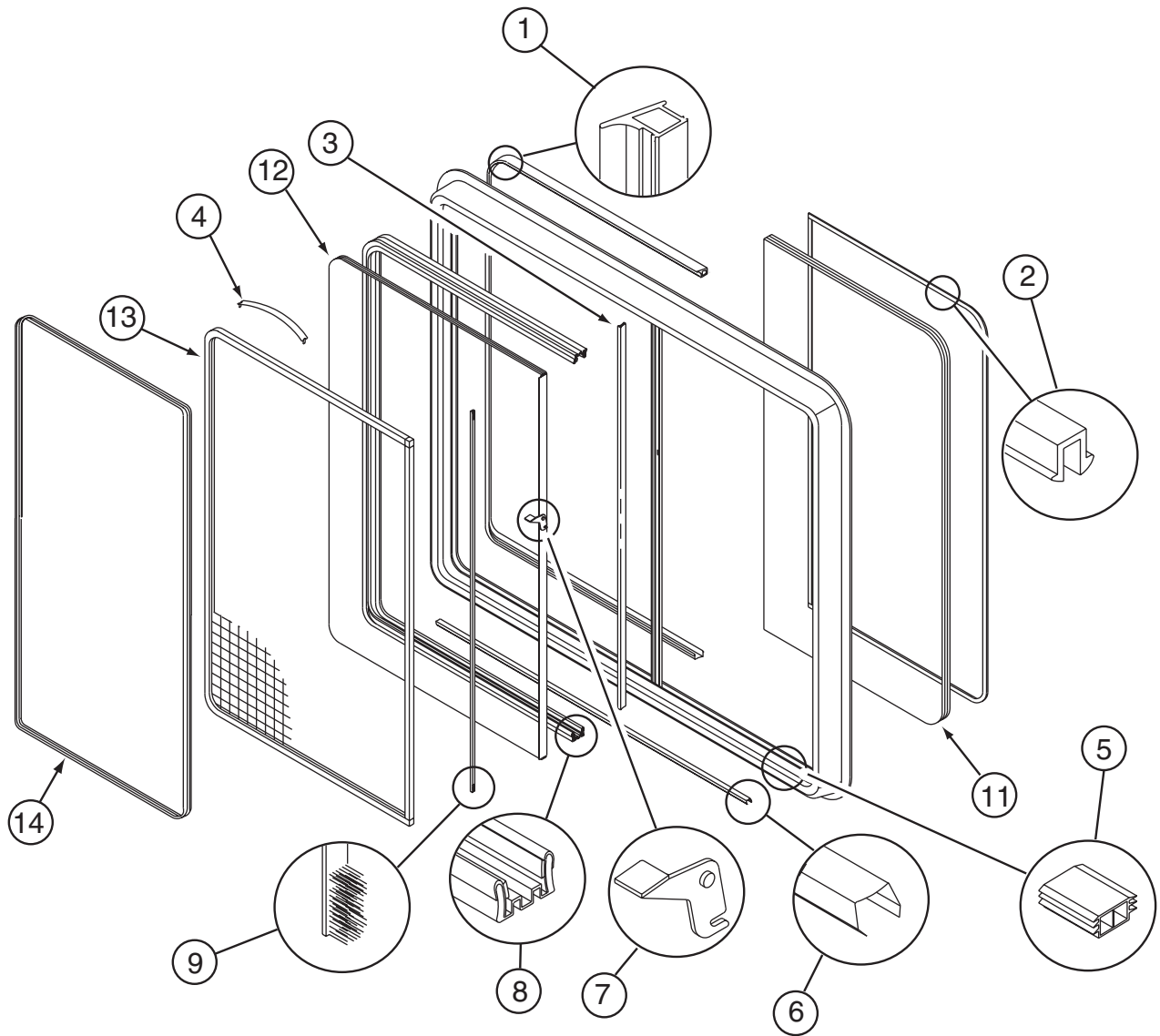
106466-16-01A

| KEY | PART NUMBER | U/M | DESCRIPTION | VENDOR NO. |
|------------|--------------------|------------|-----------------------------|-------------------|
| | 098644-01-706 | FT | WEATHERSTRIP - GLASS | 171-010668 |
| | 098644-01-710 | FT | TRACK - SCREEN SPACER 12' | 132-017135 |
| | 098644-01-713 | EA | CLIP - SCREEN - METAL | 226-016966 |
| | 098644-01-717 | FT | SPLINE - SCREEN | 132-004716 |
| | 112795-01-700 | EA | LATCH ASM., BLK.,(BOLT ON) | DH287-CK |
| | 112795-01-701 | EA | SLIDE-STOP | 132-019092 |
| | 112795-01-703 | IN | CHANNEL-RUN (INCHES) | 122-027566 |
| | 112795-01-704 | FT | PLUG FILLER (DOUBLE GLAZED) | 122-018737 |
| | 112795-01-705 | FT | VINYL - GLAZING | 132-027331 |
| | 125582-01-701 | EA | CLIP - SCREEN - PLASTIC | 130-005153 |

106467-09-01A

| KEY | PART NUMBER | U/M | DESCRIPTION | VENDOR NO. |
|------------|--------------------|------------|--------------------|-------------------|
| | 106467-09-700 | EA | GLASS - STATIONARY | 390-026726 |
| | 116000-01-704 | FT | VINYL - GLAZING | 132-018161 |
| | 106467-09-701 | EA | RETAINER - TRIM | H619-27R |

WINDOW & VENTS GROUP (CONTINUED)
COMPONENT PARTS FOR WINDOWS & VENT LAYOUT (CONTINUED)



112795-76-01A

| KEY | PART NUMBER | U/M | DESCRIPTION | VENDOR NO. |
|-----|---------------|-----|------------------------------|------------|
| 1 | 112795-01-704 | FT | PLUG FILLER (DOUBLE GLAZED) | 122-018737 |
| 2 | 112795-01-705 | FT | VINYL - GLAZING | 132-025736 |
| 3 | 098644-01-706 | FT | WEATHERSTRIP - GLASS | 171-010668 |
| 4 | 098644-01-713 | EA | CLIP - SCREEN - METAL | 226-016966 |
| 4 | 125582-01-701 | EA | CLIP - SCREEN - PLASTIC | 130-005153 |
| | 098644-01-717 | FT | SPLINE - SCREEN | 132-004716 |
| 5 | 112795-01-701 | EA | SLIDE-STOP | 132-019092 |
| 6 | 098644-01-710 | FT | TRACK - SCREEN SPACER 12' | 132-017135 |
| 7 | 112795-01-700 | EA | LATCH ASM., BLK.,(BOLT ON) | DH287-CK |
| 8 | 112795-01-703 | IN | CHANNEL-RUN (INCHES) | 122-018736 |
| 9 | 098644-01-711 | FT | WEATHERSTRIP - SCREEN BLACK | 171-016965 |
| 11 | 112795-76-700 | EA | GLASS - STATIONARY | 390-028347 |
| 12 | 112795-76-701 | EA | GLASS - SLIDING W/SASH LATCH | DH112-G8 |
| 13 | 112795-33-704 | EA | SCREEN ASSY - W/SEAL & CLIPS | 410-019247 |
| 14 | 112795-33-705 | EA | RETAINER - TRIM | H112-66 |

WINDOW & VENTS GROUP (CONTINUED)
COMPONENT PARTS FOR WINDOWS & VENT LAYOUT (CONTINUED)

112795-77-01A

| KEY | PART NUMBER | U/M | DESCRIPTION | VENDOR NO. |
|------------|--------------------|------------|------------------------------|-------------------|
| 1 | 112795-01-704 | FT | PLUG FILLER (DOUBLE GLAZED) | 122-018737 |
| 2 | 112795-01-705 | FT | VINYL - GLAZING | 132-025736 |
| 3 | 098644-01-706 | FT | WEATHERSTRIP - GLASS | 171-010668 |
| 4 | 098644-01-713 | EA | CLIP - SCREEN - METAL | 226-016966 |
| 4 | 125582-01-701 | EA | CLIP - SCREEN - PLASTIC | 130-005153 |
| | 098644-01-717 | FT | SPLINE - SCREEN | 132-004716 |
| 5 | 112795-01-701 | EA | SLIDE-STOP | 132-019092 |
| 6 | 098644-01-710 | FT | TRACK - SCREEN SPACER 12' | 132-017135 |
| 7 | 112795-01-700 | EA | LATCH ASM., BLK.,(BOLT ON) | DH287-CK |
| 8 | 112795-01-703 | IN | CHANNEL-RUN (INCHES) | 122-018736 |
| 9 | 098644-01-711 | FT | WEATHERSTRIP - SCREEN BLACK | 171-016965 |
| 11 | 112795-77-700 | EA | GLASS - STATIONARY | 390-28313 |
| 12 | 112795-77-701 | EA | GLASS - SLIDING W/SASH LATCH | DH493-G8 |
| 13 | 098647-47-702 | EA | SCREEN ASSY - W/SEAL & CLIPS | 410-025226 |
| 14 | 098647-47-704 | EA | RETAINER - TRIM | H493-66 |

112795-79-01A

| KEY | PART NUMBER | U/M | DESCRIPTION | VENDOR NO. |
|------------|--------------------|------------|------------------------------|-------------------|
| 1 | 112795-01-704 | FT | PLUG FILLER (DOUBLE GLAZED) | 122-018737 |
| 2 | 112795-01-705 | FT | VINYL - GLAZING | 132-025736 |
| 3 | 098644-01-706 | FT | WEATHERSTRIP - GLASS | 171-010668 |
| 4 | 098644-01-713 | EA | CLIP - SCREEN - METAL | 226-016966 |
| 4 | 125582-01-701 | EA | CLIP - SCREEN - PLASTIC | 130-005153 |
| | 098644-01-717 | FT | SPLINE - SCREEN | 132-004716 |
| 5 | 112795-01-701 | EA | SLIDE-STOP | 132-019092 |
| 6 | 098644-01-710 | FT | TRACK - SCREEN SPACER 12' | 132-017135 |
| 7 | 112795-01-700 | EA | LATCH ASM., BLK.,(BOLT ON) | DH287-CK |
| 8 | 112795-01-703 | IN | CHANNEL-RUN (INCHES) | 122-018736 |
| 9 | 098644-01-711 | FT | WEATHERSTRIP - SCREEN BLACK | 171-016965 |
| 11 | 112795-79-700 | EA | GLASS - STATIONARY | 390-028334 |
| 12 | 112795-79-701 | EA | GLASS - SLIDING W/SASH LATCH | DH560-G8 |
| 13 | 112795-60-701 | EA | SCREEN ASSY - W/SEAL & CLIPS | 410-025968 |
| 14 | 112795-60-704 | EA | RETAINER - TRIM | H560-66 |

WINDOW & VENTS GROUP (CONTINUED)
COMPONENT PARTS FOR WINDOWS & VENT LAYOUT (CONTINUED)

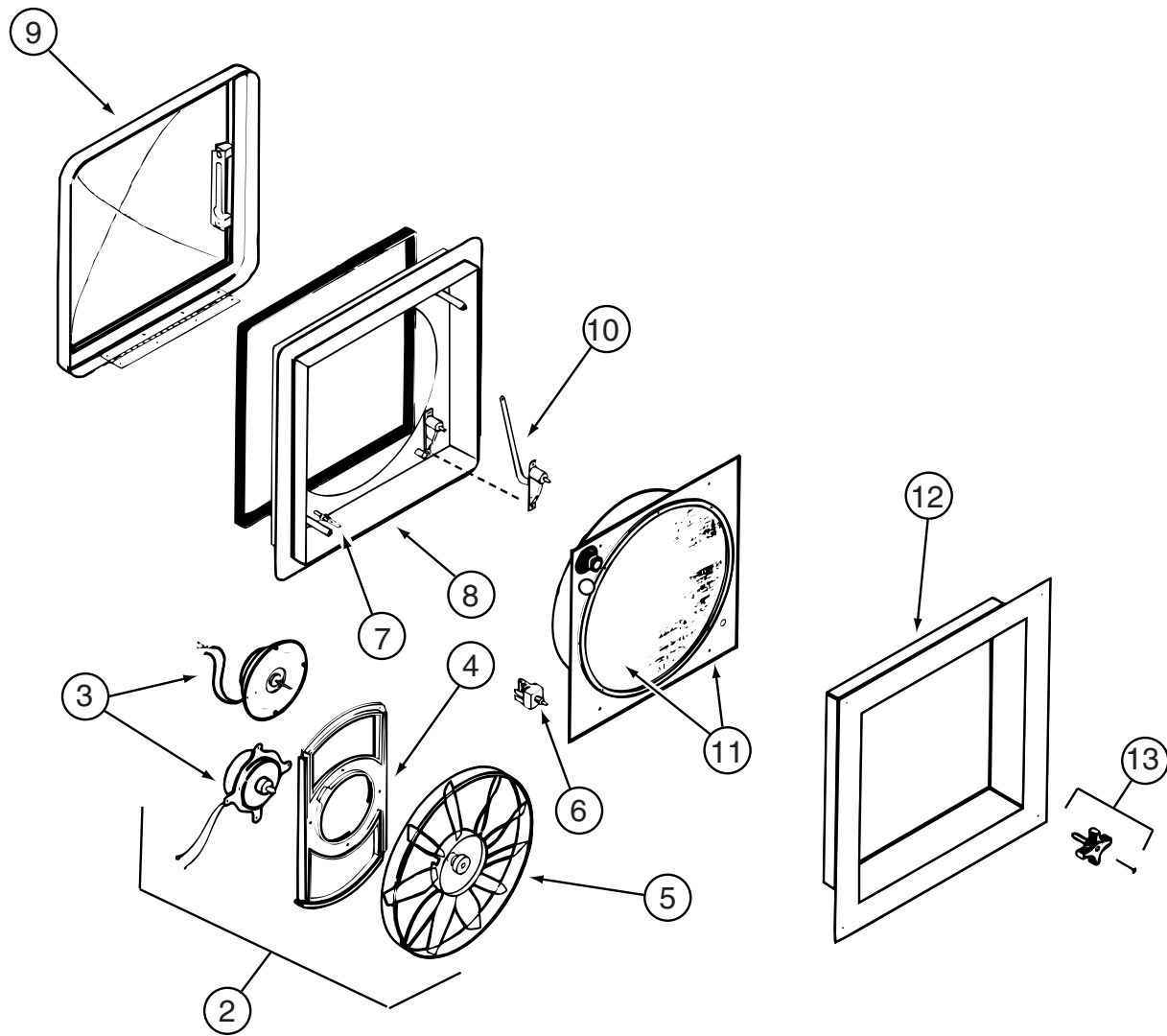
122757-02-01A

| KEY | PART NUMBER | U/M | DESCRIPTION | VENDOR NO. |
|------------|--------------------|------------|------------------------------|-------------------|
| | 115630-02-700 | EA | GLASS - STATIONARY - E-GLASS | 390-019848 |
| | 116000-01-704 | FT | VINYL - GLAZING | 132-018161 |
| | 122757-02-701 | EA | RETAINER - TRIM - BENT | H518-41R |
| | 122757-02-702 | EA | RETAINER - TRIM - FRONT | H518-42R |
| | 122757-02-703 | EA | RETAINER - TRIM - TOP | H518-43 |

122882-04-01A, 122882-05-01A

| KEY | PART NUMBER | U/M | DESCRIPTION | VENDOR NO. |
|------------|--------------------|------------|------------------------------|-------------------|
| | 064470-01-700 | EA | COVER - VENT - W/O SLIDE BAR | J7291 |
| | 064470-01-701 | EA | SLIDE BAR - VENT LID | JRP1291B |
| | 064469-03-708 | EA | GEAR-DRIVE | RP-1024 |
| | 110051-07-701 | EA | MOTOR-LIFT, W/BRKT-GEAR 3/16 | RP1099B |
| | 122882-04-700 | EA | SCREEN | J29-670-01A |

WINDOW & VENTS GROUP (CONTINUED)
COMPONENT PARTS FOR WINDOWS & VENT LAYOUT (CONTINUED)

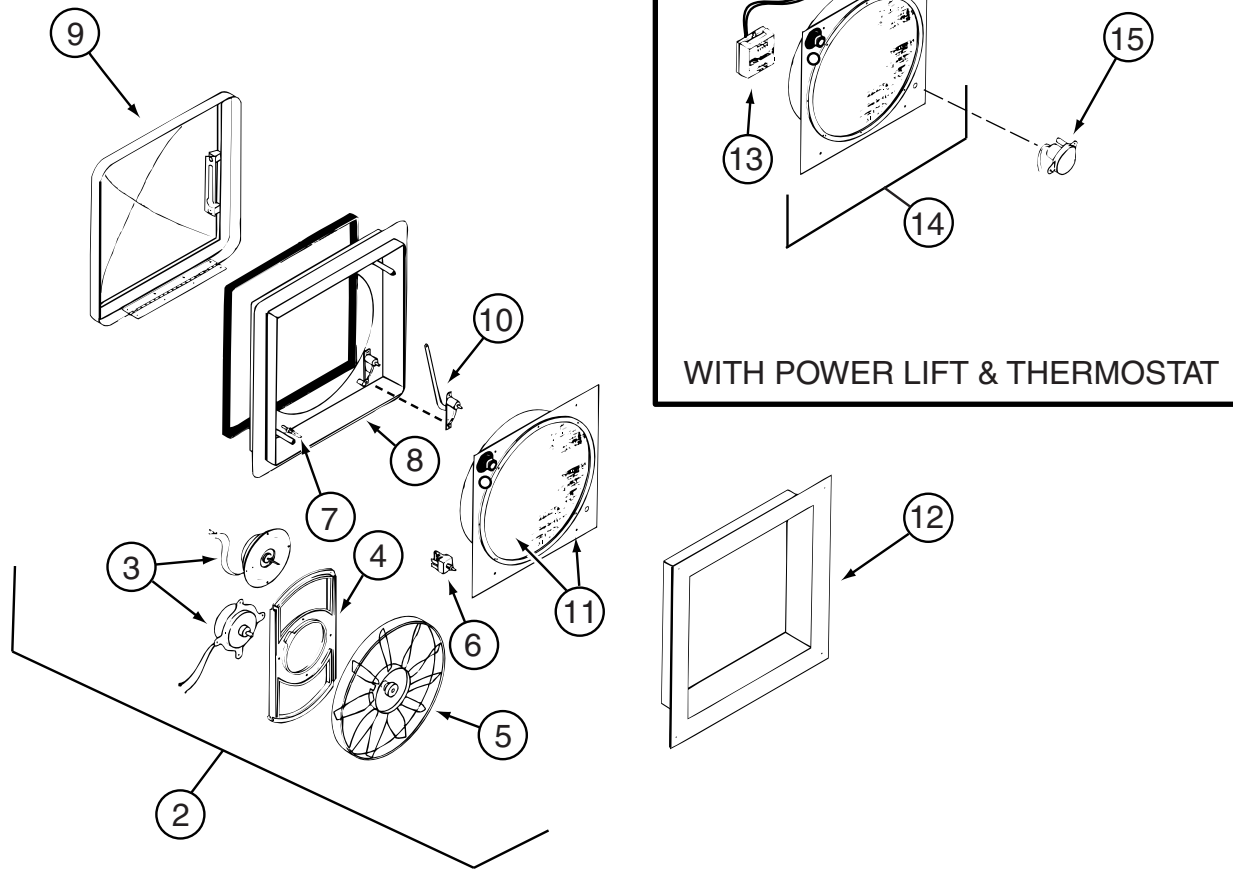


123780-03-01A

| KEY | PART NUMBER | U/M | DESCRIPTION | VENDOR NO. |
|-----|---------------|-----|-----------------------------------|------------|
| 2 | 084079-11-700 | EA | MOTOR, BRKT., FAN BLADE, KIT | 4017K-09 |
| 3 | 084079-01-705 | EA | MOTOR | 1080-00 |
| 4 | 084079-01-711 | EA | H-MOLDING, MOTOR MOUNT | |
| 5 | 084079-01-704 | EA | BLADE-FAN | 1070-00 |
| 6 | 084079-01-709 | EA | SWITCH - MAIN - 3 SPEED | 1031-05 |
| 7 | 084079-01-707 | EA | SWITCH - SAFETY | 1122.05 |
| 8 | 123780-05-700 | EA | BASE - MAIN BRIGHT WHITE | 1010K-81 |
| 9 | 123780-01-700 | EA | COVER - VENT W/HINGE & SLIDE | 1020K-81 |
| 10 | 009440-01-000 | EA | GEAR/ARM - LIFT - ROOF VENT COVER | |
| 11 | 123780-03-701 | EA | SCREEN ASM 78-100MM W/SWITCH | 1030BT-81 |
| 12 | 123780-03-700 | EA | GARNISH - INT. 3"-4" BRT/WHT | 2040-81 |
| 13 | 084079-01-703 | EA | KNOB-LIFT, W/EXT. | 1140K-00 |
| | 084079-01-706 | EA | PLUG, 12 VOLT | 1090 |
| | 123780-01-702 | EA | SCREEN W/FRAME | 103581 |

CONTACT WINNEBAGO PART SALES FOR UNLISTED COMPONENTS

WINDOW & VENTS GROUP (CONTINUED)
COMPONENT PARTS FOR WINDOWS & VENT LAYOUT (CONTINUED)



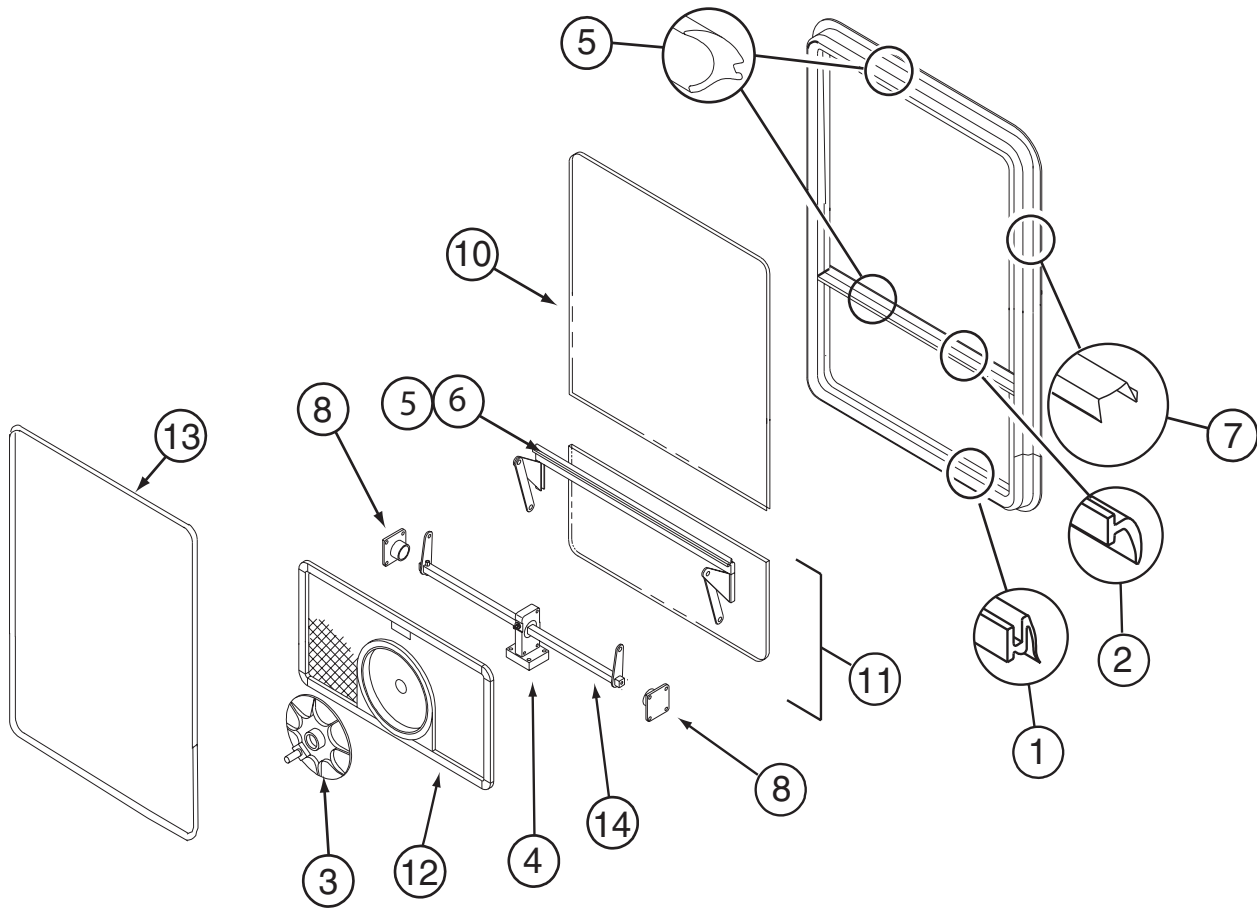
WITH POWER LIFT & THERMOSTAT

123780-05-01A

| KEY | PART NUMBER | U/M | DESCRIPTION | VENDOR NO. |
|-----|---------------|-----|------------------------------|-------------|
| 2 | 084079-11-700 | EA | MOTOR, BRKT., FAN BLADE, KIT | 4017K-09 |
| 3 | 084079-11-705 | EA | MOTOR - LIFT (BC MOTOR) | 5050-40 |
| 4 | 084079-01-711 | EA | H-MOLDING, MOTOR MOUNT | |
| 5 | 084079-01-704 | EA | BLADE-FAN | 1070-00 |
| 6 | 084079-01-709 | EA | SWITCH - MAIN - 3 SPEED | 1031-05 |
| 7 | 084079-01-707 | EA | SWITCH - SAFETY | 1122.05 |
| 8 | 123780-05-700 | EA | BASE - MAIN BRIGHT WHITE | 1010K-81 |
| 9 | 123780-01-700 | EA | COVER - VENT W/HINGE & SLIDE | 1020K-81 |
| 10 | 084079-11-701 | EA | ARM-LIFT ASSEMBLY, AUTOMATIC | 2011-05 |
| 11 | 123780-01-702 | EA | SCREEN W/FRAME | 103581 |
| 12 | 123780-03-700 | EA | GARNISH - INT. 3"-4" BRT/WHT | 2040-81 |
| 13 | 084079-01-710 | EA | THERMOSTAT, WALL MOUNT | 9988-39 |
| 14 | 123780-05-701 | EA | SCREEN ASM., INT W/SWITCHES | 2000TK-8115 |
| 15 | 084079-11-703 | EA | MOTOR-LIFT (AUTOTROL) W/CAP | 6050-05 |

CONTACT WINNEBAGO PART SALES FOR UNLISTED COMPONENTS

WINDOW & VENTS GROUP (CONTINUED)
COMPONENT PARTS FOR WINDOWS & VENT LAYOUT (CONTINUED)



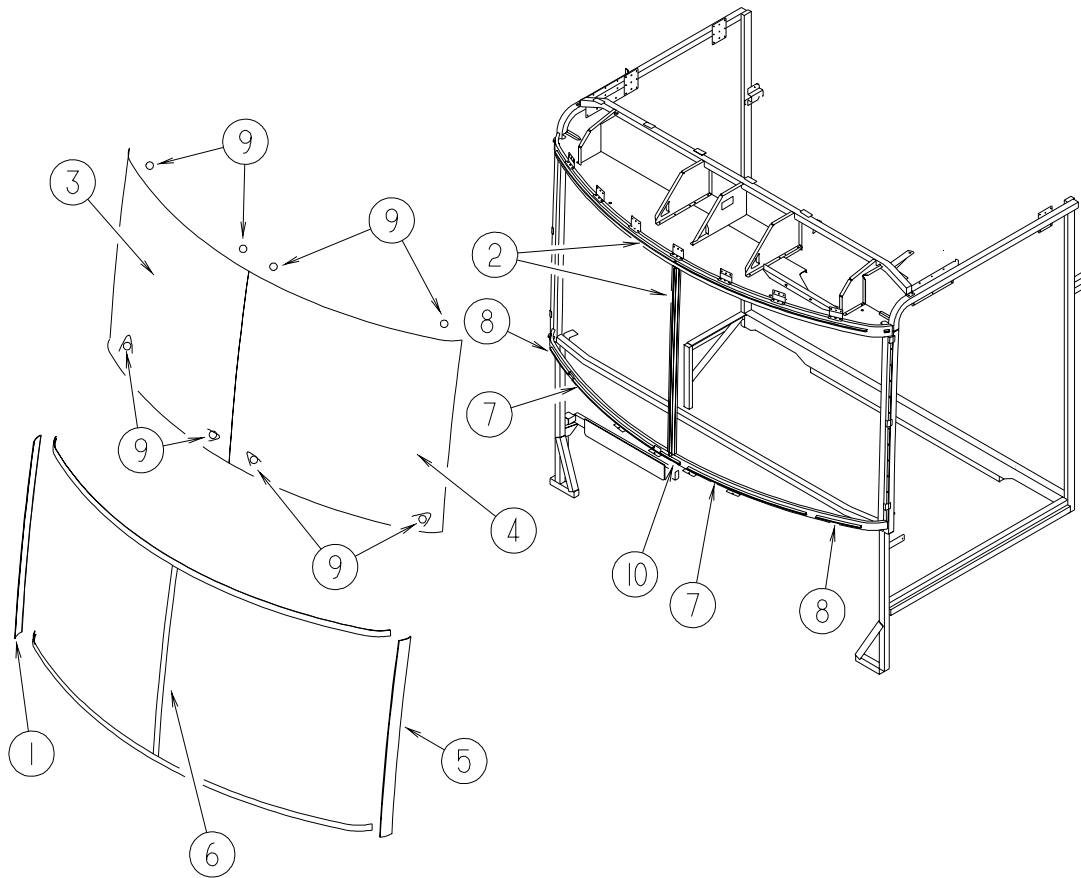
129929-08-01A

| KEY | PART NUMBER | U/M | DESCRIPTION | VENDOR NO . |
|------------|--------------------|------------|---------------------------------|--------------------|
| 1 | 100322-01-701 | FT | SEAL-VENT | 122-016071 |
| 3 | 100322-01-718 | EA | HANDLE-DIAL | 410-016081 |
| 4 | 129929-01-710 | EA | TORQUE-CTR SUPPORT (2 HOLE) | 410-026806 |
| 5 | 129929-01-705 | FT | GLAZING VINYL | 132-026811 |
| 6 | 129929-01-707 | FT | COVER/SCREW-FILLER STRIP | 132-026808 |
| 8 | 129929-01-708 | EA | SUPP - TOP - TORQUE BAR - RT/LT | 130-026804 |
| 10 | 129929-08-700 | EA | GLASS - STATIONARY | 390-028303 |
| 11 | 129929-10-701 | EA | VENT GLASS ASSEMBLY | DTH002-G8 |
| 12 | 129929-02-702 | EA | SCREEN ASM - W/SEALS & CLIPS | 410-026861 |
| 13 | 129929-02-707 | EA | RETAINER - TRIM | CH10162 |
| 14 | 129929-02-704 | EA | OPERATOR BAR ASSEMBLY | DTH002-15 |
| | 100322-01-717 | FT | SEAL - VENT | 122-016071 |
| | 129929-01-706 | FT | SEAL - TOP F/CENTER EGRESS | 132-026811 |
| | 129929-02-706 | FT | SEAL - FOAM | 140-027022 |

CONTACT WINNEBAGO PART SALES FOR UNLISTED COMPONENTS

WINDSHIELD & WIPER GROUP

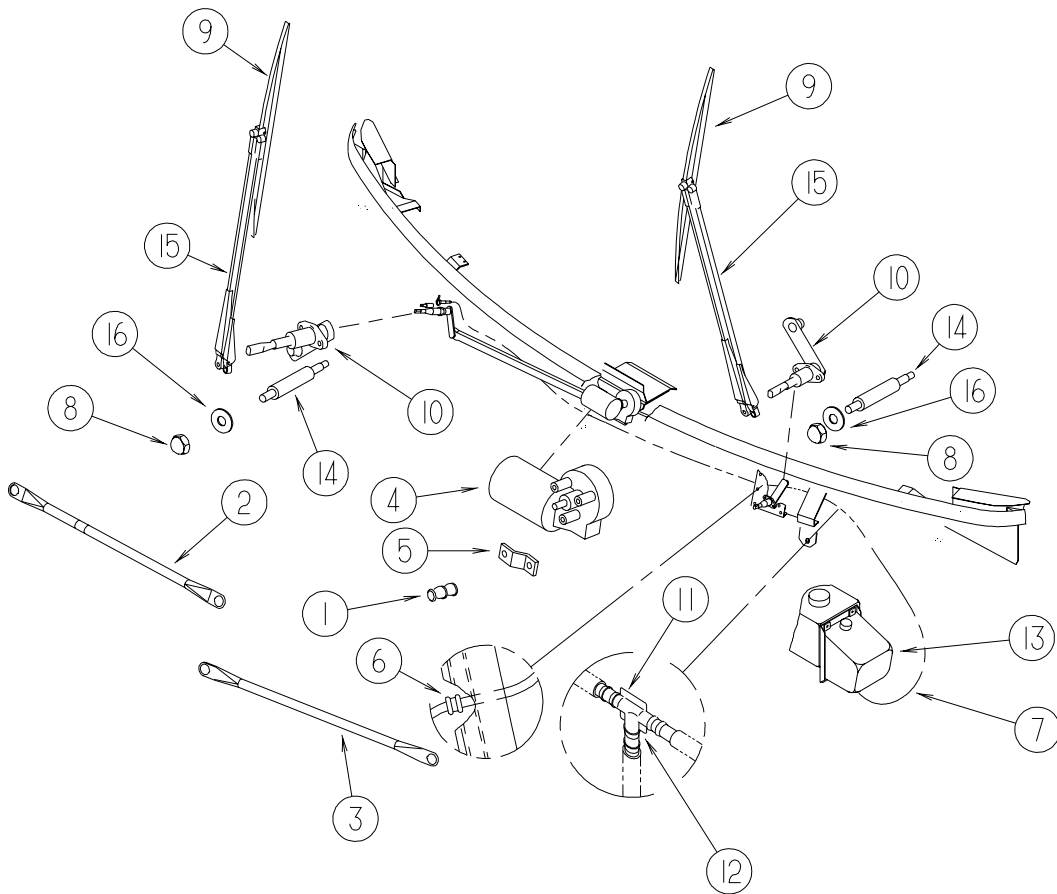
WINDSHIELD



| KEY | PART NUMBER | U/M | DESCRIPTION |
|-----|---------------|-----|---|
| 1 | 129497-03-02A | EA | TRIM - PASSENGER A-PILLAR - BLACK |
| 2 | 127862-01-000 | EA | CARRIER - REVEAL - WINDSHIELD - 47.2" |
| 3 | 124591-01-000 | EA | WINDSHIELD - PASSENGER - CURVED - 52.3" X 48.8" |
| 4 | 124591-02-000 | EA | WINDSHIELD - DRIVER - CURVED - 52.3" X 48.8" |
| 5 | 129497-04-02A | EA | TRIM - DRIVER A-PILLAR - BLACK |
| 6 | 120533-01-000 | FT | MOLDING - REVEAL - WINDSHIELD |
| 7 | 117335-06-000 | EA | CARRIER - REVEAL - 29.8" |
| 8 | 132375-02-000 | EA | CARRIER/REVEAL/WINDSHIELD - 10" |
| 9 | 081914-02-000 | EA | BUMPER - RUBBER - ROUND - 5/16" DIA. X 13/64" THICK |
| 10 | 132375-01-000 | EA | CARRIER/REVEAL - WINDSHIELD - 5.5" |

WINDSHIELD & WIPER GROUP (CONTINUED)

WIPER



| KEY | PART NUMBER | U/M | DESCRIPTION |
|-----|---------------|-----|---|
| 1 | 067188-01-000 | EA | STUD - CRANK - WIPER MOTOR |
| | 117322-01-000 | EA | SCREW - 1/4-28 UNFINISHED - 2A - TORX |
| 2 | 117770-01-000 | EA | LINK - CONNECTING - 24" - CLOSED GROMMET/OPEN GROMMET |
| 3 | 117770-02-000 | EA | LINK - CONNECTING - 24" - CLOSED GROMMET/CLOSED GROMMET |
| 4 | 104346-05-000 | EA | WIPER MOTOR - W/INTERNAL BREAKER - DYNAMIC PARK - FORD |
| 5 | 104347-04-000 | EA | ARM - DRIVE - WIPER MOTOR |
| 6 | 061603-01-000 | EA | GROMMET - SNAP - 3/16"ID - 3/8" HOLE - PLASTIC BLACK |
| 7 | 045794-01-000 | FT | HOSE - WASHER - WINDSHIELD - 5/32" ID - BLACK |
| 8 | 077049-02-000 | EA | NUT - ACORN - 10-32 BLACK/ANODIZED |
| 9* | 095964-01-000 | EA | BlADE - WINDSHIELD WIPER - 24" |
| 10* | 096505-09-000 | EA | SHAFT/PIVOT - WINDSHIELD WIPER |
| 11 | 110605-01-000 | EA | TEE - PLASTIC - BARBED - 1/8" X 1/8" X 3/16" |
| 12 | | | NOT USED |
| 13 | 117766-02-000 | EA | RESERVOIR/PUMP - WINDSHIELD WASHER |
| 14 | 117768-01-000 | EA | SHAFT - ADAPTER - PANTOGRAPH ARM |
| 15* | 117769-01-000 | EA | ARM - WIPER - PANTOGRAPH - 28" |
| 16 | 110742-02-000 | EA | GASKET - NEOPRENE - WIPER ADAPTER SHAFT - .5" ID X .9" OD |

*COMPONENT PARTS LISTED LATER IN THIS GROUP

WINDSHIELD & WIPER GROUP (CONTINUED)
COMPONENT PARTS FOR WIPER

095964-01-000

| KEY | PART NUMBER | U/M | DESCRIPTION | VENDOR NO. |
|------------|--------------------|------------|--------------------------------|-------------------|
| | 095964-01-000 | EA | BLADE - WINDSHIELD WIPER - 24" | |
| | 095964-01-700 | EA | BLADE-REFILL 24" EA= 1 PAIR | 12360 |

096505-09-000

| KEY | PART NUMBER | U/M | DESCRIPTION | VENDOR NO. |
|------------|--------------------|------------|--------------------------------|-------------------|
| | 096505-09-000 | EA | SHAFT/PIVOT - WINDSHIELD WIPER | UT 6706220SH25WJ |
| | 096505-02-700 | EA | DRIVER-KNURLED,(HD) BRL .687 | NT721017 |
| | 096505-02-701 | EA | NUT-HEX (HD) W/.687 BARREL | NT721021 |
| | 096505-02-702 | EA | CAP-RUBBER (HD) BARREL .687 | CP721084 |
| | 096505-02-703 | EA | NUT/ACORN - HD W/.687 BRL | 51065-40-NT27WC |

117769-01-000

| KEY | PART NUMBER | U/M | DESCRIPTION | VENDOR NO. |
|------------|--------------------|------------|--------------------------------|-------------------|
| | 117769-01-000 | EA | ARM - WIPER - PANTOGRAPH - 28" | UT 6701620LE25WJ |
| | 096931-01-700 | FT | HOSE - WASHER - 1/8" ID | XTU-66-0001 |
| | 117769-01-700 | EA | RETAINER CLIP - HOSE | |