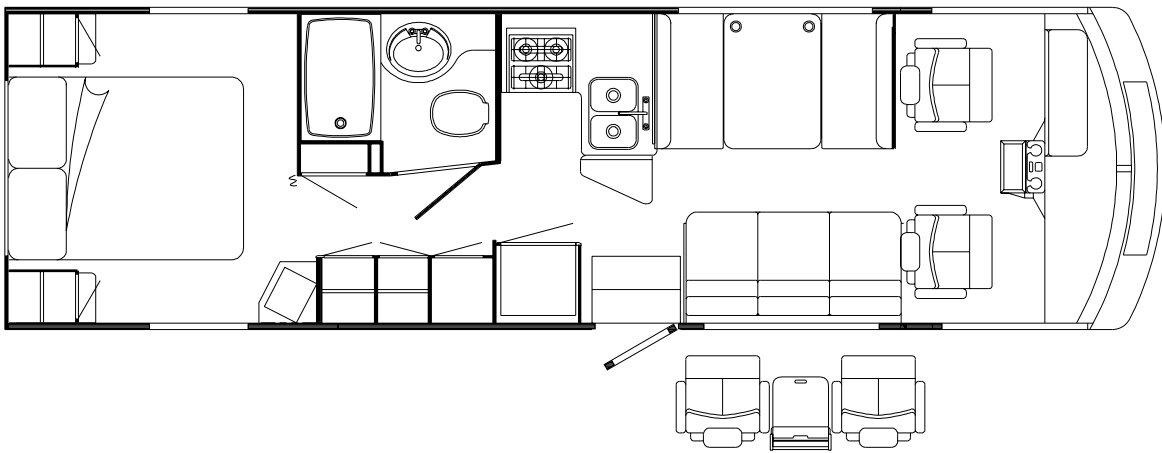
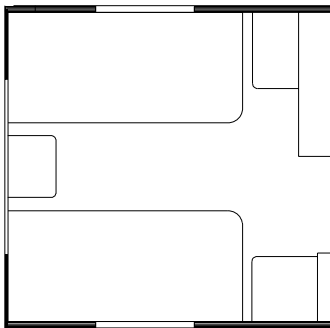
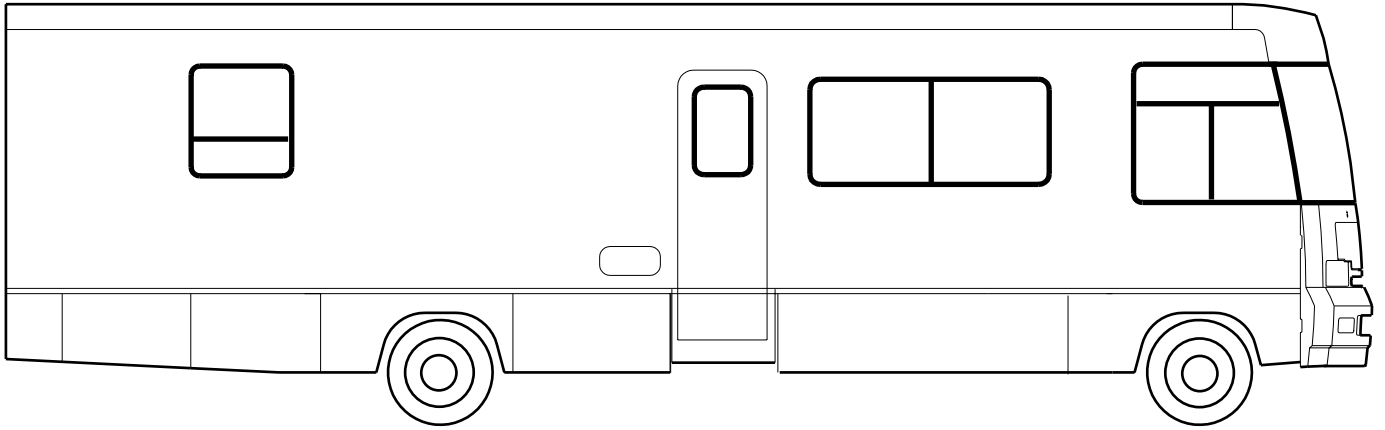


2000 WPF30A



FLOORPLAN

2000 WPF30A

**BRAVE
F - SERIES**

WATERFORD OAK

- L22 SEASPRAY (TEAL)**
- L23 CYPRESS (GREEN)**
- L24 AMBROSIA (SALMON)**
- L25 MOONSTONE (BLUE)**

CONTENTS

FLOORPLAN	2
ACCESSORIES GROUP	8
OPERATORS MANUAL	8
APPLIANCES GROUP	9
APPLIANCES	9
AUDIO VIDEO GROUP	10
RADIO SYSTEM	10
REAR VIEW MONITOR	10
TV & VCR	10
EXTERIOR ENTERTAINMENT	11
BATH GROUP	12
CABINETS	12
SHOWER	13
BEDROOM GROUP	15
TWIN CABINETS	15
QUEEN CABINETS	17
TV & RADIO CABINETS	18
CHASSIS GROUP	19
FRAME	19
FRONT END	20
EXHAUST	22
REAR BUMPER	23
FUEL	24
SUSPENSION	25
WHEEL, TIRE, COVERS & LINERS	25

CONTENTS (CONTINUED)

CURTAIN & CUSHION GROUP	26
NOTICE	26
CUSHION LAYOUT	27
BUCKET SEATS	29
LOUNGE CHAIR	31
WINDOW TREATMENT	33
HARDWARE	35
ACCESSORIES	37
FABRICS	38
DINETTE GROUP	39
CABINETS	39
TABLE	40
DRIVERS COMPARTMENT GROUP	42
INSTRUMENT PANEL	42
DASH	43
MOTOR COVER	44
BEVERAGE TRAY	45
FRONT INTERIOR	46
CABINETS	48
ELECTRICAL GROUP	49
LIGHTS	49
CIRCUIT BREAKERS & FUSES	53
CONVERTER, INVERTER, LOAD CENTERS	53
RECEPTACLES	54
SWITCHES	56
BOXES & CORDS	57
WIRE ASSEMBLIES	58
CONNECTORS & CONDUIT	58
BOOTS, SOLENOIDS, RELAYS, & MISCELLANEOUS	59

CONTENTS (CONTINUED)

EXTERIOR BODY GROUP	60
GRAPHICS & PAINT	60
PANELS	62
FRONT END	64
LADDER	66
MIRRORS	66
BODY PANEL COMPONENTS	67
AWNINGS	67
EXTERIOR DOORS & COMPARTMENTS GROUP	68
DOOR & COMPARTMENT LAYOUT	68
COMPARTMENT DOOR COMPONENTS	70
ENTRY DOOR	74
SCREEN DOOR	76
LATCH - ENTRY DOOR	77
GALLEY GROUP	78
CABINETS	78
GENERATOR GROUP	80
GAS	80
HEATING & A/C GROUP	81
AUTOMOTIVE	81
FURNACE	83
REAR HEATER	84
ROOF	84

CONTENTS (CONTINUED)

INTERIOR FINISH GROUP	85
MOLDINGS & TRIMS	85
PANELING, LAMINATES, BATTS, & EDGEBANDS	90
ACCESSORIES	91
FLOOR COVERINGS	91
HARDWARE	92
LABELS GROUP	98
LP GROUP	118
LP SYSTEM	118
LOUNGE GROUP	119
CABINETS	119
SEALANTS & FASTENERS GROUP	122
SEALANTS & ADHESIVES	122
BOLTS, NUTS AND WASHERS	123
SCREWS	125
CLAMPS, CLIPS, GROMMETS, RIVETS & PLUGS	129
MISCELLANEOUS FASTENERS	131
WATER & SEWAGE GROUP	132
DRAINAGE SYSTEM	132
WATER SYSTEM	134
WINDOW & VENTS GROUP	140
WINDOW & VENT LAYOUT	140
WINDSHIELD & WIPER GROUP	142
WINDSHIELD	142
WIPER	143

ACCESSORIES GROUP
OPERATORS MANUAL

KEY	PART NUMBER	U/M	DESCRIPTION
	132000-05-000	EA	MANUAL/OWNER - BRAVE - 2000
	129079-01-01A	EA	CASE - VINYL/BLACK-EXPANDABLE ACCORDION SIDES-7"WX9"HX14"L
	132284-01-000	EA	TOP LEVEL-F,2000

APPLIANCES GROUP

APPLIANCES

KEY	PART NUMBER	U/M	DESCRIPTION
*	100258-16-04A	EA	HOOD - RANGE - W/O MONITOR PANEL-W/O HOUR METER/SWITCH-US
*	100258-17-04A	EA	HOOD - RANGE - W/O MONITOR PANEL-W/O HOUR METER/SWITCH-CSA
*	100258-18-03A	EA	HOOD - RANGE - W/O MONITOR PANEL-W/HOUR METER/SWITCH - US
	128527-07-000	EA	OVEN-MICROWAVE-1.3 CUBIC FT/NON CONVECTION-SAMSUNG MR7491G
	128642-04-000	EA	TRIM KIT W/VENT - MICROWAVE 1.2 CU. FT. - SAMSUNG #MR61
	098916-22-02B	EA	BRACE - MICROWAVE CABINET - LEFT HAND
	098916-23-02B	EA	BRACE - MICROWAVE CABINET - RIGHT HAND
	094750-10-000	EA	BRACKET - MICROWAVE - 89 DEGREE
*	112881-02-03A	EA	RANGE - 16" - 3 BURNER - FRONT HI-OUTPUT BRNR - BLK TOP/DR
	105458-03-000	EA	BRACKET - STOVE TIEDOWN - RIGHT HAND
	105458-04-000	EA	BRACKET - STOVE TIEDOWN - LEFT HAND
*	121568-03-01A	EA	REFRIGERATOR - SMALL DBL DOOR/BLK-52.8"HX23.5"WX24"D-2-WAY
	090329-01-000	FT	SEAL/T - REFRIGERATOR CABINET
	065225-04-000	EA	PLATE - TIEDOWN/REFRIGERATOR
	093646-01-000	EA	BRACKET - TIEDOWN/REFRIGERATOR - RIGHT HAND
	093646-02-000	EA	BRACKET - TIEDOWN/REFRIGERATOR - LEFT HAND
	054450-01-000	EA	LEVEL - REFRIGERATOR
	116751-03-01A	EA	TRAY - REFRIGERATOR - BLACK
*	126019-01-01A	EA	COFFEEMAKER - OPTIMA - W/BRACKETS - BLACK & DECKER
*	102765-04-01A	EA	PANEL - MONITOR - 2 TANK/WATER HEATER - ALMOND

*COMPONENT PARTS FOUND IN SERVICE PARTS LIBRARY

AUDIO VIDEO GROUP

RADIO SYSTEM

KEY	PART NUMBER	U/M	DESCRIPTION
*	127264-01-000	EA	RADIO - AM/FM STEREO - CASSETTE - PANASONIC - CQ-R111U
	127516-05-000	EA	RADIO - AM/FM STEREO - CD PLAYER - PANASONIC CQ-DP22 FROM: 00-00-00 THRU: 04-02-00
	127516-06-000	EA	RADIO - AM/FM STEREO - CD PLAYER FROM: 04-03-00 THRU: 99-99-99
	115916-01-01B	EA	BRACKET - ANTENNA MOUNT
	094097-01-000	EA	SPEAKER - RADIO/TV - W/O GRILLE - 5.25" DIAMETER
	077069-02-000	EA	CABLE - ANTENNA/EXTENSION - RADIO - 96"
	090944-01-000	EA	ANTENNA - RADIO - 16" RUBBER
	108847-01-000	EA	BRACKET - ANTENNA GROUND
	109889-04-000	EA	EXTENDER - ANTENNA SHAFT - 3.7"
	110469-01-000	EA	SPEAKER - 4" X 6" OVAL - COAXIAL
	110470-01-01A	EA	GRILLE - 4" X 6" OVAL - BLACK

*COMPONENT PARTS FOUND IN SERVICE PARTS LIBRARY

REAR VIEW MONITOR

KEY	PART NUMBER	U/M	DESCRIPTION
*	126838-01-000	EA	MONITOR/CAMERA - 7" - REAR VIEW
	126838-03-000	EA	CABLE - MONITOR/CAMERA

*COMPONENT PARTS FOUND IN SERVICE PARTS LIBRARY

TV & VCR

KEY	PART NUMBER	U/M	DESCRIPTION
	086757-04-000	EA	CONTROL CENTER - SWITCH - VCR/TV - 5 INPUTS
*	126696-03-000	EA	TV - 19" COLOR W/1/8" JACK - UL/CSA
*	126697-03-000	EA	VCR-VHS - CABLE READY - REMOTE - GE V62051 FROM: 00-00-00 THRU: 02-20-00
*	126697-05-000	EA	VCR-VHS - CABLE READY - REMOTE - GE VG4052 FROM: 02-21-00 THRU: 05-28-00
*	126697-06-000	EA	VCR/VHS - CABLE READY - W/REMOTE - GE VG4060 FROM: 05-29-00 THRU: 99-99-99
	076319-08-000	EA	WALLPLATE - CABLE RECEPTACLE - TV - SINGLE - IVORY
	076319-09-000	EA	WALLPLATE - CABLE RECEPTACLE - TV - SINGLE - BROWN
	086777-02-000	EA	WALLPLATE - TV CABLE - W/ANTENNA SWITCH - BROWN
	086777-06-000	EA	WALLPLATE - TV CABLE - ANTENNA BOOSTER/1 OUTPUT - BLACK
	076319-03-000	FT	CABLE - COAXIAL - 75 OHM
	076319-12-000	EA	CONNECTOR - COAXIAL - ONE PIECE
	082134-01-000	EA	ADAPTER - TV - CABLE TO CABLE
	082136-01-000	EA	NUT - HEX JAM - 3/8-32
	086756-01-000	EA	SPLITTER - TV - 2 WAY
	093214-01-02A	EA	GRILLE - SPEAKER - 4" BROWN
	098819-01-000	EA	SPEAKER - 4" - 2 WATT - 8 OHM
	114870-02-000	EA	PLUG - AUDIO W/LEADS - 10"

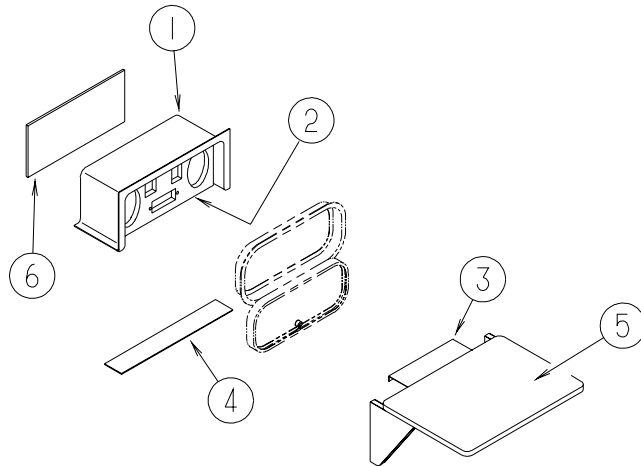
*COMPONENT PARTS FOUND IN SERVICE PARTS LIBRARY

TV ANTENNA

KEY	PART NUMBER	U/M	DESCRIPTION
*	076319-23-000	EA	ANTENNA - TV ROOF MOUNT - 44.5" MAST
*	076319-25-000	EA	KIT - HARDWARE INTERIOR

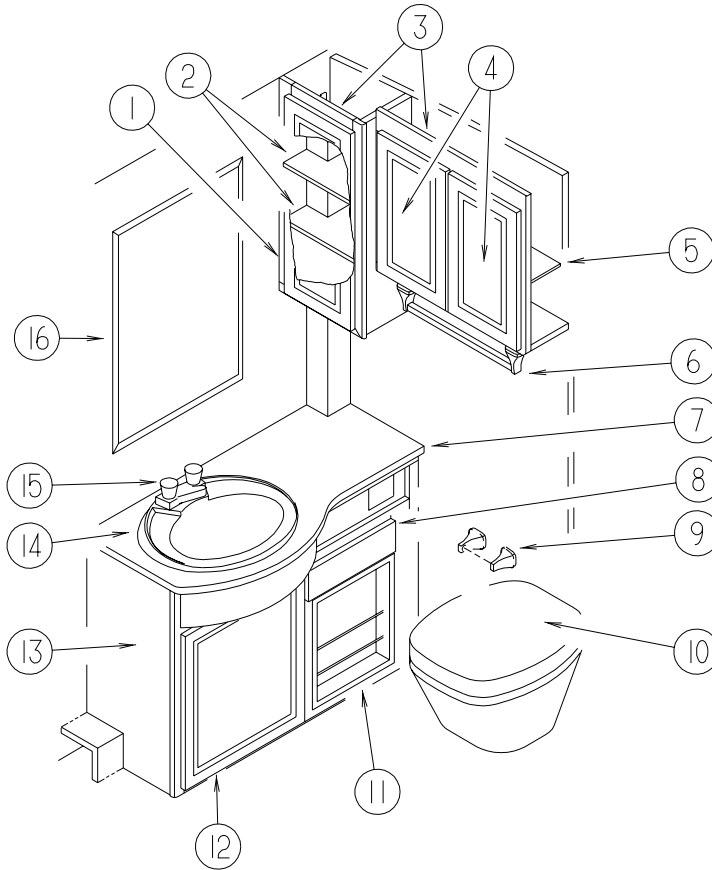
*COMPONENT PARTS FOUND IN SERVICE PARTS LIBRARY

AUDIO VIDEO GROUP (CONTINUED)
EXTERIOR ENTERTAINMENT



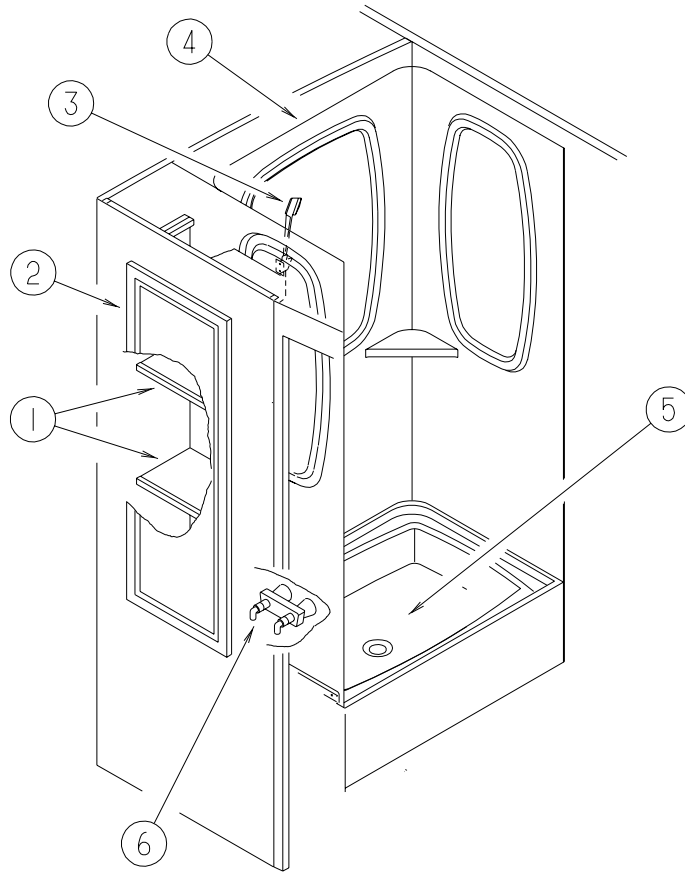
KEY	PART NUMBER	U/M	DESCRIPTION
1	124696-01-01A	EA	BOX - ENTERTAINMENT CENTER/EXTERIOR
2	127409-02-L15	EA	PLATE - RADIO MOUNTING
2	125322-02-000	EA	RADIO - AM/FM STEREO - CASSETTE - AUDIOVOX - MS-306
2	127516-05-000	EA	RADIO - AM/FM STEREO - CD PLAYER - PANASONIC CQ-DP22 FROM: 00-00-00 THRU: 04-02-00
2	127516-06-000	EA	RADIO - AM/FM STEREO - CD PLAYER FROM: 04-03-00 THRU: 99-99-99
3	105377-01-04A	EA	BRACKET - TABLE HANGER - BRIGHT WHITE
4	104898-01-02A	EA	PLATE - PLASTIC BOTTOM - BRIGHT WHITE
5	105230-01-J01	EA	SHELF - EXTERIOR ENTERTAINMENT CENTER - W/BRKT/HINGE/SUPT
6	104898-02-02A	EA	PLATE - PLASTIC BACK - BRIGHT WHITE

BATH GROUP CABINETS



KEY	PART NUMBER	U/M	DESCRIPTION
1	132141-29-L22	EA	DOOR - RAIL/VENEER - 10" X 25.1" - W/O HARDWARE
2	127715-13-J37	EA	SHELF - W/PLASTIC EDGE TRIM
3	127715-01-K20	EA	CABINET - OVERHEAD - MEDICINE - W/O DOORS/HARDWARE
3	076767-04-000	EA	CABLE - SUPPORT - 5.9" STAINLESS STEEL
4	132141-68-L22	EA	DOOR - RAIL/VENEER - 11.2" X 19.6" - W/O HARDWARE
5	127715-14-J37	EA	SHELF - W/PLASTIC EDGE TRIM
6	075453-02-000	EA	BAR - TOWEL - 18" BRASS
6	075453-03-000	EA	BRACKET - TOWEL BAR - BRASS - 2 PER PACK FROM: 00-00-00 THRU: 01-23-00
6	075453-04-000	EA	ROD - TOWEL BAR - 18" W/O END BRACKETS - BRASS FROM: 01-24-00 THRU: 99-99-99
7	126112-18-L22	EA	COUNTERTOP - LAVATORY CABINET
7	126112-18-L23	EA	COUNTERTOP - LAVATORY CABINET
7	126112-18-L24	EA	COUNTERTOP - LAVATORY CABINET
7	126112-18-L25	EA	COUNTERTOP - LAVATORY CABINET
8	M05971-EB-L22	EA	DRAWER - OGEE EDGE - 12.4"W X 11.8"D - W/O SLIDES/HARDWARE FROM: 00-00-00 THRU: 09-23-99
8	M09316-47-L22	EA	DRAWER - OGEE EDGE - 12.4"W X 11.8"D - W/O SLIDES/HARDWARE FROM: 09-24-99 THRU: 99-99-99
9	075452-02-000	EA	HOLDER - TOILET TISSUE - BRASS TOILET LISTED IN WATER & SEWAGE GROUP
10			
11	131096-02-K16	EA	WALL POCKET - MAGAZINE RACK
12	131995-R1-L22	EA	DOOR - RAIL/SOLID PANEL - 14.9" X 21.8" - W/O HARDWARE
13	126112-02-L22	EA	CABINET - LAVATORY - W/O COUNTERTOP/DOORS/DRAWERS/HARDWARE
13	126112-13-J22	EA	SHELF - W/PLASTIC EDGE TRIM
14			SINK LISTED IN WATER & SEWAGE GROUP
15			FAUCET LISTED IN WATER & SEWAGE GROUP
16	058331-08-000	EA	MIRROR ONLY - SAFETY GLASS - 24" X 30"

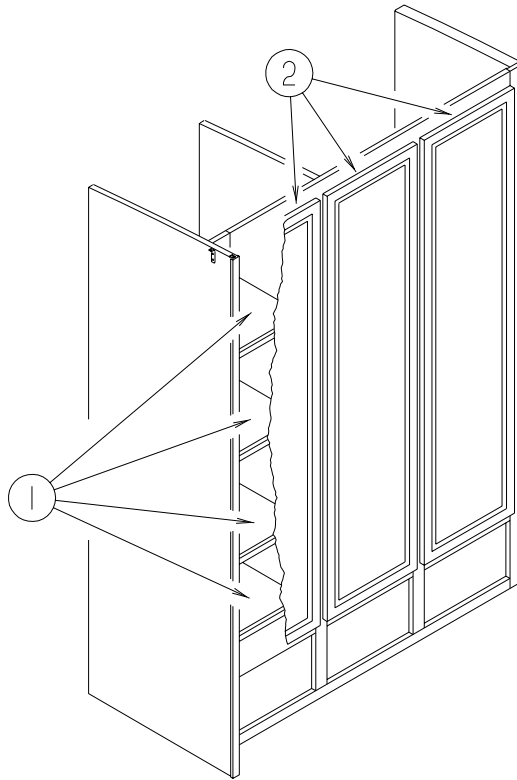
BATH GROUP (CONTINUED)
SHOWER



KEY	PART NUMBER	U/M	DESCRIPTION
1	130272-14-K20	EA	SHELF - W/PLASTIC EDGE TRIM
2	132141-53-L22	EA	DOOR - RAIL/VENEER - 16.7" X 48" - W/O HARDWARE
3			SHOWER HEAD LISTED IN WATER & SEWAGE GROUP
4	115612-03-02A	EA	SHOWER SURROUND - SOFT WHITE
	113714-04-02A	EA	RETAINER - SHELF/SHOWER - SOFT WHITE
5	M02630-49-L22	EA	SHOWER PAN - W/STRAINER
6			FAUCET LISTED IN WATER & SEWAGE GROUP

BATH GROUP (CONTINUED)

WARDROBE



KEY	PART NUMBER	U/M	DESCRIPTION
1	127641-13-J37	EA	SHELF - W/PLASTIC EDGE TRIM
2	132006-03-L07	EA	DOOR - MIRROR/MITERED RAIL - 16.1" X 65.2" - W/O HARDWARE

BATH DOOR

KEY	PART NUMBER	U/M	DESCRIPTION
	131933-05-L15	EA	DOOR - BATH - W/O HARDWARE
	100357-01-000	EA	ROD - F/TOWEL BAR - BRASS
	102089-13-G09	EA	RAIL END - RIGHT HAND/TOWEL RACK - 26" - WATERFORD OAK FROM: 00-00-00 THRU: 08-19-99
	102089-14-G09	EA	RAIL END - LEFT HAND/TOWEL RACK - 26" - WATERFORD OAK FROM: 00-00-00 THRU: 08-19-99
	134509-01-11A	EA	RAIL END - RH/LH - TOWEL RACK - 26" - WATERFORD OAK FROM: 08-20-99 THRU: 99-99-99

FOLDING PRIVACY DOOR

KEY	PART NUMBER	U/M	DESCRIPTION
*	131595-01-01A	EA	DOOR - FOLDING - 37" X 75" - W/4 CEILING MOUNTED BRACKETS

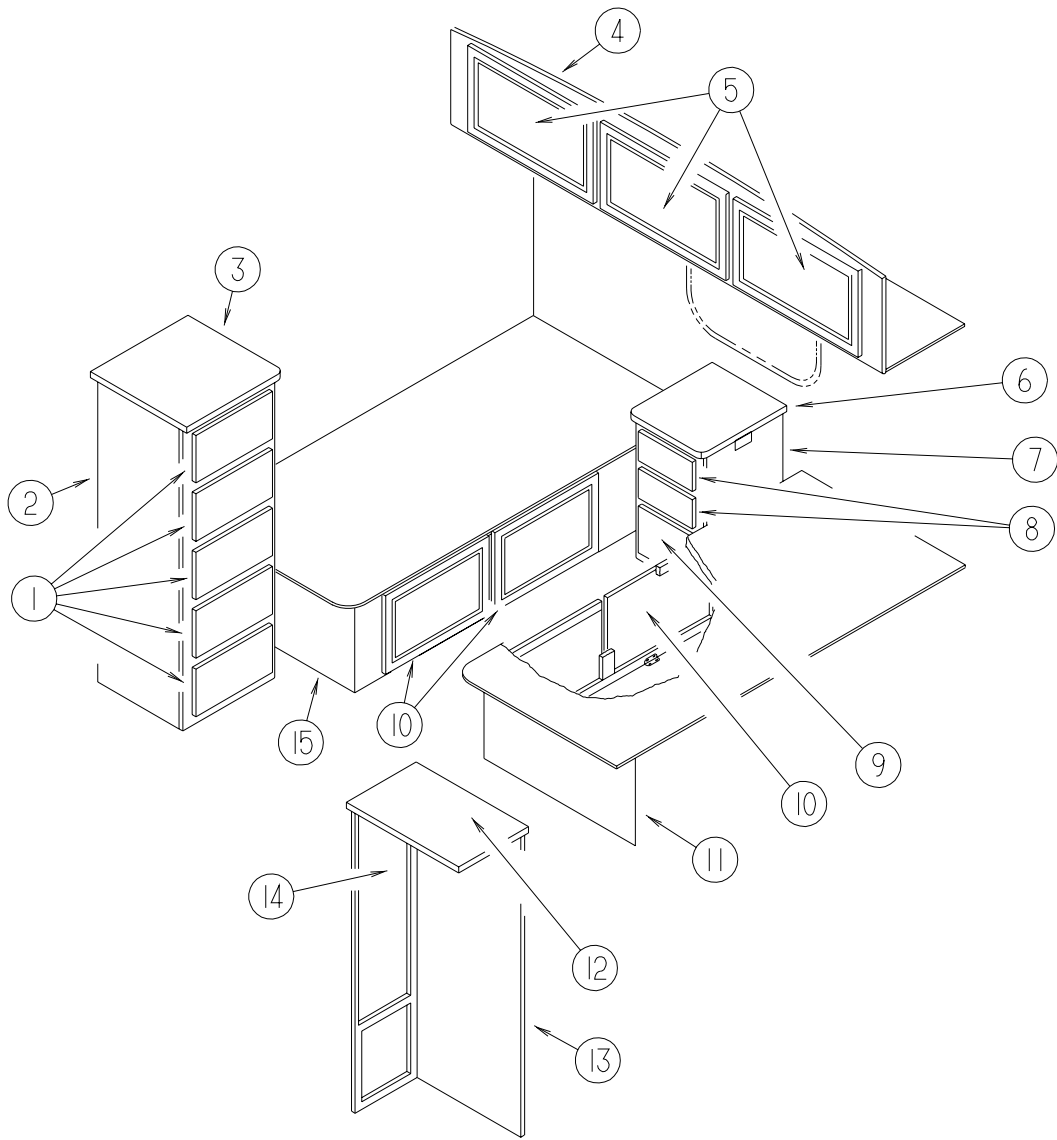
***COMPONENT PARTS FOUND IN SERVICE PARTS LIBRARY**

SHOWER DOOR

KEY	PART NUMBER	U/M	DESCRIPTION
*	117431-03-01A	EA	DOOR - SHOWER PLEATED FABRIC FROM: 00-00-00 THRU: 04-09-00
*	135615-03-01A	EA	DOOR - SHOWER/FOLDING - 39.3" X 58.9" - WHITE FROM: 04-10-00 THRU: 99-99-99

***COMPONENT PARTS FOUND IN SERVICE PARTS LIBRARY**

BEDROOM GROUP
TWIN CABINETS



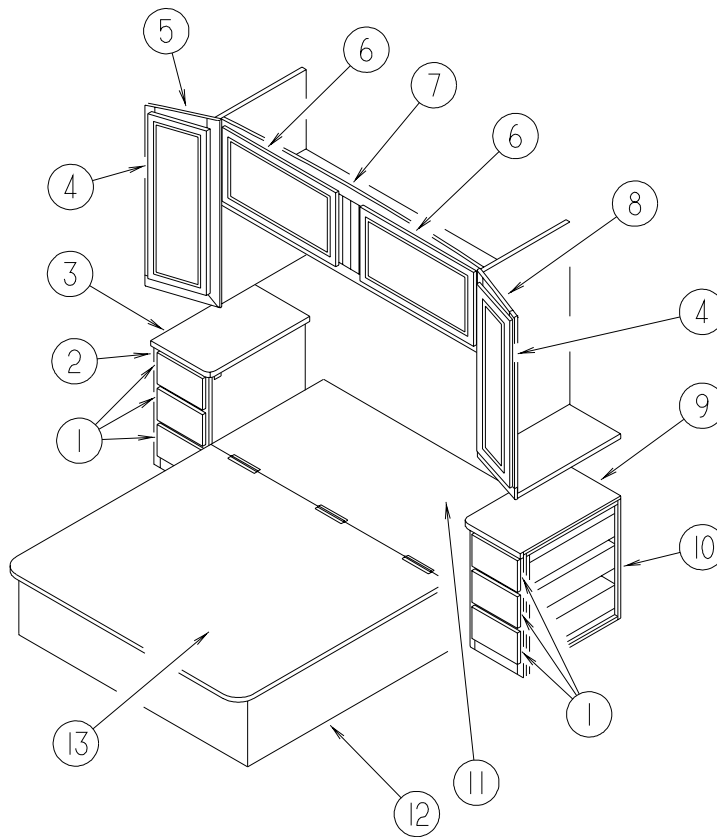
BEDROOM GROUP (CONTINUED)

TWIN CABINETS (CONTINUED)

KEY	PART NUMBER	U/M	DESCRIPTION
1	M09316-E9-L22	EA	DRAWER - OGEE EDGE - 15"W X 15.7"D - W/O SLIDES/HARDWARE
2	134048-01-L22	EA	DRESSER - TWIN BED/RH - W/O COUNTERTOP/DRAWERS/HDW
3	133131-07-L22	EA	COUNTERTOP - LAMINATED
3	133131-07-L23	EA	COUNTERTOP - LAMINATED
3	133131-07-L24	EA	COUNTERTOP - LAMINATED
3	133131-07-L25	EA	COUNTERTOP - LAMINATED
4	116187-01-K20	EA	CABINET - OVERHEAD/REAR - W/O DOORS/HARDWARE - F/TWIN BED
5	132141-14-L07	EA	DOOR - RAIL/VENEER - 15.7" X 27.9" - W/O HARDWARE
6	129653-14-L22	EA	COUNTERTOP - NIGHTSTAND
6	129653-14-L23	EA	COUNTERTOP - NIGHTSTAND
6	129653-14-L24	EA	COUNTERTOP - NIGHTSTAND
6	129653-14-L25	EA	COUNTERTOP - NIGHTSTAND
7	129653-03-L22	EA	CABINET - NIGHTSTAND/TWIN BED-W/CTRTP - W/O/DOOR/DWR/HDW
7	129653-03-L23	EA	CABINET - NIGHTSTAND/TWIN BED-W/CTRTP - W/O/DOOR/DWR/HDW
7	129653-03-L24	EA	CABINET - NIGHTSTAND/TWIN BED-W/CTRTP - W/O/DOOR/DWR/HDW
7	129653-03-L25	EA	CABINET - NIGHTSTAND/TWIN BED-W/CTRTP - W/O/DOOR/DWR/HDW
8	M09316-83-L22	EA	DRAWER - OGEE EDGE - 19.7"W X 13.5"D - W/O SLIDES/HARDWARE FROM: 00-00-00 THRU: 10-04-99
8	M09316-12-L22	EA	DRAWER - OGEE EDGE - 13.5"W X 11.8"D - W/O SLIDES/HARDWARE FROM: 10-05-99 THRU: 99-99-99
9	M09316-12-L22	EA	DRAWER - OGEE EDGE - 13.5"W X 11.8"D - W/O SLIDES/HARDWARE FROM: 00-00-00 THRU: 10-04-99
9	M09316-13-L22	EA	DRAWER - OGEE EDGE - 13.5"W X 11.8"D - W/O SLIDES/HARDWARE FROM: 10-05-99 THRU: 99-99-99
10	131995-S8-L22	EA	DOOR - RAIL/SOLID PANEL - 12" X 21.8" - W/O HARDWARE
11	P30238-01-K20	EA	CABINET/BASE - TWIN BED - W/O DOORS/DRAWERS/HARDWARE
12	122475-13-L22	EA	COUNTERTOP - SHIRT CLOSET
12	122475-13-L23	EA	COUNTERTOP - SHIRT CLOSET
12	122475-13-L24	EA	COUNTERTOP - SHIRT CLOSET
12	122475-13-L25	EA	COUNTERTOP - SHIRT CLOSET
13	122475-02-L22	EA	CABINET - SHIRT CLOSET/LH - W/CTRTP - W/O DOORS/HARDWARE
13	122475-02-L23	EA	CABINET - SHIRT CLOSET/LH - W/CTRTP - W/O DOORS/HARDWARE
13	122475-02-L24	EA	CABINET - SHIRT CLOSET/LH - W/CTRTP - W/O DOORS/HARDWARE
13	122475-02-L25	EA	CABINET - SHIRT CLOSET/LH - W/CTRTP - W/O DOORS/HARDWARE
14	132141-23-L07	EA	DOOR - RAIL/VENEER - 12" X 39.9" - W/O HARDWARE
15	P30239-01-K20	EA	CABINET/BASE - TWIN BED - W/O DOORS/DRAWERS/HARDWARE

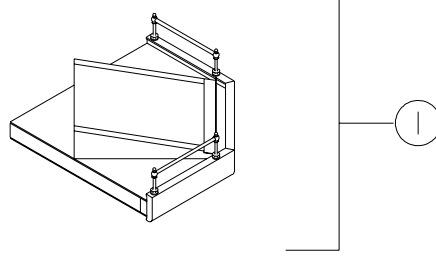
BEDROOM GROUP (CONTINUED)

QUEEN CABINETS



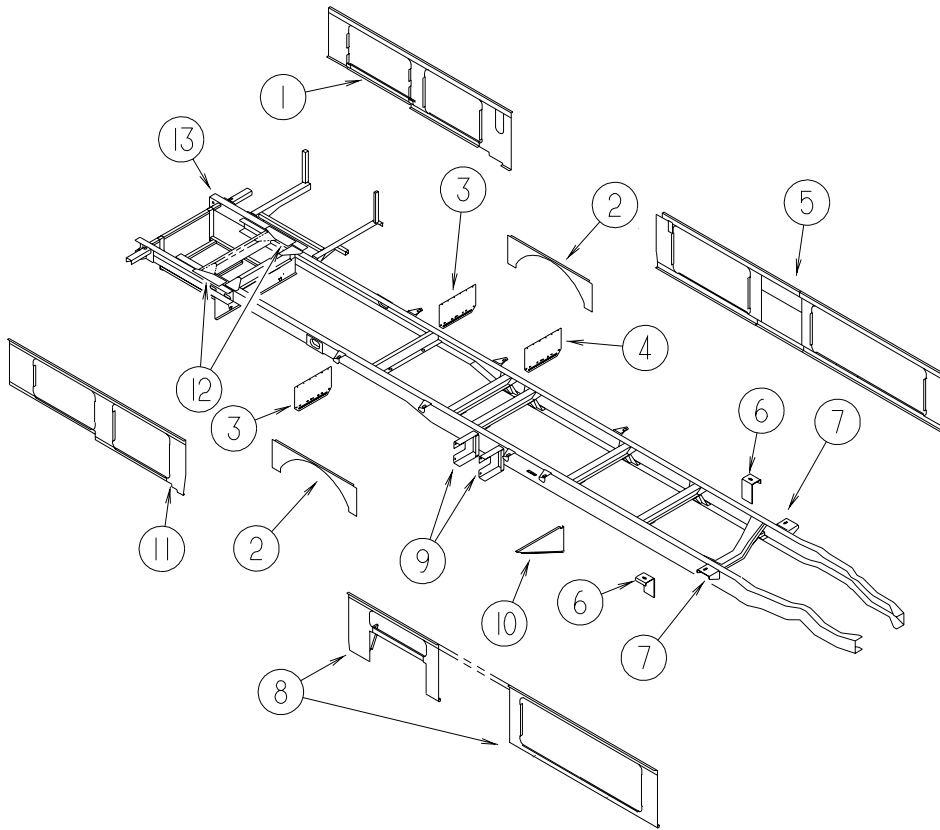
KEY	PART NUMBER	U/M	DESCRIPTION
1	M09316-14-L07	EA	DRAWER - OGEE EDGE - 10.7"W X 19.7"D - W/O SLIDES/HARDWARE
2	129251-63-L22	EA	CABINET - NIGHTSTAND/RH - W/O COUNTERTOP/DOORS/DRAWERS/HDW
3	133131-29-L20	EA	COUNTERTOP - LAMINATED (L22)
3	133131-29-L23	EA	COUNTERTOP - LAMINATED (L23)
3	133131-29-L24	EA	COUNTERTOP - LAMINATED (L24)
3	133131-29-L16	EA	COUNTERTOP - LAMINATED (L25)
4	132141-71-L22	EA	DOOR - RAIL/VENEER - 14.3" X 36.4" - W/O HARDWARE
5	126003-01-L22	EA	CABINET - SHIRT CLOSET/RIGHT HAND - W/O DOORS/HARDWARE
6	132141-14-L07	EA	DOOR - RAIL/VENEER - 15.7" X 27.9" - W/O HARDWARE
7	106523-01-L22	EA	CABINET - OVERHEAD/REAR - W/O DOORS/HARDWARE
8	126003-02-L22	EA	CABINET - SHIRT CLOSET/LEFT HAND - W/O DOORS/HARDWARE
9	133131-31-L22	EA	COUNTERTOP - LAMINATED
9	133131-31-L23	EA	COUNTERTOP - LAMINATED
9	133131-31-L24	EA	COUNTERTOP - LAMINATED
9	133131-31-L25	EA	COUNTERTOP - LAMINATED
10	129251-64-L22	EA	CABINET - NIGHTSTAND/LH - W/O COUNTERTOP/DOORS/DRAWERS/HDW
11	M08093-05-K28	EA	TOP - QUEEN BED - W/O HARDWARE
12	P29654-01-K28	EA	CABINET/BASE - QUEEN BED - W/O DOOR/DRAWER/HARDWARE
13	M08093-06-000	EA	TOP - QUEEN BED - W/O HARDWARE

BEDROOM GROUP (CONTINUED)
TV & RADIO CABINETS



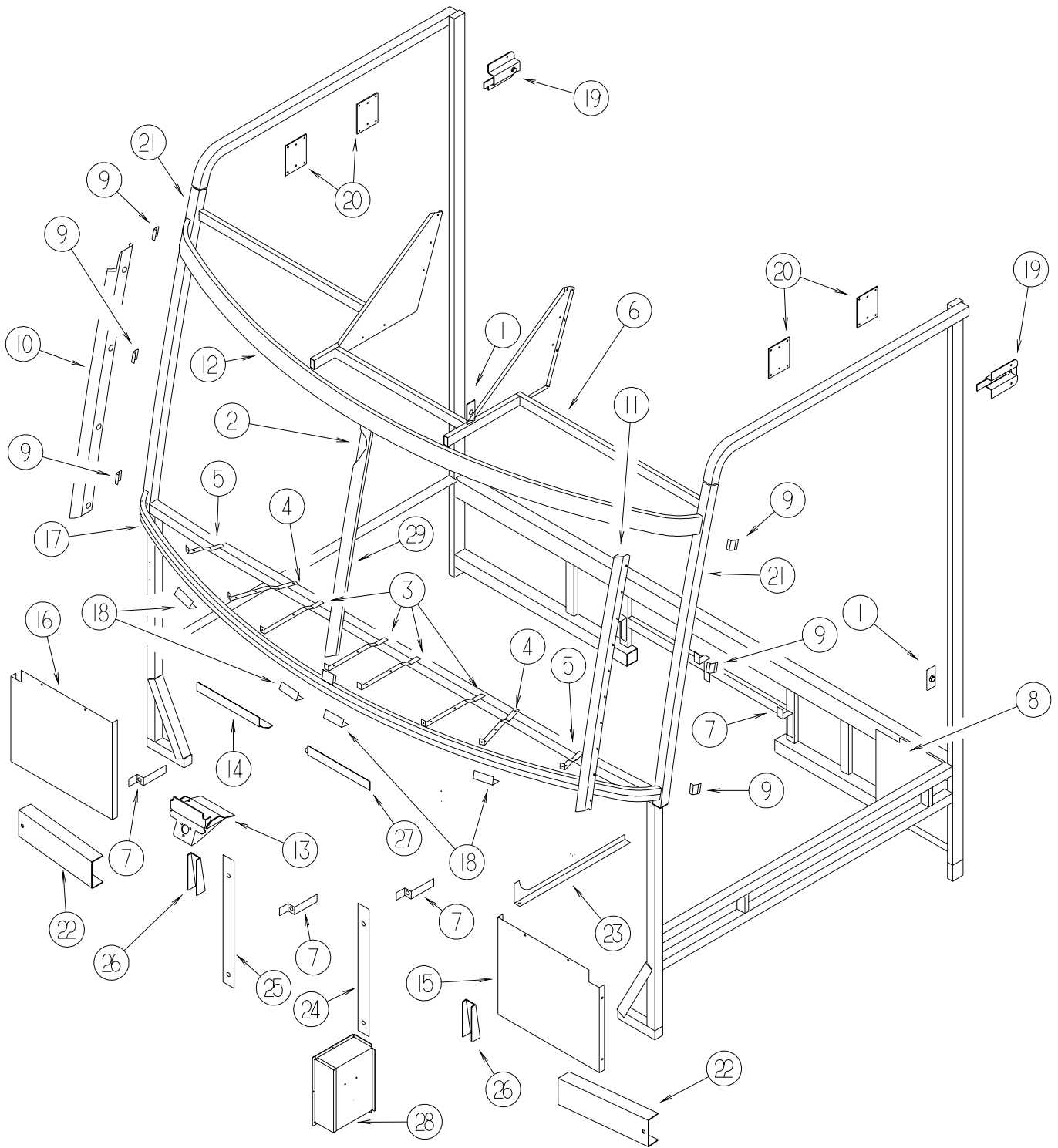
KEY	PART NUMBER	U/M DESCRIPTION
1	127376-01-L22	EA CABINET - TV SHELF - RIGHT HAND

CHASSIS GROUP FRAME



KEY	PART NUMBER	U/M	DESCRIPTION
1	125954-17-02B	EA	SEAL PLANE - E-COATED
2	107576-03-000	EA	PANEL/SEAL PLANE - WHEEL WELL
3	020167-08-000	EA	DIRT GUARD - STEEL - 13.6" LONG
3	020167-04-000	EA	DIRT GUARD - STEEL W/O BEND - 14.9" LONG FROM: 00-00-00 THRU: 02-17-00
3	136391-02-02B	EA	GUARD/ROCK - STEEL - W/ANGLE - 18"W X 14.9"H - E-COATED FROM: 02-18-00 THRU: 05-26-00
4	134191-01-02B	EA	GUARD/ROCK - STEEL - W/BEND - 18"W X 14.9"H - E-COATED FROM: 05-27-00 THRU: 00-00-00
5	129608-16-02B	EA	SEAL PLANE - E-COATED
6	134192-04-02B	EA	MOUNT - BODY - E-COATED
7	135712-01-02B	EA	PLATE - BODY MOUNT - E-COATED
7	117154-04-02B	EA	MOUNT-BODY,E-COAT
7	117154-07-02B	EA	MOUNT - FRAME RAIL/FLOOR FROM: 00-00-00 THRU: 02-16-00
7	117154-04-02B	EA	MOUNT-BODY,E-COAT FROM: 02-17-00 THRU: 05-11-00
8	129608-15-02B	EA	SEAL PLANE - E-COATED FROM: 05-12-00 THRU: 99-99-99
9	120867-02-02B	EA	MOUNT ASM-LP TANK,E-COAT
10	123440-02-02B	EA	SUPPORT/VALANCE PANEL - E-COATED
11	125954-15-02B	EA	SEAL PLANE - E-COATED
12	133095-01-02B	EA	PLATE - CLIP - E-COATED
13	132643-01-01A	EA	HITCH/CHASSIS EXTENSION RAIL - 54" - 2000 G-SERIES
	119845-01-01A	EA	PLUG - PLASTIC - BLACK - 1 1/2" SQUARE

CHASSIS GROUP (CONTINUED)
FRONT END

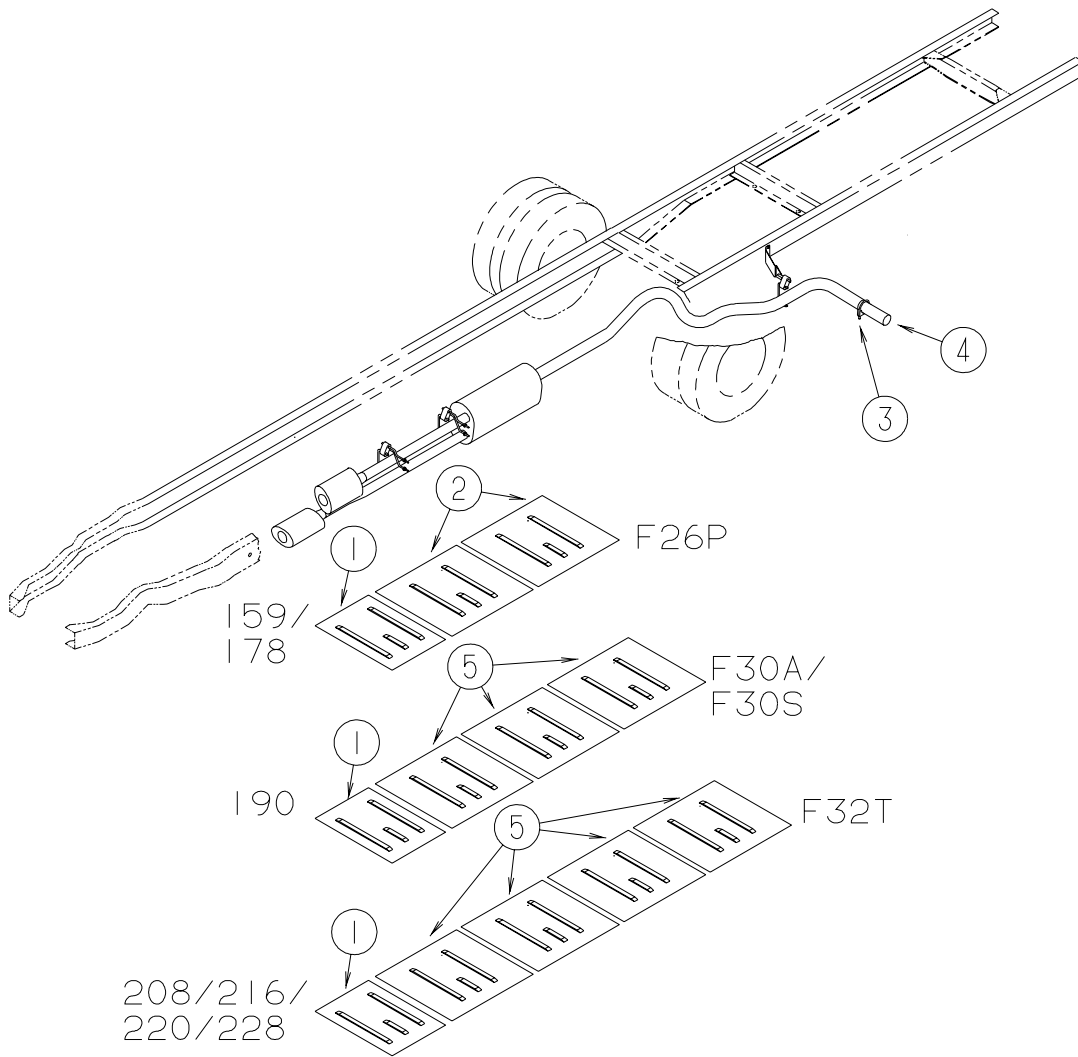


CHASSIS GROUP (CONTINUED)

FRONT END (CONTINUED)

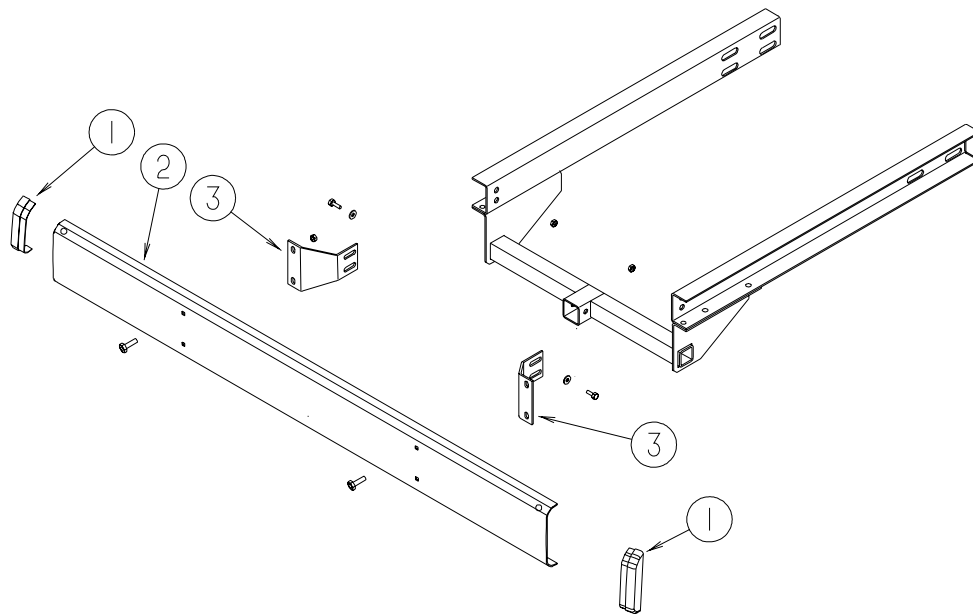
KEY	PART NUMBER	U/M	DESCRIPTION
1	133576-02-01B	EA	PLATE - ANCHOR - SEATBELT - LOWER - MILL
2	078249-17-000	EA	TUBE - SWEPT - CAB FRAME
3	104797-03-000	EA	BRACKET-DEFROSTER
4	104797-04-000	EA	BRACKET-DEFROSTER
5	104797-05-000	EA	BRACKET-DEFROSTER
6	124764-51-01B	EA	HEADER - F/TV - MILL
	124904-03-01B	EA	HEADER - WINDSHIELD - CENTER
7	117287-01-01B	EA	BRACKET - MOUNT - CABLE
8	118592-01-01B	EA	SHIELD - SPLASH - MILL
9	120363-01-01B	EA	BRACKET - WINDSHIELD
10	121269-05-01B	EA	FRAME - WINDSHIELD - A-PILLAR - MILL
11	121269-06-01B	EA	FRAME - WINDSHIELD - A-PILLAR - MILL
12	124975-01-01B	EA	SUPPORT-WINDSHIELD,UPPER,MLL
13	134506-02-01B	EA	BRACKET ASM-WIPER MOTOR,MILL
14	134371-02-01B	EA	ANGLE-MOUNT,WIPER MOTOR,MILL
15	104147-14-000	EA	SHIELD/SPLASH - HEADLIGHT
16	121962-02-02B	EA	SHIELD/SPLASH - HEADLIGHT - E-COATED
17	124974-01-01B	EA	SUPPORT-WINDSHIELD,LOWER,MLL
18	076364-57-000	EA	ANGLE - FORMED
19	103318-02-000	EA	MOUNT ASM-SEATBELT,WALL
20	104409-01-000	EA	PLATE-MOUNT,SIDEWALL
21	117273-01-01A	EA	TUBE - SUPPORT - A-PILLAR
22	125744-01-02B	EA	CHANNEL-SUPPORT,FRT END,E-CT
23	131859-01-02B	EA	BRACKET - SEAL/TRANSITION/LEFT HAND - FRONT - E-COATED
	131860-01-02B	EA	BRACKET - SEAL/TRANSITION/LEFT HAND - REAR - E-COATED
24	119892-12-02B	EA	SUPPORT ASM-FRONT, GM, LH, E-CT
			FROM: 00-00-00 THRU: 10-29-99
24	134807-02-02B	EA	SUPPORT - FRONT - E-COATED
			FROM: 10-30-99 THRU: 99-99-99
25	119892-17-02B	EA	SUPPORT ASM-FRONT, GM, RH, E-CT
			FROM: 00-00-00 THRU: 10-29-99
25	134807-01-02B	EA	SUPPORT - FRONT - E-COATED
			FROM: 10-30-99 THRU: 99-99-99
26	117622-01-02B	EA	BRACE-TUBE,BPR,VERT,E-CT
27	134371-01-01B	EA	ANGLE-MOUNT,WIPER MOTOR,MILL
28	111509-01-000	EA	BOX - ELECTRICAL - E-COATED
29	120840-07-01B	EA	STRAP-W/HOLES,MILL
	044317-01-000	FT	HOSE - FUEL - 3/8" ID (RADIATOR OVERFLOW)

CHASSIS GROUP (CONTINUED)
EXHAUST



KEY	PART NUMBER	U/M	DESCRIPTION
1	101544-01-000	EA	SHIELD - HEAT/EXHAUST - 19.7" X 29.1"
2	101544-06-000	EA	SHIELD - HEAT/EXHAUST - 33.9" X 29.1"
3	094918-01-000	EA	CLAMP - EXHAUST - 3" - GUILLOTINE STYLE
4	098762-11-000	EA	PIPE - EXHAUST - STRAIGHT - 3"
5	101544-02-000	EA	SHIELD - HEAT/EXHAUST - 30" X 29.1"

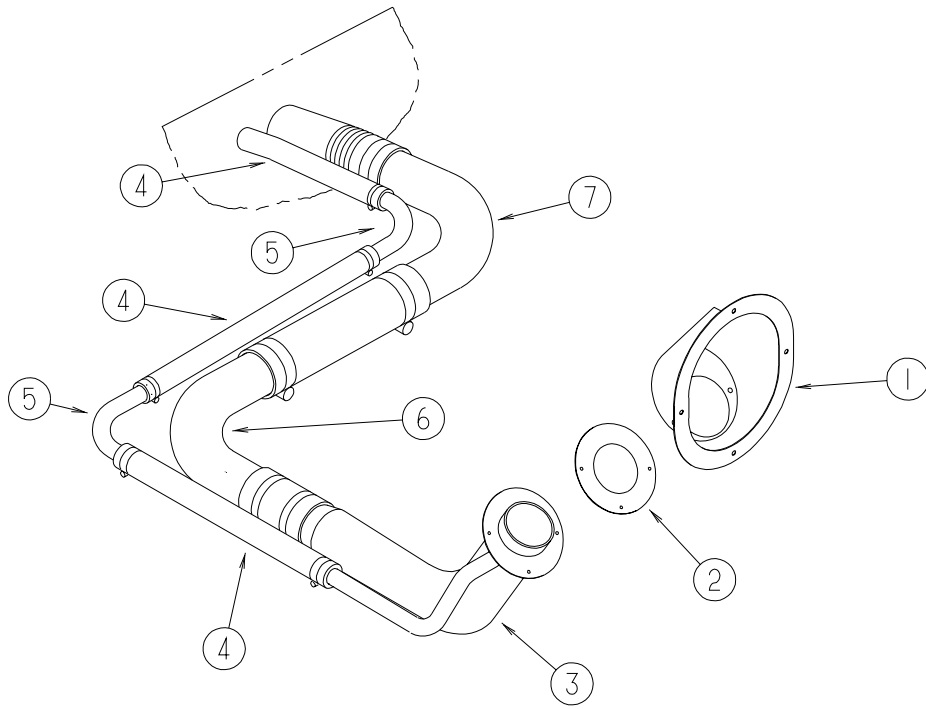
CHASSIS GROUP (CONTINUED)
REAR BUMPER



KEY	PART NUMBER	U/M	DESCRIPTION
1	103228-01-06A	EA	END CAP - REAR BUMPER - DRIVER/PASSENGER
2	103099-11-02A	EA	BUMPER - REAR - 98" - BRIGHT WHITE
3	133291-01-02B	EA	BRACKET/BUMPER SUPPORT - REAR - E-COATED
	113589-01-000	EA	CONNECTOR - PLUG - TRAILER
	113589-02-000	EA	CONNECTOR - SOCKET - TRAILER

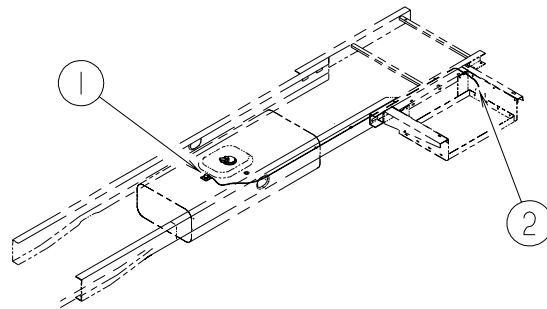
CHASSIS GROUP (CONTINUED)

FUEL



KEY	PART NUMBER	U/M	DESCRIPTION
1	127291-01-01A	EA	SHROUD - FUEL FILL - BRIGHT WHITE
2	078200-01-000	EA	GASKET - FUEL FILL - 3.5"OD X 2"ID
3	127301-03-000	EA	NECK - FUEL FILL
3	127301-04-000	EA	NECK - FUEL FILL - DIESEL
4	128139-02-000	FT	HOSE - FUEL - LOW PERMEABILITY - 5/8" DIAMETER
5	098806-01-000	EA	PIPE - FILL VENT - 90 DEGREE BEND - .635 OD - STEEL
6	098803-01-000	EA	PIPE - FUEL FILL - 90 DEGREE BEND - 13.2" - 1 3/4" OD
7	098807-01-000	EA	PIPE - FUEL FILL - 90 DEGREE BEND - 6.6" - 1 3/4" OD

FUEL (CONTINUED)



KEY	PART NUMBER	U/M	DESCRIPTION
1	114254-01-000	EA	ADAPTER - 1/4 BARB X 1/8 MPT
1	068382-06-000	EA	BUSHING - BRASS - 3/8" MPT X 1/8" FPT
2	084884-01-000	EA	PLUG - BRASS - 3/8"
2	128139-03-000	FT	HOSE - FUEL - LOW PERMEABILITY - 1/4" DIAMETER

CHASSIS GROUP (CONTINUED)

SUSPENSION

KEY PART NUMBER U/M DESCRIPTION

* 122756-04-000 EA SHOCK & STABILIZER KIT - WORKHORSE/WIDE BODY CHASSIS

***COMPONENT PARTS FOUND IN SERVICE PARTS LIBRARY**

WHEEL, TIRE, COVERS & LINERS 16,500 # GVW CHASSIS - WHEEL & TIRE

KEY PART NUMBER U/M DESCRIPTION

064963-01-000 EA WHEEL - STEEL - 19.5" X 6" - GM 14005758

091673-01-000 EA TIRE - 225/70 R19.5 LRF - MICHELIN XZA

17,000 # OR 18,000 # GVW CHASSIS - WHEEL & TIRE

KEY PART NUMBER U/M DESCRIPTION

064963-02-000 EA WHEEL - STEEL - 19.5" X 6.0"

091673-07-000 EA TIRE - 225/70R19.5" LRF - MICHELIN XRV

VALVE STEM & VALVE STEM EXTENSION

KEY PART NUMBER U/M DESCRIPTION

051377-01-000 EA VALVE STEM

077030-02-000 EA EXTENSION - VALVE STEM - 1.25"

LINERS

KEY PART NUMBER U/M DESCRIPTION

* 110435-10-000 EA LINER - WHEEL - SET/4 - 19.5"

FROM: 00-00-00 THRU: 10-25-99

* 134609-01-000 EA LINER - WHEEL - SET OF 4 - 19.5" P30 WORKHORSE CHASSIS

FROM: 10-26-99 THRU: 99-99-99

***COMPONENT PARTS FOUND IN SERVICE PARTS LIBRARY**

COVERS

KEY PART NUMBER U/M DESCRIPTION

* 109443-06-000 EA WHEEL COVER - 4/SET - 19.5"

***COMPONENT PARTS FOUND IN SERVICE PARTS LIBRARY**

LUG WRENCH & LEVERAGE BAR

KEY PART NUMBER U/M DESCRIPTION

080208-02-000 EA BAR - LEVERAGE - LUG WRENCH - CHEVY/OSHKOSH

080208-06-000 EA LUG WRENCH - 1" X 1.06" W/DEEP SOCKET ENDS

BRAKE LINE FITTING

KEY PART NUMBER U/M DESCRIPTION

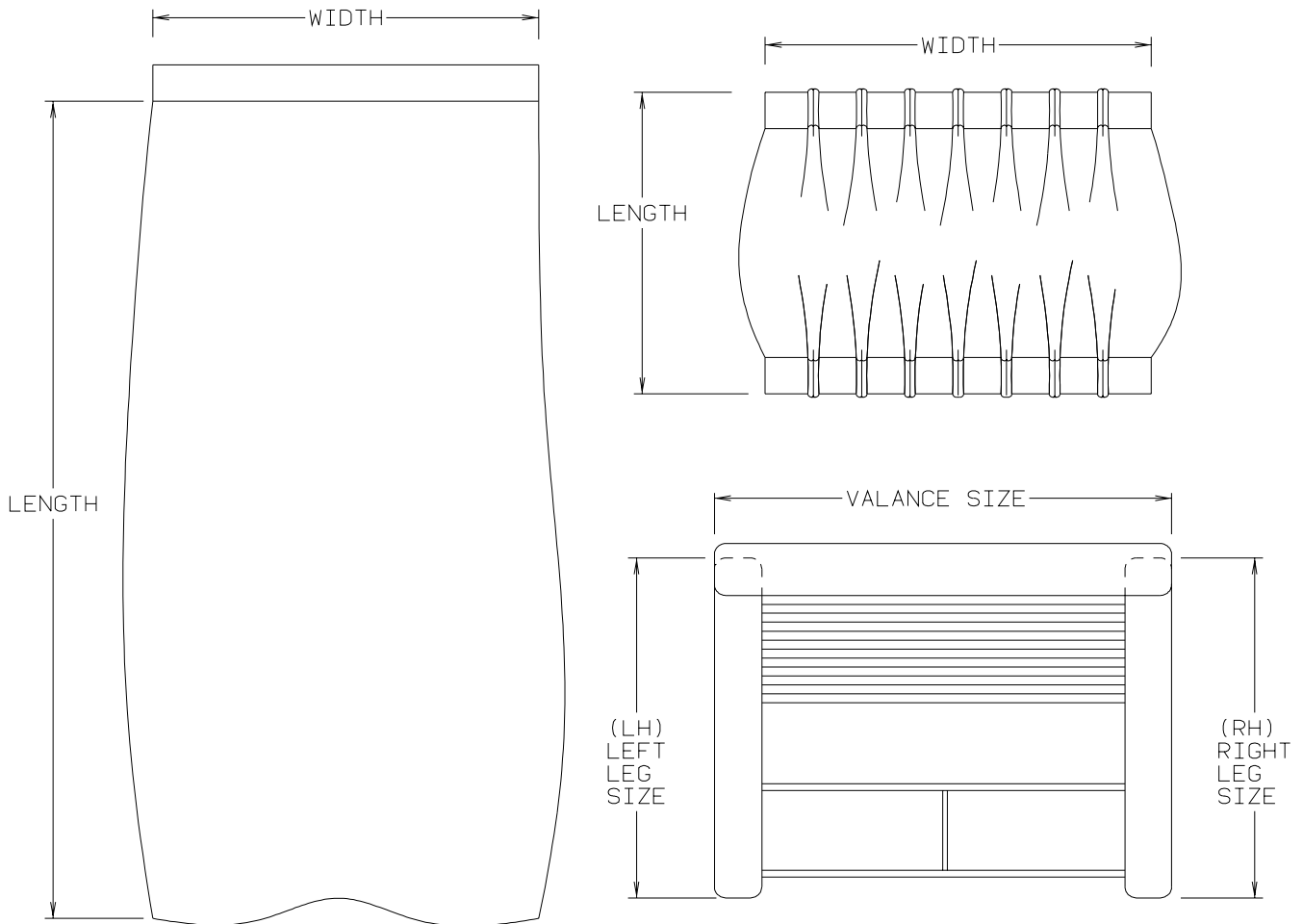
075466-01-000 EA UNION - INVERTED FLAIR - 1/4"

CURTAIN & CUSHION GROUP

NOTICE

IN ORDER TO ASSIST OUR PARTS SALES DEPT. IN PROVIDING INTERIOR SOFTWARE ITEMS, PLEASE INCLUDE THE SERIAL NUMBER AND THE COLOR CODE NUMBER FROM THE VEHICLE CERTIFICATION LABEL WHEN ORDERING. THIS LABEL IS LOCATED ON THE LEFT SIDEWALL AT THE END OF THE DASH (A-BODY), OR ON THE DRIVER'S DOOR LATCH PLATE (C-BODY).

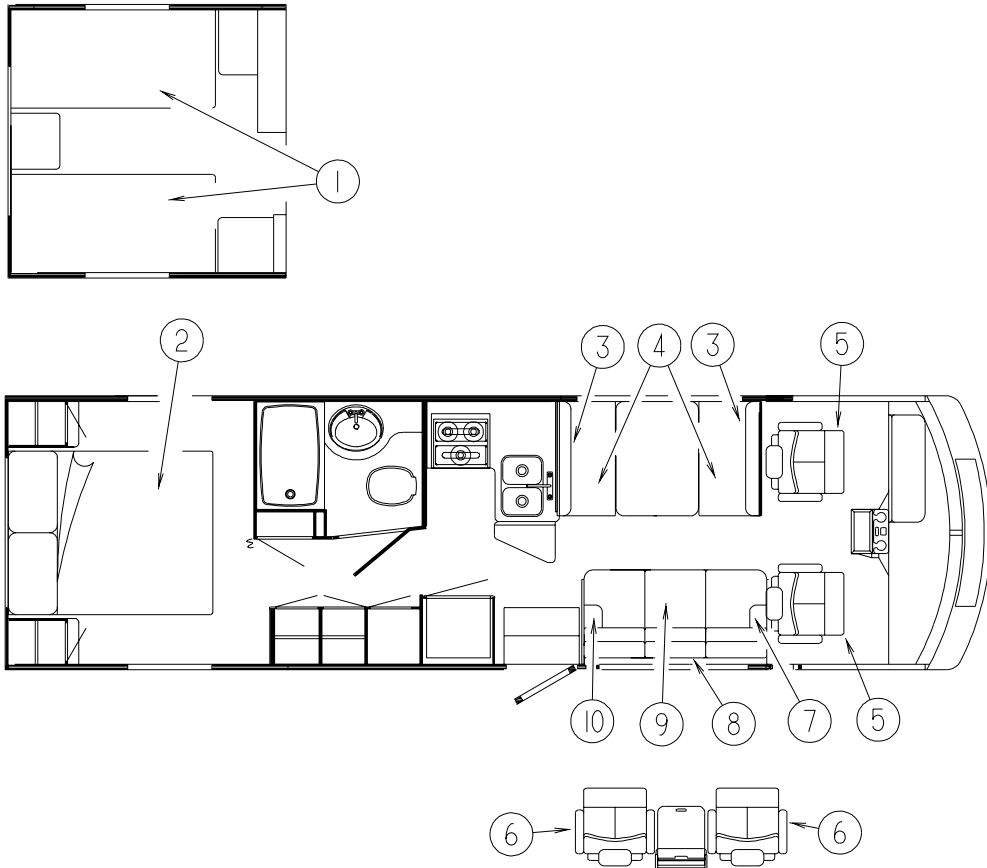
AN EXAMPLE OF A COLOR CODE NUMBER IS B07, WHICH DESIGNATES AN OVERALL COLOR SCHEME OF A PARTICULAR UNIT. THE COLOR LISTED AFTER THE ITEM DESCRIPTION ON THE MICROFICHE, INDICATES THE OVERALL UNIT COLOR. ORDER THE ITEM YOU DESIRE ACCORDING TO UNIT COLOR CODE. IF ALL COLORS USE THE SAME ITEM NO COLOR CODE WILL BE NOTED.



NOTE: USE THIS ILLUSTRATION WHEN DETERMINING LENGTH AND WIDTH MEASUREMENTS FOR CURTAINS. YOU WILL NOTE THE WIDTH MEASUREMENT IS TAKEN ON THE TOP OF THE CURTAIN WITH THE CURTAIN FULLY EXTENDED. THE LENGTH MEASUREMENT IS TAKEN FROM TOP TO BOTTOM. LEFT AND RIGHT WINDOW LEGS ARE DETERMINED WHEN FACING THE WINDOW.

CURTAIN & CUSHION GROUP (CONTINUED)

CUSHION LAYOUT



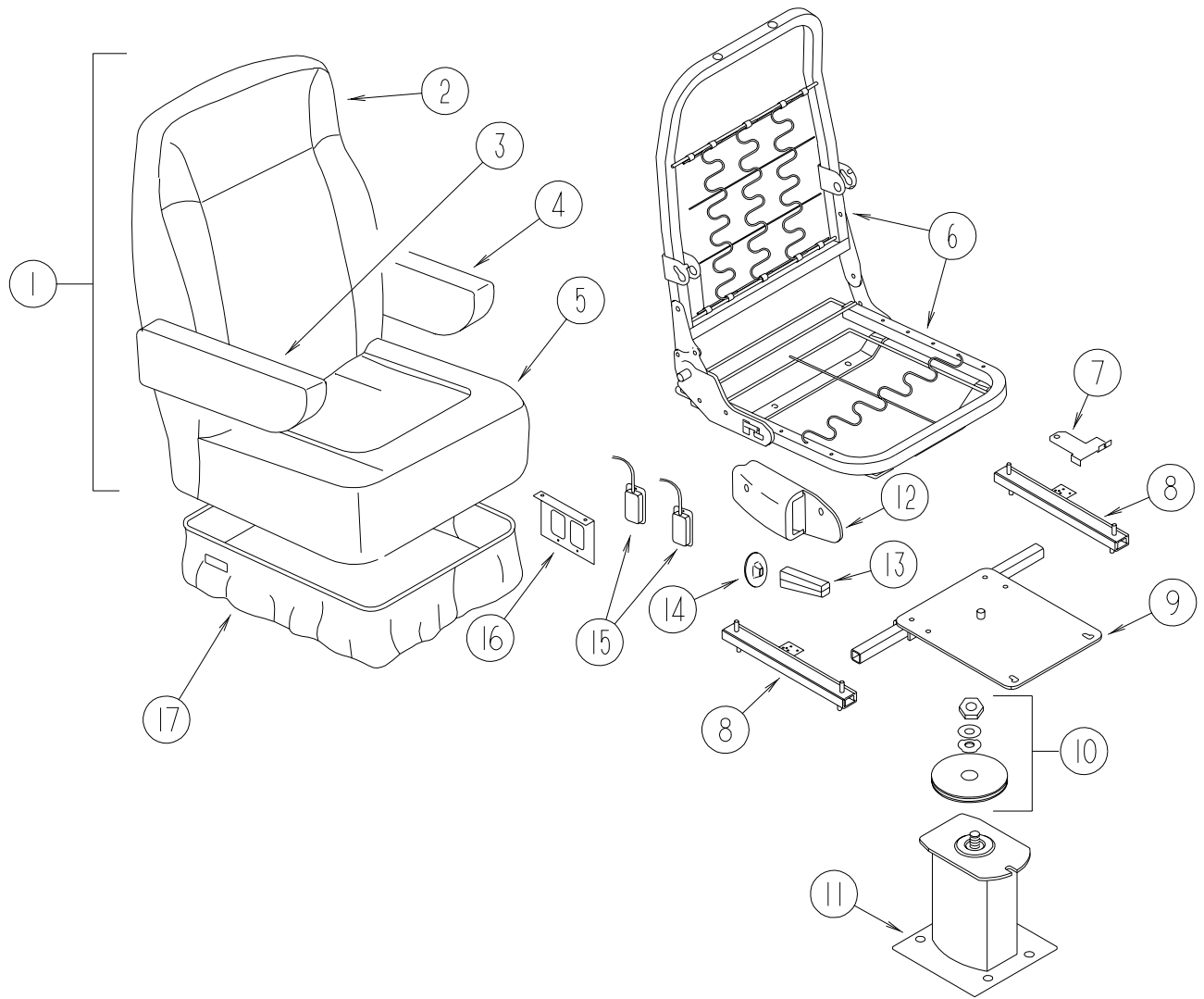
KEY	PART NUMBER	U/M	DESCRIPTION
1	123015-03-000	EA	MATTRESS - INNERSPRING - 36" X 74.5"
1	123471-21-L22	EA	BEDSPREAD/THROW - 36" X 75" (L22)
1	123471-21-L27	EA	BEDSPREAD/THROW - 36" X 75" (L23)
1	123471-21-L28	EA	BEDSPREAD/THROW - 36" X 75" (L24)
1	123471-21-L29	EA	BEDSPREAD/THROW - 36" X 75" (L25)
1	111863-12-K23	EA	PILLOW SHAM - 20" X 33" (L22)
1	111863-12-L23	EA	PILLOW SHAM - 20" X 33" (L23)
1	111863-12-L24	EA	PILLOW SHAM - 20" X 33" (L24)
1	111863-12-L25	EA	PILLOW SHAM - 20" X 33" (L25)
1	133822-01-L22	EA	PILLOW - ROUND - 16"
1	133822-01-L23	EA	PILLOW - ROUND - 16"
1	133822-01-L24	EA	PILLOW - ROUND - 16"
1	133822-01-L25	EA	PILLOW - ROUND - 16"
2	123015-06-000	EA	MATTRESS - INNERSPRING - 60" X 74.5"
2	123471-08-K23	EA	BEDSPREAD/THROW - 60" X 75" (L22)
2	123471-08-L23	EA	BEDSPREAD/THROW - 60" X 75" (L23)
2	123471-08-L24	EA	BEDSPREAD/THROW - 60" X 75" (L24)
2	123471-08-L25	EA	BEDSPREAD/THROW - 60" X 75" (L25)
2	111863-12-K23	EA	PILLOW SHAM - 20" X 33" (L22)
2	111863-12-L23	EA	PILLOW SHAM - 20" X 33" (L23)
2	111863-12-L24	EA	PILLOW SHAM - 20" X 33" (L24)
2	111863-12-L25	EA	PILLOW SHAM - 20" X 33" (L25)
2	133822-01-L22	EA	PILLOW - ROUND - 16"
2	133822-01-L23	EA	PILLOW - ROUND - 16"
2	133822-01-L24	EA	PILLOW - ROUND - 16"
2	133822-01-L25	EA	PILLOW - ROUND - 16"
3	111897-05-K23	EA	CUSHION - BACK - 13.5" X 42" X 5" (L22)
3	111897-05-L23	EA	CUSHION - BACK - 13.5" X 42" X 5" (L23)
3	111897-05-L24	EA	CUSHION - BACK - 13.5" X 42" X 5" (L24)
3	111897-05-K25	EA	CUSHION - BACK - 13.5" X 42" X 5" (L25)
	P11897-05-K23	EA	COVER - BACK - 13.5" X 42" X 5" (L22)
	P11897-05-L23	EA	COVER - BACK - 13.5" X 42" X 5" (L23)
	P11897-05-L24	EA	COVER - BACK - 13.5" X 42" X 5" (L24)
	P11897-05-L25	EA	COVER - BACK - 13.5" X 42" X 5" (L25)

CURTAIN & CUSHION GROUP (CONTINUED)

CUSHION LAYOUT (CONTINUED)

KEY	PART NUMBER	U/M	DESCRIPTION
4	105603-15-K26	EA	CUSHION - SEAT - 23" X 42" X 5" (L22)
4	105603-15-L23	EA	CUSHION - SEAT - 23" X 42" X 5" (L23)
4	105603-15-L24	EA	CUSHION - SEAT - 23" X 42" X 5" (L24)
4	105603-15-L25	EA	CUSHION - SEAT - 23" X 42" X 5" (L25)
	P05603-15-K26	EA	COVER - SEAT - 23" X 42" X 5" (L22)
	P05603-15-L23	EA	COVER - SEAT - 23" X 42" X 5" (L23)
	P05603-15-L24	EA	COVER - SEAT - 23" X 42" X 5" (L24)
	P05603-15-L25	EA	COVER - SEAT - 23" X 42" X 5" (L25)
5	129664-03-L15	EA	SEAT - BUCKET - PASSENGER/DRIVER (L22)
5	129664-03-L23	EA	SEAT - BUCKET - PASSENGER/DRIVER (L23)
5	129664-03-L24	EA	SEAT - BUCKET - PASSENGER/DRIVER (L24)
5	129664-03-L25	EA	SEAT - BUCKET - PASSENGER/DRIVER (L25)
5	129664-12-L22	EA	SEAT - BUCKET - PASSENGER/DRIVER (L22,L23) - LEATHER OPTION
5	129664-12-L24	EA	SEAT - BUCKET - PASSENGER/DRIVER (L24,L25) - LEATHER OPTION
6	129664-08-L22	EA	SEAT - BUCKET - WIDE - W/ADJUSTABLE ARMREST
6	129664-08-L23	EA	SEAT - BUCKET - WIDE - W/ADJUSTABLE ARMREST
6	129664-08-L24	EA	SEAT - BUCKET - WIDE - W/ADJUSTABLE ARMREST
6	129664-08-L25	EA	SEAT - BUCKET - WIDE - W/ADJUSTABLE ARMREST
7	130718-01-L22	EA	ARMREST - RIGHT HAND
7	130718-01-L23	EA	ARMREST - RIGHT HAND
7	130718-01-L24	EA	ARMREST - RIGHT HAND
7	130718-01-L25	EA	ARMREST - RIGHT HAND
	P30718-01-K23	EA	COVER - ARMREST/RIGHT HAND (L22)
	P30718-01-L23	EA	COVER - ARMREST/RIGHT HAND (L23)
	P30718-01-L24	EA	COVER - ARMREST/RIGHT HAND (L24)
	P30718-01-L25	EA	COVER - ARMREST/RIGHT HAND (L25)
	127335-08-000	EA	BRACKET - REMOVABLE ARM/SOFA
	127335-09-000	EA	BRACKET - REMOVABLE ARM/CUSHION
8	129688-07-L22	EA	BACK ONLY - SOFA/BED - 67.5"
8	129688-07-L23	EA	BACK ONLY - SOFA/BED - 67.5"
8	129688-07-L24	EA	BACK ONLY - SOFA/BED - 67.5"
8	129688-07-L25	EA	BACK ONLY - SOFA/BED - 67.5"
	P29688-07-L22	EA	COVER - BACK - SOFA/BED - 67.5"
	P29688-07-L23	EA	COVER - BACK - SOFA/BED - 67.5"
	P29688-07-L24	EA	COVER - BACK - SOFA/BED - 67.5"
	P29688-07-L25	EA	COVER - BACK - SOFA/BED - 67.5"
9	129688-08-L22	EA	SEAT ONLY - SOFA/BED - 67.5"
9	129688-08-L23	EA	SEAT ONLY - SOFA/BED - 67.5"
9	129688-08-L24	EA	SEAT ONLY - SOFA/BED - 67.5"
9	129688-08-L25	EA	SEAT ONLY - SOFA/BED - 67.5"
	P29688-08-L22	EA	COVER - SEAT - SOFA/BED - 67.5"
	P29688-08-L23	EA	COVER - SEAT - SOFA/BED - 67.5"
	P29688-08-L24	EA	COVER - SEAT - SOFA/BED - 67.5"
	P29688-08-L25	EA	COVER - SEAT - SOFA/BED - 67.5"
	132319-09-L22	EA	PILLOW - W/"V" OVERLAY - 17"
	132319-15-L23	EA	PILLOW - W/"V" OVERLAY - 17"
	132319-09-L24	EA	PILLOW - W/"V" OVERLAY - 17"
	132319-09-L25	EA	PILLOW - W/"V" OVERLAY - 17"
	127335-10-000	EA	BRACKET - CANADIAN LATCH
	116104-03-02B	EA	BRACKET - ZEE W/HOLES - 5.9"
			FROM: 00-00-00 THRU: 05-21-00
	116104-04-02B	EA	BRACKET - ZEE W/HOLES - 3.2"
			FROM: 05-22-00 THRU: 99-99-99
10	130718-02-L22	EA	ARMREST - LEFT HAND/REMOVABLE
10	130718-02-L23	EA	ARMREST - LEFT HAND/REMOVABLE
10	130718-02-L24	EA	ARMREST - LEFT HAND/REMOVABLE
10	130718-02-L25	EA	ARMREST - LEFT HAND/REMOVABLE
	P30718-02-K23	EA	COVER - ARMREST/LEFT HAND (L22)
	P30718-02-L23	EA	COVER - ARMREST/LEFT HAND (L23)
	P30718-02-L24	EA	COVER - ARMREST/LEFT HAND (L24)
	P30718-02-L25	EA	COVER - ARMREST/LEFT HAND (L25)
	127335-08-000	EA	BRACKET - REMOVABLE ARM/SOFA
	127335-09-000	EA	BRACKET - REMOVABLE ARM/CUSHION

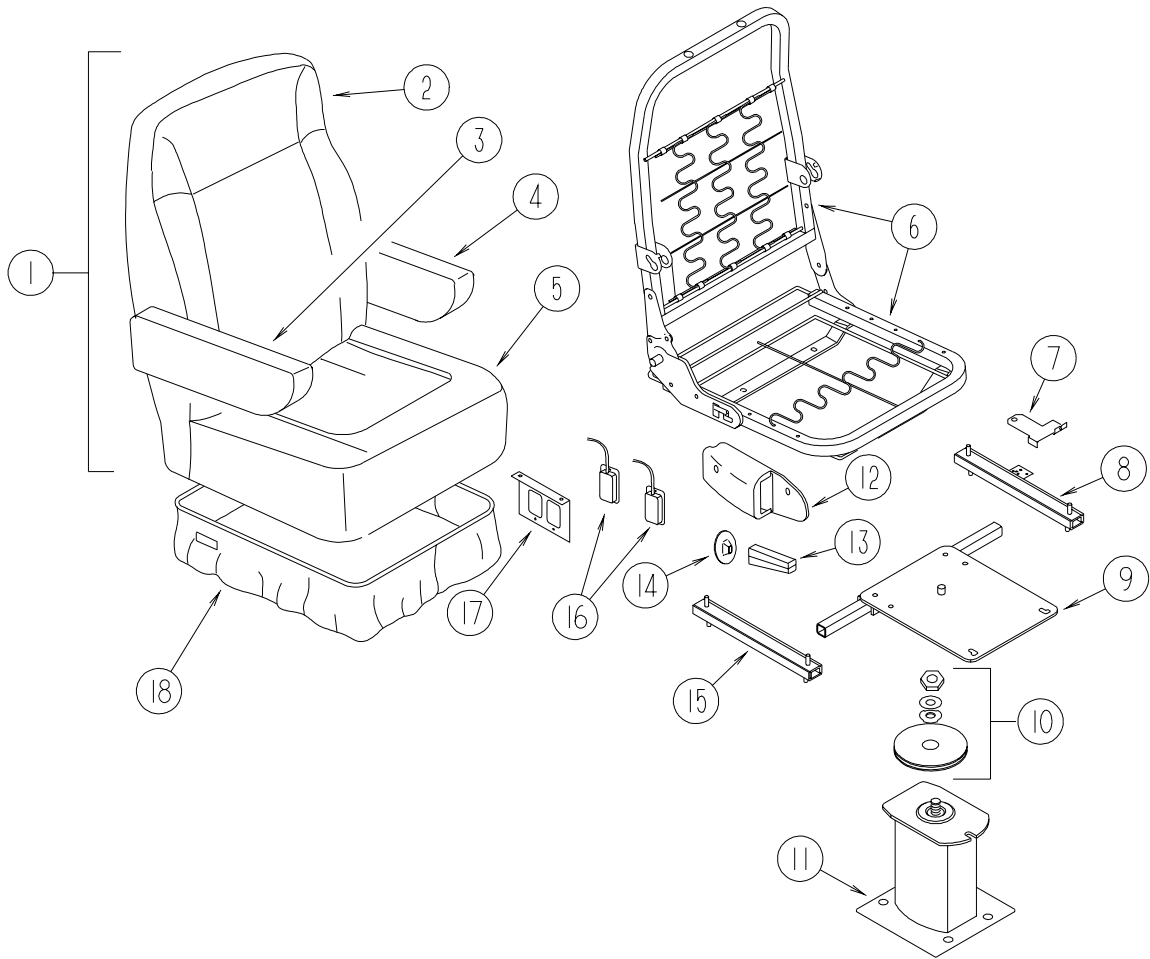
CURTAIN & CUSHION GROUP (CONTINUED)
BUCKET SEATS



CURTAIN & CUSHION GROUP (CONTINUED)**BUCKET SEATS (CONTINUED)**

KEY	PART NUMBER	U/M	DESCRIPTION
1	129664-03-L15	EA	SEAT - BUCKET - PASSENGER/DRIVER (L22)
1	129664-03-L23	EA	SEAT - BUCKET - PASSENGER/DRIVER (L23)
1	129664-03-L24	EA	SEAT - BUCKET - PASSENGER/DRIVER (L24)
1	129664-03-L25	EA	SEAT - BUCKET - PASSENGER/DRIVER (L25)
1	129664-12-L22	EA	SEAT - BUCKET - PASSENGER/DRIVER (L22,L23) - LEATHER OPTION
1	129664-12-L24	EA	SEAT - BUCKET - PASSENGER/DRIVER (L24,L25) - LEATHER OPTION
2	M05962-84-L15	EA	COVER - BACK (L22)
2	M05962-84-L23	EA	COVER - BACK (L23)
2	M05962-84-L24	EA	COVER - BACK (L24)
2	M05962-84-L25	EA	COVER - BACK (L25)
2	M05962-A7-L22	EA	COVER - BACK (L22,L23) - LEATHER OPTION
2	M05962-A7-L24	EA	COVER - BACK (L24,L25) - LEATHER OPTION
3	129666-01-K18	EA	ARMREST - RIGHT HAND (L22)
3	129666-01-L23	EA	ARMREST - RIGHT HAND (L23)
3	129666-01-L24	EA	ARMREST - RIGHT HAND (L24)
3	129666-01-L25	EA	ARMREST - RIGHT HAND (L25)
3	129666-11-L22	EA	ARMREST - RIGHT HAND (L22,L23,L24,L25) - LEATHER OPTION
	P29666-01-K18	EA	COVER - ARMREST/RIGHT HAND (L22)
	P29666-01-L23	EA	COVER - ARMREST/RIGHT HAND (L23)
	P29666-01-L24	EA	COVER - ARMREST/RIGHT HAND (L24)
	P29666-01-L25	EA	COVER - ARMREST/RIGHT HAND (L25)
	P29666-11-L22	EA	COVER - ARMREST/RIGHT HAND (L22,L23,L24,L25) - LEATHER OPTION
4	129666-02-L01	EA	ARMREST - LEFT HAND (L22)
4	129666-02-L23	EA	ARMREST - LEFT HAND (L23)
4	129666-02-L24	EA	ARMREST - LEFT HAND (L24)
4	129666-02-L25	EA	ARMREST - LEFT HAND (L25)
4	129666-12-L22	EA	ARMREST - LEFT HAND (L22,L23,L24,L25) - LEATHER OPTION
	P29666-02-L01	EA	COVER - ARMREST/LEFT HAND (L22)
	P29666-02-L23	EA	COVER - ARMREST/LEFT HAND (L23)
	P29666-02-L24	EA	COVER - ARMREST/LEFT HAND (L24)
	P29666-02-L25	EA	COVER - ARMREST/LEFT HAND (L25)
	P29666-12-L22	EA	COVER - ARMREST/LEFT HAND (L22,L23,L24,L25) - LEATHER OPTION
5	M05962-85-L15	EA	COVER - SEAT (L22)
5	M05962-85-L23	EA	COVER - SEAT (L23)
5	M05962-85-L24	EA	COVER - SEAT (L24)
5	M05962-85-L25	EA	COVER - SEAT (L25)
5	M05962-A8-L22	EA	COVER - SEAT (L22,L23) - LEATHER OPTION
5	M05962-A8-L24	EA	COVER - SEAT (L24,L25) - LEATHER OPTION
6	134532-01-000	EA	FRAME/SEAT - HI BACK/WIDE
7	117125-01-02B	EA	BRACKET - CABLE MOUNT - ADJUSTER W/LOCK
8	131566-04-000	EA	SLIDE - DOUBLE LOCKING
	119952-07-000	EA	WIRE - LATCH RELEASE/ROTARY
9	107921-05-000	EA	PLATE - TOP - W/SEAT BELT BAR
10	107921-06-000	EA	BEARING KIT - PEDESTAL
11	107921-01-000	EA	PEDESTAL/FLOOR MOUNTED - W/9.75" EXTENSION
12	080730-09-000	EA	SHIELD - RECLINER HANDLE
13	080730-08-000	EA	HANDLE - RECLINER
14	080730-11-000	EA	SHIELD - RUBBER BOOT
15	108049-04-000	EA	CABLE - W/MINI LEVER ACTION SWITCH - 28" SHEATH/30" CABLE
	108049-02-000	EA	CLIP - CABLE/PEDESTAL
16	127159-02-02B	EA	BRACKET - SEAT RELEASE - DUAL REMOTE
17	071126-68-K18	EA	SKIRT - WIDE - 10.5" OPEN CORNER (STANDARD & 6-WAY POWER) (L22)
17	071126-68-L23	EA	SKIRT - WIDE - 10.5" OPEN CORNER (STANDARD & 6-WAY POWER) (L23)
17	071126-68-L24	EA	SKIRT - WIDE - 10.5" OPEN CORNER (STANDARD & 6-WAY POWER) (L24)
17	071126-68-L25	EA	SKIRT - WIDE - 10.5" OPEN CORNER (STANDARD & 6-WAY POWER) (L25)
17	071126-77-L76	EA	SKIRT - WIDE - 10.5" (L22,L23,L24,L25) - LEATHER OPTION
	130184-01-01A	EA	PROTECTOR - SEAT - CLEAR

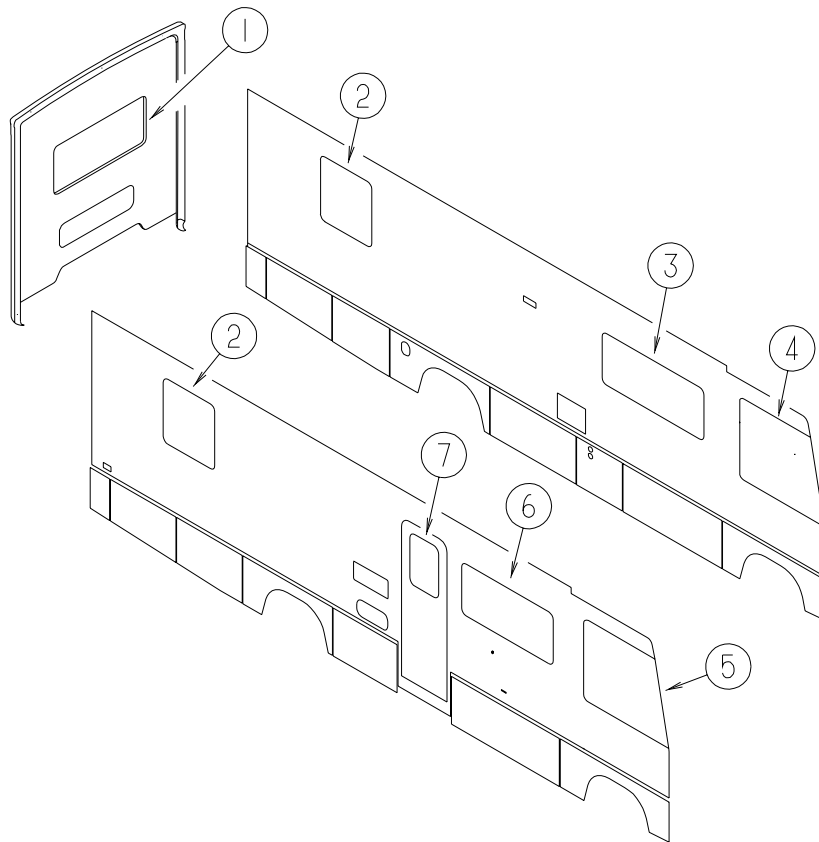
CURTAIN & CUSHION GROUP (CONTINUED)
LOUNGE CHAIR



CURTAIN & CUSHION GROUP (CONTINUED)**LOUNGE CHAIR (CONTINUED)**

KEY	PART NUMBER	U/M	DESCRIPTION
1	129664-08-L22	EA	SEAT - BUCKET - WIDE - W/ADJUSTABLE ARMREST
1	129664-08-L23	EA	SEAT - BUCKET - WIDE - W/ADJUSTABLE ARMREST
1	129664-08-L24	EA	SEAT - BUCKET - WIDE - W/ADJUSTABLE ARMREST
1	129664-08-L25	EA	SEAT - BUCKET - WIDE - W/ADJUSTABLE ARMREST
2	M05962-84-L15	EA	COVER - BACK (L22)
2	M05962-84-L23	EA	COVER - BACK (L23)
2	M05962-84-L24	EA	COVER - BACK (L24)
2	M05962-84-L25	EA	COVER - BACK (L25)
3	129716-01-K26	EA	ARMREST - ADJUSTABLE RIGHT HAND (L22)
3	129716-01-L23	EA	ARMREST - ADJUSTABLE RIGHT HAND (L23)
3	129716-01-L24	EA	ARMREST - ADJUSTABLE RIGHT HAND (L24)
3	129716-01-L25	EA	ARMREST - ADJUSTABLE RIGHT HAND (L25)
	P29716-01-K26	EA	COVER - ARMREST/RIGHT HAND (L22)
	P29716-01-L23	EA	COVER - ARMREST/RIGHT HAND (L23)
	P29716-01-L24	EA	COVER - ARMREST/RIGHT HAND (L24)
	P29716-01-L25	EA	COVER - ARMREST/RIGHT HAND (L25)
	122622-04-000	EA	BRACKET - ADJUSTABLE/ARMREST - RIGHT HAND
	122622-06-000	EA	KNOB - W/3/8" THREAD INSERT
	130699-01-000	EA	ARMREST - MOLDED/RIGHT HAND
4	129716-02-K32	EA	ARMREST - ADJUSTABLE LEFT HAND (L22)
4	129716-02-L23	EA	ARMREST - ADJUSTABLE LEFT HAND (L23)
4	129716-02-L24	EA	ARMREST - ADJUSTABLE LEFT HAND (L24)
4	129716-02-L25	EA	ARMREST - ADJUSTABLE LEFT HAND (L25)
	P29716-02-K32	EA	COVER - ARMREST/LEFT HAND (L22)
	P29716-02-L23	EA	COVER - ARMREST/LEFT HAND (L23)
	P29716-02-L24	EA	COVER - ARMREST/LEFT HAND (L24)
	P29716-02-L25	EA	COVER - ARMREST/LEFT HAND (L25)
	122622-05-000	EA	BRACKET - ADJUSTABLE/ARMREST - LEFT HAND
	122622-06-000	EA	KNOB - W/3/8" THREAD INSERT
	130699-02-000	EA	ARMREST - MOLDED/LEFT HAND
5	M05962-85-L15	EA	COVER - SEAT (L22)
5	M05962-85-L23	EA	COVER - SEAT (L23)
5	M05962-85-L24	EA	COVER - SEAT (L24)
5	M05962-85-L25	EA	COVER - SEAT (L25)
6	134532-01-000	EA	FRAME ASM-SEAT&H BACK,WIDE
7	117125-01-02B	EA	BRACKET - CABLE MOUNT - ADJUSTER W/LOCK
8	119952-02-000	EA	SLIDE/SEAT - HEAVY DUTY NON LOCKING
9	107921-05-000	EA	PLATE - TOP - W/SEAT BELT BAR
10	107921-06-000	EA	BEARING KIT - PEDESTAL
11	107921-01-000	EA	PEDESTAL/FLOOR MOUNTED - W/9.75" EXTENSION
	108445-02-000	EA	PLATE/FLOOR MOUNTED - PEDESTAL SEAT
12	080730-09-000	EA	SHIELD - RECLINER HANDLE
13	080730-08-000	EA	HANDLE - RECLINER
14	080730-11-000	EA	SHIELD - RUBBER BOOT
15	131566-04-000	EA	SLIDE - DOUBLE LOCKING
16	108049-04-000	EA	CABLE - W/MINI LEVER ACTION SWITCH - 28" SHEATH/30" CABLE
	108049-02-000	EA	CLIP - CABLE/PEDESTAL
17	127159-02-02B	EA	BRACKET - SEAT RELEASE - DUAL REMOTE
18	071126-81-L22	EA	SKIRT - LARGE CHAIR
18	071126-81-L23	EA	SKIRT - LARGE CHAIR
18	071126-81-L24	EA	SKIRT - LARGE CHAIR
18	071126-81-L25	EA	SKIRT - LARGE CHAIR

CURTAIN & CUSHION GROUP (CONTINUED)
WINDOW TREATMENT



KEY	PART NUMBER	U/M	DESCRIPTION
1	133821-01-L22	EA	VALANCE - LYNETTE - 53"
1	133821-01-L23	EA	VALANCE - LYNETTE - 53"
1	133821-01-L24	EA	VALANCE - LYNETTE - 53"
1	133821-01-L25	EA	VALANCE - LYNETTE - 53"
1	127017-45-L22	EA	LEG - RIGHT - 25"
1	127017-45-L23	EA	LEG - RIGHT - 25"
1	127017-45-L24	EA	LEG - RIGHT - 25"
1	127017-45-L25	EA	LEG - RIGHT - 25"
1	127017-46-L22	EA	LEG - LEFT - 25"
1	127017-46-L23	EA	LEG - LEFT - 25"
1	127017-46-L24	EA	LEG - LEFT - 25"
1	127017-46-L25	EA	LEG - LEFT - 25"
1	111910-62-L22	EA	BLIND - DAY/NIGHTER - 49" X 27" (L22)
1	111910-62-L23	EA	BLIND - DAY/NIGHTER - 49" X 27" (L23)
1	111910-62-L24	EA	BLIND - DAY/NIGHTER - 49" X 27" (L24,L25)

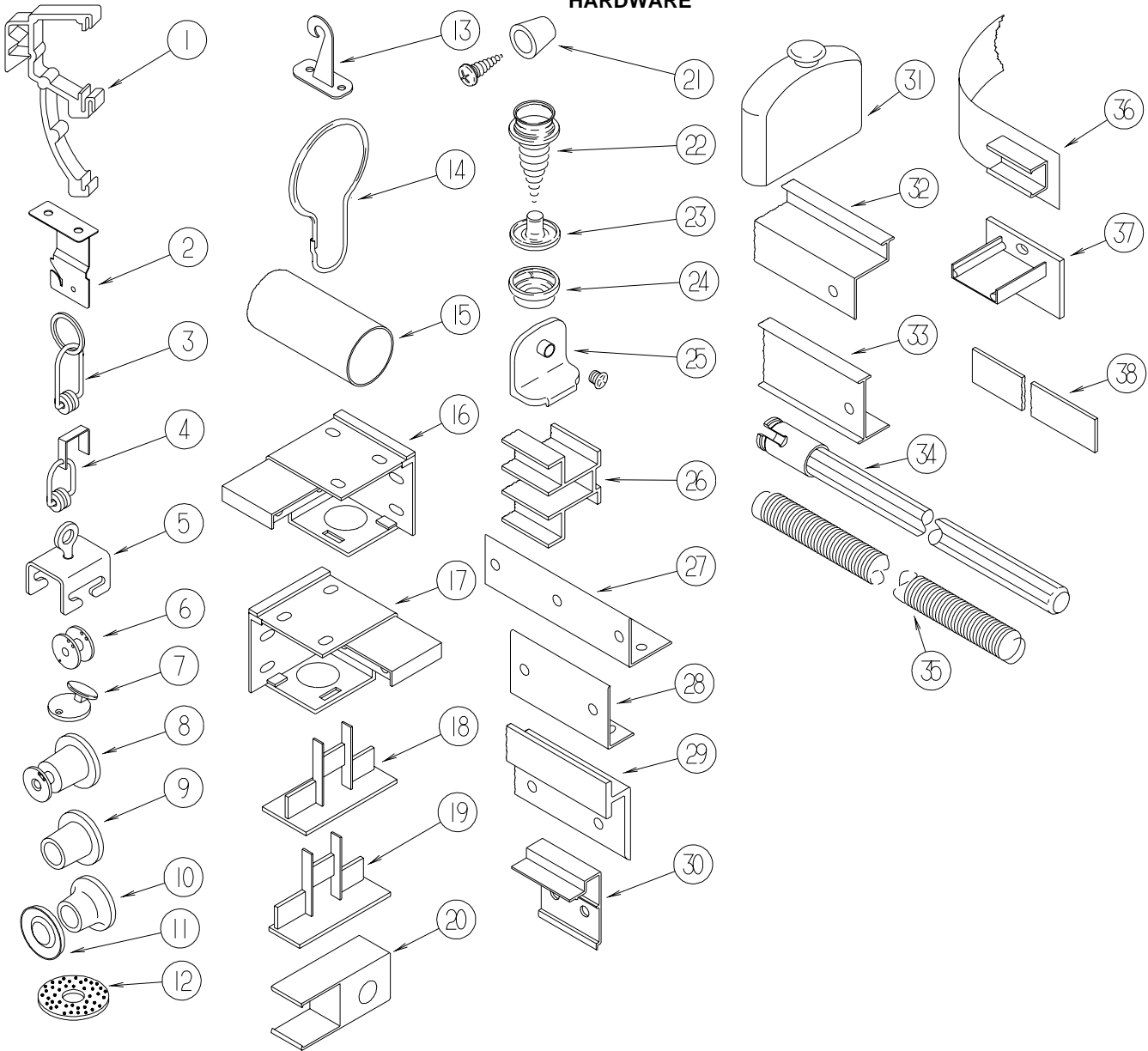
CURTAIN & CUSHION GROUP (CONTINUED)

WINDOW TREATMENT (CONTINUED)

KEY	PART NUMBER	U/M	DESCRIPTION
2	133821-02-L22	EA	VALANCE - LYNETTE - 34"
2	133821-02-L23	EA	VALANCE - LYNETTE - 34"
2	133821-02-L24	EA	VALANCE - LYNETTE - 34"
2	133821-02-L25	EA	VALANCE - LYNETTE - 34"
2	127017-91-L22	EA	LEG - RIGHT - 34"
2	127017-91-L23	EA	LEG - RIGHT - 34"
2	127017-91-L24	EA	LEG - RIGHT - 34"
2	127017-91-L25	EA	LEG - RIGHT - 34"
2	127017-92-L22	EA	LEG - LEFT - 34"
2	127017-92-L23	EA	LEG - LEFT - 34"
2	127017-92-L24	EA	LEG - LEFT - 34"
2	127017-92-L25	EA	LEG - LEFT - 34"
2	111910-58-L22	EA	BLIND - DAY/NIGHTER - 31" X 37"
2	111910-58-L23	EA	BLIND - DAY/NIGHTER - 31" X 37"
2	111910-58-L24	EA	BLIND - DAY/NIGHTER - 31" X 37"
2	111910-58-L25	EA	BLIND - DAY/NIGHTER - 31" X 37"
3	133816-04-L22	EA	VALANCE - WESTFIELD - 64.5"
3	133816-10-L23	EA	VALANCE - WESTFIELD - 64.5"
3	133816-04-L24	EA	VALANCE - WESTFIELD - 64.5"
3	133816-04-L25	EA	VALANCE - WESTFIELD - 64.5"
3	127017-85-L22	EA	LEG - RIGHT - 25"
3	127017-B3-L23	EA	LEG - RIGHT - 25"
3	127017-85-L24	EA	LEG - RIGHT - 25"
3	127017-85-L25	EA	LEG - RIGHT - 25"
3	127017-86-L22	EA	LEG - LEFT - 25"
3	127017-B4-L23	EA	LEG - LEFT - 25"
3	127017-86-L24	EA	LEG - LEFT - 25"
3	127017-86-L25	EA	LEG - LEFT - 25"
3	111910-57-L15	EA	BLIND - DAY/NIGHTER - 61" X 28.5" (L22)
3	111910-57-L16	EA	BLIND - DAY/NIGHTER - 61" X 28.5" (L23,L24,L25)
4	101668-67-J22	EA	CURTAIN - RIGHT HAND/LEFT HAND - 42" X 106"
4	073260-42-C18	EA	TIEBACK - 6" X 18"
5	101668-67-J22	EA	CURTAIN - RIGHT HAND/LEFT HAND - 42" X 106"
5	073260-42-C18	EA	TIEBACK - 6" X 18"
6	133816-07-L22	EA	VALANCE - WESTFIELD - 58.5"
6	133816-09-L23	EA	VALANCE - WESTFIELD - 58.5"
6	133816-07-L24	EA	VALANCE - WESTFIELD - 58.5"
6	133816-07-L25	EA	VALANCE - WESTFIELD - 58.5"
6	127017-85-L22	EA	LEG - RIGHT - 25"
6	127017-B3-L23	EA	LEG - RIGHT - 25"
6	127017-85-L24	EA	LEG - RIGHT - 25"
6	127017-85-L25	EA	LEG - RIGHT - 25"
6	127017-86-L22	EA	LEG - LEFT - 25"
6	127017-B4-L23	EA	LEG - LEFT - 25"
6	127017-86-L24	EA	LEG - LEFT - 25"
6	127017-86-L25	EA	LEG - LEFT - 25"
6	111910-60-L22	EA	BLIND - DAY/NIGHTER - 55" X 28.5" (L22)
6	111910-60-L16	EA	BLIND - DAY/NIGHTER - 55" X 28.5" (L23,L24,L25)
7	133816-08-L22	EA	VALANCE - WESTFIELD - 33.7"
7	133816-11-L23	EA	VALANCE - WESTFIELD - 33.75"
7	133816-08-L24	EA	VALANCE - WESTFIELD - 33.7"
7	133816-08-L25	EA	VALANCE - WESTFIELD - 33.7"
7	120820-59-L22	EA	VALANCE - 15" X 33.75" - W/CLOCK (L22) - COMFORT & CONVENIENCE PACKAGE
7	120820-59-L23	EA	VALANCE - 15" X 33.75" - W/CLOCK (L23) - COMFORT & CONVENIENCE PACKAGE
7	120820-59-L24	EA	VALANCE - 15" X 33.75" - W/CLOCK (L24) - COMFORT & CONVENIENCE PACKAGE
7	120820-59-L25	EA	VALANCE - 15" X 33.75" - W/CLOCK (L25) - COMFORT & CONVENIENCE PACKAGE
7	084755-57-E07	EA	SHADE - PULL - 27.25"

CURTAIN & CUSHION GROUP (CONTINUED)

HARDWARE



**BLIND PARTS ARE COLOR COORDINATED TO MATCH THE COLOR OF THE BLINDS
HAMPTON TAN COLORS ARE USED BY THE ULTIMATE FREEDOM & ADVANTAGE
TITANIUM IS USED BY ALL ITASCAS
ANTELOPE IS USED BY ALL WINNEBAGOS**

KEY	PART NUMBER	U/M	DESCRIPTION
1	109353-04-000	EA	CLIP - VALANCE SLAT MOUNTING - CLEAR PLASTIC
2	084434-01-000	EA	BRACKET - MOUNTING - ROLLER SHADE - 1 3/8"
	096843-01-000	EA	SPRING - REWIND/ROLLER SHADE
	086276-01-000	EA	TAPE - DOUBLE SIDED - 1/2"
3	009701-01-000	EA	CARRIER - CURTAIN - L ROD
4	093487-91-000	EA	ROLLER/CLIP
5	009702-01-000	EA	END STOP - CURTAIN CARRIER - L ROD
6	097592-01-000	EA	SPOOL - CORD - ELEVATED BLIND HOLDUP - SMALL - CLEAR
7	102555-03-000	EA	CLEAT - BLIND CORD - MILKY WHITE PLASTIC
8	097592-02-000	EA	SPOOL - CORD - ELEVATED BLIND HOLDUP - LARGE - CLEAR
9	094896-02-000	EA	GROMMET - CORD/PLEATED BLIND - NYLON - GRAY
10	046867-03-000	EA	GROMMET - HANDY BUTTON #3
11	046867-02-000	EA	WASHER - HANDY BUTTON #3
12	103242-01-000	EA	VELCRO HOOK - BEIGE 7/8" ROUND W/CENTER HOLE
12	103242-02-000	EA	VELCRO HOOK - BLACK 7/8" ROUND W/CENTER HOLE
13	109441-03-000	EA	HOLD DOWN - BLIND (CLOUDY)
	109441-02-000	EA	HOLD DOWN - SPACER
14	009136-02-000	EA	HANGER - RING - PIN TYPE - CURTAIN - BRASS

CURTAIN & CUSHION GROUP (CONTINUED)

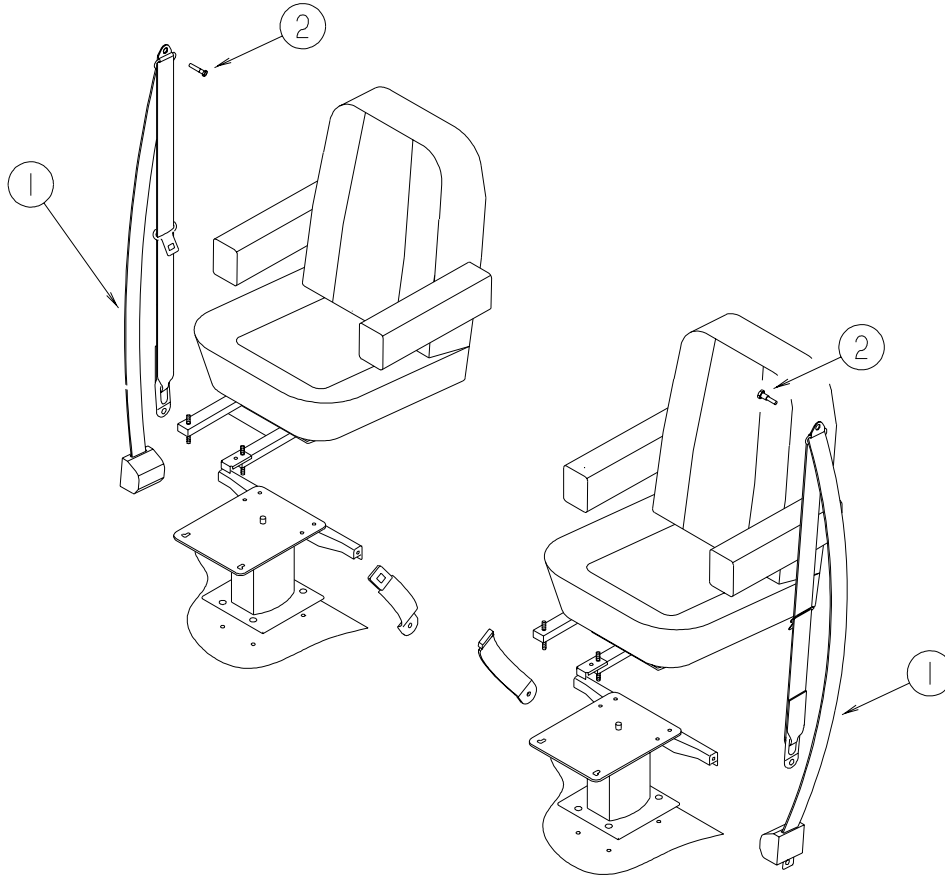
HARDWARE (CONTINUED)

KEY	PART NUMBER	U/M	DESCRIPTION
15	102075-01-02A	EA	ROD - SHOWER CURTAIN - 1" OD X 30.9" - SOFT WHITE
15	102075-06-02A	EA	ROD - SHOWER CURTAIN - 1" OD X 33.5" - SOFT WHITE
15	102075-09-01A	EA	ROD - SHOWER CURTAIN - 3/4"OD X 29.5" - OFF WHITE
15	102075-09-02A	EA	ROD - SHOWER CURTAIN - 3/4"OD X 29.5" - SOFT WHITE
15	102075-10-02A	EA	ROD - SHOWER CURTAIN - 1" OD X 46.3" - SOFT WHITE
15	102075-16-02A	EA	ROD - SHOWER CURTAIN - 3/4"OD X 34.2" - SOFT WHITE
15	102075-17-02A	EA	ROD - SHOWER CURTAIN - 1" OD X 39.3" - SOFT WHITE
15	102075-18-02A	EA	ROD - SHOWER CURTAIN - 1" OD X 38.9" - SOFT WHITE
15	102075-19-02A	EA	ROD - SHOWER CURTAIN - 3/4"OD X 39.2" - SOFT WHITE
16	083170-01-000	EA	BRACKET - BLIND - LEFT SIDE WHEN FACING WINDOW
17	083170-02-000	EA	BRACKET - BLIND - RIGHT SIDE WHEN FACING WINDOW
18	094907-04-000	EA	END CAP - BOTTOM/PLEATED BLIND (RH & LH)
19	094907-02-000	EA	END CAP - TOP/PLEATED BLIND - PLASTIC - GRAY
	094907-05-700	EA	END CAP-RH BOTTOM BLIND
	094907-05-701	EA	END CAP-LH BOTTOM BLIND
20	101033-02-000	EA	END CAP - TRACK/CLEAR
21	097564-03-000	EA	HANDLE - KNOB - E-Z LIFT SHADE - TAN
21	097564-04-000	EA	HANDLE - KNOB - E-Z LIFT SHADE - NAVY
21	097564-05-000	EA	HANDLE - KNOB - E-Z LIFT SHADE - TEAL
21	097564-06-000	EA	HANDLE - KNOB - E-Z LIFT SHADE - ALABASTER
21	097564-07-000	EA	HANDLE - KNOB - E-Z LIFT SHADE - SILVER
21	000G68-06-12J	EA	SCREW 6-18X.75 POH BRASS
22	029130-01-000	EA	SCREW - SNAP SOCKET - #8 PH X 5/8"
22	029130-03-000	EA	SCREW - SNAP SOCKET - #8 PH X 1"
23	029155-01-000	EA	CAP - SNAP - 5/32" OUTSIDE DIAMETER OF PIN
24	029156-01-000	EA	SOCKET - SNAP - 9/16" O.D.
24	029156-02-000	EA	SOCKET - SNAP - 27/64" O.D.
25	106544-01-000	EA	PULL - SHADE/BRASS
25	106544-01-001	EA	SCREW - SHADE/BRASS
26	101033-08-000	EA	TRACK - WALL - 75"
26	101033-09-000	EA	TRACK - WALL - 32"
27	105648-01-02A	EA	BRACE - VALANCE - OFF/WHITE - 14"
27	075943-10-000	EA	BRACE - VALANCE - 20" - OFF WHITE
28	083125-07-000	EA	BRACE - WINDOW MOUNT - 2.5" - OFF WHITE
28	083125-08-000	EA	BRACE - WINDOW MOUNT - 3/4 - OFF WHITE
29	127254-03-02A	EA	TRACK/WRAPAROUND - PASSENGER - ANTELOPE - F & G SERIES
29	127254-03-03A	EA	TRACK/WRAPAROUND - PASSENGER - TITANIUM - F & G SERIES
29	133236-01-02A	EA	TRACK - CURTAIN/RIGHT HAND - TITANIUM - P SERIES
29	133236-01-01A	EA	TRACK - CURTAIN/RIGHT HAND - ANTELOPE - P SERIES
29	127254-04-02A	EA	TRACK/WRAPAROUND - DRIVER - ANTELOPE - F & G SERIES
29	127254-04-03A	EA	TRACK/WRAPAROUND - DRIVER - TITANIUM - F & G SERIES
29	133235-01-02A	EA	TRACK - CURTAIN/LEFT HAND - TITANIUM - P SERIES
29	133235-01-01A	EA	TRACK - CURTAIN/LEFT HAND - ANTELOPE - P SERIES
30	097565-01-000	EA	BRACKET - MOUNTING/PLEATED BLIND
31	093475-01-701	EA	CAP-END, WITH INVERTED STUD
32	105450-14-01A	EA	TRACK - CURTAIN - 90" - OFF WHITE
33	009700-04-002	EA	TRACK - CURTAIN - L SHAPED - 15.5' - OFF WHITE
33	118896-05-02A	EA	TRACK/WRAPAROUND - PASSENGER - HAMPTON TAN - Q-SERIES
33	118897-04-02A	EA	TRACK/WRAPAROUND - DRIVER - HAMPTON TAN - Q-SERIES
33	126456-01-03A	EA	TRACK/WRAPAROUND - PASSENGER - TITANIUM - L-SERIES
33	126456-02-03A	EA	TRACK/WRAPAROUND - DRIVER - TITANIUM - L-SERIES
33	126456-03-02A	EA	TRACK/WRAPAROUND - PASSENGER - ANTELOPE - L-SERIES
33	126456-04-02A	EA	TRACK/WRAPAROUND - DRIVER - ANTELOPE - L-SERIES
34	093487-90-000	EA	WAND - 30" - FRONT WRAP AROUND
35	097591-01-000	EA	SPRING - EXTENSION/PLEATED BLIND
36	101031-01-000	YD	TAPE - GLIDE/CURTAIN - 4.25" SPACING
37	094907-06-000	EA	HARDWARE - END CAP - E-Z LIFT - TOP
38	089275-01-000	FT	STRIP - 3/4" X 96" - CLEAR POLYETHYLENE
	094908-03-000	FT	HARDWARE - SEMI-RIDGED PVC - EZ LIFT
	094908-04-000	FT	STRAP - FLAT POLY VINYL
	095567-01-000	EA	TACK - STRIP - .5" X 625' ROLL
	097593-02-000	FT	CORD - BLIND - PLEATED - GRAY
	097593-06-000	FT	CORD - BLIND - PLEATED - PEWTER
	097593-07-000	FT	CORD - BLIND - PLEATED - PALE JADE
	097593-10-000	FT	CORD - BLIND - PLEATED - VANILLA

CURTAIN & CUSHION GROUP (CONTINUED)

ACCESSORIES

KEY	PART NUMBER	U/M	DESCRIPTION
	007021-01-000	EA	SEAT BELT - 2" X 90" - BLACK
	056271-01-000	EA	SEAT BELT - 2" X 102" - BLACK
	057759-01-000	EA	WASHER - FLAT F/SEAT BELT - 4" DIAMETER
	070578-02-J22	EA	BUTTON - #30 - VINYL
	057534-01-000	EA	TIEBACK - CLEAR PLASTIC - 6"
	118337-07-L22	EA	BUTTON - #60 - FABRIC COVERED
	118337-07-L23	EA	BUTTON - #60 - FABRIC COVERED
	118337-07-L24	EA	BUTTON - #60 - FABRIC COVERED
	118337-07-L25	EA	BUTTON - #60 - FABRIC COVERED
	074494-02-000	EA	BUTTON - RETAINING PIVOT - #60
	074494-04-000	EA	BUTTON - JOINED/PIVOT - W 3/4 TACK



DRIVER & PASSENGER SEATBELTS

KEY	PART NUMBER	U/M	DESCRIPTION
1*	091990-04-01A	EA	SEAT BELT/SHOULDER HARNESS - DRIVERS/PASSENGER - BLACK
2	109146-01-000	EA	BOLT - SHOULDER/SEAT BELT

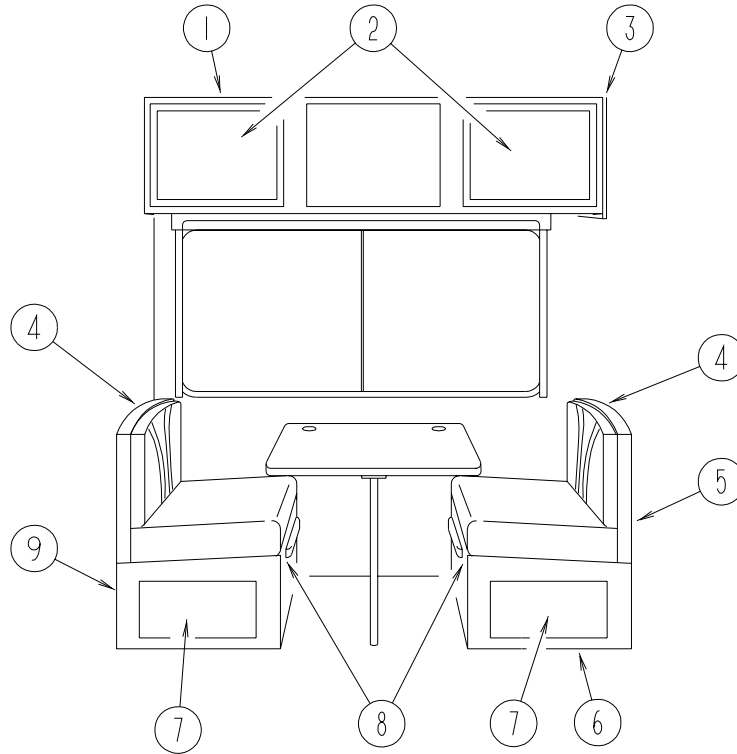
***COMPONENT PARTS FOUND IN SERVICE PARTS LIBRARY**

CURTAIN & CUSHION GROUP (CONTINUED)
FABRICS

COLOR CODES	L22	L23	L24	L25
BRAVE	SEASPRAY (TEAL)	CYPRESS (GREEN)	AMBROSIA (SALMON)	MOONSTONE (BLUE)
CEILING MATERIAL	113979-09-01A	113979-09-01A	113979-09-01A	113979-09-01A
PANEL & BUTTON VINYL	103907-01-07A 103907-02-07A	103907-01-07A 103907-02-07A	103907-01-07A 103907-02-07A	103907-01-07A 103907-02-07A
DRAPERY LINING	087272-03-000	087272-03-000	087272-03-000	087272-03-000
BUCKET SEATS	108446-C5-000	126883-65-000	126883-63-000	126883-72-000
LEATHER BUCKET SEATS	079680-31-000 079680-32-000	079680-31-000 079680-32-000	079680-31-000	079680-31-000
DINETTE	126883-27-000	126883-64-000	126883-62-000	126883-67-000
DINETTE PADS	126883-11-000	126883-65-000	126883-63-000	126883-72-000
SOFA	126883-27-000	126883-64-000	126883-62-000	126883-67-000
SOFA PILLOWS	126883-27-000 126883-11-000	126883-64-000 126883-48-000	126883-62-000 126883-47-000	126883-67-000 126883-72-000
LOUNGE CHAIR	108446-C5-000	126883-65-000	126883-63-000	126883-72-000
LOUNGE WINDOWS	126883-11-000 126883-27-000	126883-65-000 126883-64-000	126883-63-000 126883-62-000	126883-72-000 126883-67-000
BEDROOM WINDOWS	105745-K9-000 105745-E7-000	105745-N4-000 105745-N5-000	105745-N1-000 105745-N7-000	105745-N2-000 105745-N3-000
BEDSPREAD	105745-K9-000	105745-N4-000	105745-N1-000	105745-N2-000
PILLOW SHAMS	105745-K9-000 105745-E7-000	105745-N4-000 105745-N5-000	105745-N1-000 105745-N7-000	105745-N2-000 105745-N3-000
BEDROOM PILLOWS	105745-K9-000	105745-N4-000	105745-N1-000	105745-N2-000
FRONT WRAP AROUND	072333-85-000	072333-85-000	072333-85-000	072333-85-000
LOUNGE CABINET INSERTS	126883-11-000	126883-65-000	126883-63-000	126883-72-000
BEDROOM CABINET INSERTS	105745-E7-000	105745-N5-000	105745-N7-000	105745-N3-000
MAP POCKETS	108446-C5-000	126883-65-000	126883-63-000	126883-72-000

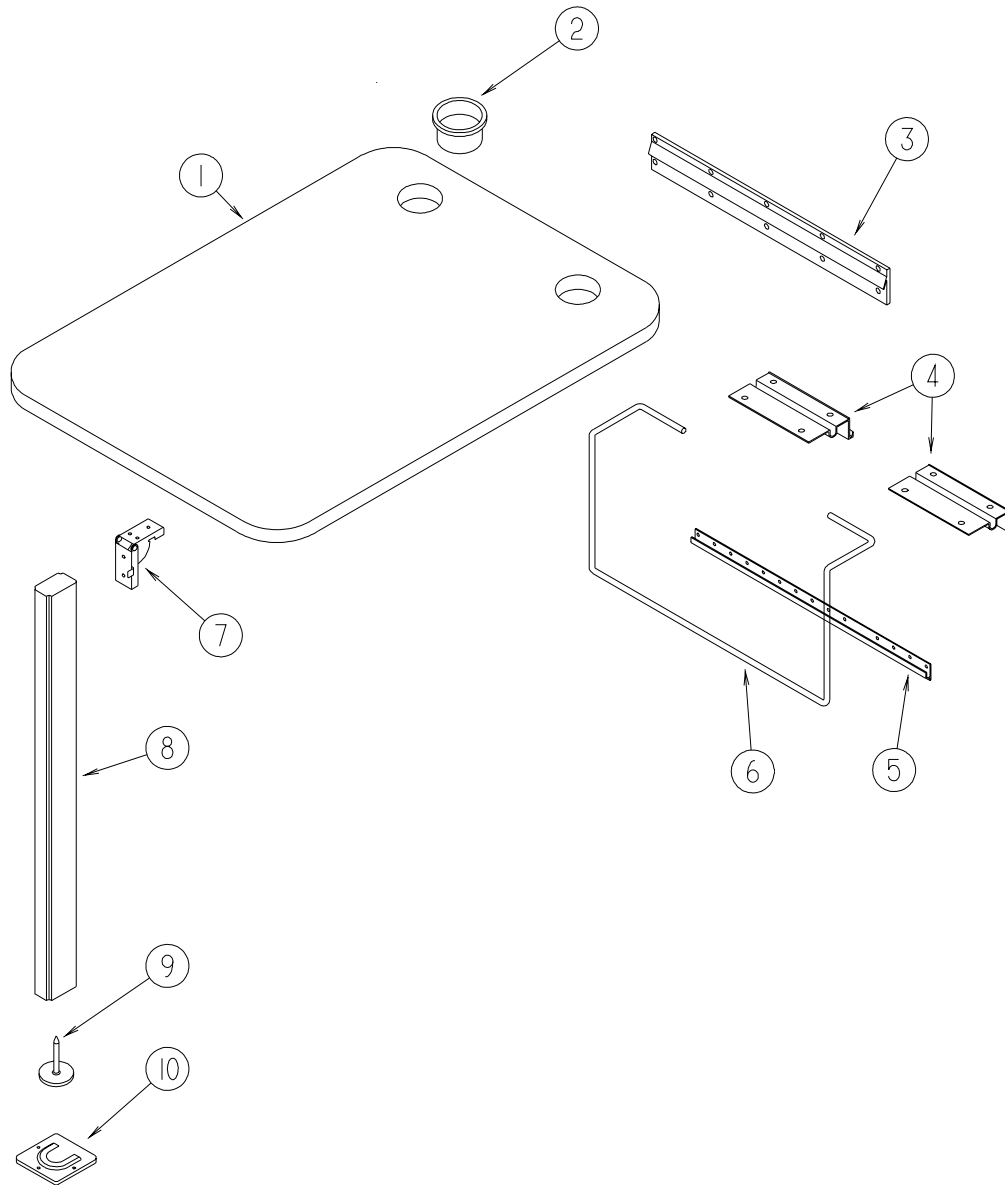
NOTE: FABRIC LISTED FIRST, IN A BLOCK, IS THE LARGEST QUANTITY OF FABRIC USED.

DINETTE GROUP CABINETS



KEY	PART NUMBER	U/M	DESCRIPTION
1	130279-01-K23	EA	CABINET - OVERHEAD - W/O DOORS/HARDWARE (L22)
1	130279-01-L23	EA	CABINET - OVERHEAD - W/O DOORS/HARDWARE (L23)
1	130279-01-L24	EA	CABINET - OVERHEAD - W/O DOORS/HARDWARE (L24)
1	130279-01-L25	EA	CABINET - OVERHEAD - W/O DOORS/HARDWARE (L25)
	130279-13-K20	EA	SHELF - W/PLASTIC EDGE TRIM
2	132141-56-L07	EA	DOOR - RAIL/VENEER - 14.3" X 26.7" - W/O HARDWARE
3	103128-29-J37	EA	END CAP - OVERHEAD/CABINET - RIGHT HAND
4	104787-28-L22	EA	PAD - DINETTE - 42"
4	104787-08-L23	EA	PAD - DINETTE - 42"
4	104787-08-L24	EA	PAD - DINETTE - 42"
4	104787-08-L25	EA	PAD - DINETTE - 42"
5	M08752-10-J37	EA	CABINET - SEATBACK - RIGHT HAND
6	M08753-10-J37	EA	CABINET - SEATBASE - RIGHT HAND - W/O DOOR/DRAWER/HARDWARE
7	131995-G4-L01	EA	DOOR - RAIL/SOLID PANEL - 10" X 19.1" - W/O HARDWARE
8	081295-01-G01	EA	SUPPORT - BED/DINETTE - 28" LONG
9	M08753-11-J37	EA	CABINET - SEATBASE - LEFT HAND - W/O DOOR/DRAWER/HARDWARE
	122021-01-02A	EA	ANGLE - W/HOLES - 8.6" LONG - OFF WHITE
	122021-02-02A	EA	ANGLE - W/HOLES - 13.7" LONG - OFF WHITE

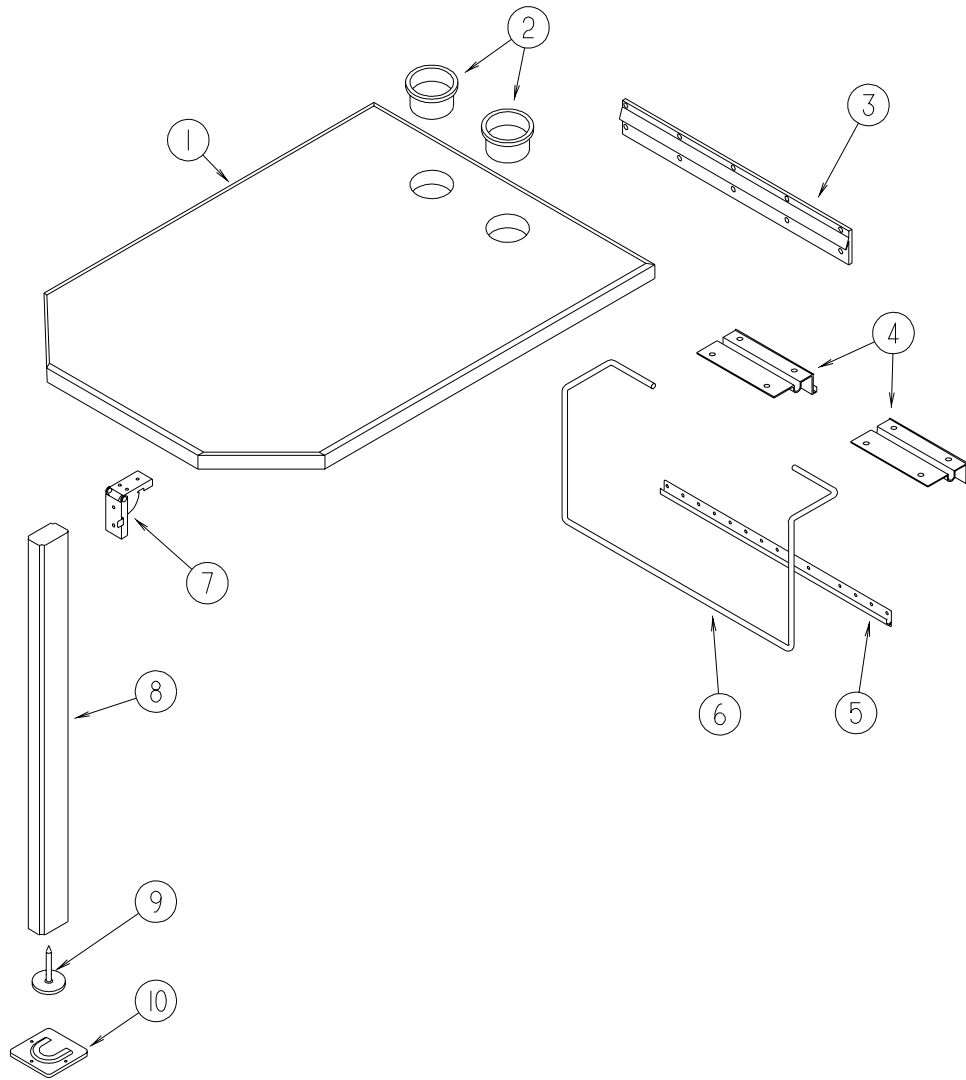
DINETTE GROUP (CONTINUED) TABLE



T-MOLDING EDGE

KEY	PART NUMBER	U/M	DESCRIPTION
1	132034-04-L20	EA	TABLE TOP ONLY - 41.6" X 29.7" (L22)
1	132034-04-L23	EA	TABLE TOP ONLY - 41.6" X 29.7" (L23)
1	132034-04-L24	EA	TABLE TOP ONLY - 41.6" X 29.7" (L24)
1	132034-04-L19	EA	TABLE TOP ONLY - 41.6" X 29.7" (L25)
2	064781-06-000	EA	HOLDER/CUP - TWO STEP - OFF WHITE
3	053200-13-000	EA	SUPPORT - TABLE - 18.5"
4	088410-02-000	EA	BRACKET - LIFT - TABLE MOUNTED
5	024281-15-000	EA	BRACKET/TABLE - LIFT ROD/LOWER WALL MOUNTED - 17.12"
6	024275-13-000	EA	ROD - TABLE LIFT - OFF/WHITE
7	093550-01-000	EA	BRACKET - HINGE - MOUNTS TO LEG & TABLE TOP - 1.7" X 2.6"
8	092707-04-05A	EA	LEG - TABLE - W/O HARDWARE - 27" - WATERFORD OAK
9	092593-01-05A	EA	CATCH - TABLE LEG - OFF/WHITE
10	049493-12-000	EA	CATCH - TABLE LEG/FLOOR MOUNTED - OFF WHITE

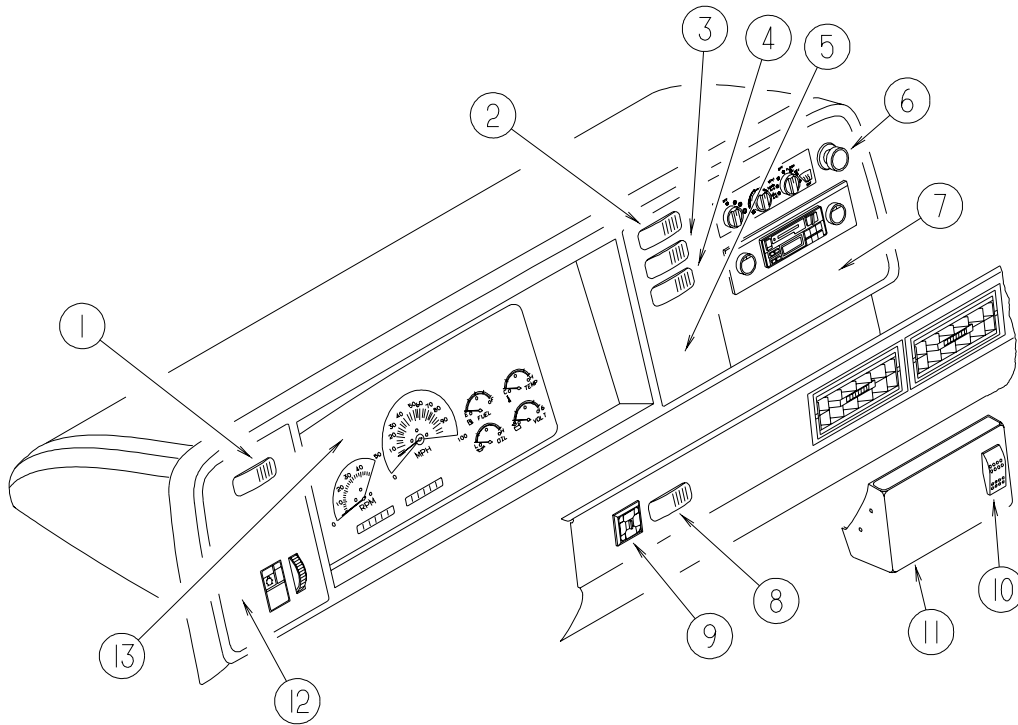
DINETTE GROUP (CONTINUED)
TABLE (CONTINUED)



WOOD EDGE

KEY	PART NUMBER	U/M	DESCRIPTION
1	132034-08-L22	EA	TABLE TOP ONLY - 41.6" X 29.7" (L22)
1	132034-08-L23	EA	TABLE TOP ONLY - 41.6" X 29.7" (L23)
1	132034-08-L24	EA	TABLE TOP ONLY - 41.6" X 29.7" (L24)
1	132034-08-L16	EA	TABLE TOP ONLY - 41.6" X 29.7" (L25)
2	064781-06-000	EA	HOLDER/CUP - TWO STEP - OFF WHITE
3	053200-13-000	EA	SUPPORT - TABLE - 18.5"
4	088410-02-000	EA	BRACKET - LIFT - TABLE MOUNTED
5	024281-15-000	EA	BRACKET/TABLE - LIFT ROD/LOWER WALL MOUNTED - 17.12"
6	024275-13-000	EA	ROD - TABLE LIFT - OFF/WHITE
7	093550-01-000	EA	BRACKET - HINGE - MOUNTS TO LEG & TABLE TOP - 1.7" X 2.6"
8	092707-04-05A	EA	LEG - TABLE - W/O HARDWARE - 27" - WATERFORD OAK
9	092593-01-05A	EA	CATCH - TABLE LEG - OFF/WHITE
10	049493-12-000	EA	CATCH - TABLE LEG/FLOOR MOUNTED - OFF WHITE

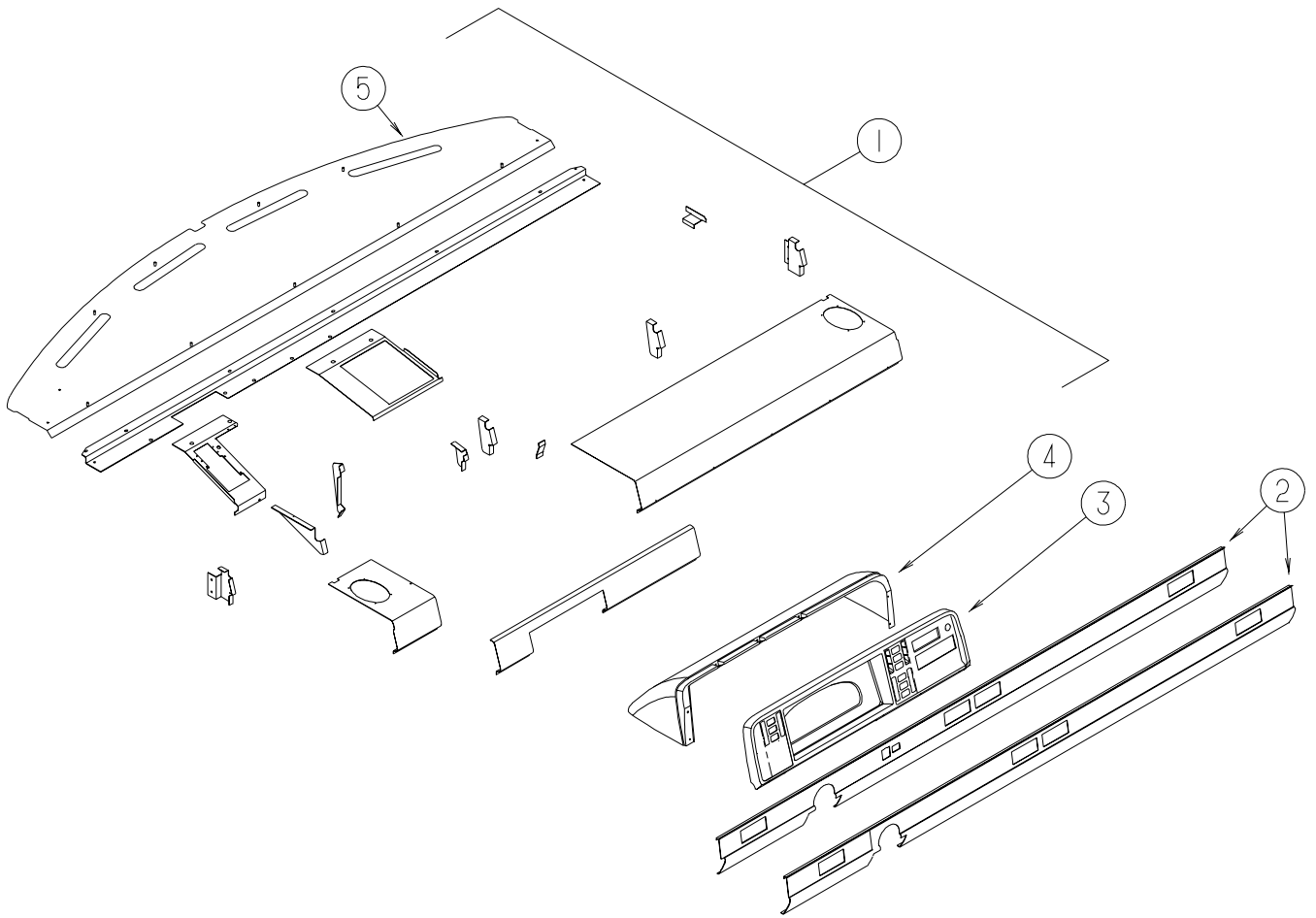
DRIVERS COMPARTMENT GROUP INSTRUMENT PANEL



KEY	PART NUMBER	U/M	DESCRIPTION
1	108357-09-000	EA	SWITCH - ROCKER SPDT - ON/NONE/MOM - 3 TERMINAL - AUXILLIARY START
1	108356-02-01A	EA	COVER/ACTUATOR SWITCH - 2 ROWS DIMPLES- CONTURA II - BLACK
2	108357-08-000	EA	SWITCH - ROCKER DPDT - ON/NONE/ON - 6 TERMINAL - RADIO POWER
2	108356-02-01A	EA	COVER/ACTUATOR SWITCH - 2 ROWS DIMPLES- CONTURA II - BLACK
3	108357-10-000	EA	SWITCH - ROCKER SPDT - W/LIGHT - MOM/NONE/MOM - 5 TERMINAL - GENERATOR OPTION
3	108356-04-01A	EA	COVER/ACTUATOR SWITCH - 2 ROWS DIMPLES W/LENS-CONTURA-BLK
3	096241-03-000	EA	SWITCH - BLANK - BLACK
4	108357-03-000	EA	SWITCH - ROCKER SPDT - ON/OFF/ON - 3 TERMINAL - REAR AUTO HEATER OPTION
4	108356-02-01A	EA	COVER/ACTUATOR SWITCH - 2 ROWS DIMPLES- CONTURA II - BLACK
4	096241-03-000	EA	SWITCH - BLANK - BLACK
5	104056-47-01A	EA	APPLIQUE - BEZEL - PASSENGER - BLACK
6	089294-01-000	EA	LIGHTER - CIGARETTE - W/SOCKET & WIRE
7	104056-06-01A	EA	APPLIQUE - BEZEL - PASSENGER - BLACK
8	087695-02-000	EA	SWITCH - HEATER - EXTERIOR MIRROR
9	088246-01-000	EA	SWITCH/REMOTE MIRROR - W/2PIN & 6 PIN CONNECTORS/PIGTAIL
10			NOT USED ON THIS UNIT
11			NOT USED ON THIS UNIT
12	104056-48-01A	EA	APPLIQUE - BEZEL - DRIVER - BLACK
13	127244-02-000	EA	CLUSTER - INSTRUMENT PANEL - K/M - GAS - CANADIAN
	077031-01-000	EA	FILM - BLACK - .1" X 1.75"
	077031-03-000	EA	FILM - WHITE - .75" X 1"

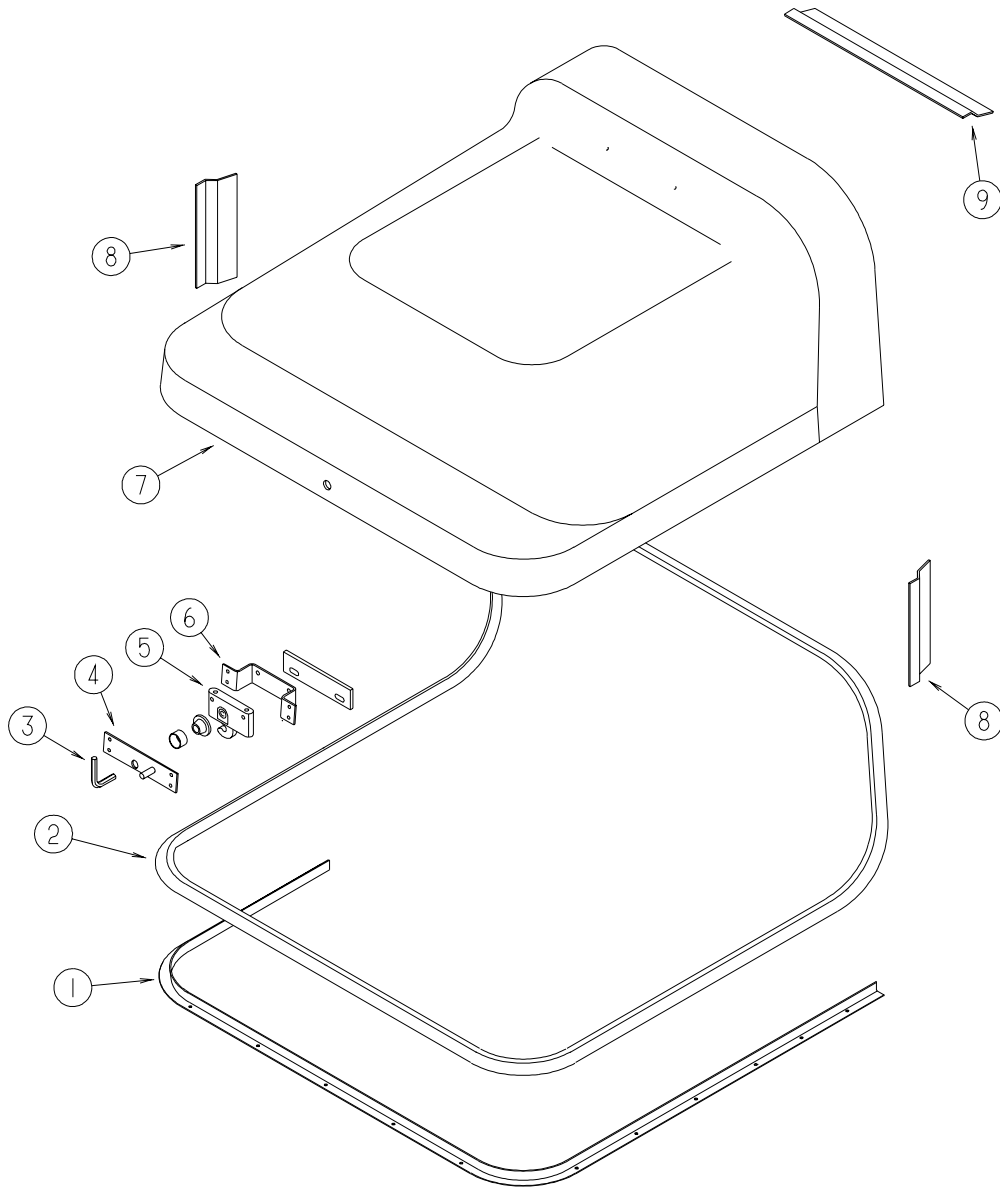
DRIVERS COMPARTMENT GROUP (CONTINUED)

DASH



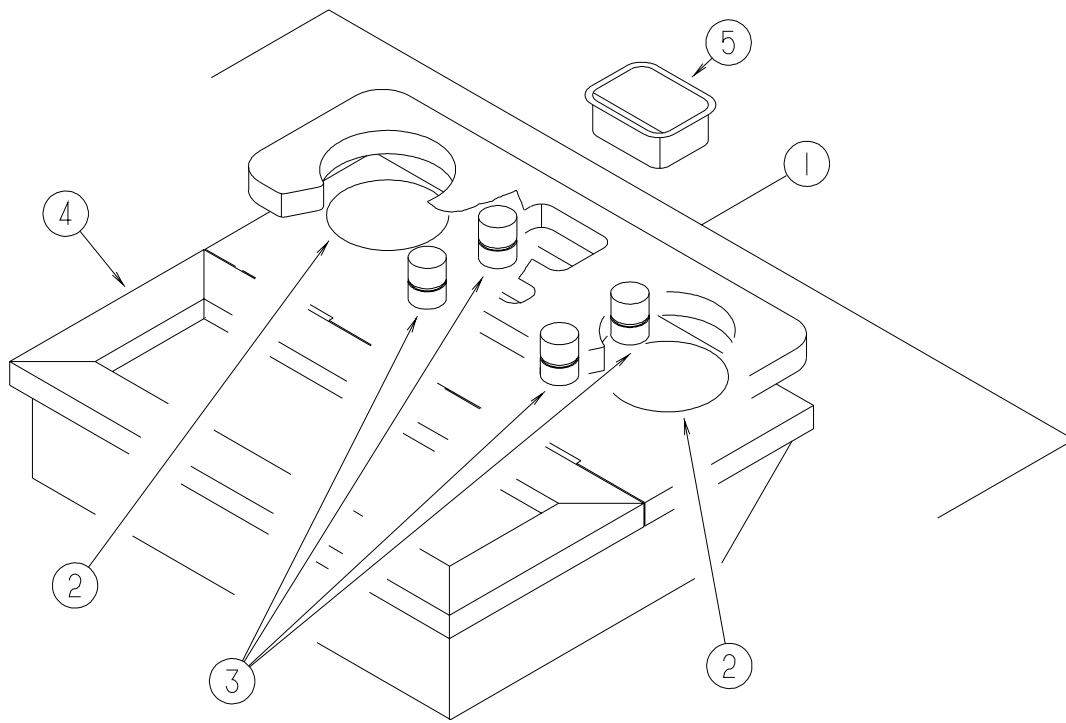
KEY	PART NUMBER	U/M	DESCRIPTION
1	P30276-06-000	EA	DASH - W/O VINYL - CHEVY
	106569-11-01A	EA	VINYL - LAMINATE - ALLANTE ANTELOPE - 1/4" X 21" X 100"
2	114620-12-02A	EA	TRIM - LOWER DASH - GM - 96" - ANTELOPE
2	114620-01-04A	EA	TRIM - LOWER DASH - GM - 96" - ANTELOPE - HEATED MIRRORS OPTION
3	103662-08-01A	EA	BEZEL - INSTRUMENT PANEL 5.4" X 14" CLUSTER OPENING
4	125677-02-J20	EA	POD - INSTRUMENT PANEL - ANTELOPE
5	118101-06-02B	EA	PANEL - DASH TOP - E-COATED
	049176-01-000	EA	HEDLOCK II - 3/4 DIAMETER SCREW MOUNT

DRIVERS COMPARTMENT GROUP (CONTINUED)
MOTOR COVER



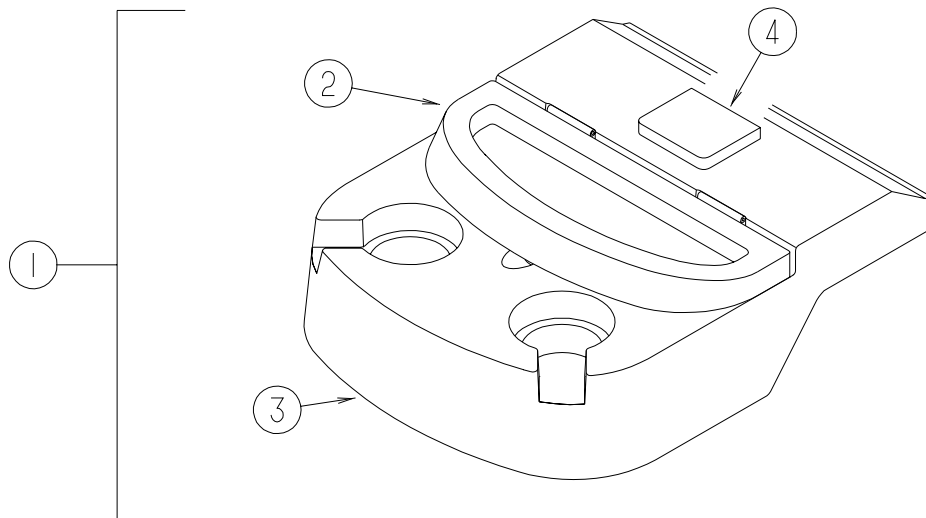
KEY	PART NUMBER	U/M DESCRIPTION
1	115860-04-01A	EA TRIM - MOTOR COVER
2	039623-01-000	FT SEAL - MOTOR COVER - RUBBER BULB TYPE
3	116833-01-02B	EA WRENCH - HEX MOTOR COVER - E-COATED
4	115852-01-02B	EA STRIKE - LATCH - MOTOR COVER - E-COATED
5	116581-01-000	EA LATCH - MOTOR COVER
6	115850-03-02B	EA RETAINER - LATCH - MOTOR COVER - RIGHT HAND - E-COATED
7	129099-02-01A	EA COVER - MOTOR - W/O CARPET - CHEVY P32 CHASSIS
8	115855-02-02B	EA RETAINER - MOTOR COVER/SIDE - E-COATED
9	115855-03-02B	EA RETAINER - MOTOR COVER/TOP - E-COATED
	072877-03-000	EA INSULATION - SOUND BARRIER - 1" X 36" X 57" - ADH BACK - DIESEL

DRIVERS COMPARTMENT GROUP (CONTINUED)
BEVERAGE TRAY



WOOD

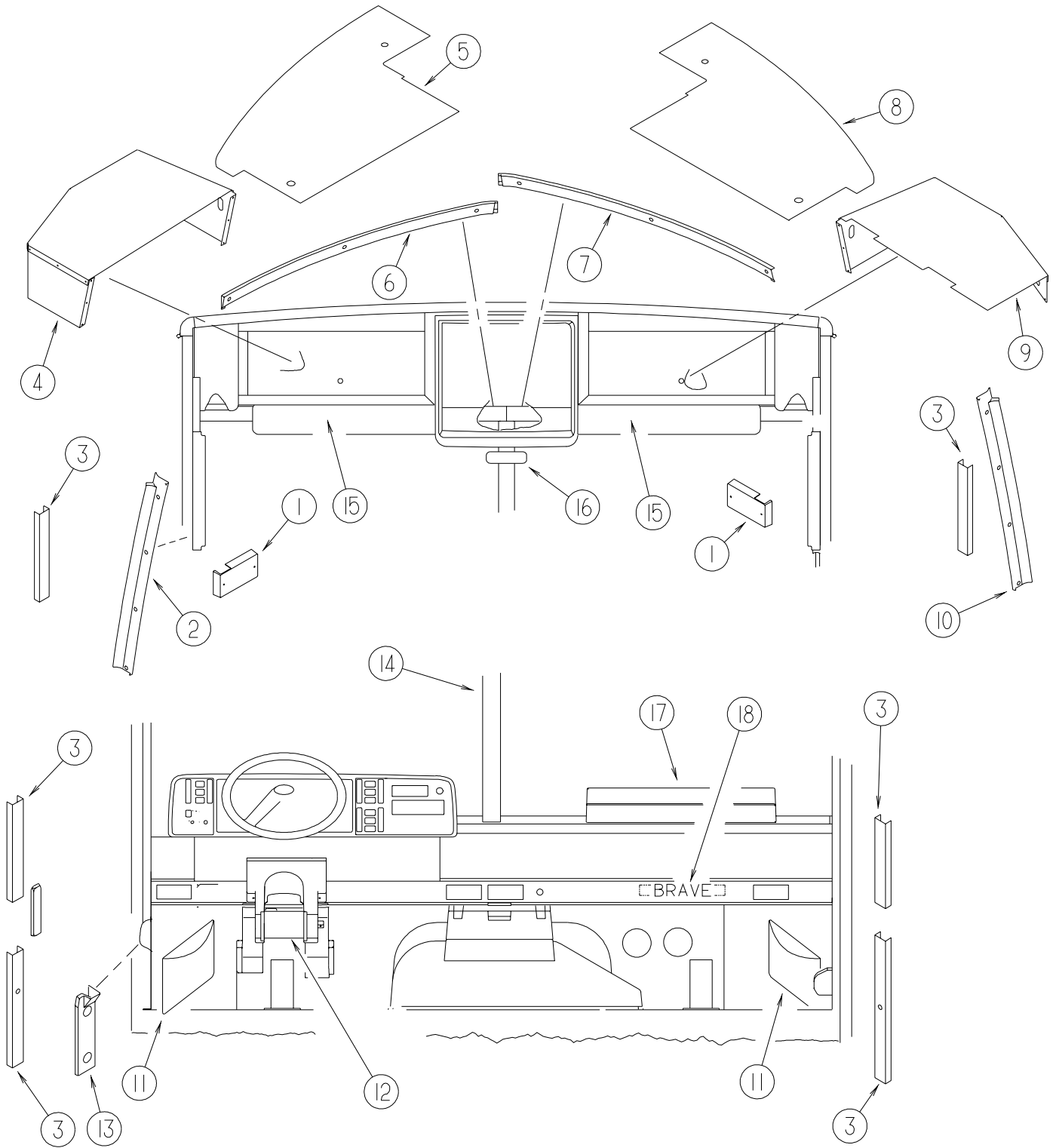
KEY	PART NUMBER	U/M	DESCRIPTION
1	111618-01-H17	EA	TRAY - BEVERAGE W/COMPARTMENT/CUPHOLDERS
2	122717-01-01A	EA	PAD - NON SKID - 4" DIAMETER ROUND
3	097872-08-000	EA	DOWEL - WOOD - 1" DIAMETER X 1.38" LONG - WATERFORD OAK
	097872-04-000	EA	DOWEL - WOOD - 1" DIA X 1.38" LONG - UNFINISHED
4	111618-13-GB1	EA	LID - BEVERAGE TRAY COMPARTMENT
5	046886-03-000	EA	ASHTRAY - CHROME W/COVER



PLASTIC

KEY	PART NUMBER	U/M	DESCRIPTION
1	126008-02-J30	EA	TRAY - BEVERAGE - W/DOOR
2	128113-01-J30	EA	LID - BEVERAGE TRAY
3	128114-01-01A	EA	TRAY - BEVERAGE - ANTELOPE
4	118719-01-01A	EA	ASHTRAY - TOP MOUNT - BLACK PLASTIC
	126010-01-01A	EA	SPACER - BEVERAGE TRAY
	122772-02-02B	EA	BRACKET - MOUNTING - BEVERAGE TRAY

DRIVERS COMPARTMENT GROUP (CONTINUED)
FRONT INTERIOR

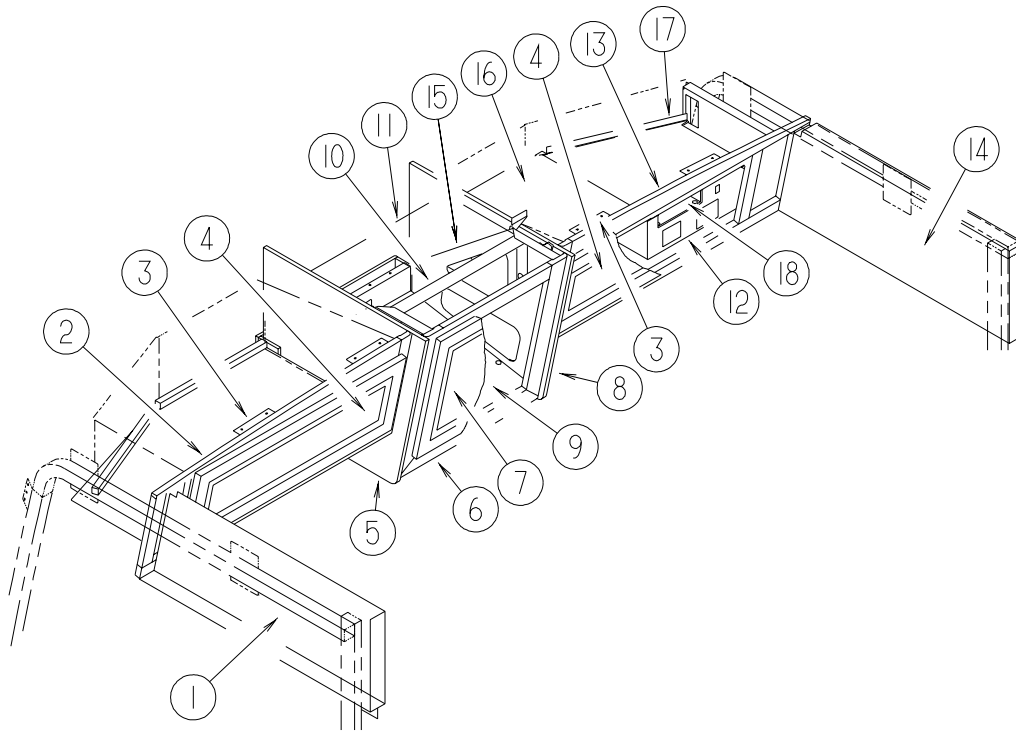


DRIVERS COMPARTMENT GROUP (CONTINUED)

FRONT INTERIOR (CONTINUED)

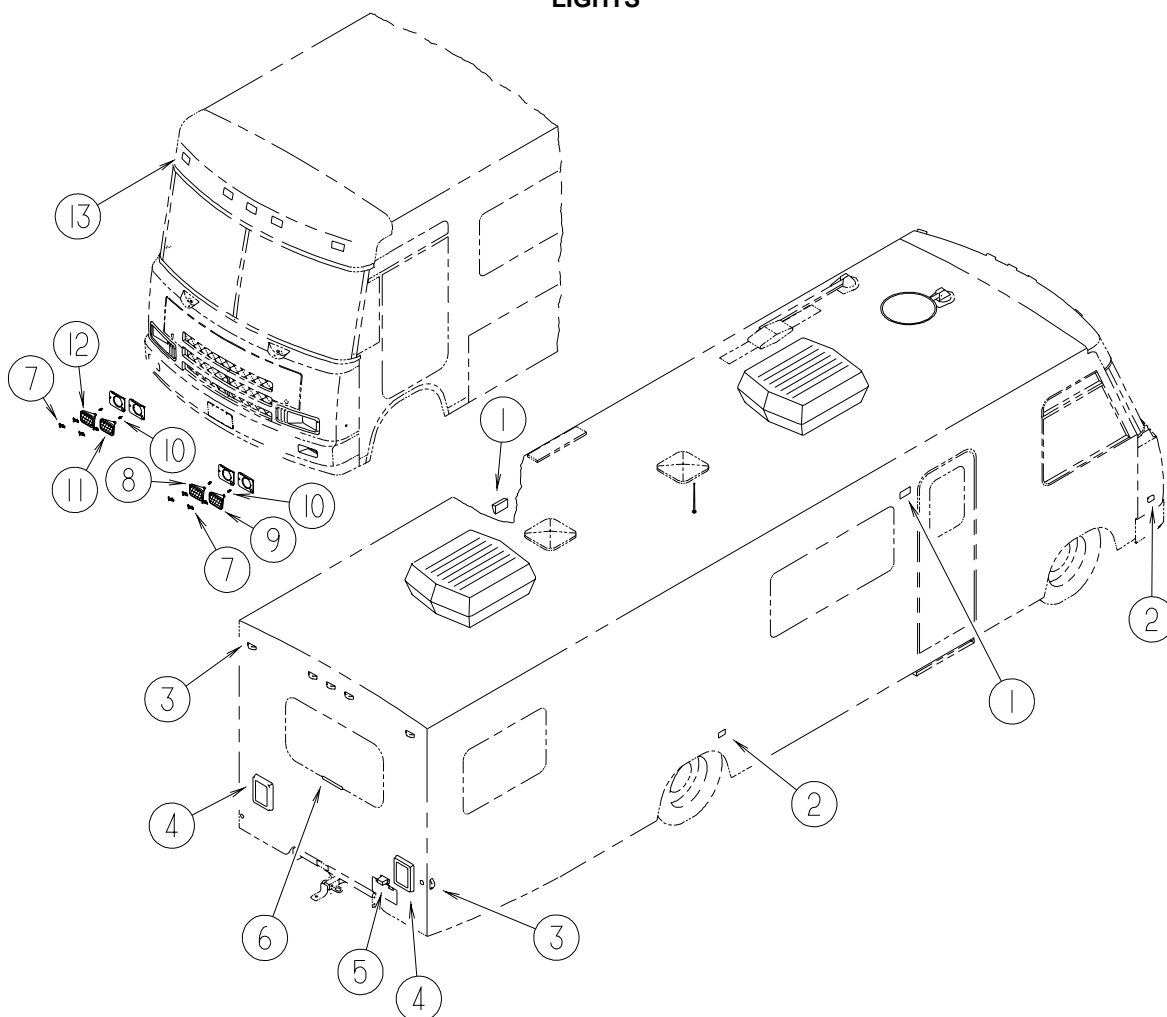
KEY	PART NUMBER	U/M	DESCRIPTION
1	103961-03-01A	EA	COVER - BRACKET - SEATBELT/OFF WHITE
2	125508-02-01A	EA	TRIM - A-PILLAR - INTERIOR - ANTELOPE
3	024700-51-000	EA	COVER - ROLL BAR - 88" - OFF WHITE
4	126457-02-L15	EA	PANEL - CLOSEOUT - OVERHEAD FRONT - DRIVER
5	126440-04-L15	EA	PANEL - OVERHEAD/FRONT - BOTTOM/LEFT HAND
6	118453-04-01A	EA	TRIM - WINDSHIELD - INNER/TOP/DRIVER
7	118453-03-01A	EA	TRIM - WINDSHIELD - INNER/TOP/PASSENGER
8	126440-03-L15	EA	PANEL - OVERHEAD/FRONT - BOTTOM/RIGHT HAND
9	126457-01-L15	EA	PANEL - CLOSEOUT - OVERHEAD FRONT - PASSENGER
10	125508-01-01A	EA	TRIM - A-PILLAR - INTERIOR - ANTELOPE
11	086120-01-G30	EA	PAD - MAP POCKET - 12" X 16" (L22)
11	086120-01-L23	EA	PAD - MAP POCKET - 12" X 16" (L23)
11	086120-01-L24	EA	PAD - MAP POCKET - 12" X 16" (L24)
11	086120-01-L25	EA	PAD - MAP POCKET - 12" X 16" (L25)
12	103498-09-000	EA	BOOT - STEERING COLUMN - W/1/2 CIRCLE
13	127901-01-01A	EA	PANEL - TOEKICK/LEFT HAND - ANTELOPE
14	118452-04-01A	EA	TRIM - WINDSHIELD - CENTER - ANTELOPE
15	123298-02-04A	EA	SUNVISOR - 10.5" X 28.5"
16	040714-01-000	EA	MIRROR - REAR VIEW/ARM MOUNT & SET SCREW
16	067490-01-000	EA	BUTTON - MIRROR/REAR VIEW
17	127692-01-J20	EA	TABLE/WORK STATION - COMPLETE - ANTELOPE
	127597-01-000	EA	SLIDE - WORK STATION - DASH
18	126340-01-01A	EA	DECAL - LOGO - BRAVE
	105924-01-L22	EA	MAT - FLOOR - 18" X 27"
	105924-01-L23	EA	MAT - FLOOR - 18" X 27"
	105924-01-L24	EA	MAT - FLOOR - 18" X 27"
	105924-01-L25	EA	MAT - FLOOR - 18" X 27"

DRIVERS COMPARTMENT GROUP (CONTINUED)
CABINETS



KEY	PART NUMBER	U/M	DESCRIPTION
1	126765-06-K20	EA	PANEL - OVERHEAD/DRIVER
2	126877-02-J15	EA	CABINET - OVERHEAD/FRONT - LEFT HAND - W/O DOORS/HARDWARE
3	106699-01-01A	EA	BRACKET - OVERHEAD CABINET/TV
4	132141-20-L07	EA	DOOR - RAIL/VENEER - 10.8" X 27.9" - W/O HARDWARE
5	103128-25-J15	EA	END CAP - OVERHEAD CABINET - LEFT HAND
6	126718-01-J15	EA	FRAME/FACE - TV CABINET - W/O DOOR/HARDWARE
6	116791-02-J15	EA	FRAME/FACE - TV CABINET - F/TV
7	100708-16-000	EA	DOOR - GLASS - CABINET - 15.5" X 15.7" - W/O HARDWARE
8	103128-26-J15	EA	END CAP - OVERHEAD CABINET - RIGHT HAND
9	126801-01-L22	EA	CABINET BOTTOM - VINYL COVERED
10	114706-04-02B	EA	SUPPORT - SHELF/TV
11	126854-01-L15	EA	PANEL - HEADLINER/TV/TOP
12	131807-01-L15	EA	PANEL/SHELF - VINYL COVERED - W/ANTENNA CUTOUT
12	131807-02-K28	EA	PANEL/SHELF - VINYL COVERED - W/NOTCH/ANTENNA CUTOUT
12	131807-03-K28	EA	PANEL/SHELF - VINYL COVERED - W/NOTCH/ANTENNA CUTOUT - INVERTER OPTION
13	126877-01-J15	EA	CABINET - OVERHEAD/FRONT - RIGHT HAND - W/O DOORS/HARDWARE
14	126765-05-K20	EA	PANEL - OVERHEAD/PASSENGER
15	126081-03-02B	EA	BRACKET/SUPPORT - TV - 10 DEGREE - RIGHT HAND - E-COATED
	126081-04-02B	EA	BRACKET/SUPPORT - TV - 10 DEGREE - LEFT HAND - E-COATED
16	127637-01-02B	EA	SHELF - OVERHEAD/FRONT/LEFT HAND - E-COATED
17	126275-03-02B	EA	SHELF - OVERHEAD/FRONT - E-COATED
18	118847-02-02B	EA	MOUNT - SWITCH BOX - E-COATED

ELECTRICAL GROUP LIGHTS

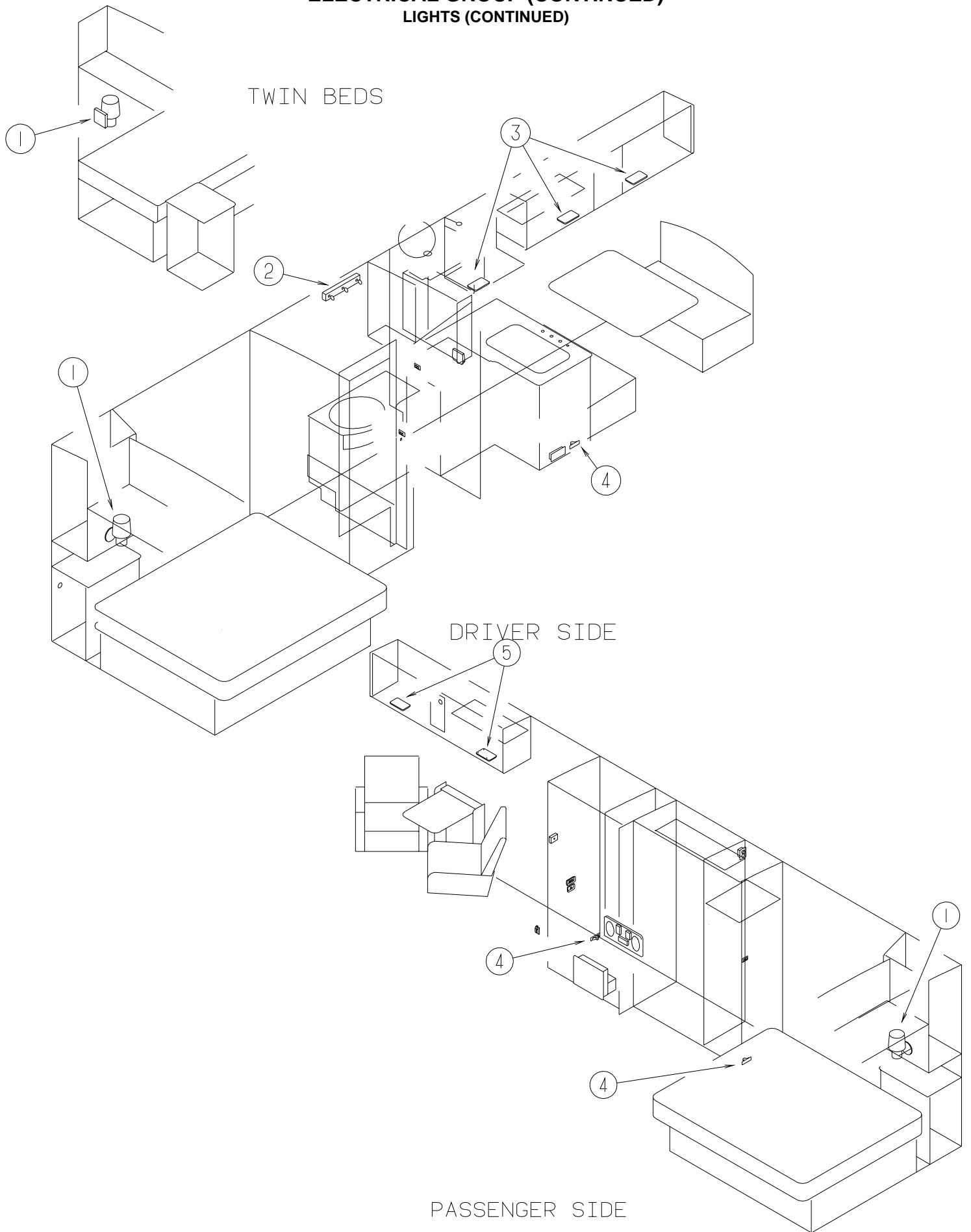


EXTERIOR

KEY	PART NUMBER	U/M	DESCRIPTION
1*	097917-01-06A	EA	LIGHT - PORCH - BRIGHT WHITE
	008215-01-000	EA	BULB - 12 VOLT - #1003 - .94 AMP
1*	008089-02-000	EA	LIGHT - PORCH - RECESSED - CANADIAN
	008214-01-000	EA	BULB - 12 VOLT - #67 - .59 AMP
2	111102-01-000	EA	BASE - MARKER LAMP
	036196-01-000	EA	BULB - 12V - #194 - .27 AMP - BAYONETTE
2	111102-02-000	EA	LENS - AMBER - MARKER LAMP
3	111102-01-000	EA	BASE - MARKER LAMP
	036196-01-000	EA	BULB - 12V - #194 - .27 AMP - BAYONETTE
3	111102-03-000	EA	LENS - RED - MARKER LAMP
4*	081638-01-000	EA	TAILLIGHT/DOUBLE W/BLACK TRIM - DRIVER/PASSENGER SIDE
	037934-01-000	EA	BULB - 12V - #1156 - 2.1 AMP CLEAR GLASS - BACK UP & TURN SIGNAL
	037935-01-000	EA	BULB - 12V - #1157 OR #2057 - 2.1 AMP - CLEAR GLASS - BRAKE LIGHT
4	103355-02-01A	EA	POD - TAIL LIGHT - BRIGHT WHITE
5	066432-02-000	EA	LIGHT - LICENSE - BLACK
5	066432-03-000	EA	BRACKET - LICENSE PLATE
6	121950-01-000	EA	LIGHT - BRAKE - CENTER MOUNT
7	110750-01-000	EA	SCREW - HEADLAMP ADJUSTING
8	049188-04-000	EA	HEADLAMP - DRIVER - HIGH BEAM - HALOGEN
9	049186-04-000	EA	HEADLAMP - DRIVER - HIGH/LOW - HALOGEN
10	049359-01-000	EA	SPRING - RETAINER - HEADLAMP - GM #496096
11	049187-04-000	EA	HEADLAMP - PASSENGER - HIGH BEAM - HALOGEN
12	049185-04-000	EA	HEADLAMP - PASSENGER - HIGH/LOW - HALOGEN
13	102520-01-000	EA	LIGHT - CLEARANCE - W/O SOCKET/HOUSING - AMBER
13	036196-01-000	EA	BULB - 12V - #194 - .27 AMP - BAYONETTE
13	102541-01-000	EA	GASKET - CLEARANCE LIGHT

*COMPONENT PARTS FOUND IN SERVICE PARTS LIBRARY

ELECTRICAL GROUP (CONTINUED)
LIGHTS (CONTINUED)

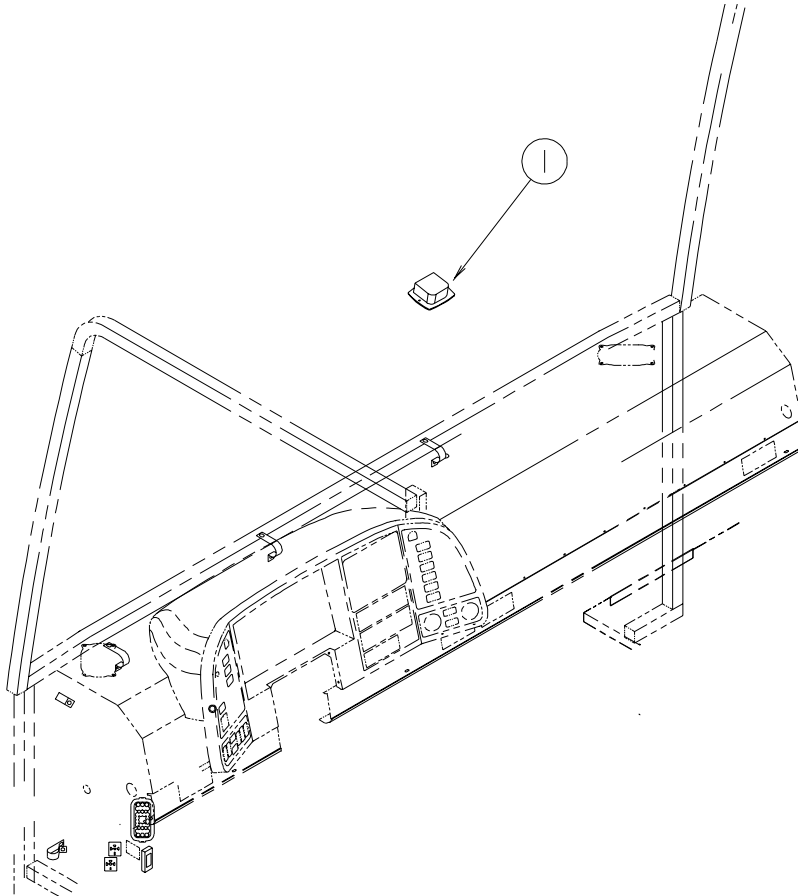


ELECTRICAL GROUP (CONTINUED)

LIGHTS (CONTINUED) INTERIOR

KEY	PART NUMBER	U/M	DESCRIPTION
1	119258-08-01A	EA	LAMP - WALL - UL/CSA - BRASS
1	117806-01-000	EA	BULB - 12 VOLT #912 - 1.0 AMPS
2*	110235-01-01A	EA	LIGHT - MAKE UP - 3 BULB - 12 VOLT - COMFORT AND CONVENIENCE PACKAGE
3*	098024-05-02A	EA	LIGHT - DOME - 1 BULB - SKYLITE/OPTI CLEAR
	008218-01-000	EA	BULB - 12 VOLT - #1141 - 1.44 AMP
4	061424-01-000	EA	LIGHT - AISLE - 12 VOLT - RECTANGULAR
5*	098024-05-02A	EA	LIGHT - DOME - 1 BULB - SKYLITE/OPTI CLEAR
	008218-01-000	EA	BULB - 12 VOLT - #1141 - 1.44 AMP
5	132427-01-01A	EA	LIGHT - READING - SWIVEL/ROUND - BRASS - COMFORT AND CONVENIENCE PACKAGE
	123917-01-000	EA	BULB - 12V - HALOGEN SPOT

***COMPONENT PARTS FOUND IN SERVICE PARTS LIBRARY**



LIGHTS (CONTINUED) INTERIOR (CONTINUED)

KEY	PART NUMBER	U/M	DESCRIPTION
1*	086280-01-000	EA	LIGHT - SURFACE MOUNT - 12 VOLT

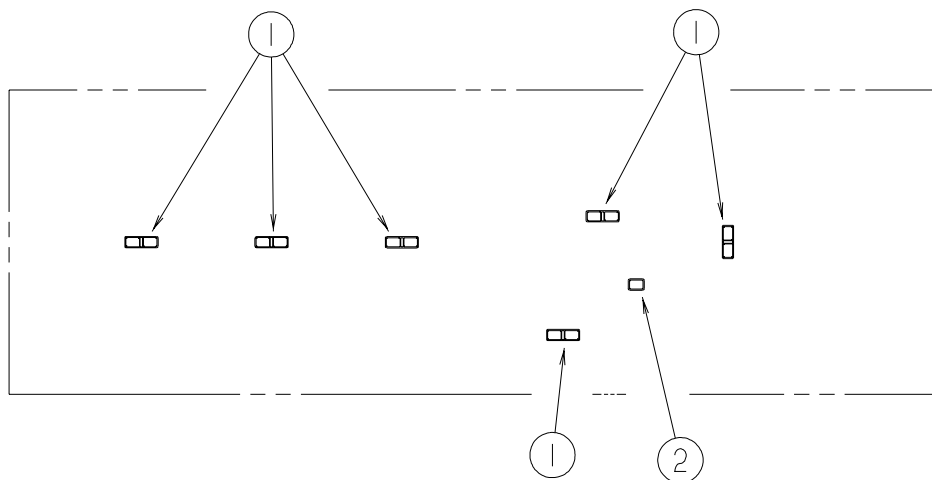
***COMPONENT PARTS FOUND IN SERVICE PARTS LIBRARY**

DASH BULB

KEY	PART NUMBER	U/M	DESCRIPTION
	103603-01-000	EA	BULB - 12 VOLT - #74 - .12A WEDGE - GE 22-25 USED IN DASH
	103608-01-000	EA	SOCKET - WEDGE BASE W/LEADS

ELECTRICAL GROUP (CONTINUED)

LIGHTS (CONTINUED)

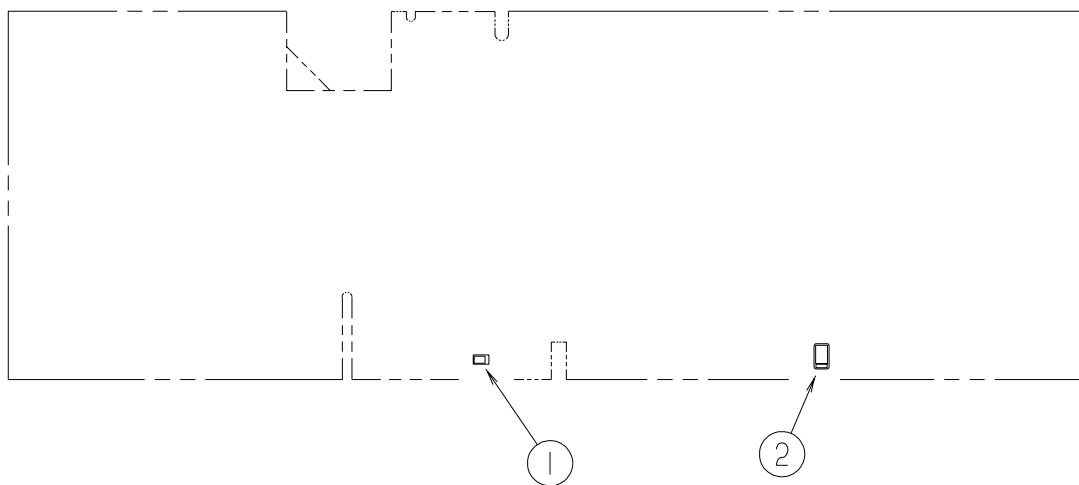


INTERIOR (CONTINUED) CEILING

KEY	PART NUMBER	U/M	DESCRIPTION
1	098024-08-02A	EA	LIGHT - DOME W/O SWITCH - 2 BULB FROM: 00-00-00 THRU: 03-05-00
1	098024-09-02A	EA	LIGHT - DOME - 1 LENS/2 BULB FIXTURE - NO SWITCH FROM: 03-06-00 THRU: 99-99-99
2*	121935-01-01A	EA	LIGHT - DOME - SHOWER

***COMPONENT PARTS FOUND IN SERVICE PARTS LIBRARY**

LIGHTS (CONTINUED)



INTERIOR (CONTINUED) BASEMENT

KEY	PART NUMBER	U/M	DESCRIPTION
1*	086280-01-000	EA	LIGHT - SURFACE MOUNT - 12 VOLT
2*	098024-01-03A	EA	LIGHT - DOME - 1 BULB - WHITE
	008218-01-000	EA	BULB - 12 VOLT - #1141 - 1.44 AMP

***COMPONENT PARTS FOUND IN SERVICE PARTS LIBRARY**

ELECTRICAL GROUP (CONTINUED)

CIRCUIT BREAKERS & FUSES

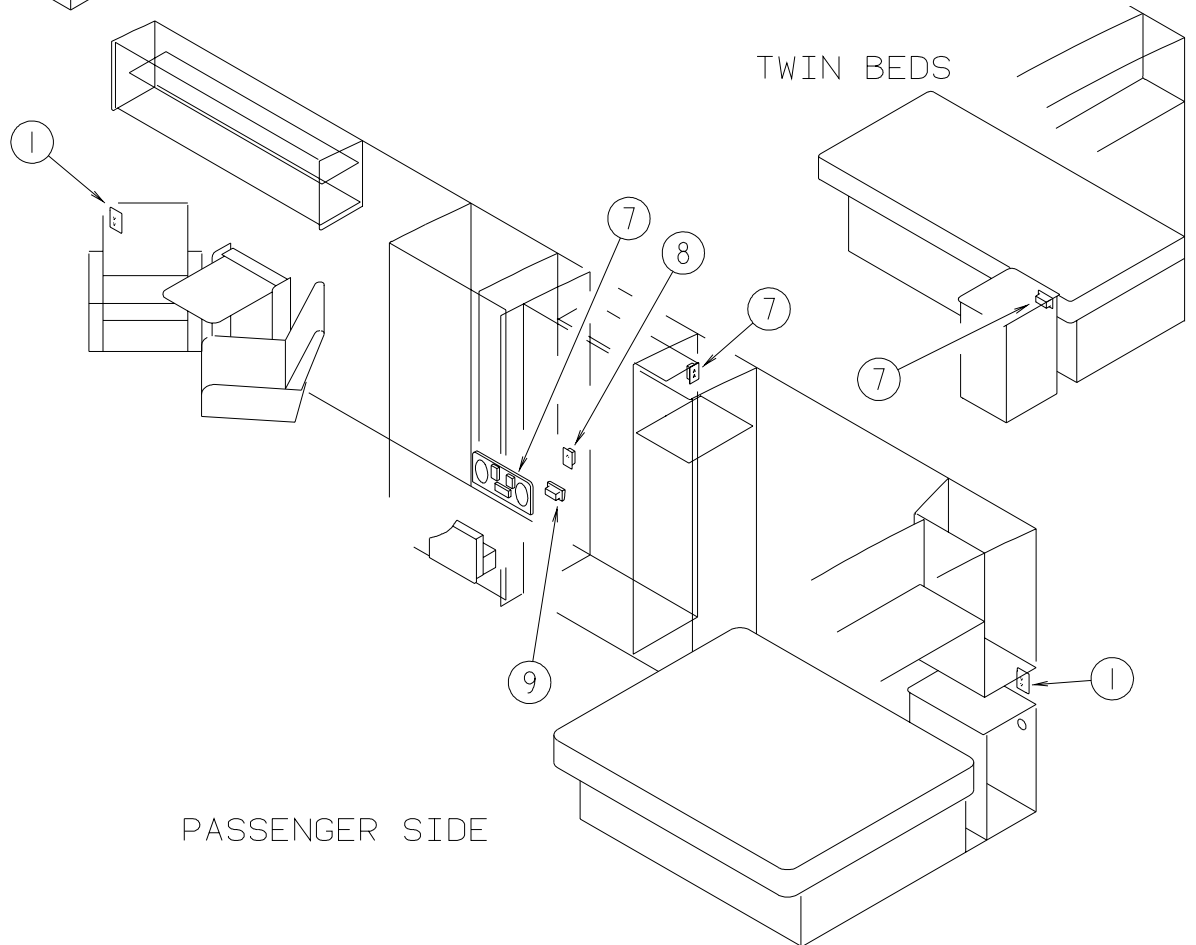
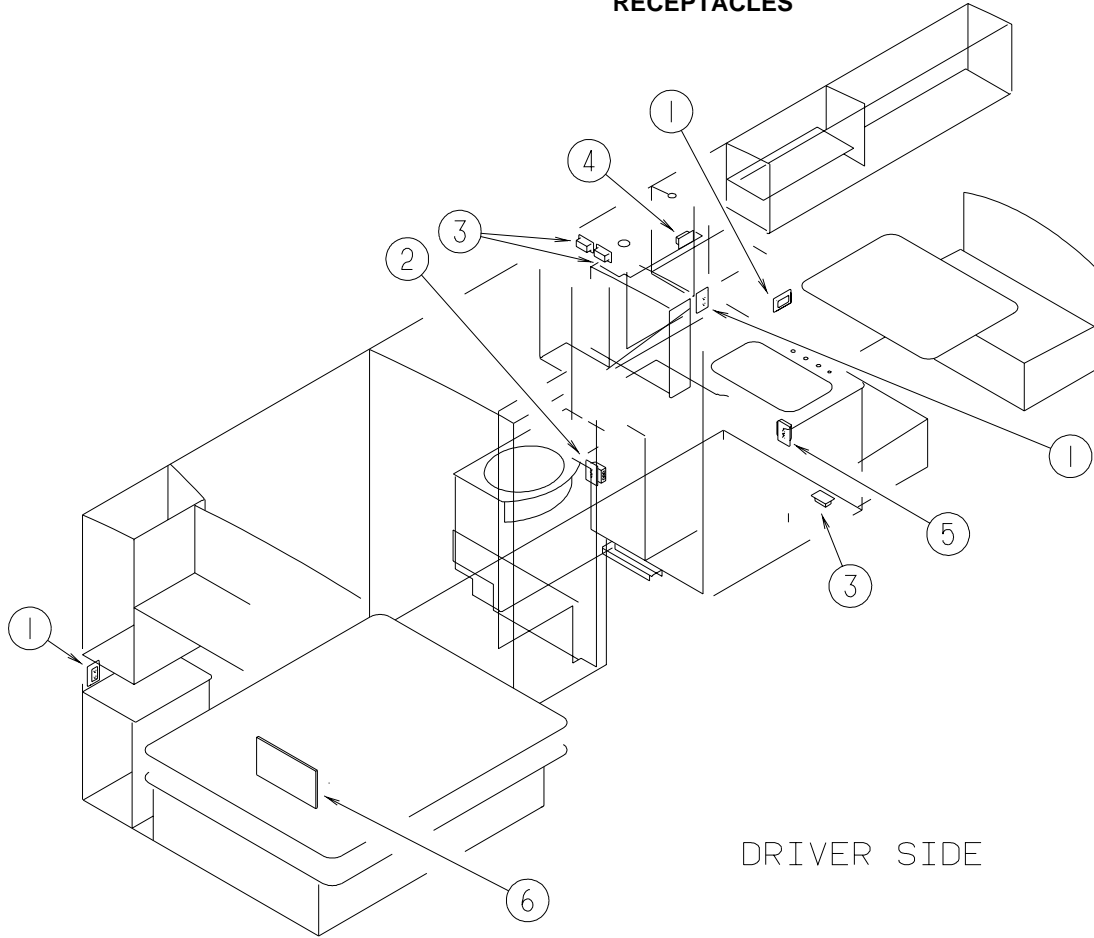
KEY	PART NUMBER	U/M	DESCRIPTION
	062037-01-000	EA	HOUSING - AUTO FUSE - NATURAL
	062037-02-000	EA	HOUSING - AUTO FUSE - GREEN
	062037-03-000	EA	HOUSING - AUTO FUSE - BLACK
	062037-04-000	EA	HOUSING - AUTO FUSE - BLUE
	062037-05-000	EA	HOUSING - AUTO FUSE - GRAY
	062037-06-000	EA	HOUSING - AUTO FUSE - BROWN
	062037-07-000	EA	HOUSING - AUTO FUSE - RED
	062901-02-000	EA	FUSE - 5 AMP - AUTOMOTIVE
	062901-05-000	EA	FUSE - 15 AMP - AUTOMOTIVE
	062901-07-000	EA	FUSE - 25 AMPS - AUTOMOTIVE
	062901-08-000	EA	FUSE - 30 AMPS - AUTOMOTIVE
	083209-02-000	EA	CIRCUIT BREAKER - 15/15 AMP - 120 VOLT
	083209-03-000	EA	CIRCUIT BREAKER - 15/20 AMP - 120 VOLT
	083209-04-000	EA	CIRCUIT BREAKER - 30 AMP - 120 VOLT
	083209-06-000	EA	CIRCUIT BREAKER - 30/15 AMP - 120 VOLT
	083209-07-000	EA	CIRCUIT BREAKER - 20/20 AMP - 120 VOLT
	083209-11-000	EA	CIRCUIT BREAKER - 20/15 AMP - 120 VOLT
	093655-03-000	EA	CIRCUIT BREAKER - 40 AMP - 12 VOLT
	097611-01-000	EA	CIRCUIT BREAKER - 10 AMP - 12 VOLT
	106656-01-000	EA	FUSE BLOCK - 4 CAVITY - AUTOFUSE
	108669-01-000	EA	HOUSING - AUTO FUSE HOLDER

CONVERTER, INVERTER, LOAD CENTERS

KEY	PART NUMBER	U/M	DESCRIPTION
	083208-02-000	EA	CONTROL CENTER - 45 AMP - 120/12V - W/O BREAKERS
	099048-03-000	EA	INVERTER - 130 WATT
	113132-01-000	EA	LOAD CENTER - 120/240 VOLT - 60 AMP

ELECTRICAL GROUP (CONTINUED)

RECEPTACLES



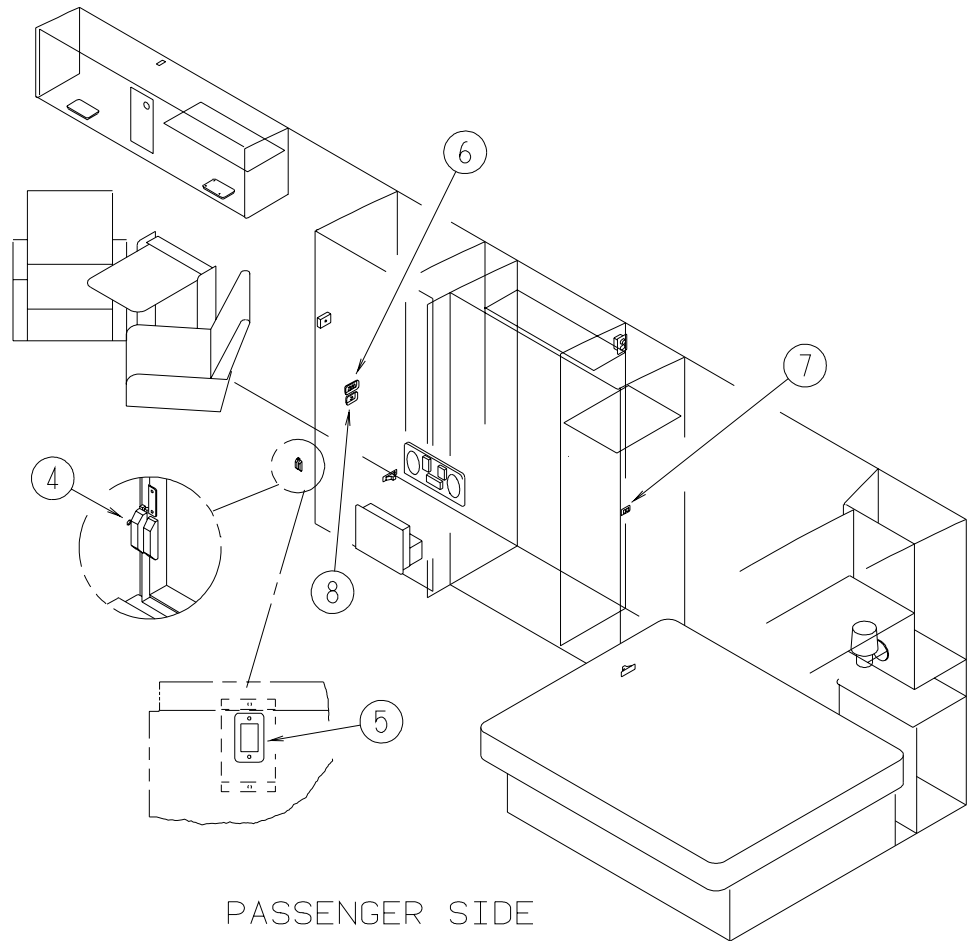
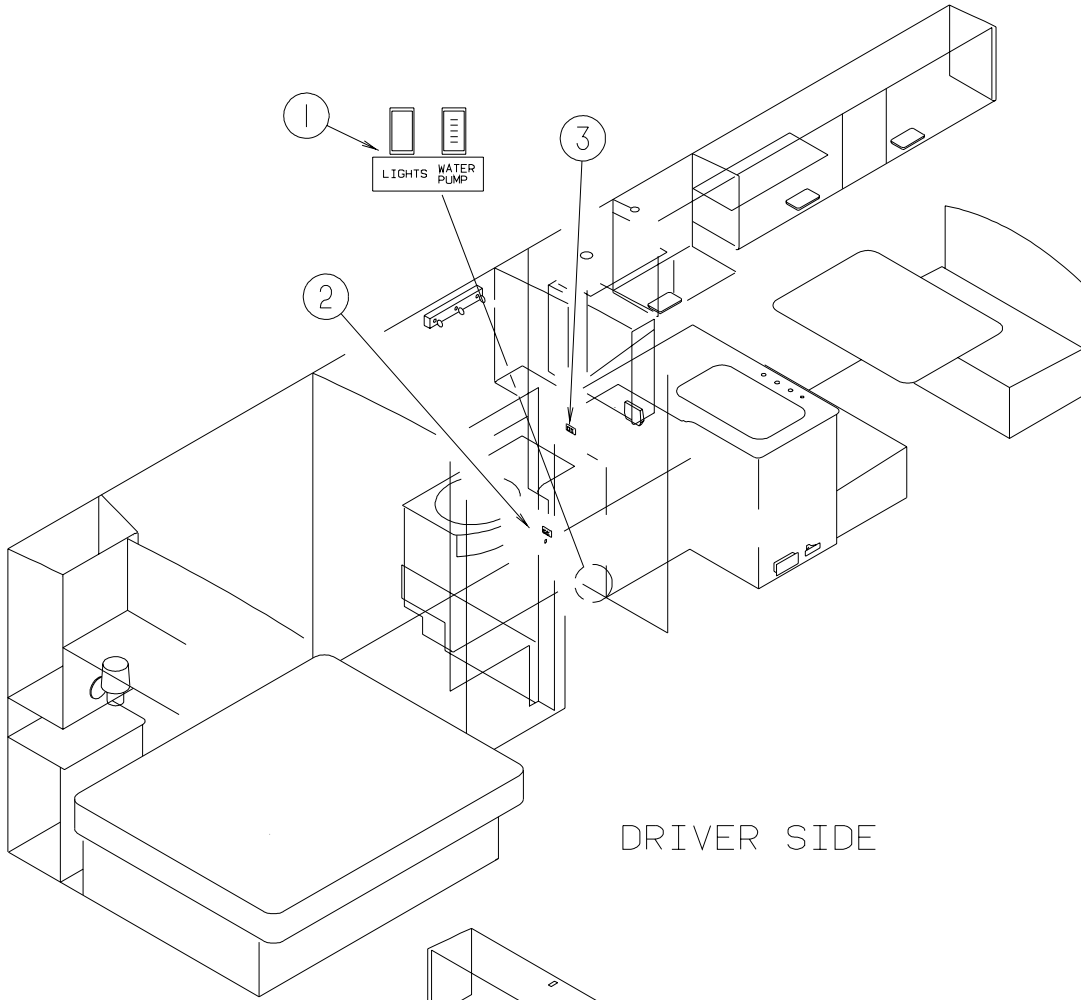
ELECTRICAL GROUP (CONTINUED)

RECEPTACLES (CONTINUED)

KEY	PART NUMBER	U/M	DESCRIPTION
1	058708-02-000	EA	RECEPTACLE - ELECTRIC - DOUBLE - IVORY
1	133713-01-01A	EA	SPACER - RECEPTACLE - WATERFORD OAK
2	084076-01-000	EA	RECEPTACLE - GFI - 15 AMP/125 VOLT - IVORY - W/COVER
3	058707-02-000	EA	RECEPTACLE - BLANK - JUNCTION BOX
4	058708-05-000	EA	RECEPTACLE - ELECTRIC - SINGLE - BROWN
5	084076-02-000	EA	RECEPTACLE - GFI - 15 AMP/125 VOLT - BROWN - W/COVER
6	024924-02-000	EA	RECEPTACLE - POWER CORD - W/PARTIAL PLATE
7	058708-01-000	EA	RECEPTACLE - ELECTRIC - DOUBLE - BROWN
8	058707-01-000	EA	RECEPTACLE - ELECTRIC - SINGLE - BROWN
9	131826-01-01A	EA	RECEPTACLE - EXTERIOR - W/COVER/GASKET - WHITE

ELECTRICAL GROUP (CONTINUED)

SWITCHES



ELECTRICAL GROUP (CONTINUED)

SWITCHES (CONTINUED)

KEY	PART NUMBER	U/M	DESCRIPTION
1	108357-08-000	EA	SWITCH - ROCKER DPDT - ON/NONE/ON - 6 TERMINAL - EXTERIOR SHOWER
1	108357-01-000	EA	SWITCH - ROCKER SPST - ON/OFF - 2 TERMINAL - SERVICE LAMP
1	108356-02-01A	EA	COVER/ACTUATOR SWITCH - 2 ROWS DIMPLES- CONTURA II - BLACK
2	132180-01-01A	EA	SWITCH - PADDLE - SPST - ON/OFF - BLACK - SHOWER, BATHROOM
2	098351-02-01A	EA	PLATE/SWITCH - 2 GANG - POLISHED BRASS - W/O LABEL
3	132180-02-01A	EA	SWITCH - PADDLE - SPDT - ON/ON - BLACK - WATER PUMP
3	132180-01-01A	EA	SWITCH - PADDLE - SPST - ON/OFF - BLACK - MAKEUP - COMFORT AND CONVENIENCE PACKAGE
3	098351-01-01A	EA	PLATE/SWITCH - 1 GANG - POLISHED BRASS - W/O LABEL
3	098351-02-01A	EA	PLATE/SWITCH - 2 GANG - POLISHED BRASS - W/O LABEL - COMFORT AND CONVENIENCE
4	132900-02-01A	EA	SWITCH/MAGNETIC - F/SCS ELECTRIC STEP - WHITE
5	108357-06-000	EA	SWITCH - ROCKER DPDT - MOM/OFF/MOM - 6 TERMINAL - BATTERY DISCONNECT
5	108356-11-01A	EA	COVER/ACTUATOR SWITCH - 3 GROOVES - AUX BATT - BLACK
5	098351-07-01A	EA	PLATE/SWITCH - 1 GANG - POLISHED BRASS - GENERATOR
5	135167-01-02B	EA	BRACKET - COVER - SWITCH - E-COATED
			FROM: 01-03-00 THRU: 99-99-99
6	132180-01-01A	EA	SWITCH - PADDLE - SPST - ON/OFF - BLACK - PORCH/CEILING/STEP
6	098351-05-01A	EA	PLATE/SWITCH - 3 GANG - POLISHED BRASS-PORCH/CEILING/STEP
6	095188-02-01A	EA	SPACER - SWITCH - 2.3" X 4.1" - PLASTIC - DARK BROWN
7	132180-01-01A	EA	SWITCH - PADDLE - SPST - ON/OFF - BLACK - BEDROOM
7	132180-02-01A	EA	SWITCH - PADDLE - SPDT - ON/ON - BLACK - COURTESY, HALL
7	098351-03-01A	EA	PLATE/SWITCH - 3 GANG - POLISHED BRASS - W/O LABEL
7	095188-02-01A	EA	SPACER - SWITCH - 2.3" X 4.1" - PLASTIC - DARK BROWN
8	132180-02-01A	EA	SWITCH - PADDLE - SPDT - ON/ON - BLACK - HALL, COURTESY
8	098351-02-01A	EA	PLATE/SWITCH - 2 GANG - POLISHED BRASS - W/O LABEL
8	095188-01-01A	EA	SPACER - SWITCH - 2.3" X 3.4" - PLASTIC - DARK BROWN

BOXES & CORDS

KEY	PART NUMBER	U/M	DESCRIPTION
	008054-01-000	EA	CORD - POWER - 10/3 WIRE - 30 AMP - 25'
	008289-01-000	EA	BOX - ELECTRIC/STEEL - 1/2" & 3/4" KNOCKOUTS - 4" X 4"
	008289-02-000	EA	BOX - ELECTRIC/STEEL - 1/2" & 3/4" KNOCKOUTS - 4" X 4"-CAN
	008294-01-000	EA	COVER - ELECTRICAL BOX - BLANK/STEEL - 4" X 4" - GRAY
	008294-02-000	EA	COVER - ELECTRICAL BOX - BLANK STEEL - 4" X 4" - CANADIAN
	069238-01-000	EA	COVER - ELECTRICAL BOX - W/HOLE - 4" X 4" - GRAY
	091910-02-000	EA	BOX - ELECTRIC - 2.2" X 3.5" X 1.8" - PLASTIC
	111510-01-000	EA	DOOR/ACCESS PANEL - ELECTRICAL BOX - 8.1" X 11.7"
	133070-01-000	EA	BOX - ELECTRICAL - PLASTIC - 3" X 2" X 2.8" - UL
*	106071-04-000	EA	SWITCH - AUTOMATIC TRANSFER W/CONNECTION LUGS

*COMPONENT PARTS FOUND IN SERVICE PARTS LIBRARY

ELECTRICAL GROUP (CONTINUED)

WIRE ASSEMBLIES

KEY	PART NUMBER	U/M	DESCRIPTION
	P03784-01-000	EA	WIRE ASSEMBLY - HEADLAMP - GM
	P27516-02-000	EA	WIRE ASSEMBLY - RADIO AM/FM/CD
	P27516-04-000	EA	WIRE ASSEMBLY - RADIO AM/FM CD
	073328-B4-000	EA	CABLE ASSEMBLY - BATTERY - W/TERMINALS
	090986-02-000	EA	WIRE ASSEMBLY - ELECTRIC STEP
	096449-01-000	EA	WIRE ASSEMBLY - WATER TANK TO MONITOR PANEL
	111915-01-000	EA	WIRE ASSEMBLY - DAYTIME RUNNING LAMPS - FUSED - GM
	113134-03-000	EA	WIRE ASSEMBLY - WIPER/WASHER
	120233-05-000	EA	WIRE ASSEMBLY - 30" CONNECTS TO WALLPLATE DISPLAY
	125853-01-000	EA	WIRE ASSEMBLY - ENTERTAINMENT CENTER
	108885-02-000	EA	WIRE - REAR MONITOR(W/3 PIN HOUSING F/FUSE BLOCK) CHEVY
	127053-01-000	EA	WIRE ASSEMBLY - REAR MONITOR/UPPER
	129436-03-000	EA	WIRE ASSEMBLY - INSTRUMENT PANEL - F/POWER MIRROR

CONNECTORS & CONDUIT

KEY	PART NUMBER	U/M	DESCRIPTION
	007956-05-000	EA	INSULATOR - SHRINK - .25 ID X 1.50
	008311-01-000	EA	CONNECTOR - WIRE NUT - INSULATED - RED
	008312-01-000	EA	CONNECTOR - WIRE NUT - INSULATED - BLUE
	008313-01-000	EA	CONNECTOR - WIRE NUT - INSULATED - YELLOW
	008314-01-000	EA	CONNECTOR - WIRE NUT - INSULATED - GRAY
	008326-01-000	EA	TERMINAL - RING - 16/14 WIRE - 3/8" STUD
	008328-01-000	EA	TERMINAL - RING - 12/10 WIRE - #10 STUD FIT
	008331-01-000	EA	TERMINAL - RING - TONGUE - #4 WIRE - 3/8" STUD - COPPER
	008348-01-000	EA	TERMINAL - RING - 3/8" STUD 2 GA. WIRE
	008355-01-000	EA	CONNECTOR - CABLE CLAMPING - 3/4"
	008356-01-000	EA	CONNECTOR - PLASTIC - 3/8" AVG
	008356-02-000	EA	CONNECTOR - PLASTIC - 21/32
	008394-01-000	FT	CONDUIT - FLEXIBLE - 1/2"
	008398-01-000	EA	CONNECTOR - 1/2" X 90 DEGREE - FLEX CONDUIT - UL & CSA
	035416-04-000	EA	TERMINAL - RING - #10 STUD FIT - INSULATED BARREL #16/14
	041953-01-000	FT	CONDUIT - CONVOLUTE SLIT - .5" ID - POLYETHYLENE
	041953-03-000	FT	CONDUIT - CONVOLUTE SLIT - 1" ID (CLOTHES ROD COVER)
	041953-05-000	FT	CONDUIT - CONVOLUTE SOLID - .62" ID - POLYETHYLENE
	041953-06-000	FT	CONDUIT - CONVOLUTE SLIT - .375" ID - POLYETHYLENE
	041953-07-000	FT	CONDUIT - CONVOLUTE SLIT - .25" ID - POLYETHYLENE
	041953-08-000	FT	CONDUIT - CONVOLUTE SLIT - 1.50" ID - POLYETHYLENE
	041953-09-000	FT	CONDUIT - CONVOLUTE SLIT - .50" ID - NYLON
	041953-10-000	FT	CONDUIT - CONVOLUTE SLIT - .75" ID - NYLON
	041953-11-000	FT	CONDUIT - CONVOLUTE SLIT - 1.06" ID - NYLON
	041953-12-000	FT	CONDUIT - CONVOLUTE SOLID - 1.1" ID - NYLON
	041953-13-000	FT	CONDUIT - CONVOLUTE SLIT - 1.25
	047443-01-000	EA	TERMINAL - .250 RECEPTACLE FIT - INSULATED - 16/14 AWG
	047443-02-000	EA	TERMINAL - .250 RECEPTACLE FIT - INSULATED - 12/10 AWG
	058028-01-000	EA	CONNECTOR - ELECTRICAL PIGTAIL - NYLON - CLEAR
	062036-01-000	EA	TERMINAL - PACK - CON - 12/10 AWG
	062036-02-000	EA	TERMINAL - PACK - CON - 16/14 AWG
	080015-02-000	EA	RECEPTACLE - FLAG - .185 - 16/14 GAUGE
	087225-01-000	FT	SLEEVING - 1/2" - TYPE H
	087225-02-000	FT	SLEEVING - 5/8" - TYPE H
	087695-03-000	EA	CONNECTOR - ASSEMBLY
	088267-01-000	EA	TERMINAL - FEMALE - 1/4
	088473-01-000	EA	HOUSING - PIN - 12 CAVITY (3 ROWS OF 4)
	088473-02-000	EA	HOUSING - PIN - 15 CAVITY (3 ROWS OF 5)
	088473-03-000	EA	HOUSING - PIN - 9 CAVITY (3 ROWS OF 3)
	088473-04-000	EA	HOUSING - PIN - 8 CAVITY IN-LINE
	088473-06-000	EA	HOUSING - PIN - 6 CAVITY (2 ROWS OF 3)
	088473-08-000	EA	HOUSING - PIN - 4 CAVITY - IN-LINE
	088473-09-000	EA	HOUSING - PIN - 3 CAVITY - IN-LINE
	088473-10-000	EA	HOUSING - PIN - 2 CAVITY - IN LINE

ELECTRICAL GROUP (CONTINUED)

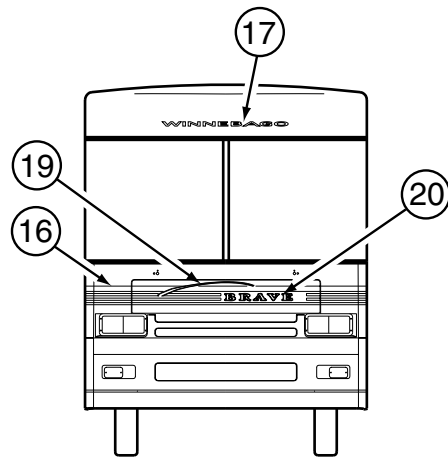
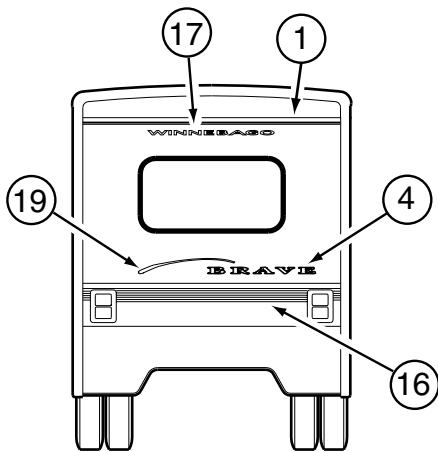
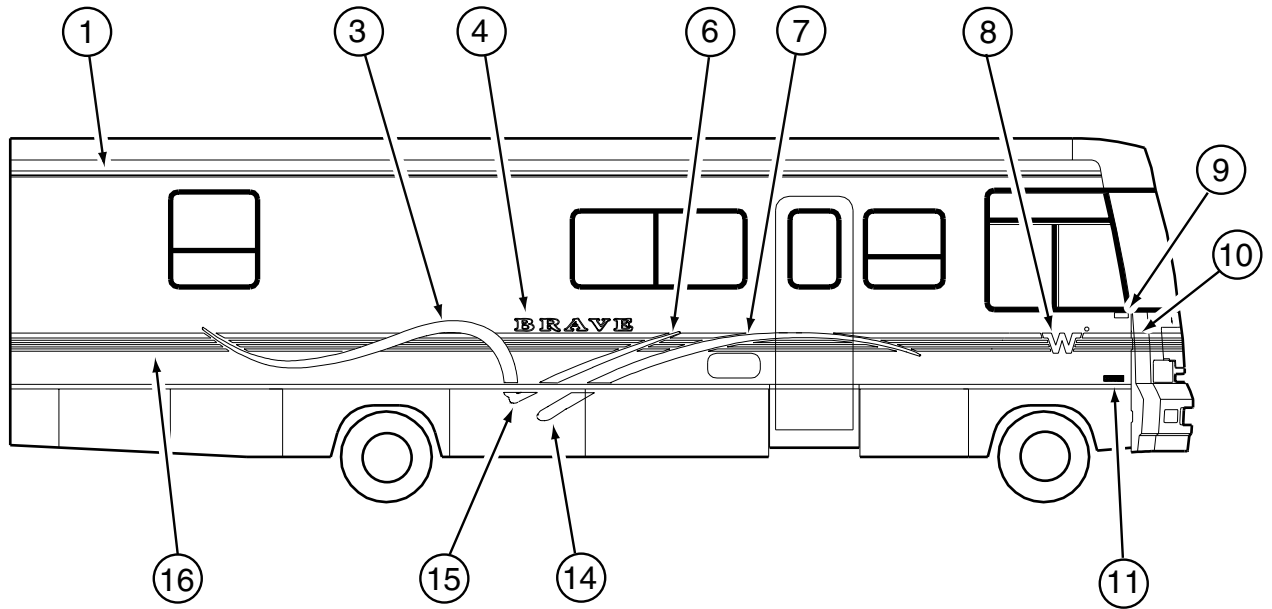
CONNECTORS & CONDUIT (CONTINUED)

KEY	PART NUMBER	U/M	DESCRIPTION
	088474-01-000	EA	HOUSING - SOCKET - 12 CAVITY
	088474-02-000	EA	HOUSING - SOCKET - 15 CAVITY
	088474-03-000	EA	HOUSING - SOCKET - 9 CAVITY
	088474-04-000	EA	HOUSING - SOCKET - 8 CAVITY
	088474-06-000	EA	HOUSING - SOCKET - 6 CAVITY
	088474-07-000	EA	HOUSING - SOCKET - 5 CAVITY
	088474-08-000	EA	HOUSING - SOCKET - 4 CAVITY
	088474-09-000	EA	HOUSING - SOCKET - 3 CAVITY
	088474-10-000	EA	HOUSING - SOCKET - 2 CAVITY
	088475-01-000	EA	PIN - CONNECTOR - 14-20 AWG
	088475-02-000	EA	PIN - CONNECTOR - 10-12 AWG
	088476-01-000	EA	TERMINAL - ELECTRICAL
	088476-02-000	EA	SOCKET - CONNECTOR - 12-10 GA - PRE-TIN
	092786-02-000	EA	BUSS BAR - 3.3" LONG
	092786-03-000	EA	BUSS BAR - 6.9" LONG
	098260-01-000	EA	TERMINAL - MALE - 56 SERIES
	101571-01-000	EA	HOUSING - 2 POSITION - MALE
	103987-02-000	EA	SEAL - SOLENOID ACCESS
	007954-01-000	EA	RECEPTACLE - HOUSING - 6 POSITION
	104100-01-000	EA	HOUSING - 1 POSITION - 75 AMPS
	104100-03-000	EA	TERMINAL - 75 AMP
	106006-01-000	EA	HOUSING - 1 POSITION - FEMALE
	106007-01-000	EA	TERMINAL - FEMALE - 14-16 AWG
	106655-01-000	EA	TERMINAL - FUSE BLOCK - 14-16 AWG
	106655-02-000	EA	TERMINAL - FUSE BLOCK - 10-12 AWG
	110178-01-000	EA	HOUSING - WIPER MOTOR
	112823-01-000	EA	SPLICE - REDUCER - 16-14 TO 18-22
	113131-01-000	EA	HOUSING - 3 PIN
	113135-01-000	EA	TERMINAL - FEMALE - M/P - 14-16 - F/SEALED TERMINAL
	113306-01-000	EA	TERMINAL - FEMALE - M/P - 14-16 - F/NON-SEALED TERMINAL
	113307-01-000	EA	TERMINAL - FEMALE - M/P - 16-20
	113452-01-000	FT	SEAL/TRIM - FRONT - VINYL W/WIRE CARRIER - .020"
	113452-02-000	FT	SEAL/TRIM - FRONT - VINYL W/WIRE CARRIER - .027"
	113468-01-000	EA	HOUSING - 2 POSITION - FEMALE
	115556-01-000	EA	HOUSING - 3 POSITION - FEMALE
	115556-02-000	EA	HOUSING - 2 POSITION - FEMALE
	119157-01-000	EA	SOCKET - SINGLE CONTACT
	119248-02-000	EA	HOUSING - 7 POSITION - FEMALE
	125323-02-000	EA	HOUSING - 8 POSITION - MALE
	125323-03-000	EA	LOCK - SECONDARY 8 POSITION
	125324-01-000	EA	TERMINAL - MALE - METRI-PACK - 150
	125325-01-000	EA	SEAL - CAVITY

BOOTS, SOLENOIDS, RELAYS, & MISCELLANEOUS

KEY	PART NUMBER	U/M	DESCRIPTION
	077479-01-000	EA	BOOT - BATTERY TERMINAL - DOUBLE CABLE
	077479-02-000	EA	BOOT - BATTERY TERMINAL - SINGLE CABLE
	007093-01-000	EA	SIGNAL FLASHER
	008188-01-000	EA	SOLENOID - 3 POST - BATTERY CHANGE OVER
	063910-01-000	EA	HOUSING - RELAY
	063912-02-000	EA	RELAY - CANISTER - SPDT
	065450-05-000	EA	TIEDOWN - BATTERY - 8.4" TUBE
	086233-01-000	EA	STUD - ISOLATED - 3/8" X 7/8" LONG
	086273-01-000	EA	RELAY - BATTERY DISCONNECT
	108355-01-000	EA	HOUSING - SWITCH
	128961-01-02B	EA	HANGER - POWER CORD - E-COATED

EXTERIOR BODY GROUP
GRAPHICS & PAINT



EXTERIOR BODY GROUP (CONTINUED)

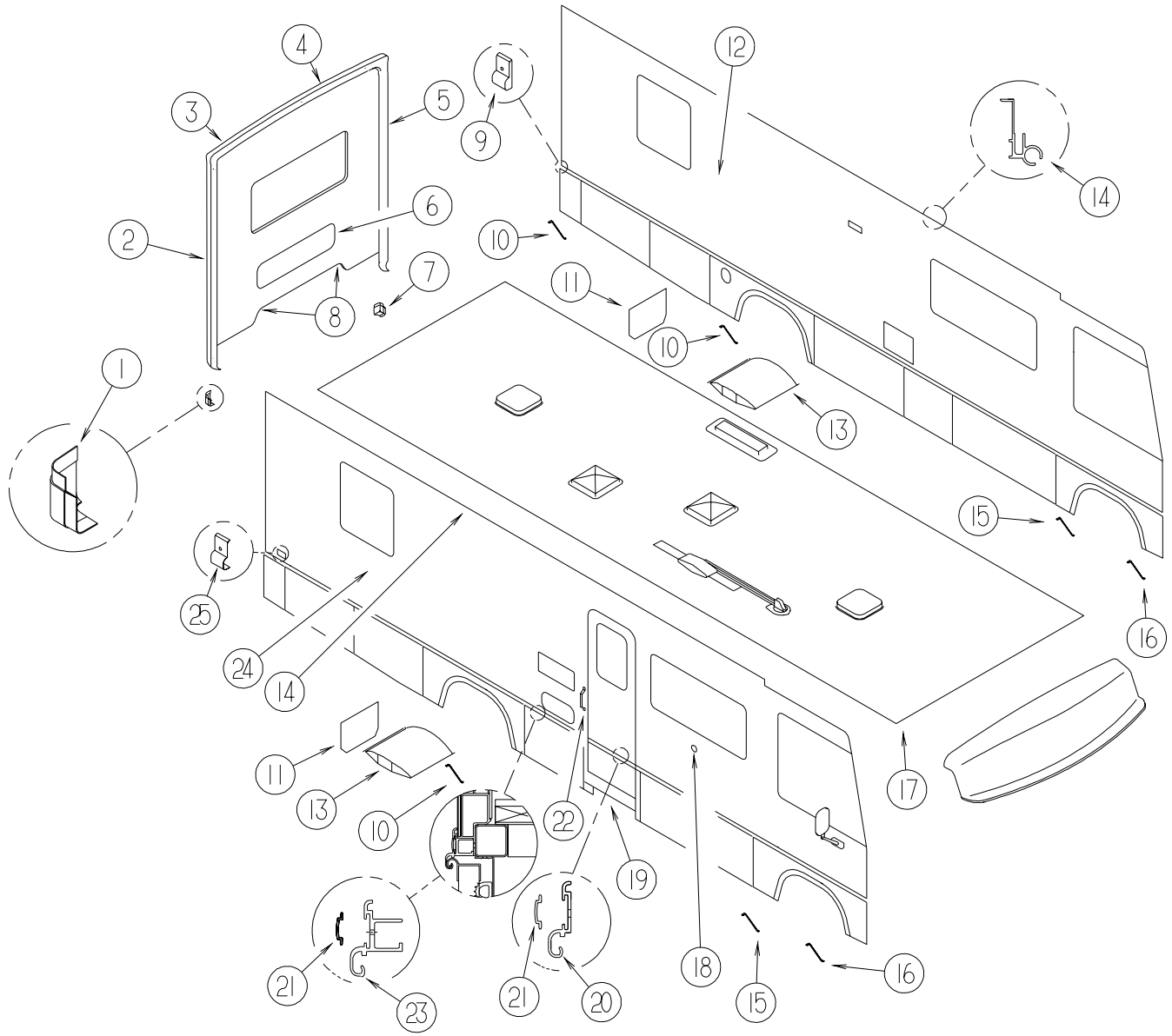
GRAPHICS & PAINT (CONTINUED)

KEY	PART NUMBER	U/M	DESCRIPTION
1	105781-69-02A	FT	FILM - MULTISTRIPE - 2.2"
3	128027-01-03A	EA	DECAL - SLASH #1/RIGHT HAND
	128027-02-03A	EA	DECAL - SLASH #1/LEFT HAND
4	121437-01-06A	EA	DECAL - LOGO/BRAVE - LARGE
4	121437-01-07A	EA	DECAL - LOGO/BRAVE - LARGE - COMFORT AND CONVENIENCE PACKAGE
6	128029-01-03A	EA	DECAL - SLASH TIP #1/RIGHT HAND
	128029-02-03A	EA	DECAL - SLASH TIP #1/LEFT HAND
7	128031-01-03A	EA	DECAL - SLASH TIP #2/RIGHT HAND
	128031-02-03A	EA	DECAL - SLASH TIP #2/LEFT HAND
8	121743-02-04A	EA	DECAL - LOGO - "W"
9	132664-01-01A	EA	DECAL - LOGO/DOMED - WINNEBAGO
10	128036-01-03A	EA	DECAL - CORNER/RIGHT HAND
	128036-02-03A	EA	DECAL - CORNER/LEFT HAND
11	122312-02-01A	EA	DECAL - VORTEC 7400 FUEL INJECTED - BLK/OFF WHT/GRAY/RED FROM: 00-00-00 THRU: 03-26-00
11	136290-01-01A	EA	EMBLEM - VORTEC V8 - BLACK/SILVER FROM: 03-27-00 THRU: 99-99-99
14	128030-01-03A	EA	DECAL - SLASH END #2/RIGHT HAND
	128030-02-03A	EA	DECAL - SLASH END #2/LEFT HAND
15	128028-01-03A	EA	DECAL - SLASH TIP #1/RIGHT HAND
	128028-02-03A	EA	DECAL - SLASH END #1/LEFT HAND
16	093689-25-03A	FT	FILM - MULTISTRIPE - 6.2"
17	120702-02-04A	EA	DECAL - WINNEBAGO - 35.6" - RASPBERRY TWIST
19	128034-01-03A	EA	DECAL - SLASH - HOOD
20	121437-02-06A	EA	DECAL - LOGO/BRAVE - SMALL
20	121437-02-07A	EA	DECAL - LOGO/BRAVE - SMALL - COMFORT AND CONVENIENCE PACKAGE
	004308-01-000	EA	PAINT - BLACK SPRAY
	041561-03-000	EA	PAINT - 16 OUNCE SPRAY - OFF WHITE
	099399-23-700	EA	PAINT-SPRAY-BRT WHITE ENAMEL B8951U DUPONT

DUPONT COLOR CODES

BRIGHT WHITE (MAIN BODY COLOR)	#B8951
MEDIUM TITANIUM METALLIC (ACCENT BODY COLOR)	#C9248U
BRIAR SMOKE METALLIC (DECAL COLOR)	#MM329
LIGHT MARINE BLUE METALLIC (DECAL COLOR)	#K9457
NEON BLUE METALLIC (DECAL COLOR)	#BM184
RASPBERRY TWIST METALLIC (DECAL COLOR)	#RM011

EXTERIOR BODY GROUP (CONTINUED)
PANELS

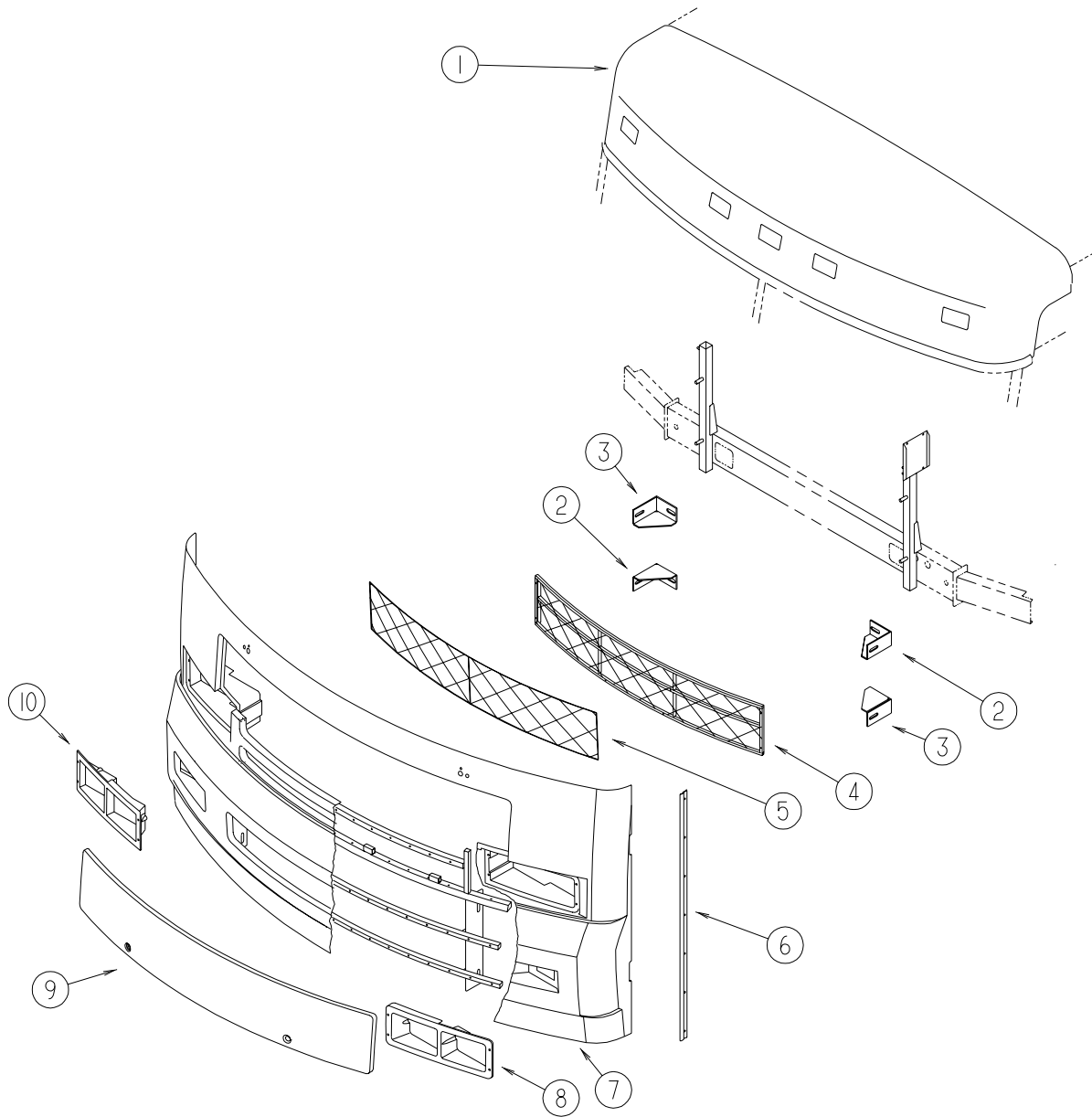


EXTERIOR BODY GROUP (CONTINUED)
PANELS (CONTINUED)

KEY	PART NUMBER	U/M	DESCRIPTION
1	119212-01-01A	EA	END CAP - LOWER BACKWALL TRIM - PASSENGER - BLACK
2	114874-03-12B	EA	TRIM - BACKWALL/PASSENGER SIDE - BRIGHT/WHITE
2	120548-01-02A	EA	TRIM-J - BACKWALL/PASSENGER - 98.3" - NOTCHED - BRIGHT WHT
3	114872-02-02A	EA	TRIM - BACKWALL/TOP - PASSENGER SIDE - BRIGHT WHITE
4	114873-02-02A	EA	TRIM - BACKWALL/TOP - DRIVER SIDE - BRIGHT WHITE
5	114874-04-12B	EA	TRIM - BACKWALL/DRIVER SIDE - BRIGHT/WHITE
5	120548-02-02A	EA	TRIM-J - BACKWALL/DRIVER - 98.3" - NOTCHED - BRIGHT WHITE
6	133039-01-L22	EA	BACKWALL - W/O LIGHTS/VENTS - W/WIRING
6	133039-01-L23	EA	BACKWALL - W/O LIGHTS/VENTS - W/WIRING
6	133039-01-L24	EA	BACKWALL - W/O LIGHTS/VENTS - W/WIRING
6	133039-01-L25	EA	BACKWALL - W/O LIGHTS/VENTS - W/WIRING
7	119212-02-01A	EA	END CAP - LOWER BACKWALL TRIM - DRIVER - BLACK
8	050406-32-000	EA	TRIM - LOWER BACKWALL - BRIGHT WHITE FROM: 00-00-00 THRU: 10-31-99
8	050406-33-000	EA	TRIM - BACKWALL/LOWER - BRIGHT WHITE FROM: 11-01-99 THRU: 99-99-99
9	127845-05-01A	EA	CAP - SIDEWALL TRIM - RIGHT HAND - 2.1" - BRIGHT WHITE
10	107865-01-000	EA	ROD - SUPPORT - VALANCE PANEL - 14.3"
11	017516-01-000	EA	MUD FLAP - 14" X 18" - W/O MOUNTING HOLES - BLACK
12	134039-01-L22	EA	SIDEWALL - DRIVER - W/O WINDOWS/TRIMS
12	134039-01-L23	EA	SIDEWALL - DRIVER - W/O WINDOWS/TRIMS
12	134039-01-L24	EA	SIDEWALL - DRIVER - W/O WINDOWS/TRIMS
12	134039-01-L25	EA	SIDEWALL - DRIVER - W/O WINDOWS/TRIMS
13	055374-03-000	EA	WHEELWELL - PLASTIC
14	131483-01-01A	EA	RAIL - AWNING - 192" - BRIGHT WHITE
15	107865-01-000	EA	ROD - SUPPORT - VALANCE PANEL - 14.3" FROM: 00-00-00 THRU: 03-12-00
15	107865-19-000	EA	ROD - SUPPORT - VALANCE PANEL - 16.5" FROM: 03-13-00 THRU: 99-99-99
16	107865-07-000	EA	ROD - SUPPORT - VALANCE PANEL - 12.5" FROM: 00-00-00 THRU: 04-10-00
16	107865-06-000	EA	ROD - SUPPORT - VALANCE PANEL - 15" FROM: 04-11-00 THRU: 99-99-99
17	134035-01-L22	EA	ROOF - W/O LIGHTS/VENTS - W/WIRING
18	120863-02-000	EA	BUMPER - RUBBER - 1" DIAMETER X 1.50"
19	121117-01-12B	EA	ANGLE - W/O SLOTS - 3.7" X 2" - BRIGHT WHITE
20	126903-01-01A	EA	TRIM - SIDEWALL - 60.9" - BRIGHT WHITE
21	105312-01-07A	FT	INSERT - VINYL FEATURE STRIP - BRIGHT WHITE
22	132442-01-01A	EA	HANDLE - ASSIST
23	126901-21-01A	EA	TRIM - SIDEWALL - 195" - BRIGHT WHITE
24	134038-01-L22	EA	SIDEWALL - PASSENGER - W/O WINDOWS/TRIMS
24	134038-01-L23	EA	SIDEWALL - PASSENGER - W/O WINDOWS/TRIMS
24	134038-01-L24	EA	SIDEWALL - PASSENGER - W/O WINDOWS/TRIMS
24	134038-01-L25	EA	SIDEWALL - PASSENGER - W/O WINDOWS/TRIMS
25	127845-06-01A	EA	CAP - SIDEWALL TRIM - LEFT HAND - 2.1" - BRIGHT WHITE
	120524-01-02B	EA	U-CHANNEL/STEEL - 1.78" X 79.1" - E-COATED

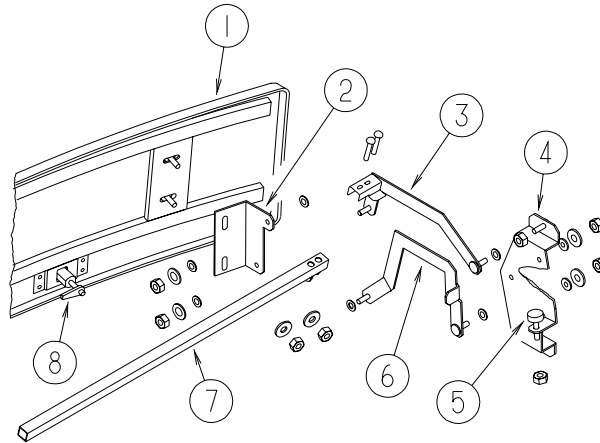
EXTERIOR BODY GROUP (CONTINUED)

FRONT END



KEY	PART NUMBER	U/M	DESCRIPTION
1	125052-02-J20	EA	CAP - ROOF - W/O LIGHTS/WIRING
	118383-01-04A	EA	RETAINER - SCREW - .22" SCREW RECESS - BRIGHT WHITE
	118383-04-04A	EA	CAP - RETAINER/SCREW
2	128455-04-02B	EA	BRACKET - BUMPER - LEFT HAND UPPER/RIGHT HAND LOWER
3	128455-03-02B	EA	BRACKET - BUMPER - RIGHT HAND UPPER/LEFT HAND LOWER
4	126953-01-J15	EA	GRILLE - W/O MESH
5	115924-15-02A	EA	WIRE MESH - F/GRILLE - FLAT BLACK
6	123680-05-01A	EA	TRIM - FIBERGLASS PANEL - RIGHT/LEFT HAND - BRIGHT WHITE
7	126229-04-J20	EA	PANEL - FRONT/LOWER - W/O NOTCH - BRIGHT WHITE
	125846-02-J20	EA	SUPPORT - WIPER
	110782-01-000	EA	ANGLE - SUPPORT - HEADLAMP
	007157-05-000	EA	NUT - WELL
8	126230-02-01A	EA	BEZEL - HEADLAMP - LEFT HAND
	110690-02-D18	EA	PLATE - HEADLAMP - QUAD/LEFT HAND
9	126956-01-J15	EA	HOOD - FRONT
10	126230-01-01A	EA	BEZEL - HEADLAMP - RIGHT HAND
	110690-01-D18	EA	PLATE - HEADLAMP - QUAD/RIGHT HAND

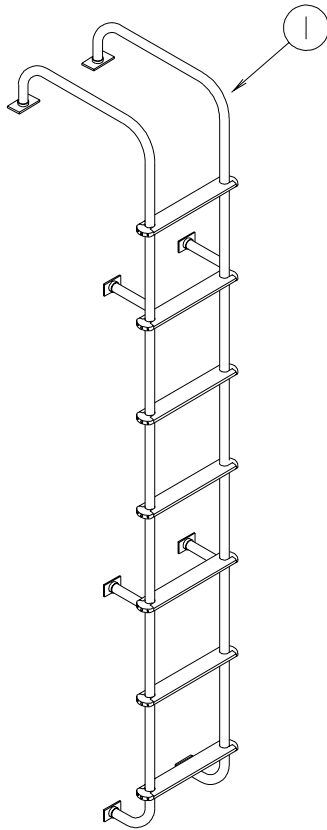
EXTERIOR BODY GROUP (CONTINUED)
FRONT END (CONTINUED)



HOOD & COMPONENTS

KEY	PART NUMBER	U/M	DESCRIPTION
1	126956-01-J15	EA	HOOD - FRONT
	106730-10-000	EA	PLATE - STUD - F/HOOD
2	126911-01-02B	EA	ANGLE - HOOD HINGE - PASSENGER - E-COATED
	126911-02-02B	EA	ANGLE - HOOD HINGE - DRIVER - E-COATED
3	125798-03-02B	EA	LINK - HOOD HINGE - UPPER PASSENGER
	125798-04-02B	EA	LINK - HOOD HINGE - UPPER DRIVER
4	126867-01-02B	EA	BRACKET - LINK - HOOD HINGE - PASSENGER - E-COATED
	126867-03-02B	EA	BRACKET - LINK - HOOD HINGE - DRIVER - E-COATED
5	058786-01-000	EA	BOLT - HOOD ADJUSTMENT - 5/16"-18 X 1.5"-2"- W/BLACK PAD
6	125778-07-02B	EA	LINK - HOOD HINGE - LOWER PASSENGER - E-COATED
	125778-08-02B	EA	LINK - HOOD HINGE - LOWER DRIVER - E-COATED
7	126913-02-02B	EA	TUBE - TIMING - HOOD HINGE W/WELD NUT - 53.7" - E-COATED
8	102330-02-000	EA	LATCH - VISE ACTION/KEY OPERATED
	102330-04-000	EA	PAWL - LATCH - STRAIGHT - 1.96"
	102328-01-000	EA	KEY - BARREL - NICKEL PLATED
	126352-04-02B	EA	LATCH - HOOD - E-COATED

EXTERIOR BODY GROUP (CONTINUED)
LADDER



KEY	PART NUMBER	U/M	DESCRIPTION
1	129639-02-01A	EA	LADDER - BRUSHED ALUMINUM
	038327-01-000	EA	TAPE - ANTI-SLIP - 2" X 60'

MIRRORS

KEY	PART NUMBER	U/M	DESCRIPTION
*	106015-12-01A	EA	MIRROR - EXTERIOR REMOTE/HEAT - PASSENGER
*	106015-13-01A	EA	MIRROR - EXTERIOR REMOTE/HEAT - DRIVER
*	123297-01-01A	EA	MIRROR - EXTERIOR - ADJUSTABLE GLASS - DRIVER
*	123297-02-01A	EA	MIRROR - EXTERIOR - ADJUSTABLE GLASS - PASSENGER

***COMPONENT PARTS FOUND IN SERVICE PARTS LIBRARY**

EXTERIOR BODY GROUP (CONTINUED)

BODY PANEL COMPONENTS

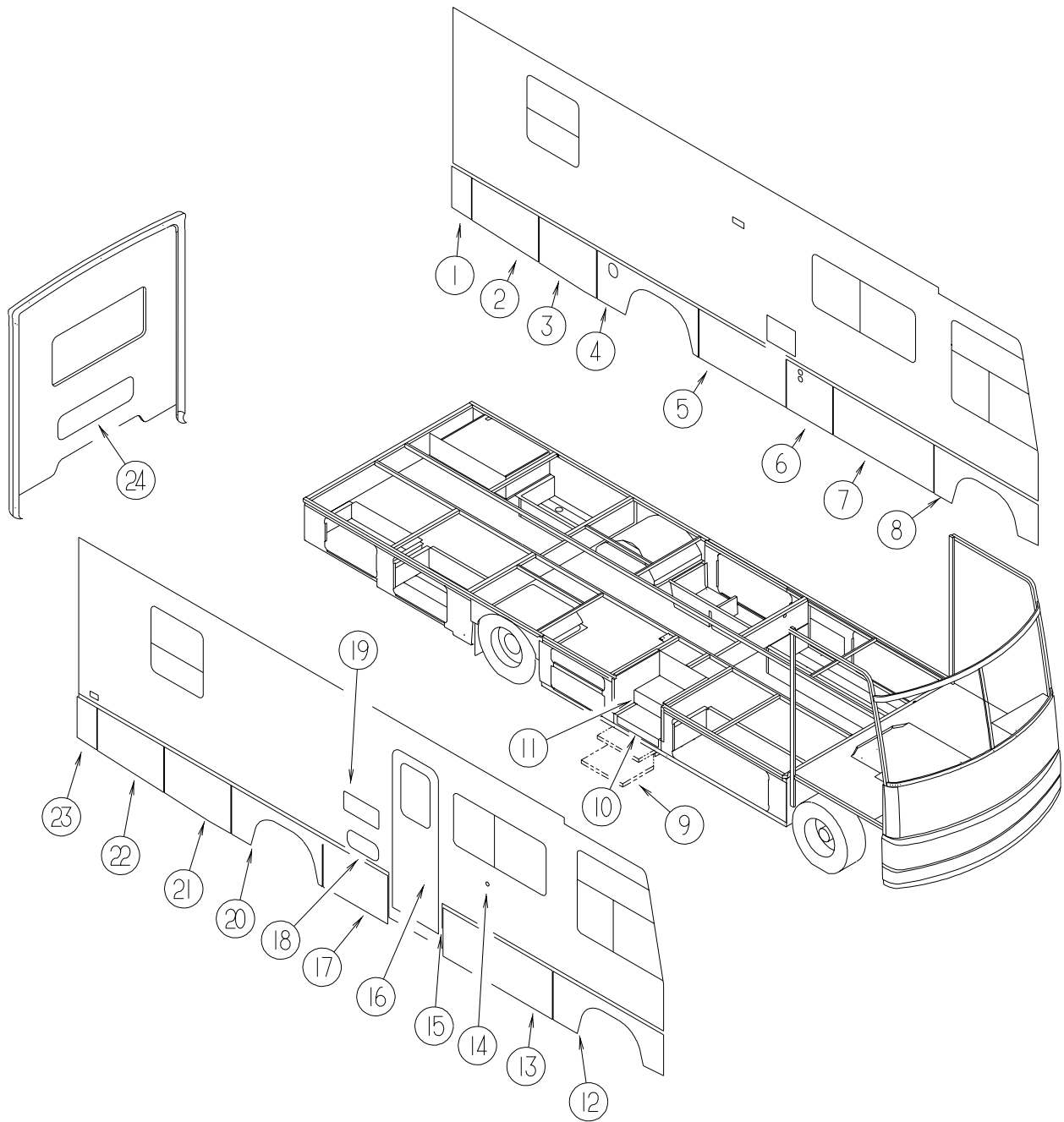
KEY	PART NUMBER	U/M	DESCRIPTION
	076054-U8-000	EA	FIBERGLASS SHEET - 100" X 105" - BRIGHT WHITE
	076054-W6-000	EA	FIBERGLASS SHEET - 79" X 367" - BRIGHT WHITE
	076054-W3-000	EA	FIBERGLASS SHEET - 79" X 361.3" - BRIGHT WHITE
	077517-62-000	EA	FIBERGLASS SHEET - 48" X 96" - BRIGHT WHITE
	108535-05-702	SF	FIBERGLASS SHEET - FLAT - 108" X 396" BRIGHT WHITE - ROOF
	120107-01-000	EA	FOAM - ROOF COVE - 2.8" X 96" LONG
	120107-02-000	EA	FOAM - PLUG - ROOF TUBE - 2.2" X 2.9" X 1.8" LONG
	120107-03-000	EA	FOAM - PLUG - SIDEWALL TUBE - 1.2" X 2.1" X 1.8" LONG
	002726-01-001	EA	GARNISH - U-CHANNEL - 1.38" X 19' - SERRATED
	002766-01-001	EA	ANGLE - EXTRUDED - 1" X 1.5" X 17'
	068716-01-001	EA	BRACE - 90 DEGREE - L-ANGLE - 16'
	072878-01-000	EA	INSULATION - SOUND BARRIER PAD - .058" X 33" X 58" - DIESEL
	089297-01-000	SF	PLYWOOD - LUAN - OVERLAY GRADE - 48" X 96"
	089297-02-000	SF	PLYWOOD - LUAN - OVERLAY GRADE - 48" X 108"
	100619-01-000	BF	FOAM - EXPANDED POLYSTYRENE - 1.34" X 48" X 96"
	100619-02-000	BF	FOAM - EXPANDED POLYSTYRENE - 1.5" X 48" X 96"
	100619-04-000	BF	FOAM - EXPANDED POLYSTYRENE - .5" X 48" X 96"
	100619-05-000	BF	FOAM - EXPANDED POLYSTYRENE - .75" X 48" X 96"-1.5 DENSITY
	100619-13-000	BF	FOAM - EXPANDED POLYSTYRENE - .34" X 34.65" X 96"
	100619-16-000	BF	FOAM - EXPANDED POLYSTYRENE - .75" X 48" X 96"-2.0 DENSITY
	100619-22-000	BF	FOAM - EXPANDED POLYSTYRENE - 48" X 120" X 1.34"
	100619-27-000	BF	FOAM - EXPANDED POLYSTYRENE - 48" X 92.8" X 3"
	105077-08-000	EA	FOAM - PLUG - ROOF CAP

AWNINGS

KEY	PART NUMBER	U/M	DESCRIPTION
*	113874-01-02A	EA	HARDWARE KIT - AWNING - W/O STANDOFF BRACKET-BRIGHT WHITE
	113874-06-11A	EA	AWNING - 16' AMETHYST GREEN VINYL - BRT/WHT VINYL WRAP
	113874-11-01A	EA	SCREW/LAG - AWNING - 1/4" X 1" STAINLESS STEEL
	113874-12-01A	EA	SCREW/LAG - AWNING - 1/4" X 2 3/4" STAINLESS STEEL
	130320-01-02A	EA	BRACKET - AWNING - F/A&E INSTALLATION - BRIGHT WHITE

*COMPONENT PARTS FOUND IN SERVICE PARTS LIBRARY

EXTERIOR DOORS & COMPARTMENTS GROUP
DOOR & COMPARTMENT LAYOUT



KEY	PART NUMBER	U/M	DESCRIPTION
1	126645-06-L22	EA	VALANCE/PANEL - REAR DRVR W/O HDWR - 20" X 11.5" X 20.4"
	119568-01-01A	EA	STANDOFF - VALANCE PANEL - BLACK
1	123512-01-02B	EA	BRACKET - VALANCE DOOR - E-COATED
2	126647-07-L22	EA	VALANCE/DOOR - DRIVER W/O LATCH - 20.6" X 38.6" X 22.4"
3	126647-09-L22	EA	VALANCE/DOOR - DRIVER W/O LATCH - 22.5" X 33.4" X 23.7"
3	129015-01-K80	EA	PORT COMPLETE - F/ELECTRICAL/DRAIN
3	117047-01-000	EA	BUMPER - RUBBER - WASHER INSERT
	121175-02-01A	EA	LATCH - SWELL
	084852-51-003	EA	EXTRUDED - ANGLE - 1.25" X .75" X 15'

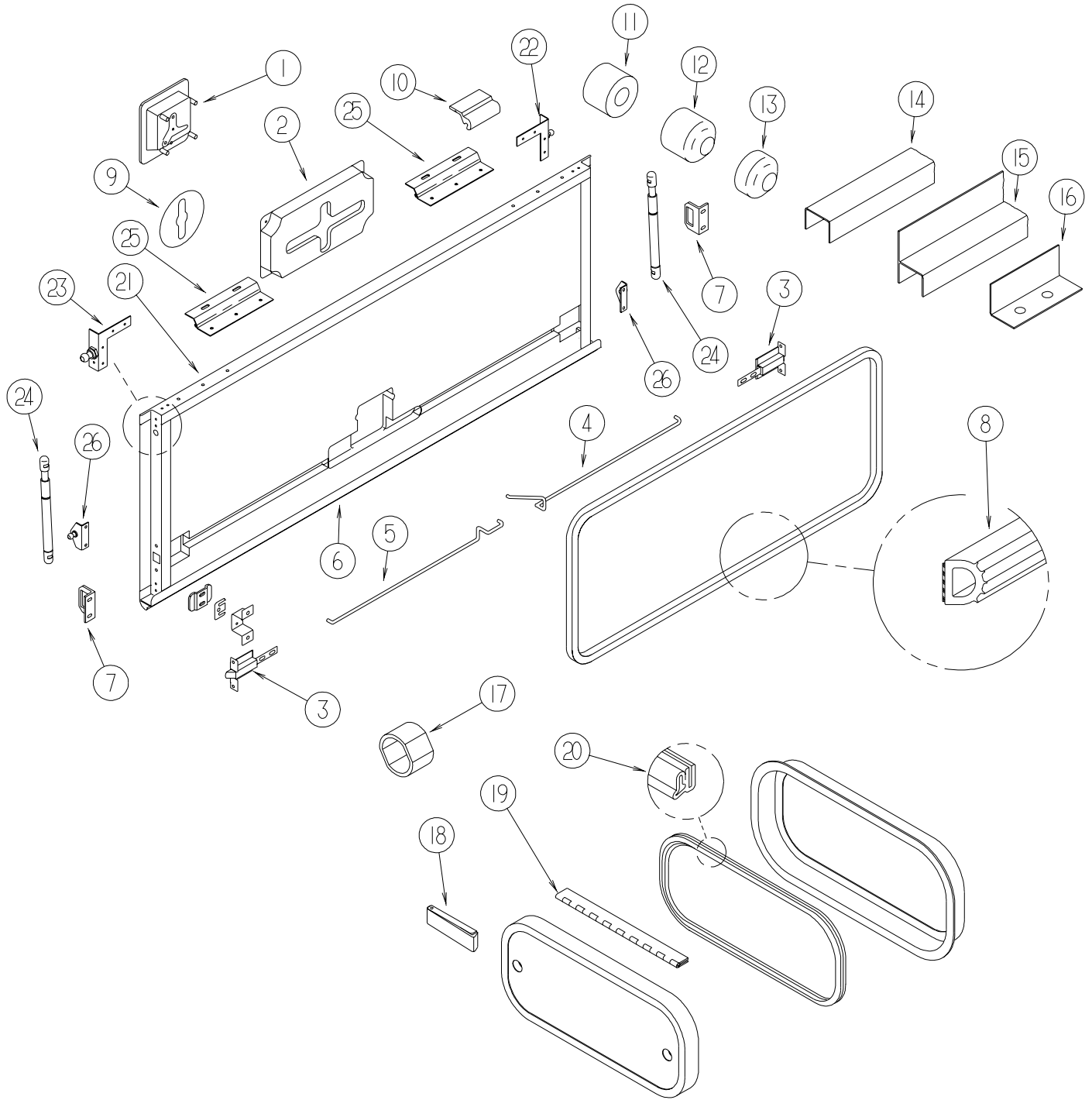
EXTERIOR DOORS & COMPARTMENTS GROUP (CONTINUED)

DOOR & COMPARTMENT LAYOUT (CONTINUED)

KEY	PART NUMBER	U/M	DESCRIPTION
4	129421-03-K89	EA	PANEL/WHEEL LIP - REAR/DRIVER
	129854-11-01A	EA	SUPPORT - WHEEL LIP - 53.8" - MILL
5	126646-21-L22	EA	VALANCE/DOOR - W/O PADDLE LATCH - 48.7"W X 23.7"H
	M06991-05-G38	EA	HATCH - W/FOAM INSULATION- F/SEWER COMPT - 15.4"W X 15.2"H
	117757-01-01A	EA	COMPARTMENT/STORAGE - W/O RETAINER/HATCH
	121175-01-01A	EA	LATCH - SWELL - BLACK
	076767-01-000	EA	CABLE - STEEL - 12"
6	122776-26-K20	EA	VALANCE/PANEL - W/O HARDWARE - 26.9"W X 23.7"H
	119568-01-01A	EA	STANDOFF - VALANCE PANEL - BLACK
6	123512-01-02B	EA	BRACKET - VALANCE DOOR - E-COATED
7	122239-C6-L22	EA	VALANCE/DOOR - W/O PADDLE LATCH/HINGE - 58.2"W X 23.7"H
7	126386-24-J22	EA	COMPARTMENT - LUGGAGE
	126397-01-01A	EA	PANEL/COMPARTMENT END - RIGHT HAND
	126397-02-01A	EA	PANEL/COMPARTMENT END - LEFT HAND
8	129422-03-K20	EA	PANEL/WHEEL LIP - FRONT/DRIVER
	129854-11-01A	EA	SUPPORT - WHEEL LIP - 53.8" - MILL
9*	132900-01-01A	EA	STEP - ELECTRIC - DOUBLE (SCS) - BLACK
10	133114-03-01A	EA	TREAD - RUBBER STEP - 27.1" - TAUPE (L22,L23,L24)
10	133114-03-02A	EA	TREAD - RUBBER STEP - 27.1" - BLUE (L25)
10	133114-04-01A	EA	TREAD - RUBBER STEP - 26.3" - TAUPE (L22,L23,L24)
10	133114-04-02A	EA	TREAD - RUBBER STEP - 26.3" - BLUE (L25)
11	101222-01-04A	EA	BRACKET - CATCH - LID - E-COATED
11	064075-07-000	FT	SEAL - BULB - W/WIRED U CHANNEL - .3" X .5" CHANNEL-BLACK
11	104452-03-000	EA	SUPPORT - STEP
12	129422-04-K20	EA	PANEL/WHEEL LIP - FRONT/PASSENGER
	129854-11-01A	EA	SUPPORT - WHEEL LIP - 53.8" - MILL
13	122239-C3-L22	EA	VALANCE/DOOR - W/O PADDLE LATCH/HINGE - 63.6"W X 23.7"H
13	126386-23-J22	EA	COMPARTMENT - LUGGAGE
	126397-01-01A	EA	PANEL/COMPARTMENT END - RIGHT HAND
	126397-02-01A	EA	PANEL/COMPARTMENT END - LEFT HAND
	126516-01-01A	EA	TRIM
14	120863-02-000	EA	BUMPER - RUBBER - 1" DIAMETER X 1.50"
15	120863-01-000	EA	BUMPER - RUBBER - 1 1/4" X 1 1/4"
16	115108-02-K18	EA	DOOR - ENTRY - W/SCREEN DOOR - W/O WINDOW (L22)
16	115108-02-L20	EA	DOOR - ENTRY - W/SCREEN DOOR - W/O WINDOW (L23)
16	115108-02-L24	EA	DOOR - ENTRY - W/SCREEN DOOR - W/O WINDOW (L24)
16	115108-02-L16	EA	DOOR - ENTRY - W/SCREEN DOOR - W/O WINDOW (L25)
	069726-02-000	EA	BUMPER - .88" OD X .40" THICK - BLACK
17	126646-31-L22	EA	VALANCE/DOOR - W/O PADDLE LATCH - 34.1"W X 23.7"H
17	117047-01-000	EA	BUMPER - RUBBER - WASHER INSERT
18	126945-01-J22	EA	DOOR/STORAGE - W/O HARDWARE - 18" X 8.3"
19*	084103-08-000	EA	DOOR - VENT - REFRIGERATOR - W/O JAMB - BRIGHT WHITE
19	084104-08-000	EA	JAMB - VENT DOOR/REFRIGERATOR - BRIGHT WHITE
20	129421-04-K89	EA	PANEL/WHEEL LIP - REAR/PASSENGER
	129854-11-01A	EA	SUPPORT - WHEEL LIP - 53.8" - MILL
21	126647-06-L22	EA	VALANCE/DOOR - PASSENGER W/O LATCH - 22.5" X 38.6" X 23.7"
22	126647-08-L22	EA	VALANCE/DOOR - PASSENGER W/O LATCH - 20.6" X 38.6" X 22.4"
23	126645-05-L22	EA	VALANCE/PANEL - REAR PASS W/O HDW - 20" X 11.5" X 20.4"
	119568-01-01A	EA	STANDOFF - VALANCE PANEL - BLACK
23	123512-01-02B	EA	BRACKET - VALANCE DOOR - E-COATED
24	126944-02-L22	EA	DOOR/STORAGE - W/O HARDWARE - 43.5" X 11.7"

*COMPONENT PARTS FOUND IN SERVICE PARTS LIBRARY

EXTERIOR DOORS & COMPARTMENTS GROUP (CONTINUED)
COMPARTMENT DOOR COMPONENTS



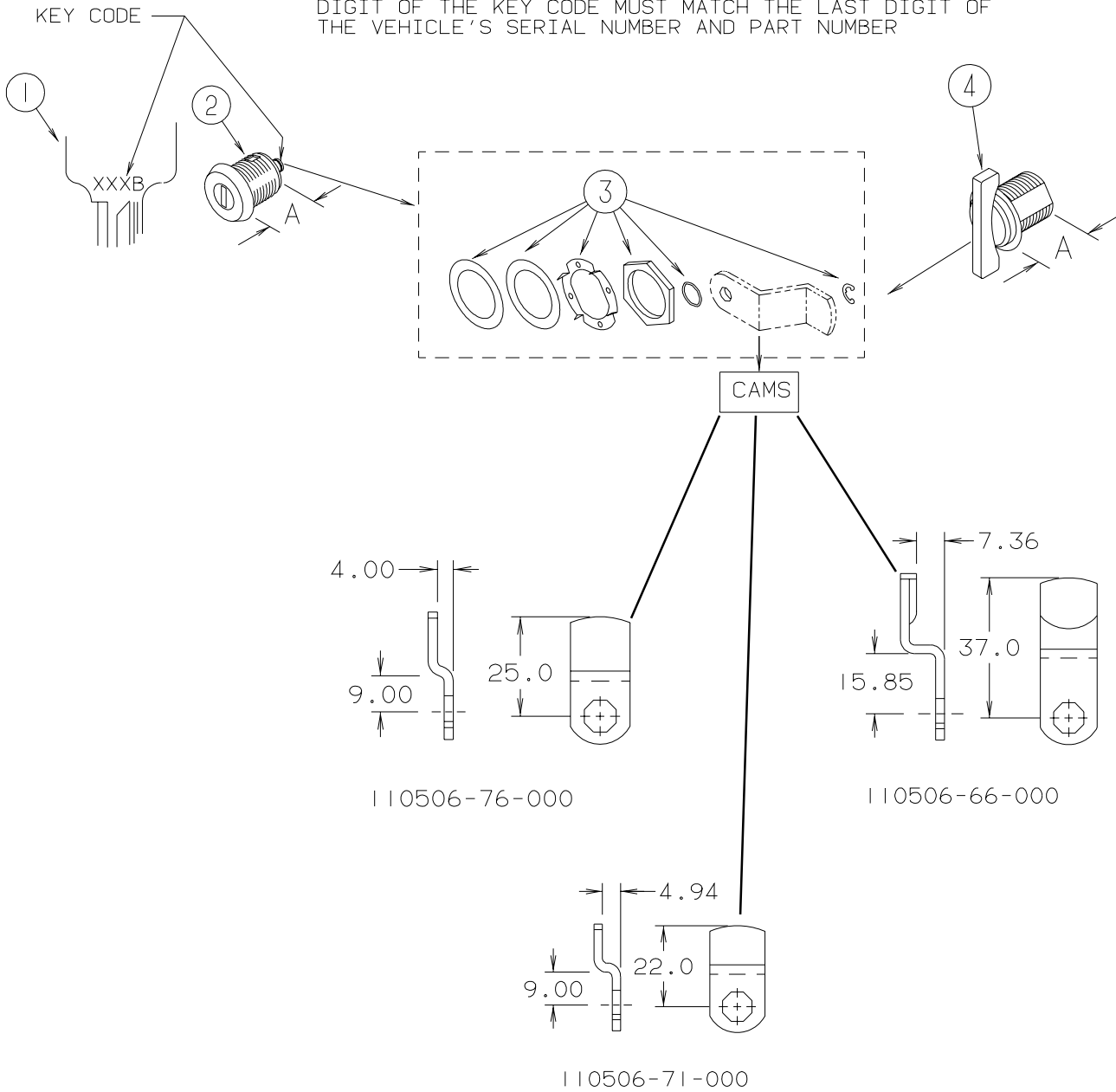
EXTERIOR DOORS & COMPARTMENTS GROUP (CONTINUED)

COMPARTMENT DOOR COMPONENTS (CONTINUED)

KEY	PART NUMBER	U/M	DESCRIPTION
1	112949-01-03A	EA	LATCH - PADDLE W/LOCK - W/O KEY - BRIGHT WHITE
	112949-03-000	EA	KEY - CUT - TRI MARK - #TM500
1	112949-02-04A	EA	LATCH - PADDLE NON-LOCKING - BRIGHT WHITE
2	122277-02-01A	EA	COVER - LATCH - BLACK
3	121947-01-01A	EA	BOLT - SLIDE W/PLASTIC PLUNGER
4	126508-04-000	EA	ROD - LATCH - 35.4"
5	126507-04-000	EA	ROD - LATCH - 35.4"
6	122613-55-001	EA	ROCKER PANEL/EXTRUSION - 192" - BRIGHT WHITE
7	130053-01-01A	EA	STRIKER - LUGGAGE DOOR - FLUSH - BLACK
7	130053-02-01A	EA	STRIKER - LUGGAGE DOOR - OFF SET - BLACK
8	107721-07-000	FT	SEAL - ACCESS DOOR
9	116424-01-000	EA	PROTECTOR - LATCH - WATER HEATER
10	119143-02-02A	EA	SPACER/CENTER HINGE - COMPARTMENT DOOR - BRIGHT WHITE - 2"
11	120863-01-000	EA	BUMPER - RUBBER - 1 1/4" X 1 1/4"
12	120863-02-000	EA	BUMPER - RUBBER - 1" DIAMETER X 1.50"
13	120863-05-000	EA	BUMPER - RUBBER - 3/4" X 3/8"
14	122612-55-008	EA	U-CHANNEL/EXTRUSION - 144" - BRIGHT WHITE
15	122614-55-008	EA	EXTR-H CHANNEL,BWHT,3658MM
16	128298-01-12B	EA	CATCH - F/LOCK - COMPARTMENT DOORS
17	107997-51-001	EA	SPACER - DOOR LOCK - .6" DEEP
17	107997-51-002	EA	EXTRUDED - SPACER - 16'
18	102768-01-000	EA	HOLDER - COMPARTMENT/ENTRY DOOR - METAL - MILL FINISH
19	081801-V3-000	EA	HINGE - ALUMINUM - 2" X 96" - BRIGHT WHITE
20	106850-02-000	FT	SEAL-E - SPONGE RUBBER - .43" X .75"
21	126694-55-001	EA	EXTRUSION - U-CHANNEL/HINGED - 191.7" - BRIGHT WHITE
22	123892-10-02B	EA	CORNER STABILIZER W/BALL STUD - LEFT HAND - E-COATED
23	123892-12-02B	EA	CORNER STABILIZER W/BALL STUD - RIGHT HAND - E-COATED
24	107796-20-000	EA	SPRING/GAS - 7" COMPRESSED/10" EXTENDED - 60 LB
25	131271-01-04A	EA	HINGE - VALANCE DOOR - BRIGHT WHITE
26	126263-02-02B	EA	BRACKET - GAS SPRING

EXTERIOR DOORS & COMPARTMENTS GROUP (CONTINUED)
COMPARTMENT DOOR COMPONENTS (CONTINUED)

NOTE:
 WHEN ORDERING THE LOCK CASE, THE KEY CODE MUST MATCH THE LAST DIGIT OF THE VEHICLE'S SERIAL NUMBER AND PART NUMBER; WHEN ORDERING THE KEYS, THE THIRD DIGIT OF THE KEY CODE MUST MATCH THE LAST DIGIT OF THE VEHICLE'S SERIAL NUMBER AND PART NUMBER



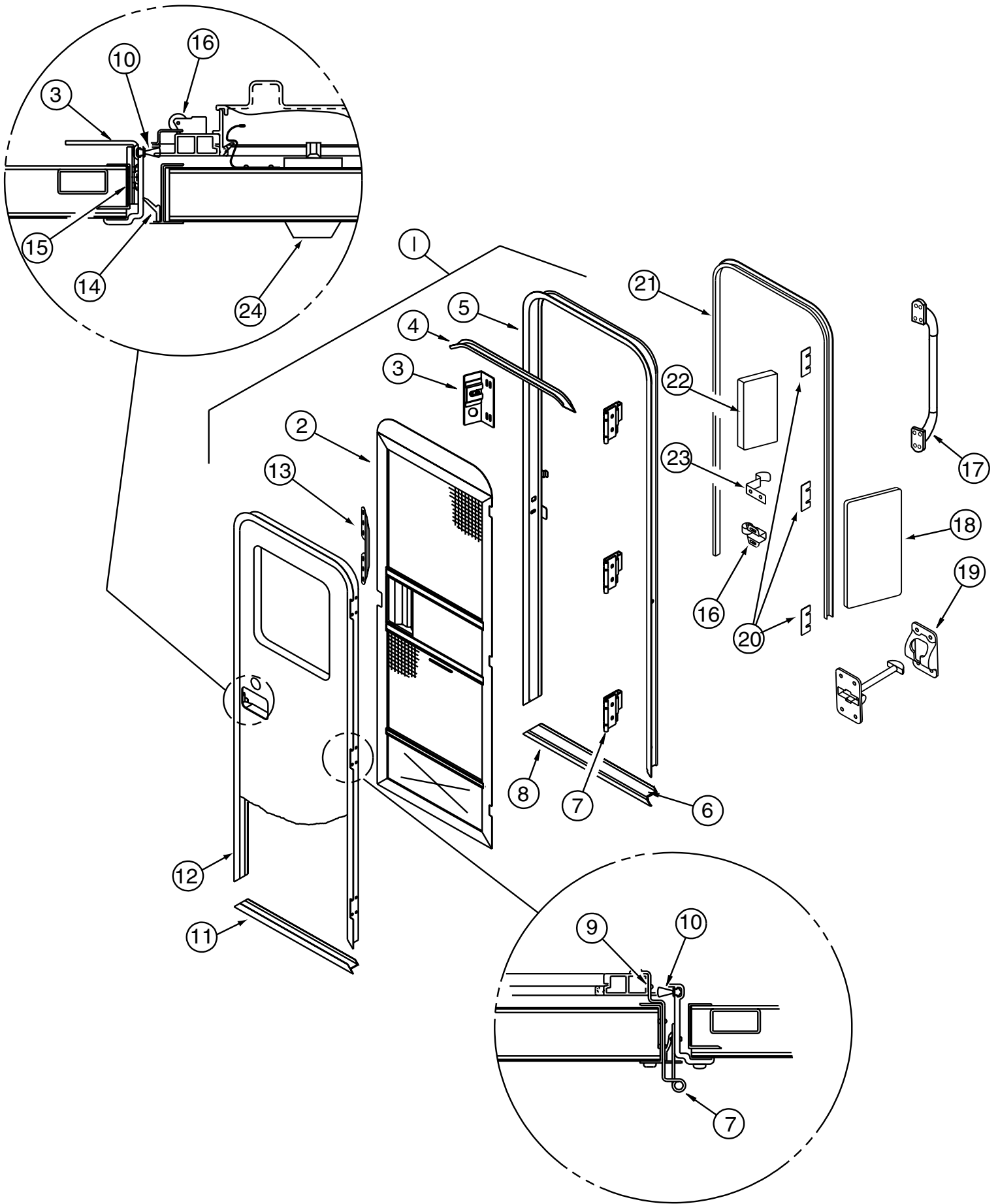
EXTERIOR DOORS & COMPARTMENTS GROUP (CONTINUED)

COMPARTMENT DOOR COMPONENTS (CONTINUED)

KEY	PART NUMBER	U/M	DESCRIPTION
1*	110506-59-000	EA	KEYS - SET OF TWO - 596720
2	110506-52-000	EA	CASE/CYLINDER - LOCKING - W/O CAM/KEY - .65" - 702370
2	110506-54-000	EA	CASE/CYLINDER - LOCKING - W/O CAM/KEY - 1.25" - 703170
1*	110506-59-001	EA	KEYS - SET OF TWO - 596721
2	110506-52-001	EA	CASE/CYLINDER - LOCKING - W/O CAM/KEY - .65" - 702371
2	110506-54-001	EA	CASE/CYLINDER - LOCKING - W/O CAM/KEY - 1.25" - 703171
1*	110506-59-002	EA	KEYS - SET OF TWO - 596722
2	110506-52-002	EA	CASE/CYLINDER - LOCKING - W/O CAM/KEY - .65" - 702372
2	110506-54-002	EA	CASE/CYLINDER - LOCKING - W/O CAM/KEY - 1.25" - 703172
1*	110506-59-003	EA	KEYS - SET OF TWO - 596723
2	110506-52-003	EA	CASE/CYLINDER - LOCKING - W/O CAM/KEY - .65" - 702373
2	110506-54-003	EA	CASE/CYLINDER - LOCKING - W/O CAM/KEY - 1.25" - 703173
1*	110506-59-004	EA	KEYS - SET OF TWO - 596724
2	110506-52-004	EA	CASE/CYLINDER - LOCKING - W/O CAM/KEY - .65" - 702374
2	110506-54-004	EA	CASE/CYLINDER - LOCKING - W/O CAM/KEY - 1.25" - 703174
1*	110506-59-005	EA	KEYS - SET OF TWO - 596725
2	110506-52-005	EA	CASE/CYLINDER - LOCKING - W/O CAM/KEY - .65" - 702375
2	110506-54-005	EA	CASE/CYLINDER - LOCKING - W/O CAM/KEY - 1.25" - 703175
1*	110506-59-006	EA	KEYS - SET OF TWO - 596726
2	110506-52-006	EA	CASE/CYLINDER - LOCKING - W/O CAM/KEY - .65" - 702376
2	110506-54-006	EA	CASE/CYLINDER - LOCKING - W/O CAM/KEY - 1.25" - 703176
1*	110506-59-007	EA	KEYS - SET OF TWO - 596727
2	110506-52-007	EA	CASE/CYLINDER - LOCKING - W/O CAM/KEY - .65" - 702377
2	110506-54-007	EA	CASE/CYLINDER - LOCKING - W/O CAM/KEY - 1.25" - 703177
1*	110506-59-008	EA	KEYS - SET OF TWO - 596728
2	110506-52-008	EA	CASE/CYLINDER - LOCKING - W/O CAM/KEY - .65" - 702378
2	110506-54-008	EA	CASE/CYLINDER - LOCKING - W/O CAM/KEY - 1.25" - 703178
1*	110506-59-009	EA	KEYS - SET OF TWO - 596729
2	110506-52-009	EA	CASE/CYLINDER - LOCKING - W/O CAM/KEY - .65" - 702379
2	110506-54-009	EA	CASE/CYLINDER - LOCKING - W/O CAM/KEY - 1.25" - 703179
3*	110506-40-700	EA	HARDWARE PACKAGE-CYLINDER/CASE
	110506-59-701	EA	KEY BLANK (GOLD)
4	110506-55-000	EA	CASE/CYLINDER - TWIST LOCK - W/O CAM - 1.25" - 597312AA1

*COMPONENT PARTS FOUND IN SERVICE PARTS LIBRARY

EXTERIOR DOORS & COMPARTMENTS GROUP (CONTINUED)
ENTRY DOOR



EXTERIOR DOORS & COMPARTMENTS GROUP (CONTINUED)

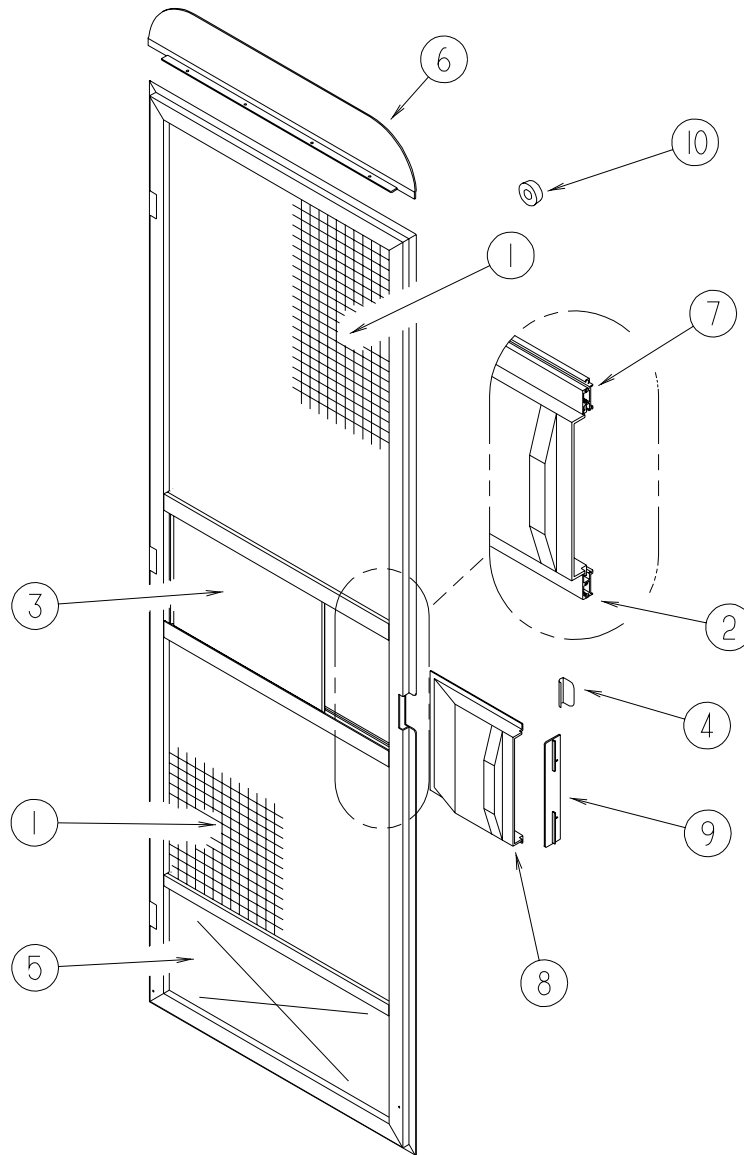
ENTRY DOOR (CONTINUED)

KEY	PART NUMBER	U/M	DESCRIPTION
1	115108-02-K18	EA	DOOR - ENTRY - W/SCREEN DOOR - W/O WINDOW (L22)
1	115108-02-L20	EA	DOOR - ENTRY - W/SCREEN DOOR - W/O WINDOW (L23)
1	115108-02-L24	EA	DOOR - ENTRY - W/SCREEN DOOR - W/O WINDOW (L24)
1	115108-02-L16	EA	DOOR - ENTRY - W/SCREEN DOOR - W/O WINDOW (L25)
2	121899-01-G04	EA	DOOR - SCREEN - W/O HARDWARE - BRIGHT WHITE
3	041546-07-000	EA	BRACKET - DOOR ANGLE - OFF WHITE
4	044582-44-000	EA	CAP - DRIP - JAMB - BRIGHT WHITE
5	121898-01-01A	EA	JAMB - ENTRY DOOR
6	038327-01-000	EA	TAPE - ANTI SLIP - 2" X 60'
7	106719-01-05A	EA	HINGE - ENTRY DOOR - BRIGHT WHITE
	106719-01-01A	EA	HINGE - ENTRY DOOR - MILL
	039715-01-000	EA	NUT-SERT - 1/4" DIAMETER - 20 THREADS
	116111-02-01A	EA	SCREW - TAPTITE - 1/4-20 X 3/8 PPH - ZINC
8	051049-01-000	EA	JAMB - BOTTOM - ENTRY DOOR - 25.9" - UNPAINTED
9	100128-02-000	FT	SEAL - FOAM/ADHESIVE BACK - .37" WIDE X .37" THICK
10	118929-01-01A	FT	SEAL - PILE - PUSH ON
11	121893-01-01A	EA	FRAME - ENTRY DOOR/BOTTOM - BRIGHT WHITE
12	121894-03-01A	EA	FRAME - ENTRY DOOR
13	098173-01-04A	EA	STIFFENER - ENTRY DOOR - SUPPORTS LATCH/STRIKE - UNPAINTED
	072893-04-000	EA	NUTSERT - 10-32
14	075671-04-000	FT	SEAL - SPONGE - LAZY T - W/ADHESIVE STRIP - .5" WIDE
15	104692-01-000	FT	SEAL - FOAM/ADHESIVE BACK - .75"THICK X .75"WIDE X 25'
16	109403-01-000	EA	CATCH - SINGLE ROLLER - SCREEN DOOR
17	132442-01-01A	EA	HANDLE - ASSIST
18	076725-02-000	EA	COVER - HINGE - ENTRY DOOR - 6" X 3.2" - OFF WHITE
19	104099-01-04A	EA	CATCH - DOOR HOLDER - STRIKE - BRIGHT WHITE
19	104099-02-04A	EA	CATCH - DOOR HOLDER - RETAINER - BRIGHT WHITE
20	102248-01-000	EA	SHIM - DOOR
21	115222-02-01A	EA	GARNISH - RADIUS - ENTRY DOOR
22	077461-03-000	EA	COVER - STRIKE - ENTRY DOOR - 6.5" X 2.5" - WHITE PLASTIC
23	100412-01-000	EA	CATCH - SCREEN DOOR
24*	101145-01-06A	EA	DEADBOLT - ENTRY DOOR W/O SECURITY BOLT W/2 KEYS - BLACK
	101147-01-000	EA	BOLT - SECURITY - 4.12"
	090340-01-000	FT	SEAL - FOAM - CLOSED CELL - 1/4" X 1/2" X 50'

*COMPONENT PARTS FOUND IN SERVICE PARTS LIBRARY

EXTERIOR DOORS & COMPARTMENTS GROUP (CONTINUED)

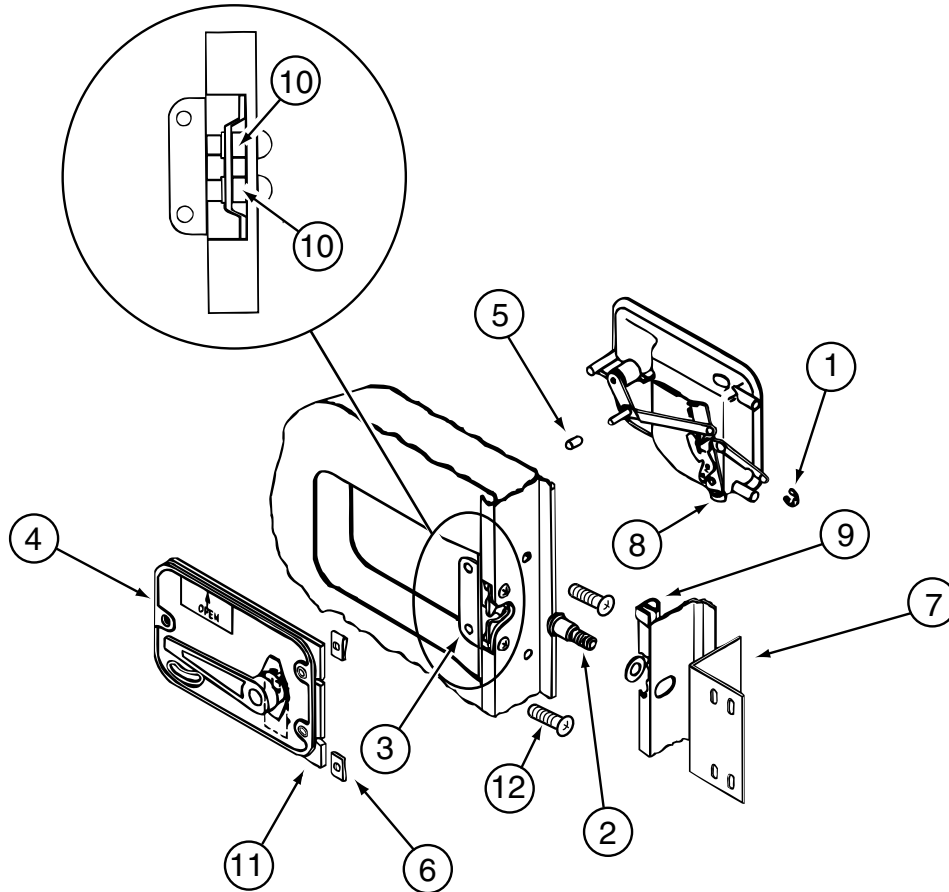
SCREEN DOOR



KEY	PART NUMBER	U/M	DESCRIPTION
	121899-01-G04	EA	DOOR - SCREEN - W/O HARDWARE - BRIGHT WHITE
1	002293-02-000	SF	SCREEN - 26" - CHARCOAL
2	002294-01-000	FT	SPLINE - SCREENING - .135" X .138"
3	016454-01-000	EA	INSERT - CENTER - LEATHER GRAIN ALUMINUM - UNPAINTED
	001014-01-013	EA	INSERT - CENTER - 10.25" X 16.31" - UNPAINTED
4	050712-06-000	EA	HANDLE - SCREEN DOOR - BRIGHT WHITE
5	078552-03-000	EA	KICK PANEL - SCREEN DOOR - LOWER INSERT - UNPAINTED
6	078595-01-000	EA	TOP PLATE - SCREEN DOOR - CURVED TOP - 4.7" X 25.35"
7	078777-08-000	FT	CHANNEL - SLIDER
8	079086-03-000	EA	SLIDER - SCREEN DOOR - BRIGHT WHITE
9	079087-03-000	EA	STRIKE - SLIDER - SCREEN DOOR - BRIGHT WHITE
10	120863-06-000	EA	BUMPER - RUBBER - 3/4" X 3/8"
	075673-05-000	FT	SEAL - PILE - ADHESIVE BACK - BLACK

EXTERIOR DOORS & COMPARTMENTS GROUP (CONTINUED)

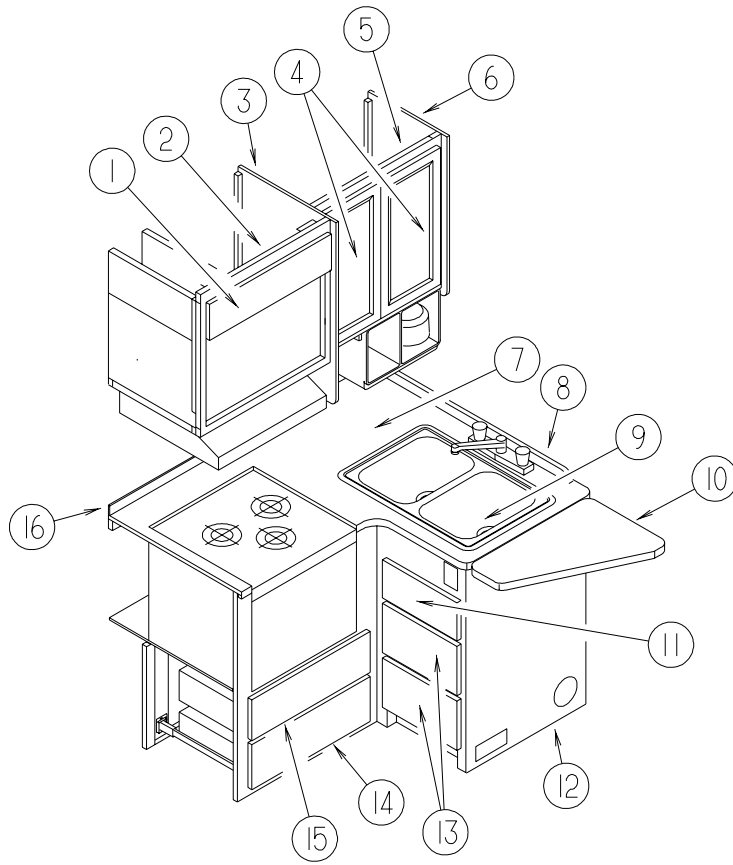
LATCH - ENTRY DOOR



KEY	PART NUMBER	U/M	DESCRIPTION
1	036618-02-000	EA	E-RING - EXTERNAL - 3/16" SHAFT DIAMETER - LYNOR DOOR LOCK
2	039539-01-000	EA	STRIKE - LOCK - ENTRY DOOR - ROUND W/THREADED WASHER
3	039540-01-000	EA	LATCH MECHANISM - HOOK - ENTRY DOOR - INTERIOR
4	039979-06-000	EA	COVER - LATCH PLATE - RIGHT HAND - BLACK TEXTURED
5	039984-01-000	EA	CAP - ROUND - VINYL - .28" ID X .62" - BLACK
6	040921-01-000	EA	NUT-SPEED-U TYPE 10-24 BLACK
7	041546-07-000	EA	BRACKET - DOOR ANGLE - OFF WHITE
8*	045017-13-000	EA	LATCH - ENTRY DOOR - BLACK TEXTURED
9	064075-07-000	FT	SEAL - BULB - W/WIRED U CHANNEL - .3" X .5" CHANNEL-BLACK
10	086285-05-000	EA	SPACER - NYLON - .7" X .56"
11	096810-01-01A	EA	PLATE - LATCH - ENTRY DOOR - BLACK
12	000G54-04-20B	EA	SCREW - 1/4-20 X 1 1/4 PTH TYP 23
	130444-01-01A	EA	CAP - KEY IDENTIFIER - GRAY

*COMPONENT PARTS FOUND IN SERVICE PARTS LIBRARY

GALLEY GROUP CABINETS

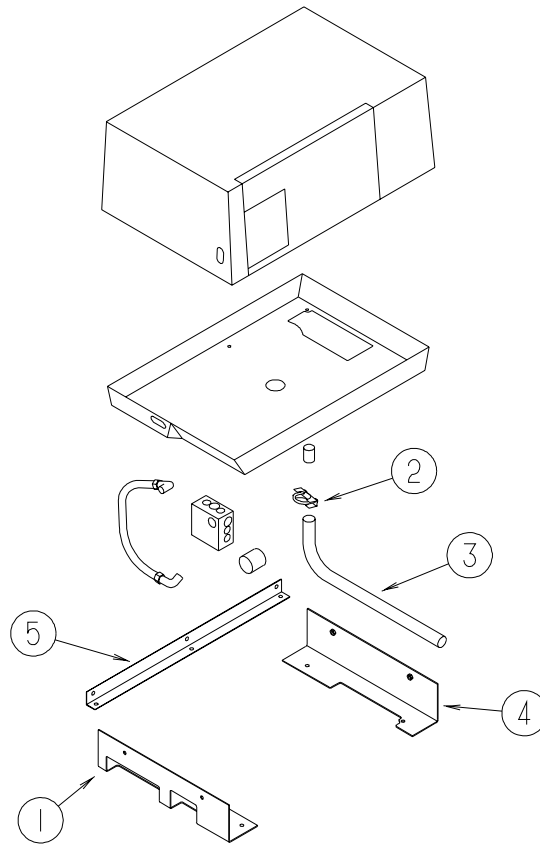


GALLEY GROUP (CONTINUED)

CABINETS (CONTINUED)

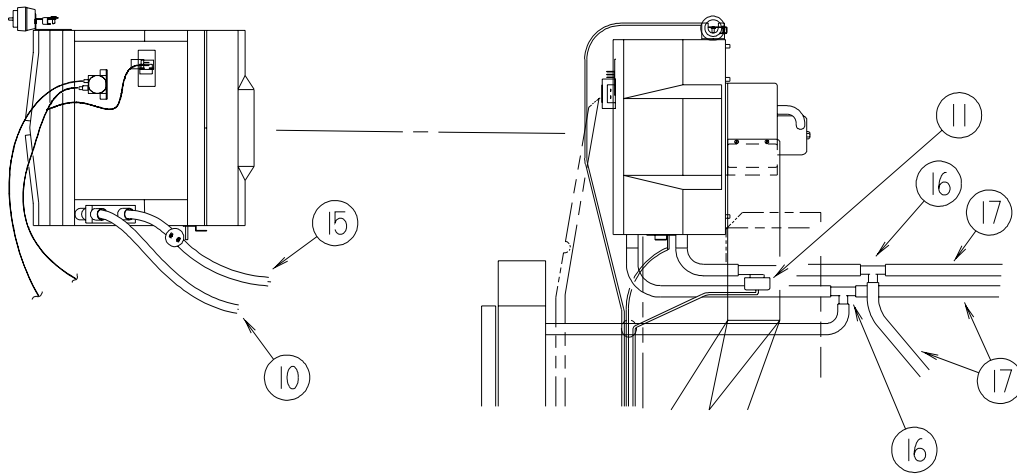
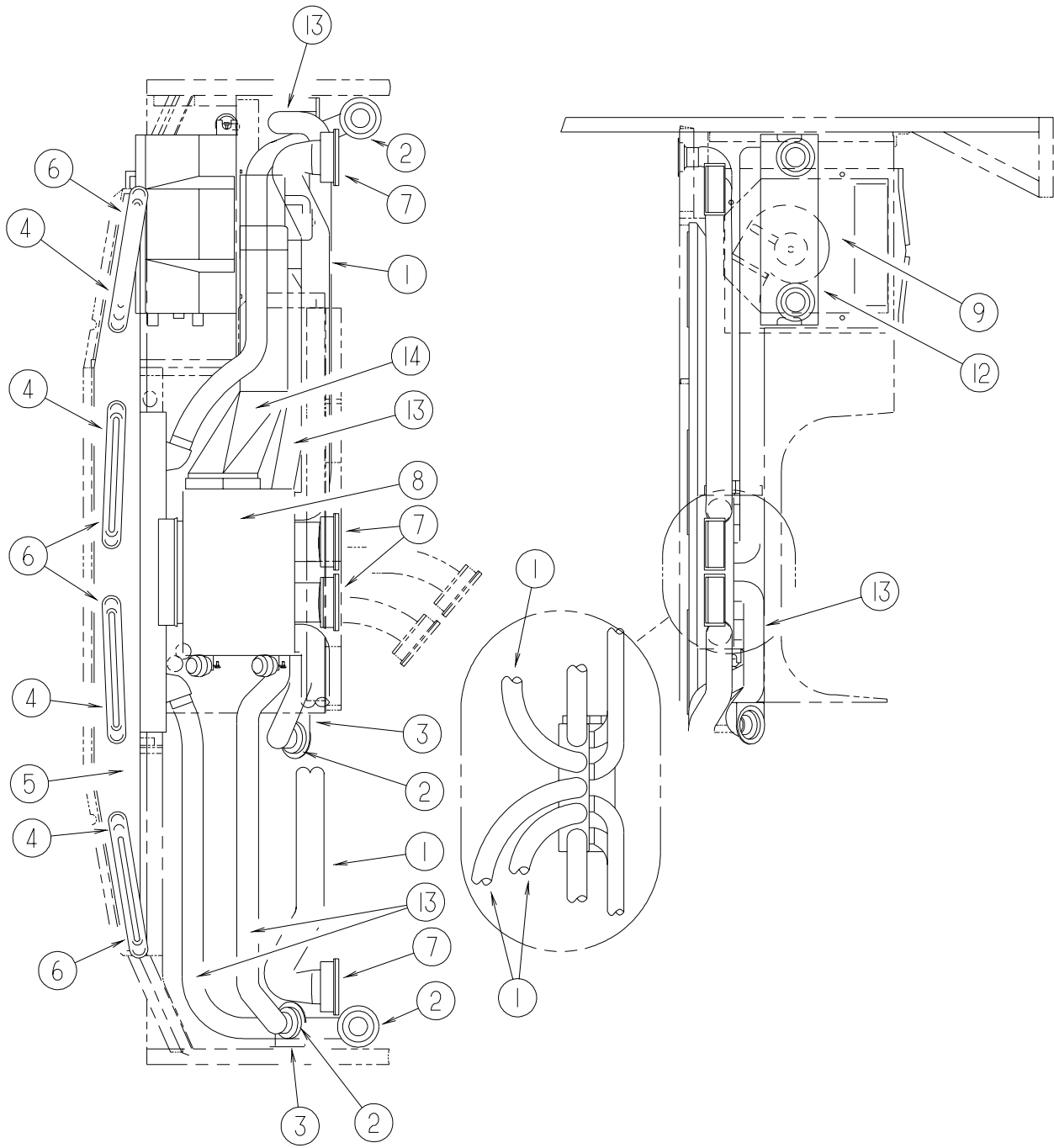
KEY	PART NUMBER	U/M	DESCRIPTION
1	131995-K2-L22	EA	DOOR - RAIL/SOLID PANEL - 6.3" X 23.2" - W/O HARDWARE
2	128620-09-K20	EA	CABINET - MICROWAVE - W/O DOORS/HARDWARE
3	081320-16-G09	EA	END CAP - OVERHEAD CABINET
4	132141-83-L22	EA	DOOR - RAIL/VENEER - 10.2" X 21.4" - W/O HARDWARE
5	122174-02-J22	EA	CABINET - OVERHEAD/GALLEY - W/O DOORS/HARDWARE
	122174-11-J55	EA	SHELF - W/PLASTIC EDGE TRIM
6	103128-11-H33	EA	END CAP - OVERHEAD CABINET - RIGHT HAND
7	130248-21-L22	EA	COUNTERTOP - GALLEY CABINET
7	130248-21-L23	EA	COUNTERTOP - GALLEY CABINET
7	130248-21-L24	EA	COUNTERTOP - GALLEY CABINET
7	130248-21-L25	EA	COUNTERTOP - GALLEY CABINET
7	130248-16-L22	EA	COUNTERTOP - GALLEY CABINET - COMFORT & CONVENIENCE PACKAGE
7	130248-16-L23	EA	COUNTERTOP - GALLEY CABINET - COMFORT & CONVENIENCE PACKAGE
7	130248-16-L24	EA	COUNTERTOP - GALLEY CABINET - COMFORT & CONVENIENCE PACKAGE
7	130248-16-L25	EA	COUNTERTOP - GALLEY CABINET - COMFORT & CONVENIENCE PACKAGE
8	098335-22-J38	EA	RAIL - GALLEY - 37.4" (L22)
8	098335-22-L23	EA	RAIL - GALLEY - 37.4" (L23)
8	098335-22-L24	EA	RAIL - GALLEY - 37.4" (L24)
8	098335-22-K20	EA	RAIL - GALLEY - 37.4" (L25)
8	130248-17-K21	EA	BACKSPLASH - GALLEY COUNTERTOP (L22) - COMFORT & CONVENIENCE PACKAGE
8	130248-17-L23	EA	BACKSPLASH - GALLEY COUNTERTOP (L23) - COMFORT & CONVENIENCE PACKAGE
8	130248-17-L24	EA	BACKSPLASH - GALLEY COUNTERTOP (L24) - COMFORT & CONVENIENCE PACKAGE
8	130248-17-K20	EA	BACKSPLASH - GALLEY COUNTERTOP (L25) - COMFORT & CONVENIENCE PACKAGE
9	108464-01-J66	EA	COVER - SINK - 15.2" X 11.1" - LAMINATED ON BOTH SIDES (L22)
9	108464-01-L23	EA	COVER - SINK - 15.2" X 11.1" - LAMINATED ON BOTH SIDES (L23)
9	108464-01-L24	EA	COVER - SINK - 15.2" X 11.1" - LAMINATED ON BOTH SIDES (L24)
9	108464-01-J37	EA	COVER - SINK - 15.2" X 11.1" - LAMINATED ON BOTH SIDES (L25)
10	130248-22-L22	EA	EXTENSION - GALLEY CABINET
10	130248-22-L23	EA	EXTENSION - GALLEY CABINET
10	130248-22-L24	EA	EXTENSION - GALLEY CABINET
10	130248-22-L25	EA	EXTENSION - GALLEY CABINET
10	130248-15-K21	EA	EXTENSION - GALLEY COUNTERTOP (L22) - COMFORT & CONVENIENCE PACKAGE
10	130248-15-L23	EA	EXTENSION - GALLEY COUNTERTOP (L23) - COMFORT & CONVENIENCE PACKAGE
10	130248-15-L24	EA	EXTENSION - GALLEY COUNTERTOP (L24) - COMFORT & CONVENIENCE PACKAGE
10	130248-15-K20	EA	EXTENSION - GALLEY COUNTERTOP (L25) - COMFORT & CONVENIENCE PACKAGE
11	M09316-17-L22	EA	DRAWER - OGEE EDGE - 13.9"W X 21.6"D - W/O SLIDES/HARDWARE
12	M09404-05-L22	EA	CABINET - GALLEY - W/O COUNTERTOP/DOORS/DRAWERS/HARDWARE
13	M09316-18-L22	EA	DRAWER - OGEE EDGE - 13.9"W X 21.6"D - W/O SLIDES/HARDWARE
14	M09316-F5-L22	EA	DRAWER - OGEE EDGE - 19"W X 12"D - W/O SLIDES/HARDWARE
15	M09316-F4-L22	EA	DRAWER - OGEE EDGE - 19"W X 12"D - W/O SLIDES/HARDWARE
16	130248-18-K20	EA	BACKSPLASH - GALLEY COUNTERTOP (L22,L23,L24,L25) - COMFORT & CONVENIENCE PACKAGE

GENERATOR GROUP GAS



KEY	PART NUMBER	U/M	DESCRIPTION
	109982-03-000	EA	GENERATOR - 4.0 MICROLITE
	007067-01-000	SF	INSULATION - FIBERGLASS - 1" THICK X 4'-INCREMENTS 4 SF
1	114070-02-02B	EA	SUPPORT - GENERATOR - LEFT
2	007125-04-000	EA	CLAMP - MUFFLER - 1.12" DIAMETER
3	105958-09-000	EA	PIPE - GENERATOR EXHAUST - 1.3" OD X 5.9" X 22"
4	114071-02-02B	EA	SUPPORT - GENERATOR - RIGHT
5	104644-01-000	EA	ANGLE - FORMED - GENERATOR

HEATING & A/C GROUP AUTOMOTIVE



HEATING & A/C GROUP (CONTINUED)

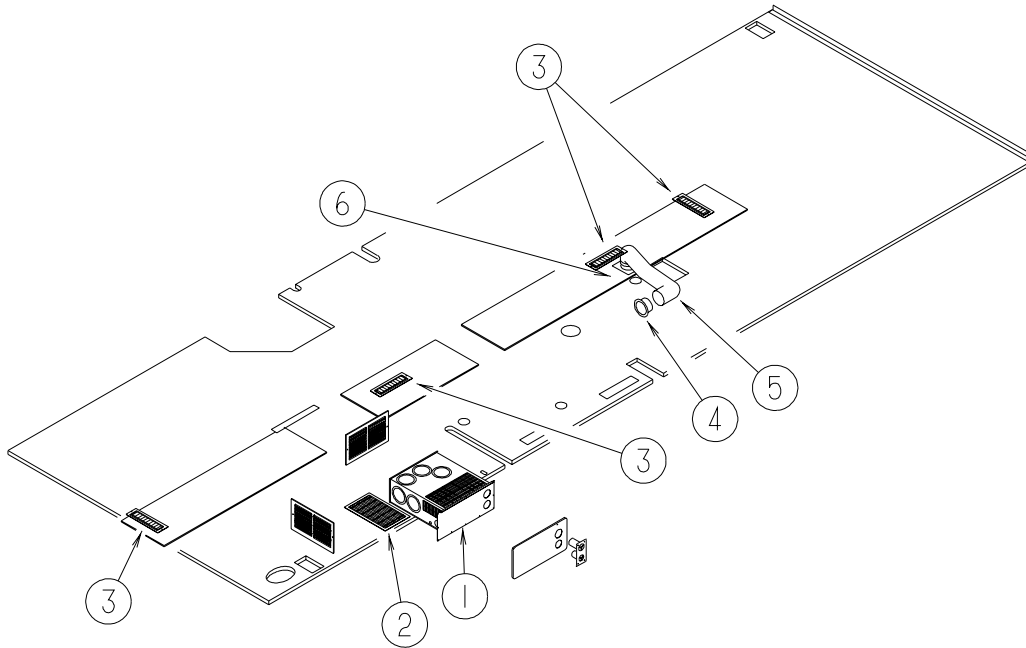
AUTOMOTIVE (CONTINUED)

KEY	PART NUMBER	U/M	DESCRIPTION
1	007281-01-000	EA	HOSE - FLEXIBLE PVC - 2.5" ID X 50'
2	024990-05-000	EA	OUTLET - DEFROSTER - 4" DIAMETER W/SWIVEL DEFLECTORS
3	056402-05-000	EA	BRACKET - HEATER VENT - ROUND W/BEND - BLACK
4	077075-01-000	EA	GASKET - INSTRUMENT PANEL/DEFROSTER PLENUM - .6" X 10.2"
5	103017-03-000	EA	PLENUM - DEFROSTER
6	103558-04-03A	EA	VENT - DEFROSTER - PLASTIC/1.4" X 14.4" X 1.1"/ANTELOPE FROM: 00-00-00 THRU: 04-30-00
6	135265-01-01A	EA	VENT - DEFROSTER - ANTELOPE FROM: 05-01-00 THRU: 99-99-99
7	103796-01-01A	EA	LOUVER - A/C-ADJUSTABLE - 2.2" X 5.4" F/2.5" HOSE - BLACK FROM: 00-00-00 THRU: 03-26-00
7	135803-01-01A	EA	LOUVER - A/C - 2.5" - BLACK FROM: 03-27-00 THRU: 99-99-99
8*	103930-39-000	EA	CONTROL/PLENUM - ROTARY
9*	103930-43-000	EA	EVAPORATOR/HEATER ASSEMBLY - NON-CHARGED
10*	103930-46-000	EA	HOSE - EXPANSION BLOCK (EVAPORATOR) TO COMPRESSOR
11	103930-23-000	EA	VALVE - WATER - 2 PORT
12	095757-05-J17	EA	COVER - HEATER (L22)
12	095757-05-L23	EA	COVER - HEATER (L23)
12	095757-05-L24	EA	COVER - HEATER (L24)
12	095757-05-L25	EA	COVER - HEATER (L25)
12	077539-01-000	EA	BRACKET - MOUNTING/DASH PANEL - L/SHAPED - 2.5"X1"X1.5" FROM: 00-00-00 THRU: 10-08-99
13	007076-01-000	EA	HOSE - FLEXIBLE PVC - 2" ID - INCREMENTS OF 50'
14	103016-03-000	EA	PLENUM - TRANSITION
15*	103930-47-000	EA	HOSE - EXPANSION VALVE - RECEIVER DRIER
16	076776-01-000	EA	TEE - BEADED - 5/8" X 5/8" X 5/8"
17	007108-01-000	FT	HOSE - HEATER - 5/8" ID - HI-TEMP
	103930-37-000	EA	MANUAL - OWNERS - HEATER/A/C
	7SB003-97-01A	EA	SCS/FRIGETTE SERVICE MANUAL AIR CONDITIONING

*COMPONENT PARTS FOUND IN SERVICE PARTS LIBRARY

HEATING & A/C GROUP (CONTINUED)

FURNACE

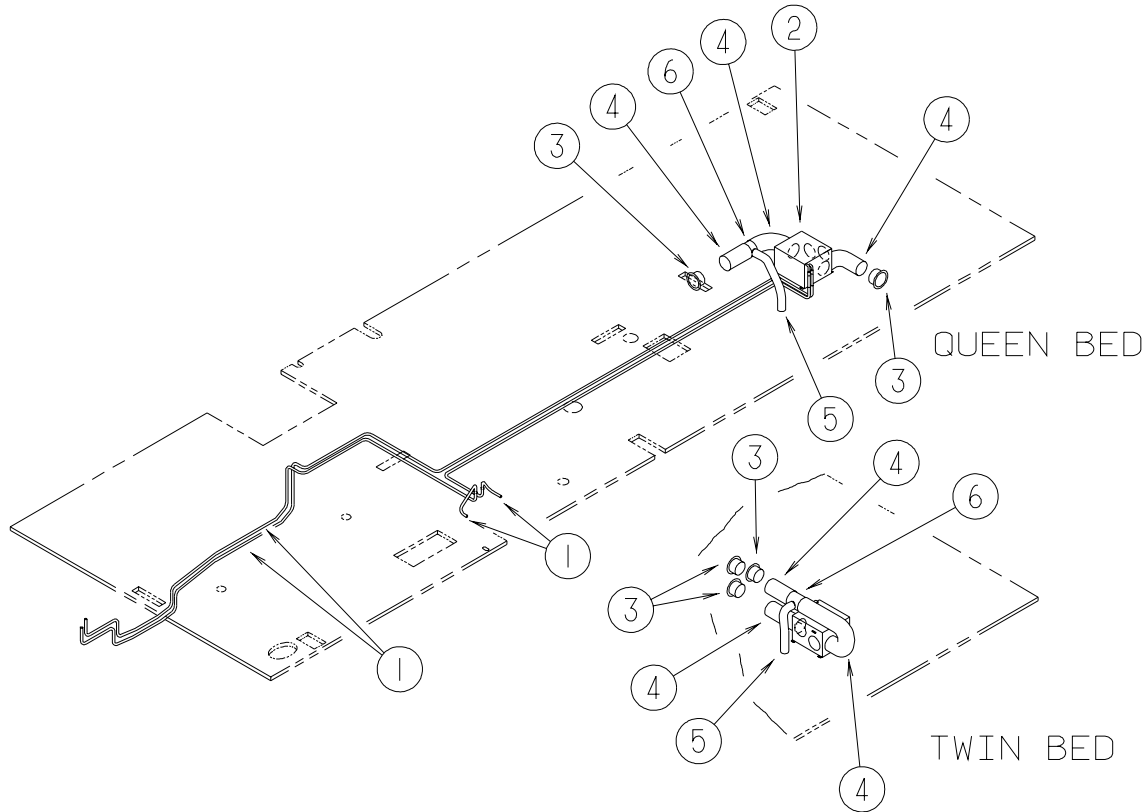


KEY	PART NUMBER	U/M	DESCRIPTION
1*	098668-21-000	EA	FURNACE - 35000 BTU
1	098668-14-000	EA	GASKET - FIBERGLASS - .5" X 18" X 18"
1	098668-15-000	EA	PLATE-FACE
1	098668-16-000	EA	VENT-INTAKE
1	098668-23-000	EA	DOOR - ACCESS - FURNACE - BRIGHT WHITE
2	118200-01-01A	SF	MESH - PLASTIC - 1/2" - BLACK
2	093614-03-02A	EA	GRILLE - RETURN AIR - 14" X 8" - BEIGE - DINETTE
2	093614-04-02A	EA	GRILLE - RETURN AIR - 15.9" X 9.9" - TABLE & CHAIRS OPTION
3	094600-05-01A	EA	REGISTER W/O DAMPER-3.6" X 11.3" FACE/2.1" X 9.9" RO-BEIGE
4	056464-09-000	EA	REGISTER W/DAMPER - 4" DIAMETER - PLASTIC - BEIGE
5	009198-01-000	FT	DUCT - HEAT - FLEXIBLE - 4" ID X 25'
6	092777-01-000	EA	ADAPTER - DUCT - 4"
	009200-01-000	EA	TAPE - FURNACE - 1 1/2"

***COMPONENT PARTS FOUND IN SERVICE PARTS LIBRARY**

HEATING & A/C GROUP (CONTINUED)

REAR HEATER



KEY	PART NUMBER	U/M	DESCRIPTION
1	079059-01-000	EA	HOSE - 90 DEGREE - 5/8"ID X 4" X 36"
2*	084405-01-000	EA	HEATER - REAR/DUCTED - W/MOTOR AID
3	056464-10-000	EA	REGISTER W/O DAMPER - 4" DIAMETER - PLASTIC - BEIGE
4	009198-01-000	FT	DUCT - HEAT - FLEXIBLE - 4" ID X 25'
4	069636-02-000	EA	CONNECTOR - DUCT - 4" ID
5	009198-02-000	FT	DUCT - HEAT - FLEXIBLE - 2" ID X 25'
6	089367-02-000	EA	TEE - 4" X 2" X 4"
	008042-01-000	FT	TUBING - VINYL - .65" ID

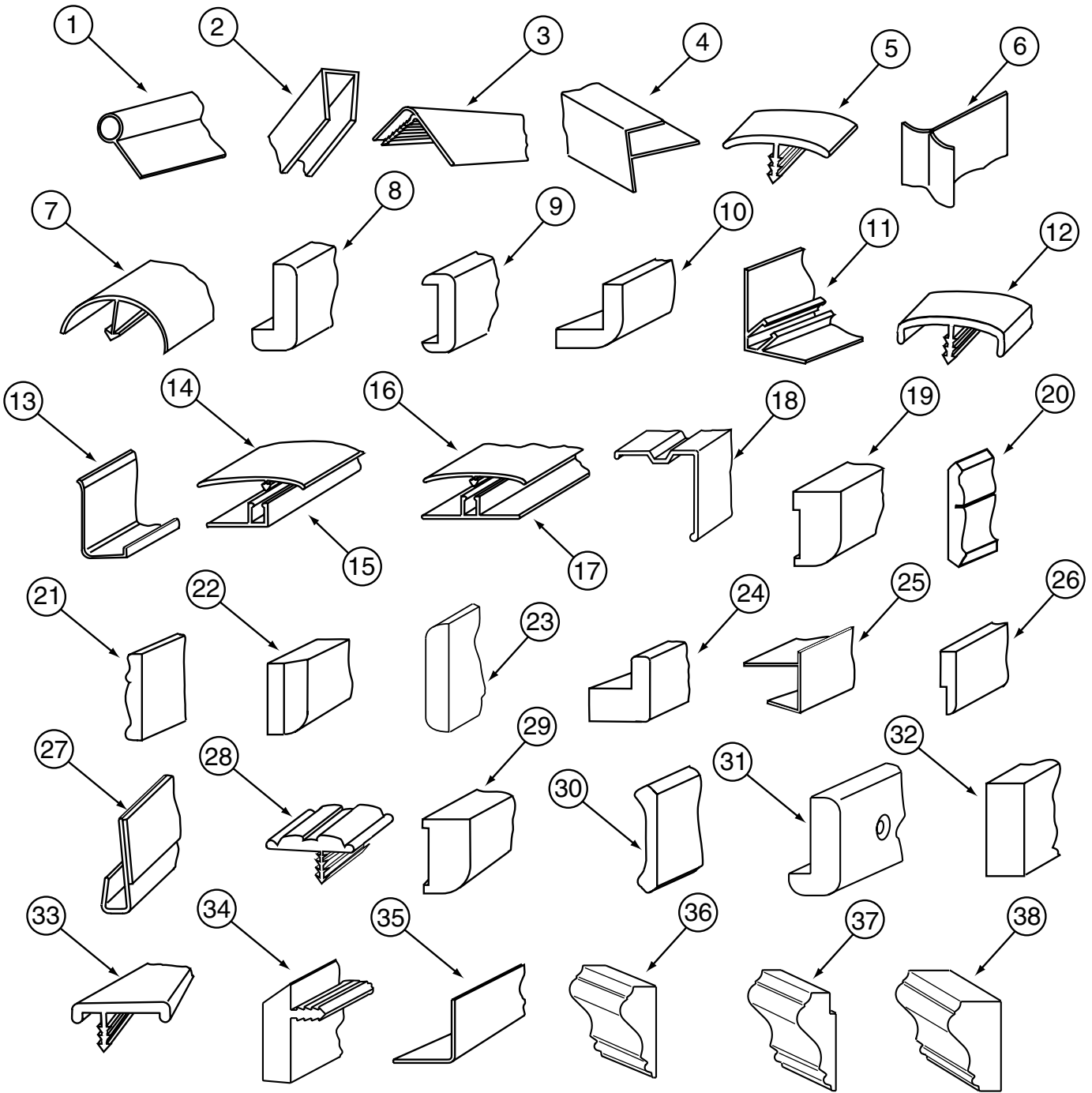
***COMPONENT PARTS FOUND IN SERVICE PARTS LIBRARY**

ROOF

KEY	PART NUMBER	U/M	DESCRIPTION
	117238-01-01A	EA	THERMOSTAT - A/C - FURNACE
	120134-01-02A	EA	REGISTER - W/DAMPER - 4" PIPE/7" O.D. FACE - WHITE
*	131184-01-01A	EA	CEILING ASSEMBLY - A/C DUCTED - WHITE
	131184-02-01A	EA	BOARD - DIVIDER - SILVER
*	131188-01-01A	EA	A/C - ROOF - 14,800 MACH 15 - WHITE

***COMPONENT PARTS FOUND IN SERVICE PARTS LIBRARY**

INTERIOR FINISH GROUP
MOLDINGS & TRIMS
WATERFORD OAK

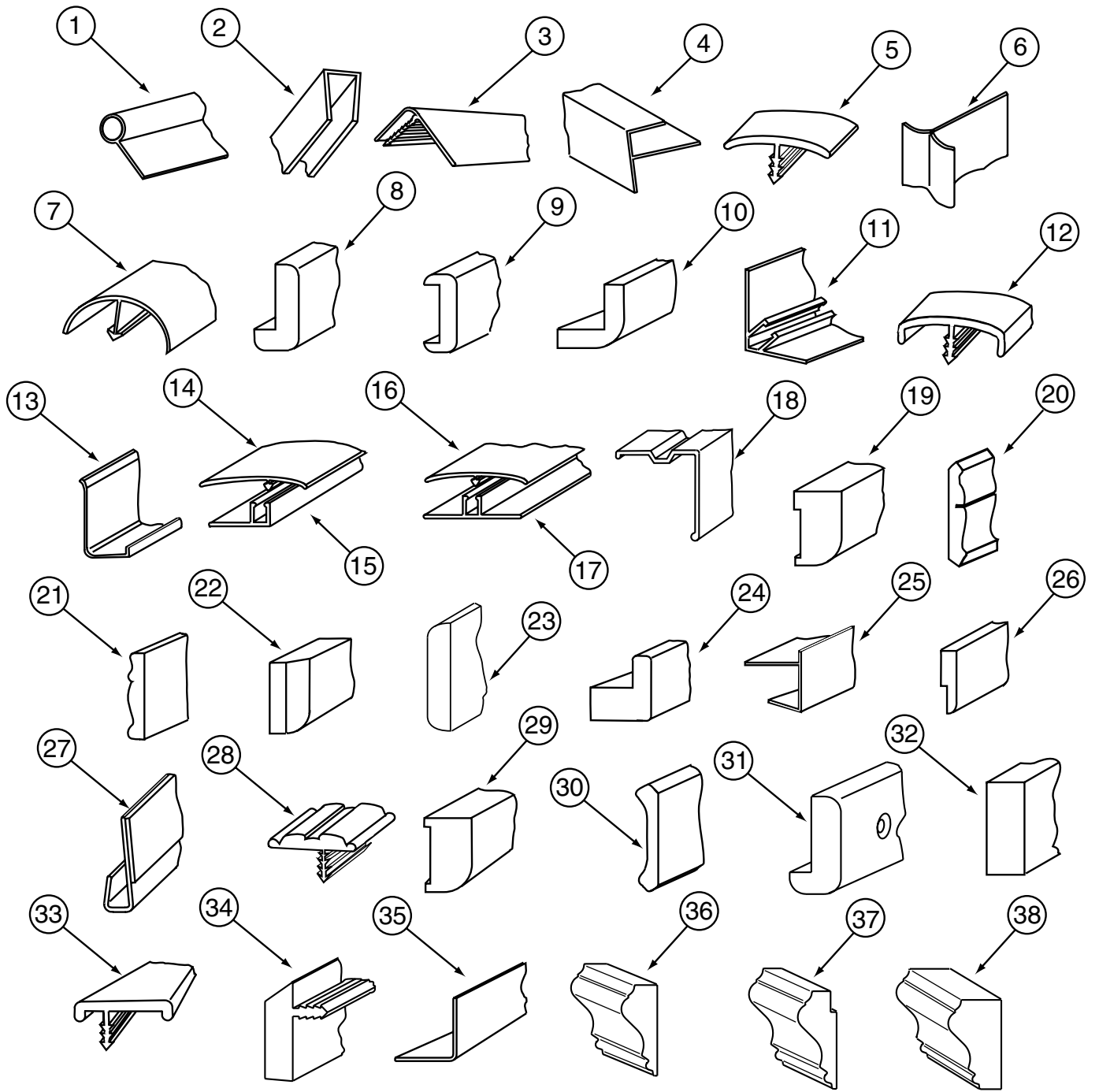


KEY	PART NUMBER	U/M	DESCRIPTION
1	009767-12-000	FT	WELTING - ANTIQUE WHITE
1	009767-14-000	FT	WELTING - CHERRY
1	009767-15-000	FT	WELTING - WATERFORD OAK
1	009767-16-000	FT	WELTING - REBER BIRCH
2	009778-16-000	FT	U-CHANNEL - 1" - PICKLED ASH
2	009778-18-000	FT	U-CHANNEL - 1" - CHERRY WOOD/CHERRY STAIN
2	009778-21-000	FT	U-CHANNEL - 1" - WATERFORD OAK
2	009778-25-000	FT	U-CHANNEL - 1" - BEIGE ILLUSION
2	009778-27-000	FT	U-CHANNEL - 1" - WASHED MAPLE
2	009778-31-000	FT	U-CHANNEL - 1" - GRADY BROWN
2	070504-03-000	FT	U-CHANNEL - PLASTIC - .9" X 96" - GRADY BROWN
2	070504-18-000	FT	U-CHANNEL - PLASTIC - .13" X 84" - IVORY

INTERIOR FINISH GROUP (CONTINUED)

MOLDINGS & TRIMS (CONTINUED)

WATERFORD OAK



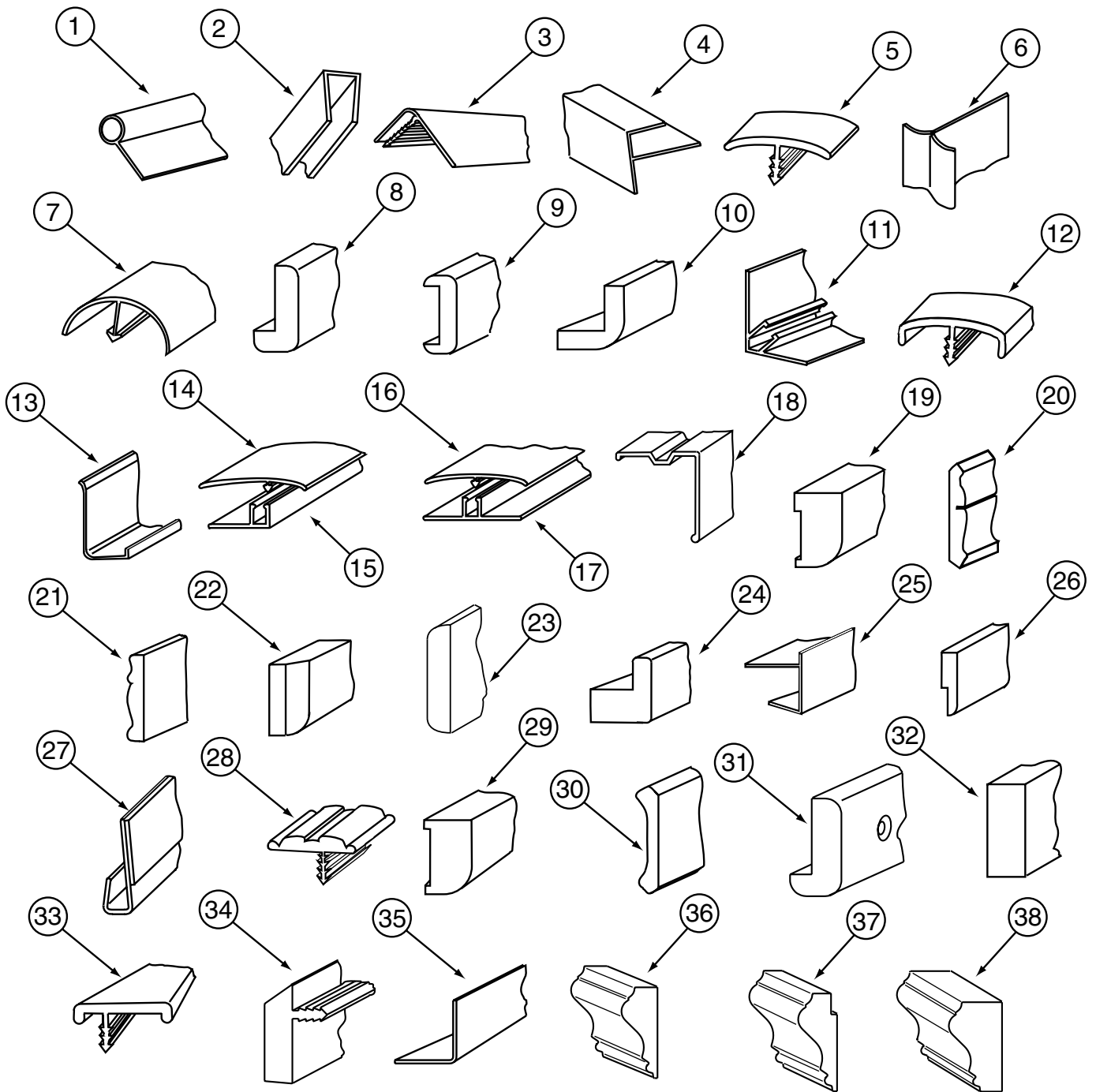
INTERIOR FINISH GROUP (CONTINUED)

MOLDINGS & TRIMS (CONTINUED)

WATERFORD OAK

KEY	PART NUMBER	U/M	DESCRIPTION
2	070504-30-000	FT	U-CHANNEL - PLASTIC - .13" X 84" - CHERRY
2	070504-31-000	FT	U-CHANNEL - PLASTIC - .9" X 84" - CHERRY
2	070504-36-000	FT	U-CHANNEL - PLASTIC - .13" X 72" - WATERFORD OAK
2	070504-37-000	FT	U-CHANNEL - PLASTIC - .9" X 84" - WATERFORD OAK
2	070504-42-000	FT	U-CHANNEL - PLASTIC - .13" X 84" - BEIGE ILLUSION
2	070504-50-000	FT	U-CHANNEL - PLASTIC - .13" X 84" - WASHED MAPLE
2	070504-51-000	FT	U-CHANNEL - PLASTIC - .9" X 96" - WASHED MAPLE
2	070504-54-000	FT	U-CHANNEL - PLASTIC - .9" X 96" - VILLAGE OAK
3	009809-27-000	EA	MOLDING - CORNER - OUTSIDE - 1" X 84" - CHERRY-CHERRY
3	009809-28-000	EA	MOLDING - CORNER - OUTSIDE - 1" X 84" - WATERFORD OAK
3	009809-30-000	EA	MOLDING - CORNER - OUTSIDE - 1" X 84" - BEIGE ILLUSION
3	009809-31-000	EA	MOLDING - CORNER - OUTSIDE - 1" X 84" - WASHED MAPLE
3	009809-32-000	EA	MOLDING - CORNER - OUTSIDE - 1" X 84" - PORTSMOUTH OAK
4	009812-24-000	EA	MOLDING - CORNER - 1/2" W/1/4"CHAN X 108" - IVORY PLASTIC
4	009812-26-000	EA	MOLDING - CORNER - 1/2" W/1/4" CHAN X 84" - CHERRY
4	009812-27-000	EA	MOLDING - CORNER - 1/2" W/1/4" CHAN X 84" - PICKLED ASH
4	009812-29-000	EA	MOLDING - CORNER - 1/2" W/1/4" CHAN X 84" - WATERFORD OAK
4	009812-31-000	EA	MOLDING - CORNER - 1/2" W/1/4" CHAN X 84" - BEIGE ILLUSION
4	009812-33-000	EA	MOLDING - CORNER - 1/2" W/1/4" CHAN X 84" - WASHED MAPLE
4	009812-34-000	EA	MOLDING - CORNER - 1/2" W/1/4" CHAN X 84" - VW LIGHT GRAY
4	009812-35-000	EA	MOLDING - CORNER - 1/2" W/1/4" CHAN X 84" - PORTSMOUTH OAK
5	009815-09-000	FT	MOLDING-T - W/EDGE LIP - 3/4" FACE - IVORY
5	105709-02-000	FT	MOLDING-T - W/EDGE LIP - 3/4" FACE - BEIGE ILLUSION
6	022992-11-000	FT	MOLDING - REVERSE COVE - T-SHAPED - IVORY
6	022992-14-000	FT	MOLDING - REVERSE COVE - T-SHAPED - BRIGHT WHITE
6	022992-15-000	FT	MOLDING - REVERSE COVE - T-SHAPED - VW GRAY
7	042357-18-000	EA	MOLDING - CORNER - RADIUS/PLASTIC - PICKLED ASH
7	042357-19-000	EA	MOLDING - CORNER - RADIUS/PLASTIC - CHERRY
7	042357-20-000	EA	MOLDING - CORNER - RADIUS/PLASTIC - WATERFORD OAK
7	042357-25-000	EA	MOLDING - CORNER - RADIUS/PLASTIC - WASHED MAPLE
7	042357-26-000	EA	MOLDING - CORNER - RADIUS/PLASTIC - PORTSMOUTH OAK
8	077840-01-E41	EA	MOLDING - WALL CAP - 8' - SALEM CHERRY
8	077840-01-G01	EA	MOLDING - WALL CAP - 8' - WATERFORD OAK
8	077840-01-J70	EA	MOLDING - WALL CAP - 8' - WASHED MAPLE
9	078323-06-G15	EA	MOLDING - CAP/WALL - 79.6" - WATERFORD OAK
10	080176-08-000	EA	CAP - CORNER - RADIUS MOLDING - PLASTIC - WASHED MAPLE
11	081521-02-007	EA	MOUNT - METAL MOLDING - F/RADIUS CORNER MOLDING - 151.5"
12	083620-09-000	FT	MOLDING-T - W/EDGE LIP - 7/8" FACE - MODERN IVORY
12	083620-11-000	FT	MOLDING-T - W/EDGE LIP - 7/8" FACE - CHERRY
12	083620-12-000	FT	MOLDING-T - W/EDGE LIP - 7/8" FACE - WATERFORD OAK
12	083620-15-000	FT	MOLDING-T - W/EDGE LIP - 7/8" FACE - BEIGE ILLUSION
12	083620-19-000	FT	MOLDING-T - W/EDGE LIP - 7/8" FACE - WASHED MAPLE
12	104676-02-02A	FT	MOLDING-T - W/EDGE LIP - 11/16" FACE - PICKLED ASH
12	104676-02-03A	FT	MOLDING-T - W/EDGE LIP - 11/16" FACE - CHERRY-CHERRY
12	104676-02-04A	FT	MOLDING-T - W/EDGE LIP - 11/16" FACE - WATERFORD OAK
12	104676-02-06A	FT	MOLDING-T - W/EDGE LIP - 11/16" FACE - WASHED MAPLE
12	104676-02-08A	FT	MOLDING-T - W/EDGE LIP - 11/16" FACE - PORTSMOUTH OAK
13	085746-04-000	FT	TRIM-J - CARPET 1.2" X .5" ANGLE - 10' LONG - OFF WHITE
14	086229-12-000	EA	BATTEN - 1.5" OFFSET X 96.8" - MODERN IVORY
15	086229-11-000	EA	RETAINER - OFFSET - 97.01"
16	086229-15-000	EA	BATTEN - 1" X 96" - MODERN IVORY
16	086229-19-000	EA	BATTEN - 1" X 98.3" - OFF WHITE
16	086229-20-000	EA	BATTEN - 1" X 96" - BEIGE
17	086229-01-000	EA	RETAINER - BATTEN - .75" X 92.1" - ANY COLOR
17	086229-14-000	EA	RETAINER - BATTEN - .75" X 98.3" - ANY COLOR
18	093873-01-01A	EA	TRIM - CARPET - L-ANGLE 1.1" X 1.3" X 12' - GRAY VINYL
19	126204-D2-134	EA	MOLDING - VINYL WRAPPED - .7" X 1.6" X 84" - WASHED MAPLE
19	126204-F2-134	EA	MOLDING - VINYL WRAPPED - .7" X 2.5" X 84" - WASHED MAPLE
19	126204-F2-438	EA	MOLDING - VINYL WRAPPED - .7" X 2.6" X 96" - WASHED MAPLE

INTERIOR FINISH GROUP (CONTINUED)
MOLDINGS & TRIMS (CONTINUED)
WATERFORD OAK



KEY	PART NUMBER	U/M	DESCRIPTION
20	111136-D2-134	EA	MOLDING - VINYL WRAPPED - .7" X 1.6" X 7' - CHERRY
20	111136-F2-134	EA	MOLDING - VINYL WRAPPED - .7" X 2.6" X 84" - CHERRY
20	111136-F2-438	EA	MOLDING - VINYL WRAPPED - .7" X 2.5" X 8' - CHERRY
21	100182-01-G15	EA	TRIM - RAIL - WATERFORD OAK
22	100659-27-G15	EA	MOLDING - TRIM - WATERFORD OAK
23	100818-01-03A	EA	MOLDING - VINYL WRAPPED - 1.6" X .4" X 84" - PICKLED ASH
23	100818-01-04A	EA	MOLDING - VINYL WRAPPED - 1.6" X .4" X 84" - WATERFORD OAK
23	100818-01-05A	EA	MOLDING - VINYL WRAPPED - 1.6" X .4" X 84" - CHERRY CHERRY
23	100818-01-08A	EA	MOLDING - VINYL WRAPPED - 1.6" X .4" X 84" - WASHED MAPLE
23	100818-01-09A	EA	MOLDING - VINYL WRAPPED - 1.6" X .4" X 84" - PORTSMOUTH OAK

INTERIOR FINISH GROUP (CONTINUED)

MOLDINGS & TRIMS (CONTINUED)

WATERFORD OAK

KEY	PART NUMBER	U/M	DESCRIPTION
24	100819-01-03A	EA	MOLDING - VINYL WRAPPED - L-SHAPED - 1.5"X1.5"X84" - PICKLED ASH
24	100819-01-04A	EA	MOLDING - VINYL WRAPPED - L-SHAPED - 1.5"X1.5"X84" - CHERRY
24	100819-01-05A	EA	MOLDING - VINYL WRAPPED - L-SHAPED - 1.5"X1.5"X84" - OAK
24	100819-01-08A	EA	MOLDING - VINYL WRAPPED - L-SHAPED - 1.5"X1.5"X84" - WASHED MAPLE
24	100819-01-09A	EA	MOLDING - VINYL WRAPPED - L-SHAPED - 1.5"X1.5"X84" - PORTSMOUTH OAK
25	103186-01-04A	FT	MOLDING - PLASTIC 3/8" U-CHANNEL W/3/4" FACE - CHERRY
25	103186-01-03A	FT	MOLDING - PLASTIC 3/8" U-CHANNEL W/3/4" FACE - PICKLED ASH
25	103186-01-05A	FT	MOLDING - PLASTIC 3/8" U-CHANNEL W/3/4" FACE - WATERFORD OAK
25	103186-01-08A	FT	MOLDING - PLASTIC 3/8" U-CHANNEL W/3/4" FACE - WASHED MAPLE
25	103186-01-07A	FT	MOLDING - PLASTIC 3/8" U-CHANNEL W/3/4" FACE - BEIGE ILLUSION
25	103186-01-09A	FT	MOLDING - PLASTIC 3/8" U-CHANNEL W/3/4" FACE - PORTSMOUTH OAK
25	103186-02-03A	FT	MOLDING - PLASTIC - 1" U-CHANNEL 1 3/8" FACE - PICKLED ASH
25	103186-02-04A	FT	MOLDING - PLASTIC - 1" U-CHANNEL 1 3/8" FACE - CHERRY
25	103186-02-05A	FT	MOLDING - PLASTIC - 1" U-CHANNEL 1 3/8" FACE - WATERFORD OAK
25	103186-02-07A	FT	MOLDING - PLASTIC - 1" U-CHANNEL 1 3/8" FACE - BEIGE ILLUSION
25	103186-02-08A	FT	MOLDING - PLASTIC - 1" U-CHANNEL 1 3/8" FACE - WASHED MAPLE
25	103186-02-09A	FT	MOLDING - PLASTIC - 1" U-CHANNEL 1 3/8" FACE - PORTSMOUTH OAK
26	105004-01-03A	EA	MOLDING - VINYL WRAPPED - 1" X 96" - SALEM CHERRY
26	105004-01-04A	EA	MOLDING - VINYL WRAPPED - 1" X 96" - PICKLED ASH
26	105004-01-05A	EA	MOLDING - VINYL WRAPPED - 1" X 96" - WATERFORD OAK
26	105004-01-08A	EA	MOLDING - VINYL WRAPPED - 1" X 96" - WASHED MAPLE
26	105004-01-09A	EA	MOLDING - VINYL WRAPPED - 1" X 96" - PORTSMOUTH OAK
27	109332-02-03A	FT	TRIM-J - W/O ADHESIVE - SALEM CHERRY
27	109332-02-05A	FT	TRIM-J - W/O ADHESIVE - WASHED MAPLE
27	109332-02-06A	EA	TRIM-J - W/O ADHESIVE - PORTSMOUTH OAK
28	109736-02-01A	FT	MOLDING-T/OFFSET - W/EDGE LIP - 1" FACE - NATURAL OAK
29	117268-D2-134	EA	MOLDING - VINYL WRAPPED - .7" X 1.6" X 84" - WATERFORD OAK
29	117268-F2-134	EA	MOLDING - VINYL WRAPPED - .7" X 2.7" X 84" - WATERFORD OAK
29	117268-F2-438	EA	MOLDING - VINYL WRAPPED - .7" X 2.6" X 96" - WATERFORD OAK
30	113794-01-03A	FT	MOLDING - CROWN - 3.45" - MAPLE
30	113794-02-03A	FT	MOLDING - CROWN - 1.8" - MAPLE
31	116280-02-GV0	EA	MOLDING - CAP - PICKLED ASH
31	116280-02-GV1	EA	MOLDING - CAP - SALEM CHERRY
31	116280-02-J70	EA	MOLDING - CAP - WASHED MAPLE
31	116280-02-L95	EA	MOLDING - CAP - WATERFORD OAK
32	111134-F2-438	EA	LUMBER - VINYL WRAPPED - .7" X 2.5" X 96" - CHERRY
32	117267-D2-438	EA	LUMBER - VINYL WRAPPED - .7" X 1.5" X 96" - WATERFORD OAK
32	117267-E2-438	EA	LUMBER - VINYL WRAPPED - .7" X 2" X 96" - WATERFORD OAK
32	117267-F2-438	EA	LUMBER - VINYL WRAPPED - .7"X 2.5" X 96" - WATERFORD OAK
32	117267-J2-438	EA	LUMBER - VINYL WRAPPED - .7" X 5.5" X 96" - WATERFORD OAK
32	117267-R2-438	EA	LUMBER - VINYL WRAPPED - .7" X 3" X 96" - WATERFORD OAK
32	126205-D2-438	EA	LUMBER - VINYL WRAPPED - .7" X 1.5" X 96" - WASHED MAPLE
32	126205-E2-438	EA	LUMBER - VINYL WRAPPED - .7" X 2" X 96" - WASHED MAPLE
32	126205-F2-438	EA	LUMBER - VINYL WRAPPED - .7" X 2.5" X 96" - WASHED MAPLE
32	126205-G2-438	EA	LUMBER - STAINED - .7" X 3" X 96" - WASHED MAPLE
32	126205-J2-438	EA	LUMBER - VINYL WRAPPED - .7" X 5.5" X 96" - WASHED MAPLE
32	126205-R2-438	EA	LUMBER - VINYL WRAPPED - .7" X 3" X 96" - WASHED MAPLE
33	119520-01-01A	FT	MOLDING-T/OFFSET - W/EDGE LIP - 1"FACE - OFF WHITE
34	130247-01-01A	FT	MOLDING-T/OFF SET - 1.3" FACE - WATERFORD OAK
34	130247-01-02A	FT	MOLDING-T/OFF SET - 1.3" FACE - WASHED MAPLE
34	130247-01-03A	FT	MOLDING-T/OFF SET - 1.3" FACE - SALEM CHERRY
34	130247-01-04A	FT	MOLDING-T/OFF SET - 1.3" FACE - PORTSMOUTH OAK
35	130262-01-000	EA	PROTECTOR - CORNER SAVER - .7" X .7" X 5.9"
36	131923-01-01A	FT	MOLDING - CROWN - ASH
36	131923-01-02A	FT	MOLDING - CROWN - CHERRY
36	131923-01-03A	FT	MOLDING - CROWN - HARD WHITE MAPLE
37	131923-02-01A	FT	MOLDING - PICTURE - ASH
37	131923-02-02A	FT	MOLDING - PICTURE - CHERRY
37	131923-02-03A	FT	MOLDING - PICTURE - HARD WHITE MAPLE
38	131923-03-01A	FT	MOLDING - CROWN - DIVIDER - ASH
38	131923-03-02A	FT	MOLDING - CROWN - DIVIDER - CHERRY
38	131923-03-03A	FT	MOLDING - CROWN - DIVIDER - HARD WHITE MAPLE

INTERIOR FINISH GROUP (CONTINUED)

PANELING, LAMINATES, BATTS, & EDGE BANDS

PANELING, PLYWOOD, & PARTICLE BOARD

KEY	PART NUMBER	U/M	DESCRIPTION
	088272-H9-000	SF	PANELING - PEBBLE EMBOSSED - WHITE
	074497-28-000	SF	PANELING - WATERFORD OAK - 4' X 8'
	088272-H8-000	SF	PANELING - UPBEAT/TWILIGHT - 4' X 7' (L22)
	088272-J8-000	SF	PANELING - DURNHAM/MULTI - 4' X 8' (L23)
	088272-J6-000	SF	PANELING - CIRRUS - 4' X 7' (L24)
	088272-J7-000	SF	PANELING - COSMOS/SKY - 4' X 7' (L25)
	000846-01-000	SF	PLYWOOD - 5/16" X 48" X 96" - CD GRADE
	000846-02-000	SF	PLYWOOD/UNDERLAYMENT - 5/16" X 48" X 96"
	000885-76-000	SF	PARTICLE BOARD-3/8" X 48" X 96"-WATERFORD OAK-VINYL 1 SIDE
	000885-77-000	SF	PARTICLE BOARD-3/8" X 48" X 96"-WATERFORD OAK-VINYL 2 SIDE
	000885-79-000	SF	PARTICLE BOARD-3/4" X 48" X 96"-WATERFORD OAK-VINYL 2 SIDE
	126339-01-000	SF	BOARD - WHEAT - 60" X 72"

BATTS

KEY	PART NUMBER	U/M	DESCRIPTION
	069733-83-000	EA	BATT STRIP - WOODGRAINED/WATERFORD OAK - 8'
	088263-G0-000	EA	BATT STRIP - DECORATIVE - UPBEAT/TWILIGHT - 8' (L22)
	088263-G8-000	EA	BATT STRIP - DECORATIVE - DURNHAM MULTI - 7' (L23)
	088263-G6-000	EA	BATT STRIP - DECORATIVE - CIRRUS - 8' LONG (L24)
	088263-G7-000	EA	BATT STRIP - DECORATIVE - COSMOS/SKY - 8' LONG (L25)
	085284-B5-000	FT	BATT TAPE - ADHESIVE BACKED - WOODGRAINED-WATERFORD OAK
	085284-F8-000	FT	BATT TAPE - ADHESIVE BACKED - DECORATIVE - UPBEAT/TWILIGHT (L22)
	085284-G7-000	FT	BATT TAPE - ADHESIVE BACKED - DURNHAM MULTI (L23)
	085284-G5-000	FT	BATT TAPE - ADHESIVE BACKED - CIRRUS (L24)
	085284-G6-000	FT	BATT TAPE - ADHESIVE BACKED - DECORATIVE - COSMOS/SKY (L25)

LAMINATES

KEY	PART NUMBER	U/M	DESCRIPTION
	074498-71-000	SF	LAMINATE - PLASTIC - NEUTRAL SANTOS - 5'X 8' (L22)
	074498-87-000	SF	LAMINATE - PLASTIC - BEIGE POMPAS (L23)
	074498-86-000	SF	LAMINATE - PLASTIC - DIAMONDHEAD (L24)
	074498-80-000	SF	LAMINATE - PLASTIC - WHITE TUNDRA - 5' X 8' (L25)
	074498-77-000	SF	LAMINATE - PLASTIC - ART CABIN (WATERFORD OAK) - 4' X 8' (PULL OUT TABLE)
	074498-40-000	SF	LAMINATE - PLASTIC - OFF WHITE - 5' X 8' (PATIO ENTERTAINMENT CENTER TABLE)

EDGE BAND

KEY	PART NUMBER	U/M	DESCRIPTION
	076325-39-000	FT	MOLDING - EDGE BAND - 1 5/16" X .030" - ALMOND
	076325-40-000	FT	MOLDING - EDGE BAND - .93" X .024" - ALMOND
	076325-68-000	FT	MOLDING - EDGE BAND - 1 5/16" X .038" - WATERFORD OAK (PULL OUT TABLE)
	076325-73-000	FT	MOLDING - EDGE BAND - .93" X .024" - OFF WHITE (PATIO ENTERTAINMENT CENTER TABLE)

WALLPAPER BORDER

KEY	PART NUMBER	U/M	DESCRIPTION
	132610-01-01A	FT	BORDER - WALLPAPER - 5 1/8" - SELF ADHESIVE (L22) FROM: 00-00-00 THRU: 08-29-99
	132610-01-02A	FT	BORDER - WALLPAPER - 5 1/8" - SELF ADHESIVE (L22) FROM: 08-30-99 THRU: 99-99-99
	132610-03-01A	FT	BORDER - WALLPAPER - 6 7/8" - SELF ADHESIVE (L23) FROM: 00-00-00 THRU: 09-20-99
	132610-05-01A	FT	BORDER - WALLPAPER - 7" - CALYPSO (L23) FROM: 09-21-99 THRU: 99-99-99
	132610-02-01A	FT	BORDER - WALLPAPER - 6 3/4" - SELF ADHESIVE (L24) FROM: 00-00-00 THRU: 10-10-99
	132610-05-01A	FT	BORDER - WALLPAPER - 7" - CALYPSO (L24) FROM: 10-11-99 THRU: 99-99-99
	122481-18-000	FT	WALLPAPER - 6.5" BORDER (L25)

INTERIOR FINISH GROUP (CONTINUED)

ACCESSORIES

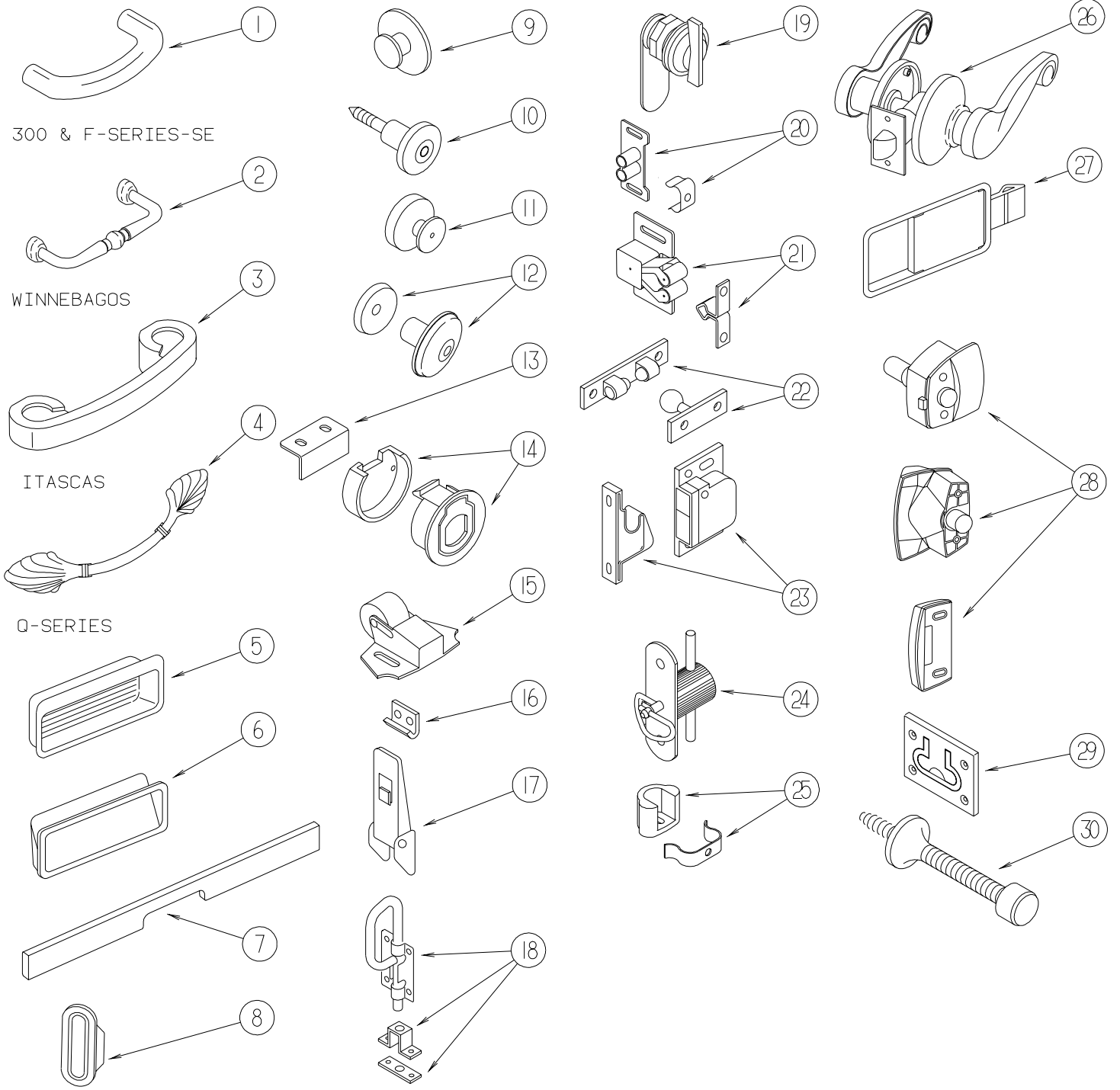
KEY	PART NUMBER	U/M	DESCRIPTION
	072852-01-000	EA	DETECTOR - SMOKE - W/9 VOLT BATTERY - US
	072852-02-000	EA	DETECTOR - SMOKE - W/9 VOLT BATTERY - CANADIAN
	094499-03-000	EA	EXTINGUISHER/FIRE - DRY - 10BC - W/GAUGE - W/O BRACKET
	094499-04-000	EA	BRACKET - FIRE EXTINGUISHER
*	094499-02-000	EA	EXTINGUISHER/FIRE - DRY - 1A10BC - CANADIAN
	118081-02-01A	EA	CLOCK - WALL - ROUND 8" - BRASS
	125136-01-000	EA	CO DETECTOR - GAS - ROUND W/2 SCREWS - 9 VOLT FROM: 00-00-00 THRU: 11-21-99
	125136-02-000	EA	CO DETECTOR - GAS MODEL - 9 VOLT FROM: 11-22-99 THRU: 99-99-99
	131058-03-02A	EA	HAND RAIL - INTERIOR ENTRY DOOR - BLACK

*COMPONENT PARTS FOUND IN SERVICE PARTS LIBRARY

FLOOR COVERINGS

KEY	PART NUMBER	U/M	DESCRIPTION
	042720-25-000	SY	VINYL - FLOOR COVERING - 14' WIDE - MODULATION
	091261-01-000	FT	SLIPNOT - ANTISLIP - 1'WIDE X 12' - BLACK
	093486-01-000	SY	CARPET - COMPARTMENT - 72" WIDE - DARK GRAY
	096060-A2-000	SY	CARPET - NEW MEADOW - INCREMENTS OF 4 SY (L22)
	096060-G2-000	SY	CARPET - CYPRESS - INCREMENTS OF 4 SQ YARDS (L23)
	096060-F1-000	SY	CARPET - BLUSH (L24)
	096060-C2-000	SY	CARPET - BISCAYNE BAY- INCREMENTS OF 4 SY (L25)
	096764-02-000	FT	SLIPNOT - ANTISLIP - 1'WIDE (180' ROLLS) - WHITE
	124253-01-02A	EA	VINYL - FLOOR PLANK - 3" X 12" - MAPLE

INTERIOR FINISH GROUP (CONTINUED)
HARDWARE

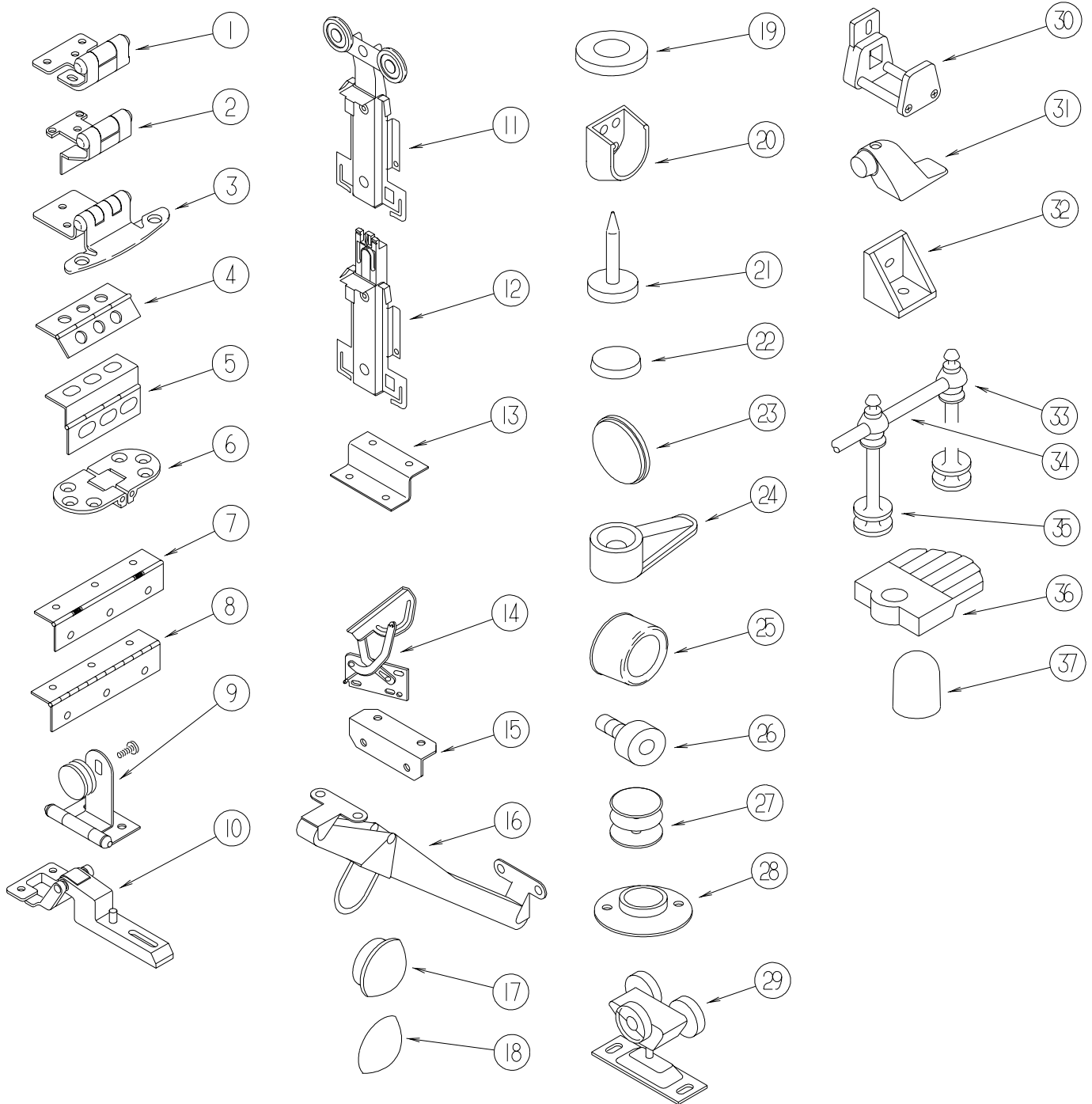


INTERIOR FINISH GROUP (CONTINUED)

HARDWARE (CONTINUED)

KEY	PART NUMBER	U/M	DESCRIPTION
1	131964-01-01A	EA	PULL - CABINET - POLISHED BRASS
2	131963-01-01A	EA	PULL - CABINET - POLISHED BRASS
3	131962-01-01A	EA	PULL - CABINET - POLISHED BRASS
4	117923-01-01A	EA	PULL - CABINET - BURNISHED BRASS - 5.5"
4	131965-01-01A	EA	PULL - CABINET - BURNISHED BRASS - 6.3"
5	124311-01-01A	EA	HANDLE - RECESSED - BRASS
6	115994-01-01A	EA	HANDLE - POCKET
7	126866-01-L81	EA	HANDLE - DOOR - TAMBOUR - 18.6" - PORTSMOUTH OAK
7	126866-04-KQ0	EA	HANDLE - TAMBOUR DOOR - 14.7" - WASHED MAPLE
7	126866-04-KQ1	EA	HANDLE - TAMBOUR DOOR - 14.7" - CHERRY
7	126866-04-L95	EA	HANDLE - TAMBOUR DOOR - 14.7" - WATERFORD OAK
7	126866-05-K07	EA	HANDLE - TAMBOUR DOOR - 11.5" - WATERFORD OAK
7	126866-05-K09	EA	HANDLE - TAMBOUR DOOR - 11.5" - WASHED MAPLE
8	098410-01-01A	EA	PULL - FINGER - OVAL - BRASS
9	125221-01-01A	EA	PULL - MIRROR - W/ROUND HANDLE
10	113800-01-000	EA	KNOB - CABINET - BRASS
11	133313-01-01A	EA	PULL - DRAWER KNOB - BURNISHED BRASS
11	133313-01-02A	EA	PULL - DRAWER KNOB - BRIGHT BRASS
12	117978-01-01A	EA	KNOB - DOOR - BRIGHT BRASS
13	113375-02-01A	EA	STRIKE - DOOR - CHROME
14	113375-05-01A	EA	LATCH - SLAM - BACK - .8" THICK
14	113375-06-01A	EA	LATCH - SLAM - FACE - .7" THICK
15	109403-01-000	EA	CATCH - SINGLE ROLLER - SCREEN DOOR
16	116975-02-01A	EA	KEEPER/STRIKE - BLACK - NEW STYLE
17	116975-01-01A	EA	LATCH - W/O STRIKE - BLACK - NEW STYLE
18	103256-01-000	EA	LATCH - SLIDE
19	100710-01-01A	EA	LOCK - GLASS DOOR/TWIST TYPE - BRASS
20	009021-01-000	EA	CATCH - GRILLE - NYLON
20	009021-02-000	EA	STRIKE - SPRING STEEL
21	093586-04-000	EA	STRIKE - SPRING STEEL - 1.14"
21	093586-05-000	EA	STRIKE - SPRING STEEL - .943"
21	093586-03-000	EA	CATCH - SPRING ROLLER - .377"
21	093586-06-000	EA	CATCH - SPRING ROLLER - .236"
22	084451-01-000	EA	CATCH - BRASS
23	117095-01-01A	EA	CATCH - DOOR - GRABBER W/KEEPER - PLASTIC - BLK - 5LB PULL
23	117095-02-01A	EA	LATCH - DOOR - GRABBER W/KEEPER - PLASTIC - BLK-10LB PULL
24	098196-01-000	EA	LATCH - 1/4 TURN - T-BAR
25	129703-01-01A	EA	CATCH ASSEMBLY
26	111155-01-01A	EA	LOCK - PRIVACY/LOCKING - POLISHED BRASS
26	111155-05-01A	EA	LOCK - PRIVACY/LOCKING - S SHAPED - POLISHED BRASS
27	127349-01-01A	EA	LATCH - PADDLE
28	058335-03-000	EA	LATCH W/O LOCK - BATHROOM DOOR BLACK
29	072871-01-000	EA	PULL - FLUSH - CHROME
30	103194-01-000	EA	STOP - BATH DOOR

INTERIOR FINISH GROUP (CONTINUED)
HARDWARE (CONTINUED)



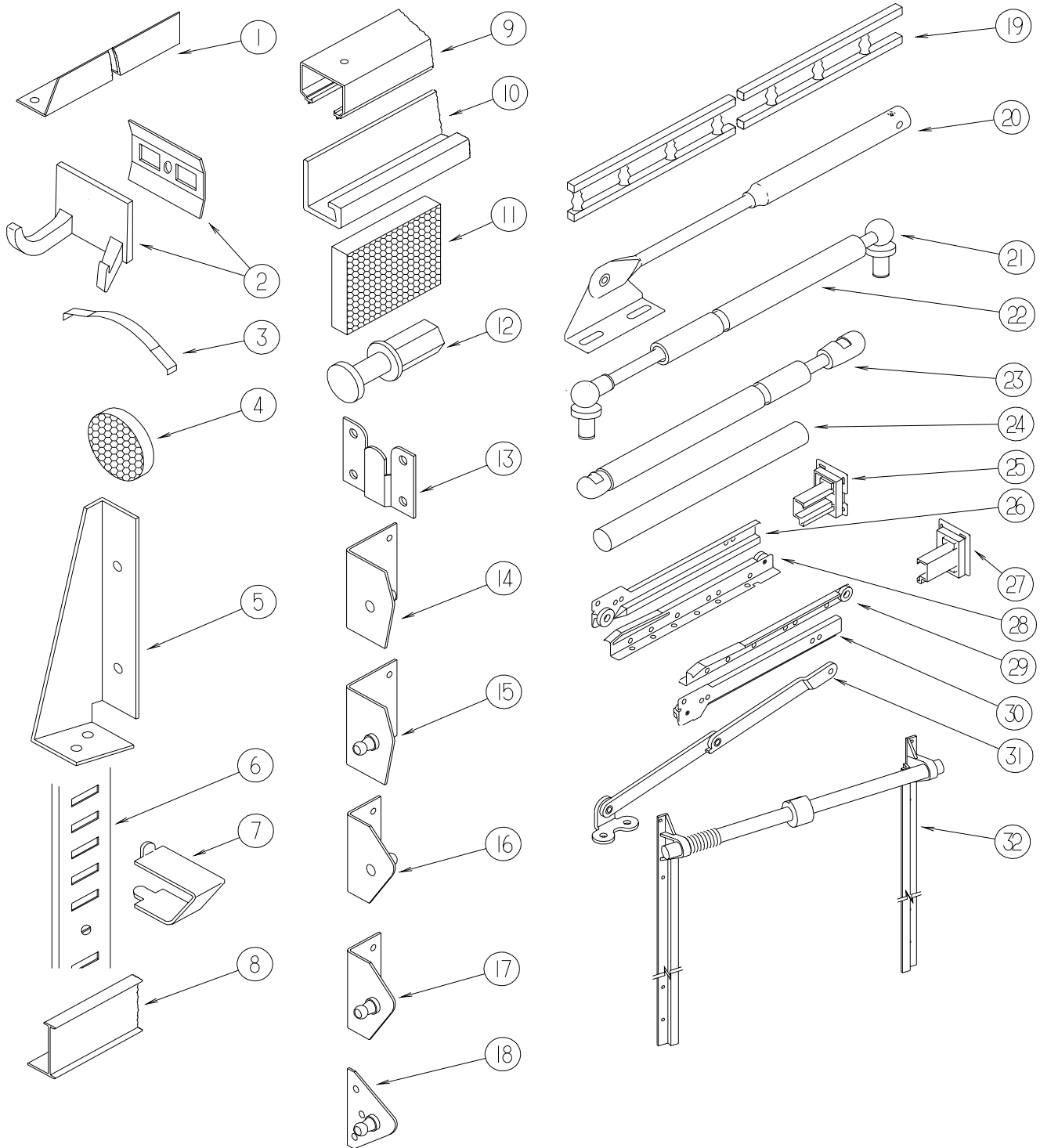
KEY	PART NUMBER	U/M	DESCRIPTION
1	113676-01-01A	EA	HINGE - OVERLAY - VARIABLE
2	113677-01-01A	EA	HINGE - SELF CLOSING
3	108138-01-000	EA	HINGE - CABINET DOOR - BURNISHED BRASS - Q-SERIES ONLY
3	108138-03-000	EA	HINGE - BRIGHT BRASS
	000G13-06-08G	EA	SCREW - 6-20 X .50 PFH - ANTIQUE BRASS
4	009059-01-000	EA	HINGE - DOOR - 2" X 1.4" - BRASS
4	009059-02-000	EA	HINGE - DOOR - 2" X 2.7" - BRASS
4	041389-18-000	EA	HINGE - PIANO - 1 1/2" X 19" - OFF WHITE
4	041389-25-000	EA	HINGE - PIANO - 1 1/2" X 55"
4	041389-35-000	EA	HINGE - PIANO - OFF WHITE - 31"
5	118802-01-02A	EA	HINGE - DOOR - CABINET - HAMPTON TAN
6	111535-01-000	EA	HINGE - TABLE/FOLDING

INTERIOR FINISH GROUP (CONTINUED)

HARDWARE (CONTINUED)

KEY	PART NUMBER	U/M	DESCRIPTION
7	102920-01-01A	EA	HINGE/SPRING LOADED - BRASS
8	084413-01-000	EA	HINGE/CONTINUOUS - ALUMINUM 1" X 72" - W/HOLES
8	110496-01-01A	EA	HINGE - BRASS
9	100711-01-01A	EA	HINGE - GLASS DOOR
	009013-01-000	EA	CATCH - BULLDOG - MALE/FEMALE
10	114443-01-01A	EA	HINGE - CABINET DOOR
11	107390-02-000	EA	CORNER HANGER (DOUBLE ROLLER W/BACKET) (SOLD AS 1 EACH)
12	107391-01-000	EA	GUIDE - BOTTOM - BY-PASS (4 USED PER DOOR)
13	101926-01-02A	EA	BRACKET - ZEE - BLACK
14	108126-01-000	EA	TRAY HINGE SET (QTY. 2 PER SET)
15	016604-01-000	EA	BRACE - CABINET - ANGLE - 2.5" - UNPAINTED METAL
15	016604-05-000	EA	BRACE - CABINET - ANGLE - 2.5" - OFF WHITE METAL
16	104181-01-01A	EA	SUPPORT - LEAF 5.3" EXTENDS TO 7.5" - SAFETY RING - METAL
17	074045-01-000	EA	PLUG - OAK - 1/2" DIAMETER - COLONIAL WOOD
17	074045-08-000	EA	PLUG - OAK - 1/2" DIAMETER - SALEM CHERRY
17	042356-01-000	EA	PLUG - BUTTON - MAHOGANY - 3/8" DIAMETER - WOOD
18	057671-01-000	EA	COVER - SCREW - OFF WHITE - #8
18	057671-11-000	EA	COVER - SCREW - HAMPTON TAN - #8
18	057671-13-000	EA	COVER - SCREW - DARK GRAY - #8
18	057671-15-000	EA	COVER - SCREW - BRIGHT WHITE
18	057671-16-000	EA	COVER - SCREW - SOFT WHITE
19	100707-01-000	EA	SPACER - GLASS DOOR - .8" DIA - .3" HOLE - PLASTIC
20	113236-01-01A	EA	BRACKET - CLOTHES - ROD
21	102194-01-000	EA	GUIDE - PLASTIC
22	004354-01-000	EA	BUMPER - RUBBER - .5" DIA - BROWN
22	023320-01-000	EA	PAD - FELT 3/8" DIAMETER
23	120760-01-000	EA	BUMPER - RUBBER - CLEAR
24	083204-03-000	EA	BUTTON - RETAINING MIRROR 5/16" TIP
25	069726-02-000	EA	BUMPER - .88" OD X .40" THICK - BLACK
26	079921-01-000	EA	ROLLER - NYLON - W/STEEL SHAFT - BARBED
27	081114-02-000	EA	CAP - INSERT - ROUND 1" DIAMETER - WHITE
28	009112-01-000	EA	FLANGE - PLASTIC - 1" CLOTHES ROD - OFF WHITE
29	103874-01-000	EA	HANGER - SLIDING DOOR
30	064467-01-000	EA	GUIDE - POCKET - SLIDING DOOR - WALL MOUNTED
31	103257-01-000	EA	STOP - DOOR
32	065740-01-000	EA	BRACE - CABINET/CORNER - PLASTIC
33	084070-03-000	EA	POST - END - 2.4" - BRASS
34	084071-05-000	EA	ROD - BRASS - 15"
34	084071-08-000	EA	ROD - BRASS - 9.3" LONG
34	084071-12-000	EA	ROD - BRASS - 4.1" LONG
34	084071-19-000	EA	ROD - BRASS - 7.1"
34	084071-20-000	EA	ROD - BRASS - 9.8" LONG
34	084071-22-000	EA	ROD - BRASS - 15.3"
34	084071-23-000	EA	ROD - BRASS - 13.12"
34	084071-24-000	EA	ROD - BRASS - 3.8"
34	084071-27-000	EA	ROD - BRASS - 2.7"
34	084071-28-000	EA	ROD - BRASS - 6" LONG
34	084071-30-000	EA	ROD - BRASS - 11.6" LONG
34	084071-31-000	EA	ROD - BRASS - 14.08" LONG
34	084071-32-000	EA	ROD - BRASS - 13.6" LONG
35	084070-01-000	EA	POST - CENTER - 2.4" - BRASS
36	009089-01-000	EA	CLIP - MIRROR
37	039984-01-000	EA	CAP - ROUND - VINYL - .28" ID X .62" - BLACK

INTERIOR FINISH GROUP (CONTINUED)
HARDWARE (CONTINUED)



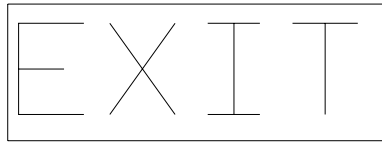
KEY	PART NUMBER	U/M	DESCRIPTION
1	114693-01-01A	EA	SUPPORT - BLACK - RIGHT HAND
1	114693-02-01A	EA	SUPPORT - BLACK - LEFT HAND
2	104174-01-000	EA	HOOK - ROBE - DOUBLE
3	115541-01-000	EA	SPRING - DOOR - SLIDING
4	122717-01-01A	EA	PAD - NON SKID - 4" DIAMETER ROUND
4	122717-04-01A	EA	PAD - NON SKID - 3" DIA. ROUND
5	076827-02-000	EA	BRACKET - 2.9" X 1.8" - TRIANGLE
6	098980-01-000	EA	PILASTER - ADJUSTABLE SHELF - 18"
6	098980-02-000	EA	PILASTER - ADJUSTABLE SHELF - 12"
6	098980-03-000	EA	PILASTER - ADJUSTABLE SHELF - 09"
6	098980-04-000	EA	PILASTER - ADJUSTABLE SHELF - 48"
6	098980-05-000	EA	PILASTER - ADJUSTABLE SHELF - 15"
6	098980-06-000	EA	PILASTER - ADJUSTABLE SHELF - 24"

INTERIOR FINISH GROUP (CONTINUED)

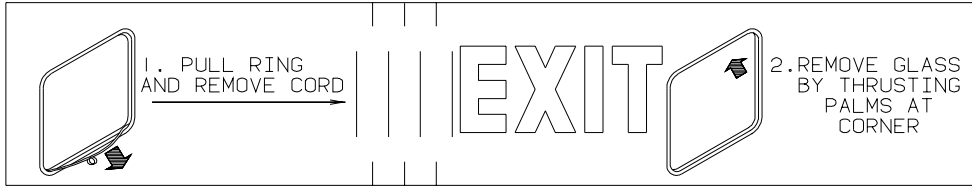
HARDWARE (CONTINUED)

KEY	PART NUMBER	U/M	DESCRIPTION
7	098979-01-000	EA	CLIP - ADJUSTABLE SHELF
8	094856-10-01A	EA	TRACK - FOLDING DOOR - OFF WHITE
9	103868-09-01A	EA	TRACK - SLIDING DOOR - 64.3" - OFF WHITE
9	103868-15-01A	EA	TRACK - SLIDING DOOR - 76" - OFF WHITE
10	118933-01-01A	EA	SUPPORT - HINGE LOCK
11	122717-06-01A	FT	PAD - NON-SKID - PSA - 5"W
11	122717-08-01A	FT	PAD - NON-SKID - PSA - 7.2"W
12	092652-01-000	EA	GUIDE WHEEL/DOOR - TOP MOUNT
13	130120-01-01A	EA	BRACKET - MOUNTING/MIRROR
14	126263-06-02B	EA	BRACKET - GAS SPRING W/INSIDE BALL STUD - E-COATED
15	126263-05-02B	EA	BRACKET - GAS SPRING W/BALL STUD - E-COATED
16	107796-10-000	EA	BRACKET - GAS SPRING - 90 DEGREE SMALL
17	126263-02-02B	EA	BRACKET - GAS SPRING W/BALL STUD - E-COATED
18	126263-08-02B	EA	BRACKET - GAS SPRING W/CENTERED BALL STUD - E-COATED
19	111775-01-03A	EA	RAIL - DECORATIVE/PLASTIC SPINDLES - 71.9" - SALEM CHERRY
19	111775-01-04A	EA	RAIL - DECORATIVE/PLASTIC SPINDLES - 84" - WATERFORD OAK
19	111775-01-06A	EA	RAIL - DECORATIVE/PLASTIC SPINDLES - 71.9" - WASHED MAPLE
19	111775-01-07A	EA	RAIL - DECORATIVE/PLASTIC SPINDLES - 71.9"-PORTSMOUTH OAK
20	074493-02-000	EA	SUPPORT - PISTON SPRING - CABINET DOOR - 26 LBS
21	057460-02-000	EA	STUD BALL - GAS SPRING - .39" - 5/16"-18
22	057460-04-000	EA	SPRING - GAS - BALL STUD STYLE - 120 PI - "SPD6209"
23	107796-06-000	EA	SPRING/GAS - 12" COMPRESSED/20" EXTENDED - 120 LB.
23	107796-08-000	EA	SPRING/GAS - 11" COMPRESSED/17" EXTENDED - 60 LB
23	107796-15-000	EA	SPRING/GAS - 24" COMPRESSED/40" EXTENDED - 15 LB.
23	107796-16-000	EA	SPRING/GAS - 6.4" COMPRESSED/9.6" EXTENDED - 65 LB.
23	107796-26-000	EA	SPRING/GAS - 12" COMPRESSED/20" EXTENDED - 90 LB.
24	042438-02-000	EA	DOWEL - WOOD - 2" X 2"
24	042438-01-000	EA	DOWEL - WOOD - CLOTHES ROD - 1" DIAMETER X 4'
25	128811-01-01A	EA	BACKSOCKET - ADJUSTABLE - LEFT
26	128810-01-01A	EA	SLIDE - DRAWER - 12" - LEFT CABINET
26	128810-05-01A	EA	SLIDE - DRAWER - 14" - LEFT CABINET
26	128810-09-01A	EA	SLIDE - DRAWER - 16" - LEFT CABINET
26	128810-13-01A	EA	SLIDE - DRAWER - 18" - LEFT CABINET
26	128810-17-01A	EA	SLIDE - DRAWER - 20" - LEFT CABINET
26	128810-21-01A	EA	SLIDE - DRAWER - 22" - LEFT CABINET
26	128810-25-01A	EA	SLIDE - DRAWER - 24" - LEFT CABINET
27	128811-02-01A	EA	BACKSOCKET - ADJUSTABLE RIGHT
28	128810-03-01A	EA	SLIDE - DRAWER - 12" - LEFT DRAWER
28	128810-07-01A	EA	SLIDE - DRAWER - 14" - LEFT DRAWER
28	128810-11-01A	EA	SLIDE - DRAWER - 16" - LEFT DRAWER
28	128810-15-01A	EA	SLIDE - DRAWER - 18" - LEFT DRAWER
28	128810-19-01A	EA	SLIDE - DRAWER - 20" - LEFT DRAWER
28	128810-23-01A	EA	SLIDE - DRAWER - 22" - LEFT DRAWER
28	128810-27-01A	EA	SLIDE - DRAWER - 24" - LEFT DRAWER
29	128810-04-01A	EA	SLIDE - DRAWER - 12" - RIGHT DRAWER
29	128810-08-01A	EA	SLIDE - DRAWER - 14" - RIGHT DRAWER
29	128810-12-01A	EA	SLIDE - DRAWER - 16" - RIGHT DRAWER
29	128810-16-01A	EA	SLIDE - DRAWER - 18" - RIGHT DRAWER
29	128810-20-01A	EA	SLIDE - DRAWER - 20" - RIGHT DRAWER
29	128810-24-01A	EA	SLIDE - DRAWER - 22" - RIGHT DRAWER
29	128810-28-01A	EA	SLIDE - DRAWER - 24" - RIGHT DRAWER
30	128810-02-01A	EA	SLIDE - DRAWER - 12" - RIGHT CABINET
30	128810-06-01A	EA	SLIDE - DRAWER - 14" - RIGHT CABINET
30	128810-10-01A	EA	SLIDE - DRAWER - 16" - RIGHT CABINET
30	128810-14-01A	EA	SLIDE - DRAWER - 18" - RIGHT CABINET
30	128810-18-01A	EA	SLIDE - DRAWER - 20" - RIGHT CABINET
30	128810-22-01A	EA	SLIDE - DRAWER - 22" - RIGHT CABINET
30	128810-26-01A	EA	SLIDE - DRAWER - 24" - RIGHT CABINET
31	084412-01-000	EA	SUPPORT/HINGE KIT (LEFT & RIGHT HINGES)
32	130787-01-000	EA	TRACK - TAMBOUR DOOR/SPRING - 15.9"
32	130787-02-000	EA	TRACK - TAMBOUR DOOR/SPRING - 24"
32	130787-03-000	EA	TRACK - TAMBOUR DOOR/SPRING - 30"

LABELS GROUP



KEY PART NUMBER U/M DESCRIPTION
039290-01-000 EA LABEL - WARNING - EXIT



KEY PART NUMBER U/M DESCRIPTION
107571-01-000 EA LABEL - EXIT/ESCAPE WINDOW

FOR AWNING INSTALLATION
CONTACT YOUR MOTORHOME
DEALERSHIP

KEY PART NUMBER U/M DESCRIPTION
099509-01-000 EA LABEL - AWNING INSTALLATION



KEY PART NUMBER U/M DESCRIPTION
040944-01-000 EA LABEL - ENTRANCE DOOR - "OPEN"

WARNING
MUST BE STOWED
IN LATCHED POSITION
WHILE VEHICLE IS IN MOTION

KEY PART NUMBER U/M DESCRIPTION
079966-01-000 EA LABEL - WARNING - STOWED - MOTION

WARNING DISCONNECT BATTERIES BEFORE
CONNECTING EXTERNAL CHARGING EQUIPMENT.

KEY PART NUMBER U/M DESCRIPTION
065748-01-000 EA LABEL - CAUTION - BATTERY CHARGING

AVERTISSEMENT : DEBRANCHER LES BATTERIES AVANT
DE BRANCHER TOUT EQUIPEMENT DE CHARGE EXTERIEUR.

KEY PART NUMBER U/M DESCRIPTION
065748-02-000 EA LABEL - WARNING - BATTERY/FRENCH - CANADIAN

LABELS GROUP (CONTINUED)

WASTE WATER

KEY PART NUMBER U/M DESCRIPTION
006188-01-000 EA LABEL - WASTE WATER

SEWAGE

KEY PART NUMBER U/M DESCRIPTION
006187-01-000 EA LABEL - SEWAGE

IF YOU SMELL GAS

1. EXTINGUISH ANY OPEN FLAME, PILOT LIGHTS AND ALL SMOKING MATERIALS.
2. DO NOT TOUCH ELECTRICAL SWITCHES.
3. SHUT OFF THE GAS SUPPLY AT THE TANK VALVE(S) OR GAS SUPPLY CONNECTION.
4. OPEN DOORS AND OTHER VENTILATING OPENINGS.
5. LEAVE THE AREA UNTIL ODOR CLEARS.
6. HAVE THE GAS SYSTEM CHECKED AND LEAKAGE SOURCE CORRECTED BEFORE USING AGAIN.

KEY PART NUMBER U/M DESCRIPTION
073998-01-000 EA LABEL - LPG ODOR WARNING

WARNING: TEST SMOKE DETECTOR OPERATION AFTER VEHICLE HAS BEEN IN STORAGE, BEFORE EACH TRIP AND AT LEAST ONCE PER WEEK DURING USE.

KEY PART NUMBER U/M DESCRIPTION
077956-01-000 EA LABEL - WARNING - SMOKE DETECTOR

CAUTION	TO HELP AVOID PERSONAL INJURY DURING REMOVAL OF FUEL FILLER CAP, SLOWLY LOOSEN CAP 1/2 TURN TO ALLOW ANY FUEL PRESSURE TO BE RELIEVED BEFORE TURNING CAP FURTHER.
FUEL SPRAY MAY CAUSE PERSONAL INJURY	STOP ADDING FUEL AFTER FIRST SHUTOFF BY AUTOMATIC NOZZLE WHEN TANK IS NEARLY FULL. DO NOT OVERFILL FUEL TANK. SEE OWNERS MANUAL FOR ADDITIONAL INFORMATION. PRINTED IN U.S.A. WLC PT NO 15611763

KEY PART NUMBER U/M DESCRIPTION
087207-05-000 EA LABEL - FUEL CAP REMOVAL

UNLEADED FUEL ONLY

KEY PART NUMBER U/M DESCRIPTION
062043-01-000 EA LABEL - FUEL - UNLEADED

UNLEADED
FUEL ONLY

KEY PART NUMBER U/M DESCRIPTION
098641-01-000 EA LABEL - FUEL - UNLEADED - DASH

LABELS GROUP (CONTINUED)

LP-GAS SYSTEM
THIS GAS PIPING SYSTEM IS
DESIGNED FOR USE OF
LIQUIFIED PETROLEUM GAS
ONLY. DO NOT CONNECT
NATURAL GAS TO THIS
SYSTEM.
SECURE CAP INLET(S) WHEN NOT
CONNECTED FOR USE. AFTER TURNING
ON GAS, EXCEPT AFTER NORMAL
CONTAINER REPLACEMENT, TEST GAS
PIPING AND CONNECTIONS TO
APPLIANCES FOR LEAKAGE WITH SOAPY
WATER OR BUBBLE SOLUTION. DO NOT
USE PRODUCTS THAT CONTAIN AMMONIA
OR CLORINE. 124520

KEY	PART NUMBER	U/M	DESCRIPTION
	124520-01-01A	EA	LABEL - LP GAS ONLY - BLACK ON CLEAR
	124520-01-02A	EA	LABEL - LP GAS ONLY - WHITE ON CLEAR

WARNING

THIS SYSTEM IS DESIGNED FOR USE WITH PROPANE ONLY
DO NOT CONNECT NATURAL GAS TO THIS SYSTEM

BEFORE TURNING ON PROPANE:

- (A) BE CERTAIN APPLIANCES ARE CERTIFIED FOR PROPANE AND ARE EQUIPPED WITH CORRECT BURNING ORIFICES.
- (B) MAKE CERTAIN ALL PROPANE CONNECTIONS ARE TIGHT BY TESTING WITH SOAPY WATER. ALL APPLIANCE VALVES ARE TURNED OFF, AND ANY UNCONNECTED OUTLETS ARE CAPPED.

AFTER TURNING ON PROPANE:

- (A) LIGHT ALL PILOT LIGHTS
- (B) (B) ALL CONNECTIONS, INCLUDING THOSE AT THE APPLIANCES, REGULATORS AND CYLINDERS SHOULD BE LEAK-TESTED PERIODICALLY WITH SOAPY WATER BY THE OCCUPANT. NEVER USE A LIGHTED MATCH OR OTHER FLAME WHEN CHECKING FOR LEAKS.
- (C) DO NOT LEAVE SYSTEM TURNED ON OF CONTAINERS CONNECTED UNTIL THE SYSTEM HAS BEEN PROVEN TO BE FREE OF LEAKS.
- (D) COOKING APPLIANCES SHOULD NOT BE USED FOR SPACE HEATING.
- (E) WHEN THE CONTAINERS ARE DISCONNECTED THE PROPANE SUPPLY LINE SHOULD BE CAPPED OR PLUGGED.

AVERTISSEMENT

CETTE INSTALLATION EST CONCUE POUR LE PROPANE SEULEMENT
NE PAS L'ALIMENTER EN GAZ NATUREL

AVANT LA MISE EN SERVICE:

- (A) S'ASSURER QUE LES APPAREILS SONT CERTIFIES POUR LE PROPANE ET MUNIS D'ORIFICES DE BRULEUR APPROPRIES.
- (B) VERIFIER L'ETANCHEITE DE TOUS LES RACCORDEMENTS AU PROPANE. LA PERMETURE DE TOUS LES ROBINETS D'APPAREILS ET L'OBTUTATION DE TOUTES LES SORTIES NON RACCORDEES.

APHES LA MISE EN SERVICE:

- (A) ALLUMER TOUTES LES VEILLEUSES.
- (B) L'OCCUPANT DOIT EPROUVER PERIODIQUEMENT L'ETANCHEITE DE TOUS LES RACCORDEMENTS Y COMPRIS CEUX AUX APPAREILS, AUX DETENDEURS ET AUX BOUTEILLES, EN Y APPLIQUANT DE L'EAU SAVONNEUSE NE JAMA'S SE SERVIR D'UNE ALLUMETTE OU AUTRE POUR LA DETECTION DES FUITES.
- (C) NE PAS LAISSER L'ALIMENTATION OUVERTE NI LES RECIPIENTS RACCORDES AVANT D'AVOIR COMPLETE L'EPREUVE D'ETANCHEITE AU PROPANE DE L'INSTALLATION.
- (D) LES APPAREILS DE CUISSON NE DOIVENT PAS ETRE UTILISES POUR LE CHAUFFAGE DES LOCAUX.
- (E) LORSQUE LES RECIPIENTS SONT DECONNECTES, L'ALIMENTATION DE PROPANE DOIT ETRE OBTUREE OU SCHELLEE.

KEY	PART NUMBER	U/M	DESCRIPTION
	023769-01-000	EA	LABEL - WARNING - LPG - CANADIAN

THIS CONNECTION IS FOR
(B) VOLT AC, 60 HZ(CYCLES)
(A) AMPERE SUPPLY

DO NOT CONNECT TO
HIGHER VOLTAGE

KEY	PART NUMBER	U/M	DESCRIPTION
	125306-01-01A	EA	LABEL - ELECTRICAL ENTRANCE - 110VOLT 30AMP
	125306-03-01A	EA	LABEL - ELECTRICAL ENTRANCE - 100 VOLT 30 AMP

LABELS GROUP (CONTINUED)

THIS CONNECTION IS FOR
(B) VOLT AC,3-POLE,4 WIRE
60 HZ(CYCLES), (A) AMPERE SUPPLY

DO NOT CONNECT TO
HIGHER VOLTAGE

KEY PART NUMBER U/M DESCRIPTION
125306-04-01A EA LABEL - ELECTRICAL ENTRANCE - 120 VOLT - 240 AMP

THIS CONNECTION IS FOR
(B) VOLT AC,50 HZ(CYCLES)
(A) AMPERE SUPPLY

DO NOT CONNECT TO
HIGHER VOLTAGE

KEY PART NUMBER U/M DESCRIPTION
125306-05-01A EA LABEL - ELECTRICAL ENTRANCE - 220 VOLT 25 AMP

"TO ENSURE A SUPPLY OF FRESH AIR TO
OCCUPANTS, OPEN VENTILATORS WHEN
FUEL BURNING RANGE, FUEL BURNING
CARRY-ON APPLIANCES AND/OR FUEL-
BURNING LIGHTS ARE IN OPERATION."

"COOKING APPLIANCES SHOULD NOT BE
USED FOR SPACE HEATING PURPOSES"

DE MANIERE A ASSURE UNE ALIMENTATION
EN AIR FRAIS AUX OCCUPANTS,OUVRIR
LES VENTILATEURS LORSQUE LA CUISINIERE,
LES APPAREILS DE CHAUFFAGE PORTABLES
ET/OU LES LAMPES DE COMBUSTION
D'HUILE SONT EN FONCTIONNEMENT.

LES APPAREILS DE CUSSON NE DOIVENT
PAS SERVIR AU CHAUFFAGES DES LOCAUX.

KEY PART NUMBER U/M DESCRIPTION
050222-01-000 EA LABEL - STOVE VENT - CANADIAN

WARNING

THIS VEHICLE, LIKE OTHER
VEHICLES, MAY CONTAIN SMALL
AMOUNTS OF ONE OR MORE
SUBSTANCES WHICH ARE LISTED
BY THE STATE OF CALIFORNIA
FOR CAUSING CANCER OR
REPRODUCTIVE TOXICITY.

KEY PART NUMBER U/M DESCRIPTION
099689-01-000 EA LABEL - WARNING - CANCER/TOXICITY

WATER HEATER
BY-PASS

NORMAL
OPERATION

KEY PART NUMBER U/M DESCRIPTION
133424-01-01A EA LABEL - BYPASS - WATER HEATER

REMOVE PRIMARY TIRE HANGER BEFORE USING
SPARE TIRE HOIST-SEE OWNERS MANUAL- PERSONAL
INJURY MAY RESULT IF NOT FOLLOWED

KEY PART NUMBER U/M DESCRIPTION
126024-01-01A EA LABEL - TIRE HANGER REMOVAL

DO NOT USE HITCH BEFORE
READING OWNERS MANUAL REGARDING
VEHICLE LOADING AND TOWING

KEY PART NUMBER U/M DESCRIPTION
111104-01-000 EA LABEL - HITCH - READ MANUAL - WHITE
111104-02-000 EA LABEL - HITCH - READ MANUAL - BLACK

LABELS GROUP (CONTINUED)



CAUTION

THIS MOTOR HOME HAS BEEN DESIGNED, MANUFACTURED AND TESTED WITH CONCERN FOR THE PROTECTION OF IT'S OCCUPANTS. WE RECOMMEND YOU PERFORM THE FOLLOWING INSPECTIONS FOR YOUR SAFETY AND THE SAFETY OF YOUR PASSENGERS BEFORE STARTING YOUR VEHICLE.



1. LP GAS SYSTEM- TURN OFF AT TANK FOR TRAVELING. TEST FOR LEAKS UPON ARRIVAL AT DESTINATION. BEFORE LIGHTING PILOTS.
2. WHEELS- INSPECT FOR DAMAGE AND CHECK LUG NUTS FOR TIGHTNESS.
3. TIRES- INSPECT FOR WEAR AND DAMAGE AND CHECK FOR RECOMMENDED AIR PRESSURE.
4. LIGHTING- TEST FOR PROPER OPERATION OF ALL INTERIOR AND EXTERIOR LIGHTS INCLUDING DASH LIGHTS, HEADLIGHTS, TAIL LIGHTS, BRAKE LIGHTS, CLEARANCE LIGHTS AND TURN SIGNALS.
5. EXITS- INSPECT RELEASE MECHANISM ON EMERGENCY EXIT WINDOW. TEST BOTH LOCKS ON MAIN ENTRANCE DOOR FOR EASE OF OPERATION AND INSTRUCT PASSENGERS HOW TO USE BOTH MEANS OF EXIT.
6. SEAT BELTS- DIRECT PASSENGERS TO DESIGNATED SEATS AND REQUIRE USE OF SEAT BELTS.
7. APPLIANCES- TURN OFF AND LATCH OR LOCK DOORS WHERE PROVIDED.
8. LOOSE PARCELS- STORE SECURELY.
9. UTILITY SUPPLY LINES- DISCONNECT ALL ELECTRIC, SEWER AND WATER LINES AND SECURE PROPERLY.
10. ENTRANCE DOOR STEP- PLACE IN RETRACTED POSITION FOR TRAVELING.

READ YOUR MOTOR HOME AND CHASSIS OWNER'S
MANUAL FOR FURTHER PRECAUTIONS

KEY PART NUMBER **U/M DESCRIPTION**
056259-01-000 EA LABEL - SAFETY CHECK LIST

	WARNING
	<p>DEATH or SERIOUS INJURY can occur</p> <p>Children 12 and under can be killed by the air bag The BACK SEAT is the SAFEST place for children NEVER put a rear-facing child seat in the front Sit as far back as possible from the air bag ALWAYS use SEAT BELTS and CHILD RESTRAINTS</p>

KEY PART NUMBER **U/M DESCRIPTION**
126611-01-000 EA LABEL - AIR BAG - VISOR

	WARNING
	<p>Children Can be KILLED or INJURED by Passenger Air Bag</p> <p>The back seat is the safest place for children 12 and under. Make sure all children use seat belts or child seats.</p>

KEY PART NUMBER **U/M DESCRIPTION**
126612-01-000 EA LABEL - HANG TAG - AIR BAG - DASH

AIR CONDITIONING CIRCUIT.
THIS CONNECTION IS FOR
AIR CONDITIONERS RATED 110-
125 VOLT AC, 60 HZ, 16
AMPERES MAXIMUM. DO NOT
EXCEED CIRCUIT RATING.

KEY PART NUMBER **U/M DESCRIPTION**
091243-01-000 EA LABEL - A/C COVER "AIR CONDITIONING CIRCUIT ETC."

WARNING: CONTAINS "CFC" A SUBSTANCE WHICH HARMS
PUBLIC HEALTH AND ENVIRONMENT BY DESTROYING
OZONE IN THE UPPER ATMOSPHERE.

KEY PART NUMBER **U/M DESCRIPTION**
111802-01-000 EA LABEL - CFC WARNING

LABELS GROUP (CONTINUED)

WARNING

WHEN ADDING A GENERATOR SET:

HIGH VOLTAGE-USE EXTREME CAUTION WHEN WORKING ON ELECTRICAL COMPONENTS.
HAVE ALL ELECTRICAL INSTALLATION PERFORMED BY A QUALIFIED LICENSED ELECTRICIAN-FOLLOW ALL STATE AND LOCAL CODES.
ONLY INSTALL GENERATOR SET APPROVED FOR R.V. APPLICATION. HAVE INSTALLED BY QUALIFIED TECHNICIAN.
TO AVOID HEAT BUILD-UP AND TO GUARANTEE AN ADEQUATE AIR SUPPLY TO THE GENERATOR CARBURETOR, FOLLOW INSTALLATION INSTRUCTIONS.
GENERATOR ENGINE EXHAUST GASES ARE TOXIC AND MUST NOT TERMINATE UNDER THE VEHICLE-DISCHARGE EXHAUST AWAY FROM VEHICLE.

KEY PART NUMBER U/M DESCRIPTION
077510-01-000 EA LABEL - GENERATOR PREP

CAUTION

DO NOT LATCH DOOR IN OPEN POSITION
IF WATER HEATER CONTROL IS IN THE ON POSITION. WATER HEATER EXHAUST MAY DAMAGE OUTER SURFACE OF DOOR.

KEY PART NUMBER U/M DESCRIPTION
113402-01-000 EA LABEL - CAUTION - WATER HEATER EXHAUST
113402-02-000 EA LABEL - CAUTION - FURNACE EXHAUST

WARNING!

UNDERSTAND OPERATOR'S MANUAL BEFORE USING.
KEEP PEOPLE AND OBSTRUCTIONS CLEAR OF SLIDEOUT ROOM WHEN OPERATING TO AVOID INJURY AND/OR PROPERTY DAMAGE.

KEY PART NUMBER U/M DESCRIPTION
116549-01-000 EA LABEL - WARNING - SLIDEOUT

MISE EN GARDE

POUR VOTRE SECURITE PERSONNELLE RANGEZ, TOUT OBJET DE FAÇON SECURITAIRE LORSQUE LE VEHICULE EST EN MOUVEMENT.

CAUTION

FOR YOUR PERSONAL SAFETY, SECURELY STOW OBJECTS AWAY WHILE VEHICLE IS IN MOTION

KEY PART NUMBER U/M DESCRIPTION
131341-01-000 EA LABEL - STOW OBJECTS - US

DIESEL FUEL ONLY

KEY PART NUMBER U/M DESCRIPTION
068383-01-000 EA LABEL - DIESEL FUEL

OPEN ○
DRAIN
CLOSED ○

KEY PART NUMBER U/M DESCRIPTION
133423-01-01A EA LABEL - DRAIN

WARNING

IT IS NOT SAFE TO USE COOKING APPLIANCES FOR COMFORT HEATING

COOKING APPLIANCES NEED FRESH AIR FOR SAFE OPERATION BEFORE OPERATION:

1. OPEN OVERHEAD VENT OR TURN ON EXHAUST FAN AND;
2. OPEN WINDOW.

KEY PART NUMBER U/M DESCRIPTION
050225-01-000 EA LABEL - WARNING - STOVE VENT - US

LABELS GROUP (CONTINUED)

WARNING

ALL PILOT LIGHTS, APPLIANCES AND THIER
IGNITORS (SEE OPERATING INSTRUCTIONS) SHALL
BE TURNED OFF DURING REFUELING OF MOTOR
FUEL TANKS AND/OR LP GAS CONTAINERS

KEY	PART NUMBER	U/M DESCRIPTION
	124519-01-01A	EA LABEL - WARNING/REFUELING - BLACK ON CLEAR
	124519-01-02A	EA LABEL - WARNING/REFUELING - WHITE ON CLEAR

WARNING :

ALL PILOT LIGHTS AND APPLIANCES SHALL BE TURNED
OFF DURING REFUELING OF MOTOR FUEL TANKS AND/
OR PROPANE CONTAINERS.

AVERTISSEMENT :

FERMER TOUTES LES VEILLEUSES AINSI QUE TOUS LES
APPAREILS LORSQU'ON FAIT LE PLEIN DES RÉSERVOIRS
À CARBURANT OU À PROPANE.

124519-02

KEY	PART NUMBER	U/M DESCRIPTION
	124519-02-01A	EA LABEL - WARNING/REFUELING - BLACK ON CLEAR - CSA
	124519-02-02A	EA LABEL - WARNING/REFUELING - WHITE ON CLEAR - CSA

ENTRANCE DOOR PROP ROD

THIS ROD IS DESIGNED TO PROP THE
ENTRANCE DOOR OPEN WHEN THE PATIO
AWNING ARM IS ATTACHED TO THE
SIDEWALL AND THE AWNING IS EX-
TENDED.
HOOK ONE END OF ROD INTO LOOP ON
DOOR AND OTHER END INTO LOOP ON THE
SIDEWALL AS SHOWN.

(THIS LABEL TO BE REMOVED BY RETAIL OWNER ONLY)

KEY	PART NUMBER	U/M DESCRIPTION
	128658-01-000	EA LABEL - PROP ROD - ENTRY DOOR

INPUT

KEY	PART NUMBER	U/M DESCRIPTION
	087236-01-000	EA LABEL - CABLE - INPUT

OUTLET

KEY	PART NUMBER	U/M DESCRIPTION
	087236-02-000	EA LABEL - TV OUTLET

<p style="font-size: x-small;">DTS' ISI CE SIEGE N'EST PAS DESTINE A ETRE OCCUPE LORSQUE LE VEHICULE EST EN MOUVEMENT</p>	<p style="font-size: x-small;">THIS SEAT IS NOT INTENDED FOR OCCUPANCY WHILE VEHICLE IS IN MOTION</p>
---	---

KEY	PART NUMBER	U/M DESCRIPTION
	006064-01-000	EA LABEL - SEAT W/O SEATBELT
	006064-02-000	EA LABEL - SEAT W/O SEATBELT - CANADIAN

LABELS GROUP (CONTINUED)

CAUTION:
OPEN A WINDOW OR VENT WHILE
OPERATING DRYER. IT IS DANGEROUS
TO CREATE A NEGATIVE AIR PRESSURE
INSIDE A VEHICLE CONTAINING
FUEL-BURNING APPLIANCES

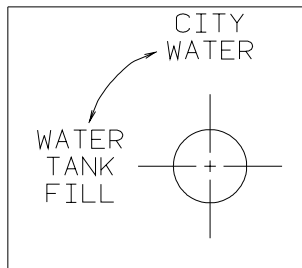
KEY PART NUMBER U/M DESCRIPTION
130670-01-01A EA LABEL - CAUTION DRYER VENTING - BLACK ON CLEAR



KEY PART NUMBER U/M DESCRIPTION
061417-01-000 EA LABEL - FUEL - ON FUEL FILL DOOR

INSERT RETAINER PINS IN
SLIDE MECHANISM AFTER
RETURNING GENERATOR TO
STORED POSITION.
IF RETAINER PINS ARE NOT
INSERTED, THE GENERATOR
WILL EXTEND WHICH MAY
CAUSE PERSONAL INJURY.

KEY PART NUMBER U/M DESCRIPTION
116273-01-000 EA LABEL - WARNING - GENERATOR



KEY PART NUMBER U/M DESCRIPTION
117629-02-000 EA LABEL - WATER PUMP/FILL-WHITE LETTER/CLEAR BACKGROUND-.24"
117629-03-000 EA LABEL - WATER PUMP/FILL-BLK LETTERS/CLEAR BACKGROUND-.31"

KEEP THE SERVICE INLET ACCESS
IN THE CLOSED POSITION WHEN
UTILITY CONNECTIONS ARE NOT IN USE

KEY PART NUMBER U/M DESCRIPTION
123562-01-000 EA LABEL - SERVICE/UTILITY ACCESS

CITY WATER FILL

KEY PART NUMBER U/M DESCRIPTION
126249-01-000 EA LABEL - CITY WATER FILL - WHITE LETTERS/CLEAR BACKGROUND
126249-02-000 EA LABEL - CITY WATER FILL-BLK LETTER/CLEAR BACKGROUND-.24"H
126249-03-000 EA LABEL - CITY WATER FILL-BLK LETTER/CLEAR BACKGROUND-.31"H

LABELS GROUP (CONTINUED)

WARNING

ROOF SURFACE MAY BE SLIPPERY
ESPECIALLY WHERE MOISTURE IS PRESENT
SLIPPING MAY RESULT IN PERSONAL INJURY.

128218-01

KEY	PART NUMBER	U/M	DESCRIPTION
	128218-01-01A	EA	LABEL - WARNING - SLIPPERY ROOF

WASTE TANK FLUSH

KEY	PART NUMBER	U/M	DESCRIPTION
	130168-01-000	EA	LABEL - WASTE TANK FLUSH

LIGHTS WATER
PUMP

KEY	PART NUMBER	U/M	DESCRIPTION
	130170-02-000	EA	LABEL - SWITCH PANEL - BLK/CLEAR BACKGROUND-1.4H X 3.9"L
	117628-02-000	EA	LABEL - SWITCH - WATER PUMP/LIGHTS-WHITE/CLEAR BACKGROUND

MONITOR WATER
PANEL PUMP
LIGHT

KEY	PART NUMBER	U/M	DESCRIPTION
	130170-01-000	EA	LABEL - SWITCH PANEL - BLK/CLEAR BACKGROUND-1.8"H X 5.9"L

PUSH TO
RELEASE
GENERATOR
SLIDE ASM

KEY	PART NUMBER	U/M	DESCRIPTION
	131779-01-01A	EA	LABEL - GENERATOR

WARNING

ALL LP GAS IS CONTAINED UNDER PRES-
SURE. DUE TO THE DANGEROUS POTENTIAL
OF ANY COMPRESSED GAS, IT IS MANDA-
TORY THAT THE FOLLOWING REQUIREMENTS
FOR THE USE OF THIS TANK BE FOLLOWED:
TANKS ARE TO BE INSTALLED, FUELED AND
MAINTAINED IN ACCORDANCE WITH STATE
AND LOCAL CODE, RULES, REGULATIONS OR
LAWS AND IN ACCORDANCE WITH NFPA
PAMPHLET 58, DIVISION IV.

KEY	PART NUMBER	U/M	DESCRIPTION
	116112-01-000	EA	LABEL- WARNING - LP

LABELS GROUP (CONTINUED)

TOW VEHICLE RATING MAY BE LESS THAN HITCH RATING.
 MAXIMUM VERTICAL HITCH LOAD: 350 LBS
 DO NOT EXCEED REAR AXLE RATING.
 SEE OWNER'S MANUAL FOR ADDITIONAL INFORMATION.

KEY	PART NUMBER	U/M DESCRIPTION
	129669-01-01A	EA LABEL - HITCH/VEHICLE RATE - 350 - WHITE ON CLEAR
	129669-01-02A	EA LABEL - HITCH/VEHICLE RATE - 350 - BLACK ON CLEAR
	129669-02-01A	EA LABEL - HITCH/VEHICLE RATE - 500 - WHITE ON CLEAR
	129669-02-02A	EA LABEL - HITCH/VEHICLE RATE - 500 - BLACK ON CLEAR

THIS CHAIR IS NOT INTENDED
 FOR OCCUPANCY WHEN VEHICLE
 IS IN MOTION AND MUST BE
 RETURNED TO STOWED POSITION

KEY	PART NUMBER	U/M DESCRIPTION
	102267-01-000	EA LABEL - NO OCCUPANCY - US

DTS ISICE SIEGE N/EST PAS
 DESTINE A ETRE OCCUPE LORSQUE
 LE VEHICULE EST EN MOUVEMENT
 ET IL FAUT QUE LE RANGER

THIS CHAIR IS NOT INTENDED
 FOR OCCUPANCY WHEN VEHICLE
 IS IN MOTION AND MUST BE
 RETURNED TO STOWED POSITION

KEY	PART NUMBER	U/M DESCRIPTION
	102267-02-000	EA LABEL - NO OCCUPANCY - CSA

EXTERIOR SHOWER

KEY	PART NUMBER	U/M DESCRIPTION
	126248-03-000	EA LABEL - EXTERIOR SHOWER

W
A
T
E
R

ON

|

H
E
A
T
E
R

OFF

KEY	PART NUMBER	U/M DESCRIPTION
	083588-01-000	EA LABEL - ON/OFF - WATER HEATER

E
N
G
I
N
E

ON

|

H
E
A
T
E
R

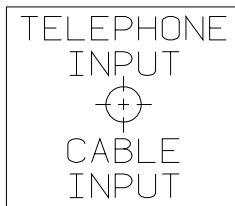
OFF

KEY	PART NUMBER	U/M DESCRIPTION
	083588-02-000	EA LABEL - ON/OFF - ENGINE HEATER

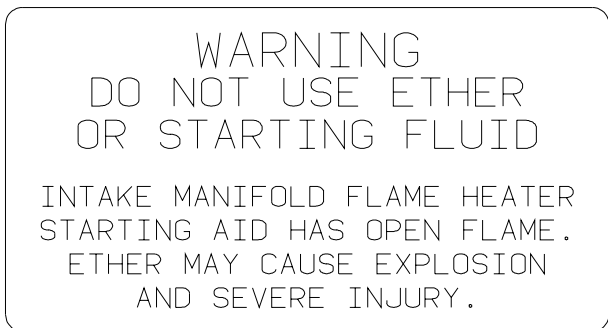
LABELS GROUP (CONTINUED)

<p>NOTE: TUNE ANTENNA PER MANUFACTURER'S DIRECTIONS. FAILURE TO COMPLY COULD RESULT IN DAMAGE TO CB.</p>	<p>CB POWER PROVISION</p> <p>RED +12 V BLACK GROUND COAX ANTENNA (SEE REVERSE ALSO)</p>
--	--

KEY	PART NUMBER	U/M	DESCRIPTION
	104678-01-000	EA	LABEL - CB PREP



KEY	PART NUMBER	U/M	DESCRIPTION
	114866-02-000	EA	LABEL - PHONE & CABLE INPUT - WHITE/CLEAR BACKGROUND
	114866-03-000	EA	LABEL - PHONE & CABLE INPUT - BLACK/CLEAR BACKGROUND



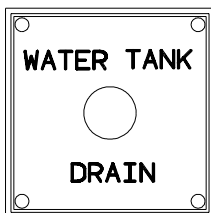
KEY	PART NUMBER	U/M	DESCRIPTION
	116756-01-000	EA	LABEL - WARNING - ETHER/STARTING



KEY	PART NUMBER	U/M	DESCRIPTION
	126247-01-000	EA	LABEL - GRAY HOLDING TANK-WHITE LETTERS/CLEAR BACKGROUND
	126247-05-000	EA	LABEL - GRAY HOLDING TANK-BLACK LETTERS/CLEAR BACKGROUND



KEY	PART NUMBER	U/M	DESCRIPTION
	126247-02-000	EA	LABEL - BLACK HOLDING TANK-WHITE LETTERS/BLACK BACKGROUND
	126247-06-000	EA	LABEL - BLACK HOLDING TANK-BLACK LETTERS/CLEAR BACKGROUND

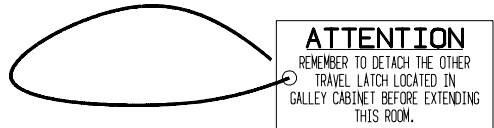


KEY	PART NUMBER	U/M	DESCRIPTION
	127170-01-000	EA	LABEL - WATER TANK DRAIN

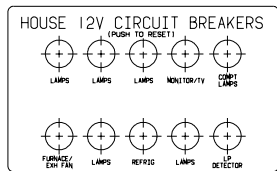
LABELS GROUP (CONTINUED)

WARNING
 POTABLE WATER ONLY
 SANITIZE, FLUSH, AND
 DRAIN BEFORE USING.
 SEE INSTRUCTION MANUAL

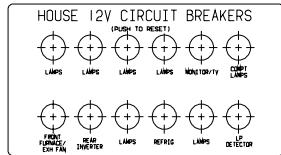
KEY PART NUMBER U/M DESCRIPTION
 128725-01-01A EA LABEL - POTABLE WATER ONLY
 128725-01-02A EA LABEL - POTABLE WATER ONLY



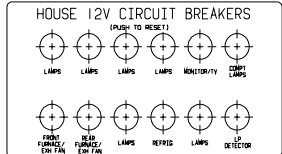
KEY PART NUMBER U/M DESCRIPTION
 129033-01-000 EA LABEL - HANG TAG - TRAVEL LATCH - 1.5" X3"



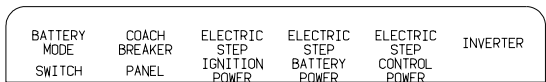
KEY PART NUMBER U/M DESCRIPTION
 092547-06-000 EA LABEL - CIRCUIT BREAKER



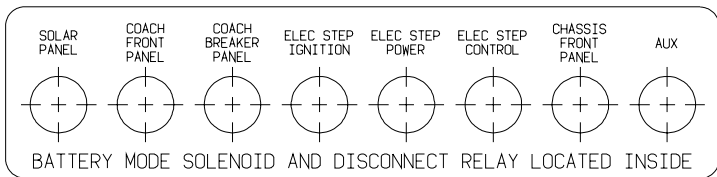
KEY PART NUMBER U/M DESCRIPTION
 092547-09-000 EA LABEL - CIRCUIT BREAKER



KEY PART NUMBER U/M DESCRIPTION
 092547-07-000 EA LABEL - CIRCUIT BREAKER



KEY PART NUMBER U/M DESCRIPTION
 093236-08-000 EA LABEL - CIRCUIT BREAKER

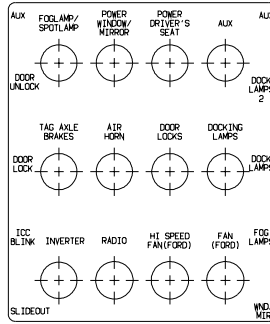


KEY PART NUMBER U/M DESCRIPTION
 093236-13-000 EA LABEL - CIRCUIT BREAKER

LABELS GROUP (CONTINUED)

SLIDEOUT DRIVE	INVERTER	ELECTRIC STEP CONTROL POWER	ELECTRIC STEP BATTERY POWER	ELECTRIC STEP IGNITION POWER	COACH BREAKER PANEL	BATTERY MODE SWITCH
-------------------	----------	--------------------------------------	--------------------------------------	---------------------------------------	---------------------------	---------------------------

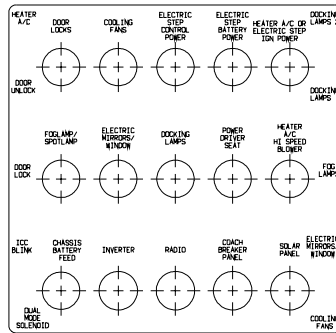
KEY PART NUMBER **U/M DESCRIPTION**
 093236-15-000 EA LABEL - CIRCUIT BREAKER



KEY PART NUMBER **U/M DESCRIPTION**
 093236-16-000 EA LABEL - CIRCUIT BREAKER

BATTERY MODE SWITCH	COACH BREAKER PANEL	ELECTRIC STEP IGNITION POWER	ELECTRIC STEP BATTERY POWER	ELECTRIC STEP CONTROL POWER	INVERTER	SLIDEOUT POWER
---------------------------	---------------------------	---------------------------------------	--------------------------------------	--------------------------------------	----------	-------------------

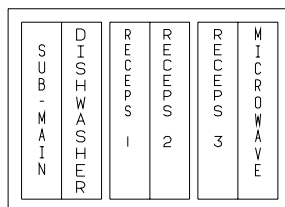
KEY PART NUMBER **U/M DESCRIPTION**
 093236-18-000 EA LABEL - CIRCUIT BREAKER



KEY PART NUMBER **U/M DESCRIPTION**
 093236-19-000 EA LABEL - CIRCUIT BREAKER



KEY PART NUMBER **U/M DESCRIPTION**
 093237-10-000 EA LABEL - CIRCUIT BREAKER - FRONT - COOLING FANS



KEY PART NUMBER **U/M DESCRIPTION**
 095721-20-000 EA LABEL - CONTROL CENTER W/INVERTER

LABELS GROUP (CONTINUED)

SUB - MAIN	APPLIANCE 1	APPLIANCE 2	RECCPS 1	RECCPS 2	MICROWAVE
------------	----------------	----------------	-------------	-------------	-----------

KEY PART NUMBER **U/M DESCRIPTION**
 095721-21-000 EA LABEL - CONTROL CENTER W/INVERTER

A/C CIRCUIT 1	MAIN	MAIN	A/C CIRCUIT 2	INVERTER/ CHARGER	REFFRIG/ VACUUM	WASHER/ DRYER	WATER HEATER	
---------------------	------	------	---------------------	----------------------	--------------------	------------------	-----------------	--

KEY PART NUMBER **U/M DESCRIPTION**
 095721-22-000 EA LABEL - CONTROL CENTER - 50AMP

A/C CIRCUIT 1	MAIN		REFFRIG/ CONV	MICROWAVE		RECCPS 1	RECCPS 2	
---------------------	------	--	------------------	-----------	--	-------------	-------------	--

KEY PART NUMBER **U/M DESCRIPTION**
 095721-25-000 EA LABEL - CONTROL CENTER - 30 AMP

A/C CIRCUIT 1	MAIN	REFFRIG/ CONV	MICROWAVE	RECCPS 1	RECCPS 2	APPLIANCE		
---------------------	------	------------------	-----------	-------------	-------------	-----------	--	--

KEY PART NUMBER **U/M DESCRIPTION**
 095721-26-000 EA LABEL - CONTROL CENTER - 30 AMP - CANADIAN

A/C CIRCUIT 1	MAIN	A/C CIRCUIT 2	REFFRIG/ CONV	MICROWAVE	RECCPS 1	RECCPS 2	RECCPS 3	
---------------------	------	---------------------	------------------	-----------	-------------	-------------	-------------	--

KEY PART NUMBER **U/M DESCRIPTION**
 095721-27-000 EA LABEL - CONTROL CENTER - 30 AMP

A/C CIRCUIT 1	MAIN	A/C CIRCUIT 2	REFFRIG/ CONV	MICROWAVE	RECCPS 1	RECCPS 2	APPLIANCE	
---------------------	------	---------------------	------------------	-----------	-------------	-------------	-----------	--

KEY PART NUMBER **U/M DESCRIPTION**
 095721-28-000 EA LABEL - CONTROL CENTER - 30 AMP - CANADIAN

LABELS GROUP (CONTINUED)

A/C CIRCUIT 1	MAIN	MAIN	A/C CIRCUIT 2	REFRIG/CONV	MICROWAVE	RECORDS 1	RECORDS 2	RECORDS 3	WASHER/DRYER	
------------------	------	------	------------------	-------------	-----------	--------------	--------------	--------------	--------------	--

KEY PART NUMBER **U/M DESCRIPTION**
 095721-29-000 EA LABEL - CONTROL CENTER - 50 AMP

A/C CIRCUIT 1	MAIN	MAIN	A/C CIRCUIT 2	REFRIG/CONV	MICROWAVE	RECORDS 1	RECORDS 2	RECORDS 3	APPLIANCE 1	APPLIANCE 2	WASHER DRYER
------------------	------	------	------------------	-------------	-----------	--------------	--------------	--------------	----------------	----------------	-----------------

KEY PART NUMBER **U/M DESCRIPTION**
 095721-30-000 EA LABEL - CONTROL CENTER - 50 AMP - CANADIAN

A/C CIRCUIT 1	MAIN	A/C CIRCUIT 2	REFRIG/CONV	MICROWAVE	RECORDS 1	RECORDS 2	RECORDS 3	WASHER/DRYER	WATER HEATER	
------------------	------	------------------	-------------	-----------	--------------	--------------	--------------	--------------	-----------------	--

KEY PART NUMBER **U/M DESCRIPTION**
 095721-31-000 EA LABEL - CONTROL CENTER - 30 AMP - US

A/C CIRCUIT 1	MAIN	MAIN	A/C CIRCUIT 2	REFRIG/CONV	MICROWAVE	RECORDS 1	RECORDS 2	RECORDS 3	WASHER/DRYER	WATER HEATER
------------------	------	------	------------------	-------------	-----------	--------------	--------------	--------------	--------------	-----------------

KEY PART NUMBER **U/M DESCRIPTION**
 095721-33-000 EA LABEL - CONTROL CENTER - 50 AMP - US

A/C CIRCUIT 1	MAIN	MAIN	A/C CIRCUIT 2	INVERTER/ CHARGER	REFRIGERATOR	WASHER/DRYER	WATER HEATER	
------------------	------	------	------------------	----------------------	--------------	--------------	-----------------	--

KEY PART NUMBER **U/M DESCRIPTION**
 095721-34-000 EA LABEL - CONTROL CENTER - 50 AMP

AUTOMOTIVE AND COACH
CIRCUIT BREAKERS

KEY PART NUMBER **U/M DESCRIPTION**
 098379-01-000 EA LABEL - FRONT BOX - CIRCUIT BREAKER

LABELS GROUP (CONTINUED)

A/C CIRCUIT 1	M A I N	A/C CIRCUIT 2	R E F R I G / C O N V	M I C R O W A V E	R E C P S 1	R E C P S 2	R E C P S 3	A P P L I A N C E	W A S H E R / D R Y E R	W A T E R H E A T E R
---------------------	------------------	---------------------	---	---	----------------------------	----------------------------	----------------------------	---	--	---

KEY PART NUMBER **U/M DESCRIPTION**
 095721-35-000 EA LABEL - CONTROL CENTER - 30 AMP - CSA

A/C CIRCUIT 1	M A I N	M A I N	A/C CIRCUIT 2	R E F R I G / C O N V	M I C R O W A V E	R E C P S 1	R E C P S 2	A P P L I A N C E 1	A P P L I A N C E 2	W A S H E R / D R Y E R	W A T E R H E A T E R
---------------------	------------------	------------------	---------------------	---	---	----------------------------	----------------------------	--	--	--	---

KEY PART NUMBER **U/M DESCRIPTION**
 095721-36-000 EA LABEL - CONTROL CENTER - 50 AMP - CSA

M A I N	M I C R O W A V E	G F I / R E C E P S	R E F E R / C O N V	W A T E R H T R	A / C
------------------	---	--	--	--	-------------

KEY PART NUMBER **U/M DESCRIPTION**
 095721-38-000 EA LABEL - CONTROL CENTER - 30 AMP - US

M A I N	A P P L I A N C E	G F I / R E C E P S	R E F E R / M I C R O	W A T E R H T R	A / C
------------------	---	--	---	--	-------------

KEY PART NUMBER **U/M DESCRIPTION**
 095721-39-000 EA LABEL - CONTROL CENTER - 30 AMP - CANADIAN

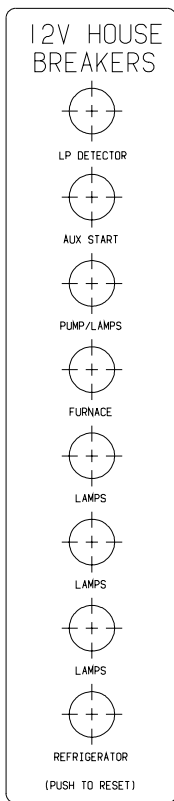
BATTERY MODE SOLENOID AND RELAYS
--

KEY PART NUMBER **U/M DESCRIPTION**
 098379-04-000 EA LABEL - ELECTRICAL BOX - SIDE

FRONT TIRE PRESSURE AT UNLOADED VEHICLE WEIGHT: 75 PSI							
REAR TIRE PRESSURE AT UNLOADED VEHICLE WEIGHT: 75 PSI							
FOR LOADED VEHICLE, WEIGH UNIT AND REFER TO TABLE:							
TIRE PRESSURE	75	80	85	90	95	100	
FRONT LOAD-LBS	7185	7630	8070	8555	9085	9350*	
REAR LOAD-LBS	13580	14375	15255	15500*			
TIRE: MICHELIN XRV 235/80R22.5, LOAD RANGE F						*GAWR = 9350	
						**GAWR = 15500	
FOR BEST PERFORMANCE, MATCH TIRE PRESSURE TO YOUR AXLE LOAD							

KEY PART NUMBER **U/M DESCRIPTION**
 131775-03-01A EA LABEL - TIRE PRESSURE - BROWN/BLACK

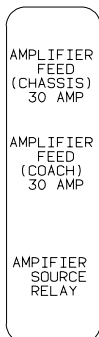
LABELS GROUP (CONTINUED)



KEY	PART NUMBER	U/M DESCRIPTION
	092547-08-000	EA LABEL - CIRCUIT BREAKER

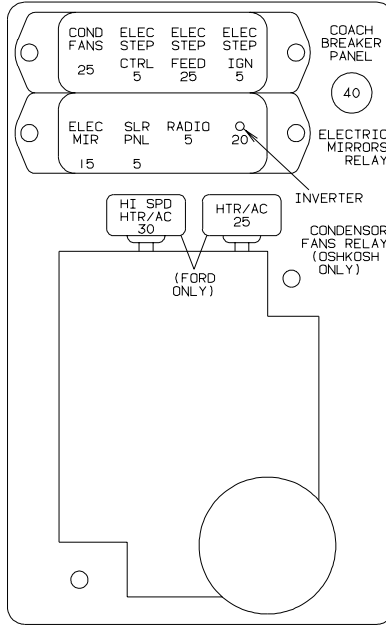
DO NOT FILL
LP-GAS CONTAINER(S)
TO MORE THAN 80%
OF CAPACITY.

KEY	PART NUMBER	U/M DESCRIPTION
	079965-01-000	EA LABEL - LPG - 80% CAPACITY

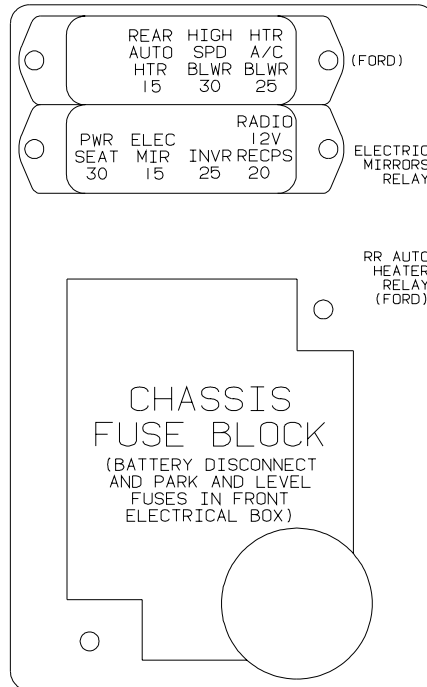


KEY	PART NUMBER	U/M DESCRIPTION
	111537-06-000	EA LABEL - AMPLIFIER POWER

LABELS GROUP (CONTINUED)



KEY PART NUMBER U/M DESCRIPTION
 111537-07-000 EA LABEL - FUSES



KEY PART NUMBER U/M DESCRIPTION
 111537-08-000 EA LABEL - FUSES

LABELS GROUP (CONTINUED)

THIS SEAT IS NOT INTENDED
FOR OCCUPANCY WHEN
VEHICLE IS IN MOTION

KEY	PART NUMBER	U/M	DESCRIPTION
	134538-01-01A	EA	LABEL - OCCUPANCY - NO SEAT BELT - BLACK ON CLEAR - US

DST ISICE SIEGE N/EST PAS THIS SEAT IS NOT INTENDED
DESTINE A ETRE OCCUPE LORSQUE FOR OCCUPANCY WHILE
LE VEHICULE EST IN MOVUEMENT VEHICLE IS IN MOTION

KEY	PART NUMBER	U/M	DESCRIPTION
	134538-02-01A	EA	LABEL - OCCUPANCY - NO SEAT BELT - BLACK ON CLEAR - CSA

WARNING

IT IS NOT SAFE TO USE COOKING
APPLIANCES FOR COMFORT HEATING
COOKING APPLIANCES NEED FRESH AIR FOR SAFE OPERATION
BEFORE OPERATION.

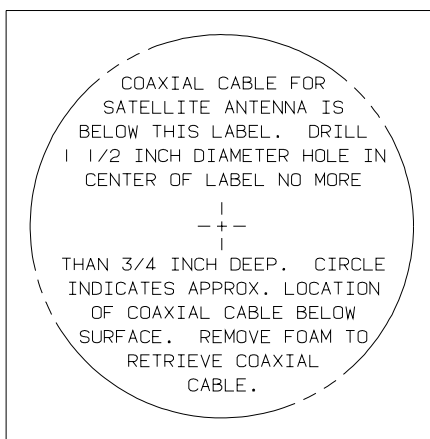
1. OPEN OVERHEAD VENT OR TURN ON EXHAUST FAN AND
2. OPEN WINDOW.

KEY	PART NUMBER	U/M	DESCRIPTION
	134539-01-01A	EA	LABEL - WARNING - STOVE/HEATING - BLACK ON CLEAR

LABELS GROUP (CONTINUED)

TO ENSURE A SUPPLY OF FRESH AIR TO OCCUPANTS, OPEN VENTILATORS WHEN FUEL BURNING RANGE, FUEL BURNING CARRY-ON APPLIANCES AND/OR FUEL-BURNING LIGHTS ARE IN OPERATION.	DE MANIERE A ASSURE UNE ALIMENTATION EN AIR FRAIS AUX OCCUPANTS. OUVRIR LES VENTILATEURS LORSQUE LA CUISINIERE, LES APPAREILS DE CHAUFFAGE PORTABLES ET/OU LES LAMPES DE COMBUSTION D'HUILE SONT EN FONCTIONNEMENT.
COOKING APPLIANCES SHOULD NOT BE USED FOR SPACE HEATING PURPOSES	LES APPAREILS DE CUSSON NE DOIVENT PAS SERVIR AU CHAUFFAGES DES LOCAUX.

KEY	PART NUMBER	U/M	DESCRIPTION
	134540-01-01A	EA	LABEL - WARNING - STOVE/HEATING - BLACK ON CLEAR



KEY	PART NUMBER	U/M	DESCRIPTION
	120431-01-000	EA	LABEL - LOCATION - COAXIAL CABLE/SATELLITE ANTENNA

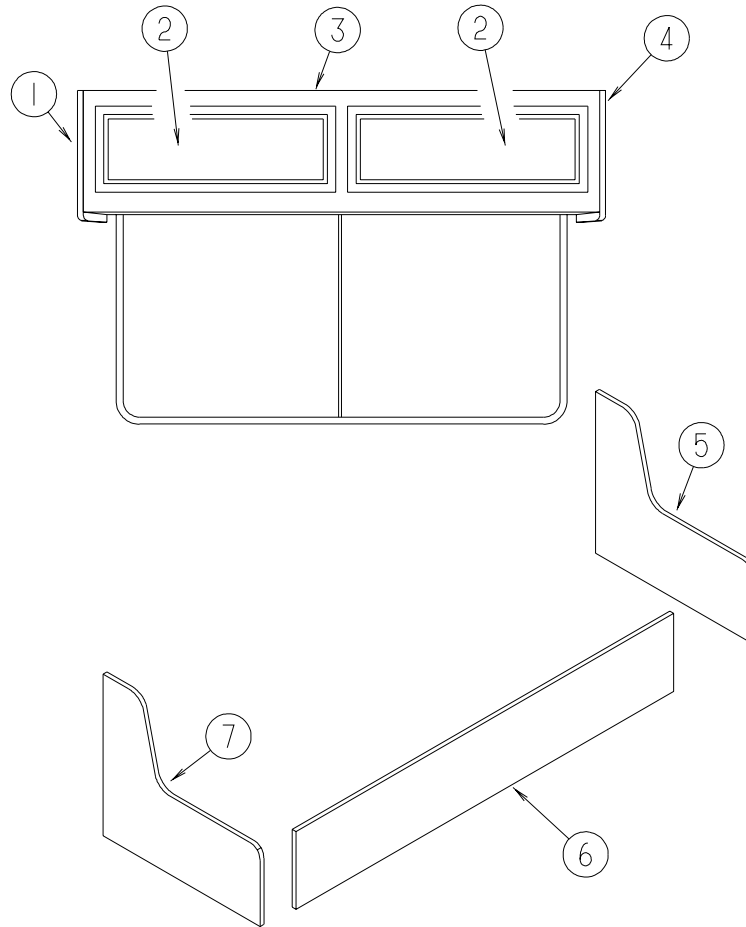
LP GROUP

LP SYSTEM

KEY	PART NUMBER	U/M	DESCRIPTION
	045703-05-000	EA	HOSE - LP - 3/8"ID X 28" - 3/8"MPT X 1/2"F SWIVEL - U.S.
	045703-06-000	EA	HOSE - LP - 3/8"ID X 28" - 3/8"MPT X 1/2"F SWIVEL - CANADA
	105658-01-000	EA	COMPARTMENT - LP REGULATOR
	106150-01-000	EA	REGULATOR - TWO STAGE -W/90 DEGREE ELBOW & 3/8" FPT OUTLET
	010265-01-000	EA	ELBOW - BRASS - 90 DEGREE - 3/8"F X 1/2"FPT
	010323-01-000	EA	ADAPTER - BRASS - 3/8"F X 1/2"MPT
	010326-01-000	EA	ADAPTER - FLARE - W/CONE GASKET - 3/8"F X 1/2"F
	010329-01-000	EA	ADAPTER - BRASS - 1/2"F X 1/2"MPT
	010380-02-000	EA	NUT - BRASS - 1/2" FLARE - FORGED
	040440-02-000	EA	TRANSMITTER - DIAL/BOLT ON - 0-90 OHM 2 TERM (POWER/GROUND)
	040440-03-000	EA	TRANSMITTER - DIAL/SNAP ON - 0-90 OHM 2 TERM (GROUND/POWER)
*	088253-08-000	EA	TANK - LP/80 LB - 16" DIAMETER X 30" LONG
	010377-02-000	EA	NUT - BRASS - 3/8" FLARE - FORGED
	103613-03-000	EA	DETECTOR - LP GAS - W/O SHUT-OFF VALVE

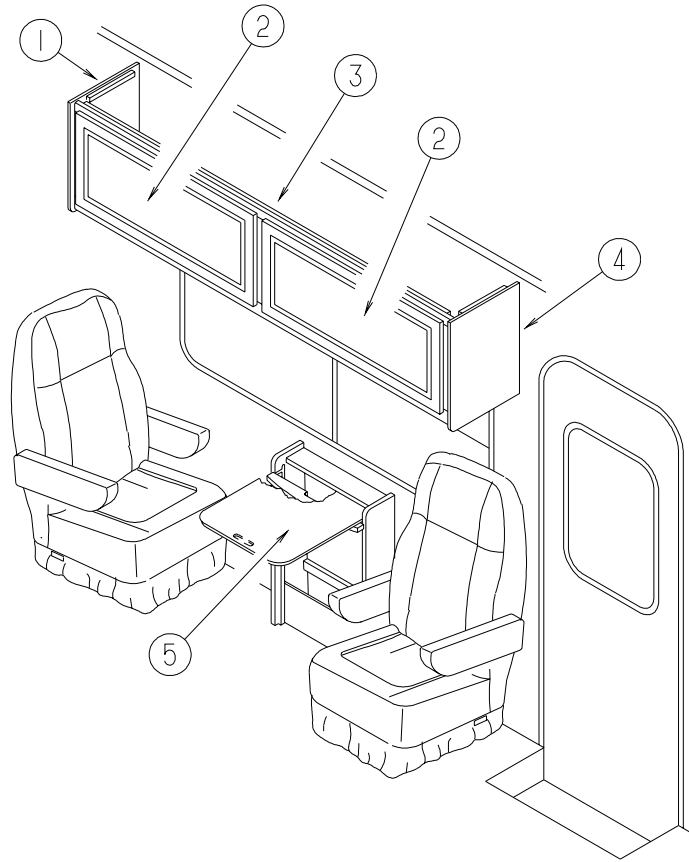
*COMPONENT PARTS FOUND IN SERVICE PARTS LIBRARY

LOUNGE GROUP CABINETS



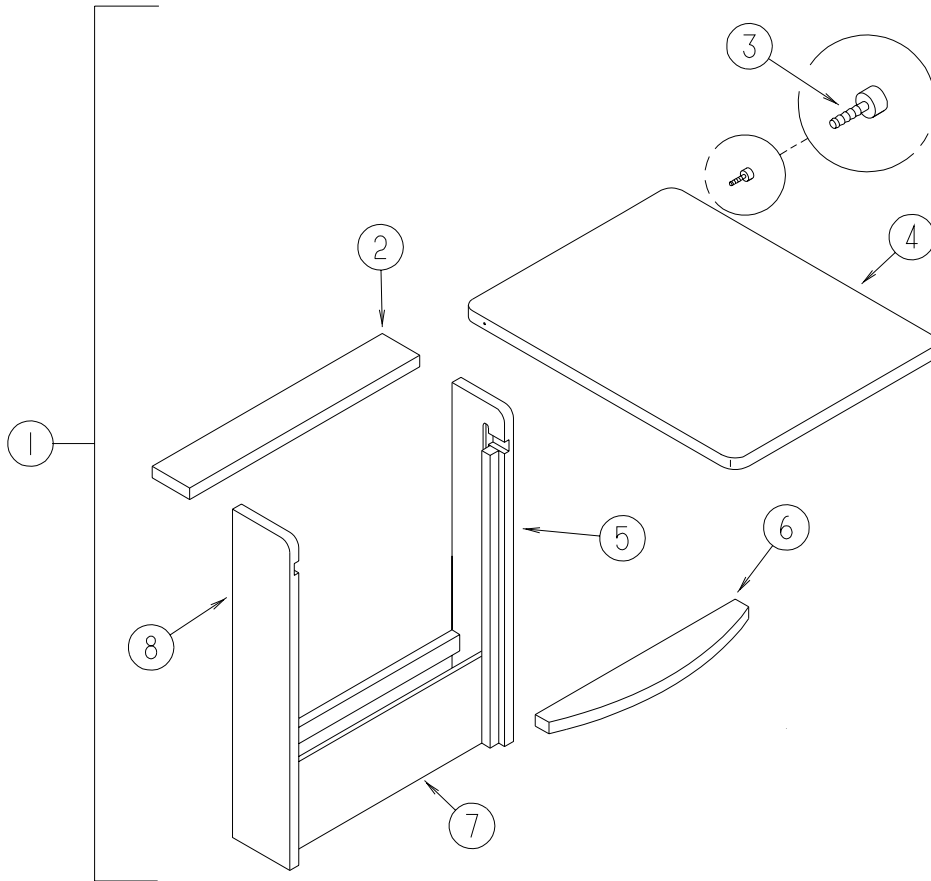
KEY	PART NUMBER	U/M	DESCRIPTION
1	103128-32-J37	EA	END CAP - OVERHEAD CABINET - LEFT HAND
2	132141-56-L07	EA	DOOR - RAIL/VENEER - 14.3" X 26.7" - W/O HARDWARE
3	130255-01-K23	EA	CABINET - OVERHEAD/FRONT/RIGHT HAND - W/O DOORS/HARDWARE (L22)
3	130255-01-L23	EA	CABINET - OVERHEAD/FRONT/RIGHT HAND - W/O DOORS/HARDWARE (L23)
3	130255-01-L24	EA	CABINET - OVERHEAD/FRONT/RIGHT HAND - W/O DOORS/HARDWARE (L24)
3	130255-01-L25	EA	CABINET - OVERHEAD/FRONT/RIGHT HAND - W/O DOORS/HARDWARE (L25)
3	130255-03-L22	EA	CABINET - OVERHEAD/FRONT/RIGHT HAND - W/O DOORS/HDW - COMFORT & CONVENIENCE
3	130255-03-L23	EA	CABINET - OVERHEAD/FRONT/RIGHT HAND - W/O DOORS/HDW - COMFORT & CONVENIENCE
3	130255-03-L24	EA	CABINET - OVERHEAD/FRONT/RIGHT HAND - W/O DOORS/HDW - COMFORT & CONVENIENCE
3	130255-03-L25	EA	CABINET - OVERHEAD/FRONT/RIGHT HAND - W/O DOORS/HDW - COMFORT & CONVENIENCE
4	103128-31-J37	EA	END CAP - OVERHEAD CABINET - RIGHT HAND
5	134282-05-L22	EA	PANEL - LEFT END/TALL - SOFA/BED - FABRIC COVERED
5	134282-05-L23	EA	PANEL - LEFT END/TALL - SOFA/BED - FABRIC COVERED
5	134282-05-L24	EA	PANEL - LEFT END/TALL - SOFA/BED - FABRIC COVERED
5	134282-05-L25	EA	PANEL - LEFT END/TALL - SOFA/BED - FABRIC COVERED
6	120992-09-K23	EA	PANEL - FRONT KICK - SOFA/BED - FABRIC COVERED (L22)
6	120992-09-L23	EA	PANEL - FRONT KICK - SOFA/BED - FABRIC COVERED (L23)
6	120992-09-L24	EA	PANEL - FRONT KICK - SOFA/BED - FABRIC COVERED (L24)
6	120992-09-L25	EA	PANEL - FRONT KICK - SOFA/BED - FABRIC COVERED (L25)
	121906-01-02B	EA	BRACKET - KICKBOARD - E-COATED
7	134282-04-L22	EA	PANEL - RIGHT END/TALL - SOFA/BED - FABRIC COVERED
7	134282-04-L23	EA	PANEL - RIGHT END/TALL - SOFA/BED - FABRIC COVERED
7	134282-04-L24	EA	PANEL - RIGHT END/TALL - SOFA/BED - FABRIC COVERED
7	134282-04-L25	EA	PANEL - RIGHT END/TALL - SOFA/BED - FABRIC COVERED

LOUNGE GROUP (CONTINUED)
CABINETS (CONTINUED)



KEY	PART NUMBER	U/M	DESCRIPTION
1	103128-32-J37	EA	END CAP - OVERHEAD CABINET - LEFT HAND
2	132141-56-L07	EA	DOOR - RAIL/VENEER - 14.3" X 26.7" - W/O HARDWARE
3	130255-01-K23	EA	CABINET - OVERHEAD/FRONT/RIGHT HAND - W/O DOORS/HARDWARE (L22)
3	130255-01-L23	EA	CABINET - OVERHEAD/FRONT/RIGHT HAND - W/O DOORS/HARDWARE (L23)
3	130255-01-L24	EA	CABINET - OVERHEAD/FRONT/RIGHT HAND - W/O DOORS/HARDWARE (L24)
3	130255-01-L25	EA	CABINET - OVERHEAD/FRONT/RIGHT HAND - W/O DOORS/HARDWARE (L25)
3	130255-03-L22	EA	CABINET - OVERHEAD/FRONT/RIGHT HAND - W/O DOORS/HDW - COMFORT & CONVENIENCE
3	130255-03-L23	EA	CABINET - OVERHEAD/FRONT/RIGHT HAND - W/O DOORS/HDW - COMFORT & CONVENIENCE
3	130255-03-L24	EA	CABINET - OVERHEAD/FRONT/RIGHT HAND - W/O DOORS/HDW - COMFORT & CONVENIENCE
3	130255-03-L25	EA	CABINET - OVERHEAD/FRONT/RIGHT HAND - W/O DOORS/HDW - COMFORT & CONVENIENCE
4	103128-31-J37	EA	END CAP - OVERHEAD CABINET - RIGHT HAND
5	P19559-02-J22	EA	CABINET - W/PULLOUT TABLE - W/HARDWARE
			FROM: 00-00-00 THRU: 02-13-00
5	119559-04-L32	EA	CABINET - W/PULLOUT TABLE - W/HARDWARE
			FROM: 02-14-00 THRU: 99-99-99

LOUNGE GROUP (CONTINUED)
TABLE



KEY	PART NUMBER	U/M	DESCRIPTION
1	P19559-02-J22	EA	CABINET - W/PULLOUT TABLE - W/HARDWARE FROM: 00-00-00 THRU: 02-13-00
1	119559-04-L32	EA	CABINET - W/PULLOUT TABLE - W/HARDWARE FROM: 02-14-00 THRU: 99-99-99
2	119559-18-J22	EA	TOP - F/CABINET/PULLOUT TABLE FROM: 00-00-00 THRU: 02-13-00
2	119559-26-L32	EA	WALL CABINET/TOP - F/PULLOUT TABLE FROM: 02-14-00 THRU: 99-99-99
3			ROLLER LISTED IN INTERIOR FINISH GROUP
4	119559-21-J22	EA	TABLE TOP ONLY FROM: 00-00-00 THRU: 02-13-00
4	119559-29-L32	EA	TABLE TOP ONLY FROM: 02-14-00 THRU: 99-99-99
	080736-01-000	EA	PULL - RECESSED - 1.25" X 4" - OAK
5	119559-11-G35	EA	CABINET/RIGHT SIDE - F/PULLOUT TABLE - 5.7" X 28.7"
6	119559-19-J22	EA	SHELF - SUPPORT - F/PULLOUT TABLE FROM: 00-00-00 THRU: 02-13-00
6	119559-27-L32	EA	SHELF - SUPPORT - F/PULLOUT TABLE FROM: 02-14-00 THRU: 99-99-99
7	119559-20-J22	EA	PANEL - KICK - PULLOUT TABLE FROM: 00-00-00 THRU: 02-13-00
7	119559-28-L32	EA	PANEL - BOTTOM KICK - CABINET FROM: 02-14-00 THRU: 99-99-99
8	119559-12-G35	EA	CABINET/LEFT SIDE - F/PULLOUT TABLE - 5.7" X 28.7"

SEALANTS & FASTENERS GROUP

SEALANTS & ADHESIVES

KEY	PART NUMBER	U/M	DESCRIPTION
	069640-01-000	FT	SEALER - RIBBON - 1/4" DIAMETER X 30' - BLACK
	069640-02-000	FT	SEALER - TAPE - .13"THICK X .5"WIDE X 60' - GRAY
	069640-03-000	FT	SEALER - TAPE - .13"THICK X .75"WIDE X 60' - BLACK
	069640-07-000	FT	SEALER - TAPE - .09" THICK X 2" WIDE X 45' - GRAY
	069640-09-000	FT	SEALER - TAPE - .03" THICK X 2.50"WIDE X 80' - GRAY
	069640-10-000	FT	SEALER - TAPE - .03" THICK X 1.50" WIDE X 90' - GRAY
	069640-11-000	FT	SEALER - TAPE - .19" THICK X .38" WIDE X 40' - BLACK
	069640-13-000	FT	SEALER - TAPE - .03"THICK X 2"WIDE X 45' - BLACK
	069640-14-000	FT	SEALER - TAPE - .06" THICK X 1" WIDE X 100' - GRAY
	069640-15-000	FT	SEALER - TAPE - .06"THICK X .38"WIDE X 100' - GRAY
	069640-17-000	FT	SEALER - TAPE - .03" THICK X 1" WIDE X 90' - GRAY
	069640-18-000	FT	SEALER - TAPE - .50" THICK X .13" WIDE X 60' - BRT WHITE
	069640-19-000	FT	SEALER - TAPE - .75" THICK X .13" WIDE X 60' - BRT WHITE
	069640-20-000	FT	SEALER - TAPE - .50" THICK X 1/8" WIDE X 60' - BLACK
	069640-21-000	FT	SEALER - TAPE - .50" THICK X 1/16" WIDE X 100'-BRIGHT WHT
	069640-22-000	FT	SEALER - TAPE - .25" THICK X 1/32" WIDE X 100'- BRIGHT WHT
	069640-23-000	FT	SEALER - TAPE - 1/16" THICK X 3/4" WIDE X 100'-BRIGHT WHT
	069640-25-000	FT	SEALER - TAPE - .06" THICK X 3.5" WIDE X 50' - GRAY
	072889-01-000	EA	SEALANT - URETHANE - BLACK - TUBE
	072889-10-000	EA	SEALANT - URETHANE - BRIGHT WHITE - TUBE
	072889-11-000	EA	SEALANT - URETHANE - GRAY - TUBE
	072889-13-000	EA	SEALANT - URETHANE - VW WHITE - TUBE
	072889-14-000	EA	SEALANT - URETHANE - SABLE - TUBE
	116767-01-01A	EA	SEALANT - WATERBASE - CLEAR
	053766-02-000	EA	BEDDING COMPOUND - TUBE - WHITE
	053766-06-000	EA	BEDDING COMPOUND - TUBE - CLEAR
	034552-15-000	EA	SILICONE - TUBE - W/O NOZZLE - BRIGHT WHITE
	131264-01-01A	EA	SILICONE - W/O NOZZLE - BLACK
	131264-01-02A	EA	SILICONE - W/O NOZZLE - CLEAR
	131264-01-08A	EA	SILICONE - W/O NOZZLE - BUFF
	131264-02-01A	EA	SILICONE - W/O NOZZLE - VW GRAY - BATH ONLY
	131264-03-01A	EA	SILICONE - W/O NOZZLE - SELF LEVELING - BRIGHT WHITE
	108716-01-000	EA	SILICONE - W/O NOZZLE - OFF WHITE - SELF LEVELING
	108716-02-000	EA	SILICONE - W/O NOZZLE - BUFF - SELF LEVELING
	102352-01-000	EA	SEALER - PUMPABLE - TUBE - BLACK
	102352-02-000	EA	SEALER - PUMPABLE - TUBE - CLEAR
	094401-01-000	EA	SEALER - BODY SEAM - FLEXICLEAR
	094401-03-000	EA	SEALER - BODY SEAM - BLACK
	094401-04-000	EA	SEALER - BODY SEAM - CLEAR
	067788-01-000	EA	ADHESIVE - SPRAY - 3M - 19.5 OZ AEROSOL CAN
	900390-01-000	EA	NOZZLE - SILICONE TUBE - 2.5" LONG
	900390-03-000	EA	NOZZLE - SILICONE TUBE - 4.3" LONG
	112902-01-000	EA	NOZZLE - ELEMENT - 3/8 X 24
	112902-02-000	EA	NOZZLE-BELL 3/8X24
	112902-03-000	EA	MIXER NOZZLE - F/GUN #00400102000 - SCOTCH-WELD & PLEXUS
	076322-01-000	FT	TAPE-DOUBLE COATED/ADHESIVE BK-.03"THK X .8"W X 216'- WHT
	076322-02-000	FT	TAPE-DOUBLE COATED/ADHESIVE BK-.05"THK X 1"W X 108' - WHT
	076322-03-000	FT	TAPE-DOUBLE COATED/ADHESIVE BK-.05"THK X .5"W X 108' - WHT
	076322-05-000	FT	TAPE-DOUBLE COATED/ADHESIVE BK-.05"THK X .8"W X 108' - WHT
	076322-06-000	FT	TAPE - DOUBLE COATED/ADHESIVE BK-.05"THK X 1"W - BLK
	076322-07-000	FT	TAPE-DOUBLE COATED/ADHESIVE BK-.05"THK X .5"W X 200' - BLK
	076322-11-000	FT	TAPE-DOUBLE COATED/ADHESIVE BK-.02"THK X 1"W X 216' - CLR
	076322-12-000	FT	TAPE-DOUBLE COATED/ADHESIVE BK-.05"THK X .8"W X 108' - CLR
	123816-01-000	FT	TAPE - DOUBLE SIDED - 1" X 100'
	123816-02-000	FT	TAPE - DOUBLE SIDED - 1/2" X 1 1/3" X 100'
	123816-03-000	FT	TAPE - DOUBLE SIDED - 1/2" X 3/4" X 100'
	123816-04-000	FT	TAPE - DOUBLE SIDED - 6" X 750'
	120534-01-01A	EA	TAPE - SCOTCH - 3M - 1/2" FINE LINE

SEALANTS & FASTENERS GROUP (CONTINUED)

SEALANTS & ADHESIVES (CONTINUED)

KEY	PART NUMBER	U/M	DESCRIPTION
	063642-01-000	FT	TAPE - ADHESIVE - .4" X 1.5" X 180'
	123244-01-000	FT	TAPE - DOUBLE SIDED/FOAM - 5/64" THICK X 3/4" WIDE
	123244-02-000	FT	TAPE - DOUBLE SIDED/FOAM - 5/64" THICK X 1/2" WIDE X 108'
	088479-01-000	EA	TAPE - ALUMINUM - 3"
	103202-02-000	FT	TAPE - FOAM/ADHESIVE ONE SIDE - 1/16" X 200'
	110274-01-000	FT	TAPE - DOUBLE SIDED/FOAM - .45" X 1" X 216' - BLACK
	115933-01-000	FT	TAPE - 1/64" X 3/8" X 100'
	123816-04-000	FT	TAPE - DOUBLE SIDED - 6" X 750'
	002707-02-000	FT	TAPE - SEALER - 5/16" X 1/2" - INCREMENTS OF 50 FT
	091255-02-000	FT	SEAL - ADHESIVE BACKED/FOAM - 3/64" THICK X 3/16"W X 1000'
	091255-03-000	FT	SEAL - ADHESIVE BACKED/FOAM - 1/4" THICK X 1/4"W X 1000'
	099069-01-000	FT	SEAL - RUBBER - CLOSED SPONGE - .5" WIDE X .12" THICK -BLK
	104692-01-000	FT	SEAL - ADHESIVE BACKED FOAM - 3/4" THICK X 3/4" WIDE X 25'
	104692-03-000	FT	SEAL - ADHESIVE BACKED FOAM - 1" THICK X 1 3/4" WIDE X 15'
	108353-03-000	FT	SEAL - FOAM - .19" X .25"
	112864-01-000	FT	SEAL - FOAM/BUTYL COVERED - 3/8" X 35'
	106206-01-000	EA	SEALER - PUMPABLE - TUBE - BLACK - MANUS
	120074-02-01A	EA	SILICONE - W/O NOZZLE - LOW ODOR - OFF WHITE
	120074-02-02A	EA	SEALANT - W/O NOZZLE - SOFT WHITE
	107828-01-000	EA	SEALANT - SB - 190 EVERSEAL
	112864-02-000	FT	FOAM - BUTYL COVERED 5/16" X 44'
	087211-01-000	GL	PROMOTER - ADHESIVE - GALLON
	004006-05-700	EA	ADHESIVE - 5 GALLON - NATIONAL STARCH
	004020-01-000	QT	ADHESIVE - ABS CEMENT - QUART
	112901-02-000	EA	ADHESIVE - PLEXUS - MA330 - 50ML - GRAY
	131384-01-000	EA	ADHESIVE - JETWELD
	113366-01-000	EA	ADHESIVE - INSTANT - 1 OZ
	062917-03-000	EA	ADHESIVE - LOCTITE 242
	004001-02-000	EA	GUN - PLEXUS ADHESIVE - W/O NOZZLE
	004001-03-000	EA	MIXER NOZZLE (EPX)
	004001-03-001	EA	EPOXY MIXER NOZZLE 12"
	004001-03-002	EA	TUBE/MIXER - GRACO EPOXY
	004001-04-000	EA	PLUNGER ACCESSORY (EPX)
	004001-05-000	EA	ADHESIVE - SCOTCH-WELD - 3M DP100 - CLEAR - 50ML
	099952-01-000	FT	CORE - SEAL - BULB SUPPORT

BOLTS, NUTS AND WASHERS

KEY	PART NUMBER	U/M	DESCRIPTION
	000C12-04-12A	EA	BOLT - HEX - 1/4-20 X .75 - PLAIN 5
	000C12-05-16B	EA	BOLT - HEX - 5/16-18 X 1 - GRADE #5 - ZINC
	000C12-05-12B	EA	BOLT - HEX - 5/16-18 X 3/4 - ZINC 5
	000C12-06-16B	EA	BOLT - HEX - 3/8-16 X 1 - GRADE #5 - ZINC
	000C12-06-20B	EA	BOLT - HEX - 3/8 - 16 X 1 1/4 - ZINC #5
	000C12-06-44B	EA	BOLT - HEX - 3/8-16 X 2 3/4 - ZINC 5
	000C12-07-20B	EA	BOLT - HEX - 7/16-14 X 1 1/4 - ZINC 5
	000C12-08-24B	EA	BOLT - HEX - 1/2-13 X 1.5 - GRADE #3 - ZINC
	000C12-08-28B	EA	BOLT - HEX - 1/2-13 X 1.8" - GRADE #5 - ZIN
	000C12-08-16B	EA	BOLT - HEX - 1/2-13 X 1" - GRADE #5 - ZINC
	OMC04K-06-016	EA	BOLT - HEX - M06 X 1 X 016

SEALANTS & FASTENERS GROUP (CONTINUED)**BOLTS, NUTS AND WASHERS (CONTINUED)**

KEY	PART NUMBER	U/M	DESCRIPTION
	0MC05K-08-055	EA	BOLT - HEX M.3 X 1.25 X 2.2
	0MC13K-14-070	EA	BOLT - HEX M14 X 2.00 X 2.75
	0MC31K-08-020	EA	BOLT - HEX - SERRATED FLANGE - M8 X 020
	0MC32K-10-030	EA	BOLT - HEX - SERRATED FLANGE - M10 X 1.50
	0MC53K-12-050	EA	BOLT - HEX - M12 X 1.75 X 050
	000C12-04-40B	EA	BOLT - HEX - 1/4-20 X 2 1/2 - GRADE 5 ZINC
	000C12-05-64B	EA	BOLT - HEX - 5/16-18 X 4
	000C12-06-24B	EA	BOLT - HEX - 38-16 X 1 1/2 - ZINC #5
	000C12-10-24B	EA	BOLT - HEX - 5/8-11 X 1.5" - GRADE #5 - ZINC
	000C13-07-24B	EA	BOLT - HEX - 7/16-20 X 1.5" - GRADE #5
	000C13-07-40B	EA	BOLT - HEX - 7/16-20 X 2.5" - GRADE #5 - ZINC
	000C13-07-48B	EA	BOLT - HEX - 7/16-20 X 3" - GRADE #5 - ZINC
	000C13-08-40B	EA	BOLT - HEX - 1/2-20 X 2 1/2 - GRADE #5 - ZINC
	000C13-08-28B	EA	BOLT - HEX - 1/2-20 X 1 3/4 - GRADE #5 - ZINC
	000C14-07-28B	EA	BOLT - HEX - 7/16-14 X 1.75 - GRADE 8 ZINC
	000C14-07-20B	EA	BOLT - HEX - 7/16-14 X 1.25 - GRADE 8 ZINC
	000C14-10-24K	EA	BOLT - HEX 0 5/8-11 X 1.50 - GRADE #8 - ZINC
	000C14-10-32K	EA	BOLT - HEX - 5/8"-11 X 2 - GRADE #8 - ZINC
	000C18-05-40A	EA	BOLT - ELEVATOR - 5/16-18 X 2.50 - PL
	000C18-06-48B	EA	BOLT - ELEVATOR - 3/8-16 X 3 - GRADE 5 - ZINC
	000C18-06-56A	EA	BOLT - ELEVATOR - 3/8-16 X 3 1/2 - GRADE 5
	000C26-04-18B	EA	BOLT - HEX - SERRATED FLANGE - 1/4-20 X 1 1/8 - ZINC
	000C26-04-14B	EA	BOLT - HEX - SERRATED FLANGE - 1/4-20 X 7/8 - ZINC
	000C26-04-10B	EA	BOLT - HEX - SERRATED FLANGE - 1/4-20 X 5/8 - ZINC
	000C26-05-16B	EA	BOLT - HEX - SERRATED FLANGE - 5/16-18 X 1 - ZINC
	000C26-05-20B	EA	BOLT - HEX - SERRATED FLANGE - 5/16-18 X 1 1/4 - ZINC
	000C26-05-12B	EA	BOLT - HEX - SERRATED FLANGE - 5/16-18 X 3/4 - ZINC
	000C26-05-16B	EA	BOLT - HEX - SERRATED FLANGE - 5/16-18 X 1 - ZINC
	000C26-05-129	EA	BOLT - HEX - SERRATED FLANGE - 5/16-18 X 3/4
	000C26-05-249	EA	BOLT - HEX - SERRATED FLANGE 5/16-18 X 1.5"
	000C26-06-16B	EA	BOLT - HEX - SERRATED FLANGE - 3/8-16 X 1 - ZINC
	000C26-06-12B	EA	BOLT - HEX - SERRATED FLANGE - 3/8-16 X 3/4 - ZINC
	000C26-06-28B	EA	BOLT - HEX - SERRATED FLANGE - 3/8-16 X 1 3/4 - ZINC
	000C26-06-40B	EA	BOLT - HEX - SERRATED FLANGE - 3/8-16 X 2 1/2 - ZINC
	000C26-06-12B	EA	BOLT - HEX - SERRATED FLANGE - 3/8-16 X 3/4 - ZINC
	000C26-06-20B	EA	BOLT - HEX - SERRATED FLANGE - 3/8-16 X 1 1/4 - ZINC
	000C26-08-24B	EA	BOLT - HEX - SERRATED FLANGE - 1/2-13 X 1 1/2 - ZINC
	000C27-04-40B	EA	BOLT - CARRIAGE 1/4-20 X 2.50 - ZINC
	000C27-08-64B	EA	BOLT - CARRIAGE - 1/2-13 X 4. - GRS
	000C27-10-32B	EA	BOLT - CARRIAGE - 5/8-11 X 2
	106166-01-000	EA	BOLT/COLLARED HANGER - 8-32 X 1"
	000G45-04-24B	EA	BOLT - LAG - 1/4-9 X 1 1/2 - ZINC
	000G45-04-24F	EA	BOLT - LAG - 1/4" #9 X 1 1/2SS
	000G45-05-16B	EA	BOLT - LAG - 5/16-9 X 1 - ZINC
	106956-03-000	EA	BOLT - HEX TAP - 1/2-12NC X 3 - GRADE 5 - FULL THREAD/ZINC
	051387-06-000	EA	BOLT - CARRIAGE W/O HOLE - 5/16-18 X 9.5 - ZINC
	091274-03-000	EA	BOLT-J - 3/8-16 X 12.0
	106956-08-000	EA	BOLT - HEX TAP - 1/2-13NC X 4 - GRADE 5 - FULL THREAD/ZINC
	087718-01-000	EA	MONOBOLT - STEEL - 3/16 DIAMETER
	102333-01-06A	EA	BOLT - CARRIAGE - 7/16-14 STAINLESS STEEL CAP
	102333-02-01A	EA	BOLT - CARRIAGE - 1/4-20
	103020-02-000	EA	BOLT-U - #8-32 - GRADE 5 ZINC
	107393-02-000	EA	BOLT - SHOULDER - 3/8" SOCKETHEAD
	113985-02-000	EA	BOLT - FLANGE - M10-1.5 X 30CL10.9
	114259-05-000	EA	BOLT - 7/16-20 X 1.25 W/WASHER
	135092-01-01A	EA	BOLT - HEX - SERRATED FLANGE - 1/2-20 X 1 3/4-GRADE 5 ZINC
	135092-02-01A	EA	BOLT - HEX - SERRATED FLANGE - 1/2-20 X 2 1/2-GRADE 5 ZINC
	0MD16K-10-000	EA	NUT - HEX PREV TORQUE M10 X 1.50 CLASS 8
	0MD39K-12-000	EA	NUT - HEX W/NYLON LOCK - M12 X 1.75
	000D24-10-00B	EA	NUT - HEX - SELF LOCKING - 10-32 ZINC
	000D29-05-00B	EA	NUT - HEX - LOCKING W/SERRATED FLANGE-NYLON WASHER INSERT
	000D29-09-00B	EA	NUT - HEX - SELF LOCKING - 9/16-12 - ZINC
	000D29-06-00B	EA	NUT - HEX - W/NYLON LOCK - 3/8-16 - ZINC

SEALANTS & FASTENERS GROUP (CONTINUED)

BOLTS, NUTS AND WASHERS (CONTINUED)

KEY	PART NUMBER	U/M	DESCRIPTION
	000D30-07-00B	EA	NUT-HEX LOCK,NYLON 7/16X20
	000D34-04-00B	EA	NUT - HEX - LOCKING - 1/4-20 ZINC
	000D34-06-00B	EA	NUT - HEX - LOCKING - 3/8-16 GRADE C - ZINC
	000D39-04-00B	EA	NUT - HEX - LOCKING W/SERRATED FLANGE - 1/4-20 - ZINC
	000D39-05-00B	EA	NUT - HEX - LOCKING W/SERRATED FLANGE - 5/16-18 - ZINC
	000D39-06-00D	EA	NUT - HEX - LOCKING W/SERRATED FLANGE - 3/8"-16 BLACK
	000D39-06-00B	EA	NUT - HEX - LOCKING W/SERRATED FLANGE - 3/8-18 - ZINC
	000D39-07-00B	EA	NUT - HEX - LOCKING W/SERRATED FLANGE - 7/16-14 - ZINC
	000D39-08-00B	EA	NUT - HEX - LOCKING W/SERRATED FLANGE - 1/2-13 - ZINC
	000D44-04-00B	EA	NUT - HEX - LOCKING W/SERRATED FLANGE - 1/4-28 - ZINC
	000D44-07-00B	EA	NUT - HEX - LOCKING W/SERRATED FLANGE - 7/16-20 - ZINC
	000D44-08-00B	EA	NUT - HEX - SERRATED FLANGE - 1/2-20 - GRADE #5 - ZINC
	000D46-04-00A	EA	NUT - HEX - WELD - 1/4-20 - PLAIN
	000D58-06-00A	EA	NUT - HEX - WELD 3/8-16 - PLAIN
	000D65-08-00B	EA	NUT - HEX - LOCKING W/SERRATED FLANGE - 8-32 - ZINC
	000D67-10-00B	EA	NUT - HEX - LOCK - 5/8-11 - ZINC
	000D73-07-00C	EA	NUT - HEX FLANGE - 7/16-14 - GRADE 6
	000D73-08-00C	EA	NUT - HEX FLANGE - 1/2-13
	000D76-06-00B	EA	NUT - HEX FLANGE - 3/8-16
	063253-07-000	EA	NUT - J - #8A - .120 - .130 PNL THK
	087234-01-000	EA	NUT - JACK - 1/4 X 20 THD - MOLLY
	040921-01-000	EA	NUT - SPEED - U TYPE - #10-24 - BLACK
	104369-01-000	EA	NUT - HEX - HEAVY - 5/8-11 UNC
	000D29-04-00B	EA	NUT - HEX - SELF LOCKING - 1/4 X 20 - ZINC
	005081-01-000	EA	NUT - SPEED - C-TYPE - #8 SCREW
	040921-03-000	EA	NUT - SPEED - U TYPE - #10
	040921-04-000	EA	NUT - SPEED - U TYPE - #8-.59" LENGTH X .44" WIDTH
	040921-09-000	EA	NUT - SPEED - U TYPE - #8
	044364-01-000	EA	NUT - SPEED - FLAT - RECTANGULAR - SELF LOCKING/ONE PIECE
	044364-02-000	EA	NUT - SPEED - FLAT - ROUND
	083163-06-000	EA	PUSHNUT - FLAT TYPE 3/8 STUD - FORD ONLY
	0ME06K-14-280	EA	WASHER - FLAT - 14 ID X 28.00 OD
	000E11-07-00B	EA	WASHER - LOCKING - 7/16 MED SPLIT - ZINC
	000E11-08-00B	EA	WASHER - LOCKING - 1/2 MED SPLIT - ZINC
	000E13-14-00B	EA	WASHER - FLAT - 1/4 WIDE - ZINC
	000E13-17-00B	EA	WASHER - FLAT - 3/8 AR - ZINC
	000E13-18-00B	EA	WASHER - FLAT - 3/8 WIDE - ZINC
	000E13-20-00B	EA	WASHER - FLAT - 7/16 WIDE - ZINC
	000E13-21-00B	EA	WASHER - FLAT - 1/2 NARROW - ZINC
	000E13-22-00B	EA	WASHER - FLAT - 1/2 WIDE - ZINC
	000E13-26-00B	EA	WASHER - FLAT - 5/8 WIDE - ZINC
	000E14-10-00B	EA	WASHER - LOCKING - #10 EXTERNAL TOOTH - ZINC
	000E16-10-00B	EA	WASHER - HARDENED - 5/8 - FLAT - ZINC
	058716-02-000	EA	WASHER - FLAT NYLON
	077071-01-000	EA	WASHER - FENDER - 3/16"ID X 1" OD
	107397-01-000	EA	WASHER - FENDER - .25" ID X 1" OD
	128444-01-000	EA	WASHER - SPRING - CONICAL
	041322-01-000	EA	WASHER - FLANGE - 15/32 ID X 2 3/8 OD - F/SEAT BELT MTG
	044533-01-000	EA	WASHER - PLASTIC - 1 3/8" OD - FOR BUTTONS
	046867-05-000	EA	WASHER - #0
	058716-03-000	EA	WASHER - FLAT/NYLON - .500 X 1.25 X .060
	088787-12-000	EA	STUD - WELD - 1/4 - 20 X 1.0 LG - MN
	108067-03-000	EA	STUD - WELD - 1/4 - 20 X 1/2 CD
	102540-02-000	EA	SEAL - SCREW
	106648-01-000	EA	CAP - STUD - .120 TO .130 DIAMETER

SCREWS

KEY	PART NUMBER	U/M	DESCRIPTION
	0G1108-12-170	EA	SCREW - 8-18 X .75 PPH - BRIGHT WHITE
	0G1106-08-240	EA	SCREW - 6-20 X 1/2 PPH - VW LIGHT GRAY
	0G1108-12-140	EA	SCREW - 8-18 X .75 PPH - CAMBRIDGE BISQUE
	0G1108-12-240	EA	SCREW - 8-18 X .75 PPH - VW LIGHT GRAY

SEALANTS & FASTENERS GROUP (CONTINUED)**SCREWS (CONTINUED)**

KEY	PART NUMBER	U/M	DESCRIPTION
	0G1208-12-170	EA	SCREW - 8-18 X .75 POH - BRIGHT WHITE
	0G3908-08-160	EA	SCREW - SF/DR-8-18X1/2 PPH
	0G3908-08-170	EA	SCREW - SF/DR - 8-18 X .50 PPH - BRIGHT WHITE
	0G3908-08-240	EA	SCREW - SF/DR - 8-18 X 1/2 PPH - VW LIGHT GRAY
	0G3908-12-250	EA	SCREW - SF/DR - 8-18 X .75 PPH - DARK GRAY
	0G3908-16-170	EA	SCREW - SF/DR - 8-18 X 1.00 PPH - BRIGHT WHITE
	0G3908-20-170	EA	SCREW - SF/DR - 8-18 X 1.25 PPH - BRIGHT WHITE
	0G3908-24-170	EA	SCREW - SF/DR - 8-18 X 1.50 PPH - BRIGHT WHITE
	0G3910-10-160	EA	SCREW - SF/DR - 10-16 X .62 PPH
	0G3910-10-240	EA	SCREW - SF/DR - 10-16 X .62 PPH - VW LIGHT GRAY
	0G5508-12-110	EA	SCREW - SF/DR-8-18 X .75 PWH
	0G3910-12-260	EA	SCREW - SF/DR - 10-16 X .75 PPH - ALLANTE ANTELOPE
	0G3910-12-170	EA	SCREW - SF/DR - 10-16 X .75 PPH - BRIGHT WHITE
	0G5508-12-170	EA	SCREW - SF/DR - 8-18 X .75 PWH - BRIGHT WHITE
	0G5508-12-270	EA	SCREW - SF/DR - 8-18 X .75 PWH - TITANIUM
	0G5508-12-260	EA	SCREW - SF/DR - 8-18 X .75 PWH - ALLANTE ANTELOPE
	0G5508-16-250	EA	SCREW - SF/DR - 8-18 X 1.00 PWH - VW DARK GRAY
	0G6008-16-170	EA	SCREW - SF/DR - 8-18 X 1.00 POH - BRIGHT WHITE
	0G5508-16-260	EA	SCREW - SF/DR - 8-18 X 1.00 PWH ZINC - INTERIOR ANTELOPE
	0G5508-16-270	EA	SCREW - SF/DR - 8-18 X 1.00 PWH ZINC - INTERIOR TITANIUM
	0G6710-08-130	EA	SCREW - 10-12 X .50 PPH TAUPE
	0G6710-08-170	EA	SCREW - 10-12 X 1/2 PPH - BRIGHT WHITE
	0G6710-08-240	EA	SCREW - 10-12 X .50 PPH TAUPE - VW LIGHT GRAY
	0G6710-12-170	EA	SCREW - 10-12 X .75 PPH - BRIGHT WHITE
	0G6710-16-230	EA	SCREW - 10-12 X 1 PPH - BEIGE
	000G11-05-08B	EA	SCREW - 5-20 X .50 PPH - ZINC
	000G11-06-06B	EA	SCREW - 6-20 X 3/8 PPH - ZINC
	000G11-06-10B	EA	SCREW - 6-20 X 5/8 PPH - ZINC
	000G11-06-12B	EA	SCREW - 6-20 X 3/4" PPH - ZINC
	000G11-06-10J	EA	SCREW - 6-20 X 5/8 PPH - BRASS
	000G11-06-A4B	EA	SCREW - 6-20 X 1.5 PPH ZINC
	000G11-06-08B	EA	SCREW - 6-20 X 1/2 PPH - ZINC
	000G11-07-08B	EA	SCREW - 7-19 X 1/2 PPH - ZINC
	000G11-07-08T	EA	SCREW - 7-19 X 1/2 PPH - BLACK
	000G11-08-06B	EA	SCREW - 8-18 X 3/8 PPH - ZINC
	000G11-08-06J	EA	SCREW - 8-18 X 3/8 PPH BRASS
	000G11-08-10B	EA	SCREW - 8-18 X .50 PPH - ZINC
	000G11-08-12B	EA	SCREW - 8-18 X 3/4 PPH - ZINC
	000G11-08-12S	EA	SCREW - 8-18 X 3/4 PPH - OFF WHITE
	000G11-08-08T	EA	SCREW - 8-18 X 1/2 PPH - FLUOROCARBON COATING
	000G11-08-08B	EA	SCREW - 8-18 X 1/2 PPH - ZINC
	000G11-08-20B	EA	SCREW - 8-18 X 1 1/4 PPH - ZINC
	000G11-08-16S	EA	SCREW - 8-18 X 1 PPH - OFF WHITE
	000G11-08-16B	EA	SCREW - 8-18 X 1 PPH - ZINC
	000G11-08-12P	EA	SCREW - 8-18 X 3/4 PPH - DARK BROWN
	000G11-08-12D	EA	SCREW - 8-18 X 3/4 PPH - BLACK PHOSPHATE
	000G11-08-12T	EA	SCREW - 8-18 X 3/4 PPH - BLACK MAGNESIUM
	000G11-10-12S	EA	SCREW - 10-16 X 3/4 PPH - OFF WHITE
	000G11-10-12D	EA	SCREW - 10-16 X 3/4 PPH - BLACK
	000G11-10-16B	EA	SCREW - 10-16 X 1 PPH - ZINC
	000G11-10-40B	EA	SCREW - 10-16 X 2 1/2 PPH CAD - 34927-01-000
	000G12-06-08T	EA	SCREW - 6-20 X 1/2 POH - BLACK
	000G12-08-12S	EA	SCREW - 8-18 X 3/4 POH - OFF WHITE
	000G13-05-10B	EA	SCREW - 5-12 X 5/8 PFH - ZINC
	000G13-06-16S	EA	SCREW - 6-20 X 1.00 PFH - OFF WHITE
	000G13-06-10G	EA	SCREW - 6-20 X 5/8 PFH - ANTIQUE BRASS
	000G13-06-08B	EA	SCREW - 6-20 X 1/2 PFH - ZINC
	000G13-06-08G	EA	SCREW - 6-20 X .50 PFH - ANTIQUE BRASS
	000G13-06-24J	EA	SCREW - 6-20 X 1 1/2 PFH - BRASS
	000G13-06-10J	EA	SCREW - 6-20 X .62 PFH - BRASS
	000G13-06-16E	EA	SCREW - 6-20 X 1.00 PFH - CHROME
	000G13-06-16J	EA	SCREW - 6-20 X 1 PFH - BRASS
	000G13-06-06I	EA	SCREW - 6-20 X 3/8 PFH BLACK ZINC

SEALANTS & FASTENERS GROUP (CONTINUED)**SCREWS (CONTINUED)**

KEY	PART NUMBER	U/M	DESCRIPTION
	000G13-06-06B	EA	SCREW - 6-20 X 3/8 PFH ZINC
	000G13-07-12B	EA	SCREW - 7-19 X 3/4 PFH - ZINC
	000G13-07-10H	EA	SCREW - 7-19 X 5/8 PFH - BLACK
	000G13-07-089	EA	SCREW - 7-19 X 1.2 PPH - SILVER
	000G13-08-10B	EA	SCREW - 8-18 X 5/8 PFH - ZINC
	000G13-08-16B	EA	SCREW - 8-18 X 1 PFH - ZINC
	000G13-08-24B	EA	SCREW - 8-18 X 1 1/2 PFH - ZINC
	000G13-08-109	EA	SCREW - 8-18 X 5/8 PFH
	000G16-04-24B	EA	SCREW - MACHINE - 1/4-20 X 1 1/2 PPH
	000G18-08-22B	EA	SCREW - MACHINE - 8-32 X 1 3/8 PPH - ZINC
	000G18-08-20B	EA	SCREW - MACHINE - 8-32 X 1 1/4 PPH - ZINC
	000G18-08-24B	EA	SCREW - MACH-8-32X1 1/2PPH ZN
	000G19-10-10B	EA	SCREW - MACHINE - 10-32 X 5/8 - PPH - ZINC
	000G19-10-20B	EA	SCREW - MACHINE - 10-32 X 1 1/2 PPH - ZINC
	000G19-10-12F	EA	SCREW - MACHINE - 10-32 X 3/4 PPH - STAINLESS STEEL
	000G19-10-08B	EA	SCREW - MACHINE - 10-32 X 1/2 PPH - ZINC
	000G32-10-06B	EA	SCREW - 10-32 X 3/8 PPH - ZINC
	000G13-10-16I	EA	SCREW - 10-16X1.00 PFH,BLK
	000G34-05-12B	EA	SCREW - HEX HEAD TAPPING - 5/16 X 3/4 LONG
	000G37-08-12B	EA	SCREW - 8-18 X 3/4 PPH
	000G37-08-089	EA	SCREW - 8 X 18 X 1/2 PPH - FLUOROCARBON SILVER
	000G36-10-12T	EA	SCREW - 10-24X 3/4 PFH TYPE 23 - BLACK
	000G38-04-16D	EA	SCREW - MACHINE - 1/4-20 X 1 PFN - BLACK
	000G39-06-10T	EA	SCREW - SF/DR - 6-20 X 5/8 PPH - BLACK
	000G39-06-16T	EA	SCREW - SF/DR - 6-20 X 1 PPH - BLACK
	000G39-06-08B	EA	SCREW - SF/DR - 6-18 X 1/2 - ZINC
	000G39-08-16S	EA	SCREW - SF/DR - 8-18 X 1 PPH - OFF WHITE
	000G39-08-32B	EA	SCREW - SF/DR - 8-18 X 2 PPH - ZINC
	000G39-08-24B	EA	SCREW - SF/DR - 8-18 X 1 1/2 PPH - ZINC
	000G39-08-24S	EA	SCREW - SF/DR - 8-18 X 1 1/2 - OFF WHITE
	000G39-08-24T	EA	SCREW - SF/DR - 8-18 X 1.50 PPH - BLACK
	000G39-08-16T	EA	SCREW - SF/DR - 6-20 X 1 PPH - BLACK
	000G39-08-16B	EA	SCREW - SF/DR - 8-18 X 1 PPH - ZINC
	000G39-08-12B	EA	SCREW - SF/DR - 8-18 X 3/4 PPH - ZINC
	000G39-08-12T	EA	SCREW - SF/DR - 8-18 X 3/4 PPH - BLACK
	000G39-08-08T	EA	SCREW - SF/DR - 8-18 X 1/2 PPH - BLACK
	000G39-08-08S	EA	SCREW - SF/DR - 8-18 X 1/2 PPH - OFF WHITE
	000G39-08-08B	EA	SCREW - SF/DR - 8-18 X 1/2 PPH - ZINC
	000G39-08-06B	EA	SCREW - SF/DR - 8-18 X 3/8 PPH - ZINC
	000G39-10-10B	EA	SCREW - SF/DR - 10-16 X 5/8 - ZINC
	000G39-10-12P	EA	SCREW - SF/DR, 10-16 X .75 PPH - DARK BROWN
	000G39-10-088	EA	SCREW - SF/DR - 10-16 X 1/2 PPH - FLEX FLUOROCARBON
	000G39-10-08B	EA	SCREW - SF/DR - 10-16 X 1/2 PPH - ZINC
	000G39-10-40D	EA	SCREW - SF/DR - 10-16 X 2 1/2 PPH - BLACK
	000G39-10-32B	EA	SCREW - SF/DR - 10-16 X 2 - PPH - ZINC
	000G39-10-209	EA	SCREW - SF/DR - 10-16 X 1 1/4 PPH - FLUOROCARBON SILVER
	000G39-10-20T	EA	SCREW - SF/DR - 10-16 X 1.25 PPH
	000G39-10-20B	EA	SCREW - SF/DR - 10-16 X 1 1/4 PPH - ZINC
	000G39-10-12T	EA	SCREW - SELF TAPPING 10-16 X 3/4"
	000G39-10-12D	EA	SCREW - SF/DR - 10-16 X 3/4 PPH - BLACK
	000G39-10-12B	EA	SCREW - SF/DR - 10-16 X 3/4 PPH - ZINC
	000G39-10-10T	EA	SCREW - SF/DR - 10-16 X .625 - BLACK
	000G39-10-129	EA	SCREW - SF/DR - 10-16 X 3/4 PPH - FLUOROCARBON SILVER
	000G39-10-48B	EA	SCREW - SF/DR - 10-16 X 3 - PPH - ZINC
	000G39-10-48T	EA	SCREW - SF/DR - 10-16 X 3.00 PPH - BLACK
	000G39-10-24B	EA	SCREW - SF/DR - 10-16 X 1.50 PPH - ZINC
	000G39-10-32I	EA	SCREW - SELF TAPPING - 10-16 X 2" PPH - BLACK
	000G39-12-12E	EA	SCREW - SF/DR - 12-14 X 3/4 PPH - CHROME
	000G42-04-16B	EA	SCREW - SF/DR - 1/4-14 X 1 HWH - ZINC
	000G42-04-12B	EA	SCREW - SF/DR - 1/4-14 X 3/4 HWH - ZINC
	000G42-04-24B	EA	SCREW - SF/DR 1/4-14X1 1/2 ZN
	000G46-08-24T	EA	SCREW - MACHINE - 8-32 X 1 1/2 PFH - BLACK
	000G46-08-28T	EA	SCREW - MACHINE - 8-32 X 1 3/4 PHILLIPS FLAT HEAD - BLACK

SEALANTS & FASTENERS GROUP (CONTINUED)**SCREWS (CONTINUED)**

KEY	PART NUMBER	U/M	DESCRIPTION
	000G50-04-12B	EA	SCREW - MACHINE - 1/4-20 X 3/4 PPH - ZINC
	000G50-04-06B	EA	SCREW - MACHINE - 1/4-20 X 38 PTH - ZINC
	000G50-04-08B	EA	SCREW - MACHINE - 1/4-20 X 1/2 PTH - ZIN
	000G51-08-08B	EA	SCREW - 8-18 X 1/2 PTH - ZINC
	000G51-06-12B	EA	SCREW - 6-20 X 3/4 PTH - ZINC
	000G52-06-06B	EA	SCREW-MACH-6-32X3/8 PTH ZN
	000G52-08-18B	EA	SCREW - MACHINE - 8-32 X 1 1/8 PTH - ZINC
	000G54-04-20B	EA	SCREW - 1/4-20 X 1.25 PTH - TYPE 23 - ZINC PLATED
	000G55-08-125	EA	SCREW - SF/DR - 8-18 X 3/4 PWH - WILLOW
	000G55-08-12S	EA	SCREW - SF/DR - 8-18 X 3/4 PWH - OFF WHITE
	000G55-08-124	EA	SCREW - SF/DR-8-18X.75 PWH - ASH GRAY
	000G55-08-165	EA	SCREW - SF/DR-8-18X1.00 PWH - WILLOW
	000G56-12-48B	EA	SCREW - WOOD - 12-11 X 3 POH - SPECIAL HARDENED
	000G57-05-16J	EA	SCREW - 5-20 X 1 PFH - BRASS
	000G57-14-64B	EA	SCREW - 14-10 X 4 PFH ZINC
	000G57-14-72B	EA	SCREW - 14-10-X4-1/2 PFH ZN
	000G60-08-22B	EA	SCREW - SF/DR, 8 - 18 X 1.38 POH - ZN
	000G60-08-16E	EA	SCREW - SF/DR - 8-1 X 1.00 POH - CHROME
	000G60-10-28T	EA	SCREW - SF/DR - 10-16 X 1 3/4 - BLACK
	000G60-10-20I	EA	SCREW - SF/DR - 10-16 X 1.25 POH - BLACK
	000G60-10-20B	EA	SCREW - SF/DR - 10-16 X 1 1/4 POH - ZINC
	000G60-10-209	EA	SCREW - SF/DR - 10-16 X 1.25 POH - SILVER STALGAARD
	000G62-10-24I	EA	SCREW - SF/DR - 10-16 X 1/5 PFH - BLACK ZINC
	000G67-08-32B	EA	SCREW - 8-15 X 2 PPH - ZINC
	000G67-10-08S	EA	SCREW - 10-12 X 1/2 PPH - OFF WHITE
	000G67-10-08R	EA	SCREW - 10-12 X 1/2 PPH - BEIGE - TYPE A
	000G67-10-08B	EA	SCREW - 10-12 X 1/2 PPH - ZINC
	000G67-10-16B	EA	SCREW - 10-12 X 1 PPH - ZINC
	000G67-10-120	EA	SCREW - 10-12 X 3/4 PPH - TAN
	000G67-10-12B	EA	SCREW - 10-12 X 3/4 PPH - ZINC
	000G67-10-12R	EA	SCREW - 10-12 X .75 PPH - BEIGE
	000G67-10-12P	EA	SCREW - 10-12 X 3/4 PPH - DARK BROWN
	000G67-10-10S	EA	SCREW - 10-12 X 5/8 PPH - OFF WHITE
	000G67-10-10P	EA	SCREW - 10-12X.62 PPH - DARK BROWN
	000G67-10-10D	EA	SCREW - 10-12 X 5/8 PPH - BLACK - TYPE A
	000G67-10-10T	EA	SCREW - 10-12 X 5/8 PPH BLACK
	000G67-10-10B	EA	SCREW - 10-12 X 5/8 PPH - ZINC - TYPE A
	000G67-10-20D	EA	SCREW - 10-12 X 1.25 PPH - BLACK
	000G67-10-36T	EA	SCREW - 10-12 X 2 1/4 - PPH - BLACK
	000G67-10-32B	EA	SCREW - 10-12 X 2 PPH - ZINC
	000G67-10-24B	EA	SCREW - 10-12 X 1.50 PPH - ZINC
	000G67-10-24S	EA	SCREW - 10-12X1.5PPH OFF WHITE
	000G67-10-125	EA	SCREW - 10-12 X .75 PPH WILLOW
	000G67-10-28B	EA	SCREW - 10-12 X 1.75 PPH - ZINC
	000G67-10-48B	EA	SCREW - 10-12 X 3 PPH - ZINC
	000G68-06-12B	EA	SCREW - 6-18 X .75 POH - ZINC & CLEAR
	000G68-06-12J	EA	SCREW - 6-18X.75 POH BRASS
	000G68-06-12S	EA	SCREW - 6-18 X 3/4 POH
	000G68-06-10G	EA	SCREW - 6-18 X 5/8 POH - ANTIQUE BRASS
	000G68-10-20I	EA	SCREW - 10-12 X 1 1/4 POH - BLACK
	000G68-10-36T	EA	SCREW - 10-12 X 2.25 POH BLACK
	049465-01-000	EA	SCREW - 10-16 PTH W/WASHER - DARK BROWN
	049465-13-000	EA	SCREW - 10-16X1 PTH W/WASHER - ASH GRAY
	049465-17-000	EA	SCREW - 10-16 X 1 POH W/WASHER - BRIGHT WHITE
	049465-22-000	EA	SCREW - 10-16 X 1 1/2 POH W/WASHER - SABLE
	054434-02-000	EA	SCREW - SF/DR - 10-16 X 2 - ZINC
	054434-03-000	EA	SCREW - SF/DR - 10-16 X 2 - PWH - ZINC - W/O WINGS
	057671-01-000	EA	COVER - SCREW - OFF WHITE - #8
	057671-11-000	EA	COVER - SCREW - HAMPTON TAN - #8
	057671-15-000	EA	COVER - SCREW - BRIGHT WHITE
	057671-16-000	EA	COVER - SCREW - SOFT WHITE
	057671-17-000	EA	COVER - SCREW - VW LT GRAY #8
	075908-01-000	EA	SCREW - MACHINE - 10-32 X .56 PTH - EXTERNAL TOOTH - ZINC

SEALANTS & FASTENERS GROUP (CONTINUED)

SCREWS (CONTINUED)

KEY	PART NUMBER	U/M	DESCRIPTION
	076790-01-000	EA	SCREW - 6-20 X 1 1/4 PPH - BLACK
	076790-03-000	EA	SCREW - 6-20 X 1 PPH - BLACK
	076790-05-000	EA	SCREW - 6-20 X 1/2 PPH BLACK - THREADCUTTING - WOOD
	083554-01-000	EA	SCREW - DRYWALL - 8 X 1.25
	083554-04-000	EA	SCREW - DRYWALL - 8 X 2.50
	086256-01-000	EA	SCREW - SF/DR - 8 X 3/4 HWH
	087721-01-000	EA	SCREW - FLAT HEAD - TAPPING - 1/4" X 1 1/4" LONG - ZINC
	097974-01-000	EA	SCREW - PARTICLE BOARD - 7-9 X 3/4 PPH
	090033-02-000	EA	SCREW - 1/4-20 X 5/8 - ROUND WASHER HEAD - OFF/WHITE
	101618-01-000	EA	SCREW - 1/4-20 X 3/4 HEX - TAPPING - STALGARD TYPE F
	101289-01-01A	EA	SCREW - MACHINE - 8-32 X 3.75 POH - BRASS -F/EXTENDED KNOB
	105126-01-000	EA	SCREW - MACHINE - 8-32 X 1 PPH TAPTIT
	110460-05-02A	EA	SCREW - MACHINE - 10-24 X 2.5 PFH - WHITE
	112782-08-01A	EA	SCREW - MOUNTING/PLATE - ZINC
	113563-01-01A	EA	SCREW - 8 X .62 LONG SHOULDER/WASHER HEAD
	117478-01-04A	EA	SCREW - 8-18 X .75 PPH W/WASHER - VW LIGHT GRAY
	126458-01-01A	EA	SCREW - 8-18 X .50 PRWH BLACK
	134126-01-01A	EA	SCREW/NAIL - HEX HEAD - 3/4"

CLAMPS, CLIPS, GROMMETS, RIVETS & PLUGS

KEY	PART NUMBER	U/M	DESCRIPTION
	010495-01-000	EA	CLAMP - CABLE - 9/16"
	010495-02-000	EA	CLAMP - CABLE - 3/8
	010495-04-000	EA	CLAMP - CABLE - 11/16" - WHITE
	010495-05-000	EA	CLAMP - CABLE - 1/2
	010497-01-000	EA	CLAMP - CLOSED - 5/8" ID
	010497-03-000	EA	CLAMP - CLOSED - 1" ID - CUSHIONED
	010497-04-000	EA	CLAMP - CLOSED - 1.62" ID
	010497-05-000	EA	CLAMP - CLOSED - 1/2 ID
	010497-06-000	EA	CLAMP - CLOSED - 11/16" ID
	010497-07-000	EA	CLAMP - CLOSED - 3/8" ID
	010497-08-000	EA	CLAMP - CLOSED - .125" ID
	062401-01-000	EA	CLAMP - HOSE - WORMGEAR - .25" - 1"
	062401-02-000	EA	CLAMP - HOSE - WORMGEAR - 1.56" - 2.5"
	062401-03-000	EA	CLAMP - HOSE - WORMGEAR - .22" - 1"
	062401-04-000	EA	CLAMP - HOSE - WORMGEAR - .69" - 1.25"
	062401-05-000	EA	CLAMP - HOSE - WORMGEAR - 2" TO 3" ID
	062401-06-000	EA	CLAMP - HOSE - WORMGEAR - .22" - .62" ID
	062401-07-000	EA	CLAMP - HOSE - WORMGEAR - 5"-7"
	062401-08-000	EA	CLAMP - HOSE - WORMGEAR 4.06" - 5.0"
	062401-09-000	EA	CLAMP - HOSE - WORMGEAR - 2.8" - 3.75"
	062401-11-000	EA	CLAMP - HOSE - WORMGEAR - 3.50" - 4.50"
	062401-12-000	EA	CLAMP - HOSE - WORMGEAR - .79" X 1.26"
	083610-01-000	EA	CLAMP - WIRE - DUAL - UNEQUAL DIAMETERS - 3/4" & 1 1/4"
	083610-02-000	EA	CLAMP - WIRE - DUAL - UNEQUAL DIAMETERS - 3/4" & 2"
	083610-03-000	EA	CLAMP - DUAL WIRE
	083609-01-000	EA	CLAMP - WIRE - DUAL - EQUAL DIAMETERS - 5/8"
	007161-01-000	EA	CLAMP - HOSE - SPRING TYPE - 1/2"
	010499-01-000	EA	CLAMP - CLOSED - 3/8" ID
	075148-02-000	EA	CLAMP - GROUNDING - BRONZE SCREWS
	008386-01-000	EA	GROMMET - SNAP - 3/8"
	023942-01-000	EA	GROMMET - RUBBER - 2" OD
	071015-07-000	EA	GROMMET - RUBBER - 1"ID X 2.25" OD W/.06" GROOVE - BLACK
	071015-11-000	EA	GROMMET - 1.00 ID - FITS .12 MATERIAL
	071015-13-000	EA	GROMMET - RUBBER - .62" ID X 1" OD W/.09" GROOVE - BLACK
	071015-19-000	EA	GROMMET - .38 ID - FITS .06 MATERIAL
	071015-21-000	EA	GROMMET - RUBBER - 1/2 ID X 1.06 OD - W/.19 GROOVE - BLACK
	071015-22-000	EA	GROMMET - RUBBER - .62"ID X 1.12"OD W/.19" GROOVE - BLACK
	071015-26-000	EA	GROMMET - RUBBER - 1.5" ID X 2.1" OD W/.06" GROOVE-BLACK
	071015-29-000	EA	GROMMET - RUBBER - .3" ID X 1.3"OD W/.12" GROOVE - BLACK
	071015-30-000	EA	GROMMET - RUBBER - .31" ID X .81" OD W/.12" GROOVE - BLK
	071015-32-000	EA	GROMMET - RUBBER - .75" ID X 1.375" OD W/.187" GROOVE-BLK

SEALANTS & FASTENERS GROUP (CONTINUED)**CLAMPS, CLIPS, GROMMETS, RIVETS & PLUGS (CONTINUED)**

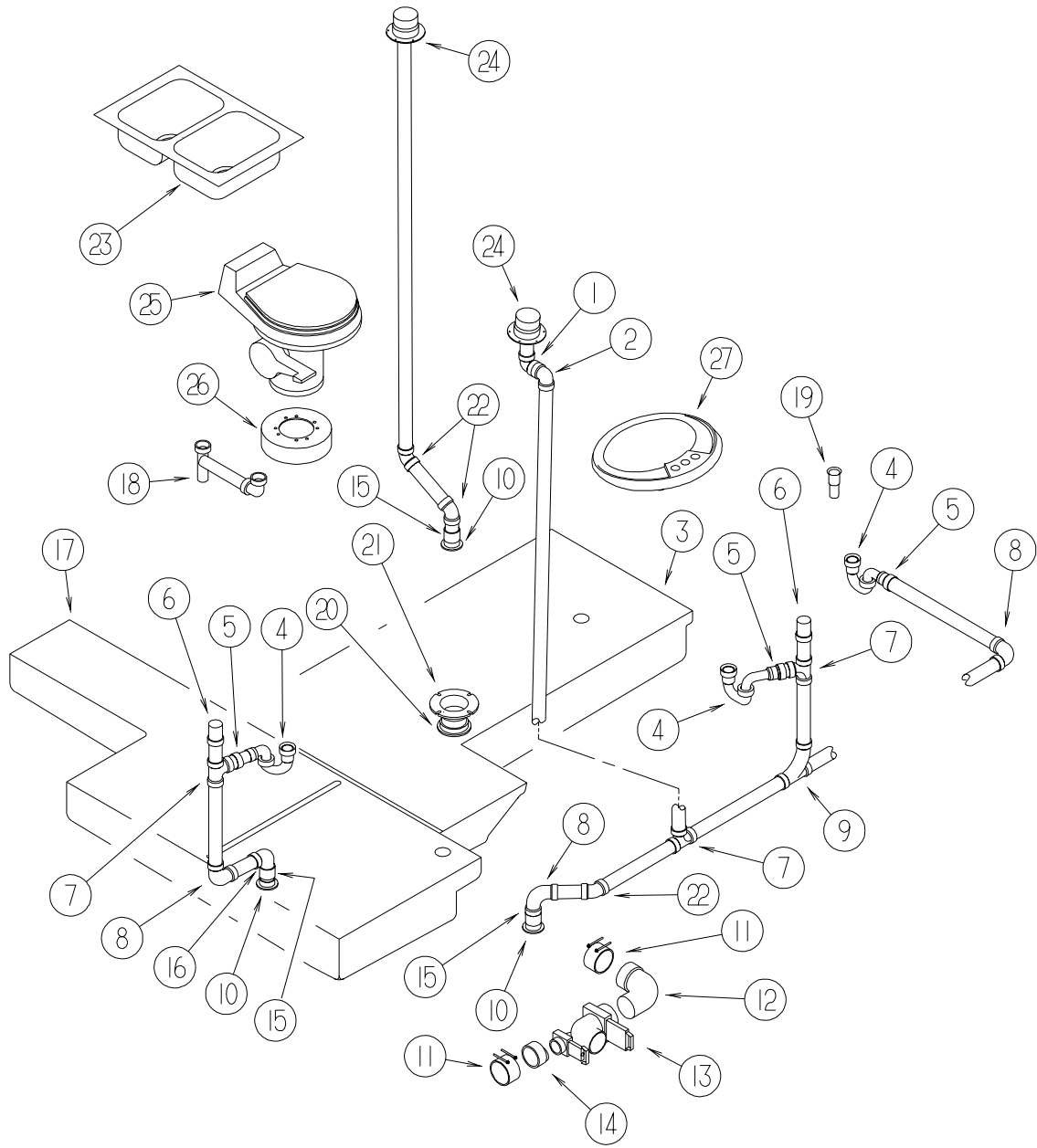
KEY	PART NUMBER	U/M	DESCRIPTION
	071015-33-000	EA	GROMMET - RUBBER - .875" ID X 1.625" OD W/.187" GROOVE - BLK
	071015-35-000	EA	GROMMET - 1.25 ID,FITS .187MAT
	071015-37-000	EA	GROMMET - .81 ID FITS .56 MTL
	071015-39-000	EA	GROMMET - .75 ID FITS .06 MTL
	088756-01-000	EA	GROMMET - WEB - 1 1/8 " I.D.
	114208-01-000	EA	GROMMET - EDGE LINER - FITS 1 3/4"
	114208-02-000	EA	GROMMET - EDGE LINER - FITS .625
	114208-03-000	EA	GROMMET - EDGE LINER - FITS 2.50"
	114208-04-000	EA	GROMMET - EDGE LINER - FITS 1.00"
	114208-05-000	EA	GROMMET - EDGE LINER - FITS 2"
	016188-03-000	EA	GROMMET - L/P LINE - 3/8" HOLE X 2 1/2" LONG - RUBBER
	016188-04-000	EA	GROMMET - GAS LINE - 1/2" HOLE X 2 1/2" LONG - RUBBER
	016188-05-000	EA	GROMMET - L/P LINE - 3/8" HOLE X 1 1/4" LONG - RUBBER
	008380-01-000	EA	GROMMET - RUBBER - 5/8" HOLE X 1 1/2" DIAMETER - BLACK
	008384-01-000	EA	GROMMET - SNAP - 3/4 DIAMETER - NYLON
	077953-01-000	EA	GROMMET - EDGE LINER - FITS 1"
	099637-01-000	EA	GROMMET - RUBBER - .37" X .94" DIAMETER - BLACK
	046867-05-000	EA	GROMMET - #0
	000F10-04-16B	EA	PIN - COTTER - 1/8" X 1" - ZINC
	000F10-06-32B	EA	PIN - COTTER - 3/16" X 2" - ZINC
	000H14-04-08R	EA	RIVET - MANDREL BLIND - 4/32 ALUMINUM
	000H14-06-03R	EA	RIVET - MANDREL BLIND - 3/16 - CHERRY
	000H15-06-02R	EA	RIVET - POP - STEEL - 3/16 X .063-.125
	000H16-06-10R	EA	RIVET - POP ALUMINUM - 3/16 X .501-.625
	000H14-04-04A	EA	RIVET - MANDREL BLIND - 1/8 X .400
	000H16-04-06R	EA	RIVET - POP ALUMINUM - 1/8 X .313 - .375
	000H14-06-14R	EA	RIVET - MANDREL BLIND - 3/16 - CHERRY
	118626-01-01A	EA	RIVET - POP - ALUMINUM 3/16 X .08-.375
	118626-02-01A	EA	RIVET - POP - ALUMINUM - 3/16 X .500-.750
	120560-01-01A	EA	RIVET - PLASTIC - 3/16 DIAMETER
	061420-01-000	EA	PLUG/PLASTIC - 1.75" DIAMETER - BROWN
	061420-03-000	EA	PLUG/PLASTIC - 3.00" DIAMETER
	061420-04-000	EA	PLUG/PLASTIC - 1.25" DIAMETER
	061420-05-000	EA	PLUG/PLASTIC - 1.5" DIAMETER
	061420-07-000	EA	PLUG/PLASTIC - 1.8" DIAMETER
	061420-08-000	EA	PLUG/PLASTIC - 2.5" DIAMETER
	061420-09-000	EA	PLUG/PLASTIC - 1.00" - DIAMETER
	061420-10-000	EA	PLUG/PLASTIC - 1.50" DIAMETER - BLACK
	061420-11-000	EA	PLUG/PLASTIC - .50" DIAMETER
	061420-12-000	EA	PLUG/PLASTIC - 1.50" DIAMETER - RED
	061420-14-000	EA	PLUG/PLASTIC - .034" DIAMETER
	061420-15-000	EA	PLUG/PLASTIC - 2" DIAMETER - BLACK
	061420-16-000	EA	PLUG/PLASTIC - 2 1/8" DIAMETER
	081211-03-000	EA	PLUG/PLASTIC - .50 DIAMETER - BLACK
	081211-04-000	EA	PLUG/PLASTIC - .46 DIAMETER - BLACK
	081211-05-000	EA	PLUG/PLASTIC - .188 DIAMETER - NATURAL
	034141-02-000	EA	PLUG/HOLE - 3/8" NYLON/BLACK
	115361-01-01A	EA	PLUG/PLASTIC - 1/2" DIAMETER
	075312-02-000	EA	CLIP-U - .75 LONG X .50 WIDE- F/1/8"-3/16" THICK MATERIAL
	077955-01-000	EA	CLIP-J - VINYL COATED - 3/8"
	080211-03-000	EA	CLIP - X-MAS TREE W/PANEL RETAINING HEAD - 3/4" SHANK
	094362-02-000	EA	CLIP - XMAS TREE - BINDER HEAD - .9" LONG
	119392-01-000	EA	CLIP - U TYPE - OFFSET LEG
	129962-01-01A	EA	CLIP - U-TYPE - BLACK
	091952-01-000	EA	CLIP - GRIPPER - 1"
	091952-02-000	EA	CLIP - GRIPPER - 3/4"
	080734-02-000	EA	CLIP - WIRE NYLON
	056134-01-000	EA	HOLDER - RING - 3.6" DIAMETER - METAL
	056134-02-000	EA	HOLDER - RING - 1.8" DIAMETER - METAL

SEALANTS & FASTENERS GROUP (CONTINUED)

MISCELLANEOUS FASTENERS

KEY	PART NUMBER	U/M	DESCRIPTION
	008343-01-000	EA	TIE - WIRE - 6"
	008343-02-000	EA	TIE - WIRE - 14"
	008343-03-000	EA	TIE - WIRE - 7 1/2" - BLACK
	029096-03-000	YD	VELCRO TAPE - HOOK - 1" WIDE - BLACK
	029096-04-000	YD	TAPE - HOOK - VELCRO - 1" WIDE - BLACK
	029094-04-000	YD	VELCRO TAPE - LOOP - 1" WIDE - BLACK
	029094-06-000	YD	VELCRO TAPE - LOOP - 2" WIDE - BLACK
	048394-02-000	YD	VELCRO TAPE - HOOK - ADHESIVE BACK - .75" WIDE - BEIGE
	085774-01-000	FT	FASTENER - DUAL LOCK - 1" WIDE - ADHESIVE BACK - BLACK
	085774-02-000	FT	FASTENER - DUAL HOOK - 1" WIDE - ADHESIVE BACK - BLACK
	085774-03-000	FT	FASTENER - DUAL HOOK - 1/2" WIDE - ADHESIVE BACK - BLACK
	085774-04-000	FT	FASTENER - DUAL HOOK - 1/2" WIDE - ADHESIVE BACK - BLACK
	088792-02-000	YD	VELCRO TAPE - LOOP - 3/4" - ADHESIVE BACKED - BEIGE
	088792-04-000	YD	VELCRO TAPE - HOOK - 5/8" - NON-ADHESIVE BACK - WHITE
	088792-05-000	YD	VELCRO TAPE - LOOP - 5/8" - NON-ADHESIVE BACKED - WHITE
	108046-01-000	EA	CABLE TIE - SCREW MOUNT 8"
	108046-02-000	EA	CABLE TIE - SCREW MOUNT 15"
	110943-01-000	FT	FELTSTRIP - 3/8" - ADHESIVE BACK
	110943-02-000	FT	FELTSTRIP - 3/8" - ADHESIVE BACK - WHITE
	099856-11-000	EA	STRAP - TIEDOWN - 78.6"
	086285-01-000	EA	SPACER - NYLON - .5" OD X .257" ID
	008401-01-000	EA	STRAP - CONDUIT - 3/4" - 1 HOLE - GALVANIZED STEEL

WATER & SEWAGE GROUP DRAINAGE SYSTEM



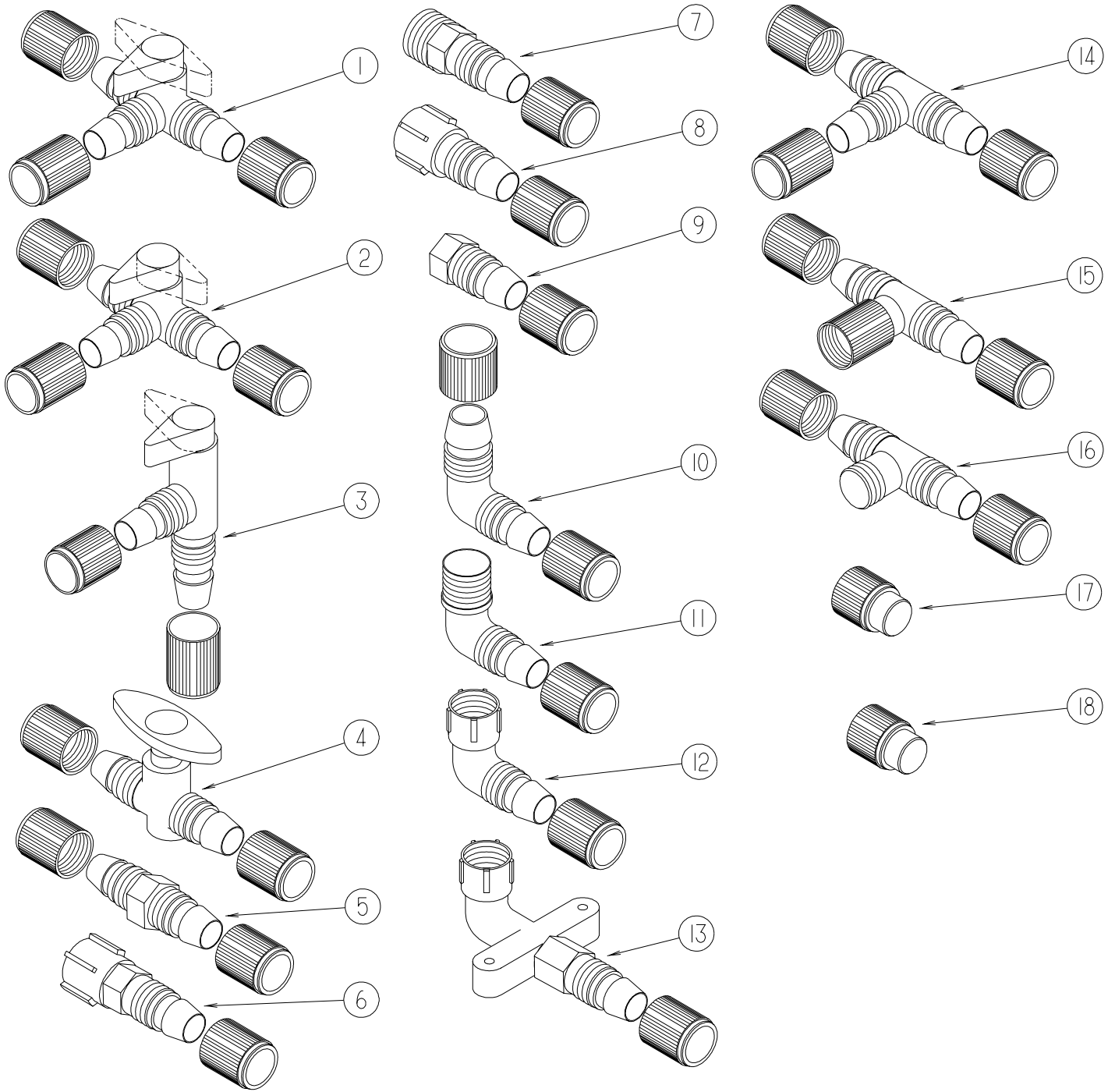
WATER & SEWAGE GROUP (CONTINUED)

DRAINAGE SYSTEM (CONTINUED)

KEY	PART NUMBER	U/M	DESCRIPTION
1	034250-01-000	EA	ELBOW - 90 DEGREE - LONG TURN - 1 1/2" HUB X HUB - ABS
2	010009-01-000	EA	ELBOW - 90 DEGREE - 1/4 BEND - 1 1/2" PLASTIC
3	104351-01-000	EA	TANK - HOLDING - SEWAGE - 55 GALLON - W/O FITTINGS
	039861-01-000	EA	SENDING UNIT - W/SCREW - WASHER - WELL NUT/TERMINAL RING
4	107538-01-000	EA	P TRAP - PLASTIC - 1 1/4" W/EXTENSION ARM
4	011071-01-000	EA	P-TRAP - PLASTIC - 1 1/2" - CSA
5	109571-01-000	EA	ADAPTER - P-TRAP - 1 1/2" P X 1 1/4" MPT - US
6	079968-01-000	EA	VENT - MECHANICAL/TRAP ARM - ANTI-SIPHON-2" X 7.3" PLASTIC
7	010071-01-000	EA	TEE - SANITARY - 1 1/2" HUB X HUB X HUB - PLASTIC
8	010008-01-000	EA	ELBOW - 90 DEGREE - 1 1/2" HUB X HUB - PLASTIC
9	031365-02-000	EA	TEE - PLASTIC - 1 1/2" EXTRA LONG TURN
10	061607-01-000	EA	GROMMET - HOLDING TANK - 1 1/2" NPS
11	078406-01-000	EA	COUPLER - RUBBER - W/CLAMPS - 3" X 3"
12	041956-01-000	EA	ELBOW - 3" STREET - 90 DEGREE PLASTIC
13*	070916-01-000	EA	VALVE - DUAL DUMP - W/CAP - 3" X 1 1/2"
	010201-01-000	EA	HOSE - SEWER - 3" ID X 8'
	062416-01-000	EA	ADAPTER - SEWER HOSE TO 3" PIPE
14	010129-03-000	EA	NIPPLE - PLASTIC - 3" X 3" TOE
14	062422-01-000	EA	ADAPTER - OFFSET REDUCER - 3" X 1 1/2" - PLASTIC
15	010115-01-000	EA	COUPLING - 1 1/2" HUB X HUB - PLASTIC
16	033761-01-000	EA	ELBOW - TURN - 90 DEGREE 1 1/2" HUB X 1 1/2" SPIGOT
17	131389-01-000	EA	TANK - HOLDING - 56 GALLON - W/O FITTINGS
	039861-01-000	EA	SENDING UNIT - W/SCREW - WASHER - WELL NUT/TERMINAL RING
18	011091-02-000	EA	WASTE - CONTINUOUS - DOUBLE SINK
	092303-01-000	EA	STRAINER - SINK
	127440-02-01A	EA	WASHER - RUBBER - 1.8" X .1"
19	066729-01-000	EA	STRAINER - TUB/SHOWER W/PLUG - CHROME
	011069-02-000	EA	TAILPIECE - TUB/SHOWER - 1 1/2" X 1 1/4" X 4" - BRASS
	127440-02-01A	EA	WASHER - RUBBER - 1.8" X .1"
	130403-01-000	EA	NUT - SLIP - W/WINGS 1 1/2"
	011069-02-000	EA	TAILPIECE - TUB/SHOWER - 1 1/2" X 1 1/4" X 4" - BRASS
20	061607-02-000	EA	GROMMET - HOLDING TANK - 3" NPS
21	116644-01-000	EA	FLANGE/CLOSET - 4 BOLT X 3" FEMALE
22	010006-01-000	EA	ELBOW - 45 DEGREE - 1 1/2" HUB X HUB - PLASTIC
23	104113-01-000	EA	SINK - DOUBLE - STAINLESS STEEL
24	083558-06-000	EA	VENT - ROOF PLUMBING PIPE - COVERED
25*	131932-01-02A	EA	TOILET - AQUA MAGIC 4 - HIGH - HAND FLUSH - SOFT WHITE
26	131786-02-01A	EA	SPACER - TOILET - SOFT WHITE
27	105921-01-02A	EA	SINK - LAVATORY - LARGE OVAL - 17" X 20" - WHITE
	105218-01-01A	EA	SPACER - FAUCET/LAVATORY SINK - 2" X 5.9" - ABS PLASTIC
	106116-01-02A	EA	STRAINER/PLASTIC - STOPPER/TAILPIECE/GASKET & NUT-LAVATORY
	094756-02-01A	EA	BRACKET - L - 6.1" LONG X 3.9" WIDE - STEEL

***COMPONENT PARTS FOUND IN SERVICE PARTS LIBRARY**

WATER & SEWAGE GROUP (CONTINUED)
WATER SYSTEM



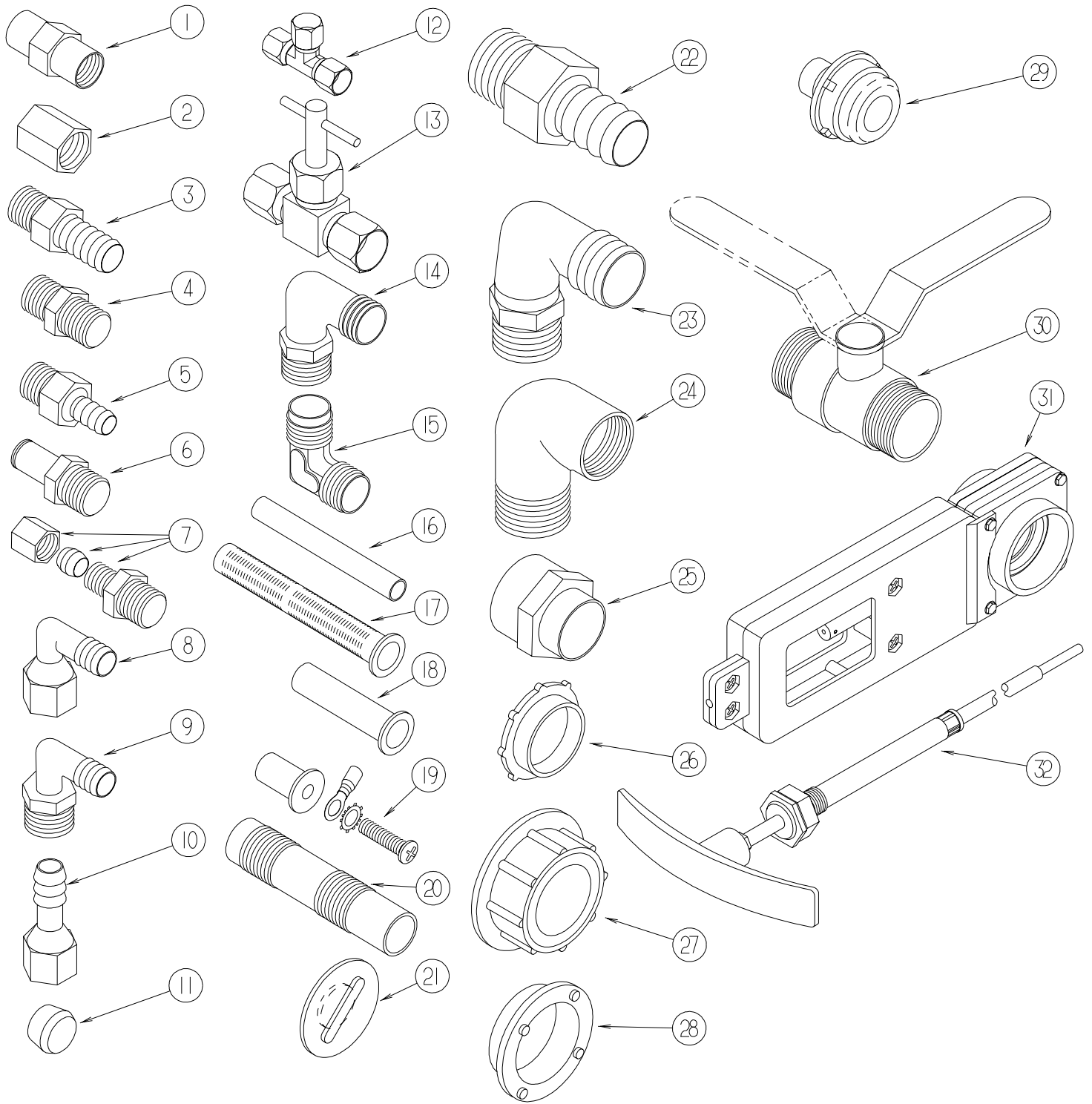
FITTINGS

WATER & SEWAGE GROUP (CONTINUED)

WATER SYSTEM (CONTINUED) FITTINGS (CONTINUED)

KEY	PART NUMBER	U/M	DESCRIPTION
1	114431-01-000	EA	VALVE - 180 DEGREE/CENTER DRAIN - 1/2"P - THREE WAY
2	114431-02-000	EA	VALVE - WATER BYPASS - 1/2"P - THREE WAY (WATER HEATER)
3	114431-03-000	EA	VALVE - 90 DEGREE DRAIN - 1/2"P
4	114431-04-000	EA	VALVE - "INLINE SHUT-OFF" - 1/2"P
5	114430-01-000	EA	ADAPTER - 1/2"P X 1/2"P
6	114430-02-000	EA	ADAPTER - SWIVEL - 1/2"P X 1/2"FPT
7	114430-03-000	EA	ADAPTER - 1/2"P X 1/2"MPT
8	114427-02-000	EA	PLUG - W/COMP NUT - 1/2" PLASTIC PIPE/1/2" FLAIR-IT
9	114430-06-000	EA	ADAPTER - 1/2"P X 3/8"FPT
10	114429-01-000	EA	ELBOW - 1/2"P X 1/2"P
11	114429-02-000	EA	ELBOW - 1/2"P X 1/2"MPT
11	114429-04-000	EA	ELBOW - 1/2"P X 3/8"MPT
11	114429-05-000	EA	ELBOW - 1/2"P X 3/4"MPT
12	114429-03-000	EA	ELBOW - SWIVEL - 1/2"P X 1/2"FPT
12	114429-06-000	EA	ELBOW - SWIVEL - 1/2"P X 3/4"FPT
12	114429-08-000	EA	ELBOW - SWIVEL - 1/2"MPT X 1/2"FPT SWIVEL
13	114429-07-000	EA	ELBOW - 1/2"P X 1/2"FPT
14	114428-01-000	EA	TEE - 1/2"P X 1/2"P X 1/2"P
15	114428-02-000	EA	TEE - SWIVEL - 1/2"P X 1/2"P X 1/2"FPT
16	114428-03-000	EA	TEE - 1/2"P X 1/2"P X 1/2"MPT
17	113697-01-000	EA	CAP - 3/8 FTG
18	114427-01-000	EA	CAP - 1/2" - FOR CAPPING FLAIR-IT MALE FITTINGS

WATER & SEWAGE GROUP (CONTINUED)
WATER SYSTEM (CONTINUED)



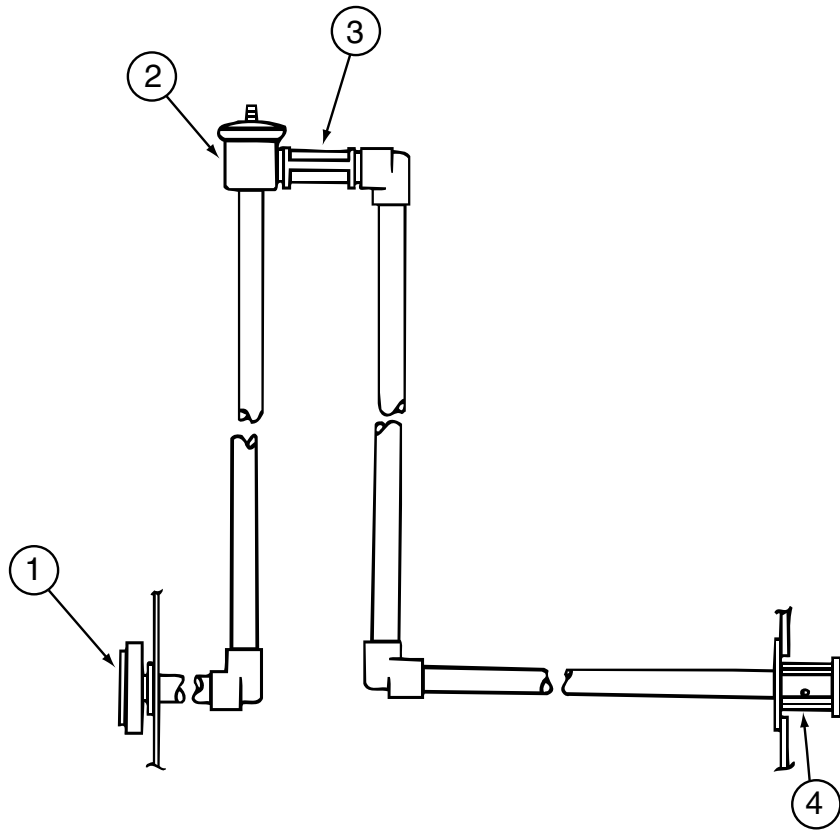
FITTINGS (CONTINUED)

WATER & SEWAGE GROUP (CONTINUED)

WATER SYSTEM (CONTINUED) FITTINGS (CONTINUED)

KEY	PART NUMBER	U/M	DESCRIPTION
1	132148-01-000	EA	CONNECTOR - 1/2" X 1/2" MPT - BRASS
2	101814-01-000	EA	COUPLING - FEMALE - 1/2" X 1/2" FPT - GRAY
3	118809-02-000	EA	ADAPTER - 1/2" MPT X 1/2" BARB - PLASTIC
4	110438-02-000	EA	VALVE - CHECK - BRASS - 1/2 MPT X 1/2 MPT
5	010224-01-000	EA	ADAPTER - HOSE TO PIPE - 3/8 MPT X 3/8 BARB - PLASTIC
6	090338-03-000	EA	FITTING - HOSE - .75"ID - 2" LENGTH - BRASS
7	103798-01-000	EA	CONNECTOR - 1/4 OD X 3/8 MPT
8	123150-01-000	EA	ELBOW - 1/2 FPT X 1/2 BARB - SWIVEL
9	035539-01-000	EA	ELBOW - PLASTIC - 3/8 MPT X 3/8 BARB
10	123152-01-000	EA	ADAPTER - 1/2 FPT X 1/2 BARB - SWIVEL
11	111888-01-000	EA	FERRULE - PLASTIC - .250 ID X .375 OD
12	118423-01-000	EA	FITTING - BRASS-TEE - 1/4C X 1/4C X 1/4C
13	120868-01-000	EA	VALVE - NEEDLE - 1/4" COMPRESSION X 1/4" COMPRESSION
14	111223-02-000	EA	ELBOW - PLASTIC - 1/2MPT X 3/8 BARB
14	111223-03-000	EA	ELBOW - 3/4" MPT X 1/2" BARB - PLASTIC
14	111223-04-000	EA	ELBOW - 1/2" MPT X 1/2" BARB - PLASTIC
15	039808-03-000	EA	ELBOW - 1/2" MPT X 1/2" MPT - PLASTIC
16	124188-01-000	FT	TUBING - PEX - 1/2" ID X 20' - BLUE(COLD)
16	124188-02-000	FT	TUBING - PEX - 1/2" ID X 20' - RED(HOT)
16	112176-01-000	FT	TUBING - VINYL - REINFORCED - 1/2" ID
16	074462-02-000	FT	TUBING - VINYL - 3/8 ID X 20' - CLEAR
16	039800-04-000	FT	TUBING - POLYBUTYL - 1/4"OD
17	077954-02-000	EA	FILTER - WATER TANK - W/SCREEN IN TANK
18	111888-02-000	EA	INSERT - BRASS - 1/4 COMP
19	039861-01-000	EA	SENDING UNIT - W/SCREW - WASHER - WELL NUT/TERMINAL RING
20	079381-01-000	FT	TUBING - RIBBED FLEXIBLE - WATER FILL - 1.4" I.D.
21	049032-01-000	EA	PATCH - SPINWELD - 3/8" - PLASTIC
22	044927-01-000	EA	ADAPTER - HOSE TO PIPE-1 1/4 MPTX1 1/4 BARB-BLACK PLASTIC
23	010219-01-000	EA	ELBOW - 1 1/4 MPT X 1 1/4 BARB - WATER FILL - PLASTIC
24	132484-01-000	EA	ELBOW - PLASTIC - 90 DEGREE - 1MPT X 1FPT
25	133835-01-000	EA	ADAPTER - REDUCING - 1 1/2" X 1 1/4"
26	120069-01-000	EA	PLUG - 3" - POLYETHYLENE MPT
27	042989-03-000	EA	FITTING - SPINWELD - 1 1/4"NPT - PLASTIC
27	042989-04-000	EA	FITTING - SPINWELD - 3/8"FPT - PLASTIC
27	042989-05-000	EA	FITTING - SPINWELD - 1/2"FPT - PLASTIC
27	042989-07-000	EA	FITTING - SPINWELD - 1 1/2"FPT - PLASTIC
27	042989-08-000	EA	FITTING - SPINWELD - 1"FPT - PLASTIC
28	120070-01-000	EA	FITTING - SPINWELD - PLASTIC 3" FPT
29	114966-01-000	EA	FILTER - IN LINE - TWIST ON - 1/2"
30	132483-01-000	EA	VALVE - BALL - 1" - THREADED ENDS
31	062421-03-000	EA	VALVE - DUMP - 1 1/2" HUB X 1 1/2" HUB - REMOTE
32	062421-04-000	EA	CABLE - DUMP VALVE W/HANDLE - 36"
32	062421-05-000	EA	CABLE - DUMP VALVE W/HANDLE - 48"
32	062421-06-000	EA	CABLE - DUMP VALVE W/HANDLE - 144"

WATER & SEWAGE GROUP (CONTINUED)
WATER SYSTEM (CONTINUED)



WELD-A-FLUSH SEWAGE TANK FLUSHING SYSTEM

KEY	PART NUMBER	U/M	DESCRIPTION
1	125697-05-000	EA	INLET - WATER - FLUSHING SYSTEM
2	125697-04-000	EA	BREAKER - VACUUM - FLUSHING SYSTEM
3	125697-03-000	EA	CHECK VALVE - FLUSHING SYSTEM
4	125697-02-000	EA	NOZZLE - WELD-A-FLUSH
	125697-06-000	EA	INSTRUCTIONS - USER - FLUSHING SYSTEM
	125697-07-000	EA	LABEL - CAUTION - FLUSHING SYSTEM

WATER & SEWAGE GROUP (CONTINUED)

WATER SYSTEM (CONTINUED)

TANKS

KEY	PART NUMBER	U/M	DESCRIPTION
	116881-16-000	EA	TANK - FRESH WATER - 48 GALLON
	116881-01-000	EA	TANK - FRESH WATER - 48 GALLON-W/NOTCHED CORNER-NO FITTING
	117217-02-000	EA	TANK - FRESH WATER - 30 GALLON - W/FITTINGS
	117217-01-000	EA	TANK - FRESH WATER - 30 GALLON - W/O FITTINGS
	112628-01-02A	EA	BRACKET/TIEDOWN - WATER TANK - E-COATED

HEATER, PUMP & FAUCETS

KEY	PART NUMBER	U/M	DESCRIPTION
*	051393-01-000	EA	WATER HEATER - GH6-8E - ELECTRONIC IGNITION W/MOTOR AID
	097967-01-000	EA	SWITCH - WATER HEATER - REMOTE W/LIGHT
	052009-06-000	EA	DOOR - WATER HEATER - BRIGHT WHITE - 18" X 14.6"
*	098607-01-000	EA	PUMP - WATER - W/.5" MPT FITTING - FLOW 2.8 GPM
	010230-06-000	EA	FILL - CITY WATER - W/CHECK VALVE - MPT
	081240-20-000	EA	WATER FILL W/DOOR - W/O LOCK - BRIGHT WHITE
	091253-01-000	EA	GASKET - FAUCET - LAVATORY/GALLEY
	104114-02-01A	EA	FAUCET - GALLEY - SINGLE CONTROL
	075240-05-000	EA	FAUCET - LAVATORY - BRASS
	075606-03-000	EA	PANEL - FAUCET SHOWER - SOFT WHITE
	075242-03-000	EA	FAUCET - TUB/SHOWER - BRASS
	075241-06-000	EA	FAUCET/SHOWER - BRIGHT WHITE - 1/2"MPT X 1.9" INLET PIPES - EXTERIOR SHOWER

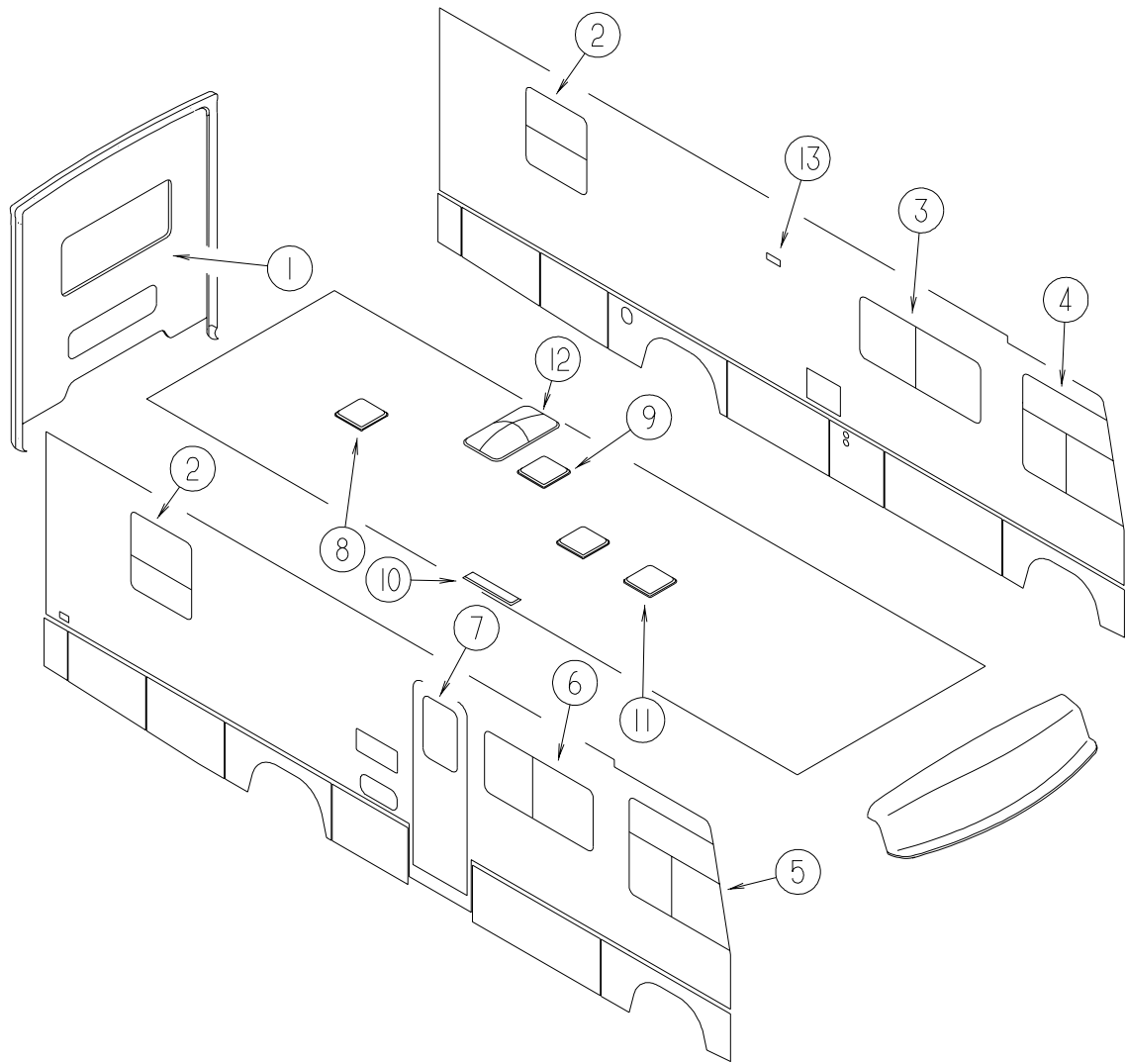
*COMPONENT PARTS FOUND IN SERVICE PARTS LIBRARY

SHOWER HEAD

KEY	PART NUMBER	U/M	DESCRIPTION
	131383-01-02A	EA	SHOWER HEAD - W/60" HOSE & BRACKET - WHITE
	131383-02-02A	EA	SHOWER HEAD - W/60" HOSE & BRACKET - WHITE - CSA
	131383-03-02A	EA	BRACKET - SHOWER HEAD - WHITE

WINDOW & VENTS GROUP

WINDOW & VENT LAYOUT



WINDOW & VENTS GROUP (CONTINUED)

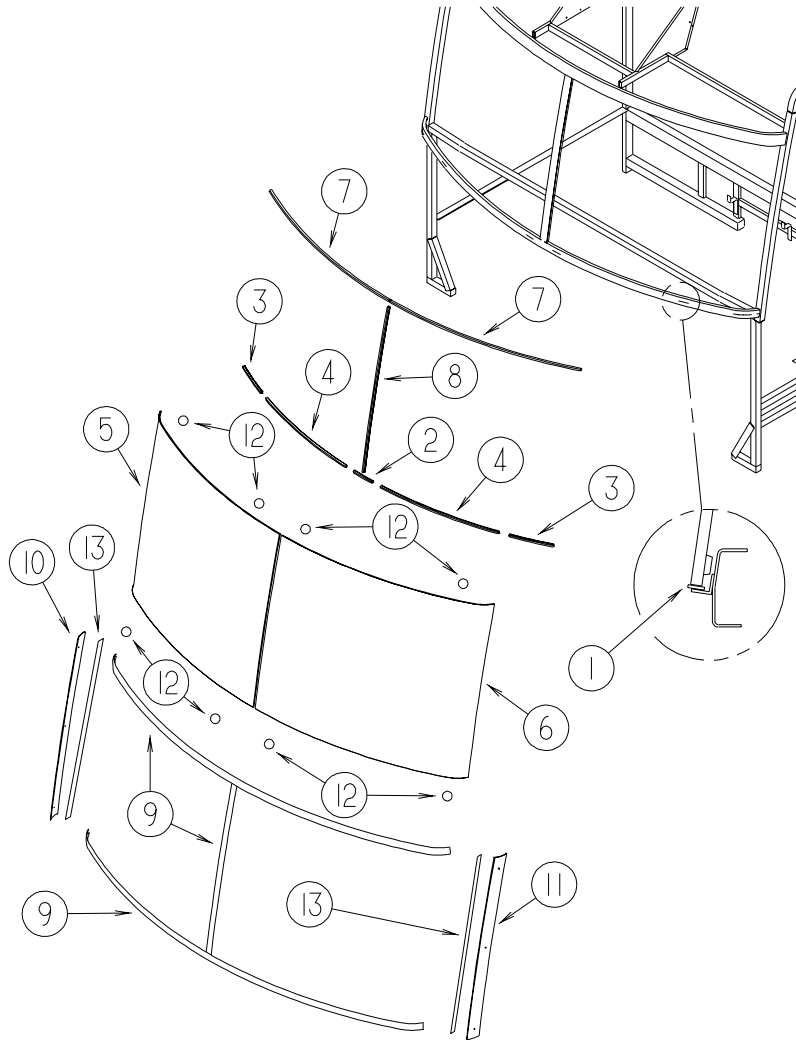
WINDOW & VENT LAYOUT (CONTINUED)

KEY	PART NUMBER	U/M	DESCRIPTION
1	078528-06-E10	EA	WINDOW - ESCAPE - W/O RETAINER/TRIM - 48.5" X 24.5"
	002282-09-000	EA	WEATHERSTRIP - WINDOW - .125" X 130.5" - BLACK
	002285-01-000	FT	FILLER - WEATHERSTRIP - RUBBER - BLACK
	076337-12-000	EA	GLASS - EGRESS - 45.5" X 21.5"
	077066-01-702	EA	TAPE ASM-ESCAPE WINDOW
1	074816-16-000	EA	FRAME - WINDOW - INSIDE ESCAPE - BLACK
1*	113502-01-02A	EA	WINDOW - REAR/CENTER ESCAPE - THERMO - 24.8" X 48.7"
2*	112463-03-02A	EA	WINDOW - TIPOUT W/RETAINER RING - 33.3" X 30.2"
2*	129929-01-02A	EA	WINDOW - TORQUE - THERMO - 33.2" X 30.2"
3*	098647-22-02A	EA	WINDOW - DRIVER HORIZ SLIDER W/TRIM-TINTED- 26.1" X 59.7"
3*	112795-15-02A	EA	WINDOW - DRIVER HORIZONTAL SLIDER - THERMO - 26.4 X 60"
4*	125582-02-01A	EA	WINDOW - DRIVER CAB/3 WINDOW - 42.9"T X 42.6"H X 51.2"B
4*	125583-02-01A	EA	WINDOW - CAB DRVR-3 GLASS THERMO-42.9"T X 51.2"B X 42.6"H
5*	125582-01-01A	EA	WINDOW - PASSENGER CAB/3 WINDOW - 42.9"T X 42.6"H X 51.2"B
5*	125583-01-01A	EA	WINDOW - CAB PASS-3 GLASS THERMO- 42.9"T X 51.2"B X 42.6"H
6*	098647-24-02A	EA	WINDOW - PASS HORIZ SLIDER W/TRIM - TINTED - 26.1" X 53.8
6*	112795-17-02A	EA	WINDOW - PASSENGER HORIZ SLIDER - THERMO - 26.4" X 54"
7	117053-02-F36	EA	WINDOW - PICTURE - 60% TINTING - 26.4" X 17"
	002181-25-000	EA	GLASS - PICTURE WINDOW - 25.8"W X 16.4"H
	087561-01-000	FT	SEAL - GLASS - EXTERIOR - .5" WIDE - VINYL BLACK
7	117054-02-02A	EA	RETAINER - TRIM - BRIGHT WHITE
7*	113733-01-01A	EA	WINDOW - STATIONARY THERMOPANE - 17"W X 26.4"H
8*	122882-01-01A	EA	VENT - ROOF - NONPOWERED - W/O INSIDE GARNISH
	009440-01-000	EA	GEAR/ARM - LIFT - ROOF VENT COVER
8	122882-07-01A	EA	GARNISH - ROOF VENT - 2.5" TO 4"
9*	122882-02-01A	EA	VENT - ROOF - W/FAN - W/O INSIDE GARNISH - UL
	009440-01-000	EA	GEAR/ARM - LIFT - ROOF VENT COVER
	048648-01-000	EA	MOTOR - ROOF VENT - 1/8 SHAFT - 12VOLT
	048649-01-000	EA	FAN BLADE - ROOF VENT - 6 BLADES - 6"
9	122882-07-01A	EA	GARNISH - ROOF VENT - 2.5" TO 4"
9*	122882-03-01A	EA	VENT - ROOF - W/FAN - W/O INSIDE GARNISH - CSA
	009440-01-000	EA	GEAR/ARM - LIFT - ROOF VENT COVER
	048648-01-000	EA	MOTOR - ROOF VENT - 1/8 SHAFT - 12VOLT
	048649-01-000	EA	FAN BLADE - ROOF VENT - 6 BLADES - 6"
9	122882-07-01A	EA	GARNISH - ROOF VENT - 2.5" TO 4"
10	084073-04-000	EA	BASE - ROOF VENT/REFRIGERATOR - BLACK - NORCOLD
10	084073-07-000	EA	VENT - ROOF/REFRIGERATOR - BRIGHT WHITE - NORCOLD
11*	122882-01-01A	EA	VENT - ROOF - NONPOWERED - W/O INSIDE GARNISH
	009440-01-000	EA	GEAR/ARM - LIFT - ROOF VENT COVER
11	122882-07-01A	EA	GARNISH - ROOF VENT - 2.5" TO 4"
11*	123780-03-01A	EA	FANTASTIC VENT - 3"-4" ROOF - W/FAN - UL/CSA - POWER VENTILATOR OPTION
12	114496-01-02A	EA	PANEL - OUTER SKYLIGHT - 22" X 37"
12	122191-01-02A	EA	PANEL - SKYLIGHT - INNER W/LIGHT CUTOUT - 20.7" X 35.4"
13	084616-07-000	EA	SHROUD - EXHAUST VENT/RANGE HOOD - BRIGHT WHITE
13	084878-09-000	EA	VENT - EXHAUST/RANGE HOOD - OFF WHITE

*COMPONENT PARTS FOUND IN SERVICE PARTS LIBRARY

WINDSHIELD & WIPER GROUP

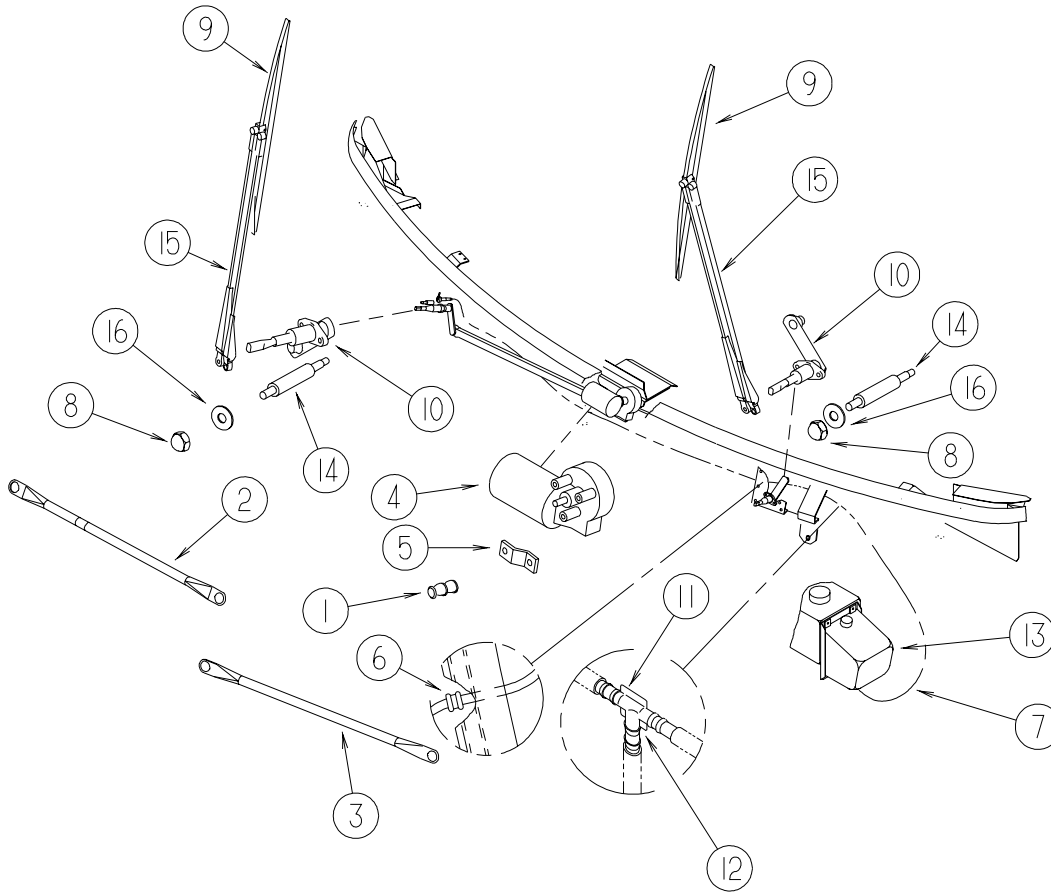
WINDSHIELD



KEY	PART NUMBER	U/M	DESCRIPTION
1	002328-02-000	EA	BLOCK - WINDSHIELD - .062" X .5" X .98"
2	132375-01-000	EA	CARRIER - REVEAL - WINDSHIELD - 5.5"
3	132375-02-000	EA	CARRIER - REVEAL - WINDSHIELD - 10"
4	117335-06-000	EA	REVEAL CARRIER - 29.8"
5	124328-01-000	EA	WINDSHIELD - PASSENGER - 52" X 41" (CURVED)
6	124328-02-000	EA	WINDSHIELD - DRIVER - 52" X 41" (CURVED)
7	127862-01-000	EA	CARRIER - REVEAL - WINDSHIELD - 47.2"
8	127862-09-000	EA	CARRIER - REVEAL - WINDSHIELD - 38.6"
9	120533-01-000	FT	MOLDING - REVEAL - WINDSHIELD
10	125384-01-02A	EA	TRIM - WINDSHIELD - A-PILLAR - PASSENGER - BLACK
11	125384-02-02A	EA	TRIM - WINDSHIELD - A-PILLAR - DRIVER - BLACK
12	081914-02-000	EA	BUMPER - RUBBER - ROUND - 5/16" DIA. X 13/64" THICK
13	099418-01-000	FT	SEAL - D-SECTION/ADHESIVE BACK - .44" X .44"- BLK RUBBER

WINDSHIELD & WIPER GROUP (CONTINUED)

WIPER



KEY	PART NUMBER	U/M	DESCRIPTION
1	067188-01-000	EA	STUD - CRANK - WIPER MOTOR
	117322-01-000	EA	SCREW - 1/4-28 UNFINISHED - 2A - TORX
2	117770-01-000	EA	LINK - CONNECTING - 24" - CLOSED GROMMET/OPEN GROMMET
3	117770-02-000	EA	LINK - CONNECTING - 24" - CLOSED GROMMET/CLOSED GROMMET
4	104346-04-000	EA	WIPER MOTOR - "COAST TO PARK" W/BKR - W/GRN/RED/WHITE WIRE
5	104347-04-000	EA	ARM - DRIVE - WIPER MOTOR
6	061603-01-000	EA	GROMMET - SNAP - 3/16"ID - 3/8" HOLE - PLASTIC BLACK
7	045794-01-000	FT	HOSE - WASHER - WINDSHIELD - 5/32" ID - BLACK
8	077049-02-000	EA	NUT - ACORN - 10-32 BLACK/ANODIZED
9*	095964-01-000	EA	BLADE - WINDSHIELD WIPER - 24"
10*	096505-09-000	EA	SHAFT/PIVOT - WINDSHIELD WIPER
11	110605-01-000	EA	TEE - PLASTIC - BARBED - 1/8" X 1/8" X 3/16"
12	117765-03-000	EA	CONNECTOR - 5/32" - WINDSHIELD WASHER
13	117766-02-000	EA	RESERVOIR/PUMP - WINDSHIELD WASHER
14	117768-01-000	EA	SHAFT - ADAPTER - PANTOGRAPH ARM
15*	117769-01-000	EA	ARM - WIPER - PANTOGRAPH - 28"
16	110742-02-000	EA	GASKET - NEOPRENE - WIPER ADAPTER SHAFT - .5" ID X .9" OD

* PRESS TO SEE ILLUSTRATED SERVICE PARTS LIBRARY