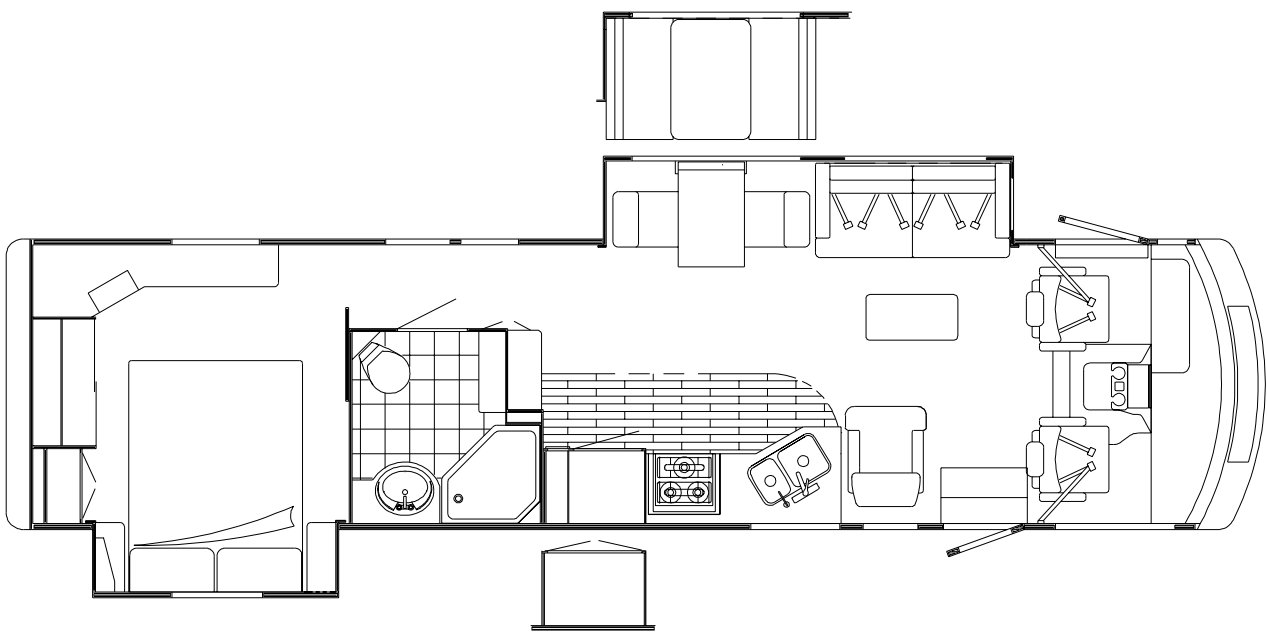
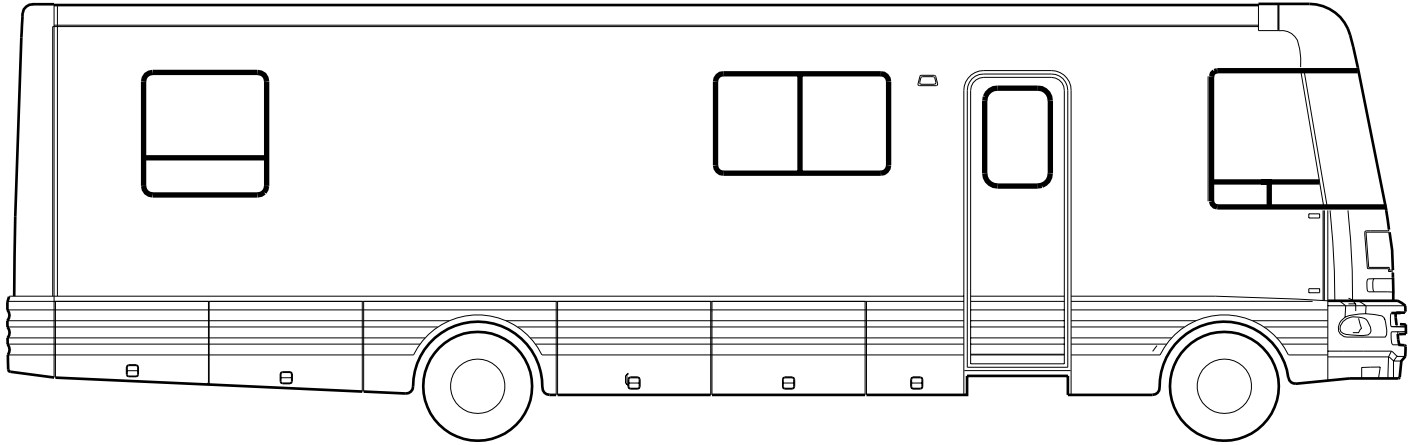


2000 WFL36W



FLOORPLAN

2000
WFL36W

CHIEFTAIN
L - SERIES

SALEM CHERRY

L52 BARBADOS (PLUM)
L54 CALYPSO (NEUTRAL)
L56 OASIS (BLUE)

WATERFORD OAK

L53 BARBADOS (PLUM)
L55 CALYPSO (NEUTRAL)
L57 OASIS (BLUE)

CONTENTS

| | |
|---------------------------------------|-----------|
| FLOORPLAN | 2 |
| ACCESSORIES GROUP | 8 |
| OPERATORS MANUAL | 8 |
| APPLIANCE GROUP | 9 |
| APPLIANCES | 9 |
| AUDIO VIDEO GROUP | 12 |
| RADIO SYSTEM | 12 |
| REAR VIEW MONITOR | 13 |
| TELEPHONE | 13 |
| TV & VCR | 14 |
| EXTERIOR ENTERTAINMENT | 15 |
| BATH GROUP | 16 |
| CABINETS | 16 |
| DOORS & DRAWERS | 18 |
| SHOWER | 19 |
| BEDROOM GROUP | 20 |
| QUEEN CABINETS | 20 |
| QUEEN DOORS & DRAWERS | 22 |
| CHASSIS GROUP | 24 |
| FRAME | 24 |
| FRONT END | 26 |
| EXHAUST | 28 |
| HITCH | 28 |
| REAR BUMPER | 29 |
| FUEL | 30 |
| HYDRAULIC LEVELING | 31 |
| WHEEL, TIRE, COVERS &/OR LINERS | 32 |
| BRAKE | 32 |

CONTENTS (CONTINUED)

| | |
|--|-----------|
| CURTAIN & CUSHION GROUP | 33 |
| NOTICE | 33 |
| CUSHION LAYOUT | 34 |
| BUCKET SEATS | 36 |
| LOUNGE CHAIR | 40 |
| WINDOW TREATMENT | 42 |
| HARDWARE | 44 |
| ACCESSORIES | 46 |
| FABRICS | 47 |
| DINETTE GROUP | 48 |
| CABINETS | 48 |
| DOORS & DRAWERS | 49 |
| TABLE | 50 |
| DRIVERS COMPARTMENT GROUP | 52 |
| INSTRUMENT PANEL | 52 |
| DASH..... | 54 |
| MOTOR COVER | 56 |
| BEVERAGE TRAY | 57 |
| FRONT INTERIOR | 58 |
| CABINETS | 62 |
| ELECTRICAL GROUP | 63 |
| LIGHTS | 63 |
| CIRCUIT BREAKERS & FUSES | 68 |
| CONVERTER, INVERTER, LOAD CENTER | 68 |
| RECEPTACLES | 69 |
| SWITCHES | 71 |
| BOXES & CORDS | 74 |
| WIRE ASSEMBLIES | 75 |
| CONNECTORS & CONDUIT | 75 |
| BOOTS, SOLENOIDS, RELAYS & MISC. | 78 |

CONTENTS (CONTINUED)

| | |
|--|------------|
| EXTERIOR BODY GROUP | 79 |
| GRAPHICS & PAINT | 79 |
| PANELS | 81 |
| TRIMS | 82 |
| FRONT END | 84 |
| LADDER | 87 |
| MIRRORS | 87 |
| BODY PANEL COMPONENTS | 87 |
| AWNINGS | 87 |
| EXTERIOR DOORS & COMPARTMENTS GROUP | 88 |
| DOOR & COMPARTMENT LAYOUT | 88 |
| COMPARTMENT DOOR COMPONENTS | 92 |
| DRIVERS DOOR | 93 |
| ENTRY DOOR | 95 |
| SCREEN DOOR | 97 |
| LATCH - ENTRY DOOR | 98 |
| EXTERIOR SLIDEOUT INSTALLATION GROUP | 100 |
| FRONT LEFT | 100 |
| RIGHT REAR | 104 |
| GALLEY GROUP | 107 |
| CABINETS | 107 |
| DOORS & DRAWERS | 109 |
| GENERATOR GROUP | 111 |
| GAS | 111 |
| HEATING & A/C GROUP | 113 |
| AUTOMOTIVE | 113 |
| FURNACE | 115 |
| REAR HEATER | 115 |
| CENTRAL | 116 |

CONTENTS (CONTINUED)

| | |
|--|------------|
| INTERIOR FINISH GROUP | 118 |
| MOLDINGS & TRIMS | 118 |
| PANELING, LAMINATES, BATT & EDGE BANDING | 122 |
| ACCESSORIES | 123 |
| FLOOR COVERINGS | 123 |
| HARDWARE | 124 |
| LABELS GROUP | 131 |
| LP GROUP | 149 |
| LP SYSTEM | 149 |
| LOUNGE GROUP | 150 |
| CABINETS | 150 |
| SEALANTS & FASTENERS GROUP | 151 |
| SEALANTS & ADHESIVES | 151 |
| BOLTS, NUTS AND WASHERS | 152 |
| SCREWS | 154 |
| CLAMPS, CLIPS, GROMMETS, RIVETS & PLUGS | 158 |
| MISCELLANEOUS FASTENERS | 160 |
| WATER & SEWAGE GROUP | 161 |
| DRAINAGE SYSTEM | 161 |
| WATER SYSTEM | 163 |
| WINDOW & VENTS GROUP | 169 |
| WINDOW & VENT LAYOUT | 169 |
| WINDSHIELD & WIPER GROUP | 171 |
| WINDSHIELD | 171 |
| WIPER | 172 |

ACCESSORIES GROUP
OPERATORS MANUAL

| KEY | PART NUMBER | U/M | DESCRIPTION |
|------------|--------------------|------------|--|
| | 132000-07-000 | EA | OWNER MANUAL - CHIEFTAIN - 2000 |
| | 132000-16-000 | EA | OWNER MANUAL - SUNFLYER - 2000 |
| | 129079-01-01A | EA | CASE - VINYL/BLACK-EXPANDABLE ACCORDION SIDES-7"WX9"HX14"L |
| | 129079-02-01A | EA | CASE - VINYL - OWNER MANUAL - 8.5" X 9" X 14" - BLACK |

APPLIANCE GROUP

APPLIANCES

COFFEEMAKER

| KEY | PART NUMBER | U/M | DESCRIPTION |
|-----|---------------|-----|--|
| | 124649-02-01A | EA | COFFEEMAKER - BLACK/10 CUP/DEEP BREW - UL |
| | 124649-03-01A | EA | COFFEEMAKER - BLACK/10 CUP/24 HOUR PROGRAM/DEEP BREW - CSA |

MICROWAVE

| KEY | PART NUMBER | U/M | DESCRIPTION |
|-----|---------------|-----|---|
| * | 119267-04-01A | EA | OVEN - MICROWAVE/CONVECTION W/HOOD - SHARP#-1855 US/CANADA |
| * | 119267-06-01A | EA | OVEN - MICROWAVE/CONVECTION W/HOOD - CSA |
| | 119267-05-000 | EA | FILTER - HOOD - CHARCOAL |
| | 130036-03-01A | EA | MICROWAVE OVEN - W/HOOD - CANADIAN - DIESEL PUSHERS |
| | 130036-02-000 | EA | FILTER/CHARCOAL - MICROWAVE - GE #C08-4030 - DIESEL PUSHERS |
| | 093305-01-01A | FT | TRIM - EDGE C-TYPE - WIRE CARRIER - .35" X .24" - VINYL |
| | 129552-02-02B | EA | BRACKET - MICROWAVE - E-COATED - FL34Y, KL36L ONLY |
| | 129836-01-02B | EA | ANGLE - W/HOLES - .7" X 1" X 28.3" - E-COATED - FL34Y, KL36L ONLY |
| | 129836-02-02B | EA | ANGLE - W/HOLES - .7" X 1" X 28.3" - E-COATED - FL34Y, KL36L ONLY |
| | 130736-01-02B | EA | BRACKET - MICROWAVE - RH - E-COATED - FL35U, FL36W ONLY |
| | 130736-02-02B | EA | BRACKET - MICROWAVE - LH - E-COATED - FL35U, FL36W ONLY |

* COMPONENT PARTS FOUND IN SERVICE PARTS LIBRARY

MONITOR PANEL

| KEY | PART NUMBER | U/M | DESCRIPTION |
|-----|---------------|-----|---|
| * | 121148-05-01A | EA | PANEL - MONITOR - 2 TANK - DIESEL - KL36L ONLY |
| * | 121148-06-01A | EA | PANEL - MONITOR - 2 PANEL/2 TANK - KL36L ONLY |
| * | 133004-01-01A | EA | PANEL - MONITOR - 2 TANK DIGITAL VOLT METER - FL36W, FL35U, FL34Y |
| * | 133004-02-01A | EA | PANEL - MONITOR - 2 TANK DIGITAL VOLT METER - SOLAR - FL36W, FL35U, FL34Y |

* COMPONENT PARTS FOUND IN SERVICE PARTS LIBRARY

RANGE COVERS

| KEY | PART NUMBER | U/M | DESCRIPTION |
|-----|---------------|-----|--|
| * | 126022-01-01A | EA | COVER - RANGE - BI-FOLD - 16" & 22" - BLACK TEXTURED |
| | 130816-01-01A | EA | COVER - RANGE - JAMAICAN SAND - 1/4" X 5.4" X 24.3" |
| | 130816-02-01A | EA | COVER - RANGE - JAMAICAN SAND - 1/4" X 11.7" X 24.3" |

* COMPONENT PARTS FOUND IN SERVICE PARTS LIBRARY

RANGE TOP

| KEY | PART NUMBER | U/M | DESCRIPTION |
|-----|---------------|-----|--|
| * | 114030-02-01A | EA | RANGE - 3 BURNER TOP - W/O OVEN - BLACK - UL |
| * | 114030-03-01A | EA | RANGE - 3 BURNER TOP - W/O OVEN - BLACK - CSA |
| | 106936-21-04B | EA | BRACKET - STOVE TIEDOWN/FRONT - BLACK - FL34Y, KL36L ONLY |
| | 106936-22-04B | EA | BRACKET - STOVE TIEDOWN/REAR - BLACK - FL34Y, KL36L ONLY |
| | 106936-35-04B | EA | BRACKET - STOVE TIEDOWN/FRONT - BLACK - FL35U, WFL36W ONLY |
| | 106936-36-04B | EA | BRACKET - STOVE TIEDOWN/REAR - BLACK - FL35U, FL36W ONLY |
| | 106936-37-04B | EA | BRACKET-TIEDOWN,STOVE FRT - IFL36W ONLY |

* COMPONENT PARTS FOUND IN SERVICE PARTS LIBRARY

APPLIANCE GROUP (CONTINUED)

APPLIANCES (CONTINUED) RANGE W/OVEN

| KEY | PART NUMBER | U/M | DESCRIPTION |
|-----|---------------|-----|--|
| * | 126023-01-01A | EA | RANGE - W/OVEN 22" - 3 BURNER/BLACK GLASS DOOR |
| * | 126023-02-01A | EA | RANGE - W/OVEN - 22" - 3 BURNER/TEXTURED TOP - BLACK |
| | 107109-21-04B | EA | BRACKET - TIEDOWN - FL34Y, KL36L ONLY FROM: 00-00-00 THRU: 07-23-00 |
| | 136382-01-04B | EA | BRACKET - TIEDOWN/OVEN - BLACK - FL34Y, KL36L ONLY FROM: 07-24-00 THRU: 99-99-99 |
| | 107109-22-04B | EA | BRACKET - TIEDOWN - FL34Y, KL36L ONLY FROM: 00-00-00 THRU: 07-23-00 |
| | 136382-02-04B | EA | BRACKET - TIEDOWN/OVEN - BLACK - FL34Y, KL36L ONLY FROM: 07-24-00 THRU: 99-99-99 |
| | 107109-37-04B | EA | BRACKET - TIEDOWN - BLACK - FL35U, WFL36W ONLY FROM: 00-00-00 THRU: 07-23-00 |
| | 136382-05-04B | EA | BRACKET - TIEDOWN/OVEN - BLACK - FRONT - FL35U, WFL36W ONLY FROM: 07-24-00 THRU: 99-99-99 |
| | 107109-38-04B | EA | BRACKET - TIEDOWN - BLACK - FL35U, FL36W ONLY FROM: 00-00-00 THRU: 07-23-00 |
| | 107109-39-04B | EA | BRACKET - TIEDOWN - BLACK - IFL36W ONLY FROM: 00-00-00 THRU: 07-23-00 |
| | 136382-06-04B | EA | BRACKET - TIEDOWN/OVEN - BLACK - REAR - FL35U, FL36W ONLY FROM: 07-24-00 THRU: 99-99-99 |

* COMPONENT PARTS FOUND IN SERVICE PARTS LIBRARY

REFRIGERATORS

| KEY | PART NUMBER | U/M | DESCRIPTION |
|-----|----------------|-----|--|
| | 054450-01-000 | EA | LEVEL - REFRIGERATOR |
| | 090329-01-000 | FT | SEAL/T - REFRIGERATOR CABINET |
| | 093369-02--000 | EA | STRAP - REFRIGERATOR |
| | 093646-01-000 | EA | BRACKET - TIEDOWN/REFRIGERATOR - RIGHT HAND |
| | 093646-02-000 | EA | BRACKET - TIEDOWN/REFRIGERATOR - LEFT HAND |
| * | 120075-07-01A | EA | REFRIGERATOR - LARGE DOUBLE DOOR/RIGHT HAND - BLACK 2-WAY FROM: 00-00-00 THRU: 01-02-00 |
| * | 120075-12-01A | EA | REFRIGERATOR - LARGE DOUBLE DOOR - 2-WAY - RH - HANDLE FROM: 01-03-00 THRU: 99-99-99 |
| * | 120075-09-01A | EA | REFRIGERATOR - LARGE DBL DOOR RH - W/ICE MAKER-BLACK 2-WAY FROM: 00-00-00 THRU: 01-02-00 |
| * | 120075-13-01A | EA | REFRIGERATOR-LARGE DBL DOOR- 2-WAY/ICE MKR-BLK-FLUSH HNDL FROM: 01-03-00 THRU: 99-99-99 |
| * | 121569-03-01A | EA | REFRIGERATOR - LARGE DOUBLE DOOR/RIGHT HAND - 2-WAY-BLACK - FL36W ONLY FROM: 00-00-00 THRU: 01-02-00 |
| * | 121569-05-01A | EA | REFRIGERATOR - LARGE DBL DOOR/2-WAY - BLK-NON-FLUSH HANDLE - FL36W ONLY FROM: 01-03-00 THRU: 99-99-99 |
| | 065225-04-000 | EA | PLATE - TIEDOWN - REFRIGERATOR - DOUBLE DOOR REFRIGERATOR |
| | 103251-07-01A | EA | INSERT/REFRIGERATOR DOOR-BLACK ACRYLIC - 21.6" X 14.5" - DOUBLE DOOR REFRIGERATOR |
| | 103251-09-01A | EA | INSERT/REFRIGERATOR DOOR-BLACK ACRYLIC - 21.6" X 38.6" - DOUBLE DOOR REFRIGERATOR |
| | 116751-02-01A | EA | TRAY - REFRIGERATOR - BLACK - DOUBLE DOOR REFRIGERATOR |
| | 116751-01-01A | EA | TRAY - REFRIGERATOR - BLACK - DOUBLE DOOR REFRIGERATOR - FL36W ONLY |
| * | 125242-01-01A | EA | REFRIGERATOR-4-DR-W/ICE MKR-W/FLUSH HANDLE-NORCOLD#1200LR FROM: 00-00-00 THRU: 01-02-00 |
| * | 125242-02-01A | EA | REFRIGERATOR-4 DR-W/ICE MKR-W/CONTOURED HANDLE-NORCOLD1201 FROM: 01-03-00 THRU: 99-99-99 |
| | 065225-01-000 | EA | PLATE - TIEDOWN/REFRIGERATOR - FOUR DOOR REFRIGERATOR |
| | 103251-10-01A | EA | INSERT/REFRIGERATOR DOOR-BLACK ACRYLIC - 16.2" X 18.4" - FOUR DOOR REFRIGERATOR |
| | 103251-11-01A | EA | INSERT/REFRIGERATOR DOOR - BLACK ACRYLIC - 16.2" X 41.2" - FOUR DOOR REFRIGERATOR |
| | 118871-02-01A | EA | TRAY - REFRIGERATOR - SIDE/SIDE - BLACK - FOUR DOOR REFRIGERATOR - FL36W, WFL35U ONLY |
| | 118871-03-01A | EA | TRAY - REFRIGERATOR - SIDE/SIDE - BLACK - FOUR DOOR REFRIGERATOR - KL36L ONLY |
| | 118871-05-01A | EA | TRAY - REFRIGERATOR - SIDE/SIDE - BLACK - FOUR DOOR REFRIGERATOR - IFL35U, FL34Y ONLY |

* COMPONENT PARTS FOUND IN SERVICE PARTS LIBRARY

APPLIANCE GROUP (CONTINUED)
APPLIANCES (CONTINUED)

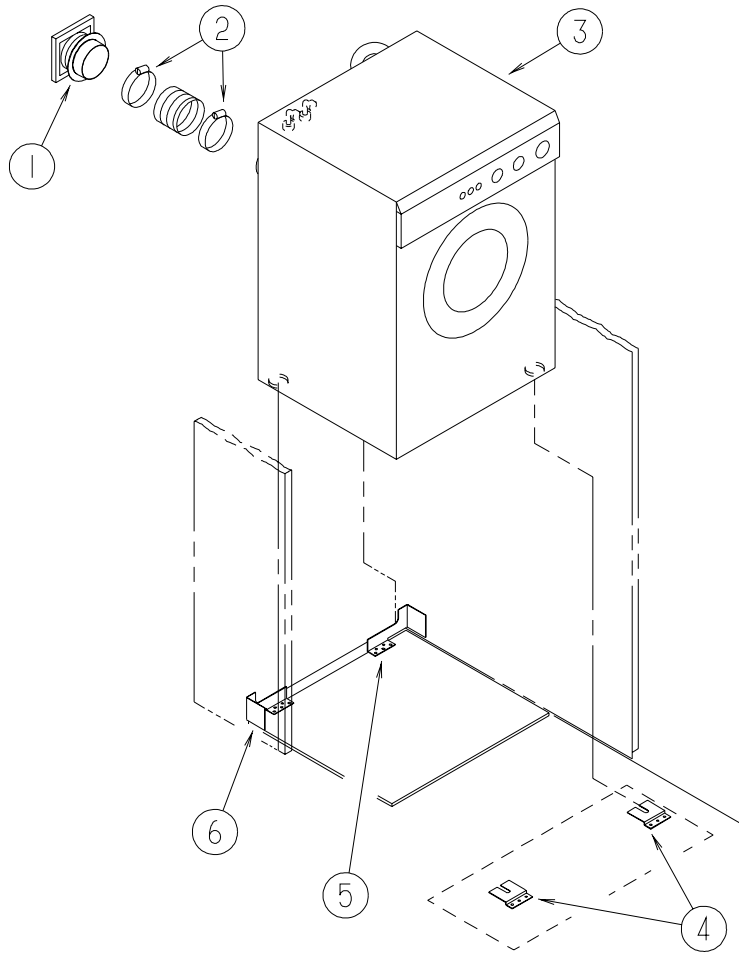
SOLAR PANELS

| KEY | PART NUMBER | U/M | DESCRIPTION |
|------------|--------------------|------------|--|
| * | 115504-01-000 | EA | PANEL - SOLAR 10 WATT |
| | 115505-01-000 | EA | LIGHT - MONITOR/SOLAR PANEL - RED LED INDICATOR - DIESEL PUSHER ONLY |

* **COMPONENT PARTS FOUND IN SERVICE PARTS LIBRARY**

TRASH CONTAINER

| KEY | PART NUMBER | U/M | DESCRIPTION |
|------------|--------------------|------------|--|
| | 130818-02-01A | EA | TRASH CONTAINER - 20 QUART ALMOND - FL36W, FL35U |



WASHER/DRYER

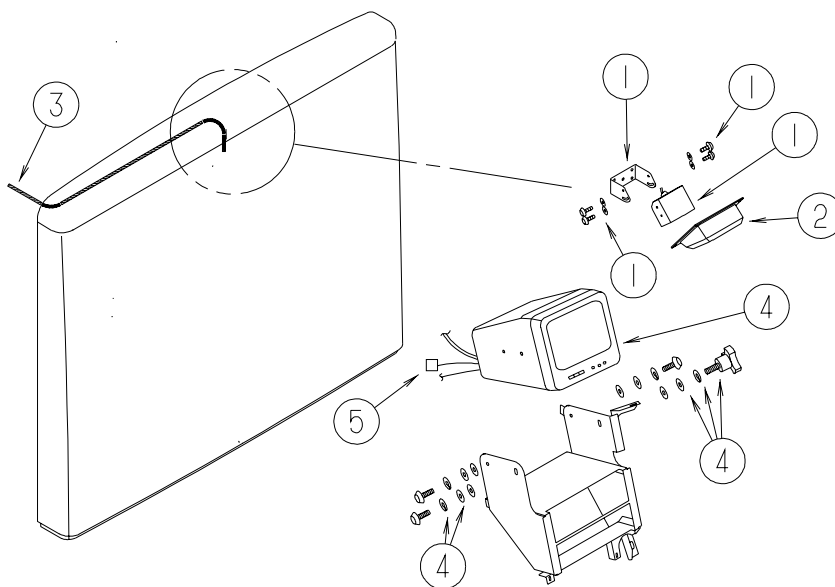
| KEY | PART NUMBER | U/M | DESCRIPTION |
|------------|--------------------|------------|--|
| 1 | 111947-02-01A | EA | VENT - DRYER - 3" |
| 2 | 116653-02-000 | EA | DUCT - FLEXIBLE |
| | 062401-09-000 | EA | CLAMP - HOSE - WORMGEAR - 2.8" - 3.75" |
| 3 | 107753-03-01A | EA | WASHER - DRYER - VENTED - UL/CSA - WHITE |
| 4 | 111913-01-01A | EA | BRACKET - WASHER - TIE DOWN |
| 5 | 113795-03-02B | EA | BRACKET - WASHER - E-COATED |
| 6 | 113795-04-02B | EA | BRACKET - WASHER - E-COATED |

**AUDIO VIDEO GROUP
RADIO SYSTEM**

| KEY | PART NUMBER | U/M | DESCRIPTION |
|-----|---------------|-----|---|
| | 077069-02-000 | EA | CABLE - ANTENNA/EXTENSION - RADIO - 96" |
| | 089340-02-000 | EA | GRILLE - SPEAKER - 6.5" SQUARE |
| | 090944-01-000 | EA | ANTENNA - RADIO - 16" RUBBER |
| | 094097-01-000 | EA | SPEAKER - RADIO/TV - W/O GRILLE - 5.25" DIAMETER |
| | 097460-12-000 | EA | RADIO - AM/FM STEREO - CASSETTE |
| | 108847-01-000 | EA | BRACKET - ANTENNA GROUND |
| | 109889-04-000 | EA | EXTENDER - ANTENNA SHAFT - 3.7" |
| | 110469-01-000 | EA | SPEAKER - 4" X 6" OVAL - COAXIAL |
| | 110470-01-01A | EA | GRILLE - 4" X 6" OVAL - BLACK |
| | 115916-01-01B | EA | BRACKET - ANTENNA MOUNT |
| | 102080-08-000 | EA | CHANGER - COMPACT DISC |
| | | | FROM: 00-00-00 THRU: 03-28-00 |
| | 102080-11-000 | EA | CHANGER - COMPACT DISC |
| | | | FROM: 03-29-00 THRU: 99-99-99 |
| | 102080-09-000 | EA | CHANGER - CONTROL/FM MOD & REM |
| | | | FROM: 00-00-00 THRU: 03-26-00 |
| | 102080-12-000 | EA | CHANGER - CONTROL/FM MOD & REM |
| | | | FROM: 03-27-00 THRU: 99-99-99 |
| | 123256-01-000 | EA | ANTENNA - CB - W/O CABLE |
| | 123256-02-000 | EA | CABLE - CB - COAX |
| | 124881-01-000 | EA | AMPLIFIER - AUDIO |
| | 124883-02-000 | EA | SPEAKER - CUBE - W/BRACKET |
| | 124883-03-000 | EA | SPEAKER - CUBE - W/O CASE - FL36W ONLY |
| | | | FROM: 03-02-00 THRU: 99-99-99 |
| | 124883-04-000 | EA | SPEAKER - GRILLE - CUBE - FL36W ONLY |
| | | | FROM: 03-02-00 THRU: 99-99-99 |
| | 124884-01-000 | EA | SPEAKER - 6" X 9" - SUB-WOOFER |
| | 124885-01-000 | EA | GRILLE - SPEAKER - 6" X 9" - SUB-WOOFER |
| | 125322-02-000 | EA | RADIO - AM/FM STEREO - CASSETTE - AUDIOVOX - EXT. ENTERTAINMENT W/CSETTE |
| | 127516-05-000 | EA | RADIO - AM/FM STEREO - CD PLAYER - EXT. ENTERTAINMENT W/CD |
| | | | FROM: 00-00-00 THRU: 04-02-00 |
| | 127516-06-000 | EA | RADIO - AM/FM STEREO - CD PLAYER - PANASONIC CQ-DP202 - EXT. ENTERTAINMENT W/CD |
| | | | FROM: 04-03-00 THRU: 06-12-00 |
| | 127517-05-000 | EA | RADIO - AM/FM STEREO - CD PLAYER - SONY CDX-C4005X - EXT. ENTERTAINMENT W/CD |
| | | | FROM: 06-13-00 THRU: 99-99-99 |
| | 127517-03-000 | EA | RADIO - AM/FM STEREO - CD PLAYER - SONY CDX-2250 - DASH |
| | | | FROM: 00-00-00 THRU: 05-14-00 |
| | 127517-05-000 | EA | RADIO - AM/FM STEREO - CD PLAYER - SONY CDX-C4005X - DASH |
| | | | FROM: 05-15-00 THRU: 99-99-99 |
| | 128074-02-000 | EA | FILTER - NOISE - 12 VOLT DC W/PLUGS |
| | 126958-01-000 | EA | RADIO - WALL MOUNT - AM/FM CASSETTE - AUDIOVOX - REAR RADIO W/O CD |
| | | | FROM: 00-00-00 THRU: 01-02-00 |
| | 133307-01-000 | EA | RADIO - WALL MOUNT - CASSETTE W/ALARM - REAR RADIO W/O CD |
| | | | FROM: 01-03-00 THRU: 99-99-99 |
| | 126958-01-000 | EA | RADIO - WALL MOUNT - AM/FM CASSETTE - AUDIOVOX - REAR RADIO W/CD |
| | | | FROM: 00-00-00 THRU: 09-19-99 |
| | 126958-02-000 | EA | CD PLAYER - WALL MOUNT (AUDIOVOX CDA-475) - REAR RADIO W/CD |
| | | | FROM: 00-00-00 THRU: 09-19-99 |
| | 133307-02-000 | EA | RADIO - WALL MOUNT - CD W/ALARM - REAR RADIO W/CD |
| | | | FROM: 09-20-99 THRU: 99-99-99 |
| | 136053-01-000 | EA | FILTER - NOISE - AUDIO |
| | | | FROM: 03-13-00 THRU: 06-29-00 |

AUDIO VIDEO GROUP (CONTINUED)

REAR VIEW MONITOR



| KEY | PART NUMBER | U/M | DESCRIPTION |
|-----|---------------|-----|---|
| 1 | 093040-09-000 | EA | CAMERA - REAR VIEW - W/BRACKET - SONY |
| 2 | 125258-01-01A | EA | SHROUD - CAMERA - OUTER |
| 3 | 093041-01-000 | EA | CABLE - MONITOR/CAMERA - INTERNAL USE - 65.6' |
| 4* | 093040-10-000 | EA | MONITOR - 7" REAR VIEW - W/BRACKET - SONY |
| 5 | 096717-04-000 | EA | WIRE ASSEMBLY - REAR MONITOR - UPPER |

* COMPONENT PARTS FOUND IN SERVICE PARTS LIBRARY

TELEPHONE

| KEY | PART NUMBER | U/M | DESCRIPTION |
|-----|---------------|-----|---|
| | 093253-01-01A | EA | PLATE - WALL - TELEPHONE - BEIGE |
| | 130686-01-01A | EA | PLATE - WALL - TELEPHONE/COAX |
| | 133713-06-01A | EA | SPACER - RECEPTACLE - 110/12V - PHONE - WATERFORD OAK |
| | 133713-06-03A | EA | SPACER - RECEPTACLE - 110/12V - PHONE - SALEM CHERRY |

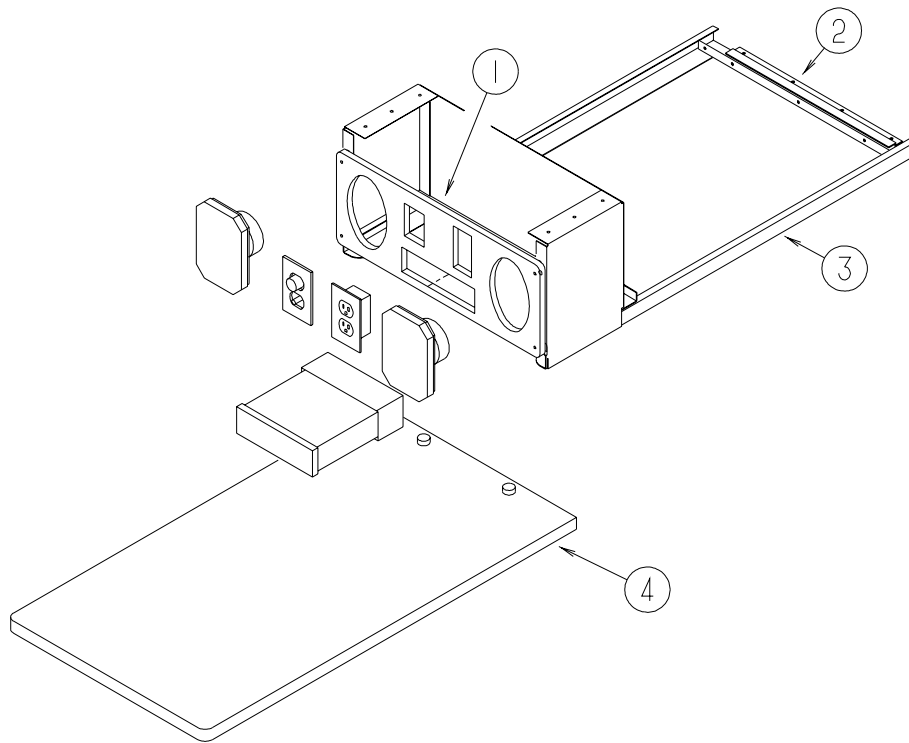
AUDIO VIDEO GROUP (CONTINUED)

TV & VCR

| KEY | PART NUMBER | U/M | DESCRIPTION |
|-----|---------------|-----|---|
| * | 076319-23-000 | EA | ANTENNA - TV ROOF MOUNT - 44.5" MAST |
| * | 076319-25-000 | EA | KIT - HARDWARE INTERIOR |
| | 076319-09-000 | EA | WALLPLATE - CABLE RECEPTACLE - TV - SINGLE - BROWN |
| | 076319-03-000 | FT | CABLE - COAXIAL - 75 OHM |
| | 076319-12-000 | EA | CONNECTOR - COAXIAL - ONE PIECE |
| | 076319-08-000 | EA | WALLPLATE - CABLE RECEPTACLE - TV - SINGLE - IVORY |
| | 082134-01-000 | EA | ADAPTER - TV - CABLE TO CABLE |
| | 082136-01-000 | EA | NUT - HEX JAM - 3/8-32 |
| * | 086231-10-000 | EA | TV-COLOR 13" DC AUDIOVOX - AUDIOVOX AVT-1498 |
| | 086756-01-000 | EA | SPLITTER - TV - 2 WAY |
| | 086757-04-000 | EA | CONTROL CENTER - SWITCH - VCR/TV - 5 INPUTS |
| | 086777-06-000 | EA | WALLPLATE - TV CABLE - ANTENNA BOOSTER/1 OUTPUT - BLACK |
| | 093901-06-000 | EA | PLATE - TV COAX - EXTERIOR - 1.8" X 4.1" |
| | 093214-01-02A | EA | GRILLE - SPEAKER - 4" BROWN |
| | 098819-01-000 | EA | SPEAKER - 4" - 2 WATT - 8 OHM |
| | 114870-02-000 | EA | PLUG - .14" AUDIO W/LEADS |
| | 115539-01-000 | EA | RELAY - RADIO/TV SPEAKER - SWITCH |
| | 115540-01-000 | EA | AMPLIFIER - TV SPEAKERS |
| | 117420-02-000 | EA | CABLE - RCA - MALE - MALE - 4 FOOT |
| * | 120233-04-000 | EA | ANTENNA - SATELLITE - W/DIGITAL SENSOR/READ OUT DISPLAY |
| | 123324-01-000 | EA | FILTER - GROUND LOOP |
| | 124812-03-02B | EA | STRAP - TIEDOWN/TV - E-COATED - W/REAR TV - FL34Y, FL35U ONLY |
| | 124812-04-02B | EA | STRAP - TIEDOWN/TV - E-COATED - W/REAR TV - FL34Y, FL35U ONLY |
| * | 126696-03-000 | EA | TV - 19" COLOR W/1/8" JACK - UL/CSA |
| * | 126697-03-000 | EA | VCR-VHS - CABLE READY - REMOTE - GE V62051 FROM: 00-00-00 THRU: 02-20-00 |
| * | 126697-05-000 | EA | VCR/VHS - CABLE READY - W/REMOTE - GE VG4052 FROM: 02-21-00 THRU: 05-28-00 |
| | 126697-06-000 | EA | VCR/VHS - CABLE READY - W/REMOTE - GE VG4060 FROM: 05-29-00 THRU: 99-99-99 |
| * | 133377-01-000 | EA | TV - 25" - 1/8" JACK - UL/CSA |
| | 134006-01-03B | EA | PLATE - COAXIAL CABLE/OFF WHITE |

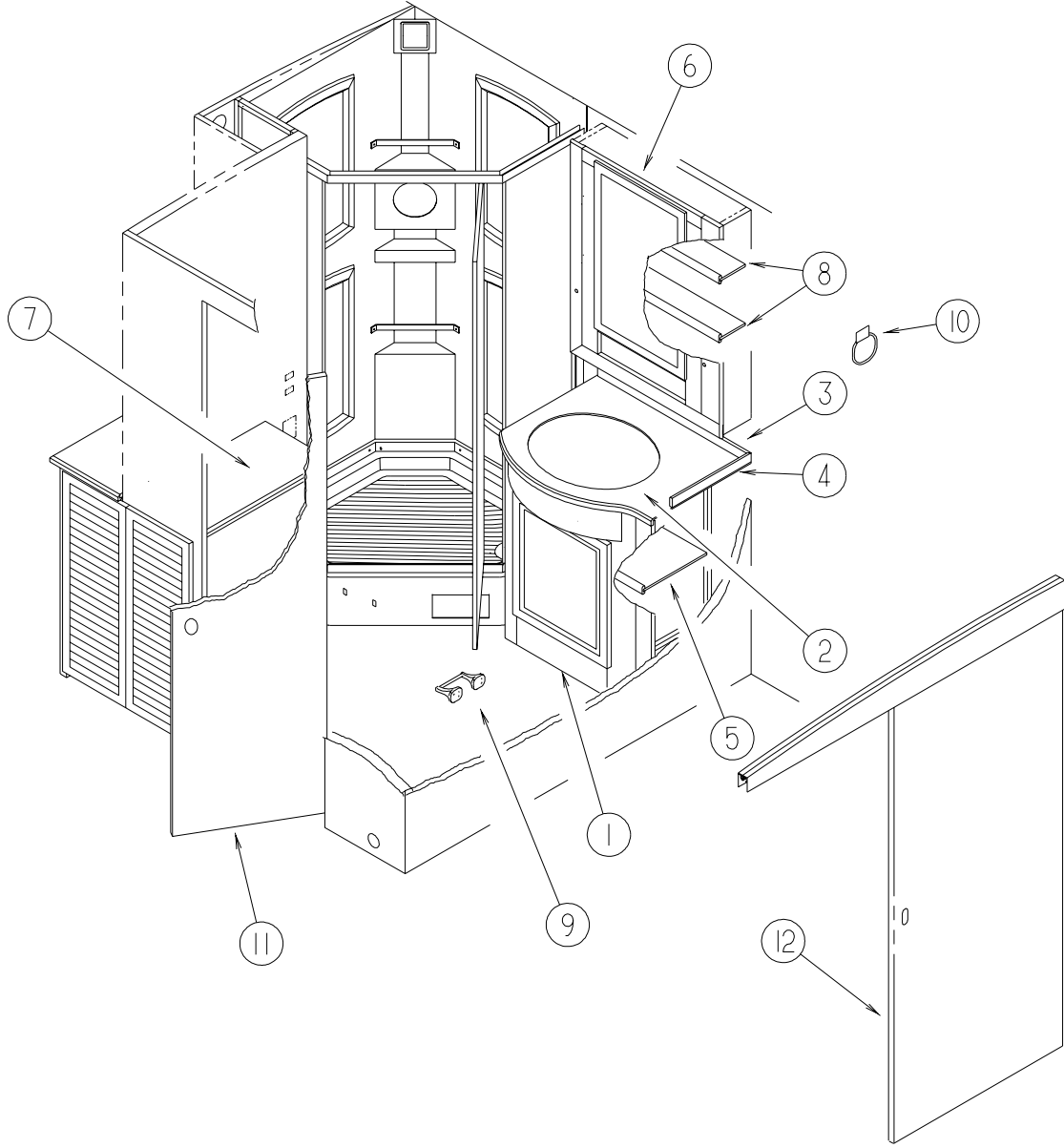
* **COMPONENT PARTS FOUND IN SERVICE PARTS LIBRARY**

AUDIO VIDEO GROUP (CONTINUED)
EXTERIOR ENTERTAINMENT



| KEY | PART NUMBER | U/M | DESCRIPTION |
|-----|---------------|-----|---|
| 1 | 126123-01-K30 | EA | PLATE - RADIO MOUNTING - KL36L, FL34Y |
| 1 | 126123-04-L52 | EA | PLATE - RADIO MOUNTING - FL36W |
| 1 | 126123-03-L52 | EA | PLATE - RADIO MOUNTING - FL35U |
| 2 | 130284-01-01A | EA | CLIP - MOUNTING - L35U ONLY |
| 3 | 126119-01-02B | EA | FRAME - ENTERTAINMENT CENTER - EXTERIOR - 21.1" X 10.3" - KL36L |
| 3 | 126119-07-02B | EA | FRAME - ENTERTAINMENT CENTER - E-COATED - FL36W |
| 3 | 126119-06-02B | EA | FRAME - ENTERTAINMENT CENTER - E-COATED - FL35U |
| 3 | 126119-02-02B | EA | FRAME - ENTERTAINMENT CENTER - EXTERIOR - 21.1" X 10.3" - FL34Y |
| 4 | 126125-01-K30 | EA | TABLE - ENTERTAINMENT CENTER - FL34Y, FL35U, KL36L |
| 4 | 134985-01-01A | EA | TABLE - FOLDING - 16"W X 32"L X 26 1/2"H - CHROME LEGS - FL36W |

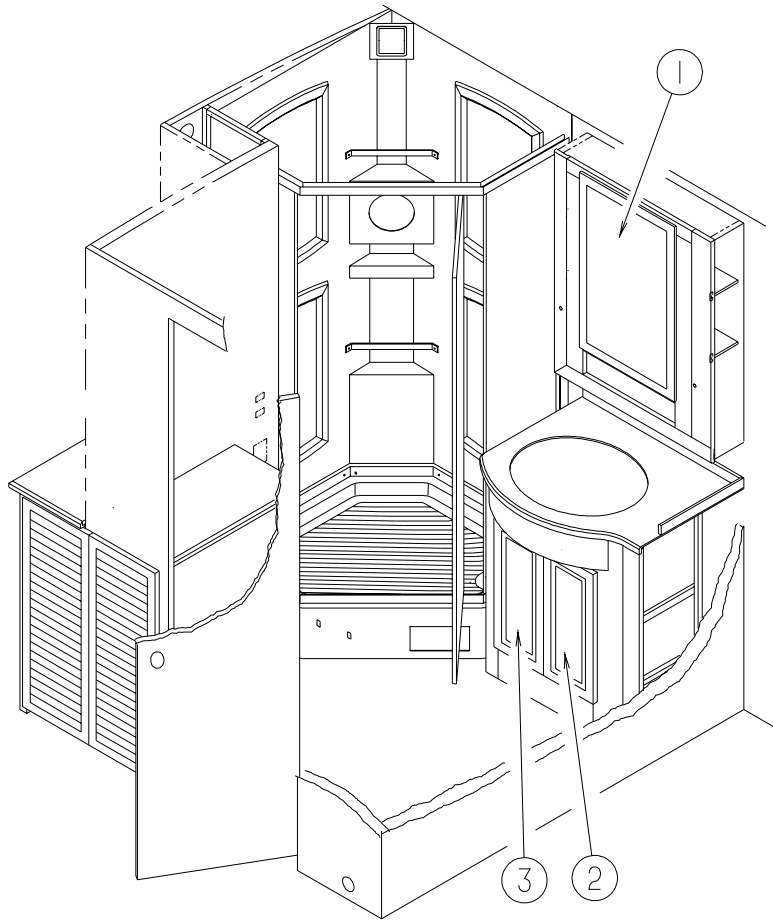
**BATH GROUP
CABINETS**



BATH GROUP (CONTINUED)**CABINETS (CONTINUED)**

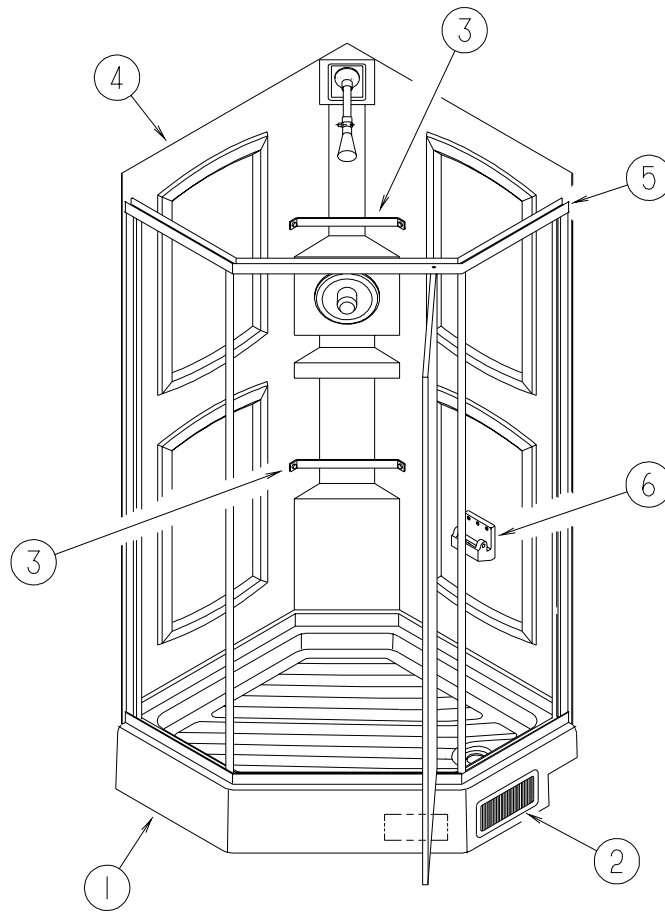
| KEY | PART NUMBER | U/M | DESCRIPTION |
|------------|--------------------|------------|--|
| 1 | 134399-01-L52 | EA | CABINET - LAVATORY - W/O COUNTERTOP/DOORS/DRAWERS/HARDWARE - SALEM CHERRY |
| 1 | 134399-01-L53 | EA | CABINET - LAVATORY - W/O COUNTERTOP/DOORS/DRAWERS/HARDWARE - WATERFORD OAK |
| 2 | 130812-10-01A | EA | COUNTERTOP - JAMAICAN SAND - 1/4" VENDURA |
| 3 | 130813-14-01A | EA | BACKSPLASH - COUNTERTOP - JAMAICAN SAND - 1/2" VENDURA |
| 4 | 130813-15-01A | EA | BACKSPLASH - COUNTERTOP - JAMAICAN SAND - 1/2" VENDURA |
| 5 | 134399-13-L52 | EA | SHELF - W/PLASTIC EDGE MOLDING - SALEM CHERRY |
| 5 | 134399-13-L53 | EA | SHELF - W/PLASTIC EDGE MOLDING - WATERFORD OAK |
| 6 | 134400-01-L52 | EA | CABINET - OVERHEAD/MEDICINE - W/O DOORS/HARDWARE - SALEM CHERRY |
| 6 | 134400-01-L53 | EA | CABINET - OVERHEAD/MEDICINE - W/O DOORS/HARDWARE - WATERFORD OAK |
| 7 | 133131-11-L52 | EA | COUNTERTOP - LAMINATED (L52, L54) |
| 7 | 133131-11-L53 | EA | COUNTERTOP - LAMINATED (L53, L55) |
| 7 | 133131-11-L56 | EA | COUNTERTOP - LAMINATED (L56) |
| 7 | 133131-11-L57 | EA | COUNTERTOP - LAMINATED (L57) |
| 8 | 134400-15-L52 | EA | SHELF - W/PLASTIC EDGE MOLDING - SALEM CHERRY |
| 8 | 134400-15-L53 | EA | SHELF - W/PLASTIC EDGE MOLDING - WATERFORD OAK |
| 9 | 075452-02-000 | EA | HOLDER - TOILET TISSUE - BRASS |
| 10 | 132046-01-01A | EA | RING - TOWEL - BRASS/METAL |
| 11 | 131933-03-L52 | EA | DOOR - BATH - W/O HARDWARE - SALEM CHERRY |
| 11 | 131933-03-L15 | EA | DOOR - BATH - W/O HARDWARE - WATERFORD OAK |
| | 100357-01-000 | EA | ROD - F/TOWEL BAR - BRASS |
| | 102089-02-E41 | EA | RACK ASM-TOWEL - SALEM CHERRY |
| | 102089-02-G15 | EA | RACK ASM-TOWEL - WATERFORD OAK |
| | 102089-13-E41 | EA | RAIL END - RIGHT HAND/TOWEL RACK - 26" - SALEM CHERRY |
| | | | FROM: 00-00-00 THRU: 08-19-99 |
| | 102089-13-G09 | EA | RAIL END - RIGHT HAND/TOWEL RACK - 26" - WATERFORD OAK |
| | | | FROM: 00-00-00 THRU: 08-19-99 |
| | 134509-01-12A | EA | RAIL END - RH/LH - TOWEL RACK - 26" - CHERRY |
| | | | FROM: 08-20-99 THRU: 99-99-99 |
| | 134509-01-11A | EA | RAIL END - RH/LH - TOWEL RACK - 26" - WATERFORD OAK |
| | | | FROM: 08-20-99 THRU: 99-99-99 |
| 12 | 104013-01-L52 | EA | DOOR - SLIDING - W/O HARDWARE - SALEM CHERRY |
| 12 | 104013-01-L32 | EA | DOOR - SLIDING - W/O HARDWARE - WATERFORD OAK |

BATH GROUP (CONTINUED)
DOORS & DRAWERS



| KEY | PART NUMBER | U/M | DESCRIPTION |
|-----|---------------|-----|---|
| 1 | 115237-06-J30 | EA | DOOR - MIRRORED/MEDICINE CABINET - W/O HARDWARE - SALEM CHERRY |
| 1 | 115237-06-J94 | EA | DOOR - MIRRORED/MEDICINE CABINET - W/O HARDWARE - WATERFORD OAK |
| 2 | 131995-07-L52 | EA | DOOR - RAIL/SOLID PANEL - 9.2" X 21.8" - W/O HARDWARE - SALEM CHERRY |
| 2 | 131995-07-L53 | EA | DOOR - RAIL/SOLID PANEL - 9.2" X 21.8" - W/O HARDWARE - WATERFORD OAK |
| 3 | 131995-09-L52 | EA | DOOR - RAIL/SOLID PANEL - 9.2" X 21.8" - W/O HARDWARE - SALEM CHERRY |
| 3 | 131995-09-L53 | EA | DOOR - RAIL/SOLID PANEL - 9.2" X 21.8" - W/O HARDWARE - WATERFORD OAK |

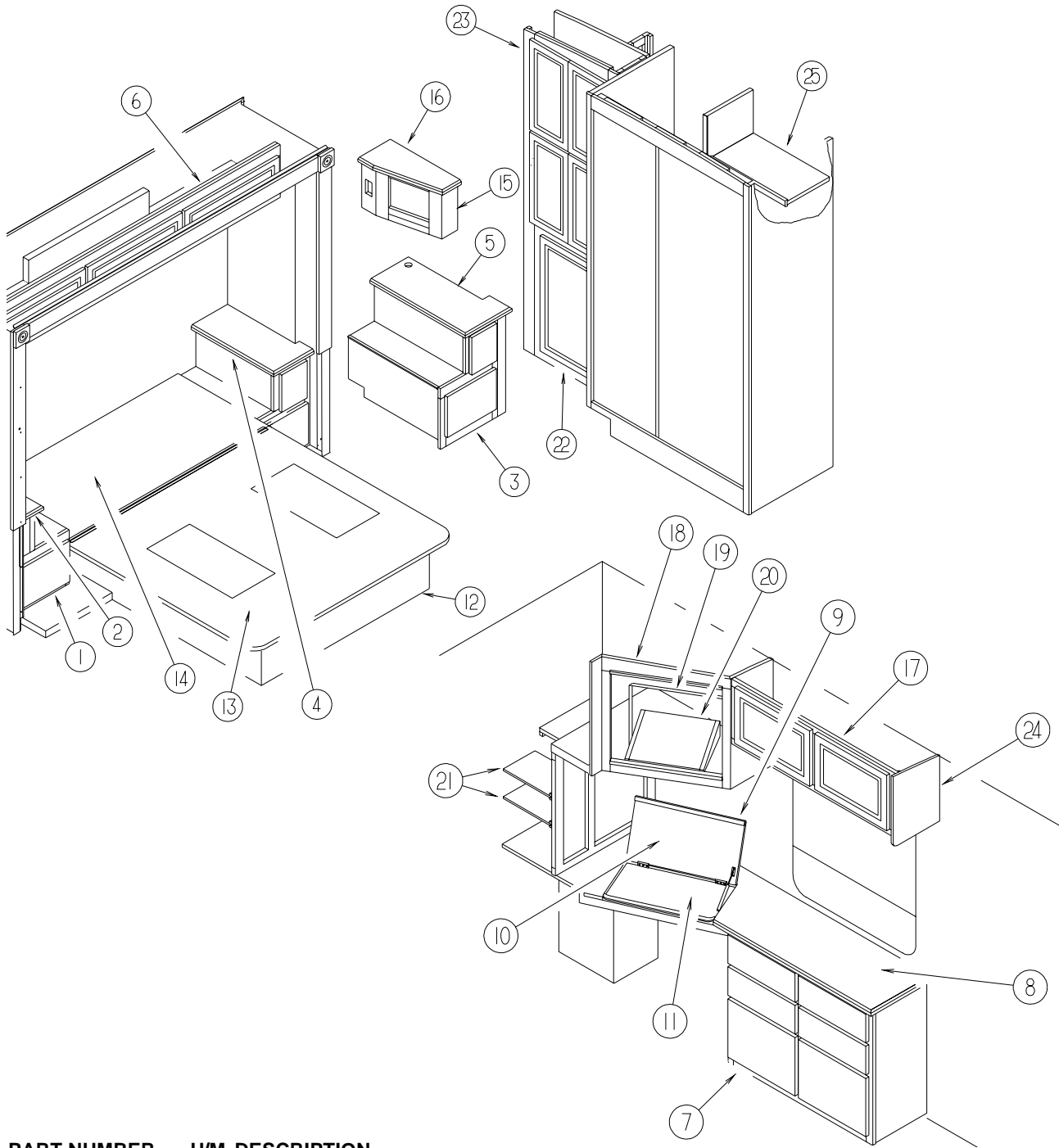
BATH GROUP (CONTINUED) SHOWER



| KEY | PART NUMBER | U/M | DESCRIPTION |
|-----|---------------|-----|--|
| 1 | M02630-58-L52 | EA | SHOWER PAN - W/STRAINER |
| 2 | 089326-02-000 | EA | GRILL - FLOOR - HEATING - 9.3" X 8.4" - SOFT WHITE |
| 3 | 113714-02-02A | EA | RETAINER - SHELF/SHOWER - SOFT WHITE |
| 4 | 131311-01-01A | EA | ENCLOSURE - SHOWER - SIDES/BACK - 1 PIECE |
| 5* | 131618-01-01A | EA | DOOR - SHOWER - SOLID W/PANEL |
| 6 | N/A | | SEAT NOT USED |

* COMPONENT PARTS FOUND IN SERVICE PARTS LIBRARY

BEDROOM GROUP QUEEN CABINETS



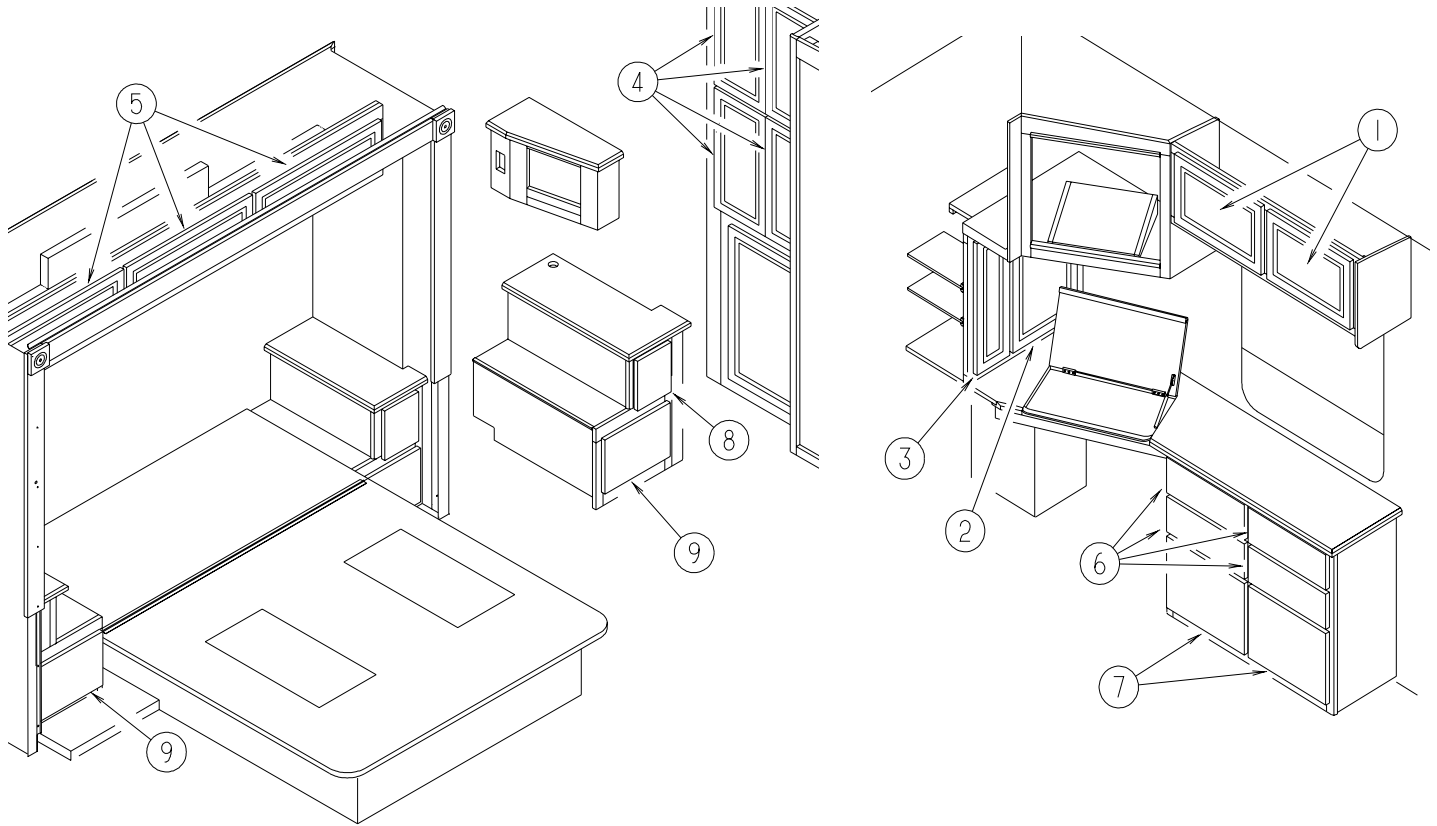
| KEY | PART NUMBER | U/M | DESCRIPTION |
|-----|---------------|-----|---|
| 1 | 134406-01-L52 | EA | CABINET-NIGHTSTAND-W/O COUNTERTOP/DOORS/DWRS/HDW-SLIDEOUT - SALEM CHERRY |
| 1 | 134406-01-L53 | EA | CABINET-NIGHTSTAND-W/O COUNTERTOP/DOORS/DWRS/HDW-SLIDEOUT - WATERFORD OAK |
| 2 | 133131-13-L52 | EA | COUNTERTOP - LAMINATED (L52, L54) |
| 2 | 133131-13-L53 | EA | COUNTERTOP - LAMINATED (L53, L55) |
| 2 | 133131-13-L56 | EA | COUNTERTOP - LAMINATED (L56) |
| 2 | 133131-13-L57 | EA | COUNTERTOP - LAMINATED (L57) |
| 3 | 134406-02-L52 | EA | CABINET-NIGHTSTAND-W/O COUNTERTOP/DOORS/DWRS/HDW-SLIDEOUT - SALEM CHERRY |
| 3 | 134406-02-L53 | EA | CABINET-NIGHTSTAND-W/O COUNTERTOP/DOORS/DWRS/HDW-SLIDEOUT - WATERFORD OAK |
| 4 | 133131-14-L52 | EA | COUNTERTOP - LAMINATED (L52, L54) |
| 4 | 133131-14-L53 | EA | COUNTERTOP - LAMINATED (L53, L55) |
| 4 | 133131-14-L56 | EA | COUNTERTOP - LAMINATED (L56) |
| 4 | 133131-14-L57 | EA | COUNTERTOP - LAMINATED (L57) |
| 5 | 133131-15-L52 | EA | COUNTERTOP - LAMINATED (L52, L54) |
| 5 | 133131-15-L53 | EA | COUNTERTOP - LAMINATED (L53, L55) |
| 5 | 133131-15-L56 | EA | COUNTERTOP - LAMINATED (L56) |
| 5 | 133131-15-L57 | EA | COUNTERTOP - LAMINATED (L57) |

BEDROOM GROUP (CONTINUED)**QUEEN CABINETS (CONTINUED)**

| KEY | PART NUMBER | U/M | DESCRIPTION |
|------------|--------------------|------------|---|
| 6 | 133353-01-L52 | EA | CABINET - OVERHEAD/REAR - W/O DOORS/HARDWARE - SALEM CHERRY |
| 6 | 133353-01-L53 | EA | CABINET - OVERHEAD/REAR - W/O DOORS/HARDWARE - WATERFORD OAK |
| 7 | 134403-01-L52 | EA | CABINET - VANITY - W/O COUNTERTOP/DOORS/DRAWERS/HARDWARE (L52) |
| 7 | 134403-01-L53 | EA | CABINET - VANITY - W/O COUNTERTOP/DOORS/DRAWERS/HARDWARE (L53) |
| 7 | 134403-01-L54 | EA | CABINET - VANITY - W/O COUNTERTOP/DOORS/DRAWERS/HARDWARE (L54) |
| 7 | 134403-01-L55 | EA | CABINET - VANITY - W/O COUNTERTOP/DOORS/DRAWERS/HARDWARE (L55) |
| 7 | 134403-01-L56 | EA | CABINET - VANITY - W/O COUNTERTOP/DOORS/DRAWERS/HARDWARE (L56) |
| 7 | 134403-01-L57 | EA | CABINET - VANITY - W/O COUNTERTOP/DOORS/DRAWERS/HARDWARE (L57) |
| 8 | 133132-34-L52 | EA | COUNTERTOP - VANITY (L52, L54) |
| 8 | 133132-34-L53 | EA | COUNTERTOP - VANITY (L53, L55) |
| 8 | 133132-34-L56 | EA | COUNTERTOP - VANITY (L56) |
| 8 | 133132-34-L57 | EA | COUNTERTOP - VANITY (L57) |
| 9 | 133132-35-L52 | EA | COUNTERTOP - VANITY (L52, L54) |
| 9 | 133132-35-L53 | EA | COUNTERTOP - VANITY (L53, L55) |
| 9 | 133132-35-L56 | EA | COUNTERTOP - VANITY (L56) |
| 9 | 133132-35-L57 | EA | COUNTERTOP - VANITY (L57) |
| 10 | 134908-01-01A | EA | GROMMET - COUNTERTOP - 2 1/2" DIAMETER - BLACK |
| 11 | 134403-13-L52 | EA | DRAWER - VANITY - W/O HARDWARE - SALEM CHERRY |
| 11 | 134403-13-L53 | EA | DRAWER - VANITY - W/O HARDWARE - WATERFORD OAK |
| 12 | 134364-01-L52 | EA | CABINET/BASE - QUEEN BED - W/O DOOR/DRAWER/HARDWARE - SALEM CHERRY |
| 12 | 134364-01-L53 | EA | CABINET/BASE - QUEEN BED - W/O DOOR/DRAWER/HARDWARE - WATERFORD OAK |
| 13 | M07571-14-000 | EA | TOP - F/QUEEN BED |
| 14 | M07571-10-L32 | EA | TOP - F/QUEEN BED - HINGED |
| 15 | 129200-51-L52 | EA | CABINET - RADIO - W/O COUNTERTOP/DOOR/HARDWARE - W/CD - (L52, L54) FROM: 00-00-00 THRU: 09-19-99 |
| 15 | 129200-10-L52 | EA | CABINET - RADIO - W/O COUNTERTOP/DOOR/HARDWARE - W/CD - (L52, L54) FROM: 09-20-99 THRU: 99-99-99 |
| 15 | 129200-10-L52 | EA | CABINET - RADIO - W/O COUNTERTOP/DOOR/HARDWARE - W/O CD - (L52, L54) |
| 15 | 129200-51-L53 | EA | CABINET - RADIO - W/O COUNTERTOP/DOOR/HARDWARE - W/CD - (L53, L55) FROM: 00-00-00 THRU: 09-19-99 |
| 15 | 129200-10-L53 | EA | CABINET - RADIO - W/O COUNTERTOP/DOOR/HARDWARE - W/CD - (L53, L55) FROM: 09-20-99 THRU: 99-99-99 |
| 15 | 129200-10-L53 | EA | CABINET - RADIO - W/O COUNTERTOP/DOOR/HARDWARE - W/O CD - (L53, L55) |
| 15 | 129200-51-L56 | EA | CABINET - RADIO - W/O COUNTERTOP/DOOR/HARDWARE - W/CD - (L56) FROM: 00-00-00 THRU: 09-19-99 |
| 15 | 129200-10-L56 | EA | CABINET - RADIO - W/O COUNTERTOP/DOOR/HARDWARE - W/CD - (L56) FROM: 09-20-99 THRU: 99-99-99 |
| 15 | 129200-10-L56 | EA | CABINET - RADIO - W/O COUNTERTOP/DOOR/HARDWARE - W/O CD - (L56) |
| 15 | 129200-51-L57 | EA | CABINET - RADIO - W/O COUNTERTOP/DOOR/HARDWARE - W/CD - (L57) FROM: 00-00-00 THRU: 09-19-99 |
| 15 | 129200-10-L57 | EA | CABINET - RADIO - W/O COUNTERTOP/DOOR/HARDWARE - W/CD - (L57) FROM: 09-20-99 THRU: 99-99-99 |
| 15 | 129200-10-L57 | EA | CABINET - RADIO - W/O COUNTERTOP/DOOR/HARDWARE - W/O CD - (L57) |
| 16 | 129200-12-K81 | EA | COUNTERTOP - F/RADIO CABINET (L52, L54) |
| 16 | 129200-12-K38 | EA | COUNTERTOP - F/RADIO CABINET (L53, L55) |
| 16 | 129200-12-L56 | EA | COUNTERTOP - F/RADIO CABINET (L56) |
| 16 | 129200-12-L57 | EA | COUNTERTOP - F/RADIO CABINET (L57) |
| 17 | 134402-01-L52 | EA | CABINET - OVERHEAD/REAR/LEFT HAND - W/O DOORS/HARDWARE - SALEM CHERRY |
| 17 | 134402-01-L53 | EA | CABINET - OVERHEAD/REAR/LEFT HAND - W/O DOORS/HARDWARE - WATERFORD OAK |
| 18 | 134404-01-L52 | EA | CABINET - OVERHEAD/TV/REAR - W/O DOORS/HARDWARE - SALEM CHERRY |
| 18 | 134404-01-L53 | EA | CABINET - OVERHEAD/TV/REAR - W/O DOORS/HARDWARE - WATERFORD OAK |
| 19 | 115466-26-02B | EA | STRAP - TIEDOWN/TV - E-COATED |
| 20 | 133023-03-L52 | EA | WEDGE - TV/19" - SALEM CHERRY |
| 20 | 133023-03-L53 | EA | WEDGE - TV/19" - WATERFORD OAK |
| 21 | 134414-12-L52 | EA | SHELF - W/EDGE MOLDING - SALEM CHERRY |
| 21 | 134414-12-L53 | EA | SHELF - W/EDGE MOLDING - WATERFORD OAK |
| 22 | 125162-53-L52 | EA | CABINET - HAMPER - W/O COUNTERTOP/DOORS/HARDWARE - SALEM CHERRY |
| 22 | 125162-53-L53 | EA | CABINET - HAMPER - W/O COUNTERTOP/DOORS/HARDWARE - WATERFORD OAK |
| 23 | 134411-01-L52 | EA | CABINET - LINEN - W/O DOORS/DRAWERS/HARDWARE - SALEM CHERRY |
| 23 | 134411-01-L53 | EA | CABINET - LINEN - W/O DOORS/DRAWERS/HARDWARE - WATERFORD OAK |
| 24 | 103128-66-L52 | EA | END CAP - OVERHEAD CABINET - RIGHT HAND - SALEM CHERRY |
| 24 | 103128-66-L53 | EA | END CAP - OVERHEAD CABINET - RIGHT HAND - WATERFORD OAK |
| 25 | 134405-16-L52 | EA | SHELF - W/PLASTIC EDGE MOLDING - SALEM CHERRY |
| 25 | 134405-16-L53 | EA | SHELF - W/PLASTIC EDGE MOLDING - WATERFORD OAK |

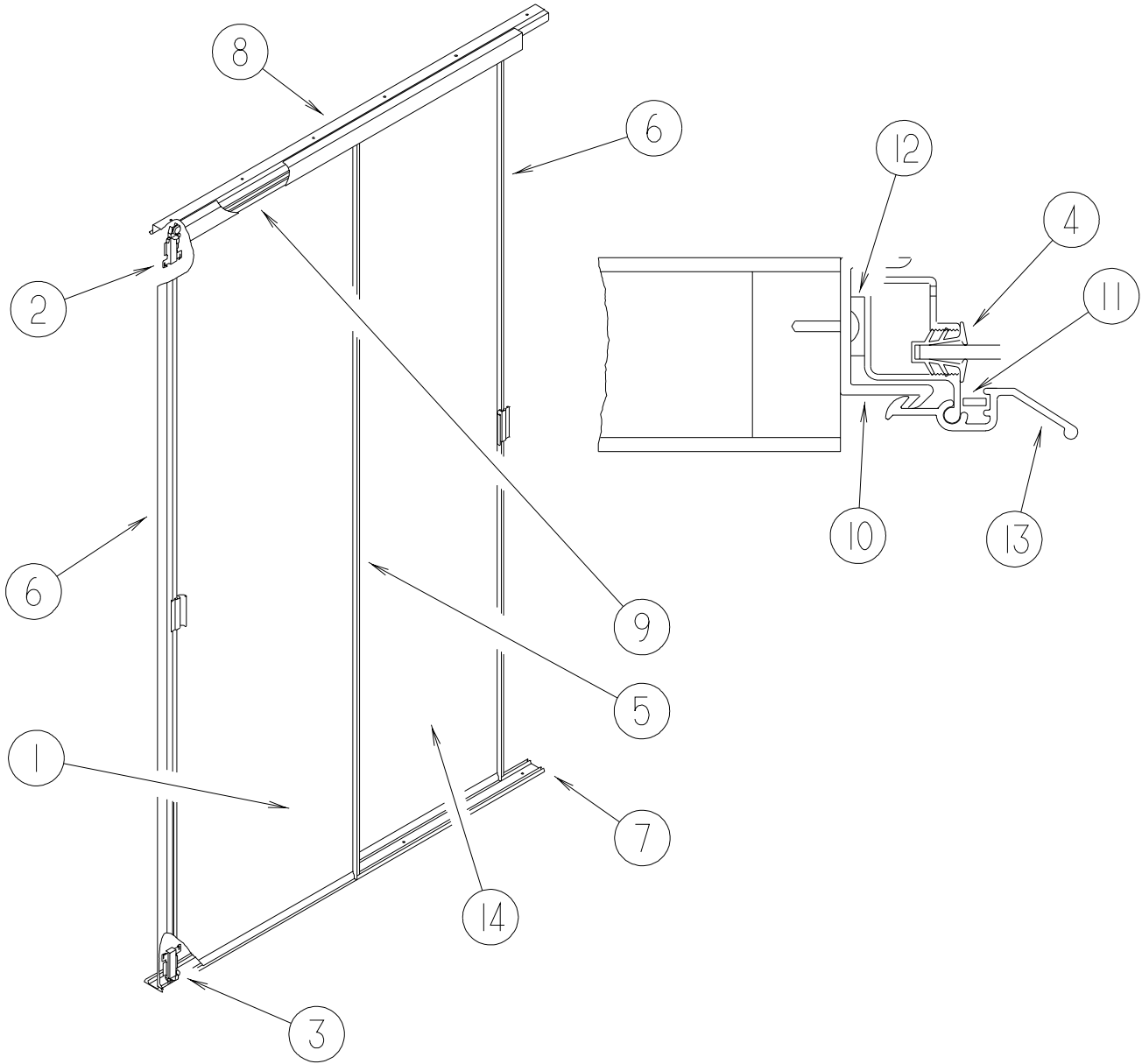
BEDROOM GROUP (CONTINUED)

QUEEN DOORS & DRAWERS



| KEY | PART NUMBER | U/M | DESCRIPTION |
|-----|---------------|-----|--|
| 1 | 131995-65-L52 | EA | DOOR - RAIL/SOLID PANEL - 14.3" X 17.9" - W/O HARDWARE - SALEM CHERRY |
| 1 | 131995-65-L53 | EA | DOOR - RAIL/SOLID PANEL - 14.3" X 17.9" - W/O HARDWARE - WATERFORD OAK |
| 2 | 131995-98-L14 | EA | DOOR - RAIL/SOLID PANEL - 14.3" X 21.8" - W/O HARDWARE - SALEM CHERRY |
| 2 | 131995-98-L10 | EA | DOOR - RAIL/SOLID PANEL - 14.3" X 21.8" - W/O HARDWARE - WATERFORD OAK |
| 3 | 131995-K2-L52 | EA | DOOR - RAIL/SOLID PANEL - 12" X 47.9" - W/O HARDWARE - SALEM CHERRY |
| 3 | 131995-K2-L22 | EA | DOOR - RAIL/SOLID PANEL - 12" X 47.9" - W/O HARDWARE - WATERFORD OAK |
| 4 | 131995-41-L52 | EA | DOOR - RAIL/SOLID PANEL - 12" X 47.9" - W/O HARDWARE - SALEM CHERRY |
| 4 | 131995-41-L32 | EA | DOOR - RAIL/SOLID PANEL - 12" X 47.9" - W/O HARDWARE - WATERFORD OAK |
| 5 | 131995-05-L52 | EA | DOOR - RAIL/SOLID PANEL - 9" X 26.5" - W/O HARDWARE - SALEM CHERRY |
| 5 | 131995-05-L32 | EA | DOOR - RAIL/SOLID PANEL - 9" X 26.5" - W/O HARDWARE - WATERFORD OAK |
| 6 | M09316-H4-L52 | EA | DRAWER - OGEE EDGE - 13.4"W X 15.7"D - W/O SLIDES/HARDWARE - SALEM CHERRY |
| 6 | M09316-H4-L53 | EA | DRAWER - OGEE EDGE - 13.4"W X 15.7"D - W/O SLIDES/HARDWARE - WATERFORD OAK |
| 7 | M09316-H5-L52 | EA | DRAWER - OGEE EDGE - 18.9"W X 17.6"D - W/O SLIDES/HARDWARE - SALEM CHERRY |
| 7 | M09316-H5-L53 | EA | DRAWER - OGEE EDGE - 18.9"W X 17.6"D - W/O SLIDES/HARDWARE - WATERFORD OAK |
| 8 | M09316-G2-L52 | EA | DRAWER - OGEE EDGE - 4.8"W X 23.6" - W/O SLIDES/HARDWARE - SALEM CHERRY |
| 8 | M09316-G2-L53 | EA | DRAWER - OGEE EDGE - 4.8"W X 23.6" - W/O SLIDES/HARDWARE - WATERFORD OAK |
| 9 | M09316-G1-L52 | EA | DRAWER - OGEE EDGE - 11.9" X 23.6" - W/O SLIDES/HARDWARE - SALEM CHERRY |
| 9 | M09316-G1-L53 | EA | DRAWER - OGEE EDGE - 11.9" X 23.6" - W/O SLIDES/HARDWARE - WATERFORD OAK |

BEDROOM GROUP (CONTINUED)
QUEEN DOORS & DRAWERS (CONTINUED)

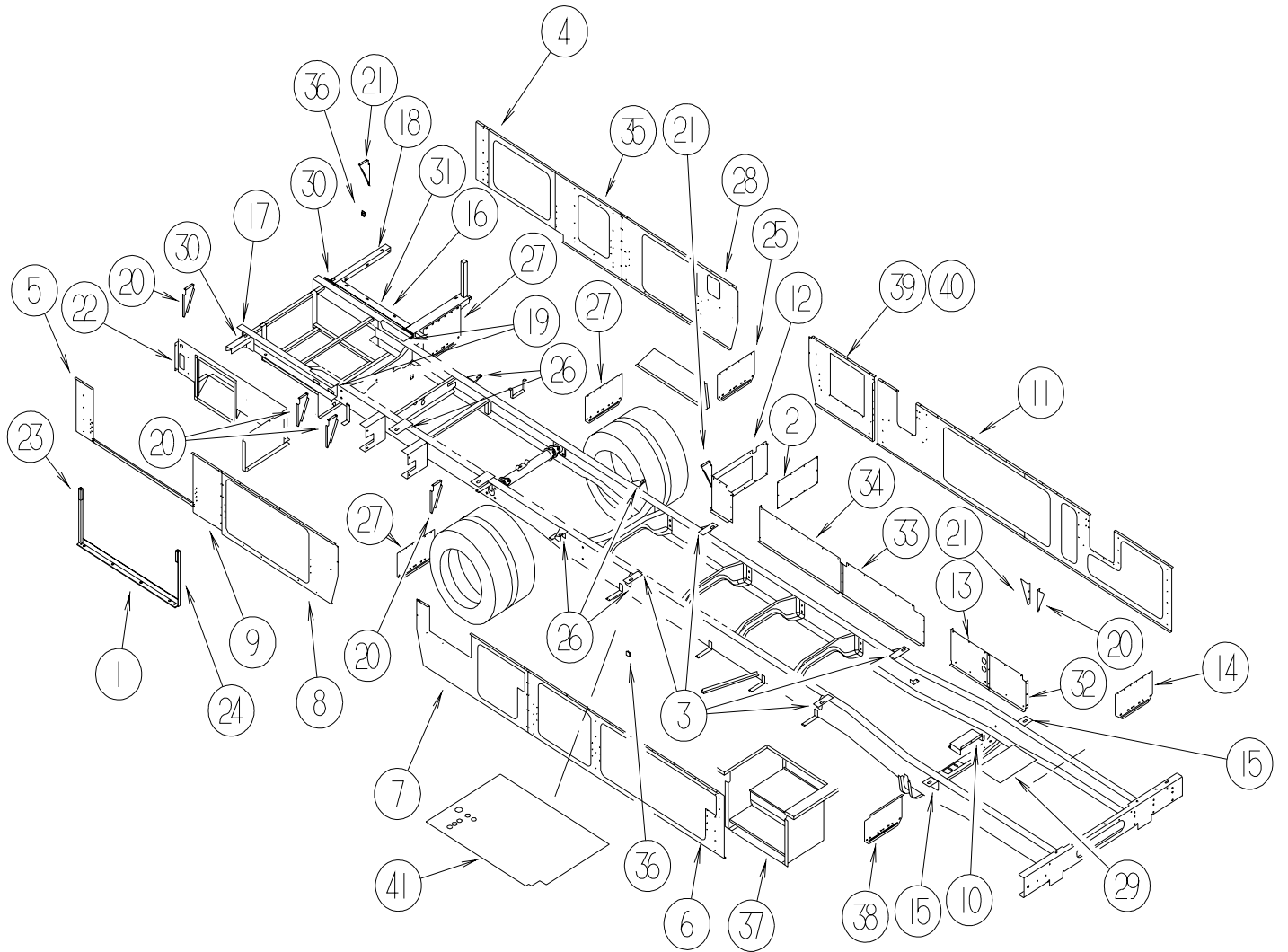


MIRRORED WARDROBE DOOR

| KEY | PART NUMBER | U/M | DESCRIPTION |
|-----|---------------|-----|---|
| 1 | 136681-16-L52 | EA | DOOR - WARDROBE/MIRRORED - LEFT HAND - 70.1" X 22.1" |
| | 058331-K7-000 | EA | MIRROR - SAFETY GLASS - 21.1" X 69.4" |
| 2 | 107390-02-000 | EA | CORNER HANGER (DOUBLE ROLLER W/BACKET) (SOLD AS 1 EACH) |
| 3 | 107391-01-000 | EA | GUIDE - BOTTOM - BY-PASS (4 USED PER DOOR) |
| 4 | 111575-01-01A | FT | CHANNEL - GLAZING - SWING DOOR |
| 5 | 114104-17-01A | EA | STILE-DOOR,SLIDING,TERRATONE |
| 6 | 114104-18-01A | EA | STILE-DOOR,SLIDING,TERRATONE |
| 7 | 114105-07-01A | EA | TRACK - LOWER/SLIDING DOOR - 42.5" |
| 8 | 114106-07-01A | EA | TRACK - DOOR - SLIDING/UPPER |
| 9 | 114107-06-01A | EA | RAIL - DOOR - SLIDING - TERRATONE |
| 10 | 115538-01-01A | EA | JAMB-DOOR,WARDROBE,MIRRORED |
| 11 | 115541-01-000 | EA | SPRING - DOOR - SLIDING |
| 12 | 123655-01-000 | FT | SEAL - CLOSED CELL/FOAM |
| 13 | 132038-01-01A | EA | LATCH - DOOR/WARDROBE - TERRATONE |
| 14 | 136680-16-L52 | EA | DOOR - WARDROBE/MIRRORED - RIGHT HAND - 70.1" X 22.1" |
| | 058331-K7-000 | EA | MIRROR - SAFETY GLASS - 21.1" X 69.4" |

CHASSIS GROUP

FRAME



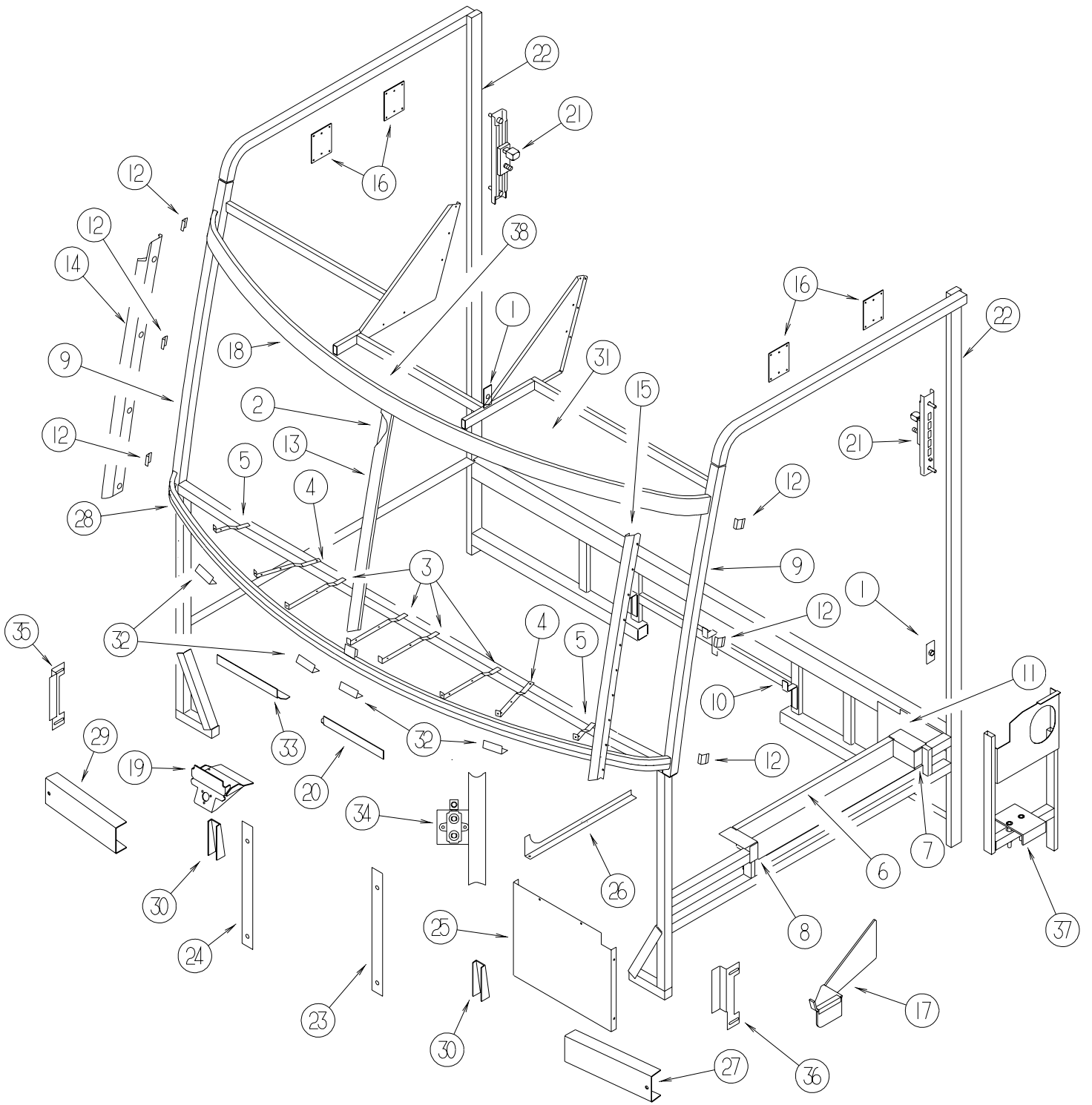
CHASSIS GROUP (CONTINUED)

FRAME (CONTINUED)

| KEY | PART NUMBER | U/M | DESCRIPTION |
|-----|---------------|-----|--|
| 1 | 129328-02-02B | EA | HANGER - A/C - COACH |
| 2 | 134316-01-02B | EA | PANEL - ACCESS - E-COATED |
| 3 | 134460-01-02B | EA | PLATE-MOUNTING - E-COAT |
| 4 | 132848-06-02B | EA | PLATE - SEAL - LEFT HAND - E-COATED |
| | | | FROM: 00-00-00 THRU: 08-29-00 |
| 4 | 136862-01-02B | EA | PLATE - SEAL - LEFT HAND - E-COATED |
| | | | FROM: 08-30-00 THRU: 99-99-99 |
| 5 | 132849-07-02B | EA | PLATE - SEAL - E-COATED |
| 6 | 132849-16-02B | EA | PLATE - SEAL - E-COATED |
| 7 | 132849-17-02B | EA | PLATE - SEAL - E-COATED |
| 8 | 132849-18-02B | EA | PLATE - SEAL - E-COATED |
| 9 | 132849-19-02B | EA | PLATE - SEAL - E-COATED |
| 10 | 133203-04-02B | EA | COVER - TRANSMISSION - E-COATED |
| 11 | 133562-07-02B | EA | SEAL PLANE - E-COATED |
| 12 | 134313-04-02B | EA | PANEL - CLOSEOUT - E-COATED |
| 13 | 134313-05-02B | EA | PANEL - CLOSEOUT - E-COATED |
| 14 | 020167-04-000 | EA | DIRT GUARD - STEEL - 11" LONG |
| | | | FROM: 00-00-00 THRU: 05-26-00 |
| 14 | 136391-01-02B | EA | GUARD - ROCK - E-COATED |
| | | | FROM: 05-27-00 THRU: 99-99-99 |
| 15 | 117154-04-02B | EA | MOUNT-BODY,E-COAT |
| | | | FROM: 01-07-00 THRU: 02-24-00 |
| 15 | 117154-07-02B | EA | MOUNT - FRAME RAIL/FLOOR |
| | | | FROM: 02-25-00 THRU: 99-99-99 |
| 16 | 133022-07-02B | EA | OUTRIGGER - GENERATOR - E-COATED |
| 17* | 132643-03-01A | EA | HITCH/CHASSIS EXTENSION RAIL - 45" - 2000 G-SERIES |
| 18 | 133022-04-02B | EA | OUTRIGGER - GENERATOR - E-COATED |
| 19 | 133095-01-02B | EA | PLATE - CLIP - E-COATED |
| 20 | 123440-02-02B | EA | SUPPORT/VALANCE PANEL - E-COATED |
| 21 | 123440-06-02B | EA | SUPPORT/VALANCE PANEL - E-COATED |
| | | | FROM: 00-00-00 THRU: 03-12-00 |
| 21 | 123440-06-02B | EA | SUPPORT/VALANCE PANEL - E-COATED |
| | | | FROM: 03-13-00 THRU: 99-99-99 |
| 22 | 132146-04-02B | EA | FRAME - RETURN AIR/AC - E-COATED |
| 23 | 133833-01-02B | EA | HANGER - A/C - E-COATED |
| 24 | 133833-02-02B | EA | HANGER - A/C - E-COATED |
| 25 | 134191-01-02B | EA | DIRT GUARD - E-COATED |
| 26 | 135712-01-02B | EA | PLATE - BODY MOUNT - E-COATED |
| 27 | 136391-02-02B | EA | GUARD - DIRT |
| 28 | 132848-10-02B | EA | PLATE - SEAL - E-COATED |
| 29 | 124562-05-02B | EA | PANEL - CLOSEOUT - AUTO HEATER - E-COATED |
| 30 | 135712-02-02B | EA | PLATE - BODY MOUNT - E-COATED |
| 31 | 104803-01-000 | EA | ANGLE - FORMED W/SLOTS |
| 32 | 134313-01-02B | EA | PANEL - CLOSEOUT - E-COATED |
| 33 | 134313-02-02B | EA | PANEL - CLOSEOUT - E-COATED |
| 34 | 134313-03-02B | EA | PANEL - CLOSEOUT - E-COATED |
| 35 | 132848-13-02B | EA | PLATE - SEAL - E-COATED |
| 36 | 119845-01-01A | EA | PLUG/PLASTIC - 1 1/2" SQUARE - BLACK |
| 37 | 132598-02-01B | EA | TRAY - BATTERY |
| 38 | 020167-05-000 | EA | DIRT GUARD - STEEL |
| | | | FROM: 00-00-00 THRU: 05-26-00 |
| 38 | 136389-01-02B | EA | GUARD - ROCK |
| | | | FROM: 05-27-00 THRU: 99-99-99 |
| 39 | 132848-09-02B | EA | PLATE - SEAL - E-COATED |
| 40 | 132848-12-02B | EA | PLATE - SEAL - E-COATED |
| 41 | 112912-09-02B | EA | PANEL - COMPARTMENT/TOP - E-COATED |

* COMPONENT PARTS FOUND IN SERVICE PARTS LIBRARY

CHASSIS GROUP (CONTINUED)
FRONT END



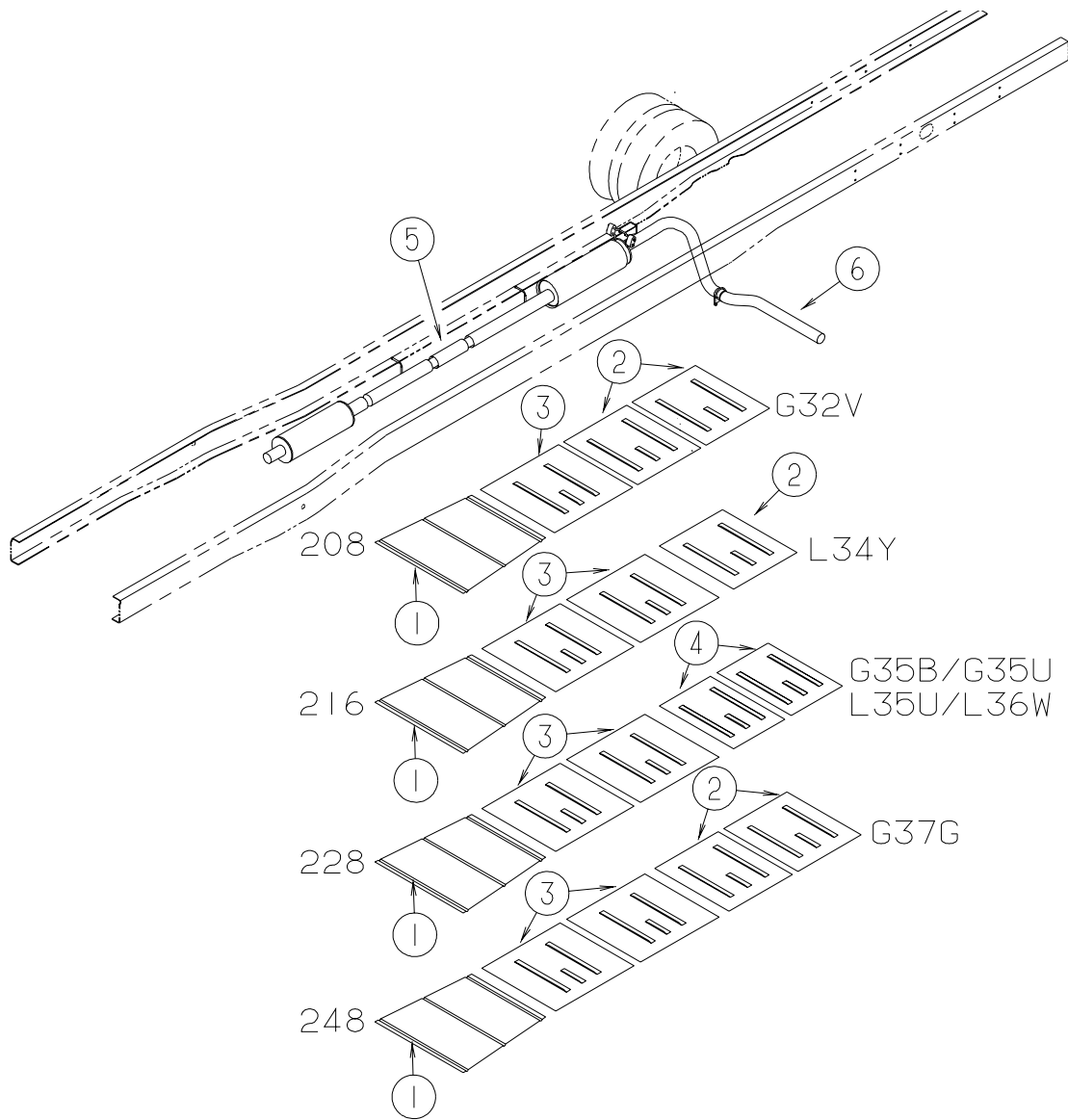
CHASSIS GROUP (CONTINUED)

FRONT END (CONTINUED)

| KEY | PART NUMBER | U/M | DESCRIPTION |
|-----|---------------|-----|--|
| 1 | 133576-02-01B | EA | PLATE - ANCHOR - SEATBELT - LOWER - MILL |
| 2 | 078249-17-000 | EA | TUBE - SWEPT - CAB FRAME - WINNEBAGO |
| 2 | 078249-16-000 | EA | TUBE - SWEPT - CAB FRAME - ITASCA |
| 3 | 104797-03-000 | EA | BRACKET-DEFROSTER |
| 4 | 104797-04-000 | EA | BRACKET-DEFROSTER |
| 5 | 104797-05-000 | EA | BRACKET-DEFROSTER |
| 6 | 106746-02-000 | EA | PANEL - STEPWELL |
| 7 | 106747-03-000 | EA | PANEL - STEPWELL - RIGHT HAND END |
| 8 | 106747-04-000 | EA | PANEL - STEPWELL - LEFT HAND END |
| 9 | 117273-01-01A | EA | TUBE - SUPPORT - A-PILLAR |
| 10 | 117287-01-01B | EA | BRACKET - MOUNT - CABLE |
| 11 | 118592-01-01B | EA | SHIELD - SPLASH - MILL |
| 12 | 120363-01-01B | EA | BRACKET - WINDSHIELD |
| 13 | 120840-07-01B | EA | STRAP-W/HOLES,MILL - WINNEBAGO |
| 13 | 120840-06-01B | EA | STRAP-W/HOLES,MILL - ITASCA |
| 14 | 121269-05-01B | EA | FRAME - WINDSHIELD - A-PILLAR - MILL - WINNEBAGO |
| 14 | 121269-07-01B | EA | FRAME - WINDSHIELD - A-PILLAR - MILL - ITASCA |
| 15 | 121269-06-01B | EA | FRAME - WINDSHIELD - A-PILLAR - MILL - WINNEBAGO |
| 15 | 121269-08-01B | EA | FRAME - WINDSHIELD - A-PILLAR - MILL - ITASCA |
| 16 | 104409-01-000 | EA | PLATE-MOUNT,SIDEWALL |
| 17 | 128255-01-04B | EA | STEP - DRIVER DOOR - BLACK |
| 18 | 124975-01-01B | EA | SUPPORT-WINDSHIELD,UPPER,MLL - WINNEBAGO |
| 18 | 121268-01-01B | EA | SUPPORT-WINDSHIELD,UPPER,MLL - ITASCA |
| 19 | 134506-02-01B | EA | BRACKET ASM-WIPER MOTOR,MILL - WINNEBAGO |
| 19 | 134506-03-01B | EA | BRACKET ASM-WIPER MOTOR,MILL - ITASCA |
| 20 | 134371-01-01B | EA | ANGLE-MOUNT,WIPER MOTOR,MILL |
| 21 | 127461-02-01B | EA | PLATE - ANCHOR - SEAT BELT |
| 22 | 127874-01-01B | EA | TUBE-B PILLAR,MILL |
| 23 | 119892-13-02B | EA | SUPPORT - FRONT - W/WASHER BOTTLE - FORD |
| | | | FROM: 00-00-00 THRU: 10-29-99 |
| 23 | 134807-04-02B | EA | SUPPORT - FRONT - E-COATED |
| | | | FROM: 10-30-99 THRU: 99-99-99 |
| 23 | 134807-06-02B | EA | SUPPORT - FRONT - E-COATED - FREIGHTLINER |
| 24 | 119892-14-02B | EA | SUPPORT - FRONT - W/O WASHER BOTTLE - FORD |
| | | | FROM: 00-00-00 THRU: 10-29-99 |
| 24 | 134807-03-02B | EA | SUPPORT - FRONT - E-COATED |
| | | | FROM: 10-30-99 THRU: 99-99-99 |
| 24 | 134807-05-02B | EA | SUPPORT - FRONT - E-COATED - FREIGHTLINER |
| 25 | 104147-14-000 | EA | SHIELD/SPLASH - HEADLIGHT |
| 26 | 131859-01-02B | EA | BRACKET - SEAL/TRANSITION/LEFT HAND - FRONT - E-COATED |
| | 131860-01-02B | EA | BRACKET - SEAL/TRANSITION/LEFT HAND - REAR - E-COATED |
| 27 | 125744-10-02B | EA | CHANNEL-SUPPORT,FRT END,E-CT |
| 28 | 124974-01-01B | EA | SUPPORT-WINDSHIELD,LOWER,MLL - WINNEBAGO |
| 28 | 121267-01-01B | EA | SUPPORT-WINDSHIELD,LOWER,MLL - ITASCA |
| 29 | 125744-02-02B | EA | CHANNEL - SUPPORT - FRONT END - E-COATED |
| 30 | 117622-01-02B | EA | BRACE - TUBE/BUMPER - VERTICAL - E-COATED |
| 31 | 133709-51-01B | EA | HEADER - F/TV - MILL - WINNEBAGO |
| 31 | 133708-51-01B | EA | HEADER - F/TV - MILL - ITASCA |
| 32 | 076364-57-000 | EA | ANGLE - FORMED |
| 33 | 134371-02-01B | EA | ANGLE-MOUNT,WIPER MOTOR,MILL |
| 34 | 086241-01-000 | EA | VALVE - AIR - 1/4 MPT X TIRE STEM - FREIGHTLINER |
| 35 | 128019-01-02B | EA | SUPPORT - FRONT END/REAR - E-COATED |
| 36 | 128019-02-02B | EA | SUPPORT - FRONT END/REAR - E-COATED |
| 37 | 124762-18-02B | EA | SUPPORT - DRIVER STEP - E-COATED - FREIGHTLINER |
| 38 | 124904-04-01B | EA | HEADER-WINDSHIELD,CENTER,MIL - WINNEBAGO |
| 38 | 121481-05-01B | EA | HEADER-WINDSHIELD,CENTER - ITASCA |

CHASSIS GROUP (CONTINUED)

EXHAUST



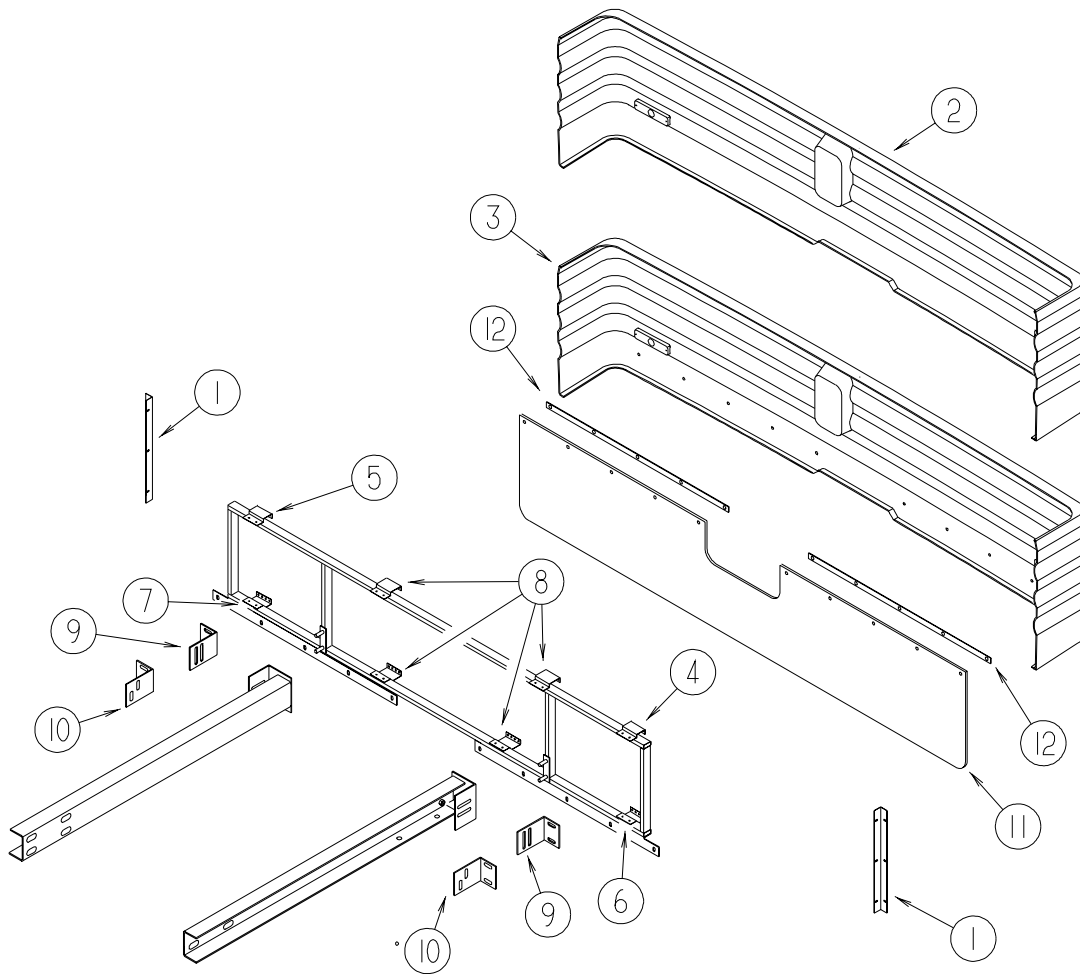
| KEY | PART NUMBER | U/M | DESCRIPTION |
|-----|---------------|-----|---|
| | 094918-06-000 | EA | CLAMP - EXHAUST - 3" - HEAVY DUTY |
| 1 | 128756-01-02B | EA | SHIELD - HEAT/EXHAUST - 33.9" X 16.9" - E-COATED |
| 2 | 101544-02-000 | EA | SHIELD - HEAT/EXHAUST - 30" X 29.1" - E-COATED |
| 3 | 101544-06-000 | EA | SHIELD - HEAT/EXHAUST - 33.9" X 29.1" - E-COATED |
| 4 | 101544-10-000 | EA | SHIELD - HEAT/EXHAUST - 19.7" X 29.1" - E-COATED - FORD |
| 5 | 112012-03-000 | EA | PIPE - EXHAUST - 3" DIAMETER - 208/228/248 |
| 5 | 112012-04-000 | EA | PIPE - EXHAUST - 3" DIAMETER - 216 |
| 6 | NA | EA | PIPE - EXHAUST - CHASSIS PROVIDED |

HITCH

| KEY | PART NUMBER | U/M | DESCRIPTION |
|-----|---------------|-----|------------------------------|
| | 113589-01-000 | EA | CONNECTOR - PLUG - TRAILER |
| | 113589-02-000 | EA | CONNECTOR - SOCKET - TRAILER |

CHASSIS GROUP (CONTINUED)

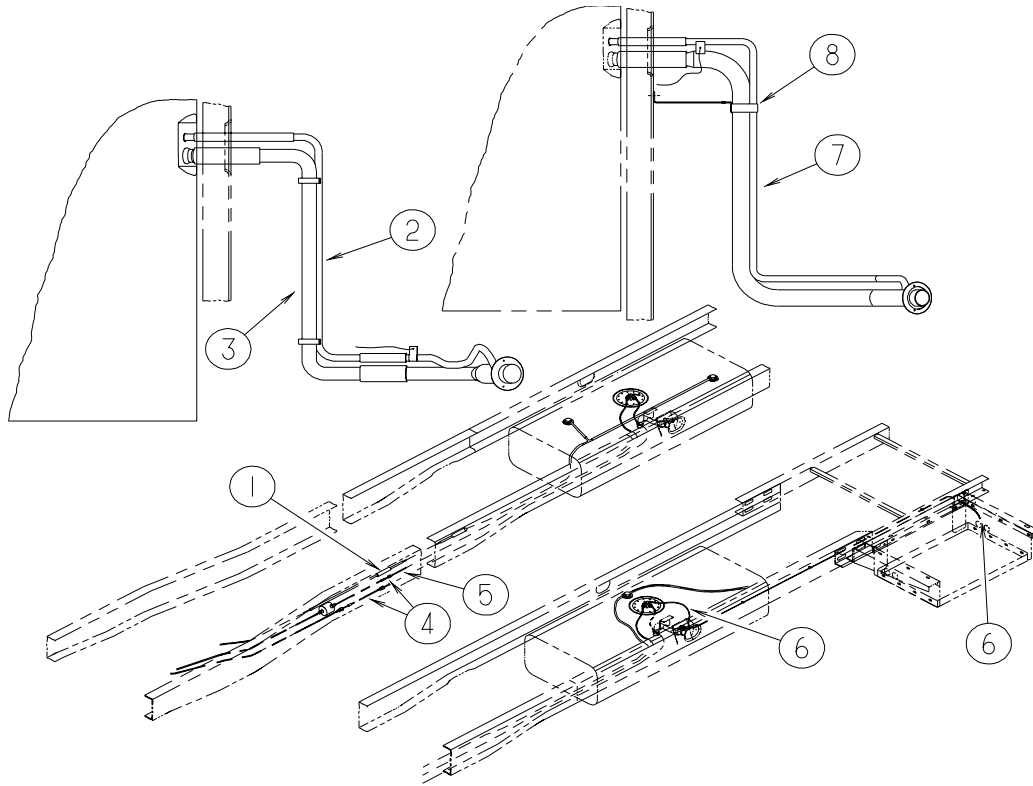
REAR BUMPER



| KEY | PART NUMBER | U/M | DESCRIPTION |
|-----|---------------|-----|---|
| 1 | 113041-03-02B | EA | ANGLE - BUMPER MOUNT |
| 2 | 132537-01-L52 | EA | PANEL/BUMPER - REAR - W/O MUD FLAP |
| 2 | 132537-03-L52 | EA | PANEL/BUMPER - REAR - W/O MUD FLAP - L36W |
| 3 | 132537-02-L58 | EA | PANEL/BUMPER - REAR - W/MUD FLAP |
| 3 | 132537-04-L58 | EA | PANEL/BUMPER - REAR - W/MUD FLAP - L36W |
| | 104319-51-007 | EA | PLATE/BUMPER - INNER PIN SUPPORT |
| | | | FROM: 00-00-00 THRU: 12-06-99 |
| 4 | N/A | EA | BRACKET - BUMPER SUPPORT - E-COATED |
| 5 | N/A | EA | BRACKET - BUMPER SUPPORT - E-COATED |
| 6 | N/A | EA | BRACKET - BUMPER SUPPORT - E-COATED |
| 7 | N/A | EA | BRACKET - BUMPER SUPPORT - E-COATED |
| 8 | N/A | EA | BRACKET - BUMPER SUPPORT - E-COATED |
| 9 | 107524-01-000 | EA | ANGLE - BUMPER - INNER/RIGHT & LEFT HAND |
| | | | FROM: 05-11-00 THRU: 99-99-99 |
| 10 | 107524-03-000 | EA | ANGLE - BUMPER - INNER/RIGHT & LEFT HAND |
| | | | FROM: 00-00-00 THRU: 05-10-00 |
| 11 | 130464-06-01A | EA | MUD FLAP - REAR - L-SERIES |
| 12 | 133749-04-02B | EA | STRAP - W/HOLES - E-COATED |

CHASSIS GROUP (CONTINUED)

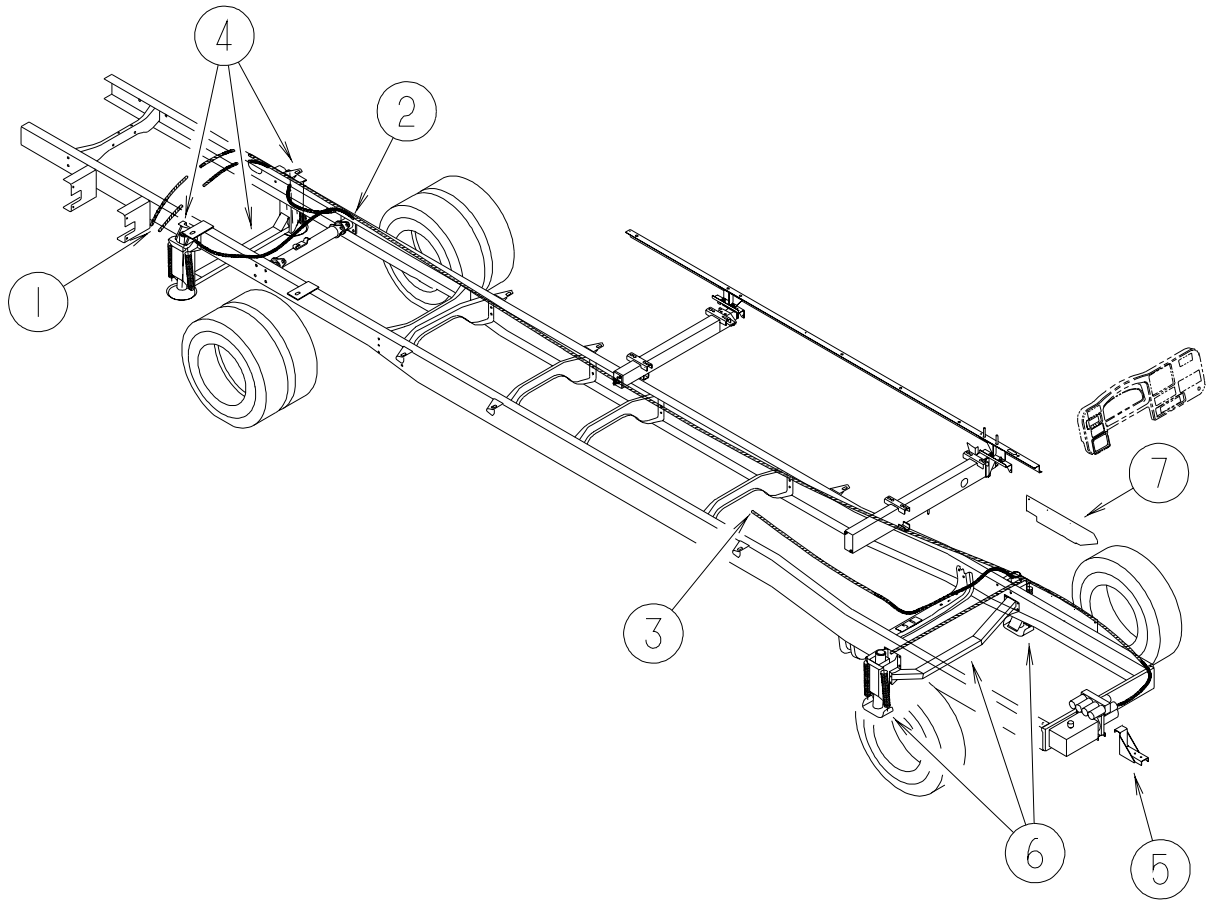
FUEL



| KEY | PART NUMBER | U/M | DESCRIPTION |
|-----|---------------|-----|---|
| 1 | 128139-02-000 | FT | HOSE - FUEL - LOW PERMEABILITY - 5/8" DIAMETER |
| 2 | 129320-05-000 | EA | PIPE - FILL VENT - G37G |
| 2 | 129320-05-000 | EA | PIPE - FILL VENT - G35B, G35C, G35U, G32V & L35U FROM: 00-00-00 THRU: 06-04-00 |
| 2 | 129320-01-000 | EA | PIPE - FILL VENT - L34Y |
| 2 | 129320-11-000 | EA | PIPE - FILL VENT - L36W FROM: 00-00-00 THRU: 06-04-00 |
| 3 | 129321-11-000 | EA | TUBE - FUEL INLET - G37G |
| 3 | 129321-11-000 | EA | TUBE - FUEL INLET - G35B, G35C, G35U, G32V & L35U FROM: 00-00-00 THRU: 06-04-00 |
| 3 | 129321-01-000 | EA | TUBE - FUEL INLET - L34Y |
| 3 | 129321-12-000 | EA | PIPE - FUEL INLET - L36W FROM: 00-00-00 THRU: 06-04-00 |
| 4 | 129494-01-000 | EA | FUEL LINE - 5/16" X 9.3" - FORD CHASSIS |
| 4 | 129494-02-000 | EA | FUEL LINE - 5/16" X 34.9" - FORD CHASSIS |
| 4 | 129494-03-000 | EA | FUEL LINE - 5/16" X 21.2" - FORD CHASSIS |
| 5 | 129505-01-000 | EA | TUBE - STEEL - 5/8" X 7.5" |
| 5 | 129505-02-000 | EA | TUBE - STEEL - 5/8" X 13.5" |
| 5 | 129505-03-000 | EA | TUBE - STEEL - 5/8" X 19.5" |
| 6 | 128139-03-000 | FT | HOSE - FUEL - LOW PERMEABILITY - 1/4" DIAMETER |
| 7 | 135801-01-000 | EA | NECK - FUEL FILL - G35B, G35C, G35U, G32V & L35U FROM: 06-05-00 THRU: 99-99-99 |
| 7 | 135801-03-000 | EA | NECK - FUEL FILL - L36W FROM: 06-05-00 THRU: 99-99-99 |
| 8 | 136483-02-02B | EA | BRACKET - FUEL FILL - E-COATED - G35B, G35C, G35U, G32V, L36W & L35U FROM: 05-22-00 THRU: 07-23-00 |
| 8 | 136483-01-02B | EA | BRACKET - FUEL FILL - E-COATED - G35B, G35C, G35U, G32V, L36W & L35U FROM: 07-24-00 THRU: 99-99-99 |

CHASSIS GROUP (CONTINUED)

HYDRAULIC LEVELING



| KEY | PART NUMBER | U/M | DESCRIPTION |
|-----|---------------|-----|---|
| 1 | 100536-46-000 | EA | HOSE KIT - SLIDEOUT |
| 2 | 100536-48-000 | EA | HOSE KIT - LEVELING JACKS (208" & 228" WB) |
| 2 | 100536-47-000 | EA | HOSE KIT - LEVELING JACKS (242" & 248" WB) |
| 3 | 117183-01-02B | EA | COVER - SENSOR - LEVELING |
| 4* | 128571-03-000 | EA | JACK/CROSSMEMBER - 9K - REAR LEVELING - MANUAL |
| 5 | 129550-01-02B | EA | BRACKET ASM-PUMP, E-COAT |
| 6* | 131306-12-000 | EA | LEVELING SYSTEM - FORD CHASSIS W/310 SYS - 2 ROOM SLIDOUT |
| 7 | 132999-01-02B | EA | SHIELD - HEAT - E-COATED |

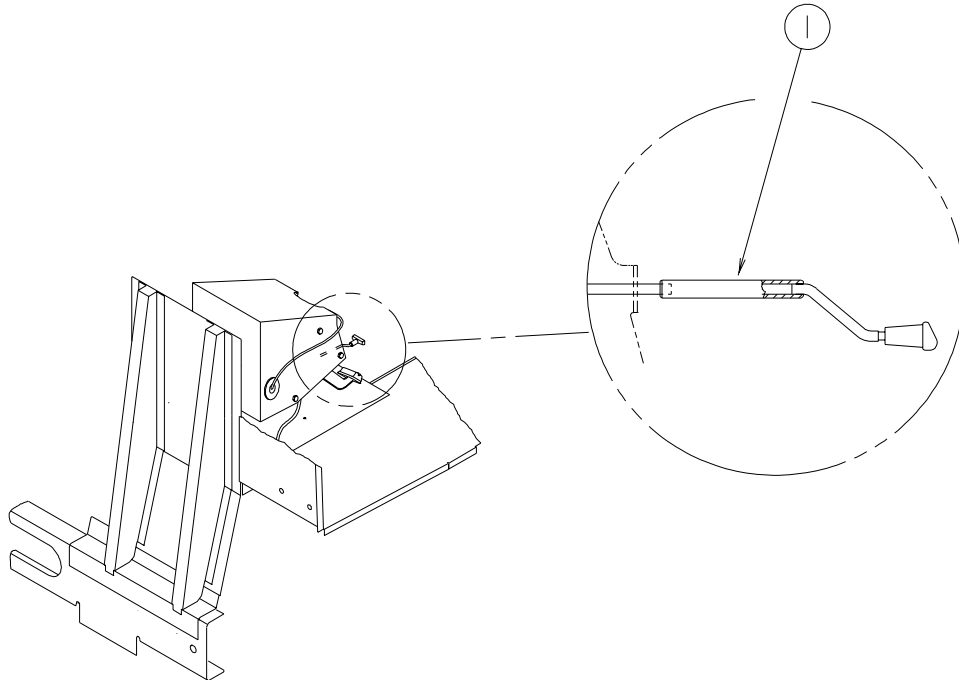
* COMPONENT PARTS FOUND IN SERVICE PARTS LIBRARY

CHASSIS GROUP (CONTINUED)

WHEEL, TIRE, COVERS &/OR LINERS

| KEY | PART NUMBER | U/M | DESCRIPTION |
|-----|---------------|-----|---|
| | 077030-04-000 | EA | EXTENSION - VALVE STEM - .75" - FORD |
| | 077030-05-000 | EA | EXTENSION - VALVE STEM - 95 DEGREE - FORD |
| | 077030-06-000 | EA | EXTENSION - VALVE STEM - 45 DEGREE - FORD |
| | 095012-07-000 | EA | STABILIZER - VALVE EXTENSION - FORD |
| | 095012-09-000 | EA | EXTENSION - VALVE STEM - LIVE - 7.7" - FORD |
| | 095012-10-000 | EA | EXTENSION - VALVE STEM - 8.5" - FORD |
| | 129058-06-000 | EA | EXTENSION - VALVE STEM - 4" LONG - FREIGHTLINER CHASSIS |
| | 077030-07-000 | EA | EXTENSION - VALVE STEM - 5.9" LONG - FREIGHTLINER CHASSIS |
| * | 110435-15-000 | EA | LINER - WHEEL SET/4 - 19.5" - FORD |
| | 102340-04-000 | EA | TIRE - 245/70R X 19.5F - GOODYEAR |
| | | | FROM: 00-00-00 THRU: 01-31-00 |
| | 102340-08-000 | EA | TIRE - 245/70R 19.5F |
| | | | FROM: 02-01-00 THRU: 99-99-99 |
| | 129058-09-000 | EA | COVER - AXLE - 10 BOLT - FRONT W/PORT - FREIGHTLINER CHASSIS |
| | 129058-10-000 | EA | COVER - NUT - 10 BOLT - 33 HEX (FRONT 2 WHEELS) - FREIGHTLINER CHASSIS |
| | 129058-11-000 | EA | COVER - NUT - 10 BOLT - 33 HEX (REAR OUTSIDE 2 WHEELS) - FREIGHTLINER CHASSIS |
| * | 110435-17-000 | EA | LINER - WHEEL - SET/4 - 22.5" - 10 BOLT - FREIGHTLINER CHASSIS |
| | 080208-04-000 | EA | LUG WRENCH - 1 3/16" - OSHKOSH/SPARTAN - FREIGHTLINER CHASSIS |
| | 080208-05-000 | EA | BAR - LEVERAGE - LUG WRENCH - .75"DIA. - OSHKOSH/SPARTAN - FREIGHTLINER CHASSIS |

* COMPONENT PARTS FOUND IN SERVICE PARTS LIBRARY



BRAKE

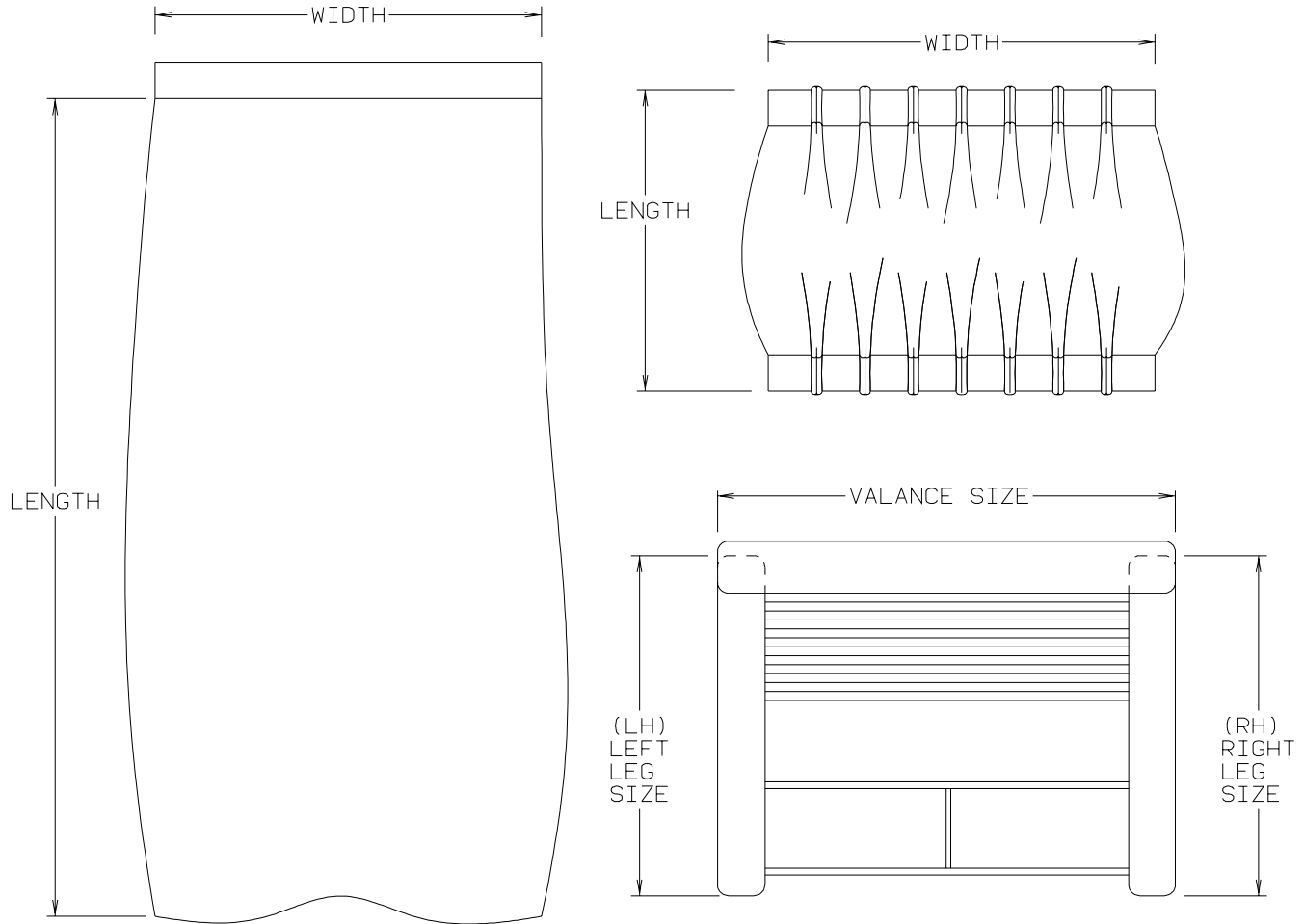
| KEY | PART NUMBER | U/M | DESCRIPTION |
|-----|---------------|-----|--------------------------|
| 1 | 113007-01-000 | EA | PIN - SPRING - .375 X 3" |

CURTAIN & CUSHION GROUP

NOTICE

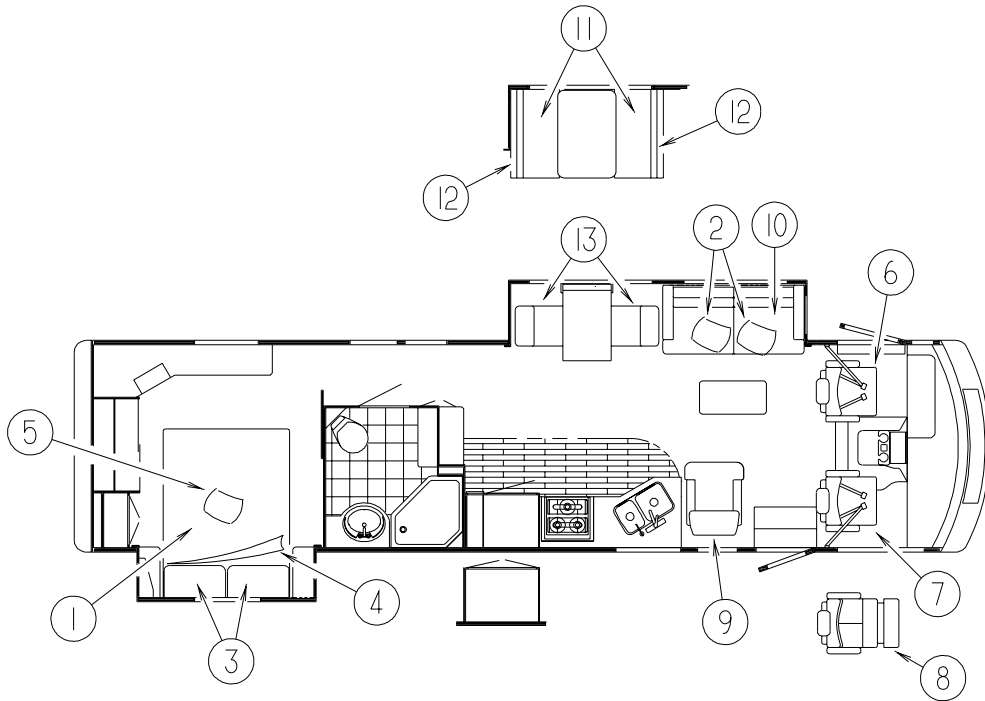
IN ORDER TO ASSIST OUR PARTS SALES DEPT. IN PROVIDING INTERIOR SOFTWARE ITEMS, PLEASE INCLUDE THE SERIAL NUMBER AND THE COLOR CODE NUMBER FROM THE VEHICLE CERTIFICATION LABEL WHEN ORDERING. THIS LABEL IS LOCATED ON THE LEFT SIDEWALL AT THE END OF THE DASH (A-BODY), OR ON THE DRIVER'S DOOR LATCH PLATE (C-BODY).

AN EXAMPLE OF A COLOR CODE NUMBER IS B07, WHICH DESIGNATES AN OVERALL COLOR SCHEME OF A PARTICULAR UNIT. THE COLOR LISTED AFTER THE ITEM DESCRIPTION ON THE MICROFICHE, INDICATES THE OVERALL UNIT COLOR. ORDER THE ITEM YOU DESIRE ACCORDING TO UNIT COLOR CODE. IF ALL COLORS USE THE SAME ITEM NO COLOR CODE WILL BE NOTED.



NOTE: USE THIS ILLUSTRATION WHEN DETERMINING LENGTH AND WIDTH MEASUREMENTS FOR CURTAINS. YOU WILL NOTE THE WIDTH MEASUREMENT IS TAKEN ON THE TOP OF THE CURTAIN WITH THE CURTAIN FULLY EXTENDED. THE LENGTH MEASUREMENT IS TAKEN FROM TOP TO BOTTOM. LEFT AND RIGHT WINDOW LEGS ARE DETERMINED WHEN FACING THE WINDOW.

CURTAIN & CUSHION GROUP (CONTINUED)
CUSHION LAYOUT

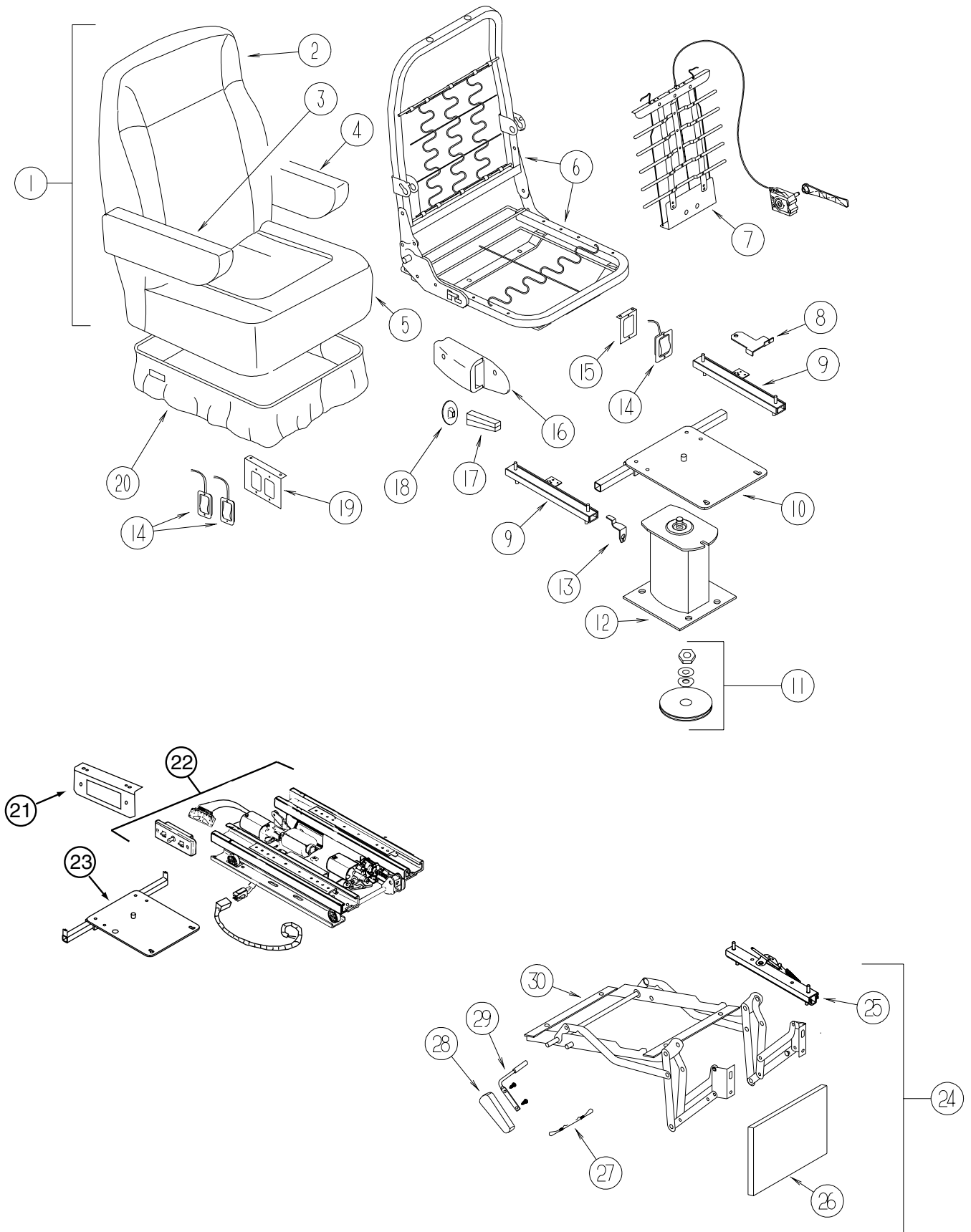


| KEY | PART NUMBER | U/M | DESCRIPTION |
|-----|---------------|-----|--------------------------------------|
| 1 | 123015-07-000 | EA | MATTRESS - INNERSPRING - 60" X 79.5" |
| 2 | 132338-07-L52 | EA | PILLOW - 12" X 24" (L52, L53) |
| | | | FROM: 00-00-00 THRU: 10-17-99 |
| 2 | 132338-07-L54 | EA | PILLOW - 12" X 24" (L54, L55) |
| | | | FROM: 00-00-00 THRU: 10-17-99 |
| 2 | 132338-07-L56 | EA | PILLOW - 12" X 24" (L56, L57) |
| | | | FROM: 00-00-00 THRU: 10-17-99 |
| 2 | 132338-09-L52 | EA | PILLOW - 12" X 24" (L52, L53) |
| | | | FROM: 10-18-99 THRU: 99-99-99 |
| 2 | 132338-09-L54 | EA | PILLOW - 12" X 24" (L54, L55) |
| | | | FROM: 10-18-99 THRU: 99-99-99 |
| 2 | 132338-09-L56 | EA | PILLOW - 12" X 24" (L56, L57) |
| | | | FROM: 10-18-99 THRU: 99-99-99 |
| 3 | 126211-05-L52 | EA | PILLOW SHAM - 20" X 33" (L52, L53) |
| 3 | 126211-05-L54 | EA | PILLOW SHAM - 20" X 33" (L54, L55) |
| 3 | 126211-05-L56 | EA | PILLOW SHAM - 20" X 33" (L56, L57) |
| 4 | 132336-03-L84 | EA | BEDSPREAD/CAP - 60" X 80" (L52, L53) |
| 4 | 132336-03-L86 | EA | BEDSPREAD/CAP - 60" X 80" (L54, L55) |
| 4 | 132336-03-L88 | EA | BEDSPREAD/CAP - 60" X 80" (L56, L57) |
| 5 | 133822-01-L52 | EA | PILLOW - ROUND - 16" (L52, L53) |
| 5 | 133822-01-L54 | EA | PILLOW - ROUND - 16" (L54, L55) |
| 5 | 133822-01-L56 | EA | PILLOW - ROUND - 16" (L56, L57) |

CURTAIN & CUSHION GROUP (CONTINUED)**CUSHION LAYOUT (CONTINUED)**

| KEY | PART NUMBER | U/M | DESCRIPTION |
|------------|--------------------|------------|---|
| 6 | 129715-01-L52 | EA | SEAT - BUCKET - W/LUMBAR SUPPORT (L52, L53) |
| 6 | 129715-01-L54 | EA | SEAT - BUCKET - W/LUMBAR SUPPORT (L54, L55) |
| 6 | 129715-07-L56 | EA | SEAT - BUCKET - W/LUMBAR SUPPORT (L56, L57) |
| 6 | 129715-10-L52 | EA | SEAT - BUCKET - W/LUMBAR.ADJUSTABLE ARMS - LEATHER (L52, L53) |
| 6 | 129715-04-L76 | EA | SEAT - BUCKET - W/LUMBAR.ADJUSTABLE ARMS - LEATHER (L54, L55) |
| 6 | 129715-10-L56 | EA | SEAT - BUCKET - W/LUMBAR.ADJUSTABLE ARMS - LEATHER (L56, L57) |
| 7 | 129715-02-L52 | EA | SEAT - BUCKET - W/ADJUSTABLE ARMRESTS (L52, L53) |
| 7 | 129715-02-L54 | EA | SEAT - BUCKET - W/ADJUSTABLE ARMRESTS (L54, L55) |
| 7 | 129715-08-L56 | EA | SEAT - BUCKET - W/ADJUSTABLE ARMRESTS (L56, L57) |
| 7 | 129715-11-L52 | EA | SEAT - BUCKET - W/ADJUSTABLE ARMRESTS - LEATHER (L52, L53) |
| 7 | 129715-05-L76 | EA | SEAT - BUCKET - W/ADJUSTABLE ARMRESTS - LEATHER (L54, L55) |
| 7 | 129715-11-L56 | EA | SEAT - BUCKET - W/ADJUSTABLE ARMRESTS - LEATHER (L56, L57) |
| 8 | 129715-03-L52 | EA | SEAT - BUCKET - W/FOOTREST (L52, L53) |
| 8 | 129715-03-L54 | EA | SEAT - BUCKET - W/FOOTREST (L54, L55) |
| 8 | 129715-09-L56 | EA | SEAT - BUCKET - W/FOOTREST/ADJUSTABLE ARMRESTS (L56, L57) |
| 8 | 129715-12-L52 | EA | SEAT - BUCKET - W/FOOTREST/ADJUSTABLE ARMRESTS - LEATHER (L52, L53) |
| 8 | 129715-06-L76 | EA | SEAT - BUCKET - W/FOOTREST/ADJUSTABLE ARMRESTS - LEATHER (L54, L55) |
| 8 | 129715-12-L56 | EA | SEAT - BUCKET - W/FOOTREST/ADJUSTABLE ARMRESTS - LEATHER (L56, L57) |
| 9 | 133129-01-L52 | EA | CHAIR/RECLINER - W/FOOTREST (L52, L53) |
| 9 | 133129-01-L54 | EA | CHAIR/RECLINER - W/FOOTREST (L54, L55) |
| 9 | 133129-02-L56 | EA | CHAIR/RECLINER - W/FOOTREST (L56, L57) |
| 9 | 133129-03-L52 | EA | CHAIR/RECLINER - W/FOOTREST - LEATHER (L52, L53) |
| 9 | 133129-03-L54 | EA | CHAIR/RECLINER - W/FOOTREST - LEATHER (L54, L55) |
| 9 | 133129-03-L56 | EA | CHAIR/RECLINER - W/FOOTREST - LEATHER (L56, L57) |
| 10 | 132574-04-000 | EA | SOFA/SLEEPER - FLEXSTEEL (L52, L53) |
| 10 | 132574-08-000 | EA | SOFA/SLEEPER - FLEXSTEEL (L54, L55) |
| 10 | 132574-05-000 | EA | SOFA/SLEEPER - FLEXSTEEL (L56, L57) |
| 10 | 132574-09-000 | EA | SOFA/SLEEPER - FLEXSTEEL - LEATHER (L52, L53) |
| 10 | 132574-11-000 | EA | SOFA/SLEEPER - FLEXSTEEL - LEATHER (L54, L55) |
| 10 | 132574-10-000 | EA | SOFA/SLEEPER - FLEXSTEEL - LEATHER (L56, L57) |
| | 124656-96-000 | EA | LOCK - CANADIAN - #3380EZLK |
| | 116104-03-02B | EA | BRACKET - ZEE W/HOLES - 5.9" |
| | 116104-04-02B | EA | BRACKET - ZEE W/HOLES - 3.2" |
| | 127335-07-000 | EA | LEG - 8" |
| 11 | 105603-23-L52 | EA | CUSHION - SEAT - 21" X 42" X 5" (L52, L53) |
| 11 | 105603-23-L54 | EA | CUSHION - SEAT - 21" X 42" X 5" (L54, L55) |
| 11 | 105603-23-L56 | EA | CUSHION - SEAT - 21" X 42" X 5" (L56, L57) |
| | P05603-23-L52 | EA | COVER - SEAT - 21" X 42" X 5" (L52, L53) |
| | P05603-23-L54 | EA | COVER - SEAT - 21" X 42" X 5" (L54, L55) |
| | P05603-23-L56 | EA | COVER - SEAT - 21" X 42" X 5" (L56, L57) |
| 12 | 111897-05-L52 | EA | CUSHION - BACK - 13.5" X 42" X 5" (L52, L53) |
| 12 | 111897-05-L54 | EA | CUSHION - BACK - 13.5" X 42" X 5" (L54, L55) |
| 12 | 111897-05-L56 | EA | CUSHION - BACK - 13.5" X 42" X 5" (L56, L57) |
| | P11897-05-L52 | EA | COVER - BACK - 13.5" X 42" X 5" (L52, L53) |
| | P11897-05-L54 | EA | COVER - BACK - 13.5" X 42" X 5" (L54, L55) |
| | P11897-05-L56 | EA | COVER - BACK - 13.5" X 42" X 5" (L56, L57) |
| | 078155-01-000 | EA | STRAP - SNAP - BACK CUSHION |
| 13 | 134017-10-000 | EA | CHAIR - DINETTE - CHERRY (L52, L54) |
| 13 | 134017-05-000 | EA | CHAIR - DINETTE - WATERFORD OAK (L53, L55) |
| 13 | 134017-11-000 | EA | CHAIR - DINETTE - CHERRY (L56) |
| 13 | 134017-12-000 | EA | CHAIR - DINETTE - WATERFORD OAK (L57) |
| 13 | 101604-01-02A | EA | CHAIR - FOLDING/DINETTE - LINEN FABRIC - CHERRY |
| 13 | 101604-01-03A | EA | CHAIR - FOLDING/DINETTE - LINEN FABRIC - WATERFORD OAK |

CURTAIN & CUSHION GROUP (CONTINUED)
BUCKET SEATS

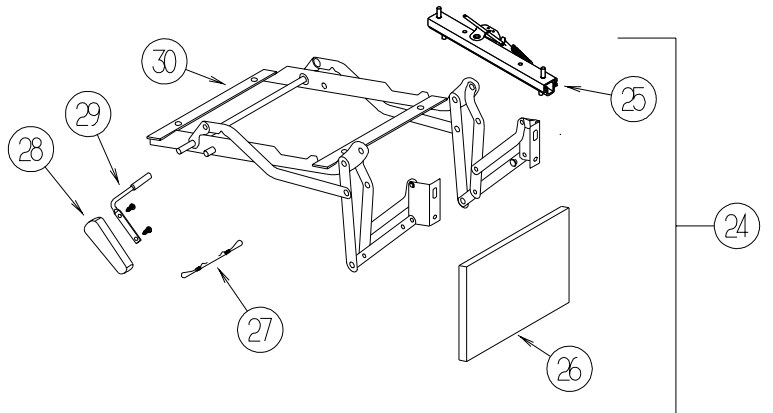
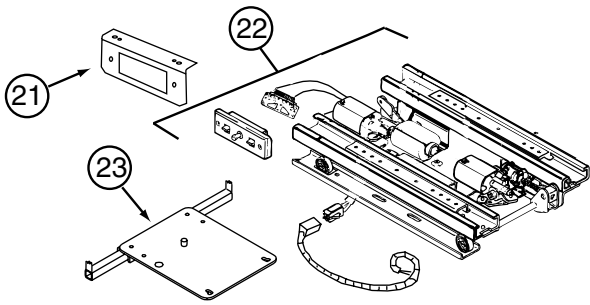
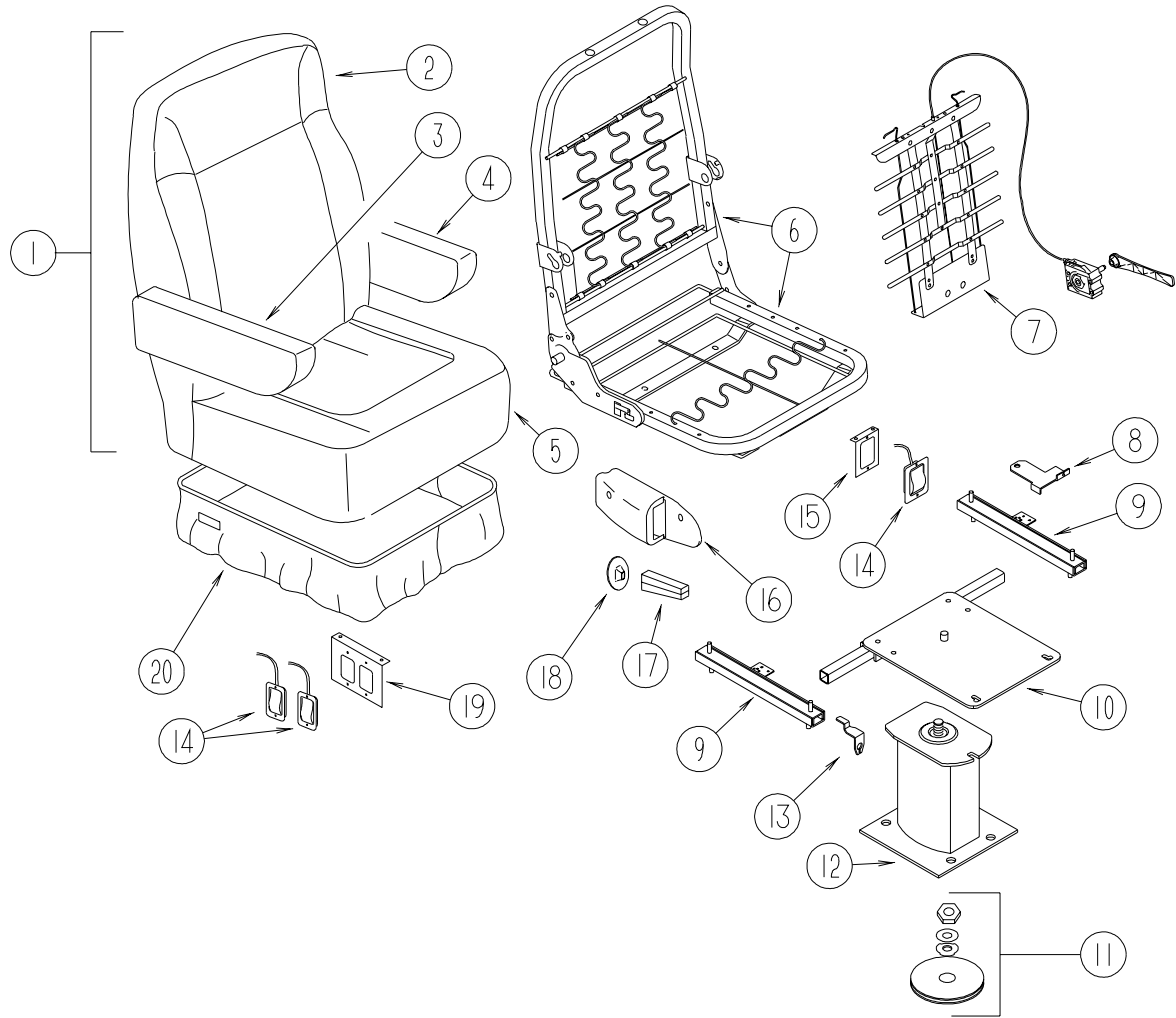


CURTAIN & CUSHION GROUP (CONTINUED)

BUCKET SEATS (CONTINUED)

| KEY | PART NUMBER | U/M | DESCRIPTION |
|-----|---------------|-----|---|
| 1 | 129715-01-L52 | EA | SEAT - BUCKET - W/LUMBAR SUPPORT (L52, L53) |
| 1 | 129715-01-L54 | EA | SEAT - BUCKET - W/LUMBAR SUPPORT (L54, L55) |
| 1 | 129715-07-L56 | EA | SEAT - BUCKET - W/LUMBAR SUPPORT (L56, L57) |
| 1 | 129715-02-L52 | EA | SEAT - BUCKET - W/ARMRESTS (L52, L53) |
| 1 | 129715-02-L54 | EA | SEAT - BUCKET - W/ARMRESTS (L54, L55) |
| 1 | 129715-08-L56 | EA | SEAT - BUCKET - W/ARMREST (L56, L57) |
| 1 | 129715-03-L52 | EA | SEAT - BUCKET - W/FOOTREST/HEADREST/ARMREST (L52, L53) |
| 1 | 129715-03-L54 | EA | SEAT - BUCKET - W/FOOTREST/HEADREST/ARMREST (L54, L55) |
| 1 | 129715-09-L56 | EA | SEAT - BUCKET - W/FOOTREST/HEADREST/ARMREST (L56, L57) |
| 1 | 129715-10-L52 | EA | SEAT - BUCKET - W/LUMBAR/ARMREST - LEATHER (L52, L53) |
| 1 | 129715-04-L76 | EA | SEAT - BUCKET - W/LUMBAR/ARMREST - LEATHER (L54, L55) |
| 1 | 129715-10-L56 | EA | SEAT - BUCKET - W/LUMBAR/ARMREST - LEATHER (L56, L57) |
| 1 | 129715-11-L52 | EA | SEAT - BUCKET - W/HEADREST/ARMREST - LEATHER (L52, L53) |
| 1 | 129715-05-L76 | EA | SEAT - BUCKET - W/HEADREST/ARMREST - LEATHER (L54, L55) |
| 1 | 129715-11-L56 | EA | SEAT - BUCKET - W/HEADREST/ARMREST - LEATHER (L56, L57) |
| 1 | 129715-12-L52 | EA | SEAT - BUCKET - W/FOOTREST/ARMREST - LEATHER (L52, L53) |
| 1 | 129715-06-L76 | EA | SEAT - BUCKET - W/FOOTREST/ARMREST - LEATHER (L54, L55) |
| 1 | 129715-12-L56 | EA | SEAT - BUCKET - W/FOOTREST/ARMREST - LEATHER (L56, L57) |
| 2 | M05962-82-L52 | EA | COVER - BACK (L52, L53) |
| 2 | M05962-82-L54 | EA | COVER - BACK (L54, L55) |
| 2 | M05962-A1-L56 | EA | COVER - BACK (L56, L57) |
| 2 | M05962-A3-L52 | EA | COVER - BACK - LEATHER (L52, L53) |
| 2 | M05962-98-L76 | EA | COVER - BACK - LEATHER (L54, L55) |
| 2 | M05962-A3-L56 | EA | COVER - BACK - LEATHER (L56, L57) |
| 3 | 129716-01-K62 | EA | ARMREST - ADJUSTABLE RIGHT HAND (L52, L53) |
| 3 | 129716-01-L54 | EA | ARMREST - ADJUSTABLE RIGHT HAND (L54, L55) |
| 3 | 129716-09-L56 | EA | ARMREST - ADJUSTABLE RIGHT HAND (L56, L57) |
| 3 | 129716-05-L76 | EA | ARMREST - ADJUSTABLE RIGHT HAND - LEATHER |
| 3 | P29716-01-K62 | EA | COVER - ARMREST/RIGHT HAND (L52, L53) |
| 3 | P29716-01-L54 | EA | COVER - ARMREST/RIGHT HAND (L54, L55) |
| 3 | P29716-09-L56 | EA | COVER - ARMREST/RIGHT HAND (L56, L57) |
| 3 | P29716-05-L76 | EA | COVER - ARMREST/RIGHT HAND - LEATHER |
| 3 | 122622-04-000 | EA | BRACKET - ADJUSTABLE/ARMREST - RIGHT HAND |
| 3 | 122622-06-000 | EA | KNOB - W/3/8" THREAD INSERT |
| 3 | 130699-01-000 | EA | ARMREST - MOLDED/RIGHT HAND |
| 4 | 129716-02-K62 | EA | ARMREST - ADJUSTABLE LEFT HAND (L52, L53) |
| 4 | 129716-02-L54 | EA | ARMREST - ADJUSTABLE LEFT HAND (L54, L55) |
| 4 | 129716-10-L56 | EA | ARMREST - ADJUSTABLE LEFT HAND (L56, L57) |
| 4 | 129716-06-L76 | EA | ARMREST - ADJUSTABLE LEFT HAND - LEATHER |
| 4 | P29716-02-K62 | EA | COVER - ARMREST/LEFT HAND (L52, L53) |
| 4 | P29716-02-L54 | EA | COVER - ARMREST/LEFT HAND (L54, L55) |
| 4 | P29716-10-L56 | EA | COVER - ARMREST/LEFT HAND (L56, L57) |
| 4 | P29716-06-L76 | EA | COVER - ARMREST/LEFT HAND - LEATHER |
| 4 | 122622-05-000 | EA | BRACKET - ADJUSTABLE/ARMREST - LEFT HAND |
| 4 | 122622-06-000 | EA | KNOB - W/3/8" THREAD INSERT |
| 4 | 130699-02-000 | EA | ARMREST - MOLDED/LEFT HAND |
| 5 | M05962-83-L52 | EA | COVER - SEAT (L52, L53) |
| 5 | M05962-83-L54 | EA | COVER - SEAT (L54, L55) |
| 5 | M05962-A2-L56 | EA | COVER - SEAT (L56, L57) |
| 5 | M05962-A4-L52 | EA | COVER - SEAT - LEATHER (L52, L53) |
| 5 | M05962-99-L76 | EA | COVER - SEAT - LEATHER (L54, L55) |
| 5 | M05962-A4-L56 | EA | COVER - SEAT - LEATHER (L56, L57) |
| 6 | 122695-04-01B | EA | FRAME - SEAT/HIGH BACK |
| | | | FROM: 00-00-00 THRU: 09-05-99 |
| 6 | 134532-01-000 | EA | FRAME/SEAT - HI BACK/WIDE |
| | | | FROM: 09-06-99 THRU: 99-99-99 |
| 7 | 122611-02-000 | EA | LUMBAR - W/LEVER |
| 8 | 117125-01-02B | EA | BRACKET - CABLE MOUNT - ADJUSTER W/LOCK |
| 9 | 119952-04-000 | EA | SLIDE/SEAT - HEAVY DUTY LOCKING - 4 STUDS |
| | | | FROM: 00-00-00 THRU: 09-12-99 |
| 9 | 119952-07-000 | EA | WIRE - LATCH RELEASE/ROTARY |
| 9 | 131566-04-000 | EA | SLIDE - DOUBLE LOCKING |
| | | | FROM: 09-13-99 THRU: 99-99-99 |

CURTAIN & CUSHION GROUP (CONTINUED)
BUCKET SEATS (CONTINUED)



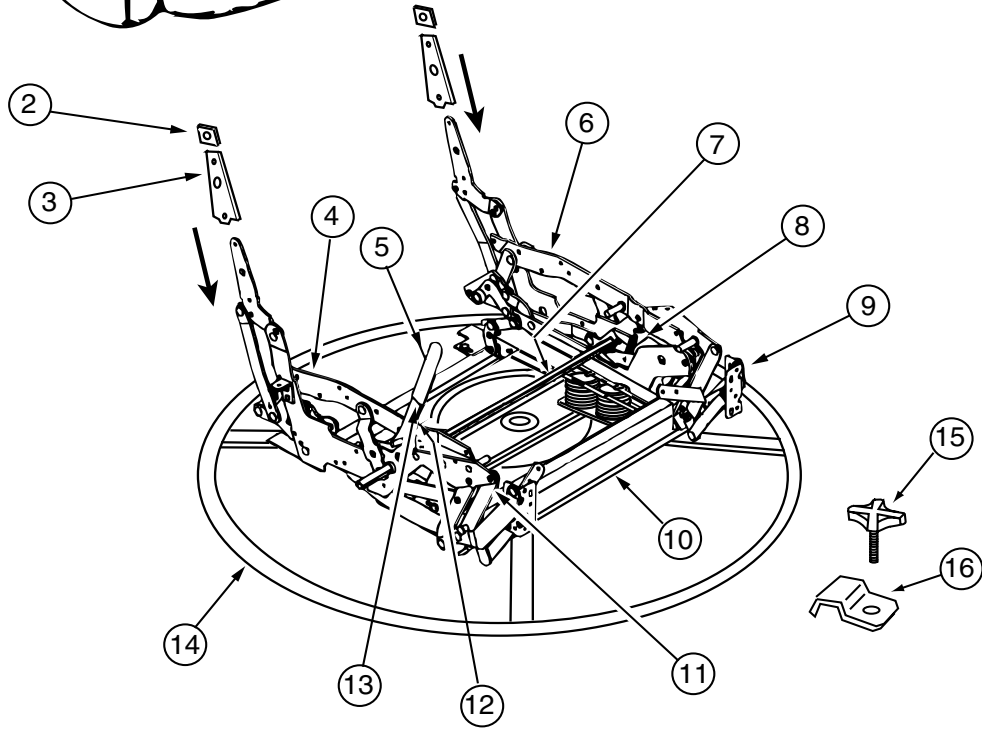
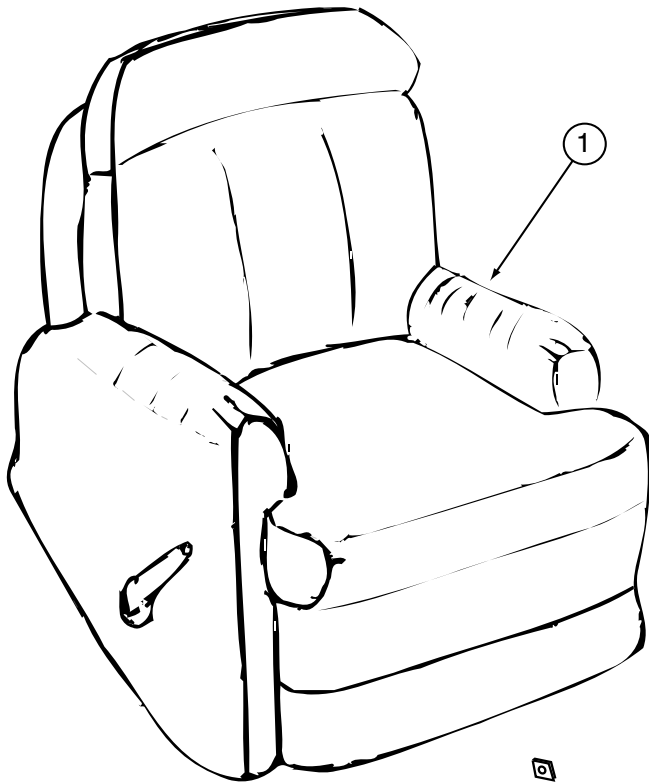
CURTAIN & CUSHION GROUP (CONTINUED)

BUCKET SEATS (CONTINUED)

| KEY | PART NUMBER | U/M | DESCRIPTION |
|-----|---------------|-----|---|
| 10 | 107921-05-000 | EA | PLATE - TOP - W/SEAT BELT BAR |
| 11 | 107921-06-000 | EA | BEARING KIT - PEDESTAL |
| 12 | 107921-14-000 | EA | PEDESTAL/FLOOR MOUNTED - W/5.75" EXTENSION |
| 12 | 107921-01-000 | EA | PEDESTAL/FLOOR MOUNTED - W/9.75" EXTENSION |
| 13 | 108049-02-000 | EA | CLIP - CABLE/PEDESTAL |
| 14 | 108049-04-000 | EA | CABLE - W/MINI LEVER ACTION SWITCH - 28" SHEATH/30" CABLE |
| 15 | 127159-01-02B | EA | BRACKET - SEAT RELEASE - SINGLE REMOTE |
| 16 | 080730-09-000 | EA | SHIELD - RECLINER HANDLE |
| 17 | 080730-08-000 | EA | HANDLE - RECLINER |
| 18 | 080730-11-000 | EA | SHIELD - RUBBER BOOT |
| 19 | 127159-02-02B | EA | BRACKET - SEAT RELEASE - DUAL REMOTE |
| 20 | 071126-68-K48 | EA | SKIRT - 10.5" OPEN CORNER (STANDARD/6-WAY POWER) (L52, L53) |
| 20 | 071126-68-L54 | EA | SKIRT - 10.5" OPEN CORNER (STANDARD/6-WAY POWER) (L54, L55) |
| 20 | 071126-75-L56 | EA | SKIRT - 10.5" - OPEN CORNER (L56, L57) |
| 20 | 071126-77-L76 | EA | SKIRT - 10.5" - OPEN CORNER (STANDARD & 6-WAY POWER)- LEATHER |
| 20 | 071126-72-K62 | EA | SKIRT - 10.5" (FOOTREST) (L52, L53) |
| 20 | 071126-72-L54 | EA | SKIRT - 10.5" (FOOTREST) (L54, L55) |
| 20 | 071126-76-L56 | EA | SKIRT - 10.5" (FOOTREST) (L56, L57) |
| 20 | 071126-79-L76 | EA | SKIRT - 10.5" (FOOTREST)- LEATHER |
| 21 | 128699-01-02B | EA | BRACKET - SEAT SWITCH - E-COATED |
| 22* | 081373-03-000 | EA | SEAT - POWER 6 WAY |
| 23 | 107921-18-000 | EA | PLATE - TOP - POWER - 6-WAY |
| 24 | 131613-01-L52 | EA | FOOTREST - PASSENGER BUCKET SEAT (L52, L53) |
| 24 | 131613-01-L54 | EA | FOOTREST - PASSENGER BUCKET SEAT (L54, L55) |
| 24 | 131613-03-L56 | EA | FOOTREST - PASSENGER BUCKET SEAT (L56, L57) |
| 24 | 131613-04-L52 | EA | FOOTREST - PASSENGER BUCKET SEAT- LEATHER |
| 25 | 131566-04-000 | EA | SLIDE - DOUBLE LOCKING |
| | 131566-05-000 | EA | WASHER - SLIDE SPACER |
| | 131566-07-000 | EA | 5" DOUBLE LOCKING SLIDE W/TAB |
| 26 | 131613-99-000 | EA | FOOT-REST/WOOD - W/T-NUT |
| 27 | 131566-06-000 | EA | WIRE - LATCH/RELEASE - 5" |
| 28 | 131566-03-000 | EA | WOOD HANDLE |
| 29 | 131566-02-000 | EA | ROD/LEVER - FOOT-REST EXTENSION |
| 30 | 131566-01-000 | EA | FOOTREST - MECHANICAL |
| | 130184-01-01A | EA | PROTECTOR - SEAT - CLEAR |

* COMPONENT PARTS FOUND IN SERVICE PARTS LIBRARY

CURTAIN & CUSHION GROUP (CONTINUED)
LOUNGE CHAIR

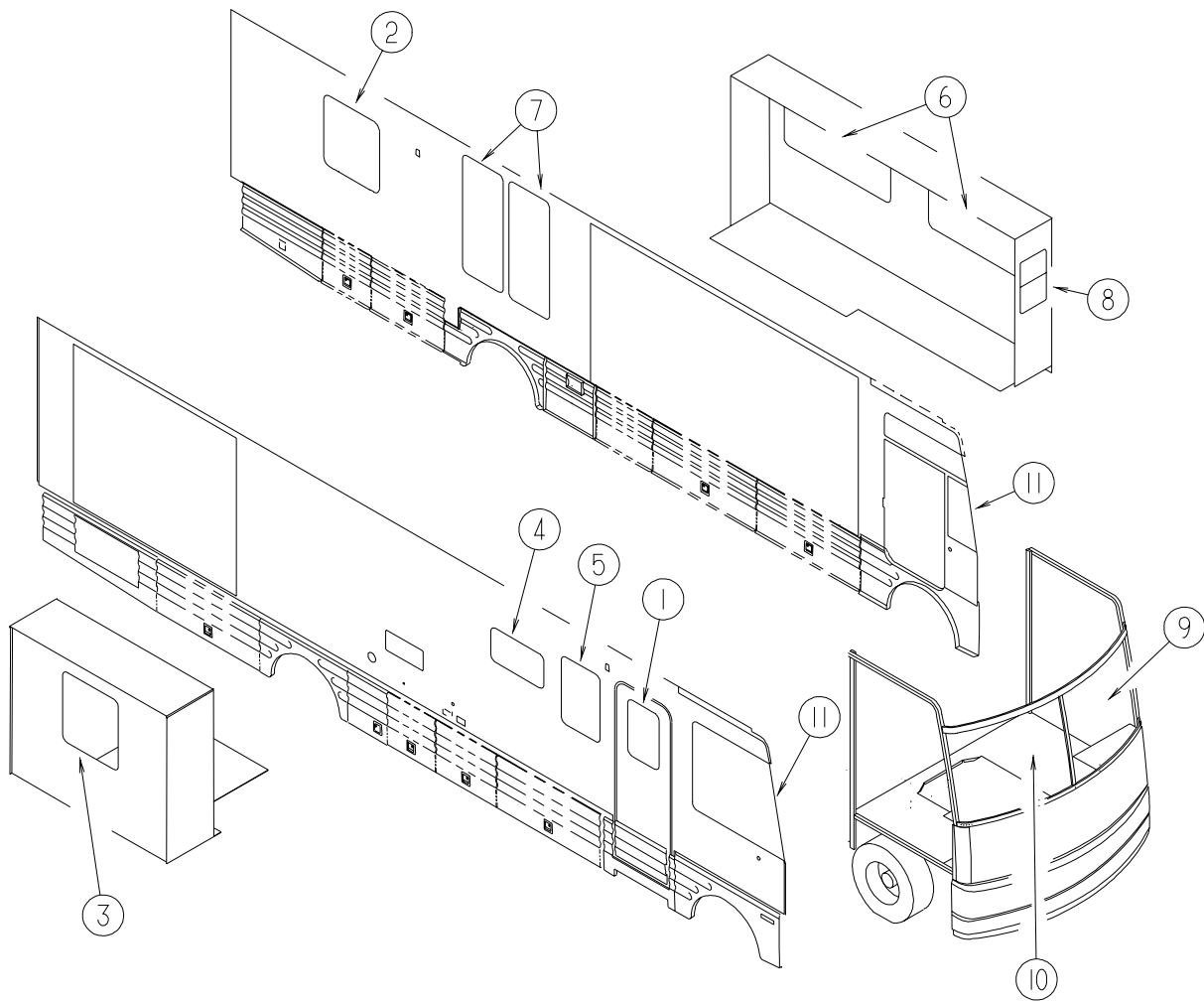


CURTAIN & CUSHION GROUP (CONTINUED)

LOUNGE CHAIR (CONTINUED)

| KEY | PART NUMBER | U/M | DESCRIPTION |
|-----|---------------|-----|--|
| 1 | 133129-01-L52 | EA | CHAIR/RECLINER - W/FOOTREST (L52, L53) |
| 1 | 133129-01-L54 | EA | CHAIR/RECLINER - W/FOOTREST (L54, L55) |
| 1 | 133129-02-L56 | EA | CHAIR/RECLINER - W/FOOTREST (L56, L57) |
| | P33129-01-L52 | EA | COVER - RECLINER W/FOOTREST (L52, L53) |
| | P33129-01-L54 | EA | COVER - RECLINER W/FOOTREST (L54, L55) |
| | P33129-02-L56 | EA | COVER - RECLINER W/FOOTREST (L56, L57) |
| 1 | 133129-03-L52 | EA | CHAIR/RECLINER - W/FOOTREST - LEATHER (L52, L53) |
| 1 | 133129-03-L54 | EA | CHAIR/RECLINER - W/FOOTREST - LEATHER (L54, L55) |
| 1 | 133129-03-L56 | EA | CHAIR/RECLINER - W/FOOTREST - LEATHER (L56, L57) |
| | P33129-03-L52 | EA | COVER - RECLINER W/FOOTREST - LEATHER (L52, L53) |
| | P33129-03-L54 | EA | COVER - RECLINER W/FOOTREST - LEATHER (L54, L55) |
| | P33129-03-L56 | EA | COVER - RECLINER W/FOOTREST - LEATHER (L56, L57) |
| | 133128-01-000 | EA | FRAME - (CB-120 BACK) |
| | 133128-02-000 | EA | FRAME - (CS-120 SEAT) |
| 2 | 133126-13-000 | EA | RECLINER - (BACK KD CLIP) |
| 3 | 133126-12-000 | EA | RECLINER - (BACK KD SLEEVE) |
| 4 | 133126-01-000 | EA | RECLINER - (LEFT HARDWARE) |
| 5 | 133126-11-000 | EA | RECLINER - (PLASTIC HANDLE) |
| 6 | 133126-02-000 | EA | RECLINER - (RIGHT HARDWARE) |
| 7 | 133126-10-000 | EA | RECLINER - (HANDLE MOUNTING TUBE) |
| 8 | 133126-08-000 | EA | RECLINER - (LOCK SPRING) |
| 9 | 133126-07-000 | EA | RECLINER - (FIXED OTTOMAN) - RIGHT |
| 10 | 133126-03-000 | EA | RECLINER - (SWIVEL ROCKER) |
| 11 | 133126-06-000 | EA | RECLINER - (FIXED OTTOMAN) - LEFT |
| 12 | 133126-09-000 | EA | RECLINER - (PLASTIC BUSHING) |
| 13 | 133126-05-000 | EA | RECLINER - (HANDLE TUBE) |
| 14 | 133126-04-000 | EA | RECLINER - (RECLINER/GLIDER 24" RING) |
| | 134324-01-000 | EA | E-CLIP - PHOSPHORUS FINISH |
| 15 | 134194-01-01A | EA | KNOB - HOLD DOWN - RECLINER - BLACK |
| 16 | 134057-01-11B | EA | BRACKET - RECLINER - FLAT BLACK |

CURTAIN & CUSHION GROUP (CONTINUED)
WINDOW TREATMENT

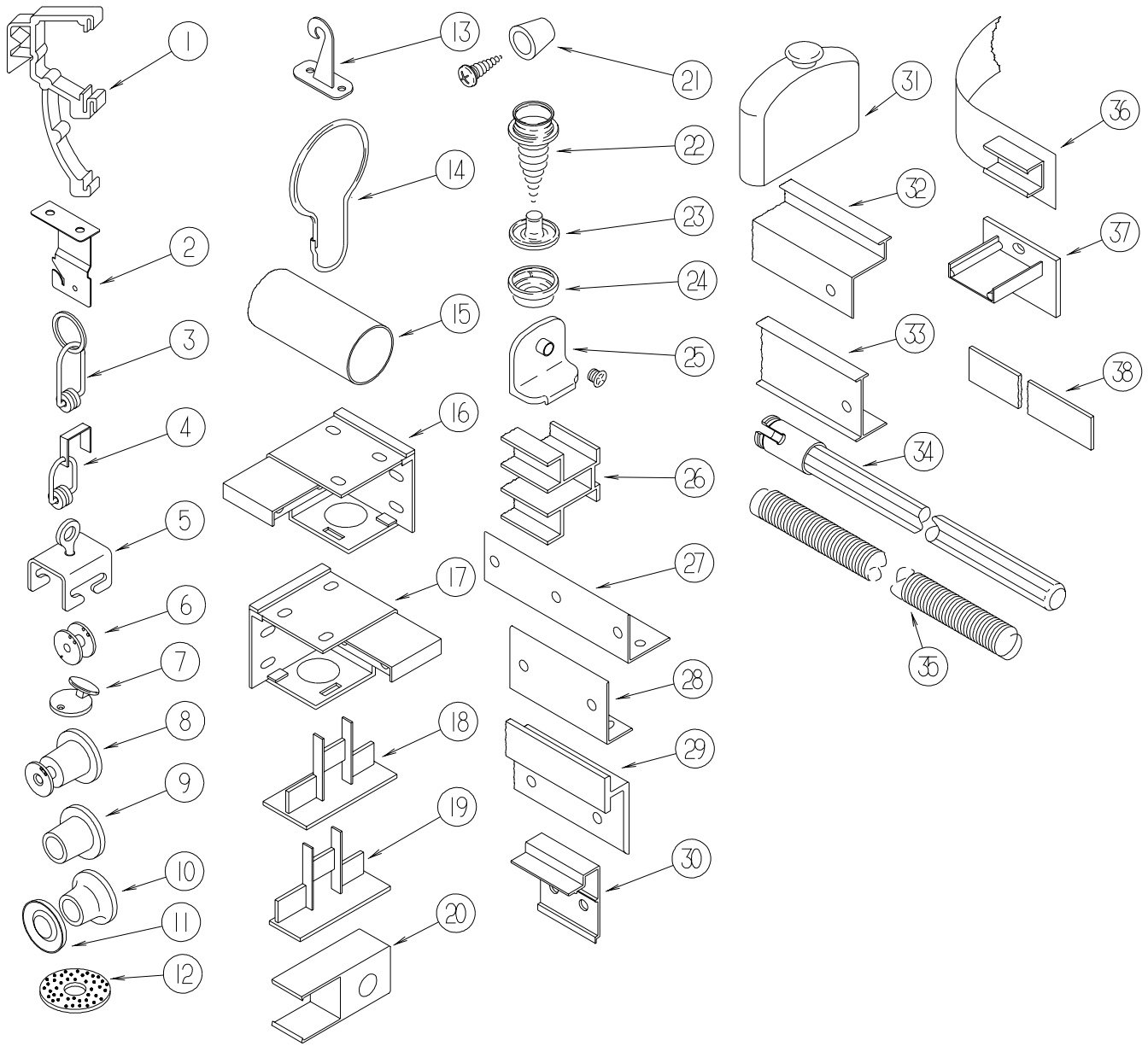


| KEY | PART NUMBER | U/M | DESCRIPTION |
|-----|---------------|-----|--|
| 1 | 084755-57-E07 | EA | SHADE - PULL - 27.25" |
| 2 | 133373-02-L52 | EA | VALANCE - KNOTTED SCARF - 34" (L52, L53) |
| 2 | 133373-02-L54 | EA | VALANCE - KNOTTED SCARF - 34" (L54, L55) |
| 2 | 133373-02-L56 | EA | VALANCE - KNOTTED SCARF - 34" (L56, L57) |
| 2 | 111910-59-L52 | EA | BLIND - DAY/NIGHTER - 31" X 28.5" (L52, L53) |
| 2 | 111910-59-L54 | EA | BLIND - DAY/NIGHTER - 31" X 28.5" (L54, L55) |
| 2 | 111910-59-L56 | EA | BLIND - DAY/NIGHTER - 31" X 28.5" (L56, L57) |
| 2 | 123910-47-L52 | EA | LEG - RIGHT - 32" (L52, L53) |
| 2 | 123910-47-L54 | EA | LEG - RIGHT - 32" (L54, L55) |
| 2 | 123910-47-L56 | EA | LEG - RIGHT - 32" (L56, L57) |
| 2 | 123910-48-L52 | EA | LEG - LEFT - 32" (L52, L53) |
| 2 | 123910-48-L54 | EA | LEG - LEFT - 32" (L54, L55) |
| 2 | 123910-48-L56 | EA | LEG - LEFT - 32" (L56, L57) |
| 3 | 133373-01-L52 | EA | VALANCE - KNOTTED SCARF - 34" (L52, L53) |
| 3 | 133373-01-L54 | EA | VALANCE - KNOTTED SCARF - 34" (L54, L55) |
| 3 | 133373-01-L56 | EA | VALANCE - KNOTTED SCARF - 34" (L56, L57) |
| 3 | 111910-64-L52 | EA | BLIND - DAY/NIGHTER - 31" X 35" (L52, L53) |
| 3 | 111910-64-L54 | EA | BLIND - DAY/NIGHTER - 31" X 35" (L54, L55) |
| 3 | 111910-64-L56 | EA | BLIND - DAY/NIGHTER - 31" X 35" (L56, L57) |
| 3 | 127017-61-L52 | EA | LEG - RIGHT - 25" (L52, L53) |
| 3 | 127017-61-L54 | EA | LEG - RIGHT - 25" (L54, L55) |
| 3 | 127017-61-L16 | EA | LEG - RIGHT - 25" (L56, L57) |
| 3 | 127017-62-L52 | EA | LEG - LEFT - 25" (L52, L53) |
| 3 | 127017-62-L54 | EA | LEG - LEFT - 25" (L54, L55) |
| 3 | 127017-62-L16 | EA | LEG - LEFT - 25" (L56, L57) |

CURTAIN & CUSHION GROUP (CONTINUED)**WINDOW TREATMENT (CONTINUED)**

| KEY | PART NUMBER | U/M | DESCRIPTION |
|------------|--------------------|------------|--|
| 4 | 111861-12-01A | EA | MINI - 30.5" X 17.5" - ALABASTER PEARL |
| 5 | 111910-70-L52 | EA | BLIND - DAY/NIGHTER - 23.5" X 33" (L52, L53) |
| 5 | 111910-70-L54 | EA | BLIND - DAY/NIGHTER - 23.5" X 33" (L54, L55) |
| 5 | 111910-70-L55 | EA | BLIND - DAY/NIGHTER - 23.5" X 33" (L56, L57) |
| 5 | 133367-09-L52 | EA | VALANCE - TUCKED SWAG - 26.5" (L52, L53) |
| 5 | 133367-09-L54 | EA | VALANCE - TUCKED SWAG - 26.5" (L54, L55) |
| 5 | 133367-15-L56 | EA | VALANCE - TUCKED SWAG - 26.5" (L56, L57) |
| 6 | 111910-55-L44 | EA | BLIND - DAY/NIGHTER - 59" X 26.5" (L52, L53) |
| 6 | 111910-55-L25 | EA | BLIND - DAY/NIGHTER - 59" X 26.5" (L54, L55) |
| 6 | 111910-55-L55 | EA | BLIND - DAY/NIGHTER - 59" X 26.5" (L56, L57) |
| 6 | 133367-21-L52 | EA | VALANCE - TUCKED SWAG - 62.5" (L52, L53) |
| 6 | 133367-21-L54 | EA | VALANCE - TUCKED SWAG - 62.5" (L54, L55) |
| 6 | 133367-22-L56 | EA | VALANCE - TUCKED SWAG - 62.5" (L56, L57) |
| 6 | 127017-A7-L52 | EA | LEG - RIGHT - 23.5" (L52, L53) |
| 6 | 127017-A7-L54 | EA | LEG - RIGHT - 23.5" (L54, L55) |
| 6 | 127017-A9-L56 | EA | LEG - RIGHT - 23.5" (L56, L57) |
| 6 | 127017-A8-L52 | EA | LEG - LEFT - 23.5" (L52, L53) |
| 6 | 127017-A8-L54 | EA | LEG - LEFT - 23.5" (L54, L55) |
| 6 | 127017-B0-L56 | EA | LEG - LEFT - 23.5" (L56, L57) |
| 7 | 111910-72-L52 | EA | BLIND - DAY/NIGHTER - 48.5" X 58" (L52, L53) |
| 7 | 111910-72-L54 | EA | BLIND - DAY/NIGHTER - 48.5" X 58" (L54, L55) |
| 7 | 111910-72-L56 | EA | BLIND - DAY/NIGHTER - 48.5" X 58" (L56, L57) |
| 7 | 133367-11-L85 | EA | VALANCE - TUCKED SWAG - 26.5" (L52, L53) |
| 7 | 133367-11-L86 | EA | VALANCE - TUCKED SWAG - 26.5" (L54, L55) |
| 7 | 133367-12-L88 | EA | VALANCE - TUCKED SWAG - 26.5" (L56, L57) |
| 7 | 127017-B7-L52 | EA | LEG - RIGHT - 57" (L52, L53) |
| 7 | 127017-B7-L54 | EA | LEG - RIGHT - 57" (L54, L55) |
| 7 | 127017-B9-L56 | EA | LEG - RIGHT - 57" (L56, L57) |
| 7 | 127017-B8-L52 | EA | LEG - LEFT - 57" (L52, L53) |
| 7 | 127017-B8-L52 | EA | LEG - LEFT - 57" (L54, L55) |
| 7 | 127017-C0-L56 | EA | LEG - LEFT - 57" (L56, L57) |
| 8 | 111910-69-L52 | EA | DAY/NIGHTER - 23" X 26.5" (L52, L53) |
| 8 | 111910-69-L54 | EA | DAY/NIGHTER - 23" X 26.5" (L54, L55) |
| 8 | 111910-69-L56 | EA | DAY/NIGHTER - 23" X 26.5" (L56, L57) |
| 8 | 133367-19-L52 | EA | VALANCE - TUCKED SWAG - 26.5" (L52, L53) |
| 8 | 133367-19-L54 | EA | VALANCE - TUCKED SWAG - 26.5" (L54, L55) |
| 8 | 133367-19-L56 | EA | VALANCE - TUCKED SWAG - 26.5" (L56, L57) |
| 8 | 123910-53-L52 | EA | LEG - RIGHT - 23.5" (L52, L53) |
| 8 | 123910-53-L54 | EA | LEG - RIGHT - 23.5" (L54, L55) |
| 8 | 123910-55-L56 | EA | LEG - RIGHT - 23.5" (L56, L57) |
| 8 | 123910-54-L52 | EA | LEG - LEFT - 23.5" (L52, L53) |
| 8 | 123910-54-L54 | EA | LEG - LEFT - 23.5" (L54, L55) |
| 8 | 123910-56-L56 | EA | LEG - LEFT - 23.5" (L56, L57) |
| 9 | 093487-17-01A | EA | CURTAIN - WRAPAROUND/PRIVACY/PLEATED - DRVR -38.25" X 108" |
| 10 | 093487-16-01A | EA | CURTAIN - WRAPAROUND/PRIVACY/PLEATED - PASS -38.25" X 108" |
| 11 | 126841-03-000 | EA | SHADE - PULL - CHARCOAL MESH - 40.3" X 60" |

CURTAIN & CUSHION GROUP (CONTINUED) HARDWARE



**BLIND PARTS ARE COLOR COORDINATED TO MATCH THE COLOR OF THE BLINDS
HAMPTON TAN COLORS ARE USED BY THE ULTIMATE FREEDOM & ADVANTAGE
TITANIUM IS USED BY ALL ITASCAS
ANTELOPE IS USED BY ALL WINNEBAGOS**

| KEY | PART NUMBER | U/M | DESCRIPTION |
|-----|---------------|-----|--|
| 1 | 109353-04-000 | EA | CLIP - VALANCE SLAT MOUNTING - CLEAR PLASTIC |
| 2 | 084434-01-000 | EA | BRACKET - MOUNTING - ROLLER SHADE - 1 3/8" |
| | 096843-01-000 | EA | SPRING - REWIND/ROLLER SHADE |
| | 086276-01-000 | EA | TAPE - DOUBLE SIDED - 1/2" |
| 3 | 009701-01-000 | EA | CARRIER - CURTAIN - L ROD |
| 4 | 093487-91-000 | EA | ROLLER/CLIP |
| 5 | 009702-01-000 | EA | END STOP - CURTAIN CARRIER - L ROD |
| 6 | 097592-01-000 | EA | SPOOL - CORD - ELEVATED BLIND HOLDUP - SMALL - CLEAR |
| 7 | 102555-03-000 | EA | CLEAT - BLIND CORD - MILKY WHITE PLASTIC |
| 8 | 097592-02-000 | EA | SPOOL - CORD - ELEVATED BLIND HOLDUP - LARGE - CLEAR |
| 9 | 094896-02-000 | EA | GROMMET - CORD/PLEATED BLIND - NYLON - GRAY |
| 10 | 046867-03-000 | EA | GROMMET - HANDY BUTTON #3 |
| 11 | 046867-02-000 | EA | WASHER - HANDY BUTTON #3 |
| 12 | 103242-01-000 | EA | VELCRO HOOK - BEIGE 7/8" ROUND W/CENTER HOLE |
| 12 | 103242-02-000 | EA | VELCRO HOOK - BLACK 7/8" ROUND W/CENTER HOLE |

CURTAIN & CUSHION GROUP (CONTINUED)

HARDWARE (CONTINUED)

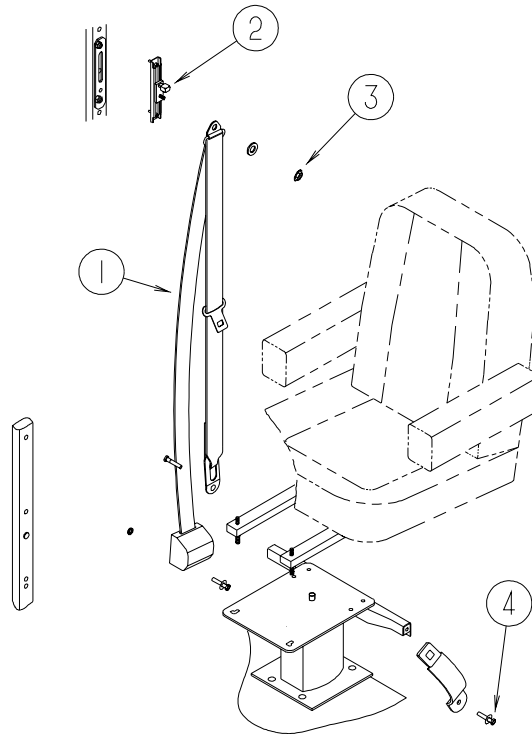
| KEY | PART NUMBER | U/M | DESCRIPTION |
|-----|---------------|-----|---|
| 13 | 109441-03-000 | EA | HOLD DOWN - BLIND (CLOUDY) |
| | 109441-02-000 | EA | HOLD DOWN - SPACER |
| 14 | 009136-02-000 | EA | HANGER - RING - PIN TYPE - CURTAIN - BRASS |
| 15 | 102075-10-01A | EA | ROD - CURTAIN/SHOWER |
| 16 | 083170-01-000 | EA | BRACKET - BLIND - LEFT SIDE WHEN FACING WINDOW |
| 17 | 083170-02-000 | EA | BRACKET - BLIND - RIGHT SIDE WHEN FACING WINDOW |
| 18 | 094907-04-000 | EA | END CAP - BOTTOM/PLEATED BLIND (RH & LH) |
| 19 | 094907-02-000 | EA | END CAP - TOP/PLEATED BLIND - PLASTIC - GRAY |
| | 094907-05-700 | EA | END CAP-RH BOTTOM BLIND |
| | 094907-05-701 | EA | END CAP-LH BOTTOM BLIND |
| 20 | 101033-02-000 | EA | END CAP - TRACK/CLEAR |
| 21 | 097564-03-000 | EA | HANDLE - KNOB - E-Z LIFT SHADE - TAN |
| 21 | 097564-04-000 | EA | HANDLE - KNOB - E-Z LIFT SHADE - NAVY |
| 21 | 097564-05-000 | EA | HANDLE - KNOB - E-Z LIFT SHADE - TEAL |
| 21 | 097564-06-000 | EA | HANDLE - KNOB - E-Z LIFT SHADE - ALABASTER |
| 21 | 097564-07-000 | EA | HANDLE - KNOB - E-Z LIFT SHADE - SILVER |
| 21 | 000G68-06-12J | EA | SCREW 6-18X.75 POH BRASS |
| 22 | 029130-01-000 | EA | SCREW - SNAP SOCKET - #8 PH X 5/8" |
| 22 | 029130-03-000 | EA | SCREW - SNAP SOCKET - #8 PH X 1" |
| 23 | 029155-01-000 | EA | CAP - SNAP - 5/32" OUTSIDE DIAMETER OF PIN |
| 24 | 029156-01-000 | EA | SOCKET - SNAP - 9/16" O.D. |
| 24 | 029156-02-000 | EA | SOCKET - SNAP - 27/64" O.D. |
| 25 | 106544-01-000 | EA | PULL - SHADE/BRASS |
| | 106544-01-001 | EA | SCREW - SHADE/BRASS |
| 26 | 101033-08-000 | EA | TRACK - WALL - 75" |
| 26 | 101033-09-000 | EA | TRACK - WALL - 32" |
| 27 | 105648-01-02A | EA | BRACE - VALANCE - OFF/WHITE - 14" |
| 27 | 075943-10-000 | EA | BRACE - VALANCE - 20" |
| 28 | 083125-07-000 | EA | BRACE - WINDOW MOUNT - 2.5" - OFF WHITE |
| 28 | 083125-08-000 | EA | BRACE - WINDOW MOUNT - 3/4 - OFF WHITE |
| 29 | 127254-03-02A | EA | TRACK - CURTAIN/RIGHT HAND - ANTELOPE - F & G SERIES |
| 29 | 127254-03-03A | EA | TRACK - CURTAIN/RIGHT HAND - TITANIUM - F & G SERIES |
| 29 | 127254-04-02A | EA | TRACK - CURTAIN/LEFT HAND - ANTELOPE - F & G SERIES |
| 29 | 127254-04-03A | EA | TRACK - CURTAIN/LEFT HAND - TITANIUM - F & G SERIES |
| 30 | 097565-01-000 | EA | BRACKET - MOUNTING/PLEATED BLIND |
| 31 | 093475-01-701 | EA | CAP-END, WITH INVERTED STUD |
| 32 | 105450-14-01A | EA | TRACK - CURTAIN - 90" - OFF WHITE |
| 33 | 009700-04-002 | EA | TRACK/CURTAIN - L SHAPED - 15.5' - OFF WHITE |
| 33 | 118896-05-02A | EA | TRACK - CURTAIN - RIGHT HAND - HAMPTON TAN - Q-SERIES |
| 33 | 118897-04-02A | EA | TRACK - CURTAIN - LEFT HAND - HAMPTON TAN - Q-SERIES |
| 33 | 126456-01-03A | EA | TRACK - CURTAIN - RIGHT HAND - TITANIUM - L-SERIES |
| 33 | 126456-02-03A | EA | TRACK - CURTAIN - LEFT HAND - TITANIUM - L-SERIES |
| 33 | 126456-03-02A | EA | TRACK - CURTAIN - RIGHT HAND - ANTELOPE - L-SERIES |
| 33 | 126456-04-02A | EA | TRACK - CURTAIN - LEFT HAND - ANTELOPE - L-SERIES |
| 34 | 093487-90-000 | EA | WAND - 30" - FRONT WRAP AROUND |
| 35 | 097591-01-000 | EA | SPRING - EXTENSION/PLEATED BLIND |
| 36 | 101031-01-000 | YD | TAPE - GLIDE/CURTAIN - 4.25" SPACING |
| 37 | 094907-06-000 | EA | HARDWARE - END CAP - E-Z LIFT - TOP |
| 38 | 089275-01-000 | FT | STRIP - 3/4" X 96" - CLEAR POLYETHYLENE |
| | 094908-03-000 | FT | HARDWARE - SEMI-RIDGED PVC - EZ LIFT |
| | 094908-04-000 | FT | STRAP - FLAT POLY VINYL |
| | 095567-01-000 | EA | TACK - STRIP - .5" X 625' ROLL |
| | 097593-02-000 | FT | CORD - BLIND - PLEATED - GRAY |
| | 097593-06-000 | FT | CORD - BLIND - PLEATED - PEWTER |
| | 097593-07-000 | FT | CORD - BLIND - PLEATED - PALE JADE |
| | 097593-10-000 | FT | CORD - BLIND - PLEATED - VANILLA |
| * | 084433-01-000 | EA | ROLLER-SHADE,37.25" |

* COMPONENT PARTS FOUND IN SERVICE PARTS LIBRARY

CURTAIN & CUSHION GROUP (CONTINUED)

ACCESSORIES

| KEY | PART NUMBER | U/M | DESCRIPTION |
|-----|---------------|-----|---|
| | 007021-01-000 | EA | SEAT BELT - 2" X 90" - BLACK |
| | 056271-01-000 | EA | SEAT BELT - 2" X 102" - BLACK |
| | 056271-02-000 | EA | SEAT BELT - 2" X 72" - BLACK |
| | 057759-01-000 | EA | WASHER - FLAT F/SEAT BELT - 4" DIAMETER |
| | 079349-04-J06 | YD | WELT - NARROW (L52, L53, L56, L57) |
| | 079349-04-L54 | YD | WELT - NARROW (L54, L55) |
| | 127960-01-01A | EA | RETAINER - 3/8" - STAINLESS STEEL |
| | 129529-02-000 | EA | STRAP - CHAIR RETAINING - 81.9" |
| | 129491-01-000 | EA | CATCH - SNAP HOOK - 1" |
| | 118337-07-L52 | EA | BUTTON - #60 - DOUBLE SIDED (L52, L53) |
| | 118337-07-L54 | EA | BUTTON - #60 - DOUBLE SIDED (L54, L55) |
| | 118337-07-L56 | EA | BUTTON - #60 - DOUBLE SIDED (L56, L57) |
| | 074494-02-000 | EA | BUTTON - RETAINING PIVOT - #60 |
| | 074494-04-000 | EA | BUTTON - JOINED/PIVOT - W 3/4 TACK |
| | 074494-05-000 | EA | BUTTON - SINGLE PIVOT - #30 |
| | 074494-06-000 | EA | BUTTON - PIVOT - #30 |
| | 057534-01-000 | EA | TIEBACK - CLEAR PLASTIC - 6" |
| | 057534-03-000 | EA | TIEBACK - CLEAR PLASTIC - 7.5" |



SEATBELT INSTALLATION

| KEY | PART NUMBER | U/M | DESCRIPTION |
|-----|---------------|-----|--|
| 1* | 091990-08-01A | EA | SEAT BELT - 3 POINT - .766" DIAMETER HOLE IN D-LOOP BRKT |
| 2 | 127598-01-01A | EA | ADJUSTER - SEATBELT - D-LOOP - ADJUSTER |
| 3 | 127598-02-000 | EA | NUT - HEX FLANGE - M10 X 1.5 - CLASS 10 |
| 4 | 095076-02-000 | EA | WASHER - FL - 7/16"ID X 2"OD X .06 |

* COMPONENT PARTS FOUND IN SERVICE PARTS LIBRARY

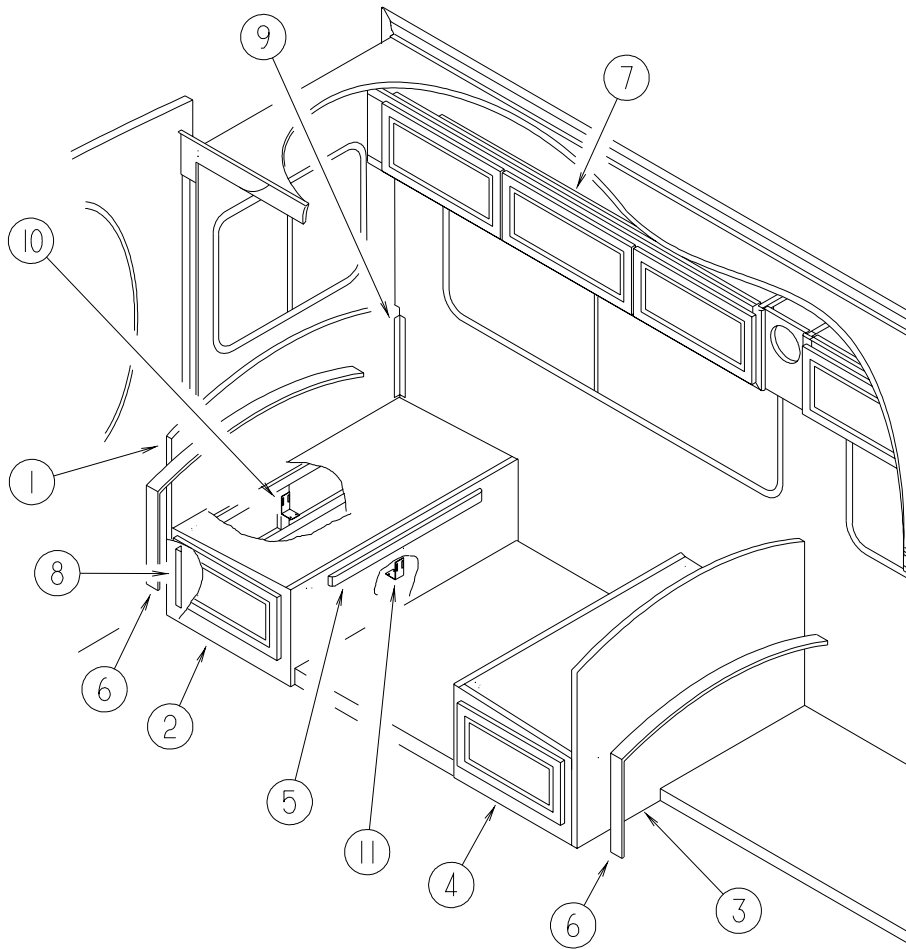
CURTAIN & CUSHION GROUP (CONTINUED)

FABRICS

| 2000 CHIEFTAIN | L52/L53 BARBADOS | L54/L55 CALYPSO | L56/L57 OASIS |
|--|--------------------------------|--------------------------------|--------------------------------|
| Bucket Seat | 108446-S6-000 | 126883-18-000 | 126883-51-000 |
| Bucket Seat - Leather | 079680-31-000 079680-33-000 | 079680-31-000 | 079680-31-000 079680-34-000 |
| Dinette | 126883-35-000 | 126883-41-000 | 126883-43-000 |
| Dinette Pad | 126883-18-000 | 126883-18-000 | 126883-51-000 |
| Folding Chair | 126883-18-000 | 126883-18-000 | 126883-51-000 |
| Sofa | 126883-35-000 | 126883-41-000 | 126883-51-000 |
| Sofa - Leather | 079680-33-000 | 079680-31-000 | 079680-34-000 |
| TT Chair | 126883-18-000 | 126883-18-000 | 126883-51-000 |
| TT Chair - Leather | 079680-33-000 | 079680-31-000 | 079680-34-000 |
| Lounge/Dinette Swag | 126883-18-000 126883-35-000 | 126883-18-000 126883-41-000 | 126883-51-000 126883-43-000 |
| Lounge/Dinette Leg | 126883-18-000 126883-35-000 | 126883-18-000 126883-41-000 | 126883-51-000 126883-43-000 |
| Lounge Inserts | 126883-18-000 | 126883-18-000 | 126883-51-000 |
| Lounge Accent Pillow From: 00-00-00 Thru: 10-17-99 | 126883-35-000 126883-18-000 | 126883-41-000 126883-18-000 | 126883-51-000 126883-43-000 |
| Lounge Accent Pillow From: 10-18-99 Thru: 99-99-99 | 126883-18-000 084415-B0-000 | 126883-18-000 084415-B3-000 | 126883-43-000 084415-B2-000 |
| Bedroom Valance | 105745-E7-000 105745-L7-000 | 105745-L4-000 105745-L8-000 | 105745-64-000 105745-M5-000 |
| Bedroom Legs | 105745-E7-000 | 105745-L4-000 | 105745-64-000 |
| Bedspread | 105745-L7-000 084415-B0-000 | 105745-L8-000 084415-B3-000 | 105745-M5-000 084415-B2-000 |
| Bedroom Pillow Sham | 105745-L7-000 084415-B0-000 | 105745-L8-000 084415-B3-000 | 105745-M5-000 084415-B2-000 |
| Bedroom Accent Pillow | 105745-L7-000 | 105745-L8-000 | 105745-M5-000 |
| Bedroom Inserts | 105745-E7-000 | 105745-l4-000 | 105745-64-000 |
| Sunvisor Vinyl | 123298-03-04A | 123298-03-04A | 123298-03-04A |
| Headboard | 105745-L7-000 105745-E7-000 | 105745-L4-000 105745-L8-000 | 105745-M5-000 105745-64-000 |
| Ceiling Fabric | 113979-09-01A | 113979-09-01A | 113979-09-01A |
| Slideout Ceiling Fabric | 113979-10-01A | 113979-10-01A | 113979-10-01A |

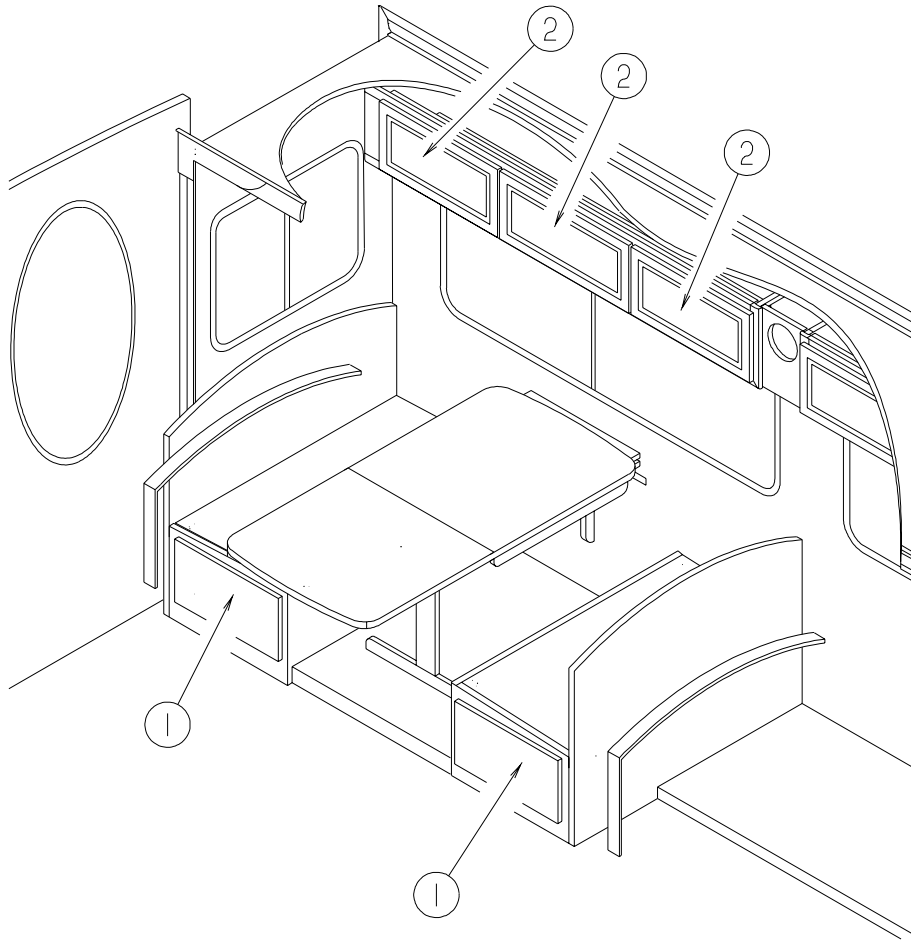
NOTE: FABRIC LISTED FIRST IN A BLOCK, IS THE LARGEST QUANTITY OF FABRIC USED

DINETTE GROUP CABINETS



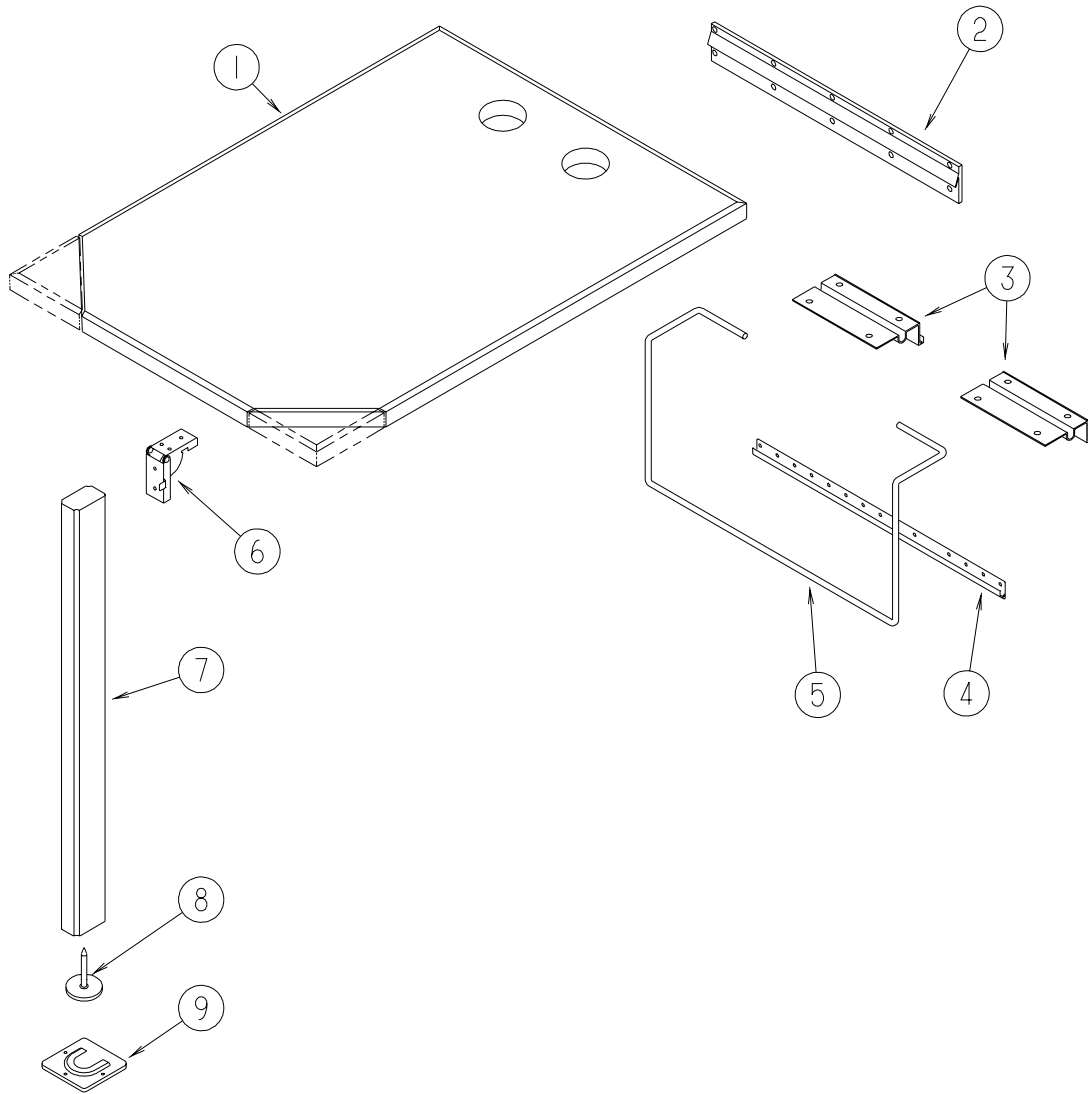
| KEY | PART NUMBER | U/M | DESCRIPTION |
|-----|---------------|-----|--|
| 1 | M08755-12-L52 | EA | CABINET - SEATBACK/LEFT HAND - W/O HARDWARE - SALEM CHERRY |
| 1 | M08755-12-L53 | EA | CABINET - SEATBACK/LEFT HAND - W/O HARDWARE - WATERFORD OAK |
| 2 | M08756-14-L52 | EA | CABINET - SEATBASE/LEFT HAND - W/O DOOR/DRAWER/HARDWARE - SALEM CHERRY |
| 2 | M08756-14-L53 | EA | CABINET - SEATBASE/LEFT HAND - W/O DOOR/DRAWER/HARDWARE - WATERFORD OAK |
| 3 | M08755-11-L52 | EA | CABINET - SEATBACK/RIGHT HAND - W/O HARDWARE - SALEM CHERRY |
| 3 | M08755-11-L53 | EA | CABINET - SEATBACK/RIGHT HAND - W/O HARDWARE - WATERFORD OAK |
| 4 | M08756-13-L52 | EA | CABINET - SEATBASE/RIGHT HAND - W/O DOOR/DRAWER/HARDWARE - SALEM CHERRY |
| 4 | M08756-13-L53 | EA | CABINET - SEATBASE/RIGHT HAND - W/O DOOR/DRAWER/HARDWARE - WATERFORD OAK |
| 5 | 081295-01-G01 | EA | SUPPORT - BED/DINETTE - 28" LONG |
| 6 | 104787-28-L52 | EA | PAD - DINETTE - 42" (L52, L53, L54, L55) |
| 6 | 104787-29-L56 | EA | PAD - DINETTE - 42" (L56, L57) |
| 7 | 134315-01-L52 | EA | CABINET - OVERHEAD/DINETTE - W/O DOORS/HARDWARE (L52, L54) |
| 7 | 134315-01-L53 | EA | CABINET - OVERHEAD/DINETTE - W/O DOORS/HARDWARE (L53, L55) |
| 7 | 134315-01-L56 | EA | CABINET - OVERHEAD/DINETTE - W/O DOORS/HARDWARE (L56) |
| 7 | 134315-01-L57 | EA | CABINET - OVERHEAD/DINETTE - W/O DOORS/HARDWARE (L57) |
| 8 | 122021-01-02A | EA | ANGLE - W/HOLES - 8.6" LONG - OFF WHITE |
| 9 | 122021-02-02A | EA | ANGLE - W/HOLES - 13.7" LONG - OFF WHITE |
| 10 | 132871-02-02B | EA | ANGLE - FORMED - W/HOLES - E-COATED |
| 11 | 132871-01-02B | EA | ANGLE - FORMED - W/HOLES - E-COATED |

DINETTE GROUP (CONTINUED)
DOORS & DRAWERS



| KEY | PART NUMBER | U/M | DESCRIPTION |
|-----|---------------|-----|--|
| 1 | M09316-B1-L52 | EA | DRAWER - OGEE EDGE - 16.6"W X 37.3"D - W/O SLIDES/HARDWARE - SALEM CHERRY |
| 1 | M09316-B1-L32 | EA | DRAWER - OGEE EDGE - 16.6"W X 37.3"D - W/O SLIDES/HARDWARE - WATERFORD OAK |
| 2 | 131995-35-L14 | EA | DOOR - RAIL/SOLID PANEL - 10.6" X 19.8" - W/O HARDWARE - SALEM CHERRY |
| 2 | 131995-35-L13 | EA | DOOR - RAIL/SOLID PANEL - 10.6" X 19.8" - W/O HARDWARE - WATERFORD OAK |

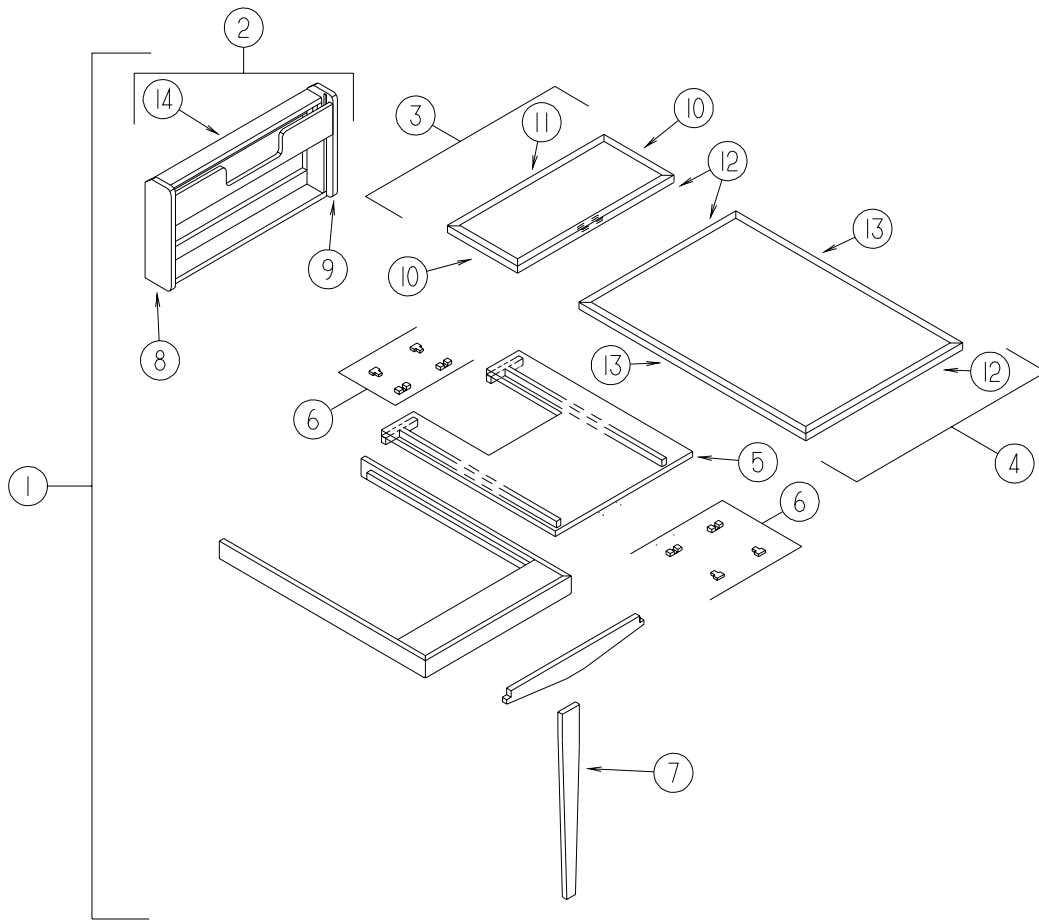
DINETTE GROUP (CONTINUED) TABLE



DINETTE

| KEY | PART NUMBER | U/M | DESCRIPTION |
|-----|---------------|-----|---|
| 1 | 132034-12-L52 | EA | TABLE TOP ONLY (L52, L54) |
| 1 | 132034-12-L53 | EA | TABLE TOP ONLY (L53, L55) |
| 1 | 132034-12-L56 | EA | TABLE TOP ONLY (L56) |
| 1 | 132034-12-L57 | EA | TABLE TOP ONLY (L57) |
| 2 | 053200-13-000 | EA | SUPPORT - TABLE - 18.5" |
| 3 | 088410-02-000 | EA | BRACKET - LIFT - TABLE MOUNTED |
| 4 | 024281-15-000 | EA | BRACKET/TABLE - LIFT ROD/LOWER WALL MOUNTED - 17.12" |
| 5 | 024275-13-000 | EA | ROD - TABLE LIFT - OFF/WHITE |
| 6 | 093550-01-000 | EA | BRACKET - HINGE - MOUNTS TO LEG & TABLE TOP - 1.7" X 2.6" |
| 7 | 092707-04-04A | EA | LEG - TABLE - W/O HARDWARE - 27" - CHERRY |
| 7 | 092707-04-05A | EA | LEG - TABLE - W/O HARDWARE - 27" - WATERFORD OAK |
| 8 | 092593-01-05A | EA | CATCH - TABLE LEG - OFF/WHITE |
| 9 | 049493-12-000 | EA | CATCH - TABLE LEG/FLOOR MOUNTED - OFF WHITE |

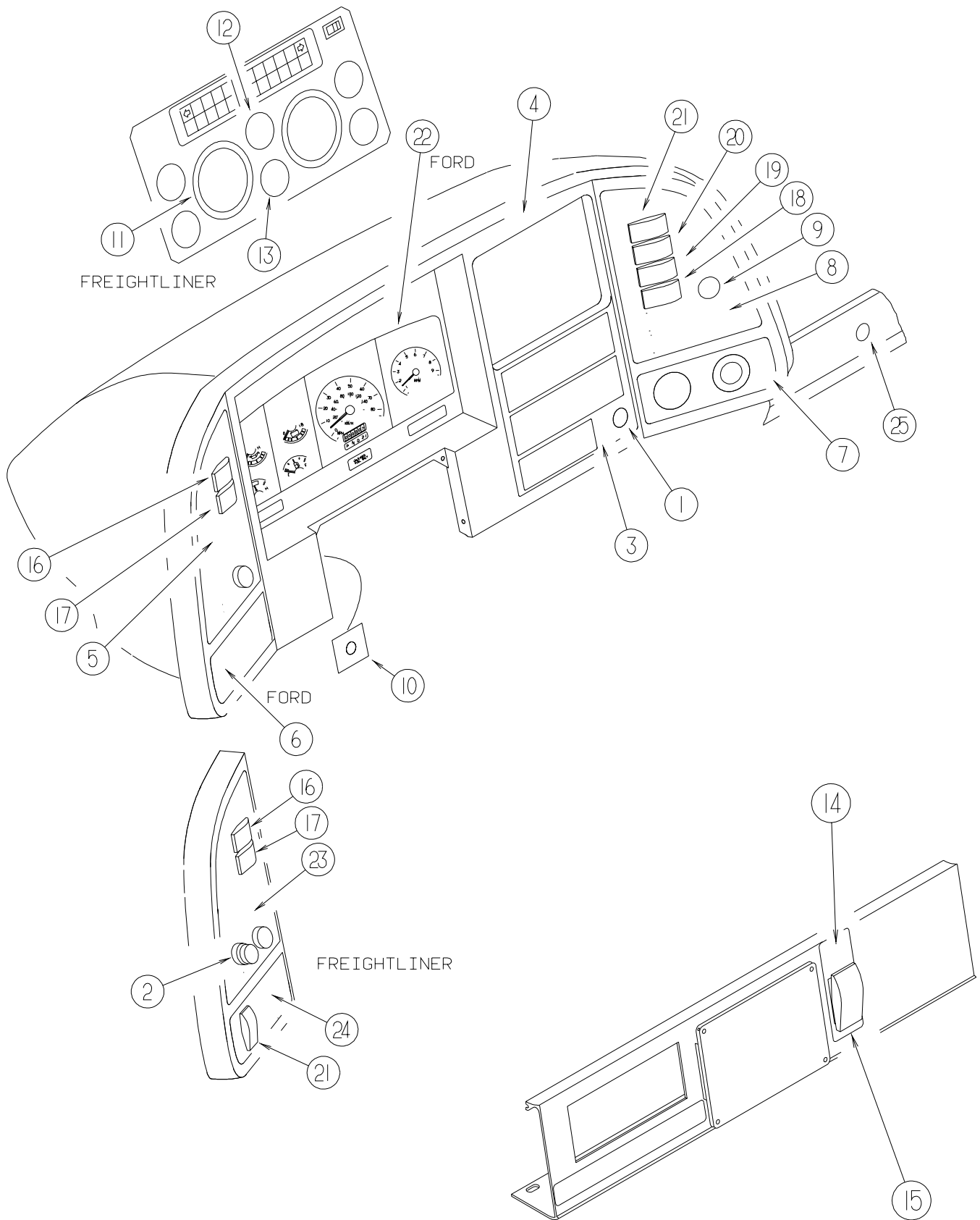
DINETTE GROUP (CONTINUED)
TABLE (CONTINUED)



PULLOUT

| KEY | PART NUMBER | U/M | DESCRIPTION |
|-----|---------------|-----|---|
| 1 | 133856-01-L52 | EA | TABLE COMPLETE - SALEM CHERRY |
| 1 | 133856-01-L76 | EA | TABLE COMPLETE - WATERFORD OAK |
| 2 | 133856-31-L52 | EA | CABINET/WALL - W/O COUNTERTOP - F/PULLOUT TABLE - SALEM CHERRY |
| 2 | 133856-31-L53 | EA | CABINET/WALL - W/O COUNTERTOP - F/PULLOUT TABLE - WATERFORD OAK |
| 3 | 133856-12-L52 | EA | TABLE TOP - SMALL HINGED SECTION - SALEM CHERRY |
| 3 | 133856-12-L76 | EA | TABLE TOP - SMALL HINGED SECTION - WATERFORD OAK |
| 4 | 133856-11-L52 | EA | TABLE TOP ONLY - LARGE SECTION - SALEM CHERRY |
| 4 | 133856-11-L76 | EA | TABLE TOP ONLY - LARGE SECTION - WATERFORD OAK |
| 5 | 133856-17-L52 | EA | SLIDE - TABLE TOP - SALEM CHERRY |
| 5 | 133856-17-L76 | EA | SLIDE - TABLE TOP - WATERFORD OAK |
| 6 | 009050-02-000 | EA | LEVELER - TABLE TOP - MALE END W/4 SCREWS - PLASTIC |
| 6 | 009050-03-000 | EA | LEVELER - TABLE TOP - FEMALE END W/2 SCREWS - PLASTIC |
| 7 | 133856-28-L52 | EA | LEG - F/TABLE - SALEM CHERRY |
| 7 | 133856-28-L53 | EA | LEG - F/TABLE - WATERFORD OAK |
| 8 | 133856-26-L52 | EA | END - LEFT HAND - F/TABLE CABINET - SALEM CHERRY |
| 8 | 133856-26-L53 | EA | END - LEFT HAND - F/TABLE CABINET - WATERFORD OAK |
| 9 | 133856-27-L52 | EA | END - RIGHT HAND - F/TABLE CABINET - SALEM CHERRY |
| 9 | 133856-27-L53 | EA | END - RIGHT HAND - F/TABLE CABINET - WATERFORD OAK |
| 10 | 133856-15-L52 | EA | TRIM - TABLE MOLDING - 12" - SALEM CHERRY |
| 10 | 133856-15-L53 | EA | TRIM - TABLE MOLDING - 12" - WATERFORD OAK |
| 11 | 133856-16-L52 | EA | TRIM - TABLE MOLDING - 23.8" - SALEM CHERRY |
| 11 | 133856-16-L53 | EA | TRIM - TABLE MOLDING - 23.8" - WATERFORD OAK |
| 12 | 133856-14-L52 | EA | TRIM - TABLE MOLDING - 23.8" - SALEM CHERRY |
| 12 | 133856-14-L53 | EA | TRIM - TABLE MOLDING - 23.8" - WATERFORD OAK |
| 13 | 133856-13-L52 | EA | TRIM - TABLE MOLDING - 41.2" - SALEM CHERRY |
| 13 | 133856-13-L53 | EA | TRIM - TABLE MOLDING - 41.2" - WATERFORD OAK |
| 14 | 133856-23-L52 | EA | COUNTERTOP ONLY - F/WALL CABINET - SALEM CHERRY |
| 14 | 133856-23-L76 | EA | COUNTERTOP ONLY - F/WALL CABINET - WATERFORD OAK |

DRIVERS COMPARTMENT GROUP INSTRUMENT PANEL



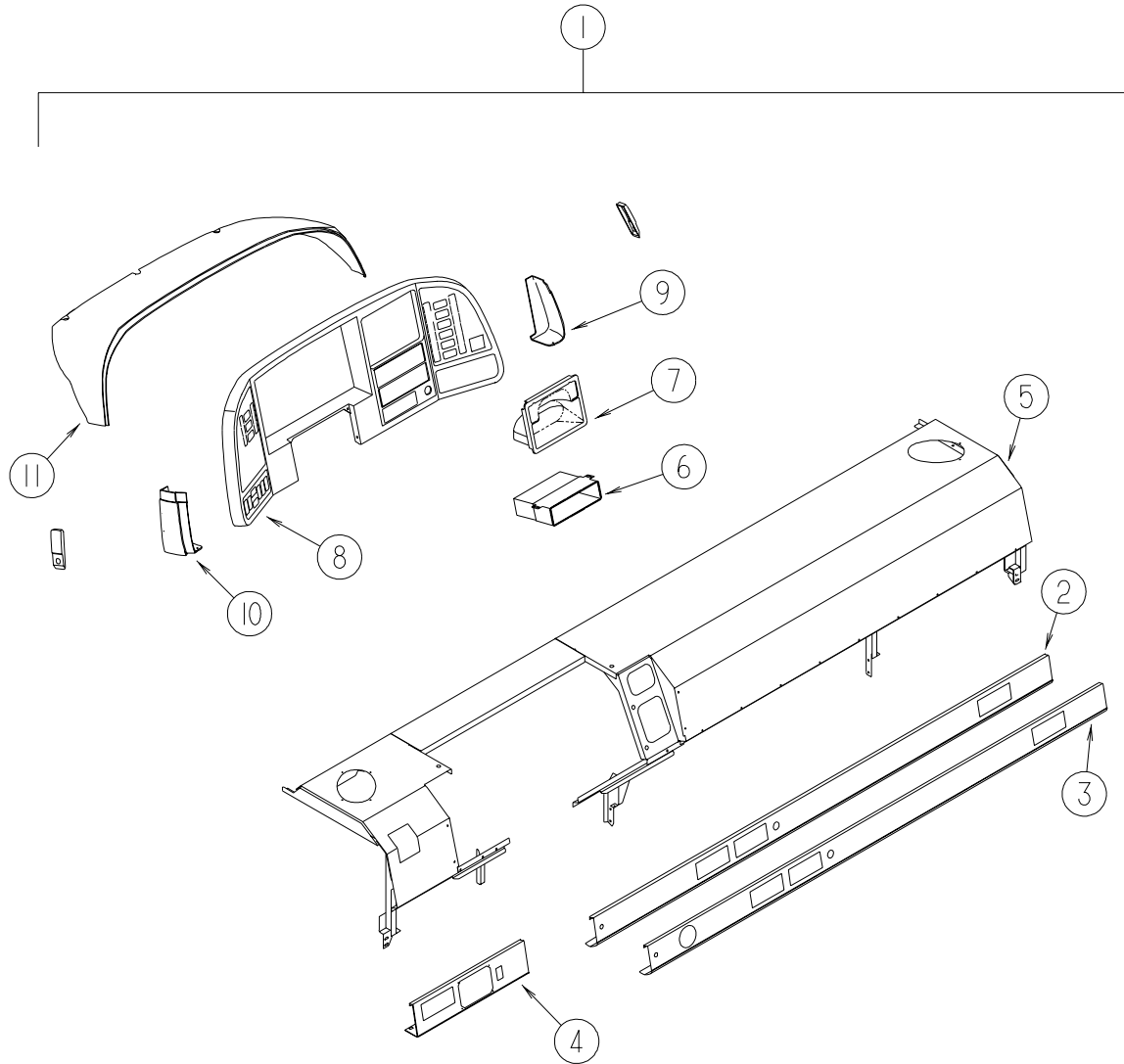
DRIVERS COMPARTMENT GROUP (CONTINUED)

INSTRUMENT PANEL (CONTINUED)

| KEY | PART NUMBER | U/M | DESCRIPTION |
|-----|---------------|-----|--|
| | 077031-01-000 | EA | FILM - BLACK - 1" X 1.75" |
| | 077031-03-000 | EA | FILM - WHITE - .75" X 1" |
| 1 | 089294-01-000 | EA | LIGHTER - CIGARETTE - W/SOCKET & WIRE |
| 2 | 091206-04-000 | EA | MODULE/WIPER CONTROL KIT - DYNAMIC PARK - FRIEGHTLINER |
| 3 | 110420-07-01A | EA | APPLIQUE - BEZEL - CENTER |
| 4 | 110420-08-01A | EA | APPLIQUE - BEZEL - UPPER CENTER |
| 5 | 110420-25-01A | EA | APPLIQUE - BEZEL - LEFT - BLACK - FORD |
| 6 | 110420-04-01A | EA | APPLIQUE - BEZEL - LOWER/LEFT - WITHOUT PARK AND LEVEL - FORD |
| 7 | 110420-30-01A | EA | APPLIQUE - BEZEL - LOWER/RIGHT |
| 8 | 110420-31-01A | EA | APPLIQUE - BEZEL - RIGHT HAND - BLACK |
| 9 | 133534-02-000 | EA | LIGHT - AMBER INDICATOR WITH 1/4" TERMINALS |
| 10 | 133535-01-000 | EA | MODULE - TIMER 20 SECOND - WARNING LIGHT - TS61120P |
| 10 | 134090-01-000 | EA | MODULE - DAY TIME RUNNING LIGHT - SURE POWER #1323F |
| 11 | 133196-01-000 | EA | SPEEDOMETER-KM,SYS.3,99FTLNR - KYSOR 7520-00000-01 |
| 12 | 133197-01-000 | EA | GAUGE-AIR,KPA FRONT SYS.3 - KYSOR 7525-09000-01 |
| 13 | 133197-03-000 | EA | GAUGE-AIR,KPA REAR SYS.3 - KYSOR 7525-10000-01 |
| 14 | 116220-01-000 | EA | APPLIQUE - SWITCH/SLIDEOUT |
| 15 | 108357-06-000 | EA | SWITCH - ROCKER DPDT - MOM/OFF/MOM - 6 TERMINAL |
| 15 | 108356-02-01A | EA | COVER/ACTUATOR SWITCH - 2 ROWS DIMPLES- CONTURA II - BLACK |
| 16 | 108357-09-000 | EA | SWITCH - ROCKER SPDT - ON/NONE/MOM - 3 TERMINAL |
| 16 | 108356-01-01A | EA | COVER/ACTUATOR SWITCH - 3 GROOVES - CONTURA III - BLACK |
| 17 | 108357-01-000 | EA | SWITCH - ROCKER SPST - ON/OFF - 2 TERMINAL |
| 17 | 108356-01-01A | EA | COVER/ACTUATOR SWITCH - 3 GROOVES - CONTURA III - BLACK |
| 18 | 108357-03-000 | EA | SWITCH - ROCKER SPDT - ON/OFF/ON - 3 TERMINAL |
| 18 | 108356-01-01A | EA | COVER/ACTUATOR SWITCH - 3 GROOVES - CONTURA III - BLACK |
| 18 | 096241-03-000 | EA | SWITCH - BLANK - BLACK - FORD ONLY |
| 19 | 108357-03-000 | EA | SWITCH - ROCKER SPDT - ON/OFF/ON - 3 TERMINAL - FORD |
| 19 | 108356-01-01A | EA | COVER/ACTUATOR SWITCH - 3 GROOVES - CONTURA III - BLACK - FORD |
| 19 | 096241-03-000 | EA | SWITCH - BLANK - BLACK - FREIGHTLINER |
| 20 | 108357-10-000 | EA | SWITCH - ROCKER SPDT - W/LIGHT - MOM/NONE/MOM - 5 TERMINAL |
| 20 | 108356-03-01A | EA | COVER/ACTUATOR SWITCH -3 GROOVES W/LIGHT-CONTURA III-BLACK |
| 21 | 108357-08-000 | EA | SWITCH - ROCKER DPDT - ON/NONE/ON - 6 TERMINAL |
| 21 | 108356-01-01A | EA | COVER/ACTUATOR SWITCH - 3 GROOVES - CONTURA III - BLACK |
| | 103603-01-000 | EA | BULB - 12V - #74 - .12A WEDGE - GE 22-25 USED IN DASH |
| 22 | 094794-06-000 | EA | CLUSTER - INSTRUMENT PANEL - KILO/FORD F53 - F5TD-10849-BB |
| 23 | 110420-21-01A | EA | APPLIQUE - BEZEL - LH - FREIGHTLINER |
| 24 | 110420-24-01A | EA | APPLIQUE - BEZEL - LOWER LEFT - FREIGHTLINER |
| 25 | 111414-01-000 | EA | RECEPTACLE/SOCKET - 12 VOLT |

NOTE: WILL NOT WORK WITH A CIGARETTE LIGHTER

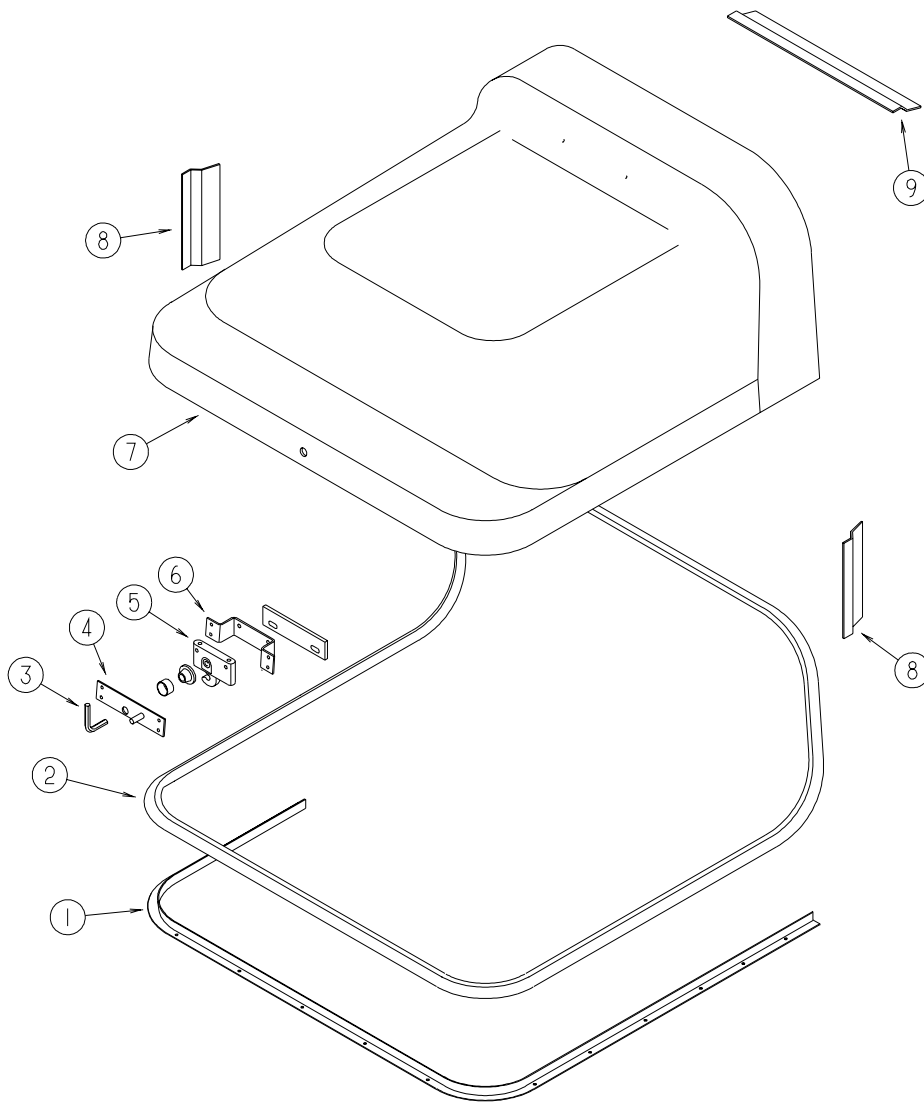
DRIVERS COMPARTMENT GROUP (CONTINUED)
DASH



DRIVERS COMPARTMENT GROUP (CONTINUED)**DASH (CONTINUED)**

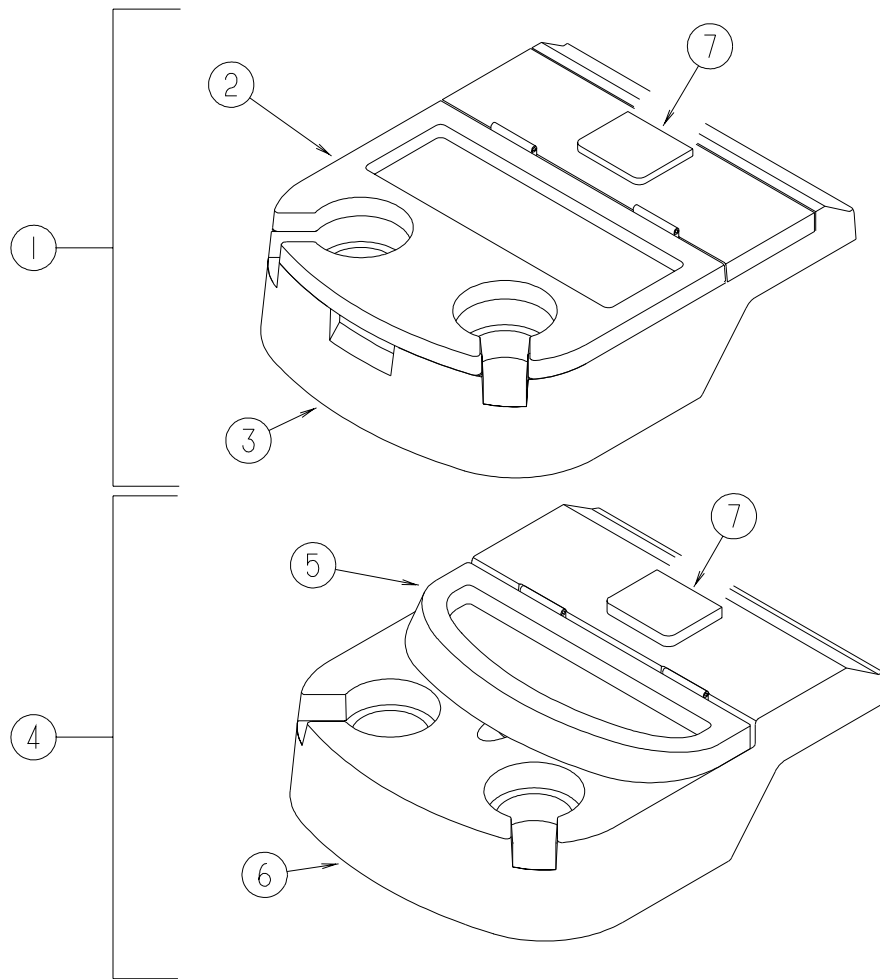
| KEY | PART NUMBER | U/M | DESCRIPTION |
|------------|--------------------|------------|---|
| 1 | 126154-28-J30 | EA | DASH - W/VINYL - F/LEVELING JACKS/SLIDE OUT - FORD - ANTELOPE |
| 1 | 126154-28-J60 | EA | DASH - W/VINYL - F/LEVELING JACKS/SLIDE OUT - FORD - TITANIUM |
| 1 | 126154-15-J30 | EA | DASH - W/VINYL - F/LEVELING JACKS/SLIDE OUT - FREIGHTLINER - ANTELOPE |
| 1 | 126154-15-J60 | EA | DASH - W/VINYL - F/LEVELING JACKS/SLIDE OUT - FREIGHTLINER - TITANIUM |
| | 106569-11-01A | EA | VINYL - LAMINATE - ALLANTE ANTELOPE - 1/4" X 25" X 100" |
| | 106569-11-02A | EA | VINYL - LAMINATE - TITANIUM - 1/4" X 25" X 100" |
| 2 | 126044-02-01A | EA | TRIM - DASH - LOWER/PASSENGER - ANTELOPE - FORD |
| 2 | 126044-02-02A | EA | TRIM - DASH - LOWER/PASSENGER - TITANIUM - FORD |
| 3 | 126044-03-01A | EA | TRIM - DASH - LOWER/PASSENGER - ANTELOPE - FREIGHTLINER |
| 3 | 126044-03-02A | EA | TRIM - DASH - LOWER/PASSENGER - TITANIUM - FREIGHTLINER |
| 4 | 126045-16-01A | EA | TRIM - LOWER DASH - DRIVER - ANTELOPE - FORD |
| 4 | 126045-16-02A | EA | TRIM - LOWER DASH - DRIVER - TITANIUM - FORD |
| 4 | 126045-10-01A | EA | TRIM - LOWER DASH - DRIVER - ANTELOPE - FREIGHTLINER |
| 4 | 126045-10-02A | EA | TRIM - LOWER DASH - DRIVER - TITANIUM - FREIGHTLINER |
| 5 | 126053-05-02B | EA | DASH - E-COATED - FORD |
| 5 | 126053-02-02B | EA | DASH - FREIGHTLINER |
| 6 | 096776-02-000 | EA | BOX - CASSETTE - 4 TAPE HOLDER |
| 6 | 096776-03-000 | EA | BOX - CD'S - BOX HOLDS 4 - RADIO W/CD FEATURE |
| 7 | 111350-01-01A | EA | POCKET - INSTRUMENT PANEL - UPPER - BLACK |
| 8 | 108954-07-01A | EA | BEZEL - INSTRUMENT PANEL - FORD |
| 8 | 108954-08-01A | EA | BEZEL - INSTRUMENT PANEL - FREIGHTLINER |
| 9 | 129924-02-J30 | EA | POD - INSTRUMENT PANEL/LOWER - ANTELOPE - FORD |
| 9 | 129924-02-J60 | EA | POD - INSTRUMENT PANEL/LOWER - TITANIUM - FORD |
| 9 | 129925-03-K36 | EA | POD - INSTRUMENT PANEL/LOWER - ANTELOPE - FREIGHTLINER |
| 9 | 129925-03-K66 | EA | POD - INSTRUMENT PANEL/LOWER - TITANIUM - FREIGHTLINER |
| 10 | 129924-04-J30 | EA | POD - INSTRUMENT PANEL/LOWER - ANTELOPE - FORD |
| 10 | 129924-04-J60 | EA | POD - INSTRUMENT PANEL/LOWER - TITANIUM - FORD |
| 10 | 129925-04-K36 | EA | POD - INSTRUMENT PANEL/LOWER - FREIGHTLINER - ANTELOPE |
| 10 | 129925-04-K66 | EA | POD - INSTRUMENT PANEL/LOWER - FREIGHTLINER - TITANIUM |
| 11 | 130236-02-J30 | EA | POD - INSTRUMENT PANEL - ANTELOPE - FORD |
| 11 | 130236-02-J60 | EA | POD - INSTRUMENT PANEL - TITANIUM - FORD |
| 11 | 125445-04-K36 | EA | POD - INSTRUMENT PANEL - FREIGHTLINER - ANTELOPE |
| 11 | 125445-04-K66 | EA | POD - INSTRUMENT PANEL - FREIGHTLINER - TITANIUM |
| | 125445-03-01A | EA | POD - INSTRUMENT PANEL - ANTELOPE |
| | 125445-03-02A | EA | POD - INSTRUMENT PANEL - TITANIUM |

DRIVERS COMPARTMENT GROUP (CONTINUED)
MOTOR COVER



| KEY | PART NUMBER | U/M | DESCRIPTION |
|-----|---------------|-----|---|
| 1 | 115860-05-01A | EA | TRIM - MOTOR COVER - MILL FINISH - FORD |
| 2 | 039623-01-000 | FT | SEAL - MOTOR COVER - RUBBER BULB TYPE |
| 3 | 116833-01-02B | EA | WRENCH - HEX MOTOR COVER - E-COATED |
| 4 | 115852-01-02B | EA | STRIKE - LATCH - MOTOR COVER - E-COATED |
| 5 | 116581-01-000 | EA | LATCH - MOTOR COVER |
| 6 | 115850-03-02B | EA | RETAINER - LATCH - MOTOR COVER - RIGHT HAND - E-COATED FROM: 00-00-00 THRU: 06-02-00 |
| 6 | 115850-01-02B | EA | RETAINER - LATCH - MOTOR COVER - RIGHT HAND - E-COATED FROM: 06-03-00 THRU: 99-99-99 |
| 7 | 129099-03-01A | EA | COVER - MOTOR - W/O CARPET - FORD FROM: 00-00-00 THRU: 01-31-00 |
| 7 | 129099-04-01A | EA | COVER - MOTOR - W/O CARPET - FORD FROM: 02-01-00 THRU: 99-99-99 |
| 8 | 115855-02-02B | EA | RETAINER - MOTOR COVER/SIDE - E-COATED |
| 9 | 115855-03-02B | EA | RETAINER - MOTOR COVER/TOP - E-COATED |
| | 134455-01-000 | EA | INSULATION/ENGINE COVER/MAIN FROM: 12-17-99 THRU: 99-99-99 |
| | 134455-02-000 | EA | INSULATION/ENGINE COVER/MAIN FROM: 12-17-99 THRU: 99-99-99 |
| | 134497-01-000 | SF | FOIL - ALUMINUM - REINFORCED FROM: 12-16-99 THRU: 99-99-99 |
| | 122772-02-02B | EA | BRACKET - MOUNTING - BEVERAGE TRAY FROM: 00-00-00 THRU: 11-07-99 |

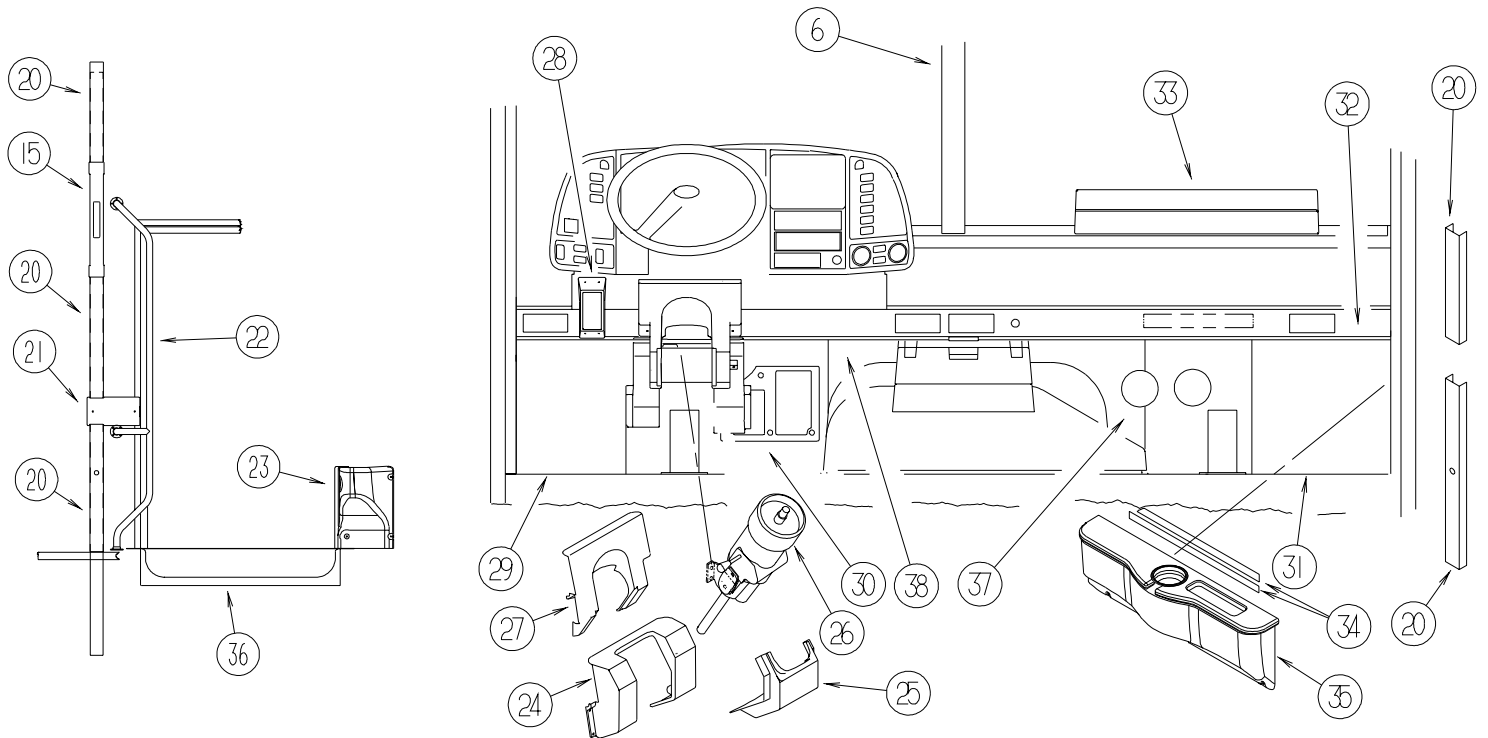
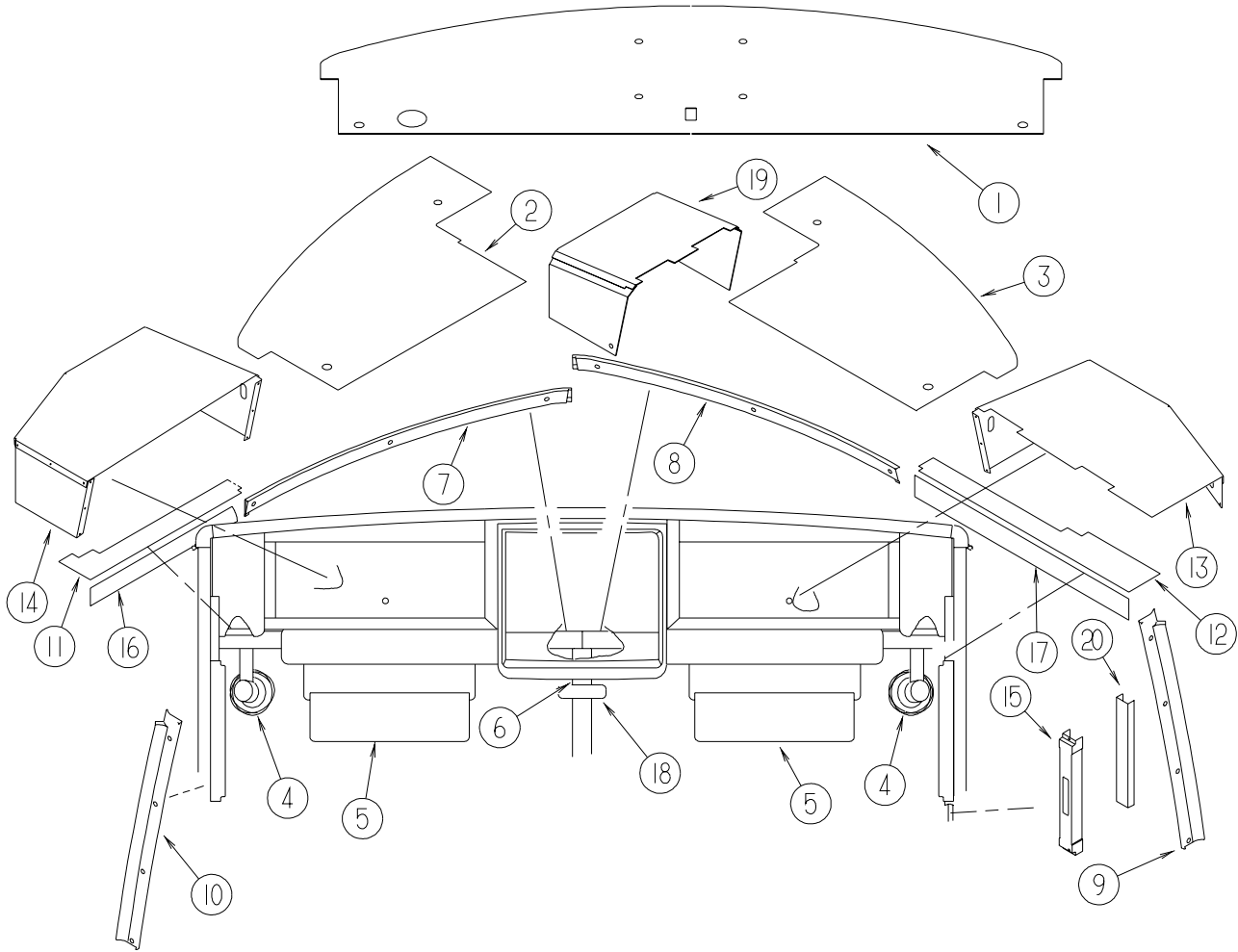
DRIVERS COMPARTMENT GROUP (CONTINUED)
BEVERAGE TRAY



| KEY | PART NUMBER | U/M | DESCRIPTION |
|-----|---------------|-----|---|
| 1 | 126008-01-J30 | EA | TRAY - BEVERAGE - W/DOOR - ANTELOPE - SALEM CHERRY ONLY |
| 1 | 126008-01-L59 | EA | TRAY ASM-BEVERAGE - TITANIUM - SALEM CHERRY ONLY |
| 2 | 126011-01-J30 | EA | LID - BEVERAGE TRAY - SALEM CHERRY ONLY |
| 3 | 126009-02-J30 | EA | TRAY - BEVERAGE - ALLANTE ANTELOPE - SALEM CHERRY ONLY |
| 3 | 126009-02-J60 | EA | TRAY - BEVERAGE - TITANIUM - SALEM CHERRY ONLY |
| 4 | 126008-02-J30 | EA | TRAY - BEVERAGE - W/DOOR - ANTELOPE |
| 4 | 126008-02-J60 | EA | TRAY - BEVERAGE - W/DOOR - TITANIUM |
| 5 | 128113-01-J30 | EA | LID - BEVERAGE TRAY - ANTELOPE |
| 5 | 128113-01-J60 | EA | LID - BEVERAGE TRAY - TITANIUM |
| 6 | 128114-01-01A | EA | TRAY - BEVERAGE - ANTELOPE |
| 6 | 128114-01-02A | EA | TRAY - BEVERAGE - TITANIUM |
| 7 | 118719-01-01A | EA | ASHTRAY - TOP MOUNT - BLACK PLASTIC |

DRIVERS COMPARTMENT GROUP (CONTINUED)

FRONT INTERIOR



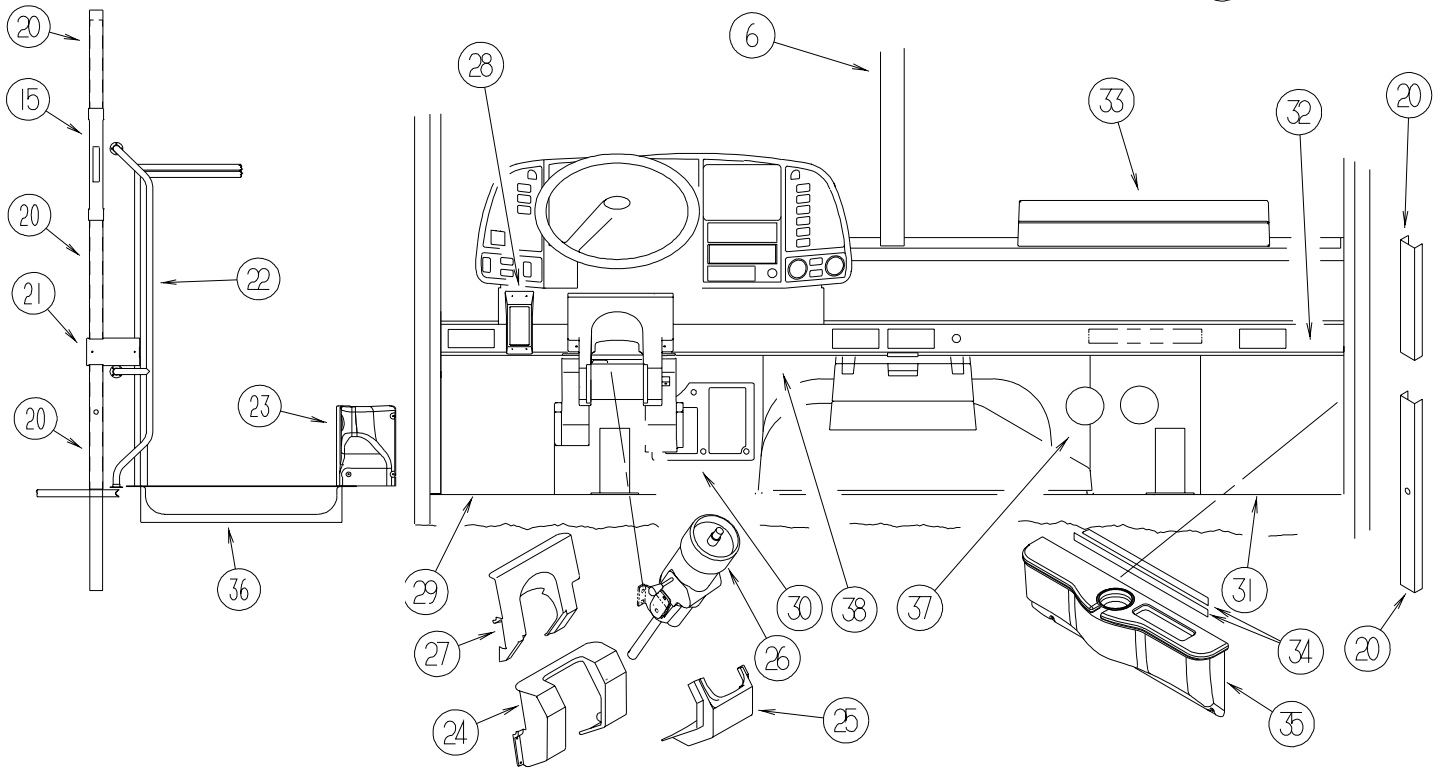
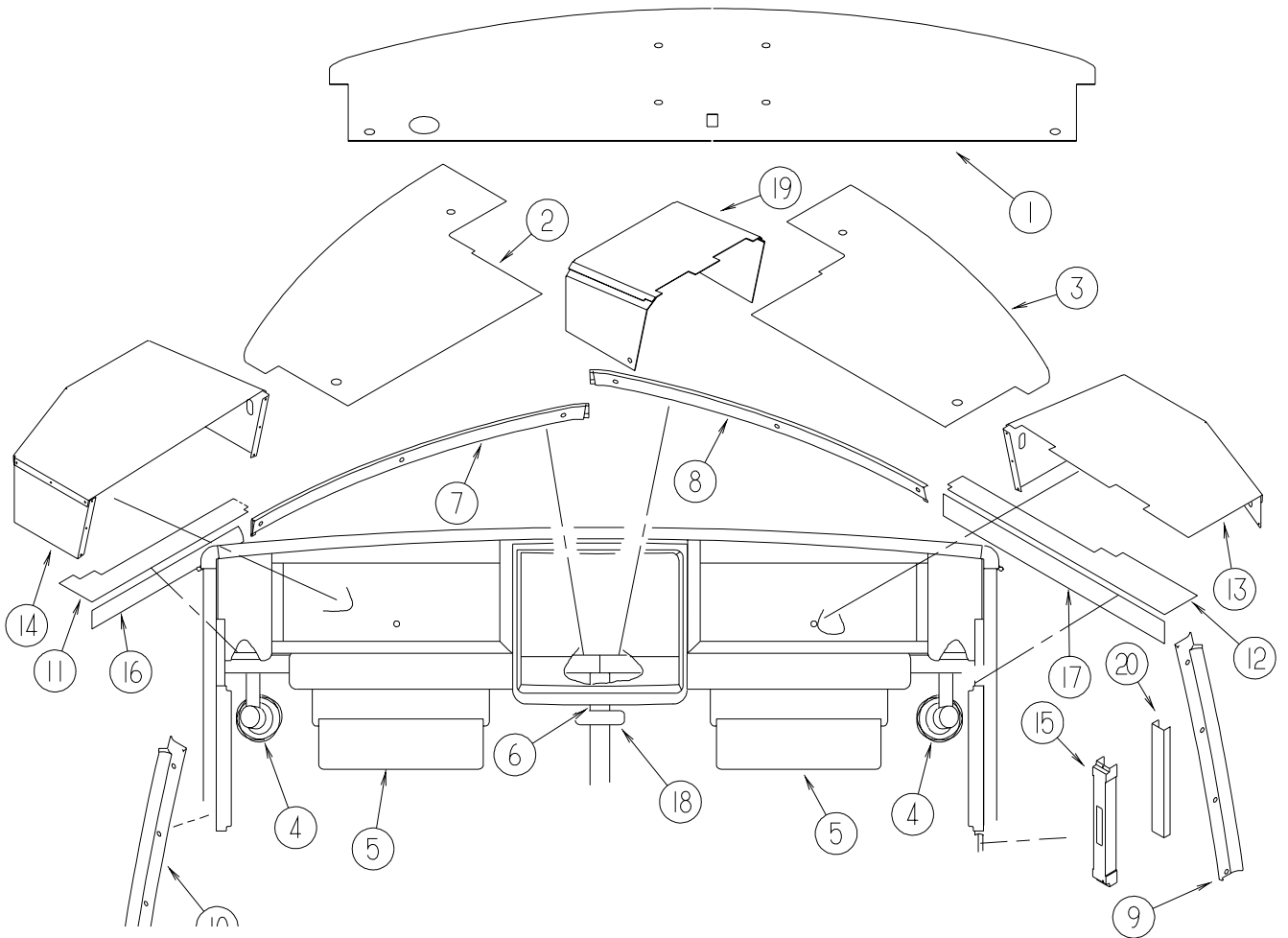
DRIVERS COMPARTMENT GROUP (CONTINUED)

FRONT INTERIOR (CONTINUED)

| KEY | PART NUMBER | U/M | DESCRIPTION |
|-----|---------------|-----|--|
| 1 | 126440-09-K36 | EA | PANEL - OVHD/FRONT - BOTTOM - W/O TV & W/ REAR MONITOR - ANTELOPE - WINNEBAGO |
| 1 | 126440-09-K66 | EA | PANEL - OVHD/FRONT - BOTTOM - W/O TV & W/ REAR MONITOR - TITANIUM - ITASCA |
| 1 | 126440-14-L52 | EA | PANEL - OVHD/FRONT/BOTTOM - W/O TV & W/O REAR MONITOR - ANTELOPE - WINNEBAGO |
| 2 | 126440-12-L52 | EA | PANEL - OVHD/FRONT/BOTTOM/LH - W/TV & W/O REAR MONITOR - ANTELOPE - WINNEBAGO |
| 2 | 126440-13-L52 | EA | PANEL - OVHD/FRONT/BOTTOM/LH - W/TV & W/REAR MONITOR - ANTELOPE - WINNEBAGO |
| 2 | 126440-02-J52 | EA | PANEL - OVHD/FRONT/BOTTOM/LH - W/TV & W/REAR MONITOR - TITANIUM - ITASCA |
| 3 | 126440-11-L52 | EA | PANEL - OVHD/FRONT/BOTTOM/RH - W/TV - ANTELOPE - WINNEBAGO |
| 3 | 126440-01-J52 | EA | PANEL - OVHD/FRONT/BOTTOM/RH - W/TV - TITANIUM - ITASCA |
| 4 | 122856-01-01A | EA | FAN-DEFROSTER-2 SPEED W/SWIVEL BASE/NON-OSCILLATING-CHROME |
| 5 | 128298-04-01A | EA | SUNVISOR - 10.5" X 21" - DRIVER/PASSENGER-ALLANTE ANTELOPE - WINNEBAGO |
| 5 | 128298-04-02A | EA | SUNVISOR - 10.5" X 21" - DRIVER/PASSENGER - TITANIUM - ITASCA |
| 6 | 118452-04-01A | EA | TRIM - WINDSHIELD - CENTER - ANTELOPE - WINNEBAGO |
| 6 | 118452-03-02A | EA | TRIM - WINDSHIELD - CENTER - TITANIUM - ITASCA |
| 7 | 118453-04-01A | EA | TRIM - WINDSHIELD - INNER/TOP/DRIVER - ANTELOPE - WINNEBAGO |
| 7 | 118453-06-02A | EA | TRIM - WINDSHIELD - INNER/TOP/DRIVER - TITANIUM - ITASCA |
| 8 | 118453-03-01A | EA | TRIM - WINDSHIELD - INNER/TOP/PASSENGER - ANTELOPE - WINNEBAGO |
| 8 | 118453-05-02A | EA | TRIM - WINDSHIELD - INNER/TOP/PASSENGER - TITANIUM - ITASCA |
| 9 | 125508-01-01A | EA | TRIM - A-PILLAR - INTERIOR - ANTELOPE - WINNEBAGO |
| 9 | 125444-01-02A | EA | TRIM - A-PILLAR - INTERIOR - TITANIUM - ITASCA |
| 10 | 125508-02-01A | EA | TRIM - A-PILLAR - INTERIOR - ANTELOPE - WINNEBAGO |
| 10 | 125444-02-02A | EA | TRIM - A-PILLAR - INTERIOR - TITANIUM - ITASCA |
| 11 | 126443-17-L32 | EA | PANEL - OVERHEAD/FRONT - LH - ANTELOPE - WINNEBAGO |
| 11 | 126443-02-J52 | EA | PANEL - OVERHEAD/FRONT - LH - 5.8" X 27.6" - TITANIUM - ITASCA |
| 12 | 126443-16-L32 | EA | PANEL - OVERHEAD/FRONT - RH - ANTELOPE - WINNEBAGO |
| 12 | 126443-05-J52 | EA | PANEL - OVERHEAD/FRONT - RH - 5.8" X 28.5" W/FRONT OVHD TV - TITANIUM - ITASCA |
| 12 | 126443-01-J60 | EA | PANEL - OVERHEAD/FRONT - RIGHT HAND - 5.8" X 39.2" W/SIDE TV - TITANIUM - ITASCA |
| 13 | 126457-06-L32 | EA | PANEL - CLOSEOUT - OVHD FRONT - PASSENGER - WINNEBAGO |
| 13 | 126457-01-L15 | EA | PANEL - CLOSEOUT - OVERHEAD/FRONT - PASSENGER - ITASCA |
| 14 | 126457-07-L32 | EA | PANEL - CLOSEOUT - OVHD FRONT - DRIVER - WINNEBAGO |
| 14 | 126457-02-L15 | EA | PANEL - CLOSEOUT - OVERHEAD/FRONT - DRIVER - ITASCA |
| 15 | 127721-01-01A | EA | COVER - SLIDE - OFF WHITE |
| 15 | 127798-01-01A | EA | COVER - SLIDE - INNER - BLACK - 1.5" X 11.4" |
| 16 | 132694-02-L32 | EA | PANEL - OVHD/FRONT/LH - ANTELOPE - WINNEBAGO ONLY |
| 17 | 132694-01-L32 | EA | PANEL - OVHD/FRONT/RH - ANTELOPE - WINNEBAGO ONLY |
| 18 | 134154-01-000 | EA | MIRROR - CONVEX - 4" X 11.8" |
| 19 | 126457-08-L52 | EA | PANEL ASM-CLOSEOUT,OVHD FRT - WINNEBAGO |
| 19 | 126457-04-K36 | EA | PANEL ASM-CLOSEOUT,OVHD,FRT - ITASCA |
| 20 | 024700-51-000 | EA | COVER - ROLL BAR - 88" - OFF WHITE |
| 21 | 103961-07-01A | EA | COVER - BRACKET - LATCH - OFF WHITE |
| 22 | 131058-02-01A | EA | HAND RAIL - INTERIOR CAB DOOR - BLACK |
| | | | FROM: 00-00-00 THRU: 11-21-99 |
| 22 | 131058-04-02A | EA | HAND RAIL - INTERIOR CAB DOOR - BLACK |
| | | | FROM: 11-22-99 THRU: 99-99-99 |
| 23 | 132296-02-01A | EA | PANEL - TRIM - DASH/CAB DOOR - ANTELOPE - WINNEBAGO |
| 23 | 132296-02-02A | EA | PANEL - TRIM - DASH/CAB DOOR - TITANIUM - ITASCA |
| 24 | 130259-02-J30 | EA | COVER - STEERING COLUMN - ANTELOPE - WINNEBAGO |
| | | | FROM: 08-30-99 THRU: 99-99-99 |
| 24 | 131804-02-01A | EA | COVER - STEERING COLUMN - BLACK |
| | | | FROM: 00-00-00 THRU: 08-29-99 |
| 24 | 130259-02-J60 | EA | COVER - STEERING COLUMN - TITANIUM - ITASCA |
| 25 | 125795-01-01A | EA | COVER - STEERING COLUMN - LOWER - BLACK - FORD |
| 26 | 095933-07-000 | EA | STOP-TILT,COLUMN DOUGLAS - FREIGHTLINER |
| 27 | 125796-02-J30 | EA | COVER - STEERING COLUMN - FREIGHTLINER |
| 28 | 126237-01-01A | EA | POD - CONTROL - SHIFTER - FREIGHTLINER |
| 29 | 108152-03-000 | EA | MAT - FLOOR - DRIVER |
| 30 | 116993-01-01A | EA | COVER - PEDALS - BLACK - FREIGHTLINER |
| 31 | 108152-01-000 | EA | MAT - FLOOR - PASSENGER |
| 32 | 127488-01-03A | EA | APPLIQUE - LOWER DASH - CHIEFTAIN - WINNEBAGO |
| 32 | 127488-01-04A | EA | APPLIQUE - LOWER DASH - SUNFLYER - ITASCA |
| 33 | 127495-01-J30 | EA | TABLE/WORK STATION - COMPLETE - ANTELOPE - WINNEBAGO |
| 33 | 127495-01-J60 | EA | TABLE/WORK STATION - COMPLETE - TITANIUM - ITASCA |
| 33 | 127147-01-02B | EA | BRACKET - SLIDE - MOUNTING - E-COATED |
| 33 | 127597-01-000 | EA | SLIDE - WORK STATION - DASH |
| 34 | 106105-03-000 | EA | CLIP - VALANCE/RETAINING |

DRIVERS COMPARTMENT GROUP (CONTINUED)

FRONT INTERIOR (CONTINUED)

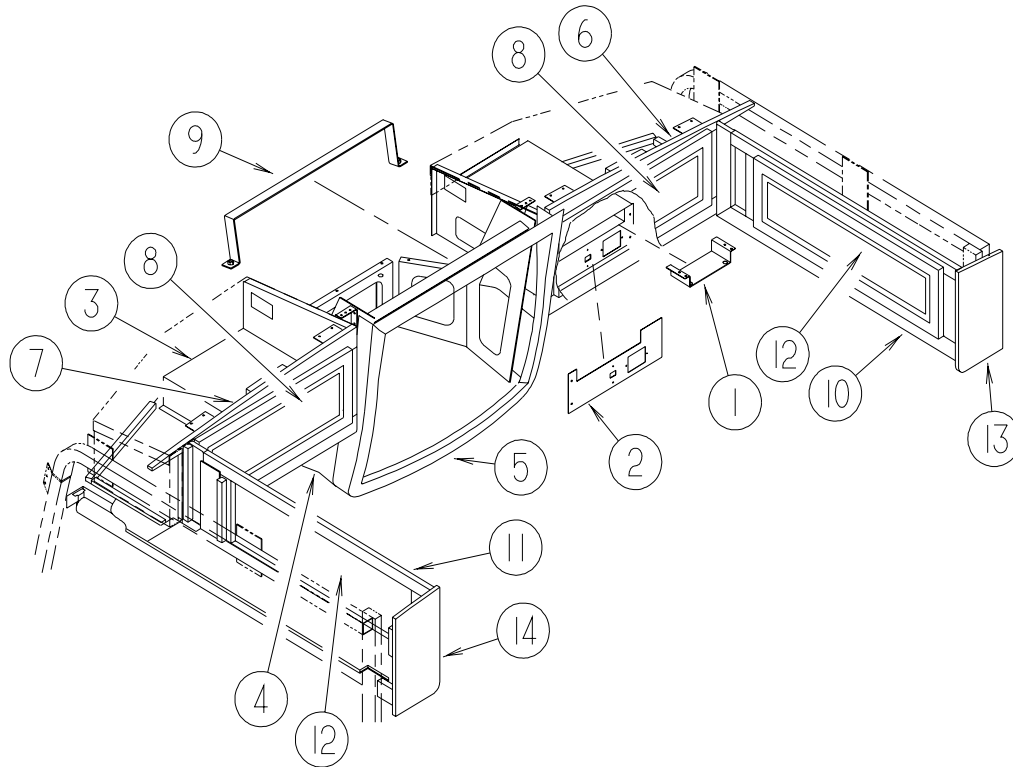


DRIVERS COMPARTMENT GROUP (CONTINUED)

FRONT INTERIOR (CONTINUED)

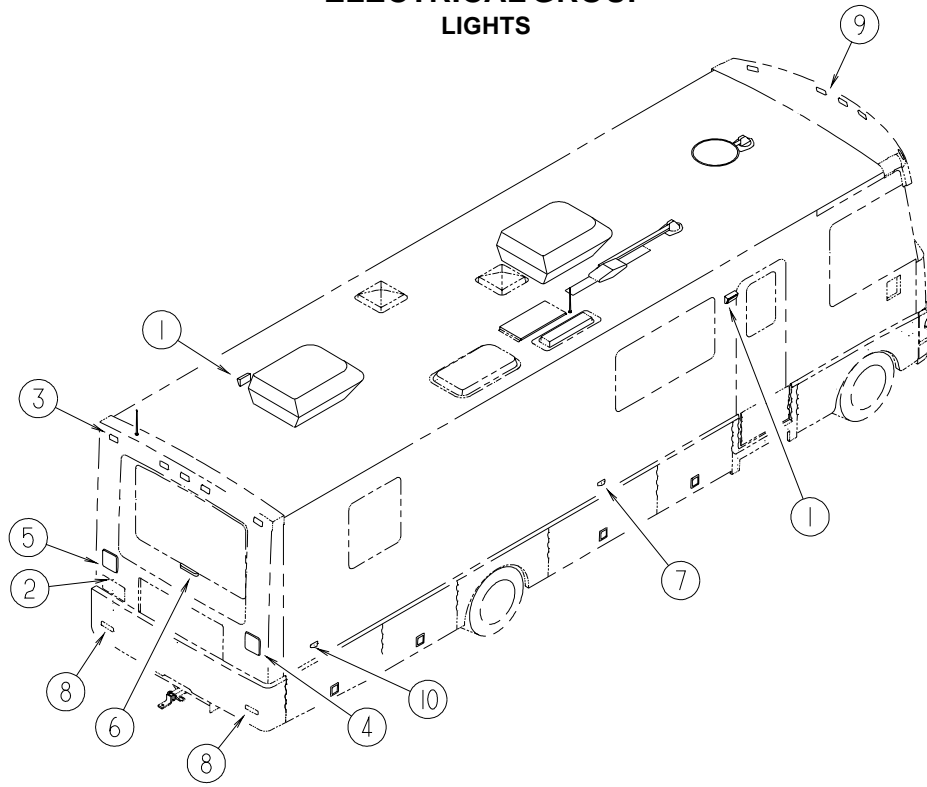
| KEY | PART NUMBER | U/M | DESCRIPTION |
|-----|---------------|-----|--|
| 35 | 132297-01-L52 | EA | BEVERAGE TRAY - PASSENGER/DRIVER - SALEM CHERRY |
| 35 | 132297-01-L32 | EA | BEVERAGE TRAY - PASSENGER/DRIVER - WATERFORD OAK |
| 35 | 132297-01-L58 | EA | BEVERAGE TRAY - PASSENGER/DRIVER - WASHED MAPLE |
| 35 | 132354-02-01A | EA | PANEL/TRIM - INNER/PASSENGER - W/O BEVERAGE TRAY- ANTELOPE - WINNEBAGO |
| 35 | 132354-02-02A | EA | PANEL/TRIM - INNER/PASSENGER - W/O BEVERAGE TRAY- TITANIUM - ITASCA |
| 35 | 132595-01-02B | EA | BRACKET - BEVERAGE TRAY HOLDER |
| 36 | P31835-01-03A | EA | TRIM/STEP - DRIVER DOOR - ANTELOPE - WINNEBAGO |
| 36 | P31835-01-02A | EA | TRIM/STEP - DRIVER DOOR - TITANIUM - ITASCA |
| 36 | 102569-02-000 | EA | MAT - ANTI SLIP - LOWER |
| 37 | 134455-03-000 | EA | INSULATION/RADIATOR COVER/MAIN |
| | | | FROM: 04-16-00 THRU: 99-99-99 |
| 38 | 134455-04-000 | EA | INSULATION/RADIATOR COVER/LEFT HAND |
| | | | FROM: 04-16-00 THRU: 99-99-99 |

DRIVERS COMPARTMENT GROUP (CONTINUED)
CABINETS



| KEY | PART NUMBER | U/M | DESCRIPTION |
|-----|---------------|-----|--|
| 1 | 118847-02-02B | EA | MOUNT - SWITCH BOX - E-COATED |
| 2 | 131807-06-L32 | EA | PANEL/SHELF - VINYL COVERED - W/O CUTOUTS |
| 3 | 133827-01-02B | EA | PANEL-SHELF,E-COAT (W/ CD CHANGER) |
| 4 | P30021-02-L52 | EA | COVER - TV - OVHD/LOWER |
| 5 | 130020-02-01A | EA | COVER - TV - OVHD FRONT - ANTELOPE |
| 6 | 132973-01-L52 | EA | CABINET - OVHD FRONT - W/O DOORS/HARDWARE - SALEM CHERRY |
| 6 | 132973-01-L32 | EA | CABINET - OVHD FRONT - W/O DOORS/HARDWARE - WATERFORD OAK |
| 7 | 132973-02-L52 | EA | CABINET - OVHD/Front - W/O DOORS/HARDWARE - SALEM CHERRY |
| 7 | 132973-02-L32 | EA | CABINET - OVHD/Front - W/O DOORS/HARDWARE - WATERFORD OAK |
| 8 | 131995-V1-L52 | EA | DOOR - GLASS W/WOOD FRAME - 10.8" X 23.8" - W/O HARDWARE - SALEM CHERRY |
| 8 | 131995-V1-L32 | EA | DOOR - GLASS W/WOOD FRAME - 10.8" X 23.8" - W/O HARDWARE - WATERFORD OAK |
| 8 | 100708-21-000 | EA | DOOR - GLASS - TV CABINET - 8.1" X 21.1" - W/O HARDWARE |
| 9 | 133790-02-02B | EA | STRAP - TIEDOWN/TV - E-COATED |
| 10 | 132880-01-L52 | EA | CABINET - OVHD/Front/RH - W/O DOORS/HARDWARE - SALEM CHERRY |
| 10 | 132880-01-L32 | EA | CABINET - OVHD/Front/RH - W/O DOORS/HARDWARE - WATERFORD OAK |
| 11 | 132880-02-L52 | EA | CABINET - OVHD/Front/LH - W/O DOORS/HARDWARE - SALEM CHERRY |
| 11 | 132880-02-L32 | EA | CABINET - OVHD/Front/LH - W/O DOORS/HARDWARE - WATERFORD OAK |
| 12 | 131995-29-L52 | EA | DOOR - RAIL/SOLID PANEL - 10" X 29.5" - W/O HARDWARE - SALEM CHERRY |
| 12 | 131995-29-L32 | EA | DOOR - RAIL/SOLID PANEL - 10" X 29.5" - W/O HARDWARE - WATERFORD OAK |
| 13 | 103128-57-L52 | EA | END CAP - OVERHEAD CABINET - RIGHT HAND - SALEM CHERRY |
| 13 | 103128-57-L32 | EA | END CAP - OVERHEAD CABINET - RIGHT HAND - WATERFORD OAK |
| 14 | 103128-58-L52 | EA | END CAP - OVERHEAD CABINET - LEFT HAND - SALEM CHERRY |
| 14 | 103128-58-L32 | EA | END CAP - OVERHEAD CABINET - LEFT HAND - WATERFORD OAK |

ELECTRICAL GROUP LIGHTS

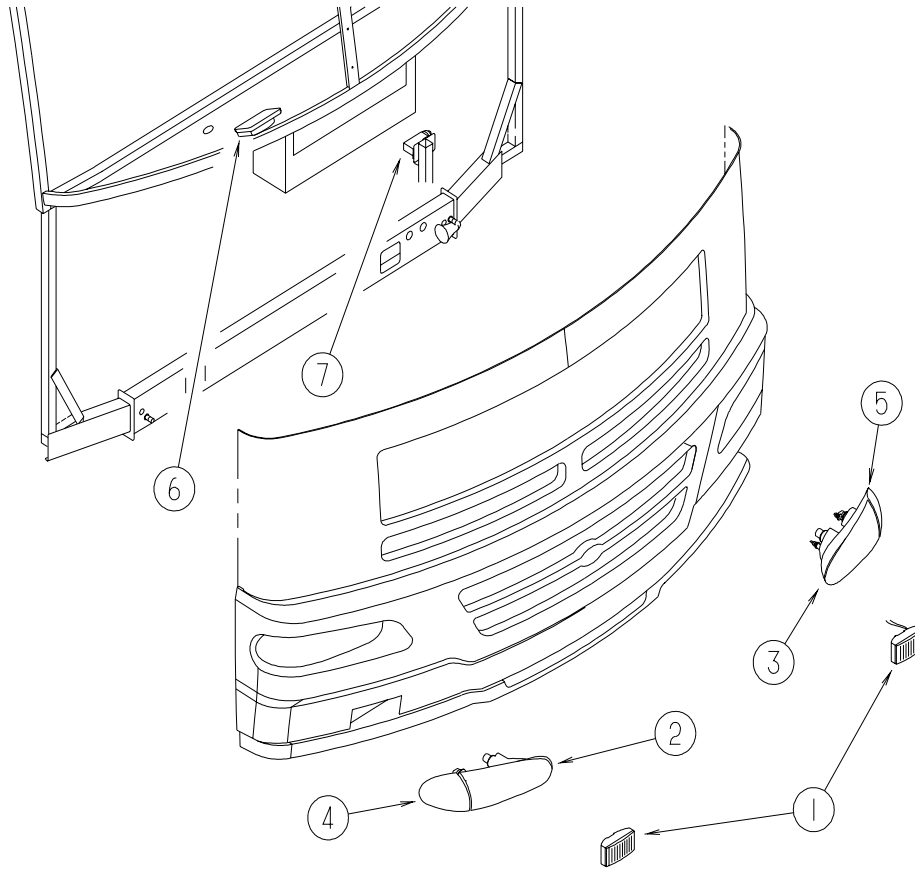


EXTERIOR COACH

| KEY | PART NUMBER | U/M | DESCRIPTION |
|-----|---------------|-----|---|
| 1* | 097917-01-06A | EA | LIGHT - PORCH - BRIGHT WHITE |
| 1 | 008215-01-000 | EA | BULB - 12 VOLT - #1003 - .94 AMP |
| 1* | 008089-02-000 | EA | LIGHT - PORCH - RECESSED - CANADIAN |
| 1 | 008214-01-000 | EA | BULB - 12 VOLT - #67 - .59 AMP |
| 2 | 087201-01-000 | EA | LIGHT - HALF ROUND - 1" X 1.7" - PLASTIC - BLACK |
| 3 | 102520-02-000 | EA | LIGHT - CLEARANCE - W/O SOCKET/HOUSING - RED |
| 3 | 036196-01-000 | EA | BULB - 12V - #194 - .27 AMP - BAYONETTE |
| 3 | 067789-02-000 | EA | SOCKET - LAMP |
| 3 | 102541-01-000 | EA | GASKET - CLEARANCE LIGHT |
| 4 | 117831-01-000 | EA | LAMP - STOP/TURN/TAILO/BACKUP |
| 4 | 119157-01-000 | EA | SOCKET - SINGLE CONTACT |
| 4 | 119158-01-000 | EA | SOCKET - DOUBLE CONTACT |
| 4 | 037934-01-000 | EA | BULB - 12V - #1156 - 2.1 AMP CLEAR GLASS |
| 4 | 037935-01-000 | EA | BULB - 12V - #1157 OR #2057 - 2.1 AMP - CLEAR GLASS |
| 5 | 117831-02-000 | EA | LAMP - STOP/TURN/TAILO/BACKUP |
| 5 | 119157-01-000 | EA | SOCKET - SINGLE CONTACT |
| 5 | 119158-01-000 | EA | SOCKET - DOUBLE CONTACT |
| 5 | 037934-01-000 | EA | BULB - 12V - #1156 - 2.1 AMP CLEAR GLASS |
| 5 | 037935-01-000 | EA | BULB - 12V - #1157 OR #2057 - 2.1 AMP - CLEAR GLASS |
| 6 | 121950-01-000 | EA | LIGHT - BRAKE - CENTER MOUNT |
| 6 | 067789-02-000 | EA | SOCKET - LAMP |
| 6 | 036196-01-000 | EA | BULB - 12V - #194 - .27 AMP - BAYONETTE |
| 7 | 111102-01-000 | EA | BASE - MARKER LAMP |
| 7 | 111102-02-000 | EA | LENS - AMBER - MARKER LAMP |
| 7 | 036196-01-000 | EA | BULB - 12V - #194 - .27 AMP - BAYONETTE |
| 8 | 117826-01-000 | EA | SIDE MARKER LAMP ASSEMBLY - RED |
| 8 | 117826-03-000 | EA | GASKET - MARKER LIGHT |
| 8 | 036196-01-000 | EA | BULB - 12V - #194 - .27 AMP - BAYONETTE |
| 8 | 067789-02-000 | EA | SOCKET - LAMP |
| 9 | 102520-01-000 | EA | LIGHT - CLEARANCE - W/O SOCKET/HOUSING - AMBER |
| 9 | 102541-01-000 | EA | GASKET - CLEARANCE LIGHT |
| 9 | 036196-01-000 | EA | BULB - 12V - #194 - .27 AMP - BAYONETTE |
| 9 | 067789-02-000 | EA | SOCKET - LAMP |
| 10 | 111102-01-000 | EA | BASE - LAMP MARKER |
| 10 | 111102-03-000 | EA | LENS - RED - MARKER LAMP |
| 10 | 036196-01-000 | EA | BULB - 12V - #194 - .27 AMP - BAYONETTE |

* COMPONENT PARTS FOUND IN SERVICE PARTS LIBRARY

ELECTRICAL GROUP (CONTINUED)
LIGHTS (CONTINUED)

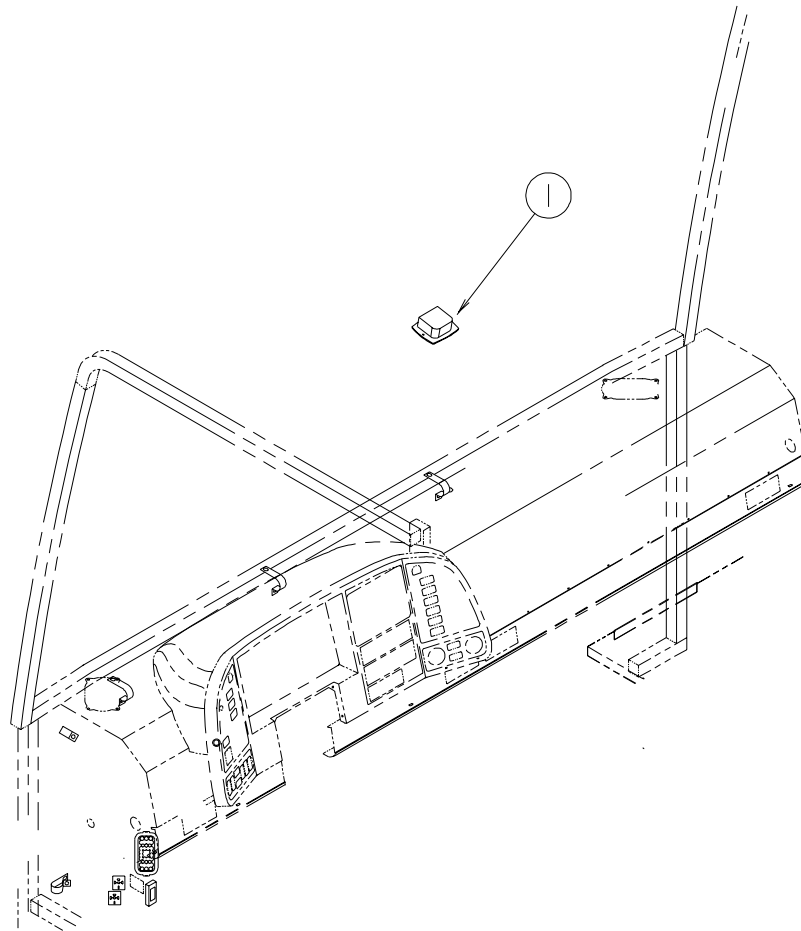


EXTERIOR FRONT END

| KEY | PART NUMBER | U/M | DESCRIPTION |
|-----|---------------|-----|---|
| 1 | 124215-01-000 | EA | FOG LIGHT - RECTANGULAR/CLEAR LENS |
| 2 | 126200-01-000 | EA | HEADLAMP - PASSENGER W/BULB |
| 2 | 088758-01-000 | EA | HOUSING - HEADLAMP - CONNECTOR TERMINAL W/3 WIRES |
| 2 | 067789-02-000 | EA | SOCKET - LAMP |
| 2 | 124163-01-000 | EA | CLIP - HEADLAMP/MOUNTING BRACKET - FORD #E9DZ-13N129A |
| 2 | 126490-01-02B | EA | FRAME - HEADLAMP - PASSENGER - E-COATED |
| 3 | 126200-02-000 | EA | HEADLAMP - DRIVER |
| 3 | 088758-01-000 | EA | HOUSING - HEADLAMP - CONNECTOR TERMINAL W/3 WIRES |
| 3 | 067789-02-000 | EA | SOCKET - LAMP |
| 3 | 124163-01-000 | EA | CLIP - HEADLAMP/MOUNTING BRACKET - FORD #E9DZ-13N129A |
| 3 | 126490-02-02B | EA | FRAME - HEADLAMP - DRIVER - E-COATED |
| 4 | 126201-01-000 | EA | LAMP - PASSENGER SIDE MARKER - AMBER |
| 4 | 112708-02-000 | EA | BULB - 12 VOLT #3157NA |
| 4 | 112709-04-000 | EA | SOCKET - LAMP - S8 WEDGE |
| 5 | 126201-02-000 | EA | LAMP - DRIVER SIDE MARKER - AMBER |
| 5 | 112708-02-000 | EA | BULB - 12 VOLT #3157NA |
| 5 | 112709-04-000 | EA | SOCKET - LAMP - S8 WEDGE |
| 6* | 098024-01-03A | EA | LIGHT - DOME - 1 BULB - WHITE |
| | 008218-01-000 | EA | BULB - 12 VOLT - #1141 - 1.44 AMP |
| 7 | 114802-01-000 | EA | PUMP - VACUUM - 12V - FREIGHTLINER |

* COMPONENT PARTS FOUND IN SERVICE PARTS LIBRARY

ELECTRICAL GROUP (CONTINUED)
LIGHTS (CONTINUED)



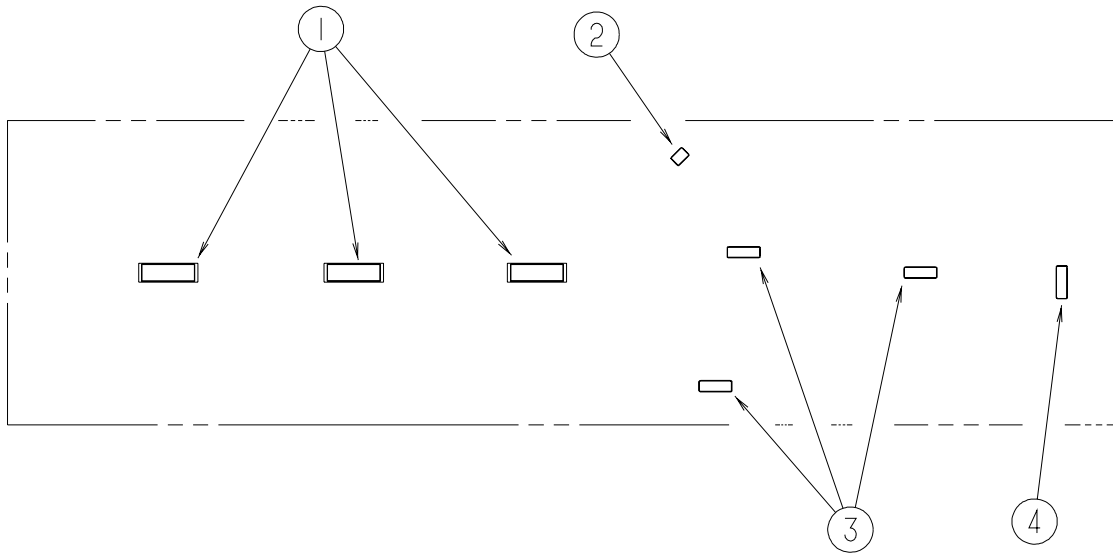
INTERIOR CAB

| KEY | PART NUMBER | U/M | DESCRIPTION |
|------------|--------------------|------------|----------------------------------|
| 1 | 112642-01-06A | EA | TRIM RING - SINGLE LIGHT - BLACK |
| 1 | 112643-01-000 | EA | LIGHT - SINGLE - SWIVEL |

DASH BULB

| KEY | PART NUMBER | U/M | DESCRIPTION |
|------------|--------------------|------------|---|
| | 103603-01-000 | EA | BULB - 12 VOLT - #74 - .12A WEDGE - GE 22-25 USED IN DASH |
| | 103608-01-000 | EA | SOCKET - WEDGE BASE W/LEADS |

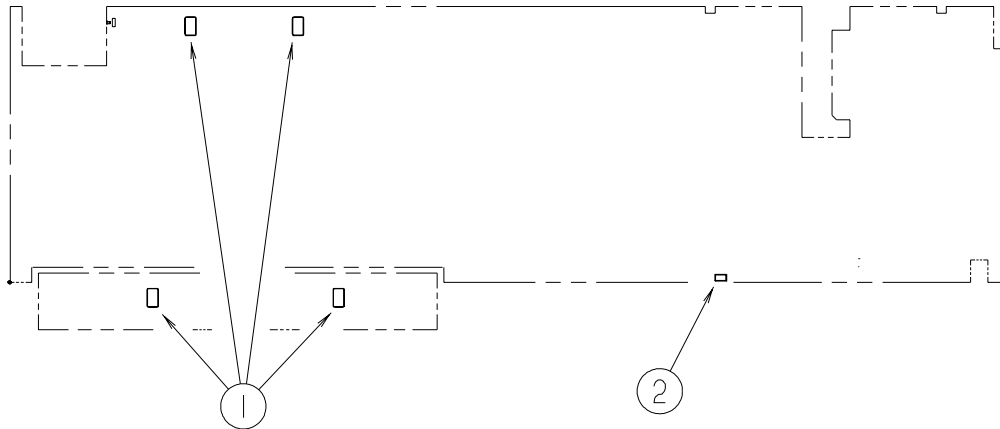
ELECTRICAL GROUP (CONTINUED)



LIGHTS (CONTINUED) INTERIOR CEILING

| KEY | PART NUMBER | U/M | DESCRIPTION |
|-----|---------------|-----|---|
| 1 | 091937-06-000 | EA | LIGHT - FLOURESCENT-12 VOLT - RECESSED/THIN-LITE |
| 2 | 098024-07-02A | EA | LIGHT - DOME W/O SWITCH - 1 BULB |
| 3 | 098024-08-02A | EA | LIGHT - DOME - 2 BULB - W/O SWITCH |
| | | | FROM: 00-00-00 THRU: 03-05-00 |
| 3 | 098024-09-02A | EA | LIGHT - DOME - 1 LENS/2 BULB FIXTURE - W/O SWITCH |
| | | | FROM: 03-06-00 THRU: 99-99-99 |
| 4* | 098024-03-02A | EA | LIGHT - DOME - 2 BULB - WHITE |
| | 008218-01-000 | EA | BULB - 12 VOLT - #1141 - 1.44 AMP |

* COMPONENT PARTS FOUND IN SERVICE PARTS LIBRARY

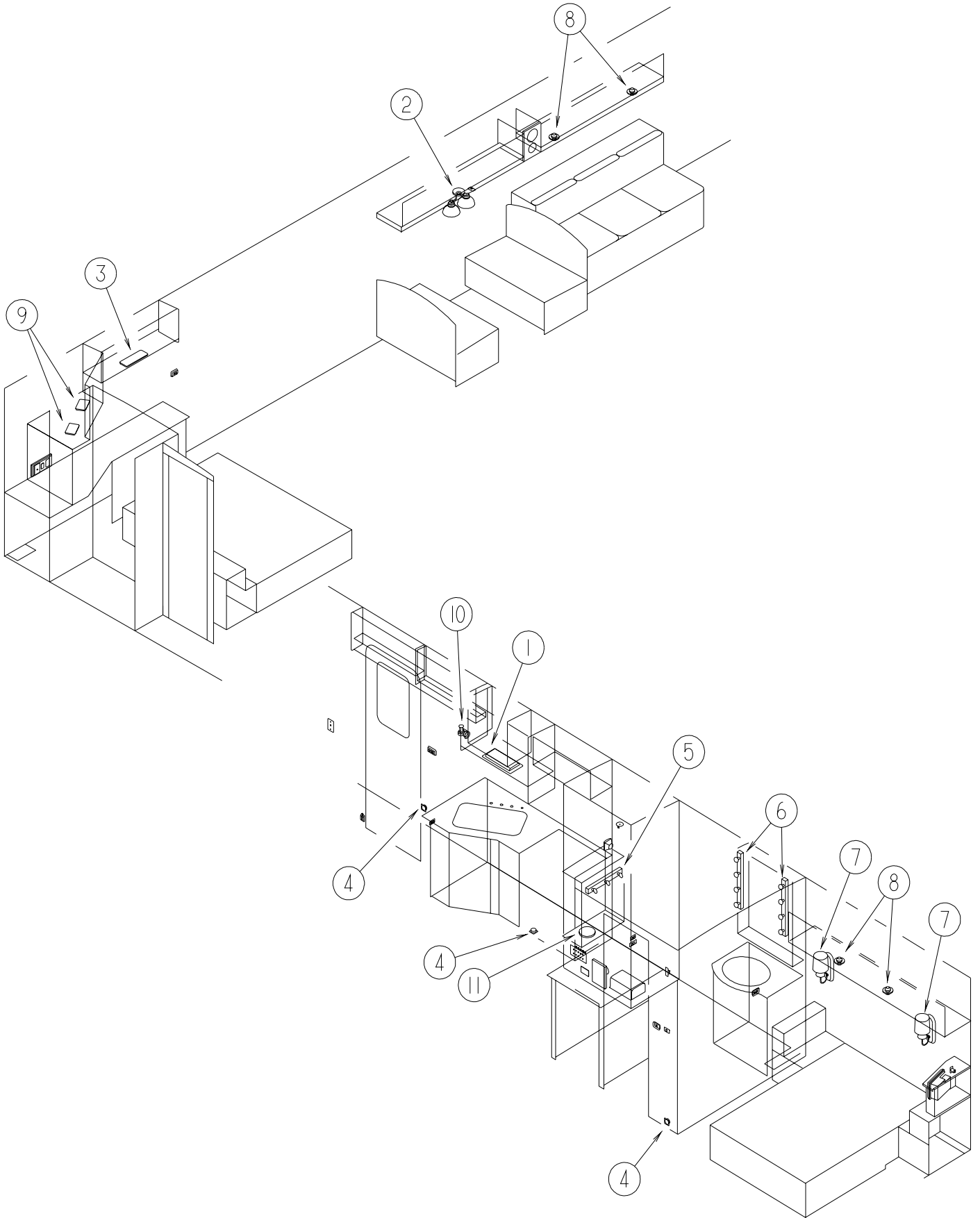


INTERIOR COMPARTMENT

| KEY | PART NUMBER | U/M | DESCRIPTION |
|-----|---------------|-----|-----------------------------------|
| 1* | 098024-01-03A | EA | LIGHT - DOME - 1 BULB - WHITE |
| | 008218-01-000 | EA | BULB - 12 VOLT - #1141 - 1.44 AMP |
| 2* | 086280-01-000 | EA | LIGHT - SURFACE MOUNT - 12 VOLT |

* COMPONENT PARTS FOUND IN SERVICE PARTS LIBRARY

ELECTRICAL GROUP (CONTINUED)
LIGHTS (CONTINUED)
INTERIOR COACH



ELECTRICAL GROUP (CONTINUED)

LIGHTS (CONTINUED)

INTERIOR COACH (CONTINUED)

| KEY | PART NUMBER | U/M | DESCRIPTION |
|-----|---------------|-----|--|
| 1* | 091937-05-000 | EA | LIGHT - FLUORESCENT - 12V/16 WATT - 15" LONG - THIN LITE |
| 2 | 093575-12-01A | EA | LIGHT - CEILING - DOUBLE - UL/CSA |
| 3* | 098024-06-02A | EA | LIGHT - DOME - 2 BULB - SKYLITE/OPTI CLEAR |
| 3 | 008218-01-000 | EA | BULB - 12 VOLT - #1141 - 1.44 AMP |
| 4* | 108354-01-01A | EA | LIGHT - COURTESY |
| 5* | 110235-01-01A | EA | LIGHT - MAKE UP - 3 BULB - 12 VOLT |
| 6* | 110235-02-01A | EA | LIGHT - MAKE UP - 4 BULB PANLESS |
| 7 | 119257-05-01A | EA | SHADE - LAMP - WHITE HARDBACK - 4" T X 6.3" H X 7.3" B |
| 7 | 119258-12-01A | EA | LAMP - WALL - UL/CSA - BRASS |
| | | | FROM: 00-00-00 THRU: 12-12-99 |
| 7 | 119258-18-01A | EA | LAMP - WALL - W/O BULB OR SHADE - UL/CSA |
| | | | FROM: 12-13-99 THRU: 99-99-99 |
| 7 | 067479-01-000 | EA | BULB - 12 VOLT - #1076 - 1.80 AMP |
| 8 | 132427-01-01A | EA | LIGHT - READING - SWIVEL/ROUND - BRASS |
| 8 | 123917-01-000 | EA | BULB - 12V - HALOGEN SPOT |
| 9 | 098024-05-02A | EA | LIGHT - DOME - 1 BULB - SKYLITE/OPTI CLEAR |
| 10 | 128786-01-01A | EA | LIGHT - READING/SWIVEL |
| 11* | 123775-01-01A | EA | LIGHT - HALOGEN - ROUND |

* COMPONENT PARTS FOUND IN SERVICE PARTS LIBRARY

CIRCUIT BREAKERS & FUSES

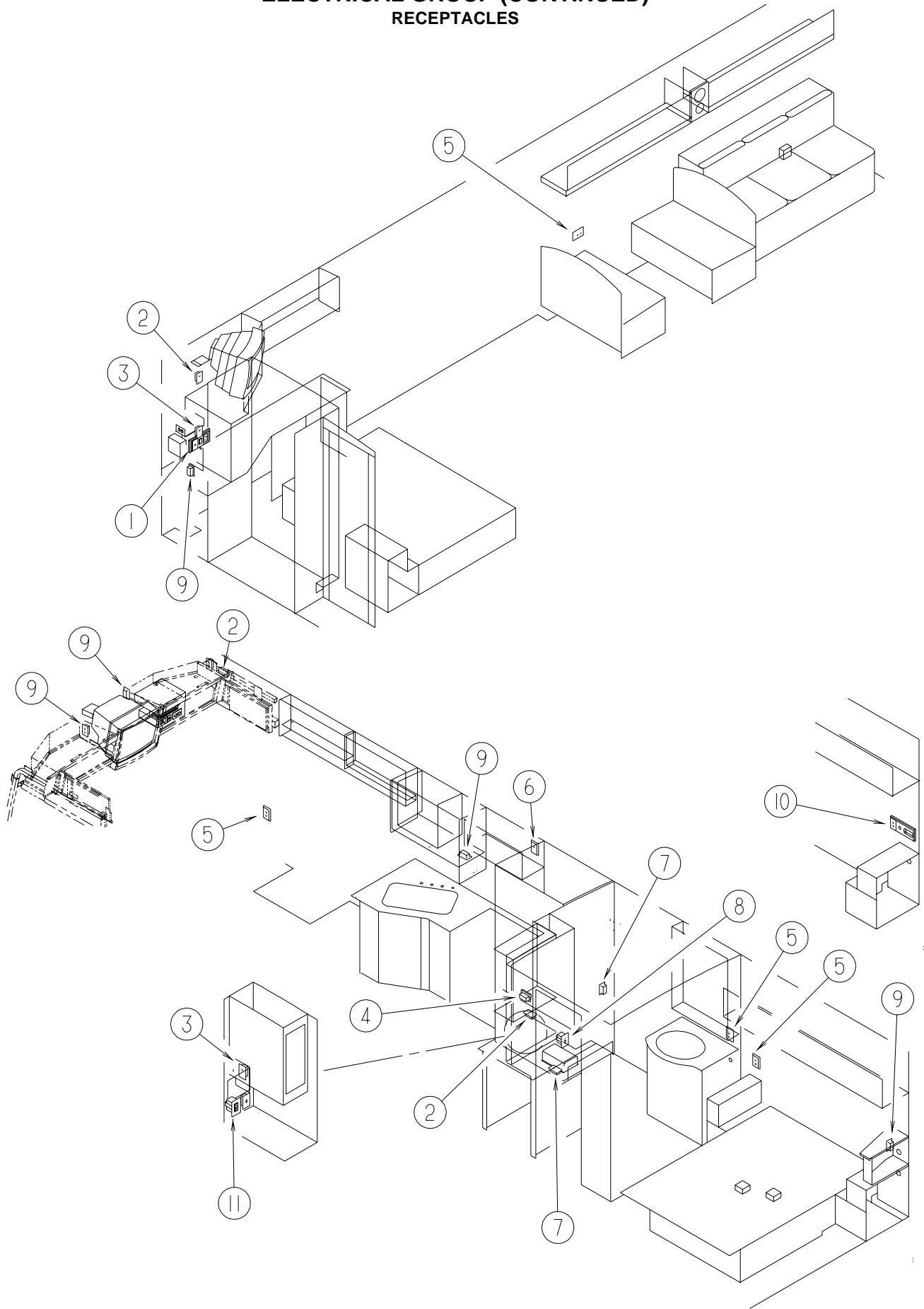
| KEY | PART NUMBER | U/M | DESCRIPTION |
|-----|---------------|-----|---|
| | 062037-01-000 | EA | HOUSING - AUTO FUSE - NATURAL |
| | 062037-02-000 | EA | HOUSING - AUTO FUSE - GREEN |
| | 062037-03-000 | EA | HOUSING - AUTO FUSE - BLACK |
| | 062037-04-000 | EA | HOUSING - AUTO FUSE - BLUE |
| | 062037-05-000 | EA | HOUSING - AUTO FUSE - GRAY |
| | 062037-06-000 | EA | HOUSING - AUTO FUSE - BROWN |
| | 062037-07-000 | EA | HOUSING - AUTO FUSE - RED |
| | 062901-02-000 | EA | FUSE - 05 AMPS - AUTOMOTIVE |
| | 062901-05-000 | EA | FUSE - 15 AMPS - AUTOMOTIVE |
| | 083209-01-000 | EA | CIRCUIT BREAKER - 15 AMP - 120 VOLT - CANADIAN |
| | 083209-02-000 | EA | CIRCUIT BREAKER - 15/15 AMP - 120 VOLT |
| | 083209-03-000 | EA | CIRCUIT BREAKER - 15/20 AMP - 120 VOLT |
| | 083209-04-000 | EA | CIRCUIT BREAKER - 30 AMP - 120 VOLT |
| | 083209-05-000 | EA | CIRCUIT BREAKER - 20AMP - 120VOLT |
| | 083209-06-000 | EA | CIRCUIT BREAKER - 30/15 AMP - 120VOLT |
| | 083209-07-000 | EA | CIRCUIT BREAKER - 20/20AMP - 120VOLT |
| | 083209-10-000 | EA | CIRCUIT BREAKER - 20/30 AMP - 120 VOLT |
| | 083209-11-000 | EA | CIRCUIT BREAKER - 20/15 AMP - 120 VOLT |
| | 093654-01-000 | EA | CIRCUIT BREAKER - 6 AMP - 12 VOLT |
| | 093654-02-000 | EA | CIRCUIT BREAKER - 15 AMP - 12 VOLT |
| | 093654-03-000 | EA | CIRCUIT BREAKER - 20 AMP - 12 VOLT |
| | 093655-01-000 | EA | CIRCUIT BREAKER - 25 AMP - 12 VOLT |
| | 093655-02-000 | EA | CIRCUIT BREAKER - 30 AMP - 12 VOLT |
| | 093655-03-000 | EA | CIRCUIT BREAKER - 40 AMP - 12 VOLT |
| | 093674-01-000 | EA | PLATE - CIRCUIT BREAKER - HOUSE - 8.4" X 4.1" - STEEL |
| | 097611-01-000 | EA | CIRCUIT BREAKER - 10 AMP - 12 VOLT |
| | 108669-01-000 | EA | HOUSING - AUTO FUSE HOLDER |
| | 108916-01-000 | EA | CIRCUIT BREAKER - 50 AMP - 12 VOLT - 2 POLE |
| | 113482-01-000 | EA | CIRCUIT BREAKER - 55 AMP |
| | 122811-01-000 | EA | CIRCUIT BREAKER - 20/50/50/20 |
| | 125986-04-000 | EA | FUSE - 10 AMP - AUTO - MINI BLADE |
| | 134127-01-000 | EA | CIRCUIT BREAKER - 10 AMP - MINI |

CONVERTER, INVERTER, LOAD CENTER

| KEY | PART NUMBER | U/M | DESCRIPTION |
|-----|---------------|-----|--|
| | 099048-03-000 | EA | INVERTER - 130 WATT |
| | 106071-04-000 | EA | SWITCH - AUTOMATIC TRANSFER W/CONNECTION LUGS |
| | 106071-03-700 | EA | CIRCUIT BOARD/TIME DELAY SW TD0001 |
| | 108915-03-000 | EA | LOAD CENTER - 120/240 - 100 AMP |
| | 113132-01-000 | EA | LOAD CENTER - 120/240 VOLT - 60 AMP |
| | 123058-01-000 | EA | CONVERTER - 55 AMP - ELECTRONIC - 4 1/8"H X 7"W X 12 3/8"L |
| | 123058-02-000 | EA | CONVERTER - 45 AMP - ELECTRONIC - 4 1/8"H X 7"W X 12 3/8"L |
| | 127002-01-000 | EA | MODULE/CIRCUIT BOARD - ENERGY MANAGEMENT SYSTEM CONTROL |
| | 127002-02-000 | EA | PANEL/MONITOR - ENERGY MANAGEMENT SYSTEM |

ELECTRICAL GROUP (CONTINUED)

RECEPTACLES



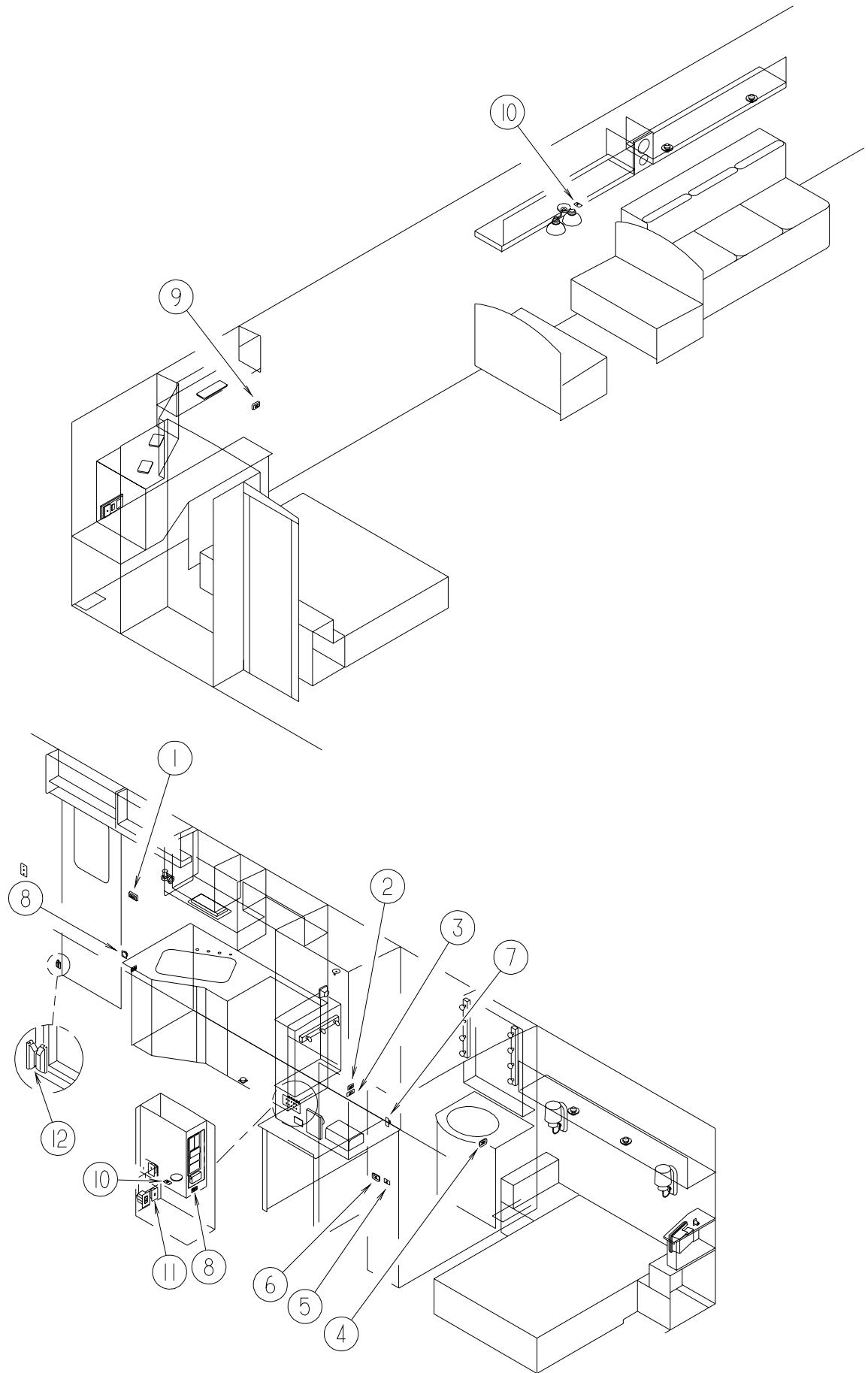
ELECTRICAL GROUP (CONTINUED)

RECEPTACLES (CONTINUED)

| KEY | PART NUMBER | U/M | DESCRIPTION |
|-----|---------------|-----|---|
| 1 | 058708-02-000 | EA | RECEPTACLE - ELECTRIC - DOUBLE - IVORY |
| 1 | 132958-01-000 | EA | RECEPTACLE - 12 VOLT - MOUNTING FLANGE - BLACK |
| 1 | 133713-06-01A | EA | SPACER - RECEPTACLE - 110/12V - PHONE - WATERFORD OAK |
| 1 | 133713-06-03A | EA | SPACER - RECEPTACLE - 110/12V - PHONE - SALEM CHERRY |
| 2 | 058707-02-000 | EA | RECEPTACLE - BLANK JUNCTION BOX |
| 3 | 058708-05-000 | EA | RECEPTACLE - ELECTRIC - SINGLE - BROWN |
| 4 | 131826-01-01A | EA | RECEPTACLE - EXTERIOR - W/COVER/GASKET - WHITE |
| 5 | 058708-02-000 | EA | RECEPTACLE - ELECTRIC - DOUBLE - IVORY |
| 5 | 133713-01-01A | EA | SPACER - RECEPTACLE - WATERFORD OAK |
| 5 | 133713-01-03A | EA | SPACER - RECEPTACLE - SALEM CHERRY |
| 6 | 058708-05-000 | EA | RECEPTACLE - ELECTRIC - SINGLE - BROWN |
| 6 | 133713-01-01A | EA | SPACER - RECEPTACLE - WATERFORD OAK |
| 6 | 133713-01-03A | EA | SPACER - RECEPTACLE - SALEM CHERRY |
| 7 | 058707-01-000 | EA | RECEPTACLE - ELECTRIC - SINGLE - BROWN |
| 8 | 084076-01-000 | EA | RECEPTACLE - GFI - 15 AMP - 125 VOLT - IVORY |
| 9 | 058708-01-000 | EA | RECEPTACLE - ELECTRIC - DOUBLE - BROWN |
| 10 | 058708-02-000 | EA | RECEPTACLE - ELECTRIC - DOUBLE - IVORY |
| 10 | 132958-01-000 | EA | RECEPTACLE - 12 VOLT - MOUNTING FLANGE - BLACK |
| 10 | 133713-04-01A | EA | SPACER - RECEPTACLE - 110/12V - WATERFORD OAK - W/O ALARM CLOCK |
| 10 | 133713-04-03A | EA | SPACER - RECEPTACLE - 110/12V - SALEM CHERRY - W/O ALARM CLOCK |
| 11 | 084076-02-000 | EA | RECEPTACLE - GFI - 15 AMP/125 VOLT - BROWN - W/COVER |

ELECTRICAL GROUP (CONTINUED)

SWITCHES

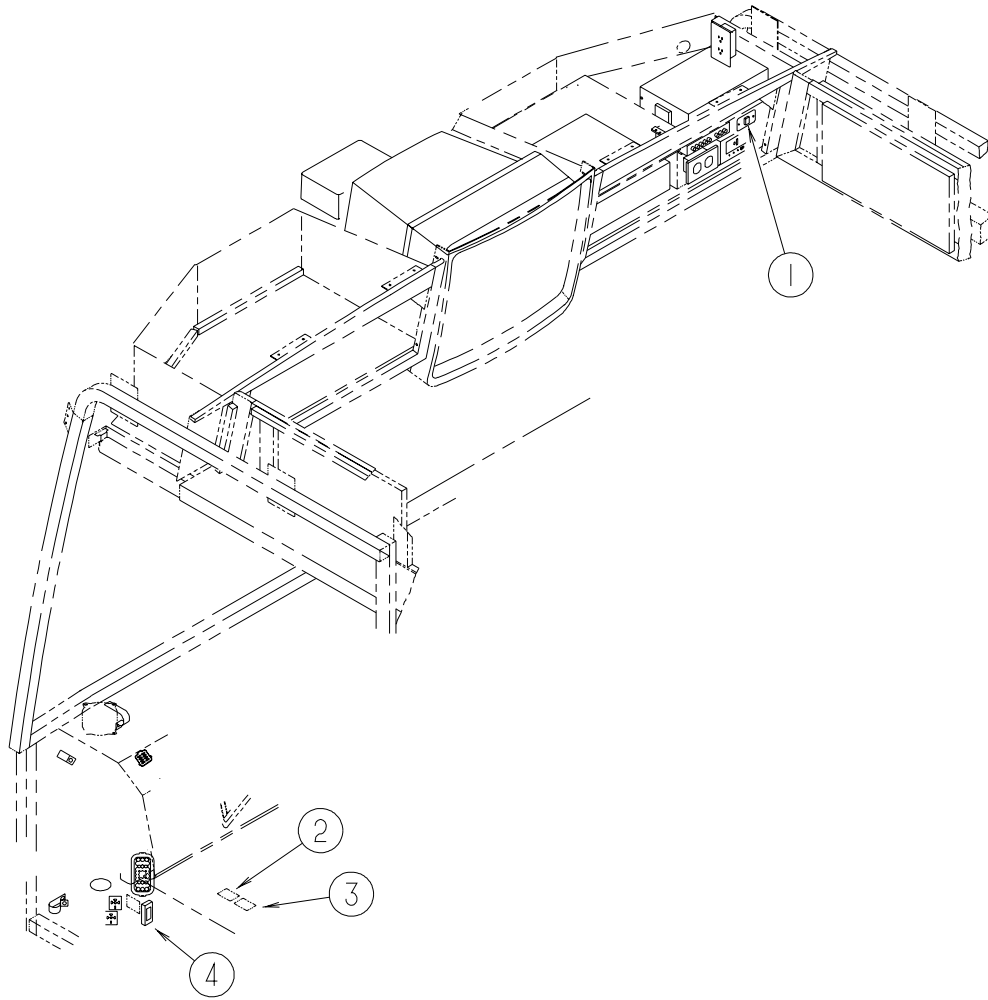


ELECTRICAL GROUP (CONTINUED)

SWITCHES (CONTINUED)

| KEY | PART NUMBER | U/M | DESCRIPTION |
|-----|---------------|-----|---|
| 1 | 098351-05-01A | EA | PLATE - SWITCH - 3 GANG POLISHED BRASS |
| 1 | 132180-01-01A | EA | SWITCH - PADDLE - SPST - ON/OFF - BLACK |
| 1 | 095188-02-01A | EA | SPACER - SWITCH - 2.3" X 4.1" - PLASTIC - DARK BROWN |
| 2 | 098351-02-01A | EA | PLATE - SWITCH - 2 GANG POLISHED BRASS - W/O POWER VENT |
| 2 | 132180-01-01A | EA | SWITCH - PADDLE - SPST - ON/OFF - BLACK - W/O POWER VENT |
| 2 | 109294-02-01A | EA | SWITCH PANEL - W/SWITCHES/LIGHT SWITCH - VENT FAN - W/ POWER VENT |
| 3 | 098351-21-01A | EA | PLATE/SWITCH - 1 GANG W/LABEL - POLISHED BRASS |
| 3 | 132180-01-01A | EA | SWITCH - PADDLE - SPST - ON/OFF - BLACK |
| 4 | 098351-02-01A | EA | PLATE - SWITCH - 2 GANG POLISHED BRASS |
| 4 | 132180-01-01A | EA | SWITCH - PADDLE - SPST - ON/OFF - BLACK |
| 4 | 132180-02-01A | EA | SWITCH - PADDLE - SPDT - ON/ON - BLACK |
| 4 | 095188-02-01A | EA | SPACER - SWITCH - 2.3" X 4.1" - PLASTIC - DARK BROWN |
| 5 | 098351-01-01A | EA | PLATE/SWITCH - 1 GANG - POLISHED BRASS - W/O LABEL |
| 5 | 132180-02-01A | EA | SWITCH - PADDLE - SPDT - ON/ON - BLACK |
| 6 | 098351-01-01A | EA | PLATE/SWITCH - 1 GANG - POLISHED BRASS - W/O LABEL |
| 6 | 132180-01-01A | EA | SWITCH - PADDLE - SPST - ON/OFF - BLACK |
| 6 | 095188-01-01A | EA | SPACER - SWITCH - 2.3" X 3.4" - PLASTIC - DARK BROWN |
| 7 | 081994-10-000 | EA | PLATE - SWITCH - SLIDEOUT |
| 7 | 108357-06-000 | EA | SWITCH - ROCKER DPDT - MOM/OFF/MOM - 6 TERMINAL |
| 7 | 108356-02-01A | EA | COVER/ACTUATOR SWITCH - 2 ROWS DIMPLES- CONTURA II - BLACK |
| 7 | 116220-01-000 | EA | APPLIQUE - SWITCH/SLIDEOUT |
| 8 | 098351-02-01A | EA | PLATE - SWITCH - 2 GANG POLISHED BRASS |
| 8 | 132180-01-01A | EA | SWITCH - PADDLE - SPST - ON/OFF - BLACK |
| 8 | 132180-02-01A | EA | SWITCH - PADDLE - SPDT - ON/ON - BLACK |
| 9 | 098351-02-01A | EA | PLATE - SWITCH - 2 GANG POLISHED BRASS |
| 9 | 132180-01-01A | EA | SWITCH - PADDLE - SPST - ON/OFF - BLACK |
| 9 | 132180-02-01A | EA | SWITCH - PADDLE - SPDT - ON/ON - BLACK |
| 9 | 095188-02-01A | EA | SPACER - SWITCH - 2.3" X 4.1" - PLASTIC - DARK BROWN |
| 10 | 098351-01-01A | EA | PLATE/SWITCH - 1 GANG - POLISHED BRASS - W/O LABEL |
| 10 | 132180-01-01A | EA | SWITCH - PADDLE - SPST - ON/OFF - BLACK |
| 11 | 084420-01-000 | EA | SWITCH - TOGGLE - 15 AMP - 120 VOLT - BROWN |
| 12 | 116995-02-000 | EA | SWITCH/MAGNET - ELECTRIC STEP - BLACK/WHITE-CLOSED CIRCUIT |

ELECTRICAL GROUP (CONTINUED)
SWITCHES (CONTINUED)



FRONT END

| KEY | PART NUMBER | U/M | DESCRIPTION |
|-----|---------------|-----|--|
| 1 | 098351-16-01A | EA | PLATE - SWITCH - 1 GANG W/LABEL |
| 1 | 079364-01-000 | EA | SWITCH - ON/OFF ROCKER - 2 TERMINAL - BROWN |
| 2 | 088246-01-000 | EA | SWITCH/REMOTE MIRROR - W/2PIN & 6 PIN CONNECTORS/PIGTAIL |
| 3 | 108357-14-000 | EA | SWITCH - ROCKER SPDT - W/LIGHT - ON/MOM/OFF - 4 TERMINAL |
| 4 | 041250-01-000 | EA | SWITCH-PUSH BUTTON, IN DOOR JAMB - METAL - CHROME |

ELECTRICAL GROUP (CONTINUED)
SWITCHES (CONTINUED)

DASH

| KEY PART NUMBER | U/M DESCRIPTION |
|------------------------|--|
| 108355-01-000 | EA HOUSING - SWITCH |
| 108356-01-01A | EA COVER/ACTUATOR SWITCH - 3 GROOVES - CONTURA III - BLACK |
| 108356-02-01A | EA COVER/ACTUATOR SWITCH - 2 ROWS DIMPLES- CONTURA II - BLACK |
| 108356-03-01A | EA COVER/ACTUATOR SWITCH -3 GROOVES W/LENS-CONTURA III-BLACK |
| 108356-04-01A | EA COVER/ACTUATOR SWITCH - 2 ROWS DIMPLES W/LENS-CONTURA-BLK |
| 108356-05-01A | EA COVER/ACTUATOR SWITCH - 3 GROOVES W/LENS - GEN SET - CONTURA III |
| 108356-06-01A | EA COVER/ACTUATOR SWITCH - 3 GROOVES - AUX START - CONTURA III - BLK |
| 108356-07-01A | EA COVER/ACTUATOR SWITCH - 2 ROWS DIMPLES - AUX START - BLACK |
| 108356-08-01A | EA COVER/ACTUATOR SWITCH - 2 ROW DIMPLES W/LENS - REAR - BLACK |
| 108356-09-01A | EA COVER/ACTUATOR SWITCH - 2 ROWS DIMPLES W/LENS - WASH/BLACK |
| 108356-10-01A | EA COVER/ACTUATOR SWITCH - 2 ROWS DIMPLES W/LENS-SHOWER DRAIN |
| 108356-11-01A | EA COVER/ACTUATOR SWITCH - 3 GROOVES - AUX BATT - BLACK |
| 108357-01-000 | EA SWITCH - ROCKER SPST - ON/OFF - 2 TERMINAL |
| 108357-02-000 | EA SWITCH - ROCKER SPST - ON/MOM - 2 TERMINAL |
| 108357-03-000 | EA SWITCH - ROCKER SPDT - ON/OFF/ON - 3 TERMINAL |
| 108357-04-000 | EA SWITCH - ROCKER SPDT - MOM/OFF/ON - 3 TERMINAL |
| 108357-05-000 | EA SWITCH - ROCKER SPDT - ON/NONE/ON - 3 TERMINAL |
| 108357-06-000 | EA SWITCH - ROCKER DPDT - MOM/OFF/MOM - 6 TERMINAL |
| 108357-07-000 | EA SWITCH - ROCKER SPDT - MOM/OFF/MOM - 3 TERMINAL |
| 108357-08-000 | EA SWITCH - ROCKER DPDT - ON/NONE/ON - 6 TERMINAL |
| 108357-09-000 | EA SWITCH - ROCKER SPDT - ON/NONE/MOM - 3 TERMINAL |
| 108357-10-000 | EA SWITCH - ROCKER SPDT W/LIGHT - MOM/NONE/MOM - 5 TERMINAL |
| 108357-12-000 | EA SWITCH - ROCKER DPST W/LIGHT - MOM/NONE/OFF - 7 TERMINAL |
| 108357-13-000 | EA SWITCH - ROCKER DPDT W/LIGHT - MOM/ON-OFF/OFF - 7 TERMINAL |
| 108357-14-000 | EA SWITCH - ROCKER SPDT W/LIGHT - ON/NONE/OFF - 4 TERMINAL |
| 096241-03-000 | EA SWITCH - BLANK |
| 096241-08-000 | EA SWITCH - BLANK |

BOXES & CORDS

| KEY PART NUMBER | U/M DESCRIPTION |
|------------------------|--|
| 008052-01-000 | EA CORD - POWER - 10/3 WIRE - 30 AMP - 25' - CANADIAN |
| 008054-01-000 | EA CORD - POWER - 10/3 WIRE - 30 AMP - 25' |
| 008054-02-000 | EA CORD - POWER - 10/3 WIRE - 30 AMP 33' |
| 008289-01-000 | EA BOX - ELECTRIC/STEEL - 1/2" & 3/4" KNOCKOUTS - 4" X 4" |
| 008289-02-000 | EA BOX - ELECTRIC/STEEL - 1/2" & 3/4" KNOCKOUTS - 4" X 4"-CAN |
| 008294-01-000 | EA COVER - ELECTRICAL BOX - BLANK/STEEL - 4" X 4" - GRAY |
| 008294-02-000 | EA COVER - ELECTRICAL BOX - BLANK STEEL - 4" X 4" - CANADIAN |
| 091910-01-000 | EA BOX - ELECTRIC - 3.8" X 3.5" X 1.8" - PLASTIC |
| 091910-02-000 | EA BOX - ELECTRIC - 2.2" X 3.5" X 1.8" - PLASTIC |
| 092492-08-000 | EA SEAL - ELECTRIC BOX - 8" X 15" SQ |
| 092492-11-000 | EA SEAL - ELECTRIC BOX - 7" X 18.4" SQ |
| 092492-14-000 | EA SEAL - ELECTRICAL BOX |
| 098196-01-000 | EA LATCH - 1/4 TURN - T-BAR |
| * 106071-04-000 | EA SWITCH - AUTOMATIC TRANSFER W/CONNECTION LUGS |
| 108934-01-000 | EA POWER CORD - 36'/50 AMP - 4 WIRE |
| 108934-02-000 | EA CORD - POWER - 50 AMP - 4-WIRE - 36' |
| 109172-01-000 | EA CORD - POWER - 13 AMP - 3-WIRE - 4' |
| 109925-03-000 | EA DOOR - ELECTRIC BOX, FREIGHTLINER |
| 109925-04-000 | EA DOOR - ELECTRICAL BOX - GM/FORD |
| 109925-05-000 | EA DOOR - ELECTRICAL BOX - FREIGHTLINER |
| 113029-05-02B | EA PANEL - ELECTRICAL BOX - FRONT - E-COATED - FREIGHTLINER |
| 113096-01-000 | EA CORD - POWER - 50 AMP - 4 WIRE - 36' - CSA |
| 118905-02-02B | EA DOOR - ELECTRIC - 6.1" X 11.1" - CHEVY/FORD |
| 121470-01-000 | EA CORD/EXTENSION - 6 FOOT - 16-2 WIRE |
| 131679-01-000 | EA BOX-ELEC-WATERPROOF SEALED 4" X 4" W/4 3/4"OUTLETS-UL/CSA |
| 131680-01-000 | EA COVER - W/GASKET FOR WATERPROOF 4" X 4" BOX - UL/CSA - FORD |
| 133070-01-000 | EA BOX - ELECTRICAL - PLASTIC - 3" X 2" X 2.8" - UL |
| 133070-02-000 | EA BOX - ELECTRICAL - PLASTIC - 3" X 2" X 2.8" - CSA |

* **COMPONENT PARTS FOUND IN SERVICE PARTS LIBRARY**

ELECTRICAL GROUP (CONTINUED)

WIRE ASSEMBLIES

| KEY | PART NUMBER | U/M | DESCRIPTION |
|-----|---------------|-----|--|
| | P27516-04-000 | EA | WIRE ASSEMBLY - RADIO AM/FM CD |
| | P32321-01-000 | EA | WIRE ASSEMBLY - HEADLAMP/FLOOD/LEFT HAND |
| | P32321-02-000 | EA | WIRE ASSEMBLY - HEADLAMP/FLOOD/RIGHT HAND |
| | 073328-B4-000 | EA | CABLE ASSEMBLY - BATTERY - W/TERMINALS |
| | 090986-01-000 | EA | WIRE ASSEMBLY - ELECTRIC STEP |
| | 090986-02-000 | EA | WIRE ASSEMBLY - ELECTRIC STEP |
| | 093040-06-000 | EA | WIRE ASM-MONITOR- F/NON-PREWIRED AFTER MARKET INSTALLATION |
| | 096449-01-000 | EA | WIRE ASSEMBLY - WATER TANK TO MONITOR PANEL (L34Y, L35U, L36W) |
| | 096449-02-000 | EA | WIRE ASSEMBLY - WATER TANK TO MONITOR PANEL (KL36L) |
| | 096450-05-000 | EA | WIRE F/SENSORS - BLACK WATER - 23.6" |
| | 096451-06-000 | EA | WIRE F/SENSORS - GREY WATER - 23.6" |
| | 096717-04-000 | EA | WIRE ASSEMBLY - REAR MONITOR - UPPER |
| | 108029-01-000 | EA | WIRE ASSEMBLY - POWER DRIVER SEAT |
| | 113639-01-000 | FT | CABLE - 3/0 AWG STRANDED - RED |
| | 113639-02-000 | FT | CABLE - 3/0 AWG STRANDED - BLACK |
| | 120233-05-000 | EA | WIRE ASSEMBLY - 30" CONNECTS TO WALLPLATE DISPLAY |
| | 124336-01-000 | EA | WIRE - REAR STEREO - 12 PIN (KL36L) |
| | 124336-11-000 | EA | WIRE - REAR STEREO - 12 PIN (L34Y, L36W) |
| | 124842-01-000 | EA | WIRE ASSEMBLY - SPEAKER ADAPTER/TV |
| | 124842-02-000 | EA | WIRE ASSEMBLY - SPEAKER/REAR MONITOR |
| | 124843-01-000 | EA | WIRE ASSEMBLY - SPEAKER ADAPTER |
| | 124843-02-000 | EA | WIRE ASSEMBLY - SPEAKER ADAPTER |
| | 124843-03-000 | EA | WIRE ASSEMBLY - SPEAKER ADAPTER |
| | 124843-06-000 | EA | WIRE ASSEMBLY - SPEAKER ADAPTER (L35U) |
| | 124882-01-000 | EA | WIRE ASSEMBLY - AMPLIFIER |
| | | | FROM: 00-00-00 THRU: 06-22-00 |
| | 124882-05-000 | EA | WIRE ASSEMBLY - AMPLIFIER |
| | | | FROM: 06-23-00 THRU: 99-99-99 |
| | 125853-01-000 | EA | WIRE ASSEMBLY - ENTERTAINMENT CENTER |
| | 125853-04-000 | EA | WIRE ASSEMBLY - ENTERTAINMENT CENTER |
| | 126087-01-000 | EA | WIRE ASSEMBLY - SPEAKER - DELUXE EXTERIOR (L36W) |
| | 126087-04-000 | EA | WIRE ASSEMBLY - SPEAKER - DELUXE EXTERIOR (KL36L) |
| | 126779-01-000 | EA | WIRE ASSEMBLY - SPEAKER - DELUXE |
| | 126779-02-000 | EA | WIRE ASSEMBLY - SPEAKER - DELUXE |
| | 127002-03-000 | EA | WIRE ASSEMBLY - ENERGY MANAGEMENT SYSTEM (L34Y, L35U, L36W) |
| | 129436-02-000 | EA | WIRE ASSEMBLY - INSTRUMENT PANEL/POWER MIRROR |
| | 131386-01-000 | EA | WIRE ASSEMBLY - F/SLIDEOUT CONTROL (KL36L) |
| | 131386-02-000 | EA | WIRE ASSEMBLY - F/SLIDEOUT CONTROL (L34Y, L35U, L36W) |
| | 132321-01-000 | EA | WIRE ASSEMBLY - HEADLAMP/FLOOD - DRIVER (KL36L) |
| | 132321-02-000 | EA | WIRE ASSEMBLY - HEADLAMP/FLOOD - PASSENGER (KL36L) |
| | 133527-01-000 | EA | WIRE ASSEMBLY - EXTENSION - GAUGE (KL36L) |
| | 134544-01-000 | EA | WIRE ASSEMBLY - SWITCH ADAPTER (L36W) |
| | 105620-07-000 | EA | WIRE ASSEMBLY - THERMOSTAT |
| | | | FROM: 00-00-00 THRU: 01-02-00 |
| | 135131-01-000 | EA | WIRE ASSEMBLY - THERMOSTAT |
| | | | FROM: 01-03-00 THRU: 99-99-99 |

CONNECTORS & CONDUIT

| KEY | PART NUMBER | U/M | DESCRIPTION |
|-----|---------------|-----|---|
| | 007942-01-000 | EA | TAB - WIRE 10 TO 14 AWG |
| | 007949-01-000 | EA | TAB-HOUSING, 1 POSITION |
| | 007954-01-000 | EA | RECEPTACLE - HOUSING - 6 POSITION |
| | 007956-05-000 | EA | INSULATOR - SHRINK - .25 ID X 1.50 |
| | 008311-01-000 | EA | CONNECTOR - WIRE NUT - INSULATED - RED |
| | 008312-01-000 | EA | CONNECTOR - WIRE NUT - INSULATED - BLUE |
| | 008313-01-000 | EA | CONNECTOR - WIRE NUT - INSULATED - YELLOW |
| | 008314-01-000 | EA | CONNECTOR - WIRE NUT - INSULATED - GRAY |
| | 008326-01-000 | EA | TERMINAL - RING - 16/14 WIRE - 3/8" STUD |
| | 008328-01-000 | EA | TERMINAL - RING - 12/10 WIRE - #10 STUD FIT |
| | 008331-01-000 | EA | TERMINAL - RING - TONGUE - #4 WIRE - 3/8" STUD - COPPER |
| | 008348-01-000 | EA | TERMINAL - RING - 3/8" STUD 2 GA. WIRE |
| | 008355-01-000 | EA | CONNECTOR - CABLE CLAMPING - 3/4" |
| | 008356-01-000 | EA | CONNECTOR - PLASTIC - 3/8" AVG |
| | 008356-02-000 | EA | CONNECTOR - PLASTIC - 21/32 |
| | 008394-01-000 | FT | CONDUIT - FLEXIBLE - 1/2" |

ELECTRICAL GROUP (CONTINUED)

CONNECTORS & CONDUIT (CONTINUED)

| KEY | PART NUMBER | U/M | DESCRIPTION |
|-----|---------------|-----|--|
| | 035416-04-000 | EA | TERMINAL - RING - #10 STUD FIT - INSULATED BARREL #16/14 |
| | 041480-01-000 | EA | CONNECTOR - STRAIGHT - 1/2" FLEX CONDUIT |
| | 041953-01-000 | FT | CONDUIT - CONVOLUTE SLIT - .5" ID - POLYETHYLENE |
| | 041953-03-000 | FT | CONDUIT - CONVOLUTE SLIT - 1" ID (CLOTHES ROD COVER) |
| | 041953-05-000 | FT | CONDUIT - CONVOLUTE SOLID - .62" ID - POLYETHYLENE |
| | 041953-06-000 | FT | CONDUIT - CONVOLUTE SLIT - .375" ID - POLYETHYLENE |
| | 041953-07-000 | FT | CONDUIT - CONVOLUTE SLIT - .25" ID - POLYETHYLENE |
| | 041953-08-000 | FT | CONDUIT - CONVOLUTE SLIT - 1.50" ID - POLYETHYLENE |
| | 041953-09-000 | FT | CONDUIT - CONVOLUTE SLIT - .50" ID - NYLON |
| | 041953-10-000 | FT | CONDUIT - CONVOLUTE SLIT - .75" ID - NYLON |
| | 041953-11-000 | FT | CONDUIT - CONVOLUTE SLIT - 1.06" ID - NYLON |
| | 041953-12-000 | FT | CONDUIT - CONVOLUTE SOLID - 1.1" ID - NYLON |
| | 041953-13-000 | FT | CONDUIT - CONVOLUTE SLIT - 1.25 |
| | 047443-01-000 | EA | TERMINAL - .250 RECEPTACLE FIT - INSULATED - 16/14 AWG |
| | 047443-02-000 | EA | TERMINAL - .250 RECEPTACLE FIT - INSULATED - 12/10 AWG |
| | 058028-01-000 | EA | CONNECTOR - ELECTRICAL PIGTAIL - NYLON - CLEAR |
| | 062036-01-000 | EA | TERMINAL - PACK - CON - 12/10 AWG |
| | 062036-02-000 | EA | TERMINAL - PACK - CON - 16/14 AWG |
| | 077479-01-000 | EA | BOOT - BATTERY TERMINAL - DOUBLE CABLE |
| | 077479-02-000 | EA | BOOT - BATTERY TERMINAL - SINGLE CABLE |
| | 080015-02-000 | EA | RECEPTACLE - FLAG - .185 - 16/14 GAUGE |
| | 080015-03-000 | EA | RECEPTACLE - FLAG - .250 - 14/16 GAUGE |
| | | | FROM: 06-07-99 THRU: 99-99-99 |
| | 082109-01-000 | EA | HOUSING - CONNECTOR - PACKARD |
| | 082741-01-000 | EA | CONNECTOR BODY - 2 CONNECTOR MALE |
| | 087225-01-000 | FT | SLEEVING - 1/2" - TYPE H |
| | 087225-02-000 | FT | SLEEVING - 5/8" - TYPE H |
| | 087949-01-000 | EA | BUSS BAR - 2 POSITION - .6" X 1.5" |
| | 087949-02-000 | EA | BUSS BAR - 3 POSITION - .6" X 2.4" |
| | 087949-03-000 | EA | BUSS BAR - 4 POSITION |
| | 088267-01-000 | EA | TERMINAL - FEMALE - 1/4 |
| | 088473-01-000 | EA | HOUSING - PIN - 12 CAVITY (3 ROWS OF 4) |
| | 088473-02-000 | EA | HOUSING - PIN - 15 CAVITY (3 ROWS OF 5) |
| | 088473-03-000 | EA | HOUSING - PIN - 9 CAVITY (3 ROWS OF 3) |
| | 088473-04-000 | EA | HOUSING - PIN - 8 CAVITY IN-LINE |
| | 088473-05-000 | EA | HOUSING - PIN - 6 CAVITY |
| | 088473-06-000 | EA | HOUSING - PIN - 6 CAVITY (2 ROWS OF 3) |
| | 088473-07-000 | EA | HOUSING - PIN - 5 CAVITY |
| | 088473-08-000 | EA | HOUSING - PIN - 4 CAVITY - IN-LINE |
| | 088473-09-000 | EA | HOUSING - PIN - 3 CAVITY - IN-LINE |
| | 088473-10-000 | EA | HOUSING - PIN - 2 CAVITY - IN LINE |
| | 088474-01-000 | EA | HOUSING - SOCKET - 12 CAVITY |
| | 088474-02-000 | EA | HOUSING - SOCKET - 15 CAVITY |
| | 088474-03-000 | EA | HOUSING - SOCKET - 9 CAVITY |
| | 088474-06-000 | EA | HOUSING - SOCKET - 6 CAVITY |
| | 088474-07-000 | EA | HOUSING - SOCKET - 5 CAVITY |
| | 088474-08-000 | EA | HOUSING - SOCKET - 4 CAVITY |
| | 088474-09-000 | EA | HOUSING - ELECTRICAL - 3 TERMINAL |
| | 088474-10-000 | EA | HOUSING - SOCKET - 2 CAVITY |
| | 088475-01-000 | EA | PIN - CONNECTOR - 14-20 AWG |
| | 088475-02-000 | EA | PIN - CONNECTOR - 10 - 12 AWG |
| | 088476-01-000 | EA | TERMINAL - ELECTRICAL |
| | 088476-02-000 | EA | SOCKET - CONNECTOR - 12-10 GA - PRE-TIN |
| | 092786-03-000 | EA | BUSS BAR - 6.9" LONG |
| | 098260-01-000 | EA | TERMINAL - MALE - 56 SERIES |
| | 098261-02-000 | EA | SOCKET - CONNECTOR - WEATHERPACK - 14-18 AWG |
| | 098262-01-000 | EA | SEAL - CONNECTOR - WEATHERPACK |
| | 098262-05-000 | EA | SEAL - CAVITY |
| | 098262-06-000 | EA | SEAL - CONNECTOR - M/P - 10 GAUGE |
| | 098263-01-000 | EA | HOUSING - 3 PIN - WEATHER PACK |
| | 098263-02-000 | EA | HOUSING - 3 PIN - WEATHER PACK |
| | 098264-01-000 | EA | HOUSING - 2 PIN - WEATHER PACK - MALE W/FEMALE PINS |
| | 098264-02-000 | EA | HOUSING - 2 PIN - WEATHER PACK - FEMALE W/MALE PINS |
| | 098265-02-000 | EA | PIN - CONNECTOR - WEATHERPACK |

ELECTRICAL GROUP (CONTINUED)

CONNECTORS & CONDUIT (CONTINUED)

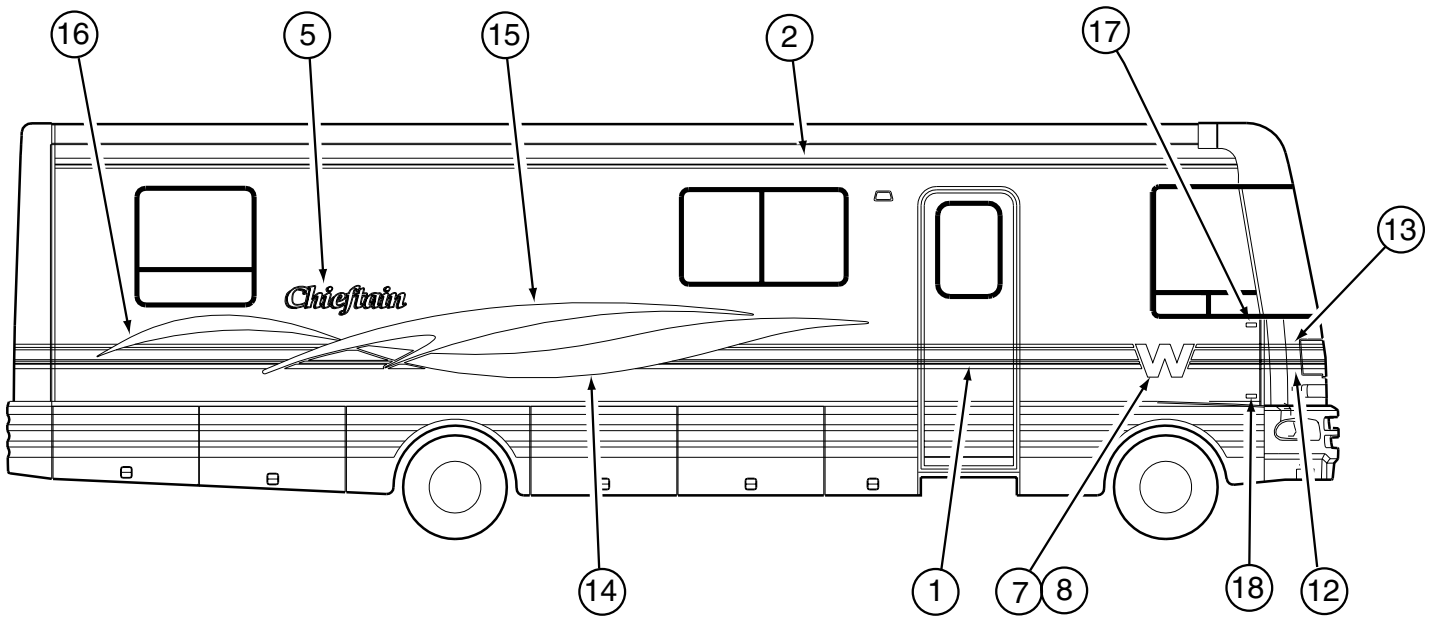
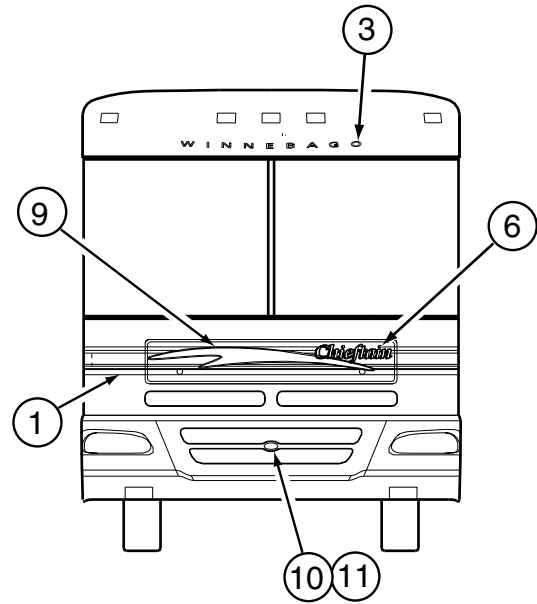
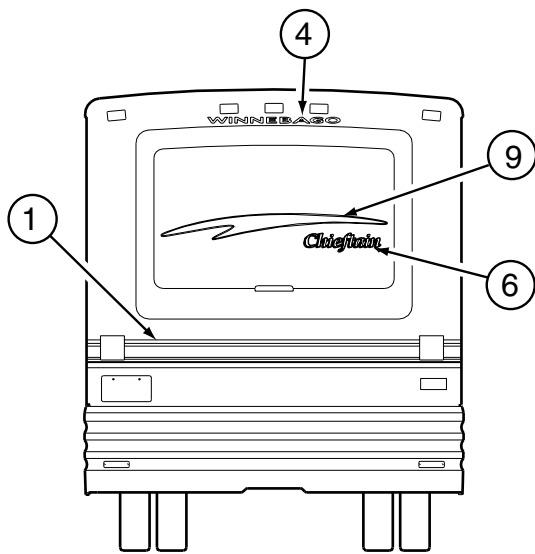
| KEY | PART NUMBER | U/M | DESCRIPTION |
|-----|---------------|-----|---|
| | 100690-01-000 | EA | HOUSING - 5 POSITION - MALE - WEATHERPACK |
| | 100690-02-000 | EA | HOUSING - 5 POSITION - FEMALE - WEATHERPACK |
| | 101571-01-000 | EA | HOUSING - 2 POSITION - MALE |
| | 101751-01-000 | EA | HOUSING - 1 PIN - WEATHER PACK |
| | 102777-02-000 | EA | TERMINAL - RING - #6 STUD - 10 AWG |
| | 103608-01-000 | EA | SOCKET - WEDGE BASE W/LEADS |
| | 104100-01-000 | EA | HOUSING - 1 POSITION - 75 AMPS |
| | 104100-03-000 | EA | TERMINAL - 75 AMP |
| | 106006-01-000 | EA | HOUSING - 1 POSITION - FEMALE |
| | 106007-01-000 | EA | TERMINAL - FEMALE - 14-16 AWG |
| | 106655-01-000 | EA | TERMINAL - FUSE BLOCK - 14-16 AWG |
| | 110178-01-000 | EA | HOUSING - WIPER MOTOR |
| | 112823-01-000 | EA | SPLICE - REDUCER - 16-14 TO 18-22 |
| | 113131-01-000 | EA | HOUSING - 3 PIN |
| | 113135-01-000 | EA | TERMINAL - FEMALE - M/P - 14-16 - F/SEALED TERMINAL |
| | 113135-02-000 | EA | TERMINAL - FEMALE - M/P - 280 - 10-12 |
| | 113306-01-000 | EA | TERMINAL - FEMALE - M/P - 14-16 - F/NON-SEALED TERMINAL |
| | 113306-02-000 | EA | TERMINAL - FEMALE - M/P - 10-12 - 480 |
| | 113307-01-000 | EA | TERMINAL - FEMALE - M/P - 16-20 |
| | 113308-01-000 | EA | TERMINAL - FEMALE - M/P - 14-16 - 280 |
| | 113452-01-000 | FT | SEAL/TRIM - FRONT - VINYL W/WIRE CARRIER - .020" |
| | 113452-02-000 | FT | SEAL/TRIM - FRONT - VINYL W/WIRE CARRIER - .027" |
| | 113468-01-000 | EA | HOUSING - 2 POSITION - FEMALE |
| | 115931-01-000 | EA | COVER - CONNECTOR - 30 AMP W/LOCK RING |
| | 115931-02-000 | EA | COVER - CONNECTOR - 50 AMP W/LOCKING RING |
| | 115932-01-000 | EA | CONNECTOR - FEMALE - 30 AMP - 120 VOLT |
| | 115932-02-000 | EA | CONNECTOR - FEMALE - 50 AMP - 240 VOLT |
| | 116811-01-000 | EA | TERMINAL - .110 RECEPTACLE - 16-14 AWG |
| | 118571-01-000 | EA | CONNECTOR - 3-WAY - MALE/SEALED |
| | 118571-02-000 | EA | CONNECTOR - 3-WAY - FEMALE/SEALED |
| | 118571-03-000 | EA | BRACKET - MOUNTING |
| | 118571-04-000 | EA | GASKET |
| | 118571-05-000 | EA | LOCK - SECONDARY - FEMALE |
| | 118571-06-000 | EA | LOCK - SECONDARY - MALE |
| | 118597-01-000 | EA | TERMINAL - MALE - M/P - 480 - 14-16 |
| | 118599-01-000 | EA | TERMINAL - MALE - M/P - 280 - 14-16 |
| | 119223-01-000 | EA | HOUSING - 6 POSITION - MALE - WEATHERPACK |
| | 119248-02-000 | EA | HOUSING - 7 POSITION - FEMALE |
| | 125323-01-000 | EA | HOUSING - 10 POSITION - MALE |
| | 125323-02-000 | EA | HOUSING - 8 POSITION - MALE |
| | 125323-03-000 | EA | LOCK - SECONDARY 8 POSITION |
| | 125323-04-000 | EA | LOCK - SECONDARY 10 POSITION |
| | 125323-05-000 | EA | HOUSING - 6 POSITION - MALE |
| | 125323-06-000 | EA | LOCK - SECONDARY - 6 POSITION |
| | 125324-01-000 | EA | TERMINAL - MALE - METRI-PACK - 150 |
| | 125325-01-000 | EA | SEAL - CAVITY |
| | 126403-02-000 | EA | CONNECTOR - 3 CIRCUIT |
| | 129233-01-000 | EA | HOUSING - 2-POSITION/FEMALE - 280-SERIES |
| | 129233-02-000 | EA | HOUSING - 2-POSITION/FEMALE - 280-SERIES |
| | 129234-01-000 | EA | HOUSING - 6-POSITION/FEMALE - 280-SERIES |
| | 129234-02-000 | EA | HOUSING - 6-POSITION/FEMALE - 280-SERIES |
| | 129234-03-000 | EA | LOCK - SECONDARY - 6-POSITION |
| | 129235-01-000 | EA | HOUSING - 2-POSITION/FEMALE - 630-SERIES |
| | 129235-02-000 | EA | LOCK - SECONDARY - 2-POSITION |
| | 129236-01-000 | EA | TERMINAL - FEMALE - M/P - 630 - 10-12 |
| | 131681-01-000 | EA | CONNECTOR - 3/4" SO CORD - UL/CS |

ELECTRICAL GROUP (CONTINUED)

BOOTS, SOLENOIDS, RELAYS & MISC.

| KEY | PART NUMBER | U/M | DESCRIPTION |
|-----|---------------|-----|--|
| | 008188-01-000 | EA | SOLENOID - 3 POST - BATTERY CHANGE OVER |
| | 008188-02-000 | EA | SOLENOID - SEALED - HEAVY DUTY |
| | 063910-01-000 | EA | HOUSING - RELAY |
| | 063912-02-000 | EA | RELAY - CANISTER - SPDT |
| | 065450-05-000 | EA | TIEDOWN - BATTERY - 8.4" TUBE |
| | 077479-01-000 | EA | BOOT - BATTERY TERMINAL - DOUBLE CABLE |
| | 077479-02-000 | EA | BOOT - BATTERY TERMINAL - SINGLE CABLE |
| | 086233-01-000 | EA | STUD - ISOLATED - 3/8" X 7/8" LONG |
| | 086273-01-000 | EA | RELAY - BATTERY DISCONNECT |
| | 113832-02-01A | EA | SLIDE - BATTERY TRAY - HEAVY DUTY - FREIGHTLINER |
| | 131832-01-000 | EA | RELAY - DPST - 25 AMP - 120 VOLT AC - 10 GALLON WATER HEATER |
| | 131832-02-000 | EA | SOCKET - RELAY - 10 GALLON WATER HEATER |

EXTERIOR BODY GROUP
GRAPHICS & PAINT



EXTERIOR BODY GROUP (CONTINUED)

GRAPHICS & PAINT (CONTINUED)

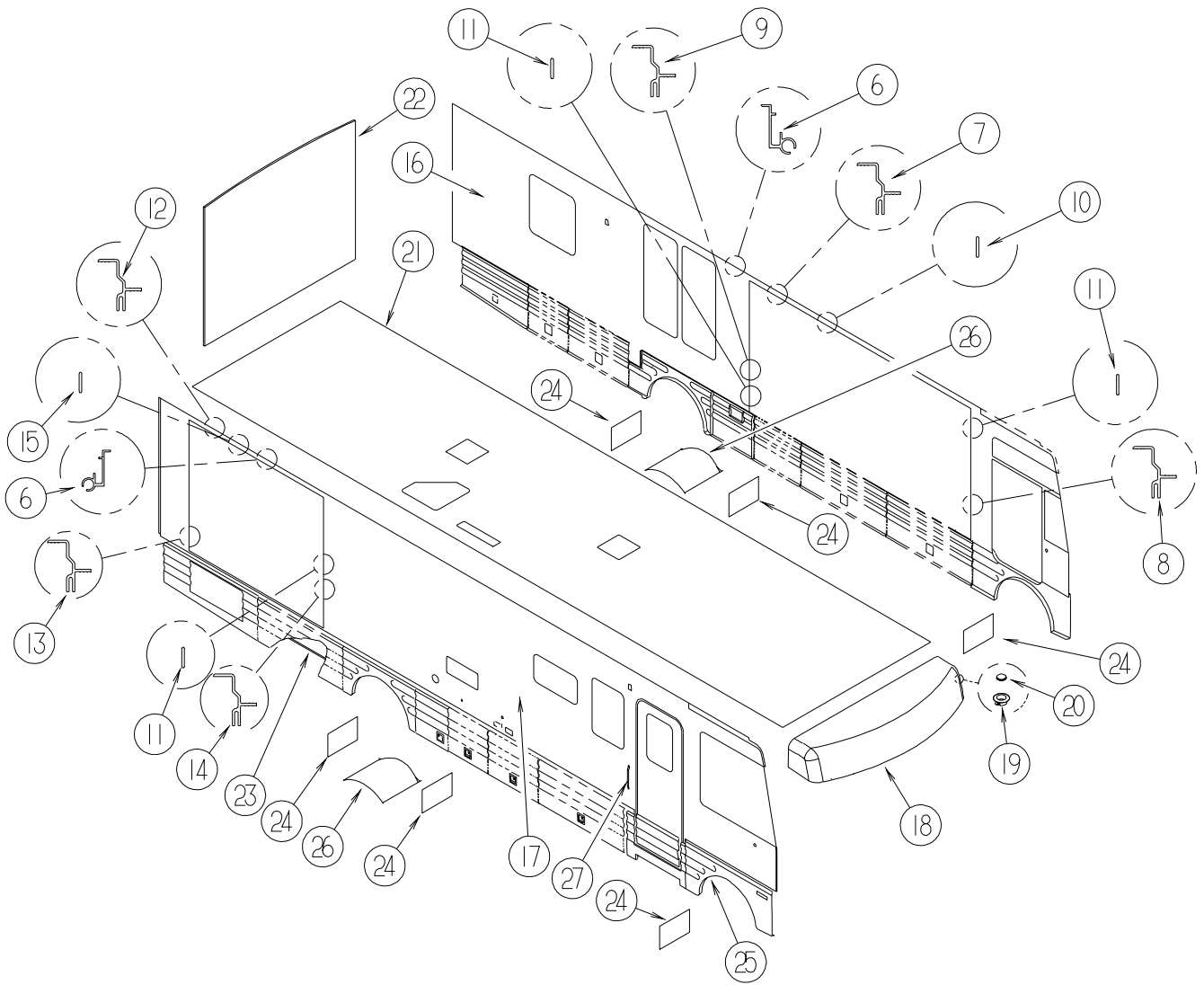
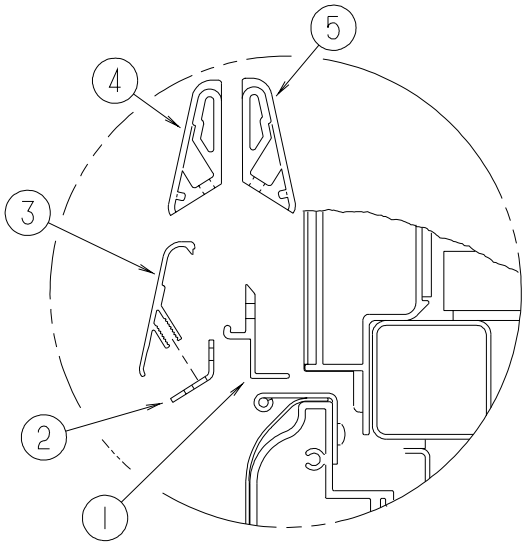
| KEY | PART NUMBER | U/M | DESCRIPTION |
|-----|---------------|-----|---|
| 1 | 093689-32-01A | FT | FILM - MULTISTRIPE - 7.4" |
| 2 | 105781-79-01A | FT | FILM - MULTISTRIPE - 3" |
| 3 | 121510-01-02A | EA | DECAL - LOGO - WINNEBAGO - SWEEP |
| 4 | 120702-03-16A | EA | DECAL - WINNEBAGO - 35.4" |
| 5 | 120701-02-01A | EA | DECAL - LOGO - CHIEFTAIN/LARGE |
| 6 | 120701-03-01A | EA | DECAL - LOGO - CHIEFTAIN/SMALL |
| 7 | 133170-01-01A | EA | DECAL - W - W/STRIPE/DRIVER DOOR |
| 8 | 120700-07-01A | EA | DECAL - LOGO - W |
| 9 | 133154-01-01A | EA | DECAL - CURVE - HOOD |
| 10 | 120994-01-01A | EA | BEZEL - DOMED GRILLE LOGO |
| 11 | 120875-01-01A | EA | DECAL - "WINNEBAGO INDUSTRIES"-OVAL DOMED-GRILLE-BLK/GOLD |
| 12 | 133152-01-01A | EA | DECAL - CORNER - LOWER/PASSENGER |
| | 133152-02-01A | EA | DECAL - CORNER - LOWER/DRIVER |
| 13 | 133153-01-01A | EA | DECAL - CORNER - UPPER/PASSENGER |
| | 133153-02-01A | EA | DECAL - CORNER - UPPER/DRIVER |
| 14 | 133155-01-01A | EA | DECAL - CURVE - FRONT/PASSENGER |
| | 133155-02-01A | EA | DECAL - CURVE - FRONT/DRIVER |
| 15 | 133156-01-01A | EA | DECAL - CURVE - MIDDLE W/STRIPE/PASSENGER |
| | 133156-02-01A | EA | DECAL - CURVE - MIDDLE W/STRIPE/DRIVER |
| 16 | 133157-01-01A | EA | DECAL - CURVE - REAR/PASSENGER |
| | 133157-02-01A | EA | DECAL - CURVE - REAR/DRIVER |
| 17 | 132664-01-01A | EA | DECAL - LOGO/DOMED - WINNEBAGO |
| 18 | 129922-01-01A | EA | EMBLEM - TRITON V10 - BLACK/SILVER METALLIC/SILVER |
| | 093681-40-01A | FT | FILM - 2" - FLAT BLACK |
| | 116424-01-000 | EA | PROTECTOR - LATCH - WATER HEATER |
| | 041561-03-000 | EA | PAINT - 16 OUNCE SPRAY - OFF WHITE |

DUPONT PAINT COLOR CODES

| | |
|--------------------------|--------|
| POLO GREEN METALLIC | #GM223 |
| NEW SAHARA GRAY METALLIC | #M1024 |
| DEEP STAR BLUE METALLIC | #BM514 |
| WINE METALLIC | #RM022 |
| SAHARA GRAY METALLIC | #M1024 |
| FOREST GREEN METALLIC | #F1917 |
| BRIGHT WHITE | #B8951 |

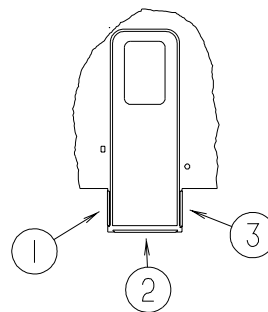
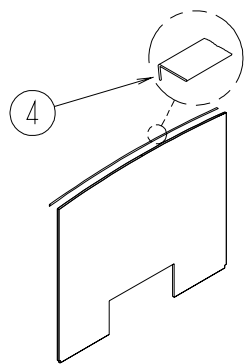
EXTERIOR BODY GROUP (CONTINUED)

PANELS



EXTERIOR BODY GROUP (CONTINUED)
PANELS (CONTINUED)

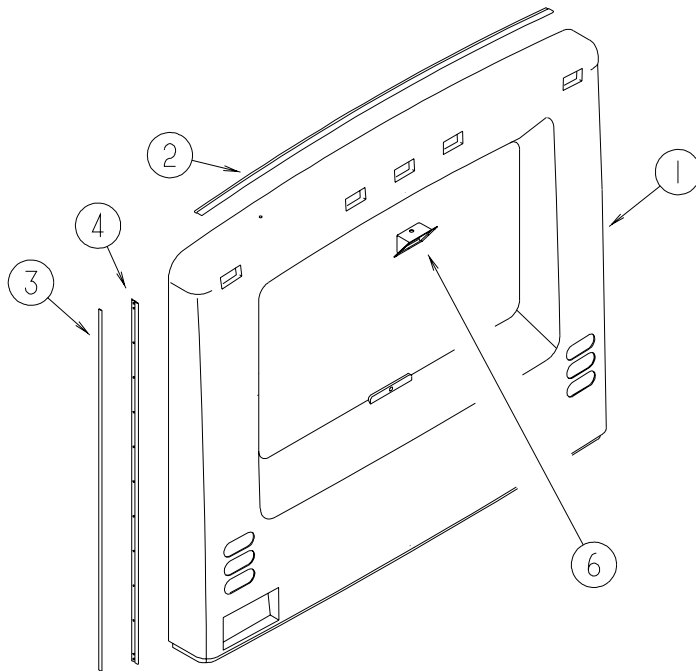
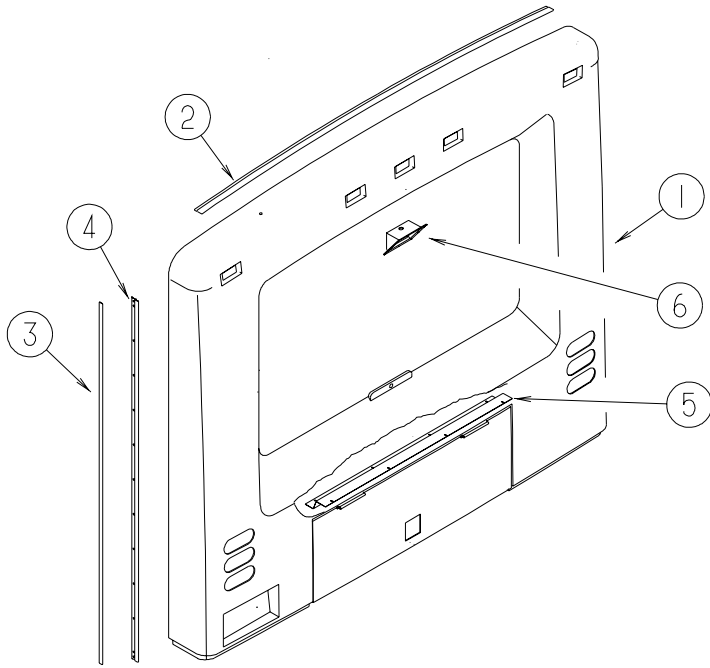
| KEY | PART NUMBER | U/M | DESCRIPTION |
|-----|---------------|-----|---|
| 1 | 133376-01-01A | EA | TRIM - RETAINER - MILL |
| 2 | 124046-02-02B | EA | BRACKET - ANCHOR - E-COATED |
| 3 | 123993-01-03A | EA | TRIM - COVER - 182" ALUMINUM - BRIGHT WHITE |
| 4 | 126775-01-01A | EA | END CAP - VALANCE TRIM - RIGHT HAND |
| 5 | 126775-02-01A | EA | END CAP - VALANCE TRIM - LEFT HAND |
| 6 | 131483-01-01A | EA | RAIL - AWNING - 192" - BRIGHT WHITE |
| 7 | 115863-12-01A | EA | TRIM - SIDEWALL/SLIDEOUT - TOP - 146" - BRIGHT WHITE |
| 8 | 115863-28-01A | EA | TRIM - SIDEWALL - BRIGHT WHITE |
| 9 | 115863-27-01A | EA | TRIM - SIDEWALL - BRIGHT WHITE |
| 10 | 115886-05-01A | EA | RETAINER - SIDEWALL - BRIGHT WHITE - 146.5" |
| 11 | 115886-02-03A | EA | RETAINER - SIDEWALL - BRIGHT WHITE - 73.5" |
| 12 | 115863-08-02A | EA | TRIM - SIDEWALL/SLIDEOUT - TOP - 87.7" - BRIGHT WHITE |
| 13 | 115863-22-01A | EA | TRIM - SIDEWALL/SLIDEOUT - LEFT HAND - 75.6" - BRT WHT |
| 14 | 115863-23-01A | EA | TRIM - SIDEWALL/SLIDEOUT - RIGHT HAND - 75.6" - BRT WHT |
| 15 | 115886-03-02A | EA | RETAINER - SIDEWALL - BRIGHT WHITE - 89.7" |
| 16 | 134274-01-L52 | EA | SIDEWALL - DRIVER - W/O WINDOWS/TRIMS (L52, L53) |
| 16 | 134274-01-L54 | EA | SIDEWALL - DRIVER - W/O WINDOWS/TRIMS (L54, L55) |
| 16 | 134274-01-L56 | EA | SIDEWALL - DRIVER - W/O WINDOWS/TRIMS (L56) |
| 16 | 134274-01-L57 | EA | SIDEWALL - DRIVER - W/O WINDOWS/TRIMS (L57) |
| 17 | 134273-01-L52 | EA | SIDEWALL - PASSENGER - W/O WINDOWS/TRIMS (L52, L53) |
| 17 | 134273-01-L54 | EA | SIDEWALL - PASSENGER - W/O WINDOWS/TRIMS (L54, L55) |
| 17 | 134273-01-L56 | EA | SIDEWALL - PASSENGER - W/O WINDOWS/TRIMS (L56) |
| 17 | 134273-01-L57 | EA | SIDEWALL - PASSENGER - W/O WINDOWS/TRIMS (L57) |
| 18 | 125052-02-J20 | EA | CAP - ROOF - W/O LIGHTS/WIRING |
| 19 | 118383-01-04A | EA | RETAINER/RECESSED - F/.22" SCREW - BRIGHT WHITE |
| 20 | 118383-04-04A | EA | CAP - F/RECESSED RETAINER - BRIGHT WHITE |
| 21 | 134272-01-L52 | EA | ROOF - W/O LIGHTS/VENTS - W/WIRING |
| 22 | 133007-03-L52 | EA | BACKWALL - W/O WINDOW/TRIM (L52, L53) |
| 22 | 133007-03-L54 | EA | BACKWALL - W/O WINDOW/TRIM (L54, L55) |
| 22 | 133007-03-L56 | EA | BACKWALL - W/O WINDOW/TRIM (L56, L57) |
| 23 | P13380-01-01A | EA | PANEL - COVER SEAL |
| 24 | 017516-01-000 | EA | MUD FLAP - 14" X 18" - W/O MOUNTING HOLES - BLACK |
| 25 | 132695-01-02B | EA | ANGLE - MUDFLAP - E-COATED |
| 26 | 131365-01-000 | EA | WHEELWELL - PLASTIC |
| 27 | 132442-02-01A | EA | HANDLE - ASSIST |



TRIMS
SIDEWALL & BACKWALL TRIMS

| KEY | PART NUMBER | U/M | DESCRIPTION |
|-----|---------------|-----|--------------------------------------|
| 1 | 121091-01-02A | EA | ANGLE - ENTRANCE DOOR - BRIGHT WHITE |
| 2 | 121091-13-01A | EA | ANGLE - ENTRANCE DOOR - BRIGHT WHITE |
| 3 | 121091-02-03A | EA | ANGLE - ENTRANCE DOOR - BRIGHT WHITE |
| 4 | 114248-02-01A | EA | ANGLE - PLASTIC - 96.6" |

EXTERIOR BODY GROUP (CONTINUED)
TRIMS (CONTINUED)

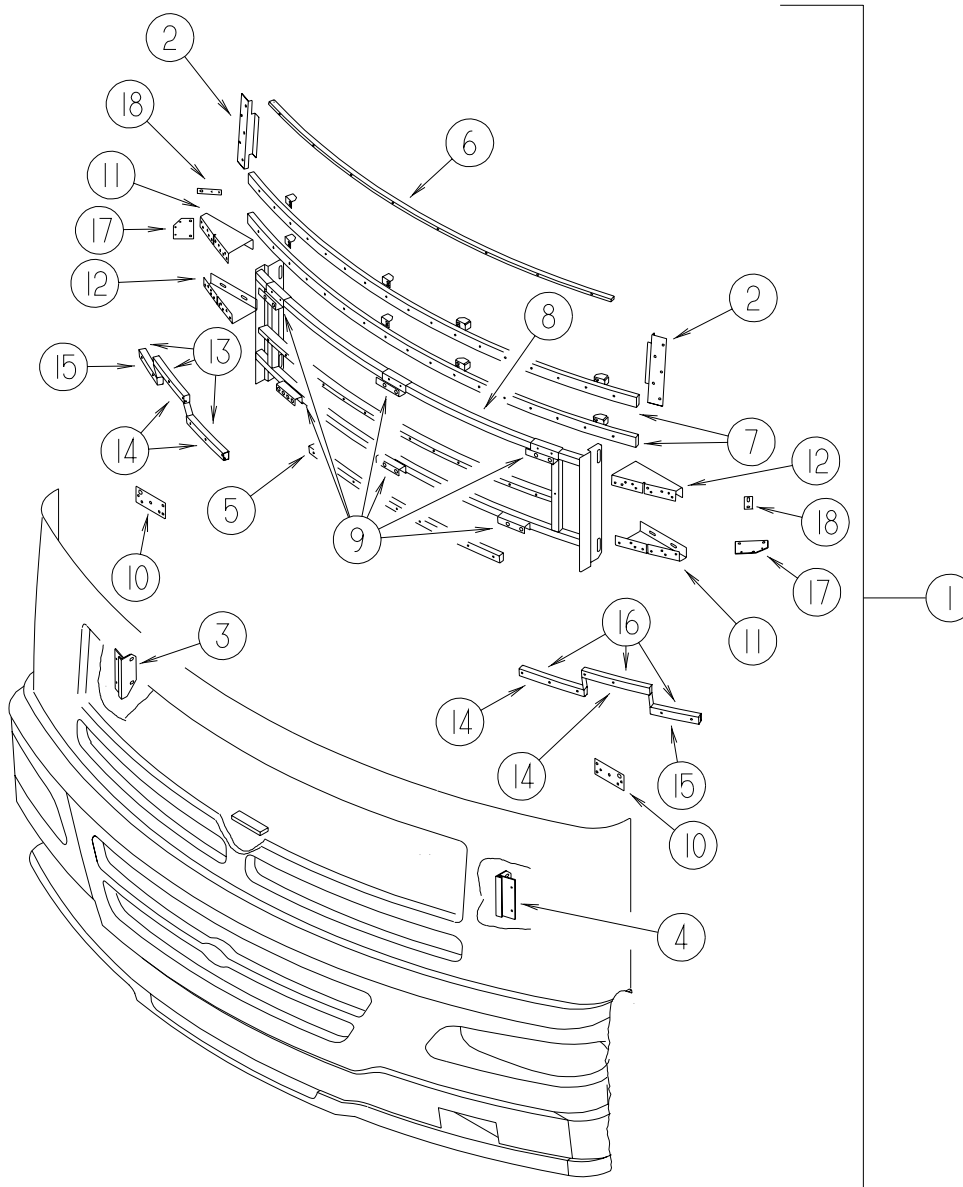


REAR CAP

| KEY | PART NUMBER | U/M | DESCRIPTION |
|-----|---------------|-----|---|
| 1 | 129820-08-L52 | EA | PANEL - REAR CAP - W/O DOOR |
| 2 | 083805-23-000 | EA | TRIM - ROOF CAP - 92.1" - BRIGHT WHITE |
| 3 | 091985-01-07A | FT | MOLDING - TRIM - BRIGHT WHITE |
| 4 | 092041-04-01A | EA | TRIM - BACKWALL/SIDEWALL - 76.6" - BRIGHT WHITE |
| 5 | 118741-03-02B | EA | SHIELD - ENGINE - UPPER E-COATED - FREIGHTLINER |
| 6 | 125259-01-01A | EA | SHROUD - CAMERA - INNER |

EXTERIOR BODY GROUP (CONTINUED)

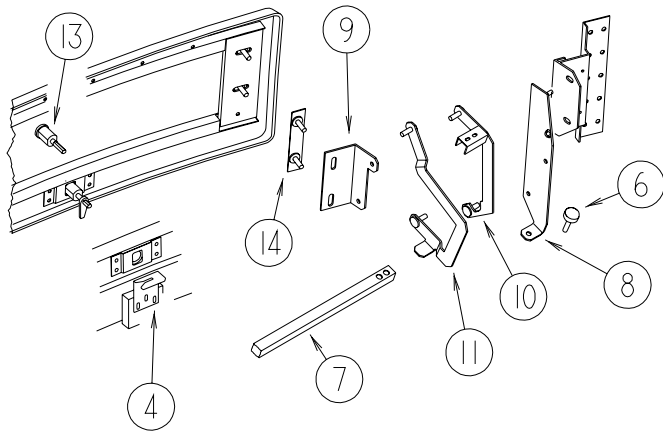
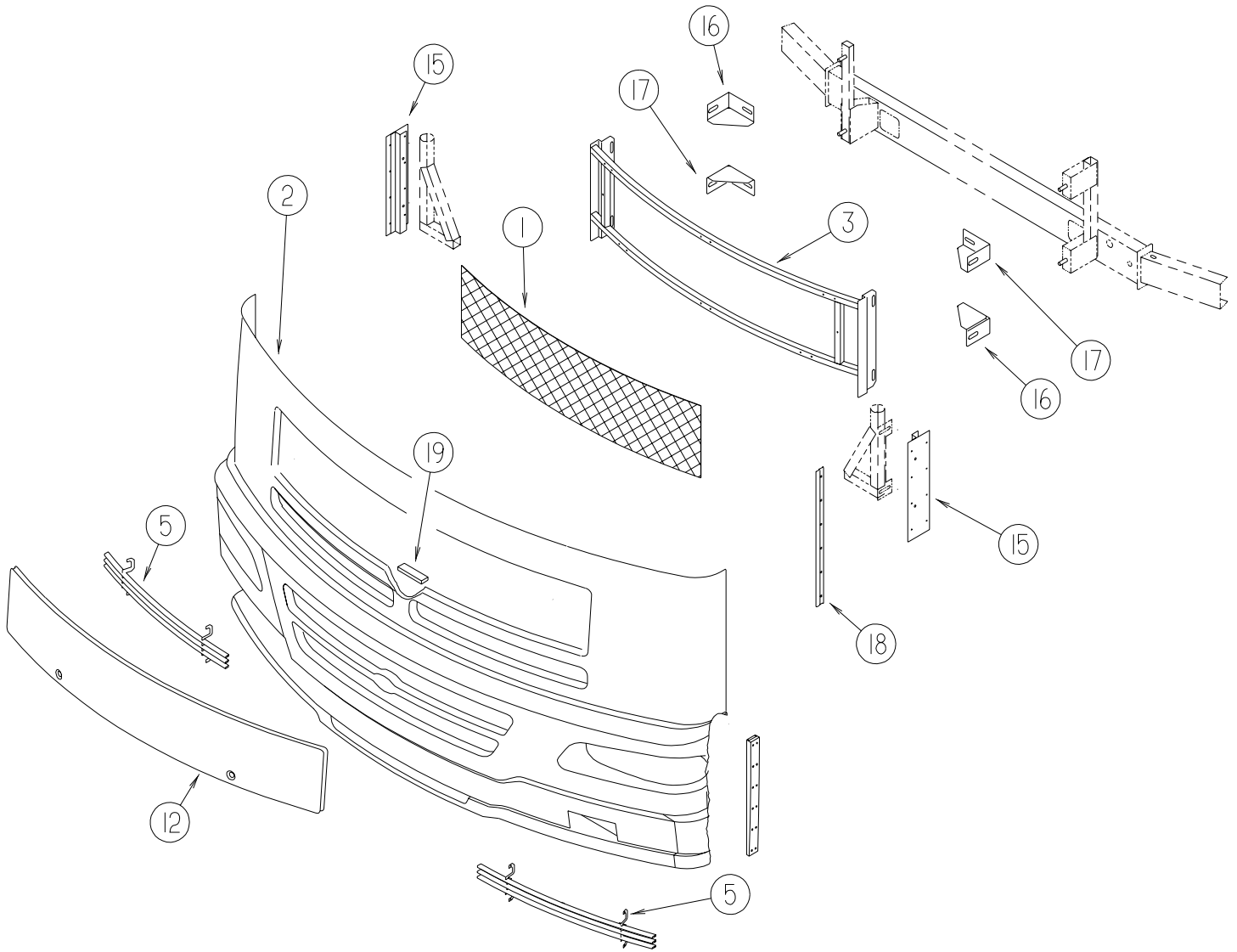
FRONT END



LOWER PANEL

| KEY | PART NUMBER | U/M | DESCRIPTION |
|-----|---------------|-----|--|
| 1 | 125440-02-J30 | EA | PANEL - FRONT/LOWER - W/O HARDWARE - FORD |
| 1 | 125440-06-J30 | EA | PANEL - FRONT/LOWER - W/O HARDWARE - FREIGHTLINER |
| 2 | 113495-03-02B | EA | SUPPORT - HINGE - RIGHT HAND/LEFT HAND - E-COATED |
| 3 | 118595-01-03A | EA | SUPPORT - HINGE LINK - PASSENGER - BRIGHT WHITE |
| 4 | 118595-02-03A | EA | SUPPORT - HINGE LINK - DRIVER - BRIGHT WHITE |
| 5 | 125709-03-01A | EA | TUBE - GRILLE - LOWER - BLACK |
| 6 | 125846-02-J20 | EA | SUPPORT - WIPER |
| 7 | 126331-01-01A | EA | TUBE - GRILLE - HORIZONTAL |
| 8 | 126332-01-01A | EA | TUBE - GRILLE - HORIZONTAL - BLACK |
| 9 | 126335-01-02B | EA | BRACKET - GRILLE SUPPORT - E/COATED |
| 10 | 126370-01-02B | EA | PLATE - FOGLAMP - DRIVER/PASSENGER SIDE |
| 11 | 126491-01-02B | EA | SUPPORT - HEADLAMP - UPPER RH/LOWER LH - E-COATED |
| 12 | 126491-02-02B | EA | SUPPORT - HEADLAMP - UPPER LH/LOWER RH - E-COATED |
| 13 | 126547-01-J30 | EA | SUPPORT - FRONT OUTER - PASSENGER |
| 14 | 125709-04-01A | EA | TUBE-GRILLE,LOWER MILL |
| 15 | 125709-05-01A | EA | TUBE-GRILLE,LOWER MILL |
| 16 | 126547-02-J30 | EA | SUPPORT - FRONT OUTER - DRIVER |
| 17 | 127415-01-02B | EA | SUPPORT - PARKLAMP - LOWER - DRIVER/PASSENGER SIDE |
| 18 | 127835-01-02B | EA | STRAP - PARKLAMP - DRIVER/PASSENGER SIDE |

EXTERIOR BODY GROUP (CONTINUED)
FRONT END (CONTINUED)
PANEL INSTALLATION



BACK VIEW OF HOOD

EXTERIOR BODY GROUP (CONTINUED)

FRONT END (CONTINUED)

PANEL INSTALLATION (CONTINUED)

| KEY | PART NUMBER | U/M | DESCRIPTION |
|-----|---------------|-----|--|
| 1 | 115924-14-02A | EA | WIRE MESH - F/GRILLE - FLAT BLACK - FORD |
| 2 | 125440-02-J30 | EA | PANEL - FRONT/LOWER - W/O HARDWARE - FORD |
| 2 | 125440-06-J30 | EA | PANEL - FRONT/LOWER - W/O HARDWARE - FREIGHTLINER |
| 3 | 126334-01-J30 | EA | GRILLE - LOWER |
| 4 | 126352-01-02B | EA | LATCH - HOOD - FRONT END |
| 5 | 126503-01-J30 | EA | GRILLE - UPPER - FORD |
| 6 | 058786-01-000 | EA | BOLT - HOOD ADJUSTMENT - 5/16"-18 X 1.5"-2"- W/BLACK PAD |
| 7 | 105096-10-000 | EA | TUBE - HOOD HINGE TIMING W/WELDNUTS |
| 8 | 109926-11-000 | EA | BRACKET - LINK - HINGE/RIGHT HAND |
| | | | FROM: 00-00-00 THRU: 01-04-99 |
| 8 | 126867-06-02B | EA | BRACKET - LINK - HOOD HINGE - PASSENGER - E-COATED |
| | | | FROM: 01-05-99 THRU: 99-99-99 |
| 8 | 109926-12-000 | EA | BRACKET - LINK - HINGE/LEFT HAND |
| | | | FROM: 00-00-00 THRU: 01-04-99 |
| 8 | 126867-08-02B | EA | BRACKET - LINK - HOOD HINGE - DRIVER - E-COATED |
| | | | FROM: 01-05-99 THRU: 99-99-99 |
| 9 | 109927-05-000 | EA | ANGLE - LINK - HOOD/PASSENGER |
| 9 | 109927-06-000 | EA | ANGLE - LINK - HOOD/DRIVER |
| 10 | 126353-03-02B | EA | LINK - HINGE - UPPER/PASSENGER - E-COATED |
| 10 | 126353-04-02B | EA | LINK - HINGE - UPPER/DRIVER - E-COATED |
| 11 | 126356-02-02B | EA | LINK - HINGE - LOWER/HOOD - PASSENGER - E-COATED |
| 11 | 126356-04-02B | EA | LINK - HINGE - LOWER/HOOD - DRIVER - E-COATED |
| 12 | 126536-01-J30 | EA | PANEL - HOOD |
| 13 | 102330-02-000 | EA | LATCH - VISE ACTION/KEY OPERATED |
| 13 | 102328-01-000 | EA | KEY - BARREL - NICKEL PLATED |
| 14 | 106730-10-000 | EA | PLATE - STUD - F/HOOD |
| 15 | 128018-01-02B | EA | BRACKET - FRONT - RIGHT HAND/LEFT HAND - E-COATED |
| 16 | 128455-03-02B | EA | BRACKET - BUMPER - RIGHT HAND UPPER/LEFT HAND LOWER |
| 17 | 128455-04-02B | EA | BRACKET - BUMPER - LEFT HAND UPPER/RIGHT HAND LOWER |
| 18 | 091985-01-07A | FT | MOLDING - TRIM - BRIGHT WHITE |
| 18 | 125818-02-01A | EA | TRIM - PANEL - FIBERGLASS - BRIGHT WHITE |
| 19 | 099418-01-000 | FT | SEAL - D-SECTION/ADHESIVE BACK - .44" X .44"- BLK RUBBER |

EXTERIOR BODY GROUP (CONTINUED)

LADDER

| KEY | PART NUMBER | U/M | DESCRIPTION |
|-----|---------------|-----|---|
| | 129375-02-000 | EA | SEAL - LADDER BRACKET |
| | 130163-02-01A | EA | LADDER - LOWER - ANODIZED ALUMINUM |
| | 130164-02-01A | EA | LADDER - UPPER - ANODIZED ALUMINUM - FREIGHTLINER |
| | 130164-04-01A | EA | LADDER - UPPER - ANODIZED ALUMINUM - FORD |

MIRRORS

| KEY | PART NUMBER | U/M | DESCRIPTION |
|-----|---------------|-----|---|
| * | 106015-16-01A | EA | MIRROR - EXTERIOR REMOTE/HEAT - PASSENGER |
| * | 106015-17-01A | EA | MIRROR - EXTERIOR REMOTE/HEAT - DRIVER |

* COMPONENT PARTS FOUND IN SERVICE PARTS LIBRARY

BODY PANEL COMPONENTS

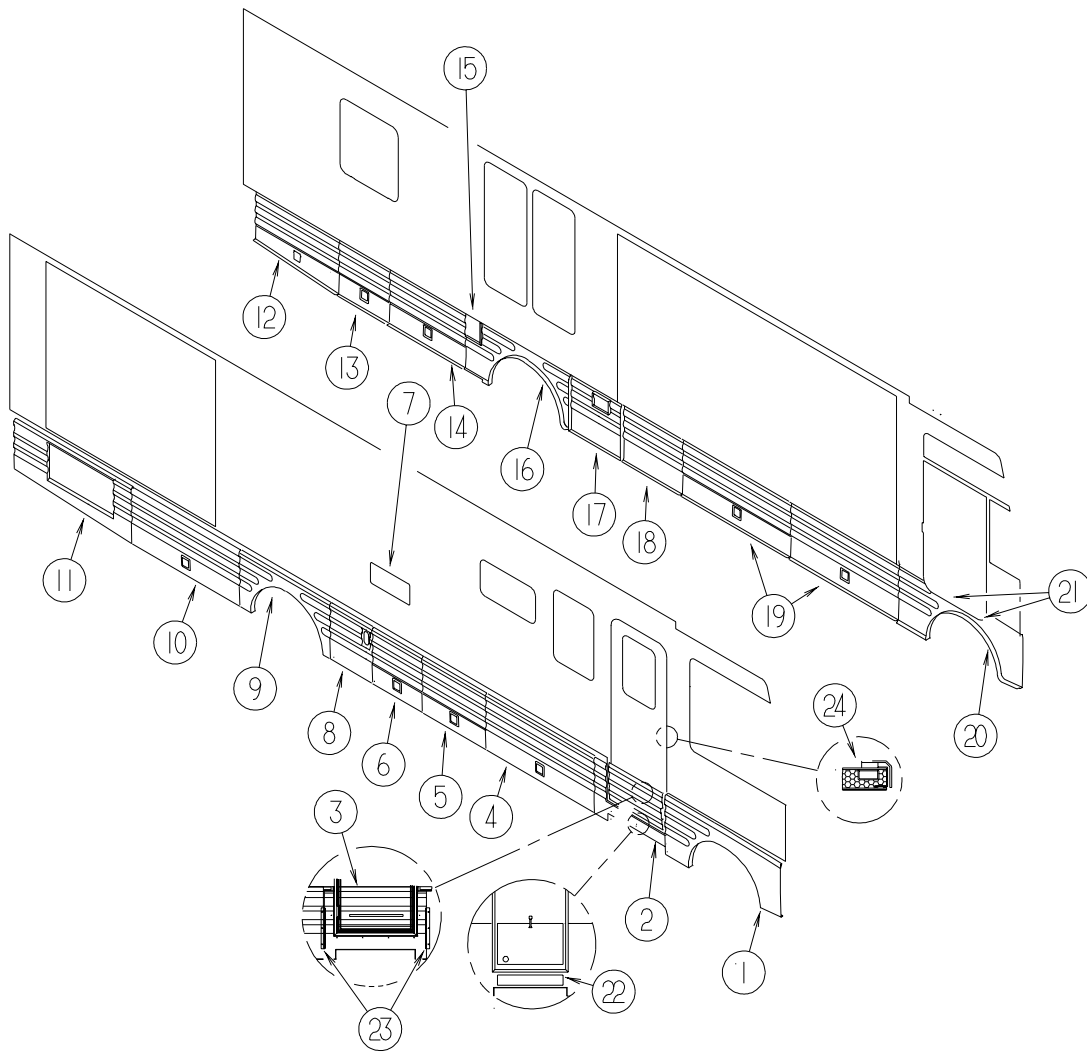
| KEY | PART NUMBER | U/M | DESCRIPTION |
|-----|---------------|-----|--|
| | 000870-08-000 | SF | STYROFOAM - 3/4" X 48" X 96" PLANED EXPANDED BEAD BOARD |
| | 002726-01-001 | EA | GARNISH - U-CHANNEL - 1.38" X 19' - SERRATED |
| | 002766-01-001 | EA | ANGLE - EXTRUDED - 1" X 1.5" X 17' |
| | 068716-01-001 | EA | BRACE - 90 DEGREE - L-ANGLE - 16' |
| | 076054-U6-000 | EA | FIBERGLASS SHEET - 102" X 361" - BRIGHT WHITE |
| | 089297-01-000 | SF | PLYWOOD - LUAN - OVERLAY GRADE - 48" X 96" |
| | 100619-01-000 | BF | FOAM - EXPANDED POLYSTYRENE - 1.34" X 48" X 96" |
| | 100619-02-000 | BF | FOAM - EXPANDED POLYSTYRENE - 1.5" X 48" X 96" |
| | 100619-05-000 | BF | FOAM - EXPANDED POLYSTYRENE - .75" X 48" X 96"-1.5 DENSITY |
| | 100619-10-000 | BF | FOAM - EXPANDED POLYSTYRENE - 1.5" X 48" X 96" |
| | 100619-11-000 | BF | FOAM - EXPANDED POLYSTYRENE - 2" X 48" X 96" |
| | 100619-13-000 | BF | FOAM - EXPANDED POLYSTYRENE - .34" X 34.65" X 96" |
| | 100619-16-000 | BF | FOAM - EXPANDED POLYSTYRENE - .75" X 48" X 96"-2.0 DENSITY |
| | 100619-21-000 | BF | FOAM - EXPANDED POLYSTYRENE - 48" X 143" X .75" |
| | 100619-22-000 | BF | FOAM - EXPANDED POLYSTYRENE - 48" X 120" X 1.34" |
| | 100619-27-000 | BF | FOAM - EXPANDED POLYSTYRENE - 48" X 92.8" X 3" |
| | 105077-08-000 | EA | FOAM - PLUG - ROOF CAP |
| | 108535-05-702 | EA | FRP FLAT 108" X 396" BRT WHT |
| | 108535-05-704 | EA | FRP FLAT 48" X 110" BRT WHT |
| | 116942-03-700 | EA | ALUM-.019 X 40.5" X 240" |
| | 120107-01-000 | EA | FOAM - ROOF COVE - 2.8" X 96" LONG |
| | 120107-02-000 | EA | FOAM - PLUG - ROOF TUBE - 2.2" X 2.9" X 1.8" LONG |
| | 120107-03-000 | EA | FOAM - PLUG - SIDEWALL TUBE - 1.2" X 2.1" X 1.8" LONG |
| | 128782-02-01A | EA | FIBERGLASS SHEET - 79" X 428"/HIGH GLOSS - BRIGHT WHITE |
| | 128782-03-01A | EA | FIBERGLASS SHEET - 27.4" X 70.8"/HIGH GLOSS/SLIDEOUT - B/W |
| | 128782-05-01A | EA | FIBERGLASS SHEET - 79" X 456"/HIGH GLOSS - BRIGHT WHITE |

AWNINGS

| KEY | PART NUMBER | U/M | DESCRIPTION |
|-----|---------------|-----|---|
| * | 113874-01-02A | EA | HARDWARE KIT - AWNING - W/O STANDOFF BRACKET-BRIGHT WHITE |
| | 113874-06-27A | EA | AWNING - 16' NAVY TEAL VINYL - BRT/WHT METAL WRAP |
| | 113874-08-27A | EA | AWNING - 19' NAVY TEAL VINYL - BRT/WHT METAL WRAP |
| | 113874-11-01A | EA | SCREW/LAG - AWNING - 1/4" X 1" STAINLESS STEEL |
| | 113874-12-01A | EA | SCREW/LAG - AWNING - 1/4" X 2 3/4" STAINLESS STEEL |
| | 130320-01-02A | EA | BRACKET - AWNING - F/A&E INSTALLATION - BRIGHT WHITE |
| | 127647-01-01A | EA | ROD/AWNING GUARD - ENTRY DOOR - FL34Y ONLY |

* COMPONENT PARTS FOUND IN SERVICE PARTS LIBRARY

EXTERIOR DOORS & COMPARTMENTS GROUP
DOOR & COMPARTMENT LAYOUT
DOORS



EXTERIOR DOORS & COMPARTMENTS GROUP (CONTINUED)

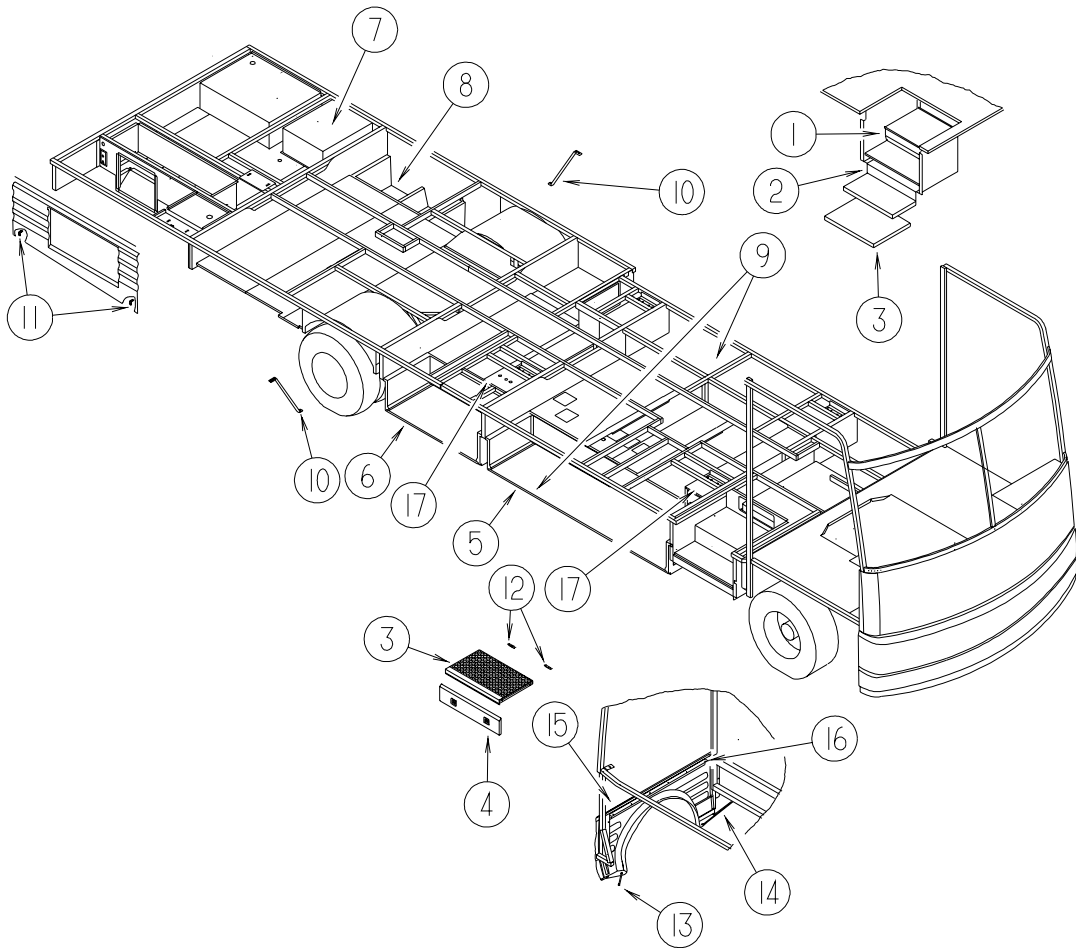
DOOR & COMPARTMENT LAYOUT (CONTINUED)

DOORS (CONTINUED)

| KEY | PART NUMBER | U/M | DESCRIPTION |
|-----|---------------|-----|---|
| 1 | 126062-13-L52 | EA | VALANCE/WHEEL LIP - FRONT/PASSENGER FROM 00-00-00 THRU 12-19-99 |
| 1 | 126062-17-L52 | EA | PANEL/WHEEL LIP - FRONT/PASSENGER FROM 12-20-99 THRU 99-99-99 |
| 2 | 126063-09-L52 | EA | VALANCE/PANEL - HORSESHOE FROM 00-00-00 THRU 12-19-99 |
| 2 | 126063-10-L52 | EA | VALANCE/PANEL - HORSESHOE - W/O HARDWARE FROM 12-20-99 THRU 99-99-99 |
| 3 | 126159-01-J60 | EA | VALANCE/PANEL - ENTRY DOOR |
| 3 | 106105-03-000 | EA | CLIP - VALANCE/RETAINING |
| 4 | J29759-01-L52 | EA | VALANCE/DOOR - W/LATCH/HINGE - 55.8" X 25" |
| 4 | 125517-01-000 | EA | ROD - LATCH - 23.89" |
| 4 | 125517-02-000 | EA | ROD - LATCH - 22.08" |
| 5 | J29759-21-L52 | EA | VALANCE/DOOR - W/LATCH/HINGE - 32.7" X 25" |
| 5 | 125517-31-000 | EA | ROD - LATCH - 12.3" |
| 5 | 125517-32-000 | EA | ROD - LATCH - 10.5" |
| 6 | J29759-18-L52 | EA | VALANCE/DOOR - W/LATCH/HINGE - 26" X 25" |
| 6 | 125517-05-000 | EA | ROD - LATCH - 8.95" |
| 6 | 125517-06-000 | EA | ROD - LATCH - 7.14" |
| 7* | 084103-08-000 | EA | DOOR - VENT - REFRIGERATOR - W/O JAMB - BRIGHT WHITE |
| 7 | 084104-08-000 | EA | JAMB - VENT DOOR/REFRIGERATOR - BRIGHT WHITE |
| 8 | 126787-02-J30 | EA | VALANCE - FURNACE - W/O HARDWARE |
| 9 | 126061-26-L58 | EA | VALANCE/WHEEL LIP - REAR/PASSENGER |
| 10 | J26065-15-L52 | EA | VALANCE/DOOR - W/NON-LOCKING LATCH/HINGE - 55.8" X 25" |
| 10 | 125517-01-000 | EA | ROD - LATCH - 23.89" |
| 10 | 125517-02-000 | EA | ROD - LATCH - 22.08" |
| 11 | 132530-01-L52 | EA | PANEL/VALANCE - A/C |
| 12 | J29759-22-L52 | EA | VALANCE/DOOR - DRIVER W/LATCH/HINGE - 25" X 43.1" X 22" |
| 12 | 125517-03-000 | EA | ROD - LATCH - 17.50" |
| 12 | 125517-04-000 | EA | ROD - LATCH - 15.69" |
| 13 | J29759-18-L52 | EA | VALANCE/DOOR - W/LATCH/HINGE - 26" X 25" |
| 13 | 125517-05-000 | EA | ROD - LATCH - 8.95" |
| 13 | 125517-06-000 | EA | ROD - LATCH - 7.14" |
| 14 | J29759-03-L52 | EA | VALANCE/DOOR - W/LATCH/HINGE - 39.3" X 25" |
| 14 | 125517-07-000 | EA | ROD - LATCH - 15.63" |
| 14 | 125517-08-000 | EA | ROD - LATCH - 13.82" |
| 14 | 131383-03-02A | EA | BRACKET - SHOWER HEAD - WHITE |
| 15 | 126060-02-K36 | EA | DOOR - FUEL FILL - W/O LOCK |
| 15 | 125419-01-01A | EA | HINGE - SINGLE PIVOT |
| 15 | 130005-01-000 | EA | LOCK - W/O CYLINDER & KEYS - W/CAM - F/KEY ONE SYSTEM |
| 16 | 126061-25-L58 | EA | VALANCE/WHEEL LIP - REAR/DRIVER |
| 17 | 132529-03-L52 | EA | PANEL/VALANCE - WATER HEATER - W/O HARDWARE |
| 18 | J26065-31-L52 | EA | VALANCE/DOOR - W/NON-LOCKING LATCH/HINGE - 30.3" X 25" |
| 19 | J29759-01-L52 | EA | VALANCE/DOOR - W/LATCH/HINGE - 55.8" X 25" |
| 19 | 125517-07-000 | EA | ROD - LATCH - 15.63" |
| 19 | 125517-08-000 | EA | ROD - LATCH - 13.82" |
| 20 | 126062-14-L52 | EA | PANEL/WHEEL LIP - FRONT/DRIVER |
| 21 | N/A | EA | FILM - URETHANE - PROTECTANT - RECTANGLE - 4" X 26.5" |
| 22 | 109506-01-000 | EA | FILM - URETHANE - PROTECTANT - 4.25" X 26.75" |
| 23 | 113041-03-02B | EA | ANGLE - BUMPER MOUNT |
| 24 | 125459-01-000 | EA | SPACER - DOOR BRACKET |

* COMPONENT PARTS FOUND IN SERVICE PARTS LIBRARY

EXTERIOR DOORS & COMPARTMENTS GROUP (CONTINUED)
DOOR & COMPARTMENT LAYOUT (CONTINUED)
COMPARTMENTS



EXTERIOR DOORS & COMPARTMENTS GROUP (CONTINUED)

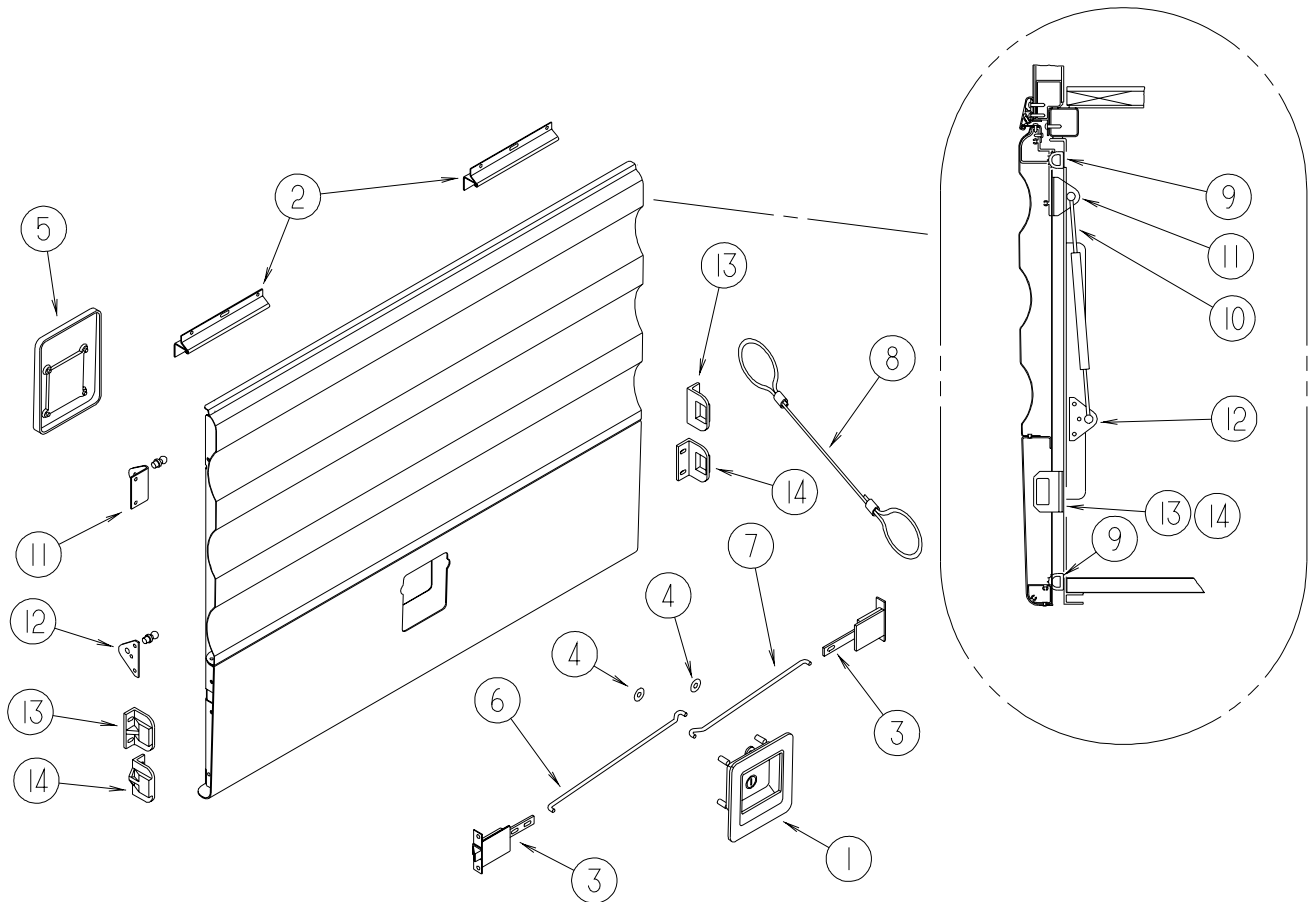
DOOR & COMPARTMENT LAYOUT (CONTINUED)

COMPARTMENTS (CONTINUED)

| KEY | PART NUMBER | U/M | DESCRIPTION |
|-----|---------------|-----|---|
| 1 | 120234-08-L52 | EA | LID ASM-STEP,ENTRANCE (L52) |
| 1 | 120234-08-L53 | EA | LID ASM-STEP,ENTRANCE (L53) |
| 1 | 120234-08-L32 | EA | LID ASM-STEP,ENTRANCE (L54, L55) |
| 1 | 120234-08-L56 | EA | LID ASM-STEP,ENTRANCE (L56) |
| 1 | 120234-08-L57 | EA | LID ASM-STEP,ENTRANCE (L57) |
| 1 | P20256-07-000 | EA | LID/DOOR - ENTRANCE STEP |
| 1 | 123330-03-02B | EA | SUPPORT ASM-ENTRANCE STP,E-C |
| 1 | 064075-07-000 | FT | SEAL - BULB - W/WIRED U CHANNEL - .3" X .5" CHANNEL-BLACK |
| 1 | 133114-01-01A | EA | TREAD - RUBBER STEP - 29.3" - TAUPE (L52, L53, L54, L55) |
| 1 | 133114-01-02A | EA | TREAD - RUBBER STEP - 29.3" - BLUE (L56, L57) |
| 2* | 094707-01-01A | EA | STEP - DOUBLE - ELECTRIC - KWIKEE |
| | | | FROM: 00-00-00 THRU: 01-13-99 |
| 2* | 094707-03-01A | EA | STEP - ELECTRIC DOUBLE - W/BLACK CONTROL BOX - KWIKEE |
| | | | FROM: 01-14-99 THRU: 99-99-99 |
| 3 | 133114-02-01A | EA | TREAD - RUBBER STEP - 28.4" - TAUPE (L52, L53, L54, L55) |
| 3 | 133114-02-02A | EA | TREAD - RUBBER STEP - 28.4" - BLUE (L56, L57) |
| 4 | 099856-11-000 | EA | STRAP - TIEDOWN - 7.9" |
| 5 | 126386-04-J60 | EA | COMPARTMENT - LUGGAGE |
| 5 | 126397-01-01A | EA | PANEL/COMPARTMENT END - RIGHT HAND |
| 5 | 126397-02-01A | EA | PANEL/COMPARTMENT END - LEFT HAND |
| 6 | 126386-51-L52 | EA | COMPARTMENT - LUGGAGE |
| 6 | 126397-01-01A | EA | PANEL/COMPARTMENT END - RIGHT HAND |
| 6 | 126397-02-01A | EA | PANEL/COMPARTMENT END - LEFT HAND |
| 7 | 133372-01-L32 | EA | COMPARTMENT - POWER CORD |
| 7 | 129015-01-K80 | EA | PORT W/HATCH - F/ELECTRICAL/DRAIN |
| 8 | 126419-01-J60 | EA | COMPARTMENT - DRAINAGE |
| 8 | M08628-01-H17 | EA | HATCH W/FOAM INSERT |
| 8 | 121175-02-01A | EA | LATCH - SWELL |
| 9 | 126516-01-01A | FT | TRIM - VINYL/EXTRUDED - 96" |
| 10 | 107865-05-000 | EA | ROD - SUPPORT - VALANCE PANEL - 9" |
| 11 | 109216-03-000 | EA | ANGLE-DOOR,FURNACE |
| 12 | 101222-01-04A | EA | BRACKET - CATCH - LID - E-COATED |
| 13 | 107865-10-000 | EA | ROD - SUPPORT - VALANCE PANEL - 15.1" |
| 14 | 107865-02-000 | EA | ROD - SUPPORT - VALANCE PANEL - 13.2" - PASSENGER SIDE |
| 14 | 107865-22-000 | EA | ROD - SUPPORT - VALANCE PANEL - 23" - DRIVERS SIDE |
| 15 | 108455-22-000 | EA | ANGLE - VALANCE/TRIM - PASSENGER SIDE |
| 15 | 127373-01-01B | EA | CLIP - TRIM - MILL - PASSENGER SIDE |
| 15 | 108455-23-000 | EA | ANGLE - VALANCE/TRIM - DRIVERS SIDE |
| 15 | 127373-02-01B | EA | CLIP - TRIM - MILL - DRIVERS SIDE |
| 16 | 108455-17-000 | EA | ANGLE - VALANCE/TRIM - DRIVERS SIDE |
| 16 | 106105-05-000 | EA | CLIP - VALANCE/RETAINING - DRIVERS SIDE |
| 16 | 108455-24-000 | EA | ANGLE - VALANCE/TRIM - PASSENGER SIDE |
| 16 | 106105-06-000 | EA | CLIP - VALANCE/RETAINING - PASSENGER SIDE |
| 17 | 134297-02-02B | EA | PLATE - COVER - E-COATED |

* COMPONENT PARTS FOUND IN SERVICE PARTS LIBRARY

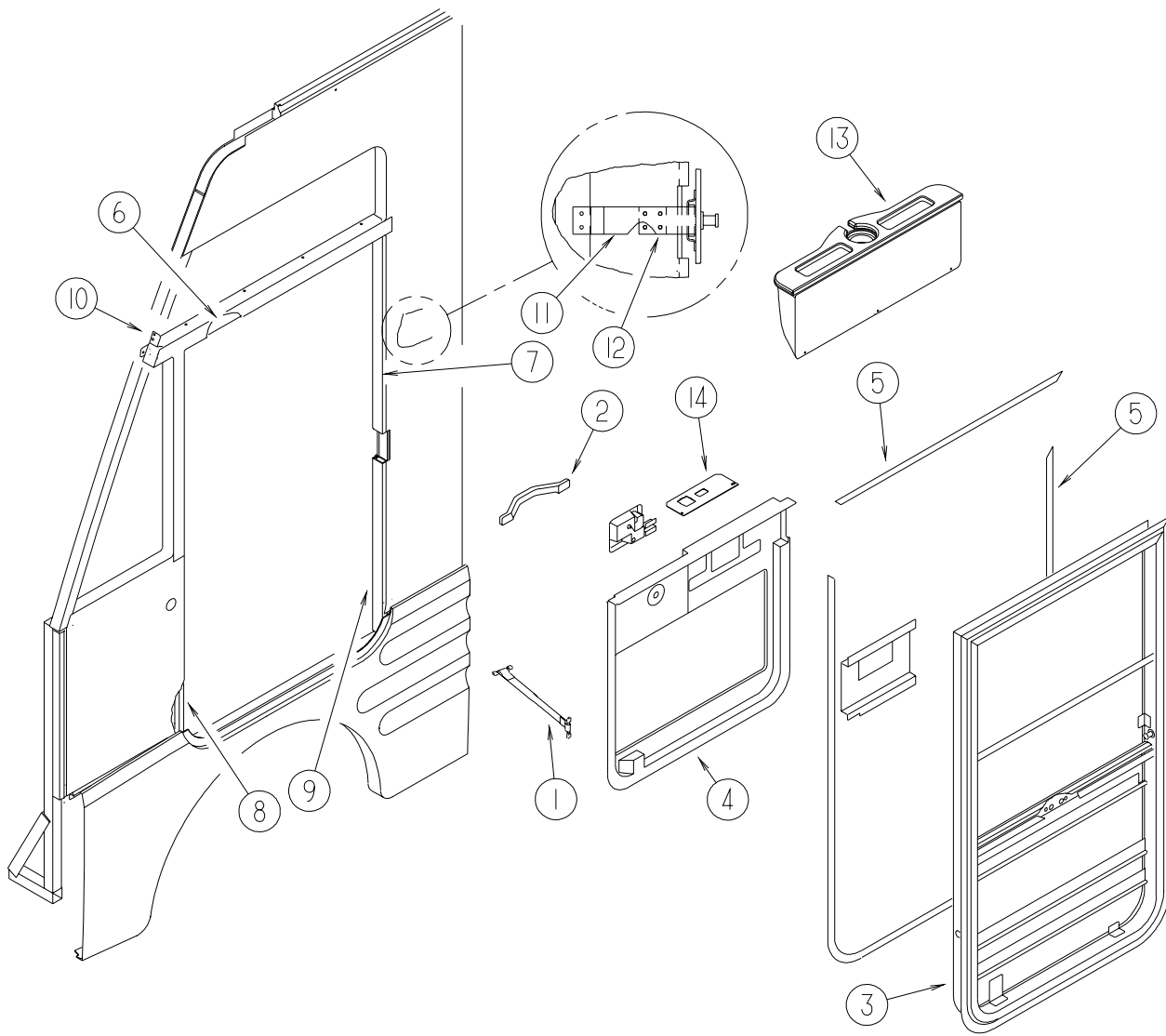
EXTERIOR DOORS & COMPARTMENTS GROUP (CONTINUED)
COMPARTMENT DOOR COMPONENTS



| KEY | PART NUMBER | U/M | DESCRIPTION |
|-----|---------------|-----|---|
| 1 | 112949-02-05A | EA | LATCH - PADDLE NON-LOCKING - BLACK |
| 1 | 129675-01-01A | EA | LATCH - LOCKING PADDLE - BLACK |
| 1 | 129686-01-000 | EA | CYLINDER - LOCK ASSEMBLY - COMPARTMENT/DRIVER DOOR |
| 1 | 129686-02-000 | EA | CYLINDER - LOCK ASSEMBLY - COMPARTMENT/DRIVER DOOR |
| 1 | 129686-03-000 | EA | CYLINDER - LOCK ASSEMBLY - COMPARTMENT/DRIVER DOOR |
| 1 | 129686-04-000 | EA | CYLINDER - LOCK ASSEMBLY - COMPARTMENT/DRIVER DOOR |
| 1 | 129686-05-000 | EA | CYLINDER - LOCK ASSEMBLY - COMPARTMENT/DRIVER DOOR |
| 1 | 129686-06-000 | EA | CYLINDER - LOCK ASSEMBLY - COMPARTMENT/DRIVER DOOR |
| 1 | 129686-07-000 | EA | CYLINDER - LOCK ASSEMBLY - COMPARTMENT/DRIVER DOOR |
| 1 | 129686-08-000 | EA | CYLINDER - LOCK ASSEMBLY - COMPARTMENT/DRIVER DOOR |
| 1 | 129686-09-000 | EA | CYLINDER - LOCK ASSEMBLY - COMPARTMENT/DRIVER DOOR |
| 1 | 129686-10-000 | EA | CYLINDER - LOCK ASSEMBLY - COMPARTMENT/DRIVER DOOR |
| 2 | 121677-01-01A | EA | HINGE - SINGLE PIVOT |
| 3 | 121947-01-01A | EA | BOLT - SLIDE W/PLASTIC PLUNGER |
| 4 | 124304-01-000 | EA | CLIP - ROUND PUSH ON |
| 5 | 125257-01-02A | EA | COVER - LATCH/VALANCE DOOR - WHITE |
| 6 | | | SEE DOOR & COMPARTMENT LAYOUT FOR ROD - LATCH |
| 7 | | | SEE DOOR & COMPARTMENT LAYOUT FOR ROD - LATCH |
| 8 | 076767-01-000 | EA | CABLE - STEEL - 12" |
| 9 | 107721-08-000 | FT | SEAL - ACCESS DOOR - .86" |
| 10 | 107796-23-000 | EA | SPRING/GAS - 11.3" COMPRESSED/18.5" EXTENDED - 45 LB. |
| 11 | 126263-05-02B | EA | BRACKET - GAS SPRING W/BALL STUD - E-COATED |
| 12 | 126263-08-02B | EA | BRACKET - GAS SPRING W/BALL STUD - E-COATED |
| 13 | 130053-01-01A | EA | STRIKER - LUGGAGE DOOR - FLUSH - BLACK |
| 14 | 130053-02-01A | EA | STRIKER - LUGGAGE DOOR - OFF SET - BLACK |

EXTERIOR DOORS & COMPARTMENTS GROUP (CONTINUED)

DRIVERS DOOR



| KEY | PART NUMBER | U/M | DESCRIPTION |
|-----|---------------|-----|---|
| 1 | 109378-01-000 | EA | STRAP - CHECK - DRIVER DOOR - 12.8" |
| 2 | 110604-01-01A | EA | HANDLE - ASSIST - DRIVER DOOR - 10.8" LONG - BLACK |
| 3* | 125581-07-01A | EA | DOOR - DRIVER - NON POWER - W/O LOCK |
| 4 | 132298-01-01A | EA | PANEL - CAB DOOR - INNER/DRIVER DOOR - ANTELOPE - WINNEBAGO |
| 4 | 132298-01-02A | EA | PANEL - CAB DOOR - INNER/DRIVER DOOR - TITANIUM - ITASCA |
| 5 | 109235-01-05A | FT | COVER - SCREW - BRIGHT WHITE |
| 5 | 109235-01-01A | FT | COVER - SCREW - MAT BLACK |
| 6 | 125725-01-01A | EA | FRAME - DRIVER DOOR - 33.5" - BLACK |
| 7 | 125725-03-01A | EA | FRAME - DRIVER DOOR - 27.8" - BLACK |
| 8 | 125725-07-01A | EA | FRAME - DRIVER DOOR - 53.3" - BLACK |
| 9 | 125725-08-01A | EA | FRAME - DRIVER DOOR - 21.4" - BLACK |
| 10 | 125804-01-02B | EA | ANGLE - DOOR SUPPORT - E-COATED - ITASCA |
| 10 | 125804-02-02B | EA | ANGLE - DOOR SUPPORT - E-COATED - WINNEBAGO |
| 11 | 126506-01-02B | EA | BRACKET - STRIKE - DRIVER DOOR - E-COATED |
| 12 | 126534-01-02B | EA | SPACER - STRIKE - DRIVER DOOR - E-COATED |
| 13 | 132297-01-L32 | EA | PANEL - TRIM - DRIVER DOOR/BEVERAGE TRAY - WATERFORD OAK |
| 13 | 132297-01-L52 | EA | PANEL - TRIM - DRIVER DOOR/BEVERAGE TRAY - SALEM CHERRY |
| 13 | 132297-01-L58 | EA | PANEL - TRIM - DRIVER DOOR/BEVERAGE TRAY - WASHED MAPLE |
| 14 | 132514-01-02B | EA | PLATE - SWITCH - HEATED MIRROR - E-COATED |

* COMPONENT PARTS FOUND IN SERVICE PARTS LIBRARY

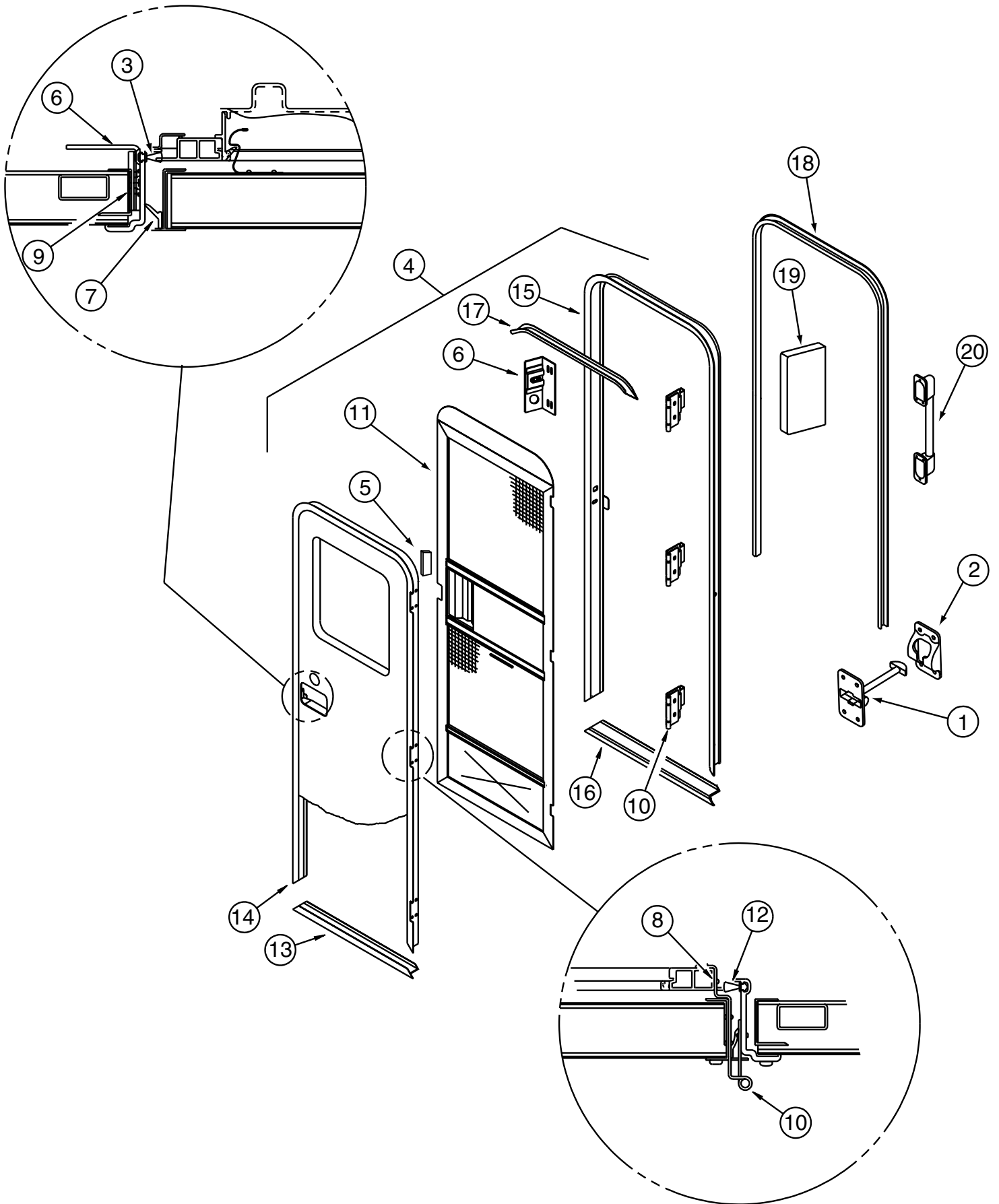
EXTERIOR DOORS & COMPARTMENTS GROUP (CONTINUED)
DRIVERS DOOR (CONTINUED)

ONE KEY SYSTEM

| KEY | PART NUMBER | U/M | DESCRIPTION |
|------------|--------------------|------------|--|
| * | 129685-01-000 | EA | CYLINDER - LOCK ASSEMBLY - ENTRANCE DOOR (J) |
| * | 129685-02-000 | EA | CYLINDER - LOCK ASSEMBLY - ENTRANCE DOOR (J) |
| * | 129685-03-000 | EA | CYLINDER - LOCK ASSEMBLY - ENTRANCE DOOR (J) |
| * | 129685-04-000 | EA | CYLINDER - LOCK ASSEMBLY - ENTRANCE DOOR (J) |
| * | 129685-05-000 | EA | CYLINDER - LOCK ASSEMBLY - ENTRANCE DOOR (J) |
| * | 129685-06-000 | EA | CYLINDER - LOCK ASSEMBLY - ENTRANCE DOOR (J) |
| * | 129685-07-000 | EA | CYLINDER - LOCK ASSEMBLY - ENTRANCE DOOR (J) |
| * | 129685-08-000 | EA | CYLINDER - LOCK ASSEMBLY - ENTRANCE DOOR (J) |
| * | 129685-09-000 | EA | CYLINDER - LOCK ASSEMBLY - ENTRANCE DOOR (J) |
| * | 129685-10-000 | EA | CYLINDER - LOCK ASSEMBLY - ENTRANCE DOOR (J) |
| * | 129676-01-000 | EA | KEY - T/M 14472-07-1431 |
| * | 129676-02-000 | EA | KEY - T/M 14472-07-1432 |
| * | 129676-03-000 | EA | KEY - T/M 14472-07-1433 |
| * | 129676-04-000 | EA | KEY - T/M 14472-07-1434 |
| * | 129676-05-000 | EA | KEY - T/M 14472-07-1435 |
| * | 129676-06-000 | EA | KEY - T/M 14472-07-1436 |
| * | 129676-07-000 | EA | KEY - T/M 14472-07-1437 |
| * | 129676-08-000 | EA | KEY - T/M 14472-07-1438 |
| * | 129676-09-000 | EA | KEY - T/M 14472-07-1439 |
| * | 129676-10-000 | EA | KEY - T/M 14472-07-1440 |

* **COMPONENT PARTS FOUND IN SERVICE PARTS LIBRARY**

EXTERIOR DOORS & COMPARTMENTS GROUP (CONTINUED)
ENTRY DOOR

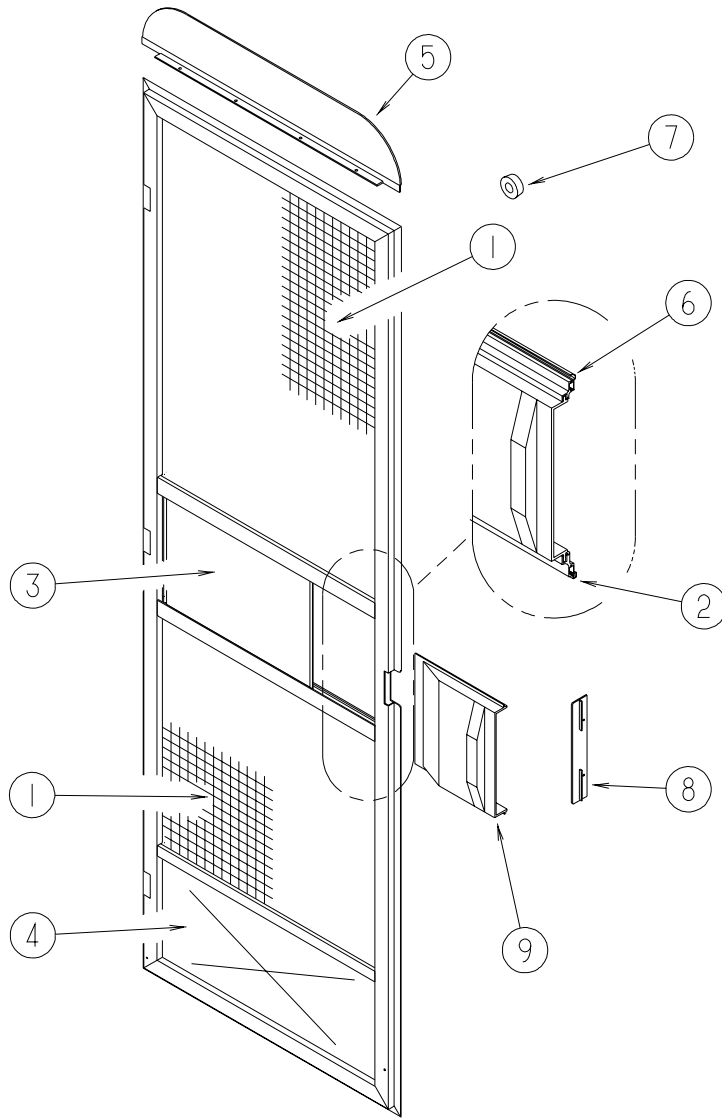


EXTERIOR DOORS & COMPARTMENTS GROUP (CONTINUED)**ENTRY DOOR (CONTINUED)**

| KEY | PART NUMBER | U/M | DESCRIPTION |
|------------|--------------------|------------|--|
| 1 | 104099-01-04A | EA | CATCH - DOOR HOLDER - STRIKE - BRIGHT WHITE |
| 2 | 104099-02-04A | EA | CATCH - DOOR HOLDER - RETAINER - BRIGHT WHITE |
| 3 | 075673-05-000 | FT | SEAL - PILE - ADHESIVE BACK - BLACK |
| | | | FROM: 05-01-00 THRU: 99-99-99 |
| 4 | P32206-02-L52 | EA | DOOR - ENTRY W/SCREEN DOOR - W/O WINDOW (L52, L53) |
| 4 | P32206-02-L54 | EA | DOOR - ENTRY W/SCREEN DOOR - W/O WINDOW (L54, L55) |
| 4 | P32206-02-L56 | EA | DOOR - ENTRY W/SCREEN DOOR - W/O WINDOW (L56, L57) |
| 4 | P32206-02-L58 | EA | DOOR - ENTRY W/SCREEN DOOR - W/O WINDOW (L58, L59, L62, L63) |
| 4 | P32206-02-L60 | EA | DOOR - ENTRY W/SCREEN DOOR - W/O WINDOW (L60, L61) |
| | 039715-01-000 | EA | NUT-SERT - 1/4" DIAMETER - 20 THREADS |
| 5 | 134655-01-01A | EA | COVER - LATCH - SCREEN DOOR - BRIGHT WHITE |
| 6 | 041546-08-000 | EA | BRACKET - DOOR ANGLE O/W |
| 7 | 075671-04-000 | FT | SEAL - SPONGE - LAZY T - W/ADHESIVE STRIP - .5" WIDE |
| 8 | 100128-02-000 | FT | SEAL - FOAM/ADHESIVE BACK - .37" WIDE X .37" THICK |
| 9 | 104692-01-000 | FT | SEAL - ADHESIVE BACKED FOAM-.75"THICK X .75"WIDE X 25' |
| 10 | 106719-01-05A | EA | HINGE - ENTRY DOOR - BRIGHT WHITE |
| 10 | 106719-01-01A | EA | HINGE - ENTRY DOOR - MILL |
| | 116111-02-01A | EA | SCREW - TAPTITE - 1/4-20 X 3/8 PPH - ZINC |
| 11 | 132208-02-L32 | EA | DOOR - SCREEN - W/O HARDWARE |
| 12 | 118929-01-01A | FT | SEAL - PILE - PUSH ON |
| 13 | 121893-03-02A | EA | FRAME - ENTRY DOOR/LOWER - BRIGHT WHITE |
| 14 | 121894-16-01A | EA | FRAME - ENTRY DOOR - BRIGHT WHITE |
| 15 | 121898-14-01A | EA | JAMB - ENTRY DOOR |
| 16 | 051049-05-000 | EA | JAMB/DOOR - LOWER - ENTRY DOOR |
| 17 | 044582-50-000 | EA | CAP - DRIP JAMB MITERED |
| 18 | 115222-12-01A | EA | GARNISH - RADIUS - ENTRY DOOR |
| | | | FROM: 00-00-00 THRU: 12-05-99 |
| 18 | 115222-17-01A | EA | GARNISH - RADIUS - ENTRY DOOR |
| | | | FROM: 12-06-99 THRU: 99-99-99 |
| 19 | 077461-03-000 | EA | COVER - STRIKE - ENTRY DOOR - 6.5" X 2.5" - WHITE PLASTIC |
| 20 | 132442-02-01A | EA | HANDLE - ASSIST - WINNEBAGO |
| 20 | 132442-03-01A | EA | HANDLE - ASSIST - ITASCA |

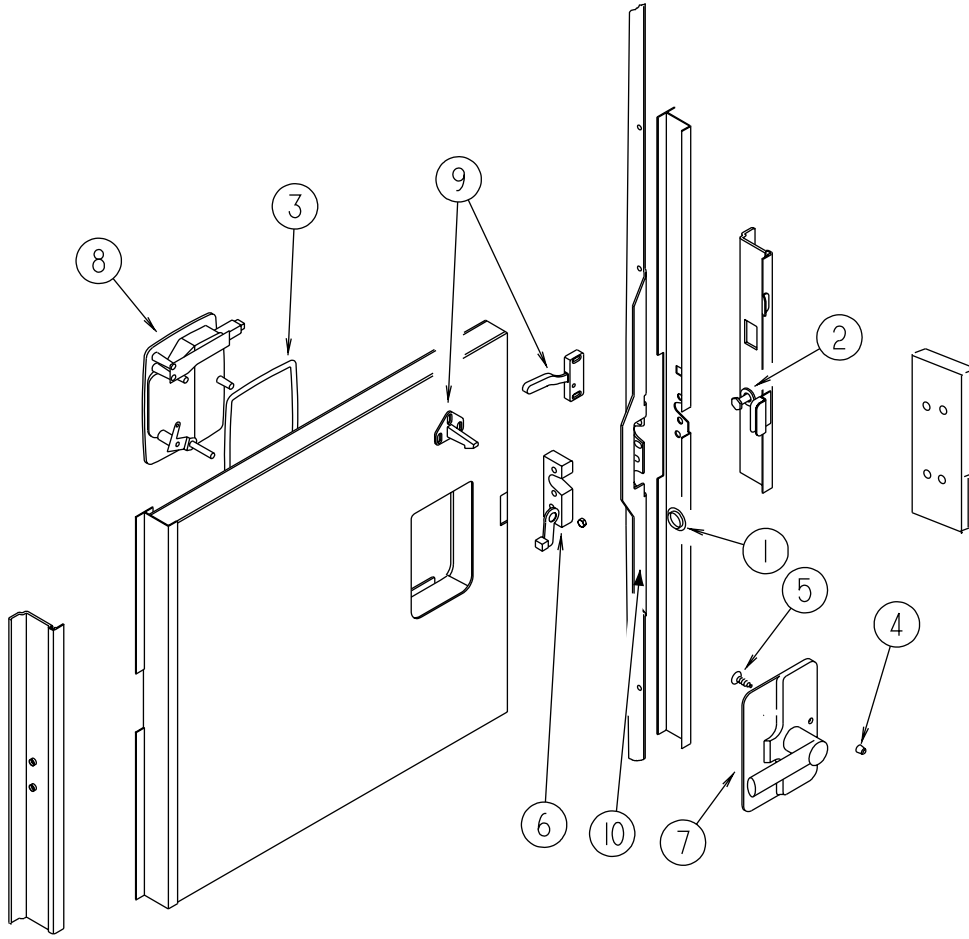
EXTERIOR DOORS & COMPARTMENTS GROUP (CONTINUED)

SCREEN DOOR



| KEY | PART NUMBER | U/M | DESCRIPTION |
|-----|---------------|-----|---|
| | 132208-02-L32 | EA | DOOR - SCREEN - W/O HARDWARE |
| 1 | 002293-02-000 | SF | SCREEN - 26" - CHARCOAL |
| 2 | 002294-01-000 | FT | SPLINE - SCREENING - .135" X .138" |
| 3 | 001014-01-013 | EA | INSERT - CENTER - 10.25" X 16.31" - UNPAINTED |
| 3 | 001014-01-017 | EA | AL-.024X10.077 X16.783 LEATHER GRAIN FINISH |
| | | | FROM: 00-00-00 THRU: 07-11-99 |
| | | | FROM: 07-12-99 THRU: 99-99-99 |
| 4 | 078552-09-000 | EA | INSERT - SCREEN DOOR - LOWER |
| 5 | 078595-03-000 | EA | PLATE - SCREEN DOOR |
| 6 | 078777-08-000 | FT | CHANNEL - SLIDER |
| 7 | 120863-06-000 | EA | BUMPER - RUBBER - 3/4" X 3/8" |
| 8 | 132081-01-01A | EA | STRIKE - SLIDER - SCREEN DOOR - BRIGHT WHITE |
| 9 | 132082-01-01A | EA | SLIDER - SCREEN DOOR - BRIGHT WHITE |

EXTERIOR DOORS & COMPARTMENTS GROUP (CONTINUED)
LATCH - ENTRY DOOR



EXTERIOR DOORS & COMPARTMENTS GROUP (CONTINUED)

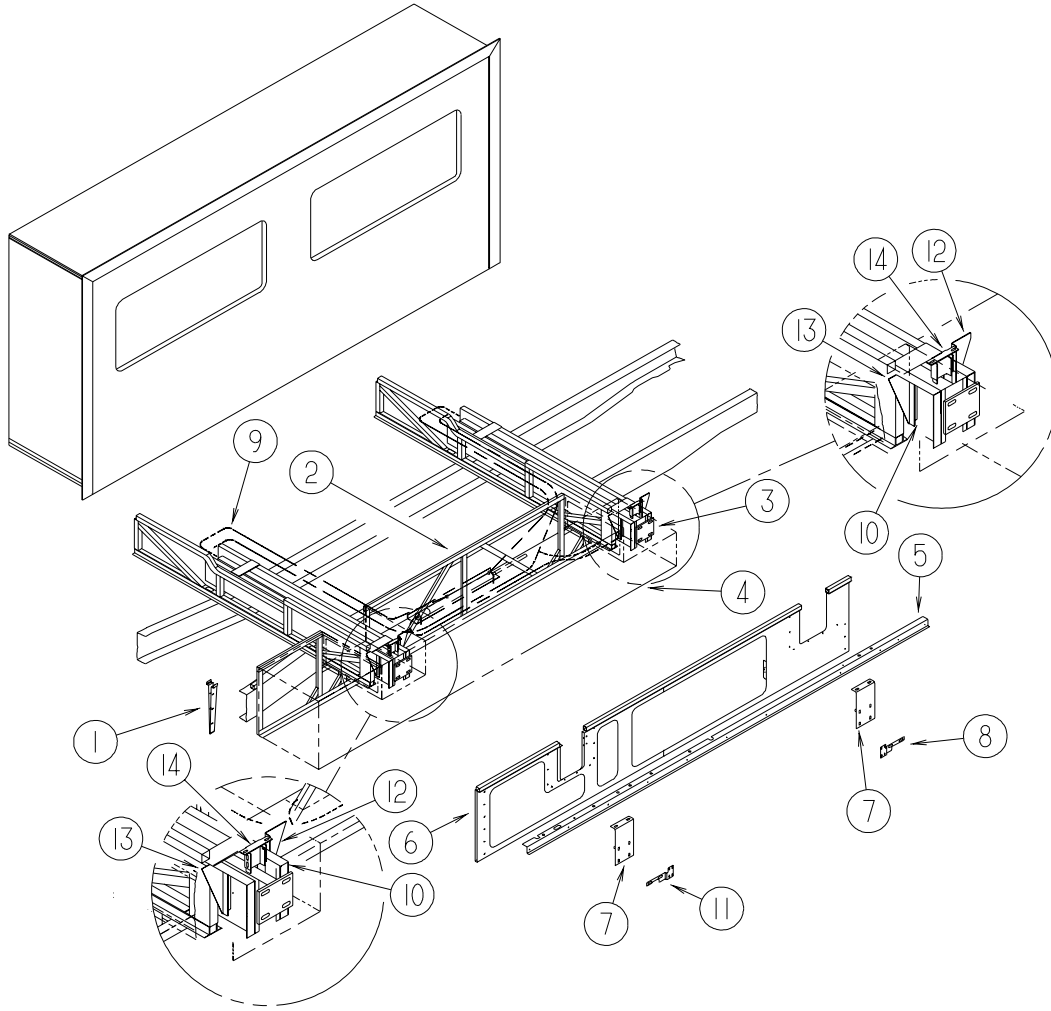
LATCH - ENTRY DOOR (CONTINUED)

| KEY | PART NUMBER | U/M | DESCRIPTION |
|-----|---------------|-----|--|
| 1 | 061420-14-000 | EA | PLUG - PLASTIC - .034" DIAMETER |
| 2 | 092927-03-000 | EA | STRIKER - ROUND - JAMB MOUNTED |
| | | | FROM: 00-00-00 THRU: 11-05-99 |
| 2 | 092927-14-000 | EA | BOLT - STRIKER |
| | | | FROM: 11-06-99 THRU: 99-99-99 |
| 3 | 112782-04-01A | EA | GASKET |
| 4 | 112782-05-01A | EA | CAP - VINYL - RED |
| 5 | 112782-08-01A | EA | SCREW - MOUNTING/PLATE - ZINC |
| 6 | 112782-09-01A | EA | LATCH - SINGLE ROTOR |
| 7 | 112782-11-01A | EA | LATCH - INTERIOR PLATE |
| 8 | 112782-10-01A | EA | LATCH - EXTERIOR W/O CYLINDER |
| | | | FROM: 00-00-00 THRU: 01-02-00 |
| 8 | 112782-12-01A | EA | LATCH - EXTERIOR - W/O CYLINDER - W/ICON LOCK/UNLOCK |
| | | | FROM: 01-03-00 THRU: 99-99-99 |
| 9 | 132915-01-01A | EA | LATCH - SCREEN DOOR |
| 10 | 072893-04-000 | EA | NUTSERT - 10-32 |
| 10 | 132207-01-02B | EA | STIFFENER-FORMED,DOOR,E-COAT |
| | 129685-01-701 | EA | KEY - BLANK KS 150 144472-07-2001 |
| | 129685-01-000 | EA | CYLINDER - LOCK ASSEMBLY - ENTRANCE DOOR (J) |
| | 129685-02-000 | EA | CYLINDER - LOCK ASSEMBLY - ENTRANCE DOOR (J) |
| | 129685-03-000 | EA | CYLINDER - LOCK ASSEMBLY - ENTRANCE DOOR (J) |
| | 129685-04-000 | EA | CYLINDER - LOCK ASSEMBLY - ENTRANCE DOOR (J) |
| | 129685-05-000 | EA | CYLINDER - LOCK ASSEMBLY - ENTRANCE DOOR (J) |
| | 129685-06-000 | EA | CYLINDER - LOCK ASSEMBLY - ENTRANCE DOOR (J) |
| | 129685-07-000 | EA | CYLINDER - LOCK ASSEMBLY - ENTRANCE DOOR (J) |
| | 129685-08-000 | EA | CYLINDER - LOCK ASSEMBLY - ENTRANCE DOOR (J) |
| | 129685-09-000 | EA | CYLINDER - LOCK ASSEMBLY - ENTRANCE DOOR (J) |
| | 129685-10-000 | EA | CYLINDER - LOCK ASSEMBLY - ENTRANCE DOOR (J) |
| * | 129676-01-000 | EA | KEY - T/M 14472-07-1431 |
| * | 129676-02-000 | EA | KEY - T/M 14472-07-1432 |
| * | 129676-03-000 | EA | KEY - T/M 14472-07-1433 |
| * | 129676-04-000 | EA | KEY - T/M 14472-07-1434 |
| * | 129676-05-000 | EA | KEY - T/M 14472-07-1435 |
| * | 129676-06-000 | EA | KEY - T/M 14472-07-1436 |
| * | 129676-07-000 | EA | KEY - T/M 14472-07-1437 |
| * | 129676-08-000 | EA | KEY - T/M 14472-07-1438 |
| * | 129676-09-000 | EA | KEY - T/M 14472-07-1439 |
| * | 129676-10-000 | EA | KEY - T/M 14472-07-1440 |
| | 129754-01-000 | EA | SEAL - LOCK CYLINDER |

* COMPONENT PARTS FOUND IN SERVICE PARTS LIBRARY

EXTERIOR SLIDEOUT INSTALLATION GROUP

FRONT LEFT

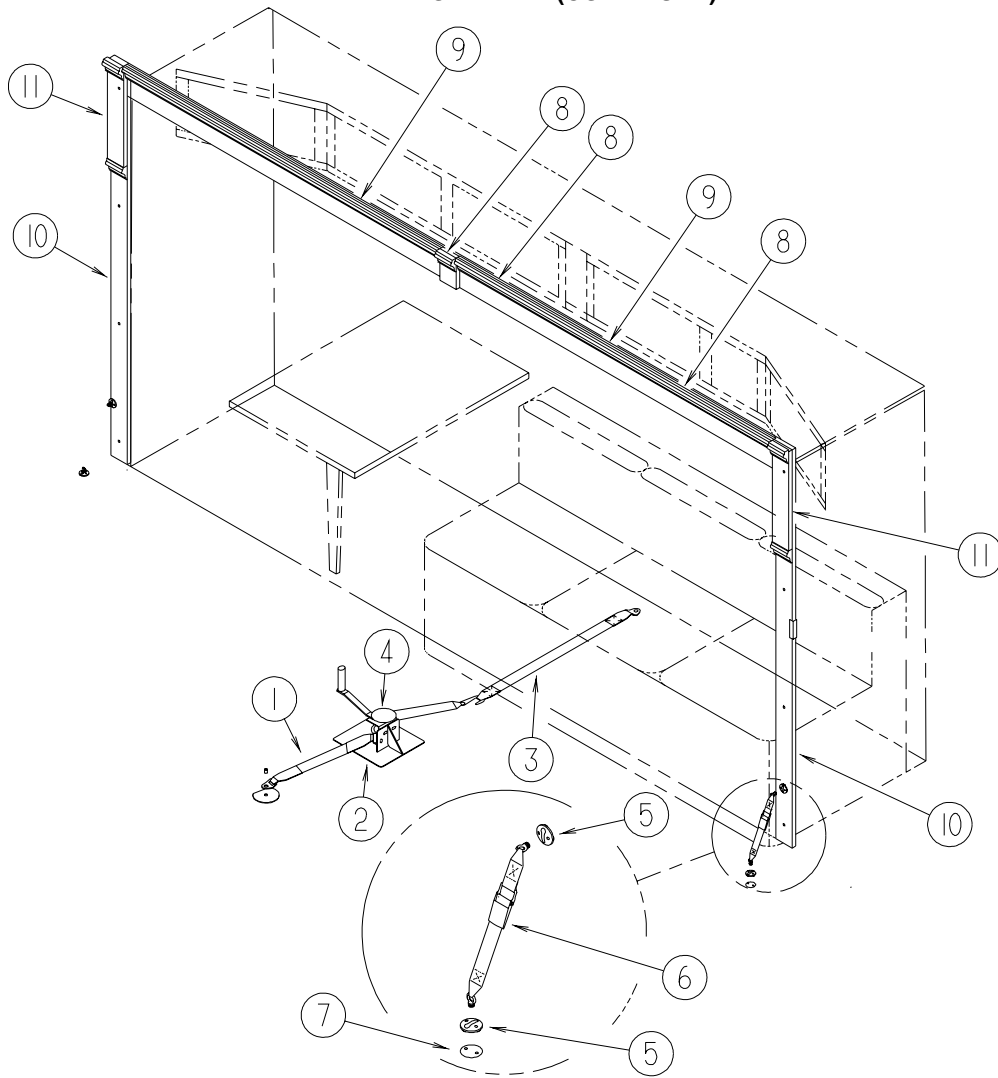


COMPARTMENT & SLIDEOUT

| KEY | PART NUMBER | U/M | DESCRIPTION |
|-----|---------------|-----|--|
| 1 | 126591-01-02B | EA | CARRIER - WIRE - SLIDEOUT |
| 2 | 134440-01-02B | EA | SUPPORT - SLIDEOUT - COMPARTMENT - E-COATED |
| 3* | 131360-01-000 | EA | SLIDEOUT - 29" - HYDRAULIC |
| 4 | 126390-24-000 | EA | COMPARTMENT - SLIDEOUT |
| 5 | 131520-02-01A | EA | EXTRUSION/ZEE - F/SLIDEOUT - 140.4" |
| 6 | 133562-07-02B | EA | SEAL PLANE - E-COATED |
| 7 | 131529-01-02B | EA | BRACKET - MOUNTING - F/SLIDEOUT COMPARTMENT - C-COATED |
| 8 | 131528-02-02B | EA | BRACKET - F/SLIDEOUT COMPARTMENT - E-COATED |
| 9* | 100536-42-000 | EA | HOSE KIT - PUMP TO SLIDE-OUT VALVE |
| 10 | 116104-06-02B | EA | BRACKET - ZEE W/HOLES - E-COATED |
| 11 | 131528-01-02B | EA | BRACKET - F/SLIDEOUT COMPARTMENT - E-COATED |
| 12 | 131351-01-02B | EA | GUSSET - SLIDEOUT - E-COATED |
| 13 | 131351-04-02B | EA | GUSSET - SLIDEOUT - E-COATED |
| 14 | 133233-01-02B | EA | BRACKET - SLIDEOUT - E-COATED |

* COMPONENT PARTS FOUND IN SERVICE PARTS LIBRARY

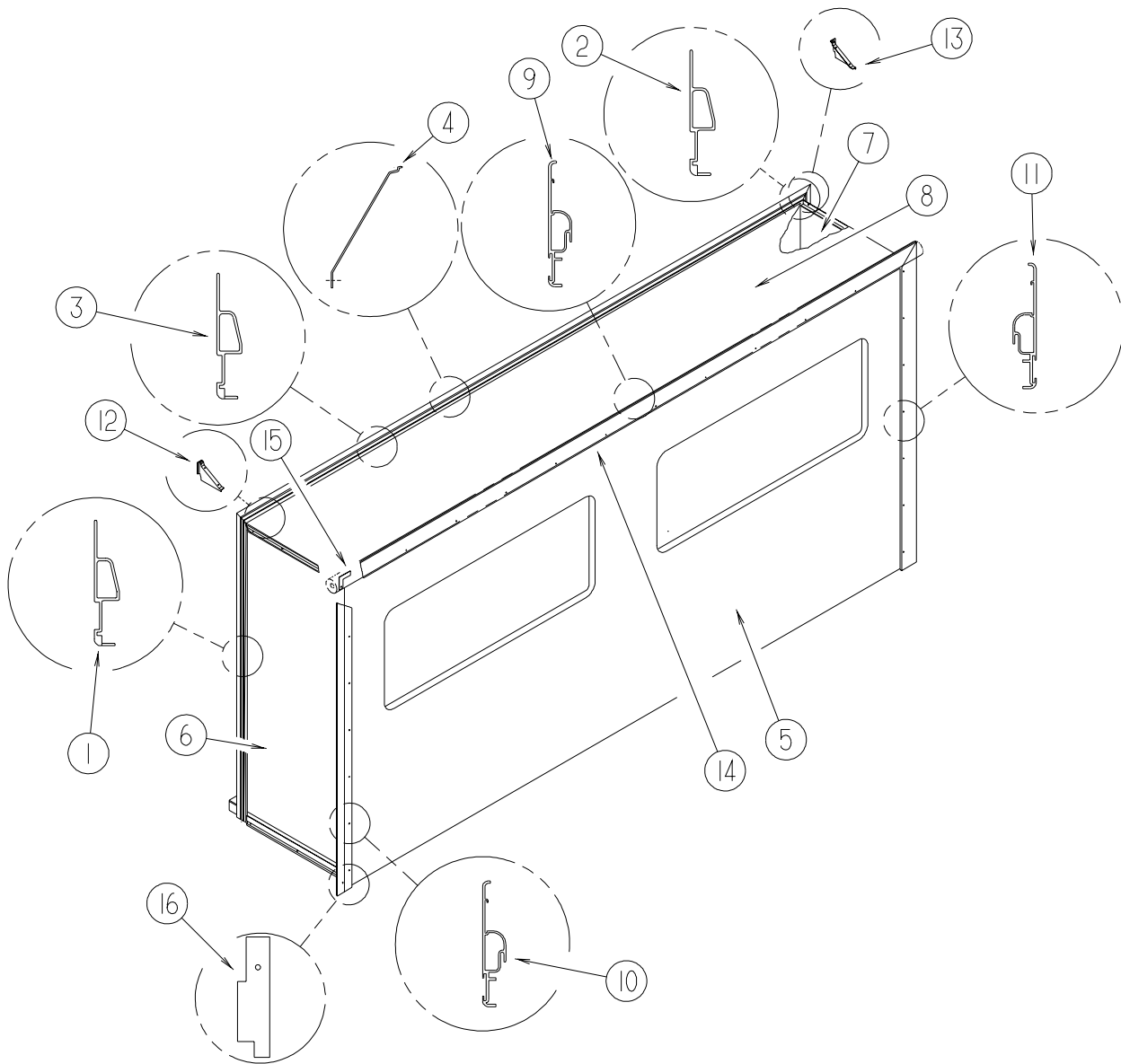
EXTERIOR SLIDEOUT INSTALLATION GROUP (CONTINUED)
FRONT LEFT (CONTINUED)



INTERIOR MOLDING & WINCH

| KEY | PART NUMBER | U/M | DESCRIPTION | |
|-----|---------------|-----|--|-------------------------------|
| 1 | 116101-01-F31 | EA | STRAP - WINCH - 17.8" CENTER/CENTER BRACKET | |
| 2 | 116082-01-02B | EA | BRACKET - WINCH | |
| 3 | 069726-02-000 | EA | BUMPER - .88" OD X .40" THICK - BLACK | |
| 3 | 116101-02-F31 | EA | WINCH - 34" CENTER BRACKET/STRAP END | |
| 4 | 115767-02-000 | EA | WINCH - SLIDEOUT W/10' STRAP | |
| 5 | 133067-02-01A | EA | PLATE - TIE-DOWN - SLIDE | |
| 5 | 135619-02-01A | EA | PLATE - TIEDOWN/SLIDE | FROM: 00-00-00 THRU: 03-31-00 |
| 5 | 135619-02-01A | EA | PLATE - TIEDOWN/SLIDE | FROM: 04-01-00 THRU: 99-99-99 |
| 6 | 133067-01-01A | EA | STRAP - TIE DOWN - SLIDE | |
| 6 | 135619-01-01A | EA | STRAP - SLIDE-OUT ROOM TIEDOWN | FROM: 00-00-00 THRU: 03-31-00 |
| 6 | 135619-01-01A | EA | STRAP - SLIDE-OUT ROOM TIEDOWN | FROM: 04-01-00 THRU: 99-99-99 |
| 7 | 133374-01-09B | EA | PLATE - TIEDOWN | |
| 7 | 135622-01-01B | EA | PLATE - SLIDE-OUT ROOM TIEDOWN | FROM: 00-00-00 THRU: 04-09-00 |
| 7 | 135622-01-01B | EA | PLATE - SLIDE-OUT ROOM TIEDOWN | FROM: 04-10-00 THRU: 99-99-99 |
| 8 | M09416-02-L52 | EA | TRIM - HARDWOOD MOLDING - SLIDEOUT - SALEM CHERRY | |
| 8 | M09416-02-L53 | EA | TRIM - HARDWOOD MOLDING - SLIDEOUT - WATERFORD OAK | |
| 9 | 116951-25-L52 | EA | MOLDING - TRIM - 5.5" X 69.8" - SALEM CHERRY | |
| 9 | 116951-25-L53 | EA | MOLDING - TRIM - 5.5" X 69.8" - WATERFORD OAK | |
| 10 | 116951-16-K37 | EA | MOLDING - TRIM - 3.5" X 74.3" - SALEM CHERRY | |
| 10 | 116951-16-K66 | EA | MOLDING - TRIM - 3.5" X 74.3" - WATERFORD OAK | |
| 11 | 116951-09-L52 | EA | MOLDING - TRIM - 3.5" X 18.5" - SALEM CHERRY | |
| 11 | 116951-09-J22 | EA | MOLDING - TRIM - 3.5" X 18.5" - WATERFORD OAK | |

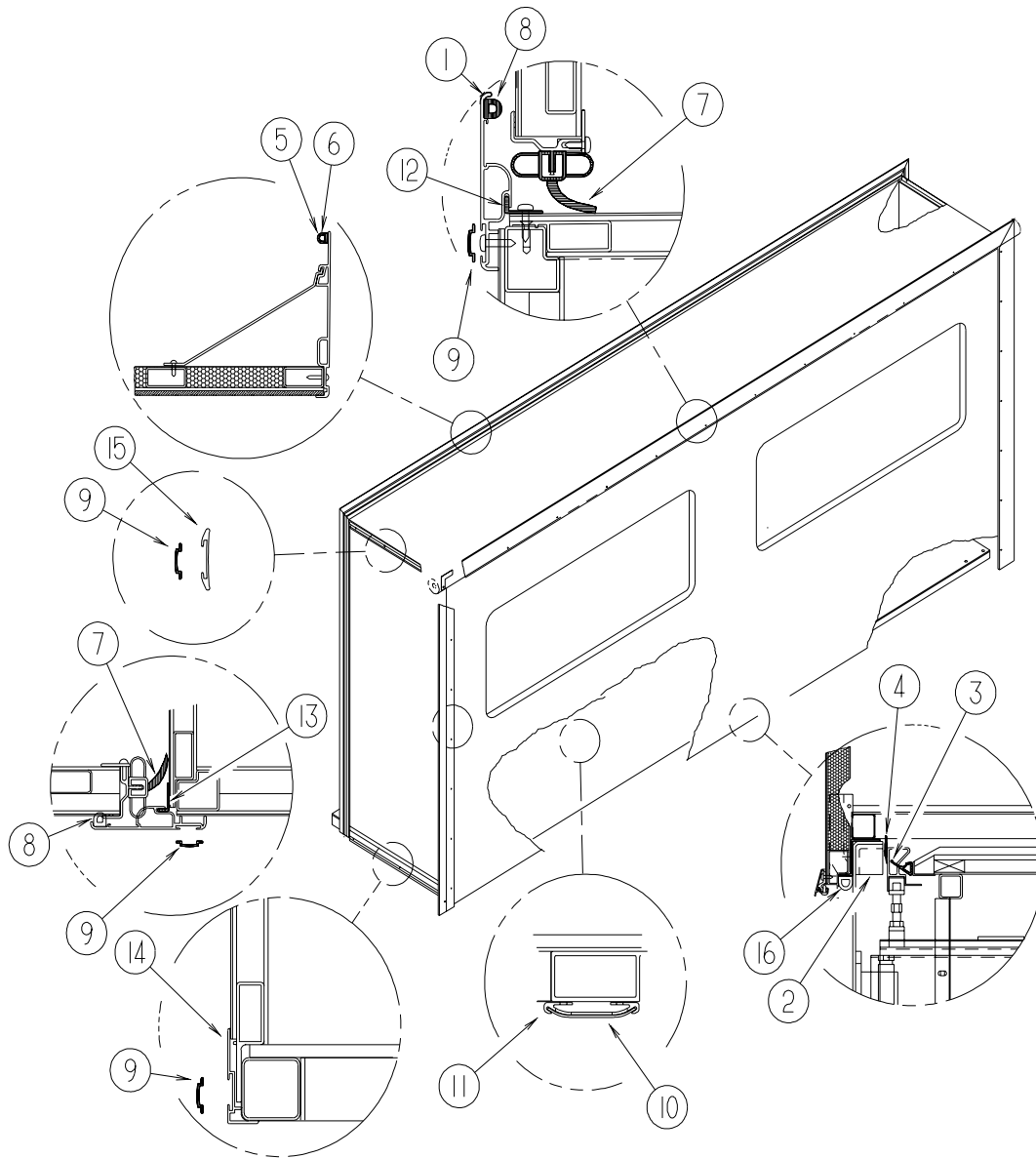
EXTERIOR SLIDEOUT INSTALLATION GROUP (CONTINUED)
FRONT LEFT (CONTINUED)



PANEL & TRIMS

| KEY | PART NUMBER | U/M | DESCRIPTION |
|-----|---------------|-----|---|
| 1 | 117004-12-01A | EA | TRIM/SEAL - INNER/RT HAND-W/MITERED END-71.3" OFF WHITE |
| 2 | 117004-13-01A | EA | TRIM/SEAL - INNER/LT HAND-W/MITERED END-71.3" OFF WHITE |
| 3 | 131578-02-01A | EA | TRIM - SEAL - SLIDEOUT - BRIGHT WHITE |
| 4 | 131579-02-01A | EA | TRIM - RETAINER |
| 5 | 119783-38-L52 | EA | PANEL ASM-SLIDEOUT, OUTER (L52, L53) |
| 5 | 119783-38-L54 | EA | PANEL ASM-SLIDEOUT, OUTER (L54, L55) |
| 5 | 119783-38-L56 | EA | PANEL ASM-SLIDEOUT, OUTER (L56, L57) |
| 6 | 131353-03-L52 | EA | PANEL - SLIDEOUT - FRONT (L52, L53) |
| 6 | 131353-03-L54 | EA | PANEL - SLIDEOUT - FRONT (L54, L55) |
| 6 | 131353-03-L56 | EA | PANEL - SLIDEOUT - FRONT (L56, L57) |
| 7 | 131354-03-L52 | EA | PANEL - SLIDEOUT - REAR (L52, L53) |
| 7 | 131354-03-L54 | EA | PANEL - SLIDEOUT - REAR (L54, L55) |
| 7 | 131354-03-L56 | EA | PANEL - SLIDEOUT - REAR (L56, L57) |
| 8 | 134437-01-L52 | EA | ROOF - W/O LIGHTS/VENTS - W/WIRING - F/SLIDEOUT |
| 9 | 133955-07-01A | EA | TRIM - SEAL - W/MITERED ENDS - 147" - BRIGHT WHITE |
| 10 | 133955-19-01A | EA | TRIM/SEAL - W/MITERED ENDS - 75.5" - BRIGHT WHITE |
| 11 | 133955-20-01A | EA | TRIM/SEAL - W/MITERED ENDS - 75.5" - BRIGHT WHITE |
| 12 | 131584-01-01A | EA | COVER - TRIM - SLIDEOUT - FRONT |
| 13 | 131584-02-01A | EA | COVER - TRIM - SLIDEOUT - REAR |
| 14 | 122977-07-01A | EA | AWNING/SLIDEOUT W/COVER - 147" - BRIGHT WHITE |
| 15 | 116444-02-02B | EA | KEY - CORNER TRIM/SLIDEOUT - E-COATED |
| 16 | 126546-02-02A | EA | COVER - END/SIDEWALL SLIDEOUT - BRIGHT WHITE |

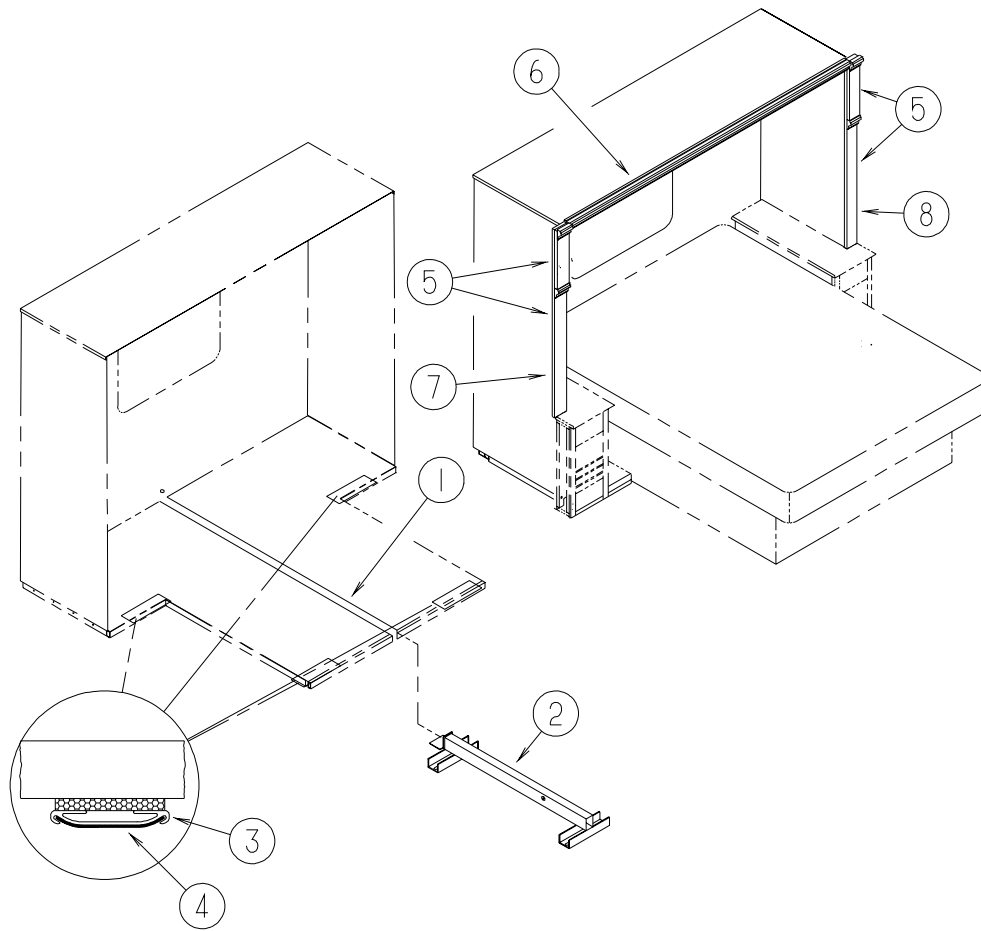
EXTERIOR SLIDEOUT INSTALLATION GROUP (CONTINUED)
FRONT LEFT (CONTINUED)



SEALS & TRIMS

| KEY | PART NUMBER | U/M | DESCRIPTION |
|-----|---------------|-----|--|
| 1 | 117058-01-01A | FT | TAPE - LOOP - 3/4" WIDE - ADHESIVE BACKED |
| 2 | 137408-01-000 | EA | SEAL - BLOCK - F/SLIDEOUT |
| 3 | 131611-01-000 | FT | SEAL - SLIDEOUT/LOWER |
| 4 | 123012-01-000 | FT | SEAL - SLIDEOUT |
| 5 | 112091-01-000 | FT | D-SEAL - NEOPRENE - TRUNK - HEAT ACTIVE ADHESIVE |
| 6 | 099952-01-000 | FT | CORE - SEAL - BULB SUPPORT - USE IN CORNERS |
| 7 | 115076-03-000 | FT | SEAL - SLIDEOUT |
| 8 | 099418-01-000 | FT | SEAL - D-SECTION/ADHESIVE BACK - .44" X .44"- BLK RUBBER |
| 9 | 105312-01-07A | FT | INSERT - VINYL FEATURE STRIP - BRIGHT WHITE |
| 10 | 115661-01-000 | FT | SHOE/GLIDE - SLIDEOUT ROOM - 1/16" X 3" - POLYEHTYLENE |
| 11 | 115325-04-02A | EA | RAIL - FLOOR/SLIDEOUT ROOM - BLACK |
| 12 | 133954-07-01A | EA | TRIM/SEAL - W/MITERED ENDS - BRIGHT WHITE - 141.8" |
| 13 | 133954-16-01A | EA | TRIM/SEAL - W/MITERED ENDS - 75.5" - BRIGHT WHITE |
| 14 | 125051-03-01A | EA | TRIM - LOWER FEATURE - BRIGHT WHITE |
| 15 | 108688-01-03A | EA | STRIP - FEATURE - W/O INSERT/END CAPS - 15' |
| 16 | 107721-08-000 | FT | SEAL - ACCESS DOOR - .9" WIDE X .9" HIGH |

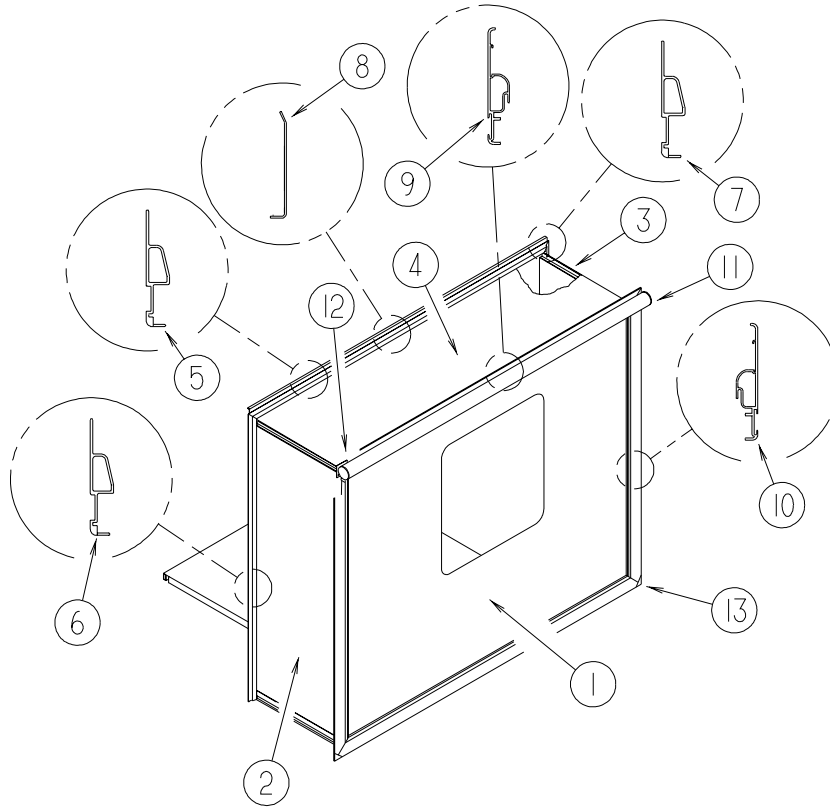
EXTERIOR SLIDEOUT INSTALLATION GROUP (CONTINUED)
RIGHT REAR



SLIDEOUT & INTERIOR MOLDING

| KEY | PART NUMBER | U/M | DESCRIPTION |
|-----|---------------|-----|---|
| 1 | 128599-02-000 | EA | CHANNEL - F/SLIDEOUT |
| 2 | 128599-04-000 | EA | CYLINDER/HYDRAULIC - F/SLIDEOUT |
| 3 | 115325-08-01A | EA | RAIL - FLOOR/SLIDEOUT ROOM - BLACK |
| 4 | 115661-01-000 | FT | POLYETHYLENE - HIGH DENSITY - 1/16" X 3' |
| 5 | M09416-08-L52 | EA | TRIM - HARDWOOD MOLDING - SLIDEOUT - SALEM CHERRY |
| 5 | M09416-08-L53 | EA | TRIM - HARDWOOD MOLDING - SLIDEOUT - WATERFORD OAK |
| 6 | 116967-12-L52 | EA | TRIM - CENTER - WOOD - 3.8" X 82.6" - SALEM CHERRY |
| 6 | 116967-12-L53 | EA | TRIM - CENTER - WOOD - 3.8" X 82.6" - WATERFORD OAK |
| 7 | 116951-23-L52 | EA | MOLDING - TRIM - 3.5" X 1.7" - SALEM CHERRY |
| 7 | 116951-23-L53 | EA | MOLDING - TRIM - 3.5" X 1.7" - WATERFORD OAK |
| 8 | 116951-24-L52 | EA | MOLDING - TRIM - 3.5" X 1.7" - SALEM CHERRY |
| 8 | 116951-24-L53 | EA | MOLDING - TRIM - 3.5" X 1.7" - WATERFORD OAK |

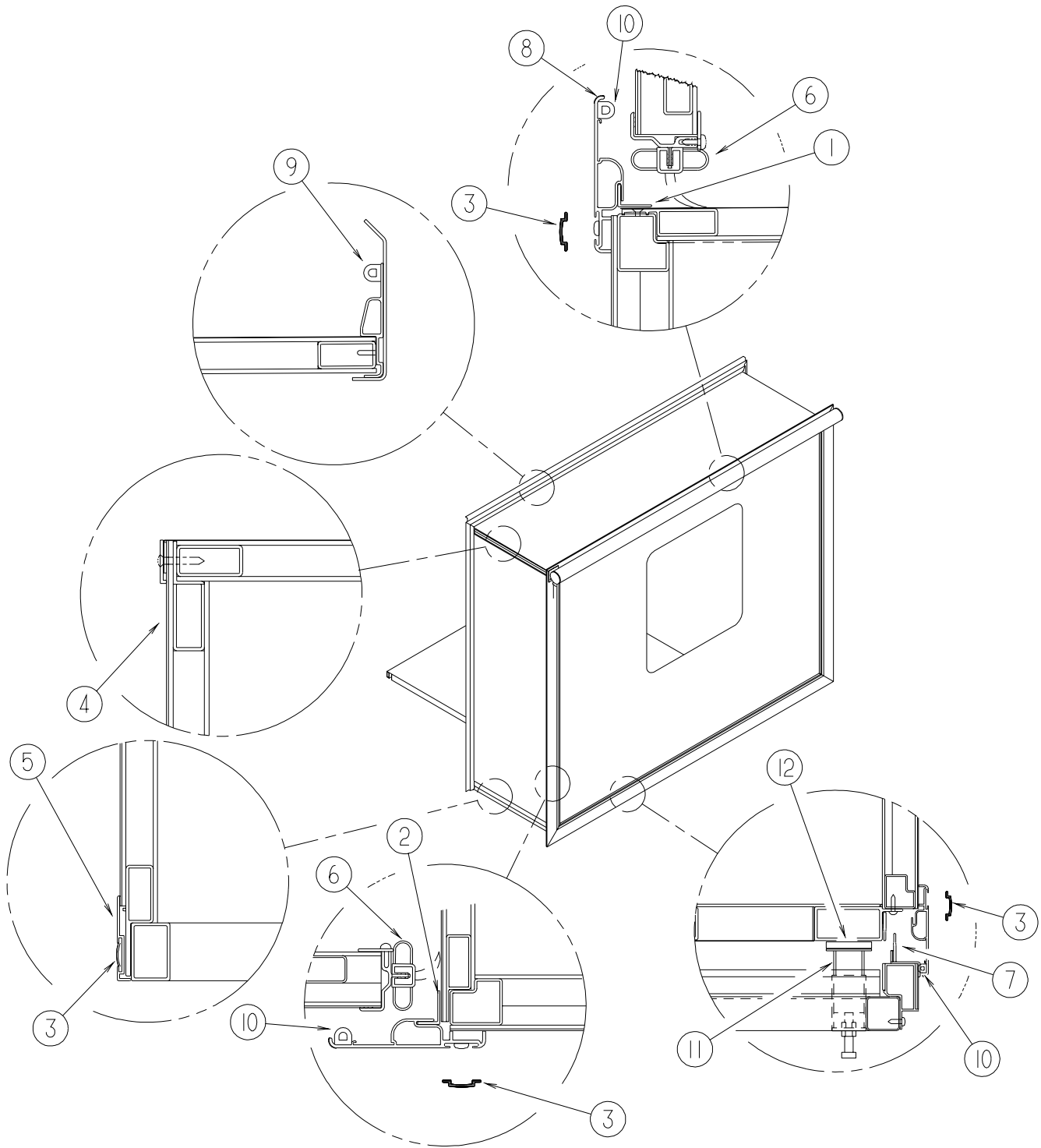
EXTERIOR SLIDEOUT INSTALLATION GROUP (CONTINUED)
RIGHT REAR (CONTINUED)



PANELS & TRIMS

| KEY | PART NUMBER | U/M | DESCRIPTION |
|-----|---------------|-----|---|
| 1 | 121403-06-L52 | EA | PANEL - OUTER/SLIDEOUT (L52, L53) |
| 1 | 121403-06-L54 | EA | PANEL - OUTER/SLIDEOUT (L54, L55) |
| 1 | 121403-06-L56 | EA | PANEL - OUTER/SLIDEOUT (L56, L57) |
| 2 | 127706-06-L52 | EA | PANEL - SLIDEOUT/REAR - W/O HARDWARE (L52, L53) |
| 2 | 127706-06-L54 | EA | PANEL - SLIDEOUT/REAR - W/O HARDWARE (L54, L55) |
| 2 | 127706-06-L56 | EA | PANEL - SLIDEOUT/REAR - W/O HARDWARE (L56, L57) |
| 3 | 127707-05-L52 | EA | PANEL - SLIDEOUT/FRONT - W/O HARDWARE (L52, L53) |
| 3 | 127707-05-L54 | EA | PANEL - SLIDEOUT/FRONT - W/O HARDWARE (L54, L55) |
| 3 | 127707-05-L56 | EA | PANEL - SLIDEOUT/FRONT - W/O HARDWARE (L56, L57) |
| 4 | 127705-01-L52 | EA | ROOF - SLIDEOUT - W/O LIGHTS/VENTS - W/WIRING |
| 5 | 117004-04-03A | EA | TRIM - SEAL/INNER - BRIGHT WHITE |
| 6 | 117004-06-03A | EA | TRIM - SEAL/INNER RT HAND-W/MITERED END/NOTCH-73.4" B/W |
| 7 | 117004-07-03A | EA | TRIM - SEAL/INNER LT HAND-W/MITERED END/NOTCH-73.4" B/W |
| 8 | 125468-05-03B | EA | SUPPORT - INTERIOR ROOF - OFF/WHITE |
| 9 | 133955-04-01A | EA | TRIM - SEAL - W/MITERED ENDS - 90.4" - BRIGHT WHITE |
| 10 | 133955-05-01A | EA | TRIM - SEAL - W/MITERED ENDS - 75.6" - BRIGHT WHITE |
| 11 | 122977-05-01A | EA | AWNING/SLIDEOUT W/COVER - 90" - BRIGHT WHITE |
| 12 | 116444-02-02B | EA | KEY - CORNER TRIM/SLIDEOUT - E-COATED |
| 13 | 135275-01-01A | EA | PROTECTOR - CORNER - SLIDEOUT - WHITE |

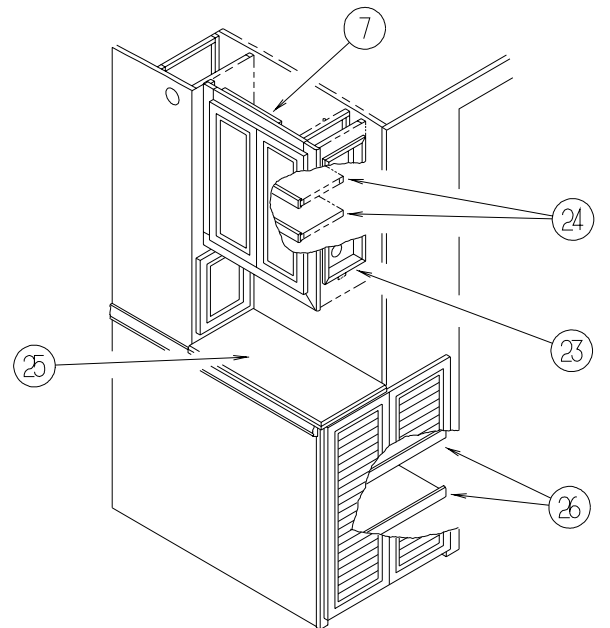
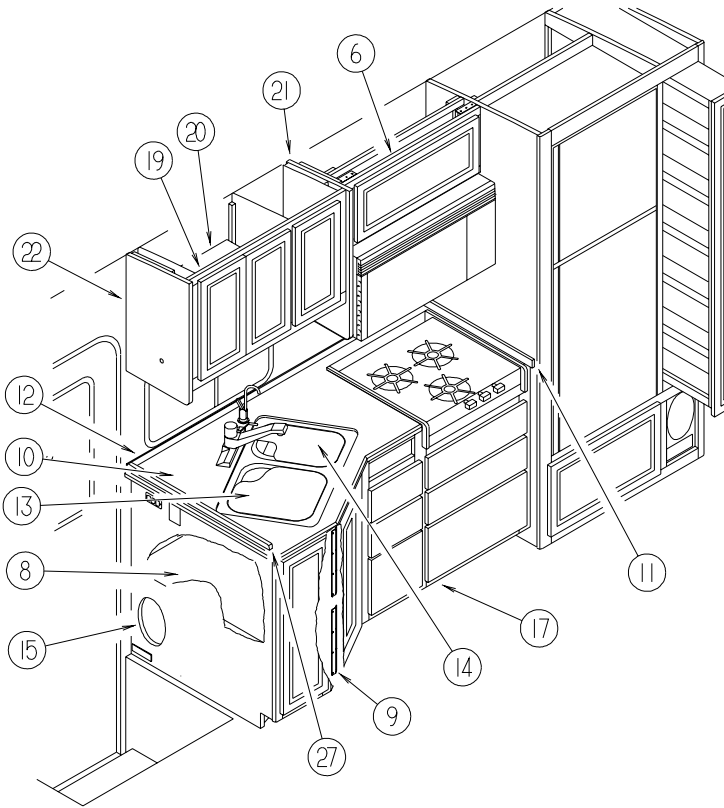
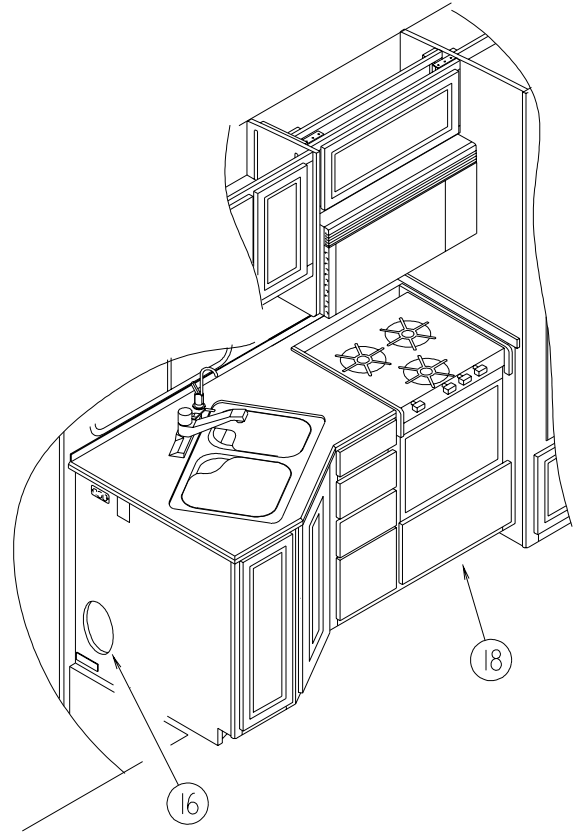
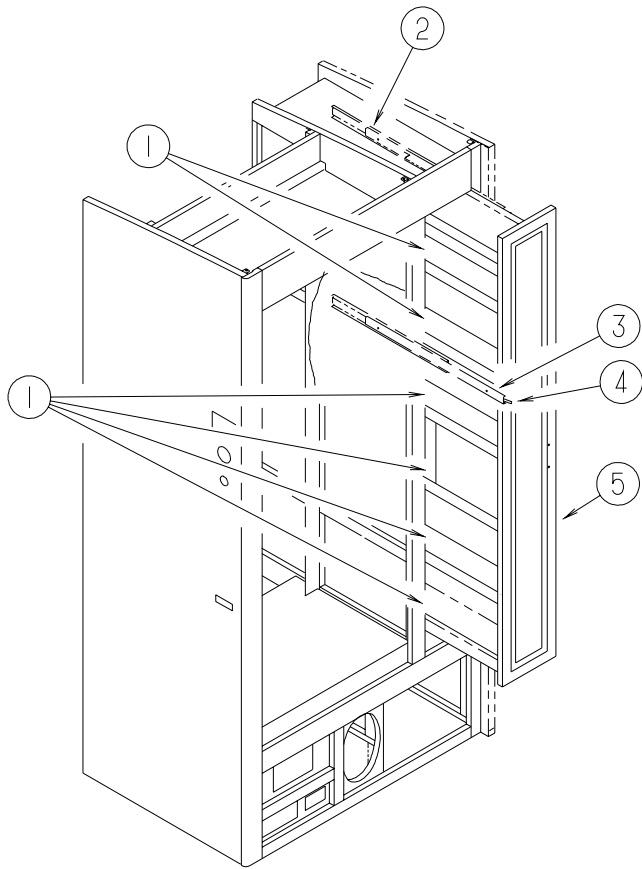
EXTERIOR SLIDEOUT INSTALLATION GROUP (CONTINUED)
RIGHT REAR (CONTINUED)



SEALS & TRIMS

| KEY | PART NUMBER | U/M | DESCRIPTION |
|-----|---------------|-----|--|
| 1 | 116933-04-02A | EA | TRIM - SEAL/FLOOR EDGE - 85.3" - BRIGHT WHITE |
| 2 | 116933-05-02A | EA | TRIM - SEAL/FLOOR EDGE - 71.4" - BRIGHT WHITE |
| 3 | 105312-01-07A | FT | INSERT - VINYL FEATURE STRIP - BRIGHT WHITE |
| 4 | 136117-01-01A | EA | TRIM - ANGLE - SLIDEOUT - BRIGHT WHITE |
| 5 | 125051-02-01A | EA | TRIM - LOWER FEATURE - BRIGHT WHITE |
| 6 | 115076-03-000 | FT | SEAL - SLIDEOUT |
| 7 | 123012-01-000 | FT | SEAL - SLIDEOUT |
| 8 | 117058-01-01A | FT | TAPE - LOOP - 3/4" WIDE - ADHESIVE BACKED |
| 9 | 112091-01-000 | FT | D-SEAL - NEOPRENE - TRUNK - HEAT ACTIVE ADHESIVE |
| 10 | 099418-01-000 | FT | SEAL - D-SECTION/ADHESIVE BACK - .44" X .44"- BLK RUBBER |
| 11 | 126313-02-02B | EA | SUPPORT - SLIDE - E-COATED |
| 12 | 128599-03-000 | EA | PAD - SLIDEOUT - HYDRAULIC |

GALLEY GROUP CABINETS



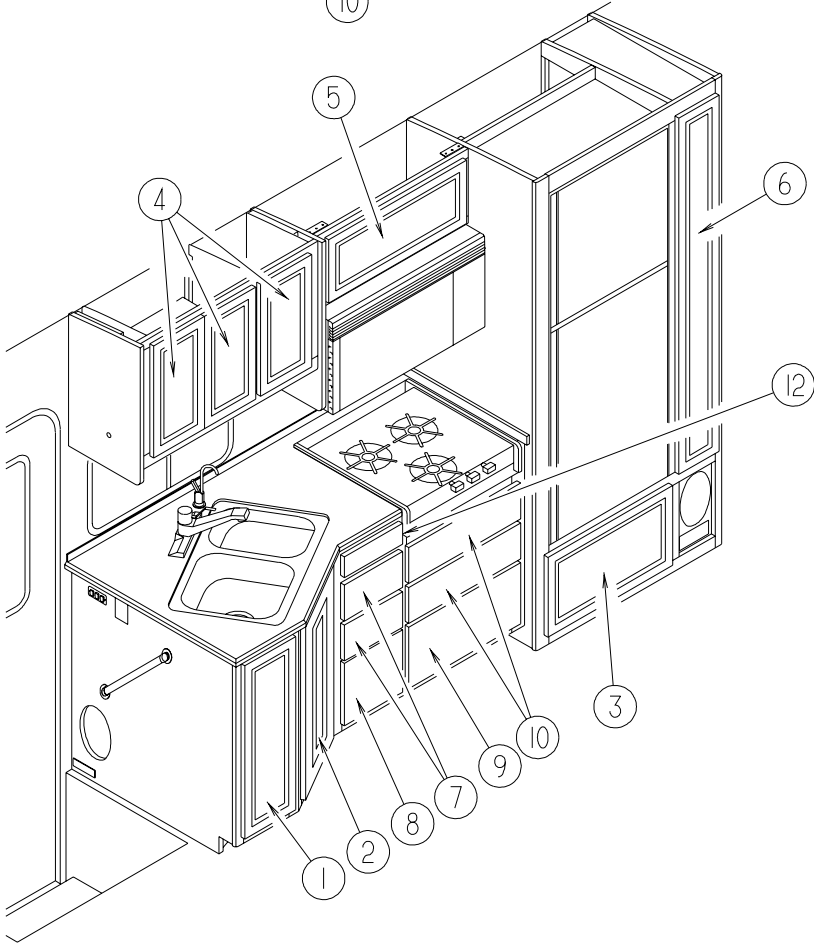
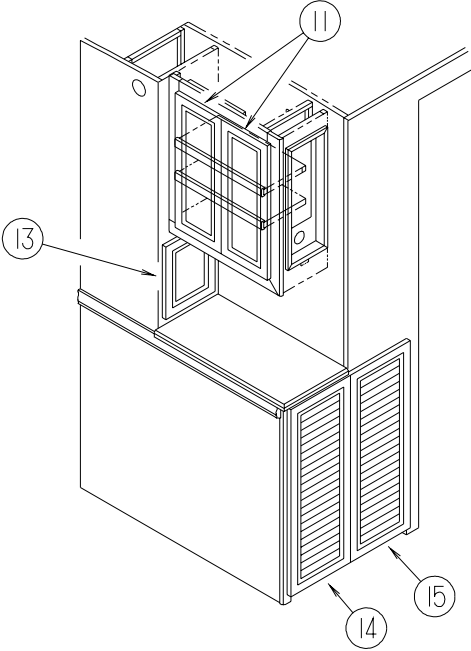
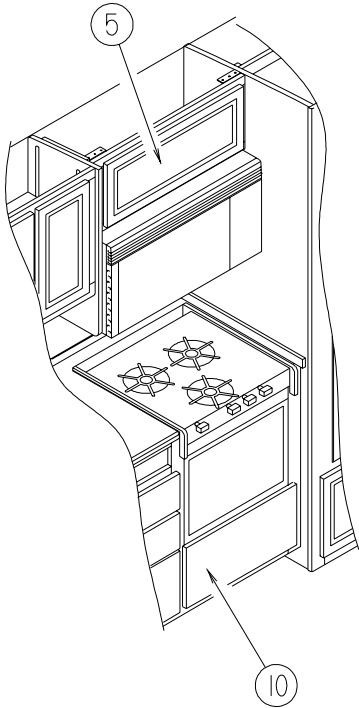
GALLEY GROUP (CONTINUED)

CABINETS (CONTINUED)

| KEY | PART NUMBER | U/M | DESCRIPTION |
|-----|---------------|-----|---|
| 1 | 122325-11-H57 | EA | SHELF - W/EDGE MOLDING - SALEM CHERRY |
| 1 | 122325-11-H17 | EA | SHELF - W/EDGE MOLDING - WATERFORD OAK |
| 2 | 122360-02-000 | EA | SLIDE - PANTRY - W/O LOCK - RIGHT/LEFT HAND |
| 3 | 122360-03-000 | EA | SLIDE - PANTRY - W/LOCK - RIGHT HAND (FACING PANEL) |
| 4 | 123673-01-01A | EA | KNOB - PANTRY SLIDE |
| 5 | 122325-01-H57 | EA | CABINET - PANTRY/RIGHT HAND SLIDING - W/O SLIDES/HARDWARE - SALEM CHERRY |
| 5 | 122325-01-H17 | EA | CABINET - PANTRY/RIGHT HAND SLIDING - W/O SLIDES/HARDWARE - WATERFORD OAK |
| 6 | 134047-01-L52 | EA | CABINET - OVERHEAD/MICROWAVE - W/O DOORS/HARDWARE - SALEM CHERRY |
| 6 | 134047-01-L76 | EA | CABINET - OVERHEAD/MICROWAVE - W/O DOORS/HARDWARE - WATERFORD OAK |
| 7 | 134413-01-L52 | EA | CABINET - OVERHEAD/GALLEY/REAR - W/O DOORS/HARDWARE - SALEM CHERRY |
| 7 | 134413-01-L53 | EA | CABINET - OVERHEAD/GALLEY/REAR - W/O DOORS/HARDWARE - WATERFORD OAK |
| 8 | 134041-22-L52 | EA | SHELF - W/EDGE MOLDING - SALEM CHERRY |
| 8 | 134041-22-L53 | EA | SHELF - W/EDGE MOLDING - WATERFORD OAK |
| 9 | 079320-30-000 | EA | ANGLE-JOINT |
| 10 | 130812-03-01A | EA | COUNTERTOP - GALLEY CABINET - JAMAICAN SAND |
| 11 | 130813-04-01A | EA | BACKSPLASH - COUNTERTOP - JAMAICAN SAND - 1/2" VENDURA |
| 12 | 130813-05-01A | EA | BACKSPLASH - COUNTERTOP - JAMAICAN SAND - 1/2" VENDURA |
| 13 | 130815-01-01A | EA | COVER/SINK - LARGE - JAMAICAN SAND - 1/4" VENDURA |
| 14 | 130815-02-01A | EA | COVER/SINK - SMALL - JAMAICAN SAND - 1/4" VENDURA |
| 15 | 134041-03-L52 | EA | CABINET - GALLEY - W/O CTRTP/DRS/DWRS/HDW - W/O OVEN - W/ DELUXE SOUND - CHERRY |
| 15 | 134041-03-L53 | EA | CABINET - GALLEY - W/O CTRTP/DRS/DWRS/HDW - W/O OVEN - W/ DELUXE SOUND - OAK |
| 16 | 134041-04-L52 | EA | CABINET - GALLEY - W/O CTRTP/DRS/DWRS/HDW - W/ OVEN - W/ DELUXE SOUND - CHERRY |
| 16 | 134041-04-L53 | EA | CABINET - GALLEY - W/O CTRTP/DRS/DWRS/HDW - W/ OVEN - W/ DELUXE SOUND - OAK |
| 17 | 134041-05-L52 | EA | CABINET - GALLEY - W/O COUNTERTOP/DOORS/DRAWERS/HDW - W/O OVEN - SALEM CHERRY |
| 17 | 134041-05-L53 | EA | CABINET - GALLEY - W/O COUNTERTOP/DOORS/DRAWERS/HDW - W/O OVEN - WATERFORD OAK |
| 18 | 134041-06-L52 | EA | CABINET - GALLEY - W/O COUNTERTOP/DOORS/DRAWERS/HDW - W/ OVEN - SALEM CHERRY |
| 18 | 134041-06-L53 | EA | CABINET - GALLEY - W/O COUNTERTOP/DOORS/DRAWERS/HDW - W/ OVEN - WATERFORD OAK |
| 19 | 133874-01-L52 | EA | CABINET - OVERHEAD/GALLEY - W/O DOORS/HARDWARE - SALEM CHERRY |
| 19 | 133874-01-L53 | EA | CABINET - OVERHEAD/GALLEY - W/O DOORS/HARDWARE - WATERFORD OAK |
| 20 | 133874-14-L52 | EA | SHELF - W/PLASTIC EDGE MOLDING - SALEM CHERRY |
| 20 | 133874-14-L53 | EA | SHELF - W/PLASTIC EDGE MOLDING - WATERFORD OAK |
| 21 | 103128-47-L52 | EA | END CAP - OVERHEAD CABINET - RIGHT HAND - SALEM CHERRY |
| 21 | 103128-47-K28 | EA | END CAP - OVERHEAD CABINET - RIGHT HAND - WATERFORD OAK |
| 22 | 103128-44-K37 | EA | END CAP - OVERHEAD CABINET - LEFT HAND - SALEM CHERRY |
| 22 | 103128-44-K66 | EA | END CAP - OVERHEAD CABINET - LEFT HAND - WATERFORD OAK |
| 23 | 131096-06-L52 | EA | WALL POCKET - MONITOR PANEL - SALEM CHERRY |
| 23 | 131096-06-L32 | EA | WALL POCKET - MONITOR PANEL - WATERFORD OAK |
| 24 | 134413-11-L58 | EA | SHELF - W/PLASTIC EDGE MOLDING - WASHED MAPLE |
| 24 | 134413-11-L52 | EA | SHELF - W/PLASTIC EDGE MOLDING - SALEM CHERRY |
| 25 | 133131-10-L52 | EA | COUNTERTOP - LAMINATED (L52, L54) |
| 25 | 133131-10-L53 | EA | COUNTERTOP - LAMINATED (L53, L55) |
| 25 | 133131-10-L56 | EA | COUNTERTOP - LAMINATED (L56) |
| 25 | 133131-10-L57 | EA | COUNTERTOP - LAMINATED (L57) |
| 26 | 134398-23-L52 | EA | SHELF - W/PLASTIC EDGE MOLDING - SALEM CHERRY |
| 26 | 134398-23-L53 | EA | SHELF - W/PLASTIC EDGE MOLDING - WATERFORD OAK |
| 27 | 126875-01-J30 | EA | FRAME ONLY - F/SPLASHGUARD - SALEM CHERRY |
| 27 | 126875-01-J94 | EA | FRAME ONLY - F/SPLASHGUARD - WATERFORD OAK |
| 27 | 127117-01-01A | EA | GLASS - STATIONARY - SPLASHGUARD |

GALLEY GROUP (CONTINUED)

DOORS & DRAWERS



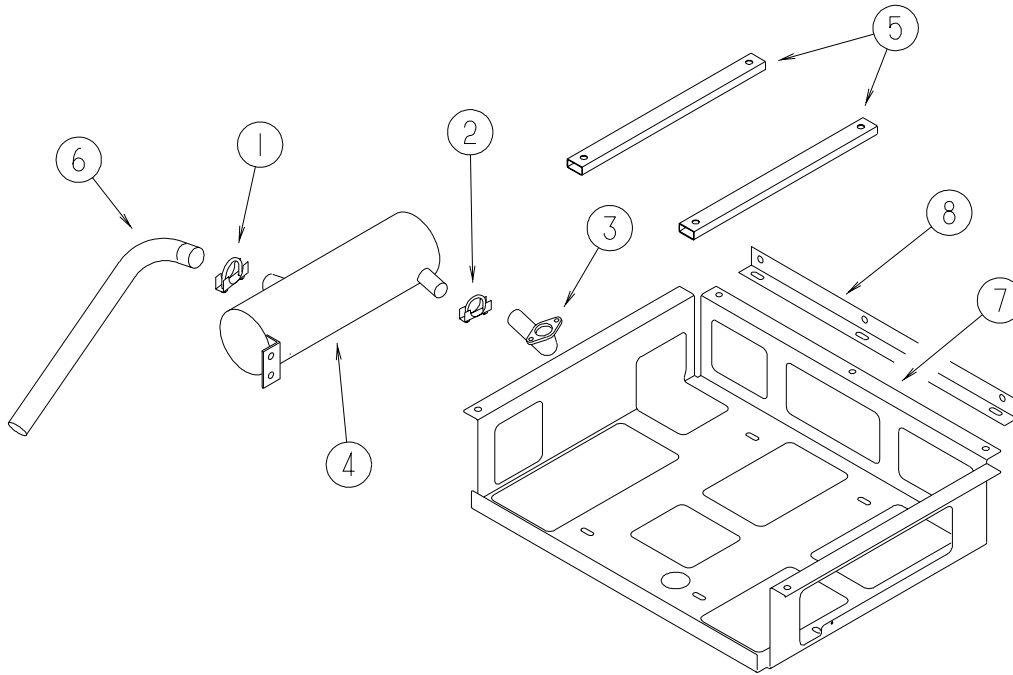
GALLEY GROUP (CONTINUED)

DOORS & DRAWERS (CONTINUED)

| KEY | PART NUMBER | U/M | DESCRIPTION |
|-----|---------------|-----|--|
| 1 | 131995-30-L52 | EA | DOOR - RAIL/SOLID PANEL - 12.7" X 17.7" - W/O HARDWARE - SALEM CHERRY |
| 1 | 131995-30-L32 | EA | DOOR - RAIL/SOLID PANEL - 12.7" X 17.7" - W/O HARDWARE - WATERFORD OAK |
| 2 | 131995-C6-L52 | EA | DOOR - RAIL/SOLID PANEL - 15.5" X 29.5" - W/O HARDWARE - SALEM CHERRY |
| 2 | 131995-C6-L32 | EA | DOOR - RAIL/SOLID PANEL - 15.5" X 29.5" - W/O HARDWARE - WATERFORD OAK |
| 3 | 131995-L7-L52 | EA | DOOR - RAIL/SOLID PANEL - 12.6" X 8.1" - W/O HARDWARE - SALEM CHERRY |
| 3 | 131995-L7-L53 | EA | DOOR - RAIL/SOLID PANEL - 12.6" X 8.1" - W/O HARDWARE - WATERFORD OAK |
| 4 | 131995-23-L14 | EA | DOOR - RAIL/SOLID PANEL - 10" X 19.1" - W/O HARDWARE - SALEM CHERRY |
| 4 | 131995-23-L13 | EA | DOOR - RAIL/SOLID PANEL - 10" X 19.1" - W/O HARDWARE - WATERFORD OAK |
| 5 | 131995-47-L14 | EA | DOOR - RAIL/SOLID PANEL - 10.8" X 27.9" - W/O HARDWARE - SALEM CHERRY |
| 5 | 131995-47-L07 | EA | DOOR - RAIL/SOLID PANEL - 10.8" X 27.9" - W/O HARDWARE - WATERFORD OAK |
| 6 | 131995-J3-L52 | EA | DOOR - RAIL/SOLID PANEL - 8" X 60.7" - W/O HARDWARE - SALEM CHERRY |
| 6 | 131995-J3-L32 | EA | DOOR - RAIL/SOLID PANEL - 8" X 60.7" - W/O HARDWARE - WATERFORD OAK |
| 7 | M09316-03-L52 | EA | DRAWER - OGEE EDGE - 9.2"W X 17.7"D - W/O SLIDES/HARDWARE - SALEM CHERRY |
| 7 | M09316-03-L32 | EA | DRAWER - OGEE EDGE - 9.2"W X 17.7"D - W/O SLIDES/HARDWARE - WATERFORD OAK |
| 8 | M09316-56-L52 | EA | DRAWER - OGEE EDGE - 9.2"W X 21.6"D - W/O SLIDES/HARDWARE - SALEM CHERRY |
| 8 | M09316-56-L32 | EA | DRAWER - OGEE EDGE - 9.2"W X 21.6"D - W/O SLIDES/HARDWARE - WATERFORD OAK |
| 9 | M09316-55-L52 | EA | DRAWER - OGEE EDGE - 22.8"W X 21.6"D - W/O SLIDES/HARDWARE - SALEM CHERRY |
| 9 | M09316-55-L32 | EA | DRAWER - OGEE EDGE - 22.8"W X 21.6"D - W/O SLIDES/HARDWARE - WATERFORD OAK |
| 10 | M09316-54-L52 | EA | DRAWER - OGEE EDGE - 9.9"W X 21.6"D - W/O SLIDES/HARDWARE - SALEM CHERRY |
| 10 | M09316-54-L32 | EA | DRAWER - OGEE EDGE - 9.9"W X 21.6"D - W/O SLIDES/HARDWARE - WATERFORD OAK |
| 11 | 131995-26-L52 | EA | DOOR - RAIL/SOLID PANEL - 10" X 25.1" - W/O HARDWARE - SALEM CHERRY |
| 11 | 131995-26-L53 | EA | DOOR - RAIL/SOLID PANEL - 10" X 25.1" - W/O HARDWARE - WATERFORD OAK |
| 12 | P32052-68-03W | EA | DRAWER FACE ONLY - 4.3" X 11.4" - SALEM CHERRY |
| 12 | P32052-68-01W | EA | DRAWER FACE ONLY - 4.3" X 11.4" - WATERFORD OAK |
| 13 | 131995-Y1-L52 | EA | DOOR - RAIL/SOLID PANEL - 10.2" X 9.2" - W/O HARDWARE - SALEM CHERRY |
| 13 | 131995-Y1-L53 | EA | DOOR - RAIL/SOLID PANEL - 10.2" X 9.2" - W/O HARDWARE - WATERFORD OAK |
| 14 | 132850-04-L52 | EA | DOOR - LOUVERED - 12.4" X 32.3" - W/O HARDWARE - SALEM CHERRY |
| 14 | 132850-04-L53 | EA | DOOR - LOUVERED - 12.4" X 32.3" - W/O HARDWARE - WATERFORD OAK |
| 15 | 132850-06-L52 | EA | DOOR - LOUVERED - 12.4" X 32.3" - W/O HARDWARE - SALEM CHERRY |
| 15 | 132850-06-L53 | EA | DOOR - LOUVERED - 12.4" X 32.3" - W/O HARDWARE - WATERFORD OAK |

GENERATOR GROUP

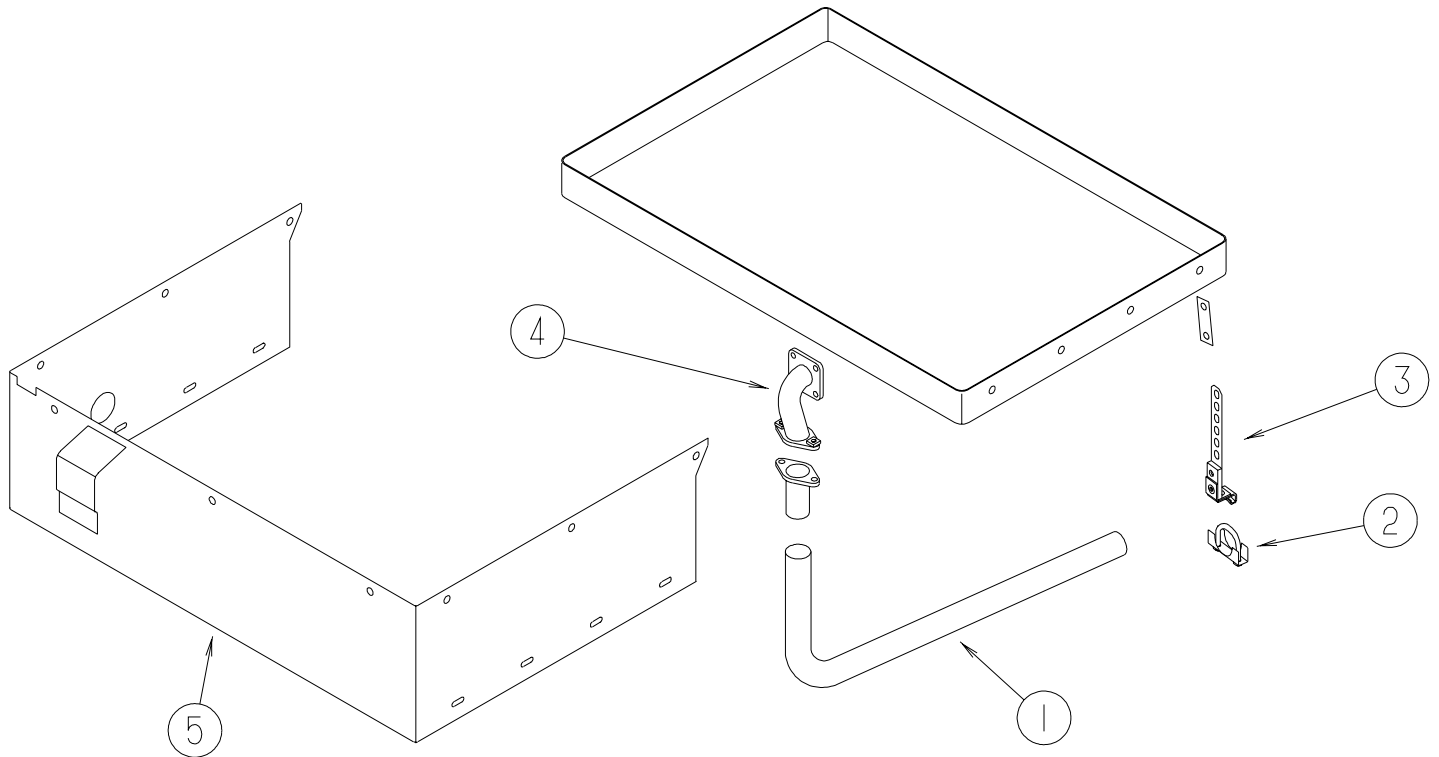
GAS



EMERALD GENERATOR SYSTEM

| KEY | PART NUMBER | U/M | DESCRIPTION |
|-----|---------------|-----|--|
| 1 | 007125-03-000 | EA | CLAMP - MUFFLER - 1.5" DIAMETER |
| 2 | 007125-04-000 | EA | CLAMP - MUFFLER - 1.12" DIAMETER |
| 3 | 079654-05-000 | EA | PIPE - EXHAUST - ANGLED W/FLANGE - 2" ID |
| | | | FROM: 00-00-00 THRU: 12-19-99 |
| 4 | 082272-01-000 | EA | MUFFLER - GENERATOR - NELSON #20892-A |
| 5 | 094059-01-000 | EA | SPACER - GENERATOR - ONAN |
| | | | FROM: 00-00-00 THRU: 12-19-99 |
| 6 | 105958-14-000 | EA | PIPE - EXHAUST - 1.4" INLET X 1.5" O.D. - 4.9" X 18.1" |
| | | | FROM: 00-00-00 THRU: 12-19-99 |
| 6 | 105958-01-000 | EA | PIPE - GENERATOR EXHAUST - 1.5" OD X 4.9" X 52.2" |
| | | | FROM: 12-20-99 THRU: 99-99-99 |
| 7 | 127008-02-02B | EA | TRAY - GENERATOR - 16.2" X 20.8" X 6.9" - W/ANGLE & NUTS |
| | | | FROM: 00-00-00 THRU: 12-19-99 |
| 8 | 104644-01-000 | EA | ANGLE - FORMED - GENERATOR |
| | 109303-01-000 | EA | GENERATOR - 5 KW - EMERALD PLUS |
| | | | FROM: 00-00-00 THRU: 12-19-99 |
| | 109303-02-000 | EA | GENERATOR - 5 KW - EMERALD PLUS W/TRAY (30 AMP SYSTEM) |
| | | | FROM: 12-20-99 THRU: 99-99-99 |
| | 109303-03-000 | EA | GENERATOR - 5 KW EMERALD 30/30 W/TRAY (50 AMP SYSTEM) |
| | | | FROM: 12-20-99 THRU: 99-99-99 |
| | 112365-04-000 | EA | BREAKER - 20 AMP GENERATOR (30 AMP SYSTEM) |
| | 112365-03-000 | EA | BREAKER - 30 AMP GENERATOR (50 AMP SYSTEM) |

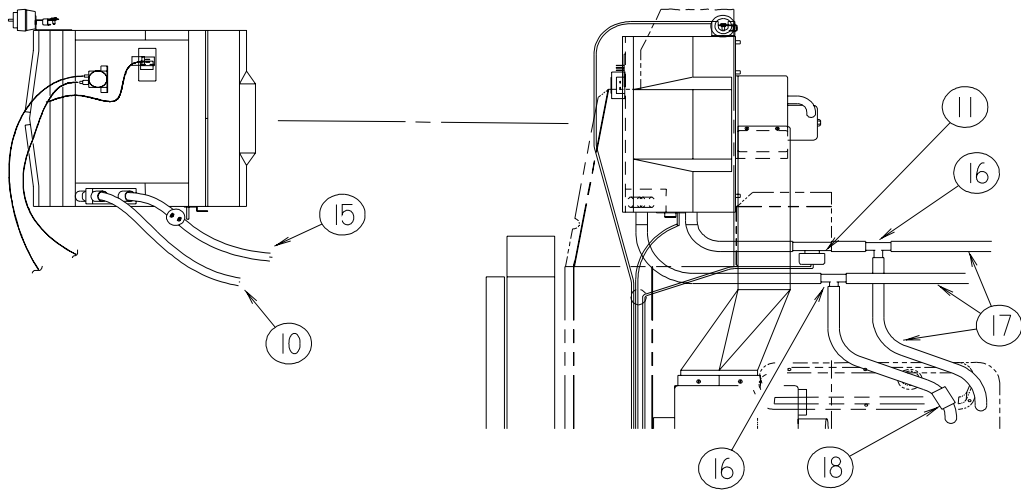
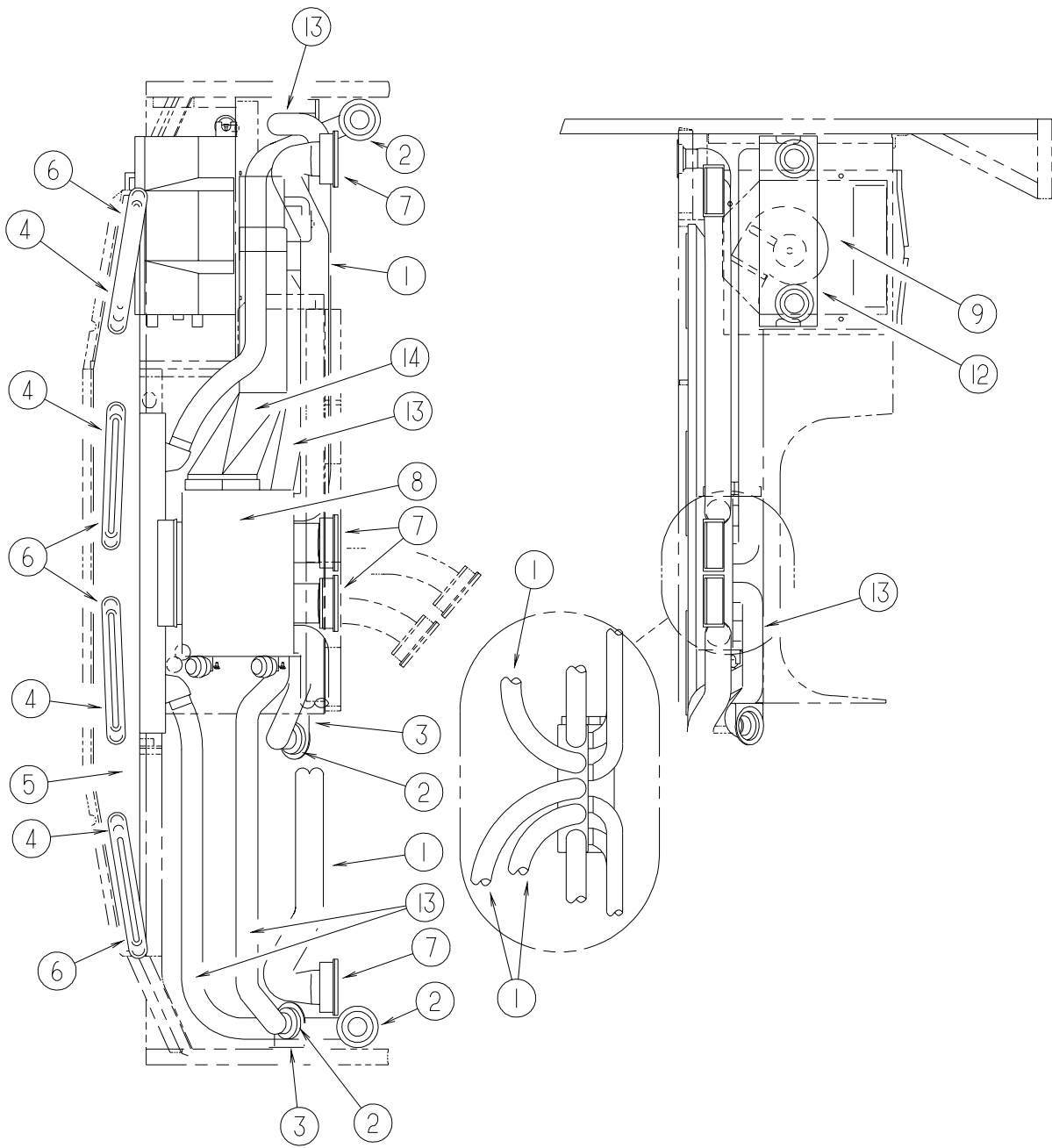
GENERATOR GROUP (CONTINUED)
GAS (CONTINUED)



MARQUIS GENERATOR SYSTEM

| KEY | PART NUMBER | U/M | DESCRIPTION |
|-----|---------------|-----|--|
| 1 | 105958-17-000 | EA | PIPE - GENERATOR EXHAUST - 1.5" OD X 4.9" X 24" - FORD CHASSIS |
| 2 | 007125-03-000 | EA | CLAMP - MUFFLER - 1.5" DIAMETER |
| 3 | 007131-01-000 | EA | HANGER - TAILPIPE - 6 SLOTS |
| 4 | 106235-01-000 | EA | ADAPTOR - GENERATOR EXHAUST |
| 5 | 116358-02-02B | EA | PANEL - GENERATOR - E-COAT |
| | 105559-01-000 | EA | GENERATOR - 7 KW MARQUIS (30 AMP SYSTEM) |
| | 105559-03-000 | EA | GENERATOR - 7 KW MARQUIS 30/30 (50 AMP SYSTEM) |
| | 112365-04-000 | EA | BREAKER - 20 AMP GENERATOR (30 AMP SYSTEM) |
| | 112365-03-000 | EA | BREAKER - 30 AMP GENERATOR (50 AMP SYSTEM) |

HEATING & A/C GROUP AUTOMOTIVE



HEATING & A/C GROUP (CONTINUED)

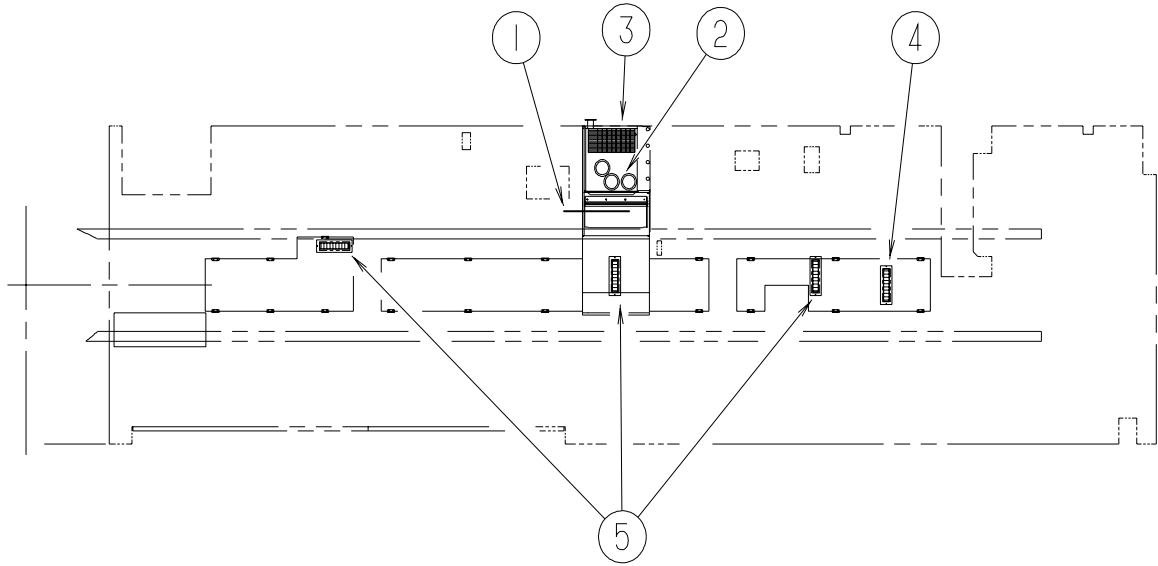
AUTOMOTIVE (CONTINUED)

| KEY | PART NUMBER | U/M | DESCRIPTION |
|-----|---------------|-----|--|
| 1 | 007281-01-000 | EA | HOSE - FLEXIBLE PVC - 2.5" ID X 50' |
| 2 | 024990-05-000 | EA | OUTLET - DEFROSTER - 2" SLEEVE/4" OD - W/SWIVEL DEFLECTORS |
| 3 | 056402-05-000 | EA | BRACKET - HEATER VENT - ROUND W/BEND - BLACK FROM: 00-00-00 THRU: 03-29-00 |
| 3 | 136157-03-02B | EA | BRACKET - HEATER - E-COATED FROM: 03-30-00 THRU: 99-99-99 |
| 4 | 077075-01-000 | EA | GASKET - INSTRUMENT PANEL/DEFROSTER PLENUM - .6" X 10.2" |
| 5 | 103017-03-000 | EA | PLENUM - DEFROSTER |
| 6 | 103558-04-03A | EA | VENT - DEFROSTER - PLASTIC/1.4" X 14.4" X 1.1"/ANTELOPE FROM: 00-00-00 THRU: 05-07-00 |
| 6 | 103558-04-04A | EA | VENT - DEFROSTER - PLASTIC/1.4" X 14.4" X 1.1"/TITANIUM FROM: 00-00-00 THRU: 05-07-00 |
| 6 | 135265-01-01A | EA | VENT - DEFROSTER - PLASTIC/ANTELOPE - 2" X 14.3" FROM: 05-08-00 THRU: 99-99-99 |
| 6 | 135265-01-02A | EA | VENT - DEFROSTER - PLASTIC/TITANIUM - 2" X 14.3" FROM: 05-08-00 THRU: 99-99-99 |
| 7 | 103796-01-01A | EA | LOUVER - A/C-ADJUSTABLE - 2.2" X 5.4" F/2.5" HOSE - BLACK FROM: 00-00-00 THRU: 05-07-00 |
| 7 | 135803-01-01A | EA | LOUVER - A/C - 2.5" - BLACK FROM: 05-08-00 THRU: 99-99-99 |
| 8* | 103930-39-000 | EA | CONTROL/PLENUM - ROTARY |
| 9* | 103930-43-000 | EA | EVAPORATOR/HEATER ASSEMBLY - NON-CHARGED |
| 10* | 103930-45-000 | EA | HOSE - EVAPORATOR/COMPRESSOR - FORD |
| 11 | 103930-23-000 | EA | VALVE - WATER - 2 PORT |
| 12 | 077539-01-000 | EA | BRACKET - MOUNTING/DASH PANEL - L/SHAPED - 2.5"X1"X1.5" FROM: 00-00-00 THRU: 10-08-99 |
| 12 | 095757-05-L36 | EA | COVER - HEATER (L52, L53) |
| 12 | 095757-05-L32 | EA | COVER - HEATER (L54, L55) |
| 12 | 095757-05-L56 | EA | COVER - HEATER (L56, L57) |
| 12 | 095757-05-L58 | EA | COVER - HEATER (L58, L59) |
| 12 | 095757-05-L60 | EA | COVER - HEATER (L60, L61) |
| 12 | 095757-05-L44 | EA | COVER - HEATER (L62, L63) |
| 13 | 007076-01-000 | EA | HOSE - FLEXIBLE PVC - 2" ID - INCREMENTS OF 50' |
| 14 | 103016-03-000 | EA | PLENUM - TRANSITION |
| 15* | 103930-44-000 | EA | HOSE - EVAPORATOR/DRYER - #6 |
| 16 | 076776-01-000 | EA | TEE - BEADED - 5/8" X 5/8" X 5/8" |
| 17 | 007108-01-000 | FT | HOSE - HEATER - 5/8" ID - HI-TEMP |
| 18 | 103930-50-000 | EA | RESTRICTOR-WATER |
| | 103930-37-000 | EA | MANUAL - OWNERS - HEATER/A/C |

* COMPONENT PARTS FOUND IN SERVICE PARTS LIBRARY

HEATING & A/C GROUP (CONTINUED)

FURNACE



| KEY | PART NUMBER | U/M | DESCRIPTION |
|-----|---------------|-----|--|
| 1 | 093614-09-01A | EA | GRILLE - RETURN AIR - 20" X 10" - BEIGE |
| 2* | 098668-22-000 | EA | FURNACE - 40,000 BTU |
| | 115764-01-01A | EA | THERMOSTAT - FURNACE |
| 3 | 126693-03-02B | EA | PANEL - EXHAUST - FURNACE - E-COATED |
| 4 | 094600-06-01A | EA | REGISTER W/DAMPER-3.6" X 11.3" FACE/2.1" X 9.9" RO-BEIGE |
| 5 | 094600-05-01A | EA | REGISTER W/O DAMPER-3.6" X 11.3" FACE/2.1" X 9.9" RO-BEIGE |

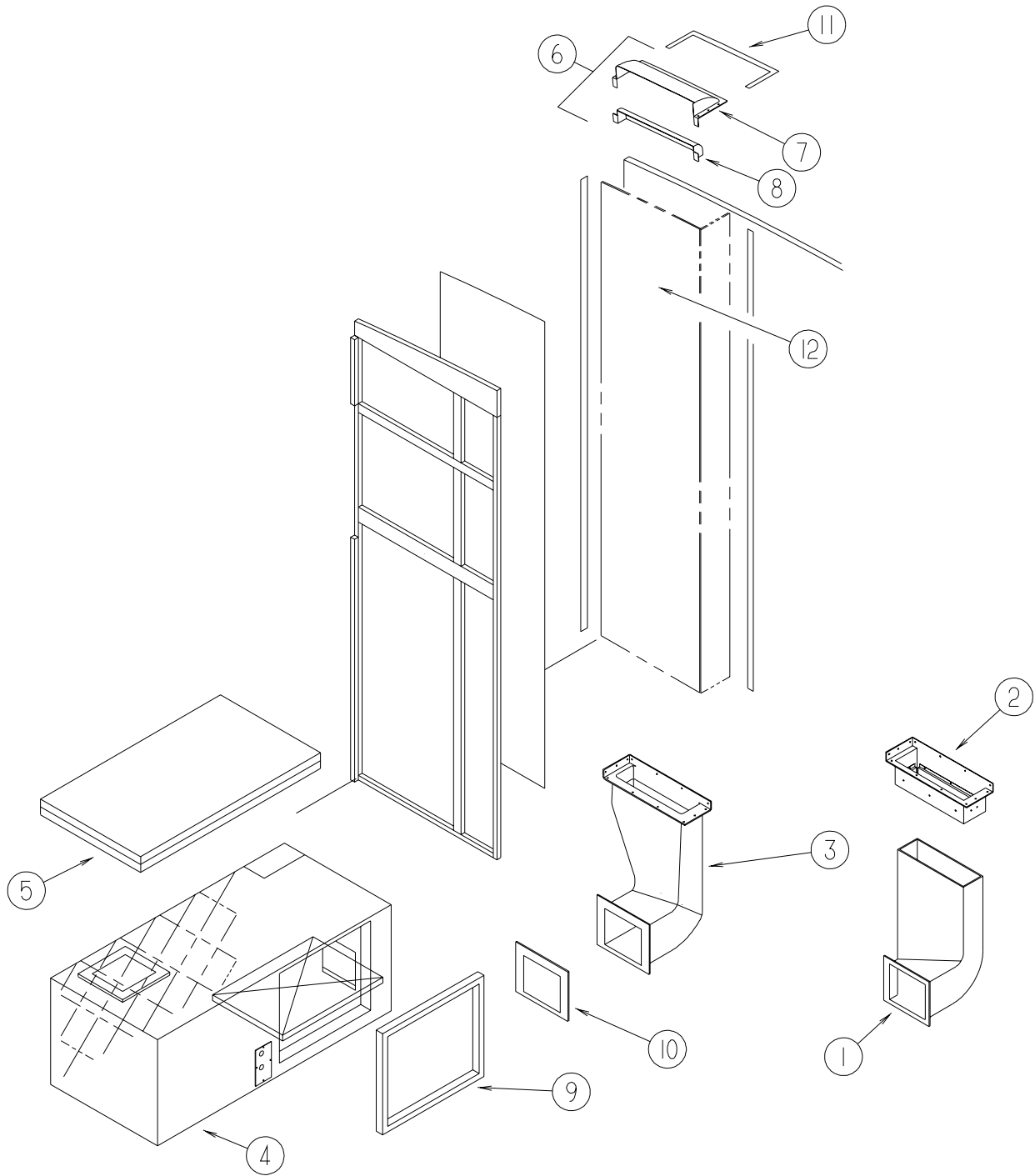
* COMPONENT PARTS FOUND IN SERVICE PARTS LIBRARY

REAR HEATER

| KEY | PART NUMBER | U/M | DESCRIPTION |
|-----|---------------|-----|--------------------------------------|
| | 079059-13-000 | EA | HOSE - 90 DEGREE - .61"ID X 4" X 48" |
| | 131978-02-02B | EA | CLAMP - MOTOR AID TUBING - E-COATED |
| * | 129205-01-000 | EA | HEATER - REAR |

* COMPONENT PARTS FOUND IN SERVICE PARTS LIBRARY

HEATING & A/C GROUP (CONTINUED)
CENTRAL



HEATING & A/C GROUP (CONTINUED)

CENTRAL (CONTINUED)

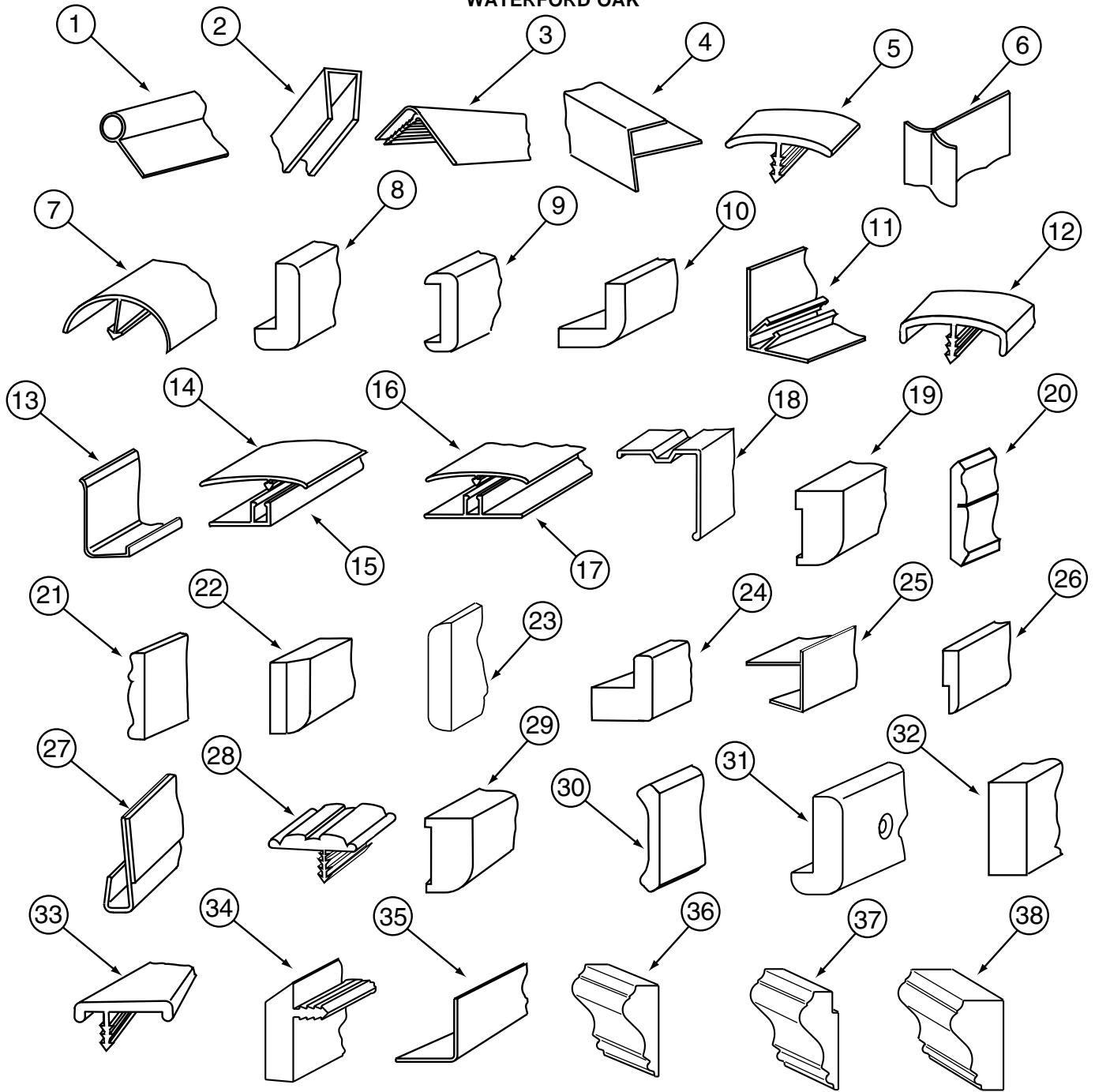
| KEY | PART NUMBER | U/M | DESCRIPTION |
|-----|---------------|-----|---|
| 1 | P31935-01-L32 | EA | DUCT - A/C FORCED - LOWER W/INSULATION FROM: 00-00-00 THRU: 09-19-99 |
| 2 | 131937-01-01A | EA | PLENUM - A/C - LOWER FROM: 00-00-00 THRU: 09-19-99 |
| 3 | 133767-01-01A | EA | DUCT - CENTRAL AIR/FORCED/LOWER FROM: 09-20-99 THRU: 99-99-99 |
| 4* | 105620-11-000 | EA | A/C CENTRAL PACKAGE - RIGHT HAND POWER SAVER/LARGE BLOWER |
| 4* | 105620-12-000 | EA | A/C - CONTROL PACK RIGHT HAND/HEAT PUMP - 12,000BTU COMP |
| 5 | 109050-02-000 | EA | FILTER - FIBERGLASS - 1" X 14" X 20" |
| 6 | 131936-03-L32 | EA | DEFLECTOR - A/C - ROOF - 30.11" |
| 7 | 131936-01-01A | EA | DEFLECTOR - A/C - ROOF - 14.3" |
| 8 | 131936-02-01A | EA | DEFLECTOR - A/C - ROOF - 16.8" |
| | 134651-01-000 | FT | SEAL - 1/2" X 3/4" PSA 1 SIDE FROM: 00-00-00 THRU: 10-23-99 |
| 9 | 134588-01-000 | EA | GASKET - DUCT FROM: 10-24-99 THRU: 99-99-99 |
| 10 | 134588-02-000 | EA | GASKET - DUCT FROM: 10-24-99 THRU: 99-99-99 |
| 11 | 134650-01-000 | EA | GASKET - CABINET FROM: 10-24-99 THRU: 99-99-99 |
| 12 | 117870-04-01A | EA | PLENUM - A/C - 79.4" |
| | 105620-09-000 | EA | THERMOSTAT - A/C AND FURNACE FROM: 00-00-00 THRU: 07-16-00 |
| | 105620-14-000 | EA | THERMOSTAT - A/C AND FURNACE FROM: 07-17-00 THRU: 99-99-99 |
| | 105620-13-000 | EA | THERMOSTAT - FURNACE/HEAT PUMP-A/C FROM: 00-00-00 THRU: 07-16-00 |
| | 105620-15-000 | EA | THERMOSTAT - FURNACE/HEAT PUMP-A/C FROM: 07-17-00 THRU: 99-99-99 |
| | 120134-01-02A | EA | REGISTER - W/DAMPER - 4" PIPE/7" O.D. FACE - WHITE |

* COMPONENT PARTS FOUND IN SERVICE PARTS LIBRARY

INTERIOR FINISH GROUP

MOLDINGS & TRIMS

SALEM CHERRY
WATERFORD OAK



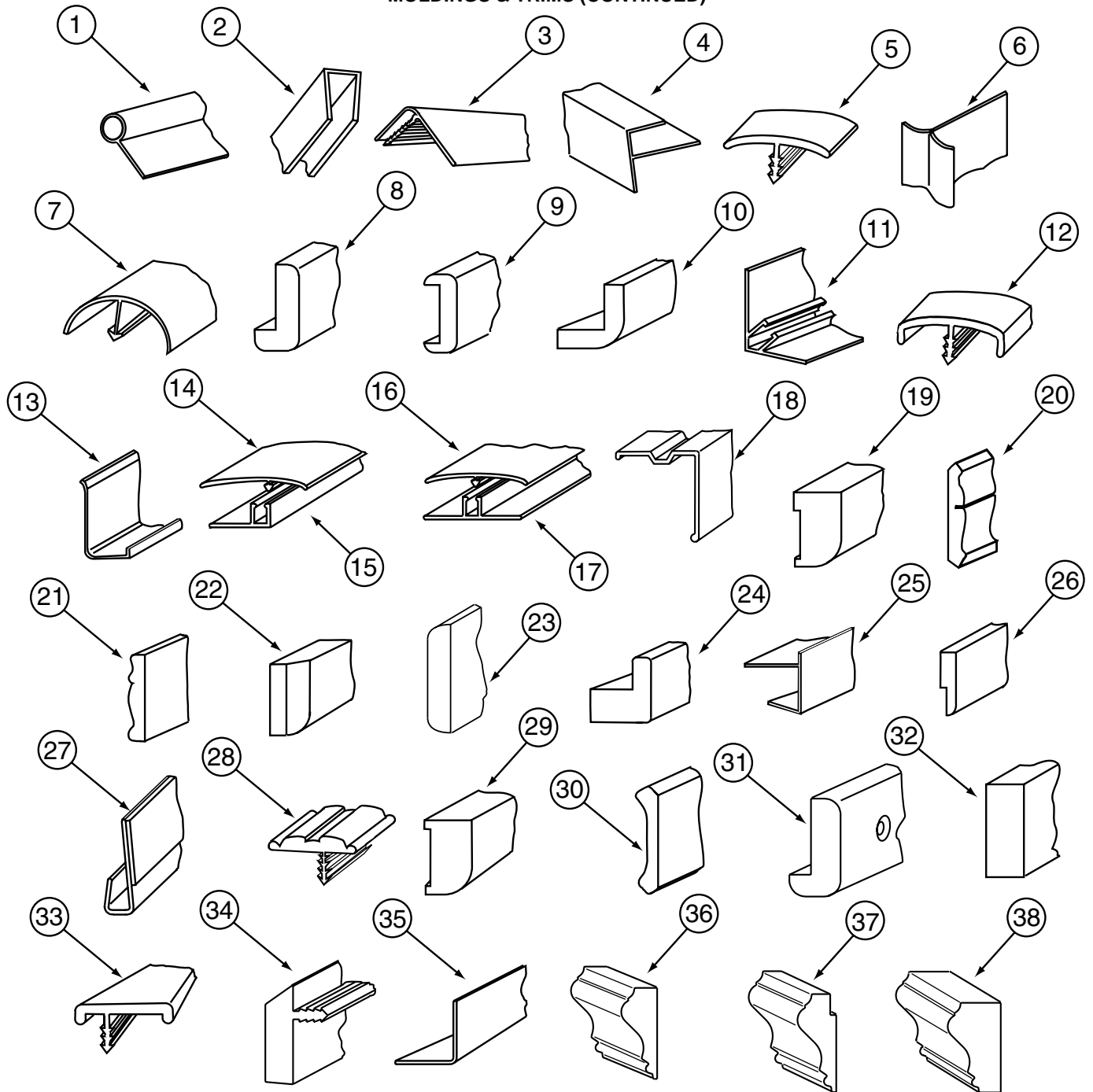
| KEY | PART NUMBER | U/M | DESCRIPTION |
|-----|---------------|-----|---|
| 1 | 009767-12-000 | FT | WELTING - ANTIQUE WHITE |
| 1 | 009767-14-000 | FT | WELTING - CHERRY |
| 1 | 009767-15-000 | FT | WELTING - WATERFORD OAK |
| 1 | 009767-16-000 | FT | WELTING - REBER BIRCH |
| 2 | 009778-16-000 | FT | U-CHANNEL - 1" - PICKLED ASH |
| 2 | 009778-18-000 | FT | U-CHANNEL - 1" - CHERRY WOOD/CHERRY STAIN |
| 2 | 009778-21-000 | FT | U-CHANNEL - 1" - WATERFORD OAK |
| 2 | 009778-25-000 | FT | U-CHANNEL - 1" - BEIGE ILLUSION |
| 2 | 009778-27-000 | FT | U-CHANNEL - 1" - WASHED MAPLE |
| 2 | 009778-31-000 | FT | U-CHANNEL - 1" - GRADY BROWN |
| 2 | 070504-03-000 | FT | U-CHANNEL - PLASTIC - .9" X 96" - GRADY BROWN |
| 2 | 070504-18-000 | FT | U-CHANNEL - PLASTIC - .13" X 84" - IVORY |

INTERIOR FINISH GROUP (CONTINUED)

MOLDINGS & TRIMS (CONTINUED)

| KEY | PART NUMBER | U/M | DESCRIPTION |
|-----|---------------|-----|--|
| 2 | 070504-30-000 | FT | U-CHANNEL - PLASTIC - .13" X 84" - CHERRY |
| 2 | 070504-31-000 | FT | U-CHANNEL - PLASTIC - .9" X 84" - CHERRY |
| 2 | 070504-36-000 | FT | U-CHANNEL - PLASTIC - .13" X 72" - WATERFORD OAK |
| 2 | 070504-37-000 | FT | U-CHANNEL - PLASTIC - .9" X 84" - WATERFORD OAK |
| 2 | 070504-42-000 | FT | U-CHANNEL - PLASTIC - .13" X 84" - BEIGE ILLUSION |
| 2 | 070504-50-000 | FT | U-CHANNEL - PLASTIC - .13" X 84" - WASHED MAPLE |
| 2 | 070504-51-000 | FT | U-CHANNEL - PLASTIC - .9" X 96" - WASHED MAPLE |
| 2 | 070504-54-000 | FT | U-CHANNEL - PLASTIC - .9" X 96" - VILLAGE OAK |
| 3 | 009809-27-000 | EA | MOLDING - CORNER - OUTSIDE - 1" X 84" - CHERRY-CHERRY |
| 3 | 009809-28-000 | EA | MOLDING - CORNER - OUTSIDE - 1" X 84" - WATERFORD OAK |
| 3 | 009809-30-000 | EA | MOLDING - CORNER - OUTSIDE - 1" X 84" - BEIGE ILLUSION |
| 3 | 009809-31-000 | EA | MOLDING - CORNER - OUTSIDE - 1" X 84" - WASHED MAPLE |
| 3 | 009809-32-000 | EA | MOLDING - CORNER - OUTSIDE - 1" X 84" - PORTSMOUTH OAK |
| 4 | 009812-24-000 | EA | MOLDING - CORNER - 1/2" W/1/4" CHAN X 108" - IVORY PLASTIC |
| 4 | 009812-26-000 | EA | MOLDING - CORNER - 1/2" W/1/4" CHAN X 84" - CHERRY |
| 4 | 009812-27-000 | EA | MOLDING - CORNER - 1/2" W/1/4" CHAN X 84" - PICKLED ASH |
| 4 | 009812-29-000 | EA | MOLDING - CORNER - 1/2" W/1/4" CHAN X 84" - WATERFORD OAK |
| 4 | 009812-31-000 | EA | MOLDING - CORNER - 1/2" W/1/4" CHAN X 84" - BEIGE ILLUSION |
| 4 | 009812-33-000 | EA | MOLDING - CORNER - 1/2" W/1/4" CHAN X 84" - WASHED MAPLE |
| 4 | 009812-34-000 | EA | MOLDING - CORNER - 1/2" W/1/4" CHAN X 84" - VW LIGHT GRAY |
| 4 | 009812-35-000 | EA | MOLDING - CORNER - 1/2" W/1/4" CHAN X 84" - PORTSMOUTH OAK |
| 5 | 009815-09-000 | FT | MOLDING-T - W/EDGE LIP - 3/4" FACE - IVORY |
| 5 | 105709-02-000 | FT | MOLDING-T - W/EDGE LIP - 3/4" FACE - BEIGE ILLUSION |
| 6 | 022992-11-000 | FT | MOLDING - REVERSE COVE - T-SHAPED - IVORY |
| 6 | 022992-14-000 | FT | MOLDING - REVERSE COVE - T-SHAPED - BRIGHT WHITE |
| 6 | 022992-15-000 | FT | MOLDING - REVERSE COVE - T-SHAPED - VW GRAY |
| 7 | 042357-18-000 | EA | MOLDING - CORNER - RADIUS/PLASTIC - PICKLED ASH |
| 7 | 042357-19-000 | EA | MOLDING - CORNER - RADIUS/PLASTIC - CHERRY |
| 7 | 042357-20-000 | EA | MOLDING - CORNER - RADIUS/PLASTIC - WATERFORD OAK |
| 7 | 042357-25-000 | EA | MOLDING - CORNER - RADIUS/PLASTIC - WASHED MAPLE |
| 7 | 042357-26-000 | EA | MOLDING - CORNER - RADIUS/PLASTIC - PORTSMOUTH OAK |
| 8 | 077840-01-E41 | EA | MOLDING - WALL CAP - 8' - SALEM CHERRY |
| 8 | 077840-01-G01 | EA | MOLDING - WALL CAP - 8' - WATERFORD OAK |
| 8 | 077840-01-J70 | EA | MOLDING - WALL CAP - 8' - WASHED MAPLE |
| 9 | 078323-06-G15 | EA | MOLDING - CAP/WALL - 79.6" - WATERFORD OAK |
| 10 | 080176-08-000 | EA | CAP - CORNER - RADIUS MOLDING - PLASTIC - WASHED MAPLE |
| 11 | 081521-02-007 | EA | MOUNT - METAL MOLDING - F/RADIUS CORNER MOLDING - 151.5" |
| 12 | 083620-09-000 | FT | MOLDING-T - W/EDGE LIP - 7/8" FACE - MODERN IVORY |
| 12 | 083620-11-000 | FT | MOLDING-T - W/EDGE LIP - 7/8" FACE - CHERRY |
| 12 | 083620-12-000 | FT | MOLDING-T - W/EDGE LIP - 7/8" FACE - WATERFORD OAK |
| 12 | 083620-15-000 | FT | MOLDING-T - W/EDGE LIP - 7/8" FACE - BEIGE ILLUSION |
| 12 | 083620-19-000 | FT | MOLDING-T - W/EDGE LIP - 7/8" FACE - WASHED MAPLE |
| 12 | 104676-02-02A | FT | MOLDING-T - W/EDGE LIP - 11/16" FACE - PICKLED ASH |
| 12 | 104676-02-03A | FT | MOLDING-T - W/EDGE LIP - 11/16" FACE - CHERRY-CHERRY |
| 12 | 104676-02-04A | FT | MOLDING-T - W/EDGE LIP - 11/16" FACE - WATERFORD OAK |
| 12 | 104676-02-06A | FT | MOLDING-T - W/EDGE LIP - 11/16" FACE - WASHED MAPLE |
| 12 | 104676-02-08A | FT | MOLDING-T - W/EDGE LIP - 11/16" FACE - PORTSMOUTH OAK |
| 13 | 085746-04-000 | FT | TRIM-J - CARPET 1.2" X .5" ANGLE - 10' LONG - OFF WHITE |
| 14 | 086229-12-000 | EA | BATTEN - 1.5" OFFSET X 96.8" - MODERN IVORY |
| 15 | 086229-11-000 | EA | RETAINER - OFFSET - 97.01" |
| 16 | 086229-15-000 | EA | BATTEN - 1" X 96" - MODERN IVORY |
| 16 | 086229-19-000 | EA | BATTEN - 1" X 98.3" - OFF WHITE |
| 16 | 086229-20-000 | EA | BATTEN - 1" X 96" - BEIGE |
| 17 | 086229-01-000 | EA | RETAINER - BATTEN - .75" X 92.1" - ANY COLOR |
| 17 | 086229-14-000 | EA | RETAINER - BATTEN - .75" X 98.3" - ANY COLOR |
| 18 | 093873-01-01A | EA | TRIM - CARPET - L-ANGLE 1.1" X 1.3" X 12' - GRAY VINYL |
| 19 | 126204-D2-134 | EA | MOLDING - VINYL WRAPPED - .7" X 1.6" X 84" - WASHED MAPLE |
| 19 | 126204-F2-134 | EA | MOLDING - VINYL WRAPPED - .7" X 2.5" X 84" - WASHED MAPLE |
| 19 | 126204-F2-438 | EA | MOLDING - VINYL WRAPPED - .7" X 2.6" X 96" - WASHED MAPLE |

INTERIOR FINISH GROUP (CONTINUED)
MOLDINGS & TRIMS (CONTINUED)



| KEY | PART NUMBER | U/M | DESCRIPTION |
|-----|---------------|-----|---|
| 20 | 111136-D2-134 | EA | MOLDING - VINYL WRAPPED - .7" X 1.6" X 7' - CHERRY |
| 20 | 111136-F2-134 | EA | MOLDING - VINYL WRAPPED - .7" X 2.6" X 84" - CHERRY |
| 20 | 111136-F2-438 | EA | MOLDING - VINYL WRAPPED - .7" X 2.5" X 8' - CHERRY |
| 21 | 100182-01-G15 | EA | TRIM - RAIL - WATERFORD OAK |
| 22 | 100659-27-G15 | EA | MOLDING - TRIM - WATERFORD OAK |
| 23 | 100818-01-03A | EA | MOLDING - VINYL WRAPPED - 1.6" X .4" X 84" - PICKLED ASH |
| 23 | 100818-01-04A | EA | MOLDING - VINYL WRAPPED - 1.6" X .4" X 84" - WATERFORD OAK |
| 23 | 100818-01-05A | EA | MOLDING - VINYL WRAPPED - 1.6" X .4" X 84" - CHERRY CHERRY |
| 23 | 100818-01-08A | EA | MOLDING - VINYL WRAPPED - 1.6" X .4" X 84" - WASHED MAPLE |
| 23 | 100818-01-09A | EA | MOLDING - VINYL WRAPPED - 1.6" X .4" X 84" - PORTSMOUTH OAK |

INTERIOR FINISH GROUP (CONTINUED)

MOLDINGS & TRIMS (CONTINUED)

| KEY | PART NUMBER | U/M | DESCRIPTION |
|-----|---------------|-----|---|
| 24 | 100819-01-03A | EA | MOLDING - VINYL WRAPPED - L-SHAPED - 1.5"X1.5"X84" - PICKLED ASH |
| 24 | 100819-01-04A | EA | MOLDING - VINYL WRAPPED - L-SHAPED - 1.5"X1.5"X84" - CHERRY |
| 24 | 100819-01-05A | EA | MOLDING - VINYL WRAPPED - L-SHAPED - 1.5"X1.5"X84" - OAK |
| 24 | 100819-01-08A | EA | MOLDING - VINYL WRAPPED - L-SHAPED - 1.5"X1.5"X84" - WASHED MAPLE |
| 24 | 100819-01-09A | EA | MOLDING - VINYL WRAPPED - L-SHAPED - 1.5"X1.5"X84" - PORTSMOUTH OAK |
| 25 | 103186-01-04A | FT | MOLDING - PLASTIC 3/8" U-CHANNEL W/3/4" FACE - CHERRY |
| 25 | 103186-01-03A | FT | MOLDING - PLASTIC 3/8" U-CHANNEL W/3/4" FACE - PICKLED ASH |
| 25 | 103186-01-05A | FT | MOLDING - PLASTIC 3/8" U-CHANNEL W/3/4" FACE - WATERFORD OAK |
| 25 | 103186-01-08A | FT | MOLDING - PLASTIC 3/8" U-CHANNEL W/3/4" FACE - WASHED MAPLE |
| 25 | 103186-01-07A | FT | MOLDING - PLASTIC 3/8" U-CHANNEL W/3/4" FACE - BEIGE ILLUSION |
| 25 | 103186-01-09A | FT | MOLDING - PLASTIC 3/8" U-CHANNEL W/3/4" FACE - PORTSMOUTH OAK |
| 25 | 103186-02-03A | FT | MOLDING - PLASTIC - 1" U-CHANNEL 1 3/8" FACE - PICKLED ASH |
| 25 | 103186-02-04A | FT | MOLDING - PLASTIC - 1" U-CHANNEL 1 3/8" FACE - CHERRY |
| 25 | 103186-02-05A | FT | MOLDING - PLASTIC - 1" U-CHANNEL 1 3/8" FACE - WATERFORD OAK |
| 25 | 103186-02-07A | FT | MOLDING - PLASTIC - 1" U-CHANNEL 1 3/8" FACE - BEIGE ILLUSION |
| 25 | 103186-02-08A | FT | MOLDING - PLASTIC - 1" U-CHANNEL 1 3/8" FACE - WASHED MAPLE |
| 25 | 103186-02-09A | FT | MOLDING - PLASTIC - 1" U-CHANNEL 1 3/8" FACE - PORTSMOUTH OAK |
| 26 | 105004-01-03A | EA | MOLDING - VINYL WRAPPED - 1" X 96" - SALEM CHERRY |
| 26 | 105004-01-04A | EA | MOLDING - VINYL WRAPPED - 1" X 96" - PICKLED ASH |
| 26 | 105004-01-05A | EA | MOLDING - VINYL WRAPPED - 1" X 96" - WATERFORD OAK |
| 26 | 105004-01-08A | EA | MOLDING - VINYL WRAPPED - 1" X 96" - WASHED MAPLE |
| 26 | 105004-01-09A | EA | MOLDING - VINYL WRAPPED - 1" X 96" - PORTSMOUTH OAK |
| 27 | 109332-02-03A | FT | TRIM-J - W/O ADHESIVE - SALEM CHERRY |
| 27 | 109332-02-05A | FT | TRIM-J - W/O ADHESIVE - WASHED MAPLE |
| 27 | 109332-02-06A | EA | TRIM-J - W/O ADHESIVE - PORTSMOUTH OAK |
| 28 | 109736-02-01A | FT | MOLDING-T/OFFSET - W/EDGE LIP - 1" FACE - NATURAL OAK |
| 29 | 117268-D2-134 | EA | MOLDING - VINYL WRAPPED - .7" X 1.6" X 84" - WATERFORD OAK |
| 29 | 117268-F2-134 | EA | MOLDING - VINYL WRAPPED - .7" X 2.7" X 84" - WATERFORD OAK |
| 29 | 117268-F2-438 | EA | MOLDING - VINYL WRAPPED - .7" X 2.6" X 96" - WATERFORD OAK |
| 30 | 113794-01-03A | FT | MOLDING - CROWN - 3.45" - MAPLE |
| 30 | 113794-02-03A | FT | MOLDING - CROWN - 1.8" - MAPLE |
| 31 | 116280-02-GV0 | EA | MOLDING - CAP - PICKLED ASH |
| 31 | 116280-02-GV1 | EA | MOLDING - CAP - SALEM CHERRY |
| 31 | 116280-02-J70 | EA | MOLDING - CAP - WASHED MAPLE |
| 31 | 116280-02-L95 | EA | MOLDING - CAP - WATERFORD OAK |
| 32 | 111134-F2-438 | EA | LUMBER - VINYL WRAPPED - .7" X 2.5" X 96" - CHERRY |
| 32 | 117267-D2-438 | EA | LUMBER - VINYL WRAPPED - .7" X 1.5" X 96" - WATERFORD OAK |
| 32 | 117267-E2-438 | EA | LUMBER - VINYL WRAPPED - .7" X 2" X 96" - WATERFORD OAK |
| 32 | 117267-F2-438 | EA | LUMBER - VINYL WRAPPED - .7" X 2.5" X 96" - WATERFORD OAK |
| 32 | 117267-J2-438 | EA | LUMBER - VINYL WRAPPED - .7" X 5.5" X 96" - WATERFORD OAK |
| 32 | 117267-R2-438 | EA | LUMBER - VINYL WRAPPED - .7" X 3" X 96" - WATERFORD OAK |
| 32 | 126205-D2-438 | EA | LUMBER - VINYL WRAPPED - .7" X 1.5" X 96" - WASHED MAPLE |
| 32 | 126205-E2-438 | EA | LUMBER - VINYL WRAPPED - .7" X 2" X 96" - WASHED MAPLE |
| 32 | 126205-F2-438 | EA | LUMBER - VINYL WRAPPED - .7" X 2.5" X 96" - WASHED MAPLE |
| 32 | 126205-G2-438 | EA | LUMBER - STAINED - .7" X 3" X 96" - WASHED MAPLE |
| 32 | 126205-J2-438 | EA | LUMBER - VINYL WRAPPED - .7" X 5.5" X 96" - WASHED MAPLE |
| 32 | 126205-R2-438 | EA | LUMBER - VINYL WRAPPED - .7" X 3" X 96" - WASHED MAPLE |
| 33 | 119520-01-01A | FT | MOLDING-T/OFFSET - W/EDGE LIP - 1"FACE - OFF WHITE |
| 34 | 130247-01-01A | FT | MOLDING-T/OFF SET - 1.3" FACE - WATERFORD OAK |
| 34 | 130247-01-02A | FT | MOLDING-T/OFF SET - 1.3" FACE - WASHED MAPLE |
| 34 | 130247-01-03A | FT | MOLDING-T/OFF SET - 1.3" FACE - SALEM CHERRY |
| 34 | 130247-01-04A | FT | MOLDING-T/OFF SET - 1.3" FACE - PORTSMOUTH OAK |
| 35 | 130262-01-000 | EA | PROTECTOR - CORNER SAVER - .7" X .7" X 5.9" |
| 36 | 131923-01-01A | FT | MOLDING - CROWN - ASH |
| 36 | 131923-01-02A | FT | MOLDING - CROWN - CHERRY |
| 36 | 131923-01-03A | FT | MOLDING - CROWN - HARD WHITE MAPLE |
| 37 | 131923-02-01A | FT | MOLDING - PICTURE - ASH |
| 37 | 131923-02-02A | FT | MOLDING - PICTURE - CHERRY |
| 37 | 131923-02-03A | FT | MOLDING - PICTURE - HARD WHITE MAPLE |
| 38 | 131923-03-01A | FT | MOLDING - CROWN - DIVIDER - ASH |
| 38 | 131923-03-02A | FT | MOLDING - CROWN - DIVIDER - CHERRY |
| 38 | 131923-03-03A | FT | MOLDING - CROWN - DIVIDER - HARD WHITE MAPLE |

INTERIOR FINISH GROUP (CONTINUED)

PANELING, LAMINATES, BATT & EDGE BANDING

| KEY | PART NUMBER | U/M | DESCRIPTION |
|-----|---------------|-----|---|
| | 000846-01-000 | SF | PLYWOOD - 5/16" X 48" X 96" - CD GRADE |
| | 000846-02-000 | SF | PLYWOOD/UNDERLAYMENT - 5/16" X 48" X 96" |
| | 000885-71-000 | SF | PARTICLE BOARD - 3/8" X 48" X 96" - CHERRY - VINYL 1 SIDED |
| | 000885-72-000 | SF | PARTICLE BOARD - 1/2" X 48" X 96" - CHERRY - VINYL 2 SIDED |
| | 000885-73-000 | SF | PARTICLE BOARD - 3/4" X 48" X 96" - CHERRY - VINYL 2 SIDED |
| | 000885-74-000 | SF | PARTICLE BOARD - 3/8" X 48" X 98" - CHERRY - VINYL 2 SIDED |
| | 000885-76-000 | SF | PARTICLE BOARD - 3/8" X 48" X 96" - WATERFORD OAK - VINYL 1 SIDED |
| | 000885-77-000 | SF | PARTICLE BOARD - 3/8" X 48" X 98" - WATERFORD OAK - VINYL 2 SIDED |
| | 000885-78-000 | SF | PARTICLE BOARD-1/2" X 48" X 96"-WATERFORD OAK-VINYL 2 SIDE |
| | 000885-79-000 | SF | PARTICLE BOARD - 3/4" X 48" X 96" - WATERFORD OAK - VINYL 2 SIDED |
| | 000885-88-000 | SF | PARTICLE BOARD - 3/8" X 48" X 96" - WASHED MAPLE - VINYL 1 SIDED |
| | 000885-89-000 | SF | PARTICLE BOARD - 3/8" X 48" X 98" - WASHED MAPLE - VINYL 2 SIDED |
| | 000885-90-000 | SF | PARTICLE BOARD - 1/2" X 4' X 8' - WASHED MAPLE - 2-SIDED |
| | 000885-91-000 | SF | PARTICLE BOARD - 3/4" X 48" X 96" - WASHED MAPLE - VINYL 2 SIDED |
| | 069733-82-000 | EA | BATT STRIP - WOODGRAINED/SALEM CHERRY - 8' |
| | 069733-83-000 | EA | BATT STRIP - WOODGRAINED/WATERFORD OAK - 8' |
| | 069733-86-000 | EA | BATT STRIP - WOODGRAINED/WASHED MAPLE - 8' |
| | 074497-23-000 | SF | PANELING - CHERRY - 1/8" X 48" X 96" |
| | 074497-28-000 | SF | PANELING - WATERFORD OAK - 1/8" X 48" X 96" |
| | 074497-39-000 | SF | PANELING - WASHED MAPLE - 4' X 8' |
| | 074498-40-000 | SF | LAMINATE - PLASTIC - OFF WHITE - 5' X 8' |
| | 074498-58-000 | SF | LAMINATE - PLASTIC - CHERRY - 4' X 8' |
| | 074498-62-000 | SF | LAMINATE - PLASTIC - GREY FINESSE - 5' X 8' |
| | 074498-77-000 | SF | LAMINATE - PLASTIC - ART CABIN (WATERFORD OAK) - 4' X 8' |
| | 074498-82-000 | SF | LAMINATE - PLASTIC - WASHED MAPLE - 4' X 8' |
| | 074498-81-000 | SF | LAMINATE - PLASTIC - ALMOND JAGUARD - 5' X 8' (L52, L53, L54, L55) |
| | 074498-83-000 | SF | LAMINATE - PLASTIC - NATURAL LEGACY (L56, L57,L58, L59, L60, L61, L62, L63) |
| | 074498-94-000 | SF | LAMINATE - PLASTIC - PYRENES MARBLE |
| | 076325-50-000 | FT | MOLDING - EDGE BAND - 1 5/16" X .030" - CHERRY |
| | 076325-68-000 | FT | MOLDING - EDGE BAND - 1 5/16" X .030" - WATERFORD |
| | 076325-73-000 | FT | MOLDING - EDGE BAND - .93" X .024" - OFF WHITE |
| | 076325-74-000 | FT | MOLDING - EDGE BAND - 1 5/16" X .038" - WASHED MAPLE |
| | 076325-75-000 | FT | MOLDING - EDGE BAND - .93" X .024" - WASHED MAPLE |
| | 076325-76-000 | FT | MOLDING - EDGE BAND - 1 5/16" X .030 - WASHED MAPLE |
| | 085284-97-000 | FT | BATT TAPE - ADHESIVE BACKED - WOODGRAINED/SALEM CHERRY |
| | 085284-B4-000 | FT | BATT TAPE - ADHESIVE BACKED - WOODGRAINED-WATERFORD OAK |
| | 085284-F5-000 | FT | BATT TAPE - ADHESIVE BACKED - WOODGRAINED/WASHED MAPLE |
| | 085284-D6-000 | FT | BATT TAPE - ADHESIVE BACKED - DECORATIVE-EMBOSSED ANTIQUE |
| | 085284-E8-000 | FT | BATT TAPE - ADHESIVE BACKED - DECORATIVE - BARCELONA LINEN (L52, L53) |
| | 085284-G2-000 | FT | BATT TAPE - ADHESIVE BACKED - DECORATIVE - PHOENIX/NEUTRAL (L54, L55) |
| | 085284-G6-000 | FT | BATT TAPE - ADHESIVE BACKED - DECORATIVE - COSMOS/SKY (L56, L57) |
| | 085284-G5-000 | FT | BATT TAPE - ADHESIVE BACKED - CIRRUS (L58, L59, L62, L63) |
| | 085284-G7-000 | FT | BATT TAPE - ADHESIVE BACKED - DURNHAM MULTI (L60, L61) |
| | 088272-H3-000 | SF | PANELING - BARCELONA - 4' X 7' - WHEAT (L52, L53) |
| | 088272-J3-000 | SF | PANELING - PHOENIX/NEUTRAL - 4' X 7' (L54, L55) |
| | 088272-J7-000 | SF | PANELING - COSMOS/SKY - 4' X 7' (L56, L57) |
| | 088272-J6-000 | SF | PANELING - CIRRUS - 4' X 7' (L58, L59, L62, L63) |
| | 088272-J8-000 | SF | PANELING - DURNHAM/MULTI - 4' X 8' (L60, L61) |
| | 088272-H9-000 | SF | PANELING - PEBBLE EMBOSSSED - WHITE |
| | 088263-F3-000 | EA | BATT STRIP - DECORATIVE - BARCELONA LINEN - 8' (L52, L53) |
| | 088263-G3-000 | EA | BATT STRIP - DECORATIVE - PHOENIX/NEUTRAL - 8' (L54, L55) |
| | 088263-G7-000 | EA | BATT STRIP - DECORATIVE - COSMOS/SKY - 8' LONG (L56, L57) |
| | 088263-G6-000 | EA | BATT STRIP - DECORATIVE - CIRRUS - 8' LONG (L58, L59, L62, L63) |
| | 088263-G8-000 | EA | BATT STRIP - DECORATIVE - DURNHAM MULTI - 7' (L60, L61) |
| | 122481-16-000 | FT | WALLPAPER - 6.8" BORDER (L52, L53) |
| | 122481-17-000 | FT | WALLPAPER - 6.8" BORDER (L54, L55) |
| | | | FROM: 00-00-00 THRU: 09-12-99 |
| | 132610-05-01A | FT | BORDER - WALLPAPER - 7" - CALYPSO - SELF-ADHESIVE (L54, L55) |
| | | | FROM: 09-13-99 THRU: 99-99-99 |
| | 132610-04-01A | FT | BORDER - WALLPAPER - 5" (L58, L59) |
| | 122481-19-000 | FT | BORDER - WALLPAPER - 6 3/4" (L60, L61) |
| | 122481-20-000 | FT | WALLPAPER - 6.8" BORDER (L62, L63) |
| | 126339-01-000 | SF | BOARD - WHEAT - 60" X 72" |

INTERIOR FINISH GROUP (CONTINUED)

ACCESSORIES

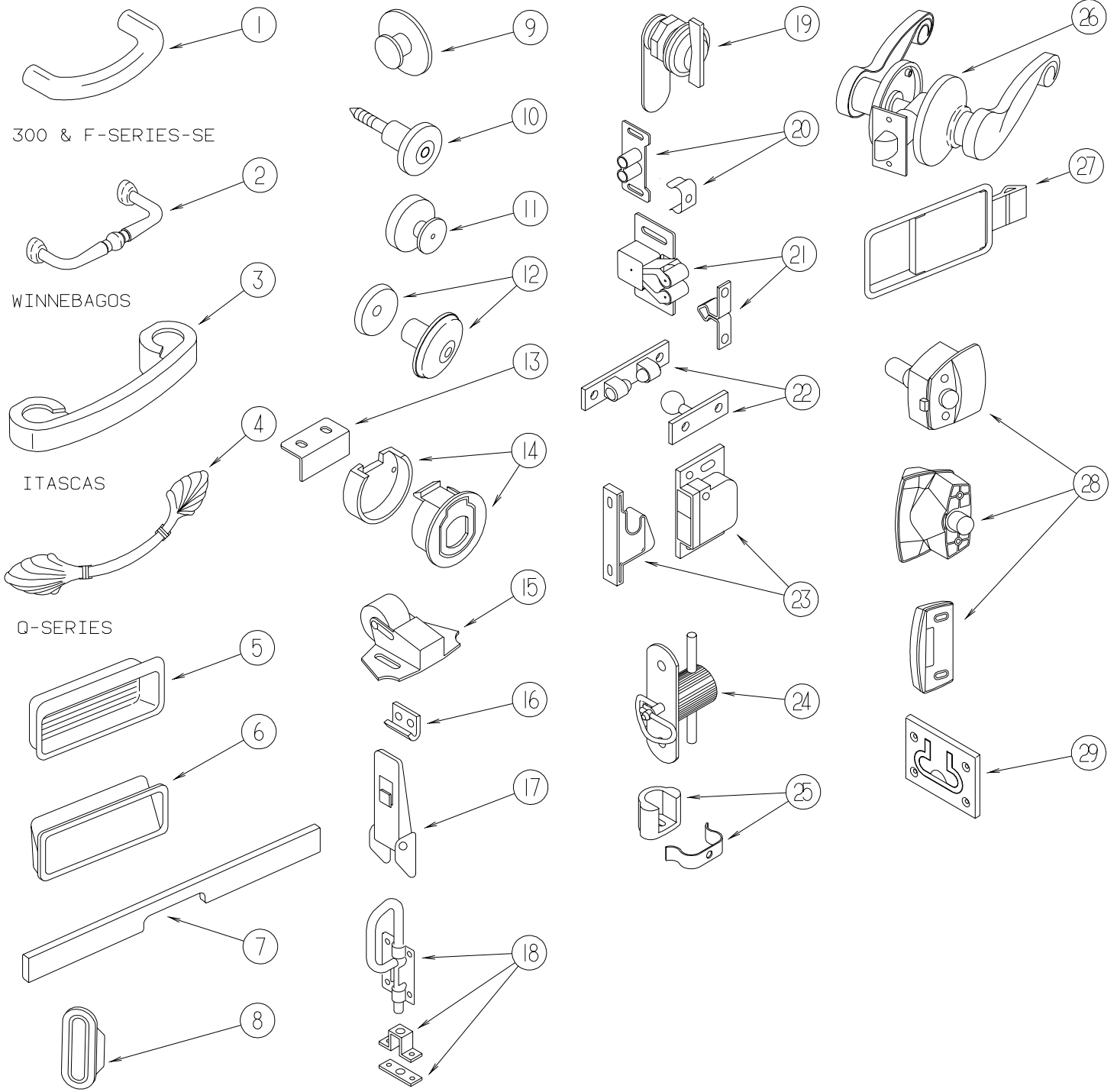
| KEY | PART NUMBER | U/M | DESCRIPTION |
|-----|---------------|-----|--|
| | 072852-01-000 | EA | DETECTOR - SMOKE - W/9 VOLT BATTERY - US |
| | 072852-02-000 | EA | DETECTOR - SMOKE - W/9 VOLT BATTERY - CANADIAN |
| | 125136-02-000 | EA | CO DETECTOR - GAS - ROUND W/2 SCREWS - 9 VOLT |
| | 094499-03-000 | EA | EXTINGUISHER/FIRE - DRY - 10BC - W/GAUGE - W/O BRACKET |
| | 094499-04-000 | EA | BRACKET - FIRE EXTINGUISHER |
| * | 094499-02-000 | EA | EXTINGUISHER/FIRE - DRY - 1A10BC - CANADIAN |
| | 094499-01-700 | EA | BRACKET MTG. W/PLAS. STRAP 294039 |
| | 091261-01-000 | FT | SLIPNOT - ANTISLIP - 1'WIDE X 144" - BLACK |
| | 096764-02-000 | FT | SLIPNOT - ANTISLIP - 1'WIDE (180' ROLLS) - WHITE |
| | 132738-01-01A | EA | CLOCK - DIGITAL W/ALARM - 12 VOLT - BLACK |
| | 118081-02-01A | EA | CLOCK - WALL - ROUND 8" - BRASS |
| | 064781-07-000 | EA | HOLDER/CUP - TWO STEP - BLACK |
| | 131333-01-01A | EA | HOLDER - CUP - VERTICAL DROP/FLUSH MOUNT - BLACK |
| | 133713-02-03A | EA | SPACER - CUP HOLDER - SALEM CHERRY |
| | 133713-02-01A | EA | SPACER - CUP HOLDER - WATERFORD OAK |
| | 133713-02-02A | EA | SPACER - CUP HOLDER - WASHED MAPLE |
| | 131493-03-02A | EA | PICTURE - FLORAL - 12" X 24" |
| | 112515-05-01A | EA | PICTURE - DECORATIVE - 12" X 15" - PALM TREE |
| | | | FROM: 05-02-00 THRU: 99-99-99 |
| | 131493-02-04A | EA | PICTURE - DECORATIVE - 13" X 15" - FLORAL |
| | 129779-03-K37 | EA | FRAME - W/O MIRROR - 40.5"H X 42.3"W - SALEM CHERRY |
| | 129779-03-K66 | EA | FRAME - W/O MIRROR - 40.5"H X 42.3"W - WATERFORD OAK |
| | 129779-03-K67 | EA | FRAME - W/O MIRROR - 40.5"H X 42.3"W - WASHED MAPLE |
| | 058331-H4-000 | EA | MIRROR - SAFETY GLASS - 25.6" X 31.5" |
| | 058331-J4-000 | EA | MIRROR - SAFETY GLASS - 6.7" X 34.3" |
| | 058331-77-000 | EA | MIRROR - SAFETY GLASS - 10" X 15.2" |
| | | | FROM: 00-00-00 THRU: 04-17-00 |
| | 058331-J6-000 | EA | MIRROR - SAFETY GLASS - 10" X 14.9" |
| | | | FROM: 04-18-00 THRU: 99-99-99 |
| | 058331-J7-000 | EA | MIRROR - SAFETY GLASS - 11.8" X 66" |
| | 058331-K7-000 | EA | MIRROR - SAFETY GLASS - 21.1" X 69.4" |
| | 088742-16-000 | EA | MIRROR - BEVELED/SAFETY GLASS - 14.4" X 18.5" |
| | 093606-28-000 | EA | MIRROR - BEVELED PANEL - 17.5" X 27.9" |
| | 093606-33-000 | EA | MIRROR - BEVELED EDGE - 16.5" X 34.1" |
| | 131494-01-01A | EA | MIRROR - BEVELED - 24" X 36" |
| | 131494-03-01A | EA | MIRROR - BEVELED/OCTAGON - 1" X 20" X 36" |
| | P02786-03-E41 | EA | HANDRAIL ONLY - W/O BRACKETS - SALEM CHERRY |
| | P02786-03-J94 | EA | HANDRAIL ONLY - W/O BRACKETS - WATERFORD OAK |
| | 099682-01-01A | EA | BRACKET - MOUNTING/HAND RAIL - ROUND BASE |
| | 108808-03-01A | EA | HANDRAIL - ENTRANCE - 26"H X 20.7"L - OFF WHITE |
| | 131058-01-02A | EA | HAND RAIL - INTERIOR ENTRY DOOR - BLACK |
| | | | FROM: 00-00-00 THRU: 10-10-99 |
| | 131058-03-02A | EA | HAND RAIL - INTERIOR ENTRY DOOR - BLACK |
| | | | FROM: 10-11-99 THRU: 99-99-99 |
| | 080736-01-000 | EA | PULL - RECESSED - 1.25" X 4" - OAK |

* COMPONENT PARTS FOUND IN SERVICE PARTS LIBRARY

FLOOR COVERINGS

| KEY | PART NUMBER | U/M | DESCRIPTION |
|-----|---------------|-----|---|
| | 042720-24-000 | SY | VINYL - FLOOR COVERING - 12' WIDE - TRADITIONS SOLARIAN |
| | 093486-01-000 | SY | CARPET - COMPARTMENT - 72" WIDE - DARK GRAY |
| | 096060-E3-000 | SY | CARPET - COMMANDER - BARELY PLUM (L52, L53) |
| | 096060-E4-000 | SY | CARPET - COMMANDER - LT BAROQUE (L54, L55) |
| | | | FROM: 00-00-00 THRU: 10-24-99 |
| | 096060-G8-000 | SY | CARPET - CAMEL - INCREMENTS OF 4 SQ YDS (3' X 12') (L54, L55) |
| | | | FROM: 10-25-99 THRU: 99-99-99 |
| | 096060-E6-000 | SY | CARPET - OASIS - PEWTER BLUE (L56, L57) |
| | 096060-F6-000 | SY | CARPET - COMMANDER - GINGER (L58, L59) |
| | 096060-E9-000 | SY | CARPET - FASHIONAIRE/DESERT BEIGE - INCREMENTS OF 4 SY (L60, L61) |
| | 096060-F0-000 | SY | CARPET - COMMANDER - PALE SAGE (L62, L63) |
| | 124253-01-01A | EA | VINYL - FLOOR PLANK - 3" X 12" - CHERRY (L52, L54, L56) |
| | 124253-01-02A | EA | VINYL - FLOOR PLANK - 3" X 12" - MAPLE (L53, L55, L57) |
| | 131711-01-01A | EA | VINYL FLOORING - 12" X 12" - HEATHER (L58, L59, L60, L61, L62, L63) |

INTERIOR FINISH GROUP (CONTINUED)
HARDWARE

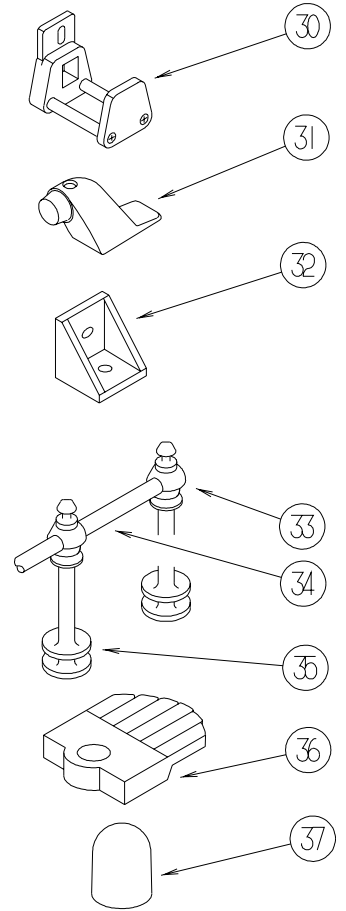
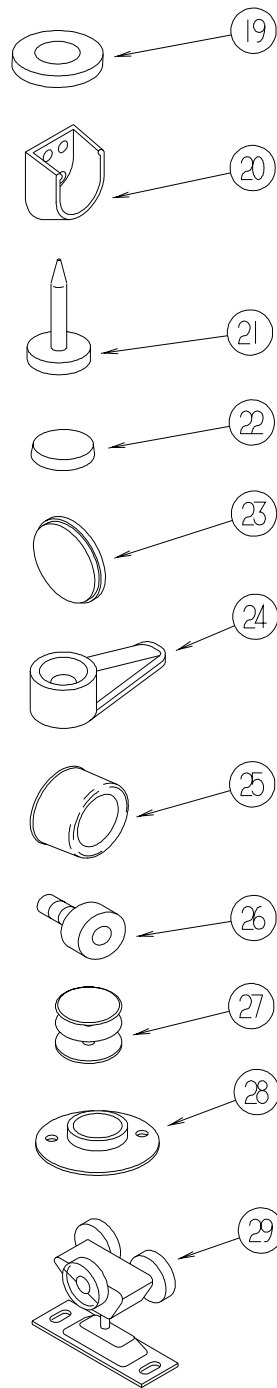
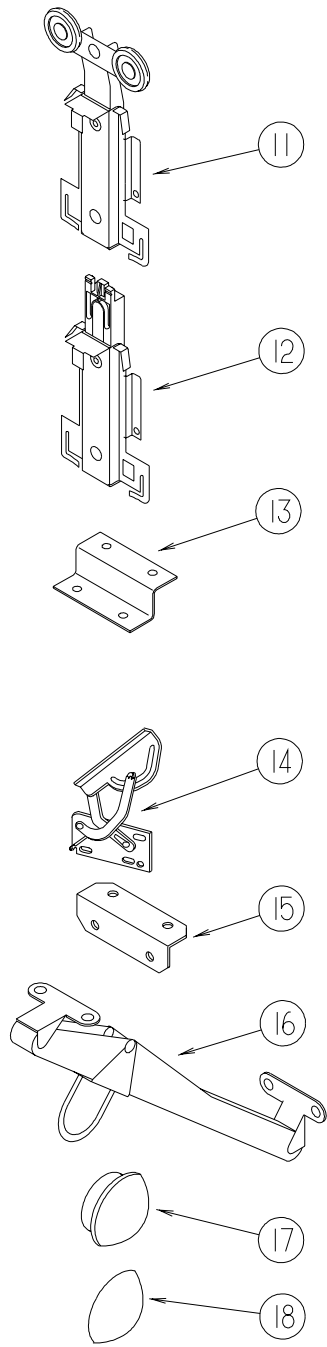
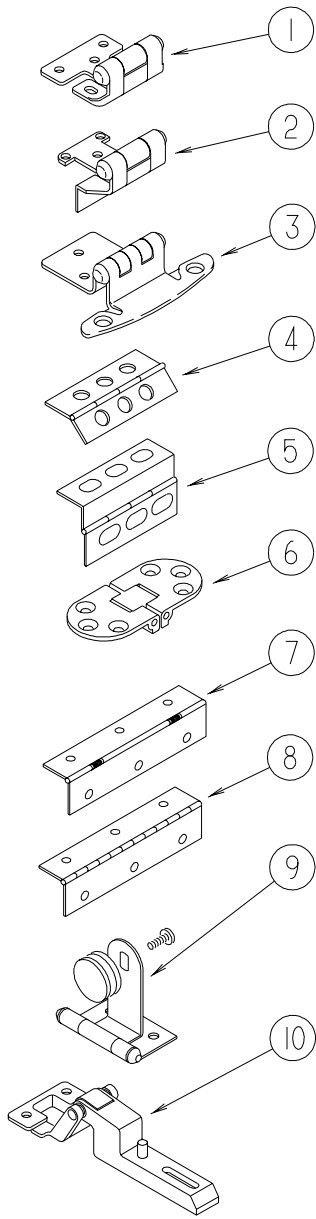


INTERIOR FINISH GROUP (CONTINUED)

HARDWARE (CONTINUED)

| KEY | PART NUMBER | U/M | DESCRIPTION |
|-----|---------------|-----|--|
| 1 | 131964-01-01A | EA | PULL - CABINET - POLISHED BRASS |
| 2 | 131963-01-01A | EA | PULL - CABINET - POLISHED BRASS |
| 3 | 131962-01-01A | EA | PULL - CABINET - POLISHED BRASS |
| 4 | 117923-01-01A | EA | PULL - CABINET - BURNISHED BRASS |
| 4 | 131965-01-01A | EA | PULL - CABINET - BURNISHED BRASS |
| 5 | 124311-01-01A | EA | HANDLE - RECESSED - BRASS |
| 6 | 115994-01-01A | EA | HANDLE - POCKET |
| 7 | 126866-01-J30 | EA | HANDLE - TAMBOUR DOOR - 18.6" - CHERRY/CHERRY |
| 7 | 126866-01-J60 | EA | HANDLE - TAMBOUR DOOR - 18.6" - MAPLE/WASHED MAPLE |
| 7 | 126866-01-L81 | EA | HANDLE - TAMBOUR DOOR - 18.6" - ASH/PORTSMOUTH OAK |
| 7 | 126866-04-KQ1 | EA | HANDLE - TAMBOUR DOOR - 14.7" - CHERRY/CHERRY |
| 7 | 126866-04-KQ0 | EA | HANDLE - TAMBOUR DOOR - 14.7" - MAPLE/MAPLE |
| 7 | 126866-04-L95 | EA | HANDLE - TAMBOUR DOOR - 14.7" - ASH/WATERFORD OAK |
| 7 | 126866-05-K13 | EA | HANDLE - TAMBOUR DOOR - 11.6" - CHERRY/CHERRY |
| 7 | 126866-05-K09 | EA | HANDLE - TAMBOUR DOOR - 11.6" - MAPLE/WASHED MAPLE |
| 7 | 126866-05-K07 | EA | HANDLE - TAMBOUR DOOR - 11.6" - ASH/WATERFORD OAK |
| 8 | 098410-01-01A | EA | PULL - FINGER - OVAL - BRASS |
| 9 | 125221-01-01A | EA | PULL - MIRROR - W/ROUND HANDLE |
| 10 | 113800-01-000 | EA | KNOB - CABINET - BRASS |
| 11 | 133313-01-01A | EA | PULL - DRAWER KNOB - BURNISHED BRASS |
| 11 | 133313-01-02A | EA | PULL - DRAWER KNOB - BRIGHT BRASS |
| 12 | 117978-01-01A | EA | KNOB - DOOR - BRIGHT BRASS |
| 13 | 113375-02-01A | EA | STRIKE - DOOR - CHROME |
| 14 | 113375-05-01A | EA | LATCH - SLAM - BACK - .8" THICK |
| 14 | 113375-06-01A | EA | LATCH - SLAM - FACE - .7" THICK |
| 15 | 109403-01-000 | EA | CATCH - SINGLE ROLLER - SCREEN DOOR |
| 16 | 116975-02-01A | EA | KEEPER/STRIKE - BLACK - NEW STYLE |
| 17 | 116975-01-01A | EA | LATCH - W/O STRIKE - BLACK - NEW STYLE |
| 18 | 103256-01-000 | EA | LATCH - SLIDE |
| 19 | 100710-01-01A | EA | LOCK - GLASS DOOR/TWIST TYPE - BRASS |
| 20 | 009021-01-000 | EA | CATCH - GRILLE - NYLON |
| 20 | 009021-02-000 | EA | STRIKE - SPRING STEEL |
| 21 | 093586-04-000 | EA | STRIKE - SPRING STEEL - 1.14" |
| 21 | 093586-05-000 | EA | STRIKE - SPRING STEEL |
| 21 | 093586-03-000 | EA | CATCH - SPRING ROLLER - .377" |
| 21 | 093586-06-000 | EA | CATCH - SPRING - ROLLER |
| 22 | 084451-01-000 | EA | CATCH - BRASS |
| 23 | 117095-01-01A | EA | CATCH - DOOR - GRABBER W/KEEPER - PLASTIC - BLK - 5LB PULL |
| 23 | 117095-02-01A | EA | LATCH - DOOR - GRABBER W/KEEPER - PLASTIC - BLK-10LB PULL |
| 24 | 098196-01-000 | EA | LATCH - 1/4 TURN - T-BAR |
| 25 | 129703-01-01A | EA | CATCH ASSEMBLY |
| 26 | 111155-01-01A | EA | LOCK - PRIVACY/LOCKING - POLISHED BRASS |
| 26 | 111155-05-01A | EA | LOCK - PRIVACY/LOCKING |
| 27 | 127349-01-01A | EA | LATCH - PADDLE |
| 28 | 058335-03-000 | EA | LATCH W/O LOCK - BATHROOM DOOR BLACK |
| 29 | 072871-01-000 | EA | PULL - FLUSH - CHROME |

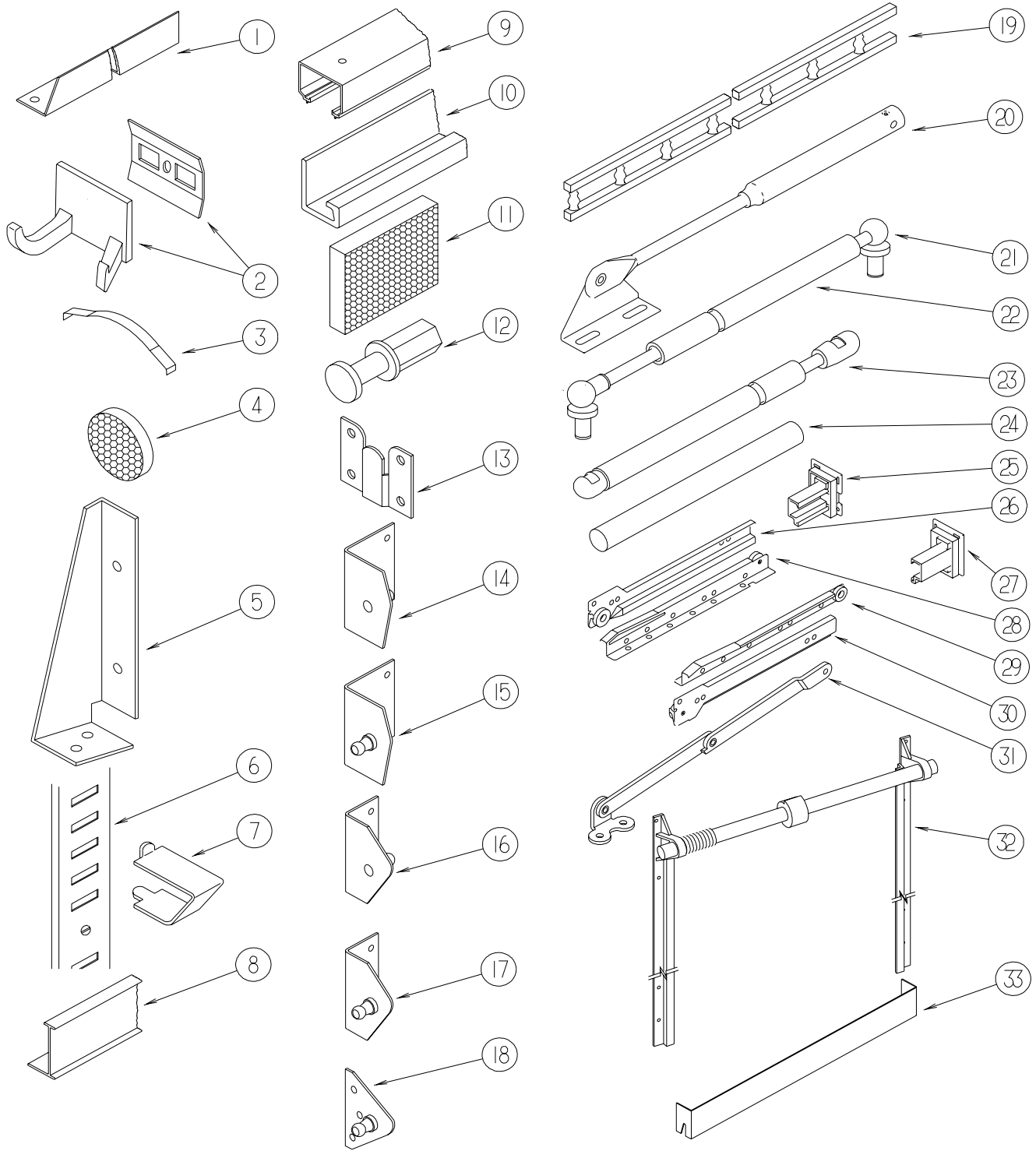
INTERIOR FINISH GROUP (CONTINUED)
HARDWARE (CONTINUED)



INTERIOR FINISH GROUP (CONTINUED)**HARDWARE (CONTINUED)**

| KEY | PART NUMBER | U/M | DESCRIPTION |
|------------|--------------------|------------|---|
| 1 | 113676-01-01A | EA | HINGE - OVERLAY - VARIABLE |
| 2 | 113677-01-01A | EA | HINGE - SELF CLOSING |
| 3 | 108138-03-000 | EA | HINGE - BRIGHT BRASS |
| | 000G13-06-08G | EA | SCREW - 6-20 X .50 PFH - ANTIQUE BRASS |
| 4 | 009059-01-000 | EA | HINGE - DOOR - 2" X 1.4" - BRASS |
| 4 | 009059-02-000 | EA | HINGE - DOOR - 2" X 2.7" - BRASS |
| 4 | 041389-18-000 | EA | HINGE - PIANO - 1 1/2" X 19" - OFF WHITE |
| 4 | 041389-35-000 | EA | HINGE - PIANO - OFF WHITE - 31" |
| 5 | 118802-01-02A | EA | HINGE - DOOR - CABINET - HAMPTON TAN |
| 6 | 111535-01-000 | EA | HINGE - TABLE/FOLDING |
| 7 | 102920-01-01A | EA | HINGE/SPRING LOADED - BRASS |
| 8 | 084413-01-000 | EA | HINGE/CONTINUOUS - ALUMINUM 1" X 72" - W/HOLES |
| 8 | 110496-01-01A | EA | HINGE - BRASS |
| 9 | 100711-01-01A | EA | HINGE - GLASS DOOR |
| 10 | 114443-01-01A | EA | HINGE - CABINET DOOR |
| 11 | 107390-02-000 | EA | CORNER HANGER (DOUBLE ROLLER W/BRACKET) (SOLD AS 1 EACH) |
| 12 | 107391-01-000 | EA | GUIDE - BOTTOM - BY-PASS (4 USED PER DOOR) |
| 13 | 101926-01-02A | EA | BRACKET - ZEE - BLACK |
| 14 | 108126-01-000 | EA | TRAY HINGE SET (QTY. 2 PER SET) |
| 15 | 016604-01-000 | EA | BRACE - CABINET - ANGLE - 2.5" - UNPAINTED METAL |
| 15 | 016604-05-000 | EA | BRACE - CABINET - ANGLE - 2.5" - OFF WHITE METAL |
| 16 | 104181-01-01A | EA | SUPPORT - LEAF 5.3" EXTENDS TO 7.5" - SAFETY RING - METAL |
| 17 | 074045-01-000 | EA | PLUG - OAK - 1/2" DIAMETER |
| 17 | 074045-08-000 | EA | PLUG - OAK - 1/2" DIAMETER - SALEM CHERRY |
| 17 | 042356-01-000 | EA | PLUG - BUTTON - MAHOGANY - 3/8" DIAMETER - WOOD |
| 18 | 057671-01-000 | EA | COVER - SCREW - OFF WHITE - #8 |
| 18 | 057671-11-000 | EA | COVER - SCREW - HAMPTON TAN - #8 |
| 18 | 057671-13-000 | EA | COVER - SCREW - DARK GRAY - #8 |
| 18 | 057671-15-000 | EA | COVER - SCREW - BRIGHT WHITE |
| 18 | 057671-16-000 | EA | COVER - SCREW - SOFT WHITE |
| 19 | 100707-01-000 | EA | SPACER - GLASS DOOR - .8" DIA - .3" HOLE - PLASTIC |
| 20 | 113236-01-01A | EA | BRACKET - CLOTHES - ROD |
| 21 | 102194-01-000 | EA | GUIDE - PLASTIC |
| 22 | 004354-01-000 | EA | BUMPER - RUBBER - .5" DIA - BROWN |
| 23 | 120760-01-000 | EA | BUMPER - RUBBER - CLEAR |
| 24 | 083204-03-000 | EA | BUTTON - RETAINING MIRROR 5/16" TIP |
| 25 | 069726-02-000 | EA | BUMPER - .88" OD X .40" THICK - BLACK |
| 26 | 079921-01-000 | EA | ROLLER - NYLON - W/STEEL SHAFT - BARBED |
| 27 | 081114-02-000 | EA | CAP - INSERT - ROUND 1" DIAMETER - WHITE |
| 28 | 009112-01-000 | EA | FLANGE - PLASTIC - 1" CLOTHES ROD - OFF WHITE |
| 29 | 103874-01-000 | EA | HANGER - SLIDING DOOR |
| 30 | 064467-01-000 | EA | GUIDE - POCKET - SLIDING DOOR - WALL MOUNTED |
| 31 | 103257-01-000 | EA | STOP - DOOR |
| 32 | 065740-01-000 | EA | BRACE - CABINET/CORNER - PLASTIC |
| 33 | 084070-03-000 | EA | POST - END - 2.4" - BRASS |
| 34 | 084071-05-000 | EA | ROD - BRASS - 15" |
| 34 | 084071-08-000 | EA | ROD - BRASS - 9.3" LONG |
| 34 | 084071-12-000 | EA | ROD - BRASS - 4.1" LONG |
| 34 | 084071-19-000 | EA | ROD - BRASS - 7.1" |
| 34 | 084071-20-000 | EA | ROD - BRASS - 9.8" LONG |
| 34 | 084071-22-000 | EA | ROD - BRASS - 15.3" |
| 34 | 084071-23-000 | EA | ROD - BRASS - 13.12" |
| 34 | 084071-24-000 | EA | ROD - BRASS - 3.8" |
| 34 | 084071-27-000 | EA | ROD - BRASS - 2.7" |
| 34 | 084071-28-000 | EA | ROD - BRASS - 6" LONG |
| 34 | 084071-30-000 | EA | ROD - BRASS - 11.6" LONG |
| 34 | 084071-31-000 | EA | ROD - BRASS - 14.08" LONG |
| 34 | 084071-32-000 | EA | ROD - BRASS - 13.6" LONG |
| 35 | 084070-01-000 | EA | POST - CENTER - 2.4" - BRASS |
| 36 | 009089-01-000 | EA | CLIP - MIRROR |
| 37 | 039984-01-000 | EA | CAP - ROUND - VINYL - .28" ID X .62" - BLACK |

INTERIOR FINISH GROUP (CONTINUED)
HARDWARE (CONTINUED)



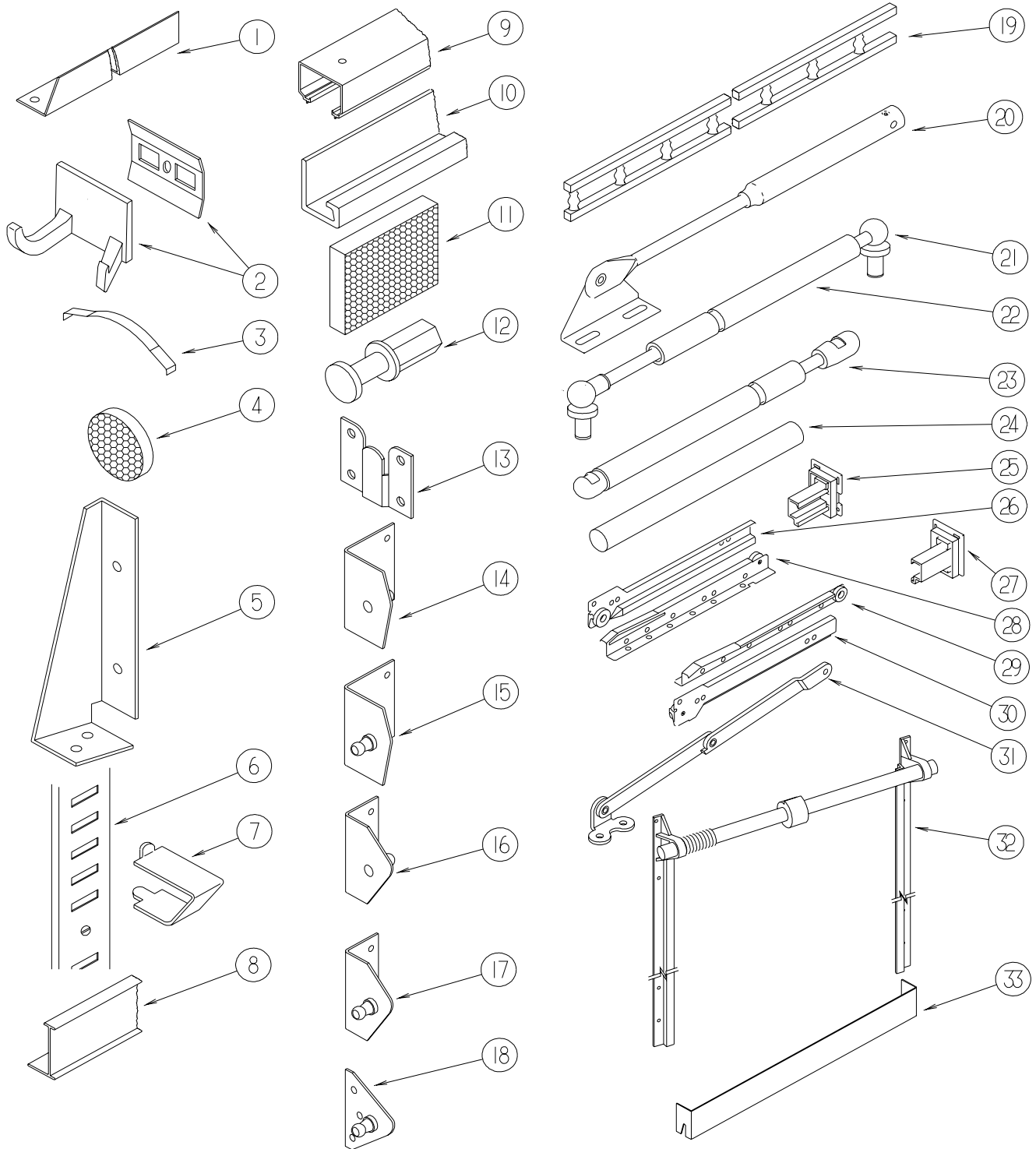
| KEY | PART NUMBER | U/M | DESCRIPTION |
|-----|---------------|-----|------------------------------------|
| 1 | 114693-01-01A | EA | SUPPORT - BLACK - RIGHT HAND |
| 1 | 114693-02-01A | EA | SUPPORT - BLACK - LEFT HAND |
| 2 | 104174-01-000 | EA | HOOK - ROBE - DOUBLE |
| 3 | 115541-01-000 | EA | SPRING - DOOR - SLIDING |
| 4 | 122717-01-01A | EA | PAD - NON SKID - 4" DIAMETER ROUND |
| 4 | 122717-01-01A | EA | PAD - NON SKID - 3" DIA. ROUND |
| 5 | 076827-02-000 | EA | BRACKET - 2.9" X 1.8" - TRIANGLE |

INTERIOR FINISH GROUP (CONTINUED)

HARDWARE (CONTINUED)

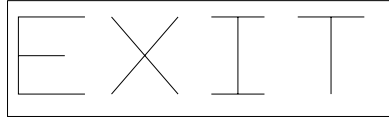
| KEY | PART NUMBER | U/M | DESCRIPTION |
|-----|---------------|-----|--|
| 6 | 098980-01-000 | EA | PILASTER - ADJUSTABLE SHELF - 18" |
| 6 | 098980-02-000 | EA | PILASTER - ADJUSTABLE SHELF - 12" |
| 6 | 098980-03-000 | EA | PILASTER - ADJUSTABLE SHELF - 09" |
| 6 | 098980-04-000 | EA | PILASTER - ADJUSTABLE SHELF - 48" |
| 6 | 098980-05-000 | EA | PILASTER - ADJUSTABLE SHELF - 15" |
| 6 | 098980-06-000 | EA | PILASTER - ADJUSTABLE SHELF - 24" |
| 7 | 098979-01-000 | EA | CLIP - ADJUSTABLE SHELF |
| 8 | 094856-10-01A | EA | TRACK - FOLDING DOOR - OFF WHITE |
| 9 | 103868-09-01A | EA | TRACK - SLIDING DOOR - 64.3" - OFF WHITE |
| 9 | 103868-15-01A | EA | TRACK - SLIDING DOOR - 76" - OFF WHITE |
| 10 | 118933-01-01A | EA | SUPPORT - HINGE LOCK |
| 11 | 122717-06-01A | FT | PAD - NON-SKID - PSA - 5"W |
| | 122717-08-01A | FT | PAD - NON-SKID - PSA - 7.2"W |
| 12 | 092652-01-000 | EA | GUIDE WHEEL/DOOR - TOP MOUNT |
| 13 | 130120-01-01A | EA | BRACKET - MOUNTING/MIRROR |
| 14 | 126263-06-02B | EA | BRACKET - GAS SPRING W/INSIDE BALL STUD - E-COATED |
| 15 | 126263-05-02B | EA | BRACKET - GAS SPRING W/BALL STUD - E-COATED |
| 16 | 107796-10-000 | EA | BRACKET - GAS SPRING - 90 DEGREE SMALL |
| 17 | 126263-02-02B | EA | BRACKET - GAS SPRING W/BALL STUD - E-COATED |
| 18 | 126263-08-02B | EA | BRACKET - GAS SPRING W/CENTERED BALL STUD - E-COATED |
| 19 | 075249-01-000 | EA | RAILING - OAK - 72" UNFINISHED |
| 19 | 111775-01-03A | EA | RAIL - DECORATIVE - 6' - SALEM CHERRY |
| 19 | 111775-01-04A | EA | RAIL - DECORATIVE - 6' - WATERFORD OAK |
| 19 | 111775-01-06A | EA | RAIL - DECORATIVE - 6' - WASHED MAPLE |
| 19 | 111775-01-07A | EA | RAIL - DECORATIVE - 6' - PORTSMOUTH OAK |
| 20 | 074493-02-000 | EA | SUPPORT - PISTON SPRING - CABINET DOOR - 26 LBS |
| 21 | 057460-02-000 | EA | STUD BALL - GAS SPRING - .39" - 5/16"-18 |
| 22 | 057460-04-000 | EA | SPRING - GAS - BALL STUD STYLE - 120 PI - "SPD6209" |
| 23 | 107796-06-000 | EA | SPRING/GAS - 12" COMPRESSED/20" EXTENDED - 120 LB. |
| 23 | 107796-08-000 | EA | SPRING/GAS - 11" COMPRESSED/17" EXTENDED - 60 LB |
| 23 | 107796-15-000 | EA | SPRING/GAS - 24" COMPRESSED/40" EXTENDED - 15 LB. |
| 23 | 107796-16-000 | EA | SPRING/GAS - 6.4" COMPRESSED/9.6" EXTENDED - 65 LB. |
| 23 | 107796-26-000 | EA | SPRING/GAS - 12" COMPRESSED/20" EXTENDED - 90 LB. |
| 24 | 042438-02-000 | EA | DOWEL - WOOD - 2" X 2" |
| 24 | 042438-01-000 | EA | DOWEL - WOOD - CLOTHES ROD - 1" DIAMETER X 4' |
| 25 | 128811-01-01A | EA | BACKSOCKET - ADJUSTABLE - LEFT |
| 26 | 128810-01-01A | EA | SLIDE - DRAWER - 12" - LEFT CABINET |
| 26 | 128810-05-01A | EA | SLIDE - DRAWER - 14" - LEFT CABINET |
| 26 | 128810-09-01A | EA | SLIDE - DRAWER - 16" - LEFT CABINET |
| 26 | 128810-13-01A | EA | SLIDE - DRAWER - 18" - LEFT CABINET |
| 26 | 128810-17-01A | EA | SLIDE - DRAWER - 20" - LEFT CABINET |
| 26 | 128810-21-01A | EA | SLIDE - DRAWER - 22" - LEFT CABINET |
| 26 | 128810-25-01A | EA | SLIDE - DRAWER - 24" - LEFT CABINET |
| 27 | 128811-02-01A | EA | BACKSOCKET - ADJUSTABLE RIGHT |
| 28 | 128810-03-01A | EA | SLIDE - DRAWER - 12" - LEFT DRAWER |
| 28 | 128810-07-01A | EA | SLIDE - DRAWER - 14" - LEFT DRAWER |
| 28 | 128810-11-01A | EA | SLIDE - DRAWER - 16" - LEFT DRAWER |
| 28 | 128810-15-01A | EA | SLIDE - DRAWER - 18" - LEFT DRAWER |
| 28 | 128810-19-01A | EA | SLIDE - DRAWER - 20" - LEFT DRAWER |
| 28 | 128810-23-01A | EA | SLIDE - DRAWER - 22" - LEFT DRAWER |
| 28 | 128810-27-01A | EA | SLIDE - DRAWER - 24" - LEFT DRAWER |
| 29 | 128810-04-01A | EA | SLIDE - DRAWER - 12" - RIGHT DRAWER |
| 29 | 128810-08-01A | EA | SLIDE - DRAWER - 14" - RIGHT DRAWER |
| 29 | 128810-12-01A | EA | SLIDE - DRAWER - 16" - RIGHT DRAWER |
| 29 | 128810-16-01A | EA | SLIDE - DRAWER - 18" - RIGHT DRAWER |
| 29 | 128810-20-01A | EA | SLIDE - DRAWER - 20" - RIGHT DRAWER |
| 29 | 128810-24-01A | EA | SLIDE - DRAWER - 22" - RIGHT DRAWER |
| 29 | 128810-28-01A | EA | SLIDE - DRAWER - 24" - RIGHT DRAWER |

INTERIOR FINISH GROUP (CONTINUED)
HARDWARE (CONTINUED)

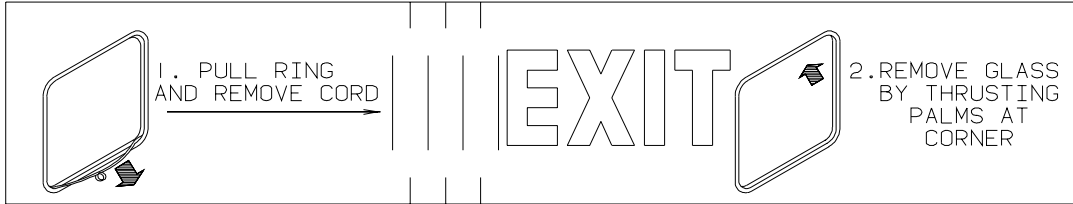


| KEY | PART NUMBER | U/M | DESCRIPTION |
|-----|---------------|-----|---|
| 30 | 128810-10-01A | EA | SLIDE - DRAWER - 16" - RIGHT CABINET |
| 30 | 128810-02-01A | EA | SLIDE - DRAWER - 12" - RIGHT CABINET |
| 30 | 128810-06-01A | EA | SLIDE - DRAWER - 14" - RIGHT CABINET |
| 30 | 128810-14-01A | EA | SLIDE - DRAWER - 18" - RIGHT CABINET |
| 30 | 128810-18-01A | EA | SLIDE - DRAWER - 20" - RIGHT CABINET |
| 30 | 128810-22-01A | EA | SLIDE - DRAWER - 22" - RIGHT CABINET |
| 30 | 128810-26-01A | EA | SLIDE - DRAWER - 24" - RIGHT CABINET |
| 31 | 084412-01-000 | EA | SUPPORT/HINGE KIT (LEFT & RIGHT HINGES) |
| 32 | 130787-01-000 | EA | TRACK - TAMBOUR DOOR/SPRING - 15.9" |
| 32 | 130787-02-000 | EA | TRACK - TAMBOUR DOOR/SPRING - 24" |
| 32 | 130787-03-000 | EA | TRACK - TAMBOUR DOOR/SPRING - 30" |
| 33 | 133426-01-02B | EA | BRACKET - MIRROR - MOUNTING - E-COATED |

LABELS GROUP



KEY PART NUMBER U/M DESCRIPTION
039290-01-000 EA LABEL - WARNING - EXIT



KEY PART NUMBER U/M DESCRIPTION
107571-01-000 EA LABEL - EXIT/ESCAPE WINDOW

FOR AWNING INSTALLATION
CONTACT YOUR MOTORHOME
DEALERSHIP

KEY PART NUMBER U/M DESCRIPTION
099509-01-000 EA LABEL - AWNING INSTALLATION



KEY PART NUMBER U/M DESCRIPTION
040944-01-000 EA LABEL - ENTRANCE DOOR - "OPEN"

WARNING: TEST SMOKE DETECTOR
OPERATION AFTER VEHICLE HAS BEEN IN
STORAGE, BEFORE EACH TRIP AND AT
LEAST ONCE PER WEEK DURING USE.

KEY PART NUMBER U/M DESCRIPTION
079966-01-000 EA LABEL - WARNING - STOWED - MOTION

WARNING DISCONNECT BATTERIES BEFORE
CONNECTING EXTERNAL CHARGING EQUIPMENT.

KEY PART NUMBER U/M DESCRIPTION
065748-01-000 EA LABEL - CAUTION - BATTERY CHARGING

AVERTISSEMENT : DEBRANCHER LES BATTERIES AVANT
DE BRANCHER TOUT EQUIPEMENT DE CHARGE EXTERIEUR.

KEY PART NUMBER U/M DESCRIPTION
065748-02-000 EA LABEL - WARNING - BATTERY/FRENCH - CANADIAN

LABELS GROUP (CONTINUED)

WASTE WATER

KEY PART NUMBER U/M DESCRIPTION
006188-01-000 EA LABEL - WASTE WATER

SEWAGE

KEY PART NUMBER U/M DESCRIPTION
006187-01-000 EA LABEL - SEWAGE

IF YOU SMELL GAS

1. EXTINGUISH ANY OPEN FLAME, PILOT LIGHTS AND ALL SMOKING MATERIALS.
2. DO NOT TOUCH ELECTRICAL SWITCHES.
3. SHUT OFF THE GAS SUPPLY AT THE TANK VALVE(S) OR GAS SUPPLY CONNECTION.
4. OPEN DOORS AND OTHER VENTILATING OPENINGS.
5. LEAVE THE AREA UNTIL ODOR CLEARS.
6. HAVE THE GAS SYSTEM CHECKED AND LEAKAGE SOURCE CORRECTED BEFORE USING AGAIN.

KEY PART NUMBER U/M DESCRIPTION
073998-01-000 EA LABEL - LPG ODOR WARNING

WARNING: TEST SMOKE DETECTOR OPERATION AFTER VEHICLE HAS BEEN IN STORAGE, BEFORE EACH TRIP AND AT LEAST ONCE PER WEEK DURING USE.

KEY PART NUMBER U/M DESCRIPTION
077956-01-000 EA LABEL - WARNING - SMOKE DETECTOR

| | |
|---|---|
| CAUTION | TO HELP AVOID PERSONAL INJURY DURING REMOVAL OF FUEL FILLER CAP, SLOWLY LOOSEN CAP 1/2 TURN TO ALLOW ANY FUEL PRESSURE TO BE RELIEVED BEFORE TURNING CAP FURTHER. |
| FUEL SPRAY MAY CAUSE PERSONAL INJURY | STOP ADDING FUEL AFTER FIRST SHUTOFF BY AUTOMATIC NOZZLE WHEN TANK IS NEARLY FULL. DO NOT OVERFILL FUEL TANK. SEE OWNERS MANUAL FOR ADDITIONAL INFORMATION. PRINTED IN U.S.A. WLC PT NO 15611763 |

KEY PART NUMBER U/M DESCRIPTION
087207-05-000 EA LABEL - FUEL CAP REMOVAL

UNLEADED FUEL ONLY

KEY PART NUMBER U/M DESCRIPTION
062043-01-000 EA LABEL - FUEL - UNLEADED

UNLEADED
FUEL ONLY

KEY PART NUMBER U/M DESCRIPTION
098641-01-000 EA LABEL - FUEL - UNLEADED - DASH

LABELS GROUP (CONTINUED)

LP-GAS SYSTEM
THIS GAS PIPING SYSTEM IS
DESIGNED FOR USE OF
LIQUIFIED PETROLEUM GAS
ONLY. DO NOT CONNECT
NATURAL GAS TO THIS
SYSTEM.
SECURE CAP INLET(S) WHEN NOT
CONNECTED FOR USE. AFTER TURNING
ON GAS, EXCEPT AFTER NORMAL
CONTAINER REPLACEMENT, TEST GAS
PIPING AND CONNECTIONS TO
APPLIANCES FOR LEAKAGE WITH SOAPY
WATER OR BUBBLE SOLUTION. DO NOT
USE PRODUCTS THAT CONTAIN AMMONIA
OR CLORINE.

124520

| KEY | PART NUMBER | U/M | DESCRIPTION |
|-----|---------------|-----|--------------------------------------|
| | 124520-01-01A | EA | LABEL - LP GAS ONLY - BLACK ON CLEAR |
| | 124520-01-02A | EA | LABEL - LP GAS ONLY - WHITE ON CLEAR |

WARNING

THIS SYSTEM IS DESIGNED FOR USE WITH PROPANE ONLY
DO NOT CONNECT NATURAL GAS TO THIS SYSTEM

BEFORE TURNING ON PROPANE:

- (A) BE CERTAIN APPLIANCES ARE CERTIFIED FOR PROPANE AND ARE EQUIPPED WITH CORRECT BURNING ORIFICES.
- (B) MAKE CERTAIN ALL PROPANE CONNECTIONS ARE TIGHT BY TESTING WITH SOAPY WATER. ALL APPLIANCE VALVES ARE TURNED OFF, AND ANY UNCONNECTED OUTLETS ARE CAPPED.

AFTER TURNING ON PROPANE:

- (A) LIGHT ALL PILOT LIGHTS
- (B) (B) ALL CONNECTIONS, INCLUDING THOSE AT THE APPLIANCES, REGULATORS AND CYLINDERS SHOULD BE LEAK-TESTED PERIODICALLY WITH SOAPY WATER BY THE OCCUPANT. NEVER USE A LIGHTED MATCH OR OTHER FLAME WHEN CHECKING FOR LEAKS.
- (C) DO NOT LEAVE SYSTEM TURNED ON OF CONTAINERS CONNECTED UNTIL THE SYSTEM HAS BEEN PROVEN TO BE FREE OF LEAKS.
- (D) COOKING APPLIANCES SHOULD NOT BE USED FOR SPACE HEATING.
- (E) WHEN THE CONTAINERS ARE DISCONNECTED THE PROPANE SUPPLY LINE SHOULD BE CAPPED OR PLUGGED.

AVERTISSEMENT

CETTE INSTALLATION EST CONCUE POUR LE PROPANE SEULEMENT
NE PAS L'ALIMENTER EN GAZ NATUREL

AVANT LA MISE EN SERVICE:

- (A) S'ASSURER QUE LES APPAREILS SONT CERTIFIES POUR LE PROPANE ET MUNIS D'ORIFICES DE BRULEUR APPROPRIES.
- (B) VERIFIER L'ETANCHEITE DE TOUS LES RACCORDEMENTS AU PROPANE. LA PERMETURE DE TOUS LES ROBINETS D'APPAREILS ET L'OBTUTATION DE TOUTES LES SORTIES NON RACCORDEES.

APRES LA MISE EN SERVICE:

- (A) ALLUMER TOUTES LES VEILLEUSES.
- (B) L'OCCUPANT DOIT EPROUVER PERIODIQUEMENT L'ETANCHEITE DE TOUS LES RACCORDEMENTS Y COMPRIS CEUX AUX APPAREILS, AUX DETENDEURS ET AUX BOUTEILLES, EN Y APPLIQUANT DE L'EAU SAVONNEUSE NE JAMA'S SE SERVIR D'UNE ALLUMETTE OU AUTRE POUR LA DETECTION DES FUITES.
- (C) NE PAS LAISSER L'ALIMENTATION OUVERTE NI LES RECIPIENTS RACCORDES AVANT D'AVOIR COMPLETE L'EPREUVE D'ETANCHEITE AU PROPANE DE L'INSTALLATION.
- (D) LES APPAREILS DE CUISSON NE DOIVENT PAS ETRE UTILISES POUR LE CHAUFFAGE DES LOCAUX.
- (E) LORSQUE LES RECIPIENTS SONT DECONNECTES, L'ALIMENTATION DE PROPANE DOIT ETRE OBTUREE OU SCELLEE.

| KEY | PART NUMBER | U/M | DESCRIPTION |
|-----|---------------|-----|----------------------------------|
| | 023769-01-000 | EA | LABEL - WARNING - LPG - CANADIAN |

THIS CONNECTION IS FOR
(B) VOLT AC,60 HZ(CYCLES)
(A) AMPERE SUPPLY

DO NOT CONNECT TO
HIGHER VOLTAGE

THIS CONNECTION IS FOR
(B) VOLT AC,3-POLE,4 WIRE
60 HZ(CYCLES),(A) AMPERE SUPPLY

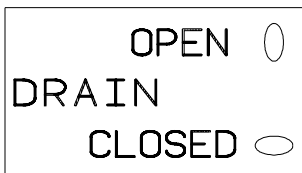
DO NOT CONNECT TO
HIGHER VOLTAGE

THIS CONNECTION IS FOR
(B) VOLT AC,50 HZ(CYCLES)
(A) AMPERE SUPPLY

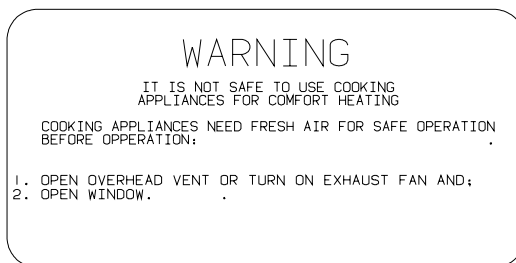
DO NOT CONNECT TO
HIGHER VOLTAGE

| KEY | PART NUMBER | U/M | DESCRIPTION |
|-----|---------------|-----|--|
| | 125306-01-01A | EA | LABEL-ELECTRICAL ENTRANCE-110/125 VOLT 30 AMP-BLK ON CLEAR |
| | 125306-03-01A | EA | LABEL - ELECTRICAL ENTRANCE - 100 VOLT - 30 AMP |
| | 125306-04-01A | EA | LABEL-ELECTRICAL ENTRANCE-120/240 VOLT 50 AMP-BLK ON CLEAR |
| | 125306-05-01A | EA | LABEL - ELECTRICAL ENTRANCE - 220 VOLT - 25 AMP |

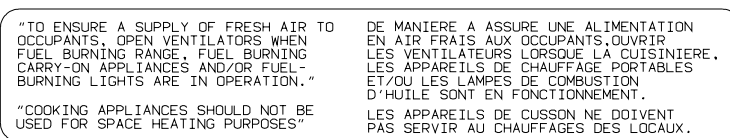
LABELS GROUP (CONTINUED)



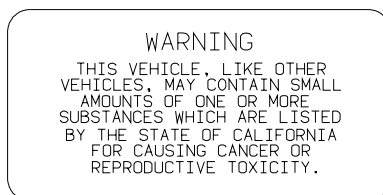
KEY PART NUMBER U/M DESCRIPTION
133423-01-01A EA LABEL - DRAIN



KEY PART NUMBER U/M DESCRIPTION
050225-01-000 EA LABEL - WARNING - STOVE VENT - US



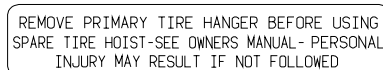
KEY PART NUMBER U/M DESCRIPTION
050222-01-000 EA LABEL - STOVE VENT - CANADIAN



KEY PART NUMBER U/M DESCRIPTION
099689-01-000 EA LABEL - WARNING - CANCER/TOXICITY



KEY PART NUMBER U/M DESCRIPTION
133424-01-01A EA LABEL - BYPASS - WATER HEATER



KEY PART NUMBER U/M DESCRIPTION
126024-01-01A EA LABEL - TIRE HANGER REMOVAL



KEY PART NUMBER U/M DESCRIPTION
111104-01-000 EA LABEL - HITCH - READ MANUAL - WHITE
111104-02-000 EA LABEL - HITCH - READ MANUAL - BLACK

LABELS GROUP (CONTINUED)

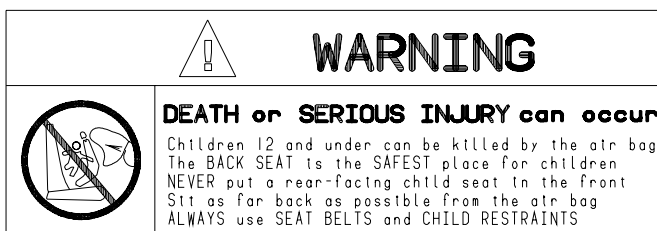
CAUTION

THIS MOTOR HOME HAS BEEN DESIGNED, MANUFACTURED AND TESTED WITH CONCERN FOR THE PROTECTION OF IT'S OCCUPANTS. WE RECOMMEND YOU PERFORM THE FOLLOWING INSPECTIONS FOR YOUR SAFETY AND THE SAFETY OF YOUR PASSENGERS BEFORE STARTING YOUR VEHICLE.

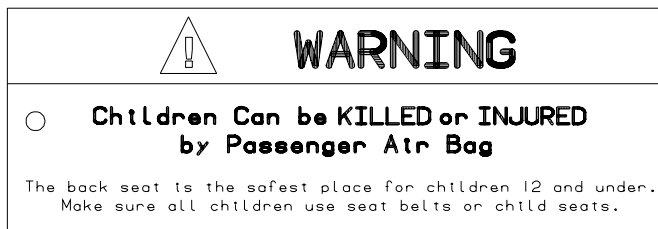
1. LP GAS SYSTEM- TURN OFF AT TANK FOR TRAVELING. TEST FOR LEAKS UPON ARRIVAL AT DESTINATION. BEFORE LIGHTING PILOTS.
2. WHEELS- INSPECT FOR DAMAGE AND CHECK LUG NUTS FOR TIGHTNESS.
3. TIRES- INSPECT FOR WEAR AND DAMAGE AND CHECK FOR RECOMMENDED AIR PRESSURE.
4. LIGHTING- TEST FOR PROPER OPERATION OF ALL INTERIOR AND EXTERIOR LIGHTS INCLUDING DASH LIGHTS, HEADLIGHTS, TAIL LIGHTS, BRAKE LIGHTS, CLEARANCE LIGHTS AND TURN SIGNALS.
5. EXITS- INSPECT RELEASE MECHANISM ON EMERGENCY EXIT WINDOW. TEST BOTH LOCKS ON MAIN ENTRANCE DOOR FOR EASE OF OPERATION AND INSTRUCT PASSENGERS HOW TO USE BOTH MEANS OF EXIT.
6. SEAT BELTS- DIRECT PASSENGERS TO DESIGNATED SEATS AND REQUIRE USE OF SEAT BELTS.
7. APPLIANCES- TURN OFF AND LATCH OR LOCK DOORS WHERE PROVIDED.
8. LOOSE PARCELS- STORE SECURELY.
9. UTILITY SUPPLY LINES- DISCONNECT ALL ELECTRIC, SEWER AND WATER LINES AND SECURE PROPERLY.
10. ENTRANCE DOOR STEP- PLACE IN RETRACTED POSITION FOR TRAVELING.

READ YOUR MOTOR HOME AND CHASSIS OWNER'S
MANUAL FOR FURTHER PRECAUTIONS

KEY PART NUMBER **U/M DESCRIPTION**
056259-01-000 EA LABEL - SAFETY CHECK LIST



KEY PART NUMBER **U/M DESCRIPTION**
126611-01-000 EA LABEL - AIR BAG - VISOR



KEY PART NUMBER **U/M DESCRIPTION**
126612-01-000 EA LABEL - HANG TAG - AIR BAG - DASH

AIR CONDITIONING CIRCUIT.
THIS CONNECTION IS FOR
AIR CONDITIONERS RATED 110-
125 VOLT AC, 60 HZ, 16
AMPERES MAXIMUM. DO NOT
EXCEED CIRCUIT RATING.

KEY PART NUMBER **U/M DESCRIPTION**
091243-01-000 EA LABEL - A/C COVER "AIR CONDITIONING CIRCUIT ETC."

WARNING: CONTAINS "CFC" A SUBSTANCE WHICH HARMS
PUBLIC HEALTH AND ENVIRONMENT BY DESTROYING
OZONE IN THE UPPER ATMOSPHERE.

KEY PART NUMBER **U/M DESCRIPTION**
111802-01-000 EA LABEL - CFC WARNING

LABELS GROUP (CONTINUED)

WARNING

WHEN ADDING A GENERATOR SET:

HIGH VOLTAGE-USE EXTREME CAUTION WHEN WORKING ON ELECTRICAL COMPONENTS.
HAVE ALL ELECTRICAL INSTALLATION PERFORMED BY A QUALIFIED LICENSED ELECTRICIAN-FOLLOW ALL STATE AND LOCAL CODES.
ONLY INSTALL GENERATOR SET APPROVED FOR R.V. APPLICATION. HAVE INSTALLED BY QUALIFIED TECHNICIAN.
TO AVOID HEAT BUILD-UP AND TO GUARANTEE AN ADEQUATE AIR SUPPLY TO THE GENERATOR CARBURETOR, FOLLOW INSTALLATION INSTRUCTIONS.
GENERATOR ENGINE EXHAUST GASES ARE TOXIC AND MUST NOT TERMINATE UNDER THE VEHICLE-DISCHARGE EXHAUST AWAY FROM VEHICLE.

KEY PART NUMBER U/M DESCRIPTION
077510-01-000 EA LABEL - GENERATOR PREP

CAUTION

DO NOT LATCH DOOR IN OPEN POSITION
IF WATER HEATER CONTROL IS IN THE ON
POSITION. WATER HEATER EXHAUST MAY
DAMAGE OUTER SURFACE OF DOOR.

KEY PART NUMBER U/M DESCRIPTION
113402-01-000 EA LABEL - CAUTION - WATER HEATER EXHAUST
113402-02-000 EA LABEL - CAUTION - FURNACE EXHAUST

WARNING!

UNDERSTAND OPERATOR'S MANUAL BEFORE USING.
KEEP PEOPLE AND OBSTRUCTIONS CLEAR OF
SLIDEOUT ROOM WHEN OPERATING TO AVOID
INJURY AND/OR PROPERTY DAMAGE.

KEY PART NUMBER U/M DESCRIPTION
1 116549-01-000 EA LABEL - WARNING - SLIDEOUT

WARNING

MUST BE STOWED
IN LATCHED POSITION
WHILE VEHICLE IS IN MOTION

KEY PART NUMBER U/M DESCRIPTION
079966-01-000 EA LABEL - WARNING - STOWED - MOTION

MISE EN GARDE

POUR VOTRE SECURITE PERSONNELLE RANGEZ,
TOUT OBJET DE FAÇON SECURITAIRE LORSQUE
LE VEHICULE EST EN MOUVEMENT.

CAUTION

FOR YOUR PERSONAL SAFETY, SECURELY STOW
OBJECTS AWAY WHILE VEHICLE IS IN MOTION

KEY PART NUMBER U/M DESCRIPTION
131341-01-000 EA LABEL - STOW OBJECTS - US

DIESEL FUEL ONLY

KEY PART NUMBER U/M DESCRIPTION
068383-01-000 EA LABEL - DIESEL FUEL

LABELS GROUP (CONTINUED)

WARNING

ALL PILOT LIGHTS, APPLIANCES AND THIER
IGNITORS (SEE OPERATING INSTRUCTIONS) SHALL
BE TURNED OFF DURING REFUELING OF MOTOR
FUEL TANKS AND/OR LP GAS CONTAINERS

| KEY | PART NUMBER | U/M | DESCRIPTION |
|-----|---------------|-----|--|
| | 124519-01-01A | EA | LABEL - WARNING/REFUELING - BLACK ON CLEAR |
| | 124519-01-02A | EA | LABEL - WARNING/REFUELING - WHITE ON CLEAR |

WARNING :

ALL PILOT LIGHTS AND APPLIANCES SHALL BE TURNED
OFF DURING REFUELING OF MOTOR FUEL TANKS AND/
OR PROPANE CONTAINERS.

AVERTISSEMENT :

FERMER TOUTES LES VEILLEUSES AINSI QUE TOUS LES
APPAREILS LORSQU'ON FAIT LE PLEIN DES RESERVOIRS
A CARBURANT OU A PROPANE.

124519-02

| KEY | PART NUMBER | U/M | DESCRIPTION |
|-----|---------------|-----|--|
| | 124519-02-01A | EA | LABEL - WARNING/REFUELING - BLACK ON CLEAR - CSA |
| | 124519-02-02A | EA | LABEL - WARNING/REFUELING - WHITE ON CLEAR - CSA |

ENTRANCE DOOR PROP ROD

THIS ROD IS DESIGNED TO PROP THE
ENTRANCE DOOR OPEN WHEN THE PATIO
AWNING ARM IS ATTACHED TO THE
SIDEWALL AND THE AWNING IS EX-
TENDED.
HOOK ONE END OF ROD INTO LOOP ON
DOOR AND OTHER END INTO LOOP ON THE
SIDEWALL AS SHOWN.

(THIS LABEL TO BE REMOVED BY RETAIL OWNER ONLY)

| KEY | PART NUMBER | U/M | DESCRIPTION |
|-----|---------------|-----|-------------------------------|
| | 128658-01-000 | EA | LABEL - PROP ROD - ENTRY DOOR |

INPUT

| KEY | PART NUMBER | U/M | DESCRIPTION |
|-----|---------------|-----|-----------------------|
| | 087236-01-000 | EA | LABEL - CABLE - INPUT |

OUTLET

| KEY | PART NUMBER | U/M | DESCRIPTION |
|-----|---------------|-----|-------------------|
| | 087236-02-000 | EA | LABEL - TV OUTLET |

| | |
|---|---|
| <p style="font-size: x-small;">DTS' ISI CE SIEGE N'EST PAS DESTINE A ETRE OCCUPE LORSQUE LE VEHICULE EST EN MOUVEMENT</p> | <p style="font-size: x-small;">THIS SEAT IS NOT INTENDED FOR OCCUPANCY WHILE VEHICLE IS IN MOTION</p> |
|---|---|

| KEY | PART NUMBER | U/M | DESCRIPTION |
|-----|---------------|-----|--------------------------------------|
| | 006064-01-000 | EA | LABEL - SEAT W/O SEATBELT |
| | 006064-02-000 | EA | LABEL - SEAT W/O SEATBELT - CANADIAN |

LABELS GROUP (CONTINUED)

CAUTION:
OPEN A WINDOW OR VENT WHILE
OPERATING DRYER. IT IS DANGEROUS
TO CREATE A NEGATIVE AIR PRESSURE
INSIDE A VEHICLE CONTAINING
FUEL-BURNING APPLIANCES

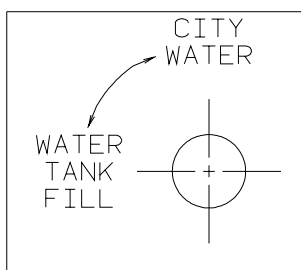
KEY PART NUMBER U/M DESCRIPTION
130670-01-01A EA LABEL - CAUTION DRYER VENTING - BLACK ON CLEAR



KEY PART NUMBER U/M DESCRIPTION
061417-01-000 EA LABEL - FUEL - ON FUEL FILL DOOR

INSERT RETAINER PINS IN
SLIDE MECHANISM AFTER
RETURNING GENERATOR TO
STORED POSITION.
IF RETAINER PINS ARE NOT
INSERTED, THE GENERATOR
WILL EXTEND WHICH MAY
CAUSE PERSONAL INJURY.

KEY PART NUMBER U/M DESCRIPTION
116273-01-000 EA LABEL - WARNING - GENERATOR



KEY PART NUMBER U/M DESCRIPTION
117629-02-000 EA LABEL - WATER PUMP/FILL-WHITE LETTER/CLEAR BACKGROUND-.24"
117629-03-000 EA LABEL - WATER PUMP/FILL-BLK LETTERS/CLEAR BACKGROUND-.31"

KEEP THE SERVICE INLET ACCESS
IN THE CLOSED POSITION WHEN
UTILITY CONNECTIONS ARE NOT IN USE

KEY PART NUMBER U/M DESCRIPTION
123562-01-000 EA LABEL - SERVICE/UTILITY ACCESS

CITY WATER FILL

KEY PART NUMBER U/M DESCRIPTION
126249-01-000 EA LABEL - CITY WATER FILL - WHITE LETTERS/CLEAR BACKGROUND
126249-02-000 EA LABEL - CITY WATER FILL-BLK LETTER/CLEAR BACKGROUND-.24"H
126249-03-000 EA LABEL - CITY WATER FILL-BLK LETTER/CLEAR BACKGROUND-.31"H

LABELS GROUP (CONTINUED)

WARNING

ROOF SURFACE MAY BE SLIPPERY
ESPECIALLY WHERE MOISTURE IS PRESENT
SLIPPING MAY RESULT IN PERSONAL INJURY.

128218-01

| KEY | PART NUMBER | U/M | DESCRIPTION |
|-----|---------------|-----|---------------------------------|
| | 128218-01-01A | EA | LABEL - WARNING - SLIPPERY ROOF |

WASTE TANK FLUSH

| KEY | PART NUMBER | U/M | DESCRIPTION |
|-----|---------------|-----|--------------------------|
| | 130168-01-000 | EA | LABEL - WASTE TANK FLUSH |

LIGHTS WATER
PUMP

| KEY | PART NUMBER | U/M | DESCRIPTION |
|-----|---------------|-----|---|
| | 130170-02-000 | EA | LABEL - SWITCH PANEL - BLK/CLEAR BACKGROUND-1.4"H X 3.9"L |
| | 117628-02-000 | EA | LABEL - SWITCH - WATER PUMP/LIGHTS-WHITE/CLEAR BACKGROUND |

MONITOR WATER
PANEL PUMP
LIGHT

| KEY | PART NUMBER | U/M | DESCRIPTION |
|-----|---------------|-----|---|
| | 130170-01-000 | EA | LABEL - SWITCH PANEL - BLK/CLEAR BACKGROUND-1.8"H X 5.9"L |

PUSH TO
RELEASE
GENERATOR
SLIDE ASM

| KEY | PART NUMBER | U/M | DESCRIPTION |
|-----|---------------|-----|-------------------|
| | 131779-01-01A | EA | LABEL - GENERATOR |

WARNING

ALL LP GAS IS CONTAINED UNDER PRES-
SURE. DUE TO THE DANGEROUS POTENTIAL
OF ANY COMPRESSED GAS, IT IS MANDA-
TORY THAT THE FOLLOWING REQUIREMENTS
FOR THE USE OF THIS TANK BE FOLLOWED:
TANKS ARE TO BE INSTALLED, FUELED AND
MAINTAINED IN ACCORDANCE WITH STATE
AND LOCAL CODE, RULES, REGULATIONS OR
LAWS AND IN ACCORDANCE WITH NFPA
PAMPHLET 58, DIVISION IV.

| KEY | PART NUMBER | U/M | DESCRIPTION |
|-----|---------------|-----|---|
| | 116112-01-000 | EA | LABEL - SWITCH PANEL - BLK/CLEAR BACKGROUND-1.8"H X 5.9"L |

LABELS GROUP (CONTINUED)

TOW VEHICLE RATING MAY BE LESS THAN HITCH RATING.
 MAXIMUM VERTICAL HITCH LOAD: 350 LBS
 DO NOT EXCEED REAR AXLE RATING.
 SEE OWNER'S MANUAL FOR ADDITIONAL INFORMATION.

| KEY | PART NUMBER | U/M | DESCRIPTION |
|-----|---------------|-----|---|
| | 129669-01-01A | EA | LABEL - HITCH/VEHICLE RATE - 350 - WHITE ON CLEAR |
| | 129669-01-02A | EA | LABEL - HITCH/VEHICLE RATE - 350 - BLACK ON CLEAR |
| | 129669-02-01A | EA | LABEL - HITCH/VEHICLE RATE - 500 - WHITE ON CLEAR |
| | 129669-02-02A | EA | LABEL - HITCH/VEHICLE RATE - 500 - BLACK ON CLEAR |

THIS CHAIR IS NOT INTENDED FOR OCCUPANCY WHEN VEHICLE IS IN MOTION AND MUST BE RETURNED TO STOWED POSITION

| KEY | PART NUMBER | U/M | DESCRIPTION |
|-----|---------------|-----|---------------------------|
| | 102267-01-000 | EA | LABEL - NO OCCUPANCY - US |

DTS ISICE SIEGE N'EST PAS DESTINE A ETRE OCCUPE LORSQUE LE VEHICULE EST EN MOUVEMENT ET IL FAUT QUE LE RANGER

THIS CHAIR IS NOT INTENDED FOR OCCUPANCY WHEN VEHICLE IS IN MOTION AND MUST BE RETURNED TO STOWED POSITION

| KEY | PART NUMBER | U/M | DESCRIPTION |
|-----|---------------|-----|----------------------------|
| | 102267-02-000 | EA | LABEL - NO OCCUPANCY - CSA |

EXTERIOR SHOWER

| KEY | PART NUMBER | U/M | DESCRIPTION |
|-----|---------------|-----|-------------------------|
| | 126249-03-000 | EA | LABEL - EXTERIOR SHOWER |

W
A
T
E
R

H
E
A
T
E
R

O
N
|
O
F
F

| KEY | PART NUMBER | U/M | DESCRIPTION |
|-----|---------------|-----|-------------------------------|
| | 083588-01-000 | EA | LABEL - ON/OFF - WATER HEATER |

E
N
G
I
N
E

H
E
A
T
E
R

O
N
|
O
F
F

| KEY | PART NUMBER | U/M | DESCRIPTION |
|-----|---------------|-----|--------------------------------|
| | 083588-02-000 | EA | LABEL - ON/OFF - ENGINE HEATER |

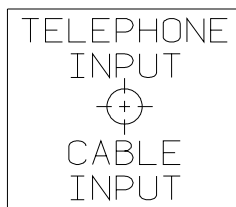
LABELS GROUP (CONTINUED)

NOTE: TUNE ANTENNA
PER MANUFACTURER'S
DIRECTIONS. FAILURE TO
COMPLY COULD RESULT IN
DAMAGE TO CB.

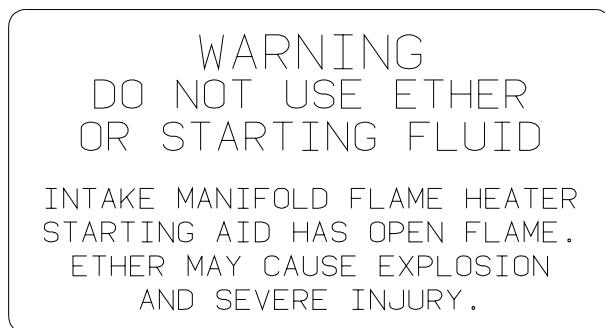
CB POWER PROVISION

RED +12 V
BLACK GROUND
COAX ANTENNA
(SEE REVERSE ALSO)

| KEY | PART NUMBER | U/M DESCRIPTION |
|-----|---------------|--------------------|
| | 104678-01-000 | EA LABEL - CB PREP |



| KEY | PART NUMBER | U/M DESCRIPTION |
|-----|---------------|---|
| | 114886-02-000 | EA LABEL - PHONE & CABLE INPUT - WHITE/CLEAR BACKGROUND |
| | 114866-03-000 | EA LABEL - PHONE & CABLE INPUT - BLACK/CLEAR BACKGROUND |



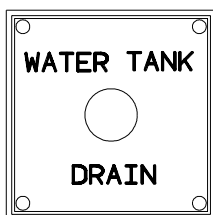
| KEY | PART NUMBER | U/M DESCRIPTION |
|-----|---------------|-------------------------------------|
| | 116756-01-000 | EA LABEL - WARNING - ETHER/STARTING |



| KEY | PART NUMBER | U/M DESCRIPTION |
|-----|---------------|---|
| | 126247-01-000 | EA LABEL - GRAY HOLDING TANK-WHITE LETTERS/CLEAR BACKGROUND |
| | 126247-05-000 | EA LABEL - GRAY HOLDING TANK-BLACK LETTERS/CLEAR BACKGROUND |



| KEY | PART NUMBER | U/M DESCRIPTION |
|-----|---------------|--|
| | 126247-02-000 | EA LABEL - BLACK HOLDING TANK-WHITE LETTERS/BLACK BACKGROUND |
| | 126247-06-000 | EA LABEL - BLACK HOLDING TANK-BLACK LETTERS/CLEAR BACKGROUND |

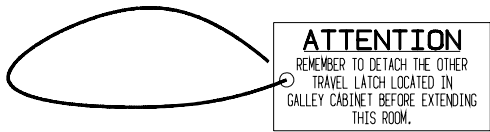


| KEY | PART NUMBER | U/M DESCRIPTION |
|-----|---------------|-----------------------------|
| | 127170-01-000 | EA LABEL - WATER TANK DRAIN |

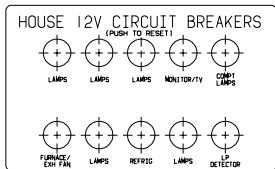
LABELS GROUP (CONTINUED)

WARNING
 POTABLE WATER ONLY
 SANITIZE, FLUSH, AND
 DRAIN BEFORE USING.
 SEE INSTRUCTION MANUAL

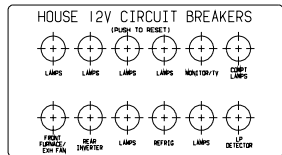
KEY PART NUMBER U/M DESCRIPTION
 128725601-000 EA LABEL - POTABLE WATER ONLY



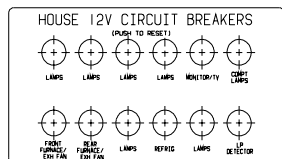
KEY PART NUMBER U/M DESCRIPTION
 129033-01-000 EA LABEL - HANG TAG - TRAVEL LATCH - 1.5" X 3"



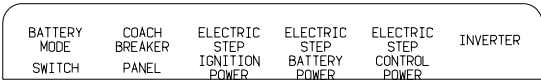
KEY PART NUMBER U/M DESCRIPTION
 092547-06-000 EA LABEL - CIRCUIT BREAKER



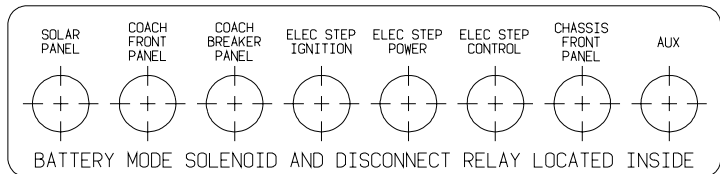
KEY PART NUMBER U/M DESCRIPTION
 092547-09-000 EA LABEL - CIRCUIT BREAKER



KEY PART NUMBER U/M DESCRIPTION
 092547-07-000 EA LABEL - CIRCUIT BREAKER



KEY PART NUMBER U/M DESCRIPTION
 093236-08-000 EA LABEL - CIRCUIT BREAKER

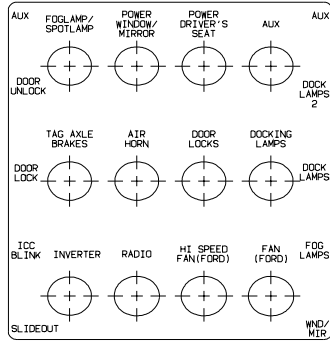


KEY PART NUMBER U/M DESCRIPTION
 093236-13-000 EA LABEL - CIRCUIT BREAKER

LABELS GROUP (CONTINUED)

| | | | | | | |
|-------------------|----------|--------------------------------------|--------------------------------------|---------------------------------------|---------------------------|---------------------------|
| SLIDEOUT DRIVE | INVERTER | ELECTRIC STEP CONTROL POWER | ELECTRIC STEP BATTERY POWER | ELECTRIC STEP IGNITION POWER | COACH BREAKER PANEL | BATTERY MODE SWITCH |
|-------------------|----------|--------------------------------------|--------------------------------------|---------------------------------------|---------------------------|---------------------------|

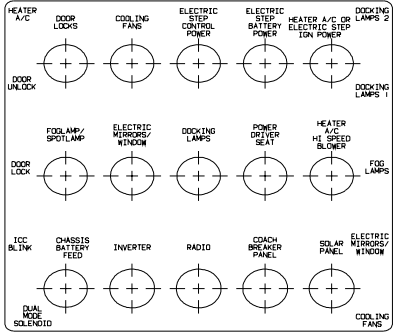
KEY PART NUMBER U/M DESCRIPTION
 093236-15-000 EA LABEL - CIRCUIT BREAKER



KEY PART NUMBER U/M DESCRIPTION
 093236-16-000 EA LABEL - CIRCUIT BREAKER

| | | | | | | |
|---------------------------|---------------------------|---------------------------------------|--------------------------------------|--------------------------------------|----------|-------------------|
| BATTERY MODE SWITCH | COACH BREAKER PANEL | ELECTRIC STEP IGNITION POWER | ELECTRIC STEP BATTERY POWER | ELECTRIC STEP CONTROL POWER | INVERTER | SLIDEOUT POWER |
|---------------------------|---------------------------|---------------------------------------|--------------------------------------|--------------------------------------|----------|-------------------|

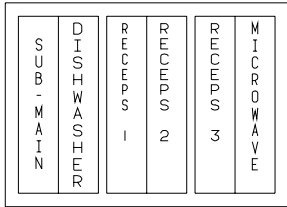
KEY PART NUMBER U/M DESCRIPTION
 093236-18-000 EA LABEL - CIRCUIT BREAKER



KEY PART NUMBER U/M DESCRIPTION
 093236-19-000 EA LABEL - CIRCUIT BREAKER



KEY PART NUMBER U/M DESCRIPTION
 093237-10-000 EA LABEL - CIRCUIT BREAKER - FRONT - COOLING FANS



KEY PART NUMBER U/M DESCRIPTION
 095721-20-000 EA LABEL - CONTROL CENTER W/INVERTER

LABELS GROUP (CONTINUED)

| | | | | | |
|--------------|----------------|----------------|-------------|-------------|-----------|
| SUB- MAIN | APPLIANCE 1 | APPLIANCE 2 | RECEPS 1 | RECEPS 2 | MICROWAVE |
|--------------|----------------|----------------|-------------|-------------|-----------|

KEY PART NUMBER U/M DESCRIPTION
 095721-21-000 EA LABEL - CONTROL CENTER W/INVERTER

| | | | | | | | | |
|---------------------|------|------|---------------------|----------------------|-------------------|------------------|-----------------|--|
| A/C CIRCUIT 1 | MAIN | MAIN | A/C CIRCUIT 2 | INVERTER/ CHARGER | REFRIG/ VACUUM | WASHER/ DRYER | WATER HEATER | |
|---------------------|------|------|---------------------|----------------------|-------------------|------------------|-----------------|--|

KEY PART NUMBER U/M DESCRIPTION
 095721-22-000 EA LABEL - CONTROL CENTER - 50 AMP

| | | | | | | | | |
|---------------------|------|--|-----------------|-----------|--|------------|------------|--|
| A/C CIRCUIT 1 | MAIN | | REFRIG/ CONV | MICROWAVE | | STOVE 1 | STOVE 2 | |
|---------------------|------|--|-----------------|-----------|--|------------|------------|--|

KEY PART NUMBER U/M DESCRIPTION
 095721-25-000 EA LABEL - CONTROL CENTER - 30 AMP

| | | | | | | | | |
|---------------------|------|-----------------|-----------|------------|------------|-----------|--|--|
| A/C CIRCUIT 1 | MAIN | REFRIG/ CONV | MICROWAVE | STOVE 1 | STOVE 2 | APPLIANCE | | |
|---------------------|------|-----------------|-----------|------------|------------|-----------|--|--|

KEY PART NUMBER U/M DESCRIPTION
 095721-26-000 EA LABEL - CONTROL CENTER - 30 AMP - CANADIAN

| | | | | | | | | | |
|---------------------|------|---------------------|-----------------|-----------|-----------|-----------|-----------|--|--|
| A/C CIRCUIT 1 | MAIN | A/C CIRCUIT 2 | REFRIG/ CONV | MICROWAVE | REDS 1 | REDS 2 | REDS 3 | | |
|---------------------|------|---------------------|-----------------|-----------|-----------|-----------|-----------|--|--|

KEY PART NUMBER U/M DESCRIPTION
 095721-27-000 EA LABEL - CONTROL CENTER - 30 AMP

| | | | | | | | | | |
|---------------------|------|---------------------|-----------------|-----------|-----------|-----------|-----------|--|--|
| A/C CIRCUIT 1 | MAIN | A/C CIRCUIT 2 | REFRIG/ CONV | MICROWAVE | REDS 1 | REDS 2 | APPLIANCE | | |
|---------------------|------|---------------------|-----------------|-----------|-----------|-----------|-----------|--|--|

KEY PART NUMBER U/M DESCRIPTION
 095721-28-000 EA LABEL - CONTROL CENTER - 30 AMP - CANADIAN

LABELS GROUP (CONTINUED)

| | | | | | | | | | | |
|-----------------------------|---------|---------|-----------------------------|-------------------------|-------------------|------------------|------------------|------------------|-------------------------|--|
| A / C C I R C U I T 1 | M A I N | M A I N | A / C C I R C U I T 2 | R E F F R I G / C O N V | M I C R O W A V E | R E C C P S 1 | R E C C P S 2 | R E C C P S 3 | W A S H E R / D R Y E R | |
|-----------------------------|---------|---------|-----------------------------|-------------------------|-------------------|------------------|------------------|------------------|-------------------------|--|

KEY PART NUMBER U/M DESCRIPTION
 095721-29-000 EA LABEL - CONTROL CENTER - 50 AMP

| | | | | | | | | | | | |
|-----------------------------|---------|---------|-----------------------------|-------------------------|-------------------|------------------|------------------|------------------|------------------------|------------------------|-------------------------|
| A / C C I R C U I T 1 | M A I N | M A I N | A / C C I R C U I T 2 | R E F F R I G / C O N V | M I C R O W A V E | R E C C P S 1 | R E C C P S 2 | R E C C P S 3 | A P P L I A N C E 1 | A P P L I A N C E 2 | W A S H E R / D R Y E R |
|-----------------------------|---------|---------|-----------------------------|-------------------------|-------------------|------------------|------------------|------------------|------------------------|------------------------|-------------------------|

KEY PART NUMBER U/M DESCRIPTION
 095721-30-000 EA LABEL - CONTROL CENTER - 50 AMP - CANADIAN

| | | | | | | | | | | |
|-----------------------------|---------|-----------------------------|-------------------------|-------------------|------------------|------------------|------------------|-------------------------|--------------------------|--|
| A / C C I R C U I T 1 | M A I N | A / C C I R C U I T 2 | R E F F R I G / C O N V | M I C R O W A V E | R E C C P S 1 | R E C C P S 2 | R E C C P S 3 | W A S H E R / D R Y E R | W A T E R H E A T E R | |
|-----------------------------|---------|-----------------------------|-------------------------|-------------------|------------------|------------------|------------------|-------------------------|--------------------------|--|

KEY PART NUMBER U/M DESCRIPTION
 095721-31-000 EA LABEL - CONTROL CENTER - 30 AMP - US

| | | | | | | | | | | |
|-----------------------------|---------|---------|-----------------------------|-------------------------|-------------------|------------------|------------------|------------------|-------------------------|--------------------------|
| A / C C I R C U I T 1 | M A I N | M A I N | A / C C I R C U I T 2 | R E F F R I G / C O N V | M I C R O W A V E | R E C C P S 1 | R E C C P S 2 | R E C C P S 3 | W A S H E R / D R Y E R | W A T E R H E A T E R |
|-----------------------------|---------|---------|-----------------------------|-------------------------|-------------------|------------------|------------------|------------------|-------------------------|--------------------------|

KEY PART NUMBER U/M DESCRIPTION
 095721-33-000 EA LABEL - CONTROL CENTER - 50 AMP - US

| | | | | | | | | | |
|-----------------------------|---------|---------|-----------------------------|-------------------|---------------|---------------------------|-------------------------|--------------------------|--|
| A / C C I R C U I T 1 | M A I N | M A I N | A / C C I R C U I T 2 | I N V E R T E R / | C H A R G E R | R E F F R I G E R A T O R | W A S H E R / D R Y E R | W A T E R H E A T E R | |
|-----------------------------|---------|---------|-----------------------------|-------------------|---------------|---------------------------|-------------------------|--------------------------|--|

KEY PART NUMBER U/M DESCRIPTION
 095721-34-000 EA LABEL - CONTROL CENTER - 50 AMP

| |
|--|
| AUTOMOTIVE AND COACH CIRCUIT BREAKERS |
|--|

KEY PART NUMBER U/M DESCRIPTION
 098379-01-000 EA LABEL - FRONT BOX - CIRCUIT BREAKER

LABELS GROUP (CONTINUED)

| | | | | | | | | | | |
|-----------------------------|---------|-----------------------------|-------------------------|-------------------|----------------|----------------|----------------|-------------------|--------------------------|--------------------------|
| A / C C I R C U I T 1 | M A I N | A / C C I R C U I T 2 | R E F F R I G / C O N V | M I C R O W A V E | R E C P S 1 | R E C P S 2 | R E C P S 3 | A P P L I A N C E | W A S H E R D R Y E R | W A T E R H E A T E R |
|-----------------------------|---------|-----------------------------|-------------------------|-------------------|----------------|----------------|----------------|-------------------|--------------------------|--------------------------|

KEY PART NUMBER **U/M DESCRIPTION**
 095721-35-000 EA LABEL - CONTROL CENTER - 30 AMP - CSA

| | | | | | | | | | | | |
|-----------------------------|---------|---------|-----------------------------|-------------------------|-------------------|----------------|----------------|------------------------|------------------------|-------------------------|--------------------------|
| A / C C I R C U I T 1 | M A I N | M A I N | A / C C I R C U I T 2 | R E F F R I G / C O N V | M I C R O W A V E | R E C P S 1 | R E C P S 2 | A P P L I A N C E 1 | A P P L I A N C E 2 | W A S H E R / D R Y E R | W A T E R H E A T E R |
|-----------------------------|---------|---------|-----------------------------|-------------------------|-------------------|----------------|----------------|------------------------|------------------------|-------------------------|--------------------------|

KEY PART NUMBER **U/M DESCRIPTION**
 095721-36-000 EA LABEL - CONTROL CENTER - 50 AMP - CSA

| | | | | | |
|---------|-------------------|---------------------|---------------------|--------------------|-------|
| M A I N | M I C R O W A V E | G F I / R E C E P S | R E F E R / C O N V | W A T E R H T R | A / C |
|---------|-------------------|---------------------|---------------------|--------------------|-------|

KEY PART NUMBER **U/M DESCRIPTION**
 095721-38-000 EA LABEL - CONTROL CENTER - 30 AMP - US

| | | | | | |
|---------|-------------------|---------------------|-----------------------|--------------------|-------|
| M A I N | A P P L I A N C E | G F I / R E C E P S | R E F E R / M I C R O | W A T E R H T R | A / C |
|---------|-------------------|---------------------|-----------------------|--------------------|-------|

KEY PART NUMBER **U/M DESCRIPTION**
 095721-39-000 EA LABEL - CONTROL CENTER - 30 AMP - CANADIAN

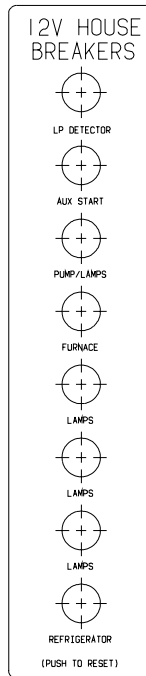
| |
|--|
| BATTERY MODE SOLENOID AND RELAYS |
|--|

KEY PART NUMBER **U/M DESCRIPTION**
 098379-04-000 EA LABEL - ELECTRICAL BOX - SIDE

| | | | | | | |
|---|-------|-------|-------|--------|------|----------------|
| FRONT TIRE PRESSURE AT UNLOADED VEHICLE WEIGHT: 75 PSI | | | | | | |
| REAR TIRE PRESSURE AT UNLOADED VEHICLE WEIGHT: 75 PSI | | | | | | |
| FOR LOADED VEHICLE, WEIGH UNIT AND REFER TO TABLE: | | | | | | |
| TIRE PRESSURE | 75 | 80 | 85 | 90 | 95 | 100 |
| FRONT LOAD-LBS | 7185 | 7630 | 8070 | 8555 | 9085 | 9350* |
| REAR LOAD-LBS | 13580 | 14375 | 15255 | 15500* | | |
| TIRE: MICHELIN XRV 235/80R22.5, LOAD RANGE F | | | | | | *GAWR = 9350 |
| | | | | | | **GAWR = 15500 |
| FOR BEST PERFORMANCE, MATCH TIRE PRESSURE TO YOUR AXLE LOAD | | | | | | |

KEY PART NUMBER **U/M DESCRIPTION**
 131775-03-01A EA LABEL - TIRE PRESSURE - BROWN/BLACK

LABELS GROUP (CONTINUED)



| KEY | PART NUMBER | U/M | DESCRIPTION |
|-----|---------------|-----|-------------------------|
| | 092547-08-000 | EA | LABEL - CIRCUIT BREAKER |

THIS SEAT IS NOT INTENDED
FOR OCCUPANCY WHEN
VEHICLE IS IN MOTION

| KEY | PART NUMBER | U/M | DESCRIPTION |
|-----|---------------|-----|--|
| | 134538-01-01A | EA | LABEL - OCCUPANCY - NO SEAT BELT - BLACK ON CLEAR - US |

| | |
|-------------------------------|---------------------------|
| DST ISICE SIEGE N/EST PAS | THIS SEAT IS NOT INTENDED |
| DESTINE A ETRE OCCUPE LORSQUE | FOR OCCUPANCY WHILE |
| LE VEHICULE EST IN MOVUEMENT | VEHICLE IS IN MOTION |

| KEY | PART NUMBER | U/M | DESCRIPTION |
|-----|---------------|-----|---|
| | 134538-02-01A | EA | LABEL - OCCUPANCY - NO SEAT BELT - BLACK ON CLEAR - CSA |

WARNING

IT IS NOT SAFE TO USE COOKING
APPLIANCES FOR COMFORT HEATING

COOKING APPLIANCES NEED FRESH AIR FOR SAFE OPERATION
BEFORE OPERATION:

1. OPEN OVERHEAD VENT OR TURN ON EXHAUST FAN AND
2. OPEN WINDOW.

| KEY | PART NUMBER | U/M | DESCRIPTION |
|-----|---------------|-----|--|
| | 134539-01-01A | EA | LABEL - WARNING - STOVE/HEATING - BLACK ON CLEAR |

LABELS GROUP (CONTINUED)

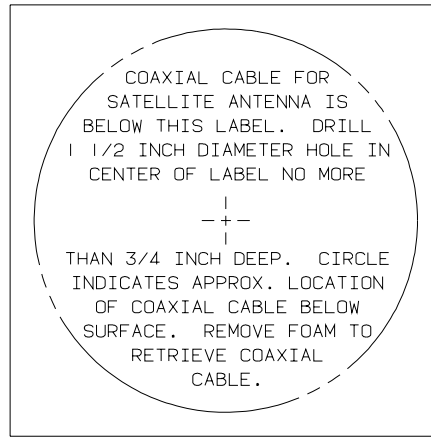
TO ENSURE A SUPPLY OF FRESH AIR TO OCCUPANTS, OPEN VENTILATORS WHEN FUEL BURNING RANGE, FUEL BURNING CARRY-ON APPLIANCES AND/OR FUEL-BURNING LIGHTS ARE IN OPERATION.

COOKING APPLIANCES SHOULD NOT BE USED FOR SPACE HEATING PURPOSES

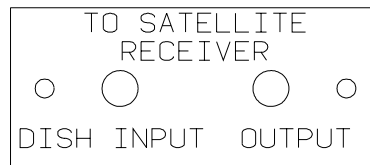
DE MANIERE A ASSURE UNE ALIMENTATION EN AIR FRAIS AUX OCCUPANTS, OUVRIR LES VENTILATEURS LORSQUE LA CUISINIERE, LES APPAREILS DE CHAUFFAGE PORTABLES ET/OU LES LAMPES DE COMBUSTION D'HUILE SONT EN FONCTIONNEMENT.

LES APPAREILS DE CUSSON NE DOIVENT PAS SERVIR AU CHAUFFAGES DES LOCAUX.

KEY PART NUMBER U/M DESCRIPTION
134540-01-01A EA LABEL - WARNING - STOVE/HEATING - BLACK ON CLEAR



KEY PART NUMBER U/M DESCRIPTION
120431-01-000 EA LABEL - LOCATION - COAXIAL CABLE/SATELLITE ANTENNA



KEY PART NUMBER U/M DESCRIPTION
134250-01-01A EA LABEL - SATELLITE RECEIVER - BLACK/CLEAR

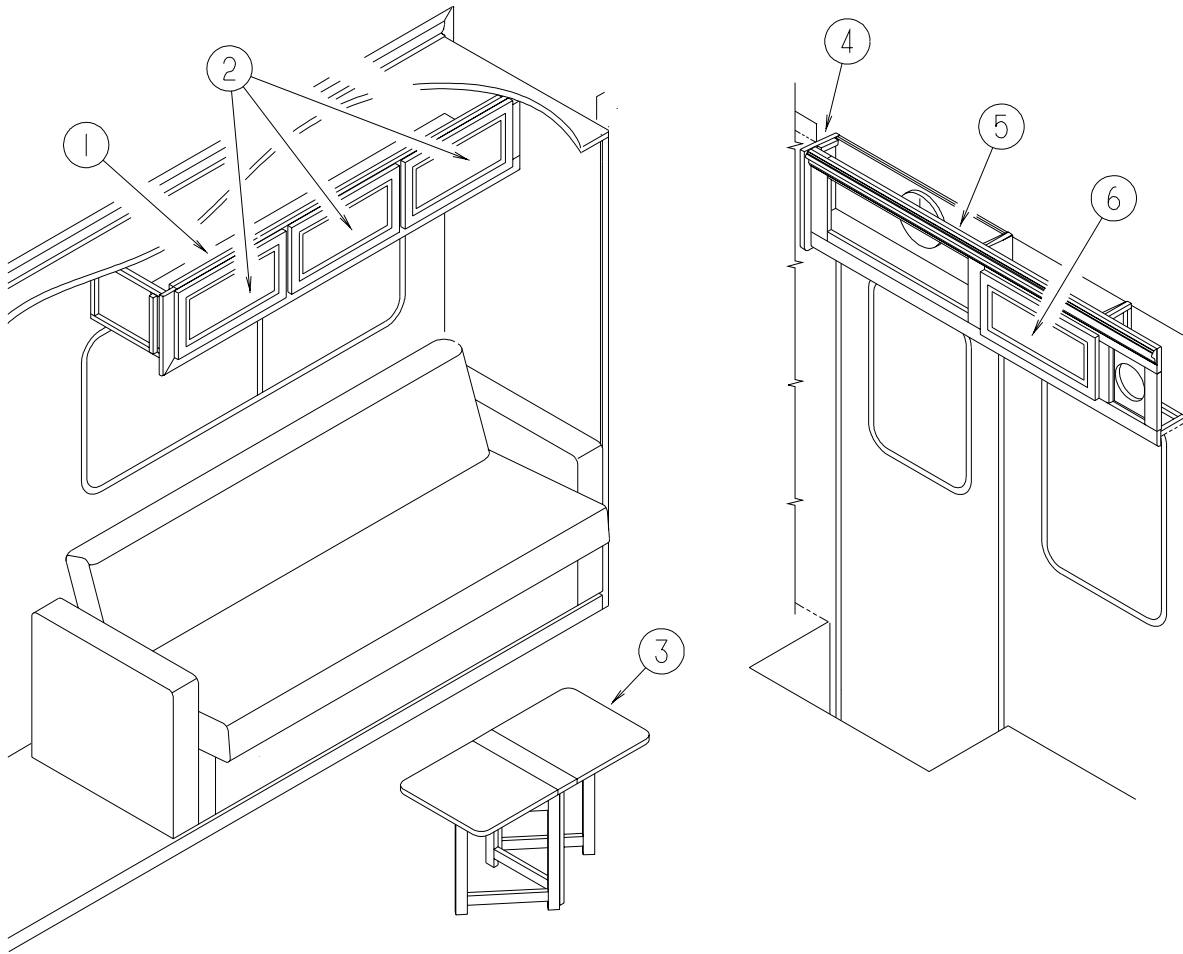
LP GROUP

LP SYSTEM

| KEY | PART NUMBER | U/M | DESCRIPTION |
|-----|---------------|-----|--|
| | 105658-01-000 | EA | COMPARTMENT - LP REGULATOR |
| | 106150-01-000 | EA | REGULATOR - TWO STAGE -W/90 DEGREE ELBOW & 3/8" FPT OUTLET |
| | 010323-01-000 | EA | ADAPTER - BRASS - 3/8"F X 1/2"MPT |
| | 010329-01-000 | EA | ADAPTER - BRASS - 1/2"F X 1/2"MPT |
| | 024250-01-000 | EA | ADAPTER - BRASS - 3/8"F X 1/2"FPT |
| | 010251-02-000 | EA | ELBOW - BRASS - 90 DEGREE - 3/8 F X 1/4 MPT |
| | 010252-01-000 | EA | ELBOW - BRASS - 90 DEGREE - 3/8"F X 1/2"MPT |
| | 010265-01-000 | EA | ELBOW - BRASS - 90 DEGREE - 3/8"F X 1/2"FPT |
| | 065318-02-000 | EA | ELBOW - 90 DEGREE - 3/8" MPT TO 3/8" FPT |
| | 010536-02-000 | EA | TEE - STEEL BLACK - 1/2" |
| | 106846-01-000 | EA | VALVE - RELIEF |
| | 106871-01-000 | EA | BUSHING - 1/2 X 1/4 - BLACK |
| * | 088253-03-000 | EA | TANK - LP - 100 LB - 16"DIAMETER X 36" LONG - SPL (FL34Y, FL36W) |
| * | 088253-10-000 | EA | TANK - LP - 100 LB - 14" DIAMETER X 47" LONG (FL35U) |
| * | 088253-05-000 | EA | TANK - LP - 130 LB - LIQUID DRAW (W/LP GENERATOR ONLY) |
| * | 088253-06-000 | EA | TANK - LP - 130 LB - KL36L |
| | 040440-02-000 | EA | TRANSMITTER - DIAL/BOLT ON - 0-90 OHM 2 TERM(POWER/GROUND) |
| | 040440-03-000 | EA | TRANSMITTER - DIAL/SNAP ON - 0-90 OHM 2 TERM(GROUND/POWER) |
| | 010377-02-000 | EA | NUT - BRASS - 3/8" FLARE - FORGED |
| | 010380-02-000 | EA | NUT - BRASS - 1/2" FLARE - FORGED |
| | 045703-01-000 | EA | HOSE - LP - 3/8"ID X 24" - 3/8"MPT X 1/2"F SWIVEL - U.S. |
| | 045703-02-000 | EA | HOSE - LP - 3/8"ID X 24" - 3/8"MPT X 1/2"F SWIVEL - CANADA |
| | 045703-03-000 | EA | HOSE - LP - 3/8"ID X 18" - 3/8"MPT X 1/2"F SWIVEL - U.S. |
| | 045703-05-000 | EA | HOSE - LP - 3/8"ID X 28" - 3/8"MPT X 1/2"F SWIVEL - U.S. |
| | 045703-06-000 | EA | HOSE - LP - 3/8"ID X 28" - 3/8"MPT X 1/2"F SWIVEL - CANADA |
| | 045703-11-000 | EA | HOSE - LP - 3/8"ID X 36" - 3/8"MPT X 3/8"F SWIVEL - UL/CSA |
| | 045703-12-000 | EA | HOSE - LP - 3/8"ID X 18" - 3/8"MPT X 1/2"F SWIVEL - CANADA |
| | 045703-13-000 | EA | HOSE - LP - 3/8"ID X 120" - 3/8"F SWIVEL X 1/2"F SWIVEL US |
| | 045703-14-000 | EA | HOSE - LP - 3/8"ID X 157.5" - 1/2"F SWIVEL X 1/2"F SWIVEL |
| | 045703-15-000 | EA | HOSE - LP - 3/8"ID X 142" - 1/2F SWIVEL X 3/8F |
| | 045703-16-000 | EA | HOSE - LP - 3/8ID X 109" - 1/2" F SWIV FLR X 3/8" M FLR |
| | 065820-09-000 | EA | HOSE - HIGH PRESSURE - 28" |
| | 103613-03-000 | EA | DETECTOR - LP GAS - W/O SHUT-OFF VALVE |

* COMPONENT PARTS FOUND IN SERVICE PARTS LIBRARY

LOUNGE GROUP CABINETS



| KEY | PART NUMBER | U/M | DESCRIPTION |
|-----|---------------|-----|--|
| 1 | 134314-01-L52 | EA | CABINET - OVERHEAD/COUCH - W/O DOORS/HARDWARE - SALEM CHERRY |
| 1 | 134314-01-L53 | EA | CABINET - OVERHEAD/COUCH - W/O DOORS/HARDWARE - WATERFORD OAK |
| 2 | 131995-35-L14 | EA | DOOR - RAIL/SOLID PANEL - 10.6" X 19.8" - W/O HARDWARE - SALEM CHERRY |
| 2 | 131995-35-L13 | EA | DOOR - RAIL/SOLID PANEL - 10.6" X 19.8" - W/O HARDWARE - WATERFORD OAK |
| 3 | 133604-01-L52 | EA | TABLE/COFFEE - COMPLETE - CHERRY |
| 3 | 133604-01-L53 | EA | TABLE/COFFEE - COMPLETE - WATERFORD OAK |
| | 134334-01-000 | EA | BAG - COFFEE TABLE |
| 4 | 103128-65-L52 | EA | END CAP - OVERHEAD CABINET - LEFT HAND - SALEM CHERRY |
| 4 | 103128-65-L53 | EA | END CAP - OVERHEAD CABINET - LEFT HAND - WATERFORD OAK |
| 5 | 134381-01-L52 | EA | CABINET - OVERHEAD/ENTRY DOOR - W/O DOORS/HARDWARE (L52, L54) |
| 5 | 134381-01-L53 | EA | CABINET - OVERHEAD/ENTRY DOOR - W/O DOORS/HARDWARE (L53, L55) |
| 5 | 134381-01-L56 | EA | CABINET - OVERHEAD/ENTRY DOOR - W/O DOORS/HARDWARE (L56) |
| 5 | 134381-01-L57 | EA | CABINET - OVERHEAD/ENTRY DOOR - W/O DOORS/HARDWARE (L57) |
| 6 | 131995-32-L52 | EA | DOOR - RAIL/SOLID PANEL - 10.2" X 21.4" - W/O HARDWARE - SALEM CHERRY |
| 6 | 131995-32-L53 | EA | DOOR - RAIL/SOLID PANEL - 10.2" X 21.4" - W/O HARDWARE - WATERFORD OAK |

SEALANTS & FASTENERS GROUP

SEALANTS & ADHESIVES

| KEY | PART NUMBER | U/M | DESCRIPTION |
|-----|---------------|-----|--|
| | 069640-01-000 | FT | SEALER - RIBBON - 1/4" DIAMETER X 30' - BLACK |
| | 069640-02-000 | FT | SEALER - TAPE - .13"THICK X .5"WIDE X 60' - GRAY |
| | 069640-03-000 | FT | SEALER - TAPE - .13"THICK X .75"WIDE X 60' - BLACK |
| | 069640-07-000 | FT | SEALER - TAPE - .09" THICK X 2" WIDE X 45' - GRAY |
| | 069640-09-000 | FT | SEALER - TAPE - .03" THICK X 2.50"WIDE X 80' - GRAY |
| | 069640-10-000 | FT | SEALER - TAPE - .03" THICK X 1.50" WIDE X 90' - GRAY |
| | 069640-11-000 | FT | SEALER - TAPE - .19" THICK X .38" WIDE X 40' - BLACK |
| | 069640-13-000 | FT | SEALER - TAPE - .03"THICK X 2"WIDE X 45' - BLACK |
| | 069640-14-000 | FT | SEALER - TAPE - .06" THICK X 1" WIDE X 100' - GRAY |
| | 069640-15-000 | FT | SEALER - TAPE - .06"THICK X .38"WIDE X 100' - GRAY |
| | 069640-17-000 | FT | SEALER - TAPE - .03" THICK X 1" WIDE X 90' - GRAY |
| | 069640-18-000 | FT | SEALER - TAPE - .50" THICK X .13" WIDE X 60' - BRT WHITE |
| | 069640-19-000 | FT | SEALER - TAPE - .75" THICK X .13" WIDE X 60' - BRT WHITE |
| | 069640-20-000 | FT | SEALER - TAPE - .50" THICK X 1/8" WIDE X 60' - BLACK |
| | 069640-21-000 | FT | SEALER - TAPE - .50" THICK X 1/16" WIDE X 100'-BRIGHT WHT |
| | 069640-22-000 | FT | SEALER - TAPE - .25" THICK X 1/32" WIDE X 100'- BRIGHT WHT |
| | 069640-23-000 | FT | SEALER - TAPE - 1/16" THICK X 3/4" WIDE X 100'-BRIGHT WHT |
| | 069640-25-000 | FT | SEALER - TAPE - .06" THICK X 3.5" WIDE X 50' - GRAY |
| | 072889-01-000 | EA | SEALANT - URETHANE - BLACK - TUBE |
| | 072889-10-000 | EA | SEALANT - URETHANE - BRIGHT WHITE - TUBE |
| | 072889-11-000 | EA | SEALANT - URETHANE - GRAY - TUBE |
| | 072889-13-000 | EA | SEALANT - URETHANE - VW WHITE - TUBE |
| | 072889-14-000 | EA | SEALANT - URETHANE - SABLE - TUBE |
| | 116767-01-01A | EA | SEALANT - WATERBASE - CLEAR |
| | 053766-02-000 | EA | BEDDING COMPOUND - TUBE - WHITE |
| | 053766-06-000 | EA | BEDDING COMPOUND - TUBE - CLEAR |
| | 034552-15-000 | EA | SILICONE - TUBE - W/O NOZZLE - BRIGHT WHITE |
| | 131264-01-01A | EA | SILICONE - W/O NOZZLE - BLACK |
| | 131264-01-02A | EA | SILICONE - W/O NOZZLE - CLEAR |
| | 131264-01-08A | EA | SILICONE - W/O NOZZLE - BUFF |
| | 131264-02-01A | EA | SILICONE - W/O NOZZLE - VW GRAY - BATH ONLY |
| | 131264-03-01A | EA | SILICONE - W/O NOZZLE - SELF LEVELING - BRIGHT WHITE |
| | 108716-01-000 | EA | SILICONE - W/O NOZZLE - OFF WHITE - SELF LEVELING |
| | 108716-02-000 | EA | SILICONE - W/O NOZZLE - BUFF - SELF LEVELING |
| | 102352-01-000 | EA | SEALER - PUMPABLE - TUBE - BLACK |
| | 102352-02-000 | EA | SEALER - PUMPABLE - TUBE - CLEAR |
| | 094401-01-000 | EA | SEALER - BODY SEAM - FLEXICLEAR |
| | 094401-03-000 | EA | SEALER - BODY SEAM - BLACK |
| | 094401-04-000 | EA | SEALER - BODY SEAM - CLEAR |
| | 067788-01-000 | EA | ADHESIVE - SPRAY - 3M - 19.5 OZ AEROSOL CAN |
| | 900390-01-000 | EA | NOZZLE - SILICONE TUBE - 2.5" LONG |
| | 900390-03-000 | EA | NOZZLE - SILICONE TUBE - 4.3" LONG |
| | 112902-01-000 | EA | NOZZLE - ELEMENT - 3/8 X 24 |
| | 112902-02-000 | EA | NOZZLE-BELL 3/8X24 |
| | 112902-03-000 | EA | MIXER NOZZLE - F/GUN #00400102000 - SCOTCH-WELD & PLEXUS |
| | 076322-01-000 | FT | TAPE-DOUBLE COATED/ADHESIVE BK-.03"THK X .8"W X 216'- WHT |
| | 076322-02-000 | FT | TAPE-DOUBLE COATED/ADHESIVE BK-.05"THK X 1"W X 108' - WHT |
| | 076322-03-000 | FT | TAPE-DOUBLE COATED/ADHESIVE BK-.05"THK X .5"W X 108' - WHT |
| | 076322-05-000 | FT | TAPE-DOUBLE COATED/ADHESIVE BK-.05"THK X .8"W X 108' - WHT |
| | 076322-06-000 | FT | TAPE - DOUBLE COATED/ADHESIVE BK-.05"THK X 1"W - BLK |
| | 076322-07-000 | FT | TAPE-DOUBLE COATED/ADHESIVE BK-.05"THK X .5"W X 200' - BLK |
| | 076322-11-000 | FT | TAPE-DOUBLE COATED/ADHESIVE BK-.02"THK X 1"W X 216' - CLR |
| | 076322-12-000 | FT | TAPE-DOUBLE COATED/ADHESIVE BK-.05"THK X .8"W X 108' - CLR |
| | 123816-01-000 | FT | TAPE - DOUBLE SIDED - 1" X 100' |
| | 123816-02-000 | FT | TAPE - DOUBLE SIDED - 1/2" X 1 1/3" X 100' |
| | 123816-03-000 | FT | TAPE - DOUBLE SIDED - 1/2" X 3/4" X 100' |
| | 123816-04-000 | FT | TAPE - DOUBLE SIDED - 6" X 750' |
| | 120534-01-01A | EA | TAPE - SCOTCH - 3M - 1/2" FINE LINE |

SEALANTS & FASTENERS GROUP (CONTINUED)

SEALANTS & ADHESIVES (CONTINUED)

| KEY | PART NUMBER | U/M | DESCRIPTION |
|-----|---------------|-----|--|
| | 063642-01-000 | FT | TAPE - ADHESIVE - .4" X 1.5" X 180' |
| | 123244-01-000 | FT | TAPE - DOUBLE SIDED/FOAM - 5/64" THICK X 3/4" WIDE |
| | 123244-02-000 | FT | TAPE - DOUBLE SIDED/FOAM - 5/64" THICK X 1/2" WIDE X 108' |
| | 088479-01-000 | EA | TAPE - ALUMINUM - 3" |
| | 103202-02-000 | FT | TAPE - FOAM/ADHESIVE ONE SIDE - 1/16" X 200' |
| | 110274-01-000 | FT | TAPE - DOUBLE SIDED/FOAM - .45" X 1" X 216' - BLACK |
| | 115933-01-000 | FT | TAPE - 1/64" X 3/8" X 100' |
| | 123816-04-000 | FT | TAPE - DOUBLE SIDED - 6" X 750' |
| | 002707-02-000 | FT | TAPE - SEALER - 5/16" X 1/2" - INCREMENTS OF 50 FT |
| | 091255-02-000 | FT | SEAL - ADHESIVE BACKED/FOAM - 3/64" THICK X 3/16"W X 1000' |
| | 091255-03-000 | FT | SEAL - ADHESIVE BACKED/FOAM - 1/4" THICK X 1/4"W X 1000' |
| | 099069-01-000 | FT | SEAL - RUBBER - CLOSED SPONGE - .5" WIDE X .12" THICK -BLK |
| | 104692-01-000 | FT | SEAL - ADHESIVE BACKED FOAM - 3/4" THICK X 3/4" WIDE X 25' |
| | 104692-03-000 | FT | SEAL - ADHESIVE BACKED FOAM - 1" THICK X 1 3/4" WIDE X 15' |
| | 108353-03-000 | FT | SEAL - FOAM - .19" X .25" |
| | 112864-01-000 | FT | SEAL - FOAM/BUTYL COVERED - 3/8" X 35' |
| | 106206-01-000 | EA | SEALER - PUMPABLE - TUBE - BLACK - MANUS |
| | 120074-02-01A | EA | SILICONE - W/O NOZZLE - LOW ODOR - OFF WHITE |
| | 120074-02-02A | EA | SEALANT - W/O NOZZLE - SOFT WHITE |
| | 107828-01-000 | EA | SEALANT - SB - 190 EVERSEAL |
| | 112864-02-000 | FT | FOAM - BUTYL COVERED 5/16" X 44' |
| | 087211-01-000 | GL | PROMOTER - ADHESIVE - GALLON |
| | 004006-05-700 | EA | ADHESIVE - 5 GALLON - NATIONAL STARCH |
| | 004020-01-000 | QT | ADHESIVE - ABS CEMENT - QUART |
| | 112901-02-000 | EA | ADHESIVE - PLEXUS - MA330 - 50ML - GRAY |
| | 131384-01-000 | EA | ADHESIVE - JETWELD |
| | 113366-01-000 | EA | ADHESIVE - INSTANT - 1 OZ |
| | 062917-03-000 | EA | ADHESIVE - LOCTITE 242 |
| | 004001-02-000 | EA | GUN - PLEXUS ADHESIVE - W/O NOZZLE |
| | 004001-03-000 | EA | MIXER NOZZLE (EPX) |
| | 004001-03-001 | EA | EPOXY MIXER NOZZLE 12" |
| | 004001-03-002 | EA | TUBE/MIXER - GRACO EPOXY |
| | 004001-04-000 | EA | PLUNGER ACCESSORY (EPX) |
| | 004001-05-000 | EA | ADHESIVE - SCOTCH-WELD - 3M DP100 - CLEAR - 50ML |
| | 099952-01-000 | FT | CORE - SEAL - BULB SUPPORT |

BOLTS, NUTS AND WASHERS

| KEY | PART NUMBER | U/M | DESCRIPTION |
|-----|---------------|-----|---|
| | 000C12-04-12A | EA | BOLT - HEX - 1/4-20 X .75 - PLAIN 5 |
| | 000C12-05-16B | EA | BOLT - HEX - 5/16-18 X 1 - GRADE #5 - ZINC |
| | 000C12-05-12B | EA | BOLT - HEX - 5/16-18 X 3/4 - ZINC 5 |
| | 000C12-06-16B | EA | BOLT - HEX - 3/8-16 X 1 - GRADE #5 - ZINC |
| | 000C12-06-20B | EA | BOLT - HEX - 3/8-16 X 1 1/4 - GRADE #5 - ZINC |
| | 000C12-06-44B | EA | BOLT - HEX - 3/8-16 X 2 3/4 - ZINC 5 |
| | 000C12-07-20B | EA | BOLT - HEX - 7/16-14 X 1 1/4 - ZINC 5 |
| | 000C12-08-24B | EA | BOLT - HEX - 1/2-13 X 1.5 - GRADE #3 - ZINC |
| | 000C12-08-28B | EA | BOLT - HEX - 1/2-13 X 1.8" - GRADE #5 - ZINC |
| | 000C12-08-16B | EA | BOLT - HEX - 1/2-13 X 1" - GRADE #5 - ZINC |
| | 0MC04K-06-016 | EA | BOLT - HEX - M06 X 1 X 016 |
| | 0MC05K-08-055 | EA | BOLT - HEX - M08 X 1.25 X 2.2 |
| | 0MC13K-14-070 | EA | BOLT - HEX - M14 X 2.00 X 2 3/4 |
| | 0MC31K-08-020 | EA | BOLT - HEX - SERRATED FLANGE - M8 X 020 |
| | 0MC32K-10-030 | EA | BOLT - HEX - SERRATED FLANGE - M10 X 1.50 |

SEALANTS & FASTENERS GROUP (CONTINUED)**BOLTS, NUTS AND WASHERS (CONTINUED)**

| KEY | PART NUMBER | U/M | DESCRIPTION |
|------------|--------------------|------------|--|
| | 0MC53K-12-050 | EA | BOLT - HEX - M12 X 1.75 X 050 |
| | 000C12-04-40B | EA | BOLT - HEX - 1/4-20 X 2 1/2 - GRADE 5 ZINC |
| | 000C12-05-64B | EA | BOLT - HEX - 5/16-18 X 4 |
| | 000C12-06-24B | EA | BOLT - HEX - 3/8-16 X 1 1/2 - ZINC #5 |
| | 000C12-10-24B | EA | BOLT - HEX - 5/8-11 X 1.5" - GRADE #5 - ZINC |
| | 000C13-07-40B | EA | BOLT - HEX - 7/16-20 X 2.5" - GRADE #5 - ZINC |
| | 000C13-07-48B | EA | BOLT - HEX - 7/16-20 X 3" - GRADE #5 - ZINC |
| | 000C13-08-40B | EA | BOLT - HEX - 1/2-20 X 2 1/2 - GRADE #5 - ZINC |
| | 000C13-08-28B | EA | BOLT - HEX - 1/2-20 X 1 3/4 - GRADE #5 - ZINC |
| | 000C14-07-28B | EA | BOLT - HEX - 7/16-14 X 1.75 - GRADE 8 ZINC |
| | 000C14-07-20B | EA | BOLT - HEX - 7/16-14 X 1.25 - GRADE 8 ZINC |
| | 000C14-10-24K | EA | BOLT - HEX 0 5/8-11 X 1.50 - GRADE #8 - ZINC |
| | 000C14-10-32K | EA | BOLT - HEX - 5/8"-11 X 2 - GRADE #8 - ZINC |
| | 000C18-05-40A | EA | BOLT - ELEVATOR - 5/16-18 X 2.50 - PL |
| | 000C18-06-48B | EA | BOLT - ELEVATOR - 3/8-16 X 3 - GRADE 5 - ZINC |
| | 000C18-06-56A | EA | BOLT - ELEVATOR - 3/8-16 X 3 1/2 - GRADE 5 |
| | 000C26-04-18B | EA | BOLT - HEX - SERRATED FLANGE - 1/4-20 X 1 1/8 - ZINC |
| | 000C26-04-14B | EA | BOLT - HEX - SERRATED FLANGE - 1/4-20 X 7/8 - ZINC |
| | 000C26-04-10B | EA | BOLT - HEX - SERRATED FLANGE - 1/4-20 X 5/8 - ZINC |
| | 000C26-05-16B | EA | BOLT - HEX - SERRATED FLANGE - 5/16-18 X 1 - ZINC |
| | 000C26-05-20B | EA | BOLT - HEX - SERRATED FLANGE - 5/16-18 X 1 1/4 - ZINC |
| | 000C26-05-12B | EA | BOLT - HEX - SERRATED FLANGE - 5/16-18 X 3/4 - ZINC |
| | 000C26-05-16B | EA | BOLT - HEX - SERRATED FLANGE - 5/16-18 X 1 - ZINC |
| | 000C26-05-129 | EA | BOLT - HEX - SERRATED FLANGE - 5/16-18 X 3/4 |
| | 000C26-05-249 | EA | BOLT - HEX - SERRATED FLANGE 5/16-18 X 1.5" |
| | 000C26-06-16B | EA | BOLT - HEX - SERRATED FLANGE - 3/8-16 X 1 - ZINC |
| | 000C26-06-12B | EA | BOLT - HEX - SERRATED FLANGE - 3/8-16 X 3/4 - ZINC |
| | 000C26-06-28B | EA | BOLT - HEX - SERRATED FLANGE - 3/8-16 X 1 3/4 - ZINC |
| | 000C26-06-40B | EA | BOLT - HEX - SERRATED FLANGE - 3/8-16 X 1 3/4 - ZINC |
| | 000C26-06-20B | EA | BOLT - HEX - SERRATED FLANGE - 3/8-16 X 1 1/4 - ZINC |
| | 000C26-08-24B | EA | BOLT - HEX - SERRATED FLANGE - 1/2-13 X 1 1/2 - ZINC |
| | 000C27-04-40B | EA | BOLT - CARRIAGE 1/4-20 X 2.50 - ZINC |
| | 000C27-08-64B | EA | BOLT - CARRIAGE - 1/2-13 X 4 - GRADE 5 |
| | 106166-01-000 | EA | BOLT/COLLARED HANGER - 8-32 X 1" |
| | 000G45-04-24B | EA | BOLT - LAG - 1/4-9 X 1 1/2 - ZINC |
| | 000G45-04-24F | EA | BOLT - LAG - 1/4-9 X 1 1/2 STAINLESS STEEL |
| | 000G45-05-16B | EA | BOLT - LAG - 5/16-9 X 1 - ZINC |
| | 106956-03-000 | EA | BOLT - HEX TAP - 1/2-12NC X 3 - GRADE 5 - FULL THREAD/ZINC |
| | 051387-06-000 | EA | BOLT - CARRIAGE W/O HOLE - 5/16-18 X 9.5 - ZINC |
| | 091274-03-000 | EA | BOLT-J - 3/8-16 X 12.0 |
| | 106956-08-000 | EA | BOLT - HEX TAP - 1/2-13NC X 4 - GRADE 5 - FULL THREAD/ZINC |
| | 087718-01-000 | EA | MONOBOLT - STEEL - 3/16 DIAMETER |
| | 102333-02-01A | EA | BOLT - CARRIAGE - 1/4-20 |
| | 103020-02-000 | EA | BOLT-U - #8-32 - GRADE 5 ZINC |
| | 107393-02-000 | EA | BOLT - SHOULDER - 3/8" SOCKETHEAD |
| | 113985-02-000 | EA | BOLT - FLANGE - M10-1.5 X 30CL10.9 |
| | 114259-05-000 | EA | BOLT - 7/16-20 X 1 1/4 W/WASHER |
| | 0MD16K-10-000 | EA | NUT - HEX PREV TORQUE M10 X 1.50 CLASS 8 |
| | 0MD39K-12-000 | EA | NUT - HEX W/NYLON LOCK - M12 X 1.75 |
| | 000D24-10-00B | EA | NUT - HEX - SELF LOCKING - 10-32 ZINC |
| | 000D29-05-00B | EA | NUT - HEX - LOCKING W/SERRATED FLANGE-NYLON WASHER INSERT |
| | 000D29-09-00B | EA | NUT - HEX - SELF LOCKING - 9/16-12 - ZINC |
| | 000D29-06-00B | EA | NUT - HEX - W/NYLON LOCK - 3/8-16 - ZINC |
| | 000D30-07-00B | EA | NUT - HEX LOCK - NYLON 7/16 X 20 |
| | 000D34-04-00B | EA | NUT - HEX - LOCKING - 1/4-20 ZINC |
| | 000D34-06-00B | EA | NUT - HEX - LOCKING - 3/8-16 GRADE C - ZINC |
| | 000D39-04-00B | EA | NUT - HEX - LOCKING W/SERRATED FLANGE - 1/4-20 - ZINC |
| | 000D39-05-00B | EA | NUT - HEX - LOCKING W/SERRATED FLANGE - 5/16-18 - ZINC |
| | 000D39-06-00B | EA | NUT - HEX - LOCKING W/SERRATED FLANGE - 3/8-18 - ZINC |
| | 000D39-07-00B | EA | NUT - HEX - LOCKING W/SERRATED FLANGE - 7/16-14 - ZINC |
| | 000D39-08-00B | EA | NUT - HEX - LOCKING W/SERRATED FLANGE - 1/2-13 - ZINC |

SEALANTS & FASTENERS GROUP (CONTINUED)

BOLTS, NUTS AND WASHERS (CONTINUED)

| KEY | PART NUMBER | U/M | DESCRIPTION |
|-----|---------------|-----|--|
| | 000D44-04-00B | EA | NUT - HEX - LOCKING W/SERRATED FLANGE - 1/4-28 - ZINC |
| | 000D44-07-00B | EA | NUT - HEX - LOCKING W/SERRATED FLANGE - 7/16-20 - ZINC |
| | 000D44-08-00B | EA | NUT - HEX - SERRATED FLANGE - 1/2-20 - GRADE #5 - ZINC |
| | 000D46-04-00A | EA | NUT - HEX - WELD - 1/4-20 - PLAIN |
| | 000D58-06-00A | EA | NUT - HEX - WELD 3/8-16 - PLAIN |
| | 000D65-08-00B | EA | NUT - HEX - LOCKING W/SERRATED FLANGE - 8-32 - ZINC |
| | 000D67-10-00B | EA | NUT - HEX - LOCK - 5/8-11 - ZINC |
| | 000D73-07-00C | EA | NUT - HEX FLANGE - 7/16-14 - GRADE 6 |
| | 000D73-08-00C | EA | NUT - HEX FLANGE - 1/2-13 |
| | 000D76-06-00B | EA | NUT - HEX FLANGE - 3/8-16 |
| | 044364-02-000 | EA | NUT - SPEED - FLAT - ROUND |
| | 063253-07-000 | EA | NUT - J - #8A - .120 - .130 PNL THK |
| | 087234-01-000 | EA | NUT - JACK - 1/4 X 20 THD - MOLLY MOUNTS LICENSE PLATES USING BOLT #000G500412B |
| | 040921-01-000 | EA | NUT - SPEED - U TYPE - #10-24 - BLACK |
| | 104369-01-000 | EA | NUT - HEX - HEAVY - 5/8-11 UNC |
| | 000D29-04-00B | EA | NUT - HEX - SELF LOCKING - 1/4 X 20 - ZINC |
| | 005081-01-000 | EA | NUT - SPEED - C-TYPE - #8 SCREW |
| | 040921-04-000 | EA | NUT - SPEED - U TYPE - #8-.59" LENGTH X .44" WIDTH |
| | 040921-09-000 | EA | NUT - SPEED - U TYPE - #8 |
| | 044364-01-000 | EA | NUT - SPEED - FLAT - RECTANGULAR - SELF LOCKING/ONE PIECE |
| | 083163-06-000 | EA | PUSHNUT - FLAT TYPE 3/8 STUD - FORD ONLY |
| | 0ME06K-14-280 | EA | WASHER - FLAT - 14 ID X 28.00 OD |
| | 000E11-07-00B | EA | WASHER - LOCKING - 7/16 MED SPLIT - ZINC |
| | 000E11-08-00B | EA | WASHER - LOCKING - 1/2 MED SPLIT - ZINC |
| | 000E13-14-00B | EA | WASHER - FLAT - 1/4 WIDE - ZINC |
| | 000E13-17-00B | EA | WASHER - FLAT - 3/8 AR - ZINC |
| | 000E13-18-00B | EA | WASHER - FLAT - 3/8 WIDE - ZINC |
| | 000E13-20-00B | EA | WASHER - FLAT - 7/16 WIDE - ZINC |
| | 000E13-21-00B | EA | WASHER - FLAT - 1/2 NARROW - ZINC |
| | 000E13-22-00B | EA | WASHER - FLAT - 1/2 WIDE - ZINC |
| | 000E13-26-00B | EA | WASHER - FLAT - 5/8 WIDE - ZINC |
| | 000E14-10-00B | EA | WASHER - LOCKING - #10 EXTERNAL TOOTH - ZINC |
| | 000E16-10-00B | EA | WASHER - HARDENED - 5/8 - FLAT - ZINC |
| | 058716-02-000 | EA | WASHER - FLAT NYLON |
| | 077071-01-000 | EA | WASHER - FENDER - 3/16"ID X 1" OD |
| | 107397-01-000 | EA | WASHER - FENDER - .25" ID X 1" OD |
| | 041322-01-000 | EA | WASHER - FLANGE - 15/32 ID X 2 3/8 OD - F/SEAT BELT MTG |
| | 044533-01-000 | EA | WASHER - PLASTIC - 1 3/8" OD - FOR BUTTONS |
| | 046867-05-000 | EA | WASHER - #0 |
| | 058716-03-000 | EA | WASHER - FLAT/NYLON - .500 X 1.25 X .060 |
| | 088787-12-000 | EA | STUD - WELD - 1/4 - 20 X 1.0 LG - MN |
| | 108067-03-000 | EA | STUD - WELD - 1/4 - 20 X 1/2 CD |
| | 102540-02-000 | EA | SEAL - SCREW |
| | 106648-01-000 | EA | CAP - STUD - .120 TO .130 DIAMETER |

SCREWS

| KEY | PART NUMBER | U/M | DESCRIPTION |
|-----|---------------|-----|--|
| | 0G1108-12-170 | EA | SCREW - 8-18 X .75 PPH - BRIGHT WHITE |
| | 0G1106-08-240 | EA | SCREW - 6-20 X 1/2 PPH - VW LIGHT GRAY |
| | 0G1108-12-140 | EA | SCREW - 8-18 X .75 PPH |
| | 0G1108-12-240 | EA | SCREW - 8-18 X .75 PPH - VW LIGHT GRAY |
| | 0G1208-12-170 | EA | SCREW - 8-18 X .75 POH - BRIGHT WHITE |
| | 0G3908-08-160 | EA | SCREW - SF/DR-8-18X1/2 PPH |
| | 0G3908-08-170 | EA | SCREW - SF/DR - 8-18 X .50 PPH - BRIGHT WHITE |
| | 0G3908-08-240 | EA | SCREW - SF/DR - 8-18 X 1/2 PPH - VW LIGHT GRAY |
| | 0G3908-12-250 | EA | SCREW - SF/DR - 8-18 X .75 PPH - DARK GRAY |
| | 0G3908-16-170 | EA | SCREW - SF/DR - 8-18 X 1.00 PPH - BRIGHT WHITE |
| | 0G3908-20-170 | EA | SCREW - SF/DR - 8-18 X 1.25 PPH - BRIGHT WHITE |
| | 0G3908-24-170 | EA | SCREW - SF/DR - 8-18 X 1.50 PPH - BRIGHT WHITE |

SEALANTS & FASTENERS GROUP (CONTINUED)

SCREWS (CONTINUED)

| KEY | PART NUMBER | U/M | DESCRIPTION |
|-----|---------------|-----|--|
| | 0G3910-10-160 | EA | SCREW - SF/DR - 10-16 X .62 PPH |
| | 0G3910-10-240 | EA | SCREW - SF/DR - 10-16 X .62 PPH - VW LIGHT GRAY |
| | 0G5508-12-110 | EA | SCREW - SF/DR-8-18 X .75 PWH |
| | 0G3910-12-260 | EA | SCREW - SF/DR - 10-16 X .75 PPH - ALLANTE ANTELOPE |
| | 0G3910-12-170 | EA | SCREW - SF/DR - 10-16 X .75 PPH - BRIGHT WHITE |
| | 0G5508-12-170 | EA | SCREW - SF/DR - 8-18 X .75 PWH - BRIGHT WHITE |
| | 0G5508-12-270 | EA | SCREW - SF/DR - 8-18 X .75 PWH - TITANIUM |
| | 0G5508-12-260 | EA | SCREW - SF/DR - 8-18 X .75 PWH - ALLANTE ANTELOPE |
| | 0G5508-16-250 | EA | SCREW - SF/DR - 8-18 X 1.00 PWH - VW DARK GRAY |
| | 0G6008-16-170 | EA | SCREW - SF/DR - 8-18 X 1.00 POH - BRIGHT WHITE |
| | 0G5508-16-260 | EA | SCREW - SF/DR - 8-18 X 1.00 PWH ZINC - INTERIOR ANTELOPE |
| | 0G5508-16-270 | EA | SCREW - SF/DR - 8-18 X 1.00 PWH ZINC - INTERIOR TITANIUM |
| | 0G6710-08-130 | EA | SCREW - 10-12 X .50 PPH TAUPE |
| | 0G6710-08-170 | EA | SCREW - 10-12 X 1/2 PPH - BRIGHT WHITE |
| | 0G6710-08-240 | EA | SCREW - 10-12 X .50 PPH TAUPE - VW LIGHT GRAY |
| | 0G6710-12-170 | EA | SCREW - 10-12 X .75 PPH - BRIGHT WHITE |
| | 0G6710-16-230 | EA | SCREW - 10-12 X 1 PPH - BEIGE |
| | 000G11-05-08B | EA | SCREW - 5-20 X .50 PPH - ZINC |
| | 000G11-06-06B | EA | SCREW - 6-20 X 3/8 PPH - ZINC |
| | 000G11-06-10B | EA | SCREW - 6-20 X 5/8 PPH - ZINC |
| | 000G11-06-12B | EA | SCREW - 6-20 X 3/4" PPH - ZINC |
| | 000G11-06-10J | EA | SCREW - 6-20 X 5/8 PPH - BRASS |
| | 000G11-06-A4B | EA | SCREW - 6-20 X 1.5 PPH ZINC |
| | 000G11-06-08B | EA | SCREW - 6-20 X 1/2 PPH - ZINC |
| | 000G11-07-08B | EA | SCREW - 7-19 X 1/2 PPH - ZINC |
| | 000G11-07-08T | EA | SCREW - 7-19 X 1/2 PPH - BLACK |
| | 000G11-08-06B | EA | SCREW - 8-18 X 3/8 PPH - ZINC |
| | 000G11-08-06J | EA | SCREW - 8-18 X 3/8 PPH BRASS |
| | 000G11-08-12B | EA | SCREW - 8-18 X 3/4 PPH - ZINC |
| | 000G11-08-12S | EA | SCREW - 8-18 X 3/4 PPH - OFF WHITE |
| | 000G11-08-08T | EA | SCREW - 8-18 X 1/2 PPH - FLUOROCARBON COATING |
| | 000G11-08-08B | EA | SCREW - 8-18 X 1/2 PPH - ZINC |
| | 000G11-08-20B | EA | SCREW - 8-18 X 1 1/4 PPH - ZINC |
| | 000G11-08-16S | EA | SCREW - 8-18 X 1 PPH - OFF WHITE |
| | 000G11-08-16B | EA | SCREW - 8-18 X 1 PPH - ZINC |
| | 000G11-08-12P | EA | SCREW - 8-18 X 3/4 PPH - DARK BROWN |
| | 000G11-08-12D | EA | SCREW - 8-18 X 3/4 PPH - BLACK |
| | 000G11-08-12T | EA | SCREW - 8-18 X 3/4 PPH - BLACK |
| | 000G11-10-12S | EA | SCREW - 10-16 X 3/4 PPH - OFF WHITE |
| | 000G11-10-12D | EA | SCREW - 10-16 X 3/4 PPH - BLACK |
| | 000G11-10-16B | EA | SCREW - 10-16 X 1 PPH - ZINC |
| | 000G11-10-40B | EA | SCREW - 10-16 X 2 1/2 PPH CAD - 34927-01-000 |
| | 000G12-06-08T | EA | SCREW - 6-20 X 1/2 POH - BLACK |
| | 000G12-08-12S | EA | SCREW - 8-18 X 3/4 POH - OFF WHITE |
| | 000G13-05-10B | EA | SCREW - 5-12 X 5/8 PFH - ZINC |
| | 000G13-06-16S | EA | SCREW - 6-20 X 1.00 PFH - OFF WHITE |
| | 000G13-06-10G | EA | SCREW - 6-20 X 5/8 PFH - ANTIQUE BRASS |
| | 000G13-06-08B | EA | SCREW - 6-20 X 1/2 PFH - ZINC |
| | 000G13-06-08G | EA | SCREW - 6-20 X .50 PFH - ANTIQUE BRASS |
| | 000G13-06-24J | EA | SCREW - 6-20 X 1 1/2 PFH - BRASS |
| | 000G13-06-10J | EA | SCREW - 6-20 X .62 PFH - BRASS |
| | 000G13-06-16E | EA | SCREW - 6-20 X 1.00 PFH - CHROME |
| | 000G13-06-16J | EA | SCREW - 6-20 X 1 PFH - BRASS |
| | 000G13-06-06I | EA | SCREW - 6-20 X 3/8 PFH BLACK ZINC |
| | 000G13-06-06B | EA | SCREW - 6-20 X 3/8 PFH ZINC |
| | 000G13-07-12B | EA | SCREW - 7-19 X 3/4 PFH - ZINC |
| | 000G13-07-10H | EA | SCREW - 7-19 X 5/8 PFH - BLACK |
| | 000G13-07-089 | EA | SCREW - 7-19 X 1.2 PPH - SILVER |
| | 000G13-08-10B | EA | SCREW - 8-18 X 5/8 PFH - ZINC |
| | 000G13-08-16B | EA | SCREW - 8-18 X 1 PFH - ZINC |
| | 000G13-08-109 | EA | SCREW - 8-18 X 5/8 PFH |
| | 000G16-04-24B | EA | SCREW - MACHINE - 1/4-20 X 1 1/2 PPH |

SEALANTS & FASTENERS GROUP (CONTINUED)

SCREWS (CONTINUED)

| KEY | PART NUMBER | U/M | DESCRIPTION |
|-----|---------------|-----|---|
| | 000G18-08-22B | EA | SCREW - MACHINE - 8-32 X 1 3/8 PPH - ZINC |
| | 000G18-08-20B | EA | SCREW - MACHINE - 8-32 X 1 1/4 PPH - ZINC |
| | 000G18-08-24B | EA | SCREW - MACH-8-32X1 1/2PPH ZN |
| | 000G13-08-24B | EA | SCREW - #8, 18X1 1/2 PFH ZN |
| | 000G19-10-10B | EA | SCREW - MACHINE - 10-32 X 5/8 - PPH - ZINC |
| | 000G19-10-20B | EA | SCREW - MACHINE - 10-32 X 1 1/2 PPH - ZINC |
| | 000G19-10-12F | EA | SCREW - MACHINE - 10-32 X 3/4 PPH - STAINLESS STEEL |
| | 000G19-10-08B | EA | SCREW - MACHINE - 10-32 X 1/2 PPH - ZINC |
| | 000G32-10-06B | EA | SCREW - 10-32 X 3/8 PPH - ZINC |
| | 000G13-10-16I | EA | SCREW - 10-16X1.00 PFH,BLK |
| | 000G34-05-12B | EA | SCREW - HEX HEAD TAPPING - 5/16 X 3/4 LONG |
| | 000G37-08-12B | EA | SCREW - 8-18 X 3/4 PPH |
| | 000G37-08-089 | EA | SCREW - 8 X 18 X 1/2 PPH - FLUOROCARBON SILVER |
| | 000G36-10-12T | EA | SCREW - 10-24X 3/4 PFH TYPE 23 - BLACK |
| | 000G38-04-16D | EA | SCREW - MACHINE - 1/4-20 X 1 PFN - BLACK |
| | 000G39-06-10T | EA | SCREW - SF/DR - 6-20 X 5/8 PPH - BLACK |
| | 000G39-06-16T | EA | SCREW - SF/DR - 6-20 X 1 PPH - BLACK |
| | 000G39-06-08B | EA | SCREW - SF/DR - 6-18 X 1/2 - ZINC |
| | 000G39-08-16S | EA | SCREW - SF/DR - 8-18 X 1 PPH - OFF WHITE |
| | 000G39-08-32B | EA | SCREW - SF/DR - 8-18 X 2 PPH - ZINC |
| | 000G39-08-24B | EA | SCREW - SF/DR - 8-18 X 1 1/2 PPH - ZINC |
| | 000G39-08-24S | EA | SCREW - SF/DR - 8-18 X 1 1/2 - OFF WHITE |
| | 000G39-08-24T | EA | SCREW - SF/DR - 8-18 X 1.50 PPH - BLACK |
| | 000G39-08-16T | EA | SCREW - SF/DR - 6-20 X 1 PPH - BLACK |
| | 000G39-08-16B | EA | SCREW - SF/DR - 8-18 X 1 PPH - ZINC |
| | 000G39-08-12B | EA | SCREW - SF/DR - 8-18 X 3/4 PPH - ZINC |
| | 000G39-08-12T | EA | SCREW - SF/DR - 8-18 X 3/4 PPH - BLACK |
| | 000G39-08-08T | EA | SCREW - SF/DR - 8-18 X 1/2 PPH - BLACK |
| | 000G39-08-08S | EA | SCREW - SF/DR - 8-18 X 1/2 PPH - OFF WHITE |
| | 000G39-08-08B | EA | SCREW - SF/DR - 8-18 X 1/2 PPH - ZINC |
| | 000G39-08-06B | EA | SCREW - SF/DR - 8-18 X 3/8 PPH - ZINC |
| | 000G39-10-10B | EA | SCREW - SF/DR - 10-16 X 5/8 - ZINC |
| | 000G39-10-12P | EA | SCREW - SF/DR, 10-16 X .75 PPH - DARK BROWN |
| | 000G39-10-088 | EA | SCREW - SF/DR - 10-16 X 1/2 PPH - FLEX FLUOROCARBON |
| | 000G39-10-08B | EA | SCREW - SF/DR - 10-16 X 1/2 PPH - ZINC |
| | 000G39-10-40D | EA | SCREW - SF/DR - 10-16 X 2 1/2 PPH - BLACK |
| | 000G39-10-32B | EA | SCREW - SF/DR - 10-16 X 2 - PPH - ZINC |
| | 000G39-10-209 | EA | SCREW - SF/DR - 10-16 X 1 1/4 PPH - FLUOROCARBON SILVER |
| | 000G39-10-20T | EA | SCREW - SF/DR - 10-16 X 1.25 PPH |
| | 000G39-10-20B | EA | SCREW - SF/DR - 10-16 X 1 1/4 PPH - ZINC |
| | 000G39-10-12T | EA | SCREW - SELF TAPPING 10-16 X 3/4" |
| | 000G39-10-12D | EA | SCREW - SF/DR - 10-16 X 3/4 PPH - BLACK |
| | 000G39-10-12B | EA | SCREW - SF/DR - 10-16 X 3/4 PPH - ZINC |
| | 000G39-10-10T | EA | SCREW - SF/DR - 10-16 X .625 - BLACK |
| | 000G39-10-129 | EA | SCREW - SF/DR - 10-16 X 3/4 PPH - FLUOROCARBON SILVER |
| | 000G39-10-48B | EA | SCREW - SF/DR - 10-16 X 3 - PPH - ZINC |
| | 000G39-10-48T | EA | SCREW - SF/DR - 10-16 X 3.00 PPH - BLACK |
| | 000G39-10-24B | EA | SCREW - SF/DR - 10-16 X 1.50 PPH - ZINC |
| | 000G39-10-32I | EA | SCREW - SELF TAPPING - 10-16 X 2" PPH - BLACK |
| | 000G39-12-12E | EA | SCREW - SF/DR - 12-14 X 3/4 PPH - CHROME |
| | 000G42-04-16B | EA | SCREW - SF/DR - 1/4-14 X 1 HWH - ZINC |
| | 000G42-04-12B | EA | SCREW - SF/DR - 1/4-14 X 3/4 HWH - ZINC |
| | 000G42-04-24B | EA | SCREW - SF/DR 1/4-14X1 1/2 ZN |
| | 000G46-08-24T | EA | SCREW - MACHINE - 8-32 X 1 1/2 PFH - BLACK |
| | 000G46-08-28T | EA | SCREW - MACHINE - 8-32 X 1 3/4 PHILLIPS FLAT HEAD - BLACK |
| | 000G50-04-12B | EA | SCREW - MACHINE - 1/4-20 X 3/4 PPH - ZINC |
| | 000G50-04-06B | EA | SCREW - MACHINE - 1/4-20 X 38 PTH - ZINC |
| | 000G50-04-08B | EA | SCREW - MACHINE - 1/4-20 X 1/2 PTH - ZINC |
| | 000G51-08-08B | EA | SCREW - 8-18 X 1/2 PTH - ZINC |
| | 000G51-06-12B | EA | SCREW - 6-20 X 3/4 PTH - ZINC |
| | 000G52-08-18B | EA | SCREW - MACHINE - 8-32 X 1 1/8 PTH - ZINC |
| | 000G54-04-20B | EA | SCREW - 1/4-20 X 1.25 PTH - TYPE 23 - ZINC PLATED |

SEALANTS & FASTENERS GROUP (CONTINUED)**SCREWS (CONTINUED)**

| KEY | PART NUMBER | U/M | DESCRIPTION |
|------------|--------------------|------------|---|
| | 000G55-08-125 | EA | SCREW - SF/DR - 8-18 X 3/4 PWH - WILLOW |
| | 000G55-08-12S | EA | SCREW - SF/DR - 8-18 X 3/4 PWH - OFF WHITE |
| | 000G55-08-124 | EA | SCREW - SF/DR-8-18X.75 PWH - ASH GRAY |
| | 000G55-08-165 | EA | SCREW - SF/DR-8-18X1.00 PWH - WILLOW |
| | 000G56-12-48B | EA | SCREW - WOOD - 12-11 X 3 POH - SPECIAL HARDENED |
| | 000G57-05-16J | EA | SCREW - 5-20 X 1 PFH - BRASS |
| | 000G57-14-64B | EA | SCREW - 14-10 X 4 PFH ZINC |
| | 000G57-14-72B | EA | SCREW - 14-10 X 4 1/2 PHILLIPS FLAT HEAD - ZINC |
| | 000G60-08-22B | EA | SCREW - SF/DR - 8-18 X 1.38 POH - ZINC |
| | 000G60-10-28T | EA | SCREW - SF/DR - 10-16 X 1 3/4 - BLACK |
| | 000G60-10-20I | EA | SCREW - SF/DR - 10-16 X 1.25 POH - BLACK |
| | 000G60-10-20B | EA | SCREW - SF/DR - 10-16 X 1 1/4 POH - ZINC |
| | 000G60-10-209 | EA | SCREW - SF/DR - 10-16 X 1.25 POH - SILVER STALGAARD |
| | 000G62-10-24I | EA | SCREW - SF/DR - 10-16 X 1/5 PFH - BLACK ZINC |
| | 000G67-08-32B | EA | SCREW - 8-15 X 2 PPH - ZINC |
| | 000G67-10-08S | EA | SCREW - 10-12 X 1/2 PPH - OFF WHITE |
| | 000G67-10-08R | EA | SCREW - 10-12 X 1/2 PPH - BEIGE - TYPE A |
| | 000G67-10-08B | EA | SCREW - 10-12 X 1/2 PPH - ZINC |
| | 000G67-10-16B | EA | SCREW - 10-12 X 1 PPH - ZINC |
| | 000G67-10-120 | EA | SCREW - 10-12 X 3/4 PPH - TAN |
| | 000G67-10-12B | EA | SCREW - 10-12 X 3/4 PPH - ZINC |
| | 000G67-10-12R | EA | SCREW - 10-12 X .75 PPH - BEIGE |
| | 000G67-10-12P | EA | SCREW - 10-12 X 3/4 PPH - DARK BROWN |
| | 000G67-10-10S | EA | SCREW - 10-12 X 5/8 PPH - OFF WHITE |
| | 000G67-10-10P | EA | SCREW - 10-12X.62 PPH - DARK BROWN |
| | 000G67-10-10D | EA | SCREW - 10-12 X 5/8 PPH - BLACK - TYPE A |
| | 000G67-10-10T | EA | SCREW - 10-12 X 5/8 PPH BLACK |
| | 000G67-10-10B | EA | SCREW - 10-12 X 5/8 PPH - ZINC - TYPE A |
| | 000G67-10-20D | EA | SCREW - 10-12 X 1.25 PPH - BLACK |
| | 000G67-10-36T | EA | SCREW - 10-12 X 2 1/4 - PPH - BLACK |
| | 000G67-10-32B | EA | SCREW - 10-12 X 2 1/4 - PPH - BLACK |
| | 000G67-10-24B | EA | SCREW - 10-12 X 1.50 PPH - ZINC |
| | 000G67-10-24S | EA | SCREW - 10-12X1.5PPH OFF WHITE |
| | 000G67-10-125 | EA | SCREW - 10-12 X .75 PPH WILLOW |
| | 000G67-10-28B | EA | SCREW - 10-12 X 1.75 PPH - ZINC |
| | 000G67-10-48B | EA | SCREW - 10-12 X 3 PPH - ZINC |
| | 000G68-06-12B | EA | SCREW - 6-18 X .75 POH - ZINC & CLEAR |
| | 000G68-06-12J | EA | SCREW - 6-18 X 3/4 POH - BRASS |
| | 000G68-06-10G | EA | SCREW - 6-18 X 5/8 POH - ANTIQUE BRASS |
| | 000G68-10-20I | EA | SCREW - 10-12 X 1 1/4 POH - BLACK |
| | 000G68-10-36T | EA | SCREW - 10-12 X 2.25 POH BLACK |
| | 049465-01-000 | EA | SCREW - 10-16 PTH W/WASHER - DARK BROWN |
| | 049465-13-000 | EA | SCREW - 10-16X1 PTH W/WASHER - ASH GRAY |
| | 049465-17-000 | EA | SCREW - 10-16 X 1 POH W/WASHER - BRIGHT WHITE |
| | 049465-22-000 | EA | SCREW - 10-16 X 1 1/2 POH W/WASHER - SABLE |
| | 054434-02-000 | EA | SCREW - SF/DR - 10-16 X 2 - ZINC |
| | 054434-03-000 | EA | SCREW - SF/DR - 10-16 X 2 - PWH - ZINC - W/O WINGS |
| | 057671-01-000 | EA | COVER - SCREW - OFF WHITE - #8 |
| | 057671-11-000 | EA | COVER - SCREW - HAMPTON TAN - #8 |
| | 057671-15-000 | EA | COVER - SCREW - BRIGHT WHITE |
| | 057671-16-000 | EA | COVER - SCREW - SOFT WHITE |
| | 057671-17-000 | EA | COVER - SCREW - VW LT GRAY #8 |
| | 075908-01-000 | EA | SCREW - MACHINE - 10-32 X .56 PTH - EXTERNAL TOOTH - ZINC |
| | 076790-01-000 | EA | SCREW - 6-20 X 1 1/4 PPH - BLACK |
| | 076790-03-000 | EA | SCREW - 6-20 X 1 PPH - BLACK |
| | 076790-05-000 | EA | SCREW - 6-20 X 1/2 PPH BLACK - THREADCUTTING - WOOD |
| | 083554-01-000 | EA | SCREW - DRYWALL - 8 X 1.25 |
| | 083554-04-000 | EA | SCREW - DRYWALL - 8 X 2.50 |
| | 086256-01-000 | EA | SCREW - SF/DR - 8 X 3/4 HWH |
| | 087721-01-000 | EA | SCREW - FLAT HEAD - TAPPING - 1/4" X 1 1/4" LONG - ZINC |
| | 097974-01-000 | EA | SCREW - PARTICLE BOARD - 7-9 X 3/4 PPH |
| | 090033-02-000 | EA | SCREW - 1/4-20 X 5/8 - ROUND WASHER HEAD - OFF/WHITE |

SEALANTS & FASTENERS GROUP (CONTINUED)

SCREWS (CONTINUED)

| KEY | PART NUMBER | U/M | DESCRIPTION |
|-----|---------------|-----|--|
| | 101618-01-000 | EA | SCREW - 1/4-20 X 3/4 HEX - TAPPING - STALGARD TYPE F |
| | 101289-01-01A | EA | SCREW - MACHINE - 8-32 X 3.75 POH - BRASS -F/EXTENDED KNOB |
| | 105126-01-000 | EA | SCREW - MACHINE - 8-32 X 1 PPH TAPTIT |
| | 110460-05-02A | EA | SCREW - MACHINE - 10-24 X 2.5 PFH - WHITE |
| | 112782-08-01A | EA | SCREW - MOUNTING/PLATE - ZINC |
| | 113563-01-01A | EA | SCREW - 8 X .62 LONG SHOULDER/WASHER HEAD |
| | 117478-01-04A | EA | SCREW - 8-18 X .75 PPH W/WASHER - VW LIGHT GRAY |
| | 126458-01-01A | EA | SCREW - 8-18 X .50 PRWH BLACK |
| | 134126-01-01A | EA | SCREW/NAIL - HEX HEAD - 3/4" |

CLAMPS, CLIPS, GROMMETS, RIVETS & PLUGS

| KEY | PART NUMBER | U/M | DESCRIPTION |
|-----|---------------|-----|--|
| | 010495-01-000 | EA | CLAMP - CABLE - 9/16" |
| | 010495-02-000 | EA | CLAMP - CABLE - 3/8 |
| | 010495-04-000 | EA | CLAMP - CABLE - 11/16" - WHITE |
| | 010495-05-000 | EA | CLAMP - CABLE - 1/2 |
| | 010497-01-000 | EA | CLAMP - CLOSED - 5/8" ID |
| | 010497-03-000 | EA | CLAMP - CLOSED - 1" ID - CUSHIONED |
| | 010497-04-000 | EA | CLAMP - CLOSED - 1.62" ID |
| | 010497-05-000 | EA | CLAMP - CLOSED - 1/2 ID |
| | 010497-06-000 | EA | CLAMP - CLOSED - 11/16" ID |
| | 010497-07-000 | EA | CLAMP - CLOSED - 3/8" ID |
| | 010497-08-000 | EA | CLAMP - CLOSED - .125" ID |
| | 062401-01-000 | EA | CLAMP - HOSE - WORMGEAR - .25" - 1" |
| | 062401-02-000 | EA | CLAMP - HOSE - WORMGEAR - 1.56" - 2.5" |
| | 062401-03-000 | EA | CLAMP - HOSE - WORMGEAR - .22" - 1" |
| | 062401-04-000 | EA | CLAMP - HOSE - WORMGEAR - .69" - 1.25" |
| | 062401-05-000 | EA | CLAMP - HOSE - WORMGEAR - 2" TO 3" ID |
| | 062401-06-000 | EA | CLAMP - HOSE - WORMGEAR - .22" - .62" ID |
| | 062401-07-000 | EA | CLAMP - HOSE - WORMGEAR - 5"-7" |
| | 062401-08-000 | EA | CLAMP - HOSE - WORMGEAR 4.06" - 5.0" |
| | 062401-09-000 | EA | CLAMP - HOSE - WORMGEAR - 2.8" - 3.75" |
| | 062401-11-000 | EA | CLAMP - HOSE - WORMGEAR - 3.50" - 4.50" |
| | 062401-12-000 | EA | CLAMP - HOSE - WORMGEAR - .79" X 1.26" |
| | 083610-01-000 | EA | CLAMP - WIRE - DUAL - UNEQUAL DIAMETERS - 3/4" & 1 1/4" |
| | 083610-02-000 | EA | CLAMP - WIRE - DUAL - UNEQUAL DIAMETERS - 3/4" & 2" |
| | 083610-03-000 | EA | CLAMP - DUAL WIRE |
| | 083609-01-000 | EA | CLAMP - WIRE - DUAL - EQUAL DIAMETERS - 5/8" |
| | 007161-01-000 | EA | CLAMP - HOSE - SPRING TYPE - 1/2" |
| | 010499-01-000 | EA | CLAMP - CLOSED - 3/8" ID |
| | 075148-02-000 | EA | CLAMP - GROUNDING - BRONZE SCREWS |
| | 008386-01-000 | EA | GROMMET - SNAP - 3/8" |
| | 023942-01-000 | EA | GROMMET - RUBBER - 2" OD |
| | 071015-07-000 | EA | GROMMET - RUBBER - 1"ID X 2.25" OD W/.06" GROOVE - BLACK |
| | 071015-11-000 | EA | GROMMET - 1.00 ID - FITS .12 MATERIAL |
| | 071015-13-000 | EA | GROMMET - RUBBER - .62" ID X 1" OD W/.09" GROOVE - BLACK |
| | 071015-19-000 | EA | GROMMET - .38 ID - FITS .06 MATERIAL |
| | 071015-21-000 | EA | GROMMET - RUBBER - 1/2 ID X 1.06 OD - W/.19 GROOVE - BLACK |
| | 071015-22-000 | EA | GROMMET - RUBBER - .62"ID X 1.12"OD W/.19" GROOVE - BLACK |
| | 071015-26-000 | EA | GROMMET - RUBBER - 1.5" ID X 2.1" OD W/.06" GROOVE-BLACK |
| | 071015-29-000 | EA | GROMMET - RUBBER - .3" ID X 1.3"OD W/.12" GROOVE - BLACK |
| | 071015-30-000 | EA | GROMMET - RUBBER - .31" ID X .81" OD W/.12" GROOVE - BLK |
| | 071015-32-000 | EA | GROMMET - RUBBER - .75" ID X 1.375" OD W/.187" GROOVE-BLK |
| | 071015-33-000 | EA | GROMMET - RUBBER - .875" ID X 1.625" OD W/.187" GROOVE - BLK |
| | 071015-35-000 | EA | GROMMET - 1.25 ID,FITS .187MAT |
| | 071015-37-000 | EA | GROMMET - .81 ID FITS .56 MTL |
| | 071015-39-000 | EA | GROMMET - .75 ID FITS .06 MTL |
| | 088756-01-000 | EA | GROMMET - WEB - 1 1/8 " I.D. |
| | 114208-01-000 | EA | GROMMET - EDGE LINER - FITS 1 3/4" |
| | 114208-02-000 | EA | GROMMET - EDGE LINER - FITS .625 |
| | 114208-03-000 | EA | GROMMET - EDGE LINER - FITS 2.50" |

SEALANTS & FASTENERS GROUP (CONTINUED)**CLAMPS, CLIPS, GROMMETS, RIVETS & PLUGS (CONTINUED)**

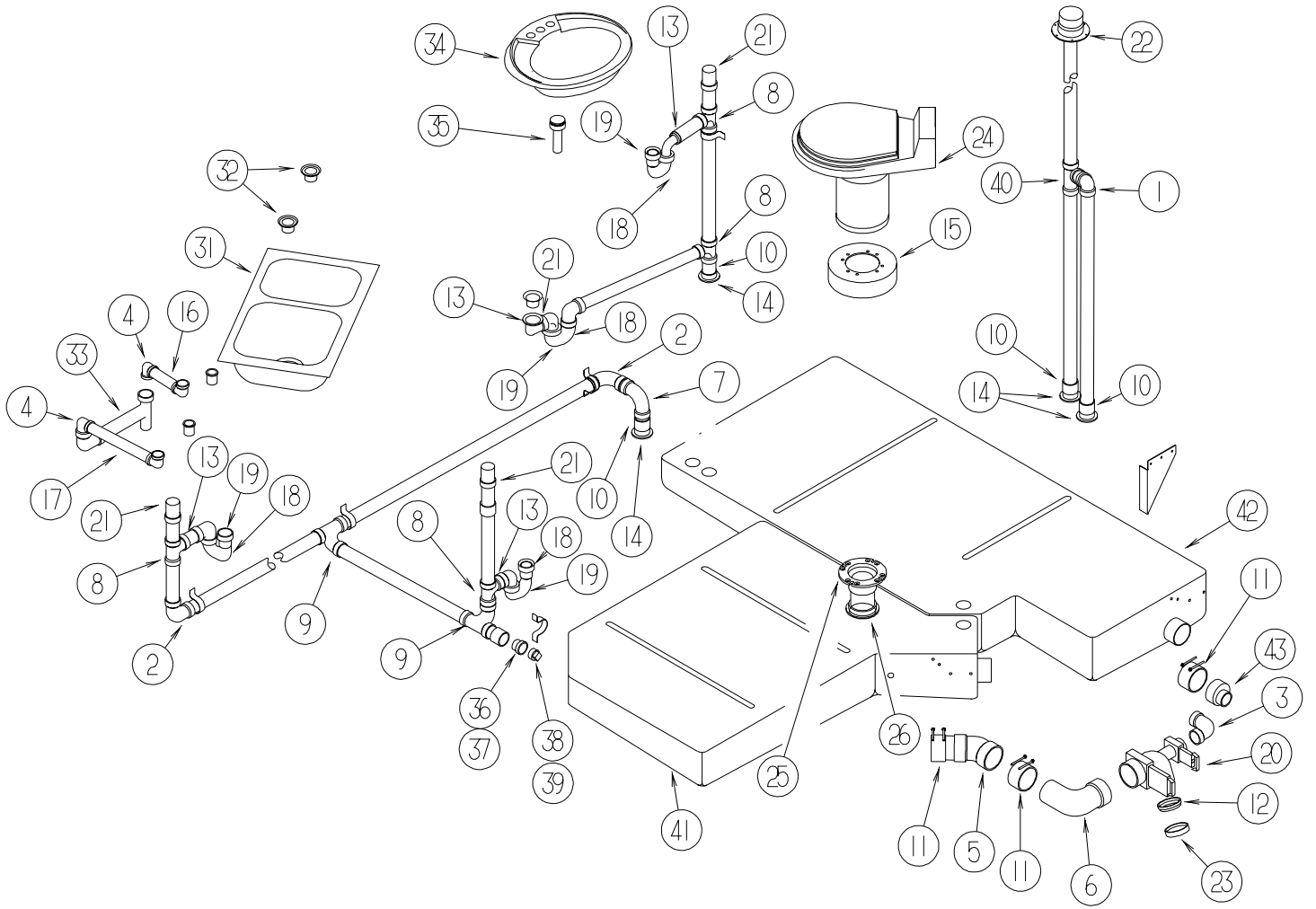
| KEY | PART NUMBER | U/M | DESCRIPTION |
|------------|--------------------|------------|---|
| | 114208-04-000 | EA | GROMMET - EDGE LINER - FITS 1.00" |
| | 114208-05-000 | EA | GROMMET - EDGE LINER - FITS 2" |
| | 016188-03-000 | EA | GROMMET - L/P LINE - 3/8" HOLE X 2 1/2" LONG - RUBBER |
| | 016188-04-000 | EA | GROMMET - GAS LINE - 1/2" HOLE X 2 1/2" LONG - RUBBER |
| | 016188-05-000 | EA | GROMMET - L/P LINE - 3/8" HOLE X 1 1/4" LONG - RUBBER |
| | 008380-01-000 | EA | GROMMET - RUBBER - 5/8" HOLE X 1 1/2" DIAMETER - BLACK |
| | 008384-01-000 | EA | GROMMET - SNAP - 3/4 DIAMETER - NYLON |
| | 077953-01-000 | EA | GROMMET - EDGE LINER - FITS 1" |
| | 099637-01-000 | EA | GROMMET - RUBBER - .37" X .94" DIAMETER - BLACK |
| | 046867-05-000 | EA | GROMMET - #0 |
| | 000F10-04-16B | EA | PIN - COTTER - 1/8" X 1" - ZINC |
| | 000F10-06-32B | EA | PIN - COTTER - 3/16" X 2" - ZINC |
| | 000H14-04-08R | EA | RIVET - MANDREL BLIND - 4/32 ALUMINUM |
| | 000H14-06-03R | EA | RIVET - MANDREL BLIND - 3/16 - CHERRY |
| | 000H15-06-02R | EA | RIVET - POP - STEEL - 3/16 X .063-.125 |
| | 000H16-06-10R | EA | RIVET - POP ALUMINUM - 3/16 X .501-.625 |
| | 000H14-04-04A | EA | RIVET - MANDREL BLIND - 1/8 X .400 |
| | 000H16-04-06R | EA | RIVET - POP ALUMINUM - 1/8 X .313 - .375 |
| | 000H14-06-14R | EA | RIVET - MANDREL BLIND - 3/16 - CHERRY |
| | 118626-01-01A | EA | RIVET - POP - ALUMINUM 3/16 X .08-.375 |
| | 118626-02-01A | EA | RIVET - POP - ALUMINUM - 3/16 X .500-.750 |
| | 069529-02-000 | EA | RIVET-T - POP - 1/4 X .093 - .156 |
| | 120560-01-01A | EA | RIVET - PLASTIC - 3/16 DIAMETER |
| | 061420-01-000 | EA | PLUG/PLASTIC - 1.75" DIAMETER - BROWN |
| | 061420-03-000 | EA | PLUG/PLASTIC - 3.00" DIAMETER |
| | 061420-04-000 | EA | PLUG/PLASTIC - 1.25" DIAMETER |
| | 061420-05-000 | EA | PLUG/PLASTIC - 1.8" DIAMETER |
| | 061420-07-000 | EA | PLUG/PLASTIC - 1.8" DIAMETER |
| | 061420-08-000 | EA | PLUG/PLASTIC - 2.5" DIAMETER |
| | 061420-09-000 | EA | PLUG/PLASTIC - 1.00" - DIAMETER |
| | 061420-10-000 | EA | PLUG/PLASTIC - 1.50" DIAMETER - BLACK |
| | 061420-11-000 | EA | PLUG/PLASTIC - .50" DIAMETER |
| | 061420-12-000 | EA | PLUG/PLASTIC - 1.50" DIAMETER - RED |
| | 061420-14-000 | EA | PLUG/PLASTIC - .034" DIAMETER |
| | 061420-15-000 | EA | PLUG/PLASTIC - 2" DIAMETER - BLACK |
| | 061420-16-000 | EA | PLUG/PLASTIC - 2 1/8" DIAMETER |
| | 081211-03-000 | EA | PLUG/PLASTIC - .50 DIAMETER - BLACK |
| | 081211-04-000 | EA | PLUG/PLASTIC - .46 DIAMETER - BLACK |
| | 081211-05-000 | EA | PLUG/PLASTIC - .188 DIAMETER - NATURAL |
| | 034141-02-000 | EA | PLUG/HOLE - 3/8" NYLON/BLACK |
| | 115361-01-01A | EA | PLUG/PLASTIC - 1/2" DIAMETER |
| | 075312-02-000 | EA | CLIP-U - .75 LONG X .50 WIDE- F/1/8"-3/16" THICK MATERIAL |
| | 077955-01-000 | EA | CLIP-J - VINYL COATED - 3/8" |
| | 080211-03-000 | EA | CLIP - X-MAS TREE W/PANEL RETAINING HEAD - 3/4" SHANK |
| | 094362-02-000 | EA | CLIP - XMAS TREE - BINDER HEAD - .9" LONG |
| | 119392-01-000 | EA | CLIP - U TYPE - OFFSET LEG |
| | 129962-01-01A | EA | CLIP - U-TYPE - BLACK |
| | 091952-01-000 | EA | CLIP - GRIPPER - 1" |
| | 091952-02-000 | EA | CLIP - GRIPPER - 3/4" |
| | 080734-02-000 | EA | CLIP - WIRE NYLON |
| | 056134-01-000 | EA | HOLDER - RING - 3.6" DIAMETER - METAL |
| | 056134-02-000 | EA | HOLDER - RING - 1.8" DIAMETER - METAL |

SEALANTS & FASTENERS GROUP (CONTINUED)

MISCELLANEOUS FASTENERS

| KEY | PART NUMBER | U/M | DESCRIPTION |
|-----|---------------|-----|--|
| | 008343-01-000 | EA | TIE - WIRE - 6" |
| | 008343-02-000 | EA | TIE - WIRE - 14" |
| | 008343-03-000 | EA | TIE - WIRE - 7 1/2" - BLACK |
| | 029096-03-000 | YD | VELCRO TAPE - HOOK - 1" WIDE - BLACK |
| | 029096-04-000 | YD | TAPE - HOOK - VELCRO - 1" WIDE - BLACK |
| | 029094-04-000 | YD | VELCRO TAPE - LOOP - 1" WIDE - BLACK |
| | 029094-06-000 | YD | VELCRO TAPE - LOOP - 2" WIDE - BLACK |
| | 048394-02-000 | YD | VELCRO TAPE - HOOK - ADHESIVE BACK - .75" WIDE - BEIGE |
| | 085774-01-000 | FT | FASTENER - DUAL LOCK - 1" WIDE - ADHESIVE BACK - BLACK |
| | 085774-02-000 | FT | FASTENER - DUAL HOOK - 1" WIDE - ADHESIVE BACK - BLACK |
| | 085774-03-000 | FT | FASTENER - DUAL LOCK - 1/2" WIDE - ADHESIVE BACK - BLACK |
| | 085774-04-000 | FT | FASTENER - DUAL HOOK - 1/2" WIDE - ADHESIVE BACK - BLACK |
| | 088792-02-000 | YD | VELCRO TAPE - LOOP - 3/4" - ADHESIVE BACKED - BEIGE |
| | 088792-04-000 | YD | VELCRO TAPE - LOOP - 5/8" - NON-ADHESIVE BACK - WHITE |
| | 088792-05-000 | YD | VELCRO TAPE - LOOP - 5/8" - NON-ADHESIVE BACKED - WHITE |
| | 088792-06-000 | YD | VELCRO TAPE - LOOP - 3/4" - NON-ADHESIVE BACKED - BUFF |
| | 108046-01-000 | EA | CABLE TIE - SCREW MOUNT 8" |
| | 108046-02-000 | EA | CABLE TIE - SCREW MOUNT 15" |
| | 110943-01-000 | FT | FELTSTRIP - 3/8" - ADHESIVE BACK - BLACK |
| | 110943-02-000 | FT | FELTSTRIP - 3/8" - ADHESIVE BACK - WHITE |
| | 099856-11-000 | EA | STRAP - TIEDOWN - 78.6" |
| | 086285-01-000 | EA | SPACER - NYLON - .5" OD X .257" ID |

WATER & SEWAGE GROUP DRAINAGE SYSTEM



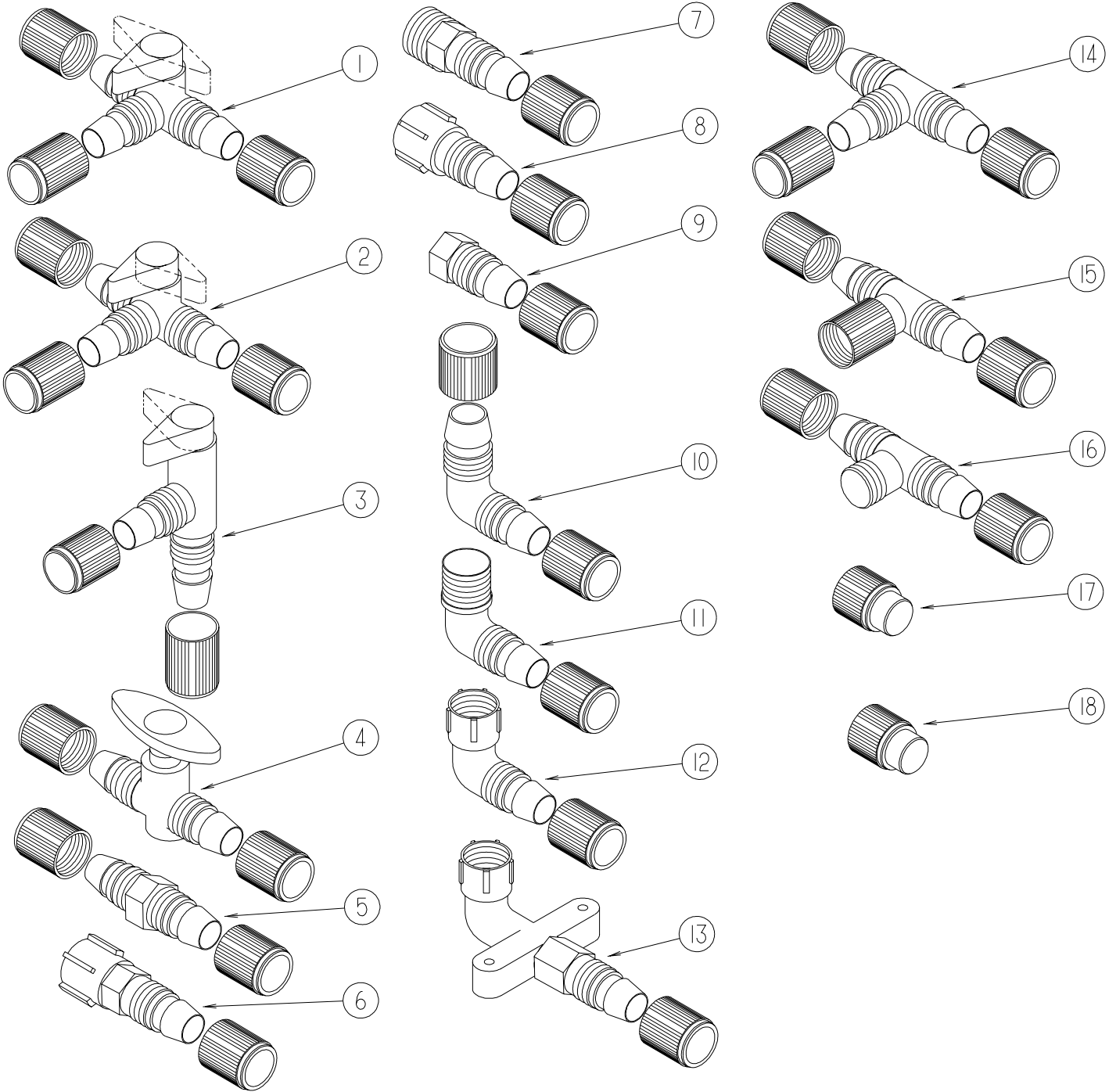
WATER & SEWAGE GROUP (CONTINUED)

DRAINAGE SYSTEM (CONTINUED)

| KEY | PART NUMBER | U/M | DESCRIPTION |
|-----|---------------|-----|--|
| 1 | 010006-01-000 | EA | ELBOW - 45 DEGREE - 1 1/2" HUB X HUB - PLASTIC |
| 2 | 010008-01-000 | EA | ELBOW - 90 DEGREE - 1 1/2" HUB X HUB - PLASTIC |
| 3 | 010008-01-000 | EA | ELBOW - 90 DEGREE - 1 1/2" HUB X HUB - PLASTIC |
| | | | FROM: 00-00-00 THRU: 09-29-99 |
| 3 | 033761-01-000 | EA | ELBOW - TURN - 90 DEGREE 1 1/2" HUB X 1 1/2" SPIGOT |
| | | | FROM: 09-30-99 THRU: 99-99-99 |
| 4 | 125569-01-000 | EA | ELBOW - 1 1/2" X 90 DEGREE - DOUBLE SLIP |
| 5 | 010061-01-000 | EA | ELBOW - 45 DEGREE ST - 3" SPIGOT & HUB - PLASTIC |
| 6 | 041956-01-000 | EA | ELBOW - 3" STREET - 90 DEGREE PLASTIC |
| 7 | 034250-01-000 | EA | ELBOW - 90 DEGREE - LONG TURN - 1 1/2" HUB X HUB - ABS |
| 8 | 010071-01-000 | EA | TEE - SANITARY - 1 1/2" HUB X HUB X HUB - PLASTIC |
| 9 | 031365-02-000 | EA | TEE - PLASTIC - 1 1/2" EXTRA LONG TURN |
| 10 | 010115-01-000 | EA | COUPLING - 1 1/2" HUB X HUB - PLASTIC |
| 11 | 078406-01-000 | EA | COUPLER - RUBBER - W/CLAMPS - 3" X 3" |
| 12 | 062416-01-000 | EA | ADAPTER - SEWER HOSE TO 3" PIPE |
| 13 | 109571-01-000 | EA | ADAPTER - P-TRAP - 1 1/2"P X 1 1/4"MPT |
| 14 | 061607-01-000 | EA | GROMMET - HOLDING TANK - 1 1/2" NPS |
| 15 | 131786-01-01A | EA | SPACER - TOILET - SOFT WHITE |
| 16 | 126588-01-000 | EA | ARM - WASTE - 1 1/2" X 9 1/2" - FEMALE |
| 17 | 126588-02-000 | EA | ARM - WASTE - 1 1/2 X 20 - FEMALE |
| 18 | 107538-01-000 | EA | P TRAP - PLASTIC - 1 1/4" W/EXTENSION ARM |
| 19 | 011071-01-000 | EA | P-TRAP - PLASTIC - 1 1/2" - CSA |
| 20* | 070916-01-000 | EA | VALVE - DUAL DUMP - W/CAP - 3" X 1 1/2" |
| 21 | 079968-01-000 | EA | VENT - MECHANICAL/TRAP ARM - ANTI-SIPHON-2" X 7.3" PLASTIC |
| 22 | 083558-06-000 | EA | VENT - ROOF PLUMBING PIPE - COVERED |
| 23 | 010201-01-000 | EA | HOSE - SEWER - 3" ID X 8' |
| 24* | 085330-08-000 | EA | TOILET - CHINA - STANDARD - GLACIER WHITE |
| 25 | 116644-01-000 | EA | FLANGE/CLOSET - 4 BOLT X 3" FEMALE |
| 26 | 061607-02-000 | EA | GROMMET - HOLDING TANK - 3" NPS |
| 27 | 132150-01-01A | EA | STRAINER - SHOWER - BRASS |
| 28 | 130403-01-000 | EA | NUT - SLIP - W/WINGS 1 1/2" |
| 29 | 011069-06-000 | EA | TAILPIECE - 1 1/2" X 1 1/4" X 2 1/2" |
| 30 | 127440-02-01A | EA | WASHER - RUBBER - 1.8" X .1" |
| 31 | 110654-01-000 | EA | SINK - STAINLESS STEEL/DOUBLE BASIN (1 LG-1 SM BASIN) |
| 32 | 092303-01-000 | EA | STRAINER - SINK |
| 33 | 011091-02-000 | EA | WASTE - CONTINUOUS - DOUBLE SINK |
| 34 | 105921-01-01A | EA | SINK - LAVATORY - LARGE/OVAL - 17" X 20" PLASTIC/OFF WHITE |
| 35 | 106116-01-01A | EA | STRAINER/PLASTIC - STOPPER/TAILPIECE/GASKET & NUT-LAVATORY |
| 36 | 010122-01-000 | EA | BUSHING/PLASTIC - REDUCER - 1 1/2"SMTH X 1 1/4"THD - BLACK |
| 37 | 010122-02-000 | EA | BUSHING/PLASTIC - REDUCER - 1 1/4" X 1 1/4"THD - RED |
| 38 | 010166-01-000 | EA | PLUG/THREADED - 1 1/4"MPT - PLASTIC - BLACK - UL |
| 39 | 010166-02-000 | EA | PLUG/THREADED - 1 1/4"MPT - PLASTIC - BLACK - CSA |
| 40 | 010073-01-000 | EA | WYE - 45 DEGREE - 1 1/2" HUB X HUB X HUB - PLASTIC |
| 41 | 134216-01-000 | EA | TANK - HOLDING - 70 GALLON - W/O FITTINGS |
| 42 | 134217-01-000 | EA | TANK - HOLDING - 57 GALLON - W/O FITTINGS |
| 43 | 062422-01-000 | EA | ADAPTER - OFFSET REDUCER - 3" X 1 1/2" - PLASTIC |

* COMPONENT PARTS FOUND IN SERVICE PARTS LIBRARY

WATER & SEWAGE GROUP (CONTINUED)
WATER SYSTEM
FITTINGS



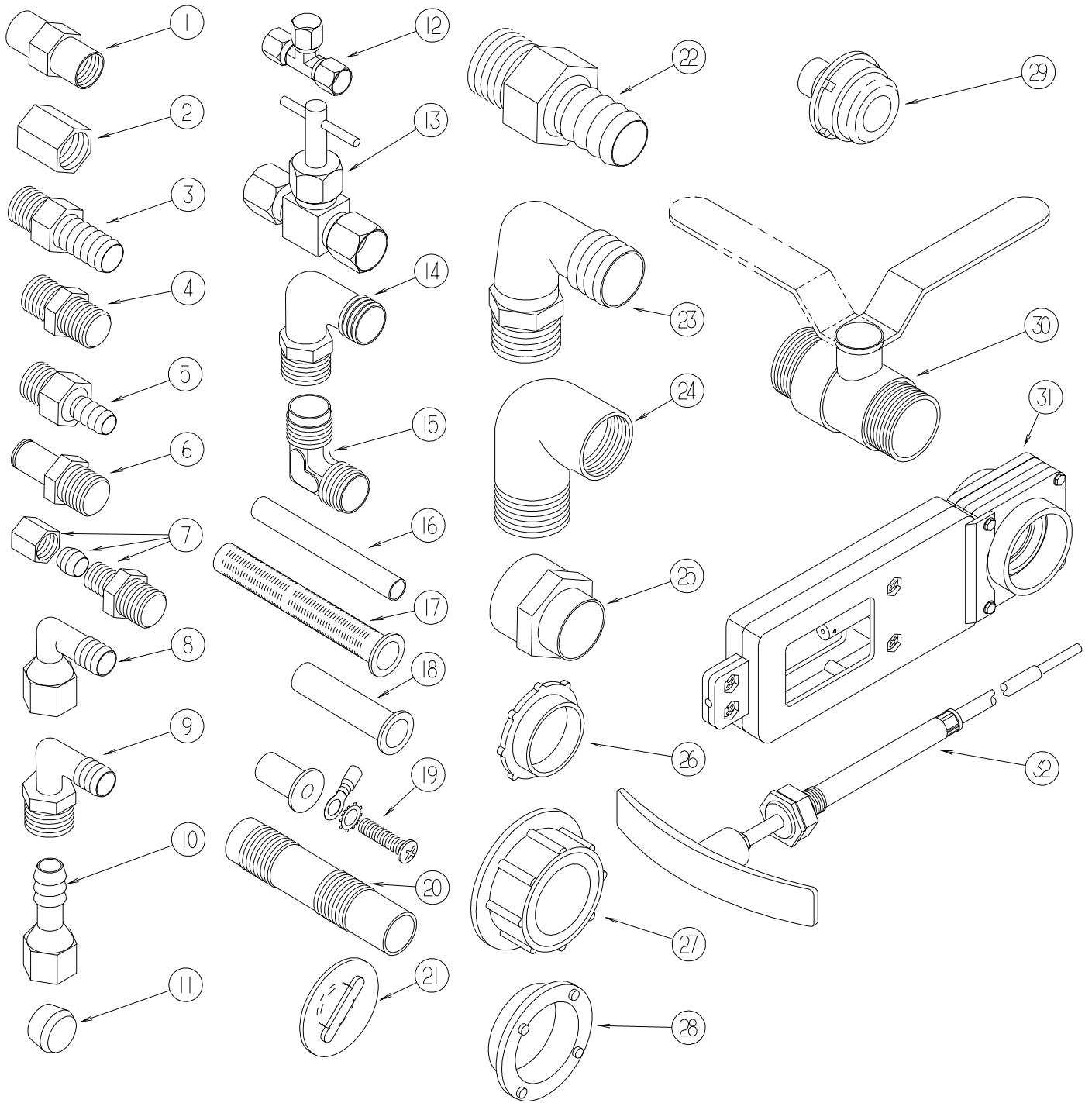
WATER & SEWAGE GROUP (CONTINUED)

WATER SYSTEM (CONTINUED)

FITTINGS (CONTINUED)

| KEY | PART NUMBER | U/M | DESCRIPTION |
|-----|---------------|-----|---|
| 1 | 114431-01-000 | EA | VALVE - 180 DEGREE/CENTER DRAIN - 1/2"P - THREE WAY |
| 2 | 114431-02-000 | EA | VALVE - WATER BYPASS - 1/2"P - THREE WAY (WATER HEATER) |
| 3 | 114431-03-000 | EA | VALVE - 90 DEGREE DRAIN - 1/2"P |
| 4 | 114431-04-000 | EA | VALVE - "INLINE SHUT-OFF" - 1/2"P |
| 5 | 114430-01-000 | EA | ADAPTER - 1/2"P X 1/2"P |
| 6 | 114430-02-000 | EA | ADAPTER - SWIVEL - 1/2"P X 1/2"FPT |
| 7 | 114430-03-000 | EA | ADAPTER - 1/2"P X 1/2"MPT |
| 8 | 114427-02-000 | EA | PLUG - W/COMP NUT - 1/2" PLASTIC PIPE/1/2" FLAIR-IT |
| 9 | 114430-06-000 | EA | ADAPTER - 1/2"P X 3/8"FPT |
| 10 | 114429-01-000 | EA | ELBOW - 1/2"P X 1/2"P |
| 11 | 114429-02-000 | EA | ELBOW - 1/2"P X 1/2"MPT |
| 11 | 114429-04-000 | EA | ELBOW - 1/2"P X 3/8"MPT |
| 11 | 114429-05-000 | EA | ELBOW - 1/2"P X 3/4"MPT |
| 12 | 114429-03-000 | EA | ELBOW - SWIVEL - 1/2"P X 1/2"FPT |
| 12 | 114429-06-000 | EA | ELBOW - SWIVEL - 1/2"P X 3/4"FPT |
| 12 | 114429-08-000 | EA | ELBOW - SWIVEL - 1/2"MPT X 1/2"FPT SWIVEL |
| 13 | 114429-07-000 | EA | ELBOW - 1/2"P X 1/2"FPT |
| 14 | 114428-01-000 | EA | TEE - 1/2"P X 1/2"P X 1/2"P |
| 15 | 114428-02-000 | EA | TEE - SWIVEL - 1/2"P X 1/2"P X 1/2"FPT |
| 16 | 114428-03-000 | EA | TEE - 1/2"P X 1/2"P X 1/2"MPT |
| 17 | 113697-01-000 | EA | CAP - 3/8 FTG |
| 18 | 114427-01-000 | EA | CAP - 1/2" - FOR CAPPING FLAIR-IT MALE FITTINGS |

WATER & SEWAGE GROUP (CONTINUED)
WATER SYSTEM (CONTINUED)
FITTINGS (CONTINUED)



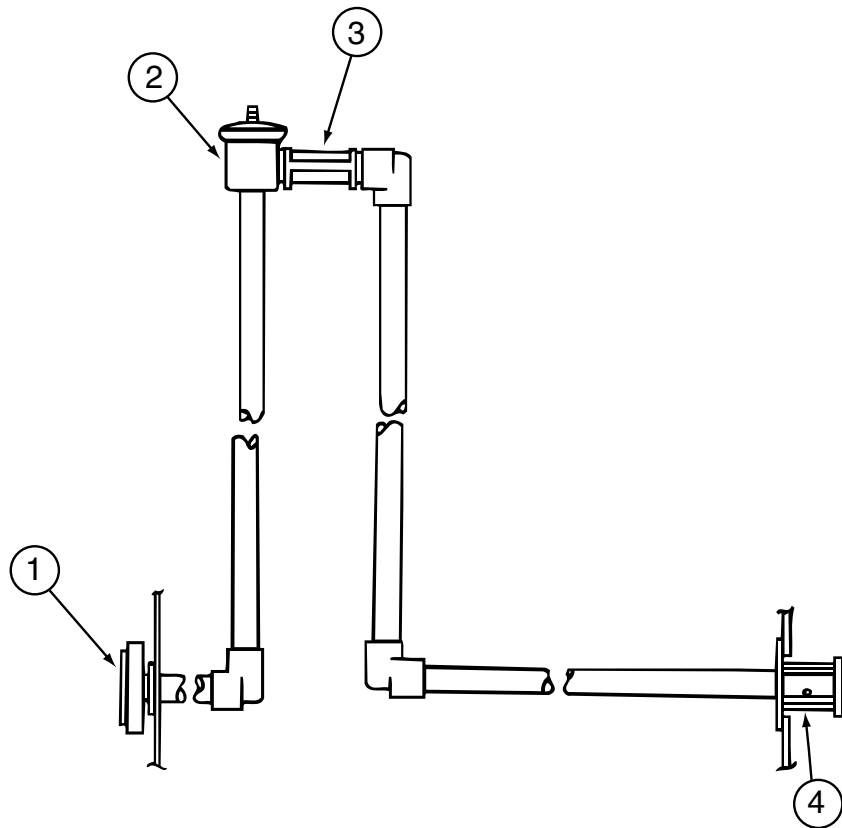
WATER & SEWAGE GROUP (CONTINUED)

WATER SYSTEM (CONTINUED)

FITTINGS (CONTINUED)

| KEY | PART NUMBER | U/M | DESCRIPTION |
|-----|---------------|-----|---|
| 1 | 132148-01-000 | EA | CONNECTOR - 1/2" X 1/2" MPT - BRASS |
| 2 | 101814-01-000 | EA | COUPLING - FEMALE - 1/2" X 1/2" FPT - GRAY |
| 3 | 118809-02-000 | EA | ADAPTER - 1/2" MPT X 1/2" BARB - PLASTIC |
| 4 | 110438-02-000 | EA | VALVE - CHECK - BRASS - 1/2 MPT X 1/2 MPT |
| 5 | 010224-01-000 | EA | ADAPTER - HOSE TO PIPE - 3/8 MPT X 3/8 BARB - PLASTIC |
| 6 | 090338-03-000 | EA | FITTING - HOSE - .75"ID - 2" LENGTH - BRASS |
| 7 | 103798-01-000 | EA | CONNECTOR - 1/4 OD X 3/8 MPT |
| 8 | 123150-01-000 | EA | ELBOW - 1/2 FPT X 1/2 BARB - SWIVEL |
| 9 | 035539-01-000 | EA | ELBOW - PLASTIC - 3/8 MPT X 3/8 BARB |
| 10 | 123152-01-000 | EA | ADAPTER - 1/2 FPT X 1/2 BARB - SWIVEL |
| 11 | 111888-01-000 | EA | FERRULE - PLASTIC - .250 ID X .375 OD |
| 12 | 118423-01-000 | EA | FITTING - BRASS-TEE - 1/4C X 1/4C X 1/4C |
| 13 | 120868-01-000 | EA | VALVE - NEEDLE - 1/4" COMPRESSION X 1/4" COMPRESSION |
| 14 | 111223-02-000 | EA | ELBOW - PLASTIC - 1/2MPT X 3/8 BARB |
| 14 | 111223-03-000 | EA | ELBOW - 3/4" MPT X 1/2" BARB - PLASTIC |
| 14 | 111223-04-000 | EA | ELBOW - 1/2" MPT X 1/2" BARB - PLASTIC |
| 15 | 039808-03-000 | EA | ELBOW - 1/2" MPT X 1/2" MPT - PLASTIC |
| 16 | 124188-01-000 | FT | TUBING - PEX - 1/2" ID X 20' - BLUE(COLD) |
| 16 | 124188-02-000 | FT | TUBING - PEX - 1/2" ID X 20' - RED(HOT) |
| 16 | 112176-01-000 | FT | TUBING - VINYL - REINFORCED - 1/2" ID |
| 16 | 074462-02-000 | FT | TUBING - VINYL - 3/8 ID X 20' - CLEAR |
| 16 | 039800-04-000 | FT | TUBING - POLYBUTYL - 1/4"OD |
| 17 | 077954-02-000 | EA | FILTER - WATER TANK - W/SCREEN IN TANK |
| 18 | 111888-02-000 | EA | INSERT - BRASS - 1/4 COMP |
| 19 | 039861-01-000 | EA | SENDING UNIT - W/SCREW - WASHER - WELL NUT/TERMINAL RING |
| 20 | 079381-01-000 | FT | TUBING - RIBBED FLEXIBLE - WATER FILL - 1.4" I.D. |
| 21 | 049032-01-000 | EA | PATCH - SPINWELD - 3/8" - PLASTIC |
| 22 | 044927-01-000 | EA | ADAPTER - HOSE TO PIPE-1 1/4 MPTX1 1/4 BARB-BLACK PLASTIC |
| 23 | 010219-01-000 | EA | ELBOW - 1 1/4 MPT X 1 1/4 BARB - WATER FILL - PLASTIC |
| 24 | 132484-01-000 | EA | ELBOW - PLASTIC - 90 DEGREE - 1MPT X 1FPT |
| 25 | 133835-01-000 | EA | ADAPTER - REDUCING - 1 1/2" X 1 1/4" |
| 26 | 120069-01-000 | EA | PLUG - 3" - POLYETHYLENE MPT |
| 27 | 042989-03-000 | EA | FITTING - SPINWELD - 1 1/4"NPT - PLASTIC |
| 27 | 042989-04-000 | EA | FITTING - SPINWELD - 3/8"FPT - PLASTIC |
| 27 | 042989-05-000 | EA | FITTING - SPINWELD - 1/2"FPT - PLASTIC |
| 27 | 042989-07-000 | EA | FITTING - SPINWELD - 1 1/2"FPT - PLASTIC |
| 27 | 042989-08-000 | EA | FITTING - SPINWELD - 1"FPT - PLASTIC |
| 28 | 120070-01-000 | EA | FITTING - SPINWELD - PLASTIC 3" FPT |
| 29 | 114966-01-000 | EA | FILTER - IN LINE - TWIST ON - 1/2" |
| 30 | 132483-01-000 | EA | VALVE - BALL - 1" - THREADED ENDS |
| 31 | 062421-03-000 | EA | VALVE - DUMP - 1 1/2" HUB X 1 1/2" HUB - REMOTE |
| 32 | 062421-04-000 | EA | CABLE - DUMP VALVE W/HANDLE - 36" |
| 32 | 062421-05-000 | EA | CABLE - DUMP VALVE W/HANDLE - 48" |
| 32 | 062421-06-000 | EA | CABLE - DUMP VALVE W/HANDLE - 144" |

WATER & SEWAGE GROUP (CONTINUED)
WATER SYSTEM (CONTINUED)



WELD-A-FLUSH SEWAGE TANK FLUSHING SYSTEM

| KEY | PART NUMBER | U/M | DESCRIPTION |
|-----|---------------|-----|---------------------------------------|
| 1 | 125697-05-000 | EA | INLET - WATER - FLUSHING SYSTEM |
| 2 | 125697-04-000 | EA | BREAKER - VACUUM - FLUSHING SYSTEM |
| 3 | 125697-03-000 | EA | CHECK VALVE - FLUSHING SYSTEM |
| 4 | 125697-02-000 | EA | NOZZLE - WELD-A-FLUSH |
| | 125697-06-000 | EA | INSTRUCTIONS - USER - FLUSHING SYSTEM |
| | 125697-07-000 | EA | LABEL - CAUTION - FLUSHING SYSTEM |

FAUCETS

| KEY | PART NUMBER | U/M | DESCRIPTION |
|-----|---------------|-----|---|
| * | 103635-01-000 | EA | FAUCET - SINGLE CONTROL/DRINKING WATER |
| | 104114-02-01A | EA | FAUCET - GALLEY - SINGLE CONTROL |
| | 075240-07-000 | EA | FAUCET - LAVATORY - CHROME W/GOLD LEVERS |
| | 098419-01-000 | EA | FAUCET - WASHER - 90 DEGREE |
| | 075241-06-000 | EA | FAUCET - SHOWER/BRIGHT WHITE - 1/2" MPT X 1.9" INLET PIPES - EXTERIOR |
| | 128974-01-01A | EA | VALVE - SHOWER HEAD/WATER SAVER (ON/OFF) - BRIGHT BRASS |
| * | 131340-01-01A | EA | FAUCET/SHOWER HEAD W/O WATER SAVER - SINGLE LEVER - BRASS |
| | 131551-01-02B | EA | BRACKET - SHOWER HEAD |
| | 131383-01-02A | EA | SHOWER HEAD - W/60" HOSE & BRACKET - WHITE |
| | 131383-02-02A | EA | SHOWER HEAD - W/60" HOSE & BRACKET - WHITE - CSA |

* COMPONENT PARTS FOUND IN SERVICE PARTS LIBRARY

FILL

| KEY | PART NUMBER | U/M | DESCRIPTION |
|-----|---------------|-----|--|
| | 010230-06-000 | EA | FILL - CITY WATER - W/CHECK VALVE - MPT - BRUSHED ALUM |
| | 081240-20-000 | EA | WATER FILL - W/DOOR - LOCKABLE - W/O LOCK - BRT WHT |

WATER & SEWAGE GROUP (CONTINUED)

WATER SYSTEM (CONTINUED)

HEATER

| KEY | PART NUMBER | U/M | DESCRIPTION |
|-----|---------------|-----|---|
| * | 051391-03-000 | EA | WATER HEATER G6A-8E - ELECTRONIC IGNITION |
| * | 051391-05-000 | EA | WATER HEATER/MOTOR AID-GAS/ELECT IGN - GCH10A-3E - 10 GAL |
| | 125420-01-02A | EA | DOOR - WATER HEATER - 10 GALLON - BRIGHT WHITE FROM: 00-00-00 THRU: 11-21-99 |
| | 125420-01-03A | EA | DOOR - WATER HEATER - 10 GALLON - BLACK W/BLACK GRILLE FROM: 00-00-00 THRU: 11-21-99 |
| | 125420-02-02A | EA | DOOR - WATER HEATER - 10 GALLON - BRIGHT WHITE FROM: 11-22-99 THRU: 99-99-99 |
| | 125420-02-03A | EA | DOOR - WATER HEATER - 10 GALLON - BLACK W/BLACK GRILLE FROM: 11-22-99 THRU: 99-99-99 |
| | 133224-01-02B | EA | PLATE - WATER HEATER - E-COATED - 10 GALLON |
| | 133224-02-02B | EA | PLATE - WATER HEATER - E-COATED - 6 GALLON |

* COMPONENT PARTS FOUND IN SERVICE PARTS LIBRARY

PUMP

| KEY | PART NUMBER | U/M | DESCRIPTION |
|-----|---------------|-----|---|
| * | 098607-01-000 | EA | PUMP - WATER - W/.5" MPT FITTING - FLOW 2.8 GPM |

* COMPONENT PARTS FOUND IN SERVICE PARTS LIBRARY

PURIFICATION

| KEY | PART NUMBER | U/M | DESCRIPTION |
|-----|---------------|-----|---|
| | 087200-01-000 | EA | FILTER-WATER PURIFICATION, EVERPURE QC-AC |
| | 087200-02-000 | EA | CARTIDGE-WATER FILTER,AC |

TANK & SUPPORTS

| KEY | PART NUMBER | U/M | DESCRIPTION |
|-----|---------------|-----|--------------------------------------|
| | 124184-01-000 | EA | SUPPORT - WATER LINE - BEND |
| | 123243-01-000 | EA | TANK - ACCUMULATOR - 24 OZ |
| | 132224-01-000 | EA | TANK - WATER - 40 GAL - W/O FITTINGS |
| | 132224-10-000 | EA | TANK - WATER - W/FITTINGS |
| | 132224-11-000 | EA | TANK - WATER - W/FITTINGS |

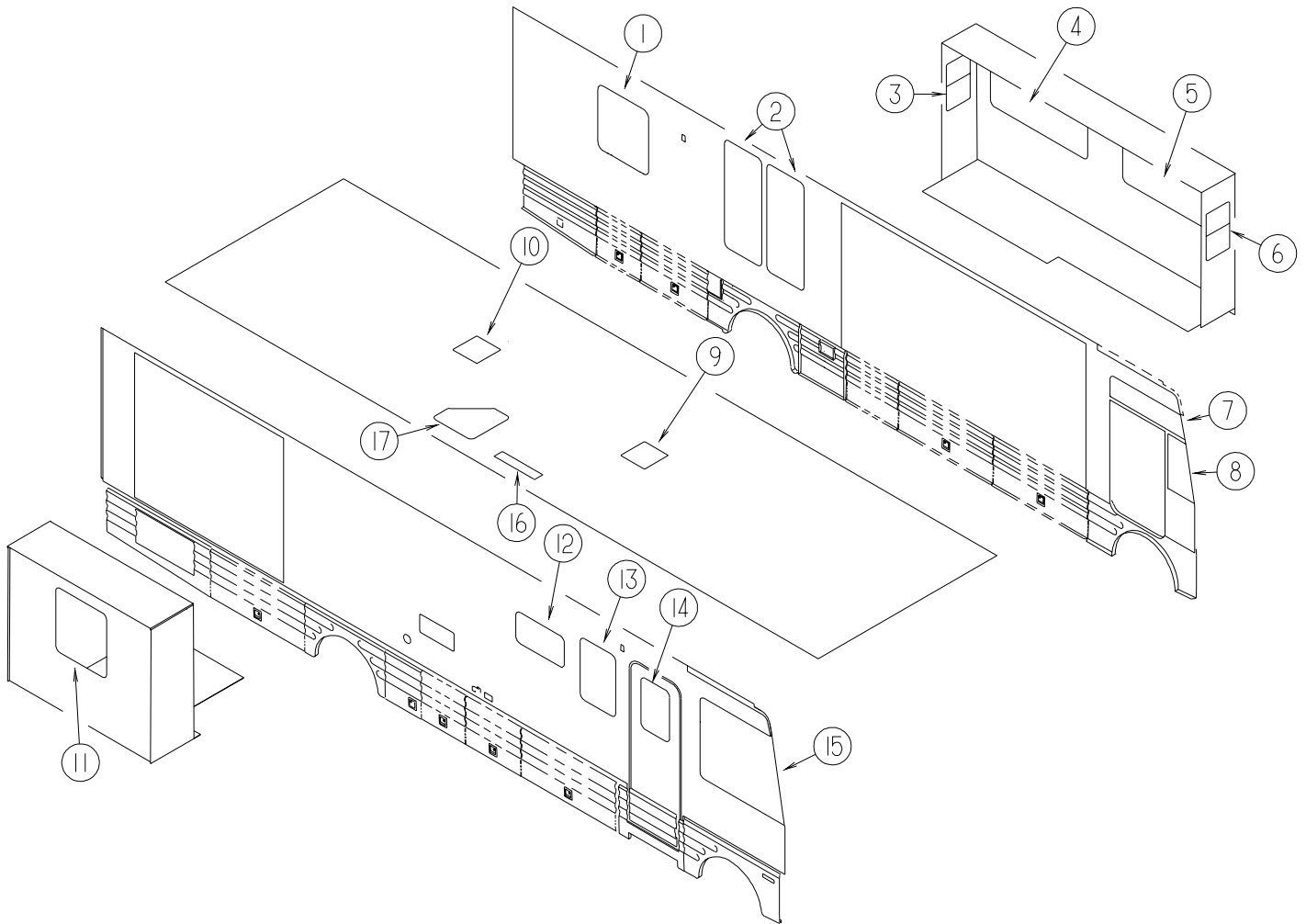
WINTERIZATION

| KEY | PART NUMBER | U/M | DESCRIPTION |
|-----|---------------|-----|--|
| * | 118569-01-000 | EA | WINTERIZATION SYSTEM |
| | 099717-09-000 | EA | STRAP - W/5.1" FEMALE STRAP AND 22.4" MALE STRAP |

* COMPONENT PARTS FOUND IN SERVICE PARTS LIBRARY

WINDOW & VENTS GROUP

WINDOW & VENT LAYOUT



| KEY | PART NUMBER | U/M | DESCRIPTION |
|-----|---------------|-----|---|
| 1* | 112463-05-02A | EA | WINDOW - TIPOUT/ESCAPE W/RETAINER RING - 33.3" X 30.2" |
| 1* | 129929-02-02A | EA | WINDOW - TORQUE - THERMO/ESCAPE - 33.3" X 30.2" FROM: 00-00-00 THRU: 05-21-00 |
| 1* | 129929-10-01A | EA | WINDOW - TORQUE - THERMO/ESCAPE - 33.2" X 30.2" FROM: 05-22-00 THRU: 99-99-99 |
| 2* | 098644-09-02A | EA | WINDOW - VERTICAL SLIDER W/TRIM - TINTED - 55.5" X 22.1" |
| 2* | 112898-11-02A | EA | WINDOW - VERTICAL SLIDER - THERMO - 22.1" X 55.5" FROM: 00-00-00 THRU: 05-21-00 |
| 2* | 112898-23-01A | EA | WINDOW - VERTICAL SLIDER - THERMOPANE - 55.4" X 22.1" FROM: 05-22-00 THRU: 99-99-99 |
| 3* | 098644-13-01A | EA | WINDOW - VERTICAL SLIDER W/TRIM - 19.8" X 20.9" FROM: 07-24-00 THRU: 99-99-99 |
| 3* | 134004-03-01A | EA | WINDOW - VERT SLIDER/FLUSH O/S-THERMO - 21" X 19.8" FROM: 07-24-00 THRU: 99-99-99 |
| 4* | 098647-47-02A | EA | WINDOW - DRVR HORIZ SLIDER TINTED W/RETAINER-23.6" X 57.5" |
| 4* | 112795-54-02A | EA | WINDOW - DRVR HORIZ SLIDER/THERMO W/RETAINER-23.9" X 57.8" FROM: 00-00-00 THRU: 05-21-00 |
| 4* | 112795-77-01A | EA | WINDOW - DRIVER HORIZONTAL SLIDER - THERMO - 23.8" X 57.7" FROM: 05-22-00 THRU: 99-99-99 |
| 5* | 098647-47-02A | EA | WINDOW - DRVR HORIZ SLIDER TINTED W/RETAINER-23.6" X 57.5" |
| 5* | 112795-54-02A | EA | WINDOW - DRVR HORIZ SLIDER/THERMO W/RETAINER-23.9" X 57.8" FROM: 00-00-00 THRU: 05-21-00 |
| 5* | 112795-81-01A | EA | WINDOW - DRIVER HORIZONTAL SLIDER - THERMO - 23.8" X 57.7" FROM: 05-22-00 THRU: 99-99-99 |

* COMPONENT PARTS FOUND IN SERVICE PARTS LIBRARY

WINDOW & VENTS GROUP (CONTINUED)

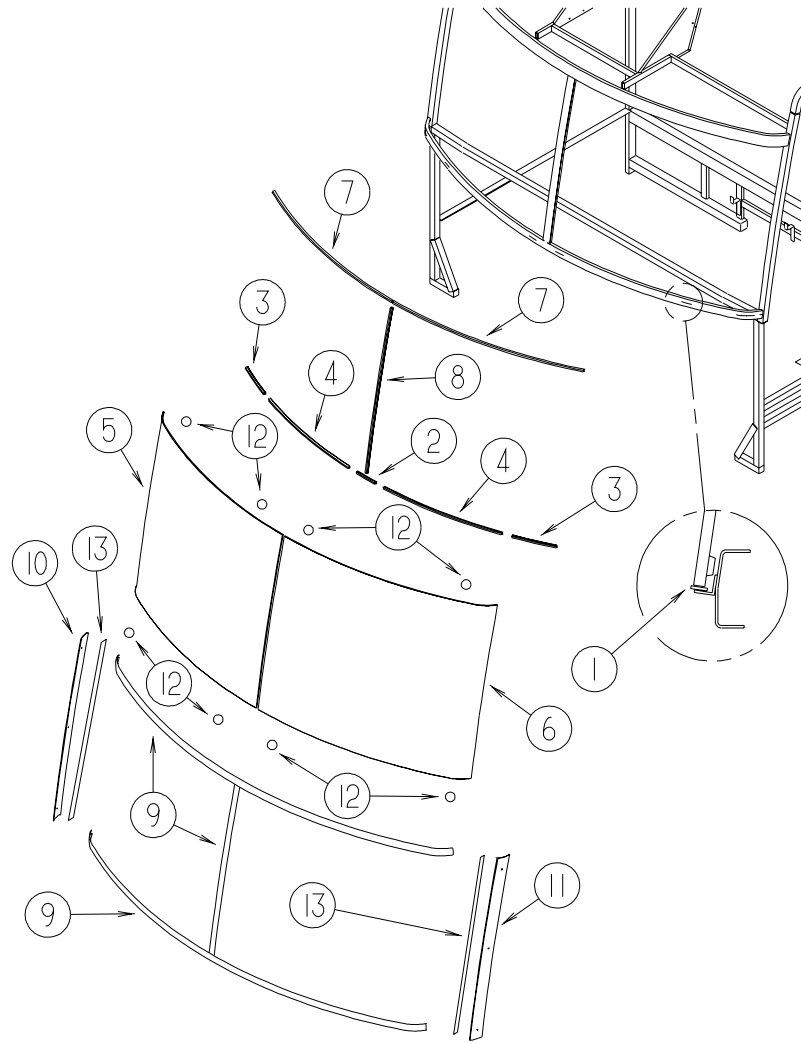
WINDOW & VENT LAYOUT (CONTINUED)

| KEY | PART NUMBER | U/M | DESCRIPTION |
|-----|---------------|-----|--|
| 6* | 098644-12-01A | EA | WINDOW - VERTICAL SLIDER W/TRIM - 22.2"W X 24.3"H FROM: 00-00-00 THRU: 07-23-00 |
| 6* | 098644-13-01A | EA | WINDOW - VERTICAL SLIDER W/TRIM - 19.8" X 20.9" FROM: 07-24-00 THRU: 99-99-99 |
| 6* | 134004-01-01A | EA | WINDOW - VERT SLIDER/FLUSH O/S-THERM- 22.2" X 24.2" - BLK FROM: 00-00-00 THRU: 05-21-00 |
| 6* | 134004-02-01A | EA | WINDOW - VERT SLIDER/FLUSH O/S-THERM- 22.2" X 24.2" - BLK FROM: 05-22-00 THRU: 07-23-00 |
| 6* | 134004-03-01A | EA | WINDOW - VERT SLIDER/FLUSH O/S-THERMO - 21" X 19.8" FROM: 07-24-00 THRU: 99-99-99 |
| 7* | 125586-01-01A | EA | WINDOW - VISTA |
| 7* | 125600-01-01A | EA | WINDOW - VISTA - THERMOPANE |
| 8* | 125584-01-01A | EA | WINDOW - FRONT SLANT - LEFT HAND |
| 8* | 125585-01-01A | EA | WINDOW - FRONT SLANT/THERMO - 11.6"T X 29.2"H X 16.8"B |
| 9* | 122882-01-01A | EA | VENT - ROOF - NONPOWERED - W/O INSIDE GARNISH |
| | 122882-07-01A | EA | GARNISH - ROOF VENT - 2.5" TO 4.1" |
| 9* | 123780-03-01A | EA | FANTASTIC VENT - 3"-4" ROOF - W/FAN - UL/CSA |
| 9* | 123780-09-01A | EA | FANTASTIC VENT - 3"-4" ROOF - W/FAN - INSULATED |
| 10* | 122882-04-01A | EA | VENT - ROOF - W/FAN/POWER LIFT - W/O INSIDE GARNISH - UL |
| | 122882-07-01A | EA | GARNISH - ROOF VENT - 2.5" TO 4.1" |
| 10* | 122882-05-01A | EA | VENT - ROOF - W/FAN/POWER LIFT - W/O INSIDE GARNISH - CSA |
| | 122882-07-01A | EA | GARNISH - ROOF VENT - 2.5" TO 4.1" |
| 10* | 123780-09-01A | EA | FANTASTIC VENT - 3"-4" ROOF - W/FAN - INSULATED FROM: 00-00-00 THRU: 03-12-00 |
| 10* | 123780-10-01A | EA | FANTASTIC VENT - 3"-4" ROOF - W/FAN/POWER LIFT/INSULATED FROM: 03-13-00 THRU: 99-99-99 |
| 11 | 112463-03-02A | EA | WINDOW - TIPOUT W/RETAINER - 33.3" X 30.2" |
| 11 | 129929-01-02A | EA | WINDOW - TIPOUT/THERMO W/RETAINER - 33.3" X 30.2" FROM: 00-00-00 THRU: 05-21-00 |
| 11 | 129929-09-01A | EA | WINDOW - TORQUE - THERMO - 33.2" X 30.2" FROM: 05-22-00 THRU: 99-99-99 |
| 12* | 098647-33-02A | EA | WINDOW - PASS HORIZ SLIDER W/TRIM - CLEAR - 15.7" X 28.5" |
| 12* | 112795-19-02A | EA | WINDOW - PASSENGER HORIZ SLIDER - THERMO - 15.7" X 28.5" FROM: 00-00-00 THRU: 05-21-00 |
| 12* | 112795-72-01A | EA | WINDOW - PASSENGER HORIZ SLIDER - THERMO - 15.9" X 28.7" FROM: 05-22-00 THRU: 99-99-99 |
| 13* | 098644-04-03A | EA | WINDOW - VERTICAL SLIDER W/TRIM - TINTED - 31.7" X 21.1" |
| 13* | 112898-20-02A | EA | WINDOW - VERTICAL SLIDER - THERMO - 21.1" X 31.7" FROM: 00-00-00 THRU: 05-21-00 |
| 13* | 112898-26-01A | EA | WINDOW - VERTICAL SLIDER - THERMOPANE - 31.7" X 21.1" FROM: 05-22-00 THRU: 99-99-99 |
| 14 | 117053-02-F36 | EA | WINDOW - PICTURE - 60% TINTING - 26.4" X 17" |
| 14 | 117054-02-02A | EA | RETAINER - TRIM - BRIGHT WHITE |
| | 002181-25-000 | EA | GLASS - PICTURE WINDOW - 25.8"W X 16.4"H |
| | 087561-01-000 | FT | SEAL - GLASS - EXTERIOR - .5" WIDE - VINYL BLACK |
| 14* | 113733-01-01A | EA | WINDOW - STATIONARY THERMOPANE - 17"W X 26.4"H FROM: 00-00-00 THRU: 05-21-00 |
| 14* | 113733-10-01A | EA | WINDOW - STATIONARY - THERMO/EUROPEAN - 26.3" X 17" FROM: 05-22-00 THRU: 99-99-99 |
| 15 | 125582-01-01A | EA | WINDOW - PASSENGER CAB/3 WINDOW - 42.9"T X 42.6"H X 51.2"B |
| 15 | 125583-01-01A | EA | WINDOW - CAB PASS-3 GLASS THERMO- 42.9"T X 51.2"B X 42.6"H |
| 16 | 084073-04-000 | EA | BASE - ROOF VENT/REFRIGERATOR - BLACK - NORCOLD |
| 16 | 084073-07-000 | EA | VENT - ROOF/REFRIGERATOR - BRIGHT WHITE - NORCOLD |
| 17 | 122214-01-02A | EA | PANEL - SKYLITE - INNER |
| 17 | 122215-01-02A | EA | PANEL - SKYLITE - OUTER |

* COMPONENT PARTS FOUND IN SERVICE PARTS LIBRARY

WINDSHIELD & WIPER GROUP

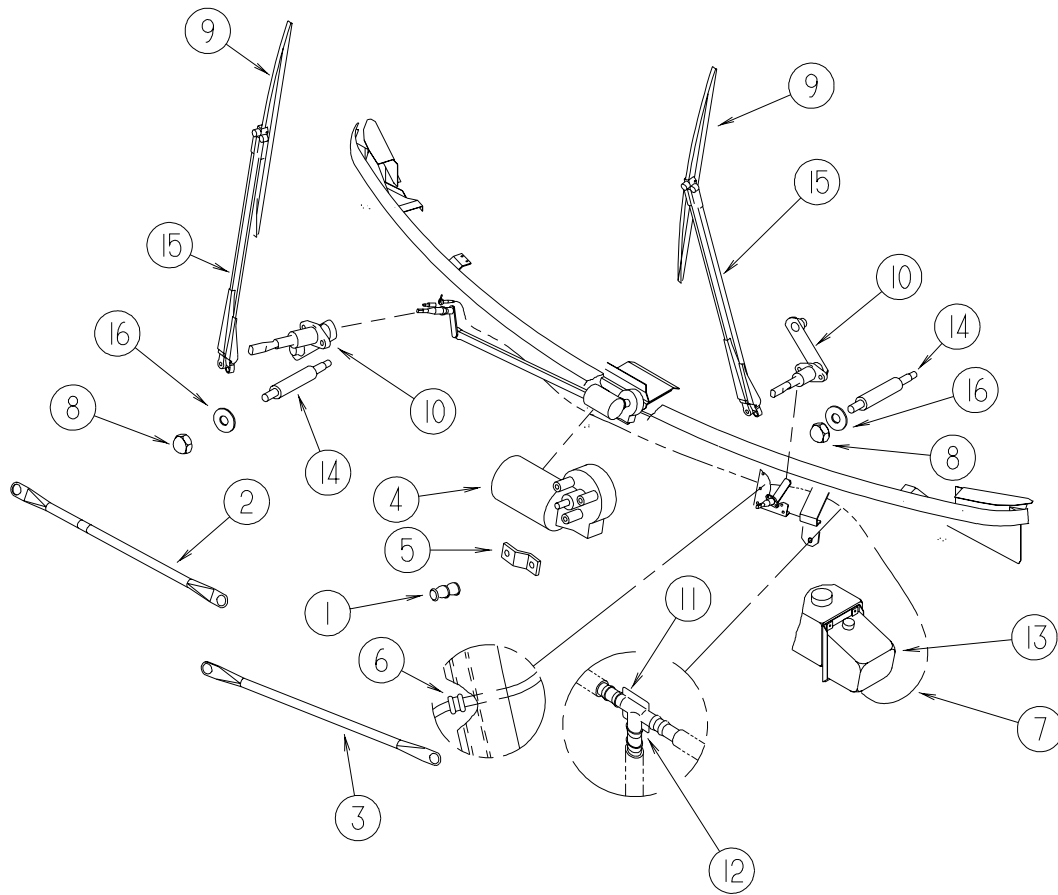
WINDSHIELD



| KEY | PART NUMBER | U/M | DESCRIPTION |
|-----|---------------|-----|---|
| 1 | 002328-02-000 | EA | BLOCK - WINDSHIELD - .062" X .5" X .98" |
| 2 | 132375-01-000 | EA | CARRIER - REVEAL - WINDSHIELD |
| 3 | 132375-02-000 | EA | CARRIER - REVEAL - WINDSHIELD |
| 4 | 117335-06-000 | EA | REVEAL CARRIER - 29.8" |
| 5 | 124328-01-000 | EA | WINDSHIELD - PASSENGER - 52" X 41" (CURVED) (10 DEG FRONT/WINNEBAGO) |
| 5 | 124329-01-000 | EA | WINDSHIELD - PASSENGER - 51.5" X 44.3" (CURVED) (24 DEG FRONT/ITASCA) |
| 6 | 124328-02-000 | EA | WINDSHIELD - DRIVERS - 52" X 41" (CURVED) (10 DEG FRONT/WINNEBAGO) |
| 6 | 124329-02-000 | EA | WINDSHIELD - DRIVERS - 51.5" X 44.3" (CURVED) (24 DEG FRONT/ITASCA) |
| 7 | 127862-01-000 | EA | CARRIER - REVEAL - WINDSHIELD - 47.2" |
| 8 | 127862-09-000 | EA | CARRIER - REVEAL - WINDSHIELD - 38.6" (10 DEG FRONT/WINNEBAGO) |
| 8 | 127862-06-000 | EA | CARRIER - REVEAL - WINDSHIELD - 41.9" (24 DEG FRONT/ITASCA) |
| 9 | 120533-01-000 | FT | MOLDING - REVEAL - WINDSHIELD |
| 10 | 125384-01-02A | EA | TRIM - WINDSHIELD - A-PILLAR - PASS - BLK (10 DEG FRONT/WINNEBAGO) |
| 10 | 125384-03-02A | EA | TRIM - WINDSHIELD - A-PILLAR - PAS - BLK (24 DEG FRONT/ITASCA) |
| 11 | 125384-02-02A | EA | TRIM - WINDSHIELD - A-PILLAR - DR - BLK (10 DEG FRONT/WINNEBAGO) |
| 11 | 125384-04-02A | EA | TRIM - WINDSHIELD - A-PILLAR - DR - BLK (24 DEG FRONT/ITASCA) |
| 12 | 081914-01-000 | EA | BUMPER - RUBBER - ROUND - .43" DIAMETER |
| 13 | 099418-01-000 | FT | SEAL - D-SECTION/ADHESIVE BACK - .44" X .44"- BLK RUBBER |

WINDSHIELD & WIPER GROUP (CONTINUED)

WIPER



| KEY | PART NUMBER | U/M | DESCRIPTION |
|-----|---------------|-----|--|
| 1 | 067188-01-000 | EA | STUD - CRANK - WIPER MOTOR |
| | 117322-01-000 | EA | SCREW - 1/4-28 UNFINISHED - 2A - TORX |
| 2 | 117770-01-000 | EA | LINK - CONNECTING - 24" - CLOSED GROMMET/OPEN GROMMET |
| 3 | 117770-02-000 | EA | LINK - CONNECTING - 24" - CLOSED GROMMET/CLOSED GROMMET |
| 4 | 104346-04-000 | EA | WIPER MOTOR - "COAST TO PARK" W/BKR - W/GRN/RED/WHITE WIRE - GM, WORKHORSE |
| 4 | 104346-05-000 | EA | WIPER MOTOR - W/INTERNAL BREAKER - DYNAMIC PARK - FORD, FREIGHTLINER |
| 5 | 104347-04-000 | EA | ARM - DRIVE - WIPER MOTOR |
| 6 | 061603-01-000 | EA | GROMMET - SNAP - 3/16"ID - 3/8" HOLE - PLASTIC BLACK |
| 7 | 045794-01-000 | FT | HOSE - WASHER - WINDSHIELD - 5/32" ID - BLACK |
| 8 | 077049-02-000 | EA | NUT - ACORN - 10-32 BLACK/ANODIZED |
| 9* | 095964-01-000 | EA | BLADE - WINDSHIELD WIPER - 24" |
| 10* | 096505-09-000 | EA | SHAFT/PIVOT - WINDSHIELD WIPER |
| 11 | 110605-01-000 | EA | TEE - PLASTIC - BARBED - 1/8" X 1/8" X 3/16" |
| 12 | 117765-03-000 | EA | CONNECTOR - 5/32" - WINDSHIELD WASHER |
| 13 | 117766-02-000 | EA | RESERVOIR/PUMP - WINDSHIELD WASHER |
| 14 | 117768-01-000 | EA | SHAFT - ADAPTER - PANTOGRAPH ARM |
| 15* | 117769-01-000 | EA | ARM - WIPER - PANTOGRAPH - 28" |
| 16 | 110742-02-000 | EA | GASKET - NEOPRENE - WIPER ADAPTER SHAFT - .5" ID X .9" OD |

* COMPONENT PARTS FOUND IN SERVICE PARTS LIBRARY