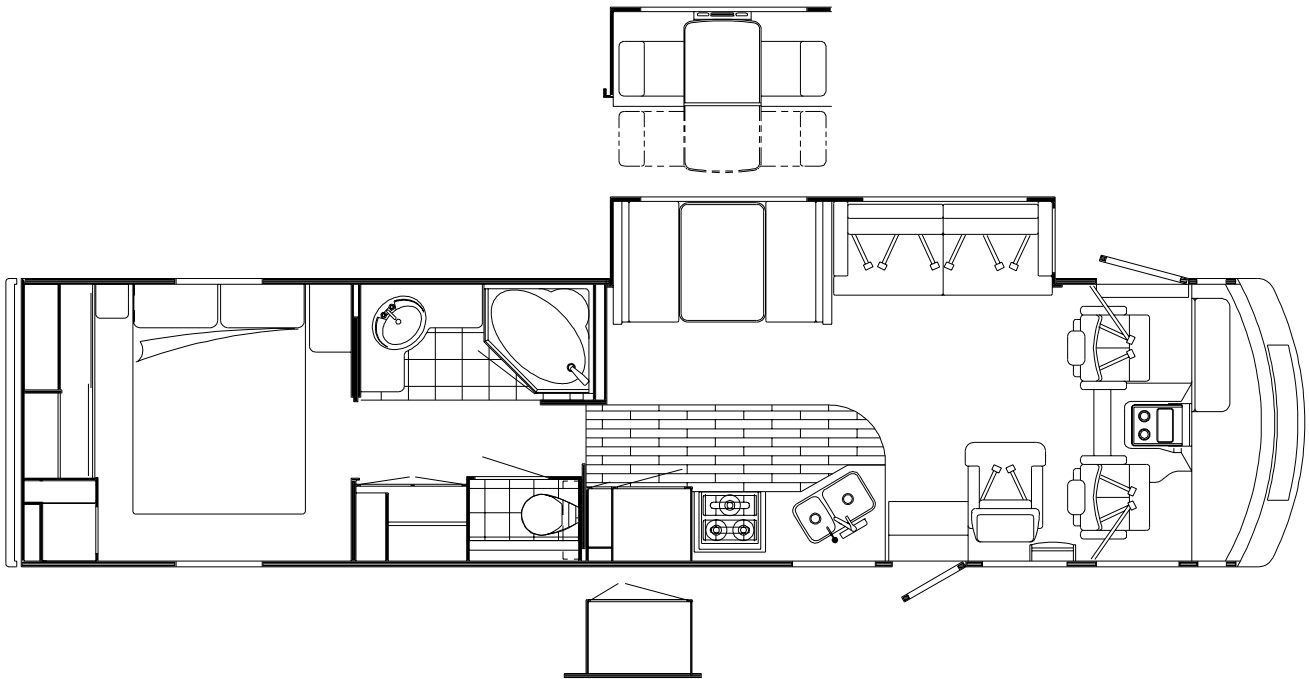
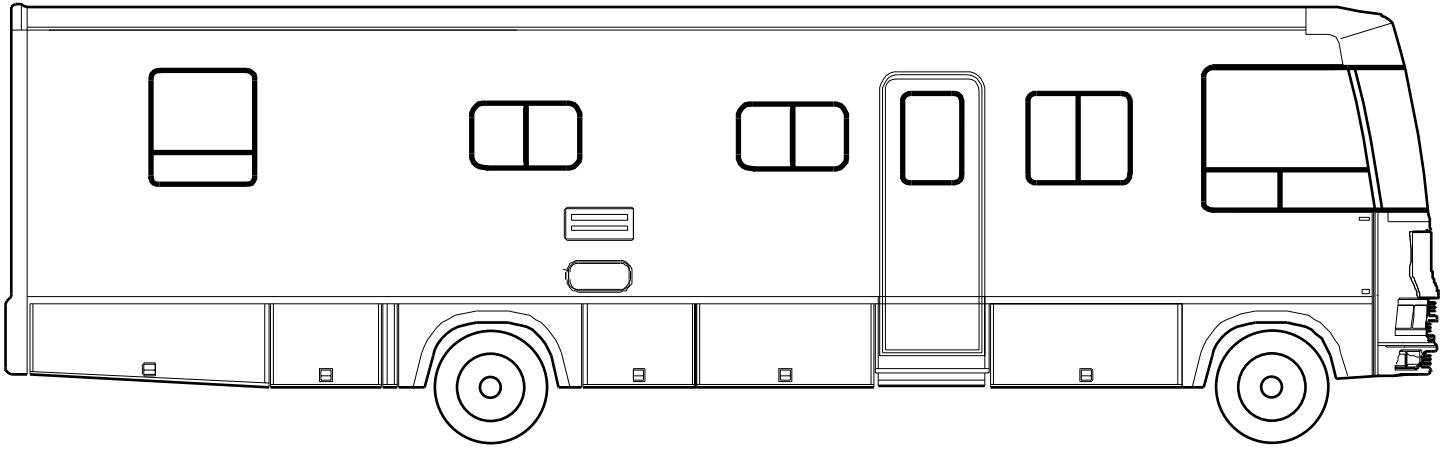


2000 WFG37G



FLOOR PLAN

2000
WFG37G

ADVENTURER
G - SERIES

WATERFORD OAK
L32 IVORY COAST (BEIGE)
L34 WINDSPRAY (GREEN)
L36 AMETHYST FROST (PALE PLUM)

CONTENTS

FLOOR PLAN	1
ACCESSORIES GROUP	5
OPERATORS MANUAL	5
APPLIANCE GROUP	6
APPLIANCES	6
AUDIO VIDEO GROUP	8
RADIO SYSTEMS	8
REAR VIEW MONITOR	8
TELEPHONE	8
TV & VCR	8
EXTERIOR ENTERTAINMENT	9
BATH GROUP	10
CABINETS	10
DOORS & DRAWERS	13
BEDROOM GROUP	15
QUEEN CABINETS	15
QUEEN DOORS & DRAWERS	16
CHASSIS GROUP	18
FRAME	18
FRONT END	20
DRIVETRAIN	21
EXHAUST	22
HITCH	22
FUEL	23
HYDRAULIC LEVELING	24
WHEEL, TIRE, COVERS & LINERS	25
BRAKE OR BRAKELINE	25
CURTAIN & CUSHION GROUP	26
NOTICE	26
CUSHION LAYOUT	27
BUCKET SEATS	30
LOUNGE CHAIR	34
WINDOW TREATMENT	36
HARDWARE	38
ACCESSORIES	40
FABRICS	41
DINETTE GROUP	42
CABINETS	42
DOORS & DRAWERS	43
TABLE	44
DRIVERS COMPARTMENT GROUP	47
INSTRUMENT PANEL	47
DASH	48
MOTOR COVER	49
BEVERAGE TRAY	50
FRONT INTERIOR	51
CABINETS	53
ELECTRICAL GROUP	54
LIGHTS	54
CIRCUIT BREAKERS & FUSES	60
CONVERTER, INVERTER, LOAD CENTERS	60
BOXES & CORDS	61
WIRE ASSEMBLIES	61
CONNECTORS & CONDUIT	62
BOOTS, SOLENOIDS, RELAYS & MISCELLANEOUS	63

CONTENTS (CONTINUED)

EXTERIOR BODY GROUP	64
GRAPHICS & PAINT	64
PANELS	66
FRONT END	70
LADDER	73
MIRRORS	73
BODY PANEL COMPONENTS	74
AWNINGS	74
EXTERIOR DOORS & COMPARTMENTS GROUP	75
DOOR & COMPARTMENT LAYOUT	75
COMPARTMENT DOOR COMPONENTS	77
DRIVERS	80
ENTRY DOOR	81
SCREEN DOOR	83
LATCH, ENTRY DOOR	84
EXTERIOR SLIDEOUT INSTALLATION GROUP	85
FRONT LEFT	85
GALLEY GROUP	90
CABINETS	90
DOORS & DRAWERS	92
GENERATOR GROUP	93
GAS	93
HEATING & A/C GROUP	94
AUTOMOTIVE	94
FURNACE	96
REAR HEATER	96
CENTRAL	97
INTERIOR FINISH GROUP	99
MOLDINGS & TRIMS	99
ACCESSORIES	103
FLOOR COVERINGS	103
HARDWARE	104
LABELS GROUP	110
LP GROUP	130
LP SYSTEM	130
LOUNGE GROUP	131
CABINETS	131
TABLE	134
SEALANTS & FASTENERS GROUP	135
SEALANTS & ADHESIVES	135
BOLTS, NUTS AND WASHERS	137
SCREWS	139
CLAMPS, CLIPS, GROMMETS, RIVETS & PLUGS	142
MISCELLANEOUS FASTENERS	144
WATER & SEWAGE GROUP	145
DRAINAGE SYSTEM	145
WATER SYSTEM	147
WINDOW & VENTS GROUP	153
WINDOW & VENT LAYOUT	153
WINDSHIELD & WIPER GROUP	155
WINDSHIELD	155
WIPER	156

ACCESSORIES GROUP
OPERATORS MANUAL

KEY	PART NUMBER	U/M	DESCRIPTION
	129079-01-01A	EA	CASE - VINYL/BLACK-EXPANDABLE ACCORDION SIDES-7"WX9"HX14"L
	132000-06-000	EA	OWNER MANUAL - ADVENTURER - 2000
	132435-01-000	EA	TOP LEVEL - G - 2000

APPLIANCE GROUP

APPLIANCES REFRIGERATORS

KEY	PART NUMBER	U/M	DESCRIPTION
*	120075-09-01A	EA	REFRIGERATOR - LARGE DBL DOOR RH - W/ICE MAKER-BLACK 2-WAY
*	121569-03-01A	EA	REFRIGERATOR - LARGE DOUBLE DOOR/RIGHT HAND - 2-WAY-BLACK FROM: 00-00-00 THRU: 01-02-00
	121569-05-01A	EA	REFRIGERATOR - LARGE DBL DOOR/2 WAY - BLK-NON-FLUSH HANDLE FROM: 01-03-00 THRU: 99-99-99
*	118367-02-01A	EA	REFRIGERATOR - SIDE BY SIDE - W/ICE MAKER - 12 VOLT 2-WAY
	054450-01-000	EA	LEVEL - REFRIGERATOR
	090329-01-000	FT	SEAL/T - REFRIGERATOR CABINET
	065225-04-000	EA	PLATE - TIEDOWN/REFRIGERATOR
* COMPONENT PARTS FOUND IN SERVICE PARTS LIBRARY			

INSTALLATION (DOUBLE DOOR)

KEY	PART NUMBER	U/M	DESCRIPTION
	116751-05-01A	EA	TRAY - REFRIGERATOR - BLACK
	093646-01-000	EA	BRACKET - TIEDOWN/REFRIGERATOR - RIGHT HAND
	093646-02-000	EA	BRACKET - TIEDOWN/REFRIGERATOR - LEFT HAND
	103251-07-01A	EA	INSERT/REFRIGERATOR DOOR - BLACK ACRYLIC - 21.6" X 14.5"
	103251-09-01A	EA	INSERT/REFRIGERATOR DOOR - BLACK ACRYLIC - 21.6" X 38.6"

INSTALLATION (SIDE BY SIDE)

KEY	PART NUMBER	U/M	DESCRIPTION
	118871-02-01A	EA	TRAY - REFRIGERATOR - SIDE/SIDE - BLACK - 34.4" LONG FROM: 00-00-00 THRU: 08-10-99
	118871-06-01A	EA	TRAY - REFRIGERATOR SIDE/SIDE - BLACK FROM: 08-11-99 THRU: 99-99-99
	090195-15-000	EA	ANGLE-FORMED
	093369-02-000	EA	STRAP-REFRIGERATOR
	133263-01-02B	EA	BRACKET - SUPPORT - REFRIGERATOR - E-COATED
	103251-05-01A	EA	INSERT/REFRIGERATOR DOOR - 16.8" X 55.1"- BLACK ACRYLIC
	103251-06-01A	EA	INSERT/REFRIGERATOR DOOR - BLACK ACRYLIC - 10.44" X 55.06"

MICROWAVES

KEY	PART NUMBER	U/M	DESCRIPTION
*	119267-04-01A	EA	OVEN - MICROWAVE - W/HOOD
*	119267-06-01A	EA	OVEN - MICROWAVE/CONVECTION W/HOOD - CSA
*	119267-07-01A	EA	OVEN - MICROWAVE/NON/CONVECTION W/HOOD - US
*	119267-08-01A	EA	OVEN - MICROWAVE/NON/CONVECTION W/HOOD - #R-1480C - CSA
	119267-05-000	EA	FILTER - HOOD - CHARCOAL
	130736-02-02B	EA	BRACKET - MICROWAVE - E-COATED
* COMPONENT PARTS FOUND IN SERVICE PARTS LIBRARY			

RANGES

KEY	PART NUMBER	U/M	DESCRIPTION
*	126023-01-01A	EA	RANGE - W/OVEN 22" - 3 BURNER/BLACK GLASS DOOR
*	114030-02-01A	EA	RANGE - 3 BURNER TOP - W/O OVEN - BLACK - UL
	106936-35-04B	EA	BRACKET - TIEDOWN - STOVE FRONT
	106936-36-04B	EA	BRACKET - TIEDOWN - STOVE REAR
	M05904-03-L76	EA	COVER - STOVE/LAMINATED COUNTERTOP
	130816-01-01A	EA	COVER - RANGE - JAMAICAN SAND - 1/4" X 5.4" X 24.3"
	130816-02-01A	EA	COVER - RANGE - JAMAICAN SAND - 1/4" X 11.7" X 24.3"
* COMPONENT PARTS FOUND IN SERVICE PARTS LIBRARY			

APPLIANCE GROUP (CONTINUED)

APPLIANCES (CONTINUED) MONITOR PANELS

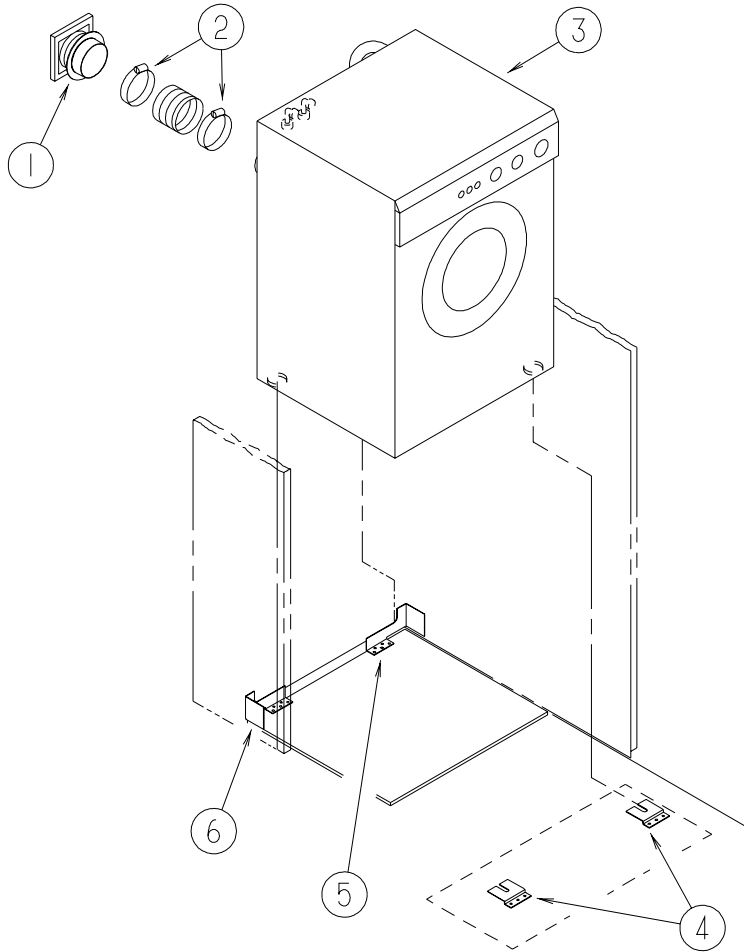
KEY	PART NUMBER	U/M	DESCRIPTION
*	133004-01-01A	EA	PANEL - MONITOR - 2 TANK DIGITAL VOLT METER
*	133004-02-01A	EA	PANEL - MONITOR - 2 TANK DIGITAL VOLT METER - SOLAR
*	115504-01-000	EA	PANEL - SOLAR 10 WATT - 12.2"W X 26.9"L X 1.2"H

* COMPONENT PARTS FOUND IN SERVICE PARTS LIBRARY

MISCELLANEOUS

KEY	PART NUMBER	U/M	DESCRIPTION
*	126019-01-01A	EA	COFFEEMAKER - OPTIMA - W/BRACKETS - BLACK & DECKER
	130818-02-01A	EA	TRASH CONTAINER - 20 QUART ALMOND
	133068-01-000	EA	HAIR DRYER - WALL MOUNT
	133139-01-000	EA	VACUUM CLEANER - RECHARGEABLE
	133140-01-000	EA	FLASHLIGHT - RECHARGEABLE

* COMPONENT PARTS FOUND IN SERVICE PARTS LIBRARY



WASHER/DRYER

KEY	PART NUMBER	U/M	DESCRIPTION
1	111947-02-01A	EA	VENT - DRYER - 3"
2	116653-02-000	EA	DUCT - FLEXIBLE
	062401-09-000	EA	CLAMP - HOSE - WORMGEAR - 2.8" - 3.75"
3	107753-03-01A	EA	WASHER - DRYER - VENTED - UL/CSA - WHITE
4	111913-01-01A	EA	BRACKET - WASHER - TIE DOWN
5	113795-03-02B	EA	BRACKET - WASHER - E-COATED
6	113795-04-02B	EA	BRACKET - WASHER - E-COATED
	134270-01-01A	EA	BAG - SHOE (WASHER/DRYER) INSTALLATION

**AUDIO VIDEO GROUP
RADIO SYSTEMS**

KEY	PART NUMBER	U/M	DESCRIPTION
	127516-05-000	EA	RADIO - AM/FM STEREO - CD PLAYER - PANASONIC CQ-DP22 (EXT ENTERTAINMENT)
	125322-02-000	EA	RADIO - AM/FM STEREO - CASSETTE - AUDIOVOX - MS-306 (EXT ENTERTAINMENT W/O CD)
	133316-01-000	EA	RADIO - AM/FM STEREO - CASSETTE - SONY EXR-200 (DASH)
	110469-01-000	EA	SPEAKER - 4" X 6" OVAL - COAXIAL
	110470-01-01A	EA	GRILLE - 4" X 6" OVAL - BLACK
	094097-01-000	EA	SPEAKER - RADIO/TV - W/O GRILLE - 5.25" DIAMETER
	089340-02-000	EA	GRILLE - SPEAKER - 6.5" SQUARE
	077069-02-000	EA	CABLE - ANTENNA/EXTENSION - RADIO - 96"
	133089-01-000	EA	CONTROL - VOLUME - SPEAKER
	123256-02-000	EA	CABLE - CB - COAX
	123256-01-000	EA	ANTENNA - CB - W/O CABLE
	090944-01-000	EA	ANTENNA - RADIO - 16" RUBBER
	108847-01-000	EA	BRACKET - ANTENNA GROUND
	115916-01-01B	EA	BRACKET - ANTENNA MOUNT
	109889-04-000	EA	EXTENDER - ANTENNA SHAFT - 3.7"
	124883-02-000	EA	SPEAKER - CUBE - W/BRACKET
	124884-01-000	EA	SPEAKER - 6" X 9" - SUB-WOOFER
	124885-01-000	EA	GRILLE - SPEAKER - 6" X 9" - SUB-WOOFER
	124881-01-000	EA	AMPLIFIER - AUDIO
	128074-02-000	EA	FILTER - NOISE - 12 VOLT D.C. W/PLUGS

REAR VIEW MONITOR

KEY	PART NUMBER	U/M	DESCRIPTION
	093040-09-000	EA	CAMERA - REAR VIEW - W/BRACKET - SONY
*	093040-10-000	EA	MONITOR - 7" REAR VIEW - W/BRACKET - SONY
	096717-04-000	EA	WIRE ASSEMBLY - REAR MONITOR - UPPER
	093041-01-000	EA	CABLE - MONITOR/CAMERA - INTERNAL USE - 65.6'

* COMPONENT PARTS FOUND IN SERVICE PARTS LIBRARY

TELEPHONE

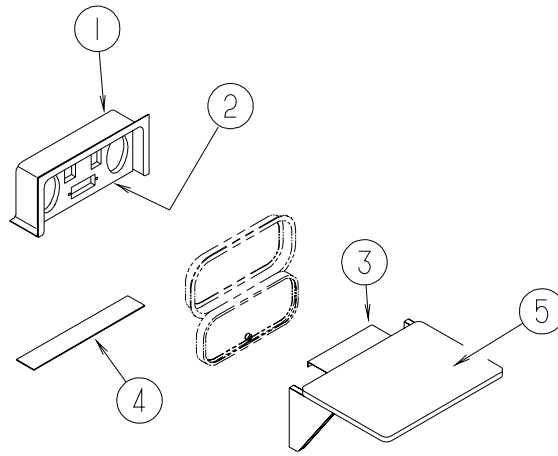
KEY	PART NUMBER	U/M	DESCRIPTION
	093253-01-01A	EA	PLATE - WALL - TELEPHONE - BEIGE
	093253-01-02A	EA	PLATE - WALL - TELEPHONE - BROWN
	130686-01-01A	EA	PLATE - WALL - TELEPHONE/COAX - WHITE

TV & VCR

KEY	PART NUMBER	U/M	DESCRIPTION
*	086231-10-000	EA	TV - 13" COLOR - AUDIOVOX AVT-1498/DC
*	133377-01-000	EA	TV - 25" - 1/8" JACK - UL/CSA - GE 25GT240
*	126697-03-000	EA	VCR - VHS - CABLE READY - REMOTE - GE V62051
	082134-01-000	EA	ADAPTER - TV - CABLE TO CABLE
	086777-06-000	EA	WALLPLATE - TV CABLE - ANTENNA BOOSTER/1 OUTPUT - BROWN
	076319-09-000	EA	WALLPLATE - CABLE RECEPTACLE - TV - SINGLE - BROWN
	115540-01-000	EA	AMPLIFIER - TV SPEAKERS
	114870-02-000	EA	PLUG - AUDIO W/LEADS - 10"
	086757-04-000	EA	CONTROL CENTER - SWITCH - VCR/TV - 5 INPUTS
	082136-01-000	EA	NUT - HEX JAM - 3/8-32
	086756-01-000	EA	SPLITTER - TV - 2 WAY
	115539-01-000	EA	RELAY - RADIO/TV SPEAKER - SWITCH
	093214-01-01A	EA	GRILL - SPEAKER - 4" - BLACK
	098819-01-000	EA	SPEAKER - 4" - 2 WATT - 8 OHM
	114870-01-000	EA	PLUG - AUDIO W/LEADS - 48.5"
	076319-03-000	FT	CABLE - COAXIAL - 75 OHM
	076319-12-000	EA	CONNECTOR - COAXIAL - ONE PIECE
*	076319-23-000	EA	ANTENNA - TV ROOF MOUNT - 44.5" MAST
*	120233-04-000	EA	ANTENNA - SATELLITE - W/DIGITAL SENSOR/READ OUT DISPLAY
*	076319-25-000	EA	KIT - HARDWARE INTERIOR
	115466-22-02B	EA	STRAP - TIEDOWN/TV - E-COATED - REAR TV

* COMPONENT PARTS FOUND IN SERVICE PARTS LIBRARY

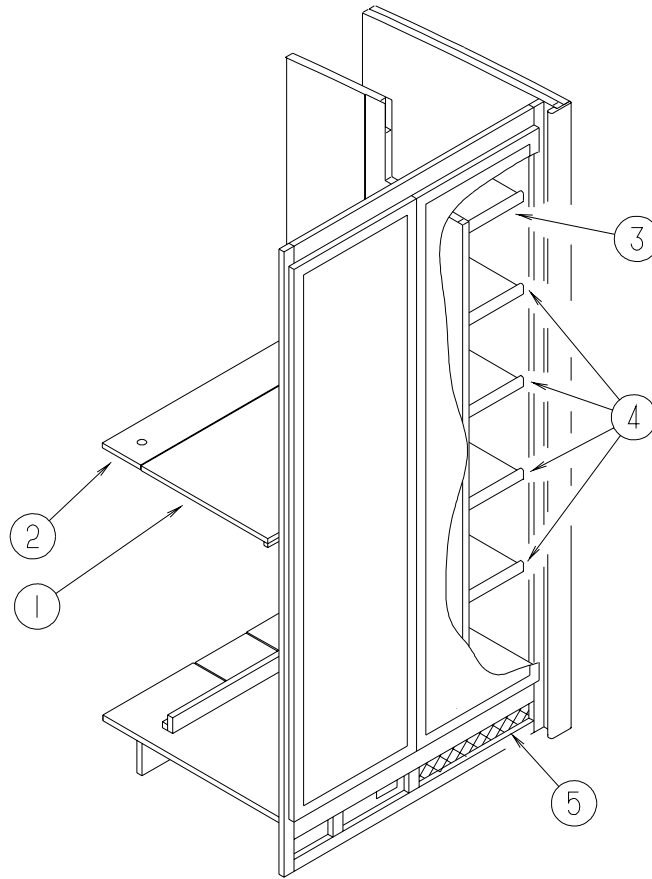
AUDIO VIDEO GROUP (CONTINUED)
EXTERIOR ENTERTAINMENT



PATIO ENTERTAINMENT CENTER

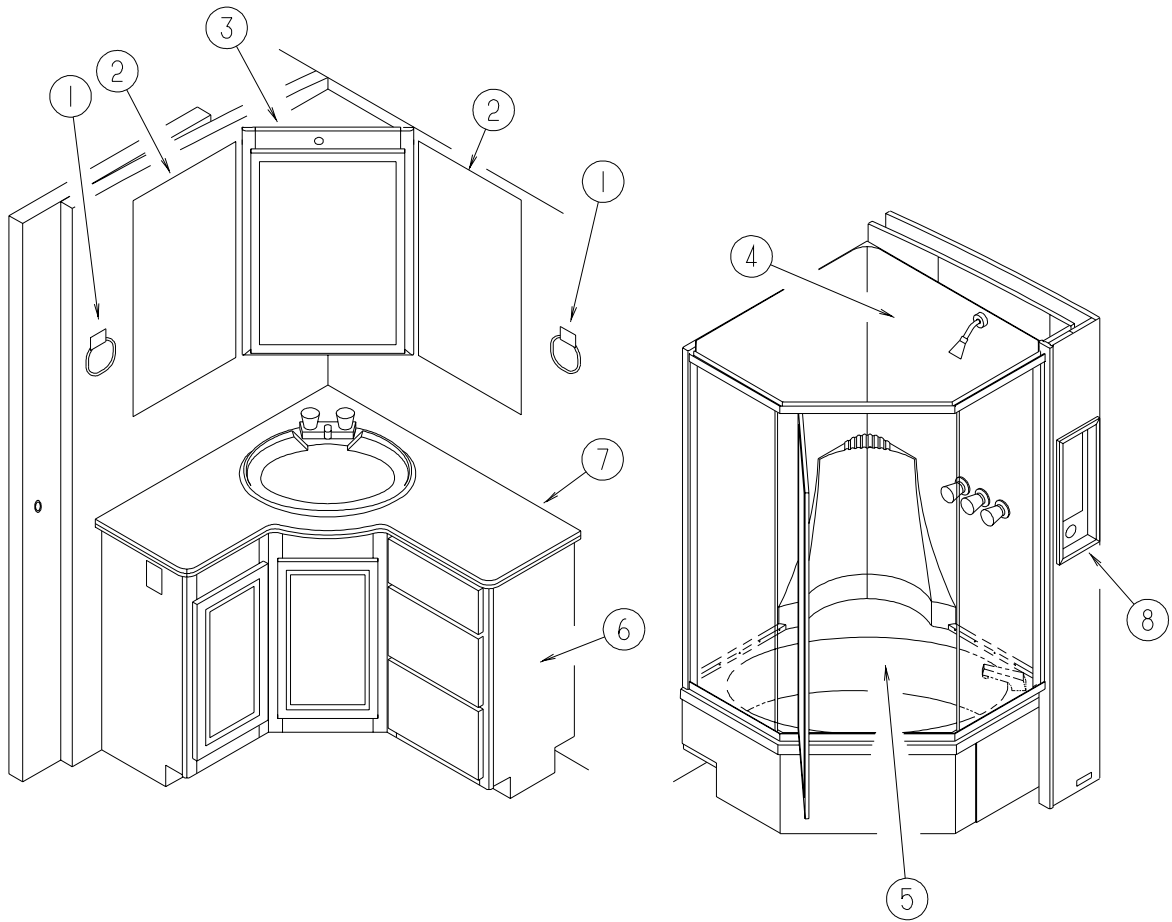
KEY	PART NUMBER	U/M	DESCRIPTION
1	124696-01-01A	EA	BOX - ENTERTAINMENT CENTER/EXTERIOR
2	127409-02-L15	EA	PLATE - RADIO MOUNTING
3	105377-01-04A	EA	BRACKET - TABLE HANGER - BRIGHT WHITE
4	104898-01-02A	EA	PLATE - PLASTIC BOTTOM - BRIGHT WHITE
5	105230-01-J01	EA	SHELF - EXTERIOR ENTERTAINMENT CENTER - W/BRKT/HINGE/SUPT

BATH GROUP CABINETS



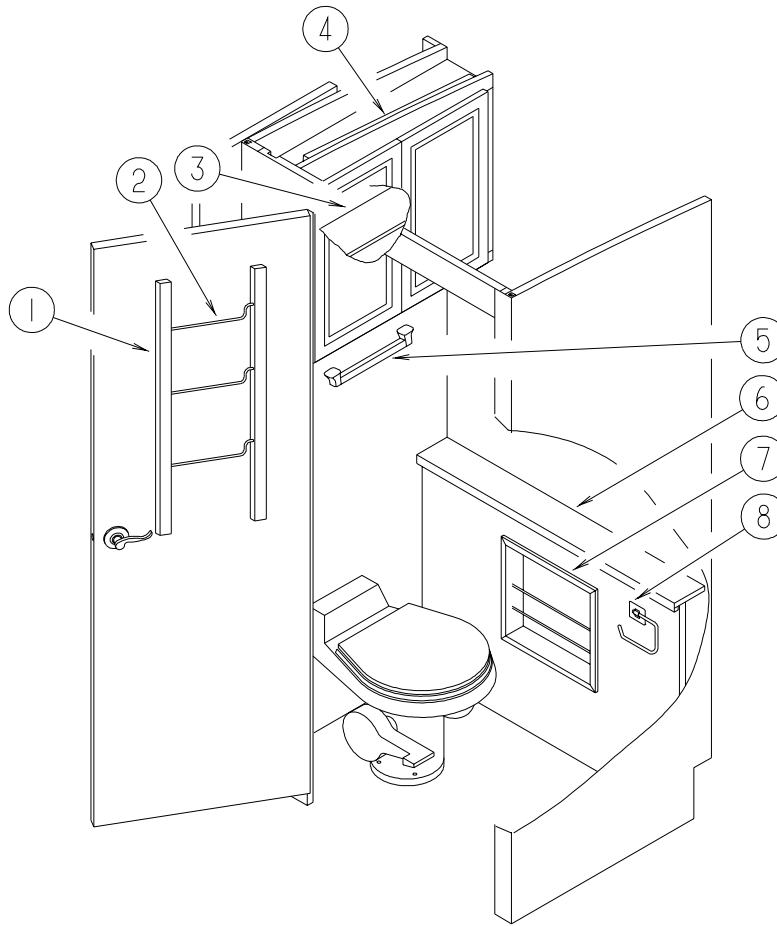
KEY	PART NUMBER	U/M	DESCRIPTION
1	132996-17-L32	EA	COUNTERTOP - WARDROBE CABINET
2	132996-16-L32	EA	COUNTERTOP - WARDROBE CABINET
3	132996-24-L32	EA	SHELF - W/MOLDING
4	132996-14-L32	EA	SHELF - W/MOLDING
5	104314-12-01A	EA	MESH - GRILLE - FACIA - BLACK

BATH GROUP (CONTINUED)
CABINETS (CONTINUED)



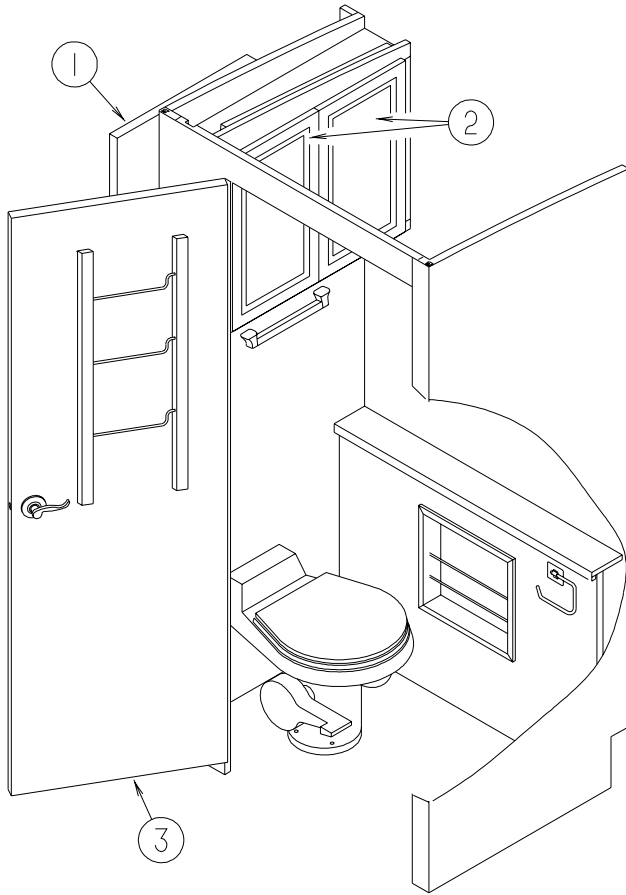
KEY	PART NUMBER	U/M	DESCRIPTION
1	132046-01-01A	EA	RING - TOWEL - BRASS/METAL
2	113195-25-01A	EA	MIRROR - BEVELED SAFETY GLASS - 15.7" X 31.4"
3	132992-01-L32	EA	CABINET - OVERHEAD/MEDICINE - W/O DOORS/HARDWARE
3	132992-13-L32	EA	SHELF - W/PLASTIC EDGEMOLDING
4	126604-01-02A	EA	ENCLOSURE - SURROUND - SOFT WHITE
5	M02630-45-K80	EA	TUB/SHOWER - W/SPRING LOADED DRAIN PLUNGER
6	132993-01-L32	EA	CABINET - LAVATORY - W/COUNTERTOP - W/O DOORS/DRAWERS/HDW
7	133132-01-L32	EA	COUNTERTOP - LAVATORY CABINET - LAMINATED
8	131096-06-L32	EA	WALL POCKET - MONITOR PANEL

BATH GROUP (CONTINUED)
CABINETS (CONTINUED)

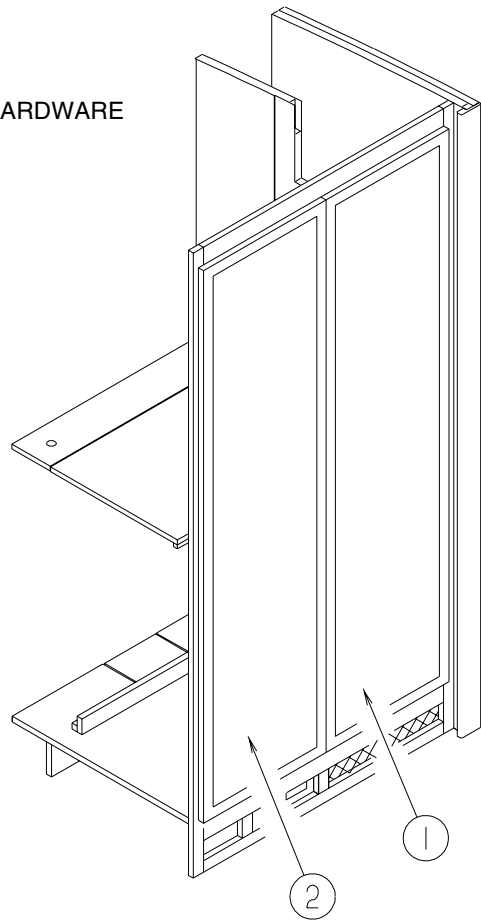


KEY	PART NUMBER	U/M	DESCRIPTION
1	102089-13-G09	EA	RAIL END - RIGHT HAND/TOWEL RACK - 26" - WATERFORD OAK FROM: 00-00-00 THRU: 08-19-99
1	102089-14-G09	EA	RAIL END - LEFT HAND/TOWEL RACK - 26" - WATERFORD OAK FROM: 00-00-00 THRU: 08-19-99
1	134509-01-11A	EA	LUMBER - DRILLED - WATER OAK FROM: 08-20-99 THRU: 99-99-99
2	100357-01-000	EA	ROD - F/TOWEL BAR - BRASS
3	134014-11-L32	EA	SHELF - W/MOLDING
4	134014-01-L32	EA	CABINET - OVERHEAD/LINEN - W/O DOORS/HARDWARE
5	075453-02-000	EA	BAR - TOWEL - 18" BRASS
6	132990-11-L32	EA	COUNTERTOP - PIPE COVER CABINET
7	131096-02-K16	EA	WALL POCKET - MAGAZINE RACK
8	132533-01-01A	EA	HOLDER - PAPER - EURO STYLE - BRASS

BATH GROUP (CONTINUED) DOORS & DRAWERS

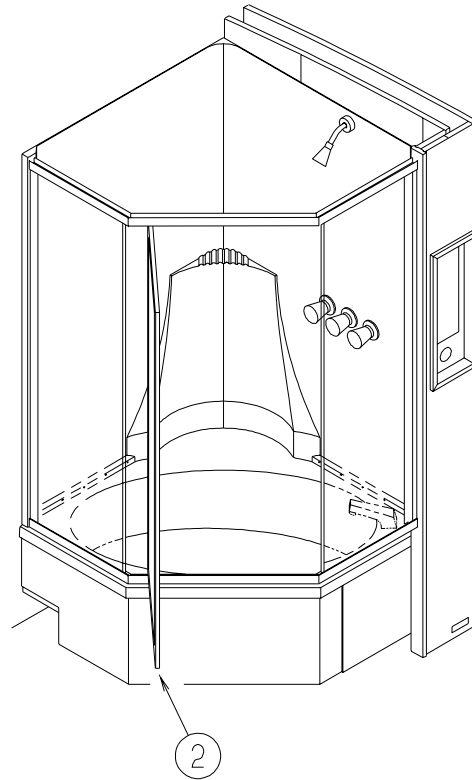
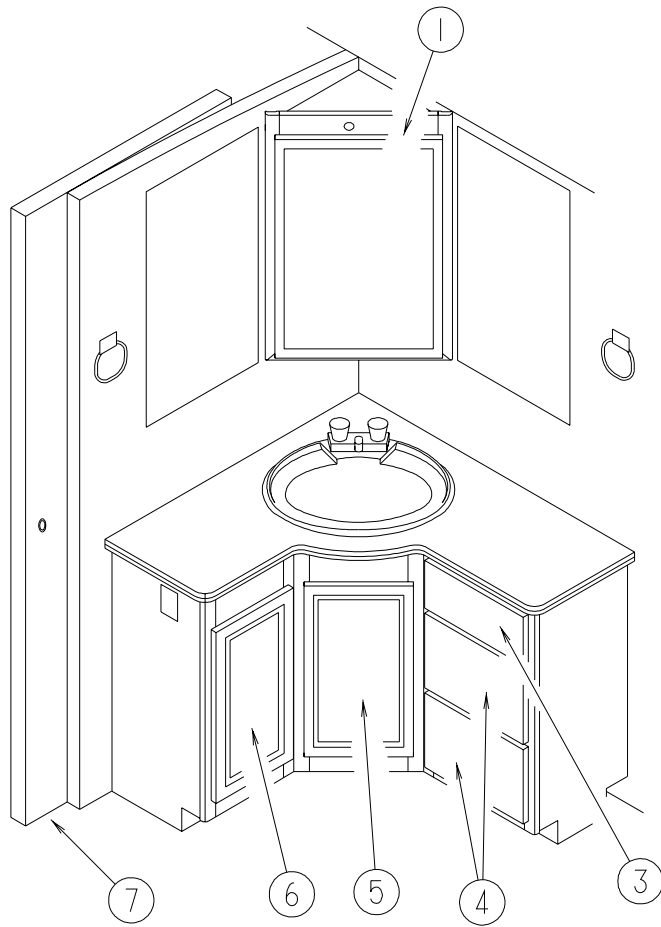


KEY	PART NUMBER	U/M	DESCRIPTION
1	104013-05-G35	EA	DOOR - SLIDING - W/O HARDWARE
2	132141-A1-L32	EA	DOOR - RAIL/VENEER - 10.8" X 21.8" - W/O HARDWARE
3	131933-08-L32	EA	DOOR - BATH - W/O HARDWARE



KEY	PART NUMBER	U/M	DESCRIPTION
1	127466-06-K28	EA	DOOR - MIRRORED
2	127466-05-K28	EA	DOOR - MIRRORED
	058331-H7-000	EA	MIRROR - SAFETY GLASS - 17.4" X 68.7"
	128695-01-04B	EA	BRACKET - MIRRORED DOOR - BLACK
	128695-02-04B	EA	BRACKET - MIRRORED DOOR - BLACK

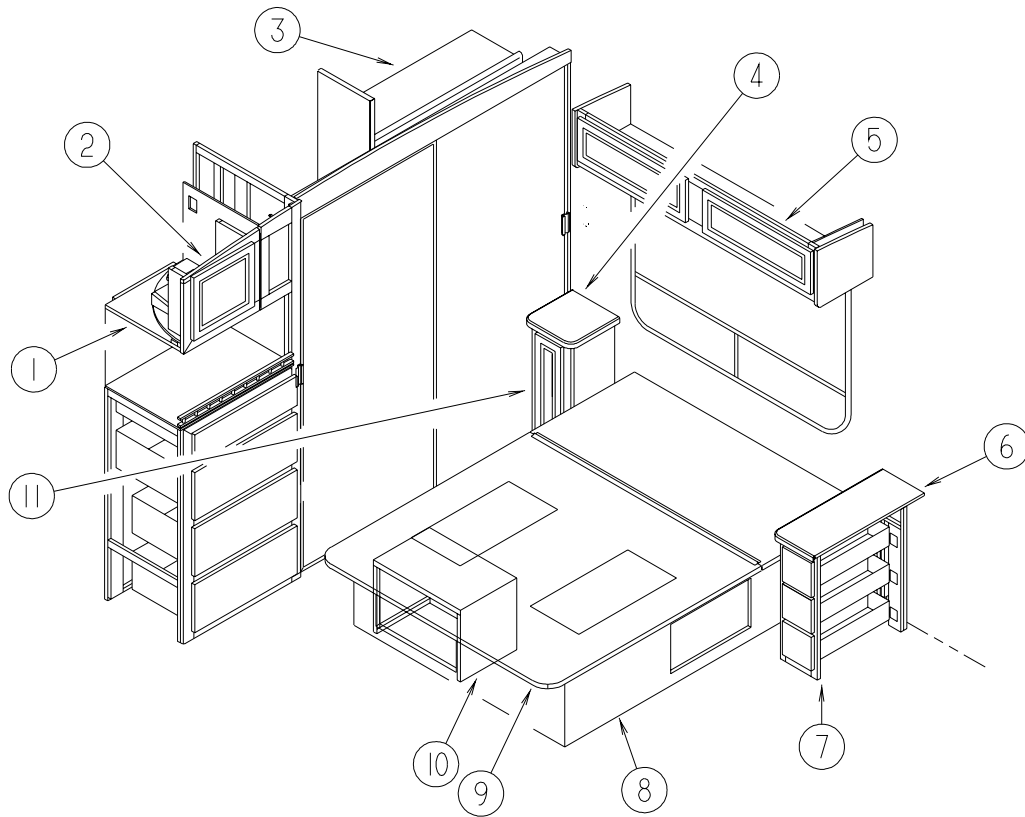
BATH GROUP (CONTINUED)
DOORS & DRAWERS (CONTINUED)



KEY	PART NUMBER	U/M	DESCRIPTION
1	132006-16-L32	EA	DOOR - MIRROR/MITERED RAIL - 15" X 27" - W/O HARDWARE
2	123242-01-02A	EA	DOOR - TUB/SHOWER
3	M09316-47-L32	EA	DRAWER - OGEE EDGE - 12.4"W X 11.8"D - W/O SLIDES/HARDWARE
4	M09316-46-L32	EA	DRAWER - OGEE EDGE - 12.3"W X 11.8"D - W/O SLIDES/HARDWARE
5	132141-87-L32	EA	DOOR - RAIL/VENEER - 11.4" X 28.1" - W/O HARDWARE
6	132141-85-L32	EA	DOOR - RAIL/VENEER - 11.4" X 28.1" - W/O HARDWARE
7	104013-14-K28	EA	DOOR - SLIDING - W/O HARDWARE

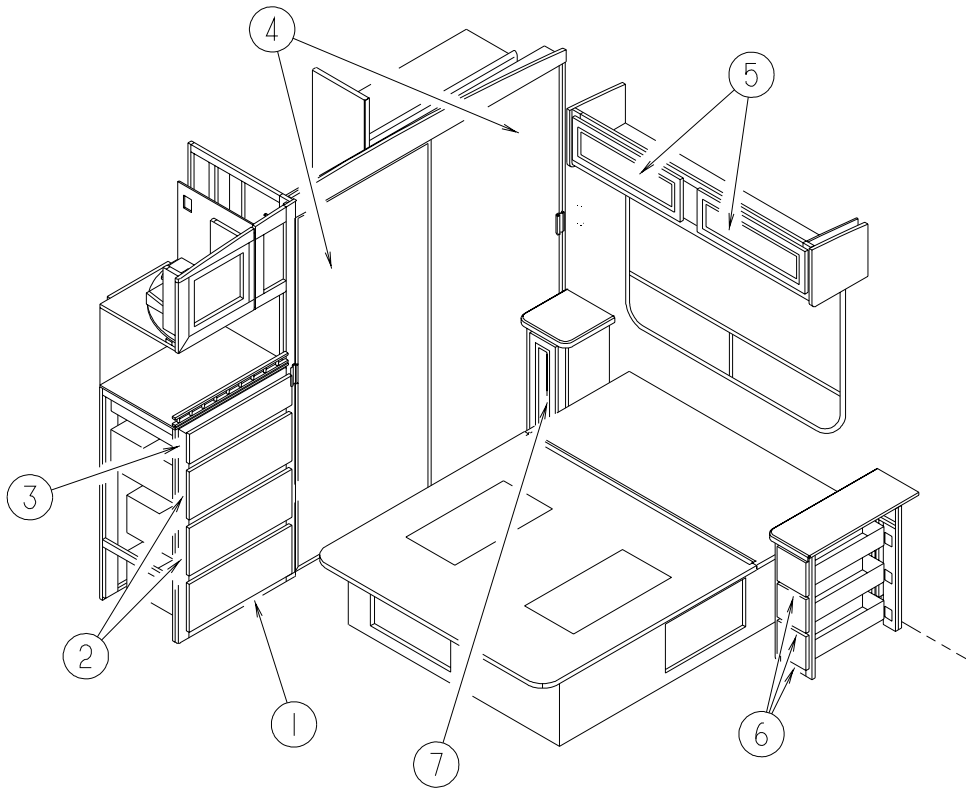
* COMPONENT PARTS FOUND IN SERVICE PARTS LIBRARY

BEDROOM GROUP QUEEN CABINETS



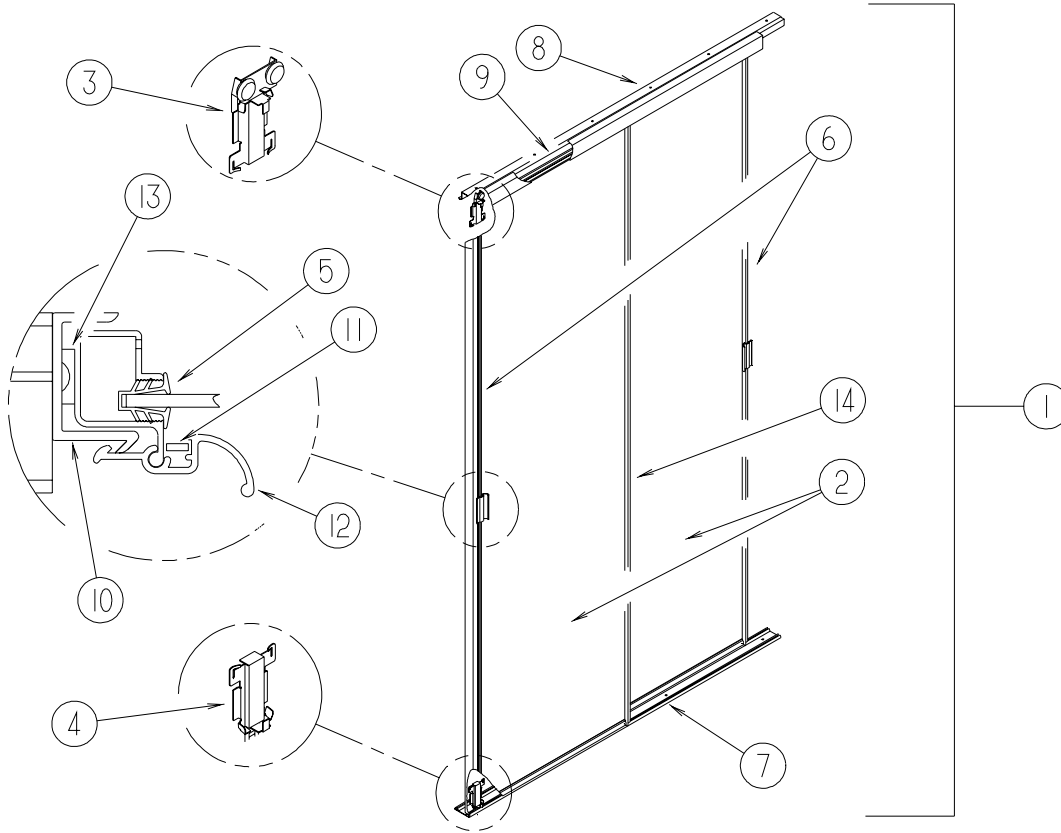
KEY	PART NUMBER	U/M	DESCRIPTION
1	132995-13-L32	EA	SHELF - W/PLASTIC EDGE MOLDING
2	132991-01-L32	EA	CABINET - OVERHEAD - TV/SWINGOUT - W/O DOORS/HARDWARE
	115466-22-02B	EA	STRAP - TIEDOWN/TV - E-COATED
3	119897-01-J94	EA	SHELF - W/PLASTIC EDGE TRIM
4	133131-01-L32	EA	COUNTERTOP - LAMINATED
5	133035-01-L32	EA	CABINET - OVERHEAD/REAR/LEFT HAND - W/O DOORS/HARDWARE
6	129251-30-L32	EA	COUNTERTOP - NIGHTSTAND
7	129251-62-L32	EA	CABINET - NIGHTSTAND/RIGHT HAND - W/CTRTP - W/O DRAWERS/HARDWARE
8	P32988-01-L32	EA	CABINET ASM - BED - QUEEN W/O TOP
9	M07571-14-000	EA	TOP/BED - HINGED PORTION
10	132877-05-000	EA	CABINET - RETURN AIR/A/C
10	093614-09-01A	EA	GRILLE - RETURN AIR - 20" X 10" - BEIGE
11	132469-01-L32	EA	CABINET - NIGHTSTAND - W/O DOOR/HARDWARE
11	132469-11-L32	EA	SHELF - W/PLASTIC EDGE MOLDING
	P27942-01-000	EA	CABINET - COVER - WATER FILL

BEDROOM GROUP (CONTINUED)
QUEEN DOORS & DRAWERS



KEY	PART NUMBER	U/M	DESCRIPTION
1	M09316-A8-L32	EA	DRAWER - OGEE EDGE - 22.9"W X 15.7"D - W/O SLIDES/HARDWARE
2	M09316-A9-L32	EA	DRAWER - OGEE EDGE - 22.9"W X 19.6"D - W/O SLIDES/HARDWARE
3	M09316-B0-L32	EA	DRAWER - OGEE EDGE - 22.9"W X 19.6"D - W/O SLIDES/HARDWARE
4	114149-20-L32	EA	DOOR - MIRROR/WARDROBE - W/HARDWARE
5	132141-62-L32	EA	DOOR - RAIL/VENEER - 9" X 26.5" - W/O HARDWARE
6	M09316-58-L01	EA	DRAWER - OGEE EDGE - 10.7"W X 19.6"D - W/O SLIDES/HARDWARE
7	131995-K1-L32	EA	DOOR - SOLID PANEL - 6.3" X 23.2" - W/O HARDWARE

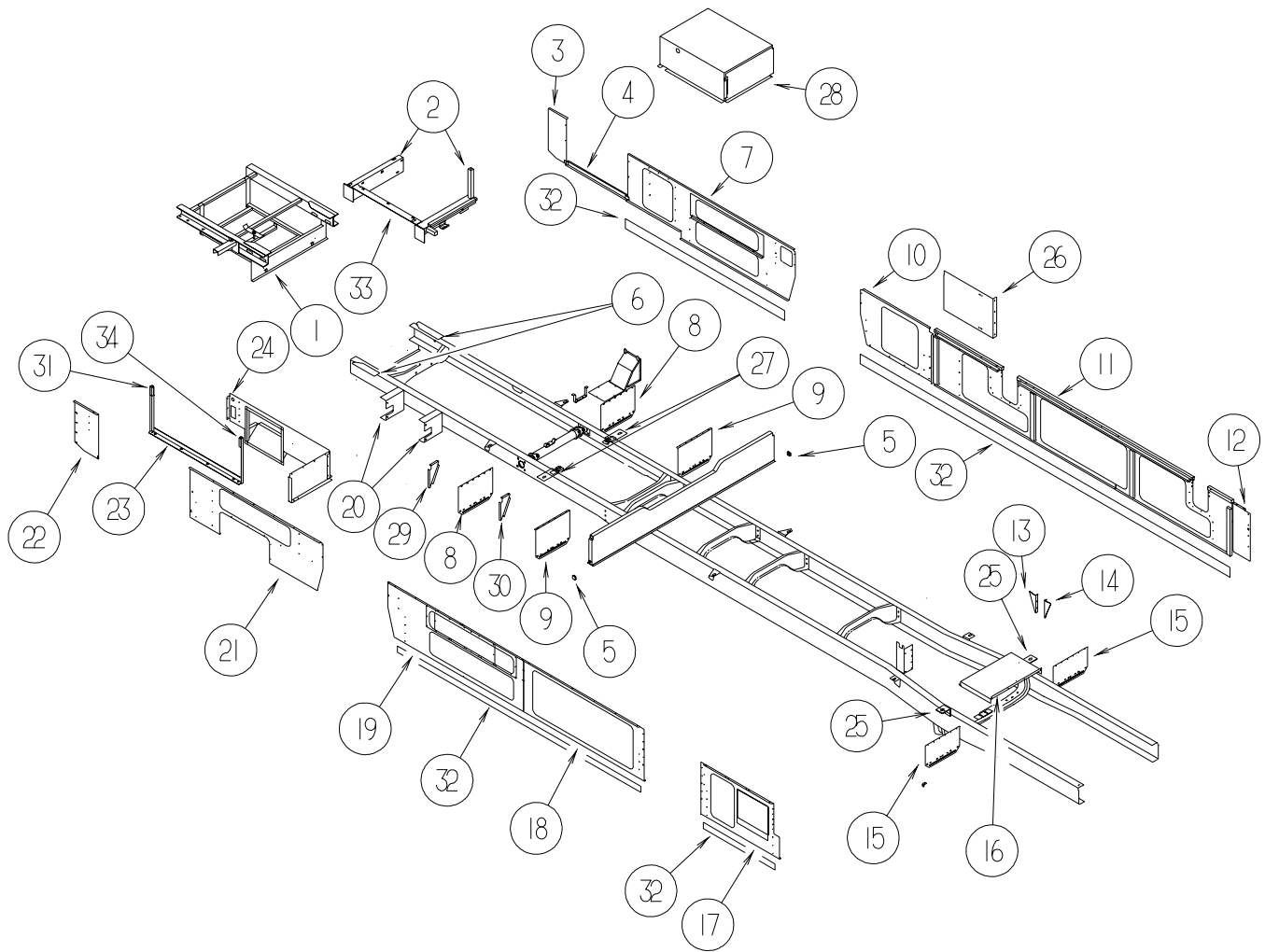
BEDROOM GROUP (CONTINUED)
QUEEN DOORS & DRAWERS (CONTINUED)



MIRRORED WARDROBE DOORS

KEY	PART NUMBER	U/M	DESCRIPTION
1	114149-20-L32	EA	DOOR - MIRRORED/WARDROBE - W/HARDWARE
2	N/A	EA	MIRROR - GLASS - SAFETY - 882MM X 1874MM
3	107390-02-000	EA	CORNER HANGER (DOUBLE ROLLER W/BRACKET) (SOLD AS 1 EACH)
4	107391-01-000	EA	GUIDE - BOTTOM - BY-PASS (4 USED PER DOOR)
5	111575-01-01A	FT	CHANNEL - GLAZING - SWING DOOR
6	114104-07-01A	EA	STILE - DOOR - SLIDING
7	114105-08-01A	EA	TRACK - LOWER/SLIDING DOOR - 74.8"
8	114106-18-01A	EA	TRACK - DOOR - SLIDER - UPPER - TERRATONE
9	114107-03-01A	EA	RAIL - SLIDING DOOR
10	115538-03-01A	EA	JAMB - DOOR - WARDROBE/MIRRORED
11	115541-01-000	EA	SPRING - DOOR - SLIDING
12	132038-01-01A	EA	LATCH - DOOR/WARDROBE - TERRATONE
13	123655-01-000	FT	SEAL - CLOSED CELL/FOAM
14	114104-03-01A	EA	STILE - DOOR - SLIDING - TERRATONE

CHASSIS GROUP FRAME



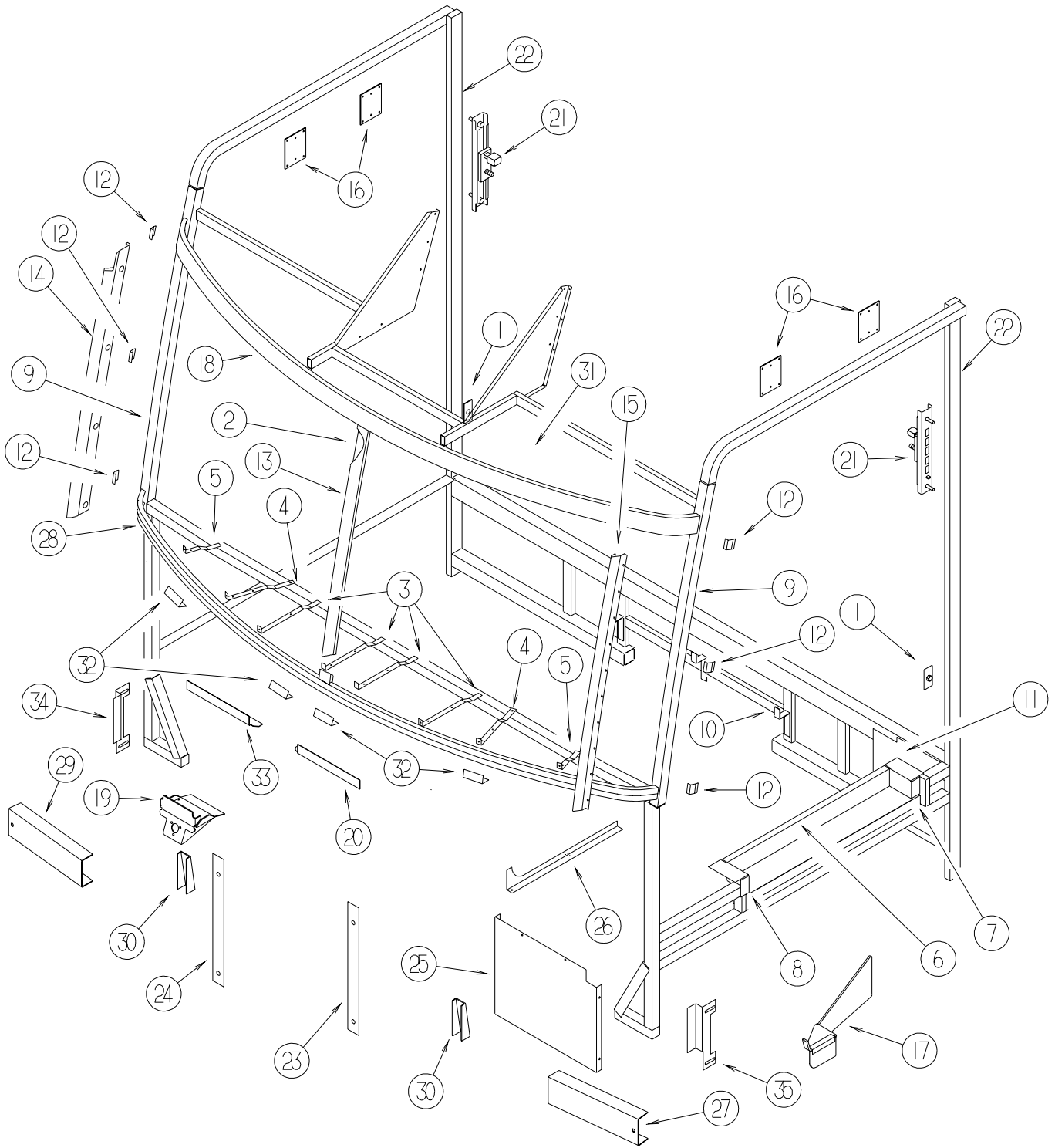
KEY	PART NUMBER	U/M DESCRIPTION
1*	132643-02-01A	EA HITCH/CHASSIS EXTENSION RAIL - 45"
2	133022-01-02B	EA OUTRIGGER - GENERATOR - E-COATED
3	132485-03-02B	EA PLATE/SEAL - E-COATED
4	133612-04-02B	EA ZEE - SEAL PLANE - BOTTOM - E-COATED
5	119845-01-01A	EA PLUG/PLASTIC - 1 1/2" SQUARE - BLACK
6	133095-01-02B	EA PLATE - CLIP - E-COATED
7	132485-06-02B	EA PLATE/SEAL - E-COATED
8	136391-02-02B	EA GUARD/ROCK - STEEL - W/ANGLE - 18"W X 14.9"H - E-COATED
9	134191-01-02B	EA GUARD/ROCK - STEEL - W/BEND - 18"W X 14.9"H - E-COATED
10	132485-05-02B	EA PLATE/SEAL - E-COATED
11	133562-06-02B	EA PLANE/SEAL - E-COATED
12	132606-01-02B	EA PLATE/SEAL - E-COATED
13	131531-05-02B	EA GUSSET - SLIDEOUT - E-COATED
14	131531-06-02B	EA GUSSET - SLIDEOUT - E-COATED
15	136388-01-02B	EA GUARD - ROCK - E-COATED
16	133203-02-02B	EA COVER - TRANSMISSION - E-COATED
17	132486-07-02B	EA PLATE/SEAL - E-COATED - 10 GALLON WATER HEATER
17	132486-08-02B	EA PLATE/SEAL - E-COATED - 6 GALLON WATER HEATER
18	132486-09-02B	EA PLATE/SEAL - E-COATED
19	132486-10-02B	EA PLATE/SEAL - E-COATED
20	120867-01-02B	EA MOUNT - LP TANK
21	132486-11-02B	EA PLATE/SEAL - E-COATED
22	132486-06-02B	EA PLATE/SEAL - RIGHT HAND/REAR - E-COATED
23	129328-02-02B	EA HANGER - A/C - COACH
24	132146-02-02B	EA FRAME - RETURN AIR/AC - E-COATED
25	117154-04-02B	EA MOUNT-BODY,E-COAT

* COMPONENT PARTS FOUND IN SERVICE PARTS LIBRARY

CHASSIS GROUP (CONTINUED)
FRAME (CONTINUED)

KEY	PART NUMBER	U/M	DESCRIPTION
26	128008-07-02B	EA	PANEL/CLOSEOUT - E-COATED
27	135712-01-02B	EA	PLATE - BODY MOUNT - E-COATED
28	118968-11-02B	EA	COMPARTMENT -GENERATER - E-COATED
29	123440-06-02B	EA	SUPPORT/VALANCE PANEL - E-COATED - 9.9"/5.5"X4.7"
30	123440-02-02B	EA	SUPPORT/VALANCE PANEL - E-COATED - 9.9"/7.6"X4.7"
31	133833-01-02B	EA	HANGER - A/C - E-COATED
32	126516-01-01A	FT	TRIM - VINYL/EXTRUDED - 8'
33	104803-01-000	EA	ANGLE - FORMED W/SLOTS
34	133833-02-02B	EA	HANGER - A/C - E-COATED

CHASSIS GROUP (CONTINUED)
FRONT END (CONTINUED)



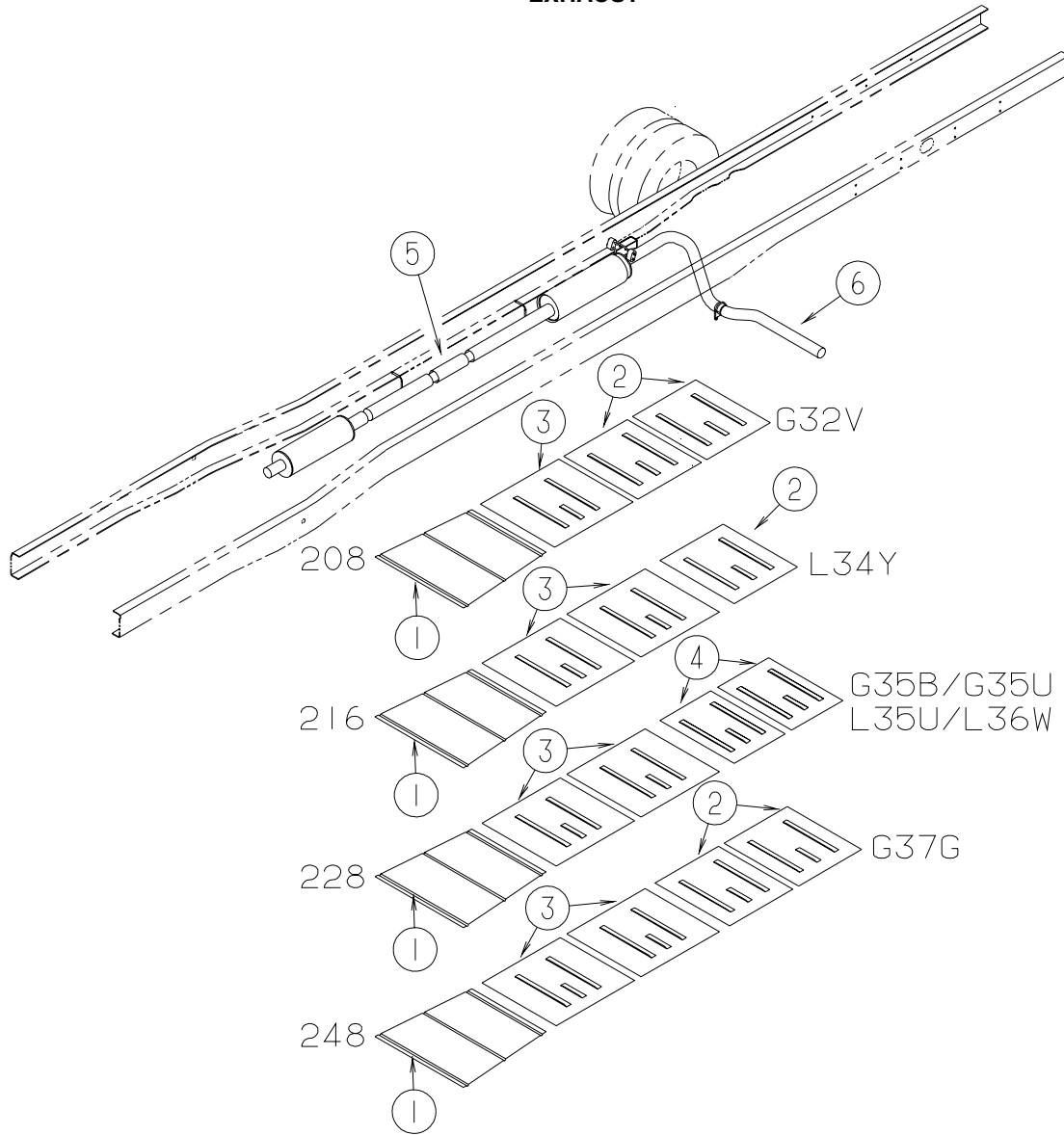
CHASSIS GROUP (CONTINUED)

FRONT END (CONTINUED)

KEY	PART NUMBER	U/M	DESCRIPTION
1	133576-02-01B	EA	PLATE - ANCHOR - SEATBELT - LOWER - MILL
2	078249-17-000	EA	TUBE - SWEPT - CAB FRAME
3	104797-03-000	EA	BRACKET - DEFROSTER
4	104797-04-000	EA	BRACKET - DEFROSTER
5	104797-05-000	EA	BRACKET - DEFROSTER
6	106746-02-000	EA	PANEL - STEPWELL
7	106747-03-000	EA	PANEL - STEPWELL - RIGHT HAND END
8	106747-04-000	EA	PANEL - STEPWELL - LEFT HAND END
9	117273-01-01A	EA	TUBE - SUPPORT - A-PILLAR
10	117287-01-01B	EA	BRACKET - MOUNT - CABLE
			FROM: 00-00-00 THRU: 10-31-99
11	118592-01-01B	EA	SHIELD - SPLASH - MILL
12	120363-01-01B	EA	BRACKET - WINDSHIELD
13	120840-07-01B	EA	STRAP - W/HOLES - MILL
14	121269-05-01B	EA	FRAME - WINDSHIELD - A-PILLAR - MILL
15	121269-06-01B	EA	FRAME - WINDSHIELD - A-PILLAR - MILL
16	104409-01-000	EA	PLATE - MOUNT - SIDEWALL
17	128255-01-04B	EA	STEP - DRIVER DOOR - BLACK
	063977-14-000	EA	STEP/DRIVER DOOR - ARM STYLE - LEFT HAND
18	124975-01-01B	EA	SUPPORT - WINDSHIELD - UPPER - MLL
19	134506-02-01B	EA	BRACKET ASM - WIPER MOTOR - MILL
20	134371-01-01B	EA	ANGLE - MOUNT - WIPER MOTOR - MILL
21	127461-02-01B	EA	PLATE - ANCHOR - SEAT BELT
22	127874-01-01B	EA	TUBE - B PILLAR - MILL
23	119892-13-02B	EA	SUPPORT - FRONT - W/WASHER BOTTLE - FORD
			FROM: 00-00-00 THRU: 10-29-99
23	134807-04-02B	EA	SUPPORT - FRONT - E-COATED - FORD
			FROM: 10-30-99 THRU: 99-99-99
23	119892-12-02B	EA	SUPPORT ASM - FRONT - GM - LH - E-CT - WORKHORSE
			FROM: 00-00-00 THRU: 10-29-99
23	134807-01-02B	EA	SUPPORT - FRONT - E-COATED - WORKHORSE
			FROM: 10-30-99 THRU: 99-99-99
24	119892-14-02B	EA	SUPPORT - FRONT - W/O WASHER BOTTLE - FORD
			FROM: 00-00-00 THRU: 10-29-99
24	134807-03-02B	EA	SUPPORT - FRONT - E-COATED - FORD
			FROM: 10-30-99 THRU: 99-99-99
24	119892-17-02B	EA	SUPPORT ASM - FRONT - GM - RH - E-CT - WORKHORSE
			FROM: 00-00-00 THRU: 10-29-99
24	134807-02-02B	EA	SUPPORT - FRONT - E-COATED - WORKHORSE
			FROM: 10-30-99 THRU: 99-99-99
25	104147-14-000	EA	SHIELD/SPLASH - HEADLIGHT - FORD
25	121962-02-02B	EA	SHIELD/SPLASH - HEADLIGHT - E-COATED - WORKHORSE
26	131859-01-02B	EA	BRACKET - SEAL/TRANSITION/LEFT HAND - FRONT - E-COATED
	131860-01-02B	EA	BRACKET - SEAL/TRANSITION/LEFT HAND - REAR - E-COATED
27	125744-10-02B	EA	CHANNEL - SUPPORT - FRT END - E-CT - FORD
28	124974-01-01B	EA	SUPPORT - WINDSHIELD - LOWER - MLL
29	125744-02-02B	EA	CHANNEL - SUPPORT - FRONT END - E-COATED - FORD
29	125744-01-02B	EA	CHANNEL - SUPPORT - FRONT END - E-COATED - WORKHORSE
30	117622-01-02B	EA	BRACE - TUBE/BUMPER - VERTICAL - E-COATED
31	133709-51-01B	EA	HEADER - F/TV - MILL
32	076364-57-000	EA	ANGLE - FORMED
33	134371-02-01B	EA	ANGLE - MOUNT - WIPER MOTOR - MILL
34	128019-01-02B	EA	SUPPORT - FRONT END/REAR - E-COATED
35	128019-02-02B	EA	SUPPORT - FRONT END/REAR - E-COATED

CHASSIS GROUP (CONTINUED)

EXHAUST



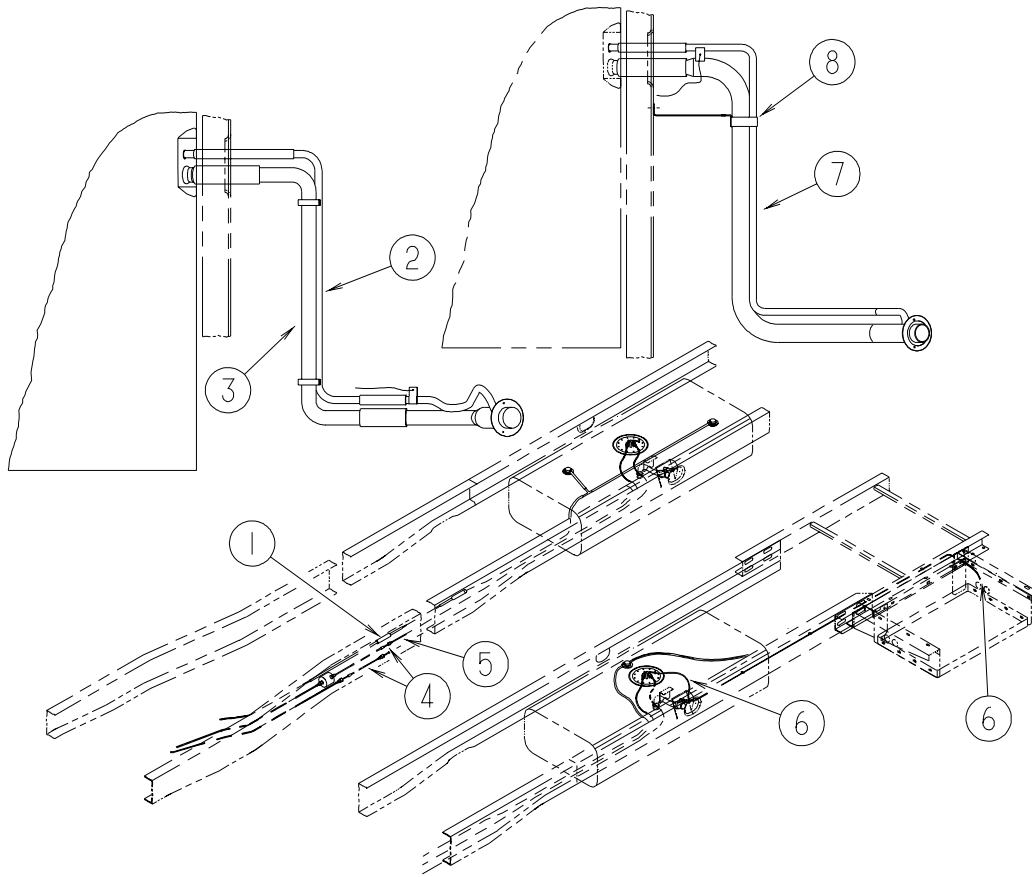
KEY	PART NUMBER	U/M	DESCRIPTION
	094918-06-000	EA	CLAMP - EXHAUST - 3" - HEAVY DUTY
1	128756-01-02B	EA	SHIELD - HEAT EXHAUST - E-COATED
2	101544-02-000	EA	SHIELD - HEAT/EXHAUST - 30" X 29.1"
3	101544-06-000	EA	SHIELD - HEAT/EXHAUST - 33.9" X 29.1"
4	101544-10-000	EA	SHIELD - HEAT/EXHAUST - 19.7" X 29.1" - FORD
5	112012-03-000	EA	PIPE - EXHAUST - 3" DIAMETER - 208/228/248
5	112012-04-000	EA	PIPE - EXHAUST - 3" DIAMETER - 216
6	N/A	EA	PIPE - EXHAUST - CHASSIS PROVIDED

HITCH

KEY	PART NUMBER	U/M	DESCRIPTION
	113589-01-000	EA	CONNECTOR - PLUG - TRAILER
	113589-02-000	EA	CONNECTOR - SOCKET - TRAILER

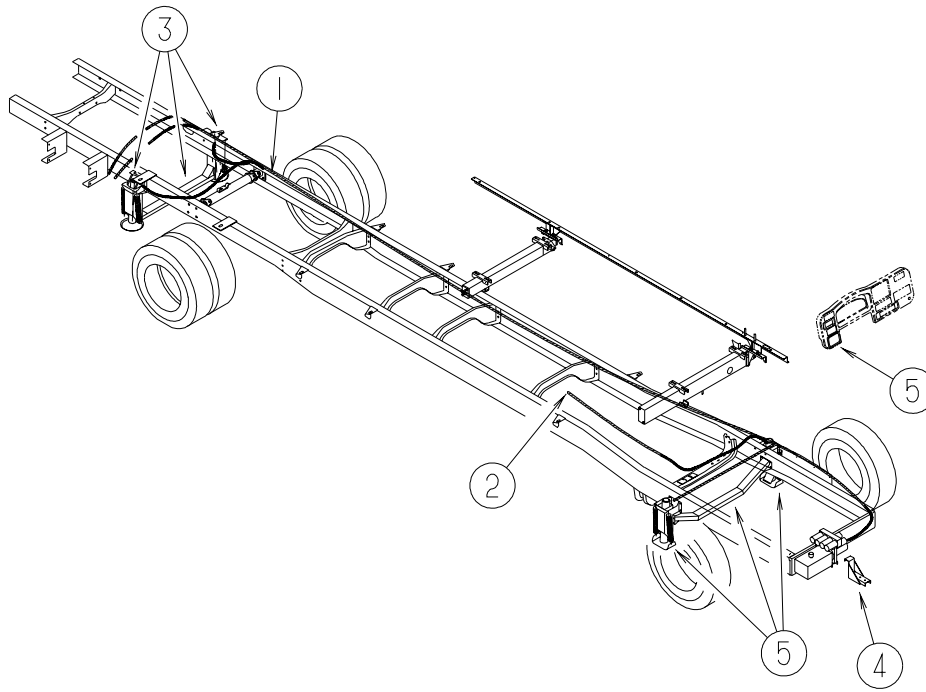
CHASSIS GROUP (CONTINUED)

FUEL



KEY	PART NUMBER	U/M	DESCRIPTION
1	128139-02-000	FT	HOSE - FUEL - LOW PERMEABILITY - 5/8" DIAMETER
2	129320-05-000	EA	PIPE - FILL VENT - G37G
2	129320-05-000	EA	PIPE - FILL VENT - G35B, G35C, G35U, G32V & L35U
			FROM: 00-00-00 THRU: 06-04-00
2	129320-01-000	EA	PIPE - FILL VENT - L34Y
2	129320-11-000	EA	PIPE - FILL VENT - L36W
			FROM: 00-00-00 THRU: 06-04-00
3	129321-11-000	EA	TUBE - FUEL INLET - G37G
3	129321-11-000	EA	TUBE - FUEL INLET - G35B, G35C, G35U, G32V & L35U
			FROM: 00-00-00 THRU: 06-04-00
3	129321-01-000	EA	TUBE - FUEL INLET - L34Y
3	129321-12-000	EA	PIPE - FUEL INLET - L36W
			FROM: 00-00-00 THRU: 06-04-00
4	129494-01-000	EA	FUEL LINE - 5/16" X 9.3" - FORD CHASSIS
4	129494-02-000	EA	FUEL LINE - 5/15" X 34.9" - FORD CHASSIS
4	129494-03-000	EA	FUEL LINE - 5/16" X 21.2" - FORD CHASSIS
5	129505-01-000	EA	TUBE - STEEL - 5/8" X 7.5"
5	129505-02-000	EA	TUBE - STEEL - 5/8" X 13.5"
5	129505-03-000	EA	TUBE - STEEL - 5/8" X 19.5"
6	128139-03-000	FT	HOSE - FUEL - LOW PERMEABILITY - 1/4" DIAMETER
7	135801-01-000	EA	NECK - FUEL FILL - G35B, G35C, G35U, G32V & L35U
			FROM: 06-05-00 THRU: 99-99-99
7	135801-03-000	EA	NECK - FUEL FILL - L36W
			FROM: 06-05-00 THRU: 99-99-99
8	136483-02-02B	EA	BRACKET - FUEL FILL - E-COATED - G35B, G35C, G35U, G32V, L36W & L35U
			FROM: 05-22-00 THRU: 07-23-00
8	136483-01-02B	EA	BRACKET - FUEL FILL - E-COATED - G35B, G35C, G35U, G32V, L36W & L35U
			FROM: 07-24-00 THRU: 99-99-99

CHASSIS GROUP (CONTINUED)
HYDRAULIC LEVELING



KEY	PART NUMBER	U/M	DESCRIPTION
1	100536-47-000	EA	HOSE KIT - LEVELING JACKS
2	117183-01-02B	EA	COVER - SENSOR - LEVELING
3*	128571-03-000	EA	JACK ASSEMBLY - REAR LEVELING - W/CROSSMEMBER - MANUAL
4	129550-01-02B	EA	BRACKET ASM - PUMP, E-COAT
5*	131306-11-000	EA	LEVELING SYSTEM - FORD CHASS. - 310 SYSTEM - F/SLIDE-OUT

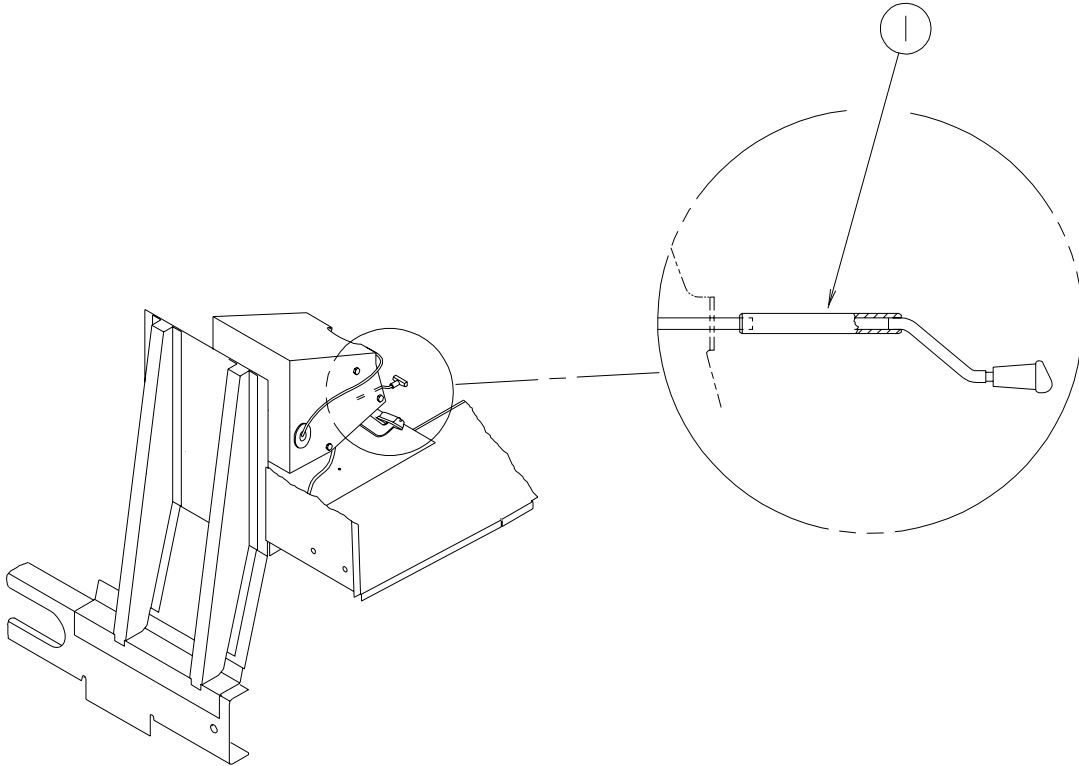
* COMPONENT PARTS FOUND IN SERVICE PARTS LIBRARY

CHASSIS GROUP (CONTINUED)

WHEEL, TIRE, COVERS & LINERS

KEY	PART NUMBER	U/M	DESCRIPTION
	077030-02-000	EA	EXTENSION - VALVE STEM - 1.25"
*	109443-07-000	EA	WHEEL COVER - 4/SET - 19.5"
	077030-04-000	EA	EXTENSION - VALVE STEM - .75"
	077030-06-000	EA	EXTENSION - VALVE STEM - 45 DEGREE
	095012-07-000	EA	STABILIZER - VALVE EXTENSION - LIVE - 4"
	095012-09-000	EA	EXTENSION - VALVE STEM - LIVE - 7.7"
*	110435-15-000	EA	LINER - WHEEL SET/4 - 19.5"

* COMPONENT PARTS FOUND IN SERVICE PARTS LIBRARY



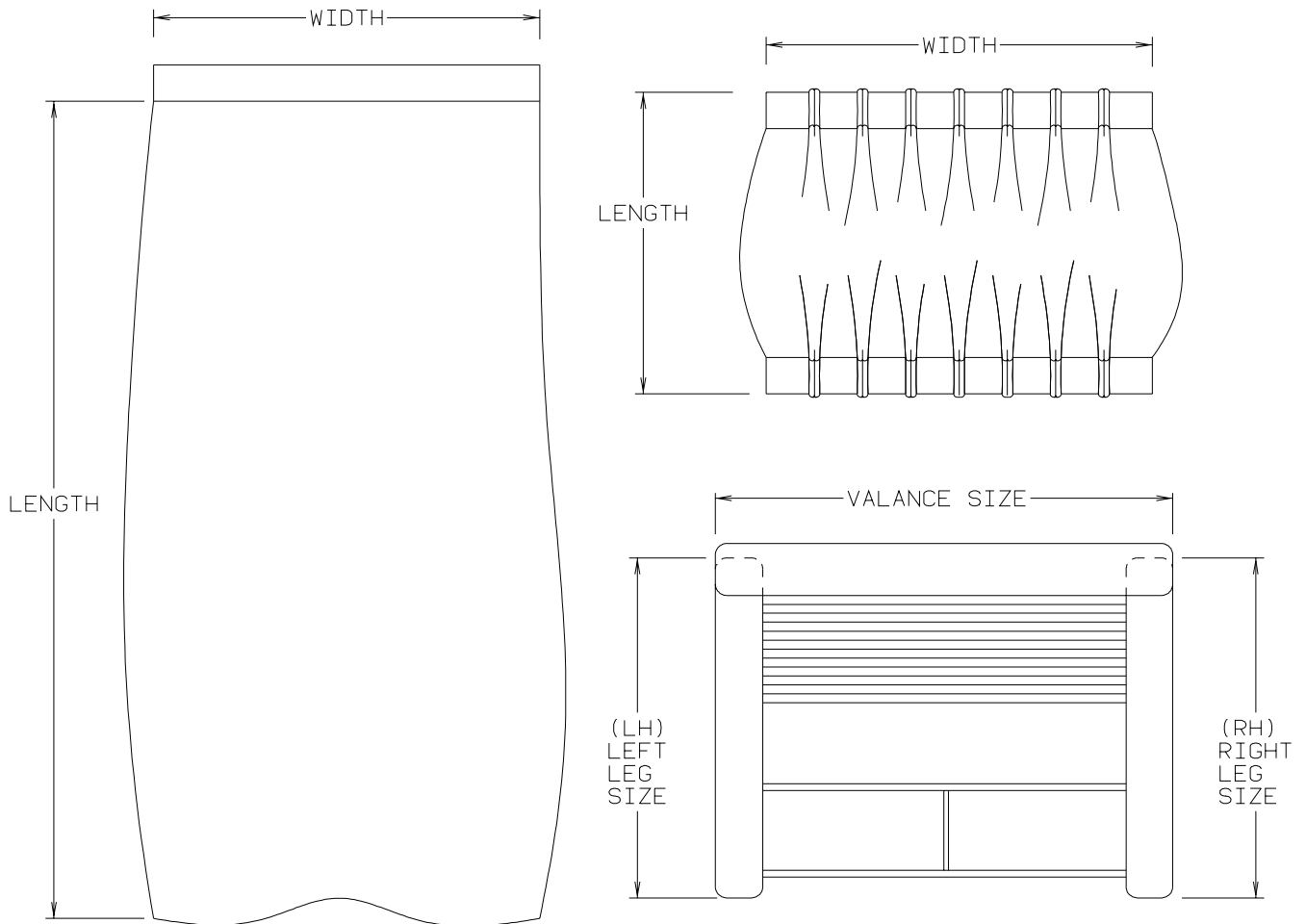
BRAKE OR BRAKELINE

KEY	PART NUMBER	U/M	DESCRIPTION
1	113007-01-000	EA	PIN - SPRING - .375 X 3"

CURTAIN & CUSHION GROUP

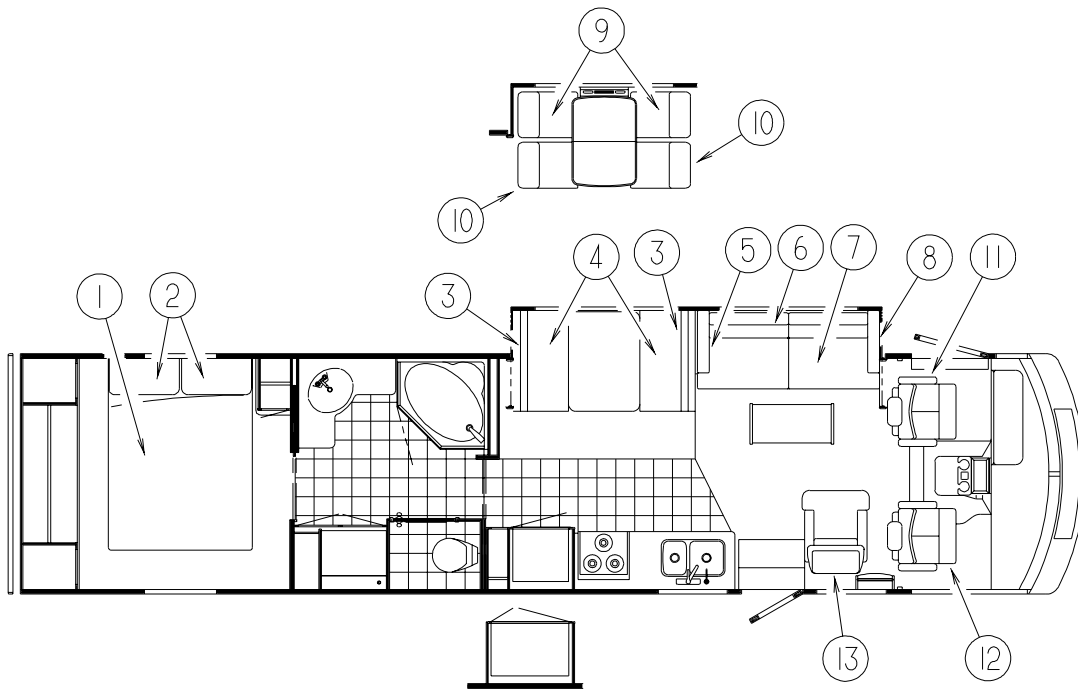
NOTICE

IN ORDER TO ASSIST OUR PARTS SALES DEPT. IN PROVIDING INTERIOR SOFTWARE ITEMS, PLEASE INCLUDE THE SERIAL NUMBER AND THE COLOR CODE NUMBER FROM THE VEHICLE CERTIFICATION LABEL WHEN ORDERING. THIS LABEL IS LOCATED ON THE LEFT SIDEWALL AT THE END OF THE DASH (A-BODY), OR ON THE DRIVER'S DOOR LATCH PLATE (C-BODY). AN EXAMPLE OF A COLOR CODE NUMBER IS B07, WHICH DESIGNATES AN OVERALL COLOR SCHEME OF A PARTICULAR UNIT. THE COLOR LISTED AFTER THE ITEM DESCRIPTION ON THE MICROFICHE, INDICATES THE OVERALL UNIT COLOR. ORDER THE ITEM YOU DESIRE ACCORDING TO UNIT COLOR CODE. IF ALL COLORS USE THE SAME ITEM NO COLOR CODE WILL BE NOTED.



NOTE: USE THIS ILLUSTRATION WHEN DETERMINING LENGTH AND WIDTH MEASUREMENTS FOR CURTAINS. YOU WILL NOTE THE WIDTH MEASUREMENT IS TAKEN ON THE TOP OF THE CURTAIN WITH THE CURTAIN FULLY EXTENDED. THE LENGTH MEASUREMENT IS TAKEN FROM TOP TO BOTTOM. LEFT AND RIGHT WINDOW LEGS ARE DETERMINED WHEN FACING THE WINDOW.

CURTAIN & CUSHION GROUP (CONTINUED)
CUSHION LAYOUT

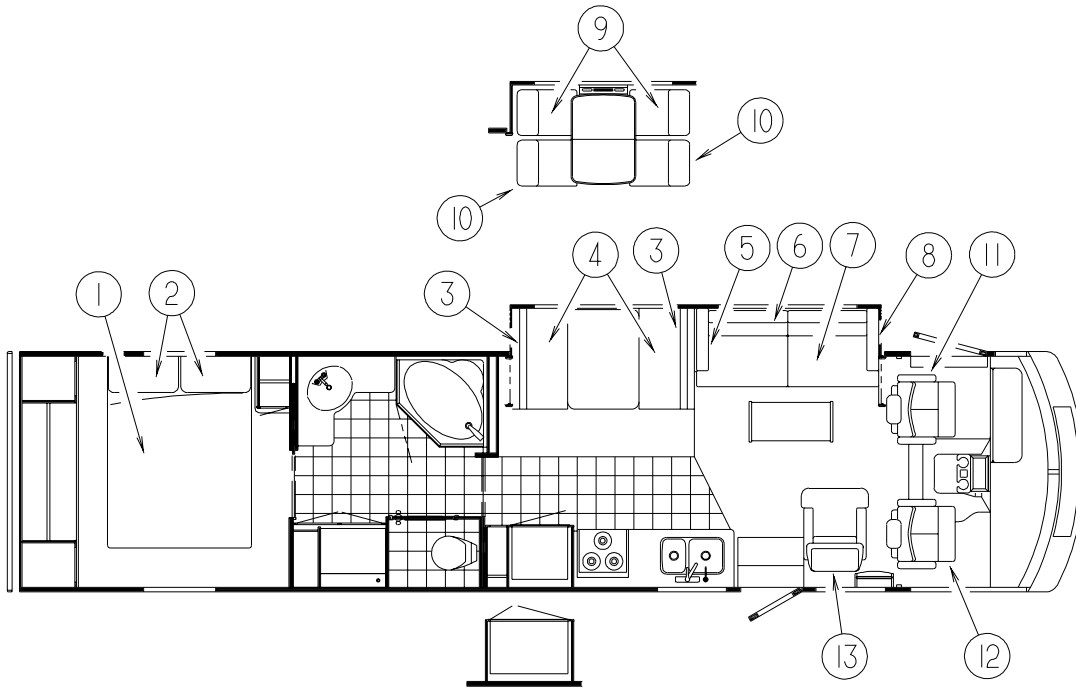


KEY	PART NUMBER	U/M	DESCRIPTION
1	123015-07-000	EA	MATTRESS - INNERSPRING - 60" X 79.5"
1	132336-07-L32	EA	BEDSPREAD/CAP - 60" X 80"
1	132336-07-L34	EA	BEDSPREAD/CAP - 60" X 80"
1	132336-07-L36	EA	BEDSPREAD/CAP - 60" X 80"
2	126211-05-L32	EA	PILLOW SHAM - 20" X 33"
2	126211-05-L34	EA	PILLOW SHAM - 20" X 33"
2	126211-05-L36	EA	PILLOW SHAM - 20" X 33"
	132319-06-L32	EA	PILLOW - 17" - W/HALF MOON OVERLAY
	132319-06-L34	EA	PILLOW - 17" - W/HALF MOON OVERLAY
	132319-06-L36	EA	PILLOW - 17" - W/HALF MOON OVERLAY
3	111880-05-L32	EA	CUSHION - BACK - 13.5" X 42" X 5"
3	111880-05-L34	EA	CUSHION - BACK - 13.5" X 42" X 5"
3	111880-05-L36	EA	CUSHION - BACK - 13.5" X 42" X 5"
	P11880-05-L32	EA	COVER - BACK - 13.5" X 42" X 5"
	P11880-05-L34	EA	COVER - BACK - 13.5" X 42" X 5"
	P11880-05-L36	EA	COVER - BACK - 13.5" X 42" X 5"
	078155-01-000	EA	STRAP - SNAP - BACK CUSHION
4	105603-15-L07	EA	CUSHION - SEAT - 23" X 42" X 5" (L32)
4	105603-15-L34	EA	CUSHION - SEAT - 23" X 42" X 5" (L34)
4	105603-15-L36	EA	CUSHION - SEAT - 23" X 42" X 5" (L36)
	P05603-15-L07	EA	COVER - SEAT - 23" X 42" X 5" (L32)
	P05603-15-L34	EA	COVER - SEAT - 23" X 42" X 5" (L34)
	P05603-15-L36	EA	COVER - SEAT - 23" X 42" X 5" (L36)
5	130718-01-L07	EA	ARMREST - RIGHT HAND/REMOVABLE (L32)
5	130718-01-L34	EA	ARMREST - RIGHT HAND/REMOVABLE (L34)
5	130718-01-L36	EA	ARMREST - RIGHT HAND/REMOVABLE (L36)
5	130718-05-L32	EA	ARMREST - RIGHT HAND/REMOVABLE - LEATHER/VINYL COUCH OPTION (L32)
5	130718-05-L34	EA	ARMREST - RIGHT HAND/REMOVABLE - LEATHER/VINYL COUCH OPTION (L34)
5	130718-05-L36	EA	ARMREST - RIGHT HAND/REMOVABLE - LEATHER/VINYL COUCH OPTION (L36)
	P30718-01-L07	EA	COVER - ARMREST - REMOVABLE/RIGHT HAND (L32)
	P30718-01-L34	EA	COVER - ARMREST - REMOVABLE/RIGHT HAND (L34)
	P30718-01-L36	EA	COVER - ARMREST - REMOVABLE/RIGHT HAND (L36)
	P30718-05-L32	EA	COVER - ARMREST - REMOVABLE/RIGHT HAND - LEATHER/VINYL COUCH OPTION (L32)
	P30718-05-L34	EA	COVER - ARMREST - REMOVABLE/RIGHT HAND - LEATHER/VINYL COUCH OPTION (L34)
	P30718-05-L36	EA	COVER - ARMREST - REMOVABLE/RIGHT HAND - LEATHER/VINYL COUCH OPTION (L36)
	127335-08-000	EA	BRACKET - REMOVABLE ARM/SOFA
	127335-09-000	EA	BRACKET - REMOVABLE ARM/CUSHION

CURTAIN & CUSHION GROUP (CONTINUED)**CUSHION LAYOUT (CONTINUED)**

KEY	PART NUMBER	U/M	DESCRIPTION
6	130573-05-L32	EA	BACK - SOFA/BED - 74"
6	130573-05-L34	EA	BACK - SOFA/BED - 74"
6	130573-05-L36	EA	BACK - SOFA/BED - 74"
6	129688-09-L32	EA	SOFA - BACK ONLY - 74" - LEATHER/VINYL COUCH OPTION
6	129688-09-L34	EA	SOFA - BACK ONLY - 74" - LEATHER/VINYL COUCH OPTION
6	129688-09-L36	EA	SOFA - BACK ONLY - 74" - LEATHER/VINYL COUCH OPTION
	P30573-05-L32	EA	COVER - BACK - SOFA/BED - 74"
	P30573-05-L34	EA	COVER - BACK - SOFA/BED - 74"
	P30573-05-L36	EA	COVER - BACK - SOFA/BED - 74"
	P29688-09-L32	EA	COVER - BACK - SOFA/BED - 74" - LEATHER/VINYL COUCH OPTION
	P29688-09-L34	EA	COVER - BACK - SOFA/BED - 74" - LEATHER/VINYL COUCH OPTION
	P29688-09-L36	EA	COVER - BACK - SOFA/BED - 74" - LEATHER/VINYL COUCH OPTION
6	134283-01-L32	EA	SOFA - EXTENSION
6	134283-01-L34	EA	SOFA - EXTENSION
6	134283-01-L36	EA	SOFA - EXTENSION
6	134283-02-L32	EA	SOFA - EXTENSION - LEATHER/VINYL COUCH OPTION
6	134283-02-L34	EA	SOFA - EXTENSION - LEATHER/VINYL COUCH OPTION
6	134283-02-L36	EA	SOFA - EXTENSION - LEATHER/VINYL COUCH OPTION
	134064-01-000	EA	FRAME - EXTENSION - BED
7	130573-06-L32	EA	SEAT - SOFA/BED - 74"
7	130573-06-L34	EA	SEAT - SOFA/BED - 74"
7	130573-06-L36	EA	SEAT - SOFA/BED - 74"
7	129688-10-L32	EA	SOFA - SEAT ONLY - 74" - LEATHER/VINYL COUCH OPTION
7	129688-10-L34	EA	SOFA - SEAT ONLY - 74" - LEATHER/VINYL COUCH OPTION
7	129688-10-L36	EA	SOFA - SEAT ONLY - 74" - LEATHER/VINYL COUCH OPTION
7	P30573-06-L32	EA	COVER - SEAT - SOFA/BED - 74"
7	P30573-06-L34	EA	COVER - SEAT - SOFA/BED - 74"
7	P30573-06-L36	EA	COVER - SEAT - SOFA/BED - 74"
7	P29688-10-L32	EA	COVER - SEAT - SOFA/BED - 74" - LEATHER/VINYL COUCH OPTION
7	P29688-10-L34	EA	COVER - SEAT - SOFA/BED - 74" - LEATHER/VINYL COUCH OPTION
7	P29688-10-L36	EA	COVER - SEAT - SOFA/BED - 74" - LEATHER/VINYL COUCH OPTION
	132319-05-L32	EA	PILLOW - 17" - W/HALF MOON OVERLAY
	132319-05-L34	EA	PILLOW - 17" - W/HALF MOON OVERLAY
	132319-05-L36	EA	PILLOW - 17" - W/HALF MOON OVERLAY
	116104-03-02B	EA	BRACKET - ZEE W/HOLES - 5.9"
	116104-04-02B	EA	BRACKET - ZEE W/HOLES - 3.2"
	127335-07-000	EA	FRAME - 8" LEG
8	130718-02-L07	EA	ARMREST - LEFT HAND/REMOVABLE (L32)
8	130718-02-L34	EA	ARMREST - LEFT HAND/REMOVABLE (L34)
8	130718-02-L36	EA	ARMREST - LEFT HAND/REMOVABLE (L36)
8	130718-06-L32	EA	ARMREST - LEFT HAND/REMOVABLE - LEATHER/VINYL COUCH OPTION (L32)
8	130718-06-L34	EA	ARMREST - LEFT HAND/REMOVABLE - LEATHER/VINYL COUCH OPTION (L34)
8	130718-06-L36	EA	ARMREST - LEFT HAND/REMOVABLE - LEATHER/VINYL COUCH OPTION (L36)
	P30718-02-L07	EA	COVER - ARMREST - REMOVABLE/LEFT HAND (L32)
	P30718-02-L34	EA	COVER - ARMREST - REMOVABLE/LEFT HAND (L34)
	P30718-02-L36	EA	COVER - ARMREST - REMOVABLE/LEFT HAND (L36)
	P30718-06-L32	EA	COVER - ARMREST - REMOVABLE/LEFT HAND - LEATHER/VINYL COUCH OPTION (L32)
	P30718-06-L34	EA	COVER - ARMREST - REMOVABLE/LEFT HAND - LEATHER/VINYL COUCH OPTION (L34)
	P30718-06-L36	EA	COVER - ARMREST - REMOVABLE/LEFT HAND - LEATHER/VINYL COUCH OPTION (L36)
	127335-08-000	EA	BRACKET - REMOVABLE ARM/SOFA
	127335-09-000	EA	BRACKET - REMOVABLE ARM/CUSHION
9	134017-01-000	EA	CHAIR - DINETTE - WATERFORD OAK (L32)
9	134017-08-000	EA	CHAIR - DINETTE - WATERFORD OAK (L34)
9	134017-09-000	EA	CHAIR - DINETTE - WATERFORD OAK (L36)
10	101604-01-03A	EA	CHAIR - FOLDING/DINETTE - LINEN FABRIC - WATERFORD OAK
11	129664-06-L32	EA	SEAT - BUCKET - WIDE - W/LUMBAR
11	129664-06-L34	EA	SEAT - BUCKET - WIDE - W/LUMBAR
11	129664-06-L36	EA	SEAT - BUCKET - WIDE - W/LUMBAR
11	129664-04-L32	EA	SEAT - BUCKET - W/LUMBAR SUPPORT - LEATHER
11	129664-04-L34	EA	SEAT - BUCKET - W/LUMBAR SUPPORT - LEATHER
11	129664-04-L36	EA	SEAT - BUCKET - W/LUMBAR SUPPORT - LEATHER

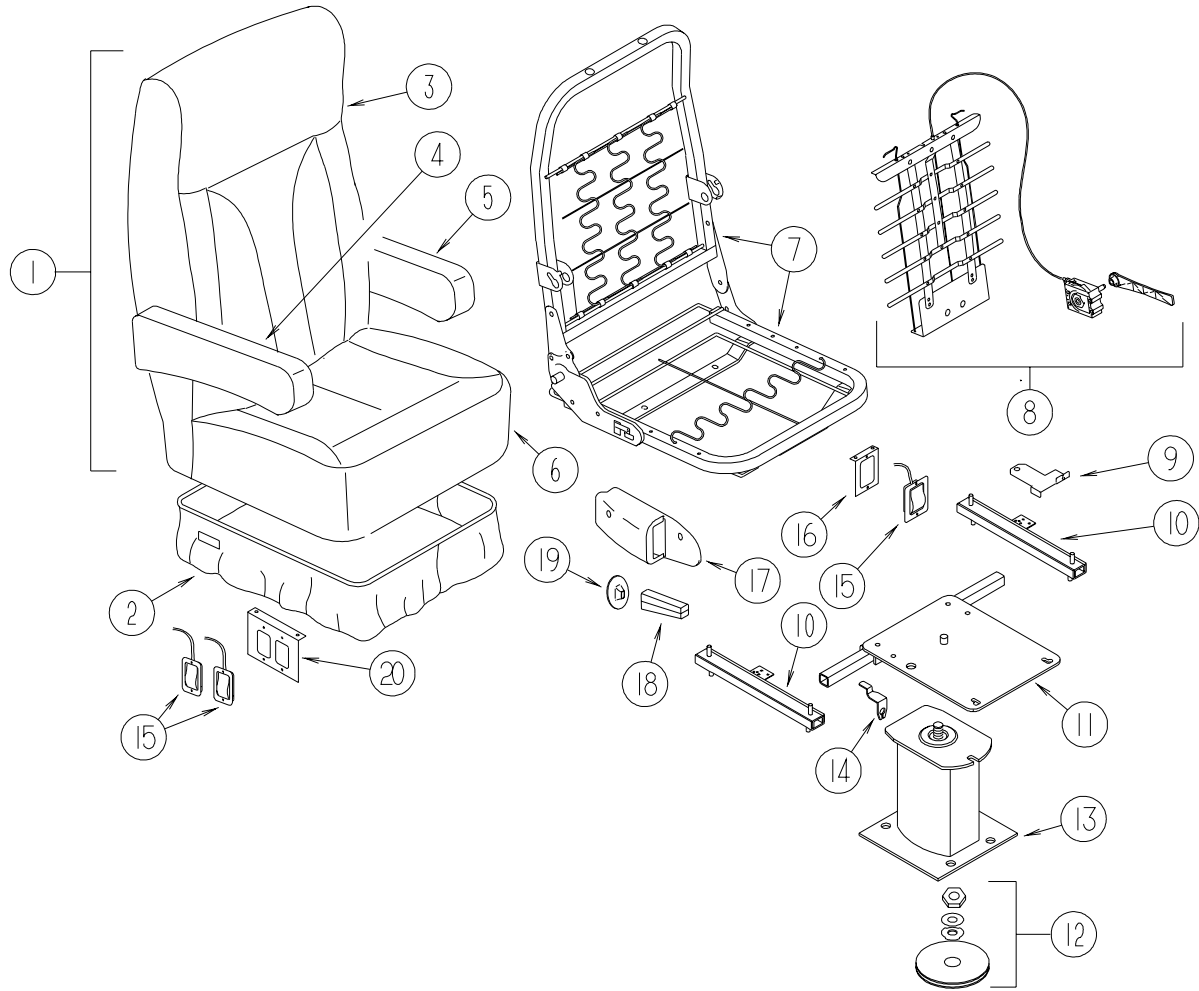
CURTAIN & CUSHION GROUP (CONTINUED)
CUSHION LAYOUT (CONTINUED)



KEY	PART NUMBER	U/M	DESCRIPTION
12	129664-03-L32	EA	SEAT - BUCKET - PASSENGER
12	129664-03-L34	EA	SEAT - BUCKET - PASSENGER
12	129664-03-L36	EA	SEAT - BUCKET - PASSENGER
12	129664-05-L32	EA	SEAT - BUCKET - WIDE - LEATHER
12	129664-05-L34	EA	SEAT - BUCKET - WIDE - LEATHER
12	129664-05-L36	EA	SEAT - BUCKET - WIDE - LEATHER
13	133130-01-L32	EA	CHAIR - RECLINER W/FOOTREST
13	133130-01-L34	EA	CHAIR - RECLINER W/FOOTREST
13	133130-01-L36	EA	CHAIR - RECLINER W/FOOTREST
13	133130-02-L32	EA	CHAIR - RECLINER W/FOOTREST - LEATHER
13	133130-02-L34	EA	CHAIR - RECLINER W/FOOTREST - LEATHER
13	133130-02-L36	EA	CHAIR - RECLINER W/FOOTREST - LEATHER

CURTAIN & CUSHION GROUP (CONTINUED)

BUCKET SEATS



DRIVER

KEY	PART NUMBER	U/M	DESCRIPTION
1	129664-06-L32	EA	SEAT - BUCKET - WIDE - W/LUMBAR
1	129664-06-L34	EA	SEAT - BUCKET - WIDE - W/LUMBAR
1	129664-06-L36	EA	SEAT - BUCKET - WIDE - W/LUMBAR
1	129664-04-L32	EA	SEAT - BUCKET - W/LUMBAR SUPPORT - LEATHER
1	129664-04-L34	EA	SEAT - BUCKET - W/LUMBAR SUPPORT - LEATHER
1	129664-04-L36	EA	SEAT - BUCKET - W/LUMBAR SUPPORT - LEATHER
2	071126-68-L32	EA	SKIRT - WIDE - 10.5" OPEN CORNER (STANDARD & 6-WAY POWER)
2	071126-68-L34	EA	SKIRT - WIDE - 10.5" OPEN CORNER (STANDARD & 6-WAY POWER)
2	071126-68-L36	EA	SKIRT - WIDE - 10.5" OPEN CORNER (STANDARD & 6-WAY POWER)
2	071126-70-L32	EA	SKIRT - WIDE - 10.5" OPEN CORNER (STANDARD & 6 WAY POWER) - LEATHER
2	071126-70-L34	EA	SKIRT - WIDE - 10.5" OPEN CORNER (STANDARD & 6 WAY POWER) - LEATHER
2	071126-70-L36	EA	SKIRT - WIDE - 10.5" OPEN CORNER (STANDARD & 6 WAY POWER) - LEATHER
3	M05962-84-L32	EA	COVER - BACK
3	M05962-84-L34	EA	COVER - BACK
3	M05962-84-L36	EA	COVER - BACK
3	M05962-86-L32	EA	COVER - BACK - LEATHER
3	M05962-86-L34	EA	COVER - BACK - LEATHER
3	M05962-86-L36	EA	COVER - BACK - LEATHER

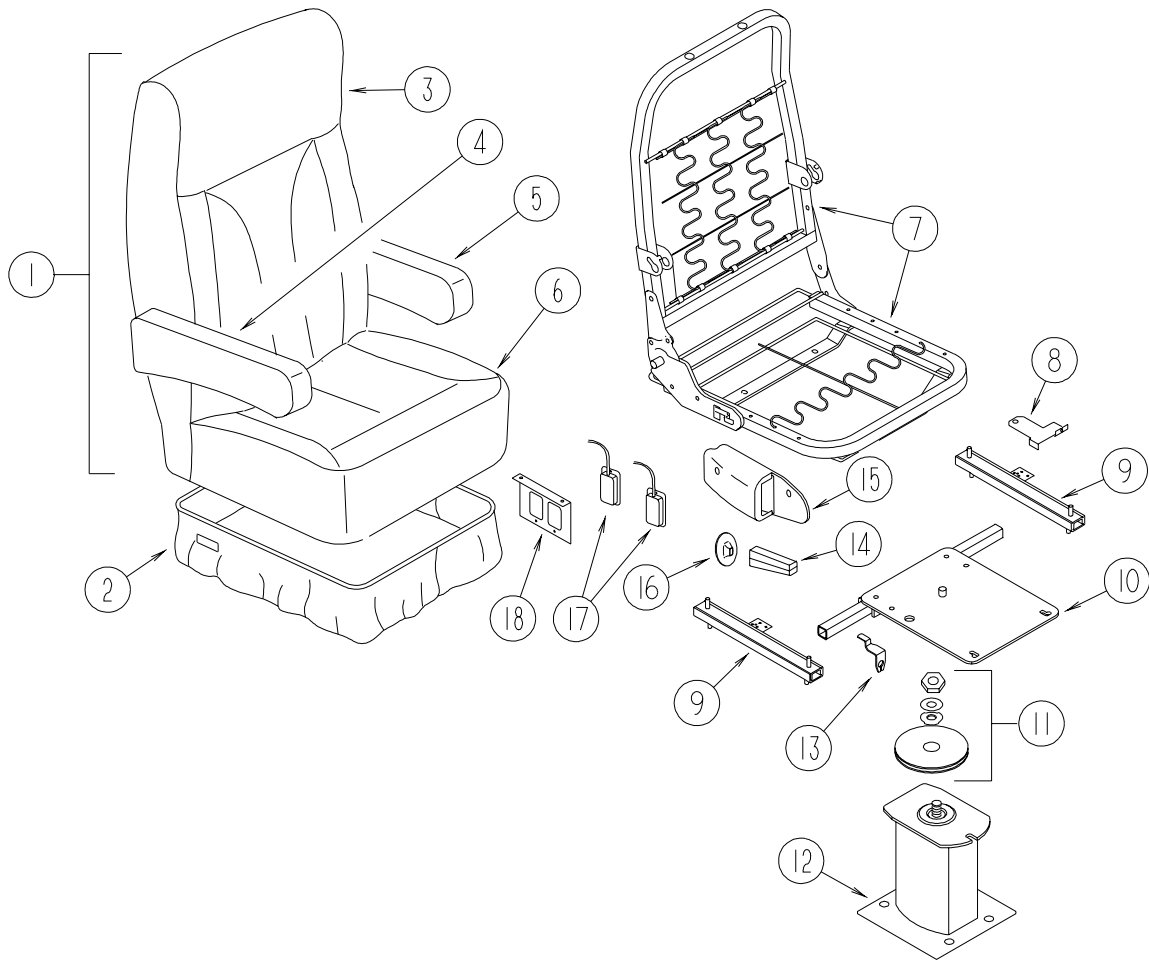
CURTAIN & CUSHION GROUP (CONTINUED)

BUCKET SEATS (CONTINUED) DRIVER (CONTINUED)

KEY	PART NUMBER	U/M	DESCRIPTION	
4	129666-01-L32	EA	ARMREST - RIGHT HAND	
4	129666-01-L34	EA	ARMREST - RIGHT HAND	
4	129666-01-L36	EA	ARMREST - RIGHT HAND	
	P29666-01-L32	EA	COVER - ARMREST/RIGHT HAND	
	P29666-01-L34	EA	COVER - ARMREST/RIGHT HAND	
	P29666-01-L36	EA	COVER - ARMREST/RIGHT HAND	
4	129666-03-L32	EA	ARMREST - RIGHT HAND - LEATHER	
4	129666-03-L34	EA	ARMREST - RIGHT HAND - LEATHER	
4	129666-03-L36	EA	ARMREST - RIGHT HAND - LEATHER	
	P29666-03-L32	EA	COVER - ARMREST/RIGHT HAND - LEATHER	
	P29666-03-L34	EA	COVER - ARMREST/RIGHT HAND - LEATHER	
	P29666-03-L36	EA	COVER - ARMREST/RIGHT HAND - LEATHER	
5	129666-02-L32	EA	ARMREST - LEFT HAND	
5	129666-02-L34	EA	ARMREST - LEFT HAND	
5	129666-02-L36	EA	ARMREST - LEFT HAND	
	P29666-02-L32	EA	COVER - ARMREST/LEFT HAND	
	P29666-02-L34	EA	COVER - ARMREST/LEFT HAND	
	P29666-02-L36	EA	COVER - ARMREST/LEFT HAND	
5	129666-04-L32	EA	ARMREST - LEFT HAND - LEATHER	
5	129666-04-L34	EA	ARMREST - LEFT HAND - LEATHER	
5	129666-04-L36	EA	ARMREST - LEFT HAND - LEATHER	
	P29666-04-L32	EA	COVER - ARMREST/LEFT HAND - LEATHER	
	P29666-04-L34	EA	COVER - ARMREST/LEFT HAND - LEATHER	
	P29666-04-L36	EA	COVER - ARMREST/LEFT HAND - LEATHER	
6	M05962-85-L32	EA	COVER - SEAT	
6	M05962-85-L34	EA	COVER - SEAT	
6	M05962-85-L36	EA	COVER - SEAT	
6	M05962-87-L32	EA	COVER - SEAT - LEATHER	
6	M05962-87-L34	EA	COVER - SEAT - LEATHER	
6	M05962-87-L36	EA	COVER - SEAT - LEATHER	
7	122695-04-01B	EA	FRAME - SEAT/HIGH BACK	
				FROM: 00-00-00 THRU: 09-05-99
7	134532-01-000	EA	FRAME/SEAT - HI BACK/WIDE	
				FROM: 09-06-99 THRU: 99-99-99
8	122611-02-000	EA	LUMBAR - W/LEVER	
9	117125-01-02B	EA	BRACKET - CABLE MOUNT - ADJUSTER W/LOCK	
10	119952-04-000	EA	SLIDE/SEAT - HEAVY DUTY LOCKING - 4 STUDS	
				FROM: 00-00-00 THRU: 09-12-99
10	131566-04-000	EA	SLIDE - DOUBLE LOCKING	
				FROM: 09-13-99 THRU: 99-99-99
	119952-07-000	EA	WIRE - LATCH RELEASE/ROTARY	
11	107921-05-000	EA	PLATE - TOP - W/SEAT BELT BAR	
12	107921-06-000	EA	BEARING KIT - PEDESTAL	
13	107921-01-000	EA	PEDESTAL/FLOOR MOUNTED - W/9.75" EXTENSION	
14	108049-02-000	EA	CLIP - CABLE/PEDESTAL	
15	108049-04-000	EA	CABLE - W/MINI LEVER ACTION SWITCH - 28" SHEATH/30" CABLE	
16	127159-01-02B	EA	BRACKET - SEAT RELEASE - SINGLE REMOTE	
17	080730-09-000	EA	SHIELD - RECLINER HANDLE	
18	080730-08-000	EA	HANDLE - RECLINER	
19	080730-11-000	EA	SHIELD - RUBBER BOOT	
20	127159-02-02B	EA	BRACKET - SEAT RELEASE - DUAL REMOTE	
21*	081373-03-000	EA	SEAT - POWER 6 WAY	
22	128699-01-02B	EA	BRACKET - SEAT SWITCH - E-COATED	
23	107921-18-000	EA	PLATE - TOP - POWER - 6-WAY	
24	107921-14-000	EA	PEDESTAL/FLOOR MOUNTED - W/5.75" EXTENSION - MANUAL SEAT	
	130184-01-01A	EA	PROTECTOR - SEAT - CLEAR	

* COMPONENT PARTS FOUND IN SERVICE PARTS LIBRARY

CURTAIN & CUSHION GROUP (CONTINUED)
BUCKET SEATS (CONTINUED)



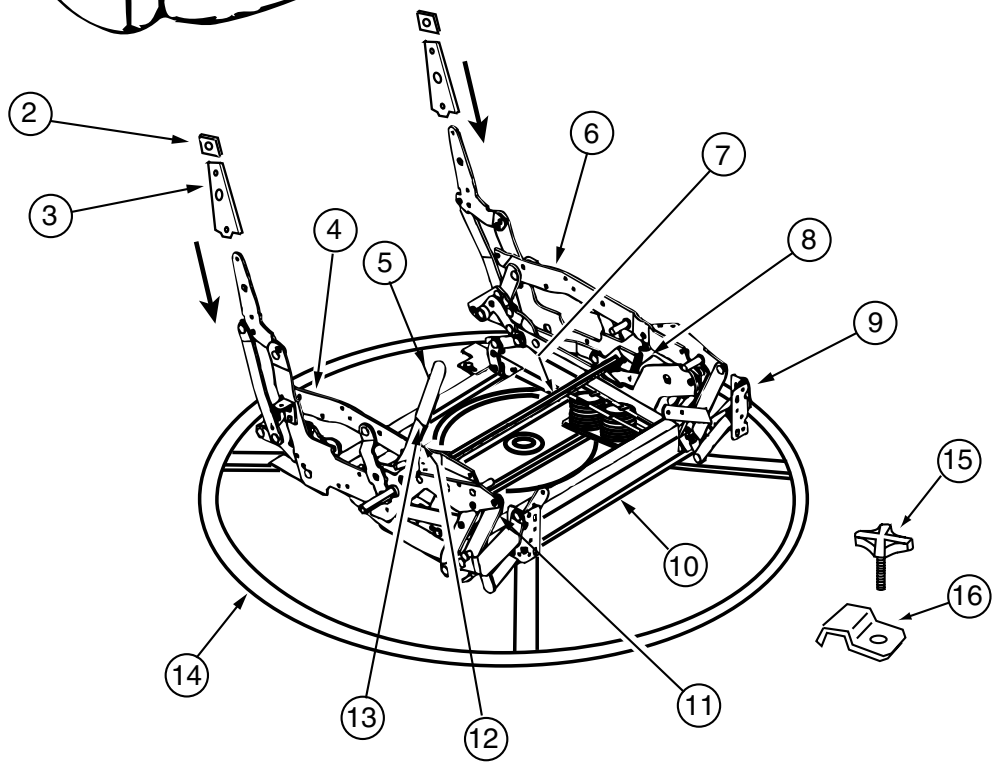
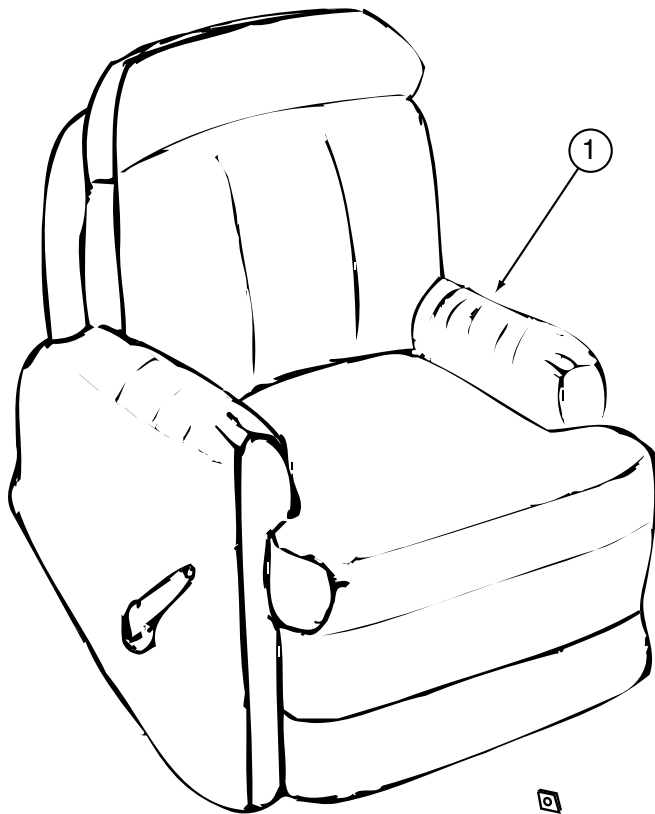
PASSENGER

KEY	PART NUMBER	U/M	DESCRIPTION
1	129664-03-L32	EA	SEAT - BUCKET - PASSENGER
1	129664-03-L34	EA	SEAT - BUCKET - PASSENGER
1	129664-03-L36	EA	SEAT - BUCKET - PASSENGER
1	129664-05-L32	EA	SEAT - BUCKET - WIDE - LEATHER
1	129664-05-L34	EA	SEAT - BUCKET - WIDE - LEATHER
1	129664-05-L36	EA	SEAT - BUCKET - WIDE - LEATHER
2	071126-68-L32	EA	SKIRT - WIDE - 10.5" OPEN CORNER (STANDARD & 6-WAY POWER)
2	071126-68-L34	EA	SKIRT - WIDE - 10.5" OPEN CORNER (STANDARD & 6-WAY POWER)
2	071126-68-L36	EA	SKIRT - WIDE - 10.5" OPEN CORNER (STANDARD & 6-WAY POWER)
2	071126-70-L32	EA	SKIRT - WIDE - 10.5" OPEN CORNER (STANDARD & 6 WAY POWER) - LEATHER
2	071126-70-L34	EA	SKIRT - WIDE - 10.5" OPEN CORNER (STANDARD & 6 WAY POWER) - LEATHER
2	071126-70-L36	EA	SKIRT - WIDE - 10.5" OPEN CORNER (STANDARD & 6 WAY POWER) - LEATHER

CURTAIN & CUSHION GROUP (CONTINUED)**BUCKET SEATS (CONTINUED)
PASSENGER (CONTINUED)**

KEY	PART NUMBER	U/M	DESCRIPTION	
3	M05962-84-L32	EA	COVER - BACK	
3	M05962-84-L34	EA	COVER - BACK	
3	M05962-84-L36	EA	COVER - BACK	
3	M05962-86-L32	EA	COVER - BACK - LEATHER	
3	M05962-86-L34	EA	COVER - BACK - LEATHER	
3	M05962-86-L36	EA	COVER - BACK - LEATHER	
4	129666-01-L32	EA	ARMREST - RIGHT HAND	
4	129666-01-L34	EA	ARMREST - RIGHT HAND	
4	129666-01-L36	EA	ARMREST - RIGHT HAND	
	P29666-01-L32	EA	COVER - ARMREST/RIGHT HAND	
	P29666-01-L34	EA	COVER - ARMREST/RIGHT HAND	
	P29666-01-L36	EA	COVER - ARMREST/RIGHT HAND	
4	129666-03-L32	EA	ARMREST - RIGHT HAND - LEATHER	
4	129666-03-L34	EA	ARMREST - RIGHT HAND - LEATHER	
4	129666-03-L36	EA	ARMREST - RIGHT HAND - LEATHER	
	P29666-03-L32	EA	COVER - ARMREST/RIGHT HAND - LEATHER	
	P29666-03-L34	EA	COVER - ARMREST/RIGHT HAND - LEATHER	
	P29666-03-L36	EA	COVER - ARMREST/RIGHT HAND - LEATHER	
5	129666-02-L32	EA	ARMREST - LEFT HAND	
5	129666-02-L34	EA	ARMREST - LEFT HAND	
5	129666-02-L36	EA	ARMREST - LEFT HAND	
	P29666-02-L32	EA	COVER - ARMREST/LEFT HAND	
	P29666-02-L34	EA	COVER - ARMREST/LEFT HAND	
	P29666-02-L36	EA	COVER - ARMREST/LEFT HAND	
5	129666-04-L32	EA	ARMREST - LEFT HAND - LEATHER	
5	129666-04-L34	EA	ARMREST - LEFT HAND - LEATHER	
5	129666-04-L36	EA	ARMREST - LEFT HAND - LEATHER	
	P29666-04-L32	EA	COVER - ARMREST/LEFT HAND - LEATHER	
	P29666-04-L34	EA	COVER - ARMREST/LEFT HAND - LEATHER	
	P29666-04-L36	EA	COVER - ARMREST/LEFT HAND - LEATHER	
6	M05962-85-L32	EA	COVER - SEAT	
6	M05962-85-L34	EA	COVER - SEAT	
6	M05962-85-L36	EA	COVER - SEAT	
6	M05962-87-L32	EA	COVER - SEAT - LEATHER	
6	M05962-87-L34	EA	COVER - SEAT - LEATHER	
6	M05962-87-L36	EA	COVER - SEAT - LEATHER	
7	122695-04-01B	EA	FRAME - SEAT/HIGH BACK	
				FROM: 00-00-00 THRU: 09-05-99
7	134532-01-000	EA	FRAME/SEAT - HI BACK/WIDE	
				FROM: 09-06-99 THRU: 99-99-99
8	117125-01-02B	EA	BRACKET - CABLE MOUNT - ADJUSTER W/LOCK	
9	119952-04-000	EA	SLIDE/SEAT - HEAVY DUTY LOCKING - 4 STUDS	
				FROM: 00-00-00 THRU: 09-12-99
9	131566-04-000	EA	SLIDE - DOUBLE LOCKING	
				FROM: 09-13-99 THRU: 99-99-99
	119952-07-000	EA	WIRE - LATCH RELEASE/ROTARY	
10	107921-05-000	EA	PLATE - TOP - W/SEAT BELT BAR	
11	107921-06-000	EA	BEARING KIT - PEDESTAL	
12	107921-01-000	EA	PEDESTAL/FLOOR MOUNTED - W/9.75" EXTENSION	
13	108049-02-000	EA	CLIP - CABLE/PEDESTAL	
14	080730-08-000	EA	HANDLE - RECLINER	
15	080730-09-000	EA	SHIELD - RECLINER HANDLE	
16	080730-11-000	EA	SHIELD - RUBBER BOOT	
17	108049-04-000	EA	CABLE - W/MINI LEVER ACTION SWITCH - 28" SHEATH/30" CABLE	
18	127159-02-02B	EA	BRACKET - SEAT RELEASE - DUAL REMOTE	

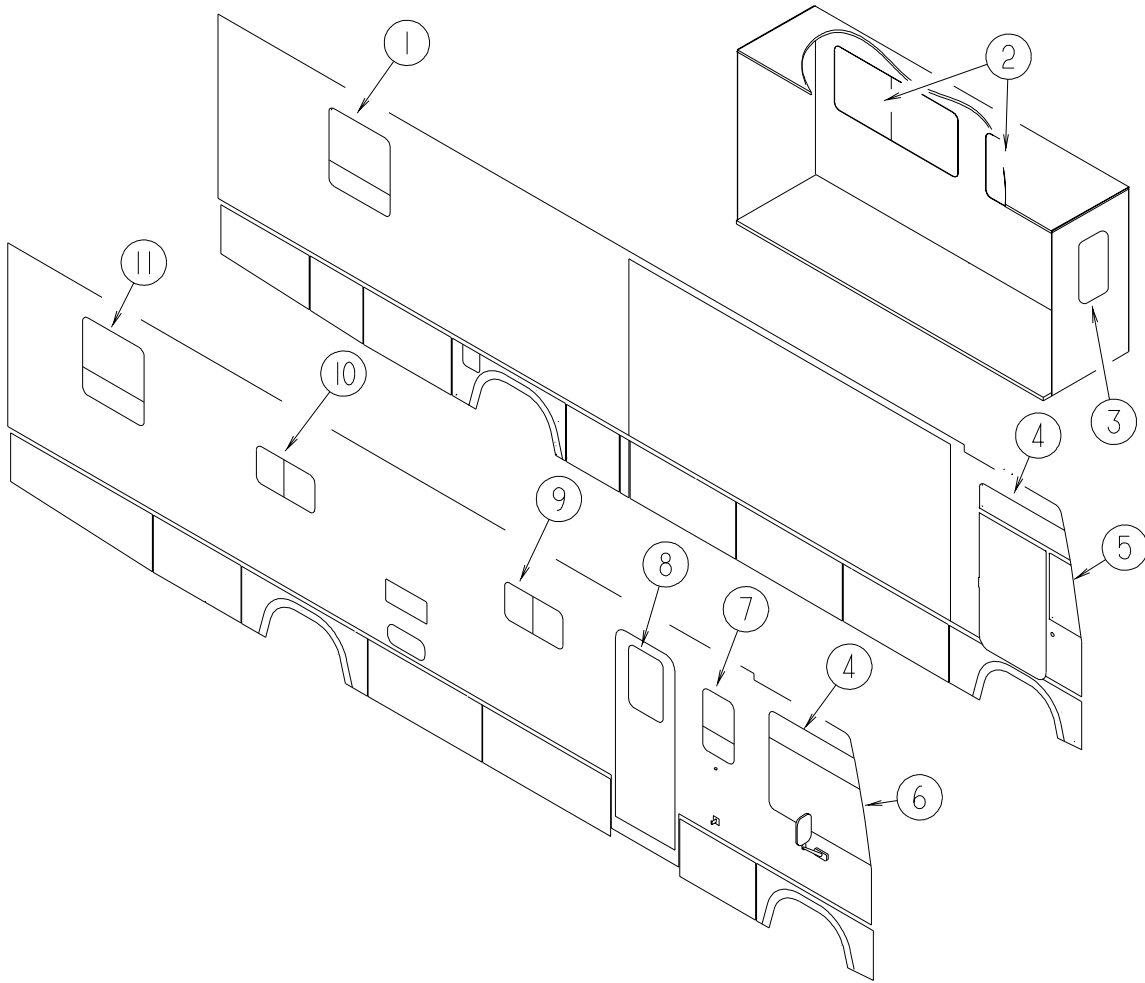
CURTAIN & CUSHION GROUP (CONTINUED)
LOUNGE CHAIR



CURTAIN & CUSHION GROUP (CONTINUED)**LOUNGE CHAIR (CONTINUED)**

KEY	PART NUMBER	U/M	DESCRIPTION
1	133130-01-L32	EA	CHAIR - RECLINER W/FOOTREST
1	133130-01-L34	EA	CHAIR - RECLINER W/FOOTREST
1	133130-01-L36	EA	CHAIR - RECLINER W/FOOTREST
1	133130-02-L32	EA	CHAIR - RECLINER W/FOOTREST - LEATHER
1	133130-02-L34	EA	CHAIR - RECLINER W/FOOTREST - LEATHER
1	133130-02-L36	EA	CHAIR - RECLINER W/FOOTREST - LEATHER
	P33130-01-L32	EA	COVER - RECLINER W/FOOTREST
	P33130-01-L34	EA	COVER - RECLINER W/FOOTREST
	P33130-01-L36	EA	COVER - RECLINER W/FOOTREST
	P33130-02-L32	EA	COVER - RECLINER W/FOOTREST - LEATHER
	P33130-02-L34	EA	COVER - RECLINER W/FOOTREST - LEATHER
	P33130-02-L36	EA	COVER - RECLINER W/FOOTREST - LEATHER
	133128-01-000	EA	FRAME - (CB-120 BACK)
	133128-02-000	EA	FRAME - (CS-120 SEAT)
2	133126-13-000	EA	RECLINER - (BACK KD CLIP)
3	133126-12-000	EA	RECLINER - (BACK KD SLEEVE)
4	133126-01-000	EA	RECLINER - (LEFT HARDWARE)
5	133126-11-000	EA	RECLINER - (PLASTIC HANDLE)
6	133126-02-000	EA	RECLINER - (RIGHT HARDWARE)
7	133126-10-000	EA	RECLINER - (HANDLE MOUNTING TUBE)
8	133126-08-000	EA	RECLINER - (LOCK SPRING)
9	133126-07-000	EA	RECLINER - (FIXED OTTOMAN) - RIGHT
10	133126-03-000	EA	RECLINER - (SWIVEL ROCKER)
11	133126-06-000	EA	RECLINER - (FIXED OTTOMAN) - LEFT
12	133126-09-000	EA	RECLINER - (PLASTIC BUSHING)
13	133126-05-000	EA	RECLINER - (HANDLE TUBE)
14	133126-04-000	EA	RECLINER - (RECLINER/GLIDER 24" RING)
	134324-01-000	EA	E-CLIP - PHOSPHORUS FINISH
15	134194-01-01A	EA	KNOB - HOLD DOWN - RECLINER - BLACK
16	134057-01-11B	EA	BRACKET - RECLINER - FLAT BLACK

CURTAIN & CUSHION GROUP (CONTINUED)
WINDOW TREATMENT

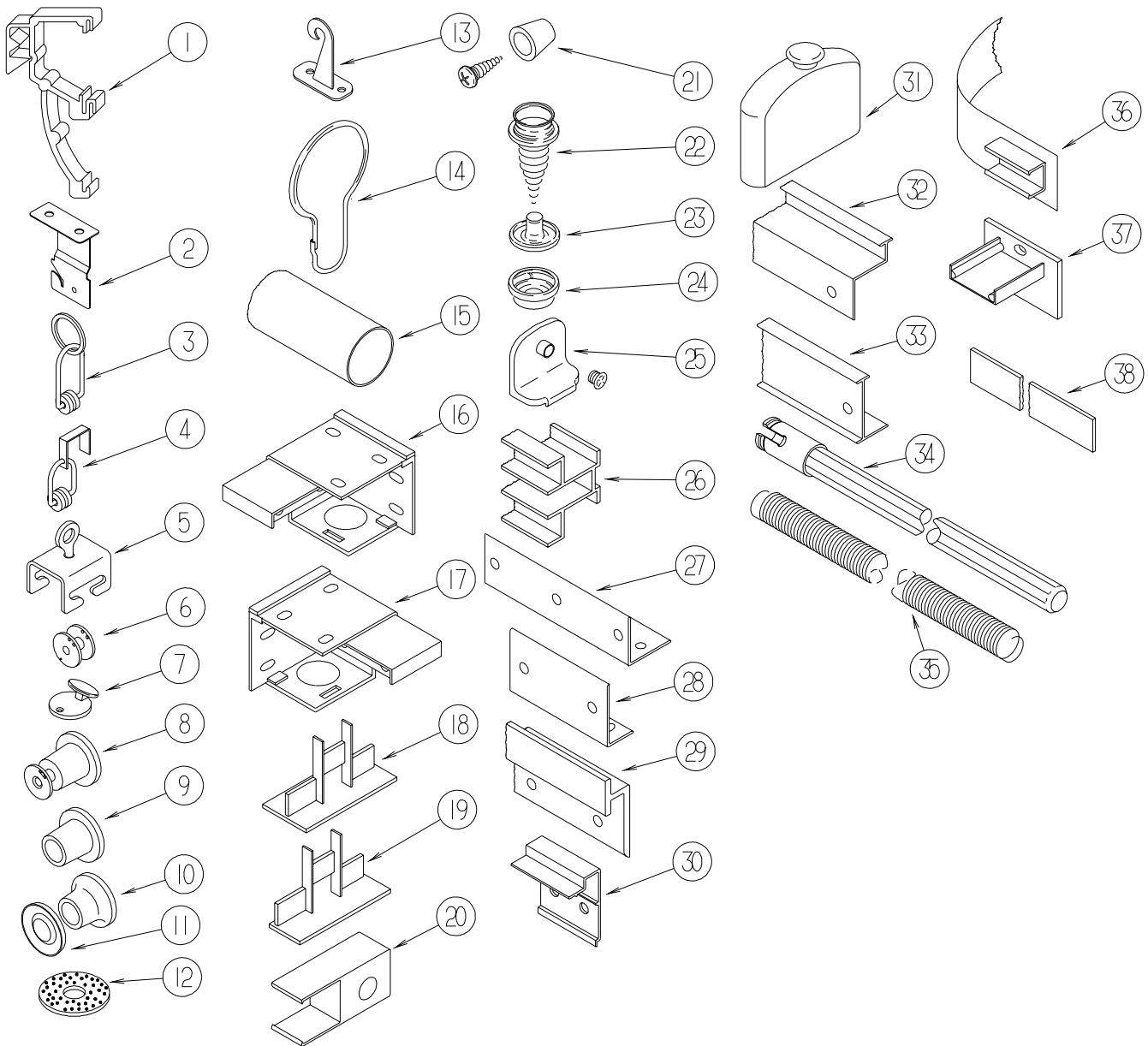


KEY	PART NUMBER	U/M	DESCRIPTION
1	133492-02-L32	EA	VALANCE - BETHANY - 34"
1	133492-02-L34	EA	VALANCE - BETHANY - 34"
1	133492-02-L36	EA	VALANCE - BETHANY - 34"
1	111910-58-L32	EA	BLIND - DAY/NIGHTER - 31" X 37"
1	123910-19-L32	EA	LEG - RIGHT - 34"
1	123910-19-L34	EA	LEG - RIGHT - 34"
1	123910-19-L36	EA	LEG - RIGHT - 34"
1	123910-20-L32	EA	LEG - LEFT - 34"
1	123910-20-L34	EA	LEG - LEFT - 34"
1	123910-20-L36	EA	LEG - LEFT - 34"
2	133445-03-L32	EA	VALANCE - FERNWOOD - 62.5"
2	133445-03-L34	EA	VALANCE - FERNWOOD - 62.5"
2	133445-03-L36	EA	VALANCE - FERNWOOD - 62.5"
2	111910-55-L05	EA	BLIND - DAY/NIGHTER - 59" X 26.5"
2	127017-83-L32	EA	LEG - RIGHT - 23.5"
2	127017-83-L34	EA	LEG - RIGHT - 23.5"
2	127017-83-L36	EA	LEG - RIGHT - 23.5"
2	127017-84-L32	EA	LEG - LEFT - 23.5"
2	127017-84-L34	EA	LEG - LEFT - 23.5"
2	127017-84-L36	EA	LEG - LEFT - 23.5"

CURTAIN & CUSHION GROUP (CONTINUED)**WINDOW TREATMENT (CONTINUED)**

KEY	PART NUMBER	U/M	DESCRIPTION	
3	133445-05-L32	EA	VALANCE - FERNWOOD - 26.5"	
3	133445-05-L34	EA	VALANCE - FERNWOOD - 26.5"	
3	133445-05-L36	EA	VALANCE - FERNWOOD - 26.5"	
3	133445-07-L32	EA	VALANCE - FERNWOOD - 26.5" - THERMO WINDOW	
3	133445-07-L34	EA	VALANCE - FERNWOOD - 26.5" - THERMO WINDOW	
3	133445-07-L36	EA	VALANCE - FERNWOOD - 26.5" - THERMO WINDOW	
3	111910-69-L54	EA	BLIND - DAY/NIGHTER - 23" X 26.5"	
3	127017-83-L32	EA	LEG - RIGHT - 23.5"	
3	127017-83-L34	EA	LEG - RIGHT - 23.5"	
3	127017-83-L36	EA	LEG - RIGHT - 23.5"	
3	127017-84-L32	EA	LEG - LEFT - 23.5"	
3	127017-84-L34	EA	LEG - LEFT - 23.5"	
3	127017-84-L36	EA	LEG - LEFT - 23.5"	
3	123910-51-L32	EA	LEG - RIGHT - 25" - THERMO WINDOW	
3	123910-51-L34	EA	LEG - RIGHT - 25" - THERMO WINDOW	
3	123910-51-L36	EA	LEG - RIGHT - 25" - THERMO WINDOW	
3	123910-52-L32	EA	LEG - LEFT - 25" - THERMO WINDOW	
3	123910-52-L34	EA	LEG - LEFT - 25" - THERMO WINDOW	
3	123910-52-L36	EA	LEG - LEFT - 25" - THERMO WINDOW	
4	126841-03-000	EA	SHADE - PULL - CHARCOAL MESH - 40.3" X 60"	
5	101668-68-J22	EA	CURTAIN - LEFT HAND - 42" X 106"	
	073260-42-C18	EA	TIEBACK - 6" X 18"	
6	101668-67-J22	EA	CURTAIN - RIGHT HAND/LEFT HAND - 42" X 106"	
	073260-42-C18	EA	TIEBACK - 6" X 18"	
7	133445-02-L32	EA	VALANCE - FERNWOOD - 31.5"	
7	133445-02-L34	EA	VALANCE - FERNWOOD - 31.5"	
7	133445-02-L36	EA	VALANCE - FERNWOOD - 31.5"	
7	111910-20-L32	EA	BLIND - DAY/NIGHTER - 28" X 28"	
7	127017-85-L32	EA	LEG - RIGHT - 25"	
7	127017-85-L34	EA	LEG - RIGHT - 25"	
7	127017-85-L36	EA	LEG - RIGHT - 25"	
7	127017-86-L32	EA	LEG - LEFT - 25"	
7	127017-86-L34	EA	LEG - LEFT - 25"	
7	127017-86-L36	EA	LEG - LEFT - 25"	
8	084755-57-E07	EA	SHADE - PULL - 27.25"	
9	109041-58-02A	EA	BLIND - MINI - 30.5" X 17" (L32, L34)	
9	109041-58-01A	EA	BLIND - MINI - 30.5" X 17" (L36)	
10	121410-A2-L76	EA	VALANCE - MODERATE - 30.5" (L32)	
10	121410-A2-L78	EA	VALANCE - MODERATE - 30.5" (L34)	
10	121410-A2-L80	EA	VALANCE - MODERATE - 30.5" (L36)	
10	109041-60-02A	EA	BLIND - MINI - 30.5" (L32, L34)	FROM: 00-00-00 THRU: 08-29-99
10	109041-59-02A	EA	BLIND - MINI - 30.5" (L32, L34)	FROM: 08-30-99 THRU: 99-99-99
10	109041-60-01A	EA	BLIND - MINI - 30.5" (L36)	FROM: 00-00-00 THRU: 08-29-99
10	109041-59-01A	EA	BLIND - MINI - 30.5" (L36)	FROM: 08-30-99 THRU: 99-99-99
11	133492-01-L32	EA	VALANCE - BETHANY - 34"	
11	133492-01-L34	EA	VALANCE - BETHANY - 34"	
11	133492-01-L36	EA	VALANCE - BETHANY - 34"	
11	111910-58-L32	EA	BLIND - DAY/NIGHTER - 31" X 37"	
11	127017-17-L32	EA	LEG - RIGHT - 34"	
11	127017-17-L34	EA	LEG - RIGHT - 34"	
11	127017-17-L36	EA	LEG - RIGHT - 34"	
11	127017-18-L32	EA	LEG - LEFT - 34"	
11	127017-18-L34	EA	LEG - LEFT - 34"	
11	127017-18-L36	EA	LEG - LEFT - 34"	

**CURTAIN & CUSHION GROUP (CONTINUED)
HARDWARE**



**BLIND PARTS ARE COLOR COORDINATED TO MATCH THE COLOR OF THE BLINDS
HAMPTON TAN COLORS ARE USED BY THE ULTIMATE FREEDOM & ADVANTAGE
TITANIUM IS USED BY ALL ITASCAS
ANTELOPE IS USED BY ALL WINNEBAGOS**

KEY	PART NUMBER	U/M	DESCRIPTION
1	109353-04-000	EA	CLIP - VALANCE SLAT MOUNTING - CLEAR PLASTIC
2	084434-01-000	EA	BRACKET - MOUNTING - ROLLER SHADE - 1 3/8"
	096843-01-000	EA	SPRING - REWIND/ROLLER SHADE
	086276-01-000	EA	TAPE - DOUBLE SIDED - 1/2"
3	009701-01-000	EA	CARRIER - CURTAIN - L ROD
4	093487-91-000	EA	ROLLER/CLIP
5	009702-01-000	EA	END STOP - CURTAIN CARRIER - L ROD
6	097592-01-000	EA	SPOOL - CORD - ELEVATED BLIND HOLDUP - SMALL - CLEAR
7	102555-03-000	EA	CLEAT - BLIND CORD - MILKY WHITE PLASTIC
8	097592-02-000	EA	SPOOL - CORD - ELEVATED BLIND HOLDUP - LARGE - CLEAR
9	094896-02-000	EA	GROMMET - CORD/PLEATED BLIND - NYLON - GRAY
10	046867-03-000	EA	GROMMET - HANDY BUTTON #3
11	046867-02-000	EA	WASHER - HANDY BUTTON #3
12	103242-01-000	EA	VELCRO HOOK - BEIGE 7/8" ROUND W/CENTER HOLE
12	103242-02-000	EA	VELCRO HOOK - BLACK 7/8" ROUND W/CENTER HOLE

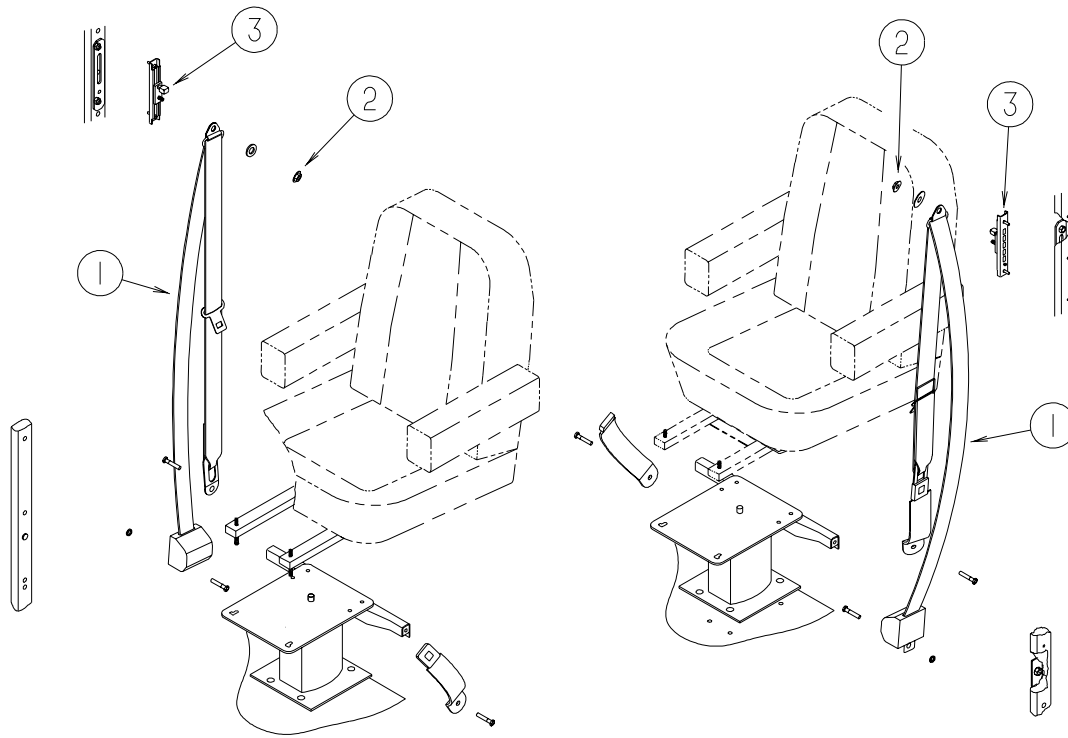
CURTAIN & CUSHION GROUP (CONTINUED)
HARDWARE (CONTINUED)

KEY	PART NUMBER	U/M	DESCRIPTION
13	109441-03-000	EA	HOLD DOWN - BLIND (CLOUDY)
	109441-02-000	EA	HOLD DOWN - SPACER
14	009136-02-000	EA	HANGER - RING - PIN TYPE - CURTAIN - BRASS
15	102075-10-01A	EA	ROD - CURTAIN/SHOWER
16	083170-01-000	EA	BRACKET - BLIND - LEFT SIDE WHEN FACING WINDOW
17	083170-02-000	EA	BRACKET - BLIND - RIGHT SIDE WHEN FACING WINDOW
18	094907-04-000	EA	END CAP - BOTTOM/PLEATED BLIND (RH & LH)
19	094907-02-000	EA	END CAP - TOP/PLEATED BLIND - PLASTIC - GRAY
	094907-05-700	EA	END CAP-RH BOTTOM BLIND
	094907-05-701	EA	END CAP-LH BOTTOM BLIND
20	101033-02-000	EA	END CAP - TRACK/CLEAR
21	097564-03-000	EA	HANDLE - KNOB - E-Z LIFT SHADE - TAN
21	097564-04-000	EA	HANDLE - KNOB - E-Z LIFT SHADE - NAVY
21	097564-05-000	EA	HANDLE - KNOB - E-Z LIFT SHADE - TEAL
21	097564-06-000	EA	HANDLE - KNOB - E-Z LIFT SHADE - ALABASTER
21	097564-07-000	EA	HANDLE - KNOB - E-Z LIFT SHADE - SILVER
21	000G68-06-12J	EA	SCREW 6-18X.75 POH BRASS
22	029130-01-000	EA	SCREW - SNAP SOCKET - #8 PH X 5/8"
22	029130-03-000	EA	SCREW - SNAP SOCKET - #8 PH X 1"
23	029155-01-000	EA	CAP - SNAP - 5/32" OUTSIDE DIAMETER OF PIN
24	029156-01-000	EA	SOCKET - SNAP - 9/16" O.D.
24	029156-02-000	EA	SOCKET - SNAP - 27/64" O.D.
25	106544-01-000	EA	PULL - SHADE/BRASS
	106544-01-001	EA	SCREW - SHADE/BRASS
26	101033-08-000	EA	TRACK - WALL - 75"
26	101033-09-000	EA	TRACK - WALL - 32"
27	105648-01-02A	EA	BRACE - VALANCE - OFF/WHITE - 14"
27	075943-10-000	EA	BRACE - VALANCE - 20"
28	083125-07-000	EA	BRACE - WINDOW MOUNT - 2.5" - OFF WHITE
28	083125-08-000	EA	BRACE - WINDOW MOUNT - 3/4 - OFF WHITE
29	127254-03-02A	EA	TRACK - CURTAIN/RIGHT HAND - ANTELOPE - F & G SERIES
29	127254-03-03A	EA	TRACK - CURTAIN/RIGHT HAND - TITANIUM - F & G SERIES
29	133236-01-02A	EA	TRACK - CURTAIN/RIGHT HAND - TITANIUM - P SERIES
29	133236-01-01A	EA	TRACK - CURTAIN/RIGHT HAND - ANTELOPE - P SERIES
29	127254-04-02A	EA	TRACK - CURTAIN/LEFT HAND - ANTELOPE - F & G SERIES
29	127254-04-03A	EA	TRACK - CURTAIN/LEFT HAND - TITANIUM - F & G SERIES
29	133235-01-02A	EA	TRACK - CURTAIN/LEFT HAND - TITANIUM - P SERIES
29	133235-01-02A	EA	TRACK - CURTAIN/LEFT HAND - ANTELOPE - P SERIES
30	076827-02-000	EA	BRACKET - LEG - 2.9" X 1.8" - TRIANGLE
31	093475-01-701	EA	CAP-END, WITH INVERTED STUD
32	105450-14-01A	EA	TRACK - CURTAIN - 90" - OFF WHITE
33	009700-04-002	EA	TRACK/CURTAIN - L SHAPED - 15.5' - OFF WHITE
33	118896-05-02A	EA	TRACK - CURTAIN - RIGHT HAND - HAMPTON TAN - Q-SERIES
33	118897-04-02A	EA	TRACK - CURTAIN - LEFT HAND - HAMPTON TAN - Q-SERIES
33	126456-01-03A	EA	TRACK - CURTAIN - RIGHT HAND - TITANIUM - L-SERIES
33	126456-02-03A	EA	TRACK - CURTAIN - LEFT HAND - TITANIUM - L-SERIES
33	126456-03-02A	EA	TRACK - CURTAIN - RIGHT HAND - ANTELOPE - L-SERIES
33	126456-04-02A	EA	TRACK - CURTAIN - LEFT HAND - ANTELOPE - L-SERIES
34	093487-90-000	EA	WAND - 30" - FRONT WRAP AROUND
35	097591-01-000	EA	SPRING - EXTENSION/PLEATED BLIND
36	101031-01-000	YD	TAPE - GLIDE/CURTAIN - 4.25" SPACING
37	094907-06-000	EA	HARDWARE - END CAP - E-Z LIFT - TOP
38	089275-01-000	FT	STRIP - 3/4" X 96" - CLEAR POLYETHYLENE
	094908-03-000	FT	HARDWARE - SEMI-RIDGED PVC - EZ LIFT
	094908-04-000	FT	STRAP - FLAT POLY VINYL
	095567-01-000	EA	TACK - STRIP - .5" X 625' ROLL
	097593-02-000	FT	CORD - BLIND - PLEATED - GRAY
	097593-06-000	FT	CORD - BLIND - PLEATED - PEWTER
	097593-07-000	FT	CORD - BLIND - PLEATED - PALE JADE
	097593-10-000	FT	CORD - BLIND - PLEATED - VANILLA

CURTAIN & CUSHION GROUP (CONTINUED)

ACCESSORIES

KEY	PART NUMBER	U/M	DESCRIPTION
	056271-01-000	EA	SEAT BELT - 2" X 102" - BLACK
	057759-01-000	EA	WASHER - FLAT F/SEAT BELT - 4" DIAMETER
	127038-01-01A	EA	TIEDOWN STRAP - W/VELCRO ENDS
	127960-01-01A	EA	RETAINER - 3/8" - STAINLESS STEEL
	129529-02-000	EA	STRAP - CHAIR RETAINING - 81.9"
	129491-01-000	EA	CATCH - SNAP HOOK - 1"
	079349-08-L32	YD	WELT - VINYL
	079349-08-L34	YD	WELT - VINYL
	079349-08-L36	YD	WELT - VINYL



DRIVER & PASSENGER SEAT BELTS

KEY	PART NUMBER	U/M	DESCRIPTION
1*	091990-08-01A	EA	SEAT BELT - 3 POINT - .766" DIAMETER HOLE IN D-LOOP BRKT
2	127598-02-000	EA	NUT - HEX FLANGE - M10 X 1.5 - CLASS 10
3	127598-01-01A	EA	ADJUSTER - SEATBELT - D-LOOP - ADJUSTER

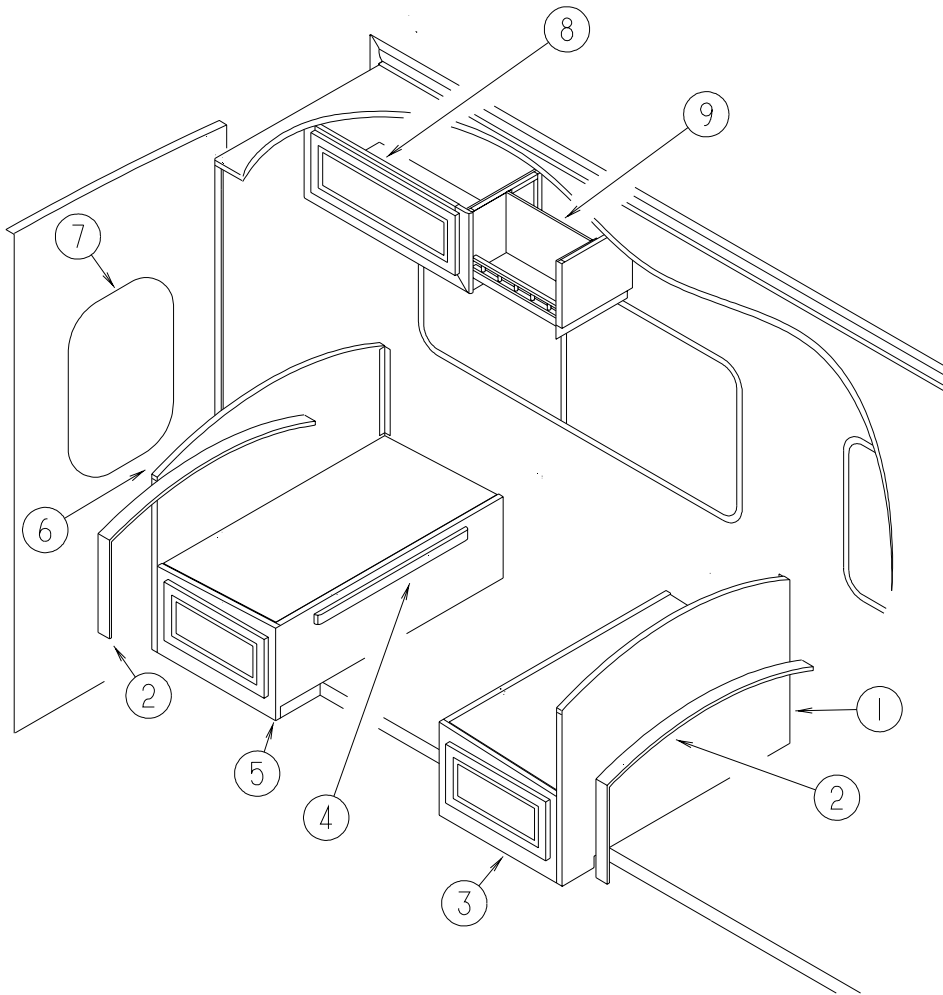
* COMPONENT PARTS FOUND IN SERVICE PARTS LIBRARY

CURTAIN & CUSHION GROUP (CONTINUED)
FABRICS

ADVENTURER FABRICS & VINYL			
COLOR CODES	L32	L34	L36
MARKETING COLORS	IVORY COAST (BEIGE)	WINDSPRAY (GREEN)	AMETHYST FROST (PALE PLUM)
MAIN FABRIC	126883-38-000	126883-39-000	126883-49-000
ACCENT FABRIC	108446-T5-000	126883-40-000	108446-50-000
BUCKET SEAT	108446-T5-000	126883-40-000	108446-50-000
DINETTE	126883-38-000	126883-39-000	126883-49-000
DINETTE PAD	108446-T5-000	126883-40-000	108446-50-000
DINETTE CHAIRS	108446-T5-000	126883-40-000	108446-50-000
SOFA FABRIC	126883-38-000	126883-39-000	126883-49-000
LOUNGE CHAIR	126883-38-000	126883-39-000	126883-49-000
LOUNGE WINDOW VALANCE	126883-38-000 108446-T5-000	126883-39-000 126883-40-000	126883-49-000 108446-50-000
LOUNGE WINDOW LEGS	108446-T5-000	126883-40-000	108446-50-000
LOUNGE PILLOWS	126883-38-000 108446-T5-000	126883-39-000 126883-40-000	126883-49-000 108446-50-000
BEDSPREAD MAIN	105745-L3-000	105745-L5-000	105745-M0-000
BEDSPREAD ACCENT	105745-L4-000	105745-R4-000	105745-M1-000
BEDROOM WINDOW VALANCE	105745-L3-000 105745-L4-000	105745-L5-000 105745-R4-000	105745-M0-000 105745-M1-000
BEDROOM WINDOW LEGS	105745-L4-000	105745-R4-000	105745-M1-000
BEDROOM PILLOWS	105745-L3-000 105745-L4-000	105745-L5-000 105745-R4-000	105745-M0-000 105745-M1-000
HEADBOARD	105745-L3-000 105745-L4-000	105745-L5-000 105745-R4-000	105745-M0-000 105745-M1-000
SPEAKER COVER	072333-A2-000	072333-A2-000	072333-A2-000
FRONT WRAP AROUND	072333-85-000	072333-85-000	072333-85-000
CEILING	113979-09-01A	113979-09-01A	113979-09-01A
CEILING SLIDEOUT (00/00/00 - 11/28/99)	113979-10-01A	113979-10-01A	113979-10-01A
CEILING SLIDEOUT (11/29/99 - 99/99/99)	113979-11-01A	113979-11-01A	113979-11-01A
VINYL (ANTELOPE)	103907-01-07A	103907-01-07A	103907-01-07A

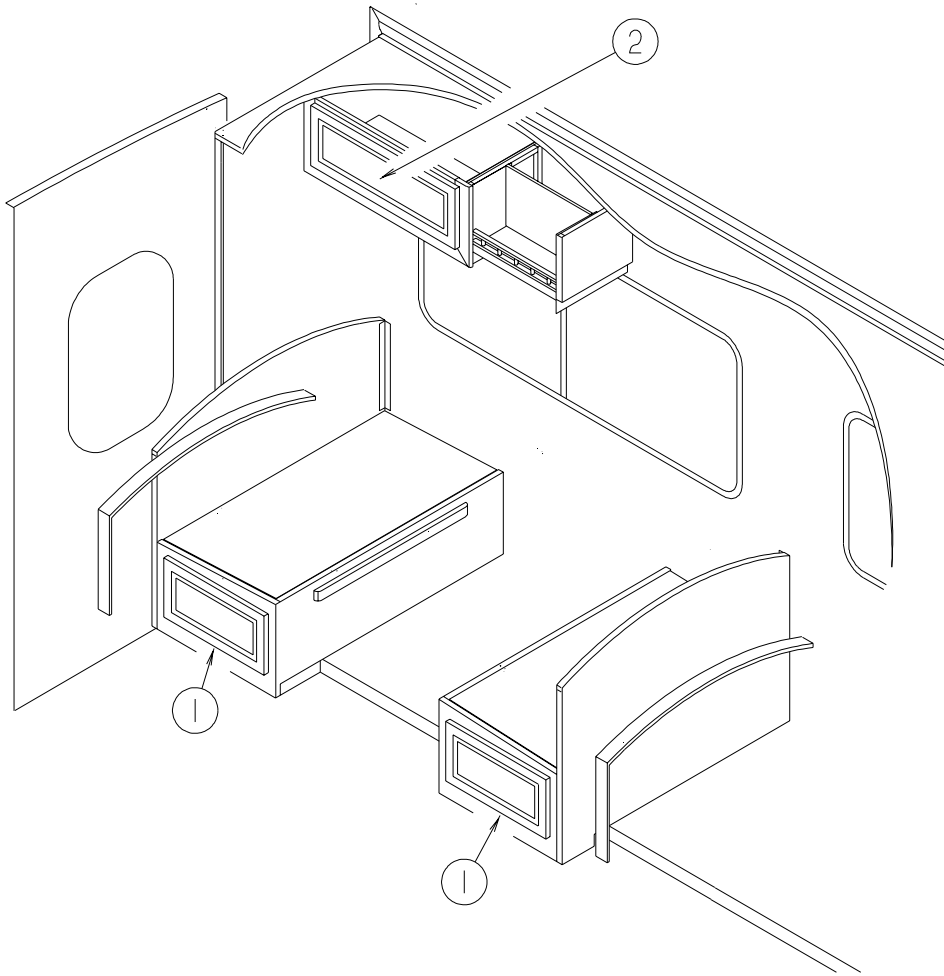
NOTE: THE FABRIC LISTED FIRST, IN A BLOCK, IS THE LARGEST QUANTITY OF FABRIC USED

DINETTE GROUP CABINETS



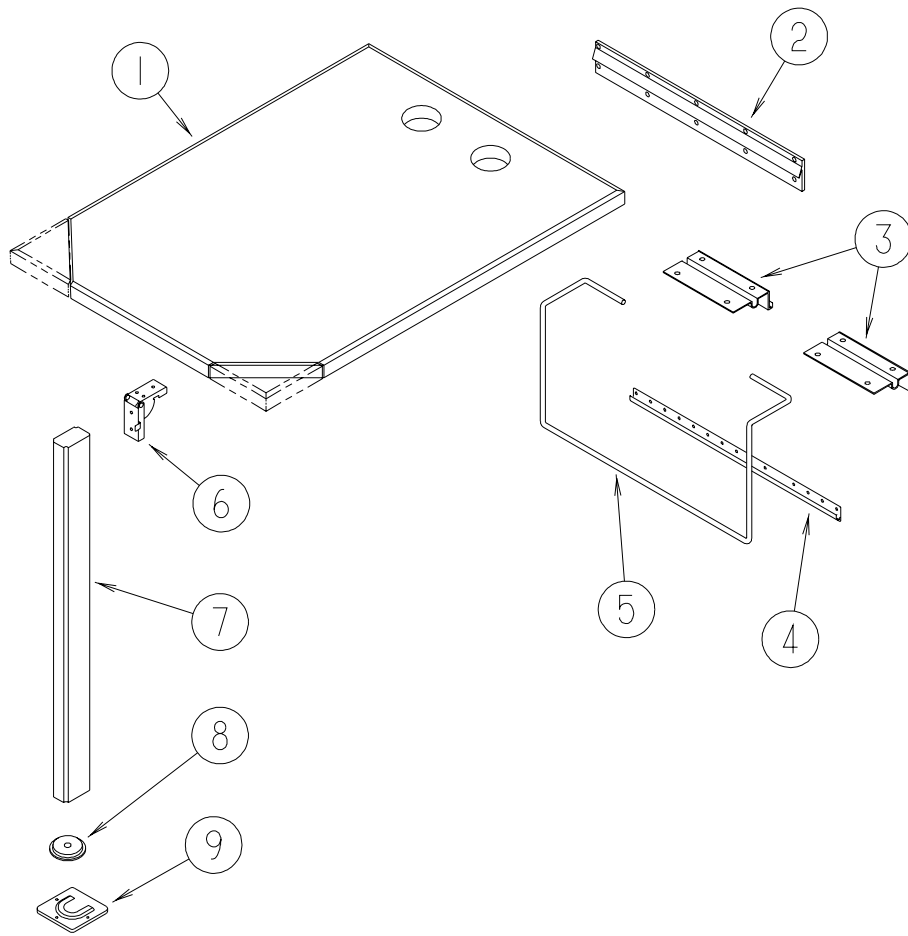
KEY	PART NUMBER	U/M	DESCRIPTION
1	M08755-05-L32	EA	CABINET - SEATBACK/RIGHT HAND
2	104787-08-L32	EA	PAD - DINETTE SEATBACK
2	104787-08-L34	EA	PAD - DINETTE SEATBACK
2	104787-08-L36	EA	PAD - DINETTE SEATBACK
3	M08756-07-L32	EA	CABINET - SEATBASE/RIGHT HAND - W/O DRAWER/HDW
4	081295-01-G01	EA	SUPPORT - BED/DINETTE - 28" LONG
5	M08756-08-L32	EA	CABINET - SEATBASE/LEFT HAND - W/O DRAWER/HDW
6	M08755-06-L32	EA	CABINET - SEATBACK/LEFT HAND
7	131494-01-01A	EA	MIRROR - BEVELED - 24" X 36"
	133426-01-02B	EA	BRACKET - MIRROR - MOUNTING - E-COATED
8	132604-01-L32	EA	CABINET - OVERHEAD/DINETTE - W/O DOORS/HARDWARE
8	132604-02-L32	EA	CABINET - OVERHEAD DINETTE - W/O DOORS/HARDWARE (W/SOUND SYSTEM)
9	132603-01-L32	EA	CABINET - OVERHEAD/COFFEE TABLE - W/O DOORS/HARDWARE
	122021-01-02A	EA	ANGLE - W/HOLES - 8.6" LONG - OFF WHITE

DINETTE GROUP (CONTINUED)
DOORS & DRAWERS



KEY	PART NUMBER	U/M	DESCRIPTION
1	M09316-B1-L32	EA	DRAWER - OGEE EDGE - 16.6"W X 37.3"D - W/O SLIDES/HARDWARE
2	132141-20-L07	EA	DOOR - RAIL/VENEER - 10.8" X 27.9" - W/O HARDWARE

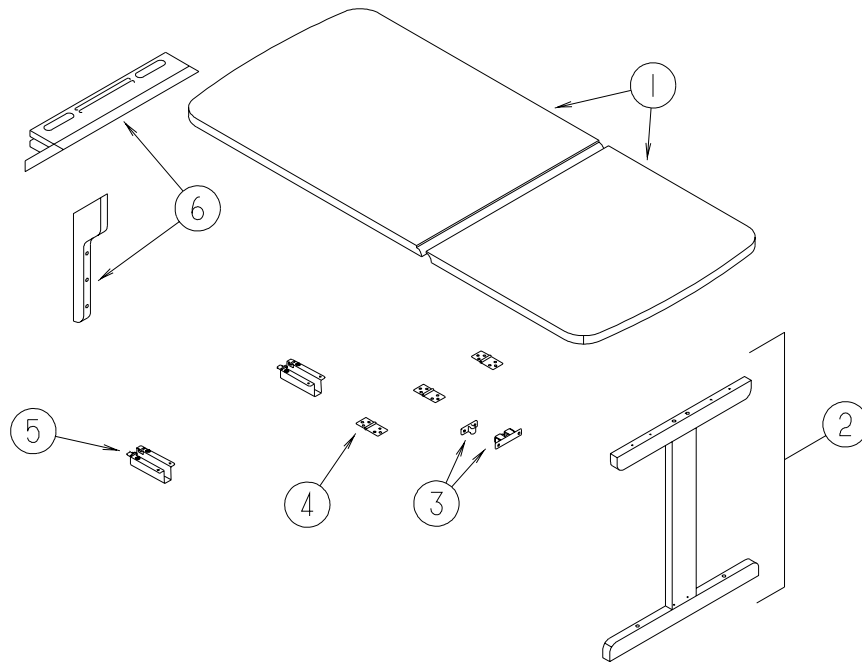
DINETTE GROUP (CONTINUED)
TABLE



WOOD EDGE

KEY	PART NUMBER	U/M	DESCRIPTION
1	132783-01-01A	EA	TABLE - WOOD EDGE/WHITE
2	053200-13-000	EA	SUPPORT - TABLE - 18.5"
3	088410-02-000	EA	BRACKET - LIFT - TABLE MOUNTED
4	024281-15-000	EA	BRACKET/TABLE - LIFT ROD/LOWER WALL MOUNTED - 17.12"
5	024275-13-000	EA	ROD - TABLE LIFT - OFF/WHITE
6	093550-01-000	EA	BRACKET - HINGE - MOUNTS TO LEG & TABLE TOP - 1.7" X 2.6"
7	092707-04-05A	EA	LEG - TABLE - W/O HARDWARE - 27" - WATERFORD OAK
8	092593-01-05A	EA	CATCH - TABLE LEG - OFF/WHITE
9	049493-12-000	EA	CATCH - TABLE LEG/FLOOR MOUNTED - OFF WHITE

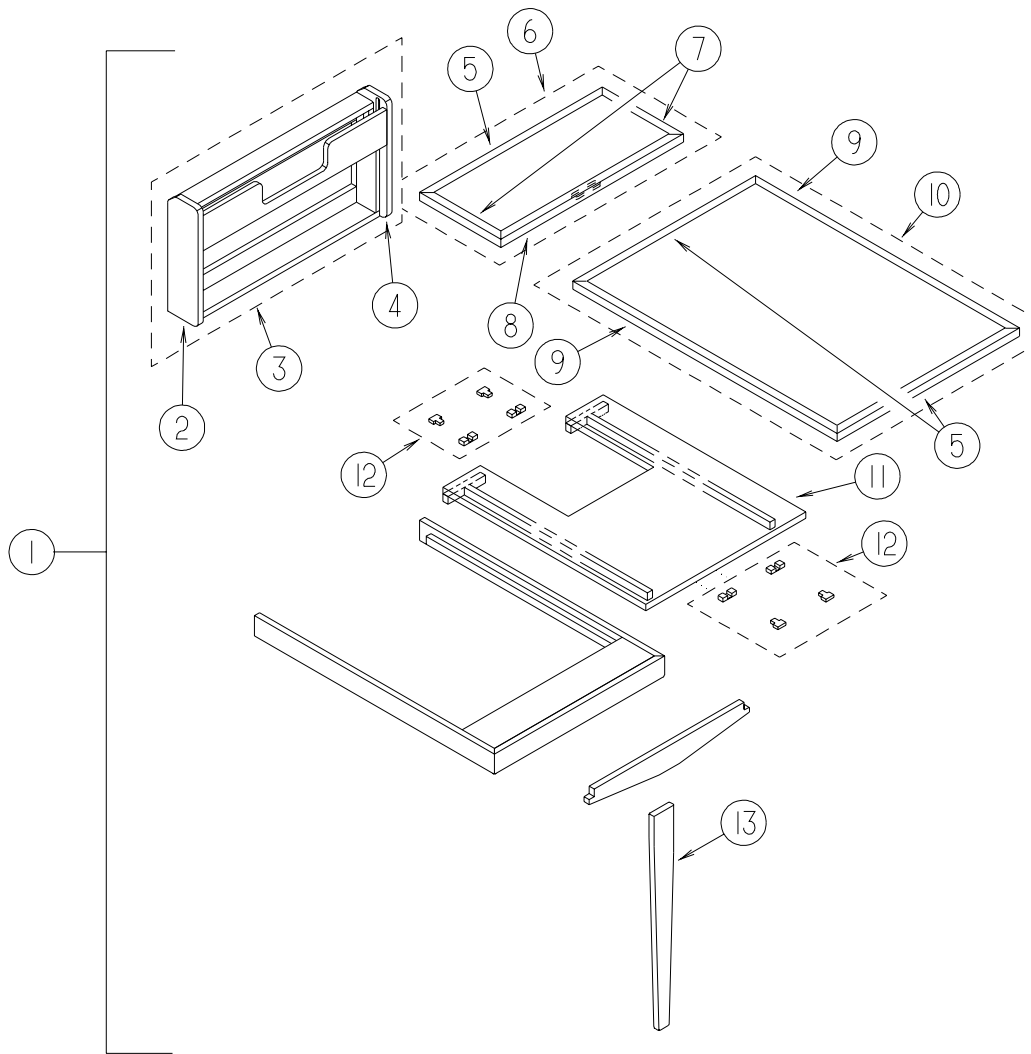
DINETTE GROUP (CONTINUED)
TABLE (CONTINUED)



PULLOUT
FROM: 00-00-00 THRU: 09-12-99

KEY	PART NUMBER	U/M	DESCRIPTION
1	120898-28-K28	EA	TABLE TOP ONLY
2	120898-24-L32	EA	LEG - W/O HARDWARE
3	084451-01-000	EA	CATCH & LATCH - 1.7" - BRASS
4	120972-01-01A	EA	HINGE - TABLE/DROP LEAF
5	120973-01-000	EA	SUPPORT - TABLE/DROP LEAF - PAIR
6	120898-25-H07	EA	MOUNT - WALL - DROP LEAF TABLE

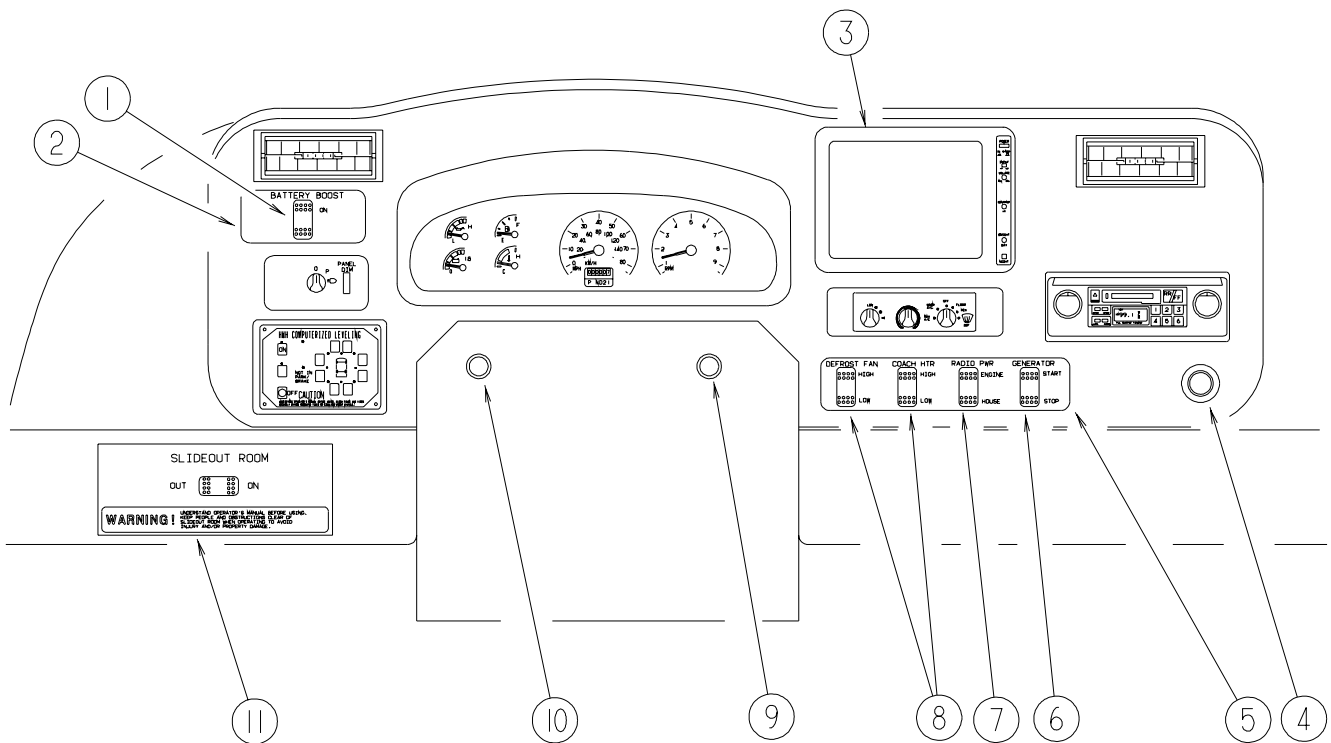
DINETTE GROUP (CONTINUED)
TABLE (CONTINUED)



PULLOUT
FROM: 09-13-99 THRU: 99-99-99

KEY	PART NUMBER	U/M	DESCRIPTION
1	133856-01-L76	EA	TABLE COMPLETE
2	133856-26-L53	EA	END - LEFT HAND - F/TABLE CABINET
3	133856-31-L53	EA	CABINET/WALL - W/O COUNTERTOP - F/PULLOUT TABLE
4	133856-27-L53	EA	END - RIGHT HAND - F/TABLE CABINET
5	133856-14-L53	EA	TRIM - TABLE MOLDING - 23.8"
6	133856-12-L76	EA	TABLE TOP - SMALL HINGED SECTION
7	133856-15-L53	EA	TRIM - TABLE MOLDING - 12"
8	133856-16-L53	EA	TRIM - TABLE MOLDING - 23.8"
9	133856-13-L53	EA	TRIM - TABLE MOLDING - 41.2"
10	133856-11-L76	EA	TABLE TOP ONLY - LARGE SECTION
11	133856-17-L76	EA	SLIDE - TABLE TOP
12	009050-02-000	EA	LEVELER - TABLE TOP - MALE END W/4 SCREWS - PLASTIC
12	009050-03-000	EA	LEVELER - TABLE TOP - FEMALE END W/2 SCREWS - PLASTIC
13	133856-28-L53	EA	LEG - F/TABLE

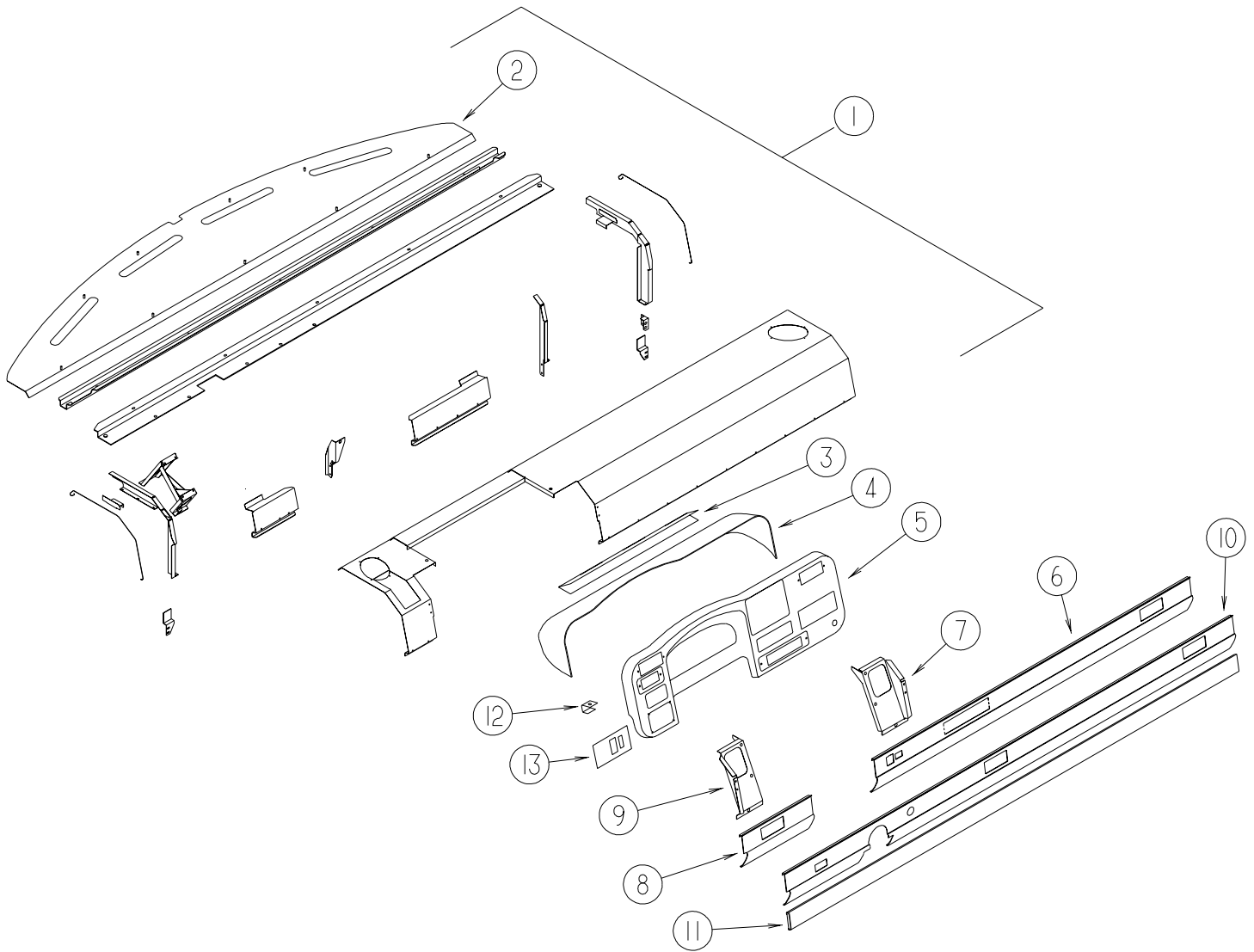
DRIVERS COMPARTMENT GROUP INSTRUMENT PANEL



KEY	PART NUMBER	U/M	DESCRIPTION
1	108357-09-000	EA	SWITCH - ROCKER SPDT - ON/NONE/MOM - 3 TERMINAL
1	108356-02-01A	EA	COVER/ACTUATOR SWITCH - 2 ROWS DIMPLES- CONTURA II - BLACK
2	132954-02-01A	EA	APPLIQUE - SWITCH - BATTERY BOOST
2	077031-03-000	EA	FILM - WHITE - .75" X 1"
3		EA	MONITOR (SEE AUDIO VIDEO GROUP)
4	089294-01-000	EA	LIGHTER - CIGARETTE - W/SOCKET & WIRE
5	132954-01-01A	EA	APPLIQUE - SWITCH - HEATER/RADIO/GENERATOR
5	077031-03-000	EA	FILM - WHITE - .75" X 1"
6	108357-10-000	EA	SWITCH - ROCKER SPDT - W/LIGHT - MOM/NONE/MOM - 5 TERMINAL
6	108356-04-01A	EA	COVER/ACTUATOR SWITCH - 2 ROWS DIMPLES W/LENS-CONTURA-BLK
7	096241-03-000	EA	SWITCH - BLANK - BLACK
7	108357-08-000	EA	SWITCH - ROCKER DPDT - ON/NONE/ON - 6 TERMINAL
7	108356-02-01A	EA	COVER/ACTUATOR SWITCH - 2 ROWS DIMPLES- CONTURA II - BLACK
8	108357-03-000	EA	SWITCH - ROCKER SPDT - ON/OFF/ON - 3 TERMINAL
8	108356-02-01A	EA	COVER/ACTUATOR SWITCH - 2 ROWS DIMPLES- CONTURA II - BLACK
8	096241-03-000	EA	SWITCH - BLANK - BLACK
9	133534-02-000	EA	LIGHT - AMBER INDICATOR WITH 1/4" TERMINALS
10	133534-01-000	EA	LIGHT - RED INDICATOR WITH 1/4" TERMINALS
11	108357-06-000	EA	SWITCH - ROCKER DPDT - MOM/OFF/MOM - 6 TERMINAL
11	108356-02-01A	EA	COVER/ACTUATOR SWITCH - 2 ROWS DIMPLES- CONTURA II - BLACK
11	132946-01-01A	EA	APPLIQUE - SWITCH - SLIDEOUT
11	132891-02-04B	EA	PLATE - SWITCH BLACK
	133535-01-000	EA	MODULE - TIMER 20 SECOND
	094794-06-000	EA	CLUSTER - INSTRUMENT PANEL - KILO/FORD F53 - F5TD-10849-BB

DRIVERS COMPARTMENT GROUP (CONTINUED)

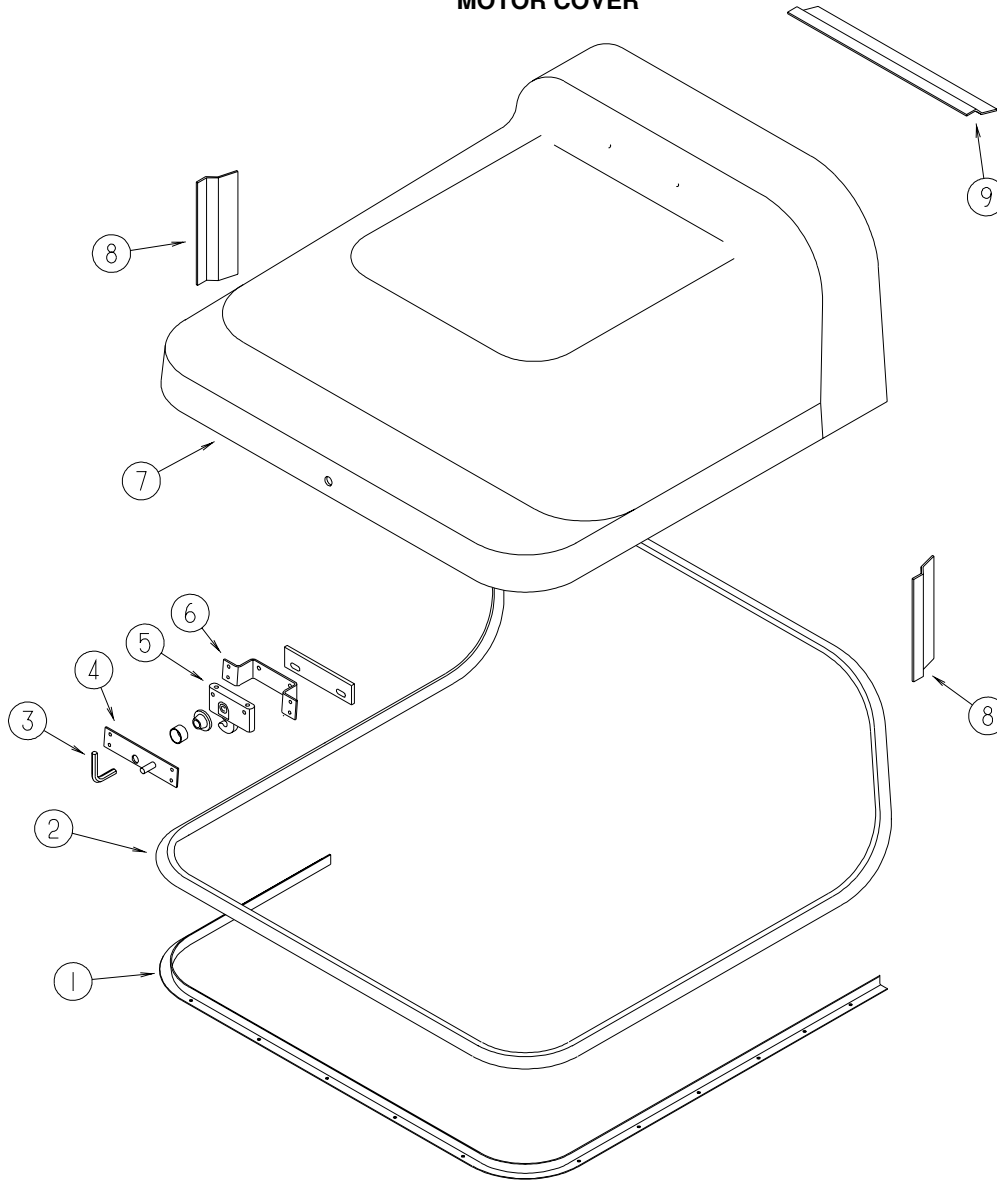
DASH



KEY	PART NUMBER	U/M	DESCRIPTION
1	P32426-01-000	EA	DASH - W/O VINYL - FORD
1	P32426-02-000	EA	DASH - W/O VINYL - WORKHORSE
	106569-11-01A	EA	VINYL - LAMINATE - ALLANTE ANTELOPE - 1/4" X 21" X 100"
2	132126-02-02B	EA	PANEL - DASH TOP - E-COATED
3	129813-02-01A	EA	HINGE - DASH POD - ANTELOPE
4	132080-01-01A	EA	POD - INSTRUMENT PANEL - ANTELOPE (W/O REARVIEW MONITOR)
4	132080-02-01A	EA	POD - INSTRUMENT PANEL - ANTELOPE (W/REARVIEW MONITOR)
5	132049-01-03A	EA	BEZEL - INSTRUMENT PANEL - FORD - BLACK
5	133710-01-03A	EA	BEZEL - INSTRUMENT PANEL - BLACK - WORKHORSE
6	111528-10-02A	EA	TRIM - LOWER DASH - PASSENGER - ANTELOPE - FORD
7	132181-02-01B	EA	BRACKET - SUPPORT - DASH - MILL
8	111528-11-02A	EA	TRIM - LOWER DASH - DRIVER - ANTELOPE - FORD
9	132181-01-01B	EA	BRACKET - SUPPORT - DASH - MILL
10	133776-01-02A	EA	TRIM - DASH/LOWER - DRIVER - ANTELOPE - WORKHORSE
11	132647-01-01A	EA	MOLDING - TRIM - DASH
12	134257-02-02B	EA	CLIP - RETAINER - BEZEL - E-COATED
13	134088-01-01A	EA	APPLIQUE - SWITCH - HEADLAMP - BLACK

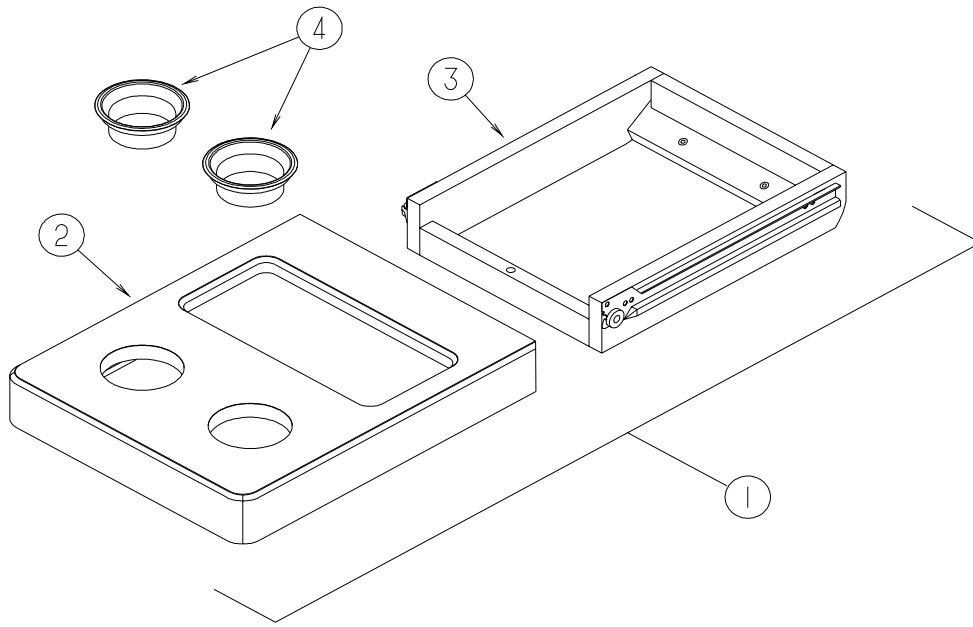
DRIVER'S COMPARTMENT GROUP (CONTINUED)

MOTOR COVER



KEY	PART NUMBER	U/M DESCRIPTION
1	115860-05-01A	EA TRIM - MOTOR COVER - MILL FINISH - FORD
2	039623-01-000	FT SEAL - MOTOR COVER - RUBBER BULB TYPE
3	116833-01-02B	EA WRENCH - HEX MOTOR COVER - E-COATED
4	115852-01-02B	EA STRIKE - LATCH - MOTOR COVER - E-COATED
5	116581-01-000	EA LATCH - MOTOR COVER
6	115850-03-02B	EA RETAINER - LATCH - MOTOR COVER - RIGHT HAND - E-COATED
		FROM: 00-00-00 THRU: 06-02-00
6	115850-01-02B	EA RETAINER - LATCH - MOTOR COVER - RIGHT HAND - E-COATED
		FROM: 06-03-00 THRU: 99-99-99
7	129099-03-01A	EA COVER - MOTOR - W/O CARPET - FORD
		FROM: 00-00-00 THRU: 01-31-00
7	129099-04-01A	EA COVER - MOTOR - W/O CARPET - FORD
		FROM: 02-01-00 THRU: 99-99-99
8	115855-02-02B	EA RETAINER - MOTOR COVER/SIDE - E-COATED
9	115855-03-02B	EA RETAINER - MOTOR COVER/TOP - E-COATED
	134455-01-000	EA INSULATION/ENGINE COVER/MAIN
		FROM: 12-17-99 THRU: 99-99-99
	134455-02-000	EA INSULATION/ENGINE COVER/FRONT
		FROM: 12-17-99 THRU: 99-99-99
	134497-01-000	SF FOIL - ALUMINUM - REINFORCED
		FROM: 12-16-99 THRU: 99-99-99
	122772-02-02B	EA BRACKET - MOUNTING - BEVERAGE TRAY
		FROM: 00-00-00 THRU: 11-07-99

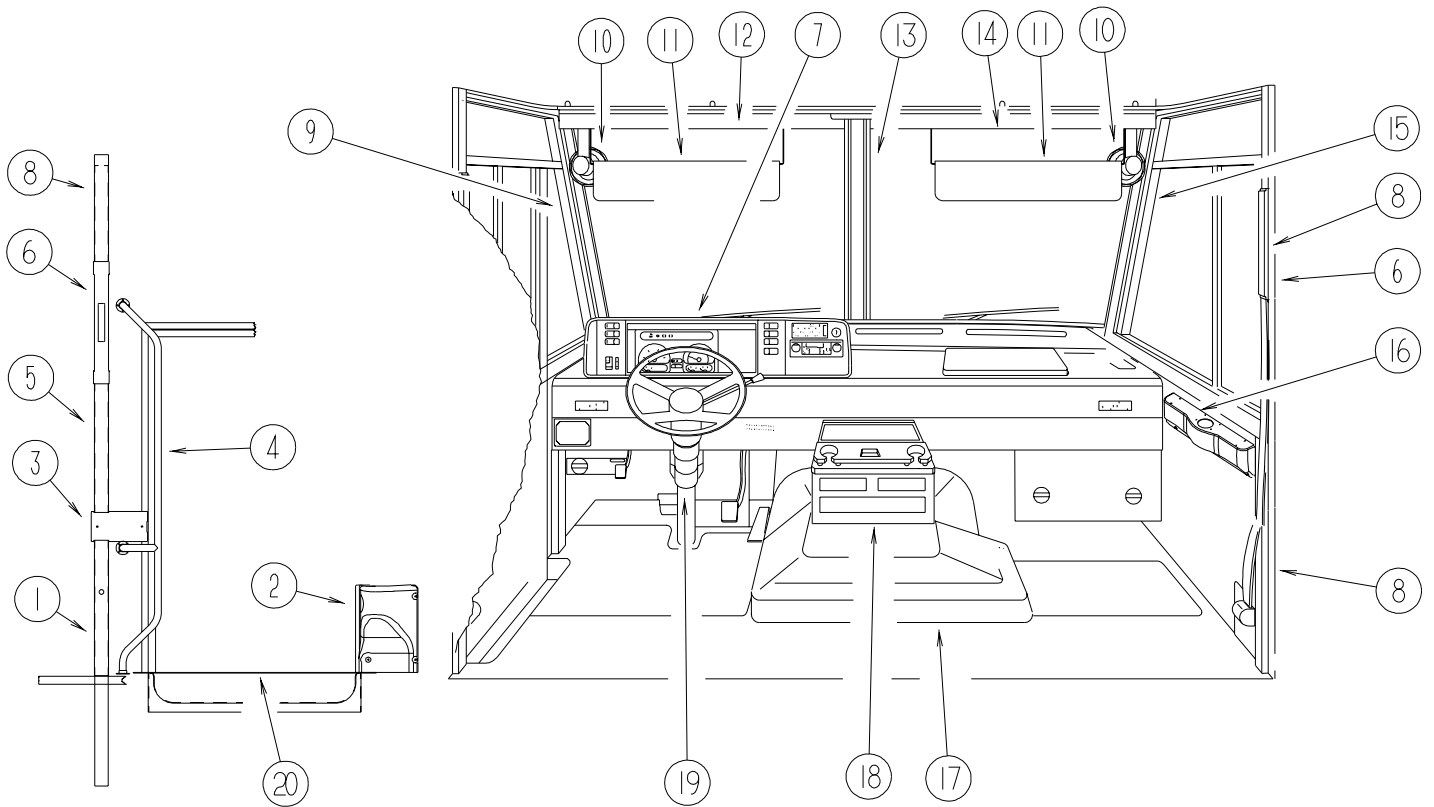
DRIVER'S COMPARTMENT GROUP (CONTINUED)
BEVERAGE TRAY



KEY	PART NUMBER	U/M	DESCRIPTION
1	132975-01-L32	EA	TRAY - BEVERAGE
2	132975-20-L32	EA	TOP - BEVERAGE HOLDER
3	132975-19-L32	EA	DRAWER - SLIDING - W/O SLIDES/HARDWARE
4	064781-07-000	EA	HOLDER/CUP - TWO STEP - BLACK

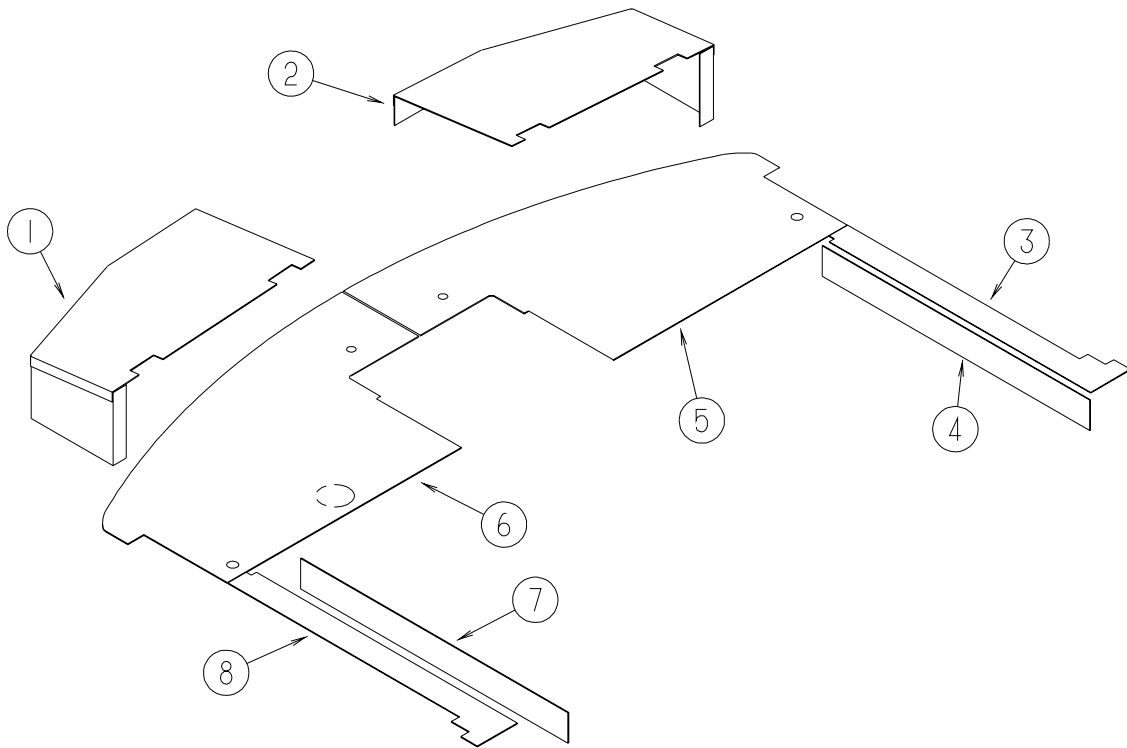
DRIVER'S COMPARTMENT GROUP (CONTINUED)

FRONT INTERIOR



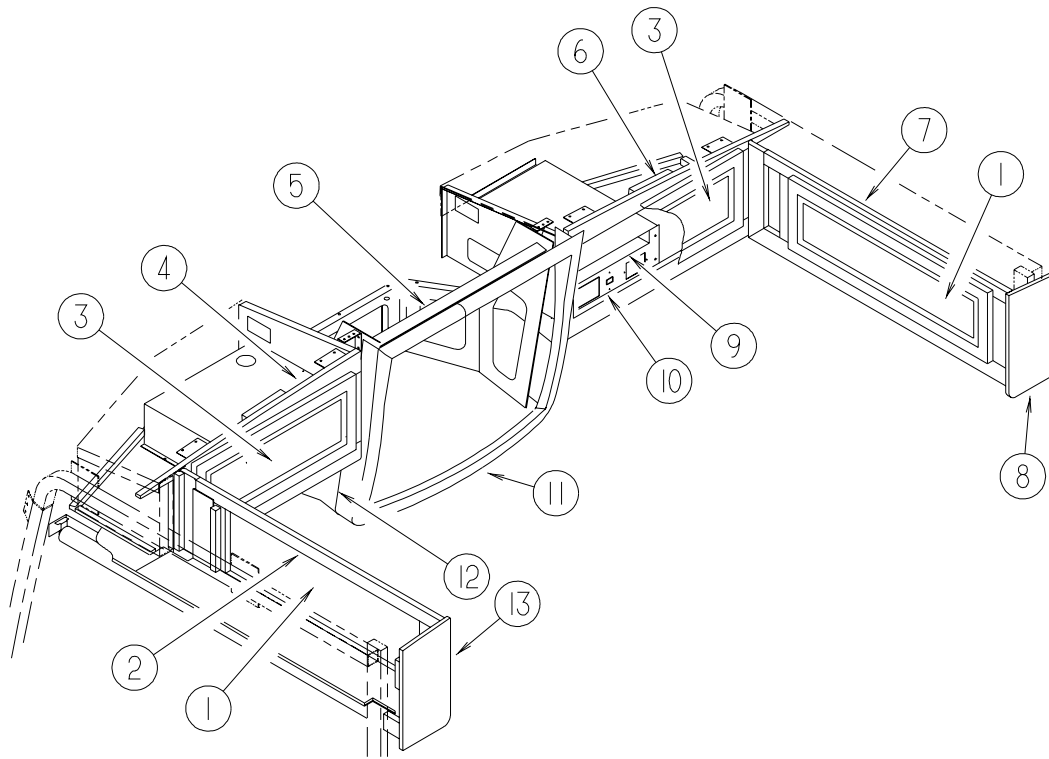
KEY	PART NUMBER	U/M	DESCRIPTION
1	024700-67-000	EA	COVER - SIDEWALL ROLL BAR - 20.1" - OFF WHITE
2	132296-01-01A	EA	PANEL/TRIM - DASH/CAB DOOR - LOW MOUNT MIRRORS - ANTELOPE
2	132296-02-01A	EA	PANEL/TRIM - DASH/CAB DOOR - ELECTRIC MIRRORS - ANTELOPE
3	103961-07-01A	EA	COVER - BRACKET - LATCH - OFF WHITE
4	131058-02-01A	EA	HAND RAIL - INTERIOR CAB DOOR - BLACK
4	131058-04-02A	EA	HAND RAIL - DRIVER/INTERIOR DOOR - BLACK FROM: 00-00-00 THRU: 11-21-99 FROM: 11-22-99 THRU: 99-99-99
5	024700-66-000	EA	COVER - SIDEWALL ROLL BAR - 20.6" - OFF WHITE
6	127721-01-01A	EA	COVER - SLIDE - OFF WHITE
6	127798-01-01A	EA	COVER - SLIDE - INNER - BLACK - 1.5" X 11.4"
7	132080-01-01A	EA	POD - INSTRUMENT PANEL - W/O HOLE
8	024700-51-000	EA	COVER - ROLL BAR - 88" - OFF WHITE
9	125508-02-01A	EA	TRIM - A-PILLAR - INTERIOR - ANTELOPE
10	122856-01-01A	EA	FAN-DEFROSTER-2 SPEED W/SWIVEL BASE/NON-OSCILLATING-CHROME
11	123298-03-02A	EA	SUNVISOR - 8.5" X 21" - DRIVER/PASSENGER FROM: 00-00-00 THRU: 02-14-00
11	123298-04-01A	EA	SUNVISOR - 10.5" X 21" - DRIVER/PASSENGER FROM: 02-15-00 THRU: 99-99-99
12	118453-04-01A	EA	TRIM - WINDSHIELD - INNER/TOP/DRIVER
13	118452-04-01A	EA	TRIM - WINDSHIELD - CENTER - ANTELOPE
14	118453-03-01A	EA	TRIM - WINDSHIELD - INNER/TOP/PASSENGER
15	125508-01-01A	EA	TRIM - A-PILLAR - INTERIOR - ANTELOPE
16	132354-01-01A	EA	PANEL - TRIM - CAB DOOR - INNER/PASSENGER SIDE - ANTELOPE
16	106105-03-000	EA	CLIP - VALANCE/RETAINING
17	129099-03-01A	EA	COVER - MOTOR - W/O CARPET - FORD
18	132975-01-L32	EA	TRAY - BEVERAGE
19	131804-02-01A	EA	COVER - STEERING COLUMN - BLACK
20	102569-02-000	EA	MAT - ANTI SLIP - LOWER
20	P31835-01-03A	EA	TRIM/STEP - DRIVER DOOR - ANTELOPE
20	133417-01-01A	EA	DECAL - LOGO - DOMED - ADVENTURER

DRIVER'S COMPARTMENT GROUP (CONTINUED)
FRONT INTERIOR (CONTINUED)



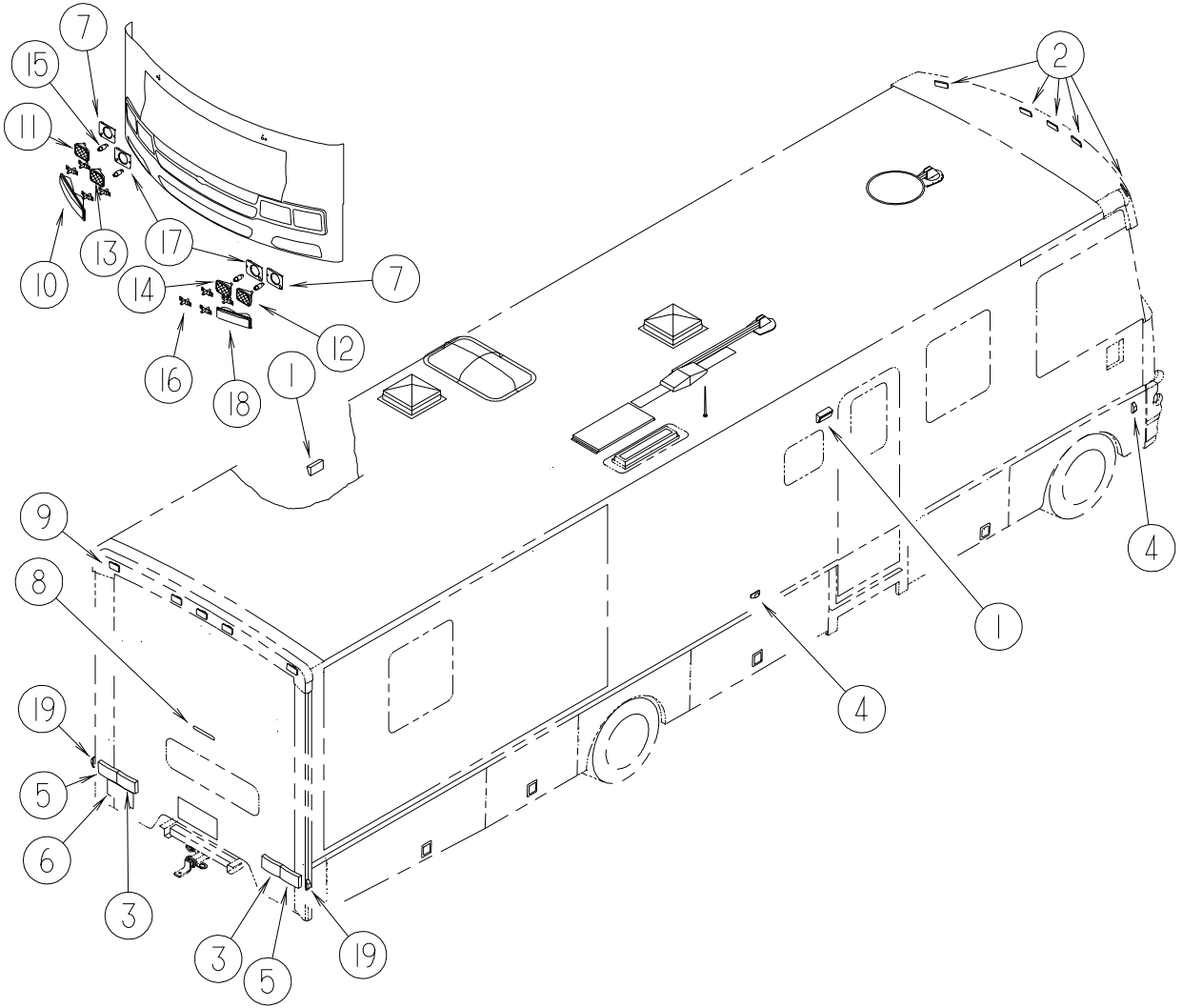
KEY	PART NUMBER	U/M	DESCRIPTION
1	126457-07-L32	EA	PANEL - CLOSEOUT - OVERHEAD/FRONT - DRIVER
	126457-23-L32	EA	PANEL - LOWER/DRIVER
	126457-24-L32	EA	PANEL - UPPER/DRIVER
2	126457-06-L32	EA	PANEL - CLOSEOUT - OVERHEAD/FRONT - PASSENGER
	126457-21-L32	EA	PANEL - LOWER/PASSENGER
	126457-22-L32	EA	PANEL - UPPER/PASSENGER
3	126443-16-L32	EA	PANEL - OVERHEAD/FRONT/PASSENGER
4	132694-01-L32	EA	PANEL - OVERHEAD/FRONT/PASSENGER
5	126440-11-L32	EA	PANEL - OVERHEAD/FRONT/BOTTOM/PASSENGER
6	126440-12-L32	EA	PANEL - OVERHEAD/FRONT/BOTTOM/DRIVER
7	132694-02-L32	EA	PANEL - OVERHEAD/FRONT/DRIVER
8	126443-17-L32	EA	PANEL - OVERHEAD/FRONT/DRIVER

DRIVERS COMPARTMENT GROUP (CONTINUED)
CABINETS



KEY	PART NUMBER	U/M	DESCRIPTION
1	132141-B7-L32	EA	DOOR - RAIL/VENEER - 10" X 29.5" - W/O HARDWARE
2	132880-02-L32	EA	CABINET - OVERHEAD/FRONT/LEFT HAND - W/O DOORS/HARDWARE
3	131995-V1-L32	EA	DOOR - RAIL/SOLID PANEL - 10.8" X 23.8" - W/O HARDWARE
4	132973-02-L32	EA	CABINET - OVERHEAD/FRONT - W/O DOORS/HARDWARE
5	130027-01-02B	EA	STRAP/TIEDOWN - TV - E-COATED
			FROM: 00-00-00 THRU: 06-17-99
5	133790-02-02B	EA	STRAP - TIEDOWN/TV - E-COATED
			FROM: 06-18-99 THRU: 99-99-99
6	132973-01-L32	EA	CABINET - OVERHEAD/FRONT - W/O DOORS/HARDWARE
7	132880-01-L32	EA	CABINET - OVERHEAD/FRONT/RIGHT HAND - W/O DOORS/HARDWARE
8	103128-57-L32	EA	END CAP - OVERHEAD CABINET - RIGHT HAND
9	118847-02-02B	EA	MOUNT - SWITCH BOX - E-COATED
10	131807-05-L32	EA	PANEL/SHELF/VINYL COVERED - W/ANTENNA CUTOUT
10	131807-06-L32	EA	PANEL/SHELF/VINYL COVERED - W/ANTENNA/SWITCHBOX CUTOUT
10	131807-07-L32	EA	PANEL/SHELF/VINYL COVERED - W/ANTENNA/SWITCHBOX/INV CUTOUT
11	130020-02-01A	EA	COVER - TV - OVERHEAD FRONT - ANTELOPE
12	P30021-02-L52	EA	COVER - TV - OVERHEAD/LOWER
13	103128-58-L32	EA	END CAP - OVERHEAD CABINET - LEFT HAND

ELECTRICAL GROUP LIGHTS



ELECTRICAL GROUP (CONTINUED)

LIGHTS (CONTINUED)

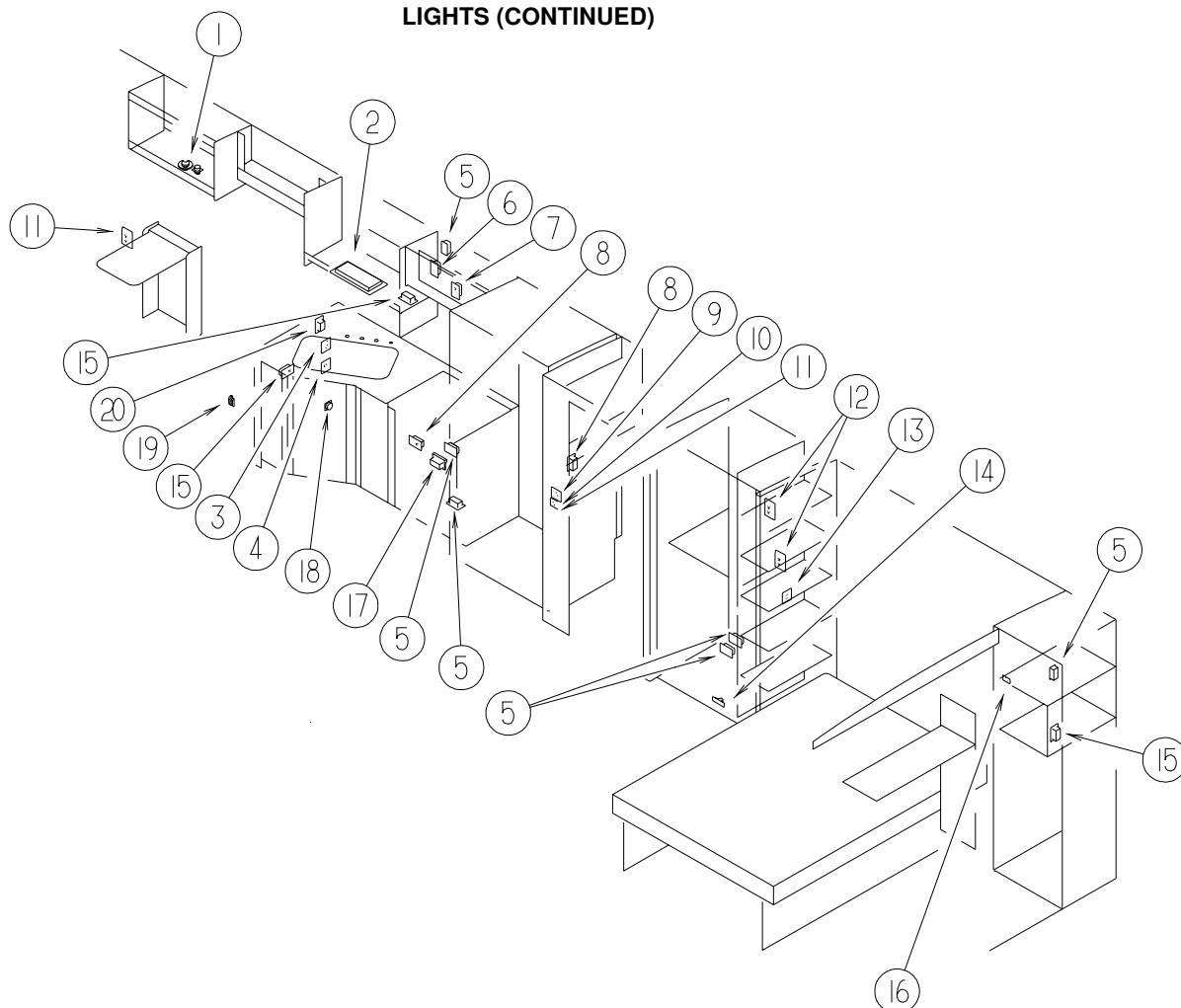
EXTERIOR

KEY	PART NUMBER	U/M	DESCRIPTION
1*	097917-01-06A	EA	LIGHT - PORCH - BRIGHT WHITE
	008215-01-000	EA	BULB - 12 VOLT - #1003 - .94 AMP
1*	008089-02-000	EA	LIGHT - PORCH - RECESSED - CANADIAN
	008214-01-000	EA	BULB - 12 VOLT - #67 - .59 AMP
2	102520-01-000	EA	LIGHT - CLEARANCE - W/O SOCKET/HOUSING - AMBER
	102541-01-000	EA	GASKET - CLEARANCE LIGHT
	036196-01-000	EA	BULB - 12V - #194 - .27 AMP - BAYONETTE
3	115632-01-02A	EA	LIGHT - STOP/TURN/TAIL RED
	037935-01-000	EA	BULB - 12V - #1157 OR #2057 - 2.1 AMP - CLEAR GLASS - BRAKE LIGHT BULB
4	111102-02-000	EA	LENS - AMBER - MARKER LAMP
	036196-01-000	EA	BULB - 12V - #194 - .27 AMP - BAYONETTE
4	111102-01-000	EA	BASE - MARKER LAMP
5	115632-03-02A	EA	LIGHT - STOP/TAIL/BACKUP
	037934-01-000	EA	BULB - 12V - #1156 - 2.1 AMP CLEAR GLASS - BACK UP & TURN SIGNAL BULB
	037935-01-000	EA	BULB - 12V - #1157 OR #2057 - 2.1 AMP - CLEAR GLASS - BRAKE LIGHT BULB
6	087201-01-000	EA	LIGHT - HALF ROUND - 1" X 1.7" - PLASTIC - BLACK
7	110690-02-D18	EA	PLATE - HEADLAMP - QUAD/LEFT HAND
8	121950-01-000	EA	LIGHT - BRAKE - CENTER MOUNT
9	133055-01-000	EA	LAMP - RED - CLEARANCE/MARKER
	036196-01-000	EA	BULB - 12V - #194 - .27 AMP - BAYONETTE
9	133055-03-000	EA	BASE - CLEARANCE/MARKER - WHITE
10	113294-03-000	EA	LAMP - PARK/TURN - AMBER - RIGHT HAND
11	049187-04-000	EA	HEADLAMP - PASSENGER - HIGH BEAM - HALOGEN
12	049188-04-000	EA	HEADLAMP - DRIVER - HIGH BEAM - HALOGEN
13	049185-04-000	EA	HEADLAMP - PASSENGER - HIGH/LOW - HALOGEN
14	049186-04-000	EA	HEADLAMP - DRIVER - HIGH/LOW - HALOGEN
15	049359-01-000	EA	SPRING - RETAINER - HEADLAMP - GM #496096
16	110750-01-000	EA	SCREW - HEADLAMP ADJUSTING
17	110690-01-D18	EA	PLATE - HEADLAMP - QUAD/RIGHT HAND
18	113294-04-000	EA	LAMP - PARK/TURN - AMBER - LEFT HAND
19	111102-03-000	EA	LENS - RED - MARKER LAMP
	036196-01-000	EA	BULB - 12V - #194 - .27 AMP - BAYONETTE
19	111102-01-000	EA	BASE - MARKER LAMP

* COMPONENT PARTS FOUND IN SERVICE PARTS LIBRARY

ELECTRICAL GROUP (CONTINUED)

LIGHTS (CONTINUED)



INTERIOR LIGHTS, SWITCHES & RECEPTACLES

KEY	PART NUMBER	U/M	DESCRIPTION
1	132427-01-01A	EA	LIGHT - READING - SWIVEL/ROUND - BRASS
2*	098024-06-02A	EA	LIGHT - DOME - 2 BULB - SKYLITE
2	008218-01-000	EA	BULB - 12 VOLT - #1141 - 1.44 AMP
3	132180-01-01A	EA	SWITCH - PADDLE - SPST - ON/OFF - BLACK
3	098351-17-01A	EA	PLATE - SWITCH - 2 GANG W/LABEL
3	133713-05-01A	EA	SPACER - SWITCH - WATERFORD OAK
4	132180-01-01A	EA	SWITCH - PADDLE - SPST - ON/OFF - BLACK
4	098351-18-01A	EA	PLATE - SWITCH - 1 GANG W/LABEL
4	133713-05-01A	EA	SPACER - SWITCH - WATERFORD OAK
5	058707-02-000	EA	RECEPTACLE - BLANK - JUNCTION BOX
6	084420-01-000	EA	SWITCH - TOGGLE - 15 AMP - 120 VOLT - BROWN
7	058708-05-000	EA	RECEPTACLE - ELECTRIC - SINGLE - BROWN
8	058707-01-000	EA	RECEPTACLE - ELECTRIC - SINGLE - BROWN
9	132180-01-01A	EA	SWITCH - PADDLE - SPST - ON/OFF - BLACK
9	098351-19-01A	EA	PLATE - SWITCH - 1 GANG
9	133713-05-01A	EA	SPACER - SWITCH - WATERFORD OAK
10	109294-02-01A	EA	SWITCH PANEL - W/SWITCHES/LIGHT SWITCH - VENT FAN
10	095188-02-01A	EA	SPACER - SWITCH - 2.3" X 4.1" - PLASTIC - DARK BROWN
11	132180-01-01A	EA	SWITCH - PADDLE - SPST - ON/OFF - BLACK
11	098351-21-01A	EA	PLATE - SWITCH - 1 GANG W/LABEL - POLISHED BRASS
11	095188-02-01A	EA	SPACER - SWITCH - 2.3" X 4.1" - PLASTIC - DARK BROWN
12	058708-02-000	EA	RECEPTACLE - ELECTRIC - DOUBLE - IVORY
12	133713-01-01A	EA	SPACER - RECEPTACLE - WATERFORD OAK
13	132180-01-01A	EA	SWITCH - PADDLE - SPST - ON/OFF - BLACK
13	098351-20-01A	EA	PLATE - SWITCH - 2 GANG
13	133713-05-01A	EA	SPACER - SWITCH - WATERFORD OAK
14	061424-01-000	EA	LIGHT - AISLE - 12 VOLT - RECTANGULAR
14	008103-01-000	EA	BULB - DASH/AISLE LIGHT - #53 - 12 VOLT - .12 AMP

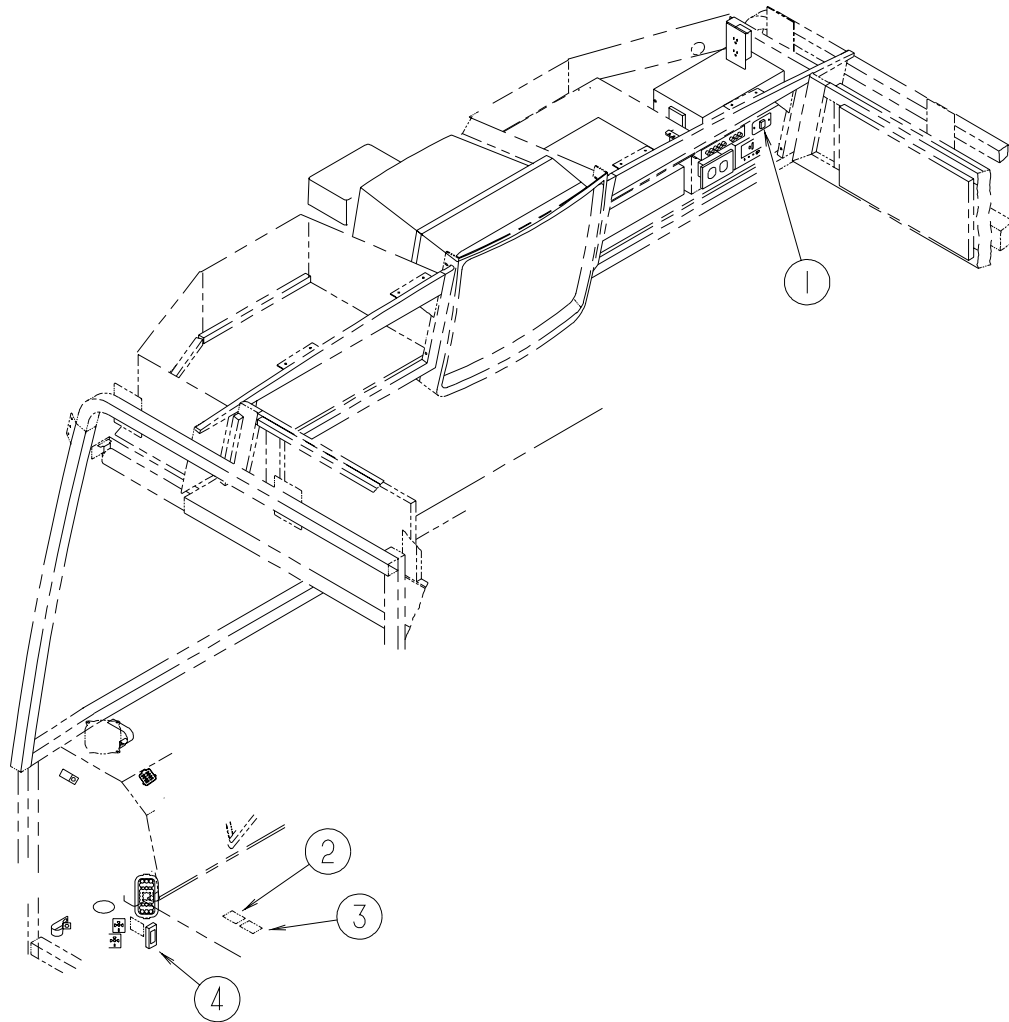
* COMPONENT PARTS FOUND IN SERVICE PARTS LIBRARY

ELECTRICAL GROUP (CONTINUED)

LIGHTS (CONTINUED)

INTERIOR LIGHTS, SWITCHES & RECEPTACLES (CONTINUED)

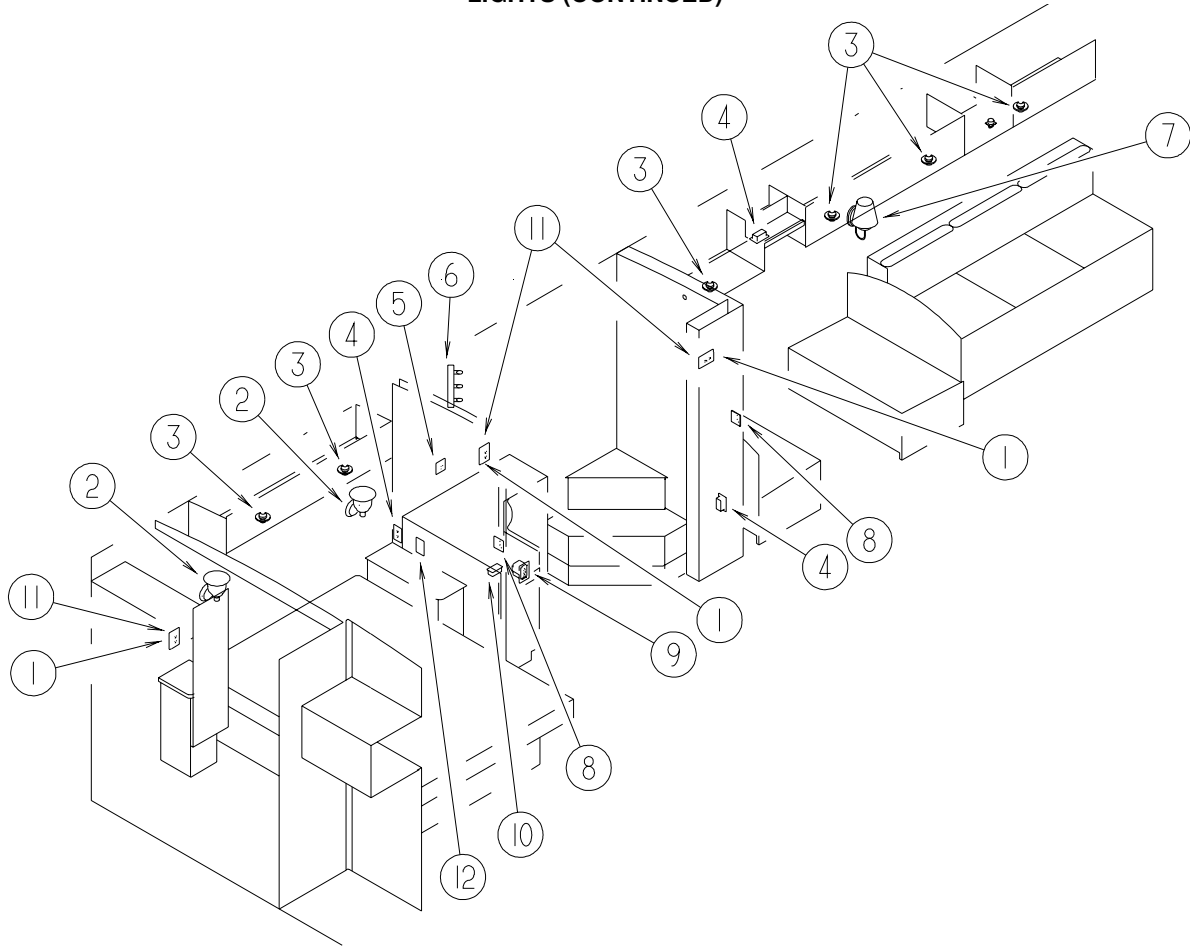
KEY	PART NUMBER	U/M	DESCRIPTION
15	058708-01-000	EA	RECEPTACLE - ELECTRIC - DOUBLE - BROWN
16	132180-01-01A	EA	SWITCH - PADDLE - SPST - ON/OFF - BLACK
16	098351-14-01A	EA	PLATE/SWITCH - 1 GANG - POLISHED BRASS - TV
17	131826-01-01A	EA	RECEPTACLE - EXTERIOR - W/COVER/GASKET - WHITE
18	108354-01-01A	EA	LIGHT - COURTESY
19	116995-02-000	EA	SWITCH/MAGNET - ELECTRIC STEP - BLACK/WHITE-CLOSED CIRCUIT
20	084076-02-000	EA	RECEPTACLE - GFI - 15 AMP/125 VOLT - BROWN - W/COVER
20	084077-02-000	EA	PLATE - COVER - RECEPTACLE - GFI - BROWN



FRONT END

KEY	PART NUMBER	U/M	DESCRIPTION
1	098351-16-01A	EA	PLATE - SWITCH - 1 GANG W/LABEL
1	079364-01-000	EA	SWITCH - ON/OFF ROCKER - 2 TERMINAL - BROWN
2	088246-01-000	EA	SWITCH/REMOTE MIRROR - W/2PIN & 6 PIN CONNECTORS/PIGTAIL
3	108357-14-000	EA	SWITCH - ROCKER SPDT - W/LIGHT - ON/NON/OFF - 4 TERMINAL
4	041250-01-000	EA	SWITCH - PUSH BUTTON - IN DOOR JAMB - METAL - CHROME

ELECTRICAL GROUP (CONTINUED)
LIGHTS (CONTINUED)

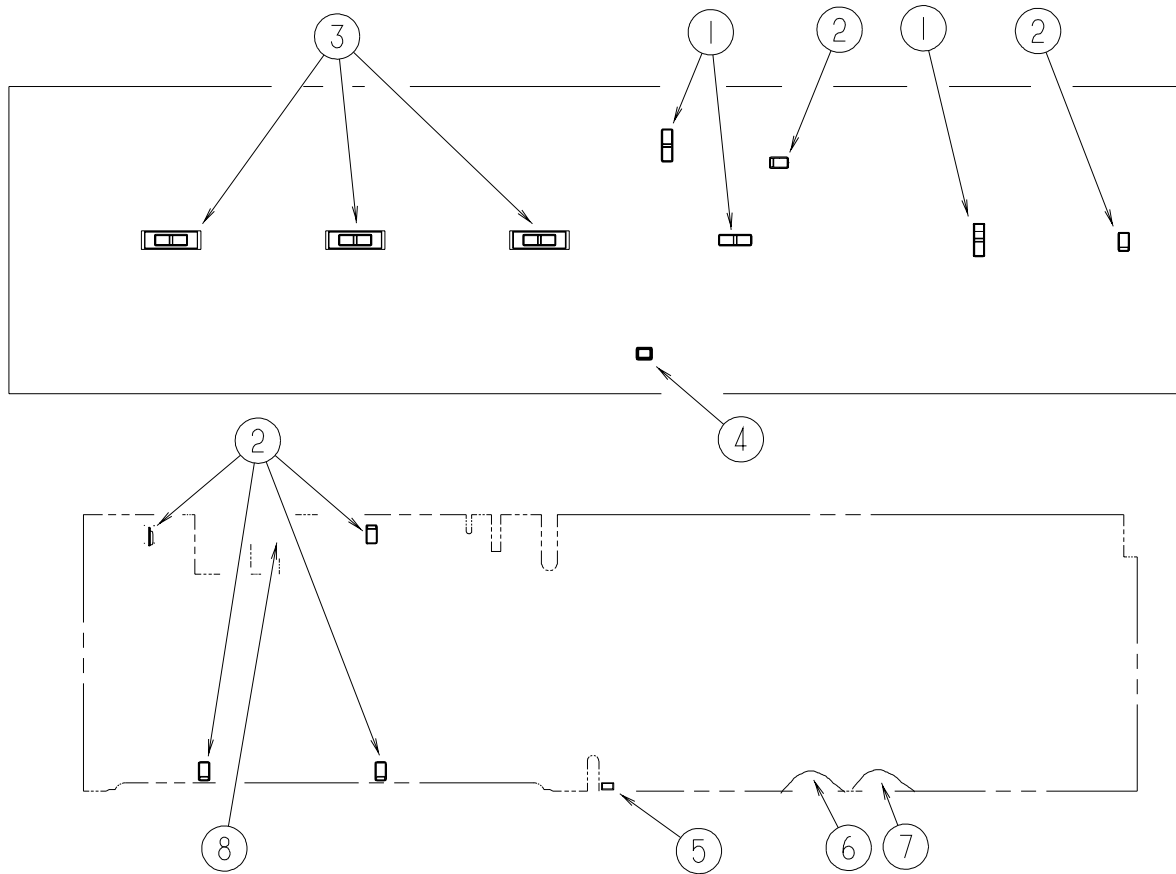


INTERIOR LIGHTS, SWITCHES & RECEPTACLES (CONTINUED)

KEY	PART NUMBER	U/M	DESCRIPTION
1	058708-02-000	EA	RECEPTACLE - ELECTRIC - DOUBLE - IVORY
1	133713-01-01A	EA	SPACER - RECEPTACLE - WATERFORD OAK
2	119258-08-01A	EA	LAMP - WALL - UL/CSA - BRASS
2	117806-01-000	EA	BULB - 12 VOLT #912 - 1.0 AMPS
3	132427-01-01A	EA	LIGHT - READING - SWIVEL/ROUND - BRASS
4	058708-01-000	EA	RECEPTACLE - ELECTRIC - DOUBLE - BROWN
5	132180-01-01A	EA	SWITCH - PADDLE - SPST - ON/OFF - BLACK
5	098351-19-01A	EA	PLATE - SWITCH - 1 GANG
5	133713-05-01A	EA	SPACER - SWITCH - WATERFORD OAK
6*	110235-01-01A	EA	LIGHT - MAKE UP - 3 BULB - 12 VOLT
7	119258-09-01A	EA	LAMP - WALL - UL/CSA - BRASS
7	119257-03-01A	EA	SHADE - LAMP - LINEN - 3" T X 5.3" H X 8.1" B
7	067479-01-000	EA	BULB - 12 VOLT - #1076 - 1.80 AMP
8	132180-01-01A	EA	SWITCH - PADDLE - SPST - ON/OFF - BLACK
8	132180-02-01A	EA	SWITCH - PADDLE - SPDT - ON/OFF - BLACK
8	098351-20-01A	EA	PLATE - SWITCH - 2 GANG
9	084076-02-000	EA	RECEPTACLE - GFI - 15 AMP/125 VOLT - BROWN - W/COVER
9	084077-02-000	EA	PLATE - COVER - RECEPTACLE - GFI - BROWN
10	058707-02-000	EA	RECEPTACLE - BLANK - JUNCTION BOX
11	133713-04-01A	EA	SPACER - RECEPTACLE - 110/12V - WATERFORD OAK
12	132958-01-000	EA	RECEPTACLE - 12 VOLT - MOUNTING FLANGE - BLACK
12	133713-04-01A	EA	SPACER - RECEPTACLE - 110/12V - WATERFORD OAK

* COMPONENT PARTS FOUND IN SERVICE PARTS LIBRARY

ELECTRICAL GROUP (CONTINUED)
LIGHTS (CONTINUED)



INTERIOR LIGHTS, SWITCHES & RECEPTACLES (CONTINUED)

KEY	PART NUMBER	U/M	DESCRIPTION
1	098024-08-02A	EA	LIGHT - DOME W/O SWITCH - 2 BULB
2*	098024-01-03A	EA	LIGHT - DOME - 1 BULB - WHITE
2	008218-01-000	EA	BULB - 12 VOLT - #1141 - 1.44 AMP
3*	098024-08-02A	EA	LIGHT - DOME W/O SWITCH - 2 BULB
3	091937-06-000	EA	LIGHT - FLOURESCENT-12 VOLT - RECESSED/THIN-LITE
4*	121935-01-01A	EA	LIGHT - DOME - SHOWER
5*	086280-01-000	EA	LIGHT - SURFACE MOUNT - 12 VOLT
6	108357-08-000	EA	SWITCH - ROCKER DPDT - ON/NONE/ON - 6 TERMINAL
6	108356-04-01A	EA	COVER/ACTUATOR SWITCH - 2 ROWS DIMPLES W/LENS-CONTURA-BLK
7	108357-01-000	EA	SWITCH - ROCKER SPST - ON/OFF - 2 TERMINAL
7	108356-02-01A	EA	COVER/ACTUATOR SWITCH - 2 ROWS DIMPLES- CONTURA II - BLACK
8	108357-06-000	EA	SWITCH - ROCKER DPDT - MOM/OFF/MOM - 6 TERMINAL
8	108356-11-01A	EA	COVER/ACTUATOR SWITCH - 3 GROOVES - AUX BATT - BLACK
8	098351-07-01A	EA	PLATE/SWITCH - 1 GANG - POLISHED BRASS - GENERATOR

* COMPONENT PARTS FOUND IN SERVICE PARTS LIBRARY

ELECTRICAL GROUP (CONTINUED)

CIRCUIT BREAKERS & FUSES

KEY	PART NUMBER	U/M	DESCRIPTION
	062901-02-000	EA	FUSE - 5 AMP - AUTOMOTIVE
	062901-05-000	EA	FUSE - 15 AMP - AUTOMOTIVE
	062901-06-000	EA	FUSE - 20 AMPS - AUTOMOTIVE
	062901-07-000	EA	FUSE - 25 AMPS - AUTOMOTIVE
	062901-08-000	EA	FUSE - 30 AMPS - AUTOMOTIVE
	083209-01-000	EA	CIRCUIT BREAKER - 15 AMP - 120 VOLT - CANADIAN
	083209-02-000	EA	CIRCUIT BREAKER - 15/15 AMP - 120 VOLT
	083209-03-000	EA	CIRCUIT BREAKER - 15/20 AMP - 120 VOLT
	083209-04-000	EA	CIRCUIT BREAKER - 30 AMP - 120 VOLT
	083209-05-000	EA	CIRCUIT BREAKER - 20 AMP - 120 VOLT
	083209-07-000	EA	CIRCUIT BREAKER - 20/20 AMP - 120 VOLT
	083209-10-000	EA	CIRCUIT BREAKER - 20/30 AMP - 120 VOLT
	083209-11-000	EA	CIRCUIT BREAKER - 20/15 AMP - 120 VOLT
	093654-01-000	EA	CIRCUIT BREAKER - 6 AMP - 12 VOLT
	093654-02-000	EA	CIRCUIT BREAKER - 15 AMP - 12 VOLT
	093655-01-000	EA	CIRCUIT BREAKER - 25 AMP - 12 VOLT
	093655-02-000	EA	CIRCUIT BREAKER - 30 AMP - 12 VOLT
	093655-03-000	EA	CIRCUIT BREAKER - 40 AMP - 12 VOLT
	106656-01-000	EA	FUSE BLOCK - 4 CAVITY - AUTOFUSE
	108916-01-000	EA	CIRCUIT BREAKER - 50 AMP - 12 VOLT - 2 POLE
	122811-01-000	EA	CIRCUIT BREAKER - 20/50/50/20
	131832-02-000	EA	SOCKET-RELAY - C/H D8PA2

CONVERTER, INVERTER, LOAD CENTERS

KEY	PART NUMBER	U/M	DESCRIPTION
	083208-02-000	EA	CONTROL CENTER - 45 AMP - 120/12V - W/O BREAKERS
	099048-03-000	EA	INVERTER - 130 WATT
	108915-03-000	EA	LOAD CENTER - 120/240 - 100 AMP
	113132-01-000	EA	LOAD CENTER - 120/240 VOLT - 60 AMP
	123058-02-000	EA	CONVERTER - 45 AMP - ELECTRONIC - 4 1/8"H X 7"W X 12 3/8"L
	127002-01-000	EA	MODULE/CIRCUIT BOARD - ENERGY MANAGEMENT SYSTEM CONTROL
	127002-02-000	EA	PANEL/MONITOR - ENERGY MANAGEMENT SYSTEM

ELECTRICAL GROUP (CONTINUED)

BOXES & CORDS

KEY	PART NUMBER	U/M	DESCRIPTION
	008054-01-000	EA	CORD - POWER - 10/3 WIRE - 30 AMP - 25'
	008289-01-000	EA	BOX - ELECTRIC/STEEL - 1/2" & 3/4" KNOCKOUTS - 4" X 4"
	008289-02-000	EA	BOX - ELECTRIC/STEEL - 1/2" & 3/4" KNOCKOUTS - 4" X 4"-CAN
	008294-01-000	EA	COVER - ELECTRICAL BOX - BLANK/STEEL - 4" X 4" - GRAY
	008294-02-000	EA	COVER - ELECTRICAL BOX - BLANK STEEL - 4" X 4" - CANADIAN
	091910-01-000	EA	BOX - ELECTRIC - 3.8" X 3.5" X 1.8" - PLASTIC
	091910-02-000	EA	BOX - ELECTRIC - 2.2" X 3.5" X 1.8" - PLASTIC
	092492-11-000	EA	SEAL - ELECTRIC BOX - 7" X 18.4" SQ
	106071-04-000	EA	SWITCH - AUTOMATIC TRANSFER W/CONNECTION LUGS
	106071-03-700	EA	CIRCUIT BOARD/TIME DELAY SW TD0001
	108934-02-000	EA	CORD - POWER - 50 AMP - 4-WIRE - 36'
	109925-04-000	EA	DOOR - ELECTRICAL BOX - GM/FORD
	131679-01-000	EA	BOX-ELEC-WATERPROOF SEALED 4" X 4" W/4 3/4"OUTLETS-UL/CSA
	131680-01-000	EA	COVER - W/GASKET FOR WATERPROOF 4" X 4" BOX - UL/CSA
	133070-01-000	EA	BOX - ELECTRICAL - PLASTIC - 3" X 2" X 2.8" - UL
	133070-02-000	EA	BOX - ELECTRICAL - PLASTIC - 3" X 2" X 2.8" - CSA

WIRE ASSEMBLIES

KEY	PART NUMBER	U/M	DESCRIPTION
	073328-B4-000	EA	CABLE ASSEMBLY - BATTERY - W/TERMINALS
	090986-01-000	EA	WIRE ASSEMBLY - ELECTRIC STEP
	096449-01-000	EA	WIRE ASSEMBLY - WATER TANK TO MONITOR PANEL
	120233-05-000	EA	WIRE ASSEMBLY - 30" CONNECTS TO WALLPLATE DISPLAY
	124843-02-000	EA	WIRE ASSEMBLY - SPEAKER ADAPTER
	124843-03-000	EA	WIRE ASSEMBLY - SPEAKER ADAPTER
	124882-01-000	EA	WIRE ASSEMBLY - AMPLIFIER
	125853-01-000	EA	WIRE ASSEMBLY - ENTERTAINMENT CENTER
	129436-02-000	EA	WIRE ASSEMBLY - INSTRUMENT PANEL/POWER MIRROR
	131279-02-000	EA	WIRE ASSEMBLY - POWER DRIVER SEAT
	131386-01-000	EA	WIRE ASSEMBLY - F/SLIDEOUT CONTROL
	132515-01-000	EA	WIRE ASSEMBLY - INSTRUMENT PANEL - MAIN - FORD
	132668-01-000	EA	WIRE ASSEMBLY - AUXILIARY FANS
	132669-01-000	EA	WIRE ASSEMBLY - INSTRUMENT PANEL - AUXILIARY FANS
	133817-01-000	EA	WIRE ASSEMBLY - SPEAKER/ADAPTER
	133817-02-000	EA	WIRE ASSEMBLY - SPEAKER/ADAPTER
	134544-01-000	EA	WIRE ASSEMBLY - SWITCH ADAPTER
	133877-01-000	EA	WIRE ASSEMBLY - RADIO ADAPTOR
	096717-04-000	EA	WIRE ASSEMBLY - REAR MONITOR - UPPER
	125853-04-000	EA	WIRE ASM - ENTERTAINMENT CTR

ELECTRICAL GROUP (CONTINUED)

CONNECTORS & CONDUIT

KEY	PART NUMBER	U/M	DESCRIPTION
	007954-01-000	EA	RECEPTACLE - HOUSING - 6 POSITION
	007956-05-000	EA	INSULATOR - SHRINK - .25 ID X 1.50
	008311-01-000	EA	CONNECTOR - WIRE NUT - INSULATED - RED
	008312-01-000	EA	CONNECTOR - WIRE NUT - INSULATED - BLUE
	008313-01-000	EA	CONNECTOR - WIRE NUT - INSULATED - YELLOW
	008314-01-000	EA	CONNECTOR - WIRE NUT - INSULATED - GRAY
	008326-01-000	EA	TERMINAL - RING - 16/14 WIRE - 3/8" STUD
	008328-01-000	EA	TERMINAL - RING - 12/10 WIRE - #10 STUD FIT
	008348-01-000	EA	TERMINAL - RING - 3/8" STUD 2 GA. WIRE
	008355-01-000	EA	CONNECTOR - CABLE CLAMPING - 3/4"
	008356-01-000	EA	CONNECTOR - PLASTIC - 3/8" AVG
	008356-02-000	EA	CONNECTOR - PLASTIC - 21/32
	008394-01-000	FT	CONDUIT - FLEXIBLE - 1/2"
	035416-04-000	EA	TERMINAL - RING - #10 STUD FIT - INSULATED BARREL #16/14
	041480-01-000	EA	CONNECTOR - STRAIGHT - 1/2" FLEX CONDUIT
	041953-01-000	FT	CONDUIT - CONVOLUTE SLIT - .5" ID - POLYETHYLENE
	041953-01-000	FT	CONDUIT - CONVOLUTE SLIT - .5" ID - POLYETHYLENE
	041953-03-000	FT	CONDUIT - CONVOLUTE SLIT - 1" ID (CLOTHES ROD COVER)
	041953-05-000	FT	CONDUIT - CONVOLUTE SOLID - .62" ID - POLYETHYLENE
	041953-06-000	FT	CONDUIT - CONVOLUTE SLIT - .375" ID - POLYETHYLENE
	041953-07-000	FT	CONDUIT - CONVOLUTE SLIT - .25" ID - POLYETHYLENE
	041953-08-000	FT	CONDUIT - CONVOLUTE SLIT - 1.50" ID - POLYETHYLENE
	041953-09-000	FT	CONDUIT - CONVOLUTE SLIT - .50" ID - NYLON
	041953-10-000	FT	CONDUIT - CONVOLUTE SLIT - .75" ID - NYLON
	041953-11-000	FT	CONDUIT - CONVOLUTE SLIT - 1.06" ID - NYLON
	041953-12-000	FT	CONDUIT - CONVOLUTE SOLID - 1.1" ID - NYLON
	041953-13-000	FT	CONDUIT - CONVOLUTE SLIT - 1.25
	047443-01-000	EA	TERMINAL - .250 RECEPTACLE FIT - INSULATED - 16/14 AWG
	047443-02-000	EA	TERMINAL - .250 RECEPTACLE FIT - INSULATED - 12/10 AWG
	058028-01-000	EA	CONNECTOR - ELECTRICAL PIGTAIL - NYLON - CLEAR
	062036-01-000	EA	TERMINAL - PACK - CON - 12/10 AWG
	077479-01-000	EA	BOOT - BATTERY TERMINAL - DOUBLE CABLE
	077479-02-000	EA	BOOT - BATTERY TERMINAL - SINGLE CABLE
	080015-02-000	EA	RECEPTACLE - FLAG - .185 - 16/14 GAUGE
	080015-03-000	EA	RECEPTACLE - FLAG - .250 - 14/16 GAUGE
	082109-01-000	EA	HOUSING - CONNECTOR - PACKARD
	085724-01-000	EA	SOCKET - DOUBLE CONTACT - TAILLIGHT
	087225-01-000	FT	SLEEVING - 1/2" - TYPE H
	087225-02-000	FT	SLEEVING - 5/8" - TYPE H
	087949-01-000	EA	BUSS BAR - 2 POSITION - .6" X 1.5"
	088267-01-000	EA	TERMINAL - FEMALE - 1/4
	088473-01-000	EA	HOUSING - PIN - 12 CAVITY (3 ROWS OF 4)
	088473-02-000	EA	HOUSING - PIN - 15 CAVITY (3 ROWS OF 5)
	088473-03-000	EA	HOUSING - PIN - 9 CAVITY (3 ROWS OF 3)
	088473-04-000	EA	HOUSING - PIN - 8 CAVITY IN-LINE
	088473-06-000	EA	HOUSING - PIN - 6 CAVITY (2 ROWS OF 3)
	088473-08-000	EA	HOUSING - PIN - 4 CAVITY - IN-LINE
	088473-09-000	EA	HOUSING - PIN - 3 CAVITY - IN-LINE
	088473-10-000	EA	HOUSING - PIN - 2 CAVITY - IN LINE
	088474-01-000	EA	HOUSING - SOCKET - 12 CAVITY
	088474-02-000	EA	HOUSING - SOCKET - 15 CAVITY
	088474-03-000	EA	HOUSING - SOCKET - 9 CAVITY
	088474-06-000	EA	HOUSING - SOCKET - 6 CAVITY
	088474-08-000	EA	HOUSING - SOCKET - 4 CAVITY
	088474-09-000	EA	HOUSING - SOCKET - 3 CAVITY
	088474-10-000	EA	HOUSING - SOCKET - 2 CAVITY

ELECTRICAL GROUP (CONTINUED)

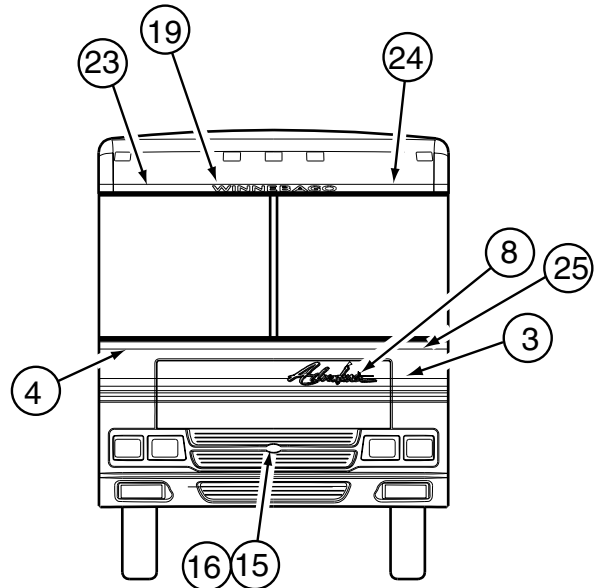
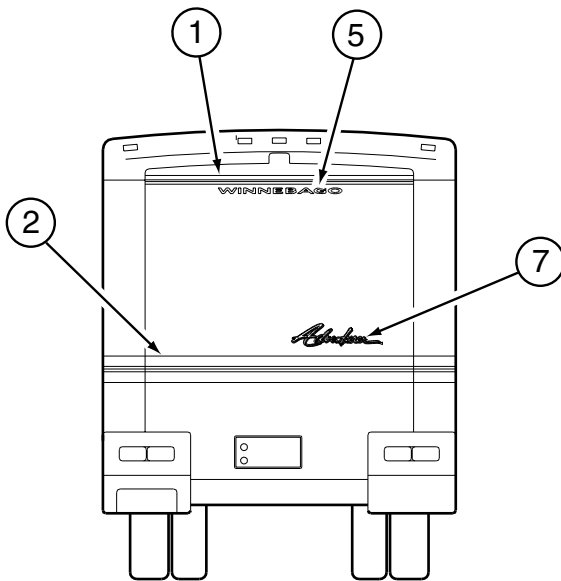
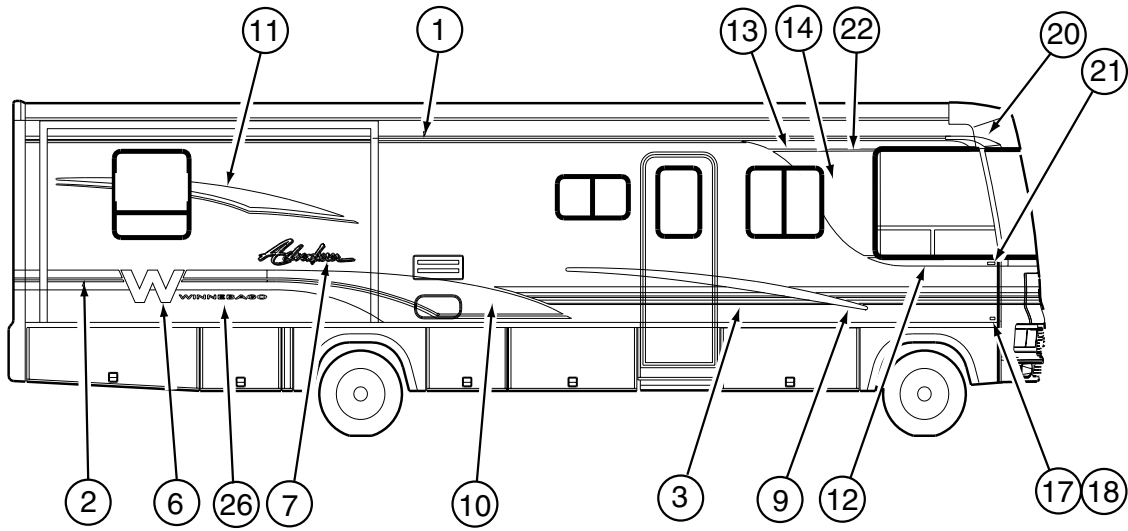
CONNECTORS & CONDUIT (CONTINUED)

KEY	PART NUMBER	U/M	DESCRIPTION
	088475-01-000	EA	PIN - CONNECTOR - 14-20 AWG
	088475-02-000	EA	PIN - CONNECTOR - 10-12 AWG
	088476-01-000	EA	TERMINAL - ELECTRICAL
	088476-02-000	EA	SOCKET - CONNECTOR - 12-10 GA - PRE-TIN
	098261-02-000	EA	SOCKET - CONNECTOR - WEATHERPACK - 14-18 AWG
	098262-01-000	EA	SEAL - CONNECTOR - WEATHERPACK
	098262-05-000	EA	SEAL - CAVITY
	098262-06-000	EA	SEAL - CONNECTOR - M/P - 10 GAUGE
	098263-01-000	EA	HOUSING - 3 PIN - WEATHER PACK
	098263-02-000	EA	HOUSING - 3 PIN - WEATHERPACK
	098264-01-000	EA	HOUSING - 2 PIN - WEATHERPACK - MALE W/FEMALE PINS
	098265-02-000	EA	PIN - CONNECTOR - WEATHERPACK
	102777-02-000	EA	TERMINAL - RING - #6 STUD - 10 AWG
	104100-01-000	EA	HOUSING - 1 POSITION - 75 AMPS
	104100-03-000	EA	TERMINAL - 75 AMP
	106655-01-000	EA	TERMINAL - FUSE BLOCK - 14-16 AWG
	106655-02-000	EA	TERMINAL - FUSE BLOCK - 10-12 AWG
	110178-01-000	EA	HOUSING - WIPER MOTOR
	112823-01-000	EA	SPLICE - REDUCER - 16-14 TO 18-22
	113306-01-000	EA	TERMINAL - FEMALE - M/P - 14-16 - F/NON-SEALED TERMINAL
	113306-02-000	EA	TERMINAL - FEMALE - M/P - 10-12 - 480
	113308-01-000	EA	TERMINAL - FEMALE - M/P - 14-16 - 280
	113452-01-000	FT	SEAL/TRIM - FRONT - VINYL W/WIRE CARRIER - .020"
	113452-02-000	FT	SEAL/TRIM - FRONT - VINYL W/WIRE CARRIER - .027"
	113468-01-000	EA	HOUSING - 2 POSITION - FEMALE
	115556-01-000	EA	HOUSING - 3 POSITION - FEMALE
	115556-02-000	EA	HOUSING - 2 POSITION - FEMALE
	116811-01-000	EA	TERMINAL - .110 RECEPTACLE - 16-14 AWG
	118571-01-000	EA	CONNECTOR - 3-WAY - MALE/SEALED
	118571-02-000	EA	CONNECTOR - 3-WAY - FEMALE/SEALED
	118571-03-000	EA	BRACKET - MOUNTING
	118571-04-000	EA	GASKET
	118571-05-000	EA	LOCK - SECONDARY - FEMALE
	118571-06-000	EA	LOCK - SECONDARY - MALE
	118597-01-000	EA	TERMINAL - MALE - M/P - 480 - 14-16
	118599-01-000	EA	TERMINAL - MALE - M/P - 280 - 14-16
	119223-01-000	EA	HOUSING - 6 POSITION - MALE - WEATHERPACK
	125323-02-000	EA	HOUSING - 8 POSITION - MALE
	125323-03-000	EA	LOCK - SECONDARY 8 POSITION
	125324-01-000	EA	TERMINAL - MALE - METRI-PACK - 150
	125325-01-000	EA	SEAL - CAVITY
	126591-01-02B	EA	CARRIER - WIRE -SLIDEOUT
	131681-01-000	EA	CONNECTOR - 3/4" SO CORD - UL/CS

BOOTS, SOLENOIDS, RELAYS & MISCELLANEOUS

KEY	PART NUMBER	U/M	DESCRIPTION
	008188-01-000	EA	SOLENOID - 3 POST - BATTERY CHANGE OVER
	063910-01-000	EA	HOUSING - RELAY
	063912-02-000	EA	RELAY - CANISTER - SPDT
	086233-01-000	EA	STUD - ISOLATED - 3/8" X 7/8" LONG
	086273-01-000	EA	RELAY - BATTERY DISCONNECT
	115504-01-700	EA	PLUG & CABLE, 10 WATT PANEL 600-016
	131832-01-000	EA	RELAY - DPST - 25 AMP - 120 VOLT AC

EXTERIOR BODY GROUP GRAPHICS & PAINT



DUPONT PAINT COLOR CODES

PALE RED METALLIC	#LM289
TAUPE MIST METALLIC	#YM199
LUXOR BROWN METALLIC	#MM017
DARK BRIAR BROWN METALLIC	#MM277
AZTEC SILVER METALLIC	#F2573
WARM SILVER METALLIC	#MM345
PEWTER METALLIC	#MM587
FLINTSTONE METALLIC	#DM440

SHARPLINE FILM COLOR CODES

PALE RED METALLIC	#444
TAUPE MIST METALLIC	#607
LUXOR BROWN METALLIC	#447
DARK BRIAR BROWN METALLIC	#4036
AZTEC SILVER METALLIC	#700
WARM SILVER METALLIC	#40
PEWTER METALLIC	#195
FLINTSTONE METALLIC	#39

GRAPHICS & PAINT (CONTINUED)

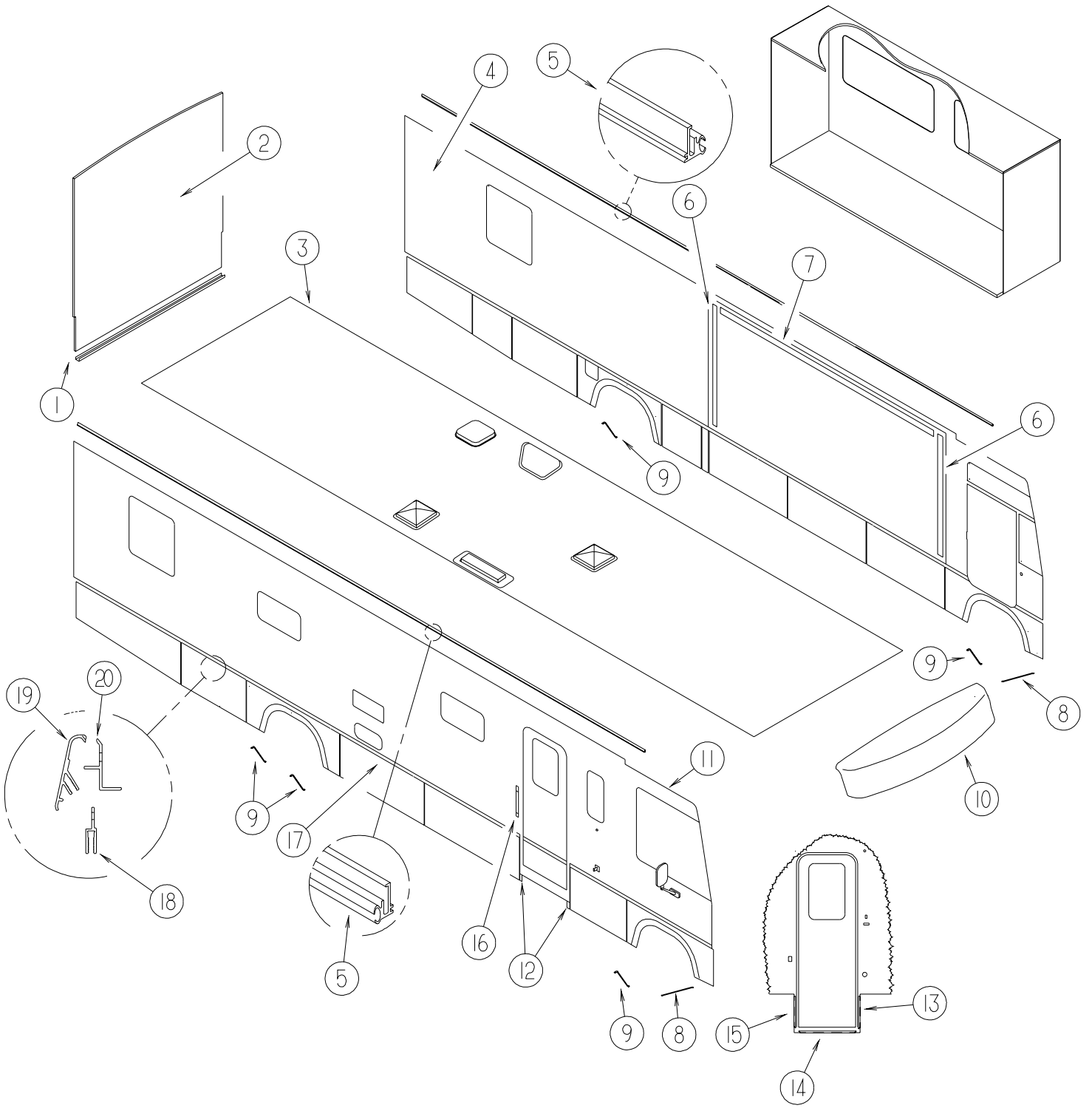
KEY	PART NUMBER	U/M	DESCRIPTION
1	105781-78-01A	FT	FILM - MULTISTRIPE - 2.5" - LUXOR BROWN/PALE RED
1	105781-78-02A	FT	FILM - MULTISTRIPE - 2.5" - PEWTER/AZTEC SILVER
2	105781-74-01A	FT	FILM - MULTISTRIPE - 4.5" - DARK BRIAR BROWN/PALE RED
2	105781-74-02A	FT	FILM - MULTISTRIPE - 4.5" - FLINTSTONE/AZTEC SILVER
3	093689-29-01A	FT	FILM - MULTISTRIPE - 6.8"-DK BRIAR BRN/LUXOR BRN/PALE RED
3	093689-29-02A	FT	FILM - MULTISTRIPE - 6.8" - FLINTSTONE/PEWTER/AZTEC SILVER
4	134344-01-01A	EA	DECAL - WINDSHIELD - LOWER/RIGHT HAND - PALE RED/LUXOR BRN
4	134344-01-02A	EA	DECAL - WINDSHIELD - LOWER/RIGHT HAND-AZTEC SILVER/PEWTER

EXTERIOR BODY GROUP (CONTINUED)

GRAPHICS & PAINT (CONTINUED)

KEY	PART NUMBER	U/M	DESCRIPTION
5	120702-03-14A	EA	DECAL - WINNEBAGO - 35.4" - DARK BRIAR BROWN
5	120702-03-18A	EA	DECAL - WINNEBAGO - 35.4" - FLINTSTONE
6	120700-05-01A	EA	DECAL - LOGO - W - DARK BRIAR BROWN
6	120700-05-02A	EA	DECAL - LOGO - "W" - FLINTSTONE
7	130201-01-02A	EA	DECAL - ADVENTURER - 39.1" - BT.WHITE/LT.BRN/BRIAR BRN/RED
7	130201-01-03A	EA	DECAL - ADVENTURER - 39.1" - BRT WHITE/PEWTER/FLINT/SL
8	130201-02-02A	EA	DECAL - ADVENTURER - 25.5" - B/WHITE/LUXR BRN/DB BRN/P RED
8	130201-02-03A	EA	DECAL - ADVENTURER - 25.5" - B/WHITE/PEWTER/FLNT/AZTEC SLV
9	132132-01-01A	EA	DECAL - SLASH/FRONT - PASSENGER - P RED/LUXOR BRN/BRT WHT
9	132132-01-02A	EA	DECAL - SLASH/FRONT - PASSENGER - AZTEC/PEWTER/BRIGHT WHT
9	132132-02-01A	EA	DECAL - SLASH/FRONT - DRIVER - P RED/LUXOR BRN/B/WHITE
9	132132-02-02A	EA	DECAL - SLASH/FRONT - DRIVER - AZTEC/PEWTER/BRIGHT WHITE
10	132133-01-01A	EA	DECAL - SLASH/MIDDLE RIGHT - DK BRIAR BRN/LUXOR BRN/P RED
10	132133-01-02A	EA	DECAL - SLASH/MIDDLE-PASSENGER-FLINTSTONE/PEWTER/AZTEC SLV
10	132133-02-01A	EA	DECAL - SLASH/MIDDLE-DRIVER-DK BRIAR BRN/LUXOR BRN/P RED
10	132133-02-02A	EA	DECAL - SLASH/MIDDLE - DRIVER-FLINTSTONE/PEWTER/AZTEC SLVR
11	132134-01-01A	EA	DECAL - SLASH/UPPER RIGHT HAND-LUXOR BRN/TAUPE MIST/P RED
11	132134-01-02A	EA	DECAL - SLASH/UPPER-PASSENGER-PEWTER/WARM SLVR/AZTEC SLVR
11	132134-02-01A	EA	DECAL - SLASH/UPPER - DRIVER-LUXOR BRN/TAUPE MIST/P RED
11	132134-02-02A	EA	DECAL - SLASH/UPPER - DRIVER-PEWTER/WARM SLVR/AZTEC SLVR
12	132184-01-01A	EA	DECAL - WINDOW - LOWER/PASSENGER - PALE RED
12	132184-01-02A	EA	DECAL - WINDOW - LOWER/PASSENGER - AZTEC SILVER
12	132184-02-01A	EA	DECAL - WINDOW - LOWER/DRIVER - PALE RED
12	132184-02-02A	EA	DECAL - WINDOW - LOWER/DRIVER - AZTEC SILVER
13	132185-01-01A	EA	DECAL - WINDOW - UPPER/PASSENGER - PALE RED
13	132185-01-02A	EA	DECAL - WINDOW - UPPER/PASSENGER - AZTEC SILVER
13	132185-02-01A	EA	DECAL - WINDOW - UPPER/DRIVER - PALE RED
13	132185-02-02A	EA	DECAL - WINDOW - UPPER/DRIVER - AZTEC SILVER
14	132186-01-01A	EA	DECAL - WINDOW - MIDDLE/PASSENGER - PALE RED
14	132186-01-02A	EA	DECAL - WINDOW - MIDDLE/PASSENGER - AZTEC SILVER
14	132186-02-01A	EA	DECAL - WINDOW - MIDDLE/DRIVER - PALE RED
14	132186-02-02A	EA	DECAL - WINDOW - MIDDLE/DRIVER - AZTEC SILVER
15	120875-01-01A	EA	DECAL - "WINNEBAGO INDUSTRIES"-OVAL DOMED-GRILLE-BLK/GOLD
16	120994-01-01A	EA	BEZEL - DOMED GRILLE LOGO
17	122312-02-01A	EA	DECAL - VORTEC 7400 FUEL INJECTED - BLK/OFF WHT/GRAY/RED
18	129922-01-01A	EA	EMBLEM - TRITON V10 - BLACK/SILVER METALIC/SILVER
19	121510-01-01A	EA	DECAL - LOGO - WINNEBAGO - SWEEP - BRIGHT WHITE
20	133141-01-01A	EA	DECAL - CORNER SWEEP - PASSENGER - LUXOR BROWN
20	133141-01-02A	EA	DECAL - CORNER SWEEP - PASSENGER - PEWTER
20	133141-02-01A	EA	DECAL - CORNER SWEEP - DRIVER - LUXOR BROWN
20	133141-02-02A	EA	DECAL - CORNER SWEEP - DRIVER - PEWTER
21	132664-01-01A	EA	DECAL - LOGO/DOMED - WINNEBAGO - CHROME/BLACK
22	093681-32-04A	FT	FILM - 1" WIDE - PALE RED
22	093681-32-05A	FT	FILM - 1" WIDE - AZTEC SILVER
23	133127-01-01A	EA	DECAL - ROOF CAP SWEEP/PASSENGER - PALE RED
23	133127-01-02A	EA	DECAL - ROOF CAP SWEEP/PASSENGER - AZTEC SILVER
24	133127-02-01A	EA	DECAL - ROOF CAP SWEEP/DRIVER - PALE RED
24	133127-02-02A	EA	DECAL - ROOF CAP SWEEP/DRIVER - AZTEC SILVER
25	134344-02-01A	EA	DECAL - WINDSHIELD - LOWER/LEFT HAND - PALE RED/LUXOR BRN
25	134344-02-02A	EA	DECAL - WINDSHIELD - LOWER/LEFT HAND - AZTEC SILVER/PEWTER
26	120702-03-15A	EA	DECAL - WINNEBAGO - 35.4" - TAUPE MIST
26	120702-03-19A	EA	DECAL - WINNEBAGO - 35.4" - WARM SILVER
	093681-40-01A	FT	FILM - 2" - FLAT BLACK
	099399-23-700	EA	PAINT - SPRAY - BRIGHT WHITE - ENAMEL (B8951U DUPONT)

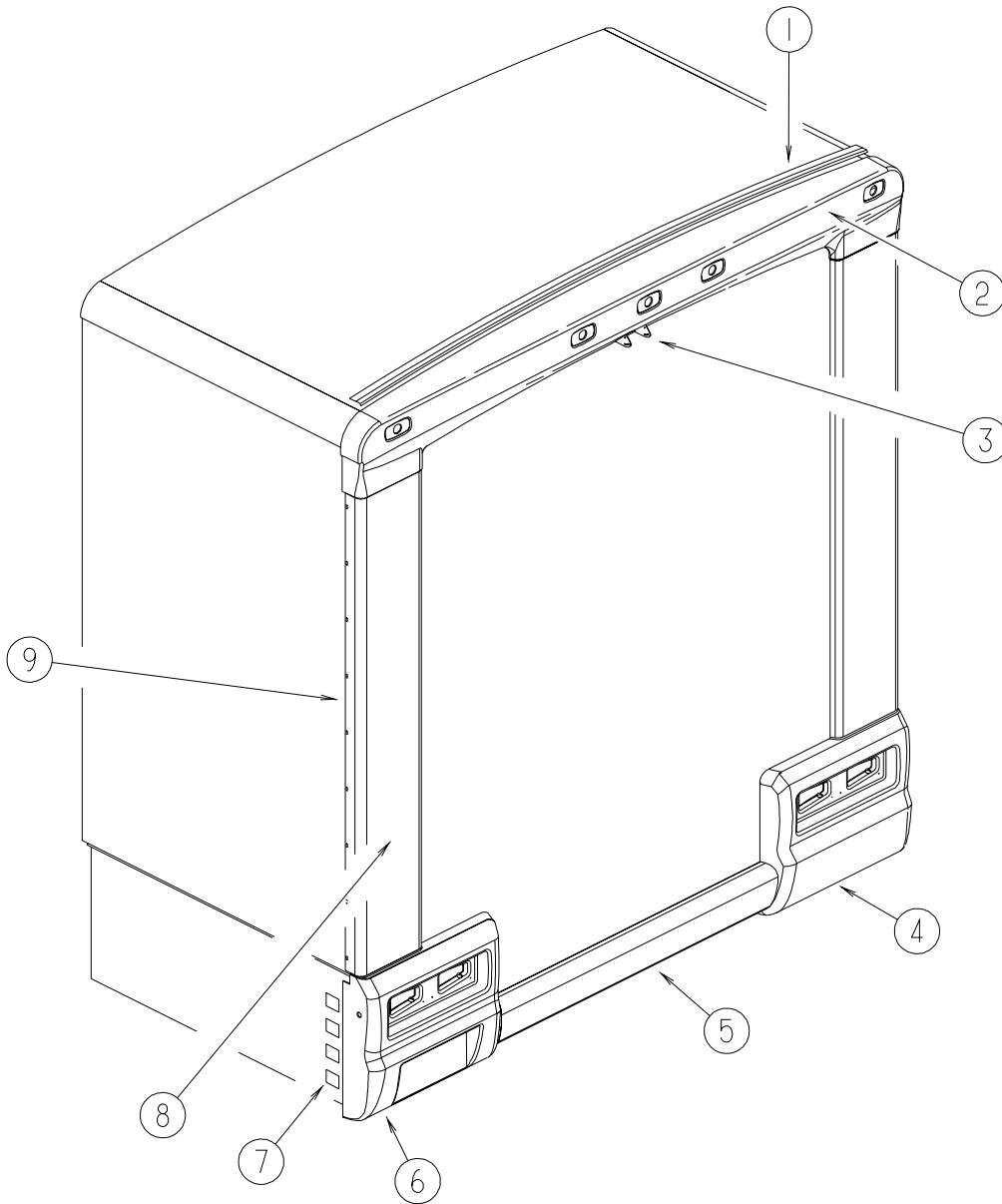
EXTERIOR BODY GROUP (CONTINUED)
PANELS



EXTERIOR BODY GROUP (CONTINUED)
PANELS (CONTINUED)

KEY	PART NUMBER	U/M	DESCRIPTION
1	103335-05-02A	EA	TRIM - BACKWALL/LOWER - BRIGHT WHITE
2	132455-01-L32	EA	BACKWALL - W/O WINDOW/TRIM (L32, L34)
2	132455-01-L36	EA	BACKWALL - W/O WINDOW/TRIM (L36)
3	132821-01-L32	EA	ROOF - W/O LIGHTS/VENTS - W/WIRING
4	132819-01-L32	EA	SIDEWALL - DRIVER - W/O WINDOWS/TRIMS (L32, L34)
4	132819-01-L36	EA	SIDEWALL - DRIVER - W/O WINDOWS/TRIMS (L36)
5	131483-01-01A	EA	RAIL - AWNING - 192" - BRIGHT WHITE
6	115886-02-03A	EA	RETAINER - SIDEWALL - BRIGHT WHITE
7	115886-01-01A	EA	RETAINER - SIDEWALL - BRIGHT WHITE
8	107865-07-000	EA	ROD - SUPPORT - VALANCE PANEL
9	107865-01-000	EA	ROD - SUPPORT - VALANCE PANEL
10	125052-02-J20	EA	CAP - ROOF - W/O LIGHTS/WIRING
11	132820-01-L32	EA	SIDEWALL - PASSENGER - W/O WINDOWS/TRIMS (L32, L34)
11	132820-01-L36	EA	SIDEWALL - PASSENGER - W/O WINDOWS/TRIMS (L36)
12	121117-01-02B	EA	ANGLE - W/O SLOTS - 3.7" X 2" - E-COATED
13	133100-01-01A	EA	TRIM - SIDEWALL - BLACK
14	124511-19-17A	EA	TRIM - SIDEWALL/LOWER - 33.2" - BLACK
15	133100-02-01A	EA	TRIM - SIDEWALL - BLACK
16	132442-02-01A	EA	HANDLE - ASSIST
17	133045-01-01A	EA	TRIM - W/HOLES - BRIGHT WHITE
	126775-01-01A	EA	END CAP - VALANCE - RIGHT HAND/LOWER
	126775-02-01A	EA	END CAP - VALANCE - LEFT HAND/LOWER
	118383-01-04A	EA	RETAINER - SCREW - .22" SCREW RECESS - BRIGHT WHITE
	118383-04-04A	EA	CAP - F/RECESSED RETAINER - BRIGHT WHITE
18	126775-01-01A	EA	END CAP - VALANCE - RIGHT HAND/LOWER
18	126775-02-01A	EA	END CAP - VALANCE - LEFT HAND/LOWER
19	123993-01-02A	EA	TRIM - COVER - BLACK
20	133376-01-01A	EA	TRIM-RETAINER,MILL

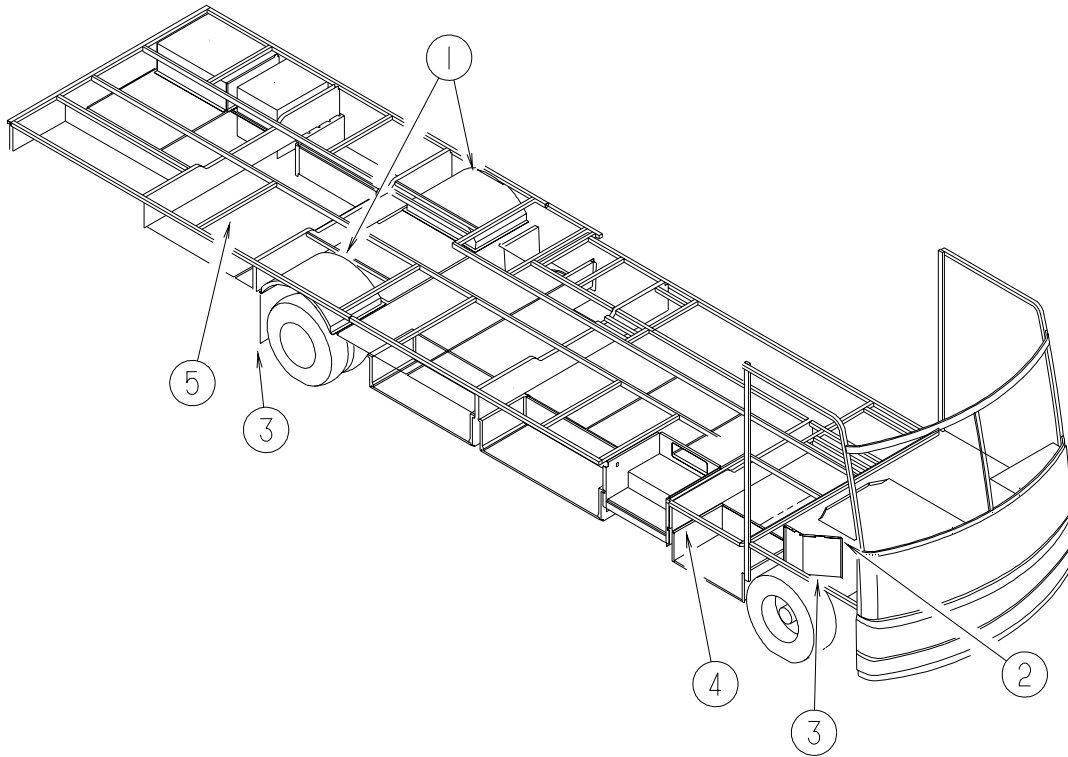
EXTERIOR BODY GROUP (CONTINUED)
PANELS (CONTINUED)



BACKWALL

KEY	PART NUMBER	U/M	DESCRIPTION
1	083805-23-000	EA	TRIM - ROOF CAP - 92.1" - BRIGHT WHITE
2	132136-02-L32	EA	TRIM - BACKWALL/TOP - BRIGHT WHITE
2	132266-01-12B	EA	BRACKET - MOUNT - BRIGHT WHITE
3	118383-03-05A	EA	RETAINER/RECESSED - F/.32" SCREW - VW LT. GRAY
3	118383-04-04A	EA	CAP - F/RECESSED RETAINER - BRIGHT WHITE
4	132311-02-L32	EA	TRIM - BACKWALL - LOWER/RIGHT HAND - BRIGHT WHITE
5	132521-01-02A	EA	BUMPER - REAR - BLACK
6	132311-04-L32	EA	TRIM - BACKWALL - LOWER/LEFT HAND - BRIGHT WHITE
7	134533-01-02B	EA	BRACKET - MOUNT - TRIM/LOWER - E-COATED
8	132135-01-12B	EA	TRIM - BACKWALL/SIDEWALL - RH/LH - BRIGHT WHITE
8	132519-01-01A	EA	TRIM - BACKWALL - VERTICAL/INNER - RH/LH - BRIGHT WHITE
9	132523-01-01A	EA	TRIM - BACKWALL - VERTICAL/OUTER - RH/LH - BRIGHT WHITE
9	091985-01-07A	FT	MOLDING - TRIM - BRIGHT WHITE

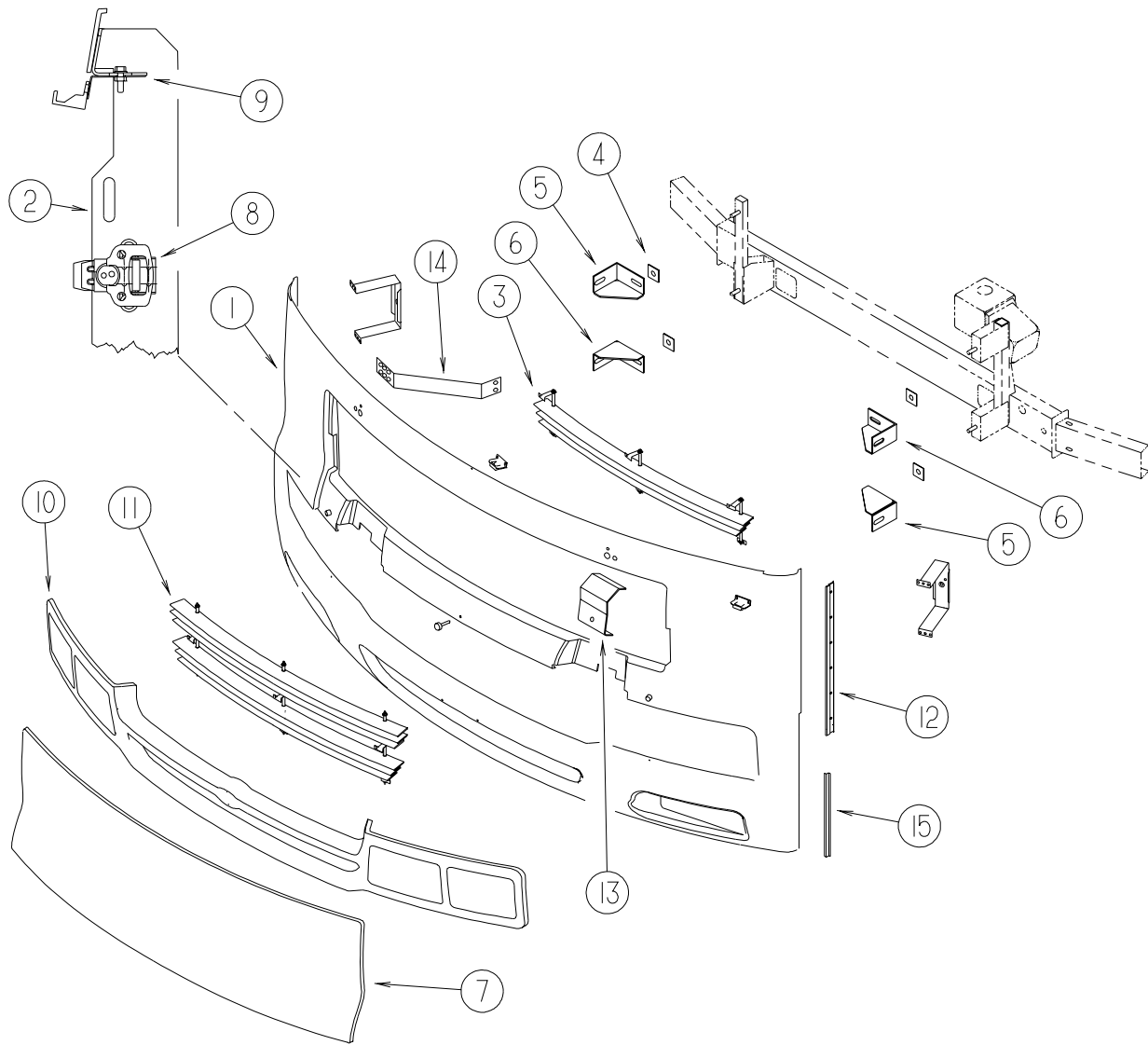
EXTERIOR BODY GROUP (CONTINUED)
PANELS (CONTINUED)



KEY	PART NUMBER	U/M	DESCRIPTION
1	131365-01-000	EA	WHEELWELL - PLASTIC
2	132695-01-02B	EA	ANGLE - MUDFLAP - E-COATED
3	017516-01-000	EA	MUD FLAP - 14" X 18" - W/O MOUNTING HOLES - BLACK
4	093873-01-01A	EA	TRIM - CARPET - L-ANGLE 1.1" X 1.3" X 12' - GRAY VINYL
5	120524-01-02B	EA	U-CHANNEL/STEEL - 1.78" X 79.1" - E-COATED

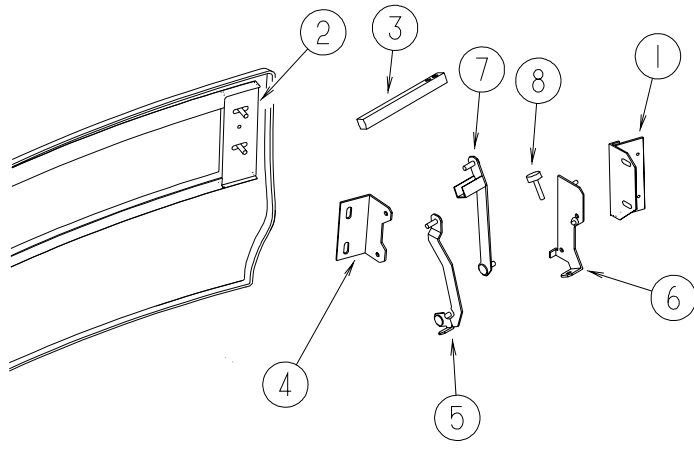
EXTERIOR BODY GROUP (CONTINUED)

FRONT END



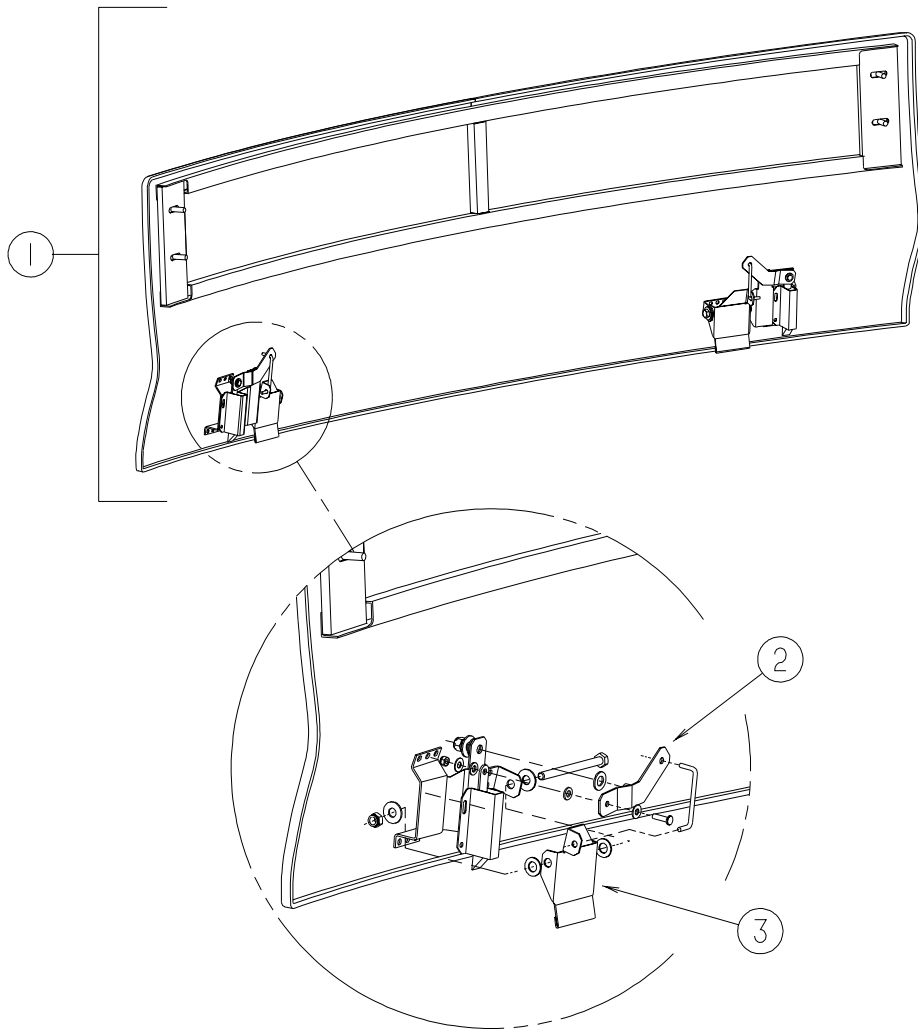
KEY	PART NUMBER	U/M	DESCRIPTION
1	132356-02-L32	EA	PANEL - FRONT/LOWER - E-COATED
2	132553-01-02B	EA	BRACKET - FRONT - RIGHT HAND MOUNT - E-COATED
	132553-02-02B	EA	BRACKET - FRONT - LEFT HAND MOUNT - E-COATED
3	132712-01-L32	EA	GRILLE - FRONT/LOWER
4	116617-02-02B	EA	SPACER - BUMPER
5	128455-01-02B	EA	BRACKET - BUMPER
6	128455-02-02B	EA	BRACKET - BUMPER
7	132370-01-L32	EA	HOOD - FRONT
8	133701-01-01A	EA	LATCH - DRAW - MILL
9	133802-02-02B	EA	BRACKET - LATCH- ADJUSTING - E-COATED
10	P32355-02-L32	EA	PANEL - FRONT/INSERT W/GRILLE - W/O HARDWARE
11	132711-01-L32	EA	GRILLE - FRONT/UPPER
12	125818-02-01A	EA	TRIM - PANEL - FIBERGLASS - BRIGHT WHITE
12	091985-01-07A	FT	MOLDING - TRIM - BRIGHT WHITE
13	133770-02-02B	EA	BRACKET - HOOD SUPPORT - E-COATED
14	134562-01-02B	EA	SUPPORT - FRONT - E-COATED
15	134066-01-02B	EA	BRACKET - ZEE - W/HOLES - E-COATED

EXTERIOR BODY GROUP (CONTINUED)
FRONT END (CONTINUED)



KEY	PART NUMBER	U/M	DESCRIPTION
1	118595-01-03A	EA	SUPPORT - HINGE LINK - PASSENGER - BRIGHT WHITE FROM: 00-00-00 THRU: 08-26-99
1	134530-01-02B	EA	SUPPORT - LINK - E-COATED FROM: 08-27-99 THRU: 99-99-99
	118595-02-03A	EA	SUPPORT - HINGE LINK - DRIVER - BRIGHT WHITE FROM: 00-00-00 THRU: 08-26-99
	134530-02-02B	EA	SUPPORT - LINK HOOD - E-COATED FROM: 08-27-99 THRU: 99-99-99
2	106730-10-000	EA	PLATE - STUD - F/HOOD
3	105096-10-000	EA	TUBE - HOOD HINGE TIMING W/WELDNUTS
4	126911-03-02B	EA	ANGLE - HOOD HINGE - PASSENGER - E-COATED
	126911-04-02B	EA	ANGLE - HOOD HINGE - DRIVER - E-COATED
5	127180-03-02B	EA	LINK - HINGE/HOOD - LOWER/RIGHT HAND
	127180-04-02B	EA	LINK - HINGE/HOOD - LOWER/LEFT HAND
6	127181-03-02B	EA	BRACKET - PASSENGER SIDE LINK/HINGE/HOOD - E-COATED
	127181-04-02B	EA	BRACKET - DRIVER SIDE LINK/HINGE/HOOD - E-COATED
7	127182-01-02B	EA	LINK - HINGE/HOOD - UPPER/RIGHT HAND
	127182-02-02B	EA	LINK - HINGE/HOOD - UPPER/LEFT HAND
8	058786-01-000	EA	BOLT - HOOD ADJUSTMENT - 5/16"-18 X 1.5"-2" - W/BLACK PAD
	116617-02-02B	EA	SPACER - BUMPER

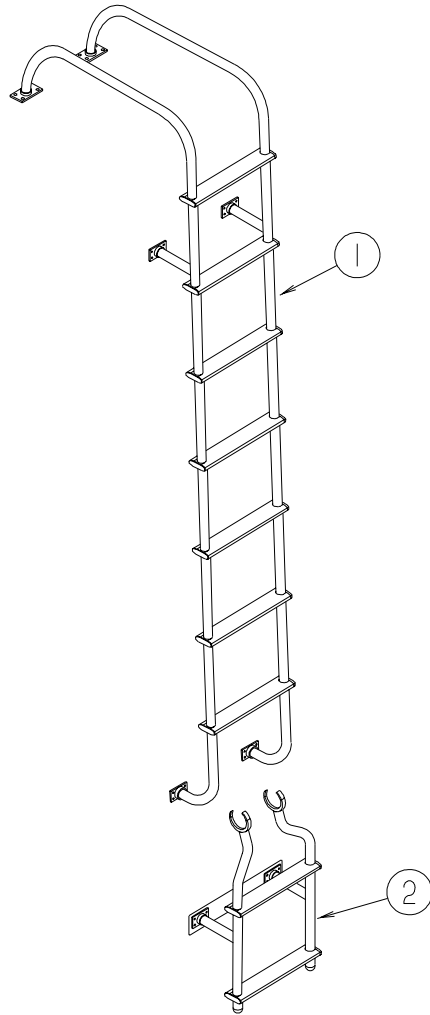
EXTERIOR BODY GROUP (CONTINUED)
FRONT END (CONTINUED)



HOOD

KEY	PART NUMBER	U/M	DESCRIPTION
1	132370-01-L32	EA	HOOD - FRONT
2	134415-02-02B	EA	LATCH - PADDLE - HOOD - E-COATED
	134415-01-02B	EA	LATCH - PADDLE - HOOD - E-COATED
3	134418-04-02B	EA	PIVOT - LATCH - HOOD - E-COATED
	134418-02-02B	EA	PIVOT - LATCH - HOOD - E-COATED
	113908-01-000	EA	LATCH/PLUNGER - F/HOOD

EXTERIOR BODY GROUP (CONTINUED)
LADDER



KEY	PART NUMBER	U/M	DESCRIPTION
1	129639-03-01A	EA	LADDER - BRUSHED ALUMINUM
2	130163-05-01A	EA	LADDER - LOWER - ANODIZED ALUMINUM
	129375-01-000	EA	SEAL/FOAM - LADDER BRACKET
	131256-01-01A	EA	PLATE - LADDER

MIRRORS

KEY	PART NUMBER	U/M	DESCRIPTION
*	106015-14-01A	EA	MIRROR - EXTERIOR ADJUSTABLE GLASS - PASSENGER
*	106015-15-01A	EA	MIRROR - EXTERIOR ADJUSTABLE GLASS - DRIVER
*	106015-12-01A	EA	MIRROR - EXTERIOR REMOTE/HEAT - PASSENGER
*	106015-13-01A	EA	MIRROR - EXTERIOR REMOTE/HEAT - DRIVER

* COMPONENT PARTS FOUND IN SERVICE PARTS LIBRARY

EXTERIOR BODY GROUP (CONTINUED)

BODY PANEL COMPONENTS

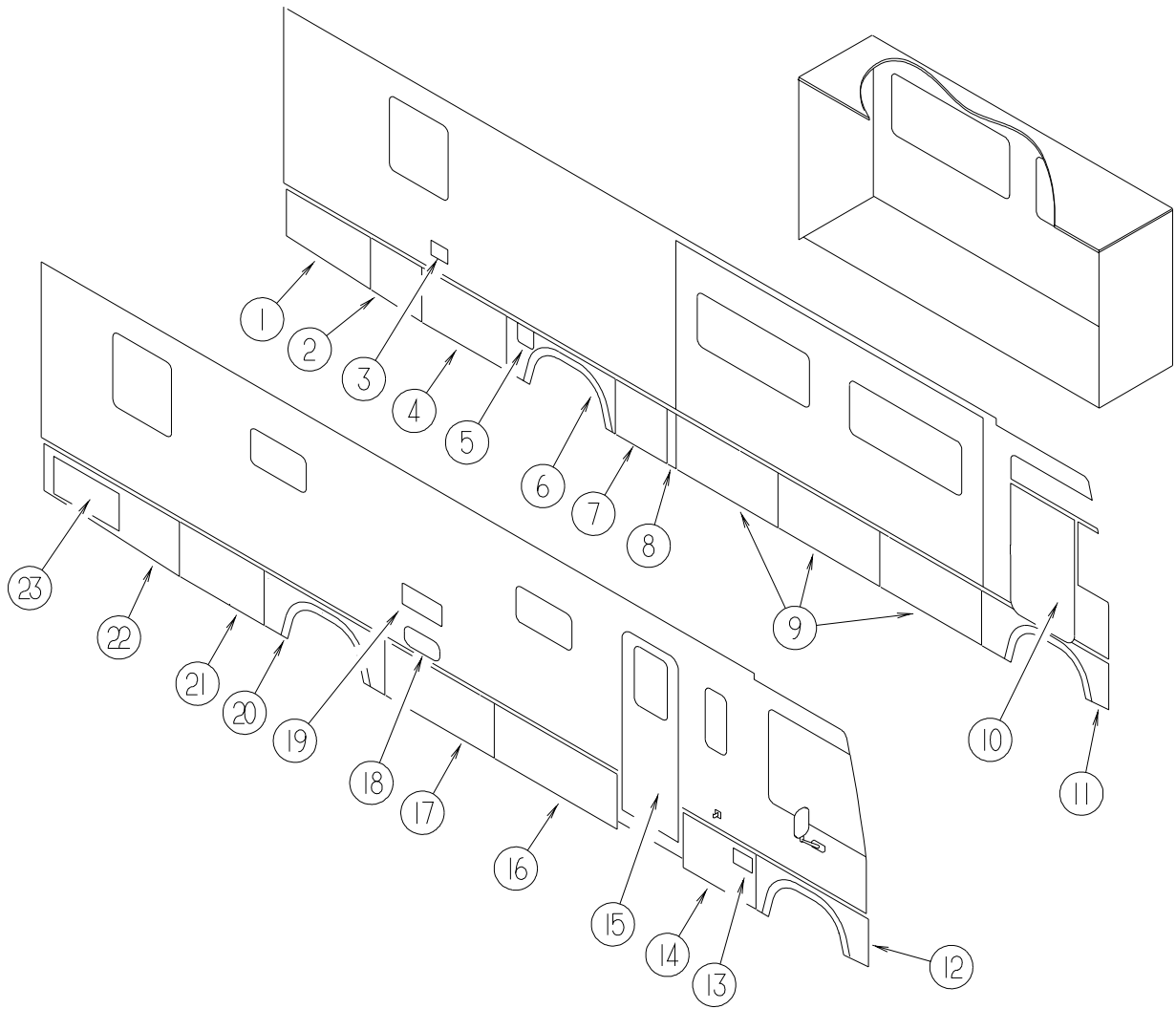
KEY	PART NUMBER	U/M	DESCRIPTION
	002726-01-001	EA	GARNISH - U-CHANNEL - 1.38" X 19' - SERRATED
	002766-01-001	EA	ANGLE - EXTRUDED - 1" X 1.5" X 17'
	068716-01-001	EA	BRACE - 90 DEGREE - L-ANGLE - 16'
	076054-U6-000	EA	FIBERGLASS SHEET - 102" X 361" - BRIGHT WHITE
	077517-62-000	EA	FIBERGLASS SHEET/SIDEWALL - 48" X 96" - BRIGHT WHITE
	089297-01-000	SF	PLYWOOD - LUAN - OVERLAY GRADE - 48" X 96"
	089297-02-000	SF	PLYWOOD - LUAN - OVERLAY GRADE - 48" X 108"
	100619-01-000	BF	FOAM - EXPANDED POLYSTYRENE - 1.34" X 48" X 96"
	100619-02-000	BF	FOAM - EXPANDED POLYSTYRENE - 1.5" X 48" X 96"
	100619-04-000	BF	FOAM - EXPANDED POLYSTYRENE - .5" X 48" X 96"
	100619-05-000	BF	FOAM - EXPANDED POLYSTYRENE - .75" X 48" X 96"-1.5 DENSITY
	100619-13-000	BF	FOAM - EXPANDED POLYSTYRENE - .34" X 34.65" X 96"
	100619-16-000	BF	FOAM - EXPANDED POLYSTYRENE - .75" X 48" X 96"-2.0 DENSITY
	100619-21-000	BF	FOAM - EXPANDED POLYSTYRENE - 48" X 143" X .75"
	100619-22-000	BF	FOAM - EXPANDED POLYSTYRENE - 48" X 120" X 1.34"
	100619-28-000	BF	FOAM - EXPANDED POLYSTYRENE - 14.25"X106"X.77"
	105077-08-000	EA	FOAM - PLUG - ROOF CAP
	108535-05-03A	SF	FIBERGLASS SHEET - 108" X 500' ROLL - BRIGHT WHITE
	120107-01-000	EA	FOAM - ROOF COVE - 2.8" X 96" LONG
	120107-02-000	EA	FOAM - PLUG - ROOF TUBE - 2.2" X 2.9" X 1.8" LONG
	120107-03-000	EA	FOAM - PLUG - SIDEWALL TUBE - 1.2" X 2.1" X 1.8" LONG
	128782-02-01A	EA	FIBERGLASS SHEET - 79" X 456"/HIGH GLOSS - BRIGHT WHITE
	128782-06-01A	EA	FIBERGLASS SHEET - 102.4" X 99.2" - HIGH GLOSS

AWNINGS

KEY	PART NUMBER	U/M	DESCRIPTION
	113874-08-29A	EA	AWNING - W/O HARDWARE - 19' - VINYL (FAWN)
	113874-08-31A	EA	AWNING - W/O HARDWARE - 18' - VINYL (PEWTER)
*	113874-01-02A	EA	HARDWARE KIT - AWNING - W/O STANDOFF BRACKET-BRIGHT WHITE
	113874-11-01A	EA	SCREW/LAG - AWNING - 1/4" X 1" STAINLESS STEEL (LOWER ARM BRACKET TO WALL)
	113874-12-01A	EA	SCREW/LAG - AWNING - 1/4" X 2 3/4" STAINLESS STEEL (UPPER ARM BRACKET TO WALL)
	130320-01-02A	EA	BRACKET - AWNING - F/A&E INSTALLATION - BRIGHT WHITE

* COMPONENT PARTS FOUND IN SERVICE PARTS LIBRARY

EXTERIOR DOORS & COMPARTMENTS GROUP
DOOR & COMPARTMENT LAYOUT



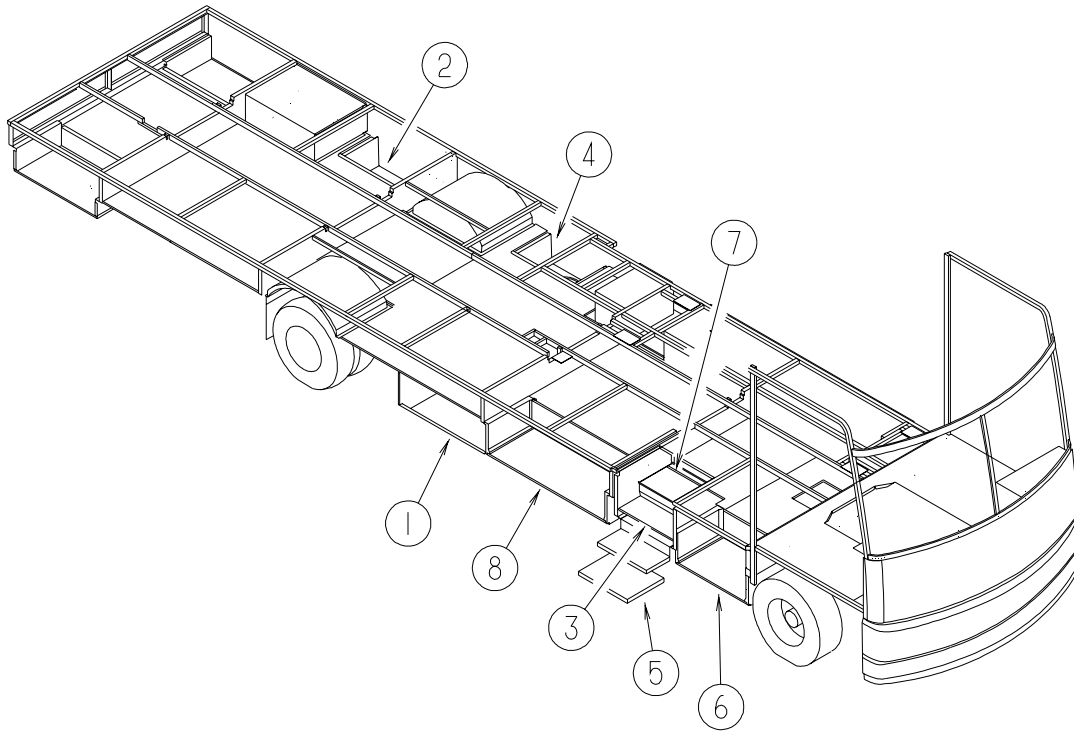
KEY	PART NUMBER	U/M	DESCRIPTION
1	122391-99-L32	EA	VALANCE/DOOR - DRIVER W/O HDW - 22.5"F X 43.4"W X 20.3"R
2	122391-A0-L32	EA	VALANCE/DOOR - DRIVER W/O HDW - 23.6"F X 26"W X 22.5"R
3	081240-20-000	EA	DOOR - WATER FILL - W/O LOCK - BRIGHT WHITE
	130005-03-000	EA	LOCK - W/O CYLINDER & KEYS - W/CAM - F/KEY ONE SYSTEM
4	122239-D1-L32	EA	VALANCE/DOOR - W/O PADDLE LATCH/HINGE - 43.1"W X 23.7"H
5	132345-01-L32	EA	DOOR - FUEL FILL W/O LOCK - BLACK
	110506-70-000	EA	CAM - LATCHING - STRAIGHT 1.3" LONG
	110506-55-000	EA	CASE/CYLINDER - TWIST LOCK - W/O CAM - 1.25" - 597312AA1
	131790-06-01A	EA	HINGE - SINGLE PIVOT/SPRING
			FROM: 00-00-00 THRU: 10-03-99
5	131905-03-L32	EA	DOOR - FUEL FILL W/O LOCK - BLACK
	110506-60-000	EA	CAM - LATCHING - STRAIGHT 2.4"
	110506-51-000	EA	CASE/CYLINDER - TWIST LATCH - W/O CAM - 1" - 596669
	009065-01-000	EA	HINGE - ALUMINUM - 1 1/2" X 96" - UNPAINTED
			FROM: 10-04-99 THRU: 99-99-99
6	132332-05-L32	EA	WHEEL LIP - REAR DRIVER
7	122239-C9-L32	EA	VALANCE/DOOR - W/O PADDLE LATCH/HINGE - 26"W X 23.7"H
8	122776-43-L32	EA	VALANCE/PANEL - W/O HARDWARE - 4.3"W X 24"H
	084852-51-003	EA	EXTRUDED - ANGLE - 1.25" X .75" X 15'
9	122239-D2-L32	EA	VALANCE/DOOR - W/O PADDLE LATCH/HINGE - 51.9"W X 23.7"H
10	125581-07-01A	EA	DOOR - DRIVER - NON POWER - W/O LOCK
11	132332-04-L32	EA	WHEEL LIP - FRONT DRIVER
	132748-01-01A	EA	PANEL - WHEEL LIP - FRONT DRIVER
12	132332-03-L32	EA	WHEEL LIP - FRONT PASSENGER
13	133032-01-L32	EA	VENT - WATER HEATER
14	122239-D8-L32	EA	VALANCE/DOOR - W/O PADDLE LATCH/HINGE - 37.4"W X 23.7"H

EXTERIOR DOORS & COMPARTMENTS GROUP (CONTINUED)

DOOR & COMPARTMENT LAYOUT (CONTINUED)

KEY	PART NUMBER	U/M	DESCRIPTION
15	P32206-01-L32	EA	DOOR - ENTRY W/SCREEN DOOR - W/O WINDOW (L32, L34)
15	P32206-01-L36	EA	DOOR - ENTRY W/SCREEN DOOR - W/O WINDOW (L36)
16	122239-D4-L32	EA	VALANCE/DOOR - W/O PADDLE LATCH/HINGE - 63"W X 23.7"H
17	122239-D3-L32	EA	VALANCE/DOOR - W/O PADDLE LATCH/HINGE - 55.9"W X 23.7"H
18	126945-08-K28	EA	DOOR/STORAGE - W/O HARDWARE - 18" X 8.3"
19*	084103-08-000	EA	DOOR - VENT/REFRIGERATOR - W/O JAMB - BRIGHT WHITE
	084104-08-000	EA	JAMB - VENT DOOR/REFRIGERATOR - BRIGHT WHITE
19	125481-01-02A	EA	DOOR - VENT/REFRIGERATOR - 28.5"W X 13.8"H - BRIGHT WHITE (SIDE BY SIDE)
	125481-02-000	EA	Z-BRACKET - VENT DOOR
20	132332-06-L32	EA	WHEEL LIP - REAR PASSENGER
21	122239-D6-L32	EA	VALANCE/DOOR - W/O PADDLE LATCH/HINGE - 43.1"W X 23.7"H
22	132936-01-L32	EA	PANEL/VALANCE - W/O HARDWARE
23	133895-01-L32	EA	GRILLE - A/C

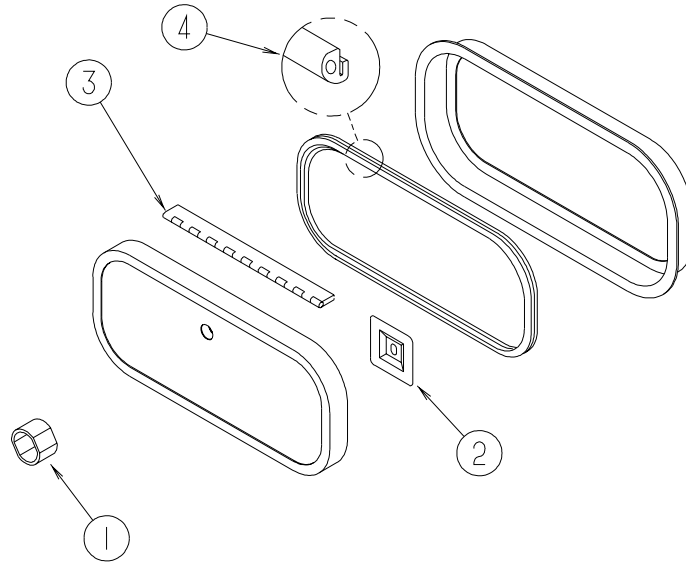
* COMPONENT PARTS FOUND IN SERVICE PARTS LIBRARY



KEY	PART NUMBER	U/M	DESCRIPTION
1	126386-40-L32	EA	COMPARTMENT - LUGGAGE
2	126386-39-L32	EA	COMPARTMENT - LUGGAGE
3	133114-02-01A	EA	TREAD - RUBBER STEP - 28.4" - TAUPE
3	133114-01-01A	EA	TREAD - RUBBER STEP - 29.3" - TAUPE
4	M08627-01-H17	EA	COMPARTMENT - ELECTRIC/DRAINAGE - W/HATCH
	M08628-01-H17	EA	HATCH W/FOAM INSERT
	121175-02-01A	EA	LATCH - SWELL
5*	094707-03-01A	EA	STEP - ELECTRIC DOUBLE - W/BLACK CONTROL BOX - KWIKEE
6	126386-37-L32	EA	COMPARTMENT - WATER HEATER - 10 GALLON
6	126386-42-L32	EA	COMPARTMENT - WATER HEATER - ELECTRIC
7	120234-08-L32	EA	LID - ENTRANCE STEP (L32, L34)
7	120234-08-L36	EA	LID - ENTRANCE STEP (L36)
	116975-01-01A	EA	LATCH - W/O STRIKE - BLACK - NEW STYLE
	101222-01-04A	EA	BRACKET - CATCH - LID - E-COATED
8	126386-07-J22	EA	COMPARTMENT - LUGGAGE

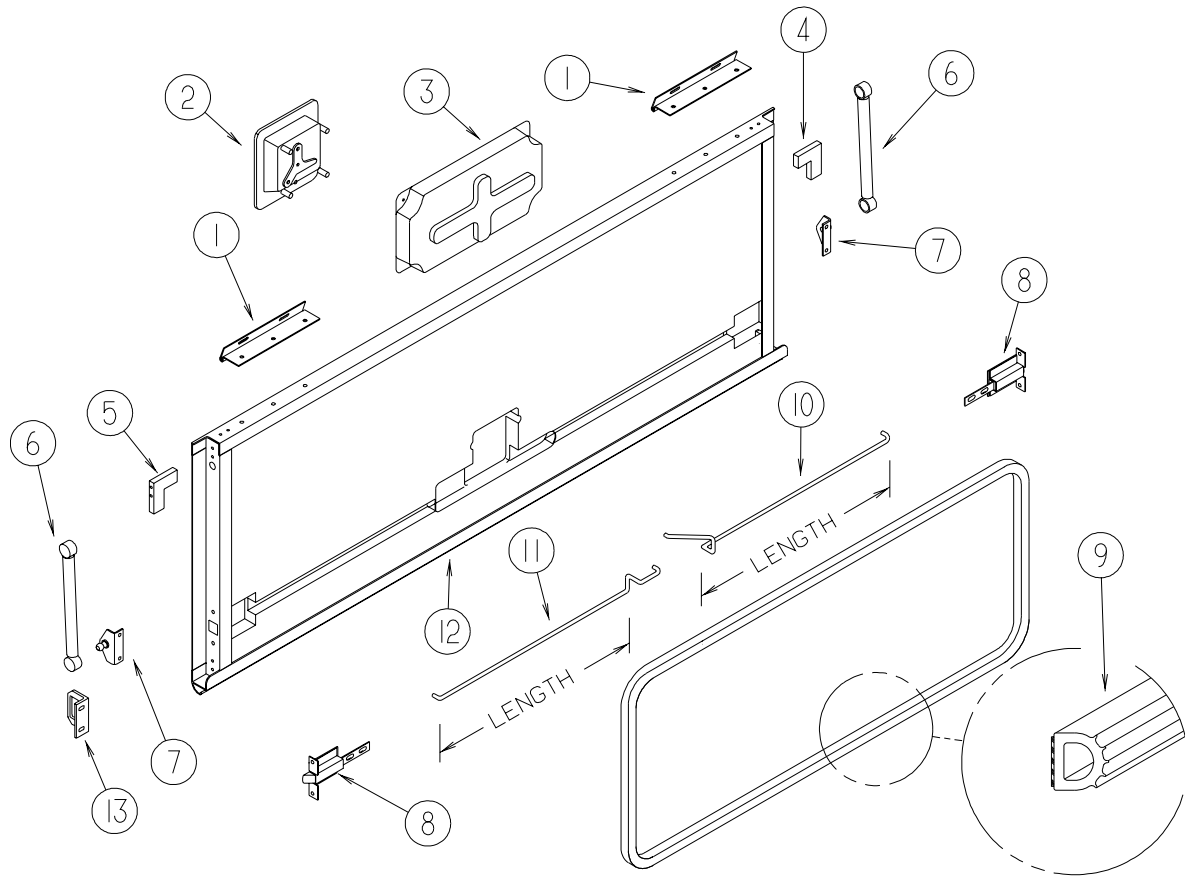
* COMPONENT PARTS FOUND IN SERVICE PARTS LIBRARY

EXTERIOR DOORS & COMPARTMENTS GROUP (CONTINUED)
COMPARTMENT DOOR COMPONENTS



KEY	PART NUMBER	U/M	DESCRIPTION
1	107997-51-003	EA	SPACER - DOOR LOCK .79" DEEP
	107997-51-002	EA	EXTRUDED - SPACER - 16'
2	097111-01-04A	EA	POCKET - LOCK - VALANCE
3	081801-V3-000	EA	HINGE - ALUMINUM - 2" X 96" - BRIGHT WHITE
3	009065-01-000	EA	HINGE - ALUMINUM - 1 1/2" X 96" - UNPAINTED
4	106850-02-000	FT	SEAL-E - SPONGE RUBBER - .43" X .75"

EXTERIOR DOORS & COMPARTMENTS GROUP (CONTINUED)
COMPARTMENT DOOR COMPONENTS (CONTINUED)



KEY	PART NUMBER	U/M	DESCRIPTION
1	131790-05-01A	EA	HINGE - SINGLE/PIVOT
2	129675-01-01A	EA	LATCH - LOCKING PADDLE - BLACK
2	112949-02-05A	EA	LATCH - PADDLE NON-LOCKING - BLACK
3	122277-02-01A	EA	COVER - LATCH - BLACK
4	123892-12-02B	EA	CORNER STABILIZER W/BALL STUD - RIGHT HAND - E-COATED
5	123892-10-02B	EA	CORNER STABILIZER W/BALL STUD - LEFT HAND - E-COATED
6	107796-20-000	EA	SPRING/GAS - 7" COMPRESSED/10" EXTENDED - 60 LB
7	126263-02-02B	EA	BRACKET - GAS SPRING
8	121947-01-01A	EA	BOLT - SLIDE W/PLASTIC PLUNGER
9	107721-07-000	FT	SEAL - ACCESS DOOR
10	122269-30-000	EA	ROD - LATCH - 14.03"
10	122269-70-000	EA	ROD - LATCH - 5.3"
10	122269-71-000	EA	ROD - LATCH - 8.6"
10	122269-72-000	EA	ROD - LATCH - 13.8"
10	122269-73-000	EA	ROD - LATCH - 18.2"
10	122269-74-000	EA	ROD - LATCH - 20.2"
10	122269-75-000	EA	ROD - LATCH - 23.8"
10	122269-76-000	EA	ROD - LATCH - 19.1"
11	122268-30-000	EA	ROD - LATCH - 14.03"
11	122268-70-000	EA	ROD - LATCH - 5.3"
11	122268-71-000	EA	ROD - LATCH - 8.6"
11	122268-72-000	EA	ROD - LATCH - 13.8"
11	122268-73-000	EA	ROD - LATCH - 18.2"
11	122268-74-000	EA	ROD - LATCH - 20.2"
11	122268-75-000	EA	ROD - LATCH - 23.7"
11	122268-76-000	EA	ROD - LATCH - .59"
12	122612-55-007	EA	U-CHANNEL/EXTRUSION - 192" - BLACK
13	130053-01-01A	EA	STRIKER - LUGGAGE DOOR - FLUSH - BLACK
13	130053-02-01A	EA	STRIKER - LUGGAGE DOOR - OFF SET - BLACK
	120494-03-02B	EA	SHIM - STRIKER - LUGGAGE DOOR - E-COATED
	120494-04-02B	EA	SHIM - STRIKER - LUGGAGE DOOR - E-COATED

EXTERIOR DOORS & COMPARTMENTS GROUP (CONTINUED)

COMPARTMENT DOOR COMPONENTS (CONTINUED)

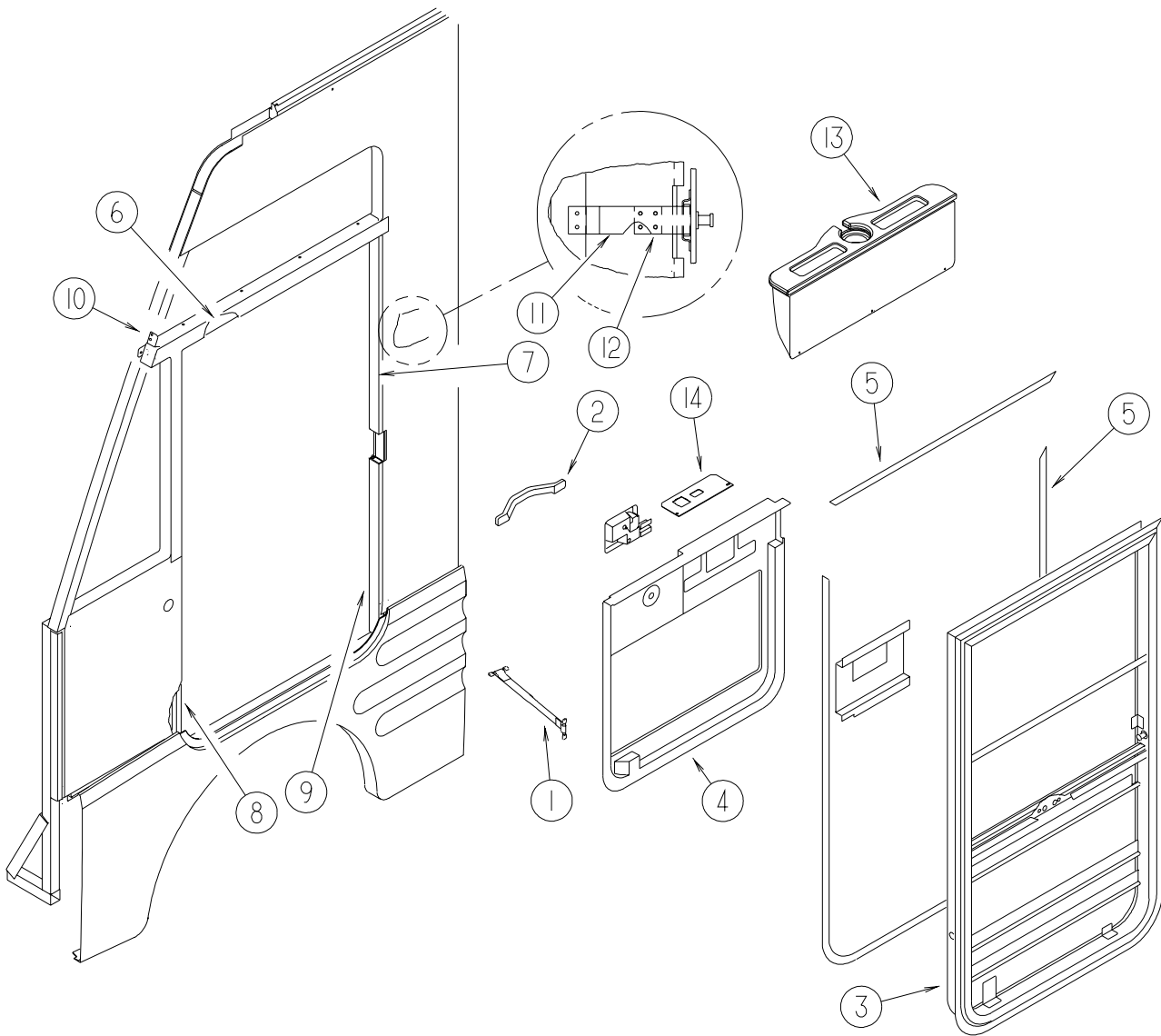
ONE KEY SYSTEM

KEY	PART NUMBER	U/M	DESCRIPTION
*	129676-01-000	EA	KEY - T/M 14472-07-1431
*	129676-02-000	EA	KEY - T/M 14472-07-1432
*	129676-03-000	EA	KEY - T/M 14472-07-1433
*	129676-04-000	EA	KEY - T/M 14472-07-1434
*	129676-05-000	EA	KEY - T/M 14472-07-1435
*	129676-06-000	EA	KEY - T/M 14472-07-1436
*	129676-07-000	EA	KEY - T/M 14472-07-1437
*	129676-08-000	EA	KEY - T/M 14472-07-1438
*	129676-09-000	EA	KEY - T/M 14472-07-1439
*	129676-10-000	EA	KEY - T/M 14472-07-1440
	129686-01-000	EA	CYLINDER - LOCK ASSEMBLY - COMPARTMENT/DRIVER DOOR
	129686-02-000	EA	CYLINDER - LOCK ASSEMBLY - COMPARTMENT/DRIVER DOOR
	129686-03-000	EA	CYLINDER - LOCK ASSEMBLY - COMPARTMENT/DRIVER DOOR
	129686-04-000	EA	CYLINDER - LOCK ASSEMBLY - COMPARTMENT/DRIVER DOOR
	129686-05-000	EA	CYLINDER - LOCK ASSEMBLY - COMPARTMENT/DRIVER DOOR
	129686-06-000	EA	CYLINDER - LOCK ASSEMBLY - COMPARTMENT/DRIVER DOOR
	129686-07-000	EA	CYLINDER - LOCK ASSEMBLY - COMPARTMENT/DRIVER DOOR
	129686-08-000	EA	CYLINDER - LOCK ASSEMBLY - COMPARTMENT/DRIVER DOOR
	129686-09-000	EA	CYLINDER - LOCK ASSEMBLY - COMPARTMENT/DRIVER DOOR
	129686-10-000	EA	CYLINDER - LOCK ASSEMBLY - COMPARTMENT/DRIVER DOOR
	129754-01-000	EA	SEAL - LOCK CYLINDER

* COMPONENT PARTS FOUND IN SERVICE PARTS LIBRARY

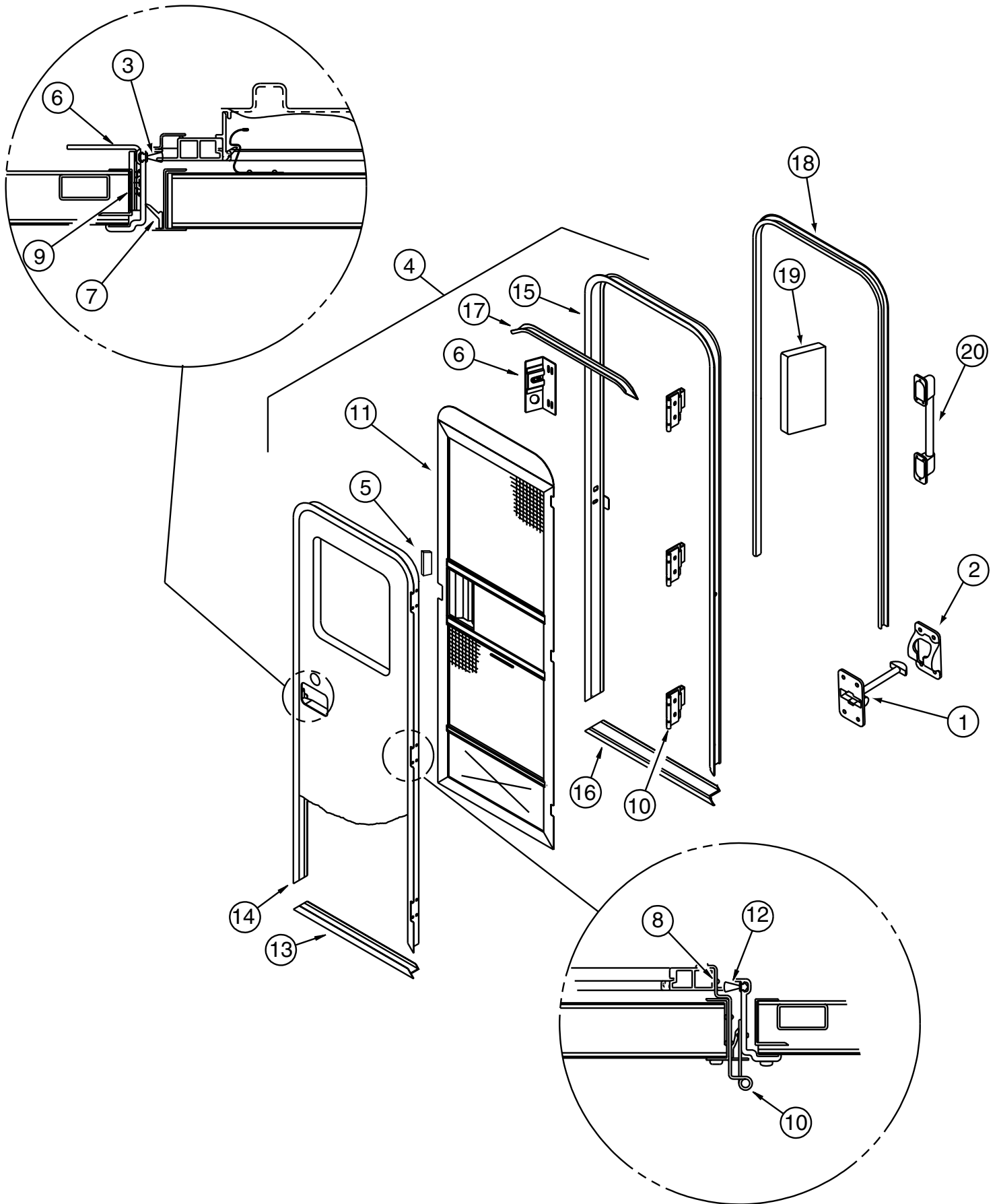
EXTERIOR DOORS & COMPARTMENTS GROUP (CONTINUED)

DRIVERS



KEY	PART NUMBER	U/M	DESCRIPTION
1	109378-01-000	EA	STRAP - CHECK - DRIVER DOOR - 12.8"
2	110604-01-01A	EA	HANDLE - ASSIST - DRIVER DOOR - 10.8" LONG - BLACK
3	125581-07-01A	EA	DOOR - DRIVER - NON POWER - W/O LOCK
4	132298-01-01A	EA	PANEL - CAB DOOR - INNER/DRIVER DOOR - ANTELOPE
5	109235-01-05A	FT	COVER - SCREW - BRIGHT WHITE
5	109235-01-01A	FT	COVER - SCREW - MAT BLACK
6	125725-01-01A	EA	FRAME - DRIVER DOOR - 33.5" - BLACK
7	125725-03-01A	EA	FRAME - DRIVER DOOR - 27.8" - BLACK
8	125725-07-01A	EA	FRAME - DRIVER DOOR - 53.3" - BLACK
9	125725-08-01A	EA	FRAME - DRIVER DOOR - 21.4" - BLACK
10	125804-02-02B	EA	ANGLE - DOOR SUPPORT - E-COATED
11	126506-01-02B	EA	BRACKET - STRIKE - DRIVER DOOR - E-COATED
12	126534-01-02B	EA	SPACER - STRIKE - DRIVER DOOR - E-COATED
13	132297-01-L32	EA	PANEL - TRIM - DRIVER DOOR/BEVERAGE TRAY - WATERFORD OAK
14	132514-01-02B	EA	PLATE - SWITCH - HEATED MIRROR - E-COATED

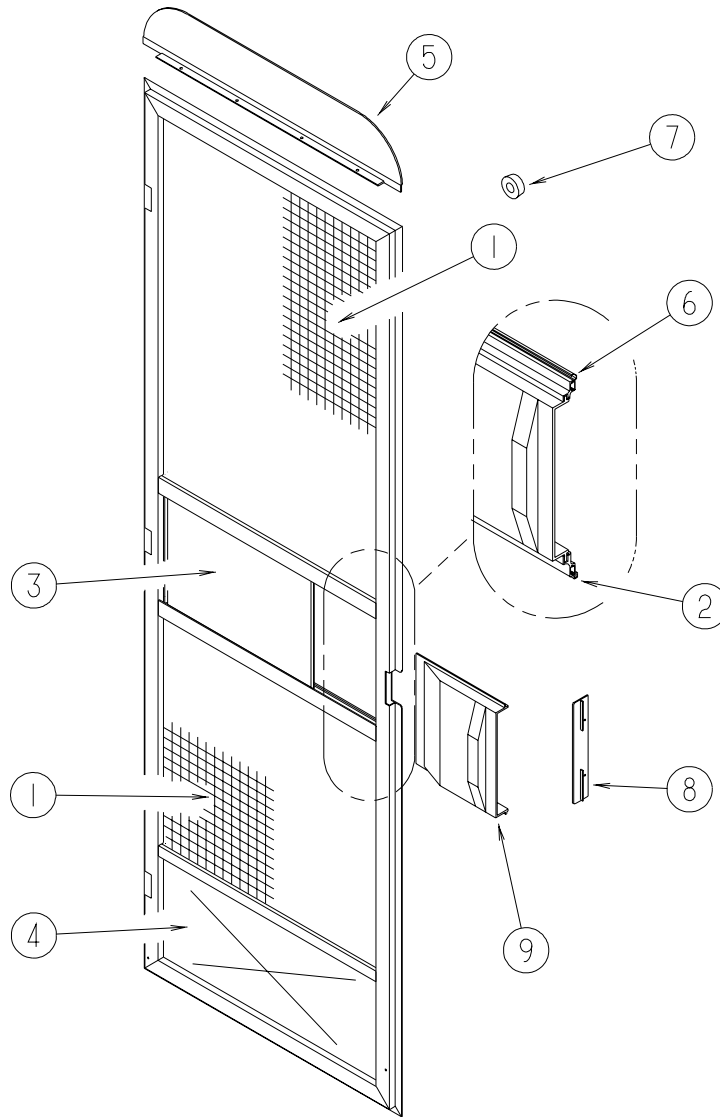
EXTERIOR DOORS & COMPARTMENTS GROUP (CONTINUED)
ENTRY DOOR



EXTERIOR DOORS & COMPARTMENTS GROUP (CONTINUED)**ENTRY DOOR (CONTINUED)**

KEY	PART NUMBER	U/M	DESCRIPTION
1	104099-01-04A	EA	CATCH - DOOR HOLDER - STRIKE - BRIGHT WHITE
2	104099-02-04A	EA	CATCH - DOOR HOLDER - RETAINER - BRIGHT WHITE
3	075673-05-000	EA	SEAL - PILE - ADHESIVE BACK - BLACK FROM: 05-01-00 THRU: 99-99-99
4	P32206-01-L32	EA	DOOR - ENTRY W/SCREEN DOOR - W/O WINDOW (L32, L34)
4	P32206-01-L36	EA	DOOR - ENTRY W/SCREEN DOOR - W/O WINDOW (L36)
	039715-01-000	EA	NUT-SERT - 1/4" DIAMETER - 20 THREADS
5	134655-01-01A	EA	COVER - LATCH - SCREEN DOOR - BRIGHT WHITE
6	041546-08-000	EA	BRACKET - DOOR ANGLE O/W
7	075671-04-000	FT	SEAL - SPONGE - LAZY T - W/ADHESIVE STRIP - .5" WIDE
8	100128-02-000	FT	SEAL - FOAM/ADHESIVE BACK - .37" WIDE X .37" THICK
9	104692-01-000	FT	SEAL - ADHESIVE BACKED FOAM-.75"THICK X .75"WIDE X 25'
10	106719-01-05A	EA	HINGE - ENTRY DOOR - BRIGHT WHITE
10	106719-01-01A	EA	HINGE - ENTRY DOOR - MILL
	116111-02-01A	EA	SCREW - TAPTITE - 1/4-20 X 3/8 PPH - ZINC
11	132208-02-L32	EA	DOOR - SCREEN - W/O HARDWARE
12	118929-01-01A	FT	SEAL - PILE - PUSH ON
13	121893-03-02A	EA	FRAME - ENTRY DOOR/LOWER - BRIGHT WHITE
14	121894-16-01A	EA	FRAME - ENTRY DOOR - BRIGHT WHITE
15	121898-14-01A	EA	JAMB - ENTRY DOOR
16	051049-05-000	EA	JAMB/DOOR - LOWER - ENTRANCE DOOR
17	044582-50-000	EA	CAP - DRIP JAMB MITERED
18	115222-12-01A	EA	GARNISH - RADIUS - ENTRY DOOR FROM: 00-00-00 THRU: 12-05-99
18	115222-17-01A	EA	GARNISH - RADIUS - ENTRY DOOR FROM: 12-06-99 THRU: 99-99-99
19	077461-03-000	EA	COVER - STRIKE - ENTRY DOOR - 6.5" X 2.5" - WHITE PLASTIC
20	132442-02-01A	EA	HANDLE - ASSIST - CLEAR W/CHROME ENDS
	038327-01-000	EA	TAPE - ANTI-SLIP - 2" X 60'

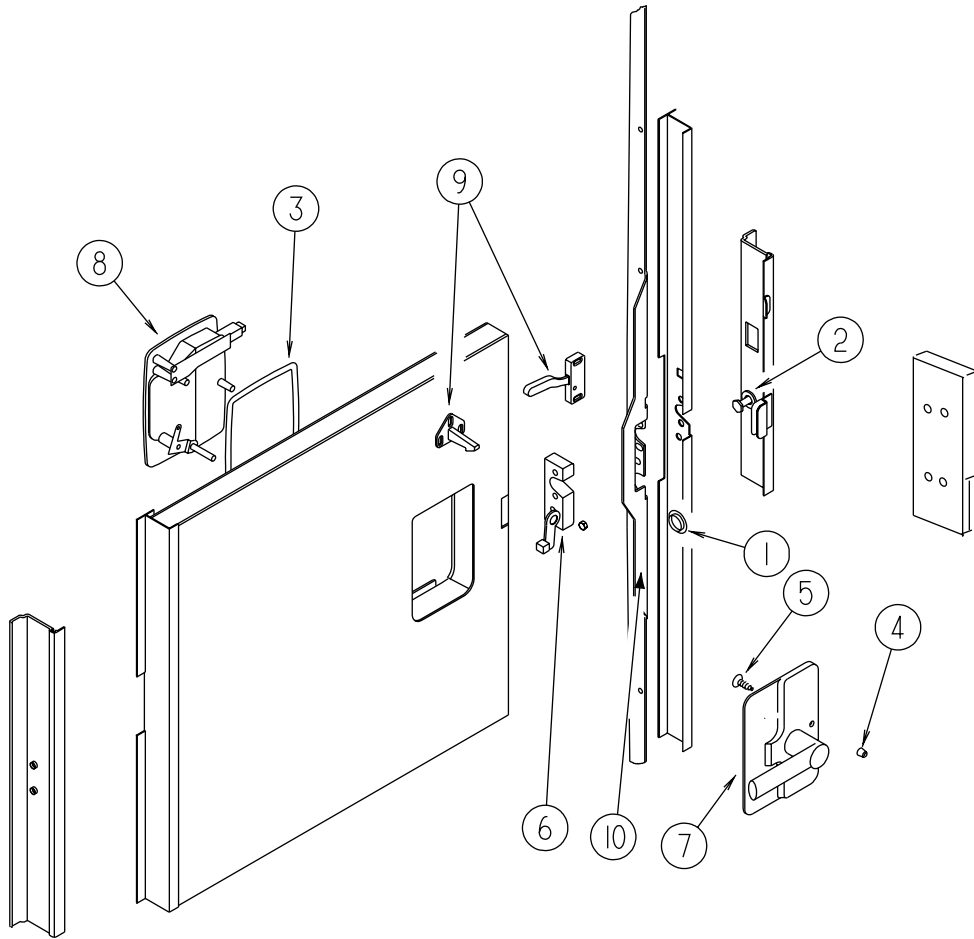
EXTERIOR DOORS & COMPARTMENTS GROUP (CONTINUED)
SCREEN DOOR



KEY	PART NUMBER	U/M	DESCRIPTION
	132208-02-L32	EA	DOOR - SCREEN - W/O HARDWARE
1	002293-02-000	SF	SCREEN - 26" - CHARCOAL
2	002294-01-000	FT	SPLINE - SCREENING - .135" X .138"
3	001014-01-013	EA	INSERT - CENTER - 10.25" X 16.31" - UNPAINTED
4	078552-09-000	EA	INSERT - SCREEN DOOR - LOWER
5	078595-03-000	EA	PLATE - SCREEN DOOR
6	078777-08-000	FT	CHANNEL - SLIDER
7	120863-06-000	EA	BUMPER - RUBBER - 3/4" X 3/8"
8	132081-01-01A	EA	STRIKE - SLIDER - SCREEN DOOR - BRIGHT WHITE
9	132082-01-01A	EA	SLIDER - SCREEN DOOR - BRIGHT WHITE

EXTERIOR DOORS & COMPARTMENTS GROUP (CONTINUED)

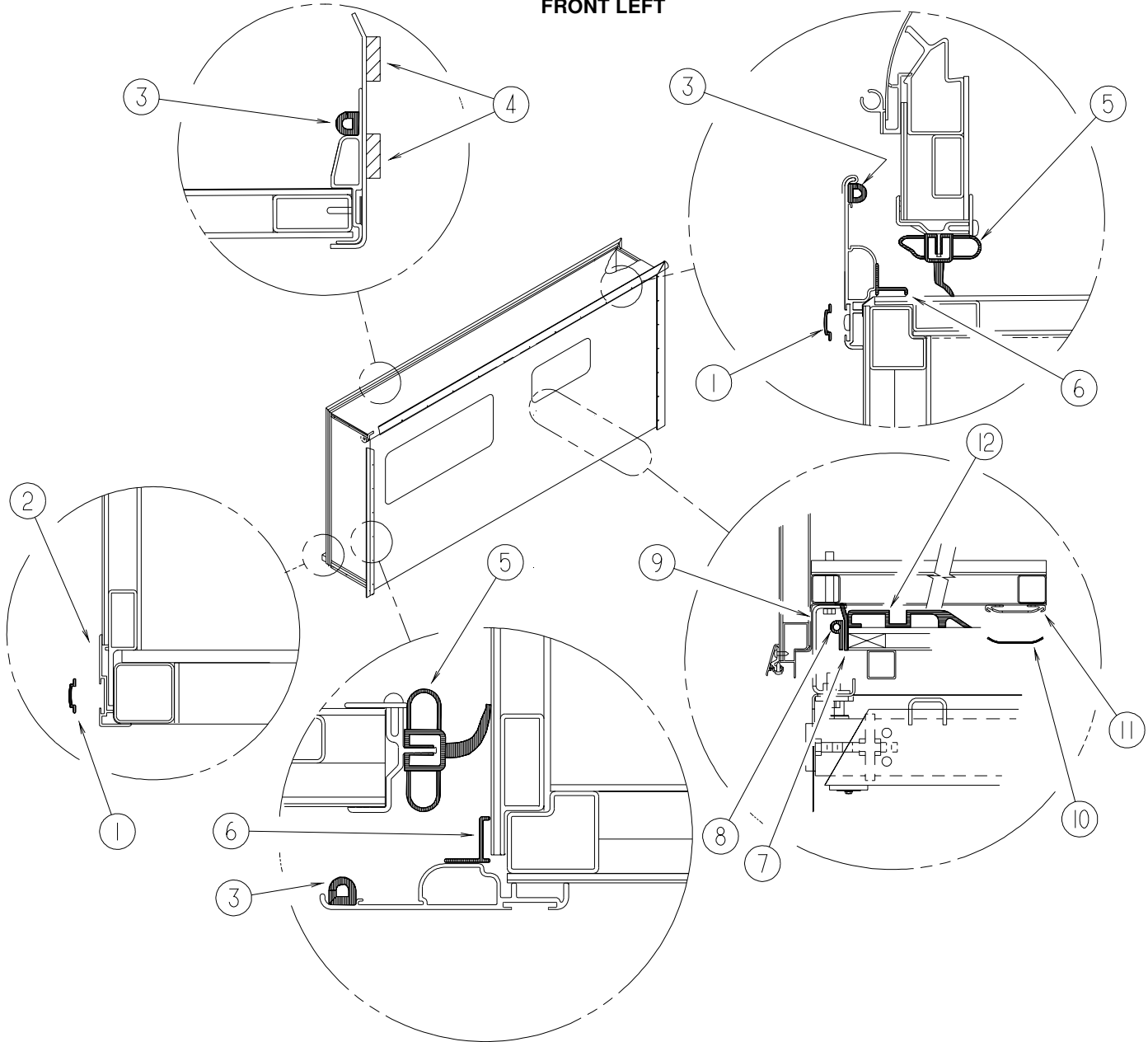
LATCH, ENTRY DOOR



KEY	PART NUMBER	U/M	DESCRIPTION
1	061420-14-000	EA	PLUG - PLASTIC - .034" DIAMETER
2	092927-03-000	EA	STRIKER - ROUND - JAMB MOUNTED
			FROM: 00-00-00 THRU: 11-05-99
2	092927-14-000	EA	BOLT - STRIKER
			FROM: 11-06-99 THRU: 99-99-99
3	112782-04-01A	EA	GASKET
4	112782-05-01A	EA	CAP - VINYL - RED
5	112782-08-01A	EA	SCREW - MOUNTING/PLATE - ZINC
6	112782-09-01A	EA	LATCH - SINGLE ROTOR
7	112782-11-01A	EA	LATCH - INTERIOR PLATE
8	112782-10-01A	EA	LATCH - EXTERIOR - W/O CYLINDER
			FROM: 00-00-00 THRU: 01-02-00
8	112782-12-01A	EA	LATCH - EXTERIOR - W/O CYLINDER - W/ICON LOCK/UNLOCK
			FROM: 01-03-00 THRU: 99-99-99
9	132915-01-01A	EA	LATCH - SCREEN DOOR
10	072893-04-000	EA	NUTSERT - 10-32
10	132207-01-02B	EA	STIFFENER - FORMED - DOOR - E-COAT
	129685-01-701	EA	KEY - BLANK KS 150 144472-07-2001
	129685-01-000	EA	CYLINDER - LOCK ASSEMBLY - ENTRANCE DOOR (J)
	129685-02-000	EA	CYLINDER - LOCK ASSEMBLY - ENTRANCE DOOR (J)
	129685-03-000	EA	CYLINDER - LOCK ASSEMBLY - ENTRANCE DOOR (J)
	129685-04-000	EA	CYLINDER - LOCK ASSEMBLY - ENTRANCE DOOR (J)
	129685-05-000	EA	CYLINDER - LOCK ASSEMBLY - ENTRANCE DOOR (J)
	129685-06-000	EA	CYLINDER - LOCK ASSEMBLY - ENTRANCE DOOR (J)
	129685-07-000	EA	CYLINDER - LOCK ASSEMBLY - ENTRANCE DOOR (J)
	129685-08-000	EA	CYLINDER - LOCK ASSEMBLY - ENTRANCE DOOR (J)
	129685-09-000	EA	CYLINDER - LOCK ASSEMBLY - ENTRANCE DOOR (J)
	129685-10-000	EA	CYLINDER - LOCK ASSEMBLY - ENTRANCE DOOR (J)
	129754-01-000	EA	SEAL - LOCK CYLINDER

EXTERIOR SLIDEOUT INSTALLATION GROUP

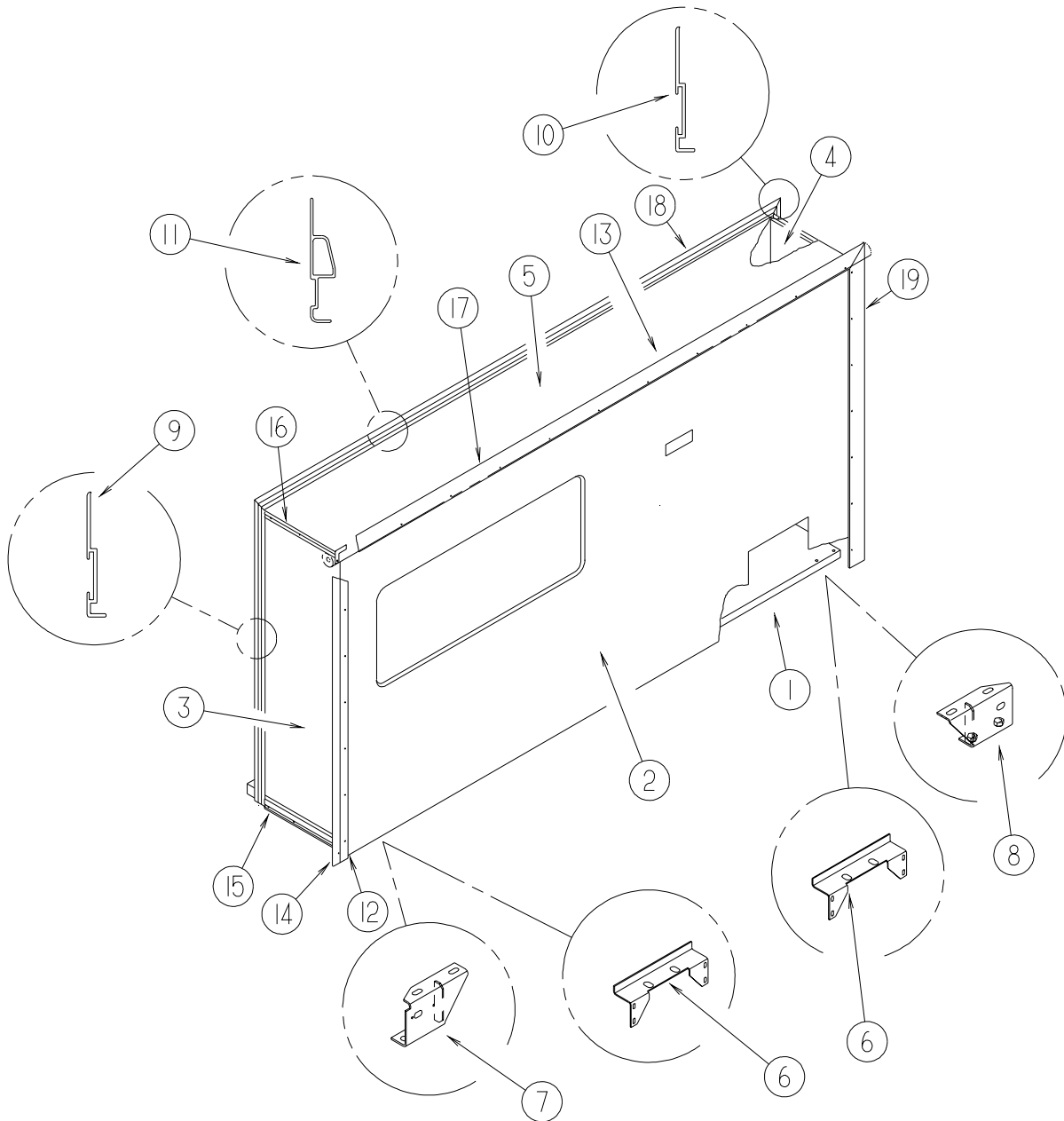
FRONT LEFT



SEALS & TRIMS

KEY	PART NUMBER	U/M	DESCRIPTION
1	105312-01-07A	FT	INSERT - VINYL FEATURE STRIP - BRIGHT WHITE
2	108688-01-03A	EA	STRIP - FEATURE - 15'
3	112091-01-000	FT	D-SEAL - NEOPRENE - TRUNK - HEAT ACTIVE ADHESIVE
4	100128-02-000	FT	SEAL - FOAM/ADHESIVE BACK - .37" WIDE X .37" THICK
5	115076-01-000	FT	SEAL - SLIDEOUT
5	115076-03-000	FT	SEAL - SLIDEOUT
			FROM: 00-00-00 THRU: 10-31-99
6	116933-01-02A	EA	TRIM - SEAL W/MITERED ENDS - 154.3" - BRIGHT WHITE
			FROM: 11-01-99 THRU: 99-99-99
6	133954-01-01A	EA	TRIM - SEAL W/MITERED ENDS - 154.3" - BRIGHT WHITE
			FROM: 00-00-00 THRU: 08-29-99
			FROM: 08-30-99 THRU: 99-99-99
7	115075-02-000	FT	SEAL - WIPE - .25" X 3.15"
7	089275-02-000	FT	STRIP - 3/4" X 84" BLACK POLYETHYLENE
8	121283-01-000	FT	SEAL - P SHAPED
9	104692-01-000	FT	SEAL - ADHESIVE BACKED FOAM-.75" THICK X .75" WIDE X 25'
10	115661-01-000	FT	POLYETHYLENE - HIGH DENSITY - 1/16" X 3'
11	115325-01-02A	EA	RAIL - FLOOR/SLIDEOUT ROOM - BLACK
12	134837-01-01A	EA	RAMP - SLIDEOUT - BLACK PVC

**EXTERIOR SLIDEOUT INSTALLATION GROUP (CONTINUED)
FRONT LEFT (CONTINUED)**



PANEL & TRIMS

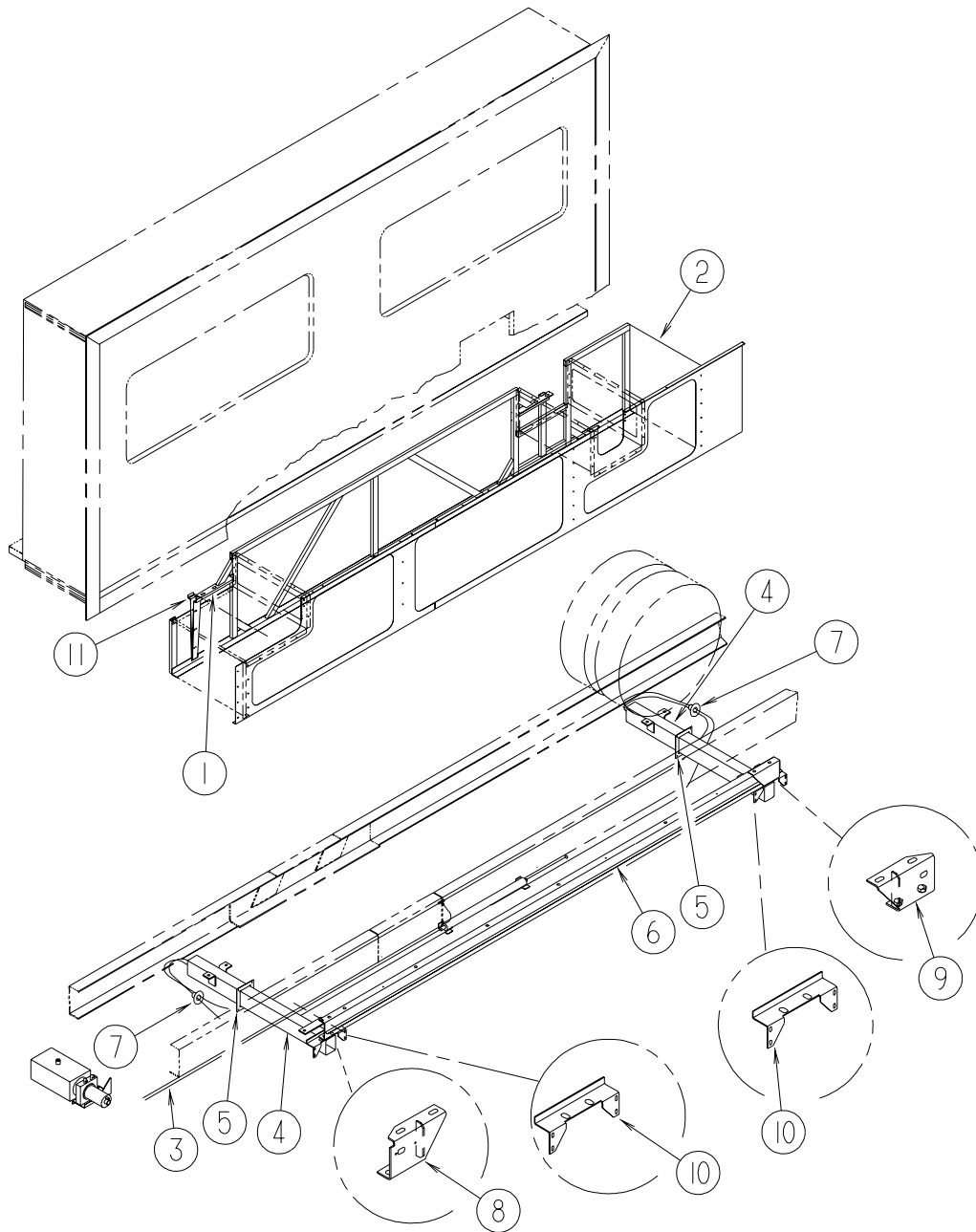
KEY	PART NUMBER	U/M	DESCRIPTION
1	104692-01-000	FT	SEAL - ADHESIVE BACKED FOAM-.75"THICK X .75"WIDE X 25'
2	119783-23-L32	EA	PANEL - SLIDEOUT/OUTER (L32, L34)
2	119783-23-L36	EA	PANEL - SLIDEOUT/OUTER (L36)
3	132814-01-L32	EA	PANEL - SLIDEOUT/FRONT - W/O HARDWARE (L32, L34)
3	132814-01-L36	EA	PANEL - SLIDEOUT/FRONT - W/O HARDWARE(L36)
4	132813-01-L32	EA	PANEL - SLIDEOUT/REAR - W/O HARDWARE (L32, L34)
4	132813-01-L36	EA	PANEL - SLIDEOUT/REAR - W/O HARDWARE (L36)
5	132815-01-L32	EA	ROOF - SLIDEOUT - W/O LIGHTS/VENTS - W/WIRING
5	132815-01-L36	EA	ROOF - SLIDEOUT - W/O LIGHTS/VENTS - W/WIRING
6	128386-01-02B	EA	BRACKET - SLIDEOUT/COMPARTMENT - E-COATED
7	127030-01-02B	EA	BRACKET - INNER REAR/SLIDEOUT - E-COATED
8	127030-02-02B	EA	BRACKET - INNER FRONT/SLIDEOUT - E-COATED
9	117004-01-03A	EA	TRIM - SEAL/INNER VERTICAL-W/MITERED ENDS-73.5"- BRT WHT

EXTERIOR SLIDEOUT INSTALLATION GROUP (CONTINUED)

FRONT LEFT (CONTINUED) PANEL & TRIMS

KEY	PART NUMBER	U/M	DESCRIPTION
10	117004-02-03A	EA	TRIM - SEAL/INNER HORIZONTAL W/MITERED ENDS-73.5 - BRT WHT
11	117004-03-03A	EA	TRIM - SEAL/INNER - BRIGHT WHITE
12	119992-11-01A	EA	TRIM - SEAL W/MITERED ENDS - 76.4" - BRIGHT WHITE FROM: 00-00-00 THRU: 08-31-99
12	133955-11-01A	EA	TRIM - SEAL W/MITERED ENDS - 76.4" - BRIGHT WHITE FROM: 09-01-99 THRU: 99-99-99
13	119992-01-02A	EA	TRIM - SEAL W/MITERED ENDS - 160" - BRIGHT WHITE FROM: 00-00-00 THRU: 08-31-99
13	133955-01-01A	EA	TRIM - SEAL W/MITERED ENDS - 160" - BRIGHT WHITE FROM: 09-01-99 THRU: 99-99-99
14	126546-01-02A	EA	COVER - END/SIDEWALL SLIDEOUT - BRIGHT WHITE
15	125051-03-01A	EA	TRIM - FEATURE - LOWER - BRIGHT WHITE
16	108688-01-03A	EA	STRIP - FEATURE - 15'
16	105312-01-07A	FT	INSERT - VINYL FEATURE STRIP - BRIGHT WHITE
17	122977-06-01A	EA	AWNING - SLIDEOUT - W/COVER - 160.24"
17	117058-01-01A	FT	TAPE - LOOP - 3/4" WIDE - ADHESIVE BACKED
18	125466-01-01A	EA	SUPPORT - ROOF/INTERIOR - OFF WHITE
19	119992-12-01A	EA	TRIM - SEAL W/MITERED ENDS - 76.4" - BRIGHT WHITE FROM: 00-00-00 THRU: 08-31-99
19	133955-12-01A	EA	TRIM - SEAL W/MITERED ENDS - 76.4" - BRIGHT WHITE FROM: 09-01-99 THRU: 99-99-99
19	116933-09-01A	EA	TRIM - SEAL/FLOOR EDGE - 73.1" - BRIGHT WHITE FROM: 00-00-00 THRU: 08-31-99

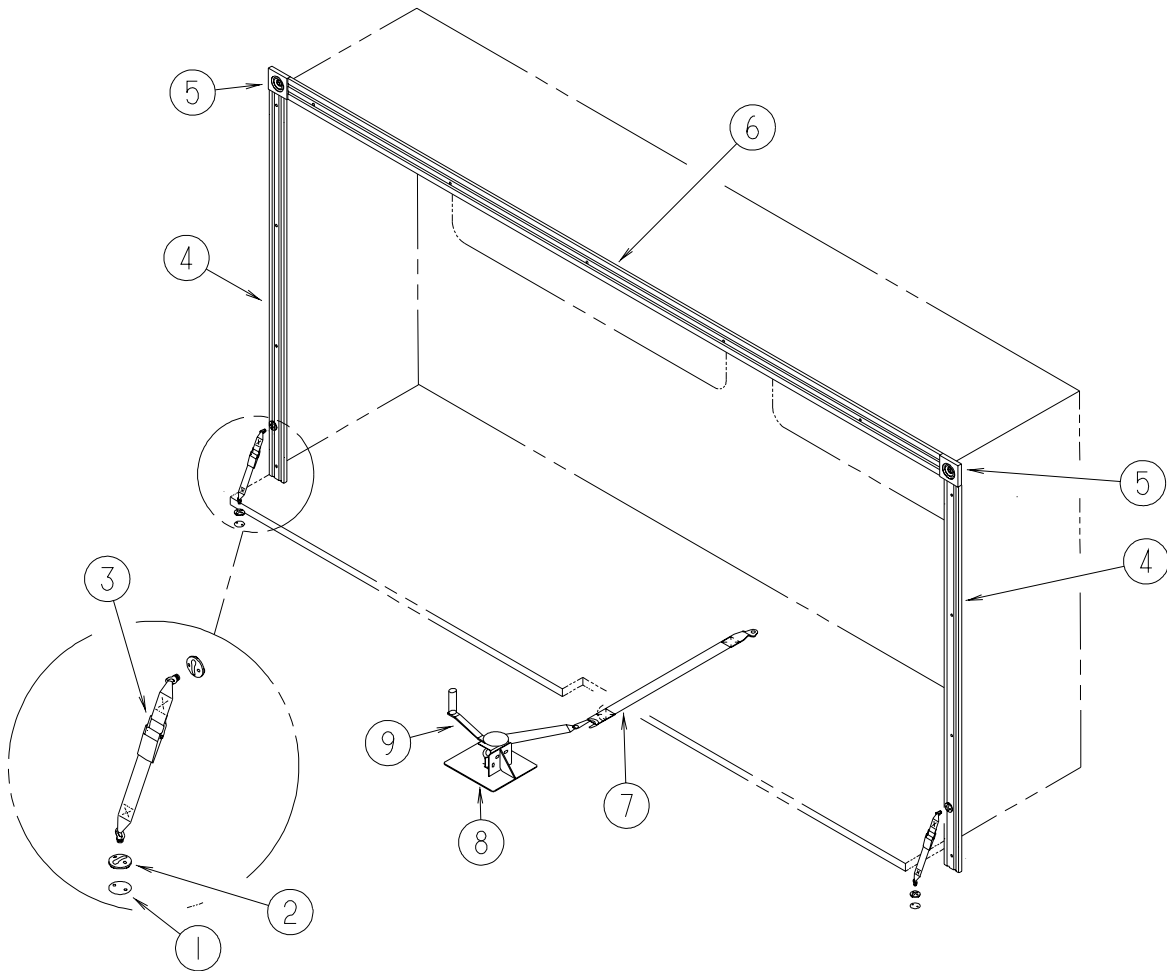
**EXTERIOR SLIDEOUT INSTALLATION GROUP (CONTINUED)
FRONT LEFT (CONTINUED)**



KEY	PART NUMBER	U/M	DESCRIPTION
1	126050-15-L32	EA	SUPPORT - SLIDEOUT COMPARTMENT
2	126390-18-000	EA	COMPARTMENT ASM-SLIDEOUT
3*	100536-42-000	EA	HOSE KIT - PUMP TO SLIDE-OUT VALVE
4*	132540-01-000	EA	SLIDEOUT - HYDRAULIC
5	125828-02-02B	EA	FILLER/STEEL - SLIDEOUT - E-COATED
6	128621-08-01A	EA	ZEE-SLIDEOUT, W/HOLES, MILL
7	023942-01-000	EA	GROMMET - RUBBER - 2" OD
8	127030-01-02B	EA	BRACKET - INNER REAR/SLIDEOUT - E-COATED
9	127030-02-02B	EA	BRACKET - INNER FRONT/SLIDEOUT - E-COATED
10	128386-01-02B	EA	BRACKET - SLIDEOUT/COMPARTMENT - E-COATED
11	126591-01-02B	EA	CARRIER - WIRE - SLIDEOUT

* COMPONENT PARTS FOUND IN SERVICE PARTS LIBRARY

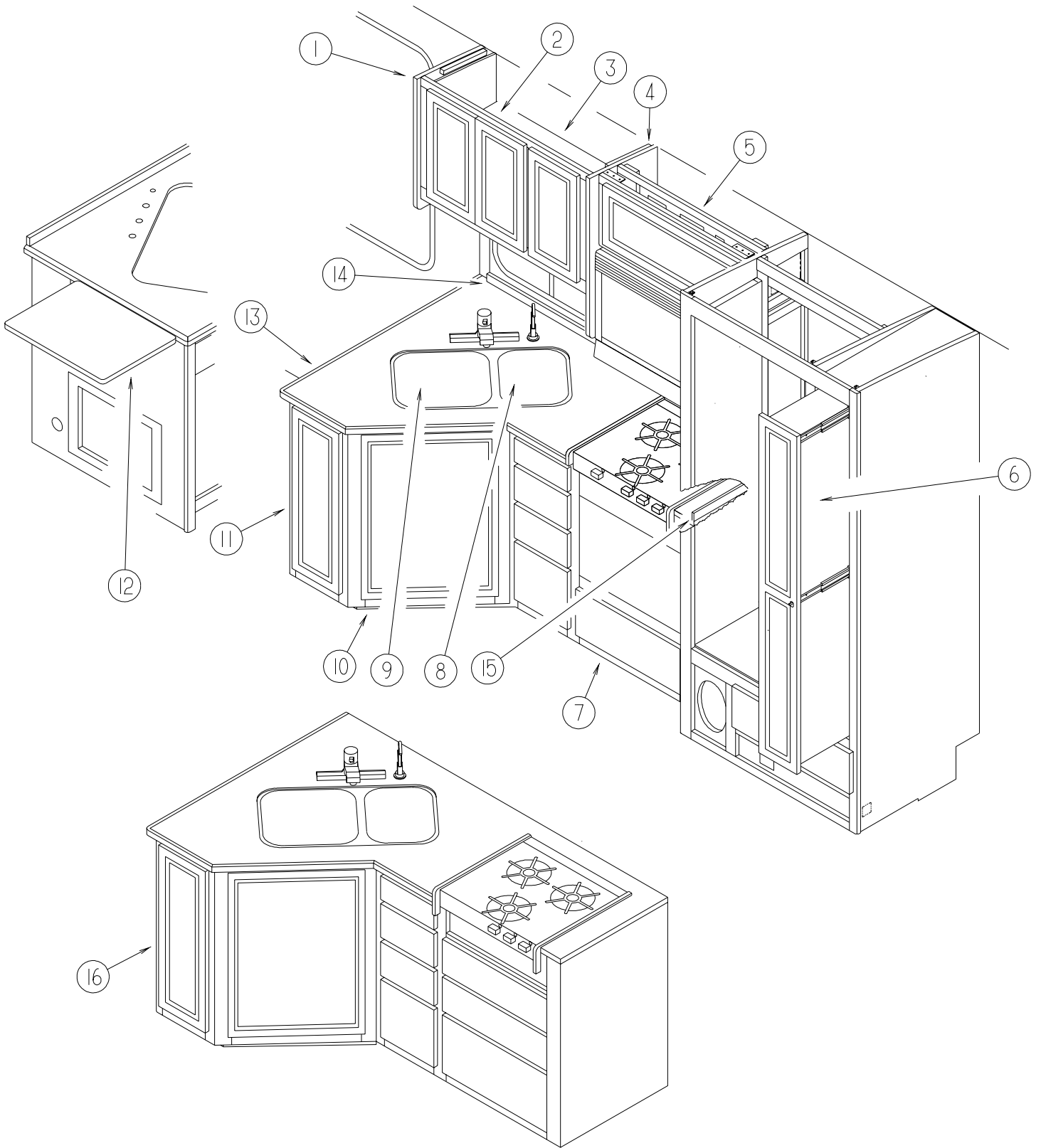
EXTERIOR SLIDEOUT INSTALLATION GROUP (CONTINUED)
FRONT LEFT (CONTINUED)



INTERIOR MOLDING & WINCH

KEY	PART NUMBER	U/M DESCRIPTION	
1	133374-01-02B	EA PLATE - TIEDOWN	FROM: 00-00-00 THRU: 08-31-99
1	133374-01-09B	EA PLATE - TIEDOWN	FROM: 09-01-99 THRU: 03-28-00
1	135622-01-01B	EA PLATE - TIEDOWN	FROM: 03-29-00 THRU: 99-99-99
2	133067-02-01A	EA PLATE - TIE-DOWN - SLIDE	FROM: 00-00-00 THRU: 03-28-00
2	135619-02-01A	EA PLATE - TIEDOWN/SLIDE	FROM: 03-29-00 THRU: 99-99-99
3	133067-01-01A	EA STRAP - TIE DOWN - SLIDE	FROM: 00-00-00 THRU: 03-28-00
3	135619-01-01A	EA STRAP COMPLETE - TIEDOWN/SLIDE	FROM: 03-29-00 THRU: 99-99-99
4	132663-04-01A	EA MOLDING - VINYL WRAPPED-.62" X 3" X 70.4"-WATERFORD OAK	
5	132844-01-01A	EA BLOCK - CORNER - 3.9" X 3.9" - WATERFORD OAK	
6	132663-03-01A	EA MOLDING - VINYL WRAPPED - .6" X 3.8" X 150.8" - WATERFORD OAK	
7	116101-02-F31	EA STRAP - WINCH - 34" CENTER BRACKET/STRAP END	
8	116082-03-02B	EA BRACKET - WINCH	
9	115767-02-000	EA WINCH - SLIDEOUT	

GALLEY GROUP CABINETS



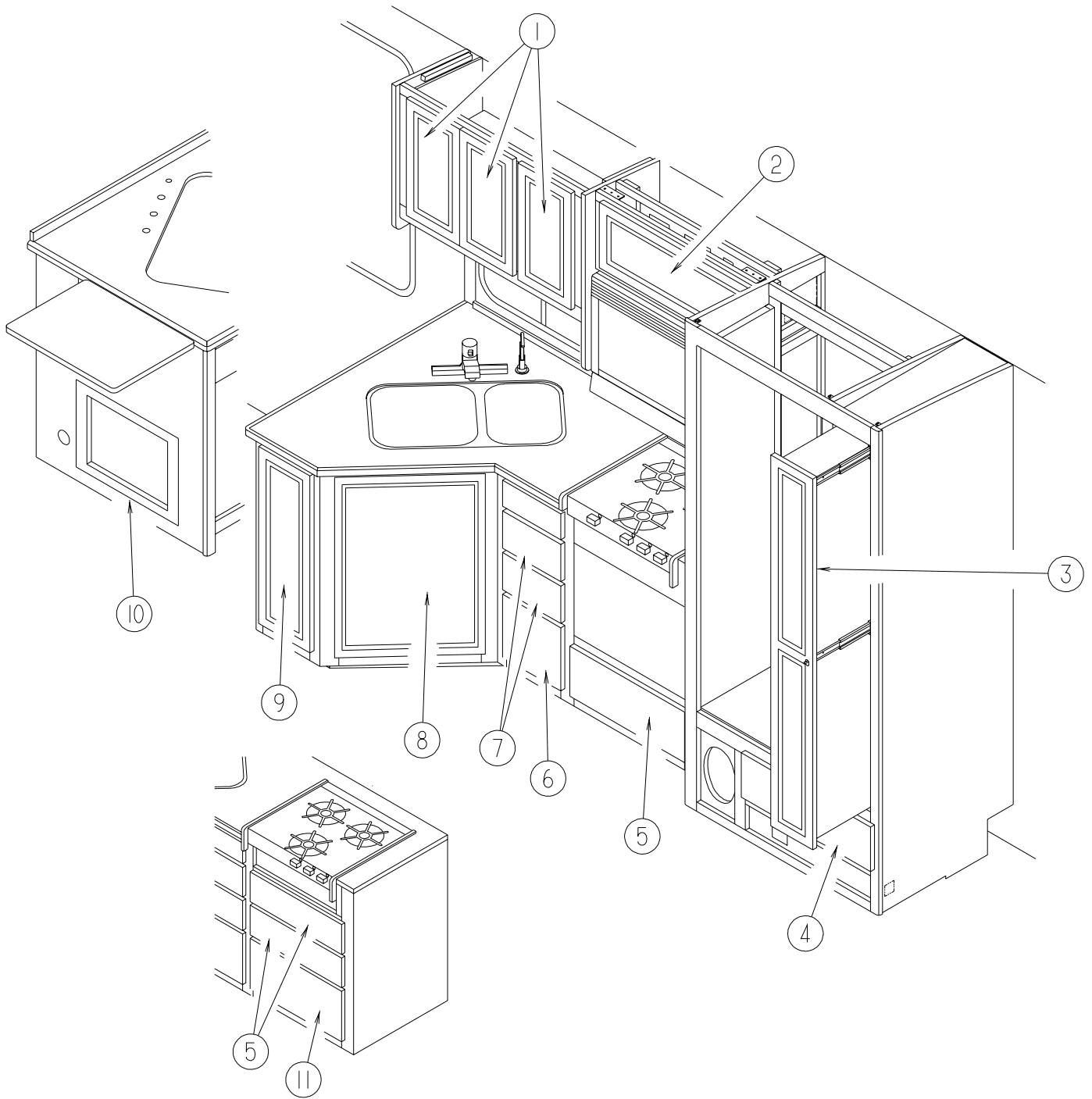
GALLEY GROUP (CONTINUED)

CABINETS (CONTINUED)

KEY	PART NUMBER	U/M	DESCRIPTION
1	103128-44-K66	EA	END CAP - OVERHEAD CABINET - LEFT HAND
2	132348-01-L32	EA	CABINET - OVERHEAD GALLEY - W/O DOORS/HARDWARE
3	132348-11-L32	EA	SHELF - W/PLASTIC EDGE MOLDING
4	103128-47-K28	EA	END CAP - OVERHEAD CABINET - RIGHT HAND
5	131363-01-K28	EA	CABINET - OVERHEAD/MICROWAVE - W/O DOORS/HARDWARE (10 GAL. WATER HEATER)
5	131363-06-L32	EA	CABINET - OVERHEAD/MICROWAVE - W/O DOORS/HARDWARE (6 GAL. WATER HEATER)
6	122325-01-H17	EA	CABINET - PANTRY/RIGHT HAND SLIDING - W/O SLIDES/HARDWARE
	122360-02-000	EA	SLIDE - PANTRY - W/O LOCK - RIGHT/LEFT HAND
	122360-03-000	EA	SLIDE - PANTRY - W/LOCK - RIGHT HAND (FACING PANEL)
	123673-01-01A	EA	KNOB - PANTRY SLIDE
	122325-11-H17	EA	SHELF - W/EDGE MOLDING
7	132600-19-L32	EA	TOE KICK - GALLEY CABINET
8	108464-06-L32	EA	COVER - SINK - 15" X 11" - LAMINATED BOTH SIDES
8	130815-02-01A	EA	COVER - SINK - SMALL - JAMAICAN SAND - 1/4"
9	108464-07-L32	EA	COVER - SINK - 15" X 15" - LAMINATED BOTH SIDES
9	130815-01-01A	EA	COVER - SINK - LARGE - JAMAICAN SAND - 1/4"
10	132600-18-L32	EA	TOE KICK - GALLEY CABINET
11	132600-02-L32	EA	CABINET - GALLEY - W/O COUNTERTOP - W/O DOORS/DRAWERS/HDW
12	129503-05-L32	EA	EXTENSION - GALLEY COUNTERTOP
12	130812-05-01A	EA	EXTENSION - GALLEY - W/O HARDWARE - JAMAICAN SAND
13	132601-01-L32	EA	COUNTERTOP - LAMINATED
13	130812-03-01A	EA	COUNTERTOP - GALLEY CABINET - JAMAICAN SAND
14	132601-13-L32	EA	TRIM - COUNTERTOP
14	130813-05-01A	EA	BACKSPLASH - COUNTERTOP - JAMAICAN SAND
	132601-12-L32	EA	COUNTERTOP - STOVE/WALL EDGE
15	130813-04-01A	EA	BACKSPLASH/SIDE - GALLEY CABINET - JAMAICAN SAND (STOVE END)
16	132600-01-L32	EA	CABINET - GALLEY - W/O COUNTERTOP - W/O DOORS/DRAWERS/HDW

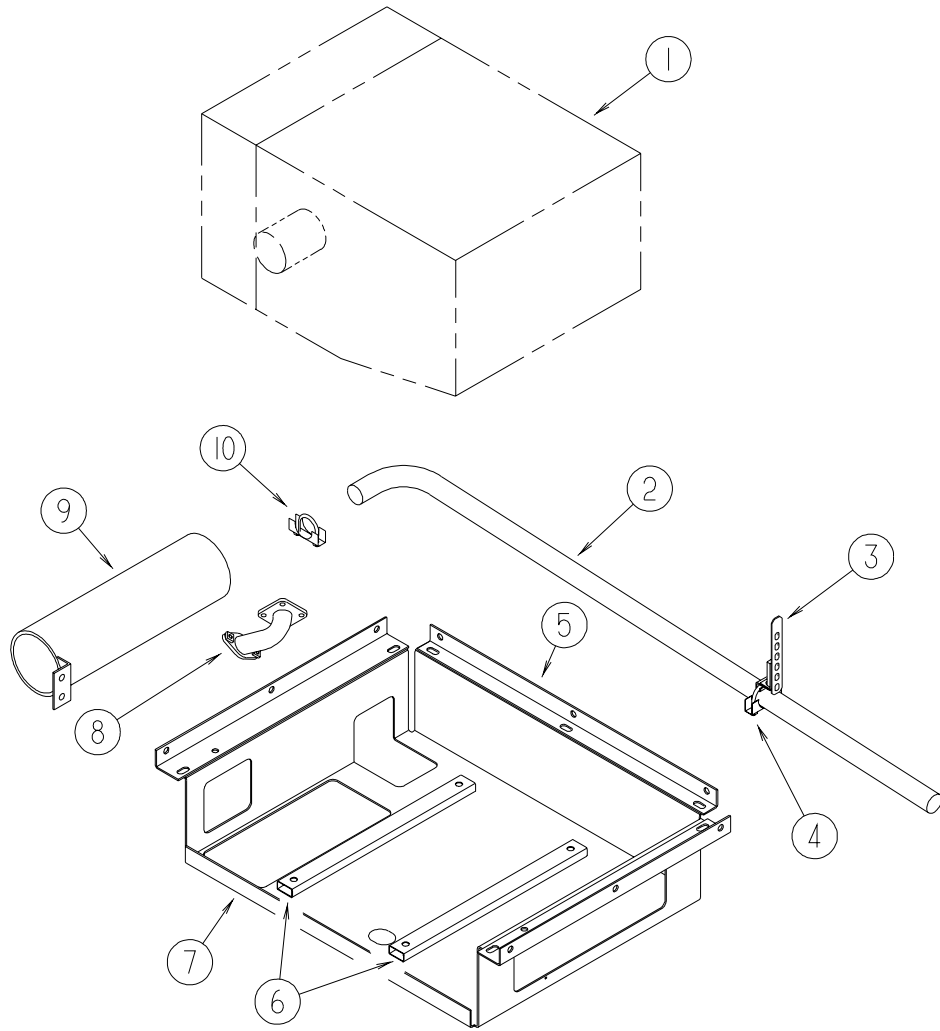
GALLEY GROUP (CONTINUED)

DOORS & DRAWERS



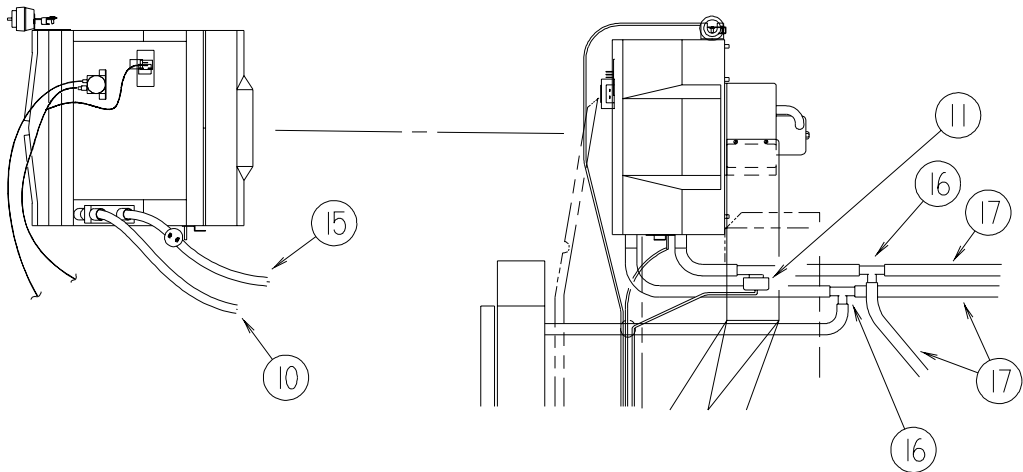
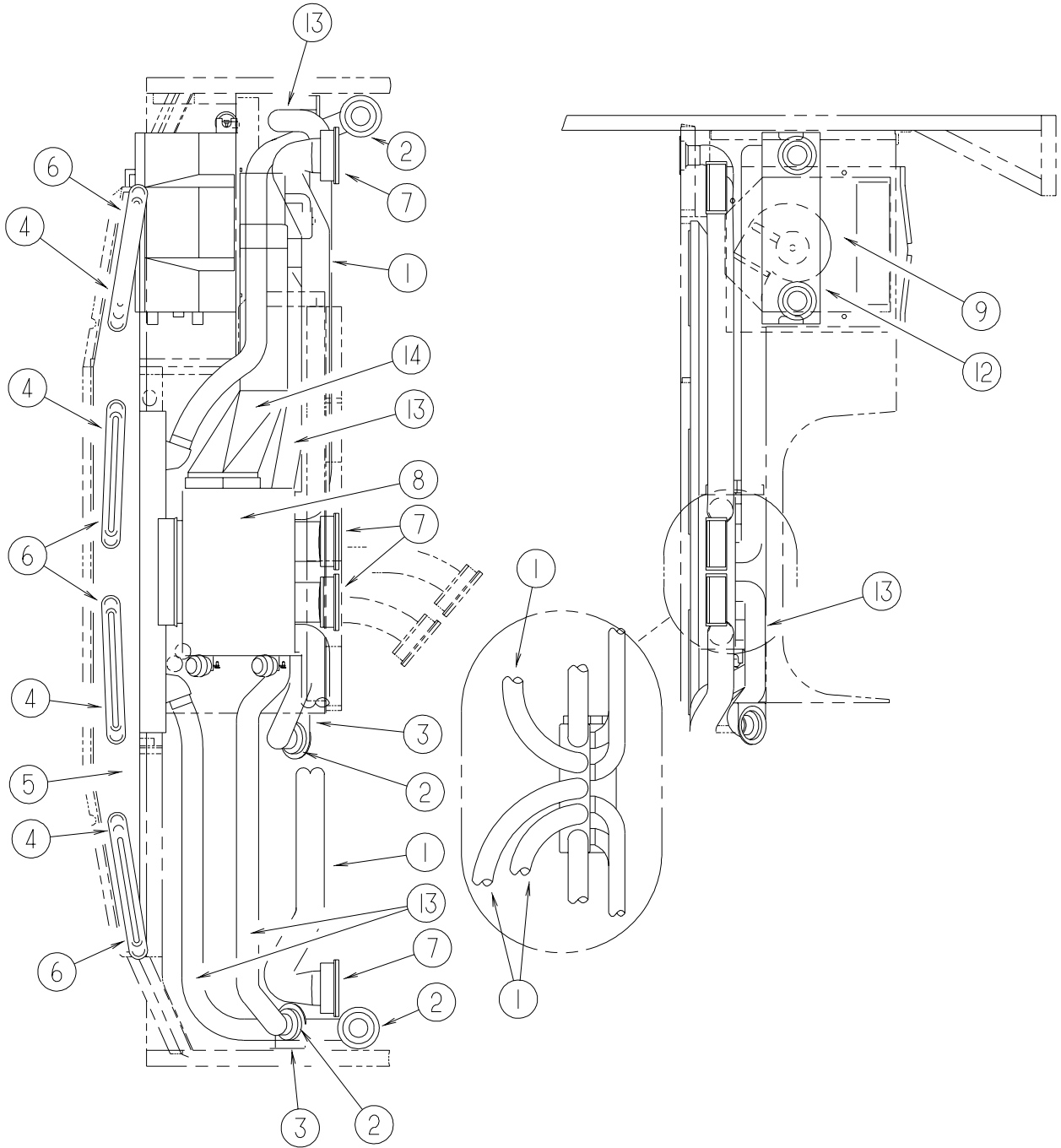
KEY	PART NUMBER	U/M	DESCRIPTION
1	132141-74-L07	EA	DOOR - RAIL/VENEER - 10" X 19.1" - W/O HARDWARE
2	132141-20-L07	EA	DOOR - RAIL/VENEER - 10.8" X 27.9" - W/O HARDWARE
3	131995-J3-L32	EA	DOOR - RAIL/SOLID PANEL - 8" X 60.7" - W/O HARDWARE
4	M09316-F6-L32	EA	DRAWER - OGEE EDGE - 22.1"W X 13.7"D - W/O SLIDES/HARDWARE
5	133890-03-L32	EA	DRAWER - OGEE EDGE - 20.2"W X 15.7"D - W/O SLIDES/HARDWARE
6	133890-02-L32	EA	DRAWER - OGEE EDGE - 9.6"W X 15.7"D - W/O SLIDES/HARDWARE
7	133890-01-L32	EA	DRAWER - OGEE EDGE - 9.6"W X 15.7"D - W/O SLIDES/HARDWARE
8	132141-B4-L32	EA	DOOR - RAIL/VENEER - 15.5" X 29.5" - W/O HARDWARE
9	132141-B1-L32	EA	DOOR - RAIL/VENEER - 10" X 29.5" - W/O HARDWARE
10	132141-B5-L32	EA	DOOR - RAIL/VENEER - 17.9" X 14.3" - W/O HARDWARE
11	133890-04-L32	EA	DRAWER - OGEE EDGE - 20.2"W X 15.7"D - W/O SLIDES/HARDWARE

GENERATOR GROUP GAS



KEY	PART NUMBER	U/M	DESCRIPTION
1	109303-01-000	EA	GENERATOR - 5 KW - EMERALD PLUS FROM: 00-00-00 THRU: 12-19-99
1	109303-02-000	EA	GENERATOR-5.0KW EML P W/TRAY FROM: 12-20-99 THRU: 99-99-99
1	100975-01-000	EA	GENERATOR - 6.5 KW EMERALD PLUS FROM: 00-00-00 THRU: 12-19-99
1	100975-07-000	EA	GENERATOR - 6.5 EMERALD - 30/30 W/TRAY FROM: 12-20-99 THRU: 99-99-99
2	105958-11-000	EA	PIPE - GENERATOR EXHAUST - 1.5" OD X 4.9" X 48.2"
3	007131-01-000	EA	HANGER - TAILPIPE - 6 SLOTS
4	007125-03-000	EA	CLAMP - MUFFLER - 1.5" DIAMETER
5	104644-01-000	EA	ANGLE - FORMED - GENERATOR
6	094059-01-000	EA	SPACER - GENERATOR - ONAN FROM: 00-00-00 THRU: 12-19-99
7	127008-02-02B	EA	TRAY - GENERATOR - 16.2" X 20.8" X 6.9" - W/ANGLE & NUTS FROM: 00-00-00 THRU: 12-19-99
8	079654-05-000	EA	PIPE - EXHAUST - ANGLED W/FLANGE - 2" ID FROM: 00-00-00 THRU: 12-19-99
9	081364-03-000	EA	MUFFLER - GENERATOR - ONAN
10	007125-04-000	EA	CLAMP - MUFFLER - 1.12" DIAMETER
	112365-03-000	EA	BREAKER - 30 AMP GENERATOR

HEATING & A/C GROUP AUTOMOTIVE



HEATING & A/C GROUP (CONTINUED)

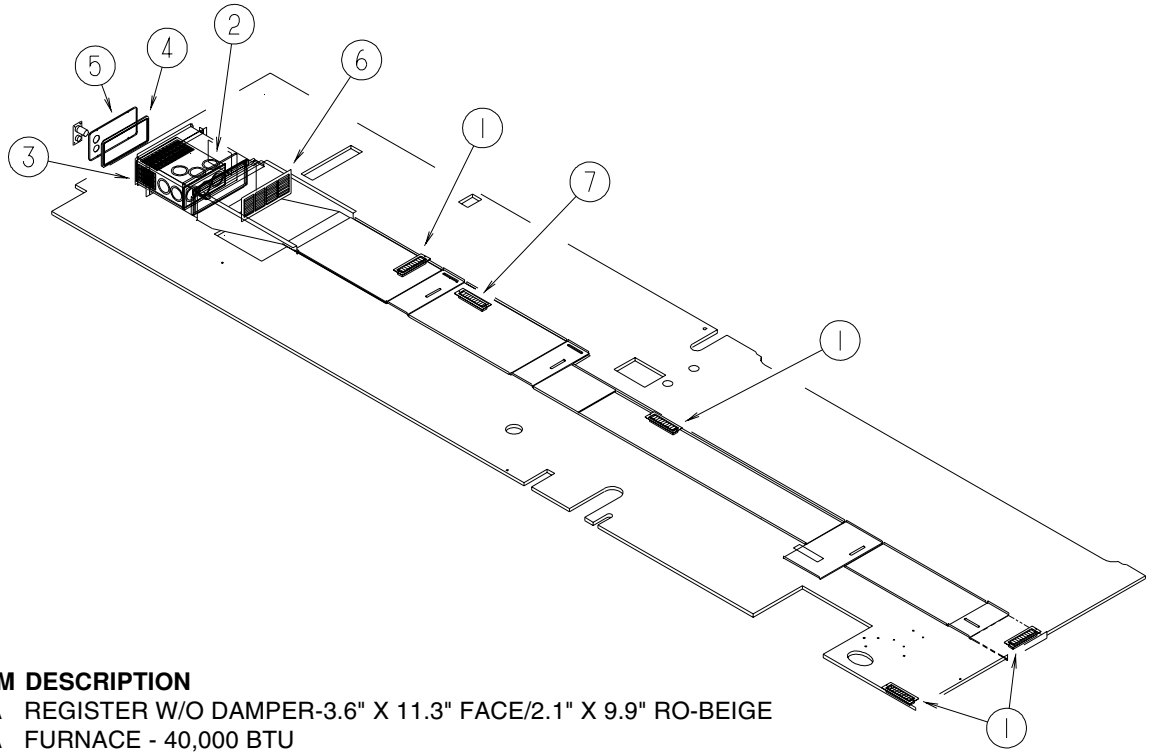
AUTOMOTIVE (CONTINUED)

KEY	PART NUMBER	U/M	DESCRIPTION
1	007281-01-000	EA	HOSE - FLEXIBLE PVC - 2.5" ID X 50'
2	024990-05-000	EA	OUTLET - DEFROSTER - 4" DIAMETER W/SWIVEL DEFLECTORS
3	056402-05-000	EA	BRACKET - HEATER VENT - ROUND W/BEND - BLACK FROM: 00-00-00 THRU: 03-29-00
4	077075-01-000	EA	GASKET - INSTRUMENT PANEL/DEFROSTER PLENUM - .6" X 10.2"
5	103017-03-000	EA	PLENUM - DEFROSTER
6	103558-04-03A	EA	VENT - DEFROSTER - 1.4" X 14.4" X 1.1" - ANTELOPE FROM: 00-00-00 THRU: 05-07-00
6	135265-01-01A	EA	VENT - DEFROSTER - ANTELOPE FROM: 05-08-00 THRU: 99-99-99
	103796-01-01A	EA	LOUVER - A/C-ADJUSTABLE - 2.2" X 5.4" F/2.5" HOSE - BLACK (IN DASH BEZEL) FROM: 00-00-00 THRU: 03-26-00
	135803-01-01A	EA	LOUVER - A/C - 2.5" FROM: 03-27-00 THRU: 99-99-99
7	103796-02-01A	EA	LOUVER - A/C-ADJ W/MOUNT HOLES - 2.5" X 5.8" F/2.5"HOSE (IN DASH FACE)
8*	103930-49-000	EA	CONTROL/PLENUM - LARGE ROTARY
9*	103930-43-000	EA	EVAPORATOR/HEATER ASSEMBLY - NON-CHARGED
10*	103930-44-000	EA	HOSE - EVAPORATOR/DRYER - #6 - FORD
10*	103930-46-000	EA	HOSE - EXPANSION BLOCK (EVAPORATOR) TO COMPRESSOR - WORKHORSE
11	103930-23-000	EA	VALVE - WATER - 2 PORT
12	095757-05-L32	EA	COVER - HEATER (L32, L34)
12	095757-05-L36	EA	COVER - HEATER (L36)
12	077539-01-000	EA	BRACKET - MOUNTING/DASH PANEL - L/SHAPED - 2.5"X1"X1.5"
13	007076-01-000	EA	HOSE - FLEXIBLE PVC - 2" ID - INCREMENTS OF 50'
14	103016-03-000	EA	PLENUM - TRANSITION
15*	103930-45-000	EA	HOSE - EVAPORATOR/COMPRESSOR - FORD
15*	103930-47-000	EA	HOSE - EXPANSION VALVE - RECEIVER DRIER - WORKHORSE
16	076776-01-000	EA	TEE - BEADED - 5/8" X 5/8" X 5/8"
17	007108-01-000	FT	HOSE - HEATER - 5/8" ID - HI-TEMP
	103930-37-000	EA	MANUAL - OWNERS - HEATER/A/C

* COMPONENT PARTS FOUND IN SERVICE PARTS LIBRARY

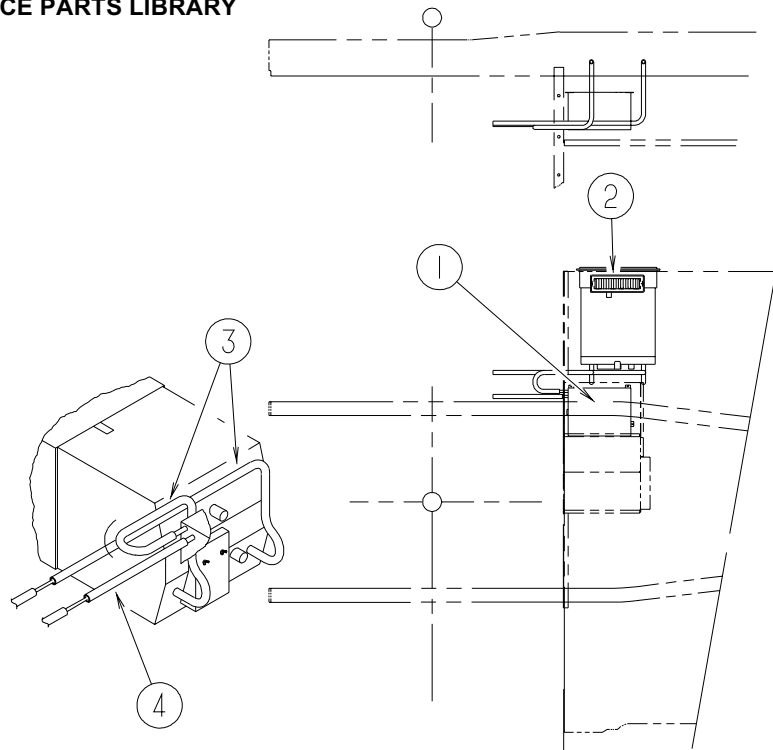
HEATING & A/C GROUP (CONTINUED)

FURNACE



KEY	PART NUMBER	U/M	DESCRIPTION
1	094600-05-01A	EA	REGISTER W/O DAMPER-3.6" X 11.3" FACE/2.1" X 9.9" RO-BEIGE
2*	098668-22-000	EA	FURNACE - 40,000 BTU
	115764-01-01A	EA	THERMOSTAT - FURNACE
3	098668-23-000	EA	DOOR - ACCESS - FURNACE - BRIGHT WHITE
4	098668-14-000	EA	GASKET - FIBERGLASS - .5" X 18" X 18"
5	098668-15-000	EA	PLATE-FACE
6	093614-09-01A	EA	GRILLE - RETURN AIR - 20" X 10" - BEIGE
7	094600-06-01A	EA	REGISTER W/DAMPER-3.6" X 11.3" FACE/2.1" X 9.9" RO-BEIGE

* COMPONENT PARTS FOUND IN SERVICE PARTS LIBRARY



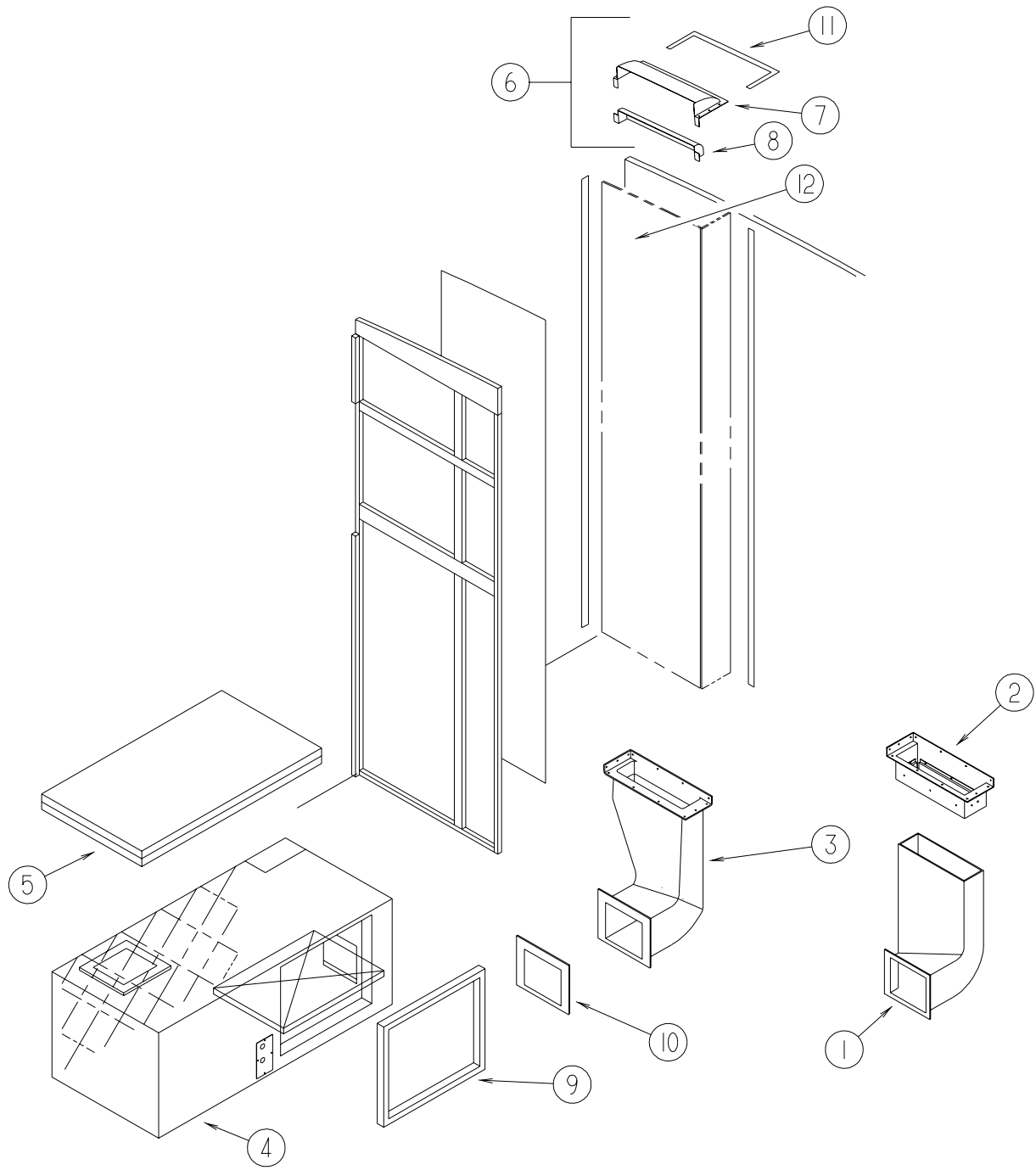
REAR HEATER

KEY	PART NUMBER	U/M	DESCRIPTION
1*	129205-01-000	EA	HEATER - REAR
2	094600-05-01A	EA	REGISTER W/O DAMPER-3.6" X 11.3" FACE/2.1" X 9.9" RO-BEIGE
3	079059-01-000	EA	HOSE - 90 DEGREE - 5/8"ID X 4" X 36"
4	007108-01-000	FT	HOSE - HEATER - 5/8" ID - HI-TEMP

* COMPONENT PARTS FOUND IN SERVICE PARTS LIBRARY

HEATING & A/C GROUP (CONTINUED)

CENTRAL



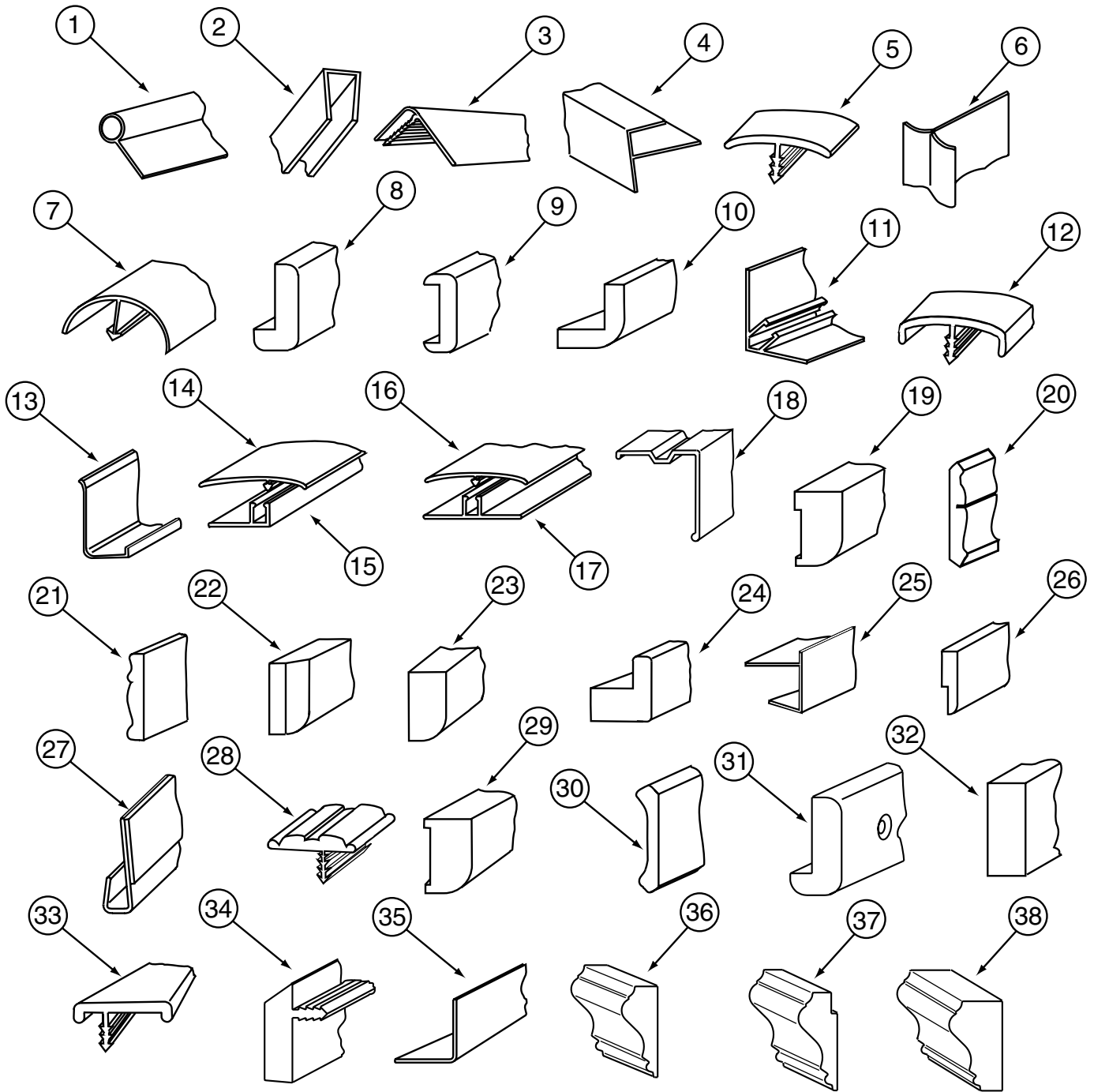
HEATING & A/C GROUP (CONTINUED)

CENTRAL (CONTINUED)

KEY	PART NUMBER	U/M	DESCRIPTION
1	P31935-01-L32	EA	DUCT - A/C FORCED - LOWER W/INSULATION FROM: 00-00-00 THRU: 09-19-99
2	131937-01-01A	EA	PLENUM - A/C - LOWER FROM: 00-00-00 THRU: 09-19-99
3	133767-01-01A	EA	DUCT - CENTRAL AIR/FORCED/LOWER FROM: 09-20-99 THRU: 99-99-99
4*	105620-11-000	EA	A/C CENTRAL PACKAGE - RIGHT HAND POWER SAVER/LARGE BLOWER
4*	105620-12-000	EA	A/C - CONTROL PACK RIGHT HAND/HEAT PUMP - 12,000BTU COMP
5	109050-02-000	EA	FILTER - FIBERGLASS - 1" X 14" X 20"
6	131936-03-L32	EA	DEFLECTOR - A/C - ROOF - 30.11"
7	131936-01-01A	EA	DEFLECTOR - A/C - ROOF - 14.3"
8	131936-02-01A	EA	DEFLECTOR - A/C - ROOF - 16.8"
	134651-01-000	FT	SEAL - 1/2" X 3/4" PSA 1 SIDE FROM: 00-00-00 THRU: 10-23-99
9	134588-01-000	EA	GASKET - DUCT FROM: 10-24-99 THRU: 99-99-99
10	134588-02-000	EA	GASKET - DUCT FROM: 10-24-99 THRU: 99-99-99
11	134650-01-000	EA	GASKET - CABINET FROM: 10-24-99 THRU: 99-99-99
12	117870-04-01A	EA	PLENUM - A/C
	105620-09-000	EA	THERMOSTAT - A/C AND FURNACE FROM: 00-00-00 THRU: 07-16-00
	105620-14-000	EA	THERMOSTAT - A/C AND FURNACE FROM: 07-17-00 THRU: 99-99-99
	105620-13-000	EA	THERMOSTAT - FURNACE/HEAT PUMP-A/C FROM: 00-00-00 THRU: 07-16-00
	105620-15-000	EA	THERMOSTAT - FURNACE/HEAT PUMP-A/C FROM: 07-17-00 THRU: 99-99-99
	120134-01-02A	EA	REGISTER - W/DAMPER - 4" PIPE/7" O.D. FACE - WHITE

* COMPONENT PARTS FOUND IN SERVICE PARTS LIBRARY

INTERIOR FINISH GROUP
MOLDINGS & TRIMS
WATERFORD OAK



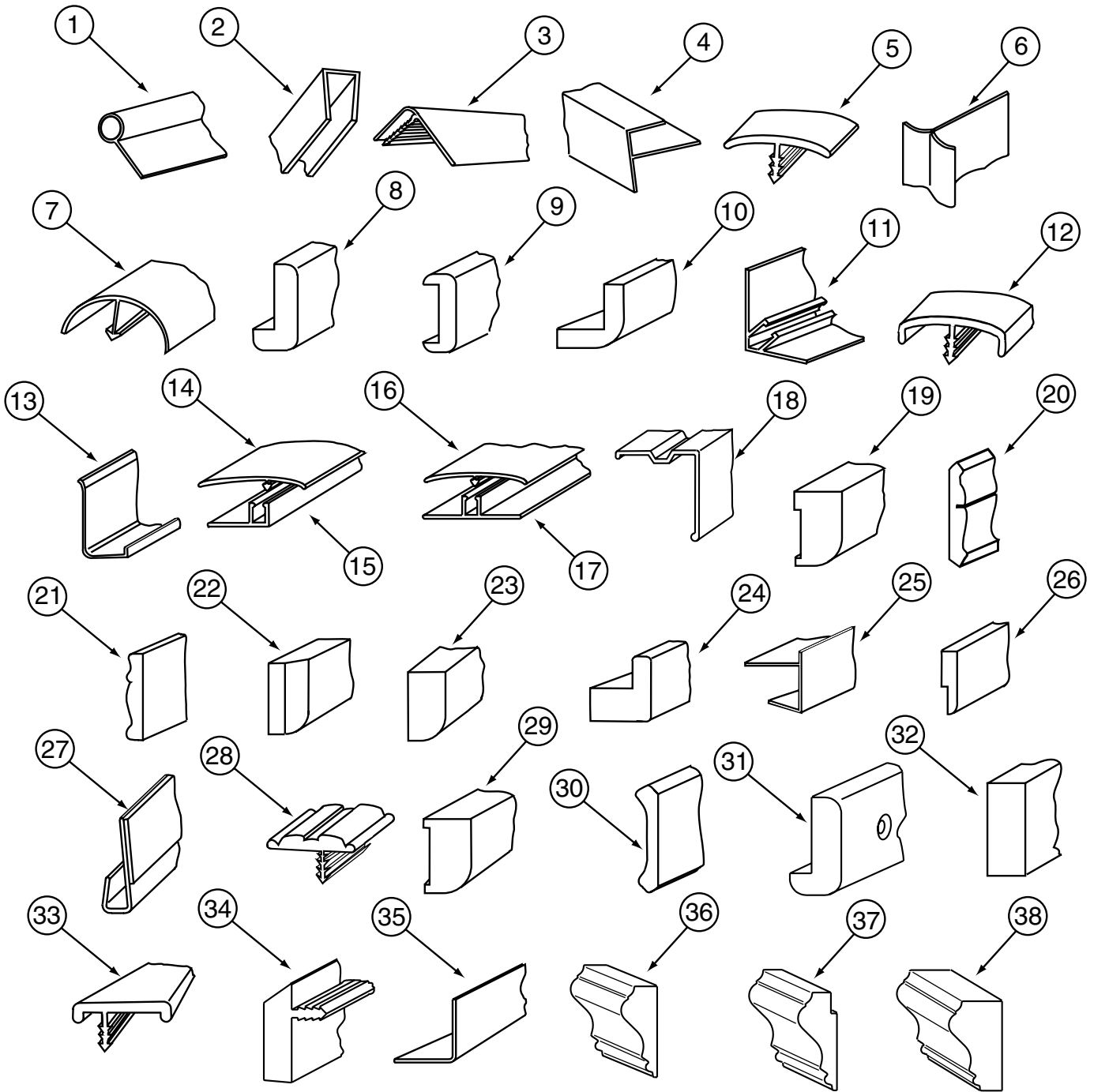
KEY	PART NUMBER	U/M DESCRIPTION
1	009767-12-000	FT WELTING - ANTIQUE WHITE
1	009767-14-000	FT WELTING - CHERRY
1	009767-15-000	FT WELTING - WATERFORD OAK
1	009767-16-000	FT WELTING - REBER BIRCH
2	009778-16-000	FT U-CHANNEL - 1" - PICKLED ASH
2	009778-18-000	FT U-CHANNEL - 1" - CHERRY WOOD/CHERRY STAIN
2	009778-21-000	FT U-CHANNEL - 1" - WATERFORD OAK
2	009778-25-000	FT U-CHANNEL - 1" - BEIGE ILLUSION
2	009778-27-000	FT U-CHANNEL - 1" - WASHED MAPLE
2	009778-31-000	FT U-CHANNEL - 1" - GRADY BROWN
2	070504-03-000	FT U-CHANNEL - PLASTIC - .9" X 96" - GRADY BROWN
2	070504-18-000	FT U-CHANNEL - PLASTIC - .13" X 84" - IVORY

INTERIOR FINISH GROUP (CONTINUED)

MOLDINGS & TRIMS (CONTINUED)

KEY	PART NUMBER	U/M	DESCRIPTION
2	070504-30-000	FT	U-CHANNEL - PLASTIC - .13" X 84" - CHERRY
2	070504-31-000	FT	U-CHANNEL - PLASTIC - .9" X 84" - CHERRY
2	070504-36-000	FT	U-CHANNEL - PLASTIC - .13" X 72" - WATERFORD OAK
2	070504-37-000	FT	U-CHANNEL - PLASTIC - .9" X 84" - WATERFORD OAK
2	070504-42-000	FT	U-CHANNEL - PLASTIC - .13" X 84" - BEIGE ILLUSION
2	070504-50-000	FT	U-CHANNEL - PLASTIC - .13" X 84" - WASHED MAPLE
2	070504-51-000	FT	U-CHANNEL - PLASTIC - .9" X 96" - WASHED MAPLE
2	070504-54-000	FT	U-CHANNEL - PLASTIC - .9" X 96" - VILLAGE OAK
3	009809-27-000	EA	MOLDING - CORNER - OUTSIDE - 1" X 84" - CHERRY-CHERRY
3	009809-28-000	EA	MOLDING - CORNER - OUTSIDE - 1" X 84" - WATERFORD OAK
3	009809-30-000	EA	MOLDING - CORNER - OUTSIDE - 1" X 84" - BEIGE ILLUSION
3	009809-31-000	EA	MOLDING - CORNER - OUTSIDE - 1" X 84" - WASHED MAPLE
3	009809-32-000	EA	MOLDING - CORNER - OUTSIDE - 1" X 84" - PORTSMOUTH OAK
4	009812-24-000	EA	MOLDING - CORNER - 1/2" W/1/4" CHAN X 108" - IVORY PLASTIC
4	009812-26-000	EA	MOLDING - CORNER - 1/2" W/1/4" CHAN X 84" - CHERRY
4	009812-27-000	EA	MOLDING - CORNER - 1/2" W/1/4" CHAN X 84" - PICKLED ASH
4	009812-29-000	EA	MOLDING - CORNER - 1/2" W/1/4" CHAN X 84" - WATERFORD OAK
4	009812-31-000	EA	MOLDING - CORNER - 1/2" W/1/4" CHAN X 84" - BEIGE ILLUSION
4	009812-33-000	EA	MOLDING - CORNER - 1/2" W/1/4" CHAN X 84" - WASHED MAPLE
4	009812-34-000	EA	MOLDING - CORNER - 1/2" W/1/4" CHAN X 84" - VW LIGHT GRAY
4	009812-35-000	EA	MOLDING - CORNER - 1/2" W/1/4" CHAN X 84" - PORTSMOUTH OAK
5	009815-09-000	FT	MOLDING-T - W/EDGE LIP - 3/4" FACE - IVORY
5	105709-02-000	FT	MOLDING-T - W/EDGE LIP - 3/4" FACE - BEIGE ILLUSION
6	022992-11-000	FT	MOLDING - REVERSE COVE - T-SHAPED - IVORY
6	022992-14-000	FT	MOLDING - REVERSE COVE - T-SHAPED - BRIGHT WHITE
6	022992-15-000	FT	MOLDING - REVERSE COVE - T-SHAPED - VW GRAY
7	042357-18-000	EA	MOLDING - CORNER - RADIUS/PLASTIC - PICKLED ASH
7	042357-19-000	EA	MOLDING - CORNER - RADIUS/PLASTIC - CHERRY
7	042357-20-000	EA	MOLDING - CORNER - RADIUS/PLASTIC - WATERFORD OAK
7	042357-25-000	EA	MOLDING - CORNER - RADIUS/PLASTIC - WASHED MAPLE
7	042357-26-000	EA	MOLDING - CORNER - RADIUS/PLASTIC - PORTSMOUTH OAK
8	077840-01-E41	EA	MOLDING - WALL CAP - 8' - SALEM CHERRY
8	077840-01-G01	EA	MOLDING - WALL CAP - 8' - WATERFORD OAK
8	077840-01-J70	EA	MOLDING - WALL CAP - 8' - WASHED MAPLE
9	078323-06-G15	EA	MOLDING - CAP/WALL - 79.6" - WATERFORD OAK
10	080176-08-000	EA	CAP - CORNER - RADIUS MOLDING - PLASTIC - WASHED MAPLE
11	081521-02-007	EA	MOUNT - METAL MOLDING - F/RADIUS CORNER MOLDING - 151.5"
12	083620-09-000	FT	MOLDING-T - W/EDGE LIP - 7/8" FACE - MODERN IVORY
12	083620-11-000	FT	MOLDING-T - W/EDGE LIP - 7/8" FACE - CHERRY
12	083620-12-000	FT	MOLDING-T - W/EDGE LIP - 7/8" FACE - WATERFORD OAK
12	083620-15-000	FT	MOLDING-T - W/EDGE LIP - 7/8" FACE - BEIGE ILLUSION
12	083620-19-000	FT	MOLDING-T - W/EDGE LIP - 7/8" FACE - WASHED MAPLE
12	104676-02-02A	FT	MOLDING-T - W/EDGE LIP - 11/16" FACE - PICKLED ASH
12	104676-02-03A	FT	MOLDING-T - W/EDGE LIP - 11/16" FACE - CHERRY-CHERRY
12	104676-02-04A	FT	MOLDING-T - W/EDGE LIP - 11/16" FACE - WATERFORD OAK
12	104676-02-06A	FT	MOLDING-T - W/EDGE LIP - 11/16" FACE - WASHED MAPLE
12	104676-02-08A	FT	MOLDING-T - W/EDGE LIP - 11/16" FACE - PORTSMOUTH OAK
13	085746-04-000	FT	TRIM-J - CARPET 1.2" X .5" ANGLE - 10' LONG - OFF WHITE
14	086229-12-000	EA	BATTEN - 1.5" OFFSET X 96.8" - MODERN IVORY
15	086229-11-000	EA	RETAINER - OFFSET - 97.01"
16	086229-15-000	EA	BATTEN - 1" X 96" - MODERN IVORY
16	086229-19-000	EA	BATTEN - 1" X 98.3" - OFF WHITE
16	086229-20-000	EA	BATTEN - 1" X 96" - BEIGE
17	086229-01-000	EA	RETAINER - BATTEN - .75" X 92.1" - ANY COLOR
17	086229-14-000	EA	RETAINER - BATTEN - .75" X 98.3" - ANY COLOR
18	093873-01-01A	EA	TRIM - CARPET - L-ANGLE 1.1" X 1.3" X 12' - GRAY VINYL
19	126204-D2-134	EA	MOLDING - VINYL WRAPPED - .7" X 1.6" X 84" - WASHED MAPLE
19	126204-F2-134	EA	MOLDING - VINYL WRAPPED - .7" X 2.5" X 84" - WASHED MAPLE
19	126204-F2-438	EA	MOLDING - VINYL WRAPPED - .7" X 2.6" X 96" - WASHED MAPLE

INTERIOR FINISH GROUP (CONTINUED)
MOLDINGS & TRIMS (CONTINUED)
WATERFORD OAK



KEY	PART NUMBER	U/M	DESCRIPTION
20	111136-D2-134	EA	MOLDING - VINYL WRAPPED - .7" X 1.6" X 7' - CHERRY
20	111136-F2-134	EA	MOLDING - VINYL WRAPPED - .7" X 2.6" X 84" - CHERRY
20	111136-F2-438	EA	MOLDING - VINYL WRAPPED - .7" X 2.5" X 8' - CHERRY
21	100182-01-G15	EA	TRIM - RAIL - WATERFORD OAK
22	100659-27-G15	EA	MOLDING - TRIM - WATERFORD OAK
23	100818-01-03A	EA	MOLDING - VINYL WRAPPED - 1.6" X .4" X 84" - PICKLED ASH
23	100818-01-04A	EA	MOLDING - VINYL WRAPPED - 1.6" X .4" X 84" - WATERFORD OAK
23	100818-01-05A	EA	MOLDING - VINYL WRAPPED - 1.6" X .4" X 84" - CHERRY CHERRY
23	100818-01-08A	EA	MOLDING - VINYL WRAPPED - 1.6" X .4" X 84" - WASHED MAPLE
23	100818-01-09A	EA	MOLDING - VINYL WRAPPED - 1.6" X .4" X 84" - PORTSMOUTH OAK
24	100819-01-03A	EA	MOLDING - VINYL WRAPPED - L-SHAPED - 1.5"X1.5"X84" - PICKLED ASH
24	100819-01-04A	EA	MOLDING - VINYL WRAPPED - L-SHAPED - 1.5"X1.5"X84" - CHERRY
24	100819-01-05A	EA	MOLDING - VINYL WRAPPED - L-SHAPED - 1.5"X1.5"X84" - OAK
24	100819-01-08A	EA	MOLDING - VINYL WRAPPED - L-SHAPED - 1.5"X1.5"X84" - WASHED MAPLE
24	100819-01-09A	EA	MOLDING - VINYL WRAPPED - L-SHAPED - 1.5"X1.5"X84" - PORTSMOUTH OAK

INTERIOR FINISH GROUP (CONTINUED)

MOLDINGS & TRIMS (CONTINUED)

KEY	PART NUMBER	U/M	DESCRIPTION
25	103186-01-04A	FT	MOLDING - PLASTIC 3/8" U-CHANNEL W/3/4" FACE - CHERRY
25	103186-01-03A	FT	MOLDING - PLASTIC 3/8" U-CHANNEL W/3/4" FACE - PICKLED ASH
25	103186-01-05A	FT	MOLDING - PLASTIC 3/8" U-CHANNEL W/3/4" FACE - WATERFORD OAK
25	103186-01-08A	FT	MOLDING - PLASTIC 3/8" U-CHANNEL W/3/4" FACE - WASHED MAPLE
25	103186-01-07A	FT	MOLDING - PLASTIC 3/8" U-CHANNEL W/3/4" FACE - BEIGE ILLUSION
25	103186-01-09A	FT	MOLDING - PLASTIC 3/8" U-CHANNEL W/3/4" FACE - PORTSMOUTH OAK
25	103186-02-03A	FT	MOLDING - PLASTIC - 1" U-CHANNEL 1 3/8" FACE - PICKLED ASH
25	103186-02-04A	FT	MOLDING - PLASTIC - 1" U-CHANNEL 1 3/8" FACE - CHERRY
25	103186-02-05A	FT	MOLDING - PLASTIC - 1" U-CHANNEL 1 3/8" FACE - WATERFORD OAK
25	103186-02-07A	FT	MOLDING - PLASTIC - 1" U-CHANNEL 1 3/8" FACE - BEIGE ILLUSION
25	103186-02-08A	FT	MOLDING - PLASTIC - 1" U-CHANNEL 1 3/8" FACE - WASHED MAPLE
25	103186-02-09A	FT	MOLDING - PLASTIC - 1" U-CHANNEL 1 3/8" FACE - PORTSMOUTH OAK
26	105004-01-03A	EA	MOLDING - VINYL WRAPPED - 1" X 96" - SALEM CHERRY
26	105004-01-04A	EA	MOLDING - VINYL WRAPPED - 1" X 96" - PICKLED ASH
26	105004-01-05A	EA	MOLDING - VINYL WRAPPED - 1" X 96" - WATERFORD OAK
26	105004-01-08A	EA	MOLDING - VINYL WRAPPED - 1" X 96" - WASHED MAPLE
26	105004-01-09A	EA	MOLDING - VINYL WRAPPED - 1" X 96" - PORTSMOUTH OAK
27	109332-02-03A	FT	TRIM-J - W/O ADHESIVE - SALEM CHERRY
27	109332-02-05A	FT	TRIM-J - W/O ADHESIVE - WASHED MAPLE
27	109332-02-06A	EA	TRIM-J - W/O ADHESIVE - PORTSMOUTH OAK
28	109736-02-01A	FT	MOLDING-T/OFFSET - W/EDGE LIP - 1" FACE - NATURAL OAK
29	117268-D2-134	EA	MOLDING - VINYL WRAPPED - .7" X 1.6" X 84" - WATERFORD OAK
29	117268-F2-134	EA	MOLDING - VINYL WRAPPED - .7" X 2.7" X 84" - WATERFORD OAK
29	117268-F2-438	EA	MOLDING - VINYL WRAPPED - .7" X 2.6" X 96" - WATERFORD OAK
30	113794-01-03A	FT	MOLDING - CROWN - 3.45" - MAPLE
30	113794-02-03A	FT	MOLDING - CROWN - 1.8" - MAPLE
31	116280-02-GV0	EA	MOLDING - CAP - PICKLED ASH
31	116280-02-GV1	EA	MOLDING - CAP - SALEM CHERRY
31	116280-02-J70	EA	MOLDING - CAP - WASHED MAPLE
31	116280-02-L95	EA	MOLDING - CAP - WATERFORD OAK
32	111134-F2-438	EA	LUMBER - VINYL WRAPPED - .7" X 2.5" X 96" - CHERRY
32	117267-D2-438	EA	LUMBER - VINYL WRAPPED - .7" X 1.5" X 96" - WATERFORD OAK
32	117267-E2-438	EA	LUMBER - VINYL WRAPPED - .7" X 2" X 96" - WATERFORD OAK
32	117267-F2-438	EA	LUMBER - VINYL WRAPPED - .7" X 2.5" X 96" - WATERFORD OAK
32	117267-J2-438	EA	LUMBER - VINYL WRAPPED - .7" X 5.5" X 96" - WATERFORD OAK
32	117267-R2-438	EA	LUMBER - VINYL WRAPPED - .7" X 3" X 96" - WATERFORD OAK
32	126205-D2-438	EA	LUMBER - VINYL WRAPPED - .7" X 1.5" X 96" - WASHED MAPLE
32	126205-E2-438	EA	LUMBER - VINYL WRAPPED - .7" X 2" X 96" - WASHED MAPLE
32	126205-F2-438	EA	LUMBER - VINYL WRAPPED - .7" X 2.5" X 96" - WASHED MAPLE
32	126205-G2-438	EA	LUMBER - STAINED - .7" X 3" X 96" - WASHED MAPLE
32	126205-J2-438	EA	LUMBER - VINYL WRAPPED - .7" X 5.5" X 96" - WASHED MAPLE
32	126205-R2-438	EA	LUMBER - VINYL WRAPPED - .7" X 3" X 96" - WASHED MAPLE
33	119520-01-01A	FT	MOLDING-T/OFFSET - W/EDGE LIP - 1"FACE - OFF WHITE
34	130247-01-01A	FT	MOLDING-T/OFF SET - 1.3" FACE - WATERFORD OAK
34	130247-01-02A	FT	MOLDING-T/OFF SET - 1.3" FACE - WASHED MAPLE
34	130247-01-03A	FT	MOLDING-T/OFF SET - 1.3" FACE - SALEM CHERRY
34	130247-01-04A	FT	MOLDING-T/OFF SET - 1.3" FACE - PORTSMOUTH OAK
35	130262-01-000	EA	PROTECTOR - CORNER SAVER - .7" X .7" X 5.9"
36	131923-01-01A	FT	MOLDING - CROWN - ASH
36	131923-01-02A	FT	MOLDING - CROWN - CHERRY
36	131923-01-03A	FT	MOLDING - CROWN - HARD WHITE MAPLE
37	131923-02-01A	FT	MOLDING - PICTURE - ASH
37	131923-02-02A	FT	MOLDING - PICTURE - CHERRY
37	131923-02-03A	FT	MOLDING - PICTURE - HARD WHITE MAPLE
38	131923-03-01A	FT	MOLDING - CROWN - DIVIDER - ASH
38	131923-03-02A	FT	MOLDING - CROWN - DIVIDER - CHERRY
38	131923-03-03A	FT	MOLDING - CROWN - DIVIDER - HARD WHITE MAPLE

PANELING, LAMINATES, BAT & EDGE BANDING

KEY	PART NUMBER	U/M	DESCRIPTION
	074497-28-000	SF	PANELING - WATERFORD OAK - 4' X 8'
	088272-J3-000	SF	PANELING - PHOENIX/NEUTRAL - 4' X 7' (L32, L34)
	088272-J6-000	SF	PANELING - CIRRUS - 4' X 8' (L36)
	088272-H9-000	SF	PANELING - PEBBLE EMBOSSED - WHITE (DRAWER BOTTOMS)
	000846-01-000	SF	PLYWOOD - 5/16" X 48" X 96" - CD GRADE

INTERIOR FINISH GROUP (CONTINUED)
PANELING, LAMINATES, BAT & EDGE BANDING (CONTINUED)

KEY	PART NUMBER	U/M	DESCRIPTION
	000846-02-000	SF	PLYWOOD/UNDERLAYMENT - 5/16" X 48" X 96"
	000885-76-000	SF	PARTICLE BOARD - 3/8" X 48" X 96" - WATERFORD OAK - VINYL 1 SIDE
	000885-77-000	SF	PARTICLE BOARD - 3/8" X 48" X 96" - WATERFORD OAK - VINYL 2 SIDE
	000885-78-000	SF	PARTICLE BOARD - 1/2" X 48" X 96" - WATERFORD OAK - VINYL 2 SIDE
	000885-79-000	SF	PARTICLE BOARD - 3/4" X 48" X 96" - WATERFORD OAK - VINYL 2 SIDE
	074498-52-000	SF	LAMINATE - PLASTIC - WHITE ETHOS - 5' X 8'
	074498-77-000	SF	LAMINATE - PLASTIC - ART CABIN (WATERFORD OAK) - 4' X 8'
	122481-17-000	FT	WALLPAPER - 6.8" BORDER (L32)
			FROM: 00-00-00 THRU: 09-12-99
	132610-04-02A	FT	BORDER - WALLPAPER - 5" (L32)
			FROM: 09-13-99 THRU: 09-29-99
	132610-05-02A	FT	BORDER - WALLPAPER - 7" - IVORY COAST (L32)
			FROM: 09-30-99 THRU: 99-99-99
	132610-03-01A	FT	BORDER - WALLPAPER - 6 7/8" - SELF ADHESIVE (L34)
			FROM: 00-00-00 THRU: 09-20-99
	132610-05-03A	FT	BORDER - WALLPAPER - 7" (L34)
			FROM: 09-21-99 THRU: 99-99-99
	122481-20-000	FT	WALLPAPER - 6.8" BORDER (L36)
	126339-01-000	SF	BOARD - WHEAT - 60" X 72"
	069733-83-000	EA	BATT STRIP - WOODGRAINED/WATERFORD OAK - 8'
	088263-G3-000	EA	BATT STRIP - DECORATIVE - PHOENIX/NEUTRAL - 8' (L32, L34)
	088263-G6-000	EA	BATT STRIP - DECORATIVE - CIRRUS - 8' LONG - 8' (L36)
	085284-B5-000	FT	BATT TAPE - ADHESIVE BACKED - WOODGRAINED - WATERFORD OAK
	085284-G2-000	FT	BATT TAPE - ADHESIVE BACKED - DECORATIVE - PHOENIX/NEUTRAL (L32, L34)
	085284-G5-000	FT	BATT TAPE - ADHESIVE BACKED - DECORATIVE - CIRRUS (L36)

ACCESSORIES

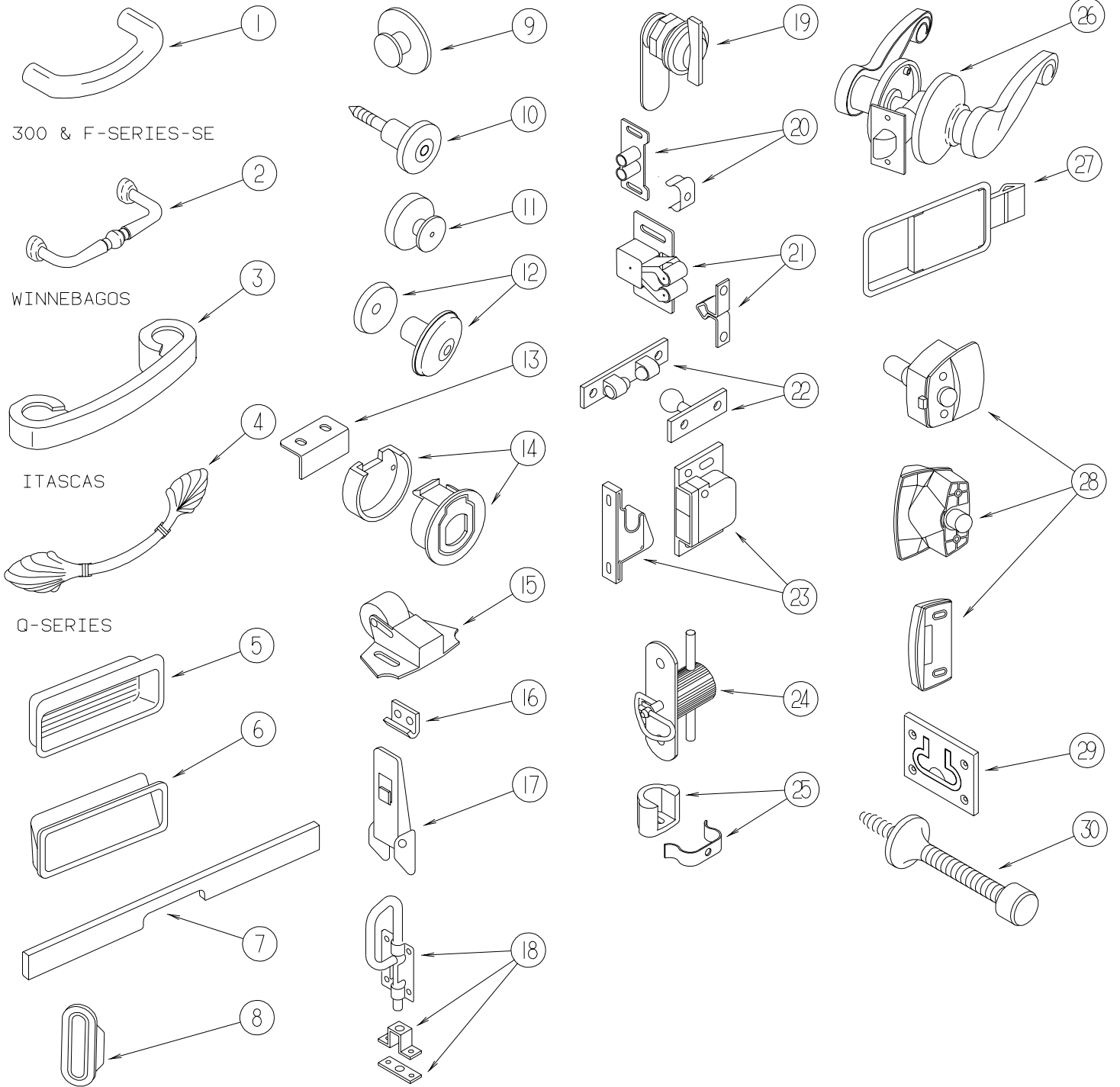
KEY	PART NUMBER	U/M	DESCRIPTION
	072852-01-000	EA	DETECTOR - SMOKE - W/9 VOLT BATTERY - US
	094499-03-000	EA	EXTINGUISHER/FIRE - DRY - 10BC - W/GAUGE - W/O BRACKET
	094499-02-000	EA	EXTINGUISHER/FIRE - DRY - 1A10BC - CANADIAN
	094499-04-000	EA	BRACKET - FIRE EXTINGUISHER
	072852-02-000	EA	DETECTOR - SMOKE - W/9 VOLT BATTERY - CANADIAN
	118081-02-01A	EA	CLOCK - WALL - ROUND 8" - BRASS
	132738-01-01A	EA	CLOCK - DIGITAL W/ALARM - 12 VOLT - BLACK
	125136-01-000	EA	CO DETECTOR - GAS - ROUND W/2 SCREWS - 9 VOLT
	131493-02-03A	EA	PICTURE - BOUQUET - 13" X 15"
	133426-01-02B	EA	BRACKET - MIRROR - MOUNTING - E-COATED
	058331-H7-000	EA	MIRROR - SAFETY GLASS - 17.4" X 68.7"
	058331-J9-000	EA	MIRROR - SAFETY GLASS - 10.3" X 18.2"
	058331-K3-000	EA	MIRROR - SAFETY GLASS - 12" X 24"
	064781-07-000	EA	HOLDER/CUP - TWO STEP - BLACK
	113195-25-01A	EA	MIRROR - BEVELED SAFETY GLASS - 15.7" X 31.4"
	117047-01-000	EA	BUMPER - RUBBER - WASHER INSERT
	131058-01-01A	EA	HAND RAIL - INTERIOR - ENTRY DOOR - TOPLINE WHITE
			FROM: 00-00-00 THRU: 07-25-99
	131058-03-02A	EA	HANDRAIL - INTERIOR ENTRY DOOR - BLACK
			FROM: 07-26-99 THRU: 10-10-99
	131058-03-02A	EA	HANDRAIL - INTERIOR ENTRY DOOR - BLACK
			FROM: 10-11-99 THRU: 99-99-99
	131494-01-01A	EA	MIRROR - BEVELED - 24" X 36"

FLOOR COVERINGS

KEY	PART NUMBER	U/M	DESCRIPTION
	042720-25-000	SY	VINYL - FLOOR COVERING - 14' WIDE - MODULATION
	091261-01-000	FT	SLIPNOT - ANTISLIP - 1'WIDE
	093486-01-000	SY	CARPET - COMPARTMENT - 72" WIDE - DARK GRAY
	096060-E4-000	SY	CARPET - COMMANDER - LT BAROQUE (L32, L34)
			FROM: 00-00-00 THRU: 10-24-99
	096060-G8-000	SY	CARPET - CAMEL - INCREMENTS OF 4 SY YDS (L32, L34)
			FROM: 10-25-99 THRU: 99-99-99
	096060-E3-000	SY	CARPET - COMMANDER - BARELY PLUM (L36)
	096764-02-000	FT	SLIPNOT - ANTISLIP - 1'WIDE (100' ROLLS)
	105924-01-L32	EA	MAT - FLOOR - 18" X 27"
	124253-01-02A	EA	VINYL - FLOOR PLANK - 3" X 12" - MAPLE

INTERIOR FINISH GROUP (CONTINUED)

HARDWARE

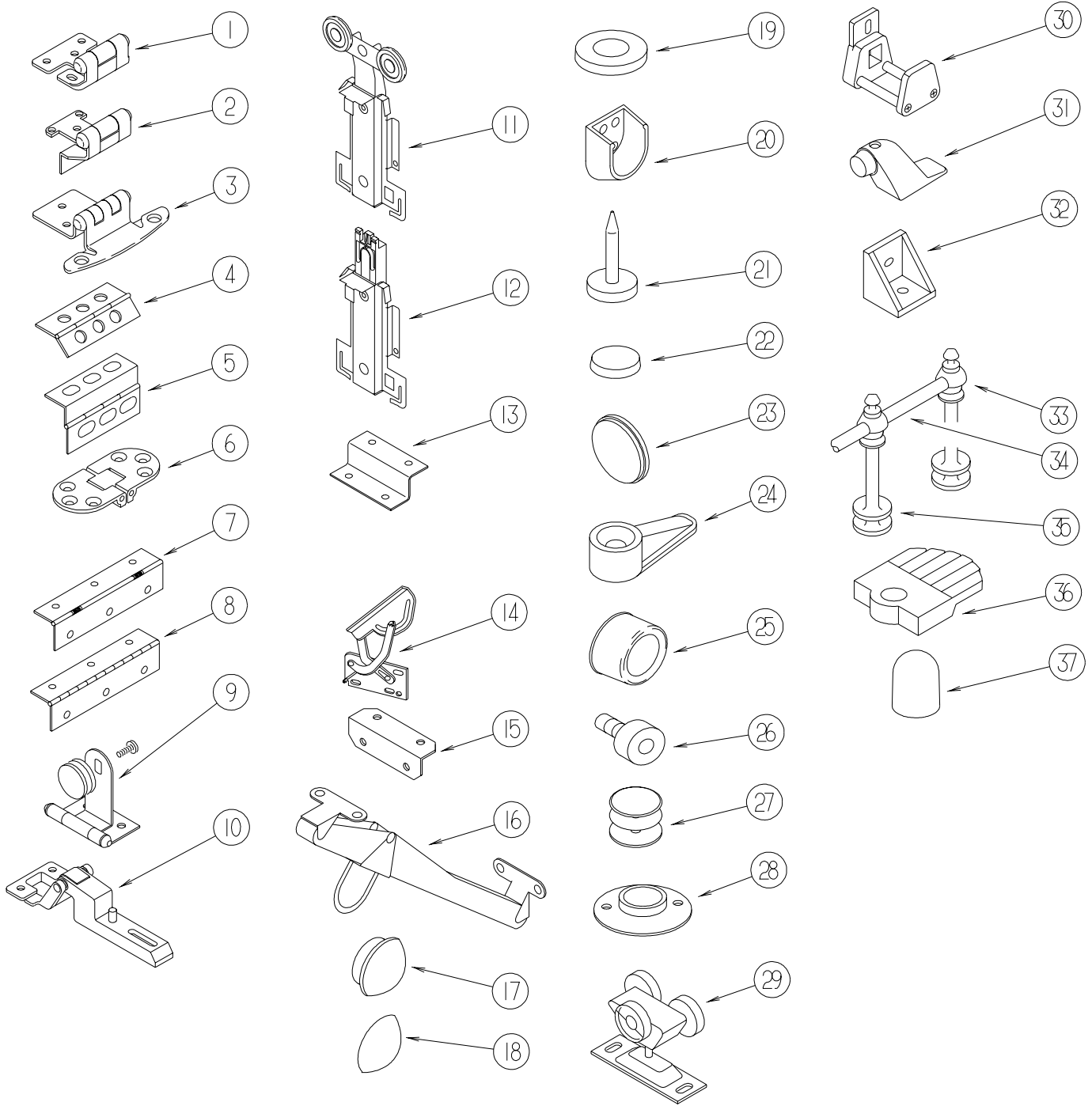


INTERIOR FINISH GROUP (CONTINUED)

HARDWARE (CONTINUED)

KEY	PART NUMBER	U/M	DESCRIPTION
1	131964-01-01A	EA	PULL - CABINET - POLISHED BRASS
2	131963-01-01A	EA	PULL - CABINET - POLISHED BRASS
3	131962-01-01A	EA	PULL - CABINET - POLISHED BRASS
4	117923-01-01A	EA	PULL - CABINET - BURNISHED BRASS - 5.5"
4	131965-01-01A	EA	PULL - CABINET - BURNISHED BRASS - 6.3"
5	124311-01-01A	EA	HANDLE - RECESSED - BRASS
6	115994-01-01A	EA	HANDLE - POCKET
7	126866-01-L81	EA	HANDLE - TAMBOUR DOOR - 18.6" - PORTSMOUTH OAK
7	126866-04-KQ0	EA	HANDLE - TAMBOUR DOOR - 14.7" - WASHED MAPLE
7	126866-05-K09	EA	HANDLE - TAMBOUR DOOR - 11.5" WASHED MAPLE
7	126866-04-KQ1	EA	HANDLE - TAMBOUR DOOR - 14.7" - CHERRY
7	126866-04-L95	EA	HANDLE - TAMBOUR DOOR - 14.7" WATERFORD OAK
7	126866-05-K07	EA	HANDLE - TAMBOUR DOOR - 11.5" WATERFORD OAK
8	098410-01-01A	EA	PULL - FINGER - OVAL - BRASS
9	125221-01-01A	EA	PULL - MIRROR - W/ROUND HANDLE
10	113800-01-000	EA	KNOB - CABINET - BRASS
11	133313-01-01A	EA	PULL - DRAWER KNOB - BURNISHED BRASS
11	133313-01-02A	EA	PULL - DRAWER KNOB - BRIGHT BRASS
12	117978-01-01A	EA	KNOB - DOOR - BRIGHT BRASS
13	113375-02-01A	EA	STRIKE - DOOR - CHROME
14	113375-05-01A	EA	LATCH - SLAM - BACK - .8" THICK
14	113375-06-01A	EA	LATCH - SLAM - FACE - .7" THICK
15	109403-01-000	EA	CATCH - SINGLE ROLLER - SCREEN DOOR
16	116975-02-01A	EA	KEEPER/STRIKE - BLACK - NEW STYLE
17	116975-01-01A	EA	LATCH - W/O STRIKE - BLACK - NEW STYLE
18	103256-01-000	EA	LATCH - SLIDE
19	100710-01-01A	EA	LOCK - GLASS DOOR/TWIST TYPE - BRASS
20	009021-01-000	EA	CATCH - GRILLE - NYLON
20	009021-02-000	EA	STRIKE - SPRING STEEL
21	093586-04-000	EA	STRIKE - SPRING STEEL - 1.14"
21	093586-05-000	EA	STRIKE - SPRING STEEL
21	093586-03-000	EA	CATCH - SPRING ROLLER - .377"
21	093586-06-000	EA	CATCH - SPRING - ROLLER
22	084451-01-000	EA	CATCH - BRASS
23	117095-01-01A	EA	CATCH - DOOR - GRABBER W/KEEPER - PLASTIC - BLK - 5LB PULL
23	117095-02-01A	EA	LATCH - DOOR - GRABBER W/KEEPER - PLASTIC - BLK-10LB PULL
24	098196-01-000	EA	LATCH - 1/4 TURN - T-BAR
25	129703-01-01A	EA	CATCH ASSEMBLY
26	111155-01-01A	EA	LOCK - PRIVACY/LOCKING - POLISHED BRASS
26	111155-05-01A	EA	LOCK - PRIVACY/LOCKING
27	127349-01-01A	EA	LATCH - PADDLE
28	058335-03-000	EA	LATCH W/O LOCK - BATHROOM DOOR BLACK
29	072871-01-000	EA	PULL - FLUSH - CHROME
30	103194-01-000	EA	STOP - BATH DOOR

INTERIOR FINISH GROUP (CONTINUED)
HARDWARE (CONTINUED)

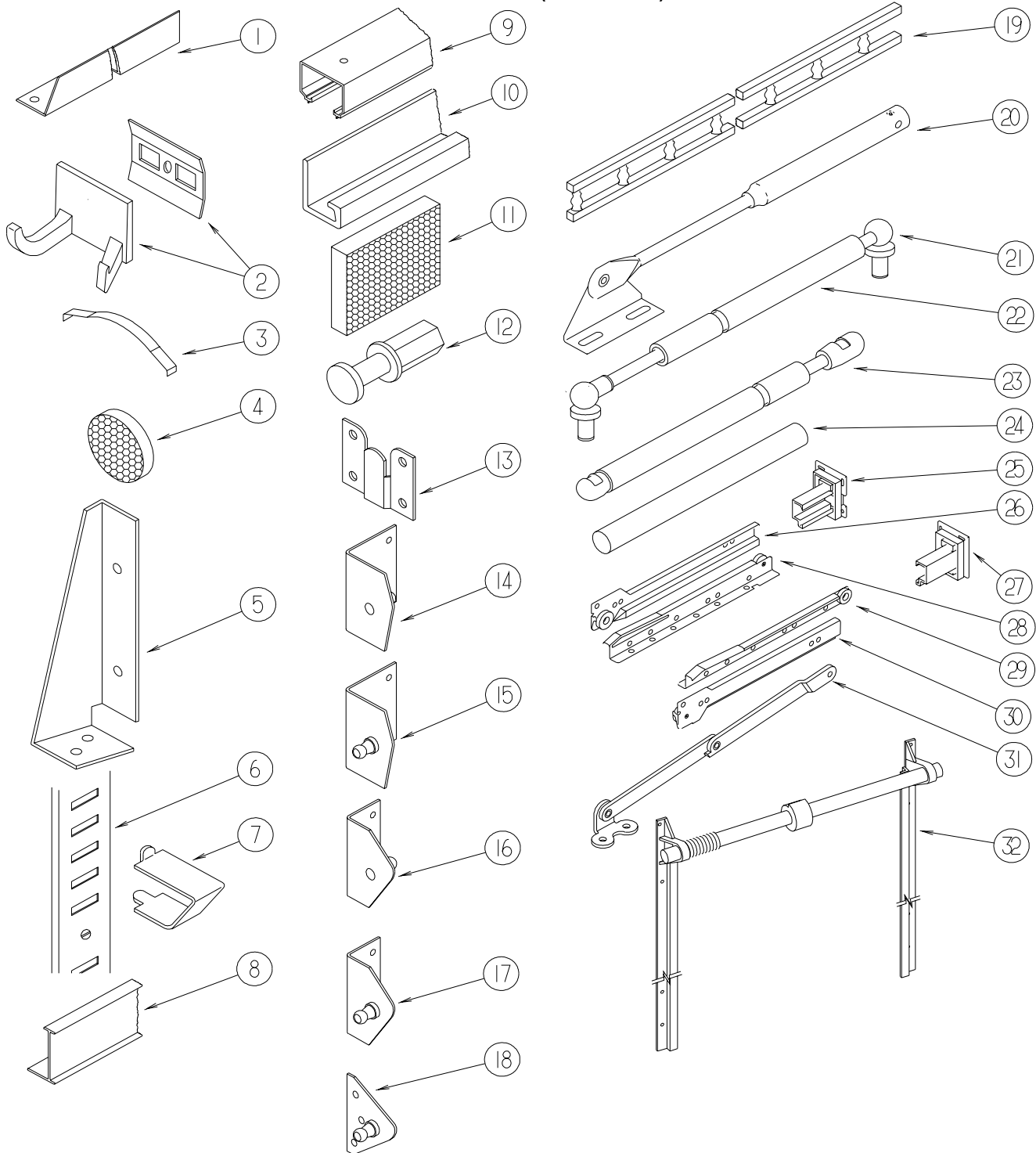


KEY	PART NUMBER	U/M DESCRIPTION
1	113676-01-01A	EA HINGE - OVERLAY - VARIABLE
2	113677-01-01A	EA HINGE - SELF CLOSING
3	108138-03-000	EA HINGE - BRIGHT BRASS
	000G13-06-08G	EA SCREW - 6-20 X .50 PFH - ANTIQUE BRASS
4	009059-01-000	EA HINGE - DOOR - 2" X 1.4" - BRASS
4	009059-02-000	EA HINGE - DOOR - 2" X 2.7" - BRASS
4	041389-18-000	EA HINGE - PIANO - 1 1/2" X 19" - OFF WHITE
4	041389-35-000	EA HINGE - PIANO - OFF WHITE - 31"
5	118802-01-02A	EA HINGE - DOOR - CABINET - HAMPTON TAN
6	111535-01-000	EA HINGE - TABLE/FOLDING

INTERIOR FINISH GROUP (CONTINUED)**HARDWARE (CONTINUED)**

KEY	PART NUMBER	U/M	DESCRIPTION
7	102920-01-01A	EA	HINGE/SPRING LOADED - BRASS
8	084413-01-000	EA	HINGE/CONTINUOUS - ALUMINUM 1" X 72" - W/HOLES
8	110496-01-01A	EA	HINGE - BRASS
9	100711-01-01A	EA	HINGE - GLASS DOOR
10	114443-01-01A	EA	HINGE - CABINET DOOR
11	107390-02-000	EA	CORNER HANGER (DOUBLE ROLLER W/BRACKET) (SOLD AS 1 EACH)
12	107391-01-000	EA	TGUIDE - BOTTOM - BY-PASS (4 USED PER DOOR)
13	101926-01-02A	EA	BRACKET - ZEE - BLACK
14	108126-01-000	EA	TRAY HINGE SET (QTY. 2 PER SET)
15	016604-01-000	EA	BRACE - CABINET - ANGLE - 2.5" - UNPAINTED METAL
15	016604-05-000	EA	BRACE - CABINET - ANGLE - 2.5" - OFF WHITE METAL
16	104181-01-01A	EA	SUPPORT - LEAF 5.3" EXTENDS TO 7.5" - SAFETY RING - METAL
17	074045-01-000	EA	PLUG - OAK - 1/2" DIAMETER
17	074045-08-000	EA	PLUG - OAK - 1/2" DIAMETER - SALEM CHERRY
17	042356-01-000	EA	PLUG - BUTTON - MAHOGANY - 3/8" DIAMETER - WOOD
18	057671-01-000	EA	COVER - SCREW - OFF WHITE - #8
18	057671-11-000	EA	COVER - SCREW - HAMPTON TAN - #8
18	057671-13-000	EA	COVER - SCREW - DARK GRAY - #8
18	057671-15-000	EA	COVER - SCREW - BRIGHT WHITE
18	057671-16-000	EA	COVER - SCREW - SOFT WHITE
19	100707-01-000	EA	SPACER - GLASS DOOR - .8" DIA - .3" HOLE - PLASTIC
20	113236-01-01A	EA	BRACKET - CLOTHES - ROD
21	102194-01-000	EA	GUIDE - PLASTIC
22	004354-01-000	EA	BUMPER - RUBBER - .5" DIA - BROWN
23	120760-01-000	EA	BUMPER - RUBBER - CLEAR
24	083204-03-000	EA	BUTTON - RETAINING MIRROR 5/16" TIP
25	069726-02-000	EA	BUMPER - .88" OD X .40" THICK - BLACK
26	079921-01-000	EA	ROLLER - NYLON - W/STEEL SHAFT - BARBED
27	081114-02-000	EA	CAP - INSERT - ROUND 1" DIAMETER - WHITE
28	009112-01-000	EA	FLANGE - PLASTIC - 1" CLOTHES ROD - OFF WHITE
29	103874-01-000	EA	HANGER - SLIDING DOOR
30	064467-01-000	EA	GUIDE - POCKET - SLIDING DOOR - WALL MOUNTED
31	103257-01-000	EA	STOP - DOOR
32	065740-01-000	EA	BRACE - CABINET/CORNER - PLASTIC
33	084070-03-000	EA	POST - END - 2.4" - BRASS
34	084071-05-000	EA	ROD - BRASS - 15"
34	084071-08-000	EA	ROD - BRASS - 9.3" LONG
34	084071-12-000	EA	ROD - BRASS - 4.1" LONG
34	084071-19-000	EA	ROD - BRASS - 7.1"
34	084071-20-000	EA	ROD - BRASS - 9.8" LONG
34	084071-22-000	EA	ROD - BRASS - 15.3"
34	084071-23-000	EA	ROD - BRASS - 13.12"
34	084071-24-000	EA	ROD - BRASS - 3.8"
34	084071-27-000	EA	ROD - BRASS - 2.7"
34	084071-28-000	EA	ROD - BRASS - 6" LONG
34	084071-30-000	EA	ROD - BRASS - 11.6" LONG
34	084071-31-000	EA	ROD - BRASS - 14.08" LONG
34	084071-32-000	EA	ROD - BRASS - 13.6" LONG
35	084070-01-000	EA	POST - CENTER - 2.4" - BRASS
36	009089-01-000	EA	CLIP - MIRROR
37	039984-01-000	EA	CAP - ROUND - VINYL - .28" ID X .62" - BLACK

INTERIOR FINISH GROUP (CONTINUED)
HARDWARE (CONTINUED)

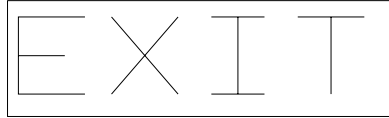


KEY	PART NUMBER	U/M	DESCRIPTION
1	114693-01-01A	EA	SUPPORT - BLACK - RIGHT HAND
1	114693-02-01A	EA	SUPPORT - BLACK - LEFT HAND
2	104174-01-000	EA	HOOK - ROBE - DOUBLE
3	115541-01-000	EA	SPRING - DOOR - SLIDING
4	122717-01-01A	EA	PAD - NON SKID - 4" DIAMETER ROUND
4	122717-04-01A	EA	PAD - NON SKID - 3" DIA. ROUND
5	076827-02-000	EA	BRACKET - 2.9" X 1.8" - TRIANGLE
6	098980-01-000	EA	PILASTER - ADJUSTABLE SHELF - 18"
6	098980-02-000	EA	PILASTER - ADJUSTABLE SHELF - 12"
6	098980-03-000	EA	PILASTER - ADJUSTABLE SHELF - 09"
6	098980-04-000	EA	PILASTER - ADJUSTABLE SHELF - 48"
6	098980-05-000	EA	PILASTER - ADJUSTABLE SHELF - 15"
6	098980-06-000	EA	PILASTER - ADJUSTABLE SHELF - 24"

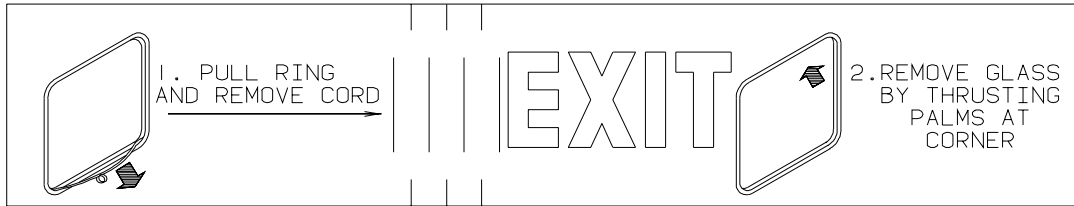
INTERIOR FINISH GROUP (CONTINUED)**HARDWARE (CONTINUED)**

KEY	PART NUMBER	U/M	DESCRIPTION
7	098979-01-000	EA	CLIP - ADJUSTABLE SHELF
8	094856-10-01A	EA	TRACK - FOLDING DOOR - OFF WHITE
9	103868-09-01A	EA	TRACK - SLIDING DOOR - 64.3" - OFF WHITE
9	103868-15-01A	EA	TRACK - SLIDING DOOR - 76" - OFF WHITE
10	118933-01-01A	EA	SUPPORT - HINGE LOCK
11	122717-06-01A	FT	PAD - NON-SKID - PSA - 5"W
	122717-08-01A	EA	PAD - NON-SKID - PSA - 7.2"W
12	092652-01-000	EA	GUIDE WHEEL/DOOR - TOP MOUNT
13	130120-01-01A	EA	BRACKET - MOUNTING/MIRROR
14	126263-06-02B	EA	BRACKET - GAS SPRING - E-COATED
15	126263-05-02B	EA	BRACKET - GAS SPRING - UPPER - E-COATED
16	107796-10-000	EA	BRACKET - GAS SPRING - 90 DEGREE SMALL
17	126263-02-02B	EA	BRACKET - GAS SPRING
18	126263-08-02B	EA	BRACKET - GAS SPRING - E-COATED
19	075249-01-000	EA	RAILING - OAK - 72" UNFINISHED
19	111775-01-03A	EA	RAIL - DECORATIVE/PLASTIC SPINDLES - 71.9" - SALEM CHERRY
19	111775-01-04A	EA	RAIL - DECORATIVE - 6' - WATERFORD OAK
19	111775-01-06A	EA	RAIL - DECORATIVE/PLASTIC SPINDLES - 71.9" - WASHED MAPLE
19	111775-01-07A	EA	RAIL - DECORATIVE/PLASTIC SPINDLES - 71.9"-PORTSMOUTH OAK
20	074493-02-000	EA	SUPPORT - PISTON SPRING - CABINET DOOR - 26 LBS
21	057460-02-000	EA	STUD BALL - GAS SPRING - .39" - 5/16"-18
22	057460-04-000	EA	SPRING - GAS - BALL STUD STYLE - 120 PI - "SPD6209"
23	107796-06-000	EA	SPRING/GAS - 12" COMPRESSED/20" EXTENDED - 120LB.
23	107796-08-000	EA	SPRING/GAS - 11" COMPRESSED/17" EXTENDED - 60 LB
23	107796-15-000	EA	SPRING/GAS - 24" COMPRESSED/40" EXTENDED - 15 LB.
23	107796-16-000	EA	SPRING/GAS - 6.4" COMPRESSED/9.6" EXTENDED - 65 LB.
23	107796-26-000	EA	SPRING/GAS - 12" COMPRESSED/20" EXTENDED - 90 LB.
24	042438-02-000	EA	DOWEL - WOOD - 2" X 2"
24	042438-01-000	EA	DOWEL - WOOD - CLOTHES ROD - 1" DIAMETER X 4'
	133426-01-02B	EA	BRACKET - MIRROR - MOUNTING - E-COATED
25	128811-01-01A	EA	BACKSOCKET - ADJUSTABLE - LEFT
26	128810-01-01A	EA	SLIDE - DRAWER - 12" - LEFT CABINET
26	128810-05-01A	EA	SLIDE - DRAWER - 14" - LEFT CABINET
26	128810-09-01A	EA	SLIDE - DRAWER - 16" - LEFT CABINET
26	128810-13-01A	EA	SLIDE - DRAWER - 18" - LEFT CABINET
26	128810-17-01A	EA	SLIDE - DRAWER - 20" - LEFT CABINET
26	128810-21-01A	EA	SLIDE - DRAWER - 22" - LEFT CABINET
26	128810-25-01A	EA	SLIDE - DRAWER - 24" - LEFT CABINET
27	128811-02-01A	EA	BACKSOCKET - ADJUSTABLE RIGHT
28	128810-03-01A	EA	SLIDE - DRAWER - 12" - LEFT DRAWER
28	128810-07-01A	EA	SLIDE - DRAWER - 14" - LEFT DRAWER
28	128810-11-01A	EA	SLIDE - DRAWER - 16" - LEFT DRAWER
28	128810-15-01A	EA	SLIDE - DRAWER - 18" - LEFT DRAWER
28	128810-19-01A	EA	SLIDE - DRAWER - 20" - LEFT DRAWER
28	128810-23-01A	EA	SLIDE - DRAWER - 22" - LEFT DRAWER
28	128810-27-01A	EA	SLIDE - DRAWER - 24" - LEFT DRAWER
29	128810-04-01A	EA	SLIDE - DRAWER - 12" - RIGHT DRAWER
29	128810-08-01A	EA	SLIDE - DRAWER - 14" - RIGHT DRAWER
29	128810-12-01A	EA	SLIDE - DRAWER - 16" - RIGHT DRAWER
29	128810-16-01A	EA	SLIDE - DRAWER - 18" - RIGHT DRAWER
29	128810-20-01A	EA	SLIDE - DRAWER - 20" - RIGHT DRAWER
29	128810-24-01A	EA	SLIDE - DRAWER - 22" - RIGHT DRAWER
29	128810-28-01A	EA	SLIDE - DRAWER - 24" - RIGHT DRAWER
30	128810-02-01A	EA	SLIDE - DRAWER - 12" - RIGHT CABINET
30	128810-06-01A	EA	SLIDE - DRAWER - 14" - RIGHT CABINET
30	128810-10-01A	EA	SLIDE - DRAWER - 16" - RIGHT CABINET
30	128810-14-01A	EA	SLIDE - DRAWER - 18" - RIGHT CABINET
30	128810-18-01A	EA	SLIDE - DRAWER - 20" - RIGHT CABINET
30	128810-22-01A	EA	SLIDE - DRAWER - 22" - RIGHT CABINET
30	128810-26-01A	EA	SLIDE - DRAWER - 24" - RIGHT CABINET
31	084412-01-000	EA	SUPPORT/HINGE KIT (LEFT & RIGHT HINGES)
32	130787-01-000	EA	TRACK - TAMBOUR DOOR/SPRING - 15.9"
32	130787-02-000	EA	TRACK - TAMBOUR DOOR/SPRING - 24"
32	130787-03-000	EA	TRACK - TAMBOUR DOOR/SPRING - 30"

LABELS GROUP



KEY PART NUMBER U/M DESCRIPTION
039290-01-000 EA LABEL - WARNING - EXIT



KEY PART NUMBER U/M DESCRIPTION
107571-01-000 EA LABEL - EXIT/ESCAPE WINDOW

FOR AWNING INSTALLATION
CONTACT YOUR MOTORHOME
DEALERSHIP

KEY PART NUMBER U/M DESCRIPTION
099509-01-000 EA LABEL - AWNING INSTALLATION



KEY PART NUMBER U/M DESCRIPTION
040944-01-000 EA LABEL - ENTRANCE DOOR - "OPEN"

WARNING
MUST BE STOWED
IN LATCHED POSITION
WHILE VEHICLE IS IN MOTION

KEY PART NUMBER U/M DESCRIPTION
079966-01-000 EA LABEL - WARNING - STOWED - MOTION

WARNING DISCONNECT BATTERIES BEFORE
CONNECTING EXTERNAL CHARGING EQUIPMENT.

KEY PART NUMBER U/M DESCRIPTION
065748-01-000 EA LABEL - CAUTION - BATTERY CHARGING

AVERTISSEMENT : DEBRANCHER LES BATTERIES AVANT
DE BRANCHER TOUT EQUIPEMENT DE CHARGE EXTERIEUR.

KEY PART NUMBER U/M DESCRIPTION
065748-02-000 EA LABEL - WARNING - BATTERY/FRENCH - CANADIAN

LABELS GROUP (CONTINUED)

WASTE WATER

KEY PART NUMBER U/M DESCRIPTION
006188-01-000 EA LABEL - WASTE WATER

SEWAGE

KEY PART NUMBER U/M DESCRIPTION
006187-01-000 EA LABEL - SEWAGE

IF YOU SMELL GAS

1. EXTINGUISH ANY OPEN FLAME, PILOT LIGHTS AND ALL SMOKING MATERIALS.
2. DO NOT TOUCH ELECTRICAL SWITCHES.
3. SHUT OFF THE GAS SUPPLY AT THE TANK VALVE(S) OR GAS SUPPLY CONNECTION.
4. OPEN DOORS AND OTHER VENTILATING OPENINGS.
5. LEAVE THE AREA UNTIL ODOR CLEARS.
6. HAVE THE GAS SYSTEM CHECKED AND LEAKAGE SOURCE CORRECTED BEFORE USING AGAIN.

KEY PART NUMBER U/M DESCRIPTION
073998-01-000 EA LABEL - LPG ODOR WARNING

WARNING: TEST SMOKE DETECTOR OPERATION AFTER VEHICLE HAS BEEN IN STORAGE, BEFORE EACH TRIP AND AT LEAST ONCE PER WEEK DURING USE.

KEY PART NUMBER U/M DESCRIPTION
077956-01-000 EA LABEL - WARNING - SMOKE DETECTOR

CAUTION	TO HELP AVOID PERSONAL INJURY DURING REMOVAL OF FUEL FILLER CAP, SLOWLY LOOSEN CAP 1/2 TURN TO ALLOW ANY FUEL PRESSURE TO BE RELIEVED BEFORE TURNING CAP FURTHER.
FUEL SPRAY MAY CAUSE PERSONAL INJURY	STOP ADDING FUEL AFTER FIRST SHUTOFF BY AUTOMATIC NOZZLE WHEN TANK IS NEARLY FULL. DO NOT OVERFILL FUEL TANK. SEE OWNERS MANUAL FOR ADDITIONAL INFORMATION. PRINTED IN U.S.A. WLC PT NO 15611763

KEY PART NUMBER U/M DESCRIPTION
087207-05-000 EA LABEL - FUEL CAP REMOVAL

UNLEADED FUEL ONLY

KEY PART NUMBER U/M DESCRIPTION
062043-01-000 EA LABEL - FUEL - UNLEADED

UNLEADED
FUEL ONLY

KEY PART NUMBER U/M DESCRIPTION
098641-01-000 EA LABEL-FUEL - UNLEADED - DASH

LABELS GROUP (CONTINUED)

LP-GAS SYSTEM
THIS GAS PIPING SYSTEM IS
DESIGNED FOR USE OF
LIQUIFIED PETROLEUM GAS
ONLY. DO NOT CONNECT
NATURAL GAS TO THIS
SYSTEM.
SECURE CAP INLET(S) WHEN NOT
CONNECTED FOR USE. AFTER TURNING
ON GAS, EXCEPT AFTER NORMAL
CONTAINER REPLACEMENT, TEST GAS
PIPING AND CONNECTIONS TO
APPLIANCES FOR LEAKAGE WITH SOAPY
WATER OR BUBBLE SOLUTION. DO NOT
USE PRODUCTS THAT CONTAIN AMMONIA
OR CLORINE.

124520

KEY	PART NUMBER	U/M DESCRIPTION
	124520-01-01A	EA LABEL - LP GAS ONLY - BLACK ON CLEAR
	124520-01-02A	EA LABEL - LP GAS ONLY - WHITE ON CLEAR

WARNING

THIS SYSTEM IS DESIGNED FOR USE WITH PROPANE ONLY
DO NOT CONNECT NATURAL GAS TO THIS SYSTEM

BEFORE TURNING ON PROPANE:

- (A) BE CERTAIN APPLIANCES ARE CERTIFIED FOR PROPANE AND ARE EQUIPPED WITH CORRECT BURNING ORIFICES.
- (B) MAKE CERTAIN ALL PROPANE CONNECTIONS ARE TIGHT BY TESTING WITH SOAPY WATER. ALL APPLIANCE VALVES ARE TURNED OFF, AND ANY UNCONNECTED OUTLETS ARE CAPPED.

AFTER TURNING ON PROPANE:

- (A) LIGHT ALL PILOT LIGHTS
- (B) (B) ALL CONNECTIONS, INCLUDING THOSE AT THE APPLIANCES, REGULATORS AND CYLINDERS SHOULD BE LEAK-TESTED PERIODICALLY WITH SOAPY WATER BY THE OCCUPANT. NEVER USE A LIGHTED MATCH OR OTHER FLAME WHEN CHECKING FOR LEAKS.
- (C) DO NOT LEAVE SYSTEM TURNED ON OF CONTAINERS CONNECTED UNTIL THE SYSTEM HAS BEEN PROVEN TO BE FREE OF LEAKS.
- (D) COOKING APPLIANCES SHOULD NOT BE USED FOR SPACE HEATING.
- (E) WHEN THE CONTAINERS ARE DISCONNECTED THE PROPANE SUPPLY LINE SHOULD BE CAPPED OR PLUGGED.

AVERTISSEMENT

CETTE INSTALLATION EST CONCUE POUR LE PROPANE SEULEMENT
NE PAS L'ALIMENTER EN GAZ NATUREL

AVANT LA MISE EN SERVICE:

- (A) S'ASSURER QUE LES APPAREILS SONT CERTIFIES POUR LE PROPANE ET MUNIS D'ORIFICES DE BRULEUR APPROPRIES.
- (B) VERIFIER L'ETANCHEITE DE TOUS LES RACCORDEMENTS AU PROPANE. LA PERMETURE DE TOUS LES ROBINETS D'APPAREILS ET L'OBTURATION DE TOUTES LES SORTIES NON RACCORDEES.

APRES LA MISE EN SERVICE:

- (A) ALLUMER TOUTES LES VEILLEUSES.
- (B) L'OCCUPANT DOIT EPROUVER PERIODIQUEMENT L'ETANCHEITE DE TOUS LES RACCORDEMENTS Y COMPRIS CEUX AUX APPAREILS, AUX DETENDEURS ET AUX BOUTEILLES, EN Y APPLIQUANT DE L'EAU SAVONNEUSE NE JAMA'S SE SERVIR D'UNE ALLUMETTE OU AUTRE POUR LA DETECTION DES FUITES.
- (C) NE PAS LAISSER L'ALIMENTATION OUVERTE NI LES RECIPIENTS RACCORDES AVANT D'AVOIR COMPLETE L'EPREUVE D'ETANCHEITE AU PROPANE DE L'INSTALLATION.
- (D) LES APPAREILS DE CUISSON NE DOIVENT PAS ETRE UTILISES POUR LE CHAUFFAGE DES LOCAUX.
- (E) LORSQUE LES RECIPIENTS SONT DECONNECTES, L'ALIMENTATION DE PROPANE DOIT ETRE OBTUREE OU SCELLEE.

KEY	PART NUMBER	U/M DESCRIPTION
	023769-01-000	EA LABEL - WARNING - LPG - CANADIAN

THIS CONNECTION IS FOR
(B) VOLT AC, 60 HZ (CYCLES)
(A) AMPERE SUPPLY

DO NOT CONNECT TO
HIGHER VOLTAGE

KEY	PART NUMBER	U/M DESCRIPTION
	125306-01-01A	EA LABEL - ELECTRICAL ENTRANCE - 110VOLT 30AMP
	125306-03-01A	EA LABEL - ELECTRICAL ENTRANCE - 100 VOLT 30 AMP

LABELS GROUP (CONTINUED)

THIS CONNECTION IS FOR
(B) VOLT AC,3-POLE,4 WIRE
60 HZ(CYCLES),(A) AMPERE SUPPLY

DO NOT CONNECT TO
HIGHER VOLTAGE

KEY PART NUMBER U/M DESCRIPTION
125306-04-01A EA LABEL - ELECTRICAL ENTRANCE - 120 VOLT - 240 AMP

THIS CONNECTION IS FOR
(B) VOLT AC,50 HZ(CYCLES)
(A) AMPERE SUPPLY

DO NOT CONNECT TO
HIGHER VOLTAGE

KEY PART NUMBER U/M DESCRIPTION
125306-05-01A EA LABEL - ELECTRICAL ENTRANCE - 220 VOLT 25 AMP

"TO ENSURE A SUPPLY OF FRESH AIR TO
OCCUPANTS, OPEN VENTILATORS WHEN
FUEL BURNING RANGE, FUEL BURNING
CARRY-ON APPLIANCES AND/OR FUEL-
BURNING LIGHTS ARE IN OPERATION."

"COOKING APPLIANCES SHOULD NOT BE
USED FOR SPACE HEATING PURPOSES"

DE MANIERE A ASSURE UNE ALIMENTATION
EN AIR FRAIS AUX OCCUPANTS,OUVRIR
LES VENTILATEURS LORSQUE LA CUISINIERE,
LES APPAREILS DE CHAUFFAGE PORTABLES
ET/OU LES LAMPES DE COMBUSTION
D'HUILE SONT EN FONCTIONNEMENT.

LES APPAREILS DE CUSSON NE DOIVENT
PAS SERVIR AU CHAUFFAGES DES LOCAUX.

KEY PART NUMBER U/M DESCRIPTION
050222-01-000 EA LABEL - STOVE VENT - CANADIAN

WARNING

THIS VEHICLE, LIKE OTHER
VEHICLES, MAY CONTAIN SMALL
AMOUNTS OF ONE OR MORE
SUBSTANCES WHICH ARE LISTED
BY THE STATE OF CALIFORNIA
FOR CAUSING CANCER OR
REPRODUCTIVE TOXICITY.

KEY PART NUMBER U/M DESCRIPTION
099689-01-000 EA LABEL - WARNING - CANCER/TOXICITY

WATER HEATER
BY-PASS

NORMAL
OPERATION

KEY PART NUMBER U/M DESCRIPTION
133424-01-01A EA LABEL - BYPASS - WATER HEATER

REMOVE PRIMARY TIRE HANGER BEFORE USING
SPARE TIRE HOIST-SEE OWNERS MANUAL - PERSONAL
INJURY MAY RESULT IF NOT FOLLOWED

KEY PART NUMBER U/M DESCRIPTION
126024-01-01A EA LABEL - TIRE HANGER REMOVAL

DO NOT USE HITCH BEFORE
READING OWNERS MANUAL REGARDING
VEHICLE LOADING AND TOWING

KEY PART NUMBER U/M DESCRIPTION
111104-01-000 EA LABEL - HITCH - READ MANUAL - WHITE
111104-02-000 EA LABEL - HITCH - READ MANUAL - BLACK

LABELS GROUP (CONTINUED)

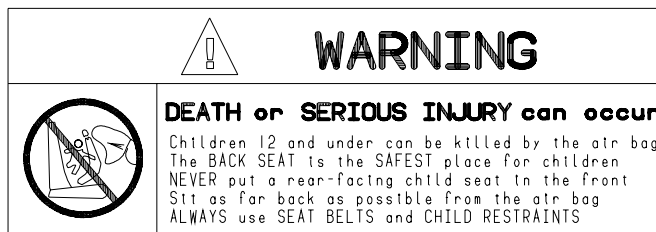
CAUTION

THIS MOTOR HOME HAS BEEN DESIGNED, MANUFACTURED AND TESTED WITH CONCERN FOR THE PROTECTION OF IT'S OCCUPANTS. WE RECOMMEND YOU PERFORM THE FOLLOWING INSPECTIONS FOR YOUR SAFETY AND THE SAFETY OF YOUR PASSENGERS BEFORE STARTING YOUR VEHICLE.

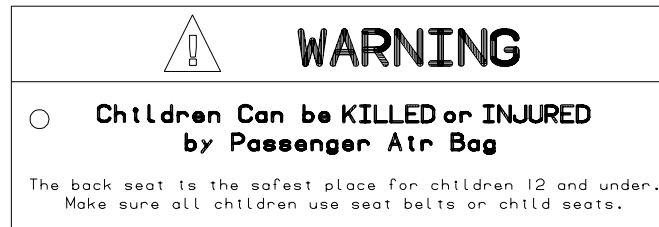
1. LP GAS SYSTEM- TURN OFF AT TANK FOR TRAVELING. TEST FOR LEAKS UPON ARRIVAL AT DESTINATION. BEFORE LIGHTING PILOTS.
2. WHEELS- INSPECT FOR DAMAGE AND CHECK LUG NUTS FOR TIGHTNESS.
3. TIRES- INSPECT FOR WEAR AND DAMAGE AND CHECK FOR RECOMMENDED AIR PRESSURE.
4. LIGHTING- TEST FOR PROPER OPERATION OF ALL INTERIOR AND EXTERIOR LIGHTS INCLUDING DASH LIGHTS, HEADLIGHTS, TAIL LIGHTS, BRAKE LIGHTS, CLEARANCE LIGHTS AND TURN SIGNALS.
5. EXITS- INSPECT RELEASE MECHANISM ON EMERGENCY EXIT WINDOW. TEST BOTH LOCKS ON MAIN ENTRANCE DOOR FOR EASE OF OPERATION AND INSTRUCT PASSENGERS HOW TO USE BOTH MEANS OF EXIT.
6. SEAT BELTS- DIRECT PASSENGERS TO DESIGNATED SEATS AND REQUIRE USE OF SEAT BELTS.
7. APPLIANCES- TURN OFF AND LATCH OR LOCK DOORS WHERE PROVIDED.
8. LOOSE PARCELS- STORE SECURELY.
9. UTILITY SUPPLY LINES- DISCONNECT ALL ELECTRIC, SEWER AND WATER LINES AND SECURE PROPERLY.
10. ENTRANCE DOOR STEP- PLACE IN RETRACTED POSITION FOR TRAVELING.

READ YOUR MOTOR HOME AND CHASSIS OWNER'S
MANUAL FOR FURTHER PRECAUTIONS

KEY PART NUMBER **U/M DESCRIPTION**
056259-01-000 EA LABEL - SAFETY CHECK LIST



KEY PART NUMBER **U/M DESCRIPTION**
126611-01-000 EA LABEL - AIR BAG - VISOR



KEY PART NUMBER **U/M DESCRIPTION**
126612-01-000 EA LABEL - HANG TAG - AIR BAG - DASH

<p>AIR CONDITIONING CIRCUIT. THIS CONNECTION IS FOR AIR CONDITIONERS RATED 110- 125 VOLT AC, 60 HZ, 16 AMPERES MAXIMUM. DO NOT EXCEED CIRCUIT RATING.</p>

KEY PART NUMBER **U/M DESCRIPTION**
091243-01-000 EA LABEL - A/C COVER "AIR CONDITIONING CIRCUIT ETC."

<p>WARNING: CONTAINS "CFC" A SUBSTANCE WHICH HARMS PUBLIC HEALTH AND ENVIRONMENT BY DESTROYING OZONE IN THE UPPER ATMOSPHERE.</p>

KEY PART NUMBER **U/M DESCRIPTION**
111802-01-000 EA LABEL - CFC WARNING

LABELS GROUP (CONTINUED)

WARNING

WHEN ADDING A GENERATOR SET:

HIGH VOLTAGE-USE EXTREME CAUTION WHEN WORKING ON ELECTRICAL COMPONENTS.
HAVE ALL ELECTRICAL INSTALLATION PERFORMED BY A QUALIFIED LICENSED ELECTRICIAN-FOLLOW ALL STATE AND LOCAL CODES.
ONLY INSTALL GENERATOR SET APPROVED FOR R.V. APPLICATION. HAVE INSTALLED BY QUALIFIED TECHNICIAN.
TO AVOID HEAT BUILD-UP AND TO GUARANTEE AN ADEQUATE AIR SUPPLY TO THE GENERATOR CARBURETOR, FOLLOW INSTALLATION INSTRUCTIONS.
GENERATOR ENGINE EXHAUST GASES ARE TOXIC AND MUST NOT TERMINATE UNDER THE VEHICLE-DISCHARGE EXHAUST AWAY FROM VEHICLE.

KEY PART NUMBER U/M DESCRIPTION
077510-01-000 EA LABEL - GENERATOR PREP

CAUTION

DO NOT LATCH DOOR IN OPEN POSITION
IF WATER HEATER CONTROL IS IN THE ON
POSITION. WATER HEATER EXHAUST MAY
DAMAGE OUTER SURFACE OF DOOR.

KEY PART NUMBER U/M DESCRIPTION
113402-01-000 EA LABEL - CAUTION - WATER HEATER EXHAUST
113402-02-000 EA LABEL - CAUTION - FURNACE EXHAUST

WARNING!

UNDERSTAND OPERATOR'S MANUAL BEFORE USING.
KEEP PEOPLE AND OBSTRUCTIONS CLEAR OF
SLIDEOUT ROOM WHEN OPERATING TO AVOID
INJURY AND/OR PROPERTY DAMAGE.

KEY PART NUMBER U/M DESCRIPTION
116549-01-000 EA LABEL - WARNING - SLIDEOUT

MISE EN GARDE

POUR VOTRE SECURITE PERSONNELLE RANGEZ,
TOUT OBJET DE FAÇON SECURITAIRE LORSQUE
LE VEHICULE EST EN MOUVEMENT.

CAUTION

FOR YOUR PERSONAL SAFETY, SECURELY STOW
OBJECTS AWAY WHILE VEHICLE IS IN MOTION

KEY PART NUMBER U/M DESCRIPTION
131341-01-000 EA LABEL - STOW OBJECTS - US

DIESEL FUEL ONLY

KEY PART NUMBER U/M DESCRIPTION
068383-01-000 EA LABEL - DIESEL FUEL

OPEN ○
DRAIN
CLOSED ○

KEY PART NUMBER U/M DESCRIPTION
133423-01-01A EA LABEL - DRAIN

WARNING

IT IS NOT SAFE TO USE COOKING
APPLIANCES FOR COMFORT HEATING

COOKING APPLIANCES NEED FRESH AIR FOR SAFE OPERATION
BEFORE OPERATION:

1. OPEN OVERHEAD VENT OR TURN ON EXHAUST FAN AND;
2. OPEN WINDOW.

KEY PART NUMBER U/M DESCRIPTION
050225-01-000 EA LABEL - WARNING - STOVE VENT - US

LABELS GROUP (CONTINUED)

WARNING

ALL PILOT LIGHTS, APPLIANCES AND THIER
IGNITORS (SEE OPERATING INSTRUCTIONS) SHALL
BE TURNED OFF DURING REFUELING OF MOTOR
FUEL TANKS AND/OR LP GAS CONTAINERS

KEY	PART NUMBER	U/M DESCRIPTION
	124519-01-01A	EA LABEL - WARNING/REFUELING - BLACK ON CLEAR
	124519-01-02A	EA LABEL - WARNING/REFUELING - WHITE ON CLEAR

WARNING :

ALL PILOT LIGHTS AND APPLIANCES SHALL BE TURNED
OFF DURING REFUELING OF MOTOR FUEL TANKS AND/
OR PROPANE CONTAINERS.

AVERTISSEMENT :

FERMER TOUTES LES VEILLEUSES AINSI QUE TOUS LES
APPAREILS LORSQU'ON FAIT LE PLEIN DES RÉSERVOIRS
À CARBURANT OU À PROPANE.

124519-02

KEY	PART NUMBER	U/M DESCRIPTION
	124519-02-01A	EA LABEL - WARNING/REFUELING - BLACK ON CLEAR - CSA
	124519-02-02A	EA LABEL - WARNING/REFUELING - WHITE ON CLEAR - CSA

ENTRANCE DOOR PROP ROD

THIS ROD IS DESIGNED TO PROP THE
ENTRANCE DOOR OPEN WHEN THE PATIO
AWNING ARM IS ATTACHED TO THE
SIDEWALL AND THE AWNING IS EX-
TENDED.
HOOK ONE END OF ROD INTO LOOP ON
DOOR AND OTHER END INTO LOOP ON THE
SIDEWALL AS SHOWN.

(THIS LABEL TO BE REMOVED BY RETAIL OWNER ONLY)

KEY	PART NUMBER	U/M DESCRIPTION
	128658-01-000	EA LABEL - PROP ROD - ENTRY DOOR

INPUT

KEY	PART NUMBER	U/M DESCRIPTION
	087236-01-000	EA LABEL - CABLE - INPUT

OUTLET

KEY	PART NUMBER	U/M DESCRIPTION
	087236-02-000	EA LABEL - TV OUTLET

DTS' ISI CE SIEGE N'EST PAS
DESTINE A ETRE OCCUPE LORSQUE
LE VEHICULE EST EN MOUVEMENT

THIS SEAT IS NOT INTENDED
FOR OCCUPANCY WHILE
VEHICLE IS IN MOTION

KEY	PART NUMBER	U/M DESCRIPTION
	006064-01-000	EA LABEL - SEAT W/O SEATBELT
	006064-02-000	EA LABEL-SEAT W/O SEATBELT, CANADIAN

LABELS GROUP (CONTINUED)

CAUTION:
OPEN A WINDOW OR VENT WHILE
OPERATING DRYER. IT IS DANGEROUS
TO CREATE A NEGATIVE AIR PRESSURE
INSIDE A VEHICLE CONTAINING
FUEL-BURNING APPLIANCES

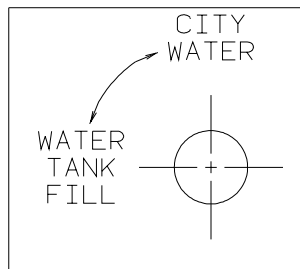
KEY PART NUMBER U/M DESCRIPTION
130670-01-01A EA LABEL - CAUTION DRYER VENTING - BLACK ON CLEAR



KEY PART NUMBER U/M DESCRIPTION
061417-01-000 EA LABEL - FUEL - ON FUEL FILL DOOR

INSERT RETAINER PINS IN
SLIDE MECHANISM AFTER
RETURNING GENERATOR TO
STORED POSITION.
IF RETAINER PINS ARE NOT
INSERTED, THE GENERATOR
WILL EXTEND WHICH MAY
CAUSE PERSONAL INJURY.

KEY PART NUMBER U/M DESCRIPTION
116273-01-000 EA LABEL - WARNING - GENERATOR



KEY PART NUMBER U/M DESCRIPTION
117629-02-000 EA LABEL - WATER PUMP/FILL-WHITE LETTER/CLEAR BACKGROUND-.24"
117629-03-000 EA LABEL - WATER PUMP/FILL-BLK LETTERS/CLEAR BACKGROUND-.31"

KEEP THE SERVICE INLET ACCESS
IN THE CLOSED POSITION WHEN
UTILITY CONNECTIONS ARE NOT IN USE

KEY PART NUMBER U/M DESCRIPTION
123562-01-000 EA LABEL - SERVICE/UTILITY ACCESS

CITY WATER FILL

KEY PART NUMBER U/M DESCRIPTION
126249-01-000 EA LABEL - CITY WATER FILL - WHITE LETTERS/CLEAR BACKGROUND
126249-02-000 EA LABEL - CITY WATER FILL-BLK LETTER/CLEAR BACKGROUND-.24"H
126249-03-000 EA LABEL - CITY WATER FILL-BLK LETTER/CLEAR BACKGROUND-.31"H

LABELS GROUP (CONTINUED)

WARNING

ROOF SURFACE MAY BE SLIPPERY
ESPECIALLY WHERE MOISTURE IS PRESENT.
SLIPPING MAY RESULT IN PERSONAL INJURY.

128218-01

KEY	PART NUMBER	U/M DESCRIPTION
	128218-01-01A	EA LABEL - WARNING - SLIPPERY ROOF

WASTE TANK FLUSH

KEY	PART NUMBER	U/M DESCRIPTION
	130168-01-000	EA LABEL - WASTE TANK FLUSH

LIGHTS WATER
PUMP

KEY	PART NUMBER	U/M DESCRIPTION
	130170-02-000	EA LABEL - SWITCH PANEL - BLK/CLEAR BACKGROUND-1.4H X 3.9"L
	117628-02-000	EA LABEL - SWITCH - WATER PUMP/LIGHTS-WHITE/CLEAR BACKGROUND

MONITOR WATER
PANEL PUMP
LIGHT

KEY	PART NUMBER	U/M DESCRIPTION
	130170-01-000	EA LABEL - SWITCH PANEL - BLK/CLEAR BACKGROUND-1.8"H X 5.9"L

PUSH TO
RELEASE
GENERATOR
SLIDE ASM

KEY	PART NUMBER	U/M DESCRIPTION
	131779-01-01A	EA LABEL - GENERATOR

WARNING

ALL LP GAS IS CONTAINED UNDER PRES-
SURE. DUE TO THE DANGEROUS POTENTIAL
OF ANY COMPRESSED GAS, IT IS MANDA-
TORY THAT THE FOLLOWING REQUIREMENTS
FOR THE USE OF THIS TANK BE FOLLOWED:
TANKS ARE TO BE INSTALLED, FUELED AND
MAINTAINED IN ACCORDANCE WITH STATE
AND LOCAL CODE, RULES, REGULATIONS OR
LAWS AND IN ACCORDANCE WITH NFPA
PAMPHLET 58, DIVISION IV.

KEY	PART NUMBER	U/M DESCRIPTION
	116112-01-000	EA LABEL - SWITCH PANEL - BLK/CLEAR BACKGROUND-1.8"H X 5.9"L

LABELS GROUP (CONTINUED)

TOW VEHICLE RATING MAY BE LESS THAN HITCH RATING.
MAXIMUM VERTICAL HITCH LOAD: 350 LBS
DO NOT EXCEED REAR AXLE RATING.
SEE OWNER'S MANUAL FOR ADDITIONAL INFORMATION.

KEY	PART NUMBER	U/M DESCRIPTION
	129669-01-01A	EA LABEL - HITCH/VEHICLE RATE - 350 - WHITE ON CLEAR
	129669-01-02A	EA LABEL - HITCH/VEHICLE RATE - 350 - BLACK ON CLEAR
	129669-02-01A	EA LABEL - HITCH/VEHICLE RATE - 500 - WHITE ON CLEAR
	129669-02-02A	EA LABEL - HITCH/VEHICLE RATE - 500 - BLACK ON CLEAR

THIS CHAIR IS NOT INTENDED
FOR OCCUPANCY WHEN VEHICLE
IS IN MOTION AND MUST BE
RETURNED TO STOWED POSITION

KEY	PART NUMBER	U/M DESCRIPTION
	102267-01-000	EA LABEL - NO OCCUPANCY - US

DTS ISICE SIEGE N'EST PAS
DESTINE A ETRE OCCUPE LORSQUE
LE VEHICULE EST EN MOUVEMENT
ET IL FAUT QUE LE RANGER

THIS CHAIR IS NOT INTENDED
FOR OCCUPANCY WHEN VEHICLE
IS IN MOTION AND MUST BE
RETURNED TO STOWED POSITION

KEY	PART NUMBER	U/M DESCRIPTION
	102267-02-000	EA LABEL - NO OCCUPANCY - CSA

EXTERIOR SHOWER

KEY	PART NUMBER	U/M DESCRIPTION
	126248-03-000	EA LABEL - EXTERIOR SHOWER

W
A
T
E
R
H
E
A
T
E
R
ON
OFF

KEY	PART NUMBER	U/M DESCRIPTION
	083588-01-000	EA LABEL - ON/OFF - WATER HEATER

E
N
G
I
N
E
H
E
A
T
E
R
ON
OFF

KEY	PART NUMBER	U/M DESCRIPTION
	083588-02-000	EA LABEL - ON/OFF - ENGINE HEATER

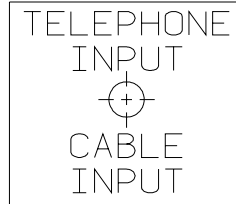
LABELS GROUP (CONTINUED)

NOTE: TUNE ANTENNA
PER MANUFACTURER'S
DIRECTIONS. FAILURE TO
COMPLY COULD RESULT IN
DAMAGE TO CB.

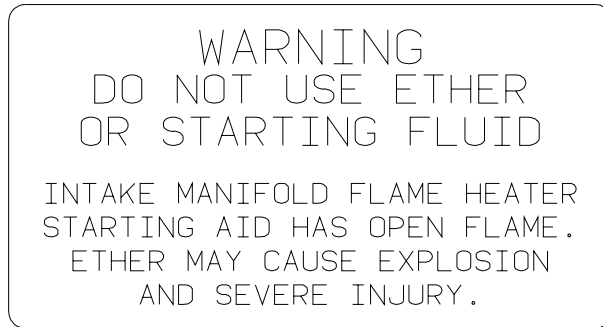
CB POWER PROVISION

RED +12 V
BLACK GROUND
COAX ANTENNA
(SEE REVERSE ALSO)

KEY	PART NUMBER	U/M DESCRIPTION
	104678-01-000	EA LABEL - CB PREP



KEY	PART NUMBER	U/M DESCRIPTION
	114886-02-000	EA LABEL - PHONE & CABLE INPUT - WHITE/CLEAR BACKGROUND
	114866-03-000	EA LABEL - PHONE & CABLE INPUT - BLACK/CLEAR BACKGROUND



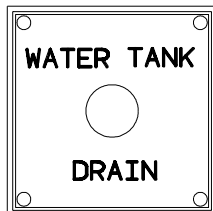
KEY	PART NUMBER	U/M DESCRIPTION
	116756-01-000	EA LABEL - WARNING ER/STARTING



KEY	PART NUMBER	U/M DESCRIPTION
	126247-01-000	EA LABEL - GRAY HOLDING TANK-WHITE LETTERS/CLEAR BACKGROUND
	126247-05-000	EA LABEL - GRAY HOLDING TANK-BLACK LETTERS/CLEAR BACKGROUND



KEY	PART NUMBER	U/M DESCRIPTION
	126247-02-000	EA LABEL - BLACK HOLDING TANK-WHITE LETTERS/BLACK BACKGROUND
	126247-06-000	EA LABEL - BLACK HOLDING TANK-BLACK LETTERS/CLEAR BACKGROUND

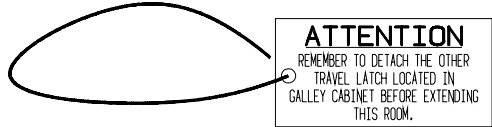


KEY	PART NUMBER	U/M DESCRIPTION
	127170-01-000	EA LABEL - WATER TANK DRAIN

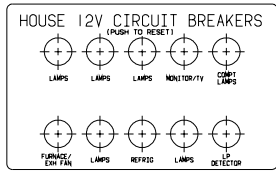
LABELS GROUP (CONTINUED)

WARNING
 POTABLE WATER ONLY
 SANITIZE, FLUSH, AND
 DRAIN BEFORE USING.
 SEE INSTRUCTION MANUAL

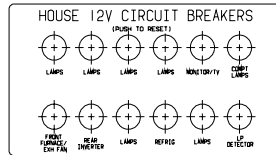
KEY	PART NUMBER	U/M DESCRIPTION
	128725-01-01A	EA LABEL - POTABLE WATER ONLY
	128725-01-02A	EA LABEL - POTABLE WATER ONLY



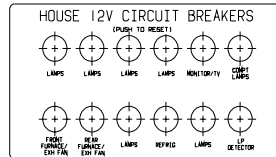
KEY	PART NUMBER	U/M DESCRIPTION
	129033-01-000	EA LABEL - HANG TAG - TRAVEL LATCH - 1.5" X3"



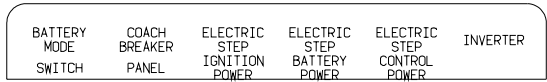
KEY	PART NUMBER	U/M DESCRIPTION
	092547-06-000	EA LABEL - CIRCUIT BREAKER



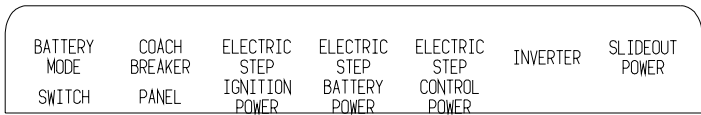
KEY	PART NUMBER	U/M DESCRIPTION
	092547-09-000	EA LABEL - CIRCUIT BREAKER



KEY	PART NUMBER	U/M DESCRIPTION
	092547-07-000	EA LABEL - CIRCUIT BREAKER



KEY	PART NUMBER	U/M DESCRIPTION
	093236-08-000	EA LABEL - CIRCUIT BREAKER

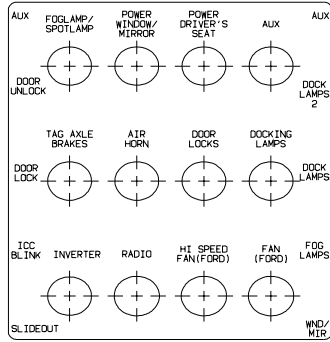


KEY	PART NUMBER	U/M DESCRIPTION
	093236-13-000	EA LABEL - CIRCUIT BREAKER

LABELS GROUP (CONTINUED)

SLIDEOUT DRIVE	INVERTER	ELECTRIC STEP CONTROL POWER	ELECTRIC STEP BATTERY POWER	ELECTRIC STEP IGNITION POWER	COACH BREAKER PANEL	BATTERY MODE SWITCH
-------------------	----------	--------------------------------------	--------------------------------------	---------------------------------------	---------------------------	---------------------------

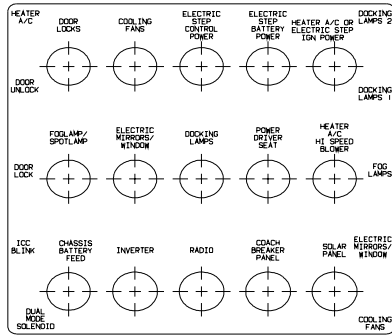
KEY PART NUMBER **U/M DESCRIPTION**
 093236-15-000 EA LABEL - CIRCUIT BREAKER



KEY PART NUMBER **U/M DESCRIPTION**
 093236-16-000 EA LABEL - CIRCUIT BREAKER

BATTERY MODE SWITCH	COACH BREAKER PANEL	ELECTRIC STEP IGNITION POWER	ELECTRIC STEP BATTERY POWER	ELECTRIC STEP CONTROL POWER	INVERTER	SLIDEOUT POWER
---------------------------	---------------------------	---------------------------------------	--------------------------------------	--------------------------------------	----------	-------------------

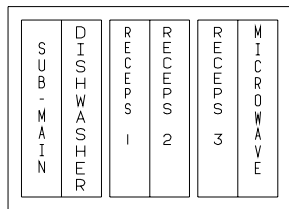
KEY PART NUMBER **U/M DESCRIPTION**
 093236-18-000 EA LABEL - CIRCUIT BREAKER



KEY PART NUMBER **U/M DESCRIPTION**
 093236-19-000 EA LABEL - CIRCUIT BREAKER



KEY PART NUMBER **U/M DESCRIPTION**
 093237-10-000 EA LABEL - CIRCUIT BREAKER - FRONT - COOLING FANS



KEY PART NUMBER **U/M DESCRIPTION**
 095721-20-000 EA LABEL - CONTROL CENTER W/INVERTER

LABELS GROUP (CONTINUED)

SUB-MAIN	APPLIANCE 1	APPLIANCE 2	RECPSS 1	RECPSS 2	MICROWAVE
----------	-------------	-------------	----------	----------	-----------

KEY PART NUMBER U/M DESCRIPTION
 095721-21-000 EA LABEL - CONTROL CENTER W/INVERTER

A/C CIRCUIT 1	MAIN	MAIN	A/C CIRCUIT 2	INVERTER/CHARGER	REFRIG/VACUUM	WASHER/DRYER	WATER HEATER	
---------------	------	------	---------------	------------------	---------------	--------------	--------------	--

KEY PART NUMBER U/M DESCRIPTION
 095721-22-000 EA LABEL - CONTROL CENTER - 50AMP

A/C CIRCUIT 1	MAIN		REFRIG/CONV	MICROWAVE		RECPSS 1	RECPSS 2	
---------------	------	--	-------------	-----------	--	----------	----------	--

KEY PART NUMBER U/M DESCRIPTION
 095721-25-000 EA LABEL - CONTROL CENTER - 30 AMP

A/C CIRCUIT 1	MAIN	REFRIG/CONV	MICROWAVE	RECPSS 1	RECPSS 2	APPLIANCE		
---------------	------	-------------	-----------	----------	----------	-----------	--	--

KEY PART NUMBER U/M DESCRIPTION
 095721-26-000 EA LABEL - CONTROL CENTER - 30 AMP - CANADIAN

A/C CIRCUIT 1	MAIN	A/C CIRCUIT 2	REFRIG/CONV	MICROWAVE	RECPSS 1	RECPSS 2	RECPSS 3		
---------------	------	---------------	-------------	-----------	----------	----------	----------	--	--

KEY PART NUMBER U/M DESCRIPTION
 095721-27-000 EA LABEL - CONTROL CENTER - 30 AM

A/C CIRCUIT 1	MAIN	A/C CIRCUIT 2	REFRIG/CONV	MICROWAVE	RECPSS 1	RECPSS 2	APPLIANCE		
---------------	------	---------------	-------------	-----------	----------	----------	-----------	--	--

KEY PART NUMBER U/M DESCRIPTION
 095721-28-000 EA LABEL - CONTROL CENTER - 30 AMP - CANADIAN

LABELS GROUP (CONTINUED)

A / C C I R C U I T 1	M A I N	M A I N	A / C C I R C U I T 2	R E F R I G / C O N V	M I C R O W A V E	R E C P S 1	R E C P S 2	R E C P S 3	W A S H E R / D R Y E R	
-----------------------------	---------	---------	-----------------------------	-----------------------	-------------------	----------------	----------------	----------------	-------------------------	--

KEY PART NUMBER **U/M DESCRIPTION**
 095721-29-000 EA LABEL - CONTROL CENTER - 50 AMP

M A I N	M I C R O W A V E	O I L / R E S E R V O I R S	R E F R I G / C O N V	W A T E R H T R	A / C
---------	-------------------	-----------------------------	-----------------------	--------------------	-------

KEY PART NUMBER **U/M DESCRIPTION**
 095721-30-000 EA LABEL - CONTROL CENTER - 50 AMP - CANADIAN

A / C C I R C U I T 1	M A I N	A / C C I R C U I T 2	R E F R I G / C O N V	M I C R O W A V E	R E C P S 1	R E C P S 2	R E C P S 3	W A S H E R / D R Y E R	W A T E R H E A T E R	
-----------------------------	---------	-----------------------------	-----------------------	-------------------	----------------	----------------	----------------	-------------------------	--------------------------	--

KEY PART NUMBER **U/M DESCRIPTION**
 095721-31-000 EA LABEL - CONTROL CENTER - 30 AMP - US

A / C C I R C U I T 1	M A I N	M A I N	A / C C I R C U I T 2	R E F R I G / C O N V	M I C R O W A V E	R E C P S 1	R E C P S 2	R E C P S 3	W A S H E R / D R Y E R	W A T E R H E A T E R
-----------------------------	---------	---------	-----------------------------	-----------------------	-------------------	----------------	----------------	----------------	-------------------------	--------------------------

KEY PART NUMBER **U/M DESCRIPTION**
 095721-33-000 EA LABEL - CONTROL CENTER - 50 AMP - US

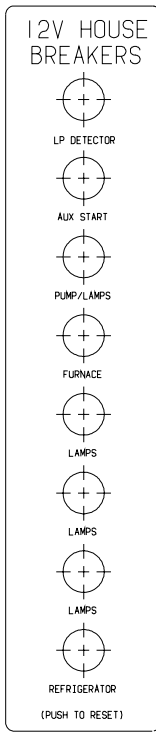
A / C C I R C U I T 1	M A I N	M A I N	A / C C I R C U I T 2	I N V E R T E R / C H A R G E R	R E F R I G E R A T O R	W A S H E R / D R Y E R	W A T E R H E A T E R	
-----------------------------	---------	---------	-----------------------------	------------------------------------	-------------------------	-------------------------	--------------------------	--

KEY PART NUMBER **U/M DESCRIPTION**
 095721-34-000 EA LABEL - CONTROL CENTER - 50 AMP

AUTOMOTIVE AND COACH CIRCUIT BREAKERS
--

KEY PART NUMBER **U/M DESCRIPTION**
 098379-01-000 EA LABEL - FRONT BOX - CIRCUIT BREAKER

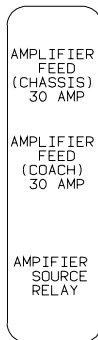
LABELS GROUP (CONTINUED)



KEY	PART NUMBER	U/M DESCRIPTION
	092547-08-000	EA LABEL - CIRCUIT BREAKER

DO NOT FILL
LP-GAS CONTAINER(S)
TO MORE THAN 80%
OF CAPACITY.

KEY	PART NUMBER	U/M DESCRIPTION
	079965-01-000	EA LABEL - LPG - 80% CAPACITY



KEY	PART NUMBER	U/M DESCRIPTION
	111537-06-000	EA LABEL - AMPLIFIER POWER

LABELS GROUP (CONTINUED)

THIS SEAT IS NOT INTENDED
FOR OCCUPANCY WHEN
VEHICLE IS IN MOTION

KEY	PART NUMBER	U/M DESCRIPTION
	134538-01-01A	EA LABEL - OCCUPANCY - NO SEAT BELT - BLACK ON CLEAR - US

TO ENSURE A SUPPLY OF FRESH AIR TO OCCUPANTS, OPEN VENTILATORS WHEN FUEL BURNING RANGE, FUEL BURNING CARRY-ON APPLIANCES, AND/OR FUEL-BURNING LIGHTS ARE IN OPERATION.	DE MANIERE A ASSURE UNE ALIMENTATION EN AIR FRAIS AUX OCCUPANTS, OUVRIR LES VENTILATEURS LORSQUE LA CUISINIERE, LES APPAREILS DE CHAUFFAGE PORTABLES ET/OU LES LAMPES DE COMBUSTION D'HUILE SONT EN FONCTIONNEMENT.
COOKING APPLIANCES SHOULD NOT BE USED FOR SPACE HEATING PURPOSES	LES APPAREILS DE CUSSON NE DOIVENT PAS SERVIR AU CHAUFFAGES DES LOCAUX.

KEY	PART NUMBER	U/M DESCRIPTION
	134540-01-01A	EA LABEL - WARNING - STOVE/HEATING - BLACK ON CLEAR

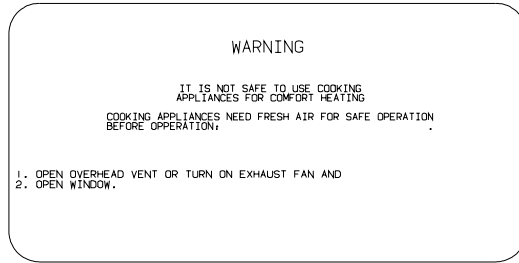
DST ISICE SIEGE N'EST PAS DESTINE A ETRE OCCUPE LORSQUE LE VEHICULE EST IN MOVUEMENT	THIS SEAT IS NOT INTENDED FOR OCCUPANCY WHILE VEHICLE IS IN MOTION
--	--

KEY	PART NUMBER	U/M DESCRIPTION
	134538-02-01A	EA LABEL - OCCUPANCY - NO SEAT BELT - BLACK ON CLEAR - CSA

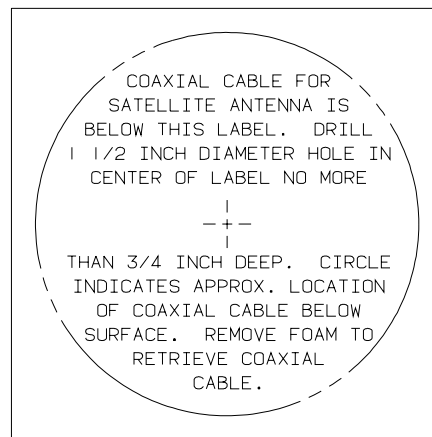
JACKS DOWN

KEY	PART NUMBER	U/M DESCRIPTION
1	133533-01-01A	EA LABEL - JACKS DOWN - CLEAR W/WHITE LETTERING

LABELS GROUP (CONTINUED)

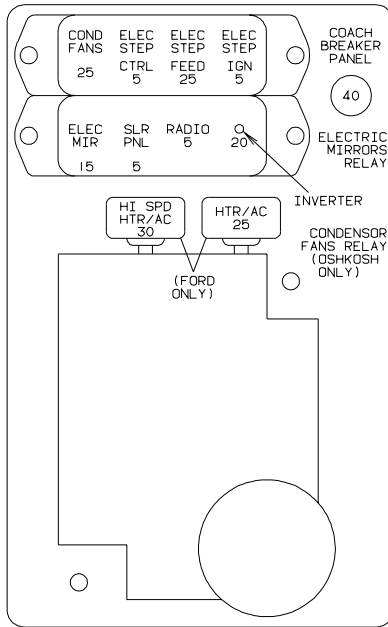


KEY	PART NUMBER	U/M DESCRIPTION
	134539-01-01A	EA LABEL - WARNING - STOVE/HEATING - BLACK ON CLEAR

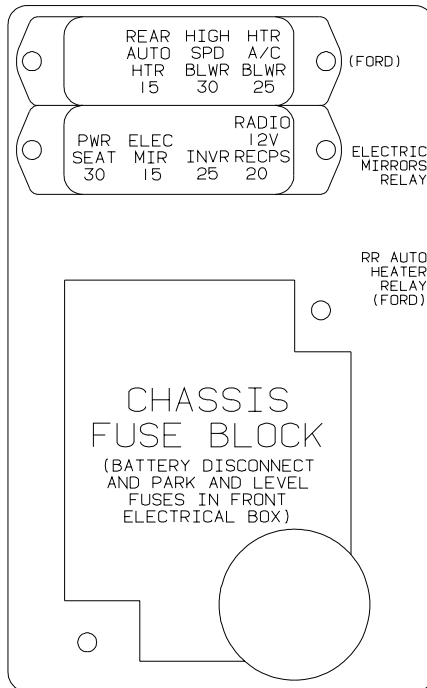


KEY	PART NUMBER	U/M DESCRIPTION
	120431-01-000	EA LABEL - LOCATION - COAXIAL CABLE/SATELLITE ANTENNA

LABELS GROUP (CONTINUED)



KEY	PART NUMBER	U/M DESCRIPTION
	111537-07-000	EA LABEL - FUSES



KEY	PART NUMBER	U/M DESCRIPTION
	111537-08-000	EA LABEL - FUSES

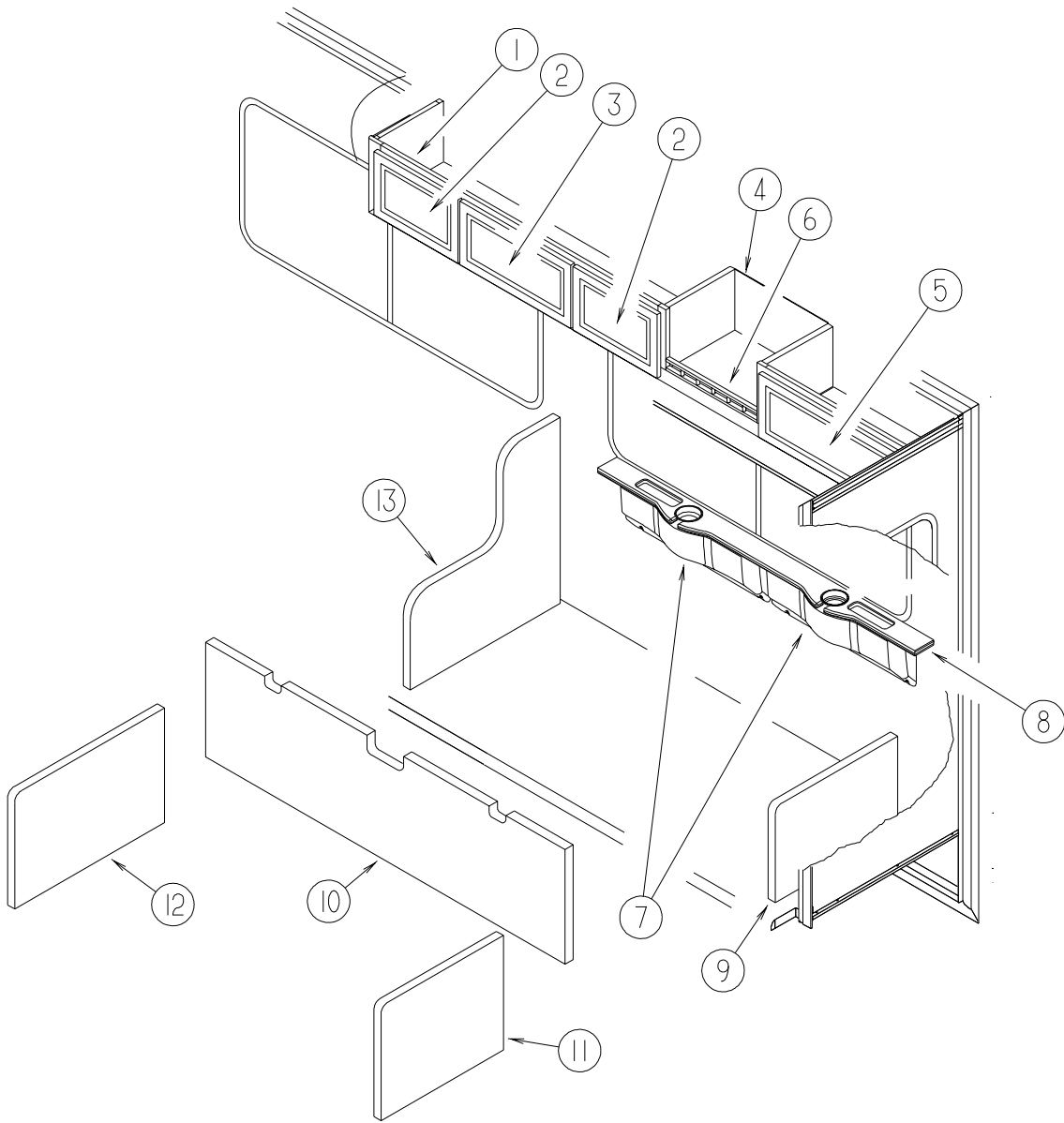
LP GROUP

LP SYSTEM

KEY	PART NUMBER	U/M	DESCRIPTION
	045703-07-000	EA	HOSE - LP - 3/8"ID X 10" - 3/8"MPT X 1/2"F SWIVEL - U.S. FROM: 00-00-00 THRU: 07-27-99
	045703-08-000	EA	HOSE - LP - 3/8"ID X 10" - 3/8"MPT X 1/2"F SWIVEL - CANADA FROM: 00-00-00 THRU: 07-27-99
	045703-11-000	EA	HOSE - LP - 3/8"ID X 36" - 3/8"MPT X 3/8"F SWIVEL - UL/CSA FROM: 07-28-99 THRU: 99-99-99
	105658-01-000	EA	COMPARTMENT - LP REGULATOR
	106150-01-000	EA	REGULATOR - TWO STAGE -W/90 DEGREE ELBOW & 3/8" FPT OUTLET
	065318-02-000	EA	ELBOW - 90 DEGREE - 3/8" MPT TO 3/8" FPT
	010329-01-000	EA	ADAPTER - BRASS - 1/2"F X 1/2"MPT
	024250-01-000	EA	ADAPTER - BRASS - 3/8"F X 1/2"FPT
	040440-02-000	EA	TRANSMITTER - DIAL/BOLT ON - 0-90 OHM -2 TERMINAL (POWER/GROUND)
	040440-03-000	EA	TRANSMITTER - DIAL/SNAP ON - 0-90 OHM -2 TERMINAL (GROUND/POWER)
	103613-03-000	EA	DETECTOR - LP GAS - W/O SHUT-OFF VALVE
	010377-02-000	EA	NUT - BRASS - 3/8" FLARE - FORGED
	010380-02-000	EA	NUT - BRASS - 1/2" FLARE - FORGED
*	088253-09-000	EA	TANK - LP - 100 LB - 14" DIAMETER X 47" LONG

* **COMPONENT PARTS FOUND IN SERVICE PARTS LIBRARY**

**LOUNGE GROUP
CABINETS**



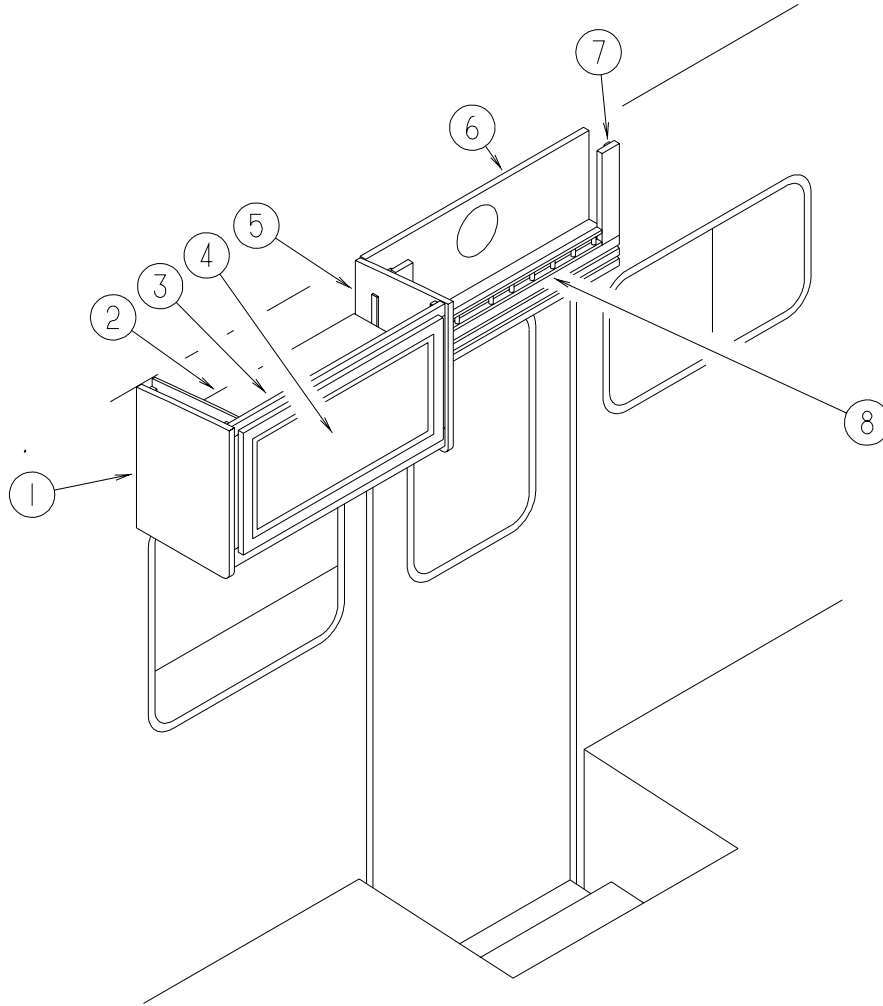
DRIVERS SIDE

LOUNGE GROUP (CONTINUED)

CABINETS (CONTINUED) DRIVERS SIDE (CONTINUED)

KEY	PART NUMBER	U/M	DESCRIPTION
1	132602-01-L32	EA	CABINET - OVERHEAD/COUCH - W/O DOORS/HARDWARE
2	132141-B2-L32	EA	DOOR - RAIL/VENEER - 10.8" X 16.5" - W/O HARDWARE
3	132141-A1-L32	EA	DOOR - RAIL/VENEER - 10.8" X 21.8" - W/O HARDWARE
4	058331-J9-000	EA	MIRROR - SAFETY GLASS - 10.3" X 18.2"
5	132141-20-L07	EA	DOOR - RAIL/VENEER - 10.8" X 27.9" - W/O HARDWARE
6	111775-01-04A	EA	RAIL - DECORATIVE
7	132354-02-01A	EA	PANEL - TRIM - INNER/PASSENGER SIDE - ANTELOPE
8	132297-02-L32	EA	PANEL - TRIM - BEVERAGE TRAY
9	134282-09-L32	EA	PANEL - LEFT END/FILLER - SOFA/BED - FABRIC COVERED - W/TBL & CHAIRS
9	134282-09-L34	EA	PANEL - LEFT END/FILLER - SOFA/BED - FABRIC COVERED - W/TBL & CHAIRS
9	134282-09-L36	EA	PANEL - LEFT END/FILLER - SOFA/BED - FABRIC COVERED - W/TBL & CHAIRS
9	134282-15-L32	EA	PANEL - LEFT END/FILLER - SOFA/BED - LEATHER COVERED - W/TBL & CHAIRS
9	134282-15-L34	EA	PANEL - LEFT END/FILLER - SOFA/BED - LEATHER COVERED - W/TBL & CHAIRS
9	134282-15-L36	EA	PANEL - LEFT END/FILLER - SOFA/BED - LEATHER COVERED - W/TBL & CHAIRS
10	134284-01-L32	EA	PANEL/FRONT KICK W/SKIRT - SOFA/BED - FABRIC COVERED
10	134284-01-L34	EA	PANEL/FRONT KICK W/SKIRT - SOFA/BED - FABRIC COVERED
10	134284-01-L36	EA	PANEL/FRONT KICK W/SKIRT - SOFA/BED - FABRIC COVERED
10	134284-02-L32	EA	PANEL/FRONT KICK W/SKIRT - SOFA/BED - LEATHER COVERED
10	134284-02-L34	EA	PANEL/FRONT KICK W/SKIRT - SOFA/BED - LEATHER COVERED
10	134284-02-L36	EA	PANEL/FRONT KICK W/SKIRT - SOFA/BED - LEATHER COVERED
11	134282-09-L32	EA	PANEL - LEFT END/FILLER - SOFA/BED - FABRIC COVERED
11	134282-09-L34	EA	PANEL - LEFT END/FILLER - SOFA/BED - FABRIC COVERED
11	134282-09-L36	EA	PANEL - LEFT END/FILLER - SOFA/BED - FABRIC COVERED
11	134282-15-L32	EA	PANEL - LEFT END/FILLER - SOFA/BED - LEATHER COVERED
11	134282-15-L34	EA	PANEL - LEFT END/FILLER - SOFA/BED - LEATHER COVERED
11	134282-15-L36	EA	PANEL - LEFT END/FILLER - SOFA/BED - LEATHER COVERED
12	134282-08-L32	EA	PANEL - RIGHT END/FILLER - SOFA/BED - FABRIC COVERED
12	134282-08-L34	EA	PANEL - RIGHT END/FILLER - SOFA/BED - FABRIC COVERED
12	134282-08-L36	EA	PANEL - RIGHT END/FILLER - SOFA/BED - FABRIC COVERED
12	134282-14-L32	EA	PANEL - RIGHT END/FILLER - SOFA/BED - LEATHER COVERED
12	134282-14-L34	EA	PANEL - RIGHT END/FILLER - SOFA/BED - LEATHER COVERED
12	134282-14-L36	EA	PANEL - RIGHT END/FILLER - SOFA/BED - LEATHER COVERED
13	134282-07-L32	EA	PANEL - RIGHT END/TALL/DEEP - SOFA/BED - FABRIC COVERED - W/TBL & CHAIRS
13	134282-07-L34	EA	PANEL - RIGHT END/TALL/DEEP - SOFA/BED - FABRIC COVERED - W/TBL & CHAIRS
13	134282-07-L36	EA	PANEL - RIGHT END/TALL/DEEP - SOFA/BED - FABRIC COVERED - W/TBL & CHAIRS
13	134282-16-L32	EA	PANEL - RIGHT END/TALL/DEEP - SOFA/BED - LEATHER COVERED - W/TBL & CHAIRS
13	134282-16-L34	EA	PANEL - RIGHT END/TALL/DEEP - SOFA/BED - LEATHER COVERED - W/TBL & CHAIRS
13	134282-16-L36	EA	PANEL - RIGHT END/TALL/DEEP - SOFA/BED - LEATHER COVERED - W/TBL & CHAIRS

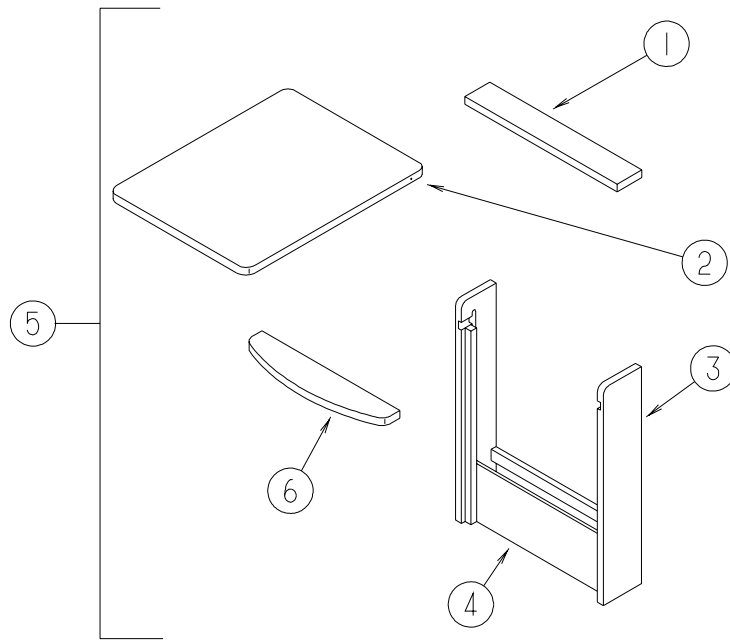
**LOUNGE GROUP (CONTINUED)
CABINETS (CONTINUED)**



PASSENGER SIDE

KEY	PART NUMBER	U/M	DESCRIPTION
1	103128-07-G15	EA	END CAP - OVERHEAD CABINET - LEFT HAND
2	131890-11-L32	EA	SHELF
3	131890-01-L32	EA	CABINET - OVERHEAD/FRONT - W/O DOORS/HARDWARE
3	131890-02-L32	EA	CABINET - OVERHEAD/FRONT - W/O DOORS/HARDWARE (W/SOUND SYSTEM)
4	132141-B3-L32	EA	DOOR - RAIL/VENEER - 15.5" X 29.5" - W/O HARDWARE
5	103128-10-G15	EA	END CAP - OVERHEAD CABINET - RIGHT HAND
6	132346-12-L32	EA	PANEL ASM - FABRIC COVERED
7	132346-01-L32	EA	CABINET - OVERHEAD/ENTRY DOOR - W/O DOORS/HARDWARE
8	111775-01-04A	EA	RAIL - DECORATIVE

LOUNGE GROUP (CONTINUED)
TABLE



KEY	PART NUMBER	U/M	DESCRIPTION
1	119559-26-L32	EA	WALL CABINET/TOP - F/PULLOUT TABLE
2	119559-29-L32	EA	TABLE TOP ONLY
3	119559-11-G35	EA	CABINET/RIGHT SIDE - F/PULLOUT TABLE - 5.7" X 28.7"
	119559-12-G35	EA	CABINET/LEFT SIDE - F/PULLOUT TABLE - 5.7" X 28.7"
4	119559-28-L32	EA	PANEL - BOTTOM KICK - CABINET
5	119559-04-L32	EA	CABINET - W/PULLOUT TABLE
6	119559-27-L32	EA	SHELF - SUPPORT - F/PULLOUT TABLE

SEALANTS & FASTENERS GROUP

SEALANTS & ADHESIVES

KEY	PART NUMBER	U/M	DESCRIPTION
	069640-01-000	FT	SEALER - RIBBON - 1/4" DIAMETER X 30' - BLACK
	069640-02-000	FT	SEALER - TAPE - .13"THICK X .5"WIDE X 60' - GRAY
	069640-03-000	FT	SEALER - TAPE - .13"THICK X .75"WIDE X 60' - BLACK
	069640-07-000	FT	SEALER - TAPE - .09" THICK X 2" WIDE X 45' - GRAY
	069640-09-000	FT	SEALER - TAPE - .03" THICK X 2.50"WIDE X 80' - GRAY
	069640-10-000	FT	SEALER - TAPE - .03" THICK X 1.50" WIDE X 90' - GRAY
	069640-11-000	FT	SEALER - TAPE - .19" THICK X .38" WIDE X 40' - BLACK
	069640-13-000	FT	SEALER - TAPE - .03"THICK X 2"WIDE X 45' - BLACK
	069640-14-000	FT	SEALER - TAPE - .06" THICK X 1" WIDE X 100' - GRAY
	069640-15-000	FT	SEALER - TAPE - .06"THICK X .38"WIDE X 100' - GRAY
	069640-17-000	FT	SEALER - TAPE - .03" THICK X 1" WIDE X 90' - GRAY
	069640-18-000	FT	SEALER - TAPE - .50" THICK X .13" WIDE X 60' - BRT WHITE
	069640-19-000	FT	SEALER - TAPE - .75" THICK X .13" WIDE X 60' - BRT WHITE
	069640-20-000	FT	SEALER - TAPE - .50" THICK X 1/8" WIDE X 60' - BLACK
	069640-21-000	FT	SEALER - TAPE - .50" THICK X 1/16" WIDE X 100'-BRIGHT WHT
	069640-22-000	FT	SEALER - TAPE - .25" THICK X 1/32" WIDE X 100'- BRIGHT WHT
	069640-23-000	FT	SEALER - TAPE - 1/16" THICK X 3/4" WIDE X 100'-BRIGHT WHT
	069640-25-000	FT	SEALER - TAPE - .06" THICK X 3.5" WIDE X 50' - GRAY
	072889-01-000	EA	SEALANT - URETHANE - BLACK - TUBE
	072889-10-000	EA	SEALANT - URETHANE - BRIGHT WHITE - TUBE
	072889-11-000	EA	SEALANT - URETHANE - GRAY - TUBE
	072889-13-000	EA	SEALANT - URETHANE - VW WHITE - TUBE
	072889-14-000	EA	SEALANT - URETHANE - SABLE - TUBE
	116767-01-01A	EA	SEALANT - WATERBASE - CLEAR
	053766-02-000	EA	BEDDING COMPOUND - TUBE - WHITE
	053766-06-000	EA	BEDDING COMPOUND - TUBE - CLEAR
	034552-15-000	EA	SILICONE - TUBE - W/O NOZZLE - BRIGHT WHITE
	131264-01-01A	EA	SILICONE - W/O NOZZLE - BLACK
	131264-01-02A	EA	SILICONE - W/O NOZZLE - CLEAR
	131264-01-08A	EA	SILICONE - W/O NOZZLE - BUFF
	131264-02-01A	EA	SILICONE - W/O NOZZLE - VW GRAY - BATH ONLY
	131264-03-01A	EA	SILICONE - W/O NOZZLE - SELF LEVELING - BRIGHT WHITE
	108716-01-000	EA	SILICONE - W/O NOZZLE - OFF WHITE - SELF LEVELING
	108716-02-000	EA	SILICONE - W/O NOZZLE - BUFF - SELF LEVELING
	102352-01-000	EA	SEALER - PUMPABLE - TUBE - BLACK
	102352-02-000	EA	SEALER - PUMPABLE - TUBE - CLEAR
	094401-01-000	EA	SEALER - BODY SEAM - FLEXICLEAR
	094401-03-000	EA	SEALER - BODY SEAM - BLACK
	094401-04-000	EA	SEALER - BODY SEAM - CLEAR
	067788-01-000	EA	ADHESIVE - SPRAY - 3M - 19.5 OZ AEROSOL CAN
	900390-01-000	EA	NOZZLE - SILICONE TUBE - 2.5" LONG
	900390-03-000	EA	NOZZLE - SILICONE TUBE - 4.3" LONG
	112902-01-000	EA	NOZZLE - ELEMENT - 3/8 X 24
	112902-02-000	EA	NOZZLE-BELL 3/8X24
	112902-03-000	EA	MIXER NOZZLE - F/GUN #00400102000 - SCOTCH-WELD & PLEXUS
	076322-01-000	FT	TAPE-DOUBLE COATED/ADHESIVE BK-.03"THK X .8"W X 216'- WHT
	076322-02-000	FT	TAPE-DOUBLE COATED/ADHESIVE BK-.05"THK X 1"W X 108' - WHT
	076322-03-000	FT	TAPE-DOUBLE COATED/ADHESIVE BK-.05"THK X .5"W X 108' - WHT
	076322-05-000	FT	TAPE-DOUBLE COATED/ADHESIVE BK-.05"THK X .8"W X 108' - WHT
	076322-06-000	FT	TAPE - DOUBLE COATED/ADHESIVE BK-.05"THK X 1"W - BLK
	076322-07-000	FT	TAPE-DOUBLE COATED/ADHESIVE BK-.05"THK X .5"W X 200' - BLK
	076322-11-000	FT	TAPE-DOUBLE COATED/ADHESIVE BK-.02"THK X 1"W X 216' - CLR
	076322-12-000	FT	TAPE-DOUBLE COATED/ADHESIVE BK-.05"THK X .8"W X 108' - CLR
	123816-01-000	FT	TAPE - DOUBLE SIDED - 1" X 100'
	123816-02-000	FT	TAPE - DOUBLE SIDED - 1/2" X 1 1/3" X 100'
	123816-03-000	FT	TAPE - DOUBLE SIDED - 1/2" X 3/4" X 100'
	123816-04-000	FT	TAPE - DOUBLE SIDED - 6" X 750'
	120534-01-01A	EA	TAPE - SCOTCH - 3M - 1/2" FINE LINE

SEALANTS & FASTENERS GROUP (CONTINUED)

SEALANTS & ADHESIVES (CONTINUED)

KEY	PART NUMBER	U/M	DESCRIPTION
	063642-01-000	FT	TAPE - ADHESIVE - .4" X 1.5" X 180'
	123244-01-000	FT	TAPE - DOUBLE SIDED/FOAM - 5/64" THICK X 3/4" WIDE
	123244-02-000	FT	TAPE - DOUBLE SIDED/FOAM - 5/64" THICK X 1/2" WIDE X 108'
	088479-01-000	EA	TAPE - ALUMINUM - 3"
	103202-02-000	FT	TAPE - FOAM/ADHESIVE ONE SIDE - 1/16" X 200'
	110274-01-000	FT	TAPE - DOUBLE SIDED/FOAM - .45" X 1" X 216' - BLACK
	115933-01-000	FT	TAPE - 1/64" X 3/8" X 100'
	123816-04-000	FT	TAPE - DOUBLE SIDED - 6" X 750'
	002707-02-000	FT	TAPE - SEALER - 5/16" X 1/2" - INCREMENTS OF 50 FT
	091255-02-000	FT	SEAL - ADHESIVE BACKED/FOAM - 3/64" THICK X 3/16"W X 1000'
	091255-03-000	FT	SEAL - ADHESIVE BACKED/FOAM - 1/4" THICK X 1/4"W X 1000'
	099069-01-000	FT	SEAL - RUBBER - CLOSED SPONGE - .5" WIDE X .12" THICK -BLK
	104692-01-000	FT	SEAL - ADHESIVE BACKED FOAM - 3/4" THICK X 3/4" WIDE X 25'
	104692-03-000	FT	SEAL - ADHESIVE BACKED FOAM - 1" THICK X 1 3/4" WIDE X 15'
	108353-03-000	FT	SEAL - FOAM - .19" X .25"
	112864-01-000	FT	SEAL - FOAM/BUTYL COVERED - 3/8" X 35'
	106206-01-000	EA	SEALER - PUMPABLE - TUBE - BLACK - MANUS
	120074-02-01A	EA	SILICONE - W/O NOZZLE - LOW ODOR - OFF WHITE
	120074-02-02A	EA	SEALANT - W/O NOZZLE - SOFT WHITE
	107828-01-000	EA	SEALANT - SB - 190 EVERSEAL
	112864-02-000	FT	FOAM - BUTYL COVERED 5/16" X 44'
	087211-01-000	GL	PROMOTER - ADHESIVE - GALLON
	004006-05-700	EA	ADHESIVE - 5 GALLON - NATIONAL STARCH
	004020-01-000	QT	ADHESIVE - ABS CEMENT - QUART
	112901-02-000	EA	ADHESIVE - PLEXUS - MA330 - 50ML - GRAY
	131384-01-000	EA	ADHESIVE - JETWELD
	113366-01-000	EA	ADHESIVE - INSTANT - 1 OZ
	062917-03-000	EA	ADHESIVE - LOCTITE 242
	004001-02-000	EA	GUN - PLEXUS ADHESIVE - W/O NOZZLE
	004001-03-000	EA	MIXER NOZZLE (EPX)
	004001-03-001	EA	EPOXY MIXER NOZZLE 12"
	004001-03-002	EA	TUBE/MIXER - GRACO EPOXY
	004001-04-000	EA	PLUNGER ACCESSORY (EPX)
	004001-05-000	EA	ADHESIVE - SCOTCH-WELD - 3M DP100 - CLEAR - 50ML
	099952-01-000	FT	CORE - SEAL - BULB SUPPORT

SEALANTS & FASTENERS GROUP (CONTINUED)**BOLTS, NUTS AND WASHERS**

KEY	PART NUMBER	U/M	DESCRIPTION
	000C12-04-12A	EA	BOLT - HEX - 1/4-20 X .75 - PLAIN 5
	000C12-05-16B	EA	BOLT - HEX - 5/16-18 X 1 - GRADE #5 - ZINC
	000C12-05-12B	EA	BOLT - HEX - 5/16-18 X 3/4 - ZINC 5
	000C12-06-16B	EA	BOLT - HEX - 3/8-16 X 1 - GRADE #5 - ZINC
	000C12-06-20B	EA	BOLT - HEX - 3/8 - 16 X 1 1/4 - ZINC #5
	000C12-06-44B	EA	BOLT - HEX - 3/8-16 X 2 3/4 - ZINC 5
	000C12-07-20B	EA	BOLT - HEX - 7/16-14 X 1 1/4 - ZINC 5
	000C12-08-24B	EA	BOLT - HEX - 1/2-13 X 1.5 - GRADE #3 - ZINC
	000C12-08-28B	EA	BOLT - HEX - 1/2-13 X 1.8" - GRADE #5 - ZIN
	000C12-08-16B	EA	BOLT - HEX - 1/2-13 X 1" - GRADE #5 - ZINC
	0MC04K-06-016	EA	BOLT - HEX - M06 X 1 X 016
	0MC05K-08-055	EA	BOLT - HEX M.3 X 1.25 X 2.2
	0MC13K-14-070	EA	BOLT - HEX M14 X 2.00 X 2.75
	0MC31K-08-020	EA	BOLT - HEX - SERRATED FLANGE - M8 X 020
	0MC32K-10-030	EA	BOLT - HEX - SERRATED FLANGE - M10 X 1.50
	0MC53K-12-050	EA	BOLT - HEX - M12 X 1.75 X 050
	000C12-04-40B	EA	BOLT - HEX - 1/4-20 X 2 1/2 - GRADE 5 ZINC
	000C12-05-64B	EA	BOLT - HEX - 5/16-18 X 4
	000C12-06-24B	EA	BOLT - HEX - 38-16 X 1 1/2 - ZINC #5
	000C12-10-24B	EA	BOLT - HEX - 5/8-11 X 1.5" - GRADE #5 - ZINC
	000C13-07-40B	EA	BOLT - HEX - 7/16-20 X 2.5" - GRADE #5 - ZINC
	000C13-07-48B	EA	BOLT - HEX - 7/16-20 X 3" - GRADE #5 - ZINC
	000C13-08-40B	EA	BOLT - HEX - 1/2-20 X 2 1/2 - GRADE #5 - ZINC
	000C13-08-28B	EA	BOLT - HEX - 1/2-20 X 1 3/4 - GRADE #5 - ZINC
	000C14-07-28B	EA	BOLT - HEX - 7/16-14 X 1.75 - GRADE 8 ZINC
	000C14-07-20B	EA	BOLT - HEX - 7/16-14 X 1.25 - GRADE 8 ZINC
	000C14-10-24K	EA	BOLT - HEX 0 5/8-11 X 1.50 - GRADE #8 - ZINC
	000C14-10-32K	EA	BOLT - HEX - 5/8"-11 X 2 - GRADE #8 - ZINC
	000C18-05-40A	EA	BOLT - ELEVATOR - 5/16-18 X 2.50 - PL
	000C18-06-48B	EA	BOLT - ELEVATOR - 3/8-16 X 3 - GRADE 5 - ZINC
	000C18-06-56A	EA	BOLT - ELEVATOR - 3/8-16 X 3 1/2 - GRADE 5
	000C26-04-18B	EA	BOLT - HEX - SERRATED FLANGE - 1/4-20 X 1 1/8 - ZINC
	000C26-04-14B	EA	BOLT - HEX - SERRATED FLANGE - 1/4-20 X 7/8 - ZINC
	000C26-04-10B	EA	BOLT - HEX - SERRATED FLANGE - 1/4-20 X 5/8 - ZINC
	000C26-05-16B	EA	BOLT - HEX - SERRATED FLANGE - 5/16-18 X 1 - ZINC
	000C26-05-20B	EA	BOLT - HEX - SERRATED FLANGE - 5/16-18 X 1 1/4 - ZINC
	000C26-05-12B	EA	BOLT - HEX - SERRATED FLANGE - 5/16-18 X 3/4 - ZINC
	000C26-05-16B	EA	BOLT - HEX - SERRATED FLANGE - 5/16-18 X 1 - ZINC
	000C26-05-129	EA	BOLT - HEX - SERRATED FLANGE - 5/16-18 X 3/4
	000C26-05-249	EA	BOLT - HEX - SERRATED FLANGE 5/16-18 X 1.5"
	000C26-06-16B	EA	BOLT - HEX - SERRATED FLANGE - 3/8-16 X 1 - ZINC
	000C26-06-12B	EA	BOLT - HEX - SERRATED FLANGE - 3/8-16 X 3/4 - ZINC
	000C26-06-28B	EA	BOLT - HEX - SERRATED FLANGE - 3/8-16 X 1 3/4 - ZINC
	000C26-06-40B	EA	BOLT - HEX - SERRATED FLANGE - 3/8-16 X 1 3/4 - ZINC
	000C26-06-12B	EA	BOLT - HEX - SERRATED FLANGE - 3/8-16 X 3/4 - ZINC
	000C26-06-20B	EA	BOLT-HEX, SER FLG 3/8 - 16 X 1 1/4 - ZN
	000C26-08-24B	EA	BOLT - HEX - SERRATED FLANGE - 1/2-13 X 1 1/2 - ZINC
	000C27-04-40B	EA	BOLT - CARRIAGE 1/4-20 X 2.50 - ZINC
	000C27-08-64B	EA	BOLT - CARRIAGE - 1/2-13 X 4. - GRS
	106166-01-000	EA	BOLT/COLLARED HANGER - 8-32 X 1"
	000G45-04-24B	EA	BOLT - LAG - 1/4-9 X 1 1/2 - ZINC
	000G45-04-24F	EA	BOLT - LAG - 1/4" #9 X 1 1/2SS
	000G45-05-16B	EA	BOLT - LAG - 5/16-9 X 1 - ZINC
	106956-03-000	EA	BOLT - HEX TAP - 1/2-12NC X 3 - GRADE 5 - FULL THREAD/ZINC
	051387-06-000	EA	BOLT - CARRIAGE W/O HOLE - 5/16-18 X 9.5 - ZINC
	091274-03-000	EA	BOLT-J - 3/8-16 X 12.0
	106956-08-000	EA	BOLT - HEX TAP - 1/2-13NC X 4 - GRADE 5 - FULL THREAD/ZINC
	087718-01-000	EA	MONOBOLT - STEEL - 3/16 DIAMETER
	102333-02-01A	EA	BOLT - CARRIAGE - 1/4-20
	103020-02-000	EA	BOLT-U - #8-32 - GRADE 5 ZINC

SEALANTS & FASTENERS GROUP (CONTINUED)

BOLTS, NUTS AND WASHERS (CONTINUED)

KEY	PART NUMBER	U/M	DESCRIPTION
	107393-02-000	EA	BOLT - SHOULDER - 3/8" SOCKETHEAD
	113985-02-000	EA	BOLT - FLANGE - M10-1.5 X 30CL10.9
	114259-05-000	EA	BOLT-7/16-20X1.25 W/WASHER
	0MD16K-10-000	EA	NUT - HEX PREV TORQUE M10 X 1.50 CLASS 8
	0MD39K-12-000	EA	NUT - HEX W/NYLON LOCK - M12 X 1.75
	000D24-10-00B	EA	NUT - HEX - SELF LOCKING - 10-32 ZINC
	000D29-05-00B	EA	NUT - HEX - LOCKING W/SERRATED FLANGE-NYLON WASHER INSERT
	000D29-09-00B	EA	NUT - HEX - SELF LOCKING - 9/16-12 - ZINC
	000D29-06-00B	EA	NUT - HEX - W/NYLON LOCK - 3/8-16 - ZINC
	000D30-07-00B	EA	NUT-HEX LOCK,NYLON 7/16X20
	000D34-04-00B	EA	NUT - HEX - LOCKING - 1/4-20 ZINC
	000D34-06-00B	EA	NUT - HEX - LOCKING - 3/8-16 GRADE C - ZINC
	000D39-04-00B	EA	NUT - HEX - LOCKING W/SERRATED FLANGE - 1/4-20 - ZINC
	000D39-05-00B	EA	NUT - HEX - LOCKING W/SERRATED FLANGE - 5/16-18 - ZINC
	000D39-06-00B	EA	NUT - HEX - LOCKING W/SERRATED FLANGE - 3/8-18 - ZINC
	000D39-07-00B	EA	NUT - HEX - LOCKING W/SERRATED FLANGE - 7/16-14 - ZINC
	000D39-08-00B	EA	NUT - HEX - LOCKING W/SERRATED FLANGE - 1/2-13 - ZINC
	000D44-04-00B	EA	NUT - HEX - LOCKING W/SERRATED FLANGE - 1/4-28 - ZINC
	000D44-07-00B	EA	NUT - HEX - LOCKING W/SERRATED FLANGE - 7/16-20 - ZINC
	000D44-08-00B	EA	NUT - HEX - SERRATED FLANGE - 1/2-20 - GRADE #5 - ZINC
	000D46-04-00A	EA	NUT - HEX - WELD - 1/4-20 - PLAIN
	000D58-06-00A	EA	NUT - HEX - WELD 3/8-16 - PLAIN
	000D65-08-00B	EA	NUT - HEX - LOCKING W/SERRATED FLANGE - 8-32 - ZINC
	000D67-10-00B	EA	NUT - HEX - LOCK - 5/8-11 - ZINC
	000D73-07-00C	EA	NUT - HEX FLANGE - 7/16-14 - GRADE 6
	000D73-08-00C	EA	NUT - HEX FLANGE - 1/2-13
	000D76-06-00B	EA	NUT - HEX FLANGE - 3/8-16
	044364-02-000	EA	NUT - SPEED - FLAT - ROUND
	063253-07-000	EA	NUT - J - #8A - .120 - .130 PNL THK
	087234-01-000	EA	NUT - JACK - 1/4 X 20 THD - MOLLY MOUNTS LICENSE PLATES USING BOLT #000G500412B
	040921-01-000	EA	NUT - SPEED - U TYPE - #10-24 - BLACK
	104369-01-000	EA	NUT - HEX - HEAVY - 5/8-11 UNC
	000D29-04-00B	EA	NUT - HEX - SELF LOCKING - 1/4 X 20 - ZINC
	005081-01-000	EA	NUT - SPEED - C-TYPE - #8 SCREW
	040921-04-000	EA	NUT - SPEED - U TYPE - #8-.59" LENGTH X .44" WIDTH
	040921-09-000	EA	NUT - SPEED - U TYPE - #8
	044364-01-000	EA	NUT - SPEED - FLAT - RECTANGULAR - SELF LOCKING/ONE PIECE
	083163-06-000	EA	PUSHNUT - FLAT TYPE 3/8 STUD - FORD ONLY
	0ME06K-14-280	EA	WASHER - FLAT - 14 ID X 28.00 OD
	000E11-07-00B	EA	WASHER - LOCKING - 7/16 MED SPLIT - ZINC
	000E11-08-00B	EA	WASHER - LOCKING - 1/2 MED SPLIT - ZINC
	000E13-14-00B	EA	WASHER - FLAT - 1/4 WIDE - ZINC
	000E13-17-00B	EA	WASHER - FLAT - 3/8 AR - ZINC
	000E13-18-00B	EA	WASHER - FLAT - 3/8 WIDE - ZINC
	000E13-20-00B	EA	WASHER - FLAT - 7/16 WIDE - ZINC
	000E13-21-00B	EA	WASHER - FLAT - 1/2 NARROW - ZINC
	000E13-22-00B	EA	WASHER - FLAT - 1/2 WIDE - ZINC
	000E13-26-00B	EA	WASHER - FLAT - 5/8 WIDE - ZINC
	000E14-10-00B	EA	WASHER - LOCKING - #10 EXTERNAL TOOTH - ZINC
	000E16-10-00B	EA	WASHER - HARDENED - 5/8 - FLAT - ZINC
	058716-02-000	EA	WASHER - FLAT NYLON
	077071-01-000	EA	WASHER - FENDER - 3/16"ID X 1" OD
	107397-01-000	EA	WASHER - FENDER - .25" ID X 1" OD
	041322-01-000	EA	WASHER - FLANGE - 15/32 ID X 2 3/8 OD - F/SEAT BELT MTG
	044533-01-000	EA	WASHER - PLASTIC - 1 3/8" OD - FOR BUTTONS
	046867-05-000	EA	WASHER - #0
	058716-03-000	EA	WASHER - FLAT/NYLON - .500 X 1.25 X .060
	088787-12-000	EA	STUD - WELD - 1/4 - 20 X 1.0 LG - MN
	108067-03-000	EA	STUD - WELD - 1/4 - 20 X 1/2 CD
	102540-02-000	EA	SEAL - SCREW
	106648-01-000	EA	CAP - STUD - .120 TO .130 DIAMETER

SEALANTS & FASTENERS GROUP (CONTINUED)

SCREWS

KEY	PART NUMBER	U/M	DESCRIPTION
	0G1108-12-170	EA	SCREW - 8-18 X .75 PPH - BRIGHT WHITE
	0G1106-08-240	EA	SCREW - 6-20 X 1/2 PPH - VW LIGHT GRAY
	0G1108-12-140	EA	SCREW - 8-18 X .75 PPH
	0G1108-12-240	EA	SCREW - 8-18 X .75 PPH - VW LIGHT GRAY
	0G1208-12-170	EA	SCREW - 8-18 X .75 POH - BRIGHT WHITE
	0G3908-08-160	EA	SCREW - SF/DR-8-18X1/2 PPH
	0G3908-08-170	EA	SCREW - SF/DR - 8-18 X .50 PPH - BRIGHT WHITE
	0G3908-08-240	EA	SCREW - SF/DR - 8-18 X 1/2 PPH - VW LIGHT GRAY
	0G3908-12-250	EA	SCREW - SF/DR - 8-18 X .75 PPH - DARK GRAY
	0G3908-16-170	EA	SCREW - SF/DR - 8-18 X 1.00 PPH - BRIGHT WHITE
	0G3908-20-170	EA	SCREW - SF/DR - 8-18 X 1.25 PPH - BRIGHT WHITE
	0G3908-24-170	EA	SCREW - SF/DR - 8-18 X 1.50 PPH - BRIGHT WHITE
	0G3910-10-160	EA	SCREW - SF/DR - 10-16 X .62 PPH
	0G3910-10-240	EA	SCREW - SF/DR - 10-16 X .62 PPH - VW LIGHT GRAY
	0G5508-12-110	EA	SCREW - SF/DR-8-18 X .75 PWH
	0G3910-12-260	EA	SCREW - SF/DR - 10-16 X .75 PPH - ALLANTE ANTELOPE
	0G3910-12-170	EA	SCREW - SF/DR - 10-16 X .75 PPH - BRIGHT WHITE
	0G5508-12-170	EA	SCREW - SF/DR - 8-18 X .75 PWH - BRIGHT WHITE
	0G5508-12-270	EA	SCREW - SF/DR - 8-18 X .75 PWH - TITANIUM
	0G5508-12-260	EA	SCREW - SF/DR - 8-18 X .75 PWH - ALLANTE ANTELOPE
	0G5508-16-250	EA	SCREW - SF/DR - 8-18 X 1.00 PWH - VW DARK GRAY
	0G6008-16-170	EA	SCREW - SF/DR - 8-18 X 1.00 POH - BRIGHT WHITE
	0G5508-16-260	EA	SCREW - SF/DR - 8-18 X 1.00 PWH ZINC - INTERIOR ANTELOPE
	0G5508-16-270	EA	SCREW - SF/DR - 8-18 X 1.00 PWH ZINC - INTERIOR TITANIUM
	0G6710-08-130	EA	SCREW - 10-12 X .50 PPH TAUPE
	0G6710-08-170	EA	SCREW - 10-12 X 1/2 PPH - BRIGHT WHITE
	0G6710-08-240	EA	SCREW - 10-12 X .50 PPH TAUPE - VW LIGHT GRAY
	0G6710-12-170	EA	SCREW - 10-12 X .75 PPH - BRIGHT WHITE
	0G6710-16-230	EA	SCREW - 10-12 X 1 PPH - BEIGE
	000G11-05-08B	EA	SCREW - 5-20 X .50 PPH - ZINC
	000G11-06-06B	EA	SCREW - 6-20 X 3/8 PPH - ZINC
	000G11-06-10B	EA	SCREW - 6-20 X 5/8 PPH - ZINC
	000G11-06-12B	EA	SCREW - 6-20 X 3/4" PPH - ZINC
	000G11-06-10J	EA	SCREW - 6-20 X 5/8 PPH - BRASS
	000G11-06-A4B	EA	SCREW - 6-20 X 1.5 PPH ZINC
	000G11-06-08B	EA	SCREW - 6-20 X 1/2 PPH - ZINC
	000G11-07-08B	EA	SCREW - 7-19 X 1/2 PPH - ZINC
	000G11-07-08T	EA	SCREW - 7-19 X 1/2 PPH - BLACK
	000G11-08-06B	EA	SCREW - 8-18 X 3/8 PPH - ZINC
	000G11-08-06J	EA	SCREW - 8-18 X 3/8 PPH BRASS
	000G11-08-12B	EA	SCREW - 8-18 X 3/4 PPH - ZINC
	000G11-08-12S	EA	SCREW - 8-18 X 3/4 PPH - OFF WHITE
	000G11-08-08T	EA	SCREW - 8-18 X 1/2 PPH - FLUOROCARBON COATING
	000G11-08-08B	EA	SCREW - 8-18 X 1/2 PPH - ZINC
	000G11-08-20B	EA	SCREW - 8-18 X 1 1/4 PPH - ZINC
	000G11-08-16S	EA	SCREW - 8-18 X 1 PPH - OFF WHITE
	000G11-08-16B	EA	SCREW - 8-18 X 1 PPH - ZINC
	000G11-08-12P	EA	SCREW - 8-18 X 3/4 PPH - DARK BROWN
	000G11-08-12D	EA	SCREW - 8-18 X 3/4 PPH - BLACK
	000G11-08-12T	EA	SCREW - 8-18 X 3/4 PPH - BLACK
	000G11-10-12S	EA	SCREW - 10-16 X 3/4 PPH - OFF WHITE
	000G11-10-12D	EA	SCREW - 10-16 X 3/4 PPH - BLACK
	000G11-10-16B	EA	SCREW - 10-16 X 1 PPH - ZINC
	000G11-10-40B	EA	SCREW - 10-16 X 2 1/2 PPH CAD - 34927-01-000
	000G12-06-08T	EA	SCREW - 6-20 X 1/2 POH - BLACK
	000G12-08-12S	EA	SCREW - 8-18 X 3/4 POH - OFF WHITE
	000G13-05-10B	EA	SCREW - 5-12 X 5/8 PFH - ZINC
	000G13-06-16S	EA	SCREW - 6-20 X 1.00 PFH - OFF WHITE
	000G13-06-10G	EA	SCREW - 6-20 X 5/8 PFH - ANTIQUE BRASS
	000G13-06-08B	EA	SCREW - 6-20 X 1/2 PFH - ZINC
	000G13-06-08G	EA	SCREW - 6-20 X .50 PFH - ANTIQUE BRASS
	000G13-06-24J	EA	SCREW - 6-20 X 1 1/2 PFH - BRASS

SEALANTS & FASTENERS GROUP (CONTINUED)**SCREWS (CONTINUED)**

KEY	PART NUMBER	U/M	DESCRIPTION
	000G13-06-10J	EA	SCREW - 6-20 X .62 PFH - BRASS
	000G13-06-16E	EA	SCREW - 6-20 X 1.00 PFH - CHROME
	000G13-06-16J	EA	SCREW - 6-20 X 1 PFH - BRASS
	000G13-06-06I	EA	SCREW - 6-20 X 3/8 PFH BLACK ZINC
	000G13-06-06B	EA	SCREW - 6-20 X 3/8 PFH ZINC
	000G13-07-12B	EA	SCREW - 7-19 X 3/4 PFH - ZINC
	000G13-07-10H	EA	SCREW - 7-19 X 5/8 PFH - BLACK
	000G13-07-089	EA	SCREW - 7-19 X 1.2 PPH - SILVER
	000G13-08-10B	EA	SCREW - 8-18 X 5/8 PFH - ZINC
	000G13-08-16B	EA	SCREW - 8-18 X 1 PFH - ZINC
	000G13-08-109	EA	SCREW - 8-18 X 5/8 PFH
	000G16-04-24B	EA	SCREW - MACHINE - 1/4-20 X 1 1/2 PPH
	000G18-08-22B	EA	SCREW - MACHINE - 8-32 X 1 3/8 PPH - ZINC
	000G18-08-20B	EA	SCREW - MACHINE - 8-32 X 1 1/4 PPH - ZINC
	000G18-08-24B	EA	SCREW - MACH-8-32X1 1/2PPH ZN
	000G13-08-24B	EA	SCREW - #8, 18X1 1/2 PFH ZN
	000G19-10-10B	EA	SCREW - MACHINE - 10-32 X 5/8 - PPH - ZINC
	000G19-10-20B	EA	SCREW - MACHINE - 10-32 X 1 1/2 PPH - ZINC
	000G19-10-12F	EA	SCREW - MACHINE - 10-32 X 3/4 PPH - STAINLESS STEEL
	000G19-10-08B	EA	SCREW - MACHINE - 10-32 X 1/2 PPH - ZINC
	000G32-10-06B	EA	SCREW - 10-32 X 3/8 PPH - ZINC
	000G13-10-16I	EA	SCREW - 10-16X1.00 PFH,BLK
	000G34-05-12B	EA	SCREW - HEX HEAD TAPPING - 5/16 X 3/4 LONG
	000G37-08-12B	EA	SCREW - 8-18 X 3/4 PPH
	000G37-08-089	EA	SCREW - 8 X 18 X 1/2 PPH - FLUOROCARBON SILVER
	000G36-10-12T	EA	SCREW - 10-24X 3/4 PFH TYPE 23 - BLACK
	000G38-04-16D	EA	SCREW - MACHINE - 1/4-20 X 1 PFN - BLACK
	000G39-06-10T	EA	SCREW - SF/DR - 6-20 X 5/8 PPH - BLACK
	000G39-06-16T	EA	SCREW - SF/DR - 6-20 X 1 PPH - BLACK
	000G39-06-08B	EA	SCREW - SF/DR - 6-18 X 1/2 - ZINC
	000G39-08-16S	EA	SCREW - SF/DR - 8-18 X 1 PPH - OFF WHITE
	000G39-08-32B	EA	SCREW - SF/DR - 8-18 X 2 PPH - ZINC
	000G39-08-24B	EA	SCREW - SF/DR - 8-18 X 1 1/2 PPH - ZINC
	000G39-08-24S	EA	SCREW - SF/DR - 8-18 X 1 1/2 - OFF WHITE
	000G39-08-24T	EA	SCREW - SF/DR - 8-18 X 1.50 PPH - BLACK
	000G39-08-16T	EA	SCREW - SF/DR - 6-20 X 1 PPH - BLACK
	000G39-08-16B	EA	SCREW - SF/DR - 8-18 X 1 PPH - ZINC
	000G39-08-12B	EA	SCREW - SF/DR - 8-18 X 3/4 PPH - ZINC
	000G39-08-12T	EA	SCREW - SF/DR - 8-18 X 3/4 PPH - BLACK
	000G39-08-08T	EA	SCREW - SF/DR - 8-18 X 1/2 PPH - BLACK
	000G39-08-08S	EA	SCREW - SF/DR - 8-18 X 1/2 PPH - OFF WHITE
	000G39-08-08B	EA	SCREW - SF/DR - 8-18 X 1/2 PPH - ZINC
	000G39-08-06B	EA	SCREW - SF/DR - 8-18 X 3/8 PPH - ZINC
	000G39-10-10B	EA	SCREW - SF/DR - 10-16 X 5/8 - ZINC
	000G39-10-12P	EA	SCREW - SF/DR, 10-16 X .75 PPH - DARK BROWN
	000G39-10-088	EA	SCREW - SF/DR - 10-16 X 1/2 PPH - FLEX FLUOROCARBON
	000G39-10-08B	EA	SCREW - SF/DR - 10-16 X 1/2 PPH - ZINC
	000G39-10-40D	EA	SCREW - SF/DR - 10-16 X 2 1/2 PPH - BLACK
	000G39-10-32B	EA	SCREW - SF/DR - 10-16 X 2 - PPH - ZINC
	000G39-10-209	EA	SCREW - SF/DR - 10-16 X 1 1/4 PPH - FLUOROCARBON SILVER
	000G39-10-20T	EA	SCREW - SF/DR - 10-16 X 1.25 PPH
	000G39-10-20B	EA	SCREW - SF/DR - 10-16 X 1 1/4 PPH - ZINC
	000G39-10-12T	EA	SCREW - SELF TAPPING 10-16 X 3/4"
	000G39-10-12D	EA	SCREW - SF/DR - 10-16 X 3/4 PPH - BLACK
	000G39-10-12B	EA	SCREW - SF/DR - 10-16 X 3/4 PPH - ZINC
	000G39-10-10T	EA	SCREW - SF/DR - 10-16 X .625 - BLACK
	000G39-10-129	EA	SCREW - SF/DR - 10-16 X 3/4 PPH - FLUOROCARBON SILVER
	000G39-10-48B	EA	SCREW - SF/DR - 10-16 X 3 - PPH - ZINC
	000G39-10-48T	EA	SCREW - SF/DR - 10-16 X 3.00 PPH - BLACK
	000G39-10-24B	EA	SCREW - SF/DR - 10-16 X 1.50 PPH - ZINC
	000G39-10-32I	EA	SCREW - SELF TAPPING - 10-16 X 2" PPH - BLACK

SEALANTS & FASTENERS GROUP (CONTINUED)**SCREWS (CONTINUED)**

KEY	PART NUMBER	U/M	DESCRIPTION
	000G39-12-12E	EA	SCREW - SF/DR - 12-14 X 3/4 PPH - CHROME
	000G42-04-16B	EA	SCREW - SF/DR - 1/4-14 X 1 HWH - ZINC
	000G42-04-12B	EA	SCREW - SF/DR - 1/4-14 X 3/4 HWH - ZINC
	000G42-04-24B	EA	SCREW - SF/DR 1/4-14X1 1/2 ZN
	000G46-08-24T	EA	SCREW - MACHINE - 8-32 X 1 1/2 PFH - BLACK
	000G46-08-28T	EA	SCREW - MACHINE - 8-32 X 1 3/4 PHILLIPS FLAT HEAD - BLACK
	000G50-04-12B	EA	SCREW - MACHINE - 1/4-20 X 3/4 PPH - ZINC
	000G50-04-06B	EA	SCREW - MACHINE - 1/4-20 X 38 PTH - ZINC
	000G50-04-08B	EA	SCREW - MACHINE - 1/4-20 X 1/2 PTH - ZIN
	000G51-08-08B	EA	SCREW - 8-18 X 1/2 PTH - ZINC
	000G51-06-12B	EA	SCREW - 6-20 X 3/4 PTH - ZINC
	000G52-08-18B	EA	SCREW - MACHINE - 8-32 X 1 1/8 PTH - ZINC
	000G54-04-20B	EA	SCREW - 1/4-20 X 1.25 PTH - TYPE 23 - ZINC PLATED
	000G55-08-12S	EA	SCREW - SF/DR - 8-18 X 3/4 PWH - WILLOW
	000G55-08-12S	EA	SCREW - SF/DR - 8-18 X 3/4 PWH - OFF WHITE
	000G55-08-124	EA	SCREW - SF/DR-8-18X.75 PWH - ASH GRAY
	000G55-08-165	EA	SCREW - SF/DR-8-18X1.00 PWH - WILLOW
	000G56-12-48B	EA	SCREW - WOOD - 12-11 X 3 POH - SPECIAL HARDENED
	000G57-05-16J	EA	SCREW - 5-20 X 1 PFH - BRASS
	000G57-14-64B	EA	SCREW - 14-10 X 4 PFH ZINC
	000G57-14-72B	EA	SCREW - 14-10-X4-1/2 PFH ZN
	000G60-08-22B	EA	SCREW - SF/DR, 8 - 18 X 1.38 POH - ZN
	000G60-10-28T	EA	SCREW - SF/DR - 10-16 X 1 3/4 - BLACK
	000G60-10-20I	EA	SCREW - SF/DR - 10-16 X 1.25 POH - BLACK
	000G60-10-20B	EA	SCREW - SF/DR - 10-16 X 1 1/4 POH - ZINC
	000G60-10-209	EA	SCREW - SF/DR - 10-16 X 1.25 POH - SILVER STALGAARD
	000G62-10-24I	EA	SCREW - SF/DR - 10-16 X 1/5 PFH - BLACK ZINC
	000G67-08-32B	EA	SCREW - 8-15 X 2 PPH - ZINC
	000G67-10-08S	EA	SCREW - 10-12 X 1/2 PPH - OFF WHITE
	000G67-10-08R	EA	SCREW - 10-12 X 1/2 PPH - BEIGE - TYPE A
	000G67-10-08B	EA	SCREW - 10-12 X 1/2 PPH - ZINC
	000G67-10-16B	EA	SCREW - 10-12 X 1 PPH - ZINC
	000G67-10-120	EA	SCREW - 10-12 X 3/4 PPH - TAN
	000G67-10-12B	EA	SCREW - 10-12 X 3/4 PPH - ZINC
	000G67-10-12R	EA	SCREW - 10-12 X .75 PPH - BEIGE
	000G67-10-12P	EA	SCREW - 10-12 X 3/4 PPH - DARK BROWN
	000G67-10-10S	EA	SCREW - 10-12 X 5/8 PPH - OFF WHITE
	000G67-10-10P	EA	SCREW - 10-12X.62 PPH - DARK BROWN
	000G67-10-10D	EA	SCREW - 10-12 X 5/8 PPH - BLACK - TYPE A
	000G67-10-10T	EA	SCREW - 10-12 X 5/8 PPH BLACK
	000G67-10-10B	EA	SCREW - 10-12 X 5/8 PPH - ZINC - TYPE A
	000G67-10-20D	EA	SCREW - 10-12 X 1.25 PPH - BLACK
	000G67-10-36T	EA	SCREW - 10-12 X 2 1/4 - PPH - BLACK
	000G67-10-32B	EA	SCREW - 10-12 X 2 1/4 - PPH - BLACK
	000G67-10-24B	EA	SCREW - 10-12 X 1.50 PPH - ZINC
	000G67-10-24S	EA	SCREW - 10-12X1.5PPH OFF WHITE
	000G67-10-12S	EA	SCREW - 10-12 X .75 PPH WILLOW
	000G67-10-28B	EA	SCREW - 10-12 X 1.75 PPH - ZINC
	000G67-10-48B	EA	SCREW - 10-12 X 3 PPH - ZINC
	000G68-06-12B	EA	SCREW - 6-18 X .75 POH - ZINC & CLEAR
	000G68-06-12J	EA	SCREW - 6-18X.75 POH BRASS
	000G68-06-10G	EA	SCREW - 6-18 X 5/8 POH - ANTIQUE BRASS
	000G68-10-20I	EA	SCREW - 10-12 X 1 1/4 POH - BLACK
	000G68-10-36T	EA	SCREW - 10-12 X 2.25 POH BLACK
	049465-01-000	EA	SCREW - 10-16 PTH W/WASHER - DARK BROWN
	049465-13-000	EA	SCREW - 10-16X1 PTH W/WASHER - ASH GRAY
	049465-17-000	EA	SCREW - 10-16 X 1 POH W/WASHER - BRIGHT WHITE
	049465-22-000	EA	SCREW - 10-16 X 1 1/2 POH W/WASHER - SABLE
	054434-02-000	EA	SCREW - SF/DR - 10-16 X 2 - ZINC
	054434-03-000	EA	SCREW - SF/DR - 10-16 X 2 - PWH - ZINC - W/O WINGS
	057671-01-000	EA	COVER - SCREW - OFF WHITE - #8
	057671-11-000	EA	COVER - SCREW - HAMPTON TAN - #8

SEALANTS & FASTENERS GROUP (CONTINUED)

SCREWS (CONTINUED)

KEY	PART NUMBER	U/M	DESCRIPTION
	057671-15-000	EA	COVER - SCREW - BRIGHT WHITE
	057671-16-000	EA	COVER - SCREW - SOFT WHITE
	057671-17-000	EA	COVER - SCREW - VW LT GRAY #8
	075908-01-000	EA	SCREW - MACHINE - 10-32 X .56 PTH - EXTERNAL TOOTH - ZINC
	076790-01-000	EA	SCREW - 6-20 X 1 1/4 PPH - BLACK
	076790-03-000	EA	SCREW - 6-20 X 1 PPH - BLACK
	076790-05-000	EA	SCREW - 6-20 X 1/2 PPH BLACK - THREADCUTTING - WOOD
	083554-01-000	EA	SCREW - DRYWALL - 8 X 1.25
	083554-04-000	EA	SCREW - DRYWALL - 8 X 2.50
	086256-01-000	EA	SCREW - SF/DR - 8 X 3/4 HWH
	087721-01-000	EA	SCREW - FLAT HEAD - TAPPING - 1/4" X 1 1/4" LONG - ZINC
	097974-01-000	EA	SCREW - PARTICLE BOARD - 7-9 X 3/4 PPH
	090033-02-000	EA	SCREW - 1/4-20 X 5/8 - ROUND WASHER HEAD - OFF/WHITE

CLAMPS, CLIPS, GROMMETS, RIVETS & PLUGS

KEY	PART NUMBER	U/M	DESCRIPTION
	010495-01-000	EA	CLAMP - CABLE - 9/16"
	010495-02-000	EA	CLAMP - CABLE - 3/8
	010495-04-000	EA	CLAMP - CABLE - 11/16" - WHITE
	010495-05-000	EA	CLAMP - CABLE - 1/2
	010497-01-000	EA	CLAMP - CLOSED - 5/8" ID
	010497-03-000	EA	CLAMP - CLOSED - 1" ID - CUSHIONED
	010497-04-000	EA	CLAMP - CLOSED - 1.62" ID
	010497-05-000	EA	CLAMP - CLOSED - 1/2 ID
	010497-06-000	EA	CLAMP - CLOSED - 11/16" ID
	010497-07-000	EA	CLAMP - CLOSED - 3/8" ID
	010497-08-000	EA	CLAMP - CLOSED - .125" ID
	062401-01-000	EA	CLAMP - HOSE - WORMGEAR - .25" - 1"
	062401-02-000	EA	CLAMP - HOSE - WORMGEAR - 1.56" - 2.5"
	062401-03-000	EA	CLAMP - HOSE - WORMGEAR - .22" - 1"
	062401-04-000	EA	CLAMP - HOSE - WORMGEAR - .69" - 1.25"
	062401-05-000	EA	CLAMP - HOSE - WORMGEAR - 2" TO 3" ID
	062401-06-000	EA	CLAMP - HOSE - WORMGEAR - .22" - .62" ID
	062401-07-000	EA	CLAMP - HOSE - WORMGEAR - 5"-7"
	062401-08-000	EA	CLAMP - HOSE - WORMGEAR 4.06" - 5.0"
	062401-09-000	EA	CLAMP - HOSE - WORMGEAR - 2.8" - 3.75"
	062401-11-000	EA	CLAMP - HOSE - WORMGEAR - 3.50" - 4.50"
	062401-12-000	EA	CLAMP - HOSE - WORMGEAR - .79" X 1.26"
	083610-01-000	EA	CLAMP - WIRE - DUAL - UNEQUAL DIAMETERS - 3/4" & 1 1/4"
	083610-02-000	EA	CLAMP - WIRE - DUAL - UNEQUAL DIAMETERS - 3/4" & 2"
	083610-03-000	EA	CLAMP - DUAL WIRE
	083609-01-000	EA	CLAMP - WIRE - DUAL - EQUAL DIAMETERS - 5/8"
	007161-01-000	EA	CLAMP - HOSE - SPRING TYPE - 1/2"
	010499-01-000	EA	CLAMP - CLOSED - 3/8" ID
	075148-02-000	EA	CLAMP - GROUNDING - BRONZE SCREWS
	008386-01-000	EA	GROMMET - SNAP - 3/8"
	023942-01-000	EA	GROMMET - RUBBER - 2" OD
	071015-07-000	EA	GROMMET - RUBBER - 1"ID X 2.25" OD W/.06" GROOVE - BLACK
	071015-11-000	EA	GROMMET - 1.00 ID - FITS .12 MATERIAL
	071015-13-000	EA	GROMMET - RUBBER - .62" ID X 1" OD W/.09" GROOVE - BLACK
	071015-19-000	EA	GROMMET - .38 ID - FITS .06 MATERIAL
	071015-21-000	EA	GROMMET - RUBBER - 1/2 ID X 1.06 OD - W/.19 GROOVE - BLACK
	071015-22-000	EA	GROMMET - RUBBER - .62"ID X 1.12"OD W/.19" GROOVE - BLACK
	071015-26-000	EA	GROMMET - RUBBER - 1.5" ID X 2.1" OD W/.06" GROOVE-BLACK
	071015-29-000	EA	GROMMET - RUBBER - .3" ID X 1.3"OD W/.12" GROOVE - BLACK
	071015-30-000	EA	GROMMET - RUBBER - .31" ID X .81" OD W/.12" GROOVE - BLK
	071015-32-000	EA	GROMMET - RUBBER - .75" ID X 1.375" OD W/.187" GROOVE-BLK
	071015-33-000	EA	GROMMET - RUBBER - .875" ID X 1.625" OD W/.187" GROOVE - BLK
	071015-35-000	EA	GROMMET - 1.25 ID,FITS .187MAT
	071015-37-000	EA	GROMMET - .81 ID FITS .56 MTL
	071015-39-000	EA	GROMMET - .75 ID FITS .06 MTL
	088756-01-000	EA	GROMMET - WEB - 1 1/8 " I.D.
	114208-01-000	EA	GROMMET - EDGE LINER - FITS 1 3/4"
	114208-02-000	EA	GROMMET - EDGE LINER - FITS .625

SEALANTS & FASTENERS GROUP (CONTINUED)**CLAMPS, CLIPS, GROMMETS, RIVETS & PLUGS (CONTINUED)**

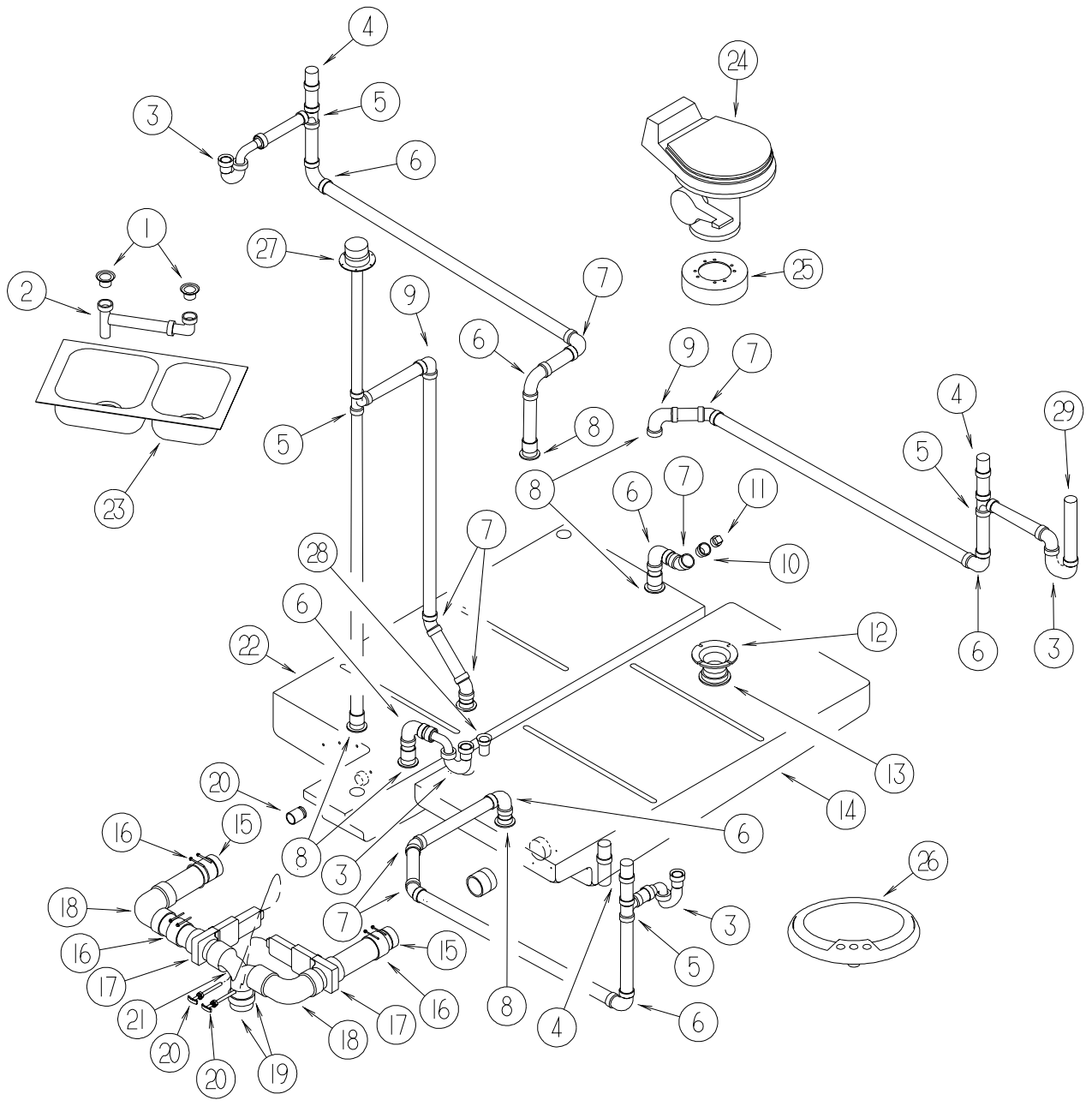
KEY	PART NUMBER	U/M	DESCRIPTION
	114208-03-000	EA	GROMMET - EDGE LINER - FITS 2.50"
	114208-04-000	EA	GROMMET - EDGE LINER - FITS 1.00"
	114208-05-000	EA	GROMMET - EDGE LINER - FITS 2"
	016188-03-000	EA	GROMMET - L/P LINE - 3/8" HOLE X 2 1/2" LONG - RUBBER
	016188-04-000	EA	GROMMET - GAS LINE - 1/2" HOLE X 2 1/2" LONG - RUBBER
	016188-05-000	EA	GROMMET - L/P LINE - 3/8" HOLE X 1 1/4" LONG - RUBBER
	008380-01-000	EA	GROMMET - RUBBER - 5/8" HOLE X 1 1/2" DIAMETER - BLACK
	008384-01-000	EA	GROMMET - SNAP - 3/4 DIAMETER - NYLON
	077953-01-000	EA	GROMMET - EDGE LINER - FITS 1"
	099637-01-000	EA	GROMMET - RUBBER - .37" X .94" DIAMETER - BLACK
	046867-05-000	EA	GROMMET - #0
	000F10-04-16B	EA	PIN - COTTER - 1/8" X 1" - ZINC
	000F10-06-32B	EA	PIN - COTTER - 3/16" X 2" - ZINC
	000H14-04-08R	EA	RIVET - MANDREL BLIND - 4/32 ALUMINUM
	000H14-06-03R	EA	RIVET - MANDREL BLIND - 3/16 - CHERRY
	000H15-06-02R	EA	RIVET - POP - STEEL - 3/16 X .063-.125
	000H16-06-10R	EA	RIVET - POP ALUMINUM - 3/16 X .501-.625
	000H14-04-04A	EA	RIVET - MANDREL BLIND - 1/8 X .400
	000H16-04-06R	EA	RIVET - POP ALUMINUM - 1/8 X .313 - .375
	000H14-06-14R	EA	RIVET - MANDREL BLIND - 3/16 - CHERRY
	118626-01-01A	EA	RIVET - POP - ALUMINUM 3/16 X .08-.375
	118626-02-01A	EA	RIVET - POP - ALUMINUM - 3/16 X .500-.750
	069529-02-000	EA	RIVET-T - POP - 1/4 X .093 - .156
	120560-01-01A	EA	RIVET - PLASTIC - 3/16 DIAMETER
	061420-01-000	EA	PLUG/PLASTIC - 1.75" DIAMETER - BROWN
	061420-03-000	EA	PLUG/PLASTIC - 3.00" DIAMETER
	061420-04-000	EA	PLUG/PLASTIC - 1.25" DIAMETER
	061420-05-000	EA	PLUG/PLASTIC - 1.8" DIAMETER
	061420-07-000	EA	PLUG/PLASTIC - 1.8" DIAMETER
	061420-08-000	EA	PLUG/PLASTIC - 2.5" DIAMETER
	061420-09-000	EA	PLUG/PLASTIC - 1.00" - DIAMETER
	061420-10-000	EA	PLUG/PLASTIC - 1.50" DIAMETER - BLACK
	061420-11-000	EA	PLUG/PLASTIC - .50" DIAMETER
	061420-12-000	EA	PLUG/PLASTIC - 1.50" DIAMETER - RED
	061420-14-000	EA	PLUG - PLASTIC - .034" DIAMETER
	061420-15-000	EA	PLUG - PLASTIC - 2" DIAMETER - BLACK
	061420-16-000	EA	PLUG/PLASTIC - 2 1/8" DIAMETER
	081211-03-000	EA	PLUG - PLASTIC - .50 DIAMETER - BLACK
	081211-04-000	EA	PLUG - PLASTIC - .46 DIAMETER - BLACK
	081211-05-000	EA	PLUG - PLASTIC - .188 DIAMETER - NATURAL
	034141-02-000	EA	PLUG - HOLE - 3/8" NYLON/BLACK
	115361-01-01A	EA	PLUG - PLASTIC - 1/2" DIAMETER
	075312-02-000	EA	CLIP-U - .75 LONG X .50 WIDE- F/1/8"-3/16" THICK MATERIAL
	077955-01-000	EA	CLIP-J - VINYL COATED - 3/8"
	080211-03-000	EA	CLIP - X-MAS TREE W/PANEL RETAINING HEAD - 3/4" SHANK
	094362-02-000	EA	CLIP - XMAS TREE - BINDER HEAD - .9" LONG
	119392-01-000	EA	CLIP - U TYPE - OFFSET LEG
	129962-01-01A	EA	CLIP - U-TYPE - BLACK
	091952-01-000	EA	CLIP - GRIPPER - 1"
	091952-02-000	EA	CLIP - GRIPPER - 3/4"
	080734-02-000	EA	CLIP - WIRE NYLON
	056134-01-000	EA	HOLDER - RING - 3.6" DIAMETER - METAL
	056134-02-000	EA	HOLDER - RING - 1.8" DIAMETER - METAL

SEALANTS & FASTENERS GROUP (CONTINUED)

MISCELLANEOUS FASTENERS

KEY	PART NUMBER	U/M	DESCRIPTION
	008343-01-000	EA	TIE - WIRE - 6"
	008343-02-000	EA	TIE - WIRE - 14"
	008343-03-000	EA	TIE - WIRE - 7 1/2" - BLACK
	029096-03-000	YD	VELCRO TAPE - HOOK - 1" WIDE - BLACK
	029096-04-000	YD	TAPE - HOOK - VELCRO - 1" WIDE - BLACK
	029094-04-000	YD	VELCRO TAPE - LOOP - 1" WIDE - BLACK
	029094-06-000	YD	VELCRO TAPE - LOOP - 2" WIDE - BLACK
	048394-02-000	YD	VELCRO TAPE - HOOK - ADHESIVE BACK - .75" WIDE - BEIGE
	085774-01-000	FT	FASTENER - DUAL LOCK - 1" WIDE - ADHESIVE BACK - BLACK
	085774-02-000	FT	FASTENER - DUAL HOOK - 1" WIDE - ADHESIVE BACK - BLACK
	085774-03-000	FT	FASTENER - DUAL HOOK - 1/2" WIDE - ADHESIVE BACK - BLACK
	085774-04-000	FT	FASTENER - DUAL HOOK - 1/2" WIDE - ADHESIVE BACK - BLACK
	088792-02-000	YD	VELCRO TAPE - LOOP - 3/4" - ADHESIVE BACKED - BEIGE
	088792-04-000	YD	VELCRO TAPE - LOOP - 5/8" - NON-ADHESIVE BACK - WHITE
	088792-05-000	YD	VELCRO TAPE - LOOP - 5/8" - NON-ADHESIVE BACKED - WHITE
	088792-06-000	YD	VELCRO TAPE - LOOP - 3/4" - NON-ADHESIVE BACKED - BUFF
	108046-01-000	EA	CABLE TIE - SCREW MOUNT 8"
	108046-02-000	EA	CABLE TIE - SCREW MOUNT 15"
	110943-01-000	FT	FELTSTRIP - 3/8" - ADHESIVE BACK
	110943-02-000	FT	FELTSTRIP - 3/8" - ADHESIVE BACK - WHITE
	099856-11-000	EA	STRAP - TIEDOWN - 78.6"
	086285-01-000	EA	SPACER - NYLON - .5" OD X .257" ID

WATER & SEWAGE GROUP DRAINAGE SYSTEM



WATER & SEWAGE GROUP (CONTINUED)

DRAINAGE SYSTEM (CONTINUED)

KEY	PART NUMBER	U/M	DESCRIPTION
1	092303-01-000	EA	STRAINER - SINK
2	011091-02-000	EA	WASTE - CONTINUOUS - DOUBLE SINK
3	107538-01-000	EA	P TRAP - PLASTIC - 1 1/4" W/EXTENSION ARM
3	109571-01-000	EA	ADAPTER - P TRAP - 1 1/2" P X 1 1/4" MPT
3	011071-01-000	EA	P-TRAP - PLASTIC - 1 1/2" - CSA
4	079968-01-000	EA	VENT - MECHANICAL/TRAP ARM - ANTI-SIPHON-2" X 7.3" PLASTIC
5	010071-01-000	EA	TEE - SANITARY - 1 1/2" HUB X HUB X HUB - PLASTIC
6	010008-01-000	EA	ELBOW - 90 DEGREE - 1 1/2" HUB X HUB - PLASTIC
7	010006-01-000	EA	ELBOW - 45 DEGREE - 1 1/2" HUB X HUB - PLASTIC
8	010115-01-000	EA	COUPLING - 1 1/2" HUB X HUB - PLASTIC
8	061607-01-000	EA	GROMMET - HOLDING TANK - 1 1/2" NPS
9	034250-01-000	EA	ELBOW - 90 DEGREE - LONG TURN - 1 1/2" HUB X HUB - ABS
10	010122-01-000	EA	BUSHING - REDUCER - 1 1/2 SMTH X 1 1/4 THD - BLACK PLASTIC
11	010166-01-000	EA	PLUG - THREADED - 1 1/4" DIAMETER - PLASTIC - BLACK
12	116644-01-000	EA	FLANGE/CLOSET - 4 BOLT X 3" FEMALE
13	061607-02-000	EA	GROMMET - HOLDING TANK - 3" NPS
14	128776-03-000	EA	TANK - HOLDING - 60 GALLON - W/FITTINGS
15	010129-03-000	EA	NIPPLE - PLASTIC - 3" X 3" TOE
16	078406-01-000	EA	COUPLER - RUBBER - W/CLAMPS - 3" X 3"
17	129147-01-000	EA	VALVE - 3" HUB X 3" HUB - REMOTE
18	031126-01-000	EA	ELBOW - 1/4 BEND - 3" X 90" XLT - BLACK PLASTIC
19	062416-01-000	EA	ADAPTER - SEWER HOSE TO 3" PIPE
19	062417-01-000	EA	ADAPTER - TERMINATION - 3"
19	010201-01-000	EA	HOSE - SEWER - 3" ID X 8'
19	062415-01-000	EA	CAP - SEWER - 3" DIAMETER
20	062421-04-000	EA	CABLE - DUMP VALVE W/HANDLE - 36"
21	010065-01-000	EA	TEE - PLASTIC - 3" FEMALE
22	128182-01-000	EA	TANK-HOLDING 55 GAL
23	1106540-01-000	EA	SINK - STAINLESS STEEL/DOUBLE BASIN (1 LG-1 SM BASIN)
24*	085330-09-000	EA	TOILET - CHINA - STANDARD W.HAND SPRAYER - WHITE
25	131786-01-01A	EA	SPACER - TOILET - SOFT WHITE
26	105921-01-02A	EA	SINK - LAVATORY - LARGE OVAL - 17" X 20" - WHITE
26	105218-01-01A	EA	SPACER - FAUCET/LAVATORY SINK - 2" X 5.9" - ABS PLASTIC
26	106116-01-02A	EA	STRAINER/PLASTIC - STOPPER/TAILPIECE/GASKET & NUT-LAVATORY
27	083558-06-000	EA	VENT - ROOF PLUMBING PIPE - COVERED
28	120981-01-01A	EA	DRAIN - BATH/SHOWER W/SPRING LOADED PLUNGER - BRASS
28	130403-01-000	EA	NUT - SLIP - W/WINGS 1 1/2"
28	011069-02-000	EA	TAILPIECE - TUB/SHOWER - 1 1/2" X 1 1/4" X 4" - BRASS
28	127440-02-01A	EA	WASHER - RUBBER - 1.8" X .1"
29	126588-02-000	EA	ARM - WASTE - 1 1/2 X 20 - FEMALE
	094756-02-01A	EA	BRACKET - L - 6.1" LONG X 3.9" WIDE - STEEL
	112628-01-02A	EA	BRACKET - TIEDOWN - WATER TANK - E-COATED

* COMPONENT PARTS FOUND IN SERVICE PARTS LIBRARY

WATER & SEWAGE GROUP (CONTINUED)

WATER SYSTEM TANKS

KEY	PART NUMBER	U/M	DESCRIPTION
	132224-01-000	EA	TANK - WATER - W/O FITTINGS
	132224-07-000	EA	TANK - WATER - W/FITTINGS

HEATER, PUMP & FAUCETS

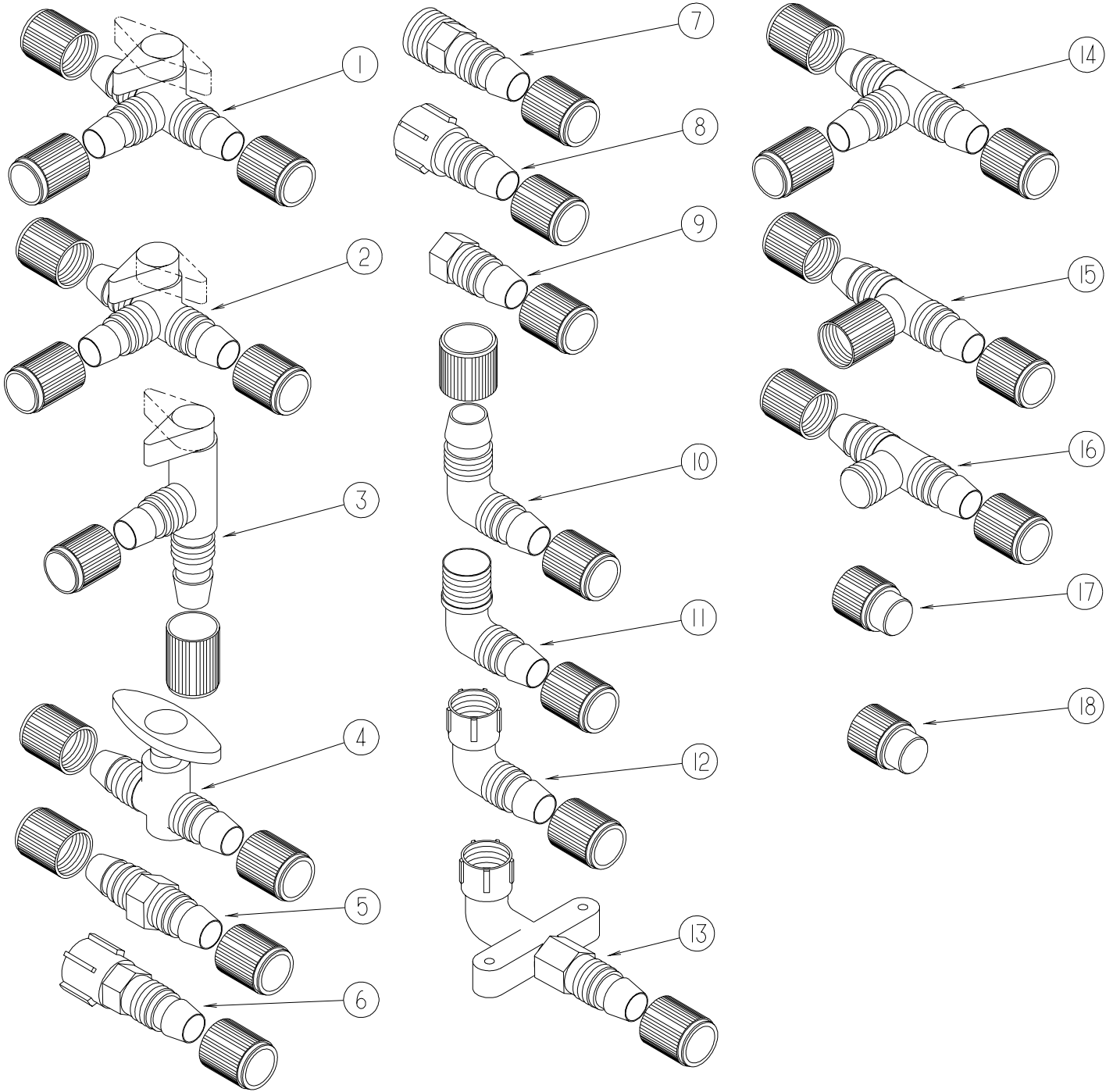
KEY	PART NUMBER	U/M	DESCRIPTION
*	051391-03-000	EA	WATER HEATER G6A-8E - ELECTRONIC IGNITION
*	051391-05-000	EA	WATER HEATER/MOTOR AID-GAS/ELECT IGN - GCH10A-3E - 10 GAL
	097967-01-000	EA	SWITCH - WATER HEATER - REMOTE W/LIGHT
	125420-01-02A	EA	DOOR - WATER HEATER - BRIGHT WHITE
			FROM: 00-00-00 THRU: 09-19-99
	125420-03-03A	EA	DOOR - WATER HEATER - BLACK
			FROM: 09-20-99 THRU: 99-99-99
*	098607-01-000	EA	PUMP - WATER - W/.5" MPT FITTING - FLOW 2.8 GPM
	075240-05-000	EA	FAUCET - LAVATORY - BRASS
	104114-02-01A	EA	FAUCET - GALLEY - SINGLE CONTROL
*	119677-01-01A	EA	FAUCET/SHOWER - 3 PIECE - HEAD/FAUCET/SPOUT - BRASS
	075241-06-000	EA	FAUCET/SHOWER - BRIGHT WHITE - 1/2"MPT X 1.9" INLET PIPES - EXTERIOR SHOWER ONLY
*	103635-01-000	EA	FAUCET - SINGLE CONTROL/DRINKING WATER
	098419-01-000	EA	FAUCET - WASHER - 90 DEGREE
	111842-01-01A	EA	BRACKET - FAUCET - WASHER
	131383-01-02A	EA	SHOWER HEAD - W/60" HOSE & BRACKET - WHITE
	131383-02-02A	EA	SHOWER HEAD - W/60" HOSE & BRACKET - WHITE - CSA
	131383-03-02A	EA	BRACKET - SHOWER HEAD - WHITE
	125697-05-000	EA	INLET - WATER - FLUSHING SYSTEM - EXTERIOR SHOWER

* COMPONENT PARTS FOUND IN SERVICE PARTS LIBRARY

PURIFICATION

KEY	PART NUMBER	U/M	DESCRIPTION
	087200-01-000	EA	FILTER-WATER PURIFICATION, EVERPURE QC2-AC
	087200-02-000	EA	CARTRIDGE-WATER FILTER,AC - EVERPURE 9601-11

WATER & SEWAGE GROUP (CONTINUED)
WATER SYSTEM (CONTINUED)



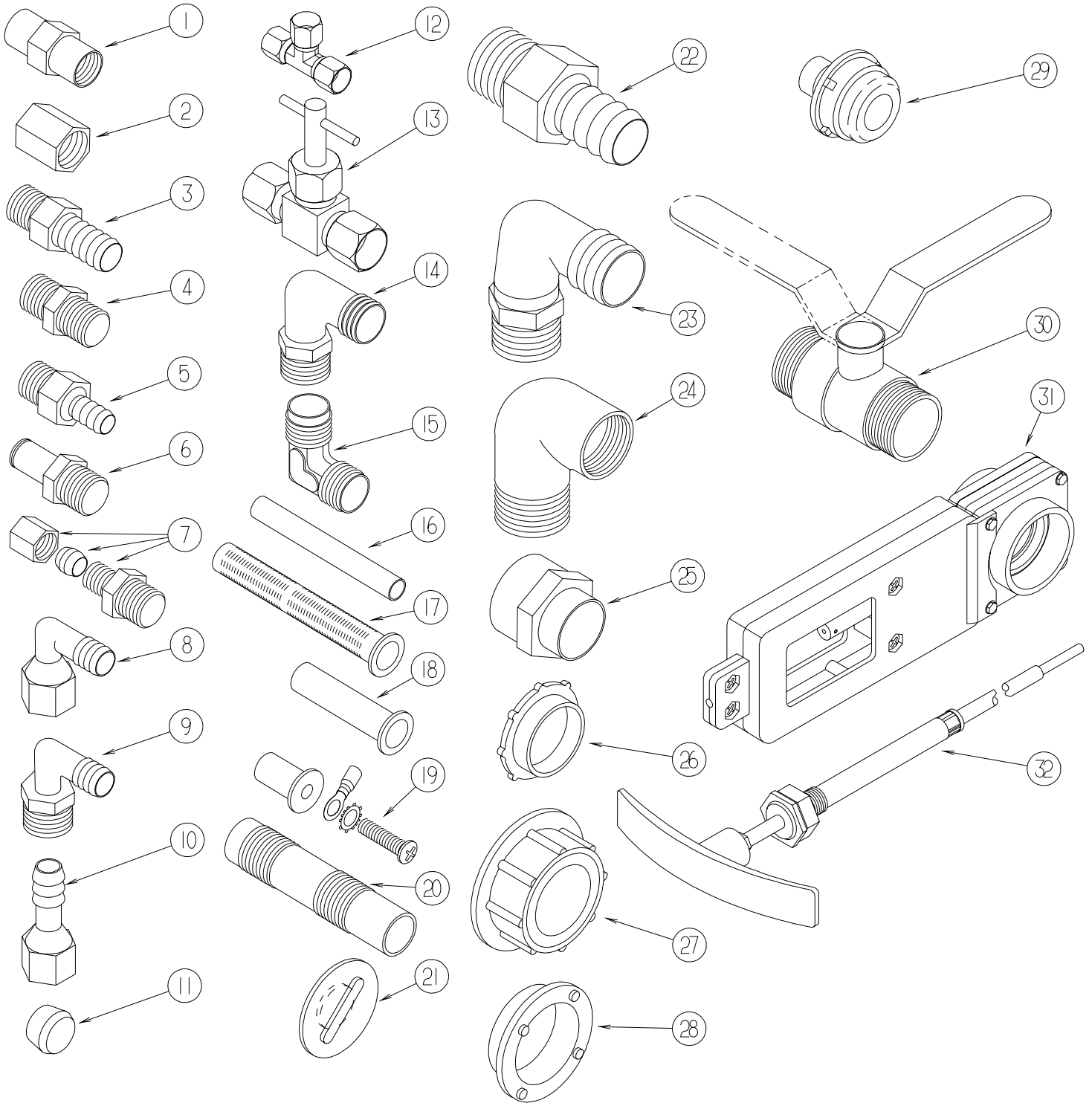
FITTINGS

WATER & SEWAGE GROUP (CONTINUED)

WATER SYSTEM (CONTINUED) FITTINGS (CONTINUED)

KEY	PART NUMBER	U/M	DESCRIPTION
1	114431-01-000	EA	VALVE - 180 DEGREE/CENTER DRAIN - 1/2"P - THREE WAY
2	114431-02-000	EA	VALVE - WATER BYPASS - 1/2"P - THREE WAY (WATER HEATER)
3	114431-03-000	EA	VALVE - 90 DEGREE DRAIN - 1/2"P
4	114431-04-000	EA	VALVE - "INLINE SHUT-OFF" - 1/2"P
5	114430-01-000	EA	ADAPTER - 1/2"P X 1/2"P
6	114430-02-000	EA	ADAPTER - SWIVEL - 1/2"P X 1/2"FPT
7	114430-03-000	EA	ADAPTER - 1/2"P X 1/2"MPT
8	114427-02-000	EA	PLUG - W/COMP NUT - 1/2" PLASTIC PIPE/1/2" FLAIR-IT
9	114430-06-000	EA	ADAPTER - 1/2"P X 3/8"FPT
10	114429-01-000	EA	ELBOW - 1/2"P X 1/2"P
11	114429-02-000	EA	ELBOW - 1/2"P X 1/2"MPT
11	114429-04-000	EA	ELBOW - 1/2"P X 3/8"MPT
11	114429-05-000	EA	ELBOW - 1/2"P X 3/4"MPT
12	114429-03-000	EA	ELBOW - SWIVEL - 1/2"P X 1/2"FPT
12	114429-06-000	EA	ELBOW - SWIVEL - 1/2"P X 3/4"FPT
12	114429-08-000	EA	ELBOW - SWIVEL - 1/2"MPT X 1/2"FPT SWIVEL
13	114429-07-000	EA	ELBOW - 1/2"P X 1/2"FPT
14	114428-01-000	EA	TEE - 1/2"P X 1/2"P X 1/2"P
15	114428-02-000	EA	TEE - SWIVEL - 1/2"P X 1/2"P X 1/2"FPT
16	114428-03-000	EA	TEE - 1/2"P X 1/2"P X 1/2"MPT
17	113697-01-000	EA	CAP - 3/8 FTG
18	114427-01-000	EA	CAP - 1/2" - FOR CAPPING FLAIR-IT MALE FITTINGS

WATER & SEWAGE GROUP (CONTINUED)
WATER SYSTEM (CONTINUED)



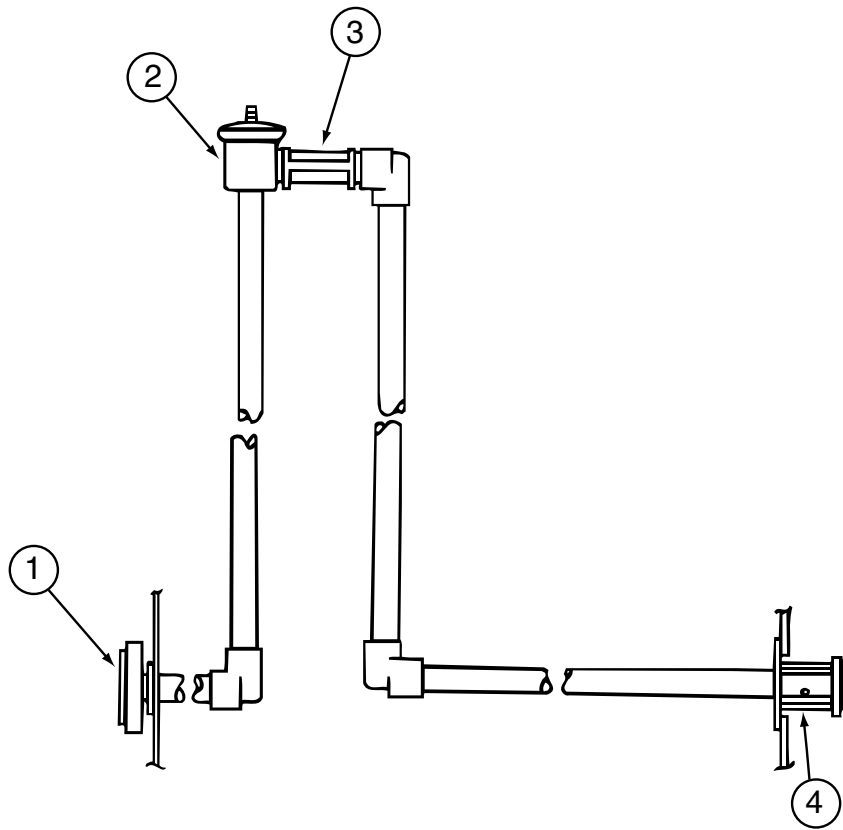
FITTINGS (CONTINUED)

WATER & SEWAGE GROUP (CONTINUED)

WATER SYSTEM (CONTINUED) FITTINGS (CONTINUED)

KEY	PART NUMBER	U/M	DESCRIPTION
1	132148-01-000	EA	CONNECTOR - 1/2" X 1/2" MPT - BRASS
2	101814-01-000	EA	COUPLING - FEMALE - 1/2" X 1/2" FPT - GRAY
3	118809-02-000	EA	ADAPTER - 1/2" MPT X 1/2" BARB - PLASTIC
4	110438-02-000	EA	VALVE - CHECK - BRASS - 1/2 MPT X 1/2 MPT
5	010224-01-000	EA	ADAPTER - HOSE TO PIPE - 3/8 MPT X 3/8 BARB - PLASTIC
6	090338-03-000	EA	FITTING - HOSE - .75"ID - 2" LENGTH - BRASS
7	103798-01-000	EA	CONNECTOR - 1/4 OD X 3/8 MPT
8	123150-01-000	EA	ELBOW - 1/2 FPT X 1/2 BARB - SWIVEL
9	035539-01-000	EA	ELBOW - PLASTIC - 3/8 MPT X 3/8 BARB
10	123152-01-000	EA	ADAPTER - 1/2 FPT X 1/2 BARB - SWIVEL
11	111888-01-000	EA	FERRULE - PLASTIC - .250 ID X .375 OD
12	118423-01-000	EA	FITTING - BRASS-TEE - 1/4C X 1/4C X 1/4C
13	120868-01-000	EA	VALVE - NEEDLE - 1/4" COMPRESSION X 1/4" COMPRESSION
14	111223-02-000	EA	ELBOW - PLASTIC - 1/2MPT X 3/8 BARB
14	111223-03-000	EA	ELBOW - 3/4" MPT X 1/2" BARB - PLASTIC
14	111223-04-000	EA	ELBOW - 1/2" MPT X 1/2" BARB - PLASTIC
15	039808-03-000	EA	ELBOW - 1/2" MPT X 1/2" MPT - PLASTIC
16	124188-01-000	FT	TUBING - PEX - 1/2" ID X 20' - BLUE(COLD)
16	124188-02-000	FT	TUBING - PEX - 1/2" ID X 20' - RED(HOT)
16	112176-01-000	FT	TUBING - VINYL - REINFORCED - 1/2" ID
16	074462-02-000	FT	TUBING - VINYL - 3/8 ID X 20' - CLEAR
16	039800-04-000	FT	TUBING - POLYBUTYL - 1/4"OD
17	077954-02-000	EA	FILTER - WATER TANK - W/SCREEN IN TANK
18	111888-02-000	EA	INSERT - BRASS - 1/4 COMP
19	039861-01-000	EA	SENDING UNIT - W/SCREW - WASHER - WELL NUT/TERMINAL RING
20	079381-01-000	FT	TUBING - RIBBED FLEXIBLE - WATER FILL - 1.4" I.D.
21	049032-01-000	EA	PATCH - SPINWELD - 3/8" - PLASTIC
22	044927-01-000	EA	ADAPTER - HOSE TO PIPE-1 1/4 MPTX1 1/4 BARB-BLACK PLASTIC
23	010219-01-000	EA	ELBOW - 1 1/4 MPT X 1 1/4 BARB - WATER FILL - PLASTIC
24	132484-01-000	EA	ELBOW - PLASTIC - 90 DEGREE - 1MPT X 1FPT
25	133835-01-000	EA	ADAPTER - REDUCING - 1 1/2" X 1 1/4"
26	120069-01-000	EA	PLUG - 3" - POLYETHYLENE MPT
27	042989-03-000	EA	FITTING - SPINWELD - 1 1/4"NPT - PLASTIC
27	042989-04-000	EA	FITTING - SPINWELD - 3/8"FPT - PLASTIC
27	042989-05-000	EA	FITTING - SPINWELD - 1/2"FPT - PLASTIC
27	042989-07-000	EA	FITTING - SPINWELD - 1 1/2"FPT - PLASTIC
27	042989-08-000	EA	FITTING - SPINWELD - 1"FPT - PLASTIC
28	120070-01-000	EA	FITTING - SPINWELD - PLASTIC 3" FPT
29	114966-01-000	EA	FILTER - IN LINE - TWIST ON - 1/2"
30	132483-01-000	EA	VALVE - BALL - 1" - THREADED ENDS
31	062421-03-000	EA	VALVE - DUMP - 1 1/2" HUB X 1 1/2" HUB - REMOTE
32	062421-04-000	EA	CABLE - DUMP VALVE W/HANDLE - 36"
32	062421-05-000	EA	CABLE - DUMP VALVE W/HANDLE - 48"
32	062421-06-000	EA	CABLE - DUMP VALVE W/HANDLE - 144"

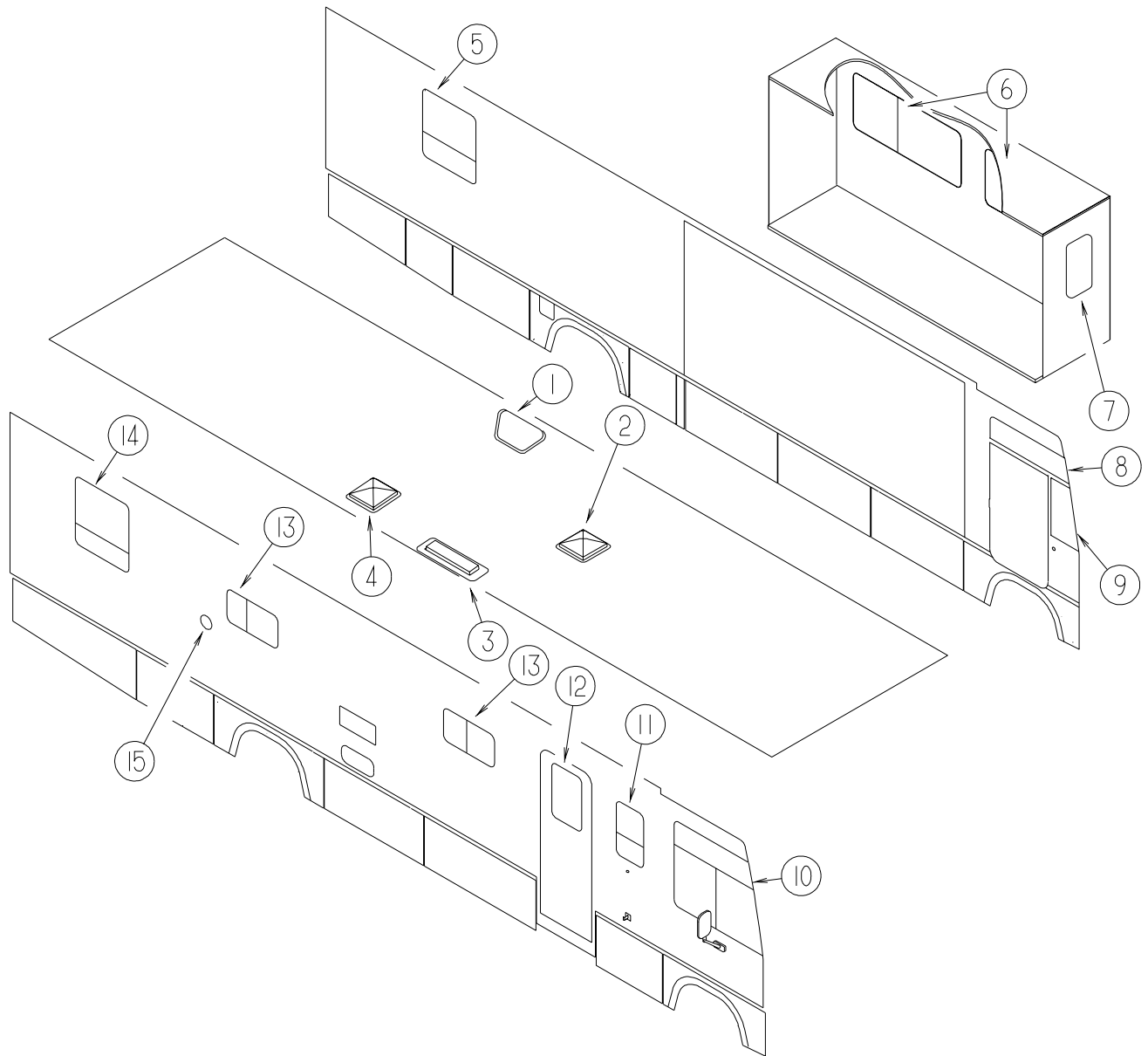
WATER & SEWAGE GROUP (CONTINUED)
WATER SYSTEM (CONTINUED)



WELD-A-FLUSH SEWAGE TANK FLUSHING SYSTEM

KEY	PART NUMBER	U/M	DESCRIPTION
1	125697-05-000	EA	INLET - WATER - FLUSHING SYSTEM
2	125697-04-000	EA	BREAKER - VACUUM - FLUSHING SYSTEM
3	125697-03-000	EA	CHECK VALVE - FLUSHING SYSTEM
4	125697-02-000	FT	NOZZLE - WELD-A-FLUSH
	125697-06-000	EA	INSTRUCTIONS - USER - FLUSHING SYSTEM
	125697-07-000	EA	LABEL - CAUTION - FLUSHING SYSTEM

WINDOW & VENTS GROUP
WINDOW & VENT LAYOUT



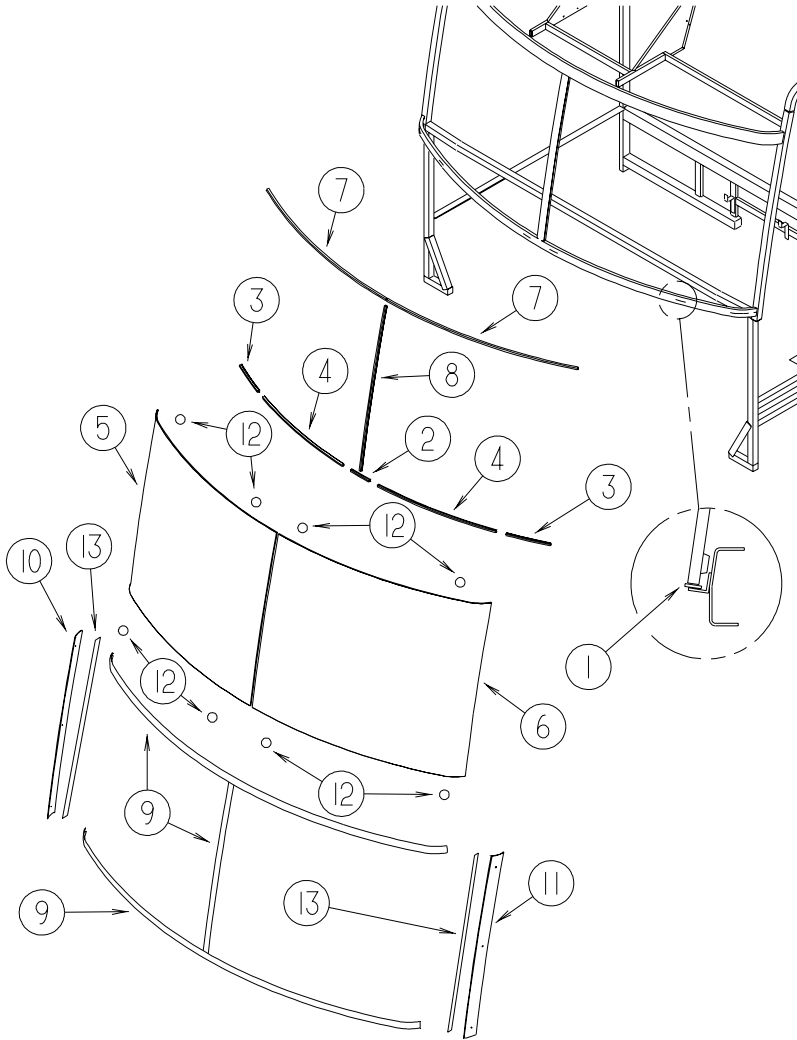
WINDOW & VENTS GROUP (CONTINUED)

WINDOW & VENT LAYOUT (CONTINUED)

KEY	PART NUMBER	U/M	DESCRIPTION
1	122215-01-02A	EA	PANEL - SKYLITE - OUTER
1	122214-01-02A	EA	PANEL - SKYLITE - INNER
2*	122882-01-01A	EA	VENT - ROOF - NON - POWERED - W/O INSIDE GARNISH
	122882-07-01A	EA	GARNISH - ROOF VENT - 2.5" TO 4"
2*	123780-03-01A	EA	VENT - ROOF W/FAN - W/O THERMOSTAT/POWER LIFT - 3" TO 4"
2*	123780-09-01A	EA	VENT - ROOF W/FAN - W/O THERM/POWER LIFT - INSULATED - 3" TO 4"
	009440-01-000	EA	GEAR/ARM - LIFT - ROOF VENT COVER
3	084073-07-000	EA	VENT - ROOF/REFRIGERATOR - BRIGHT WHITE - NORCOLD
	084073-04-000	EA	BASE - ROOF VENT/REFRIGERATOR - BLACK - NORCOLD
3	118369-01-02A	EA	CAP - REFRIGERATOR ROOF VENT - SIDE/SIDE - BRIGHT WHITE
	118369-02-02A	EA	BASE - REFRIGERATOR ROOF VENT - SIDE/SIDE - BRIGHT WHITE
4*	122882-04-01A	EA	VENT - ROOF - W/FAN/POWER LIFT - W/O INSIDE GARNISH - UL
4*	122882-05-01A	EA	VENT - ROOF - W/FAN/POWER LIFT - W/O INSIDE GARNISH - CSA
	048648-01-000	EA	MOTOR - ROOF VENT - 1/8 SHAFT - 12VOLT
	048649-01-000	EA	FAN BLADE - ROOF VENT - 6 BLADES - 6"
	122882-07-01A	EA	GARNISH - ROOF VENT - 2.5" TO 4"
4*	123780-10-01A	EA	VENT - ROOF - W/THERM/POWER LIFT/INSULATED - 3" TO 4"
5*	112463-05-02A	EA	WINDOW - TIPOUT/ESCAPE W/RETAINER RING - 33.3" X 30.2"
5*	129929-02-02A	EA	WINDOW - TORQUE - THERMO - 33.2" X 30.2"
			FROM: 00-00-00 THRU: 05-14-00
5*	129929-10-01A	EA	WINDOW - TORQUE - THERMO/EURO - ESCAPE - 33.2" X 30.2"
			FROM: 05-15-00 THRU: 99-99-99
6*	098647-47-02A	EA	WINDOW - DRIVER HORIZ SLIDER W/TRIM - TINTED-23.6" X 57.5"
6*	112795-54-02A	EA	WINDOW - DRIVER HORIZONTAL SLIDER - THERMO - 23.9" X 57.8"
			FROM: 00-00-00 THRU: 05-14-00
6*	112795-77-01A	EA	WINDOW - HORIZONTAL SLIDER - THERMOPANE - 23.8" X 57.7"
			FROM: 05-15-00 THRU: 99-99-99
7*	098644-12-01A	EA	WINDOW - VERTICAL SLIDER W/TRIM - 22.2"W X 24.3"H
7*	134004-01-01A	EA	WINDOW - VERT SLIDER/FLUSH O/S-THERM- 24.2" X 22.2" - BLK
			FROM: 00-00-00 THRU: 05-14-00
7*	134004-02-01A	EA	WINDOW - VERT SLIDER/FLUSH O/S-THERM- 22.2" X 24.2" - BLK
			FROM: 05-15-00 THRU: 07-23-00
7*	134004-03-01A	EA	WINDOW - VERT SLIDER/FLUSH O/S-THERMO - 21" X 19.8"
			FROM: 07-24-00 THRU: 99-99-99
8*	125586-01-01A	EA	WINDOW - VISTA
8*	125600-01-01A	EA	WINDOW - VISTA - THERMOPANE
9*	125584-01-01A	EA	WINDOW - FRONT SLANT - LEFT HAND
9*	125585-01-01A	EA	WINDOW - FRONT SLANT/THERMO - 11.6"T X 29.2"H X 16.8"B
10*	125582-01-01A	EA	WINDOW - PASSENGER CAB/3 WINDOW - 42.9"T X 42.6"H X 51.2"B
10*	125583-01-01A	EA	WINDOW - CAB PASS-3 GLASS THERMO- 42.9"T X 51.2"B X 42.6"H
11*	098644-11-02A	EA	WINDOW - VERTICAL SLIDER W/TRIM - TINTED - 26.4" X 27"
11*	112898-19-02A	EA	WINDOW - VERTICAL SLIDER - THERMO - 27" X 26.4"
			FROM: 00-00-00 THRU: 05-14-00
11*	112898-25-01A	EA	WINDOW - VERTICAL SLIDER - THERMOPANE - 26.3" X 26.9"
			FROM: 05-15-00 THRU: 99-99-99
12	117053-02-F36	EA	WINDOW - PICTURE - 60% TINTING - 26.4" X 17"
12	002181-25-000	EA	GLASS - PICTURE WINDOW - 25.8"W X 16.4"H
12	087561-01-000	FT	SEAL - GLASS - EXTERIOR - .5" WIDE - VINYL BLACK
12	117054-02-02A	EA	RETAINER - TRIM - BRIGHT WHITE
12*	113733-01-01A	EA	WINDOW - STATIONARY THERMOPANE - 17"W X 26.4"H
13*	098647-33-02A	EA	WINDOW - PASS HORIZ SLIDER W/TRIM - CLEAR - 15.7" X 28.5"
13*	112795-19-02A	EA	WINDOW - PASSENGER HORIZ SLIDER - THERMO - 15.7" X 28.5"
			FROM: 00-00-00 THRU: 05-14-00
13*	112795-72-01A	EA	WINDOW - HORIZONTAL SLIDER - THERMOPANE - 15.9" X 28.7"
			FROM: 05-15-00 THRU: 99-99-99
14*	112463-03-02A	EA	WINDOW - TIPOUT W/RETAINER RING - 33.3" X 30.2"
14*	129929-01-02A	EA	WINDOW - TORQUE - THERMO - 33.2" X 30.2"
			FROM: 00-00-00 THRU: 05-14-00
14*	129929-09-01A	EA	WINDOW - TORQUE - THERMO/EURO - 33.2" X 30.2"
			FROM: 05-15-00 THRU: 99-99-99
15	111947-02-01A	EA	VENT - DRYER - 3"

* COMPONENT PARTS FOUND IN SERVICE PARTS LIBRARY

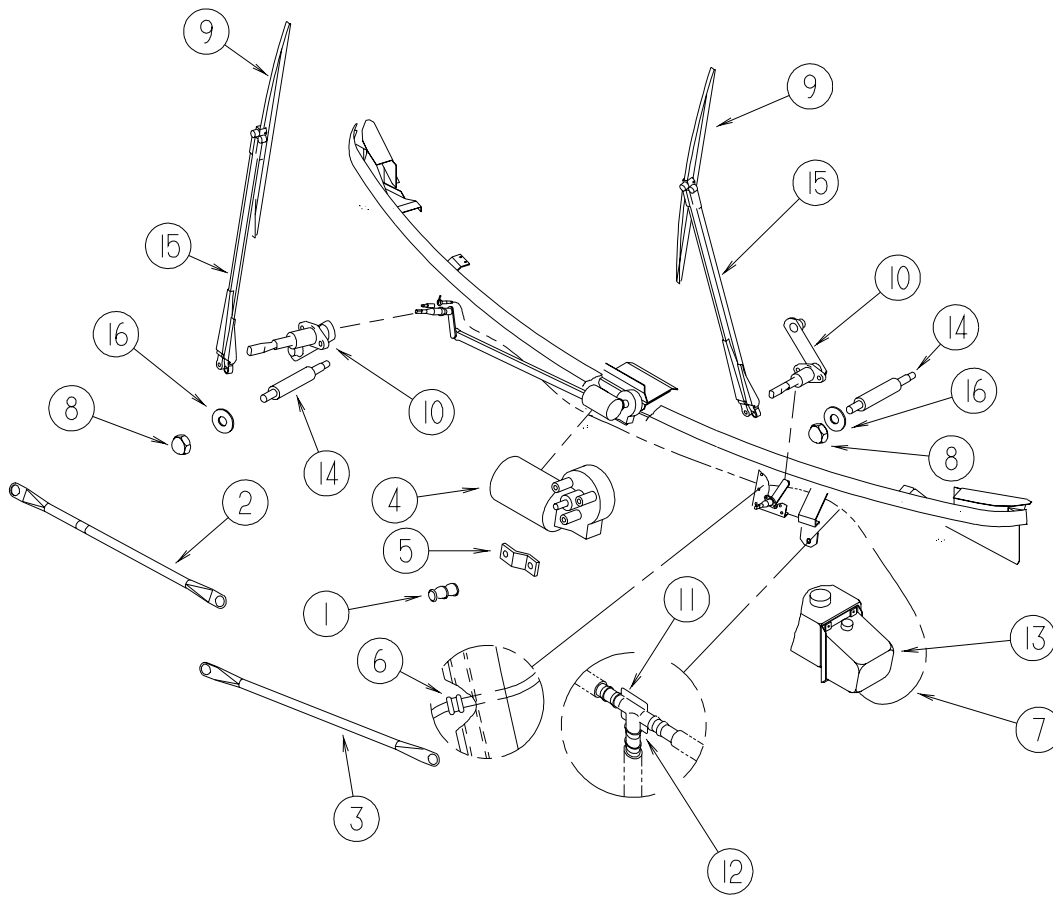
WINDSHIELD & WIPER GROUP
WINDSHIELD



KEY	PART NUMBER	U/M	DESCRIPTION
1	002328-02-000	EA	BLOCK - WINDSHIELD - .062" X .5" X .98"
2	132375-01-000	EA	CARRIER - REVEAL - WINDSHIELD - 5.5"
3	132375-02-000	EA	CARRIER - REVEAL - WINDSHIELD - 10"
4	117335-01-000	EA	CARRIER/REVEAL - 94.6" W/ADHESIVE BACKING
5	124328-01-000	EA	WINDSHIELD - PASSENGER - 52" X 41" (CURVED)
6	124328-02-000	EA	WINDSHIELD - DRIVER - 52" X 41" (CURVED)
7	127862-01-000	EA	CARRIER - REVEAL - WINDSHIELD - 47.2"
8	127862-09-000	EA	CARRIER - REVEAL - WINDSHIELD - 38.6"
9	120533-01-000	FT	MOLDING - REVEAL - WINDSHIELD
10	125384-01-02A	EA	TRIM - WINDSHIELD - A-PILLAR - PASSENGER - BLACK
11	125384-02-02A	EA	TRIM - WINDSHIELD - A-PILLAR - DRIVER - BLACK
12	081914-01-000	EA	BUMPER - RUBBER - ROUND - .43" DIAMETER
13	099418-01-000	FT	SEAL - D-SECTION/ADHESIVE BACK - .44" X .44"- BLK RUBBER

WINDSHIELD & WIPER GROUP (CONTINUED)

WIPER



KEY	PART NUMBER	U/M	DESCRIPTION
1	067188-01-000	EA	STUD - CRANK - WIPER MOTOR
	117322-01-000	EA	SCREW - 1/4-28 UNFINISHED - 2A - TORX
2	117770-01-000	EA	LINK - CONNECTING - 24" - CLOSED GROMMET/OPEN GROMMET
3	117770-02-000	EA	LINK - CONNECTING - 24" - CLOSED GROMMET/CLOSED GROMMET
4	104346-04-000	EA	WIPER MOTOR - "COAST TO PARK" W/BKR - W/GRN/RED/WHITE WIRE - GM
4	104346-05-000	EA	WIPER MOTOR - W/INTERNAL BREAKER - DYNAMIC PARK - FORD
5	104347-04-000	EA	ARM - DRIVE - WIPER MOTOR
6	061603-01-000	EA	GROMMET - SNAP - 3/16"ID - 3/8" HOLE - PLASTIC BLACK
7	045794-01-000	FT	HOSE - WASHER - WINDSHIELD - 5/32" ID - BLACK
8	077049-02-000	EA	NUT - ACORN - 10-32 BLACK/ANODIZED
9*	095964-01-000	EA	BLADE - WINDSHIELD WIPER - 24"
10*	096505-09-000	EA	SHAFT/PIVOT - WINDSHIELD WIPER
11	110605-01-000	EA	TEE - PLASTIC - BARBED - 1/8" X 1/8" X 3/16"
12	117765-03-000	EA	CONNECTOR - 5/32" - WINDSHIELD WASHER
13	117766-02-000	EA	RESERVOIR/PUMP - WINDSHIELD WASHER
14	117768-01-000	EA	SHAFT - ADAPTER - PANTOGRAPH ARM
15*	117769-01-000	EA	ARM - WIPER - PANTOGRAPH - 28"
16	110742-02-000	EA	GASKET - NEOPRENE - WIPER ADAPTER SHAFT - .5" ID X .9" OD

* COMPONENT PARTS FOUND IN SERVICE PARTS LIBRARY