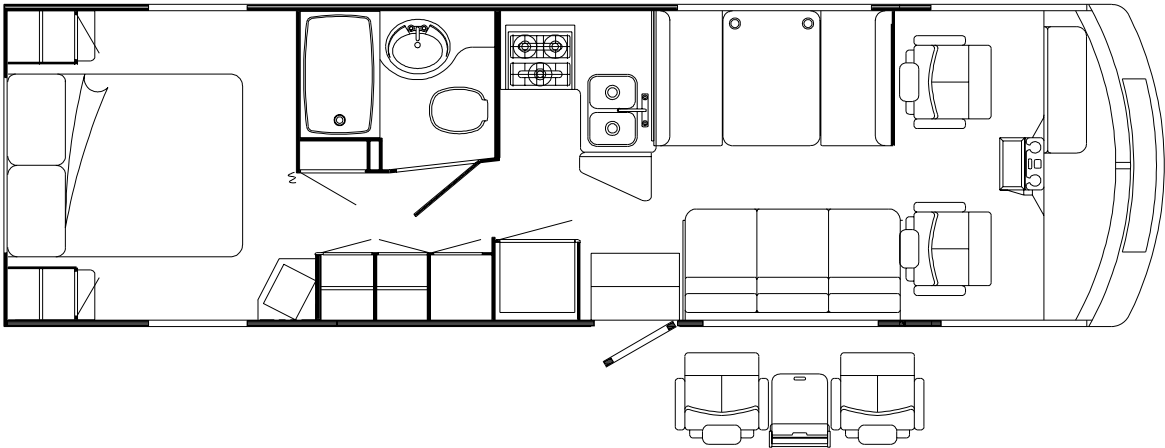
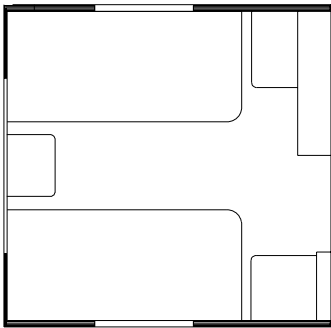
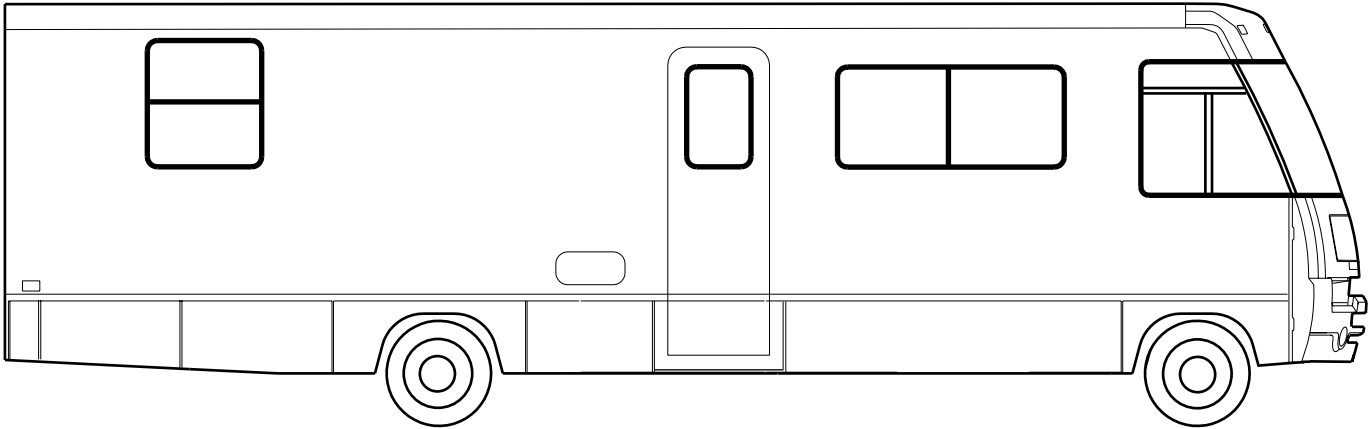


2000 IPF30A



FLOORPLAN

2000 IPF30A

**SUNRISE
F - SERIES**

WATERFORD OAK

L26 BAROQUE BOUQUET(BEIGE)

L27 CYPRESS (GREEN)

L28 AMBROSIA (SALMON)

L29 MOONSTONE (BLUE)

CONTENTS

| | |
|------------------------------------|-----------|
| FLOORPLAN | 2 |
| ACCESSORIES GROUP | 8 |
| OPERATORS MANUAL | 8 |
| APPLIANCES GROUP | 9 |
| APPLIANCES | 9 |
| AUDIO VIDEO GROUP | 10 |
| RADIO SYSTEM | 10 |
| REAR VIEW MONITOR | 10 |
| TV & VCR | 10 |
| EXTERIOR ENTERTAINMENT | 11 |
| BATH GROUP | 12 |
| CABINETS | 12 |
| SHOWER | 13 |
| BEDROOM GROUP | 15 |
| TWIN CABINETS | 15 |
| QUEEN CABINETS | 17 |
| TV & RADIO CABINETS | 18 |
| CHASSIS GROUP | 19 |
| FRAME | 19 |
| FRONT END | 20 |
| EXHAUST | 22 |
| REAR BUMPER | 23 |
| FUEL | 24 |
| SUSPENSION | 25 |
| WHEEL, TIRE, COVERS & LINERS | 25 |

CONTENTS (CONTINUED)

| | |
|---|-----------|
| CURTAIN & CUSHION GROUP | 26 |
| NOTICE | 26 |
| CUSHION LAYOUT | 27 |
| WINDOW TREATMENT | 29 |
| HARDWARE | 31 |
| ACCESSORIES | 33 |
| FABRICS | 34 |
| DINETTE GROUP | 35 |
| CABINETS | 35 |
| TABLE | 36 |
| DRIVERS COMPARTMENT GROUP | 38 |
| INSTRUMENT PANEL | 38 |
| DASH | 39 |
| MOTOR COVER | 40 |
| BEVERAGE TRAY | 41 |
| FRONT INTERIOR | 42 |
| CABINETS | 44 |
| ELECTRICAL GROUP | 45 |
| LIGHTS | 45 |
| CIRCUIT BREAKERS & FUSES | 49 |
| CONVERTER, INVERTER, LOAD CENTERS | 49 |
| RECEPTACLES | 50 |
| SWITCHES | 52 |
| BOXES & CORDS | 53 |
| WIRE ASSEMBLIES | 54 |
| CONNECTORS & CONDUIT | 54 |
| BOOTS, SOLENOIDS, RELAYS, & MISCELLANEOUS | 55 |

CONTENTS (CONTINUED)

| | |
|--|-----------|
| EXTERIOR BODY GROUP | 56 |
| GRAPHICS & PAINT | 56 |
| PANELS | 58 |
| FRONT END | 60 |
| LADDER | 62 |
| MIRRORS | 62 |
| BODY PANEL COMPONENTS | 63 |
| AWNINGS | 63 |
| EXTERIOR DOORS & COMPARTMENTS GROUP | 64 |
| DOOR & COMPARTMENT LAYOUT | 64 |
| COMPARTMENT DOOR COMPONENTS | 66 |
| ENTRY DOOR | 70 |
| SCREEN DOOR | 72 |
| LATCH - ENTRY DOOR | 73 |
| GALLEY GROUP | 74 |
| CABINETS | 74 |
| GENERATOR GROUP | 76 |
| GAS | 76 |
| HEATING & A/C GROUP | 77 |
| AUTOMOTIVE | 77 |
| FURNACE | 79 |
| REAR HEATER | 80 |
| ROOF | 80 |

CONTENTS (CONTINUED)

| | |
|---|------------|
| INTERIOR FINISH GROUP | 81 |
| MOLDINGS & TRIMS | 81 |
| PANELING, LAMINATES, BATTS, & EDGEBANDS | 86 |
| ACCESSORIES | 87 |
| FLOOR COVERINGS | 87 |
| HARDWARE | 88 |
| LABELS GROUP | 94 |
| LP GROUP | 114 |
| LP SYSTEM | 114 |
| LOUNGE GROUP | 115 |
| CABINETS | 115 |
| SEALANTS & FASTENERS GROUP | 118 |
| SEALANTS & ADHESIVES | 118 |
| BOLTS, NUTS AND WASHERS | 119 |
| SEALANTS & ADHESIVES | 120 |
| SCREWS | 121 |
| CLAMPS, CLIPS, GROMMETS, RIVETS & PLUGS | 125 |
| MISCELLANEOUS FASTENERS | 127 |
| WATER & SEWAGE GROUP | 128 |
| DRAINAGE SYSTEM | 128 |
| WATER SYSTEM | 130 |
| WINDOW & VENTS GROUP | 136 |
| WINDOW & VENT LAYOUT | 136 |
| WINDSHIELD & WIPER GROUP | 138 |
| WINDSHIELD | 138 |
| WIPER | 139 |

ACCESSORIES GROUP
OPERATORS MANUAL

| KEY | PART NUMBER | U/M | DESCRIPTION |
|------------|--------------------|------------|--|
| | 132000-14-000 | EA | MANUAL/OWNER - SUNRISE - 2000 |
| | 129079-01-01A | EA | CASE - VINYL/BLACK-EXPANDABLE ACCORDION SIDES-7"WX9"HX14"L |
| | 132284-01-000 | EA | TOP LEVEL-F,2000 |

APPLIANCES GROUP

APPLIANCES

| KEY | PART NUMBER | U/M | DESCRIPTION |
|-----|---------------|-----|--|
| * | 100258-16-04A | EA | HOOD - RANGE - W/O MONITOR PANEL-W/O HOUR METER/SWITCH-US |
| * | 100258-17-04A | EA | HOOD - RANGE - W/O MONITOR PANEL-W/O HOUR METER/SWITCH-CSA |
| * | 100258-18-03A | EA | HOOD - RANGE - W/O MONITOR PANEL-W/HOUR METER/SWITCH - US |
| | 128527-07-000 | EA | OVEN-MICROWAVE-1.3 CUBIC FT/NON CONVECTION-SAMSUNG MR7491G |
| | 128642-04-000 | EA | TRIM KIT W/VENT - MICROWAVE 1.2 CU. FT. - SAMSUNG #MR61 |
| | 098916-22-02B | EA | BRACE - MICROWAVE CABINET - LEFT HAND |
| | 098916-23-02B | EA | BRACE - MICROWAVE CABINET - RIGHT HAND |
| | 094750-10-000 | EA | BRACKET - MICROWAVE - 89 DEGREE |
| * | 112881-02-03A | EA | RANGE - 16" - 3 BURNER - FRONT HI-OUTPUT BRNR - BLK TOP/DR |
| | 105458-03-000 | EA | BRACKET - STOVE TIEDOWN - RIGHT HAND |
| | 105458-04-000 | EA | BRACKET - STOVE TIEDOWN - LEFT HAND |
| * | 121568-03-01A | EA | REFRIGERATOR - SMALL DBL DOOR/BLK-52.8"HX23.5"WX24"D-2-WAY |
| | 090329-01-000 | FT | SEAL/T - REFRIGERATOR CABINET |
| | 065225-04-000 | EA | PLATE - TIEDOWN/REFRIGERATOR |
| | 093646-01-000 | EA | BRACKET - TIEDOWN/REFRIGERATOR - RIGHT HAND |
| | 093646-02-000 | EA | BRACKET - TIEDOWN/REFRIGERATOR - LEFT HAND |
| | 054450-01-000 | EA | LEVEL - REFRIGERATOR |
| | 116751-03-01A | EA | TRAY - REFRIGERATOR - BLACK |
| * | 126019-01-01A | EA | COFFEEMAKER - OPTIMA - W/BRACKETS - BLACK & DECKER |
| * | 102765-04-01A | EA | PANEL - MONITOR - 2 TANK/WATER HEATER - ALMOND |

***COMPONENT PARTS FOUND IN SERVICE PARTS LIBRARY**

AUDIO VIDEO GROUP

RADIO SYSTEM

| KEY | PART NUMBER | U/M | DESCRIPTION |
|-----|---------------|-----|---|
| * | 127264-01-000 | EA | RADIO - AM/FM STEREO - CASSETTE - PANASONIC - CQ-R111U |
| | 127516-05-000 | EA | RADIO - AM/FM STEREO - CD PLAYER - PANASONIC CQ-DP22 FROM: 00-00-00 THRU: 04-02-00 |
| | 127516-06-000 | EA | RADIO - AM/FM STEREO - CD PLAYER FROM: 04-03-00 THRU: 99-99-99 |
| | 115916-01-01B | EA | BRACKET - ANTENNA MOUNT |
| | 094097-01-000 | EA | SPEAKER - RADIO/TV - W/O GRILLE - 5.25" DIAMETER |
| | 077069-02-000 | EA | CABLE - ANTENNA/EXTENSION - RADIO - 96" |
| | 090944-01-000 | EA | ANTENNA - RADIO - 16" RUBBER |
| | 108847-01-000 | EA | BRACKET - ANTENNA GROUND |
| | 109889-04-000 | EA | EXTENDER - ANTENNA SHAFT - 3.7" |
| | 110469-01-000 | EA | SPEAKER - 4" X 6" OVAL - COAXIAL |
| | 110470-01-01A | EA | GRILLE - 4" X 6" OVAL - BLACK |

*COMPONENT PARTS FOUND IN SERVICE PARTS LIBRARY

REAR VIEW MONITOR

| KEY | PART NUMBER | U/M | DESCRIPTION |
|-----|---------------|-----|---------------------------------|
| * | 126838-01-000 | EA | MONITOR/CAMERA - 7" - REAR VIEW |
| | 126838-03-000 | EA | CABLE - MONITOR/CAMERA |

*COMPONENT PARTS FOUND IN SERVICE PARTS LIBRARY

TV & VCR

| KEY | PART NUMBER | U/M | DESCRIPTION |
|-----|---------------|-----|---|
| | 086757-04-000 | EA | CONTROL CENTER - SWITCH - VCR/TV - 5 INPUTS |
| * | 126696-03-000 | EA | TV - 19" COLOR W/1/8" JACK - UL/CSA |
| * | 126697-03-000 | EA | VCR-VHS - CABLE READY - REMOTE - GE V62051 FROM: 00-00-00 THRU: 02-20-00 |
| * | 126697-05-000 | EA | VCR-VHS - CABLE READY - REMOTE - GE VG4052 FROM: 02-21-00 THRU: 05-28-00 |
| * | 126697-06-000 | EA | VCR/VHS - CABLE READY - W/REMOTE - GE VG4060 FROM: 05-29-00 THRU: 99-99-99 |
| | 076319-08-000 | EA | WALLPLATE - CABLE RECEPTACLE - TV - SINGLE - IVORY |
| | 076319-09-000 | EA | WALLPLATE - CABLE RECEPTACLE - TV - SINGLE - BROWN |
| | 086777-02-000 | EA | WALLPLATE - TV CABLE - W/ANTENNA SWITCH - BROWN |
| | 086777-06-000 | EA | WALLPLATE - TV CABLE - ANTENNA BOOSTER/1 OUTPUT - BLACK |
| | 076319-03-000 | FT | CABLE - COAXIAL - 75 OHM |
| | 076319-12-000 | EA | CONNECTOR - COAXIAL - ONE PIECE |
| | 082134-01-000 | EA | ADAPTER - TV - CABLE TO CABLE |
| | 082136-01-000 | EA | NUT - HEX JAM - 3/8-32 |
| | 086756-01-000 | EA | SPLITTER - TV - 2 WAY |
| | 093214-01-02A | EA | GRILLE - SPEAKER - 4" BROWN |
| | 098819-01-000 | EA | SPEAKER - 4" - 2 WATT - 8 OHM |
| | 114870-02-000 | EA | PLUG - AUDIO W/LEADS - 10" |

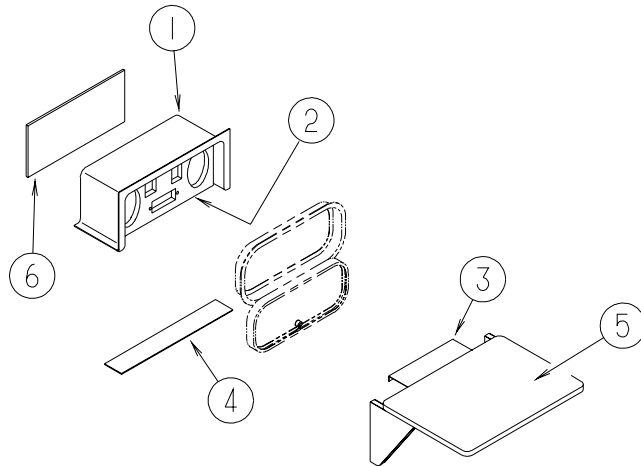
*COMPONENT PARTS FOUND IN SERVICE PARTS LIBRARY

TV ANTENNA

| KEY | PART NUMBER | U/M | DESCRIPTION |
|-----|---------------|-----|--------------------------------------|
| * | 076319-23-000 | EA | ANTENNA - TV ROOF MOUNT - 44.5" MAST |
| * | 076319-25-000 | EA | KIT - HARDWARE INTERIOR |

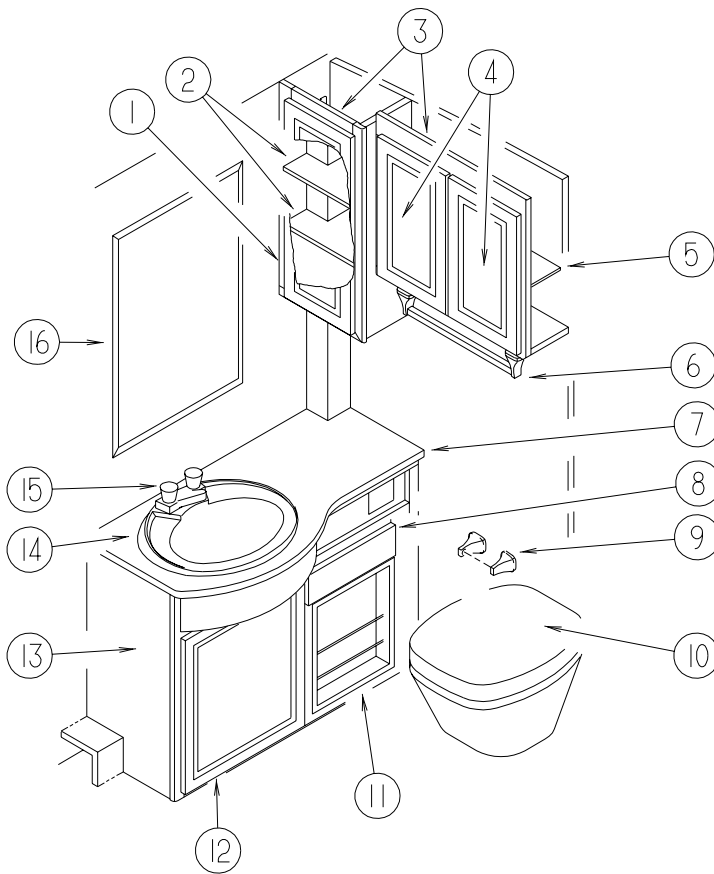
*COMPONENT PARTS FOUND IN SERVICE PARTS LIBRARY

AUDIO VIDEO GROUP (CONTINUED)
EXTERIOR ENTERTAINMENT



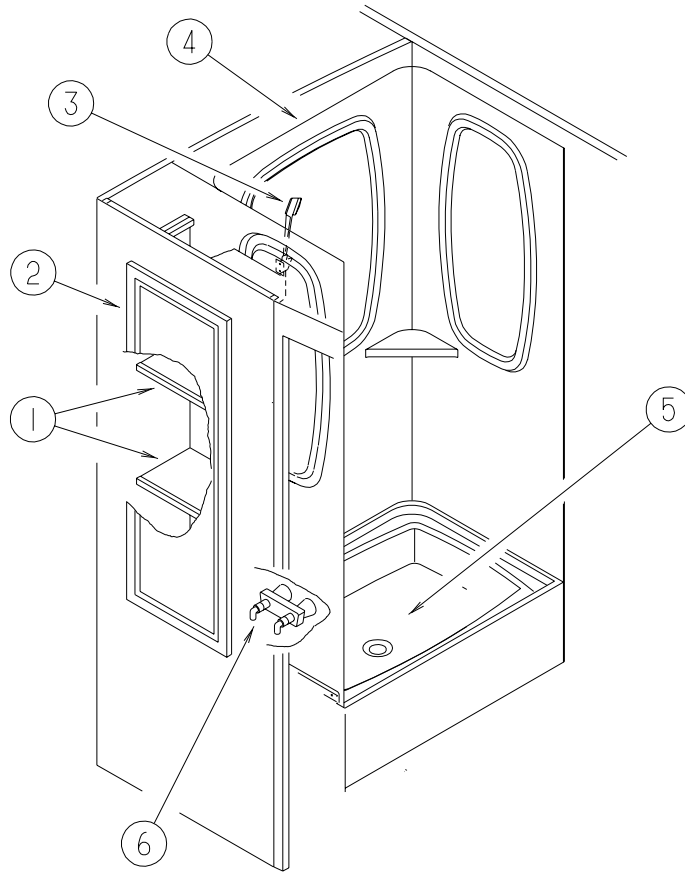
| KEY | PART NUMBER | U/M | DESCRIPTION |
|-----|---------------|-----|---|
| 1 | 124696-01-01A | EA | BOX - ENTERTAINMENT CENTER/EXTERIOR |
| 2 | 127409-02-L15 | EA | PLATE - RADIO MOUNTING |
| 2 | 125322-02-000 | EA | RADIO - AM/FM STEREO - CASSETTE - AUDIOVOX - MS-306 |
| 2 | 127516-05-000 | EA | RADIO - AM/FM STEREO - CD PLAYER - PANASONIC CQ-DP22 FROM: 00-00-00 THRU: 04-02-00 |
| 2 | 127516-06-000 | EA | RADIO - AM/FM STEREO - CD PLAYER FROM: 04-03-00 THRU: 99-99-99 |
| 3 | 105377-01-04A | EA | BRACKET - TABLE HANGER - BRIGHT WHITE |
| 4 | 104898-01-02A | EA | PLATE - PLASTIC BOTTOM - BRIGHT WHITE |
| 5 | 105230-01-J01 | EA | SHELF - EXTERIOR ENTERTAINMENT CENTER - W/BRKT/HINGE/SUPT |
| 6 | 104898-02-02A | EA | PLATE - PLASTIC BACK - BRIGHT WHITE |

BATH GROUP CABINETS



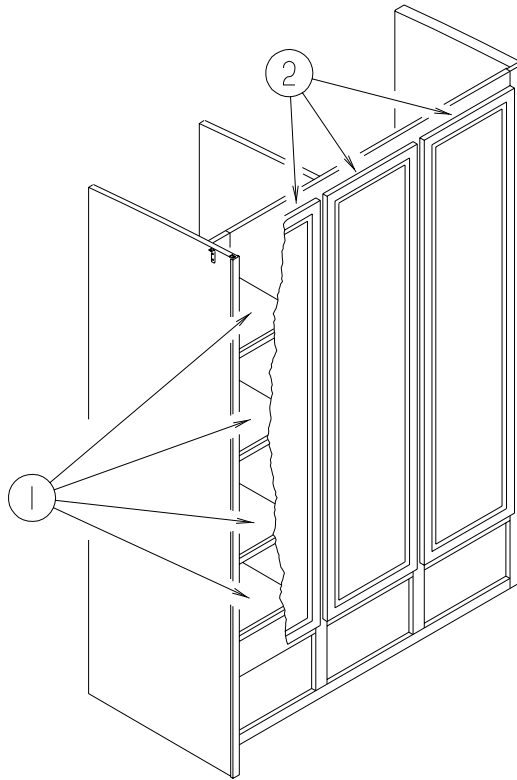
| KEY | PART NUMBER | U/M | DESCRIPTION |
|-----|---------------|-----|---|
| 1 | 132141-29-L26 | EA | DOOR - RAIL/VENEER - 10" X 25.1" - W/O HARDWARE |
| 2 | 127715-13-J37 | EA | SHELF - W/PLASTIC EDGE TRIM |
| 3 | 127715-01-K20 | EA | CABINET - OVERHEAD - MEDICINE - W/O DOORS/HARDWARE |
| 3 | 076767-04-000 | EA | CABLE - SUPPORT - 5.9" STAINLESS STEEL |
| 4 | 132141-68-L26 | EA | DOOR - RAIL/VENEER - 11.2" X 19.6" - W/O HARDWARE |
| 5 | 127715-14-J37 | EA | SHELF - W/PLASTIC EDGE TRIM |
| 6 | 075453-02-000 | EA | BAR - TOWEL - 18" BRASS |
| 6 | 075453-03-000 | EA | BRACKET - TOWEL BAR - BRASS - 2 PER PACK FROM: 00-00-00 THRU: 01-23-00 |
| 6 | 075453-04-000 | EA | ROD - TOWEL BAR - 18" W/O END BRACKETS - BRASS FROM: 01-24-00 THRU: 99-99-99 |
| 7 | 126112-18-L26 | EA | COUNTERTOP - LAVATORY CABINET (L26) |
| 7 | 126112-18-L23 | EA | COUNTERTOP - LAVATORY CABINET (L27) |
| 7 | 126112-18-L24 | EA | COUNTERTOP - LAVATORY CABINET (L28) |
| 7 | 126112-18-L25 | EA | COUNTERTOP - LAVATORY CABINET (L29) |
| 8 | M05971-EB-L26 | EA | DRAWER - OGEE EDGE - 12.4"W X 11.8"D - W/O SLIDES/HARDWARE FROM: 00-00-00 THRU: 09-23-99 |
| 8 | M09316-47-L26 | EA | DRAWER - OGEE EDGE - 12.4"W X 11.8"D - W/O SLIDES/HARDWARE FROM: 09-24-99 THRU: 99-99-99 |
| 9 | 075452-02-000 | EA | HOLDER - TOILET TISSUE - BRASS TOILET LISTED IN WATER & SEWAGE GROUP |
| 10 | | | |
| 11 | 131096-02-K16 | EA | WALL POCKET - MAGAZINE RACK |
| 12 | 131995-R1-L26 | EA | DOOR - RAIL/SOLID PANEL - 14.9" X 21.8" - W/O HARDWARE |
| 13 | 126112-02-L26 | EA | CABINET - LAVATORY - W/O COUNTERTOP/DOORS/DRAWERS/HARDWARE |
| | 126112-13-J22 | EA | SHELF - W/PLASTIC EDGE TRIM |
| 14 | | | SINK LISTED IN WATER & SEWAGE GROUP |
| 15 | | | FAUCET LISTED IN WATER & SEWAGE GROUP |
| 16 | 058331-08-000 | EA | MIRROR ONLY - SAFETY GLASS - 24" X 30" |

BATH GROUP (CONTINUED)
SHOWER



| KEY | PART NUMBER | U/M | DESCRIPTION |
|-----|---------------|-----|---|
| 1 | 130272-14-K20 | EA | SHELF - W/PLASTIC EDGE TRIM |
| 2 | 132141-53-L26 | EA | DOOR - RAIL/VENEER - 16.7" X 48" - W/O HARDWARE |
| 3 | | | SHOWER HEAD LISTED IN WATER & SEWAGE GROUP |
| 4 | 115612-03-02A | EA | SHOWER SURROUND - SOFT WHITE |
| | 113714-04-02A | EA | RETAINER - SHELF/SHOWER - SOFT WHITE |
| 5 | M02630-49-L22 | EA | SHOWER PAN - W/STRAINER |
| 6 | | | FAUCET LISTED IN WATER & SEWAGE GROUP |

BATH GROUP (CONTINUED)
WARDROBE



| KEY | PART NUMBER | U/M | DESCRIPTION |
|-----|---------------|-----|---|
| 1 | 127641-13-J37 | EA | SHELF - W/PLASTIC EDGE TRIM |
| 2 | 132006-03-L10 | EA | DOOR - MIRROR/MITERED RAIL - 16.1" X 65.2" - W/O HARDWARE |

BATH DOOR

| KEY | PART NUMBER | U/M | DESCRIPTION |
|-----|---------------|-----|---|
| | 131933-05-L15 | EA | DOOR - BATH - W/O HARDWARE |
| | 100357-01-000 | EA | ROD - F/TOWEL BAR - BRASS |
| | 134509-01-11A | EA | RAIL END - RH/LH - TOWEL RACK - 26" - WATERFORD OAK |

FOLDING PRIVACY DOOR

| KEY | PART NUMBER | U/M | DESCRIPTION |
|-----|---------------|-----|---|
| * | 131595-01-01A | EA | DOOR - FOLDING - 37" X 75" - W/4 CEILING MOUNTED BRACKETS |

*COMPONENT PARTS FOUND IN SERVICE PARTS LIBRARY

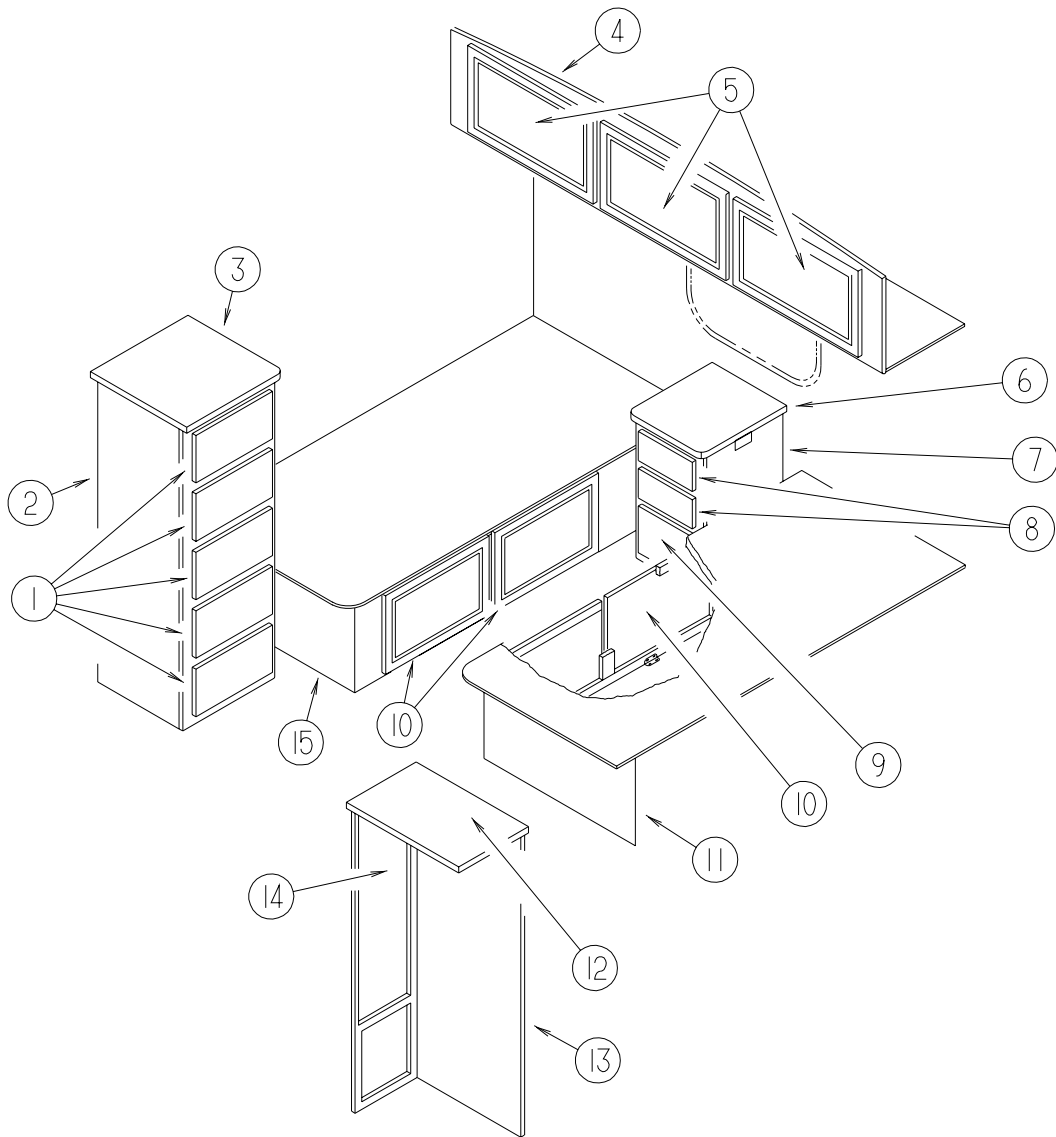
SHOWER DOOR

| KEY | PART NUMBER | U/M | DESCRIPTION |
|-----|---------------|-----|--|
| * | 117431-03-01A | EA | DOOR - SHOWER PLEATED FABRIC FROM: 00-00-00 THRU: 04-09-00 |
| * | 135615-03-01A | EA | DOOR - SHOWER/FOLDING - 39.3" X 58.9" - WHITE FROM: 04-10-00 THRU: 99-99-99 |

*COMPONENT PARTS FOUND IN SERVICE PARTS LIBRARY

BEDROOM GROUP

TWIN CABINETS

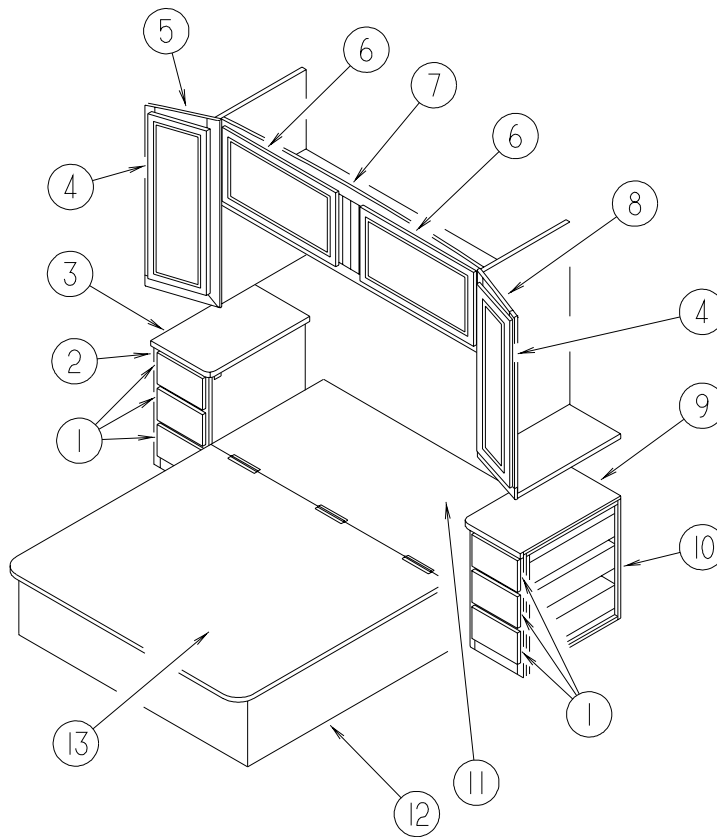


BEDROOM GROUP (CONTINUED)

TWIN CABINETS (CONTINUED)

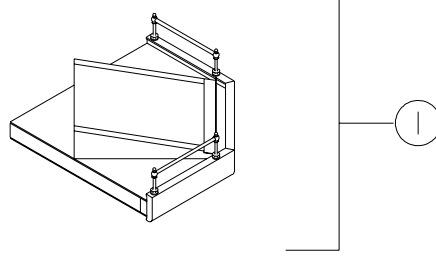
| KEY | PART NUMBER | U/M | DESCRIPTION |
|-----|---------------|-----|---|
| 1 | M09316-E9-L26 | EA | DRAWER - OGEE EDGE - 15"W X 15.7"D - W/O SLIDES/HARDWARE |
| 2 | 134048-01-L22 | EA | DRESSER - TWIN BED/RH - W/O COUNTERTOP/DRAWERS/HDW |
| 3 | 133131-07-L26 | EA | COUNTERTOP - LAMINATED (L26) |
| 3 | 133131-07-L23 | EA | COUNTERTOP - LAMINATED (L27) |
| 3 | 133131-07-L24 | EA | COUNTERTOP - LAMINATED (L28) |
| 3 | 133131-07-L25 | EA | COUNTERTOP - LAMINATED (L29) |
| 4 | 116187-01-K20 | EA | CABINET - OVERHEAD/REAR - W/O DOORS/HARDWARE - F/TWIN BED |
| 5 | 132141-14-L10 | EA | DOOR - RAIL/VENEER - 15.7" X 27.9" - W/O HARDWARE |
| 6 | 129653-14-L26 | EA | COUNTERTOP - NIGHTSTAND (L26) |
| 6 | 129653-14-L23 | EA | COUNTERTOP - NIGHTSTAND (L27) |
| 6 | 129653-14-L24 | EA | COUNTERTOP - NIGHTSTAND (L28) |
| 6 | 129653-14-L25 | EA | COUNTERTOP - NIGHTSTAND (L29) |
| 7 | 129653-03-L26 | EA | CABINET - NIGHTSTAND/TWIN BED-W/CTRTP - W/O/DOOR/DWR/HDW (L26) |
| 7 | 129653-03-L23 | EA | CABINET - NIGHTSTAND/TWIN BED-W/CTRTP - W/O/DOOR/DWR/HDW (L27) |
| 7 | 129653-03-L24 | EA | CABINET - NIGHTSTAND/TWIN BED-W/CTRTP - W/O/DOOR/DWR/HDW (L28) |
| 7 | 129653-03-L25 | EA | CABINET - NIGHTSTAND/TWIN BED-W/CTRTP - W/O/DOOR/DWR/HDW (L29) |
| 8 | M09316-83-L26 | EA | DRAWER - OGEE EDGE - 19.7"W X 13.5"D - W/O SLIDES/HARDWARE FROM: 00-00-00 THRU: 10-04-99 |
| 8 | M09316-12-L26 | EA | DRAWER - OGEE EDGE - 13.5"W X 11.8"D - W/O SLIDES/HARDWARE FROM: 10-05-99 THRU: 99-99-99 |
| 9 | M09316-12-L26 | EA | DRAWER - OGEE EDGE - 13.5"W X 11.8"D - W/O SLIDES/HARDWARE FROM: 00-00-00 THRU: 10-04-99 |
| 9 | M09316-13-L26 | EA | DRAWER - OGEE EDGE - 13.5"W X 11.8"D - W/O SLIDES/HARDWARE FROM: 10-05-99 THRU: 99-99-99 |
| 10 | 131995-S8-L26 | EA | DOOR - RAIL/SOLID PANEL - 12" X 21.8" - W/O HARDWARE |
| 11 | P30238-01-K20 | EA | CABINET/BASE - TWIN BED - W/O DOORS/DRAWERS/HARDWARE |
| 12 | 122475-13-L26 | EA | COUNTERTOP - SHIRT CLOSET (L26) |
| 12 | 122475-13-L23 | EA | COUNTERTOP - SHIRT CLOSET (L27) |
| 12 | 122475-13-L24 | EA | COUNTERTOP - SHIRT CLOSET (L28) |
| 12 | 122475-13-L25 | EA | COUNTERTOP - SHIRT CLOSET (L29) |
| 13 | 122475-02-L26 | EA | CABINET - SHIRT CLOSET/LH - W/CTRTP - W/O DOORS/HARDWARE (L26) |
| 13 | 122475-02-L23 | EA | CABINET - SHIRT CLOSET/LH - W/CTRTP - W/O DOORS/HARDWARE (L27) |
| 13 | 122475-02-L24 | EA | CABINET - SHIRT CLOSET/LH - W/CTRTP - W/O DOORS/HARDWARE (L28) |
| 13 | 122475-02-L25 | EA | CABINET - SHIRT CLOSET/LH - W/CTRTP - W/O DOORS/HARDWARE (L29) |
| 14 | 132141-23-L10 | EA | DOOR - RAIL/VENEER - 12" X 39.9" - W/O HARDWARE |
| 15 | P30239-01-K20 | EA | CABINET/BASE - TWIN BED - W/O DOORS/DRAWERS/HARDWARE |

BEDROOM GROUP (CONTINUED)
QUEEN CABINETS



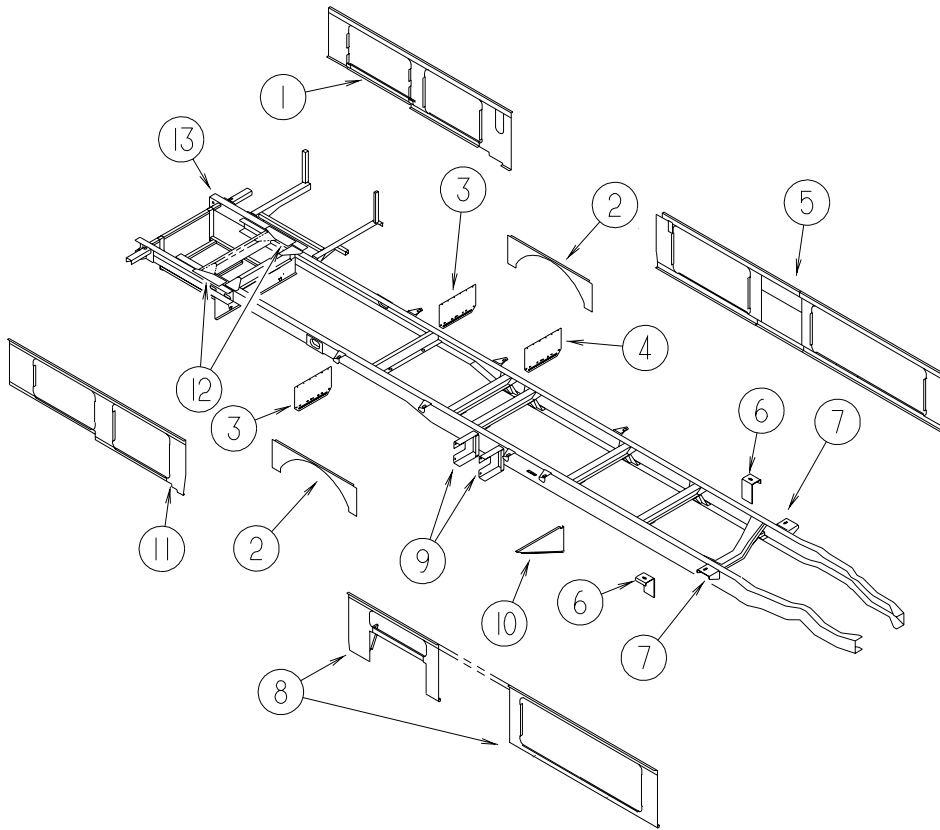
| KEY | PART NUMBER | U/M | DESCRIPTION |
|-----|---------------|-----|--|
| 1 | M09316-14-L10 | EA | DRAWER - OGEE EDGE - 10.7"W X 19.7"D - W/O SLIDES/HARDWARE |
| 2 | 129251-63-L26 | EA | CABINET - NIGHTSTAND/RH - W/O COUNTERTOP/DOORS/DRAWERS/HDW |
| 3 | 133131-29-L26 | EA | COUNTERTOP - LAMINATED (L26) |
| 3 | 133131-29-L23 | EA | COUNTERTOP - LAMINATED (L27) |
| 3 | 133131-29-L24 | EA | COUNTERTOP - LAMINATED (L28) |
| 3 | 133131-29-L16 | EA | COUNTERTOP - LAMINATED (L29) |
| 4 | 132141-71-L26 | EA | DOOR - RAIL/VENEER - 14.3" X 36.4" - W/O HARDWARE |
| 5 | 126003-01-L22 | EA | CABINET - SHIRT CLOSET/RIGHT HAND - W/O DOORS/HARDWARE |
| 6 | 132141-14-L10 | EA | DOOR - RAIL/VENEER - 15.7" X 27.9" - W/O HARDWARE |
| 7 | 106523-01-L22 | EA | CABINET - OVERHEAD/REAR - W/O DOORS/HARDWARE |
| 8 | 126003-02-L22 | EA | CABINET - SHIRT CLOSET/LEFT HAND - W/O DOORS/HARDWARE |
| 9 | 133131-31-L26 | EA | COUNTERTOP - LAMINATED (L26) |
| 9 | 133131-31-L23 | EA | COUNTERTOP - LAMINATED (L27) |
| 9 | 133131-31-L24 | EA | COUNTERTOP - LAMINATED (L28) |
| 9 | 133131-31-L25 | EA | COUNTERTOP - LAMINATED (L29) |
| 10 | 129251-64-L26 | EA | CABINET - NIGHTSTAND/LH - W/O COUNTERTOP/DOORS/DRAWERS/HDW |
| 11 | M08093-05-K28 | EA | TOP - QUEEN BED - W/O HARDWARE |
| 12 | P29654-01-K28 | EA | CABINET/BASE - QUEEN BED - W/O DOOR/DRAWER/HARDWARE |
| 13 | M08093-06-000 | EA | TOP - QUEEN BED - W/O HARDWARE |

BEDROOM GROUP (CONTINUED)
TV & RADIO CABINETS



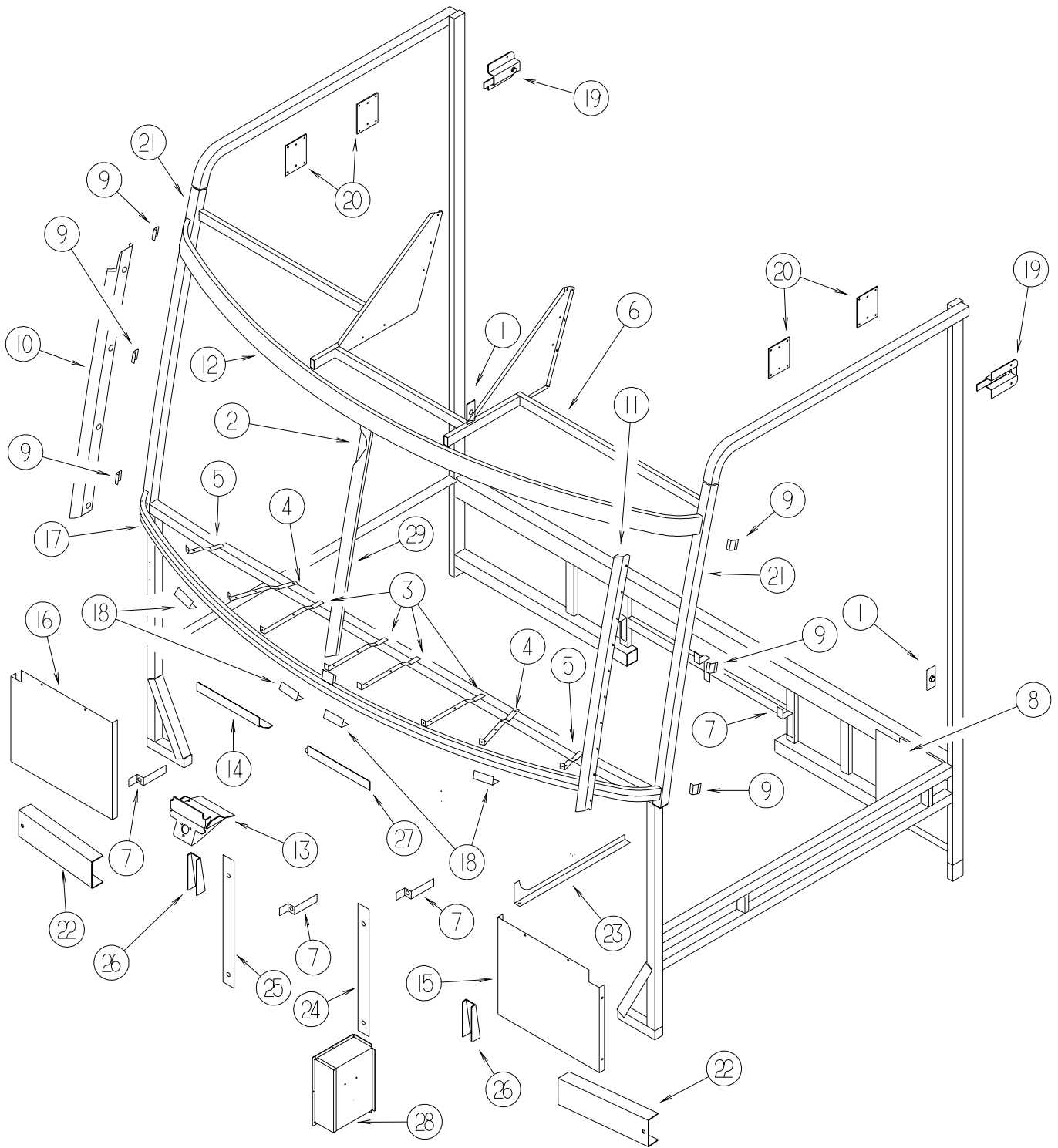
| KEY | PART NUMBER | U/M DESCRIPTION |
|------------|--------------------|------------------------------------|
| 1 | 127376-01-L22 | EA CABINET - TV SHELF - RIGHT HAND |

CHASSIS GROUP FRAME



| KEY | PART NUMBER | U/M | DESCRIPTION |
|-----|---------------|-----|--|
| 1 | 125954-17-02B | EA | SEAL PLANE - E-COATED |
| 2 | 107576-03-000 | EA | PANEL/SEAL PLANE - WHEEL WELL |
| 3 | 020167-08-000 | EA | DIRT GUARD - STEEL - 13.6" LONG |
| 3 | 020167-04-000 | EA | DIRT GUARD - STEEL W/O BEND - 14.9" LONG FROM: 00-00-00 THRU: 02-17-00 |
| 3 | 136391-02-02B | EA | GUARD/ROCK - STEEL - W/ANGLE - 18"W X 14.9"H - E-COATED FROM: 02-18-00 THRU: 05-26-00 |
| 4 | 134191-01-02B | EA | DIRT GUARD - E-COATED |
| 5 | 129608-16-02B | EA | SEAL PLANE - E-COATED |
| 6 | 134192-04-02B | EA | MOUNT - BODY - E-COATED |
| 6 | 135712-01-02B | EA | PLATE - BODY MOUNT - E-COATED |
| 7 | 117154-04-02B | EA | MOUNT-BODY,E-COAT |
| 7 | 117154-07-02B | EA | MOUNT - FRAME RAIL/FLOOR FROM: 00-00-00 THRU: 02-16-00 |
| 7 | 117154-04-02B | EA | MOUNT-BODY,E-COAT FROM: 02-17-00 THRU: 05-11-00 |
| 7 | 117154-04-02B | EA | MOUNT-BODY,E-COAT FROM: 05-12-00 THRU: 99-99-99 |
| 8 | 129608-15-02B | EA | SEAL PLANE - E-COATED |
| 9 | 120867-02-02B | EA | MOUNT ASM-LP TANK,E-COAT |
| 10 | 123440-02-02B | EA | SUPPORT/VALANCE PANEL - E-COATED |
| 11 | 125954-15-02B | EA | SEAL PLANE - E-COATED |
| 12 | 133095-01-02B | EA | PLATE - CLIP - E-COATED |
| 13 | 132643-01-01A | EA | HITCH/CHASSIS EXTENSION RAIL - 54" - 2000 G-SERIES |
| 13 | 119845-01-01A | EA | PLUG - PLASTIC - BLACK - 1 1/2" SQUARE |

CHASSIS GROUP (CONTINUED)
FRONT END

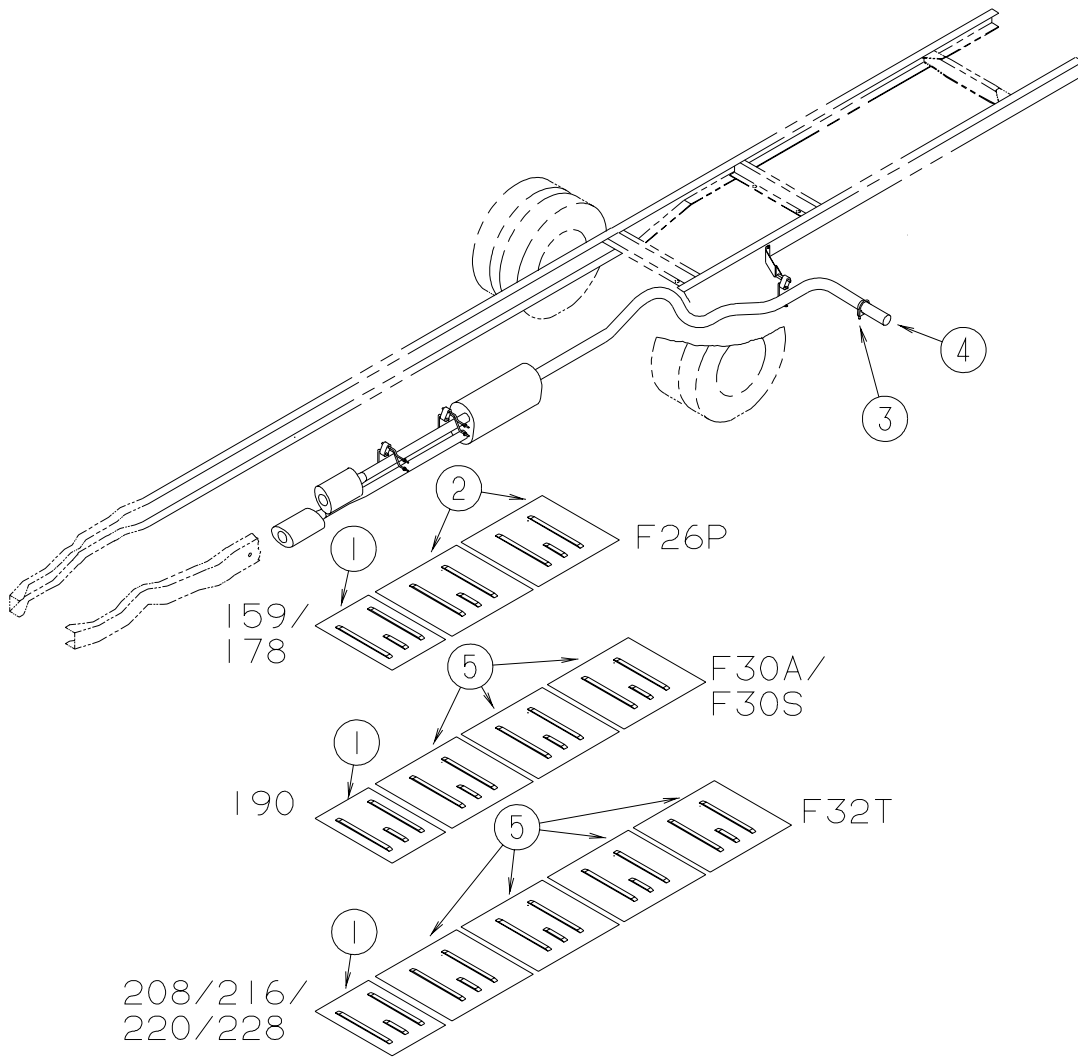


CHASSIS GROUP (CONTINUED)

FRONT END (CONTINUED)

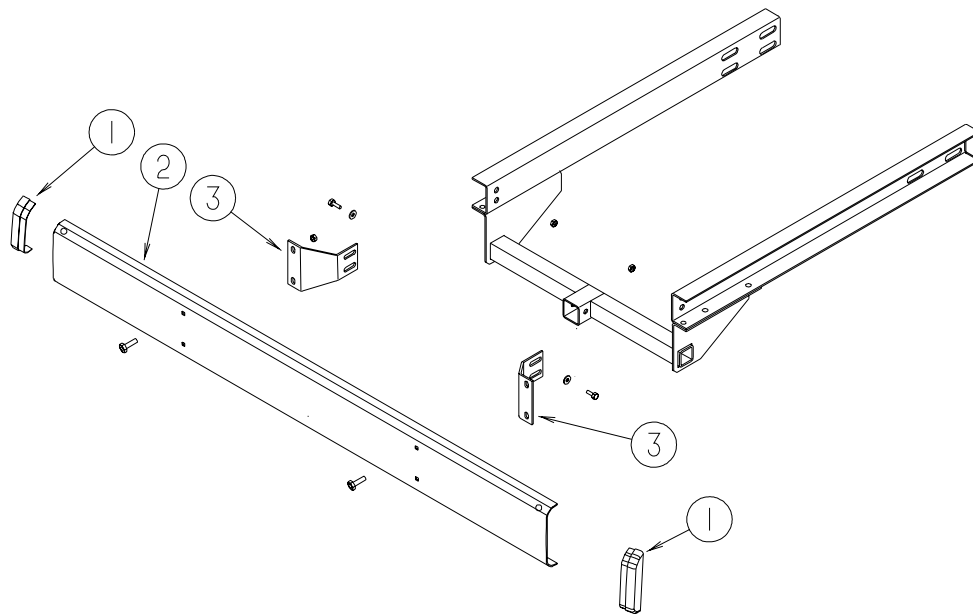
| KEY | PART NUMBER | U/M | DESCRIPTION |
|-----|---------------|-----|--|
| 1 | 133576-02-01B | EA | PLATE - ANCHOR - SEATBELT - LOWER - MILL |
| 2 | 078249-16-000 | EA | TUBE-SWEPT,FRAME,CAB |
| 3 | 104797-03-000 | EA | BRACKET-DEFROSTER |
| 4 | 104797-04-000 | EA | BRACKET-DEFROSTER |
| 5 | 104797-05-000 | EA | BRACKET-DEFROSTER |
| 6 | 121481-05-01B | EA | HEADER-WINDSHIELD,CENTER |
| 7 | 117287-01-01B | EA | BRACKET - MOUNT - CABLE |
| 8 | 118592-01-01B | EA | SHIELD - SPLASH - MILL |
| 9 | 120363-01-01B | EA | BRACKET - WINDSHIELD |
| 10 | 121269-07-01B | EA | FRAME-W/S,A PILLAR,MILL |
| 11 | 121269-08-01B | EA | FRAME-W/S,A PILLAR,MILL |
| 12 | 121268-01-01B | EA | SUPPORT-WINDSHIELD,UPPER,MLL |
| 13 | 134506-03-01B | EA | BRACKET ASM-WIPER MOTOR,MILL |
| 14 | 134371-02-01B | EA | ANGLE-MOUNT,WIPER MOTOR,MILL |
| 15 | 104147-14-000 | EA | SHIELD/SPLASH - HEADLIGHT |
| 16 | 121962-02-02B | EA | SHIELD/SPLASH - HEADLIGHT - E-COATED |
| 17 | 121267-01-01B | EA | SUPPORT-WINDSHIELD,LOWER,MLL |
| 18 | 076364-57-000 | EA | ANGLE - FORMED |
| 19 | 103318-02-000 | EA | MOUNT ASM-SEATBELT,WALL |
| 20 | 104409-01-000 | EA | PLATE-MOUNT,SIDEWALL |
| 21 | 117273-01-01A | EA | TUBE - SUPPORT - A-PILLAR |
| 22 | 125744-01-02B | EA | CHANNEL-SUPPORT,FRT END,E-CT |
| 23 | 131859-01-02B | EA | BRACKET - SEAL/TRANSITION/LEFT HAND - FRONT - E-COATED |
| | 131860-01-02B | EA | BRACKET - SEAL/TRANSITION/LEFT HAND - REAR - E-COATED |
| 24 | 119892-12-02B | EA | SUPPORT ASM-FRONT, GM, LH, E-CT |
| | | | FROM: 00-00-00 THRU: 10-29-99 |
| 24 | 134807-02-02B | EA | SUPPORT - FRONT - E-COATED |
| | | | FROM: 10-30-99 THRU: 99-99-99 |
| 25 | 119892-17-02B | EA | SUPPORT ASM-FRONT, GM, RH, E-CT |
| | | | FROM: 00-00-00 THRU: 10-29-99 |
| 25 | 134807-01-02B | EA | SUPPORT - FRONT - E-COATED |
| | | | FROM: 10-30-99 THRU: 99-99-99 |
| 26 | 117622-01-02B | EA | BRACE-TUBE,BPR,VERT,E-CT |
| 27 | 134371-01-01B | EA | ANGLE-MOUNT,WIPER MOTOR,MILL |
| 28 | 111509-01-000 | EA | BOX - ELECTRICAL - E-COATED |
| 29 | 120840-06-01B | EA | STRAP-W/HOLES,MILL |
| | 044317-01-000 | FT | HOSE - FUEL - 3/8" ID (RADIATOR OVERFLOW) |

CHASSIS GROUP (CONTINUED)
EXHAUST



| KEY | PART NUMBER | U/M | DESCRIPTION |
|-----|---------------|-----|---|
| 1 | 101544-01-000 | EA | SHIELD - HEAT/EXHAUST - 19.7" X 29.1" |
| 2 | 101544-06-000 | EA | SHIELD - HEAT/EXHAUST - 33.9" X 29.1" |
| 3 | 094918-01-000 | EA | CLAMP - EXHAUST - 3" - GUILLOTINE STYLE |
| 4 | 098762-11-000 | EA | PIPE - EXHAUST - STRAIGHT - 3" |
| 5 | 101544-02-000 | EA | SHIELD - HEAT/EXHAUST - 30" X 29.1" |

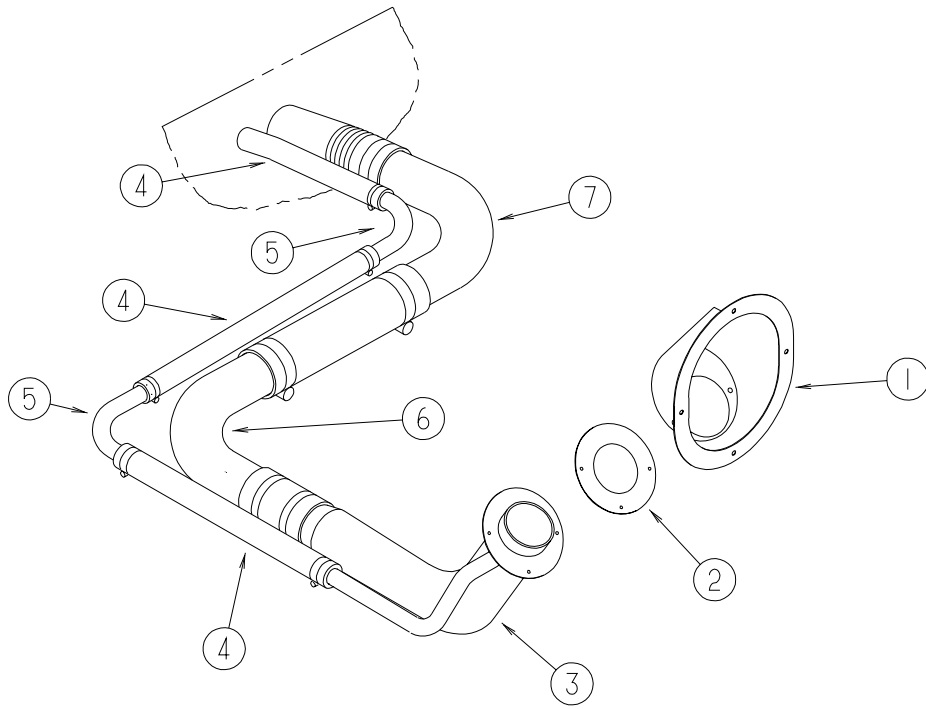
CHASSIS GROUP (CONTINUED)
REAR BUMPER



| KEY | PART NUMBER | U/M | DESCRIPTION |
|-----|---------------|-----|--|
| 1 | 103228-01-06A | EA | END CAP - REAR BUMPER - DRIVER/PASSENGER |
| 2 | 103099-11-02A | EA | BUMPER - REAR - 98" - BRIGHT WHITE |
| 3 | 133291-01-02B | EA | BRACKET/BUMPER SUPPORT - REAR - E-COATED |
| | 113589-01-000 | EA | CONNECTOR - PLUG - TRAILER |
| | 113589-02-000 | EA | CONNECTOR - SOCKET - TRAILER |

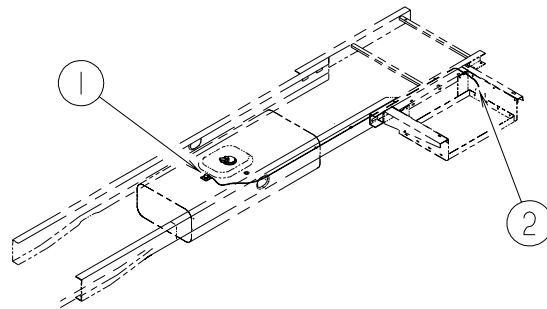
CHASSIS GROUP (CONTINUED)

FUEL



| KEY | PART NUMBER | U/M | DESCRIPTION |
|-----|---------------|-----|---|
| 1 | 127291-01-01A | EA | SHROUD - FUEL FILL - BRIGHT WHITE |
| 2 | 078200-01-000 | EA | GASKET - FUEL FILL - 3.5"OD X 2"ID |
| 3 | 127301-03-000 | EA | NECK - FUEL FILL |
| 4 | 128139-02-000 | FT | HOSE - FUEL - LOW PERMEABILITY - 5/8" DIAMETER |
| 5 | 098806-01-000 | EA | PIPE - FILL VENT - 90 DEGREE BEND - .635 OD - STEEL |
| 6 | 098803-01-000 | EA | PIPE - FUEL FILL - 90 DEGREE BEND - 13.2" - 1 3/4" OD |
| 7 | 098807-01-000 | EA | PIPE - FUEL FILL - 90 DEGREE BEND - 6.6" - 1 3/4" OD |

FUEL (CONTINUED)



| KEY | PART NUMBER | U/M | DESCRIPTION |
|-----|---------------|-----|--|
| 1 | 114254-01-000 | EA | ADAPTER - 1/4 BARB X 1/8 MPT |
| 1 | 068382-06-000 | EA | BUSHING - BRASS - 3/8" MPT X 1/8" FPT |
| 2 | 084884-01-000 | EA | PLUG - BRASS - 3/8" |
| 2 | 128139-03-000 | FT | HOSE - FUEL - LOW PERMEABILITY - 1/4" DIAMETER |

CHASSIS GROUP (CONTINUED)

SUSPENSION

KEY PART NUMBER U/M DESCRIPTION

* 122756-04-000 EA SHOCK & STABILIZER KIT - WORKHORSE/WIDE BODY CHASSIS

***COMPONENT PARTS FOUND IN SERVICE PARTS LIBRARY**

WHEEL, TIRE, COVERS & LINERS

16,500 # GVW CHASSIS - WHEEL & TIRE

KEY PART NUMBER U/M DESCRIPTION

064963-01-000 EA WHEEL - STEEL - 19.5" X 6" - GM 14005758

091673-01-000 EA TIRE - 225/70 R19.5 LRF - MICHELIN XZA

17,000 # OR 18,000 # GVW CHASSIS - WHEEL & TIRE

KEY PART NUMBER U/M DESCRIPTION

064963-02-000 EA WHEEL - STEEL - 19.5" X 6.0"

091673-07-000 EA TIRE - 225/70R19.5" LRF - MICHELIN XRV

VALVE STEM & VALVE STEM EXTENSION

KEY PART NUMBER U/M DESCRIPTION

051377-01-000 EA VALVE STEM

077030-02-000 EA EXTENSION - VALVE STEM - 1.25"

LINERS

KEY PART NUMBER U/M DESCRIPTION

* 110435-10-000 EA LINER - WHEEL - SET/4 - 19.5"

FROM: 00-00-00 THRU: 10-25-99

* 134609-01-000 EA LINER - WHEEL - SET OF 4 - 19.5" P30 WORKHORSE CHASSIS

FROM: 10-26-99 THRU: 99-99-99

***COMPONENT PARTS FOUND IN SERVICE PARTS LIBRARY**

COVERS

KEY PART NUMBER U/M DESCRIPTION

* 109443-06-000 EA WHEEL COVER - 4/SET - 19.5"

***COMPONENT PARTS FOUND IN SERVICE PARTS LIBRARY**

LUG WRENCH & LEVERAGE BAR

KEY PART NUMBER U/M DESCRIPTION

080208-02-000 EA BAR - LEVERAGE - LUG WRENCH - CHEVY/OSHKOSH

080208-06-000 EA LUG WRENCH - 1" X 1.06" W/DEEP SOCKET ENDS

BRAKE LINE FITTING

KEY PART NUMBER U/M DESCRIPTION

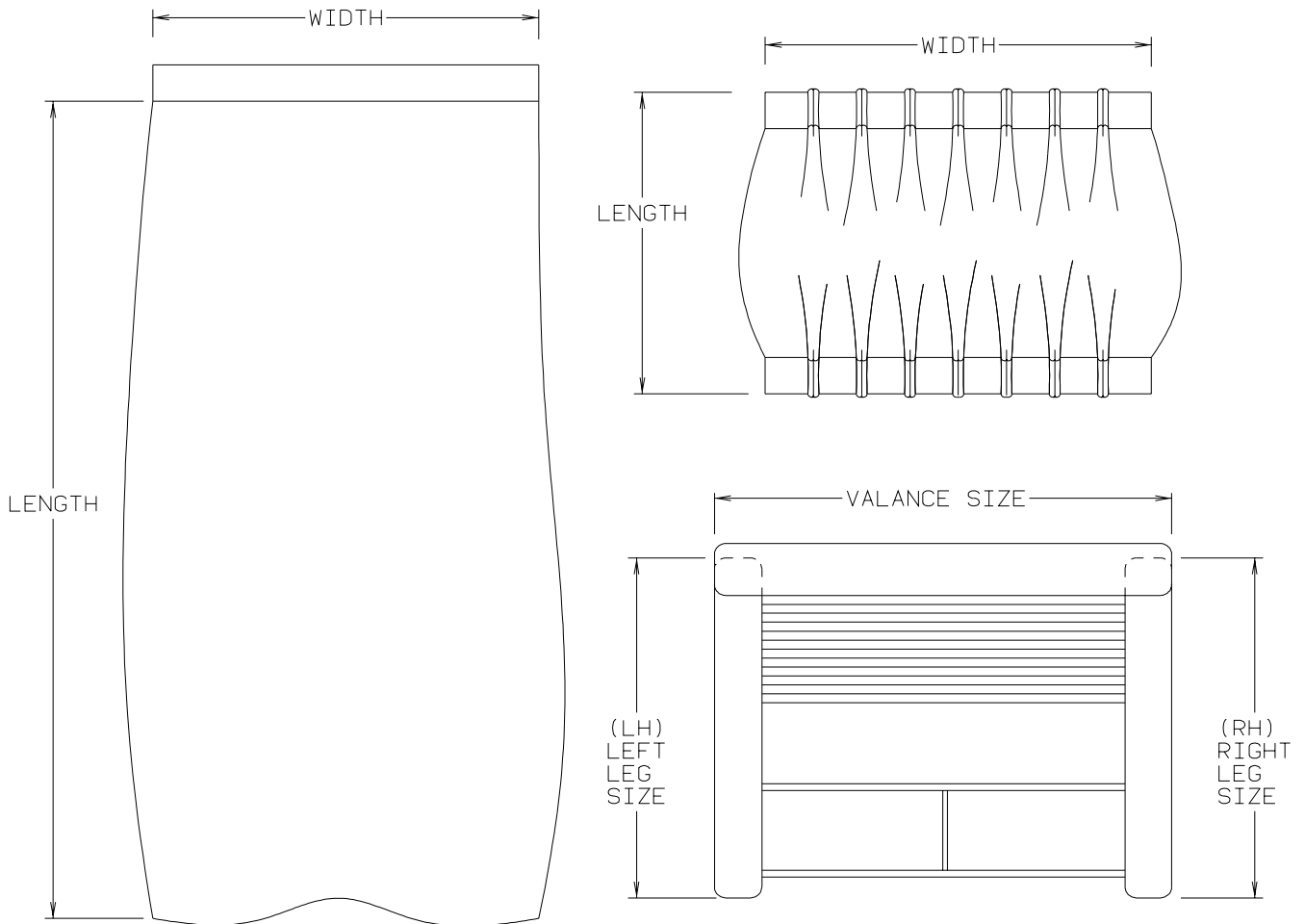
075466-01-000 EA UNION - INVERTED FLAIR - 1/4"

CURTAIN & CUSHION GROUP

NOTICE

IN ORDER TO ASSIST OUR PARTS SALES DEPT. IN PROVIDING INTERIOR SOFTWARE ITEMS, PLEASE INCLUDE THE SERIAL NUMBER AND THE COLOR CODE NUMBER FROM THE VEHICLE CERTIFICATION LABEL WHEN ORDERING. THIS LABEL IS LOCATED ON THE LEFT SIDEWALL AT THE END OF THE DASH (A-BODY), OR ON THE DRIVER'S DOOR LATCH PLATE (C-BODY).

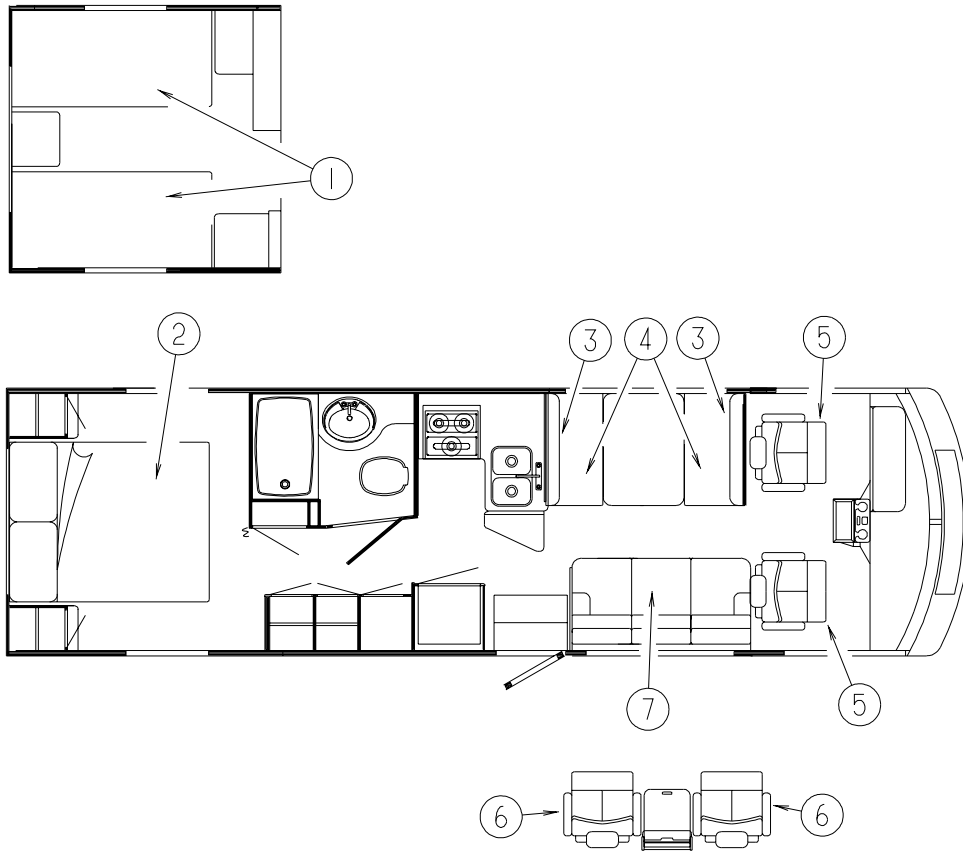
AN EXAMPLE OF A COLOR CODE NUMBER IS B07, WHICH DESIGNATES AN OVERALL COLOR SCHEME OF A PARTICULAR UNIT. THE COLOR LISTED AFTER THE ITEM DESCRIPTION ON THE MICROFICHE, INDICATES THE OVERALL UNIT COLOR. ORDER THE ITEM YOU DESIRE ACCORDING TO UNIT COLOR CODE. IF ALL COLORS USE THE SAME ITEM NO COLOR CODE WILL BE NOTED.



NOTE: USE THIS ILLUSTRATION WHEN DETERMINING LENGTH AND WIDTH MEASUREMENTS FOR CURTAINS. YOU WILL NOTE THE WIDTH MEASUREMENT IS TAKEN ON THE TOP OF THE CURTAIN WITH THE CURTAIN FULLY EXTENDED. THE LENGTH MEASUREMENT IS TAKEN FROM TOP TO BOTTOM. LEFT AND RIGHT WINDOW LEGS ARE DETERMINED WHEN FACING THE WINDOW.

CURTAIN & CUSHION GROUP (CONTINUED)

CUSHION LAYOUT



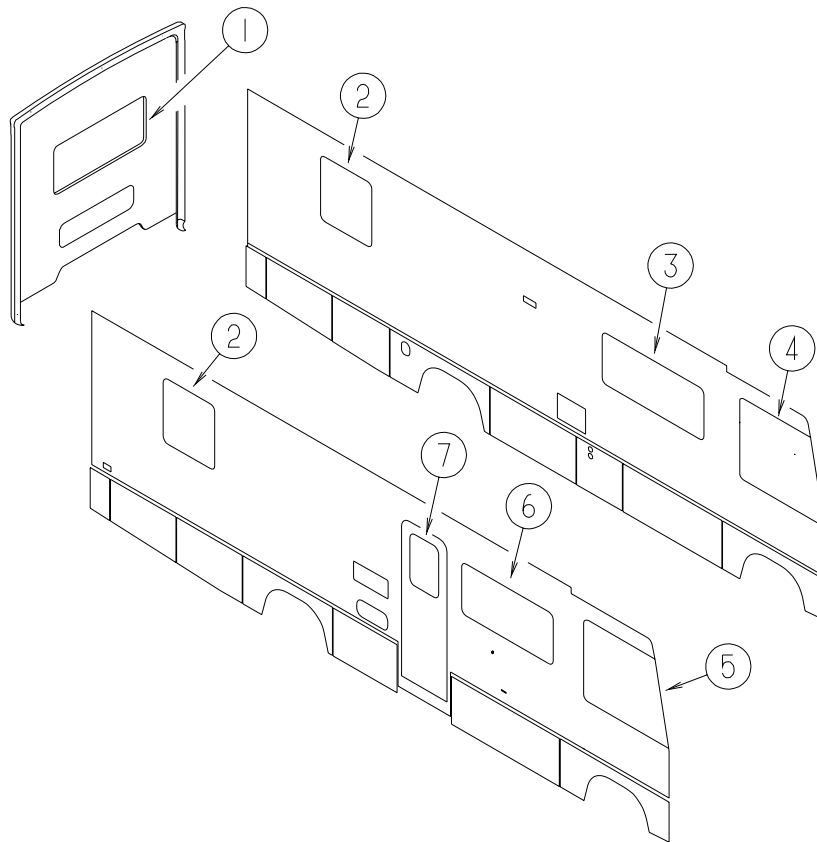
| KEY | PART NUMBER | U/M | DESCRIPTION |
|-----|---------------|-----|---|
| 1 | 123015-03-000 | EA | MATTRESS - INNERSPRING - 36" X 74.5" |
| 1 | 123471-21-L26 | EA | BEDSPREAD/THROW - 36" X 75" |
| 1 | 123471-21-L27 | EA | BEDSPREAD/THROW - 36" X 75" |
| 1 | 123471-21-L28 | EA | BEDSPREAD/THROW - 36" X 75" |
| 1 | 123471-21-L29 | EA | BEDSPREAD/THROW - 36" X 75" |
| 1 | 111863-12-L26 | EA | PILLOW SHAM - 20" X 33" (L26) |
| 1 | 111863-12-L23 | EA | PILLOW SHAM - 20" X 33" (L27) |
| 1 | 111863-12-L24 | EA | PILLOW SHAM - 20" X 33" (L28) |
| 1 | 111863-12-L25 | EA | PILLOW SHAM - 20" X 33" (L29) |
| 1 | 132319-11-L26 | EA | PILLOW - 17" X 17" |
| 1 | 132319-11-L27 | EA | PILLOW - 17" X 17" |
| 1 | 132319-11-L28 | EA | PILLOW - 17" X 17" |
| 1 | 132319-11-L29 | EA | PILLOW - 17" X 17" |
| 2 | 123015-06-000 | EA | MATTRESS - INNERSPRING - 60" X 74.5" |
| 2 | 123471-08-L26 | EA | BEDSPREAD/THROW - 60" X 75" (L26) |
| 2 | 123471-08-L23 | EA | BEDSPREAD/THROW - 60" X 75" (L27) |
| 2 | 123471-08-L24 | EA | BEDSPREAD/THROW - 60" X 75" (L28) |
| 2 | 123471-08-L25 | EA | BEDSPREAD/THROW - 60" X 75" (L29) |
| 2 | 111863-12-L26 | EA | PILLOW SHAM - 20" X 33" (L26) |
| 2 | 111863-12-L23 | EA | PILLOW SHAM - 20" X 33" (L27) |
| 2 | 111863-12-L24 | EA | PILLOW SHAM - 20" X 33" (L28) |
| 2 | 111863-12-L25 | EA | PILLOW SHAM - 20" X 33" (L29) |
| 2 | 132319-11-L26 | EA | PILLOW - 17" X 17" |
| 2 | 132319-11-L27 | EA | PILLOW - 17" X 17" |
| 2 | 132319-11-L28 | EA | PILLOW - 17" X 17" |
| 2 | 132319-11-L29 | EA | PILLOW - 17" X 17" |
| 3 | 111897-05-L26 | EA | CUSHION - BACK - 13.5" X 42" X 5" (L26) |
| 3 | 111897-05-L23 | EA | CUSHION - BACK - 13.5" X 42" X 5" (L27) |
| 3 | 111897-05-L24 | EA | CUSHION - BACK - 13.5" X 42" X 5" (L28) |
| 3 | 111897-05-L25 | EA | CUSHION - BACK - 13.5" X 42" X 5" (L29) |
| | P11897-05-L26 | EA | COVER - BACK - 13.5" X 42" X 5" (L26) |
| | P11897-05-L23 | EA | COVER - BACK - 13.5" X 42" X 5" (L27) |
| | P11897-05-L24 | EA | COVER - BACK - 13.5" X 42" X 5" (L28) |
| | P11897-05-L25 | EA | COVER - BACK - 13.5" X 42" X 5" (L29) |

CURTAIN & CUSHION GROUP (CONTINUED)

CUSHION LAYOUT (CONTINUED)

| KEY | PART NUMBER | U/M | DESCRIPTION | |
|-----|---------------|-----|--|-------------------------------|
| 4 | 105603-15-L26 | EA | CUSHION - SEAT - 23" X 42" X 5" (L26) | |
| 4 | 105603-15-L23 | EA | CUSHION - SEAT - 23" X 42" X 5" (L27) | |
| 4 | 105603-15-L24 | EA | CUSHION - SEAT - 23" X 42" X 5" (L28) | |
| 4 | 105603-15-L25 | EA | CUSHION - SEAT - 23" X 42" X 5" (L29) | |
| | P05603-15-L26 | EA | COVER - SEAT - 23" X 42" X 5" (L26) | |
| | P05603-15-L23 | EA | COVER - SEAT - 23" X 42" X 5" (L27) | |
| | P05603-15-L24 | EA | COVER - SEAT - 23" X 42" X 5" (L28) | |
| | P05603-15-L25 | EA | COVER - SEAT - 23" X 42" X 5" (L29) | |
| 5 | 132534-01-000 | EA | BUCKET SEAT - W/LUMBAR SUPPORT (L26) | |
| 5 | 132534-02-000 | EA | BUCKET SEAT - W/LUMBAR SUPPORT (L27) | |
| 5 | 132534-03-000 | EA | BUCKET SEAT - W/LUMBAR SUPPORT (L28) | |
| 5 | 132534-04-000 | EA | BUCKET SEAT - W/LUMBAR SUPPORT (L29) | |
| 5 | 132534-05-000 | EA | BUCKET SEAT - W/LUMBAR SUPPORT - LEATHER (L26,L28,L29) | |
| 5 | 132534-06-000 | EA | BUCKET SEAT - W/LUMBAR SUPPORT - LEATHER (L27) | |
| 5 | 107921-01-000 | EA | PEDESTAL/FLOOR MOUNTED - W/9.75" EXTENSION | |
| 5 | 107921-05-000 | EA | TOP PLATE - W/SEAT BELT BAR | |
| 5 | 107921-06-000 | EA | BEARING KIT - PEDESTAL | |
| 5 | 130184-01-01A | EA | PROTECTOR - SEAT - CLEAR | |
| 6 | 132544-01-000 | EA | BUCKET SEAT - W/FOOTREST (L26) | |
| 6 | 132544-02-000 | EA | BUCKET SEAT - W/FOOTREST (L27) | |
| 6 | 132544-03-000 | EA | BUCKET SEAT - W/FOOTREST (L28) | |
| 6 | 132544-04-000 | EA | BUCKET SEAT - W/FOOTREST (L29) | |
| 6 | 107921-01-000 | EA | PEDESTAL/FLOOR MOUNTED - W/9.75" EXTENSION | |
| 6 | 108445-02-000 | EA | PLATE/FLOOR MOUNTED - PEDESTAL SEAT | |
| 7 | 132554-05-000 | EA | SOFA - BAYONET ARMS (L26) | |
| 7 | 132554-06-000 | EA | SOFA - BAYONET ARMS (L27) | |
| 7 | 132554-07-000 | EA | SOFA - BAYONET ARMS (L28) | |
| 7 | 132554-08-000 | EA | SOFA - BAYONET ARMS (L29) | |
| | 132319-10-L26 | EA | PILLOW - 17" X 17" | FROM: 00-00-00 THRU: 10-17-99 |
| | 132319-17-L26 | EA | PILLOW - 17" X 17" | FROM: 10-18-99 THRU: 99-99-99 |
| | 132319-16-L27 | EA | PILLOW - 17" X 17" | FROM: 00-00-00 THRU: 10-17-99 |
| | 132319-17-L27 | EA | PILLOW - 17" X 17" | FROM: 10-18-99 THRU: 99-99-99 |
| | 132319-10-L28 | EA | PILLOW - 17" X 17" | FROM: 00-00-00 THRU: 10-17-99 |
| | 132319-17-L28 | EA | PILLOW - 17" X 17" | FROM: 10-18-99 THRU: 99-99-99 |
| | 132319-10-L29 | EA | PILLOW - 17" X 17" | FROM: 00-00-00 THRU: 10-17-99 |
| | 132319-17-L29 | EA | PILLOW - 17" X 17" | FROM: 10-18-99 THRU: 99-99-99 |
| | 127335-10-000 | EA | BRACKET - CANADIAN LATCH | |
| | 116104-03-02B | EA | BRACKET - ZEE W/HOLES - 5.9" | FROM: 00-00-00 THRU: 05-21-00 |
| | 116104-04-02B | EA | BRACKET - ZEE W/HOLES - 3.2" | FROM: 05-22-00 THRU: 99-99-99 |

CURTAIN & CUSHION GROUP (CONTINUED)
WINDOW TREATMENT



| KEY | PART NUMBER | U/M | DESCRIPTION |
|-----|---------------|-----|---------------------------------|
| 1 | 134051-01-L26 | EA | VALANCE - CHANTAL - 53" |
| 1 | 134051-01-L27 | EA | VALANCE - CHANTAL - 53" |
| 1 | 134051-01-L28 | EA | VALANCE - CHANTAL - 53" |
| 1 | 134051-01-L29 | EA | VALANCE - CHANTAL - 53" |
| 1 | 127017-45-L26 | EA | LEG - RIGHT - 25" (L26) |
| 1 | 127017-45-L23 | EA | LEG - RIGHT - 25" (L27) |
| 1 | 127017-45-L24 | EA | LEG - RIGHT - 25" (L28) |
| 1 | 127017-45-L25 | EA | LEG - RIGHT - 25" (L29) |
| 1 | 127017-46-L26 | EA | LEG - LEFT - 25" (L26) |
| 1 | 127017-46-L23 | EA | LEG - LEFT - 25" (L27) |
| 1 | 127017-46-L24 | EA | LEG - LEFT - 25" (L28) |
| 1 | 127017-46-L25 | EA | LEG - LEFT - 25" (L29) |
| 1 | 111910-62-L26 | EA | BLIND - DAY/NIGHTER - 49" X 27" |
| 1 | 111910-62-L27 | EA | BLIND - DAY/NIGHTER - 49" X 27" |
| 1 | 111910-62-L28 | EA | BLIND - DAY/NIGHTER - 49" X 27" |
| 1 | 111910-62-L29 | EA | BLIND - DAY/NIGHTER - 49" X 27" |

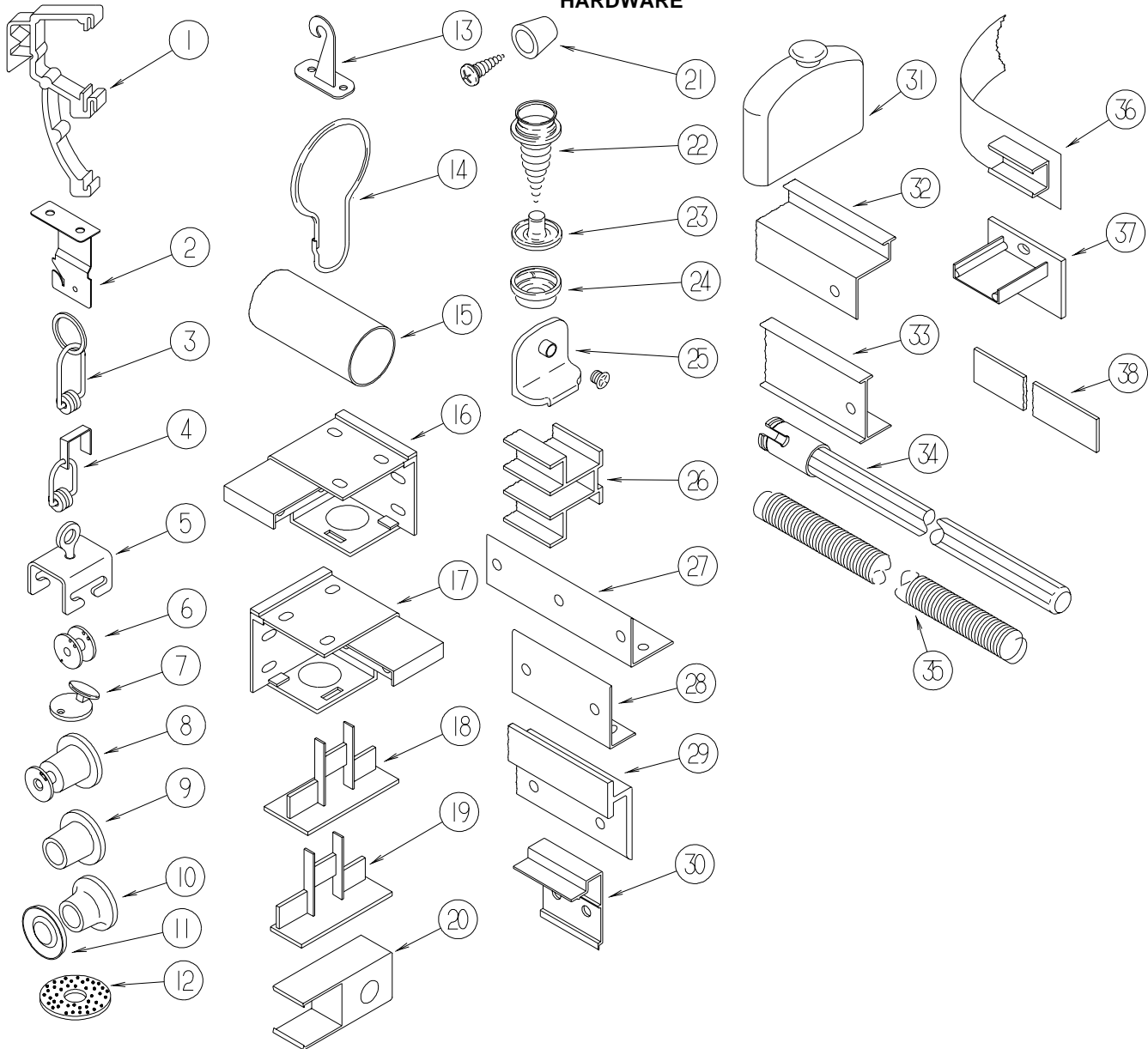
CURTAIN & CUSHION GROUP (CONTINUED)

WINDOW TREATMENT (CONTINUED)

| KEY | PART NUMBER | U/M | DESCRIPTION |
|-----|---------------|-----|--|
| 2 | 134051-02-L26 | EA | VALANCE - CHANTAL - 34" |
| 2 | 134051-02-L27 | EA | VALANCE - CHANTAL - 34" |
| 2 | 134051-02-L28 | EA | VALANCE - CHANTAL - 34" |
| 2 | 134051-02-L29 | EA | VALANCE - CHANTAL - 34" |
| 2 | 127017-91-L26 | EA | LEG - RIGHT - 34" (L26) |
| 2 | 127017-91-L23 | EA | LEG - RIGHT - 34" (L27) |
| 2 | 127017-91-L24 | EA | LEG - RIGHT - 34" (L28) |
| 2 | 127017-91-L25 | EA | LEG - RIGHT - 34" (L29) |
| 2 | 127017-92-L26 | EA | LEG - LEFT - 34" (L26) |
| 2 | 127017-92-L23 | EA | LEG - LEFT - 34" (L27) |
| 2 | 127017-92-L24 | EA | LEG - LEFT - 34" (L28) |
| 2 | 127017-92-L25 | EA | LEG - LEFT - 34" (L29) |
| 2 | 111910-58-L26 | EA | BLIND - DAY/NIGHTER - 31" X 37" |
| 2 | 111910-58-L27 | EA | BLIND - DAY/NIGHTER - 31" X 37" |
| 2 | 111910-58-L28 | EA | BLIND - DAY/NIGHTER - 31" X 37" |
| 2 | 111910-58-L29 | EA | BLIND - DAY/NIGHTER - 31" X 37" |
| 3 | 134049-04-L26 | EA | VALANCE - KEYSTONE - 64.5" |
| 3 | 134049-09-L27 | EA | VALANCE - KEYSTONE - 64.5" |
| 3 | 134049-04-L28 | EA | VALANCE - KEYSTONE - 64.5" |
| 3 | 134049-04-L29 | EA | VALANCE - KEYSTONE - 64.5" |
| 3 | 127017-59-L26 | EA | LEG - RIGHT - 25" |
| 3 | 127017-59-L27 | EA | LEG - RIGHT - 25" |
| 3 | 127017-59-L28 | EA | LEG - RIGHT - 25" |
| 3 | 127017-59-L29 | EA | LEG - RIGHT - 25" |
| 3 | 127017-60-L26 | EA | LEG - LEFT - 25" |
| 3 | 127017-60-L27 | EA | LEG - LEFT - 25" |
| 3 | 127017-60-L28 | EA | LEG - LEFT - 25" |
| 3 | 127017-60-L29 | EA | LEG - LEFT - 25" |
| 3 | 111910-22-L26 | EA | BLIND - DAY/NIGHTER - 60" X 28.5" |
| 3 | 111910-57-L16 | EA | BLIND - DAY/NIGHTER - 61" X 28.5" - COMFORT & CONVENIENCE PACKAGE |
| 4 | 101668-67-J22 | EA | CURTAIN - RIGHT HAND/LEFT HAND - 42" X 106" |
| 4 | 073260-42-M22 | EA | TIEBACK - 6" X 18" |
| 5 | 101668-67-J22 | EA | CURTAIN - RIGHT HAND/LEFT HAND - 42" X 106" |
| 5 | 073260-42-M22 | EA | TIEBACK - 6" X 18" |
| 6 | 134049-07-L26 | EA | VALANCE - KEYSTONE - 58.5" |
| 6 | 134049-13-L27 | EA | VALANCE - KEYSTONE - 58.5" |
| 6 | 134049-07-L28 | EA | VALANCE - KEYSTONE - 58.5" |
| 6 | 134049-07-L29 | EA | VALANCE - KEYSTONE - 58.5" |
| 6 | 127017-59-L26 | EA | LEG - RIGHT - 25" |
| 6 | 127017-59-L27 | EA | LEG - RIGHT - 25" |
| 6 | 127017-59-L28 | EA | LEG - RIGHT - 25" |
| 6 | 127017-59-L29 | EA | LEG - RIGHT - 25" |
| 6 | 127017-60-L26 | EA | LEG - LEFT - 25" |
| 6 | 127017-60-L27 | EA | LEG - LEFT - 25" |
| 6 | 127017-60-L28 | EA | LEG - LEFT - 25" |
| 6 | 127017-60-L29 | EA | LEG - LEFT - 25" |
| 6 | 111910-23-L26 | EA | BLIND - DAY/NIGHTER - 54" X 28.5" |
| 6 | 111910-60-L16 | EA | BLIND - DAY/NIGHTER - 55" X 28.5" - COMFORT & CONVENIENCE PACKAGE |
| 7 | 134049-08-L26 | EA | VALANCE - KEYSTONE - 33.75" |
| 7 | 134049-08-L27 | EA | VALANCE - KEYSTONE - 33.75" |
| 7 | 134049-08-L28 | EA | VALANCE - KEYSTONE - 33.75" |
| 7 | 134049-08-L29 | EA | VALANCE - KEYSTONE - 33.75" |
| 7 | 120820-59-L26 | EA | VALANCE - 15" X 33.75" - W/CLOCK (L26) - COMFORT & CONVENIENCE PACKAGE |
| 7 | 120820-59-L23 | EA | VALANCE - 15" X 33.75" - W/CLOCK (L27) - COMFORT & CONVENIENCE PACKAGE |
| 7 | 120820-59-L24 | EA | VALANCE - 15" X 33.75" - W/CLOCK (L28) - COMFORT & CONVENIENCE PACKAGE |
| 7 | 120820-59-L25 | EA | VALANCE - 15" X 33.75" - W/CLOCK (L29) - COMFORT & CONVENIENCE PACKAGE |
| 7 | 084755-57-E07 | EA | SHADE - PULL - 27.25" |

CURTAIN & CUSHION GROUP (CONTINUED)

HARDWARE



**BLIND PARTS ARE COLOR COORDINATED TO MATCH THE COLOR OF THE BLINDS
HAMPTON TAN COLORS ARE USED BY THE ULTIMATE FREEDOM & ADVANTAGE
TITANIUM IS USED BY ALL ITASCAS
ANTELOPE IS USED BY ALL WINNEBAGOS**

| KEY | PART NUMBER | U/M | DESCRIPTION |
|-----|---------------|-----|--|
| 1 | 109353-04-000 | EA | CLIP - VALANCE SLAT MOUNTING - CLEAR PLASTIC |
| 2 | 084434-01-000 | EA | BRACKET - MOUNTING - ROLLER SHADE - 1 3/8" |
| | 096843-01-000 | EA | SPRING - REWIND/ROLLER SHADE |
| | 086276-01-000 | EA | TAPE - DOUBLE SIDED - 1/2" |
| 3 | 009701-01-000 | EA | CARRIER - CURTAIN - L ROD |
| 4 | 093487-91-000 | EA | ROLLER/CLIP |
| 5 | 009702-01-000 | EA | END STOP - CURTAIN CARRIER - L ROD |
| 6 | 097592-01-000 | EA | SPOOL - CORD - ELEVATED BLIND HOLDUP - SMALL - CLEAR |
| 7 | 102555-03-000 | EA | CLEAT - BLIND CORD - MILKY WHITE PLASTIC |
| 8 | 097592-02-000 | EA | SPOOL - CORD - ELEVATED BLIND HOLDUP - LARGE - CLEAR |
| 9 | 094896-02-000 | EA | GROMMET - CORD/PLEATED BLIND - NYLON - GRAY |
| 10 | 046867-03-000 | EA | GROMMET - HANDY BUTTON #3 |
| 11 | 046867-02-000 | EA | WASHER - HANDY BUTTON #3 |
| 12 | 103242-01-000 | EA | VELCRO HOOK - BEIGE 7/8" ROUND W/CENTER HOLE |
| 12 | 103242-02-000 | EA | VELCRO HOOK - BLACK 7/8" ROUND W/CENTER HOLE |
| 13 | 109441-03-000 | EA | HOLD DOWN - BLIND (CLOUDY) |
| | 109441-02-000 | EA | HOLD DOWN - SPACER |
| 14 | 009136-02-000 | EA | HANGER - RING - PIN TYPE - CURTAIN - BRASS |

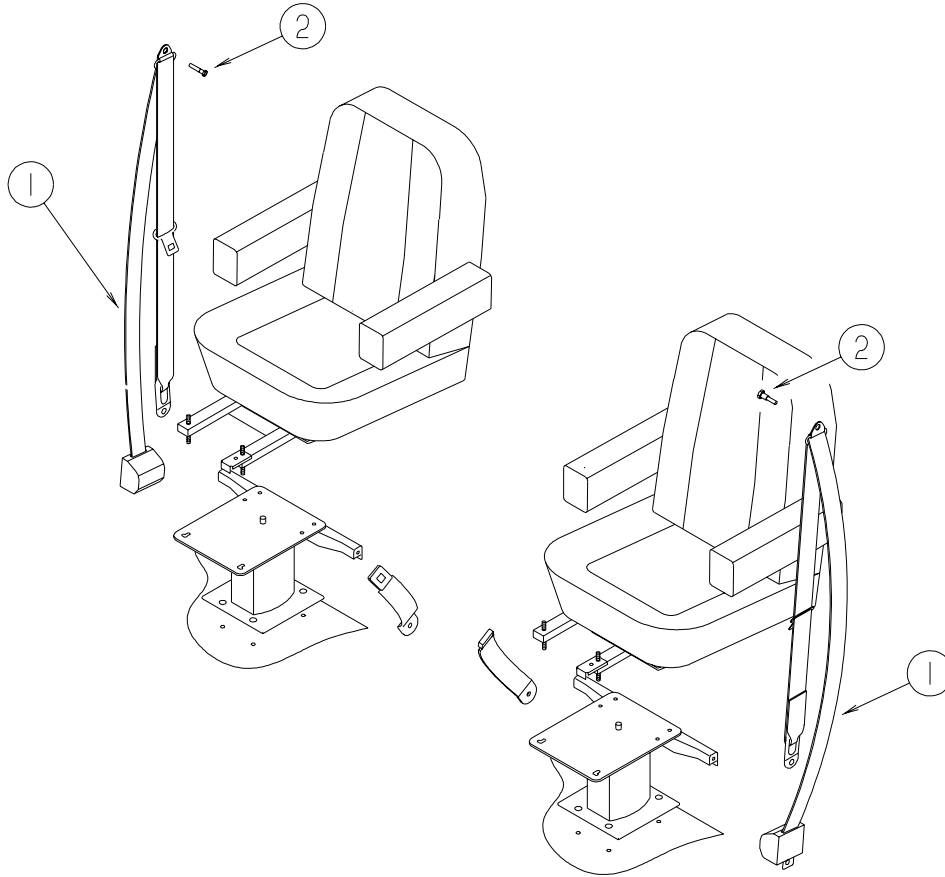
CURTAIN & CUSHION GROUP (CONTINUED)**HARDWARE (CONTINUED)**

| KEY | PART NUMBER | U/M | DESCRIPTION |
|------------|--------------------|------------|--|
| 15 | 102075-01-02A | EA | ROD - SHOWER CURTAIN - 1" OD X 30.9" - SOFT WHITE |
| 15 | 102075-06-02A | EA | ROD - SHOWER CURTAIN - 1" OD X 33.5" - SOFT WHITE |
| 15 | 102075-09-01A | EA | ROD - SHOWER CURTAIN - 3/4"OD X 29.5" - OFF WHITE |
| 15 | 102075-09-02A | EA | ROD - SHOWER CURTAIN - 3/4"OD X 29.5" - SOFT WHITE |
| 15 | 102075-10-02A | EA | ROD - SHOWER CURTAIN - 1" OD X 46.3" - SOFT WHITE |
| 15 | 102075-16-02A | EA | ROD - SHOWER CURTAIN - 3/4"OD X 34.2" - SOFT WHITE |
| 15 | 102075-17-02A | EA | ROD - SHOWER CURTAIN - 1" OD X 39.3" - SOFT WHITE |
| 15 | 102075-18-02A | EA | ROD - SHOWER CURTAIN - 1" OD X 38.9" - SOFT WHITE |
| 15 | 102075-19-02A | EA | ROD - SHOWER CURTAIN - 3/4"OD X 39.2" - SOFT WHITE |
| 16 | 083170-01-000 | EA | BRACKET - BLIND - LEFT SIDE WHEN FACING WINDOW |
| 17 | 083170-02-000 | EA | BRACKET - BLIND - RIGHT SIDE WHEN FACING WINDOW |
| 18 | 094907-04-000 | EA | END CAP - BOTTOM/PLEATED BLIND (RH & LH) |
| 19 | 094907-02-000 | EA | END CAP - TOP/PLEATED BLIND - PLASTIC - GRAY |
| | 094907-05-700 | EA | END CAP-RH BOTTOM BLIND |
| | 094907-05-701 | EA | END CAP-LH BOTTOM BLIND |
| 20 | 101033-02-000 | EA | END CAP - TRACK/CLEAR |
| 21 | 097564-03-000 | EA | HANDLE - KNOB - E-Z LIFT SHADE - TAN |
| 21 | 097564-04-000 | EA | HANDLE - KNOB - E-Z LIFT SHADE - NAVY |
| 21 | 097564-05-000 | EA | HANDLE - KNOB - E-Z LIFT SHADE - TEAL |
| 21 | 097564-06-000 | EA | HANDLE - KNOB - E-Z LIFT SHADE - ALABASTER |
| 21 | 097564-07-000 | EA | HANDLE - KNOB - E-Z LIFT SHADE - SILVER |
| 21 | 000G68-06-12J | EA | SCREW 6-18X.75 POH BRASS |
| 22 | 029130-01-000 | EA | SCREW - SNAP SOCKET - #8 PH X 5/8" |
| 22 | 029130-03-000 | EA | SCREW - SNAP SOCKET - #8 PH X 1" |
| 23 | 029155-01-000 | EA | CAP - SNAP - 5/32" OUTSIDE DIAMETER OF PIN |
| 24 | 029156-01-000 | EA | SOCKET - SNAP - 9/16" O.D. |
| 24 | 029156-02-000 | EA | SOCKET - SNAP - 27/64" O.D. |
| 25 | 106544-01-000 | EA | PULL - SHADE/BRASS |
| 25 | 106544-01-001 | EA | SCREW - SHADE/BRASS |
| 26 | 101033-08-000 | EA | TRACK - WALL - 75" |
| 26 | 101033-09-000 | EA | TRACK - WALL - 32" |
| 27 | 105648-01-02A | EA | BRACE - VALANCE - OFF/WHITE - 14" |
| 27 | 075943-10-000 | EA | BRACE - VALANCE - 20" - OFF WHITE |
| 28 | 083125-07-000 | EA | BRACE - WINDOW MOUNT - 2.5" - OFF WHITE |
| 28 | 083125-08-000 | EA | BRACE - WINDOW MOUNT - 3/4 - OFF WHITE |
| 29 | 127254-03-02A | EA | TRACK/WRAPAROUND - PASSENGER - ANTELOPE - F & G SERIES |
| 29 | 127254-03-03A | EA | TRACK/WRAPAROUND - PASSENGER - TITANIUM - F & G SERIES |
| 29 | 133236-01-02A | EA | TRACK - CURTAIN/RIGHT HAND - TITANIUM - P SERIES |
| 29 | 133236-01-01A | EA | TRACK - CURTAIN/RIGHT HAND - ANTELOPE - P SERIES |
| 29 | 127254-04-02A | EA | TRACK/WRAPAROUND - DRIVER - ANTELOPE - F & G SERIES |
| 29 | 127254-04-03A | EA | TRACK/WRAPAROUND - DRIVER - TITANIUM - F & G SERIES |
| 29 | 133235-01-02A | EA | TRACK - CURTAIN/LEFT HAND - TITANIUM - P SERIES |
| 29 | 133235-01-01A | EA | TRACK - CURTAIN/LEFT HAND - ANTELOPE - P SERIES |
| 30 | 097565-01-000 | EA | BRACKET - MOUNTING/PLEATED BLIND |
| 31 | 093475-01-701 | EA | CAP-END, WITH INVERTED STUD |
| 32 | 105450-14-01A | EA | TRACK - CURTAIN - 90" - OFF WHITE |
| 33 | 009700-04-002 | EA | TRACK - CURTAIN - L SHAPED - 15.5' - OFF WHITE |
| 33 | 118896-05-02A | EA | TRACK/WRAPAROUND - PASSENGER - HAMPTON TAN - Q-SERIES |
| 33 | 118897-04-02A | EA | TRACK/WRAPAROUND - DRIVER - HAMPTON TAN - Q-SERIES |
| 33 | 126456-01-03A | EA | TRACK/WRAPAROUND - PASSENGER - TITANIUM - L-SERIES |
| 33 | 126456-02-03A | EA | TRACK/WRAPAROUND - DRIVER - TITANIUM - L-SERIES |
| 33 | 126456-03-02A | EA | TRACK/WRAPAROUND - PASSENGER - ANTELOPE - L-SERIES |
| 33 | 126456-04-02A | EA | TRACK/WRAPAROUND - DRIVER - ANTELOPE - L-SERIES |
| 34 | 093487-90-000 | EA | WAND - 30" - FRONT WRAP AROUND |
| 35 | 097591-01-000 | EA | SPRING - EXTENSION/PLEATED BLIND |
| 36 | 101031-01-000 | YD | TAPE - GLIDE/CURTAIN - 4.25" SPACING |
| 37 | 094907-06-000 | EA | HARDWARE - END CAP - E-Z LIFT - TOP |
| 38 | 089275-01-000 | FT | STRIP - 3/4" X 96" - CLEAR POLYETHYLENE |
| | 094908-03-000 | FT | HARDWARE - SEMI-RIDGED PVC - EZ LIFT |
| | 094908-04-000 | FT | STRAP - FLAT POLY VINYL |
| | 095567-01-000 | EA | TACK - STRIP - .5" X 625' ROLL |
| | 097593-02-000 | FT | CORD - BLIND - PLEATED - GRAY |
| | 097593-06-000 | FT | CORD - BLIND - PLEATED - PEWTER |
| | 097593-07-000 | FT | CORD - BLIND - PLEATED - PALE JADE |
| | 097593-10-000 | FT | CORD - BLIND - PLEATED - VANILLA |

CURTAIN & CUSHION GROUP (CONTINUED)

ACCESSORIES

| KEY | PART NUMBER | U/M | DESCRIPTION |
|-----|---------------|-----|---|
| | 007021-01-000 | EA | SEAT BELT - 2" X 90" - BLACK |
| | 056271-01-000 | EA | SEAT BELT - 2" X 102" - BLACK |
| | 057759-01-000 | EA | WASHER - FLAT F/SEAT BELT - 4" DIAMETER |
| | 070578-02-J52 | EA | BUTTON - #30 - VINYL |
| | 057534-01-000 | EA | TIEBACK - CLEAR PLASTIC - 6" |
| | 095076-02-000 | EA | WASHER - FL - 7/16"ID X 2"OD X .06 |



DRIVER & PASSENGER SEATBELTS

| KEY | PART NUMBER | U/M | DESCRIPTION |
|-----|---------------|-----|--|
| 1* | 091990-04-01A | EA | SEAT BELT/SHOULDER HARNESS - DRIVERS/PASSENGER - BLACK |
| 2 | 109146-01-000 | EA | BOLT - SHOULDER/SEAT BELT |

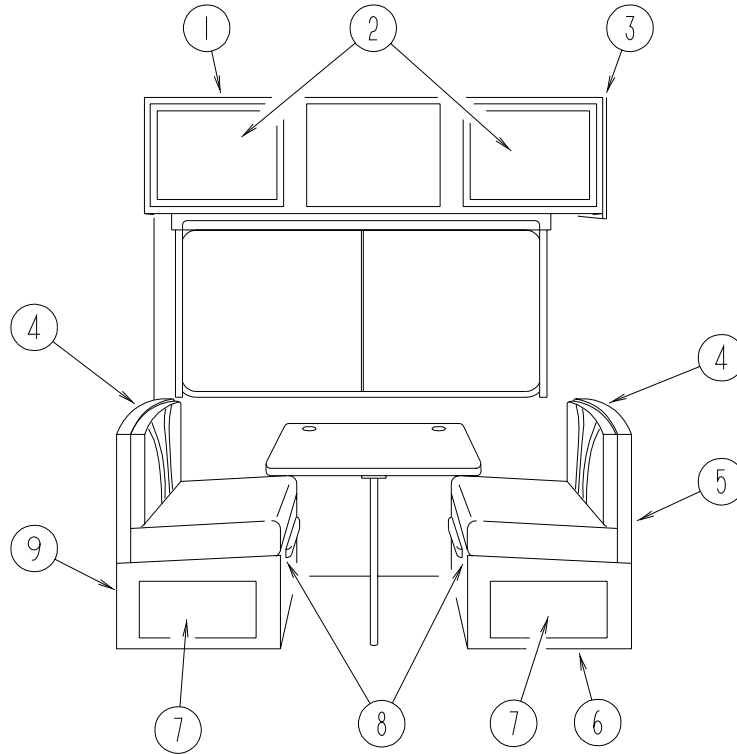
***COMPONENT PARTS FOUND IN SERVICE PARTS LIBRARY**

CURTAIN & CUSHION GROUP (CONTINUED)
FABRICS

| COLOR CODES | L26 | L27 | L28 | L29 |
|-------------------------------------|--|--------------------------------|--------------------------------|--------------------------------|
| SUNRISE | BAROQUE BOUQUET (BEIGE) | CYPRESS (GREEN) | AMBROSIA (SALMON) | MOONSTONE (BLUE) |
| CEILING MATERIAL | 113979-09-01A | 113979-09-01A | 113979-09-01A | 113979-09-01A |
| PANEL & BUTTON VINYL | 103907-01-08A 103907-02-08A | 103907-01-08A 103907-02-08A | 103907-01-08A 103907-02-08A | 103907-01-08A 103907-02-08A |
| DRAPERY LINING | 087272-03-000 | 087272-03-000 | 087272-03-000 | 087272-03-000 |
| BUCKET SEATS | 126883-60-000 126883-61-000 | 126883-65-000 | 126883-63-000 | 126883-72-000 |
| LEATHER BUCKET SEATS | 079680-36-000 | 079680-36-000 | 079680-36-000 | 079680-36-000 |
| DINETTE | 126883-59-000 | 126883-64-000 | 126883-62-000 | 126883-67-000 |
| DINETTE PADS | 126883-61-000 | 126883-65-000 | 126883-63-000 | 126883-72-000 |
| SOFA | 126883-59-000 | 126883-64-000 | 126883-62-000 | 126883-67-000 |
| SOFA PILLOWS | 126883-61-000 | 126883-65-000 | 126883-63-000 | 126883-72-000 |
| LOUNGE CHAIR | 126883-60-000 126883-61-000 | 126883-65-000 | 126883-63-000 | 126883-72-000 |
| LOUNGE WINDOWS | 126883-59-000 126883-61-000 | 126883-64-000 126883-65-000 | 126883-62-000 126883-63-000 | 126883-67-000 126883-72-000 |
| BEDROOM WINDOWS | 105745-N9-000 105745-L4-000 | 105745-N4-000 105745-N5-000 | 105745-N1-000 105745-N7-000 | 105745-N2-000 105745-N3-000 |
| BEDSPREAD | 105745-N9-000 | 105745-N4-000 | 105745-N1-000 | 105745-N2-000 |
| PILLOW SHAMS | 105745-N9-000 105745-L4-000 | 105745-N4-000 105745-N5-000 | 105745-N1-000 105745-N7-000 | 105745-N2-000 105745-N3-000 |
| BEDROOM PILLOWS | 105745-N9-000 105745-L4-000 | 105745-N4-000 105745-N5-000 | 105745-N1-000 105745-N7-000 | 105745-N2-000 105745-N3-000 |
| FRONT WRAP AROUND | 072333-85-000 | 072333-85-000 | 072333-85-000 | 072333-85-000 |
| LOUNGE CABINET INSERTS | 126883-61-000 | 126883-65-000 | 126883-63-000 | 126883-72-000 |
| BEDROOM CABINET INSERTS | 105745-L4-000 | 105745-N5-000 | 105745-N7-000 | 105745-N3-000 |
| MAP POCKETS | 126883-60-000 | 126883-65-000 | 126883-63-000 | 126883-72-000 |

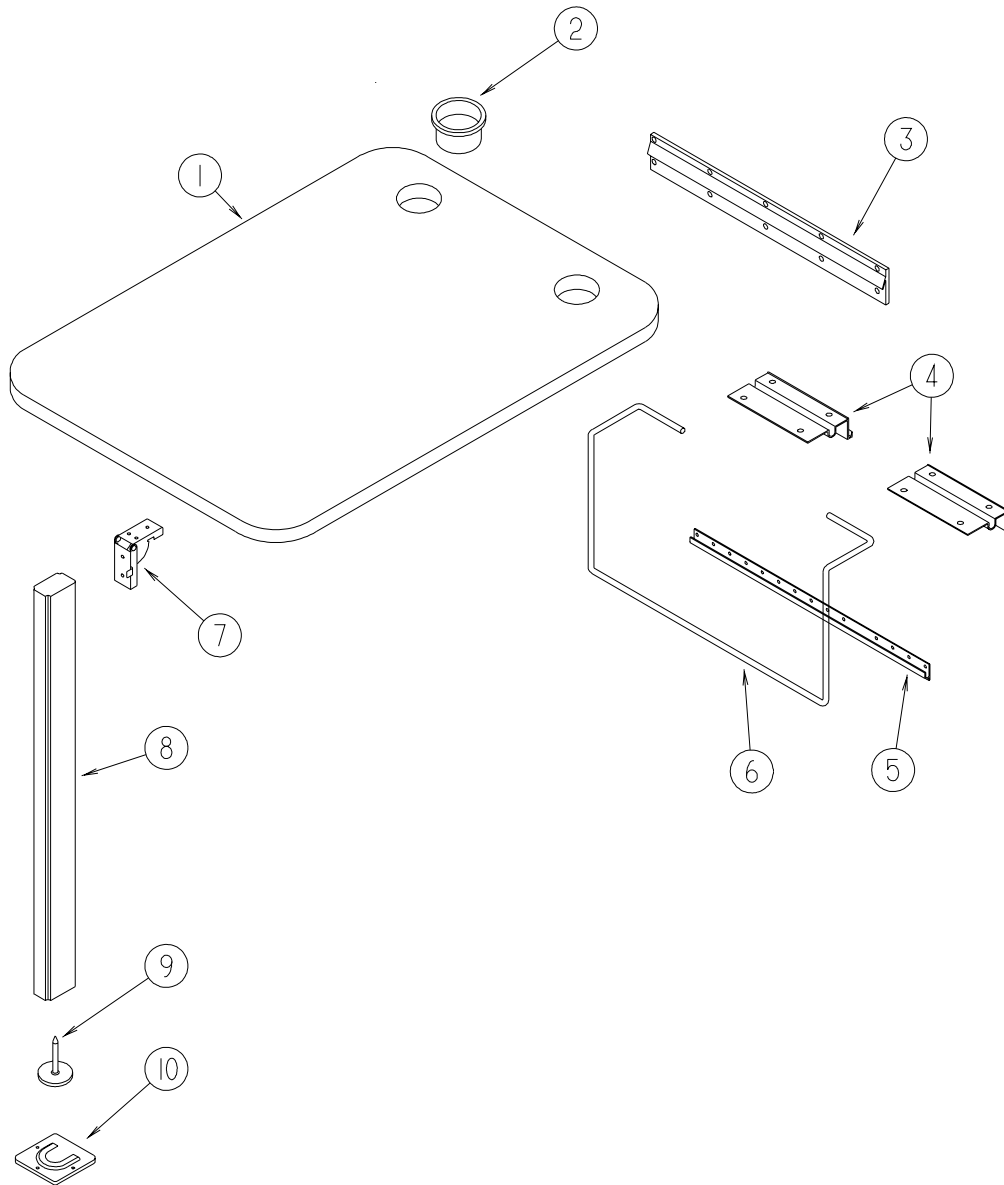
NOTE: FABRIC LISTED FIRST, IN A BLOCK, IS THE LARGEST QUANTITY OF FABRIC USED.

DINETTE GROUP CABINETS



| KEY | PART NUMBER | U/M | DESCRIPTION |
|-----|---------------|-----|--|
| 1 | 130279-01-L26 | EA | CABINET - OVERHEAD - W/O DOORS/HARDWARE (L26) |
| 1 | 130279-01-L23 | EA | CABINET - OVERHEAD - W/O DOORS/HARDWARE (L27) |
| 1 | 130279-01-L24 | EA | CABINET - OVERHEAD - W/O DOORS/HARDWARE (L28) |
| 1 | 130279-01-L25 | EA | CABINET - OVERHEAD - W/O DOORS/HARDWARE (L29) |
| | 130279-13-K20 | EA | SHELF - W/PLASTIC EDGE TRIM |
| 2 | 132141-56-L10 | EA | DOOR - RAIL/VENEER - 14.3" X 26.7" - W/O HARDWARE |
| 3 | 103128-29-J37 | EA | END CAP - OVERHEAD/CABINET - RIGHT HAND |
| 4 | 104787-28-L26 | EA | PAD - DINETTE - 42" (L26) |
| 4 | 104787-08-L23 | EA | PAD - DINETTE - 42" (L27) |
| 4 | 104787-28-L28 | EA | PAD - DINETTE - 42" (L28) |
| 4 | 104787-28-L29 | EA | PAD - DINETTE - 42" (L29) |
| 5 | M08752-10-J37 | EA | CABINET - SEATBACK - RIGHT HAND |
| 6 | M08753-10-J37 | EA | CABINET - SEATBASE - RIGHT HAND - W/O DOOR/DRAWER/HARDWARE |
| 7 | 131995-G4-L01 | EA | DOOR - RAIL/SOLID PANEL - 10" X 19.1" - W/O HARDWARE |
| 8 | 081295-01-G01 | EA | SUPPORT - BED/DINETTE - 28" LONG |
| 9 | M08753-11-J37 | EA | CABINET - SEATBASE - LEFT HAND - W/O DOOR/DRAWER/HARDWARE |
| | 122021-01-02A | EA | ANGLE - W/HOLES - 8.6" LONG - OFF WHITE |
| | 122021-02-02A | EA | ANGLE - W/HOLES - 13.7" LONG - OFF WHITE |

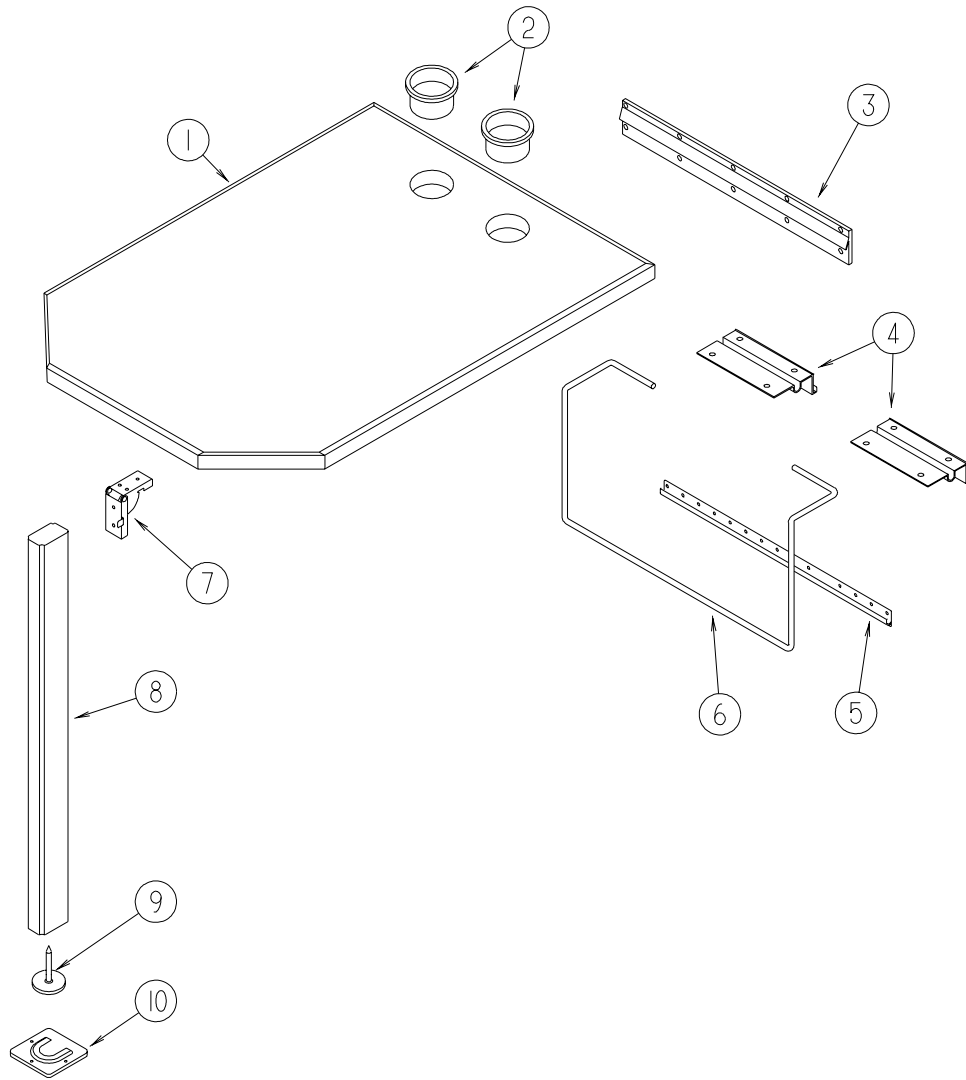
DINETTE GROUP (CONTINUED)
TABLE



T-MOLDING EDGE

| KEY | PART NUMBER | U/M | DESCRIPTION |
|-----|---------------|-----|---|
| 1 | 132034-04-L26 | EA | TABLE TOP ONLY - 41.6" X 29.7" (L26) |
| 1 | 132034-04-L23 | EA | TABLE TOP ONLY - 41.6" X 29.7" (L27) |
| 1 | 132034-04-L24 | EA | TABLE TOP ONLY - 41.6" X 29.7" (L28) |
| 1 | 132034-04-L19 | EA | TABLE TOP ONLY - 41.6" X 29.7" (L29) |
| 2 | 064781-06-000 | EA | HOLDER/CUP - TWO STEP - OFF WHITE |
| 3 | 053200-13-000 | EA | SUPPORT - TABLE - 18.5" |
| 4 | 088410-02-000 | EA | BRACKET - LIFT - TABLE MOUNTED |
| 5 | 024281-15-000 | EA | BRACKET/TABLE - LIFT ROD/LOWER WALL MOUNTED - 17.12" |
| 6 | 024275-13-000 | EA | ROD - TABLE LIFT - OFF/WHITE |
| 7 | 093550-01-000 | EA | BRACKET - HINGE - MOUNTS TO LEG & TABLE TOP - 1.7" X 2.6" |
| 8 | 092707-04-05A | EA | LEG - TABLE - W/O HARDWARE - 27" - WATERFORD OAK |
| 9 | 092593-01-05A | EA | CATCH - TABLE LEG - OFF/WHITE |
| 10 | 049493-12-000 | EA | CATCH - TABLE LEG/FLOOR MOUNTED - OFF WHITE |

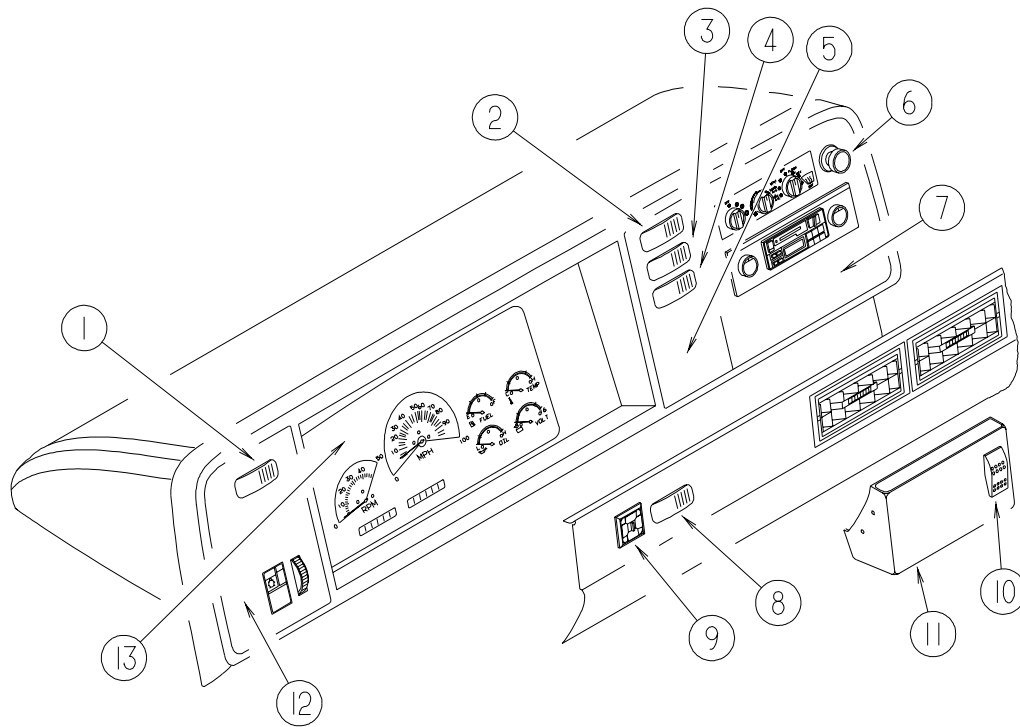
DINETTE GROUP (CONTINUED)
TABLE (CONTINUED)



WOOD EDGE

| KEY | PART NUMBER | U/M | DESCRIPTION |
|-----|---------------|-----|---|
| 1 | 132034-08-L26 | EA | TABLE TOP ONLY - 41.6" X 29.7" (L26) |
| 1 | 132034-08-L23 | EA | TABLE TOP ONLY - 41.6" X 29.7" (L27) |
| 1 | 132034-08-L24 | EA | TABLE TOP ONLY - 41.6" X 29.7" (L28) |
| 1 | 132034-08-L16 | EA | TABLE TOP ONLY - 41.6" X 29.7" (L29) |
| 2 | 064781-06-000 | EA | HOLDER/CUP - TWO STEP - OFF WHITE |
| 3 | 053200-13-000 | EA | SUPPORT - TABLE - 18.5" |
| 4 | 088410-02-000 | EA | BRACKET - LIFT - TABLE MOUNTED |
| 5 | 024281-15-000 | EA | BRACKET/TABLE - LIFT ROD/LOWER WALL MOUNTED - 17.12" |
| 6 | 024275-13-000 | EA | ROD - TABLE LIFT - OFF/WHITE |
| 7 | 093550-01-000 | EA | BRACKET - HINGE - MOUNTS TO LEG & TABLE TOP - 1.7" X 2.6" |
| 8 | 092707-04-05A | EA | LEG - TABLE - W/O HARDWARE - 27" - WATERFORD OAK |
| 9 | 092593-01-05A | EA | CATCH - TABLE LEG - OFF/WHITE |
| 10 | 049493-12-000 | EA | CATCH - TABLE LEG/FLOOR MOUNTED - OFF WHITE |

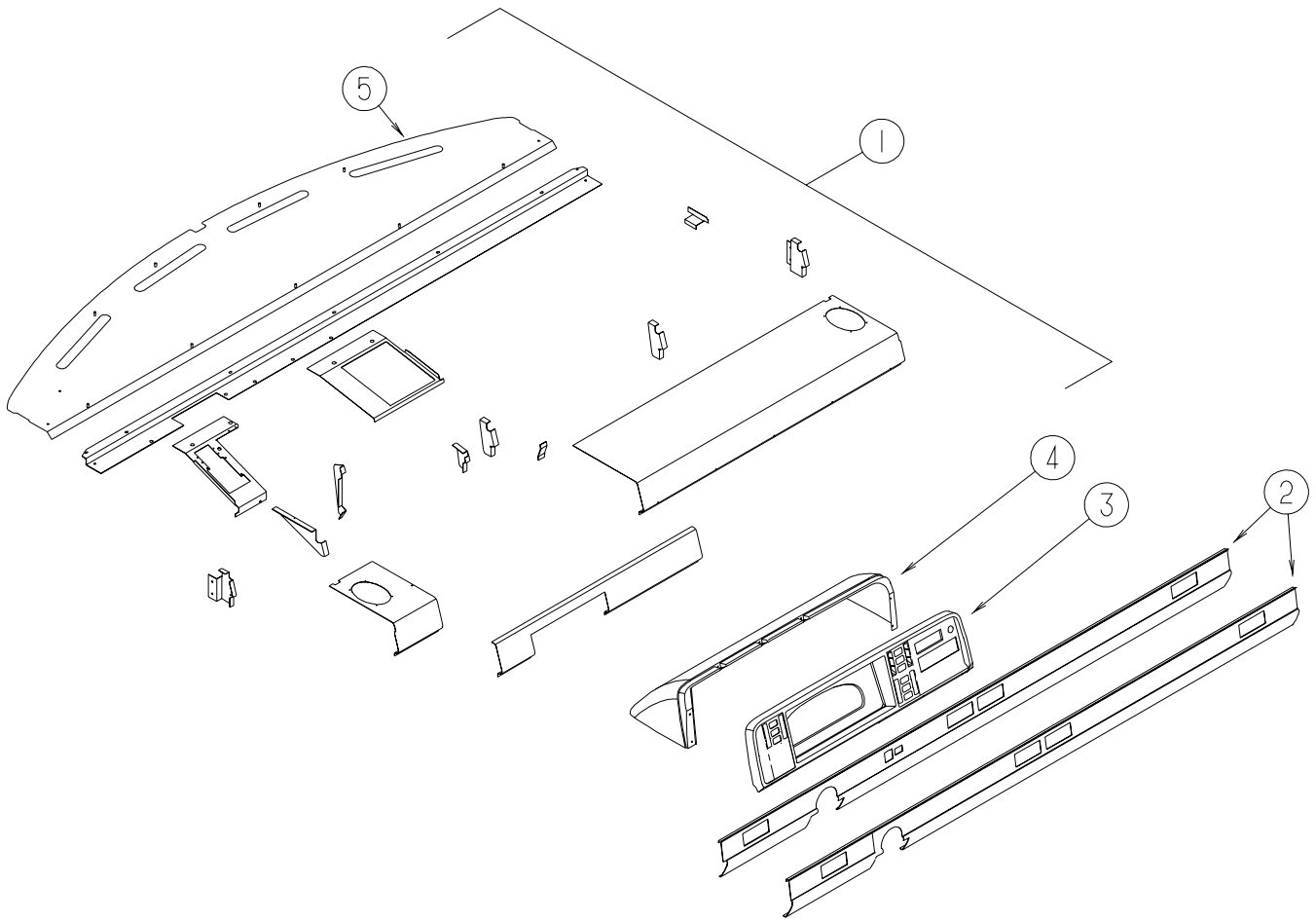
DRIVERS COMPARTMENT GROUP INSTRUMENT PANEL



| KEY | PART NUMBER | U/M | DESCRIPTION |
|-----|---------------|-----|---|
| 1 | 108357-09-000 | EA | SWITCH - ROCKER SPDT - ON/NONE/MOM - 3 TERMINAL - AUXILLIARY START |
| 1 | 108356-02-01A | EA | COVER/ACTUATOR SWITCH - 2 ROWS DIMPLES- CONTURA II - BLACK |
| 2 | 108357-08-000 | EA | SWITCH - ROCKER DPDT - ON/NONE/ON - 6 TERMINAL - RADIO POWER |
| 2 | 108356-02-01A | EA | COVER/ACTUATOR SWITCH - 2 ROWS DIMPLES- CONTURA II - BLACK |
| 3 | 108357-10-000 | EA | SWITCH - ROCKER SPDT - W/LIGHT - MOM/NONE/MOM - 5 TERMINAL - GENERATOR OPTION |
| 3 | 108356-04-01A | EA | COVER/ACTUATOR SWITCH - 2 ROWS DIMPLES W/LENS-CONTURA-BLK |
| 3 | 096241-03-000 | EA | SWITCH - BLANK - BLACK |
| 4 | 108357-03-000 | EA | SWITCH - ROCKER SPDT - ON/OFF/ON - 3 TERMINAL - REAR AUTO HEATER OPTION |
| 4 | 108356-02-01A | EA | COVER/ACTUATOR SWITCH - 2 ROWS DIMPLES- CONTURA II - BLACK |
| 4 | 096241-03-000 | EA | SWITCH - BLANK - BLACK |
| 5 | 104056-47-01A | EA | APPLIQUE - BEZEL - PASSENGER - BLACK |
| 6 | 089294-01-000 | EA | LIGHTER - CIGARETTE - W/SOCKET & WIRE |
| 7 | 104056-06-01A | EA | APPLIQUE - BEZEL - PASSENGER - BLACK |
| 8 | 087695-02-000 | EA | SWITCH - HEATER - EXTERIOR MIRROR |
| 9 | 088246-01-000 | EA | SWITCH/REMOTE MIRROR - W/2PIN & 6 PIN CONNECTORS/PIGTAIL |
| 10 | | | NOT USED ON THIS UNIT |
| 11 | | | NOT USED ON THIS UNIT |
| 12 | 104056-48-01A | EA | APPLIQUE - BEZEL - DRIVER - BLACK |
| 13 | 127244-02-000 | EA | CLUSTER - INSTRUMENT PANEL - K/M - GAS - CANADIAN |
| | 077031-01-000 | EA | FILM - BLACK - .1" X 1.75" |
| | 077031-03-000 | EA | FILM - WHITE - .75" X 1" |

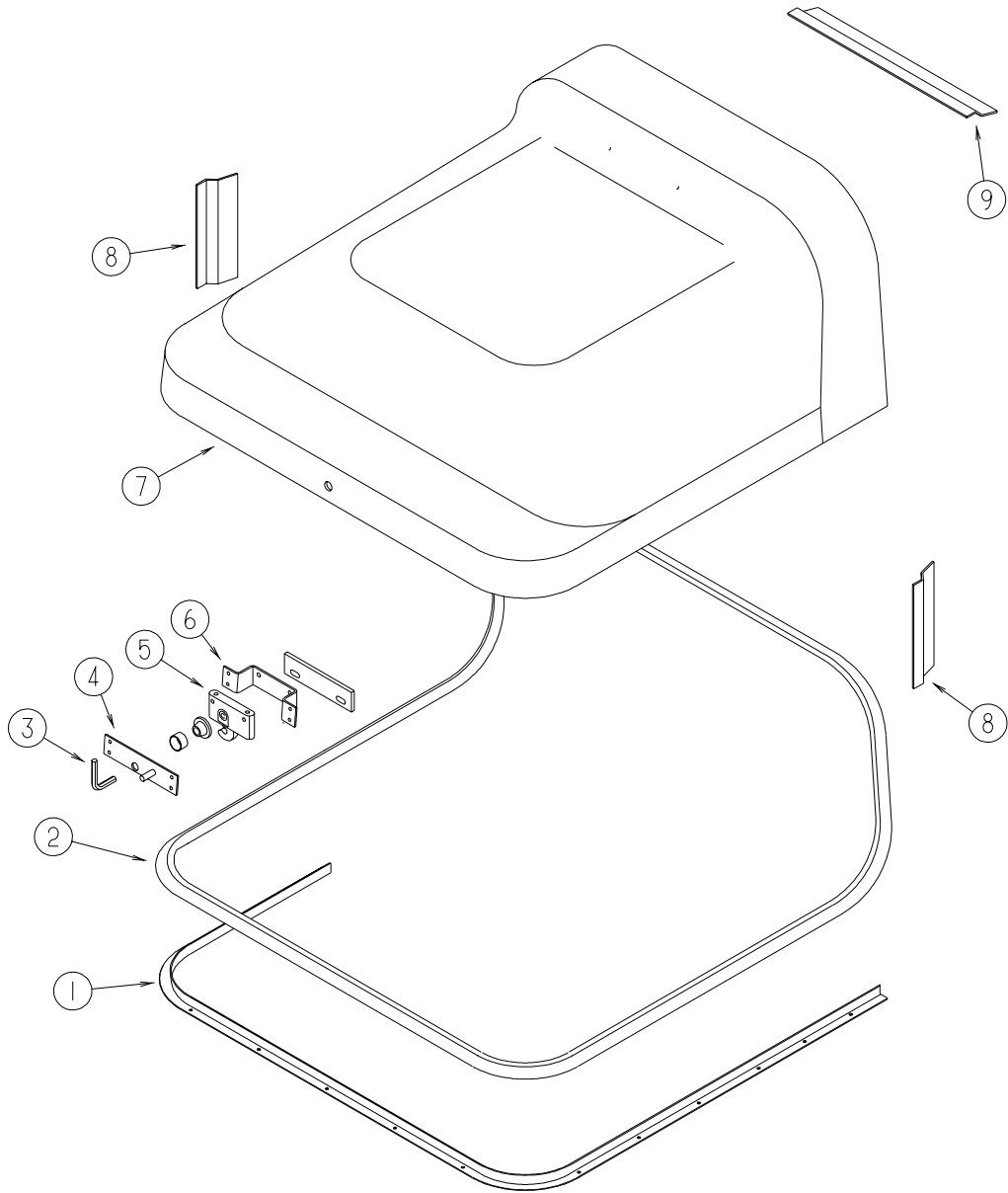
DRIVERS COMPARTMENT GROUP (CONTINUED)

DASH



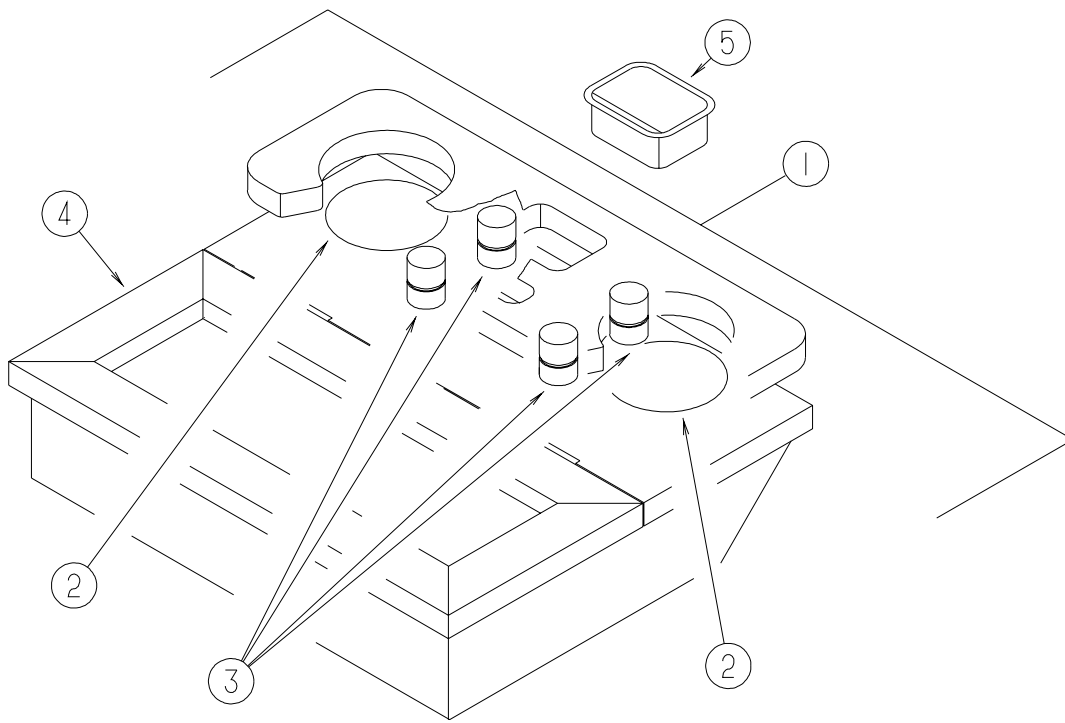
| KEY | PART NUMBER | U/M | DESCRIPTION |
|-----|---------------|-----|---|
| 1 | P30276-06-000 | EA | DASH - W/O VINYL - CHEVY |
| | 106569-11-02A | EA | VINYL - LAMINATE - TITANIUM - 1/4" X 21" X 100" |
| 2 | 114620-12-03A | EA | TRIM - LOWER DASH - GM - 96" - TITANIUM |
| 2 | 114620-01-05A | EA | TRIM - LOWER DASH - GM - 96" - TITANIUM - HEATED MIRRORS OPTION |
| 3 | 103662-08-01A | EA | BEZEL - INSTRUMENT PANEL 5.4" X 14" CLUSTER OPENING |
| 4 | 125677-02-J52 | EA | POD - INSTRUMENT PANEL - TITANIUM |
| 5 | 118101-06-02B | EA | PANEL - DASH TOP - E-COATED |
| | 049176-01-000 | EA | HEDLOCK II - 3/4 DIAMETER SCREW MOUNT |

DRIVERS COMPARTMENT GROUP (CONTINUED)
MOTOR COVER



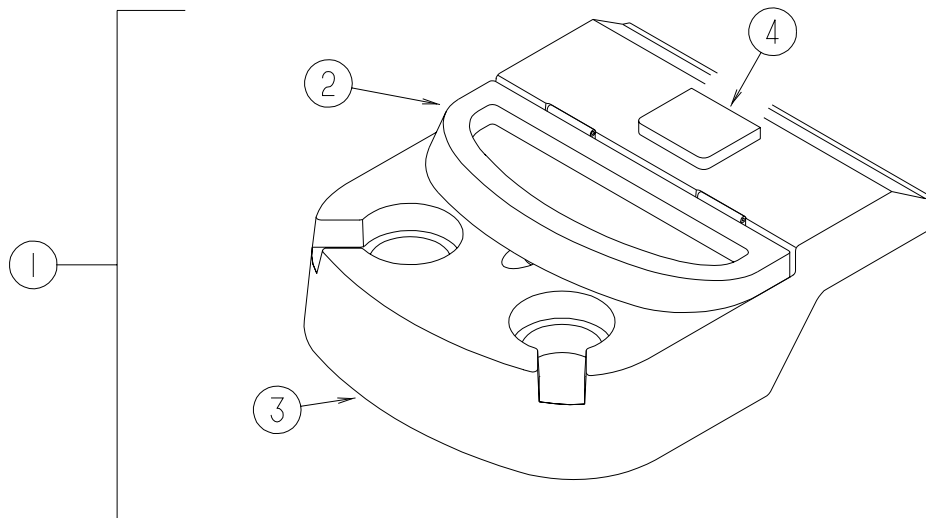
| KEY | PART NUMBER | U/M DESCRIPTION |
|-----|---------------|--|
| 1 | 115860-04-01A | EA TRIM - MOTOR COVER |
| 2 | 039623-01-000 | FT SEAL - MOTOR COVER - RUBBER BULB TYPE |
| 3 | 116833-01-02B | EA WRENCH - HEX MOTOR COVER - E-COATED |
| 4 | 115852-01-02B | EA STRIKE - LATCH - MOTOR COVER - E-COATED |
| 5 | 116581-01-000 | EA LATCH - MOTOR COVER |
| 6 | 115850-03-02B | EA RETAINER - LATCH - MOTOR COVER - RIGHT HAND - E-COATED |
| 7 | 129099-02-01A | EA COVER - MOTOR - W/O CARPET - CHEVY P32 CHASSIS |
| 8 | 115855-02-02B | EA RETAINER - MOTOR COVER/SIDE - E-COATED |
| 9 | 115855-03-02B | EA RETAINER - MOTOR COVER/TOP - E-COATED |
| | 072877-03-000 | EA INSULATION - SOUND BARRIER - 1" X 36" X 57" - ADH BACK - DIESEL |

DRIVERS COMPARTMENT GROUP (CONTINUED)
BEVERAGE TRAY



WOOD

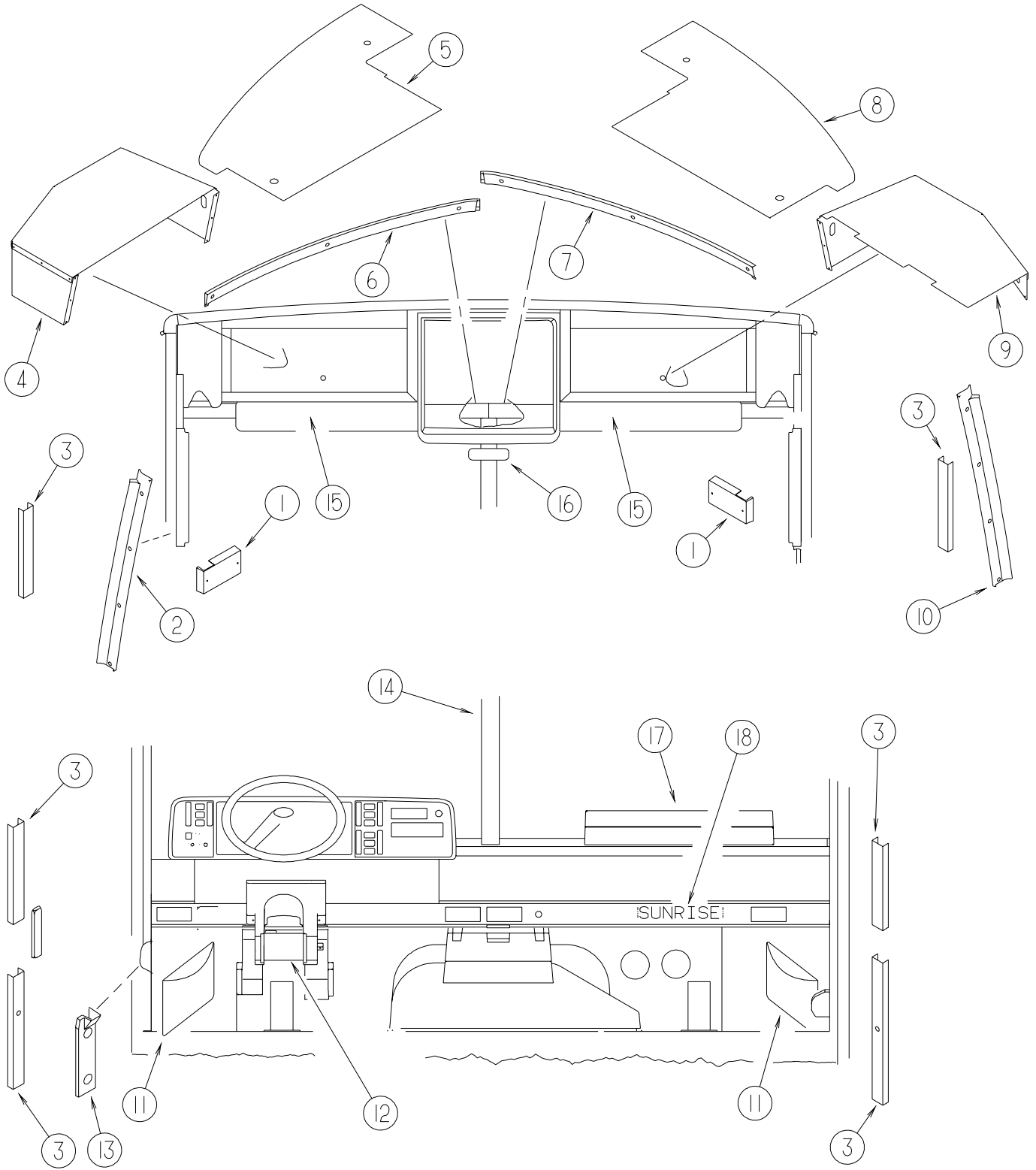
| KEY | PART NUMBER | U/M | DESCRIPTION |
|-----|---------------|-----|---|
| 1 | 111618-01-H17 | EA | TRAY - BEVERAGE W/COMPARTMENT/CUPHOLDERS |
| 2 | 122717-01-01A | EA | PAD - NON SKID - 4" DIAMETER ROUND |
| 3 | 097872-08-000 | EA | DOWEL - WOOD - 1" DIAMETER X 1.38" LONG - WATERFORD OAK |
| | 097872-04-000 | EA | DOWEL - WOOD - 1" DIA X 1.38" LONG - UNFINISHED |
| 4 | 111618-13-GB1 | EA | LID - BEVERAGE TRAY COMPARTMENT |
| 5 | 046886-03-000 | EA | ASHTRAY - CHROME W/COVER |



PLASTIC

| KEY | PART NUMBER | U/M | DESCRIPTION |
|-----|---------------|-----|-------------------------------------|
| 1 | 126008-02-J60 | EA | TRAY - BEVERAGE - W/DOOR |
| 2 | 128113-01-J60 | EA | LID - BEVERAGE TRAY |
| 3 | 128114-01-02A | EA | TRAY - BEVERAGE - TITANIUM |
| 4 | 118719-01-01A | EA | ASHTRAY - TOP MOUNT - BLACK PLASTIC |
| | 126010-01-02A | EA | SPACER - BEVERAGE TRAY |
| | 122772-02-02B | EA | BRACKET - MOUNTING - BEVERAGE TRAY |

DRIVERS COMPARTMENT GROUP (CONTINUED)
FRONT INTERIOR

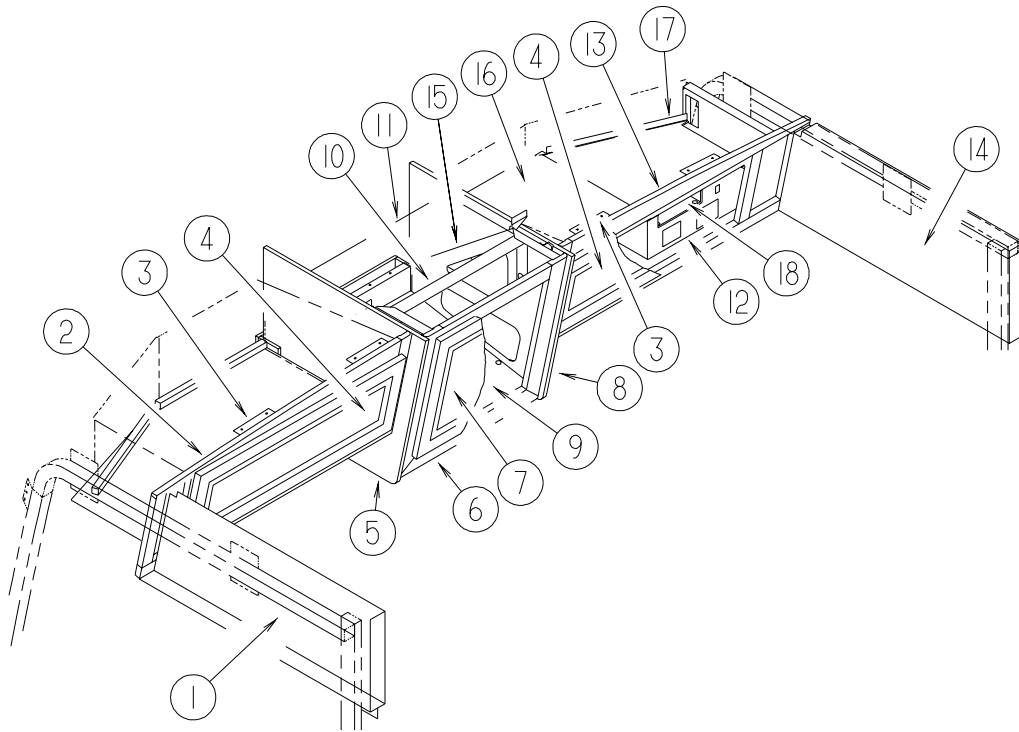


DRIVERS COMPARTMENT GROUP (CONTINUED)

FRONT INTERIOR (CONTINUED)

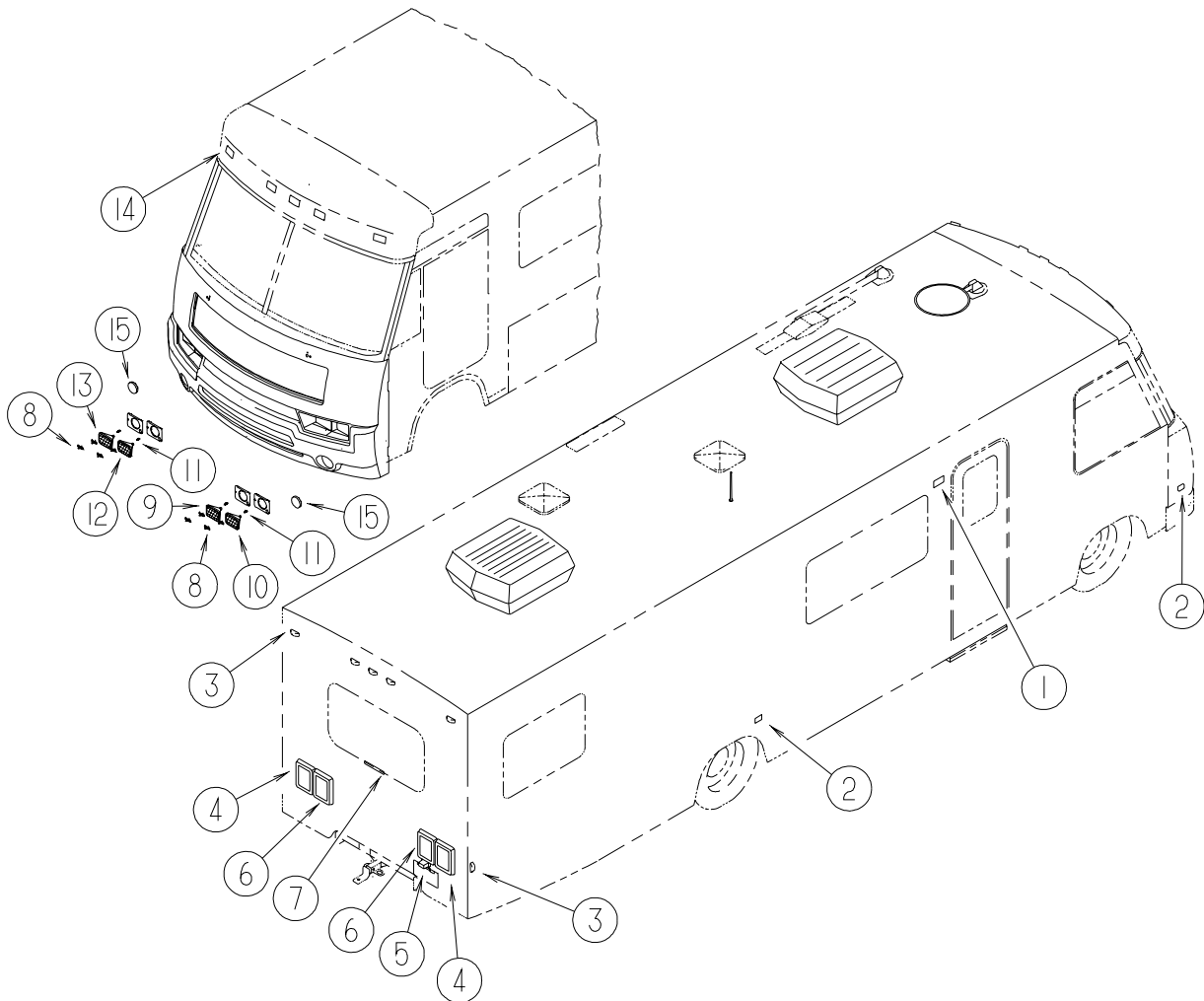
| KEY | PART NUMBER | U/M | DESCRIPTION |
|-----|---------------|-----|--|
| 1 | 103961-03-01A | EA | COVER - BRACKET - SEATBELT/OFF WHITE |
| 2 | 125444-02-02A | EA | TRIM - A-PILLAR - INTERIOR - TITANIUM |
| 3 | 024700-51-000 | EA | COVER - ROLL BAR - 88" - OFF WHITE |
| 4 | 126457-02-L15 | EA | PANEL - CLOSEOUT - OVERHEAD FRONT - DRIVER |
| 5 | 126440-04-J45 | EA | PANEL - OVERHEAD/FRONT - BOTTOM/LEFT HAND |
| 6 | 118453-06-02A | EA | TRIM - WINDSHIELD - INNER/TOP/DRIVER - TITANIUM |
| 7 | 118453-05-02A | EA | TRIM - WINDSHIELD - INNER/TOP/PASSENGER - TITANIUM |
| 8 | 126440-03-J45 | EA | PANEL - OVERHEAD/FRONT - BOTTOM/RIGHT HAND |
| 9 | 126457-01-L15 | EA | PANEL - CLOSEOUT - OVERHEAD FRONT - PASSENGER |
| 10 | 125444-01-02A | EA | TRIM - A-PILLAR/PASSENGER - INTERIOR - TITANIUM |
| 11 | 086120-01-L26 | EA | PAD - MAP POCKET - 12" X 16" (L26) |
| 11 | 086120-01-L23 | EA | PAD - MAP POCKET - 12" X 16" (L27) |
| 11 | 086120-01-L24 | EA | PAD - MAP POCKET - 12" X 16" (L28) |
| 11 | 086120-01-L25 | EA | PAD - MAP POCKET - 12" X 16" (L29) |
| 12 | 103498-09-000 | EA | BOOT - STEERING COLUMN - W/1/2 CIRCLE |
| 13 | 127901-01-02A | EA | PANEL - TOEKICK/LEFT HAND - TITANIUM |
| 14 | 118452-03-02A | EA | TRIM - WINDSHIELD - CENTER |
| 15 | 123298-02-05A | EA | SUNVISOR - 10.5" X 28.5" - DRIVER/PASSENGER |
| 16 | 040714-01-000 | EA | MIRROR - REAR VIEW/ARM MOUNT & SET SCREW |
| 16 | 067490-01-000 | EA | BUTTON - MIRROR/REAR VIEW |
| 17 | 127692-01-J50 | EA | TABLE/WORK STATION - COMPLETE - TITANIUM |
| | 127597-01-000 | EA | SLIDE - WORK STATION - DASH |
| 18 | 126340-02-01A | EA | DECAL - LOGO - SUNRISE |
| | 105924-01-L26 | EA | MAT - FLOOR - 18" X 27" (L26) |
| | 105924-01-L23 | EA | MAT - FLOOR - 18" X 27" (L27) |
| | 105924-01-L28 | EA | MAT - FLOOR - 18" X 27" (L28) |
| | 105924-01-L29 | EA | MAT - FLOOR - 18" X 27" (L29) |

DRIVERS COMPARTMENT GROUP (CONTINUED)
CABINETS



| KEY | PART NUMBER | U/M | DESCRIPTION |
|-----|---------------|-----|--|
| 1 | 126765-08-J65 | EA | PANEL - OVERHEAD/DRIVER |
| 2 | 126877-02-J15 | EA | CABINET - OVERHEAD/FRONT - LEFT HAND - W/O DOORS/HARDWARE |
| 3 | 106699-01-01A | EA | BRACKET - OVERHEAD CABINET/TV |
| 4 | 132141-20-L26 | EA | DOOR - RAIL/VENEER - 10.8" X 27.9" - W/O HARDWARE |
| 5 | 103128-25-J15 | EA | END CAP - OVERHEAD CABINET - LEFT HAND |
| 6 | 126718-01-J15 | EA | FRAME/FACE - TV CABINET - W/O DOOR/HARDWARE |
| 6 | 116791-02-J15 | EA | FRAME/FACE - TV CABINET - F/TV |
| 7 | 100708-16-000 | EA | DOOR - GLASS - CABINET - 15.5" X 15.7" - W/O HARDWARE |
| 8 | 103128-26-J15 | EA | END CAP - OVERHEAD CABINET - RIGHT HAND |
| 9 | 126801-01-L26 | EA | CABINET BOTTOM - VINYL COVERED |
| 10 | 114706-04-02B | EA | SUPPORT - SHELF/TV |
| 11 | 126854-01-L15 | EA | PANEL - HEADLINER/TV/TOP |
| 12 | 131807-01-L18 | EA | PANEL - VINYL COVERED |
| 12 | 131807-02-K58 | EA | PANEL/SHELF - VINYL COVERED - W/NOTCH/ANTENNA CUTOUT |
| 12 | 131807-03-K58 | EA | PANEL/SHELF - VINYL COVERED - W/NOTCH/ANTENNA CUTOUT - INVERTER OPTION |
| 13 | 126877-01-J15 | EA | CABINET - OVERHEAD/FRONT - RIGHT HAND - W/O DOORS/HARDWARE |
| 14 | 126765-07-J65 | EA | PANEL - OVERHEAD/PASSENGER |
| 15 | 126081-01-02B | EA | BRACKET/SUPPORT - TV - 24 DEGREE - E-COATED |
| 15 | 126081-02-02B | EA | BRACKET/SUPPORT - TV - 24 DEGREE - E-COATED |
| 16 | 127637-01-02B | EA | SHELF - OVERHEAD/FRONT/LEFT HAND - E-COATED |
| 17 | 126275-03-02B | EA | SHELF - OVERHEAD/FRONT - E-COATED |
| 18 | 118847-02-02B | EA | MOUNT-SWITCH BOX,E-COAT |

ELECTRICAL GROUP LIGHTS

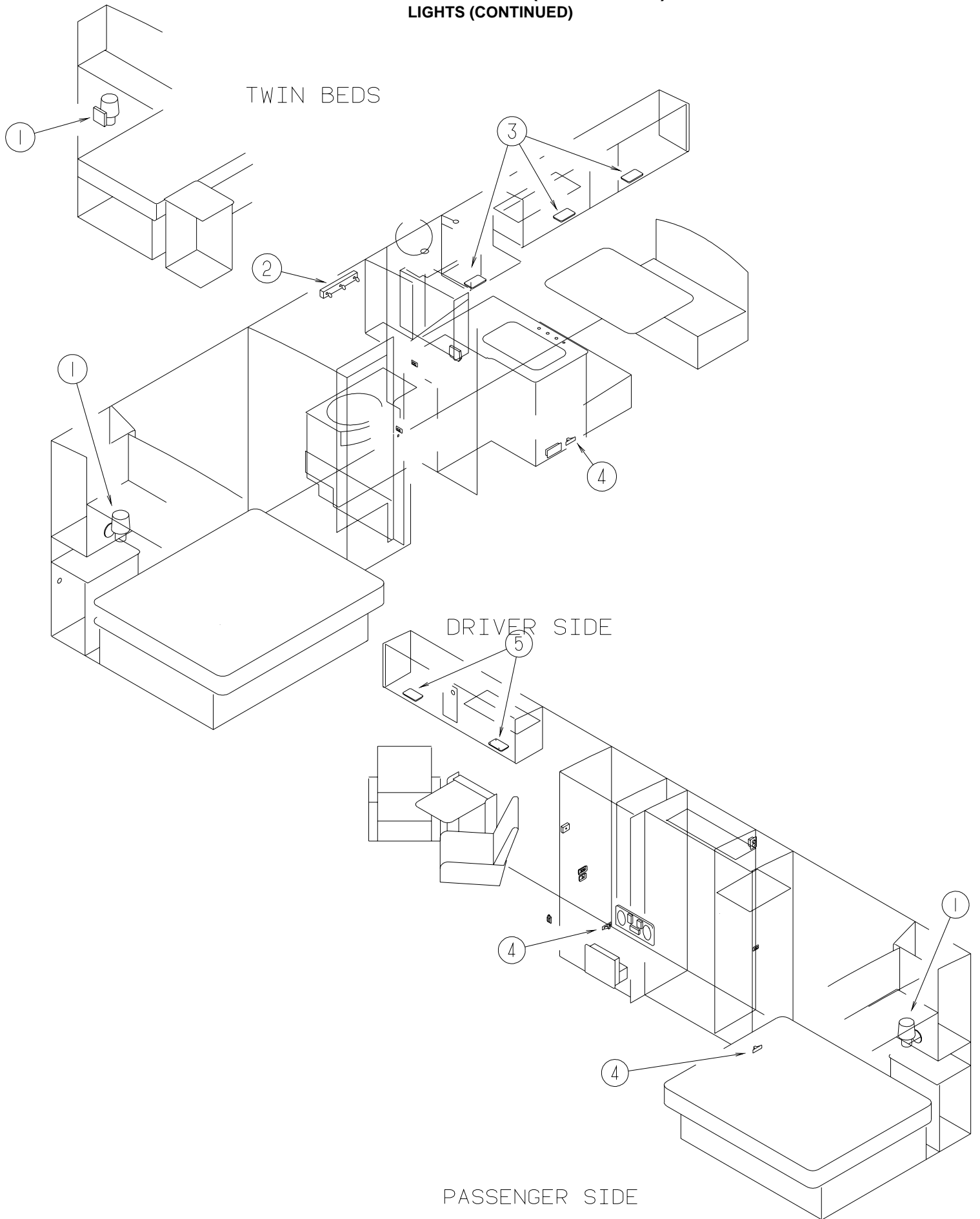


EXTERIOR

| KEY | PART NUMBER | U/M | DESCRIPTION |
|-----|---------------|-----|--|
| 1* | 097917-01-06A | EA | LIGHT - PORCH - BRIGHT WHITE |
| | 008215-01-000 | EA | BULB - 12 VOLT - #1003 - .94 AMP |
| 1* | 008089-02-000 | EA | LIGHT - PORCH - RECESSED - CANADIAN |
| | 008214-01-000 | EA | BULB - 12 VOLT - #67 - .59 AMP |
| 2 | 111102-01-000 | EA | BASE - MARKER LAMP |
| | 036196-01-000 | EA | BULB - 12V - #194 - .27 AMP - BAYONETTE |
| 2 | 111102-02-000 | EA | LENS - AMBER - MARKER LAMP |
| 3 | 111102-01-000 | EA | BASE - MARKER LAMP |
| | 036196-01-000 | EA | BULB - 12V - #194 - .27 AMP - BAYONETTE |
| 3 | 111102-03-000 | EA | LENS - RED - MARKER LAMP |
| 4 | 115632-03-02A | EA | LIGHT - STOP/TAILO/BACKUP |
| 5 | 066432-02-000 | EA | LIGHT - LICENSE - BLACK |
| 5 | 066432-03-000 | EA | BRACKET - LICENSE PLATE |
| 6 | 115632-01-02A | EA | LIGHT - STOP/TURN/TAILO RED |
| | 121621-02-01A | EA | POD - TAIL LIGHT - BRIGHT WHITE |
| 7 | 121950-01-000 | EA | LIGHT - BRAKE - CENTER MOUNT |
| 8 | 110750-01-000 | EA | SCREW - HEADLAMP ADJUSTING |
| 9 | 049188-04-000 | EA | HEADLAMP - DRIVER - HIGH BEAM - HALOGEN |
| 10 | 049186-04-000 | EA | HEADLAMP - DRIVER - HIGH/LOW - HALOGEN |
| 11 | 049359-01-000 | EA | SPRING - RETAINER - HEADLAMP - GM #496096 |
| 12 | 049187-04-000 | EA | HEADLAMP - PASSENGER - HIGH BEAM - HALOGEN |
| 13 | 049185-04-000 | EA | HEADLAMP - PASSENGER - HIGH/LOW - HALOGEN |
| 14 | 102520-01-000 | EA | LIGHT - CLEARANCE - W/O SOCKET/HOUSING - AMBER |
| 14 | 036196-01-000 | EA | BULB - 12V - #194 - .27 AMP - BAYONETTE |
| 14 | 102541-01-000 | EA | GASKET - CLEARANCE LIGHT |
| 15 | 126198-01-000 | EA | LAMP ASSEMBLY - PARK/TURN - AMBER |
| 15 | 126198-02-000 | EA | GROMMET - MOUNTING - LIGHT/4" RED |

*COMPONENT PARTS FOUND IN SERVICE PARTS LIBRARY

ELECTRICAL GROUP (CONTINUED)
LIGHTS (CONTINUED)

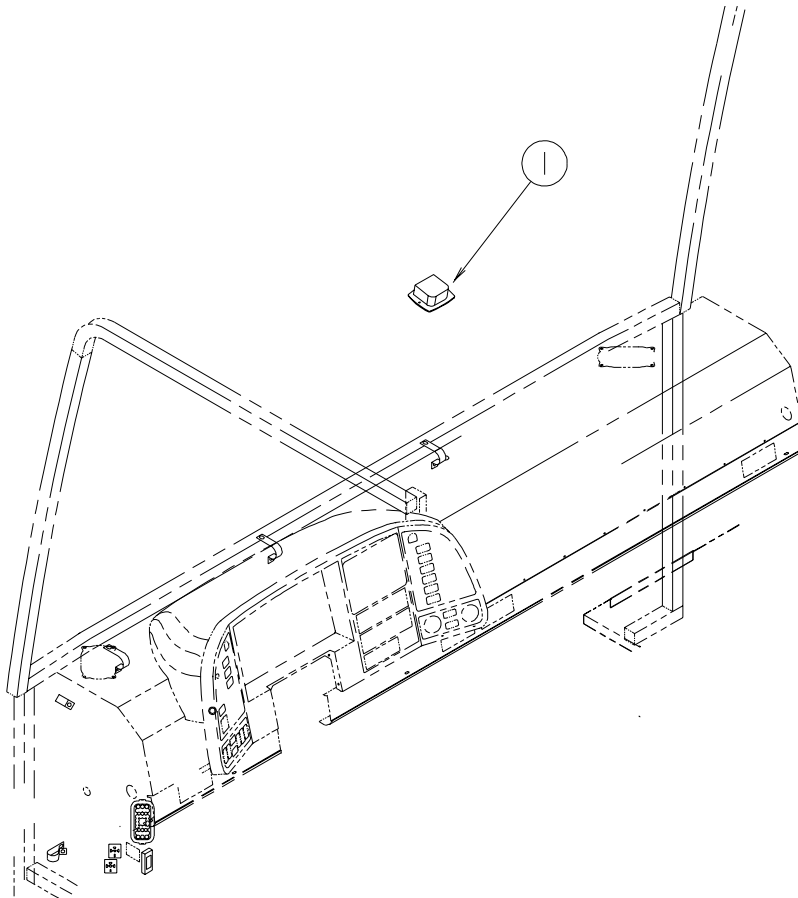


ELECTRICAL GROUP (CONTINUED)

LIGHTS (CONTINUED) INTERIOR

| KEY | PART NUMBER | U/M | DESCRIPTION |
|-----|---------------|-----|--|
| 1 | 119258-11-01A | EA | LAMP - WALL - UL/CSA - BRASS |
| 1 | 117806-01-000 | EA | BULB - 12 VOLT #912 - 1.0 AMPS |
| 2* | 110235-01-01A | EA | LIGHT - MAKE UP - 3 BULB - 12 VOLT - COMFORT AND CONVENIENCE PACKAGE |
| 3* | 098024-05-02A | EA | LIGHT - DOME - 1 BULB - SKYLITE/OPTI CLEAR |
| | 008218-01-000 | EA | BULB - 12 VOLT - #1141 - 1.44 AMP |
| 4 | 061424-01-000 | EA | LIGHT - AISLE - 12 VOLT - RECTANGULAR |
| 5* | 098024-05-02A | EA | LIGHT - DOME - 1 BULB - SKYLITE/OPTI CLEAR |
| | 008218-01-000 | EA | BULB - 12 VOLT - #1141 - 1.44 AMP |
| 5 | 132427-01-01A | EA | LIGHT - READING - SWIVEL/ROUND - BRASS - COMFORT AND CONVENIENCE PACKAGE |
| | 123917-01-000 | EA | BULB - 12V - HALOGEN SPOT |

***COMPONENT PARTS FOUND IN SERVICE PARTS LIBRARY**



LIGHTS (CONTINUED) INTERIOR (CONTINUED)

| KEY | PART NUMBER | U/M | DESCRIPTION |
|-----|---------------|-----|---------------------------------|
| 1* | 086280-01-000 | EA | LIGHT - SURFACE MOUNT - 12 VOLT |

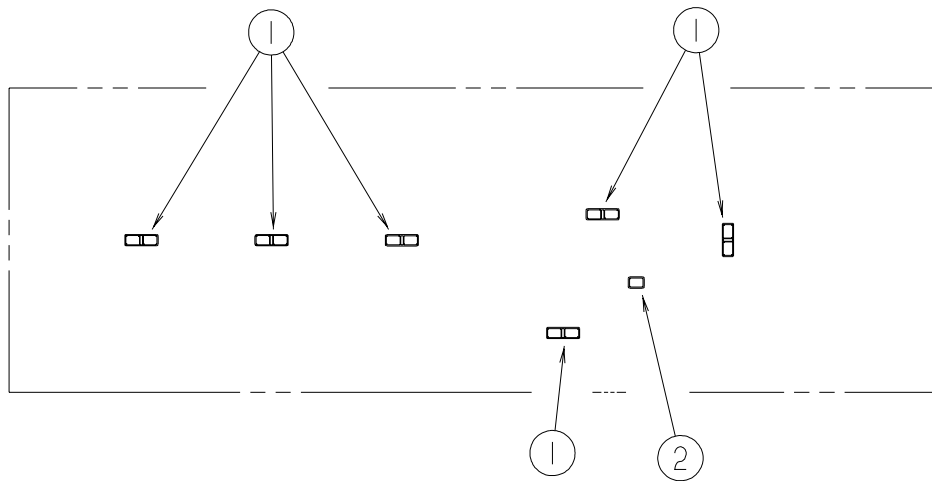
***COMPONENT PARTS FOUND IN SERVICE PARTS LIBRARY**

DASH BULB

| KEY | PART NUMBER | U/M | DESCRIPTION |
|-----|---------------|-----|---|
| | 103603-01-000 | EA | BULB - 12 VOLT - #74 - .12A WEDGE - GE 22-25 USED IN DASH |
| | 103608-01-000 | EA | SOCKET - WEDGE BASE W/LEADS |

ELECTRICAL GROUP (CONTINUED)

LIGHTS (CONTINUED)

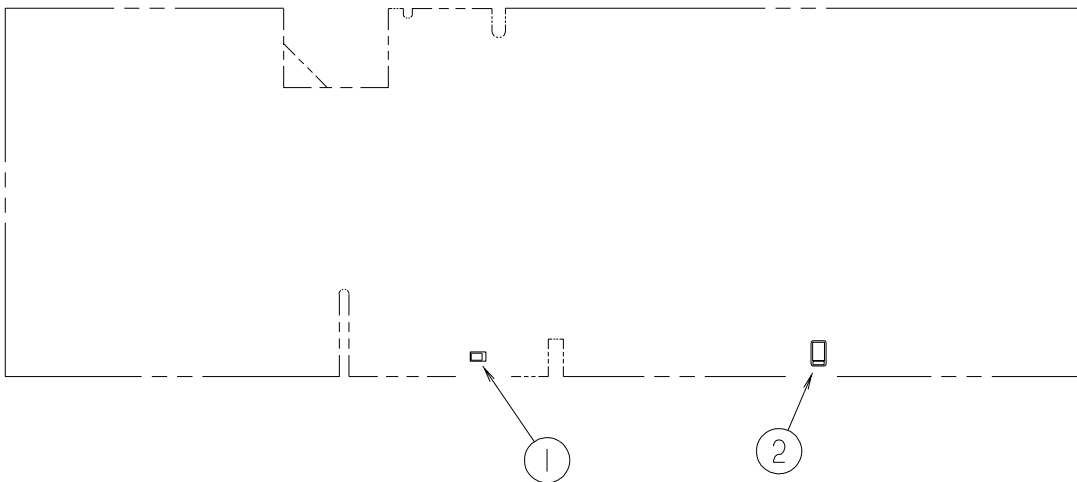


INTERIOR (CONTINUED) CEILING

| KEY | PART NUMBER | U/M | DESCRIPTION |
|-----|---------------|-----|---|
| 1 | 098024-08-02A | EA | LIGHT - DOME W/O SWITCH - 2 BULB FROM: 00-00-00 THRU: 03-05-00 |
| 1 | 098024-09-02A | EA | LIGHT - DOME - 1 LENS/2 BULB FIXTURE - NO SWITCH FROM: 03-06-00 THRU: 99-99-99 |
| 2* | 121935-01-01A | EA | LIGHT - DOME - SHOWER |

*COMPONENT PARTS FOUND IN SERVICE PARTS LIBRARY

LIGHTS (CONTINUED)



INTERIOR (CONTINUED) BASEMENT

| KEY | PART NUMBER | U/M | DESCRIPTION |
|-----|---------------|-----|-----------------------------------|
| 1* | 086280-01-000 | EA | LIGHT - SURFACE MOUNT - 12 VOLT |
| 2* | 098024-01-03A | EA | LIGHT - DOME - 1 BULB - WHITE |
| | 008218-01-000 | EA | BULB - 12 VOLT - #1141 - 1.44 AMP |

*COMPONENT PARTS FOUND IN SERVICE PARTS LIBRARY

ELECTRICAL GROUP (CONTINUED)

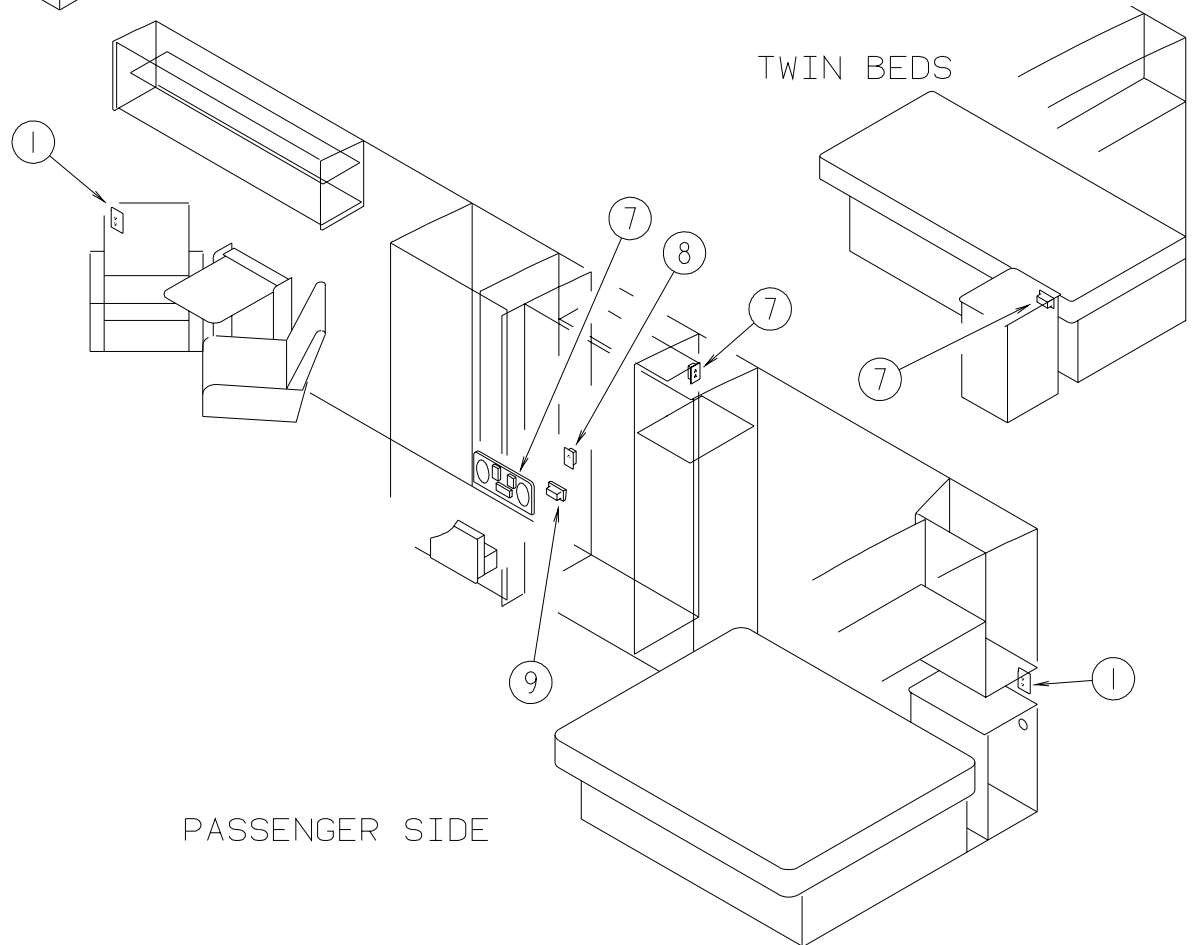
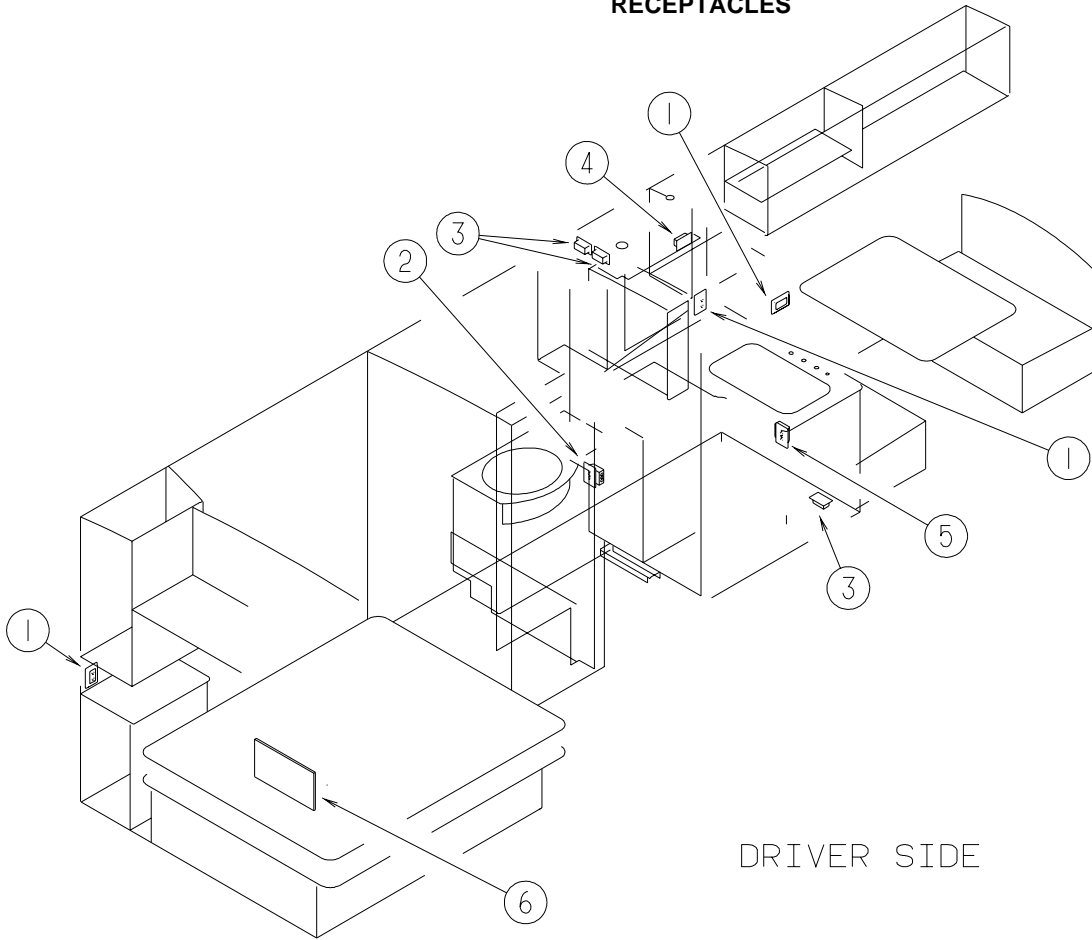
CIRCUIT BREAKERS & FUSES

| KEY | PART NUMBER | U/M | DESCRIPTION |
|-----|---------------|-----|--|
| | 062037-01-000 | EA | HOUSING - AUTO FUSE - NATURAL |
| | 062037-02-000 | EA | HOUSING - AUTO FUSE - GREEN |
| | 062037-03-000 | EA | HOUSING - AUTO FUSE - BLACK |
| | 062037-04-000 | EA | HOUSING - AUTO FUSE - BLUE |
| | 062037-05-000 | EA | HOUSING - AUTO FUSE - GRAY |
| | 062037-06-000 | EA | HOUSING - AUTO FUSE - BROWN |
| | 062037-07-000 | EA | HOUSING - AUTO FUSE - RED |
| | 062901-02-000 | EA | FUSE - 5 AMP - AUTOMOTIVE |
| | 062901-05-000 | EA | FUSE - 15 AMP - AUTOMOTIVE |
| | 062901-06-000 | EA | FUSE - 20 AMPS - AUTOMOTIVE |
| | 062901-07-000 | EA | FUSE - 25 AMPS - AUTOMOTIVE |
| | 062901-08-000 | EA | FUSE - 30 AMPS - AUTOMOTIVE |
| | 083209-02-000 | EA | CIRCUIT BREAKER - 15/15 AMP - 120 VOLT |
| | 083209-03-000 | EA | CIRCUIT BREAKER - 15/20 AMP - 120 VOLT |
| | 083209-04-000 | EA | CIRCUIT BREAKER - 30 AMP - 120 VOLT |
| | 083209-06-000 | EA | CIRCUIT BREAKER - 30/15 AMP - 120 VOLT |
| | 083209-07-000 | EA | CIRCUIT BREAKER - 20/20 AMP - 120 VOLT |
| | 083209-11-000 | EA | CIRCUIT BREAKER - 20/15 AMP - 120 VOLT |
| | 093655-03-000 | EA | CIRCUIT BREAKER - 40 AMP - 12 VOLT |
| | 097611-01-000 | EA | CIRCUIT BREAKER - 10 AMP - 12 VOLT |
| | 106656-01-000 | EA | FUSE BLOCK - 4 CAVITY - AUTOFUSE |
| | 108669-01-000 | EA | HOUSING - AUTO FUSE HOLDER |

CONVERTER, INVERTER, LOAD CENTERS

| KEY | PART NUMBER | U/M | DESCRIPTION |
|-----|---------------|-----|--|
| | 083208-02-000 | EA | CONTROL CENTER - 45 AMP - 120/12V - W/O BREAKERS |
| | 099048-03-000 | EA | INVERTER - 130 WATT |
| | 113132-01-000 | EA | LOAD CENTER - 120/240 VOLT - 60 AMP |

ELECTRICAL GROUP (CONTINUED)
RECEPTACLES



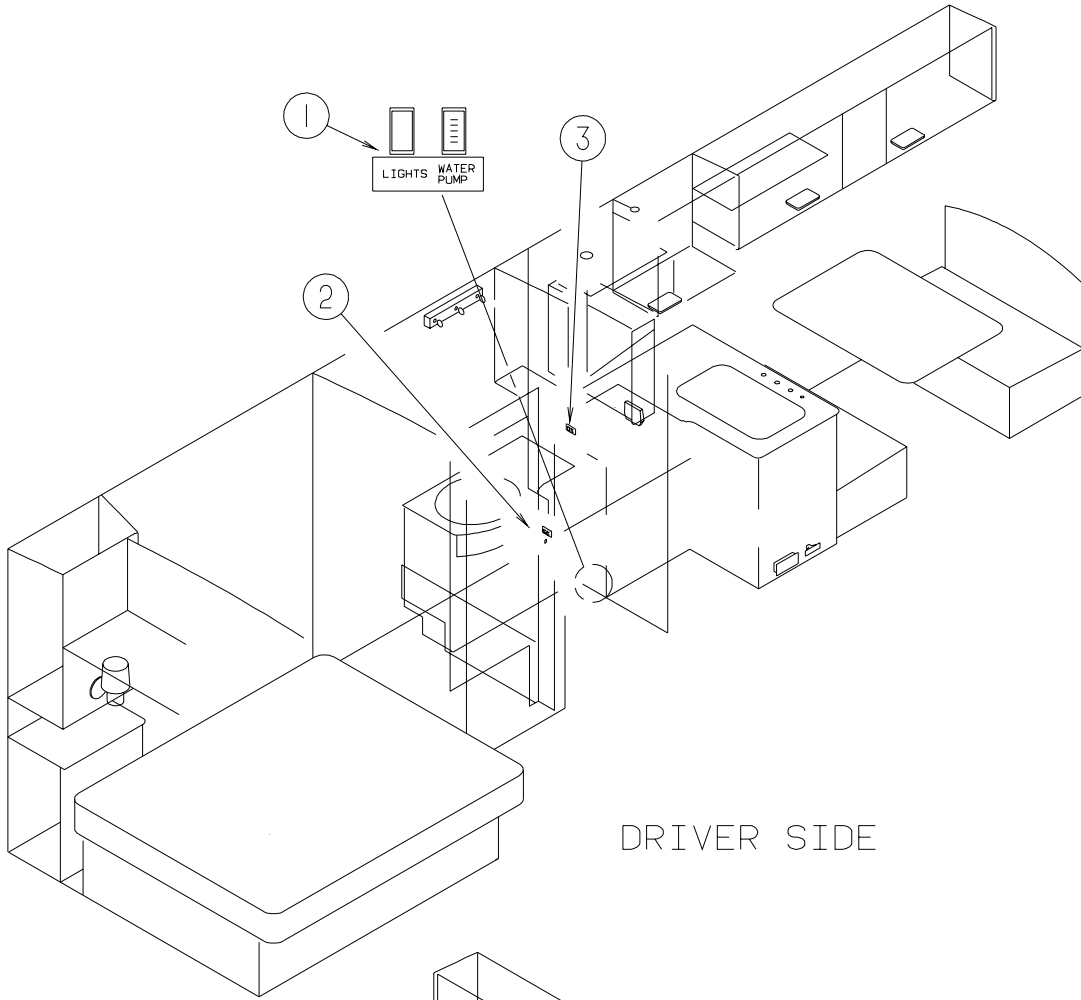
ELECTRICAL GROUP (CONTINUED)

RECEPTACLES (CONTINUED)

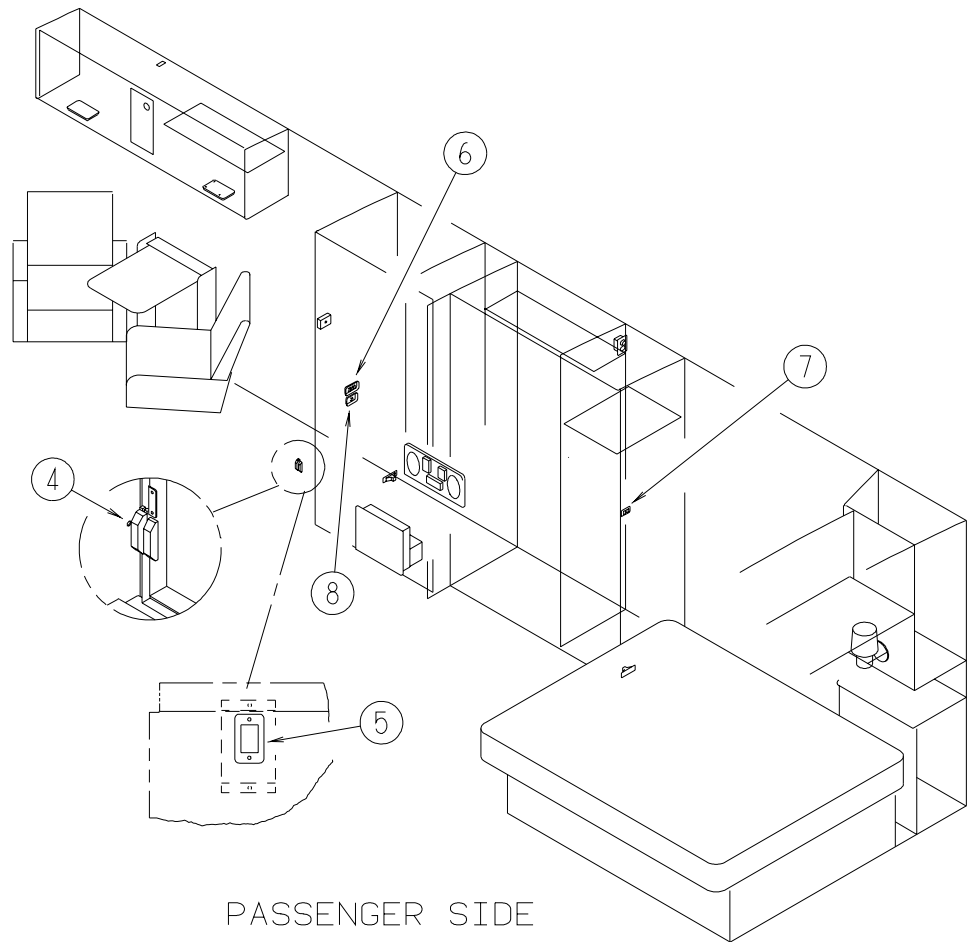
| KEY | PART NUMBER | U/M | DESCRIPTION |
|-----|---------------|-----|--|
| 1 | 058708-02-000 | EA | RECEPTACLE - ELECTRIC - DOUBLE - IVORY |
| 1 | 133713-01-01A | EA | SPACER - RECEPTACLE - WATERFORD OAK |
| 2 | 084076-01-000 | EA | RECEPTACLE - GFI - 15 AMP/125 VOLT - IVORY - W/COVER |
| 3 | 058707-02-000 | EA | RECEPTACLE - BLANK - JUNCTION BOX |
| 4 | 058708-05-000 | EA | RECEPTACLE - ELECTRIC - SINGLE - BROWN |
| 5 | 084076-02-000 | EA | RECEPTACLE - GFI - 15 AMP/125 VOLT - BROWN - W/COVER |
| 6 | 024924-02-000 | EA | RECEPTACLE - POWER CORD - W/PARTIAL PLATE |
| 7 | 058708-01-000 | EA | RECEPTACLE - ELECTRIC - DOUBLE - BROWN |
| 8 | 058707-01-000 | EA | RECEPTACLE - ELECTRIC - SINGLE - BROWN |
| 9 | 131826-01-01A | EA | RECEPTACLE - EXTERIOR - W/COVER/GASKET - WHITE |

ELECTRICAL GROUP (CONTINUED)

SWITCHES



DRIVER SIDE



PASSENGER SIDE

ELECTRICAL GROUP (CONTINUED)

SWITCHES (CONTINUED)

| KEY | PART NUMBER | U/M | DESCRIPTION |
|-----|---------------|-----|--|
| 1 | 108357-08-000 | EA | SWITCH - ROCKER DPDT - ON/NONE/ON - 6 TERMINAL - EXTERIOR SHOWER |
| 1 | 108357-01-000 | EA | SWITCH - ROCKER SPST - ON/OFF - 2 TERMINAL - SERVICE LAMP |
| 1 | 108356-02-01A | EA | COVER/ACTUATOR SWITCH - 2 ROWS DIMPLES- CONTURA II - BLACK |
| 2 | 132180-01-01A | EA | SWITCH - PADDLE - SPST - ON/OFF - BLACK - SHOWER, BATHROOM |
| 2 | 098351-02-01A | EA | PLATE/SWITCH - 2 GANG - POLISHED BRASS - W/O LABEL |
| 3 | 132180-02-01A | EA | SWITCH - PADDLE - SPDT - ON/ON - BLACK - WATER PUMP |
| 3 | 132180-01-01A | EA | SWITCH - PADDLE - SPST - ON/OFF - BLACK - MAKEUP - COMFORT AND CONVENIENCE PACKAGE |
| 3 | 098351-01-01A | EA | PLATE/SWITCH - 1 GANG - POLISHED BRASS - W/O LABEL |
| 3 | 098351-02-01A | EA | PLATE/SWITCH - 2 GANG - POLISHED BRASS - W/O LABEL - COMFORT AND CONVENIENCE |
| 4 | 132900-02-01A | EA | SWITCH/MAGNETIC - F/SCS ELECTRIC STEP - WHITE |
| 5 | 108357-06-000 | EA | SWITCH - ROCKER DPDT - MOM/OFF/MOM - 6 TERMINAL - BATTERY DISCONNECT |
| 5 | 108356-11-01A | EA | COVER/ACTUATOR SWITCH - 3 GROOVES - AUX BATT - BLACK |
| 5 | 098351-07-01A | EA | PLATE/SWITCH - 1 GANG - POLISHED BRASS - GENERATOR |
| 5 | 135167-01-02B | EA | BRACKET - COVER - SWITCH - E-COATED |
| | | | FROM: 01-03-00 THRU: 99-99-99 |
| 6 | 132180-01-01A | EA | SWITCH - PADDLE - SPST - ON/OFF - BLACK - PORCH/CEILING/STEP |
| 6 | 098351-05-01A | EA | PLATE/SWITCH - 3 GANG - POLISHED BRASS-PORCH/CEILING/STEP |
| 6 | 095188-02-01A | EA | SPACER - SWITCH - 2.3" X 4.1" - PLASTIC - DARK BROWN |
| 7 | 132180-01-01A | EA | SWITCH - PADDLE - SPST - ON/OFF - BLACK - BEDROOM |
| 7 | 132180-02-01A | EA | SWITCH - PADDLE - SPDT - ON/ON - BLACK - COURTESY, HALL |
| 7 | 098351-03-01A | EA | PLATE/SWITCH - 3 GANG - POLISHED BRASS - W/O LABEL |
| 7 | 095188-02-01A | EA | SPACER - SWITCH - 2.3" X 4.1" - PLASTIC - DARK BROWN |
| 8 | 132180-02-01A | EA | SWITCH - PADDLE - SPDT - ON/ON - BLACK - HALL, COURTESY |
| 8 | 098351-02-01A | EA | PLATE/SWITCH - 2 GANG - POLISHED BRASS - W/O LABEL |
| 8 | 095188-01-01A | EA | SPACER - SWITCH - 2.3" X 3.4" - PLASTIC - DARK BROWN |

BOXES & CORDS

| KEY | PART NUMBER | U/M | DESCRIPTION |
|-----|---------------|-----|--|
| | 008054-01-000 | EA | CORD - POWER - 10/3 WIRE - 30 AMP - 25' |
| | 008289-01-000 | EA | BOX - ELECTRIC/STEEL - 1/2" & 3/4" KNOCKOUTS - 4" X 4" |
| | 008289-02-000 | EA | BOX - ELECTRIC/STEEL - 1/2" & 3/4" KNOCKOUTS - 4" X 4"-CAN |
| | 008294-01-000 | EA | COVER - ELECTRICAL BOX - BLANK/STEEL - 4" X 4" - GRAY |
| | 008294-02-000 | EA | COVER - ELECTRICAL BOX - BLANK STEEL - 4" X 4" - CANADIAN |
| | 069238-01-000 | EA | COVER - ELECTRICAL BOX - W/HOLE - 4" X 4" - GRAY |
| | 091910-02-000 | EA | BOX - ELECTRIC - 2.2" X 3.5" X 1.8" - PLASTIC |
| | 111510-01-000 | EA | DOOR/ACCESS PANEL - ELECTRICAL BOX - 8.1" X 11.7" |
| | 133070-01-000 | EA | BOX - ELECTRICAL - PLASTIC - 3" X 2" X 2.8" - UL |
| * | 106071-04-000 | EA | SWITCH - AUTOMATIC TRANSFER W/CONNECTION LUGS |

*COMPONENT PARTS FOUND IN SERVICE PARTS LIBRARY

ELECTRICAL GROUP (CONTINUED)

WIRE ASSEMBLIES

| KEY | PART NUMBER | U/M | DESCRIPTION |
|-----|---------------|-----|---|
| | P27516-02-000 | EA | WIRE ASSEMBLY - RADIO AM/FM/CD |
| | P27516-04-000 | EA | WIRE ASSEMBLY - RADIO AM/FM CD |
| | 073328-B4-000 | EA | CABLE ASSEMBLY - BATTERY - W/TERMINALS |
| | 090986-02-000 | EA | WIRE ASSEMBLY - ELECTRIC STEP |
| | 096449-01-000 | EA | WIRE ASSEMBLY - WATER TANK TO MONITOR PANEL |
| | 111915-01-000 | EA | WIRE ASSEMBLY - DAYTIME RUNNING LAMPS - FUSED - GM |
| | 113134-03-000 | EA | WIRE ASSEMBLY - WIPER/WASHER |
| | 120233-05-000 | EA | WIRE ASSEMBLY - 30" CONNECTS TO WALLPLATE DISPLAY |
| | 125853-01-000 | EA | WIRE ASSEMBLY - ENTERTAINMENT CENTER |
| | 108885-02-000 | EA | WIRE - REAR MONITOR(W/3 PIN HOUSING F/FUSE BLOCK) CHEVY |
| | 127053-01-000 | EA | WIRE ASSEMBLY - REAR MONITOR/UPPER |
| | 129436-03-000 | EA | WIRE ASSEMBLY - INSTRUMENT PANEL - F/POWER MIRROR |

CONNECTORS & CONDUIT

| KEY | PART NUMBER | U/M | DESCRIPTION |
|-----|---------------|-----|--|
| | 007956-05-000 | EA | INSULATOR - SHRINK - .25 ID X 1.50 |
| | 008311-01-000 | EA | CONNECTOR - WIRE NUT - INSULATED - RED |
| | 008312-01-000 | EA | CONNECTOR - WIRE NUT - INSULATED - BLUE |
| | 008313-01-000 | EA | CONNECTOR - WIRE NUT - INSULATED - YELLOW |
| | 008314-01-000 | EA | CONNECTOR - WIRE NUT - INSULATED - GRAY |
| | 008326-01-000 | EA | TERMINAL - RING - 16/14 WIRE - 3/8" STUD |
| | 008328-01-000 | EA | TERMINAL - RING - 12/10 WIRE - #10 STUD FIT |
| | 008331-01-000 | EA | TERMINAL - RING - TONGUE - #4 WIRE - 3/8" STUD - COPPER |
| | 008348-01-000 | EA | TERMINAL - RING - 3/8" STUD 2 GA. WIRE |
| | 008355-01-000 | EA | CONNECTOR - CABLE CLAMPING - 3/4" |
| | 008356-01-000 | EA | CONNECTOR - PLASTIC - 3/8" AVG |
| | 008356-02-000 | EA | CONNECTOR - PLASTIC - 21/32 |
| | 008394-01-000 | FT | CONDUIT - FLEXIBLE - 1/2" |
| | 008398-01-000 | EA | CONNECTOR - 1/2" X 90 DEGREE - FLEX CONDUIT - UL & CSA |
| | 035416-04-000 | EA | TERMINAL - RING - #10 STUD FIT - INSULATED BARREL #16/14 |
| | 041953-01-000 | FT | CONDUIT - CONVOLUTE SLIT - .5" ID - POLYETHYLENE |
| | 041953-03-000 | FT | CONDUIT - CONVOLUTE SLIT - 1" ID (CLOTHES ROD COVER) |
| | 041953-05-000 | FT | CONDUIT - CONVOLUTE SOLID - .62" ID - POLYETHYLENE |
| | 041953-06-000 | FT | CONDUIT - CONVOLUTE SLIT - .375" ID - POLYETHYLENE |
| | 041953-07-000 | FT | CONDUIT - CONVOLUTE SLIT - .25" ID - POLYETHYLENE |
| | 041953-08-000 | FT | CONDUIT - CONVOLUTE SLIT - 1.50" ID - POLYETHYLENE |
| | 041953-09-000 | FT | CONDUIT - CONVOLUTE SLIT - .50" ID - NYLON |
| | 041953-10-000 | FT | CONDUIT - CONVOLUTE SLIT - .75" ID - NYLON |
| | 041953-11-000 | FT | CONDUIT - CONVOLUTE SLIT - 1.06" ID - NYLON |
| | 041953-12-000 | FT | CONDUIT - CONVOLUTE SOLID - 1.1" ID - NYLON |
| | 041953-13-000 | FT | CONDUIT - CONVOLUTE SLIT - 1.25 |
| | 047443-01-000 | EA | TERMINAL - .250 RECEPTACLE FIT - INSULATED - 16/14 AWG |
| | 047443-02-000 | EA | TERMINAL - .250 RECEPTACLE FIT - INSULATED - 12/10 AWG |
| | 058028-01-000 | EA | CONNECTOR - ELECTRICAL PIGTAIL - NYLON - CLEAR |
| | 062036-01-000 | EA | TERMINAL - PACK - CON - 12/10 AWG |
| | 062036-02-000 | EA | TERMINAL - PACK - CON - 16/14 AWG |
| | 080015-02-000 | EA | RECEPTACLE - FLAG - .185 - 16/14 GAUGE |
| | 087225-01-000 | FT | SLEEVING - 1/2" - TYPE H |
| | 087225-02-000 | FT | SLEEVING - 5/8" - TYPE H |
| | 087695-03-000 | EA | CONNECTOR - ASSEMBLY |
| | 088267-01-000 | EA | TERMINAL - FEMALE - 1/4 |
| | 088473-01-000 | EA | HOUSING - PIN - 12 CAVITY (3 ROWS OF 4) |
| | 088473-02-000 | EA | HOUSING - PIN - 15 CAVITY (3 ROWS OF 5) |
| | 088473-03-000 | EA | HOUSING - PIN - 9 CAVITY (3 ROWS OF 3) |
| | 088473-04-000 | EA | HOUSING - PIN - 8 CAVITY IN-LINE |
| | 088473-06-000 | EA | HOUSING - PIN - 6 CAVITY (2 ROWS OF 3) |
| | 088473-08-000 | EA | HOUSING - PIN - 4 CAVITY - IN-LINE |
| | 088473-09-000 | EA | HOUSING - PIN - 3 CAVITY - IN-LINE |
| | 088473-10-000 | EA | HOUSING - PIN - 2 CAVITY - IN LINE |

ELECTRICAL GROUP (CONTINUED)

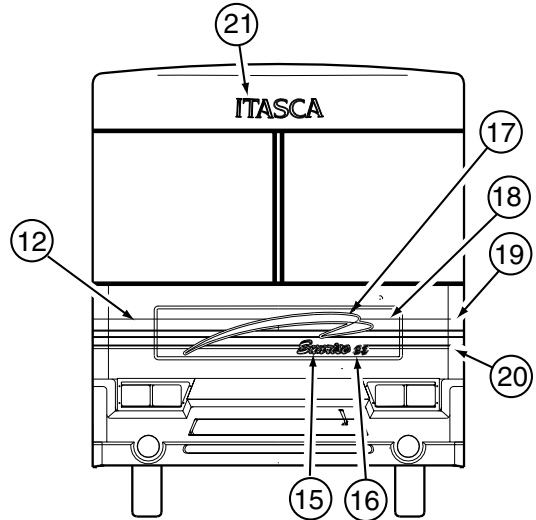
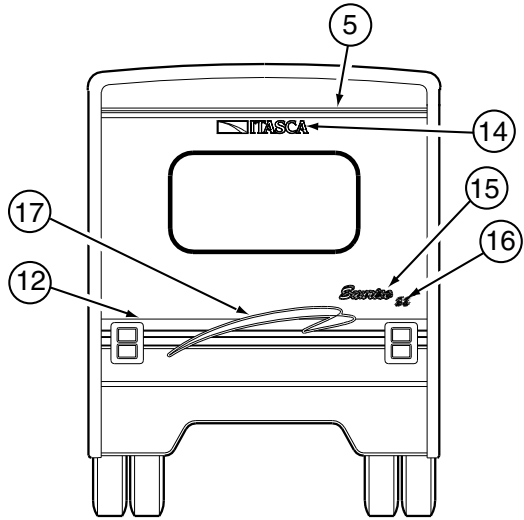
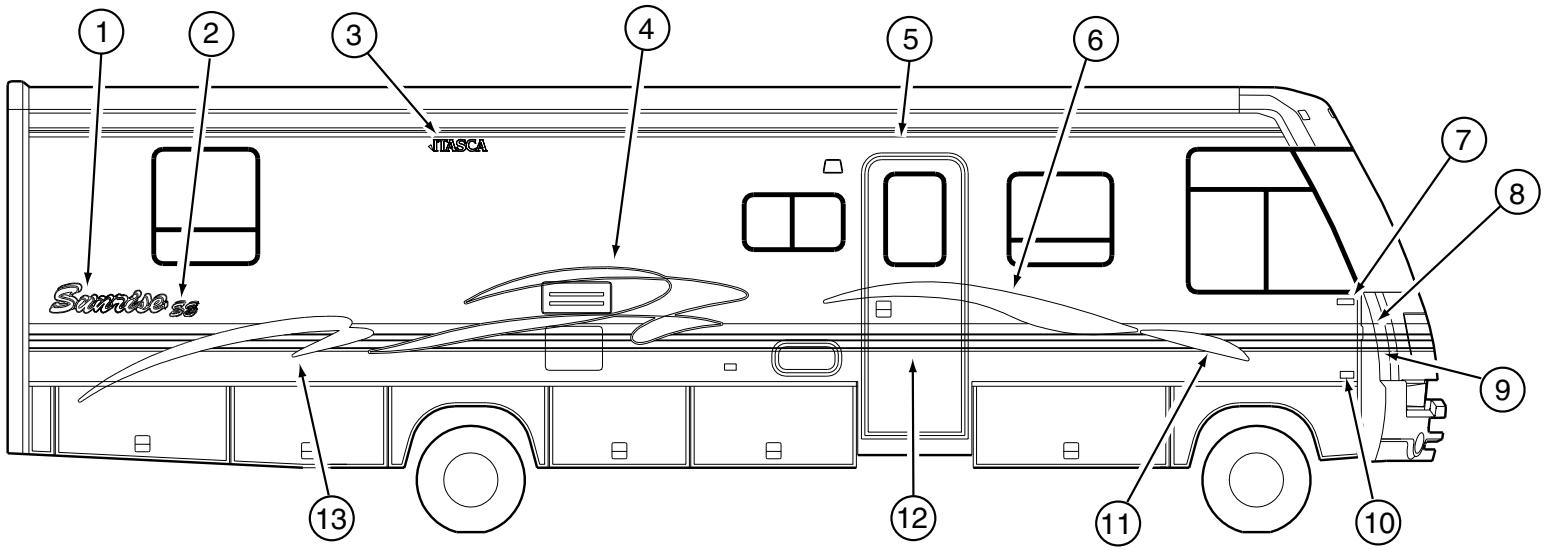
CONNECTORS & CONDUIT (CONTINUED)

| KEY | PART NUMBER | U/M | DESCRIPTION |
|-----|---------------|-----|---|
| | 088474-01-000 | EA | HOUSING - SOCKET - 12 CAVITY |
| | 088474-02-000 | EA | HOUSING - SOCKET - 15 CAVITY |
| | 088474-03-000 | EA | HOUSING - SOCKET - 9 CAVITY |
| | 088474-04-000 | EA | HOUSING - SOCKET - 8 CAVITY |
| | 088474-06-000 | EA | HOUSING - SOCKET - 6 CAVITY |
| | 088474-07-000 | EA | HOUSING - SOCKET - 5 CAVITY |
| | 088474-08-000 | EA | HOUSING - SOCKET - 4 CAVITY |
| | 088474-09-000 | EA | HOUSING - SOCKET - 3 CAVITY |
| | 088474-10-000 | EA | HOUSING - SOCKET - 2 CAVITY |
| | 088475-01-000 | EA | PIN - CONNECTOR - 14-20 AWG |
| | 088475-02-000 | EA | PIN - CONNECTOR - 10-12 AWG |
| | 088476-01-000 | EA | TERMINAL - ELECTRICAL |
| | 088476-02-000 | EA | SOCKET - CONNECTOR - 12-10 GA - PRE-TIN |
| | 092786-02-000 | EA | BUSS BAR - 3.3" LONG |
| | 092786-03-000 | EA | BUSS BAR - 6.9" LONG |
| | 098260-01-000 | EA | TERMINAL - MALE - 56 SERIES |
| | 101571-01-000 | EA | HOUSING - 2 POSITION - MALE |
| | 103987-02-000 | EA | SEAL - SOLENOID ACCESS |
| | 007954-01-000 | EA | RECEPTACLE - HOUSING - 6 POSITION |
| | 104100-01-000 | EA | HOUSING - 1 POSITION - 75 AMPS |
| | 104100-03-000 | EA | TERMINAL - 75 AMP |
| | 106006-01-000 | EA | HOUSING - 1 POSITION - FEMALE |
| | 106007-01-000 | EA | TERMINAL - FEMALE - 14-16 AWG |
| | 106655-01-000 | EA | TERMINAL - FUSE BLOCK - 14-16 AWG |
| | 106655-02-000 | EA | TERMINAL - FUSE BLOCK - 10-12 AWG |
| | 110178-01-000 | EA | HOUSING - WIPER MOTOR |
| | 112823-01-000 | EA | SPLICE - REDUCER - 16-14 TO 18-22 |
| | 113131-01-000 | EA | HOUSING - 3 PIN |
| | 113135-01-000 | EA | TERMINAL - FEMALE - M/P - 14-16 - F/SEALED TERMINAL |
| | 113306-01-000 | EA | TERMINAL - FEMALE - M/P - 14-16 - F/NON-SEALED TERMINAL |
| | 113307-01-000 | EA | TERMINAL - FEMALE - M/P - 16-20 |
| | 113452-01-000 | FT | SEAL/TRIM - FRONT - VINYL W/WIRE CARRIER - .020" |
| | 113452-02-000 | FT | SEAL/TRIM - FRONT - VINYL W/WIRE CARRIER - .027" |
| | 113468-01-000 | EA | HOUSING - 2 POSITION - FEMALE |
| | 115556-01-000 | EA | HOUSING - 3 POSITION - FEMALE |
| | 115556-02-000 | EA | HOUSING - 2 POSITION - FEMALE |
| | 119157-01-000 | EA | SOCKET - SINGLE CONTACT |
| | 119248-02-000 | EA | HOUSING - 7 POSITION - FEMALE |
| | 125323-02-000 | EA | HOUSING - 8 POSITION - MALE |
| | 125323-03-000 | EA | LOCK - SECONDARY 8 POSITION |
| | 125324-01-000 | EA | TERMINAL - MALE - METRI-PACK - 150 |
| | 125325-01-000 | EA | SEAL - CAVITY |
| | 126403-02-000 | EA | CONNECTOR - 3 CIRCUIT |

BOOTS, SOLENOIDS, RELAYS, & MISCELLANEOUS

| KEY | PART NUMBER | U/M | DESCRIPTION |
|-----|---------------|-----|---|
| | 077479-01-000 | EA | BOOT - BATTERY TERMINAL - DOUBLE CABLE |
| | 077479-02-000 | EA | BOOT - BATTERY TERMINAL - SINGLE CABLE |
| | 007093-01-000 | EA | SIGNAL FLASHER |
| | 008188-01-000 | EA | SOLENOID - 3 POST - BATTERY CHANGE OVER |
| | 063910-01-000 | EA | HOUSING - RELAY |
| | 063912-02-000 | EA | RELAY - CANISTER - SPDT |
| | 065450-05-000 | EA | TIEDOWN - BATTERY - 8.4" TUBE |
| | 086233-01-000 | EA | STUD - ISOLATED - 3/8" X 7/8" LONG |
| | 086273-01-000 | EA | RELAY - BATTERY DISCONNECT |
| | 108355-01-000 | EA | HOUSING - SWITCH |
| | 128961-01-02B | EA | HANGER - POWER CORD - E-COATED |

EXTERIOR BODY GROUP
GRAPHICS & PAINT



EXTERIOR BODY GROUP (CONTINUED)

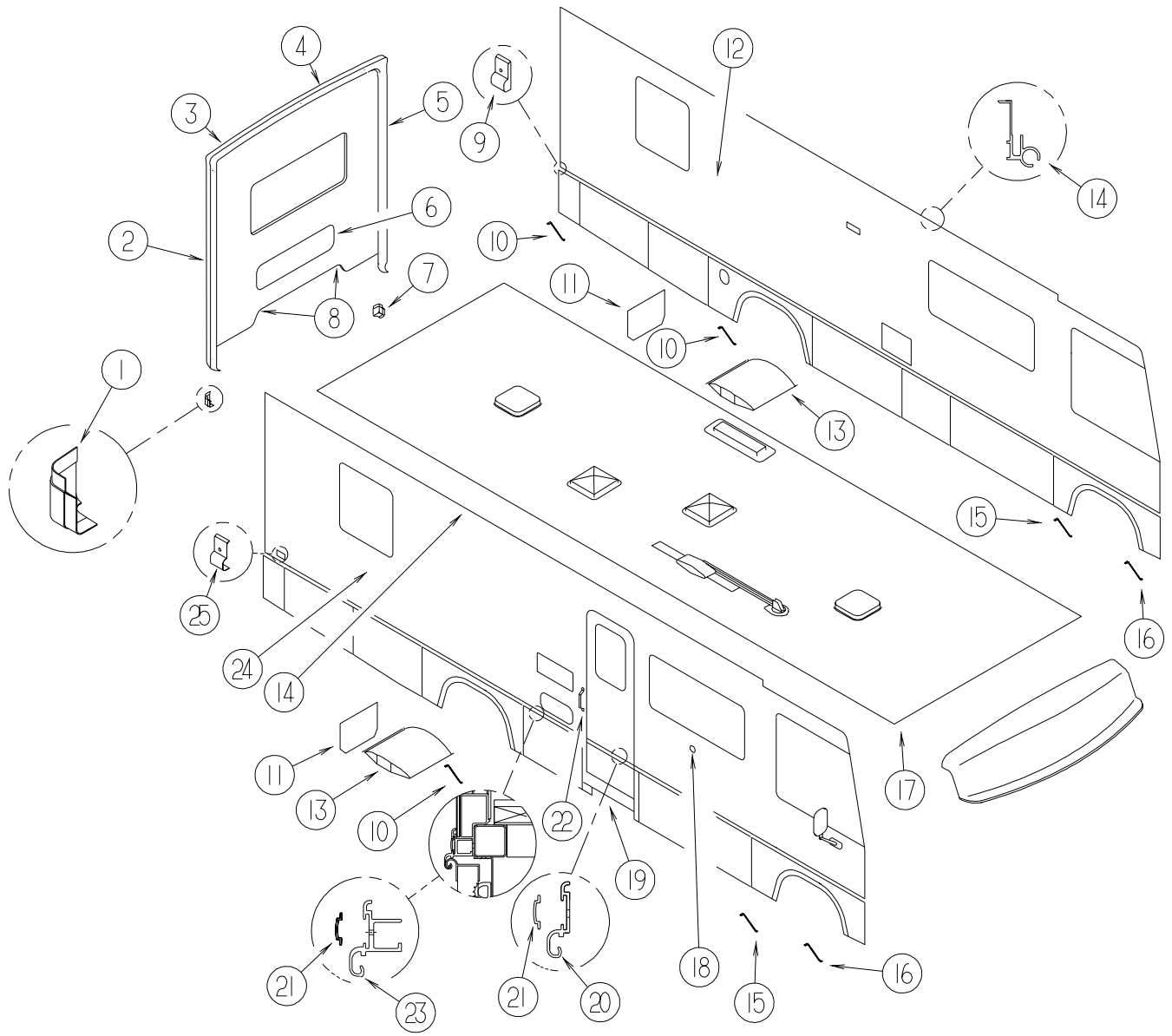
GRAPHICS & PAINT (CONTINUED)

| KEY | PART NUMBER | U/M | DESCRIPTION |
|-----|---------------|-----|---|
| 1 | 121425-01-06A | EA | DECAL - LOGO - LARGE SUNRISE |
| 1 | 121425-01-07A | EA | DECAL - LOGO - LARGE SUNRISE - COMFORT AND CONVENIENCE PACKAGE |
| 2 | | | NOT USED ON THIS MODEL |
| 3 | 124811-01-10A | EA | DECAL - LOGO - ITASCA |
| 4 | 132826-01-01A | EA | DECAL - GRAPHIC - MID PASSENGER |
| | 132826-02-01A | EA | DECAL - GRAPHIC - MID DRIVER |
| 5 | 105781-77-01A | FT | FILM - MULTISTRIPE - 2.6" WIDE |
| 6 | 132824-01-01A | EA | DECAL - GRAPHIC - FORWARD/PASSENGER |
| | 132824-02-01A | EA | DECAL - GRAPHIC - FORWARD/DRIVER |
| 7 | 132664-01-01A | EA | DECAL - LOGO/DOMED - WINNEBAGO - CHROME/BLACK |
| 8 | 129887-01-02A | EA | DECAL - CORNER - UPPER/PASSENGER |
| 9 | 130617-01-02A | EA | DECAL - CORNER - LOWER/PASSENGER |
| 10 | 122312-02-01A | EA | DECAL - VORTEC 7400 FUEL INJECTED - BLK/OFF WHT/GRAY/RED FROM: 00-00-00 THRU: 03-26-00 |
| 10 | 136290-01-01A | EA | EMBLEM - VORTEC V8 - BLACK/SILVER FROM: 03-27-00 THRU: 99-99-99 |
| 11 | 132823-01-01A | EA | DECAL - POINT - PASSENGER |
| | 132823-02-01A | EA | DECAL - POINT - DRIVER |
| 12 | 093689-28-02A | FT | FILM - MULTISTRIPE - 8" WIDE |
| 13 | 132827-01-01A | EA | DECAL - GRAPHIC - AFT PASSENGER |
| | 132827-02-01A | EA | DECAL - GRAPHIC - AFT DRIVER |
| 14 | 124806-01-10A | EA | DECAL - LOGO - ITASCA W/ICON |
| 15 | 121425-02-06A | EA | DECAL - LOGO - SMALL SUNRISE |
| 15 | 121425-02-07A | EA | DECAL - LOGO - SMALL SUNRISE - COMFORT AND CONVENIENCE PACKAGE |
| 16 | | | NOT USED ON THIS MODEL |
| 17 | 132822-01-01A | EA | DECAL - GRAPHIC - BW/CHAMPAGNE/LT AQUA/MD RB |
| 18 | 129886-01-02A | EA | DECAL - HOOD |
| 19 | 129887-02-02A | EA | DECAL - CORNER - UPPER/DRIVER |
| 20 | 130617-02-02A | EA | DECAL - CORNER/LOWER DRIVER |
| 21 | 124989-01-07A | EA | DECAL - LOGO - ITASCA/#15 SWEEP |
| | 004308-01-000 | EA | PAINT - BLACK SPRAY |
| | 041561-03-000 | EA | PAINT - 16 OUNCE SPRAY - OFF WHITE |
| | 099399-23-700 | EA | PAINT-SPRAY-BRT WHITE ENAMEL B8951U DUPONT |

DUPONT COLOR CODES

| | |
|---|---------|
| BRIGHT WHITE (MAIN BODY COLOR) | #B8951 |
| SAHARA GREY METALLIC (ACCENT BODY COLOR) | #M1024U |
| MEDIUM DARK ROYAL BLUE METALLIC (DECAL COLOR) | #BM549 |
| CHAMPAGNE STAR METALLIC (DECAL COLOR) | #MM081 |
| LIGHT AQUA METALLIC (DECAL COLOR) | #GM020 |
| DARK BRIGHT TEAL METALLIC (DECAL COLOR) | #GM240 |

EXTERIOR BODY GROUP (CONTINUED)
PANELS



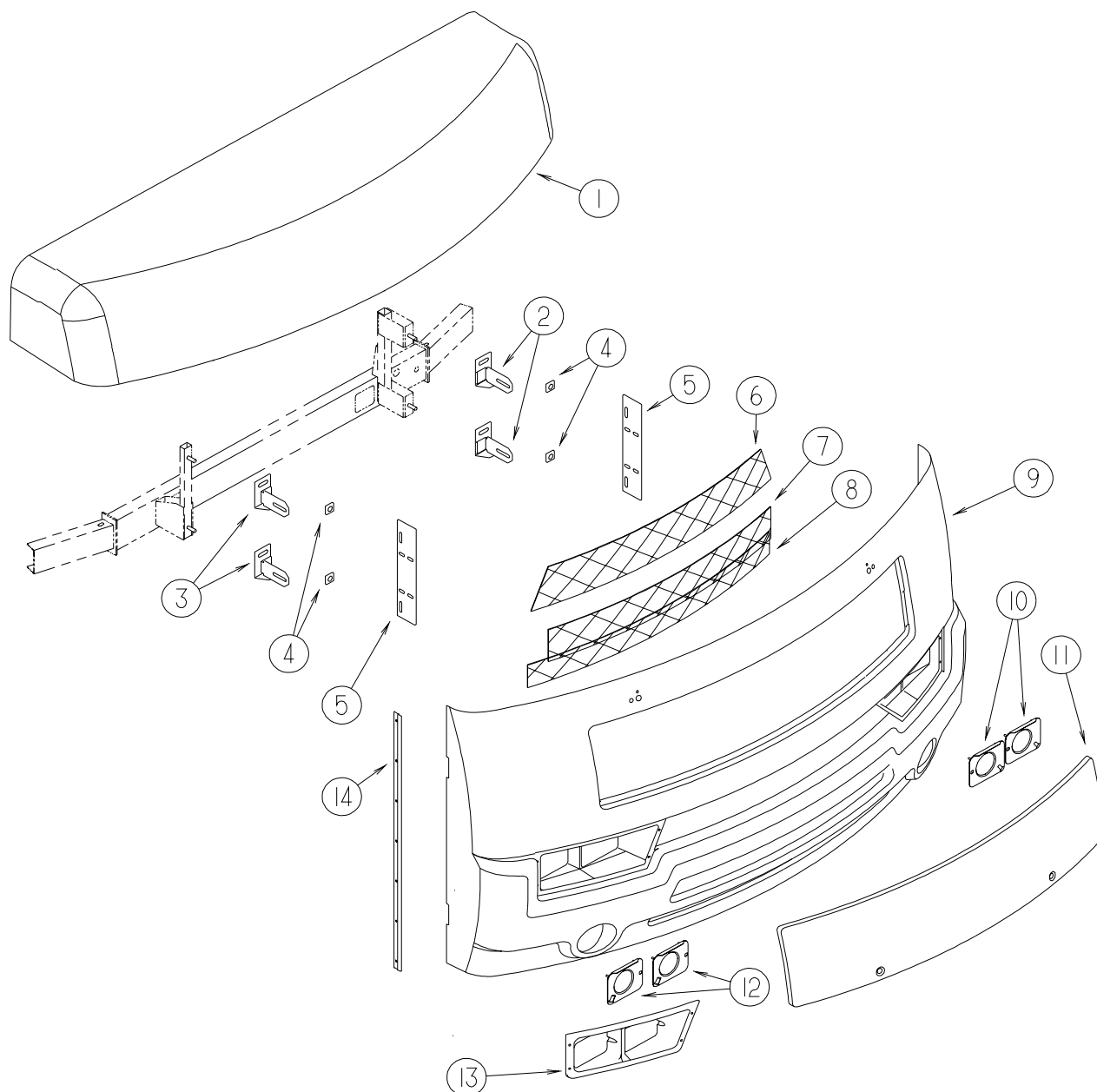
EXTERIOR BODY GROUP (CONTINUED)

PANELS (CONTINUED)

| KEY | PART NUMBER | U/M | DESCRIPTION |
|-----|---------------|-----|--|
| 1 | 119212-01-01A | EA | END CAP - LOWER BACKWALL TRIM - PASSENGER - BLACK |
| 2 | 114874-03-12B | EA | TRIM - BACKWALL/PASSENGER SIDE - BRIGHT/WHITE |
| 2 | 120548-01-02A | EA | TRIM-J - BACKWALL/PASSENGER - 98.3" - NOTCHED - BRIGHT WHT |
| 3 | 114872-02-02A | EA | TRIM - BACKWALL/TOP - PASSENGER SIDE - BRIGHT WHITE |
| 4 | 114873-02-02A | EA | TRIM - BACKWALL/TOP - DRIVER SIDE - BRIGHT WHITE |
| 5 | 114874-04-12B | EA | TRIM - BACKWALL/DRIVER SIDE - BRIGHT/WHITE |
| 5 | 120548-02-02A | EA | TRIM-J - BACKWALL/DRIVER - 98.3" - NOTCHED - BRIGHT WHITE |
| 6 | 133039-01-L23 | EA | BACKWALL - W/O LIGHTS/VENTS - W/WIRING (L26,L27) |
| 6 | 133039-01-L24 | EA | BACKWALL - W/O LIGHTS/VENTS - W/WIRING (L28) |
| 6 | 133039-01-L25 | EA | BACKWALL - W/O LIGHTS/VENTS - W/WIRING (L29) |
| 7 | 119212-02-01A | EA | END CAP - LOWER BACKWALL TRIM - DRIVER - BLACK |
| 8 | 050406-32-000 | EA | TRIM - LOWER BACKWALL - BRIGHT WHITE |
| | | | FROM: 00-00-00 THRU: 10-31-99 |
| 8 | 050406-33-000 | EA | TRIM - BACKWALL/LOWER - BRIGHT WHITE |
| | | | FROM: 11-01-99 THRU: 99-99-99 |
| 9 | 127845-05-01A | EA | CAP - SIDEWALL TRIM - RIGHT HAND - 2.1" - BRIGHT WHITE |
| 10 | 107865-01-000 | EA | ROD - SUPPORT - VALANCE PANEL - 14.3" |
| 11 | 017516-01-000 | EA | MUD FLAP - 14" X 18" - W/O MOUNTING HOLES - BLACK |
| 12 | 134039-02-L26 | EA | SIDEWALL - DRIVER - W/O WINDOWS/TRIMS (L26,L27) |
| 12 | 134039-02-L28 | EA | SIDEWALL - DRIVER - W/O WINDOWS/TRIMS (L28) |
| 12 | 134039-02-L29 | EA | SIDEWALL - DRIVER - W/O WINDOWS/TRIMS (L29) |
| 13 | 055374-03-000 | EA | WHEELWELL - PLASTIC |
| 14 | 131483-01-01A | EA | RAIL - AWNING - 192" - BRIGHT WHITE |
| 15 | 107865-01-000 | EA | ROD - SUPPORT - VALANCE PANEL - 14.3" |
| | | | FROM: 00-00-00 THRU: 03-12-00 |
| 15 | 107865-19-000 | EA | ROD - SUPPORT - VALANCE PANEL - 16.5" |
| | | | FROM: 03-13-00 THRU: 99-99-99 |
| 16 | 107865-07-000 | EA | ROD - SUPPORT - VALANCE PANEL - 12.5" |
| | | | FROM: 00-00-00 THRU: 04-10-00 |
| 16 | 107865-06-000 | EA | ROD - SUPPORT - VALANCE PANEL - 15" |
| | | | FROM: 04-11-00 THRU: 99-99-99 |
| 17 | 134035-02-L26 | EA | ROOF - W/O LIGHTS/VENTS - W/WIRING |
| 18 | 120863-02-000 | EA | BUMPER - RUBBER - 1" DIAMETER X 1.50" |
| 19 | 121117-01-12B | EA | ANGLE - W/O SLOTS - 3.7" X 2" - BRIGHT WHITE |
| 20 | 126903-01-01A | EA | TRIM - SIDEWALL - 60.9" - BRIGHT WHITE |
| 21 | 105312-01-07A | FT | INSERT - VINYL FEATURE STRIP - BRIGHT WHITE |
| 22 | 132442-03-01A | EA | HANDLE - ASSIST |
| 23 | 126901-21-01A | EA | TRIM - SIDEWALL - 195" - BRIGHT WHITE |
| 24 | 134038-02-L26 | EA | SIDEWALL - PASSENGER - W/O WINDOWS/TRIMS (L26,L27) |
| 24 | 134038-02-L28 | EA | SIDEWALL - PASSENGER - W/O WINDOWS/TRIMS (L28) |
| 24 | 134038-02-L29 | EA | SIDEWALL - PASSENGER - W/O WINDOWS/TRIMS (L29) |
| 25 | 127845-06-01A | EA | CAP - SIDEWALL TRIM - LEFT HAND - 2.1" - BRIGHT WHITE |
| | 120524-01-02B | EA | U-CHANNEL/STEEL - 1.78" X 79.1" - E-COATED |

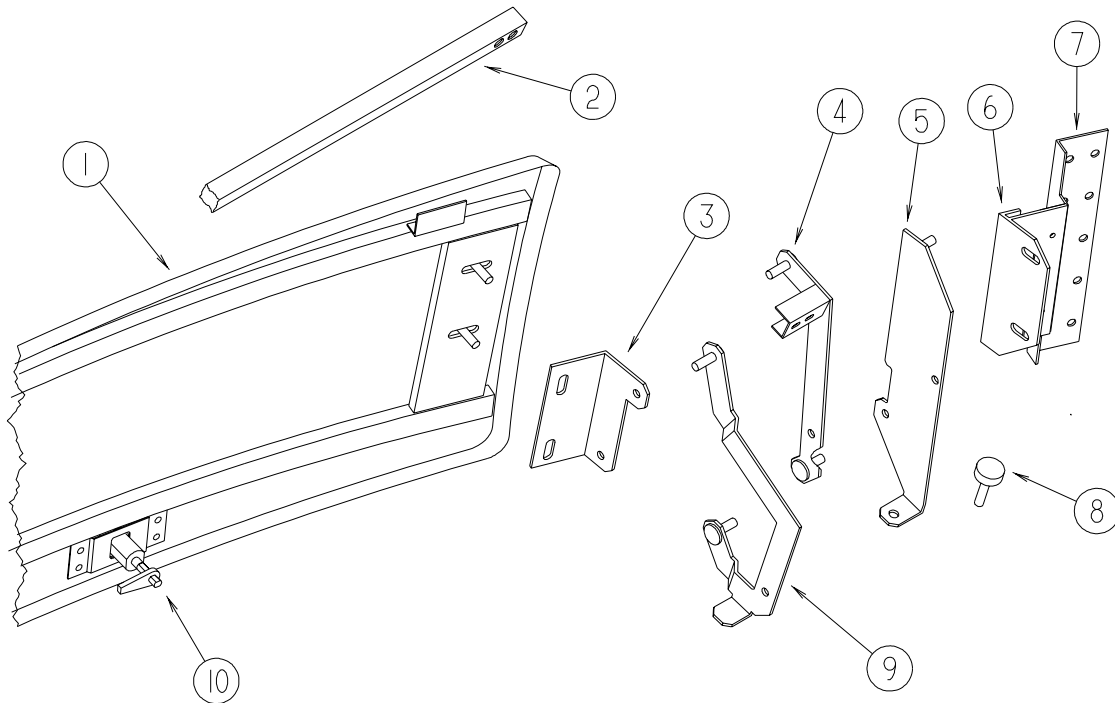
EXTERIOR BODY GROUP (CONTINUED)

FRONT END



| KEY | PART NUMBER | U/M | DESCRIPTION |
|-----|---------------|-----|--|
| 1 | 125304-02-J60 | EA | CAP - ROOF |
| | 118383-01-04A | EA | RETAINER - SCREW - .22" SCREW RECESS - BRIGHT WHITE |
| | 118383-04-04A | EA | CAP - RETAINER/SCREW |
| 2 | 122826-02-02B | EA | BRACKET - BUMPER - DRIVER - E-COATED |
| 3 | 122826-01-02B | EA | BRACKET - BUMPER - PASSENGER - E-COATED |
| 4 | 116617-02-02B | EA | SPACER - BUMPER |
| 5 | 126933-02-02A | EA | SUPPORT - GRILLE - VERTICAL/BLACK |
| 6 | 115924-22-02A | EA | WIRE MESH - F/GRILLE - FLAT BLACK - 7.5" X 51.5" |
| 7 | 115924-23-02A | EA | WIRE MESH - F/GRILLE - FLAT BLACK - 6.1" X 47.6" |
| 8 | 115924-24-02A | EA | WIRE MESH - F/GRILLE - FLAT BLACK - 4.3" X 51.9" |
| 9 | 126845-04-J45 | EA | PANEL - FRONT/LOWER - W/O HOOD/GRILLE - W/O NOTCH |
| | 110782-01-000 | EA | ANGLE - SUPPORT - HEADLAMP |
| | 125846-01-J60 | EA | SUPPORT ASM-WIPER |
| 10 | 110690-02-D18 | EA | PLATE - HEADLAMP - QUAD/LEFT HAND |
| 11 | 127223-01-J50 | EA | HOOD - FRONT |
| 12 | 110690-01-D18 | EA | PLATE - HEADLAMP - QUAD/RIGHT HAND |
| 13 | 126844-01-01A | EA | BEZEL - HEADLAMP - DUAL/PASSENGER - BLACK |
| | 126844-02-01A | EA | BEZEL - HEADLAMP - DUAL/DRIVER - BLACK |
| 14 | 123680-05-01A | EA | TRIM - FIBERGLASS PANEL - RIGHT/LEFT HAND - BRIGHT WHITE |
| | 007157-05-000 | EA | NUT - WELL |

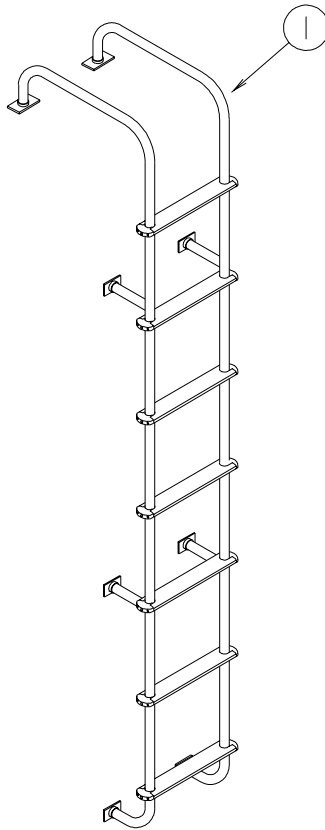
EXTERIOR BODY GROUP (CONTINUED)
FRONT END (CONTINUED)



HOOD & COMPONENTS

| KEY | PART NUMBER | U/M | DESCRIPTION |
|-----|---------------|-----|---|
| 1 | 127223-01-J50 | EA | HOOD - FRONT |
| | 106730-10-000 | EA | PLATE - STUD - F/HOOD |
| 2 | 105096-10-000 | EA | TUBE - HOOD HINGE TIMING W/WELDNUTS |
| 3 | 109927-07-000 | EA | ANGLE - LINK - HOOD/RIGHT HAND |
| | 109927-08-000 | EA | ANGLE - LINK - HOOD/LEFT HAND |
| 4 | 127174-01-02B | EA | LINK - HINGE/HOOD/UPPER/RIGHT HAND |
| | 127174-02-02B | EA | LINK - HINGE/HOOD/UPPER/LEFT HAND |
| 5 | 126867-10-02B | EA | BRACKET - LINK - HOOD HINGE - PASSENGER - E-COATED |
| | 126867-12-02B | EA | BRACKET - LINK - HOOD HINGE - DRIVER - E-COATED |
| 6 | 118595-01-03A | EA | SUPPORT - HINGE LINK - PASSENGER - BRIGHT WHITE |
| | 118595-02-03A | EA | SUPPORT - HINGE LINK - DRIVER - BRIGHT WHITE |
| 7 | 113495-07-02B | EA | SUPPORT - HINGE - E-COATED |
| 8 | 058786-01-000 | EA | BOLT - HOOD ADJUSTMENT - 5/16"-18 X 1.5"-2" - W/BLACK PAD |
| 9 | 127172-02-02B | EA | LINK - HOOD HINGE - LOWER/PASSENGER - E-COATED |
| | 127172-04-02B | EA | LINK - HOOD HINGE - LOWER/DRIVER - E-COATED |
| 10 | 102330-02-000 | EA | LATCH - VISE ACTION/KEY OPERATED |
| | 102328-01-000 | EA | KEY - BARREL - NICKEL PLATED |
| | 106748-01-000 | EA | CATCH - F/VISE ACTION LATCH |

EXTERIOR BODY GROUP (CONTINUED)
LADDER



| KEY | PART NUMBER | U/M | DESCRIPTION |
|------------|--------------------|------------|-----------------------------|
| 1 | 129639-02-01A | EA | LADDER - BRUSHED ALUMINUM |
| | 038327-01-000 | EA | TAPE - ANTI-SLIP - 2" X 60' |

MIRRORS

| KEY | PART NUMBER | U/M | DESCRIPTION |
|------------|--------------------|------------|--|
| * | 106015-12-01A | EA | MIRROR - EXTERIOR REMOTE/HEAT - PASSENGER |
| * | 106015-13-01A | EA | MIRROR - EXTERIOR REMOTE/HEAT - DRIVER |
| * | 123297-01-01A | EA | MIRROR - EXTERIOR - ADJUSTABLE GLASS - DRIVER |
| * | 123297-02-01A | EA | MIRROR - EXTERIOR - ADJUSTABLE GLASS - PASSENGER |

***COMPONENT PARTS FOUND IN SERVICE PARTS LIBRARY**

EXTERIOR BODY GROUP (CONTINUED)

BODY PANEL COMPONENTS

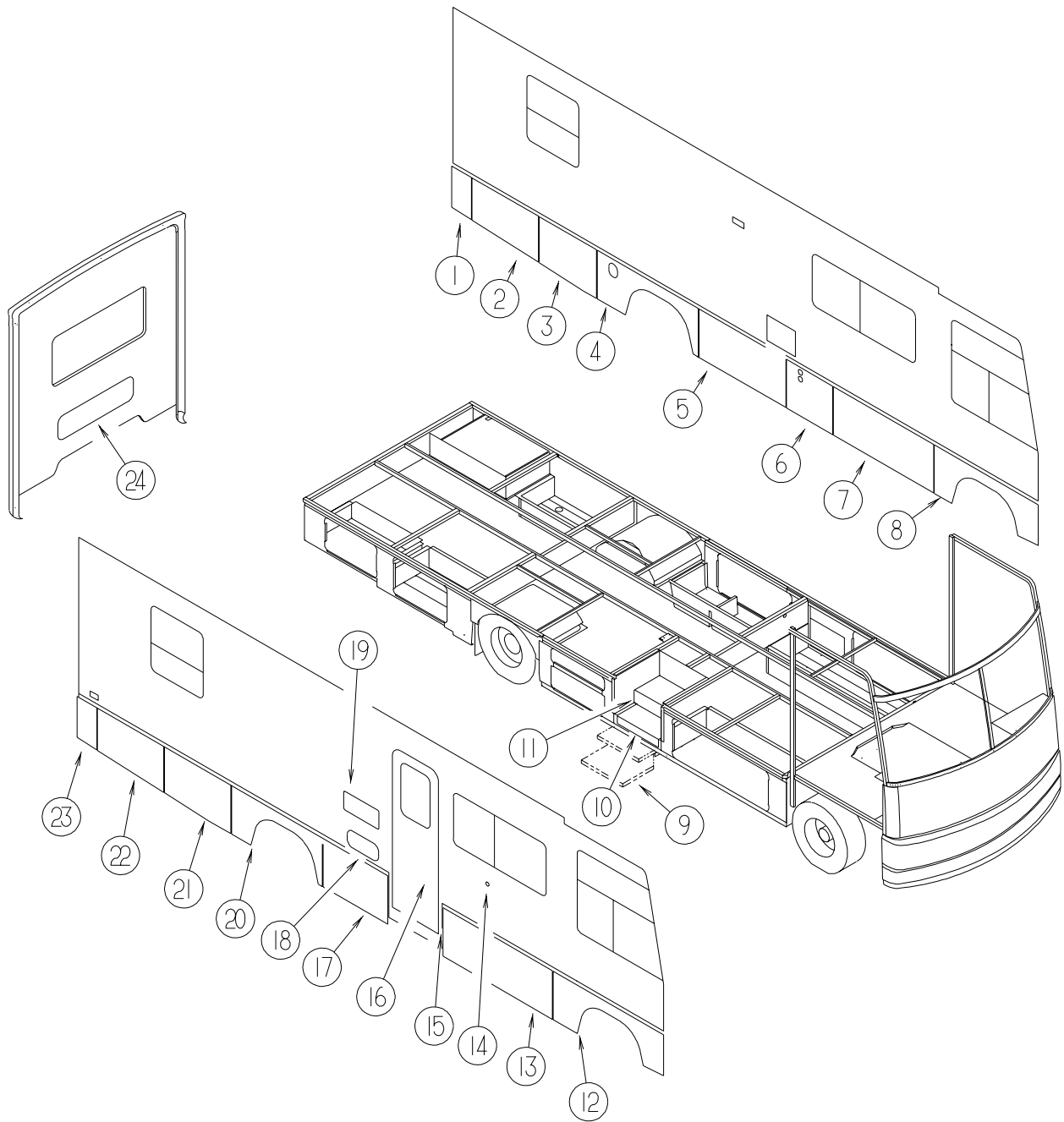
| KEY | PART NUMBER | U/M | DESCRIPTION |
|-----|---------------|-----|--|
| | 076054-U8-000 | EA | FIBERGLASS SHEET - 100" X 105" - BRIGHT WHITE |
| | 076054-W6-000 | EA | FIBERGLASS SHEET - 79" X 367" - BRIGHT WHITE |
| | 076054-W3-000 | EA | FIBERGLASS SHEET - 79" X 361.3" - BRIGHT WHITE |
| | 077517-62-000 | EA | FIBERGLASS SHEET - 48" X 96" - BRIGHT WHITE |
| | 108535-05-702 | SF | FIBERGLASS SHEET - FLAT - 108" X 396" BRIGHT WHITE - ROOF |
| | 120107-01-000 | EA | FOAM - ROOF COVE - 2.8" X 96" LONG |
| | 120107-02-000 | EA | FOAM - PLUG - ROOF TUBE - 2.2" X 2.9" X 1.8" LONG |
| | 120107-03-000 | EA | FOAM - PLUG - SIDEWALL TUBE - 1.2" X 2.1" X 1.8" LONG |
| | 002726-01-001 | EA | GARNISH - U-CHANNEL - 1.38" X 19' - SERRATED |
| | 002766-01-001 | EA | ANGLE - EXTRUDED - 1" X 1.5" X 17' |
| | 068716-01-001 | EA | BRACE - 90 DEGREE - L-ANGLE - 16' |
| | 089297-01-000 | SF | PLYWOOD - LUAN - OVERLAY GRADE - 48" X 96" |
| | 089297-02-000 | SF | PLYWOOD - LUAN - OVERLAY GRADE - 48" X 108" |
| | 100619-01-000 | BF | FOAM - EXPANDED POLYSTYRENE - 1.34" X 48" X 96" |
| | 100619-02-000 | BF | FOAM - EXPANDED POLYSTYRENE - 1.5" X 48" X 96" |
| | 100619-04-000 | BF | FOAM - EXPANDED POLYSTYRENE - .5" X 48" X 96" |
| | 100619-05-000 | BF | FOAM - EXPANDED POLYSTYRENE - .75" X 48" X 96"-1.5 DENSITY |
| | 100619-13-000 | BF | FOAM - EXPANDED POLYSTYRENE - .34" X 34.65" X 96" |
| | 100619-16-000 | BF | FOAM - EXPANDED POLYSTYRENE - .75" X 48" X 96"-2.0 DENSITY |
| | 100619-22-000 | BF | FOAM - EXPANDED POLYSTYRENE - 48" X 120" X 1.34" |
| | 100619-27-000 | BF | FOAM - EXPANDED POLYSTYRENE - 48" X 92.8" X 3" |
| | 105077-08-000 | EA | FOAM - PLUG - ROOF CAP |

AWNINGS

| KEY | PART NUMBER | U/M | DESCRIPTION |
|-----|---------------|-----|---|
| * | 113874-01-02A | EA | HARDWARE KIT - AWNING - W/O STANDOFF BRACKET-BRIGHT WHITE |
| | 113874-06-02A | EA | AWNING - 16' POLAR NAVY TEAL VINYL - BRT/WHT VINYL WRAP |
| | 113874-11-01A | EA | SCREW/LAG - AWNING - 1/4" X 1" STAINLESS STEEL |
| | 113874-12-01A | EA | SCREW/LAG - AWNING - 1/4" X 2 3/4" STAINLESS STEEL |
| | 130320-01-02A | EA | BRACKET - AWNING - F/A&E INSTALLATION - BRIGHT WHITE |

*COMPONENT PARTS FOUND IN SERVICE PARTS LIBRARY

EXTERIOR DOORS & COMPARTMENTS GROUP
DOOR & COMPARTMENT LAYOUT



| KEY | PART NUMBER | U/M | DESCRIPTION |
|-----|---------------|-----|--|
| 1 | 126645-06-L22 | EA | VALANCE/PANEL - REAR DRVR W/O HDWR - 20" X 11.5" X 20.4" |
| | 119568-01-01A | EA | STANDOFF - VALANCE PANEL - BLACK |
| 1 | 123512-01-02B | EA | BRACKET - VALANCE DOOR - E-COATED |
| 2 | 126647-07-L22 | EA | VALANCE/DOOR - DRIVER W/O LATCH - 20.6" X 38.6" X 22.4" |
| 3 | 126647-09-L22 | EA | VALANCE/DOOR - DRIVER W/O LATCH - 22.5" X 33.4" X 23.7" |
| 3 | 129015-01-K80 | EA | PORT COMPLETE - F/ELECTRICAL/DRAIN |
| 3 | 117047-01-000 | EA | BUMPER - RUBBER - WASHER INSERT |
| | 121175-02-01A | EA | LATCH - SWELL |
| | 084852-51-003 | EA | EXTRUDED - ANGLE - 1.25" X .75" X 15' |

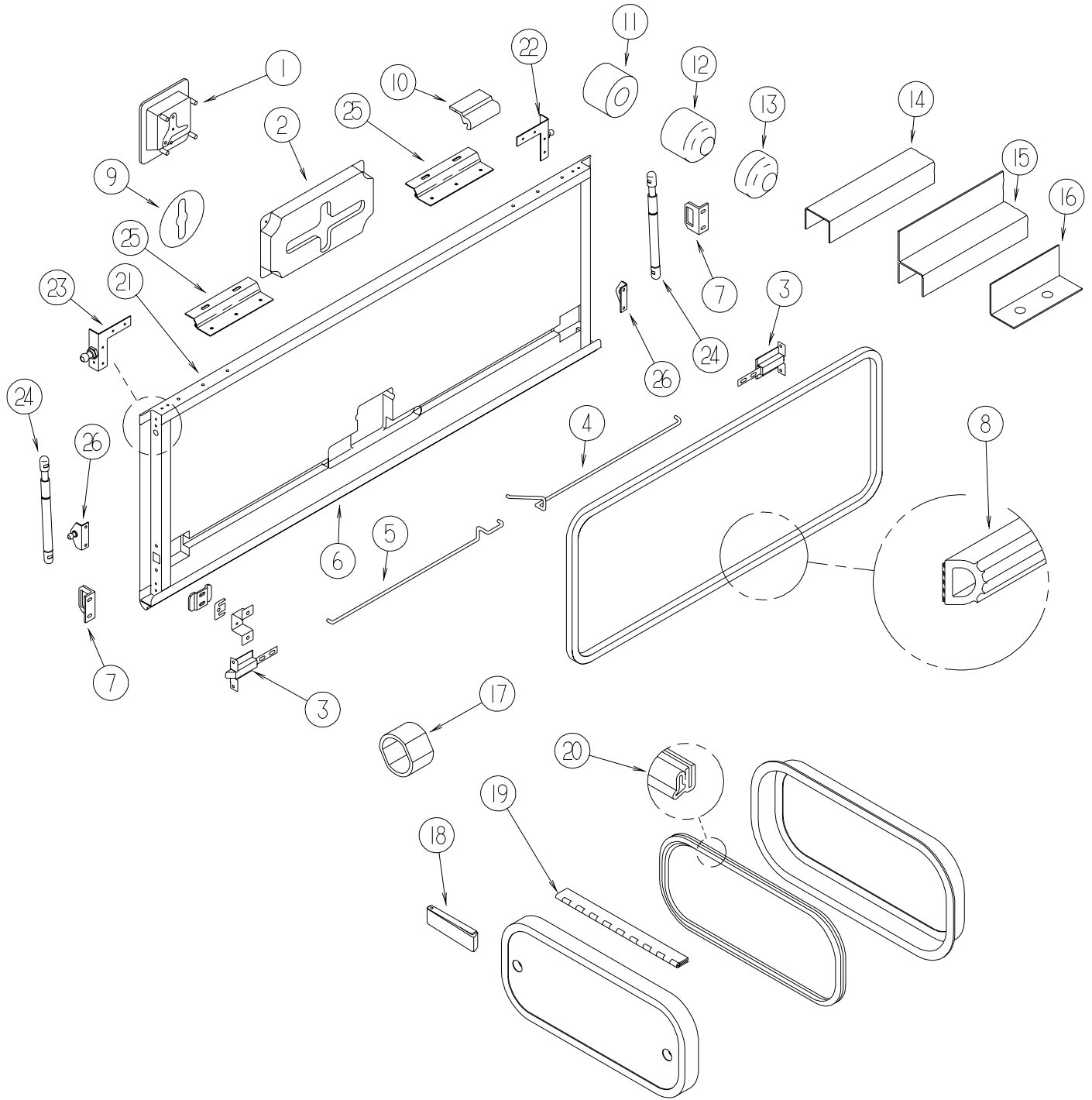
EXTERIOR DOORS & COMPARTMENTS GROUP (CONTINUED)

DOOR & COMPARTMENT LAYOUT (CONTINUED)

| KEY | PART NUMBER | U/M | DESCRIPTION |
|-----|---------------|-----|--|
| 4 | 129421-03-K89 | EA | PANEL/WHEEL LIP - REAR/DRIVER |
| | 129854-11-01A | EA | SUPPORT - WHEEL LIP - 53.8" - MILL |
| 5 | 126646-21-L22 | EA | VALANCE/DOOR - W/O PADDLE LATCH - 48.7"W X 23.7"H |
| | M06991-05-G38 | EA | HATCH - W/FOAM INSULATION- F/SEWER COMPT - 15.4"W X 15.2"H |
| | 117757-01-01A | EA | COMPARTMENT/STORAGE - W/O RETAINER/HATCH |
| | 121175-01-01A | EA | LATCH - SWELL - BLACK |
| | 076767-01-000 | EA | CABLE - STEEL - 12" |
| 6 | 122776-26-K20 | EA | VALANCE/PANEL - W/O HARDWARE - 26.9"W X 23.7"H |
| | 119568-01-01A | EA | STANDOFF - VALANCE PANEL - BLACK |
| 6 | 123512-01-02B | EA | BRACKET - VALANCE DOOR - E-COATED |
| 7 | 122239-C6-L22 | EA | VALANCE/DOOR - W/O PADDLE LATCH/HINGE - 58.2"W X 23.7"H |
| 7 | 126386-24-J22 | EA | COMPARTMENT - LUGGAGE |
| | 126397-01-01A | EA | PANEL/COMPARTMENT END - RIGHT HAND |
| | 126397-02-01A | EA | PANEL/COMPARTMENT END - LEFT HAND |
| 8 | 129422-03-K20 | EA | PANEL/WHEEL LIP - FRONT/DRIVER |
| | 129854-11-01A | EA | SUPPORT - WHEEL LIP - 53.8" - MILL |
| 9* | 132900-01-01A | EA | STEP - ELECTRIC - DOUBLE (SCS) - BLACK |
| 10 | 133114-03-01A | EA | TREAD - RUBBER STEP - 27.1" - TAUPE (L26,L27,L28) |
| 10 | 133114-03-02A | EA | TREAD - RUBBER STEP - 27.1" - BLUE (L29) |
| 10 | 133114-04-01A | EA | TREAD - RUBBER STEP - 26.3" - TAUPE (L26,L27,L28) |
| 10 | 133114-04-02A | EA | TREAD - RUBBER STEP - 26.3" - BLUE (L29) |
| 11 | 101222-01-04A | EA | BRACKET - CATCH - LID - E-COATED |
| 11 | 064075-07-000 | FT | SEAL - BULB - W/WIRED U CHANNEL - .3" X .5" CHANNEL-BLACK |
| 11 | 104452-03-000 | EA | SUPPORT - STEP |
| 12 | 129422-04-K20 | EA | PANEL/WHEEL LIP - FRONT/PASSENGER |
| | 129854-11-01A | EA | SUPPORT - WHEEL LIP - 53.8" - MILL |
| 13 | 122239-C3-L22 | EA | VALANCE/DOOR - W/O PADDLE LATCH/HINGE - 63.6"W X 23.7"H |
| 13 | 126386-23-J22 | EA | COMPARTMENT - LUGGAGE |
| | 126397-01-01A | EA | PANEL/COMPARTMENT END - RIGHT HAND |
| | 126397-02-01A | EA | PANEL/COMPARTMENT END - LEFT HAND |
| | 126516-01-01A | EA | TRIM |
| 14 | 120863-02-000 | EA | BUMPER - RUBBER - 1" DIAMETER X 1.50" |
| 15 | 120863-01-000 | EA | BUMPER - RUBBER - 1 1/4" X 1 1/4" |
| 16 | 115108-02-L20 | EA | DOOR - ENTRY - W/SCREEN DOOR - W/O WINDOW (L26,L27) |
| 16 | 115108-02-L24 | EA | DOOR - ENTRY - W/SCREEN DOOR - W/O WINDOW (L28) |
| 16 | 115108-02-L16 | EA | DOOR - ENTRY - W/SCREEN DOOR - W/O WINDOW (L29) |
| | 069726-02-000 | EA | BUMPER - .88" OD X .40" THICK - BLACK |
| 17 | 126646-31-L22 | EA | VALANCE/DOOR - W/O PADDLE LATCH - 34.1"W X 23.7"H |
| 17 | 117047-01-000 | EA | BUMPER - RUBBER - WASHER INSERT |
| 18 | 126945-01-J22 | EA | DOOR/STORAGE - W/O HARDWARE - 18" X 8.3" |
| 19* | 084103-08-000 | EA | DOOR - VENT - REFRIGERATOR - W/O JAMB - BRIGHT WHITE |
| 19 | 084104-08-000 | EA | JAMB - VENT DOOR/REFRIGERATOR - BRIGHT WHITE |
| 20 | 129421-04-K89 | EA | PANEL/WHEEL LIP - REAR/PASSENGER |
| | 129854-11-01A | EA | SUPPORT - WHEEL LIP - 53.8" - MILL |
| 21 | 126647-06-L22 | EA | VALANCE/DOOR - PASSENGER W/O LATCH - 22.5" X 38.6" X 23.7" |
| 22 | 126647-08-L22 | EA | VALANCE/DOOR - PASSENGER W/O LATCH - 20.6" X 38.6" X 22.4" |
| 23 | 126645-05-L22 | EA | VALANCE/PANEL - REAR PASS W/O HDW - 20" X 11.5" X 20.4" |
| | 119568-01-01A | EA | STANDOFF - VALANCE PANEL - BLACK |
| 23 | 123512-01-02B | EA | BRACKET - VALANCE DOOR - E-COATED |
| 24 | 126944-02-L22 | EA | DOOR/STORAGE - W/O HARDWARE - 43.5" X 11.7" |

*COMPONENT PARTS FOUND IN SERVICE PARTS LIBRARY

EXTERIOR DOORS & COMPARTMENTS GROUP (CONTINUED)
COMPARTMENT DOOR COMPONENTS



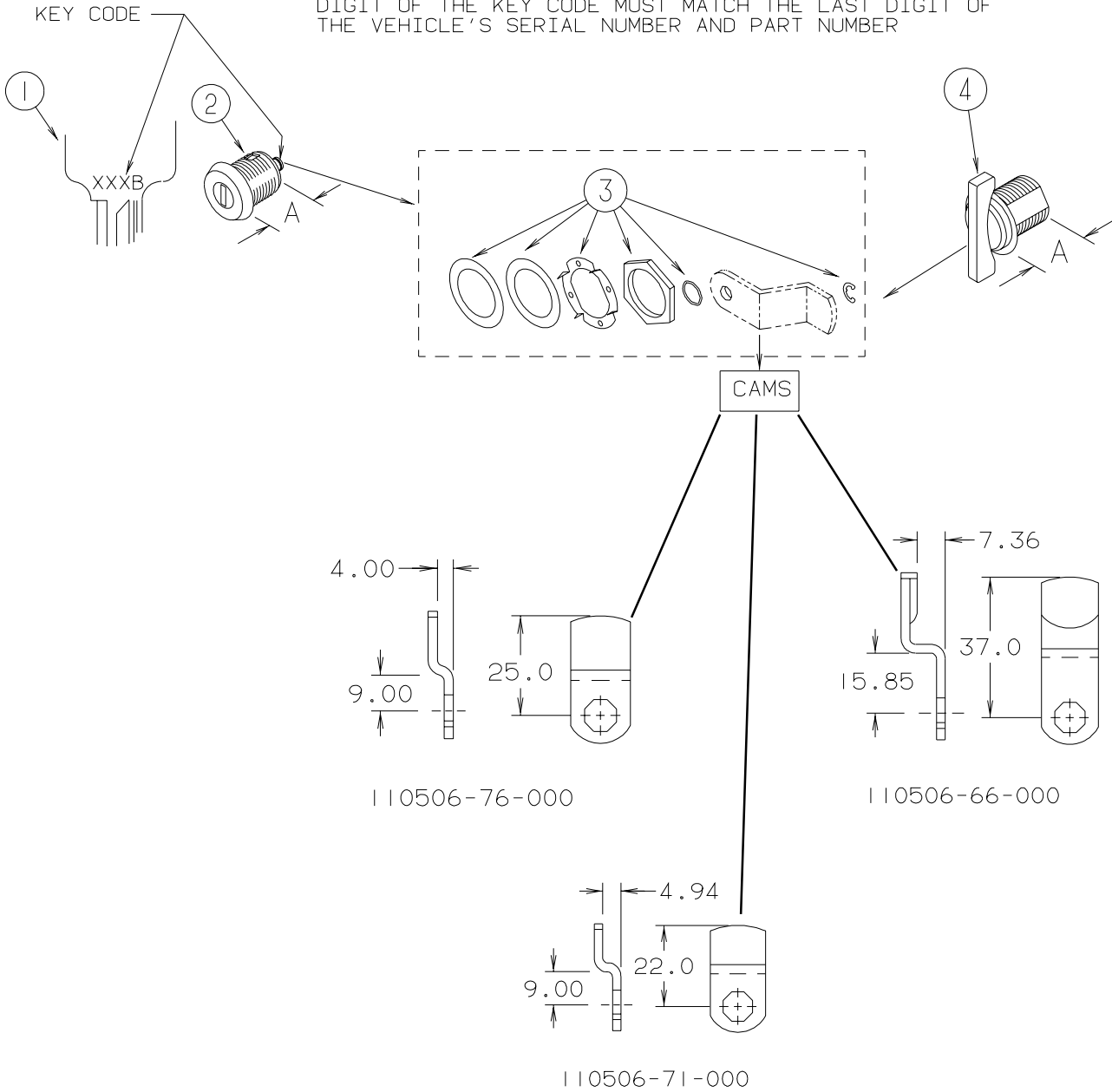
EXTERIOR DOORS & COMPARTMENTS GROUP (CONTINUED)

COMPARTMENT DOOR COMPONENTS (CONTINUED)

| KEY | PART NUMBER | U/M | DESCRIPTION |
|-----|---------------|-----|--|
| 1 | 112949-01-03A | EA | LATCH - PADDLE W/LOCK - W/O KEY - BRIGHT WHITE |
| | 112949-03-000 | EA | KEY - CUT - TRI MARK - #TM500 |
| 1 | 112949-02-04A | EA | LATCH - PADDLE NON-LOCKING - BRIGHT WHITE |
| 2 | 122277-02-01A | EA | COVER - LATCH - BLACK |
| 3 | 121947-01-01A | EA | BOLT - SLIDE W/PLASTIC PLUNGER |
| 4 | 126508-04-000 | EA | ROD - LATCH - 35.4" |
| 5 | 126507-04-000 | EA | ROD - LATCH - 35.4" |
| 6 | 122613-55-001 | EA | ROCKER PANEL/EXTRUSION - 192" - BRIGHT WHITE |
| 7 | 130053-01-01A | EA | STRIKER - LUGGAGE DOOR - FLUSH - BLACK |
| 7 | 130053-02-01A | EA | STRIKER - LUGGAGE DOOR - OFF SET - BLACK |
| 8 | 107721-07-000 | FT | SEAL - ACCESS DOOR |
| 9 | 116424-01-000 | EA | PROTECTOR - LATCH - WATER HEATER |
| 10 | 119143-02-02A | EA | SPACER/CENTER HINGE - COMPARTMENT DOOR - BRIGHT WHITE - 2" |
| 11 | 120863-01-000 | EA | BUMPER - RUBBER - 1 1/4" X 1 1/4" |
| 12 | 120863-02-000 | EA | BUMPER - RUBBER - 1" DIAMETER X 1.50" |
| 13 | 120863-05-000 | EA | BUMPER - RUBBER - 3/4" X 3/8" |
| 14 | 122612-55-008 | EA | U-CHANNEL/EXTRUSION - 144" - BRIGHT WHITE |
| 15 | 122614-55-008 | EA | EXTR-H CHANNEL,BWHT,3658MM |
| 16 | 128298-01-12B | EA | CATCH - F/LOCK - COMPARTMENT DOORS |
| 17 | 107997-51-001 | EA | SPACER - DOOR LOCK - .6" DEEP |
| 17 | 107997-51-002 | EA | EXTRUDED - SPACER - 16' |
| 18 | 102768-01-000 | EA | HOLDER - COMPARTMENT/ENTRY DOOR - METAL - MILL FINISH |
| 19 | 081801-V3-000 | EA | HINGE - ALUMINUM - 2" X 96" - BRIGHT WHITE |
| 20 | 106850-02-000 | FT | SEAL-E - SPONGE RUBBER - .43" X .75" |
| 21 | 126694-55-001 | EA | EXTRUSION - U-CHANNEL/HINGED - 191.7" - BRIGHT WHITE |
| 22 | 123892-10-02B | EA | CORNER STABILIZER W/BALL STUD - LEFT HAND - E-COATED |
| 23 | 123892-12-02B | EA | CORNER STABILIZER W/BALL STUD - RIGHT HAND - E-COATED |
| 24 | 107796-20-000 | EA | SPRING/GAS - 7" COMPRESSED/10" EXTENDED - 60 LB |
| 25 | 131271-01-04A | EA | HINGE - VALANCE DOOR - BRIGHT WHITE |
| 26 | 126263-02-02B | EA | BRACKET - GAS SPRING |

EXTERIOR DOORS & COMPARTMENTS GROUP (CONTINUED)
COMPARTMENT DOOR COMPONENTS (CONTINUED)

NOTE:
 WHEN ORDERING THE LOCK CASE, THE KEY CODE MUST MATCH THE LAST DIGIT OF THE VEHICLE'S SERIAL NUMBER AND PART NUMBER; WHEN ORDERING THE KEYS, THE THIRD DIGIT OF THE KEY CODE MUST MATCH THE LAST DIGIT OF THE VEHICLE'S SERIAL NUMBER AND PART NUMBER



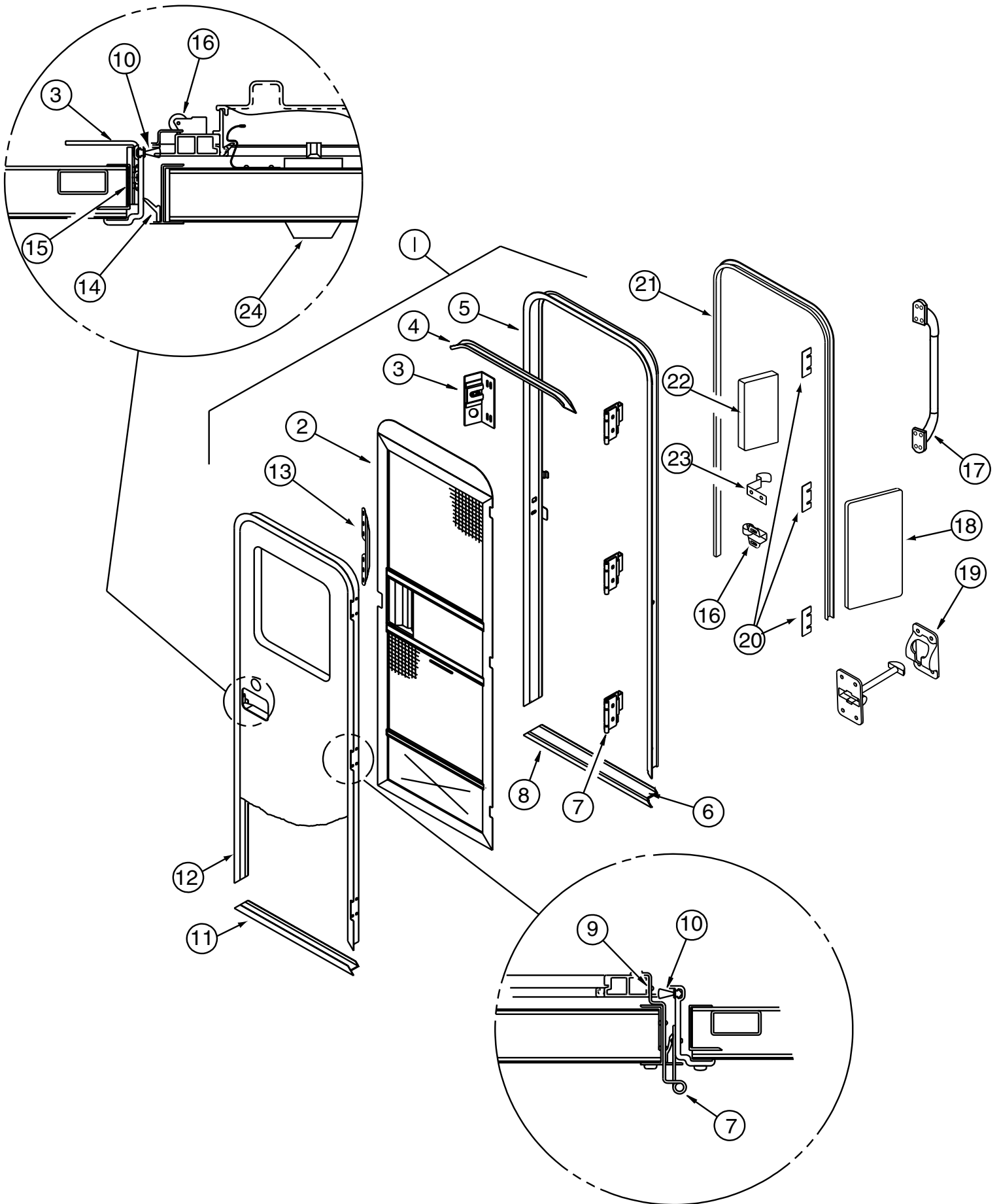
EXTERIOR DOORS & COMPARTMENTS GROUP (CONTINUED)

COMPARTMENT DOOR COMPONENTS (CONTINUED)

| KEY | PART NUMBER | U/M | DESCRIPTION |
|-----|---------------|-----|--|
| 1* | 110506-59-000 | EA | KEYS - SET OF TWO - 596720 |
| 2 | 110506-52-000 | EA | CASE/CYLINDER - LOCKING - W/O CAM/KEY - .65" - 702370 |
| 2 | 110506-54-000 | EA | CASE/CYLINDER - LOCKING - W/O CAM/KEY - 1.25" - 703170 |
| 1* | 110506-59-001 | EA | KEYS - SET OF TWO - 596721 |
| 2 | 110506-52-001 | EA | CASE/CYLINDER - LOCKING - W/O CAM/KEY - .65" - 702371 |
| 2 | 110506-54-001 | EA | CASE/CYLINDER - LOCKING - W/O CAM/KEY - 1.25" - 703171 |
| 1* | 110506-59-002 | EA | KEYS - SET OF TWO - 596722 |
| 2 | 110506-52-002 | EA | CASE/CYLINDER - LOCKING - W/O CAM/KEY - .65" - 702372 |
| 2 | 110506-54-002 | EA | CASE/CYLINDER - LOCKING - W/O CAM/KEY - 1.25" - 703172 |
| 1* | 110506-59-003 | EA | KEYS - SET OF TWO - 596723 |
| 2 | 110506-52-003 | EA | CASE/CYLINDER - LOCKING - W/O CAM/KEY - .65" - 702373 |
| 2 | 110506-54-003 | EA | CASE/CYLINDER - LOCKING - W/O CAM/KEY - 1.25" - 703173 |
| 1* | 110506-59-004 | EA | KEYS - SET OF TWO - 596724 |
| 2 | 110506-52-004 | EA | CASE/CYLINDER - LOCKING - W/O CAM/KEY - .65" - 702374 |
| 2 | 110506-54-004 | EA | CASE/CYLINDER - LOCKING - W/O CAM/KEY - 1.25" - 703174 |
| 1* | 110506-59-005 | EA | KEYS - SET OF TWO - 596725 |
| 2 | 110506-52-005 | EA | CASE/CYLINDER - LOCKING - W/O CAM/KEY - .65" - 702375 |
| 2 | 110506-54-005 | EA | CASE/CYLINDER - LOCKING - W/O CAM/KEY - 1.25" - 703175 |
| 1* | 110506-59-006 | EA | KEYS - SET OF TWO - 596726 |
| 2 | 110506-52-006 | EA | CASE/CYLINDER - LOCKING - W/O CAM/KEY - .65" - 702376 |
| 2 | 110506-54-006 | EA | CASE/CYLINDER - LOCKING - W/O CAM/KEY - 1.25" - 703176 |
| 1* | 110506-59-007 | EA | KEYS - SET OF TWO - 596727 |
| 2 | 110506-52-007 | EA | CASE/CYLINDER - LOCKING - W/O CAM/KEY - .65" - 702377 |
| 2 | 110506-54-007 | EA | CASE/CYLINDER - LOCKING - W/O CAM/KEY - 1.25" - 703177 |
| 1* | 110506-59-008 | EA | KEYS - SET OF TWO - 596728 |
| 2 | 110506-52-008 | EA | CASE/CYLINDER - LOCKING - W/O CAM/KEY - .65" - 702378 |
| 2 | 110506-54-008 | EA | CASE/CYLINDER - LOCKING - W/O CAM/KEY - 1.25" - 703178 |
| 1* | 110506-59-009 | EA | KEYS - SET OF TWO - 596729 |
| 2 | 110506-52-009 | EA | CASE/CYLINDER - LOCKING - W/O CAM/KEY - .65" - 702379 |
| 2 | 110506-54-009 | EA | CASE/CYLINDER - LOCKING - W/O CAM/KEY - 1.25" - 703179 |
| 3* | 110506-40-700 | EA | HARDWARE PACKAGE-CYLINDER/CASE |
| | 110506-59-701 | EA | KEY BLANK (GOLD) |
| 4 | 110506-55-000 | EA | CASE/CYLINDER - TWIST LOCK - W/O CAM - 1.25" - 597312AA1 |

*COMPONENT PARTS FOUND IN SERVICE PARTS LIBRARY

EXTERIOR DOORS & COMPARTMENTS GROUP (CONTINUED)
ENTRY DOOR



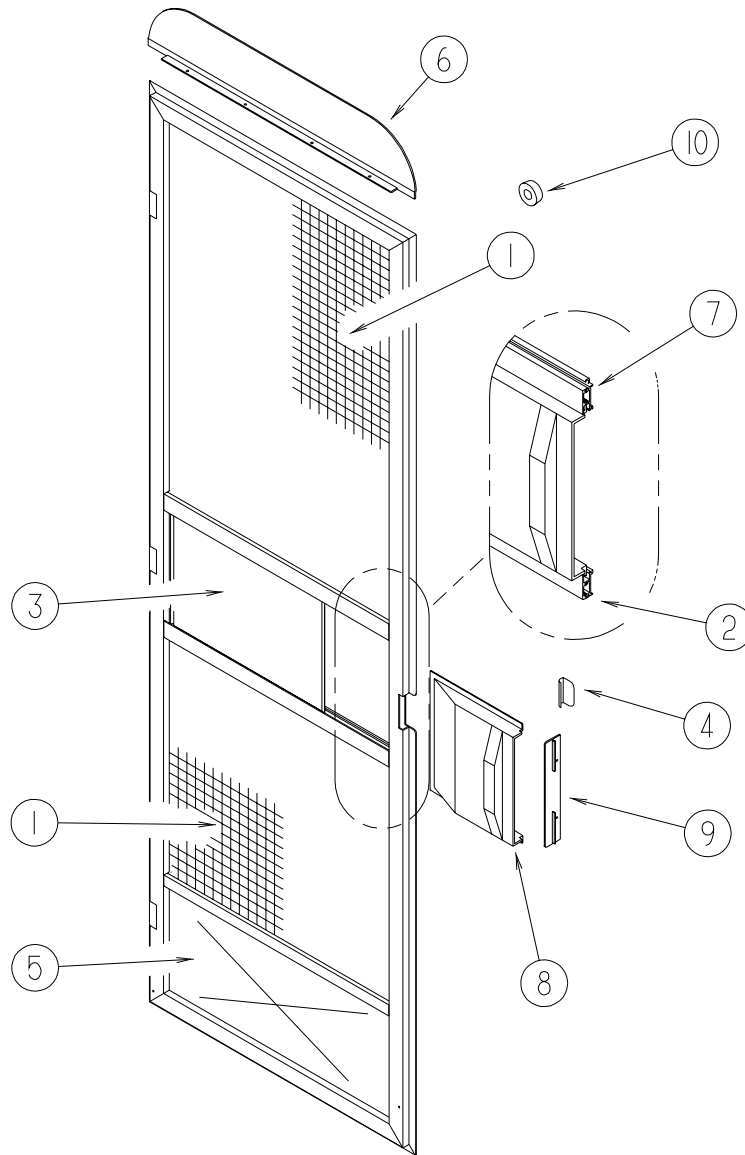
EXTERIOR DOORS & COMPARTMENTS GROUP (CONTINUED)**ENTRY DOOR (CONTINUED)**

| KEY | PART NUMBER | U/M | DESCRIPTION |
|------------|--------------------|------------|--|
| 1 | 115108-02-L20 | EA | DOOR - ENTRY - W/SCREEN DOOR - W/O WINDOW (L26,L27) |
| 1 | 115108-02-L24 | EA | DOOR - ENTRY - W/SCREEN DOOR - W/O WINDOW (L28) |
| 1 | 115108-02-L16 | EA | DOOR - ENTRY - W/SCREEN DOOR - W/O WINDOW (L29) |
| 2 | 121899-01-G04 | EA | DOOR - SCREEN - W/O HARDWARE - BRIGHT WHITE |
| 3 | 041546-07-000 | EA | BRACKET - DOOR ANGLE - OFF WHITE |
| 4 | 044582-44-000 | EA | CAP - DRIP - JAMB - BRIGHT WHITE |
| 5 | 121898-01-01A | EA | JAMB - ENTRY DOOR |
| 6 | 038327-01-000 | EA | TAPE - ANTI SLIP - 2" X 60' |
| 7 | 106719-01-05A | EA | HINGE - ENTRY DOOR - BRIGHT WHITE |
| | 106719-01-01A | EA | HINGE - ENTRY DOOR - MILL |
| | 039715-01-000 | EA | NUT-SERT - 1/4" DIAMETER - 20 THREADS |
| | 116111-02-01A | EA | SCREW - TAPTITE - 1/4-20 X 3/8 PPH - ZINC |
| 8 | 051049-01-000 | EA | JAMB - BOTTOM - ENTRY DOOR - 25.9" - UNPAINTED |
| 9 | 100128-02-000 | FT | SEAL - FOAM/ADHESIVE BACK - .37" WIDE X .37" THICK |
| 10 | 118929-01-01A | FT | SEAL - PILE - PUSH ON |
| 11 | 121893-01-01A | EA | FRAME - ENTRY DOOR/BOTTOM - BRIGHT WHITE |
| 12 | 121894-03-01A | EA | FRAME - ENTRY DOOR |
| 13 | 098173-01-04A | EA | STIFFENER - ENTRY DOOR - SUPPORTS LATCH/STRIKE - UNPAINTED |
| | 072893-04-000 | EA | NUTSERT - 10-32 |
| 14 | 075671-04-000 | FT | SEAL - SPONGE - LAZY T - W/ADHESIVE STRIP - .5" WIDE |
| 15 | 104692-01-000 | FT | SEAL - FOAM/ADHESIVE BACK - .75"THICK X .75"WIDE X 25' |
| 16 | 109403-01-000 | EA | CATCH - SINGLE ROLLER - SCREEN DOOR |
| 17 | 132442-01-01A | EA | HANDLE - ASSIST |
| 18 | 076725-02-000 | EA | COVER - HINGE - ENTRY DOOR - 6" X 3.2" - OFF WHITE |
| 19 | 104099-01-04A | EA | CATCH - DOOR HOLDER - STRIKE - BRIGHT WHITE |
| 19 | 104099-02-04A | EA | CATCH - DOOR HOLDER - RETAINER - BRIGHT WHITE |
| 20 | 102248-01-000 | EA | SHIM - DOOR |
| 21 | 115222-02-01A | EA | GARNISH - RADIUS - ENTRY DOOR |
| 22 | 077461-03-000 | EA | COVER - STRIKE - ENTRY DOOR - 6.5" X 2.5" - WHITE PLASTIC |
| 23 | 100412-01-000 | EA | CATCH - SCREEN DOOR |
| 24* | 101145-01-06A | EA | DEADBOLT - ENTRY DOOR W/O SECURITY BOLT W/2 KEYS - BLACK |
| | 101147-01-000 | EA | BOLT - SECURITY - 4.12" |
| | 090340-01-000 | FT | SEAL - FOAM - CLOSED CELL - 1/4" X 1/2" X 50' |

***COMPONENT PARTS FOUND IN SERVICE PARTS LIBRARY**

EXTERIOR DOORS & COMPARTMENTS GROUP (CONTINUED)

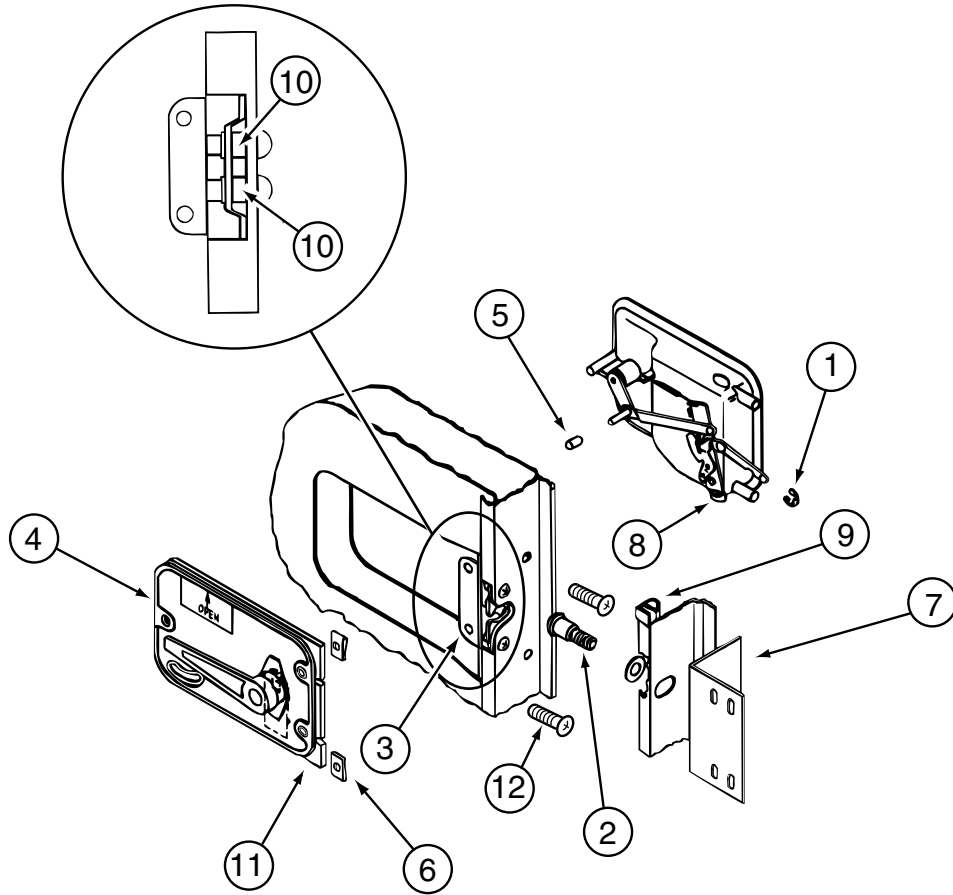
SCREEN DOOR



| KEY | PART NUMBER | U/M | DESCRIPTION |
|-----|---------------|-----|--|
| | 121899-01-G04 | EA | DOOR - SCREEN - W/O HARDWARE - BRIGHT WHITE |
| 1 | 002293-02-000 | SF | SCREEN - 26" - CHARCOAL |
| 2 | 002294-01-000 | FT | SPLINE - SCREENING - .135" X .138" |
| 3 | 016454-01-000 | EA | INSERT - CENTER - LEATHER GRAIN ALUMINUM - UNPAINTED |
| | 001014-01-013 | EA | INSERT - CENTER - 10.25" X 16.31" - UNPAINTED |
| 4 | 050712-06-000 | EA | HANDLE - SCREEN DOOR - BRIGHT WHITE |
| 5 | 078552-03-000 | EA | KICK PANEL - SCREEN DOOR - LOWER INSERT - UNPAINTED |
| 6 | 078595-01-000 | EA | TOP PLATE - SCREEN DOOR - CURVED TOP - 4.7" X 25.35" |
| 7 | 078777-08-000 | FT | CHANNEL - SLIDER |
| 8 | 079086-03-000 | EA | SLIDER - SCREEN DOOR - BRIGHT WHITE |
| 9 | 079087-03-000 | EA | STRIKE - SLIDER - SCREEN DOOR - BRIGHT WHITE |
| 10 | 120863-06-000 | EA | BUMPER - RUBBER - 3/4" X 3/8" |
| | 075673-05-000 | FT | SEAL - PILE - ADHESIVE BACK - BLACK |

EXTERIOR DOORS & COMPARTMENTS GROUP (CONTINUED)

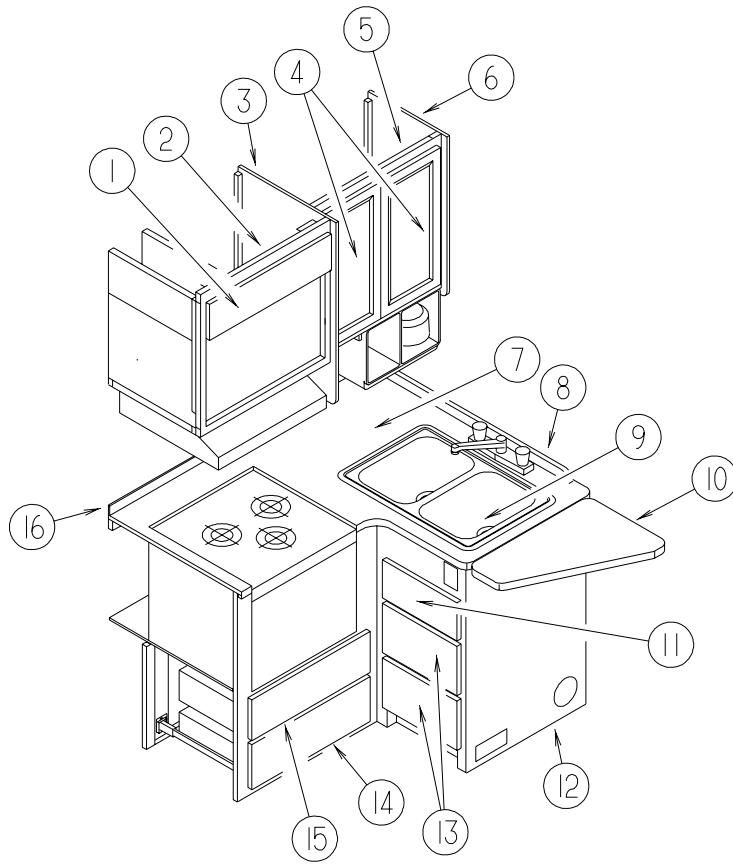
LATCH - ENTRY DOOR



| KEY | PART NUMBER | U/M | DESCRIPTION |
|-----|---------------|-----|--|
| 1 | 036618-02-000 | EA | E-RING - EXTERNAL - 3/16" SHAFT DIAMETER - LYNOR DOOR LOCK |
| 2 | 039539-01-000 | EA | STRIKE - LOCK - ENTRY DOOR - ROUND W/THREADED WASHER |
| 3 | 039540-01-000 | EA | LATCH MECHANISM - HOOK - ENTRY DOOR - INTERIOR |
| 4 | 039979-06-000 | EA | COVER - LATCH PLATE - RIGHT HAND - BLACK TEXTURED |
| 5 | 039984-01-000 | EA | CAP - ROUND - VINYL - .28" ID X .62" - BLACK |
| 6 | 040921-01-000 | EA | NUT-SPEED-U TYPE 10-24 BLACK |
| 7 | 041546-07-000 | EA | BRACKET - DOOR ANGLE - OFF WHITE |
| 8* | 045017-13-000 | EA | LATCH - ENTRY DOOR - BLACK TEXTURED |
| 9 | 064075-07-000 | FT | SEAL - BULB - W/WIRED U CHANNEL - .3" X .5" CHANNEL-BLACK |
| 10 | 086285-05-000 | EA | SPACER - NYLON - .7" X .56" |
| 11 | 096810-01-01A | EA | PLATE - LATCH - ENTRY DOOR - BLACK |
| 12 | 000G54-04-20B | EA | SCREW - 1/4-20 X 1 1/4 PTH TYP 23 |
| | 130444-01-01A | EA | CAP - KEY IDENTIFIER - GRAY |

*COMPONENT PARTS FOUND IN SERVICE PARTS LIBRARY

GALLEY GROUP CABINETS

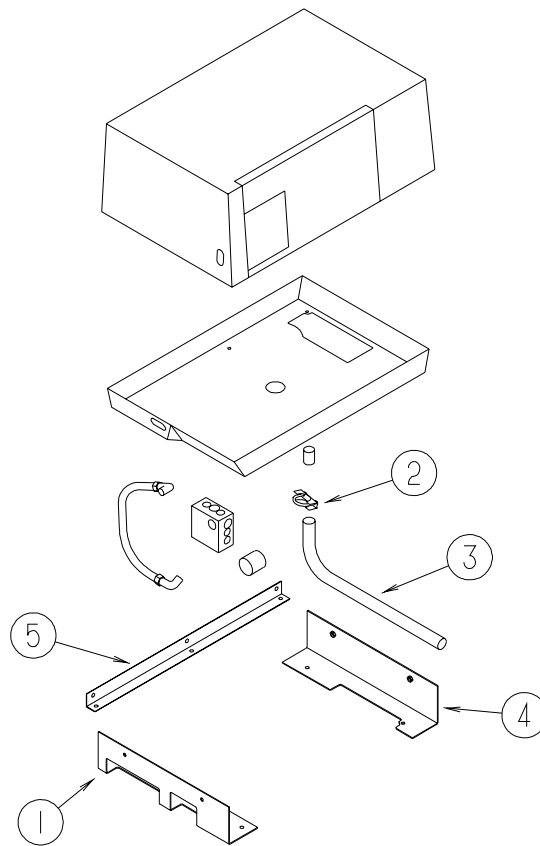


GALLEY GROUP (CONTINUED)

CABINETS (CONTINUED)

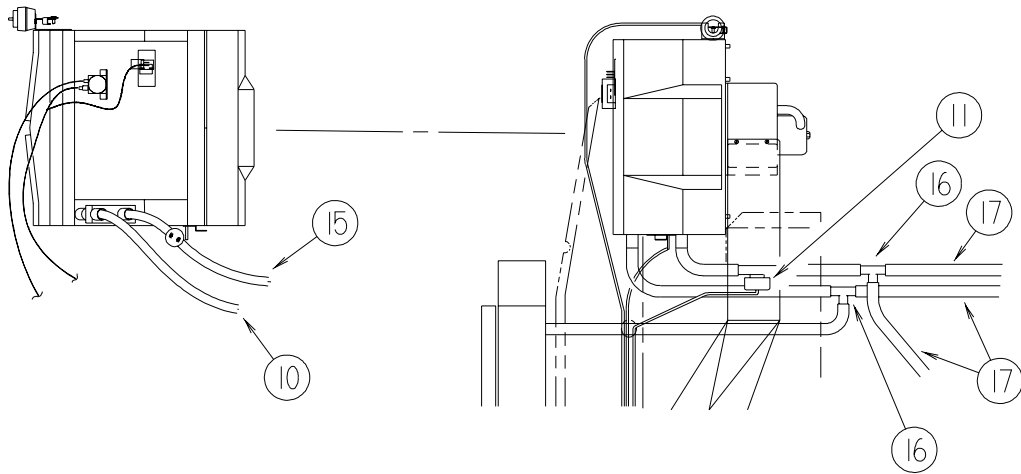
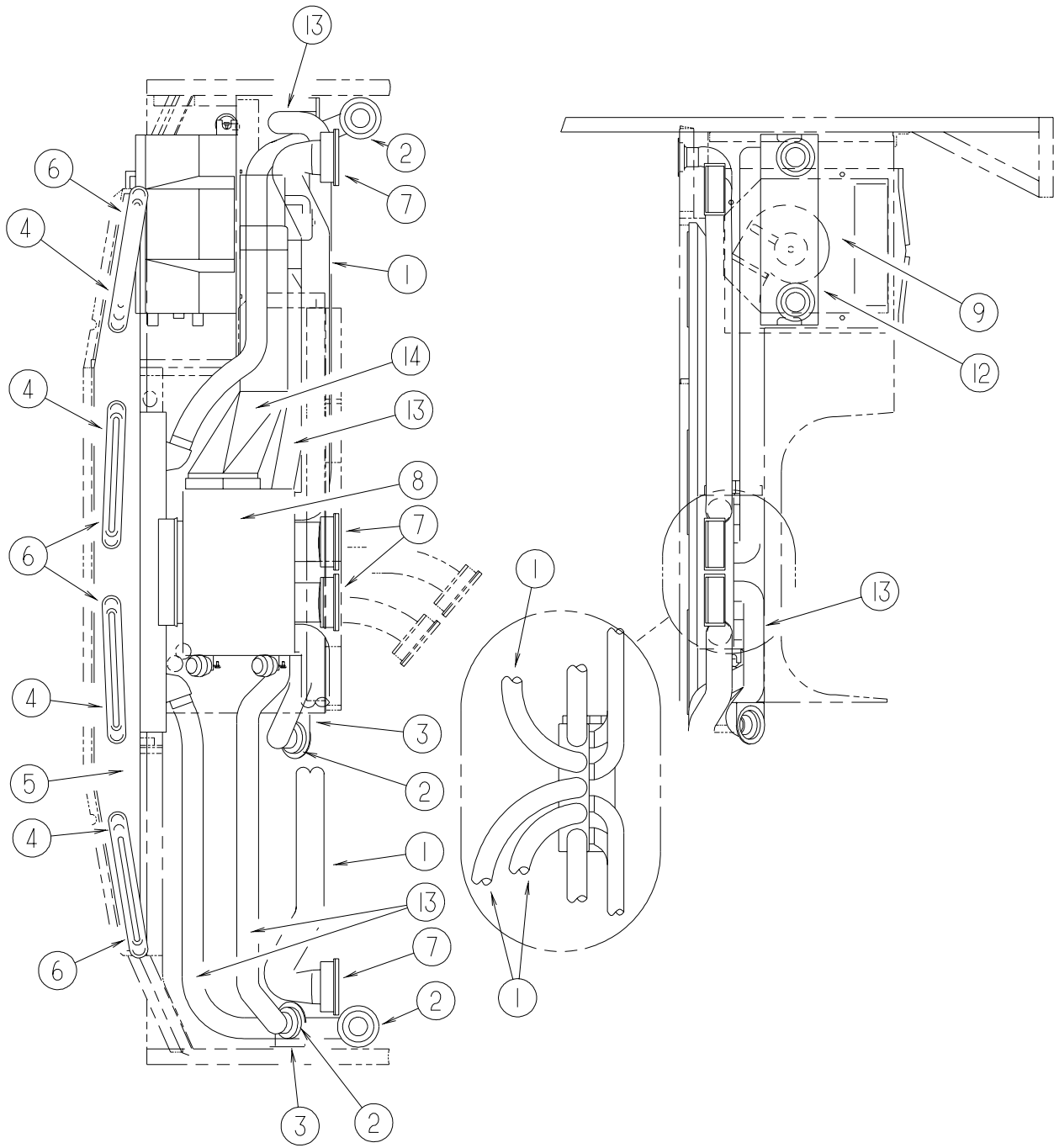
| KEY | PART NUMBER | U/M | DESCRIPTION |
|-----|---------------|-----|--|
| 1 | 131995-K2-L26 | EA | DOOR - RAIL/SOLID PANEL - 6.3" X 23.2" - W/O HARDWARE |
| 2 | 128620-09-K20 | EA | CABINET - MICROWAVE - W/O DOORS/HARDWARE |
| 3 | 081320-16-G09 | EA | END CAP - OVERHEAD CABINET |
| 4 | 132141-83-L26 | EA | DOOR - RAIL/VENEER - 10.2" X 21.4" - W/O HARDWARE |
| 5 | 122174-02-J22 | EA | CABINET - OVERHEAD/GALLEY - W/O DOORS/HARDWARE |
| | 122174-11-J55 | EA | SHELF - W/PLASTIC EDGE TRIM |
| 6 | 103128-11-H33 | EA | END CAP - OVERHEAD CABINET - RIGHT HAND |
| 7 | 130248-21-L26 | EA | COUNTERTOP - GALLEY CABINET (L26) |
| 7 | 130248-21-L23 | EA | COUNTERTOP - GALLEY CABINET (L27) |
| 7 | 130248-21-L24 | EA | COUNTERTOP - GALLEY CABINET (L28) |
| 7 | 130248-21-L25 | EA | COUNTERTOP - GALLEY CABINET (L29) |
| 7 | 130248-16-L26 | EA | COUNTERTOP - GALLEY CABINET (L26) - COMFORT & CONVENIENCE PACKAGE |
| 7 | 130248-16-L23 | EA | COUNTERTOP - GALLEY CABINET (L27) - COMFORT & CONVENIENCE PACKAGE |
| 7 | 130248-16-L24 | EA | COUNTERTOP - GALLEY CABINET (L28) - COMFORT & CONVENIENCE PACKAGE |
| 7 | 130248-16-L25 | EA | COUNTERTOP - GALLEY CABINET (L29) - COMFORT & CONVENIENCE PACKAGE |
| 8 | 098335-22-L26 | EA | RAIL - GALLEY - 37.4" (L26) |
| 8 | 098335-22-L23 | EA | RAIL - GALLEY - 37.4" (L27) |
| 8 | 098335-22-L24 | EA | RAIL - GALLEY - 37.4" (L28) |
| 8 | 098335-22-K20 | EA | RAIL - GALLEY - 37.4" (L29) |
| 8 | 130248-17-L26 | EA | BACKSPLASH - GALLEY COUNTERTOP (L26) - COMFORT & CONVENIENCE PACKAGE |
| 8 | 130248-17-L23 | EA | BACKSPLASH - GALLEY COUNTERTOP (L27) - COMFORT & CONVENIENCE PACKAGE |
| 8 | 130248-17-L24 | EA | BACKSPLASH - GALLEY COUNTERTOP (L28) - COMFORT & CONVENIENCE PACKAGE |
| 8 | 130248-17-K20 | EA | BACKSPLASH - GALLEY COUNTERTOP (L29) - COMFORT & CONVENIENCE PACKAGE |
| 9 | 108464-01-L26 | EA | COVER - SINK - 15.2" X 11.1" - LAMINATED ON BOTH SIDES (L26) |
| 9 | 108464-01-L23 | EA | COVER - SINK - 15.2" X 11.1" - LAMINATED ON BOTH SIDES (L27) |
| 9 | 108464-01-L24 | EA | COVER - SINK - 15.2" X 11.1" - LAMINATED ON BOTH SIDES (L28) |
| 9 | 108464-01-J37 | EA | COVER - SINK - 15.2" X 11.1" - LAMINATED ON BOTH SIDES (L29) |
| 10 | 130248-22-L26 | EA | EXTENSION - GALLEY CABINET (L26) |
| 10 | 130248-22-L23 | EA | EXTENSION - GALLEY CABINET (L27) |
| 10 | 130248-22-L24 | EA | EXTENSION - GALLEY CABINET (L28) |
| 10 | 130248-22-L25 | EA | EXTENSION - GALLEY CABINET (L29) |
| 10 | 130248-15-L26 | EA | EXTENSION - GALLEY COUNTERTOP (L26) - COMFORT & CONVENIENCE PACKAGE |
| 10 | 130248-15-L23 | EA | EXTENSION - GALLEY COUNTERTOP (L27) - COMFORT & CONVENIENCE PACKAGE |
| 10 | 130248-15-L24 | EA | EXTENSION - GALLEY COUNTERTOP (L28) - COMFORT & CONVENIENCE PACKAGE |
| 10 | 130248-15-K20 | EA | EXTENSION - GALLEY COUNTERTOP (L29) - COMFORT & CONVENIENCE PACKAGE |
| 11 | M09316-17-L26 | EA | DRAWER - OGEE EDGE - 13.9"W X 21.6"D - W/O SLIDES/HARDWARE |
| 12 | M09404-05-L22 | EA | CABINET - GALLEY - W/O COUNTERTOP/DOORS/DRAWERS/HARDWARE |
| 13 | M09316-18-L26 | EA | DRAWER - OGEE EDGE - 13.9"W X 21.6"D - W/O SLIDES/HARDWARE |
| 14 | M09316-F5-L26 | EA | DRAWER - OGEE EDGE - 19"W X 12"D - W/O SLIDES/HARDWARE |
| 15 | M09316-F4-L26 | EA | DRAWER - OGEE EDGE - 19"W X 12"D - W/O SLIDES/HARDWARE |
| 16 | 130248-18-K20 | EA | BACKSPLASH - GALLEY COUNTERTOP (L26,L27,L28,L29) - COMFORT & CONVENIENCE PACKAGE |

GENERATOR GROUP GAS



| KEY | PART NUMBER | U/M | DESCRIPTION |
|-----|---------------|-----|---|
| | 109982-03-000 | EA | GENERATOR - 4.0 MICROLITE |
| | 007067-01-000 | SF | INSULATION - FIBERGLASS - 1" THICK X 4'-INCREMENTS 4 SF |
| 1 | 114070-02-02B | EA | SUPPORT - GENERATOR - LEFT |
| 2 | 007125-04-000 | EA | CLAMP - MUFFLER - 1.12" DIAMETER |
| 3 | 105958-09-000 | EA | PIPE - GENERATOR EXHAUST - 1.3" OD X 5.9" X 22" |
| 4 | 114071-02-02B | EA | SUPPORT - GENERATOR - RIGHT |
| 5 | 104644-01-000 | EA | ANGLE - FORMED - GENERATOR |

HEATING & A/C GROUP AUTOMOTIVE



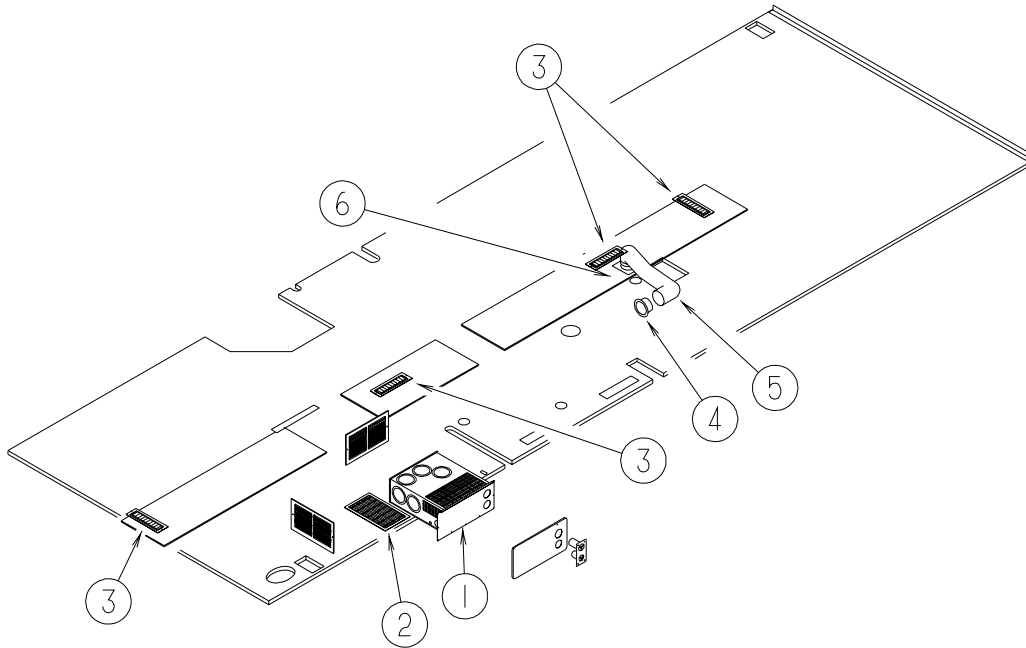
HEATING & A/C GROUP (CONTINUED)
AUTOMOTIVE (CONTINUED)

| KEY | PART NUMBER | U/M | DESCRIPTION |
|-----|---------------|-----|--|
| 1 | 007281-01-000 | EA | HOSE - FLEXIBLE PVC - 2.5" ID X 50' |
| 2 | 024990-05-000 | EA | OUTLET - DEFROSTER - 4" DIAMETER W/SWIVEL DEFLECTORS |
| 3 | 056402-05-000 | EA | BRACKET - HEATER VENT - ROUND W/BEND - BLACK |
| 4 | 077075-01-000 | EA | GASKET - INSTRUMENT PANEL/DEFROSTER PLENUM - .6" X 10.2" |
| 5 | 103017-03-000 | EA | PLENUM - DEFROSTER |
| 6 | 103558-04-04A | EA | VENT - DEFROSTER - PLASTIC/1.4" X 14.4" X 1.1"/TITANIUM FROM: 00-00-00 THRU: 04-30-00 |
| 6 | 135265-01-02A | EA | VENT - DEFROSTER - TITANIUM FROM: 05-01-00 THRU: 99-99-99 |
| 7 | 103796-01-01A | EA | LOUVER - A/C-ADJUSTABLE - 2.2" X 5.4" F/2.5" HOSE - BLACK FROM: 00-00-00 THRU: 03-26-00 |
| 7 | 135803-01-01A | EA | LOUVER - A/C - 2.5" - BLACK FROM: 03-27-00 THRU: 99-99-99 |
| 8* | 103930-39-000 | EA | CONTROL/PLENUM - ROTARY |
| 9* | 103930-43-000 | EA | EVAPORATOR/HEATER ASSEMBLY - NON-CHARGED |
| 10* | 103930-46-000 | EA | HOSE - EXPANSION BLOCK (EVAPORATOR) TO COMPRESSOR |
| 11 | 103930-23-000 | EA | VALVE - WATER - 2 PORT |
| 12 | 095757-05-L17 | EA | COVER - HEATER (L26) |
| 12 | 095757-05-L23 | EA | COVER - HEATER (L27) |
| 12 | 095757-05-L24 | EA | COVER - HEATER (L28) |
| 12 | 095757-05-L25 | EA | COVER - HEATER (L29) |
| 12 | 077539-01-000 | EA | BRACKET - MOUNTING/DASH PANEL - L/SHAPED - 2.5"X1"X1.5" FROM: 00-00-00 THRU: 10-08-99 |
| 13 | 007076-01-000 | EA | HOSE - FLEXIBLE PVC - 2" ID - INCREMENTS OF 50' |
| 14 | 103016-03-000 | EA | PLENUM - TRANSITION |
| 15* | 103930-47-000 | EA | HOSE - EXPANSION VALVE - RECEIVER DRIER |
| 16 | 076776-01-000 | EA | TEE - BEADED - 5/8" X 5/8" X 5/8" |
| 17 | 007108-01-000 | FT | HOSE - HEATER - 5/8" ID - HI-TEMP |
| | 103930-37-000 | EA | MANUAL - OWNERS - HEATER/A/C |
| | 7SB003-97-01A | EA | SCS/FRIGETTE SERVICE MANUAL AIR CONDITIONING |

***COMPONENT PARTS FOUND IN SERVICE PARTS LIBRARY**

HEATING & A/C GROUP (CONTINUED)

FURNACE

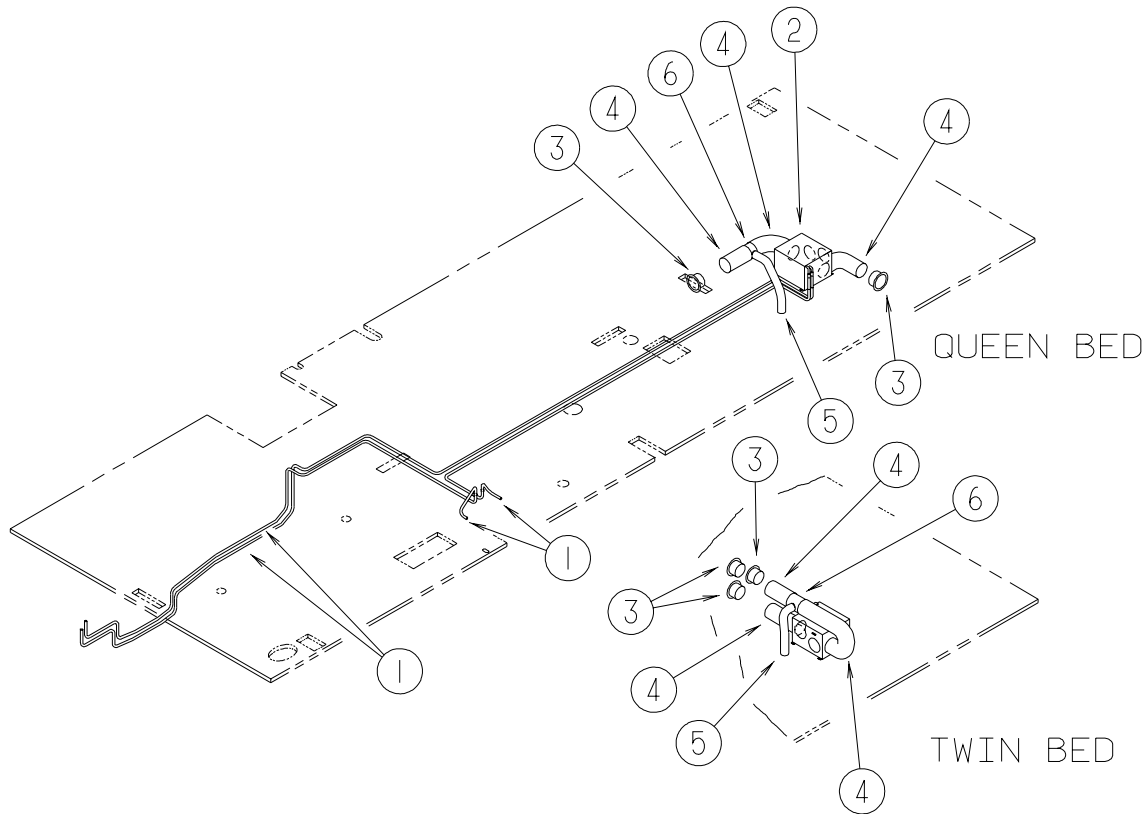


| KEY | PART NUMBER | U/M | DESCRIPTION |
|-----|---------------|-----|--|
| 1* | 098668-21-000 | EA | FURNACE - 35000 BTU |
| 1 | 098668-14-000 | EA | GASKET - FIBERGLASS - .5" X 18" X 18" |
| 1 | 098668-15-000 | EA | PLATE-FACE |
| 1 | 098668-16-000 | EA | VENT-INTAKE |
| 1 | 098668-23-000 | EA | DOOR - ACCESS - FURNACE - BRIGHT WHITE |
| 2 | 118200-01-01A | SF | MESH - PLASTIC - 1/2" - BLACK |
| 2 | 093614-03-02A | EA | GRILLE - RETURN AIR - 14" X 8" - BEIGE - DINETTE |
| 2 | 093614-04-02A | EA | GRILLE - RETURN AIR - 15.9" X 9.9" - TABLE & CHAIRS OPTION |
| 3 | 094600-05-01A | EA | REGISTER W/O DAMPER-3.6" X 11.3" FACE/2.1" X 9.9" RO-BEIGE |
| 4 | 056464-09-000 | EA | REGISTER W/DAMPER - 4" DIAMETER - PLASTIC - BEIGE |
| 5 | 009198-01-000 | FT | DUCT - HEAT - FLEXIBLE - 4" ID X 25' |
| 6 | 092777-01-000 | EA | ADAPTER - DUCT - 4" |
| | 009200-01-000 | EA | TAPE - FURNACE - 1 1/2" |

***COMPONENT PARTS FOUND IN SERVICE PARTS LIBRARY**

HEATING & A/C GROUP (CONTINUED)

REAR HEATER



| KEY | PART NUMBER | U/M | DESCRIPTION |
|-----|---------------|-----|---|
| 1 | 079059-01-000 | EA | HOSE - 90 DEGREE - 5/8"ID X 4" X 36" |
| 2* | 084405-01-000 | EA | HEATER - REAR/DUCTED - W/MOTOR AID |
| 3 | 056464-10-000 | EA | REGISTER W/O DAMPER - 4" DIAMETER - PLASTIC - BEIGE |
| 4 | 009198-01-000 | FT | DUCT - HEAT - FLEXIBLE - 4" ID X 25' |
| 4 | 069636-02-000 | EA | CONNECTOR - DUCT - 4" ID |
| 5 | 009198-02-000 | FT | DUCT - HEAT - FLEXIBLE - 2" ID X 25' |
| 6 | 089367-02-000 | EA | TEE - 4" X 2" X 4" |
| | 008042-01-000 | FT | TUBING - VINYL - .65" ID |

***COMPONENT PARTS FOUND IN SERVICE PARTS LIBRARY**

ROOF

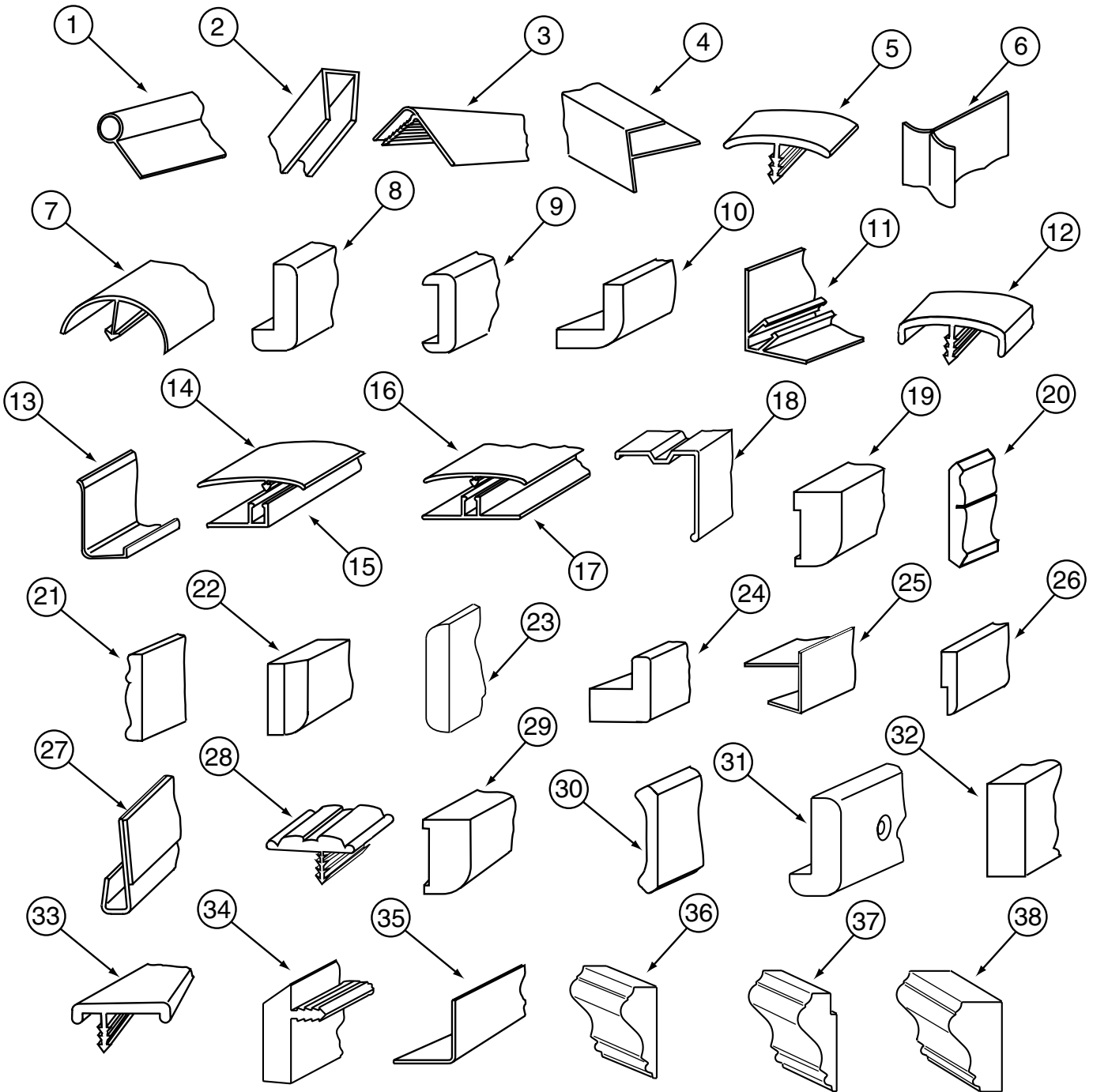
| KEY | PART NUMBER | U/M | DESCRIPTION |
|-----|---------------|-----|--|
| | 117238-01-01A | EA | THERMOSTAT - A/C - FURNACE |
| | 120134-01-02A | EA | REGISTER - W/DAMPER - 4" PIPE/7" O.D. FACE - WHITE |
| * | 131184-01-01A | EA | CEILING ASSEMBLY - A/C DUCTED - WHITE |
| | 131184-02-01A | EA | BOARD - DIVIDER - SILVER |
| * | 131188-01-01A | EA | A/C - ROOF - 14,800 MACH 15 - WHITE |

***COMPONENT PARTS FOUND IN SERVICE PARTS LIBRARY**

INTERIOR FINISH GROUP

MOLDINGS & TRIMS

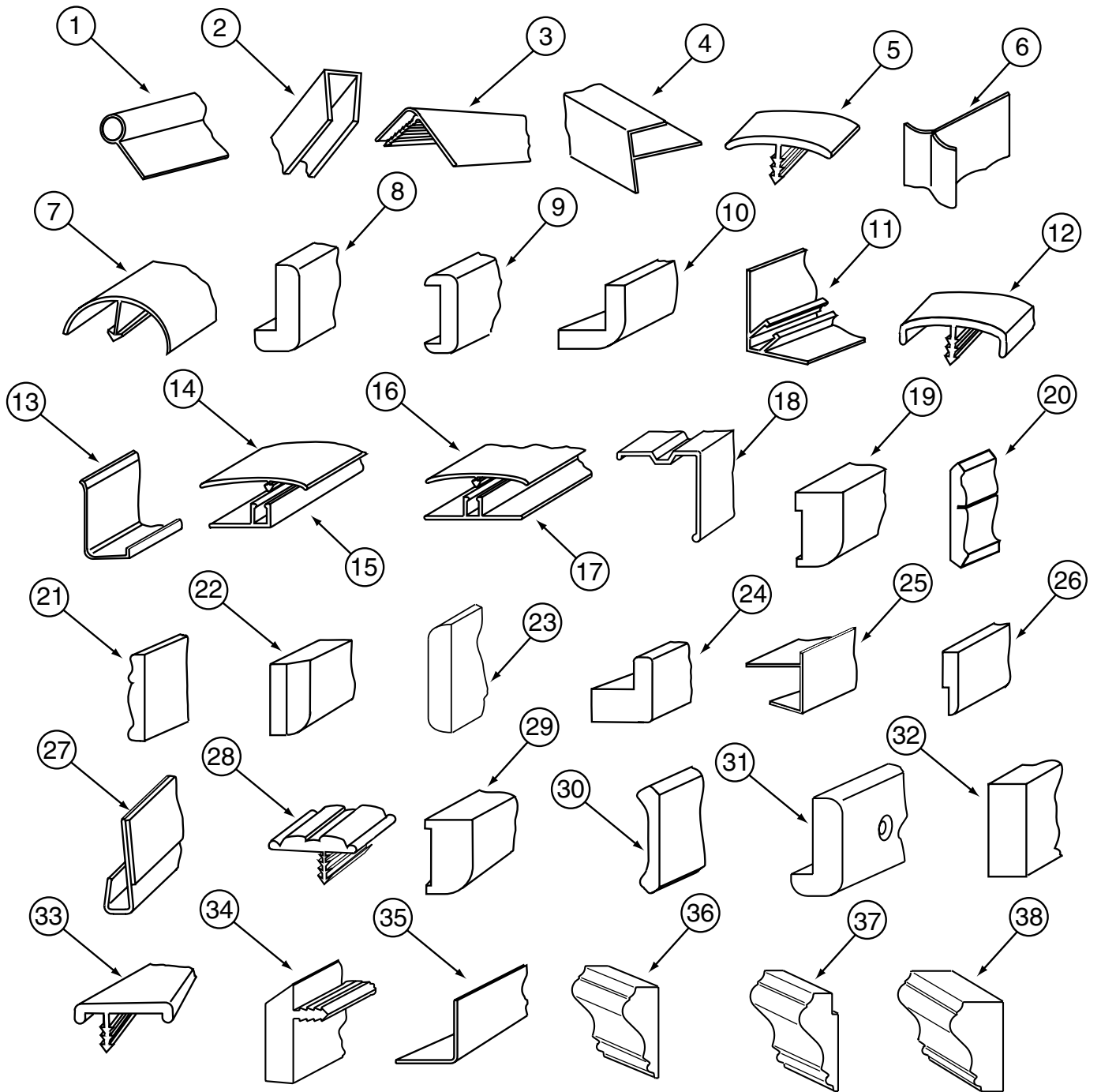
WATERFORD OAK



| KEY | PART NUMBER | U/M | DESCRIPTION |
|-----|---------------|-----|---|
| 1 | 009767-12-000 | FT | WELTING - ANTIQUE WHITE |
| 1 | 009767-14-000 | FT | WELTING - CHERRY |
| 1 | 009767-15-000 | FT | WELTING - WATERFORD OAK |
| 1 | 009767-16-000 | FT | WELTING - REBER BIRCH |
| 2 | 009778-16-000 | FT | U-CHANNEL - 1" - PICKLED ASH |
| 2 | 009778-18-000 | FT | U-CHANNEL - 1" - CHERRY WOOD/CHERRY STAIN |
| 2 | 009778-21-000 | FT | U-CHANNEL - 1" - WATERFORD OAK |
| 2 | 009778-25-000 | FT | U-CHANNEL - 1" - BEIGE ILLUSION |
| 2 | 009778-27-000 | FT | U-CHANNEL - 1" - WASHED MAPLE |
| 2 | 009778-31-000 | FT | U-CHANNEL - 1" - GRADY BROWN |
| 2 | 070504-03-000 | FT | U-CHANNEL - PLASTIC - .9" X 96" - GRADY BROWN |
| 2 | 070504-18-000 | FT | U-CHANNEL - PLASTIC - .13" X 84" - IVORY |

INTERIOR FINISH GROUP (CONTINUED)
MOLDINGS & TRIMS (CONTINUED)

WATERFORD OAK



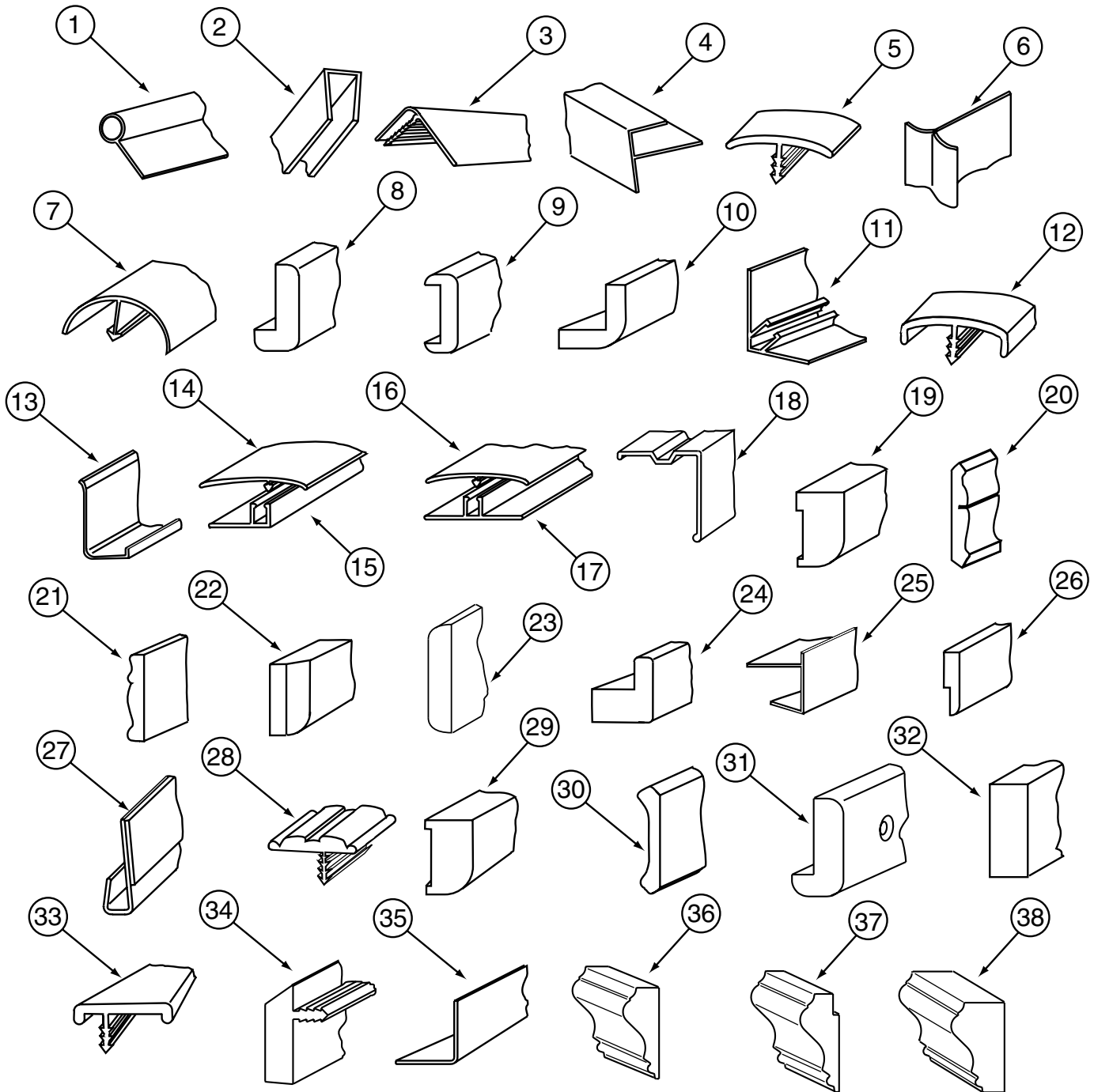
INTERIOR FINISH GROUP (CONTINUED)**MOLDINGS & TRIMS (CONTINUED)****WATERFORD OAK**

| KEY | PART NUMBER | U/M | DESCRIPTION |
|------------|--------------------|------------|--|
| 2 | 070504-30-000 | FT | U-CHANNEL - PLASTIC - .13" X 84" - CHERRY |
| 2 | 070504-31-000 | FT | U-CHANNEL - PLASTIC - .9" X 84" - CHERRY |
| 2 | 070504-36-000 | FT | U-CHANNEL - PLASTIC - .13" X 72" - WATERFORD OAK |
| 2 | 070504-37-000 | FT | U-CHANNEL - PLASTIC - .9" X 84" - WATERFORD OAK |
| 2 | 070504-42-000 | FT | U-CHANNEL - PLASTIC - .13" X 84" - BEIGE ILLUSION |
| 2 | 070504-50-000 | FT | U-CHANNEL - PLASTIC - .13" X 84" - WASHED MAPLE |
| 2 | 070504-51-000 | FT | U-CHANNEL - PLASTIC - .9" X 96" - WASHED MAPLE |
| 2 | 070504-54-000 | FT | U-CHANNEL - PLASTIC - .9" X 96" - VILLAGE OAK |
| 3 | 009809-27-000 | EA | MOLDING - CORNER - OUTSIDE - 1" X 84" - CHERRY-CHERRY |
| 3 | 009809-28-000 | EA | MOLDING - CORNER - OUTSIDE - 1" X 84" - WATERFORD OAK |
| 3 | 009809-30-000 | EA | MOLDING - CORNER - OUTSIDE - 1" X 84" - BEIGE ILLUSION |
| 3 | 009809-31-000 | EA | MOLDING - CORNER - OUTSIDE - 1" X 84" - WASHED MAPLE |
| 3 | 009809-32-000 | EA | MOLDING - CORNER - OUTSIDE - 1" X 84" - PORTSMOUTH OAK |
| 4 | 009812-24-000 | EA | MOLDING - CORNER - 1/2" W/1/4"CHAN X 108" - IVORY PLASTIC |
| 4 | 009812-26-000 | EA | MOLDING - CORNER - 1/2" W/1/4" CHAN X 84" - CHERRY |
| 4 | 009812-27-000 | EA | MOLDING - CORNER - 1/2" W/1/4" CHAN X 84" - PICKLED ASH |
| 4 | 009812-29-000 | EA | MOLDING - CORNER - 1/2" W/1/4" CHAN X 84" - WATERFORD OAK |
| 4 | 009812-31-000 | EA | MOLDING - CORNER - 1/2" W/1/4" CHAN X 84" - BEIGE ILLUSION |
| 4 | 009812-33-000 | EA | MOLDING - CORNER - 1/2" W/1/4" CHAN X 84" - WASHED MAPLE |
| 4 | 009812-34-000 | EA | MOLDING - CORNER - 1/2" W/1/4" CHAN X 84" - VW LIGHT GRAY |
| 4 | 009812-35-000 | EA | MOLDING - CORNER - 1/2" W/1/4" CHAN X 84" - PORTSMOUTH OAK |
| 5 | 009815-09-000 | FT | MOLDING-T - W/EDGE LIP - 3/4" FACE - IVORY |
| 5 | 105709-02-000 | FT | MOLDING-T - W/EDGE LIP - 3/4" FACE - BEIGE ILLUSION |
| 6 | 022992-11-000 | FT | MOLDING - REVERSE COVE - T-SHAPED - IVORY |
| 6 | 022992-14-000 | FT | MOLDING - REVERSE COVE - T-SHAPED - BRIGHT WHITE |
| 6 | 022992-15-000 | FT | MOLDING - REVERSE COVE - T-SHAPED - VW GRAY |
| 7 | 042357-18-000 | EA | MOLDING - CORNER - RADIUS/PLASTIC - PICKLED ASH |
| 7 | 042357-19-000 | EA | MOLDING - CORNER - RADIUS/PLASTIC - CHERRY |
| 7 | 042357-20-000 | EA | MOLDING - CORNER - RADIUS/PLASTIC - WATERFORD OAK |
| 7 | 042357-25-000 | EA | MOLDING - CORNER - RADIUS/PLASTIC - WASHED MAPLE |
| 7 | 042357-26-000 | EA | MOLDING - CORNER - RADIUS/PLASTIC - PORTSMOUTH OAK |
| 8 | 077840-01-E41 | EA | MOLDING - WALL CAP - 8' - SALEM CHERRY |
| 8 | 077840-01-G01 | EA | MOLDING - WALL CAP - 8' - WATERFORD OAK |
| 8 | 077840-01-J70 | EA | MOLDING - WALL CAP - 8' - WASHED MAPLE |
| 9 | 078323-06-G15 | EA | MOLDING - CAP/WALL - 79.6" - WATERFORD OAK |
| 10 | 080176-08-000 | EA | CAP - CORNER - RADIUS MOLDING - PLASTIC - WASHED MAPLE |
| 11 | 081521-02-007 | EA | MOUNT - METAL MOLDING - F/RADIUS CORNER MOLDING - 151.5" |
| 12 | 083620-09-000 | FT | MOLDING-T - W/EDGE LIP - 7/8" FACE - MODERN IVORY |
| 12 | 083620-11-000 | FT | MOLDING-T - W/EDGE LIP - 7/8" FACE - CHERRY |
| 12 | 083620-12-000 | FT | MOLDING-T - W/EDGE LIP - 7/8" FACE - WATERFORD OAK |
| 12 | 083620-15-000 | FT | MOLDING-T - W/EDGE LIP - 7/8" FACE - BEIGE ILLUSION |
| 12 | 083620-19-000 | FT | MOLDING-T - W/EDGE LIP - 7/8" FACE - WASHED MAPLE |
| 12 | 104676-02-02A | FT | MOLDING-T - W/EDGE LIP - 11/16" FACE - PICKLED ASH |
| 12 | 104676-02-03A | FT | MOLDING-T - W/EDGE LIP - 11/16" FACE - CHERRY-CHERRY |
| 12 | 104676-02-04A | FT | MOLDING-T - W/EDGE LIP - 11/16" FACE - WATERFORD OAK |
| 12 | 104676-02-06A | FT | MOLDING-T - W/EDGE LIP - 11/16" FACE - WASHED MAPLE |
| 12 | 104676-02-08A | FT | MOLDING-T - W/EDGE LIP - 11/16" FACE - PORTSMOUTH OAK |
| 13 | 085746-04-000 | FT | TRIM-J - CARPET 1.2" X .5" ANGLE - 10' LONG - OFF WHITE |
| 14 | 086229-12-000 | EA | BATTEN - 1.5" OFFSET X 96.8" - MODERN IVORY |
| 15 | 086229-11-000 | EA | RETAINER - OFFSET - 97.01" |
| 16 | 086229-15-000 | EA | BATTEN - 1" X 96" - MODERN IVORY |
| 16 | 086229-19-000 | EA | BATTEN - 1" X 98.3" - OFF WHITE |
| 16 | 086229-20-000 | EA | BATTEN - 1" X 96" - BEIGE |
| 17 | 086229-01-000 | EA | RETAINER - BATTEN - .75" X 92.1" - ANY COLOR |
| 17 | 086229-14-000 | EA | RETAINER - BATTEN - .75" X 98.3" - ANY COLOR |
| 18 | 093873-01-01A | EA | TRIM - CARPET - L-ANGLE 1.1" X 1.3" X 12' - GRAY VINYL |
| 19 | 126204-D2-134 | EA | MOLDING - VINYL WRAPPED - .7" X 1.6" X 84" - WASHED MAPLE |
| 19 | 126204-F2-134 | EA | MOLDING - VINYL WRAPPED - .7" X 2.5" X 84" - WASHED MAPLE |
| 19 | 126204-F2-438 | EA | MOLDING - VINYL WRAPPED - .7" X 2.6" X 96" - WASHED MAPLE |

INTERIOR FINISH GROUP (CONTINUED)

MOLDINGS & TRIMS (CONTINUED)

WATERFORD OAK



| KEY | PART NUMBER | U/M | DESCRIPTION |
|-----|---------------|-----|---|
| 20 | 111136-D2-134 | EA | MOLDING - VINYL WRAPPED - .7" X 1.6" X 7' - CHERRY |
| 20 | 111136-F2-134 | EA | MOLDING - VINYL WRAPPED - .7" X 2.6" X 84" - CHERRY |
| 20 | 111136-F2-438 | EA | MOLDING - VINYL WRAPPED - .7" X 2.5" X 8' - CHERRY |
| 21 | 100182-01-G15 | EA | TRIM - RAIL - WATERFORD OAK |
| 22 | 100659-27-G15 | EA | MOLDING - TRIM - WATERFORD OAK |
| 23 | 100818-01-03A | EA | MOLDING - VINYL WRAPPED - 1.6" X .4" X 84" - PICKLED ASH |
| 23 | 100818-01-04A | EA | MOLDING - VINYL WRAPPED - 1.6" X .4" X 84" - WATERFORD OAK |
| 23 | 100818-01-05A | EA | MOLDING - VINYL WRAPPED - 1.6" X .4" X 84" - CHERRY CHERRY |
| 23 | 100818-01-08A | EA | MOLDING - VINYL WRAPPED - 1.6" X .4" X 84" - WASHED MAPLE |
| 23 | 100818-01-09A | EA | MOLDING - VINYL WRAPPED - 1.6" X .4" X 84" - PORTSMOUTH OAK |

INTERIOR FINISH GROUP (CONTINUED)**MOLDINGS & TRIMS (CONTINUED)****WATERFORD OAK**

| KEY | PART NUMBER | U/M | DESCRIPTION |
|------------|--------------------|------------|---|
| 24 | 100819-01-03A | EA | MOLDING - VINYL WRAPPED - L-SHAPED - 1.5"X1.5"X84" - PICKLED ASH |
| 24 | 100819-01-04A | EA | MOLDING - VINYL WRAPPED - L-SHAPED - 1.5"X1.5"X84" - CHERRY |
| 24 | 100819-01-05A | EA | MOLDING - VINYL WRAPPED - L-SHAPED - 1.5"X1.5"X84" - OAK |
| 24 | 100819-01-08A | EA | MOLDING - VINYL WRAPPED - L-SHAPED - 1.5"X1.5"X84" - WASHED MAPLE |
| 24 | 100819-01-09A | EA | MOLDING - VINYL WRAPPED - L-SHAPED - 1.5"X1.5"X84" - PORTSMOUTH OAK |
| 25 | 103186-01-04A | FT | MOLDING - PLASTIC 3/8" U-CHANNEL W/3/4" FACE - CHERRY |
| 25 | 103186-01-03A | FT | MOLDING - PLASTIC 3/8" U-CHANNEL W/3/4" FACE - PICKLED ASH |
| 25 | 103186-01-05A | FT | MOLDING - PLASTIC 3/8" U-CHANNEL W/3/4" FACE - WATERFORD OAK |
| 25 | 103186-01-08A | FT | MOLDING - PLASTIC 3/8" U-CHANNEL W/3/4" FACE - WASHED MAPLE |
| 25 | 103186-01-07A | FT | MOLDING - PLASTIC 3/8" U-CHANNEL W/3/4" FACE - BEIGE ILLUSION |
| 25 | 103186-01-09A | FT | MOLDING - PLASTIC 3/8" U-CHANNEL W/3/4" FACE - PORTSMOUTH OAK |
| 25 | 103186-02-03A | FT | MOLDING - PLASTIC - 1" U-CHANNEL 1 3/8" FACE - PICKLED ASH |
| 25 | 103186-02-04A | FT | MOLDING - PLASTIC - 1" U-CHANNEL 1 3/8" FACE - CHERRY |
| 25 | 103186-02-05A | FT | MOLDING - PLASTIC - 1" U-CHANNEL 1 3/8" FACE - WATERFORD OAK |
| 25 | 103186-02-07A | FT | MOLDING - PLASTIC - 1" U-CHANNEL 1 3/8" FACE - BEIGE ILLUSION |
| 25 | 103186-02-08A | FT | MOLDING - PLASTIC - 1" U-CHANNEL 1 3/8" FACE - WASHED MAPLE |
| 25 | 103186-02-09A | FT | MOLDING - PLASTIC - 1" U-CHANNEL 1 3/8" FACE - PORTSMOUTH OAK |
| 26 | 105004-01-03A | EA | MOLDING - VINYL WRAPPED - 1" X 96" - SALEM CHERRY |
| 26 | 105004-01-04A | EA | MOLDING - VINYL WRAPPED - 1" X 96" - PICKLED ASH |
| 26 | 105004-01-05A | EA | MOLDING - VINYL WRAPPED - 1" X 96" - WATERFORD OAK |
| 26 | 105004-01-08A | EA | MOLDING - VINYL WRAPPED - 1" X 96" - WASHED MAPLE |
| 26 | 105004-01-09A | EA | MOLDING - VINYL WRAPPED - 1" X 96" - PORTSMOUTH OAK |
| 27 | 109332-02-03A | FT | TRIM-J - W/O ADHESIVE - SALEM CHERRY |
| 27 | 109332-02-05A | FT | TRIM-J - W/O ADHESIVE - WASHED MAPLE |
| 27 | 109332-02-06A | EA | TRIM-J - W/O ADHESIVE - PORTSMOUTH OAK |
| 28 | 109736-02-01A | FT | MOLDING-T/OFFSET - W/EDGE LIP - 1" FACE - NATURAL OAK |
| 29 | 117268-D2-134 | EA | MOLDING - VINYL WRAPPED - .7" X 1.6" X 84" - WATERFORD OAK |
| 29 | 117268-F2-134 | EA | MOLDING - VINYL WRAPPED - .7" X 2.7" X 84" - WATERFORD OAK |
| 29 | 117268-F2-438 | EA | MOLDING - VINYL WRAPPED - .7" X 2.6" X 96" - WATERFORD OAK |
| 30 | 113794-01-03A | FT | MOLDING - CROWN - 3.45" - MAPLE |
| 30 | 113794-02-03A | FT | MOLDING - CROWN - 1.8" - MAPLE |
| 31 | 116280-02-GV0 | EA | MOLDING - CAP - PICKLED ASH |
| 31 | 116280-02-GV1 | EA | MOLDING - CAP - SALEM CHERRY |
| 31 | 116280-02-J70 | EA | MOLDING - CAP - WASHED MAPLE |
| 31 | 116280-02-L95 | EA | MOLDING - CAP - WATERFORD OAK |
| 32 | 111134-F2-438 | EA | LUMBER - VINYL WRAPPED - .7" X 2.5" X 96" - CHERRY |
| 32 | 117267-D2-438 | EA | LUMBER - VINYL WRAPPED - .7" X 1.5" X 96" - WATERFORD OAK |
| 32 | 117267-E2-438 | EA | LUMBER - VINYL WRAPPED - .7" X 2" X 96" - WATERFORD OAK |
| 32 | 117267-F2-438 | EA | LUMBER - VINYL WRAPPED - .7"X 2.5" X 96" - WATERFORD OAK |
| 32 | 117267-J2-438 | EA | LUMBER - VINYL WRAPPED - .7" X 5.5" X 96" - WATERFORD OAK |
| 32 | 117267-R2-438 | EA | LUMBER - VINYL WRAPPED - .7" X 3" X 96" - WATERFORD OAK |
| 32 | 126205-D2-438 | EA | LUMBER - VINYL WRAPPED - .7" X 1.5" X 96" - WASHED MAPLE |
| 32 | 126205-E2-438 | EA | LUMBER - VINYL WRAPPED - .7" X 2" X 96" - WASHED MAPLE |
| 32 | 126205-F2-438 | EA | LUMBER - VINYL WRAPPED - .7" X 2.5" X 96" - WASHED MAPLE |
| 32 | 126205-G2-438 | EA | LUMBER - STAINED - .7" X 3" X 96" - WASHED MAPLE |
| 32 | 126205-J2-438 | EA | LUMBER - VINYL WRAPPED - .7" X 5.5" X 96" - WASHED MAPLE |
| 32 | 126205-R2-438 | EA | LUMBER - VINYL WRAPPED - .7" X 3" X 96" - WASHED MAPLE |
| 33 | 119520-01-01A | FT | MOLDING-T/OFFSET - W/EDGE LIP - 1"FACE - OFF WHITE |
| 34 | 130247-01-01A | FT | MOLDING-T/OFF SET - 1.3" FACE - WATERFORD OAK |
| 34 | 130247-01-02A | FT | MOLDING-T/OFF SET - 1.3" FACE - WASHED MAPLE |
| 34 | 130247-01-03A | FT | MOLDING-T/OFF SET - 1.3" FACE - SALEM CHERRY |
| 34 | 130247-01-04A | FT | MOLDING-T/OFF SET - 1.3" FACE - PORTSMOUTH OAK |
| 35 | 130262-01-000 | EA | PROTECTOR - CORNER SAVER - .7" X .7" X 5.9" |
| 36 | 131923-01-01A | FT | MOLDING - CROWN - ASH |
| 36 | 131923-01-02A | FT | MOLDING - CROWN - CHERRY |
| 36 | 131923-01-03A | FT | MOLDING - CROWN - HARD WHITE MAPLE |
| 37 | 131923-02-01A | FT | MOLDING - PICTURE - ASH |
| 37 | 131923-02-02A | FT | MOLDING - PICTURE - CHERRY |
| 37 | 131923-02-03A | FT | MOLDING - PICTURE - HARD WHITE MAPLE |
| 38 | 131923-03-01A | FT | MOLDING - CROWN - DIVIDER - ASH |
| 38 | 131923-03-02A | FT | MOLDING - CROWN - DIVIDER - CHERRY |
| 38 | 131923-03-03A | FT | MOLDING - CROWN - DIVIDER - HARD WHITE MAPLE |

INTERIOR FINISH GROUP (CONTINUED)

PANELING, LAMINATES, BATTS, & EDGE BANDS

PANELING, PLYWOOD, & PARTICLE BOARD

| KEY | PART NUMBER | U/M | DESCRIPTION |
|-----|---------------|-----|--|
| | 088272-H9-000 | SF | PANELING - PEBBLE EMBOSSED - WHITE |
| | 074497-28-000 | SF | PANELING - WATERFORD OAK - 4' X 8' |
| | 080215-10-000 | SF | PANELING - 2 SIDED - .2" X 4' X 8' - WATERFORD OAK |
| | 088272-J8-000 | SF | PANELING - DURNHAM/MULTI - 4' X 8' (L26,L27) |
| | 088272-J6-000 | SF | PANELING - CIRRRUS - 4' X 7' (L28) |
| | 088272-J7-000 | SF | PANELING - COSMOS/SKY - 4' X 7' (L29) |
| | 000846-01-000 | SF | PLYWOOD - 5/16" X 48" X 96" - CD GRADE |
| | 000846-02-000 | SF | PLYWOOD/UNDERLAYMENT - 5/16" X 48" X 96" |
| | 000885-76-000 | SF | PARTICLE BOARD-3/8" X 48" X 96"-WATERFORD OAK-VINYL 1 SIDE |
| | 000885-77-000 | SF | PARTICLE BOARD-3/8" X 48" X 96"-WATERFORD OAK-VINYL 2 SIDE |
| | 000885-79-000 | SF | PARTICLE BOARD-3/4" X 48" X 96"-WATERFORD OAK-VINYL 2 SIDE |
| | 126339-01-000 | SF | BOARD - WHEAT - 60" X 72" |

BATTS

| KEY | PART NUMBER | U/M | DESCRIPTION |
|-----|---------------|-----|---|
| | 069733-83-000 | EA | BATT STRIP - WOODGRAINED/WATERFORD OAK - 8' |
| | 088263-G8-000 | EA | BATT STRIP - DECORATIVE - DURNHAM MULTI - 7' (L26,L27) |
| | 088263-G6-000 | EA | BATT STRIP - DECORATIVE - CIRRRUS - 8' LONG (L28) |
| | 088263-G7-000 | EA | BATT STRIP - DECORATIVE - COSMOS/SKY - 8' LONG (L29) |
| | 085284-B5-000 | FT | BATT TAPE - ADHESIVE BACKED - WOODGRAINED-WATERFORD OAK |
| | 085284-G7-000 | FT | BATT TAPE - ADHESIVE BACKED - DURNHAM MULTI (L26,L27) |
| | 085284-G5-000 | FT | BATT TAPE - ADHESIVE BACKED - CIRRRUS (L28) |
| | 085284-G6-000 | FT | BATT TAPE - ADHESIVE BACKED - DECORATIVE - COSMOS/SKY (L29) |

LAMINATES

| KEY | PART NUMBER | U/M | DESCRIPTION |
|-----|---------------|-----|---|
| | 074498-84-000 | SF | LAMINATE - PLASTIC - WHITE TALC (L26) |
| | 074498-87-000 | SF | LAMINATE - PLASTIC - BEIGE POMPAS (L27) |
| | 074498-86-000 | SF | LAMINATE - PLASTIC - DIAMONDHEAD (L28) |
| | 074498-80-000 | SF | LAMINATE - PLASTIC - WHITE TUNDRA - 5' X 8' (L29) |
| | 074498-77-000 | SF | LAMINATE - PLASTIC - ART CABIN (WATERFORD OAK) - 4' X 8' (PULL OUT TABLE) |
| | 074498-40-000 | SF | LAMINATE - PLASTIC - OFF WHITE - 5' X 8' (PATIO ENTERTAINMENT CENTER TABLE) |

EDGE BAND

| KEY | PART NUMBER | U/M | DESCRIPTION |
|-----|---------------|-----|---|
| | 076325-39-000 | FT | MOLDING - EDGE BAND - 1 5/16" X .030" - ALMOND |
| | 076325-40-000 | FT | MOLDING - EDGE BAND - .93" X .024" - ALMOND |
| | 076325-68-000 | FT | MOLDING - EDGE BAND - 1 5/16" X .038" - WATERFORD OAK (PULL OUT TABLE) |
| | 076325-73-000 | FT | MOLDING - EDGE BAND - .93" X .024" - OFF WHITE (PATIO ENTERTAINMENT CENTER TABLE) |

WALLPAPER BORDER

| KEY | PART NUMBER | U/M | DESCRIPTION |
|-----|---------------|-----|--|
| | 132610-03-02A | FT | BORDER - WALLPAPER - 6 7/8" (L26) |
| | 132610-03-01A | FT | BORDER - WALLPAPER - 6 7/8" - SELF ADHESIVE (L27) FROM: 00-00-00 THRU: 09-20-99 |
| | 132610-05-01A | FT | BORDER - WALLPAPER - 7" - CALYPSO (L27) FROM: 09-21-99 THRU: 99-99-99 |
| | 132610-02-01A | FT | BORDER - WALLPAPER - 6 3/4" - SELF ADHESIVE (L28) FROM: 00-00-00 THRU: 10-10-99 |
| | 132610-05-01A | FT | BORDER - WALLPAPER - 7" - CALYPSO (L28) FROM: 10-11-99 THRU: 99-99-99 |
| | 122481-18-000 | FT | BORDER - WALLPAPER - 6.5" (L29) |

INTERIOR FINISH GROUP (CONTINUED)

ACCESSORIES

| KEY | PART NUMBER | U/M | DESCRIPTION |
|-----|---------------|-----|--|
| | 072852-01-000 | EA | DETECTOR - SMOKE - W/9 VOLT BATTERY - US |
| | 072852-02-000 | EA | DETECTOR - SMOKE - W/9 VOLT BATTERY - CANADIAN |
| | 094499-03-000 | EA | EXTINGUISHER/FIRE - DRY - 10BC - W/GAUGE - W/O BRACKET |
| | 094499-04-000 | EA | BRACKET - FIRE EXTINGUISHER |
| * | 094499-02-000 | EA | EXTINGUISHER/FIRE - DRY - 1A10BC - CANADIAN |
| | 118081-02-01A | EA | CLOCK - WALL - ROUND 8" - BRASS |
| | 125136-01-000 | EA | CO DETECTOR - GAS - ROUND W/2 SCREWS - 9 VOLT |
| | | | FROM: 00-00-00 THRU: 11-21-99 |
| | 125136-02-000 | EA | CO DETECTOR - GAS MODEL - 9 VOLT |
| | | | FROM: 11-22-99 THRU: 99-99-99 |
| | 131058-03-02A | EA | HAND RAIL - INTERIOR ENTRY DOOR - BLACK |
| | 131493-02-02A | EA | PICTURE - LILY - 13" X 15" |

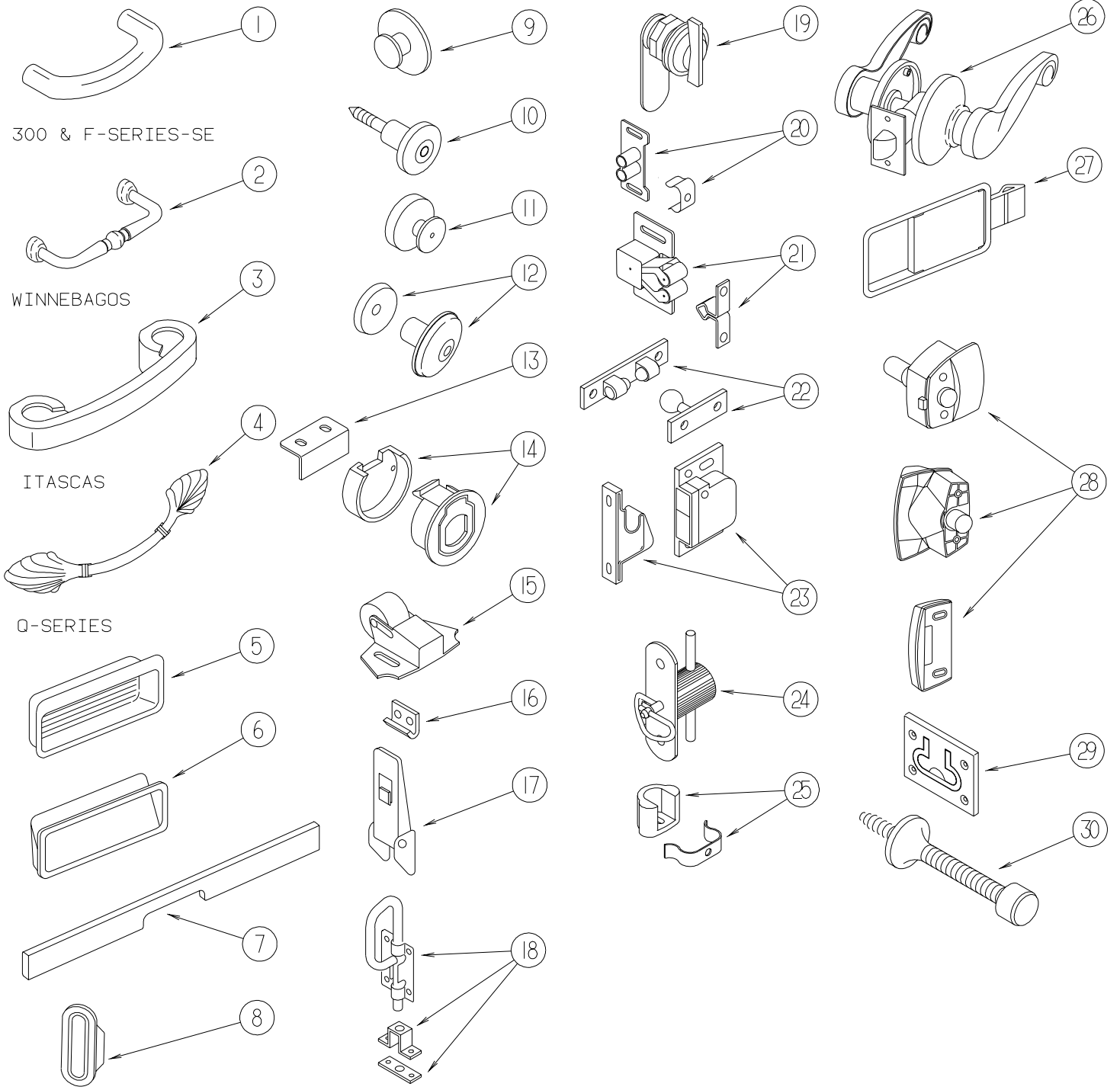
*COMPONENT PARTS FOUND IN SERVICE PARTS LIBRARY

FLOOR COVERINGS

| KEY | PART NUMBER | U/M | DESCRIPTION |
|-----|---------------|-----|--|
| | 042720-26-000 | SY | VINYL - FLOOR COVERING CALAY |
| | 091261-01-000 | FT | SLIPNOT - ANTISLIP - 1'WIDE X 12' - BLACK |
| | 093486-01-000 | SY | CARPET - COMPARTMENT - 72" WIDE - DARK GRAY |
| | 096060-E8-000 | SY | CARPET - ALMOND - INCREMENTS OF 4 SQ YARDS (L26) |
| | 096060-G2-000 | SY | CARPET - CYPRESS - INCREMENTS OF 4 SQ YARDS (L27) |
| | 096060-F1-000 | SY | CARPET - BLUSH - INCREMENTS OF 4 SQ YARDS (L28) |
| | 096060-C2-000 | SY | CARPET - BISCAYNE BAY - INCREMENTS OF 4 SQ YARDS (L29) |
| | 096764-02-000 | FT | SLIPNOT - ANTISLIP - 1'WIDE (180' ROLLS) - WHITE |
| | 124253-01-02A | EA | VINYL - FLOOR PLANK - 3" X 12" - MAPLE |

INTERIOR FINISH GROUP (CONTINUED)

HARDWARE

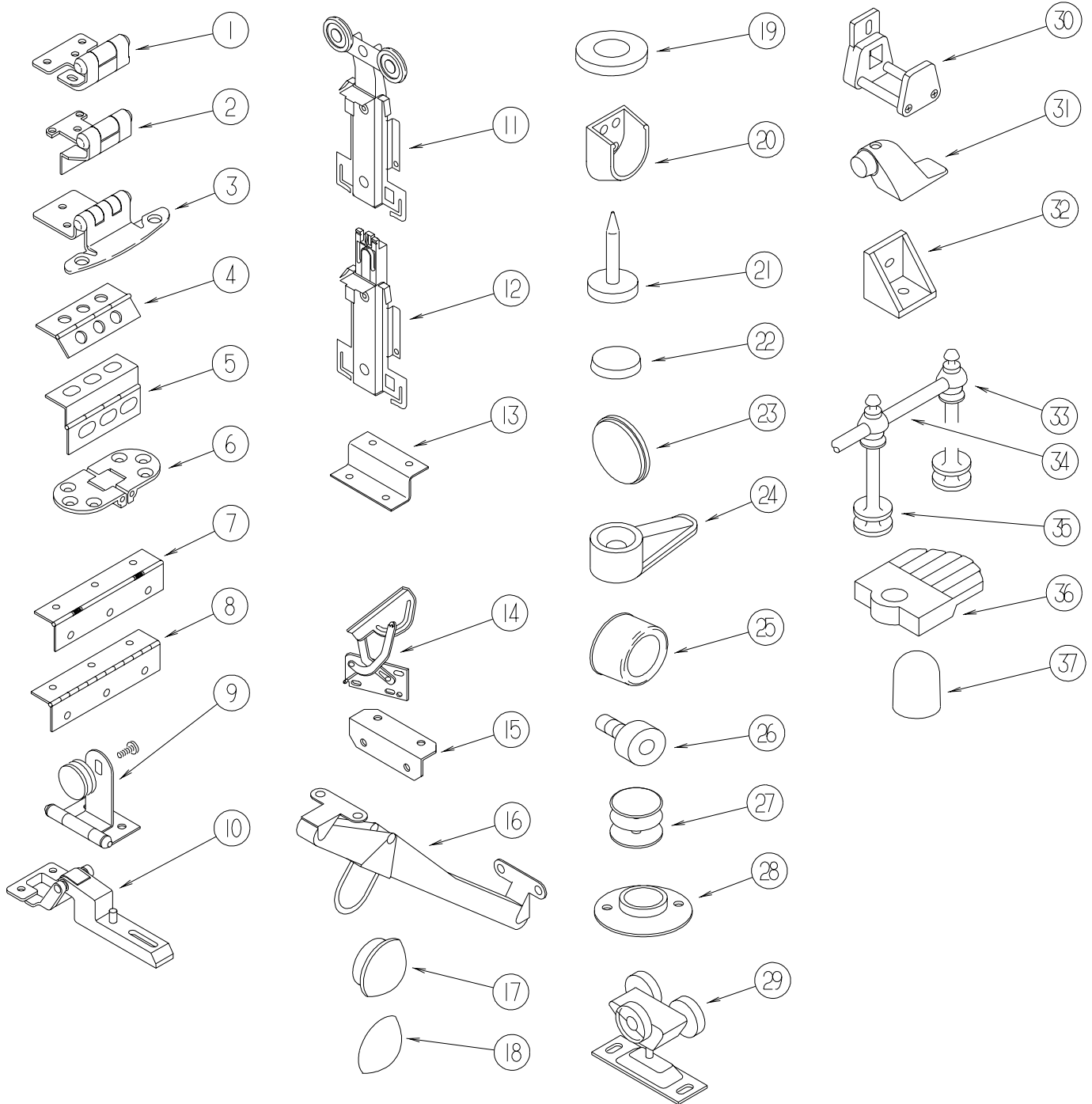


INTERIOR FINISH GROUP (CONTINUED)

HARDWARE (CONTINUED)

| KEY | PART NUMBER | U/M | DESCRIPTION |
|-----|---------------|-----|--|
| 1 | 131964-01-01A | EA | PULL - CABINET - POLISHED BRASS |
| 2 | 131963-01-01A | EA | PULL - CABINET - POLISHED BRASS |
| 3 | 131962-01-01A | EA | PULL - CABINET - POLISHED BRASS |
| 4 | 117923-01-01A | EA | PULL - CABINET - BURNISHED BRASS - 5.5" |
| 4 | 131965-01-01A | EA | PULL - CABINET - BURNISHED BRASS - 6.3" |
| 5 | 124311-01-01A | EA | HANDLE - RECESSED - BRASS |
| 6 | 115994-01-01A | EA | HANDLE - POCKET |
| 7 | 126866-01-L81 | EA | HANDLE - DOOR - TAMBOUR - 18.6" - PORTSMOUTH OAK |
| 7 | 126866-04-KQ0 | EA | HANDLE - TAMBOUR DOOR - 14.7" - WASHED MAPLE |
| 7 | 126866-04-KQ1 | EA | HANDLE - TAMBOUR DOOR - 14.7" - CHERRY |
| 7 | 126866-04-L95 | EA | HANDLE - TAMBOUR DOOR - 14.7" - WATERFORD OAK |
| 7 | 126866-05-K07 | EA | HANDLE - TAMBOUR DOOR - 11.5" - WATERFORD OAK |
| 7 | 126866-05-K09 | EA | HANDLE - TAMBOUR DOOR - 11.5" - WASHED MAPLE |
| 8 | 098410-01-01A | EA | PULL - FINGER - OVAL - BRASS |
| 9 | 125221-01-01A | EA | PULL - MIRROR - W/ROUND HANDLE |
| 10 | 113800-01-000 | EA | KNOB - CABINET - BRASS |
| 11 | 133313-01-01A | EA | PULL - DRAWER KNOB - BURNISHED BRASS |
| 11 | 133313-01-02A | EA | PULL - DRAWER KNOB - BRIGHT BRASS |
| 12 | 117978-01-01A | EA | KNOB - DOOR - BRIGHT BRASS |
| 13 | 113375-02-01A | EA | STRIKE - DOOR - CHROME |
| 14 | 113375-05-01A | EA | LATCH - SLAM - BACK - .8" THICK |
| 14 | 113375-06-01A | EA | LATCH - SLAM - FACE - .7" THICK |
| 15 | 109403-01-000 | EA | CATCH - SINGLE ROLLER - SCREEN DOOR |
| 16 | 116975-02-01A | EA | KEEPER/STRIKE - BLACK - NEW STYLE |
| 17 | 116975-01-01A | EA | LATCH - W/O STRIKE - BLACK - NEW STYLE |
| 18 | 103256-01-000 | EA | LATCH - SLIDE |
| 19 | 100710-01-01A | EA | LOCK - GLASS DOOR/TWIST TYPE - BRASS |
| 20 | 009021-01-000 | EA | CATCH - GRILLE - NYLON |
| 20 | 009021-02-000 | EA | STRIKE - SPRING STEEL |
| 21 | 093586-04-000 | EA | STRIKE - SPRING STEEL - 1.14" |
| 21 | 093586-05-000 | EA | STRIKE - SPRING STEEL - .943" |
| 21 | 093586-03-000 | EA | CATCH - SPRING ROLLER - .377" |
| 21 | 093586-06-000 | EA | CATCH - SPRING ROLLER - .236" |
| 22 | 084451-01-000 | EA | CATCH - BRASS |
| 23 | 117095-01-01A | EA | CATCH - DOOR - GRABBER W/KEEPER - PLASTIC - BLK - 5LB PULL |
| 23 | 117095-02-01A | EA | LATCH - DOOR - GRABBER W/KEEPER - PLASTIC - BLK-10LB PULL |
| 24 | 098196-01-000 | EA | LATCH - 1/4 TURN - T-BAR |
| 25 | 129703-01-01A | EA | CATCH ASSEMBLY |
| 26 | 111155-01-01A | EA | LOCK - PRIVACY/LOCKING - POLISHED BRASS |
| 26 | 111155-05-01A | EA | LOCK - PRIVACY/LOCKING - S SHAPED - POLISHED BRASS |
| 27 | 127349-01-01A | EA | LATCH - PADDLE |
| 28 | 058335-03-000 | EA | LATCH W/O LOCK - BATHROOM DOOR BLACK |
| 29 | 072871-01-000 | EA | PULL - FLUSH - CHROME |
| 30 | 103194-01-000 | EA | STOP - BATH DOOR |

INTERIOR FINISH GROUP (CONTINUED)
HARDWARE (CONTINUED)



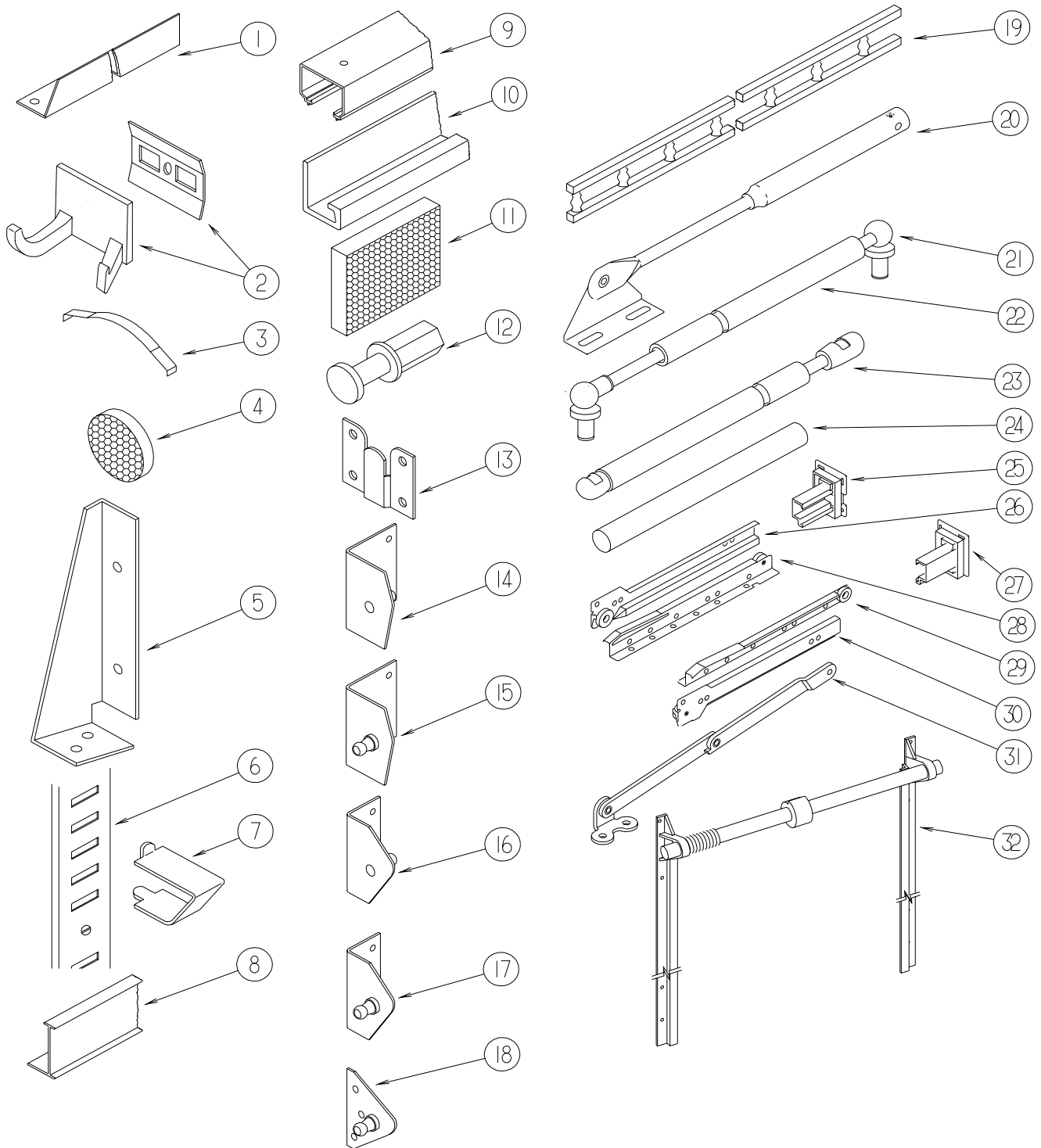
| KEY | PART NUMBER | U/M | DESCRIPTION |
|-----|---------------|-----|--|
| 1 | 113676-01-01A | EA | HINGE - OVERLAY - VARIABLE |
| 2 | 113677-01-01A | EA | HINGE - SELF CLOSING |
| 3 | 108138-01-000 | EA | HINGE - CABINET DOOR - BURNISHED BRASS - Q-SERIES ONLY |
| 3 | 108138-03-000 | EA | HINGE - BRIGHT BRASS |
| | 000G13-06-08G | EA | SCREW - 6-20 X .50 PFH - ANTIQUE BRASS |
| 4 | 009059-01-000 | EA | HINGE - DOOR - 2" X 1.4" - BRASS |
| 4 | 009059-02-000 | EA | HINGE - DOOR - 2" X 2.7" - BRASS |
| 4 | 041389-18-000 | EA | HINGE - PIANO - 1 1/2" X 19" - OFF WHITE |
| 4 | 041389-25-000 | EA | HINGE - PIANO - 1 1/2" X 55" |
| 4 | 041389-35-000 | EA | HINGE - PIANO - OFF WHITE - 31" |
| 5 | 118802-01-02A | EA | HINGE - DOOR - CABINET - HAMPTON TAN |
| 6 | 111535-01-000 | EA | HINGE - TABLE/FOLDING |

INTERIOR FINISH GROUP (CONTINUED)

HARDWARE (CONTINUED)

| KEY | PART NUMBER | U/M | DESCRIPTION |
|-----|---------------|-----|---|
| 7 | 102920-01-01A | EA | HINGE/SPRING LOADED - BRASS |
| 8 | 084413-01-000 | EA | HINGE/CONTINUOUS - ALUMINUM 1" X 72" - W/HOLES |
| 8 | 110496-01-01A | EA | HINGE - BRASS |
| 9 | 100711-01-01A | EA | HINGE - GLASS DOOR |
| | 009013-01-000 | EA | CATCH - BULLDOG - MALE/FEMALE |
| 10 | 114443-01-01A | EA | HINGE - CABINET DOOR |
| 11 | 107390-02-000 | EA | CORNER HANGER (DOUBLE ROLLER W/BRACKET) (SOLD AS 1 EACH) |
| 12 | 107391-01-000 | EA | GUIDE - BOTTOM - BY-PASS (4 USED PER DOOR) |
| 13 | 101926-01-02A | EA | BRACKET - ZEE - BLACK |
| 14 | 108126-01-000 | EA | TRAY HINGE SET (QTY. 2 PER SET) |
| 15 | 016604-01-000 | EA | BRACE - CABINET - ANGLE - 2.5" - UNPAINTED METAL |
| 15 | 016604-05-000 | EA | BRACE - CABINET - ANGLE - 2.5" - OFF WHITE METAL |
| 16 | 104181-01-01A | EA | SUPPORT - LEAF 5.3" EXTENDS TO 7.5" - SAFETY RING - METAL |
| 17 | 074045-01-000 | EA | PLUG - OAK - 1/2" DIAMETER - COLONIAL WOOD |
| 17 | 074045-08-000 | EA | PLUG - OAK - 1/2" DIAMETER - SALEM CHERRY |
| 17 | 042356-01-000 | EA | PLUG - BUTTON - MAHOGANY - 3/8" DIAMETER - WOOD |
| 18 | 057671-01-000 | EA | COVER - SCREW - OFF WHITE - #8 |
| 18 | 057671-11-000 | EA | COVER - SCREW - HAMPTON TAN - #8 |
| 18 | 057671-13-000 | EA | COVER - SCREW - DARK GRAY - #8 |
| 18 | 057671-15-000 | EA | COVER - SCREW - BRIGHT WHITE |
| 18 | 057671-16-000 | EA | COVER - SCREW - SOFT WHITE |
| 19 | 100707-01-000 | EA | SPACER - GLASS DOOR - .8" DIA - .3" HOLE - PLASTIC |
| 20 | 113236-01-01A | EA | BRACKET - CLOTHES - ROD |
| 21 | 102194-01-000 | EA | GUIDE - PLASTIC |
| 22 | 004354-01-000 | EA | BUMPER - RUBBER - .5" DIA - BROWN |
| 22 | 023320-01-000 | EA | PAD - FELT 3/8" DIAMETER |
| 23 | 120760-01-000 | EA | BUMPER - RUBBER - CLEAR |
| 24 | 083204-03-000 | EA | BUTTON - RETAINING MIRROR 5/16" TIP |
| 25 | 069726-02-000 | EA | BUMPER - .88" OD X .40" THICK - BLACK |
| 26 | 079921-01-000 | EA | ROLLER - NYLON - W/STEEL SHAFT - BARBED |
| 27 | 081114-02-000 | EA | CAP - INSERT - ROUND 1" DIAMETER - WHITE |
| 28 | 009112-01-000 | EA | FLANGE - PLASTIC - 1" CLOTHES ROD - OFF WHITE |
| 29 | 103874-01-000 | EA | HANGER - SLIDING DOOR |
| 30 | 064467-01-000 | EA | GUIDE - POCKET - SLIDING DOOR - WALL MOUNTED |
| 31 | 103257-01-000 | EA | STOP - DOOR |
| 32 | 065740-01-000 | EA | BRACE - CABINET/CORNER - PLASTIC |
| 33 | 084070-03-000 | EA | POST - END - 2.4" - BRASS |
| 34 | 084071-05-000 | EA | ROD - BRASS - 15" |
| 34 | 084071-08-000 | EA | ROD - BRASS - 9.3" LONG |
| 34 | 084071-12-000 | EA | ROD - BRASS - 4.1" LONG |
| 34 | 084071-19-000 | EA | ROD - BRASS - 7.1" |
| 34 | 084071-20-000 | EA | ROD - BRASS - 9.8" LONG |
| 34 | 084071-22-000 | EA | ROD - BRASS - 15.3" |
| 34 | 084071-23-000 | EA | ROD - BRASS - 13.12" |
| 34 | 084071-24-000 | EA | ROD - BRASS - 3.8" |
| 34 | 084071-27-000 | EA | ROD - BRASS - 2.7" |
| 34 | 084071-28-000 | EA | ROD - BRASS - 6" LONG |
| 34 | 084071-30-000 | EA | ROD - BRASS - 11.6" LONG |
| 34 | 084071-31-000 | EA | ROD - BRASS - 14.08" LONG |
| 34 | 084071-32-000 | EA | ROD - BRASS - 13.6" LONG |
| 35 | 084070-01-000 | EA | POST - CENTER - 2.4" - BRASS |
| 36 | 009089-01-000 | EA | CLIP - MIRROR |
| 37 | 039984-01-000 | EA | CAP - ROUND - VINYL - .28" ID X .62" - BLACK |

INTERIOR FINISH GROUP (CONTINUED)
HARDWARE (CONTINUED)



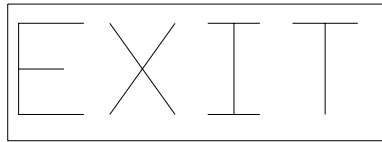
| KEY | PART NUMBER | U/M | DESCRIPTION |
|-----|---------------|-----|------------------------------------|
| 1 | 114693-01-01A | EA | SUPPORT - BLACK - RIGHT HAND |
| 1 | 114693-02-01A | EA | SUPPORT - BLACK - LEFT HAND |
| 2 | 104174-01-000 | EA | HOOK - ROBE - DOUBLE |
| 3 | 115541-01-000 | EA | SPRING - DOOR - SLIDING |
| 4 | 122717-01-01A | EA | PAD - NON SKID - 4" DIAMETER ROUND |
| 4 | 122717-04-01A | EA | PAD - NON SKID - 3" DIA. ROUND |
| 5 | 076827-02-000 | EA | BRACKET - 2.9" X 1.8" - TRIANGLE |
| 6 | 098980-01-000 | EA | PILASTER - ADJUSTABLE SHELF - 18" |
| 6 | 098980-02-000 | EA | PILASTER - ADJUSTABLE SHELF - 12" |
| 6 | 098980-03-000 | EA | PILASTER - ADJUSTABLE SHELF - 09" |
| 6 | 098980-04-000 | EA | PILASTER - ADJUSTABLE SHELF - 48" |
| 6 | 098980-05-000 | EA | PILASTER - ADJUSTABLE SHELF - 15" |
| 6 | 098980-06-000 | EA | PILASTER - ADJUSTABLE SHELF - 24" |

INTERIOR FINISH GROUP (CONTINUED)

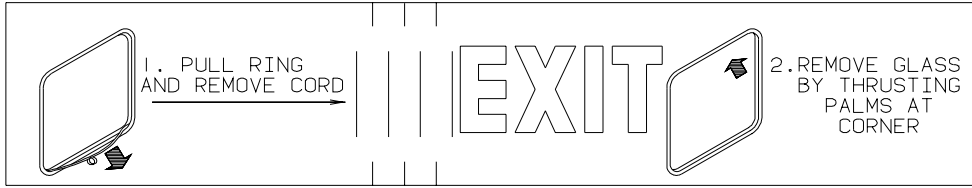
HARDWARE (CONTINUED)

| KEY | PART NUMBER | U/M | DESCRIPTION |
|-----|---------------|-----|---|
| 7 | 098979-01-000 | EA | CLIP - ADJUSTABLE SHELF |
| 8 | 094856-10-01A | EA | TRACK - FOLDING DOOR - OFF WHITE |
| 9 | 103868-09-01A | EA | TRACK - SLIDING DOOR - 64.3" - OFF WHITE |
| 9 | 103868-15-01A | EA | TRACK - SLIDING DOOR - 76" - OFF WHITE |
| 10 | 118933-01-01A | EA | SUPPORT - HINGE LOCK |
| 11 | 122717-06-01A | FT | PAD - NON-SKID - PSA - 5"W |
| 11 | 122717-08-01A | FT | PAD - NON-SKID - PSA - 7.2"W |
| 12 | 092652-01-000 | EA | GUIDE WHEEL/DOOR - TOP MOUNT |
| 13 | 130120-01-01A | EA | BRACKET - MOUNTING/MIRROR |
| 14 | 126263-06-02B | EA | BRACKET - GAS SPRING W/INSIDE BALL STUD - E-COATED |
| 15 | 126263-05-02B | EA | BRACKET - GAS SPRING W/BALL STUD - E-COATED |
| 16 | 107796-10-000 | EA | BRACKET - GAS SPRING - 90 DEGREE SMALL |
| 17 | 126263-02-02B | EA | BRACKET - GAS SPRING W/BALL STUD - E-COATED |
| 18 | 126263-08-02B | EA | BRACKET - GAS SPRING W/CENTERED BALL STUD - E-COATED |
| 19 | 111775-01-03A | EA | RAIL - DECORATIVE/PLASTIC SPINDLES - 71.9" - SALEM CHERRY |
| 19 | 111775-01-04A | EA | RAIL - DECORATIVE/PLASTIC SPINDLES - 84" - WATERFORD OAK |
| 19 | 111775-01-06A | EA | RAIL - DECORATIVE/PLASTIC SPINDLES - 71.9" - WASHED MAPLE |
| 19 | 111775-01-07A | EA | RAIL - DECORATIVE/PLASTIC SPINDLES - 71.9"-PORTSMOUTH OAK |
| 20 | 074493-02-000 | EA | SUPPORT - PISTON SPRING - CABINET DOOR - 26 LBS |
| 21 | 057460-02-000 | EA | STUD BALL - GAS SPRING - .39" - 5/16"-18 |
| 22 | 057460-04-000 | EA | SPRING - GAS - BALL STUD STYLE - 120 PI - "SPD6209" |
| 23 | 107796-06-000 | EA | SPRING/GAS - 12" COMPRESSED/20" EXTENDED - 120 LB. |
| 23 | 107796-08-000 | EA | SPRING/GAS - 11" COMPRESSED/17" EXTENDED - 60 LB |
| 23 | 107796-15-000 | EA | SPRING/GAS - 24" COMPRESSED/40" EXTENDED - 15 LB. |
| 23 | 107796-16-000 | EA | SPRING/GAS - 6.4" COMPRESSED/9.6" EXTENDED - 65 LB. |
| 23 | 107796-26-000 | EA | SPRING/GAS - 12" COMPRESSED/20" EXTENDED - 90 LB. |
| 24 | 042438-02-000 | EA | DOWEL - WOOD - 2" X 2" |
| 24 | 042438-01-000 | EA | DOWEL - WOOD - CLOTHES ROD - 1" DIAMETER X 4' |
| 25 | 128811-01-01A | EA | BACKSOCKET - ADJUSTABLE - LEFT |
| 26 | 128810-01-01A | EA | SLIDE - DRAWER - 12" - LEFT CABINET |
| 26 | 128810-05-01A | EA | SLIDE - DRAWER - 14" - LEFT CABINET |
| 26 | 128810-09-01A | EA | SLIDE - DRAWER - 16" - LEFT CABINET |
| 26 | 128810-13-01A | EA | SLIDE - DRAWER - 18" - LEFT CABINET |
| 26 | 128810-17-01A | EA | SLIDE - DRAWER - 20" - LEFT CABINET |
| 26 | 128810-21-01A | EA | SLIDE - DRAWER - 22" - LEFT CABINET |
| 26 | 128810-25-01A | EA | SLIDE - DRAWER - 24" - LEFT CABINET |
| 27 | 128811-02-01A | EA | BACKSOCKET - ADJUSTABLE RIGHT |
| 28 | 128810-03-01A | EA | SLIDE - DRAWER - 12" - LEFT DRAWER |
| 28 | 128810-07-01A | EA | SLIDE - DRAWER - 14" - LEFT DRAWER |
| 28 | 128810-11-01A | EA | SLIDE - DRAWER - 16" - LEFT DRAWER |
| 28 | 128810-15-01A | EA | SLIDE - DRAWER - 18" - LEFT DRAWER |
| 28 | 128810-19-01A | EA | SLIDE - DRAWER - 20" - LEFT DRAWER |
| 28 | 128810-23-01A | EA | SLIDE - DRAWER - 22" - LEFT DRAWER |
| 28 | 128810-27-01A | EA | SLIDE - DRAWER - 24" - LEFT DRAWER |
| 29 | 128810-04-01A | EA | SLIDE - DRAWER - 12" - RIGHT DRAWER |
| 29 | 128810-08-01A | EA | SLIDE - DRAWER - 14" - RIGHT DRAWER |
| 29 | 128810-12-01A | EA | SLIDE - DRAWER - 16" - RIGHT DRAWER |
| 29 | 128810-16-01A | EA | SLIDE - DRAWER - 18" - RIGHT DRAWER |
| 29 | 128810-20-01A | EA | SLIDE - DRAWER - 20" - RIGHT DRAWER |
| 29 | 128810-24-01A | EA | SLIDE - DRAWER - 22" - RIGHT DRAWER |
| 29 | 128810-28-01A | EA | SLIDE - DRAWER - 24" - RIGHT DRAWER |
| 30 | 128810-02-01A | EA | SLIDE - DRAWER - 12" - RIGHT CABINET |
| 30 | 128810-06-01A | EA | SLIDE - DRAWER - 14" - RIGHT CABINET |
| 30 | 128810-10-01A | EA | SLIDE - DRAWER - 16" - RIGHT CABINET |
| 30 | 128810-14-01A | EA | SLIDE - DRAWER - 18" - RIGHT CABINET |
| 30 | 128810-18-01A | EA | SLIDE - DRAWER - 20" - RIGHT CABINET |
| 30 | 128810-22-01A | EA | SLIDE - DRAWER - 22" - RIGHT CABINET |
| 30 | 128810-26-01A | EA | SLIDE - DRAWER - 24" - RIGHT CABINET |
| 31 | 084412-01-000 | EA | SUPPORT/HINGE KIT (LEFT & RIGHT HINGES) |
| 32 | 130787-01-000 | EA | TRACK - TAMBOUR DOOR/SPRING - 15.9" |
| 32 | 130787-02-000 | EA | TRACK - TAMBOUR DOOR/SPRING - 24" |
| 32 | 130787-03-000 | EA | TRACK - TAMBOUR DOOR/SPRING - 30" |

LABELS GROUP



KEY PART NUMBER U/M DESCRIPTION
039290-01-000 EA LABEL - WARNING - EXIT



KEY PART NUMBER U/M DESCRIPTION
107571-01-000 EA LABEL - EXIT/ESCAPE WINDOW

FOR AWNING INSTALLATION
CONTACT YOUR MOTORHOME
DEALERSHIP

KEY PART NUMBER U/M DESCRIPTION
099509-01-000 EA LABEL - AWNING INSTALLATION



KEY PART NUMBER U/M DESCRIPTION
040944-01-000 EA LABEL - ENTRANCE DOOR - "OPEN"

WARNING
MUST BE STOWED
IN LATCHED POSITION
WHILE VEHICLE IS IN MOTION

KEY PART NUMBER U/M DESCRIPTION
079966-01-000 EA LABEL - WARNING - STOWED - MOTION

WARNING DISCONNECT BATTERIES BEFORE
CONNECTING EXTERNAL CHARGING EQUIPMENT.

KEY PART NUMBER U/M DESCRIPTION
065748-01-000 EA LABEL - CAUTION - BATTERY CHARGING

AVERTISSEMENT : DEBRANCHER LES BATTERIES AVANT
DE BRANCHER TOUT EQUIPEMENT DE CHARGE EXTERIEUR.

KEY PART NUMBER U/M DESCRIPTION
065748-02-000 EA LABEL - WARNING - BATTERY/FRENCH - CANADIAN

LABELS GROUP (CONTINUED)

WASTE WATER

KEY PART NUMBER U/M DESCRIPTION
006188-01-000 EA LABEL - WASTE WATER

SEWAGE

KEY PART NUMBER U/M DESCRIPTION
006187-01-000 EA LABEL - SEWAGE

IF YOU SMELL GAS

1. EXTINGUISH ANY OPEN FLAME, PILOT LIGHTS AND ALL SMOKING MATERIALS.
2. DO NOT TOUCH ELECTRICAL SWITCHES.
3. SHUT OFF THE GAS SUPPLY AT THE TANK VALVE(S) OR GAS SUPPLY CONNECTION.
4. OPEN DOORS AND OTHER VENTILATING OPENINGS.
5. LEAVE THE AREA UNTIL ODOR CLEARS.
6. HAVE THE GAS SYSTEM CHECKED AND LEAKAGE SOURCE CORRECTED BEFORE USING AGAIN.

KEY PART NUMBER U/M DESCRIPTION
073998-01-000 EA LABEL - LPG ODOR WARNING

WARNING: TEST SMOKE DETECTOR OPERATION AFTER VEHICLE HAS BEEN IN STORAGE, BEFORE EACH TRIP AND AT LEAST ONCE PER WEEK DURING USE.

KEY PART NUMBER U/M DESCRIPTION
077956-01-000 EA LABEL - WARNING - SMOKE DETECTOR

| | |
|--------------------------------------|---|
| CAUTION | TO HELP AVOID PERSONAL INJURY DURING REMOVAL OF FUEL FILLER CAP, SLOWLY LOOSEN CAP 1/2 TURN TO ALLOW ANY FUEL PRESSURE TO BE RELIEVED BEFORE TURNING CAP FURTHER. |
| FUEL SPRAY MAY CAUSE PERSONAL INJURY | STOP ADDING FUEL AFTER FIRST SHUTOFF BY AUTOMATIC NOZZLE WHEN TANK IS NEARLY FULL. DO NOT OVERFILL FUEL TANK. SEE OWNERS MANUAL FOR ADDITIONAL INFORMATION. PRINTED IN U.S.A. WLC PT NO 15611763 |

KEY PART NUMBER U/M DESCRIPTION
087207-05-000 EA LABEL - FUEL CAP REMOVAL

UNLEADED FUEL ONLY

KEY PART NUMBER U/M DESCRIPTION
062043-01-000 EA LABEL - FUEL - UNLEADED

UNLEADED
FUEL ONLY

KEY PART NUMBER U/M DESCRIPTION
098641-01-000 EA LABEL - FUEL - UNLEADED - DASH

LABELS GROUP (CONTINUED)

LP-GAS SYSTEM
THIS GAS PIPING SYSTEM IS
DESIGNED FOR USE OF
LIQUIFIED PETROLEUM GAS
ONLY. DO NOT CONNECT
NATURAL GAS TO THIS
SYSTEM.
SECURE CAP INLET(S) WHEN NOT
CONNECTED FOR USE. AFTER TURNING
ON GAS, EXCEPT AFTER NORMAL
CONTAINER REPLACEMENT, TEST GAS
PIPING AND CONNECTIONS TO
APPLIANCES FOR LEAKAGE WITH SOAPY
WATER OR BUBBLE SOLUTION. DO NOT
USE PRODUCTS THAT CONTAIN AMMONIA
OR CLORINE.

124520

| KEY | PART NUMBER | U/M DESCRIPTION |
|-----|---------------|---|
| | 124520-01-01A | EA LABEL - LP GAS ONLY - BLACK ON CLEAR |
| | 124520-01-02A | EA LABEL - LP GAS ONLY - WHITE ON CLEAR |

WARNING

THIS SYSTEM IS DESIGNED FOR USE WITH PROPANE ONLY
DO NOT CONNECT NATURAL GAS TO THIS SYSTEM

BEFORE TURNING ON PROPANE:

- (A) BE CERTAIN APPLIANCES ARE CERTIFIED FOR PROPANE AND ARE EQUIPPED WITH CORRECT BURNING ORIFICES.
- (B) MAKE CERTAIN ALL PROPANE CONNECTIONS ARE TIGHT BY TESTING WITH SOAPY WATER. ALL APPLIANCE VALVES ARE TURNED OFF, AND ANY UNCONNECTED OUTLETS ARE CAPPED.

AFTER TURNING ON PROPANE:

- (A) LIGHT ALL PILOT LIGHTS
- (B) (B) ALL CONNECTIONS, INCLUDING THOSE AT THE APPLIANCES, REGULATORS AND CYLINDERS SHOULD BE LEAK-TESTED PERIODICALLY WITH SOAPY WATER BY THE OCCUPANT. NEVER USE A LIGHTED MATCH OR OTHER FLAME WHEN CHECKING FOR LEAKS.
- (C) DO NOT LEAVE SYSTEM TURNED ON OF CONTAINERS CONNECTED UNTIL THE SYSTEM HAS BEEN PROVEN TO BE FREE OF LEAKS.
- (D) COOKING APPLIANCES SHOULD NOT BE USED FOR SPACE HEATING.
- (E) WHEN THE CONTAINERS ARE DISCONNECTED THE PROPANE SUPPLY LINE SHOULD BE CAPPED OR PLUGGED.

AVERTISSEMENT

CETTE INSTALLATION EST CONCUE POUR LE PROPANE SEULEMENT
NE PAS L'ALIMENTER EN GAZ NATUREL

AVANT LA MISE EN SERVICE:

- (A) S'ASSURER QUE LES APPAREILS SONT CERTIFIES POUR LE PROPANE ET MUNIS D'ORIFICES DE BRULEUR APPROPRIES.
- (B) VERIFIER L'ETANCHEITE DE TOUS LES RACCORDEMENTS AU PROPANE. LA PERMETURE DE TOUS LES ROBINETS D'APPAREILS ET L'OBTUTATION DE TOUTES LES SORTIES NON RACCORDEES.

APHES LA MISE EN SERVICE:

- (A) ALLUMER TOUTES LES VEILLEUSES.
- (B) L'OCCUPANT DOIT EPROUVER PERIODIQUEMENT L'ETANCHEITE DE TOUS LES RACCORDEMENTS Y COMPRIS CEUX AUX APPAREILS, AUX DETENDEURS ET AUX BOUTEELLES, EN Y APPLIQUANT DE L'EAU SAVONNEUSE NE JAMA'S SE SERVIR D'UNE ALLUMETTE OU AUTRE POUR LA DETECTION DES FUITES.
- (C) NE PAS LAISSER L'ALIMENTATION OUVERTE NI LES RECIPIENTS RACCORDES AVANT D'AVOIR COMPLETE L'EPREUVE D'ETANCHEITE AU PROPANE DE L'INSTALLATION.
- (D) LES APPAREILS DE CUISSON NE DOIVENT PAS ETRE UTILISES POUR LE CHAUFFAGE DES LOCAUX.
- (E) LORSQUE LES RECIPIENTS SONT DECONNECTES, L'ALIMENTATION DE PROPANE DOIT ETRE OBTUREE OU SCHELLEE.

| KEY | PART NUMBER | U/M DESCRIPTION |
|-----|---------------|-------------------------------------|
| | 023769-01-000 | EA LABEL - WARNING - LPG - CANADIAN |

THIS CONNECTION IS FOR
(B) VOLT AC, 60 HZ(CYCLES)
(A) AMPERE SUPPLY

DO NOT CONNECT TO
HIGHER VOLTAGE

| KEY | PART NUMBER | U/M DESCRIPTION |
|-----|---------------|--|
| | 125306-01-01A | EA LABEL - ELECTRICAL ENTRANCE - 110VOLT 30AMP |
| | 125306-03-01A | EA LABEL - ELECTRICAL ENTRANCE - 100 VOLT 30 AMP |

LABELS GROUP (CONTINUED)

THIS CONNECTION IS FOR
(B) VOLT AC,3-POLE,4 WIRE
60 HZ(CYCLES), (A) AMPERE SUPPLY

DO NOT CONNECT TO
HIGHER VOLTAGE

KEY PART NUMBER U/M DESCRIPTION
125306-04-01A EA LABEL - ELECTRICAL ENTRANCE - 120 VOLT - 240 AMP

THIS CONNECTION IS FOR
(B) VOLT AC,50 HZ(CYCLES)
(A) AMPERE SUPPLY

DO NOT CONNECT TO
HIGHER VOLTAGE

KEY PART NUMBER U/M DESCRIPTION
125306-05-01A EA LABEL - ELECTRICAL ENTRANCE - 220 VOLT 25 AMP

"TO ENSURE A SUPPLY OF FRESH AIR TO
OCCUPANTS, OPEN VENTILATORS WHEN
FUEL BURNING RANGE, FUEL BURNING
CARRY-ON APPLIANCES AND/OR FUEL-
BURNING LIGHTS ARE IN OPERATION."

"COOKING APPLIANCES SHOULD NOT BE
USED FOR SPACE HEATING PURPOSES"

DE MANIERE A ASSURE UNE ALIMENTATION
EN AIR FRAIS AUX OCCUPANTS,OUVRIR
LES VENTILATEURS LORSQUE LA CUISINIERE,
LES APPAREILS DE CHAUFFAGE PORTABLES
ET/OU LES LAMPES DE COMBUSTION
D'HUILE SONT EN FONCTIONNEMENT.

LES APPAREILS DE CUSSON NE DOIVENT
PAS SERVIR AU CHAUFFAGES DES LOCAUX.

KEY PART NUMBER U/M DESCRIPTION
050222-01-000 EA LABEL - STOVE VENT - CANADIAN

WARNING

THIS VEHICLE, LIKE OTHER
VEHICLES, MAY CONTAIN SMALL
AMOUNTS OF ONE OR MORE
SUBSTANCES WHICH ARE LISTED
BY THE STATE OF CALIFORNIA
FOR CAUSING CANCER OR
REPRODUCTIVE TOXICITY.

KEY PART NUMBER U/M DESCRIPTION
099689-01-000 EA LABEL - WARNING - CANCER/TOXICITY

WATER HEATER
BY-PASS

NORMAL
OPERATION

KEY PART NUMBER U/M DESCRIPTION
133424-01-01A EA LABEL - BYPASS - WATER HEATER

REMOVE PRIMARY TIRE HANGER BEFORE USING
SPARE TIRE HOIST-SEE OWNERS MANUAL- PERSONAL
INJURY MAY RESULT IF NOT FOLLOWED

KEY PART NUMBER U/M DESCRIPTION
126024-01-01A EA LABEL - TIRE HANGER REMOVAL

DO NOT USE HITCH BEFORE
READING OWNERS MANUAL REGARDING
VEHICLE LOADING AND TOWING

KEY PART NUMBER U/M DESCRIPTION
111104-01-000 EA LABEL - HITCH - READ MANUAL - WHITE
111104-02-000 EA LABEL - HITCH - READ MANUAL - BLACK

LABELS GROUP (CONTINUED)



CAUTION

THIS MOTOR HOME HAS BEEN DESIGNED, MANUFACTURED AND TESTED WITH CONCERN FOR THE PROTECTION OF IT'S OCCUPANTS. WE RECOMMEND YOU PERFORM THE FOLLOWING INSPECTIONS FOR YOUR SAFETY AND THE SAFETY OF YOUR PASSENGERS BEFORE STARTING YOUR VEHICLE.



1. LP GAS SYSTEM- TURN OFF AT TANK FOR TRAVELING. TEST FOR LEAKS UPON ARRIVAL AT DESTINATION. BEFORE LIGHTING PILOTS.
2. WHEELS- INSPECT FOR DAMAGE AND CHECK LUG NUTS FOR TIGHTNESS.
3. TIRES- INSPECT FOR WEAR AND DAMAGE AND CHECK FOR RECOMMENDED AIR PRESSURE.
4. LIGHTING- TEST FOR PROPER OPERATION OF ALL INTERIOR AND EXTERIOR LIGHTS INCLUDING DASH LIGHTS, HEADLIGHTS, TAIL LIGHTS, BRAKE LIGHTS, CLEARANCE LIGHTS AND TURN SIGNALS.
5. EXITS- INSPECT RELEASE MECHANISM ON EMERGENCY EXIT WINDOW. TEST BOTH LOCKS ON MAIN ENTRANCE DOOR FOR EASE OF OPERATION AND INSTRUCT PASSENGERS HOW TO USE BOTH MEANS OF EXIT.
6. SEAT BELTS- DIRECT PASSENGERS TO DESIGNATED SEATS AND REQUIRE USE OF SEAT BELTS.
7. APPLIANCES- TURN OFF AND LATCH OR LOCK DOORS WHERE PROVIDED.
8. LOOSE PARCELS- STORE SECURELY.
9. UTILITY SUPPLY LINES- DISCONNECT ALL ELECTRIC, SEWER AND WATER LINES AND SECURE PROPERLY.
10. ENTRANCE DOOR STEP- PLACE IN RETRACTED POSITION FOR TRAVELING.

READ YOUR MOTOR HOME AND CHASSIS OWNER'S
MANUAL FOR FURTHER PRECAUTIONS

KEY PART NUMBER **U/M DESCRIPTION**
056259-01-000 EA LABEL - SAFETY CHECK LIST

| | |
|---|--|
|  | <h3>WARNING</h3> |
|  | <p>DEATH or SERIOUS INJURY can occur</p> <p>Children 12 and under can be killed by the air bag The BACK SEAT is the SAFEST place for children NEVER put a rear-facing child seat in the front Sit as far back as possible from the air bag ALWAYS use SEAT BELTS and CHILD RESTRAINTS</p> |

KEY PART NUMBER **U/M DESCRIPTION**
126611-01-000 EA LABEL - AIR BAG - VISOR

| | |
|---|--|
|  | <h3>WARNING</h3> |
|  | <p>Children Can be KILLED or INJURED by Passenger Air Bag</p> <p>The back seat is the safest place for children 12 and under. Make sure all children use seat belts or child seats.</p> |

KEY PART NUMBER **U/M DESCRIPTION**
126612-01-000 EA LABEL - HANG TAG - AIR BAG - DASH

AIR CONDITIONING CIRCUIT.
THIS CONNECTION IS FOR
AIR CONDITIONERS RATED 110-
125 VOLT AC, 60 HZ, 16
AMPERES MAXIMUM. DO NOT
EXCEED CIRCUIT RATING.

KEY PART NUMBER **U/M DESCRIPTION**
091243-01-000 EA LABEL - A/C COVER "AIR CONDITIONING CIRCUIT ETC."

WARNING: CONTAINS "CFC" A SUBSTANCE WHICH HARMS
PUBLIC HEALTH AND ENVIRONMENT BY DESTROYING
OZONE IN THE UPPER ATMOSPHERE.

KEY PART NUMBER **U/M DESCRIPTION**
111802-01-000 EA LABEL - CFC WARNING

LABELS GROUP (CONTINUED)

WARNING

WHEN ADDING A GENERATOR SET:

HIGH VOLTAGE-USE EXTREME CAUTION WHEN WORKING ON ELECTRICAL COMPONENTS.
HAVE ALL ELECTRICAL INSTALLATION PERFORMED BY A QUALIFIED LICENSED ELECTRICIAN-FOLLOW ALL STATE AND LOCAL CODES.
ONLY INSTALL GENERATOR SET APPROVED FOR R.V. APPLICATION. HAVE INSTALLED BY QUALIFIED TECHNICIAN.
TO AVOID HEAT BUILD-UP AND TO GUARANTEE AN ADEQUATE AIR SUPPLY TO THE GENERATOR CARBURETOR, FOLLOW INSTALLATION INSTRUCTIONS.
GENERATOR ENGINE EXHAUST GASES ARE TOXIC AND MUST NOT TERMINATE UNDER THE VEHICLE-DISCHARGE EXHAUST AWAY FROM VEHICLE.

KEY PART NUMBER U/M DESCRIPTION
077510-01-000 EA LABEL - GENERATOR PREP

CAUTION

DO NOT LATCH DOOR IN OPEN POSITION
IF WATER HEATER CONTROL IS IN THE ON POSITION. WATER HEATER EXHAUST MAY DAMAGE OUTER SURFACE OF DOOR.

KEY PART NUMBER U/M DESCRIPTION
113402-01-000 EA LABEL - CAUTION - WATER HEATER EXHAUST
113402-02-000 EA LABEL - CAUTION - FURNACE EXHAUST

WARNING!

UNDERSTAND OPERATOR'S MANUAL BEFORE USING.
KEEP PEOPLE AND OBSTRUCTIONS CLEAR OF SLIDEOUT ROOM WHEN OPERATING TO AVOID INJURY AND/OR PROPERTY DAMAGE.

KEY PART NUMBER U/M DESCRIPTION
116549-01-000 EA LABEL - WARNING - SLIDEOUT

MISE EN GARDE

POUR VOTRE SECURITE PERSONNELLE RANGEZ, TOUT OBJET DE FAÇON SECURITAIRE LORSQUE LE VEHICULE EST EN MOUVEMENT.

CAUTION

FOR YOUR PERSONAL SAFETY, SECURELY STOW OBJECTS AWAY WHILE VEHICLE IS IN MOTION

KEY PART NUMBER U/M DESCRIPTION
131341-01-000 EA LABEL - STOW OBJECTS - US

DIESEL FUEL ONLY

KEY PART NUMBER U/M DESCRIPTION
068383-01-000 EA LABEL - DIESEL FUEL

OPEN ○
DRAIN
CLOSED ○

KEY PART NUMBER U/M DESCRIPTION
133423-01-01A EA LABEL - DRAIN

WARNING

IT IS NOT SAFE TO USE COOKING APPLIANCES FOR COMFORT HEATING

COOKING APPLIANCES NEED FRESH AIR FOR SAFE OPERATION BEFORE OPERATION:

1. OPEN OVERHEAD VENT OR TURN ON EXHAUST FAN AND;
2. OPEN WINDOW.

KEY PART NUMBER U/M DESCRIPTION
050225-01-000 EA LABEL - WARNING - STOVE VENT - US

LABELS GROUP (CONTINUED)

WARNING

ALL PILOT LIGHTS, APPLIANCES AND THIER
IGNITORS (SEE OPERATING INSTRUCTIONS) SHALL
BE TURNED OFF DURING REFUELING OF MOTOR
FUEL TANKS AND/OR LP GAS CONTAINERS

| KEY | PART NUMBER | U/M DESCRIPTION |
|-----|---------------|---|
| | 124519-01-01A | EA LABEL - WARNING/REFUELING - BLACK ON CLEAR |
| | 124519-01-02A | EA LABEL - WARNING/REFUELING - WHITE ON CLEAR |

WARNING :

ALL PILOT LIGHTS AND APPLIANCES SHALL BE TURNED
OFF DURING REFUELING OF MOTOR FUEL TANKS AND/
OR PROPANE CONTAINERS.

AVERTISSEMENT :

FERMER TOUTES LES VEILLEUSES AINSI QUE TOUS LES
APPAREILS LORSQU'ON FAIT LE PLEIN DES RÉSERVOIRS
À CARBURANT OU À PROPANE.

124519-02

| KEY | PART NUMBER | U/M DESCRIPTION |
|-----|---------------|---|
| | 124519-02-01A | EA LABEL - WARNING/REFUELING - BLACK ON CLEAR - CSA |
| | 124519-02-02A | EA LABEL - WARNING/REFUELING - WHITE ON CLEAR - CSA |

ENTRANCE DOOR PROP ROD

THIS ROD IS DESIGNED TO PROP THE
ENTRANCE DOOR OPEN WHEN THE PATIO
AWNING ARM IS ATTACHED TO THE
SIDEWALL AND THE AWNING IS EX-
TENDED.
HOOK ONE END OF ROD INTO LOOP ON
DOOR AND OTHER END INTO LOOP ON THE
SIDEWALL AS SHOWN.

(THIS LABEL TO BE REMOVED BY RETAIL OWNER ONLY)

| KEY | PART NUMBER | U/M DESCRIPTION |
|-----|---------------|----------------------------------|
| | 128658-01-000 | EA LABEL - PROP ROD - ENTRY DOOR |

INPUT

| KEY | PART NUMBER | U/M DESCRIPTION |
|-----|---------------|--------------------------|
| | 087236-01-000 | EA LABEL - CABLE - INPUT |

OUTLET

| KEY | PART NUMBER | U/M DESCRIPTION |
|-----|---------------|----------------------|
| | 087236-02-000 | EA LABEL - TV OUTLET |

| | |
|---|---|
| <p style="font-size: x-small;">DTS' ISI CE SIEGE N'EST PAS DESTINE A ETRE OCCUPE LORSQUE LE VEHICULE EST EN MOUVEMENT</p> | <p style="font-size: x-small;">THIS SEAT IS NOT INTENDED FOR OCCUPANCY WHILE VEHICLE IS IN MOTION</p> |
|---|---|

| KEY | PART NUMBER | U/M DESCRIPTION |
|-----|---------------|---|
| | 006064-01-000 | EA LABEL - SEAT W/O SEATBELT |
| | 006064-02-000 | EA LABEL - SEAT W/O SEATBELT - CANADIAN |

LABELS GROUP (CONTINUED)

CAUTION:
OPEN A WINDOW OR VENT WHILE
OPERATING DRYER. IT IS DANGEROUS
TO CREATE A NEGATIVE AIR PRESSURE
INSIDE A VEHICLE CONTAINING
FUEL-BURNING APPLIANCES

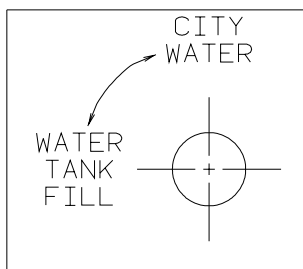
KEY PART NUMBER U/M DESCRIPTION
130670-01-01A EA LABEL - CAUTION DRYER VENTING - BLACK ON CLEAR



KEY PART NUMBER U/M DESCRIPTION
061417-01-000 EA LABEL - FUEL - ON FUEL FILL DOOR

INSERT RETAINER PINS IN
SLIDE MECHANISM AFTER
RETURNING GENERATOR TO
STORED POSITION.
IF RETAINER PINS ARE NOT
INSERTED, THE GENERATOR
WILL EXTEND WHICH MAY
CAUSE PERSONAL INJURY.

KEY PART NUMBER U/M DESCRIPTION
116273-01-000 EA LABEL - WARNING - GENERATOR



KEY PART NUMBER U/M DESCRIPTION
117629-02-000 EA LABEL - WATER PUMP/FILL-WHITE LETTER/CLEAR BACKGROUND-.24"
117629-03-000 EA LABEL - WATER PUMP/FILL-BLK LETTERS/CLEAR BACKGROUND-.31"

KEEP THE SERVICE INLET ACCESS
IN THE CLOSED POSITION WHEN
UTILITY CONNECTIONS ARE NOT IN USE

KEY PART NUMBER U/M DESCRIPTION
123562-01-000 EA LABEL - SERVICE/UTILITY ACCESS

CITY WATER FILL

KEY PART NUMBER U/M DESCRIPTION
126249-01-000 EA LABEL - CITY WATER FILL - WHITE LETTERS/CLEAR BACKGROUND
126249-02-000 EA LABEL - CITY WATER FILL-BLK LETTER/CLEAR BACKGROUND-.24"H
126249-03-000 EA LABEL - CITY WATER FILL-BLK LETTER/CLEAR BACKGROUND-.31"H

LABELS GROUP (CONTINUED)

WARNING

ROOF SURFACE MAY BE SLIPPERY
ESPECIALLY WHERE MOISTURE IS PRESENT
SLIPPING MAY RESULT IN PERSONAL INJURY.

128218-01

| KEY | PART NUMBER | U/M DESCRIPTION |
|-----|---------------|------------------------------------|
| | 128218-01-01A | EA LABEL - WARNING - SLIPPERY ROOF |

WASTE TANK FLUSH

| KEY | PART NUMBER | U/M DESCRIPTION |
|-----|---------------|-----------------------------|
| | 130168-01-000 | EA LABEL - WASTE TANK FLUSH |

LIGHTS WATER
PUMP

| KEY | PART NUMBER | U/M DESCRIPTION |
|-----|---------------|--|
| | 130170-02-000 | EA LABEL - SWITCH PANEL - BLK/CLEAR BACKGROUND-1.4H X 3.9"L |
| | 117628-02-000 | EA LABEL - SWITCH - WATER PUMP/LIGHTS-WHITE/CLEAR BACKGROUND |

MONITOR WATER
PANEL PUMP
LIGHT

| KEY | PART NUMBER | U/M DESCRIPTION |
|-----|---------------|--|
| | 130170-01-000 | EA LABEL - SWITCH PANEL - BLK/CLEAR BACKGROUND-1.8"H X 5.9"L |

PUSH TO
RELEASE
GENERATOR
SLIDE ASM

| KEY | PART NUMBER | U/M DESCRIPTION |
|-----|---------------|----------------------|
| | 131779-01-01A | EA LABEL - GENERATOR |

WARNING

ALL LP GAS IS CONTAINED UNDER PRES-
SURE. DUE TO THE DANGEROUS POTENTIAL
OF ANY COMPRESSED GAS, IT IS MANDA-
TORY THAT THE FOLLOWING REQUIREMENTS
FOR THE USE OF THIS TANK BE FOLLOWED:
TANKS ARE TO BE INSTALLED, FUELED AND
MAINTAINED IN ACCORDANCE WITH STATE
AND LOCAL CODE, RULES, REGULATIONS OR
LAWS AND IN ACCORDANCE WITH NFPA
PAMPHLET 58, DIVISION IV.

| KEY | PART NUMBER | U/M DESCRIPTION |
|-----|---------------|-------------------------|
| | 116112-01-000 | EA LABEL - WARNING - LP |

LABELS GROUP (CONTINUED)

TOW VEHICLE RATING MAY BE LESS THAN HITCH RATING.
 MAXIMUM VERTICAL HITCH LOAD: 350 LBS
 DO NOT EXCEED REAR AXLE RATING.
 SEE OWNER'S MANUAL FOR ADDITIONAL INFORMATION.

| KEY | PART NUMBER | U/M | DESCRIPTION |
|-----|---------------|-----|---|
| | 129669-01-01A | EA | LABEL - HITCH/VEHICLE RATE - 350 - WHITE ON CLEAR |
| | 129669-01-02A | EA | LABEL - HITCH/VEHICLE RATE - 350 - BLACK ON CLEAR |
| | 129669-02-01A | EA | LABEL - HITCH/VEHICLE RATE - 500 - WHITE ON CLEAR |
| | 129669-02-02A | EA | LABEL - HITCH/VEHICLE RATE - 500 - BLACK ON CLEAR |

THIS CHAIR IS NOT INTENDED
 FOR OCCUPANCY WHEN VEHICLE
 IS IN MOTION AND MUST BE
 RETURNED TO STOWED POSITION

| KEY | PART NUMBER | U/M | DESCRIPTION |
|-----|---------------|-----|---------------------------|
| | 102267-01-000 | EA | LABEL - NO OCCUPANCY - US |

DTS ISICE SIEGE N/EST PAS
 DESTINE A ETRE OCCUPE LORSQUE
 LE VEHICULE EST EN MOUVEMENT
 ET IL FAUT QUE LE RANGER

THIS CHAIR IS NOT INTENDED
 FOR OCCUPANCY WHEN VEHICLE
 IS IN MOTION AND MUST BE
 RETURNED TO STOWED POSITION

| KEY | PART NUMBER | U/M | DESCRIPTION |
|-----|---------------|-----|----------------------------|
| | 102267-02-000 | EA | LABEL - NO OCCUPANCY - CSA |

EXTERIOR SHOWER

| KEY | PART NUMBER | U/M | DESCRIPTION |
|-----|---------------|-----|-------------------------|
| | 126248-03-000 | EA | LABEL - EXTERIOR SHOWER |

W
A
T
E
R

ON

|

H
E
A
T
E
R

OFF

| KEY | PART NUMBER | U/M | DESCRIPTION |
|-----|---------------|-----|-------------------------------|
| | 083588-01-000 | EA | LABEL - ON/OFF - WATER HEATER |

E
N
G
I
N
E

ON

|

H
E
A
T
E
R

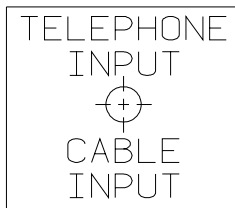
OFF

| KEY | PART NUMBER | U/M | DESCRIPTION |
|-----|---------------|-----|--------------------------------|
| | 083588-02-000 | EA | LABEL - ON/OFF - ENGINE HEATER |

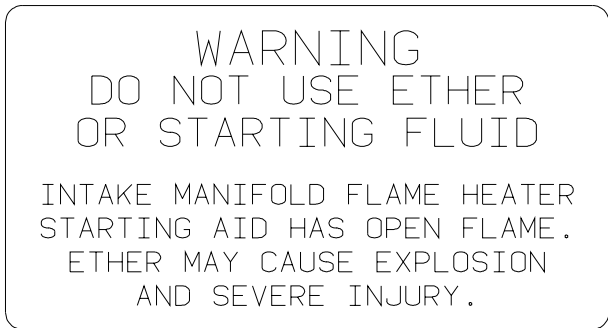
LABELS GROUP (CONTINUED)

| | |
|---|---|
| NOTE: TUNE ANTENNA PER MANUFACTURER'S DIRECTIONS. FAILURE TO COMPLY COULD RESULT IN DAMAGE TO CB. | CB POWER PROVISION RED +12 V BLACK GROUND COAX ANTENNA (SEE REVERSE ALSO) |
|---|---|

KEY PART NUMBER U/M DESCRIPTION
104678-01-000 EA LABEL - CB PREP



KEY PART NUMBER U/M DESCRIPTION
114866-02-000 EA LABEL - PHONE & CABLE INPUT - WHITE/CLEAR BACKGROUND
114866-03-000 EA LABEL - PHONE & CABLE INPUT - BLACK/CLEAR BACKGROUND



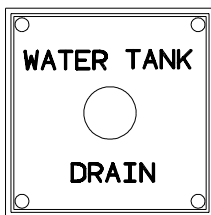
KEY PART NUMBER U/M DESCRIPTION
116756-01-000 EA LABEL - WARNING - ETHER/STARTING



KEY PART NUMBER U/M DESCRIPTION
126247-01-000 EA LABEL - GRAY HOLDING TANK-WHITE LETTERS/CLEAR BACKGROUND
126247-05-000 EA LABEL - GRAY HOLDING TANK-BLACK LETTERS/CLEAR BACKGROUND



KEY PART NUMBER U/M DESCRIPTION
126247-02-000 EA LABEL - BLACK HOLDING TANK-WHITE LETTERS/BLACK BACKGROUND
126247-06-000 EA LABEL - BLACK HOLDING TANK-BLACK LETTERS/CLEAR BACKGROUND

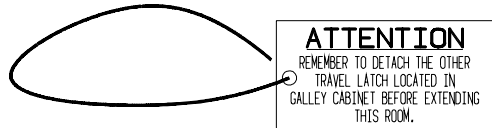


KEY PART NUMBER U/M DESCRIPTION
127170-01-000 EA LABEL - WATER TANK DRAIN

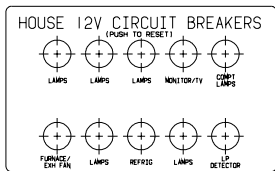
LABELS GROUP (CONTINUED)

WARNING
 POTABLE WATER ONLY
 SANITIZE, FLUSH, AND
 DRAIN BEFORE USING.
 SEE INSTRUCTION MANUAL

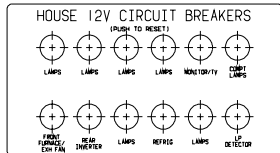
- | KEY | PART NUMBER | U/M DESCRIPTION |
|-----|---------------|-------------------------------|
| | 128725-01-01A | EA LABEL - POTABLE WATER ONLY |
| | 128725-01-02A | EA LABEL - POTABLE WATER ONLY |



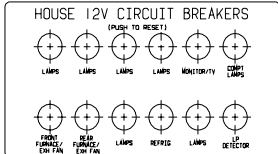
- | KEY | PART NUMBER | U/M DESCRIPTION |
|-----|---------------|---|
| | 129033-01-000 | EA LABEL - HANG TAG - TRAVEL LATCH - 1.5" X3" |



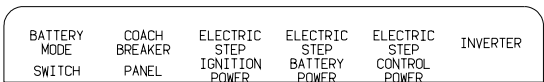
- | KEY | PART NUMBER | U/M DESCRIPTION |
|-----|---------------|----------------------------|
| | 092547-06-000 | EA LABEL - CIRCUIT BREAKER |



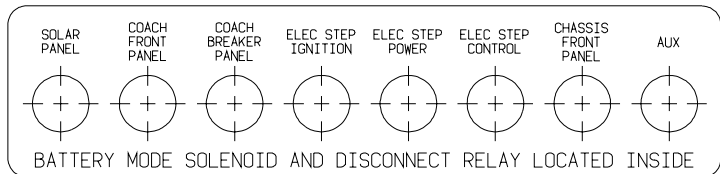
- | KEY | PART NUMBER | U/M DESCRIPTION |
|-----|---------------|----------------------------|
| | 092547-09-000 | EA LABEL - CIRCUIT BREAKER |



- | KEY | PART NUMBER | U/M DESCRIPTION |
|-----|---------------|----------------------------|
| | 092547-07-000 | EA LABEL - CIRCUIT BREAKER |



- | KEY | PART NUMBER | U/M DESCRIPTION |
|-----|---------------|----------------------------|
| | 093236-08-000 | EA LABEL - CIRCUIT BREAKER |

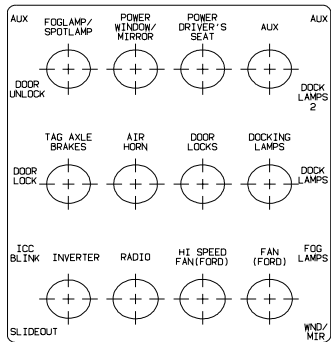


- | KEY | PART NUMBER | U/M DESCRIPTION |
|-----|---------------|----------------------------|
| | 093236-13-000 | EA LABEL - CIRCUIT BREAKER |

LABELS GROUP (CONTINUED)

| | | | | | | |
|-------------------|----------|--------------------------------------|--------------------------------------|---------------------------------------|---------------------------|---------------------------|
| SLIDEOUT DRIVE | INVERTER | ELECTRIC STEP CONTROL POWER | ELECTRIC STEP BATTERY POWER | ELECTRIC STEP IGNITION POWER | COACH BREAKER PANEL | BATTERY MODE SWITCH |
|-------------------|----------|--------------------------------------|--------------------------------------|---------------------------------------|---------------------------|---------------------------|

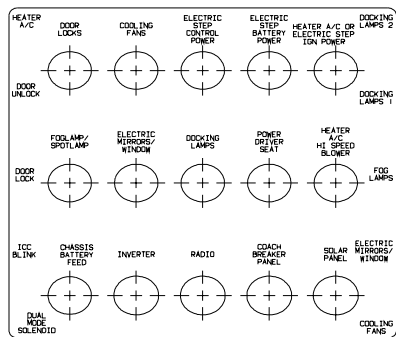
KEY PART NUMBER U/M DESCRIPTION
 093236-15-000 EA LABEL - CIRCUIT BREAKER



KEY PART NUMBER U/M DESCRIPTION
 093236-16-000 EA LABEL - CIRCUIT BREAKER

| | | | | | | |
|---------------------------|---------------------------|---------------------------------------|--------------------------------------|--------------------------------------|----------|-------------------|
| BATTERY MODE SWITCH | COACH BREAKER PANEL | ELECTRIC STEP IGNITION POWER | ELECTRIC STEP BATTERY POWER | ELECTRIC STEP CONTROL POWER | INVERTER | SLIDEOUT POWER |
|---------------------------|---------------------------|---------------------------------------|--------------------------------------|--------------------------------------|----------|-------------------|

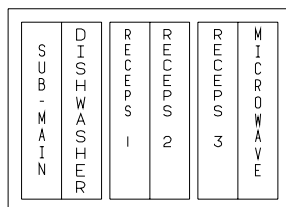
KEY PART NUMBER U/M DESCRIPTION
 093236-18-000 EA LABEL - CIRCUIT BREAKER



KEY PART NUMBER U/M DESCRIPTION
 093236-19-000 EA LABEL - CIRCUIT BREAKER



KEY PART NUMBER U/M DESCRIPTION
 093237-10-000 EA LABEL - CIRCUIT BREAKER - FRONT - COOLING FANS



KEY PART NUMBER U/M DESCRIPTION
 095721-20-000 EA LABEL - CONTROL CENTER W/INVERTER

LABELS GROUP (CONTINUED)

| | | | | | |
|------------|----------------|----------------|-------------|-------------|-----------|
| SUB - MAIN | APPLIANCE 1 | APPLIANCE 2 | RECCPS 1 | RECCPS 2 | MICROWAVE |
|------------|----------------|----------------|-------------|-------------|-----------|

KEY PART NUMBER **U/M DESCRIPTION**
 095721-21-000 EA LABEL - CONTROL CENTER W/INVERTER

| | | | | | | | | |
|---------------------|------|------|---------------------|----------------------|----------------|--------------|-----------------|--|
| A/C CIRCUIT 1 | MAIN | MAIN | A/C CIRCUIT 2 | INVERTER/ CHARGER | REFFRIG/VACUUM | WASHER/DRYER | WATER HEATER | |
|---------------------|------|------|---------------------|----------------------|----------------|--------------|-----------------|--|

KEY PART NUMBER **U/M DESCRIPTION**
 095721-22-000 EA LABEL - CONTROL CENTER - 50AMP

| | | | | | | | | |
|---------------------|------|--|--------------|-----------|--|-------------|-------------|--|
| A/C CIRCUIT 1 | MAIN | | REFFRIG/CONV | MICROWAVE | | RECCPS 1 | RECCPS 2 | |
|---------------------|------|--|--------------|-----------|--|-------------|-------------|--|

KEY PART NUMBER **U/M DESCRIPTION**
 095721-25-000 EA LABEL - CONTROL CENTER - 30 AMP

| | | | | | | | | |
|---------------------|------|--------------|-----------|-------------|-------------|-----------|--|--|
| A/C CIRCUIT 1 | MAIN | REFFRIG/CONV | MICROWAVE | RECCPS 1 | RECCPS 2 | APPLIANCE | | |
|---------------------|------|--------------|-----------|-------------|-------------|-----------|--|--|

KEY PART NUMBER **U/M DESCRIPTION**
 095721-26-000 EA LABEL - CONTROL CENTER - 30 AMP - CANADIAN

| | | | | | | | | |
|---------------------|------|---------------------|--------------|-----------|-------------|-------------|-------------|--|
| A/C CIRCUIT 1 | MAIN | A/C CIRCUIT 2 | REFFRIG/CONV | MICROWAVE | RECCPS 1 | RECCPS 2 | RECCPS 3 | |
|---------------------|------|---------------------|--------------|-----------|-------------|-------------|-------------|--|

KEY PART NUMBER **U/M DESCRIPTION**
 095721-27-000 EA LABEL - CONTROL CENTER - 30 AMP

| | | | | | | | | |
|---------------------|------|---------------------|--------------|-----------|-------------|-------------|-----------|--|
| A/C CIRCUIT 1 | MAIN | A/C CIRCUIT 2 | REFFRIG/CONV | MICROWAVE | RECCPS 1 | RECCPS 2 | APPLIANCE | |
|---------------------|------|---------------------|--------------|-----------|-------------|-------------|-----------|--|

KEY PART NUMBER **U/M DESCRIPTION**
 095721-28-000 EA LABEL - CONTROL CENTER - 30 AMP - CANADIAN

LABELS GROUP (CONTINUED)

| | | | | | | | | | | |
|---------------|------|------|---------------|-------------|-----------|---------|---------|---------|--------------|--|
| A/C CIRCUIT 1 | MAIN | MAIN | A/C CIRCUIT 2 | REFRIG/CONV | MICROWAVE | RECCS 1 | RECCS 2 | RECCS 3 | WASHER/DRYER | |
|---------------|------|------|---------------|-------------|-----------|---------|---------|---------|--------------|--|

KEY PART NUMBER **U/M DESCRIPTION**
 095721-29-000 EA LABEL - CONTROL CENTER - 50 AMP

| | | | | | | | | | | | |
|---------------|------|------|---------------|-------------|-----------|---------|---------|---------|-------------|-------------|--------------|
| A/C CIRCUIT 1 | MAIN | MAIN | A/C CIRCUIT 2 | REFRIG/CONV | MICROWAVE | RECCS 1 | RECCS 2 | RECCS 3 | APPLIANCE 1 | APPLIANCE 2 | WASHER DRYER |
|---------------|------|------|---------------|-------------|-----------|---------|---------|---------|-------------|-------------|--------------|

KEY PART NUMBER **U/M DESCRIPTION**
 095721-30-000 EA LABEL - CONTROL CENTER - 50 AMP - CANADIAN

| | | | | | | | | | | |
|---------------|------|---------------|-------------|-----------|---------|---------|---------|--------------|--------------|--|
| A/C CIRCUIT 1 | MAIN | A/C CIRCUIT 2 | REFRIG/CONV | MICROWAVE | RECCS 1 | RECCS 2 | RECCS 3 | WASHER/DRYER | WATER HEATER | |
|---------------|------|---------------|-------------|-----------|---------|---------|---------|--------------|--------------|--|

KEY PART NUMBER **U/M DESCRIPTION**
 095721-31-000 EA LABEL - CONTROL CENTER - 30 AMP - US

| | | | | | | | | | | |
|---------------|------|------|---------------|-------------|-----------|---------|---------|---------|--------------|--------------|
| A/C CIRCUIT 1 | MAIN | MAIN | A/C CIRCUIT 2 | REFRIG/CONV | MICROWAVE | RECCS 1 | RECCS 2 | RECCS 3 | WASHER/DRYER | WATER HEATER |
|---------------|------|------|---------------|-------------|-----------|---------|---------|---------|--------------|--------------|

KEY PART NUMBER **U/M DESCRIPTION**
 095721-33-000 EA LABEL - CONTROL CENTER - 50 AMP - US

| | | | | | | | | | |
|---------------|------|------|---------------|-----------|---------|--------------|--------------|--------------|--|
| A/C CIRCUIT 1 | MAIN | MAIN | A/C CIRCUIT 2 | INVERTER/ | CHARGER | REFRIGERATOR | WASHER/DRYER | WATER HEATER | |
|---------------|------|------|---------------|-----------|---------|--------------|--------------|--------------|--|

KEY PART NUMBER **U/M DESCRIPTION**
 095721-34-000 EA LABEL - CONTROL CENTER - 50 AMP

AUTOMOTIVE AND COACH
CIRCUIT BREAKERS

KEY PART NUMBER **U/M DESCRIPTION**
 098379-01-000 EA LABEL - FRONT BOX - CIRCUIT BREAKER

LABELS GROUP (CONTINUED)

| | | | | | | | | | | |
|---------------------|------------------|---------------------|---|---|----------------------------|----------------------------|----------------------------|---|--|---|
| A/C CIRCUIT 1 | M A I N | A/C CIRCUIT 2 | R E F R I G / C O N V | M I C R O W A V E | R E C P S 1 | R E C P S 2 | R E C P S 3 | A P P L I A N C E | W A S H E R / D R Y E R | W A T E R H E A T E R |
|---------------------|------------------|---------------------|---|---|----------------------------|----------------------------|----------------------------|---|--|---|

KEY PART NUMBER **U/M DESCRIPTION**
 095721-35-000 EA LABEL - CONTROL CENTER - 30 AMP - CSA

| | | | | | | | | | | | |
|---------------------|------------------|------------------|---------------------|---|---|----------------------------|----------------------------|--|--|--|---|
| A/C CIRCUIT 1 | M A I N | M A I N | A/C CIRCUIT 2 | R E F R I G / C O N V | M I C R O W A V E | R E C P S 1 | R E C P S 2 | A P P L I A N C E 1 | A P P L I A N C E 2 | W A S H E R / D R Y E R | W A T E R H E A T E R |
|---------------------|------------------|------------------|---------------------|---|---|----------------------------|----------------------------|--|--|--|---|

KEY PART NUMBER **U/M DESCRIPTION**
 095721-36-000 EA LABEL - CONTROL CENTER - 50 AMP - CSA

| | | | | | |
|------------------|---|--|--|--|-------------|
| M A I N | M I C R O W A V E | G F I / R E C E P S | R E F E R / C O N V | W A T E R H T R | A / C |
|------------------|---|--|--|--|-------------|

KEY PART NUMBER **U/M DESCRIPTION**
 095721-38-000 EA LABEL - CONTROL CENTER - 30 AMP - US

| | | | | | |
|------------------|---|--|---|--|-------------|
| M A I N | A P P L I A N C E | G F I / R E C E P S | R E F E R / M I C R O | W A T E R H T R | A / C |
|------------------|---|--|---|--|-------------|

KEY PART NUMBER **U/M DESCRIPTION**
 095721-39-000 EA LABEL - CONTROL CENTER - 30 AMP - CANADIAN

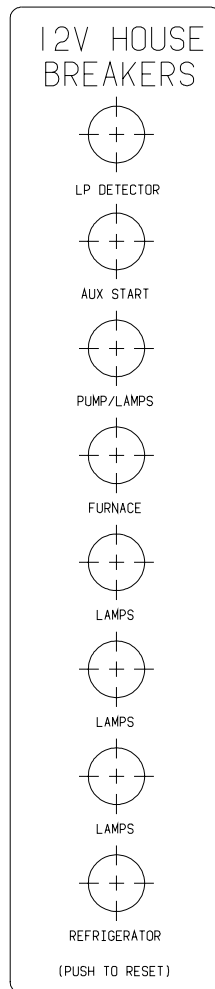
| |
|--|
| BATTERY MODE SOLENOID AND RELAYS |
|--|

KEY PART NUMBER **U/M DESCRIPTION**
 098379-04-000 EA LABEL - ELECTRICAL BOX - SIDE

| | | | | | | | |
|---|-------|-------|-------|--------|------|--------------|----------------|
| FRONT TIRE PRESSURE AT UNLOADED VEHICLE WEIGHT: 75 PSI REAR TIRE PRESSURE AT UNLOADED VEHICLE WEIGHT: 75 PSI FOR LOADED VEHICLE, WEIGH UNIT AND REFER TO TABLE: | | | | | | | |
| TIRE PRESSURE | 75 | 80 | 85 | 90 | 95 | 100 | |
| FRONT LOAD-LBS | 7185 | 7630 | 8070 | 8555 | 9085 | 9350* | |
| REAR LOAD-LBS | 13580 | 14375 | 15255 | 15500* | | | |
| TIRE: MICHELIN XRV 235/80R22.5, LOAD RANGE F | | | | | | *GAWR = 9350 | **GAWR = 15500 |
| FOR BEST PERFORMANCE, MATCH TIRE PRESSURE TO YOUR AXLE LOAD | | | | | | | |

KEY PART NUMBER **U/M DESCRIPTION**
 131775-03-01A EA LABEL - TIRE PRESSURE - BROWN/BLACK

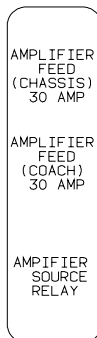
LABELS GROUP (CONTINUED)



| KEY | PART NUMBER | U/M DESCRIPTION |
|-----|---------------|----------------------------|
| | 092547-08-000 | EA LABEL - CIRCUIT BREAKER |

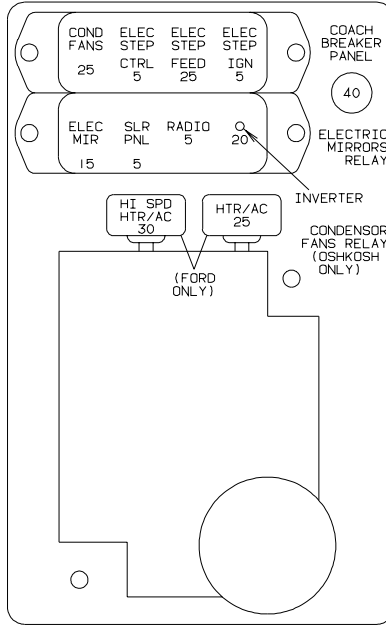
DO NOT FILL
LP-GAS CONTAINER(S)
TO MORE THAN 80%
OF CAPACITY.

| KEY | PART NUMBER | U/M DESCRIPTION |
|-----|---------------|-------------------------------|
| | 079965-01-000 | EA LABEL - LPG - 80% CAPACITY |

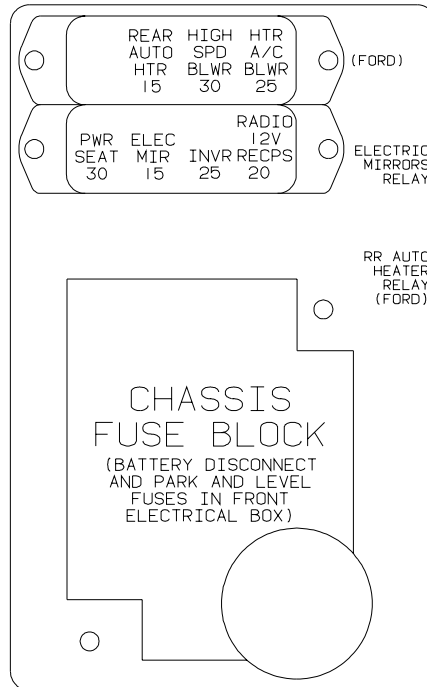


| KEY | PART NUMBER | U/M DESCRIPTION |
|-----|---------------|----------------------------|
| | 111537-06-000 | EA LABEL - AMPLIFIER POWER |

LABELS GROUP (CONTINUED)



KEY PART NUMBER U/M DESCRIPTION
 111537-07-000 EA LABEL - FUSES



KEY PART NUMBER U/M DESCRIPTION
 111537-08-000 EA LABEL - FUSES

LABELS GROUP (CONTINUED)

THIS SEAT IS NOT INTENDED
FOR OCCUPANCY WHEN
VEHICLE IS IN MOTION

| KEY | PART NUMBER | U/M | DESCRIPTION |
|-----|---------------|-----|--|
| | 134538-01-01A | EA | LABEL - OCCUPANCY - NO SEAT BELT - BLACK ON CLEAR - US |

DST ISICE SIEGE N/EST PAS THIS SEAT IS NOT INTENDED
DESTINE A ETRE OCCUPE LORSQUE FOR OCCUPANCY WHILE
LE VEHICULE EST IN MOVUEMENT VEHICLE IS IN MOTION

| KEY | PART NUMBER | U/M | DESCRIPTION |
|-----|---------------|-----|---|
| | 134538-02-01A | EA | LABEL - OCCUPANCY - NO SEAT BELT - BLACK ON CLEAR - CSA |

WARNING

IT IS NOT SAFE TO USE COOKING
APPLIANCES FOR COMFORT HEATING
COOKING APPLIANCES NEED FRESH AIR FOR SAFE OPERATION
BEFORE OPERATION.

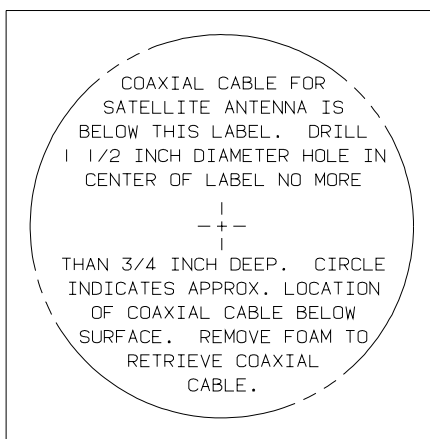
1. OPEN OVERHEAD VENT OR TURN ON EXHAUST FAN AND
2. OPEN WINDOW.

| KEY | PART NUMBER | U/M | DESCRIPTION |
|-----|---------------|-----|--|
| | 134539-01-01A | EA | LABEL - WARNING - STOVE/HEATING - BLACK ON CLEAR |

LABELS GROUP (CONTINUED)

| | |
|---|---|
| TO ENSURE A SUPPLY OF FRESH AIR TO OCCUPANTS, OPEN VENTILATORS WHEN FUEL BURNING RANGE, FUEL BURNING CARRY-ON APPLIANCES AND/OR FUEL-BURNING LIGHTS ARE IN OPERATION. | DE MANIERE A ASSURE UNE ALIMENTATION EN AIR FRAIS AUX OCCUPANTS. OUVRIR LES VENTILATEURS LORSQUE LA CUISINIERE, LES APPAREILS DE CHAUFFAGE PORTABLES ET/OU LES LAMPES DE COMBUSTION D'HUILE SONT EN FONCTIONNEMENT. |
| COOKING APPLIANCES SHOULD NOT BE USED FOR SPACE HEATING PURPOSES | LES APPAREILS DE CUSSON NE DOIVENT PAS SERVIR AU CHAUFFAGES DES LOCAUX. |

| KEY | PART NUMBER | U/M | DESCRIPTION |
|-----|---------------|-----|--|
| | 134540-01-01A | EA | LABEL - WARNING - STOVE/HEATING - BLACK ON CLEAR |



| KEY | PART NUMBER | U/M | DESCRIPTION |
|-----|---------------|-----|--|
| | 120431-01-000 | EA | LABEL - LOCATION - COAXIAL CABLE/SATELLITE ANTENNA |

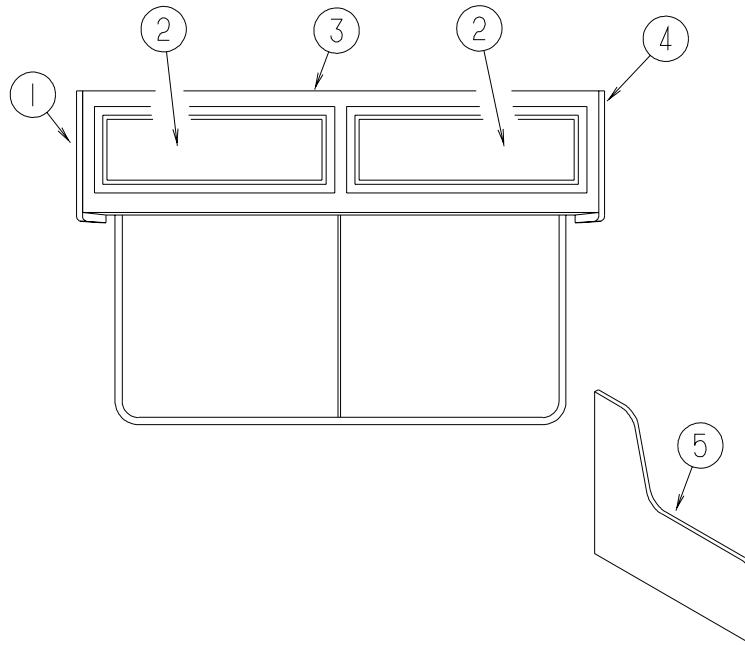
LP GROUP

LP SYSTEM

| KEY | PART NUMBER | U/M | DESCRIPTION |
|-----|---------------|-----|---|
| | 045703-05-000 | EA | HOSE - LP - 3/8"ID X 28" - 3/8"MPT X 1/2"F SWIVEL - U.S. |
| | 045703-06-000 | EA | HOSE - LP - 3/8"ID X 28" - 3/8"MPT X 1/2"F SWIVEL - CANADA |
| | 105658-01-000 | EA | COMPARTMENT - LP REGULATOR |
| | 106150-01-000 | EA | REGULATOR - TWO STAGE -W/90 DEGREE ELBOW & 3/8" FPT OUTLET |
| | 010265-01-000 | EA | ELBOW - BRASS - 90 DEGREE - 3/8"F X 1/2"FPT |
| | 010323-01-000 | EA | ADAPTER - BRASS - 3/8"F X 1/2"MPT |
| | 010326-01-000 | EA | ADAPTER - FLARE - W/CONE GASKET - 3/8"F X 1/2"F |
| | 010329-01-000 | EA | ADAPTER - BRASS - 1/2"F X 1/2"MPT |
| | 010380-02-000 | EA | NUT - BRASS - 1/2" FLARE - FORGED |
| | 040440-02-000 | EA | TRANSMITTER - DIAL/BOLT ON - 0-90 OHM 2 TERM (POWER/GROUND) |
| | 040440-03-000 | EA | TRANSMITTER - DIAL/SNAP ON - 0-90 OHM 2 TERM (GROUND/POWER) |
| * | 088253-08-000 | EA | TANK - LP/80 LB - 16" DIAMETER X 30" LONG |
| | 010377-02-000 | EA | NUT - BRASS - 3/8" FLARE - FORGED |
| | 103613-03-000 | EA | DETECTOR - LP GAS - W/O SHUT-OFF VALVE |

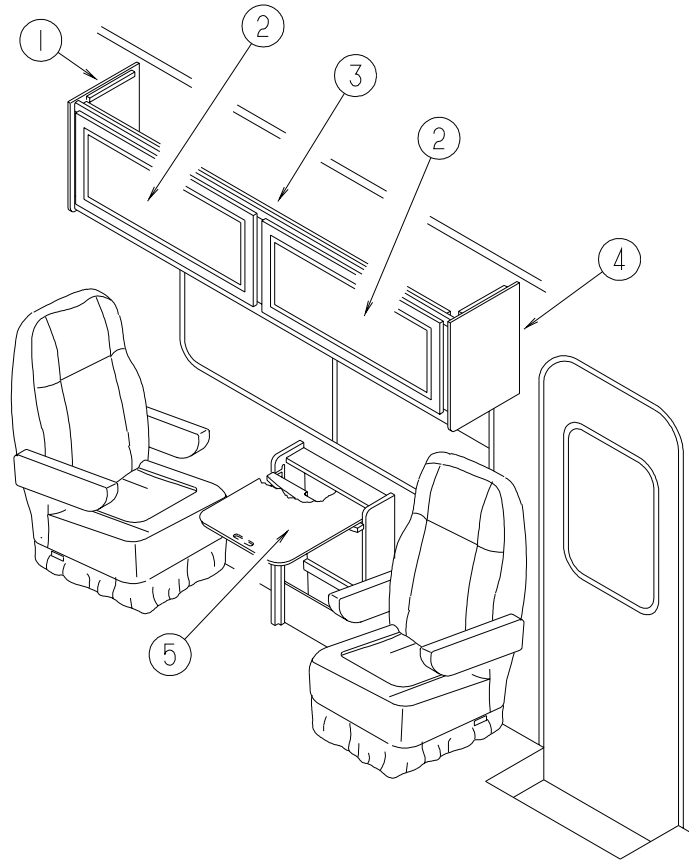
*COMPONENT PARTS FOUND IN SERVICE PARTS LIBRARY

LOUNGE GROUP CABINETS



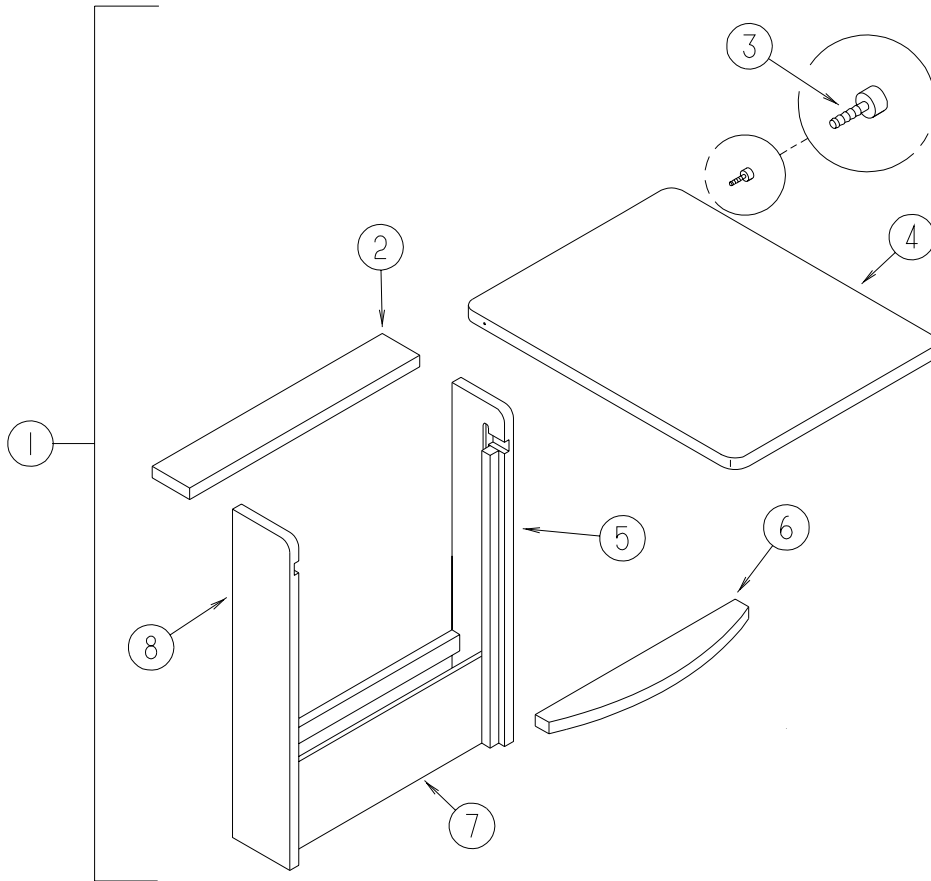
| KEY | PART NUMBER | U/M | DESCRIPTION |
|-----|---------------|-----|---|
| 1 | 103128-32-J37 | EA | END CAP - OVERHEAD CABINET - LEFT HAND |
| 2 | 132141-56-L10 | EA | DOOR - RAIL/VENEER - 14.3" X 26.7" - W/O HARDWARE |
| 3 | 130255-01-L26 | EA | CABINET - OVERHEAD/FRONT/RIGHT HAND - W/O DOORS/HARDWARE (L26) |
| 3 | 130255-01-L23 | EA | CABINET - OVERHEAD/FRONT/RIGHT HAND - W/O DOORS/HARDWARE (L27) |
| 3 | 130255-01-L24 | EA | CABINET - OVERHEAD/FRONT/RIGHT HAND - W/O DOORS/HARDWARE (L28) |
| 3 | 130255-01-L25 | EA | CABINET - OVERHEAD/FRONT/RIGHT HAND - W/O DOORS/HARDWARE (L29) |
| 3 | 130255-03-L26 | EA | CABINET - OVERHEAD/FRONT/RIGHT HAND - W/O DOORS/HDW (L26) - COMFORT & CONVENIENCE |
| 3 | 130255-03-L23 | EA | CABINET - OVERHEAD/FRONT/RIGHT HAND - W/O DOORS/HDW (L27) - COMFORT & CONVENIENCE |
| 3 | 130255-03-L24 | EA | CABINET - OVERHEAD/FRONT/RIGHT HAND - W/O DOORS/HDW (L28) - COMFORT & CONVENIENCE |
| 3 | 130255-03-L25 | EA | CABINET - OVERHEAD/FRONT/RIGHT HAND - W/O DOORS/HDW (L29) - COMFORT & CONVENIENCE |
| 4 | 103128-31-J37 | EA | END CAP - OVERHEAD CABINET - RIGHT HAND |
| 5 | 134282-05-L26 | EA | PANEL - LEFT END/TALL - SOFA/BED - FABRIC COVERED (L26) |
| 5 | 134282-05-L23 | EA | PANEL - LEFT END/TALL - SOFA/BED - FABRIC COVERED (L27) |
| 5 | 134282-05-L24 | EA | PANEL - LEFT END/TALL - SOFA/BED - FABRIC COVERED (L28) |
| 5 | 134282-05-L25 | EA | PANEL - LEFT END/TALL - SOFA/BED - FABRIC COVERED (L29) |

LOUNGE GROUP (CONTINUED)
CABINETS (CONTINUED)



| KEY | PART NUMBER | U/M | DESCRIPTION |
|-----|---------------|-----|---|
| 1 | 103128-32-J37 | EA | END CAP - OVERHEAD CABINET - LEFT HAND |
| 2 | 132141-56-L10 | EA | DOOR - RAIL/VENEER - 14.3" X 26.7" - W/O HARDWARE |
| 3 | 130255-01-L26 | EA | CABINET - OVERHEAD/FRONT/RIGHT HAND - W/O DOORS/HARDWARE (L26) |
| 3 | 130255-01-L23 | EA | CABINET - OVERHEAD/FRONT/RIGHT HAND - W/O DOORS/HARDWARE (L27) |
| 3 | 130255-01-L24 | EA | CABINET - OVERHEAD/FRONT/RIGHT HAND - W/O DOORS/HARDWARE (L28) |
| 3 | 130255-01-L25 | EA | CABINET - OVERHEAD/FRONT/RIGHT HAND - W/O DOORS/HARDWARE (L29) |
| 3 | 130255-03-L26 | EA | CABINET - OVERHEAD/FRONT/RIGHT HAND - W/O DOORS/HDW (L26) - COMFORT & CONVENIENCE |
| 3 | 130255-03-L23 | EA | CABINET - OVERHEAD/FRONT/RIGHT HAND - W/O DOORS/HDW (L27) - COMFORT & CONVENIENCE |
| 3 | 130255-03-L24 | EA | CABINET - OVERHEAD/FRONT/RIGHT HAND - W/O DOORS/HDW (L28) - COMFORT & CONVENIENCE |
| 3 | 130255-03-L25 | EA | CABINET - OVERHEAD/FRONT/RIGHT HAND - W/O DOORS/HDW (L29) - COMFORT & CONVENIENCE |
| 4 | 103128-31-J37 | EA | END CAP - OVERHEAD CABINET - RIGHT HAND |
| 5 | P19559-02-J22 | EA | CABINET - W/PULLOUT TABLE - W/HARDWARE |
| | | | FROM: 00-00-00 THRU: 02-13-00 |
| 5 | 119559-04-L32 | EA | CABINET - W/PULLOUT TABLE - W/HARDWARE |
| | | | FROM: 02-14-00 THRU: 99-99-99 |

LOUNGE GROUP (CONTINUED)
TABLE



| KEY | PART NUMBER | U/M | DESCRIPTION |
|-----|---------------|-----|---|
| 1 | P19559-02-J22 | EA | CABINET - W/PULLOUT TABLE - W/HARDWARE FROM: 00-00-00 THRU: 02-13-00 |
| 1 | 119559-04-L32 | EA | CABINET - W/PULLOUT TABLE - W/HARDWARE FROM: 02-14-00 THRU: 99-99-99 |
| 2 | 119559-18-J22 | EA | TOP - F/CABINET/PULLOUT TABLE FROM: 00-00-00 THRU: 02-13-00 |
| 2 | 119559-26-L32 | EA | WALL CABINET/TOP - F/PULLOUT TABLE FROM: 02-14-00 THRU: 99-99-99 |
| 3 | | | ROLLER LISTED IN INTERIOR FINISH GROUP |
| 4 | 119559-21-J22 | EA | TABLE TOP ONLY FROM: 00-00-00 THRU: 02-13-00 |
| 4 | 119559-29-L32 | EA | TABLE TOP ONLY FROM: 02-14-00 THRU: 99-99-99 |
| | 080736-01-000 | EA | PULL - RECESSED - 1.25" X 4" - OAK |
| 5 | 119559-11-G35 | EA | CABINET/RIGHT SIDE - F/PULLOUT TABLE - 5.7" X 28.7" |
| 6 | 119559-19-J22 | EA | SHELF - SUPPORT - F/PULLOUT TABLE FROM: 00-00-00 THRU: 02-13-00 |
| 6 | 119559-27-L32 | EA | SHELF - SUPPORT - F/PULLOUT TABLE FROM: 02-14-00 THRU: 99-99-99 |
| 7 | 119559-20-J22 | EA | PANEL - KICK - PULLOUT TABLE FROM: 00-00-00 THRU: 02-13-00 |
| 7 | 119559-28-L32 | EA | PANEL - BOTTOM KICK - CABINET FROM: 02-14-00 THRU: 99-99-99 |
| 8 | 119559-12-G35 | EA | CABINET/LEFT SIDE - F/PULLOUT TABLE - 5.7" X 28.7" |

SEALANTS & FASTENERS GROUP

SEALANTS & ADHESIVES

| KEY | PART NUMBER | U/M | DESCRIPTION |
|-----|---------------|-----|--|
| | 069640-01-000 | FT | SEALER - RIBBON - 1/4" DIAMETER X 30' - BLACK |
| | 069640-02-000 | FT | SEALER - TAPE - .13"THICK X .5"WIDE X 60' - GRAY |
| | 069640-03-000 | FT | SEALER - TAPE - .13"THICK X .75"WIDE X 60' - BLACK |
| | 069640-07-000 | FT | SEALER - TAPE - .09"THICK X 2"WIDE X 45' - GRAY |
| | 069640-09-000 | FT | SEALER - TAPE - .032"THICK X 2.50"WIDE X 80' - GRAY |
| | 069640-10-000 | FT | SEALER - TAPE - .03"THICK X 1.50"WIDE X 90' - GRAY |
| | 069640-11-000 | FT | SEALER - TAPE - .19"THICK X .38"WIDE X 40' - BLACK |
| | 069640-13-000 | FT | SEALER - TAPE - .03"THICK X 2"WIDE X 45' - BLACK |
| | 069640-14-000 | FT | SEALER - TAPE - .06"THICK X 1"WIDE X 100' - GRAY |
| | 069640-15-000 | FT | SEALER - TAPE - .06"THICK X .38"WIDE X 100' - GRAY |
| | 069640-17-000 | FT | SEALER - TAPE - .03"THICK X 1"WIDE X 90' - GRAY |
| | 069640-18-000 | FT | SEALER - TAPE - .50"THICK X 1/8"WIDE X 60' - BRIGHT WHITE |
| | 069640-19-000 | FT | SEALER - TAPE - .75"THICK X 1/8"WIDE X 60'- BRIGHT WHITE |
| | 069640-20-000 | FT | SEALER - TAPE - .50" THICK X 1/8" WIDE X 60' - BLACK |
| | 069640-21-000 | FT | SEALER - TAPE - .50" THICK X 1/16" WIDE X 100'-BRIGHT WHT |
| | 069640-22-000 | FT | SEALER - TAPE - .25" THICK X 1/32" WIDE X 100'- BRIGHT WHT |
| | 069640-23-000 | FT | SEALER - TAPE - 1/16" THICK X .75" WIDE X 100'- BRIGHT WHT |
| | 069640-25-000 | FT | SEALER - TAPE - 1/16" X 3 1/2" |
| | 072889-01-000 | EA | SEALANT - URETHANE - BLACK - TUBE |
| | 072889-10-000 | EA | SEALANT - URETHANE - BRIGHT WHITE - TUBE |
| | 072889-11-000 | EA | SEALANT - URETHANE - GRAY - TUBE |
| | 072889-13-000 | EA | SEALANT - URETHANE - VW WHITE - TUBE |
| | 072889-14-000 | EA | SEALANT - URETHANE - SABLE - TUBE |
| | 072889-16-000 | EA | SEALANT - URETHANE - BLACK - TUBE |
| | 116767-01-01A | EA | SEALANT - WATERBASE - CLEAR |
| | 053766-02-000 | EA | BEDDING COMPOUND - TUBE - WHITE |
| | 053766-06-000 | EA | BEDDING COMPOUND - TUBE - CLEAR |
| | 053766-08-000 | EA | BEDDING COMPOUND - TUBE - GRAY |
| | 034552-15-000 | EA | SILICONE - TUBE - W/O NOZZLE - BRIGHT WHITE |
| | 131264-01-02A | EA | SILICONE - W/O NOZZLE - CLEAR |
| | 131264-01-01A | EA | SILICONE - W/O NOZZLE - BLACK |
| | 131264-01-08A | EA | SILICONE - W/O NOZZLE - BUFF |
| | 131264-02-01A | EA | SILICONE - W/O NOZZLE - VW GRAY - BATH ONLY |
| | 131264-03-01A | EA | SILICONE - SELF LEVELING - W/O NOZZLE - BRIGHT WHITE |
| | 108716-01-000 | EA | SILICONE - TUBE - OFF WHITE/SELF LEVELING - W/O NOZZLE |
| | 108716-02-000 | EA | SILICONE - TUBE - BUFF/SELF LEVELING - W/O NOZZLE |
| | 102352-01-000 | EA | SEALER - PUMPABLE - TUBE - BLACK |
| | 102352-02-000 | EA | SEALER - PUMPABLE - TUBE - CLEAR |
| | 094401-01-000 | EA | SEALER - BODY SEAM |
| | 094401-03-000 | EA | SEALER - BODY SEAM - BLACK |
| | 094401-04-000 | EA | SEALER - BODY SEAM CLEAR |
| | 067788-01-000 | EA | ADHESIVE - SPRAY - 3M - 19.5 AEROSOL CAN |
| | 081377-01-700 | EA | ADHESIVE-CYANOACRYLATE 10 GM |
| | 099039-01-000 | EA | ADHESIVE-WEATHERSTRIP, 8 OZ. - SILAPRENE M6581 |
| | 900390-01-000 | EA | TIP - 2 1/2" X 1/8" ORIFICE |
| | 900390-03-000 | EA | NOZZLE - SILICONE TUBE |
| | 112902-01-000 | EA | NOZZLE - ELEMENT - 3/8 X 24 |
| | 112902-02-000 | EA | NOZZLE - BELL - 3/8 X 24 |
| | 112902-03-000 | EA | NOZZLE - ELEMENT - 1/4 X 6 |
| | 076322-01-000 | FT | TAPE- DOUBLE COATED/ADHESIVE BK-.03"THK X .8"W X 216'- WHT |
| | 076322-02-000 | FT | TAPE-DOUBLE COATED/ADHESIVE BK-.05"THK X 1"W X 108' - WHT |
| | 076322-03-000 | FT | TAPE-DOUBLE COATED/ADHESIVE BK-.05"THK X .5"W X 108' - WHT |
| | 076322-05-000 | FT | TAPE-DOUBLE COATED/ADHESIVE BK-.05"THK X .8"W X 108' - WHT |
| | 076322-06-000 | FT | TAPE - DOUBLE COATED/ADHESIVE BK-.05"THK X 1"W - BLK |
| | 076322-07-000 | FT | TAPE-DOUBLE COATED/ADHESIVE BK-.05"THK X .5"W X 200' - BLK |
| | 076322-11-000 | FT | TAPE-DOUBLE COATED/ADHESIVE BK-.02"THK X 1"W X 216' - CLR |
| | 076322-12-000 | FT | TAPE-DOUBLE COATED/ADHESIVE BK-.05"THK X .8"W X 108' - CLR |
| | 123816-01-000 | FT | TAPE - DOUBLE SIDED - 1" |
| | 123816-02-000 | FT | TAPE - DOUBLE SIDED - 1/2" X 1 1/3" - THICK |

SEALANTS & FASTENERS GROUP (CONTINUED)

SEALANTS & ADHESIVES (CONTINUED)

| KEY | PART NUMBER | U/M | DESCRIPTION |
|-----|---------------|-----|--|
| | 123816-03-000 | FT | TAPE - DOUBLE SIDED - 1/2" X 3/4" - THICK |
| | 123816-04-000 | FT | TAPE - DOUBLE SIDED - 6" |
| | 120534-01-01A | EA | TAPE - SCOTCH - 3M - 1/2" FINE LINE |
| | 063642-01-000 | FT | TAPE - ADHESIVE - .4" X 1.5" X 180" |
| | 123244-01-000 | FT | TAPE - DOUBLE SIDED/FOAM - 5/64" THICK X 3/4" WIDE |
| | 123244-02-000 | FT | TAPE - DOUBLE SIDED FOAM - 5/64" THICK X .50" WIDE |
| | 131137-01-000 | YD | TAPE - ADHESIVE - DOUBLE SIDED |
| | 076314-02-000 | FT | TAPE - CARPET SEAM - HEAT-BOND - 4" WIDE |
| | 088479-01-000 | EA | TAPE - ALUMINUM - 3" |
| | 103202-02-000 | FT | TAPE - FOAM/ADHESIVE ONE SIDE - GRAY |
| | 110274-01-000 | FT | TAPE - DOUBLE SIDED FOAM - .45" X 1" |
| | 004363-01-000 | FT | TAPE - ADHESIVE FOAM/1 SIDE - 3/16" X 1/2" X 50' - GRAY |
| | 115933-01-000 | FT | TAPE - 1/64 X 3/8 |
| | 123816-04-000 | FT | TAPE - DOUBLE SIDED - 6" |
| | 109215-01-000 | FT | TAPE - SHIELD - 1" |
| | 002707-02-000 | FT | TAPE - SEALER - 5/16" X 1/2" - INCREMENTS OF 50 FT |
| | 090340-01-000 | FT | SEAL - FOAM - CLOSED CELL - 1/4" X 1/2" X 50' |
| | 091255-02-000 | FT | SEAL - ADHESIVE BACKED/FOAM - 3/64" THICK X 3/16" WIDE |
| | 091255-03-000 | FT | SEAL - ADHESIVE BACKED/FOAM - 1/4" THICK X 1/4" WIDE |
| | 099069-01-000 | FT | SEAL - RUBBER - CLOSED SPONGE - .5" WIDE X .12" THICK -BLK |
| | 104692-01-000 | FT | SEAL - ADHESIVE BACKED FOAM-.75"THICK X .75"WIDE X 25' |
| | 104692-03-000 | FT | SEAL - ADHESIVE BACKED/FOAM - 1" THICK X 1.25" WIDE X 15' |
| | 108353-01-000 | FT | SEAL - FOAM - 5/16" X 1/2" - ADHESIVE BACKED |
| | 108353-02-000 | FT | SEAL - FOAM - 1/4" X 5/8" - ADHESIVE BACKED |
| | 108353-03-000 | FT | SEAL - FOAM - .19" X .25" |
| | 112864-01-000 | FT | SEAL - FOAM/BUTYL COVERED - 3/8" |
| | 106206-01-000 | EA | SEALER - PUMPABLE - TUBE - BLACK - MANUS |
| | 120074-02-01A | EA | SEALANT - W/O NOZZLE - OFF/WHITE |
| | 120074-02-02A | EA | SEALANT - SILICONE - SOFT WHITE |
| | 132947-01-01A | EA | SEALANT - SOLVANT BASE - WHITE |
| | 107828-01-000 | EA | SEALANT - SB - 190 EVERSEAL |
| | 112864-02-000 | FT | FOAM - BUTYL COVERED 5/16" |
| | 087211-01-000 | GL | PROMOTER - ADHESIVE |
| | 004006-05-700 | EA | ADHESIVE-NAT. STARCH (5 GAL) 0802 |
| | 004020-01-000 | QT | ADHESIVE - ABS CEMENT - QUART |
| | 112901-01-000 | EA | ADHESIVE - PLEXUS - 400 ML CARTRIDGE |
| | 112901-02-000 | EA | ADHESIVE - PLEXUS - 50ML |
| | 131384-01-000 | EA | ADHESIVE - JET - WELD |
| | 113366-01-000 | EA | ADHESIVE - INSTANT |
| | 062917-03-000 | EA | ADHESIVE - LOCTITE 242 |
| | 004001-01-000 | EA | EPOXY ADHESIVE (GRAY) |
| | 004001-02-000 | EA | SCOTCH - WELD EPOXY GUN W/O NOZZLE |
| | 004001-03-000 | EA | MIXER NOZZLE (EPX) |
| | 004001-03-001 | EA | EPOXY MIXER NOZZLE 12" |
| | 004001-03-002 | EA | TUBE/MIXER - GRACO EPOXY |
| | 004001-04-000 | EA | PLUNGER ACCESSORY (EPX) |
| | 004001-05-000 | EA | EPOXY ADHESIVE (CLEAR) |
| | 111940-02-000 | LB | SEALER - PUTTY - THUMBING |

BOLTS, NUTS AND WASHERS

| KEY | PART NUMBER | U/M | DESCRIPTION |
|-----|---------------|-----|---|
| | 000C12-04-12A | EA | BOLT - HEX - 1/4-20 X .75 - PLAIN 5 |
| | 000C12-05-16B | EA | BOLT - HEX - 5/16-18 X 1 - GRADE #5 - ZINC |
| | 000C12-05-12B | EA | BOLT - HEX - 5/16-18 X 3/4 - ZINC 5 |
| | 000C12-06-16B | EA | BOLT - HEX - 3/8-16 X 1 - GRADE #5 - ZINC |
| | 000C12-06-20B | EA | BOLT - HEX - 3/8 - 16 X 1 1/4 - ZINC #5 |
| | 000C12-06-44B | EA | BOLT - HEX - 3/8-16 X 2 3/4 - ZINC 5 |
| | 000C12-07-20B | EA | BOLT - HEX - 7/16-14 X 1 1/4 - ZINC 5 |
| | 000C12-08-24B | EA | BOLT - HEX - 1/2-13 X 1.5 - GRADE #3 - ZINC |
| | 000C12-08-28B | EA | BOLT - HEX - 1/2-13 X 1.8" - GRADE #5 - ZIN |
| | 000C12-08-16B | EA | BOLT - HEX - 1/2-13 X 1" - GRADE #5 - ZINC |
| | 0MC04K-06-016 | EA | BOLT - HEX - M06 X 1 X 016 |

SEALANTS & FASTENERS GROUP (CONTINUED)

SEALANTS & ADHESIVES

| KEY | PART NUMBER | U/M | DESCRIPTION |
|-----|---------------|-----|--|
| | 069640-01-000 | FT | SEALER - RIBBON - 1/4" DIAMETER X 30' - BLACK |
| | 069640-02-000 | FT | SEALER - TAPE - .13"THICK X .5"WIDE X 60' - GRAY |
| | 069640-03-000 | FT | SEALER - TAPE - .13"THICK X .75"WIDE X 60' - BLACK |
| | 069640-07-000 | FT | SEALER - TAPE - .09" THICK X 2" WIDE X 45' - GRAY |
| | 069640-09-000 | FT | SEALER - TAPE - .03" THICK X 2.50"WIDE X 80' - GRAY |
| | 069640-10-000 | FT | SEALER - TAPE - .03" THICK X 1.50" WIDE X 90' - GRAY |
| | 069640-11-000 | FT | SEALER - TAPE - .19" THICK X .38" WIDE X 40' - BLACK |
| | 069640-13-000 | FT | SEALER - TAPE - .03"THICK X 2"WIDE X 45' - BLACK |
| | 069640-14-000 | FT | SEALER - TAPE - .06" THICK X 1" WIDE X 100' - GRAY |
| | 069640-15-000 | FT | SEALER - TAPE - .06"THICK X .38"WIDE X 100' - GRAY |
| | 069640-17-000 | FT | SEALER - TAPE - .03" THICK X 1" WIDE X 90' - GRAY |
| | 069640-18-000 | FT | SEALER - TAPE - .50" THICK X .13" WIDE X 60' - BRT WHITE |
| | 069640-19-000 | FT | SEALER - TAPE - .75" THICK X .13" WIDE X 60' - BRT WHITE |
| | 069640-20-000 | FT | SEALER - TAPE - .50" THICK X 1/8" WIDE X 60' - BLACK |
| | 069640-21-000 | FT | SEALER - TAPE - .50" THICK X 1/16" WIDE X 100'-BRIGHT WHT |
| | 069640-22-000 | FT | SEALER - TAPE - .25" THICK X 1/32" WIDE X 100'- BRIGHT WHT |
| | 069640-23-000 | FT | SEALER - TAPE - 1/16" THICK X 3/4" WIDE X 100'-BRIGHT WHT |
| | 069640-25-000 | FT | SEALER - TAPE - .06" THICK X 3.5" WIDE X 50' - GRAY |
| | 072889-01-000 | EA | SEALANT - URETHANE - BLACK - TUBE |
| | 072889-10-000 | EA | SEALANT - URETHANE - BRIGHT WHITE - TUBE |
| | 072889-11-000 | EA | SEALANT - URETHANE - GRAY - TUBE |
| | 072889-13-000 | EA | SEALANT - URETHANE - VW WHITE - TUBE |
| | 072889-14-000 | EA | SEALANT - URETHANE - SABLE - TUBE |
| | 116767-01-01A | EA | SEALANT - WATERBASE - CLEAR |
| | 053766-02-000 | EA | BEDDING COMPOUND - TUBE - WHITE |
| | 053766-06-000 | EA | BEDDING COMPOUND - TUBE - CLEAR |
| | 034552-15-000 | EA | SILICONE - TUBE - W/O NOZZLE - BRIGHT WHITE |
| | 131264-01-01A | EA | SILICONE - W/O NOZZLE - BLACK |
| | 131264-01-02A | EA | SILICONE - W/O NOZZLE - CLEAR |
| | 131264-01-08A | EA | SILICONE - W/O NOZZLE - BUFF |
| | 131264-02-01A | EA | SILICONE - W/O NOZZLE - VW GRAY - BATH ONLY |
| | 131264-03-01A | EA | SILICONE - W/O NOZZLE - SELF LEVELING - BRIGHT WHITE |
| | 108716-01-000 | EA | SILICONE - W/O NOZZLE - OFF WHITE - SELF LEVELING |
| | 108716-02-000 | EA | SILICONE - W/O NOZZLE - BUFF - SELF LEVELING |
| | 102352-01-000 | EA | SEALER - PUMPABLE - TUBE - BLACK |
| | 102352-02-000 | EA | SEALER - PUMPABLE - TUBE - CLEAR |
| | 094401-01-000 | EA | SEALER - BODY SEAM - FLEXICLEAR |
| | 094401-03-000 | EA | SEALER - BODY SEAM - BLACK |
| | 094401-04-000 | EA | SEALER - BODY SEAM - CLEAR |
| | 067788-01-000 | EA | ADHESIVE - SPRAY - 3M - 19.5 OZ AEROSOL CAN |
| | 900390-01-000 | EA | NOZZLE - SILICONE TUBE - 2.5" LONG |
| | 900390-03-000 | EA | NOZZLE - SILICONE TUBE - 4.3" LONG |
| | 112902-01-000 | EA | NOZZLE - ELEMENT - 3/8 X 24 |
| | 112902-02-000 | EA | NOZZLE-BELL 3/8X24 |
| | 112902-03-000 | EA | MIXER NOZZLE - F/GUN #00400102000 - SCOTCH-WELD & PLEXUS |
| | 076322-01-000 | FT | TAPE-DOUBLE COATED/ADHESIVE BK-.03"THK X .8"W X 216'- WHT |
| | 076322-02-000 | FT | TAPE-DOUBLE COATED/ADHESIVE BK-.05"THK X 1"W X 108' - WHT |
| | 076322-03-000 | FT | TAPE-DOUBLE COATED/ADHESIVE BK-.05"THK X .5"W X 108' - WHT |
| | 076322-05-000 | FT | TAPE-DOUBLE COATED/ADHESIVE BK-.05"THK X .8"W X 108' - WHT |
| | 076322-06-000 | FT | TAPE - DOUBLE COATED/ADHESIVE BK-.05"THK X 1"W - BLK |
| | 076322-07-000 | FT | TAPE-DOUBLE COATED/ADHESIVE BK-.05"THK X .5"W X 200' - BLK |
| | 076322-11-000 | FT | TAPE-DOUBLE COATED/ADHESIVE BK-.02"THK X 1"W X 216' - CLR |
| | 076322-12-000 | FT | TAPE-DOUBLE COATED/ADHESIVE BK-.05"THK X .8"W X 108' - CLR |
| | 123816-01-000 | FT | TAPE - DOUBLE SIDED - 1" X 100' |
| | 123816-02-000 | FT | TAPE - DOUBLE SIDED - 1/2" X 1 1/3" X 100' |
| | 123816-03-000 | FT | TAPE - DOUBLE SIDED - 1/2" X 3/4" X 100' |
| | 123816-04-000 | FT | TAPE - DOUBLE SIDED - 6" X 750' |
| | 120534-01-01A | EA | TAPE - SCOTCH - 3M - 1/2" FINE LINE |

SEALANTS & FASTENERS GROUP (CONTINUED)

SEALANTS & ADHESIVES (CONTINUED)

| KEY | PART NUMBER | U/M | DESCRIPTION |
|-----|---------------|-----|--|
| | 063642-01-000 | FT | TAPE - ADHESIVE - .4" X 1.5" X 180' |
| | 123244-01-000 | FT | TAPE - DOUBLE SIDED/FOAM - 5/64" THICK X 3/4" WIDE |
| | 123244-02-000 | FT | TAPE - DOUBLE SIDED/FOAM - 5/64" THICK X 1/2" WIDE X 108' |
| | 088479-01-000 | EA | TAPE - ALUMINUM - 3" |
| | 103202-02-000 | FT | TAPE - FOAM/ADHESIVE ONE SIDE - 1/16" X 200' |
| | 110274-01-000 | FT | TAPE - DOUBLE SIDED/FOAM - .45" X 1" X 216' - BLACK |
| | 115933-01-000 | FT | TAPE - 1/64" X 3/8" X 100' |
| | 123816-04-000 | FT | TAPE - DOUBLE SIDED - 6" X 750' |
| | 002707-02-000 | FT | TAPE - SEALER - 5/16" X 1/2" - INCREMENTS OF 50 FT |
| | 091255-02-000 | FT | SEAL - ADHESIVE BACKED/FOAM - 3/64" THICK X 3/16"W X 1000' |
| | 091255-03-000 | FT | SEAL - ADHESIVE BACKED/FOAM - 1/4" THICK X 1/4"W X 1000' |
| | 099069-01-000 | FT | SEAL - RUBBER - CLOSED SPONGE - .5" WIDE X .12" THICK -BLK |
| | 104692-01-000 | FT | SEAL - ADHESIVE BACKED FOAM - 3/4" THICK X 3/4" WIDE X 25' |
| | 104692-03-000 | FT | SEAL - ADHESIVE BACKED FOAM - 1" THICK X 1 3/4" WIDE X 15' |
| | 108353-03-000 | FT | SEAL - FOAM - .19" X .25" |
| | 112864-01-000 | FT | SEAL - FOAM/BUTYL COVERED - 3/8" X 35' |
| | 106206-01-000 | EA | SEALER - PUMPABLE - TUBE - BLACK - MANUS |
| | 120074-02-01A | EA | SILICONE - W/O NOZZLE - LOW ODOR - OFF WHITE |
| | 120074-02-02A | EA | SEALANT - W/O NOZZLE - SOFT WHITE |
| | 107828-01-000 | EA | SEALANT - SB - 190 EVERSEAL |
| | 112864-02-000 | FT | FOAM - BUTYL COVERED 5/16" X 44' |
| | 087211-01-000 | GL | PROMOTER - ADHESIVE - GALLON |
| | 004006-05-700 | EA | ADHESIVE - 5 GALLON - NATIONAL STARCH |
| | 004020-01-000 | QT | ADHESIVE - ABS CEMENT - QUART |
| | 112901-02-000 | EA | ADHESIVE - PLEXUS - MA330 - 50ML - GRAY |
| | 131384-01-000 | EA | ADHESIVE - JETWELD |
| | 113366-01-000 | EA | ADHESIVE - INSTANT - 1 OZ |
| | 062917-03-000 | EA | ADHESIVE - LOCTITE 242 |
| | 004001-02-000 | EA | GUN - PLEXUS ADHESIVE - W/O NOZZLE |
| | 004001-03-000 | EA | MIXER NOZZLE (EPX) |
| | 004001-03-001 | EA | EPOXY MIXER NOZZLE 12" |
| | 004001-03-002 | EA | TUBE/MIXER - GRACO EPOXY |
| | 004001-04-000 | EA | PLUNGER ACCESSORY (EPX) |
| | 004001-05-000 | EA | ADHESIVE - SCOTCH-WELD - 3M DP100 - CLEAR - 50ML |
| | 099952-01-000 | FT | CORE - SEAL - BULB SUPPORT |

SCREWS

| KEY | PART NUMBER | U/M | DESCRIPTION |
|-----|---------------|-----|---|
| | OG1108-12-170 | EA | SCREW - 8-18 X .75 PPH - BRIGHT WHITE |
| | OG1106-08-240 | EA | SCREW - 6-20 X 1/2 PPH - VW LIGHT GRAY |
| | OG1108-12-140 | EA | SCREW - 8-18 X .75 PPH - CAMBRIDGE BISQUE |
| | OG1108-12-240 | EA | SCREW - 8-18 X .75 PPH - VW LIGHT GRAY |

SEALANTS & FASTENERS GROUP (CONTINUED)**SCREWS (CONTINUED)**

| KEY | PART NUMBER | U/M | DESCRIPTION |
|------------|--------------------|------------|--|
| | 0G1208-12-170 | EA | SCREW - 8-18 X .75 POH - BRIGHT WHITE |
| | 0G3908-08-160 | EA | SCREW - SF/DR-8-18X1/2 PPH |
| | 0G3908-08-170 | EA | SCREW - SF/DR - 8-18 X .50 PPH - BRIGHT WHITE |
| | 0G3908-08-240 | EA | SCREW - SF/DR - 8-18 X 1/2 PPH - VW LIGHT GRAY |
| | 0G3908-12-250 | EA | SCREW - SF/DR - 8-18 X .75 PPH - DARK GRAY |
| | 0G3908-16-170 | EA | SCREW - SF/DR - 8-18 X 1.00 PPH - BRIGHT WHITE |
| | 0G3908-20-170 | EA | SCREW - SF/DR - 8-18 X 1.25 PPH - BRIGHT WHITE |
| | 0G3908-24-170 | EA | SCREW - SF/DR - 8-18 X 1.50 PPH - BRIGHT WHITE |
| | 0G3910-10-160 | EA | SCREW - SF/DR - 10-16 X .62 PPH |
| | 0G3910-10-240 | EA | SCREW - SF/DR - 10-16 X .62 PPH - VW LIGHT GRAY |
| | 0G5508-12-110 | EA | SCREW - SF/DR-8-18 X .75 PWH |
| | 0G3910-12-260 | EA | SCREW - SF/DR - 10-16 X .75 PPH - ALLANTE ANTELOPE |
| | 0G3910-12-170 | EA | SCREW - SF/DR - 10-16 X .75 PPH - BRIGHT WHITE |
| | 0G5508-12-170 | EA | SCREW - SF/DR - 8-18 X .75 PWH - BRIGHT WHITE |
| | 0G5508-12-270 | EA | SCREW - SF/DR - 8-18 X .75 PWH - TITANIUM |
| | 0G5508-12-260 | EA | SCREW - SF/DR - 8-18 X .75 PWH - ALLANTE ANTELOPE |
| | 0G5508-16-250 | EA | SCREW - SF/DR - 8-18 X 1.00 PWH - VW DARK GRAY |
| | 0G6008-16-170 | EA | SCREW - SF/DR - 8-18 X 1.00 POH - BRIGHT WHITE |
| | 0G5508-16-260 | EA | SCREW - SF/DR - 8-18 X 1.00 PWH ZINC - INTERIOR ANTELOPE |
| | 0G5508-16-270 | EA | SCREW - SF/DR - 8-18 X 1.00 PWH ZINC - INTERIOR TITANIUM |
| | 0G6710-08-130 | EA | SCREW - 10-12 X .50 PPH TAUPE |
| | 0G6710-08-170 | EA | SCREW - 10-12 X 1/2 PPH - BRIGHT WHITE |
| | 0G6710-08-240 | EA | SCREW - 10-12 X .50 PPH TAUPE - VW LIGHT GRAY |
| | 0G6710-12-170 | EA | SCREW - 10-12 X .75 PPH - BRIGHT WHITE |
| | 0G6710-16-230 | EA | SCREW - 10-12 X 1 PPH - BEIGE |
| | 000G11-05-08B | EA | SCREW - 5-20 X .50 PPH - ZINC |
| | 000G11-06-06B | EA | SCREW - 6-20 X 3/8 PPH - ZINC |
| | 000G11-06-10B | EA | SCREW - 6-20 X 5/8 PPH - ZINC |
| | 000G11-06-12B | EA | SCREW - 6-20 X 3/4" PPH - ZINC |
| | 000G11-06-10J | EA | SCREW - 6-20 X 5/8 PPH - BRASS |
| | 000G11-06-A4B | EA | SCREW - 6-20 X 1.5 PPH ZINC |
| | 000G11-06-08B | EA | SCREW - 6-20 X 1/2 PPH - ZINC |
| | 000G11-07-08B | EA | SCREW - 7-19 X 1/2 PPH - ZINC |
| | 000G11-07-08T | EA | SCREW - 7-19 X 1/2 PPH - BLACK |
| | 000G11-08-06B | EA | SCREW - 8-18 X 3/8 PPH - ZINC |
| | 000G11-08-06J | EA | SCREW - 8-18 X 3/8 PPH BRASS |
| | 000G11-08-10B | EA | SCREW - 8-18 X .50 PPH - ZINC |
| | 000G11-08-12B | EA | SCREW - 8-18 X 3/4 PPH - ZINC |
| | 000G11-08-12S | EA | SCREW - 8-18 X 3/4 PPH - OFF WHITE |
| | 000G11-08-08T | EA | SCREW - 8-18 X 1/2 PPH - FLUOROCARBON COATING |
| | 000G11-08-08B | EA | SCREW - 8-18 X 1/2 PPH - ZINC |
| | 000G11-08-20B | EA | SCREW - 8-18 X 1 1/4 PPH - ZINC |
| | 000G11-08-16S | EA | SCREW - 8-18 X 1 PPH - OFF WHITE |
| | 000G11-08-16B | EA | SCREW - 8-18 X 1 PPH - ZINC |
| | 000G11-08-12P | EA | SCREW - 8-18 X 3/4 PPH - DARK BROWN |
| | 000G11-08-12D | EA | SCREW - 8-18 X 3/4 PPH - BLACK PHOSPHATE |
| | 000G11-08-12T | EA | SCREW - 8-18 X 3/4 PPH - BLACK MAGNESIUM |
| | 000G11-10-12S | EA | SCREW - 10-16 X 3/4 PPH - OFF WHITE |
| | 000G11-10-12D | EA | SCREW - 10-16 X 3/4 PPH - BLACK |
| | 000G11-10-16B | EA | SCREW - 10-16 X 1 PPH - ZINC |
| | 000G11-10-40B | EA | SCREW - 10-16 X 2 1/2 PPH CAD - 34927-01-000 |
| | 000G12-06-08T | EA | SCREW - 6-20 X 1/2 POH - BLACK |
| | 000G12-08-12S | EA | SCREW - 8-18 X 3/4 POH - OFF WHITE |
| | 000G13-05-10B | EA | SCREW - 5-12 X 5/8 PFH - ZINC |
| | 000G13-06-16S | EA | SCREW - 6-20 X 1.00 PFH - OFF WHITE |
| | 000G13-06-10G | EA | SCREW - 6-20 X 5/8 PFH - ANTIQUE BRASS |
| | 000G13-06-08B | EA | SCREW - 6-20 X 1/2 PFH - ZINC |
| | 000G13-06-08G | EA | SCREW - 6-20 X .50 PFH - ANTIQUE BRASS |
| | 000G13-06-24J | EA | SCREW - 6-20 X 1 1/2 PFH - BRASS |
| | 000G13-06-10J | EA | SCREW - 6-20 X .62 PFH - BRASS |
| | 000G13-06-16E | EA | SCREW - 6-20 X 1.00 PFH - CHROME |
| | 000G13-06-16J | EA | SCREW - 6-20 X 1 PFH - BRASS |
| | 000G13-06-06I | EA | SCREW - 6-20 X 3/8 PFH BLACK ZINC |

SEALANTS & FASTENERS GROUP (CONTINUED)**SCREWS (CONTINUED)**

| KEY | PART NUMBER | U/M | DESCRIPTION |
|------------|--------------------|------------|---|
| | 000G13-06-06B | EA | SCREW - 6-20 X 3/8 PFH ZINC |
| | 000G13-07-12B | EA | SCREW - 7-19 X 3/4 PFH - ZINC |
| | 000G13-07-10H | EA | SCREW - 7-19 X 5/8 PFH - BLACK |
| | 000G13-07-089 | EA | SCREW - 7-19 X 1.2 PPH - SILVER |
| | 000G13-08-10B | EA | SCREW - 8-18 X 5/8 PFH - ZINC |
| | 000G13-08-16B | EA | SCREW - 8-18 X 1 PFH - ZINC |
| | 000G13-08-24B | EA | SCREW - 8-18 X 1 1/2 PFH - ZINC |
| | 000G13-08-109 | EA | SCREW - 8-18 X 5/8 PFH |
| | 000G16-04-24B | EA | SCREW - MACHINE - 1/4-20 X 1 1/2 PPH |
| | 000G18-08-22B | EA | SCREW - MACHINE - 8-32 X 1 3/8 PPH - ZINC |
| | 000G18-08-20B | EA | SCREW - MACHINE - 8-32 X 1 1/4 PPH - ZINC |
| | 000G18-08-24B | EA | SCREW - MACH-8-32X1 1/2PPH ZN |
| | 000G19-10-10B | EA | SCREW - MACHINE - 10-32 X 5/8 - PPH - ZINC |
| | 000G19-10-20B | EA | SCREW - MACHINE - 10-32 X 1 1/2 PPH - ZINC |
| | 000G19-10-12F | EA | SCREW - MACHINE - 10-32 X 3/4 PPH - STAINLESS STEEL |
| | 000G19-10-08B | EA | SCREW - MACHINE - 10-32 X 1/2 PPH - ZINC |
| | 000G32-10-06B | EA | SCREW - 10-32 X 3/8 PPH - ZINC |
| | 000G13-10-16I | EA | SCREW - 10-16X1.00 PFH,BLK |
| | 000G34-05-12B | EA | SCREW - HEX HEAD TAPPING - 5/16 X 3/4 LONG |
| | 000G37-08-12B | EA | SCREW - 8-18 X 3/4 PPH |
| | 000G37-08-089 | EA | SCREW - 8 X 18 X 1/2 PPH - FLUOROCARBON SILVER |
| | 000G36-10-12T | EA | SCREW - 10-24X 3/4 PFH TYPE 23 - BLACK |
| | 000G38-04-16D | EA | SCREW - MACHINE - 1/4-20 X 1 PFN - BLACK |
| | 000G39-06-10T | EA | SCREW - SF/DR - 6-20 X 5/8 PPH - BLACK |
| | 000G39-06-16T | EA | SCREW - SF/DR - 6-20 X 1 PPH - BLACK |
| | 000G39-06-08B | EA | SCREW - SF/DR - 6-18 X 1/2 - ZINC |
| | 000G39-08-16S | EA | SCREW - SF/DR - 8-18 X 1 PPH - OFF WHITE |
| | 000G39-08-32B | EA | SCREW - SF/DR - 8-18 X 2 PPH - ZINC |
| | 000G39-08-24B | EA | SCREW - SF/DR - 8-18 X 1 1/2 PPH - ZINC |
| | 000G39-08-24S | EA | SCREW - SF/DR - 8-18 X 1 1/2 - OFF WHITE |
| | 000G39-08-24T | EA | SCREW - SF/DR - 8-18 X 1.50 PPH - BLACK |
| | 000G39-08-16T | EA | SCREW - SF/DR - 6-20 X 1 PPH - BLACK |
| | 000G39-08-16B | EA | SCREW - SF/DR - 8-18 X 1 PPH - ZINC |
| | 000G39-08-12B | EA | SCREW - SF/DR - 8-18 X 3/4 PPH - ZINC |
| | 000G39-08-12T | EA | SCREW - SF/DR - 8-18 X 3/4 PPH - BLACK |
| | 000G39-08-08T | EA | SCREW - SF/DR - 8-18 X 1/2 PPH - BLACK |
| | 000G39-08-08S | EA | SCREW - SF/DR - 8-18 X 1/2 PPH - OFF WHITE |
| | 000G39-08-08B | EA | SCREW - SF/DR - 8-18 X 1/2 PPH - ZINC |
| | 000G39-08-06B | EA | SCREW - SF/DR - 8-18 X 3/8 PPH - ZINC |
| | 000G39-10-10B | EA | SCREW - SF/DR - 10-16 X 5/8 - ZINC |
| | 000G39-10-12P | EA | SCREW - SF/DR, 10-16 X .75 PPH - DARK BROWN |
| | 000G39-10-088 | EA | SCREW - SF/DR - 10-16 X 1/2 PPH - FLEX FLUOROCARBON |
| | 000G39-10-08B | EA | SCREW - SF/DR - 10-16 X 1/2 PPH - ZINC |
| | 000G39-10-40D | EA | SCREW - SF/DR - 10-16 X 2 1/2 PPH - BLACK |
| | 000G39-10-32B | EA | SCREW - SF/DR - 10-16 X 2 - PPH - ZINC |
| | 000G39-10-209 | EA | SCREW - SF/DR - 10-16 X 1 1/4 PPH - FLUOROCARBON SILVER |
| | 000G39-10-20T | EA | SCREW - SF/DR - 10-16 X 1.25 PPH |
| | 000G39-10-20B | EA | SCREW - SF/DR - 10-16 X 1 1/4 PPH - ZINC |
| | 000G39-10-12T | EA | SCREW - SELF TAPPING 10-16 X 3/4" |
| | 000G39-10-12D | EA | SCREW - SF/DR - 10-16 X 3/4 PPH - BLACK |
| | 000G39-10-12B | EA | SCREW - SF/DR - 10-16 X 3/4 PPH - ZINC |
| | 000G39-10-10T | EA | SCREW - SF/DR - 10-16 X .625 - BLACK |
| | 000G39-10-129 | EA | SCREW - SF/DR - 10-16 X 3/4 PPH - FLUOROCARBON SILVER |
| | 000G39-10-48B | EA | SCREW - SF/DR - 10-16 X 3 - PPH - ZINC |
| | 000G39-10-48T | EA | SCREW - SF/DR - 10-16 X 3.00 PPH - BLACK |
| | 000G39-10-24B | EA | SCREW - SF/DR - 10-16 X 1.50 PPH - ZINC |
| | 000G39-10-32I | EA | SCREW - SELF TAPPING - 10-16 X 2" PPH - BLACK |
| | 000G39-12-12E | EA | SCREW - SF/DR - 12-14 X 3/4 PPH - CHROME |
| | 000G42-04-16B | EA | SCREW - SF/DR - 1/4-14 X 1 HWH - ZINC |
| | 000G42-04-12B | EA | SCREW - SF/DR - 1/4-14 X 3/4 HWH - ZINC |
| | 000G42-04-24B | EA | SCREW - SF/DR 1/4-14X1 1/2 ZN |
| | 000G46-08-24T | EA | SCREW - MACHINE - 8-32 X 1 1/2 PFH - BLACK |
| | 000G46-08-28T | EA | SCREW - MACHINE - 8-32 X 1 3/4 PHILLIPS FLAT HEAD - BLACK |

SEALANTS & FASTENERS GROUP (CONTINUED)**SCREWS (CONTINUED)**

| KEY | PART NUMBER | U/M | DESCRIPTION |
|------------|--------------------|------------|---|
| | 000G50-04-12B | EA | SCREW - MACHINE - 1/4-20 X 3/4 PPH - ZINC |
| | 000G50-04-06B | EA | SCREW - MACHINE - 1/4-20 X 38 PTH - ZINC |
| | 000G50-04-08B | EA | SCREW - MACHINE - 1/4-20 X 1/2 PTH - ZIN |
| | 000G51-08-08B | EA | SCREW - 8-18 X 1/2 PTH - ZINC |
| | 000G51-06-12B | EA | SCREW - 6-20 X 3/4 PTH - ZINC |
| | 000G52-06-06B | EA | SCREW-MACH-6-32X3/8 PTH ZN |
| | 000G52-08-18B | EA | SCREW - MACHINE - 8-32 X 1 1/8 PTH - ZINC |
| | 000G54-04-20B | EA | SCREW - 1/4-20 X 1.25 PTH - TYPE 23 - ZINC PLATED |
| | 000G55-08-125 | EA | SCREW - SF/DR - 8-18 X 3/4 PWH - WILLOW |
| | 000G55-08-12S | EA | SCREW - SF/DR - 8-18 X 3/4 PWH - OFF WHITE |
| | 000G55-08-124 | EA | SCREW - SF/DR-8-18X.75 PWH - ASH GRAY |
| | 000G55-08-165 | EA | SCREW - SF/DR-8-18X1.00 PWH - WILLOW |
| | 000G56-12-48B | EA | SCREW - WOOD - 12-11 X 3 POH - SPECIAL HARDENED |
| | 000G57-05-16J | EA | SCREW - 5-20 X 1 PFH - BRASS |
| | 000G57-14-64B | EA | SCREW - 14-10 X 4 PFH ZINC |
| | 000G57-14-72B | EA | SCREW - 14-10-X4-1/2 PFH ZN |
| | 000G60-08-22B | EA | SCREW - SF/DR, 8 - 18 X 1.38 POH - ZN |
| | 000G60-08-16E | EA | SCREW - SF/DR - 8-1 X 1.00 POH - CHROME |
| | 000G60-10-28T | EA | SCREW - SF/DR - 10-16 X 1 3/4 - BLACK |
| | 000G60-10-20I | EA | SCREW - SF/DR - 10-16 X 1.25 POH - BLACK |
| | 000G60-10-20B | EA | SCREW - SF/DR - 10-16 X 1 1/4 POH - ZINC |
| | 000G60-10-209 | EA | SCREW - SF/DR - 10-16 X 1.25 POH - SILVER STALGAARD |
| | 000G62-10-24I | EA | SCREW - SF/DR - 10-16 X 1/5 PFH - BLACK ZINC |
| | 000G67-08-32B | EA | SCREW - 8-15 X 2 PPH - ZINC |
| | 000G67-10-08S | EA | SCREW - 10-12 X 1/2 PPH - OFF WHITE |
| | 000G67-10-08R | EA | SCREW - 10-12 X 1/2 PPH - BEIGE - TYPE A |
| | 000G67-10-08B | EA | SCREW - 10-12 X 1/2 PPH - ZINC |
| | 000G67-10-16B | EA | SCREW - 10-12 X 1 PPH - ZINC |
| | 000G67-10-120 | EA | SCREW - 10-12 X 3/4 PPH - TAN |
| | 000G67-10-12B | EA | SCREW - 10-12 X 3/4 PPH - ZINC |
| | 000G67-10-12R | EA | SCREW - 10-12 X .75 PPH - BEIGE |
| | 000G67-10-12P | EA | SCREW - 10-12 X 3/4 PPH - DARK BROWN |
| | 000G67-10-10S | EA | SCREW - 10-12 X 5/8 PPH - OFF WHITE |
| | 000G67-10-10P | EA | SCREW - 10-12X.62 PPH - DARK BROWN |
| | 000G67-10-10D | EA | SCREW - 10-12 X 5/8 PPH - BLACK - TYPE A |
| | 000G67-10-10T | EA | SCREW - 10-12 X 5/8 PPH BLACK |
| | 000G67-10-10B | EA | SCREW - 10-12 X 5/8 PPH - ZINC - TYPE A |
| | 000G67-10-20D | EA | SCREW - 10-12 X 1.25 PPH - BLACK |
| | 000G67-10-36T | EA | SCREW - 10-12 X 2 1/4 - PPH - BLACK |
| | 000G67-10-32B | EA | SCREW - 10-12 X 2 PPH - ZINC |
| | 000G67-10-24B | EA | SCREW - 10-12 X 1.50 PPH - ZINC |
| | 000G67-10-24S | EA | SCREW - 10-12X1.5PPH OFF WHITE |
| | 000G67-10-125 | EA | SCREW - 10-12 X .75 PPH WILLOW |
| | 000G67-10-28B | EA | SCREW - 10-12 X 1.75 PPH - ZINC |
| | 000G67-10-48B | EA | SCREW - 10-12 X 3 PPH - ZINC |
| | 000G68-06-12B | EA | SCREW - 6-18 X .75 POH - ZINC & CLEAR |
| | 000G68-06-12J | EA | SCREW - 6-18X.75 POH BRASS |
| | 000G68-06-12S | EA | SCREW - 6-18 X 3/4 POH |
| | 000G68-06-10G | EA | SCREW - 6-18 X 5/8 POH - ANTIQUE BRASS |
| | 000G68-10-20I | EA | SCREW - 10-12 X 1 1/4 POH - BLACK |
| | 000G68-10-36T | EA | SCREW - 10-12 X 2.25 POH BLACK |
| | 049465-01-000 | EA | SCREW - 10-16 PTH W/WASHER - DARK BROWN |
| | 049465-13-000 | EA | SCREW - 10-16X1 PTH W/WASHER - ASH GRAY |
| | 049465-17-000 | EA | SCREW - 10-16 X 1 POH W/WASHER - BRIGHT WHITE |
| | 049465-22-000 | EA | SCREW - 10-16 X 1 1/2 POH W/WASHER - SABLE |
| | 054434-02-000 | EA | SCREW - SF/DR - 10-16 X 2 - ZINC |
| | 054434-03-000 | EA | SCREW - SF/DR - 10-16 X 2 - PWH - ZINC - W/O WINGS |
| | 057671-01-000 | EA | COVER - SCREW - OFF WHITE - #8 |
| | 057671-11-000 | EA | COVER - SCREW - HAMPTON TAN - #8 |
| | 057671-15-000 | EA | COVER - SCREW - BRIGHT WHITE |
| | 057671-16-000 | EA | COVER - SCREW - SOFT WHITE |
| | 057671-17-000 | EA | COVER - SCREW - VW LT GRAY #8 |
| | 075908-01-000 | EA | SCREW - MACHINE - 10-32 X .56 PTH - EXTERNAL TOOTH - ZINC |

SEALANTS & FASTENERS GROUP (CONTINUED)

SCREWS (CONTINUED)

| KEY | PART NUMBER | U/M | DESCRIPTION |
|-----|---------------|-----|--|
| | 076790-01-000 | EA | SCREW - 6-20 X 1 1/4 PPH - BLACK |
| | 076790-03-000 | EA | SCREW - 6-20 X 1 PPH - BLACK |
| | 076790-05-000 | EA | SCREW - 6-20 X 1/2 PPH BLACK - THREADCUTTING - WOOD |
| | 083554-01-000 | EA | SCREW - DRYWALL - 8 X 1.25 |
| | 083554-04-000 | EA | SCREW - DRYWALL - 8 X 2.50 |
| | 086256-01-000 | EA | SCREW - SF/DR - 8 X 3/4 HWH |
| | 087721-01-000 | EA | SCREW - FLAT HEAD - TAPPING - 1/4" X 1 1/4" LONG - ZINC |
| | 097974-01-000 | EA | SCREW - PARTICLE BOARD - 7-9 X 3/4 PPH |
| | 090033-02-000 | EA | SCREW - 1/4-20 X 5/8 - ROUND WASHER HEAD - OFF/WHITE |
| | 101618-01-000 | EA | SCREW - 1/4-20 X 3/4 HEX - TAPPING - STALGARD TYPE F |
| | 101289-01-01A | EA | SCREW - MACHINE - 8-32 X 3.75 POH - BRASS -F/EXTENDED KNOB |
| | 105126-01-000 | EA | SCREW - MACHINE - 8-32 X 1 PPH TAPTIT |
| | 110460-05-02A | EA | SCREW - MACHINE - 10-24 X 2.5 PFH - WHITE |
| | 112782-08-01A | EA | SCREW - MOUNTING/PLATE - ZINC |
| | 113563-01-01A | EA | SCREW - 8 X .62 LONG SHOULDER/WASHER HEAD |
| | 117478-01-04A | EA | SCREW - 8-18 X .75 PPH W/WASHER - VW LIGHT GRAY |
| | 126458-01-01A | EA | SCREW - 8-18 X .50 PRWH BLACK |
| | 134126-01-01A | EA | SCREW/NAIL - HEX HEAD - 3/4" |

CLAMPS, CLIPS, GROMMETS, RIVETS & PLUGS

| KEY | PART NUMBER | U/M | DESCRIPTION |
|-----|---------------|-----|--|
| | 010495-01-000 | EA | CLAMP - CABLE - 9/16" |
| | 010495-02-000 | EA | CLAMP - CABLE - 3/8 |
| | 010495-04-000 | EA | CLAMP - CABLE - 11/16" - WHITE |
| | 010495-05-000 | EA | CLAMP - CABLE - 1/2 |
| | 010497-01-000 | EA | CLAMP - CLOSED - 5/8" ID |
| | 010497-03-000 | EA | CLAMP - CLOSED - 1" ID - CUSHIONED |
| | 010497-04-000 | EA | CLAMP - CLOSED - 1.62" ID |
| | 010497-05-000 | EA | CLAMP - CLOSED - 1/2 ID |
| | 010497-06-000 | EA | CLAMP - CLOSED - 11/16" ID |
| | 010497-07-000 | EA | CLAMP - CLOSED - 3/8" ID |
| | 010497-08-000 | EA | CLAMP - CLOSED - .125" ID |
| | 062401-01-000 | EA | CLAMP - HOSE - WORMGEAR - .25" - 1" |
| | 062401-02-000 | EA | CLAMP - HOSE - WORMGEAR - 1.56" - 2.5" |
| | 062401-03-000 | EA | CLAMP - HOSE - WORMGEAR - .22" - 1" |
| | 062401-04-000 | EA | CLAMP - HOSE - WORMGEAR - .69" - 1.25" |
| | 062401-05-000 | EA | CLAMP - HOSE - WORMGEAR - 2" TO 3" ID |
| | 062401-06-000 | EA | CLAMP - HOSE - WORMGEAR - .22" - .62" ID |
| | 062401-07-000 | EA | CLAMP - HOSE - WORMGEAR - 5"-7" |
| | 062401-08-000 | EA | CLAMP - HOSE - WORMGEAR 4.06" - 5.0" |
| | 062401-09-000 | EA | CLAMP - HOSE - WORMGEAR - 2.8" - 3.75" |
| | 062401-11-000 | EA | CLAMP - HOSE - WORMGEAR - 3.50" - 4.50" |
| | 062401-12-000 | EA | CLAMP - HOSE - WORMGEAR - .79" X 1.26" |
| | 083610-01-000 | EA | CLAMP - WIRE - DUAL - UNEQUAL DIAMETERS - 3/4" & 1 1/4" |
| | 083610-02-000 | EA | CLAMP - WIRE - DUAL - UNEQUAL DIAMETERS - 3/4" & 2" |
| | 083610-03-000 | EA | CLAMP - DUAL WIRE |
| | 083609-01-000 | EA | CLAMP - WIRE - DUAL - EQUAL DIAMETERS - 5/8" |
| | 007161-01-000 | EA | CLAMP - HOSE - SPRING TYPE - 1/2" |
| | 010499-01-000 | EA | CLAMP - CLOSED - 3/8" ID |
| | 075148-02-000 | EA | CLAMP - GROUNDING - BRONZE SCREWS |
| | 008386-01-000 | EA | GROMMET - SNAP - 3/8" |
| | 023942-01-000 | EA | GROMMET - RUBBER - 2" OD |
| | 071015-07-000 | EA | GROMMET - RUBBER - 1"ID X 2.25" OD W/.06" GROOVE - BLACK |
| | 071015-11-000 | EA | GROMMET - 1.00 ID - FITS .12 MATERIAL |
| | 071015-13-000 | EA | GROMMET - RUBBER - .62" ID X 1" OD W/.09" GROOVE - BLACK |
| | 071015-19-000 | EA | GROMMET - .38 ID - FITS .06 MATERIAL |
| | 071015-21-000 | EA | GROMMET - RUBBER - 1/2 ID X 1.06 OD - W/.19 GROOVE - BLACK |
| | 071015-22-000 | EA | GROMMET - RUBBER - .62"ID X 1.12"OD W/.19" GROOVE - BLACK |
| | 071015-26-000 | EA | GROMMET - RUBBER - 1.5" ID X 2.1" OD W/.06" GROOVE-BLACK |
| | 071015-29-000 | EA | GROMMET - RUBBER - .3" ID X 1.3"OD W/.12" GROOVE - BLACK |
| | 071015-30-000 | EA | GROMMET - RUBBER - .31" ID X .81" OD W/.12" GROOVE - BLK |
| | 071015-32-000 | EA | GROMMET - RUBBER - .75" ID X 1.375" OD W/.187" GROOVE-BLK |

SEALANTS & FASTENERS GROUP (CONTINUED)**CLAMPS, CLIPS, GROMMETS, RIVETS & PLUGS (CONTINUED)**

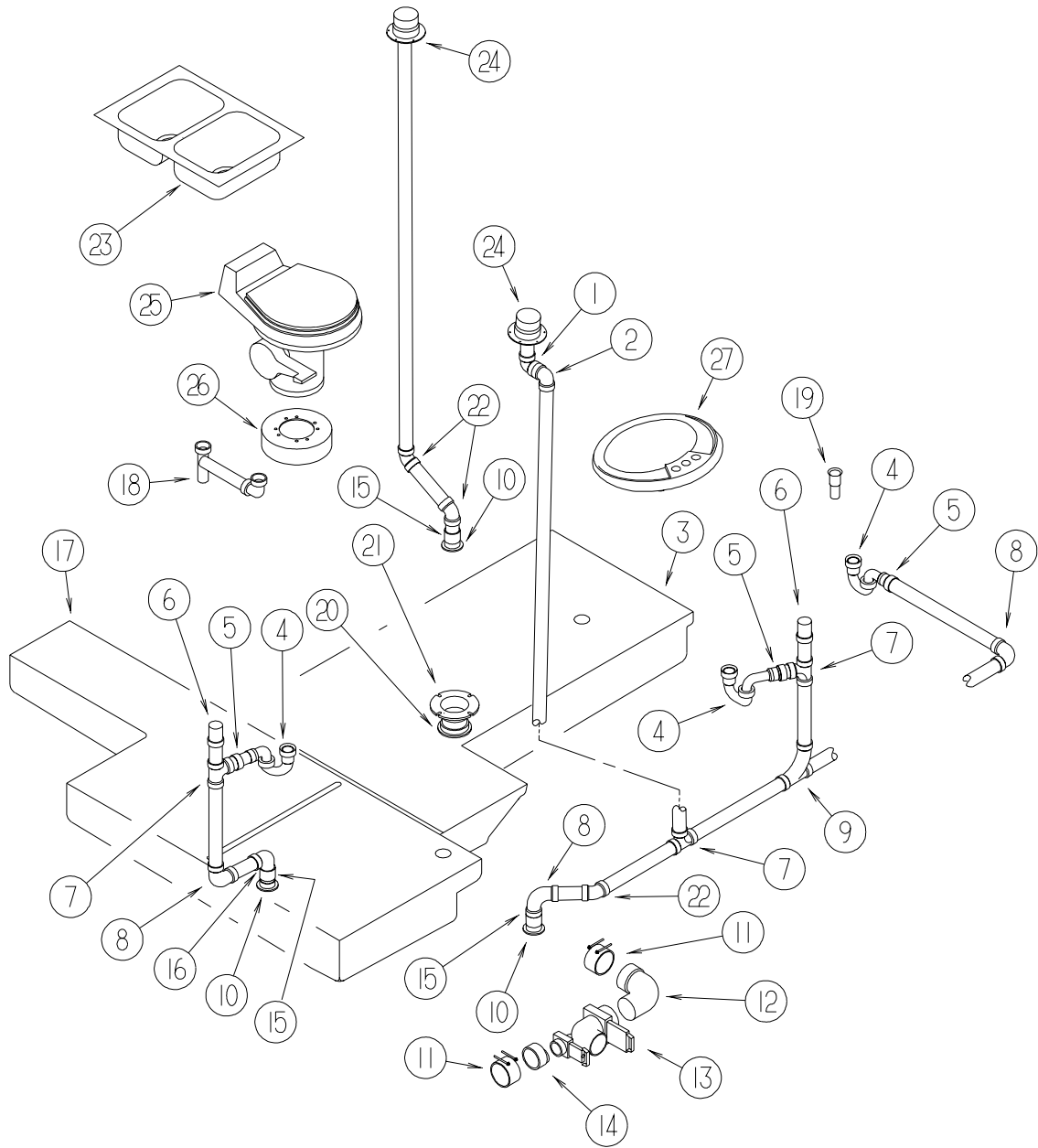
| KEY | PART NUMBER | U/M | DESCRIPTION |
|------------|--------------------|------------|--|
| | 071015-33-000 | EA | GROMMET - RUBBER - .875" ID X 1.625" OD W/.187" GROOVE - BLK |
| | 071015-35-000 | EA | GROMMET - 1.25 ID,FITS .187MAT |
| | 071015-37-000 | EA | GROMMET - .81 ID FITS .56 MTL |
| | 071015-39-000 | EA | GROMMET - .75 ID FITS .06 MTL |
| | 088756-01-000 | EA | GROMMET - WEB - 1 1/8 " I.D. |
| | 114208-01-000 | EA | GROMMET - EDGE LINER - FITS 1 3/4" |
| | 114208-02-000 | EA | GROMMET - EDGE LINER - FITS .625 |
| | 114208-03-000 | EA | GROMMET - EDGE LINER - FITS 2.50" |
| | 114208-04-000 | EA | GROMMET - EDGE LINER - FITS 1.00" |
| | 114208-05-000 | EA | GROMMET - EDGE LINER - FITS 2" |
| | 016188-03-000 | EA | GROMMET - L/P LINE - 3/8" HOLE X 2 1/2" LONG - RUBBER |
| | 016188-04-000 | EA | GROMMET - GAS LINE - 1/2" HOLE X 2 1/2" LONG - RUBBER |
| | 016188-05-000 | EA | GROMMET - L/P LINE - 3/8" HOLE X 1 1/4" LONG - RUBBER |
| | 008380-01-000 | EA | GROMMET - RUBBER - 5/8" HOLE X 1 1/2" DIAMETER - BLACK |
| | 008384-01-000 | EA | GROMMET - SNAP - 3/4 DIAMETER - NYLON |
| | 077953-01-000 | EA | GROMMET - EDGE LINER - FITS 1" |
| | 099637-01-000 | EA | GROMMET - RUBBER - .37" X .94" DIAMETER - BLACK |
| | 046867-05-000 | EA | GROMMET - #0 |
| | 000F10-04-16B | EA | PIN - COTTER - 1/8" X 1" - ZINC |
| | 000F10-06-32B | EA | PIN - COTTER - 3/16" X 2" - ZINC |
| | 000H14-04-08R | EA | RIVET - MANDREL BLIND - 4/32 ALUMINUM |
| | 000H14-06-03R | EA | RIVET - MANDREL BLIND - 3/16 - CHERRY |
| | 000H15-06-02R | EA | RIVET - POP - STEEL - 3/16 X .063-.125 |
| | 000H16-06-10R | EA | RIVET - POP ALUMINUM - 3/16 X .501-.625 |
| | 000H14-04-04A | EA | RIVET - MANDREL BLIND - 1/8 X .400 |
| | 000H16-04-06R | EA | RIVET - POP ALUMINUM - 1/8 X .313 - .375 |
| | 000H14-06-14R | EA | RIVET - MANDREL BLIND - 3/16 - CHERRY |
| | 118626-01-01A | EA | RIVET - POP - ALUMINUM 3/16 X .08-.375 |
| | 118626-02-01A | EA | RIVET - POP - ALUMINUM - 3/16 X .500-.750 |
| | 120560-01-01A | EA | RIVET - PLASTIC - 3/16 DIAMETER |
| | 061420-01-000 | EA | PLUG/PLASTIC - 1.75" DIAMETER - BROWN |
| | 061420-03-000 | EA | PLUG/PLASTIC - 3.00" DIAMETER |
| | 061420-04-000 | EA | PLUG/PLASTIC - 1.25" DIAMETER |
| | 061420-05-000 | EA | PLUG/PLASTIC - 1.5" DIAMETER |
| | 061420-07-000 | EA | PLUG/PLASTIC - 1.8" DIAMETER |
| | 061420-08-000 | EA | PLUG/PLASTIC - 2.5" DIAMETER |
| | 061420-09-000 | EA | PLUG/PLASTIC - 1.00" - DIAMETER |
| | 061420-10-000 | EA | PLUG/PLASTIC - 1.50" DIAMETER - BLACK |
| | 061420-11-000 | EA | PLUG/PLASTIC - .50" DIAMETER |
| | 061420-12-000 | EA | PLUG/PLASTIC - 1.50" DIAMETER - RED |
| | 061420-14-000 | EA | PLUG/PLASTIC - .034" DIAMETER |
| | 061420-15-000 | EA | PLUG/PLASTIC - 2" DIAMETER - BLACK |
| | 061420-16-000 | EA | PLUG/PLASTIC - 2 1/8" DIAMETER |
| | 081211-03-000 | EA | PLUG/PLASTIC - .50 DIAMETER - BLACK |
| | 081211-04-000 | EA | PLUG/PLASTIC - .46 DIAMETER - BLACK |
| | 081211-05-000 | EA | PLUG/PLASTIC - .188 DIAMETER - NATURAL |
| | 034141-02-000 | EA | PLUG/HOLE - 3/8" NYLON/BLACK |
| | 115361-01-01A | EA | PLUG/PLASTIC - 1/2" DIAMETER |
| | 075312-02-000 | EA | CLIP-U - .75 LONG X .50 WIDE- F/1/8"-3/16" THICK MATERIAL |
| | 077955-01-000 | EA | CLIP-J - VINYL COATED - 3/8" |
| | 080211-03-000 | EA | CLIP - X-MAS TREE W/PANEL RETAINING HEAD - 3/4" SHANK |
| | 094362-02-000 | EA | CLIP - XMAS TREE - BINDER HEAD - .9" LONG |
| | 119392-01-000 | EA | CLIP - U TYPE - OFFSET LEG |
| | 129962-01-01A | EA | CLIP - U-TYPE - BLACK |
| | 091952-01-000 | EA | CLIP - GRIPPER - 1" |
| | 091952-02-000 | EA | CLIP - GRIPPER - 3/4" |
| | 080734-02-000 | EA | CLIP - WIRE NYLON |
| | 056134-01-000 | EA | HOLDER - RING - 3.6" DIAMETER - METAL |
| | 056134-02-000 | EA | HOLDER - RING - 1.8" DIAMETER - METAL |

SEALANTS & FASTENERS GROUP (CONTINUED)

MISCELLANEOUS FASTENERS

| KEY | PART NUMBER | U/M | DESCRIPTION |
|-----|---------------|-----|--|
| | 008343-01-000 | EA | TIE - WIRE - 6" |
| | 008343-02-000 | EA | TIE - WIRE - 14" |
| | 008343-03-000 | EA | TIE - WIRE - 7 1/2" - BLACK |
| | 029096-03-000 | YD | VELCRO TAPE - HOOK - 1" WIDE - BLACK |
| | 029096-04-000 | YD | TAPE - HOOK - VELCRO - 1" WIDE - BLACK |
| | 029094-04-000 | YD | VELCRO TAPE - LOOP - 1" WIDE - BLACK |
| | 029094-06-000 | YD | VELCRO TAPE - LOOP - 2" WIDE - BLACK |
| | 048394-02-000 | YD | VELCRO TAPE - HOOK - ADHESIVE BACK - .75" WIDE - BEIGE |
| | 085774-01-000 | FT | FASTENER - DUAL LOCK - 1" WIDE - ADHESIVE BACK - BLACK |
| | 085774-02-000 | FT | FASTENER - DUAL HOOK - 1" WIDE - ADHESIVE BACK - BLACK |
| | 085774-03-000 | FT | FASTENER - DUAL HOOK - 1/2" WIDE - ADHESIVE BACK - BLACK |
| | 085774-04-000 | FT | FASTENER - DUAL HOOK - 1/2" WIDE - ADHESIVE BACK - BLACK |
| | 088792-02-000 | YD | VELCRO TAPE - LOOP - 3/4" - ADHESIVE BACKED - BEIGE |
| | 088792-04-000 | YD | VELCRO TAPE - HOOK - 5/8" - NON-ADHESIVE BACK - WHITE |
| | 088792-05-000 | YD | VELCRO TAPE - LOOP - 5/8" - NON-ADHESIVE BACKED - WHITE |
| | 108046-01-000 | EA | CABLE TIE - SCREW MOUNT 8" |
| | 108046-02-000 | EA | CABLE TIE - SCREW MOUNT 15" |
| | 110943-01-000 | FT | FELTSTRIP - 3/8" - ADHESIVE BACK |
| | 110943-02-000 | FT | FELTSTRIP - 3/8" - ADHESIVE BACK - WHITE |
| | 099856-11-000 | EA | STRAP - TIEDOWN - 78.6" |
| | 086285-01-000 | EA | SPACER - NYLON - .5" OD X .257" ID |
| | 008401-01-000 | EA | STRAP - CONDUIT - 3/4" - 1 HOLE - GALVANIZED STEEL |

WATER & SEWAGE GROUP DRAINAGE SYSTEM



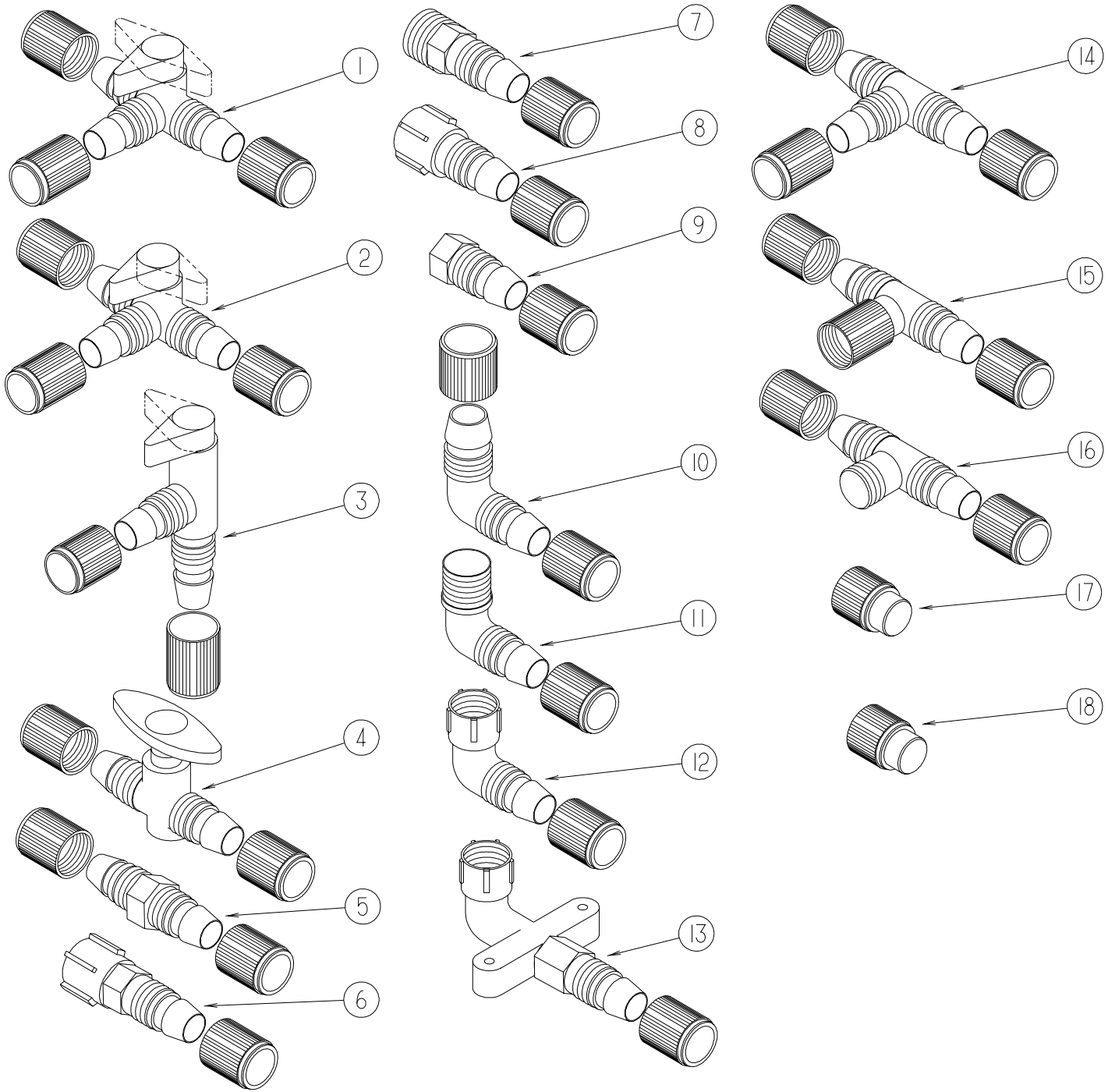
WATER & SEWAGE GROUP (CONTINUED)

DRAINAGE SYSTEM (CONTINUED)

| KEY | PART NUMBER | U/M | DESCRIPTION |
|-----|---------------|-----|--|
| 1 | 034250-01-000 | EA | ELBOW - 90 DEGREE - LONG TURN - 1 1/2" HUB X HUB - ABS |
| 2 | 010009-01-000 | EA | ELBOW - 90 DEGREE - 1/4 BEND - 1 1/2" PLASTIC |
| 3 | 104351-01-000 | EA | TANK - HOLDING - SEWAGE - 55 GALLON - W/O FITTINGS |
| | 039861-01-000 | EA | SENDING UNIT - W/SCREW - WASHER - WELL NUT/TERMINAL RING |
| 4 | 107538-01-000 | EA | P TRAP - PLASTIC - 1 1/4" W/EXTENSION ARM |
| 4 | 011071-01-000 | EA | P-TRAP - PLASTIC - 1 1/2" - CSA |
| 5 | 109571-01-000 | EA | ADAPTER - P TRAP - 1 1/2"P X 1 1/4"MPT - US |
| 6 | 079968-01-000 | EA | VENT - MECHANICAL/TRAP ARM - ANTI-SIPHON-2" X 7.3" PLASTIC |
| 7 | 010071-01-000 | EA | TEE - SANITARY - 1 1/2" HUB X HUB X HUB - PLASTIC |
| 8 | 010008-01-000 | EA | ELBOW - 90 DEGREE - 1 1/2" HUB X HUB - PLASTIC |
| 9 | 031365-02-000 | EA | TEE - PLASTIC - 1 1/2" EXTRA LONG TURN |
| 10 | 061607-01-000 | EA | GROMMET - HOLDING TANK - 1 1/2" NPS |
| 11 | 078406-01-000 | EA | COUPLER - RUBBER - W/CLAMPS - 3" X 3" |
| 12 | 041956-01-000 | EA | ELBOW - 3" STREET - 90 DEGREE PLASTIC |
| 13* | 070916-01-000 | EA | VALVE - DUAL DUMP - W/CAP - 3" X 1 1/2" |
| | 010201-01-000 | EA | HOSE - SEWER - 3" ID X 8' |
| | 062416-01-000 | EA | ADAPTER - SEWER HOSE TO 3" PIPE |
| 14 | 010129-03-000 | EA | NIPPLE - PLASTIC - 3" X 3" TOE |
| 14 | 062422-01-000 | EA | ADAPTER - OFFSET REDUCER - 3" X 1 1/2" - PLASTIC |
| 15 | 010115-01-000 | EA | COUPLING - 1 1/2" HUB X HUB - PLASTIC |
| 16 | 033761-01-000 | EA | ELBOW - TURN - 90 DEGREE 1 1/2" HUB X 1 1/2" SPIGOT |
| 17 | 131389-01-000 | EA | TANK - HOLDING - 56 GALLON - W/O FITTINGS |
| | 039861-01-000 | EA | SENDING UNIT - W/SCREW - WASHER - WELL NUT/TERMINAL RING |
| 18 | 011091-02-000 | EA | WASTE - CONTINUOUS - DOUBLE SINK |
| | 092303-01-000 | EA | STRAINER - SINK |
| | 127440-02-01A | EA | WASHER - RUBBER - 1.8" X .1" |
| 19 | 066729-01-000 | EA | STRAINER - TUB/SHOWER W/PLUG - CHROME |
| | 011069-02-000 | EA | TAILPIECE - TUB/SHOWER - 1 1/2" X 1 1/4" X 4" - BRASS |
| | 127440-02-01A | EA | WASHER - RUBBER - 1.8" X .1" |
| | 130403-01-000 | EA | NUT - SLIP - W/WINGS 1 1/2" |
| | 011069-02-000 | EA | TAILPIECE - TUB/SHOWER - 1 1/2" X 1 1/4" X 4" - BRASS |
| 20 | 061607-02-000 | EA | GROMMET - HOLDING TANK - 3" NPS |
| 21 | 116644-01-000 | EA | FLANGE/CLOSET - 4 BOLT X 3" FEMALE |
| 22 | 010006-01-000 | EA | ELBOW - 45 DEGREE - 1 1/2" HUB X HUB - PLASTIC |
| 23 | 104113-01-000 | EA | SINK - DOUBLE - STAINLESS STEEL |
| 24 | 083558-06-000 | EA | VENT - ROOF PLUMBING PIPE - COVERED |
| 25* | 131932-01-02A | EA | TOILET - AQUA MAGIC 4 - HIGH - HAND FLUSH - SOFT WHITE |
| 26 | 131786-02-01A | EA | SPACER - TOILET - SOFT WHITE |
| 27 | 105921-01-02A | EA | SINK - LAVATORY - LARGE OVAL - 17" X 20" - WHITE |
| | 105218-01-01A | EA | SPACER - FAUCET/LAVATORY SINK - 2" X 5.9" - ABS PLASTIC |
| | 106116-01-02A | EA | STRAINER/PLASTIC - STOPPER/TAILPIECE/GASKET & NUT-LAVATORY |
| | 094756-02-01A | EA | BRACKET - L - 6.1" LONG X 3.9" WIDE - STEEL |

***COMPONENT PARTS FOUND IN SERVICE PARTS LIBRARY**

WATER & SEWAGE GROUP (CONTINUED)
WATER SYSTEM



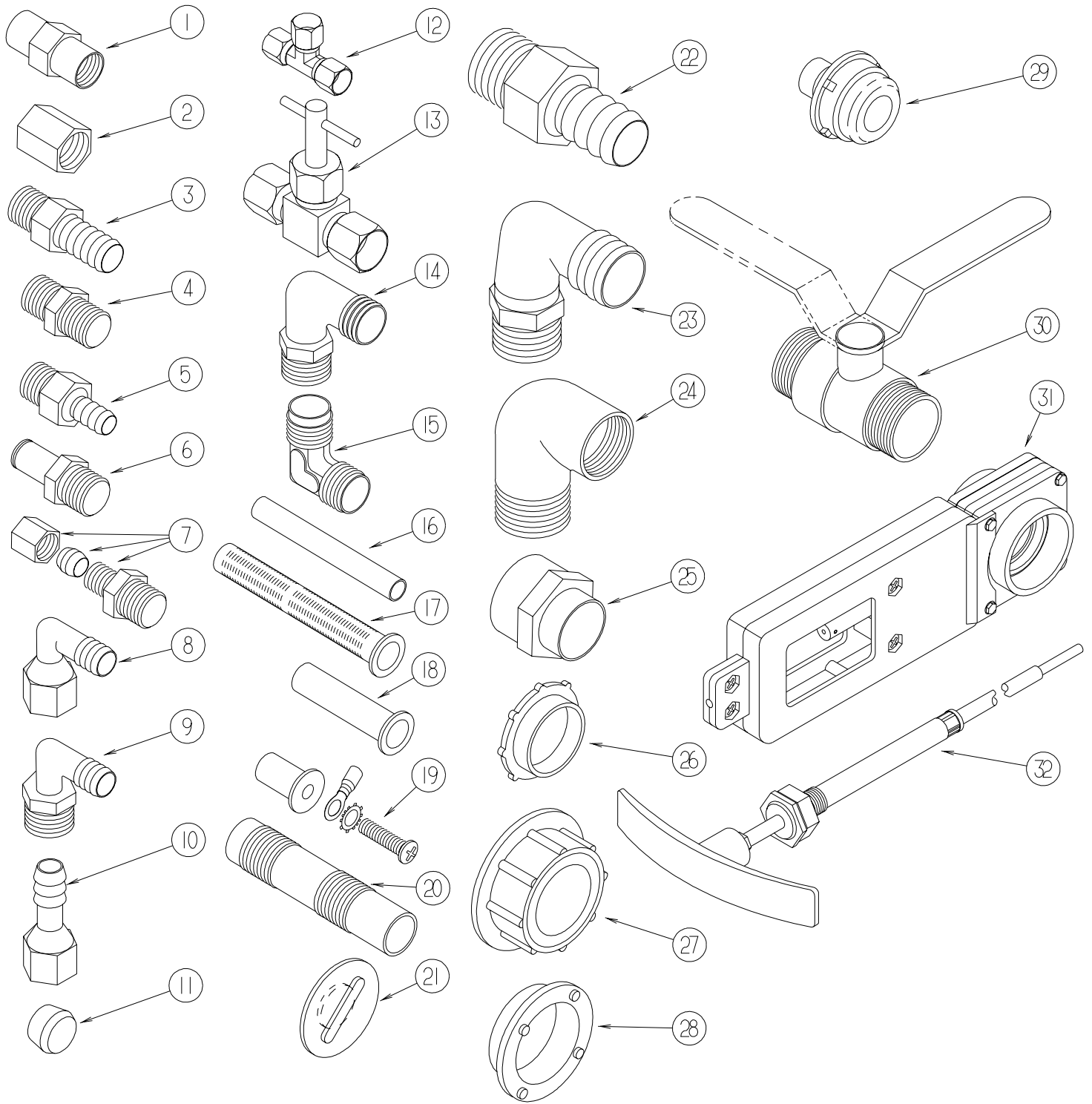
FITTINGS

WATER & SEWAGE GROUP (CONTINUED)

WATER SYSTEM (CONTINUED) FITTINGS (CONTINUED)

| KEY | PART NUMBER | U/M | DESCRIPTION |
|-----|---------------|-----|---|
| 1 | 114431-01-000 | EA | VALVE - 180 DEGREE/CENTER DRAIN - 1/2"P - THREE WAY |
| 2 | 114431-02-000 | EA | VALVE - WATER BYPASS - 1/2"P - THREE WAY (WATER HEATER) |
| 3 | 114431-03-000 | EA | VALVE - 90 DEGREE DRAIN - 1/2"P |
| 4 | 114431-04-000 | EA | VALVE - "INLINE SHUT-OFF" - 1/2"P |
| 5 | 114430-01-000 | EA | ADAPTER - 1/2"P X 1/2"P |
| 6 | 114430-02-000 | EA | ADAPTER - SWIVEL - 1/2"P X 1/2"FPT |
| 7 | 114430-03-000 | EA | ADAPTER - 1/2"P X 1/2"MPT |
| 8 | 114427-02-000 | EA | PLUG - W/COMP NUT - 1/2" PLASTIC PIPE/1/2" FLAIR-IT |
| 9 | 114430-06-000 | EA | ADAPTER - 1/2"P X 3/8"FPT |
| 10 | 114429-01-000 | EA | ELBOW - 1/2"P X 1/2"P |
| 11 | 114429-02-000 | EA | ELBOW - 1/2"P X 1/2"MPT |
| 11 | 114429-04-000 | EA | ELBOW - 1/2"P X 3/8"MPT |
| 11 | 114429-05-000 | EA | ELBOW - 1/2"P X 3/4"MPT |
| 12 | 114429-03-000 | EA | ELBOW - SWIVEL - 1/2"P X 1/2"FPT |
| 12 | 114429-06-000 | EA | ELBOW - SWIVEL - 1/2"P X 3/4"FPT |
| 12 | 114429-08-000 | EA | ELBOW - SWIVEL - 1/2"MPT X 1/2"FPT SWIVEL |
| 13 | 114429-07-000 | EA | ELBOW - 1/2"P X 1/2"FPT |
| 14 | 114428-01-000 | EA | TEE - 1/2"P X 1/2"P X 1/2"P |
| 15 | 114428-02-000 | EA | TEE - SWIVEL - 1/2"P X 1/2"P X 1/2"FPT |
| 16 | 114428-03-000 | EA | TEE - 1/2"P X 1/2"P X 1/2"MPT |
| 17 | 113697-01-000 | EA | CAP - 3/8 FTG |
| 18 | 114427-01-000 | EA | CAP - 1/2" - FOR CAPPING FLAIR-IT MALE FITTINGS |

WATER & SEWAGE GROUP (CONTINUED)
WATER SYSTEM (CONTINUED)



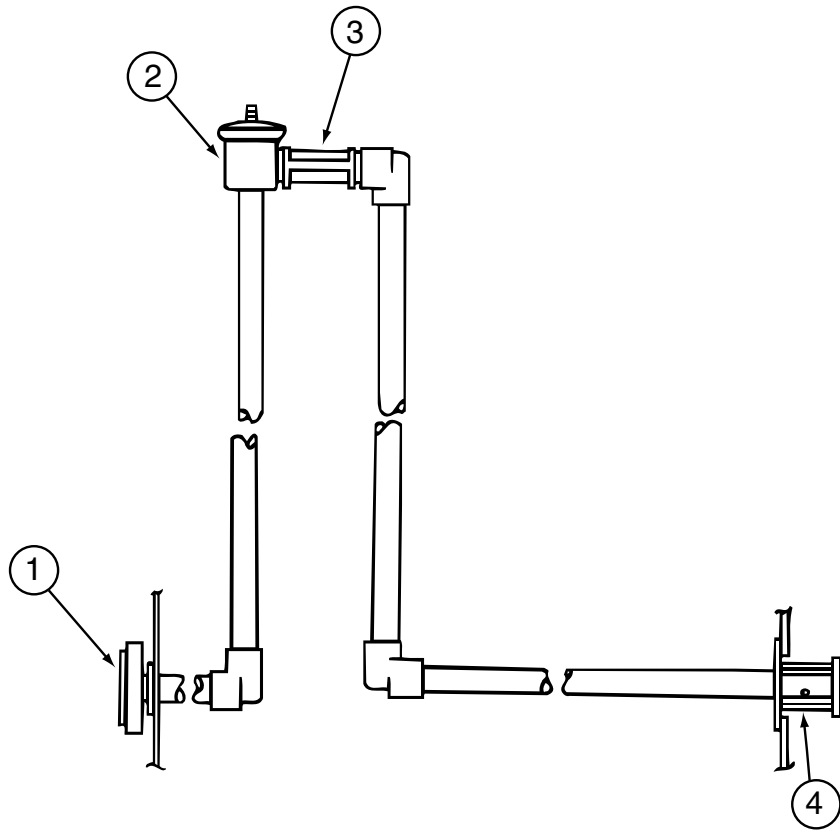
FITTINGS (CONTINUED)

WATER & SEWAGE GROUP (CONTINUED)

WATER SYSTEM (CONTINUED) FITTINGS (CONTINUED)

| KEY | PART NUMBER | U/M | DESCRIPTION |
|-----|---------------|-----|---|
| 1 | 132148-01-000 | EA | CONNECTOR - 1/2" X 1/2" MPT - BRASS |
| 2 | 101814-01-000 | EA | COUPLING - FEMALE - 1/2" X 1/2" FPT - GRAY |
| 3 | 118809-02-000 | EA | ADAPTER - 1/2" MPT X 1/2" BARB - PLASTIC |
| 4 | 110438-02-000 | EA | VALVE - CHECK - BRASS - 1/2 MPT X 1/2 MPT |
| 5 | 010224-01-000 | EA | ADAPTER - HOSE TO PIPE - 3/8 MPT X 3/8 BARB - PLASTIC |
| 6 | 090338-03-000 | EA | FITTING - HOSE - .75"ID - 2" LENGTH - BRASS |
| 7 | 103798-01-000 | EA | CONNECTOR - 1/4 OD X 3/8 MPT |
| 8 | 123150-01-000 | EA | ELBOW - 1/2 FPT X 1/2 BARB - SWIVEL |
| 9 | 035539-01-000 | EA | ELBOW - PLASTIC - 3/8 MPT X 3/8 BARB |
| 10 | 123152-01-000 | EA | ADAPTER - 1/2 FPT X 1/2 BARB - SWIVEL |
| 11 | 111888-01-000 | EA | FERRULE - PLASTIC - .250 ID X .375 OD |
| 12 | 118423-01-000 | EA | FITTING - BRASS-TEE - 1/4C X 1/4C X 1/4C |
| 13 | 120868-01-000 | EA | VALVE - NEEDLE - 1/4" COMPRESSION X 1/4" COMPRESSION |
| 14 | 111223-02-000 | EA | ELBOW - PLASTIC - 1/2MPT X 3/8 BARB |
| 14 | 111223-03-000 | EA | ELBOW - 3/4" MPT X 1/2" BARB - PLASTIC |
| 14 | 111223-04-000 | EA | ELBOW - 1/2" MPT X 1/2" BARB - PLASTIC |
| 15 | 039808-03-000 | EA | ELBOW - 1/2" MPT X 1/2" MPT - PLASTIC |
| 16 | 124188-01-000 | FT | TUBING - PEX - 1/2" ID X 20' - BLUE(COLD) |
| 16 | 124188-02-000 | FT | TUBING - PEX - 1/2" ID X 20' - RED(HOT) |
| 16 | 112176-01-000 | FT | TUBING - VINYL - REINFORCED - 1/2" ID |
| 16 | 074462-02-000 | FT | TUBING - VINYL - 3/8 ID X 20' - CLEAR |
| 16 | 039800-04-000 | FT | TUBING - POLYBUTYL - 1/4"OD |
| 17 | 077954-02-000 | EA | FILTER - WATER TANK - W/SCREEN IN TANK |
| 18 | 111888-02-000 | EA | INSERT - BRASS - 1/4 COMP |
| 19 | 039861-01-000 | EA | SENDING UNIT - W/SCREW - WASHER - WELL NUT/TERMINAL RING |
| 20 | 079381-01-000 | FT | TUBING - RIBBED FLEXIBLE - WATER FILL - 1.4" I.D. |
| 21 | 049032-01-000 | EA | PATCH - SPINWELD - 3/8" - PLASTIC |
| 22 | 044927-01-000 | EA | ADAPTER - HOSE TO PIPE-1 1/4 MPTX1 1/4 BARB-BLACK PLASTIC |
| 23 | 010219-01-000 | EA | ELBOW - 1 1/4 MPT X 1 1/4 BARB - WATER FILL - PLASTIC |
| 24 | 132484-01-000 | EA | ELBOW - PLASTIC - 90 DEGREE - 1MPT X 1FPT |
| 25 | 133835-01-000 | EA | ADAPTER - REDUCING - 1 1/2" X 1 1/4" |
| 26 | 120069-01-000 | EA | PLUG - 3" - POLYETHYLENE MPT |
| 27 | 042989-03-000 | EA | FITTING - SPINWELD - 1 1/4"NPT - PLASTIC |
| 27 | 042989-04-000 | EA | FITTING - SPINWELD - 3/8"FPT - PLASTIC |
| 27 | 042989-05-000 | EA | FITTING - SPINWELD - 1/2"FPT - PLASTIC |
| 27 | 042989-07-000 | EA | FITTING - SPINWELD - 1 1/2"FPT - PLASTIC |
| 27 | 042989-08-000 | EA | FITTING - SPINWELD - 1"FPT - PLASTIC |
| 28 | 120070-01-000 | EA | FITTING - SPINWELD - PLASTIC 3" FPT |
| 29 | 114966-01-000 | EA | FILTER - IN LINE - TWIST ON - 1/2" |
| 30 | 132483-01-000 | EA | VALVE - BALL - 1" - THREADED ENDS |
| 31 | 062421-03-000 | EA | VALVE - DUMP - 1 1/2" HUB X 1 1/2" HUB - REMOTE |
| 32 | 062421-04-000 | EA | CABLE - DUMP VALVE W/HANDLE - 36" |
| 32 | 062421-05-000 | EA | CABLE - DUMP VALVE W/HANDLE - 48" |
| 32 | 062421-06-000 | EA | CABLE - DUMP VALVE W/HANDLE - 144" |

WATER & SEWAGE GROUP (CONTINUED)
WATER SYSTEM (CONTINUED)
WELD-A-FLUSH SEWAGE TANK FLUSHING SYSTEM



| KEY | PART NUMBER | U/M | DESCRIPTION |
|-----|---------------|-----|---------------------------------------|
| 1 | 125697-05-000 | EA | INLET - WATER - FLUSHING SYSTEM |
| 2 | 125697-04-000 | EA | BREAKER - VACUUM - FLUSHING SYSTEM |
| 3 | 125697-03-000 | EA | CHECK VALVE - FLUSHING SYSTEM |
| 4 | 125697-02-000 | EA | NOZZLE - WELD-A-FLUSH |
| | 125697-06-000 | EA | INSTRUCTIONS - USER - FLUSHING SYSTEM |
| | 125697-07-000 | EA | LABEL - CAUTION - FLUSHING SYSTEM |

WATER & SEWAGE GROUP (CONTINUED)

WATER SYSTEM (CONTINUED)

TANKS

| KEY | PART NUMBER | U/M | DESCRIPTION |
|-----|---------------|-----|--|
| | 116881-16-000 | EA | TANK - FRESH WATER - 48 GALLON |
| | 116881-01-000 | EA | TANK - FRESH WATER - 48 GALLON-W/NOTCHED CORNER-NO FITTING |
| | 117217-02-000 | EA | TANK - FRESH WATER - 30 GALLON - W/FITTINGS |
| | 117217-01-000 | EA | TANK - FRESH WATER - 30 GALLON - W/O FITTINGS |
| | 112628-01-02A | EA | BRACKET/TIEDOWN - WATER TANK - E-COATED |

HEATER, PUMP & FAUCETS

| KEY | PART NUMBER | U/M | DESCRIPTION |
|-----|---------------|-----|---|
| * | 051393-01-000 | EA | WATER HEATER - GH6-8E - ELECTRONIC IGNITION W/MOTOR AID |
| | 097967-01-000 | EA | SWITCH - WATER HEATER - REMOTE W/LIGHT |
| | 052009-06-000 | EA | DOOR - WATER HEATER - BRIGHT WHITE - 18" X 14.6" |
| * | 098607-01-000 | EA | PUMP - WATER - W/.5" MPT FITTING - FLOW 2.8 GPM |
| | 010230-06-000 | EA | FILL - CITY WATER - W/CHECK VALVE - MPT |
| | 081240-20-000 | EA | WATER FILL W/DOOR - W/O LOCK - BRIGHT WHITE |
| | 091253-01-000 | EA | GASKET - FAUCET - LAVATORY/GALLEY |
| | 104114-02-01A | EA | FAUCET - GALLEY - SINGLE CONTROL |
| | 075240-05-000 | EA | FAUCET - LAVATORY - BRASS |
| | 075606-03-000 | EA | PANEL - FAUCET SHOWER - SOFT WHITE |
| | 075242-03-000 | EA | FAUCET - TUB/SHOWER - BRASS |
| | 075241-06-000 | EA | FAUCET/SHOWER - BRIGHT WHITE - 1/2"MPT X 1.9" INLET PIPES - EXTERIOR SHOWER |

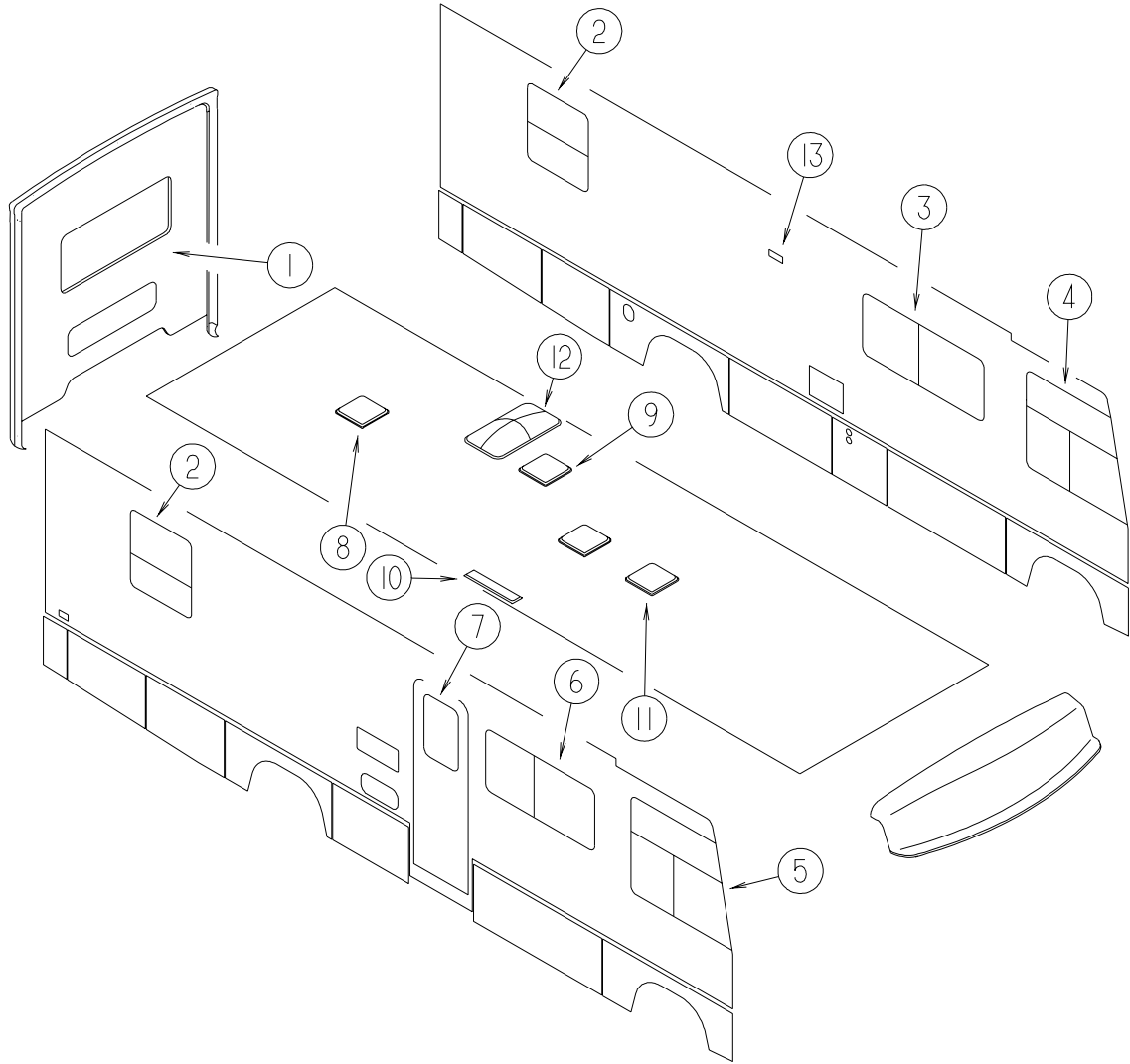
*COMPONENT PARTS FOUND IN SERVICE PARTS LIBRARY

SHOWER HEAD

| KEY | PART NUMBER | U/M | DESCRIPTION |
|-----|---------------|-----|--|
| | 131383-01-02A | EA | SHOWER HEAD - W/60" HOSE & BRACKET - WHITE |
| | 131383-02-02A | EA | SHOWER HEAD - W/60" HOSE & BRACKET - WHITE - CSA |
| | 131383-03-02A | EA | BRACKET - SHOWER HEAD - WHITE |

WINDOW & VENTS GROUP

WINDOW & VENT LAYOUT



WINDOW & VENTS GROUP (CONTINUED)

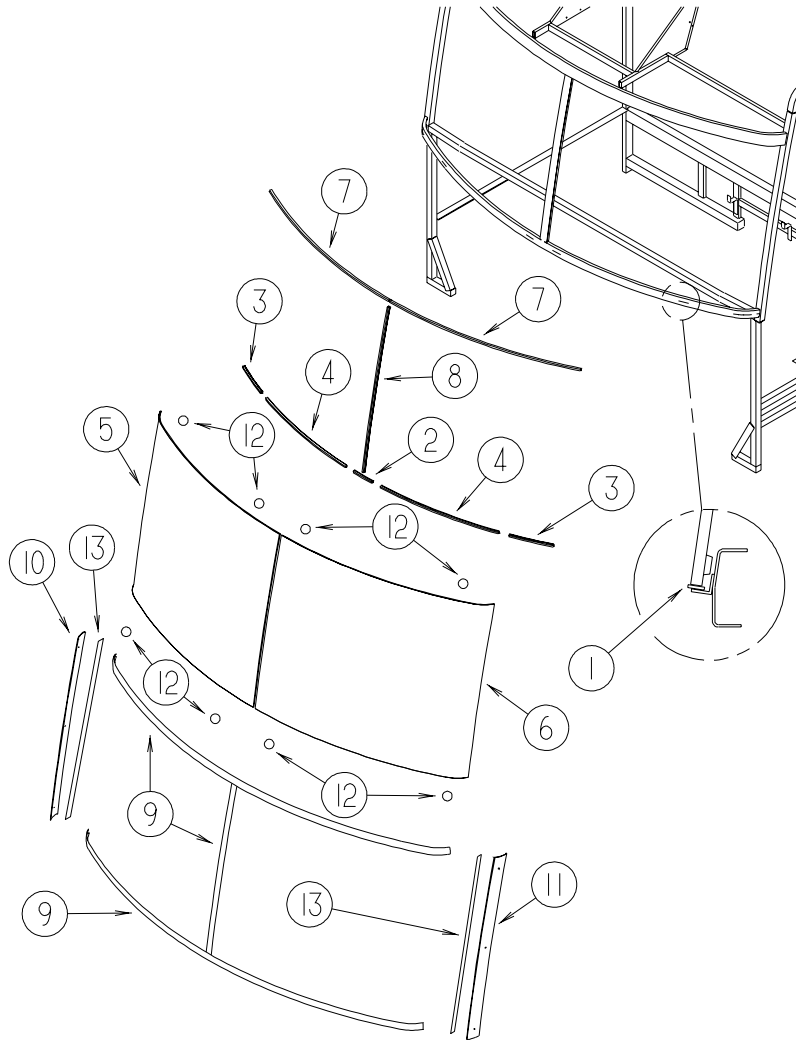
WINDOW & VENT LAYOUT (CONTINUED)

| KEY | PART NUMBER | U/M | DESCRIPTION |
|-----|---------------|-----|--|
| 1* | 113502-01-02A | EA | WINDOW - REAR/CENTER ESCAPE - THERMO - 24.8" X 48.7" |
| 2* | 129929-01-02A | EA | WINDOW - TORQUE - THERMO - 33.2" X 30.2" |
| 3* | 112795-15-02A | EA | WINDOW - DRIVER HORIZONTAL SLIDER - THERMO - 26.4 X 60" |
| 4* | 125583-04-01A | EA | WINDOW - CAB DRV-3 GLASS THERMO-31.8"T X 51.6"B X 42.6"H |
| 5* | 125583-03-01A | EA | WINDOW - CAB PASS-3 GLASS THERMO- 31.8"T X 51.6"B X 42.6"H |
| 6* | 112795-17-02A | EA | WINDOW - PASSENGER HORIZ SLIDER - THERMO - 26.4" X 54" |
| 7* | 113733-01-01A | EA | WINDOW - STATIONARY THERMOPANE - 17"W X 26.4"H |
| 8* | 122882-01-01A | EA | VENT - ROOF - NONPOWERED - W/O INSIDE GARNISH |
| | 009440-01-000 | EA | GEAR/ARM - LIFT - ROOF VENT COVER |
| 8 | 122882-07-01A | EA | GARNISH - ROOF VENT - 2.5" TO 4" |
| 9* | 122882-02-01A | EA | VENT - ROOF - W/FAN - W/O INSIDE GARNISH - UL |
| | 009440-01-000 | EA | GEAR/ARM - LIFT - ROOF VENT COVER |
| | 048648-01-000 | EA | MOTOR - ROOF VENT - 1/8 SHAFT - 12VOLT |
| | 048649-01-000 | EA | FAN BLADE - ROOF VENT - 6 BLADES - 6" |
| 9 | 122882-07-01A | EA | GARNISH - ROOF VENT - 2.5" TO 4" |
| 9* | 122882-03-01A | EA | VENT - ROOF - W/FAN - W/O INSIDE GARNISH - CSA |
| | 009440-01-000 | EA | GEAR/ARM - LIFT - ROOF VENT COVER |
| | 048648-01-000 | EA | MOTOR - ROOF VENT - 1/8 SHAFT - 12VOLT |
| | 048649-01-000 | EA | FAN BLADE - ROOF VENT - 6 BLADES - 6" |
| 9 | 122882-07-01A | EA | GARNISH - ROOF VENT - 2.5" TO 4" |
| 10 | 084073-04-000 | EA | BASE - ROOF VENT/REFRIGERATOR - BLACK - NORCOLD |
| 10 | 084073-07-000 | EA | VENT - ROOF/REFRIGERATOR - BRIGHT WHITE - NORCOLD |
| 11* | 122882-01-01A | EA | VENT - ROOF - NONPOWERED - W/O INSIDE GARNISH |
| | 009440-01-000 | EA | GEAR/ARM - LIFT - ROOF VENT COVER |
| 11 | 122882-07-01A | EA | GARNISH - ROOF VENT - 2.5" TO 4" |
| 11* | 123780-03-01A | EA | FANTASTIC VENT - 3"-4" ROOF - W/FAN - UL/CSA - POWER VENTILATOR OPTION |
| 12 | 114496-01-02A | EA | PANEL - OUTER SKYLIGHT - 22" X 37" |
| 12 | 122191-01-02A | EA | PANEL - SKYLIGHT - INNER W/LIGHT CUTOUT - 20.7" X 35.4" |
| 13 | 084616-07-000 | EA | SHROUD - EXHAUST VENT/RANGE HOOD - BRIGHT WHITE |
| 13 | 084878-09-000 | EA | VENT - EXHAUST/RANGE HOOD - OFF WHITE |

*COMPONENT PARTS FOUND IN SERVICE PARTS LIBRARY

WINDSHIELD & WIPER GROUP

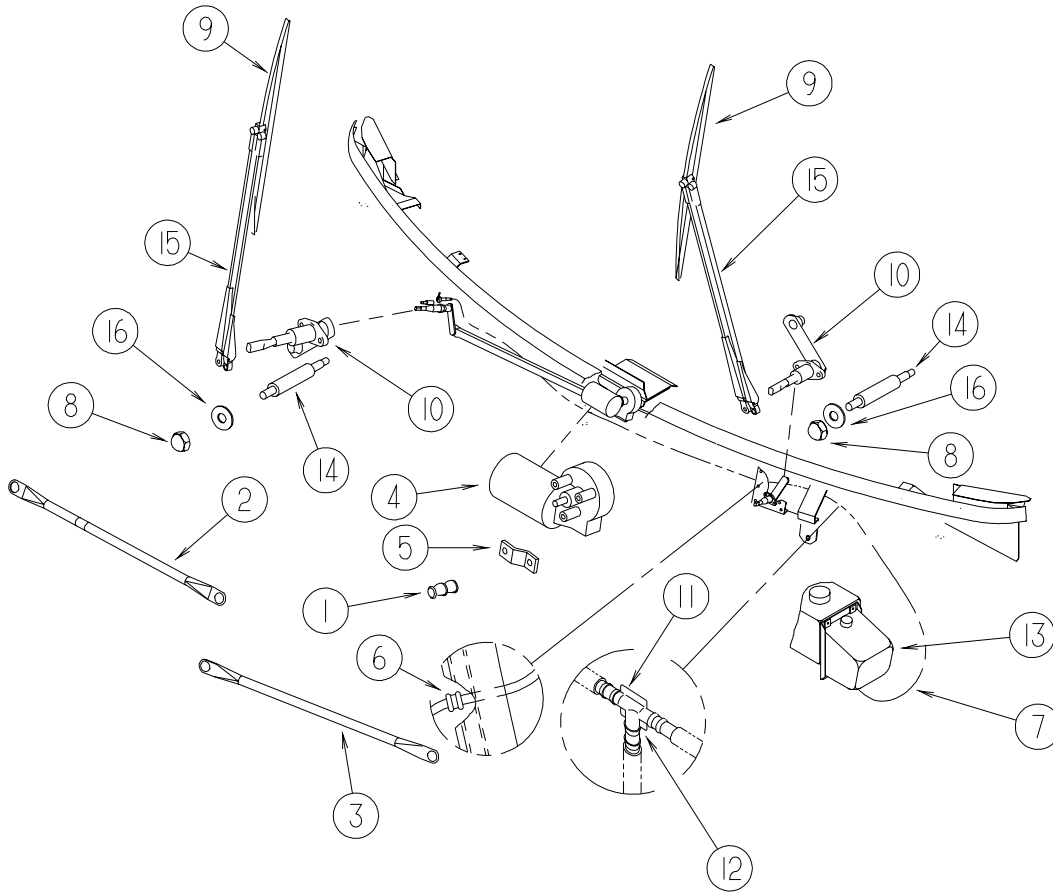
WINDSHIELD



| KEY | PART NUMBER | U/M | DESCRIPTION |
|-----|---------------|-----|--|
| 1 | 002328-02-000 | EA | BLOCK - WINDSHIELD - .062" X .5" X .98" |
| 2 | 132375-01-000 | EA | CARRIER - REVEAL - WINDSHIELD - 5.5" |
| 3 | 132375-02-000 | EA | CARRIER - REVEAL - WINDSHIELD - 10" |
| 4 | 117335-06-000 | EA | REVEAL CARRIER - 29.8" |
| 5 | 124329-01-000 | EA | WINDSHIELD - PASSENGER - 51.5" X 44.3" (CURVED) |
| 6 | 124329-02-000 | EA | WINDSHIELD - DRIVER - 51.5" X 44.3" (CURVED) |
| 7 | 127862-01-000 | EA | CARRIER - REVEAL - WINDSHIELD - 47.2" |
| 8 | 127862-06-000 | EA | CARRIER - REVEAL - WINDSHIELD - 41.9" |
| 9 | 120533-01-000 | FT | MOLDING - REVEAL - WINDSHIELD |
| 10 | 125384-03-02A | EA | TRIM - WINDSHIELD - A-PILLAR - PASSENGER - BLACK |
| 11 | 125384-04-02A | EA | TRIM - WINDSHIELD - A-PILLAR - DRIVER - BLACK |
| 12 | 081914-02-000 | EA | BUMPER - RUBBER - ROUND - 5/16" DIA. X 13/64" THICK |
| 13 | 099418-01-000 | FT | SEAL - D-SECTION/ADHESIVE BACK - .44" X .44"- BLK RUBBER |

WINDSHIELD & WIPER GROUP (CONTINUED)

WIPER



| KEY | PART NUMBER | U/M | DESCRIPTION |
|-----|---------------|-----|--|
| 1 | 067188-01-000 | EA | STUD - CRANK - WIPER MOTOR |
| | 117322-01-000 | EA | SCREW - 1/4-28 UNFINISHED - 2A - TORX |
| 2 | 117770-01-000 | EA | LINK - CONNECTING - 24" - CLOSED GROMMET/OPEN GROMMET |
| 3 | 117770-02-000 | EA | LINK - CONNECTING - 24" - CLOSED GROMMET/CLOSED GROMMET |
| 4 | 104346-04-000 | EA | WIPER MOTOR - "COAST TO PARK" W/BKR - W/GRN/RED/WHITE WIRE |
| 5 | 104347-04-000 | EA | ARM - DRIVE - WIPER MOTOR |
| 6 | 061603-01-000 | EA | GROMMET - SNAP - 3/16"ID - 3/8" HOLE - PLASTIC BLACK |
| 7 | 045794-01-000 | FT | HOSE - WASHER - WINDSHIELD - 5/32" ID - BLACK |
| 8 | 077049-02-000 | EA | NUT - ACORN - 10-32 BLACK/ANODIZED |
| 9* | 095964-01-000 | EA | BLADE - WINDSHIELD WIPER - 24" |
| 10* | 096505-09-000 | EA | SHAFT/PIVOT - WINDSHIELD WIPER |
| 11 | 110605-01-000 | EA | TEE - PLASTIC - BARBED - 1/8" X 1/8" X 3/16" |
| 12 | 117765-03-000 | EA | CONNECTOR - 5/32" - WINDSHIELD WASHER |
| 13 | 117766-02-000 | EA | RESERVOIR/PUMP - WINDSHIELD WASHER |
| 14 | 117768-01-000 | EA | SHAFT - ADAPTER - PANTOGRAPH ARM |
| 15* | 117769-01-000 | EA | ARM - WIPER - PANTOGRAPH - 28" |
| 16 | 110742-02-000 | EA | GASKET - NEOPRENE - WIPER ADAPTER SHAFT - .5" ID X .9" OD |

*COMPONENT PARTS FOUND IN SERVICE PARTS LIBRARY