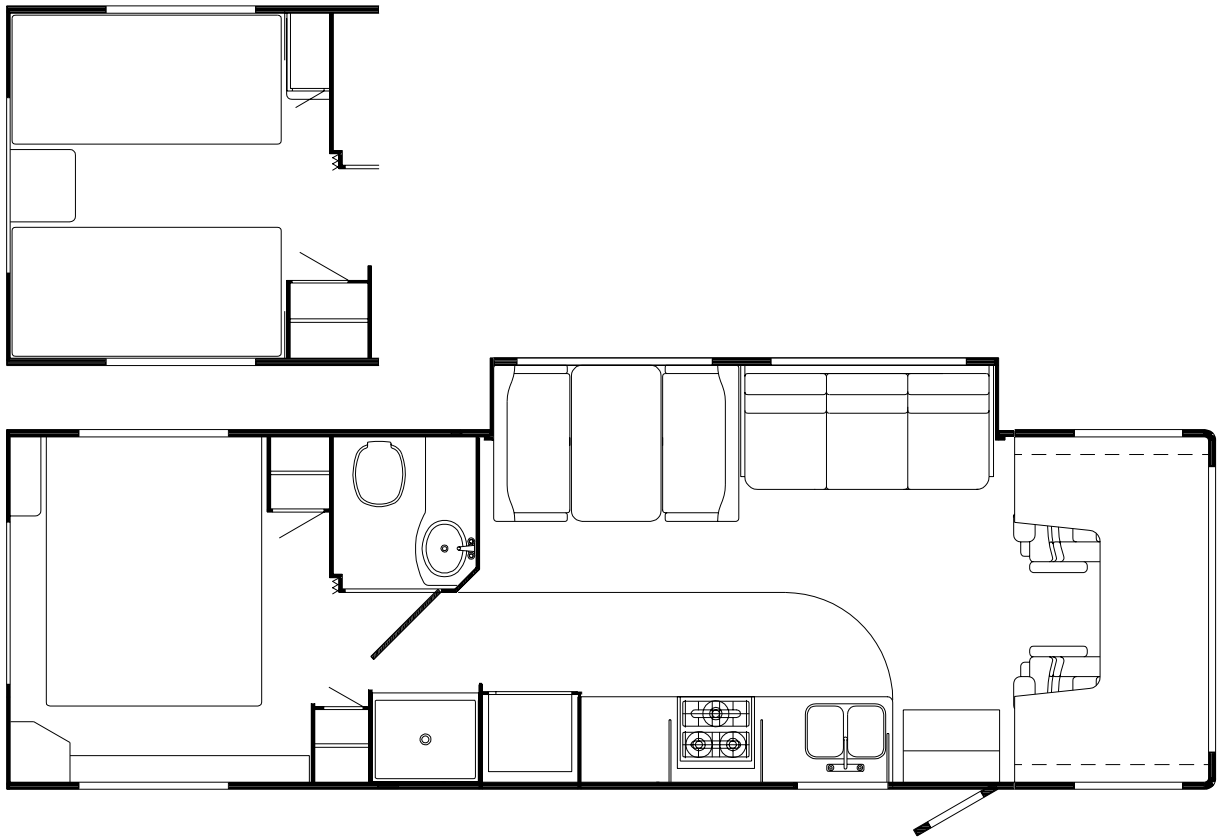
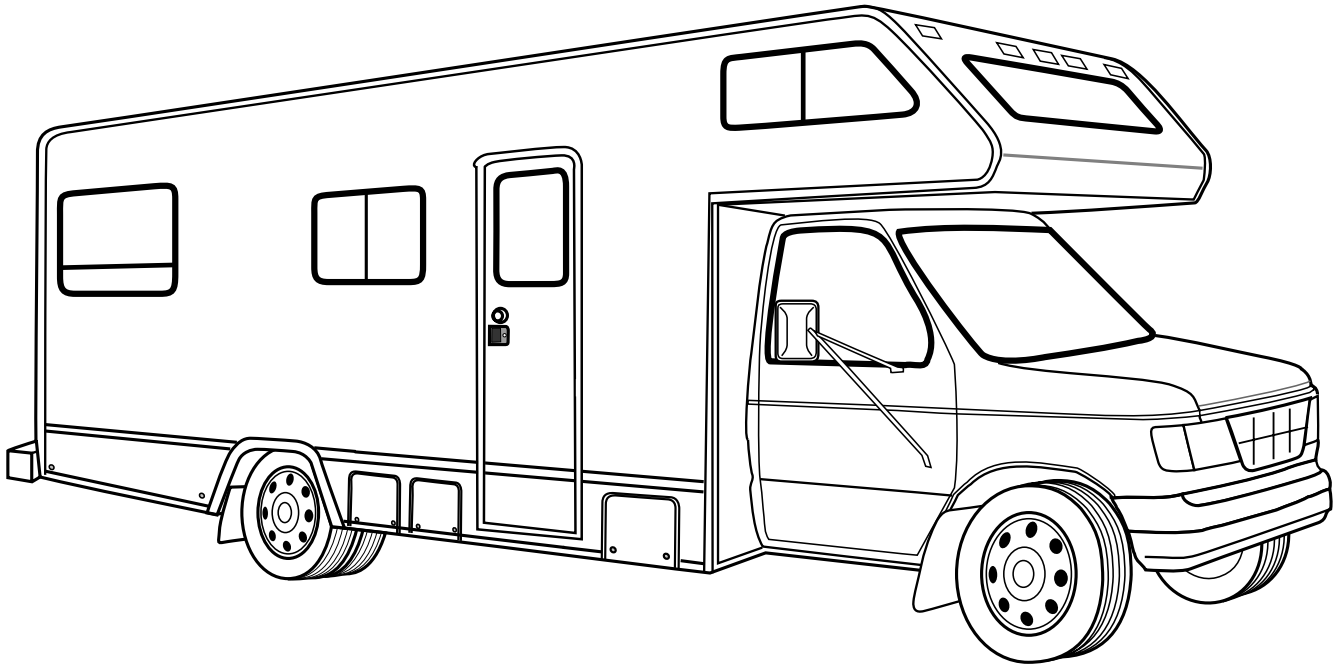


2000 IF331T



FLOORPLAN

2000
IF331T

SPIRIT
300 SERIES

WATERFORD OAK

L04 MEADOWBROOK (TEAL)

L05 BLUEBONNET (BLUE)

L06 RIVERWALK (TAUPE)

CONTENTS

| | |
|--|-----------|
| FLOORPLAN | 2 |
| ACCESSORIES GROUP | 6 |
| OPERATORS MANUAL | 6 |
| APPLIANCE GROUP | 7 |
| APPLIANCES | 7 |
| AUDIO VIDEO GROUP | 8 |
| RADIO SYSTEM | 8 |
| TV & VCR | 8 |
| EXTERIOR ENTERTAINMENT | 8 |
| BATH GROUP | 9 |
| CABINETS | 9 |
| DOORS | 10 |
| SHOWER | 11 |
| BEDROOM GROUP | 12 |
| TWIN CABINETS | 12 |
| QUEEN CABINETS | 14 |
| TV & RADIO CABINETS | 16 |
| CHASSIS GROUP | 17 |
| FRAME | 17 |
| DRIVETRAIN | 17 |
| EXHAUST | 18 |
| HITCH | 19 |
| REAR BUMPER | 19 |
| FUEL FILL | 20 |
| SPARE TIRE INSTALLATION | 22 |
| WHEEL, TIRE, COVERS & LINERS | 22 |
| CURTAIN & CUSHION GROUP | 23 |
| NOTICE | 23 |
| CUSHION LAYOUT | 24 |
| BUCKET SEATS | 26 |
| WINDOW TREATMENT | 27 |
| HARDWARE | 29 |
| ACCESSORIES | 31 |
| FABRICS | 32 |
| DINETTE GROUP | 33 |
| CABINETS | 33 |
| TABLE | 34 |
| DRIVERS COMPARTMENT GROUP | 35 |
| INSTRUMENT PANEL | 35 |
| FRONT INTERIOR | 36 |
| ELECTRICAL GROUP | 37 |
| LIGHTS | 37 |
| CIRCUIT BREAKERS & FUSES | 40 |
| CONVERTER, INVERTER & CONTROL | 40 |
| RECEPTACLES | 41 |
| SWITCHES | 43 |
| BOXES & CORDS | 45 |
| WIRE ASSEMBLIES | 45 |
| CONNECTORS & CONDUIT | 45 |
| BOOTS, SOLENOIDS, RELAYS & MISCELLANEOUS | 46 |

CONTENTS (CONTINUED)

| | |
|--|------------|
| EXTERIOR BODY GROUP | 47 |
| GRAPHICS & PAINT | 47 |
| BODY PANELS & TRIMS | 49 |
| LADDER | 52 |
| RUNNING BOARDS | 52 |
| MIRRORS | 52 |
| BODY PANEL COMPONENTS | 53 |
| AWNINGS | 53 |
| EXTERIOR DOORS & COMPARTMENTS GROUP | 54 |
| DOOR & COMPARTMENT LAYOUT | 54 |
| COMPARTMENT DOOR COMPONENTS | 56 |
| ENTRY DOOR | 59 |
| SCREEN DOOR | 61 |
| LATCH - ENTRY DOOR | 62 |
| EXTERIOR SLIDEOUT INSTALLATION GROUP | 63 |
| FRONT LEFT | 63 |
| GALLEY GROUP | 71 |
| CABINETS | 71 |
| GENERATOR GROUP | 73 |
| GAS | 73 |
| HEATING & A/C GROUP | 74 |
| FURNACE | 74 |
| ROOF | 74 |
| INTERIOR FINISH GROUP | 75 |
| MOLDINGS & TRIMS | 75 |
| PANELING, LAMINATES, BATT S & EDGE BANDING | 79 |
| ACCESSORIES | 80 |
| HARDWARE | 81 |
| LABELS GROUP | 87 |
| LP GROUP | 107 |
| LP SYSTEM | 107 |
| LOUNGE GROUP | 108 |
| CABINETS | 108 |
| SEALANTS & FASTENERS GROUP | 109 |
| SEALANTS & ADHESIVES | 109 |
| BOLTS, NUTS AND WASHERS | 110 |
| SCREWS | 112 |
| CLAMPS, CLIPS, GROMMETS, RIVETS & PLUGS | 116 |
| MISCELLANEOUS FASTENERS | 118 |
| WATER & SEWAGE GROUP | 119 |
| DRAINAGE SYSTEM | 119 |
| WATER SYSTEM | 121 |
| WINDOW & VENTS GROUP | 127 |
| WINDOW & VENT LAYOUT | 127 |

ACCESSORIES GROUP
OPERATORS MANUAL

| KEY | PART NUMBER | U/M | DESCRIPTION |
|------------|--------------------|------------|--|
| | 132000-12-000 | EA | MANUAL/OWNER - SPIRIT - 2000 |
| | 129079-01-01A | EA | CASE - VINYL/BLACK-EXPANDABLE ACCORDION SIDES-7"WX9"HX14"L |

**APPLIANCE GROUP
APPLIANCES**

| KEY | PART NUMBER | U/M | DESCRIPTION |
|------------|--------------------|------------|---|
| | 128527-06-000 | EA | OVEN - MICROWAVE W/TRIM KIT- 1 CU.FT.- NON CONVECTION |
| | 128642-03-000 | EA | TRIM KIT W/VENT- MICROWAVE .9 CU.FT. - SAMSUNG - 2.1" HIGH |
| | 094750-11-000 | EA | BRACKET - MICROWAVE - 89 DEGREE |
| * | 102765-04-01A | EA | PANEL - MONITOR - 2 TANK/WATER HEATER - ADJUSTABLE |
| * | 112881-02-02A | EA | RANGE - 16" - 3 BURNER - ALMOND/BLACK TEXTURED DOOR FROM: 00-00-00 THRU: 01-23-00 |
| * | 112881-02-04A | EA | RANGE - 16" - 3 BURNER - FRONT HI-OUTPUT BURNER - BISQUE FROM: 01-24-00 THRU: 99-99-99 |
| | 105458-03-000 | EA | BRACKET - STOVE TIEDOWN - RIGHT HAND |
| | 105458-04-000 | EA | BRACKET - STOVE TIEDOWN - LEFT HAND |
| * | 121568-03-01A | EA | REFRIGERATOR - SMALL DBL DOOR/BLK-52.8"HX23.5"WX24"D-2-WAY |
| | 090329-01-000 | FT | SEAL/T - REFRIGERATOR CABINET |
| | 065225-04-000 | EA | PLATE - TIEDOWN/REFRIGERATOR |
| | 093646-01-000 | EA | BRACKET - TIEDOWN/REFRIGERATOR - RIGHT HAND |
| | 093646-02-000 | EA | BRACKET - TIEDOWN/REFRIGERATOR - LEFT HAND |
| | 054450-01-000 | EA | LEVEL - REFRIGERATOR |
| | 116751-02-01A | EA | TRAY - REFRIGERATOR - BLACK |
| * | 100258-16-03A | EA | HOOD - RANGE - W/O MONITOR PANEL - W/O HR METER & SWITCH |
| * | 100258-17-03A | EA | HOOD - RANGE - W/O MONITOR PANEL - W/O HOUR METER & SWITCH |
| * | 100258-10-01A | EA | GAUGE - HOUR METER W/SWITCH - SCREW ON STYLE |
| * | 100258-18-02A | EA | HOOD - RANGE - W/O MONITOR PANEL - W/HOUR METER & SWITCH |
| * | 100258-10-01A | EA | GAUGE - HOUR METER W/SWITCH - SCREW ON STYLE |

***COMPONENT PARTS FOUND IN SERVICE PARTS LIBRARY**

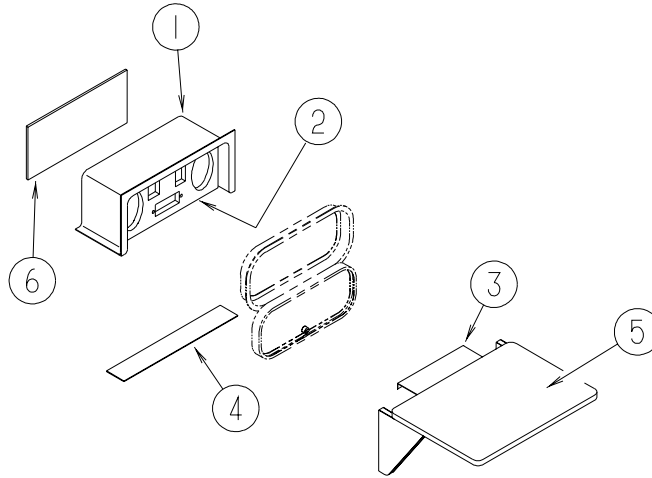
AUDIO VIDEO GROUP RADIO SYSTEM

| KEY | PART NUMBER | U/M | DESCRIPTION |
|-----|---------------|-----|--|
| | 090944-01-000 | EA | ANTENNA - RADIO - 16" RUBBER |
| | 108847-01-000 | EA | BRACKET - ANTENNA GROUND |
| | 109889-02-000 | EA | EXTENDER - ANTENNA SHAFT - 2.1" |
| | 077069-02-000 | EA | CABLE - ANTENNA/EXTENSION - RADIO - 96" |
| | 108137-01-000 | EA | PLUG - ANTENNA |
| | 110469-01-000 | EA | SPEAKER - 4" X 6" OVAL - COAXIAL |
| | 111177-01-01A | EA | GRILLE - SPEAKER - 6.6" X 8.9" - HOUSING 5" X 7" SPEAKER |
| | 110465-01-000 | EA | SPEAKER KIT,4 5X7 SPEAKERS - FORD F2UF-18814-CD |
| | 110470-01-01A | EA | GRILLE - 4" X 6" OVAL - BLACK |
| | 074979-19-000 | EA | COVER - SPEAKER - VW LIGHT GRAY |

TV & VCR

| KEY | PART NUMBER | U/M | DESCRIPTION |
|-----|---------------|-----|---|
| * | 126696-03-000 | EA | TV - 19" COLOR W/1/8" JACK - UL/CSA |
| * | 126697-03-000 | EA | VCR - VHS - CABLE READY - REMOTE - GE V62051 |
| | 086757-04-000 | EA | CONTROL CENTER - SWITCH - VCR/TV - 5 INPUTS |
| | 082134-01-000 | EA | ADAPTER - TV - CABLE TO CABLE |
| | 082136-01-000 | EA | NUT - HEX JAM - 3/8-32 |
| | 086777-02-000 | EA | WALLPLATE - TV CABLE - W/ANTENNA SWITCH - BROWN |
| | 086777-06-000 | EA | WALLPLATE - TV CABLE - ANTENNA BOOSTER/1 OUTPUT - BROWN |
| | 086756-01-000 | EA | SPLITTER - TV - 2 WAY |
| | 093214-01-02A | EA | GRILLE - SPEAKER - 4" BROWN |
| * | 076319-23-000 | EA | ANTENNA - TV ROOF MOUNT - 44.5" MAST |
| * | 076319-25-000 | EA | KIT - HARDWARE INTERIOR |
| | 076319-26-000 | EA | ANTENNA - TV - ROOF WEDGE |
| | 076319-08-000 | EA | WALLPLATE - CABLE RECEPTACLE - TV - SINGLE - IVORY |
| | 076319-09-000 | EA | WALLPLATE - CABLE RECEPTACLE - TV - SINGLE - BROWN |
| | 076319-03-000 | FT | CABLE - COAXIAL - 75 OHM |
| | 076319-12-000 | EA | CONNECTOR - COAXIAL - ONE PIECE |

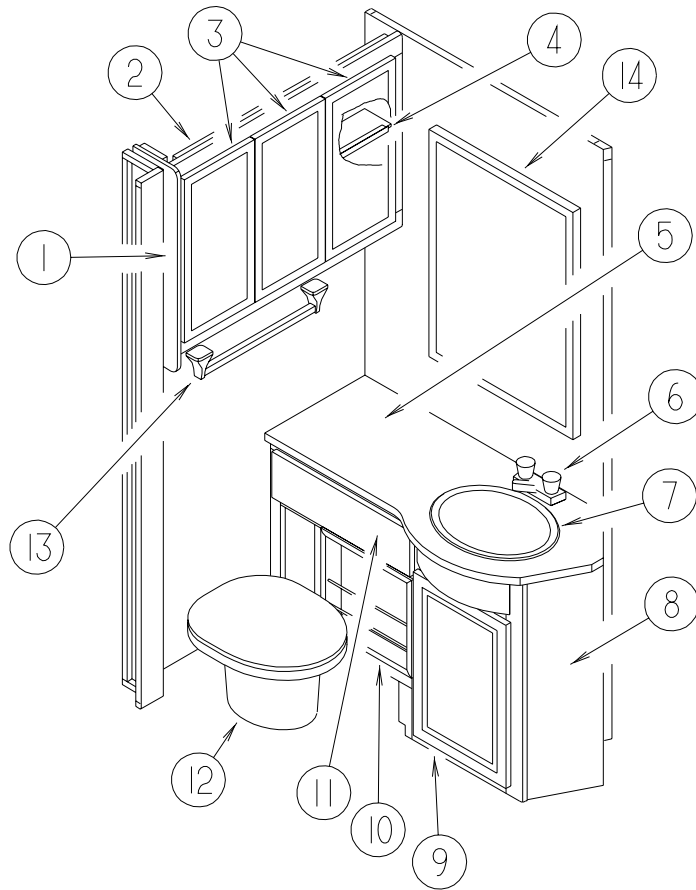
*COMPONENT PARTS FOUND IN SERVICE PARTS LIBRARY



EXTERIOR ENTERTAINMENT

| KEY | PART NUMBER | U/M | DESCRIPTION |
|-----|---------------|-----|--|
| 1 | 124696-01-01A | EA | BOX - ENTERTAINMENT CENTER/EXTERIOR |
| 2 | 125322-02-000 | EA | RADIO - AM/FM STEREO - CASSETTE - AUDIOVOX - MS-306 |
| 2 | 127409-02-J01 | EA | PLATE - RADIO MOUNTING |
| | | | FROM: 00-00-00 THRU: 06-13-99 |
| 2 | 127409-02-L15 | EA | PLATE - RADIO MOUNTING |
| | | | FROM: 06-14-99 THRU: 99-99-99 |
| 3 | 105377-01-04A | EA | BRACKET - TABLE HANGER - BRIGHT WHITE |
| 4 | 104898-01-02A | EA | PLATE - PLASTIC BOTTOM - BRIGHT WHITE |
| 5 | 105230-01-J01 | EA | SHELF - EXTERIOR ENTERTAINMENT CENTER - W/BRKT/HINGE/SUPPORT |
| 6 | 104898-02-02A | EA | PLATE - PLASTIC BACK - BRIGHT WHITE |

BATH GROUP CABINETS



| KEY | PART NUMBER | U/M | DESCRIPTION |
|-----|---------------|-----|---|
| 1 | 109908-88-K01 | EA | END CAP - OVERHEAD CABINET |
| 2 | 127895-02-K01 | EA | CABINET - MEDICINE - W/O DOORS/HARDWARE |
| 3 | 132141-11-L01 | EA | DOOR - RAIL/VENEER - 11" X 21.8" - W/O HARDWARE |
| 4 | 127895-11-J01 | EA | SHELF - W/PLASTIC EDGE TRIM |
| 5 | 133132-13-L01 | EA | COUNTERTOP - LAVATORY CABINET (L04) |
| 5 | 133132-13-L02 | EA | COUNTERTOP - LAVATORY CABINET (L05) |
| 5 | 133132-13-L06 | EA | COUNTERTOP - LAVATORY CABINET (L06) |
| 6 | | EA | FAUCET - LAVATORY - SEE WATER SYSTEM GROUP |
| 7 | | EA | SINK - OVAL - SOFT WHITE PLASTIC - SEE DRAINAGE SYSTEM GROUP |
| 8 | 130305-02-L01 | EA | CABINET - LAVATORY - W/O COUNTERTOP - W/O DOORS/DRAWERS/HDW (L04) |
| 8 | 130305-02-L02 | EA | CABINET - LAVATORY - W/O COUNTERTOP - W/O DOORS/DRAWERS/HDW (L05) |
| 8 | 130305-02-L06 | EA | CABINET - LAVATORY - W/O COUNTERTOP - W/O DOORS/DRAWERS/HDW (L06) |
| 9 | 131995-P0-L01 | EA | DOOR - RAIL/SOLID PANEL - 14.3" X 21.8" - W/O HARDWARE |
| 10 | 097208-07-J22 | EA | MAGAZINE RACK |
| | | | FROM: 00-00-00 THRU: 04-01-99 |
| 10 | 131096-02-K16 | EA | WALL POCKET - MAGAZINE RACK |
| | | | FROM: 04-02-99 THRU: 99-99-99 |
| 11 | M09316-41-L01 | EA | DRAWER - OGEE EDGE - 16.2"W X 19.8"D - W/O SLIDES/HARDWARE |
| 12 | | EA | TOILET - LOW - HANDFLUSH - SOFT WHITE - SEE DRAINAGE SYSTEM GROUP |
| 13 | 075453-02-000 | EA | BAR - TOWEL - 18" BRASS |
| | | | FROM: 00-00-00 THRU: 01-23-00 |
| 13 | 075453-04-000 | EA | ROD - TOWEL BAR - 18" W/O END BRACKETS - BRASS |
| | | | FROM: 01-24-00 THRU: 99-99-99 |
| 13 | 075453-03-000 | EA | POST - TOWEL BAR - BRASS - 2 PER PACK |
| | | | FROM: 01-24-00 THRU: 99-99-99 |
| 14 | 058331-85-000 | EA | MIRROR - SAFETY GLASS - 20.8" X 35.4" |
| | 075452-02-000 | EA | HOLDER - TOILET TISSUE - BRASS |

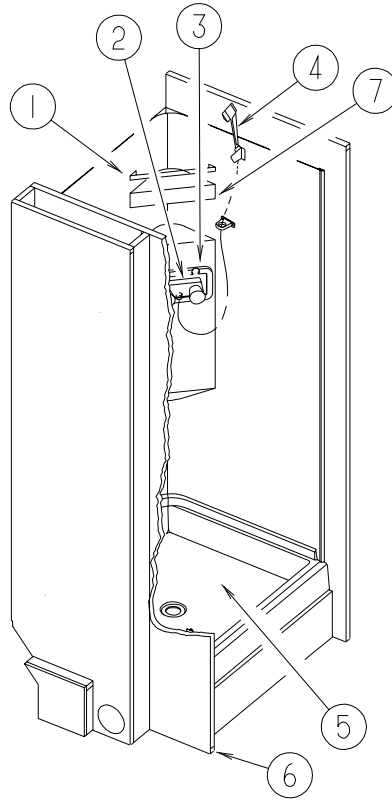
BATH GROUP (CONTINUED)

DOORS

| KEY | PART NUMBER | U/M | DESCRIPTION |
|-----|---------------|-----|---|
| * | 117431-01-01A | EA | DOOR - SHOWER/FOLDING - 29.7" X 62.9" - WHITE FROM: 00-00-00 THRU: 03-12-00 |
| * | 135615-01-01A | EA | DOOR - SHOWER/FOLDING - 29.7" X 62.9" - WHITE FROM: 03-13-00 THRU: 99-99-99 |
| | 131933-07-L01 | EA | DOOR - BATH - W/O HARDWARE |
| | 102920-01-01A | EA | HINGE/SPRING LOADED - BRASS |
| | 110496-01-01A | EA | HINGE - BRASS |
| | 111155-05-01A | EA | LOCK - PRIVACY/LOCKING - POLISHED BRASS |
| | 100357-01-000 | EA | ROD - F/TOWEL BAR - BRASS |
| | 102089-13-G09 | EA | RAIL END - RIGHT HAND/TOWEL RACK - 26" - WATERFORD OAK FROM: 00-00-00 THRU: 08-19-99 |
| | 102089-14-G09 | EA | RAIL END - LEFT HAND/TOWEL RACK - 26" - WATERFORD OAK FROM: 00-00-00 THRU: 08-19-99 |
| | 134509-01-11A | EA | RAIL END - RH/LH - TOWEL RACK - 26" - WATERFORD OAK FROM: 08-20-99 THRU: 99-99-99 |
| * | 131595-01-01A | EA | DOOR - FOLDING - 37" X 75" - W/4 CEILING MOUNTED BRACKETS |

***COMPONENT PARTS FOUND IN SERVICE PARTS LIBRARY**

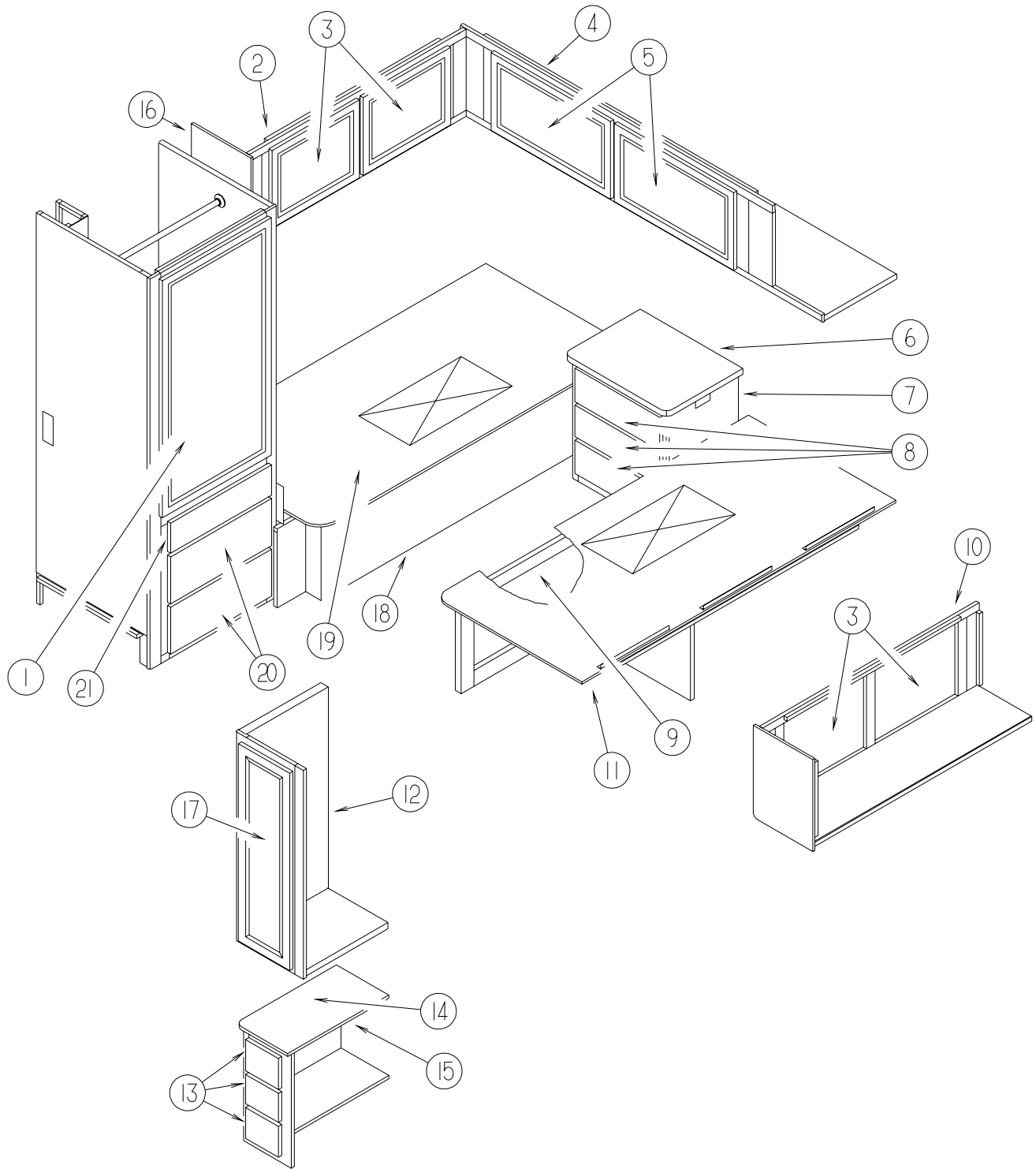
BATH GROUP (CONTINUED)
SHOWER



| KEY | PART NUMBER | U/M | DESCRIPTION |
|------------|--------------------|------------|---|
| 1 | 113714-02-02A | EA | RETAINER - SHELF/SHOWER - SOFT WHITE |
| 2 | | EA | FAUCET - SEE WATER SYSTEMS GROUP |
| 3 | | EA | PANEL - FAUCET SHOWER - SEE WATER SYSTEMS GROUP |
| 4 | | EA | SHOWER HEAD - SEE WATER SYSTEMS GROUP |
| 5 | M02673-09-L01 | EA | SHOWER PAN - W/STRAINER/LABEL |
| | | | FROM: 00-00-00 THRU: 09-19-99 |
| 5 | M02673-12-L01 | EA | PAN - SHOWER - W/STRAINER |
| | | | FROM: 09-20-99 THRU: 99-99-99 |
| 6 | 105629-01-02A | EA | SURROUND - SHOWER - SOFT WHITE |
| 7 | 105707-01-02A | EA | CADDY - SHOWER - SOFT WHITE |

BEDROOM GROUP

TWIN CABINETS

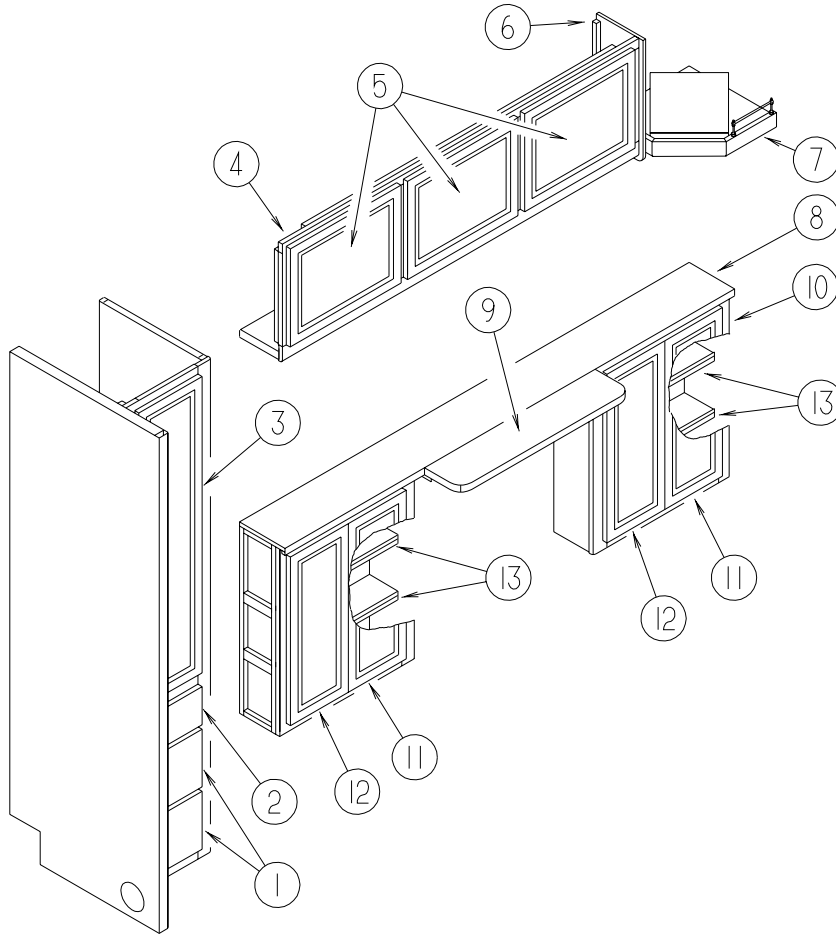


BEDROOM GROUP (CONTINUED)

TWIN CABINETS (CONTINUED)

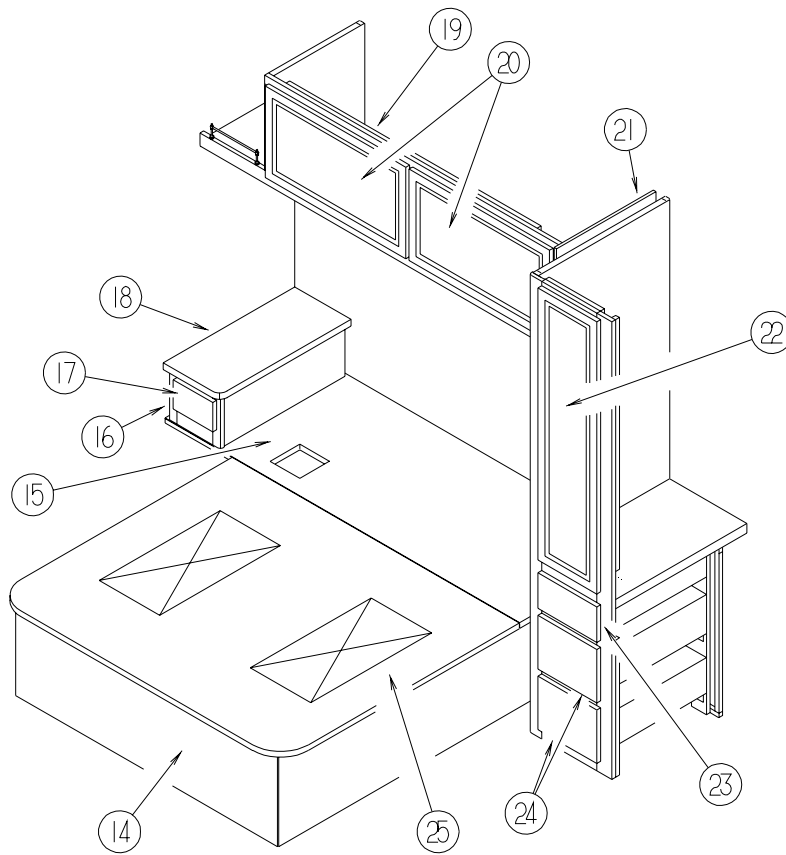
| KEY | PART NUMBER | U/M | DESCRIPTION |
|-----|---------------|-----|---|
| 1 | 132006-05-L01 | EA | DOOR - MIRROR/MITERED RAIL - 16.7" X 47.9" - W/O HARDWARE |
| | 058331-A3-000 | EA | MIRROR - SAFETY GLASS - 13.4" X 44.7" |
| 2 | 121345-06-K01 | EA | CABINET - OVERHEAD/REAR/RH - W/O DOORS/HDW - F/TWIN BED |
| 3 | 132141-08-L01 | EA | DOOR - RAIL/VENEER - 15.7" X 20.4" - W/O HARDWARE |
| 4 | 121210-01-G04 | EA | CABINET - OVERHEAD/REAR - W/O DOORS/HARDWARE - F/TWIN BED |
| 5 | 132141-14-L01 | EA | DOOR - RAIL/VENEER - 15.7" X 27.9" - W/O HARDWARE |
| 6 | 133131-20-L04 | EA | COUNTERTOP - LAMINATED |
| 6 | 133131-20-L05 | EA | COUNTERTOP - LAMINATED |
| 6 | 133131-20-L06 | EA | COUNTERTOP - LAMINATED |
| 7 | P31148-03-L01 | EA | CABINET - NIGHTSTAND - W/O COUNTERTOP-W/O DOORS/DRAWERS/HDW (L04) |
| 7 | P31148-03-L02 | EA | CABINET - NIGHTSTAND - W/O COUNTERTOP-W/O DOORS/DRAWERS/HDW (L05) |
| 7 | P31148-03-L06 | EA | CABINET - NIGHTSTAND - W/O COUNTERTOP-W/O DOORS/DRAWERS/HDW (L06) |
| 8 | M09316-83-L01 | EA | DRAWER - OGEE EDGE - 19.7"W X 13.5"D - W/O SLIDES/HARDWARE |
| 9 | P31261-03-L01 | EA | CABINET/BASE - TWIN BED/LEFT HAND - W/O DOOR/DRAWER/HDW |
| 10 | 121210-01-G04 | EA | CABINET - OVERHEAD/REAR - W/O DOORS/HARDWARE - F/TWIN BED |
| 11 | M06960-12-000 | EA | CABINET - TOP - TWIN BED/LEFT HAND - W/O HARDWARE |
| 12 | 126143-02-J01 | EA | CABINET - SHIRT CLOSET - W/O DOORS/HARDWARE |
| 13 | M09316-58-L01 | EA | DRAWER - OGEE EDGE - 10.7"W X 19.6"D - W/O SLIDES/HARDWARE |
| 14 | 133131-35-L04 | EA | COUNTERTOP - LAMINATED |
| 14 | 133131-35-L05 | EA | COUNTERTOP - LAMINATED |
| 14 | 133131-35-L06 | EA | COUNTERTOP - LAMINATED |
| 15 | 129251-61-L01 | EA | CABINET - NIGHTSTAND/LH - W/O CTRTP - W/O DOORS/DRAWERS/HDW (L04) |
| 15 | 129251-61-L02 | EA | CABINET - NIGHTSTAND/LH - W/O CTRTP - W/O DOORS/DRAWERS/HDW (L05) |
| 15 | 129251-61-L06 | EA | CABINET - NIGHTSTAND/LH - W/O CTRTP - W/O DOORS/DRAWERS/HDW (L06) |
| 16 | 109908-78-K04 | EA | END CAP - OVERHEAD CABINET |
| 17 | 132141-23-L15 | EA | DOOR - RAIL/VENEER - 12" X 39.9" - W/O HARDWARE |
| 18 | P31261-01-L01 | EA | CABINET/BASE - TWIN BED/RIGHT HAND - W/O DOOR/DRAWER/HDW |
| 19 | M06960-08-000 | EA | CABINET - TOP - TWIN BED/RIGHT HAND - W/O HARDWARE |
| 20 | M09316-82-L01 | EA | DRAWER - OGEE EDGE - 11.8"W X 14.7"D - W/O SLIDES/HARDWARE |
| 21 | M09316-81-L01 | EA | DRAWER - OGEE EDGE - 11.8"W X 14.7"D - W/O SLIDES/HARDWARE |

BEDROOM GROUP (CONTINUED)
QUEEN CABINETS



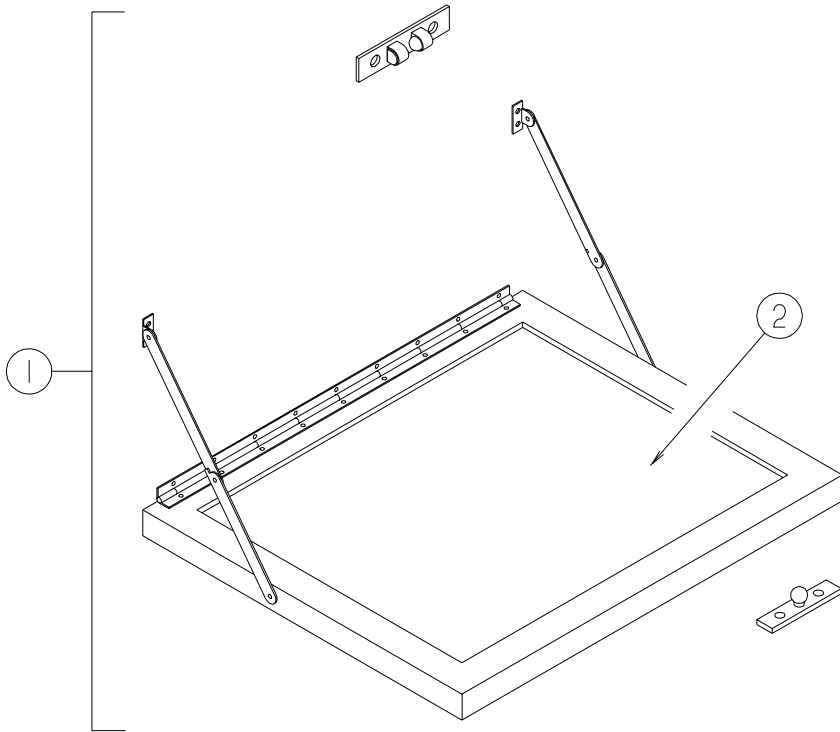
| KEY | PART NUMBER | U/M | DESCRIPTION |
|-----|---------------|-----|---|
| 1 | M09316-85-L04 | EA | DRAWER - OGEE EDGE - 11.8"W X 9.6"D - W/O SLIDES/HARDWARE |
| 2 | M09316-84-L04 | EA | DRAWER - OGEE EDGE - 11.8"W X 9.6"D - W/O SLIDES/HARDWARE |
| 3 | 132006-07-L04 | EA | DOOR - MIRROR/MITERED RAIL - 12" X 48" - W/O HARDWARE |
| 4 | 128092-04-K04 | EA | CABINET - OVERHEAD/REAR/RIGHT HAND - W/O DOORS/HARDWARE |
| 5 | 132141-08-L01 | EA | DOOR - RAIL/VENEER - 15.7" X 20.4" - W/O HARDWARE |
| 6 | 109908-99-K04 | EA | END CAP - OVERHEAD CABINET |
| 7 | 116553-03-L04 | EA | CABINET - TV SHELF - W/BRASS RODS/POST ENDS |
| 8 | 133131-47-L04 | EA | COUNTERTOP - LAMINATED |
| 8 | 133131-47-L05 | EA | COUNTERTOP - LAMINATED |
| 8 | 133131-47-L06 | EA | COUNTERTOP - LAMINATED |
| 9 | 133131-49-L04 | EA | COUNTERTOP - LAMINATED |
| 9 | 133131-49-L05 | EA | COUNTERTOP - LAMINATED |
| 9 | 133131-49-L06 | EA | COUNTERTOP - LAMINATED |
| 10 | 128037-02-L04 | EA | CABINET - VANITY - W/O COUNTERTOP/DOORS/DRAWERS/HDW |
| 10 | 128037-02-L05 | EA | CABINET - VANITY - W/O COUNTERTOP/DOORS/DRAWERS/HDW |
| 10 | 128037-02-L06 | EA | CABINET - VANITY - W/O COUNTERTOP/DOORS/DRAWERS/HDW |
| 11 | 131995-P2-L01 | EA | DOOR - RAIL/SOLID - 10.8" X 27.9" - W/O HARDWARE |
| 12 | 131995-P1-L01 | EA | DOOR - SOLID PANEL - 10.8" X 27.9" - W/O HARDWARE |
| 13 | 128037-11-J03 | EA | SHELF - W/PLASTIC EDGE TRIM |

BEDROOM GROUP (CONTINUED)
QUEEN CABINETS (CONTINUED)

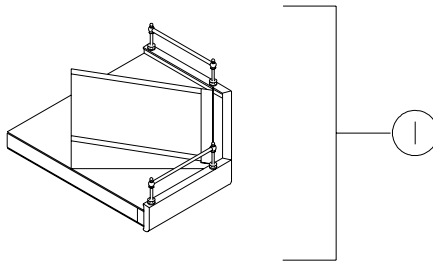


| KEY | PART NUMBER | U/M | DESCRIPTION |
|------------|--------------------|------------|--|
| 14 | P28583-01-J03 | EA | CABINET - BASE - QUEEN BED - W/O DOORS/DRAWERS/HARDWARE |
| 15 | M08110-11-K04 | EA | TOP - QUEEN BED - W/O HARDWARE |
| 16 | P28582-02-L04 | EA | CABINET - NIGHTSTAND - W/O COUNTERTOP - W/O DOOR/DRWR/HDWR |
| 16 | P28582-02-L05 | EA | CABINET - NIGHTSTAND - W/O COUNTERTOP - W/O DOOR/DRWR/HDWR |
| 16 | P28582-02-L06 | EA | CABINET - NIGHTSTAND - W/O COUNTERTOP - W/O DOOR/DRWR/HDWR |
| 17 | M09316-45-L04 | EA | DRAWER - OGEE EDGE - 6"W X 19.7"D - W/O SLIDES/HARDWARE |
| 18 | 133131-43-L04 | EA | COUNTERTOP - LAMINATED |
| 18 | 133131-43-L05 | EA | COUNTERTOP - LAMINATED |
| 18 | 133131-43-L06 | EA | COUNTERTOP - LAMINATED |
| 19 | 124351-01-H04 | EA | CABINET - OVERHEAD REAR/LEFT HAND - W/O DOORS/HARDWARE |
| 20 | 132141-14-L01 | EA | DOOR - RAIL/VENEER - 15.7" X 27.9" - W/O HARDWARE |
| 21 | 109908-51-H04 | EA | END CAP - OVERHEAD CABINET |
| | | | FROM: 00-00-00 THRU: 08-31-99 |
| 21 | 109908-B3-L01 | EA | END CAP - OVERHEAD CABINET |
| | | | FROM: 09-01-99 THRU: 99-99-99 |
| 22 | 132141-17-L04 | EA | DOOR - RAIL/VENEER - 12" X 48" - W/O HARDWARE |
| 23 | M09316-86-L04 | EA | DRAWER - OGEE EDGE - 19.7"W X 9.6"D - W/O SLIDES/HARDWARE |
| 24 | M09316-87-L04 | EA | DRAWER - OGEE EDGE - 19.7"W X 9.6"D - W/O SLIDES/HARDWARE |
| 25 | M08110-12-000 | EA | TOP - QUEEN BED - W/O HARDWARE |

BEDROOM GROUP (CONTINUED)
TV & RADIO CABINETS

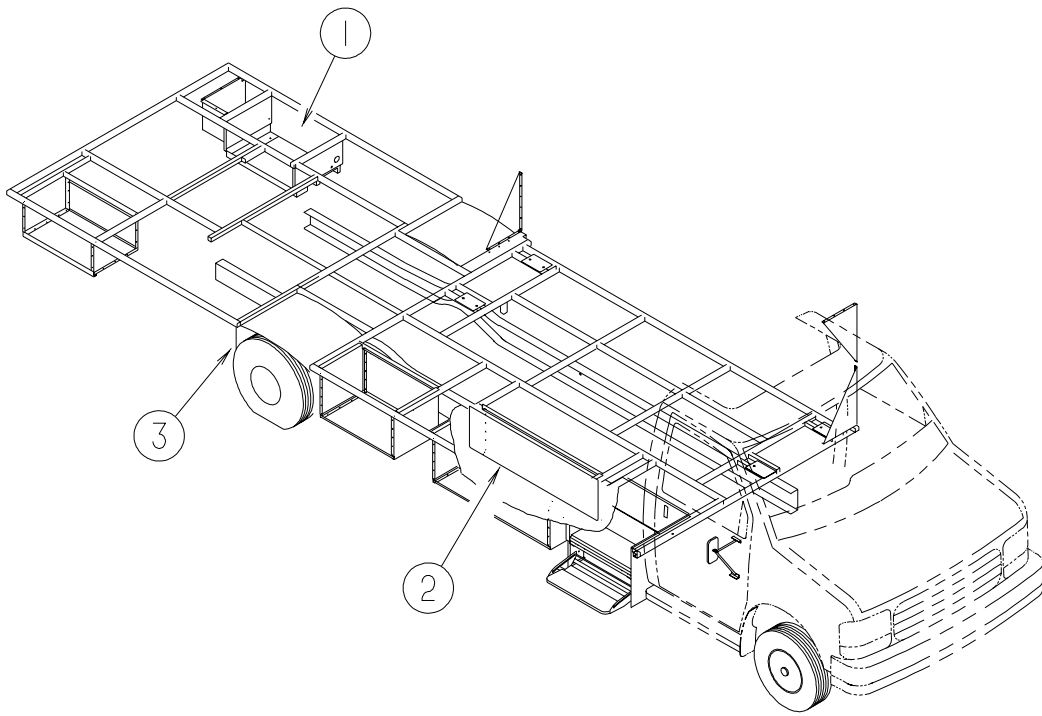


| KEY | PART NUMBER | U/M DESCRIPTION |
|-----|---------------|---|
| 1 | 084357-02-H13 | EA TV STAND |
| 2 | 084356-08-000 | EA INSERT - TV STAND - W/SUPPORT HINGES - OFF WHITE |



| KEY | PART NUMBER | U/M DESCRIPTION |
|-----|---------------|--|
| 1 | 116553-03-L04 | EA CABINET - TV SHELF - W/BRASS RODS/POST ENDS |

CHASSIS GROUP FRAME

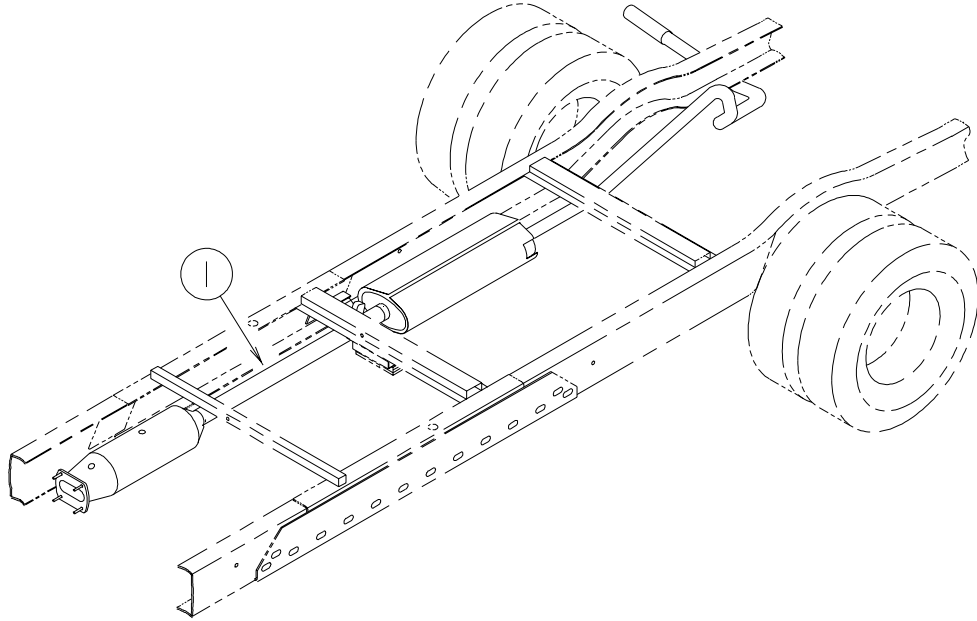


| KEY | PART NUMBER | U/M | DESCRIPTION |
|-----|---------------|-----|---------------------------------------|
| 1 | 114070-02-02B | EA | SUPPORT - GENERATOR - LEFT |
| 1 | 114071-02-02B | EA | SUPPORT - GENERATOR - RIGHT |
| 2 | 091182-13-000 | EA | SHIELD - HEAT |
| 3 | 045731-06-000 | EA | GUARD - ROCK |
| | 061420-01-000 | EA | PLUG/PLASTIC - 1.75" DIAMETER - BROWN |

DRIVETRAIN

| KEY | PART NUMBER | U/M | DESCRIPTION |
|-----|---------------|-----|---|
| | 131695-02-000 | EA | DRIVESHAFT - BALANCED - 99 E450 - 220"WB |
| | 074833-01-000 | EA | SPACER - BEARING - DRIVESHAFT - 2" X 8" X .5" THICK |
| | 085771-03-000 | EA | NUT - HEX - FLARE TORQUE - GRADE G - DRIVESHAFT |
| | 088498-01-000 | EA | UNION - INVERTED FLARE - BRASS - 3/16 |
| | 103653-23-000 | EA | BOLT - U-JOINT - 5/16-24 X .75 |
| | 103653-24-000 | EA | STRAP - U-JOINT |

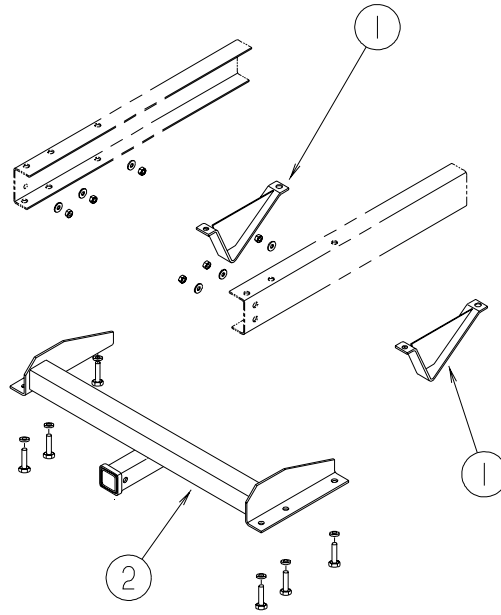
CHASSIS GROUP (CONTINUED)
EXHAUST



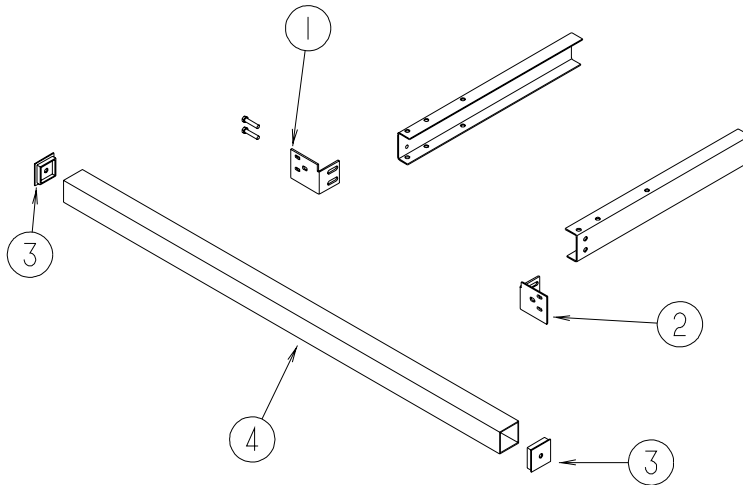
| KEY | PART NUMBER | U/M | DESCRIPTION |
|------------|--------------------|------------|--|
| 1 | 111478-04-000 | EA | EXHAUST PIPE - DOUBLE WALL STAINLESS STEEL - 63.9" |
| | 094918-06-000 | EA | CLAMP - EXHAUST - 3" - HEAVY DUTY |

CHASSIS GROUP (CONTINUED)

HITCH



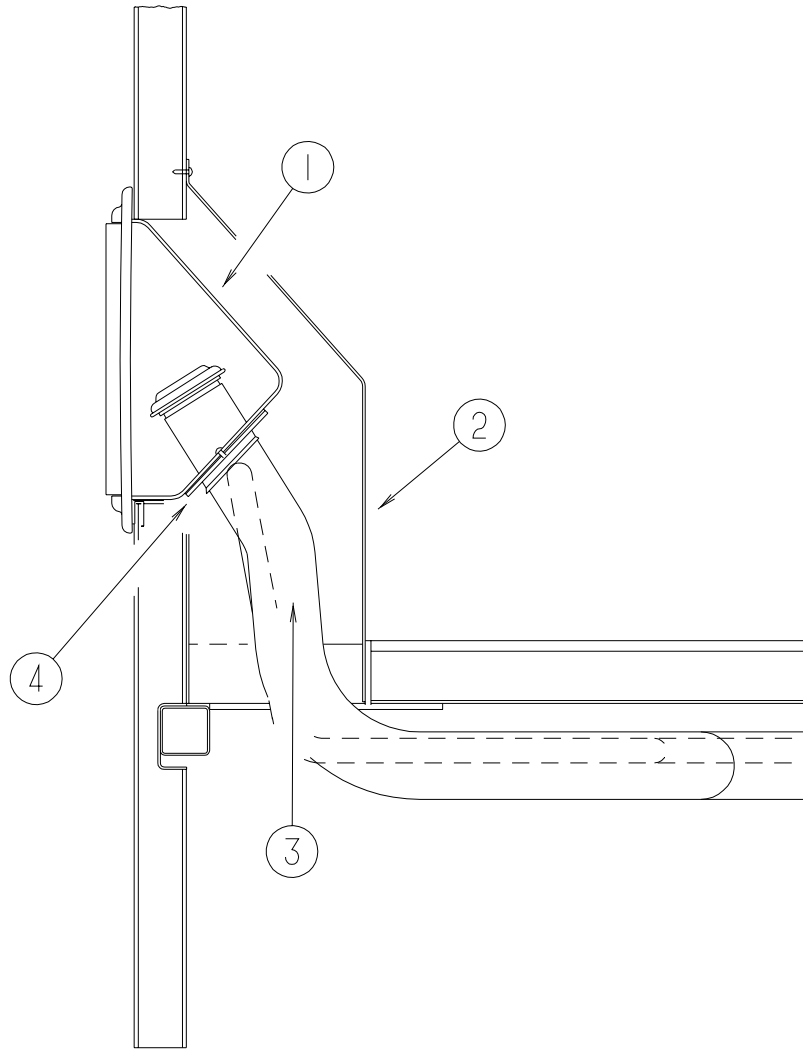
| KEY | PART NUMBER | U/M | DESCRIPTION |
|-----|---------------|-----|------------------------------------|
| 1 | 083376-01-000 | EA | PLATE/SKID - 13.2" X 6" X 2" STEEL |
| 2 | 130339-04-000 | EA | HITCH RECEIVER - BOLT ON CLASS II |
| | 034513-01-000 | EA | PIN - HITCH - 3/16" WIRE |
| | 113589-01-000 | EA | CONNECTOR - SOCKET - TRAILER |
| | 113589-02-000 | EA | CONNECTOR - PLUG - TRAILER |



REAR BUMPER

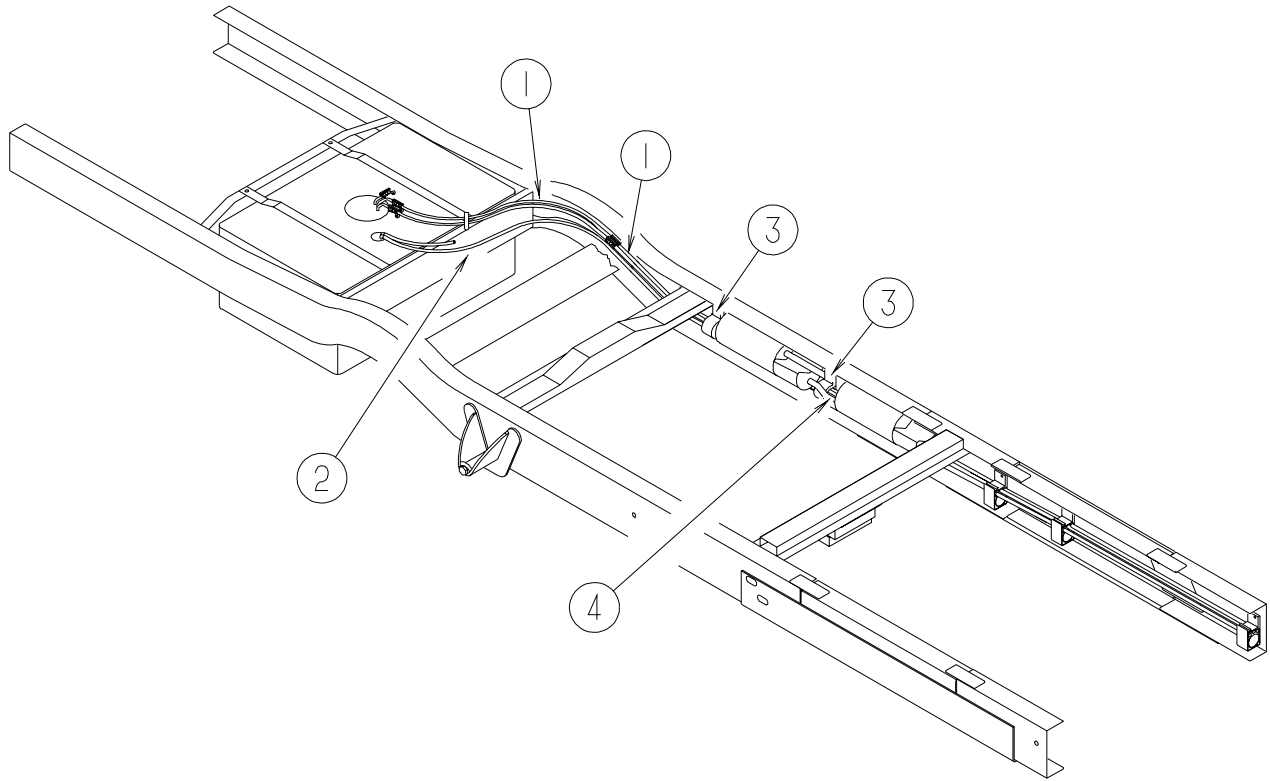
| KEY | PART NUMBER | U/M | DESCRIPTION |
|-----|---------------|-----|--|
| 1 | 104420-02-000 | EA | SUPPORT/ANGLE - REAR BUMPER - LEFT HAND |
| 2 | 104420-01-000 | EA | SUPPORT/ANGLE - REAR BUMPER - RIGHT HAND |
| 3 | 039779-01-000 | EA | CAP - BUMPER - RUBBER - 4" X 4" - BLACK |
| 4 | 103422-05-02A | EA | BUMPER - REAR - SQUARE ALUMINUM - 97.3" - BRIGHT WHITE |

CHASSIS GROUP (CONTINUED)
FUEL FILL



| KEY | PART NUMBER | U/M | DESCRIPTION |
|-----|---------------|-----|---|
| 1 | 095854-01-04A | EA | SHROUD - FUEL FILL - RADIUS - BRIGHT WHITE FROM: 00-00-00 THRU: 01-12-00 |
| | 127291-02-01A | EA | SHROUD - FUEL FILL - BRIGHT WHITE FROM: 01-13-00 THRU: 99-99-99 |
| 2 | 078040-06-000 | EA | SHROUD - FUEL FILL - UPPER - RECTANGULAR |
| 3 | 127628-02-000 | EA | NECK - FUEL FILL - UNLEADED |
| | 083610-02-000 | EA | CLAMP - WIRE - DUAL - UNEQUAL DIAMETERS - 3/4" & 2" |
| 4 | 078200-01-000 | EA | GASKET - FUEL FILL - 3.5"OD X 2"ID |

CHASSIS GROUP (CONTINUED)
FUEL OR FUEL FILL (CONTINUED)



| KEY | PART NUMBER | U/M | DESCRIPTION |
|------------|--------------------|------------|--|
| 1 | 106389-10-000 | EA | FUEL LINE - FORD - 3/8 HP - FORD |
| 2 | 125187-01-000 | FT | HOSE - FUEL - LOW PERMEABILITY - 11.1 ID - FORD |
| 3 | 010497-04-000 | EA | CLAMP - CLOSED - 1.62" ID |
| 4 | 125187-02-000 | FT | HOSE - FUEL - LOW PERMEABILITY - 12.71 ID - FORD |
| | 084884-01-000 | EA | PLUG - BRASS - 3/8" |
| | 128139-03-000 | FT | HOSE - FUEL - LOW PERMEABILITY - 1/4" DIAMETER |
| | 088258-02-000 | EA | CLIP-RETAINING,FUEL LINE SGL - MC-90 |
| | 099069-01-000 | FT | SEAL - RUBBER - CLOSED SPONGE - .5" WIDE X .12" THICK -BLK |

SUSPENSION - FROM: 00-00-00 THRU: 02-01-2000

| KEY | PART NUMBER | U/M | DESCRIPTION |
|------------|--------------------|------------|--|
| * | 106067-03-000 | EA | AIRSPRING - 4" DIA.TWIN BAG - '92 & NEWER FORD E350 C-BODY |
| | 109236-01-000 | EA | PLATE - VALVE - AIR SPRING |
| | 107938-07-000 | EA | BRACKET - PUMP |

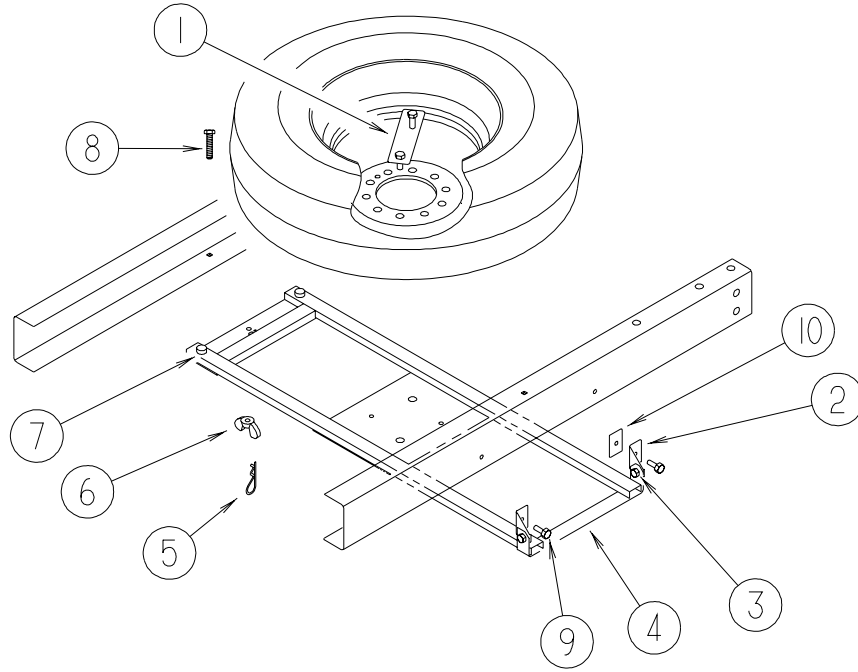
***COMPONENT PARTS FOUND IN SERVICE PARTS LIBRARY**

SUSPENSION - FROM: 02-02-2000 THRU: 99-99-99

| KEY | PART NUMBER | U/M | DESCRIPTION |
|------------|--------------------|------------|---|
| * | 135674-01-000 | EA | AIRSPRING - AIR BAG KIT - FORD 450 SUPER DUTY CHASSIS |

***COMPONENT PARTS FOUND IN SERVICE PARTS LIBRARY**

CHASSIS GROUP (CONTINUED) SPARE TIRE INSTALLATION



| KEY | PART NUMBER | U/M | DESCRIPTION |
|-----|---------------|-----|---|
| 1 | 116338-02-02B | EA | BRACKET/CLAMP - SPARE TIRE - E-COATED |
| | 000D29-09-00B | EA | NUT - HEX SELFLOCKING - 9/16-12 - ZINC |
| 2 | 116349-01-02B | EA | BRACKET/HINGE - SPARE TIRE - E-COATED |
| 3 | 000C26-06-12B | EA | BOLT - HEX - SERRATED FLANGE - 3/8-16 X 3/4 - ZINC |
| | 000D34-06-00B | EA | NUT - HEX - LOCKING - 3/8-16 GRADE C ZINC - PREVAILING TORQUE |
| | 000E13-17-00B | EA | WASHER - FLAT - 3/8" AR - ZINC |
| 4 | 116348-01-02B | EA | CRADLE - SPARE TIRE - E-COATED |
| 5 | 034513-01-000 | EA | PIN - HITCH - 3/16" WIRE |
| 6 | 064081-03-000 | EA | NUT - WING 3/8-16 - W/WELD NUT |
| 7 | 069726-02-000 | EA | BUMPER - .88 DIAMETER - 40 - BLACK |
| 8 | 000C18-06-56A | EA | BOLT - ELEVATOR - 3/8-16 X 3 1/2 - GRADE 5 |
| 9 | 000C26-06-12B | EA | BOLT - HEX - SERRATED FLANGE - 3/8-16 X 3/4 - ZINC |
| | 000D39-06-00B | EA | NUT - HEX - LOCKING W/SERRATED FLANGE - 3/8-18 - ZINC |
| 10 | 070579-08-000 | EA | PLATE ASM-ANCHOR |
| | 112358-01-000 | EA | WRENCH - LUG - 7/8" - L-SHAPE |

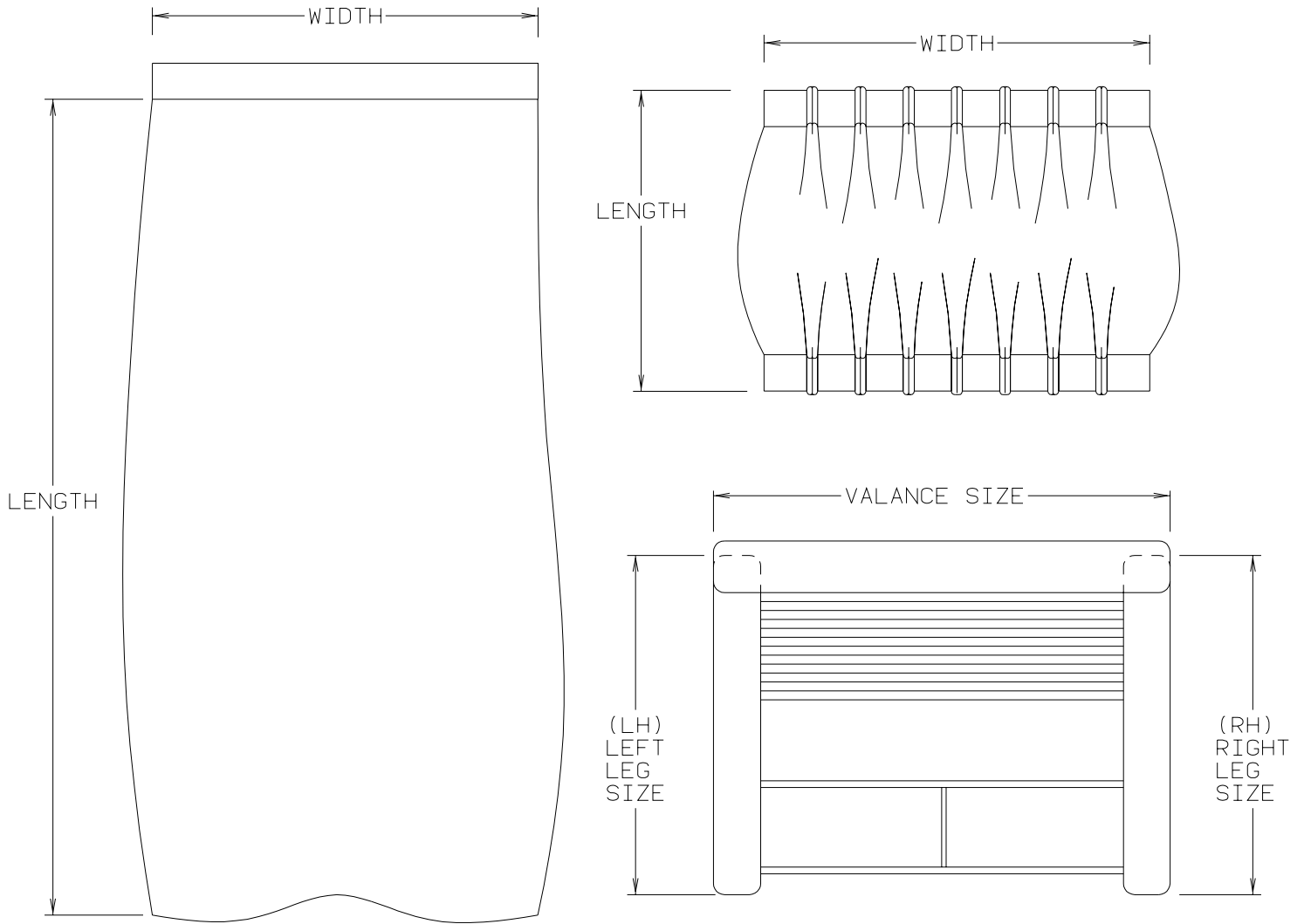
WHEEL, TIRE, COVERS & LINERS

| KEY | PART NUMBER | U/M | DESCRIPTION |
|-----|---------------|-----|---|
| | 051377-04-000 | EA | VALVE STEM - .5" X 2" |
| | 070917-06-000 | EA | TIRE - LT225/75R16E - R4S M/S - FIRESTONE |
| | 083617-04-000 | EA | WHEEL - STEEL - 6" X 16" - '99 E350/E450 |
| * | 109443-05-000 | EA | WHEEL COVER - 4/SET - 16" STAINLESS STEEL |
| * | 110435-13-000 | EA | LINER - WHEEL - SET OF 4 - 16" (8 HOLE) |
| | 095012-05-000 | EA | EXTENSION - VALVE STEM - LIVE - 5" |
| | 095012-06-000 | EA | STABILIZER - VALVE EXTENSION - LIVE - 2" |

*COMPONENT PARTS FOUND IN SERVICE PARTS LIBRARY

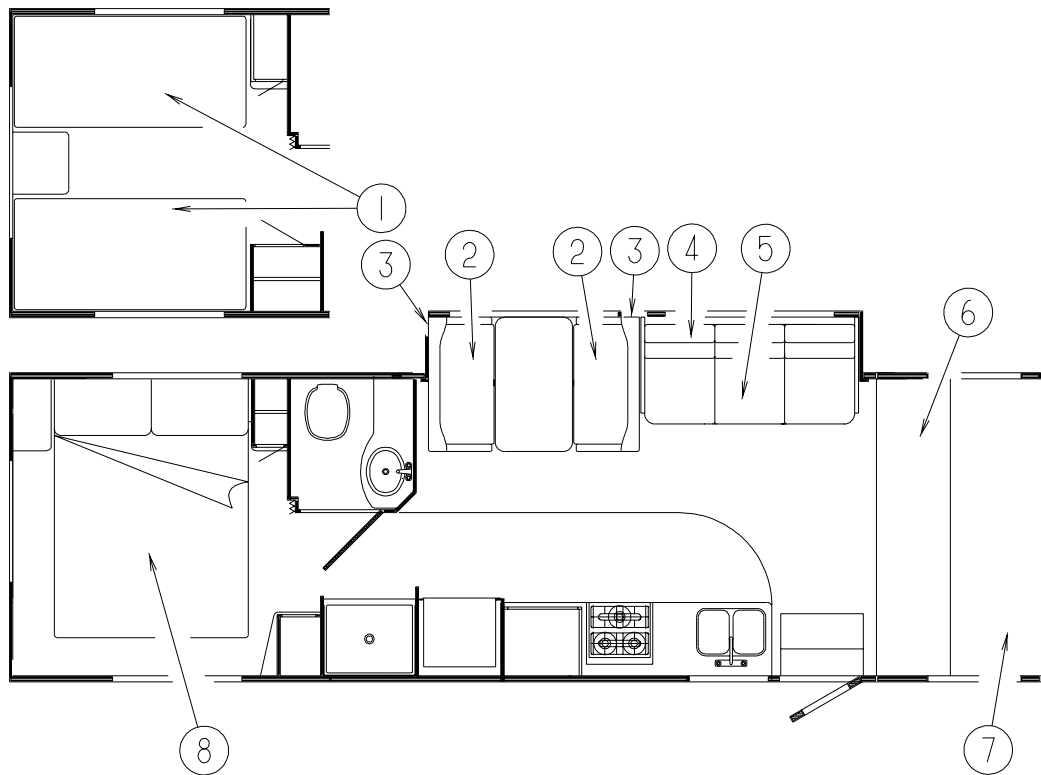
CURTAIN & CUSHION GROUP NOTICE

IN ORDER TO ASSIST OUR PARTS SALES DEPT. IN PROVIDING INTERIOR SOFTWARE ITEMS, PLEASE INCLUDE THE SERIAL NUMBER AND THE COLOR CODE NUMBER FROM THE VEHICLE CERTIFICATION LABEL WHEN ORDERING. THIS LABEL IS LOCATED ON THE LEFT SIDEWALL AT THE END OF THE DASH (A-BODY), OR ON THE DRIVER'S DOOR LATCH PLATE (C-BODY). AN EXAMPLE OF A COLOR CODE NUMBER IS B07, WHICH DESIGNATES AN OVERALL COLOR SCHEME OF A PARTICULAR UNIT. THE COLOR LISTED AFTER THE ITEM DESCRIPTION ON THE MICROFICHE, INDICATES THE OVERALL UNIT COLOR. ORDER THE ITEM YOU DESIRE ACCORDING TO UNIT COLOR CODE. IF ALL COLORS USE THE SAME ITEM NO COLOR CODE WILL BE NOTED.



NOTE: USE THIS ILLUSTRATION WHEN DETERMINING LENGTH AND WIDTH MEASUREMENTS FOR CURTAINS. YOU WILL NOTE THE WIDTH MEASUREMENT IS TAKEN ON THE TOP OF THE CURTAIN WITH THE CURTAIN FULLY EXTENDED. THE LENGTH MEASUREMENT IS TAKEN FROM TOP TO BOTTOM. LEFT AND RIGHT WINDOW LEGS ARE DETERMINED WHEN FACING THE WINDOW.

CURTAIN & CUSHION GROUP (CONTINUED)
CUSHION LAYOUT

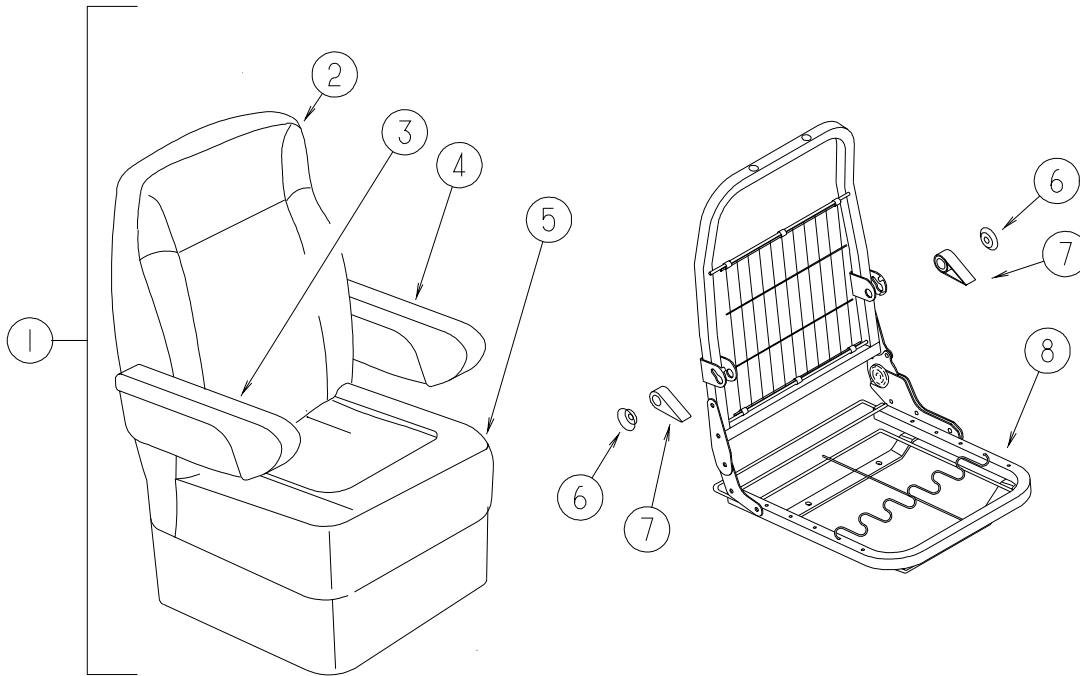


| KEY | PART NUMBER | U/M | DESCRIPTION |
|-----|---------------|-----|--|
| 1 | 123471-21-L01 | EA | BEDSPREAD/THROW - 36" X 75" (L04) |
| 1 | 123471-21-L02 | EA | BEDSPREAD/THROW - 36" X 75" (L05) |
| 1 | 123471-21-K48 | EA | BEDSPREAD/THROW - 36" X 75" (L05) |
| 1 | 104176-04-L01 | EA | PILLOW SHAM - 30" (L04) |
| 1 | 104176-04-L02 | EA | PILLOW SHAM - 30" (L05) |
| 1 | 104176-04-K06 | EA | PILLOW SHAM - 30" (L06) |
| | 101123-29-000 | EA | MATTRESS - FOAM - 35" X 74" |
| 2 | 105603-23-L01 | EA | CUSHION - SEAT - 21" X 42" X 5" (L04) |
| 2 | 105603-23-L02 | EA | CUSHION - SEAT - 21" X 42" X 5" (L05) |
| 2 | 105603-23-K06 | EA | CUSHION - SEAT - 21" X 42" X 5" (L06) |
| | P05603-23-L01 | EA | COVER - SEAT - 21" X 42" X 5" (L04) |
| | P05603-23-L02 | EA | COVER - SEAT - 21" X 42" X 5" (L05) |
| | P05603-23-K06 | EA | COVER - SEAT - 21" X 42" X 5" (L06) |
| 3 | 111897-21-L01 | EA | CUSHION - SEAT BACK - 12.5" X 42" X 5" (L04) |
| 3 | 111897-21-L02 | EA | CUSHION - SEAT BACK - 12.5" X 42" X 5" (L05) |
| 3 | 111897-21-K06 | EA | CUSHION - SEAT BACK - 12.5" X 42" X 5" (L06) |
| | P11897-21-L01 | EA | COVER - BACK - 12.5" X 42" X 5" (L04) |
| | P11897-21-L02 | EA | COVER - BACK - 12.5" X 42" X 5" (L05) |
| | P11897-21-K06 | EA | COVER - BACK - 12.5" X 42" X 5" (L06) |

CURTAIN & CUSHION GROUP (CONTINUED)
CUSHION LAYOUT (CONTINUED)

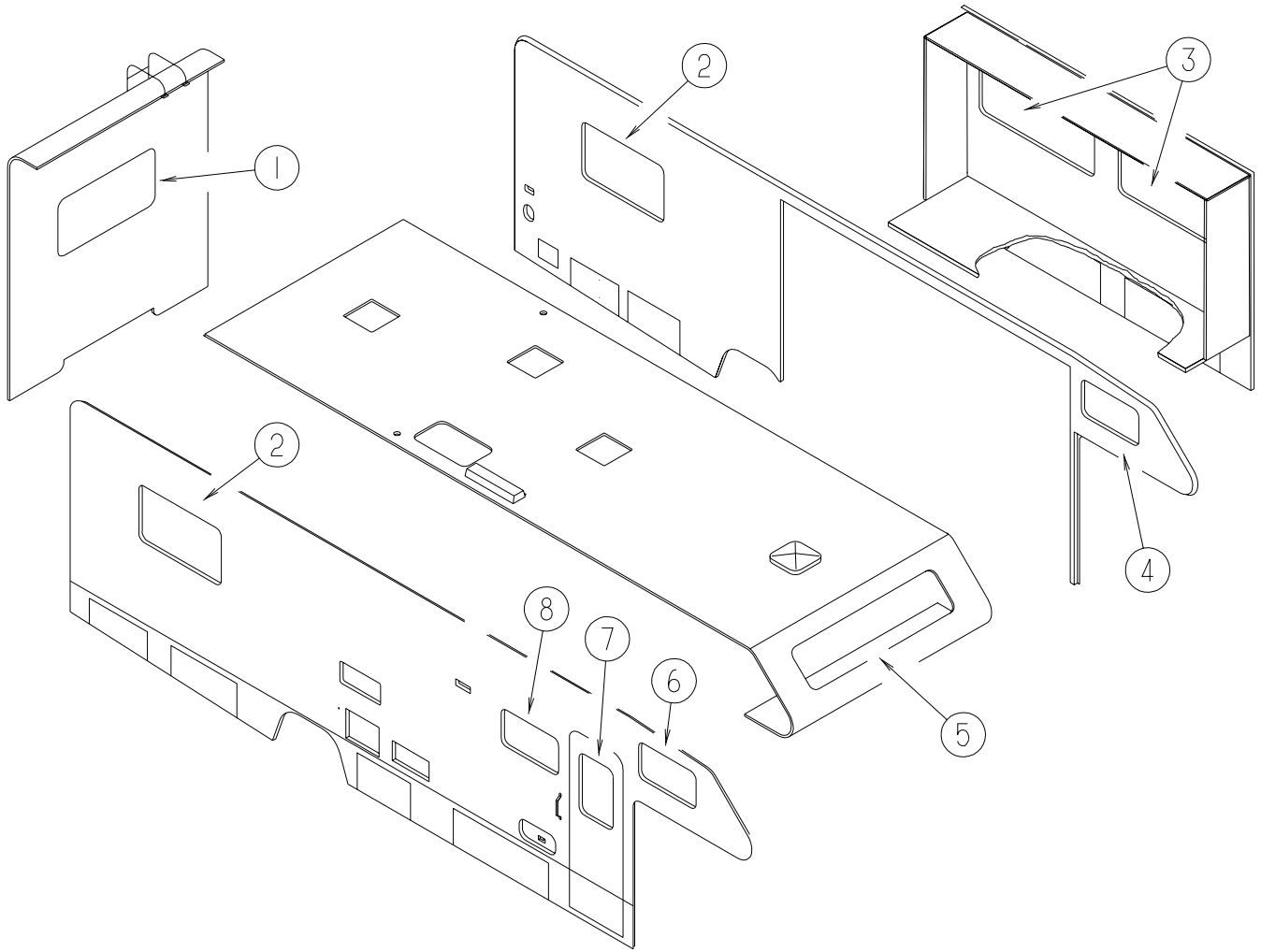
| KEY | PART NUMBER | U/M | DESCRIPTION |
|------------|--------------------|------------|--|
| 4 | 111319-03-L01 | EA | BACK - SOFA/BED - W/FRAME - 66.5" (L04) |
| 4 | 111319-03-L02 | EA | BACK - SOFA/BED - W/FRAME - 66.5" (L05) |
| 4 | 111319-03-K06 | EA | BACK - SOFA/BED - W/FRAME - 66.5" (L06) |
| | P11319-03-L01 | EA | COVER - BACK - SOFA/BED - 66.5" (L04) |
| | P11319-03-L02 | EA | COVER - BACK - SOFA/BED - 66.5" (L05) |
| | P11319-03-K06 | EA | COVER - BACK - SOFA/BED - 66.5" (L06) |
| | 101085-09-000 | EA | FRAME - BACK - SOFA/BED - 66.5" X 16" |
| | 114763-09-000 | EA | FRAME/JACK KNIFE - W/8" LEGS |
| 5 | 100032-37-L04 | EA | SEAT - SOFA/BED W/FRAME - 66.5" (L04) |
| 5 | 100032-37-L05 | EA | SEAT - SOFA/BED W/FRAME - 66.5" (L05) |
| 5 | 100032-37-K06 | EA | SEAT - SOFA/BED W/FRAME - 66.5" (L06) |
| | P00032-37-L04 | EA | COVER - SEAT - SOFA/BED - 66.5" (L04) |
| | P00032-37-L05 | EA | COVER - SEAT - SOFA/BED - 66.5" (L05) |
| | P00032-37-K06 | EA | COVER - SEAT - SOFA/BED - 66.5" (L06) |
| | 101085-01-000 | EA | FRAME - SEAT - SOFA/BED - 66.5" |
| | 101085-03-000 | EA | FRAME - BASE - SOFA/BED - 66.5" |
| 6 | 105573-10-L04 | EA | CUSHION - OVERHEAD BUNK/REAR - 27" X 23" X 80" X 5" |
| 6 | 105573-10-L05 | EA | CUSHION - OVERHEAD BUNK/REAR - 27" X 23" X 80" X 5" |
| 6 | 105573-10-L06 | EA | CUSHION - OVERHEAD BUNK/REAR - 27" X 23" X 80" X 5" |
| | P05573-10-L04 | EA | COVER - CUSHION/OVERHEAD BUNK/REAR - 27" X 23" X 80" X 5" |
| | P05573-10-L05 | EA | COVER - CUSHION/OVERHEAD BUNK/REAR - 27" X 23" X 80" X 5" |
| | P05573-10-L06 | EA | COVER - CUSHION/OVERHEAD BUNK/REAR - 27" X 23" X 80" X 5" |
| 7 | 105573-09-K03 | EA | CUSHION - OVERHEAD BUNK/FRONT - 32.5" X 80" X 5" (L04) |
| 7 | 105573-09-J03 | EA | CUSHION - OVERHEAD BUNK/FRONT - 32.5" X 80" X 5" (L05) |
| 7 | 105573-09-L03 | EA | CUSHION - OVERHEAD BUNK/FRONT - 32.5" X 80" X 5" (L06) |
| | P05573-09-K03 | EA | COVER - CUSHION/OVERHEAD BUNK/FRONT - 32.5" X 80" X 5" (L04) |
| | P05573-09-J03 | EA | COVER - CUSHION/OVERHEAD BUNK/FRONT - 32.5" X 80" X 5" (L05) |
| | P05573-09-L03 | EA | COVER - CUSHION/OVERHEAD BUNK/FRONT - 32.5" X 80" X 5" (L06) |
| | 094658-02-G04 | EA | OAK HANDLE - WATERFORD OAK |
| 8 | 123471-08-L01 | EA | BEDSPREAD/THROW - 60" X 75" (L04) |
| 8 | 123471-08-L02 | EA | BEDSPREAD/THROW - 60" X 75" (L05) |
| 8 | 123471-08-K48 | EA | BEDSPREAD/THROW - 60" X 75" (L06) |
| 8 | 104176-04-L01 | EA | PILLOW SHAM - 30" (L04) |
| 8 | 104176-04-L02 | EA | PILLOW SHAM - 30" (L05) |
| 8 | 104176-04-K06 | EA | PILLOW SHAM - 30" (L06) |
| | 123015-06-000 | EA | MATTRESS - INNERSPRING - 60" X 74.5" |

CURTAIN & CUSHION GROUP (CONTINUED)
BUCKET SEATS



| KEY | PART NUMBER | U/M | DESCRIPTION |
|-----|---------------|-----|------------------------------------|
| 1 | 132263-01-L01 | EA | SEAT - DRIVER (L04) |
| 1 | 132263-01-L02 | EA | SEAT - DRIVER (L05) |
| 1 | 132263-01-L06 | EA | SEAT - DRIVER (L06) |
| 1 | 132263-02-L01 | EA | SEAT - PASSENGER (L04) |
| 1 | 132263-02-L02 | EA | SEAT - PASSENGER (L05) |
| 1 | 132263-02-L06 | EA | SEAT - PASSENGER (L06) |
| 2 | M05962-88-L01 | EA | COVER - BACK (L04) |
| 2 | M05962-88-L02 | EA | COVER - BACK (L05) |
| 2 | M05962-88-L03 | EA | COVER - BACK (L06) |
| 3 | 129666-07-L01 | EA | ARMREST - RIGHT HAND (L04) |
| 3 | 129666-07-L02 | EA | ARMREST - RIGHT HAND (L05) |
| 3 | 129666-07-L06 | EA | ARMREST - RIGHT HAND (L06) |
| | P29666-07-L01 | EA | COVER - ARMREST/RIGHT HAND (L04) |
| | P29666-07-L02 | EA | COVER - ARMREST/RIGHT HAND (L05) |
| | P29666-07-L06 | EA | COVER - ARMREST/RIGHT HAND (L06) |
| 4 | 129666-08-L01 | EA | ARMREST - LEFT HAND (L04) |
| 4 | 129666-08-L02 | EA | ARMREST - LEFT HAND (L05) |
| 4 | 129666-08-L06 | EA | ARMREST - LEFT HAND (L06) |
| | P29666-08-L01 | EA | COVER - ARMREST/LEFT HAND (L04) |
| | P29666-08-L02 | EA | COVER - ARMREST/LEFT HAND (L05) |
| | P29666-08-L06 | EA | COVER - ARMREST/LEFT HAND (L06) |
| 5 | M05962-89-L01 | EA | COVER - SEAT (L04) |
| 5 | M05962-89-L02 | EA | COVER - SEAT (L05) |
| 5 | M05962-89-L03 | EA | COVER - SEAT (L06) |
| 6 | 130802-03-000 | EA | SCREW F/LEVER |
| 7 | 130802-01-000 | EA | LEVER - LEFT HAND |
| 7 | 130802-02-000 | EA | LEVER - RIGHT HAND |
| 8 | 132875-02-000 | EA | FRAME - LEFT HAND CHAIR/TALL BACK |
| 8 | 132875-01-000 | EA | FRAME - RIGHT HAND CHAIR/TALL BACK |
| | 007221-01-000 | EA | SPACER - SEAT/ADJUSTER |

CURTAIN & CUSHION GROUP (CONTINUED)
WINDOW TREATMENT

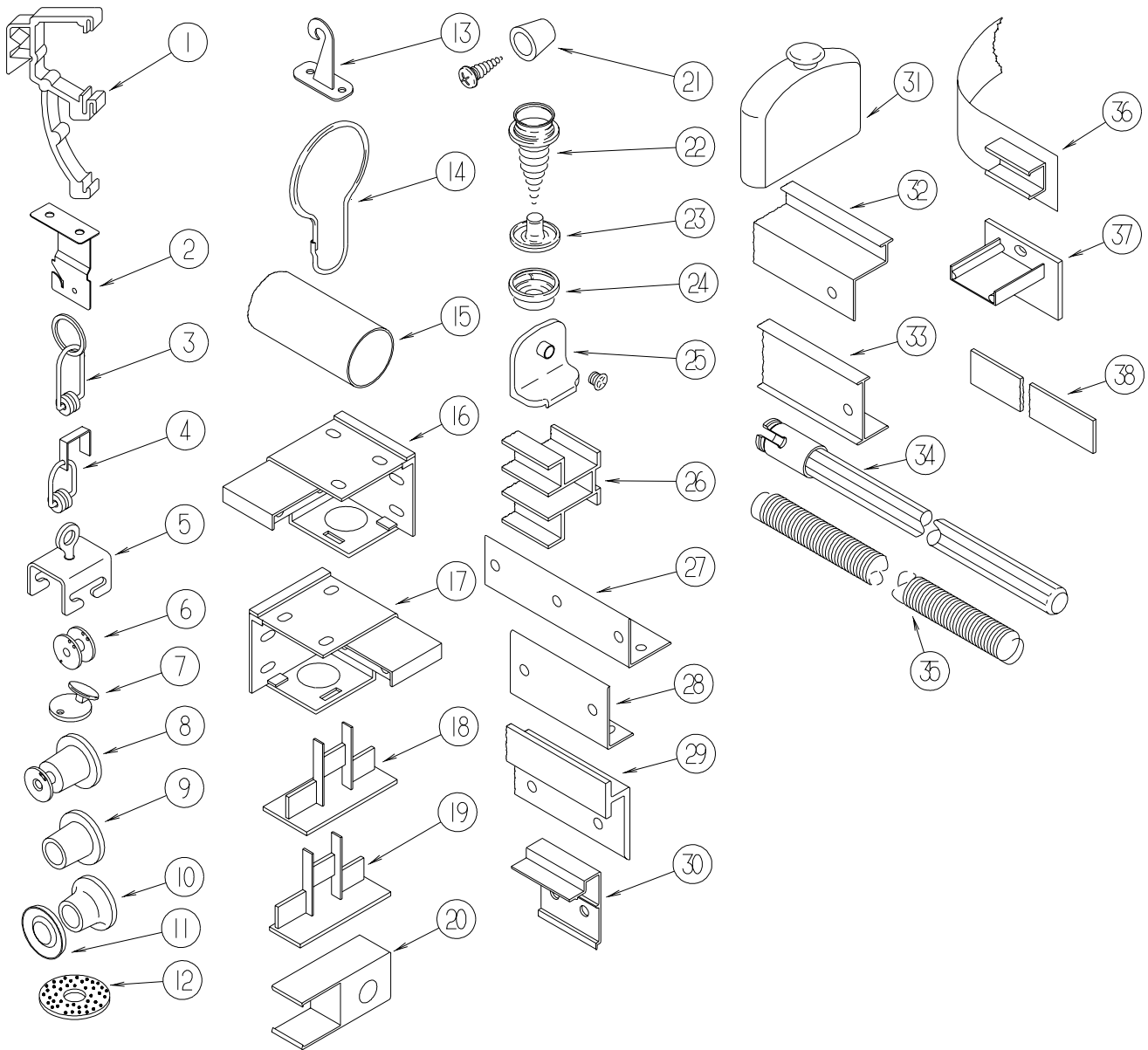


| KEY | PART NUMBER | U/M | DESCRIPTION |
|-----|---------------|-----|--|
| 1 | P32689-01-L18 | EA | COVER - VALANCE - 72" (L04) |
| 1 | P32689-01-L19 | EA | COVER - VALANCE - 72" (L05) |
| 1 | P32689-01-L20 | EA | COVER - VALANCE - 72" (L06) |
| 1 | 111910-62-L04 | EA | BLIND - DAY/NIGHTER - 49" X 27" (L04) |
| 1 | 111910-62-L05 | EA | BLIND - DAY/NIGHTER - 49" X 27" (L05, L06) |
| 1 | 109041-54-03A | EA | BLIND - MINI - 49" X 27"- RENTAL |
| 1 | 127017-65-L18 | EA | LEG - RIGHT - 25" (L04) |
| 1 | 127017-65-L19 | EA | LEG - RIGHT - 25" (L05) |
| 1 | 127017-65-L20 | EA | LEG - RIGHT - 25" (L06) |
| 1 | 127017-66-L18 | EA | LEG - LEFT - 25" (L04) |
| 1 | 127017-66-L19 | EA | LEG - LEFT - 25" (L05) |
| 1 | 127017-66-L20 | EA | LEG - LEFT - 25" (L06) |
| 2 | P32689-03-L04 | EA | COVER - VALANCE - 65" |
| 2 | P32689-03-L05 | EA | COVER - VALANCE - 65" |
| 2 | P32689-03-L06 | EA | COVER - VALANCE - 65" |
| 2 | 111910-53-L04 | EA | BLIND - DAY/NIGHTER - 42" X 28.5" (L04) |
| 2 | 111910-53-L05 | EA | BLIND - DAY/NIGHTER - 42" X 28.5" (L05, L06) |
| 2 | 109041-33-03A | EA | BLIND - MINI - 42" X 28" - RENTAL |
| 2 | 127017-65-L18 | EA | LEG - RIGHT - 25" (L04) |
| 2 | 127017-65-L19 | EA | LEG - RIGHT - 25" (L05) |
| 2 | 127017-65-L20 | EA | LEG - RIGHT - 25" (L06) |
| 2 | 127017-66-L18 | EA | LEG - LEFT - 25" (L04) |
| 2 | 127017-66-L19 | EA | LEG - LEFT - 25" (L05) |
| 2 | 127017-66-L20 | EA | LEG - LEFT - 25" (L06) |

CURTAIN & CUSHION GROUP (CONTINUED)
WINDOW TREATMENT (CONTINUED)

| KEY | PART NUMBER | U/M | DESCRIPTION |
|------------|--------------------|------------|--|
| 3 | 132349-06-L04 | EA | VALANCE - 62" |
| 3 | 132349-06-L05 | EA | VALANCE - 62" |
| 3 | 132349-06-L06 | EA | VALANCE - 62" |
| 3 | 111910-55-L04 | EA | BLIND - DAY/NIGHTER - 59" X 26.5" (L04) |
| 3 | 111910-55-L05 | EA | BLIND - DAY/NIGHTER - 59" X 26.5" (L05, L06) |
| 3 | 109041-22-03A | EA | BLIND - MINI - 59" X 27.5" - RENTAL |
| 3 | 127017-69-L01 | EA | LEG - RIGHT - 23.5" (L04) |
| 3 | 127017-69-L02 | EA | LEG - RIGHT - 23.5" (L05) |
| 3 | 127017-69-L06 | EA | LEG - RIGHT - 23.5" (L06) |
| 3 | 127017-70-L01 | EA | LEG - LEFT - 23.5" (L04) |
| 3 | 127017-70-L02 | EA | LEG - LEFT - 23.5" (L05) |
| 3 | 127017-70-L06 | EA | LEG - LEFT - 23.5" (L06) |
| 4 | 101034-64-L01 | EA | CURTAIN - LEFT HAND - 19.5" X 31" (L04) |
| 4 | 101034-64-L02 | EA | CURTAIN - LEFT HAND - 19.5" X 31" (L05) |
| 4 | 101034-64-L06 | EA | CURTAIN - LEFT HAND - 19.5" X 31" (L06) |
| 5 | 101034-62-L01 | EA | CURTAIN - LEFT HAND - 21" X 56" (L04) |
| 5 | 101034-62-L02 | EA | CURTAIN - LEFT HAND - 21" X 56" (L05) |
| 5 | 101034-62-L06 | EA | CURTAIN - LEFT HAND - 21" X 56" (L06) |
| 5 | 101034-61-L01 | EA | CURTAIN - RIGHT HAND - 21" X 56" (L04) |
| 5 | 101034-61-L02 | EA | CURTAIN - RIGHT HAND - 21" X 56" (L05) |
| 5 | 101034-61-L06 | EA | CURTAIN - RIGHT HAND - 21" X 56" (L06) |
| 6 | 101034-63-L01 | EA | CURTAIN - RIGHT HAND - 19.5" X 31" (L04) |
| 6 | 101034-63-L02 | EA | CURTAIN - RIGHT HAND - 19.5" X 31" (L05) |
| 6 | 101034-63-L06 | EA | CURTAIN - RIGHT HAND - 19.5" X 31" (L06) |
| 7 | 132349-07-L04 | EA | VALANCE - 33" |
| 7 | 132349-07-L05 | EA | VALANCE - 33" |
| 7 | 132349-07-L06 | EA | VALANCE - 33" |
| 7 | 084755-57-E07 | EA | SHADE - PULL - 27.25" |
| 8 | 109041-57-02A | EA | BLIND - MINI - 26" X 17" |
| 8 | 109041-57-04A | EA | BLIND-MINI,26X17"- RENTAL |
| | 076892-23-K03 | EA | CURTAIN - CAB PRIVACY - 44" X 80" (L04) |
| | 076892-23-J03 | EA | CURTAIN - CAB PRIVACY - 44" X 80" (L05) |
| | 076892-23-J04 | EA | CURTAIN - CAB PRIVACY - 44" X 80" (L06) |
| | 101668-39-G02 | EA | CURTAIN - RIGHT HAND - 35" X 50" (L04) |
| | 101668-39-J03 | EA | CURTAIN - RIGHT HAND - 35" X 50" (L05) |
| | 101668-39-J04 | EA | CURTAIN - RIGHT HAND - 35" X 50" (L06) |
| | 101668-40-G02 | EA | CURTAIN - LEFT HAND - 35" X 50" (L04) |
| | 101668-40-J03 | EA | CURTAIN - LEFT HAND - 35" X 50" (L05) |
| | 101668-40-J04 | EA | CURTAIN - LEFT HAND - 35" X 50" (L06) |
| | 073260-23-G02 | EA | TIEBACK - 3" X 18" (L04) |
| | 073260-23-F15 | EA | TIEBACK - 3" X 18" (L05) |
| | 073260-23-J04 | EA | TIEBACK - 3" X 18" (L06) |

CURTAIN & CUSHION GROUP (CONTINUED)
HARDWARE



BLIND PARTS ARE COLOR COORDINATED TO MATCH THE COLOR OF THE BLINDS
HAMPTON TAN COLOR IS USED BY THE ULTIMATE FREEDOM & ADVANTAGE
TITANIUM IS USED BY ALL ITASCAS
ANTELOPE IS USED BY ALL WINNEBAGOS

| KEY | PART NUMBER | U/M | DESCRIPTION |
|-----|---------------|-----|--|
| 1 | 109353-04-000 | EA | CLIP - VALANCE SLAT MOUNTING - CLEAR PLASTIC |
| 2 | 084434-01-000 | EA | BRACKET - MOUNTING - ROLLER SHADE - 1 3/8" |
| | 096843-01-000 | EA | SPRING - REWIND/ROLLER SHADE |
| | 086276-01-000 | EA | TAPE - DOUBLE SIDED - 1/2" |
| 3 | 009701-01-000 | EA | CARRIER - CURTAIN - L ROD |
| 4 | 093487-91-000 | EA | ROLLER/CLIP |
| 5 | 009702-01-000 | EA | END STOP - CURTAIN CARRIER - L ROD |
| 6 | 097592-01-000 | EA | SPOOL - CORD - ELEVATED BLIND HOLDUP - SMALL - CLEAR |
| 7 | 102555-03-000 | EA | CLEAT - BLIND CORD - MILKY WHITE PLASTIC |
| 8 | 097592-02-000 | EA | SPOOL - CORD - ELEVATED BLIND HOLDUP - LARGE - CLEAR |
| 8 | 093475-01-701 | EA | CAP-END, WITH INVERTED STUD |
| 9 | 094896-02-000 | EA | GROMMET - CORD/PLEATED BLIND - NYLON - GRAY |
| 10 | 046867-03-000 | EA | GROMMET - HANDY BUTTON #3 |
| 11 | 046867-02-000 | EA | WASHER - HANDY BUTTON #3 |
| 12 | 103242-01-000 | EA | VELCRO HOOK - BEIGE 7/8" ROUND W/CENTER HOLE |
| 12 | 103242-02-000 | EA | VELCRO HOOK - BLACK 7/8" ROUND W/CENTER HOLE |
| 13 | 109441-03-000 | EA | HOLD DOWN - BLIND (CLOUDY) |
| | 109441-02-000 | EA | HOLD DOWN - SPACER |

CURTAIN & CUSHION GROUP (CONTINUED)
HARDWARE (CONTINUED)

| KEY | PART NUMBER | U/M | DESCRIPTION |
|-----|---------------|-----|---|
| 14 | 009136-02-000 | EA | HANGER - RING - PIN TYPE - CURTAIN - BRASS |
| 15 | 102075-01-02A | EA | ROD - SHOWER CURTAIN - 1" OD X 30.9" - SOFT WHITE |
| 15 | 102075-06-02A | EA | ROD - SHOWER CURTAIN - 1" OD X 33.5" - SOFT WHITE |
| 15 | 102075-09-01A | EA | ROD - SHOWER CURTAIN - 1" OD X 29.5" - OFF WHITE |
| 15 | 102075-09-02A | EA | ROD - SHOWER CURTAIN - 1" OD X 46.3" - SOFT WHITE |
| 15 | 102075-10-02A | EA | ROD - SHOWER CURTAIN - 1" OD X 46.3" - SOFT WHITE |
| 15 | 102075-16-02A | EA | ROD - SHOWER CURTAIN - 1" OD X 34.2" - SOFT WHITE |
| 15 | 102075-17-02A | EA | ROD - SHOWER CURTAIN - 1" OD X 39.3" - SOFT WHITE |
| 15 | 102075-18-02A | EA | ROD - SHOWER CURTAIN - 1" OD X 38.9" - SOFT WHITE |
| 15 | 102075-19-02A | EA | ROD - SHOWER CURTAIN - 1" OD X 39.3" - SOFT WHITE |
| 16 | 083170-01-000 | EA | BRACKET - BLIND - LEFT SIDE WHEN FACING WINDOW |
| 17 | 083170-02-000 | EA | BRACKET - BLIND - RIGHT SIDE WHEN FACING WINDOW |
| 18 | 094907-04-000 | EA | END CAP - BOTTOM/PLEATED BLIND (RH & LH) |
| 19 | 094907-02-000 | EA | END CAP - TOP/PLEATED BLIND - PLASTIC - GRAY |
| 20 | 101033-02-000 | EA | END CAP - TRACK/CLEAR |
| 21 | 097564-03-000 | EA | HANDLE - KNOB - E-Z LIFT SHADE - TAN |
| 21 | 097564-05-000 | EA | HANDLE - KNOB - E-Z LIFT SHADE - TEAL |
| 21 | 097564-06-000 | EA | HANDLE - KNOB - E-Z LIFT SHADE - ALABASTER |
| 21 | 097564-07-000 | EA | HANDLE - KNOB - E-Z LIFT SHADE - SILVER |
| 21 | 000G68-06-12J | EA | SCREW 6-18X.75 POH BRASS |
| 22 | 029130-01-000 | EA | SCREW - SNAP SOCKET - #8 PH X 5/8" |
| 22 | 029130-03-000 | EA | SCREW - SNAP SOCKET - #8 PH X 1" |
| 23 | 029155-01-000 | EA | CAP - SNAP - 5/32" OUTSIDE DIAMETER OF PIN |
| 24 | 029156-01-000 | EA | SOCKET - SNAP - 9/16" O.D. |
| 24 | 029156-02-000 | EA | SOCKET - SNAP - 27/64" O.D. |
| 25 | 106544-01-000 | EA | PULL - SHADE/BRASS |
| | 106544-01-001 | EA | SCREW - SHADE/BRASS |
| 26 | 101033-08-000 | EA | TRACK - WALL - 75" |
| 26 | 101033-09-000 | EA | TRACK - WALL - 32" |
| 27 | 105648-01-02A | EA | BRACE - VALANCE - OFF/WHITE - 14" |
| 27 | 075943-10-000 | EA | BRACE - VALANCE - 20" |
| 28 | 083125-07-000 | EA | BRACE - WINDOW MOUNT - 2.5" - OFF WHITE |
| 28 | 083125-08-000 | EA | BRACE - WINDOW MOUNT - 3/4 - OFF WHITE |
| 29 | 127254-03-02A | EA | TRACK - CURTAIN/RIGHT HAND - ANTELOPE - F & G SERIES |
| 29 | 127254-03-03A | EA | TRACK - CURTAIN/RIGHT HAND - TITANIUM - F & G SERIES |
| 29 | 133236-01-02A | EA | TRACK - CURTAIN/RIGHT HAND - TITANIUM - P SERIES |
| 29 | 133236-01-01A | EA | TRACK - CURTAIN/RIGHT HAND - ANTELOPE - P SERIES |
| 29 | 127254-04-02A | EA | TRACK - CURTAIN/LEFT HAND - ANTELOPE - F & G SERIES |
| 29 | 127254-04-03A | EA | TRACK - CURTAIN/LEFT HAND - TITANIUM - F & G SERIES |
| 29 | 133235-01-02A | EA | TRACK - CURTAIN/LEFT HAND - ANTELOPE - P SERIES |
| 29 | 133235-01-01A | EA | TRACK - CURTAIN/LEFT HAND - ANTELOPE - P SERIES |
| 30 | 076827-02-000 | EA | BRACKET - LEG - 2.9" X 1.8" - TRIANGLE |
| 31 | 093475-01-701 | EA | CAP-END, WITH INVERTED STUD |
| 32 | 105450-14-01A | EA | TRACK - CURTAIN - 90" - OFF WHITE |
| 33 | 009700-04-002 | EA | TRACK - CURTAIN - L SHAPED - 15.5' - OFF WHITE |
| 33 | 118896-05-02A | EA | TRACK - CURTAIN - RIGHT HAND - HAMPTON TAN - Q-SERIES |
| 33 | 118897-04-02A | EA | TRACK - CURTAIN - RIGHT HAND - HAMPTON TAN - Q-SERIES |
| 33 | 126456-01-03A | EA | TRACK - CURTAIN - RIGHT HAND - TITANIUM - L-SERIES |
| 33 | 126456-02-03A | EA | TRACK - CURTAIN - LEFT HAND - TITANIUM - L-SERIES |
| 33 | 126456-03-02A | EA | TRACK - CURTAIN - RIGHT HAND - ANTELOPE - L-SERIES |
| 33 | 126456-04-02A | EA | TRACK - CURTAIN - LEFT HAND - ANTELOPE - L-SERIES |
| 34 | 093487-90-000 | EA | WAND - 30" - FRONT WRAP AROUND |
| 35 | 097591-01-000 | EA | SPRING - EXTENSION/PLEATED BLIND |
| 36 | 101031-01-000 | YD | TAPE - GLIDE/CURTAIN - 4.25" SPACING |
| 37 | 094907-06-000 | EA | HARDWARE - END CAP - E-Z LIFT - TOP |
| 38 | 089275-01-000 | FT | STRIP - 3/4" X 96" - CLEAR POLYETHYLENE |
| | 094908-03-000 | FT | HARDWARE - SEMI-RIDGED PVC - EZ LIFT |
| | 094908-04-000 | FT | STRAP - FLAT POLY VINYL |
| | 095567-01-000 | EA | TACK - STRIP - .5" X 625' ROLL |
| | 097593-02-000 | FT | CORD - BLIND - PLEATED - GRAY |
| | 097593-06-000 | FT | CORD - BLIND - PLEATED - PEWTER |
| | 097593-07-000 | FT | CORD - BLIND - PLEATED - PALE JADE |
| | 097593-10-000 | FT | CORD - BLIND - PLEATED - VANILLA |

CURTAIN & CUSHION GROUP (CONTINUED)
ACCESSORIES

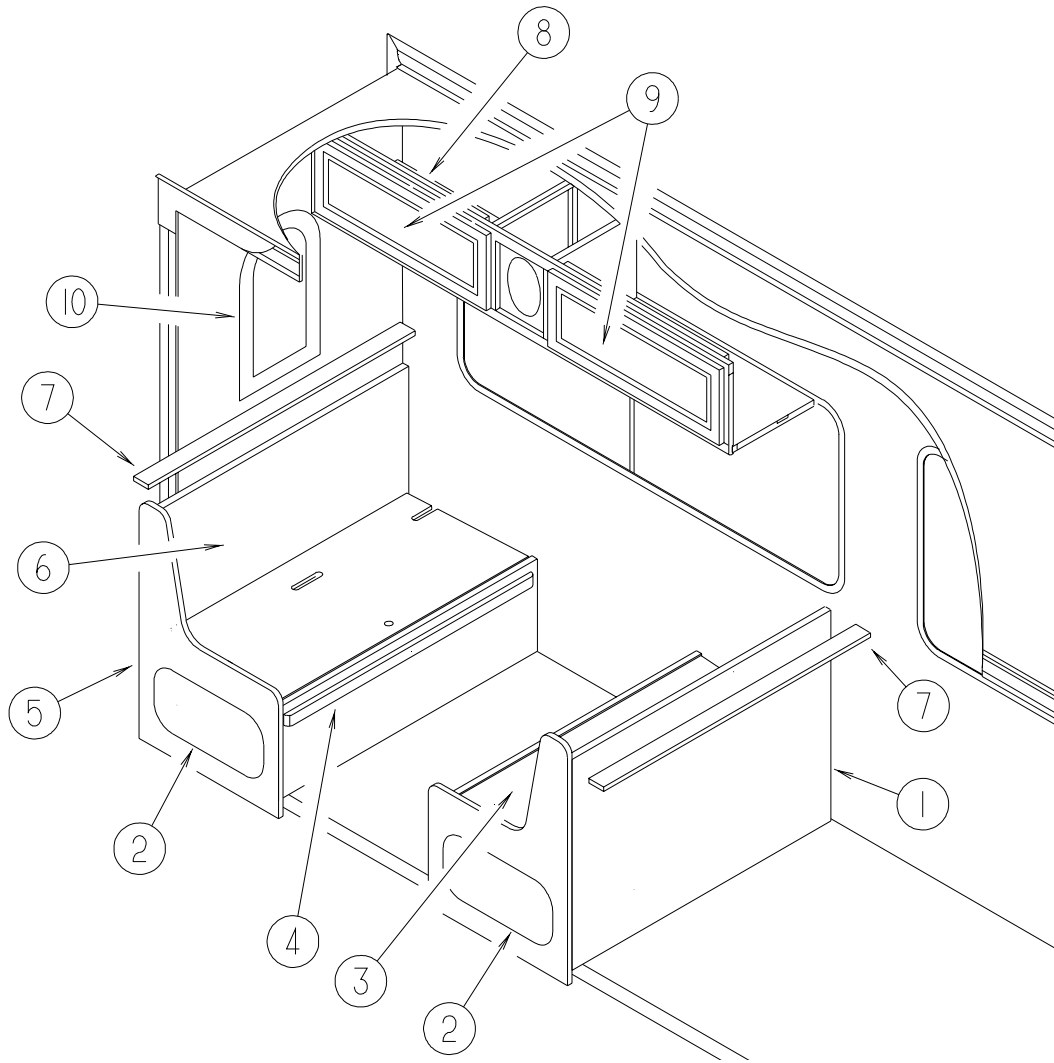
| KEY | PART NUMBER | U/M | DESCRIPTION |
|------------|--------------------|------------|---|
| | 007021-01-000 | EA | SEAT BELT - 2" X 90" - BLACK |
| | 057759-01-000 | EA | WASHER BRACKET - SEAT BELT - 4" DIAMETER |
| | 053552-02-K01 | EA | HANDLE - ASSIST - INTERIOR/ENTRY DOOR - VINYL/OFF WHITE |
| | 069178-02-000 | EA | BRACKET - MOUNTING/ASSIST HANDLE - GRAY |
| | 000C16-07-16B | EA | BOLT - CARRIAGE - ASSIST HANDLE - 7/16" - 14 X 1" |
| | 000D20-07-00B | EA | NUT - ACORN - ASSIST HANDLE - 7/16 - 14 |
| | 057534-06-000 | EA | TIEBACK/TIEDOWN - VINYL - 6" BEIGE |
| | 118337-04-L18 | EA | BUTTON - #60 - FABRIC COVERED (L04) |
| | 118337-04-L05 | EA | BUTTON - #60 - FABRIC COVERED (L05) |
| | 118337-04-L06 | EA | BUTTON - #60 - FABRIC COVERED (L06) |
| | 074494-02-000 | EA | BUTTON - RETAINING PIVOT - #60 |
| | 074494-03-000 | EA | BUTTON - SERRATED PIVOT - W/3/8 TACK |
| | 057759-01-000 | EA | WASHER - FLAT F/SEAT BELT - 4" DIAMETER |
| | 127960-01-01A | EA | RETAINER - 3/8" - STAINLESS STEEL |

CURTAIN & CUSHION GROUP (CONTINUED)
FABRICS

| Color Codes | L04 | L05 | L06 |
|----------------------------|--------------------------------|--------------------------------|--------------------------------|
| | MEADOWBROOK | BLUEBONNET | RIVERWALK |
| BUCKET SEATS | 108446-C5-000 | 108446-F7-000 | 108446-S6-000 |
| DINETTE CUSHIONS | 126883-03-000 | 126883-48-000 | 126883-04-000 |
| DINETTE PADS | 108446-C5-000 | 108446-F7-000 | 108446-S6-000 |
| SOFA | 126883-03-000 | 126883-48-000 | 126883-04-000 |
| SWIVEL CHAIR | 108446-S7-000 | 108446-F4-000 | 126883-53-000 |
| LOUNGE/DINETTE VALANCE/LEG | 126883-03-000 | 126883-48-000 | 126883-04-000 |
| LOUNGE/DINETTE OVERLAYS | 108446-C5-000 | 108446-F7-000 | 108446-S6-000 |
| BEDROOM VALANCE/LEG | 105745-L1-000 | 105745-M4-000 | 105745-G6-000 |
| BEDROOM UNDERLAYS | 105745-45-000 | 105745-64-000 | 105745-B5-000 |
| BEDSPREAD | 105745-L1-000 | 105745-M4-000 | 105745-G6-000 |
| PILLOW SHAMS | 105745-L1-000 105745-45-000 | 105745-M4-000 105745-64-000 | 105745-G6-000 105745-B5-000 |
| ENTRANCE DOOR VALANCE | 108446-C5-000 | 108446-F7-000 | 108446-S6-000 |
| BUNK CUSHIONS | 108446-S7-000 | 108446-F4-000 | 126883-53-000 |
| DIVIDER CURTAIN | 105745-45-000 105745-L1-000 | 105745-64-000 105745-M4-000 | 105745-B5-000 105745-G6-000 |
| WRAP AROUND | 105745-45-000 | 105745-64-000 | 105745-B5-000 |
| BUNK CURTAINS | 105745-G2-000 | 105745-65-000 | 105745-G6-000 |
| BUNK/PRIVACY CURTAINS | 105745-45-000 | 105745-64-000 | 105745-B5-000 |
| DRAPERY LINING | 087272-03-000 | 087272-03-000 | 087272-03-000 |
| TIRE COVER | 103907-05-000 | 103907-05-000 | 103907-05-000 |
| HEADLINER | 103907-01-06A | 103907-01-06A | 103907-01-06A |
| CEILING | 113979-09-01A | 113979-09-01A | 113979-09-01A |
| VINYL | 103907-01-01A | 103907-01-01A | 103907-01-01A |

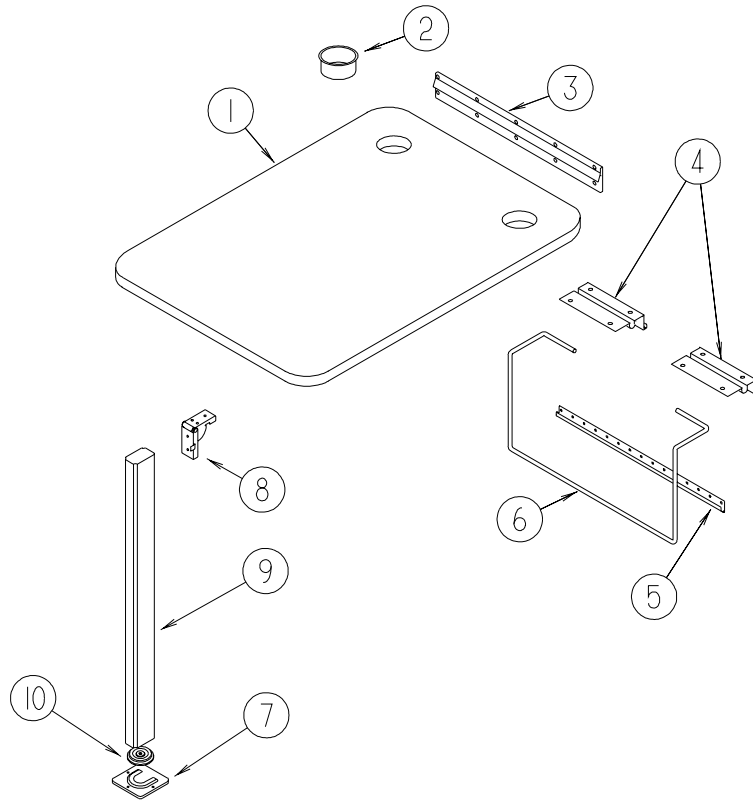
NOTE: FABRIC LISTED FIRST IN A BLOCK IS THE LARGEST QUANTITY OF FABRIC USED

DINETTE GROUP CABINETS



| KEY | PART NUMBER | U/M | DESCRIPTION |
|-----|---------------|-----|---|
| 1 | M08123-25-K01 | EA | CABINET - SEATBACK/RIGHT HAND - W/O HARDWARE |
| 2 | 131995-G4-L01 | EA | DOOR - RAIL/SOLID PANEL - 10" X 19.1" - W/O HARDWARE |
| 3 | M08122-28-K01 | EA | CABINET - SEATBASE/RIGHT HAND - W/O DOOR/DRAWER/HDW |
| | 122021-01-02A | EA | ANGLE - W/HOLES - 8.6" LONG - OFF WHITE |
| 4 | 081295-04-G04 | EA | SUPPORT - BED/DINETTE - 40" LONG |
| 5 | M08122-29-K01 | EA | CABINET - SEATBASE/LEFT HAND - W/O DOOR/DRAWER/HDW |
| 6 | M08123-26-L01 | EA | CABINET - SEATBACK/LEFT HAND - W/O HARDWARE |
| 7 | 111338-11-K03 | EA | PAD - DINETTE SEATBACK (L04) |
| 7 | 111338-11-J03 | EA | PAD - DINETTE SEATBACK (L05) |
| 7 | 111338-11-L06 | EA | PAD - DINETTE SEATBACK (L06) |
| 8 | 127841-01-K03 | EA | CABINET - OVERHEAD/FRONT/DINETTE - W/O DOORS/HARDWARE (L04) |
| 8 | 127841-01-J03 | EA | CABINET - OVERHEAD/FRONT/DINETTE - W/O DOORS/HARDWARE (L05) |
| 8 | 127841-01-J04 | EA | CABINET - OVERHEAD/FRONT/DINETTE - W/O DOORS/HARDWARE (L06) |
| 9 | 132141-20-L15 | EA | DOOR - RAIL/VENEER - 10.8" X 27.9" - W/O HARDWARE |
| 10 | 131494-05-01A | EA | MIRROR - ARCHED W/BEVELED DIAMOND - 20" X 30" |

DINETTE GROUP (CONTINUED)
TABLE

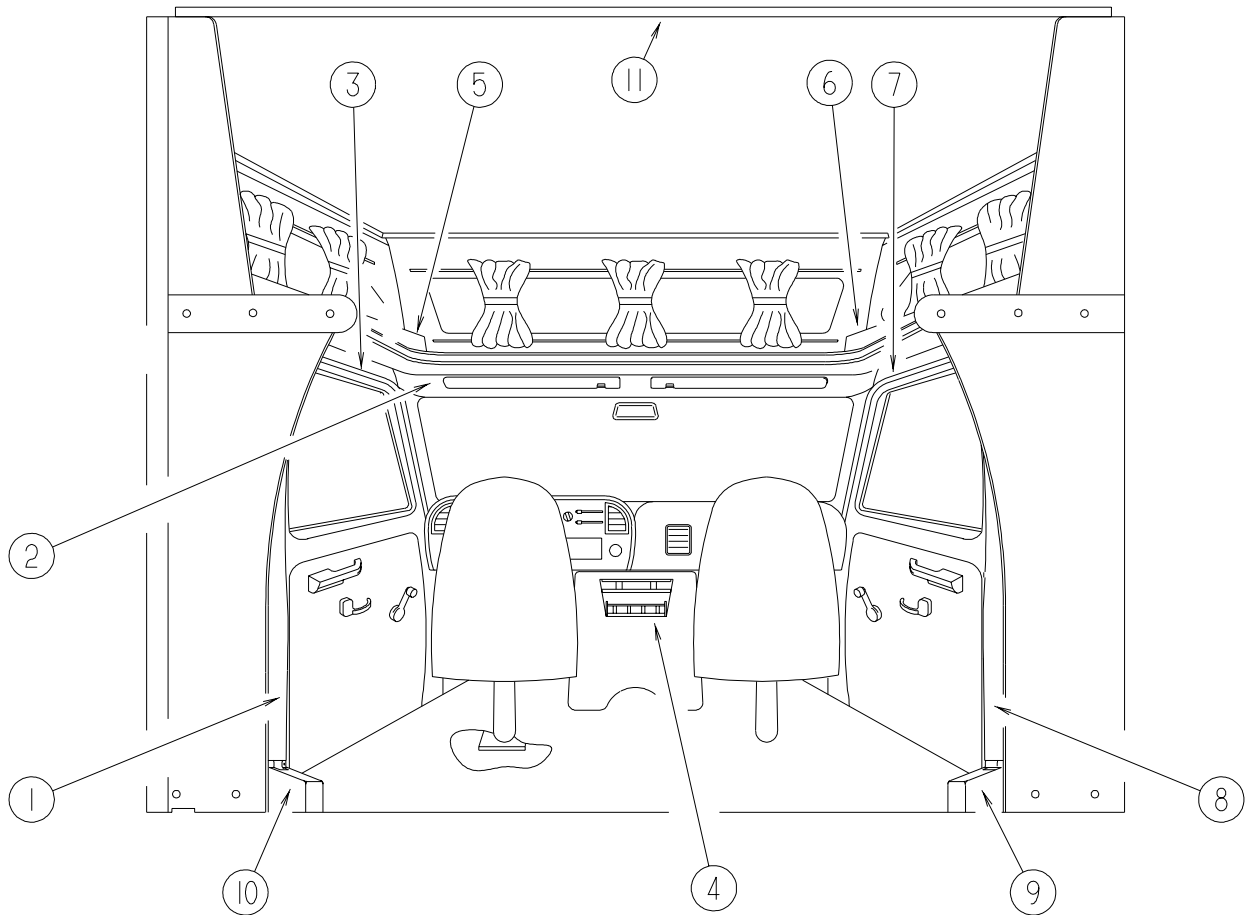


| KEY | PART NUMBER | U/M | DESCRIPTION |
|-----|---------------|-----|---|
| 1 | 132034-02-L01 | EA | TABLE TOP ONLY - 41.6" X 25" (L04) |
| 1 | 132034-02-L02 | EA | TABLE TOP ONLY - 41.6" X 25" (L05) |
| 1 | 132034-02-L06 | EA | TABLE TOP ONLY - 41.6" X 25" (L06) |
| 2 | 064781-06-000 | EA | HOLDER - CUP - TWO STEP - OFF WHITE |
| 3 | 053200-13-000 | EA | SUPPORT - TABLE - 18.5" |
| 4 | 088410-02-000 | EA | BRACKET - LIFT - TABLE MOUNTED |
| 5 | 024281-15-000 | EA | BRACKET/TABLE - LIFT ROD/LOWER WALL MOUNTED - 17.1" |
| 6 | 024275-13-000 | EA | ROD - TABLE LIFT - OFF/WHITE |
| 7 | 049493-12-000 | EA | CATCH - TABLE LEG/FLOOR MOUNTED - OFF WHITE |
| 8 | 093550-01-000 | EA | BRACKET - HINGE - MOUNTS TO LEG & TABLE TOP - 1.7" X 2.6" |
| 9 | 092707-04-05A | EA | LEG - TABLE - W/O HARDWARE - 27" - WATERFORD OAK |
| 10 | 092593-01-05A | EA | CATCH - TABLE LEG - OFF/WHITE |

DRIVERS COMPARTMENT GROUP
INSTRUMENT PANEL

| KEY | PART NUMBER | U/M | DESCRIPTION |
|------------|--------------------|------------|---|
| | 094795-09-000 | EA | CLUSTER - INSTRUMENT PANEL - KILOMETERS - GAS/DIESEL-FORD |
| | 111414-01-000 | EA | RECEPTACLE - 12V - W/O BIMETAL |
| | 100138-01-000 | EA | MODULE - DAYTIME/RUNNING LIGHT |
| | 108357-09-000 | EA | SWITCH - ROCKER SPDT - ON/NONE/MOM - 3 TERMINAL - AUX START |
| | 108356-07-01A | EA | COVER/ACTUATOR SWITCH - 2 ROWS DIMPLES - AUX START - BLACK |
| | 081994-07-000 | EA | PLATE - SWITCH - AUX. START |

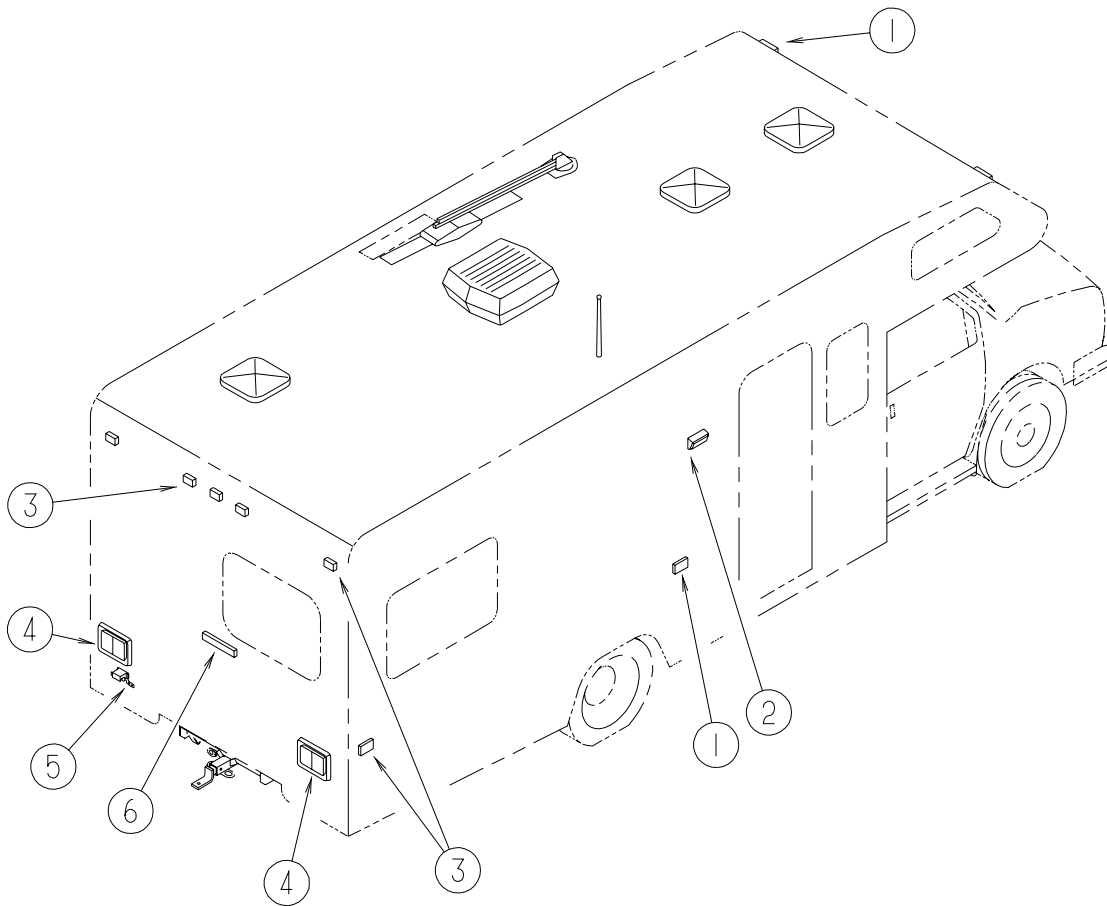
DRIVERS COMPARTMENT GROUP (CONTINUED)
FRONT INTERIOR



| KEY | PART NUMBER | U/M | DESCRIPTION |
|-----|---------------|-----|---|
| 1 | 125031-02-H04 | EA | TRIM - CAB - B-PILLAR - DRIVER SIDE |
| 2 | 106448-01-H04 | EA | HEADLINER - W/VINYL |
| 3 | 106447-04-H04 | EA | TRIM - CAB DOOR - UPPER/LEFT HAND |
| 4 | 125291-02-01A | EA | TRAY/BEVERAGE - F/DELUXE MOTOR COVER - 1999 CHASSIS |
| 4 | 134093-01-01A | EA | CONSOLE-FORD,MODIFIED - 2000 CHASSIS |
| | 133834-01-01A | EA | TRAY - BEVERAGE - 2 HOLE/INSERT MOTOR COVER - WATERFORD |
| | 133831-01-01A | EA | HOLDER - CUP W/THREE CENTERLINE RUBBER FINGERS |
| 5 | 109894-01-L01 | EA | CABINET - HAMPER - DRIVER/FRONT (L04) |
| 5 | 109894-01-L02 | EA | CABINET - HAMPER - DRIVER/FRONT (L05) |
| 5 | 109894-01-L06 | EA | CABINET - HAMPER - DRIVER/FRONT (L06) |
| 6 | 109894-03-L01 | EA | CABINET - HAMPER - PASSENGER/FRONT (L04) |
| 6 | 109894-03-L02 | EA | CABINET - HAMPER - PASSENGER/FRONT (L05) |
| 6 | 109894-03-L06 | EA | CABINET - HAMPER - PASSENGER/FRONT (L06) |
| 7 | 106447-03-H04 | EA | TRIM - CAB DOOR - UPPER/RIGHT HAND |
| 8 | 125031-01-H04 | EA | TRIM - CAB - B-PILLAR - PASSENGER SIDE |
| 9 | 106431-01-02A | EA | COVER - SEATBELT RECOIL - PASSENGER SIDE - VW GRAY |
| 10 | 106431-02-02A | EA | COVER - SEATBELT RECOIL - DRIVER SIDE - VW GRAY |
| 11 | 131666-02-01A | EA | TRIM - FRONT ROOF SECTION |
| 11 | 082111-02-000 | EA | COVER-ROOF BREAK,OFF WHT |
| * | 106025-02-01A | EA | LADDER - BUNK - 52" |
| | 125780-03-000 | EA | MAT - FLOOR - FRONT PASSENGER - "1" - FORD |
| | 125780-04-000 | EA | MAT - FLOOR - FRONT DRIVER - "1" - FORD |

***COMPONENT PARTS FOUND IN SERVICE PARTS LIBRARY**

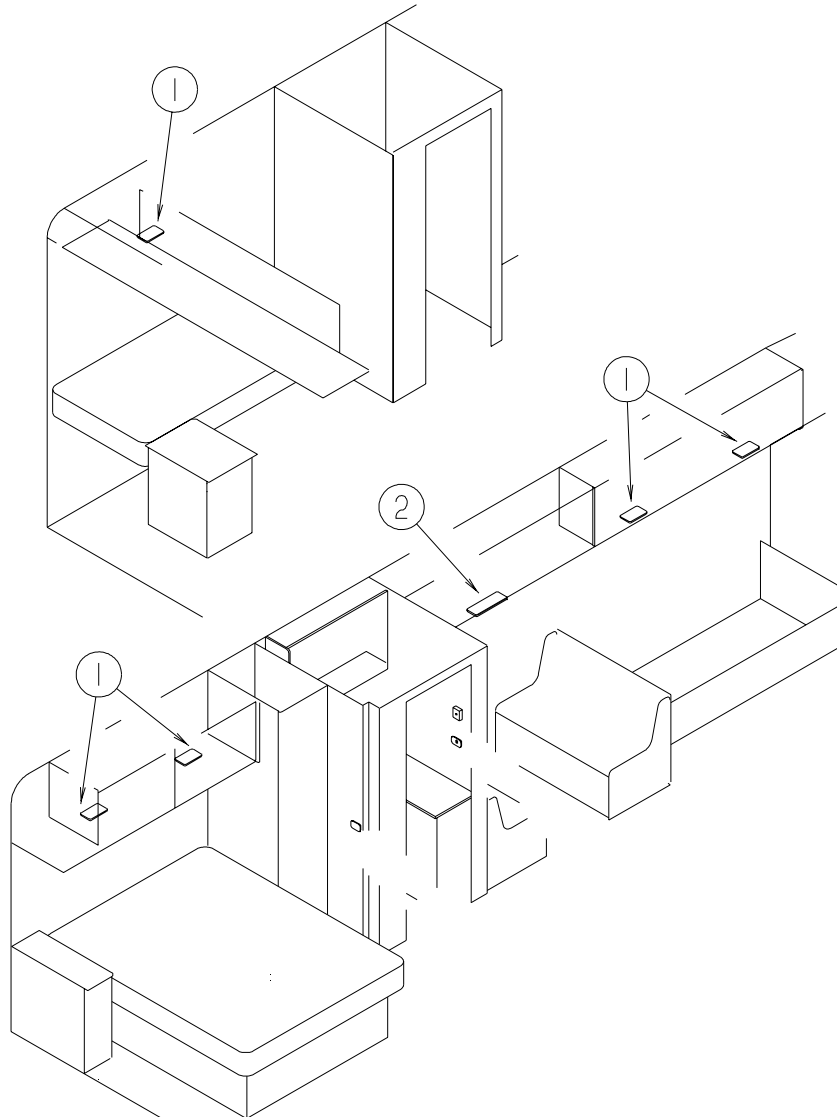
ELECTRICAL GROUP LIGHTS



| KEY | PART NUMBER | U/M | DESCRIPTION |
|-----|-----------------|-----|---|
| 1 | 111102-02-000 | EA | LENS - AMBER - MARKER LAMP |
| | 111102-01-000 | EA | BASE - MARKER LAMP |
| | 036196-01-000 | EA | BULB - 12V - #194 - .27 AMP - BAYONETTE |
| 2* | 097917-01-06A | EA | LIGHT - PORCH - BRIGHT WHITE |
| | 008215-01-000 | EA | BULB - 12 VOLT - #1003 - .94 AMP |
| 2* | 008089-02-000 | EA | LIGHT - PORCH - RECESSED - CANADIAN |
| | 008214-01-000 | EA | BULB - 12 VOLT - #67 - .59 AMP |
| 3 | 111102-03-000 | EA | LENS - RED - MARKER LAMP |
| | 111102-01-000 | EA | BASE - MARKER LAMP |
| | 036196-01-000 | EA | BULB - 12V - #194 - .27 AMP - BAYONETTE |
| 4 | 103355-02-01A | EA | POD - TAIL LIGHT - BRIGHT WHITE |
| | * 081638-01-000 | EA | TAILLIGHT/DOUBLE W/BLACK TRIM - DRIVER/PASSENGER SIDE |
| | 037934-01-000 | EA | BULB - 12V - #1156 - 2.1 AMP CLEAR GLASS |
| | 037935-01-000 | EA | BULB - 12V - #1157 OR #2057 - 2.1 AMP - CLEAR GLASS |
| 5 | 066432-02-000 | EA | LIGHT - LICENSE - BLACK |
| | 066432-03-000 | EA | BRACKET - LICENSE PLATE |
| 6 | 121950-01-000 | EA | LIGHT - BRAKE - CENTER MOUNT |

*COMPONENT PARTS FOUND IN SERVICE PARTS LIBRARY

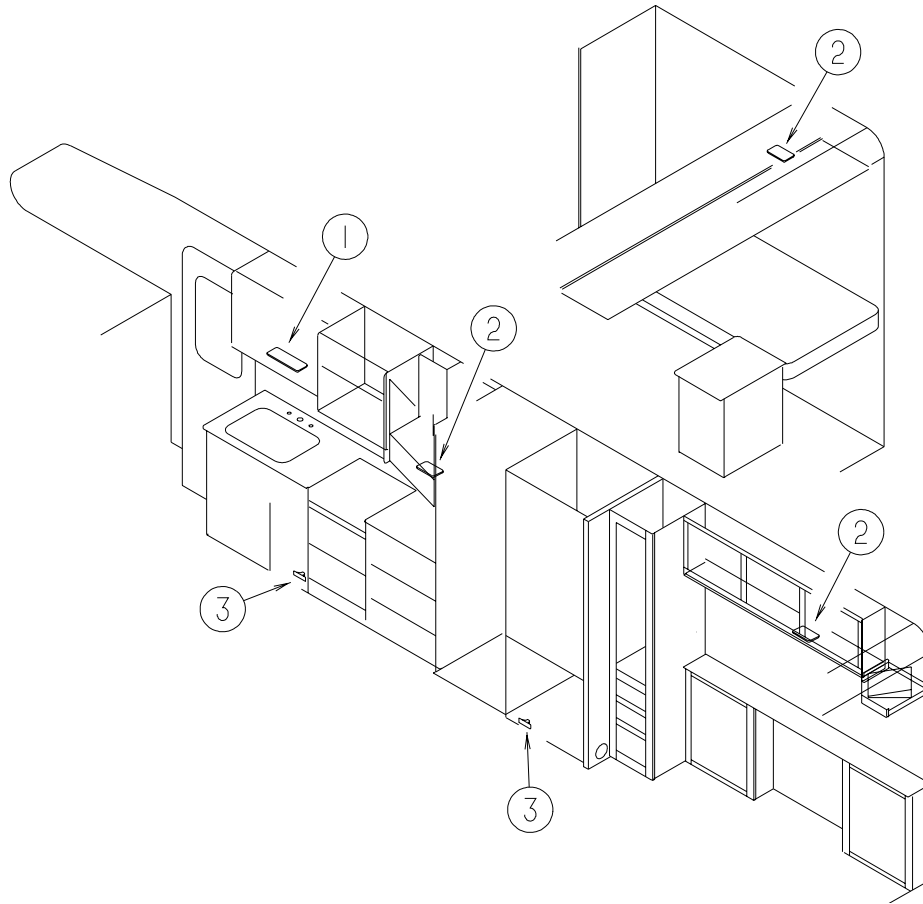
ELECTRICAL GROUP (CONTINUED)
LIGHTS (CONTINUED)



| KEY | PART NUMBER | U/M | DESCRIPTION |
|-----|---------------|-----|--|
| 1* | 098024-05-02A | EA | LIGHT - DOME - 1 BULB - SKYLITE/OPTI CLEAR |
| | 008218-01-000 | EA | BULB - 12 VOLT - #1141 - 1.44 AMP |
| 2* | 098024-06-02A | EA | LIGHT - DOME - 2 BULB - SKYLITE/OPTI CLEAR |
| | 008218-01-000 | EA | BULB - 12 VOLT - #1141 - 1.44 AMP |

***COMPONENT PARTS FOUND IN SERVICE PARTS LIBRARY**

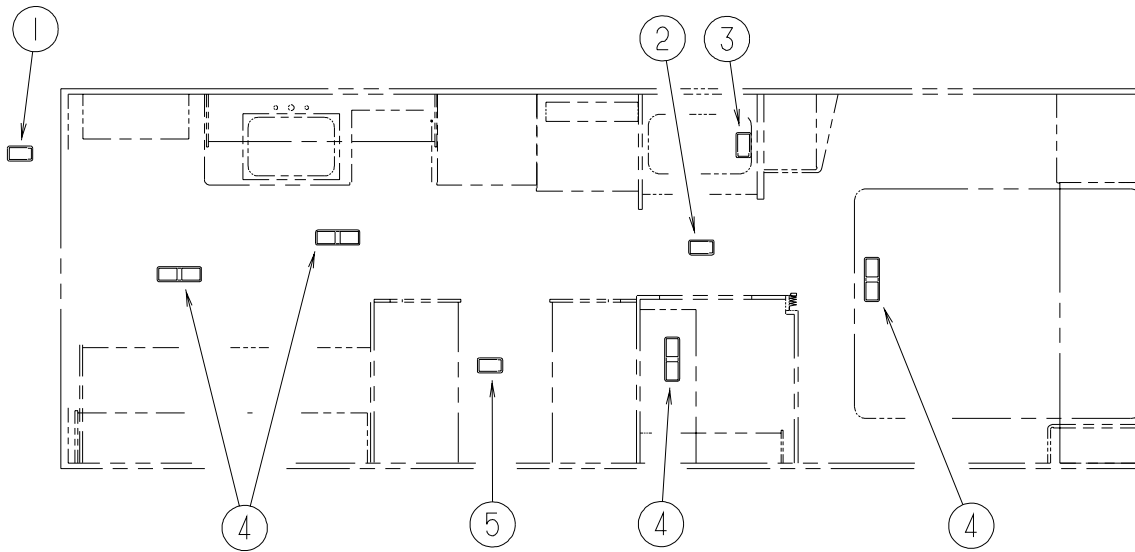
ELECTRICAL GROUP (CONTINUED)
LIGHTS (CONTINUED)



| KEY | PART NUMBER | U/M | DESCRIPTION |
|-----|---------------|-----|--|
| 1* | 098024-06-02A | EA | LIGHT - DOME - 2 BULB - SKYLITE/OPTI CLEAR |
| | 008218-01-000 | EA | BULB - 12 VOLT - #1141 - 1.44 AMP |
| 2* | 098024-05-02A | EA | LIGHT - DOME - 1 BULB - SKYLITE/OPTI CLEAR |
| | 008218-01-000 | EA | BULB - 12 VOLT - #1141 - 1.44 AMP |
| 3 | 061424-01-000 | EA | LIGHT - AISLE - 12 VOLT - RECTANGULAR |

***COMPONENT PARTS FOUND IN SERVICE PARTS LIBRARY**

ELECTRICAL GROUP (CONTINUED)
LIGHTS (CONTINUED)



| KEY | PART NUMBER | U/M | DESCRIPTION |
|-----|---------------|-----|--|
| 1* | 098024-05-02A | EA | LIGHT - DOME - 1 BULB - SKYLITE/OPTI CLEAR |
| | 008218-01-000 | EA | BULB - 12 VOLT - #1141 - 1.44 AMP |
| 2* | 098024-01-03A | EA | LIGHT - DOME - 1 BULB - WHITE |
| | 008218-01-000 | EA | BULB - 12 VOLT - #1141 - 1.44 AMP |
| 3* | 121935-01-01A | EA | LIGHT - DOME - SHOWER |
| 4* | 098024-08-02A | EA | LIGHT - DOME W/O SWITCH - 2 BULB |
| 5* | 098024-07-02A | EA | LIGHT - DOME W/O SWITCH - 1 BULB |

*COMPONENT PARTS FOUND IN SERVICE PARTS LIBRARY

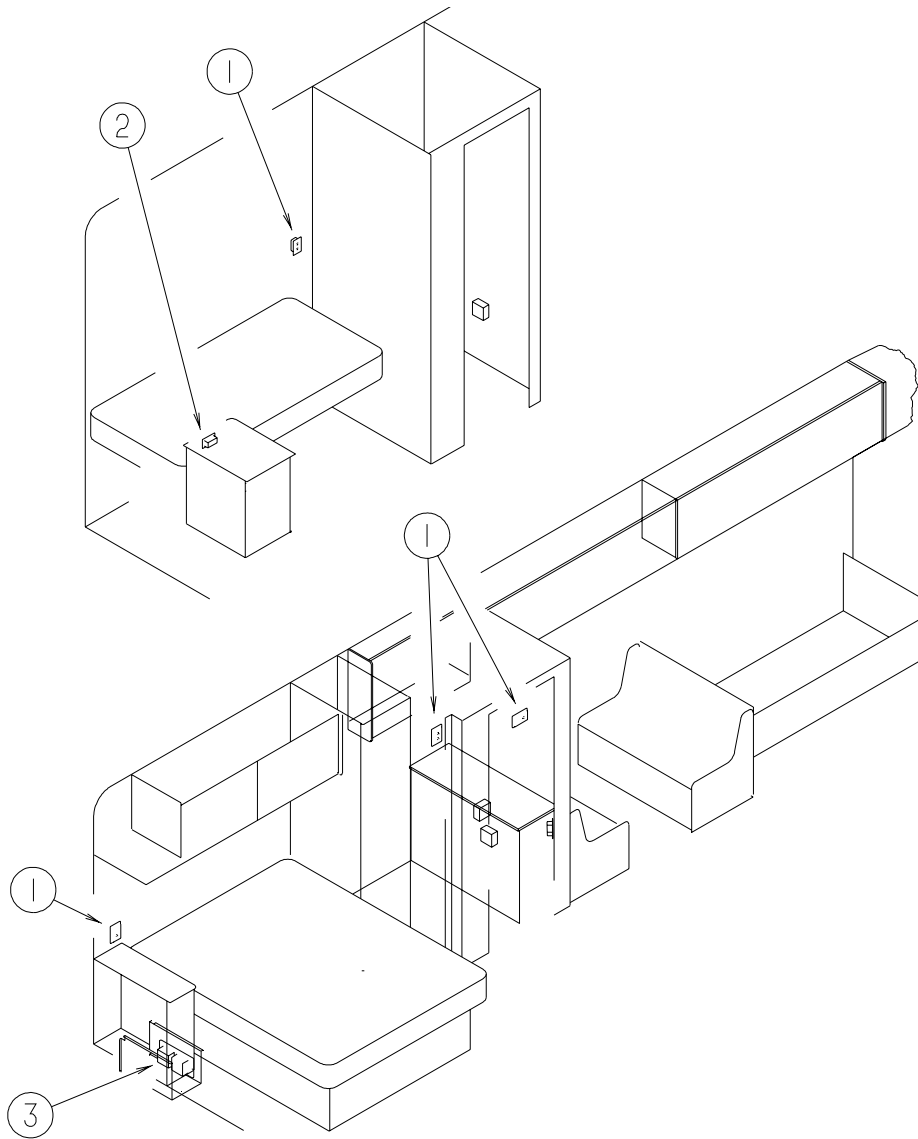
CIRCUIT BREAKERS & FUSES

| KEY | PART NUMBER | U/M | DESCRIPTION |
|-----|---------------|-----|--|
| | 008235-01-000 | EA | FUSE - 15 AMP/12VOLT - AUTOMOTIVE |
| | 062901-02-000 | EA | FUSE - 5 AMP - AUTOMOTIVE |
| | 062901-05-000 | EA | FUSE - 15 AMP - AUTOMOTIVE |
| | 083209-02-000 | EA | CIRCUIT BREAKER - 15/15 AMP - 120 VOLT |
| | 083209-03-000 | EA | CIRCUIT BREAKER - 15/20 AMP - 120 VOLT |
| | 083209-04-000 | EA | CIRCUIT BREAKER - 30 AMP - 120 VOLT |
| | 083209-06-000 | EA | CIRCUIT BREAKER - 30/15 AMP - 120 VOLT |
| | 093654-01-000 | EA | CIRCUIT BREAKER - 6 AMP - 12 VOLT |
| | 093654-03-000 | EA | CIRCUIT BREAKER - 20 AMP - 12 VOLT |
| | 093655-01-000 | EA | CIRCUIT BREAKER - 25 AMP - 12 VOLT |
| | 093655-02-000 | EA | CIRCUIT BREAKER - 30 AMP - 12 VOLT |
| | 100341-01-000 | EA | FUSE HOLDER - IN LINE TYPE |

CONVERTER, INVERTER & CONTROL

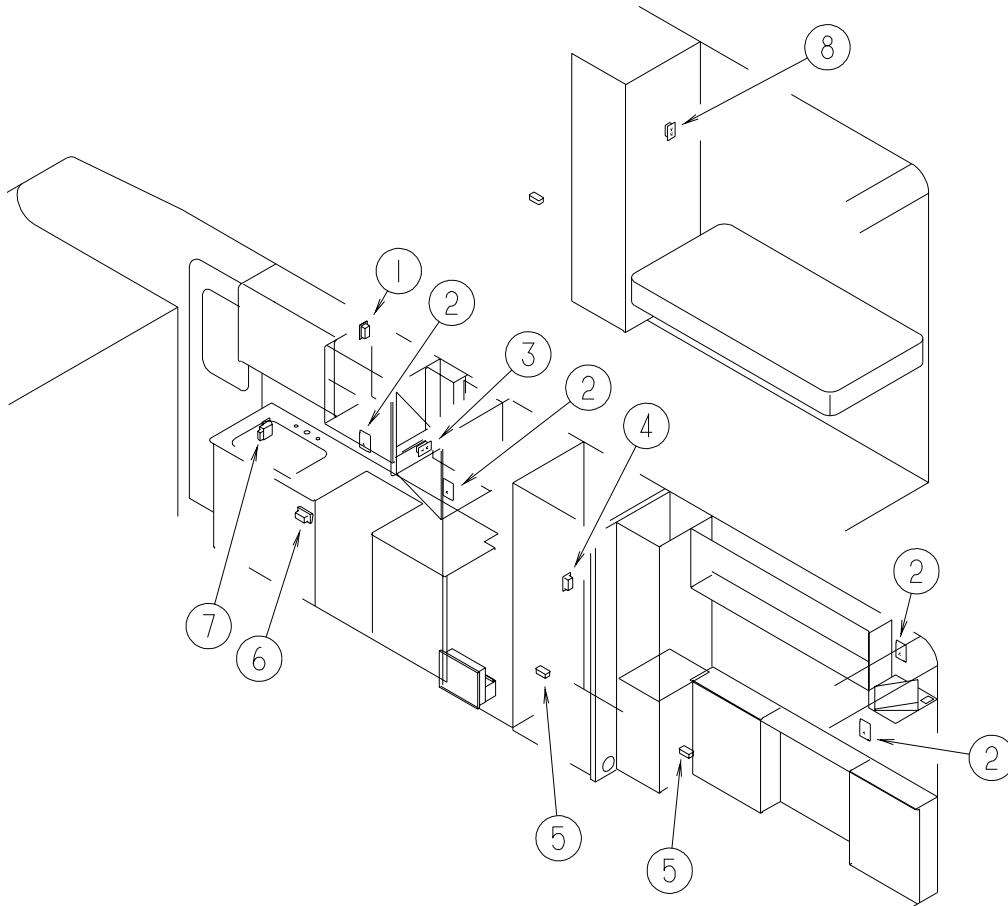
| KEY | PART NUMBER | U/M | DESCRIPTION |
|-----|---------------|-----|---|
| | 083208-02-000 | EA | CONTROL CENTER - 45 AMP - 120/12V - W/O BREAKERS |
| | 083208-06-000 | EA | CONTROL CENTER - 45 AMP - 120V/12V - W/O BREAKERS |
| | 099048-03-000 | EA | INVERTER - 130 WATT |
| | 113132-01-000 | EA | LOAD CENTER - 120/240 VOLT - 60 AMP |

ELECTRICAL GROUP (CONTINUED)
RECEPTACLES



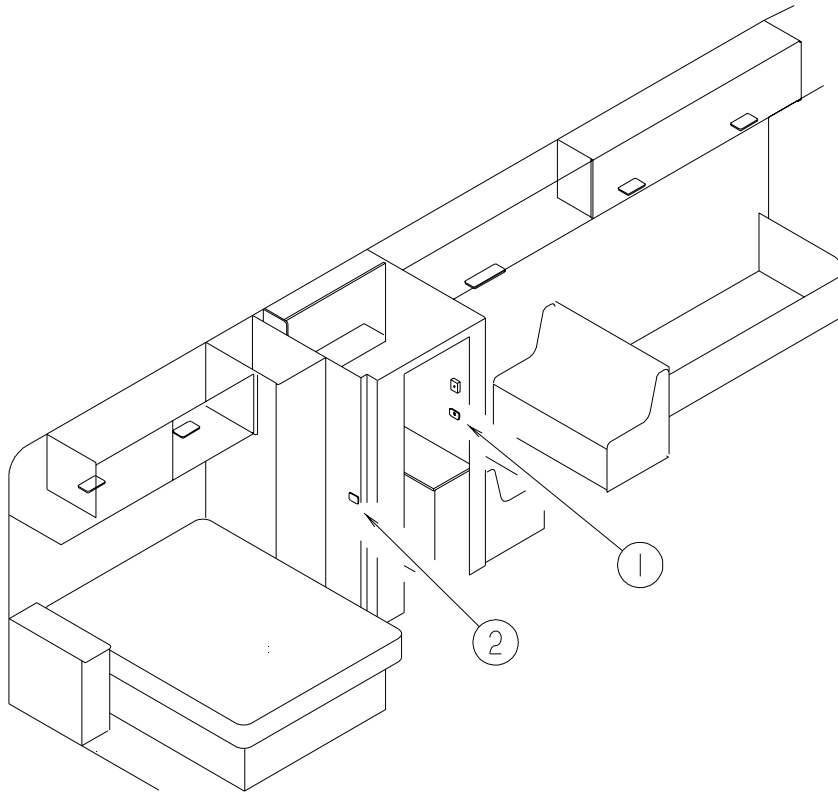
| KEY | PART NUMBER | U/M | DESCRIPTION |
|-----|---------------|-----|---|
| 1 | 058708-02-000 | EA | RECEPTACLE - ELECTRIC - DOUBLE - IVORY |
| | 133713-01-01A | EA | SPACER - RECEPTACLE - WATERFORD OAK |
| 2 | 058708-01-000 | EA | RECEPTACLE - ELECTRIC - DOUBLE - BROWN |
| 3 | 024924-02-000 | EA | RECEPTACLE - POWER CORD - W/PARTIAL PLATE |

ELECTRICAL GROUP (CONTINUED)
RECEPTACLES (CONTINUED)



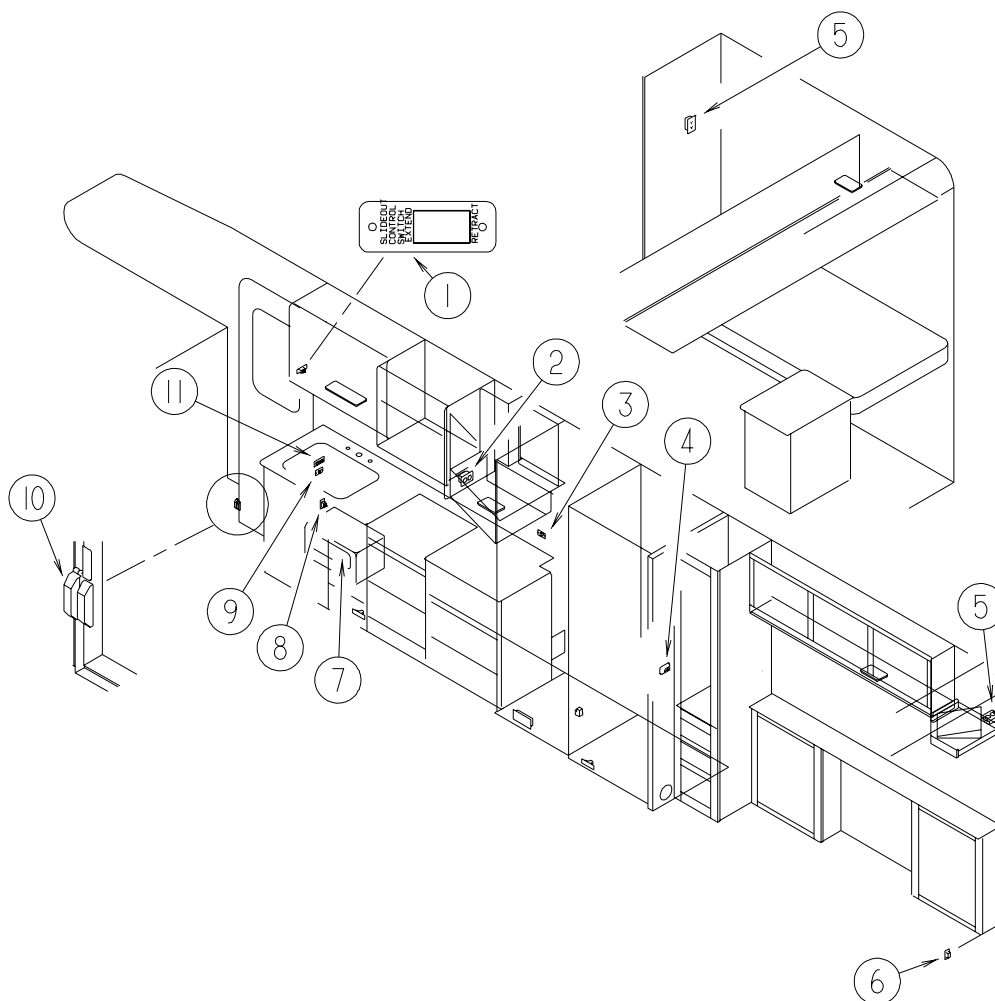
| KEY | PART NUMBER | U/M | DESCRIPTION |
|-----|---------------|-----|--|
| 1 | 058708-05-000 | EA | RECEPTACLE - ELECTRIC - SINGLE - BROWN |
| 2 | 058708-02-000 | EA | RECEPTACLE - ELECTRIC - DOUBLE - IVORY |
| | 133713-01-01A | EA | SPACER - RECEPTACLE - WATERFORD OAK |
| 3 | 058708-01-000 | EA | RECEPTACLE - ELECTRIC - DOUBLE - BROWN |
| 4 | 058707-01-000 | EA | RECEPTACLE - ELECTRIC - SINGLE - BROWN |
| 5 | 058707-02-000 | EA | RECEPTACLE - BLANK - JUNCTION BOX |
| 6 | 131826-01-01A | EA | RECEPTACLE - EXTERIOR - W/COVER/GASKET - WHITE |
| 7 | 084076-02-000 | EA | RECEPTACLE - GFI - 15 AMP/125 VOLT - BROWN - W/COVER |
| 7 | 084077-02-000 | EA | PLATE - COVER - RECEPTACLE - GFI - BROWN |
| 8 | 058708-02-000 | EA | RECEPTACLE - ELECTRIC - DOUBLE - IVORY |

ELECTRICAL GROUP (CONTINUED)
SWITCHES



| KEY | PART NUMBER | U/M | DESCRIPTION |
|-----|---------------|-----|--|
| 1 | 132180-01-01A | EA | SWITCH - PADDLE - SPST - ON/OFF - BLACK |
| 1 | 095188-01-01A | EA | SPACER - SWITCH - 2.3" X 3.4" - PLASTIC - DARK BROWN |
| 1 | 098351-01-01A | EA | PLATE/SWITCH - 1 GANG - POLISHED BRASS - W/O LABEL |
| 2 | 132180-01-01A | EA | SWITCH - PADDLE - SPST - ON/OFF - BLACK |
| 2 | 095188-01-01A | EA | SPACER - SWITCH - 2.3" X 3.4" - PLASTIC - DARK BROWN |
| 2 | 132180-02-01A | EA | SWITCH - PADDLE - SPDT - ON/OFF - BLACK |

ELECTRICAL GROUP (CONTINUED)
SWITCHES (CONTINUED)



| KEY | PART NUMBER | U/M | DESCRIPTION |
|-----|---------------|-----|--|
| 1 | 108357-06-000 | EA | SWITCH - ROCKER DPDT - MOM/OFF/MOM - 6 TERMINAL |
| 1 | 081994-10-000 | EA | PLATE/SWITCH - SLIDEOUT |
| 1 | 108356-02-01A | EA | COVER/ACTUATOR SWITCH - 2 ROWS DIMPLES- CONTURA II - BLACK |
| 2 | 086777-02-000 | EA | WALLPLATE - TV CABLE - ANTENNA SWITCH - BROWN |
| 2 | 086777-04-000 | EA | WALLPLATE - ANTENNA/POWER - BROWN |
| 3 | 079364-08-000 | EA | SWITCH - ON/OFF LIGHTED - GREEN |
| 3 | 098351-01-01A | EA | PLATE/SWITCH - 1 GANG - POLISHED BRASS - W/O LABEL |
| 4 | 132180-01-01A | EA | SWITCH - PADDLE - SPST - ON/OFF - BLACK |
| 4 | 132180-02-01A | EA | SWITCH - PADDLE - SPDT - ON/OFF - BLACK |
| 4 | 098351-02-01A | EA | PLATE/SWITCH - 2 GANG - POLISHED BRASS - W/O LABEL |
| 5 | 076319-08-000 | EA | WALLPLATE - CABLE RECEPTACLE - TV - SINGLE - IVORY |
| 6 | 108357-08-000 | EA | SWITCH - ROCKER DPDT - ON/NONE/ON - 6 TERMINAL |
| 6 | 108356-02-01A | EA | COVER/ACTUATOR SWITCH - 2 ROWS DIMPLES- CONTURA II - BLACK |
| 7 | 076319-09-000 | EA | WALLPLATE - CABLE RECEPTACLE - TV - SINGLE - BROWN |
| 8 | 108357-06-000 | EA | SWITCH - ROCKER DPDT - MOM/OFF/MOM - 6 TERMINAL |
| 8 | 098351-07-01A | EA | PLATE/SWITCH - 1 GANG - POLISHED BRASS - GENERATOR |
| 8 | 108356-11-01A | EA | COVER/ACTUATOR SWITCH - 3 GROOVES - AUX BATT - BLACK |
| 9 | 132180-01-01A | EA | SWITCH - PADDLE - SPST - ON/OFF - BLACK |
| 9 | 098351-10-01A | EA | PLATE/SWITCH - 1 GANG - POLISHED BRASS - STEP |
| 10 | 116995-02-000 | EA | SWITCH/MAGNET - ELECTRIC STEP - BLACK/WHITE-CLOSED CIRCUIT |
| 11 | 132180-01-01A | EA | SWITCH - PADDLE - SPST - ON/OFF - BLACK |
| 11 | 132180-02-01A | EA | SWITCH - PADDLE - SPDT - ON/OFF - BLACK |
| 11 | 098351-03-01A | EA | PLATE/SWITCH - 3 GANG - POLISHED BRASS - W/O LABEL |

ELECTRICAL GROUP (CONTINUED)

BOXES & CORDS

| KEY | PART NUMBER | U/M | DESCRIPTION |
|-----|---------------|-----|--|
| | 008289-01-000 | EA | BOX - ELECTRIC/STEEL - 1/2" & 3/4" KNOCKOUTS - 4" X 4" |
| | 008289-02-000 | EA | BOX - ELECTRIC/STEEL - 1/2" & 3/4" KNOCKOUTS - 4" X 4"-CAN |
| | 008294-01-000 | EA | COVER - ELECTRICAL BOX - BLANK/STEEL - 4" X 4" - GRAY |
| | 008294-02-000 | EA | COVER - ELECTRICAL BOX - BLANK STEEL - 4" X 4" - CANADIAN |
| | 069238-01-000 | EA | COVER - ELECTRICAL BOX - W/HOLE - 4" X 4" - GRAY |
| | 091910-01-000 | EA | BOX - ELECTRIC - 3.8" X 3.5" X 1.8" - PLASTIC |
| | 091910-02-000 | EA | BOX - ELECTRIC - 2.2" X 3.5" X 1.8" - PLASTIC |
| | 107165-01-01A | EA | BOX - CIRCUIT BREAKER - 14.6" X 4" - PLASTIC |

WIRE ASSEMBLIES

| KEY | PART NUMBER | U/M | DESCRIPTION |
|-----|---------------|-----|---|
| | 073328-B4-000 | EA | CABLE ASSEMBLY - BATTERY - W/TERMINALS |
| | 096449-01-000 | EA | WIRE ASSEMBLY - WATER TANK TO MONITOR PANEL |
| | 106851-01-000 | EA | WIRE ASSEMBLY - RUNNING LIGHTS - FUSE |
| | 116894-01-000 | EA | WIRE ASSEMBLY - SPEED SENSOR EXTENDED |
| | 125853-01-000 | EA | WIRE ASSEMBLY - ENTERTAINMENT CENTER |
| | 134550-01-000 | EA | WIRE ASSEMBLY - HEATER/RELAY |

CONNECTORS & CONDUIT

| KEY | PART NUMBER | U/M | DESCRIPTION |
|-----|---------------|-----|--|
| | 007942-01-000 | EA | TAB - WIRE 10 TO 14 AWG |
| | 007956-05-000 | EA | INSULATOR - SHRINK - .25 ID X 1.50 |
| | 008058-01-000 | EA | ADAPTER-POWER CORD, 30 AMP TO 15 AMP |
| | 008311-01-000 | EA | CONNECTOR - WIRE NUT - INSULATED - RED |
| | 008313-01-000 | EA | CONNECTOR - WIRE NUT - INSULATED - YELLOW |
| | 008314-01-000 | EA | CONNECTOR - WIRE NUT - INSULATED - GRAY |
| | 008326-01-000 | EA | TERMINAL - RING - 16/14 WIRE - 3/8" STUD |
| | 008328-01-000 | EA | TERMINAL - RING - 12/10 WIRE - #10 STUD FIT |
| | 008331-01-000 | EA | TERMINAL - RING - TONGUE - #4 WIRE - 3/8" STUD - COPPER |
| | 008348-01-000 | EA | TERMINAL - RING - 3/8" STUD 2 GA. WIRE |
| | 008355-01-000 | EA | CONNECTOR - CABLE CLAMPING - 3/4" |
| | 008356-01-000 | EA | CONNECTOR - PLASTIC - 3/8" AVG |
| | 008356-02-000 | EA | CONNECTOR - PLASTIC - 21/32 |
| | 035416-04-000 | EA | TERMINAL - RING - #10 STUD FIT - INSULATED BARREL #16/14 |
| | 041480-01-000 | EA | CONNECTOR - STRAIGHT - 1/2" FLEX CONDUIT |
| | 041953-01-000 | FT | CONDUIT - CONVOLUTE SLIT - .5" ID - POLYETHYLENE |
| | 041953-03-000 | FT | CONDUIT - CONVOLUTE SLIT - 1" ID (CLOTHES ROD COVER) |
| | 041953-05-000 | FT | CONDUIT - CONVOLUTE SOLID - .62" ID - POLYETHYLENE |
| | 041953-06-000 | FT | CONDUIT - CONVOLUTE SLIT - .375" ID - POLYETHYLENE |
| | 041953-07-000 | FT | CONDUIT - CONVOLUTE SLIT - .25" ID - POLYETHYLENE |
| | 041953-08-000 | FT | CONDUIT - CONVOLUTE SLIT - 1.50" ID - POLYETHYLENE |
| | 041953-09-000 | FT | CONDUIT - CONVOLUTE SLIT - .50" ID - NYLON |
| | 041953-10-000 | FT | CONDUIT - CONVOLUTE SLIT - .75" ID - NYLON |
| | 041953-11-000 | FT | CONDUIT - CONVOLUTE SLIT - 1.06" ID - NYLON |
| | 041953-12-000 | FT | CONDUIT - CONVOLUTE SOLID - 1.1" ID - NYLON |
| | 041953-13-000 | FT | CONDUIT - CONVOLUTE SLIT - 1.25 |
| | 047443-01-000 | EA | TERMINAL - .250 RECEPTACLE FIT - INSULATED - 16/14 AWG |
| | 058028-01-000 | EA | CONNECTOR - ELECTRICAL PIGTAIL - NYLON - CLEAR |
| | 077479-01-000 | EA | BOOT - BATTERY TERMINAL - DOUBLE CABLE |
| | 077479-02-000 | EA | BOOT - BATTERY TERMINAL - SINGLE CABLE |
| | 080015-02-000 | EA | RECEPTACLE - FLAG - .185 - 16/14 GAUGE |
| | 080015-03-000 | EA | RECEPTACLE - FLAG - .250 - 14/16 GAUGE |
| | 087949-01-000 | EA | BUSS BAR - 2 POSITION - .6" X 1.5" |
| | 088473-01-000 | EA | HOUSING - PIN - 12 CAVITY (3 ROWS OF 4) |
| | 088473-02-000 | EA | HOUSING - PIN - 15 CAVITY (3 ROWS OF 5) |
| | 088473-03-000 | EA | HOUSING - PIN - 9 CAVITY (3 ROWS OF 3) |
| | 088473-06-000 | EA | HOUSING - PIN - 6 CAVITY (2 ROWS OF 3) |
| | 088473-08-000 | EA | HOUSING - PIN - 4 CAVITY - IN-LINE |
| | 088473-09-000 | EA | HOUSING - PIN - 3 CAVITY - IN-LINE |

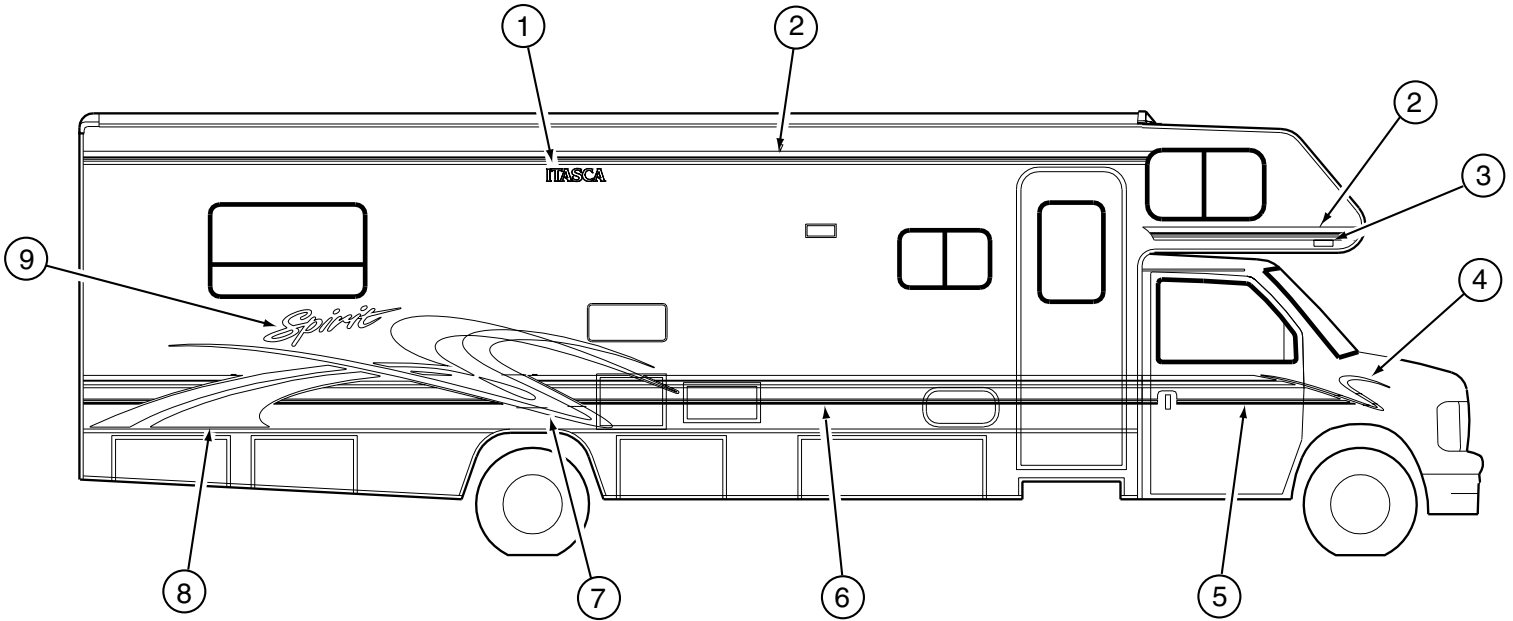
ELECTRICAL GROUP (CONTINUED)
CONNECTORS & CONDUIT (CONTINUED)

| KEY | PART NUMBER | U/M | DESCRIPTION |
|------------|--------------------|------------|--|
| | 088473-10-000 | EA | HOUSING - PIN - 2 CAVITY - IN LINE |
| | 088474-01-000 | EA | HOUSING - SOCKET - 12 CAVITY |
| | 088474-02-000 | EA | HOUSING - SOCKET - 15 CAVITY |
| | 088474-06-000 | EA | HOUSING - SOCKET - 6 CAVITY |
| | 088474-07-000 | EA | HOUSING - SOCKET - 5 CAVITY |
| | 088474-08-000 | EA | HOUSING - SOCKET - 4 CAVITY |
| | 088474-09-000 | EA | HOUSING - SOCKET - 3 CAVITY |
| | 088474-10-000 | EA | HOUSING - SOCKET - 2 CAVITY |
| | 088475-01-000 | EA | PIN - CONNECTOR - 14-20 AWG |
| | 088475-02-000 | EA | PIN - CONNECTOR - 10-12 AWG |
| | 088476-01-000 | EA | TERMINAL - ELECTRICAL |
| | 088476-02-000 | EA | SOCKET - CONNECTOR - 12-10 GA - PRE-TIN |
| | 098261-02-000 | EA | SOCKET - CONNECTOR - WEATHERPACK - 14-18 AWG |
| | 098262-01-000 | EA | SEAL - CONNECTOR - WEATHERPACK |
| | 098265-02-000 | EA | PIN - CONNECTOR - WEATHERPACK |
| | 101751-02-000 | EA | HOUSING - 1 PIN - WEATHERPACK |
| | 102777-02-000 | EA | TERMINAL - RING - #6 STUD - 10 AWG |
| | 119223-01-000 | EA | HOUSING - 6 POSITION - MALE - WEATHERPACK |
| | 125323-02-000 | EA | HOUSING - 8 POSITION - MALE |
| | 125323-03-000 | EA | LOCK - SECONDARY 8 POSITION |
| | 125324-01-000 | EA | TERMINAL - MALE - METRI-PACK - 150 |
| | 125325-01-000 | EA | SEAL - CAVITY |
| | 126591-01-02B | EA | CARRIER - WIRE -SLIDEOUT |

BOOTS, SOLENOIDS, RELAYS & MISCELLANEOUS

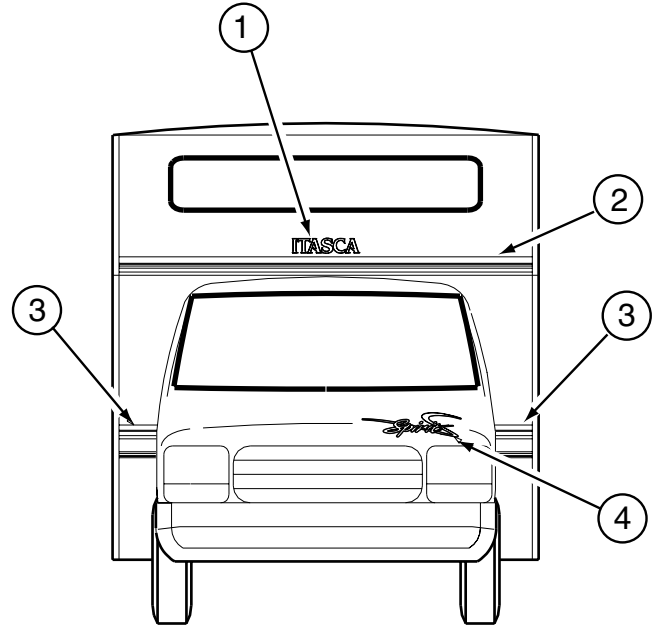
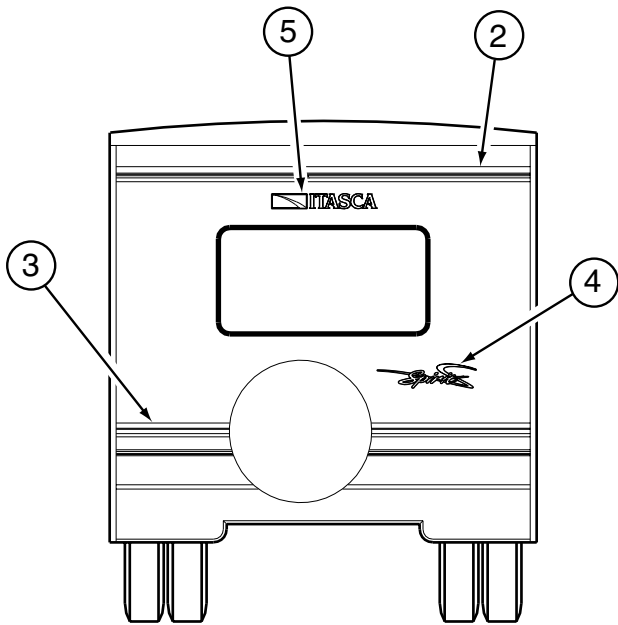
| KEY | PART NUMBER | U/M | DESCRIPTION |
|------------|--------------------|------------|---|
| | 008188-01-000 | EA | SOLENOID - 3 POST - BATTERY CHANGE OVER |
| | 063910-01-000 | EA | HOUSING - RELAY |
| | 063912-02-000 | EA | RELAY - CANISTER - SPDT |
| | 086273-01-000 | EA | RELAY - BATTERY DISCONNECT |

**EXTERIOR BODY GROUP
GRAPHICS & PAINT**



| KEY | PART NUMBER | U/M | DESCRIPTION |
|-----|---------------|-----|---|
| 1 | 124811-01-04A | EA | DECAL - LOGO - ITASCA |
| 2 | 094443-65-01A | FT | FILM - MULTISTRIPE - 3.4" |
| 3 | 132664-01-01A | EA | DECAL - LOGO/DOMED - WINNEBAGO - CHROME/BLACK |
| 4 | 132256-01-01A | EA | DECAL - SQUIGGLE - RIGHT HAND |
| 4 | 132256-02-01A | EA | DECAL - SQUIGGLE - LEFT HAND |
| 5 | 132255-01-01A | EA | DECAL - CAB DOOR/PASSENGER |
| 5 | 132255-02-01A | EA | DECAL - CAB DOOR/DRIVER |
| 6 | 094445-08-01A | FT | FILM - MULTISTRIPE - 7.6" |
| 7 | 132253-01-01A | EA | DECAL - SWEEP - #1/PASSENGER |
| 7 | 132253-02-01A | EA | DECAL - SWEEP - #1/DRIVER |
| 8 | 132254-01-01A | EA | DECAL - SWEEP - #2/PASSENGER |
| 8 | 132254-02-01A | EA | DECAL - SWEEP - #2/DRIVER |
| 9 | 115130-02-05A | EA | DECAL - LOGO - SPIRIT |

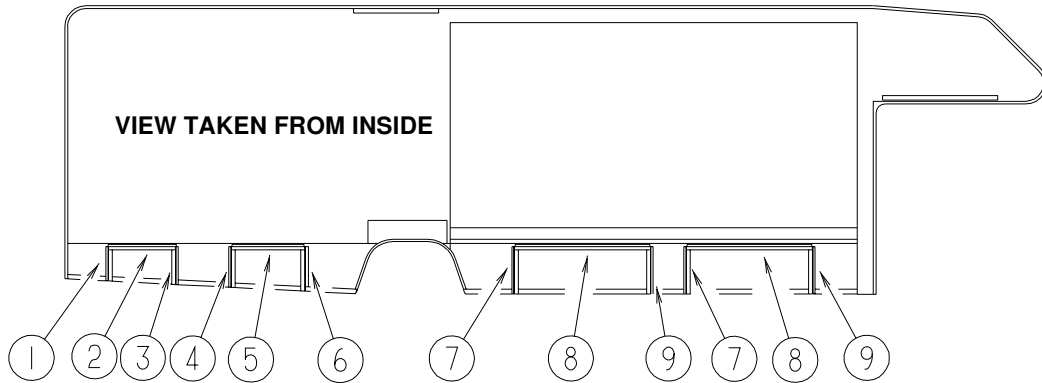
EXTERIOR BODY GROUP (CONTINUED)
GRAPHICS & PAINT (CONTINUED)



| KEY | PART NUMBER | U/M | DESCRIPTION | |
|-----|--------------------|-----|------------------------------------|----------------|
| 1 | 124811-01-04A | EA | DECAL - LOGO - ITASCA | |
| 2 | 094443-65-01A | FT | FILM - MULTISTRIPE - 3.4" | |
| 3 | 094445-08-01A | FT | FILM - MULTISTRIPE - 7.6" | |
| 4 | 132257-01-01A | EA | DECAL - SPIRIT - W/SQUIGGLE | |
| 5 | 124806-01-09A | EA | DECAL - LOGO - ITASCA W/ICON | |
| | 041561-03-000 | EA | PAINT - 16 OUNCE SPRAY - OFF WHITE | |
| | COOL BLUE METALLIC | | | DUPONT #G9851 |
| | DARK TEAL METALLIC | | | DUPONT #K9470 |
| | CHAMPAGNE METALLIC | | | DUPONT #F2997 |
| | DARK ROSE METALLIC | | | DUPONT #RM018 |
| | BRIGHT WHITE | | | DUPONT #B8951U |

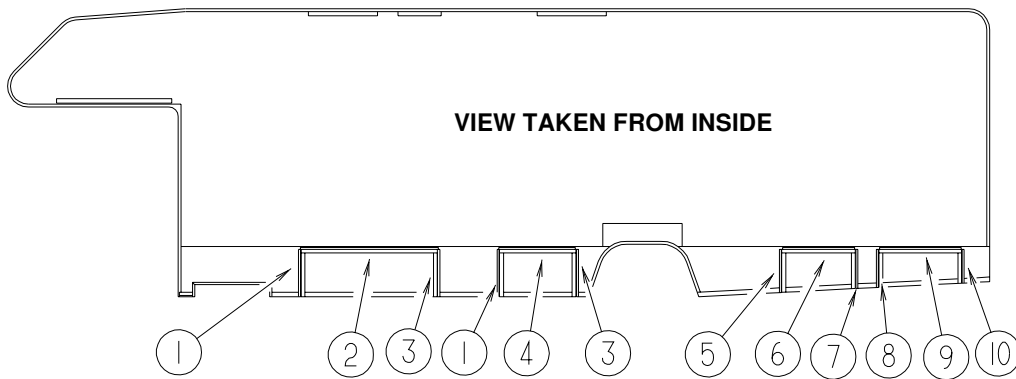
EXTERIOR BODY GROUP (CONTINUED)

BODY PANELS & TRIMS



DRIVER

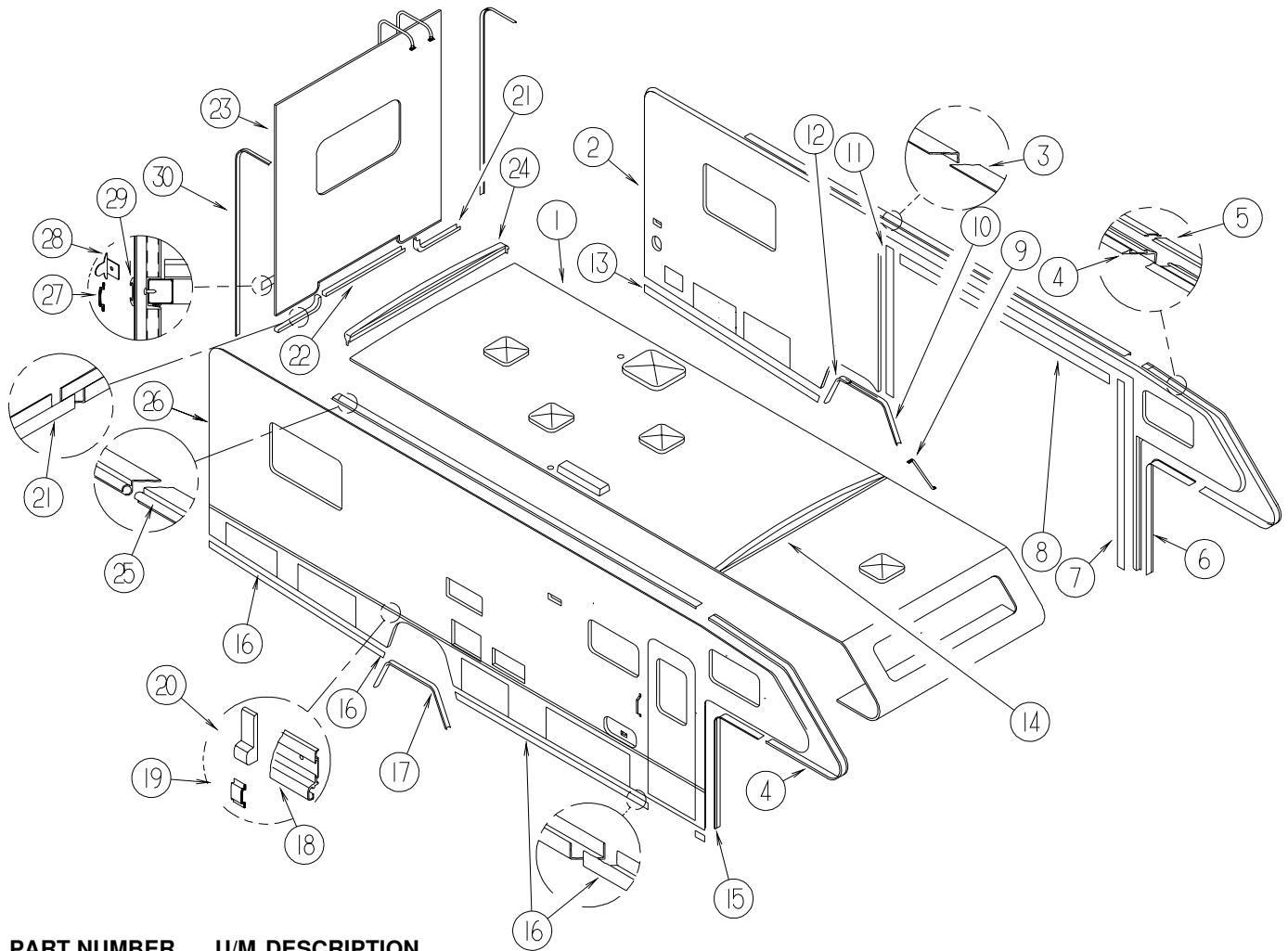
| KEY | PART NUMBER | U/M DESCRIPTION |
|-----|---------------|--|
| 1 | 128425-09-01A | EA JAMB - DOOR/STORAGE - RIGHT HAND - BRIGHT WHITE - 12.4" |
| 2 | 128427-05-01A | EA JAMB - DOOR - STORAGE/TOP - BRIGHT WHITE |
| 3 | 128425-10-01A | EA JAMB - DOOR/STORAGE - LEFT HAND - BRIGHT WHITE - 13.5" |
| 4 | 128425-07-01A | EA JAMB - DOOR/STORAGE - RIGHT HAND - BRIGHT WHITE - 13.8" |
| 5 | 128427-03-01A | EA JAMB - DOOR - STORAGE/TOP - BRIGHT WHITE |
| 6 | 128425-08-01A | EA JAMB - DOOR/STORAGE - LEFT HAND - BRIGHT WHITE - 15.1" |
| 7 | 128425-01-01A | EA JAMB - DOOR - STORAGE/RIGHT HAND - BRIGHT WHITE - 16" |
| 8 | 128427-01-01A | EA JAMB - DOOR - STORAGE/TOP - BRIGHT WHITE |
| 9 | 128425-02-01A | EA JAMB - DOOR - STORAGE/LEFT HAND - BRIGHT WHITE - 16" |



PASSENGER

| KEY | PART NUMBER | U/M DESCRIPTION |
|-----|---------------|--|
| 1 | 128425-01-01A | EA JAMB - DOOR - STORAGE/RIGHT HAND - BRIGHT WHITE - 16" |
| 2 | 128427-01-01A | EA JAMB - DOOR - STORAGE/TOP - BRIGHT WHITE |
| 3 | 128425-02-01A | EA JAMB - DOOR - STORAGE/LEFT HAND - BRIGHT WHITE - 16" |
| 4 | 128427-02-01A | EA JAMB - DOOR - STORAGE/TOP - BRIGHT WHITE |
| 5 | 128425-03-01A | EA JAMB - DOOR - STORAGE/RIGHT HAND - BRIGHT WHITE - 14.5" |
| 6 | 128427-03-01A | EA JAMB - DOOR - STORAGE/TOP - BRIGHT WHITE |
| 7 | 128425-04-01A | EA JAMB - DOOR - STORAGE/LEFT HAND - BRIGHT WHITE - 13.3" |
| 8 | 128425-05-01A | EA JAMB - DOOR/STORAGE - RIGHT HAND - BRIGHT WHITE - 12.8" |
| 9 | 128427-04-01A | EA JAMB - DOOR - STORAGE/TOP - BRIGHT WHITE |
| 10 | 128425-06-01A | EA JAMB - DOOR/STORAGE - LEFT HAND - BRIGHT WHITE - 11.3" |

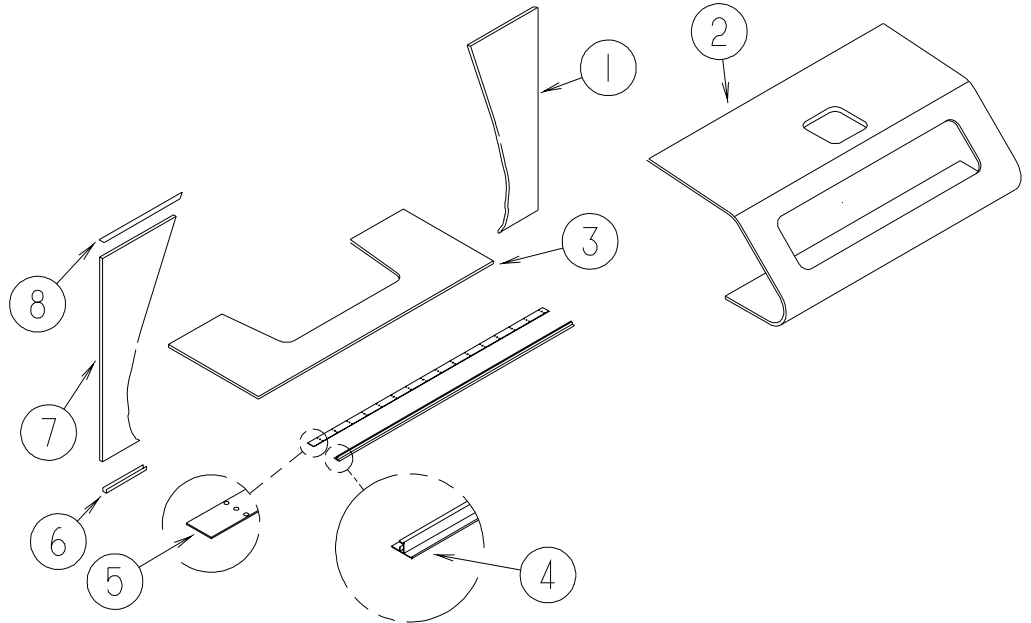
EXTERIOR BODY GROUP (CONTINUED)
EXTERIOR BODY PANELS & TRIMS (CONTINUED)



| KEY | PART NUMBER | U/M | DESCRIPTION |
|-----|---------------|-----|--|
| 1 | M08777-15-L04 | EA | ROOF - W/O LIGHTS/VENTS - W/WIRING - REAR/QUEEN BED |
| 1 | M08777-16-L04 | EA | ROOF - W/O LIGHTS/VENTS - W/WIRING - TWIN BED |
| 2 | P32279-01-L01 | EA | SIDEWALL - W/O WINDOWS/TRIMS - DRIVER (L04) |
| 2 | P32279-01-L02 | EA | SIDEWALL - W/O WINDOWS/TRIMS - DRIVER (L05) |
| 2 | P32279-01-L06 | EA | SIDEWALL - W/O WINDOWS/TRIMS - DRIVER (L06) |
| 3 | 131979-06-01A | EA | RAIL - AWNING - 144" W/NOTCHED END - BRIGHT WHITE |
| 4 | 096854-07-02A | EA | TRIM - CONTOUR - 144" - BRIGHT WHITE |
| 5 | 105312-01-07A | FT | INSERT - VINYL FEATURE STRIP - BRIGHT WHITE |
| 6 | 104479-06-02A | EA | TRIM - CONTOUR/FRONT - BRIGHT WHITE - LEFT HAND |
| 7 | 115886-02-03A | EA | RETAINER - SIDEWALL - BRIGHT WHITE - 73.5" |
| 7 | 115886-07-01A | EA | RETAINER - SIDEWALL - BRIGHT WHITE 15.4" |
| 7 | 115863-19-01A | EA | TRIM - SIDEWALL/SLIDEOUT - LEFT HAND - 84.6" - BRT WHT |
| 8 | 115886-08-01A | EA | RETAINER - SIDEWALL - BRIGHT WHITE 142.9" |
| 8 | 115863-20-01A | EA | TRIM - SIDEWALL/SLIDEOUT - TOP - 142.9" - BRIGHT WHITE |
| 9 | 069362-06-000 | EA | TUBE/SUPPORT - FLOOR TO VALANCE PANEL - 17" |
| 10 | 127852-01-J01 | EA | TRIM - WHEELWELL - SLIDE OUT/REAR - BRIGHT WHITE |
| 11 | 127763-01-01A | EA | TRIM - SIDEWALL - BRIGHT WHITE |
| 11 | 115886-02-03A | EA | RETAINER - SIDEWALL - BRIGHT WHITE - 73.5" |
| 12 | 127815-01-01A | EA | TRIM - WHEELWELL - SIDEWALL - BRIGHT WHITE |
| 13 | 128426-02-01A | EA | TRIM - ROCKER - NOTCHED - 136.1" - BRIGHT WHITE |
| 13 | 128426-04-01A | EA | TRIM - ROCKER - NOTCHED - 101.8" - BRIGHT/WHITE |
| 13 | 128426-05-01A | EA | TRIM - ROCKER - NOTCHED - 6" - BRIGHT/WHITE |
| | 127820-33-01A | EA | TRIM - SIDEWALL LOWER - 76.2" - BRIGHT WHITE |
| 14 | 132075-02-L01 | EA | CAP - TRANSITION/FRONT |
| | 132076-01-02B | EA | BRACKET - TRANSITION/FRONT - E-COATED |
| 15 | 104479-05-02A | EA | TRIM - CONTOUR/FRONT - BRIGHT WHITE - RIGHT HAND |
| 16 | 128426-03-01A | EA | TRIM - ROCKER - NOTCHED - 101.8" - BRIGHT/WHITE |
| | 127820-33-01A | EA | TRIM - SIDEWALL LOWER - 76.2" - BRIGHT WHITE |

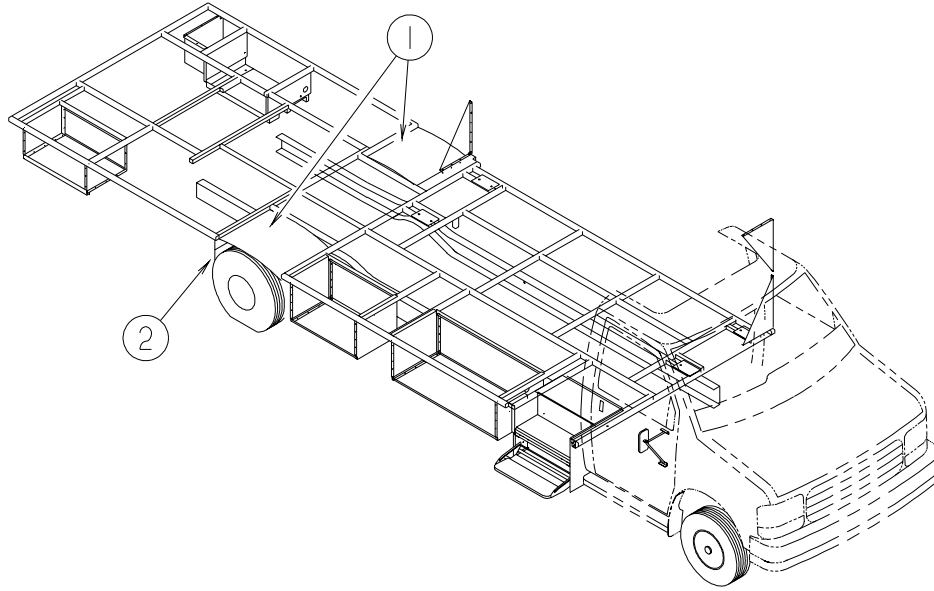
EXTERIOR BODY GROUP (CONTINUED)
EXTERIOR BODY PANELS & TRIMS (CONTINUED)

| KEY | PART NUMBER | U/M | DESCRIPTION |
|-----|---------------|-----|---|
| 16 | 128732-03-J01 | EA | TRIM ASSEMBLY - SIDEWALL |
| | 128426-09-01A | EA | TRIM - ROCKER - NOTCHED - 4.2" - MILL |
| | 128426-13-01A | EA | TRIM - ROCKER - NOTCHED - 110.7" - MILL |
| 17 | 127848-01-01A | EA | TRIM - WHEELWELL - UNIVERSAL - BRIGHT WHITE |
| 18 | 128129-02-01A | EA | STRIP - FEATURE - HINGE - 143.7" - BRIGHT WHITE |
| 18 | 128129-03-01A | EA | STRIP - FEATURE - HINGE - 119.8" - BRIGHT WHITE |
| 19 | 105312-01-07A | FT | INSERT - VINYL FEATURE STRIP - BRIGHT WHITE |
| 20 | 127910-01-01A | EA | CAP - TRIM/SIDEWALL - RIGHT HAND - BRIGHT WHITE |
| 20 | 127910-02-01A | EA | CAP - TRIM/SIDEWALL - LEFT HAND - BRIGHT WHITE |
| 21 | 103334-03-02A | EA | TRIM - BACKWALL - LOWER - DRIVER/PASS - 25.6" - BRT/WHT |
| 22 | 103335-02-02A | EA | TRIM - BACKWALL - LOWER/CENTER - 46.3" - BRIGHT WHITE |
| 23 | M08778-13-L01 | EA | BACKWALL - W/O WINDOW/TRIM - TWIN BED (L04) |
| 23 | M08778-13-L02 | EA | BACKWALL - W/O WINDOW/TRIM - TWIN BED (L05) |
| 23 | M08778-13-L06 | EA | BACKWALL - W/O WINDOW/TRIM - TWIN BED (L06) |
| 23 | M08778-12-L04 | EA | BACKWALL - W/O WINDOW/TRIM - CENTER/QUEEN BED |
| 23 | M08778-12-L05 | EA | BACKWALL - W/O WINDOW/TRIM - CENTER/QUEEN BED |
| 23 | M08778-12-L06 | EA | BACKWALL - W/O WINDOW/TRIM - CENTER/QUEEN BED |
| 24 | 134167-01-01A | EA | CAP - ROOF - REAR - 1 PIECE - BRIGHT WHITE |
| | 118383-01-04A | EA | RETAINER/RECESSED - F/.22" SCREW - BRIGHT WHITE |
| | 118383-04-04A | EA | CAP - F/RECESSED RETAINER - BRIGHT WHITE |
| 25 | 131979-04-01A | EA | RAIL - AWNING - 144" - BRIGHT WHITE |
| 25 | 131979-05-01A | EA | RAIL - AWNING - 144" W/NOTCHED END - BRIGHT WHITE |
| 26 | P32280-02-L04 | EA | SIDEWALL - W/O WINDOWS/TRIMS - PASSENGER |
| 26 | P32280-02-L05 | EA | SIDEWALL - W/O WINDOWS/TRIMS - PASSENGER |
| 26 | P32280-02-L06 | EA | SIDEWALL - W/O WINDOWS/TRIMS - PASSENGER |
| | 009126-03-000 | EA | HANDLE - ASSIST - BLACK TEXTURED |
| 27 | 105312-01-07A | FT | INSERT - VINYL FEATURE STRIP - BRIGHT WHITE |
| 28 | 108651-01-01A | EA | END CAP - FEATURE STRIP |
| 29 | 108688-01-03A | EA | STRIP - FEATURE - 15' |
| 30 | 096854-07-02A | EA | TRIM - CONTOUR - 144" - BRIGHT WHITE |
| 30 | 105312-01-07A | FT | INSERT - VINYL FEATURE STRIP - BRIGHT WHITE |



| KEY | PART NUMBER | U/M | DESCRIPTION |
|-----|---------------|-----|---|
| 1 | 125088-07-J01 | EA | WINGWALL - LEFT HAND |
| 2 | P32079-01-L01 | EA | ROOF - FRONT SECTION ONLY - W/WIRING |
| 3 | P25129-01-J01 | EA | SLEEPERBOARD |
| 4 | 100086-04-01A | EA | TRIM - SLEEPERBOARD/ROOF - 2" X 96.6" |
| 5 | 100085-05-01A | EA | TRIM - STRAP - SLEEPERBOARD |
| 6 | 002365-03-006 | EA | U-CHANNEL - EXTRUDED - 1" X 192" - BRIGHT WHITE |
| 7 | 125088-03-J01 | EA | WINGWALL - RIGHT HAND |
| 8 | 022992-14-000 | FT | MOLDING - REVERSE COVE |

EXTERIOR BODY GROUP (CONTINUED)
BODY PANELS & TRIMS (CONTINUED)



| KEY | PART NUMBER | U/M DESCRIPTION |
|------------|--------------------|---------------------------------|
| 1 | 112435-03-000 | EA WHEELWELL |
| 2 | 017516-01-000 | EA MUD FLAP - 14" X 18" - BLACK |

LADDER

| KEY | PART NUMBER | U/M DESCRIPTION |
|------------|--------------------|------------------------------|
| | 129639-06-01A | EA LADDER - ALUMINUM BRUSHED |

RUNNING BOARDS

| KEY | PART NUMBER | U/M DESCRIPTION |
|------------|--------------------|--|
| * | 072884-27-000 | EA RUNNING BOARD SET - 39" - FORD - ALUMINUM |

***COMPONENT PARTS FOUND IN SERVICE PARTS LIBRARY**

MIRRORS

| KEY | PART NUMBER | U/M DESCRIPTION |
|------------|--------------------|---|
| * | 133908-01-01A | EA MIRROR/PASSENGER - 102" W/B FORD - BLACK |
| * | 133908-02-01A | EA MIRROR/DRIVER - 102" W/B FORD - BLACK |

***COMPONENT PARTS FOUND IN SERVICE PARTS LIBRARY**

EXTERIOR BODY GROUP (CONTINUED)
BODY PANEL COMPONENTS

| KEY | PART NUMBER | U/M | DESCRIPTION |
|------------|--------------------|------------|--|
| | 076054-AC-000 | EA | FIBERGLASS SHEET - 20" X 99.8" - OFF WHITE |
| | 076054-P9-000 | EA | FIBERGLASS SHEET - 37.4" X 99.3" - BRIGHT WHITE |
| | 076054-U6-000 | EA | FIBERGLASS SHEET - 102" X 361" - BRIGHT WHITE |
| | 076054-U8-000 | EA | FIBERGLASS SHEET - 100" X 105" - BRIGHT WHITE |
| | 076054-X9-000 | EA | FIBERGLASS SHEET - 22.1" X 70.6" - BRIGHT WHITE |
| | 077517-62-000 | EA | FIBERGLASS SHEET - 48" X 96" - BRIGHT WHITE |
| | 000870-08-000 | SF | STYROFOAM - 3/4" X 48" X 96" PLANED EXPANDED BEAD BOARD |
| | 100619-01-000 | BF | FOAM - EXPANDED POLYSTYRENE - 1.34" X 48" X 96" |
| | 100619-02-000 | BF | FOAM - EXPANDED POLYSTYRENE - 1.5" X 48" X 96" |
| | 100619-04-000 | BF | FOAM - EXPANDED POLYSTYRENE - .5" X 48" X 96" |
| | 100619-05-000 | BF | FOAM - EXPANDED POLYSTYRENE - .75" X 48" X 96"-1.5 DENSITY |
| | 100619-11-000 | BF | FOAM - EXPANDED POLYSTYRENE - 2" X 48" X 96" |
| | 100619-16-000 | BF | FOAM - EXPANDED POLYSTYRENE - .75" X 48" X 96"-2.0 DENSITY |
| | 100619-21-000 | BF | FOAM - EXPANDED POLYSTYRENE - 48" X 143" X .75" |
| | 100619-22-000 | BF | FOAM - EXPANDED POLYSTYRENE - 48" X 120" X 1.34" |
| | 089297-01-000 | SF | PLYWOOD - LUAN - OVERLAY GRADE - 48" X 96" |
| | 089297-02-000 | SF | PLYWOOD - LUAN - OVERLAY GRADE - 48" X 108" |
| | 002726-01-001 | EA | GARNISH - U-CHANNEL - 1.38" X 19' - SERRATED |
| | 002754-01-001 | EA | ANGLE - EXTRUDED - .75" X .75" X 16' - MILL ALUMINUM |
| | 068716-01-001 | EA | BRACE - 90 DEGREE - L-ANGLE - 16' |

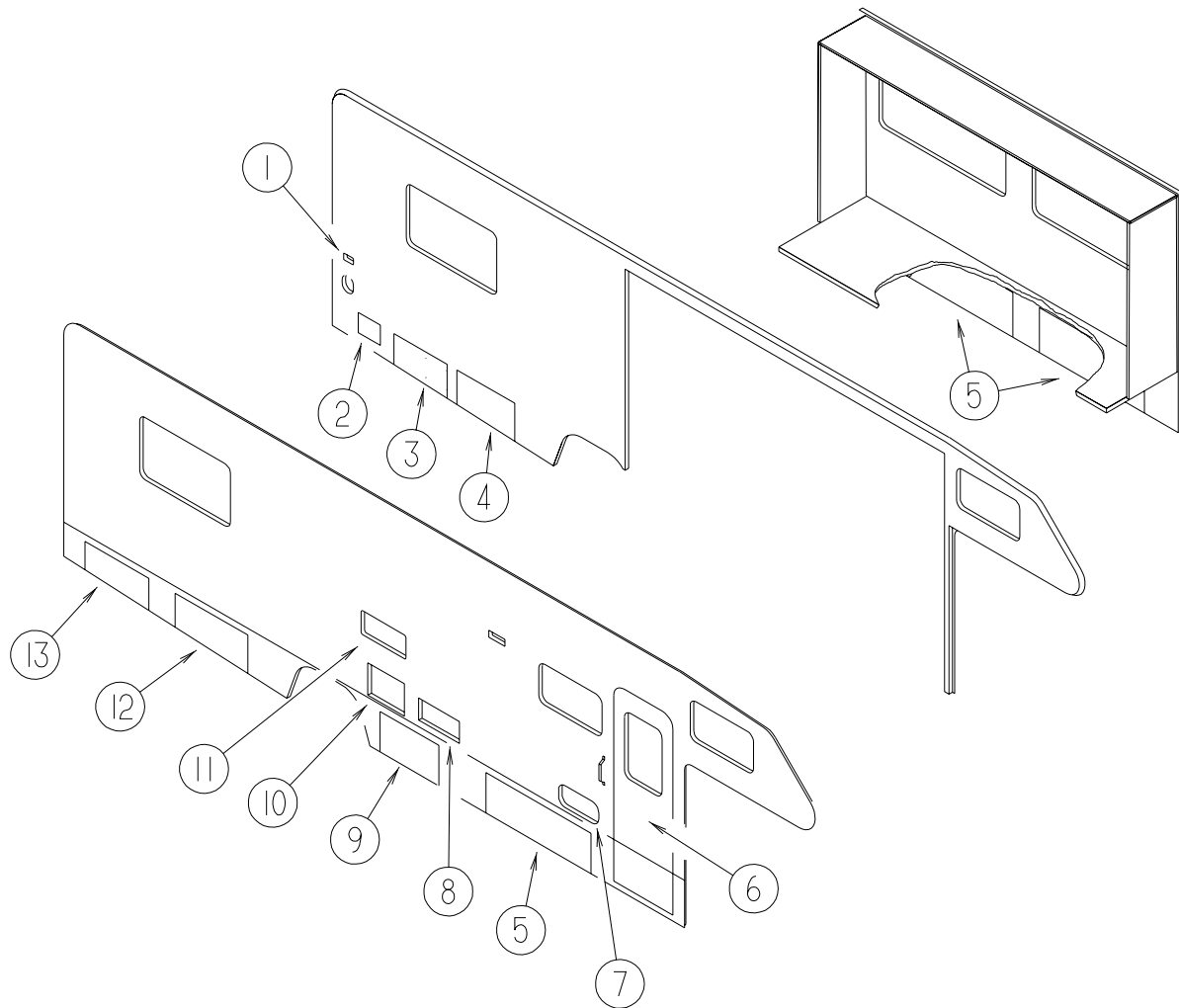
AWNINGS

| KEY | PART NUMBER | U/M | DESCRIPTION |
|------------|--------------------|------------|---|
| | 113874-06-11A | EA | AWNING - 16' AMETHYST GREEN VINYL - BRT/WHT VINYL WRAP |
| * | 113874-01-02A | EA | HARDWARE KIT - AWNING - W/O STANDOFF BRACKET-BRIGHT WHITE |
| | 127647-02-01A | EA | ROD/AWNING GUARD - ENTRANCE DOOR |
| | 130320-01-02A | EA | BRACKET - AWNING - F/A&E INSTALLATION - BRIGHT WHITE |

***COMPONENT PARTS FOUND IN SERVICE PARTS LIBRARY**

EXTERIOR DOORS & COMPARTMENTS GROUP

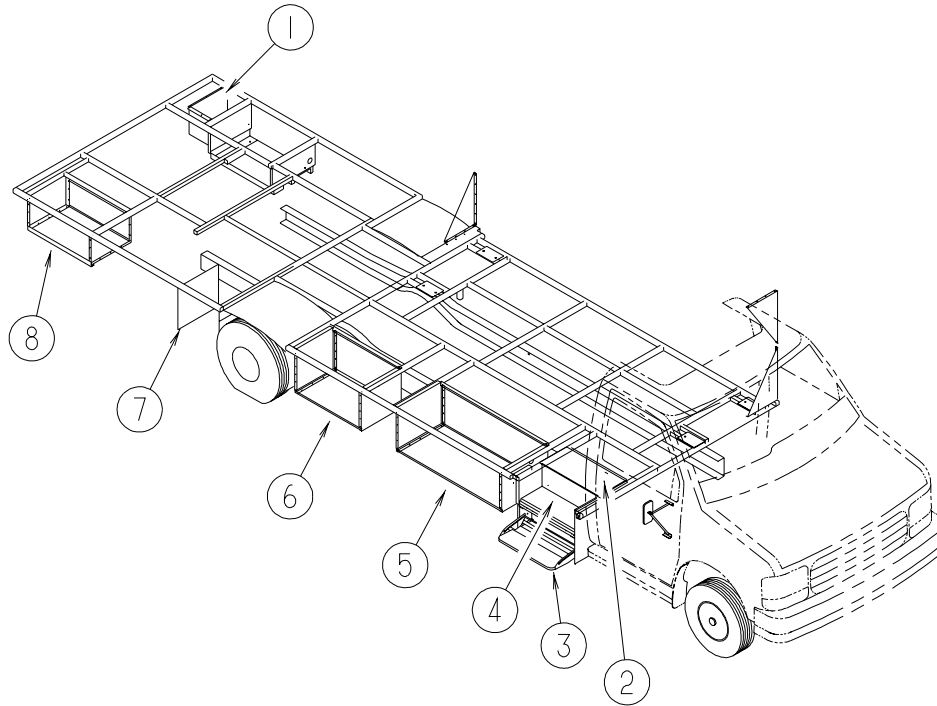
DOOR & COMPARTMENT LAYOUT



| KEY | PART NUMBER | U/M | DESCRIPTION |
|-----|---------------|-----|---|
| 1 | | EA | WATER FILL W/DOOR - SEE WATER SYSTEMS GROUP |
| 2 | 088794-06-000 | EA | DOOR - POWER CORD W/HATCH - BRIGHT WHITE - 9.2" X 11" |
| 3 | 127826-04-J01 | EA | VALANCE/DOOR - DRIVER W/O HDW - 14.3" X 22.4" X 11.7" |
| 4 | 127826-03-J01 | EA | VALANCE/DOOR - DRIVER W/O HDW - 14.4" X 24.6" X 13.2" |
| 5 | 127795-01-J01 | EA | VALANCE/DOOR - W/O HARDWARE - 46.4"W X 15.3"H |
| 6 | 115108-01-K03 | EA | DOOR - ENTRY - W/SCREEN DOOR - W/O WINDOW (L04) |
| 6 | 115108-01-L02 | EA | DOOR - ENTRY - W/SCREEN DOOR - W/O WINDOW (L05) |
| 6 | 115108-01-L06 | EA | DOOR - ENTRY - W/SCREEN DOOR - W/O WINDOW (L06) |
| 6 | 115108-05-K03 | EA | DOOR - ENTRY - W/SCREEN DOOR - W/O WINDOW - ELECTRIC STEP (L04) |
| 6 | 115108-05-L02 | EA | DOOR - ENTRY - W/SCREEN DOOR - W/O WINDOW - ELECTRIC STEP (L05) |
| 6 | 115108-05-L06 | EA | DOOR - ENTRY - W/SCREEN DOOR - W/O WINDOW - ELECTRIC STEP (L06) |
| 7 | 126945-01-J22 | EA | DOOR/STORAGE - W/O HARDWARE - 18" X 8.3" |
| 8 | | EA | DOOR - ACCESS - FURNACE - SEE HEATING & A/C GROUP |
| 9 | 127795-02-J01 | EA | VALANCE/DOOR - W/O HARDWARE - 25.6"W X 15.3"H |
| 10 | | EA | DOOR - WATER HEATER - SEE WATER SYSTEMS GROUP |
| 11* | 084103-08-000 | EA | DOOR - VENT - REFRIGERATOR - W/O JAMB - BRIGHT WHITE |
| | 084104-08-000 | EA | JAMB - VENT DOOR/REFRIGERATOR - BRIGHT WHITE |
| 12 | 127826-01-J01 | EA | VALANCE/DOOR - PASSENGER W/O HDW - 13.9" X 24.6" X 12.6" |
| 13 | 127826-02-J01 | EA | VALANCE/DOOR - PASSENGER W/O HDW - 12.1" X 27.8" X 10.7" |
| | 120863-05-000 | EA | BUMPER - RUBBER - 3/4" X 3/8" |

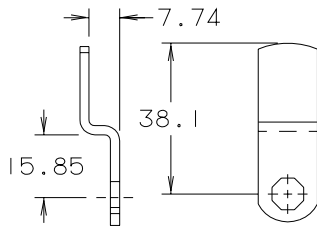
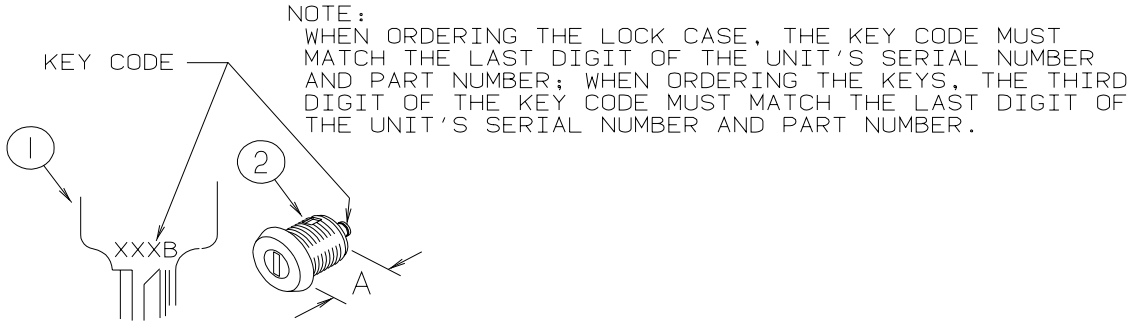
***COMPONENT PARTS FOUND IN SERVICE PARTS LIBRARY**

EXTERIOR DOORS & COMPARTMENTS GROUP (CONTINUED)
DOOR & COMPARTMENT LAYOUT (CONTINUED)

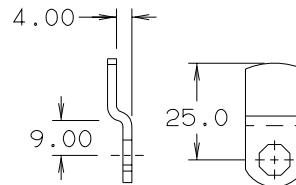


| KEY | PART NUMBER | U/M | DESCRIPTION |
|-----|---------------|-----|---|
| 1 | 101868-09-000 | EA | COMPARTMENT ASM-POWER CORD |
| 2 | P14437-02-000 | EA | CABINET - LID ENTRANCE DOOR - W/O CARPET |
| | 101222-01-02A | EA | BRACKET - CATCH - LID - OFF WHITE |
| | 116975-01-01A | EA | LATCH - W/O STRIKE - BLACK - NEW STYLE |
| | 084993-01-000 | EA | STRAP - BATTERY - 43.2" LONG |
| | 065450-05-000 | EA | TIEDOWN - BATTERY - 8.4" TUBE |
| 3 | 077848-05-000 | EA | STEP - PULLOUT |
| | 077441-06-000 | EA | BRACKET - STEP |
| | 091176-01-000 | EA | SUPPORT - BASE - ENTRANCE STEP |
| | 102569-04-000 | EA | MAT - ANTI SLIP |
| 3* | 094708-03-01A | EA | STEP - ELECTRIC - SINGLE - BLACK CONTROL BOX - KWIKEE |
| 4 | 133114-03-01A | EA | TREAD - RUBBER STEP - 27.1" - TAUPE |
| 4 | 133114-03-02A | EA | TREAD - RUBBER STEP - 27.1" - BLUE |
| 4 | 122755-03-01A | EA | FLOORING/RUBBER - ENTRANCE DOOR - 17.7" X 26.4" |
| 4 | 122755-05-01A | EA | FLOORING/RUBBER - ENTRANCE DOOR - 11.2" X 27" |
| 5 | 127578-01-J01 | EA | COMPARTMENT - LUGGAGE |
| 6 | 127578-02-J01 | EA | COMPARTMENT - LUGGAGE |
| 7 | 111848-03-02B | EA | SHIELD - HEAT |
| 8 | 127578-03-J01 | EA | COMPARTMENT - LUGGAGE |

EXTERIOR DOOR S & COMPARTMENTS GROUP (CONTINUED)
COMPARTMENT DOOR COMPONENTS



110506-64-000



110506-76-000

| KEY | PART NUMBER | U/M | DESCRIPTION | |
|-----|---------------|-----|---|--------|
| 1* | 110506-59-000 | EA | KEYS - SET OF TWO | 596720 |
| 2 | 110506-52-000 | EA | CASE/CYLINDER - LOCKING - W/O CAM/KEY - .65" | 702370 |
| 2 | 110506-54-000 | EA | CASE/CYLINDER - LOCKING - W/O CAM/KEY - 1.25" | 703170 |
| 1* | 110506-59-001 | EA | KEYS - SET OF TWO | 596721 |
| 2 | 110506-52-001 | EA | CASE/CYLINDER - LOCKING - W/O CAM/KEY - .65" | 702371 |
| 2 | 110506-54-001 | EA | CASE/CYLINDER - LOCKING - W/O CAM/KEY - 1.25" | 703171 |
| 1* | 110506-59-002 | EA | KEYS - SET OF TWO | 596722 |
| 2 | 110506-52-002 | EA | CASE/CYLINDER - LOCKING - W/O CAM/KEY - .65" | 702372 |
| 2 | 110506-54-002 | EA | CASE/CYLINDER - LOCKING - W/O CAM/KEY - 1.25" | 703172 |
| 1* | 110506-59-003 | EA | KEYS - SET OF TWO | 596723 |
| 2 | 110506-52-003 | EA | CASE/CYLINDER - LOCKING - W/O CAM/KEY - .65" | 702373 |
| 2 | 110506-54-003 | EA | CASE/CYLINDER - LOCKING - W/O CAM/KEY - 1.25" | 703173 |
| 1* | 110506-59-004 | EA | KEYS - SET OF TWO | 596724 |
| 2 | 110506-52-004 | EA | CASE/CYLINDER - LOCKING - W/O CAM/KEY - .65" | 702374 |
| 2 | 110506-54-004 | EA | CASE/CYLINDER - LOCKING - W/O CAM/KEY - 1.25" | 703174 |
| 1* | 110506-59-005 | EA | KEYS - SET OF TWO | 596725 |
| 2 | 110506-52-005 | EA | CASE/CYLINDER - LOCKING - W/O CAM/KEY - .65" | 702375 |
| 2 | 110506-54-005 | EA | CASE/CYLINDER - LOCKING - W/O CAM/KEY - 1.25" | 703175 |
| 1* | 110506-59-006 | EA | KEYS - SET OF TWO | 596726 |
| 2 | 110506-52-006 | EA | CASE/CYLINDER - LOCKING - W/O CAM/KEY - .65" | 702376 |
| 2 | 110506-54-006 | EA | CASE/CYLINDER - LOCKING - W/O CAM/KEY - 1.25" | 703176 |

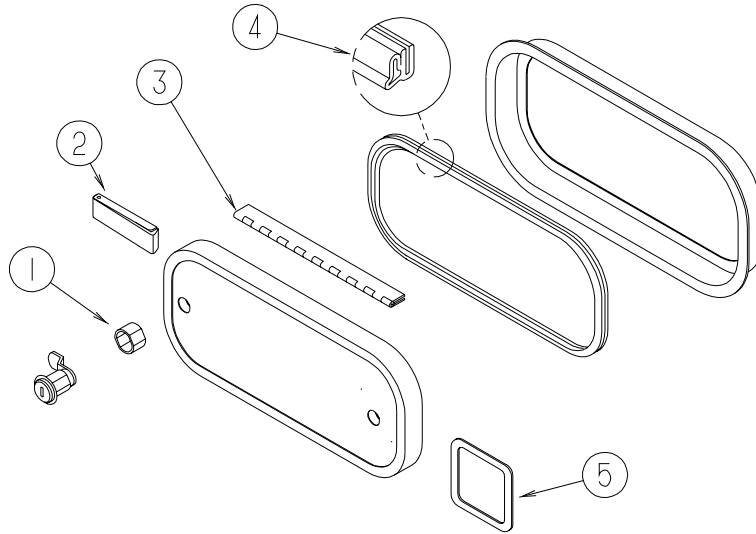
***COMPONENT PARTS FOUND IN SERVICE PARTS LIBRARY**

EXTERIOR DOOR S & COMPARTMENTS GROUP (CONTINUED)
COMPARTMENT DOOR COMPONENTS (CONTINUED)

| KEY | PART NUMBER | U/M | DESCRIPTION | |
|------------|--------------------|------------|---|-----------|
| 1* | 110506-59-007 | EA | KEYS - SET OF TWO | 596727 |
| 2 | 110506-52-007 | EA | CASE/CYLINDER - LOCKING - W/O CAM/KEY - .65" | 702377 |
| 2 | 110506-54-007 | EA | CASE/CYLINDER - LOCKING - W/O CAM/KEY - 1.25" | 703177 |
| 1* | 110506-59-008 | EA | KEYS - SET OF TWO | 596728 |
| 2 | 110506-52-008 | EA | CASE/CYLINDER - LOCKING - W/O CAM/KEY - .65" | 702378 |
| 2 | 110506-54-008 | EA | CASE/CYLINDER - LOCKING - W/O CAM/KEY - 1.25" | 703178 |
| 1* | 110506-59-009 | EA | KEYS - SET OF TWO | 596729 |
| 2 | 110506-52-009 | EA | CASE/CYLINDER - LOCKING - W/O CAM/KEY - .65" | 702379 |
| 2 | 110506-54-009 | EA | CASE/CYLINDER - LOCKING - W/O CAM/KEY - 1.25" | 703179 |
| 3 | 110506-40-700 | EA | HARDWARE KIT | |
| 4 | 110506-55-000 | EA | CASE/CYLINDER - TWIST LOCK - W/O CAM - 1.25" | 597312AA1 |
| | 110506-64-000 | EA | CAM - LATCHING - DOG LEGGED 1.8" LONG | |
| | 110506-76-000 | EA | CAM - LOCK | |

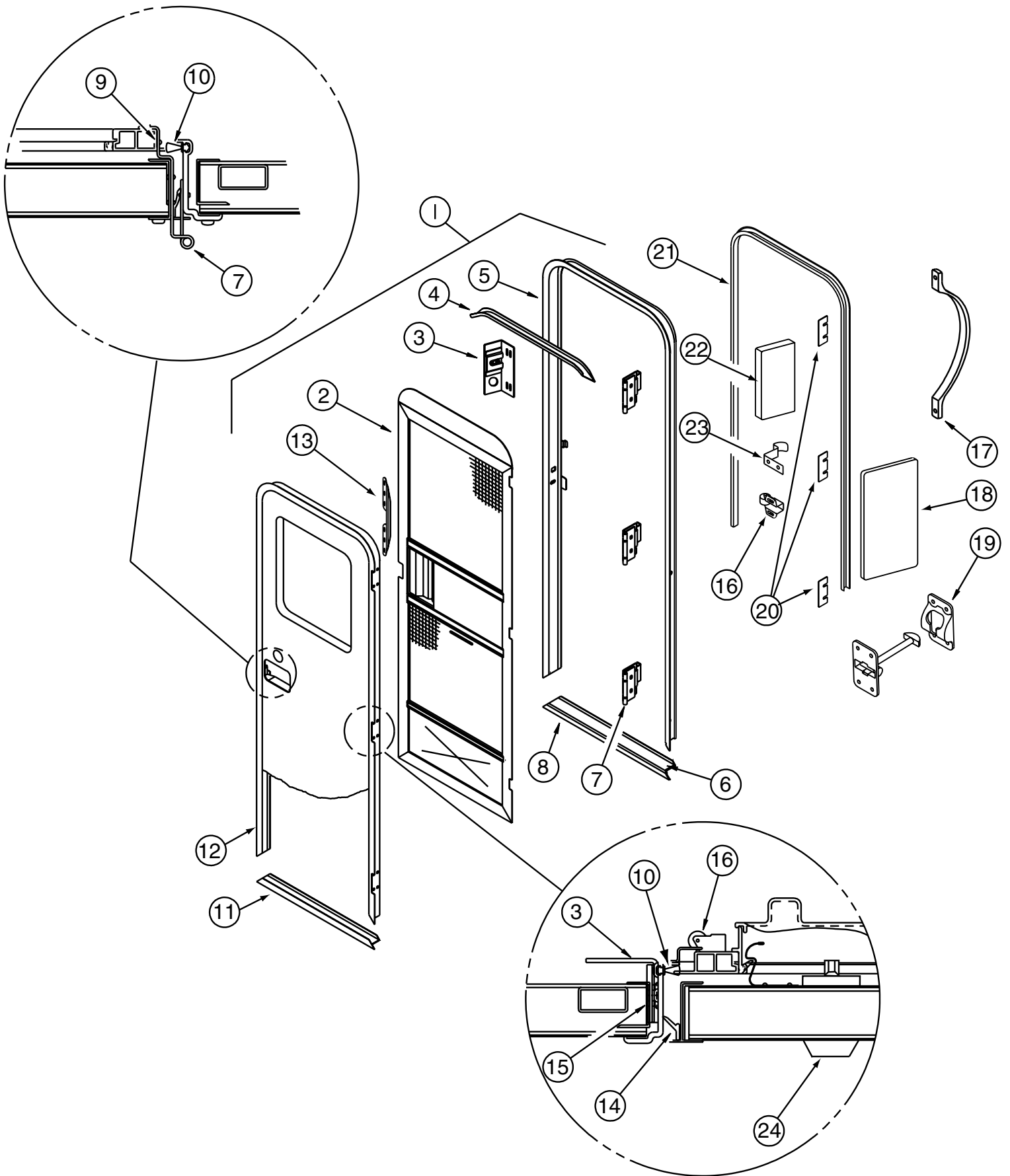
***COMPONENT PARTS FOUND IN SERVICE PARTS LIBRARY**

EXTERIOR DOOR S & COMPARTMENTS GROUP (CONTINUED)
COMPARTMENT DOOR COMPONENTS (CONTINUED)



| KEY | PART NUMBER | U/M | DESCRIPTION |
|-----|---------------|-----|---|
| 1 | 107997-51-003 | EA | SPACER - DOOR LOCK .79" DEEP |
| | 107997-51-002 | EA | EXTRUDED - SPACER - 16' |
| 2 | 102768-01-000 | EA | HOLDER - COMPARTMENT/ENTRY DOOR - METAL - MILL FINISH |
| 3 | 081801-V3-000 | EA | HINGE - ALUMINUM - 2" X 96" - BRIGHT WHITE |
| 4 | 064075-07-000 | FT | SEAL - BULB - W/WIRED U CHANNEL - .3" X .5" CHANNEL-BLACK |
| 4 | 106850-02-000 | FT | SEAL-E - SPONGE RUBBER - .43" X .75" |
| 5 | 098338-01-000 | EA | GASKET - LOCK POCKET |
| | 098408-01-000 | FT | SEAL - SPONGE RUBBER - CLOSED CELL |
| | 096217-55-006 | EA | U CHANNEL - 210" |
| | 126694-55-001 | EA | EXTRUSION - U-CHANNEL/HINGED - 191.7" - BRIGHT WHITE |
| | 112160-02-000 | FT | SEAL - D SECTION - .2 X .3" - FOAM RUBBER |

EXTERIOR DOORS & COMPARTMENTS GROUP (CONTINUED)
ENTRY DOOR

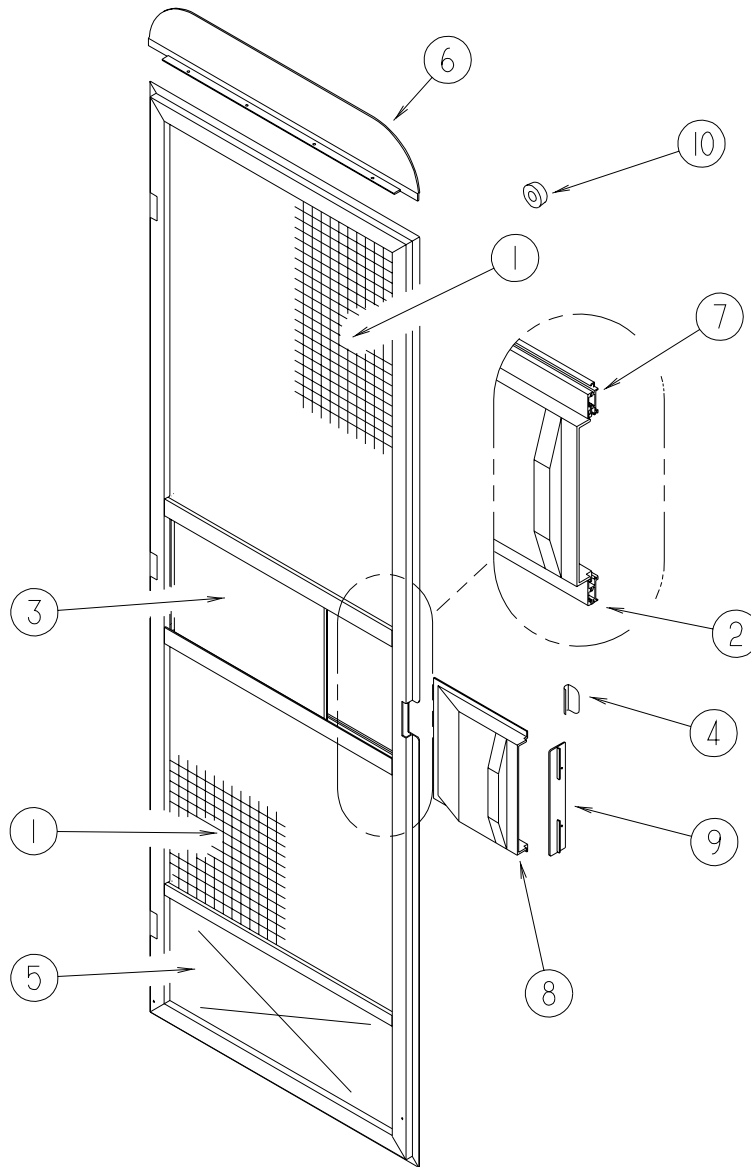


EXTERIOR DOOR S & COMPARTMENTS GROUP (CONTINUED)
ENTRY DOOR (CONTINUED)

| KEY | PART NUMBER | U/M | DESCRIPTION |
|------------|--------------------|------------|---|
| 1 | 115108-01-K03 | EA | DOOR - ENTRY - W/SCREEN DOOR - W/O WINDOW (L04) |
| 1 | 115108-01-L02 | EA | DOOR - ENTRY - W/SCREEN DOOR - W/O WINDOW (L05) |
| 1 | 115108-01-L06 | EA | DOOR - ENTRY - W/SCREEN DOOR - W/O WINDOW (L06) |
| 1 | 115108-05-K03 | EA | DOOR - ENTRY - W/SCREEN DOOR - W/O WINDOW - ELECTRIC STEP (L04) |
| 1 | 115108-05-L02 | EA | DOOR - ENTRY - W/SCREEN DOOR - W/O WINDOW - ELECTRIC STEP (L05) |
| 1 | 115108-05-L06 | EA | DOOR - ENTRY - W/SCREEN DOOR - W/O WINDOW - ELECTRIC STEP (L06) |
| 2 | 121899-03-GB1 | EA | DOOR - SCREEN - W/O HARDWARE |
| 3 | 041546-07-000 | EA | BRACKET - DOOR ANGLE - OFF WHITE |
| 4 | 044582-44-000 | EA | CAP - DRIP - JAMB - BRIGHT WHITE |
| 5 | 121898-03-01A | EA | JAMB - ENTRY DOOR |
| 5 | 121898-04-01A | EA | JAMB - ENTRY DOOR - BRIGHT WHITE - ELECTRIC STEP |
| 6 | 038327-01-000 | EA | TAPE - ANTI SLIP - 2" X 60' |
| 7 | 106719-01-05A | EA | HINGE - ENTRY DOOR - BRIGHT WHITE |
| | 116111-02-01A | EA | SCREW - TAPTITE - 1/4-20 X 3/8 PPH - ZINC |
| 8 | 051049-01-000 | EA | JAMB - BOTTOM - ENTRY DOOR - 25.9" - UNPAINTED |
| 9 | 100128-02-000 | EA | SEAL - FOAM - ADHESIVE BACK - .37" WIDE X .37" THICK |
| 10 | 118929-01-01A | FT | SEAL - PILE - PUSH ON |
| 11 | 121893-01-01A | EA | FRAME - ENTRY DOOR/BOTTOM - BRIGHT WHITE |
| 12 | 121894-07-01A | EA | FRAME - ENTRY DOOR - BRIGHT WHITE |
| 13 | 098173-01-04A | EA | STIFFENER - ENTRY DOOR - SUPPORTS LATCH/STRIKE - UNPAINTED |
| | 122241-01-01A | EA | BUMPER - FOAM RUBBER W/ADH BACK - .5" X .5" X .25" - BLACK |
| 14 | 075671-04-000 | FT | SEAL - SPONGE - LAZY T - W/ADHESIVE STRIP - .5" WIDE |
| 15 | 104692-01-000 | FT | SEAL - FOAM/ADHESIVE BACK - .75"THICK X .75"WIDE X 25' |
| 16 | 109403-01-000 | EA | CATCH - SINGLE ROLLER - SCREEN DOOR |
| 17 | 009126-03-000 | EA | HANDLE - ASSIST - BLACK TEXTURED |
| 18 | 076725-02-000 | EA | COVER - HINGE - ENTRY DOOR - 6" X 3.2" - OFF WHITE |
| 19 | 104099-01-04A | EA | CATCH - DOOR HOLDER - STRIKE - BRIGHT WHITE |
| 19 | 104099-02-04A | EA | CATCH - DOOR HOLDER - RETAINER - BRIGHT WHITE |
| 20 | 102248-01-000 | EA | SHIM - DOOR |
| 21 | 115222-04-01A | EA | GARNISH - ENTRY DOOR - RADIUS |
| 22 | 077461-03-000 | EA | COVER - STRIKE - ENTRY DOOR - 6.5" X 2.5" - WHITE PLASTIC |
| 23 | 100412-01-000 | EA | CATCH - SCREEN DOOR |
| 24* | 101145-01-06A | EA | DEADBOLT - ENTRY DOOR W/O SECURITY BOLT W/2 KEYS - BLACK |

***COMPONENT PARTS FOUND IN SERVICE PARTS LIBRARY**

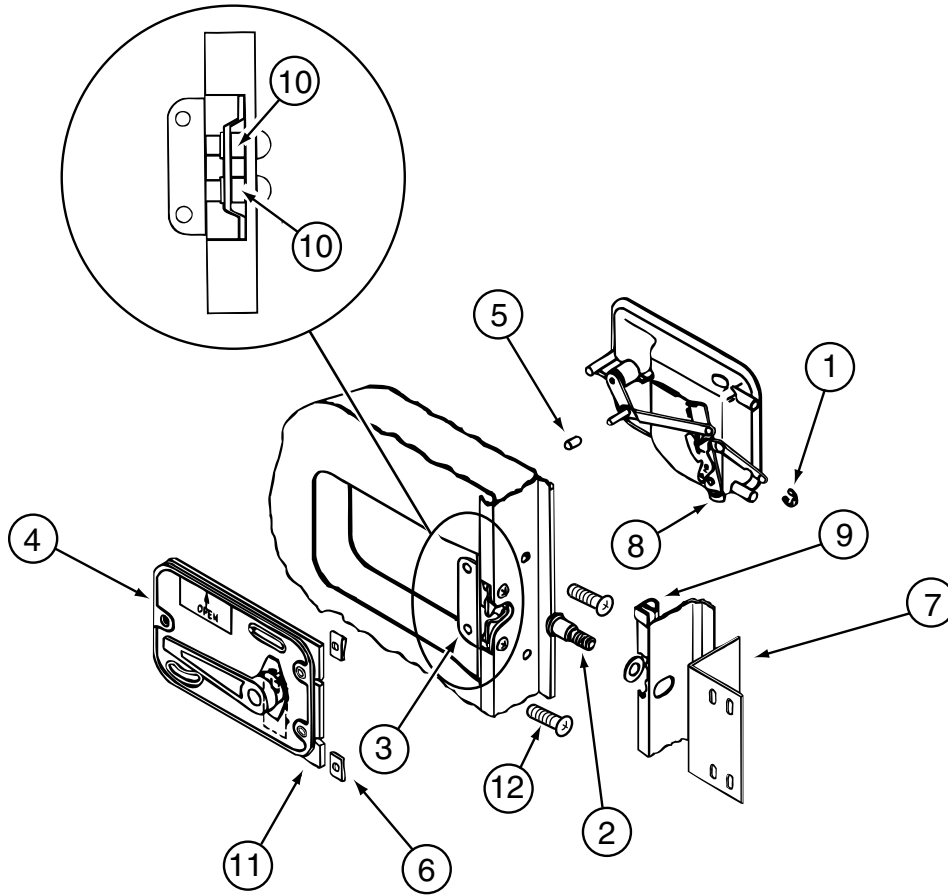
EXTERIOR DOORS & COMPARTMENTS GROUP (CONTINUED)
SCREEN DOOR



| KEY | PART NUMBER | U/M | DESCRIPTION |
|-----|---------------|-----|--|
| | 121899-03-GB1 | EA | DOOR - SCREEN - W/O HARDWARE |
| 1 | 002293-02-000 | SF | SCREENING - WINDOW/DOOR - 26" - CHARCOAL |
| 2 | 002294-01-000 | FT | SPLINE - SCREENING - .135" X .138" |
| 3 | 016454-01-000 | EA | INSERT - CENTER - LEATHER GRAIN ALUMINUM - UNPAINTED |
| | 001014-01-013 | EA | INSERT - CENTER - 10.25" X 16.31" - UNPAINTED |
| 4 | 050712-06-000 | EA | HANDLE - SCREEN DOOR - BRIGHT WHITE |
| 5 | 078552-03-000 | EA | KICK PANEL - SCREEN DOOR - LOWER INSERT - UNPAINTED |
| 6 | 078595-01-000 | EA | TOP PLATE - SCREEN DOOR - CURVED TOP - 4.7" X 25.35" |
| 7 | 078777-08-000 | FT | CHANNEL - SLIDER |
| 8 | 079086-03-000 | EA | SLIDER - SCREEN DOOR - BRIGHT WHITE |
| 9 | 079087-03-000 | EA | STRIKE - SLIDER - SCREEN DOOR - BRIGHT WHITE |
| 10 | 120863-06-000 | EA | BUMPER - RUBBER - 3/4" X 3/8" |

EXTERIOR DOOR S & COMPARTMENTS GROUP (CONTINUED)

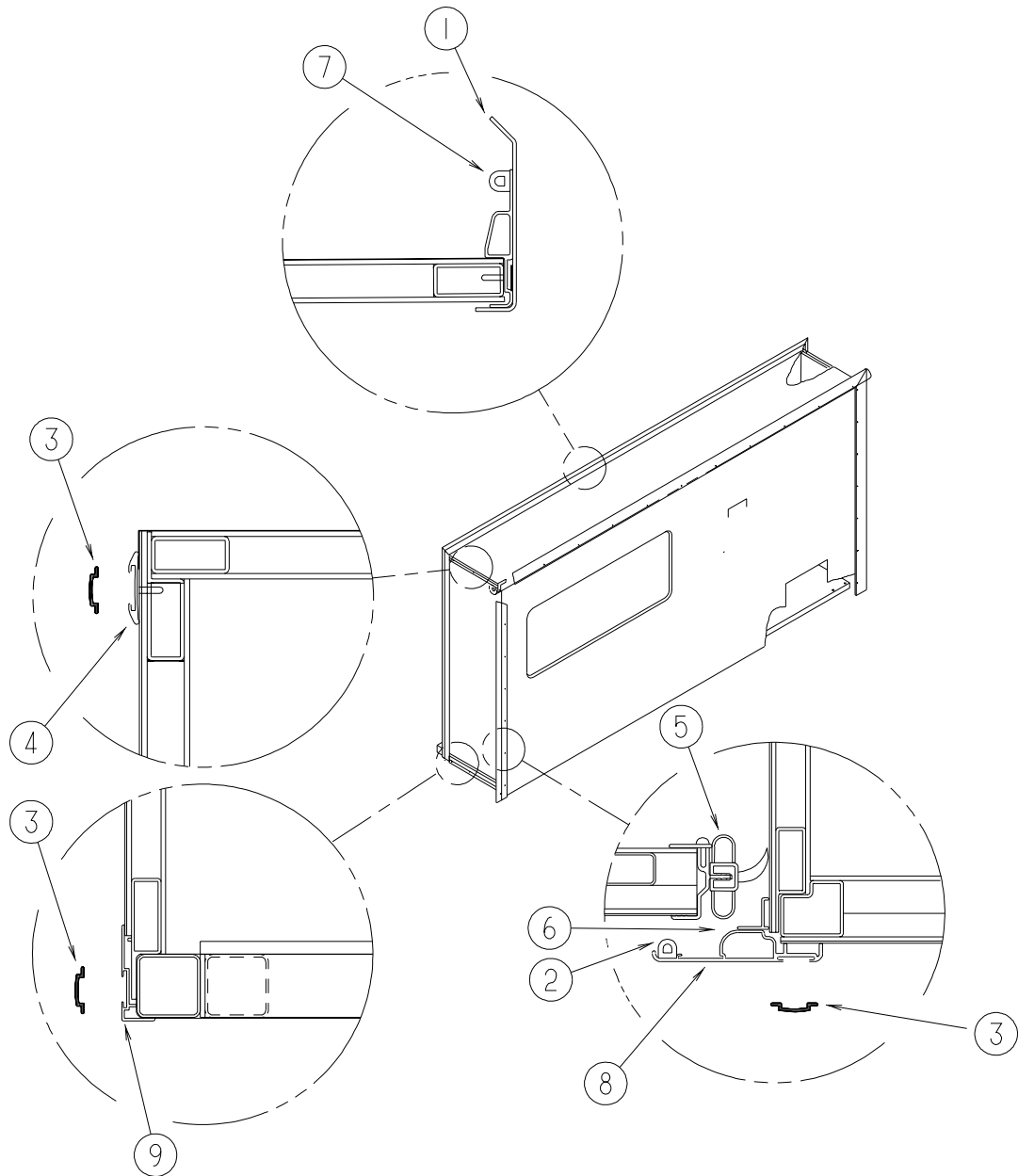
LATCH - ENTRY DOOR



| KEY | PART NUMBER | U/M | DESCRIPTION |
|-----|---------------|-----|---|
| 1 | 036618-02-000 | EA | E-RING - EXTERNAL - 3/16" SHAFT DIAMETER - LYNOR DOOR LOCK |
| 2 | 039539-01-000 | EA | STRIKE - LOCK - ENTRY DOOR - ROUND W/THREADED WASHER |
| | 039715-01-000 | EA | NUT-SERT - 1/4" DIAMETER - 20 THREADS |
| 3 | 039540-01-000 | EA | LATCH MECHANISM - HOOK - ENTRY DOOR - INTERIOR |
| 4 | 039979-06-000 | EA | COVER - LATCH PLATE - RIGHT HAND - BLACK TEXTURED |
| 5 | 039984-01-000 | EA | CAP - ROUND - VINYL - .28" ID X .62" - BLACK |
| 6 | 040921-01-000 | EA | NUT-SPEED-U TYPE 10-24 BLACK |
| 7 | 041546-07-000 | EA | BRACKET - DOOR ANGLE - OFF WHITE |
| 8 | 045017-13-000 | EA | LATCH - ENTRY DOOR - BLACK TEXTURED |
| | 045017-11-701 | EA | KEY - BLANK (F1 SERIES) "K-104" - DOOR LOCK (TM 200 - 250) |
| | 045017-11-703 | EA | CYLINDER-LOCK ASM. W/KEYS 81266-09 |
| 9 | 064075-07-000 | FT | SEAL - BULB - W/WIRED U CHANNEL - .3" X .5" CHANNEL - BLK |
| 10 | 086285-05-000 | EA | SPACER - NYLON - .7" X .56" |
| 11 | 096810-01-01A | EA | PLATE - LATCH - ENTRY DOOR - BLACK |
| 12 | 000G54-04-20B | EA | SCREW - 1/4-20 X 1 1/4 PTH TYP 23 |

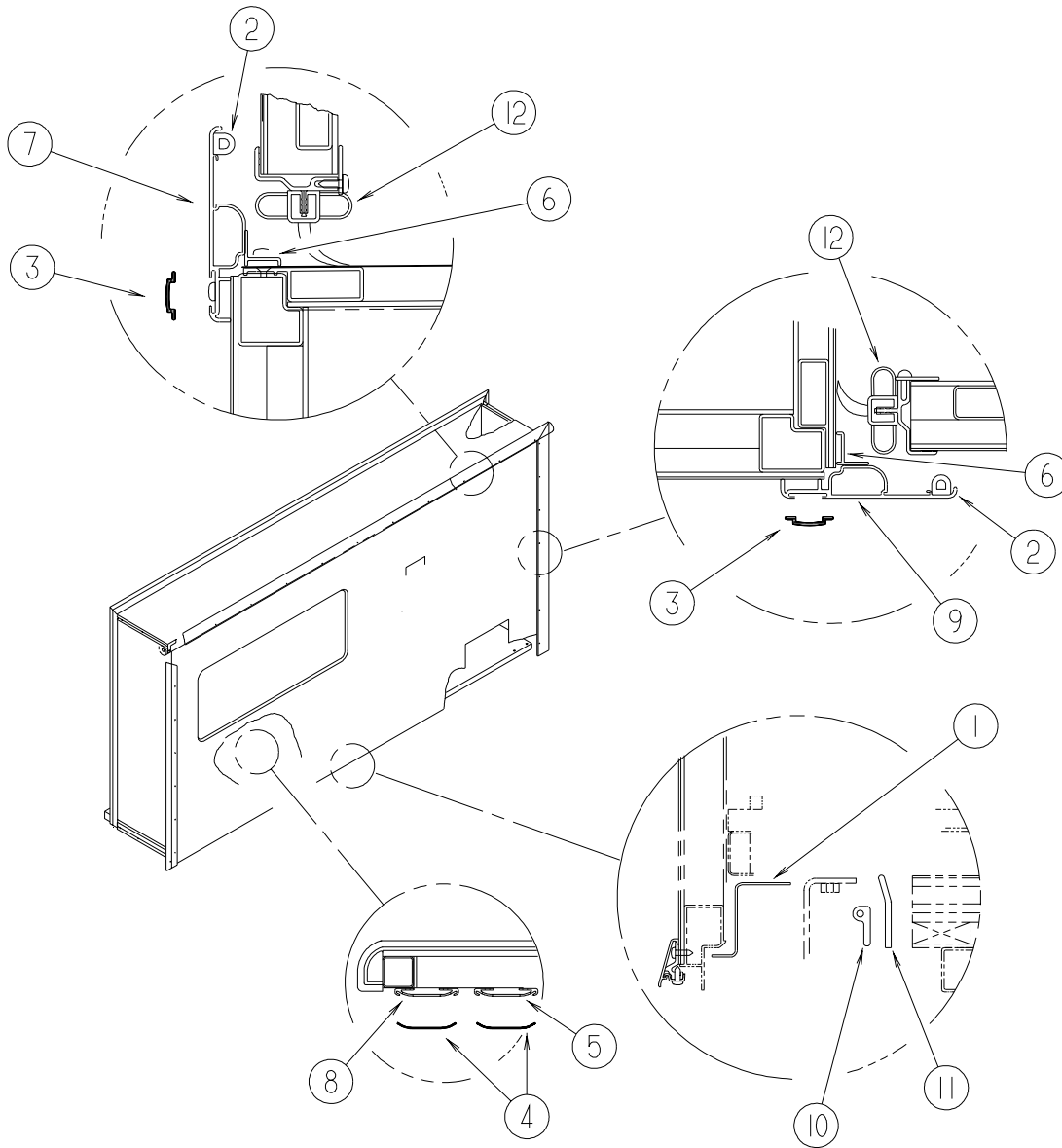
EXTERIOR SLIDEOUT INSTALLATION GROUP

FRONT LEFT



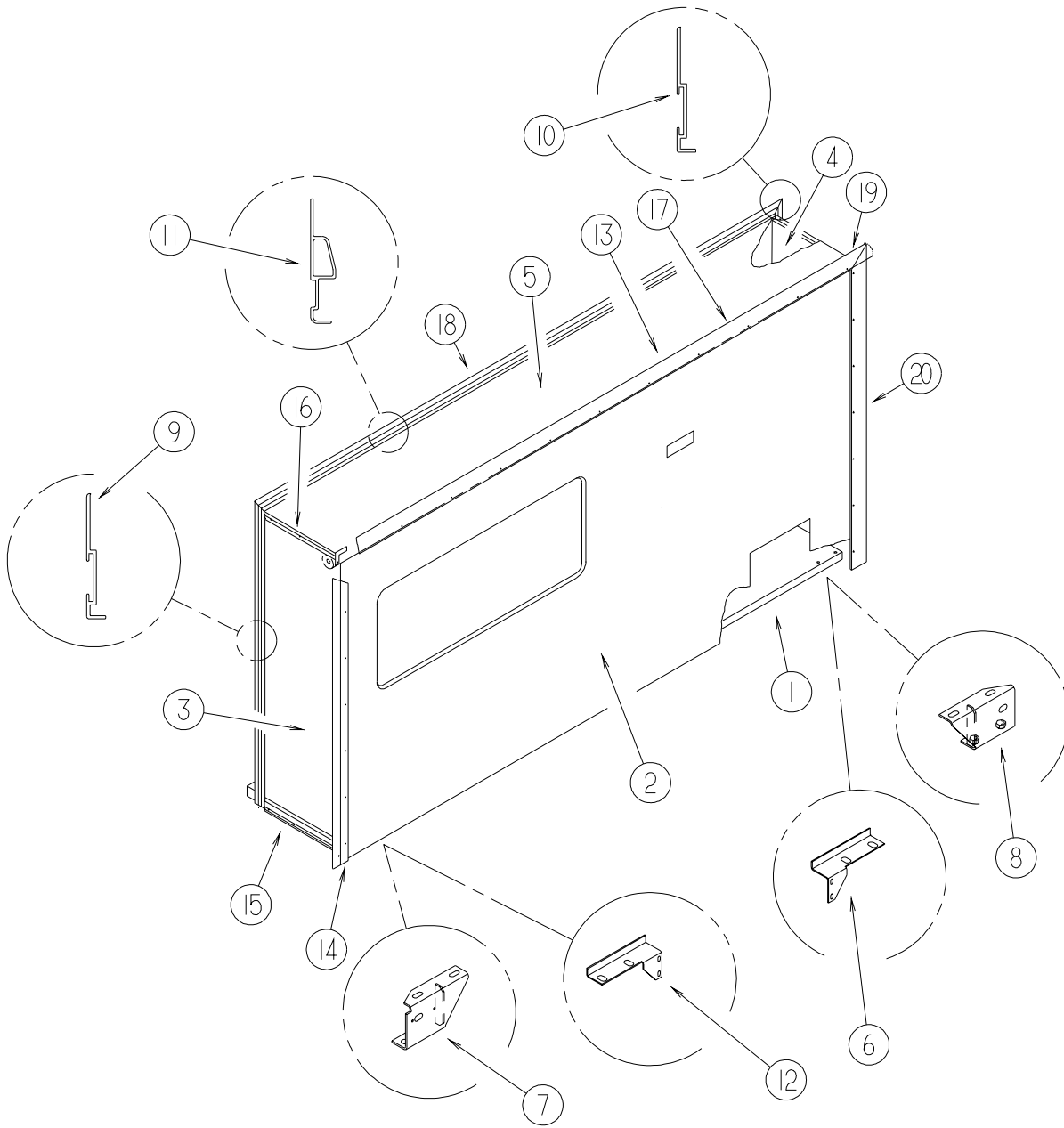
| KEY | PART NUMBER | U/M | DESCRIPTION |
|-----|---------------|-----|--|
| 1 | 125466-03-01A | EA | SUPPORT - ROOF/INTERIOR - OFF WHITE |
| 2 | 099418-01-000 | FT | SEAL - D-SECTION/ADHESIVE BACK - .44" X .44"- BLK RUBBER |
| 3 | 105312-01-07A | FT | INSERT - VINYL FEATURE STRIP - BRIGHT WHITE |
| 4 | 108688-01-03A | EA | STRIP - FEATURE - 15' |
| 5 | 115076-01-000 | FT | SEAL - SLIDEOUT |
| | | | FROM: 00-00-00 THRU: 10-31-99 |
| 5 | 115076-03-000 | FT | SEAL - SLIDEOUT |
| | | | FROM: 11-01-99 THRU: 99-99-99 |
| 6 | 116933-15-01A | EA | TRIM/SEAL - FLOOR EDGE - 166.7" - BRIGHT WHITE |
| 7 | 112091-01-000 | FT | D-SEAL - NEOPRENE - TRUNK - HEAT ACTIVE ADHESIVE |
| 8 | 119992-13-01A | EA | TRIM - SEAL - W/MITERED ENDS - BRIGHT WHITE |
| | | | FROM: 00-00-00 THRU: 08-29-99 |
| 8 | 133955-13-01A | EA | TRIM-SEAL,W/MITERED ENDS B/W |
| | | | FROM: 08-30-99 THRU: 99-99-99 |
| 9 | 125051-01-01A | EA | STRIP - FEATURE - LOWER - BRIGHT WHITE |

EXTERIOR SLIDEOUT INSTALLATION GROUP (CONTINUED)
FRONT LEFT (CONTINUED)



| KEY | PART NUMBER | U/M | DESCRIPTION |
|-----|---------------|-----|--|
| 1 | 128621-02-01A | EA | ZEE-SLIDEOUT, W/HOLES, MILL |
| 2 | 099418-01-000 | FT | SEAL - D-SECTION/ADHESIVE BACK - .44" X .44"- BLK RUBBER |
| 3 | 105312-01-07A | FT | INSERT - VINYL FEATURE STRIP - BRIGHT WHITE |
| 4 | 115661-01-000 | FT | POLYETHYLENE - HIGH DENSITY - 1/16" X 3' |
| 5 | 115325-06-02A | EA | RAIL - FLOOR/SLIDEOUT ROOM - BLACK - 19.6" LONG |
| 6 | 116933-15-01A | EA | TRIM/SEAL - FLOOR EDGE - 166.7" - BRIGHT WHITE |
| 7 | 119992-15-01A | EA | TRIM - SEAL - W/MITERED ENDS - BRIGHT WHITE |
| | | | FROM: 00-00-00 THRU: 08-29-99 |
| 7 | 133955-15-01A | EA | TRIM-SEAL, W/MITERED ENDS B/W |
| | | | FROM: 08-30-99 THRU: 99-99-99 |
| 8 | 115325-03-02A | EA | RAIL - FLOOR/SLIDEOUT ROOM - BLACK - 64.5" LONG |
| 9 | 119992-13-01A | EA | TRIM - SEAL - W/MITERED ENDS - BRIGHT WHITE |
| | | | FROM: 00-00-00 THRU: 08-29-99 |
| 9 | 133955-13-01A | EA | TRIM-SEAL, W/MITERED ENDS B/W |
| | | | FROM: 08-30-99 THRU: 99-99-99 |
| 10 | 121283-01-000 | FT | SEAL - P SHAPED |
| 11 | 115075-02-000 | FT | SEAL - WIPE - .25" X 3.15" |
| | 089275-02-000 | FT | STRIP - 3/4" X 84" BLACK POLYETHYLENE |
| 12 | 115076-01-000 | FT | SEAL - SLIDEOUT |
| | | | FROM: 00-00-00 THRU: 10-31-99 |
| 12 | 115076-03-000 | FT | SEAL - SLIDEOUT |
| | | | FROM: 11-01-99 THRU: 99-99-99 |

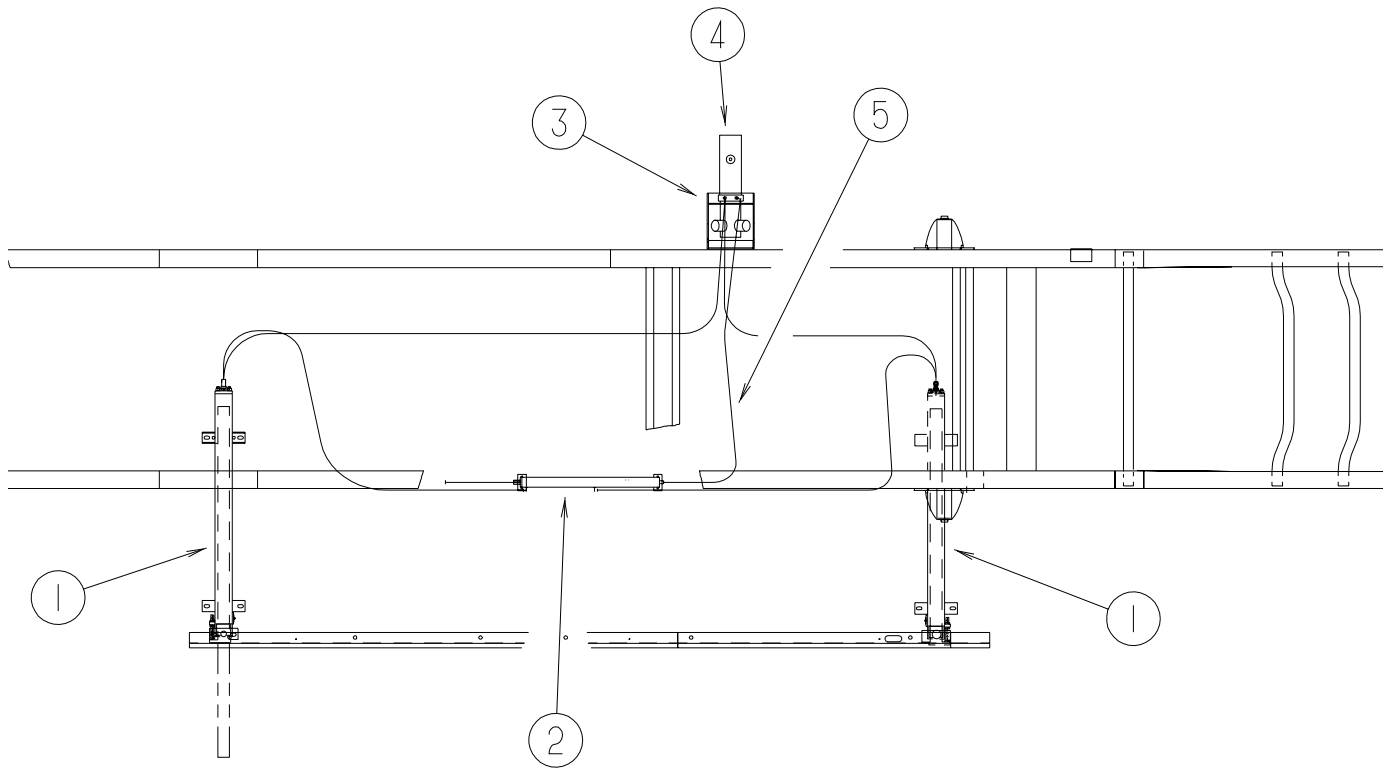
EXTERIOR SLIDEOUT INSTALLATION GROUP (CONTINUED)
FRONT LEFT (CONTINUED)



EXTERIOR SLIDEOUT INSTALLATION GROUP (CONTINUED)
FRONT LEFT (CONTINUED)

| KEY | PART NUMBER | U/M | DESCRIPTION |
|-----|---------------|-----|--|
| 1 | 104692-01-000 | FT | SEAL - FOAM/ADHESIVE BACK - .75"THICK X .75"WIDE X 25' |
| 2 | 115264-10-L01 | EA | PANEL - SLIDEOUT/OUTER(L04) |
| 2 | 115264-10-L02 | EA | PANEL - SLIDEOUT/OUTER(L05) |
| 2 | 115264-10-L06 | EA | PANEL - SLIDEOUT/OUTER(L06) |
| 3 | 121401-01-K03 | EA | PANEL - SLIDEOUT/FRONT (L04) |
| 3 | 121401-01-L02 | EA | PANEL - SLIDEOUT/FRONT (L05) |
| 3 | 121401-01-L06 | EA | PANEL - SLIDEOUT/FRONT (L06) |
| 4 | 121402-02-K03 | EA | PANEL - SLIDEOUT/REAR (L04) |
| 4 | 121402-02-L02 | EA | PANEL - SLIDEOUT/REAR (L05) |
| 4 | 121402-02-L06 | EA | PANEL - SLIDEOUT/REAR (L06) |
| 5 | 128654-01-K01 | EA | ROOF - SLIDEOUT - W/O LIGHTS/VENTS - W/WIRING |
| 6 | 127828-01-02B | EA | BRACKET - OUTER FRONT/SLIDEOUT - E-COATED |
| 7 | 127030-03-02B | EA | BRACKET - INNER REAR/SLIDEOUT - E-COATED |
| 8 | 127030-04-02B | EA | BRACKET - INNER FRONT/SLIDEOUT - E-COATED |
| 9 | 117004-01-01A | EA | TRIM - SEAL/INNER VERTICAL-W/MITERED ENDS-73.5"-OFF WHITE |
| 10 | 117004-02-01A | EA | TRIM-SEAL/INNER HORIZONTAL W/MITERED ENDS-73.5"-OFF WHITE |
| 11 | 117004-09-01A | EA | TRIM - SEAL/INNER VERTICAL-W/MITERED ENDS-141.7" OFF WHITE |
| 12 | 127828-02-02B | EA | BRACKET - OUTER FRONT/SLIDEOUT - E-COATED |
| 13 | 119992-15-01A | EA | TRIM - SEAL - W/MITERED ENDS - BRIGHT WHITE FROM: 00-00-00 THRU: 08-29-99 |
| 13 | 133955-15-01A | EA | TRIM-SEAL,W/MITERED ENDS B/W FROM: 08-30-99 THRU: 99-99-99 |
| | 105312-01-07A | FT | INSERT - VINYL FEATURE STRIP - BRIGHT WHITE |
| 14 | 119992-13-01A | EA | TRIM - SEAL - W/MITERED ENDS - BRIGHT WHITE FROM: 00-00-00 THRU: 08-29-99 |
| 14 | 133955-13-01A | EA | TRIM-SEAL,W/MITERED ENDS B/W FROM: 08-30-99 THRU: 99-99-99 |
| | 105312-01-07A | FT | INSERT - VINYL FEATURE STRIP - BRIGHT WHITE |
| | 116933-15-01A | EA | TRIM/SEAL - FLOOR EDGE - 166.7" - BRIGHT WHITE |
| 15 | 125051-01-01A | EA | STRIP - FEATURE - LOWER - BRIGHT WHITE |
| | 105312-01-07A | FT | INSERT - VINYL FEATURE STRIP - BRIGHT WHITE |
| 16 | 108688-01-03A | EA | STRIP - FEATURE - 15' |
| | 105312-01-07A | FT | INSERT - VINYL FEATURE STRIP - BRIGHT WHITE |
| 17 | 117058-01-01A | FT | TAPE - LOOP - 3/4" WIDE - ADHESIVE BACKED |
| 18 | 125466-03-01A | EA | SUPPORT - ROOF/INTERIOR - OFF WHITE |
| 19 | 122977-10-01A | EA | AWNING - SLIDEOUT COVER - 143" - BRIGHT WHITE |
| 20 | 119992-14-01A | EA | TRIM - SEAL - W/MITERED ENDS - BRIGHT WHITE FROM: 00-00-00 THRU: 08-29-99 |
| 20 | 133955-14-01A | EA | TRIM-SEAL,W/MITERED ENDS B/W FROM: 08-30-99 THRU: 99-99-99 |
| | 105312-01-07A | FT | INSERT - VINYL FEATURE STRIP - BRIGHT WHITE |
| | 116933-12-01A | EA | TRIM - SEAL/FLOOR EDGE - 77.9" - BRIGHT WHITE |

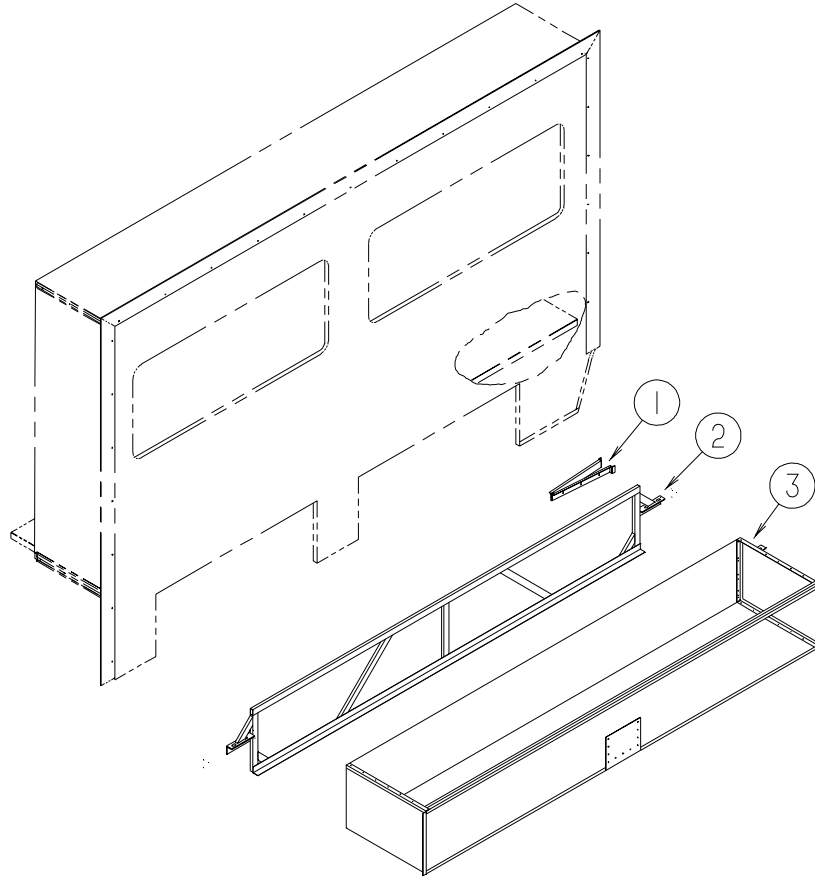
EXTERIOR SLIDEOUT INSTALLATION GROUP (CONTINUED)
FRONT LEFT (CONTINUED)



| KEY | PART NUMBER | U/M | DESCRIPTION |
|-----|---------------|-----|---|
| 1* | 125687-01-000 | EA | SLIDEOUT - HYDRAULIC |
| 2* | | EA | CYLINDER - SYNCRONIZING |
| 3 | 107938-07-000 | EA | BRACKET - PUMP |
| 4* | 122359-04-000 | EA | PUMP/RESERVOIR - SLIDE-OUT - HYDRAULIC - W/O JACKS SYSTEM |
| 5 | 100536-41-000 | EA | HOSE - F/SLIDEOUT |

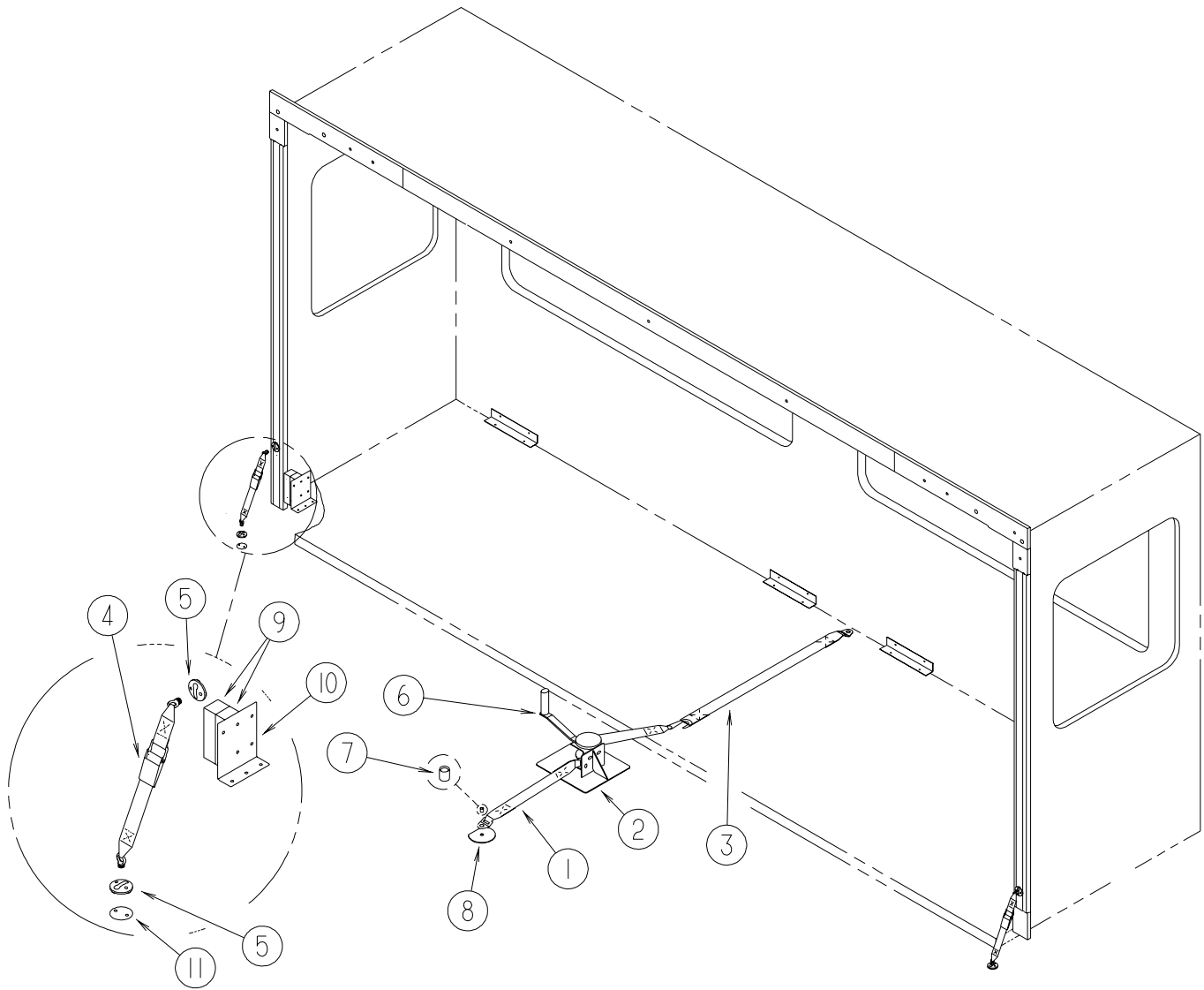
***COMPONENT PARTS FOUND IN SERVICE PARTS LIBRARY**

EXTERIOR SLIDEOUT INSTALLATION GROUP (CONTINUED)
FRONT LEFT (CONTINUED)



| KEY | PART NUMBER | U/M | DESCRIPTION |
|-----|---------------|-----|--|
| 1 | 126591-01-02B | EA | CARRIER - WIRE -SLIDEOUT |
| 2 | 126050-04-J01 | EA | SUPPORT - SLIDEOUT/COMPARTMENT |
| 3 | 126390-04-000 | EA | COMPARTMENT - SLIDEOUT |
| | 099069-01-000 | FT | SEAL - RUBBER - CLOSED SPONGE - .5" WIDE X .12" THICK -BLK |
| | 126694-55-001 | EA | EXTRUSION - U-CHANNEL/HINGED - 191.7" - BRIGHT WHITE |

EXTERIOR SLIDEOUT INSTALLATION GROUP (CONTINUED)
FRONT LEFT (CONTINUED)

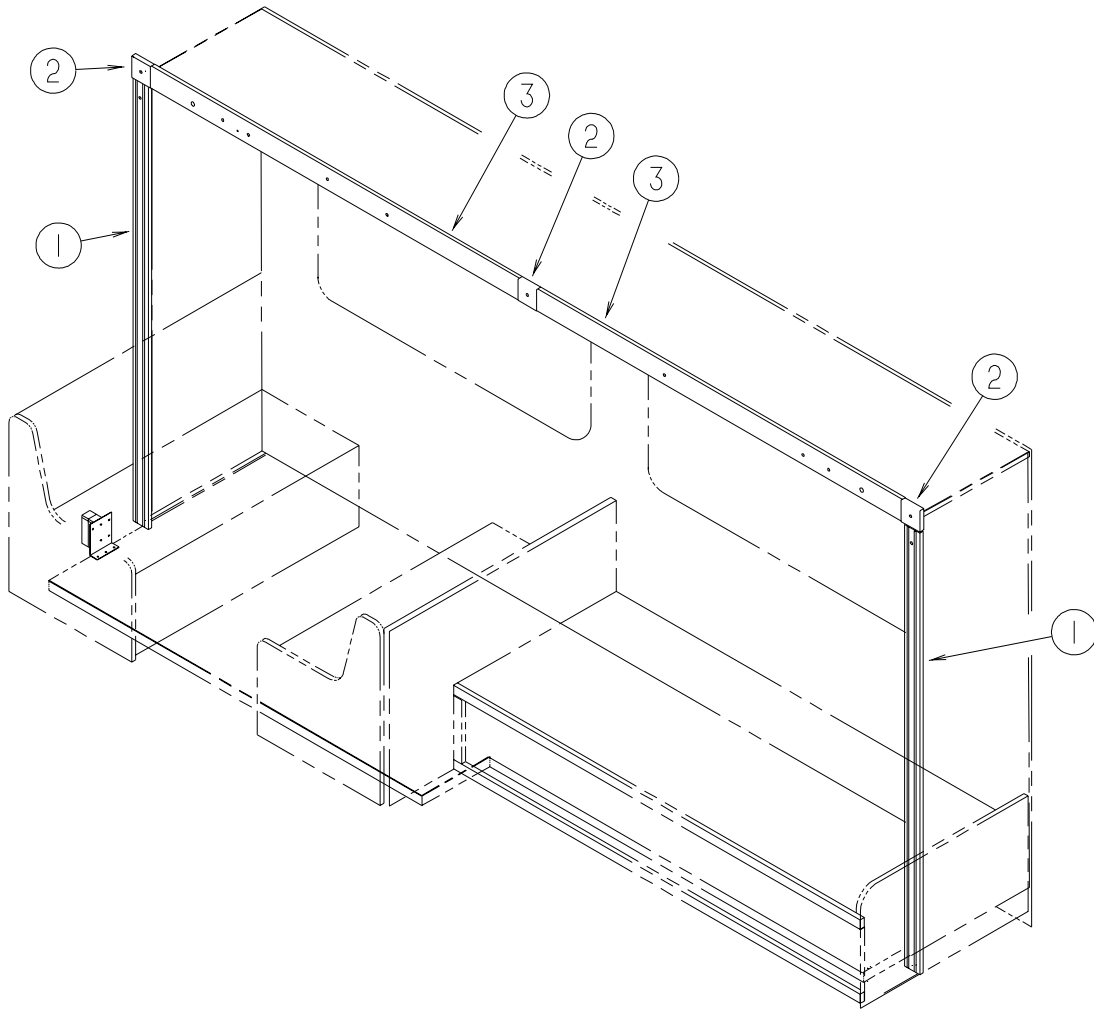


| KEY | PART NUMBER | U/M | DESCRIPTION |
|-----|---------------|-----|--|
| 1 | 116101-01-F31 | EA | STRAP - WINCH - 16.5" CENTER/CENTER BRACKET |
| 2 | 116082-01-02B | EA | BRACKET - WINCH |
| 3 | 116101-02-F31 | EA | STRAP - WINCH - 34" CENTER BRACKET/STRAP END |
| 4 | 133067-01-01A | EA | STRAP - TIE DOWN - SLIDE |
| 5 | 133067-02-01A | EA | PLATE - TIE DOWN - SLIDE |
| 6 | 115767-02-000 | EA | WINCH - SLIDEOUT |
| 7 | 116743-01-01A | EA | CAP - LUG COVER - THREAD PROTECTOR - BLACK |
| 8 | 057759-01-000 | EA | WASHER - FLAT F/SEAT BELT - 4" DIAMETER |
| 9 | 119845-01-01A | EA | PLUG - PLASTIC - BLACK - 1 1/2" SQUARE |
| 10 | 131776-01-02B | EA | SUPPORT - LATCH - SLIDEOUT - E-COATED |
| 11 | 133374-01-02B | EA | PLATE - TIEDOWN |
| 11 | 133374-01-09B | EA | PLATE - TIEDOWN |

FROM: 00-00-00 THRU: 08-31-99

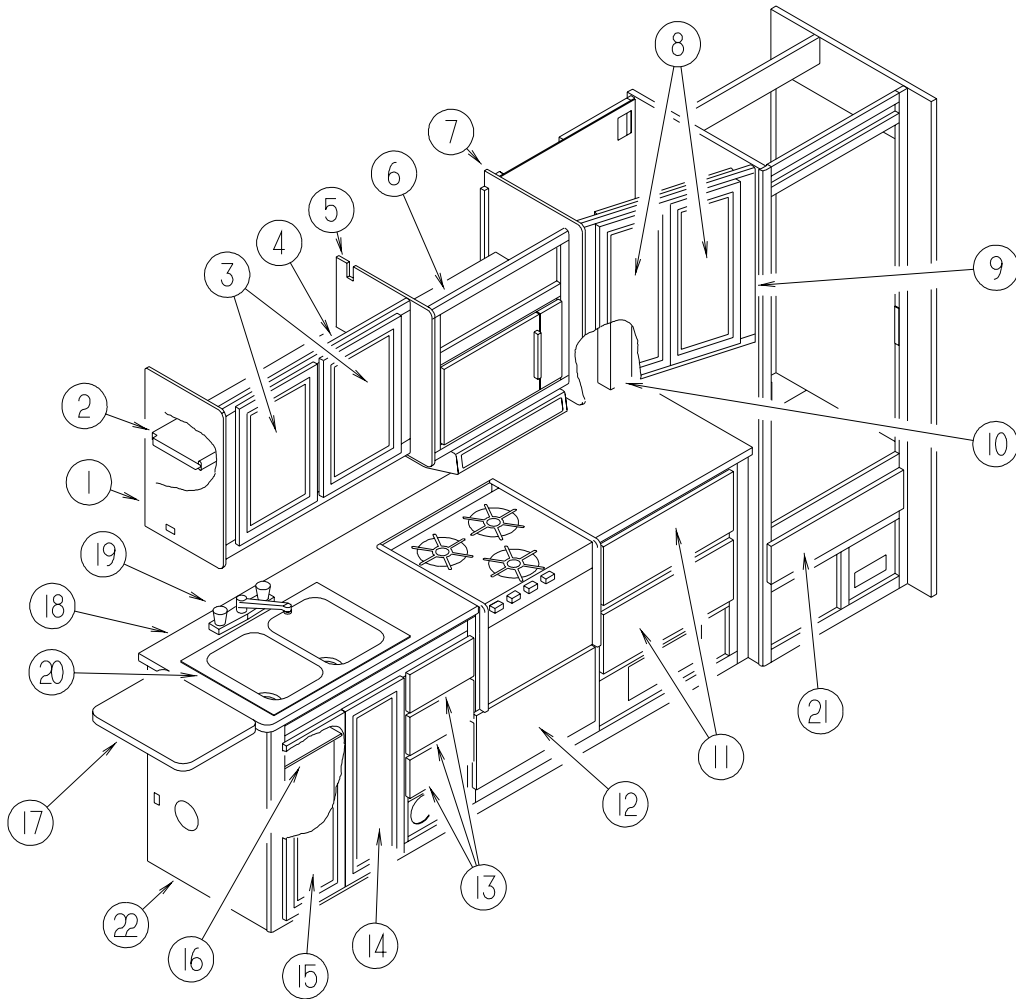
FROM: 09-01-99 THRU: 99-99-99

EXTERIOR SLIDEOUT INSTALLATION GROUP (CONTINUED)
FRONT LEFT (CONTINUED)



| KEY | PART NUMBER | U/M | DESCRIPTION |
|-----|---------------|-----|---|
| 1 | 132663-04-01A | EA | MOLDING - VINYL WRAPPED-.62" X 3" X 70.4"-WATERFORD OAK |
| 2 | 132844-01-01A | EA | BLOCK - CORNER - 3.9" X 3.9" - WATERFORD OAK |
| 3 | 132663-10-01A | EA | MOLDING - VINYL WRAPPED-.55" X 3.8" X 65.8"-WATERFORD OAK |

GALLEY GROUP CABINETS

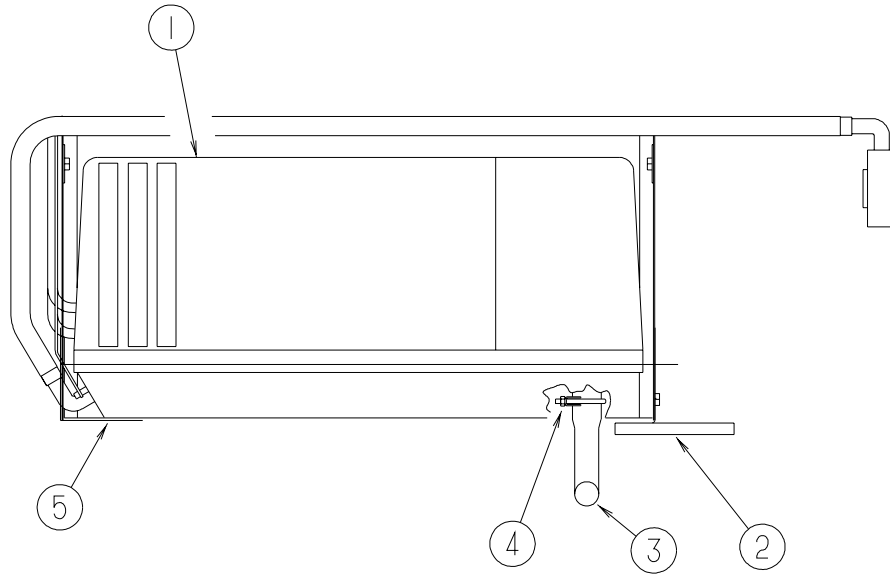


| KEY | PART NUMBER | U/M | DESCRIPTION |
|-----|---------------|-----|--|
| 1 | 109908-83-K04 | EA | END CAP - OVERHEAD CABINET |
| 2 | 128057-11-J03 | EA | SHELF - W/PLASTIC EDGE MOLDING |
| 3 | 132141-02-L15 | EA | DOOR - RAIL/VENEER - 14.3" X 21.8" - W/O HARDWARE |
| 4 | 128057-02-K01 | EA | CABINET - OVERHEAD/GALLEY - W/O DOORS/HARDWARE |
| 5 | 109908-52-H04 | EA | END CAP - OVERHEAD CABINET |
| 6 | 128618-04-K01 | EA | CABINET - MICROWAVE - W/O DOORS/HARDWARE |
| 7 | 109908-89-K01 | EA | END CAP - OVERHEAD CABINET |
| 8 | 132141-05-L01 | EA | DOOR - RAIL/VENEER - 12" X 25.9" - W/O HARDWARE |
| 9 | 132328-01-L04 | EA | CABINET - OVERHEAD/GALLEY - W/O DOORS/HARDWARE |
| 9 | 132328-02-L04 | EA | CABINET - OVERHEAD/GALLEY - W/O DOORS/HARDWARE - W/TV |
| | 100708-18-000 | EA | DOOR - GLASS CABINET - 5.3" X 20" |
| 10 | 128112-01-L04 | EA | CABINET - PIPE COVER |
| 10 | 128112-01-L05 | EA | CABINET - PIPE COVER |
| 10 | 128112-01-L06 | EA | CABINET - PIPE COVER |
| 10 | 128112-02-L04 | EA | CABINET - PIPE COVER - W/HEATED HOLDING TANKS |
| 10 | 128112-02-L05 | EA | CABINET - PIPE COVER - W/HEATED HOLDING TANKS |
| 10 | 128112-02-L06 | EA | CABINET - PIPE COVER - W/HEATED HOLDING TANKS |
| 11 | M09316-42-L04 | EA | DRAWER - OGEE EDGE - 22.9"W X 15.7"D - W/O SLIDES/HARDWARE |
| 12 | M09316-27-L01 | EA | DRAWER - OGEE EDGE - 19.8"W X 15.7"D - W/O SLIDES/HARDWARE |
| 13 | M09316-25-L01 | EA | DRAWER - OGEE EDGE - 9.9"W X 15.7"D - W/O SLIDES/HARDWARE |
| 14 | 131995-P2-L01 | EA | DOOR - RAIL/SOLID - 10.8" X 27.9" - W/O HARDWARE |
| 15 | 131995-P1-L01 | EA | DOOR - SOLID PANEL - 10.8" X 27.9" - W/O HARDWARE |
| 16 | 128127-12-J03 | EA | SHELF - W/PLASTIC EDGE MOLDING |
| 17 | 129503-01-K03 | EA | EXTENSION - GALLEY - W/O HARDWARE (L04) |
| 17 | 129503-01-K02 | EA | EXTENSION - GALLEY - W/O HARDWARE (L05) |
| 17 | 129503-01-K06 | EA | EXTENSION - GALLEY - W/O HARDWARE (L06) |

GALLEY GROUP (CONTINUED)
CABINETS (CONTINUED)

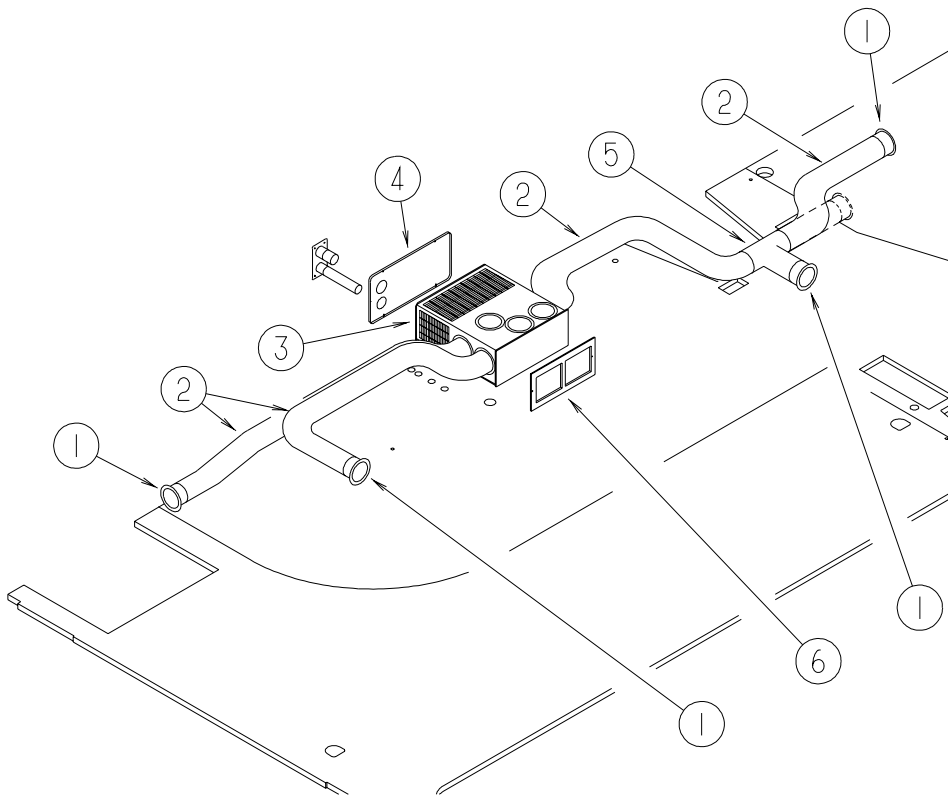
| KEY | PART NUMBER | U/M | DESCRIPTION |
|------------|--------------------|------------|--|
| 18 | 132601-52-L04 | EA | COUNTERTOP - GALLEY CABINET - LAMINATED |
| 18 | 132601-52-L05 | EA | COUNTERTOP - GALLEY CABINET - LAMINATED |
| 18 | 132601-52-L06 | EA | COUNTERTOP - GALLEY CABINET - LAMINATED |
| 19 | | EA | FAUCET - SEE WATER SYSTEMS GROUP |
| 20 | 103610-03-L01 | EA | COVER - SINK - 15.2" X 11" - LAMINATED BOTH SIDES (L04) |
| 20 | 103610-03-L02 | EA | COVER - SINK - 15.2" X 11" - LAMINATED BOTH SIDES (L05) |
| 20 | 103610-03-L06 | EA | COVER - SINK - 15.2" X 11" - LAMINATED BOTH SIDES (L06) |
| 21 | M09316-33-L01 | EA | DRAWER - OGEE EDGE - 22.5"W X 13.9"D - W/O SLIDES/HARDWARE |
| 22 | M09361-02-L04 | EA | CABINET - GALLEY - W/O COUNTERTOP/DOORS/DRAWERS/HARDWARE |

GENERATOR GROUP GAS



| KEY | PART NUMBER | U/M | DESCRIPTION |
|-----|---------------|-----|---|
| 1 | 109982-03-000 | EA | GENERATOR - 4.0 MICROLITE |
| 2 | 114071-02-02B | EA | SUPPORT - GENERATOR - RIGHT |
| 3 | 105958-08-000 | EA | PIPE - GENERATOR EXHAUST - 1.5" OD X 3.1" X 19.7" |
| 4 | 007125-03-000 | EA | CLAMP - MUFFLER - 1.5" DIAMETER |
| 5 | 114070-02-02B | EA | SUPPORT - GENERATOR - LEFT |
| | 007067-01-000 | SF | INSULATION - FIBERGLASS - 1" THICK X 4'-INCREMENTS 4 SF |

HEATING & A/C GROUP FURNACE



| KEY | PART NUMBER | U/M | DESCRIPTION |
|-----|---------------|-----|---|
| 1 | 056464-10-000 | EA | REGISTER W/O DAMPER - 4" DIAMETER - PLASTIC - BEIGE |
| 2 | 009198-01-000 | FT | DUCT - HEAT - FLEXIBLE - 4" ID X 25' |
| | 069636-02-000 | EA | CONNECTOR - DUCT - 4" ID |
| 3* | 098668-20-000 | EA | FURNACE - 30,000 BTU |
| 4 | 098668-23-000 | EA | DOOR - ACCESS - FURNACE - BRIGHT WHITE |
| 5 | 089367-01-000 | EA | TEE - 4" OD - 7" LONG - METAL |
| 6 | 093614-01-02A | EA | GRILLE - RETURN AIR - 15.6" X 7.6" - BEIGE |
| | 115764-01-01A | EA | THERMOSTAT - FURNACE |
| | 009200-01-000 | EA | TAPE - FURNACE - 1 1/2" |

***COMPONENT PARTS FOUND IN SERVICE PARTS LIBRARY**

ROOF

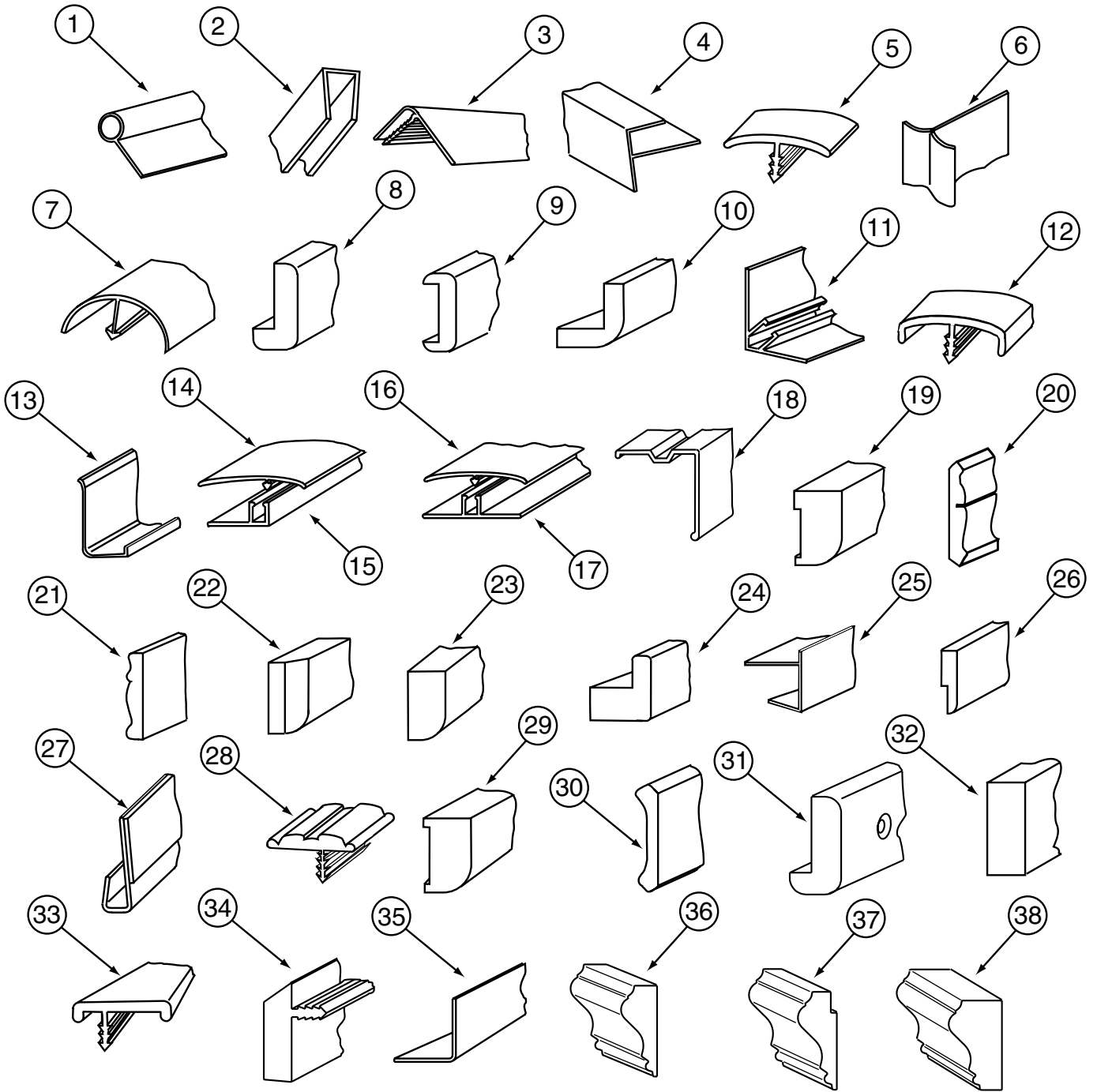
| KEY | PART NUMBER | U/M | DESCRIPTION |
|-----|---------------|-----|--|
| * | 131188-01-01A | EA | A/C - ROOF - 14,800 MACH 15 - WHITE |
| | 131184-03-01A | EA | CEILING ASSEMBLY - A/C DUCTED - C-BODY - WHITE |
| | 117238-01-01A | EA | THERMOSTAT - A/C - FURNACE |
| | 120134-01-02A | EA | REGISTER - W/DAMPER - 4" PIPE/7" O.D. FACE - WHITE |

***COMPONENT PARTS FOUND IN SERVICE PARTS LIBRARY**

INTERIOR FINISH GROUP

MOLDINGS & TRIMS

WATERFORD OAK



| KEY | PART NUMBER | U/M DESCRIPTION |
|-----|---------------|--|
| 1 | 009767-12-000 | FT WELTING - ANTIQUE WHITE |
| 1 | 009767-14-000 | FT WELTING - CHERRY |
| 1 | 009767-15-000 | FT WELTING - WATERFORD OAK |
| 1 | 009767-16-000 | FT WELTING - REBER BIRCH |
| 2 | 009778-16-000 | FT U-CHANNEL - 1" - PICKLED ASH |
| 2 | 009778-18-000 | FT U-CHANNEL - 1" - CHERRY WOOD/CHERRY STAIN |
| 2 | 009778-21-000 | FT U-CHANNEL - 1" - WATERFORD OAK |
| 2 | 009778-25-000 | FT U-CHANNEL - 1" - BEIGE ILLUSION |
| 2 | 009778-27-000 | FT U-CHANNEL - 1" - WASHED MAPLE |
| 2 | 009778-31-000 | FT U-CHANNEL - 1" - GRADY BROWN |
| 2 | 070504-03-000 | FT U-CHANNEL - PLASTIC - .9" X 96" - GRADY BROWN |
| 2 | 070504-18-000 | FT U-CHANNEL - PLASTIC - .13" X 84" - IVORY |
| 2 | 070504-30-000 | FT U-CHANNEL - PLASTIC - .13" X 84" - CHERRY |

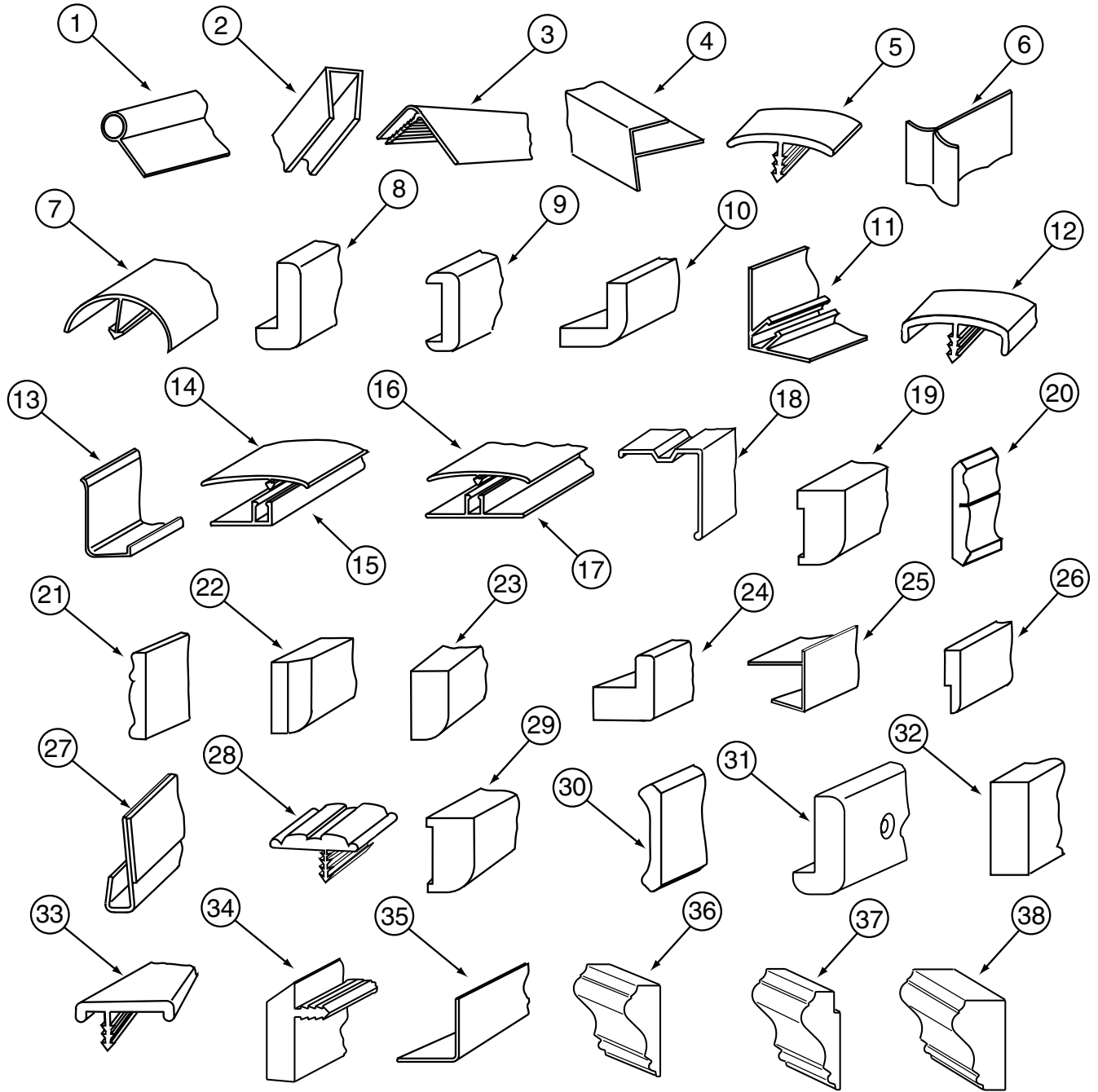
INTERIOR FINISH GROUP (CONTINUED)**MOLDINGS & TRIMS (CONTINUED)**

| KEY | PART NUMBER | U/M | DESCRIPTION |
|------------|--------------------|------------|--|
| 2 | 070504-31-000 | FT | U-CHANNEL - PLASTIC - .9" X 84" - CHERRY |
| 2 | 070504-36-000 | FT | U-CHANNEL - PLASTIC - .13" X 72" - WATERFORD OAK |
| 2 | 070504-37-000 | FT | U-CHANNEL - PLASTIC - .9" X 84" - WATERFORD OAK |
| 2 | 070504-42-000 | FT | U-CHANNEL - PLASTIC - .13" X 84" - BEIGE ILLUSION |
| 2 | 070504-50-000 | FT | U-CHANNEL - PLASTIC - .13" X 84" - WASHED MAPLE |
| 2 | 070504-51-000 | FT | U-CHANNEL - PLASTIC - .9" X 96" - WASHED MAPLE |
| 2 | 070504-54-000 | FT | U-CHANNEL - PLASTIC - .9" X 96" - VILLAGE OAK |
| 3 | 009809-27-000 | EA | MOLDING - CORNER - OUTSIDE - 1" X 84" - CHERRY-CHERRY |
| 3 | 009809-28-000 | EA | MOLDING - CORNER - OUTSIDE - 1" X 84" - WATERFORD OAK |
| 3 | 009809-30-000 | EA | MOLDING - CORNER - OUTSIDE - 1" X 84" - BEIGE ILLUSION |
| 3 | 009809-31-000 | EA | MOLDING - CORNER - OUTSIDE - 1" X 84" - WASHED MAPLE |
| 3 | 009809-32-000 | EA | MOLDING - CORNER - OUTSIDE - 1" X 84" - PORTSMOUTH OAK |
| 4 | 009812-24-000 | EA | MOLDING - CORNER - 1/2" W/1/4"CHAN X 108" - IVORY PLASTIC |
| 4 | 009812-26-000 | EA | MOLDING - CORNER - 1/2" W/1/4" CHAN X 84" - CHERRY |
| 4 | 009812-27-000 | EA | MOLDING - CORNER - 1/2" W/1/4" CHAN X 84" - PICKLED ASH |
| 4 | 009812-29-000 | EA | MOLDING - CORNER - 1/2" W/1/4" CHAN X 84" - WATERFORD OAK |
| 4 | 009812-31-000 | EA | MOLDING - CORNER - 1/2" W/1/4" CHAN X 84" - BEIGE ILLUSION |
| 4 | 009812-33-000 | EA | MOLDING - CORNER - 1/2" W/1/4" CHAN X 84" - WASHED MAPLE |
| 4 | 009812-34-000 | EA | MOLDING - CORNER - 1/2" W/1/4" CHAN X 84" - VW LIGHT GRAY |
| 4 | 009812-35-000 | EA | MOLDING - CORNER - 1/2" W/1/4" CHAN X 84" - PORTSMOUTH OAK |
| 5 | 009815-09-000 | FT | MOLDING-T - W/EDGE LIP - 3/4" FACE - IVORY |
| 5 | 105709-02-000 | FT | MOLDING-T - W/EDGE LIP - 3/4" FACE - BEIGE ILLUSION |
| 6 | 022992-11-000 | FT | MOLDING - REVERSE COVE - T-SHAPED - IVORY |
| 6 | 022992-14-000 | FT | MOLDING - REVERSE COVE - T-SHAPED - BRIGHT WHITE |
| 6 | 022992-15-000 | FT | MOLDING - REVERSE COVE - T-SHAPED - VW GRAY |
| 7 | 042357-18-000 | EA | MOLDING - CORNER - RADIUS/PLASTIC - PICKLED ASH |
| 7 | 042357-19-000 | EA | MOLDING - CORNER - RADIUS/PLASTIC - CHERRY |
| 7 | 042357-20-000 | EA | MOLDING - CORNER - RADIUS/PLASTIC - WATERFORD OAK |
| 7 | 042357-25-000 | EA | MOLDING - CORNER - RADIUS/PLASTIC - WASHED MAPLE |
| 7 | 042357-26-000 | EA | MOLDING - CORNER - RADIUS/PLASTIC - PORTSMOUTH OAK |
| 8 | 077840-01-E41 | EA | MOLDING - WALL CAP - 8' - SALEM CHERRY |
| 8 | 077840-01-G01 | EA | MOLDING - WALL CAP - 8' - WATERFORD OAK |
| 8 | 077840-01-J70 | EA | MOLDING - WALL CAP - 8' - WASHED MAPLE |
| 9 | 078323-06-G15 | EA | MOLDING - CAP/WALL - 79.6" - WATERFORD OAK |
| 10 | 080176-08-000 | EA | CAP - CORNER - RADIUS MOLDING - PLASTIC - WASHED MAPLE |
| 11 | 081521-02-007 | EA | MOUNT - METAL MOLDING - F/RADIUS CORNER MOLDING - 151.5" |
| 12 | 083620-09-000 | FT | MOLDING-T - W/EDGE LIP - 7/8" FACE - MODERN IVORY |
| 12 | 083620-11-000 | FT | MOLDING-T - W/EDGE LIP - 7/8" FACE - CHERRY |
| 12 | 083620-12-000 | FT | MOLDING-T - W/EDGE LIP - 7/8" FACE - WATERFORD OAK |
| 12 | 083620-15-000 | FT | MOLDING-T - W/EDGE LIP - 7/8" FACE - BEIGE ILLUSION |
| 12 | 083620-19-000 | FT | MOLDING-T - W/EDGE LIP - 7/8" FACE - WASHED MAPLE |
| 13 | 085746-04-000 | FT | TRIM-J - CARPET 1.2" X .5" ANGLE - 10' LONG - OFF WHITE |
| 14 | 086229-12-000 | EA | BATTEN - 1.5" OFFSET X 96.8" - MODERN IVORY |
| 15 | 086229-11-000 | EA | RETAINER - OFFSET - 97.01" |
| 16 | 086229-15-000 | EA | BATTEN - 1" X 96" - MODERN IVORY |
| 16 | 086229-19-000 | EA | BATTEN - 1" X 98.3" - OFF WHITE |
| 16 | 086229-20-000 | EA | BATTEN - 1" X 96" - BEIGE |
| 17 | 086229-01-000 | EA | RETAINER - BATTEN - .75" X 92.1" - ANY COLOR |
| 17 | 086229-14-000 | EA | RETAINER - BATTEN - .75" X 98.3" - ANY COLOR |
| 18 | 093873-01-01A | EA | TRIM - CARPET - L-ANGLE 1.1" X 1.3" X 12' - GRAY VINYL |
| 19 | 126204-D2-134 | EA | MOLDING - VINYL WRAPPED - .7" X 1.6" X 84" - WASHED MAPLE |
| 19 | 126204-F2-134 | EA | MOLDING - VINYL WRAPPED - .7" X 2.5" X 84" - WASHED MAPLE |
| 19 | 126204-F2-438 | EA | MOLDING - VINYL WRAPPED - .7" X 2.6" X 96" - WASHED MAPLE |
| 20 | 111136-D2-134 | EA | MOLDING - VINYL WRAPPED - .7" X 1.6" X 7' - CHERRY |
| 20 | 111136-F2-134 | EA | MOLDING - VINYL WRAPPED - .7" X 2.6" X 84" - CHERRY |
| 20 | 111136-F2-438 | EA | MOLDING - VINYL WRAPPED - .7" X 2.5" X 8' - CHERRY |
| 21 | 100182-01-G15 | EA | TRIM - RAIL - WATERFORD OAK |
| 22 | 100659-27-G15 | EA | MOLDING - TRIM - WATERFORD OAK |

INTERIOR FINISH GROUP (CONTINUED)

MOLDINGS & TRIMS (CONTINUED)

WATERFORD OAK



| KEY | PART NUMBER | U/M | DESCRIPTION |
|-----|---------------|-----|---|
| 23 | 100818-01-03A | EA | MOLDING - VINYL WRAPPED - 1.6" X .4" X 84" - PICKLED ASH |
| 23 | 100818-01-04A | EA | MOLDING - VINYL WRAPPED - 1.6" X .4" X 84" - WATERFORD OAK |
| 23 | 100818-01-05A | EA | MOLDING - VINYL WRAPPED - 1.6" X .4" X 84" - CHERRY CHERRY |
| 23 | 100818-01-08A | EA | MOLDING - VINYL WRAPPED - 1.6" X .4" X 84" - WASHED MAPLE |
| 23 | 100818-01-09A | EA | MOLDING - VINYL WRAPPED - 1.6" X .4" X 84" - PORTSMOUTH OAK |
| 24 | 100819-01-03A | EA | MOLDING - VINYL WRAPPED - L-SHAPED - 1.5"X1.5"X84" - PICKLED ASH |
| 24 | 100819-01-04A | EA | MOLDING - VINYL WRAPPED - L-SHAPED - 1.5"X1.5"X84" - CHERRY |
| 24 | 100819-01-05A | EA | MOLDING - VINYL WRAPPED - L-SHAPED - 1.5"X1.5"X84" - OAK |
| 24 | 100819-01-08A | EA | MOLDING - VINYL WRAPPED - L-SHAPED - 1.5"X1.5"X84" - WASHED MAPLE |
| 24 | 100819-01-09A | EA | MOLDING - VINYL WRAPPED - L-SHAPED - 1.5"X1.5"X84" - PORTSMOUTH OAK |
| 25 | 103186-01-04A | FT | MOLDING - PLASTIC 3/8" U-CHANNEL W/3/4" FACE - CHERRY |
| 25 | 103186-01-03A | FT | MOLDING - PLASTIC 3/8" U-CHANNEL W/3/4" FACE - PICKLED ASH |
| 25 | 103186-01-05A | FT | MOLDING - PLASTIC 3/8" U-CHANNEL W/3/4" FACE - WATERFORD OAK |
| 25 | 103186-01-08A | FT | MOLDING - PLASTIC 3/8" U-CHANNEL W/3/4" FACE - WASHED MAPLE |

INTERIOR FINISH GROUP (CONTINUED)**MOLDINGS & TRIMS (CONTINUED)****WATERFORD OAK**

| KEY | PART NUMBER | U/M | DESCRIPTION |
|------------|--------------------|------------|---|
| 25 | 103186-01-07A | FT | MOLDING - PLASTIC 3/8" U-CHANNEL W/3/4" FACE - BEIGE ILLUSION |
| 25 | 103186-01-09A | FT | MOLDING - PLASTIC 3/8" U-CHANNEL W/3/4" FACE - PORTSMOUTH OAK |
| 25 | 103186-02-03A | FT | MOLDING - PLASTIC - 1" U-CHANNEL 1 3/8" FACE - PICKLED ASH |
| 25 | 103186-02-04A | FT | MOLDING - PLASTIC - 1" U-CHANNEL 1 3/8" FACE - CHERRY |
| 25 | 103186-02-05A | FT | MOLDING - PLASTIC - 1" U-CHANNEL 1 3/8" FACE - WATERFORD OAK |
| 25 | 103186-02-07A | FT | MOLDING - PLASTIC - 1" U-CHANNEL 1 3/8" FACE - BEIGE ILLUSION |
| 25 | 103186-02-08A | FT | MOLDING - PLASTIC - 1" U-CHANNEL 1 3/8" FACE - WASHED MAPLE |
| 25 | 103186-02-09A | FT | MOLDING - PLASTIC - 1" U-CHANNEL 1 3/8" FACE - PORTSMOUTH OAK |
| 26 | 105004-01-03A | EA | MOLDING - VINYL WRAPPED - 1" X 96" - SALEM CHERRY |
| 26 | 105004-01-04A | EA | MOLDING - VINYL WRAPPED - 1" X 96" - PICKLED ASH |
| 26 | 105004-01-05A | EA | MOLDING - VINYL WRAPPED - 1" X 96" - WATERFORD OAK |
| 26 | 105004-01-08A | EA | MOLDING - VINYL WRAPPED - 1" X 96" - WASHED MAPLE |
| 26 | 105004-01-09A | EA | MOLDING - VINYL WRAPPED - 1" X 96" - PORTSMOUTH OAK |
| 27 | 109332-02-03A | FT | TRIM-J - W/O ADHESIVE - SALEM CHERRY |
| 27 | 109332-02-05A | FT | TRIM-J - W/O ADHESIVE - WASHED MAPLE |
| 27 | 109332-02-06A | EA | TRIM-J - W/O ADHESIVE - PORTSMOUTH OAK |
| 28 | 109736-02-01A | FT | MOLDING-T/OFFSET - W/EDGE LIP - 1" FACE - NATURAL OAK |
| 29 | 117268-D2-134 | EA | MOLDING - VINYL WRAPPED - .7" X 1.6" X 84" - WATERFORD OAK |
| 29 | 117268-F2-134 | EA | MOLDING - VINYL WRAPPED - .7" X 2.7" X 84" - WATERFORD OAK |
| 29 | 117268-F2-438 | EA | MOLDING - VINYL WRAPPED - .7" X 2.6" X 96" - WATERFORD OAK |
| 30 | 113794-01-03A | FT | MOLDING - CROWN - 3.45" - MAPLE |
| 30 | 113794-02-03A | FT | MOLDING - CROWN - 1.8" - MAPLE |
| 31 | 116280-02-GV0 | EA | MOLDING - CAP - PICKLED ASH |
| 31 | 116280-02-GV1 | EA | MOLDING - CAP - SALEM CHERRY |
| 31 | 116280-02-J70 | EA | MOLDING - CAP - WASHED MAPLE |
| 31 | 116280-02-L95 | EA | MOLDING - CAP - WATERFORD OAK |
| 32 | 111134-F2-438 | EA | LUMBER - VINYL WRAPPED - .7" X 2.5" X 96" - CHERRY |
| 32 | 117267-D2-438 | EA | LUMBER - VINYL WRAPPED - .7" X 1.5" X 96" - WATERFORD OAK |
| 32 | 117267-E2-438 | EA | LUMBER - VINYL WRAPPED - .7" X 2" X 96" - WATERFORD OAK |
| 32 | 117267-F2-438 | EA | LUMBER - VINYL WRAPPED - .7" X 2.5" X 96" - WATERFORD OAK |
| 32 | 117267-J2-438 | EA | LUMBER - VINYL WRAPPED - .7" X 5.5" X 96" - WATERFORD OAK |
| 32 | 117267-R2-438 | EA | LUMBER - VINYL WRAPPED - .7" X 3" X 96" - WATERFORD OAK |
| 32 | 126205-D2-438 | EA | LUMBER - VINYL WRAPPED - .7" X 1.5" X 96" - WASHED MAPLE |
| 32 | 126205-E2-438 | EA | LUMBER - VINYL WRAPPED - .7" X 2" X 96" - WASHED MAPLE |
| 32 | 126205-F2-438 | EA | LUMBER - VINYL WRAPPED - .7" X 2.5" X 96" - WASHED MAPLE |
| 32 | 126205-G2-438 | EA | LUMBER - STAINED - .7" X 3" X 96" - WASHED MAPLE |
| 32 | 126205-J2-438 | EA | LUMBER - VINYL WRAPPED - .7" X 5.5" X 96" - WASHED MAPLE |
| 32 | 126205-R2-438 | EA | LUMBER - VINYL WRAPPED - .7" X 3" X 96" - WASHED MAPLE |
| 33 | 119520-01-01A | FT | MOLDING-T/OFFSET - W/EDGE LIP - 1"FACE - OFF WHITE |
| 34 | 130247-01-01A | FT | MOLDING-T/OFF SET - 1.3" FACE - WATERFORD OAK |
| 34 | 130247-01-02A | FT | MOLDING-T/OFF SET - 1.3" FACE - WASHED MAPLE |
| 34 | 130247-01-03A | FT | MOLDING-T/OFF SET - 1.3" FACE - SALEM CHERRY |
| 34 | 130247-01-04A | FT | MOLDING-T/OFF SET - 1.3" FACE - PORTSMOUTH OAK |
| 35 | 130262-01-000 | EA | PROTECTOR - CORNER SAVER - .7" X .7" X 5.9" |
| 36 | 131923-01-01A | FT | MOLDING - CROWN - ASH |
| 36 | 131923-01-02A | FT | MOLDING - CROWN - CHERRY |
| 36 | 131923-01-03A | FT | MOLDING - CROWN - HARD WHITE MAPLE |
| 37 | 131923-02-01A | FT | MOLDING - PICTURE - ASH |
| 37 | 131923-02-02A | FT | MOLDING - PICTURE - CHERRY |
| 37 | 131923-02-03A | FT | MOLDING - PICTURE - HARD WHITE MAPLE |
| 38 | 131923-03-01A | FT | MOLDING - CROWN - DIVIDER - ASH |
| 38 | 131923-03-02A | FT | MOLDING - CROWN - DIVIDER - CHERRY |
| 38 | 131923-03-03A | FT | MOLDING - CROWN - DIVIDER - HARD WHITE MAPLE |
| | 104676-02-02A | FT | MOLDING-T - W/EDGE LIP - 11/16" FACE - PICKLED ASH |
| | 104676-02-03A | FT | MOLDING-T - W/EDGE LIP - 11/16" FACE - CHERRY-CHERRY |
| | 104676-02-04A | FT | MOLDING-T - W/EDGE LIP - 11/16" FACE - WATERFORD OAK |
| | 104676-02-06A | FT | MOLDING-T - W/EDGE LIP - 11/16" FACE - WASHED MAPLE |
| | 104676-02-08A | FT | MOLDING-T - W/EDGE LIP - 11/16" FACE - PORTSMOUTH OAK |

INTERIOR FINISH GROUP (CONTINUED)
PANELING, LAMINATES, BATT S & EDGE BANDING

| KEY | PART NUMBER | U/M | DESCRIPTION |
|-----|---------------|-----|--|
| | 088272-H8-000 | SF | PANELING - UPBEAT/TWILIGHT - 4' X 7' (L04) |
| | 088263-G0-000 | EA | BATT STRIP - DECORATIVE - UPBEAT/TWILIGHT - 8' (L04) |
| | 085284-F8-000 | FT | BATT TAPE - ADHESIVE BACKED - DECORATIVE - UPBEAT/TWILIGHT (L04) |
| | 088272-J7-000 | SF | PANELING - COSMOS/SKY - 4' X 7' (L05) |
| | 088263-G7-000 | EA | BATT STRIP - DECORATIVE - COSMOS/SKY - 8' LONG (L05) |
| | 085284-G6-000 | FT | BATT TAPE - ADHESIVE BACKED - DECORATIVE - COSMOS/SKY (L05) |
| | 088272-J5-000 | SF | PANELING - STARLIGHT/NEUTRAL - 4' X 7' (L06) |
| | | | FROM: 00-00-00 THRU: 07-20-99 |
| | 088263-G5-000 | EA | BATT STRIP - DECORATIVE - STARLIGHT/NEUTRAL - 8' LONG (L06) |
| | | | FROM: 00-00-00 THRU: 07-20-99 |
| | 085284-G4-000 | FT | BATT TAPE - ADHESIVE BACKED - STARLIGHT/NEUTRAL (L06) |
| | | | FROM: 00-00-00 THRU: 07-20-99 |
| | 088272-J8-000 | SF | PANELING - DURNHAM/MULTI - 4' X 8' (L06) |
| | | | FROM: 07-21-99 THRU: 99-99-99 |
| | 088263-G8-000 | EA | BATT STRIP - DECORATIVE - DURNHAM MULTI - 7' (L06) |
| | | | FROM: 07-21-99 THRU: 99-99-99 |
| | 085284-G7-000 | FT | BATT TAPE - ADHESIVE BACKED - DURNHAM MULTI (L06) |
| | | | FROM: 07-21-99 THRU: 99-99-99 |
| | 074497-41-000 | SF | PANELING - CEILING/IMPACT PEARL - 4' X 9' |
| | 088263-F9-000 | EA | BATT STRIP - CEILING - IMPACT PEARL - 9' |
| | 085284-F6-000 | FT | BATT TAPE - ADHESIVE BACKED-IMPACT PEARL-W/FLEECE EMBOSSED |
| | 088272-H9-000 | SF | PANELING - PEBBLE EMBOSSED - WHITE |
| | 088263-G1-000 | EA | BATT STRIP - DECORATIVE - PEBBLE EMBOSSED - 8' LONG (WET BATH) |
| | 085284-F9-000 | FT | BATT TAPE - ADHESIVE BACKED - PEBBLE EMBOSSED (WET BATH) |
| | 074497-28-000 | SF | PANELING - WATERFORD OAK - 4' X 8' |
| | 069733-83-000 | EA | BATT STRIP - WOODGRAINED/WATERFORD OAK - 8' |
| | 085284-B5-000 | FT | BATT TAPE - ADHESIVE BACKED - WOODGRAINED-WATERFORD OAK |
| | 074498-81-000 | SF | LAMINATE - PLASTIC - ALMOND JAGUARD - 5' X 8' (L04) |
| | 074498-80-000 | SF | LAMINATE - PLASTIC - WHITE TUNDRA - 5' X 8' (L05) |
| | 074498-71-000 | SF | LAMINATE - PLASTIC - NEUTRAL SANTOS - 5' X 8' (L06) |
| | 074498-77-000 | SF | LAMINATE - PLASTIC - ART CABIN (WATERFORD OAK) - 4' X 8' |
| | 000846-01-000 | SF | PLYWOOD - 5/16" X 48" X 96" - CD GRADE |
| | 000846-02-000 | SF | PLYWOOD/UNDERLAYMENT - 5/16" X 48" X 96" |
| | 126339-01-000 | SF | BOARD - WHEAT - 60" X 72" |
| | 057882-04-700 | EA | TAMBOUR - 48" X 48" SHEET - UNFINISHED |
| | 000885-76-000 | SF | PARTICLE BOARD-3/8" X 48" X 96"-WATERFORD OAK-VINYL 1 SIDE |
| | 000885-77-000 | SF | PARTICLE BOARD-3/8" X 48" X 96"-WATERFORD OAK-VINYL 2 SIDE |
| | 000885-78-000 | SF | PARTICLE BOARD-1/2" X 48" X 96"-WATERFORD OAK-VINYL 2 SIDE |
| | 000885-79-000 | SF | PARTICLE BOARD-3/4" X 48" X 96"-WATERFORD OAK-VINYL 2 SIDE |
| | 076325-40-000 | SF | MOLDING - EDGE BAND - .93" X .024" - ALMOND - SINK COVERS |
| | 076325-39-000 | SF | MOLDING - EDGE BAND - 1 5/16" X .030" - ALMOND - RANGE AREA |
| | 076325-68-000 | SF | MOLDING - EDGE BAND - 1 5/16" X .038" - WATERFORD OAK |
| | 122481-15-000 | FT | BORDER - WALLPAPER - 6 7/8" (L04) |
| | 132610-01-01A | FT | BORDER - WALLPAPER - 5 1/8" - SELF ADHESIVE" (L05) |
| | | | FROM: 00-00-00 THRU: 08-29-99 |
| | 132610-02-04A | FT | BORDER - WALLPAPER - 5 1/8" - SELF ADHESIVE" (L05) |
| | | | FROM: 08-30-99 THRU: 99-99-99 |
| | 122481-19-000 | FT | BORDER - WALLPAPER - 6 3/4" (L06) |

INTERIOR FINISH GROUP (CONTINUED)
ACCESSORIES

| KEY | PART NUMBER | U/M | DESCRIPTION |
|------------|--------------------|------------|--|
| | 072852-01-000 | EA | DETECTOR - SMOKE - W/9 VOLT BATTERY - US |
| | 072852-02-000 | EA | DETECTOR - SMOKE - W/9 VOLT BATTERY - CANADIAN |
| | 125136-01-000 | EA | CO DETECTOR - GAS - ROUND W/2 SCREWS - 9 VOLT |
| | 094499-03-000 | EA | EXTINGUISHER/FIRE - DRY - 10BC - W/GAUGE - W/O BRACKET |
| | 094499-04-000 | EA | BRACKET - FIRE EXTINGUISHER |
| * | 094499-02-000 | EA | EXTINGUISHER/FIRE - DRY - 1A10BC - CANADIAN |
| | 091261-01-000 | FT | SLIPNOT - ANTISLIP - 1'WIDE |
| | 096764-02-000 | FT | SLIPNOT - ANTISLIP - 1'WIDE (100' ROLLS) |

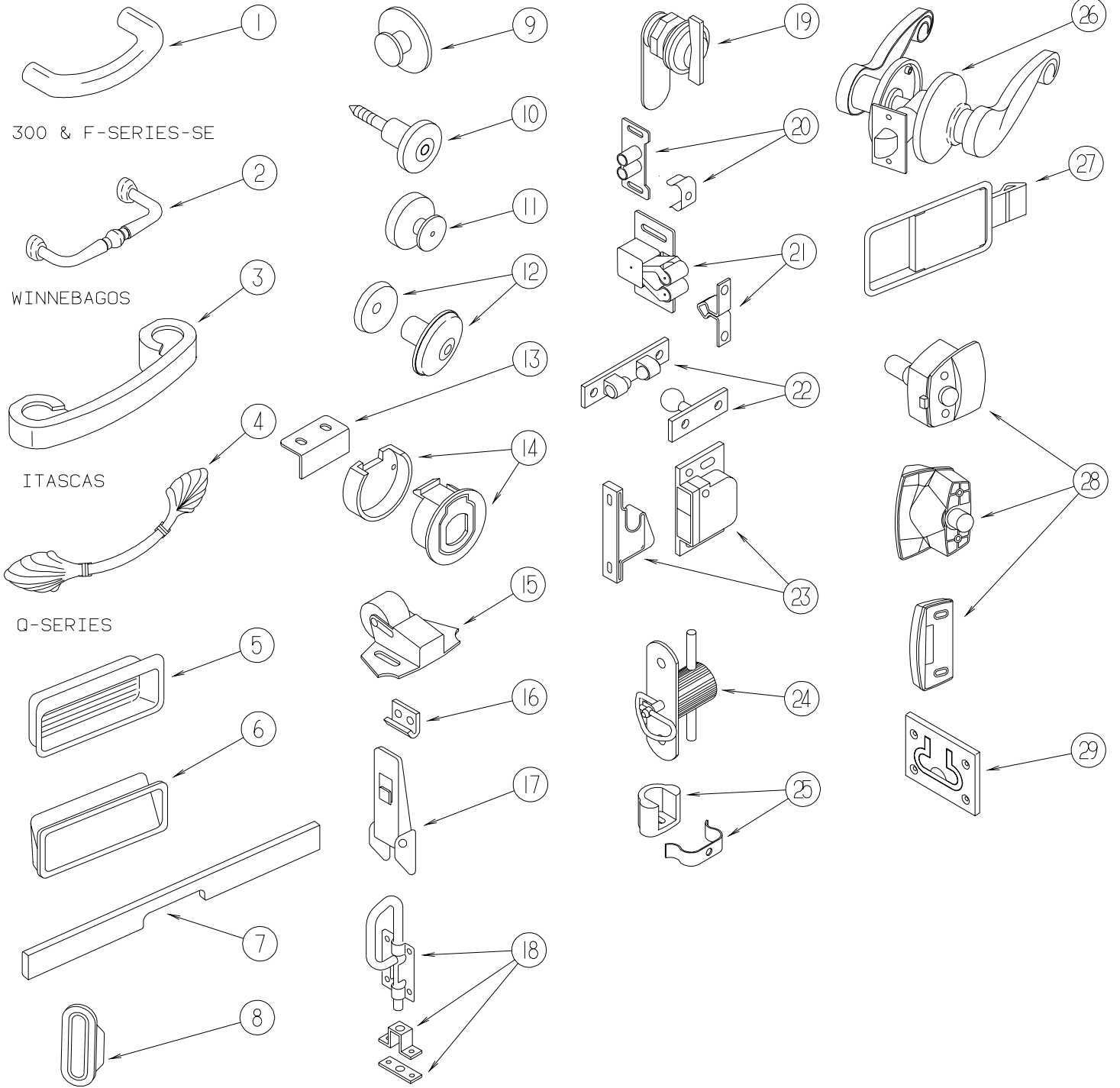
***COMPONENT PARTS FOUND IN SERVICE PARTS LIBRARY**

FLOOR COVERINGS

| KEY | PART NUMBER | U/M | DESCRIPTION |
|------------|--------------------|------------|---|
| | 096060-A2-000 | SY | CARPET - NEW MEADOW - INCREMENTS OF 4 SY (L04) |
| | 096060-E7-000 | SY | CARPET - PEWTER BLUE - INCREMENTS OF 4 SY (L05) |
| | 096060-99-000 | SY | CARPET - PARCHMENT - INCREMENTS OF 4 SY (L06) |
| | 093486-01-000 | SY | CARPET - COMPARTMENT - 72" WIDE - DARK GRAY |
| | 042720-25-000 | SY | VINYL - FLOOR COVERING - 14' WIDE - MODULATION |

INTERIOR FINISH GROUP (CONTINUED)

HARDWARE

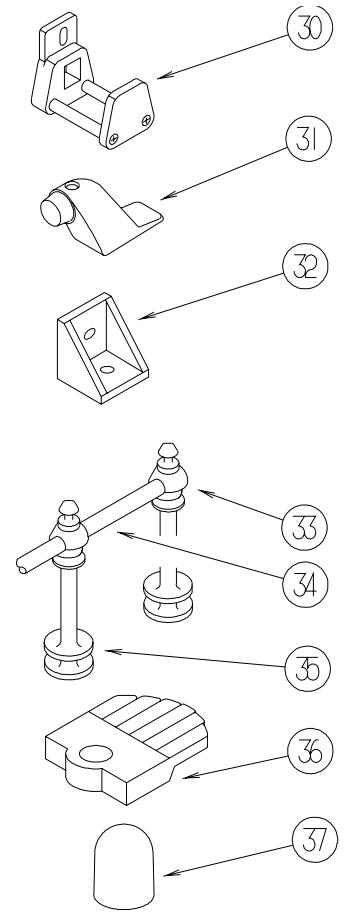
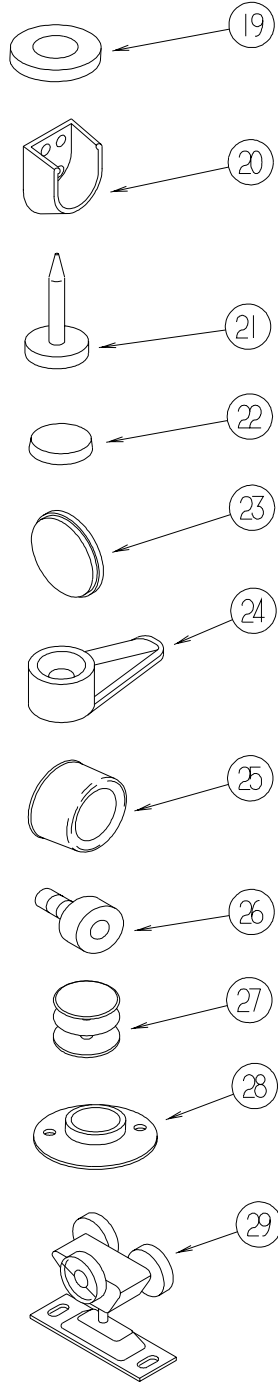
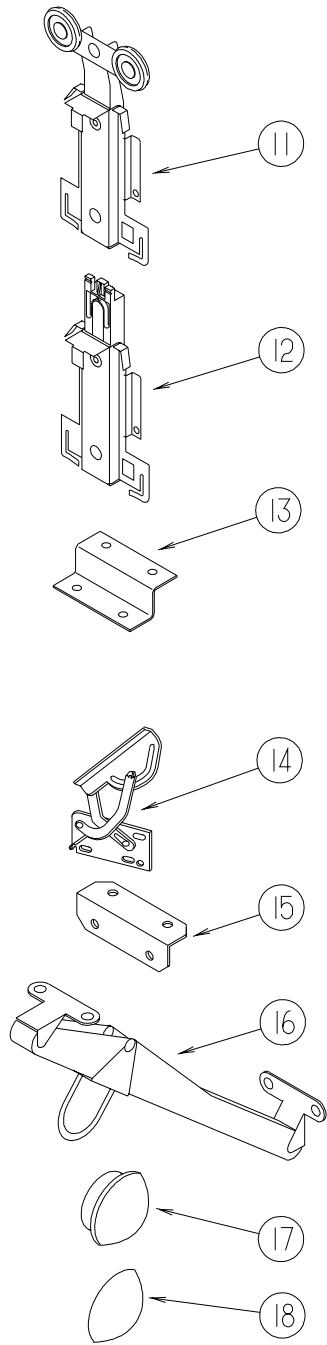
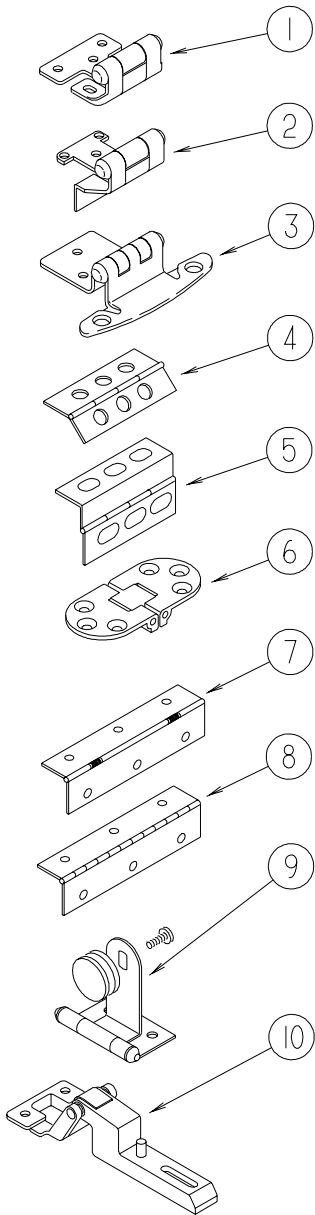


INTERIOR FINISH GROUP (CONTINUED)

HARDWARE (CONTINUED)

| KEY | PART NUMBER | U/M | DESCRIPTION |
|-----|---------------|-----|--|
| 1 | 131964-01-01A | EA | PULL - CABINET - POLISHED BRASS |
| 2 | 131963-01-01A | EA | PULL - CABINET - POLISHED BRASS |
| 3 | 131962-01-01A | EA | PULL - CABINET - POLISHED BRASS |
| 4 | 117923-01-01A | EA | PULL - CABINET - BURNISHED BRASS - 5.5" |
| 4 | 131965-01-01A | EA | PULL - CABINET - BURNISHED BRASS - 6.3" |
| 5 | 124311-01-01A | EA | HANDLE - RECESSED - BRASS |
| 6 | 115994-01-01A | EA | HANDLE - POCKET |
| 7 | 126866-01-L81 | EA | HANDLE - TAMBOUR DOOR - 18.6" - PORTSMOUTH OAK |
| 7 | 126866-04-KQ0 | EA | HANDLE - TAMBOUR DOOR - 14.7" - WASHED MAPLE |
| 7 | 126866-04-KQ1 | EA | HANDLE - TAMBOUR DOOR - 14.7" - CHERRY |
| 7 | 126866-04-L95 | EA | HANDLE - TAMBOUR DOOR - 14.7" - WATERFORD OAK |
| 7 | 126866-05-K07 | EA | HANDLE - TAMBOUR DOOR - 11.5" - WATERFORD OAK |
| 7 | 126866-05-K09 | EA | HANDLE - TAMBOUR DOOR - 11.5" - WASHED MAPLE |
| 8 | 098410-01-01A | EA | PULL - FINGER - OVAL - BRASS |
| 9 | 125221-01-01A | EA | PULL - MIRROR - W/ROUND HANDLE |
| 10 | 113800-01-000 | EA | KNOB - CABINET - BRASS |
| 11 | 133313-01-01A | EA | PULL - DRAWER KNOB - BURNISHED BRASS |
| 11 | 133313-01-02A | EA | PULL - DRAWER KNOB - BRIGHT BRASS |
| 12 | 117978-01-01A | EA | KNOB - DOOR - BRIGHT BRASS |
| 13 | 113375-02-01A | EA | STRIKE - DOOR - CHROME |
| 14 | 113375-05-01A | EA | LATCH - SLAM - BACK - .8" THICK |
| 14 | 113375-06-01A | EA | LATCH - SLAM - FACE - .7" THICK |
| 15 | 109403-01-000 | EA | CATCH - SINGLE ROLLER - SCREEN DOOR |
| 16 | 116975-02-01A | EA | KEEPER/STRIKE - BLACK - NEW STYLE |
| 17 | 116975-01-01A | EA | LATCH - W/O STRIKE - BLACK - NEW STYLE |
| 18 | 103256-01-000 | EA | LATCH - SLIDE |
| 19 | 100710-01-01A | EA | LOCK - GLASS DOOR/TWIST TYPE - BRASS |
| 20 | 009021-01-000 | EA | CATCH - GRILLE - NYLON |
| 20 | 009021-02-000 | EA | STRIKE - SPRING STEEL |
| 21 | 093586-04-000 | EA | STRIKE - SPRING STEEL - 1.14" |
| 21 | 093586-05-000 | EA | STRIKE - SPRING STEEL |
| 21 | 093586-03-000 | EA | CATCH - SPRING ROLLER - .377" |
| 21 | 093586-06-000 | EA | CATCH - SPRING - ROLLER |
| 22 | 084451-01-000 | EA | CATCH - BRASS |
| 23 | 117095-01-01A | EA | LATCH - DOOR - GRABBER W/KEEPER - PLASTIC - BLACK |
| 23 | 117095-02-01A | EA | LATCH - DOOR - GRABBER W/KEEPER - PLASTIC - BLACK |
| 24 | 098196-01-000 | EA | LATCH - 1/4 TURN - T-BAR |
| 25 | 129703-01-01A | EA | CATCH ASSEMBLY |
| 26 | 111155-03-01A | EA | LOCK - PRIVACY/LOCKING - POLISHED BRASS/PLAIN HANDLE |
| 26 | 111155-05-01A | EA | LOCK - PRIVACY/LOCKING - S SHAPED - POLISHED BRASS |
| 27 | 127349-01-01A | EA | LATCH - PADDLE |
| 28 | 058335-03-000 | EA | LATCH W/O LOCK - BATHROOM DOOR BLACK |
| 29 | 072871-01-000 | EA | PULL - FLUSH - CHROME |

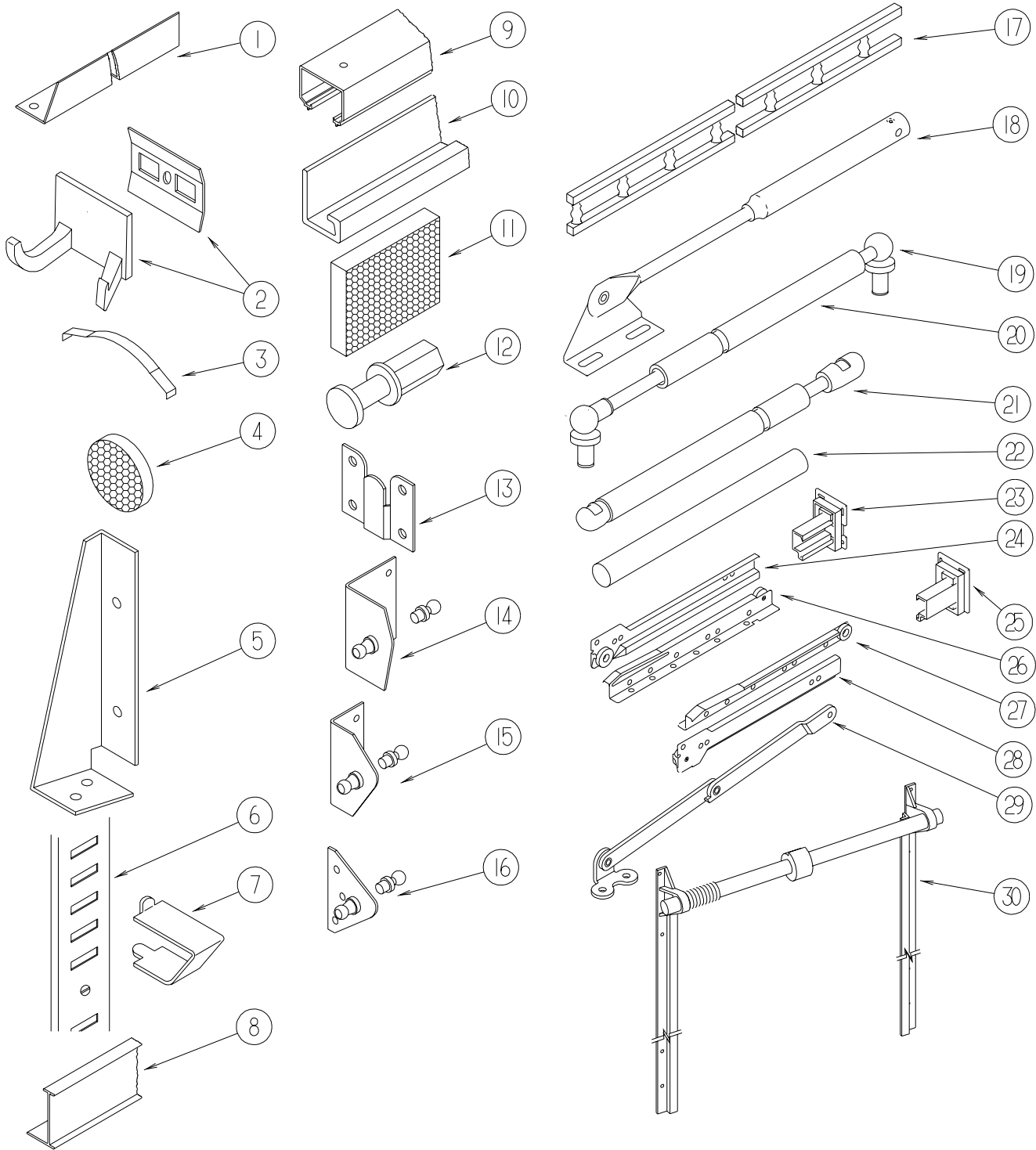
INTERIOR FINISH GROUP (CONTINUED)
HARDWARE (CONTINUED)



INTERIOR FINISH GROUP (CONTINUED)**HARDWARE (CONTINUED)**

| KEY | PART NUMBER | U/M | DESCRIPTION |
|------------|--------------------|------------|---|
| 1 | 113676-01-01A | EA | HINGE - OVERLAY - VARIABLE |
| 2 | 113677-01-01A | EA | HINGE - SELF CLOSING |
| 3 | 108138-03-000 | EA | HINGE - BRIGHT BRASS |
| | 000G13-06-08G | EA | SCREW - 6-20 X .50 PFH - ANTIQUE BRASS |
| 4 | 009059-01-000 | EA | HINGE - DOOR - 2" X 1.4" - BRASS |
| 4 | 009059-02-000 | EA | HINGE - DOOR - 2" X 2.7" - BRASS |
| 4 | 041389-18-000 | EA | HINGE - PIANO - 1 1/2" X 19" - OFF WHITE |
| 4 | 041389-35-000 | EA | HINGE - PIANO - OFF WHITE - 31" |
| 5 | 118802-01-02A | EA | HINGE - DOOR - CABINET - HAMPTON TAN |
| 6 | 111535-01-000 | EA | HINGE - TABLE/FOLDING |
| 7 | 102920-01-01A | EA | HINGE/SPRING LOADED - BRASS |
| 8 | 084413-01-000 | EA | HINGE/CONTINUOUS - ALUMINUM 1" X 72" - W/HOLES |
| 8 | 110496-01-01A | EA | HINGE - BRASS |
| 9 | 100711-01-01A | EA | HINGE - GLASS DOOR |
| 10 | 114443-01-01A | EA | HINGE - CABINET DOOR |
| 11 | 107390-02-000 | EA | CORNER HANGER (DOUBLE ROLLER W/BACKET) (SOLD AS 1 EACH) |
| 12 | 107391-01-000 | EA | GUIDE - BOTTOM - BY-PASS (4 USED PER DOOR) |
| 13 | 101926-01-02A | EA | BRACKET - ZEE - BLACK |
| 14 | 108126-01-000 | EA | TRAY HINGE SET (QTY. 2 PER SET) |
| 15 | 016604-01-000 | EA | BRACE - CABINET - ANGLE - 2.5" - UNPAINTED METAL |
| 15 | 016604-05-000 | EA | BRACE - CABINET - ANGLE - 2.5" - OFF WHITE METAL |
| 16 | 104181-01-01A | EA | SUPPORT - LEAF 5.3" EXTENDS TO 7.5" - SAFETY RING - METAL |
| 17 | 074045-01-000 | EA | PLUG - OAK - 1/2" DIAMETER |
| 17 | 074045-08-000 | EA | PLUG - OAK - 1/2" DIAMETER - SALEM CHERRY |
| 17 | 042356-01-000 | EA | PLUG - BUTTON - MAHOGANY - 3/8" DIAMETER - WOOD |
| 18 | 057671-01-000 | EA | COVER - SCREW - OFF WHITE - #8 |
| 18 | 057671-11-000 | EA | COVER - SCREW - HAMPTON TAN - #8 |
| 18 | 057671-13-000 | EA | COVER - SCREW - DARK GRAY - #8 |
| 18 | 057671-15-000 | EA | COVER - SCREW - BRIGHT WHITE |
| 18 | 057671-16-000 | EA | COVER - SCREW - SOFT WHITE |
| 19 | 100707-01-000 | EA | SPACER - GLASS DOOR - .8" DIA - .3" HOLE - PLASTIC |
| 20 | 113236-01-01A | EA | BRACKET - CLOTHES - ROD |
| 21 | 102194-01-000 | EA | GUIDE - PLASTIC |
| 22 | 004354-01-000 | EA | BUMPER - RUBBER - .5" DIA - BROWN |
| 23 | 120760-01-000 | EA | BUMPER - RUBBER - CLEAR |
| 24 | 083204-03-000 | EA | BUTTON - RETAINING MIRROR 5/16" TIP |
| 25 | 069726-02-000 | EA | BUMPER - .88" OD X .40" THICK - BLACK |
| 26 | 079921-01-000 | EA | ROLLER - NYLON - W/STEEL SHAFT - BARBED |
| 27 | 081114-02-000 | EA | CAP - INSERT - ROUND 1" DIAMETER - WHITE |
| 28 | 009112-01-000 | EA | FLANGE - PLASTIC - 1" CLOTHES ROD - OFF WHITE |
| 29 | 103874-01-000 | EA | HANGER - SLIDING DOOR |
| 30 | 064467-01-000 | EA | GUIDE - POCKET - SLIDING DOOR - WALL MOUNTED |
| 31 | 103257-01-000 | EA | STOP - DOOR |
| 32 | 065740-01-000 | EA | BRACE - CABINET/CORNER - PLASTIC |
| 33 | 084070-03-000 | EA | POST - END - 2.4" - BRASS |
| 34 | 084071-05-000 | EA | ROD - BRASS - 15" |
| 34 | 084071-08-000 | EA | ROD - BRASS - 9.3" LONG |
| 34 | 084071-12-000 | EA | ROD - BRASS - 4.1" LONG |
| 34 | 084071-19-000 | EA | ROD - BRASS - 7.1" |
| 34 | 084071-20-000 | EA | ROD - BRASS - 9.8" LONG |
| 34 | 084071-22-000 | EA | ROD - BRASS - 15.3" |
| 34 | 084071-23-000 | EA | ROD - BRASS - 13.12" |
| 34 | 084071-24-000 | EA | ROD - BRASS - 3.8" |
| 34 | 084071-27-000 | EA | ROD - BRASS - 2.7" |
| 34 | 084071-28-000 | EA | ROD - BRASS - 6" LONG |
| 34 | 084071-30-000 | EA | ROD - BRASS - 11.6" LONG |
| 34 | 084071-31-000 | EA | ROD - BRASS - 14.08" LONG |
| 34 | 084071-32-000 | EA | ROD - BRASS - 13.6" LONG |
| 35 | 084070-01-000 | EA | POST - CENTER - 2.4" - BRASS |
| 36 | 009089-01-000 | EA | CLIP - MIRROR |
| 37 | 039984-01-000 | EA | CAP - ROUND - VINYL - .28" ID X .62" - BLACK |

INTERIOR FINISH GROUP (CONTINUED)
HARDWARE (CONTINUED)

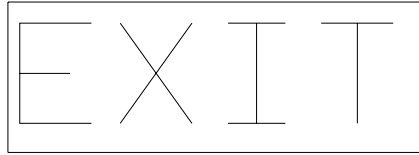


| KEY | PART NUMBER | U/M | DESCRIPTION |
|-----|---------------|-----|------------------------------------|
| 1 | 114693-01-01A | EA | SUPPORT - BLACK - RIGHT HAND |
| 1 | 114693-02-01A | EA | SUPPORT - BLACK - LEFT HAND |
| 2 | 104174-01-000 | EA | HOOK - ROBE - DOUBLE |
| 3 | 115541-01-000 | EA | SPRING - DOOR - SLIDING |
| 4 | 122717-01-01A | EA | PAD - NON SKID - 4" DIAMETER ROUND |
| 4 | 122717-04-01A | EA | PAD - NON SKID - 3" DIA. ROUND |
| 5 | 076827-02-000 | EA | BRACKET - 2.9" X 1.8" - TRIANGLE |
| 6 | 098980-01-000 | EA | PILASTER - ADJUSTABLE SHELF - 18" |
| 6 | 098980-02-000 | EA | PILASTER - ADJUSTABLE SHELF - 12" |
| 6 | 098980-03-000 | EA | PILASTER - ADJUSTABLE SHELF - 9" |
| 6 | 098980-04-000 | EA | PILASTER - ADJUSTABLE SHELF - 48" |

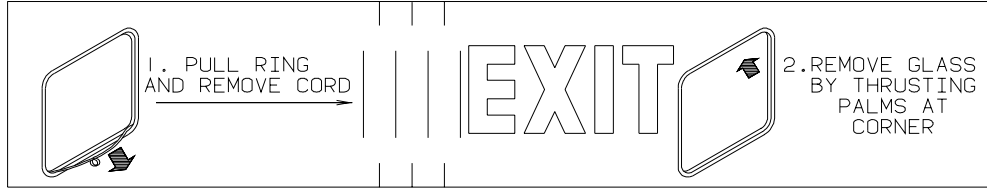
INTERIOR FINISH GROUP (CONTINUED)**HARDWARE (CONTINUED)**

| KEY | PART NUMBER | U/M | DESCRIPTION |
|------------|--------------------|------------|---|
| 6 | 098980-05-000 | EA | PILASTER - ADJUSTABLE SHELF - 15" |
| 6 | 098980-06-000 | EA | PILASTER - ADJUSTABLE SHELF - 24" |
| 7 | 098979-01-000 | EA | CLIP - ADJUSTABLE SHELF |
| 8 | 094856-10-01A | EA | TRACK - FOLDING DOOR - OFF WHITE |
| 9 | 103868-09-01A | EA | TRACK - SLIDING DOOR - 64.3" - OFF WHITE |
| 9 | 103868-15-01A | EA | TRACK - SLIDING DOOR - 76" - OFF WHITE |
| 10 | 118933-01-01A | EA | SUPPORT - HINGE LOCK |
| 11 | 122717-06-01A | FT | PAD - NON-SKID - PSA - 5"W |
| | 122717-08-01A | EA | PAD - NON-SKID - PSA - 7.2"W |
| 12 | 092652-01-000 | EA | GUIDE WHEEL/DOOR - TOP MOUNT |
| 13 | 130120-01-01A | EA | BRACKET - MOUNTING/MIRROR |
| 14 | 126263-05-02B | EA | BRACKET - GAS SPRING - UPPER - E-COATED |
| 14 | 126263-06-02B | EA | BRACKET - GAS SPRING - E-COATED |
| 15 | 107796-10-000 | EA | BRACKET - GAS SPRING - 90 DEGREE SMALL |
| 15 | 126263-02-02B | EA | BRACKET - GAS SPRING |
| 16 | 126263-08-02B | EA | BRACKET - GAS SPRING - E-COATED |
| 17 | 075249-01-000 | EA | RAILING - OAK - 72" UNFINISHED |
| 17 | 111775-01-03A | EA | RAIL - DECORATIVE/PLASTIC SPINDLES - 71.9" - SALEM CHERRY |
| 17 | 111775-01-04A | EA | RAIL - DECORATIVE/PLASTIC SPINDLES - 71.9" - WATERFORD OAK |
| 17 | 111775-01-06A | EA | RAIL - DECORATIVE/PLASTIC SPINDLES - 71.9" - WASHED MAPLE |
| 17 | 111775-01-07A | EA | RAIL - DECORATIVE/PLASTIC SPINDLES - 71.9" - PORTSMOUTH OAK |
| 18 | 074493-02-000 | EA | SUPPORT - PISTON SPRING - CABINET DOOR - 26 LBS |
| 19 | 057460-02-000 | EA | STUD BALL - GAS SPRING - .39" - 5/16"-18 |
| 20 | 057460-04-000 | EA | SPRING - GAS - BALL STUD STYLE - 120 PI - "SPD6209" |
| 21 | 107796-06-000 | EA | SPRING/GAS - 12" COMPRESSED/20" EXTENDED - 120LB. |
| 21 | 107796-08-000 | EA | SPRING/GAS - 11" COMPRESSED/17" EXTENDED - 60 LB |
| 21 | 107796-15-000 | EA | SPRING/GAS - 24" COMPRESSED/40" EXTENDED - 15 LB. |
| 21 | 107796-16-000 | EA | SPRING/GAS - 6.4" COMPRESSED/9.6" EXTENDED - 65 LB. |
| 21 | 107796-26-000 | EA | SPRING/GAS - 12" COMPRESSED/20" EXTENDED - 90 LB. |
| 22 | 042438-02-000 | EA | DOWEL - WOOD - 2" X 2" |
| 22 | 042438-01-000 | EA | DOWEL - WOOD - CLOTHES ROD - 1" DIAMETER X 4' |
| 23 | 128811-01-01A | EA | BACKSOCKET - ADJUSTABLE - LEFT |
| 24 | 128810-01-01A | EA | SLIDE - DRAWER - 12" - LEFT CABINET |
| 24 | 128810-05-01A | EA | SLIDE - DRAWER - 14" - LEFT CABINET |
| 24 | 128810-09-01A | EA | SLIDE - DRAWER - 16" - LEFT CABINET |
| 24 | 128810-13-01A | EA | SLIDE - DRAWER - 18" - LEFT CABINET |
| 24 | 128810-17-01A | EA | SLIDE - DRAWER - 20" - LEFT CABINET |
| 24 | 128810-21-01A | EA | SLIDE - DRAWER - 22" - LEFT CABINET |
| 24 | 128810-25-01A | EA | SLIDE - DRAWER - 24" - LEFT CABINET |
| 25 | 128811-02-01A | EA | BACKSOCKET - ADJUSTABLE RIGHT |
| 26 | 128810-03-01A | EA | SLIDE - DRAWER - 12" - LEFT DRAWER |
| 26 | 128810-07-01A | EA | SLIDE - DRAWER - 14" - LEFT DRAWER |
| 26 | 128810-11-01A | EA | SLIDE - DRAWER - 16" - LEFT DRAWER |
| 26 | 128810-15-01A | EA | SLIDE - DRAWER - 18" - LEFT DRAWER |
| 26 | 128810-19-01A | EA | SLIDE - DRAWER - 20" - LEFT DRAWER |
| 26 | 128810-23-01A | EA | SLIDE - DRAWER - 22" - LEFT DRAWER |
| 26 | 128810-27-01A | EA | SLIDE - DRAWER - 24" - LEFT DRAWER |
| 27 | 128810-04-01A | EA | SLIDE - DRAWER - 12" - RIGHT DRAWER |
| 27 | 128810-08-01A | EA | SLIDE - DRAWER - 14" - RIGHT DRAWER |
| 27 | 128810-12-01A | EA | SLIDE - DRAWER - 16" - RIGHT DRAWER |
| 27 | 128810-16-01A | EA | SLIDE - DRAWER - 18" - RIGHT DRAWER |
| 27 | 128810-20-01A | EA | SLIDE - DRAWER - 20" - RIGHT DRAWER |
| 27 | 128810-24-01A | EA | SLIDE - DRAWER - 22" - RIGHT DRAWER |
| 27 | 128810-28-01A | EA | SLIDE - DRAWER - 24" - RIGHT DRAWER |
| 28 | 128810-02-01A | EA | SLIDE - DRAWER - 12" - RIGHT CABINET |
| 28 | 128810-06-01A | EA | SLIDE - DRAWER - 14" - RIGHT CABINET |
| 28 | 128810-10-01A | EA | SLIDE - DRAWER - 16" - RIGHT CABINET |
| 28 | 128810-14-01A | EA | SLIDE - DRAWER - 18" - RIGHT CABINET |
| 28 | 128810-18-01A | EA | SLIDE - DRAWER - 20" - RIGHT CABINET |
| 28 | 128810-22-01A | EA | SLIDE - DRAWER - 22" - RIGHT CABINET |
| 28 | 128810-26-01A | EA | SLIDE - DRAWER - 24" - RIGHT CABINET |
| 29 | 084412-01-000 | EA | SUPPORT/HINGE KIT (LEFT & RIGHT HINGES) |
| 30 | 130787-01-000 | EA | TRACK - TAMBOUR DOOR - SPRING |
| 30 | 130787-02-000 | EA | TRACK - TAMBOUR DOOR/SPRING |
| 30 | 130787-03-000 | EA | TRACK - TAMBOUR DOOR/SPRING |

LABELS GROUP



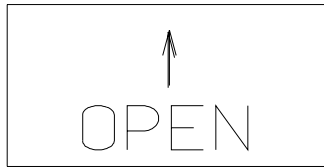
KEY PART NUMBER 039290-01-000
U/M DESCRIPTION EA LABEL - WARNING - EXIT



KEY PART NUMBER 107571-01-000
U/M DESCRIPTION EA LABEL - EXIT/ESCAPE WINDOW

FOR AWNING INSTALLATION
CONTACT YOUR MOTORHOME
DEALERSHIP

KEY PART NUMBER 099509-01-000
U/M DESCRIPTION EA LABEL - AWNING INSTALLATION



KEY PART NUMBER 040944-01-000
U/M DESCRIPTION EA LABEL - ENTRANCE DOOR - "OPEN"



KEY PART NUMBER 079966-01-000
U/M DESCRIPTION EA LABEL - WARNING - STOWED - MOTION



KEY PART NUMBER 065748-01-000
U/M DESCRIPTION EA LABEL - CAUTION - BATTERY CHARGING



KEY PART NUMBER 065748-02-000
U/M DESCRIPTION EA LABEL - WARNING - BATTERY/FRENCH - CANADIAN

LABELS GROUP (CONTINUED)

WASTE WATER

KEY PART NUMBER U/M DESCRIPTION
006188-01-000 EA LABEL - WASTE WATER

SEWAGE

KEY PART NUMBER U/M DESCRIPTION
006187-01-000 EA LABEL - SEWAGE

IF YOU SMELL GAS

1. EXTINGUISH ANY OPEN FLAME, PILOT LIGHTS AND ALL SMOKING MATERIALS.
2. DO NOT TOUCH ELECTRICAL SWITCHES.
3. SHUT OFF THE GAS SUPPLY AT THE TANK VALVE(S) OR GAS SUPPLY CONNECTION.
4. OPEN DOORS AND OTHER VENTILATING OPENINGS.
5. LEAVE THE AREA UNTIL ODOR CLEARS.
6. HAVE THE GAS SYSTEM CHECKED AND LEAKAGE SOURCE CORRECTED BEFORE USING AGAIN.

KEY PART NUMBER U/M DESCRIPTION
073998-01-000 EA LABEL - LPG ODOR WARNING

WARNING: TEST SMOKE DETECTOR
OPERATION AFTER VEHICLE HAS BEEN IN
STORAGE, BEFORE EACH TRIP AND AT
LEAST ONCE PER WEEK DURING USE.

KEY PART NUMBER U/M DESCRIPTION
077956-01-000 EA LABEL - WARNING - SMOKE DETECTOR

| | |
|---|---|
| CAUTION | TO HELP AVOID PERSONAL INJURY DURING REMOVAL OF FUEL FILLER CAP, SLOWLY LOOSEN CAP 1/2 TURN TO ALLOW ANY FUEL PRESSURE TO BE RELIEVED BEFORE TURNING CAP FURTHER. |
| FUEL SPRAY MAY CAUSE PERSONAL INJURY | STOP ADDING FUEL AFTER FIRST SHUTOFF BY AUTOMATIC NOZZLE WHEN TANK IS NEARLY FULL. DO NOT OVERFILL FUEL TANK. SEE OWNERS MANUAL FOR ADDITIONAL INFORMATION. PRINTED IN U.S.A. WLC PT NO 15611763 |

KEY PART NUMBER U/M DESCRIPTION
087207-05-000 EA LABEL - FUEL CAP REMOVAL

UNLEADED FUEL ONLY

KEY PART NUMBER U/M DESCRIPTION
062043-01-000 EA LABEL - FUEL - UNLEADED

UNLEADED
FUEL ONLY

KEY PART NUMBER U/M DESCRIPTION
098641-01-000 EA LABEL-FUEL - UNLEADED - DASH

LABELS GROUP (CONTINUED)

LP-GAS SYSTEM
THIS GAS PIPING SYSTEM IS
DESIGNED FOR USE OF
LIQUIFIED PETROLEUM GAS
ONLY. DO NOT CONNECT
NATURAL GAS TO THIS
SYSTEM.
SECURE CAP INLET(S) WHEN NOT
CONNECTED FOR USE. AFTER TURNING
ON GAS, EXCEPT AFTER NORMAL
CONTAINER REPLACEMENT, TEST GAS
PIPING AND CONNECTIONS TO
APPLIANCES FOR LEAKAGE WITH SOAPY
WATER OR BUBBLE SOLUTION. DO NOT
USE PRODUCTS THAT CONTAIN AMMONIA
OR CLORINE.

124520

| KEY | PART NUMBER | U/M DESCRIPTION |
|-----|---------------|---|
| | 124520-01-01A | EA LABEL - LP GAS ONLY - BLACK ON CLEAR |
| | 124520-01-02A | EA LABEL - LP GAS ONLY - WHITE ON CLEAR |

WARNING

THIS SYSTEM IS DESIGNED FOR USE WITH PROPANE ONLY
DO NOT CONNECT NATURAL GAS TO THIS SYSTEM

BEFORE TURNING ON PROPANE:

(A) BE CERTAIN APPLIANCES ARE CERTIFIED FOR PROPANE AND ARE EQUIPPED WITH CORRECT BURNING ORIFICES.

(B) MAKE CERTAIN ALL PROPANE CONNECTIONS ARE TIGHT BY TESTING WITH SOAPY WATER. ALL APPLIANCE VALVES ARE TURNED OFF, AND ANY UNCONNECTED OUTLETS ARE CAPPED.

AFTER TURNING ON PROPANE:

(A) LIGHT ALL PILOT LIGHTS

(B) (B) ALL CONNECTIONS, INCLUDING THOSE AT THE APPLIANCES, REGULATORS AND CYLINDERS SHOULD BE LEAK-TESTED PERIODICALLY WITH SOAPY WATER BY THE OCCUPANT. NEVER USE A LIGHTED MATCH OR OTHER FLAME WHEN CHECKING FOR LEAKS.

(C) DO NOT LEAVE SYSTEM TURNED ON OF CONTAINERS CONNECTED UNTIL THE SYSTEM HAS BEEN PROVEN TO BE FREE OF LEAKS.

(D) COOKING APPLIANCES SHOULD NOT BE USED FOR SPACE HEATING.

(E) WHEN THE CONTAINERS ARE DISCONNECTED THE PROPANE SUPPLY LINE SHOULD BE CAPPED OR PLUGGED.

AVERTISSEMENT

CETTE INSTALLATION EST CONCUE POUR LE PROPANE SEULEMENT
NE PAS L'ALIMENTER EN GAZ NATUREL

AVANT LA MISE EN SERVICE:

(A) S'ASSURER QUE LES APPAREILS SONT CERTIFIES POUR LE PROPANE ET MUNIS D'ORIFICES DE BRULEUR APPROPRIES.

(B) VERIFIER L'ETANCHEITE DE TOUS LES RACCORDEMENTS AU PROPANE. LA PERMETURE DE TOUS LES ROBINETS D'APPAREILS ET L'OBUTATION DE TOUTES LES SORTIES NON RACCORDEES.

APRES LA MISE EN SERVICE:

(A) ALLUMER TOUTES LES VEILLEUSES.

(B) L'OCCUPANT DOIT EPROUVER PERIODIQUEMENT L'ETANCHEITE DE TOUS LES RACCORDEMENTS Y COMPRIS CEUX AUX APPAREILS, AUX DETENDEURS ET AUX BOITELLES, EN Y APPLIQUANT DE L'EAU SAVONNEUSE NE JAMAIS SE SERVIR D'UNE ALLUMETTE OU AUTRE POUR LA DETECTION DES FUITES.

(C) NE PAS LAISSER L'ALIMENTATION OUVERTE NI LES RECIPIENTS RACCORDES AVANT D'AVOIR COMPLETE L'EPREUVE D'ETANCHEITE AU PROPANE DE L'INSTALLATION.

(D) LES APPAREILS DE CUISSON NE DOIVENT PAS ETRE UTILISES POUR LE CHAUFFAGE DES LOCAUX.

(E) LORSQUE LES RECIPIENTS SONT DECONNECTES, L'ALIMENTATION DE PROPANE DOIT ETRE OBTUREE OU SCHELLEE.

| KEY | PART NUMBER | U/M DESCRIPTION |
|-----|---------------|-------------------------------------|
| | 023769-01-000 | EA LABEL - WARNING - LPG - CANADIAN |

THIS CONNECTION IS FOR
110-125 VOLT AC, 60HZ(CYCLES)
30 AMP. MAX SERVICE.

DO NOT CONNECT TO
HIGHER VOLTAGE

| KEY | PART NUMBER | U/M DESCRIPTION |
|-----|---------------|--|
| | 125306-01-01A | EA LABEL - ELECTRICAL ENTRANCE - 110VOLT 30AMP |
| | 125306-03-01A | EA LABEL - ELECTRICAL ENTRANCE - 100 VOLT 30 AMP |

THIS CONNECTION IS FOR
(B) VOLT AC, 3-POLE, 4 WIRE
60 HZ(CYCLES), (A) AMPERE SUPPLY

DO NOT CONNECT TO
HIGHER VOLTAGE

| KEY | PART NUMBER | U/M DESCRIPTION |
|-----|---------------|---|
| | 125306-04-01A | EA LABEL - ELECTRICAL ENTRANCE - 120 VOLT - 240 AMP |

LABELS GROUP (CONTINUED)

THIS CONNECTION IS FOR
(B) VOLT AC,50 HZ(CYCLES)
(A) AMPERE SUPPLY

DO NOT CONNECT TO
HIGHER VOLTAGE

KEY PART NUMBER U/M DESCRIPTION
125306-05-01A EA LABEL - ELECTRICAL ENTRANCE - 220 VOLT 25 AMP

WARNING

IT IS NOT SAFE TO USE COOKING
APPLIANCES FOR COMFORT HEATING
COOKING APPLIANCES NEED FRESH AIR FOR SAFE OPERATION
BEFORE OPERATION:

1. OPEN OVERHEAD VENT OR TURN ON EXHAUST FAN AND;
2. OPEN WINDOW.

KEY PART NUMBER U/M DESCRIPTION
050225-01-000 EA LABEL - WARNING - STOVE VENT - US

"TO ENSURE A SUPPLY OF FRESH AIR TO
OCCUPANTS, OPEN VENTILATORS WHEN
FUEL BURNING RANGE, FUEL BURNING
CARRY-ON APPLIANCES AND/OR FUEL-
BURNING LIGHTS ARE IN OPERATION."

"COOKING APPLIANCES SHOULD NOT BE
USED FOR SPACE HEATING PURPOSES"

DE MANIERE A ASSURE UNE ALIMENTATION
EN AIR FRAIS AUX OCCUPANTS,OUVRIR
LES VENTILATEURS LORSQUE LA CUISINIERE,
LES APPAREILS DE CHAUFFAGE PORTABLES
ET/OU LES LAMPES DE COMBUSTION
D'HUILE SONT EN FONCTIONNEMENT.

LES APPAREILS DE CUSSON NE DOIVENT
PAS SERVIR AU CHAUFFAGES DES LOCAUX.

KEY PART NUMBER U/M DESCRIPTION
050222-01-000 EA LABEL - STOVE VENT - CANADIAN

WARNING

THIS VEHICLE, LIKE OTHER
VEHICLES, MAY CONTAIN SMALL
AMOUNTS OF ONE OR MORE
SUBSTANCES WHICH ARE LISTED
BY THE STATE OF CALIFORNIA
FOR CAUSING CANCER OR
REPRODUCTIVE TOXICITY.

KEY PART NUMBER U/M DESCRIPTION
099689-01-000 EA LABEL - WARNING - CANCER/TOXICITY

WATER HEATER
BY-PASS

NORMAL
OPERATION

KEY PART NUMBER U/M DESCRIPTION
133424-01-01A EA LABEL - BYPASS - WATER HEATER

REMOVE PRIMARY TIRE HANGER BEFORE USING
SPARE TIRE HOIST-SEE OWNERS MANUAL- PERSONAL
INJURY MAY RESULT IF NOT FOLLOWED

KEY PART NUMBER U/M DESCRIPTION
126024-01-01A EA LABEL - TIRE HANGER REMOVAL

DO NOT USE HITCH BEFORE
READING OWNERS MANUAL REGARDING
VEHICLE LOADING AND TOWING

KEY PART NUMBER U/M DESCRIPTION
111104-01-000 EA LABEL - HITCH - READ MANUAL - WHITE
111104-02-000 EA LABEL - HITCH - READ MANUAL - BLACK

LABELS GROUP (CONTINUED)

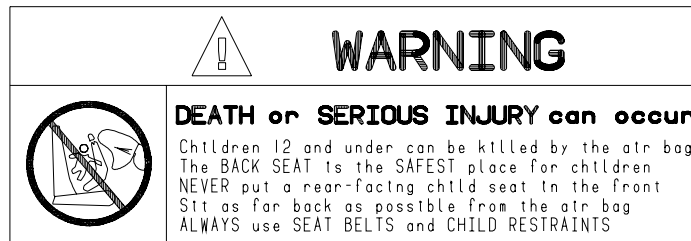
CAUTION

THIS MOTOR HOME HAS BEEN DESIGNED, MANUFACTURED AND TESTED WITH CONCERN FOR THE PROTECTION OF IT'S OCCUPANTS. WE RECOMMEND YOU PERFORM THE FOLLOWING INSPECTIONS FOR YOUR SAFETY AND THE SAFETY OF YOUR PASSENGERS BEFORE STARTING YOUR VEHICLE.

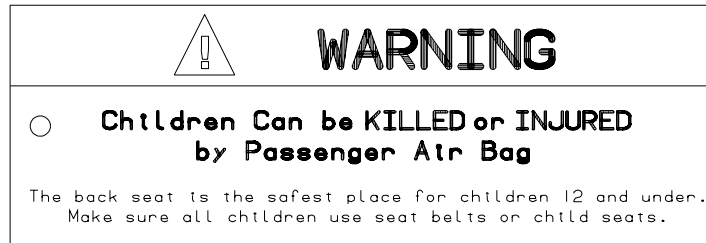
1. LP GAS SYSTEM- TURN OFF AT TANK FOR TRAVELING. TEST FOR LEAKS UPON ARRIVAL AT DESTINATION. BEFORE LIGHTING PILOTS.
2. WHEELS- INSPECT FOR DAMAGE AND CHECK LUG NUTS FOR TIGHTNESS.
3. TIRES- INSPECT FOR WEAR AND DAMAGE AND CHECK FOR RECOMMENDED AIR PRESSURE.
4. LIGHTING- TEST FOR PROPER OPERATION OF ALL INTERIOR AND EXTERIOR LIGHTS INCLUDING DASH LIGHTS, HEADLIGHTS, TAIL LIGHTS, BRAKE LIGHTS, CLEARANCE LIGHTS AND TURN SIGNALS.
5. EXITS- INSPECT RELEASE MECHANISM ON EMERGENCY EXIT WINDOW. TEST BOTH LOCKS ON MAIN ENTRANCE DOOR FOR EASE OF OPERATION AND INSTRUCT PASSENGERS HOW TO USE BOTH MEANS OF EXIT.
6. SEAT BELTS- DIRECT PASSENGERS TO DESIGNATED SEATS AND REQUIRE USE OF SEAT BELTS.
7. APPLIANCES- TURN OFF AND LATCH OR LOCK DOORS WHERE PROVIDED.
8. LOOSE PARCELS- STORE SECURELY.
9. UTILITY SUPPLY LINES- DISCONNECT ALL ELECTRIC, SEWER AND WATER LINES AND SECURE PROPERLY.
10. ENTRANCE DOOR STEP- PLACE IN RETRACTED POSITION FOR TRAVELING.

READ YOUR MOTOR HOME AND CHASSIS OWNER'S
MANUAL FOR FURTHER PRECAUTIONS

KEY PART NUMBER **U/M DESCRIPTION**
056259-01-000 EA LABEL - SAFETY CHECK LIST



KEY PART NUMBER **U/M DESCRIPTION**
126611-01-000 EA LABEL - AIR BAG - VISOR



KEY PART NUMBER **U/M DESCRIPTION**
126612-01-000 EA LABEL - HANG TAG - AIR BAG - DASH

| |
|---|
| <p>AIR CONDITIONING CIRCUIT. THIS CONNECTION IS FOR AIR CONDITIONERS RATED 110- 125 VOLT AC, 60 HZ, 16 AMPERES MAXIMUM. DO NOT EXCEED CIRCUIT RATING.</p> |
|---|

KEY PART NUMBER **U/M DESCRIPTION**
091243-01-000 EA LABEL - A/C COVER "AIR CONDITIONING CIRCUIT ETC."

| |
|---|
| <p>WARNING: CONTAINS "CFC" A SUBSTANCE WHICH HARMS PUBLIC HEALTH AND ENVIRONMENT BY DESTROYING OZONE IN THE UPPER ATMOSPHERE.</p> |
|---|

KEY PART NUMBER **U/M DESCRIPTION**
111802-01-000 EA LABEL - CFC WARNING

LABELS GROUP (CONTINUED)

CAUTION

DO NOT LATCH DOOR IN OPEN POSITION
IF WATER HEATER CONTROL IS IN THE ON
POSITION. WATER HEATER EXHAUST MAY
DAMAGE OUTER SURFACE OF DOOR.

| KEY | PART NUMBER | U/M DESCRIPTION |
|-----|---------------|---|
| | 113402-01-000 | EA LABEL - CAUTION - WATER HEATER EXHAUST |
| | 113402-02-000 | EA LABEL - CAUTION - FURNACE EXHAUST |

WARNING!

UNDERSTAND OPERATOR'S MANUAL BEFORE USING.
KEEP PEOPLE AND OBSTRUCTIONS CLEAR OF
SLIDEOUT ROOM WHEN OPERATING TO AVOID
INJURY AND/OR PROPERTY DAMAGE.

| KEY | PART NUMBER | U/M DESCRIPTION |
|-----|---------------|-------------------------------|
| | 116549-01-000 | EA LABEL - WARNING - SLIDEOUT |

WARNING

MUST BE STOWED
IN LATCHED POSITION
WHILE VEHICLE IS IN MOTION

| KEY | PART NUMBER | U/M DESCRIPTION |
|-----|---------------|--------------------------------------|
| | 079966-01-000 | EA LABEL - WARNING - STOWED - MOTION |
| | 131341-01-000 | EA LABEL - STOW OBJECTS - US |

DIESEL FUEL ONLY

| KEY | PART NUMBER | U/M DESCRIPTION |
|-----|---------------|------------------------|
| | 068383-01-000 | EA LABEL - DIESEL FUEL |

LABELS GROUP (CONTINUED)

WARNING

ALL PILOT LIGHTS, APPLIANCES AND THIER
IGNITORS (SEE OPERATING INSTRUCTIONS) SHALL
BE TURNED OFF DURING REFUELING OF MOTOR
FUEL TANKS AND/OR LP GAS CONTAINERS

| KEY | PART NUMBER | U/M DESCRIPTION |
|-----|---------------|---|
| | 124519-01-01A | EA LABEL - WARNING/REFUELING - BLACK ON CLEAR |
| | 124519-01-02A | EA LABEL - WARNING/REFUELING - WHITE ON CLEAR |

WARNING :

ALL PILOT LIGHTS AND APPLIANCES SHALL BE TURNED
OFF DURING REFUELING OF MOTOR FUEL TANKS AND/
OR PROPANE CONTAINERS.

AVERTISSEMENT :

FERMER TOUTES LES VEILLEUSES AINSI QUE TOUS LES
APPAREILS LORSQU'ON FAIT LE PLEIN DES RÉSERVOIRS
À CARBURANT OU À PROPANE.

124519-02

| KEY | PART NUMBER | U/M DESCRIPTION |
|-----|---------------|---|
| | 124519-02-01A | EA LABEL - WARNING/REFUELING - BLACK ON CLEAR - CSA |
| | 124519-02-02A | EA LABEL - WARNING/REFUELING - WHITE ON CLEAR - CSA |

ENTRANCE DOOR PROP ROD

THIS ROD IS DESIGNED TO PROP THE
ENTRANCE DOOR OPEN WHEN THE PATIO
AWNING ARM IS ATTACHED TO THE
SIDEWALL AND THE AWNING IS EX-
TENDED.
HOOK ONE END OF ROD INTO LOOP ON
DOOR AND OTHER END INTO LOOP ON THE
SIDEWALL AS SHOWN.

(THIS LABEL TO BE REMOVED BY RETAIL OWNER ONLY)

| KEY | PART NUMBER | U/M DESCRIPTION |
|-----|---------------|----------------------------------|
| | 128658-01-000 | EA LABEL - PROP ROD - ENTRY DOOR |

INPUT

| KEY | PART NUMBER | U/M DESCRIPTION |
|-----|---------------|--------------------------|
| | 087236-01-000 | EA LABEL - CABLE - INPUT |

OUTLET

| KEY | PART NUMBER | U/M DESCRIPTION |
|-----|---------------|----------------------|
| | 087236-02-000 | EA LABEL - TV OUTLET |

DTS' ISI CE SIEGE N'EST PAS
DESTINE A ETRE OCCUPE LORSQUE
LE VEHICULE EST EN MOUVEMENT

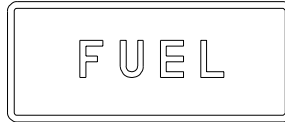
THIS SEAT IS NOT INTENDED
FOR OCCUPANCY WHILE
VEHICLE IS IN MOTION

| KEY | PART NUMBER | U/M DESCRIPTION |
|-----|---------------|------------------------------------|
| | 006064-01-000 | EA LABEL - SEAT W/O SEATBELT |
| | 006064-02-000 | EA LABEL - SEAT W/O SEATBELT - CSA |

LABELS GROUP (CONTINUED)

CAUTION:
OPEN A WINDOW OR VENT WHILE
OPERATING DRYER. IT IS DANGEROUS
TO CREATE A NEGATIVE AIR PRESSURE
INSIDE A VEHICLE CONTAINING
FUEL-BURNING APPLIANCES

KEY PART NUMBER U/M DESCRIPTION
130670-01-01A EA LABEL - CAUTION DRYER VENTING - BLACK ON CLEAR

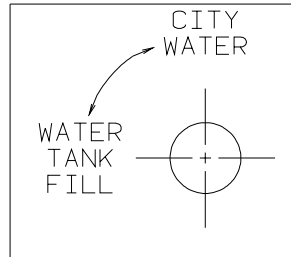


KEY PART NUMBER U/M DESCRIPTION
061417-01-000 EA LABEL - FUEL - ON FUEL FILL DOOR

INSERT RETAINER PINS IN
SLIDE MECHANISM AFTER
RETURNING GENERATOR TO
STORED POSITION.

IF RETAINER PINS ARE NOT
INSERTED, THE GENERATOR
WILL EXTEND WHICH MAY
CAUSE PERSONAL INJURY.

KEY PART NUMBER U/M DESCRIPTION
116273-01-000 EA LABEL - WARNING - GENERATOR



KEY PART NUMBER U/M DESCRIPTION
117629-02-000 EA LABEL - WATER PUMP/FILL-BLK LETTERS/CLEAR BACKGROUND-.24"
117629-03-000 EA LABEL - WATER PUMP/FILL-BLK LETTERS/CLEAR BACKGROUND-.31"

KEEP THE SERVICE INLET ACCESS
IN THE CLOSED POSITION WHEN
UTILITY CONNECTIONS ARE NOT IN USE

KEY PART NUMBER U/M DESCRIPTION
123562-01-000 EA LABEL - SERVICE/UTILITY ACCESS

CITY WATER FILL

KEY PART NUMBER U/M DESCRIPTION
126249-02-000 EA LABEL - CITY WATER FILL-BLK LETTER/CLEAR BACKGROUND-.24"H
126249-03-000 EA LABEL - CITY WATER FILL-BLK LETTER/CLEAR BACKGROUND-.31"H

LABELS GROUP (CONTINUED)

WARNING

ROOF SURFACE MAY BE SLIPPERY
ESPECIALLY WHERE MOISTURE IS PRESENT
SLIPPING MAY RESULT IN PERSONAL INJURY.

128218-01

KEY PART NUMBER U/M DESCRIPTION
128218-01-01A EA LABEL - WARNING - SLIPPERY ROOF

WASTE TANK FLUSH

KEY PART NUMBER U/M DESCRIPTION
130168-01-000 EA LABEL - WASTE TANK FLUSH

LIGHTS WATER
PUMP

KEY PART NUMBER U/M DESCRIPTION
130170-01-000 EA LABEL - SWITCH PANEL - BLK/CLEAR BACKGROUND-1.8"H X 5.9"L
117628-02-000 EA LABEL - SWITCH - WATER PUMP/LIGHTS-WHITE/CLEAR BACKGROUND

PUSH TO
RELEASE
GENERATOR
SLIDE ASM

KEY PART NUMBER U/M DESCRIPTION
131779-01-01A EA LABEL - GENERATOR

MONITOR WATER
PANEL PUMP
LIGHT

KEY PART NUMBER U/M DESCRIPTION
130170-02-000 EA LABEL - SWITCH PANEL - BLK/CLEAR BACKGROUND-1.4H X 3.9"L

WARNING

ALL LP GAS IS CONTAINED UNDER PRES-
SURE. DUE TO THE DANGEROUS POTENTIAL
OF ANY COMPRESSED GAS, IT IS MANDA-
TORY THAT THE FOLLOWING REQUIREMENTS
FOR THE USE OF THIS TANK BE FOLLOWED:
TANKS ARE TO BE INSTALLED, FUELED AND
MAINTAINED IN ACCORDANCE WITH STATE
AND LOCAL CODE, RULES, REGULATIONS OR
LAWS AND IN ACCORDANCE WITH NFPA
PAMPHLET 58, DIVISION IV.

KEY PART NUMBER U/M DESCRIPTION
116112-01-000 EA LABEL - SWITCH PANEL - BLK/CLEAR BACKGROUND-1.8"H X 5.9"L

LABELS GROUP (CONTINUED)

TOW VEHICLE RATING MAY BE LESS THAN HITCH RATING.
 MAXIMUM VERTICAL HITCH LOAD: 350 LBS
 DO NOT EXCEED REAR AXLE RATING.
 SEE OWNER'S MANUAL FOR ADDITIONAL INFORMATION.

| KEY | PART NUMBER | U/M DESCRIPTION |
|-----|---------------|--|
| | 129669-01-01A | EA LABEL - HITCH/VEHICLE RATE - 350 - WHITE ON CLEAR |
| | 129669-01-02A | EA LABEL - HITCH/VEHICLE RATE - 350 - BLACK ON CLEAR |
| | 129669-02-01A | EA LABEL - HITCH/VEHICLE RATE - 500 - WHITE ON CLEAR |
| | 129669-02-02A | EA LABEL - HITCH/VEHICLE RATE - 500 - BLACK ON CLEAR |

THIS CHAIR IS NOT INTENDED FOR OCCUPANCY WHEN VEHICLE IS IN MOTION AND MUST BE RETURNED TO STOWED POSITION

| KEY | PART NUMBER | U/M DESCRIPTION |
|-----|---------------|------------------------------|
| | 102267-01-000 | EA LABEL - NO OCCUPANCY - US |

DTS ISICE SIEGE N'EST PAS DESTINE A ETRE OCCUPE LORSQUE LE VEHICULE EST EN MOUVEMENT ET IL FAUT QUE LE RANGER

THIS CHAIR IS NOT INTENDED FOR OCCUPANCY WHEN VEHICLE IS IN MOTION AND MUST BE RETURNED TO STOWED POSITION

| KEY | PART NUMBER | U/M DESCRIPTION |
|-----|---------------|-------------------------------|
| | 102267-02-000 | EA LABEL - NO OCCUPANCY - CSA |

EXTERIOR SHOWER

| KEY | PART NUMBER | U/M DESCRIPTION |
|-----|---------------|----------------------------|
| | 126249-03-000 | EA LABEL - EXTERIOR SHOWER |

W
A
T
E
R

ON

H
E
A
T
E
R

OFF

| KEY | PART NUMBER | U/M DESCRIPTION |
|-----|---------------|----------------------------------|
| | 083588-01-000 | EA LABEL - ON/OFF - WATER HEATER |

E
N
G
I
N
E

ON

H
E
A
T
E
R

OFF

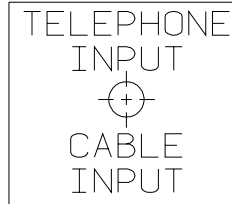
| KEY | PART NUMBER | U/M DESCRIPTION |
|-----|---------------|----------------------------------|
| | 083588-02-000 | EA LABEL - ON/OFF -ENGINE HEATER |

LABELS GROUP (CONTINUED)

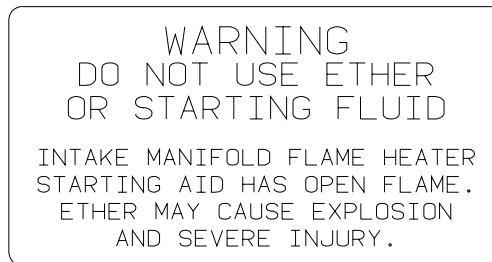
NOTE: TUNE ANTENNA
PER MANUFACTURER'S
DIRECTIONS. FAILURE TO
COMPLY COULD RESULT IN
DAMAGE TO CB.

CB POWER PROVISION
RED +12 V
BLACK GROUND
COAX ANTENNA
(SEE REVERSE ALSO)

KEY PART NUMBER U/M DESCRIPTION
104678-01-000 EA LABEL - CB PREP



KEY PART NUMBER U/M DESCRIPTION
114886-02-000 EA LABEL - PHONE & CABLE INPUT - WHITE/CLEAR BACKGROUND
114866-03-000 EA LABEL - PHONE & CABLE INPUT - BLACK/CLEAR BACKGROUND



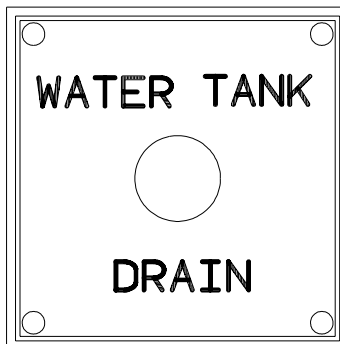
KEY PART NUMBER U/M DESCRIPTION
116756-01-000 EA LABEL - WARNING - ETHER/STARTING



KEY PART NUMBER U/M DESCRIPTION
126247-01-000 EA LABEL - GRAY HOLDING TANK-WHITE LETTERS/CLEAR BACKGROUND
126247-05-000 EA LABEL - GRAY HOLDING TANK-BLACK LETTERS/CLEAR BACKGROUND



KEY PART NUMBER U/M DESCRIPTION
126247-02-000 EA LABEL - BLACK HOLDING TANK-WHITE LETTERS/BLACK BACKGROUND
126247-06-000 EA LABEL - BLACK HOLDING TANK-BLACK LETTERS/CLEAR BACKGROUND

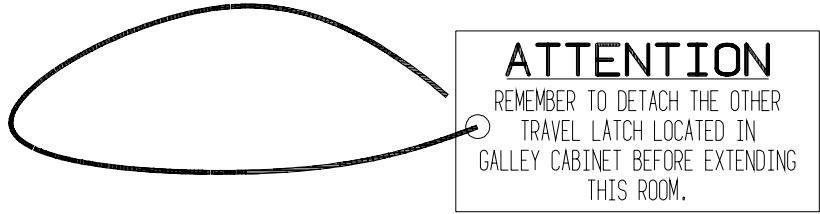


KEY PART NUMBER U/M DESCRIPTION
127170-01-000 EA LABEL - WATER TANK DRAIN

LABELS GROUP (CONTINUED)

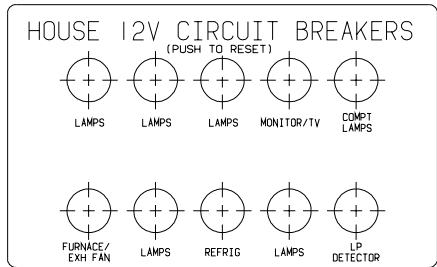
WARNING
 POTABLE WATER ONLY
 SANITIZE, FLUSH, AND
 DRAIN BEFORE USING.
 SEE INSTRUCTION MANUAL

KEY PART NUMBER U/M DESCRIPTION
 128725-01-01A EA LABEL - POTABLE WATER ONLY

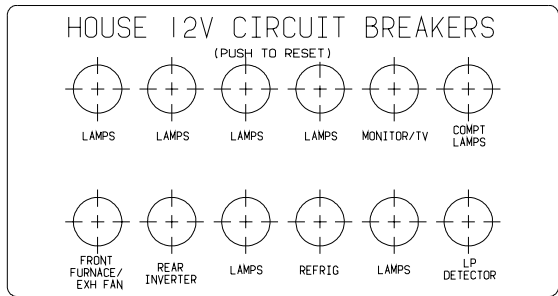


ATTENTION
 REMEMBER TO DETACH THE OTHER
 TRAVEL LATCH LOCATED IN
 GALLEY CABINET BEFORE EXTENDING
 THIS ROOM.

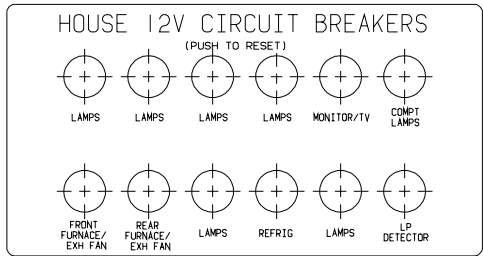
KEY PART NUMBER U/M DESCRIPTION
 129033-01-000 EA LABEL - HANG TAG - TRAVEL LATCH - 1.5" X3"



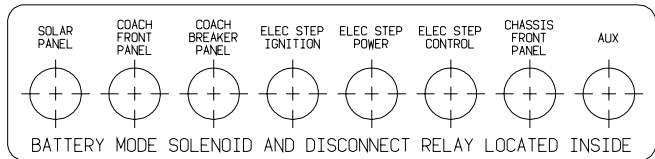
KEY PART NUMBER U/M DESCRIPTION
 092547-06-000 EA CIRCUIT BREAKER



KEY PART NUMBER U/M DESCRIPTION
 092547-09-000 EA CIRCUIT BREAKER



KEY PART NUMBER U/M DESCRIPTION
 092547-07-000 EA CIRCUIT BREAKER

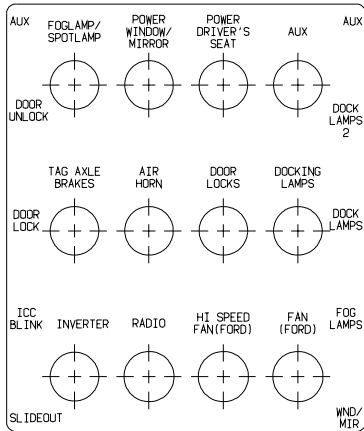


KEY PART NUMBER U/M DESCRIPTION
 093236-13-000 EA CIRCUIT BREAKER

LABELS GROUP (CONTINUED)

| | | | | | | |
|-------------------|----------|--------------------------------------|--------------------------------------|---------------------------------------|---------------------------|---------------------------|
| SLIDEOUT DRIVE | INVERTER | ELECTRIC STEP CONTROL POWER | ELECTRIC STEP BATTERY POWER | ELECTRIC STEP IGNITION POWER | COACH BREAKER PANEL | BATTERY MODE SWITCH |
|-------------------|----------|--------------------------------------|--------------------------------------|---------------------------------------|---------------------------|---------------------------|

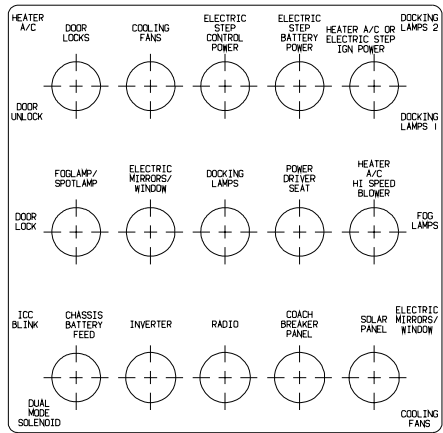
KEY PART NUMBER **U/M DESCRIPTION**
 093236-15-000 EA LABEL - CIRCUIT BREAKER



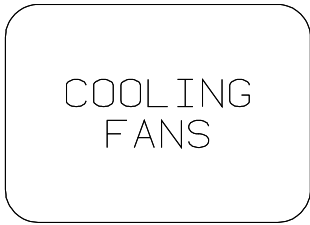
KEY PART NUMBER **U/M DESCRIPTION**
 093236-16-000 EA LABEL - CIRCUIT BREAKER

| | | | | | | |
|---------------------------|---------------------------|---------------------------------------|--------------------------------------|--------------------------------------|----------|-------------------|
| BATTERY MODE SWITCH | COACH BREAKER PANEL | ELECTRIC STEP IGNITION POWER | ELECTRIC STEP BATTERY POWER | ELECTRIC STEP CONTROL POWER | INVERTER | SLIDEOUT POWER |
|---------------------------|---------------------------|---------------------------------------|--------------------------------------|--------------------------------------|----------|-------------------|

KEY PART NUMBER **U/M DESCRIPTION**
 093236-18-000 EA LABEL - CIRCUIT BREAKER



KEY PART NUMBER **U/M DESCRIPTION**
 093236-19-000 EA LABEL - CIRCUIT BREAKER



KEY PART NUMBER **U/M DESCRIPTION**
 093237-10-000 EA LABEL - CIRCUIT BREAKER - FRONT COOLING FANS

LABELS GROUP (CONTINUED)

| | | | | | |
|------------|-------------|-------------|-------------|-------------|-----------|
| SUB - MAIN | DISH WASHER | RECEPS 1 | RECEPS 2 | RECEPS 3 | MICROWAVE |
|------------|-------------|-------------|-------------|-------------|-----------|

KEY PART NUMBER U/M DESCRIPTION
 095721-20-000 EA LABEL - CONTROL CENTER W/INVERTER

| | | | | | |
|------------|----------------|----------------|-------------|-------------|-----------|
| SUB - MAIN | APPLIANCE 1 | APPLIANCE 2 | RECEPS 1 | RECEPS 2 | MICROWAVE |
|------------|----------------|----------------|-------------|-------------|-----------|

KEY PART NUMBER U/M DESCRIPTION
 095721-21-000 EA LABEL - CONTROL CENTER W/INVERTER

| | | | | | | | | | |
|-----------------------|------|------|-----------------------|-----------------------|-----------------|----------------|-----------------|--|--|
| A / C CIRCUIT 1 | MAIN | MAIN | A / C CIRCUIT 2 | INVERTER / CHARGER | REFRIG / VACUUM | WASHER / DRYER | WATER HEATER | | |
|-----------------------|------|------|-----------------------|-----------------------|-----------------|----------------|-----------------|--|--|

KEY PART NUMBER U/M DESCRIPTION
 095721-22-000 EA LABEL - CONTROL CENTER 50 AMP

| | | | | | |
|------------|----------------|----------------|-------------|-------------|-----------|
| SUB - MAIN | APPLIANCE 1 | APPLIANCE 2 | RECEPS 1 | RECEPS 1 | MICROWAVE |
|------------|----------------|----------------|-------------|-------------|-----------|

KEY PART NUMBER U/M DESCRIPTION
 095721-25-000 EA LABEL - CONTROL CENTER 30 AMP

LABELS GROUP (CONTINUED)

| | | | | | | | | |
|-----------------------------|------------|-------------------------------|----------------------|-------------------|-------------------|-------------------------------|--|--|
| A / C C I R C U I T 1 | M A I N | R E F F R I G / C O N V | M I C R O W A V E | R E C P S 1 | R E C P S 2 | A P P L I A N C E 2 | | |
|-----------------------------|------------|-------------------------------|----------------------|-------------------|-------------------|-------------------------------|--|--|

KEY PART NUMBER U/M DESCRIPTION
 095721-26-000 EA LABEL - CONTROL CENTER 30 AMP - CANADIAN

| | | | | | | | | | |
|-----------------------------|------------|-----------------------------|-------------------------------|----------------------|-------------------|-------------------|-------------------|--|--|
| A / C C I R C U I T 1 | M A I N | A / C C I R C U I T 2 | R E F F R I G / C O N V | M I C R O W A V E | R E C P S 1 | R E C P S 2 | R E C P S 3 | | |
|-----------------------------|------------|-----------------------------|-------------------------------|----------------------|-------------------|-------------------|-------------------|--|--|

KEY PART NUMBER U/M DESCRIPTION
 095721-27-000 EA LABEL - CONTROL CENTER 30 AMP

| | | | | | | | | | |
|-----------------------------|------------|-----------------------------|-------------------------------|----------------------|-------------------|-------------------|----------------------|--|--|
| A / C C I R C U I T 1 | M A I N | A / C C I R C U I T 2 | R E F F R I G / C O N V | M I C R O W A V E | R E C P S 1 | R E C P S 2 | A P P L I A N C E | | |
|-----------------------------|------------|-----------------------------|-------------------------------|----------------------|-------------------|-------------------|----------------------|--|--|

KEY PART NUMBER U/M DESCRIPTION
 095721-28-000 EA LABEL - CONTROL CENTER 30 AMP - CANADIAN

| | | | | | | | | | | |
|-----------------------------|------------|------------|-----------------------------|-------------------------------|----------------------|-------------------|-------------------|-------------------|-------------------------------|--|
| A / C C I R C U I T 1 | M A I N | M A I N | A / C C I R C U I T 2 | R E F F R I G / C O N V | M I C R O W A V E | R E C P S 1 | R E C P S 2 | R E C P S 3 | W A S H E R / D R Y E R | |
|-----------------------------|------------|------------|-----------------------------|-------------------------------|----------------------|-------------------|-------------------|-------------------|-------------------------------|--|

KEY PART NUMBER U/M DESCRIPTION
 095721-29-000 EA LABEL - CONTROL CENTER 50 AMP

LABELS GROUP (CONTINUED)

| | | | | | | | | | | | |
|-----------------------------|---------|---------|-----------------------------|-------------------------|-------------------|----------------|----------------|----------------|------------------------|------------------------|--------------------------|
| A / C C I R C U I T 1 | M A I N | M A I N | A / C C I R C U I T 2 | R E F F R I G / C O N V | M I C R O W A V E | R E C P S 1 | R E C P S 2 | R E C P S 3 | A P P L I A N C E 1 | A P P L I A N C E 2 | W A S H E R D R Y E R |
|-----------------------------|---------|---------|-----------------------------|-------------------------|-------------------|----------------|----------------|----------------|------------------------|------------------------|--------------------------|

KEY PART NUMBER U/M DESCRIPTION
 095721-30-000 EA LABEL - CONTROL CENTER 50 AMP- CANADIAN

| | | | | | | | | | | |
|-----------------------------|---------|-----------------------------|-------------------------|-------------------|----------------|----------------|----------------|-------------------------|--------------------------|--|
| A / C C I R C U I T 1 | M A I N | A / C C I R C U I T 2 | R E F F R I G / C O N V | M I C R O W A V E | R E C P S 1 | R E C P S 2 | R E C P S 3 | W A S H E R / D R Y E R | W A T E R H E A T E R | |
|-----------------------------|---------|-----------------------------|-------------------------|-------------------|----------------|----------------|----------------|-------------------------|--------------------------|--|

KEY PART NUMBER U/M DESCRIPTION
 095721-31-000 EA LABEL - CONTROL CENTER 30 AMP - U.S.

| | | | | | | | | | | |
|-----------------------------|---------|---------|-----------------------------|-------------------------|-------------------|----------------|----------------|----------------|-------------------------|--------------------------|
| A / C C I R C U I T 1 | M A I N | M A I N | A / C C I R C U I T 2 | R E F F R I G / C O N V | M I C R O W A V E | R E C P S 1 | R E C P S 2 | R E C P S 3 | W A S H E R / D R Y E R | W A T E R H E A T E R |
|-----------------------------|---------|---------|-----------------------------|-------------------------|-------------------|----------------|----------------|----------------|-------------------------|--------------------------|

KEY PART NUMBER U/M DESCRIPTION
 095721-33-000 EA LABEL - CONTROL CENTER 50 AMP - U.S.

| | | | | | | | | |
|-----------------------------|---------|---------|-----------------------------|------------------------------------|---------------------------|-------------------------|--------------------------|--|
| A / C C I R C U I T 1 | M A I N | M A I N | A / C C I R C U I T 2 | I N V E R T E R / C H A R G E R | R E F F R I G E R A T O R | W A S H E R / D R Y E R | W A T E R H E A T E R | |
|-----------------------------|---------|---------|-----------------------------|------------------------------------|---------------------------|-------------------------|--------------------------|--|

KEY PART NUMBER U/M DESCRIPTION
 095721-34-000 EA LABEL - CONTROL CENTER 50 AMP

LABELS GROUP (CONTINUED)

| | | | | | | | | | | |
|-----------------------------|---------|-----------------------------|-----------------------|-------------------|----------------|----------------|----------------|-------------------|-------------------------|--------------------------|
| A / C C I R C U I T 1 | M A I N | A / C C I R C U I T 2 | R E F R I G / C O N V | M I C R O W A V E | R E C P S 1 | R E C P S 2 | R E C P S 3 | A P P L I A N C E | W A S H E R / D R Y E R | W A T E R H E A T E R |
|-----------------------------|---------|-----------------------------|-----------------------|-------------------|----------------|----------------|----------------|-------------------|-------------------------|--------------------------|

KEY PART NUMBER U/M DESCRIPTION
 095721-35-000 EA LABEL - CONTROL CENTER 30 AMP - CSA

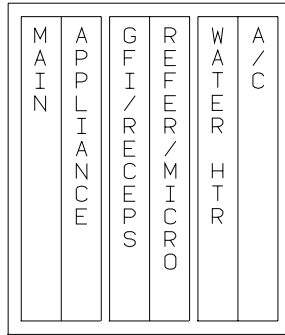
| | | | | | | | | | | | |
|-----------------------------|---------|---------|-----------------------------|-----------------------|-------------------|----------------|----------------|------------------------|------------------------|-------------------------|--------------------------|
| A / C C I R C U I T 1 | M A I N | M A I N | A / C C I R C U I T 2 | R E F R I G / C O N V | M I C R O W A V E | R E C P S 1 | R E C P S 2 | A P P L I A N C E 1 | A P P L I A N C E 2 | W A S H E R / D R Y E R | W A T E R H E A T E R |
|-----------------------------|---------|---------|-----------------------------|-----------------------|-------------------|----------------|----------------|------------------------|------------------------|-------------------------|--------------------------|

KEY PART NUMBER U/M DESCRIPTION
 095721-36-000 EA LABEL - CONTROL CENTER 50 AMP - CSA

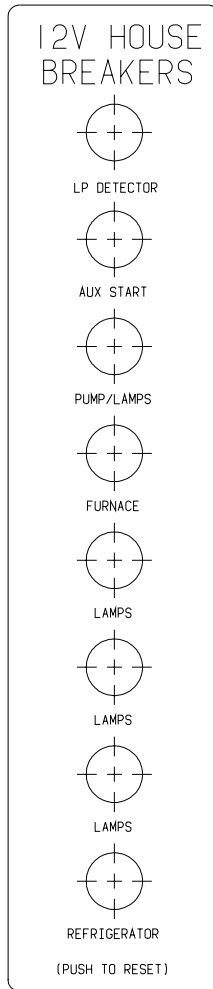
| | | | | | |
|---------|-------------------|---------------------|---------------------|--------------------|-------|
| M A I N | M I C R O W A V E | G F I / R E C E P S | R E F E R / C O N V | W A T E R H T R | A / C |
|---------|-------------------|---------------------|---------------------|--------------------|-------|

KEY PART NUMBER U/M DESCRIPTION
 095721-38-000 EA LABEL - CONTROL CENTER 30 AMP - U.S.

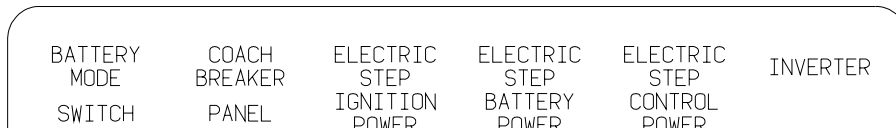
LABELS GROUP (CONTINUED)



KEY PART NUMBER U/M DESCRIPTION
 095721-39-000 EA LABEL - CONTROL CENTER 30 AMP- CANADIAN



KEY PART NUMBER U/M DESCRIPTION
 092547-08-000 EA CIRCUIT BREAKER



KEY PART NUMBER U/M DESCRIPTION
 093236-08-000 EA LABEL - CIRCUIT BREAKER

LABELS GROUP (CONTINUED)

FRONT TIRE PRESSURE AT UNLOADED VEHICLE WEIGHT: 75 PSI
 REAR TIRE PRESSURE AT UNLOADED VEHICLE WEIGHT: 75 PSI
 FOR LOADED VEHICLE, WEIGH UNIT AND REFER TO TABLE:

| | | | | | | | | |
|----------------|-------|-------|-------|--------|------|-------|--|--|
| TIRE PRESSURE | 75 | 80 | 85 | 90 | 95 | 100 | | |
| FRONT LOAD-LBS | 7185 | 7630 | 8070 | 8555 | 9085 | 9350* | | |
| REAR LOAD-LBS | 13580 | 14375 | 15255 | 15500* | | | | |

TIRE: MICHELIN XRV 235/80R22.5, LOAD RANGE F *GAWR = 9350
**GAWR = 15500

FOR BEST PERFORMANCE, MATCH TIRE PRESSURE TO YOUR AXLE LOAD

KEY PART NUMBER **U/M DESCRIPTION**
 131775-03-01A EA LABEL - TIRE PRESSURE - BROWN/BLACK

DO NOT FILL
 LP-GAS CONTAINER(S)
 TO MORE THAN 80%
 OF CAPACITY.

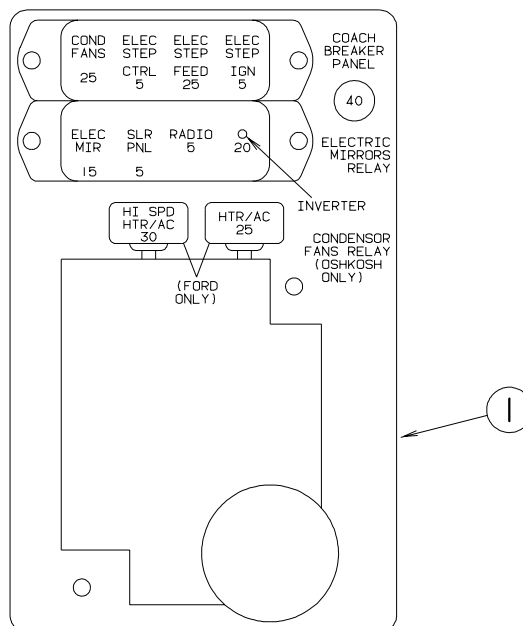
KEY PART NUMBER **U/M DESCRIPTION**
 079965-01-000 EA LABEL - LPG - 80% CAPACITY

AMPLIFIER
 FEED
 (CHASSIS)
 30 AMP

AMPLIFIER
 FEED
 (COACH)
 30 AMP

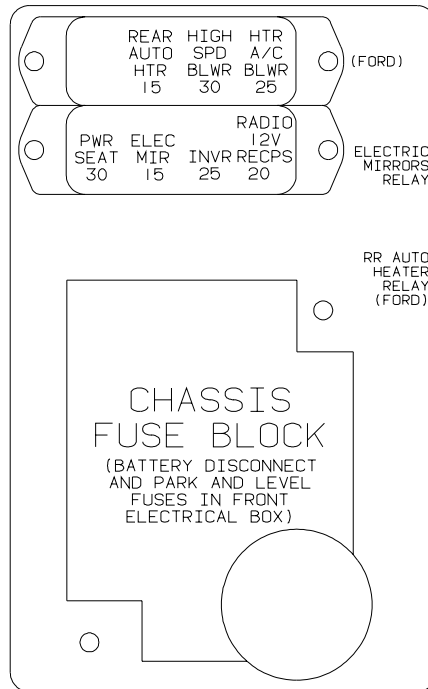
AMPLIFIER
 SOURCE
 RELAY

KEY PART NUMBER **U/M DESCRIPTION**
 111537-06-000 EA LABEL - AMPLIFIER POWER



KEY PART NUMBER **U/M DESCRIPTION**
 111537-07-000 EA LABEL - FUSES

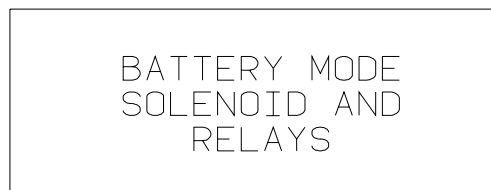
LABELS GROUP (CONTINUED)



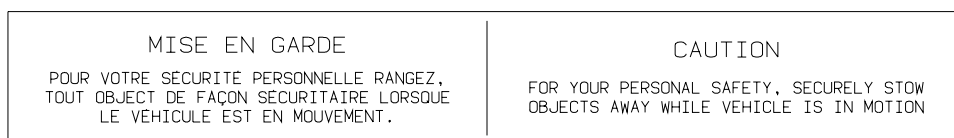
| KEY | PART NUMBER | U/M DESCRIPTION |
|-----|---------------|------------------|
| | 111537-08-000 | EA LABEL - FUSES |



| KEY | PART NUMBER | U/M DESCRIPTION |
|-----|---------------|--|
| | 098379-01-000 | EA LABEL - CIRCUIT BREAKER - FRONT BOX |



| KEY | PART NUMBER | U/M DESCRIPTION |
|-----|---------------|----------------------------------|
| | 098379-04-000 | EA LABEL - ELECTRICAL BOX - SIDE |



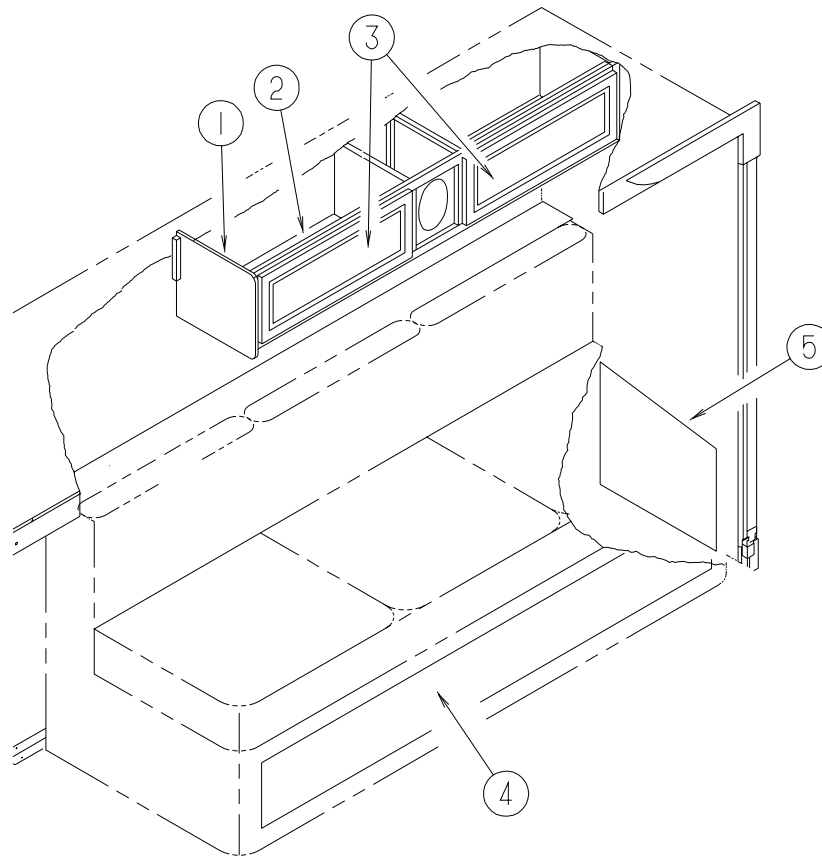
| KEY | PART NUMBER | U/M DESCRIPTION |
|-----|---------------|-------------------------------|
| | 131341-01-000 | EA LABEL - STOW OBJECTS - US |
| | 131341-02-000 | EA LABEL - STOW OBJECTS - CSA |

LP GROUP
LP SYSTEM

| KEY | PART NUMBER | U/M | DESCRIPTION |
|------------|--------------------|------------|--|
| | 045703-05-000 | EA | HOSE - LP - 3/8"ID X 28" - 3/8"MPT X 1/2"F SWIVEL - U.S. |
| | 045703-02-000 | EA | HOSE - LP - 3/8"ID X 24" - 3/8"MPT X 1/2"F SWIVEL - CANADA |
| | 105658-01-000 | EA | COMPARTMENT - LP REGULATOR |
| | 106150-01-000 | EA | REGULATOR - TWO STAGE -W/90 DEGREE ELBOW & 3/8" FPT OUTLET |
| * | 097821-03-000 | EA | TANK - LP - 60 LB - 14" X 30" |
| | 040440-02-000 | EA | TRANSMITTER - DIAL - 0-90 OHM -2 TERMINAL (POWER & GROUND) |
| | 103613-03-000 | EA | DETECTOR - LP GAS - W/O SHUT-OFF VALVE |
| | 010377-02-000 | EA | NUT - BRASS - 3/8" FLARE - FORGED |
| | 010380-02-000 | EA | NUT - BRASS - 1/2" FLARE - FORGED |
| | 065318-02-000 | EA | ELBOW - 90 DEGREE - 3/8" MPT TO 3/8" FPT |
| | 010323-01-000 | EA | ADAPTER - BRASS - 3/8"F X 1/2"MPT |
| | 010326-01-000 | EA | ADAPTER - FLARE - W/CONE GASKET - 3/8"F X 1/2"F |
| | 010329-01-000 | EA | ADAPTER - BRASS - 1/2"F X 1/2"MPT |

***COMPONENT PARTS FOUND IN SERVICE PARTS LIBRARY**

LOUNGE GROUP CABINETS



| KEY | PART NUMBER | U/M | DESCRIPTION |
|-----|---------------|-----|---|
| 1 | 109908-A5-K19 | EA | END CAP - OVERHEAD CABINET |
| 2 | 127857-01-K03 | EA | CABINET - OVERHEAD/FRONT - W/O DOORS/HARDWARE (L04) |
| 2 | 127857-01-K02 | EA | CABINET - OVERHEAD/FRONT - W/O DOORS/HARDWARE (L05) |
| 2 | 127857-01-K06 | EA | CABINET - OVERHEAD/FRONT - W/O DOORS/HARDWARE (L06) |
| 3 | 132141-20-L15 | EA | DOOR - RAIL/VENEER - 10.8" X 27.9" - W/O HARDWARE |
| 4 | M08107-23-L04 | EA | PANEL - FRONT KICK - SOFA/BED - FABRIC COVERED |
| 4 | M08107-23-L05 | EA | PANEL - FRONT KICK - SOFA/BED - FABRIC COVERED |
| 4 | M08107-23-L06 | EA | PANEL - FRONT KICK - SOFA/BED - FABRIC COVERED |
| 4 | 127821-11-L04 | EA | DOOR - FRONT KICK - SOFA/BED - FABRIC COVERED |
| 4 | 127821-11-L05 | EA | DOOR - FRONT KICK - SOFA/BED - FABRIC COVERED |
| 4 | 127821-11-L06 | EA | DOOR - FRONT KICK - SOFA/BED - FABRIC COVERED |
| 5 | M02634-25-L04 | EA | SKIRT - SOFA/BED (L04) |
| 5 | M02634-25-L05 | EA | SKIRT - SOFA/BED (L05) |
| 5 | M02634-25-K06 | EA | SKIRT - SOFA/BED (L06) |

SEALANTS & FASTENERS GROUP

SEALANTS & ADHESIVES

| KEY | PART NUMBER | U/M | DESCRIPTION |
|-----|---------------|-----|---|
| | 069640-01-000 | FT | SEALER - RIBBON - 1/4" DIAMETER X 30' - BLACK |
| | 069640-02-000 | FT | SEALER - TAPE - .13"THICK X .5"WIDE X 60' - GRAY |
| | 069640-03-000 | FT | SEALER - TAPE - .13"THICK X .75"WIDE X 60' - BLACK |
| | 069640-07-000 | FT | SEALER - TAPE - .09"THICK X 2"WIDE X 45' - GRAY |
| | 069640-09-000 | FT | SEALER - TAPE - .032"THICK X 2.50"WIDE X 80' - GRAY |
| | 069640-10-000 | FT | SEALER - TAPE - .03"THICK X 1.50"WIDE X 90' - GRAY |
| | 069640-11-000 | FT | SEALER - TAPE - .19"THICK X .38"WIDE X 40' - BLACK |
| | 069640-13-000 | FT | SEALER - TAPE - .03"THICK X 2"WIDE X 45' - BLACK |
| | 069640-14-000 | FT | SEALER - TAPE - .06"THICK X 1"WIDE X 100' - GRAY |
| | 069640-15-000 | FT | SEALER - TAPE - .06"THICK X .38"WIDE X 100' - GRAY |
| | 069640-17-000 | FT | SEALER - TAPE - .03"THICK X 1"WIDE X 90' - GRAY |
| | 069640-18-000 | FT | SEALER - TAPE - .50"THICK X 1/8"WIDE X 60' - BRIGHT WHITE |
| | 069640-19-000 | FT | SEALER - TAPE - .75"THICK X 1/8"WIDE X 60'- BRIGHT WHITE |
| | 069640-20-000 | FT | SEALER - TAPE - .50" THICK X 1/8" WIDE X 60'-BRIGHT WHITE |
| | 069640-21-000 | FT | SEALER - TAPE - .50" THICK X 1/16" WIDE X 100'-BRIGHT WHT |
| | 069640-22-000 | FT | SEALER - TAPE - .25" THICK X 1/32" WIDE X 100'- BRIGHT WHT |
| | 069640-23-000 | FT | SEALER - TAPE - 1/16" THICK X .75" WIDE X 100'- BRIGHT WHT |
| | 069640-25-000 | FT | SEALER - TAPE - 1/16" X 3 1/2" |
| | 072889-01-000 | EA | SEALANT - URETHANE - BLACK - TUBE |
| | 072889-07-000 | EA | SEALANT - URETHANE - BLACK - TUBE |
| | 072889-09-000 | EA | SEALANT - URETHANE - BLACK - TUBE |
| | 072889-10-000 | EA | SEALANT - URETHANE - BRIGHT WHITE - TUBE |
| | 072889-11-000 | EA | SEALANT - URETHANE - GRAY - TUBE |
| | 072889-13-000 | EA | SEALANT - URETHANE - VW WHITE - TUBE |
| | 072889-14-000 | EA | SEALANT - URETHANE - SABLE - TUBE |
| | 072889-16-000 | EA | SEALANT - URETHANE - BLACK - TUBE |
| | 072889-17-000 | EA | SEALANT - URETHANE - BLACK - TUBE |
| | 116767-01-01A | EA | SEALANT - WATERBASE - CLEAR |
| | 053766-02-000 | EA | BEDDING COMPOUND - TUBE - WHITE |
| | 053766-06-000 | EA | BEDDING COMPOUND - TUBE - CLEAR |
| | 053766-08-000 | EA | BEDDING COMPOUND - TUBE - GRAY |
| | 131264-01-02A | EA | SILICONE - W/O NOZZLE - CLEAR |
| | 131264-01-01A | EA | SILICONE - W/O NOZZLE - BLACK |
| | 131264-01-08A | EA | SILICONE - W/O NOZZLE - BUFF |
| | 131264-02-01A | EA | SILICONE - W/O NOZZLE - VW GRAY - BATH ONLY |
| | 131264-03-01A | EA | SILICONE - SELF LEVELING - W/O NOZZLE - BRIGHT WHITE |
| | 108716-01-000 | EA | SILICONE - TUBE - OFF WHITE/SELF LEVELING - W/O NOZZLE |
| | 108716-02-000 | EA | SILICONE - TUBE - BUFF/SELF LEVELING - W/O NOZZLE |
| | 102352-01-000 | EA | SEALER - PUMPABLE - TUBE - BLACK |
| | 102352-02-000 | EA | SEALER - PUMPABLE - TUBE - BLACK |
| | 094401-01-000 | EA | SEALER - BODY SEAM |
| | 067788-01-000 | EA | ADHESIVE - SPRAY - 3M - 19.5 AEROSOL CAN |
| | 081377-01-700 | EA | ADHESIVE-CYANOACRYLATE 10 GM |
| | 099039-01-000 | EA | ADHESIVE-WEATHERSTRIP, 8 OZ. - SILAPRENE M6581 |
| | 900390-01-000 | EA | TIP - 2 1/2" X 1/8" ORIFICE |
| | 900390-03-000 | EA | NOZZLE - SILICONE TUBE |
| | 900390-04-000 | EA | NOZZLE - SILICONE TUBE |
| | 112902-01-000 | EA | NOZZLE - ELEMENT - 3/8 X 24 |
| | 112902-02-000 | EA | NOZZLE - BELL - 3/8 X 24 |
| | 112902-03-000 | EA | NOZZLE - ELEMENT - 1/4 X 6 |
| | 076322-01-000 | FT | TAPE - DOUBLE COATED/ADHESIVE BACK - .025"THK X .75"W X 18' |
| | 076322-02-000 | FT | TAPE - DOUBLE COATED/ADHESIVE BACK - .045"THK X 1"W X 9' |
| | 076322-03-000 | FT | TAPE - DOUBLE COATED/ADHESIVE BACK - .045"THK X .50"W X 9' |
| | 076322-05-000 | FT | TAPE - DOUBLE COATED/ADHESIVE BACK - .045"THK X .75"W X 9' |
| | 076322-06-000 | FT | TAPE - DOUBLE COATED/ADHESIVE BACK - .045"THK X 1"W X 9' |
| | 076322-07-000 | FT | TAPE - DOUBLE COATED/ADHESIVE BACK - .045"THK X .50"W X 9' |
| | 076322-11-000 | FT | TAPE - DOUBLE COATED/ADHESIVE BACK - .020"THK X 1"W X 9' |
| | 076322-12-000 | FT | TAPE - DOUBLE COATED/ADHESIVE BACK - .045"THK X .75"W X 9' |
| | 123816-01-000 | FT | TAPE - DOUBLE SIDED - 1" |
| | 123816-02-000 | FT | TAPE - DOUBLE SIDED - 1/2" X 1 1/3" - THICK |
| | 123816-03-000 | FT | TAPE - DOUBLE SIDED - 1/2" X 3/4" - THICK |
| | 123816-04-000 | FT | TAPE - DOUBLE SIDED - 6" |

SEALANTS & FASTENERS GROUP (CONTINUED)

SEALANTS & ADHESIVES (CONTINUED)

| KEY | PART NUMBER | U/M | DESCRIPTION |
|-----|---------------|-----|--|
| | 063642-01-000 | FT | TAPE - ADHESIVE - .4" X 1.5" X 180' |
| | 123244-01-000 | FT | TAPE - DOUBLE SIDED/FOAM - 5/64" THICK X 3/4" WIDE |
| | 123244-02-000 | FT | TAPE - DOUBLE SIDED/FOAM - 5/64" THICK X 1/2" WIDE X 108' |
| | 088479-01-000 | EA | TAPE - ALUMINUM - 3" |
| | 103202-02-000 | FT | TAPE - FOAM/ADHESIVE ONE SIDE - 1/16" X 200' |
| | 110274-01-000 | FT | TAPE - DOUBLE SIDED/FOAM - .45" X 1" X 216' - BLACK |
| | 115933-01-000 | FT | TAPE - 1/64" X 3/8" X 100' |
| | 123816-04-000 | FT | TAPE - DOUBLE SIDED - 6" X 750' |
| | 002707-02-000 | FT | TAPE - SEALER - 5/16" X 1/2" - INCREMENTS OF 50 FT |
| | 091255-02-000 | FT | SEAL - ADHESIVE BACKED/FOAM - 3/64" THICK X 3/16"W X 1000' |
| | 091255-03-000 | FT | SEAL - ADHESIVE BACKED/FOAM - 1/4" THICK X 1/4"W X 1000' |
| | 099069-01-000 | FT | SEAL - RUBBER - CLOSED SPONGE - .5" WIDE X .12" THICK -BLK |
| | 104692-01-000 | FT | SEAL - ADHESIVE BACKED FOAM - 3/4" THICK X 3/4" WIDE X 25' |
| | 104692-03-000 | FT | SEAL - ADHESIVE BACKED FOAM - 1" THICK X 1 3/4" WIDE X 15' |
| | 108353-03-000 | FT | SEAL - FOAM - .19" X .25" |
| | 112864-01-000 | FT | SEAL - FOAM/BUTYL COVERED - 3/8" X 35' |
| | 106206-01-000 | EA | SEALER - PUMPABLE - TUBE - BLACK - MANUS |
| | 120074-02-01A | EA | SILICONE - W/O NOZZLE - LOW ODOR - OFF WHITE |
| | 120074-02-02A | EA | SEALANT - W/O NOZZLE - SOFT WHITE |
| | 107828-01-000 | EA | SEALANT - SB - 190 EVERSEAL |
| | 112864-02-000 | FT | FOAM - BUTYL COVERED 5/16" X 44' |
| | 087211-01-000 | GL | PROMOTER - ADHESIVE - GALLON |
| | 004006-05-700 | EA | ADHESIVE - 5 GALLON - NATIONAL STARCH |
| | 004020-01-000 | QT | ADHESIVE - ABS CEMENT - QUART |
| | 112901-02-000 | EA | ADHESIVE - PLEXUS - MA330 - 50ML - GRAY |
| | 131384-01-000 | EA | ADHESIVE - JETWELD |
| | 113366-01-000 | EA | ADHESIVE - INSTANT - 1 OZ |
| | 062917-03-000 | EA | ADHESIVE - LOCTITE 242 |
| | 004001-02-000 | EA | GUN - PLEXUS ADHESIVE - W/O NOZZLE |
| | 004001-03-000 | EA | MIXER NOZZLE (EPX) |
| | 004001-03-001 | EA | EPOXY MIXER NOZZLE 12" |
| | 004001-03-002 | EA | TUBE/MIXER - GRACO EPOXY |
| | 004001-04-000 | EA | PLUNGER ACCESSORY (EPX) |
| | 004001-05-000 | EA | ADHESIVE - SCOTCH-WELD - 3M DP100 - CLEAR - 50ML |
| | 099952-01-000 | FT | CORE - SEAL - BULB SUPPORT |

BOLTS, NUTS AND WASHERS

| KEY | PART NUMBER | U/M | DESCRIPTION |
|-----|---------------|-----|---|
| | 000C12-04-12A | EA | BOLT - HEX - 1/4-20 X .75 - PLAIN 5 |
| | 000C12-05-16B | EA | BOLT - HEX - 5/16-18 X 1 - GRADE #5 - ZINC |
| | 000C12-05-12B | EA | BOLT - HEX - 5/16-18 X 3/4 - ZINC 5 |
| | 000C12-06-16B | EA | BOLT - HEX - 3/8-16 X 1 - GRADE #5 - ZINC |
| | 000C12-06-20B | EA | BOLT - HEX - 3/8 - 16 X 1 1/4 - ZINC #5 |
| | 000C12-06-44B | EA | BOLT - HEX - 3/8-16 X 2 3/4 - ZINC 5 |
| | 000C12-07-20B | EA | BOLT - HEX - 7/16-14 X 1 1/4 - ZINC 5 |
| | 000C12-08-24B | EA | BOLT - HEX - 1/2-13 X 1.5 - GRADE #3 - ZINC |
| | 000C12-08-28B | EA | BOLT - HEX - 1/2-13 X 1.8" - GRADE #5 - ZIN |
| | 000C12-08-16B | EA | BOLT - HEX - 1/2-13 X 1" - GRADE #5 - ZINC |
| | OMC04K-06-016 | EA | BOLT - HEX - M06 X 1 X 016 |
| | OMC05K-08-055 | EA | BOLT - HEX M.3 X 1.25 X 2.2 |
| | OMC13K-14-070 | EA | BOLT - HEX M14 X 2.00 X 2.75 |
| | OMC31K-08-020 | EA | BOLT - HEX - SERRATED FLANGE - M8 X 020 |

SEALANTS & FASTENERS GROUP (CONTINUED)**BOLTS, NUTS AND WASHERS (CONTINUED)**

| KEY | PART NUMBER | U/M | DESCRIPTION |
|------------|--------------------|------------|--|
| | 0MC32K-10-030 | EA | BOLT - HEX - SERRATED FLANGE - M10 X 1.50 |
| | 0MC53K-12-050 | EA | BOLT - HEX - M12 X 1.75 X 050 |
| | 000C12-04-40B | EA | BOLT - HEX - 1/4-20 X 2 1/2 - GRADE 5 ZINC |
| | 000C12-05-64B | EA | BOLT - HEX - 5/16-18 X 4 |
| | 000C12-06-24B | EA | BOLT - HEX - 38-16 X 1 1/2 - ZINC #5 |
| | 000C12-10-24B | EA | BOLT - HEX - 5/8-11 X 1.5" - GRADE #5 - ZINC |
| | 000C13-07-40B | EA | BOLT - HEX - 7/16-20 X 2.5" - GRADE #5 - ZINC |
| | 000C13-07-48B | EA | BOLT - HEX - 7/16-20 X 3" - GRADE #5 - ZINC |
| | 000C13-08-40B | EA | BOLT - HEX - 1/2-20 X 2 1/2 - GRADE #5 - ZINC |
| | 000C13-08-28B | EA | BOLT - HEX - 1/2-20 X 1 3/4 - GRADE #5 - ZINC |
| | 000C14-07-28B | EA | BOLT - HEX - 7/16-14 X 1.75 - GRADE 8 ZINC |
| | 000C14-07-20B | EA | BOLT - HEX - 7/16-14 X 1.25 - GRADE 8 ZINC |
| | 000C14-10-24K | EA | BOLT - HEX 0 5/8-11 X 1.50 - GRADE #8 - ZINC |
| | 000C14-10-32K | EA | BOLT - HEX - 5/8"-11 X 2 - GRADE #8 - ZINC |
| | 000C18-05-40A | EA | BOLT - ELEVATOR - 5/16-18 X 2.50 - PL |
| | 000C18-06-48B | EA | BOLT - ELEVATOR - 3/8-16 X 3 - GRADE 5 - ZINC |
| | 000C18-06-56A | EA | BOLT - ELEVATOR - 3/8-16 X 3 1/2 - GRADE 5 |
| | 000C26-04-18B | EA | BOLT - HEX - SERRATED FLANGE - 1/4-20 X 1 1/8 - ZINC |
| | 000C26-04-14B | EA | BOLT - HEX - SERRATED FLANGE - 1/4-20 X 7/8 - ZINC |
| | 000C26-04-10B | EA | BOLT - HEX - SERRATED FLANGE - 1/4-20 X 5/8 - ZINC |
| | 000C26-05-16B | EA | BOLT - HEX - SERRATED FLANGE - 5/16-18 X 1 - ZINC |
| | 000C26-05-20B | EA | BOLT - HEX - SERRATED FLANGE - 5/16-18 X 1 1/4 - ZINC |
| | 000C26-05-12B | EA | BOLT - HEX - SERRATED FLANGE - 5/16-18 X 3/4 - ZINC |
| | 000C26-05-16B | EA | BOLT - HEX - SERRATED FLANGE - 5/16-18 X 1 - ZINC |
| | 000C26-05-129 | EA | BOLT - HEX - SERRATED FLANGE - 5/16-18 X 3/4 |
| | 000C26-05-249 | EA | BOLT - HEX - SERRATED FLANGE 5/16-18 X 1.5" |
| | 000C26-06-16B | EA | BOLT - HEX - SERRATED FLANGE - 3/8-16 X 1 - ZINC |
| | 000C26-06-12B | EA | BOLT - HEX - SERRATED FLANGE - 3/8-16 X 3/4 - ZINC |
| | 000C26-06-28B | EA | BOLT - HEX - SERRATED FLANGE - 3/8-16 X 1 3/4 - ZINC |
| | 000C26-06-40B | EA | BOLT - HEX - SERRATED FLANGE - 3/8-16 X 1 3/4 - ZINC |
| | 000C26-06-20B | EA | BOLT-HEX, SER FLG 3/8 - 16 X 1 1/4 - ZN |
| | 000C26-08-24B | EA | BOLT - HEX - SERRATED FLANGE - 1/2-13 X 1 1/2 - ZINC |
| | 000C27-04-40B | EA | BOLT - CARRIAGE 1/4-20 X 2.50 - ZINC |
| | 000C27-08-64B | EA | BOLT - CARRIAGE - 1/2-13 X 4. - GRS |
| | 106166-01-000 | EA | BOLT/COLLARED HANGER - 8-32 X 1" |
| | 000G45-04-24B | EA | BOLT - LAG - 1/4-9 X 1 1/2 - ZINC |
| | 000G45-04-24F | EA | BOLT - LAG - 1/4" #9 X 1 1/2SS |
| | 000G45-05-16B | EA | BOLT - LAG - 5/16-9 X 1 - ZINC |
| | 106956-03-000 | EA | BOLT - HEX TAP - 1/2-12NC X 3 - GRADE 5 - FULL THREAD/ZINC |
| | 051387-06-000 | EA | BOLT - CARRIAGE W/O HOLE - 5/16-18 X 9.5 - ZINC |
| | 091274-03-000 | EA | BOLT-J - 3/8-16 X 12.0 |
| | 106956-08-000 | EA | BOLT - HEX TAP - 1/2-13NC X 4 - GRADE 5 - FULL THREAD/ZINC |
| | 087718-01-000 | EA | MONOBOLT - STEEL - 3/16 DIAMETER |
| | 102333-02-01A | EA | BOLT - CARRIAGE - 1/4-20 |
| | 103020-02-000 | EA | BOLT-U - #8-32 - GRADE 5 ZINC |
| | 107393-02-000 | EA | BOLT - SHOULDER - 3/8" SOCKETHEAD |
| | 113985-02-000 | EA | BOLT - FLANGE - M10-1.5 X 30CL10.9 |
| | 114259-05-000 | EA | BOLT-7/16-20X1.25 W/WASHER |
| | 0MD16K-10-000 | EA | NUT - HEX PREV TORQUE M10 X 1.50 CLASS 8 |
| | 0MD39K-12-000 | EA | NUT - HEX W/NYLON LOCK - M12 X 1.75 |
| | 000D24-10-00B | EA | NUT - HEX - SELF LOCKING - 10-32 ZINC |
| | 000D29-05-00B | EA | NUT - HEX - LOCKING W/SERRATED FLANGE-NYLON WASHER INSERT |
| | 000D29-09-00B | EA | NUT - HEX - SELF LOCKING - 9/16-12 - ZINC |
| | 000D29-06-00B | EA | NUT - HEX - W/NYLON LOCK - 3/8-16 - ZINC |
| | 000D30-07-00B | EA | NUT-HEX LOCK,NYLON 7/16X20 |
| | 000D34-04-00B | EA | NUT - HEX - LOCKING - 1/4-20 ZINC |
| | 000D34-06-00B | EA | NUT - HEX - LOCKING - 3/8-16 GRADE C - ZINC |
| | 000D39-04-00B | EA | NUT - HEX - LOCKING W/SERRATED FLANGE - 1/4-20 - ZINC |
| | 000D39-05-00B | EA | NUT - HEX - LOCKING W/SERRATED FLANGE - 5/16-18 - ZINC |
| | 000D39-06-00B | EA | NUT - HEX - LOCKING W/SERRATED FLANGE - 3/8-18 - ZINC |
| | 000D39-07-00B | EA | NUT - HEX - LOCKING W/SERRATED FLANGE - 7/16-14 - ZINC |
| | 000D39-08-00B | EA | NUT - HEX - LOCKING W/SERRATED FLANGE - 1/2-13 - ZINC |

SEALANTS & FASTENERS GROUP (CONTINUED)

BOLTS, NUTS AND WASHERS (CONTINUED)

| KEY | PART NUMBER | U/M | DESCRIPTION |
|-----|---------------|-----|---|
| | 000D44-04-00B | EA | NUT - HEX - LOCKING W/SERRATED FLANGE - 1/4-28 - ZINC |
| | 000D44-07-00B | EA | NUT - HEX - LOCKING W/SERRATED FLANGE - 7/16-20 - ZINC |
| | 000D44-08-00B | EA | NUT - HEX - SERRATED FLANGE - 1/2-20 - GRADE #5 - ZINC |
| | 000D46-04-00A | EA | NUT - HEX - WELD - 1/4-20 - PLAIN |
| | 000D58-06-00A | EA | NUT - HEX - WELD 3/8-16 - PLAIN |
| | 000D65-08-00B | EA | NUT - HEX - LOCKING W/SERRATED FLANGE - 8-32 - ZINC |
| | 000D67-10-00B | EA | NUT - HEX - LOCK - 5/8-11 - ZINC |
| | 000D73-07-00C | EA | NUT - HEX FLANGE - 7/16-14 - GRADE 6 |
| | 000D73-08-00C | EA | NUT - HEX FLANGE - 1/2-13 |
| | 000D76-06-00B | EA | NUT - HEX FLANGE - 3/8-16 |
| | 044364-02-000 | EA | NUT - SPEED - FLAT - ROUND |
| | 063253-07-000 | EA | NUT - J - #8A - .120 - .130 PNL THK |
| | 087234-01-000 | EA | NUT - JACK - 1/4 X 20 THD - MOLLY |
| | 040921-01-000 | EA | NUT - SPEED - U TYPE - #10-24 - BLACK |
| | 104369-01-000 | EA | NUT - HEX - HEAVY - 5/8-11 UNC |
| | 000D29-04-00B | EA | NUT - HEX - SELF LOCKING - 1/4 X 20 - ZINC |
| | 005081-01-000 | EA | NUT - SPEED - C-TYPE - #8 SCREW |
| | 040921-04-000 | EA | NUT - SPEED - U TYPE - #8-.59" LENGTH X .44" WIDTH |
| | 040921-09-000 | EA | NUT - SPEED - U TYPE - #8 |
| | 044364-01-000 | EA | NUT - SPEED - FLAT - RECTANGULAR - SELF LOCKING/ONE PIECE |
| | 083163-06-000 | EA | PUSHNUT - FLAT TYPE 3/8 STUD - FORD ONLY |
| | 0ME06K-14-280 | EA | WASHER - FLAT - 14 ID X 28.00 OD |
| | 000E11-07-00B | EA | WASHER - LOCKING - 7/16 MED SPLIT - ZINC |
| | 000E11-08-00B | EA | WASHER - LOCKING - 1/2 MED SPLIT - ZINC |
| | 000E13-14-00B | EA | WASHER - FLAT - 1/4 WIDE - ZINC |
| | 000E13-17-00B | EA | WASHER - FLAT - 3/8 AR - ZINC |
| | 000E13-18-00B | EA | WASHER - FLAT - 3/8 WIDE - ZINC |
| | 000E13-20-00B | EA | WASHER - FLAT - 7/16 WIDE - ZINC |
| | 000E13-21-00B | EA | WASHER - FLAT - 1/2 NARROW - ZINC |
| | 000E13-22-00B | EA | WASHER - FLAT - 1/2 WIDE - ZINC |
| | 000E13-26-00B | EA | WASHER - FLAT - 5/8 WIDE - ZINC |
| | 000E14-10-00B | EA | WASHER - LOCKING - #10 EXTERNAL TOOTH - ZINC |
| | 000E16-10-00B | EA | WASHER - HARDENED - 5/8 - FLAT - ZINC |
| | 058716-02-000 | EA | WASHER - FLAT NYLON |
| | 077071-01-000 | EA | WASHER - FENDER - 3/16"ID X 1" OD |
| | 107397-01-000 | EA | WASHER - FENDER - .25" ID X 1" OD |
| | 041322-01-000 | EA | WASHER - FLANGE - 15/32 ID X 2 3/8 OD - F/SEAT BELT MTG |
| | 044533-01-000 | EA | WASHER - PLASTIC - 1 3/8" OD - FOR BUTTONS |
| | 046867-05-000 | EA | WASHER - #0 |
| | 058716-03-000 | EA | WASHER - FLAT/NYLON - .500 X 1.25 X .060 |
| | 088787-12-000 | EA | STUD - WELD - 1/4 - 20 X 1.0 LG - MN |
| | 108067-03-000 | EA | STUD - WELD - 1/4 - 20 X 1/2 CD |
| | 102540-02-000 | EA | SEAL - SCREW |
| | 106648-01-000 | EA | CAP - STUD - .120 TO .130 DIAMETER |

SCREWS

| KEY | PART NUMBER | U/M | DESCRIPTION |
|-----|---------------|-----|---|
| | 0G1108-12-170 | EA | SCREW - 8-18 X .75 PPH - BRIGHT WHITE |
| | 0G1106-08-240 | EA | SCREW - 6-20 X 1/2 PPH - VW LIGHT GRAY |
| | 0G1108-12-140 | EA | SCREW - 8-18 X .75 PPH |
| | 0G1108-12-240 | EA | SCREW - 8-18 X .75 PPH - VW LIGHT GRAY |
| | 0G1208-12-170 | EA | SCREW - 8-18 X .75 POH - BRIGHT WHITE |
| | 0G3908-08-160 | EA | SCREW - SF/DR-8-18X1/2 PPH |
| | 0G3908-08-170 | EA | SCREW - SF/DR - 8-18 X .50 PPH - BRIGHT WHITE |
| | 0G3908-08-240 | EA | SCREW - SF/DR - 8-18 X 1/2 PPH - VW LIGHT GRAY |
| | 0G3908-12-250 | EA | SCREW - SF/DR - 8-18 X .75 PPH - DARK GRAY |
| | 0G3908-16-170 | EA | SCREW - SF/DR - 8-18 X 1.00 PPH - BRIGHT WHITE |
| | 0G3908-20-170 | EA | SCREW - SF/DR - 8-18 X 1.25 PPH - BRIGHT WHITE |
| | 0G3908-24-170 | EA | SCREW - SF/DR - 8-18 X 1.50 PPH - BRIGHT WHITE |
| | 0G3910-10-160 | EA | SCREW - SF/DR - 10-16 X .62 PPH |
| | 0G3910-10-240 | EA | SCREW - SF/DR - 10-16 X .62 PPH - VW LIGHT GRAY |

SEALANTS & FASTENERS GROUP (CONTINUED)**SCREWS (CONTINUED)**

| KEY | PART NUMBER | U/M | DESCRIPTION |
|------------|--------------------|------------|--|
| | 0G5508-12-110 | EA | SCREW - SF/DR-8-18 X .75 PWH |
| | 0G3910-12-260 | EA | SCREW - SF/DR - 10-16 X .75 PPH - ALLANTE ANTELOPE |
| | 0G3910-12-170 | EA | SCREW - SF/DR - 10-16 X .75 PPH - BRIGHT WHITE |
| | 0G5508-12-170 | EA | SCREW - SF/DR - 8-18 X .75 PWH - BRIGHT WHITE |
| | 0G5508-12-270 | EA | SCREW - SF/DR - 8-18 X .75 PWH - TITANIUM |
| | 0G5508-12-260 | EA | SCREW - SF/DR - 8-18 X .75 PWH - ALLANTE ANTELOPE |
| | 0G5508-16-250 | EA | SCREW - SF/DR - 8-18 X 1.00 PWH - VW DARK GRAY |
| | 0G6008-16-170 | EA | SCREW - SF/DR - 8-18 X 1.00 POH - BRIGHT WHITE |
| | 0G5508-16-260 | EA | SCREW - SF/DR - 8-18 X 1.00 PWH ZINC - INTERIOR ANTELOPE |
| | 0G5508-16-270 | EA | SCREW - SF/DR - 8-18 X 1.00 PWH ZINC - INTERIOR TITANIUM |
| | 0G6710-08-130 | EA | SCREW - 10-12 X .50 PPH TAUPE |
| | 0G6710-08-170 | EA | SCREW - 10-12 X 1/2 PPH - BRIGHT WHITE |
| | 0G6710-08-240 | EA | SCREW - 10-12 X .50 PPH TAUPE - VW LIGHT GRAY |
| | 0G6710-12-170 | EA | SCREW - 10-12 X .75 PPH - BRIGHT WHITE |
| | 0G6710-16-230 | EA | SCREW - 10-12 X 1 PPH - BEIGE |
| | 000G11-05-08B | EA | SCREW - 5-20 X .50 PPH - ZINC |
| | 000G11-06-06B | EA | SCREW - 6-20 X 3/8 PPH - ZINC |
| | 000G11-06-10B | EA | SCREW - 6-20 X 5/8 PPH - ZINC |
| | 000G11-06-12B | EA | SCREW - 6-20 X 3/4" PPH - ZINC |
| | 000G11-06-10J | EA | SCREW - 6-20 X 5/8 PPH - BRASS |
| | 000G11-06-A4B | EA | SCREW - 6-20 X 1.5 PPH ZINC |
| | 000G11-06-08B | EA | SCREW - 6-20 X 1/2 PPH - ZINC |
| | 000G11-07-08B | EA | SCREW - 7-19 X 1/2 PPH - ZINC |
| | 000G11-07-08T | EA | SCREW - 7-19 X 1/2 PPH - BLACK |
| | 000G11-08-06B | EA | SCREW - 8-18 X 3/8 PPH - ZINC |
| | 000G11-08-06J | EA | SCREW - 8-18 X 3/8 PPH BRASS |
| | 000G11-08-12B | EA | SCREW - 8-18 X 3/4 PPH - ZINC |
| | 000G11-08-12S | EA | SCREW - 8-18 X 3/4 PPH - OFF WHITE |
| | 000G11-08-08T | EA | SCREW - 8-18 X 1/2 PPH - FLUOROCARBON COATING |
| | 000G11-08-08B | EA | SCREW - 8-18 X 1/2 PPH - ZINC |
| | 000G11-08-20B | EA | SCREW - 8-18 X 1 1/4 PPH - ZINC |
| | 000G11-08-16S | EA | SCREW - 8-18 X 1 PPH - OFF WHITE |
| | 000G11-08-16B | EA | SCREW - 8-18 X 1 PPH - ZINC |
| | 000G11-08-12P | EA | SCREW - 8-18 X 3/4 PPH - DARK BROWN |
| | 000G11-08-12D | EA | SCREW - 8-18 X 3/4 PPH - BLACK |
| | 000G11-08-12T | EA | SCREW - 8-18 X 3/4 PPH - BLACK |
| | 000G11-10-12S | EA | SCREW - 10-16 X 3/4 PPH - OFF WHITE |
| | 000G11-10-12D | EA | SCREW - 10-16 X 3/4 PPH - BLACK |
| | 000G11-10-16B | EA | SCREW - 10-16 X 1 PPH - ZINC |
| | 000G11-10-40B | EA | SCREW - 10-16 X 2 1/2 PPH CAD - 34927-01-000 |
| | 000G12-06-08T | EA | SCREW - 6-20 X 1/2 POH - BLACK |
| | 000G12-08-12S | EA | SCREW - 8-18 X 3/4 POH - OFF WHITE |
| | 000G13-05-10B | EA | SCREW - 5-12 X 5/8 PFH - ZINC |
| | 000G13-06-16S | EA | SCREW - 6-20 X 1.00 PFH - OFF WHITE |
| | 000G13-06-10G | EA | SCREW - 6-20 X 5/8 PFH - ANTIQUE BRASS |
| | 000G13-06-08B | EA | SCREW - 6-20 X 1/2 PFH - ZINC |
| | 000G13-06-08G | EA | SCREW - 6-20 X .50 PFH - ANTIQUE BRASS |
| | 000G13-06-24J | EA | SCREW - 6-20 X 1 1/2 PFH - BRASS |
| | 000G13-06-10J | EA | SCREW - 6-20 X .62 PFH - BRASS |
| | 000G13-06-16E | EA | SCREW - 6-20 X 1.00 PFH - CHROME |
| | 000G13-06-16J | EA | SCREW - 6-20 X 1 PFH - BRASS |
| | 000G13-06-06I | EA | SCREW - 6-20 X 3/8 PFH BLACK ZINC |
| | 000G13-06-06B | EA | SCREW - 6-20 X 3/8 PFH ZINC |
| | 000G13-07-12B | EA | SCREW - 7-19 X 3/4 PFH - ZINC |
| | 000G13-07-10H | EA | SCREW - 7-19 X 5/8 PFH - BLACK |
| | 000G13-07-089 | EA | SCREW - 7-19 X 1.2 PPH - SILVER |
| | 000G13-08-10B | EA | SCREW - 8-18 X 5/8 PFH - ZINC |
| | 000G13-08-16B | EA | SCREW - 8-18 X 1 PFH - ZINC |
| | 000G13-08-109 | EA | SCREW - 8-18 X 5/8 PFH |
| | 000G16-04-24B | EA | SCREW - MACHINE - 1/4-20 X 1 1/2 PPH |
| | 000G18-08-22B | EA | SCREW - MACHINE - 8-32 X 1 3/8 PPH - ZINC |
| | 000G18-08-20B | EA | SCREW - MACHINE - 8-32 X 1 1/4 PPH - ZINC |

SEALANTS & FASTENERS GROUP (CONTINUED)**SCREWS (CONTINUED)**

| KEY | PART NUMBER | U/M | DESCRIPTION |
|------------|--------------------|------------|---|
| | 000G18-08-24B | EA | SCREW - MACH-8-32X1 1/2PPH ZN |
| | 000G13-08-24B | EA | SCREW - #8, 18X1 1/2 PFH ZN |
| | 000G19-10-10B | EA | SCREW - MACHINE - 10-32 X 5/8 - PPH - ZINC |
| | 000G19-10-20B | EA | SCREW - MACHINE - 10-32 X 1 1/2 PPH - ZINC |
| | 000G19-10-12F | EA | SCREW - MACHINE - 10-32 X 3/4 PPH - STAINLESS STEEL |
| | 000G19-10-08B | EA | SCREW - MACHINE - 10-32 X 1/2 PPH - ZINC |
| | 000G32-10-06B | EA | SCREW - 10-32 X 3/8 PPH - ZINC |
| | 000G13-10-16I | EA | SCREW - 10-16X1.00 PFH,BLK |
| | 000G34-05-12B | EA | SCREW - HEX HEAD TAPPING - 5/16 X 3/4 LONG |
| | 000G37-08-12B | EA | SCREW - 8-18 X 3/4 PPH |
| | 000G37-08-089 | EA | SCREW - 8 X 18 X 1/2 PPH - FLUOROCARBON SILVER |
| | 000G36-10-12T | EA | SCREW - 10-24X 3/4 PFH TYPE 23 - BLACK |
| | 000G38-04-16D | EA | SCREW - MACHINE - 1/4-20 X 1 PFN - BLACK |
| | 000G39-06-10T | EA | SCREW - SF/DR - 6-20 X 5/8 PPH - BLACK |
| | 000G39-06-16T | EA | SCREW - SF/DR - 6-20 X 1 PPH - BLACK |
| | 000G39-06-08B | EA | SCREW - SF/DR - 6-18 X 1/2 - ZINC |
| | 000G39-08-16S | EA | SCREW - SF/DR - 8-18 X 1 PPH - OFF WHITE |
| | 000G39-08-32B | EA | SCREW - SF/DR - 8-18 X 2 PPH - ZINC |
| | 000G39-08-24B | EA | SCREW - SF/DR - 8-18 X 1 1/2 PPH - ZINC |
| | 000G39-08-24S | EA | SCREW - SF/DR - 8-18 X 1 1/2 - OFF WHITE |
| | 000G39-08-24T | EA | SCREW - SF/DR - 8-18 X 1.50 PPH - BLACK |
| | 000G39-08-16T | EA | SCREW - SF/DR - 6-20 X 1 PPH - BLACK |
| | 000G39-08-16B | EA | SCREW - SF/DR - 8-18 X 1 PPH - ZINC |
| | 000G39-08-12B | EA | SCREW - SF/DR - 8-18 X 3/4 PPH - ZINC |
| | 000G39-08-12T | EA | SCREW - SF/DR - 8-18 X 3/4 PPH - BLACK |
| | 000G39-08-08T | EA | SCREW - SF/DR - 8-18 X 1/2 PPH - BLACK |
| | 000G39-08-08S | EA | SCREW - SF/DR - 8-18 X 1/2 PPH - OFF WHITE |
| | 000G39-08-08B | EA | SCREW - SF/DR - 8-18 X 1/2 PPH - ZINC |
| | 000G39-08-06B | EA | SCREW - SF/DR - 8-18 X 3/8 PPH - ZINC |
| | 000G39-10-10B | EA | SCREW - SF/DR - 10-16 X 5/8 - ZINC |
| | 000G39-10-12P | EA | SCREW - SF/DR, 10-16 X .75 PPH - DARK BROWN |
| | 000G39-10-088 | EA | SCREW - SF/DR - 10-16 X 1/2 PPH - FLEX FLUOROCARBON |
| | 000G39-10-08B | EA | SCREW - SF/DR - 10-16 X 1/2 PPH - ZINC |
| | 000G39-10-40D | EA | SCREW - SF/DR - 10-16 X 2 1/2 PPH - BLACK |
| | 000G39-10-32B | EA | SCREW - SF/DR - 10-16 X 2 - PPH - ZINC |
| | 000G39-10-209 | EA | SCREW - SF/DR - 10-16 X 1 1/4 PPH - FLUOROCARBON SILVER |
| | 000G39-10-20T | EA | SCREW - SF/DR - 10-16 X 1.25 PPH |
| | 000G39-10-20B | EA | SCREW - SF/DR - 10-16 X 1 1/4 PPH - ZINC |
| | 000G39-10-12T | EA | SCREW - SELF TAPPING 10-16 X 3/4" |
| | 000G39-10-12D | EA | SCREW - SF/DR - 10-16 X 3/4 PPH - BLACK |
| | 000G39-10-12B | EA | SCREW - SF/DR - 10-16 X 3/4 PPH - ZINC |
| | 000G39-10-10T | EA | SCREW - SF/DR - 10-16 X .625 - BLACK |
| | 000G39-10-129 | EA | SCREW - SF/DR - 10-16 X 3/4 PPH - FLUOROCARBON SILVER |
| | 000G39-10-48B | EA | SCREW - SF/DR - 10-16 X 3 - PPH - ZINC |
| | 000G39-10-48T | EA | SCREW - SF/DR - 10-16 X 3.00 PPH - BLACK |
| | 000G39-10-24B | EA | SCREW - SF/DR - 10-16 X 1.50 PPH - ZINC |
| | 000G39-10-32I | EA | SCREW - SELF TAPPING - 10-16 X 2" PPH - BLACK |
| | 000G39-12-12E | EA | SCREW - SF/DR - 12-14 X 3/4 PPH - CHROME |
| | 000G42-04-16B | EA | SCREW - SF/DR - 1/4-14 X 1 HWH - ZINC |
| | 000G42-04-12B | EA | SCREW - SF/DR - 1/4-14 X 3/4 HWH - ZINC |
| | 000G42-04-24B | EA | SCREW - SF/DR 1/4-14X1 1/2 ZN |
| | 000G46-08-24T | EA | SCREW - MACHINE - 8-32 X 1 1/2 PFH - BLACK |
| | 000G46-08-28T | EA | SCREW - MACHINE - 8-32 X 1 3/4 PHILLIPS FLAT HEAD - BLACK |
| | 000G50-04-12B | EA | SCREW - MACHINE - 1/4-20 X 3/4 PPH - ZINC |
| | 000G50-04-06B | EA | SCREW - MACHINE - 1/4-20 X 38 PTH - ZINC |
| | 000G50-04-08B | EA | SCREW - MACHINE - 1/4-20 X 1/2 PTH - ZIN |
| | 000G51-08-08B | EA | SCREW - 8-18 X 1/2 PTH - ZINC |
| | 000G51-06-12B | EA | SCREW - 6-20 X 3/4 PTH - ZINC |
| | 000G52-08-18B | EA | SCREW - MACHINE - 8-32 X 1 1/8 PTH - ZINC |
| | 000G54-04-20B | EA | SCREW - 1/4-20 X 1.25 PTH - TYPE 23 - ZINC PLATED |
| | 000G55-08-125 | EA | SCREW - SF/DR - 8-18 X 3/4 PWH - WILLOW |

SEALANTS & FASTENERS GROUP (CONTINUED)**SCREWS (CONTINUED)**

| KEY | PART NUMBER | U/M | DESCRIPTION |
|------------|--------------------|------------|---|
| | 000G55-08-12S | EA | SCREW - SF/DR - 8-18 X 3/4 PWH - OFF WHITE |
| | 000G55-08-124 | EA | SCREW - SF/DR-8-18X.75 PWH - ASH GRAY |
| | 000G55-08-165 | EA | SCREW - SF/DR-8-18X1.00 PWH - WILLOW |
| | 000G56-12-48B | EA | SCREW - WOOD - 12-11 X 3 POH - SPECIAL HARDENED |
| | 000G57-05-16J | EA | SCREW - 5-20 X 1 PFH - BRASS |
| | 000G57-14-64B | EA | SCREW - 14-10 X 4 PFH ZINC |
| | 000G57-14-72B | EA | SCREW - 14-10-X4-1/2 PFH ZN |
| | 000G60-08-22B | EA | SCREW - SF/DR, 8 - 18 X 1.38 POH - ZN |
| | 000G60-10-28T | EA | SCREW - SF/DR - 10-16 X 1 3/4 - BLACK |
| | 000G60-10-20I | EA | SCREW - SF/DR - 10-16 X 1.25 POH - BLACK |
| | 000G60-10-20B | EA | SCREW - SF/DR - 10-16 X 1 1/4 POH - ZINC |
| | 000G60-10-209 | EA | SCREW - SF/DR - 10-16 X 1.25 POH - SILVER STALGAARD |
| | 000G62-10-24I | EA | SCREW - SF/DR - 10-16 X 1/5 PFH - BLACK ZINC |
| | 000G67-08-32B | EA | SCREW - 8-15 X 2 PPH - ZINC |
| | 000G67-10-08S | EA | SCREW - 10-12 X 1/2 PPH - OFF WHITE |
| | 000G67-10-08R | EA | SCREW - 10-12 X 1/2 PPH - BEIGE - TYPE A |
| | 000G67-10-08B | EA | SCREW - 10-12 X 1/2 PPH - ZINC |
| | 000G67-10-16B | EA | SCREW - 10-12 X 1 PPH - ZINC |
| | 000G67-10-120 | EA | SCREW - 10-12 X 3/4 PPH - TAN |
| | 000G67-10-12B | EA | SCREW - 10-12 X 3/4 PPH - ZINC |
| | 000G67-10-12R | EA | SCREW - 10-12 X .75 PPH - BEIGE |
| | 000G67-10-12P | EA | SCREW - 10-12 X 3/4 PPH - DARK BROWN |
| | 000G67-10-10S | EA | SCREW - 10-12 X 5/8 PPH - OFF WHITE |
| | 000G67-10-10P | EA | SCREW - 10-12X.62 PPH - DARK BROWN |
| | 000G67-10-10D | EA | SCREW - 10-12 X 5/8 PPH - BLACK - TYPE A |
| | 000G67-10-10T | EA | SCREW - 10-12 X 5/8 PPH BLACK |
| | 000G67-10-10B | EA | SCREW - 10-12 X 5/8 PPH - ZINC - TYPE A |
| | 000G67-10-20D | EA | SCREW - 10-12 X 1.25 PPH - BLACK |
| | 000G67-10-36T | EA | SCREW - 10-12 X 2 1/4 - PPH - BLACK |
| | 000G67-10-32B | EA | SCREW - 10-12 X 2 1/4 - PPH - BLACK |
| | 000G67-10-24B | EA | SCREW - 10-12 X 1.50 PPH - ZINC |
| | 000G67-10-24S | EA | SCREW - 10-12X1.5PPH OFF WHITE |
| | 000G67-10-125 | EA | SCREW - 10-12 X .75 PPH WILLOW |
| | 000G67-10-28B | EA | SCREW - 10-12 X 1.75 PPH - ZINC |
| | 000G67-10-48B | EA | SCREW - 10-12 X 3 PPH - ZINC |
| | 000G68-06-12B | EA | SCREW - 6-18 X .75 POH - ZINC & CLEAR |
| | 000G68-06-12J | EA | SCREW - 6-18X.75 POH BRASS |
| | 000G68-06-10G | EA | SCREW - 6-18 X 5/8 POH - ANTIQUE BRASS |
| | 000G68-10-20I | EA | SCREW - 10-12 X 1 1/4 POH - BLACK |
| | 000G68-10-36T | EA | SCREW - 10-12 X 2.25 POH BLACK |
| | 049465-01-000 | EA | SCREW - 10-16 PTH W/WASHER - DARK BROWN |
| | 049465-13-000 | EA | SCREW - 10-16X1 PTH W/WASHER - ASH GRAY |
| | 049465-17-000 | EA | SCREW - 10-16 X 1 POH W/WASHER - BRIGHT WHITE |
| | 049465-22-000 | EA | SCREW - 10-16 X 1 1/2 POH W/WASHER - SABLE |
| | 054434-02-000 | EA | SCREW - SF/DR - 10-16 X 2 - ZINC |
| | 054434-03-000 | EA | SCREW - SF/DR - 10-16 X 2 - PWH - ZINC - W/O WINGS |
| | 057671-01-000 | EA | COVER - SCREW - OFF WHITE - #8 |
| | 057671-11-000 | EA | COVER - SCREW - HAMPTON TAN - #8 |
| | 057671-15-000 | EA | COVER - SCREW - BRIGHT WHITE |
| | 057671-16-000 | EA | COVER - SCREW - SOFT WHITE |
| | 057671-17-000 | EA | COVER - SCREW - VW LT GRAY #8 |
| | 075908-01-000 | EA | SCREW - MACHINE - 10-32 X .56 PTH - EXTERNAL TOOTH - ZINC |
| | 076790-01-000 | EA | SCREW - 6-20 X 1 1/4 PPH - BLACK |
| | 076790-03-000 | EA | SCREW - 6-20 X 1 PPH - BLACK |
| | 076790-05-000 | EA | SCREW - 6-20 X 1/2 PPH BLACK - THREADCUTTING - WOOD |
| | 083554-01-000 | EA | SCREW - DRYWALL - 8 X 1.25 |
| | 083554-04-000 | EA | SCREW - DRYWALL - 8 X 2.50 |
| | 086256-01-000 | EA | SCREW - SF/DR - 8 X 3/4 HWH |
| | 087721-01-000 | EA | SCREW - FLAT HEAD - TAPPING - 1/4" X 1 1/4" LONG - ZINC |
| | 097974-01-000 | EA | SCREW - PARTICLE BOARD - 7-9 X 3/4 PPH |
| | 090033-02-000 | EA | SCREW - 1/4-20 X 5/8 - ROUND WASHER HEAD - OFF/WHITE |
| | 101618-01-000 | EA | SCREW - 1/4-20 X 3/4 HEX - TAPPING - STALGARD TYPE F |

SEALANTS & FASTENERS GROUP (CONTINUED)

SCREWS (CONTINUED)

| KEY | PART NUMBER | U/M | DESCRIPTION |
|-----|---------------|-----|--|
| | 101289-01-01A | EA | SCREW - MACHINE - 8-32 X 3.75 POH - BRASS -F/EXTENDED KNOB |
| | 105126-01-000 | EA | SCREW - MACHINE - 8-32 X 1 PPH TAPTIT |
| | 110460-05-02A | EA | SCREW - MACHINE - 10-24 X 2.5 PFH - WHITE |
| | 112782-08-01A | EA | SCREW - MOUNTING/PLATE - ZINC |
| | 113563-01-01A | EA | SCREW - 8 X .62 LONG SHOULDER/WASHER HEAD |
| | 117478-01-04A | EA | SCREW - 8-18 X .75 PPH W/WASHER - VW LIGHT GRAY |
| | 126458-01-01A | EA | SCREW - 8-18 X .50 PRWH BLACK |
| | 134126-01-01A | EA | SCREW/NAIL - HEX HEAD - 3/4" |

CLAMPS, CLIPS, GROMMETS, RIVETS & PLUGS

| KEY | PART NUMBER | U/M | DESCRIPTION |
|-----|---------------|-----|--|
| | 010495-01-000 | EA | CLAMP - CABLE - 9/16" |
| | 010495-02-000 | EA | CLAMP - CABLE - 3/8 |
| | 010495-04-000 | EA | CLAMP - CABLE - 11/16" - WHITE |
| | 010495-05-000 | EA | CLAMP - CABLE - 1/2 |
| | 010497-01-000 | EA | CLAMP - CLOSED - 5/8" ID |
| | 010497-03-000 | EA | CLAMP - CLOSED - 1" ID - CUSHIONED |
| | 010497-04-000 | EA | CLAMP - CLOSED - 1.62" ID |
| | 016188-03-000 | EA | GROMMET - L/P LINE - 3/8" HOLE X 2 1/2" LONG - RUBBER |
| | 010497-05-000 | EA | CLAMP - CLOSED - 1/2 ID |
| | 010497-06-000 | EA | CLAMP - CLOSED - 11/16" ID |
| | 010497-07-000 | EA | CLAMP - CLOSED - 3/8" ID |
| | 010497-08-000 | EA | CLAMP - CLOSED - .125" ID |
| | 062401-01-000 | EA | CLAMP - HOSE - WORMGEAR - .25" - 1" |
| | 062401-02-000 | EA | CLAMP - HOSE - WORMGEAR - 1.56" - 2.5" |
| | 062401-03-000 | EA | CLAMP - HOSE - WORMGEAR - .22" - 1" |
| | 062401-04-000 | EA | CLAMP - HOSE - WORMGEAR - .69" - 1.25" |
| | 062401-05-000 | EA | CLAMP - HOSE - WORMGEAR - 2" TO 3" ID |
| | 062401-06-000 | EA | CLAMP - HOSE - WORMGEAR - .22" - .62" ID |
| | 062401-07-000 | EA | CLAMP - HOSE - WORMGEAR - 5"-7" |
| | 062401-08-000 | EA | CLAMP - HOSE - WORMGEAR 4.06" - 5.0" |
| | 062401-09-000 | EA | CLAMP - HOSE - WORMGEAR - 2.8" - 3.75" |
| | 062401-11-000 | EA | CLAMP - HOSE - WORMGEAR - 3.50" - 4.50" |
| | 062401-12-000 | EA | CLAMP - HOSE - WORMGEAR - .79" X 1.26" |
| | 083610-01-000 | EA | CLAMP - WIRE - DUAL - UNEQUAL DIAMETERS - 3/4" & 1 1/4" |
| | 083610-02-000 | EA | CLAMP - WIRE - DUAL - UNEQUAL DIAMETERS - 3/4" & 2" |
| | 083610-03-000 | EA | CLAMP - DUAL WIRE |
| | 083609-01-000 | EA | CLAMP - WIRE - DUAL - EQUAL DIAMETERS - 5/8" |
| | 007161-01-000 | EA | CLAMP - HOSE - SPRING TYPE - 1/2" |
| | 010499-01-000 | EA | CLAMP - CLOSED - 3/8" ID |
| | 075148-02-000 | EA | CLAMP - GROUNDING - BRONZE SCREWS |
| | 008386-01-000 | EA | GROMMET - SNAP - 3/8" |
| | 023942-01-000 | EA | GROMMET - RUBBER - 2" OD |
| | 071015-07-000 | EA | GROMMET - RUBBER - 1"ID X 2.25" OD W/.06" GROOVE - BLACK |
| | 071015-11-000 | EA | GROMMET - 1.00 ID - FITS .12 MATERIAL |
| | 071015-13-000 | EA | GROMMET - RUBBER - .62" ID X 1" OD W/.09" GROOVE - BLACK |
| | 071015-19-000 | EA | GROMMET - .38 ID - FITS .06 MATERIAL |
| | 071015-21-000 | EA | GROMMET - RUBBER - 1/2 ID X 1.06 OD - W/.19 GROOVE - BLACK |
| | 071015-22-000 | EA | GROMMET - RUBBER - .62"ID X 1.12"OD W/.19" GROOVE - BLACK |
| | 071015-26-000 | EA | GROMMET - RUBBER - 1.5" ID X 2.1" OD W/.06" GROOVE-BLACK |
| | 071015-29-000 | EA | GROMMET - RUBBER - .3" ID X 1.3"OD W/.12" GROOVE - BLACK |
| | 071015-30-000 | EA | GROMMET - RUBBER - .31" ID X .81" OD W/.12" GROOVE - BLK |
| | 071015-32-000 | EA | GROMMET - RUBBER - .75" ID X 1.375" OD W/.187" GROOVE-BLK |
| | 071015-33-000 | EA | GROMMET - RUBBER - .875" ID X 1.625" OD W/.187" GROOVE - BLK |
| | 071015-35-000 | EA | GROMMET - 1.25 ID,FITS .187MAT |
| | 071015-37-000 | EA | GROMMET - .81 ID FITS .56 MTL |
| | 071015-39-000 | EA | GROMMET - .75 ID FITS .06 MTL |
| | 088756-01-000 | EA | GROMMET - WEB - 1 1/8 " I.D. |
| | 114208-01-000 | EA | GROMMET - EDGE LINER - FITS 1 3/4" |
| | 114208-02-000 | EA | GROMMET - EDGE LINER - FITS .625 |
| | 114208-03-000 | EA | GROMMET - EDGE LINER - FITS 2.50" |

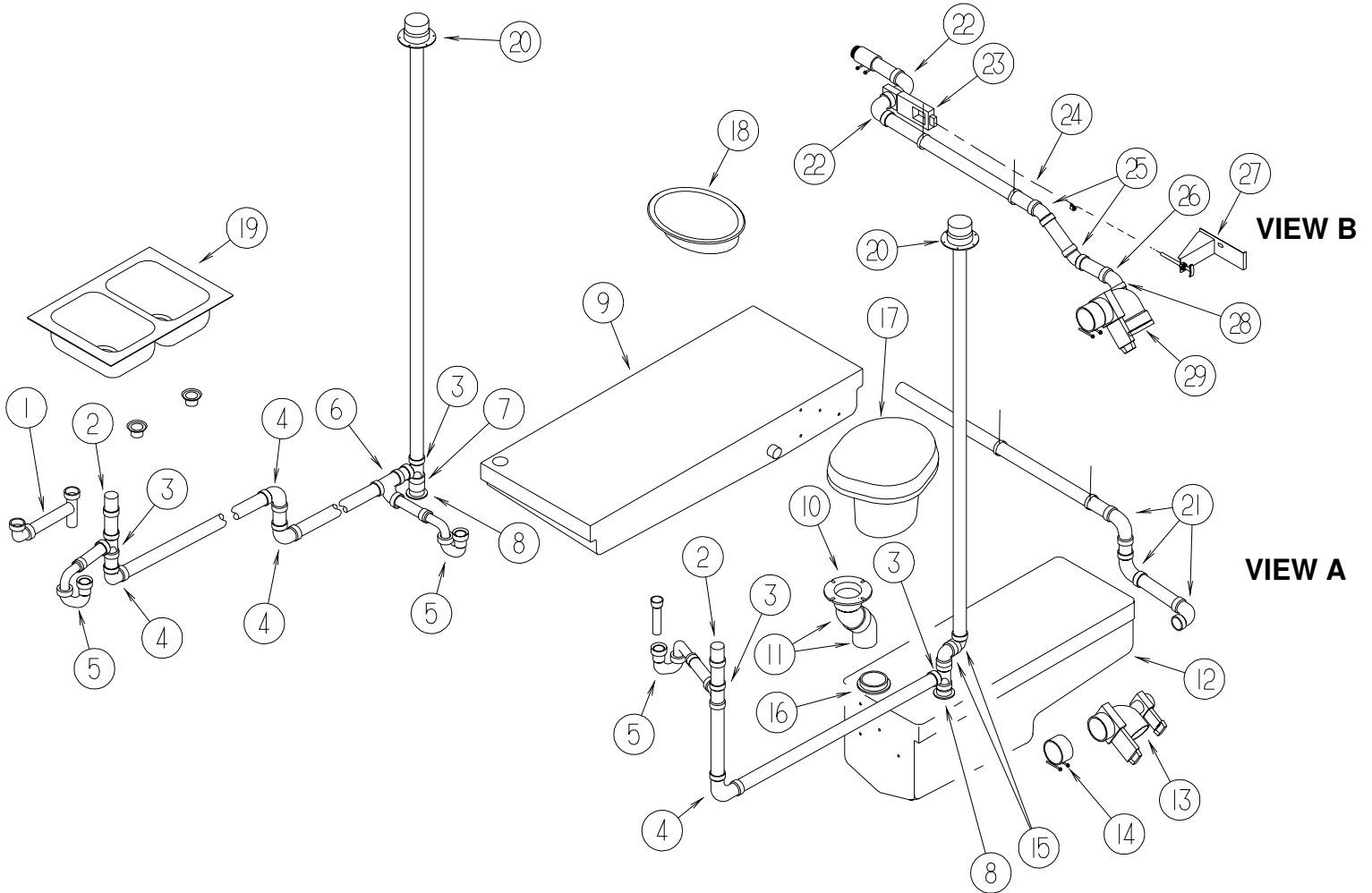
SEALANTS & FASTENERS GROUP (CONTINUED)
CLAMPS, CLIPS, GROMMETS, RIVETS & PLUGS (CONTINUED)

| KEY | PART NUMBER | U/M | DESCRIPTION |
|-----|---------------|-----|---|
| | 114208-04-000 | EA | GROMMET - EDGE LINER - FITS 1.00" |
| | 114208-05-000 | EA | GROMMET - EDGE LINER - FITS 2" |
| | 016188-04-000 | EA | GROMMET - GAS LINE - 1/2" HOLE X 2 1/2" LONG - RUBBER |
| | 016188-05-000 | EA | GROMMET - L/P LINE - 3/8" HOLE X 1 1/4" LONG - RUBBER |
| | 008380-01-000 | EA | GROMMET - RUBBER - 5/8" HOLE X 1 1/2" DIAMETER - BLACK |
| | 008384-01-000 | EA | GROMMET - SNAP - 3/4 DIAMETER - NYLON |
| | 077953-01-000 | EA | GROMMET - EDGE LINER - FITS 1" |
| | 099637-01-000 | EA | GROMMET - RUBBER - .37" X .94" DIAMETER - BLACK |
| | 046867-05-000 | EA | GROMMET - #0 |
| | 000F10-04-16B | EA | PIN - COTTER - 1/8" X 1" - ZINC |
| | 000F10-06-32B | EA | PIN - COTTER - 3/16" X 2" - ZINC |
| | 000H14-04-08R | EA | RIVET - MANDREL BLIND - 4/32 ALUMINUM |
| | 000H14-06-03R | EA | RIVET - MANDREL BLIND - 3/16 - CHERRY |
| | 000H15-06-02R | EA | RIVET - POP - STEEL - 3/16 X .063-.125 |
| | 000H16-06-10R | EA | RIVET - POP ALUMINUM - 3/16 X .501-.625 |
| | 000H14-04-04A | EA | RIVET - MANDREL BLIND - 1/8 X .400 |
| | 000H16-04-06R | EA | RIVET - POP ALUMINUM - 1/8 X .313 - .375 |
| | 000H14-06-14R | EA | RIVET - MANDREL BLIND - 3/16 - CHERRY |
| | 118626-01-01A | EA | RIVET - POP - ALUMINUM 3/16 X .08-.375 |
| | 118626-02-01A | EA | RIVET - POP - ALUMINUM - 3/16 X .500-.750 |
| | 069529-02-000 | EA | RIVET-T - POP - 1/4 X .093 - .156 |
| | 120560-01-01A | EA | RIVET - PLASTIC - 3/16 DIAMETER |
| | 061420-01-000 | EA | PLUG/PLASTIC - 1.75" DIAMETER - BROWN |
| | 061420-03-000 | EA | PLUG/PLASTIC - 3.00" DIAMETER |
| | 061420-04-000 | EA | PLUG/PLASTIC - 1.25" DIAMETER |
| | 061420-05-000 | EA | PLUG/PLASTIC - 1.8" DIAMETER |
| | 061420-07-000 | EA | PLUG/PLASTIC - 1.8" DIAMETER |
| | 061420-08-000 | EA | PLUG/PLASTIC - 2.5" DIAMETER |
| | 061420-09-000 | EA | PLUG/PLASTIC - 1.00" - DIAMETER |
| | 061420-10-000 | EA | PLUG/PLASTIC - 1.50" DIAMETER - BLACK |
| | 061420-11-000 | EA | PLUG/PLASTIC - .50" DIAMETER |
| | 061420-12-000 | EA | PLUG/PLASTIC - 1.50" DIAMETER - RED |
| | 061420-14-000 | EA | PLUG - PLASTIC - .034" DIAMETER |
| | 061420-15-000 | EA | PLUG - PLASTIC - 2" DIAMETER - BLACK |
| | 061420-16-000 | EA | PLUG/PLASTIC - 2 1/8" DIAMETER |
| | 081211-03-000 | EA | PLUG - PLASTIC - .50 DIAMETER - BLACK |
| | 081211-04-000 | EA | PLUG - PLASTIC - .46 DIAMETER - BLACK |
| | 081211-05-000 | EA | PLUG - PLASTIC - .188 DIAMETER - NATURAL |
| | 034141-02-000 | EA | PLUG - HOLE - 3/8" NYLON/BLACK |
| | 115361-01-01A | EA | PLUG - PLASTIC - 1/2" DIAMETER |
| | 075312-02-000 | EA | CLIP-U - .75 LONG X .50 WIDE- F/1/8"-3/16" THICK MATERIAL |
| | 077955-01-000 | EA | CLIP-J - VINYL COATED - 3/8" |
| | 080211-03-000 | EA | CLIP - X-MAS TREE W/PANEL RETAINING HEAD - 3/4" SHANK |
| | 094362-02-000 | EA | CLIP - XMAS TREE - BINDER HEAD - .9" LONG |
| | 119392-01-000 | EA | CLIP - U TYPE - OFFSET LEG |
| | 129962-01-01A | EA | CLIP - U-TYPE - BLACK |
| | 091952-01-000 | EA | CLIP - GRIPPER - 1" |
| | 091952-02-000 | EA | CLIP - GRIPPER - 3/4" |
| | 080734-02-000 | EA | CLIP - WIRE NYLON |
| | 056134-01-000 | EA | HOLDER - RING - 3.6" DIAMETER - METAL |
| | 056134-02-000 | EA | HOLDER - RING - 1.8" DIAMETER - METAL |

SEALANTS & FASTENERS GROUP (CONTINUED)
MISCELLANEOUS FASTENERS

| KEY | PART NUMBER | U/M | DESCRIPTION |
|------------|--------------------|------------|--|
| | 008343-01-000 | EA | TIE - WIRE - 6" |
| | 008343-02-000 | EA | TIE - WIRE - 14" |
| | 008343-03-000 | EA | TIE - WIRE - 7 1/2" - BLACK |
| | 029096-03-000 | YD | VELCRO TAPE - HOOK - 1" WIDE - BLACK |
| | 029096-04-000 | YD | TAPE - HOOK - VELCRO - 1" WIDE - BLACK |
| | 029094-04-000 | YD | VELCRO TAPE - LOOP - 1" WIDE - BLACK |
| | 029094-06-000 | YD | VELCRO TAPE - LOOP - 2" WIDE - BLACK |
| | 048394-02-000 | YD | VELCRO TAPE - HOOK - ADHESIVE BACK - .75" WIDE - BEIGE |
| | 085774-01-000 | FT | FASTENER - DUAL LOCK - 1" WIDE - ADHESIVE BACK - BLACK |
| | 085774-02-000 | FT | FASTENER - DUAL HOOK - 1" WIDE - ADHESIVE BACK - BLACK |
| | 085774-03-000 | FT | FASTENER - DUAL HOOK - 1/2" WIDE - ADHESIVE BACK - BLACK |
| | 085774-04-000 | FT | FASTENER - DUAL HOOK - 1/2" WIDE - ADHESIVE BACK - BLACK |
| | 088792-02-000 | YD | VELCRO TAPE - LOOP - 3/4" - ADHESIVE BACKED - BEIGE |
| | 088792-04-000 | YD | VELCRO TAPE - LOOP - 5/8" - NON-ADHESIVE BACK - WHITE |
| | 088792-05-000 | YD | VELCRO TAPE - LOOP - 5/8" - NON-ADHESIVE BACKED - WHITE |
| | 088792-06-000 | YD | VELCRO TAPE - LOOP - 3/4" - NON-ADHESIVE BACKED - BUFF |
| | 108046-01-000 | EA | CABLE TIE - SCREW MOUNT 8" |
| | 108046-02-000 | EA | CABLE TIE - SCREW MOUNT 15" |
| | 110943-01-000 | FT | FELTSTRIP - 3/8" - ADHESIVE BACK |
| | 110943-02-000 | FT | FELTSTRIP - 3/8" - ADHESIVE BACK - WHITE |
| | 099856-11-000 | EA | STRAP - TIEDOWN - 78.6" |
| | 086285-01-000 | EA | SPACER - NYLON - .5" OD X .257" ID |

WATER & SEWAGE GROUP DRAINAGE SYSTEM



| KEY | PART NUMBER | U/M | DESCRIPTION |
|-----|---------------|-----|--|
| 1 | 011091-02-000 | EA | WASTE - CONTINUOUS - DOUBLE SINK |
| 2 | 079968-01-000 | EA | VENT - MECHANICAL/TRAP ARM - ANTI-SIPHON-2" X 7.3" PLASTIC |
| 3 | 010071-01-000 | EA | TEE - SANITARY - 1 1/2" HUB X HUB X HUB - PLASTIC |
| 4 | 010008-01-000 | EA | ELBOW - 90 DEGREE - 1 1/2" HUB X HUB - PLASTIC |
| 5 | 107538-01-000 | EA | P TRAP - PLASTIC - 1 1/4" W/EXTENSION ARM |
| | 109571-01-000 | EA | ADAPTER - P TRAP - 1 1/2"P X 1 1/4"MPT |
| 5 | 011071-01-000 | EA | P-TRAP - PLASTIC - 1 1/2" - CSA |
| 6 | 031365-02-000 | EA | TEE - PLASTIC - 1 1/2" EXTRA LONG TURN |
| 7 | 010115-01-000 | EA | COUPLING - 1 1/2" HUB X HUB - PLASTIC |
| 8 | 061607-01-000 | EA | GROMMET - HOLDING TANK - 1 1/2" NPS |
| 9 | 127519-01-700 | EA | TANK-HOLDING 34 GAL-1.5"ADAP PARTS SALES |
| 10 | 063641-01-000 | EA | FLANGE - CLOSET - 4" X 3" |
| 11 | 010061-01-000 | EA | ELBOW - 45 DEGREE ST - 3" SPIGOT & HUB - PLASTIC |
| 12 | 127489-01-000 | EA | TANK - HOLDING - 34 GALLON - W/O FITTINGS |
| 13* | 070916-01-000 | EA | VALVE - DUAL DUMP - W/CAP - 3" X 1 1/2" |
| | 010201-01-000 | EA | HOSE - SEWER - 3" ID X 8' |
| | 062416-01-000 | EA | ADAPTER - SEWER HOSE TO 3" PIPE |
| 14 | 078406-01-000 | EA | COUPLER - RUBBER - W/CLAMPS - 3" X 3" |
| 15 | 010006-01-000 | EA | ELBOW - 45 DEGREE - 1 1/2" HUB X HUB - PLASTIC |
| 16 | 061607-02-000 | EA | GROMMET - HOLDING TANK - 3" NPS |
| 17* | 067487-03-000 | EA | TOILET - LOW - HANDFLUSH - SOFT WHITE |
| 18 | 089366-03-000 | EA | SINK - OVAL - SOFT WHITE PLASTIC |
| | 106116-01-01A | EA | STRAINER/PLASTIC - STOPPER/TAILPIECE/GASKET & NUT-LAVATORY |
| | | | FROM: 00-00-00 THRU: 08-01-99 |
| 18 | 092303-01-000 | EA | STRAINER - SINK |
| | | | FROM: 08-02-99 THRU: 99-99-99 |
| 19 | 104113-01-000 | EA | SINK - DOUBLE - STAINLESS STEEL |
| | 066437-02-000 | EA | STRAINER - W/BASKET - SINK |
| 20 | 083558-03-000 | EA | VENT - PLUMBING - ROOF PIPE COVERED - OFF WHITE |

*COMPONENT PARTS FOUND IN SERVICE PARTS LIBRARY

WATER & SEWAGE GROUP (CONTINUED)
DRAINAGE SYSTEM (CONTINUED)

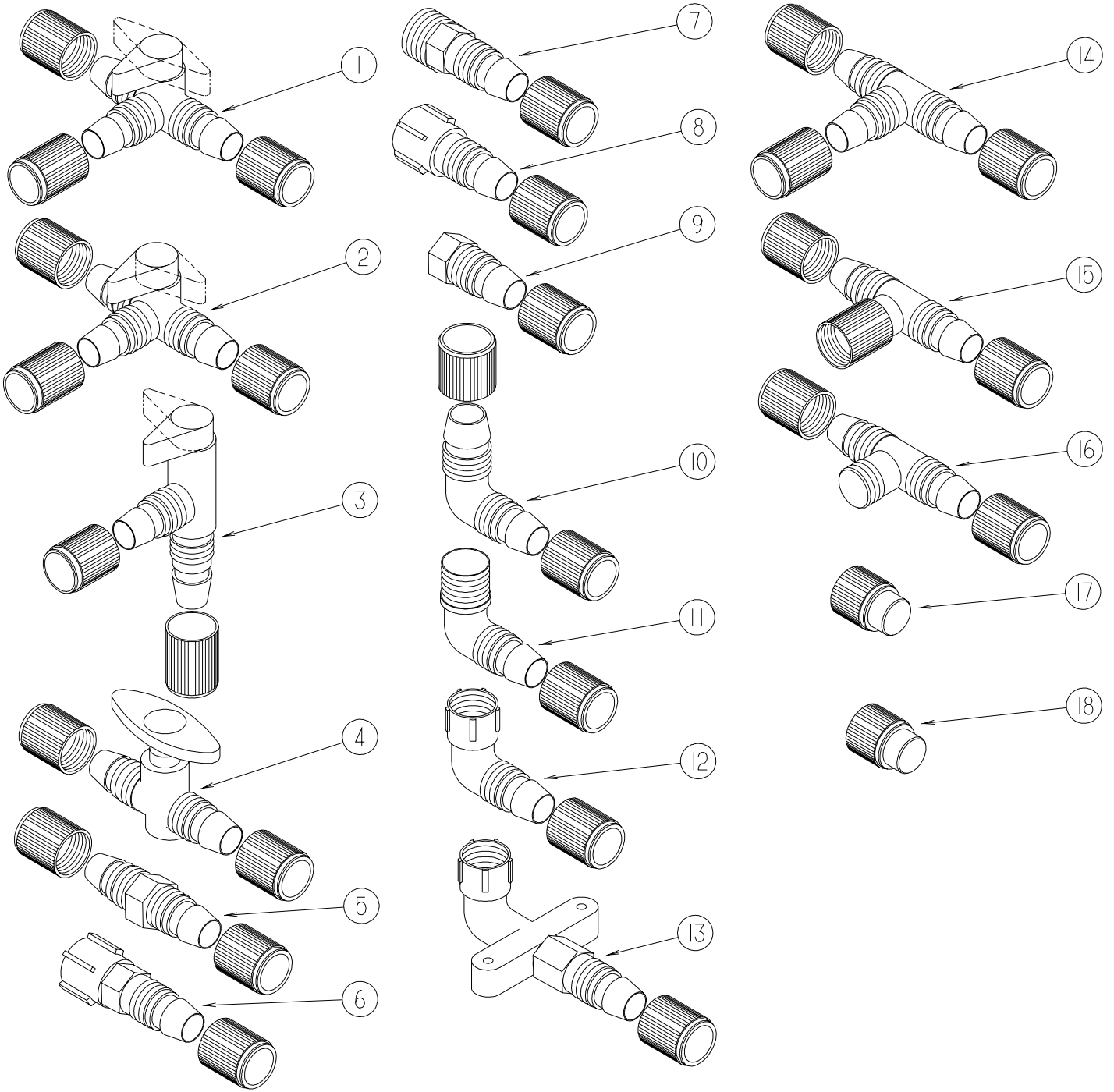
VIEW A - W/O HOLDING TANK HEATING PADS - FROM: 00-00-00 THRU: 07-25-99

| KEY | PART NUMBER | U/M DESCRIPTION |
|------------|--------------------|---|
| 21 | 010008-01-000 | EA ELBOW - 90 DEGREE - 1 1/2" HUB X HUB - PLASTIC |

VIEW B - W/HOLDING TANK HEATING PADS - FROM: 07-26-99 THRU: 99-99-99

| KEY | PART NUMBER | U/M DESCRIPTION |
|------------|--------------------|---|
| 22 | 033761-01-000 | EA ELBOW - TURN - 90 DEGREE 1 1/2" HUB X 1 1/2" SPIGOT |
| 23 | 062421-03-000 | EA VALVE - DUMP - 1 1/2" HUB X 1 1/2" HUB - REMOTE |
| 24 | 062421-05-000 | EA CABLE - DUMP VALVE W/HANDLE - 48" |
| 25 | 010006-01-000 | EA ELBOW - 45 DEGREE - 1 1/2" HUB X HUB - PLASTIC |
| 26 | 010051-01-000 | EA ELBOW - 45 DEGREE - 1 1/2" SPIGOT & HUB - PLASTIC |
| 27 | 134367-01-02B | EA BRACKET - HANDLE - VALVE - E-COATED |
| 28 | 010123-01-000 | EA BUSHING - 2" X 1 1/2" HUB - PLASTIC |
| 29 | 072346-01-000 | EA VALVE ASM - 3" SLIP X 3" BAYONET W/CAP X 2" SOCKET-ABS |
| | 133972-01-000 | EA PAD-HEATER,HOLDING TANK 40 G - ULTRA-HEAT TH-726 |
| | 133972-03-000 | EA PAD-HEATER ELBOW 1.50D - ULTRA-HEAT EH-158 |
| | 079364-08-000 | EA SWITCH - ON/OFF LIGHTED - GREEN |

WATER & SEWAGE GROUP (CONTINUED)
WATER SYSTEM



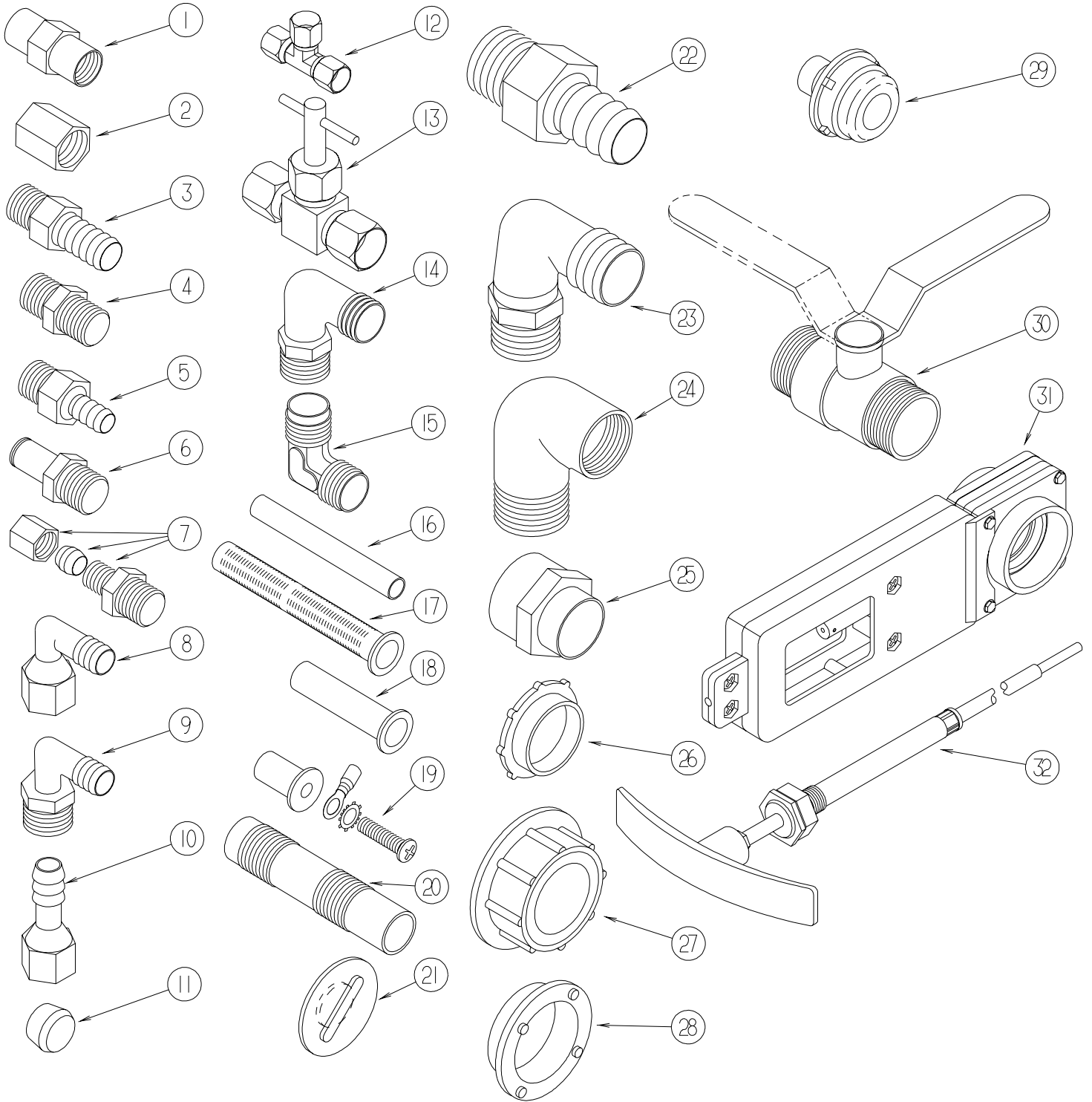
FITTINGS

WATER & SEWAGE GROUP (CONTINUED)
WATER SYSTEM (CONTINUED)

FITTINGS (CONTINUED)

| KEY | PART NUMBER | U/M | DESCRIPTION |
|------------|--------------------|------------|---|
| 1 | 114431-01-000 | EA | VALVE - 180 DEGREE/CENTER DRAIN - 1/2"P - THREE WAY |
| 2 | 114431-02-000 | EA | VALVE - WATER BYPASS - 1/2"P - THREE WAY (WATER HEATER) |
| 3 | 114431-03-000 | EA | VALVE - 90 DEGREE DRAIN - 1/2"P |
| 4 | 114431-04-000 | EA | VALVE - "INLINE SHUT-OFF" - 1/2"P |
| 5 | 114430-01-000 | EA | ADAPTER - 1/2"P X 1/2"P |
| 6 | 114430-02-000 | EA | ADAPTER - SWIVEL - 1/2"P X 1/2"FPT |
| 7 | 114430-03-000 | EA | ADAPTER - 1/2"P X 1/2"MPT |
| 8 | 114427-02-000 | EA | PLUG - W/COMP NUT - 1/2" PLASTIC PIPE/1/2" FLAIR-IT |
| 9 | 114430-06-000 | EA | ADAPTER - 1/2"P X 3/8"FPT |
| 10 | 114429-01-000 | EA | ELBOW - 1/2"P X 1/2"P |
| 11 | 114429-02-000 | EA | ELBOW - 1/2"P X 1/2"MPT |
| 11 | 114429-04-000 | EA | ELBOW - 1/2"P X 3/8"MPT |
| 11 | 114429-05-000 | EA | ELBOW - 1/2"P X 3/4"MPT |
| 12 | 114429-03-000 | EA | ELBOW - SWIVEL - 1/2"P X 1/2"FPT |
| 12 | 114429-06-000 | EA | ELBOW - SWIVEL - 1/2"P X 3/4"FPT |
| 12 | 114429-08-000 | EA | ELBOW - SWIVEL - 1/2"MPT X 1/2"FPT SWIVEL |
| 13 | 114429-07-000 | EA | ELBOW - 1/2"P X 1/2"FPT |
| 14 | 114428-01-000 | EA | TEE - 1/2"P X 1/2"P X 1/2"P |
| 15 | 114428-02-000 | EA | TEE - SWIVEL - 1/2"P X 1/2"P X 1/2"FPT |
| 16 | 114428-03-000 | EA | TEE - 1/2"P X 1/2"P X 1/2"MPT |
| 17 | 113697-01-000 | EA | CAP - 3/8 FTG |
| 18 | 114427-01-000 | EA | CAP - 1/2" - FOR CAPPING FLAIR-IT MALE FITTINGS |

WATER & SEWAGE GROUP (CONTINUED)
WATER SYSTEM (CONTINUED)

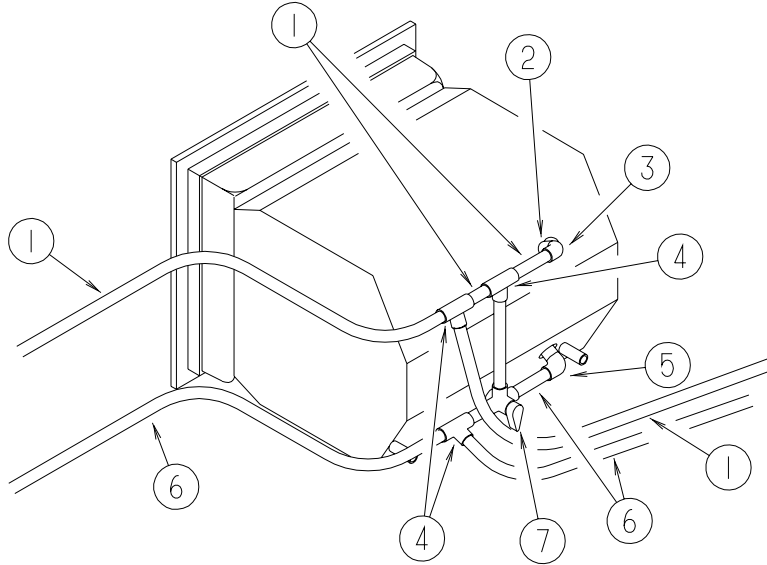


FITTINGS (CONTINUED)

WATER & SEWAGE GROUP (CONTINUED)**WATER SYSTEM (CONTINUED)****FITTINGS (CONTINUED)**

| KEY | PART NUMBER | U/M | DESCRIPTION |
|------------|--------------------|------------|---|
| 1 | 132148-01-000 | EA | CONNECTOR - 1/2" X 1/2" MPT - BRASS |
| 2 | 101814-01-000 | EA | COUPLING - FEMALE - 1/2" X 1/2" FPT - GRAY |
| 3 | 118809-02-000 | EA | ADAPTER - 1/2" MPT X 1/2" BARB - PLASTIC |
| 4 | 110438-02-000 | EA | VALVE - CHECK - BRASS - 1/2 MPT X 1/2 MPT |
| 5 | 010224-01-000 | EA | ADAPTER - HOSE TO PIPE - 3/8 MPT X 3/8 BARB - PLASTIC |
| 6 | 090338-03-000 | EA | FITTING - HOSE - .75"ID - 2" LENGTH - BRASS |
| 7 | 103798-01-000 | EA | CONNECTOR - 1/4 OD X 3/8 MPT |
| 8 | 123150-01-000 | EA | ELBOW - 1/2 FPT X 1/2 BARB - SWIVEL |
| 9 | 035539-01-000 | EA | ELBOW - PLASTIC - 3/8 MPT X 3/8 BARB |
| 10 | 123152-01-000 | EA | ADAPTER - 1/2 FPT X 1/2 BARB - SWIVEL |
| 11 | 111888-01-000 | EA | FERRULE - PLASTIC - .250 ID X .375 OD |
| 12 | 118423-01-000 | EA | FITTING - BRASS-TEE - 1/4C X 1/4C X 1/4C |
| 13 | 120868-01-000 | EA | VALVE - NEEDLE - 1/4" COMPRESSION X 1/4" COMPRESSION |
| 14 | 111223-02-000 | EA | ELBOW - PLASTIC - 1/2MPT X 3/8 BARB |
| 14 | 111223-03-000 | EA | ELBOW - 3/4" MPT X 1/2" BARB - PLASTIC |
| 14 | 111223-04-000 | EA | ELBOW - 1/2" MPT X 1/2" BARB - PLASTIC |
| 15 | 039808-03-000 | EA | ELBOW - 1/2" MPT X 1/2" MPT - PLASTIC |
| 16 | 124188-01-000 | FT | TUBING - PEX - 1/2" ID X 20' - BLUE(COLD) |
| 16 | 124188-02-000 | FT | TUBING - PEX - 1/2" ID X 20' - RED(HOT) |
| 16 | 112176-01-000 | FT | TUBING - VINYL - REINFORCED - 1/2" ID |
| 16 | 074462-02-000 | FT | TUBING - VINYL - 3/8 ID X 20' - CLEAR |
| 16 | 039800-04-000 | FT | TUBING - POLYBUTYL - 1/4"OD |
| 17 | 077954-02-000 | EA | FILTER - WATER TANK - W/SCREEN IN TANK |
| 18 | 111888-02-000 | EA | INSERT - BRASS - 1/4 COMP |
| 19 | 039861-01-000 | EA | SENDING UNIT - W/SCREW - WASHER - WELL NUT/TERMINAL RING |
| 20 | 079381-01-000 | FT | TUBING - RIBBED FLEXIBLE - WATER FILL - 1.4" I.D. |
| 21 | 049032-01-000 | EA | PATCH - SPINWELD - 3/8" - PLASTIC |
| 22 | 044927-01-000 | EA | ADAPTER - HOSE TO PIPE-1 1/4 MPTX1 1/4 BARB-BLACK PLASTIC |
| 23 | 010219-01-000 | EA | ELBOW - 1 1/4 MPT X 1 1/4 BARB - WATER FILL - PLASTIC |
| 24 | 132484-01-000 | EA | ELBOW - PLASTIC - 90 DEGREE - 1MPT X 1FPT |
| 25 | 133835-01-000 | EA | ADAPTER - REDUCING - 1 1/2" X 1 1/4" |
| 26 | 120069-01-000 | EA | PLUG - 3" - POLYETHYLENE MPT |
| 27 | 042989-03-000 | EA | FITTING - SPINWELD - 1 1/4"NPT - PLASTIC |
| 27 | 042989-04-000 | EA | FITTING - SPINWELD - 3/8"FPT - PLASTIC |
| 27 | 042989-05-000 | EA | FITTING - SPINWELD - 1/2"FPT - PLASTIC |
| 27 | 042989-07-000 | EA | FITTING - SPINWELD - 1 1/2"FPT - PLASTIC |
| 27 | 042989-08-000 | EA | FITTING - SPINWELD - 1"FPT - PLASTIC |
| 28 | 120070-01-000 | EA | FITTING - SPINWELD - PLASTIC 3" FPT |
| 29 | 114966-01-000 | EA | FILTER - IN LINE - TWIST ON - 1/2" |
| 30 | 132483-01-000 | EA | VALVE - BALL - 1" - THREADED ENDS |
| 31 | 062421-03-000 | EA | VALVE - DUMP - 1 1/2" HUB X 1 1/2" HUB - REMOTE |
| 32 | 062421-04-000 | EA | CABLE - DUMP VALVE W/HANDLE - 36" |
| 32 | 062421-05-000 | EA | CABLE - DUMP VALVE W/HANDLE - 48" |
| 32 | 062421-06-000 | EA | CABLE - DUMP VALVE W/HANDLE - 144" |

WATER & SEWAGE GROUP (CONTINUED)
WATER SYSTEM (CONTINUED)



WATER HEATER BYPASS

| KEY | PART NUMBER | U/M | DESCRIPTION |
|-----|---------------|-----|---|
| 1 | 124188-02-000 | FT | TUBING - PEX - 1/2" ID X 20' - RED(HOT) |
| 2 | 110438-02-000 | EA | VALVE - CHECK - BRASS - 1/2 MPT X 1/2 MPT |
| 3 | 114429-03-000 | EA | ELBOW - SWIVEL - 1/2"P X 1/2"FPT |
| 4 | 114428-01-000 | EA | TEE - 1/2"P X 1/2"P X 1/2"P |
| 5 | 114429-02-000 | EA | ELBOW - 1/2"P X 1/2"MPT |
| 6 | 124188-01-000 | FT | TUBING - PEX - 1/2" ID X 20' - BLUE(COLD) |
| 7 | 114431-02-000 | EA | VALVE - WATER BYPASS - 1/2"P - THREE WAY (WATER HEATER) |

WATER & SEWAGE GROUP (CONTINUED)
WATER SYSTEM (CONTINUED)

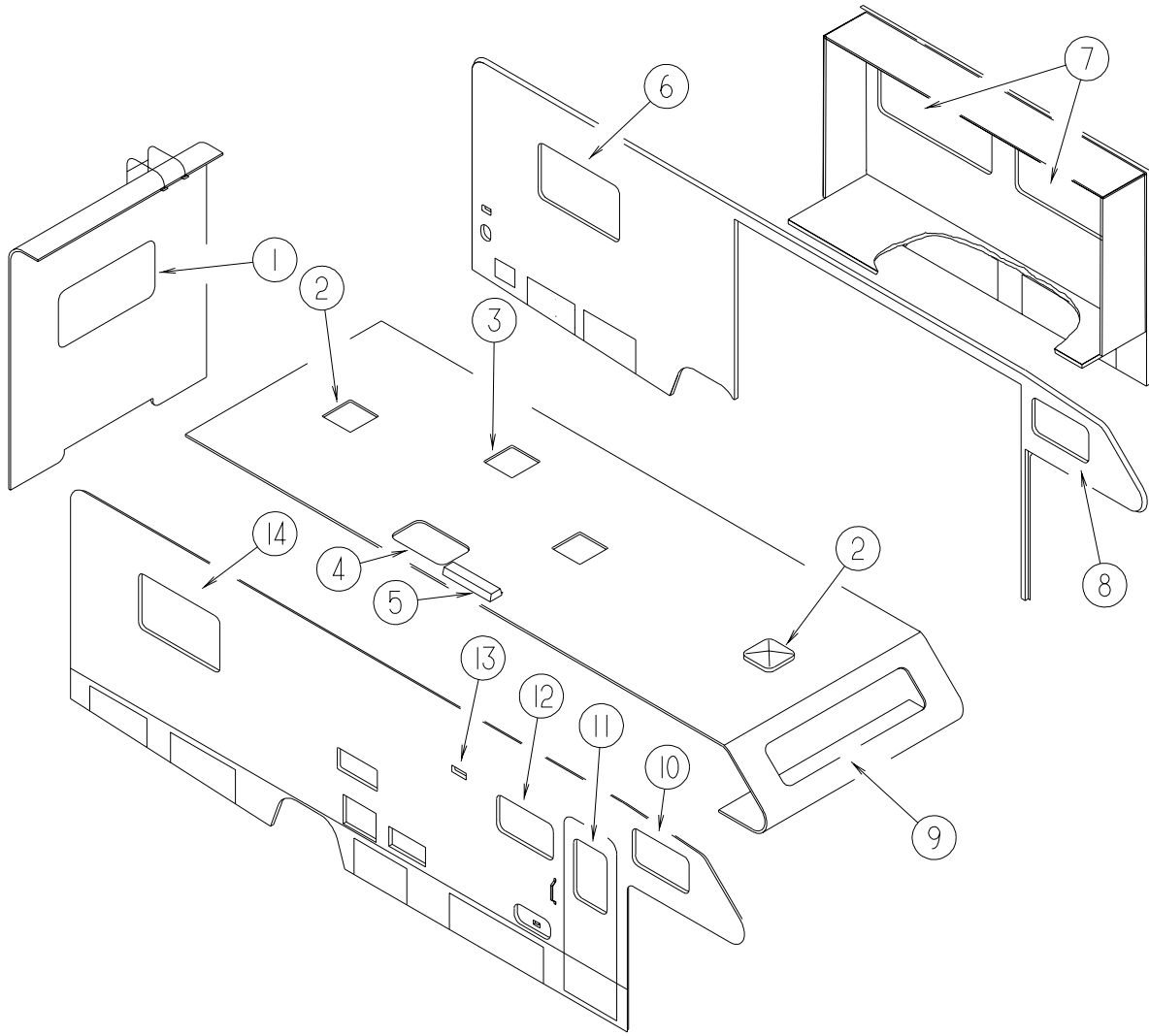
| KEY | PART NUMBER | U/M | DESCRIPTION |
|------------|--------------------|------------|--|
| | 064214-21-000 | EA | TANK - WATER - 31 GALLON - W/FITTINGS |
| | 064214-01-000 | EA | TANK WATER - 31 GALLON - W/O FITTINGS - 24" X 12.75" X 30" |
| * | 051391-03-000 | EA | WATER HEATER G6A-8E ELECTRONIC IGNITION |
| | 052009-06-000 | EA | DOOR - WATER HEATER - BRIGHT WHITE - 18" X 14.6" |
| * | 098607-01-000 | EA | PUMP - WATER - W/.5" MPT FITTING - FLOW 2.8 GPM |
| | 075240-05-000 | EA | FAUCET - LAVATORY - BRASS |
| | 091253-01-000 | EA | GASKET - FAUCET - LAVATORY/GALLEY |
| | 075241-04-000 | EA | FAUCET/SHOWER - BRASS |
| | 075241-06-000 | EA | FAUCET/SHOWER - BRIGHT WHITE - 1/2"MPT X 1.9" INLET PIPES |
| | 075606-03-000 | EA | PANEL - FAUCET SHOWER - SOFT WHITE |
| | 104114-02-01A | EA | FAUCET - GALLEY - SINGLE CONTROL |
| | 081240-20-000 | EA | DOOR - WATER FILL - W/O LOCK - BRIGHT WHITE |

***COMPONENT PARTS FOUND IN SERVICE PARTS LIBRARY**

SERVICE CENTER

| KEY | PART NUMBER | U/M | DESCRIPTION |
|------------|--------------------|------------|---|
| | 075241-06-000 | EA | FAUCET/SHOWER - BRIGHT WHITE - 1/2"MPT X 1.9" INLET PIPES |
| | 131383-01-02A | EA | SHOWER HEAD - W/60" HOSE & BRACKET - WHITE |
| | 131383-02-02A | EA | SHOWER HEAD - W/60" HOSE & BRACKET - WHITE - CSA |
| | 114293-01-02A | EA | PAN - DRIP - EXTERIOR - BRIGHT WHITE |

WINDOW & VENTS GROUP
WINDOW & VENT LAYOUT



WINDOW & VENTS GROUP (CONTINUED)

WINDOW & VENT LAYOUT (CONTINUED)

| KEY | PART NUMBER | U/M | DESCRIPTION |
|-----|---------------|-----|---|
| 1 | 078528-07-F15 | EA | WINDOW - ESCAPE W/O INSIDE TRIM - CLEAR - 24.5" X 48.5" |
| | 074816-16-000 | EA | FRAME - WINDOW - INSIDE ESCAPE - BLACK |
| | 076337-13-000 | EA | GLASS - EGRESS - 45.5" X 21.5" |
| | 002282-09-000 | EA | WEATHERSTRIP - WINDOW - .125" X 130.5" - BLACK |
| | 002285-01-000 | FT | FILLER - WEATHERSTRIP - RUBBER - BLACK |
| | 077066-01-702 | EA | TAPE ASM-ESCAPE WINDOW |
| 1 | 113502-01-02A | EA | WINDOW - REAR/CENTER ESCAPE - THERMO - 24.8" X 48.7" |
| 2* | 122882-01-01A | EA | VENT - ROOF - NONPOWERED - W/O INSIDE GARNISH |
| | 009440-01-000 | EA | GEAR/ARM - LIFT - ROOF VENT COVER |
| | 122882-06-01A | EA | GARNISH - ROOF VENT - 1" TO 2.5" |
| | 122882-07-01A | EA | GARNISH - ROOF VENT - 2.5" TO 4" |
| 3* | 122882-02-01A | EA | VENT - ROOF - W/FAN - W/O INSIDE GARNISH - UL |
| | 009440-01-000 | EA | GEAR/ARM - LIFT - ROOF VENT COVER |
| | 048648-01-000 | EA | MOTOR - ROOF VENT - 1/8 SHAFT - 12VOLT |
| | 048649-01-000 | EA | FAN BLADE - ROOF VENT - 6 BLADES - 6" |
| | 122882-07-01A | EA | GARNISH - ROOF VENT - 2.5" TO 4" |
| 3* | 122882-03-01A | EA | VENT - ROOF - W/FAN - W/O INSIDE GARNISH - CSA |
| | 009440-01-000 | EA | GEAR/ARM - LIFT - ROOF VENT COVER |
| | 048648-01-000 | EA | MOTOR - ROOF VENT - 1/8 SHAFT - 12VOLT |
| | 048649-01-000 | EA | FAN BLADE - ROOF VENT - 6 BLADES - 6" |
| | 122882-06-01A | EA | GARNISH - ROOF VENT - 1" TO 2.5" |
| 4 | 122192-01-02A | EA | PANEL - SKYLITE - OUTER - 16.4" X 27.8" |
| | 122193-01-02A | EA | PANEL - SKYLITE - INNER |
| 5 | 084073-07-000 | EA | VENT - ROOF/REFRIGERATOR - BRIGHT WHITE - NORCOLD |
| | 084073-04-000 | EA | BASE - ROOF/REFRIGERATOR - BLACK - NORCOLD |
| 6* | 098647-30-02A | EA | WINDOW - DRIVER HORIZ SLIDER W/TRIM - CLEAR - 24.2" X 41" |
| 6* | 129929-06-02A | EA | WINDOW - TORQUE - THERMO - 24.4" X 41.2" |
| 7* | 098647-47-02A | EA | WINDOW - DRIVER HORIZ SLIDER W/TRIM - TINTED-23.6" X 57.5" |
| 7 | 112795-54-02A | EA | WINDOW - DRIVER HORIZONTAL SLIDER - THERMO - 23.9" X 57.8" |
| 8* | 098647-32-02A | EA | WINDOW - DRIVER HORIZ SLIDER W/TRIM - CLEAR - 15.7" X 28.5" |
| 8 | 112795-20-02A | EA | WINDOW - DRIVER HORIZONTAL SLIDER - THERMO - 15" X 28.7" |
| 9 | 103313-03-F15 | EA | WINDOW - PICTURE - 16.3" X 71.1" (INSIDE FRAME #117054) |
| | 002181-29-000 | EA | GLASS - PICTURE WINDOW - 71"W X 16.2"H - TINTED |
| | 099154-01-000 | FT | CHANNEL - GLAZING - STATIONARY GLASS - .62" X .45" - BLK |
| | 117054-01-02A | EA | RETAINER - TRIM - BLACK |
| 9 | 115630-01-02A | EA | WINDOW - STATIONARY/THERMOPANE- BLACK I/S TRIM-17.2" X 72" |
| 10* | 098647-31-02A | EA | WINDOW - PASS HORIZ SLIDER W/TRIM - CLEAR - 15.7" X 28.5" |
| 10 | 112795-19-02A | EA | WINDOW - PASSENGER HORIZ SLIDER - THERMO - 15.7" X 28.5" |
| 11 | 117053-04-FB1 | EA | WINDOW - PICTURE - CLEAR - 17" X 26.4" - W/O RETAINER |
| | 002181-27-000 | EA | GLASS - PICTURE WINDOW - 25.8"W X 16.4"H - CLEAR |
| | 087561-01-000 | FT | SEAL - GLASS - EXTERIOR - .5" WIDE - VINYL BLACK |
| | 117054-02-02A | EA | RETAINER - TRIM - BRIGHT WHITE |
| 11* | 113733-01-01A | EA | WINDOW - STATIONARY THERMOPANE - 17"W X 26.4"H |
| 12* | 098647-49-02A | EA | WINDOW - PASS HORIZ SLIDER W/TRIM - TINTED-15" X 23.7" |
| 12* | 112795-61-02A | EA | WINDOW - PASSENGER HORIZ SLIDER - THERMO - 15.2" X 24" |
| 13 | 084878-09-000 | EA | VENT - EXHAUST/RANGE HOOD - OFF WHITE |
| | 084616-07-000 | EA | SHROUD - EXHAUST VENT/RANGE HOOD - BRIGHT WHITE |
| 14* | 098647-29-02A | EA | WINDOW - PASS HORIZ SLIDER W/TRIM - CLEAR - 24.2" X 41" |
| 14* | 129929-06-02A | EA | WINDOW - TORQUE - THERMO - 24.4" X 41.2" |

*COMPONENT PARTS FOUND IN SERVICE PARTS LIBRARY