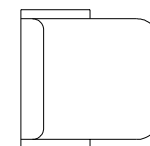
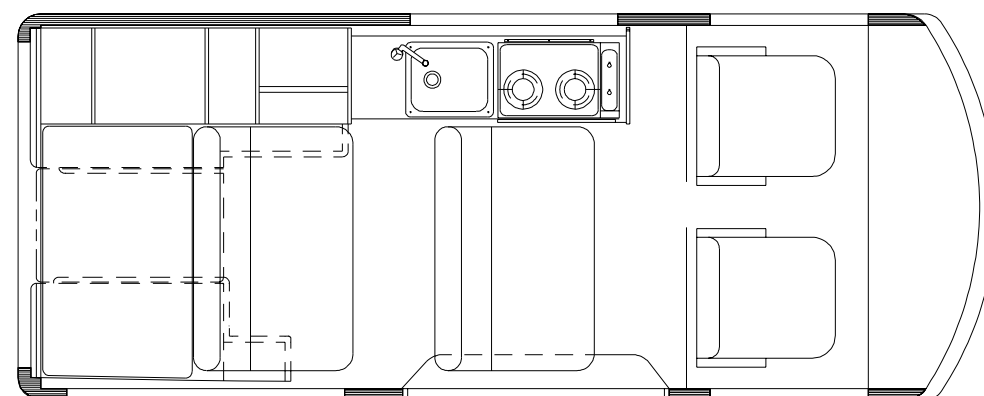
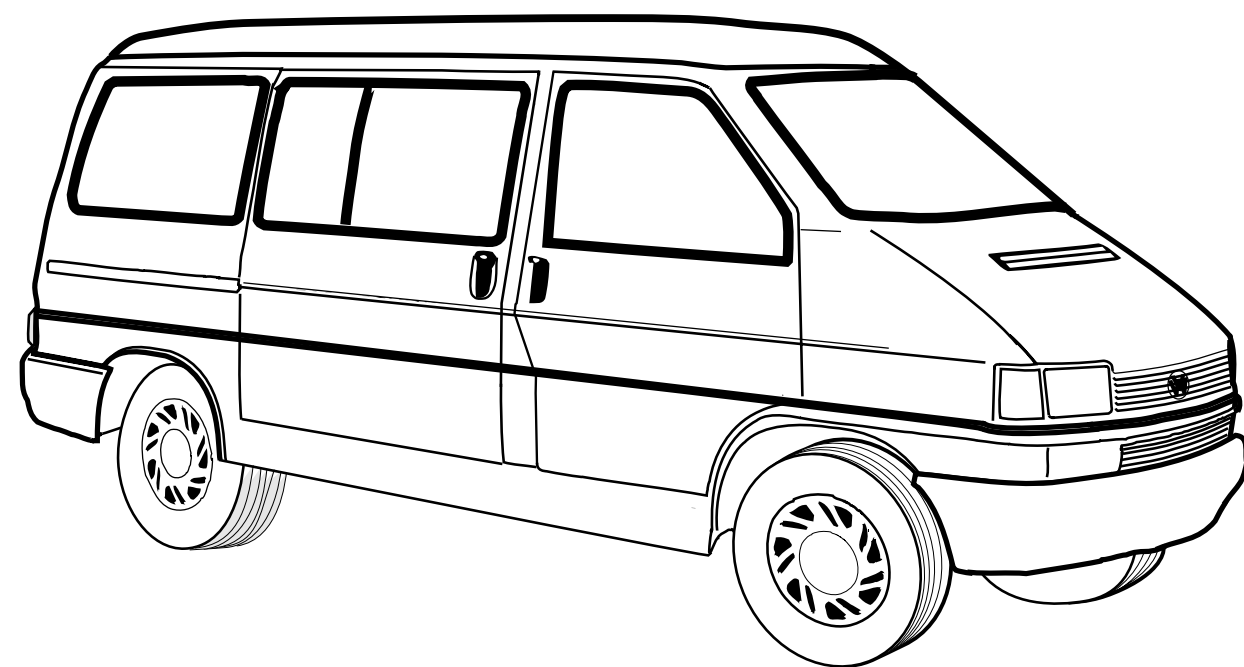


**2000
EV117A
L75**



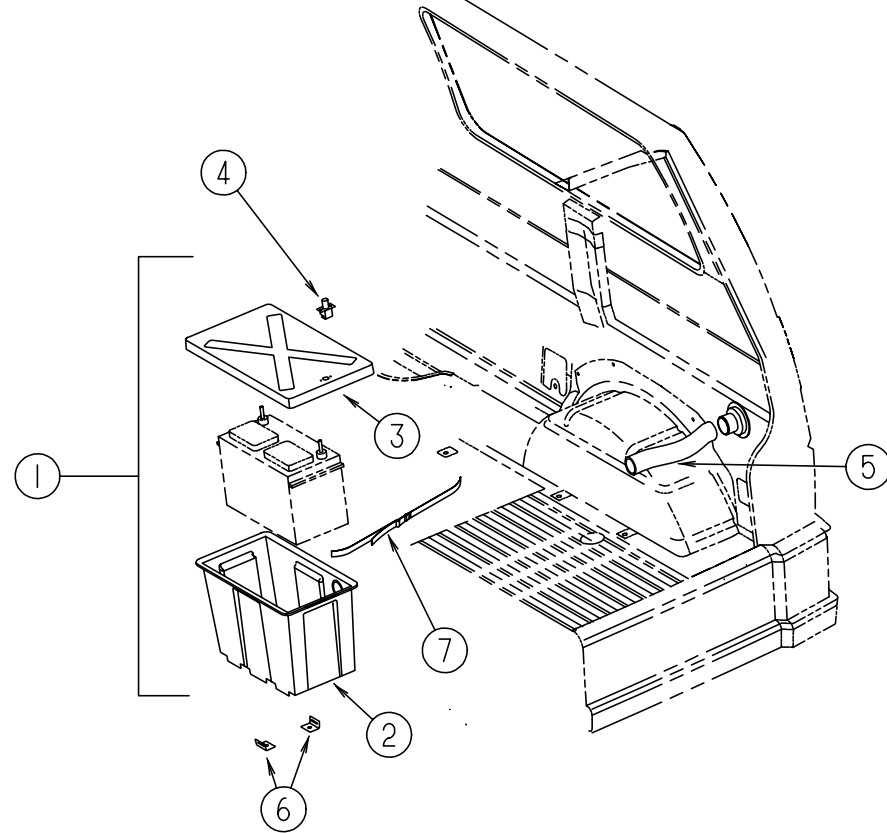
**ACCESSORIES GROUP
OPERATORS MANUAL & BINDER**

KEY	PART NUMBER	U/M	DESCRIPTION
	132000-01-001	EA	MANUAL/OWNER - EUROVAN - 2000
	092318-02-000	EA	BINDER - 3 RING - EUROVAN CAMPER
	092319-03-000	EA	POCKET PAGE - W/SIDE ZIPLOCK
	701674-18-000	EA	MANUAL-SERVICE, 1995 EUROVAN
	118338-01-000	EA	VIDEO-EUROVAN, GETTING STARTED

**AUDIO VIDEO GROUP
RADIO SYSTEM COMPONENTS**

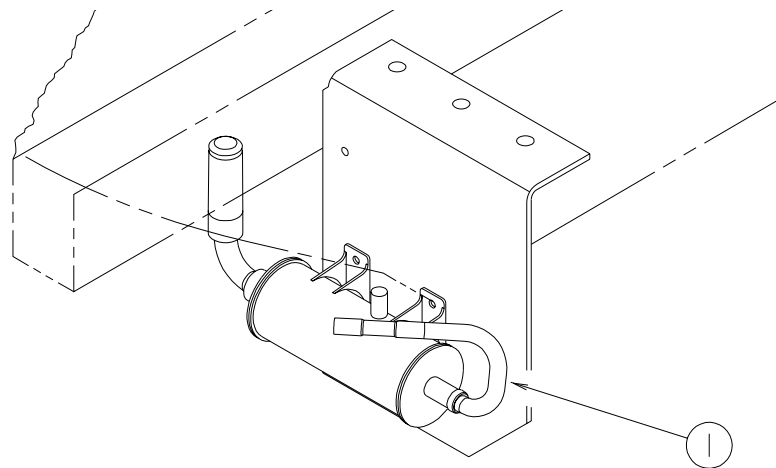
KEY	PART NUMBER	U/M	DESCRIPTION	VENDOR NO.
	127516-05-000	EA	RADIO - AM/FM STEREO - CD PLAYER - PANASONIC CQ-DP22	
	114365-02-000	EA	ADAPTER - RADIO POWER/SPEAKERS	
	114366-01-000	EA	ADAPTER - RADIO - ANTENNA	
	127264-01-000	EA	RADIO - AM/FM STEREO - CASSETTE - PANASONIC - CQ-R111U	
	127264-01-700	EA	TRIM RING	YFC054C044ZB
	127264-01-701	EA	KNOB - VOLUME	YFE074C045ZA
	127264-01-702	EA	KNOB - FADER	YEFE074C026
	127264-01-703	EA	FACTORY HARNESS	YAJ024C048ZB
	077069-02-000	EA	CABLE - ANTENNA/EXTENSION - RADIO - 96"	
	076319-03-000	FT	CABLE - COAXIAL - 75 OHM	
	076319-12-000	EA	CONNECTOR - COAXIAL - ONE PIECE	
	110469-01-000	EA	SPEAKER - 4" X 6" OVAL - COAXIAL	
	110470-01-01A	EA	GRILLE - 4" X 6" OVAL - BLACK	

CHASSIS GROUP



BATTERY BOX & COMPONENTS

KEY	PART NUMBER	U/M	DESCRIPTION
1	P11394-01-000	EA	BOX - BATTERY & LID ASSEMBLY
2	111394-01-000	EA	BOX - BATTERY - SINGLE
3	113514-01-000	EA	COVER - BATTERY BOX
4	113517-01-000	EA	LATCH - GRIP - ADJUSTABLE
5	114667-01-000	FT	HOSE - 2" ID - FLEXIBLE
6	113515-01-04B	EA	BRACKET - BATTERY TIEDOWN - BLACK
7	084993-01-000	EA	STRAP - BATTERY - 43.2" LONG
	076840-03-000	EA	HOLD DOWN CORD - BUNGEE 13"
	112091-01-000	FT	D-SEAL - NEOPRENE - TRUNK - HEAT ACTIVE ADHESIVE - TIRE JACK TIEDOWN
	117191-01-01B	EA	PLATE - RETAINER - MILL FINISH
	117191-02-01B	EA	PLATE - RETAINER - MILL FINISH



CANISTER HOSE EXTENSION

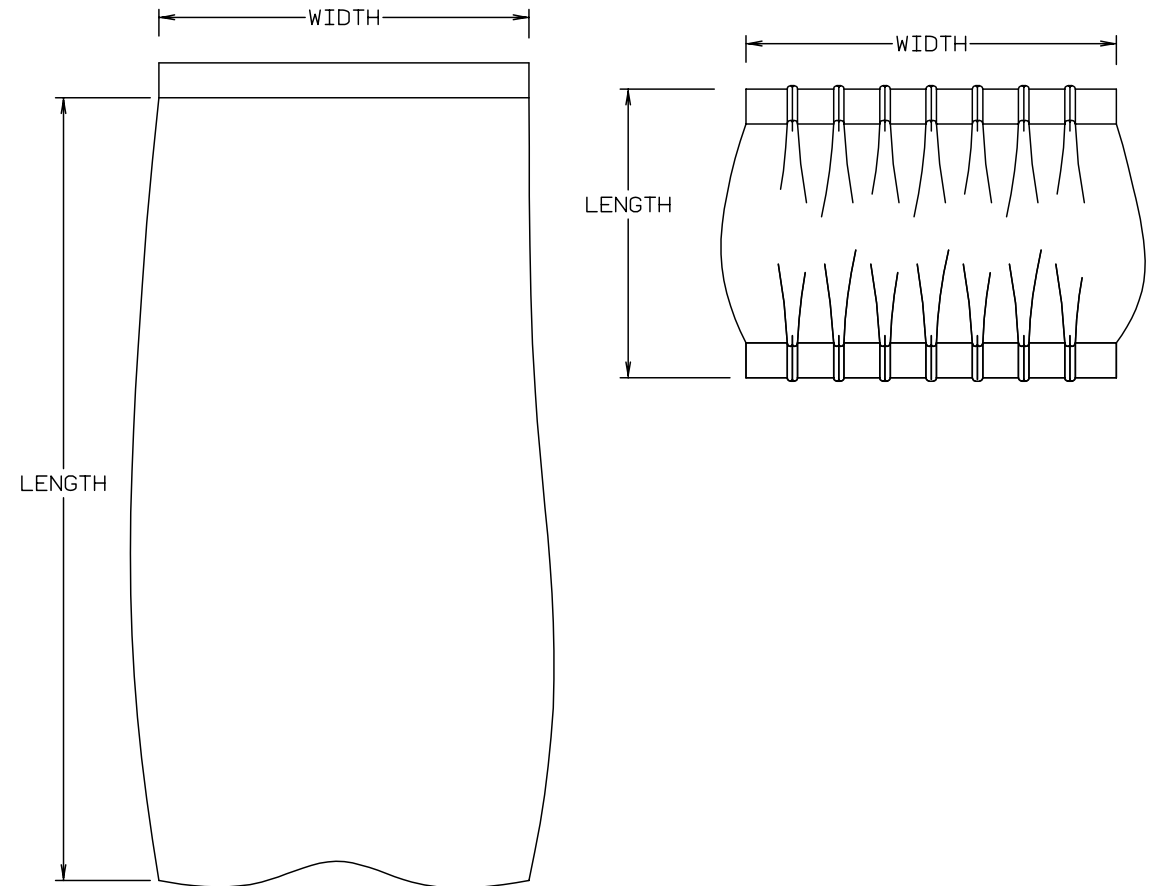
KEY	PART NUMBER	U/M	DESCRIPTION
1	130261-01-000	EA	HOSE/HEATER - FORMED 19/32

CURTAIN & CUSHION GROUP

NOTICE

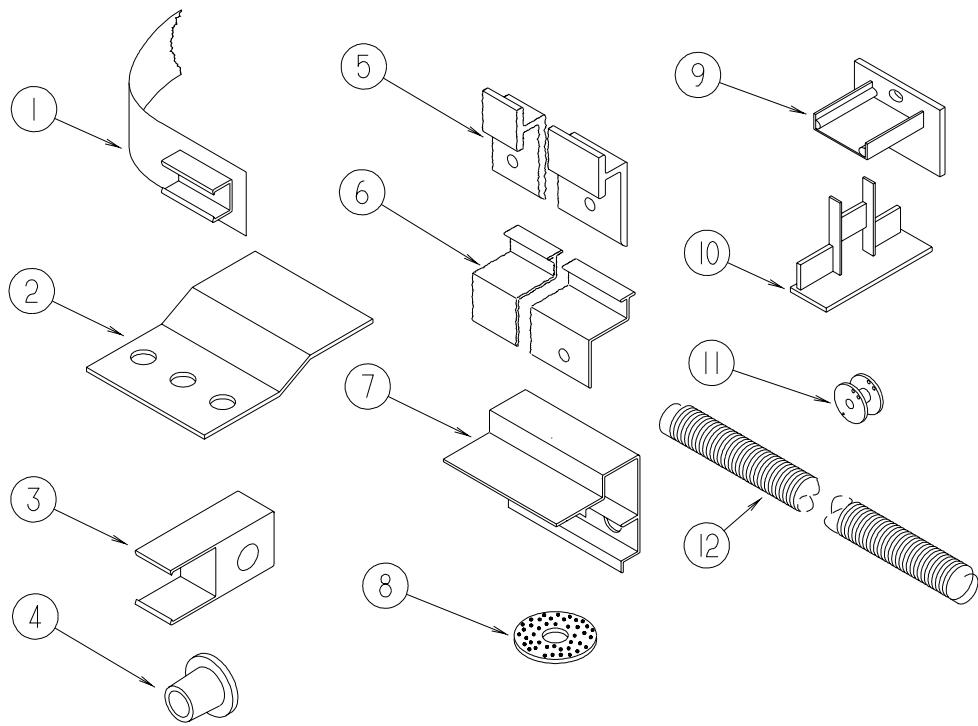
IN ORDER TO ASSIST OUR PARTS SALES DEPT. IN PROVIDING INTERIOR SOFTGOODS ITEMS, PLEASE INCLUDE THE SERIAL NUMBER AND THE COLOR CODE NUMBER FROM THE VEHICLE CERTIFICATION LABEL WHEN ORDERING. THIS LABEL IS LOCATED ON THE DRIVER'S DOOR.

AN EXAMPLE OF A COLOR CODE NUMBER IS B07, WHICH DESIGNATES AN OVERALL COLOR SCHEME OF A PARTICULAR UNIT. THE COLOR LISTED AFTER THE ITEM DESCRIPTION ON THE MICROFICHE, INDICATES THE OVERALL UNIT COLOR. ORDER THE ITEM YOU DESIRE ACCORDING TO UNIT COLOR CODE.



NOTE: USE THIS ILLUSTRATION WHEN DETERMINING LENGTH AND WIDTH MEASUREMENTS FOR CURTAINS. YOU WILL NOTE THE WIDTH MEASUREMENT IS TAKEN ON THE TOP OF THE CURTAIN WITH THE CURTAIN FULLY EXTENDED. THE LENGTH MEASUREMENT IS TAKEN FROM TOP TO BOTTOM.

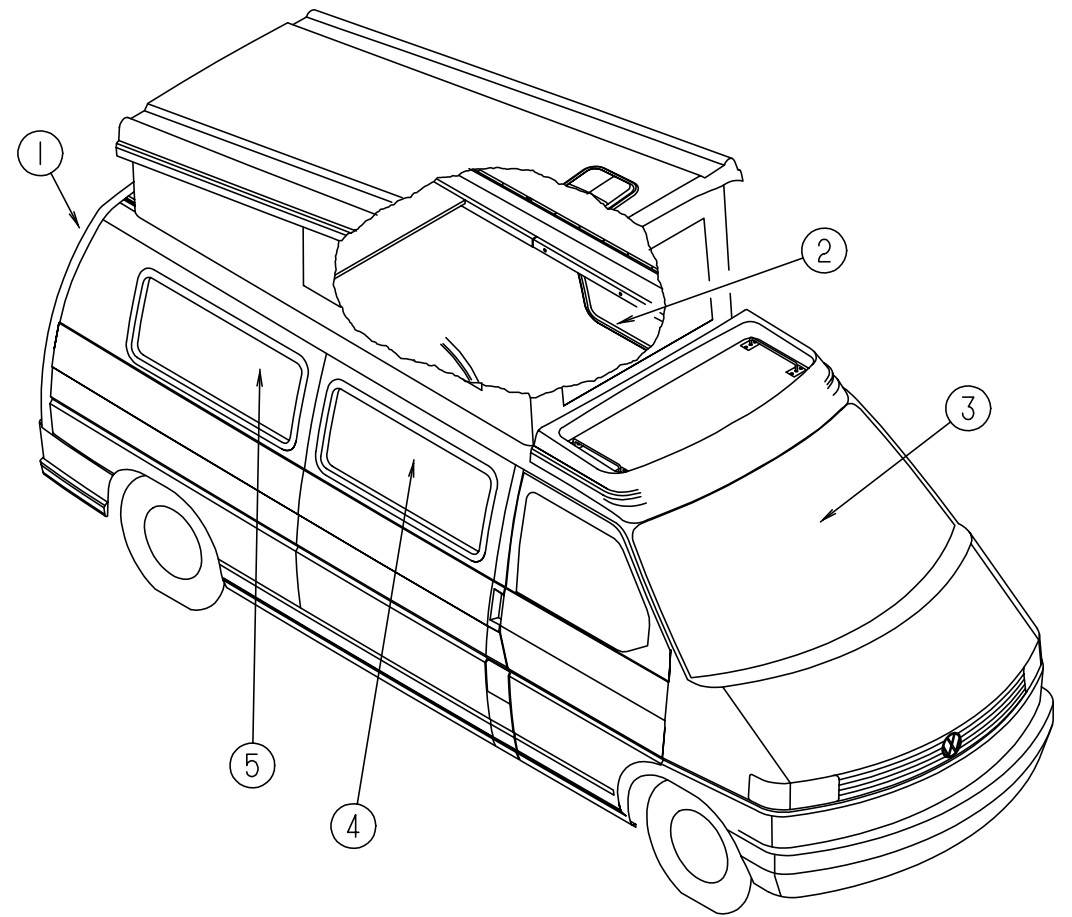
CURTAIN & CUSHION GROUP (CONTINUED)



CURTAIN, BLIND & SHADE HARDWARE

KEY	PART NUMBER	U/M DESCRIPTION
1	101031-01-000	YD TAPE - GLIDE/CURTAIN - 4.25" SPACING
2	113620-01-02B	EA BRACKET - MOUNTING SHADE
3	101033-02-000	EA END CAP - TRACK/CLEAR
4	094896-02-000	EA GROMMET - CORD/PLEATED BLIND - NYLON - GRAY
5	101033-03-000	FT TRACK - WALL - WHITE - 8.5'
6	101032-02-000	EA TRACK - CURTAIN - UPPER - 4'
7	097565-01-000	EA BRACKET - MOUNTING - PLEATED BLIND
7	097565-02-000	EA BRACKET - MOUNTING - SLIDING DOOR WINDOW ONLY
8	103242-02-000	EA VELCRO HOOK - BLACK 7/8" ROUND W/CENTER HOLE
9	094907-06-000	EA HARDWARE - END CAP - E-Z LIFT - TOP
10	094907-05-700	EA END CAP-RH BOTTOM BLIND
10	094907-05-701	EA END CAP-LH BOTTOM BLIND
11	097592-01-000	EA SPOOL - CORD - ELEVATED BLIND HOLDUP - SMALL - CLEAR
12	097591-01-000	EA SPRING - EXTENSION/PLEATED BLIND
	094908-03-000	FT HARDWARE - SEMI-RIDGED PVC - EZ LIFT
	097593-06-000	FT CORD - BLIND - PLEATED - PEWTER
	110943-02-000	FT FELTSTRIP - 3/8" - ADHESIVE BACK - WHITE

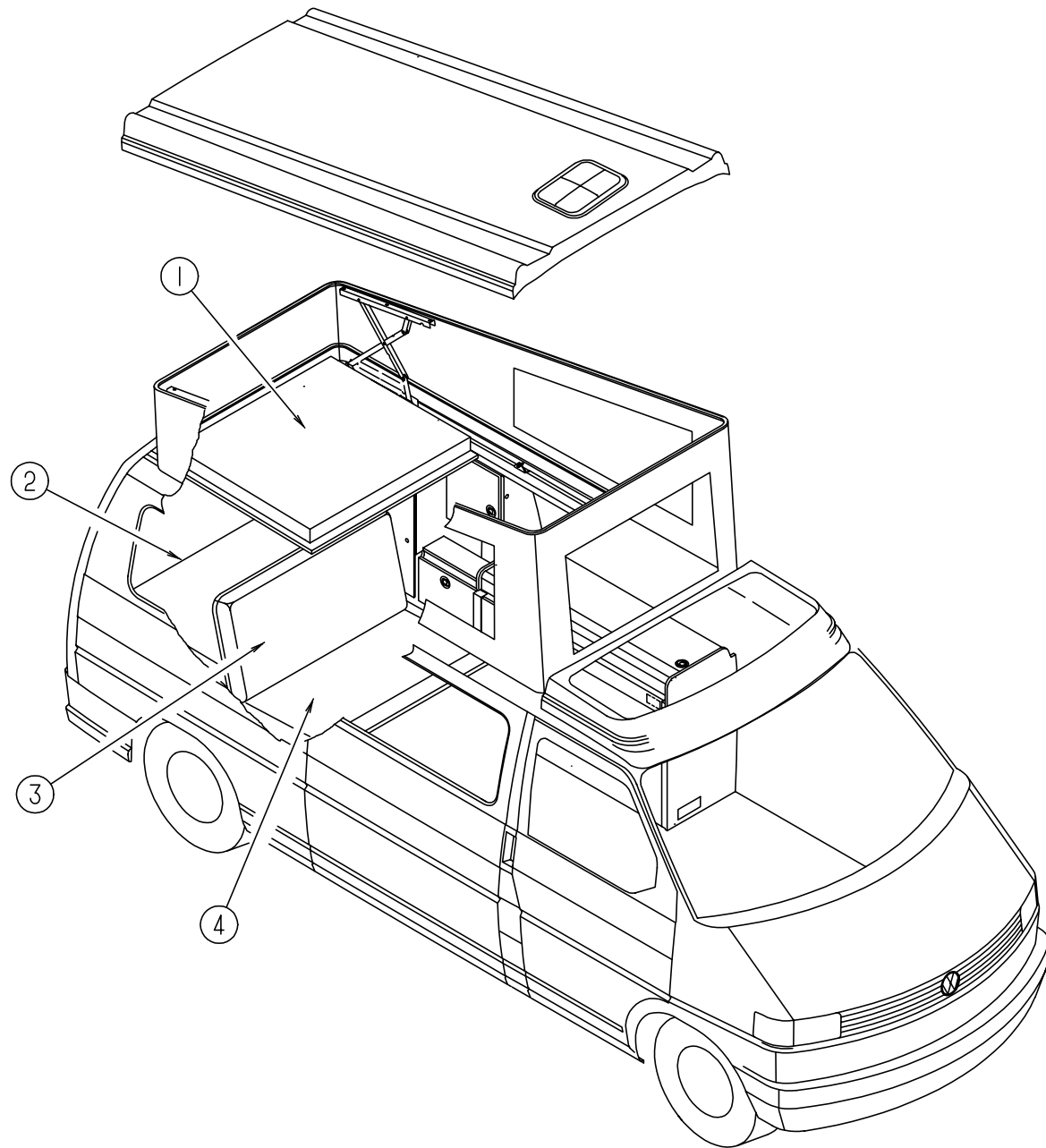
CURTAIN & CUSHION GROUP (CONTINUED)



WINDOW TREATMENT

KEY	PART NUMBER	U/M DESCRIPTION
1	114515-01-F35	EA CURTAIN - TAPE TOP/BOTTOM - 24.5" X 65" (L75)
2	119405-03-FA5	EA BLIND - MICRO PLEAT - 41" X 20" (L75)
3	077591-13-F35	EA CURTAIN - VELCRO TOP - 36" X 100" (L75)
4	119405-02-FA5	EA BLIND - MICRO PLEAT - 40" X 19" (L75)
5	119405-01-FA5	EA BLIND - MICRO PLEAT - 46.5" X 17" (L75)

CURTAIN & CUSHION GROUP (CONTINUED)



POP TOP BUNK CUSHIONS

KEY	PART NUMBER	U/M DESCRIPTION
1	114281-01-K72	EA CUSHION - UPPER SLEEPER - 2" X 43" X 37" (L75)
1	P14281-01-K72	EA COVER - OVERHEAD CUSHION - 37" X 43" X 2" (L75)
1	114281-02-K72	EA CUSHION - UPPER SLEEPER - 2" X 18.5" X 43" (L75)
1	P14281-02-K72	EA COVER - SLEEPER - UPPER - 2" X 18.5" X 43" (L75)

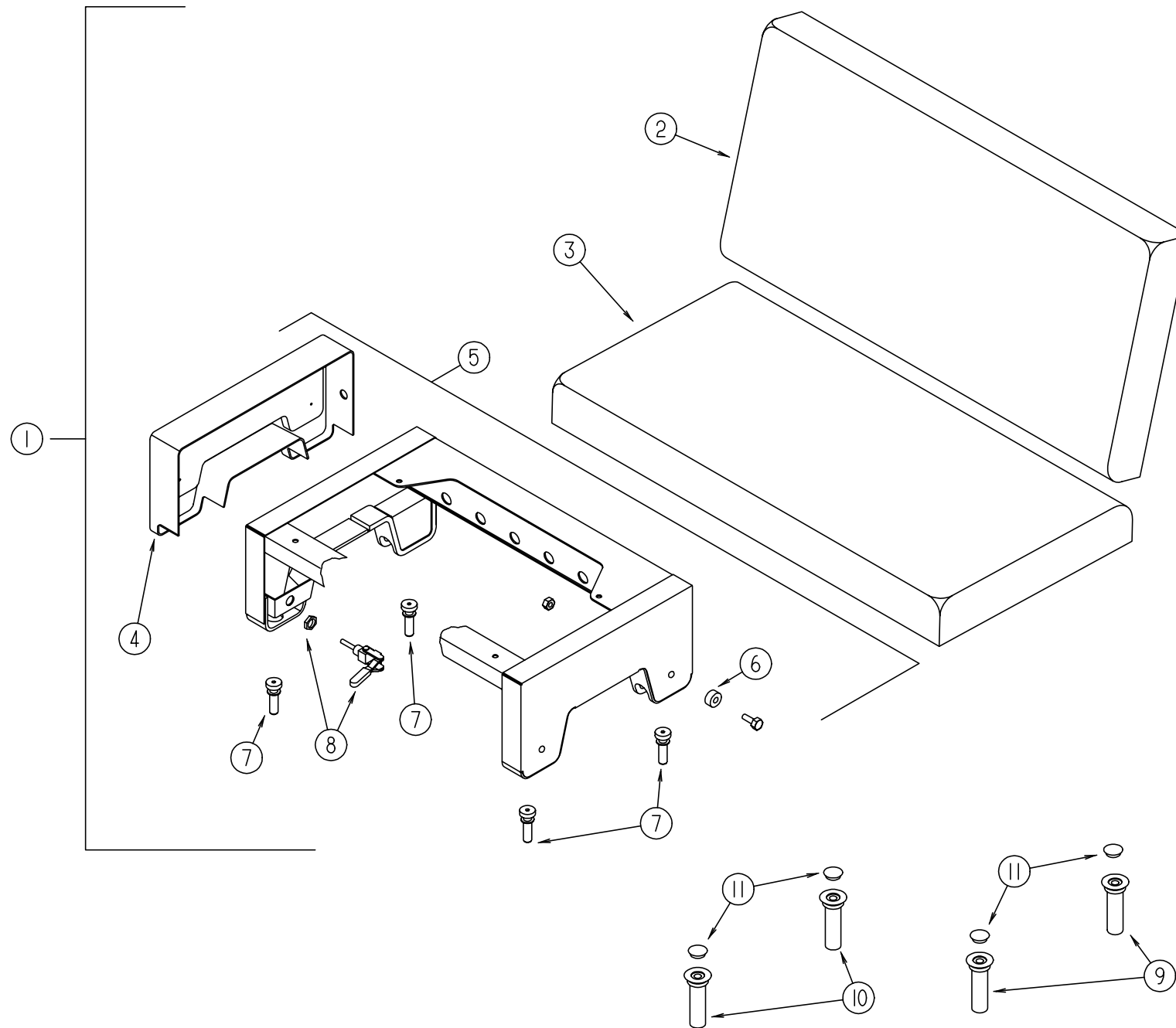
TRIFOLD CUSHION

KEY	PART NUMBER	U/M DESCRIPTION
2	114282-01-K72	EA CUSHION - TRIFOLD - 2" X 9" X 32" X 32" X 43" (L75)
2	P14282-01-K72	EA LOWER REAR COVER ASSEMBLY - TRI-FOLD - 70.5" X 43" X 2" (L75)

REAR COUCH CUSHIONS

KEY	PART NUMBER	U/M DESCRIPTION
3	114513-09-K72	EA CUSHION/BACK - REAR SOFA/STANDARD - B-VAN (L75)
3	P14513-09-K72	EA COVER/BACK - REAR SOFA/STANDARD - B-VAN (L75)
	122556-02-01A	EA FRAME - BACK - SOFA/BED 42"
	122556-05-01A	EA PROP ROD - JACK-KNIFE SEAT
	114514-02-K72	EA HEADREST - B-VAN (L75)
	P14514-02-K72	EA COVER - HEADREST - B-VAN (L75)
	113977-12-000	EA HEADREST INSERT - W/O LOCK
	113977-13-000	EA HEADREST INSERT - W/LOCK
4	114513-10-K72	EA CUSHION/SEAT - REAR SOFA/STANDARD - B-VAN (L75)
4	P14513-10-K72	EA COVER/SEAT - REAR SOFA/STANDARD - B-VAN (L75)
	122556-01-01A	EA FRAME - BASE - SOFA/BED 42"
	122556-03-01A	EA FRAME - SEAT - SOFA/BED 42"
	122556-04-01A	EA LOCK - JACK KNIFE SEAT

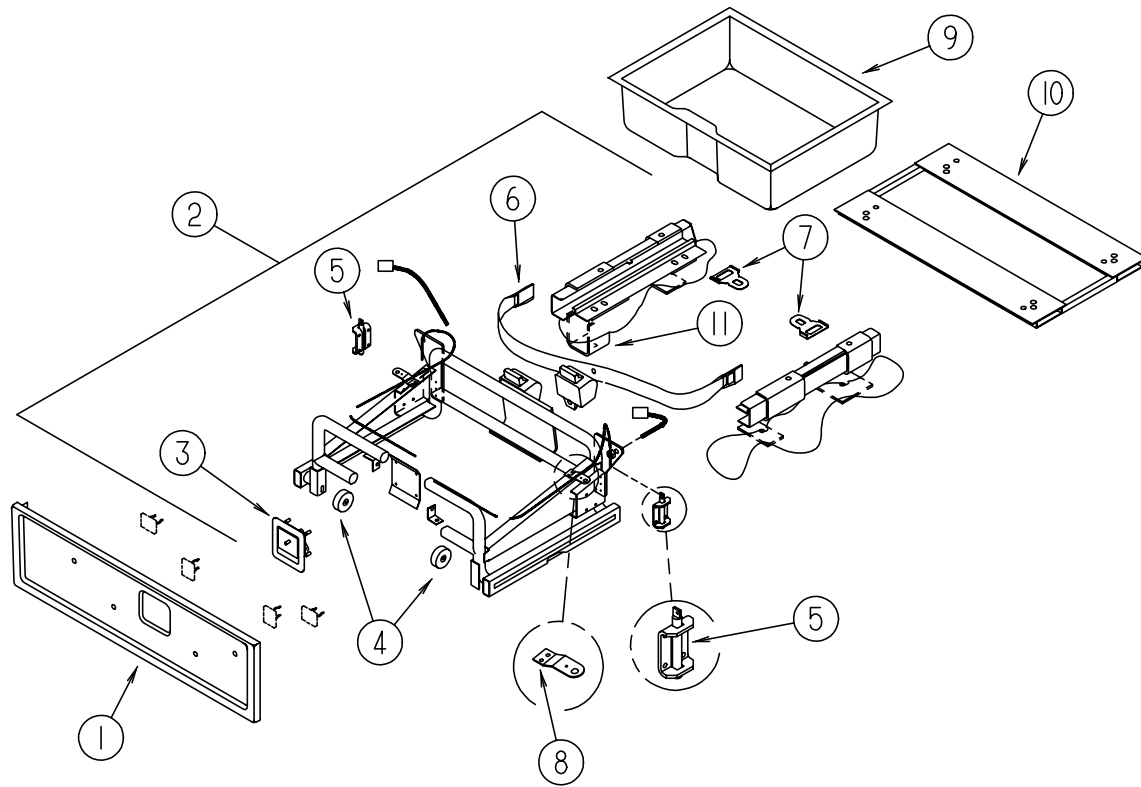
CURTAIN & CUSHION GROUP (CONTINUED)
OPTIONAL CENTER COUCH BASE AND CUSHIONS



KEY	PART NUMBER	U/M	DESCRIPTION
1	M07510-02-K72	EA	COUCH - CENTER OPTION - COMPLETE W/BASE (L75)
2	114513-12-K72	EA	CUSHION/BACK - CENTER SOFA/OPTION - B-VAN (L75)
2	P14513-12-K72	EA	COVER/BACK - CENTER SOFA/OPTION - B-VAN (L75)
	123201-02-01A	EA	FRAME - BENCH BACK
	114514-02-K72	EA	HEADREST - B-VAN (L75)
	P14514-02-K72	EA	COVER - HEADREST - B-VAN (L75)
	113977-12-000	EA	HEADREST INSERT - W/O LOCK
	113977-13-000	EA	HEADREST INSERT - W/LOCK
3	114513-11-K72	EA	CUSHION/SEAT - CENTER SOFA/OPTION - B-VAN (L75)
3	P14513-11-K72	EA	COVER/SEAT - CENTER SOFA/OPTION - B-VAN (L75)

KEY	PART NUMBER	U/M	DESCRIPTION
	123201-01-01A	EA	FRAME - BENCH SEAT BASE W/SLIDE
	123201-03-01A	EA	FRAME - BENCH SEAT
4	131420-01-02A	EA	PANEL - SEAT/CENTER - RIGHT HAND - VW LIGHT GRAY
	131420-02-02A	EA	PANEL - SEAT/CENTER - LEFT HAND - VW LIGHT GRAY
	113977-06-000	EA	PLASTIC - HINGE COVER - PASSENGER
	113977-07-000	EA	PLASTIC - HINGE COVER - DRIVER
5	N/A	EA	SEAT - CENTER - W/O HARDWARE
6	113739-01-000	EA	ROLLER - SEAT
7	117387-01-01A	EA	RETAINER - BOLT - SEAT
8	118570-01-01A	EA	CLAMP - SEAT
9	117388-02-01A	EA	RETAINER - SEAT
10	117388-01-01A	EA	RETAINER - SEAT
11	120270-01-01A	EA	PLUG - SEAT
	124755-01-000	EA	WRENCH - ALLEN 1/4 HEX - LONG ARM
	115524-01-000	EA	LABEL - HANG TAG - CENTER SEAT
	115524-02-000	EA	LABEL - HANG TAG - CENTER SEAT

CURTAIN & CUSHION GROUP (CONTINUED)
REAR COUCH BASE



KEY	PART NUMBER	U/M DESCRIPTION
1	115807-01-K72	EA PANEL - SEAT/REAR
	100619-05-000	BF FOAM - EXPANDED POLYSTYRENE - .75" X 48" X 96"-1.5 DENSITY
	091952-01-000	EA CLIP - GRIPPER - 1"
2	113454-02-K72	EA SEAT - REAR
3	112949-02-06A	EA LATCH - PADDLE W/O LOCK
4	113739-01-000	EA ROLLER - SEAT
5	113673-01-000	EA LATCH - SLAM - SEAT SLIDE
6	116055-01-01A	EA BELT - RETAINER/SEAT
7	116056-01-01A	EA BRACKET - SEAT BELT
	113670-03-000	EA CABLE ASM-RELEASE,SEAT
8	114833-02-02B	EA BRACKET - CABLE - STRIKER - E-COATED
	113797-01-01A	EA STRIP - BLACK PLASTIC W/SELF ADHESIVE-.13" X .75" X 19.26"
	113797-02-01A	EA STRIP - BLACK PLASTIC W/SELF ADHESIVE-.25" X .75" X 6.45"
	113797-03-01A	EA STRIP - BLACK PLASTIC W/SELF ADHESIVE-.19" X .75" X 19.26"
9	131412-01-02A	EA COMPARTMENT - STORAGE/SEAT - VW LIGHT GRAY
10	115138-01-11B	EA MOUNT - REAR SEAT
11	114920-01-11B	EA SUPPORT - SEAT - FRONT/RIGHT HAND
	115521-01-000	EA LABEL - HANG TAG - REAR SEAT

CURTAIN & CUSHION GROUP (CONTINUED)
FABRICS

KEY	PART NUMBER	U/M DESCRIPTION
	072333-88-000	YD FABRIC - CURTAIN - TEXTURED PLAIN - 54" - CHROME
	087272-03-000	YD LINING - DRAPERY - 54" - IVORY
	096861-37-000	YD FABRIC - STAR/COAL
	103907-01-06A	YD VINYL - EXPANDED - VW DARK GREY - 54"
	126883-90-000	MT FABRIC - FLANNEL GRAY
	126883-93-000	MT FABRIC - ORBIT
	126883-92-000	MT FABRIC - ORBIT
	126883-91-000	MT FABRIC - ORBIT

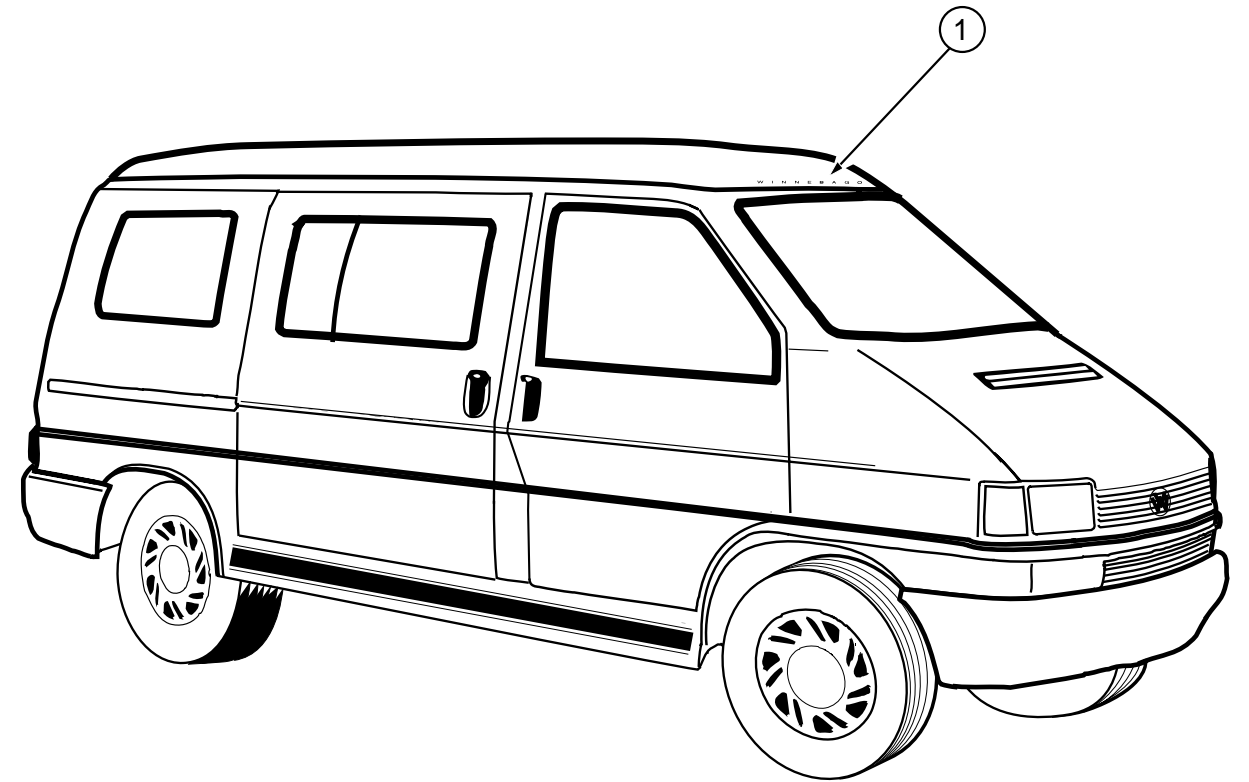
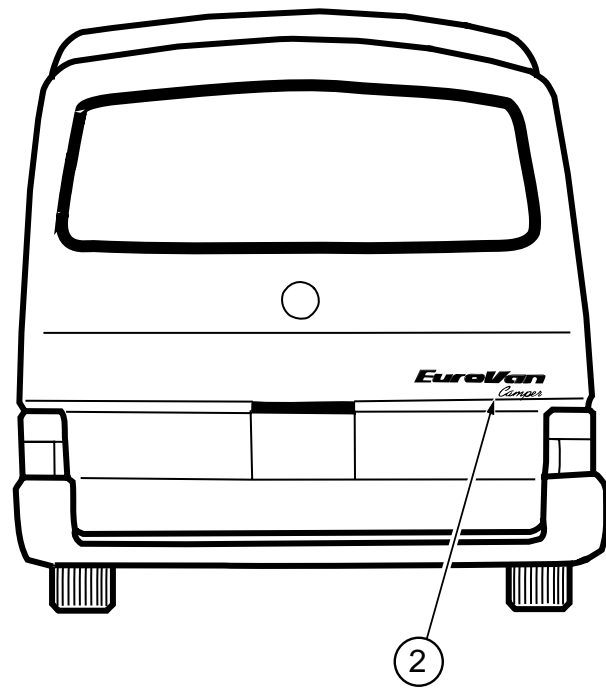
SEATBELTS

KEY	PART NUMBER	U/M DESCRIPTION
	118350-01-02A	EA SEAT BELT - 2 POINT - PASSENGER - GRAY - CENTER COUCH
	118351-01-02A	EA SEAT BELT - 3 POINT - PASSENGER - GRAY - REAR COUCH
	118351-02-02A	EA SEAT BELT - 3 POINT - DRIVER - GRAY - REAR COUCH
	118352-01-01A	EA BRACKET - ANGLE - SEAT BELT - REAR COUCH LOWER LEFT
	109146-01-000	EA BOLT - SHOULDER/SEAT BELT - REAR COUCH UPPER
	123547-01-02B	EA ANCHOR - SEAT BELT - REAR COUCH LOWER RIGHT
	131404-01-02A	EA COVER - BRACKET/SEAT BELT - VW LIGHT GRAY - REAR COUCH UPPER LEFT

COMPANION SEAT

KEY	PART NUMBER	U/M DESCRIPTION
	128826-06-K72	EA SEAT - COMPANION BUCKET - W/ARMRESTS (L75)
	128826-07-K72	EA SEAT BACK - BUCKET SEAT (L75)
	128826-08-K72	EA SEAT BOTTOM - BUCKET SEAT (L75)
	128826-09-K72	EA ARMREST - RIGHT HAND (L75)
	P28826-09-K72	EA COVER - ARMREST/RIGHT HAND (L75)
	130188-01-000	EA BRACKET - ARMREST/RIGHT HAND - W/FOAM
	128181-01-01B	EA BRACKET - ARMREST/RIGHT HAND
	128826-10-K72	EA ARMREST - LEFT HAND (L75)
	P28826-10-K72	EA COVER - ARMREST/LEFT HAND (L75)
	130188-02-000	EA BRACKET - ARMREST/LEFT HAND - W/FOAM
	128181-02-01B	EA BRACKET - ARMREST/LEFT HAND
	113739-01-000	EA ROLLER - SEAT
	117387-01-01A	EA RETAINER - BOLT - SEAT
	118570-01-01A	EA CLAMP - SEAT
	120270-01-01A	EA PLUG - SEAT
	124755-01-000	EA WRENCH - ALLEN 1/4 HEX - LONG ARM
	131420-03-02A	EA PANEL - SEAT/CENTER - VW LIGHT GRAY
	131402-01-02A	EA PANEL - SEAT - CENTER BACK - VW LIGHT GRAY

DECALS GROUP
DECALS, STRIPES & PAINT

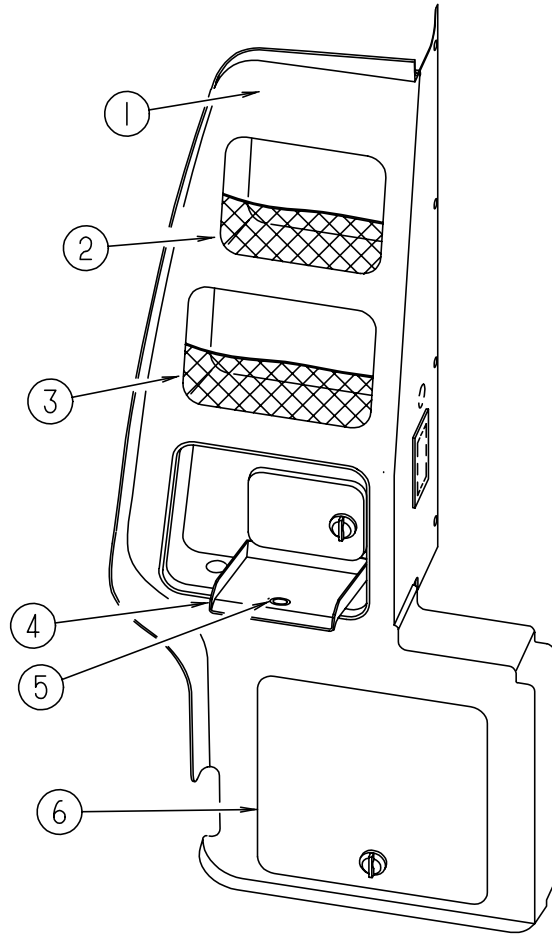


KEY	PART NUMBER	U/M	DESCRIPTION
1	124420-01-01A	EA	DECAL - LOGO WINNEBAGO INDUSTRIES
2	115300-01-01A	EA	DECAL - EUROVAN CAMPER
	034618-84-700	EA	PAINT-SPRAY, VW WHITE - RAABE 46055

DUPONT COLOR CODES

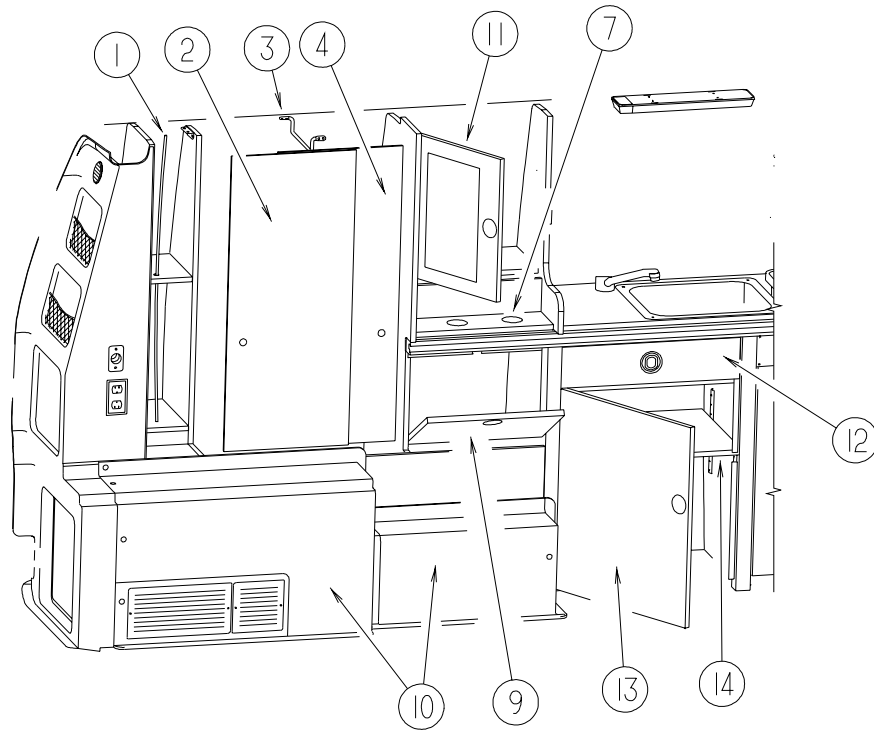
VW WHITE W9670

DRIVER SIDE GROUP
REAR DRIVER SIDE PANEL & COMPONENTS



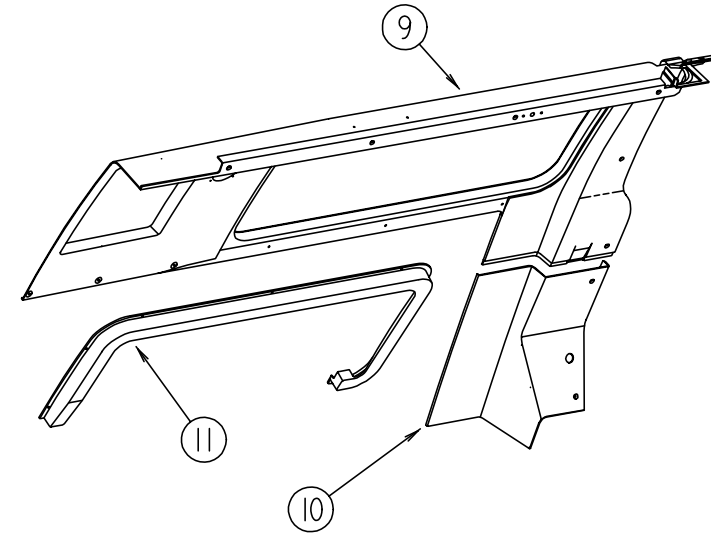
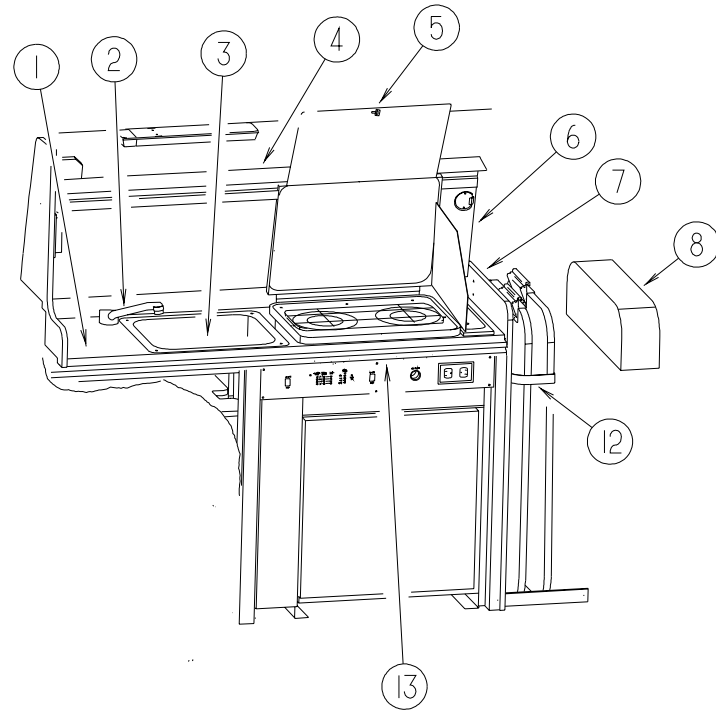
KEY	PART NUMBER	U/M DESCRIPTION
1	M09348-01-K72	EA PANEL - REAR LEFT HAND COMPARTMENT - LIGHT GRAY
1	M09348-02-K72	EA PANEL - REAR LEFT HAND COMPARTMENT - CANADIAN - LIGHT GRAY
	119686-11-03A	EA BACKING - SCREW - VW LIGHT GRAY
	119686-12-03A	EA BACKING - SCREW - FLAT EDGE - VW LIGHT GRAY
	119686-13-03A	EA BACKING - SCREW - OUTLET - VW LIGHT GRAY
	119686-14-03A	EA BACKING - SCREW - ADJOINING PART - VW LIGHT GRAY
	118288-01-03A	EA TRIM - CABINET - VW LT GRAY
2	114127-03-01A	EA WEBBING - BARB TIP
2	114128-02-01A	EA CORD - ELASTIC - BARB TIP
3	114127-04-01A	EA WEBBING - BARB TIP
3	114128-04-01A	EA CORD - ELASTIC - BARB TIP
4	131410-01-02A	EA PANEL - COVER - WATER FILL - VW LIGHT GRAY
	115476-03-01A	EA HINGE-CONT,W/HOLES
	115476-03-04A	EA HINGE - CONTINUOUS W/HOLES - VW LIGHT GRAY
	009065-01-000	EA HINGE - ALUMINUM - 1 1/2" X 96" - UNPAINTED
5	071015-39-000	EA GROMMET - .75 ID FITS .06 MTL
6	131411-01-02A	EA DOOR - ELECTRICAL CENTER - VW LIGHT GRAY
	009065-01-000	EA HINGE - ALUMINUM - 1 1/2" X 96" - UNPAINTED
	115476-03-01A	EA HINGE-CONT,W/HOLES
	115476-03-04A	EA HINGE - CONTINUOUS W/HOLES - VW LIGHT GRAY

DRIVER SIDE GROUP (CONTINUED)
DRIVER SIDE CABINETS & COMPONENTS



KEY	PART NUMBER	U/M	DESCRIPTION
1	114128-05-01A	EA	CORD - ELASTIC - BARB TIP
2	130103-14-01A	EA	DOOR - WARDROBE/LEFT HAND - W/O HARDWARE
3	114066-01-04B	EA	ROD-WARDROBE - BLACK
4	130103-15-01A	EA	DOOR - WARDROBE/RIGHT HAND - W/O HARDWARE
	116699-01-04A	EA	TRACK - DOOR/SLIDING - UPPER - VW LIGHT GRAY
	116698-01-03A	EA	TRACK - DOOR/SLIDING - LOWER - VW LIGHT GRAY
	110943-01-000	FT	FELTSTRIP - 3/8" - ADHESIVE BACK
	113797-05-01A	EA	STRIP - BLACK PLASTIC W/SELF ADHESIVE- .13" X .7" X 26.1"
	130103-04-01A	EA	PANEL - WARDROBE CENTER
	130103-05-01A	EA	PANEL - WARDROBE DIVIDER
	068716-01-001	EA	BRACE - 90 DEGREE - L-ANGLE - 16'
	130103-06-01A	EA	PANEL - WARDROBE END
	130103-07-01A	EA	PANEL - WARDROBE FACE
	130103-10-01A	EA	PANEL - WARDROBE BOTTOM
	130103-11-01A	EA	PANEL - WARDROBE SHELF
	130103-16-01A	EA	PANEL - WARDROBE BACK
7	064781-07-000	EA	HOLDER/CUP - TWO STEP - BLACK
	130103-19-01A	EA	PANEL - SHELF/CUP - VW GRAY
	130103-25-01A	EA	PANEL - W/O RADIO - VW GRAY
9	112774-02-H75	EA	DOOR - CABINET - FLUSH MOUNT - W/O HARDWARE
10	P19687-04-K72	EA	PANEL - BED - LOWER LEFT HAND - W/FURNACE - LIGHT GRAY
11	131500-01-K72	EA	DOOR - MIRRORED
	009089-01-000	EA	CLIP - MIRROR
	058331-D1-000	EA	MIRROR - SAFETY GLASS - 7.9" X 12.5"
12	M06947-02-K72	EA	DRAWER - 14.2"W X 8.7"D - W/O SLIDES/HARDWARE
13	112774-04-K75	EA	DOOR - FLUSH MOUNT - 20.8" X 10.4" - W/O MIRROR/HARDWARE
	130103-21-01A	EA	PANEL - GALLEY/LOWER BACK - VW GRAY
	130103-22-01A	EA	PANEL - GALLEY DIVIDER - VW GRAY
	130103-27-01A	EA	PANEL - GALLEY CENTER
14	130103-09-01A	EA	PANEL - GALLEY SHELF

DRIVER SIDE GROUP (CONTINUED)
DRIVER SIDE CABINETS & COMPONENTS (CONTINUED)

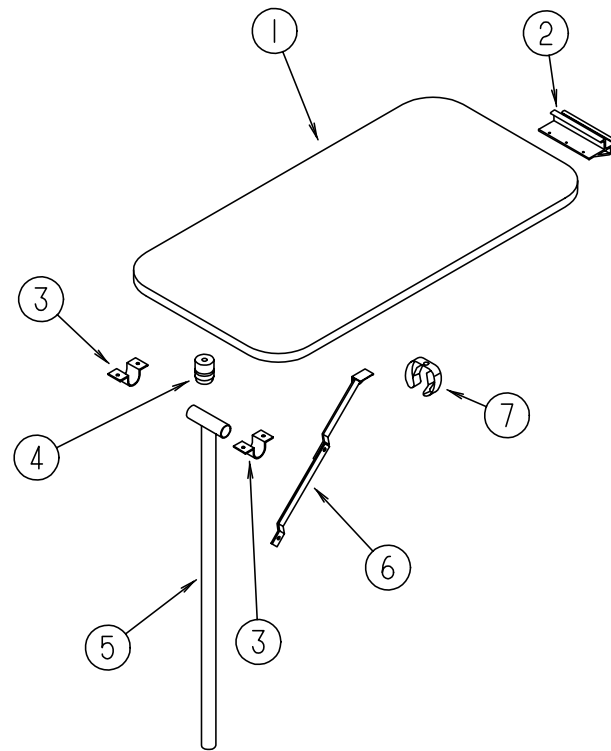


KEY	PART NUMBER	U/M DESCRIPTION	VENDOR NO.
1	113295-04-01A	EA COUNTERTOP - FORMED - STAINLESS STEEL	
2	121732-01-01A	EA FAUCET - SINK - SINGLE	
3	011029-03-000	EA SINK - STAINLESS STEEL - SINGLE W/RAILS	
	066437-02-000	EA STRAINER - W/BASKET - SINK	
4	115040-01-03A	EA COVE - GALLEY - VW LT GRAY	
	131439-01-01A	EA TUBE/HINGE - GALLEY TOP - VW LIGHT GRAY	
	114673-01-02B	EA COVER/PIPE - E-COATED	
	114436-01-04A	EA MESH/GRILLE - REFRIGERATOR - 47.7" X 3" - VW LIGHT GRAY	
5	051391-01-705	EA FASTENER-CAMLOCK - RANGE TOP COVER	92609
5	114959-01-02B	EA BRACKET - LATCH - RANGE	
6	130103-28-01A	EA PANEL - GALLEY LID	

KEY	PART NUMBER	U/M DESCRIPTION
7	130103-26-01A	EA PANEL - GALLEY END
8	117239-01-K72	EA COVER - TABLE - B-VAN (L75)
9	131416-01-02A	EA PANEL - TRIM - UPPER/FRONT/LEFT HAND - VW LIGHT GRAY
10	131414-01-02A	EA PANEL - TRIM - LOWER/FRONT/LEFT HAND - VW LIGHT GRAY
11	131419-02-02A	EA PANEL - TRIM - WINDOW/INNER/LEFT HAND - VW LIGHT GRAY
12	115168-01-000	EA STRAP - 3 PIECE RETAINING
13	114082-01-03A	EA TUBE - GALLEY - HORIZONTAL - VW LT GRAY
	113793-01-03A	EA STRIP-Z - VW LT GRAY
	113737-02-04A	EA REFRIGERATOR - ONE DOOR/3-WAY - VW LIGHT GRAY

DRIVER SIDE GROUP (CONTINUED)

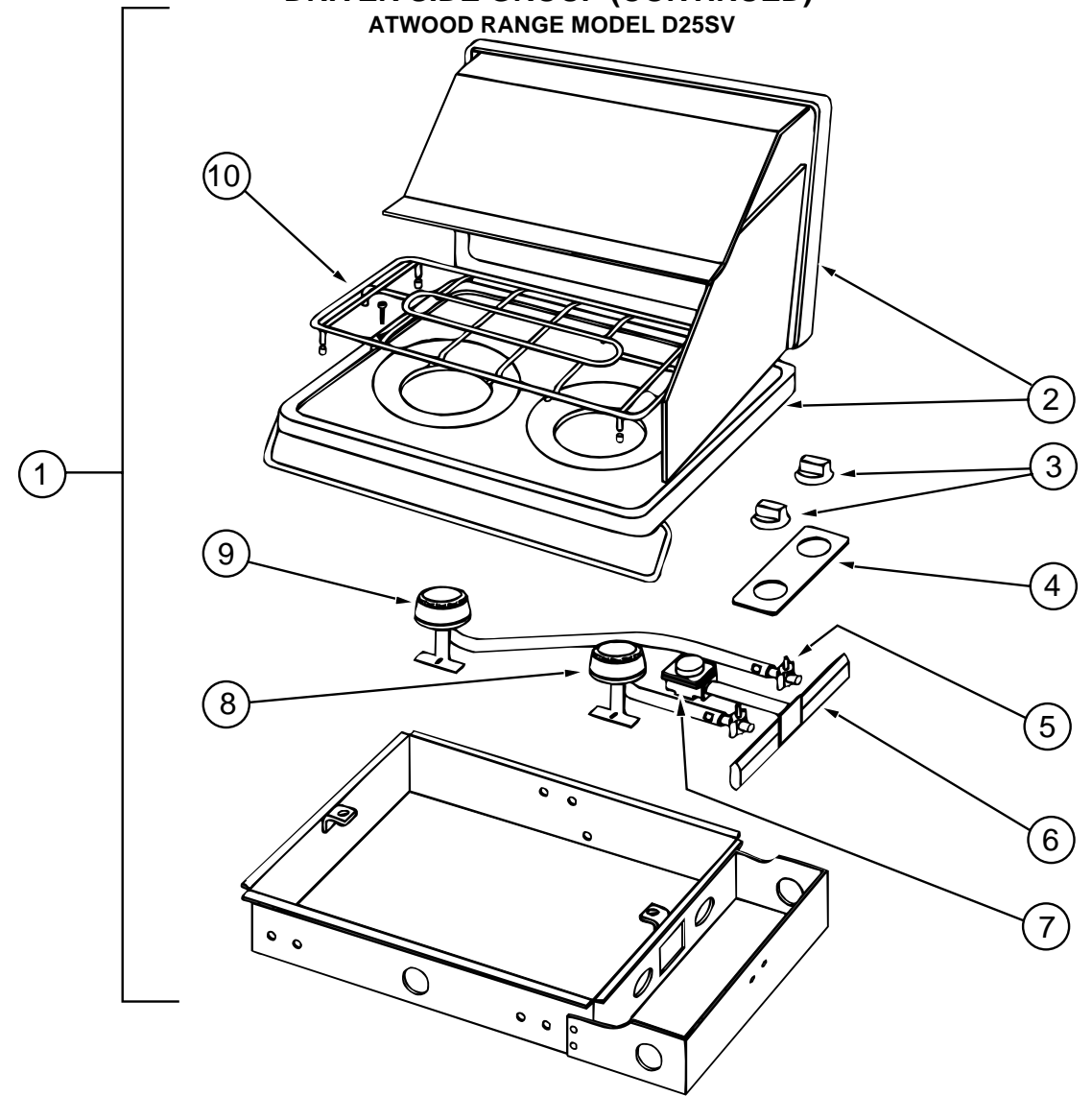
DRIVER SIDE TABLES



KEY	PART NUMBER	U/M	DESCRIPTION
1	130102-01-01A	EA	TABLE TOP ONLY - VW GRAY
2	114013-01-03A	EA	SUPPORT - TABLE - VW LT GRAY
3	064050-08-000	EA	HINGE - TABLE LEG
4	117047-01-000	EA	BUMPER - RUBBER - WASHER INSERT
4	097872-04-000	EA	DOWEL - WOOD - 1" DIA X 1.38" LONG - UNFINISHED
5	024276-29-000	EA	LEG - TABLE - W/O HARDWARE
6	024282-01-000	EA	BRACE - TABLE LEG - HINGED
7	091952-01-000	EA	CLIP - GRIPPER - 1"
	115523-01-000	EA	LABEL - HANG TAG - TABLES

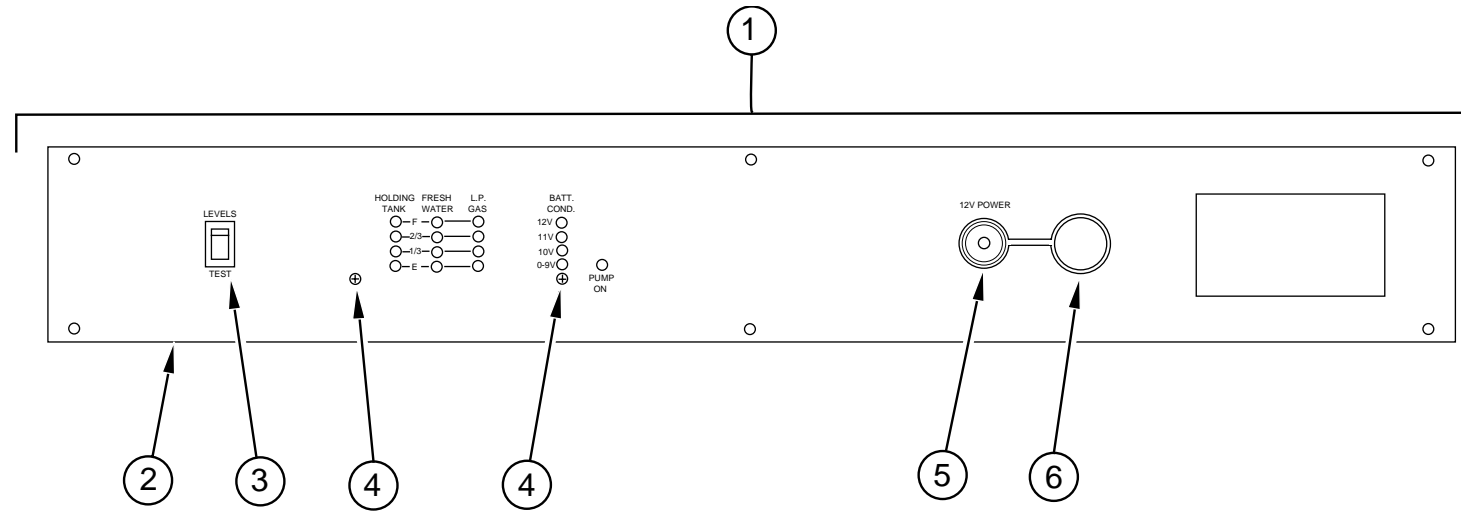
DRIVER SIDE GROUP (CONTINUED)

ATWOOD RANGE MODEL D25SV



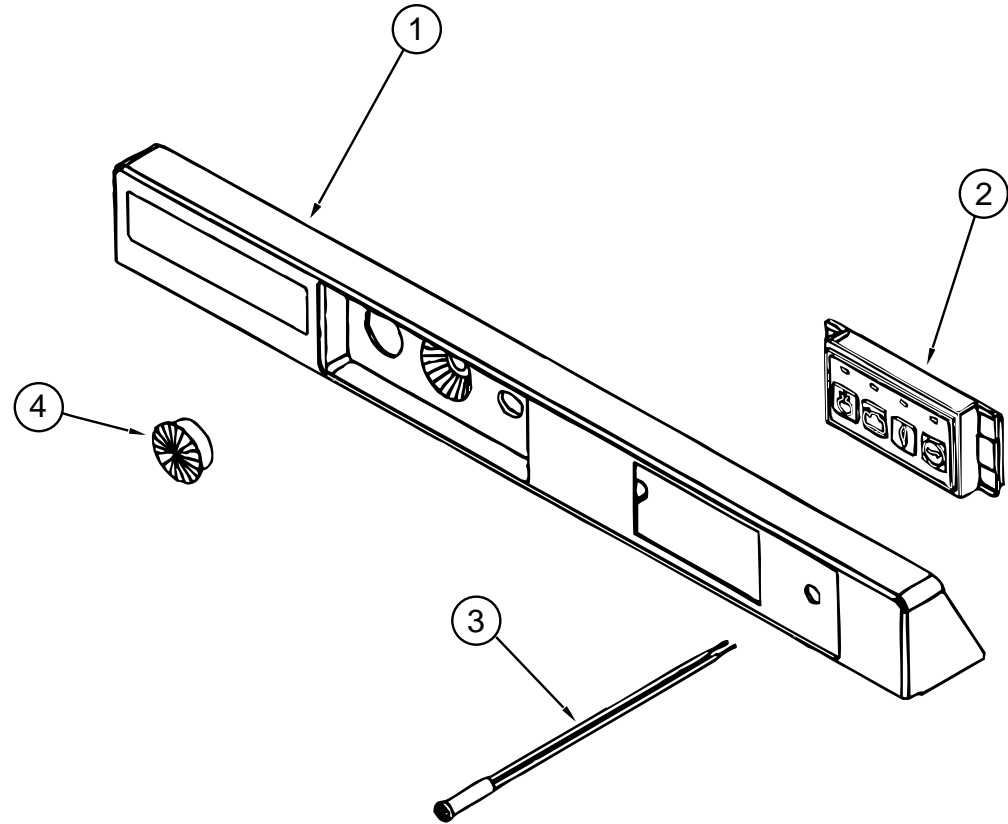
KEY	PART NUMBER	U/M	DESCRIPTION	VENDOR NO.
1	113948-02-01A	EA	RANGE - 2 BURNER W/COVER	
2	113948-01-703	EA	TOP-STOVE, W/GRATE & BAR	51443
3	101593-01-703	EA	KNOB-BURNER	53000
4	113948-01-702	EA	DECAL-BURNER CONTROL	51454
5	113948-02-701	EA	VALVE - BURNER	56090
6	113948-02-702	EA	MANIFOLD	56079
7	106689-01-704	EA	REGULATOR-EXTREME PRESSURE	51062
8	113948-02-704	EA	BURNER - RIGHT HAND	56078
9	113948-02-703	EA	BURNER - LEFT HAND	56077
10	101593-01-700	EA	GRATE, DESIGNER STYLE	53304
	107323-01-711	EA	CUSHION - GRATE BOOTS-RUBBER	53008
	101593-01-701	EA	SCREW-THUMB	52537
	113947-01-702	EA	MOLDING-ANTI RATTLE,SHORT	52454
	113947-02-701	EA	COVER - STOVE TOP (GRAY)	56204
	113948-02-705	EA	GROMMET/MOLDING 47.75"	52453

DRIVER SIDE GROUP (CONTINUED)
VENTLINE MONITOR PANEL
W/ PUMP SWITCH



KEY	PART NUMBER	U/M	DESCRIPTION	VENDOR NO.
1	113566-03-01A	EA	PANEL - MONITOR - 1 TANK	
2	113566-03-703	EA	SILKSCREENED CHASSIS	CD0438-00
3	113566-01-707	EA	SWITCH - OFF/MOM	L0111-00
4	N/A	EA	SCREW-MACHINE, BLACK #6-32X1	L0495
5	113566-03-705	EA	RECEPTACLE - 12V	L0444-01
6	113566-03-704	EA	CAP - RUBBER 12V RECEPTACLE	L0444-02
	113566-03-700	EA	HARNESS	L7702-00
	113566-03-701	EA	PC BOARD	L5099-122
	113566-03-702	EA	LABEL	L0451-00

DRIVER SIDE GROUP (CONTINUED)



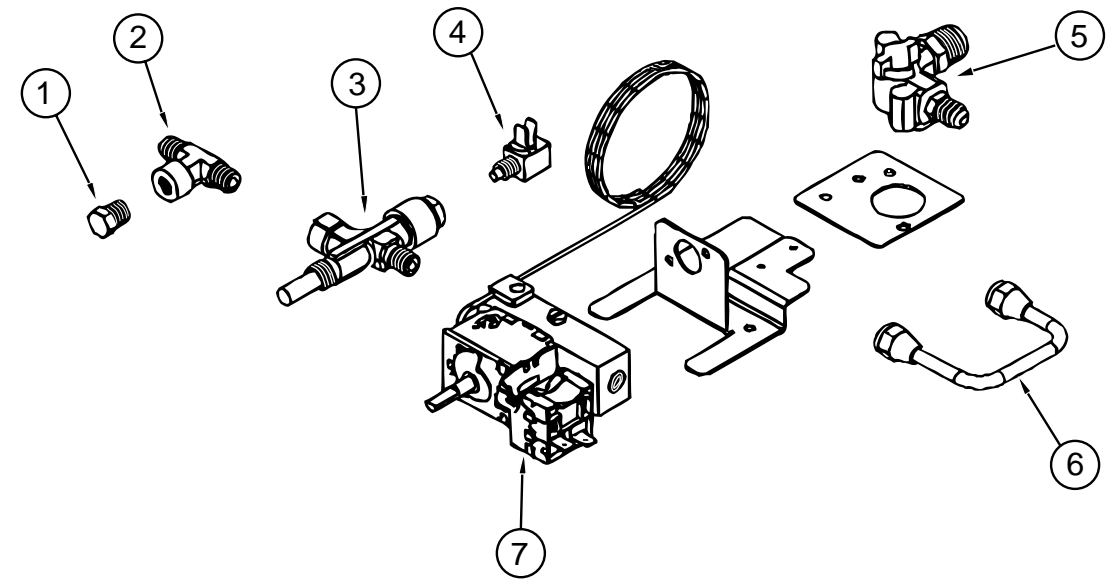
NORCOLD REFRIGERATOR CONTROL PANEL & COMPONENTS

KEY	PART NUMBER	U/M DESCRIPTION	VENDOR NO.
	113737-02-04A	EA REFRIGERATOR - ONE DOOR/3-WAY - VW LIGHT GRAY	
1	113737-01-723	EA PANEL-CONTROL	617913
2	113737-01-729	EA SWITCH - SELECTION (MODE)	617945
3	113737-01-703	EA LIGHT-FLAME INDICATORGRN RED	61609022
4	113737-01-713	EA PLUG-HOLE, 1" BLACK	617981

NORCOLD REFRIGERATOR HANG TAG & LEVEL

KEY	PART NUMBER	U/M DESCRIPTION
	115522-01-000	EA LABEL - HANG TAG - REFRIGERATOR
	054450-01-000	EA LEVEL - REFRIGERATOR

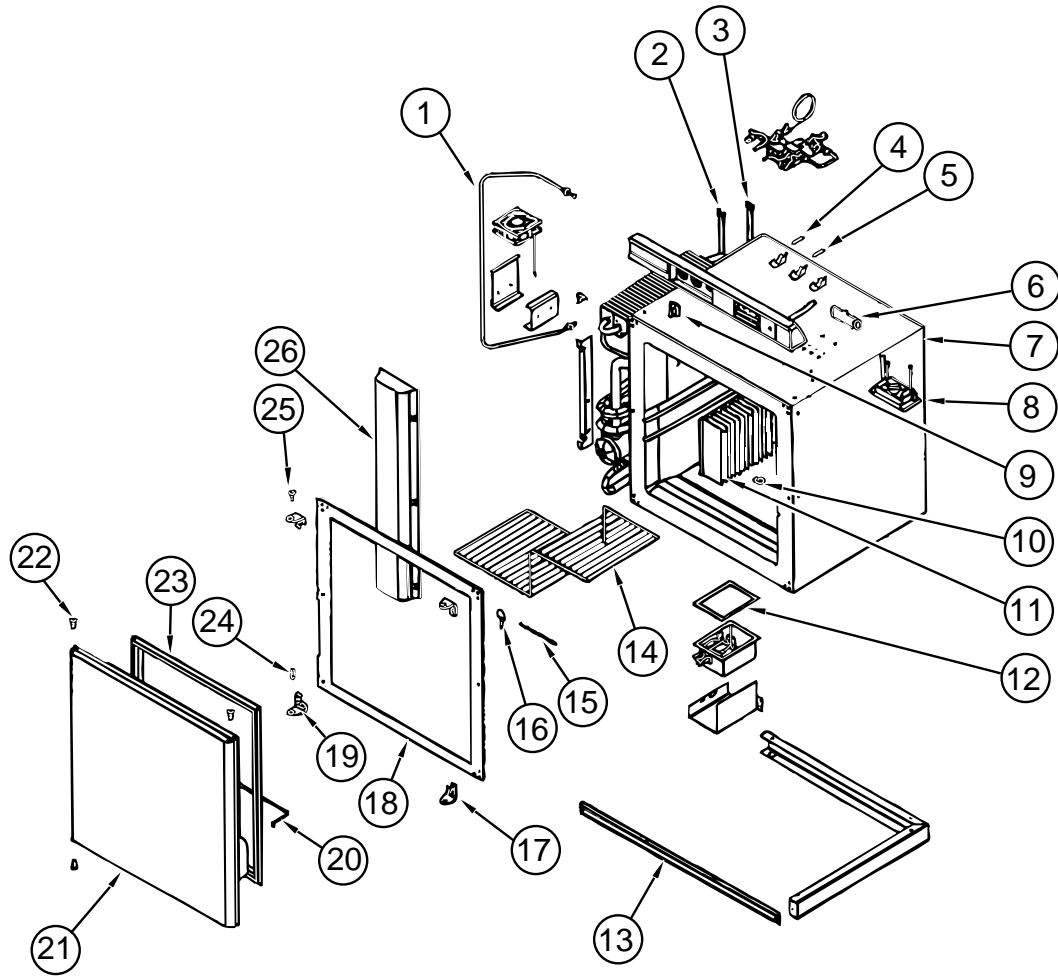
DRIVER SIDE GROUP (CONTINUED)



NORCOLD REFRIGERATOR THERMOSTAT & COMPONENTS

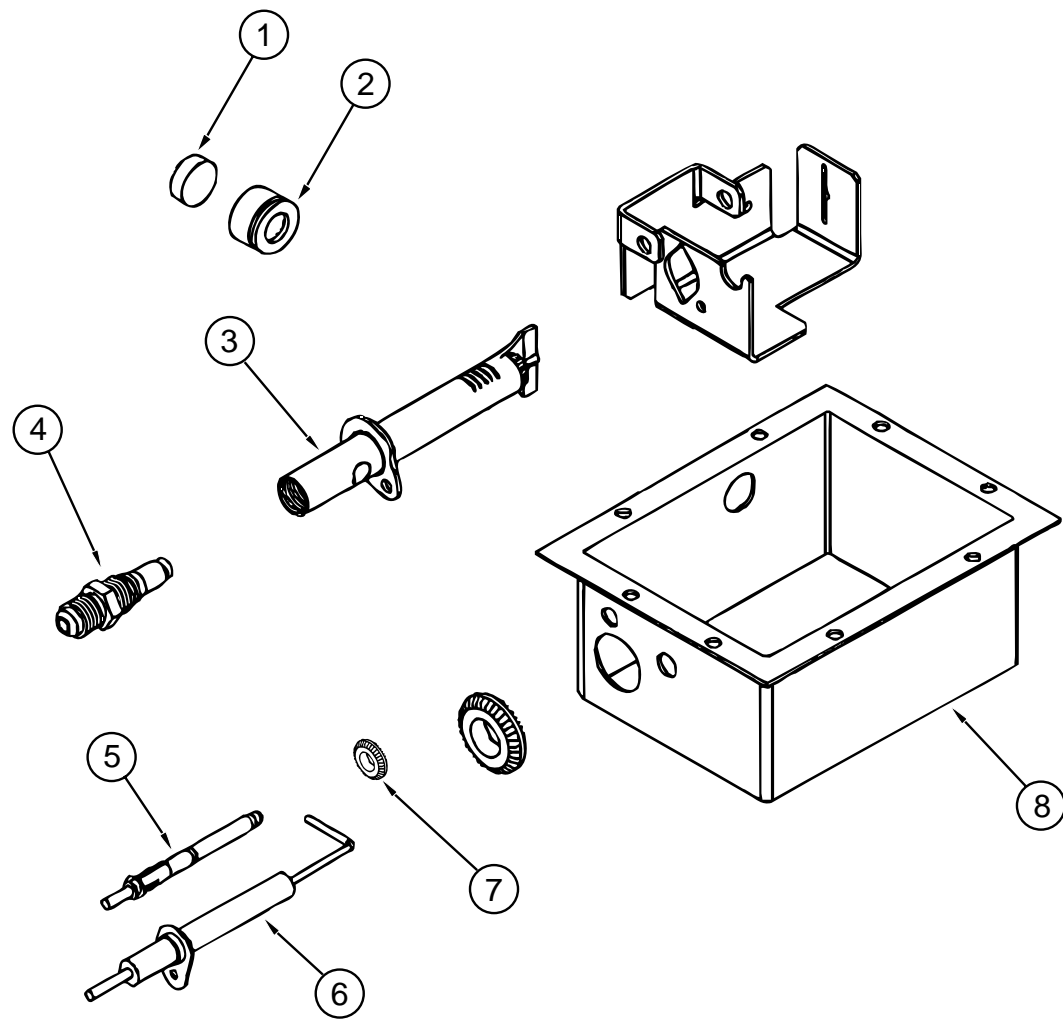
KEY	PART NUMBER	U/M DESCRIPTION	VENDOR NO.
	113737-02-04A	EA REFRIGERATOR - ONE DOOR/3-WAY - VW LIGHT GRAY	
1	113737-01-702	EA PLUG 1/8" F/PRESSURE TAP	61445322
2	113737-01-716	EA TAP-PRESSURE	61594422
3	113737-01-730	EA VALVE - SAFETY IGNITION	617965
4	113737-01-709	EA INTERRUPTER	61750522
5	113737-01-719	EA VALVE-SHUT-OFF-MANUAL	617976
6	113737-01-750	EA TUBE-UNION	61694622
7	113737-01-735	EA THERMOSTAT-GAS VALVE	617944

DRIVER SIDE GROUP (CONTINUED)
NORCOLD REFRIGERATOR CABINET ASM & DOOR



KEY	PART NUMBER	U/M	DESCRIPTION	VENDOR NO.
	113737-02-04A	EA	REFRIGERATOR - ONE DOOR/3-WAY - VW LIGHT GRAY	
1	113737-01-746	EA	TUBE-BURNER	617989
2	113737-01-722	EA	HEATER DC (3-WAY)	61745422
3	113737-01-721	EA	HEATER AC	61745322
4	113737-01-714	EA	FUSE 20 AMP (3-WAY)	61440522
5	113737-01-720	EA	FUSE 3 AMP (32V OR LESS)	61654622
6	113737-01-731	EA	BLOCK-TERMINAL	617979
7	N/A	EA	FOAMED CABINET & COOLING UNIT	617993
8	113737-01-760	EA	RELIGHTER	619868
9	113737-01-740	EA	KNOB-THERMOSTAT	617971
	113737-01-741	EA	SCREW #10 X 1/2"	NSC0001
10	113737-01-705	EA	CLIP - FIN	61728722
11	113737-01-706	EA	FIN ASSEMBLY	617948
12	113737-01-748	EA	GASKET-BURNER BOX-FELT	617977
13	113737-01-734	EA	GRILLE (AIR INLET BLK)	617938
14	113737-01-711	EA	SHELF L-SHAPED (WHITE)	618063
15	113737-01-752	EA	CHAIN (TRAVEL LATCH)	618047
16	113737-01-753	EA	PIN (TRAVEL LATCH)	618046
17	113737-01-724	EA	HINGE (RH BTM & LH TOP)	617910
18	113737-01-712	EA	BREAKER (BLACK TRIM)	617912
19	113737-01-725	EA	HINGE (LH BTM & RH TOP)	617911
20	113737-01-733	EA	DOOR-RAIL, WHITE POWDER	618064
21	113737-02-703	EA	DOOR ASSEMBLY-VW LIGHT GRAY	620297
	113737-02-704	EA	DOOR LINER-VW LIGHT GRAY	620296
22	113737-01-701	EA	BUSHING-HINGE	61742022
23	113737-01-704	EA	GASKET-DOOR, GRAY	617906
24	113737-01-710	EA	PIN-HINGE, BOTTOM	61550722
25	113737-01-708	EA	PIN-HINGE, TOP	61114600
26	113737-02-702	EA	SYSTEM COVER-VW LIGHT GRAY	620299
	113737-01-754	EA	THERMOSTAT (FAN 12V DC)	618093
	113737-01-759	EA	FUSE HOLDER	61584222

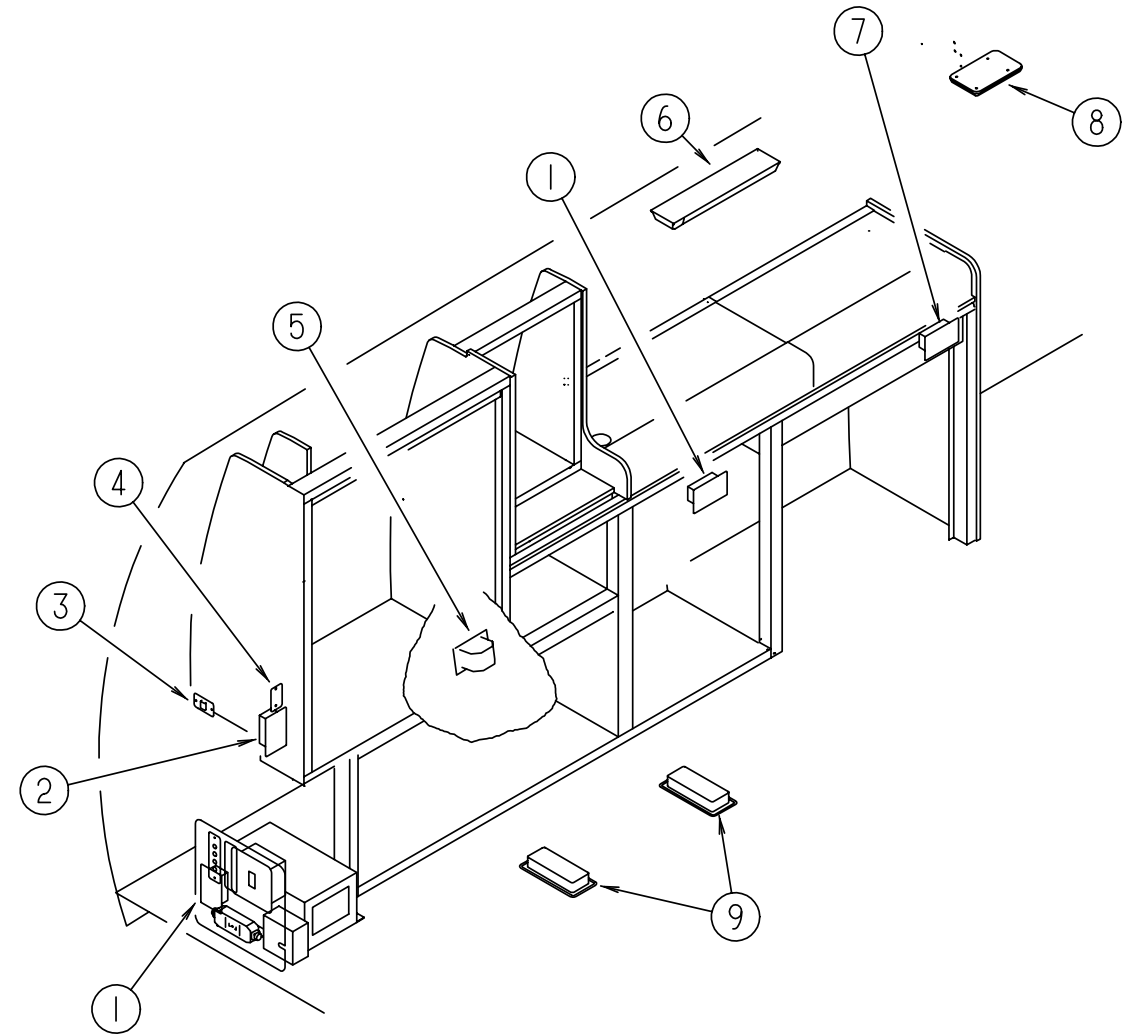
DRIVER SIDE GROUP (CONTINUED)



NORCOLD REFRIGERATOR BURNER ASM & COMPONENTS

KEY	PART NUMBER	U/M DESCRIPTION	VENDOR NO.
	113737-02-04A	EA REFRIGERATOR - ONE DOOR/3-WAY - VW LIGHT GRAY	
1	113737-01-732	EA GLASS-SIGHT	617995
2	113737-01-751	EA GROMMET F/SIGHT GLASS	617933
3	113737-01-726	EA BURNER ASSEMBLY	617936
4	113737-01-727	EA ORIFICE-ADAPTER ASSEMBLY	61753137
5	113737-01-717	EA THERMOCOUPLE	617983
6	113737-01-715	EA ELECTRODE-SPARK IGNITION	617966
7	113737-01-755	EA RUBBER GROMMET	617997
8	113737-01-747	EA BOX-BOTTOM F/BURNER	617925

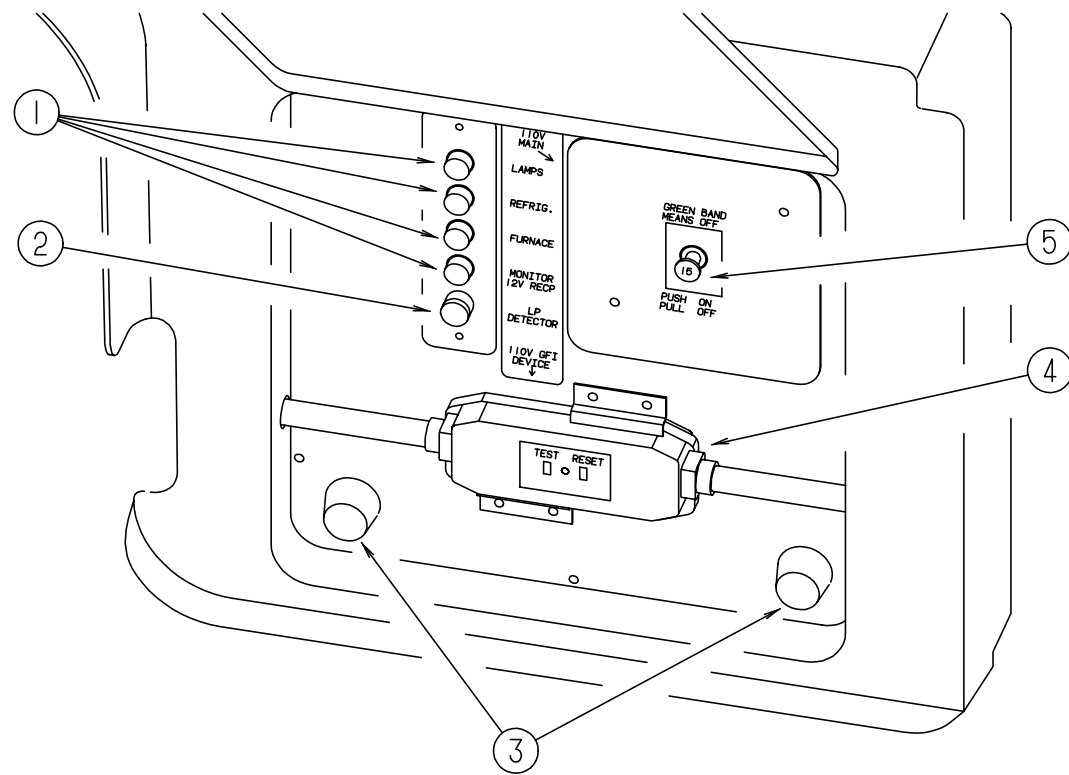
ELECTRICAL GROUP



LIGHTS, RECEPTACLES & SWITCHES

KEY	PART NUMBER	U/M DESCRIPTION	VENDOR NO.
1	058707-01-000	EA RECEPTACLE - ELECTRIC - SINGLE - BROWN	
2	058708-03-000	EA RECEPTACLE - ELECTRIC - DOUBLE - BLACK	
2	084076-04-000	EA RECEPTACLE - GFI - 15 AMP - 125 VOLT - BLACK	
3	079364-04-000	EA SWITCH-ON/OFF, ROCKER - BLACK - WATER PUMP	
3	098351-01-02A	EA PLATE/SWITCH - 1 GANG - CHROME - W/O LABEL	
4	111414-01-000	EA RECEPTACLE - 12V - W/O BIMETAL	
4	111414-01-700	EA CAP-RUBBER, F/12 VOLT RECP.	19034
4	111386-01-04B	EA PLATE - RECEPTACLE - 12 VOLT - BLACK	
5	087661-01-000	EA OUTLET - SINGLE - EXTERIOR	
6	127327-01-01A	EA LAMP - FLUORESCENT - BLACK/THIN LITE	
7	058708-03-000	EA RECEPTACLE - ELECTRIC - DOUBLE - BLACK	
8	098024-01-04A	EA LIGHT - DOME - 1 BULB - SKYLITE - GRAY	
	008218-01-000	EA BULB - 12 VOLT - #1141 - 1.44 AMP	
	098024-01-701	EA LENS - OPTI CLEAR - SKYLITE	809902
9	112643-02-000	EA LIGHT - DOUBLE SWIVEL	
9	112642-02-05A	EA TRIM RING - DOUBLE LIGHT	

ELECTRICAL GROUP (CONTINUED)



CIRCUIT BREAKERS, POWER CORD W/GFI, & FUSE

KEY	PART NUMBER	U/M DESCRIPTION
1	093654-02-000	EA CIRCUIT BREAKER - 15 AMP - 12 VOLT
2	008233-01-000	EA FUSE - 12 VOLT - 6 AMP
2	111683-01-000	EA FUSE - HOLDER - GLASS - 1/4" X 1 1/4"
3	116688-01-000	EA BUMPER - RUBBER
4	112522-01-000	EA CORD - POWER - 15 AMP - W/GFI ASM
5	113520-01-000	EA BREAKER - CIRCUIT - 15AMP - SWITCHED
	108567-01-000	EA CIRCUIT BREAKER - 40 AMP - 12 VOLT - TYPE II
	097611-02-000	EA BREAKER-CIRCUIT, 30 A - SNAP ACTION VB3-A30 - SERVICE REPLACEMENT ONLY

ELECTRICAL GROUP (CONTINUED)

BOXES & CONDUIT

KEY	PART NUMBER	U/M DESCRIPTION
	008289-01-000	EA BOX - ELECTRIC/STEEL - 1/2" & 3/4" KNOCKOUTS - 4" X 4"
	008294-01-000	EA COVER - ELECTRICAL BOX - BLANK/STEEL - 4" X 4" - GRAY
	113088-01-000	EA BOX - ELECTRIC - 3" X 2" X 2.75"
	113946-01-000	EA BOX - ELECTRICAL - 110 VOLT
	041953-01-000	FT CONDUIT - CONVOLUTE SLIT - .5" ID - POLYETHELENE
	041953-03-000	FT CONDUIT - CONVOLUTE SLIT - 1" ID (CLOTHES ROD COVER)
	041953-07-000	FT CONDUIT - CONVOLUTE SLIT - .25" ID - POLYETHELENE

SOLENOID, POWER CONVERTER & POWER CORDS

KEY	PART NUMBER	U/M DESCRIPTION
	008188-01-000	EA SOLENOID - 3 POST - BATTERY CHANGE OVER
	092615-02-000	EA CONVERTER-20 AMP W/CHARGER - MAGNETEK 3220CPX
	087660-01-000	EA CORD - POWER - 15 AMP - 3 WIRE - 25 FOOT

WIRE ASSEMBLIES

KEY	PART NUMBER	U/M DESCRIPTION
	P27516-04-000	EA WIRE ASSEMBLY - RADIO AM/FM CD
	096449-01-000	EA WIRE ASSEMBLY - WATER TANK TO MONITOR PANEL

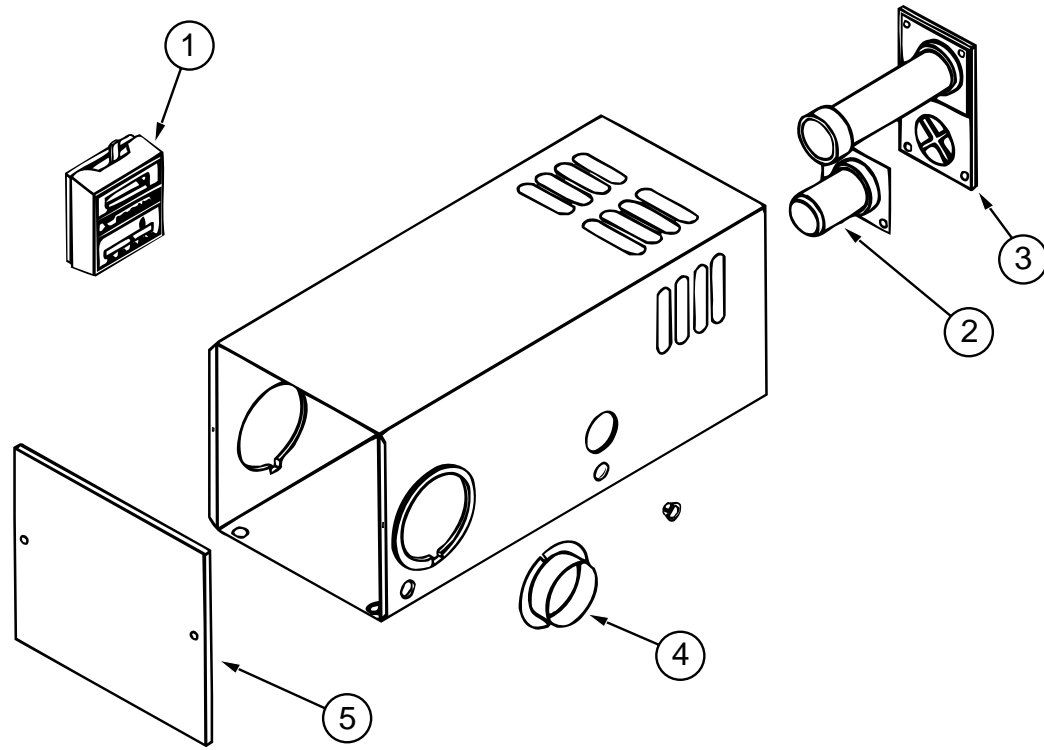
ELECTRICAL GROUP (CONTINUED)**ELECTRICAL CONNECTORS**

KEY	PART NUMBER	U/M	DESCRIPTION
	007956-05-000	EA	INSULATOR - SHRINK - .25 ID X 1.50
	008311-01-000	EA	CONNECTOR - WIRE NUT - INSULATED - RED
	008313-01-000	EA	CONNECTOR - WIRE NUT - INSULATED - YELLOW
	008314-01-000	EA	CONNECTOR - WIRE NUT - INSULATED - GRAY
	008328-01-000	EA	TERMINAL - RING - 12/10 WIRE - #10 STUD FIT
	008356-01-000	EA	CONNECTOR - PLASTIC - 3/8" AVG
	035416-04-000	EA	TERMINAL - RING - #10 STUD FIT - INSULATED BARREL #16/14
	047443-01-000	EA	TERMINAL - .250 RECEPTACLE FIT - INSULATED - 16/14 AWG
	047443-02-000	EA	TERMINAL - .250 RECEPTACLE FIT - INSULATED - 12/10 AWG
	058028-01-000	EA	CONNECTOR - ELECTRICAL PIGTAIL - NYLON - CLEAR
	077479-02-000	EA	BOOT - BATTERY TERMINAL - SINGLE CABLE
	080015-02-000	EA	RECEPTACLE - FLAG - .185 - 16/14 GAUGE
	080015-03-000	EA	RECEPTACLE - FLAG - .250 - 14/16 GAUGE
	087949-02-000	EA	BUSS BAR - 3 POSITION - .6" X 2.4"
	088473-01-000	EA	HOUSING - PIN - 12 CAVITY (3 ROWS OF 4)
	088473-06-000	EA	HOUSING - PIN - 6 CAVITY (2 ROWS OF 3)
	088473-08-000	EA	HOUSING - PIN - 4 CAVITY - IN-LINE
	088473-09-000	EA	HOUSING - PIN - 3 CAVITY - IN-LINE
	088474-01-000	EA	HOUSING - SOCKET - 12 CAVITY
	088474-03-000	EA	HOUSING - SOCKET - 9 CAVITY
	088474-06-000	EA	HOUSING - SOCKET - 6 CAVITY
	088474-07-000	EA	HOUSING - SOCKET - 5 CAVITY
	088474-10-000	EA	HOUSING - SOCKET - 2 CAVITY
	088475-01-000	EA	PIN - CONNECTOR - 14-20 AWG
	088476-01-000	EA	TERMINAL - ELECTRICAL
	102777-02-000	EA	TERMINAL - RING - #6 STUD - 10 AWG
	113452-01-000	FT	SEAL/TRIM - FRONT - VINYL W/WIRE CARRIER - .020"
	116811-01-000	EA	TERMINAL - .110 RECEPTACLE - 16-14 AWG

EXTERIOR DOOR GROUP**TAILGATE INTERIOR PANEL**

KEY	PART NUMBER	U/M	DESCRIPTION
	M08137-01-H75	EA	REAR DOOR PANEL
	061420-12-000	EA	PLUG/PLASTIC - 1.50" DIAMETER - RED

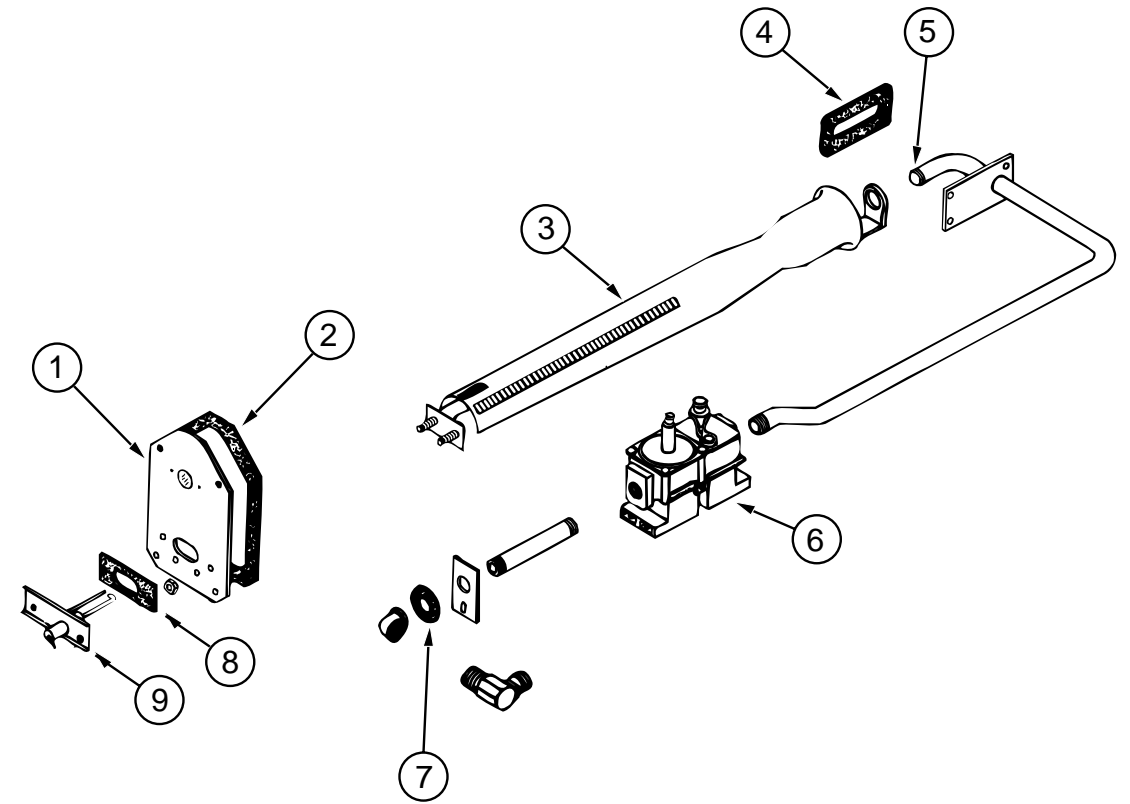
HEATING GROUP



SUBURBAN FURNACE CABINET & COMPONENTS

KEY	PART NUMBER	U/M	DESCRIPTION	VENDOR NO.
	075697-05-000	EA	FURNACE - DUCTED - FORCED AIR	
1	130974-01-01A	EA	THERMOSTAT - FURNACE - GRAY	
2	075696-02-736	EA	TUBE-INTAKE ASSEMBLY	050906
3	075697-01-701	EA	VENT CAP & EXHAUST ASM 20SE	260098
4	075696-02-703	EA	COLLAR-DUCT	050715
5	075697-05-700	EA	CABINET-FRONT	100960

HEATING GROUP (CONTINUED)

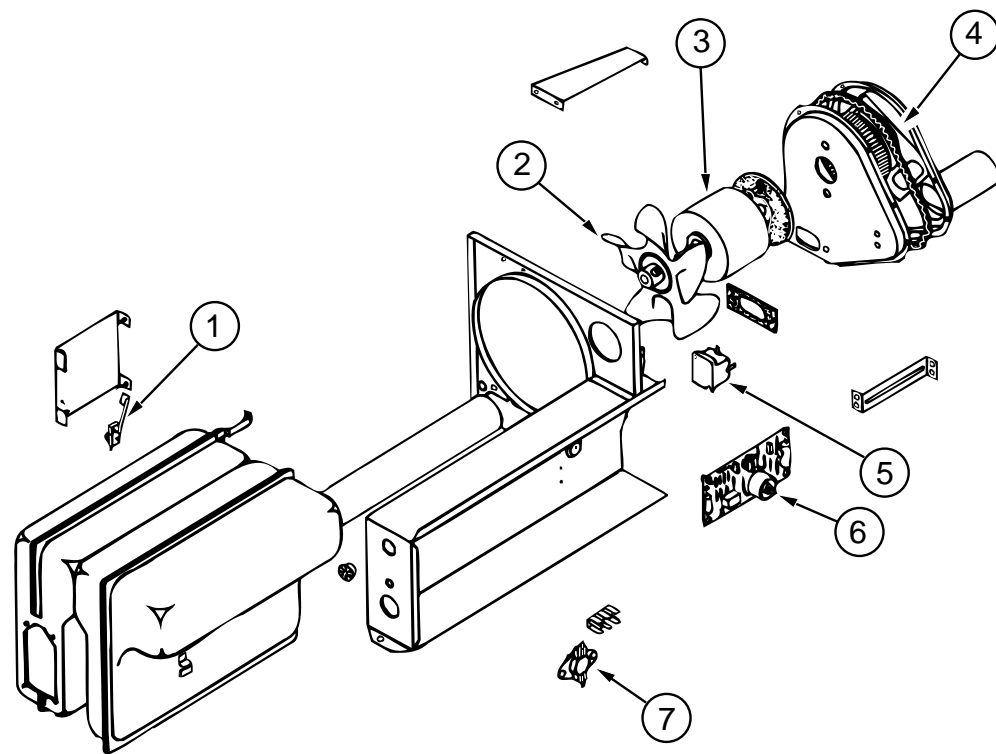


SUBURBAN FURNACE BURNER ASM & COMPONENTS

KEY	PART NUMBER	U/M	DESCRIPTION	VENDOR NO.
	075697-05-000	EA	FURNACE - DUCTED - FORCED AIR	
1	075697-04-704	EA	DOOR-BURNER ACCESS	030621
2	069634-01-732	EA	GASKET, BURNER ACCESS DOOR	070398
3	075697-05-706	EA	BURNER ASSEMBLY	010614
4	075697-01-709	EA	GASKET-MANIFOLD	070449
5	075697-05-705	EA	ORIFICE, MAIN BURNER	180225
6	069634-01-729	EA	VALVE-GAS-JOHNSON	161078
7	075696-02-721	EA	GASKET-GAS INLET PIPE	070432
8	092300-01-704	EA	GASKET-ELECTRODE	070163
9	075697-01-708	EA	ELECTRODE-SGL PROBE 92 ON UP	231931

HEATING GROUP (CONTINUED)

INTERIOR FINISH GROUP



SUBURBAN FURNACE BLOWER ASM & COMPONENTS

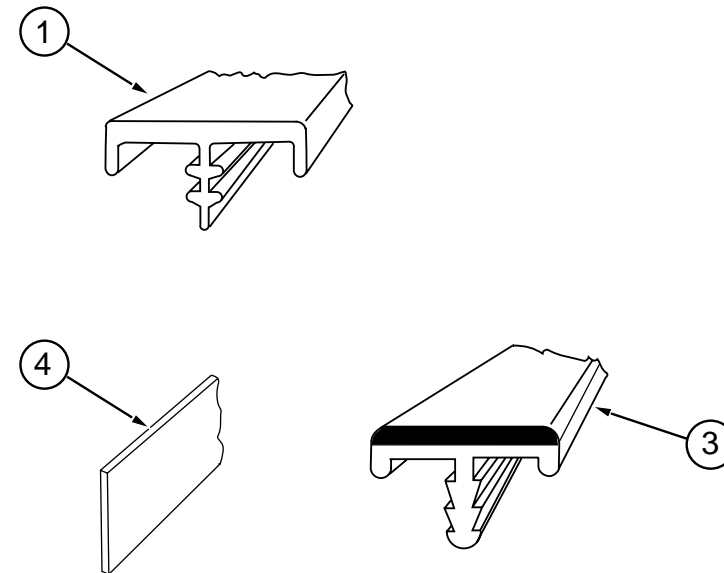
KEY	PART NUMBER	U/M DESCRIPTION	VENDOR NO.
	075697-05-000	EA FURNACE - DUCTED - FORCED AIR	
1	075697-05-701	EA MICROSWITCH ASSEMBLY	230933
2	075697-04-702	EA WHEEL-ROOM AIR	350083
3	075697-05-702	EA MOTOR - BLOWER 12 VOLT	230616
4	074035-01-706	EA WHEEL, COMBUSTION AIR	350082
5	074466-01-702	EA RELAY, TIME DELAY	230625
6	098668-01-712	EA BOARD-MODULE	520741
7	075697-04-700	EA SWITCH - LIMIT	230621

12 VOLT FIELD TESTER

KEY	PART NUMBER	U/M DESCRIPTION
	075697-05-704	EA TESTER-FENWELL BOARD-12 VOLT

HEATING SYSTEM COMPONENTS

KEY	PART NUMBER	U/M DESCRIPTION
	024990-05-000	EA OUTLET - DEFROSTER - 2" SLEEVE/4" OD - W/SWIVEL DEFLECTORS
	056464-07-000	EA REGISTER W/O DAMPER - 4" DIAMETER - PLASTIC - BLACK
	075697-06-000	EA TUBE - FURNACE INTAKE
	109918-01-05A	EA VENT - RETURN AIR - 12.3" X 5.5" - BLACK
	109918-02-01A	EA VENT - RETURN AIR - 6.2" X 5.5" - BLACK
	009198-01-000	FT DUCT - HEAT - FLEXIBLE - 4" ID X 25'
	069636-02-000	EA CONNECTOR - DUCT - 4" ID
	113379-01-000	EA BOX - DIVERTER - FURNACE 4"
	110735-01-01A	EA SPACER - FURNACE VENT



MOLDINGS & EDGEBANDS

KEY	PART NUMBER	U/M DESCRIPTION
1	N/A	FT MOLDING-T - END CAP EDGE - W/EDGE LIPS - .75" - GREY
3	113757-02-01A	FT T-MOLDING - BULB
4	076325-71-000	FT MOLDING - EDGEBAND - 1 5/16" X .038" - GREY
4	076325-72-000	FT MOLDING - EDGEBAND - .93" X .024" - GREY

FIRE EXTINGUISHER & DETECTORS

KEY	PART NUMBER	U/M DESCRIPTION	VENDOR NO.
	072852-01-000	EA DETECTOR - SMOKE - W/9 VOLT BATTERY - US	
	072852-02-000	EA DETECTOR - SMOKE - W/9 VOLT BATTERY - CANADIAN	
	094499-02-000	EA EXTINGUISHER/FIRE - DRY - 1A10BC - CANADIAN	
	094499-01-700	EA BRACKET MTG. W/PLAS. STRAP	294039
	094499-03-000	EA EXTINGUISHER/FIRE - DRY - 10BC - W/GAUGE - W/O BRACKET	
	094499-04-000	EA BRACKET - FIRE EXTINGUISHER	
	125136-02-000	EA DETECTOR - CO - GAS MODEL	

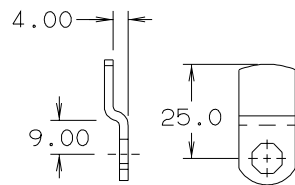
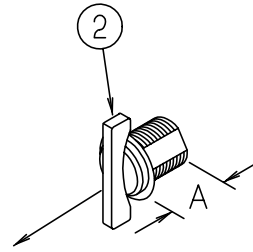
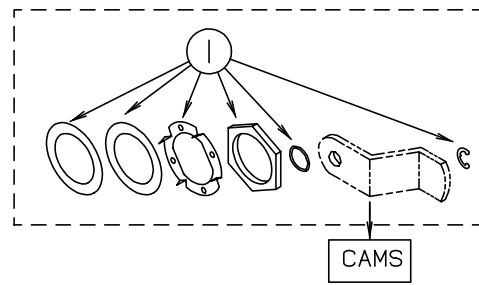
PANELING, LAMINATES, PLYWOOD, & PLASTIC

KEY	PART NUMBER	U/M DESCRIPTION
	074498-65-000	SF LAMINATE - PLASTIC - MEDIUM GRAY - 4' X 8'
	088272-G1-000	SF PANELING - PEBBLE EMBOSSED - ANTIQUE WHITE - 4' X 7'
	089297-01-000	SF PLYWOOD - LUAN - OVERLAY GRADE - 48" X 96"
	114129-01-01A	SF LINER - CABINET - .02"X48"X96" - INC OF 32 SF-DOVE GRAY

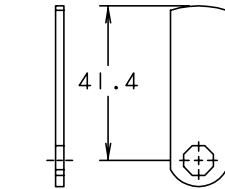
FLOORING

KEY	PART NUMBER	U/M DESCRIPTION
	042720-14-000	SY VINYL - FLOOR COVERING - 6' WIDE - CAPRI - SILVER GRAY

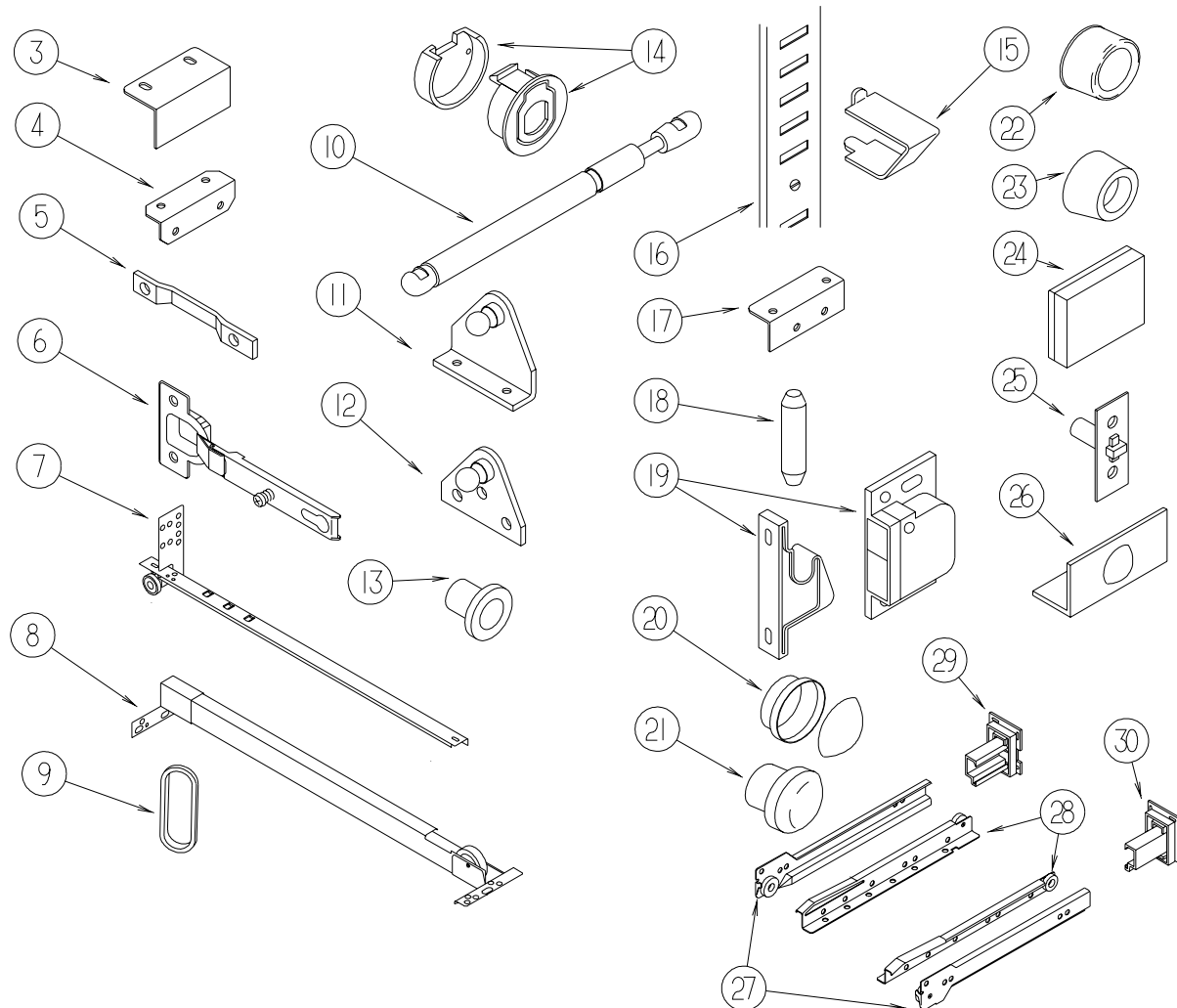
INTERIOR FINISH GROUP (CONTINUED)
CABINET DOOR & DRAWER HARDWARE



110506-76-000

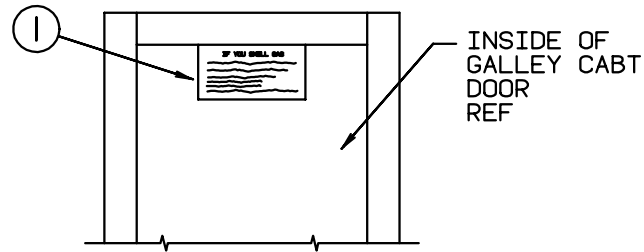


110506-74-000



KEY	PART NUMBER	U/M	DESCRIPTION	VENDOR NO.
1	110506-40-700	EA	HARDWARE PACKAGE-CYLINDER/CASE	596950AAL
	110506-74-000	EA	CAM - LATCHING - STRAIGHT 1.9"	
	110506-76-000	EA	CAM - LOCK	
2	110506-50-000	EA	CASE/CYLINDER - TWIST LATCH - W/O CAM - .65"	596952
3	113375-02-01A	EA	STRIKE - DOOR - CHROME	
4	016604-01-000	EA	BRACE - CABINET - ANGLE - 2.5" - UNPAINTED METAL	
4	016604-09-000	EA	BRACE - SEAT ANGLE - VW LIGHT GRAY	
5	064219-01-000	EA	RETAINER-STRAP	
6	114443-01-01A	EA	HINGE - CABINET DOOR	
7	N/A	EA	SLIDE - DRAWER - 8" - RIGHT/DRAWER	
	N/A	EA	SLIDE - DRAWER - 8" - LEFT/DRAWER	
8	N/A	EA	SLIDE - DRAWER - 8" - RIGHT/CABINET	
	N/A	EA	SLIDE - DRAWER - 8" - LEFT/CABINET	
9	114967-01-01A	EA	PULL - FINGER	
10	107796-09-000	EA	SPRING/GAS - 5.5" COMPRESSED/7.5" EXTENDED - 40 LB.	
11	107796-10-000	EA	BRACKET - GAS SPRING - 90 DEGREE SMALL	
12	107796-05-000	EA	BRACKET - SUPPORT - GAS SPRING TO BED - FLAT (LOWER)	
13	N/A	EA	SPACER - SLEEVE - 1.02"	
14	113375-01-03A	EA	LATCH - SLAM - CABINET - DARK GRAY (K72,K75)	
	113375-03-03A	EA	LATCH - SLAM - BACK	
	113375-04-03A	EA	LATCH - SLAM - FACE	
15	098979-01-000	EA	CLIP - ADJUSTABLE SHELF	
16	098980-02-000	EA	PILASTER - ADJUSTABLE SHELF - 12"	
17	117522-01-02B	EA	STRIKER - DOOR/WARDROBE	
18	N/A	EA	SPACER - ROD	
19	117095-01-01A	EA	CATCH - DOOR - GRABBER W/KEEPER - PLASTIC - BLK - 5LB PULL	
20	057671-17-000	EA	COVER - SCREW - VW LT GRAY #8	
21	116044-01-000	EA	BUMPER - MOLDED	
22	069726-02-000	EA	BUMPER - .88" OD X .40" THICK - BLACK	
23	117047-01-000	EA	BUMPER-WASHER INSERT, 3/4" DIAMETER - RUBBER	
24	002328-02-000	EA	BLOCK - WINDSHIELD - .062" X .5" X .98" - CABINET DOOR BUMPER	
25	116611-01-01A	EA	CATCH - ROLLER - NYLON	
26	130162-01-01A	EA	SLIDE - CABINET	
27	134669-01-01A	EA	SLIDE - DRAWER - 16" RIGHT HAND/LEFT HAND CABINET	
28	134669-02-01A	EA	SLIDE - DRAWER - 16" RIGHT HAND/LEFT HAND DRAWER	
29	128811-01-01A	EA	BACKSOCKET - ADJUSTABLE - LEFT	
30	128811-02-01A	EA	BACKSOCKET - ADJUSTABLE - RIGHT	
	004354-01-000	EA	BUMPER - RUBBER - .5" DIA - BROWN	

LABELS GROUP



IF YOU SMELL GAS

1. EXTINGUISH ANY OPEN FLAME, PILOT LIGHTS AND ALL SMOKING MATERIALS.
2. SHUT OFF THE GAS SUPPLY AT THE TANK VALVE(OR GAS SUPPLY CONNECTION.
3. OPEN DOORS AND OTHER VENTILATING OPENINGS.
4. DO NOT TOUCH ELECTRICAL SWITCHES.
5. LEAVE THE AREA UNTIL ODOR CLEARS.
6. HAVE THE GAS SYSTEM CHECKED AND LEAKAGE SOURCE CORRECTED BEFORE USING AGAIN.

KEY	PART NUMBER	U/M	DESCRIPTION
1	073998-01-000	EA	LABEL-LPG ODOR WARNING
1	023769-01-000	EA	LABEL - WARNING - LPG - CANADIAN

WARNING

ALL PILOT LIGHTS, APPLIANCES AND THIER IGNITORS (SEE OPERATING INSTRUCTIONS) SHALL BE TURNED OFF DURING REFUELING OF MOTOR FUEL TANKS AND/OR LP GAS CONTAINERS

KEY	PART NUMBER	U/M	DESCRIPTION
1	124519-01-01A	EA	LABEL - WARNING/REFUELING - BLACK ON CLEAR
1	124519-02-01A	EA	LABEL - WARNING/REFUELING - BLACK ON CLEAR - CSA

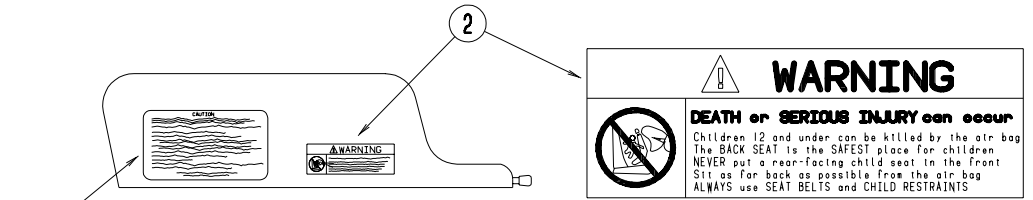
WARNING

Children Can be **KILLED** or **INJURED** by Passenger Air Bag

The back seat is the safest place for children 12 and under. Make sure all children use seat belts or child seats.

KEY	PART NUMBER	U/M	DESCRIPTION
126612-01-000		EA	LABEL - HANG TAG - AIR BAG - DASH

LABELS GROUP (CONTINUED)



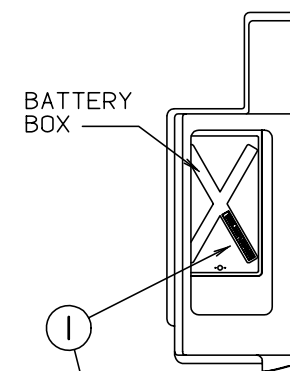
CAUTION

THIS MOTOR HOME HAS BEEN DESIGNED, MANUFACTURED AND TESTED WITH CONCERN FOR THE PROTECTION OF IT'S OCCUPANTS. WE RECOMMEND YOU PERFORM THE FOLLOWING INSPECTIONS FOR YOUR SAFETY AND THE SAFETY OF YOUR PASSENGERS BEFORE STARTING YOUR VEHICLE.

1. LP GAS SYSTEM- TURN OFF AT TANK FOR TRAVELING. TEST FOR LEAKS UPON ARRIVAL AT DESTINATION. BEFORE LIGHTING PILOTS.
2. WHEELS- INSPECT FOR DAMAGE AND CHECK LUG NUTS FOR TIGHTNESS.
3. TIRES- INSPECT FOR WEAR AND DAMAGE AND CHECK FOR RECOMMENDED AIR PRESSURE.
4. LIGHTING- TEST FOR PROPER OPERATION OF ALL INTERIOR AND EXTERIOR LIGHTS INCLUDING DASH LIGHTS, HEADLIGHTS, TAIL LIGHTS, BRAKE LIGHTS, CLEARANCE LIGHTS AND TURN SIGNALS.
5. EXITS- INSPECT RELEASE MECHANISM ON EMERGENCY EXIT WINDOW. TEST BOTH LOCKS ON MAIN ENTRANCE DOOR FOR EASE OF OPERATION AND INSTRUCT PASSENGERS HOW TO USE BOTH MEANS OF EXIT.
6. SEAT BELTS- DIRECT PASSENGERS TO DESIGNATED SEATS AND REQUIRE USE OF SEAT BELTS.
7. APPLIANCES- TURN OFF AND LATCH OR LOCK DOORS WHERE PROVIDED.
8. LOOSE PARCELS- STORE SECURELY.
9. UTILITY SUPPLY LINES- DISCONNECT ALL ELECTRIC, SEWER AND WATER LINES AND SECURE PROPERLY.
10. ENTRANCE DOOR STEP- PLACE IN RETRACTED POSITION FOR TRAVELING.

READ YOUR MOTOR HOME AND CHASSIS OWNER'S MANUAL FOR FURTHER PRECAUTIONS

KEY	PART NUMBER	U/M	DESCRIPTION
1	056259-01-000	EA	LABEL - SAFETY CHECK LIST
2	126611-01-000	EA	LABEL - AIR BAG - VISOR

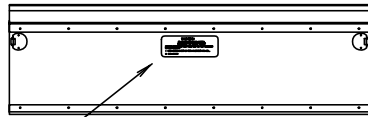


WARNING DISCONNECT BATTERIES BEFORE CONNECTING EXTERNAL CHARGING EQUIPMENT.

KEY	PART NUMBER	U/M	DESCRIPTION
1	065748-01-000	EA	LABEL - CAUTION - BATTERY CHARGING
1	065748-02-000	EA	LABEL - WARNING - BATTERY/FRENCH - CANADIAN

LABELS GROUP (CONTINUED)

INSIDE OF GALLEY COVER



1

WARNING

IT IS NOT SAFE TO USE COOKING APPLICANCES FOR COMFORT HEATING

COOKING APPLICANCES NEED FRESH AIR FOR SAFE OPERATION BEFORE OPERATION.

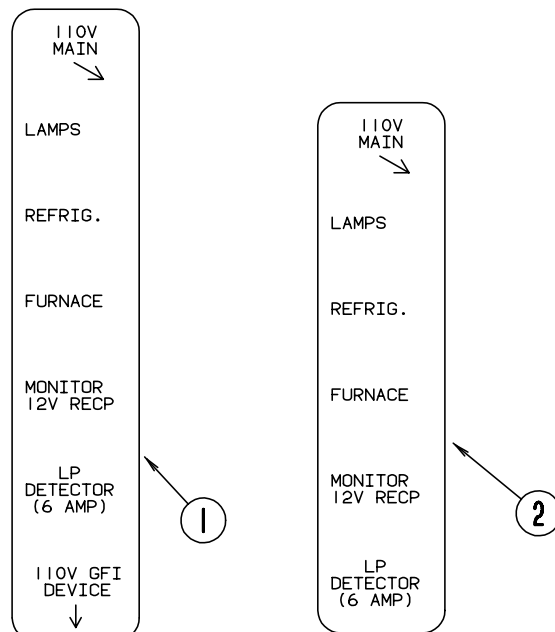
1. OPEN OVERHEAD VENT OR TURN ON EXHAUST FAN AND;
2. OPEN WINDOW.

KEY	PART NUMBER	U/M DESCRIPTION
1	134539-01-01A	EA LABEL - WARNING - STOVE/HEATING - BLACK ON CLEAR
	134540-01-01A	EA LABEL - WARNING - STOVE/HEATING - BLACK ON CLEAR - CANADIAN

1



KEY	PART NUMBER	U/M DESCRIPTION
1	116474-01-000	EA LABEL - EXIT - ESCAPE HATCH
1	116474-02-000	EA LABEL - EXIT - ESCAPE HATCH - CSA



KEY	PART NUMBER	U/M DESCRIPTION
1	114751-01-000	EA LABEL - ELECTRICAL
2	114751-02-000	EA LABEL - ELECTRICAL - CANADIAN

LABELS GROUP (CONTINUED)

1

WARNINGS

1. TO ENSURE PROTECTION AGAINST ELECTRICAL SHOCK, TEST THE DEVICE BEFORE EACH USE. WHEN TEST BUTTON IS PUSHED IN, THE INDICATOR LIGHT SHOULD GO OFF. REACTIVATE THE DEVICE BY PUSHING THE RESET BUTTON IN. IF THE INDICATOR LIGHT GOES ON, THE DEVICE IS READY FOR USE. DO NOT USE THE DEVICE, IF THE INDICATOR LIGHT DOES NOT GO ON WHEN RESET OR IF THE INDICATOR LIGHT REMAINS ON WHEN THE TEST BUTTON IS PUSHED IN.
2. THIS DEVICE DOES NOT GUARD AGAINST ELECTRICAL SHOCK RESULTING FROM DEFECTS OR FAULTS IN ANY WIRING SUPPLYING POWER TO THIS DEVICE, OR FROM CONTACT WITH BOTH CIRCUIT CONDUCTORS.

KEY	PART NUMBER	U/M DESCRIPTION
1	119549-01-000	EA LABEL - GFCI

WARNING: TEST SMOKE DETECTOR OPERATION AFTER VEHICLE HAS BEEN IN STORAGE, BEFORE EACH TRIP AND AT LEAST ONCE PER WEEK DURING USE.

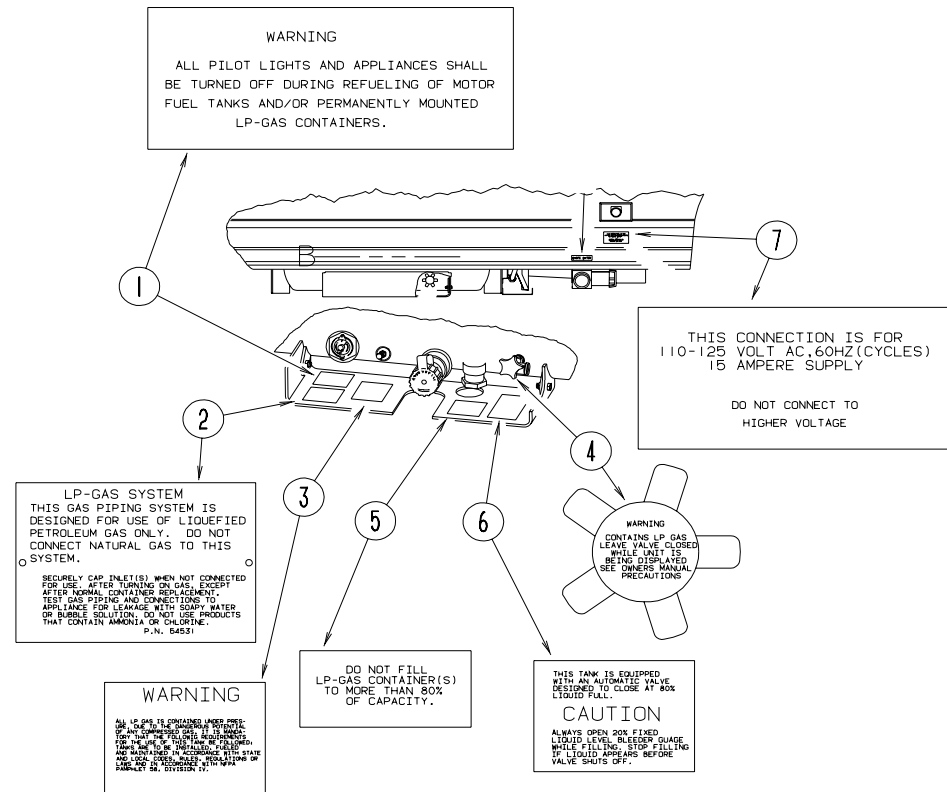
KEY	PART NUMBER	U/M DESCRIPTION
	077956-01-000	EA LABEL - WARNING - SMOKE DETECTOR

WARNING

THIS VEHICLE, LIKE OTHER VEHICLES, MAY CONTAIN SMALL AMOUNTS OF ONE OR MORE SUBSTANCES WHICH ARE LISTED BY THE STATE OF CALIFORNIA FOR CAUSING CANCER OR REPRODUCTIVE TOXICITY.

KEY	PART NUMBER	U/M DESCRIPTION
	099689-01-000	EA LABEL - WARNING - CANCER/TOXICITY

LABELS GROUP (CONTINUED)

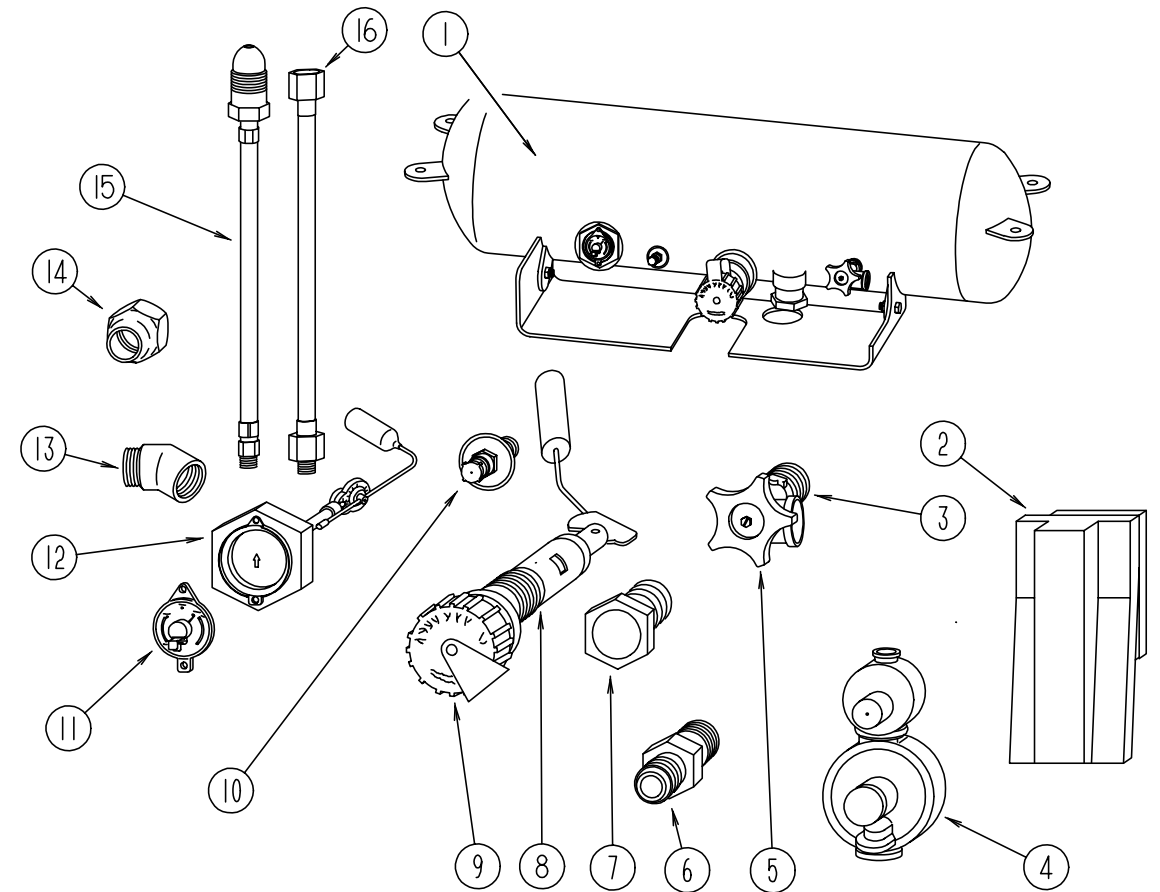


KEY	PART NUMBER	U/M	DESCRIPTION
1	124519-01-01A	EA	LABEL - WARNING/REFUELING - BLACK ON CLEAR
1	124519-02-01A	EA	LABEL - WARNING/REFUELING - BLACK ON CLEAR - CSA
2	124520-01-01A	EA	LABEL - LP GAS ONLY - BLACK ON CLEAR
3	116112-01-000	EA	LABEL - WARNING - LP
4	115600-01-000	EA	LABEL - WARNING LPG VALVE
5	079965-01-000	EA	LABEL - LPG - 80% CAPACITY
6	116113-01-000	EA	LABEL - CAUTION - LP
7	125306-02-01A	EA	LABEL - ELECTRICAL ENTRANCE - 110 VOLT 15 AMP

WARNING: CONTAINS "CFC" A SUBSTANCE WHICH HARMS PUBLIC HEALTH AND ENVIRONMENT BY DESTROYING OZONE IN THE UPPER ATMOSPHERE.

KEY	PART NUMBER	U/M	DESCRIPTION
	111802-01-000	EA	LABEL - CFC WARNING

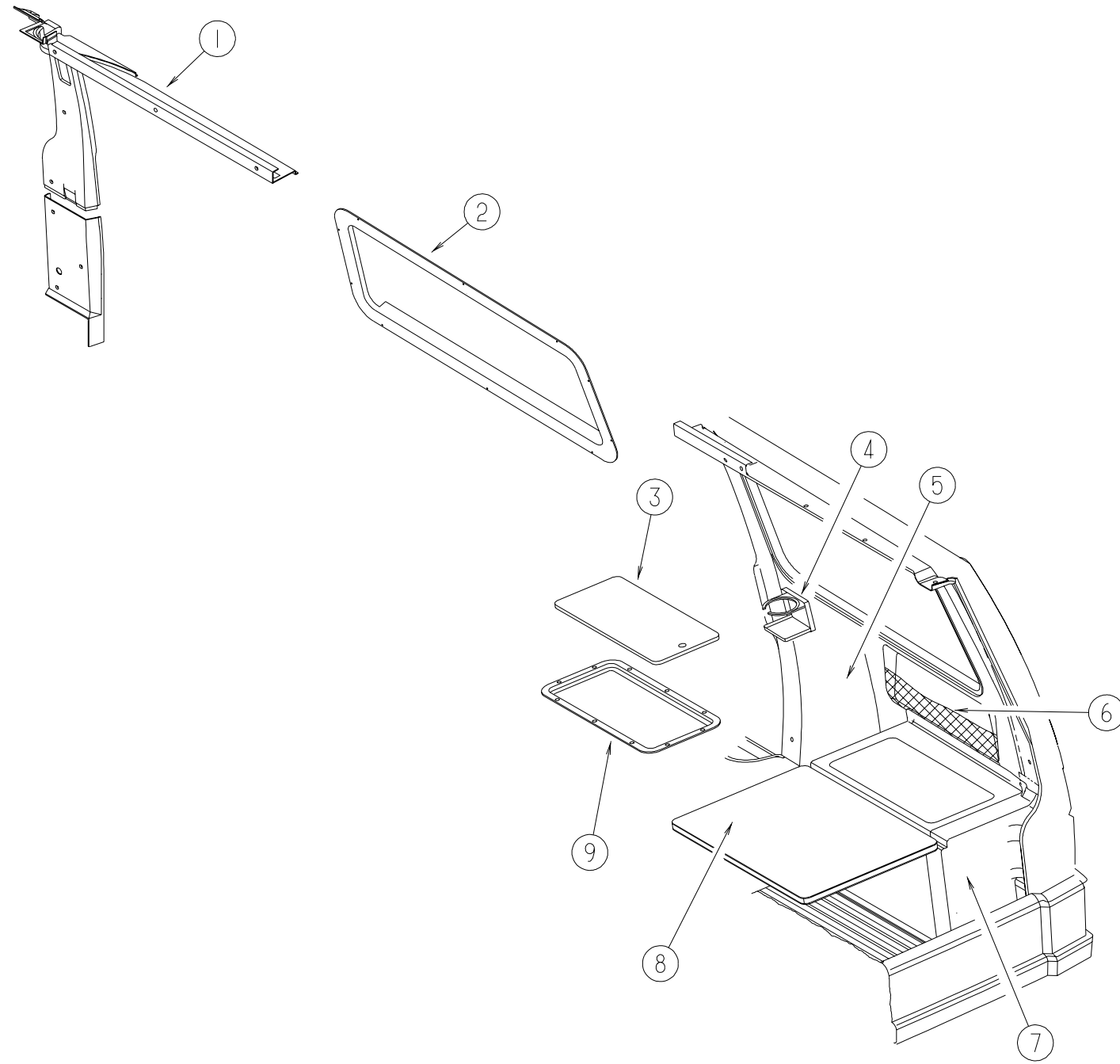
LP GROUP



LP TANK & COMPONENTS

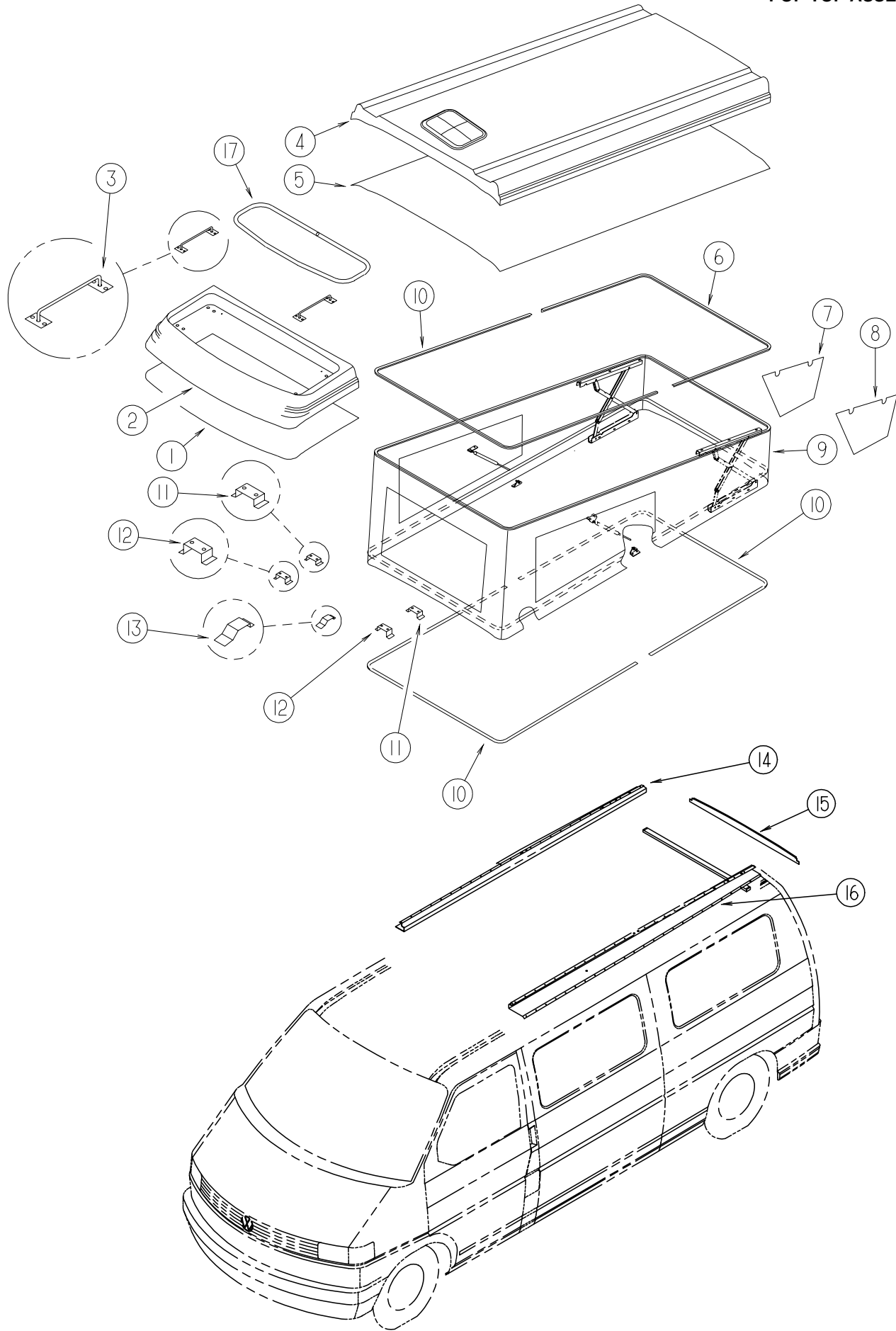
KEY	PART NUMBER	U/M	DESCRIPTION	VENDOR NO.
1	111219-01-000	EA	TANK - LP - 25 LB 8" DIAMETER X 30" LONG	
	128719-01-01A	EA	COVER - LP TANK - BLACK	
2	105658-01-000	EA	COMPARTMENT - LP REGULATOR	
	111444-01-000	EA	SHIELD - REGULATOR	
	111054-01-000	EA	BRACKET - REGULATOR - LP	
3	040421-01-712	EA	VALVE, SERV. W/O VAPOR RELIEF	29000853
4	106150-02-000	EA	REGULATOR - TWO STAGE - 1/4" FPT INLET/3/8" FPT OUTLET	
5	040421-01-708	EA	HANDWHEEL-SERVICEVALVE	G-1015-A
6	010329-01-000	EA	ADAPTER - BRASS - 1/2" F X 1/2" MPT	
7	040421-01-713	EA	VALVE-RELIEF 1" W/SPRING 7"	29000587
8	111219-01-703	EA	VALVE-FILL, AUTO STOP	LVTC29A08135
9	040421-01-702	EA	CAP-FILL VALVE, PLASTIC	G-1014-A
10	040421-01-700	EA	VALVE-LIQUID LEVEL, 20%	G-1013
11	040440-02-000	EA	TRANSMITTER - DIAL - 0-90 OHM -2 TERMINAL (POWER & GROUND)	
12	111219-01-704	EA	GAUGE-FLOAT ASSEMBLY	SG08AB000072
13	098962-02-000	EA	ELBOW - 45 DEGREE - 3/8 MPT X 3/8 FPT	
14	010377-02-000	EA	NUT - BRASS - 3/8" FLARE - FORGED	
15	111218-01-000	EA	HOSE - HI PRESSURE - LP W/POL	
16	045703-07-000	EA	HOSE - LP - 3/8" ID X 10" - 3/8" MPT X 1/2" F SWIVEL - U.S.	
16	045703-08-000	EA	HOSE - LP - 3/8" ID X 10" - 3/8" MPT X 1/2" F SWIVEL - CANADA	
	103613-03-000	EA	DETECTOR - LP GAS - W/O SHUT-OFF VALVE	
	008042-01-000	FT	TUBING - VINYL - .65" ID	
	010251-01-000	EA	ELBOW - BRASS - 90 DEGREE - 3/8" F X 3/8" MPT	
	010252-01-000	EA	ELBOW - BRASS - 90 DEGREE - 3/8" F X 1/2" MPT	
	024250-01-000	EA	ADAPTER - BRASS - 3/8" F X 1/2" FPT	
	057042-01-000	EA	ADAPTER - CROSS 1/2" PIPE	
	111064-01-000	EA	SUPPORT - LP TANK - RIGHT HAND	
	111064-02-000	EA	SUPPORT - LP TANK - LEFT HAND	
	116154-01-02B	EA	ANGLE - SUPPORT - LP TANK	

PASSENGER SIDE GROUP
PASSENGER SIDE CABINETS & COMPONENTS



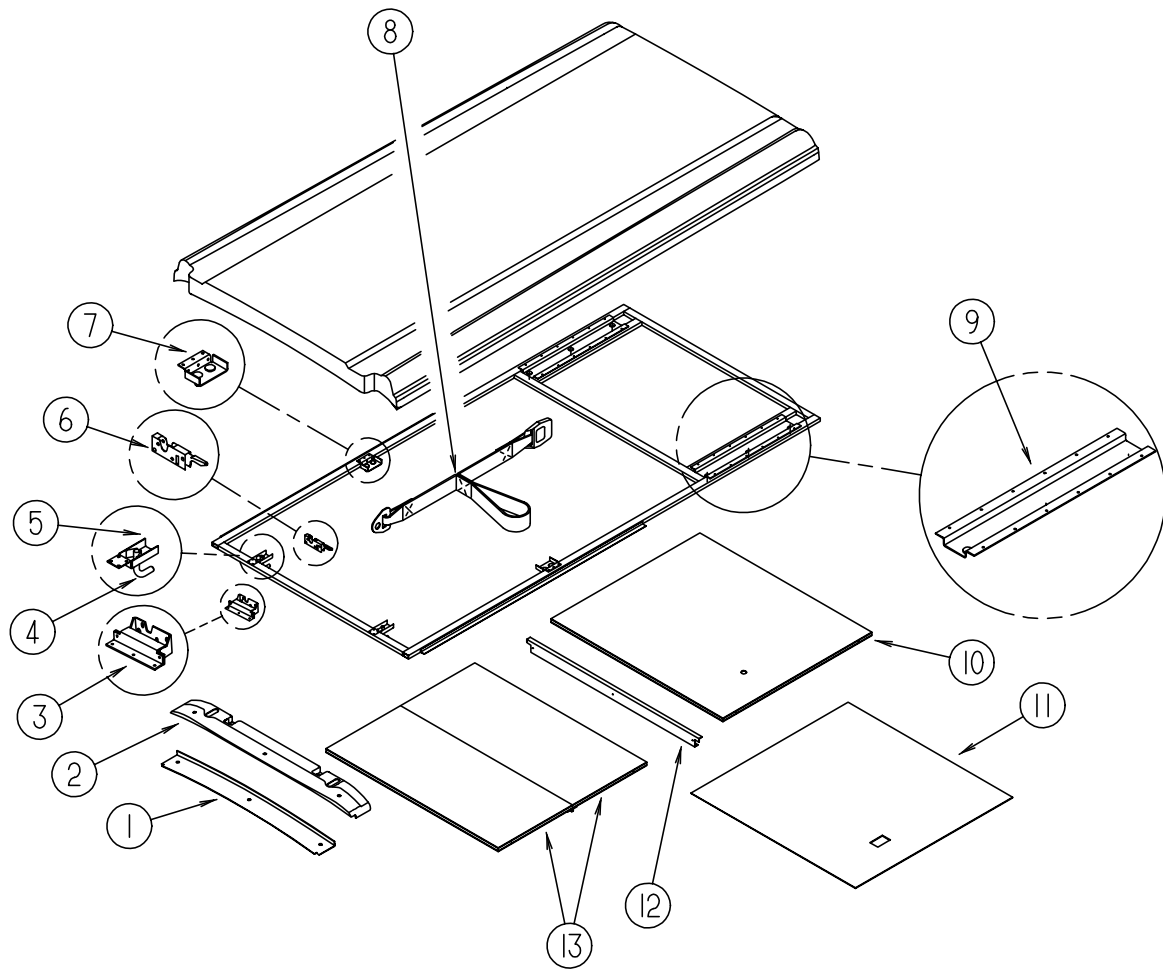
KEY	PART NUMBER	U/M DESCRIPTION
1	131415-01-02A	EA PANEL - TRIM - UPPER/FRONT/RIGHT HAND - VW/LIGHT GRAY
2	131419-01-02A	EA PANEL - TRIM - WINDOW/INNER/RIGHT HAND - VW LIGHT GRAY
3	114059-01-H75	EA DOOR - BATTERY BOX
4	118718-01-01A	EA HOLDER - COLLAPSIBLE MUG/DRINK - BLACK PLASTIC
5	131405-01-02A	EA PANEL - TRIM - REAR/UPPER/RIGHT HAND - VW LIGHT GRAY
	002754-01-001	EA ANGLE - EXTRUDED - .75" X .75" X 16' - MILL ALUMINUM
6	114128-01-01A	EA CORD - ELASTIC - BARB TIP
6	114127-02-01A	EA WEBBING - BARB TIP
7	111902-02-K72	EA PANEL - LOWER RIGHT HAND BED - LIGHT GRAY
8	114266-01-H75	EA SLEEPERBOARD - LOWER
9	131409-01-02A	EA TRIM - PANEL - BED/LOWER - VW LIGHT GRAY

POPTOP GROUP
POP TOP ASSEMBLY & COMPONENTS



KEY	PART NUMBER	U/M	DESCRIPTION
1	113452-01-000	FT	SEAL/TRIM - FRONT - VINYL W/WIRE CARRIER - .020"
2	113077-01-01A	EA	CAP - ROOF - POP TOP/FRONT
3	128836-01-04B	EA	BRACKET - TIEDOWN/CARGO - BLACK
4	P18788-01-K72	EA	POP TOP - REAR - W/O CANVAS
5	009126-03-000	EA	HANDLE - ASSIST - BLACK TEXTURED
6	131559-01-000	EA	SEAL - BULB - POP TOP
7	113969-01-02A	EA	FRAME - HOLD DOWN - POP TOP
8	116092-03-000	EA	COVER - HINGE/VINYL - RIGHT HAND
9	116092-04-000	EA	COVER - HINGE/VINYL - LEFT HAND
10	113686-02-01A	EA	POP TOP - CANVAS - PIGMENT GRAY
11	113686-01-700	EA	REPAIR KIT (CANVAS & SCREEN) 2-PCS
12	113686-01-702	EA	SCREEN REPLACEMENT FRONT '97 PRECISION
13	113969-02-02A	EA	FRAME - HOLD DOWN - POP TOP
14	116966-04-02B	EA	CHANNEL - HAT
15	116966-02-02B	EA	CHANNEL - HAT
16	113691-01-02B	EA	CHANNEL - HAT
17	123172-01-06B	EA	SUPPORT - ROOF - PASSENGER
	110839-01-06B	EA	SUPPORT - ROOF/REAR
	123172-02-06B	EA	SUPPORT - ROOF - DRIVER
	128834-02-01A	EA	RACK/ROOF - CARGO - VW WHITE

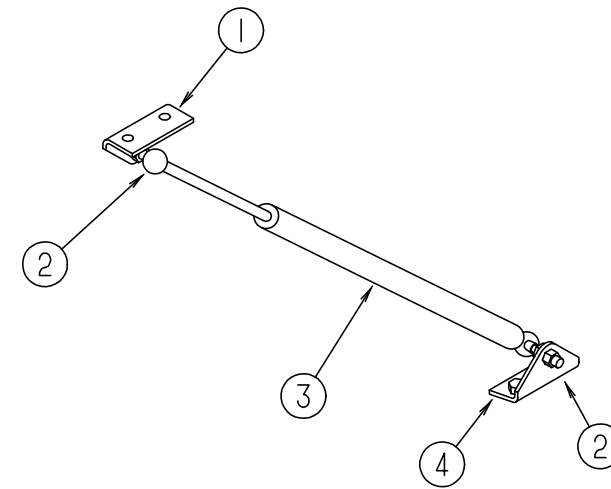
POPTOP GROUP (CONTINUED)



POP TOP ASSEMBLY & COMPONENTS (CONTINUED)

KEY	PART NUMBER	U/M	DESCRIPTION
1	131413-02-02A	EA	PANEL - TRIM - HEADER/LOWER - VW LIGHT GRAY
2	131413-01-02A	EA	PANEL - TRIM - HEADER/UPPER - VW LIGHT GRAY
3	114219-01-02B	EA	BRACKET - CATCH - POP TOP - RIGHT HAND
	114219-02-02B	EA	BRACKET - CATCH - POP TOP - LEFT HAND
4	113033-01-04B	EA	ROD - STRIKE - POP TOP
5	118384-03-04B	EA	BRACKET - STRIKE - POP TOP
	118384-04-04B	EA	BRACKET - STRIKE - POP TOP
6	113833-01-000	EA	LATCH - ROTARY - RIGHT HAND
	113833-02-000	EA	LATCH - ROTARY - LEFT HAND
7	113773-02-02B	EA	BRACKET - LIFT CYLINDER
8	115461-01-000	EA	BELT - SAFETY STRAP
9	113774-02-02B	EA	BRACKET - LIFT MECHANISM
10	114265-01-H75	EA	SLEEPERBOARD - REAR UPPER
	100619-01-000	BF	FOAM - EXPANDED POLYSTYRENE - 1.34" X 48" X 96"
	130486-01-01A	EA	STOP - BOARD - BUNK - VW GRAY
11	N/A	EA	HEADLINER
12	115494-01-03A	EA	TRIM - BEDBOARD - UPPER - VW LT GRAY
13	P29910-01-K72	EA	SLEEPERBOARD ASM-UPPER,FRONT
	130101-01-01A	EA	PANEL - SLEEPERBOARD FRONT
	130101-02-01A	EA	PANEL - SLEEPERBOARD REAR
	009065-01-000	EA	HINGE - ALUMINUM - 1 1/2" X 96" - UNPAINTED
	129753-01-01A	EA	HINGE - SPRING LOADED - 19" X 19" - BLACK
	115476-03-01A	EA	HINGE-CONT,W/HOLES
	115476-03-04A	EA	HINGE - CONTINUOUS W/HOLES - VW LIGHT GRAY

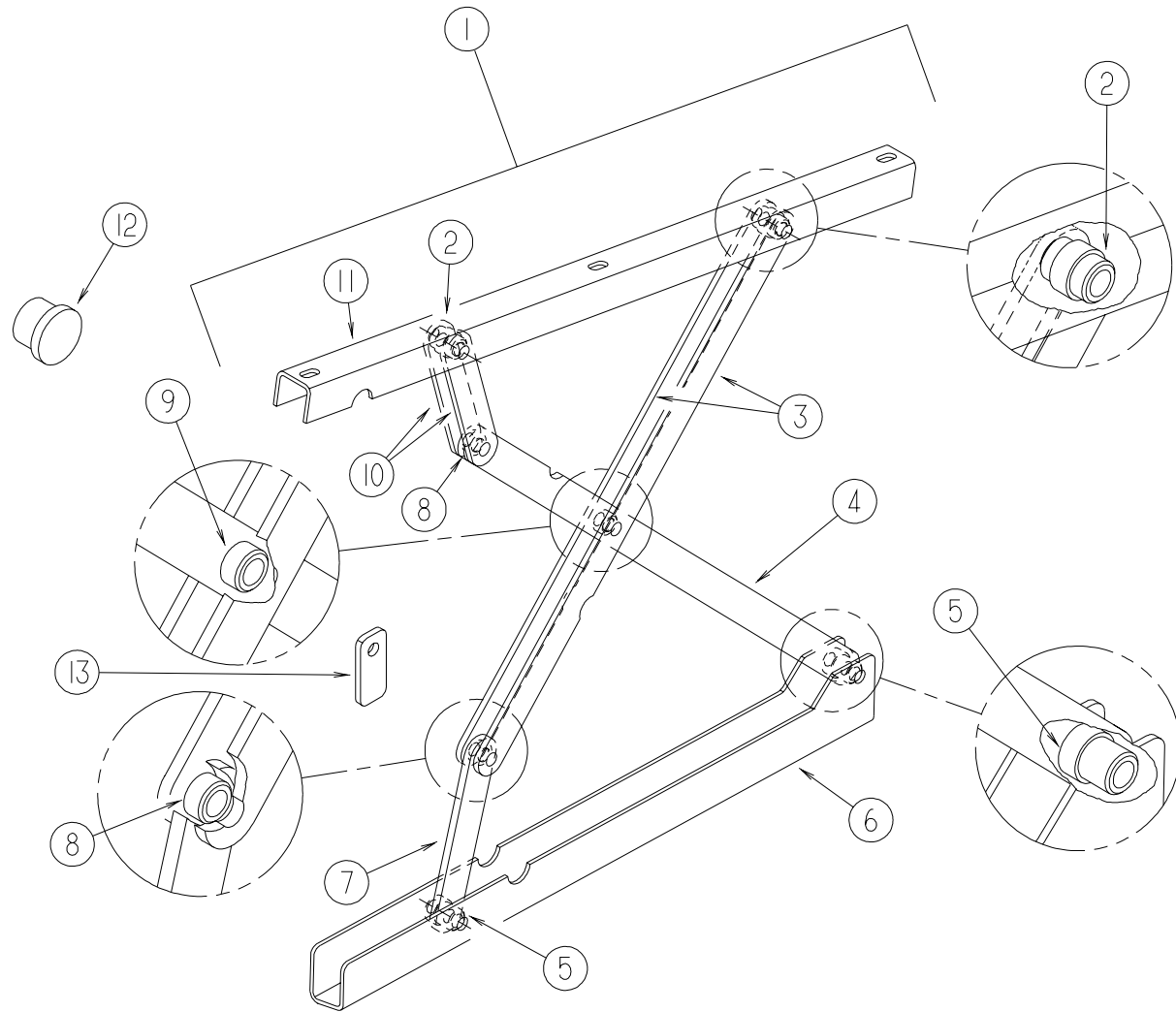
POPTOP GROUP (CONTINUED)



POPTOP GAS SPRING & COMPONENTS

KEY	PART NUMBER	U/M	DESCRIPTION
1	114268-05-02B	EA	BRACKET-GAS SPRING E-COAT
2	108998-09-000	EA	BALL STUD - 13MM BALL - 5/16-18
3	108998-06-000	EA	SPRING - GAS - POP TOP
4	114268-04-02B	EA	BRACKET-GAS SPRING E-COAT

POPTOP GROUP (CONTINUED)
POP TOP SCISSOR HINGE ASSEMBLY & COMPONENTS



KEY	PART NUMBER	U/M	DESCRIPTION
1	113013-03-04B	EA	HINGE - SCISSOR - POP TOP/RIGHT HAND
	113013-04-04B	EA	HINGE - SCISSOR - POP TOP/LEFT HAND
2	113030-02-000	EA	BUSHING - BRONZE - HINGE - CENTER FLANGE
3	113017-03-04B	EA	LINK - POP TOP - LONG - BLACK
4	113017-04-04B	EA	LINK - POP TOP - LONG - BLACK
5	113030-03-000	EA	BUSHING - BRONZE HINGE - END FLANGE
6	113014-03-04B	EA	CHANNEL - POP TOP - LOWER/RIGHT HAND
	113014-04-04B	EA	CHANNEL - POP TOP - LOWER/LEFT HAND
7	113016-04-04B	EA	LINK - POP TOP - SHORT - BLACK
8	113030-01-000	EA	BUSHING - BRONZE - HINGE
9	113030-04-000	EA	BUSHING - BRONZE HINGE - PLAIN
10	113016-03-04B	EA	LINK - POP TOP - SHORT - BLACK
11	113015-02-04B	EA	CHANNEL-POP TOP,UPPER, BLK
12	116071-01-01A	EA	PLUG - PLASTIC/CAP
13	116550-01-04B	EA	PLATE-W/HOLE BLK

**SEALANTS & FASTENERS GROUP
SCREWS**

KEY	PART NUMBER	U/M DESCRIPTION
	0G1106-06-160	EA SCREW - 6-20 X 3/8 PPH
	0G1106-08-240	EA SCREW - 6-20 X 1/2 PPH - VW LIGHT GRAY
	0G1108-08-250	EA SCREW - 8-18 X 1/2 PPH
	0G1108-12-240	EA SCREW - 8-18 X .75 PPH - VW LIGHT GRAY
	0G1108-16-240	EA SCREW - 8-18 X 1.00 PPS - VW LIGHT GRAY
	0G1110-10-150	EA SCREW - 10-16 X 5/8 PPH
	0G3908-08-240	EA SCREW - SF/DR - 8-18 X 1/2 PPH - VW LIGHT GRAY
	0G3908-08-160	EA SCREW-SF/DR-8-18X1/2 PPH - VW WHITE
	0G3908-12-240	EA SCREW - SF/DR - 8-18 X .75 PPH - VW LIGHT GRAY
	0G3908-12-250	EA SCREW - SF/DR - 8-18 X .75 PPH - DARK GRAY
	0G3910-10-160	EA SCREW - SF/DR - 10-16 X .62 PPH
	0G3910-12-240	EA SCREW - SF/DR - 10-16 X .75 PPH - VW LIGHT GRAY
	0G3910-32-240	EA SCREW - SF/DR - 10-16 X 2.00 PPH - VW LIGHT GRAY
	0G5508-12-240	EA SCREW - SF/DR - 8-18 X .75 PWH - VW LIGHT GRAY
	000G11-05-08B	EA SCREW - 5-20 X .50 PPH - ZINC
	000G11-06-06B	EA SCREW - 6-20 X 3/8 PPH - ZINC
	000G11-07-08T	EA SCREW - 7-19 X 1/2 PPH - BLACK
	000G11-08-06J	EA SCREW - 8-18 X 3/8 PPH BRASS
	000G11-08-06B	EA SCREW - 8-18 X 3/8 PPH - ZINC
	000G11-08-16B	EA SCREW - 8-18 X 1 PPH - ZINC
	000G11-08-12T	EA SCREW - 8-18 X 3/4 PPH - BLACK
	000G11-08-12P	EA SCREW - 8-18 X 3/4 PPH - DARK BROWN
	000G11-08-12B	EA SCREW - 8-18 X 3/4 PPH - ZINC
	000G11-08-08T	EA SCREW - 8-18 X 1/2 PPH - FLUOROCARBON COATING
	000G11-08-08B	EA SCREW - 8-18 X 1/2 PPH - ZINC
	000G11-10-16B	EA SCREW - 10-16 X 1 PPH - ZINC
	000G11-10-12D	EA SCREW - 10-16 X 3/4 PPH - BLACK
	000G13-06-08B	EA SCREW - 6-20 X 1/2 PFH - ZINC
	000G13-07-12B	EA SCREW - 7-19 X 3/4 PFH - ZINC
	000G19-10-12F	EA SCREW - MACHINE - 10-32 X 3/4 PPH - STAINLESS STEEL
	000G39-06-10T	EA SCREW - SF/DR - 6-20 X 5/8 PPH - BLACK
	000G39-08-16B	EA SCREW - SF/DR - 8-18 X 1 PPH - ZINC
	000G39-08-12T	EA SCREW - SF/DR - 8-18 X 3/4 PPH - BLACK
	000G39-08-12B	EA SCREW - SF/DR - 8-18 X 3/4 PPH - ZINC
	000G39-08-08T	EA SCREW - SF/DR - 8-18 X 1/2 PPH - BLACK
	000G39-08-08B	EA SCREW - SF/DR - 8-18 X 1/2 PPH - ZINC
	000G39-10-12B	EA SCREW - SF/DR - 10-16 X 3/4 PPH - ZINC
	000G39-10-10B	EA SCREW - SF/DR - 10-16 X 5/8 - ZINC
	000G39-10-08B	EA SCREW - SF/DR - 10-16 X 1/2 PPH - ZINC
	000G39-10-129	EA SCREW - SF/DR - 10-16 X 3/4 PPH - FLUOROCARBON SILVER
	000G39-10-12D	EA SCREW - SF/DR - 10-16 X 3/4 PPH - BLACK
	000G51-06-12B	EA SCREW - 6-20 X 3/4 PTH - ZINC
	000G55-08-12S	EA SCREW - SF/DR - 8-18 X 3/4 PWH - OFF WHITE
	000G62-10-24I	EA SCREW - SF/DR - 10-16 X 1/5 PFH - BLACK ZINC
	000G67-10-12B	EA SCREW - 10-12 X 3/4 PPH - ZINC
	000G67-10-10D	EA SCREW - 10-12 X 5/8 PPH - BLACK - TYPE A
	000G67-10-10B	EA SCREW - 10-12 X 5/8 PPH - ZINC - TYPE A
	000G67-10-20D	EA SCREW - 10-12 X 1.25 PPH - BLACK
	000G67-10-16B	EA SCREW - 10-12 X 1 PPH - ZINC
	000G67-10-12P	EA SCREW - 10-12 X 3/4 PPH - DARK BROWN
	000G68-06-10G	EA SCREW - 6-18 X 5/8 POH - ANTIQUE BRASS
	049465-23-000	EA SCREW - 10-16 X 1.5 POH W/WASHER - VW LIGHT GRAY
	054434-02-000	EA SCREW - SF/DR - 10-16 X 2 - ZINC
	101618-01-000	EA SCREW - 1/4-20 X 3/4 HEX - TAPPING - STALGARD TYPE F
	126458-01-01A	EA SCREW - 8-18 X .50 PRWH BLACK

**SEALANTS & FASTENERS GROUP (CONTINUED)
NUTS, BOLTS & WASHERS**

KEY	PART NUMBER	U/M DESCRIPTION
	000D29-04-00B	EA NUT - HEX - SELF LOCKING - 1/4 X 20 - ZINC
	000D29-06-00B	EA NUT - HEX - W/NYLON LOCK - 3/8-16 - ZINC
	000D34-06-00B	EA NUT - HEX - LOCKING - 3/8-16 GRADE C - ZINC
	000D39-04-00B	EA NUT - HEX - LOCKING W/SERRATED FLANGE - 1/4-20 - ZINC
	000D39-06-00B	EA NUT - HEX - LOCKING W/SERRATED FLANGE - 3/8-18 - ZINC
	000D44-07-00B	EA NUT - HEX - LOCKING W/SERRATED FLANGE - 7/16-20 - ZINC
	000D58-06-00A	EA NUT - HEX - WELD 3/8-16 - PLAIN
	000D75-08-00B	EA NUT - HEX LK - 1/2-13 GRADE B
	044364-01-000	EA NUT - SPEED - FLAT - RECTANGULAR - SELF LOCKING/ONE PIECE
	063253-07-000	EA NUT - J - #8A - .120 - .130 PNL THK
	116672-01-000	EA NUT - SPEED
	000C12-05-16B	EA BOLT - HEX - 5/16-18 X 1 - GRADE #5 - ZINC
	000C12-06-20B	EA BOLT - HEX - 3/8 - 16 X 1 1/4 - ZINC #5
	000C12-06-16B	EA BOLT - HEX - 3/8-16 X 1 - GRADE #5 - ZINC
	000C12-06-44B	EA BOLT - HEX - 3/8-16 X 2 3/4 - ZINC 5
	000C12-06-24B	EA BOLT - HEX - 38-16 X 1 1/2 - ZINC #5
	000C12-08-16B	EA BOLT - HEX - 1/2-13 X 1" - GRADE #5 - ZINC
	000C12-08-104	EA BOLT - HEX - 1/2-13 X 6.5 - GRADE #5
	000C12-10-24B	EA BOLT - HEX - 5/8-11 X 1.5" - GRADE #5 - ZINC
	000C26-05-24F	EA BOLT - HEX - SERRATED FLANGE-5/16-18 X 1.5-STAINLESS STEEL
	000C26-05-129	EA BOLT - HEX - SERRATED FLANGE - 5/16-18 X 3/4
	000C26-05-12B	EA BOLT - HEX - SERRATED FLANGE - 5/16-18 X 3/4 - ZINC
	000C26-05-249	EA BOLT - HEX - SERRATED FLANGE 5/16-18 X 1.5"
	000C26-06-16B	EA BOLT - HEX - SERRATED FLANGE - 3/8-16 X 1 - ZINC
	000C26-06-12B	EA BOLT - HEX - SERRATED FLANGE - 3/8-16 X 3/4 - ZINC
	000C27-05-44I	EA BOLT-CARR,5/16-18X2.75" - BLACK ZINC
	087718-01-000	EA MONOBOLT - STEEL - 3/16 DIAMETER
	107393-02-000	EA BOLT - SHOULDER - 3/8" SOCKETHEAD
	118026-01-000	EA BOLT - FITTED - 7/16-20 UNF X 2.02"
	000E13-17-00B	EA WASHER - FLAT - 3/8 AR - ZINC
	000E13-18-00B	EA WASHER - FLAT - 3/8 WIDE - ZINC
	000E13-26-00B	EA WASHER - FLAT - 5/8 WIDE - ZINC
	058716-02-000	EA WASHER - FLAT NYLON

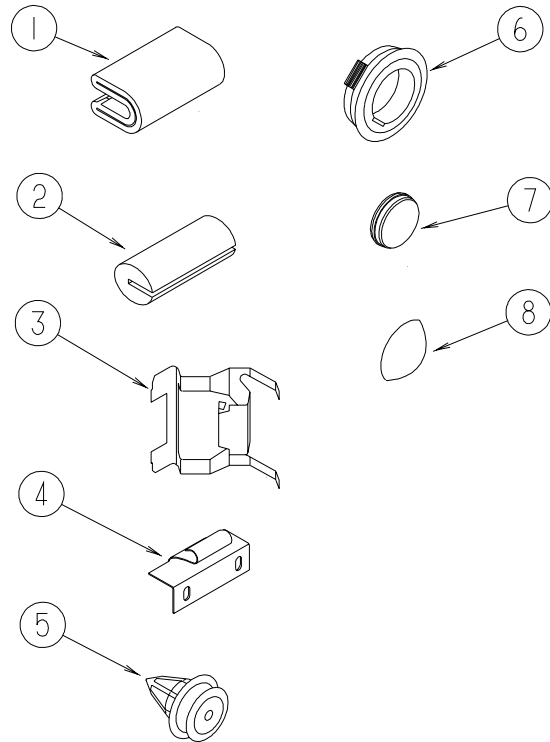
ADHESIVE AND SEALANTS

KEY	PART NUMBER	U/M DESCRIPTION
	062917-03-000	EA ADHESIVE - LOCTITE 242
	069640-02-000	FT SEALER - TAPE - .13"THICK X .5"WIDE X 60' - GRAY
	076322-01-000	FT TAPE - DOUBLE COATED/ADHESIVE BACK - .025"THK X .75"W X18'
	076322-02-000	FT TAPE - DOUBLE COATED/ADHESIVE BACK - .045"THK X 1"W X 9'
	076322-03-000	FT TAPE - DOUBLE COATED/ADHESIVE BACK - .045"THK X .50"W X 9'
	076322-05-000	FT TAPE - DOUBLE COATED/ADHESIVE BACK - .045"THK X .75"W X 9'
	087211-01-000	GL PROMOTER - ADHESIVE
	094401-01-000	EA SEALER - BODY SEAM - FLEXICLEAR
	100128-02-000	FT SEAL - FOAM/ADHESIVE BACK - .37" WIDE X .37" THICK
	112864-01-000	FT SEAL - FOAM/BUTYL COVERED - 3/8"
	112864-02-000	FT FOAM - BUTYL COVERED 5/16"
	112901-02-000	EA ADHESIVE - PLEXUS - 50ML
	113366-01-000	EA ADHESIVE - INSTANT
	115933-01-000	FT TAPE - 1/64 X 3/8
	116767-01-01A	EA SEALANT - WATERBASE - CLEAR

VELCRO

KEY	PART NUMBER	U/M DESCRIPTION
	029094-04-000	YD VELCRO TAPE - LOOP - 1" WIDE - BLACK
	029096-04-000	YD TAPE - HOOK - VELCRO - 1" WIDE - BLACK
	048394-02-000	YD VELCRO TAPE - HOOK - ADHESIVE BACK - .75" WIDE - BEIGE
	085774-03-000	FT FASTENER - DUAL HOOK - 1/2" WIDE - ADHESIVE BACK - BLACK
	085774-04-000	FT FASTENER - DUAL HOOK - 1/2" WIDE - ADHESIVE BACK - BLACK
	088792-02-000	YD VELCRO TAPE - LOOP - 3/4" - ADHESIVE BACKED - BEIGE
	088792-05-000	YD VELCRO TAPE - LOOP - 5/8" - NON-ADHESIVE BACKED - WHITE

SEALANTS & FASTENERS GROUP (CONTINUED)
MISCELLANEOUS SEALS & FASTENERS



KEY	PART NUMBER	U/M DESCRIPTION
1	064075-07-000	FT SEAL - BULB - W/WIRED U CHANNEL - .3" X .5" CHANNEL-BLACK
2	115870-01-000	FT SEAL - TRIM - EDGE
3	114471-01-000	EA CLAMP - DOOR PANEL
4	073050-03-000	EA MOUNTING CLIP - VALANCE PANEL
5	114470-01-000	EA CLIP-DOOR PANEL
6	118383-01-05A	EA RETAINER/RECESSED - F/.22" SCREW - VW LIGHT GRAY
6	118383-02-05A	EA RETAINER/RECESSED - F/.27" SCREW - VW LIGHT GRAY
6	118383-03-05A	EA RETAINER/RECESSED - F/.32" SCREW - VW LT. GRAY
7	118383-04-05A	EA CAP - F/RECESSED RETAINER - VW LIGHT GRAY
8	057671-17-000	EA COVER - SCREW - VW LT GRAY #8
	000H14-04-04A	EA RIVET - MANDREL BLIND - 1/8 X .400
	000H16-06-10R	EA RIVET - POP ALUMINUM - 3/16 X .501-.625
	016188-03-000	EA GROMMET - L/P LINE - 3/8" HOLE X 2 1/2" LONG - RUBBER
	007161-01-000	EA CLAMP - HOSE - SPRING TYPE - 1/2"
	010497-03-000	EA CLAMP - CLOSED - 1" ID - CUSHIONED
	010497-04-000	EA CLAMP - CLOSED - 1.62" ID
	062401-01-000	EA CLAMP - HOSE - WORMGEAR - .25" - 1"
	062401-02-000	EA CLAMP - HOSE - WORMGEAR - 1.56" - 2.5"
	062401-04-000	EA CLAMP - HOSE - WORMGEAR - .69" - 1.25"
	062401-06-000	EA CLAMP - HOSE - WORMGEAR - .22" - .62" ID
	062401-11-000	EA CLAMP - HOSE - WORMGEAR - 3.50" - 4.50"
	075148-02-000	EA CLAMP - GROUNDING - BRONZE SCREWS

WATER & DRAINAGE GROUP
FRESH WATER TANK

KEY	PART NUMBER	U/M DESCRIPTION
	122524-02-000	EA TANK - WATER - 13 GALLON - W/FITTINGS
	122524-01-000	EA TANK - WATER - 13 GALLON - W/O FITTINGS
	039861-01-000	EA SENDING UNIT - W/SCREW - WASHER - WELL NUT/TERMINAL RING
	074462-02-000	FT TUBING - VINYL - 3/8 ID X 20' - CLEAR
	077954-02-000	EA FILTER - WATER TANK - W/SCREEN IN TANK
	079381-01-000	FT TUBING - RIBBED FLEXIBLE - WATER FILL - 1.4" I.D.
	042989-03-000	EA FITTING - SPINWELD - 1 1/4"NPT - PLASTIC
	042989-04-000	EA FITTING - SPINWELD - 3/8"FPT - PLASTIC
	049032-01-000	EA PATCH - SPINWELD - 3/8" - PLASTIC

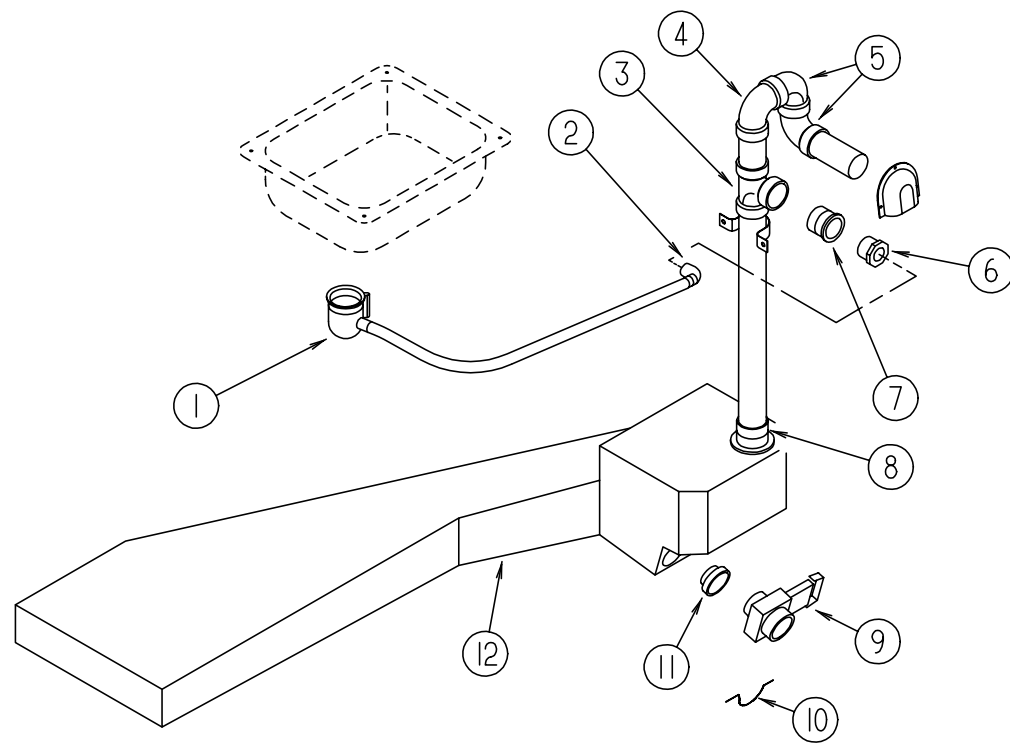
WATER SYSTEM

KEY	PART NUMBER	U/M DESCRIPTION
	010219-01-000	EA ELBOW - 1 1/4 MPT X 1 1/4 BARB - WATER FILL - PLASTIC
	010224-01-000	EA ADAPTER - HOSE TO PIPE - 3/8 MPT X 3/8 BARB - PLASTIC
	035539-01-000	EA ELBOW - PLASTIC - 3/8 MPT X 3/8 BARB
	053771-01-000	FT TUBING - VINYL DRAIN - 3/4 ID
	131596-02-000	EA FITTING - BRASS - 5/16 X 5/15 BARB
	111227-01-000	EA TEE - BARB - 3/8"
	113698-01-000	EA VALVE - DRAIN LINE - 3/8"
	115029-01-000	FT HOSE - WATER - 3/8 ID

WATER PUMP

KEY	PART NUMBER	U/M DESCRIPTION
	111225-01-000	EA PUMP - WATER FLOW - 1.0 GPM

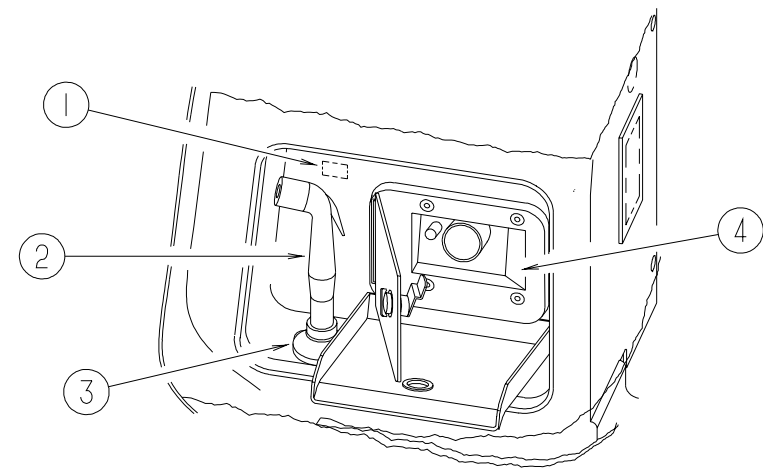
WATER & DRAINAGE GROUP (CONTINUED)



DRAINAGE SYSTEM

KEY	PART NUMBER	U/M DESCRIPTION	VENDOR NO.
1	053770-01-000	EA P TRAP - PLASTIC - SPECIAL	
2	111223-01-000	EA ELBOW - PLASTIC - 3/4 MPT X 3/4 BARB	
3	010071-02-000	EA TEE - PLASTIC - 1 1/2 W/BAFFLE - H X H X H	
4	034250-01-000	EA ELBOW - 90 DEGREE - LONG TURN - 1 1/2" HUB X HUB - ABS	
5	010051-01-000	EA ELBOW - 45 DEGREE - 1 1/2" SPIGOT & HUB - PLASTIC	
6	111221-01-000	EA BUSHING - PLASTIC - 1 1/4 MPT X 3/4 FPT	
7	010122-01-000	EA BUSHING - REDUCER - 1 1/2 SMTH X 1 1/4 THD - BLACK PLASTIC	
8	010115-01-000	EA COUPLING - 1 1/2" HUB X HUB - PLASTIC	
9	114112-01-000	EA VALVE - WASTE - 1.5"	
	114112-01-700	EA VALVE CAP ONLY	12890
	114111-01-000	EA HOSE - SEWER - 1.5"	
10	121114-01-01A	EA GUARD - DRAINAGE - CANADIAN	
11	109571-02-000	EA ADAPTER - 1 1/2" HUB X 1 1/2" MPT	
12	113300-01-000	EA TANK - HOLDING - 8 GALLON - GRAY WATER - W/O FITTINGS	
	061607-01-000	EA GROMMET - HOLDING TANK - 1 1/2" NPS	
	039861-01-000	EA SENDING UNIT - W/SCREW - WASHER - WELL NUT/TERMINAL RING	
	112091-01-000	FT D-SEAL - NEOPRENE - TRUNK - HEAT ACTIVE ADHESIVE - HOLDING TANK STRAP	

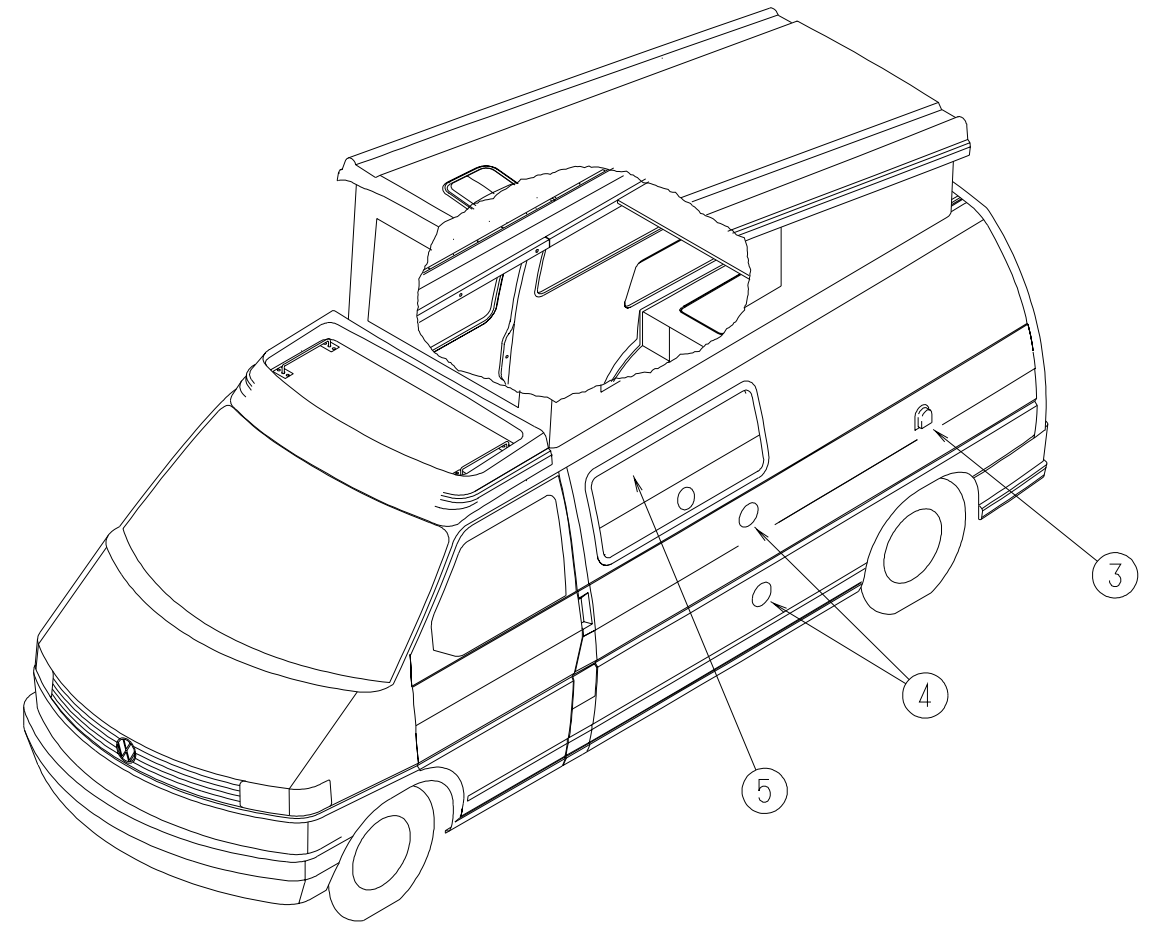
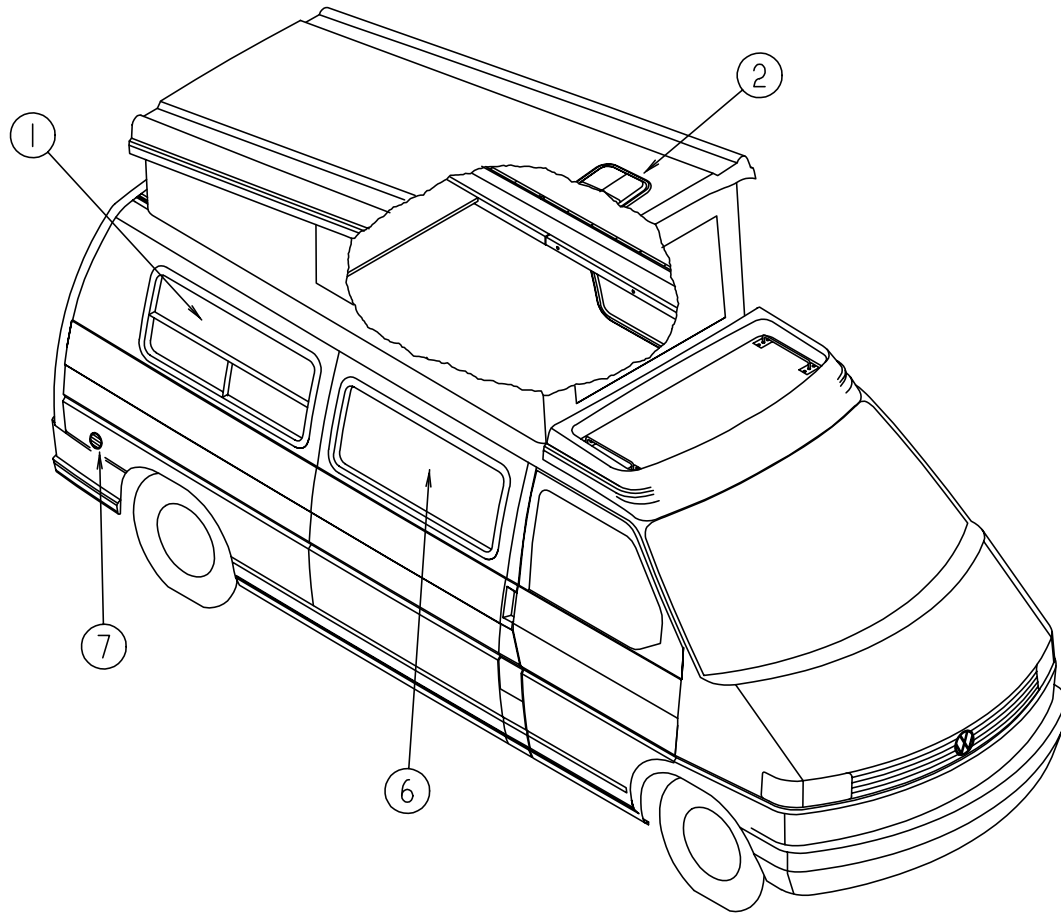
WATER & DRAINAGE GROUP (CONTINUED)



SPRAYER & WATERFILL AREA

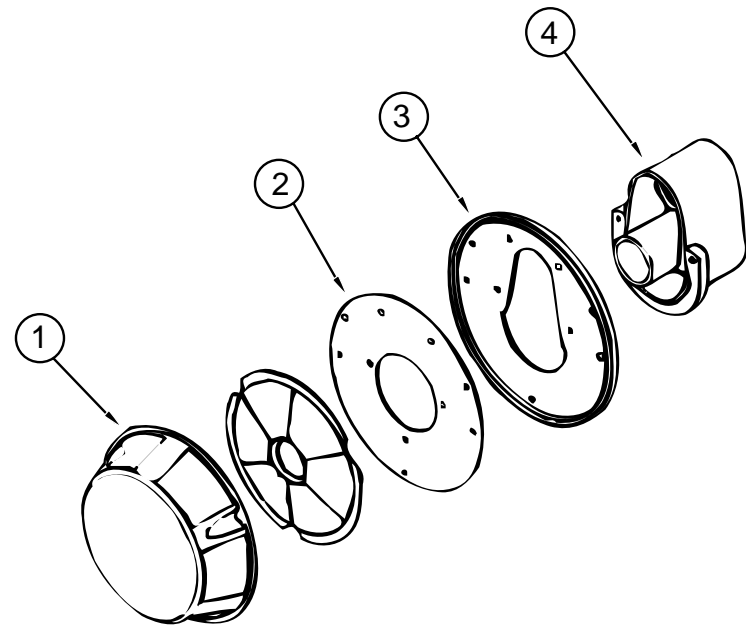
KEY	PART NUMBER	U/M DESCRIPTION
1	079364-04-000	EA SWITCH - ON/OFF ROCKER - 2 TERMINAL - BLACK - WATER PUMP
1	098351-01-02A	EA PLATE/SWITCH - 1 GANG - CHROME - W/O LABEL
2	111224-01-01A	EA SHOWER HEAD - HAND HELD/BLACK HANDLE W/HOSE
3	111224-02-01A	EA GUIDE - HOSE
4	081240-23-000	EA WATER FILL W/DOOR - W/O LOCK - VW LIGHT GRAY
	007108-02-000	FT HOSE - HEATER - 3/4" ID - HI-TEMP

WINDOW & VENT GROUP
WINDOWS & VENTS



KEY	PART NUMBER	U/M	DESCRIPTION
1	112520-01-01A	EA	WINDOW - HORIZONTAL SLIDER
2	113349-01-000	EA	VENT - ROOF
3	111222-01-01A	EA	COVER - VENT - DRAINAGE
4	113735-01-01A	EA	VENT - REFRIGERATOR
5	112519-01-01A	EA	WINDOW - TIPOUT
6	112521-01-01A	EA	WINDOW - STATIONARY
7	024990-08-000	EA	OUTLET - DEFROSTER - W/O SWIVEL

WINDOW & VENT GROUP (CONTINUED)



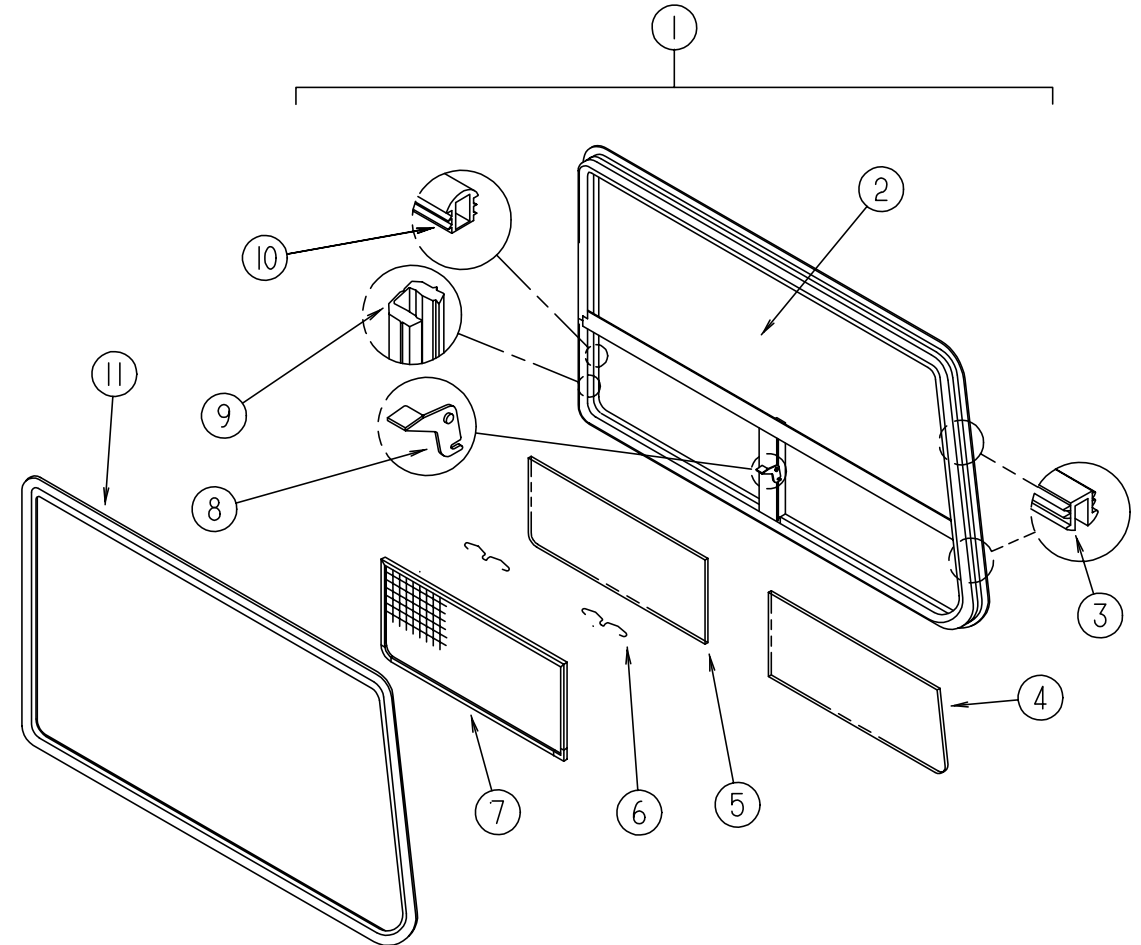
NORCOLD REFRIGERATOR VENT KIT COMPONENTS

KEY	PART NUMBER	U/M DESCRIPTION	VENDOR NO.
	113735-01-01A	EA VENT - REFRIGERATOR	
1	113736-01-700	EA COVER-VENT	617920
1	113736-01-701	EA DISC- INSERT - F/VENT COVER	617921
2	113736-01-702	EA PLATE-BACKING METAL	617922
3	113736-01-703	EA GASKET-VENT TERMINAL	617924
4	113736-01-704	EA HOUSING-VENT TERMINAL	617923

EXCEL ROOF VENT

KEY	PART NUMBER	U/M DESCRIPTION	VENDOR NO.
	113349-01-000	EA VENT - ROOF	
	113349-01-700	EA COVER	4-130-031111
	113349-01-701	EA TRIM RING	4-130-031112
	113349-01-703	EA HANDLE	4-130-030603
	113349-01-704	EA HINGE - RETAINER	4-130-031114
	113349-01-705	EA SPRING	1-227-030795
	113349-01-706	EA SPRING	1-225-030794
	113349-01-707	EA SCREW - RETAINING	274-0161069

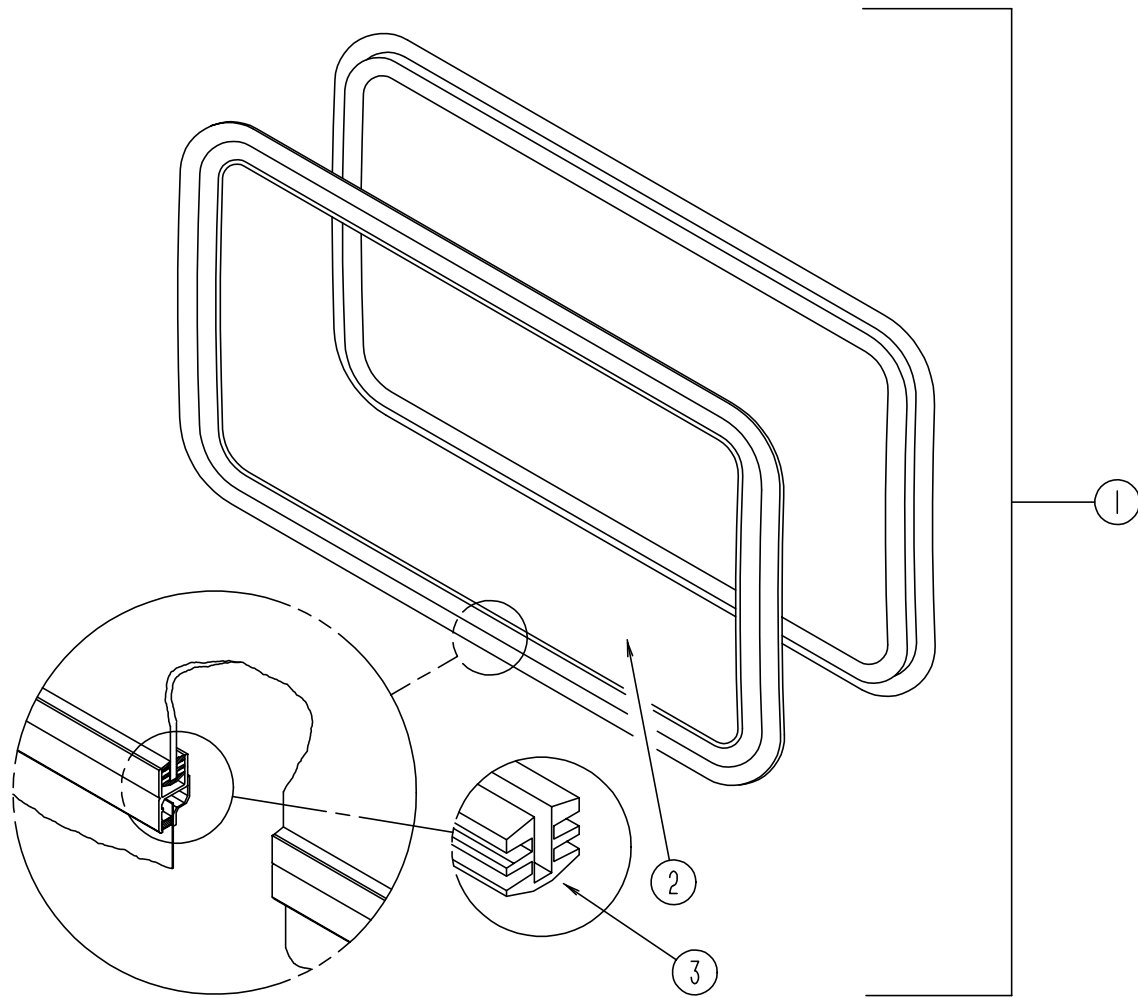
WINDOW & VENT GROUP (CONTINUED)



EXCEL PASSENGER SIDE SINGLE SLIDING WINDOW

KEY	PART NUMBER	U/M DESCRIPTION	VENDOR NO.
1	112520-01-01A	EA WINDOW - HORIZONTAL SLIDER	
2	112520-01-704	EA GLASS - STATIONARY .62% GRAY	106-018877
3	098644-01-705	FT GLAZING - STRIP	132-010231
4	112520-01-700	EA GLASS - STATIONARY LWR	106-018878
5	112520-01-701	EA GLASS/SLIDING W/SASH & LATCH	H419-G9L
	112520-01-702	EA HANDLE PULL, F/SLIDING GLASS	B218-11
	112520-01-706	EA WEATHERSTRIP-SCREEN, (FUZZY)	171-017245
	098644-01-706	FT WEATHERSTRIP - GLASS	171-010668
6	098644-01-713	EA CLIP -SCREEN - METAL	226-016966
7	112520-01-705	EA SCREEN ASSEMBLY W/SEALS	H419-03R
8	098644-01-700	EA LATCH - REPAIR KIT (BLACK)	B801-CK
9	098644-01-708	FT CHANNEL - RUN PIERCED	122-016543
10	098644-01-716	FT PLUG - FILLER	132-014470
11	112520-01-708	EA TRIM MOLDING (SWEPT)	H419-51R

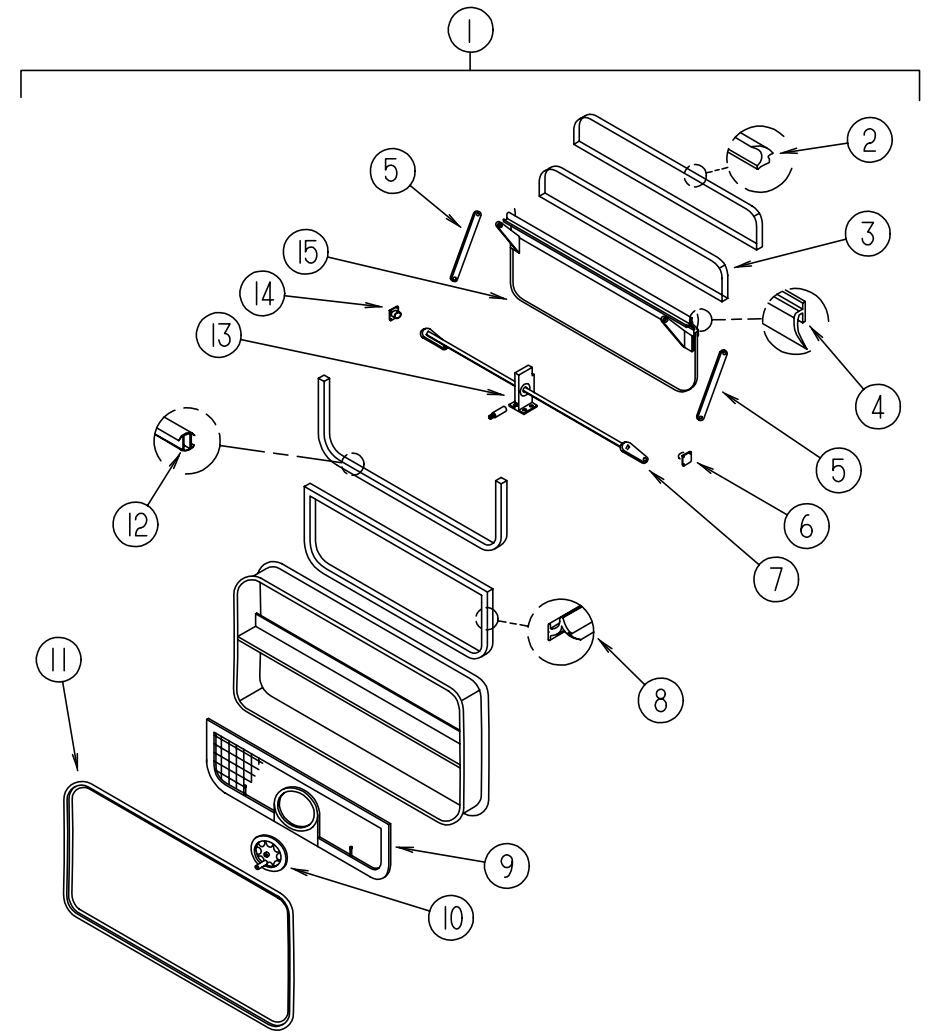
WINDOW & VENT GROUP (CONTINUED)



EXCEL PASSENGER SIDE STATIONARY WINDOW

KEY	PART NUMBER	U/M	DESCRIPTION	VENDOR NO.
1	112521-01-01A	EA	WINDOW - STATIONARY	H418-61
	112521-01-701	EA	RETAINER - TRIM	
2	112521-01-700	EA	GLASS - STATIONARY- 62% GRAY	106-018874
3	098644-01-705	FT	GLAZING - STRIP	132-010231

WINDOW & VENT GROUP (CONTINUED)



EXCEL DRIVER SIDE SINGLE TIPOUT WINDOW

KEY	PART NUMBER	U/M	DESCRIPTION	VENDOR NO.
1	112519-01-01A	EA	WINDOW - TIPOUT	
2	100322-01-703	FT	VINYL-GLAZING, BUTYL	132-010723
3	112519-01-703	EA	GLASS - STATIONARY 62% GRAY	106-018875
	100322-01-704	FT	TAPE-BUTYL	154-016083
4	100322-01-702	FT	WEATHERSTRIP-HORIZ. RAIL-54"	132-015976
5	112519-01-704	EA	LINK SUB - ASSEMBLY	CH19-28
6	100322-01-715	EA	SUPPORT-TORQUE BAR, RH	130-015979
7	112519-01-701	EA	LEVER SUB. ASSEMBLY, OPERATOR	CH21-29
8	100322-01-701	FT	SEAL-VENT	122-016071
9	112519-01-705	EA	SCREEN ASM - W/SEALS &CLIPS	410-018890
	112519-01-706	EA	CLIP-SCREEN	CH21-50
10	100322-01-718	EA	HANDLE-DIAL	410-016081
11	112519-01-707	EA	RETAINER - TRIM	CH89-47
12	098644-01-716	FT	PLUG - FILLER	132-014470
13	112519-01-702	EA	OPERATOR-VENT	410-018123
	100322-01-717	EA	E-RING	245-015975
14	100322-01-714	EA	SUPPORT-TORQUE BAR, LH	130-015978
15	112519-01-700	EA	VENT GLASS W/SEALS &TRIMS	CH89-G9