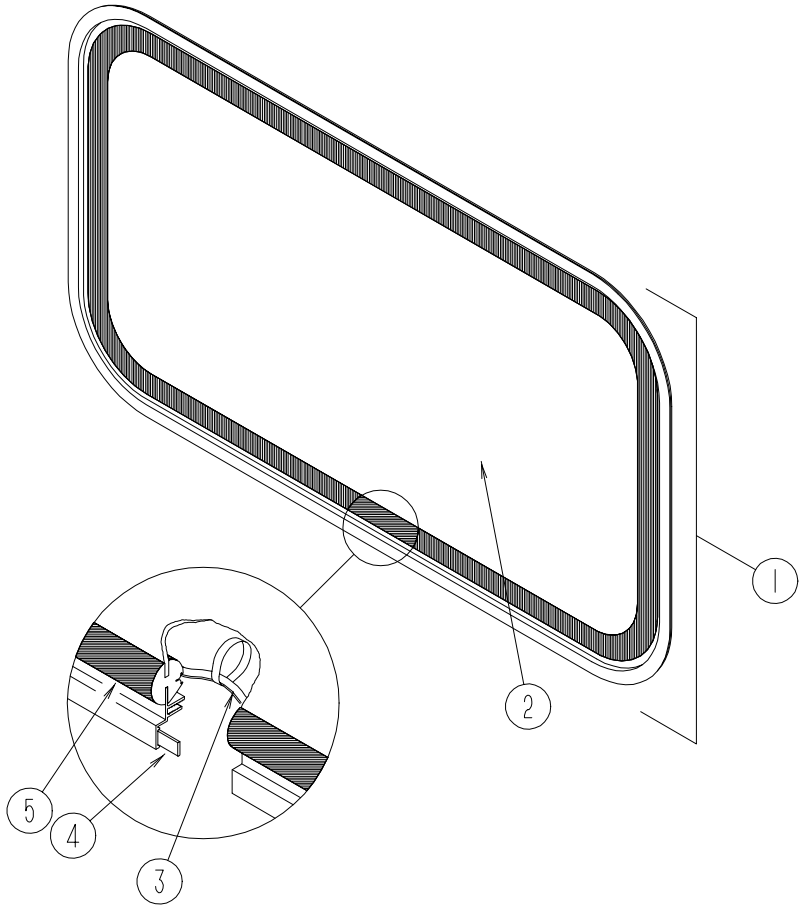
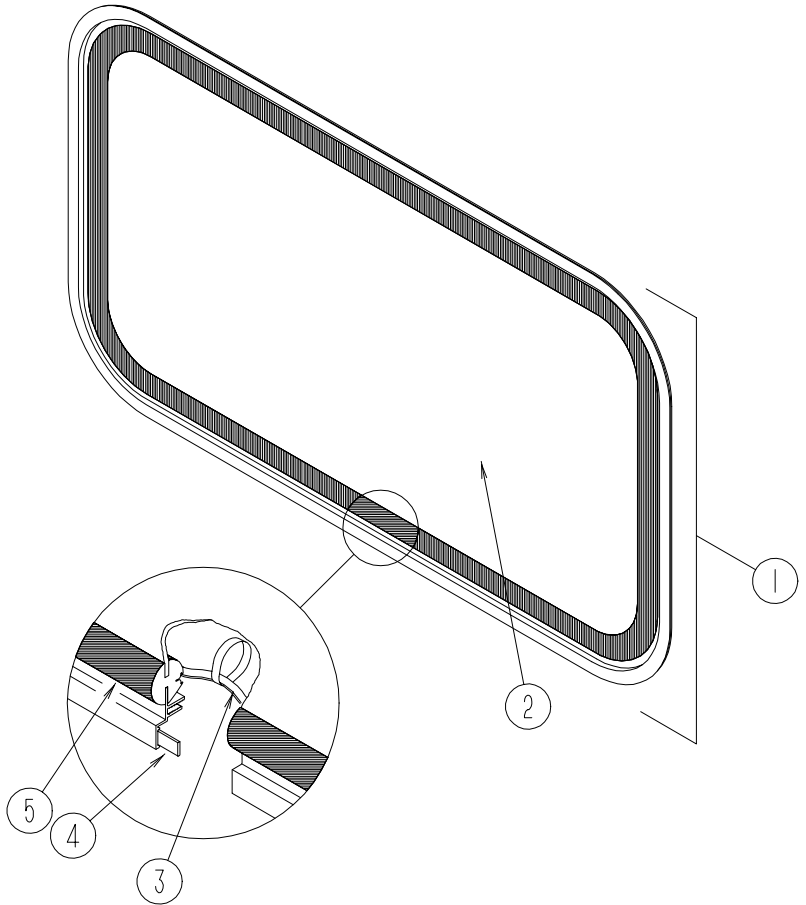


ESCAPE WINDOW



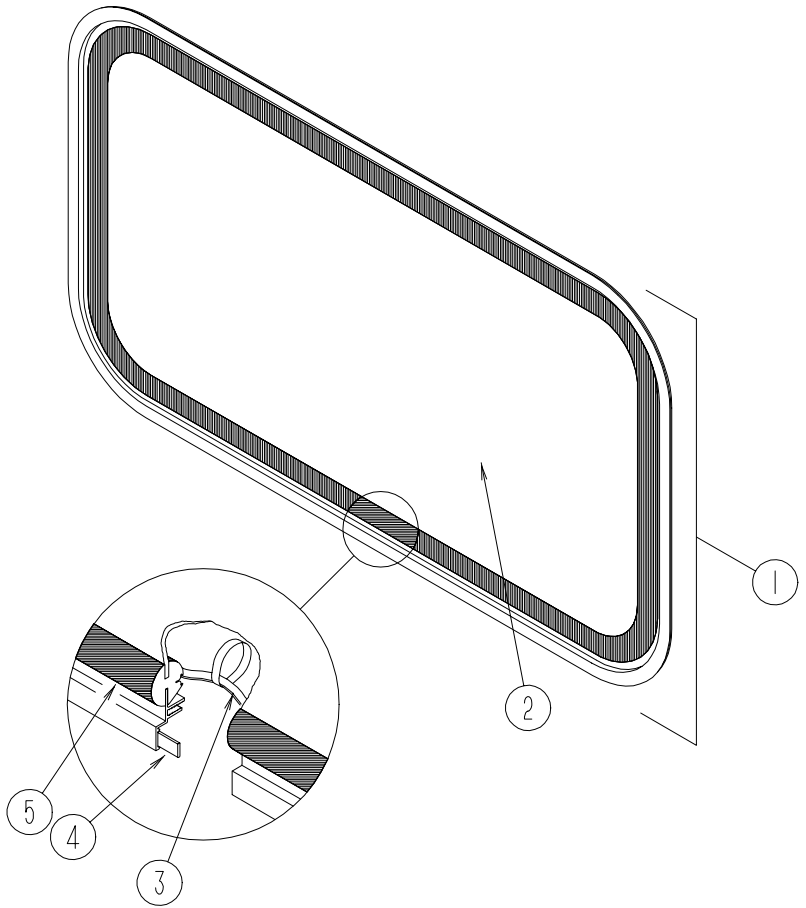
| KEY | PART NUMBER | U/M | DESCRIPTION |
|-----|---------------|-----|--|
| 1 | 078528-03-Y12 | EA | WINDOW ASM - ESCAPE |
| 2 | 076337-08-000 | EA | GLASS - EGRESS - 1138.4 X 598.1 |
| 3 | 002285-01-000 | FT | FILLER - WEATHERSTRIP - RUBBER - BLACK |
| 4 | 069640-11-000 | FT | SEALER - TAPE - .19"THICK X .38"WIDE X 40' - BLACK |
| 5 | 002282-09-000 | EA | W/STR-WINDOW,.125 BLK,130.53 |
| | 053752-09-000 | GL | SEAM SEALER-5 GAL,CLEAR |
| | 102922-01-000 | FT | RED POLY.005X.500INX150'ROLL |

ESCAPE WINDOW



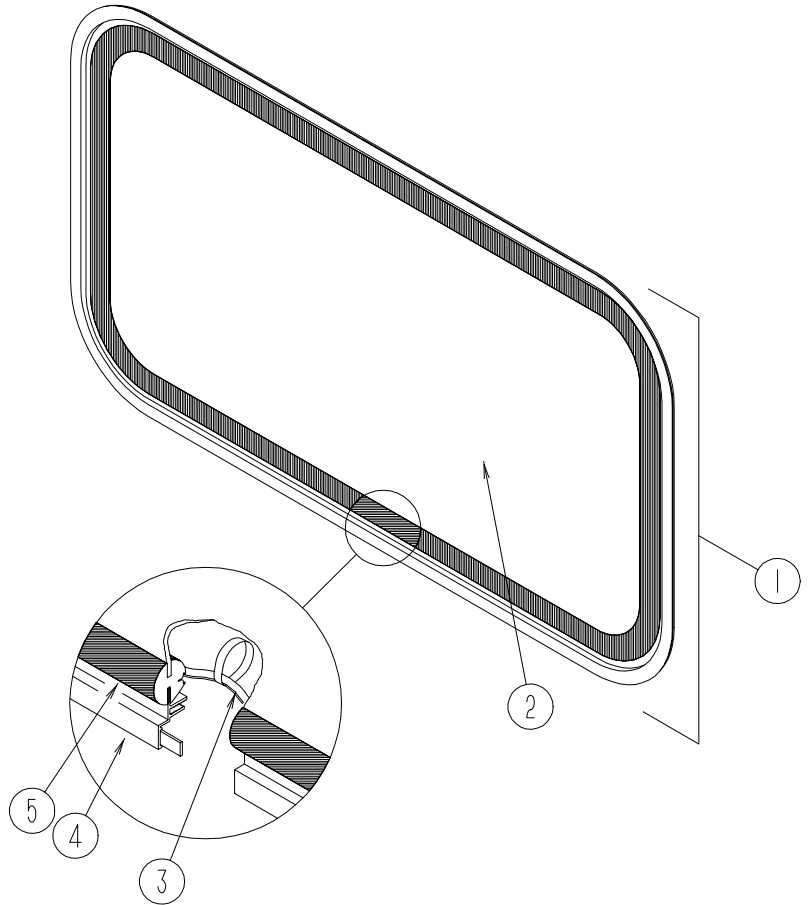
| KEY | PART NUMBER | U/M | DESCRIPTION |
|-----|---------------|-----|--|
| 1 | 078528-06-E10 | EA | WINDOW ASM-ESCAPE |
| 2 | 076337-12-000 | EA | GLASS-EGRESS,1157.4 X 548.1 |
| 3 | 002285-01-000 | FT | FILLER - WEATHERSTRIP - RUBBER - BLACK |
| 4 | 069640-11-000 | FT | SEALER - TAPE - .19"THICK X .38"WIDE X 40' - BLACK |
| 5 | 002282-09-000 | EA | W/STR-WINDOW,.125 BLK,130.53 |
| | 053752-09-000 | GL | SEAM SEALER-5 GAL,CLEAR |
| | 102922-01-000 | FT | RED POLY.005X.500INX150'ROLL |

ESCAPE WINDOW



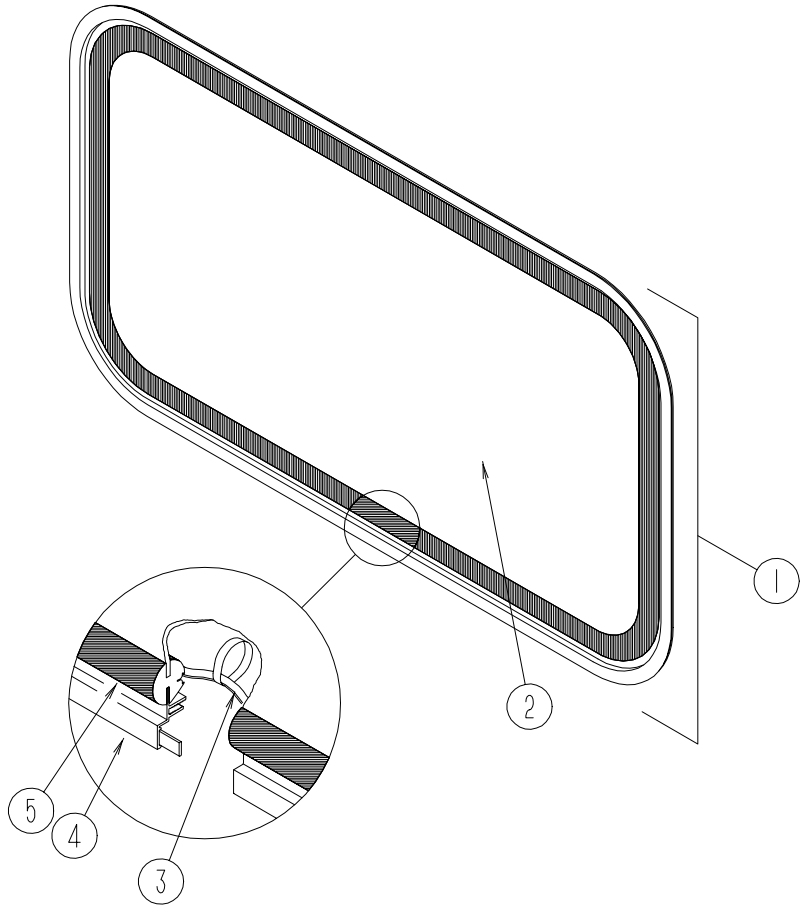
| KEY | PART NUMBER | U/M | DESCRIPTION |
|-----|---------------|-----|--|
| 1 | 078528-07-F15 | EA | WINDOW ASM-ESCAPE CLEAR |
| 2 | 076337-13-000 | EA | GLASS-EGRESS 1157 X 548 CLR |
| 3 | 002285-01-000 | FT | FILLER - WEATHERSTRIP - RUBBER - BLACK |
| 4 | 069640-11-000 | FT | SEALER - TAPE - .19"THICK X .38"WIDE X 40' - BLACK |
| 5 | 002282-09-000 | EA | W/STR-WINDOW,.125 BLK,130.53 |
| | 004018-01-000 | FT | ADHESIVE-COLDBOND |
| | 053752-09-000 | GL | SEAM SEALER-5 GAL,CLEAR |
| | 102922-01-000 | FT | RED POLY.005X.500INX150'ROLL |

ESCAPE WINDOW



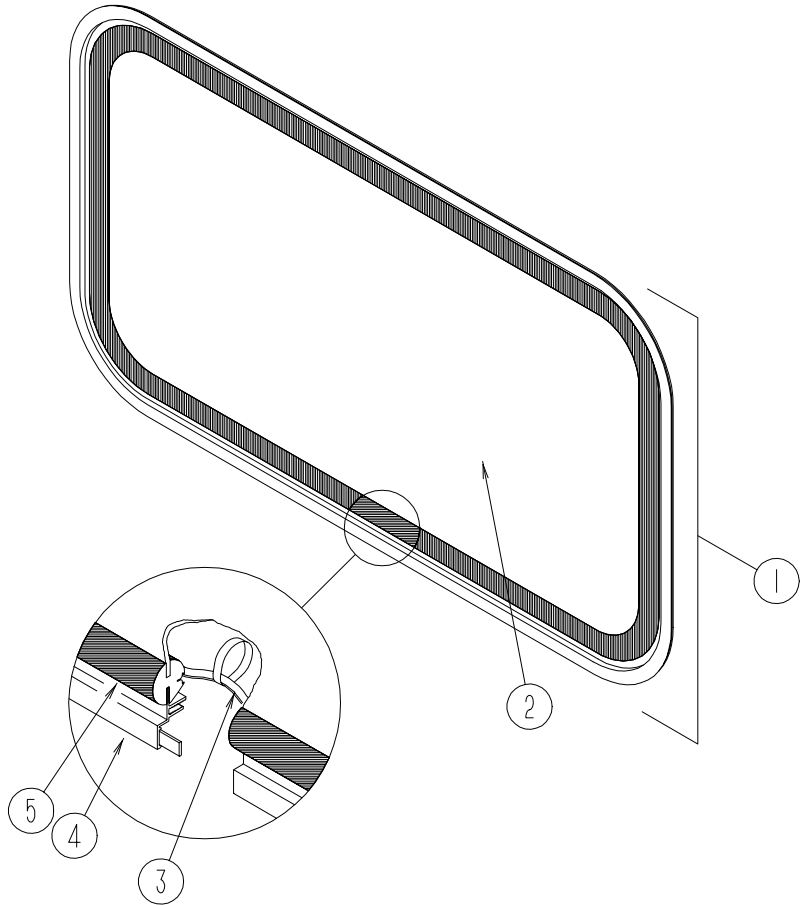
| KEY | PART NUMBER | U/M | DESCRIPTION |
|-----|---------------|-----|--|
| 1 | 078528-12-FB1 | EA | WINDOW - ESCAPE - W/O INSIDE TRIM - TINTED - 35.6" X 26" |
| 2 | 076337-17-000 | EA | GLASS-EGRESS 589 X 830 GRAY |
| 3 | 002285-01-000 | FT | FILLER - WEATHERSTRIP - RUBBER - BLACK |
| 4 | 074815-07-000 | EA | FRAME - WINDOW - MAIN - ESCAPE - BLACK |
| 5 | 002282-12-000 | EA | WEATHERSTRIP - WINDOW - .125 BLACK - 108.75 |
| | 004018-01-000 | FT | ADHESIVE - COLDBOND |
| | 053752-02-000 | GL | SEAM SEALER - 5 GALLON - BLACK |
| | 102922-01-000 | FT | RED POLY.005 X .500IN X 150' ROLL |

ESCAPE WINDOW



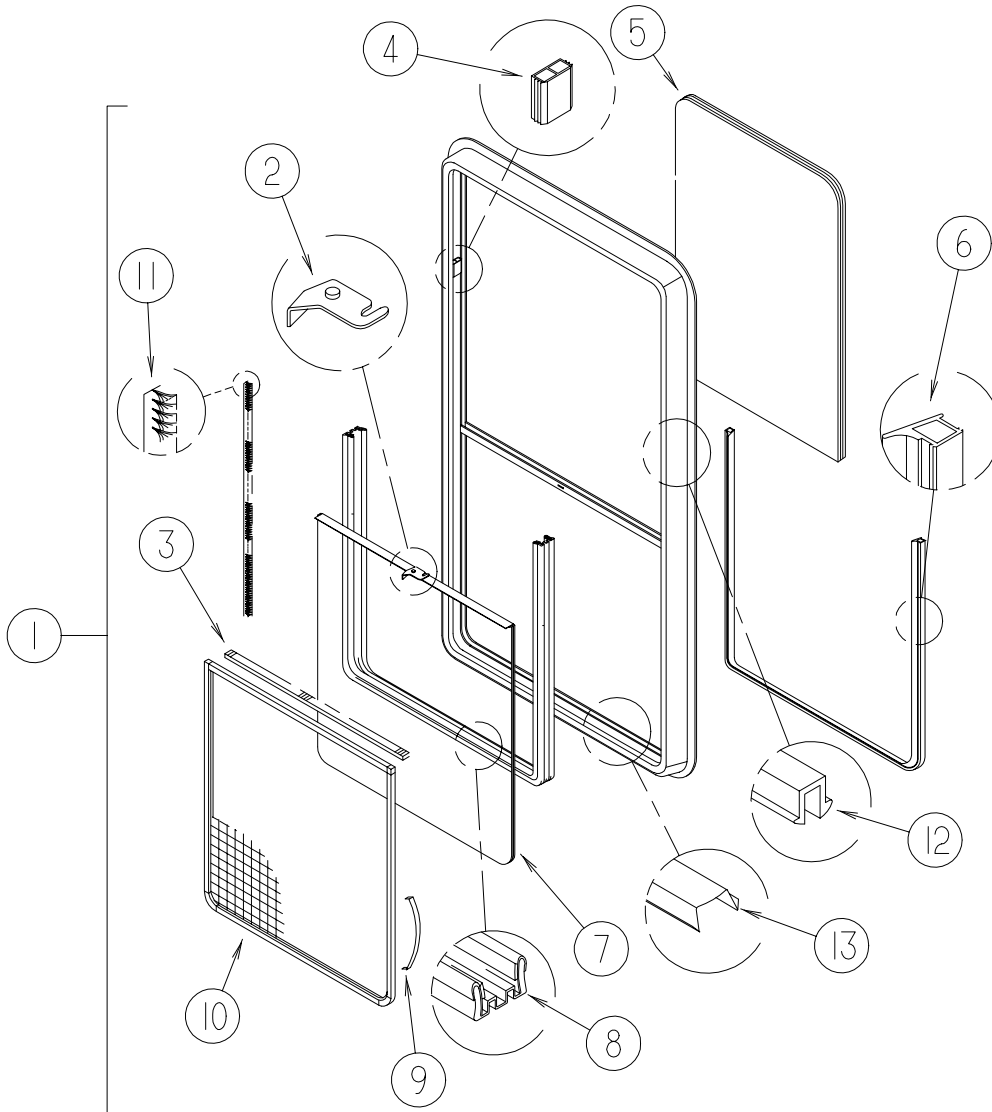
| KEY | PART NUMBER | U/M | DESCRIPTION |
|-----|---------------|-----|---|
| 1 | 078528-13-F11 | EA | WINDOW ASSEMBLY - ESCAPE |
| 2 | 076337-18-000 | EA | GLASS-EGRESS 1443 X 589 GRAY |
| 3 | 002285-01-000 | FT | FILLER - WEATHERSTRIP - RUBBER - BLACK |
| 4 | 004018-01-000 | FT | ADHESIVE - COLDBOND |
| 5 | 002282-13-000 | EA | WEATHERSTRIP - WINDOW - .125 BLACK - 108.75 |
| | 053752-02-000 | GL | SEAM SEALER - 5 GALLON - BLACK |
| | 102922-01-000 | FT | RED POLY.005 X .500IN X 150' ROLL |

ESCAPE WINDOW



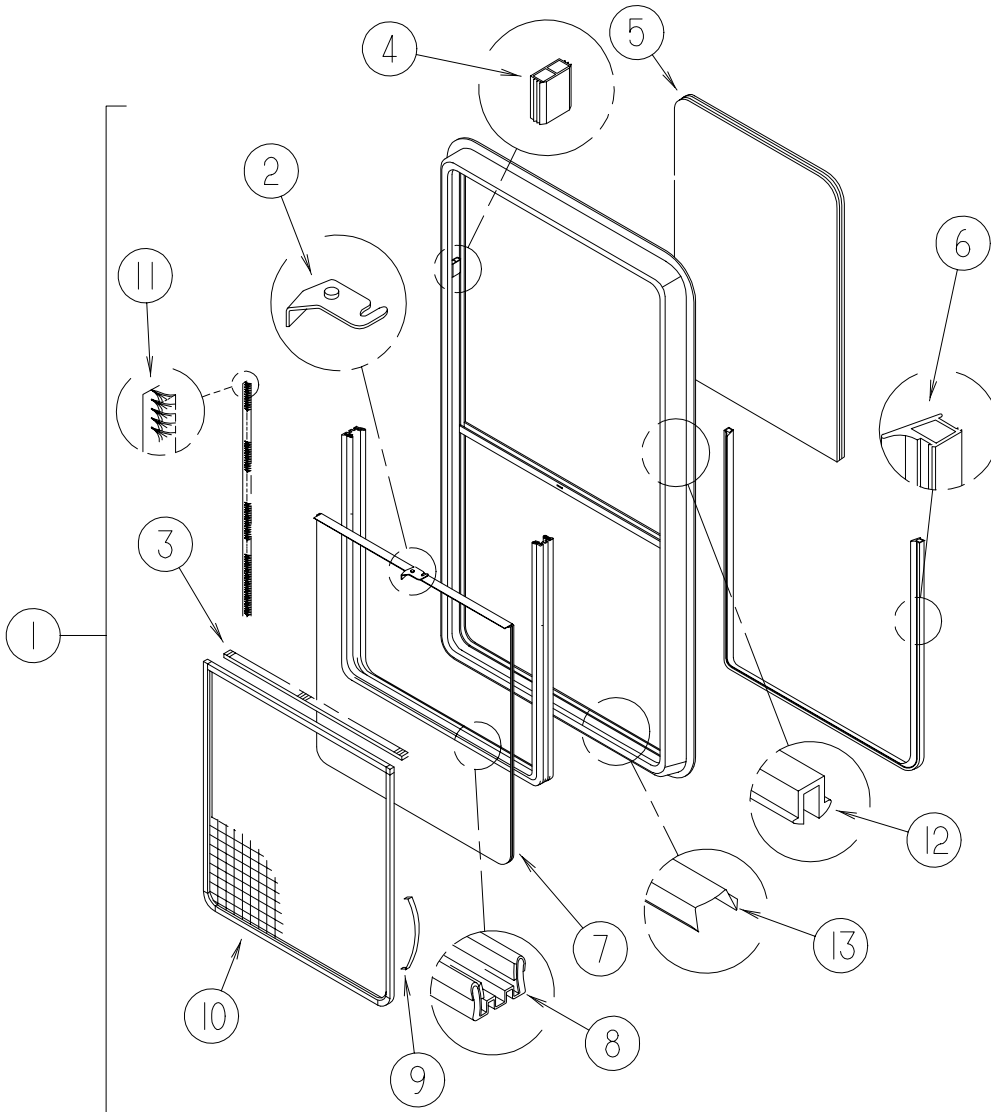
| KEY | PART NUMBER | U/M | DESCRIPTION |
|-----|---------------|-----|---|
| 1 | 087985-08-GV0 | EA | WINDOW - ESCAPE - 28.5" X 47.5" |
| 2 | 076337-16-000 | EA | GLASS-EGRESS 1156 X 672 GRAY |
| 3 | 002285-01-000 | FT | FILLER - WEATHERSTRIP - RUBBER - BLACK |
| 4 | 121130-01-01A | EA | FRAME - WINDOW - ESCAPE - BLACK |
| 5 | 002282-11-000 | EA | WEATHERSTRIP - WINDOW - .125 BLACK - 140.75 |
| | 004018-01-000 | FT | ADHESIVE - COLDBOND |
| | 053752-09-000 | GL | SEAM SEALER - 5 GALLON - CLEAR |
| | 102922-01-000 | FT | RED POLY.005 X .500IN X 150' ROLL |

**WINDOW - SLIDER
EXCEL H332-PR**



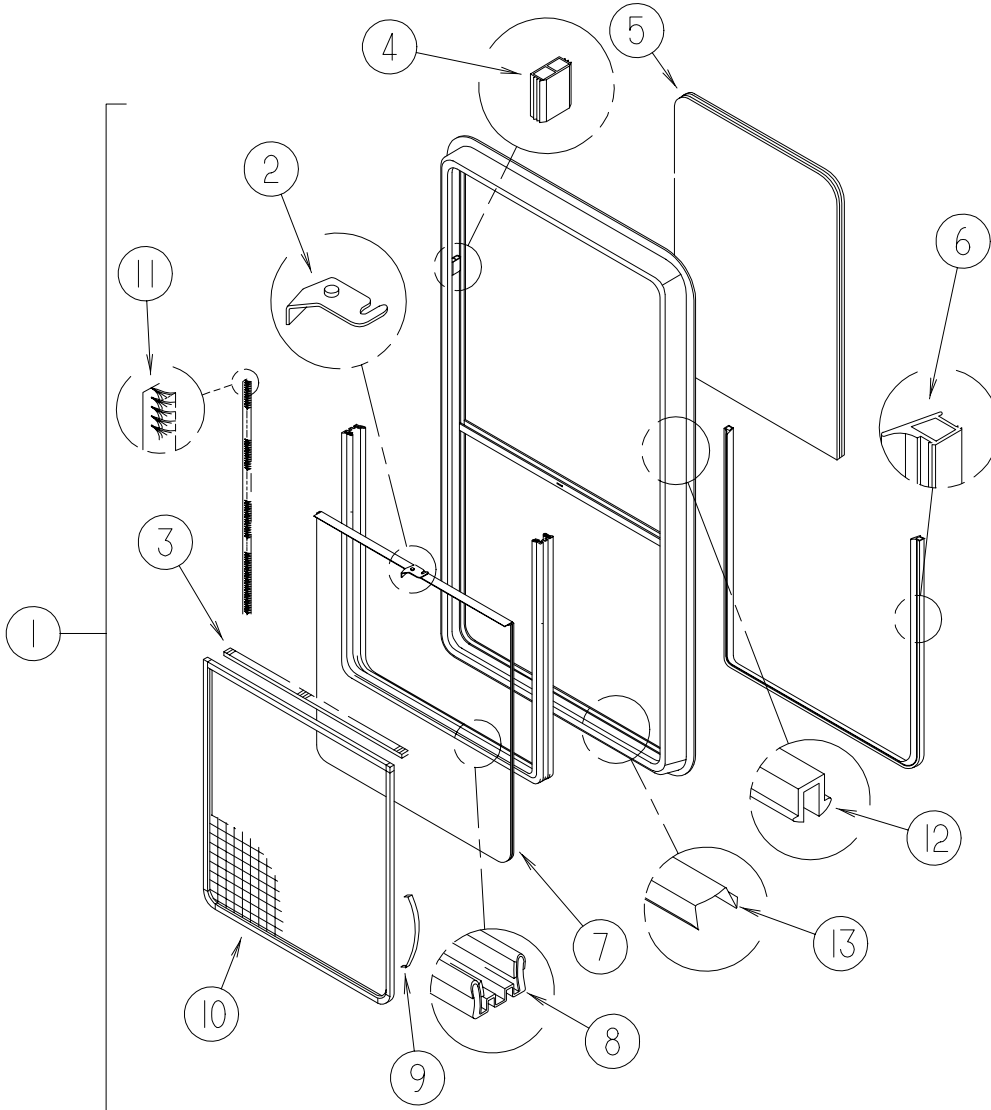
| KEY | PART NUMBER | U/M | DESCRIPTION | VENDOR NO. |
|-----|---------------|-----|--|------------|
| 1 | 098644-04-02A | EA | WINDOW - VERTICAL SLIDER W/TRIM - TINTED - 31.7" X 21.1" | B801-CK |
| 2 | 098644-01-700 | EA | LATCH - REPAIR KIT (BLACK) | 122-016543 |
| 3 | 098644-01-706 | FT | WEATHERSTRIP - GLASS | 132-014203 |
| 4 | 098644-01-719 | EA | STOP - SLIDER GLASS | 106-017953 |
| 5 | 098644-04-701 | EA | GLASS - STATIONARY | 132-014470 |
| 6 | 098644-01-716 | EA | PLUG - FILLER | H332-G9 |
| 7 | 098644-04-702 | EA | GLASS - SLIDING - W/SASH & LATCH | 122-016543 |
| 8 | 098644-01-708 | FT | CHANNEL - RUN - PIERCED | 226-016966 |
| 9 | 098644-01-713 | EA | CLIP - SCREEN - METAL | 410-017955 |
| 10 | 098644-04-703 | EA | SCREEN ASSEMBLY - W/SEALS & CLIPS | 171-016965 |
| 11 | 098644-01-711 | EA | WEATHERSTRIP - SCREEN - BLACK | 132-010231 |
| 12 | 098644-01-705 | FT | GLAZING - STRIP | 132-017135 |
| 13 | 098644-01-710 | FT | TRACK - SCREEN SPACER - 12' | 132-004716 |
| | 098644-01-717 | FT | SPLINE - SCREEN | 132-004716 |
| | 098644-04-700 | EA | RETAINER - TRIM | W332-67 |

**WINDOW - SLIDER
EXCEL H332-PR**



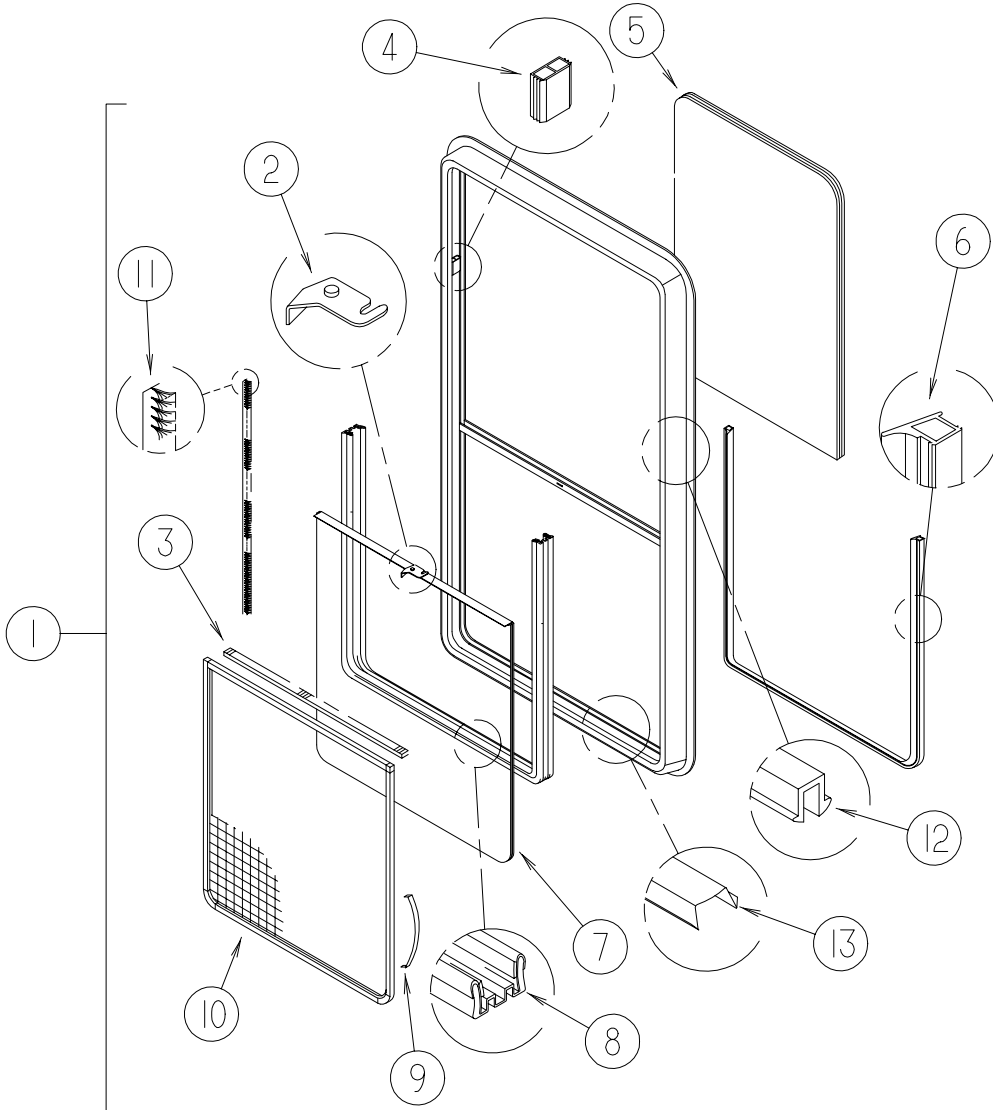
| KEY | PART NUMBER | U/M | DESCRIPTION | VENDOR NO. |
|-----|---------------|-----|--|------------|
| 1 | 098644-07-01A | EA | WINDOW - VERTICAL SLIDER W/TRIM - TINTED - 30.2" X 14.3" | |
| 2 | 098644-01-700 | EA | LATCH ASSEMBLY - BOLT ON | B801-CK |
| 3 | 098644-01-706 | FT | WEATHERSTRIP - GLASS | 122-016543 |
| 4 | 098644-01-719 | EA | STOP - SLIDER GLASS | 132-014203 |
| 5 | 098644-07-702 | EA | GLASS - STATIONARY | 106-015777 |
| 6 | 098644-01-716 | EA | PLUG - FILLER | 132-014470 |
| 7 | 098644-07-703 | EA | GLASS - SLIDING - W/SASH & LATCH | H170-G9 |
| 8 | 098644-01-708 | FT | CHANNEL - RUN - PIERCED | 122-016543 |
| 9 | 098644-01-713 | EA | CLIP - SCREEN - METAL | 226-016966 |
| 10 | 098644-07-704 | EA | SCREEN ASSEMBLY - W/SEALS & CLIPS | 410-018863 |
| 11 | 098644-01-711 | EA | WEATHERSTRIP - SCREEN - BLACK | 171-016965 |
| 12 | 098644-01-705 | FT | GLAZING - STRIP | 132-010231 |
| 13 | 098644-01-710 | FT | TRACK - SCREEN SPACER - 12' | 132-017135 |
| | 098644-01-717 | FT | SPLINE - SCREEN | 132-004716 |
| | 098644-07-701 | EA | RETAINER - TRIM | CW02-66 |

**WINDOW - SLIDER
EXCEL H332-PR**



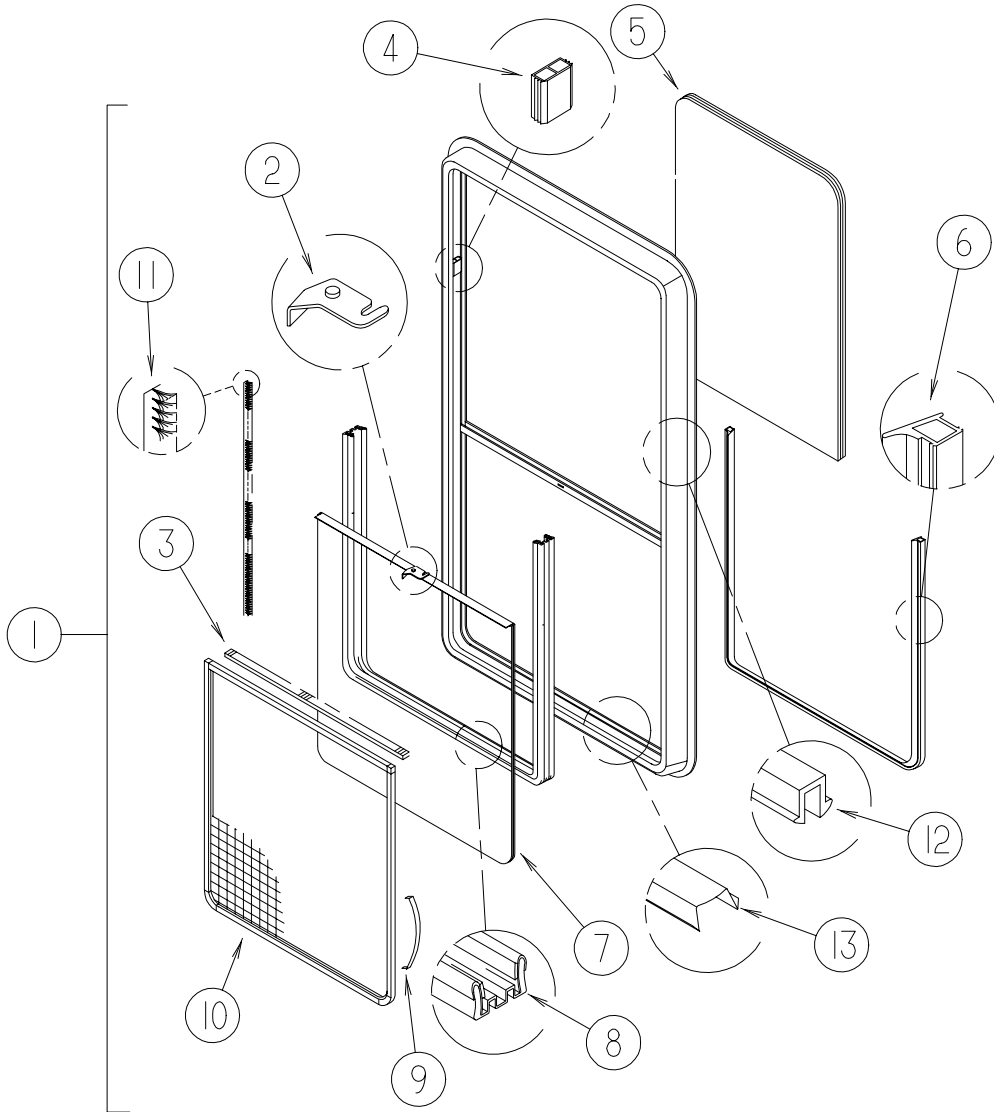
| KEY | PART NUMBER | U/M | DESCRIPTION | VENDOR NO. |
|-----|---------------|-----|--|------------|
| 1 | 098644-09-01A | EA | WINDOW - VERTICAL SLIDER W/TRIM - TINTED - 31.7" X 21.1" | |
| 2 | 098644-04-703 | EA | VERTICAL LATCH (SASH KIT) | B801-CK |
| 3 | 098644-01-706 | FT | WEATHERSTRIP - GLASS | 122-016543 |
| 4 | 098644-01-719 | EA | STOP - SLIDER GLASS | 132-014203 |
| 5 | 098644-09-702 | EA | GLASS - STATIONARY | 106-019509 |
| 6 | 098644-01-716 | EA | PLUG - FILLER | 132-014470 |
| 7 | 098644-09-703 | EA | GLASS - SLIDING - W/SASH & LATCH | H446-G9 |
| 8 | 098644-01-708 | FT | CHANNEL - RUN - PIERCED | 122-016543 |
| 9 | 098644-01-713 | EA | CLIP - SCREEN - METAL | 226-016966 |
| 10 | 098644-09-704 | EA | SCREEN ASSEMBLY - W/SEALS & CLIPS | 410-019511 |
| 11 | 098644-01-711 | EA | WEATHERSTRIP - SCREEN - BLACK | 171-016965 |
| 12 | 098644-01-705 | FT | GLAZING - STRIP | 132-010231 |
| 13 | 098644-01-710 | FT | TRACK - SCREEN SPACER - 12' | 132-017135 |
| | 098644-01-717 | FT | SPLINE - SCREEN | 132-004716 |
| | 098644-09-701 | EA | RETAINER - TRIM | W446-66 |

**WINDOW - SLIDER
EXCEL H464-G1W66**



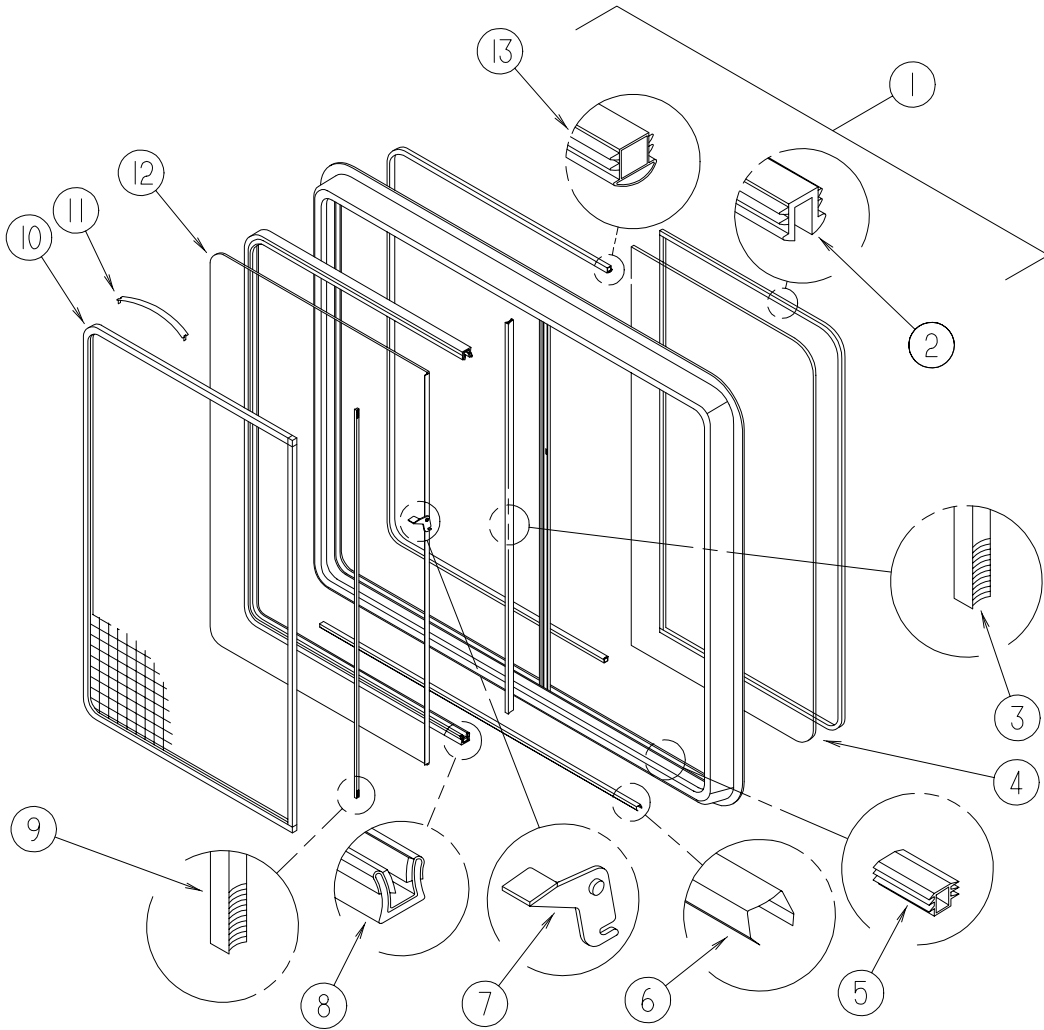
| KEY | PART NUMBER | U/M | DESCRIPTION | VENDOR NO. |
|-----|---------------|-----|--|------------|
| 1 | 098644-10-01A | EA | WINDOW - VERTICAL SLIDER W/TRIM - TINTED - 25" X 27" | |
| 2 | 098644-01-700 | EA | LATCH - REPAIR KIT (BLACK) | B801-CK |
| 3 | 098644-01-706 | FT | WEATHERSTRIP - GLASS | 122-016543 |
| 4 | 098644-01-719 | EA | STOP - SLIDER GLASS | 132-014203 |
| 5 | 098644-10-702 | EA | GLASS - STATIONARY | 106-025019 |
| 6 | 098644-01-716 | EA | PLUG - FILLER | 132-014470 |
| 7 | 098644-10-701 | EA | GLASS - SLIDING - W/SASH & LATCH | H464-G9 |
| 8 | 098644-01-708 | FT | CHANNEL - RUN - PIERCED | 122-016543 |
| 9 | 098644-01-713 | EA | CLIP - SCREEN - METAL | 226-016966 |
| 10 | 098644-10-700 | EA | SCREEN ASSEMBLY - W/SEALS & CLIPS | 410-019683 |
| 11 | 098644-01-711 | EA | WEATHERSTRIP - SCREEN - BLACK | 171-016965 |
| 12 | 098644-01-705 | FT | GLAZING - STRIP | 132-010231 |
| 13 | 098644-01-710 | FT | TRACK - SCREEN SPACER - 12' | 132-017135 |
| | 098644-01-717 | FT | SPLINE - SCREEN | 132-004716 |
| | 098644-10-703 | EA | RETAINER - TRIM | CW78-66 |

WINDOW - SLIDER



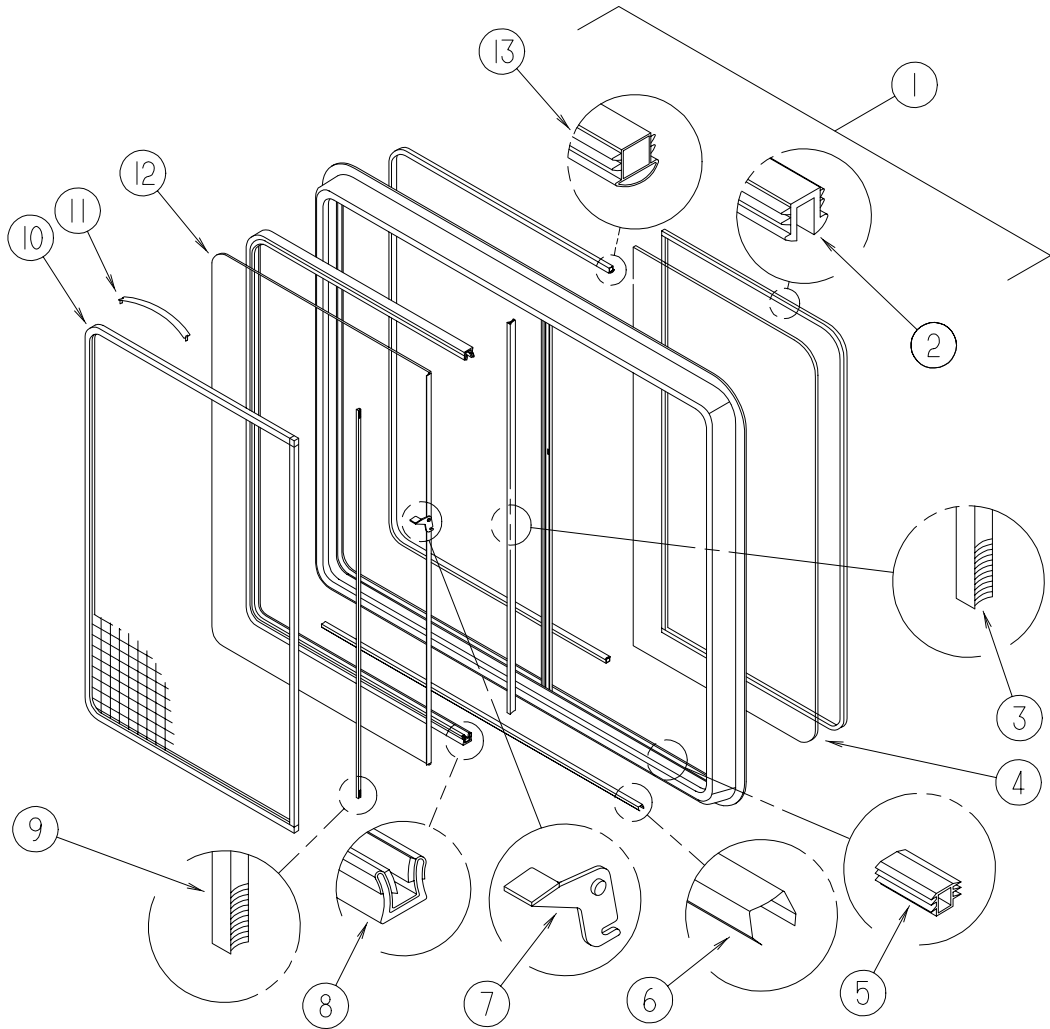
| KEY | PART NUMBER | U/M | DESCRIPTION | VENDOR NO. |
|-----|---------------|-----|--|------------|
| 1 | 098644-11-01A | EA | WINDOW - VERTICAL SLIDER W/TRIM - TINTED - 26.4" X 27" | |
| 2 | 098644-01-700 | EA | LATCH - ASSEMBLY - BOLT ON | B801-CK |
| 3 | 098644-01-706 | FT | WEATHERSTRIP - GLASS | 122-016543 |
| 4 | 098644-01-719 | EA | STOP - SLIDER GLASS | 132-014203 |
| 5 | 098644-11-700 | EA | GLASS - STATIONARY | 106-026280 |
| 6 | 098644-01-716 | EA | PLUG - FILLER | 132-014470 |
| 7 | 098644-11-701 | EA | GLASS - SLIDING - W/SASH & LATCH | H464-G9 |
| 8 | 098644-01-708 | FT | CHANNEL - RUN - PIERCED | 122-016543 |
| 9 | 098644-01-713 | EA | CLIP - SCREEN - METAL | 226-016966 |
| 10 | 098644-19-702 | EA | SCREEN ASSEMBLY - W/SEALS & CLIPS | 410-026279 |
| 11 | 098644-01-711 | EA | WEATHERSTRIP - SCREEN - BLACK | 171-016965 |
| 12 | 098644-01-705 | FT | GLAZING - STRIP | 132-010231 |
| 13 | 098644-01-710 | FT | TRACK - SCREEN SPACER - 12' | 132-017135 |
| | 098644-01-717 | FT | SPLINE - SCREEN | 132-004716 |
| | 098644-19-703 | EA | RETAINER - TRIM | W564-66 |

THERMOPANE



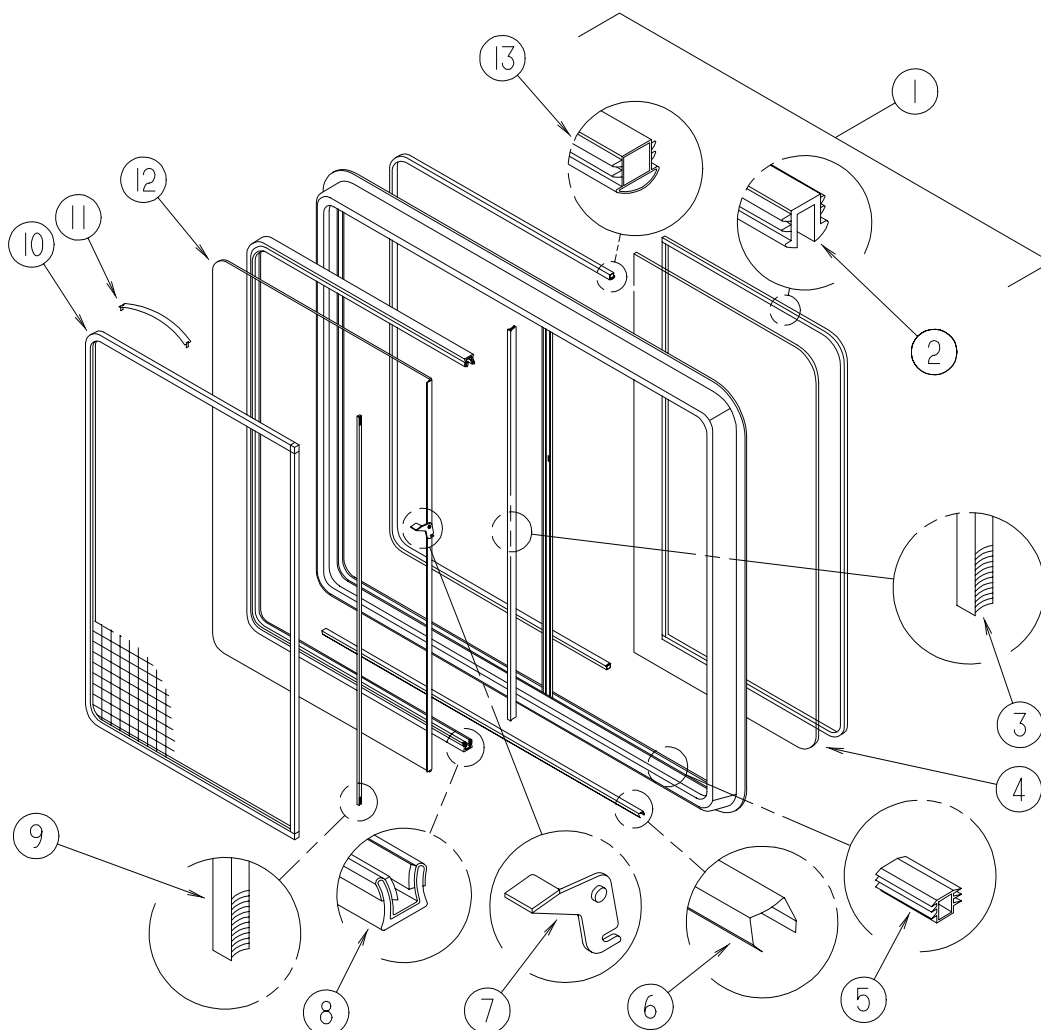
| KEY | PART NUMBER | U/M | DESCRIPTION | VENDOR NO. |
|-----|---------------|-----|--|------------|
| 1 | 098647-01-02A | EA | WINDOW - PASS HORIZ SLIDER W/TRIM - TINTED - 30.5" X 57.5" | |
| 2 | 098644-01-705 | FT | GLAZING - STRIP | 132-010231 |
| 3 | 098644-01-706 | FT | WEATHERSTRIP - GLASS | 171-010668 |
| 4 | 098647-01-700 | EA | GLASS - STATIONARY 27.7X29.3 | 106-015631 |
| 5 | 098644-01-719 | EA | STOP - SLIDER GLASS | 132-014203 |
| 6 | 098644-01-710 | FT | TRACK - SCREEN SPACER 12' | 132-017135 |
| 7 | 098644-01-700 | EA | LATCH - REPAIR KIT (BLACK) | B801-CK |
| 8 | 098644-01-708 | FT | CHANNEL - RUN PIERCED | 122-016543 |
| 9 | 098644-01-711 | FT | WEATHERSTRIP - SCREEN BLACK | 171-016965 |
| 10 | 098647-01-706 | EA | SCREEN ASM - W/SEALS & CLIPS | 410-016472 |
| 11 | 125582-01-701 | EA | CLIP - SCREEN - PLASTIC | 130005153 |
| 11 | 098644-01-713 | EA | CLIP - SCREEN - METAL | 226-016966 |
| 12 | 098647-01-702 | EA | GLASS-SLIDING W/SASH & LATCH | H112-G9 |
| 13 | 098644-01-716 | FT | PLUG - FILLER | 132-014470 |
| | 098644-01-717 | FT | SPLINE - SCREEN | 132-004716 |
| | 098647-01-707 | EA | RETAINER - TRIM | W112-67 |

THERMOPANE



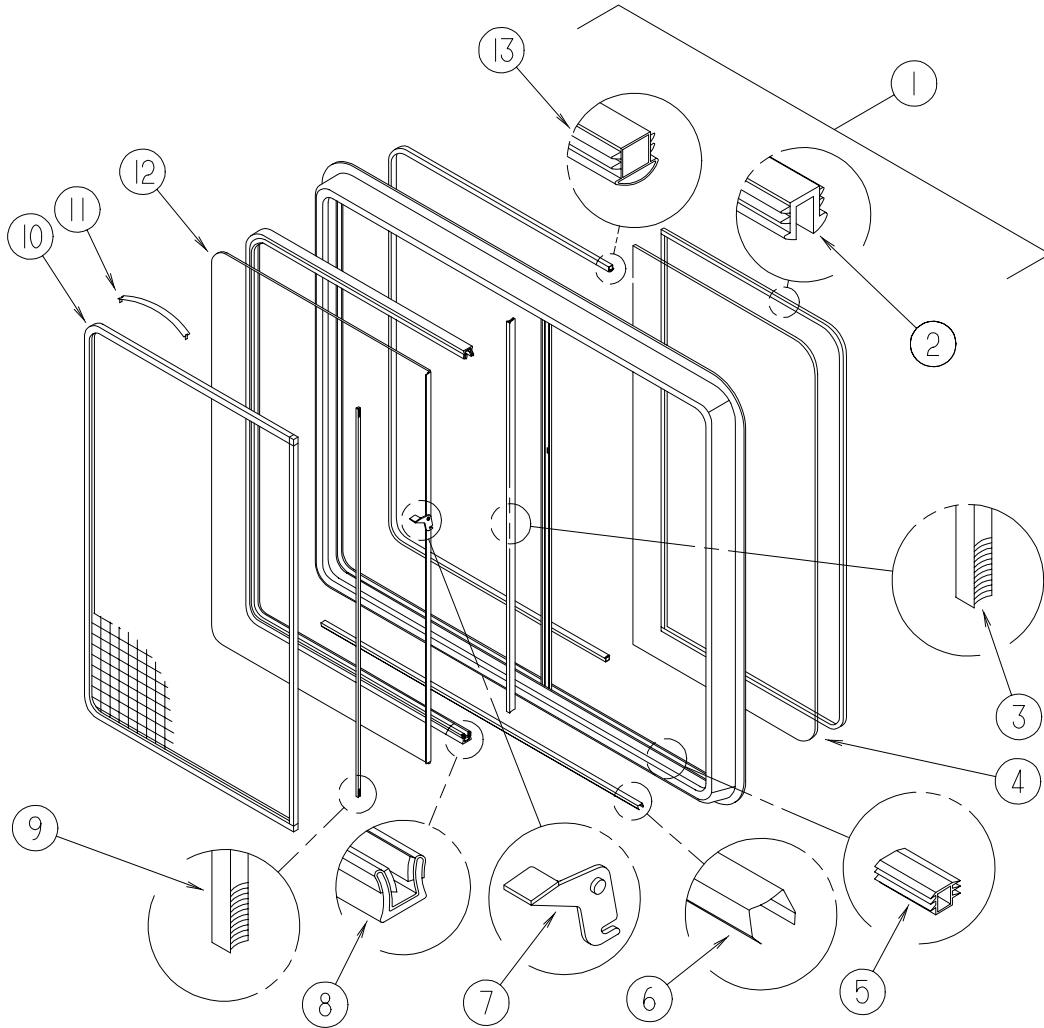
| KEY | PART NUMBER | U/M | DESCRIPTION | VENDOR NO. |
|-----|---------------|-----|--|------------|
| 1 | 098647-07-01A | EA | WINDOW - DR HORIZ SLIDER W/TRIM - TINTED - 15" X 23.7" | |
| 2 | 098644-01-705 | FT | GLAZING - STRIP | 132-010231 |
| 3 | 098644-01-706 | FT | WEATHERSTRIP - GLASS | 171-010668 |
| 4 | 098647-06-700 | EA | GLASS - STATIONARY 10.9X13.8 | 106-016921 |
| 5 | 098644-01-719 | EA | STOP - SLIDER GLASS | 132-014203 |
| 6 | 098644-01-710 | FT | TRACK - SCREEN SPACER 12' | 132-017135 |
| 7 | 098644-01-700 | EA | LATCH - REPAIR KIT (BLACK) | B801-CK |
| 8 | 098644-01-708 | FT | CHANNEL - RUN PIERCED | 122-016543 |
| 9 | 098644-01-711 | FT | WEATHERSTRIP - SCREEN BLACK | 171-016965 |
| 10 | 098647-06-703 | EA | SCREEN ASM - W/SEALS & CLIPS | 410-016477 |
| 11 | 098644-01-713 | EA | CLIP - SCREEN - METAL | 226-016966 |
| 12 | 098647-06-702 | EA | GLASS-SLIDING W/SASH & LATCH | B969-G9 |
| 13 | 098644-01-716 | FT | PLUG - FILLER | 132-014470 |
| | 098644-01-717 | FT | SPLINE - SCREEN | 132-004716 |
| | 098647-06-704 | EA | RETAINER - TRIM | B969-67 |

THERMOPANE



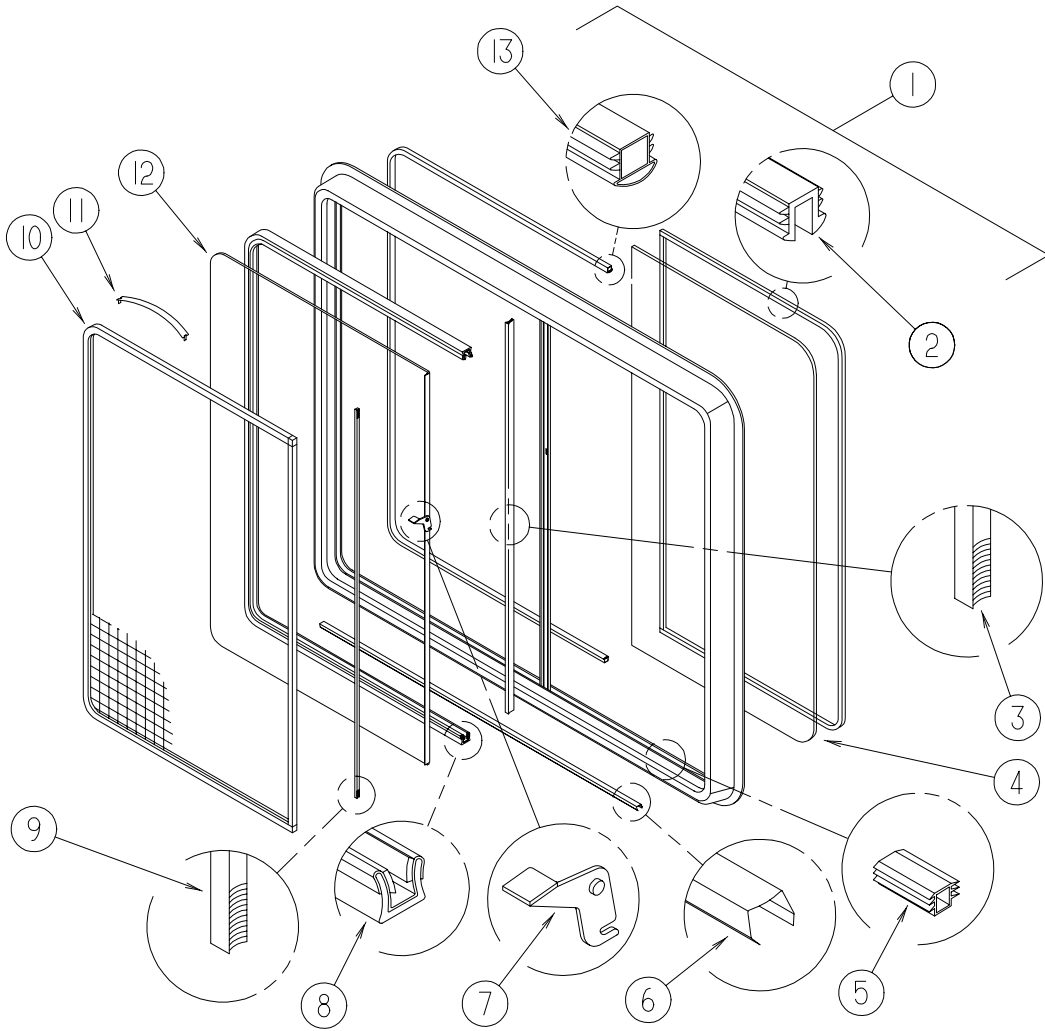
| KEY | PART NUMBER | U/M | DESCRIPTION | VENDOR NO. |
|-----|---------------|-----|--|------------|
| 1 | 098647-07-02A | EA | WINDOW - DR HORIZ SLIDER W/TRIM - TINTED - 15" X 23.7" | B969G2W66L |
| 2 | 098644-01-705 | FT | GLAZING - STRIP | 132-010231 |
| 3 | 098644-01-706 | FT | WEATHERSTRIP - GLASS | 171-010668 |
| 4 | 098647-06-700 | EA | GLASS - STATIONARY 10.9X13.8 | 106-016921 |
| 5 | 098644-01-719 | EA | STOP - SLIDER GLASS | 132-014203 |
| 6 | 098644-01-710 | FT | TRACK - SCREEN SPACER 12' | 132-017135 |
| 7 | 098644-01-700 | EA | LATCH - REPAIR KIT (BLACK) | B801-CK |
| 8 | 098644-01-708 | FT | CHANNEL - RUN PIERCED | 122-016543 |
| 9 | 098644-01-711 | FT | WEATHERSTRIP - SCREEN BLACK | 171-016965 |
| 10 | 098647-06-703 | EA | SCREEN ASM - W/SEALS & CLIPS | 410-016477 |
| 11 | 125582-01-701 | EA | CLIP - SCREEN - PLASTIC | 130005153 |
| 11 | 098644-01-713 | EA | CLIP - SCREEN - METAL | 226-016966 |
| 12 | 098647-06-702 | EA | GLASS-SLIDING W/SASH & LATCH | B969-G9 |
| 13 | 098644-01-716 | FT | PLUG - FILLER | 132-014470 |
| | 098647-06-701 | EA | RAIL - LOCKING W/WEATHERSTRP | B938-17 |
| | 098644-01-717 | FT | SPLINE - SCREEN | 132-004716 |
| | 098647-06-706 | EA | RETAINER - TRIM | V969-67 |

THERMOPANE



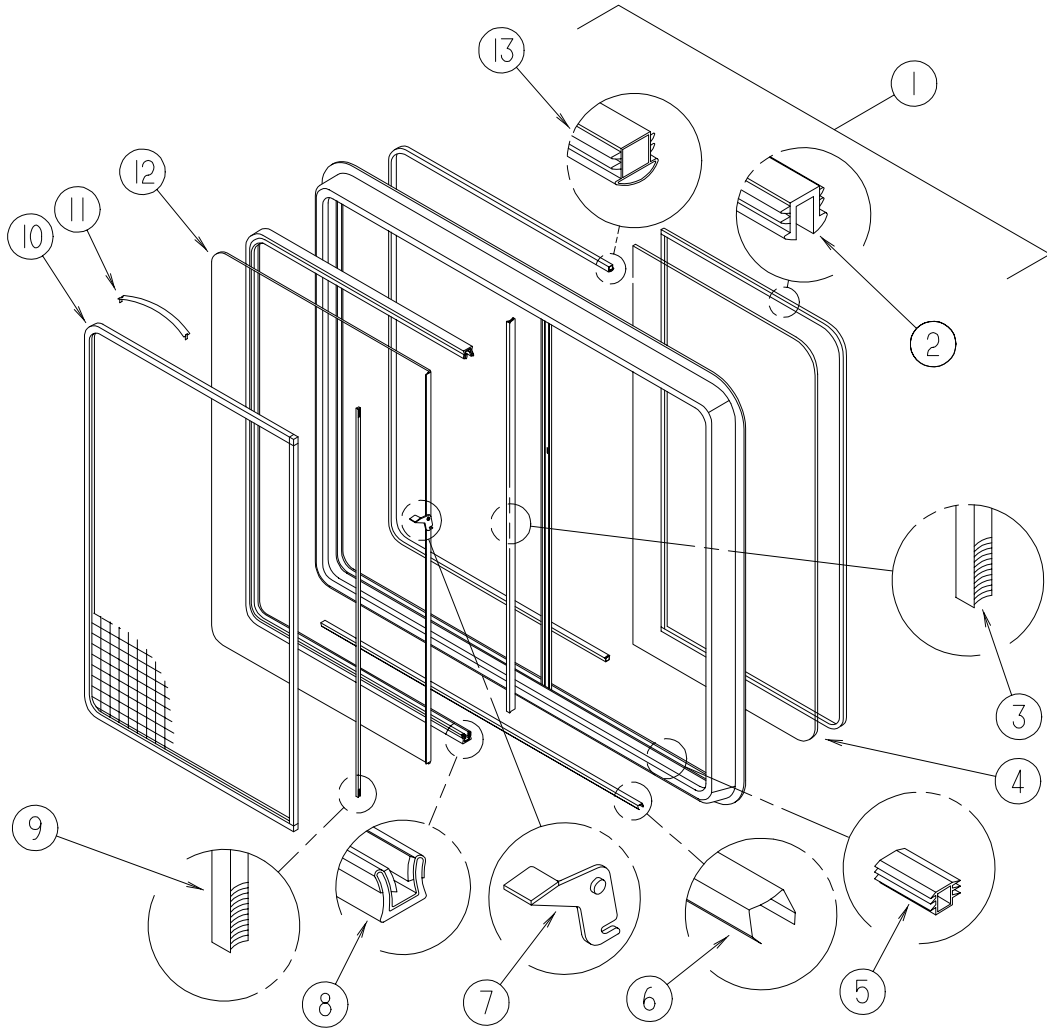
| KEY | PART NUMBER | U/M | DESCRIPTION | VENDOR NO. |
|-----|---------------|-----|--|------------|
| 1 | 098647-22-01A | EA | WINDOW - DR HORIZ SLIDER W/TRIM - TINTED - 26.1" X 59.7" | 132-010231 |
| 2 | 098644-01-705 | FT | GLAZING - STRIP | 171-010668 |
| 3 | 098644-01-706 | FT | WEATHERSTRIP - GLASS | 106-017622 |
| 4 | 098647-23-703 | EA | GLASS - STATIONARY | 132-014203 |
| 5 | 098644-01-719 | EA | STOP - SLIDER GLASS | 132-017135 |
| 6 | 098644-01-710 | FT | TRACK - SCREEN SPACER 12' | 132-017135 |
| 7 | 098644-01-700 | EA | LATCH - REPAIR KIT (BLACK) | B801-CK |
| 8 | 098644-01-708 | FT | CHANNEL - RUN PIERCED | 122-016543 |
| 9 | 098644-01-711 | FT | WEATHERSTRIP - SCREEN BLACK | 171-016965 |
| 10 | 098647-23-704 | EA | SCREEN ASM - W/SEALS & CLIPS | 410-019066 |
| 11 | 125582-01-701 | EA | CLIP - SCREEN - PLASTIC | 130005153 |
| 11 | 098644-01-713 | EA | CLIP - SCREEN - METAL | 226-016966 |
| 12 | 098647-23-700 | EA | GLASS SLIDING W/SASH & LATCH | H287-G9 |
| 13 | 098644-01-716 | FT | PLUG - FILLER | 132-014470 |
| | 098644-01-717 | FT | SPLINE - SCREEN | 132-004716 |
| | 098647-23-702 | EA | RETAINER - TRIM | W287-66 |

THERMOPANE



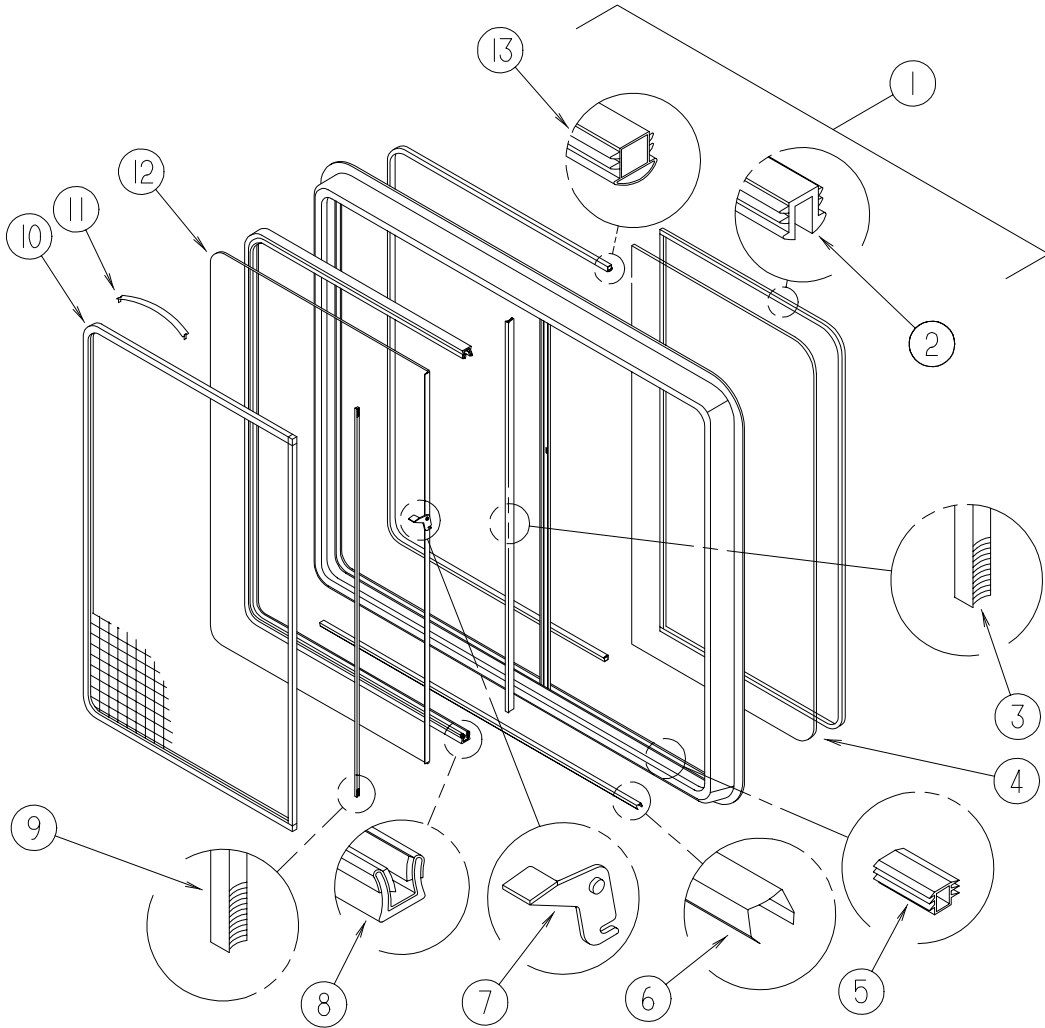
| KEY | PART NUMBER | U/M | DESCRIPTION | VENDOR NO. |
|-----|---------------|-----|--|------------|
| 1 | 098647-23-01A | EA | WINDOW - PASS HORIZ SLIDER W/TRIM - TINTED - 26.1" X 59.7" | 132-010231 |
| 2 | 098644-01-705 | FT | GLAZING - STRIP | 171-010668 |
| 3 | 098644-01-706 | FT | WEATHERSTRIP - GLASS | 106-017622 |
| 4 | 098647-23-703 | EA | GLASS - STATIONARY | 132-014203 |
| 5 | 098644-01-719 | EA | STOP - SLIDER GLASS | 132-017135 |
| 6 | 098644-01-710 | FT | TRACK - SCREEN SPACER 12' | 122-016543 |
| 7 | 098644-01-700 | EA | LATCH - REPAIR KIT (BLACK) | B801-CK |
| 8 | 098644-01-708 | FT | CHANNEL - RUN PIERCED | 122-016543 |
| 9 | 098644-01-711 | FT | WEATHERSTRIP - SCREEN BLACK | 171-016965 |
| 10 | 098647-23-704 | EA | SCREEN ASM - W/SEALS & CLIPS | 410-019066 |
| 11 | 125582-01-701 | EA | CLIP - SCREEN - PLASTIC | 130005153 |
| 11 | 098644-01-713 | EA | CLIP - SCREEN - METAL | 226-016966 |
| 12 | 098647-23-700 | EA | GLASS SLIDING W/SASH & LATCH | H287-G9 |
| 13 | 098644-01-716 | FT | PLUG - FILLER | 132-014470 |
| | 098644-01-717 | FT | SPLINE - SCREEN | 132-004716 |
| | 098647-23-702 | EA | RETAINER - TRIM | W287-66 |

WINDOW



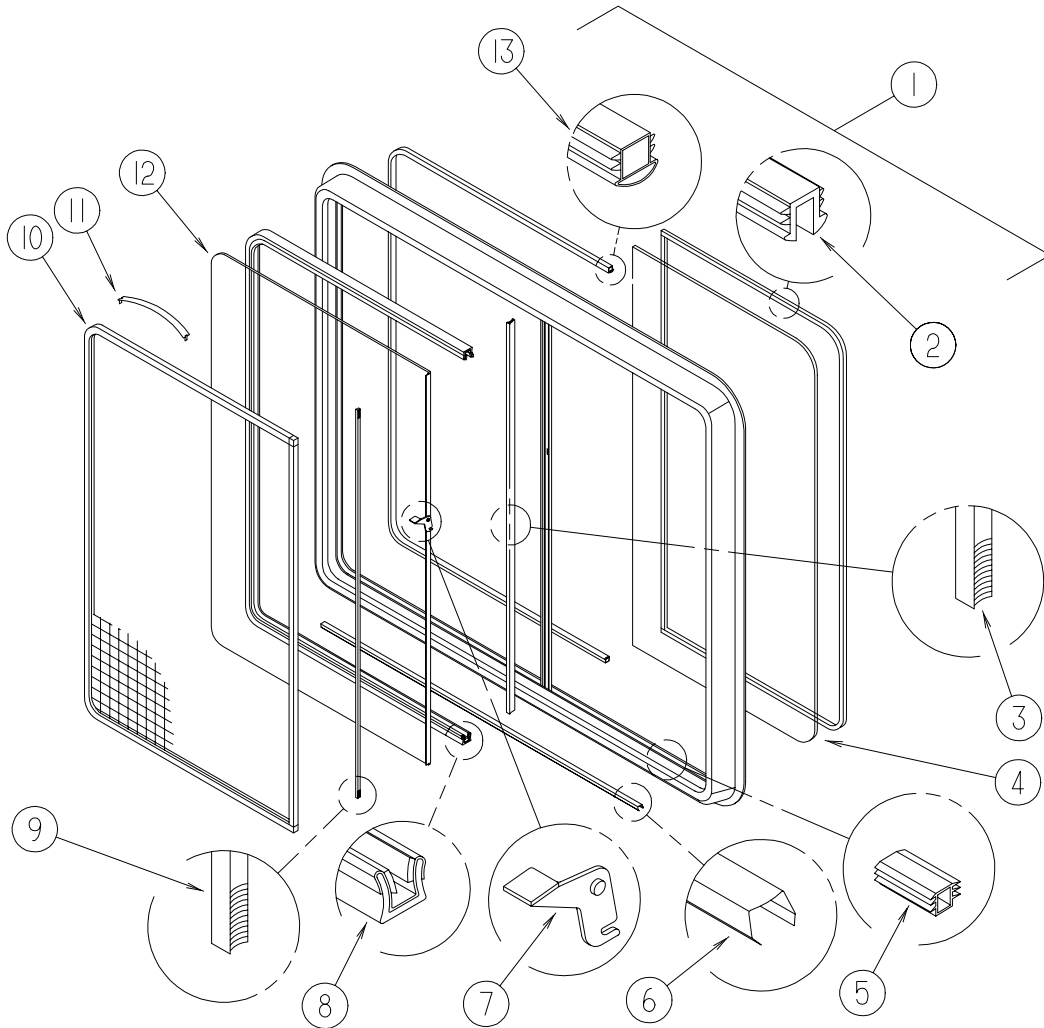
| KEY | PART NUMBER | U/M | DESCRIPTION | VENDOR NO. |
|-----|---------------|-----|--|------------|
| 1 | 098647-24-01A | EA | WINDOW - PASS HORIZ SLIDER W/TRIM - TINTED - 26.1" X 53.8" H415-G2W66R | |
| 2 | 098644-01-705 | FT | GLAZING - STRIP | 132-010231 |
| 3 | 098644-01-706 | FT | WEATHERSTRIP - GLASS | 171-010668 |
| 4 | 098647-35-701 | EA | GLASS - STATIONARY | 106-019119 |
| 5 | 098644-01-719 | EA | STOP - SLIDER GLASS | 132-014203 |
| 6 | 098644-01-710 | FT | TRACK - SCREEN SPACER 12' | 132-017135 |
| 7 | 098644-01-700 | EA | LATCH - REPAIR KIT (BLACK) | B801-CK |
| 8 | 098644-01-708 | FT | CHANNEL - RUN PIERCED | 122-016543 |
| 9 | 098644-01-711 | FT | WEATHERSTRIP - SCREEN BLACK | 171-016965 |
| 10 | 098647-36-704 | EA | SCREEN ASM - W/SEALS & CLIPS | 410-017750 |
| 11 | 098644-01-713 | EA | CLIP - SCREEN - METAL | 226-016966 |
| 12 | 098647-35-702 | EA | GLASS-SLIDING W/SASH & LATCH | H279-G9 |
| 13 | 098644-01-716 | FT | PLUG - FILLER | 132-014470 |
| | 098644-01-717 | FT | SPLINE - SCREEN | 132-004716 |
| | 098647-36-701 | EA | RETAINER - TRIM | CW80-66 |

THERMOPANE



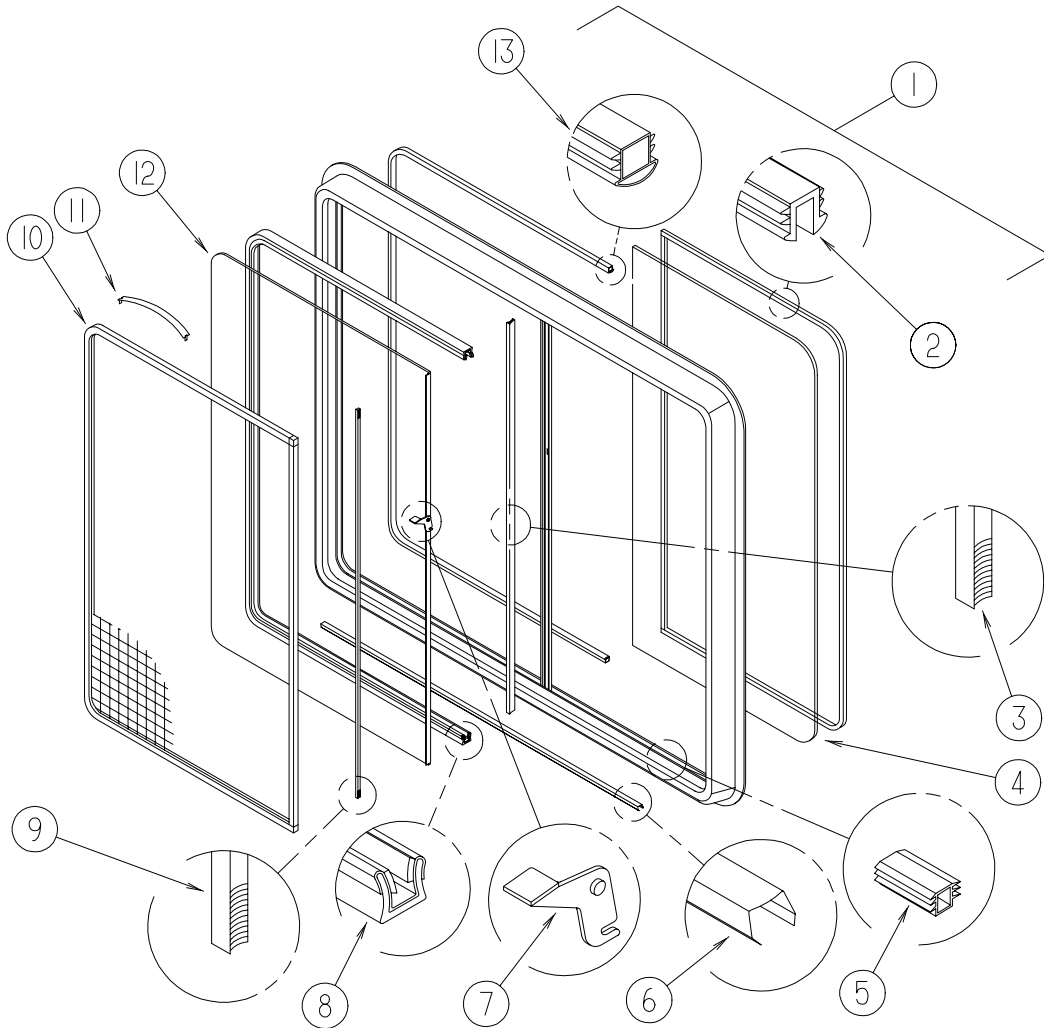
| KEY | PART NUMBER | U/M | DESCRIPTION | VENDOR NO. |
|-----|---------------|-----|--|------------|
| 1 | 098647-25-01A | EA | WINDOW - PASS HORIZ SLIDER W/TRIM - TINTED - 26.1" X 29.6" | 132-010231 |
| 2 | 098644-01-705 | FT | GLAZING - STRIP | 171-010668 |
| 3 | 098644-01-706 | FT | WEATHERSTRIP - GLASS | 106-017657 |
| 4 | 098647-25-702 | EA | GLASS - STATIONARY | 132-014203 |
| 5 | 098644-01-719 | EA | STOP - SLIDER GLASS | 132-017135 |
| 6 | 098644-01-710 | FT | TRACK - SCREEN SPACER 12' | B801-CK |
| 7 | 098644-01-700 | EA | LATCH - REPAIR KIT (BLACK) | 122-016543 |
| 8 | 098644-01-708 | FT | CHANNEL - RUN PIERCED | 171-016965 |
| 9 | 098644-01-711 | FT | WEATHERSTRIP - SCREEN BLACK | 410-019065 |
| 10 | 098647-25-704 | EA | SCREEN ASM - W/SEALS & CLIPS | 130005153 |
| 11 | 125582-01-701 | EA | CLIP - SCREEN - PLASTIC | 226-016966 |
| 11 | 098644-01-713 | EA | CLIP - SCREEN - METAL | H286-G9 |
| 12 | 098647-25-703 | EA | GLASS SLIDING W/SASH & LATCH | 132-014470 |
| 13 | 098644-01-716 | FT | PLUG - FILLER | 132-004716 |
| | 098644-01-717 | FT | SPLINE - SCREEN | W286-66 |
| | 098647-25-701 | EA | RETAINER - TRIM | |

**THERMOPANE
EXCEL H287-C1W66R**



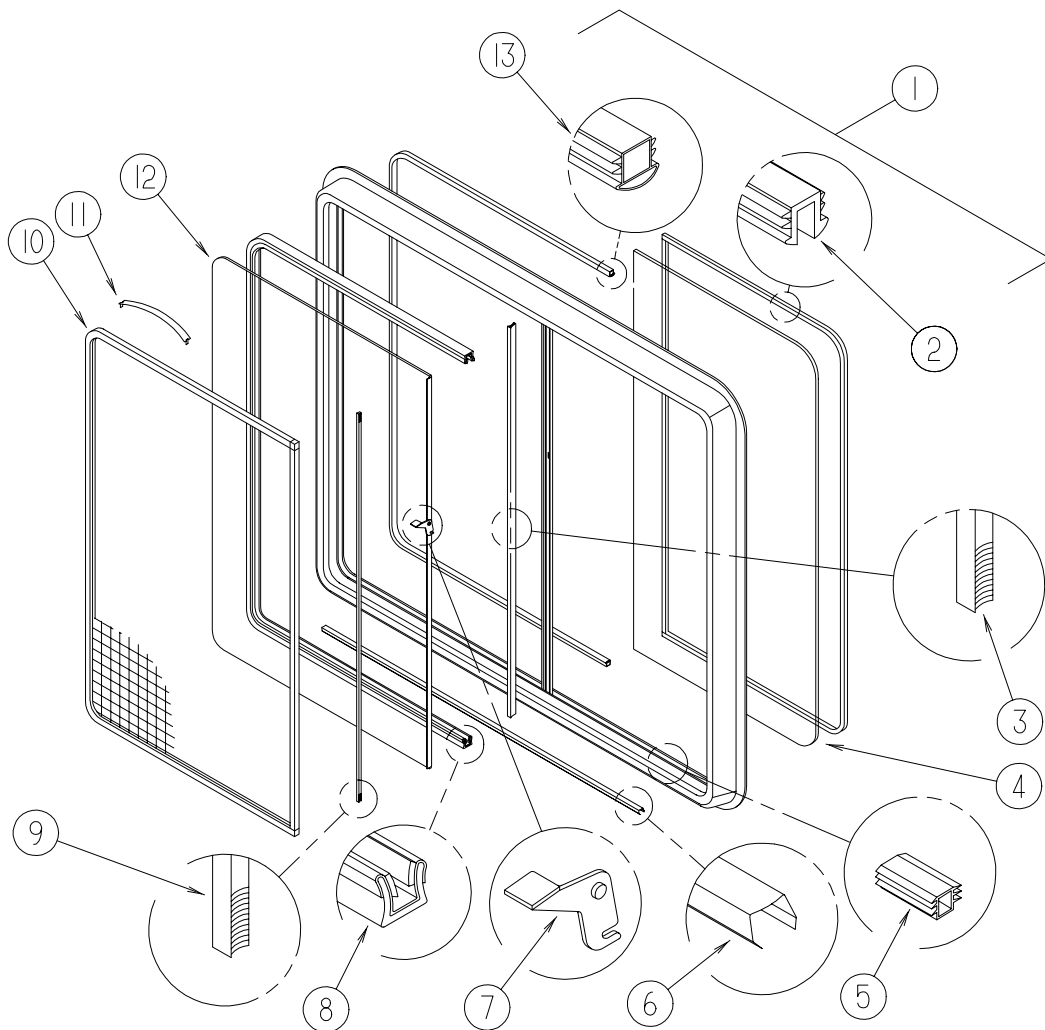
| KEY | PART NUMBER | U/M | DESCRIPTION | VENDOR NO. |
|-----|---------------|-----|---|------------|
| 1 | 098647-27-01A | EA | WINDOW - PASS HORIZ SLIDER W/TRIM - CLEAR - 26.1" X 59.7" | |
| 2 | 098644-01-705 | FT | GLAZING - STRIP | 132-010231 |
| 3 | 098644-01-706 | FT | WEATHERSTRIP - GLASS | 171-010668 |
| 4 | 098647-27-702 | EA | GLASS - STATIONARY | 096-017868 |
| 5 | 098644-01-719 | EA | STOP - SLIDER GLASS | 132-014203 |
| 6 | 098644-01-710 | FT | TRACK - SCREEN SPACER 12' | 132-017135 |
| 7 | 098644-01-700 | EA | LATCH - REPAIR KIT (BLACK) | B801-CK |
| 8 | 098644-01-708 | FT | CHANNEL - RUN PIERCED | 122-016543 |
| 9 | 098644-01-711 | FT | WEATHERSTRIP - SCREEN BLACK | 171-016965 |
| 10 | 098647-23-704 | EA | SCREEN ASM - W/SEALS & CLIPS | 410-019066 |
| 11 | 125582-01-701 | EA | CLIP - SCREEN - PLASTIC | 130005153 |
| 11 | 098644-01-713 | EA | CLIP - SCREEN - METAL | 226-016966 |
| 12 | 098647-27-703 | EA | GLASS-SLIDING W/SASH & LATCH | H287-C8 |
| 13 | 098644-01-716 | FT | PLUG - FILLER | 132-014470 |
| | 098647-06-701 | EA | RAIL - LOCKING W/WEATHERSTRP | B938-17 |
| | 098644-01-717 | FT | SPLINE - SCREEN | 132-004716 |
| | 098647-27-701 | EA | RETAINER - TRIM | W287-66 |

THERMOPANE



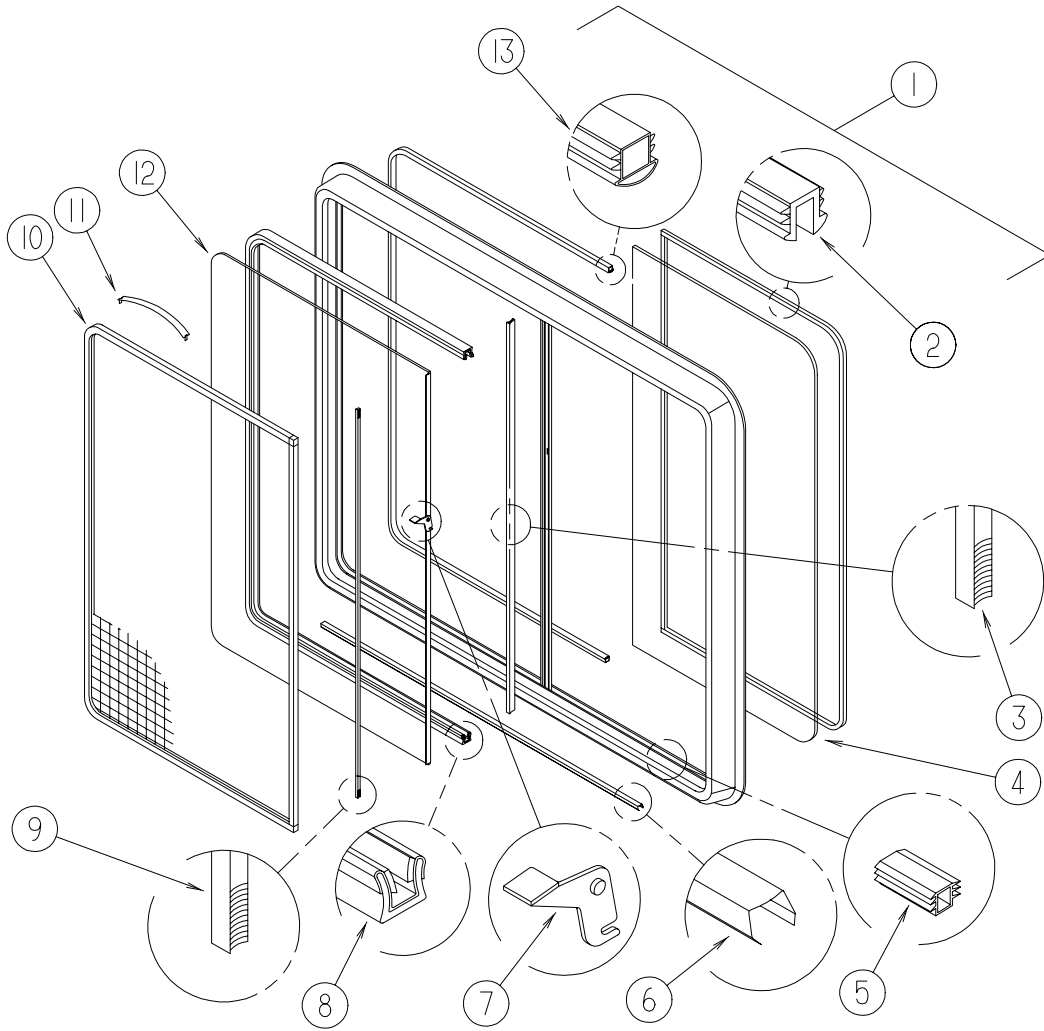
| KEY | PART NUMBER | U/M | DESCRIPTION | VENDOR NO. |
|-----|---------------|-----|---|------------|
| 1 | 098647-28-01A | EA | WINDOW - DRVR HORIZ SLIDER W/TRIM - CLEAR - 26.1" X 59.7" H287-C1W66L | |
| 2 | 098644-01-705 | FT | GLAZING - STRIP | 132-010231 |
| 3 | 098644-01-706 | FT | WEATHERSTRIP - GLASS | 171-010668 |
| 4 | 098647-27-702 | EA | GLASS - STATIONARY | 096-017868 |
| 5 | 098644-01-719 | EA | STOP - SLIDER GLASS | 132-014203 |
| 6 | 098644-01-710 | FT | TRACK - SCREEN SPACER 12' | 132-017135 |
| 7 | 098644-01-700 | EA | LATCH - REPAIR KIT (BLACK) | B801-CK |
| 8 | 098644-01-708 | FT | CHANNEL - RUN PIERCED | 122-016543 |
| 9 | 098644-01-711 | FT | WEATHERSTRIP - SCREEN BLACK | 171-016965 |
| 10 | 098647-23-704 | EA | SCREEN ASM - W/SEALS & CLIPS | 410-019066 |
| 11 | 125582-01-701 | EA | CLIP - SCREEN - PLASTIC | 130005153 |
| 11 | 098644-01-713 | EA | CLIP - SCREEN - METAL | 226-016966 |
| 12 | 098647-27-703 | EA | GLASS-SLIDING W/SASH & LATCH | H287-C8 |
| 13 | 098644-01-716 | FT | PLUG - FILLER | 132-014470 |
| | 098647-06-701 | EA | RAIL - LOCKING W/WEATHERSTRP | B938-17 |
| | 098644-01-717 | FT | SPLINE - SCREEN | 132-004716 |
| | 098647-27-701 | EA | RETAINER - TRIM | W287-66 |

**THERMOPANE
EXCEL H172-C1W66R**



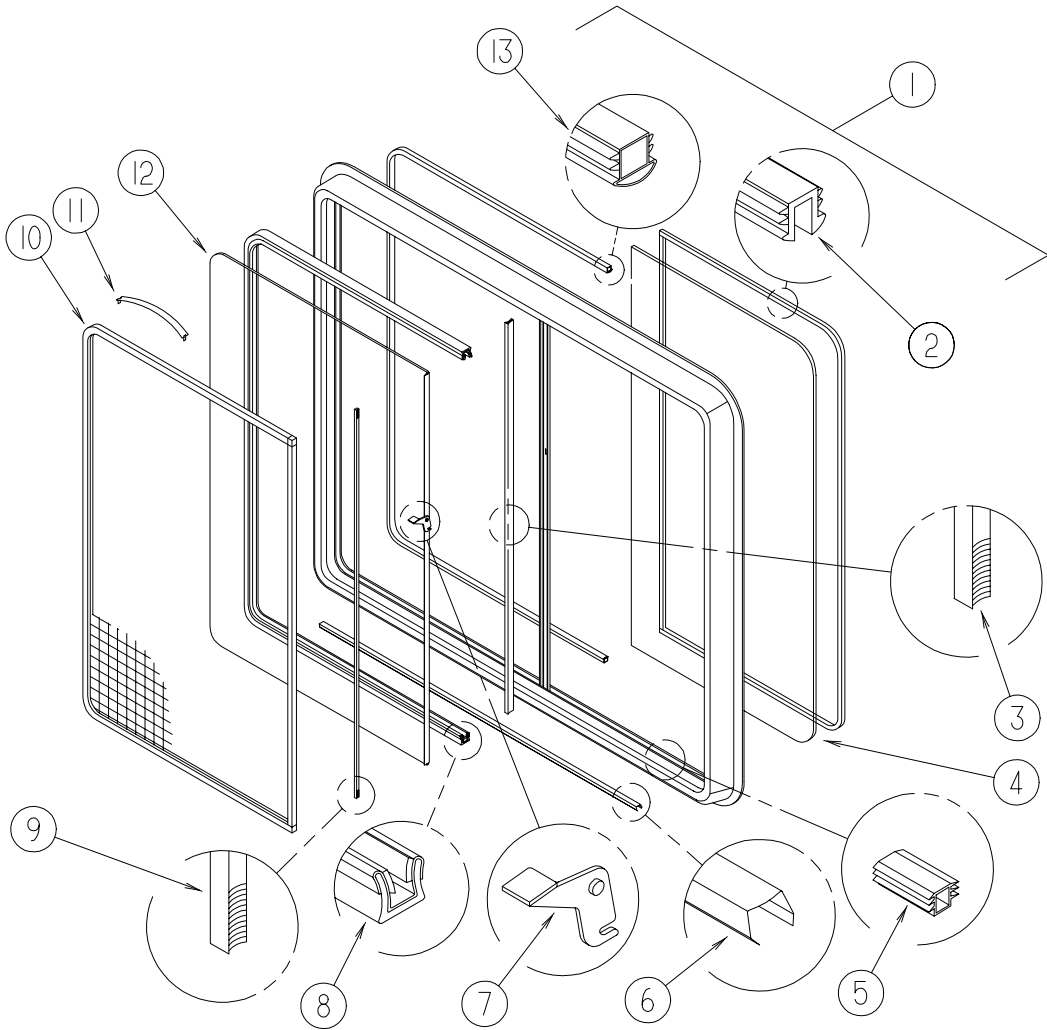
| KEY | PART NUMBER | U/M | DESCRIPTION | VENDOR NO. |
|-----|---------------|-----|---|------------|
| 1 | 098647-29-01A | EA | WINDOW - PASS HORIZ SLIDER W/TRIM - CLEAR - 24.2" X 41" | |
| 2 | 098644-01-705 | FT | GLAZING - STRIP | 132-010231 |
| 3 | 098644-01-706 | FT | WEATHERSTRIP - GLASS | 171-010668 |
| 4 | 098647-29-702 | EA | GLASS - STATIONARY | 096-019295 |
| 5 | 098644-01-719 | EA | STOP - SLIDER GLASS | 132-014203 |
| 6 | 098644-01-710 | FT | TRACK - SCREEN SPACER 12' | 132-017135 |
| 7 | 098644-01-700 | EA | LATCH - REPAIR KIT (BLACK) | B801-CK |
| 8 | 098644-01-708 | FT | CHANNEL - RUN PIERCED | 122-016543 |
| 9 | 098644-01-711 | FT | WEATHERSTRIP - SCREEN BLACK | 171-016965 |
| 10 | 098647-29-704 | EA | SCREEN ASM - W/SEALS & CLIPS | 410-018864 |
| 11 | 125582-01-701 | EA | CLIP - SCREEN - PLASTIC | 130005153 |
| 11 | 098644-01-713 | EA | CLIP - SCREEN - METAL | 226-016966 |
| 12 | 098647-29-703 | EA | GLASS-SLIDING W/SASH & LATCH | H172-C8 |
| 13 | 098644-01-716 | FT | PLUG - FILLER | 132-014470 |
| | 098647-06-701 | EA | RAIL - LOCKING W/WEATHERSTRP | B938-17 |
| | 098644-01-717 | FT | SPLINE - SCREEN | 132-004716 |
| | 098647-29-701 | EA | RETAINER - TRIM | CW04-66 |

**THERMOPANE
EXCEL H172-C1W66L**



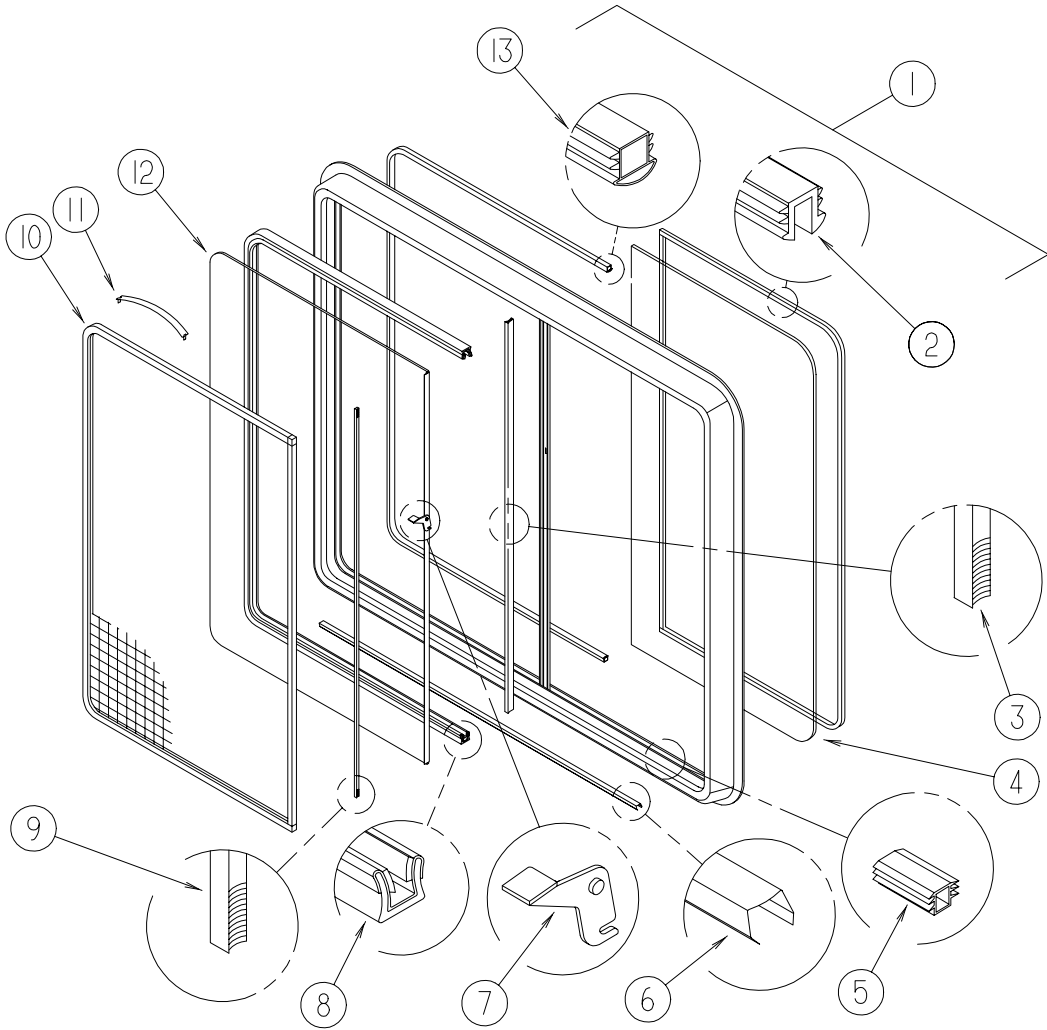
| KEY | PART NUMBER | U/M | DESCRIPTION | VENDOR NO. |
|-----|---------------|-----|---|------------|
| 1 | 098647-30-01A | EA | WINDOW - DRVR HORIZ SLIDER W/TRIM - CLEAR - 24.2" X 41" | |
| 2 | 098644-01-705 | FT | GLAZING - STRIP | 132-010231 |
| 3 | 098644-01-706 | FT | WEATHERSTRIP - GLASS | 171-010668 |
| 4 | 098647-29-702 | EA | GLASS - STATIONARY | 096-019295 |
| 5 | 098644-01-719 | EA | STOP - SLIDER GLASS | 132-014203 |
| 6 | 098644-01-710 | FT | TRACK - SCREEN SPACER 12' | 132-017135 |
| 7 | 098644-01-700 | EA | LATCH - REPAIR KIT (BLACK) | B801-CK |
| 8 | 098644-01-708 | FT | CHANNEL - RUN PIERCED | 122-016543 |
| 9 | 098644-01-711 | FT | WEATHERSTRIP - SCREEN BLACK | 171-016965 |
| 10 | 098647-29-704 | EA | SCREEN ASM - W/SEALS & CLIPS | 410-018864 |
| 11 | 125582-01-701 | EA | CLIP - SCREEN - PLASTIC | 130005153 |
| 11 | 098644-01-713 | EA | CLIP - SCREEN - METAL | 226-016966 |
| 12 | 098647-29-703 | EA | GLASS-SLIDING W/SASH & LATCH | H172-C8 |
| 13 | 098644-01-716 | FT | PLUG - FILLER | 132-014470 |
| | 098647-06-701 | EA | RAIL - LOCKING W/WEATHERSTRP | B938-17 |
| | 098644-01-717 | FT | SPLINE - SCREEN | 132-004716 |
| | 098647-29-701 | EA | RETAINER - TRIM | CW04-66 |
| | 098647-30-700 | EA | WINDOW - SLIDER | H172-C1L |

THERMOPANE



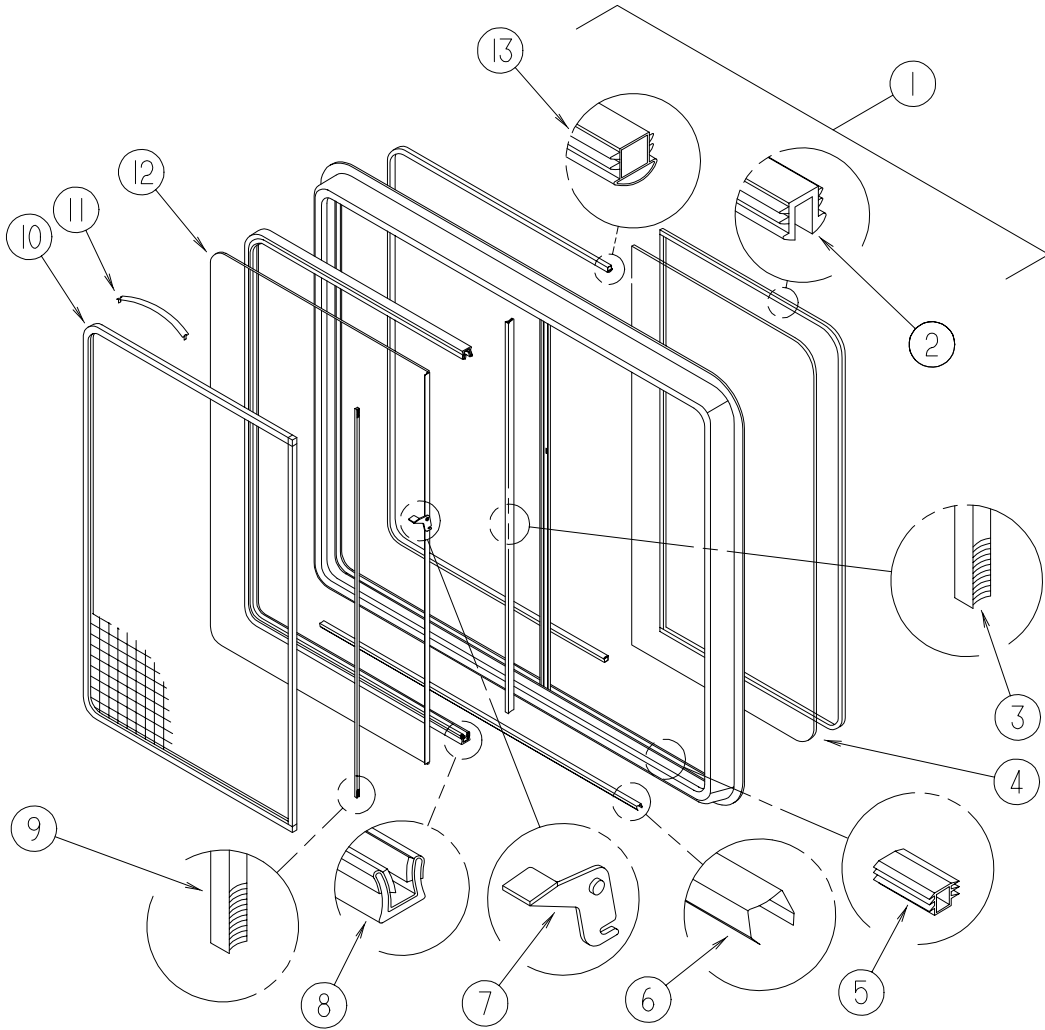
| KEY | PART NUMBER | U/M | DESCRIPTION | VENDOR NO. |
|-----|---------------|-----|--|------------|
| 1 | 098647-31-01A | EA | WINDOW - PASS HORIZ SLIDER W/TRIM - CLEAR - 15.7" X 28.5"H425-C1W66R | |
| 2 | 098644-01-705 | FT | GLAZING - STRIP | 132-010231 |
| 3 | 098644-01-706 | FT | WEATHERSTRIP - GLASS | 171-010668 |
| 4 | 098647-31-702 | EA | GLASS - STATIONARY | 096-019299 |
| 5 | 098644-01-719 | EA | STOP - SLIDER GLASS | 132-014203 |
| 6 | 098644-01-710 | FT | TRACK - SCREEN SPACER 12' | 132-017135 |
| 7 | 098644-01-700 | EA | LATCH - REPAIR KIT (BLACK) | B801-CK |
| 8 | 098644-01-708 | FT | CHANNEL - RUN PIERCED | 122-016543 |
| 9 | 098644-01-711 | FT | WEATHERSTRIP - SCREEN BLACK | 171-016965 |
| 10 | 098647-31-704 | EA | SCREEN ASM - W/SEALS & CLIPS | 410-019128 |
| 11 | 125582-01-701 | EA | CLIP - SCREEN - PLASTIC | 130005153 |
| 11 | 098644-01-713 | EA | CLIP - SCREEN - METAL | 226-016966 |
| 12 | 098647-31-703 | EA | GLASS-SLIDING W/SASH & LATCH | H425-C8 |
| 13 | 098644-01-716 | FT | PLUG - FILLER | 132-014470 |
| | 098644-01-717 | FT | SPLINE - SCREEN | 132-004716 |
| | 098647-31-701 | EA | RETAINER - TRIM | CW29-66 |

THERMOPANE



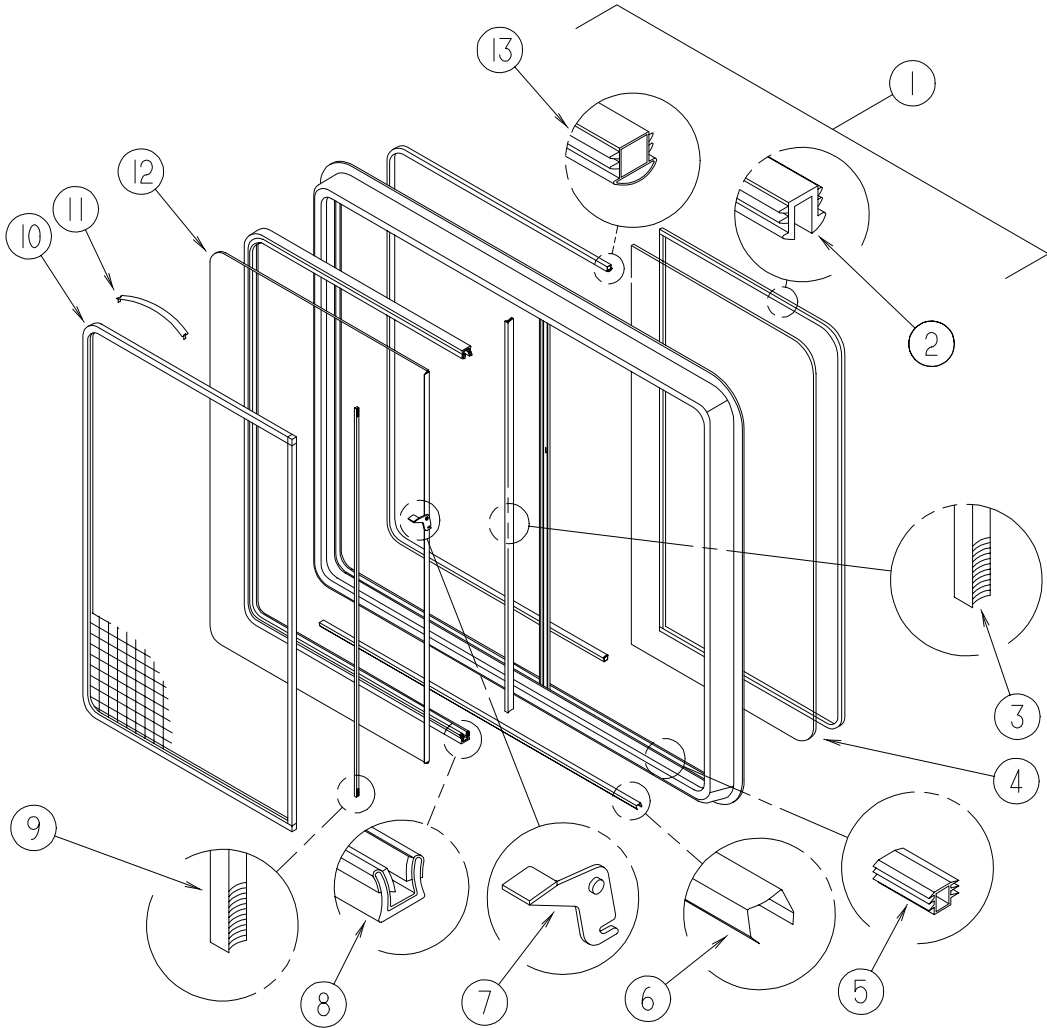
| KEY | PART NUMBER | U/M | DESCRIPTION | VENDOR NO. |
|-----|---------------|-----|---|------------|
| 1 | 098647-32-01A | EA | WINDOW - DR HORIZ SLIDER W/TRIM - CLEAR - 15.7" X 28.5" | |
| 2 | 098644-01-705 | FT | GLAZING - STRIP | 132-010231 |
| 3 | 098644-01-706 | FT | WEATHERSTRIP - GLASS | 171-010668 |
| 4 | 098647-31-702 | EA | GLASS - STATIONARY | 096-019299 |
| 5 | 098644-01-719 | EA | STOP - SLIDER GLASS | 132-014203 |
| 6 | 098644-01-710 | FT | TRACK - SCREEN SPACER 12' | 132-017135 |
| 7 | 098644-01-700 | EA | LATCH - REPAIR KIT (BLACK) | B801-CK |
| 8 | 098644-01-708 | FT | CHANNEL - RUN PIERCED | 122-016543 |
| 9 | 098644-01-711 | FT | WEATHERSTRIP - SCREEN BLACK | 171-016965 |
| 10 | 098647-31-704 | EA | SCREEN ASM - W/SEALS & CLIPS | 410-019128 |
| 11 | 125582-01-701 | EA | CLIP - SCREEN - PLASTIC | 130005153 |
| 11 | 098644-01-713 | EA | CLIP - SCREEN - METAL | 226-016966 |
| 12 | 098647-31-703 | EA | GLASS SLIDING W/SASH & LATCH | H425-C8 |
| 13 | 098644-01-716 | FT | PLUG - FILLER | 132-014470 |
| | 098644-01-717 | FT | SPLINE - SCREEN | 132-004716 |
| | 098647-31-701 | EA | RETAINER - TRIM | CW29-66 |

THERMOPANE



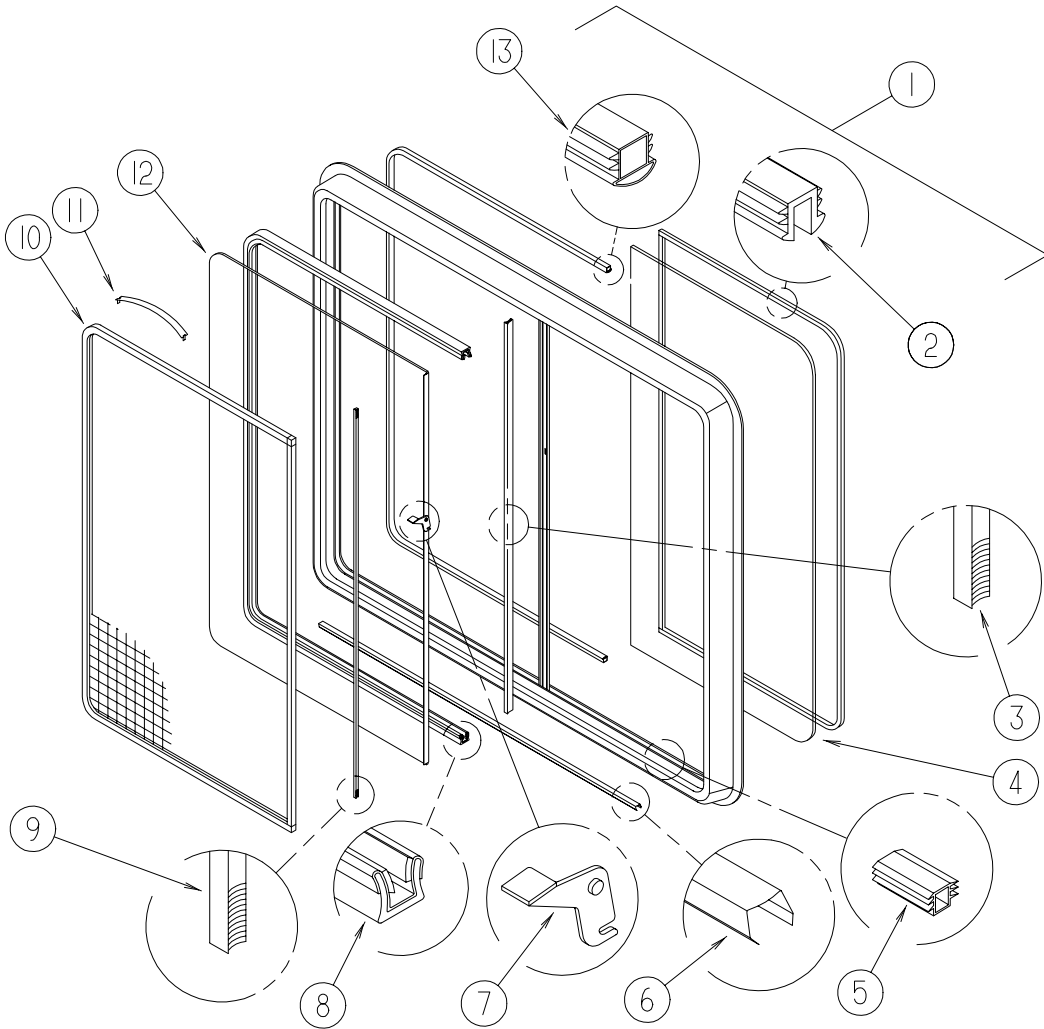
| KEY | PART NUMBER | U/M | DESCRIPTION | VENDOR NO. |
|-----|---------------|-----|--|------------|
| 1 | 098647-33-01A | EA | WINDOW - PASS HORIZ SLIDER W/TRIM - TINTED - 15.7" X 28.5" | |
| 2 | 098644-01-705 | FT | GLAZING - STRIP | 132-010231 |
| 3 | 098644-01-706 | FT | WEATHERSTRIP - GLASS | 171-010668 |
| 4 | 098647-33-702 | EA | GLASS - STATIONARY | 106-019297 |
| 5 | 098644-01-719 | EA | STOP - SLIDER GLASS | 132-014203 |
| 6 | 098644-01-710 | FT | TRACK - SCREEN SPACER 12' | 132-017135 |
| 7 | 098644-01-700 | EA | LATCH - REPAIR KIT (BLACK) | B801-CK |
| 8 | 098644-01-708 | FT | CHANNEL - RUN PIERCED | 122-016543 |
| 9 | 098644-01-711 | FT | WEATHERSTRIP - SCREEN BLACK | 171-016965 |
| 10 | 098647-33-704 | EA | SCREEN ASM - W/SEALS & CLIPS | 410-019134 |
| 11 | 125582-01-701 | EA | CLIP - SCREEN - PLASTIC | 130005153 |
| 11 | 098644-01-713 | EA | CLIP - SCREEN - METAL | 226-016966 |
| 12 | 098647-33-703 | EA | GLASS SLIDING W/SASH & LATCH | H425-G9 |
| 13 | 098644-01-716 | FT | PLUG - FILLER | 132-014470 |
| | 098644-01-717 | FT | SPLINE - SCREEN | 132-004716 |
| | 098647-33-701 | EA | RETAINER - TRIM | CW29-66 |

THERMOPANE



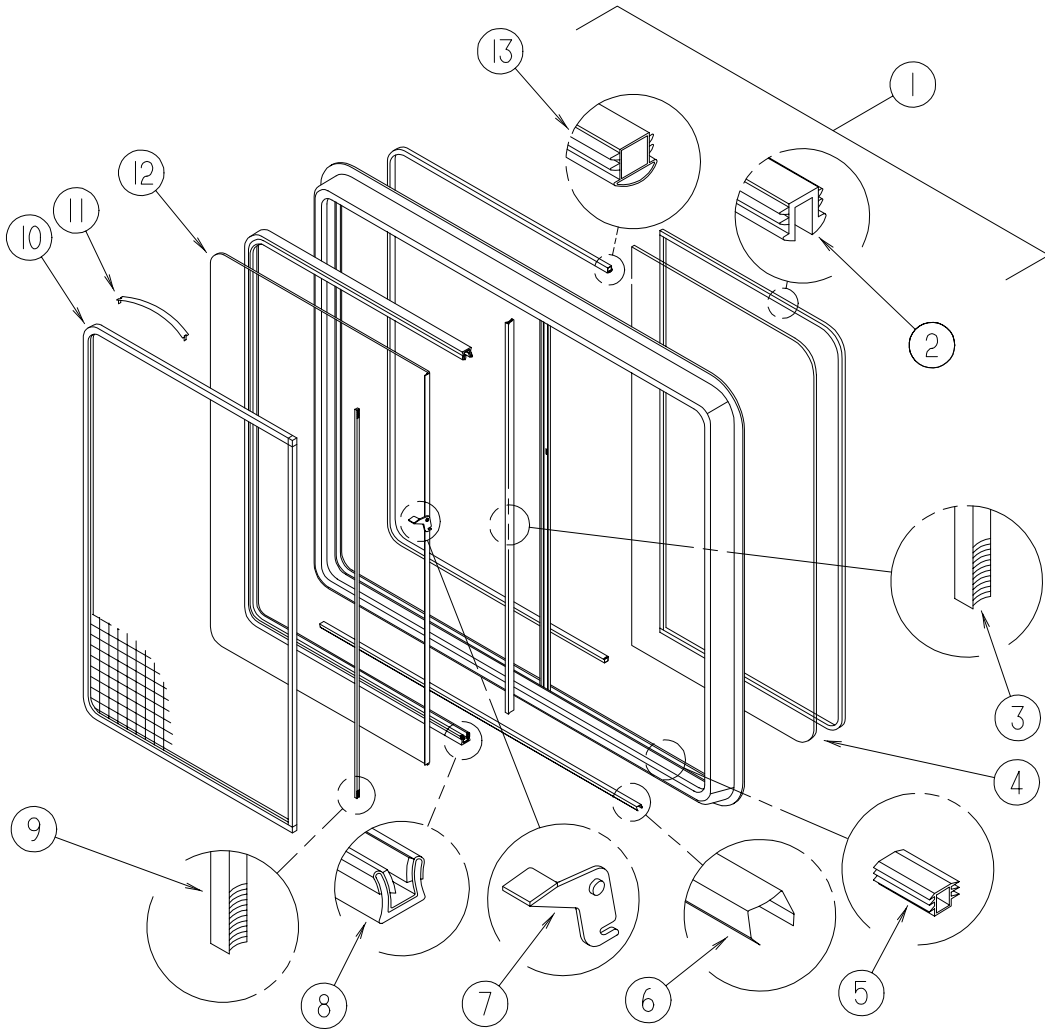
| KEY | PART NUMBER | U/M | DESCRIPTION | VENDOR NO. |
|-----|---------------|-----|--|------------|
| 1 | 098647-34-01A | EA | WINDOW - DR HORIZ SLIDER W/TRIM - TINTED - 15.7" X 28.5" | 132-010231 |
| 2 | 098644-01-705 | FT | GLAZING - STRIP | 171-010668 |
| 3 | 098644-01-706 | FT | WEATHERSTRIP - GLASS | 106-019297 |
| 4 | 098647-33-702 | EA | GLASS - STATIONARY | 132-014203 |
| 5 | 098644-01-719 | EA | STOP - SLIDER GLASS | 132-017135 |
| 6 | 098644-01-710 | FT | TRACK - SCREEN SPACER 12' | B801-CK |
| 7 | 098644-01-700 | EA | LATCH - REPAIR KIT (BLACK) | 122-016543 |
| 8 | 098644-01-708 | FT | CHANNEL - RUN PIERCED | 171-016965 |
| 9 | 098644-01-711 | FT | WEATHERSTRIP - SCREEN BLACK | 410-019134 |
| 10 | 098647-33-704 | EA | SCREEN ASM - W/SEALS & CLIPS | 130005153 |
| 11 | 125582-01-701 | EA | CLIP - SCREEN - PLASTIC | 226-016966 |
| 11 | 098644-01-713 | EA | CLIP - SCREEN - METAL | H425-G9 |
| 12 | 098647-33-703 | EA | GLASS SLIDING W/SASH & LATCH | 132-014470 |
| 13 | 098644-01-716 | FT | PLUG - FILLER | 132-004716 |
| | 098644-01-717 | FT | SPLINE - SCREEN | CW29-66 |
| | 098647-33-701 | EA | RETAINER - TRIM | |

THERMOPANE



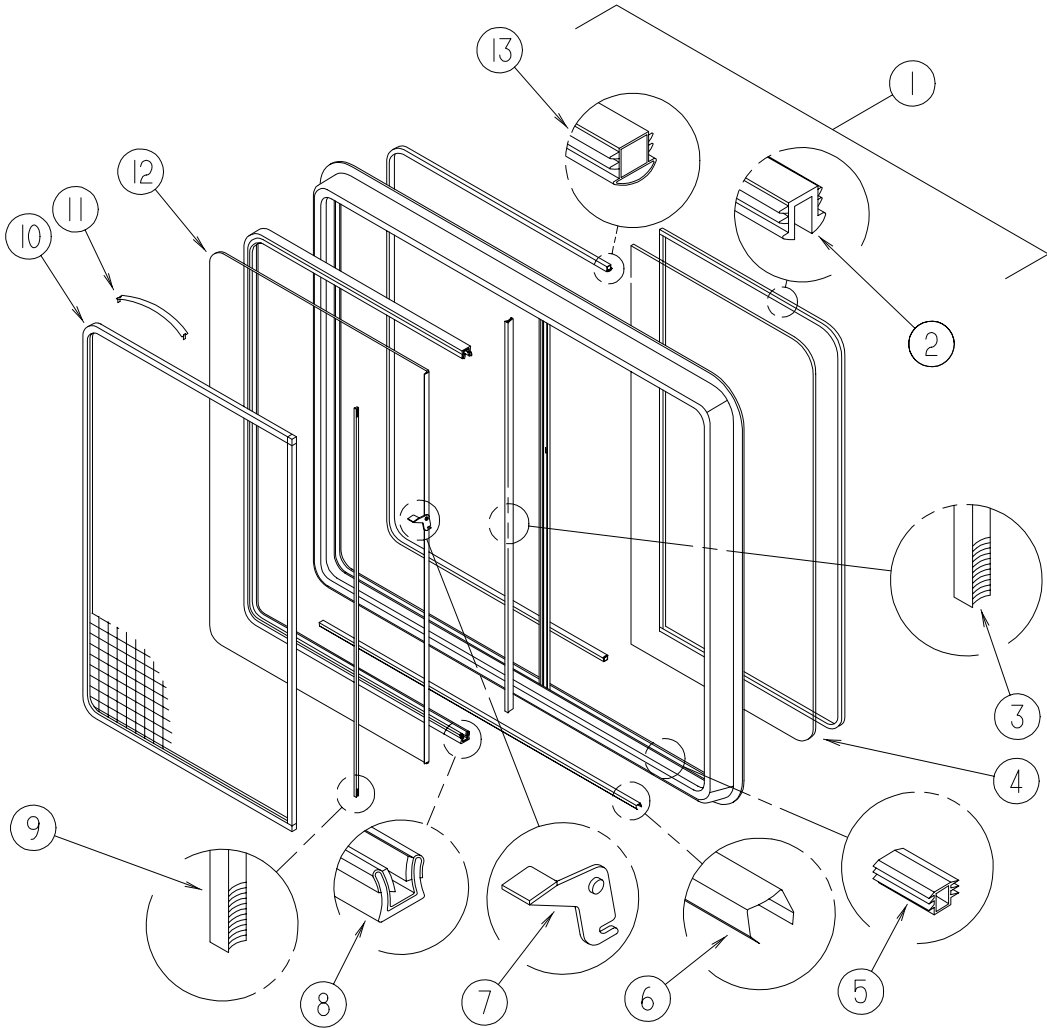
| KEY | PART NUMBER | U/M | DESCRIPTION | VENDOR NO. |
|-----|---------------|-----|--|------------|
| 1 | 098647-38-01A | EA | WINDOW - PASS HORIZ SLIDER W/TRIM - CLEAR - 30.5" X 57.5"H320-C1W66R | |
| 2 | 098644-01-705 | FT | GLAZING - STRIP | 132-010231 |
| 3 | 098644-01-706 | FT | WEATHERSTRIP - GLASS | 171-010668 |
| 4 | 098647-38-702 | EA | GLASS - STATIONARY | 096-017854 |
| 5 | 098644-01-719 | EA | STOP - SLIDER GLASS | 132-014203 |
| 6 | 098644-01-710 | FT | TRACK - SCREEN SPACER 12' | 132-017135 |
| 7 | 098644-01-700 | EA | LATCH - REPAIR KIT (BLACK) | B801-CK |
| 8 | 098644-01-708 | FT | CHANNEL - RUN PIERCED | 122-016543 |
| 9 | 098644-01-711 | FT | WEATHERSTRIP - SCREEN BLACK | 171-016965 |
| 10 | 098647-38-704 | EA | SCREEN ASM - W/SEALS & CLIPS | 410-019063 |
| 11 | 125582-01-701 | EA | CLIP - SCREEN - PLASTIC | 130005153 |
| 11 | 098644-01-713 | EA | CLIP - SCREEN - METAL | 226-016966 |
| 12 | 098647-38-703 | EA | GLASS-SLIDING W/SASH & LATCH | H320-C8 |
| 13 | 098644-01-716 | FT | PLUG - FILLER | 132-014470 |
| | 098644-01-717 | FT | SPLINE - SCREEN | 132-004716 |
| | 098647-38-701 | EA | RETAINER - TRIM | W303-66 |

THERMOPANE



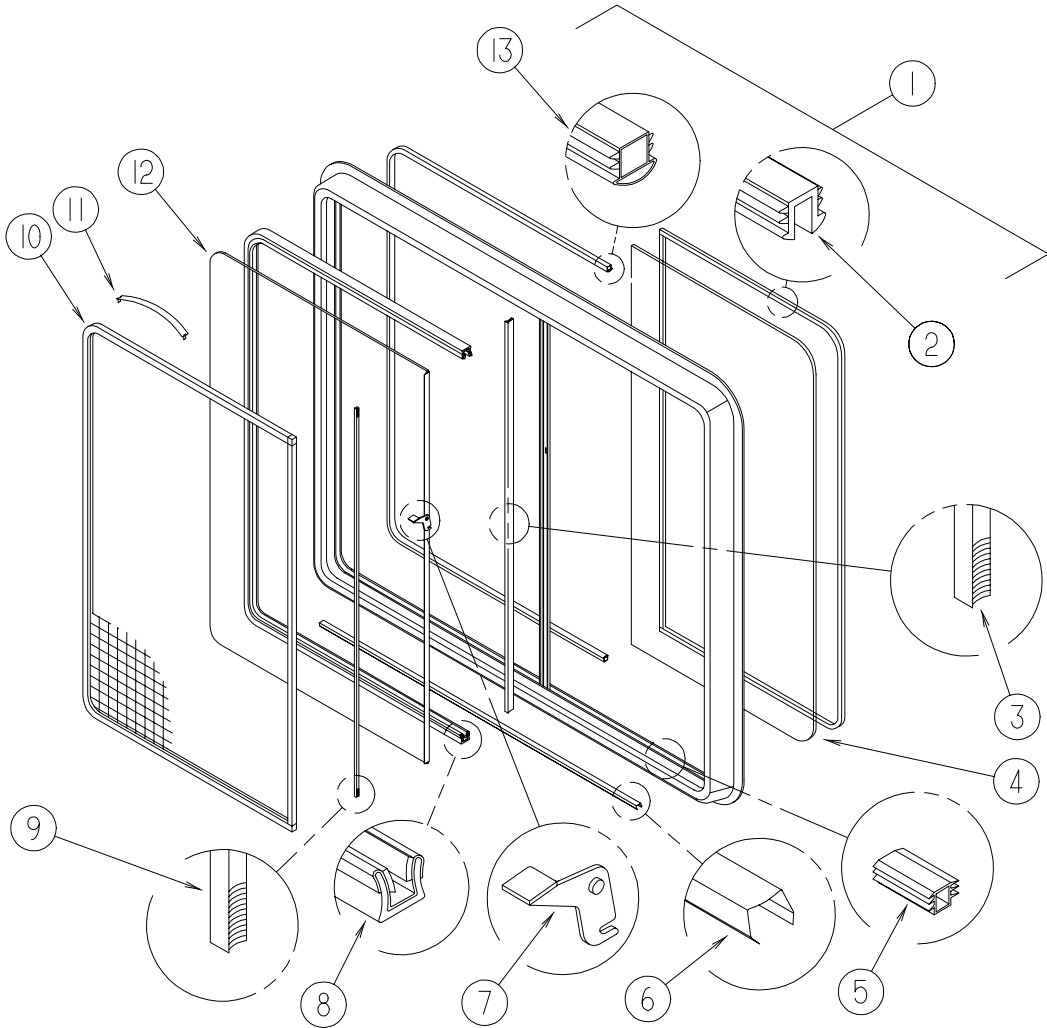
| KEY | PART NUMBER | U/M | DESCRIPTION | VENDOR NO. |
|-----|---------------|-----|--|------------|
| 1 | 098647-40-01A | EA | WINDOW - PASS HORIZ SLIDER W/TRIM - TINTED - 29.5" X 41.3" | |
| 2 | 098644-01-705 | FT | GLAZING - STRIP | 132-010231 |
| 3 | 098644-01-706 | FT | WEATHERSTRIP - GLASS | 171-010668 |
| 4 | 098647-40-701 | EA | GLASS - STATIONARY | 106-019914 |
| 5 | 098644-01-719 | EA | STOP - SLIDER GLASS | 132-014203 |
| 6 | 098644-01-710 | FT | TRACK - SCREEN SPACER 12' | 132-017135 |
| 7 | 098644-01-700 | EA | LATCH - REPAIR KIT (BLACK) | B801-CK |
| 8 | 098644-01-708 | FT | CHANNEL - RUN PIERCED | 122-016543 |
| 9 | 098644-01-711 | FT | WEATHERSTRIP - SCREEN BLACK | 171-016965 |
| 10 | 112795-31-704 | EA | SCREEN ASM - W/SEALS & CLIPS | 410-019068 |
| 11 | 125582-01-701 | EA | CLIP - SCREEN - PLASTIC | 130005153 |
| 11 | 098644-01-713 | EA | CLIP - SCREEN - METAL | 226-016966 |
| 12 | 098647-40-700 | EA | GLASS-SLIDING W/SASH & LATCH | H291-G9 |
| 13 | 098644-01-716 | FT | PLUG - FILLER | 132-014470 |
| | 098644-01-717 | FT | SPLINE - SCREEN | 132-004716 |
| | 098647-31-701 | EA | RETAINER - TRIM | CW29-66 |

THERMOPANE



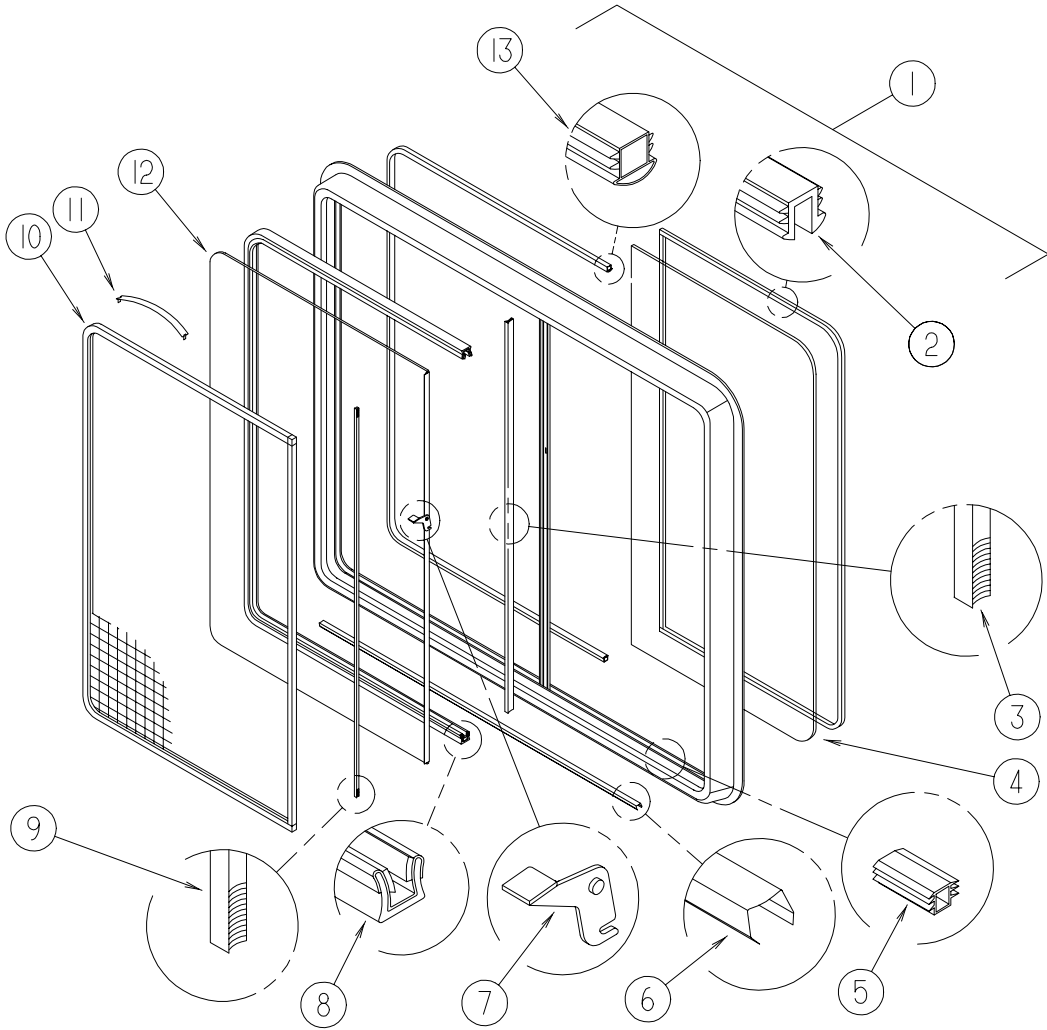
| KEY | PART NUMBER | U/M | DESCRIPTION | VENDOR NO. |
|-----|---------------|-----|--|------------|
| 1 | 098647-41-01A | EA | WINDOW - PASS HORIZ SLIDER W/TRIM - TINTED - 24.2" X 41" | |
| 2 | 098644-01-705 | FT | GLAZING - STRIP | 132-010231 |
| 3 | 098644-01-706 | FT | WEATHERSTRIP - GLASS | 171-010668 |
| 4 | 098647-41-701 | EA | GLASS - STATIONARY | 106-015474 |
| 5 | 098644-01-719 | EA | STOP - SLIDER GLASS | 132-014203 |
| 6 | 098644-01-710 | FT | TRACK - SCREEN SPACER 12' | 132-017135 |
| 7 | 098644-01-700 | EA | LATCH - REPAIR KIT (BLACK) | B801-CK |
| 8 | 098644-01-708 | FT | CHANNEL - RUN PIERCED | 122-016543 |
| 9 | 098644-01-711 | FT | WEATHERSTRIP - SCREEN BLACK | 171-016965 |
| 10 | 098647-29-704 | EA | SCREEN ASM - W/SEALS & CLIPS | 410-018864 |
| 11 | 125582-01-701 | EA | CLIP - SCREEN - PLASTIC | 130005153 |
| 11 | 098644-01-713 | EA | CLIP - SCREEN - METAL | 226-016966 |
| 12 | 098647-41-700 | EA | GLASS SLIDING W/SASH & LATCH | H172-G9 |
| 13 | 098644-01-716 | FT | PLUG - FILLER | 132-014470 |
| | 098644-01-717 | FT | SPLINE - SCREEN | 132-004716 |
| | 098647-29-701 | EA | RETAINER - TRIM | CW04-66 |

THERMOPANE



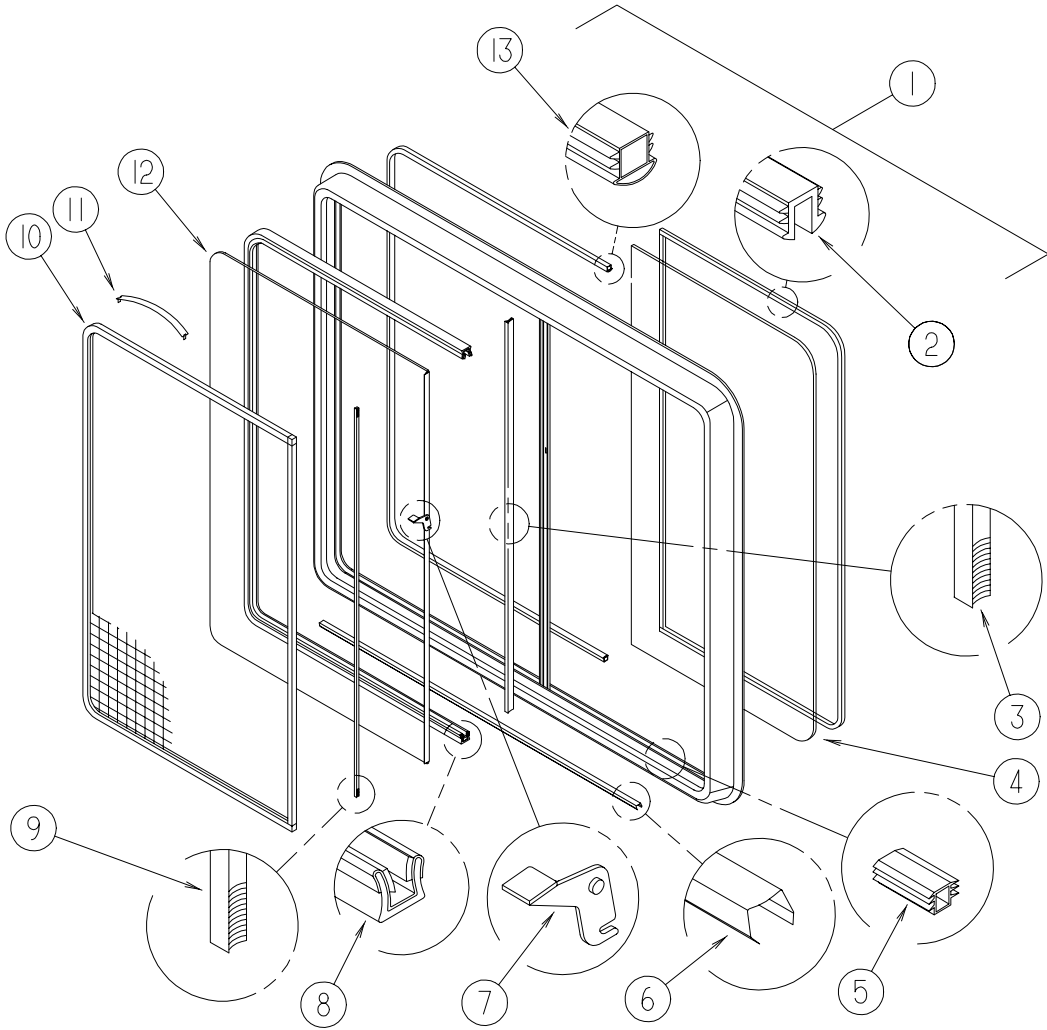
| KEY | PART NUMBER | U/M | DESCRIPTION | VENDOR NO. |
|-----|---------------|-----|--|------------|
| 1 | 098647-45-01A | EA | WINDOW - PASS HORIZ SLIDER W/TRIM - TINTED - 23.6" X 24.5" | 132-010231 |
| 2 | 098644-01-705 | FT | GLAZING - STRIP | 171-010668 |
| 3 | 098644-01-706 | FT | WEATHERSTRIP - GLASS | 106-025250 |
| 4 | 098647-45-700 | EA | GLASS - STATIONARY | 132-014203 |
| 5 | 098644-01-719 | EA | STOP - SLIDER GLASS | 132-017135 |
| 6 | 098644-01-710 | FT | TRACK - SCREEN SPACER 12' | B801-CK |
| 7 | 098644-01-700 | EA | LATCH - REPAIR KIT (BLACK) | 122-016543 |
| 8 | 098644-01-708 | FT | CHANNEL - RUN PIERCED | 171-016965 |
| 9 | 098644-01-711 | FT | WEATHERSTRIP - SCREEN BLACK | 410-025250 |
| 10 | 098647-45-703 | EA | SCREEN ASM - W/SEALS & CLIPS | 130005153 |
| 11 | 125582-01-701 | EA | CLIP - SCREEN - PLASTIC | 226-016966 |
| 11 | 098644-01-713 | EA | CLIP - SCREEN - METAL | H467-G9 |
| 12 | 098647-45-701 | EA | GLASS-SLIDING W/SASH & LATCH | 132-014470 |
| 13 | 098644-01-716 | FT | PLUG - FILLER | 132-004716 |
| | 098644-01-717 | FT | SPLINE - SCREEN | W467-66 |
| | 098647-45-704 | EA | RETAINER - TRIM | |

THERMOPANE



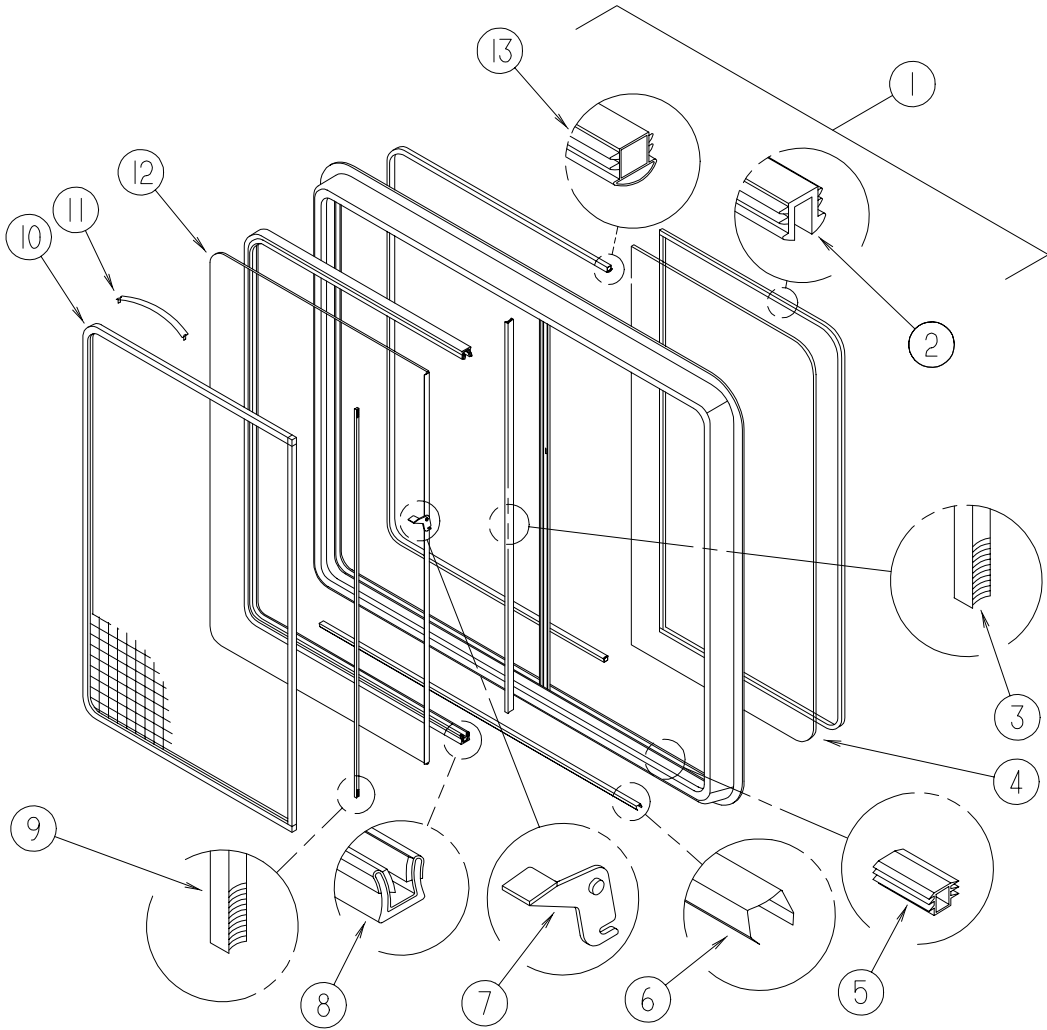
| KEY | PART NUMBER | U/M | DESCRIPTION | VENDOR NO. |
|-----|---------------|-----|--|------------|
| 1 | 098647-46-01A | EA | WINDOW - PASS HORIZ SLIDER W/TRIM - TINTED - 15.2" X 18.3" | |
| 2 | 098644-01-705 | FT | GLAZING - STRIP | 132-010231 |
| 3 | 098644-01-706 | FT | WEATHERSTRIP - GLASS | 171-010668 |
| 4 | 098647-46-700 | EA | GLASS - STATIONARY | 106-011181 |
| 5 | 098644-01-719 | EA | STOP - SLIDER GLASS | 132-014203 |
| 6 | 098644-01-710 | FT | TRACK - SCREEN SPACER 12' | 132-017135 |
| 7 | 098644-01-700 | EA | LATCH - REPAIR KIT (BLACK) | B801-CK |
| 8 | 098644-01-708 | FT | CHANNEL - RUN PIERCED | 122-016543 |
| 9 | 098644-01-711 | FT | WEATHERSTRIP - SCREEN BLACK | 171-016965 |
| 10 | 098647-46-702 | EA | SCREEN ASM - W/SEALS & CLIPS | 410-025286 |
| 11 | 125582-01-701 | EA | CLIP - SCREEN - PLASTIC | 130005153 |
| 11 | 098644-01-713 | EA | CLIP - SCREEN - METAL | 226-016966 |
| 12 | 098647-46-701 | EA | GLASS-SLIDING W/SASH & LATCH | B809-G9 |
| 13 | 098644-01-716 | FT | PLUG - FILLER | 132-014470 |
| | 098644-01-717 | FT | SPLINE - SCREEN | 132-004716 |
| | 098647-46-703 | EA | RETAINER - TRIM | V409-66 |

THERMOPANE



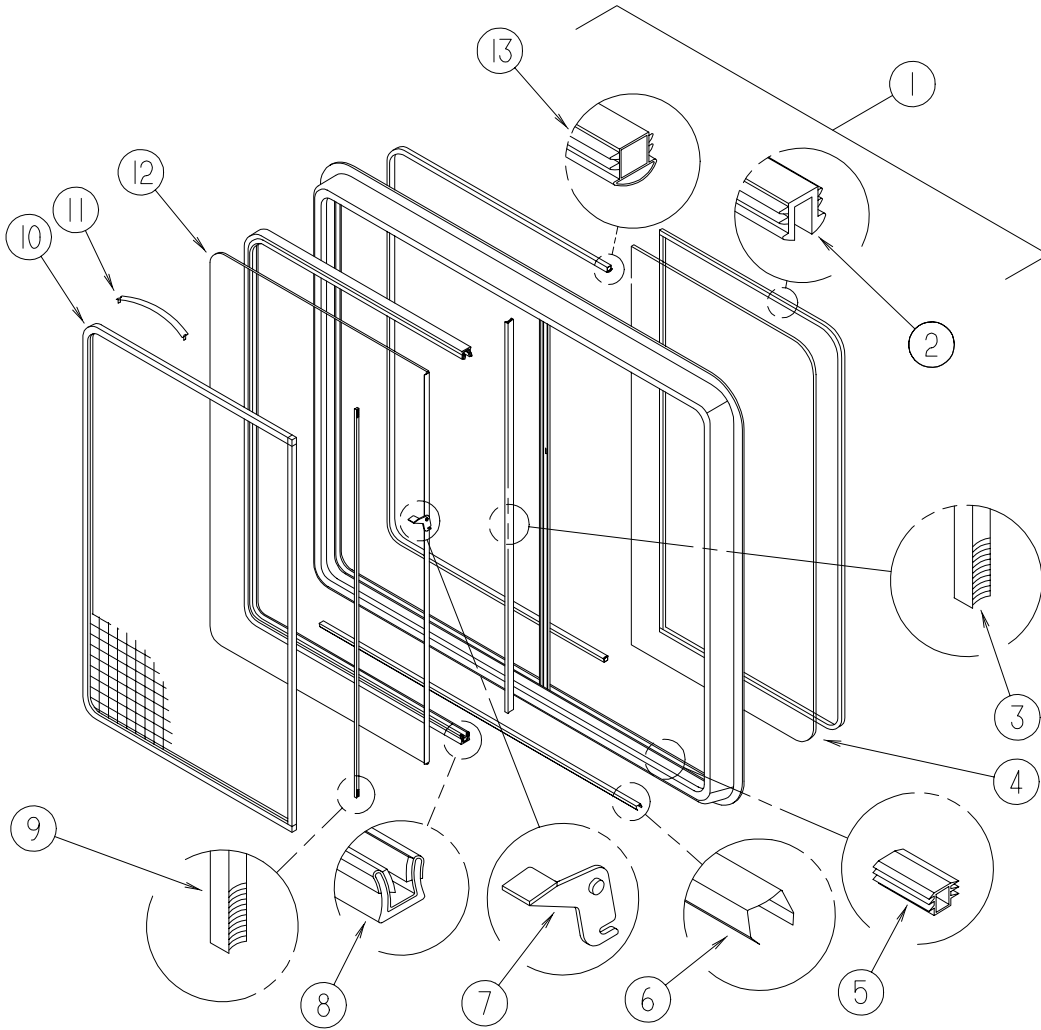
| KEY | PART NUMBER | U/M | DESCRIPTION | VENDOR NO. |
|-----|---------------|-----|--|------------|
| 1 | 098647-47-01A | EA | WINDOW-DRVR HORIZ SLIDER W/TRIM - TINTED - 23.6" X 57.5" | |
| 2 | 098644-01-705 | FT | GLAZING - STRIP | 132-010231 |
| 3 | 098644-01-706 | FT | WEATHERSTRIP - GLASS | 171-010668 |
| 4 | 098647-47-700 | EA | GLASS - STATIONARY | 106-025224 |
| 5 | 098644-01-719 | EA | STOP - SLIDER GLASS | 132-014203 |
| 6 | 098644-01-710 | FT | TRACK - SCREEN SPACER 12' | 132-017135 |
| 7 | 098644-01-700 | EA | LATCH - REPAIR KIT (BLACK) | B801-CK |
| 8 | 098644-01-708 | FT | CHANNEL - RUN PIERCED | 122-016543 |
| 9 | 098644-01-711 | FT | WEATHERSTRIP - SCREEN BLACK | 171-016965 |
| 10 | 098647-47-702 | EA | SCREEN ASM - W/SEALS & CLIPS | 410-025226 |
| 11 | 125582-01-701 | EA | CLIP - SCREEN - PLASTIC | 130005153 |
| 11 | 098644-01-713 | EA | CLIP - SCREEN - METAL | 226-016966 |
| 12 | 098647-47-701 | EA | GLASS-SLIDING W/SASH & LATCH | H493-G9 |
| 13 | 098644-01-716 | FT | PLUG - FILLER | 132-014470 |
| | 098644-01-717 | FT | SPLINE - SCREEN | 132-004716 |
| | 098647-47-703 | EA | RETAINER - TRIM | W493-66 |

THERMOPANE



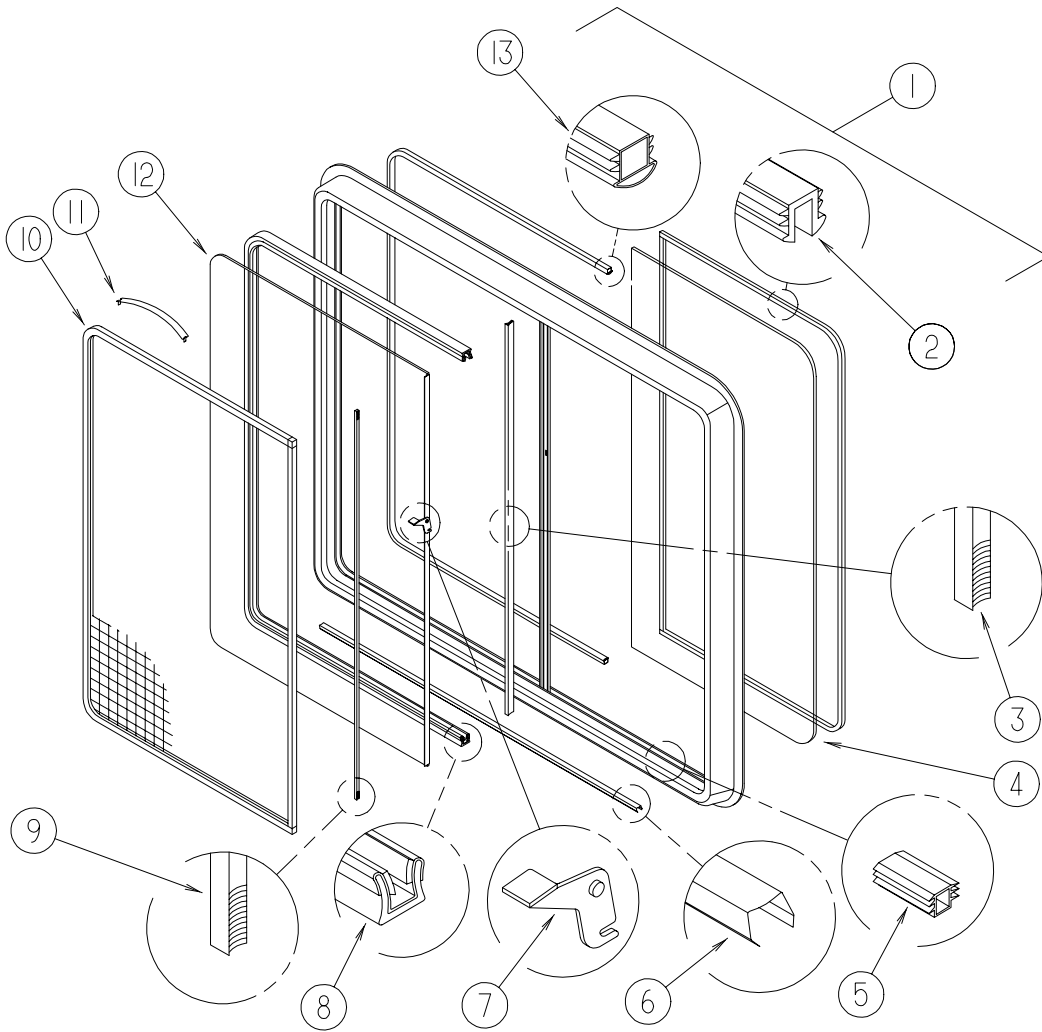
| KEY | PART NUMBER | U/M | DESCRIPTION | VENDOR NO. |
|-----|---------------|-----|--|------------|
| 1 | 098647-48-01A | EA | WINDOW - DR HORIZ SLIDER W/TRIM - TINTED - 21.9" X 21.9" | 132-010231 |
| 2 | 098644-01-705 | FT | GLAZING - STRIP | 171-010668 |
| 3 | 098644-01-706 | FT | WEATHERSTRIP - GLASS | 106-026129 |
| 4 | 098647-48-700 | EA | GLASS - STATIONARY | 132-014203 |
| 5 | 098644-01-719 | EA | STOP - SLIDER GLASS | 132-017135 |
| 6 | 098644-01-710 | FT | TRACK - SCREEN SPACER 12' | B801-CK |
| 7 | 098644-01-700 | EA | LATCH - REPAIR KIT (BLACK) | 122-016543 |
| 8 | 098644-01-708 | FT | CHANNEL - RUN PIERCED | 171-016965 |
| 9 | 098644-01-711 | FT | WEATHERSTRIP - SCREEN BLACK | 410-019188 |
| 10 | 098647-43-702 | EA | SCREEN ASM - W/SEALS & CLIPS | 130005153 |
| 11 | 125582-01-701 | EA | CLIP - SCREEN - PLASTIC | 226-016966 |
| 11 | 098644-01-713 | EA | CLIP - SCREEN - METAL | H490-G9 |
| 12 | 098647-43-700 | EA | GLASS-SLIDING W/SASH & LATCH | 132-014470 |
| 13 | 098644-01-716 | FT | PLUG - FILLER | 132-004716 |
| | 098644-01-717 | FT | SPLINE - SCREEN | W490-66 |
| | 098647-43-703 | EA | RETAINER - TRIM | |

**THERMOPANE
EXCEL B969C1W66R**



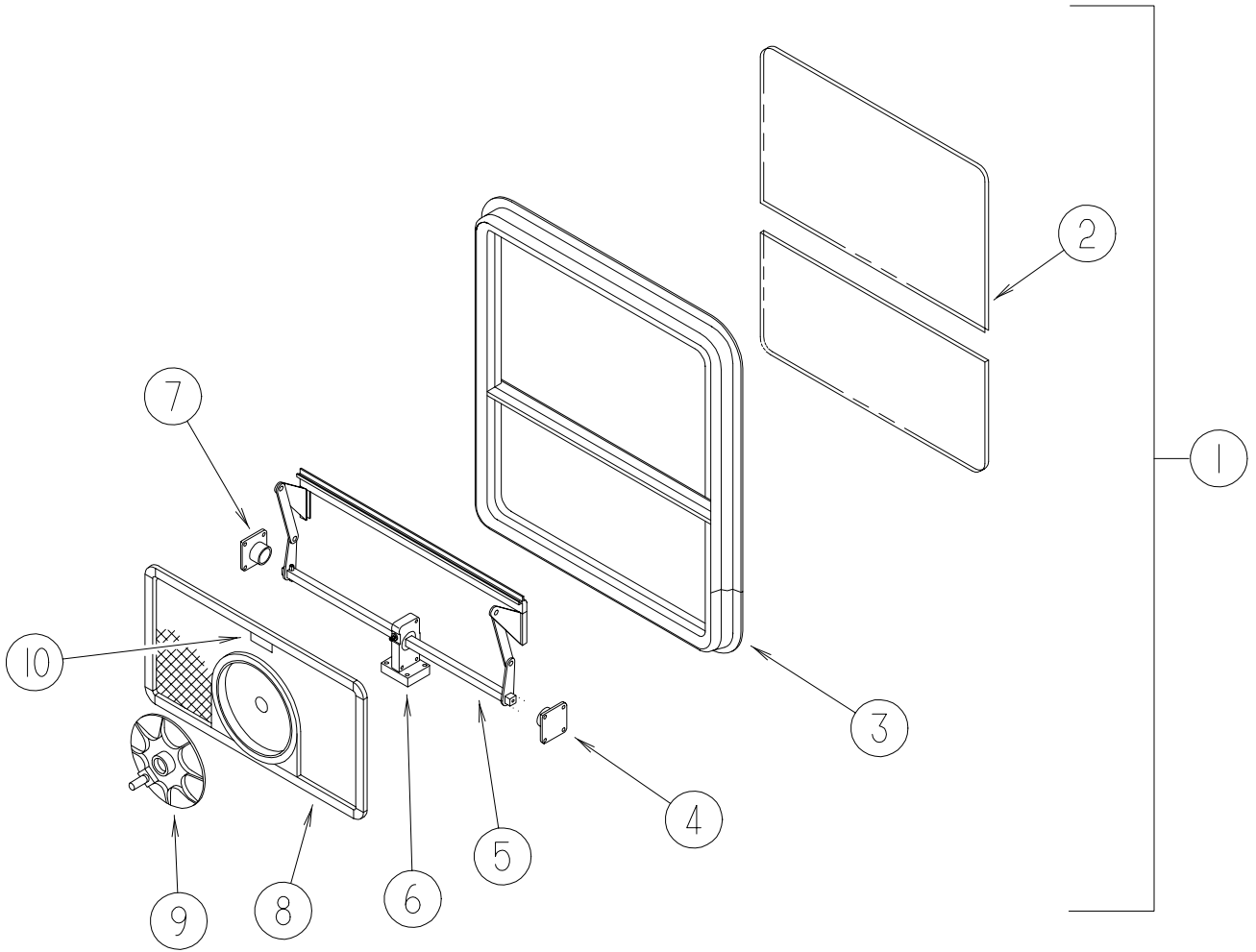
| KEY | PART NUMBER | U/M | DESCRIPTION | VENDOR NO. |
|-----|---------------|-----|---|------------|
| 1 | 098647-49-01A | EA | WINDOW - PASS HORIZ SLIDER W/TRIM - CLEAR - 15" X 23.7" | |
| 2 | 098644-01-705 | FT | GLAZING - STRIP | 132-010231 |
| 3 | 098644-01-706 | FT | WEATHERSTRIP - GLASS | 171-010668 |
| 4 | 098647-49-700 | EA | GLASS - STATIONARY | 096-012066 |
| 5 | 098644-01-719 | EA | STOP - SLIDER GLASS | 132-014203 |
| 6 | 098644-01-710 | FT | TRACK - SCREEN SPACER 12' | 132-017135 |
| 7 | 098644-01-700 | EA | LATCH - REPAIR KIT (BLACK) | B801-CK |
| 8 | 098644-01-708 | FT | CHANNEL - RUN PIERCED | 122-016543 |
| 9 | 098644-01-711 | FT | WEATHERSTRIP - SCREEN BLACK | 171-016965 |
| 10 | 112795-56-702 | EA | SCREEN ASM - W/SEALS & CLIPS | 410-019414 |
| 11 | 125582-01-701 | EA | CLIP - SCREEN - PLASTIC | 130005153 |
| 11 | 098644-01-713 | EA | CLIP - SCREEN - METAL | 226-016966 |
| 12 | 098647-49-700 | EA | GLASS-SLIDING W/SASH & LATCH | B969-G8 |
| 13 | 098644-01-716 | FT | PLUG - FILLER | 132-014470 |
| | 098644-01-717 | FT | SPLINE - SCREEN | 132-004716 |
| | 112795-56-703 | EA | RETAINER - TRIM | V969-66 |

THERMOPANE

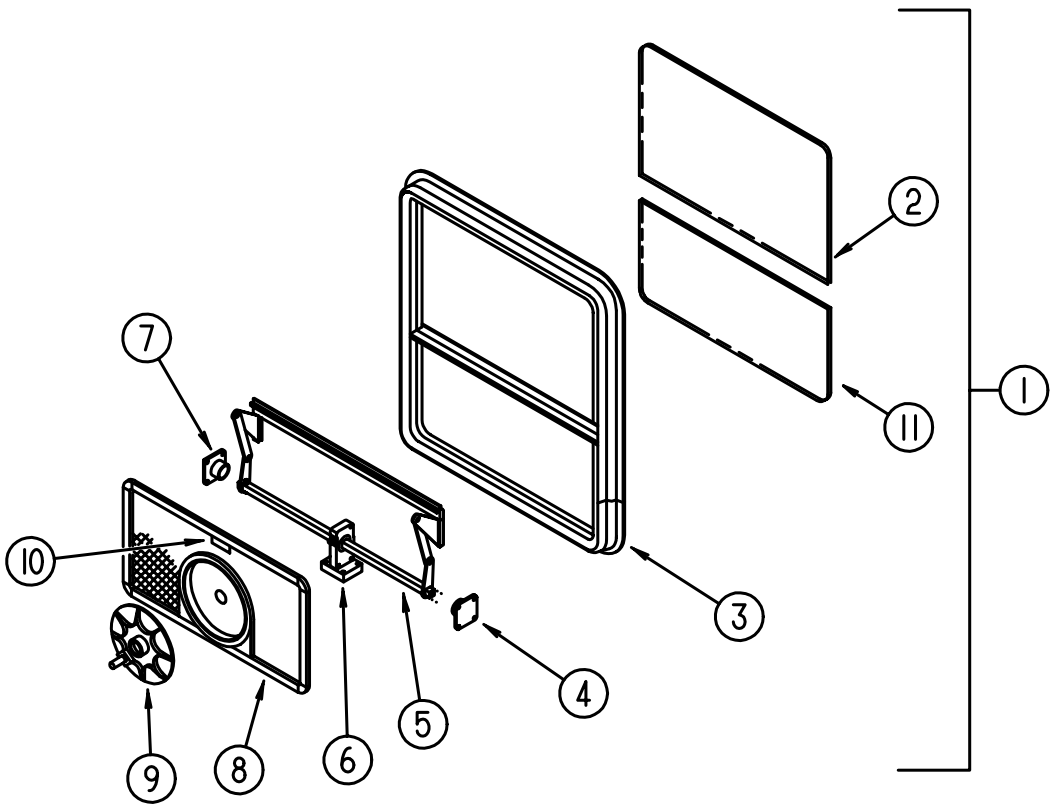


| KEY | PART NUMBER | U/M | DESCRIPTION | VENDOR NO. |
|-----|---------------|-----|--|------------|
| 1 | 099480-03-000 | EA | WINDOW - PASSENGER SLIDER - TINTED - 27.8" X 30.8" | |
| 2 | 098644-01-705 | FT | GLAZING - STRIP | 132-010231 |
| 3 | 098644-01-706 | FT | WEATHERSTRIP - GLASS | 171-010668 |
| 4 | 099480-03-701 | EA | GLASS - STATIONARY | 106-018291 |
| 5 | 098644-01-719 | EA | STOP - SLIDER GLASS | 132-014203 |
| 6 | 098644-01-710 | FT | TRACK - SCREEN SPACER 12' | 132-017135 |
| 7 | 099480-01-700 | EA | LATCH - REPAIR KIT | B801-CK |
| 8 | 098644-01-708 | FT | CHANNEL - RUN PIERCED | 122-016543 |
| 9 | 098644-01-711 | FT | WEATHERSTRIP - SCREEN BLACK | 171-016965 |
| 10 | 099480-03-703 | EA | SCREEN ASM - W/SEALS & CLIPS | |
| 11 | 098644-01-713 | EA | CLIP - SCREEN - METAL | 226-016966 |
| 12 | 099480-03-702 | EA | GLASS-SLIDING W/SASH & LATCH | H150-G8 |
| 13 | 098644-01-716 | FT | PLUG - FILLER | 132-014470 |
| | 098644-01-717 | FT | SPLINE - SCREEN | 132-004716 |
| | 099480-03-700 | EA | RETAINER - TRIM | W150-66 |

SINGLE TIPOUT



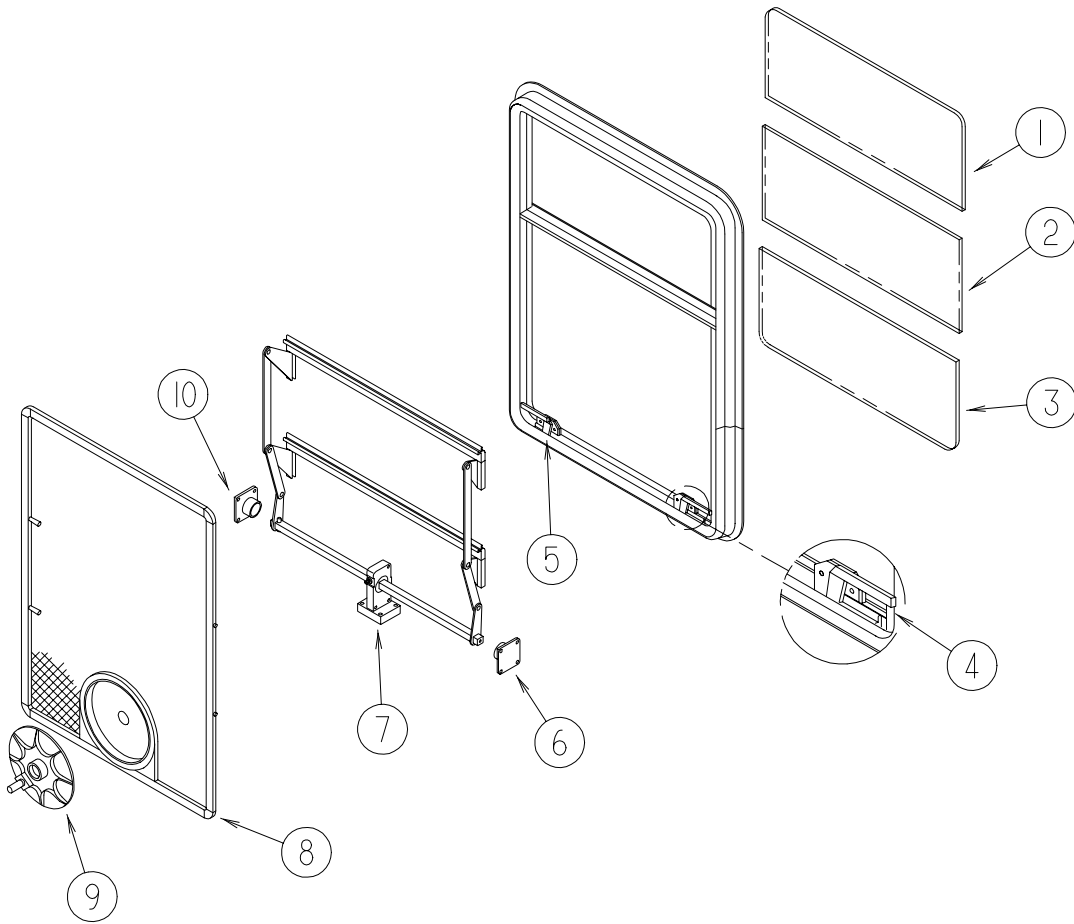
| KEY | PART NUMBER | U/M | DESCRIPTION | VENDOR NO. |
|-----|---------------|-----|--|------------|
| 1 | 104691-07-01A | EA | WINDOW - SINGLE TIPOUT - TINTED - 27" X 25" - OFF/WHT TRIM | |
| 2 | 104691-07-701 | EA | GLASS - STATIONARY | 106-018753 |
| 3 | 100322-01-703 | FT | VINYL - GLAZING - BUTYL | 132-010723 |
| 4 | 100322-01-715 | EA | SUPPORT - TORQUE BAR - RH | 130-015979 |
| 5 | 104691-15-703 | EA | OPERATOR & BAR ASSEMBLY | CH56-15 |
| 6 | 112519-01-702 | EA | OPERATOR - VENT | 410-016123 |
| 7 | 100322-01-714 | EA | SUPPORT - TORQUE BAR - LH | 130-015978 |
| 8 | 104691-07-702 | EA | SCREEN ASSEMBLY - W/SEALS & CLIPS | 410-018755 |
| 9 | 100322-01-718 | EA | HANDLE - DIAL | 410-016081 |
| 10 | 112519-01-706 | EA | CLIP - SCREEN | CH21-50 |
| | 100322-01-701 | FT | SEAL - VENT | 122-016071 |
| | 100322-01-702 | EA | WEATHERSTRIP - HORIZONTAL RAIL | 132-015976 |
| | 100322-01-704 | EA | TAPE - BUTYL | 154-016083 |
| | 104691-07-700 | EA | GLASS - VENT ASSEMBLY - LOWER | CH78-D9 |
| | 116976-01-702 | FT | FILLER - PLUG | 132-016065 |



WINDOW - TIPOUT

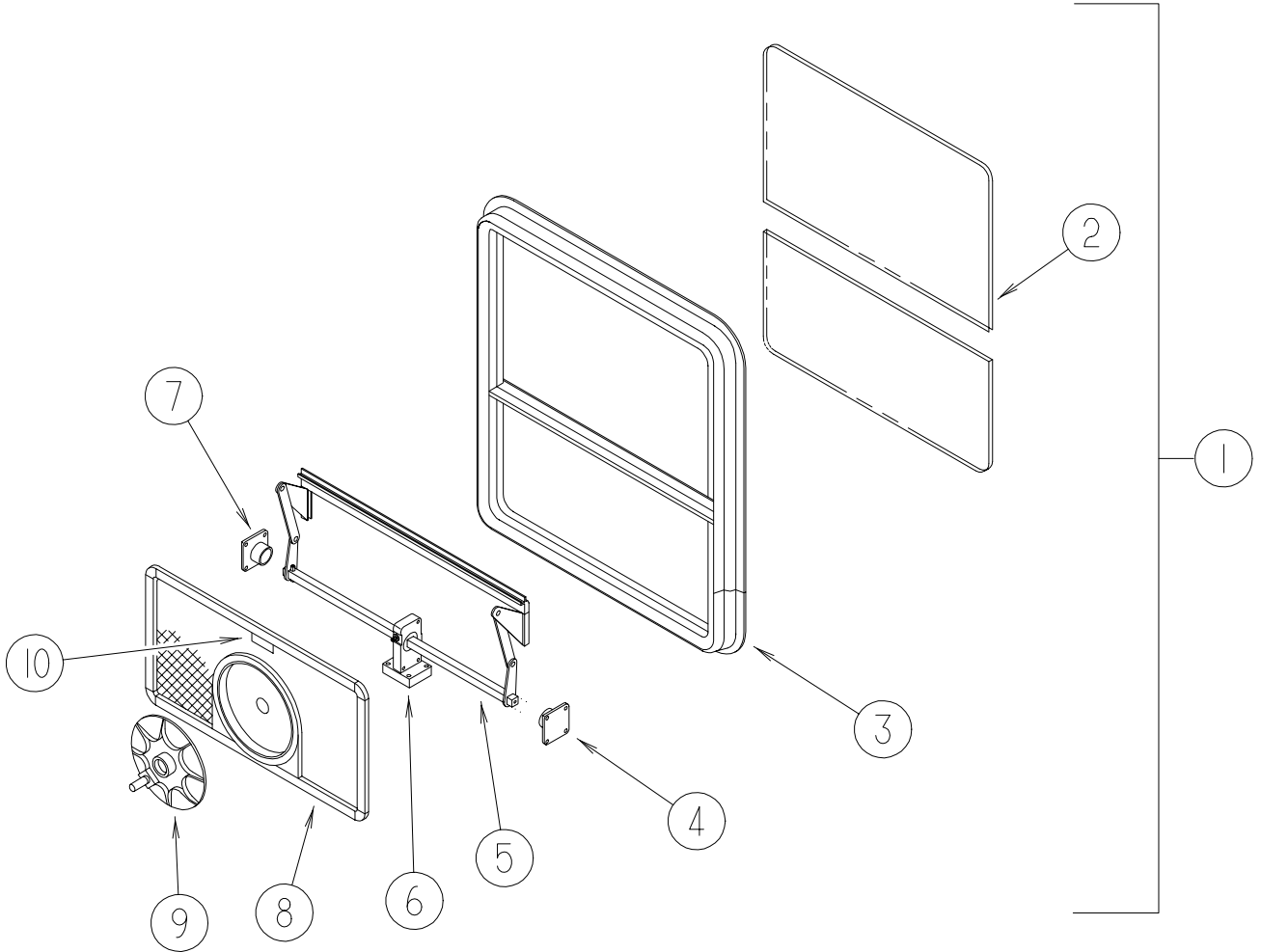
| KEY | PART NUMBER | U/M | DESCRIPTION | VENDOR NO. |
|-----|---------------|-----|------------------------------|------------|
| 1 | 104691-13-01A | EA | WINDOW ASM-TIPOUT BLK/OW | |
| 2 | 104691-13-702 | EA | GLASS - STATIONARY | 106-017670 |
| 3 | 100322-01-703 | FT | VINYL-GLAZING, BUTYL | 132-010723 |
| 4 | 100322-01-715 | EA | SUPPORT-TORQUE BAR, RH | 130-015979 |
| 5 | 104691-13-704 | EA | OPERATOR & BAR ASSEMBLY | CH36-15 |
| 6 | 112519-01-702 | EA | OPERATOR-VENT | 410-016123 |
| 7 | 100322-01-714 | EA | SUPPORT-TORQUE BAR, LH | 130-015978 |
| 8 | 104691-13-705 | EA | SCREEN ASM - W/SEALS & CLIPS | 410-017763 |
| 9 | 100322-01-718 | EA | HANDLE-DIAL | 410-016081 |
| 10 | 112519-01-706 | EA | CLIP-SCREEN | CH21-50 |
| 11 | 104691-13-703 | EA | GLASS-VENT ASSEMBLY | CH37-G9 |
| | 100322-01-701 | FT | SEAL-VENT | 122-016071 |
| | 100322-01-702 | EA | WEATHERSTRIP-HORIZONTAL RAIL | 132-015976 |
| | 100322-01-704 | FT | TAPE-BUTYL | 154-016083 |
| | 104691-13-701 | EA | RETAINER - TRIM | W303-59 |
| | 116976-01-702 | FT | FILLER PLUG | 132-016065 |

DOUBLE TIPOUT



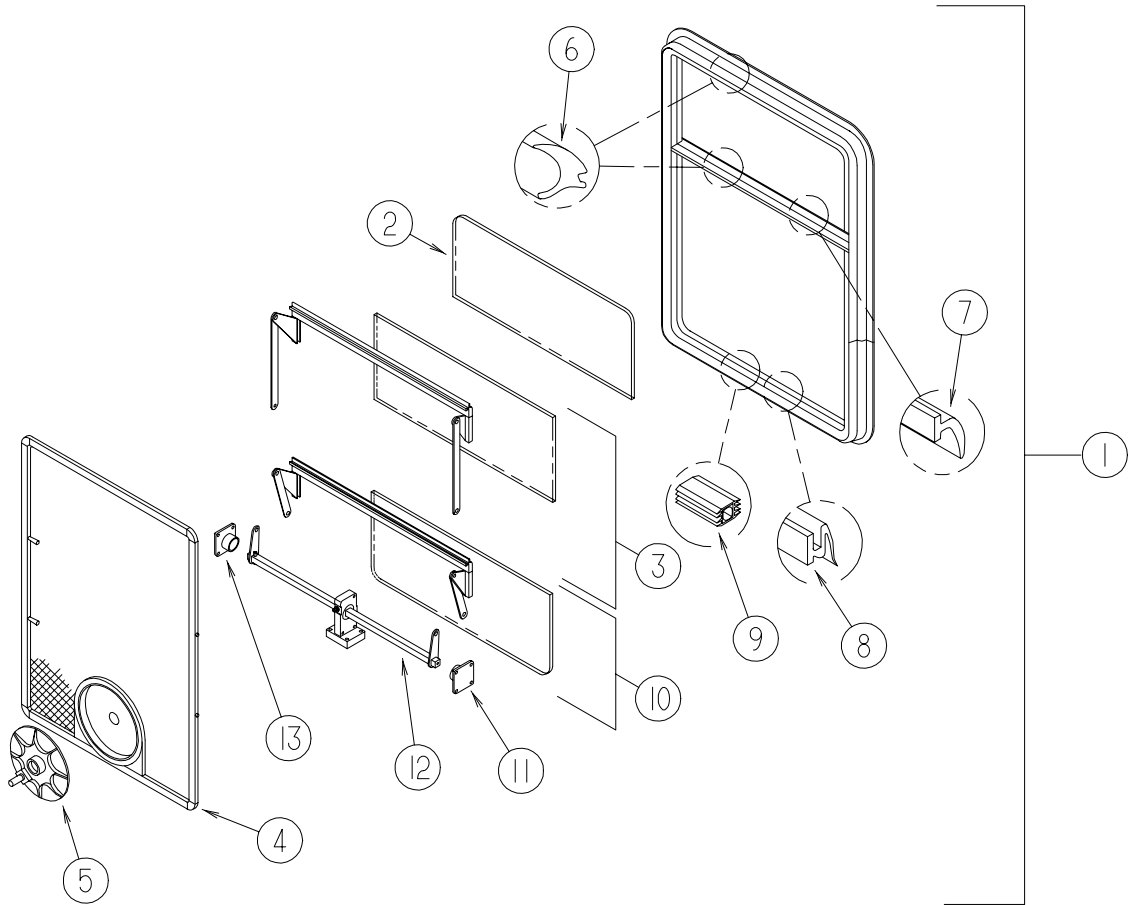
| KEY | PART NUMBER | U/M | DESCRIPTION | VENDOR NO. |
|-----|---------------|-----|--|------------|
| | 104691-15-01A | EA | WINDOW - DOUBLE TIPOUT - TINTED - 25.7" X 30.2" - O/W TRIM | |
| 1 | 104691-15-702 | EA | GLASS - STATIONARY | 106-019456 |
| 2 | 104691-15-704 | EA | GLASS - VENT ASSEMBLY - UPPER | CH56-G7 |
| 3 | 104691-15-705 | EA | GLASS - VENT ASSEMBLY - LOWER | CH56-G9 |
| 4 | 112898-06-704 | FT | HANDLE - LATCH, RED-RH | 182-11293 |
| 5 | 112898-06-705 | EA | HANDLE - LATCH, RED-LH | 182-11294 |
| 6 | 100322-01-715 | EA | SUPPORT - TORQUE BAR - RH | 130-015979 |
| 7 | 104691-15-703 | EA | OPERATOR & BAR ASSEMBLY | CH56-15 |
| | 112519-01-702 | EA | OPERATOR - VENT | 410-016123 |
| 8 | 104691-15-706 | EA | SCREEN ASSEMBLY - W/SEALS & CLIPS | 410-018330 |
| 9 | 100322-01-718 | EA | HANDLE - DIAL | 410-016081 |
| 10 | 100322-01-714 | EA | SUPPORT - TORQUE BAR - LH | 130-015978 |
| | 100322-01-703 | FT | VINYL - GLAZING - BUTYL | 132-010723 |
| | 112519-01-706 | EA | CLIP - SCREEN | CH21-50 |
| | 100322-01-701 | FT | SEAL - VENT | 122-016071 |
| | 100322-01-702 | EA | WEATHERSTRIP - HORIZONTAL RAIL | 132-015976 |
| | 100322-01-704 | EA | TAPE - BUTYL | 154-016083 |
| | 104691-15-701 | EA | RETAINER - TRIM | CW56-59 |
| | 116976-01-702 | FT | FILLER - PLUG | 132-016065 |

SINGLE TIPOUT



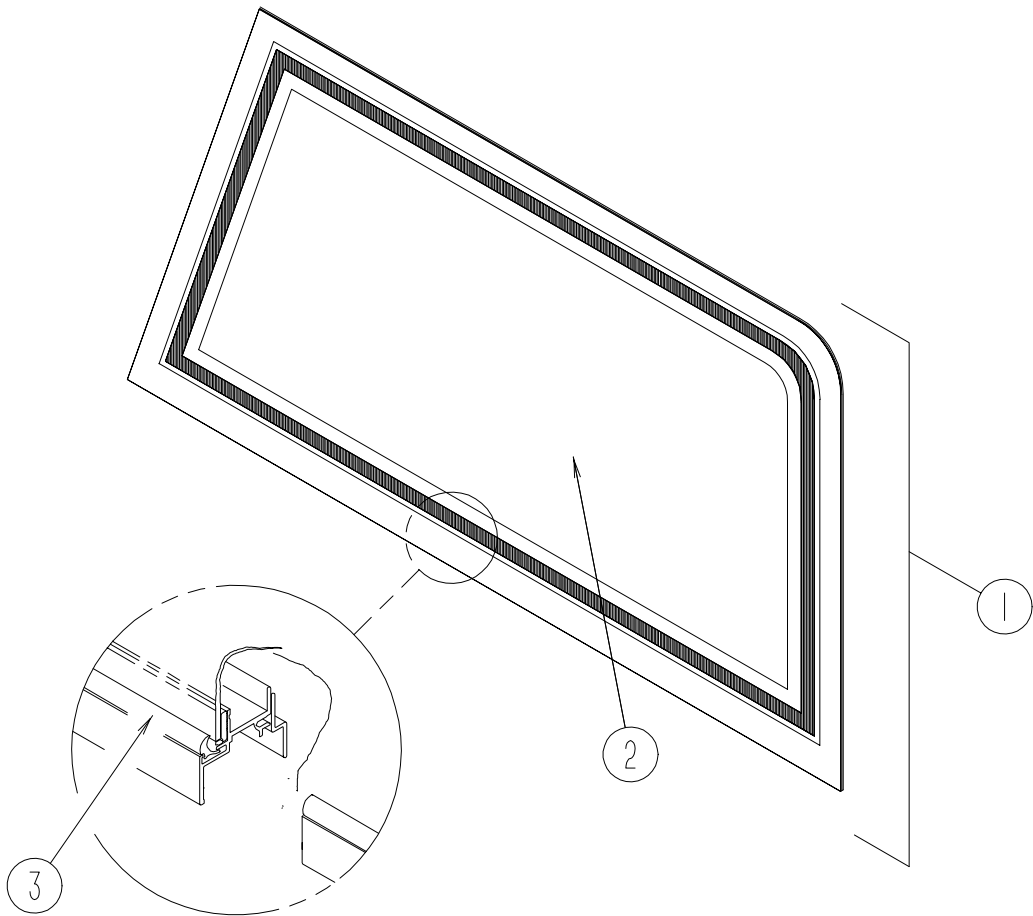
| KEY | PART NUMBER | U/M | DESCRIPTION | VENDOR NO. |
|-----|---------------|-----|--|------------|
| 1 | 104691-16-01A | EA | WINDOW - SINGLE TIPOUT - TINTED - 22.8" X 21.1" - O/W TRIM | |
| 2 | 104691-16-702 | EA | GLASS - STATIONARY | 106-019448 |
| 3 | 100322-01-703 | FT | VINYL - GLAZING - BUTYL | 132-010723 |
| 4 | 100322-01-715 | EA | SUPPORT - TORQUE BAR - RH | 130-015979 |
| 5 | 104691-16-703 | EA | OPERATOR & BAR ASSEMBLY | CH91-18 |
| 6 | 100322-01-716 | EA | SUPPORT - TORQUE BAR - CENTER RAIL | 130-015980 |
| 7 | 100322-01-714 | EA | SUPPORT - TORQUE BAR - LH | 130-015978 |
| 8 | 104691-16-705 | EA | SCREEN ASSEMBLY - W/SEALS & CLIPS | 410-019479 |
| 9 | 100322-01-718 | EA | HANDLE - DIAL | 410-016081 |
| 10 | 112519-01-706 | EA | CLIP - SCREEN | CH21-50 |
| | 100322-01-701 | FT | SEAL - VENT | 122-016071 |
| | 100322-01-702 | EA | WEATHERSTRIP - HORIZONTAL RAIL | 132-015976 |
| | 100322-01-704 | EA | TAPE - BUTYL | 154-016083 |
| | 104691-16-701 | EA | RETAINER - TRIM | CW91-59 |
| | 104691-16-704 | EA | GLASS - VENT ASSEMBLY | CH91-D9 |
| | 116976-01-702 | FT | FILLER - PLUG | 132-016065 |
| | 100322-01-717 | EA | E - RING | 245-015975 |
| | 112519-01-702 | EA | OPERATOR - VENT | 410-016123 |
| | 112898-06-704 | EA | HANDLE - LATCH - RED - RH | 182-11293 |
| | 112898-06-705 | EA | HANDLE - LATCH - RED - LH | 182-11294 |

**WINDOW - DOUBLE TIPOUT
EXCEL CH03-G1W59**



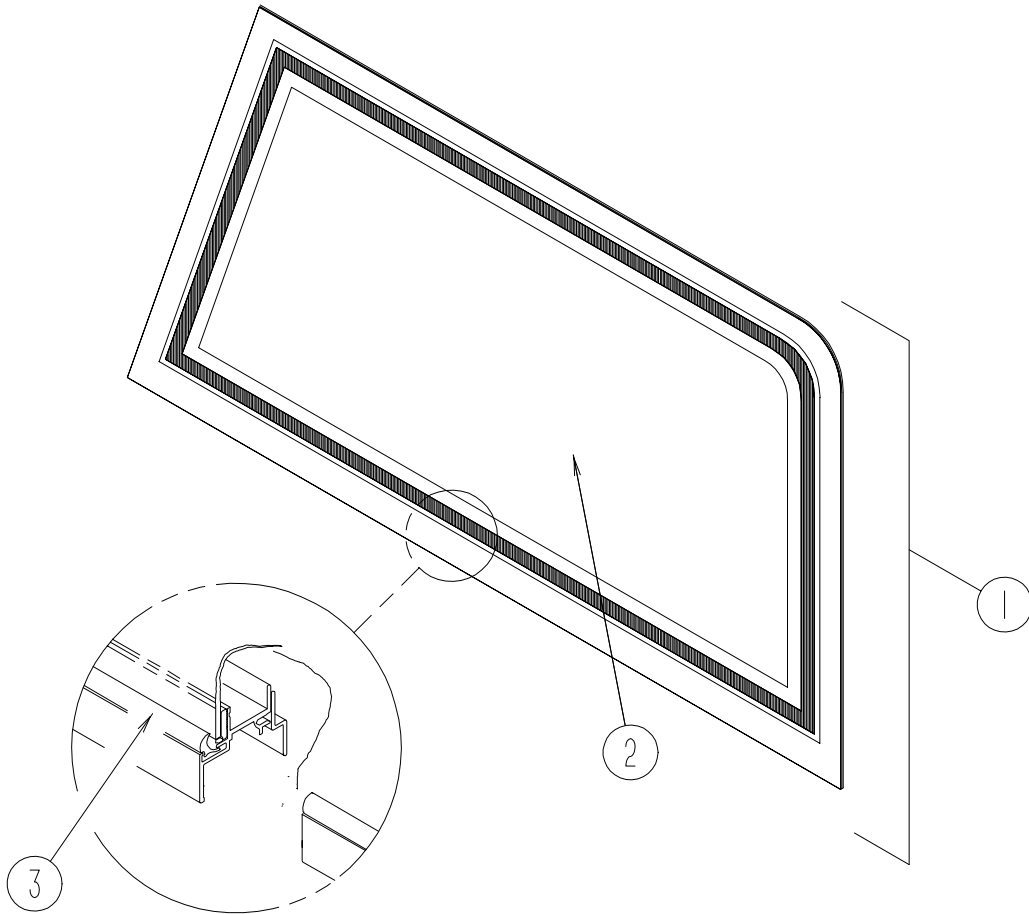
| KEY | PART NUMBER | U/M | DESCRIPTION | VENDOR NO. |
|-----|---------------|-----|---|------------|
| 1 | 104691-17-01A | EA | WINDOW - DOUBLE TIPOUT - TINTED - 36.2" X 24.5" | |
| 2 | 104691-17-703 | EA | GLASS - STATIONARY | 106-025766 |
| 3 | 104691-17-701 | FT | GLASS - VENT ASSEMBLY - UPPER | CH03-G7 |
| 4 | 104691-17-702 | EA | SCREEN ASSEMBLY - W/SEALS & CLIPS | 410-016019 |
| 5 | 100322-01-718 | EA | HANDLE - DIAL | 410-016081 |
| 6 | 100322-01-703 | EA | VINYL - GLAZING - BUTYL | 132-010723 |
| 7 | 100322-01-702 | EA | WEATHERSTRIP - HORIZONTAL RAIL | 132-015976 |
| 8 | 100322-01-701 | FT | SEAL - VENT | 122-016071 |
| 9 | 116976-01-702 | FT | FILLER - PLUG | 132-016065 |
| 10 | 104691-17-700 | EA | GLASS - VENT ASSEMBLY - LOWER | CH03-G9 |
| 11 | 100322-01-715 | EA | SUPPORT - TORQUE BAR - RH | 130-015979 |
| 12 | 100322-01-716 | EA | SUPPORT - TORQUE BAR - CENTER RAIL | 130-015980 |
| 13 | 100322-01-714 | EA | SUPPORT - TORQUE BAR - LH | 130-015978 |
| | 112519-01-706 | EA | CLIP - SCREEN | CH21-50 |
| | 100322-01-704 | EA | TAPE - BUTYL | 154-016083 |
| | 100322-01-717 | EA | E - RING | 245-015975 |
| | 112519-01-702 | EA | OPERATOR - VENT | 410-016123 |

**EXCEL
THERMOPANE**



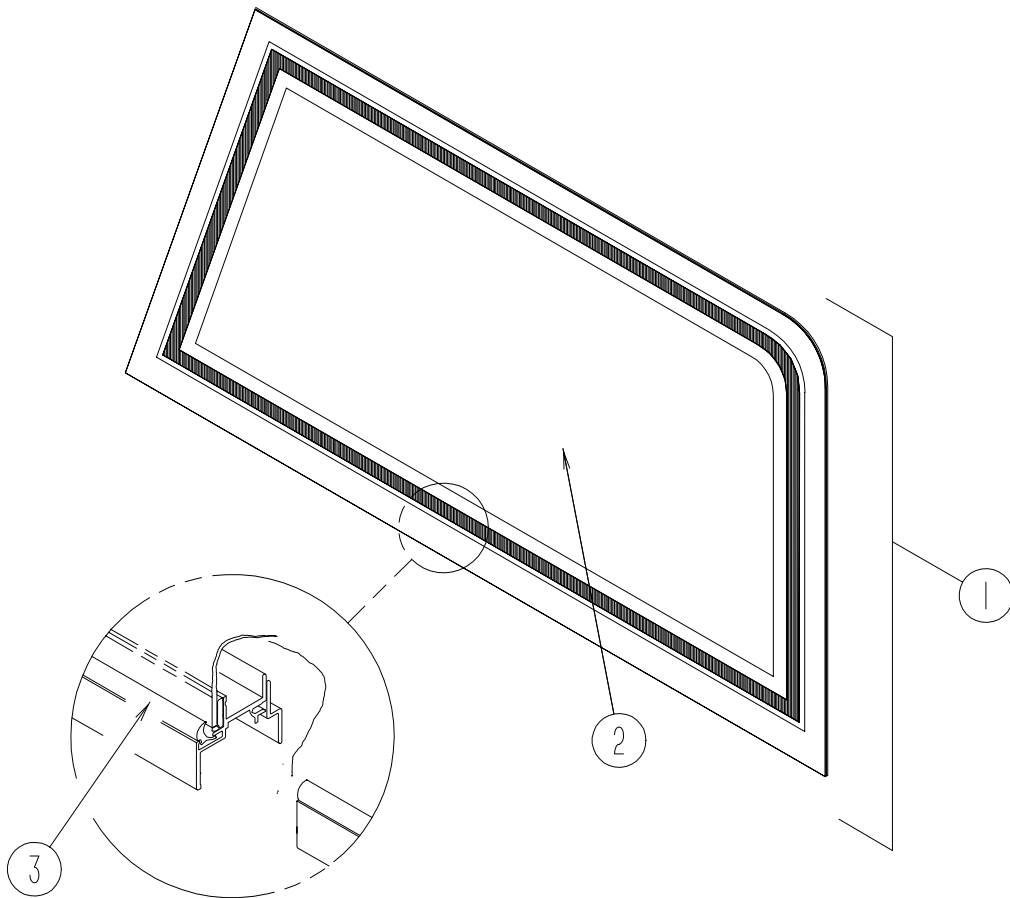
| KEY | PART NUMBER | U/M | DESCRIPTION | VENDOR NO. |
|-----|---------------|-----|---|------------|
| 1 | 106467-04-01A | EA | WINDOW - DRIVER VISTA W/TRIM - 42.1"T X 44.9"B X 17.6"H | |
| 2 | 106467-04-700 | EA | GLASS - STATIONARY | 106-019988 |
| 3 | 100322-01-703 | FT | VINYL - GLAZING - BUTYL | 132-010723 |
| | 106467-04-701 | EA | RETAINER - TRIM - FRONT | H462-41L |
| | 106467-04-702 | EA | RETAINER - TRIM - FRONT | H462-42L |

**EXCEL
THERMOPANE**



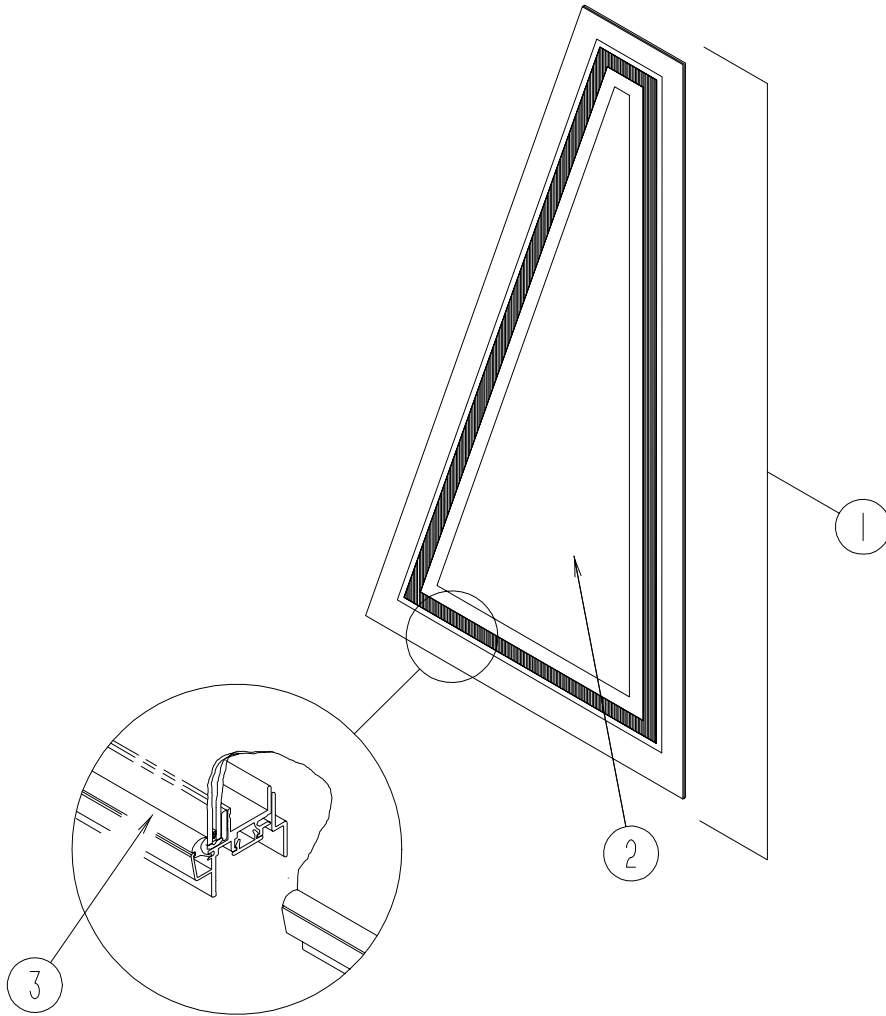
| KEY | PART NUMBER | U/M | DESCRIPTION | VENDOR NO. |
|-----|---------------|-----|--|------------|
| 1 | 106467-06-01A | EA | WINDOW - DRIVER VISTA W/TRIM - 39.2"T X 40.6"B X 7.3"H | |
| 2 | 106467-06-700 | EA | GLASS - STATIONARY | 106-025383 |
| 3 | 100322-01-703 | FT | VINYL - GLAZING - BUTYL | 132-010723 |
| | 116000-01-701 | EA | RETAINER - TRIM RAIL - TOP/REAR | H508-41L |
| | 116000-01-702 | EA | RETAINER - TRIM RAIL - FRONT | H508-42L |
| | 116000-01-703 | EA | RETAINER - TRIM RAIL - BOTTOM | H508-43L |

**EXCEL
THERMOPANE**



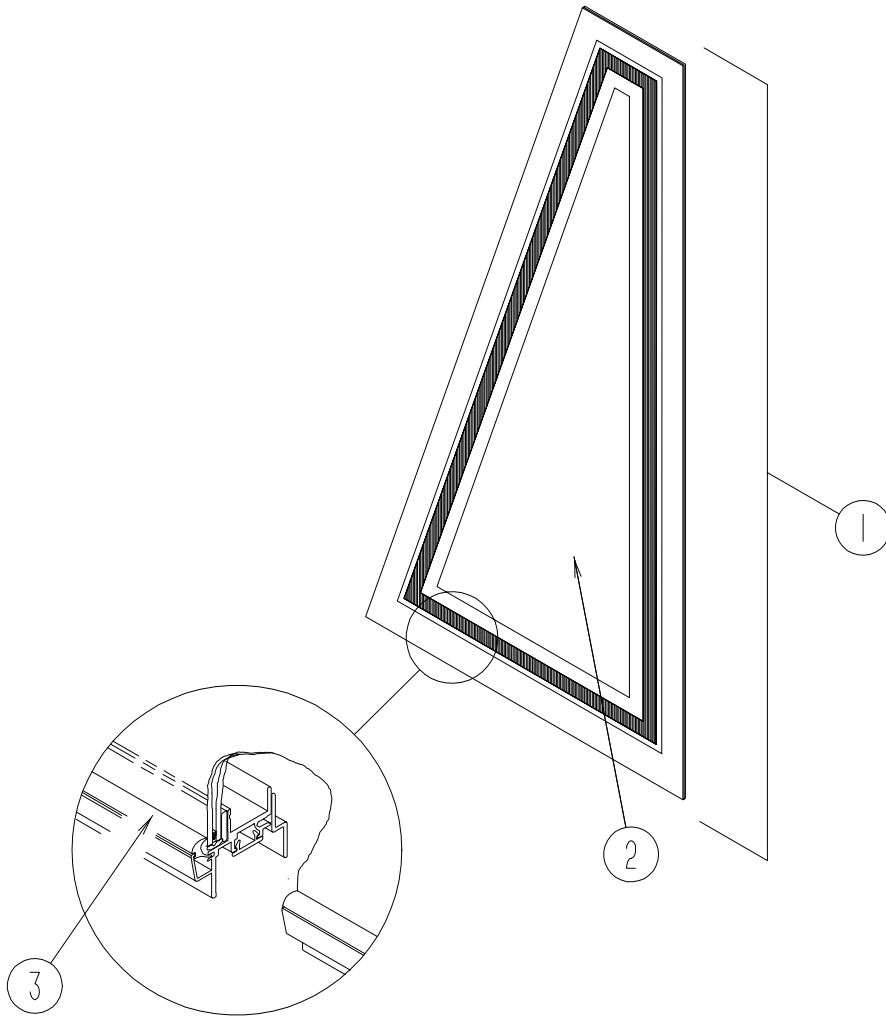
| KEY | PART NUMBER | U/M | DESCRIPTION | VENDOR NO. |
|-----|---------------|-----|---|------------|
| 1 | 106467-08-01A | EA | WINDOW - PASSENGER VISTA/THERMO - 41.7" T X 44.2" B X 15.6" H | |
| 2 | 106467-08-700 | EA | GLASS - STATIONARY | 390-025763 |
| 3 | 100322-01-703 | FT | VINYL - GLAZING - BUTYL | 132-010723 |
| 3 | 116000-01-704 | FT | VINYL GLAZING | 132-018161 |
| | 106467-08-701 | EA | RETAINER - TRIM - BENT | H519-41R |
| | 106467-08-702 | EA | RETAINER - TRIM - BOTTOM | H519-42R |
| | 106467-08-703 | EA | RETAINER - TRIM - FRONT | H519-43R |

**WINDOW
DRIVER WING**



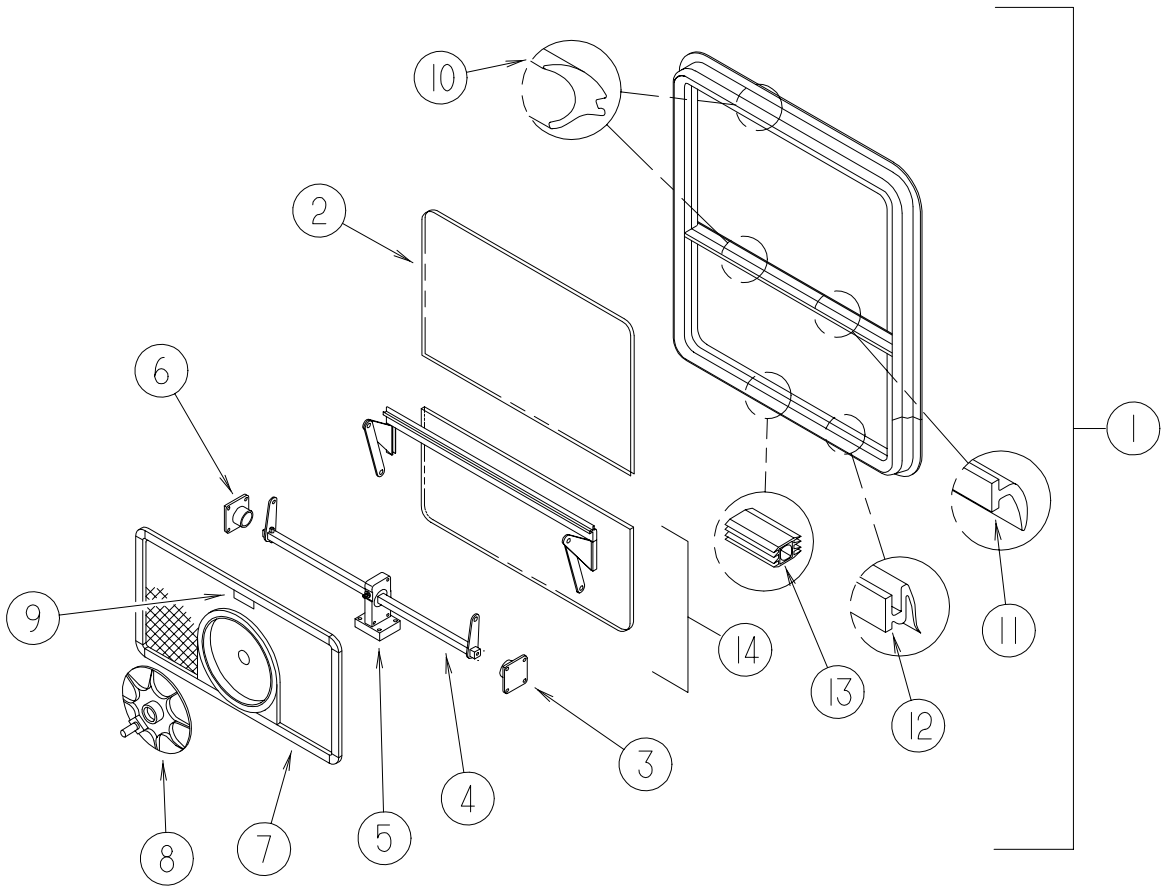
| KEY | PART NUMBER | U/M | DESCRIPTION | VENDOR NO. |
|-----|---------------|-----|--|------------|
| 1 | 106468-03-01A | EA | WINDOW - DRIVER WING W/TRIM - 10.9"T X 14.2"B X 32.2"H | |
| 2 | 106468-03-700 | EA | GLASS - STATIONARY | 106-019987 |
| 3 | 100322-01-703 | FT | VINYL - GLAZING - BUTYL | 132-010723 |
| | 106468-03-701 | EA | RETAINER - TRIM - TOP | H463-42L |
| | 106468-03-702 | EA | RETAINER - TRIM - FRONT | H463-43L |
| | 106468-03-703 | EA | RETAINER - TRIM - REAR | H463-44L |
| | 115999-03-703 | EA | RETAINER - TRIM - RAIL REAR | H358-41L |
| | 125582-01-708 | EA | WEEPHOLE COVER - RIGHT HAND | 130-026598 |
| | 125582-01-709 | EA | WEEPHOLE COVER - LEFT HAND | 130-026599 |

**WINDOW
DRIVER WING**



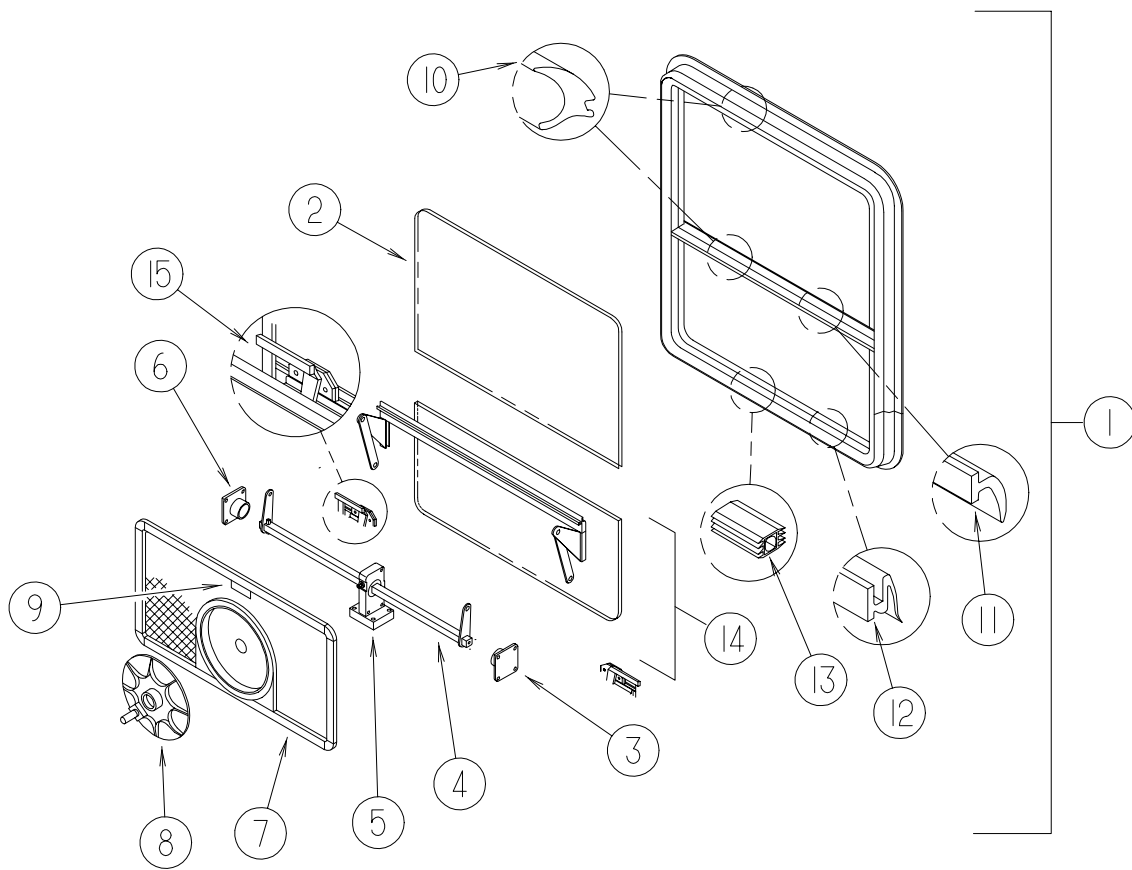
| KEY | PART NUMBER | U/M | DESCRIPTION | VENDOR NO. |
|-----|---------------|-----|--|------------|
| 1 | 106468-05-01A | EA | WINDOW - DRIVER WING W/TRIM - 6.8" T X 12.2" B X 28.9" H | |
| 2 | 106468-05-700 | EA | GLASS - STATIONARY | 106-025382 |
| 3 | 100322-01-703 | FT | VINYL - GLAZING - BUTYL | 132-010723 |
| | 115999-06-702 | EA | RETAINER - TRIM RAIL - TOP | H507-42L |
| | 115999-03-703 | EA | RETAINER - TRIM RAIL - FRONT | H507-43L |
| | 115999-03-704 | EA | RETAINER - TRIM RAIL - BOTTOM | H463-44L |
| | 115999-06-701 | EA | RETAINER - TRIM RAIL - REAR | H507-41L |
| | 125582-01-708 | EA | WEEPHOLE COVER - RIGHT HAND | 130-026598 |
| | 125582-01-709 | EA | WEEPHOLE COVER - LEFT HAND | 130-026599 |

THERMOPANE



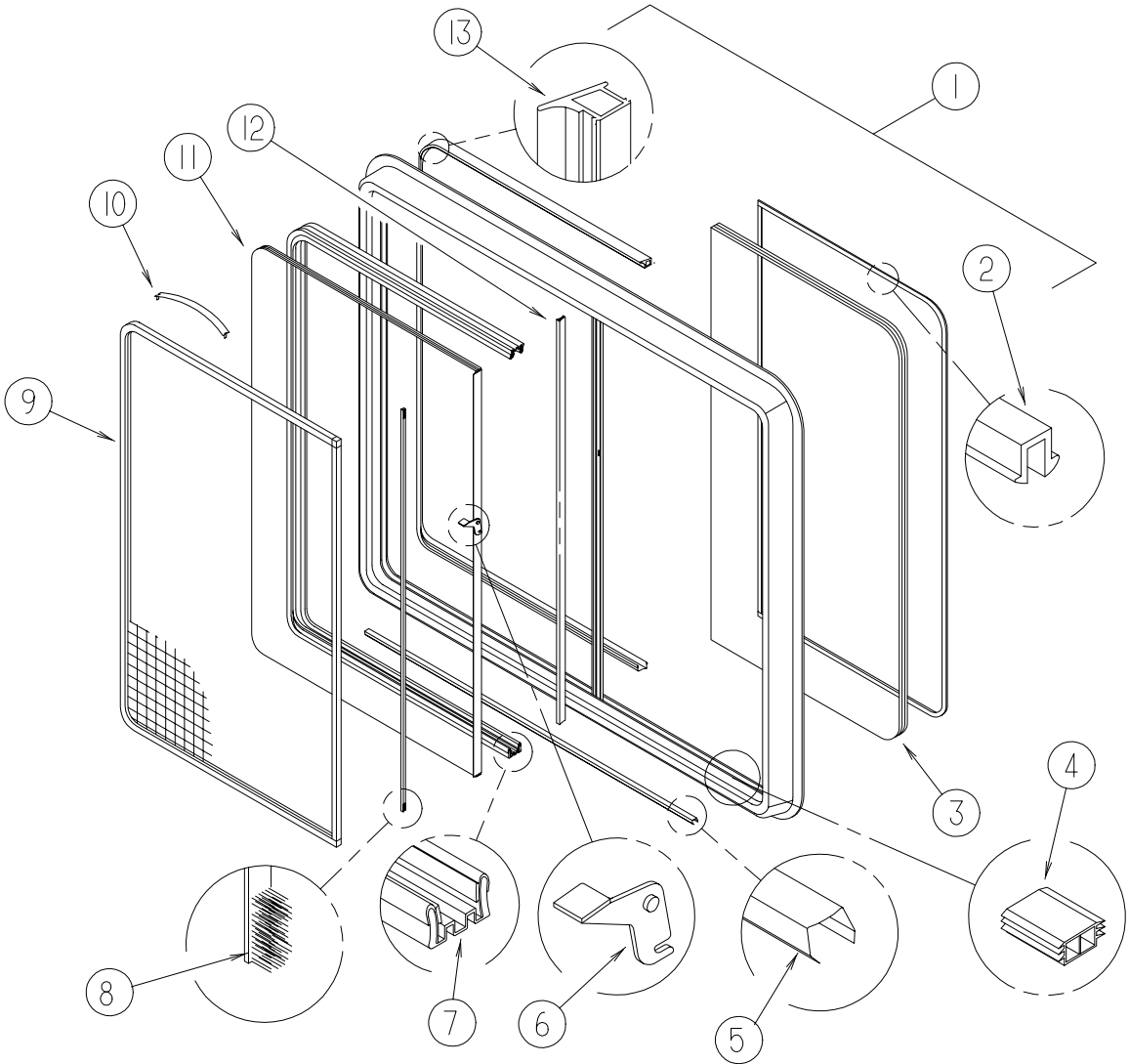
| KEY | PART NUMBER | U/M | DESCRIPTION | VENDOR NO. |
|-----|---------------|-----|---|------------|
| 1 | 112463-03-01A | EA | WINDOW - TIPOUT W/RETAINER TRIM - 33.3" X 30.2" | |
| | 113500-05-705 | EA | RETAINER - TRIM | CW100-59 |
| 2 | 112463-03-701 | EA | GLASS - STATIONARY | 106-025377 |
| 3 | 100322-01-714 | EA | SUPPORT - TORQUE BAR - LH | 130-015978 |
| 4 | 112463-03-702 | EA | OPERATOR & BAR ASSEMBLY | CH10-18 |
| 5 | 100322-01-716 | EA | SUPPORT - TORQUE BAR - CTR RAIL | 130-015980 |
| 6 | 100322-01-715 | EA | SUPPORT - TORQUE BAR - RH | 130-015979 |
| 7 | 112463-03-703 | EA | SCREEN ASM - W/SEALS & CLIPS | 410-018439 |
| 8 | 100322-01-718 | EA | HANDLE - DIAL | 410-016081 |
| 9 | 112519-01-706 | EA | CLIP - SCREEN | CH21-50 |
| 10 | 100322-01-703 | FT | VINYL - GLAZING - BUTYL | 132-010723 |
| 11 | 100322-01-702 | EA | WEATHERSTRIP - HORIZONTAL RAIL | 132-015976 |
| 12 | 100322-01-701 | FT | SEAL - VENT | 122-016071 |
| 13 | 098644-01-716 | FT | PLUG - FILLER | 132-014470 |
| 14 | 112463-03-700 | EA | VENT ASSEMBLY | CH100-G9 |
| | 100322-01-704 | FT | TAPE - BUTYL | 154-016083 |
| | 100322-01-717 | EA | E-RING | 245-015975 |

THERMOPANE



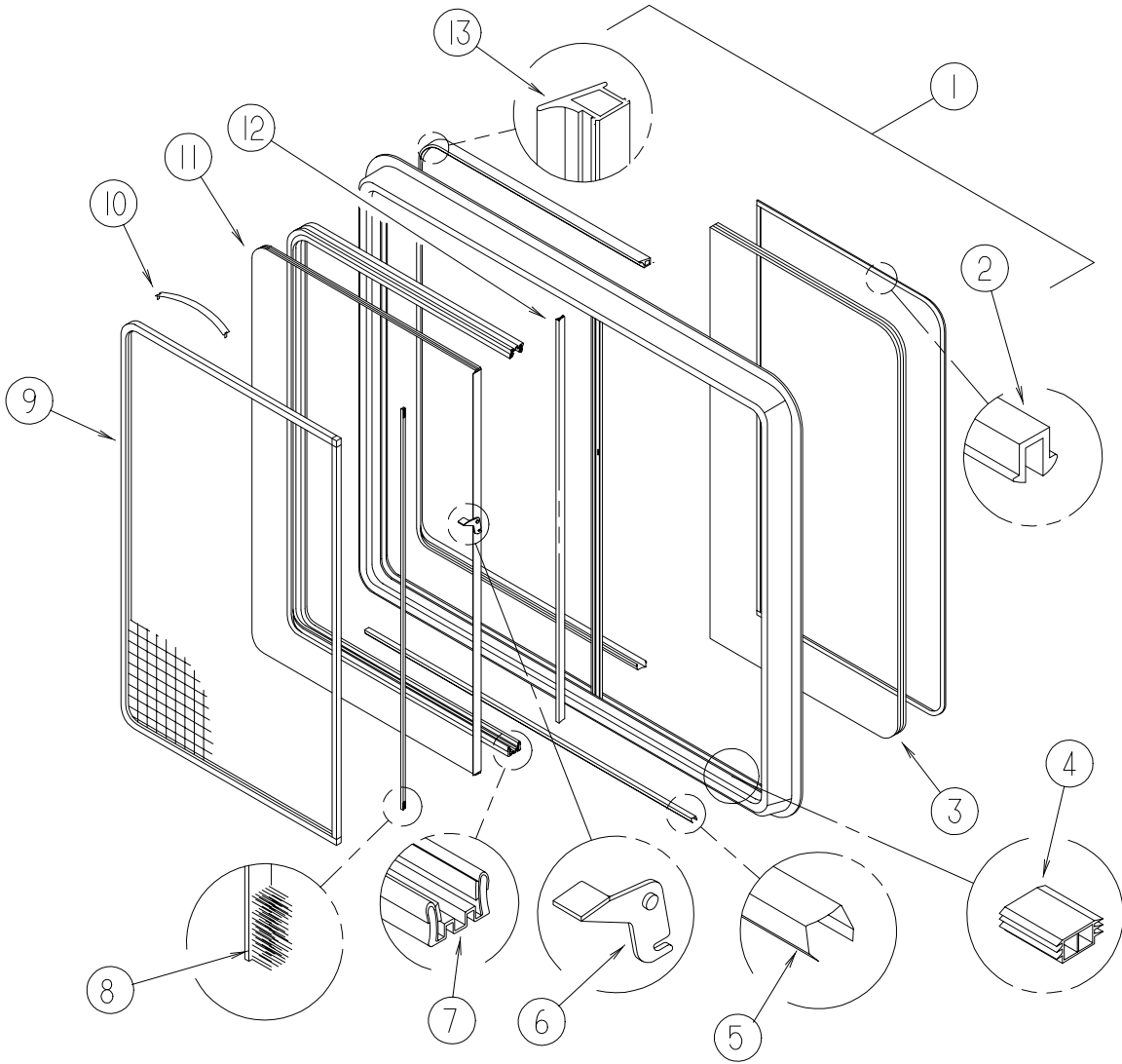
| KEY | PART NUMBER | U/M | DESCRIPTION | VENDOR NO. |
|-----|---------------|-----|--|------------|
| 1 | 112463-05-01A | EA | WINDOW - TIPOUT/ESCAPE W/RETAINER TRIM - 33.3" X 30.2" | |
| | 113500-06-705 | EA | RETAINER - TRIM | CW101-59 |
| 2 | 112463-05-700 | EA | GLASS - STATIONARY | 106-025378 |
| 3 | 100322-01-714 | EA | SUPPORT - TORQUE BAR - LH | 130-015978 |
| 4 | 112463-05-702 | EA | OPERATOR & BAR ASSEMBLY | CH65-18 |
| 5 | 100322-01-716 | EA | SUPPORT - TORQUE BAR - CTR RAIL | 130-015980 |
| 6 | 100322-01-715 | EA | SUPPORT - TORQUE BAR - RH | 130-015979 |
| 7 | 112463-05-701 | EA | SCREEN ASM - W/SEALS & CLIPS | 410-018441 |
| 8 | 100322-01-718 | EA | HANDLE - DIAL | 410-016081 |
| 9 | 112519-01-706 | EA | CLIP - SCREEN | CH21-50 |
| 10 | 100322-01-703 | EA | VINYL - GLAZING - BUTYL | 132-010723 |
| 11 | 100322-01-702 | EA | WEATHERSTRIP - HORIZONTAL RAIL | 132-015976 |
| 12 | 100322-01-701 | EA | SEAL - VENT | 122-016071 |
| 13 | 098644-01-716 | EA | PLUG - FILLER | 132-014470 |
| 14 | 112463-05-703 | EA | VENT- ASSEMBLY TIPOUT | 106-018414 |
| 15 | 112898-06-705 | EA | HANDLE - LATCH - RED - LH | 182-11294 |
| | 112898-06-704 | EA | HANDLE - LATCH - RED - RH | 182-11293 |
| | 100322-01-704 | EA | TAPE - BUTYL | 154-016083 |
| | 100322-01-717 | EA | E - RING | 245-015975 |

THERMOPANE



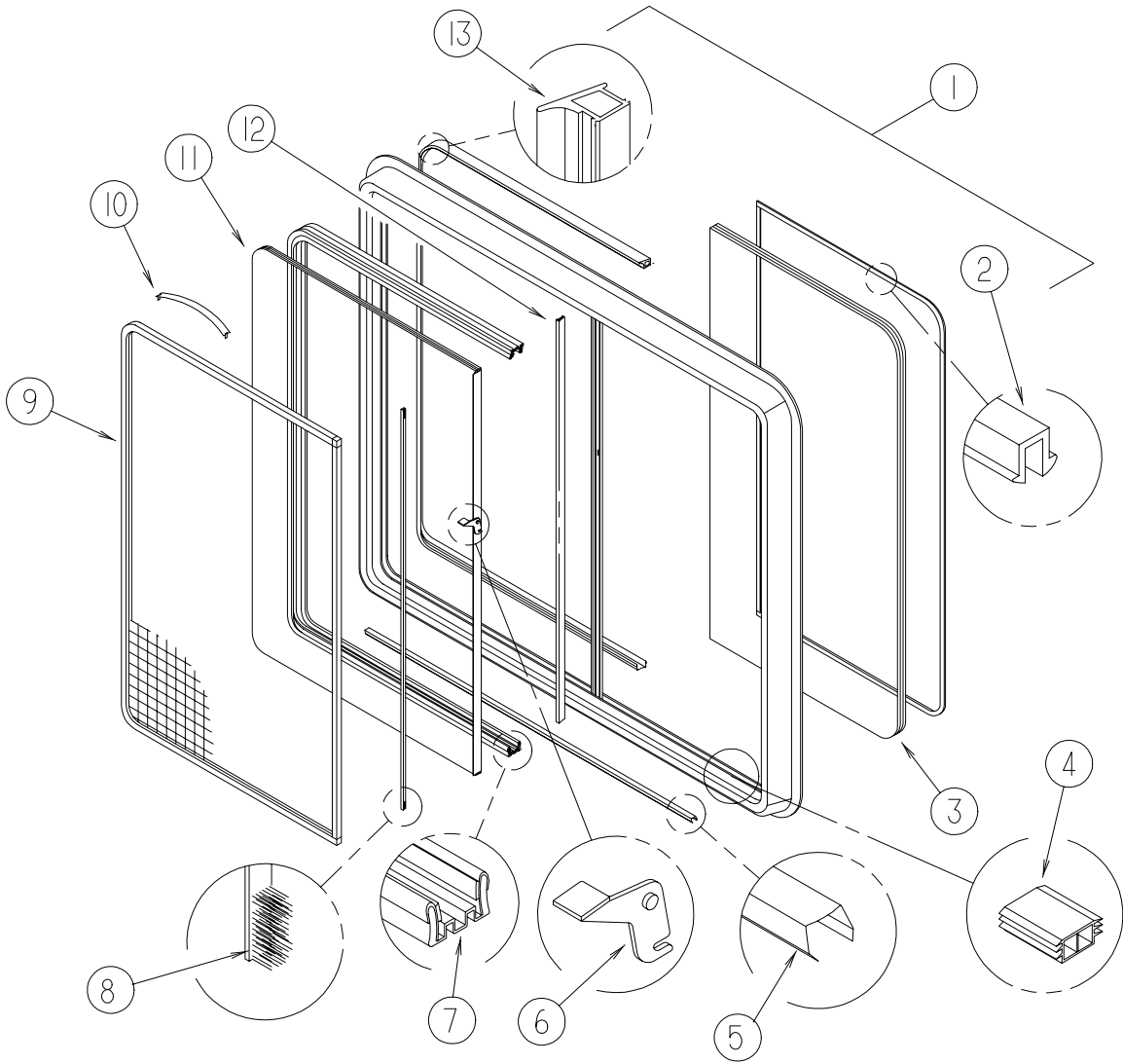
| KEY | PART NUMBER | U/M | DESCRIPTION | VENDOR NO. |
|-----|---------------|-----|--|------------|
| 1 | 112795-15-01A | EA | WINDOW - DRIVER HORIZONTAL SLIDER - THERMO - 26.4" X 60" | |
| 2 | 112795-01-705 | FT | VINYL - GLAZING | 132-025736 |
| 3 | 112795-15-701 | EA | GLASS - STATIONARY | 390-019045 |
| 4 | 112795-01-701 | EA | SLIDE - STOP | 132-019092 |
| 5 | 098644-01-710 | FT | TRACK - SCREEN SPACER 12' | 132-017135 |
| 6 | 112795-01-700 | EA | LATCH ASSEMBLY - BLACK - (BOLT ON) | DH287-CK |
| 7 | 112795-01-703 | IN | CHANNEL - RUN (INCHES) | 122-018736 |
| 8 | 098644-01-711 | FT | WEATHERSTRIP - SCREEN BLACK | 171-016965 |
| 9 | 098647-23-704 | EA | SCREEN ASM - W/SEALS & CLIPS | 410-019066 |
| 10 | 098644-01-713 | EA | CLIP - SCREEN - METAL | 226-016966 |
| 10 | 125582-01-701 | EA | CLIP - SCREEN - PLASTIC | 130005153 |
| 11 | 112795-15-702 | EA | GLASS-SLIDING W/SASH & LATCH | DH287-G9 |
| 12 | 098644-01-706 | FT | WEATHERSTRIP - GLASS | 171-010668 |
| 13 | 112795-01-704 | FT | PLUG - FILLER - (DOUBLE GLAZED) | 122-018737 |
| | 098644-01-717 | FT | SPLINE - SCREEN | 132-004716 |
| | 098647-23-702 | EA | RETAINER - TRIM | W287-66 |

THERMOPANE



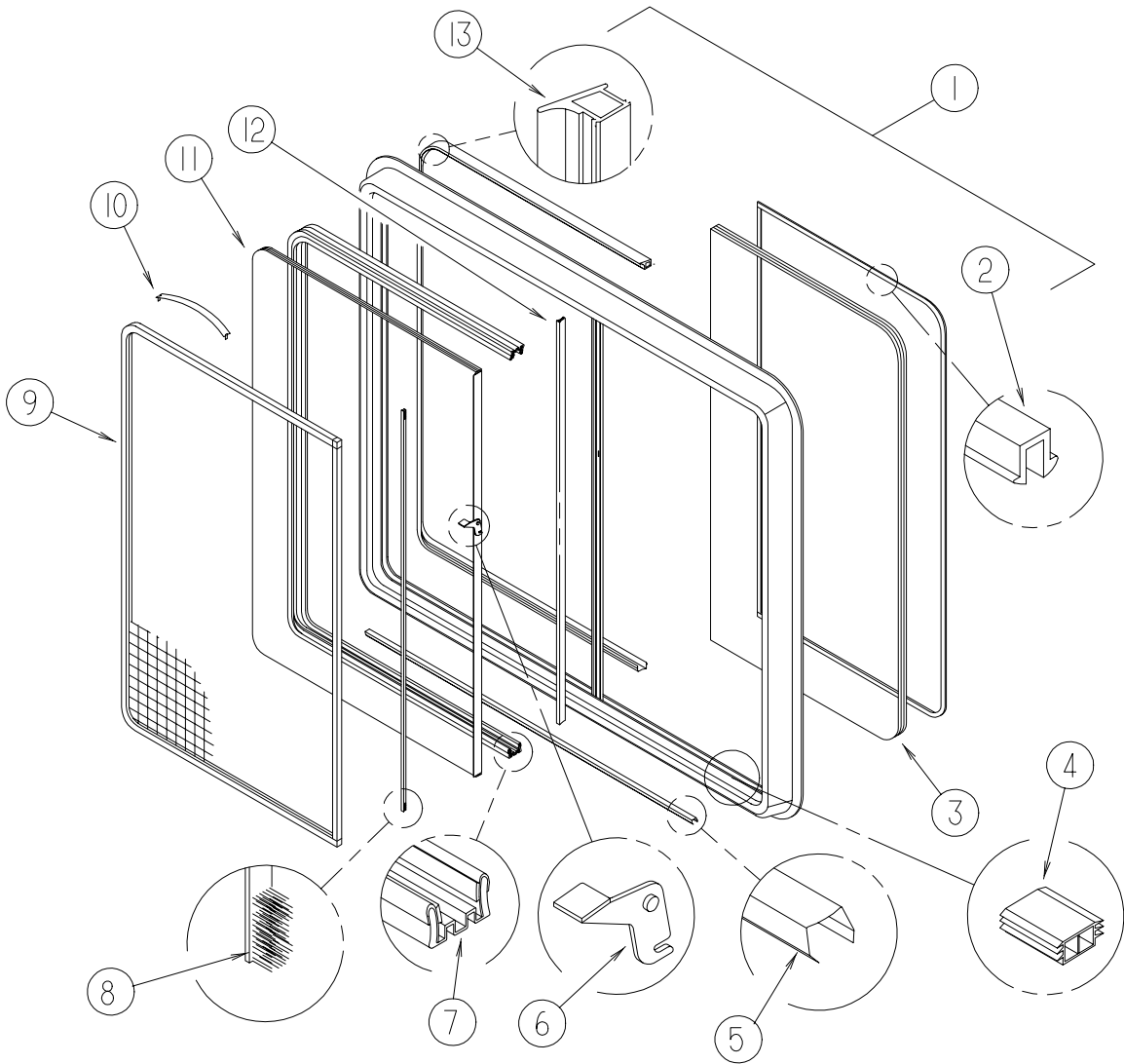
| KEY | PART NUMBER | U/M | DESCRIPTION | VENDOR NO. |
|-----|---------------|-----|--|------------|
| 1 | 112795-16-01A | EA | WINDOW - PASSENGER HORIZ SLIDER - THERMO - 26.4" X 60" | |
| 2 | 112795-01-705 | FT | VINYL - GLAZING | 132-025736 |
| 3 | 112795-15-701 | EA | GLASS - STATIONARY | 390-019045 |
| 4 | 112795-01-701 | EA | SLIDE - STOP | 132-019092 |
| 5 | 098644-01-710 | FT | TRACK - SCREEN SPACER 12' | 132-017135 |
| 6 | 112795-01-700 | EA | LATCH ASSEMBLY - BLACK - (BOLT ON) | DH287-CK |
| 7 | 112795-01-703 | IN | CHANNEL - RUN (INCHES) | 122-018736 |
| 8 | 098644-01-711 | FT | WEATHERSTRIP - SCREEN BLACK | 171-016965 |
| 9 | 098647-23-704 | EA | SCREEN ASM - W/SEALS & CLIPS | 410-019066 |
| 10 | 098644-01-713 | EA | CLIP - SCREEN - METAL | 226-016966 |
| 10 | 125582-01-701 | EA | CLIP - SCREEN - PLASTIC | 130005153 |
| 11 | 112795-15-702 | EA | GLASS-SLIDING W/SASH & LATCH | DH287-G9 |
| 12 | 098644-01-706 | FT | WEATHERSTRIP - GLASS | 171-010668 |
| 13 | 112795-01-704 | FT | PLUG - FILLER - (DOUBLE GLAZED) | 122-018737 |
| | 098644-01-717 | FT | SPLINE - SCREEN | 132-004716 |
| | 098647-23-702 | EA | RETAINER - TRIM | W287-66 |

THERMOPANE



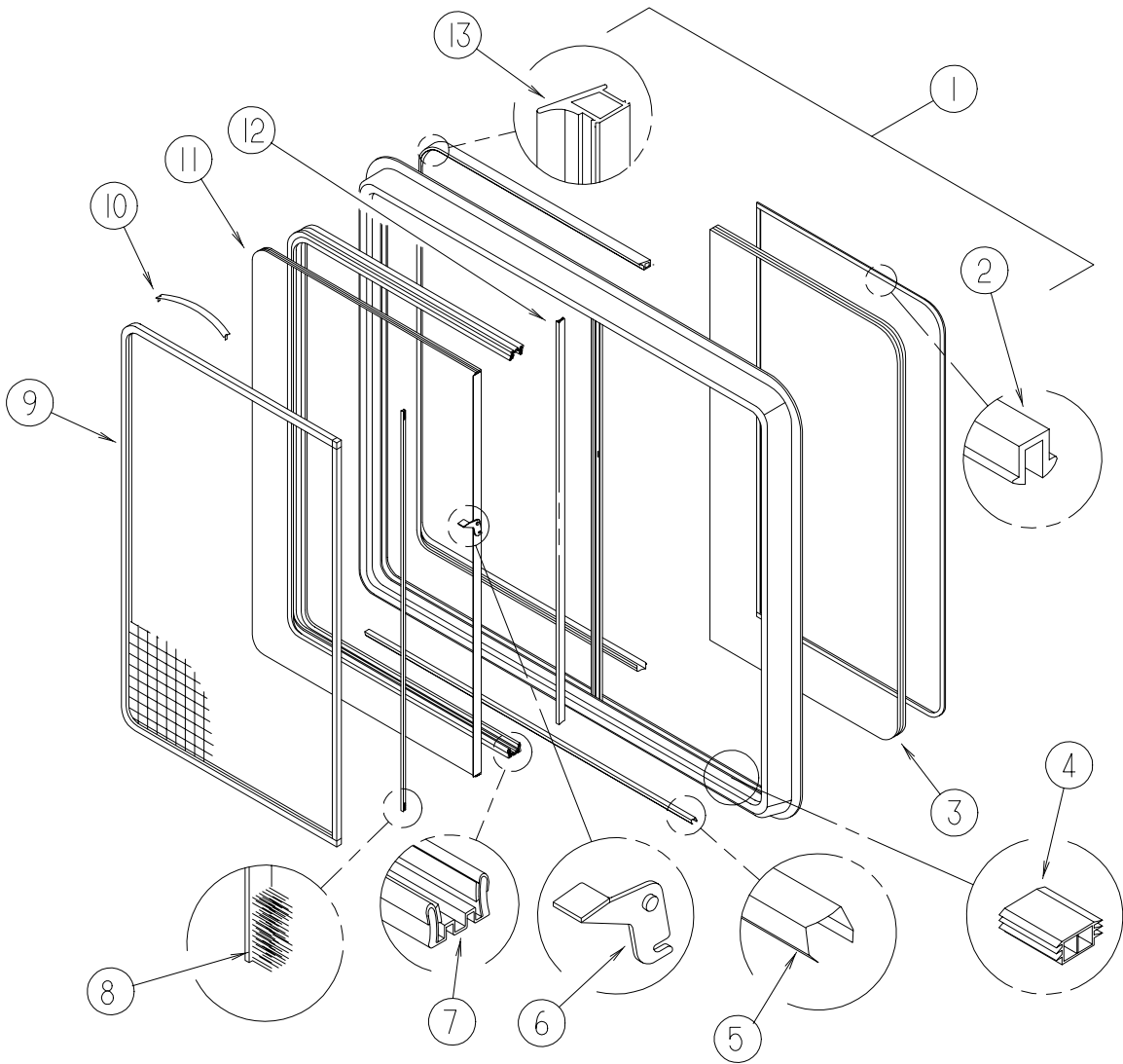
| KEY | PART NUMBER | U/M | DESCRIPTION | VENDOR NO. |
|-----|---------------|-----|--|------------|
| 1 | 112795-17-01A | EA | WINDOW - PASSENGER HORIZ SLIDER - THERMO - 26.4" X 54" DC80-G2W66R | |
| 2 | 112795-01-705 | FT | VINYL - GLAZING | 132-025736 |
| 3 | 112795-17-700 | EA | GLASS - STATIONARY | 390-019041 |
| 4 | 112795-01-701 | EA | SLIDE - STOP | 132-019092 |
| 5 | 098644-01-710 | FT | TRACK - SCREEN SPACER 12' | 132-017135 |
| 6 | 112795-01-700 | EA | LATCH ASSEMBLY - BLACK - (BOLT ON) | DH287-CK |
| 7 | 112795-01-703 | IN | CHANNEL - RUN (INCHES) | 122-018736 |
| 8 | 098644-01-711 | FT | WEATHERSTRIP - SCREEN BLACK | 171-016965 |
| 9 | 112795-17-702 | EA | SCREEN ASM. W/SEALS & CLIPS | 410-019064 |
| 10 | 098644-01-713 | EA | CLIP - SCREEN - METAL | 226-016966 |
| 10 | 125582-01-701 | EA | CLIP - SCREEN - PLASTIC | 130005153 |
| 11 | 112795-17-701 | EA | GLASS-SLIDING W/SASH & LATCH | DC80-G9 |
| 12 | 098644-01-706 | FT | WEATHERSTRIP - GLASS | 171-010668 |
| 13 | 112795-01-704 | FT | PLUG - FILLER - (DOUBLE GLAZED) | 122-018737 |
| | 098644-01-717 | FT | SPLINE - SCREEN | 132-004716 |
| | 112795-17-703 | EA | RETAINER - TRIM | CW80-66 |

THERMOPANE



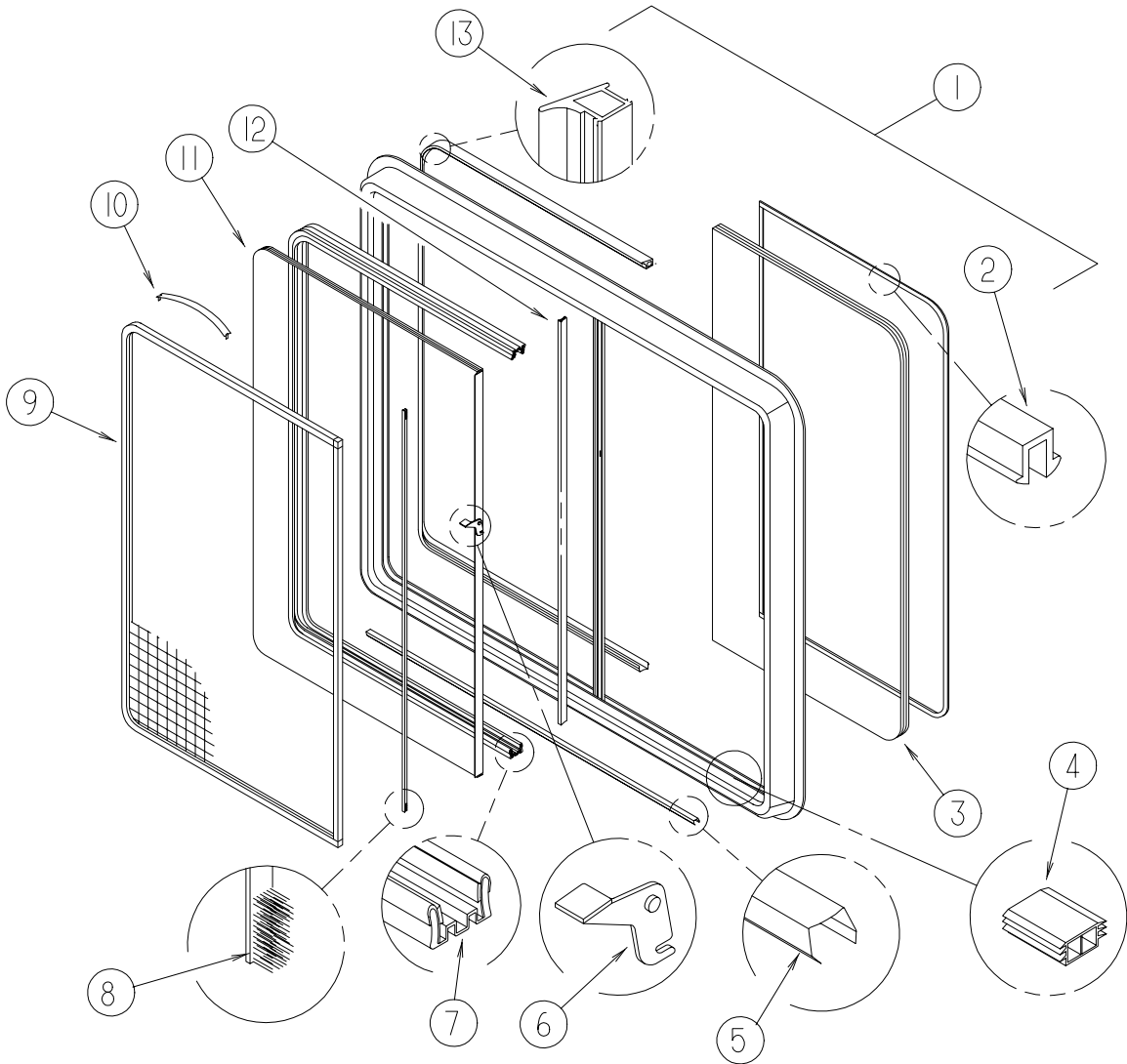
| KEY | PART NUMBER | U/M | DESCRIPTION | VENDOR NO. |
|-----|---------------|-----|--|------------|
| 1 | 112795-18-01A | EA | WINDOW - PASSENGER HORIZ SLIDER - THERMO - 26.4" X 30" | |
| 2 | 112795-01-705 | FT | VINYL - GLAZING | 132-025736 |
| 3 | 112795-18-700 | EA | GLASS - STATIONARY | 390-019043 |
| 4 | 112795-01-701 | EA | SLIDE - STOP | 132-019092 |
| 5 | 098644-01-710 | FT | TRACK - SCREEN SPACER 12' | 132-017135 |
| 6 | 112795-01-700 | EA | LATCH ASSEMBLY - BLACK - (BOLT ON) | DH287-CK |
| 7 | 112795-01-703 | IN | CHANNEL - RUN (INCHES) | 122-018736 |
| 8 | 098644-01-711 | FT | WEATHERSTRIP - SCREEN BLACK | 171-016965 |
| 9 | 098647-25-704 | EA | SCREEN ASM - W/SEALS & CLIPS | 410-019065 |
| 10 | 098644-01-713 | EA | CLIP - SCREEN - METAL | 226-016966 |
| 10 | 125582-01-701 | EA | CLIP - SCREEN - PLASTIC | 130005153 |
| 11 | 112795-18-701 | EA | GLASS-SLIDING W/SASH & LATCH | DH286-G9 |
| 12 | 098644-01-706 | FT | WEATHERSTRIP - GLASS | 171-010668 |
| 13 | 112795-01-704 | FT | PLUG - FILLER - (DOUBLE GLAZED) | 122-018737 |
| | 098644-01-717 | FT | SPLINE - SCREEN | 132-004716 |
| | 098647-25-701 | EA | RETAINER - TRIM | W286-66 |

THERMOPANE



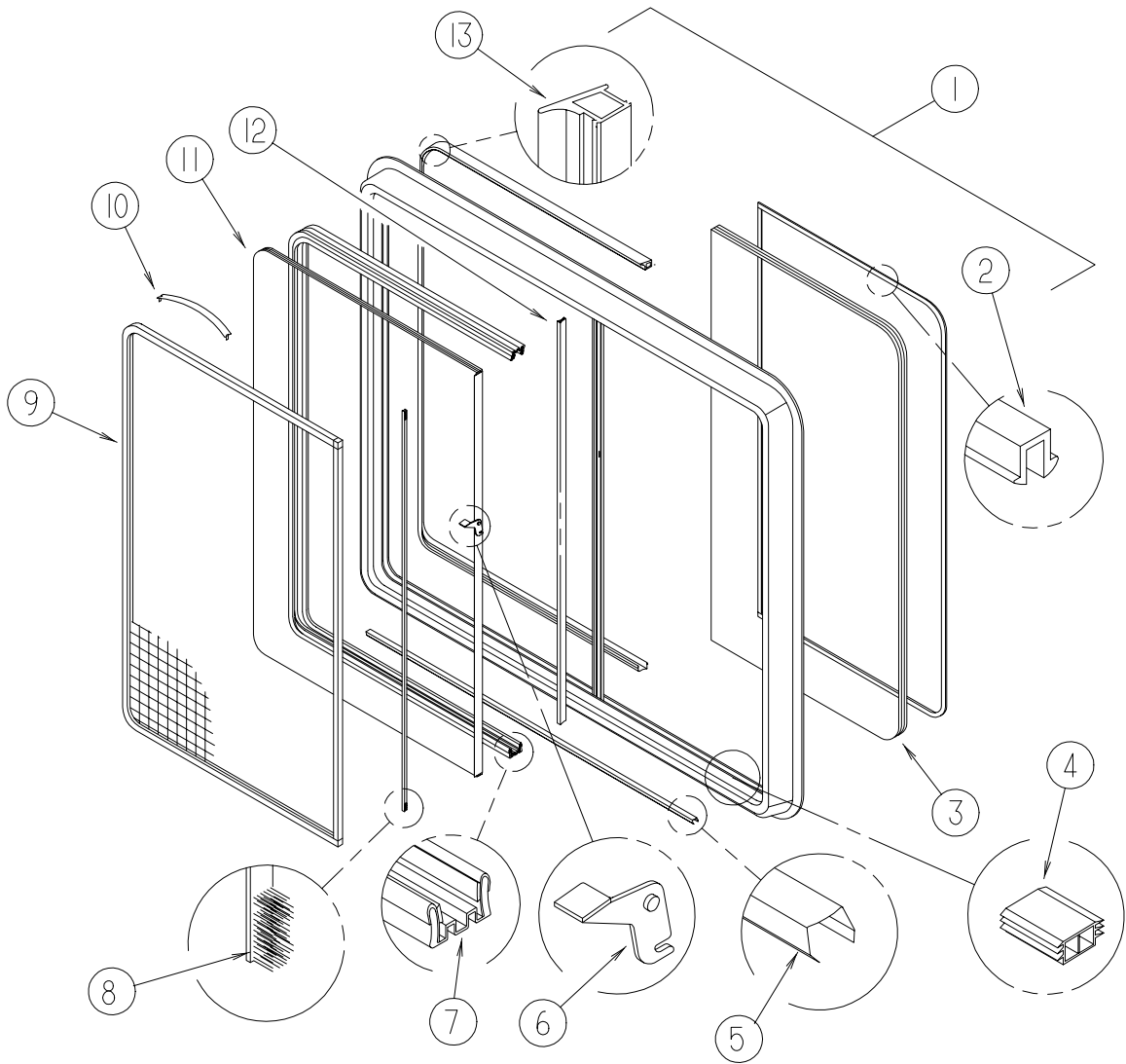
| KEY | PART NUMBER | U/M | DESCRIPTION | VENDOR NO. |
|-----|---------------|-----|--|------------|
| 1 | 112795-19-01A | EA | WINDOW - PASSENGER HORIZ SLIDER - THERMO - 16" X 28.7" | |
| 2 | 112795-01-705 | FT | VINYL - GLAZING | 132-025736 |
| 3 | 112795-19-701 | EA | GLASS - STATIONARY | 390-019134 |
| 4 | 112795-01-701 | EA | SLIDE - STOP | 132-019092 |
| 5 | 098644-01-710 | FT | TRACK - SCREEN SPACER 12' | 132-017135 |
| 6 | 112795-01-700 | EA | LATCH ASSEMBLY - BLACK - (BOLT ON) | DH287-CK |
| 7 | 112795-01-703 | IN | CHANNEL - RUN (INCHES) | 122-018736 |
| 8 | 098644-01-711 | FT | WEATHERSTRIP - SCREEN BLACK | 171-016965 |
| 9 | 098647-31-704 | EA | SCREEN ASM - W/SEALS & CLIPS | 410-019128 |
| 10 | 098644-01-713 | EA | CLIP - SCREEN - METAL | 226-016966 |
| 10 | 125582-01-701 | EA | CLIP - SCREEN - PLASTIC | 130005153 |
| 11 | 112795-19-702 | EA | GLASS-SLIDING W/SASH & LATCH | DC29-G9 |
| 12 | 098644-01-706 | FT | WEATHERSTRIP - GLASS | 171-010668 |
| 13 | 112795-01-704 | FT | PLUG - FILLER - (DOUBLE GLAZED) | 122-018737 |
| | 098644-01-717 | FT | SPLINE - SCREEN | 132-004716 |
| | 098647-31-701 | EA | RETAINER - TRIM | CW29-66 |

THERMOPANE



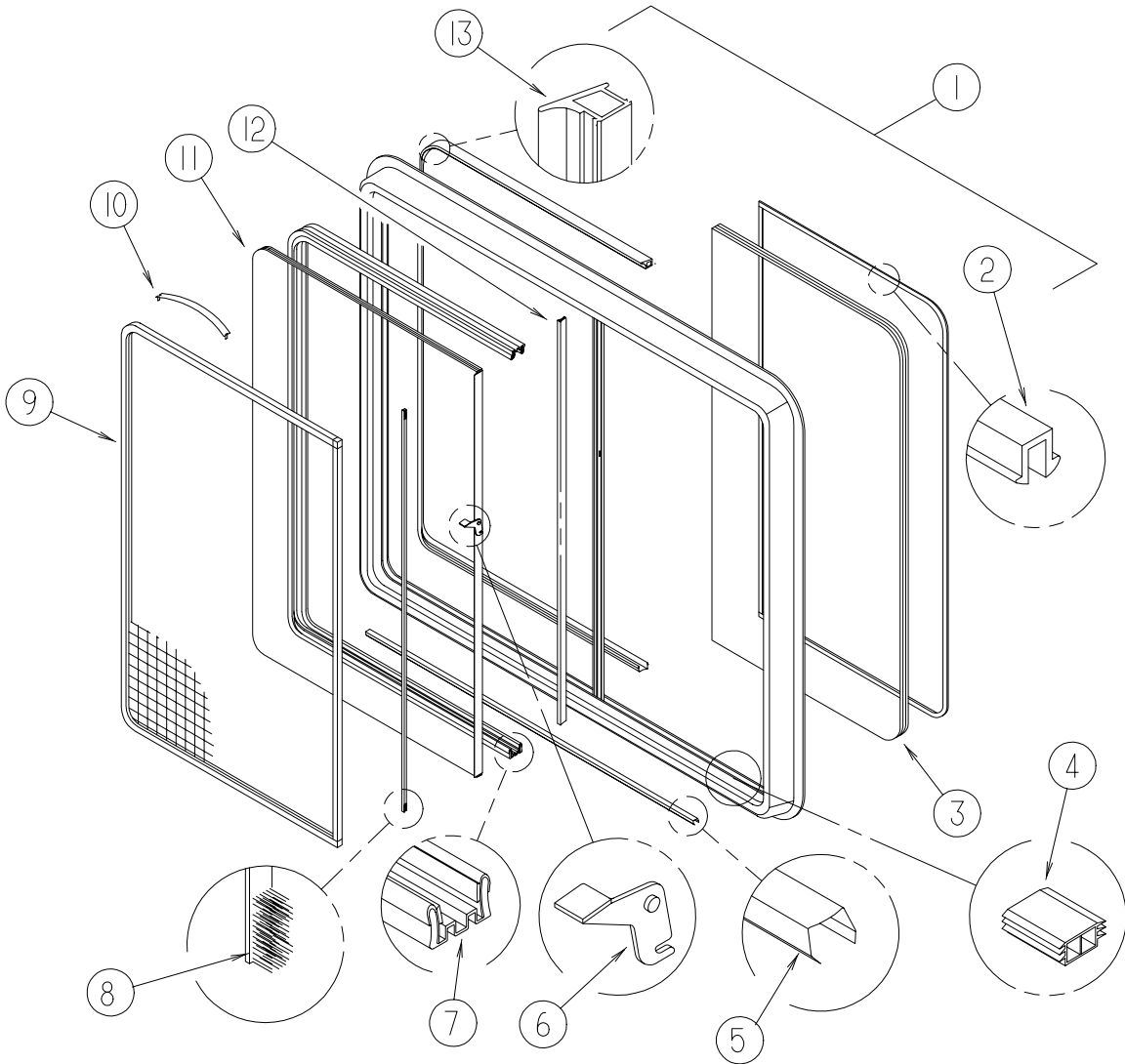
| KEY | PART NUMBER | U/M | DESCRIPTION | VENDOR NO. |
|-----|---------------|-----|--|------------|
| 1 | 112795-20-01A | EA | WINDOW - DRIVER HORIZONTAL SLIDER - THERMO - 16" X 28.7" | |
| 2 | 112795-01-705 | FT | VINYL - GLAZING | 132-025736 |
| 3 | 112795-19-701 | EA | GLASS - STATIONARY | 390-019134 |
| 4 | 112795-01-701 | EA | SLIDE - STOP | 132-019092 |
| 5 | 098644-01-710 | FT | TRACK - SCREEN SPACER 12' | 132-017135 |
| 6 | 112795-01-700 | EA | LATCH ASSEMBLY - BLACK - (BOLT ON) | DH287-CK |
| 7 | 112795-01-703 | IN | CHANNEL - RUN (INCHES) | 122-018736 |
| 8 | 098644-01-711 | FT | WEATHERSTRIP - SCREEN BLACK | 171-016965 |
| 9 | 098647-31-704 | EA | SCREEN ASM - W/SEALS & CLIPS | 410-019128 |
| 10 | 098644-01-713 | EA | CLIP - SCREEN - METAL | 226-016966 |
| 10 | 125582-01-701 | EA | CLIP - SCREEN - PLASTIC | 130005153 |
| 11 | 112795-19-702 | EA | GLASS - SLIDING - W/SASH & LATCH | DC29-G9 |
| 12 | 098644-01-706 | FT | WEATHERSTRIP - GLASS | 171-010668 |
| 13 | 112795-01-704 | FT | PLUG - FILLER - (DOUBLE GLAZED) | 122-018737 |
| | 098644-01-717 | FT | SPLINE - SCREEN | 132-004716 |
| | 098647-31-701 | EA | RETAINER - TRIM | CW29-66 |

THERMOPANE



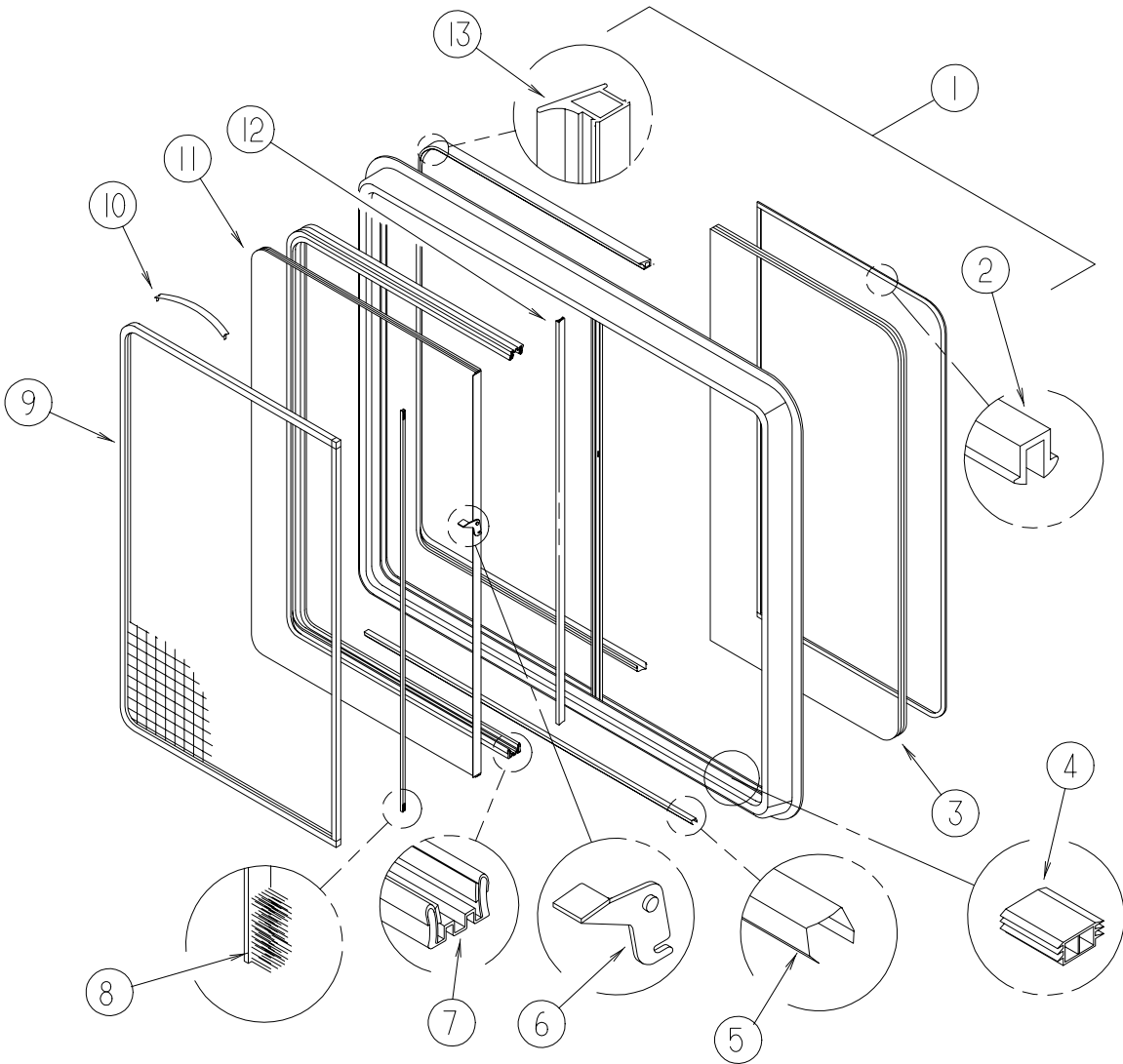
| KEY | PART NUMBER | U/M | DESCRIPTION | VENDOR NO. |
|-----|---------------|-----|--|------------|
| 1 | 112795-21-01A | EA | WINDOW - PASSENGER HORIZ SLIDER - THERMO - 24.5" X 41.3" | |
| 2 | 112795-01-705 | FT | VINYL - GLAZING | 132-025736 |
| 3 | 112795-21-701 | EA | GLASS - STATIONARY | 390-019132 |
| 4 | 112795-01-701 | EA | SLIDE - STOP | 132-019092 |
| 5 | 098644-01-710 | FT | TRACK - SCREEN SPACER 12' | 132-017135 |
| 6 | 112795-01-700 | EA | LATCH ASSEMBLY - BLACK - (BOLT ON) | DH287-CK |
| 7 | 112795-01-703 | IN | CHANNEL - RUN (INCHES) | 122-018736 |
| 8 | 098644-01-711 | FT | WEATHERSTRIP - SCREEN BLACK | 171-016965 |
| 9 | 098647-29-704 | EA | SCREEN ASM - W/SEALS & CLIPS | 410-018864 |
| 10 | 098644-01-713 | EA | CLIP - SCREEN - METAL | 226-016966 |
| 10 | 125582-01-701 | EA | CLIP - SCREEN - PLASTIC | 130005153 |
| 11 | 112795-21-702 | EA | GLASS - SLIDING - W/SASH & LATCH | DC04-G9 |
| 12 | 098644-01-706 | FT | WEATHERSTRIP - GLASS | 171-010668 |
| 13 | 112795-01-704 | FT | PLUG - FILLER - (DOUBLE GLAZED) | 122-018737 |
| | 098644-01-717 | FT | SPLINE - SCREEN | 132-004716 |
| | 098647-29-701 | EA | RETAINER - TRIM | CW04-66 |

THERMOPANE



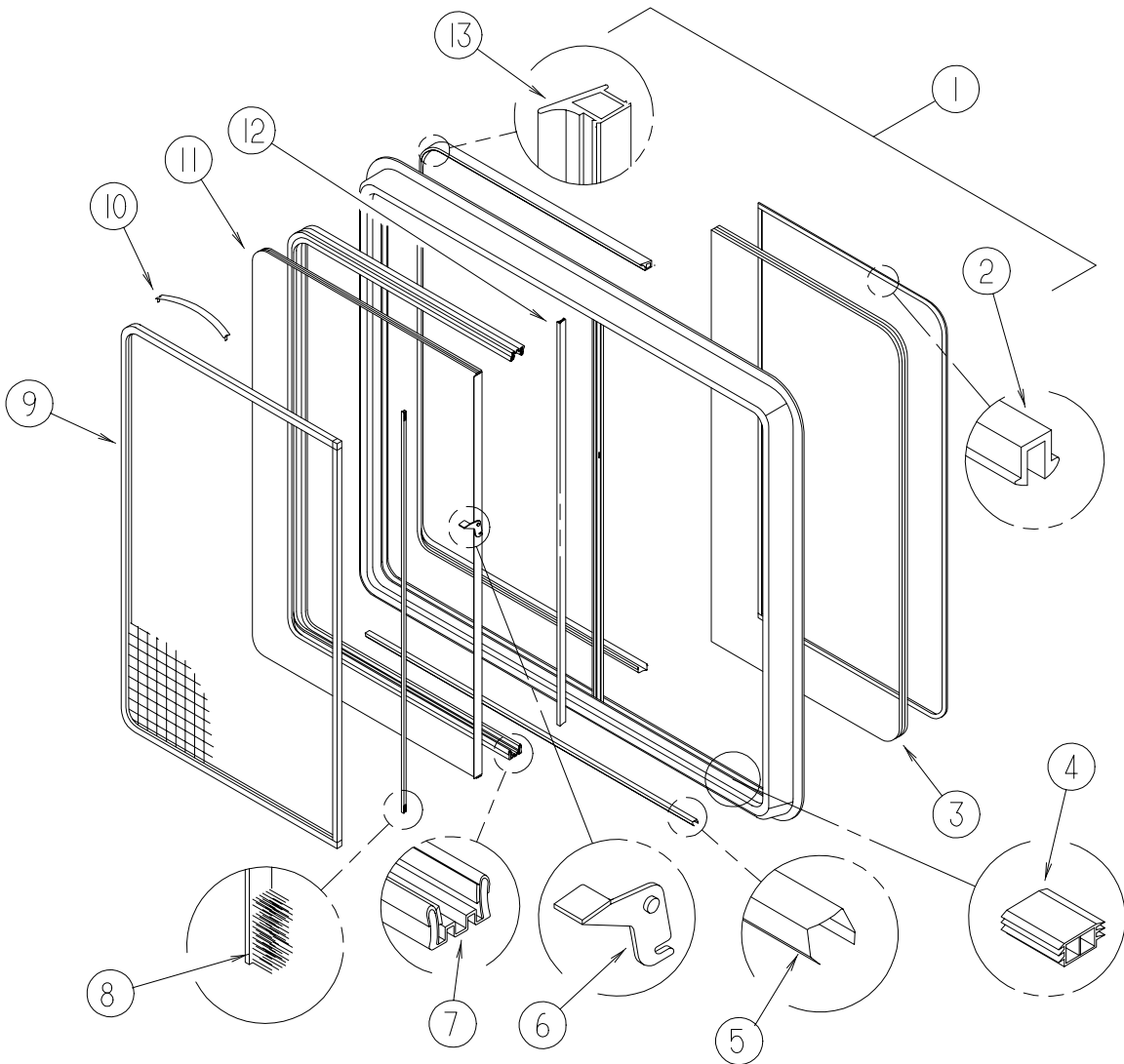
| KEY | PART NUMBER | U/M | DESCRIPTION | VENDOR NO. |
|-----|---------------|-----|--|------------|
| 1 | 112795-22-01A | EA | WINDOW - PASSENGER HORIZONTAL SLIDER -THERMO-26.1" X 47.8" | |
| 2 | 112795-01-705 | FT | VINYL - GLAZING | 132-025736 |
| 3 | 112795-22-702 | EA | GLASS - STATIONARY | 390-019039 |
| 4 | 112795-01-701 | EA | SLIDE - STOP | 132-019092 |
| 5 | 098644-01-710 | FT | TRACK - SCREEN SPACER 12' | 132-017135 |
| 6 | 112795-01-700 | EA | LATCH ASSEMBLY - BLACK - (BOLT ON) | DH287-CK |
| 7 | 112795-01-703 | IN | CHANNEL - RUN (INCHES) | 122-018736 |
| 8 | 098644-01-711 | FT | WEATHERSTRIP - SCREEN BLACK | 171-016965 |
| 9 | 098647-38-704 | EA | SCREEN ASM - W/SEALS & CLIPS | 410-019063 |
| 10 | 098644-01-713 | EA | CLIP - SCREEN - METAL | 226-016966 |
| 10 | 125582-01-701 | EA | CLIP - SCREEN - PLASTIC | 130005153 |
| 11 | 112795-22-703 | EA | GLASS-SLIDING W/SASH & LATCH | DC48-G9 |
| 12 | 098644-01-706 | FT | WEATHERSTRIP - GLASS | 171-010668 |
| 13 | 112795-01-704 | FT | PLUG - FILLER - (DOUBLE GLAZED) | 122-018737 |
| | 098644-01-717 | FT | SPLINE - SCREEN | 132-004716 |
| | 112795-22-701 | EA | RETAINER - | W303-66 |

THERMOPANE



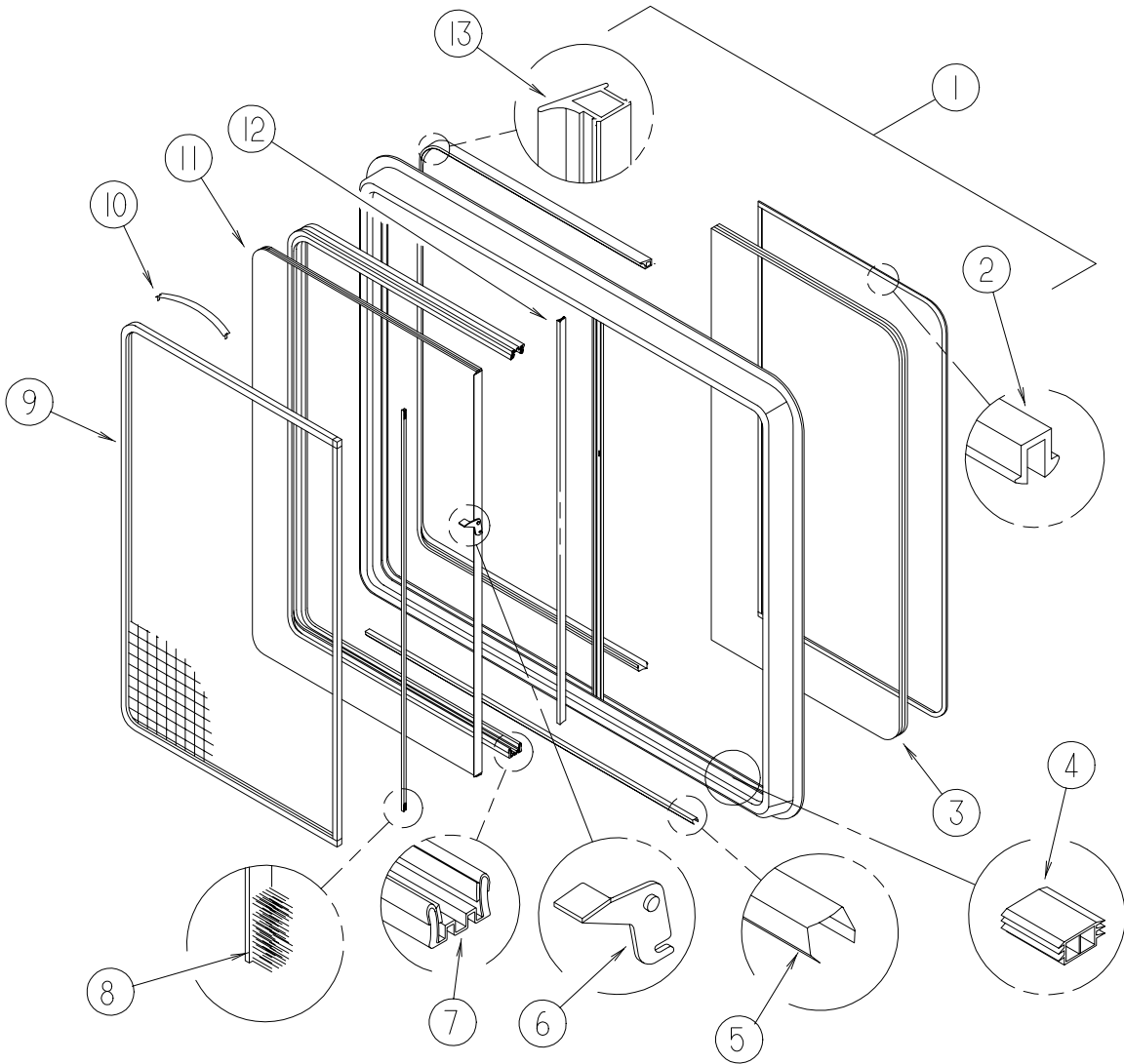
| KEY | PART NUMBER | U/M | DESCRIPTION | VENDOR NO. |
|-----|---------------|-----|--|------------|
| 1 | 112795-23-01A | EA | WINDOW - DRIVER HORIZONTAL SLIDER - THERMO - 24.5" X 41.3" | |
| | 098647-29-701 | EA | RETAINER - TRIM | CW04-66 |
| 2 | 112795-01-705 | FT | VINYL - GLAZING | 132-025736 |
| 3 | 112795-21-701 | EA | GLASS - STATIONARY | 390-019132 |
| 4 | 112795-01-701 | EA | SLIDE-STOP | 132-019092 |
| 5 | 098644-01-710 | FT | TRACK - SCREEN SPACER 12' | 132-017135 |
| 6 | 112795-01-700 | EA | LATCH ASM., BLK.,(BOLT ON) | DH287-CK |
| 7 | 112795-01-703 | IN | CHANNEL-RUN (INCHES) | 122-018736 |
| 8 | 098644-01-711 | FT | WEATHERSTRIP - SCREEN BLACK | 171-016965 |
| 9 | 098647-29-704 | EA | SCREEN ASM - W/SEALS & CLIPS | 410-018864 |
| 10 | 098644-01-713 | EA | CLIP - SCREEN - METAL | 226-016966 |
| 10 | 125582-01-701 | EA | CLIP - SCREEN - PLASTIC | 130005153 |
| 11 | 112795-21-702 | EA | GLASS-SLIDING W/SASH & LATCH | DC04-G9 |
| 12 | 098644-01-706 | FT | WEATHERSTRIP - GLASS | 171-010668 |
| 13 | 112795-01-704 | FT | PLUG FILLER (DOUBLE GLAZED) | 122-018737 |
| | 098644-01-717 | FT | SPLINE - SCREEN | 132-004716 |

THERMOPANE



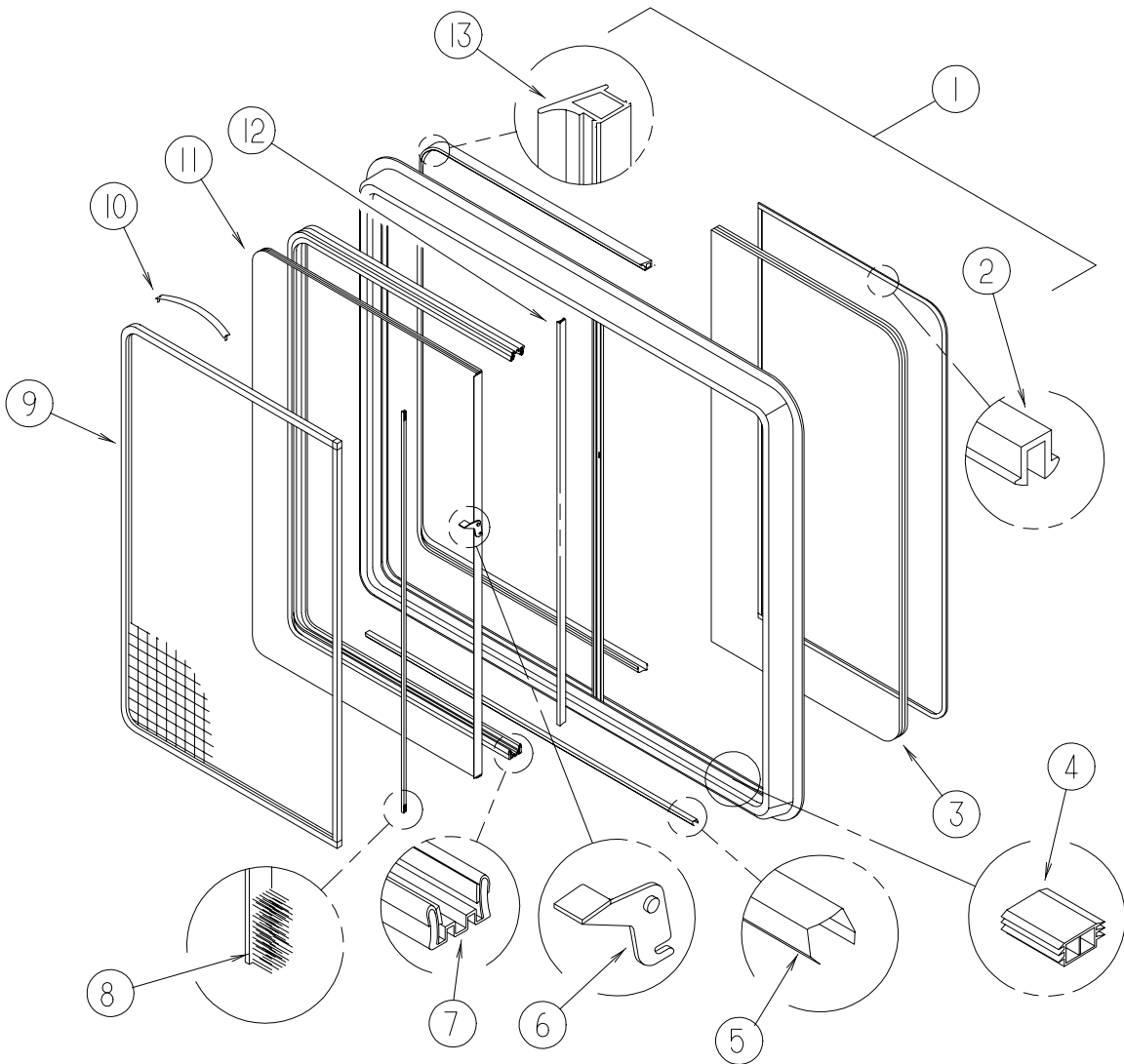
| KEY | PART NUMBER | U/M | DESCRIPTION | VENDOR NO. |
|-----|---------------|-----|--|------------|
| 1 | 112795-25-01A | EA | WINDOW - DRIVER HORIZONTAL SLIDER - THERMO - 26.4" X 48" | |
| | 112795-22-701 | EA | RETAINER - TRIM | W303-66 |
| 2 | 112795-01-705 | FT | VINYL - GLAZING | 132-025736 |
| 3 | 112795-22-702 | EA | GLASS - STATIONARY | 390-019039 |
| 4 | 112795-01-701 | EA | SLIDE-STOP | 132-019092 |
| 5 | 098644-01-710 | FT | TRACK - SCREEN SPACER 12' | 132-017135 |
| 6 | 112795-01-700 | EA | LATCH ASM., BLK., (BOLT ON) | DH287-CK |
| 7 | 112795-01-703 | IN | CHANNEL-RUN (INCHES) | 122-018736 |
| 8 | 098644-01-711 | FT | WEATHERSTRIP - SCREEN BLACK | 171-016965 |
| 9 | 098647-38-704 | EA | SCREEN ASM - W/SEALS & CLIPS | 410-019063 |
| 10 | 098644-01-713 | EA | CLIP - SCREEN - METAL | 226-016966 |
| 10 | 125582-01-701 | EA | CLIP - SCREEN - PLASTIC | 130005153 |
| 11 | 112795-22-703 | EA | GLASS-SLIDING W/SASH & LATCH | DC48-G9 |
| 12 | 098644-01-706 | FT | WEATHERSTRIP - GLASS | 171-010668 |
| 13 | 112795-01-704 | FT | PLUG FILLER (DOUBLE GLAZED) | 122-018737 |
| | 098644-01-717 | FT | SPLINE - SCREEN | 132-004716 |

THERMOPANE



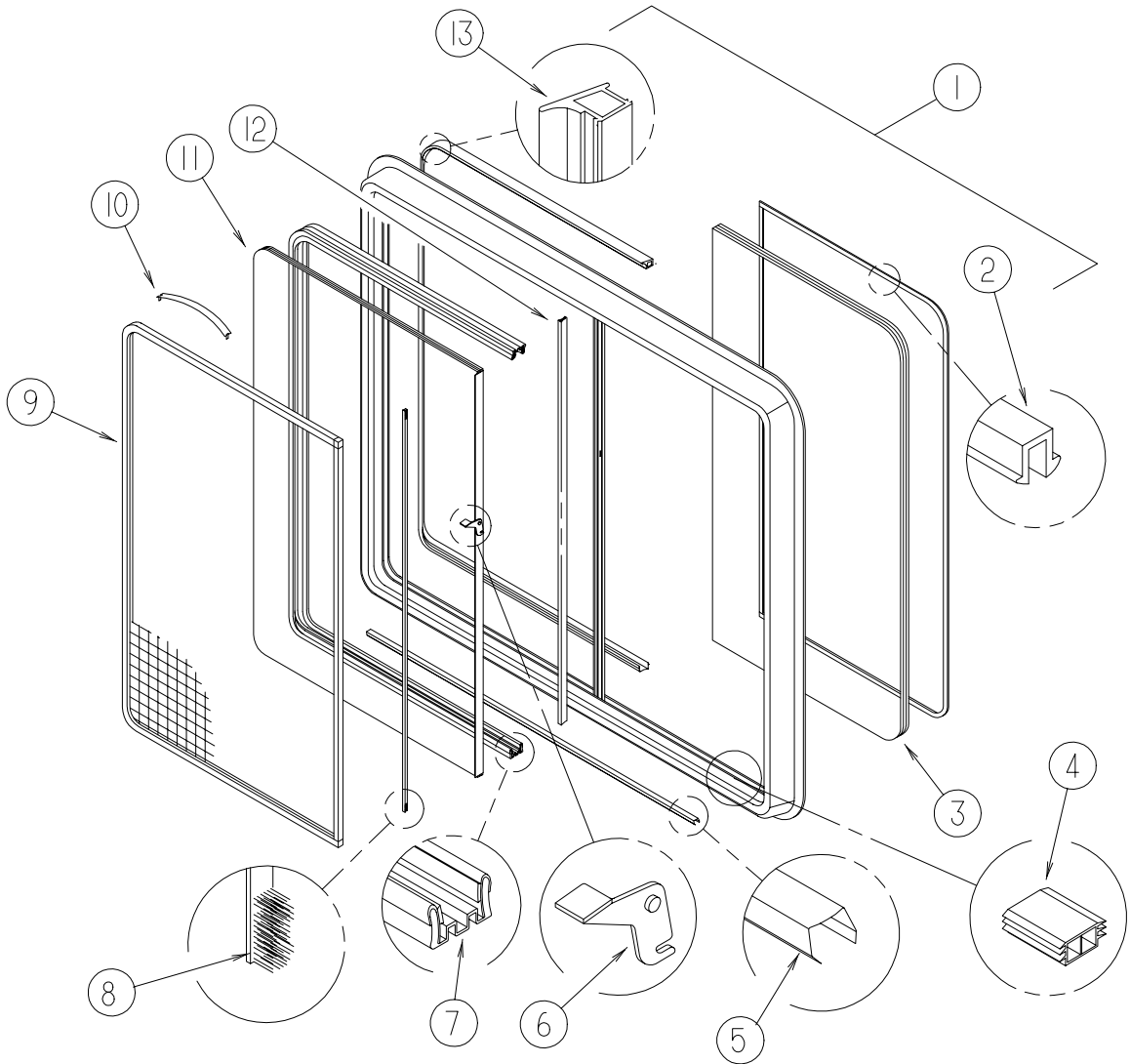
| KEY | PART NUMBER | U/M | DESCRIPTION | VENDOR NO. |
|-----|---------------|-----|--|------------|
| 1 | 112795-26-01A | EA | WINDOW - DRIVER HORIZONTAL SLIDER - THERMO - 22" X 22" | |
| | 112795-26-701 | EA | RETAINER - TRIM | CW44-66 |
| 2 | 112795-01-705 | FT | VINYL - GLAZING | 132-025736 |
| 3 | 112795-26-702 | EA | GLASS - STATIONARY | 390-019168 |
| 4 | 112795-01-701 | EA | SLIDE-STOP | 132-019092 |
| 5 | 098644-01-710 | FT | TRACK - SCREEN SPACER 12' | 132-017135 |
| 6 | 112795-01-700 | EA | LATCH ASM., BLK., (BOLT ON) | DH287-CK |
| 7 | 112795-01-703 | IN | CHANNEL-RUN (INCHES) | 122-018736 |
| 8 | 098644-01-711 | FT | WEATHERSTRIP - SCREEN BLACK | 171-016965 |
| 9 | 112795-26-704 | EA | SCREEN ASM - W/SEALS & CLIPS | 410-019188 |
| 10 | 098644-01-713 | EA | CLIP - SCREEN - METAL | 226-016966 |
| 10 | 125582-01-701 | EA | CLIP - SCREEN - PLASTIC | 130005153 |
| 11 | 112795-26-703 | EA | GLASS-SLIDING W/SASH & LATCH | DC44-G9 |
| 12 | 098644-01-706 | FT | WEATHERSTRIP - GLASS | 171-010668 |
| 13 | 112795-01-704 | FT | PLUG FILLER (DOUBLE GLAZED) | 122-018737 |
| | 098644-01-717 | FT | SPLINE - SCREEN | 132-004716 |

THERMOPANE



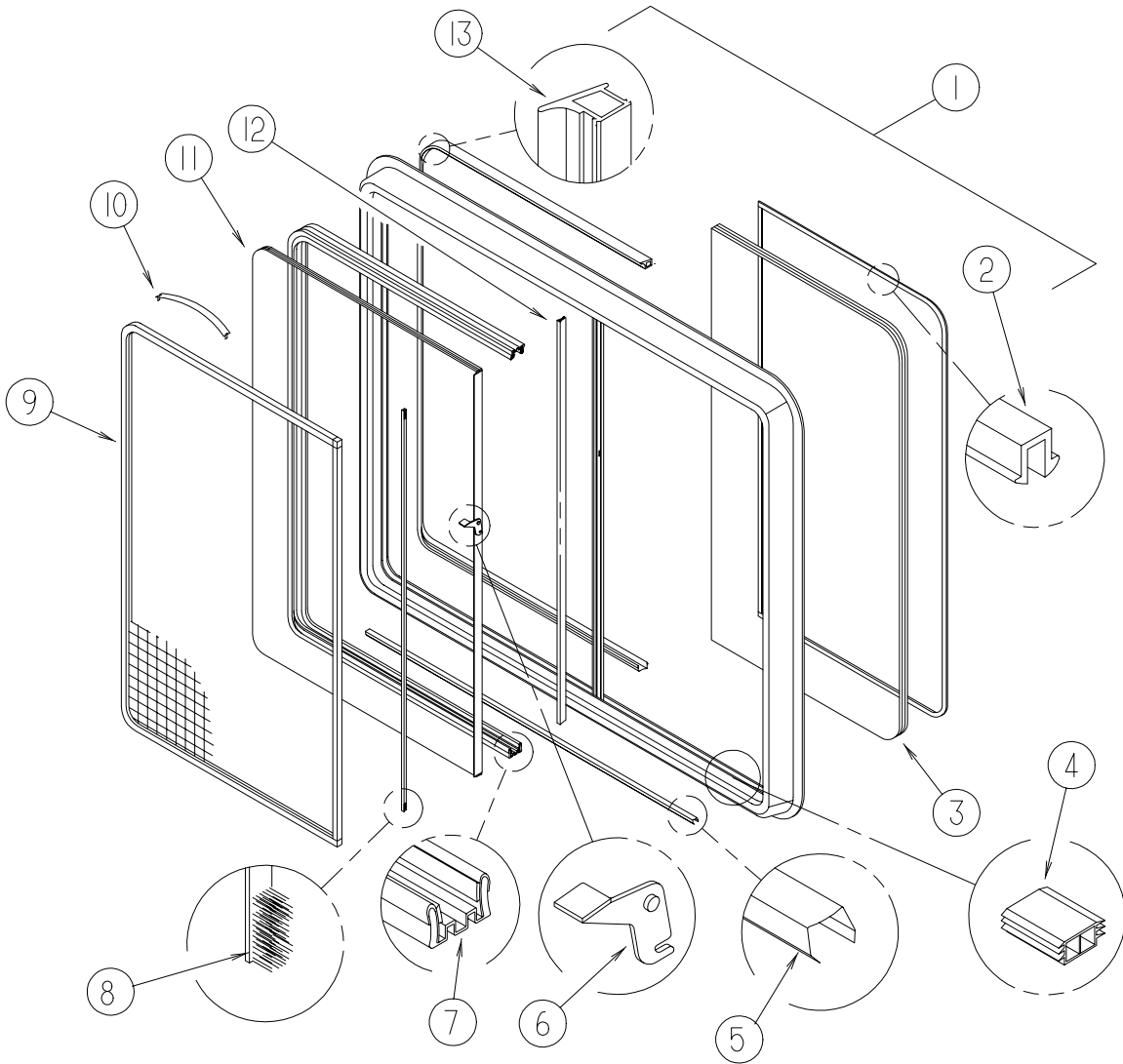
| KEY | PART NUMBER | U/M | DESCRIPTION | VENDOR NO. |
|-----|---------------|-----|--|------------|
| 1 | 112795-29-01A | EA | WINDOW - PASS HORIZONTAL SLIDER - THERMO - 30.7" X 27.8" | |
| 2 | 112795-01-705 | FT | VINYL - GLAZING | 132-025736 |
| 3 | 112795-29-702 | EA | GLASS - STATIONARY | 390-019178 |
| 4 | 112795-01-701 | EA | SLIDE - STOP | 132-019092 |
| 5 | 098644-01-710 | FT | TRACK - SCREEN SPACER 12' | 132-017135 |
| 6 | 112795-01-700 | EA | LATCH ASSEMBLY - BLACK - (BOLT ON) | DH287-CK |
| 7 | 112795-01-703 | IN | CHANNEL - RUN (INCHES) | 122-018736 |
| 8 | 098644-01-711 | FT | WEATHERSTRIP - SCREEN BLACK | 171-016965 |
| 9 | 112795-29-704 | EA | SCREEN ASM - W/SEALS & CLIPS | 410-019192 |
| 10 | 098644-01-713 | EA | CLIP - SCREEN - METAL | 226-016966 |
| 10 | 125582-01-701 | EA | CLIP - SCREEN - PLASTIC | 130005153 |
| 11 | 112795-29-703 | EA | GLASS - SLIDING - W/SASH & LATCH | DH150-G9 |
| 12 | 098644-01-706 | FT | WEATHERSTRIP - GLASS | 171-010668 |
| 13 | 112795-01-704 | FT | PLUG - FILLER - (DOUBLE GLAZED) | 122-018737 |
| | 098644-01-717 | FT | SPLINE - SCREEN | 132-004716 |
| | 112795-29-701 | EA | RETAINER - TRIM | W150-66 |

THERMOPANE



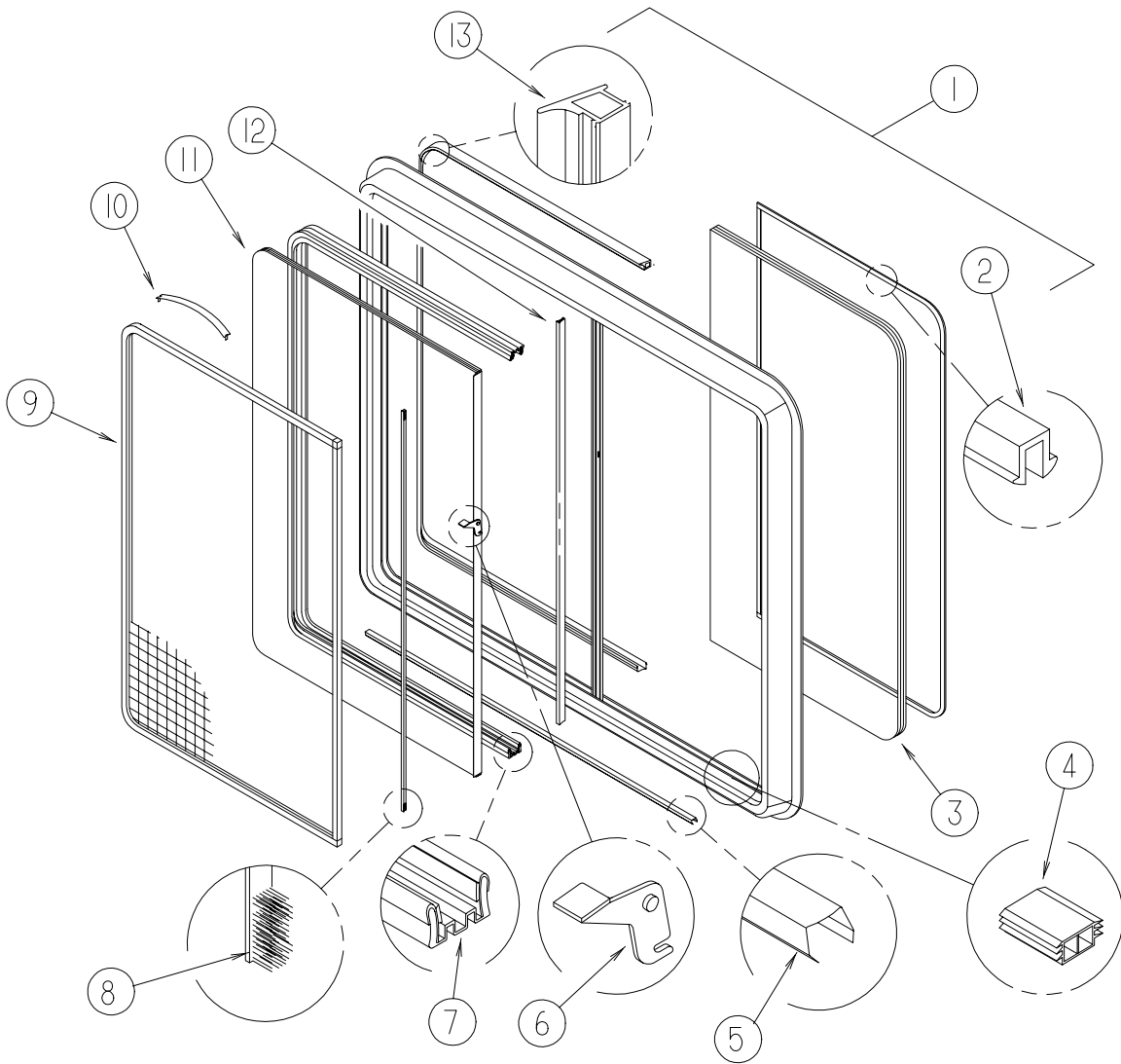
| KEY | PART NUMBER | U/M | DESCRIPTION | VENDOR NO |
|-----|---------------|-----|--|------------|
| 1 | 112795-31-01A | EA | WINDOW - PASS HORIZONTAL SLIDER - THERMO - 29.8" X 41.5" | |
| 2 | 112795-01-705 | FT | VINYL - GLAZING | 132-025736 |
| 3 | 112795-31-702 | EA | GLASS - STATIONARY | 390-019281 |
| 4 | 112795-01-701 | EA | SLIDE - STOP | 132-019092 |
| 5 | 098644-01-710 | FT | TRACK - SCREEN SPACER 12' | 132-017135 |
| 6 | 112795-01-700 | EA | LATCH ASSEMBLY - BLACK - (BOLT ON) | DH287-CK |
| 7 | 112795-01-703 | IN | CHANNEL - RUN (INCHES) | 122-018736 |
| 8 | 098644-01-711 | FT | WEATHERSTRIP - SCREEN BLACK | 171-016965 |
| 9 | 098647-31-704 | EA | SCREEN ASM - W/SEALS & CLIPS | 410-019068 |
| 10 | 098644-01-713 | EA | CLIP - SCREEN - METAL | 226-016966 |
| 10 | 125582-01-701 | EA | CLIP - SCREEN - PLASTIC | 130005153 |
| 11 | 112795-31-703 | EA | GLASS-SLIDING W/SASH & LATCH | DH291-G9 |
| 12 | 098644-01-706 | FT | WEATHERSTRIP - GLASS | 171-010668 |
| 13 | 112795-01-704 | FT | PLUG - FILLER - (DOUBLE GLAZED) | 122-018737 |
| | 098644-01-717 | FT | SPLINE - SCREEN | 132-004716 |
| | 112795-31-701 | EA | RETAINER - TRIM | W291-66 |

THERMOPANE



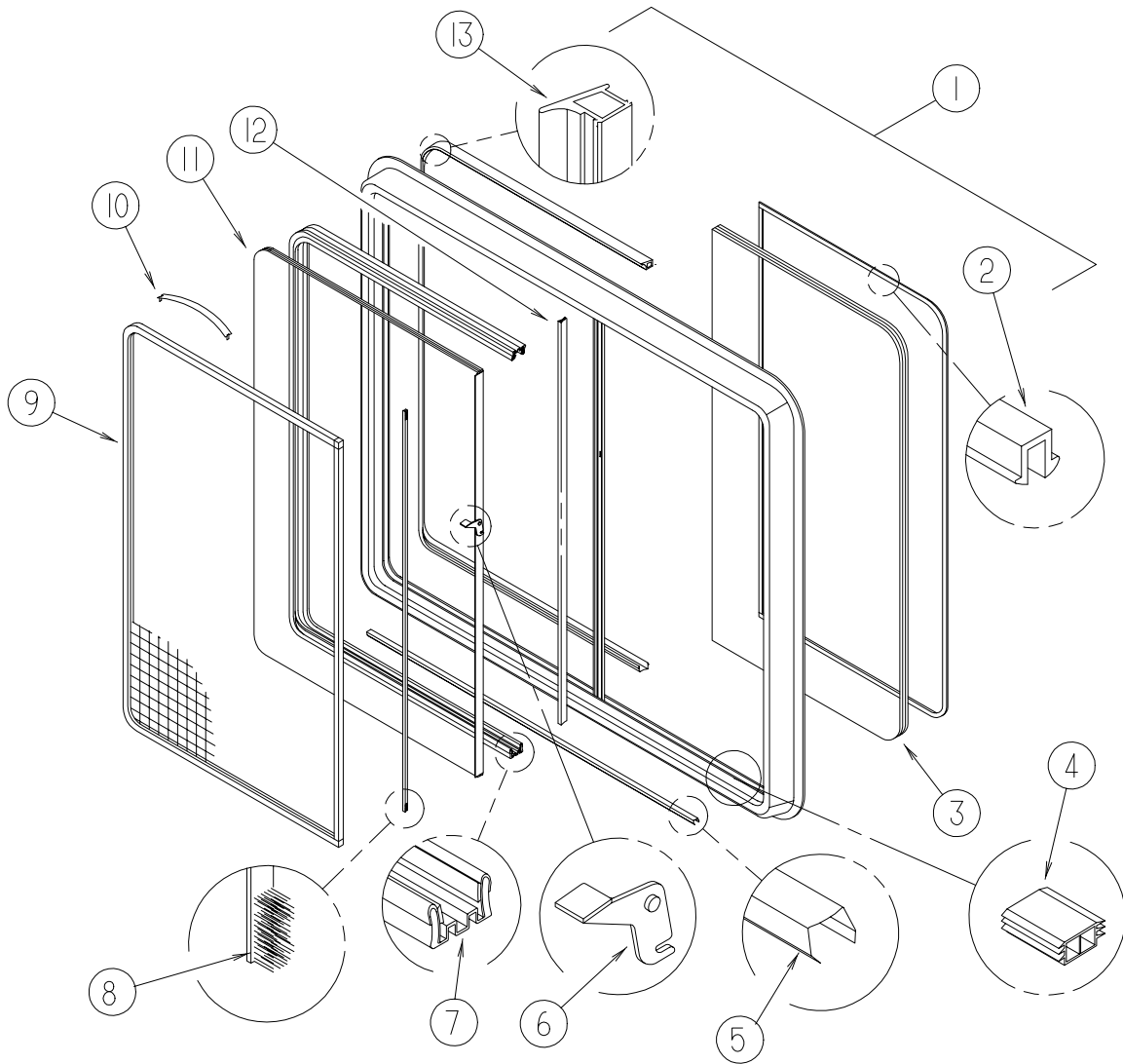
| KEY | PART NUMBER | U/M | DESCRIPTION | VENDOR NO. |
|-----|---------------|-----|--|------------|
| 1 | 112795-33-01A | EA | WINDOW - PASS HORIZONTAL SLIDER - THERMO 30.7" X 57.8" | |
| 2 | 112795-01-705 | FT | VINYL - GLAZING | 132-025736 |
| 3 | 112795-33-702 | EA | GLASS - STATIONARY | 390-019225 |
| 4 | 112795-01-701 | EA | SLIDE - STOP | 132-019092 |
| 5 | 098644-01-710 | FT | TRACK - SCREEN SPACER 12' | 132-017135 |
| 6 | 112795-01-700 | EA | LATCH ASSEMBLY - BLACK - (BOLT ON) | DH287-CK |
| 7 | 112795-01-703 | IN | CHANNEL - RUN (INCHES) | 122-018736 |
| 8 | 098644-01-711 | FT | WEATHERSTRIP - SCREEN BLACK | 171-016965 |
| 9 | 098647-33-704 | EA | SCREEN ASM - W/SEALS & CLIPS | 410-019134 |
| 10 | 098644-01-713 | EA | CLIP - SCREEN - METAL | 226-016966 |
| 10 | 125582-01-701 | EA | CLIP - SCREEN - PLASTIC | 130005153 |
| 11 | 112795-33-703 | EA | GLASS - SLIDING - W/SASH & LATCH | DH112-G29 |
| 12 | 098644-01-706 | FT | WEATHERSTRIP - GLASS | 171-010668 |
| 13 | 112795-01-704 | FT | PLUG - FILLER - (DOUBLE GLAZED) | 122-018737 |
| | 098644-01-717 | FT | SPLINE - SCREEN | 132-004716 |
| | 112795-33-701 | EA | RETAINER - TRIM | CW29-66 |

THERMOPANE



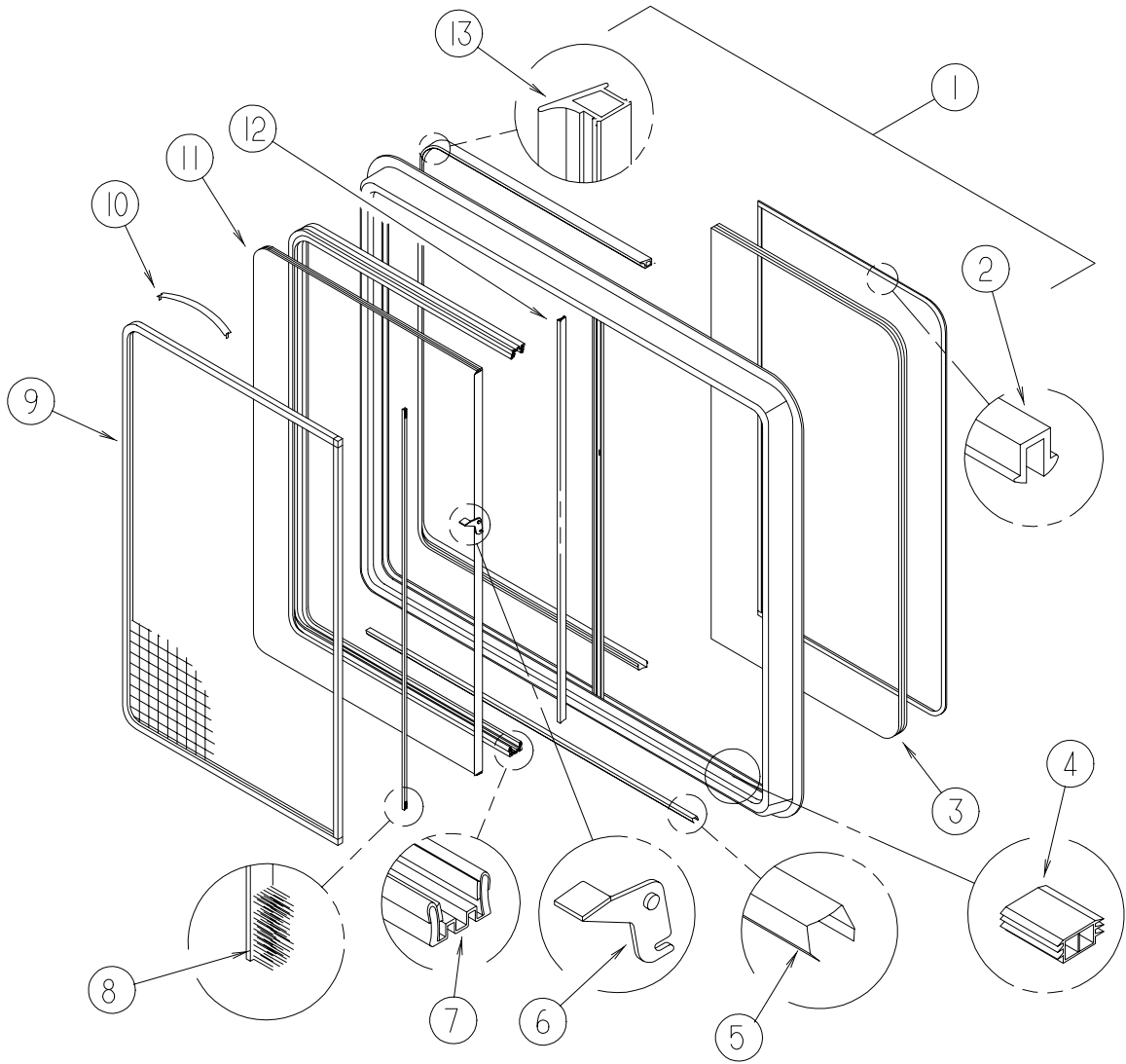
| KEY | PART NUMBER | U/M | DESCRIPTION | VENDOR NO. |
|-----|---------------|-----|--|------------|
| 1 | 112795-34-01A | EA | WINDOW - DRIVER HORIZONTAL SLIDER - THERMO - 30.7" X 57.8" | |
| 2 | 112795-01-705 | FT | VINYL - GLAZING | 132-025736 |
| 3 | 112795-33-702 | EA | GLASS - STATIONARY | 390-019225 |
| 4 | 112795-01-701 | EA | SLIDE - STOP | 132-019092 |
| 5 | 098644-01-710 | FT | TRACK - SCREEN SPACER 12' | 132-017135 |
| 6 | 112795-01-700 | EA | LATCH ASSEMBLY - BLACK - (BOLT ON) | DH287-CK |
| 7 | 112795-01-703 | IN | CHANNEL - RUN (INCHES) | 122-018736 |
| 8 | 098644-01-711 | FT | WEATHERSTRIP - SCREEN BLACK | 171-016965 |
| 9 | 112795-33-704 | EA | SCREEN ASM - W/SEALS & CLIPS | 410-019247 |
| 10 | 098644-01-713 | EA | CLIP - SCREEN - METAL | 226-016966 |
| 10 | 125582-01-701 | EA | CLIP - SCREEN - PLASTIC | 130005153 |
| 11 | 112795-33-703 | EA | GLASS - SLIDING - W/SASH & LATCH | DH112-G29 |
| 12 | 098644-01-706 | FT | WEATHERSTRIP - GLASS | 171-010668 |
| 13 | 112795-01-704 | FT | PLUG - FILLER - (DOUBLE GLAZED) | 122-018737 |
| | 098644-01-717 | FT | SPLINE - SCREEN | 132-004716 |
| | 098647-33-701 | EA | RETAINER - TRIM | CW29-66 |

THERMOPANE



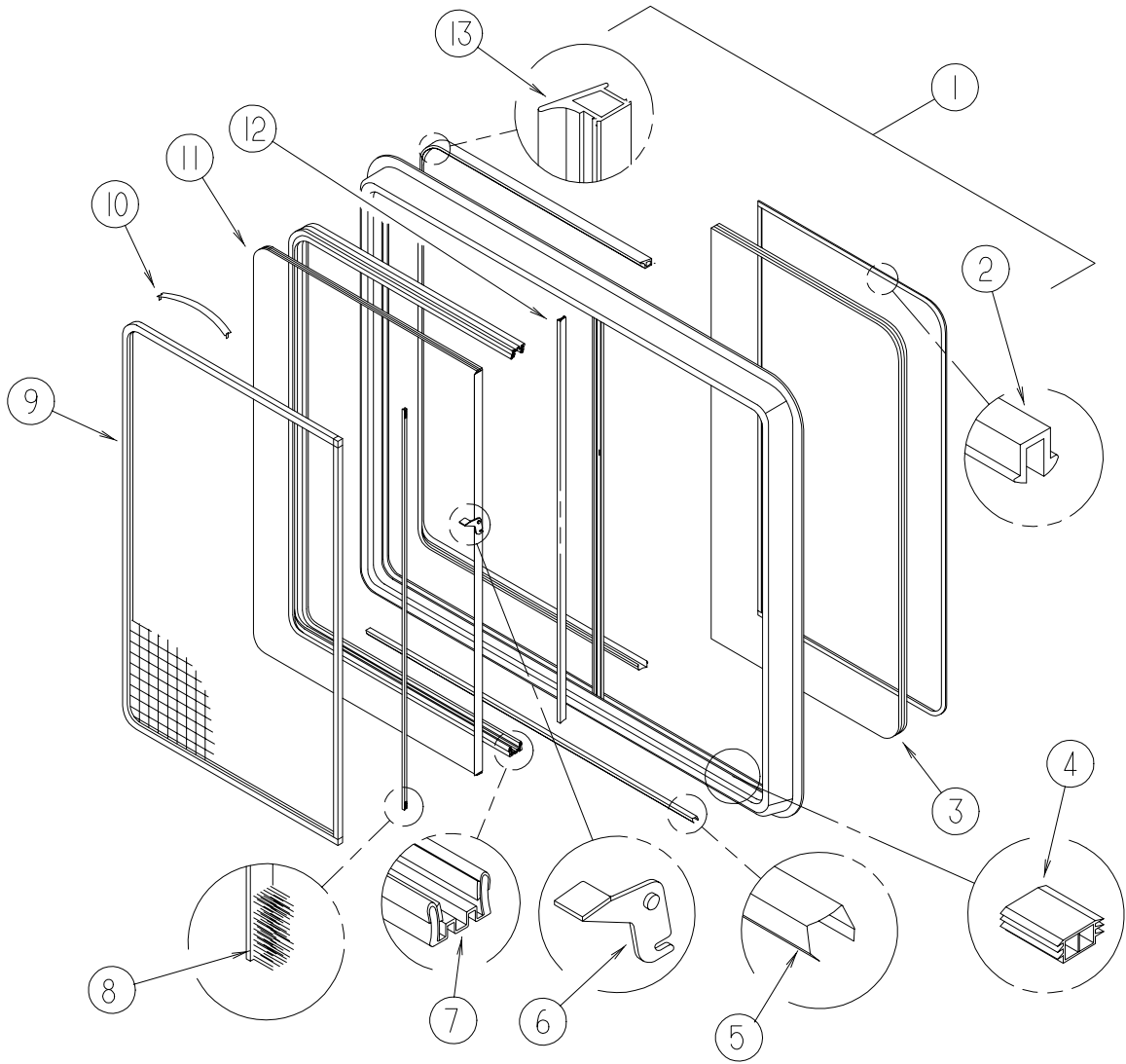
| KEY | PART NUMBER | U/M | DESCRIPTION | VENDOR NO. |
|-----|---------------|-----|--|------------|
| 1 | 112795-37-01A | EA | WINDOW - DRIVER HORIZONTAL SLIDER - THERMO - 38" X 59.8" | |
| 2 | 112795-01-705 | FT | VINYL - GLAZING | 132-025736 |
| 3 | 112795-37-702 | EA | GLASS - STATIONARY | 390-019499 |
| 4 | 112795-01-701 | EA | SLIDE - STOP | 132-019092 |
| 5 | 098644-01-710 | FT | TRACK - SCREEN SPACER 12' | 132-017135 |
| 6 | 112795-01-700 | EA | LATCH ASSEMBLY - BLACK - (BOLT ON) | DH287-CK |
| 7 | 112795-01-703 | IN | CHANNEL - RUN (INCHES) | 122-018736 |
| 8 | 098644-01-711 | FT | WEATHERSTRIP - SCREEN BLACK | 171-016965 |
| 9 | 112795-37-704 | EA | SCREEN ASM - W/SEALS & CLIPS | 410-019501 |
| 10 | 098644-01-713 | EA | CLIP - SCREEN - METAL | 226-016966 |
| 10 | 125582-01-701 | EA | CLIP - SCREEN - PLASTIC | 130005153 |
| 11 | 112795-37-703 | EA | GLASS-SLIDING W/SASH & LATCH | DH442-G9 |
| 12 | 098644-01-706 | FT | WEATHERSTRIP - GLASS | 171-010668 |
| 13 | 112795-01-704 | FT | PLUG - FILLER - (DOUBLE GLAZED) | 122-018737 |
| | 098644-01-717 | FT | SPLINE - SCREEN | 132-004716 |
| | 098647-37-701 | EA | RETAINER - TRIM | W288-66 |

THERMOPANE



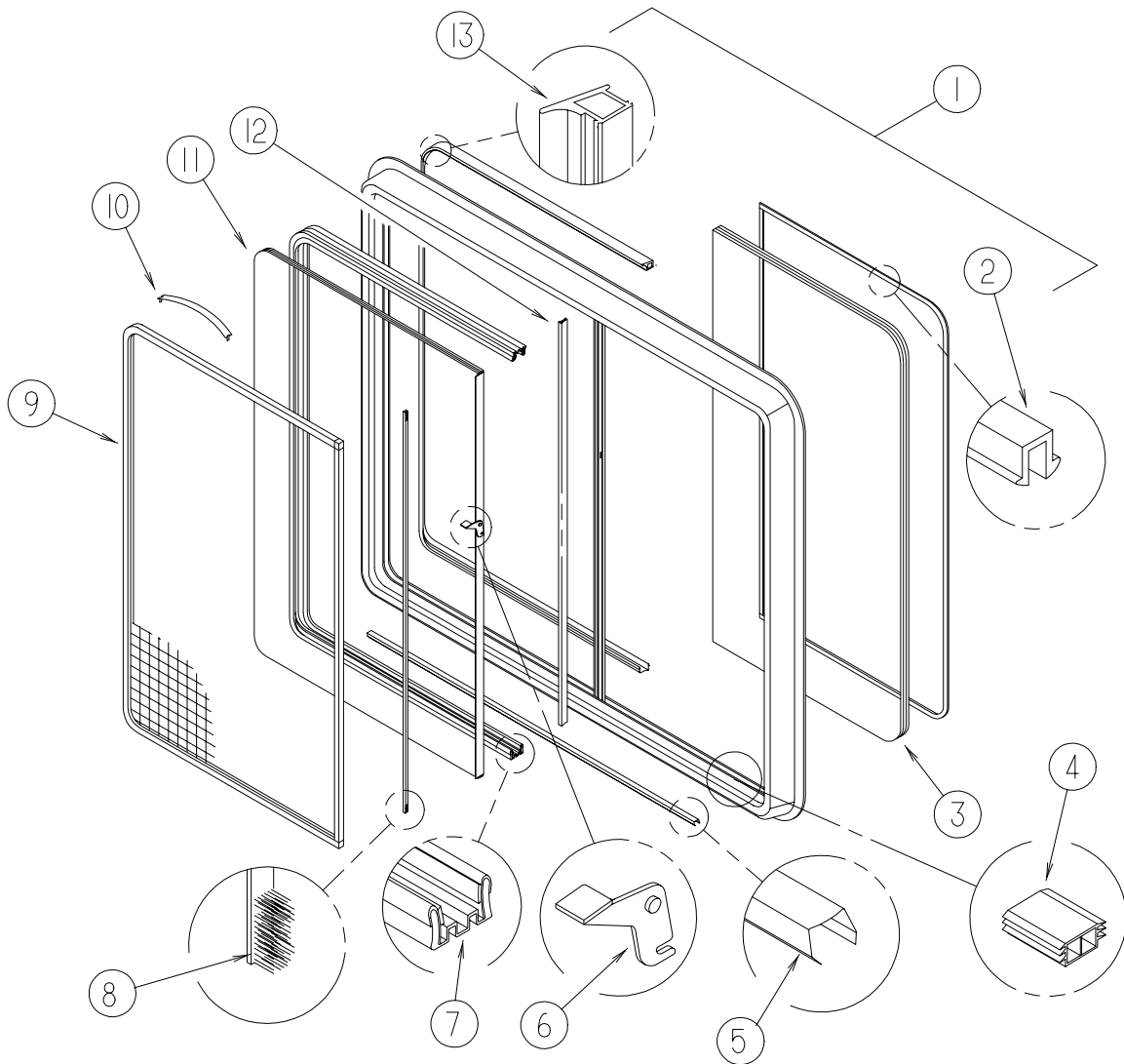
| KEY | PART NUMBER | U/M | DESCRIPTION | VENDOR NO. |
|-----|---------------|-----|---|------------|
| 1 | 112795-39-01A | EA | WINDOW - PASSENGER HORIZONTAL SLDR - THERMO - 26.4" X 60" | |
| 2 | 112795-01-705 | FT | VINYL - GLAZING | 132-025736 |
| 3 | 112795-39-701 | EA | GLASS - STATIONARY | 390-019792 |
| 4 | 112795-01-701 | EA | SLIDE - STOP | 132-019092 |
| 5 | 098644-01-710 | FT | TRACK - SCREEN SPACER 12' | 132-017135 |
| 6 | 112795-01-700 | EA | LATCH ASSEMBLY - BLACK - (BOLT ON) | DH287-CK |
| 7 | 112795-01-703 | IN | CHANNEL - RUN (INCHES) | 122-018736 |
| 8 | 098644-01-711 | FT | WEATHERSTRIP - SCREEN BLACK | 171-016965 |
| 9 | 098647-23-704 | EA | SCREEN ASM - W/SEALS & CLIPS | 410-019066 |
| 10 | 098644-01-713 | EA | CLIP - SCREEN - METAL | 226-016966 |
| 10 | 125582-01-701 | EA | CLIP - SCREEN - PLASTIC | 130005153 |
| 11 | 112795-39-700 | EA | GLASS-SLIDING W/SASH & LATCH | DH287-EG9 |
| 12 | 098644-01-706 | FT | WEATHERSTRIP - GLASS | 171-010668 |
| 13 | 112795-01-704 | FT | PLUG - FILLER - (DOUBLE GLAZED) | 122-018737 |
| | 098644-01-717 | FT | SPLINE - SCREEN | 132-004716 |
| | 098647-27-701 | EA | RETAINER - TRIM | W287-66 |

THERMOPANE



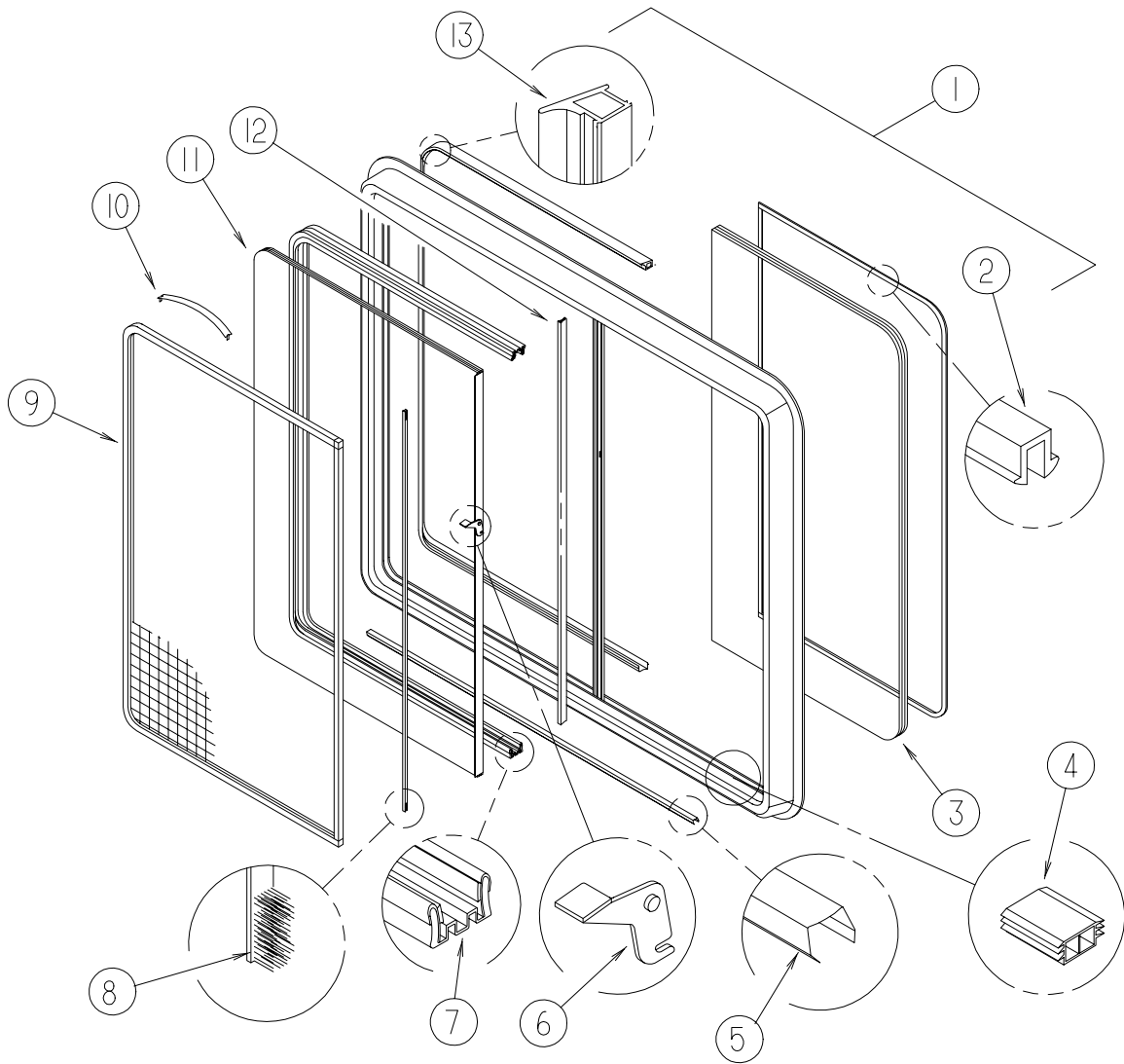
| KEY | PART NUMBER | U/M | DESCRIPTION | VENDOR NO. |
|-----|---------------|-----|--|------------|
| 1 | 112795-40-01A | EA | WINDOW - DRVR HORIZONTAL SLDR - THERMO/EURO- 26.1" X 59.8" | |
| 2 | 112795-01-705 | FT | VINYL - GLAZING | 132-025736 |
| 3 | 112795-39-701 | EA | GLASS - STATIONARY | 390-019792 |
| 4 | 112795-01-701 | EA | SLIDE - STOP | 132-019092 |
| 5 | 098644-01-710 | FT | TRACK - SCREEN SPACER 12' | 132-017135 |
| 6 | 112795-01-700 | EA | LATCH ASSEMBLY - BLACK - (BOLT ON) | DH287-CK |
| 7 | 112795-01-703 | IN | CHANNEL - RUN (INCHES) | 122-018736 |
| 8 | 098644-01-711 | FT | WEATHERSTRIP - SCREEN BLACK | 171-016965 |
| 9 | 098647-23-704 | EA | SCREEN ASM - W/SEALS & CLIPS | 410-019066 |
| 10 | 098644-01-713 | EA | CLIP - SCREEN - METAL | 226-016966 |
| 10 | 125582-01-701 | EA | CLIP - SCREEN - PLASTIC | 130005153 |
| 11 | 112795-39-700 | EA | GLASS-SLIDING W/SASH & LATCH | DH287-EG9 |
| 12 | 098644-01-706 | FT | WEATHERSTRIP - GLASS | 171-010668 |
| 13 | 112795-01-704 | FT | PLUG - FILLER - (DOUBLE GLAZED) | 122-018737 |
| | 098644-01-717 | FT | SPLINE - SCREEN | 132-004716 |
| | 098647-27-701 | EA | RETAINER - TRIM | W287-66 |

THERMOPANE



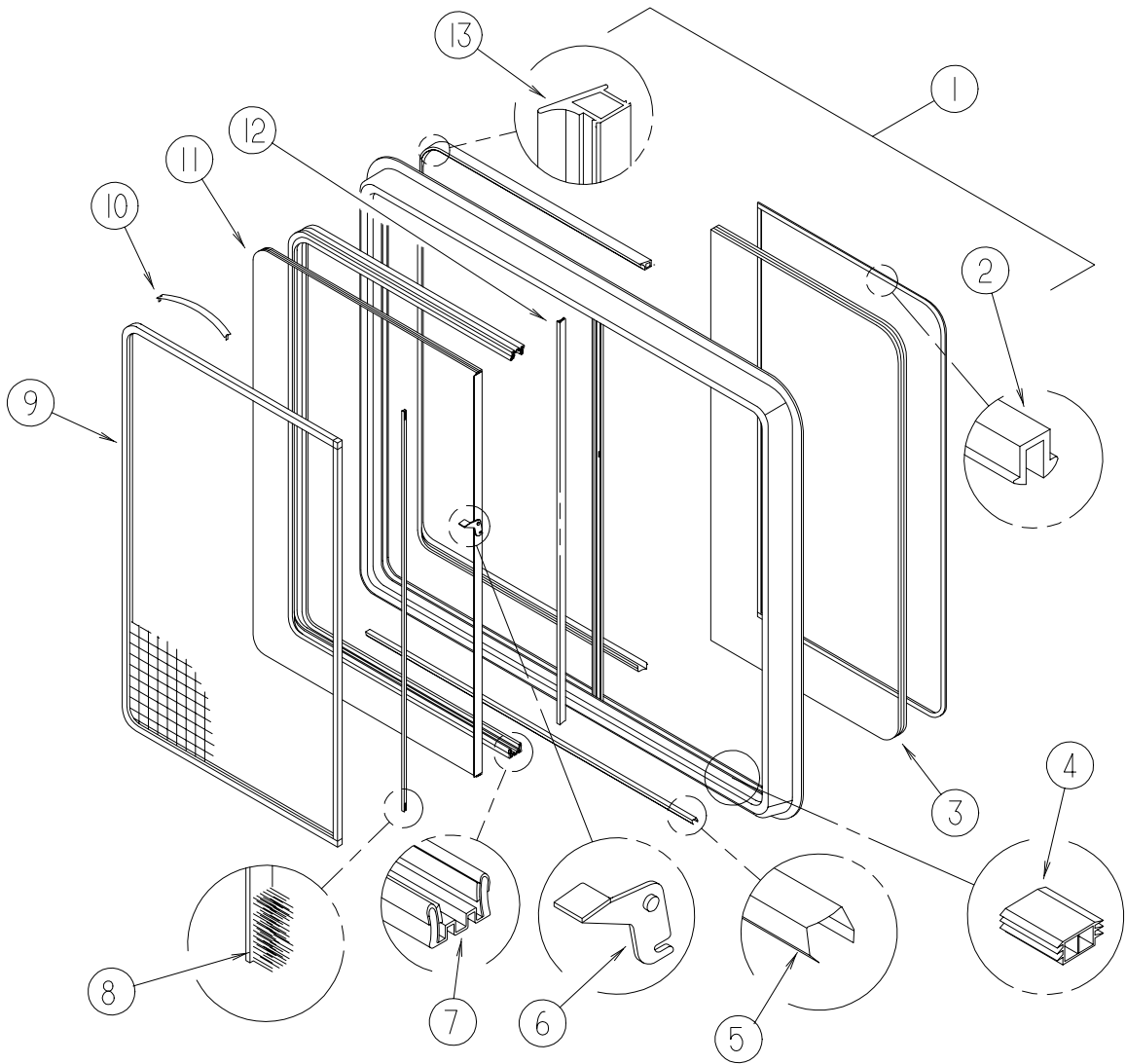
| KEY | PART NUMBER | U/M | DESCRIPTION | VENDOR NO. |
|-----|---------------|-----|--|------------|
| 1 | 112795-41-01A | EA | WINDOW - PASSENGER HORIZONTAL SLIDER/THERMO - 16"X 28 3/4" | |
| 2 | 112795-01-705 | FT | VINYL - GLAZING | 132-025736 |
| 3 | 112795-41-701 | EA | GLASS - STATIONARY | 390-019826 |
| 4 | 112795-01-701 | EA | SLIDE - STOP | 132-019092 |
| 5 | 098644-01-710 | FT | TRACK - SCREEN SPACER 12' | 132-017135 |
| 6 | 112795-01-700 | EA | LATCH ASSEMBLY - BLACK - (BOLT ON) | DH287-CK |
| 7 | 112795-01-703 | IN | CHANNEL - RUN (INCHES) | 122-018736 |
| 8 | 098644-01-711 | FT | WEATHERSTRIP - SCREEN BLACK | 171-016965 |
| 9 | 098647-31-704 | EA | SCREEN ASM - W/SEALS & CLIPS | 410-019128 |
| 10 | 098644-01-713 | EA | CLIP - SCREEN - METAL | 226-016966 |
| 10 | 125582-01-701 | EA | CLIP - SCREEN - PLASTIC | 130005153 |
| 11 | 112795-41-700 | EA | GLASS-SLIDING W/SASH & LATCH | DC29-EG9 |
| 12 | 098644-01-706 | FT | WEATHERSTRIP - GLASS | 171-010668 |
| 13 | 112795-01-704 | FT | PLUG - FILLER - (DOUBLE GLAZED) | 122-018737 |
| | 098644-01-717 | FT | SPLINE - SCREEN | 132-004716 |
| | 098647-33-701 | EA | RETAINER - TRIM | CW29-66 |

THERMOPANE



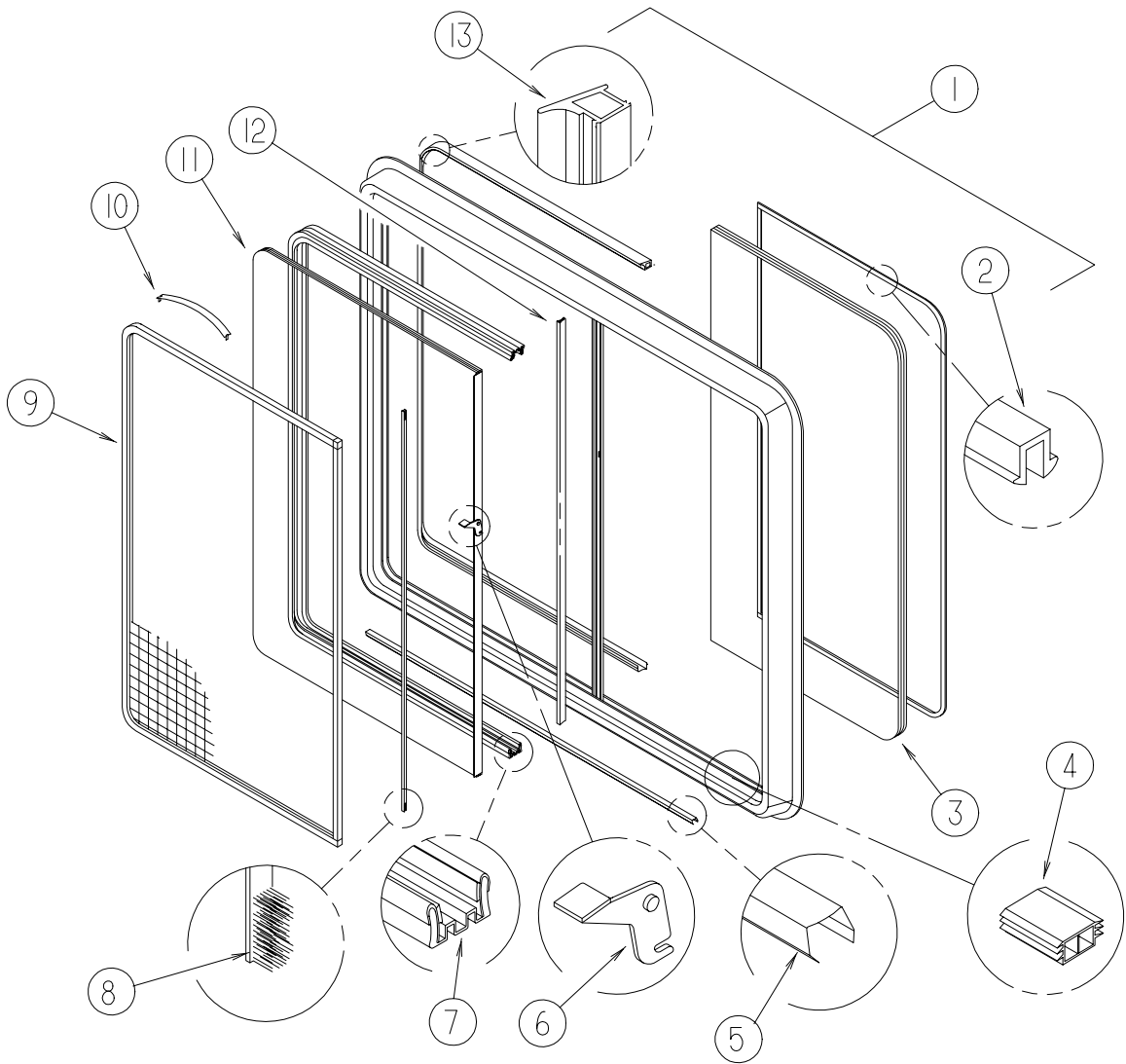
| KEY | PART NUMBER | U/M | DESCRIPTION | VENDOR NO. |
|-----|---------------|-----|--|------------|
| 1 | 112795-42-01A | EA | WINDOW - DRVR HORIZONTAL SLIDER - THERMO/EURO-15.7"X 28.5" | |
| 2 | 112795-01-705 | FT | VINYL - GLAZING | 132-025736 |
| 3 | 112795-41-701 | EA | GLASS - STATIONARY | 390-019826 |
| 4 | 112795-01-701 | EA | SLIDE - STOP | 132-019092 |
| 5 | 098644-01-710 | FT | TRACK - SCREEN SPACER 12' | 132-017135 |
| 6 | 112795-01-700 | EA | LATCH ASSEMBLY - BLACK - (BOLT ON) | DH287-CK |
| 7 | 112795-01-703 | IN | CHANNEL - RUN (INCHES) | 122-018736 |
| 8 | 098644-01-711 | FT | WEATHERSTRIP - SCREEN BLACK | 171-016965 |
| 9 | 098647-31-704 | EA | SCREEN ASM - W/SEALS & CLIPS | 410-019128 |
| 10 | 098644-01-713 | EA | CLIP - SCREEN - METAL | 226-016966 |
| 10 | 125582-01-701 | EA | CLIP - SCREEN - PLASTIC | 130005153 |
| 11 | 112795-41-700 | EA | GLASS-SLIDING W/SASH & LATCH | DC29-EG9 |
| 12 | 098644-01-706 | FT | WEATHERSTRIP - GLASS | 171-010668 |
| 13 | 112795-01-704 | FT | PLUG - FILLER - (DOUBLE GLAZED) | 122-018737 |
| | 098644-01-717 | FT | SPLINE - SCREEN | 132-004716 |
| | 098647-33-701 | EA | RETAINER - TRIM | CW29-66 |

**THERMOPANE
DC80-EG2W66R**



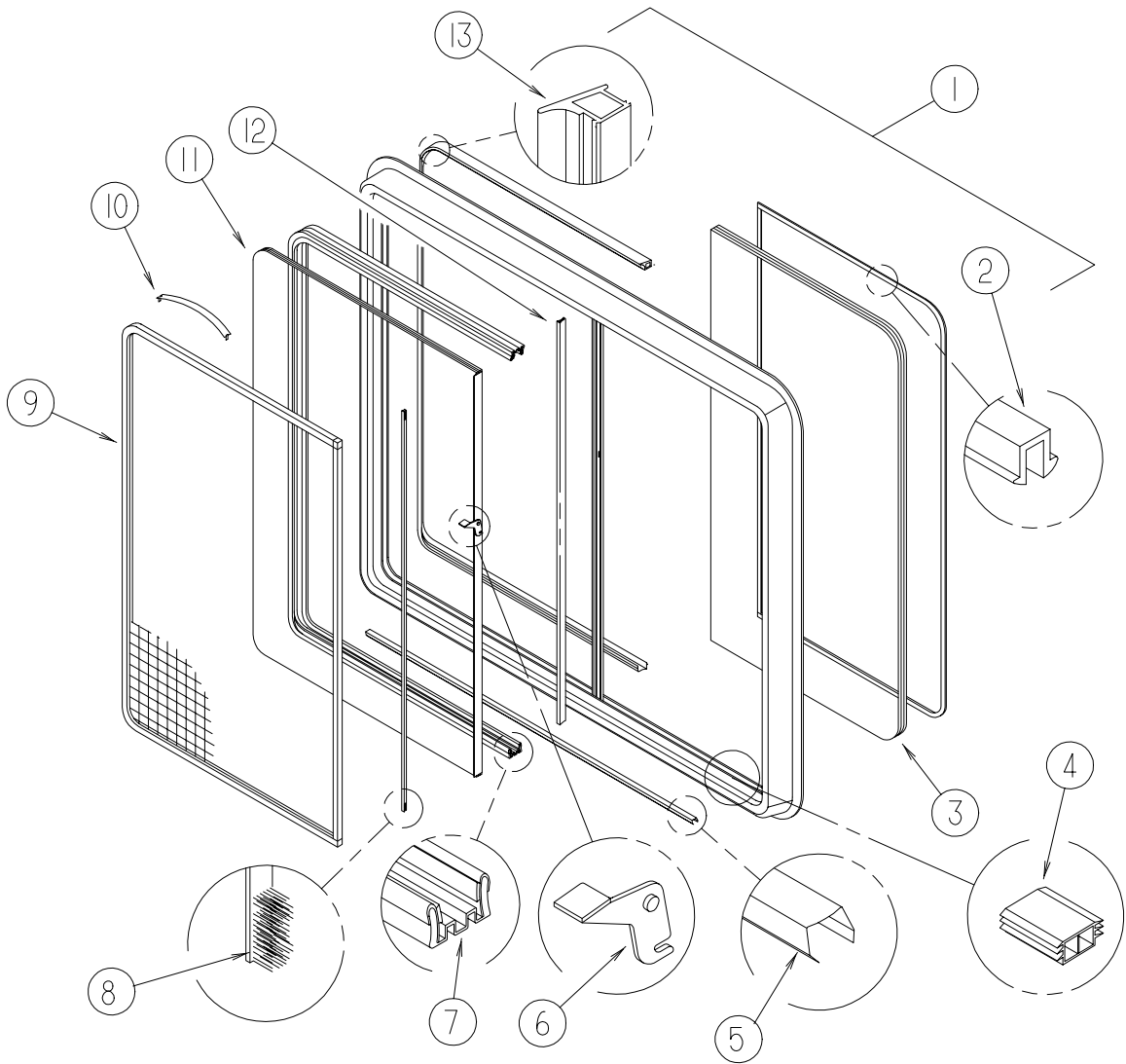
| KEY | PART NUMBER | U/M | DESCRIPTION | VENDOR NO. |
|-----|---------------|-----|---|------------|
| 1 | 112795-43-01A | EA | WINDOW - PASSENGER - HORIZONTAL SLIDER - THERMO - 24.9" X 53.7" | |
| 2 | 112795-01-705 | FT | VINYL - GLAZING | 132-025736 |
| 3 | 112795-43-701 | EA | GLASS - STATIONARY | 390-019784 |
| 4 | 112795-01-701 | EA | SLIDE - STOP | 132-019092 |
| 5 | 098644-01-710 | FT | TRACK - SCREEN SPACER 12' | 132-017135 |
| 6 | 112795-01-700 | EA | LATCH ASSEMBLY - BLACK - (BOLT ON) | DH287-CK |
| 7 | 112795-01-703 | IN | CHANNEL - RUN (INCHES) | 122-018736 |
| 8 | 098644-01-711 | FT | WEATHERSTRIP - SCREEN BLACK | 171-016965 |
| 9 | 112795-17-702 | EA | SCREEN ASM - W/SEALS & CLIPS | 410-019064 |
| 10 | 098644-01-713 | EA | CLIP - SCREEN - METAL | 226-016966 |
| 10 | 125582-01-701 | EA | CLIP - SCREEN - PLASTIC | 130005153 |
| 11 | 112795-43-700 | EA | GLASS-SLIDING W/SASH & LATCH | DC80-EG9 |
| 12 | 098644-01-706 | FT | WEATHERSTRIP - GLASS | 171-010668 |
| 13 | 112795-01-704 | FT | PLUG - FILLER - (DOUBLE GLAZED) | 122-018737 |
| | 098644-01-717 | FT | SPLINE - SCREEN | 132-004716 |
| | 112795-17-703 | EA | RETAINER - TRIM | CW80-66 |

**THERMOPANE
DC04-EG2W66R**



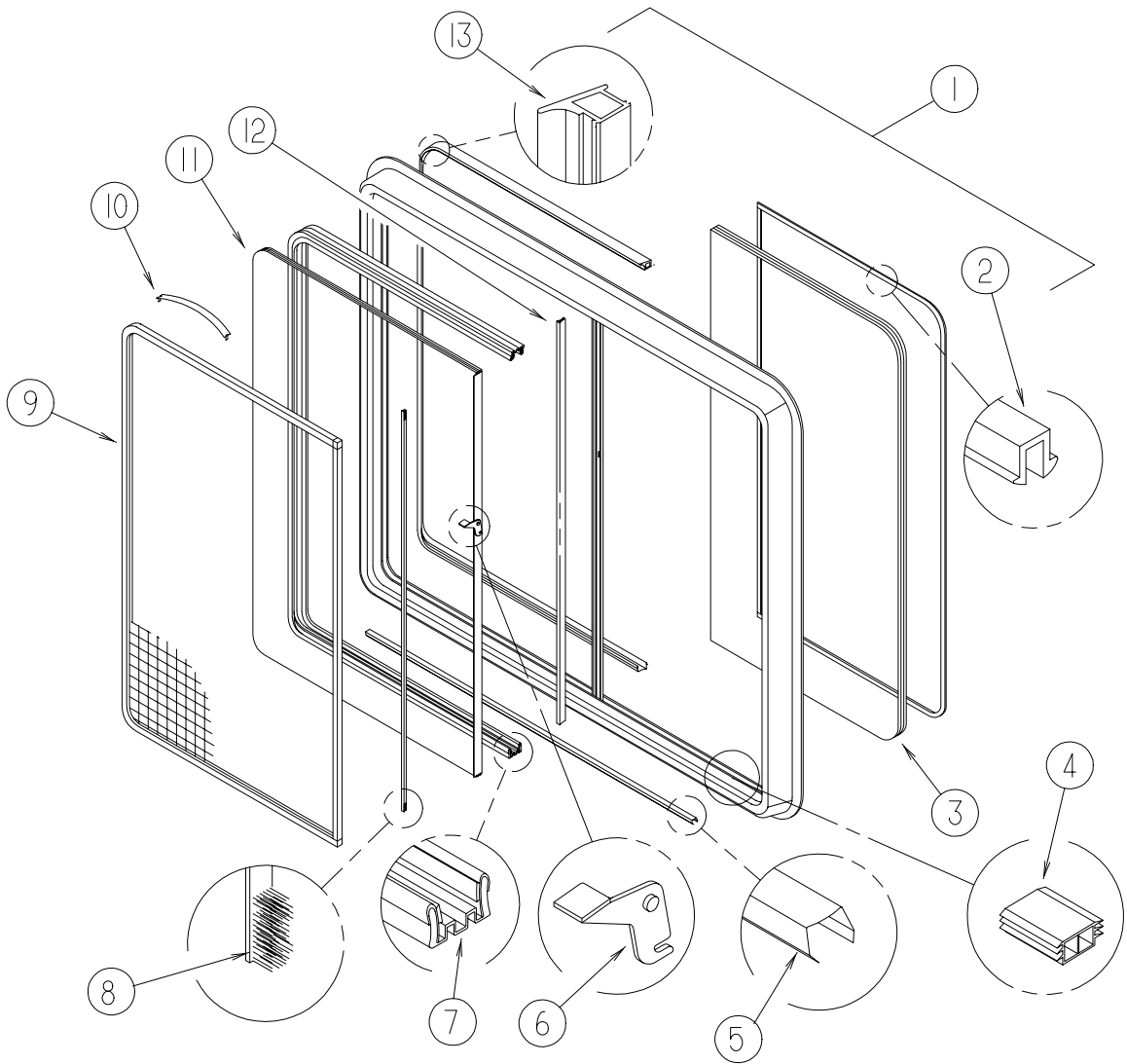
| KEY | PART NUMBER | U/M | DESCRIPTION | VENDOR NO. |
|-----|---------------|-----|---|------------|
| 1 | 112795-44-01A | EA | WINDOW - PASSENGER - HORIZONTAL SLIDER - THERMO - 24.3" X 41" | |
| 2 | 112795-01-705 | FT | VINYL - GLAZING | 132-025736 |
| 3 | 112795-44-701 | EA | GLASS - STATIONARY | 390-019780 |
| 4 | 112795-01-701 | EA | SLIDE - STOP | 132-019092 |
| 5 | 098644-01-710 | FT | TRACK - SCREEN SPACER 12' | 132-017135 |
| 6 | 112795-01-700 | EA | LATCH ASSEMBLY - BLACK - (BOLT ON) | DH287-CK |
| 7 | 112795-01-703 | IN | CHANNEL - RUN (INCHES) | 122-018736 |
| 8 | 098644-01-711 | FT | WEATHERSTRIP - SCREEN BLACK | 171-016965 |
| 9 | 098647-29-704 | EA | SCREEN ASM - W/SEALS & CLIPS | 410-018864 |
| 10 | 098644-01-713 | EA | CLIP - SCREEN - METAL | 226-016966 |
| 10 | 125582-01-701 | EA | CLIP - SCREEN - PLASTIC | 130005153 |
| 11 | 112795-44-700 | EA | GLASS-SLIDING W/SASH & LATCH | DC04-EG9 |
| 12 | 098644-01-706 | FT | WEATHERSTRIP - GLASS | 171-010668 |
| 13 | 112795-01-704 | FT | PLUG - FILLER - (DOUBLE GLAZED) | 122-018737 |
| | 098644-01-717 | FT | SPLINE - SCREEN | 132-004716 |
| | 098647-29-701 | EA | RETAINER - TRIM | CW04-66 |

**THERMOPANE
DC04-EG2W66L**



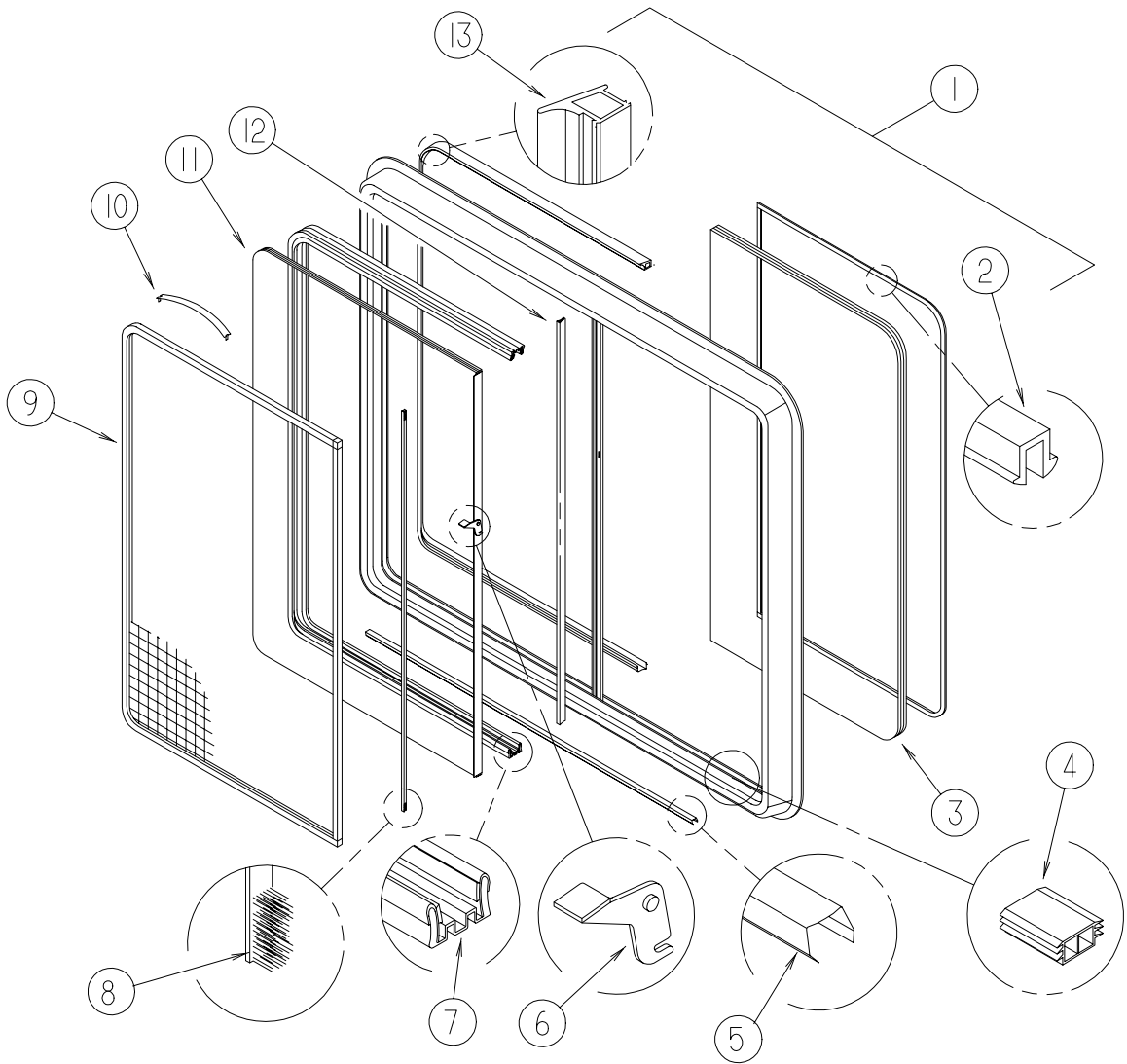
| KEY | PART NUMBER | U/M | DESCRIPTION | VENDOR NO. |
|-----|---------------|-----|--|------------|
| 1 | 112795-45-01A | EA | WINDOW - DRIVER - HORIZONTAL SLIDER - THERMO - 24.2" X 40.9" | |
| 2 | 112795-01-705 | FT | VINYL - GLAZING | 132-025736 |
| 3 | 112795-44-701 | EA | GLASS - STATIONARY | 390-019780 |
| 4 | 112795-01-701 | EA | SLIDE - STOP | 132-019092 |
| 5 | 098644-01-710 | FT | TRACK - SCREEN SPACER 12' | 132-017135 |
| 6 | 112795-01-700 | EA | LATCH ASSEMBLY - BLACK - (BOLT ON) | DH287-CK |
| 7 | 112795-01-703 | IN | CHANNEL - RUN (INCHES) | 122-018736 |
| 8 | 098644-01-711 | FT | WEATHERSTRIP - SCREEN BLACK | 171-016965 |
| 9 | 098647-29-704 | EA | SCREEN ASM - W/SEALS & CLIPS | 410-018864 |
| 10 | 098644-01-713 | EA | CLIP - SCREEN - METAL | 226-016966 |
| 10 | 125582-01-701 | EA | CLIP - SCREEN - PLASTIC | 130005153 |
| 11 | 112795-44-700 | EA | GLASS-SLIDING W/SASH & LATCH | DC04-EG9 |
| 12 | 098644-01-706 | FT | WEATHERSTRIP - GLASS | 171-010668 |
| 13 | 112795-01-704 | FT | PLUG - FILLER - (DOUBLE GLAZED) | 122-018737 |
| | 098644-01-717 | FT | SPLINE - SCREEN | 132-004716 |
| | 098647-29-701 | EA | RETAINER - TRIM | CW04-66 |

THERMOPANE



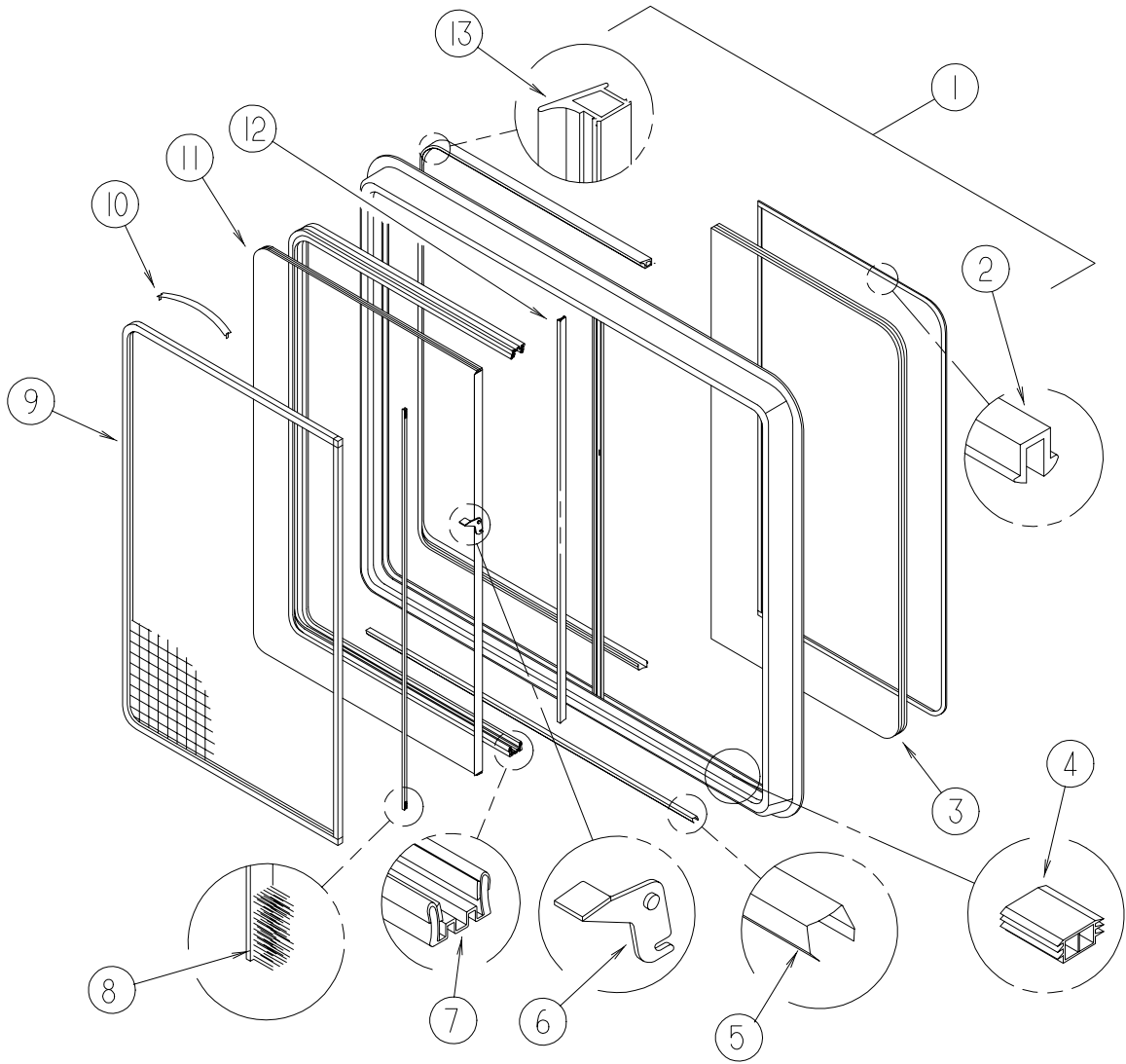
| KEY | PART NUMBER | U/M | DESCRIPTION | VENDOR NO. |
|-----|---------------|-----|---|------------|
| 1 | 112795-46-01A | EA | WINDOW-PASSENGER HORIZONTAL SLIDER THERMO - 26 3/8" X 48" | |
| 2 | 112795-01-705 | FT | VINYL - GLAZING | 132-025736 |
| 3 | 112795-46-701 | EA | GLASS - STATIONARY | 390-019830 |
| 4 | 112795-01-701 | EA | SLIDE - STOP | 132-019092 |
| 5 | 098644-01-710 | FT | TRACK - SCREEN SPACER 12' | 132-017135 |
| 6 | 112795-01-700 | EA | LATCH ASSEMBLY - BLACK - (BOLT ON) | DH287-CK |
| 7 | 112795-01-703 | IN | CHANNEL - RUN (INCHES) | 122-018736 |
| 8 | 098644-01-711 | FT | WEATHERSTRIP - SCREEN BLACK | 171-016965 |
| 9 | 098647-38-704 | EA | SCREEN ASM - W/SEALS & CLIPS | 410-019063 |
| 10 | 098644-01-713 | EA | CLIP - SCREEN - METAL | 226-016966 |
| 10 | 125582-01-701 | EA | CLIP - SCREEN - PLASTIC | 130005153 |
| 11 | 112795-46-700 | EA | GLASS-SLIDING W/SASH & LATCH | DC48-EG9 |
| 12 | 098644-01-706 | FT | WEATHERSTRIP - GLASS | 171-010668 |
| 13 | 112795-01-704 | FT | PLUG - FILLER - (DOUBLE GLAZED) | 122-018737 |
| | 098644-01-717 | FT | SPLINE - SCREEN | 132-004716 |
| | 112795-22-701 | EA | RETAINER - TRIM | W303-66 |

THERMOPANE



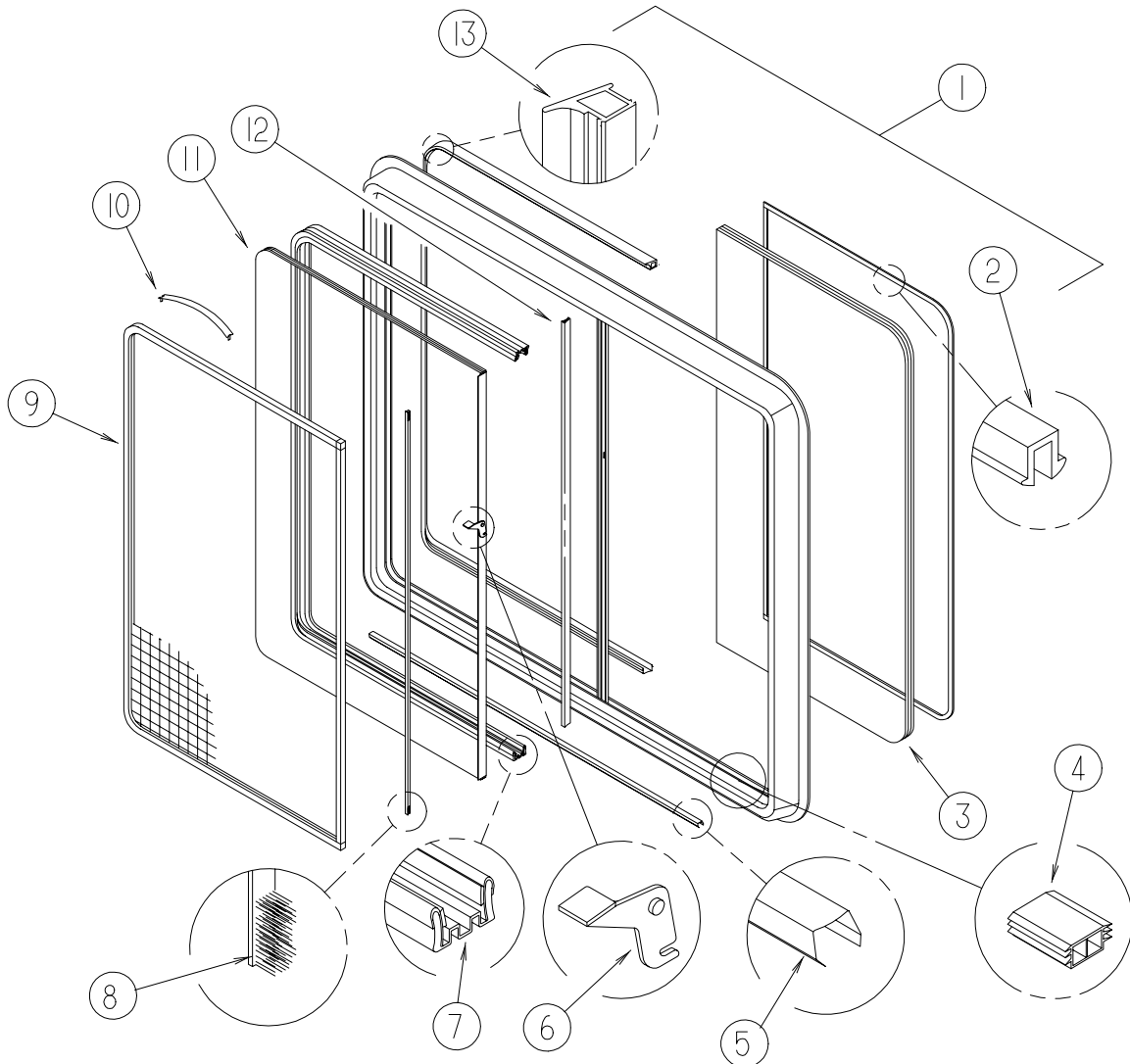
| KEY | PART NUMBER | U/M | DESCRIPTION | VENDOR NO. |
|-----|---------------|-----|--|------------|
| 1 | 112795-47-01A | EA | WINDOW-PASSENGER HORIZONTAL SLIDE THERMO 30 1/4" X 25 3/4" | |
| 2 | 112795-01-705 | FT | VINYL - GLAZING | 132-025736 |
| 3 | 112795-47-701 | EA | GLASS - STATIONARY | 390-019218 |
| 4 | 112795-01-701 | EA | SLIDE - STOP | 132-019092 |
| 5 | 098644-01-710 | FT | TRACK - SCREEN SPACER 12' | 132-017135 |
| 6 | 112795-01-700 | EA | LATCH ASSEMBLY - BLACK - (BOLT ON) | DH287-CK |
| 7 | 112795-01-703 | IN | CHANNEL - RUN (INCHES) | 122-018736 |
| 8 | 098644-01-711 | FT | WEATHERSTRIP - SCREEN BLACK | 171-016965 |
| 9 | 112898-05-704 | EA | SCREEN ASM - W/SEALS & CLIPS | 410-018862 |
| 10 | 098644-01-713 | EA | CLIP - SCREEN - METAL | 226-016966 |
| 10 | 125582-01-701 | EA | CLIP - SCREEN - PLASTIC | 130005153 |
| 11 | 112795-47-700 | EA | GLASS-SLIDING W/SASH & LATCH | DC56-G9 |
| 12 | 098644-01-706 | FT | WEATHERSTRIP - GLASS | 171-010668 |
| 13 | 112795-01-704 | FT | PLUG - FILLER - (DOUBLE GLAZED) | 122-018737 |
| | 098644-01-717 | FT | SPLINE - SCREEN | 132-004716 |
| | 112795-47-702 | EA | RETAINER - TRIM | CW56-66 |

THERMOPANE



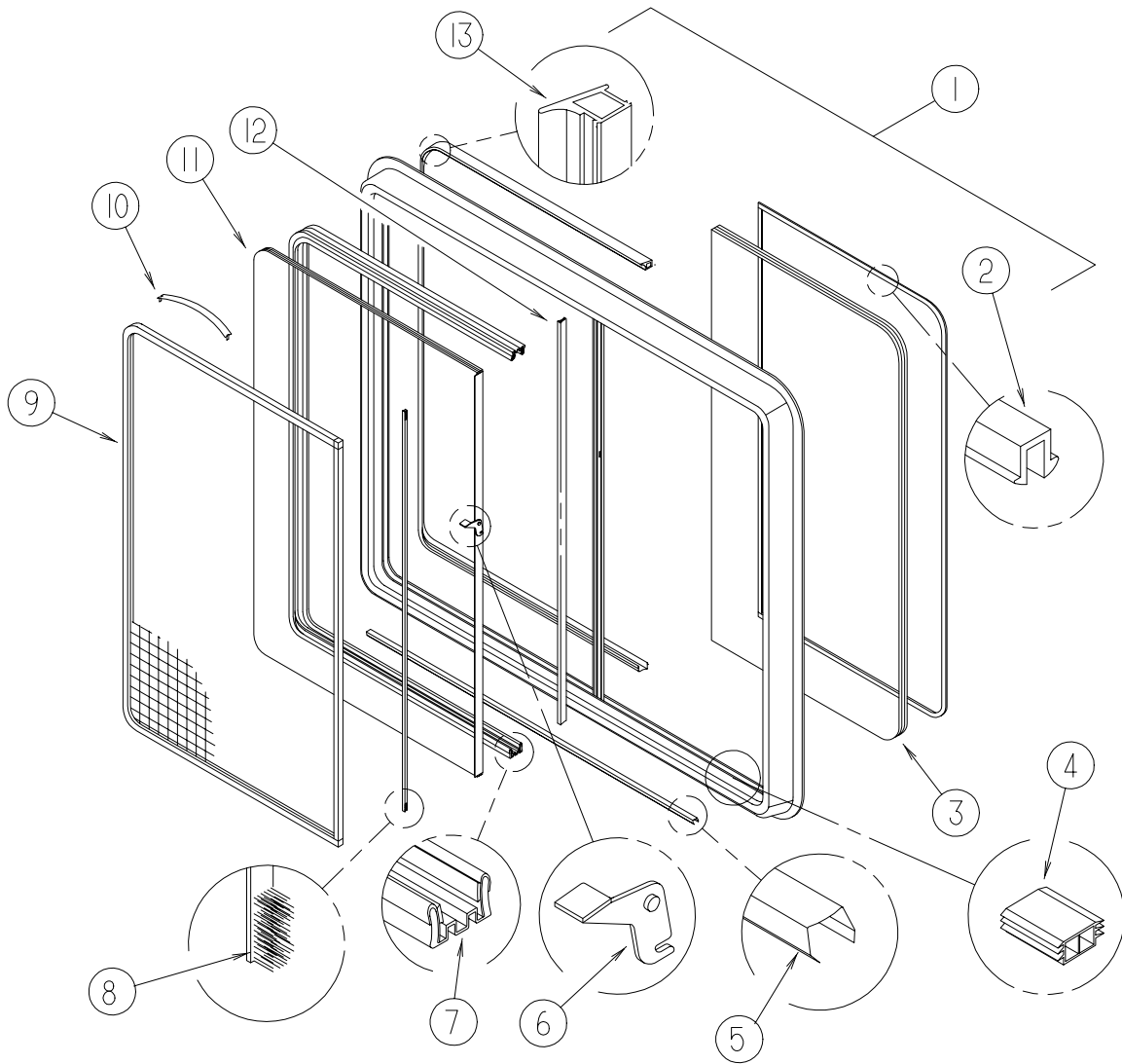
| KEY | PART NUMBER | U/M | DESCRIPTION | VENDOR NO. |
|-----|---------------|-----|--|------------|
| 1 | 112795-50-01A | EA | WINDOW-PASSENGER HORIZONTAL SLIDE THERMO 30 3/4" X 57 3/4" | |
| 2 | 112795-01-705 | FT | VINYL - GLAZING | 132-025736 |
| 3 | 112795-50-701 | EA | GLASS - STATIONARY | 390-025131 |
| 4 | 112795-01-701 | EA | SLIDE - STOP | 132-019092 |
| 5 | 098644-01-710 | FT | TRACK - SCREEN SPACER 12' | 132-017135 |
| 6 | 112795-01-700 | EA | LATCH ASSEMBLY - BLACK - (BOLT ON) | DH287-CK |
| 7 | 112795-01-703 | IN | CHANNEL - RUN (INCHES) | 122-018736 |
| 8 | 098644-01-711 | FT | WEATHERSTRIP - SCREEN BLACK | 171-016965 |
| 9 | 112795-33-704 | EA | SCREEN ASM - W/SEALS & CLIPS | 410-019247 |
| 10 | 098644-01-713 | EA | CLIP - SCREEN - METAL | 226-016966 |
| 10 | 125582-01-701 | EA | CLIP - SCREEN - PLASTIC | 130005153 |
| 11 | 112795-50-700 | EA | GLASS-SLIDING W/SASH & LATCH | DH112-EG9 |
| 12 | 098644-01-706 | FT | WEATHERSTRIP - GLASS | 171-010668 |
| 13 | 112795-01-704 | FT | PLUG - FILLER - (DOUBLE GLAZED) | 122-018737 |
| | 098644-01-717 | FT | SPLINE - SCREEN | 132-004716 |
| | 112795-33-701 | EA | RETAINER - TRIM | W112-66 |

THERMOPANE



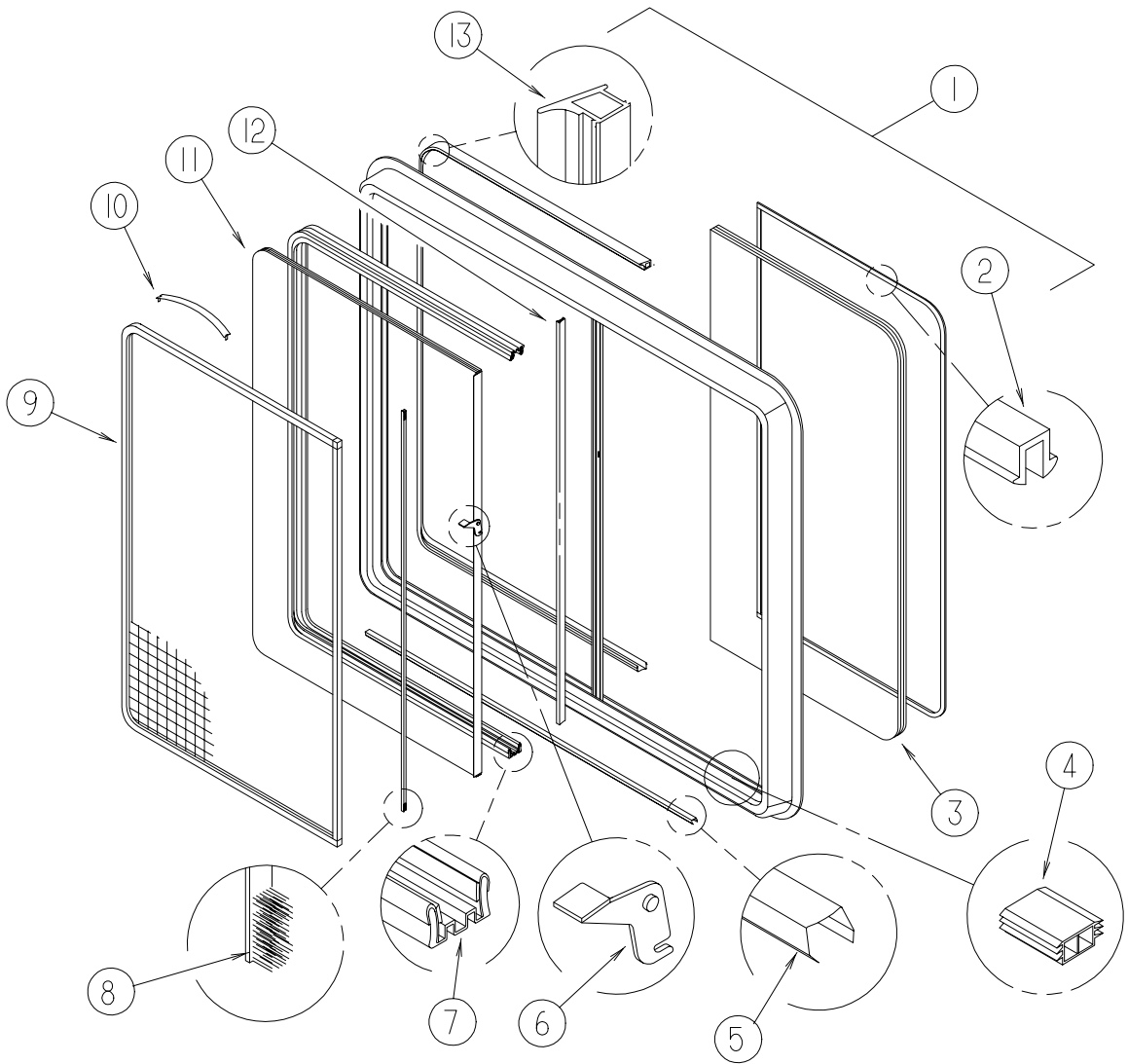
| KEY | PART NUMBER | U/M | DESCRIPTION | VENDOR NO. |
|-----|---------------|-----|---|------------|
| 1 | 112795-53-01A | EA | WINDOW-DRIVER HORIZONTAL SLIDE THERMO 38 3/4" X 57 3/4" | |
| 2 | 112795-01-705 | FT | VINYL - GLAZING | 132-025736 |
| 3 | 112795-53-702 | EA | GLASS - STATIONARY | 390-025207 |
| 4 | 112795-01-701 | EA | SLIDE - STOP | 132-019092 |
| 5 | 098644-01-710 | FT | TRACK - SCREEN SPACER 12' | 132-017135 |
| 6 | 112795-01-700 | EA | LATCH ASSEMBLY - BLACK - (BOLT ON) | DH287-CK |
| 7 | 112795-01-703 | IN | CHANNEL - RUN (INCHES) | 122-018736 |
| 8 | 098644-01-711 | FT | WEATHERSTRIP - SCREEN BLACK | 171-016965 |
| 9 | 098647-53-700 | EA | SCREEN ASM - W/SEALS & CLIPS | 410-025209 |
| 10 | 098644-01-713 | EA | CLIP - SCREEN - METAL | 226-016966 |
| 10 | 125582-01-701 | EA | CLIP - SCREEN - PLASTIC | 130005153 |
| 11 | 112795-53-701 | EA | GLASS-SLIDING W/SASH & LATCH | DC97-G9 |
| 12 | 098644-01-706 | FT | WEATHERSTRIP - GLASS | 171-010668 |
| 13 | 112795-01-704 | FT | PLUG - FILLER - (DOUBLE GLAZED) | 122-018737 |
| | 098644-01-717 | FT | SPLINE - SCREEN | 132-004716 |
| | 112795-53-703 | EA | RETAINER - TRIM | CW97-66 |

THERMOPANE



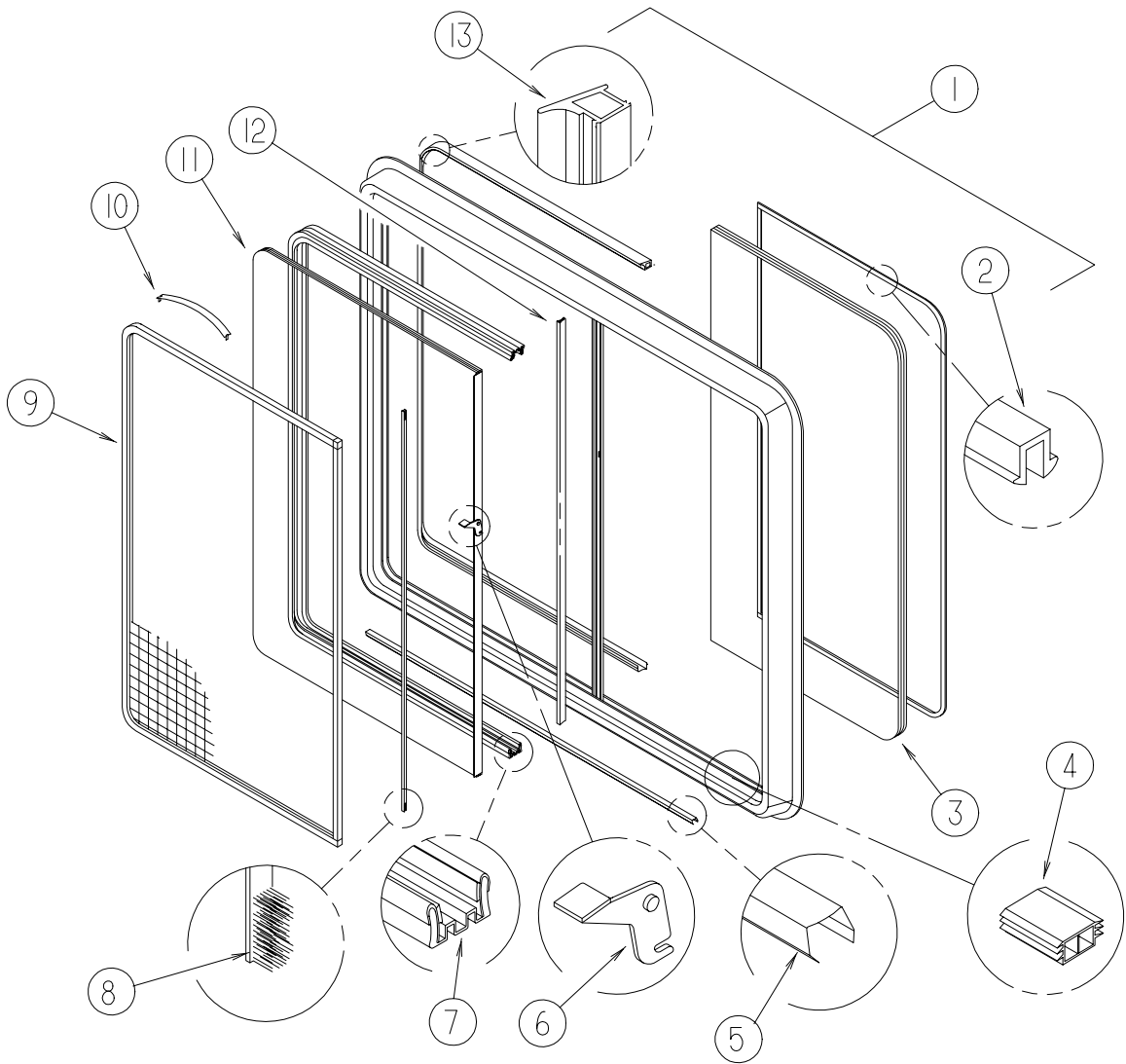
| KEY | PART NUMBER | U/M | DESCRIPTION | VENDOR NO. |
|-----|---------------|-----|--|--------------|
| 1 | 112795-54-01A | EA | WINDOW - DRIVER HORIZONTAL SLIDER - THERMO - 23.9" X 57.8" | DH493-G2W66L |
| 2 | 112795-01-705 | FT | VINYL - GLAZING | 132-025736 |
| 3 | 112795-54-700 | EA | GLASS-SLIDING W/SASH & LATCH | DH493-G9 |
| 4 | 112795-01-701 | EA | SLIDE - STOP | 132-019092 |
| 5 | 098644-01-710 | FT | TRACK - SCREEN SPACER 12' | 132-017135 |
| 6 | 112795-01-700 | EA | LATCH ASSEMBLY - BLACK - (BOLT ON) | DH287-CK |
| 7 | 112795-01-703 | IN | CHANNEL - RUN (INCHES) | 122-018736 |
| 8 | 098644-01-711 | FT | WEATHERSTRIP - SCREEN BLACK | 171-016965 |
| 9 | 098647-47-702 | EA | SCREEN ASM - W/SEALS & CLIPS | 410-025226 |
| 10 | 098644-01-713 | EA | CLIP - SCREEN - METAL | 226-016966 |
| 10 | 125582-01-701 | EA | CLIP - SCREEN - PLASTIC | 130005153 |
| 11 | 112795-54-700 | EA | GLASS-SLIDING W/SASH & LATCH | DH493-G9 |
| 12 | 098644-01-706 | FT | WEATHERSTRIP - GLASS | 171-010668 |
| 13 | 112795-01-704 | FT | PLUG - FILLER - (DOUBLE GLAZED) | 122-018737 |
| | 098644-01-717 | FT | SPLINE - SCREEN | 132-004716 |
| | 098647-47-703 | EA | RETAINER - TRIM | W493-66 |

**THERMOPANE
DB809-EG2W66**



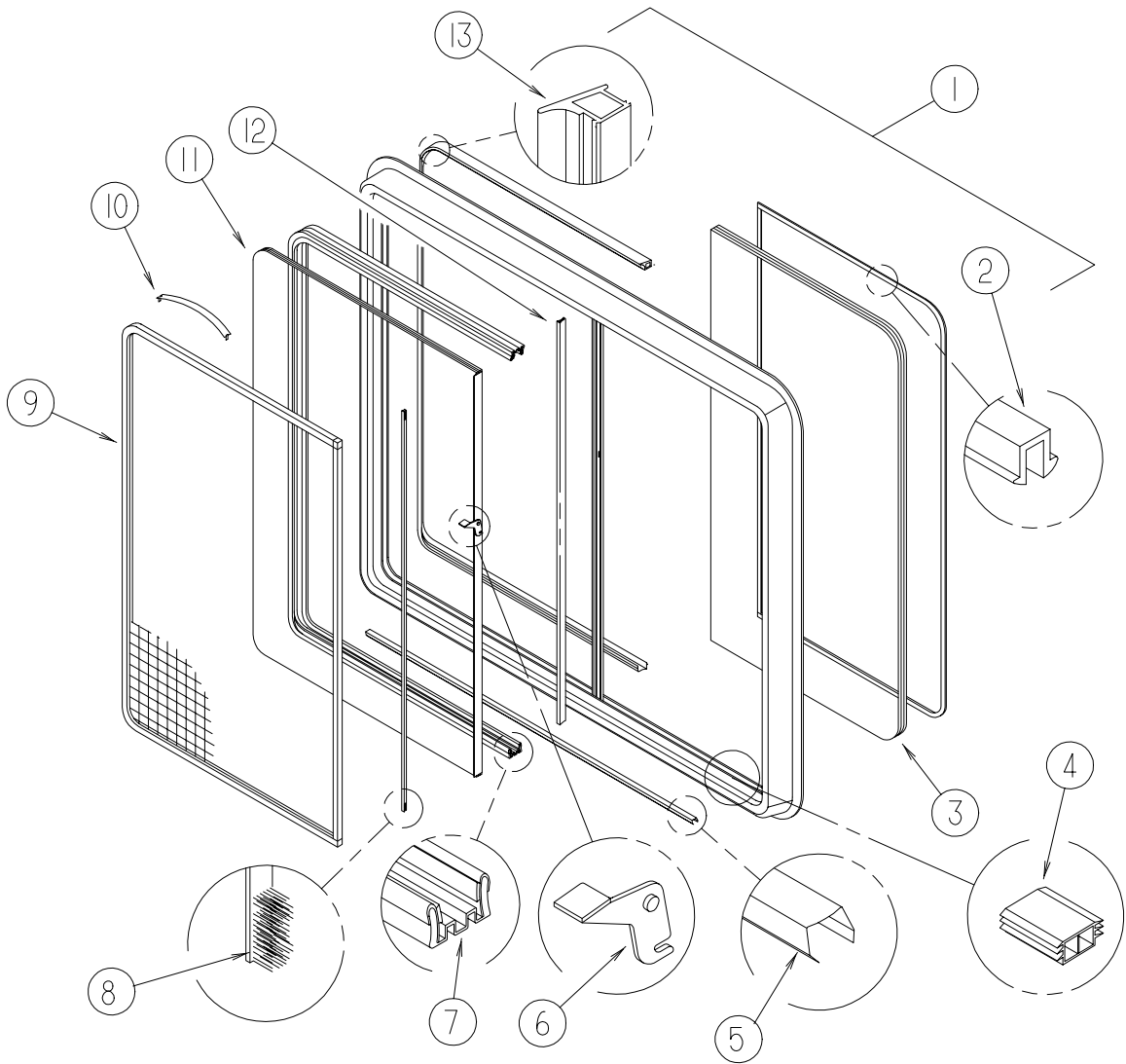
| KEY | PART NUMBER | U/M | DESCRIPTION | VENDOR NO. |
|-----|---------------|-----|--|------------|
| 1 | 112795-55-01A | EA | WINDOW - DRIVER HORIZONTAL SLIDER - THERMO - 15.5" X 18.5" | |
| 2 | 112795-01-705 | FT | VINYL - GLAZING | 132-025736 |
| 3 | 112795-55-701 | EA | GLASS - STATIONARY | 390-025284 |
| 4 | 112795-01-701 | EA | SLIDE - STOP | 132-019092 |
| 5 | 098644-01-710 | FT | TRACK - SCREEN SPACER 12' | 132-017135 |
| 6 | 112795-01-700 | EA | LATCH ASSEMBLY - BLACK - (BOLT ON) | DH287-CK |
| 7 | 112795-01-703 | IN | CHANNEL - RUN (INCHES) | 122-018736 |
| 8 | 098644-01-711 | FT | WEATHERSTRIP - SCREEN BLACK | 171-016965 |
| 9 | 112795-56-702 | EA | SCREEN ASM - W/SEALS & CLIPS | 410-019414 |
| 10 | 098644-01-713 | EA | CLIP - SCREEN - METAL | 226-016966 |
| 10 | 125582-01-701 | EA | CLIP - SCREEN - PLASTIC | 130005153 |
| 11 | 112795-55-700 | EA | GLASS-SLIDING W/SASH & LATCH | DC809-EG9 |
| 12 | 098644-01-706 | FT | WEATHERSTRIP - GLASS | 171-010668 |
| 13 | 112795-01-704 | FT | PLUG - FILLER - (DOUBLE GLAZED) | 122-018737 |
| | 098644-01-717 | FT | SPLINE - SCREEN | 132-004716 |
| | 112795-56-703 | EA | RETAINER - TRIM | V969-66 |

THERMOPANE



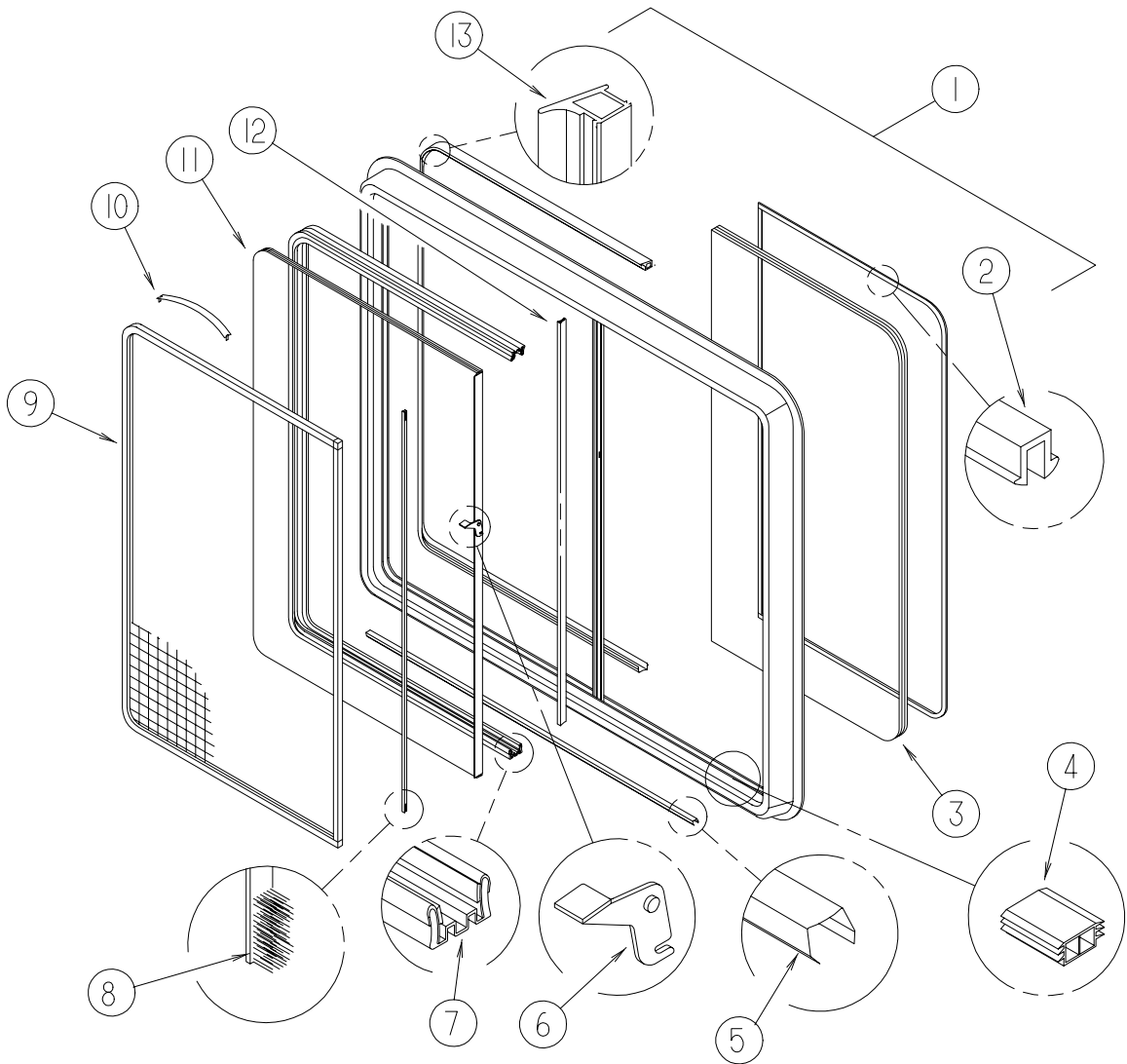
| KEY | PART NUMBER | U/M | DESCRIPTION | VENDOR NO. |
|-----|---------------|-----|--|---------------|
| 1 | 112795-56-01A | EA | WINDOW - DRIVER HORIZONTAL SLIDER - THERMO - 15.2" X 24" DB969G2W66L | |
| | 112795-56-703 | EA | RETAINER - TRIM | V969-66 |
| 2 | 112795-01-705 | FT | VINYL - GLAZING | 132-025736 |
| 3 | 112795-56-701 | EA | GLASS - STATIONARY | 390-019412 |
| 4 | 112795-01-701 | EA | SLIDE-STOP | 132-019092 |
| 5 | 098644-01-710 | FT | TRACK - SCREEN SPACER 12' | 132-017135 |
| 6 | 112795-01-700 | EA | LATCH ASM., BLK.,(BOLT ON) | DH287-CK |
| 7 | 112795-01-703 | IN | CHANNEL-RUN (INCHES) | 112795-01-703 |
| 8 | 098644-01-711 | FT | WEATHERSTRIP - SCREEN BLACK | 171-016965 |
| 9 | 112795-56-702 | EA | SCREEN ASM - W/SEALS & CLIPS | 410-019414 |
| 10 | 098644-01-713 | EA | CLIP - SCREEN - METAL | 226-016966 |
| 10 | 125582-01-701 | EA | CLIP - SCREEN - PLASTIC | 130005153 |
| 11 | 112795-56-700 | EA | GLASS-SLIDING W/SASH & LATCH | DB969-G9 |
| 12 | 098644-01-706 | FT | WEATHERSTRIP - GLASS | 171-010668 |
| 13 | 112795-01-704 | FT | PLUG FILLER (DOUBLE GLAZED) | 122-018737 |
| | 098644-01-717 | FT | SPLINE - SCREEN | 132-004716 |

THERMOPANE



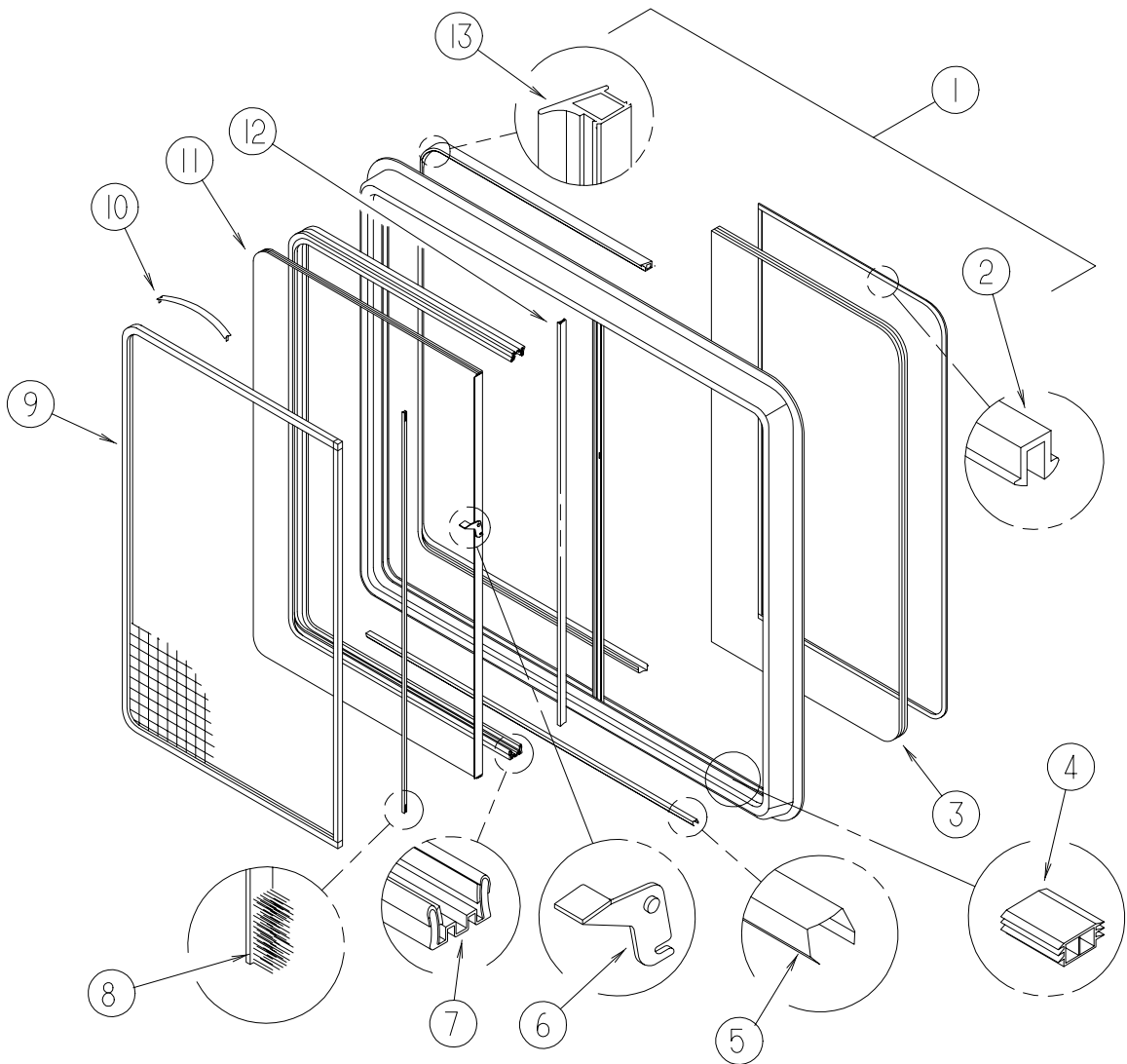
| KEY | PART NUMBER | U/M | DESCRIPTION | VENDOR NO. |
|-----|---------------|-----|--|---------------|
| 1 | 112795-57-01A | EA | WINDOW-PASSENGER HORIZONTAL SLIDE THERMO 24" X 57 3/4" | |
| | 112795-47-703 | EA | RETAINER - TRIM | W493-66 |
| 2 | 112795-01-705 | FT | VINYL - GLAZING | 132-025736 |
| 3 | 112795-54-701 | EA | GLASS - STATIONARY | 390-025248 |
| 4 | 112795-01-701 | EA | SLIDE-STOP | 132-019092 |
| 5 | 098644-01-710 | FT | TRACK - SCREEN SPACER 12' | 132-017135 |
| 6 | 112795-01-700 | EA | LATCH ASM., BLK.,(BOLT ON) | DH287-CK |
| 7 | 112795-01-703 | IN | CHANNEL-RUN (INCHES) | 112795-01-703 |
| 8 | 098644-01-711 | FT | WEATHERSTRIP - SCREEN BLACK | 171-016965 |
| 9 | 112795-47-702 | EA | SCREEN ASM - W/SEALS & CLIPS | 410-025226 |
| 10 | 098644-01-713 | EA | CLIP - SCREEN - METAL | 226-016966 |
| 10 | 125582-01-701 | EA | CLIP - SCREEN - PLASTIC | 130005153 |
| 11 | 112795-54-700 | EA | GLASS-SLIDING W/SASH & LATCH | DH493-G9 |
| 12 | 098644-01-706 | FT | WEATHERSTRIP - GLASS | 171-010668 |
| 13 | 112795-01-704 | FT | PLUG FILLER (DOUBLE GLAZED) | 122-018737 |
| | 098644-01-717 | FT | SPLINE - SCREEN | 132-004716 |

THERMOPANE



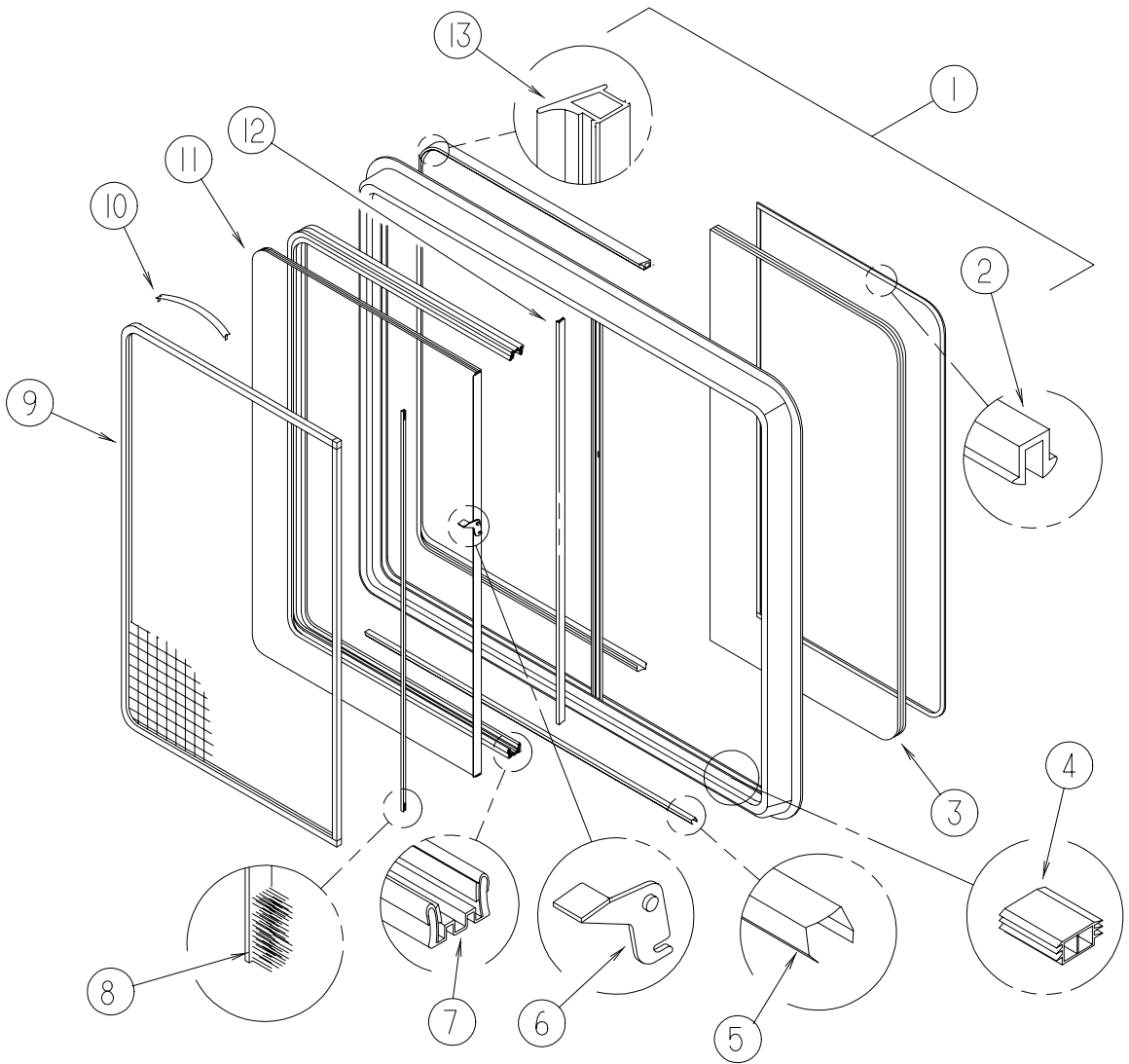
| KEY | PART NUMBER | U/M | DESCRIPTION | VENDOR NO. |
|-----|---------------|-----|--|---------------|
| 1 | 112795-58-01A | EA | WINDOW - PASSENGER HORIZ SLIDER - THERMO - 24.4" X 36.2" | |
| | 112795-58-702 | EA | RETAINER - TRIM | CW03-66 |
| 2 | 112795-01-705 | FT | VINYL - GLAZING | 132-025736 |
| 3 | 112795-58-701 | EA | GLASS - STATIONARY | 390-025875 |
| 4 | 112795-01-701 | EA | SLIDE-STOP | 132-019092 |
| 5 | 098644-01-710 | FT | TRACK - SCREEN SPACER 12' | 132-017135 |
| 6 | 112795-01-700 | EA | LATCH ASSEMBLY - BLACK - (BOLT ON) | DH287-CK |
| 7 | 112795-01-703 | IN | CHANNEL-RUN (INCHES) | 112795-01-703 |
| 8 | 098644-01-711 | FT | WEATHERSTRIP - SCREEN BLACK | 171-016965 |
| 9 | 112795-58-703 | EA | SCREEN ASSEMBLY - W/SEALS & CLIPS | 410-025877 |
| 10 | 098644-01-713 | EA | CLIP - SCREEN - METAL | 226-016966 |
| 10 | 125582-01-701 | EA | CLIP - SCREEN - PLASTIC | 130005153 |
| 11 | 112795-58-700 | EA | GLASS - SLIDING W/SASH & LATCH | DC03-EG9 |
| 12 | 098644-01-706 | FT | WEATHERSTRIP - GLASS | 171-010668 |
| 13 | 112795-01-704 | FT | PLUG - FILLER (DOUBLE GLAZED) | 122-018737 |
| | 098644-01-717 | FT | SPLINE - SCREEN | 132-004716 |

THERMOPANE



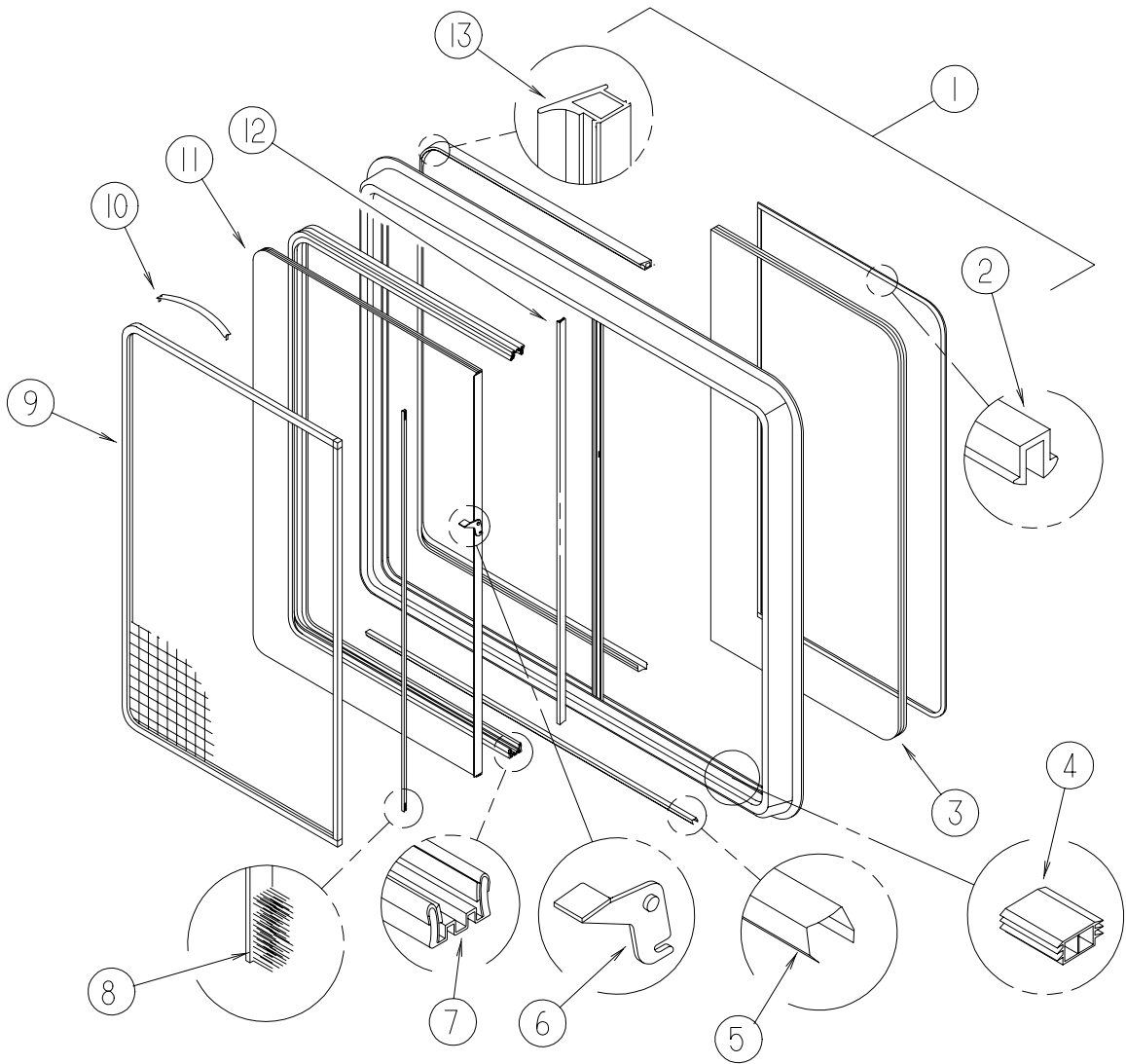
| KEY | PART NUMBER | U/M | DESCRIPTION | VENDOR NO. |
|-----|---------------|-----|--|---------------|
| 1 | 112795-59-01A | EA | WINDOW - DRIVER HORIZONTAL SLIDER - THERMO - 24.4" X 36.2" | |
| | 112795-58-702 | EA | RETAINER - TRIM | CW03-66 |
| 2 | 112795-01-705 | FT | VINYL - GLAZING | 132-025736 |
| 3 | 112795-58-701 | EA | GLASS - STATIONARY | 390-025875 |
| 4 | 112795-01-701 | EA | SLIDE-STOP | 132-019092 |
| 5 | 098644-01-710 | FT | TRACK - SCREEN SPACER 12' | 132-017135 |
| 6 | 112795-01-700 | EA | LATCH ASSEMBLY - BLACK - (BOLT ON) | DH287-CK |
| 7 | 112795-01-703 | IN | CHANNEL-RUN (INCHES) | 112795-01-703 |
| 8 | 098644-01-711 | FT | WEATHERSTRIP - SCREEN BLACK | 171-016965 |
| 9 | 112795-58-703 | EA | SCREEN ASSEMBLY - W/SEALS & CLIPS | 410-025877 |
| 10 | 098644-01-713 | EA | CLIP - SCREEN - METAL | 226-016966 |
| 10 | 125582-01-701 | EA | CLIP - SCREEN - PLASTIC | 130005153 |
| 11 | 112795-58-700 | EA | GLASS - SLIDING W/SASH & LATCH | DC03-EG9 |
| 12 | 098644-01-706 | FT | WEATHERSTRIP - GLASS | 171-010668 |
| 13 | 112795-01-704 | FT | PLUG - FILLER (DOUBLE GLAZED) | 122-018737 |
| | 098644-01-717 | FT | SPLINE - SCREEN | 132-004716 |

THERMOPANE



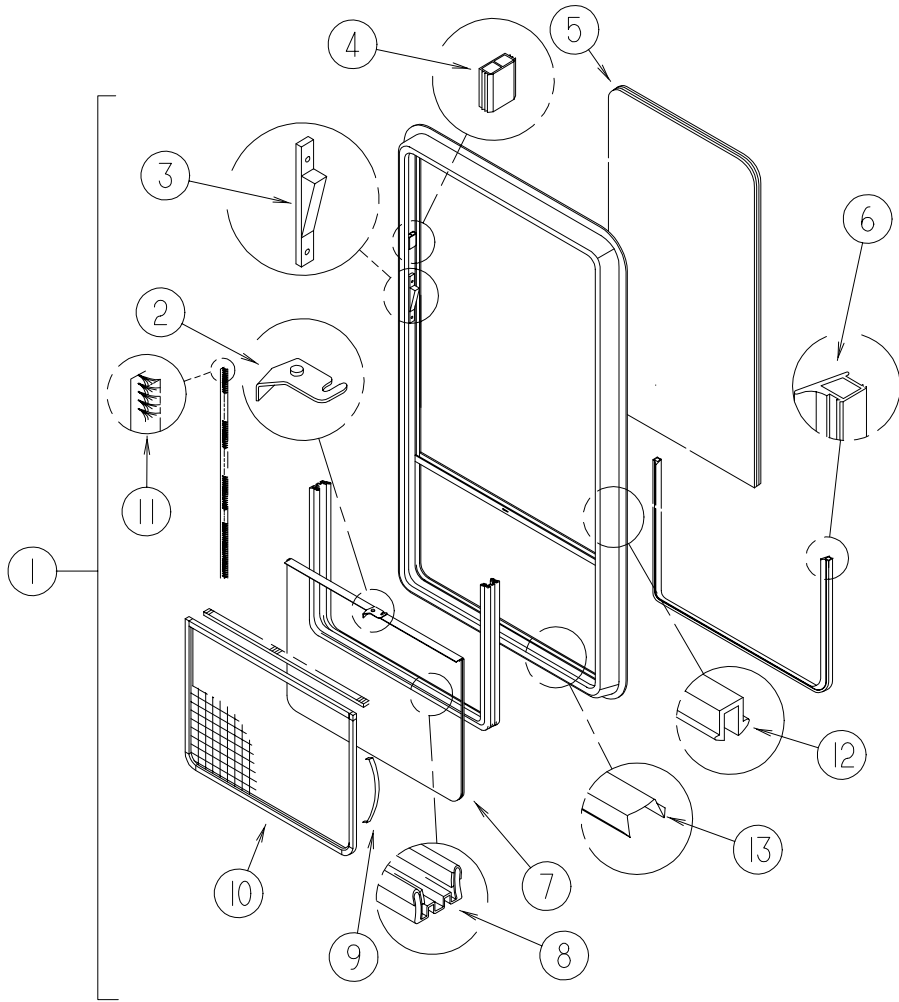
| KEY | PART NUMBER | U/M | DESCRIPTION | VENDOR NO. |
|-----|---------------|-----|---|------------|
| 1 | 112795-60-01A | EA | WINDOW - SLIDER - HORIZONTAL THERMO - 30.5" X 41.2" | |
| 2 | 112795-01-705 | FT | VINYL - GLAZING | 132-025736 |
| 3 | 112795-60-702 | EA | GLASS-SLIDING W/SASH & LATCH | DH560-G9 |
| 4 | 112795-01-701 | EA | SLIDE - STOP | 132-019092 |
| 5 | 098644-01-710 | FT | TRACK - SCREEN SPACER 12' | 132-017135 |
| 6 | 112795-01-700 | EA | LATCH ASSEMBLY - BLACK - (BOLT ON) | DH287-CK |
| 7 | 112795-01-703 | IN | CHANNEL - RUN (INCHES) | 122-018736 |
| 8 | 098644-01-711 | FT | WEATHERSTRIP - SCREEN BLACK | 171-016965 |
| 9 | 112795-60-701 | EA | SCREEN ASM W/SEALS & CLIP | 410-025968 |
| 10 | 098644-01-713 | EA | CLIP - SCREEN - METAL | 226-016966 |
| 10 | 125582-01-701 | EA | CLIP - SCREEN - PLASTIC | 130005153 |
| 11 | 112795-60-703 | EA | GLASS - STATIONARY | 390-025966 |
| 12 | 098644-01-706 | FT | WEATHERSTRIP - GLASS | 171-010668 |
| 13 | 112795-01-704 | FT | PLUG - FILLER - (DOUBLE GLAZED) | 122-018737 |
| | 098644-01-717 | FT | SPLINE - SCREEN | 132-004716 |
| | 112795-60-700 | EA | RETAINER - TRIM | W560-66 |

THERMOPANE



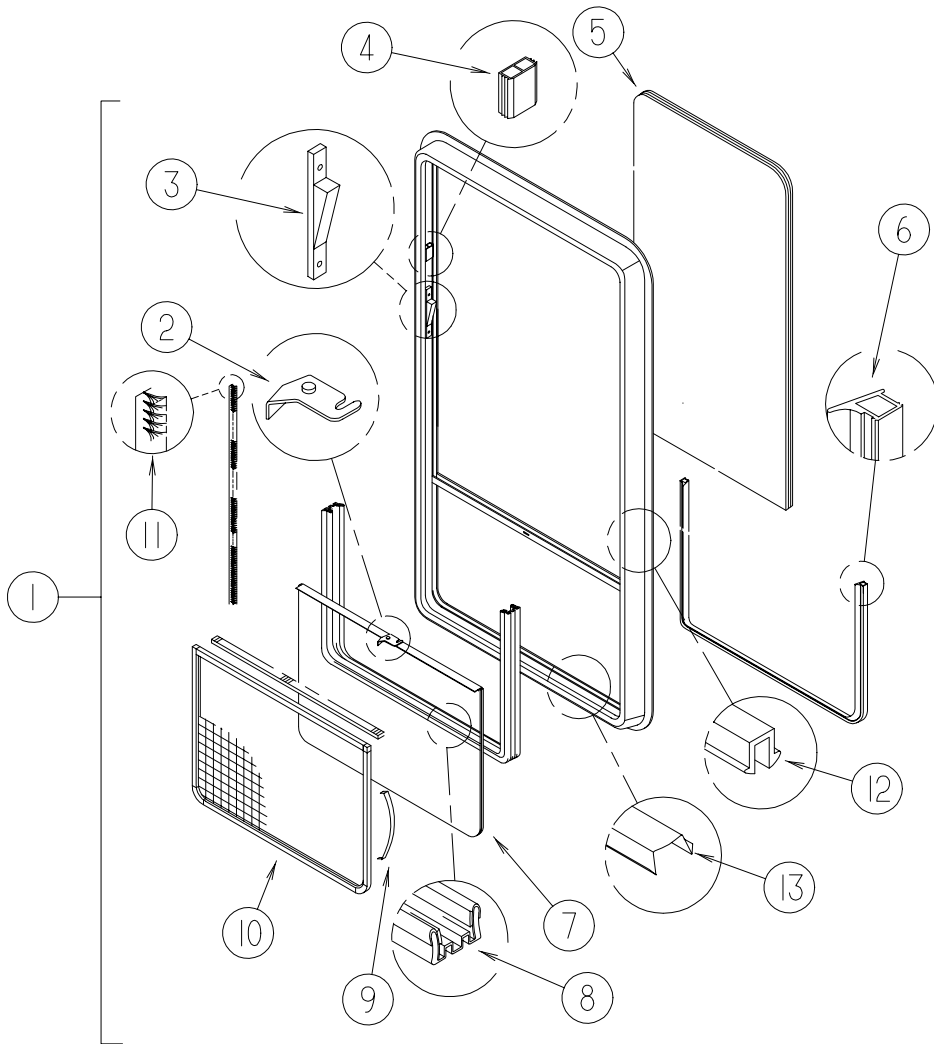
| KEY | PART NUMBER | U/M | DESCRIPTION | VENDOR NO. |
|-----|---------------|-----|---|---------------|
| 1 | 112795-61-01A | EA | WINDOW - SLIDER - HORIZONTAL - THERMO - 15.2" X 24" | |
| | 112795-61-700 | EA | RETAINER - TRIM | V969 |
| 2 | 112795-01-705 | FT | VINYL - GLAZING | 132-025736 |
| 3 | 112795-56-702 | EA | GLASS - SLIDING W/SASH & LATCH | DB969-G9 |
| 4 | 112795-01-701 | EA | SLIDE-STOP | 132-019092 |
| 5 | 098644-01-710 | FT | TRACK - SCREEN SPACER 12' | 132-017135 |
| 6 | 112795-01-700 | EA | LATCH ASSEMBLY - BLACK - (BOLT ON) | DH287-CK |
| 7 | 112795-01-703 | IN | CHANNEL-RUN (INCHES) | 112795-01-703 |
| 8 | 098644-01-711 | FT | WEATHERSTRIP - SCREEN BLACK | 171-016965 |
| 9 | 112795-56-702 | EA | SCREEN ASM - W/SEALS & CLIPS | 410-019414 |
| 10 | 098644-01-713 | EA | CLIP - SCREEN - METAL | 226-016966 |
| 10 | 125582-01-701 | EA | CLIP - SCREEN - PLASTIC | 130005153 |
| 11 | 112795-56-701 | EA | GLASS - STATIONARY | 390-19412 |
| 12 | 098644-01-706 | FT | WEATHERSTRIP - GLASS | 171-010668 |
| 13 | 112795-01-704 | FT | PLUG FILLER (DOUBLE GLAZED) | 122-018737 |
| | 098644-01-717 | FT | SPLINE - SCREEN | 132-004716 |

THERMOPANE



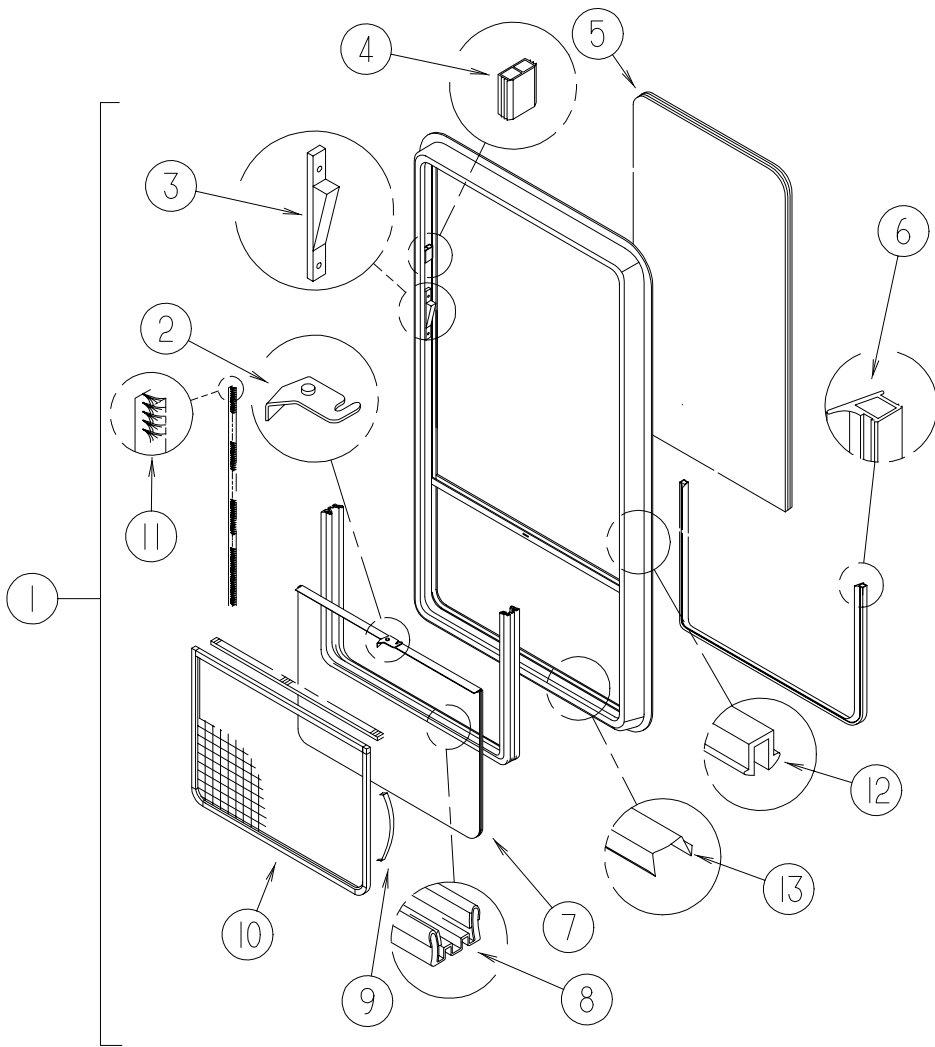
| KEY | PART NUMBER | U/M | DESCRIPTION | VENDOR NO. |
|-----|---------------|-----|------------------------------|------------|
| 1 | 112898-04-01A | EA | WINDOW - VERTICAL SLIDER | |
| | 098644-07-701 | EA | RETAINER - TRIM | CW02-66 |
| 2 | 112795-01-700 | EA | LATCH ASM., BLK.,(BOLT ON) | DH287-CK |
| 3 | 112898-04-703 | EA | SASH LATCH KIT, RAISED | DH343-CK |
| 4 | 112795-01-701 | EA | SLIDE-STOP | 132-019092 |
| 5 | 112898-04-701 | EA | GLASS - STATIONARY | 390-019130 |
| 6 | 112795-01-704 | FT | PLUG FILLER (DOUBLE GLAZED) | 122-018737 |
| 7 | 112898-04-702 | EA | GLASS SLIDING W/SASH & LATCH | DC02-G9 |
| 8 | 112795-01-703 | IN | CHANNEL-RUN (INCHES) | 122-018736 |
| 9 | 098644-01-713 | EA | CLIP - SPRING - METAL | 226-016966 |
| 10 | 098644-07-704 | EA | SCREEN ASM - W/SEALS & CLIPS | 410-018863 |
| 11 | 098644-01-711 | FT | WEATHERSTRIP - SCREEN BLACK | 171-016965 |
| 12 | 112795-01-705 | FT | VINYL - GLAZING | 132-025736 |
| 13 | 098644-01-710 | FT | TRACK - SCREEN SPACER 12' | 132-017135 |

THERMOPANE



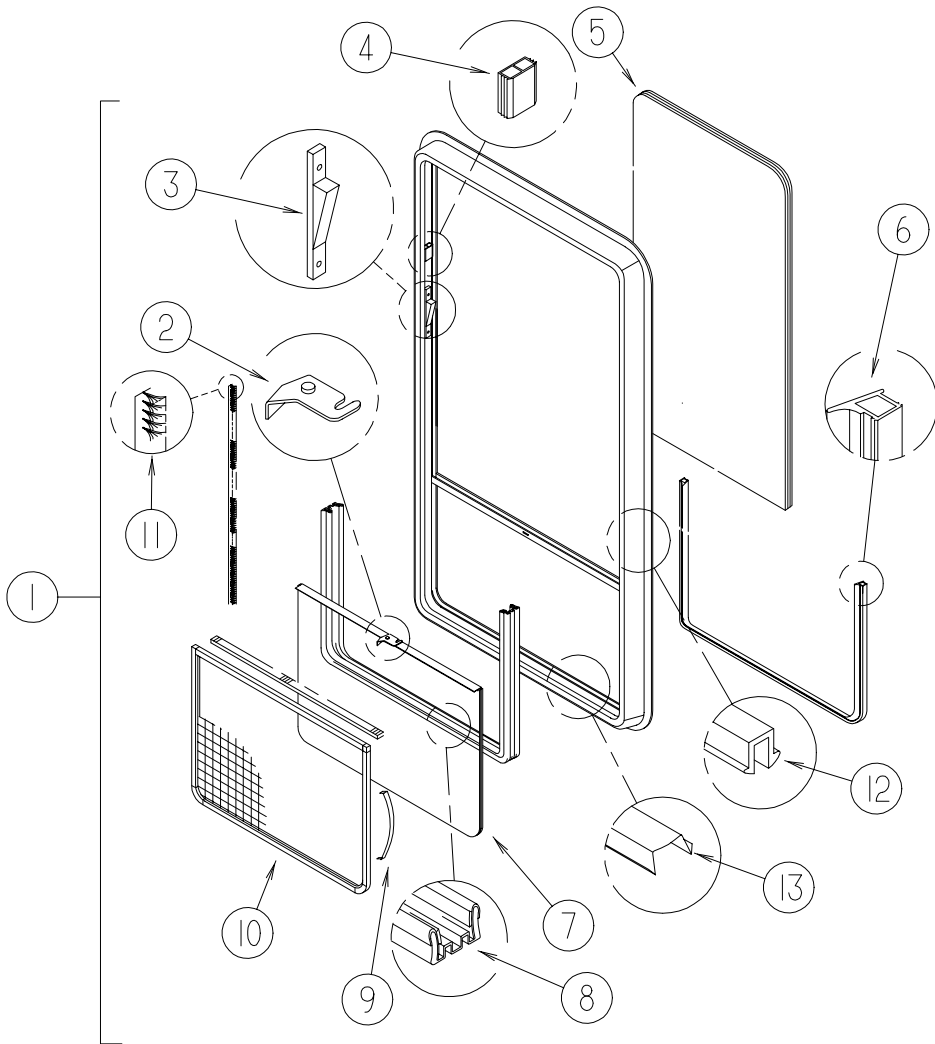
| KEY | PART NUMBER | U/M | DESCRIPTION | VENDOR NO. |
|-----|---------------|-----|------------------------------|------------|
| 1 | 112898-05-01A | EA | WINDOW-SLIDING, VERTICAL | |
| | 112898-05-701 | EA | RETAINER - TRIM | CW61-66 |
| 2 | 112795-01-700 | EA | LATCH ASM., BLACK | DH287-CK |
| 3 | 112898-04-703 | EA | SASH LATCH KIT, RAISED | DH343-CK |
| 4 | 112795-01-701 | EA | SLIDE-STOP | 132-019092 |
| 5 | 112898-05-702 | EA | GLASS - STATIONARY | 390-019170 |
| 6 | 112795-01-704 | FT | PLUG FILLER (DOUBLE GLAZED) | 122-018737 |
| 7 | 112898-05-703 | EA | GLASS-SLIDING W/SASH & LATCH | DC61-G9 |
| 8 | 112795-01-703 | IN | CHANNEL-RUN (INCHES) | 122-018736 |
| 9 | 098644-01-713 | EA | CLIP - SPRING - METAL | 226-016966 |
| 10 | 112898-05-704 | EA | SCREEN ASM - W/SEALS & CLIPS | 410-018862 |
| 11 | 098644-01-711 | EA | WEATHERSTRIP-SCREEN, BLACK | 171-016965 |
| 12 | 112795-01-705 | FT | VINYL-GLAZING | 132-019702 |
| 13 | 098644-01-710 | FT | TRACK-SCREEN SPACER, 12' | 132-017135 |

THERMOPANE



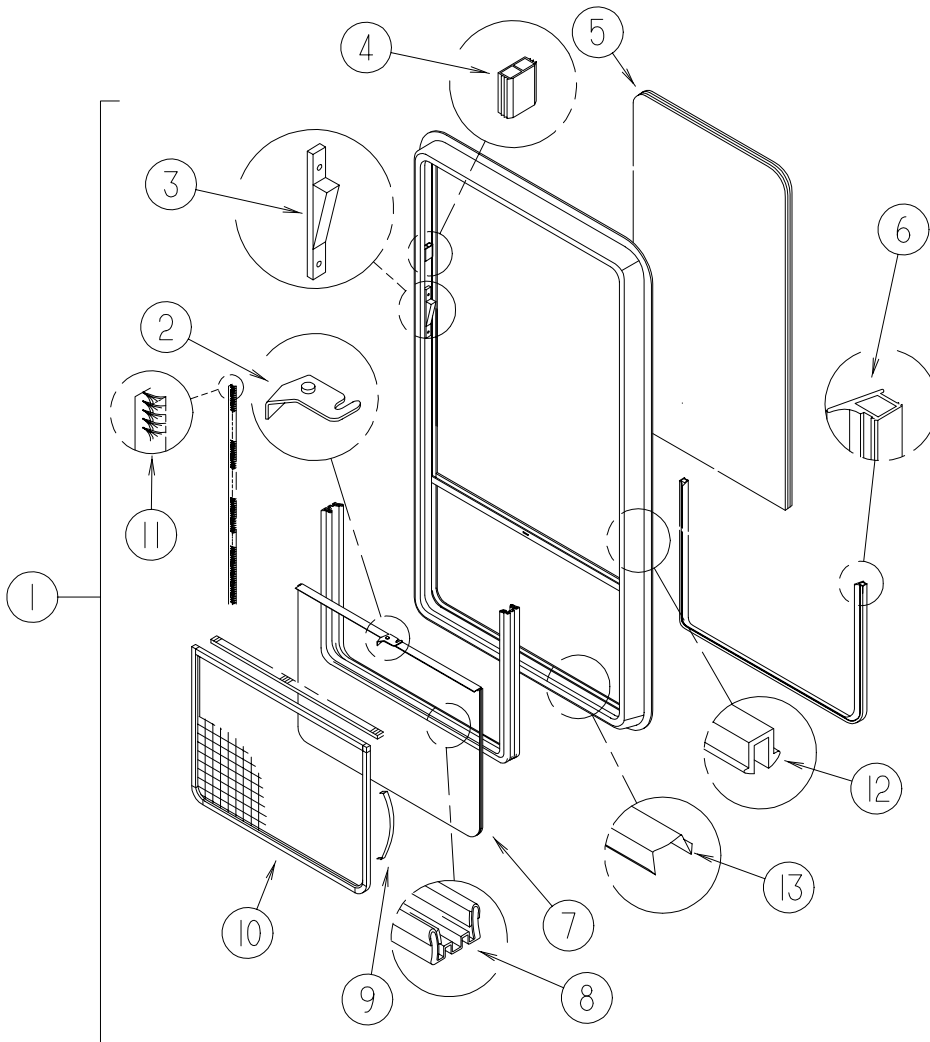
| KEY | PART NUMBER | U/M | DESCRIPTION | VENDOR NO. |
|-----|---------------|-----|------------------------------|------------|
| 1 | 112898-06-01A | EA | WINDOW-SLIDING, VERTICLE | |
| | 112898-06-701 | EA | RETAINER - TRIM | W421-64 |
| 2 | 112795-01-700 | EA | LATCH ASM., BLK.,(BOLT ON) | DH287-CK |
| 3 | 112898-04-703 | EA | SASH LATCH KIT, RAISED | DH343-CK |
| 4 | 112795-01-701 | EA | SLIDE-STOP | 132-019092 |
| 5 | 112898-06-702 | EA | GLASS - STATIONARY | 390-019172 |
| 6 | 112795-01-704 | FT | PLUG FILLER (DOUBLE GLAZED) | 122-018737 |
| 7 | 112898-06-703 | EA | GLASS-SLIDING W/SASH & LATCH | DH421-G9 |
| 8 | 112795-01-703 | IN | CHANNEL-RUN (INCHES) | 122-018736 |
| 9 | 098644-01-713 | EA | CLIP - SPRING - METAL | 226-016966 |
| 10 | 112898-06-706 | EA | SCREEN ASM - W/SEALS & CLIPS | 410-019189 |
| 11 | 098644-01-711 | FT | WEATHERSTRIP - SCREEN BLACK | 171-016965 |
| 12 | 112795-01-705 | FT | VINYL - GLAZING | 132-025736 |
| 13 | 098644-01-710 | FT | TRACK - SCREEN SPACER 12' | 132-017135 |
| | 112898-06-704 | EA | HANDLE-LATCH, RED-RH | 182-11293 |
| | 112898-06-705 | EA | HANDLE-LATCH, RED-LH | 182-11294 |

THERMOPANE



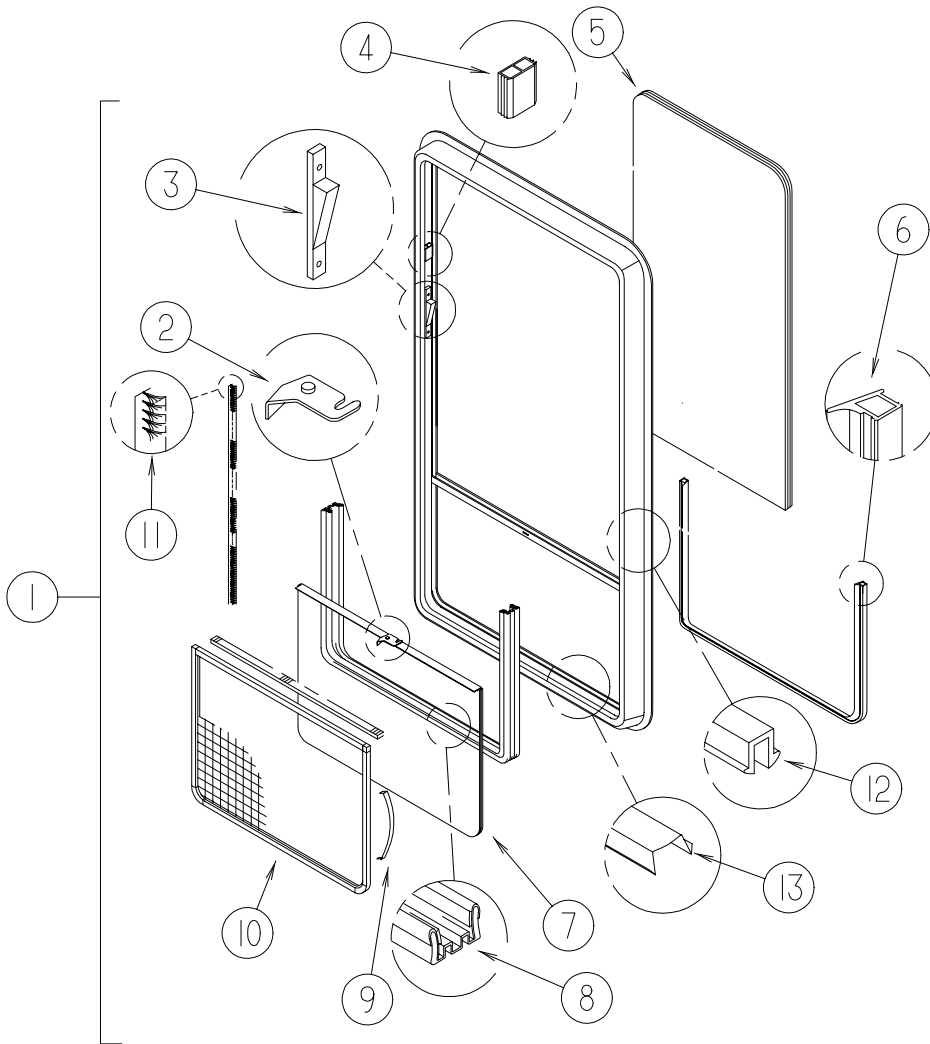
| KEY | PART NUMBER | U/M | DESCRIPTION | VENDOR NO. |
|-----|---------------|-----|---|-------------|
| 1 | 112898-07-01A | EA | WINDOW - VERTICAL SLIDER - THERMO - 22.8" X 21.1" | DH439-G2W66 |
| | 112898-07-701 | EA | RETAINER - TRIM | CW91-66 |
| 2 | 112795-01-700 | EA | LATCH ASM., BLK.,(BOLT ON) | DH287-CK |
| 3 | 112898-04-703 | EA | VERTICAL LATCH (SASH KIT) | DH343-CK |
| 4 | 112795-01-701 | EA | SLIDE-STOP | 132-019092 |
| 5 | 112898-07-702 | EA | GLASS (STATIONARY) | 390-019468 |
| 6 | 112795-01-704 | FT | PLUG FILLER (DOUBLE GLAZED) | 122-018737 |
| 7 | 112898-07-703 | EA | GLASS SLIDING W/SASH & LATCH | DH439-G9 |
| 8 | 112795-01-703 | IN | CHANNEL-RUN (INCHES) | 122-018736 |
| 9 | 098644-01-713 | EA | CLIP - SPRING - METAL | 226-016966 |
| 10 | 112898-07-704 | EA | SCREEN ASM - W/SEALS & CLIPS | 410-019475 |
| 11 | 098644-01-711 | FT | WEATHERSTRIP - SCREEN BLACK | 171-016965 |
| 12 | 112795-01-705 | FT | VINYL - GLAZING | 132-025736 |
| 13 | 098644-01-710 | FT | TRACK - SCREEN SPACER 12' | 132-017135 |
| | 112795-01-700 | EA | LATCH ASM., BLK.,(BOLT ON) | DH287-CK |

THERMOPANE



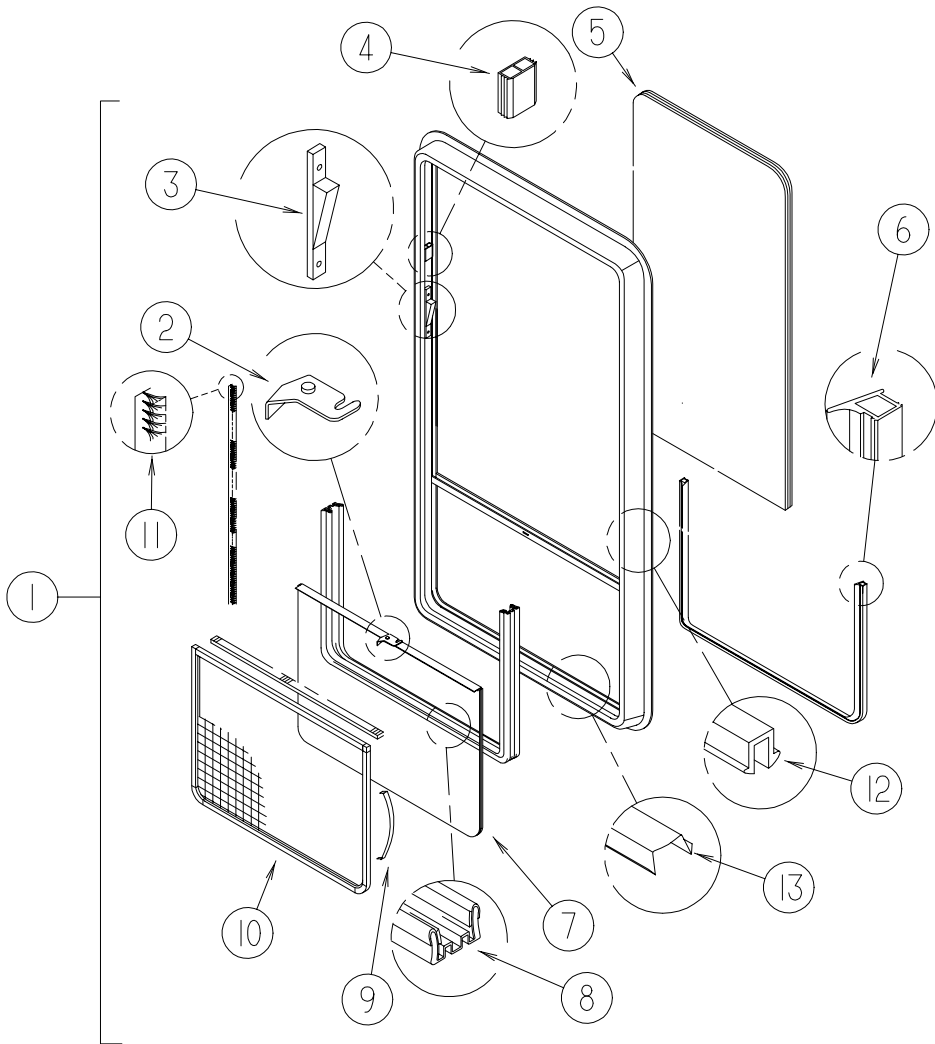
| KEY | PART NUMBER | U/M | DESCRIPTION | VENDOR NO. |
|-----|---------------|-----|--|------------|
| 1 | 112898-10-01A | EA | WINDOW - VERTICAL SLIDER - THERMO/EXPORT - 14.3" X 30.2" | |
| | 098644-07-701 | EA | RETAINER - TRIM | CW02-66 |
| 2 | 112795-01-700 | EA | LATCH ASM., BLK.,(BOLT ON) | DH287-CK |
| 3 | 112898-04-703 | EA | VERTICAL LATCH (SASH KIT) | DH343-CK |
| 4 | 112795-01-701 | EA | SLIDE-STOP | 132-019092 |
| 5 | 112898-10-700 | EA | GLASS - STATIONARY | 390-019776 |
| 6 | 112795-01-704 | FT | PLUG FILLER (DOUBLE GLAZED) | 122-018737 |
| 7 | 112898-10-701 | EA | GLASS - SLIDING W/SASH & LATCH | DC02-EG9 |
| 8 | 112795-01-703 | IN | CHANNEL-RUN (INCHES) | 122-018736 |
| 9 | 098644-01-713 | EA | CLIP - SPRING - METAL | 226-016966 |
| 10 | 098644-07-704 | EA | SCREEN ASM - W/SEALS & CLIPS | 410-018863 |
| 11 | 098644-01-711 | FT | WEATHERSTRIP - SCREEN BLACK | 171-016965 |
| 12 | 112795-01-705 | FT | VINYL - GLAZING | 132-025736 |
| 13 | 098644-01-710 | FT | TRACK - SCREEN SPACER 12' | 132-017135 |
| | 112795-01-700 | EA | LATCH ASM., BLK.,(BOLT ON) | DH287-CK |

THERMOPANE



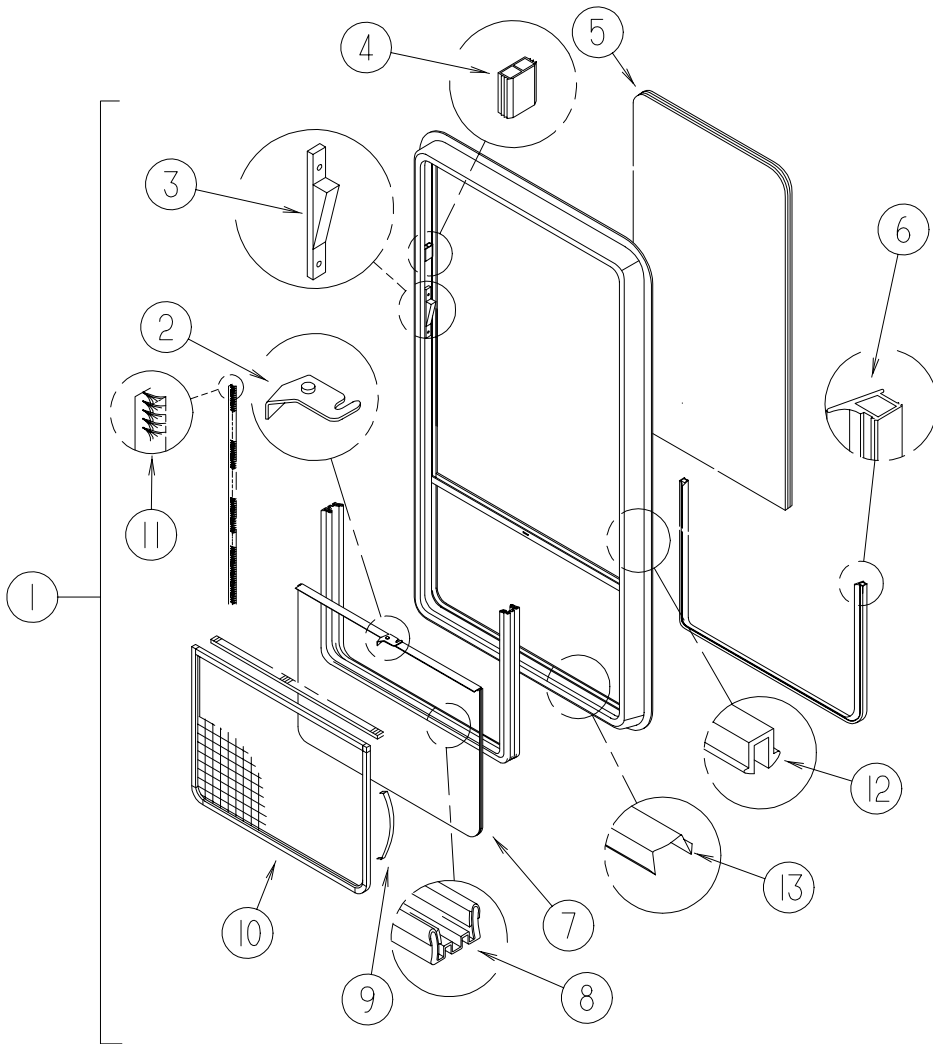
| KEY | PART NUMBER | U/M | DESCRIPTION | VENDOR NO. |
|-----|---------------|-----|---|------------|
| 1 | 112898-11-01A | EA | WINDOW - VERTICAL SLIDER - THERMO - 22.1" X 55.5" | |
| | 112898-09-701 | EA | RETAINER - TRIM | W446-66 |
| 2 | 112795-01-700 | EA | LATCH ASM., BLK.,(BOLT ON) | DH287-CK |
| 3 | 112898-04-703 | EA | VERTICAL LATCH (SASH KIT) | DH343-CK |
| 4 | 112795-01-701 | EA | SLIDE-STOP | 132-019092 |
| 5 | 112898-11-701 | EA | GLASS (STATIONARY) | 390-019648 |
| 6 | 112795-01-704 | FT | PLUG FILLER (DOUBLE GLAZED) | 122-018737 |
| 7 | 112898-11-702 | EA | GLASS SLIDING W/SASH & LATCH | DH446-G9 |
| 8 | 112795-01-703 | IN | CHANNEL-RUN (INCHES) | 122-018736 |
| 9 | 098644-01-713 | EA | CLIP - SPRING - METAL | 226-016966 |
| 10 | 112898-09-704 | EA | SCREEN ASM - W/SEALS & CLIPS | 410-019511 |
| 11 | 098644-01-711 | FT | WEATHERSTRIP - SCREEN BLACK | 171-016965 |
| 12 | 112795-01-705 | FT | VINYL - GLAZING | 132-025736 |
| 13 | 098644-01-710 | FT | TRACK - SCREEN SPACER 12' | 132-017135 |
| | 112795-01-700 | EA | LATCH ASM., BLK.,(BOLT ON) | DH287-CK |

THERMOPANE



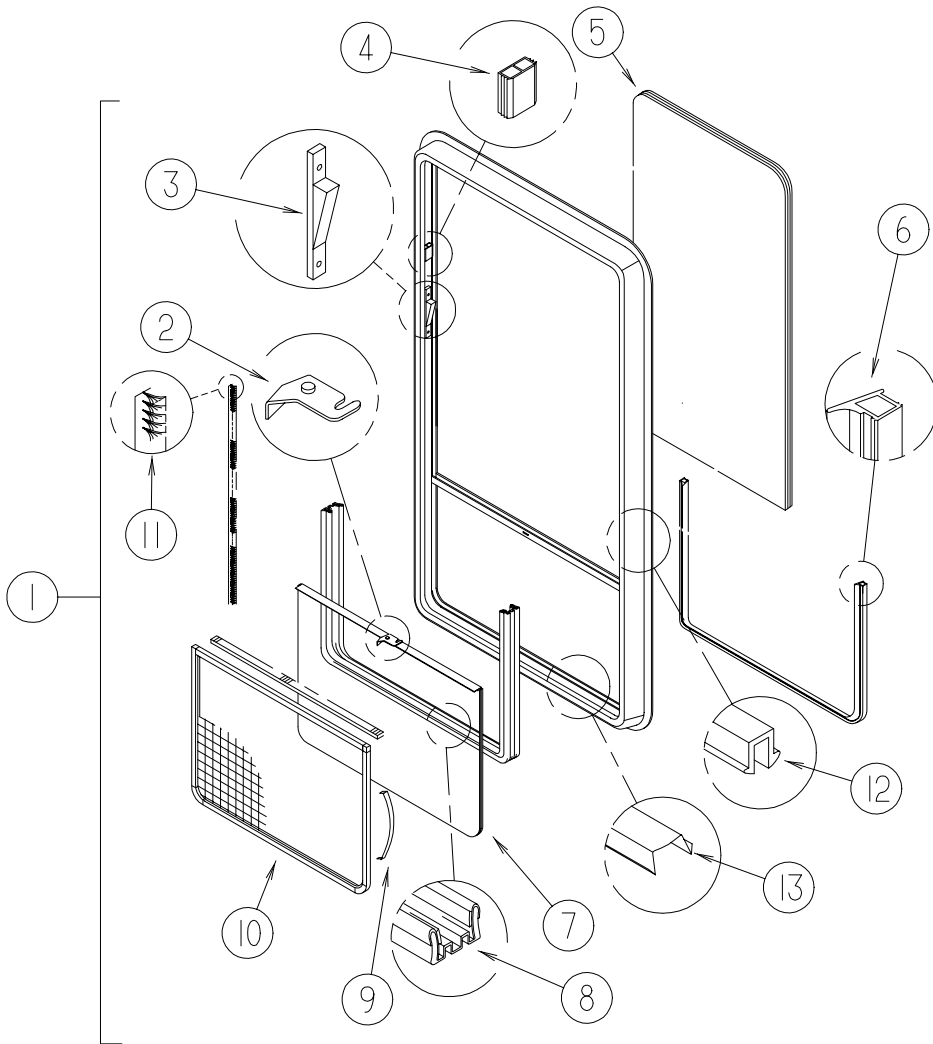
| KEY | PART NUMBER | U/M | DESCRIPTION | VENDOR NO. |
|-----|---------------|-----|--|------------|
| 1 | 112898-12-01A | EA | WINDOW - VERTICAL SLIDER - THERMO/EXPORT - 27" X 25" | |
| | 098644-10-703 | EA | RETAINER - TRIM | CW78-66 |
| 2 | 112795-01-700 | EA | LATCH ASM., BLK.,(BOLT ON) | DH287-CK |
| 3 | 112898-04-703 | EA | VERTICAL LATCH (SASH KIT) | DH343-CK |
| 4 | 112795-01-701 | EA | SLIDE-STOP | 132-019092 |
| 5 | 112898-12-701 | EA | GLASS (STATIONARY) | 390-019681 |
| 6 | 112795-01-704 | FT | PLUG FILLER (DOUBLE GLAZED) | 122-018737 |
| 7 | 112898-12-700 | EA | GLASS SLIDING W/SASH & LATCH | DC78-EG9 |
| 8 | 112795-01-703 | IN | CHANNEL-RUN (INCHES) | 122-018736 |
| 9 | 098644-01-713 | EA | CLIP - SPRING - METAL | 226-016966 |
| 10 | 098644-10-700 | EA | SCREEN ASM - W/SEALS & CLIPS | 410-019683 |
| 11 | 098644-01-711 | FT | WEATHERSTRIP - SCREEN BLACK | 171-016965 |
| 12 | 112795-01-705 | FT | VINYL - GLAZING | 132-025736 |
| 13 | 098644-01-710 | FT | TRACK - SCREEN SPACER 12' | 132-017135 |
| | 112795-01-700 | EA | LATCH ASM., BLK.,(BOLT ON) | DH287-CK |
| | 112795-24-706 | FT | SEAL - SPLINE/GRAY - ESCAPE | 132-010481 |

THERMOPANE



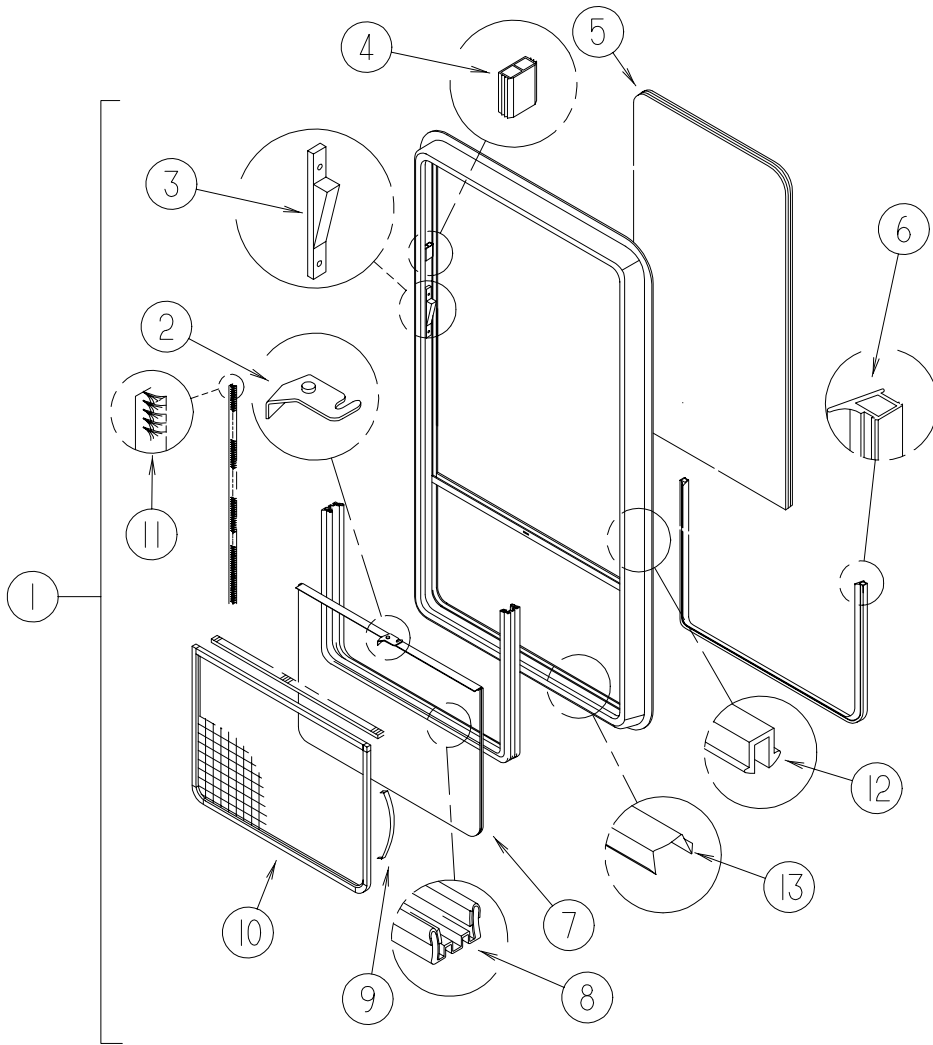
| KEY | PART NUMBER | U/M | DESCRIPTION | VENDOR NO. |
|-----|---------------|-----|------------------------------|------------|
| 1 | 112898-16-01A | EA | WINDOW-SLIDING, VERTICAL | |
| | 112898-16-701 | EA | RETAINER - TRIM | |
| 2 | 112795-01-700 | EA | LATCH ASM., BLACK | DH287-CK |
| 3 | 112898-04-703 | EA | SASH LATCH KIT, RAISED | DH343-CK |
| 4 | 112795-01-701 | EA | SLIDE-STOP | 132-019092 |
| 5 | 112898-05-702 | EA | GLASS - STATIONARY | |
| 6 | 112795-01-704 | FT | PLUG FILLER (DOUBLE GLAZED) | 122-018737 |
| 7 | 112898-16-703 | EA | GLASS-SLIDING W/SASH & LATCH | |
| 8 | 112795-01-703 | IN | CHANNEL-RUN (INCHES) | 122-018736 |
| 9 | 098644-01-713 | EA | CLIP - SPRING - METAL | 226-016966 |
| 10 | 112898-16-704 | EA | SCREEN ASM - W/SEALS & CLIPS | |
| 11 | 098644-01-711 | EA | WEATHERSTRIP-SCREEN, BLACK | 171-016965 |
| 12 | 112795-01-705 | FT | VINYL-GLAZING | 132-019702 |
| 13 | 098644-01-710 | FT | TRACK-SCREEN SPACER, 12' | 132-017135 |

THERMOPANE



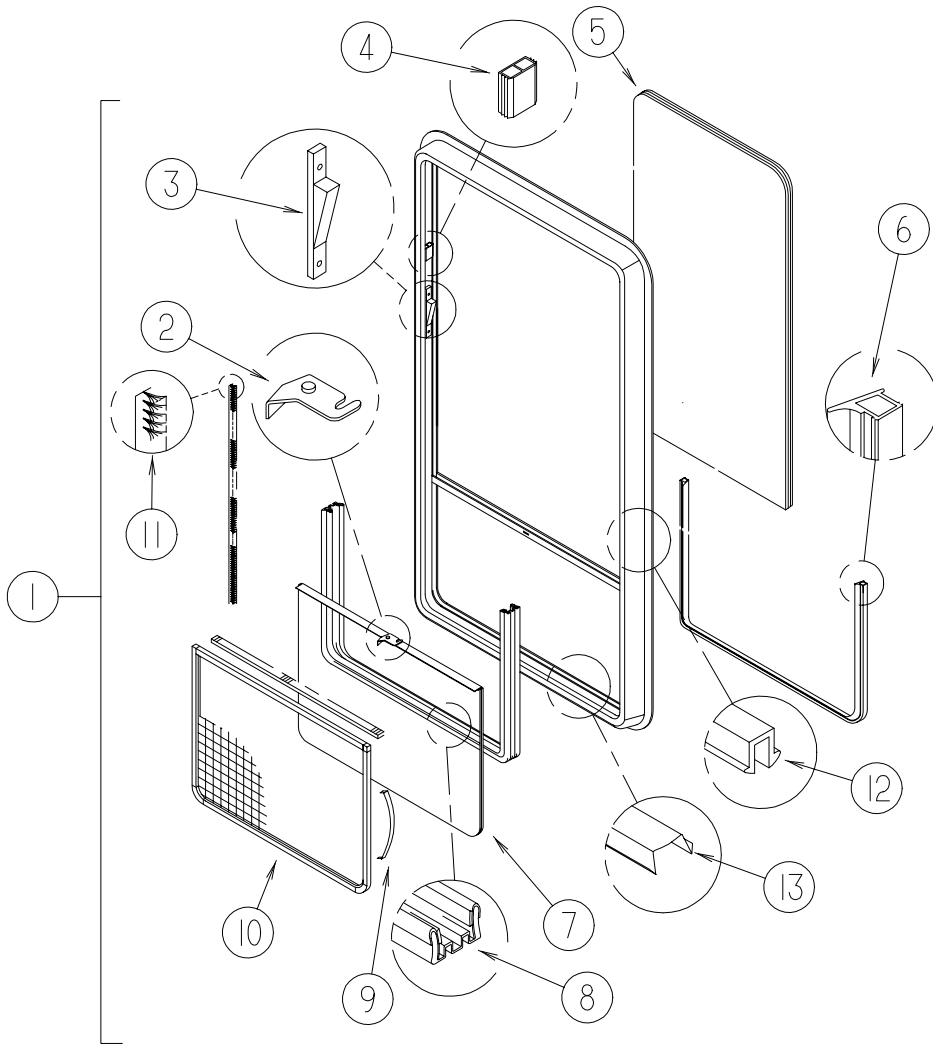
| KEY | PART NUMBER | U/M | DESCRIPTION | VENDOR NO. |
|-----|---------------|-----|--|------------|
| 1 | 112898-17-01A | EA | WINDOW - VERTICAL SLIDER - THERMO/EXPORT - 30.2" X 33.2" | |
| | 112898-16-702 | EA | RETAINER - TRIM | CW100-66 |
| 2 | 112795-01-700 | EA | LATCH ASSEMBLY - BLACK | DH287-CK |
| 3 | 112898-04-703 | EA | SASH LATCH KIT - RAISED | DH343-CK |
| 4 | 112795-01-701 | EA | SLIDE-STOP | 132-019092 |
| 5 | 112898-17-701 | EA | GLASS - STATIONARY | 390-025437 |
| 6 | 112795-01-704 | FT | PLUG FILLER (DOUBLE GLAZED) | 122-018737 |
| 7 | 112898-17-700 | EA | GLASS - SLIDING W/SASH & LATCH | DH510-EG9 |
| 8 | 112795-01-703 | IN | CHANNEL - RUN (INCHES) | 122-018736 |
| 9 | 098644-01-713 | EA | CLIP - SPRING - METAL | 226-016966 |
| 10 | 112898-05-704 | EA | SCREEN ASM - W/SEALS & CLIPS | 410-018862 |
| 11 | 098644-01-711 | EA | WEATHERSTRIP - SCREEN - BLACK | 171-016965 |
| 12 | 112795-01-705 | FT | VINYL - GLAZING | 132-019702 |
| 13 | 098644-01-710 | FT | TRACK - SCREEN SPACER - 12' | 132-017135 |

THERMOPANE



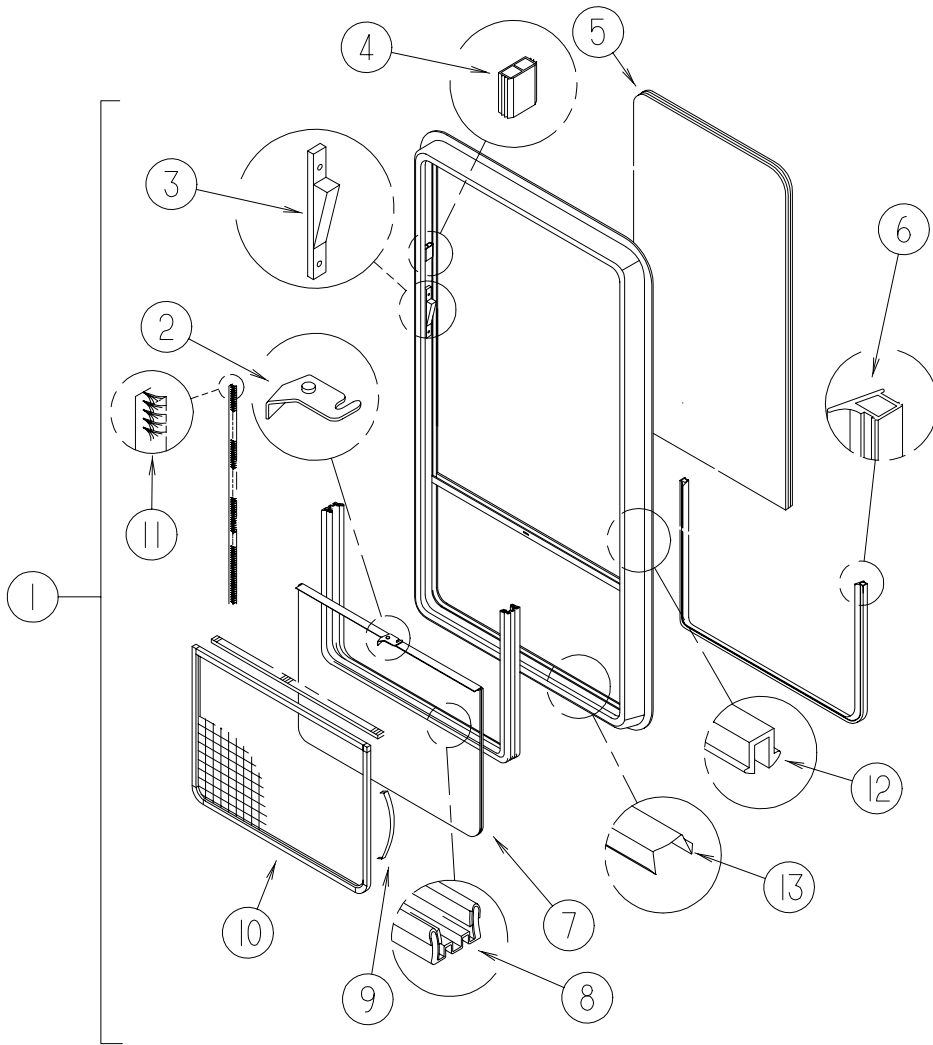
| KEY | PART NUMBER | U/M | DESCRIPTION | VENDOR NO. |
|-----|---------------|-----|--|------------|
| 1 | 112898-18-01A | EA | WINDOW - VERTICAL SLIDER - THERMO - ESCAPE - 33.2" X 30.2" | |
| | 112898-18-702 | EA | RETAINER - TRIM | W511-64 |
| 2 | 112795-01-700 | EA | LATCH - BLACK - (BOLT ON) | DH287-CK |
| 3 | 112898-04-703 | EA | SASH - LATCH KIT - RAISED | DH343-CK |
| 4 | 112795-01-701 | EA | SLIDE - STOP | 132-019092 |
| 5 | 112898-18-701 | EA | GLASS - STATIONARY | 390-025500 |
| 6 | 112795-01-704 | FT | PLUG - FILLER - (DOUBLE GLAZED) | 122-018737 |
| 7 | 112898-18-700 | EA | GLASS - SLIDING - W/SASH & LATCH | DH511-G9 |
| 8 | 112795-01-703 | IN | CHANNEL - RUN (INCHES) | 122-018736 |
| 9 | 098644-01-713 | EA | CLIP - SCREEN - METAL | 226-016966 |
| 10 | 112898-06-706 | EA | SCREEN ASM - W/SEALS & CLIPS | 410-019189 |
| | 098644-01-717 | FT | SPLINE - SCREEN | 132-004716 |
| 11 | 098644-01-711 | FT | WEATHERSTRIP - SCREEN BLACK | 171-016965 |
| 12 | 112795-01-705 | FT | VINYL - GLAZING | 132-025736 |
| 13 | 098644-01-710 | FT | TRACK - SCREEN SPACER 12' | 132-017135 |
| | 098644-01-706 | FT | WEATHERSTRIP - GLASS | 171-010668 |

**THERMOPANE
DH564G2W66**



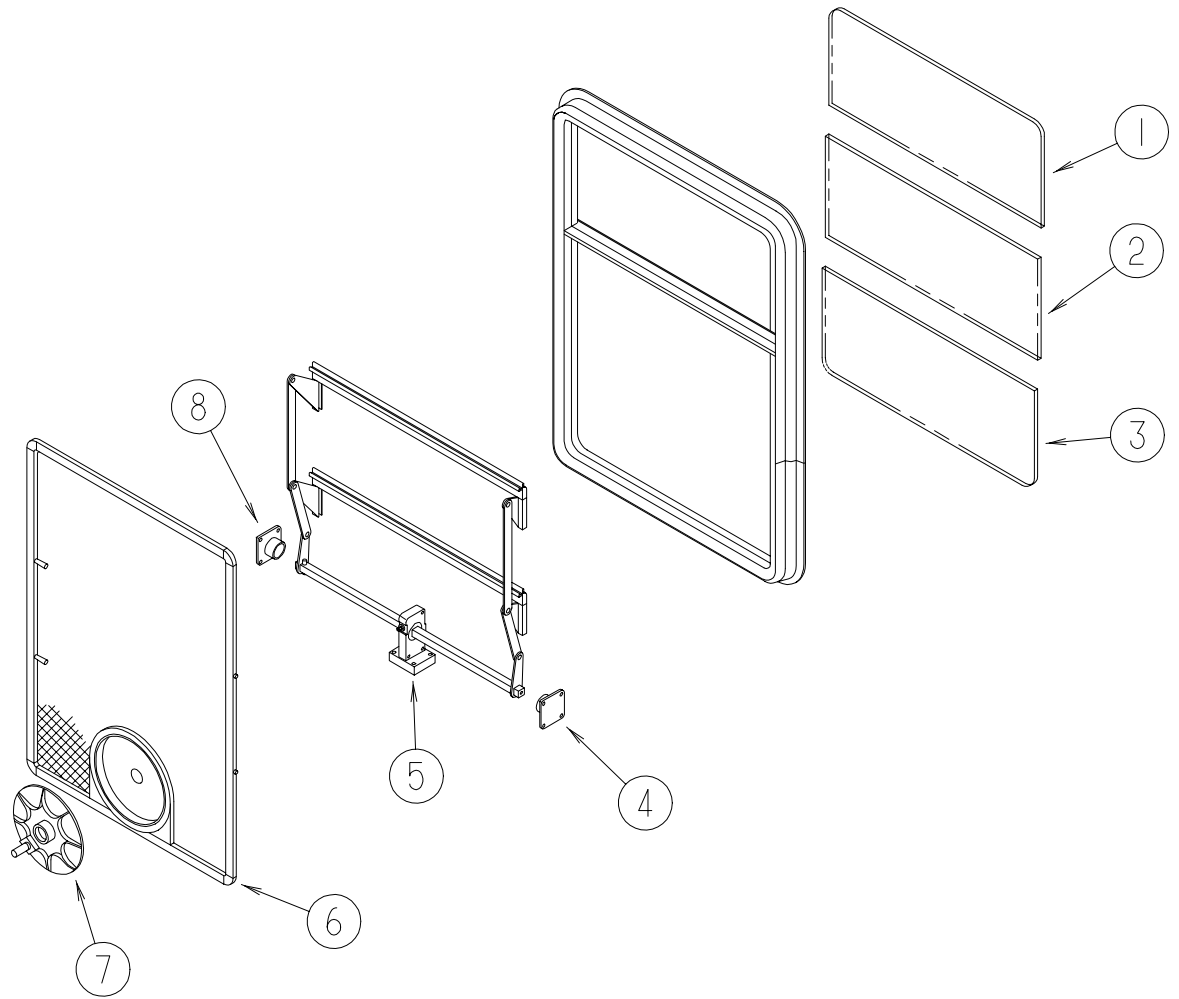
| KEY | PART NUMBER | U/M | DESCRIPTION | VENDOR NO. |
|-----|---------------|-----|---|------------|
| 1 | 112898-19-01A | EA | WINDOW - VERTICAL SLIDER - THERMO - 27" X 26.4" | |
| | 112898-19-703 | EA | RETAINER - TRIM | W564-66 |
| 2 | 112795-01-700 | EA | LATCH - BLACK - (BOLT ON) | DH287-CK |
| 3 | 112898-04-703 | EA | SASH - LATCH KIT - RAISED | DH343-CK |
| 4 | 112795-01-701 | EA | SLIDE - STOP | 132-019092 |
| 5 | 112898-19-700 | EA | GLASS - STATIONARY | 390-026277 |
| 6 | 112795-01-704 | FT | PLUG - FILLER - (DOUBLE GLAZED) | 122-018737 |
| 7 | 112898-19-701 | EA | GLASS - SLIDING - W/SASH & LATCH | DH564-G9 |
| 8 | 112795-01-703 | IN | CHANNEL - RUN (INCHES) | 122-018736 |
| 9 | 098644-01-713 | EA | CLIP - SCREEN - METAL | 226-016966 |
| 10 | 112898-19-702 | EA | SCREEN ASM - W/SEALS & CLIPS | 410-026279 |
| | 098644-01-717 | FT | SPLINE - SCREEN | 132-004716 |
| 11 | 098644-01-711 | FT | WEATHERSTRIP - SCREEN BLACK | 171-016965 |
| 12 | 112795-01-705 | FT | VINYL - GLAZING | 132-025736 |
| 13 | 098644-01-710 | FT | TRACK - SCREEN SPACER 12' | 132-017135 |
| | 098644-01-706 | FT | WEATHERSTRIP - GLASS | 171-010668 |

THERMOPANE



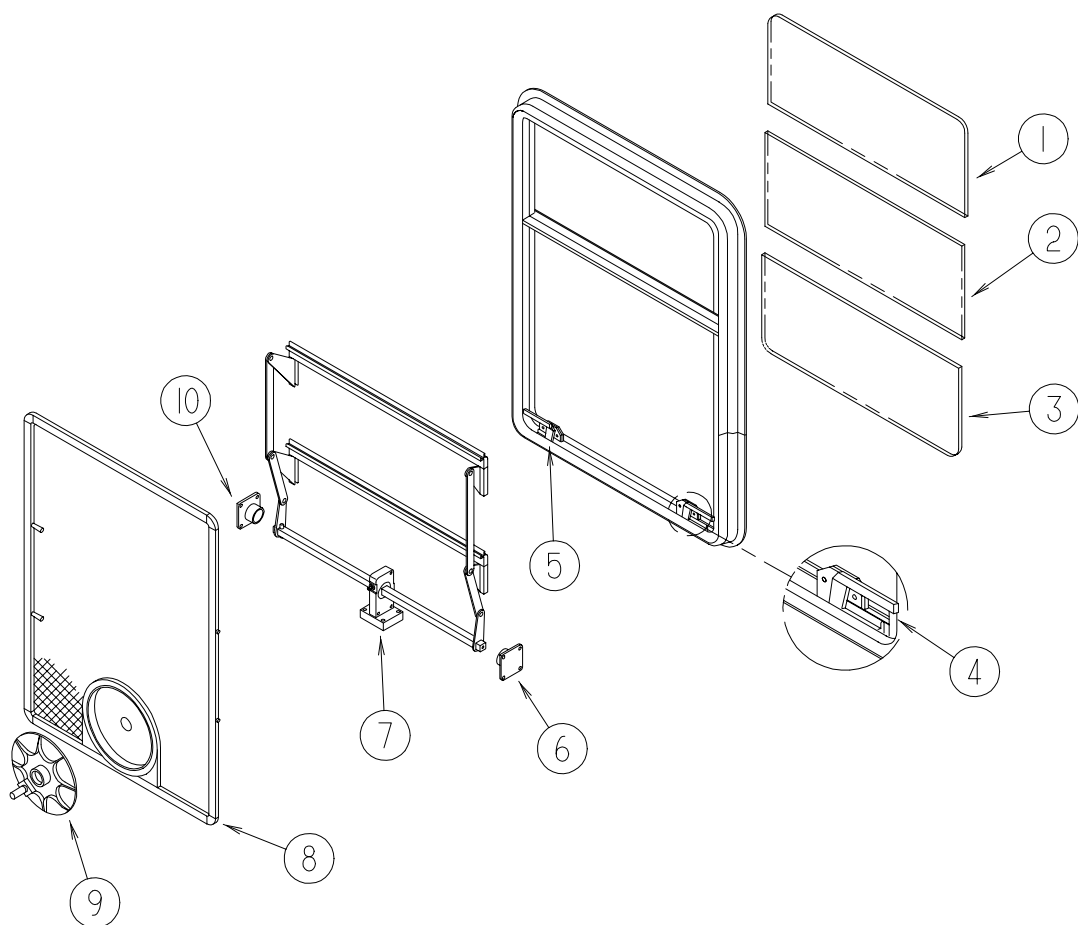
| KEY | PART NUMBER | U/M | DESCRIPTION | VENDOR NO. |
|-----|---------------|-----|--|------------|
| 1 | 112898-20-01A | EA | WINDOW - VERTICAL SLIDER - THERMO - 21.1" X 31.7" DH33 | |
| | 098644-04-700 | EA | RETAINER - TRIM | W332-67 |
| 2 | 112795-01-700 | EA | LATCH - BLACK - (BOLT ON) | DH287-CK |
| 3 | 112898-04-703 | EA | VERTICAL LATCH (SASH KIT) | DH343-CK |
| 4 | 112795-01-701 | EA | SLIDE - STOP | 132-019092 |
| 5 | 112898-20-700 | EA | GLASS - STATIONARY | 390-026624 |
| 6 | 112795-01-704 | FT | PLUG - FILLER - (DOUBLE GLAZED) | 122-018737 |
| 7 | 112898-20-701 | EA | GLASS-SLIDING W/SASH & LATCH | DH332-G9 |
| 8 | 112795-01-703 | IN | CHANNEL - RUN (INCHES) | 122-018736 |
| 9 | 098644-01-713 | EA | CLIP - SCREEN - METAL | 226-016966 |
| 10 | 098644-04-703 | EA | SCREEN ASM - W/SEALS & CLIPS | 410-017955 |
| | 098644-01-717 | FT | SPLINE - SCREEN | 132-004716 |
| 11 | 098644-01-711 | FT | WEATHERSTRIP - SCREEN BLACK | 171-016965 |
| 12 | 112795-01-705 | FT | VINYL - GLAZING | 132-025736 |
| 13 | 098644-01-710 | FT | TRACK - SCREEN SPACER 12' | 132-017135 |
| | 098644-01-706 | FT | WEATHERSTRIP - GLASS | 171-010668 |

**DOUBLE TIPOUT
CH04-G2W59**



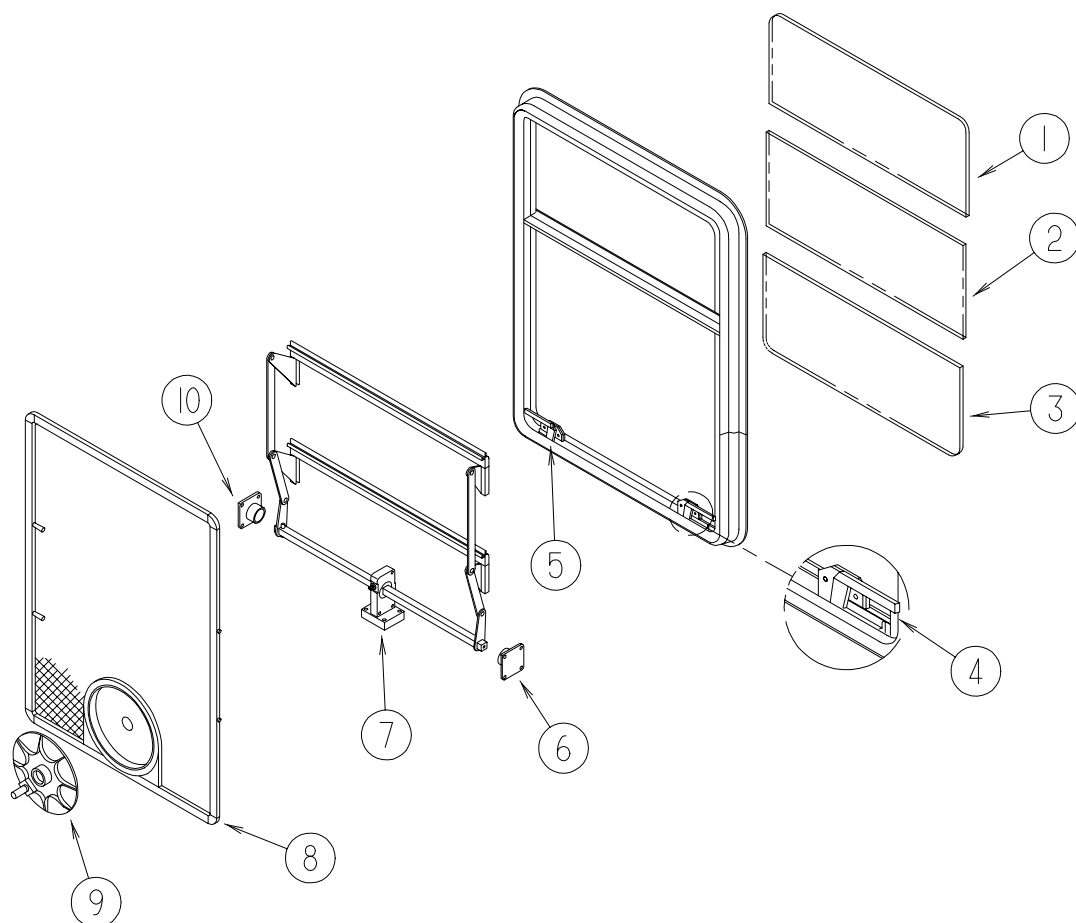
| KEY | PART NUMBER | U/M | DESCRIPTION | VENDOR NO. |
|-----|---------------|-----|---|------------|
| | 113500-01-01A | EA | WINDOW - DOUBLE TIPOUT - TINTED - 24.5" X 41.3" | CH04-G2W59 |
| | 113500-01-702 | EA | RETAINER - TRIM | CW04-59 |
| 1 | 113500-01-703 | EA | GLASS - TOP STATIONARY | 106-015970 |
| 2 | 113500-01-704 | EA | GLASS - UPPER VENT ASSEMBLY | CH04-G7 |
| 3 | 113500-01-705 | EA | GLASS - LOWER VENT ASSEMBLY | CH04-G9 |
| 4 | 113500-01-707 | EA | SUPPORT - TORQUE BAR RH | 130-015979 |
| 5 | 113500-01-706 | EA | OPERATOR & BAR ASSEMBLY | CH04-15 |
| | 112519-01-702 | EA | OPERATOR-VENT | 410-016123 |
| 6 | 113500-01-700 | EA | SCREEN ASM - W/SEALS & CLIPS | 410-016020 |
| 7 | 100322-01-718 | EA | HANDLE-DIAL | 410-016081 |
| 8 | 113500-01-708 | EA | SUPPORT - TORQUE BAR LH | 130-015978 |
| | 098644-01-716 | FT | PLUG - FILLER | 132-014470 |
| | 100322-01-701 | FT | SEAL-VENT | 122-016071 |
| | 100322-01-702 | EA | WEATHERSTRIP-HORIZONTAL RAIL | 132-015976 |
| | 100322-01-703 | FT | VINYL-GLAZING, BUTYL | 132-010723 |
| | 100322-01-704 | FT | TAPE-BUTYL | 154-016083 |
| | 100322-01-717 | EA | E-RING | 245-015975 |

**DOUBLE TIPOUT
WITH ESCAPE**



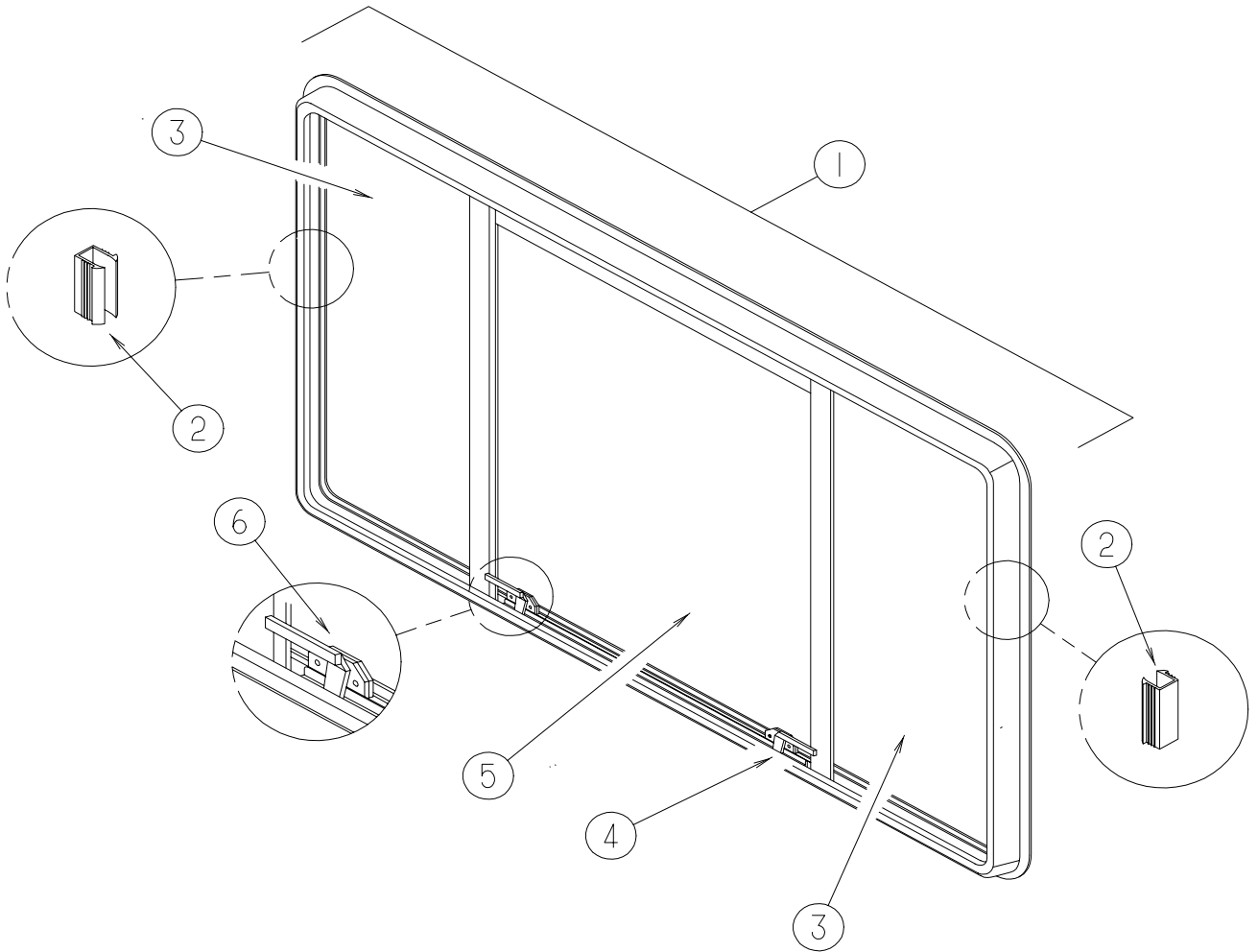
| KEY | PART NUMBER | U/M | DESCRIPTION | VENDOR NO. |
|-----|---------------|-----|---|------------|
| | 113500-05-01A | EA | WINDOW - DOUBLE TIPOUT - TINTED - 33.2" X 30.2" | |
| | 113500-05-705 | EA | RETAINER - TRIM | CW100-59 |
| 1 | 113500-05-700 | EA | GLASS - STATIONARY | 106-025654 |
| 2 | 113500-05-701 | EA | VENT ASM (UPPER) | CH104-D7 |
| 3 | 113500-05-702 | EA | VENT ASM (LOWER) | CH104-D9 |
| 4 | 112898-06-704 | EA | HANDLE-LATCH, RED-RH | 182-11293 |
| 5 | 112898-06-705 | EA | HANDLE-LATCH, RED-LH | 182-11294 |
| 6 | 113500-01-707 | EA | SUPPORT - TORQUE BAR RH | 130-015979 |
| 7 | 113500-05-703 | EA | OPERATOR BAR ASSEMBLY | CH10-15 |
| | 112519-01-702 | EA | OPERATOR-VENT | 410-016123 |
| 8 | 113500-05-704 | EA | SCREEN ASM - W/SEALS & CLIPS | 410-025657 |
| 9 | 100322-01-718 | EA | HANDLE-DIAL | 410-016081 |
| 10 | 113500-01-708 | EA | SUPPORT - TORQUE BAR LH | 130-015978 |
| | 098644-01-716 | FT | PLUG - FILLER | 132-014470 |
| | 100322-01-701 | FT | SEAL-VENT | 122-016071 |
| | 100322-01-702 | EA | WEATHERSTRIP-HORIZONTAL RAIL | 132-015976 |
| | 100322-01-703 | FT | VINYL-GLAZING, BUTYL | 132-010723 |
| | 100322-01-704 | FT | TAPE-BUTYL | 154-016083 |
| | 100322-01-717 | EA | E-RING | 245-015975 |
| | 112463-02-706 | FT | SEAL - FOAM RUBBER | 140-014727 |

**DOUBLE TIPOUT
WITH ESCAPE**



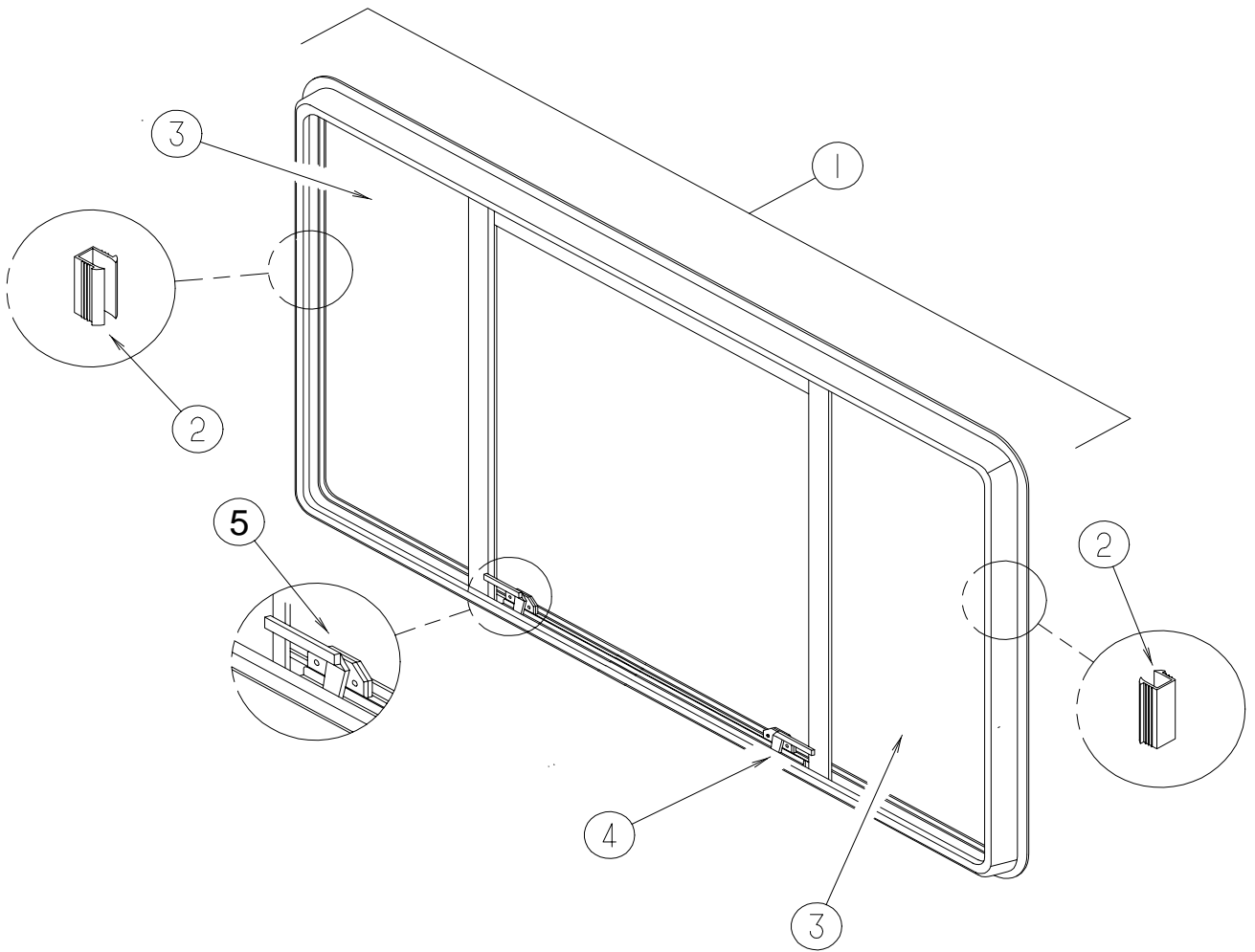
| KEY | PART NUMBER | U/M | DESCRIPTION | VENDOR NO. |
|-----|---------------|-----|--|------------|
| | 113500-06-01A | EA | WINDOW - DOUBLE TIPOUT W/ESCAPE - TINTED - 33.2" X 30.2" | |
| | 113500-06-705 | EA | RETAINER - TRIM | CW101-59 |
| 1 | 113500-06-700 | EA | GLASS - STATIONARY | 106-025658 |
| 2 | 113500-06-701 | EA | VENT ASM (UPPER) | CH105-D7 |
| 3 | 113500-06-702 | EA | VENT ASM (LOWER) | CH105-D9 |
| 4 | 112898-06-704 | EA | HANDLE-LATCH, RED-RH | 182-11293 |
| 5 | 112898-06-705 | EA | HANDLE-LATCH, RED-LH | 182-11294 |
| 6 | 113500-01-707 | EA | SUPPORT - TORQUE BAR RH | 130-015979 |
| 7 | 113500-06-703 | EA | OPERATOR BAR ASSEMBLY | CH65-15 |
| | 112519-01-702 | EA | OPERATOR-VENT | 410-016123 |
| 8 | 113500-06-704 | EA | SCREEN ASM - W/SEALS & CLIPS | 410-025661 |
| 9 | 100322-01-718 | EA | HANDLE-DIAL | 410-016081 |
| 10 | 113500-01-708 | EA | SUPPORT - TORQUE BAR LH | 130-015978 |
| | 098644-01-716 | FT | PLUG - FILLER | 132-014470 |
| | 100322-01-701 | FT | SEAL-VENT | 122-016071 |
| | 100322-01-702 | EA | WEATHERSTRIP-HORIZONTAL RAIL | 132-015976 |
| | 100322-01-703 | FT | VINYL-GLAZING, BUTYL | 132-010723 |
| | 100322-01-704 | FT | TAPE-BUTYL | 154-016083 |
| | 100322-01-717 | EA | E-RING | 245-015975 |
| | 112463-02-706 | FT | SEAL - FOAM RUBBER | 140-014727 |

**WINDOW
REAR ESCAPE B/OW**



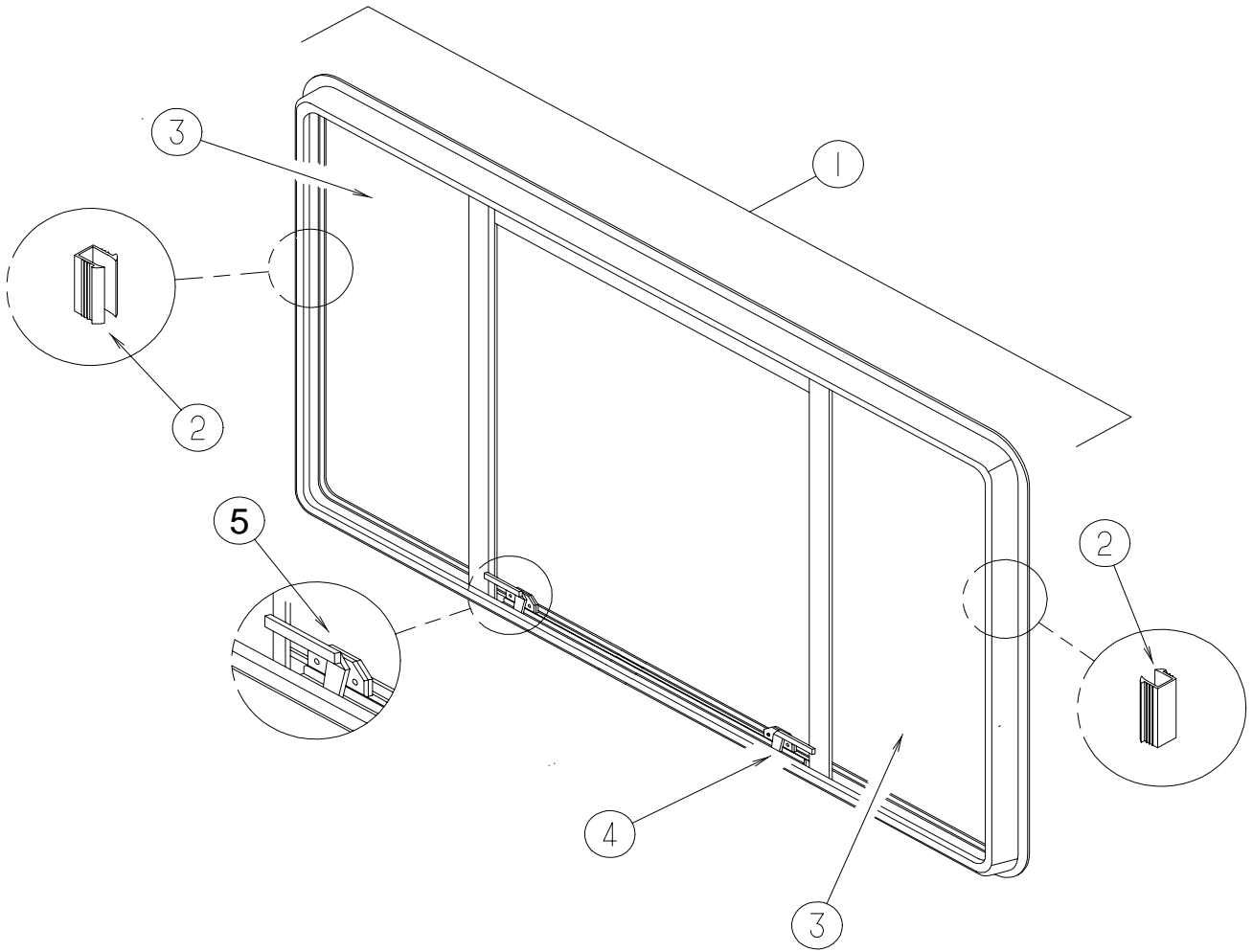
| KEY | PART NUMBER | U/M | DESCRIPTION | VENDOR NO. |
|-----|---------------|-----|--|------------|
| 1 | 113502-01-01A | EA | WINDOW - REAR/CENTER ESCAPE - THERMO - 24.8" X 48.7" | |
| 2 | 098644-01-705 | FT | GLAZING - STRIP | 132-010231 |
| 3 | 113502-01-703 | EA | GLASS - STATIONARY - RH/LH | 390-019083 |
| 4 | 112898-06-704 | EA | HANDLE-LATCH, RED-RH | 182-11293 |
| 5 | 113502-01-704 | EA | GLASS - EGRESS CENTER - ESCP | DH153-G9 |
| 6 | 112898-06-705 | EA | HANDLE-LATCH, RED-LH | 182-11294 |

**WINDOW
REAR ESCAPE B/OW**



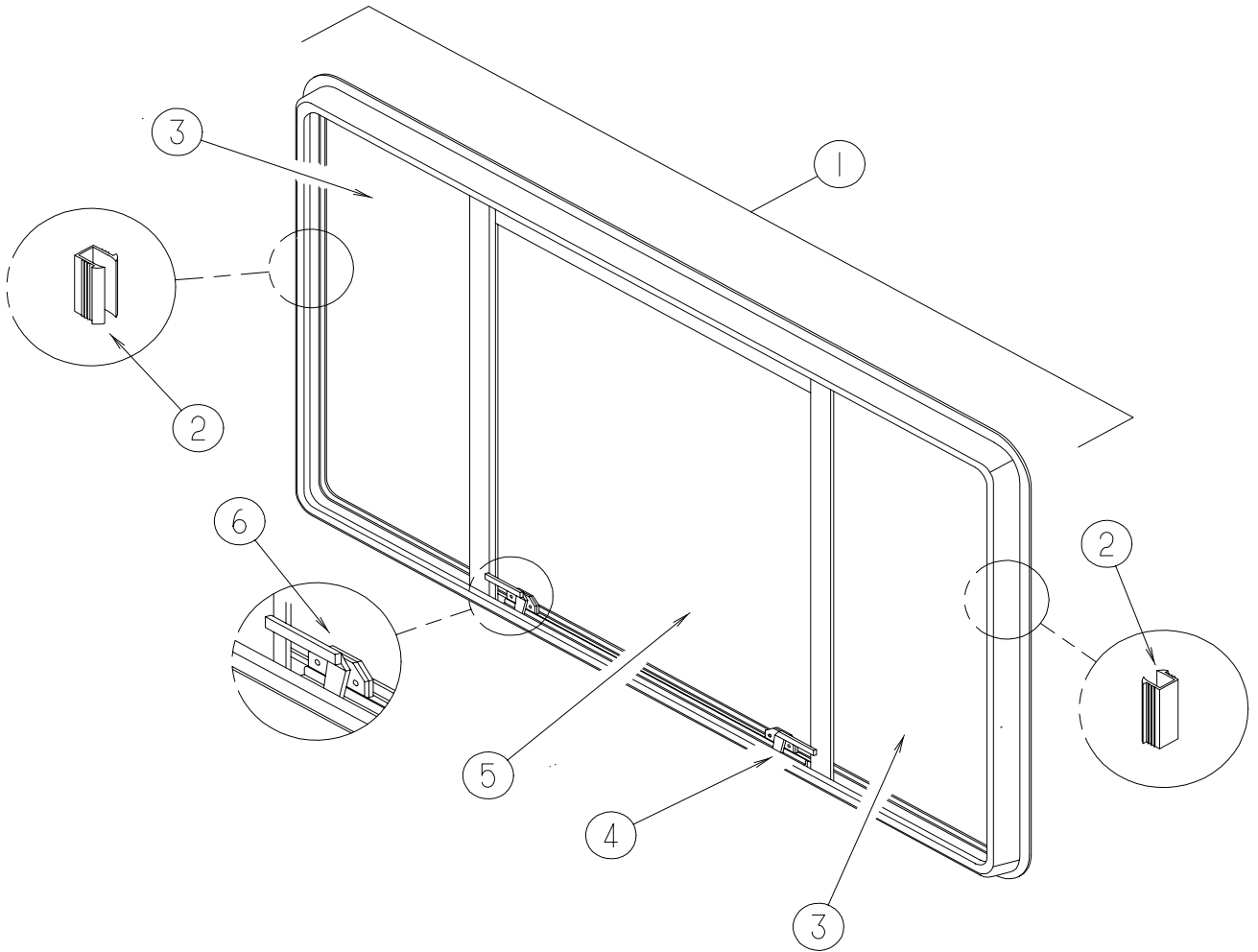
| KEY | PART NUMBER | U/M | DESCRIPTION | VENDOR NO. |
|-----|---------------|-----|--|------------|
| 1 | 113502-03-01A | EA | WINDOW - REAR/CENTER ESCAPE - THERMO - 26.4" X 35.9" | |
| 2 | 098644-01-705 | FT | GLAZING - STRIP | 132-010231 |
| 3 | 113502-03-702 | EA | GLASS - STATIONARY | 390-019466 |
| 4 | 112898-06-704 | EA | HANDLE - LATCH - RED - RH | 182-11293 |
| 5 | 112898-06-705 | EA | HANDLE - LATCH - RED - LH | 182-11294 |
| | 113502-03-701 | EA | RETAINER - TRIM | W306-58 |

**WINDOW
THERMOPANE
REAR ESCAPE B/OW**



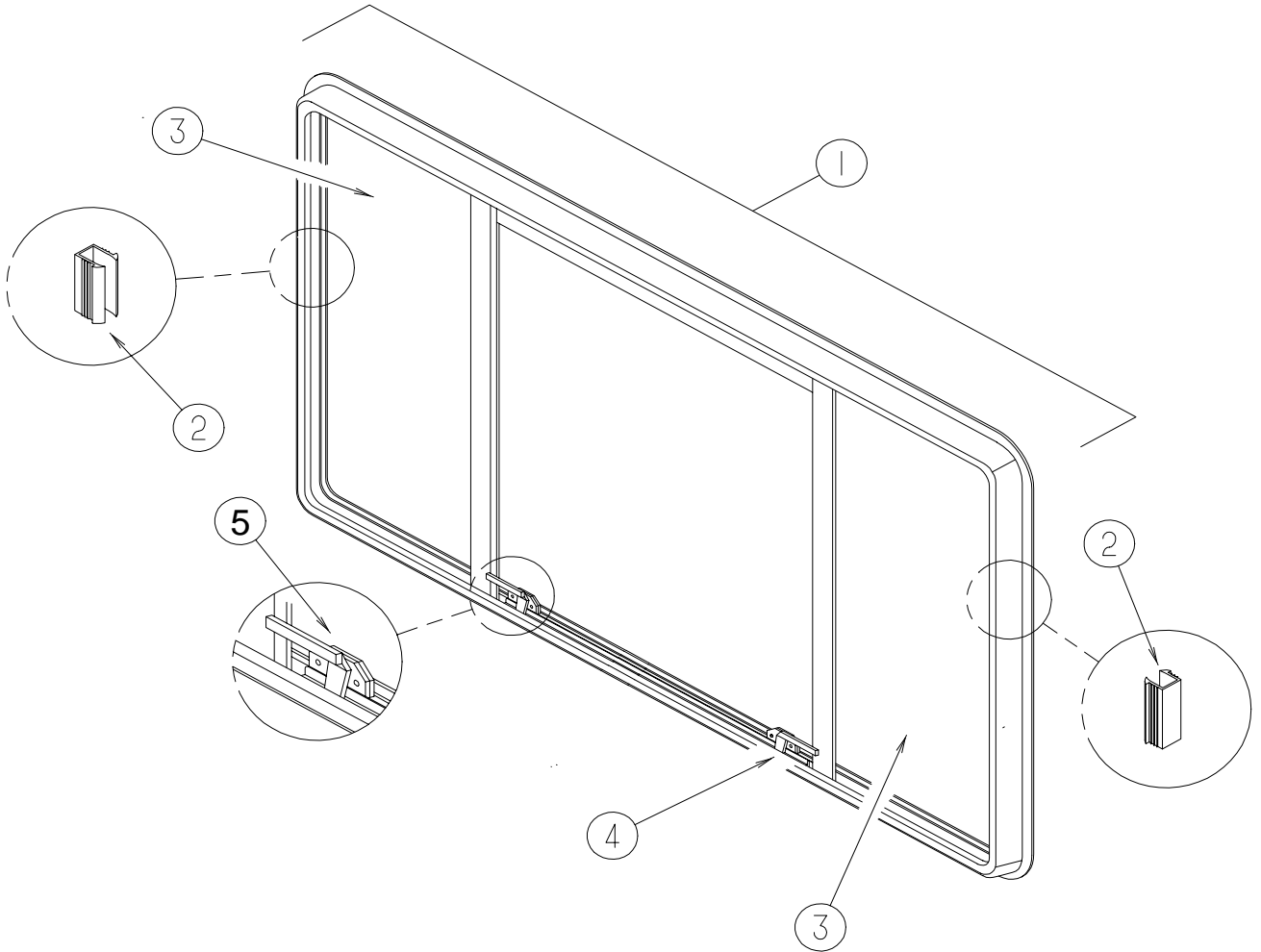
| KEY | PART NUMBER | U/M | DESCRIPTION | VENDOR NO. |
|-----|---------------|-----|---|------------|
| 1 | 113502-04-01A | EA | WINDOW - REAR ESCAPE - THERMO - 26.4" X 26.3" | |
| | 113502-04-701 | EA | RETAINER - TRIM | W449-58 |
| 2 | 098644-01-705 | FT | GLAZING - STRIP | 132-010231 |
| 3 | 113502-04-702 | EA | GLASS - STATIONARY | 390-019460 |
| 4 | 112898-06-704 | EA | HANDLE-LATCH, RED-RH | 182-11293 |
| 5 | 112898-06-705 | EA | HANDLE-LATCH, RED-LH | 182-11294 |
| | 112795-24-706 | FT | SEAL - SPLINE/GRAY - ESCAPE | 132-010481 |

**ESCAPE WINDOW
DH153-EG2W58**



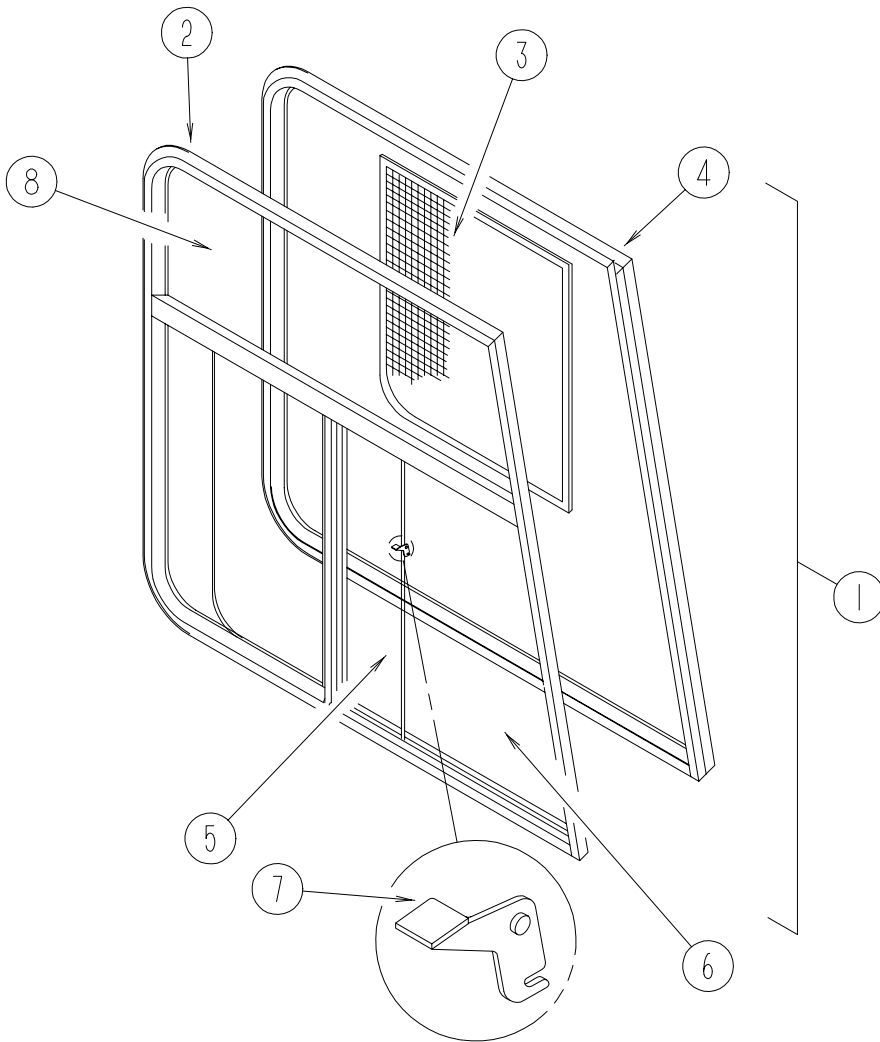
| KEY | PART NUMBER | U/M | DESCRIPTION | VENDOR NO. |
|-----|---------------|-----|---|------------|
| 1 | 113502-06-01A | EA | WINDOW - REAR/CENTER ESCAPE - THERMO/EURO - 24.8" X 38.7" | |
| 2 | 098644-01-705 | FT | GLAZING - STRIP | 132-010231 |
| 3 | 113502-06-702 | EA | GLASS - STATIONARY (RT/LT) | 390-019788 |
| 4 | 112898-06-704 | EA | HANDLE-LATCH, RED-RH | 182-11293 |
| 5 | 113502-06-703 | EA | GLASS -STATIONARY CTR EGRESS | 390-019789 |
| 6 | 112898-06-705 | EA | HANDLE-LATCH, RED-LH | 182-11294 |
| | 113502-06-701 | EA | RETAINER - TRIM | W096-80 |

**WINDOW - REAR ESCAPE
DH437-EG2W60**



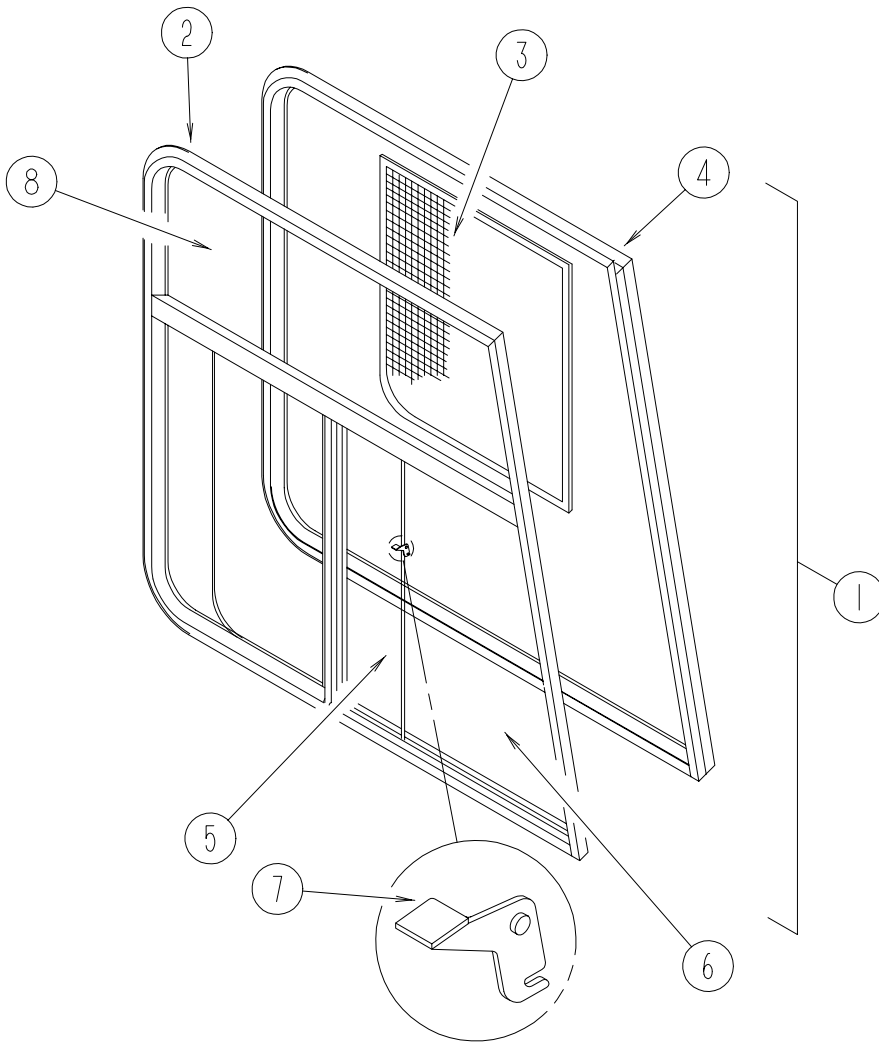
| KEY | PART NUMBER | U/M | DESCRIPTION | VENDOR NO. |
|-----|---------------|-----|--|------------|
| 1 | 113502-07-01A | EA | WINDOW - REAR ESCAPE - THERMO/EURO - 26.4" X 35.9" | |
| 2 | 098644-01-705 | FT | GLAZING - STRIP | 132-010231 |
| 3 | 113502-07-700 | EA | GLASS - STATIONARY | 390-025072 |
| 4 | 112898-06-704 | EA | HANDLE - LATCH - RED - RH | 182-11293 |
| 5 | 112898-06-705 | EA | HANDLE - LATCH - RED - LH | 182-11294 |
| | 112795-24-706 | EA | SEAL - SPLINE/GRAY - ESCAPE | 132-010481 |
| | 113502-07-701 | EA | RETAINER - TRIM | W306-60 |

THERMOPANE



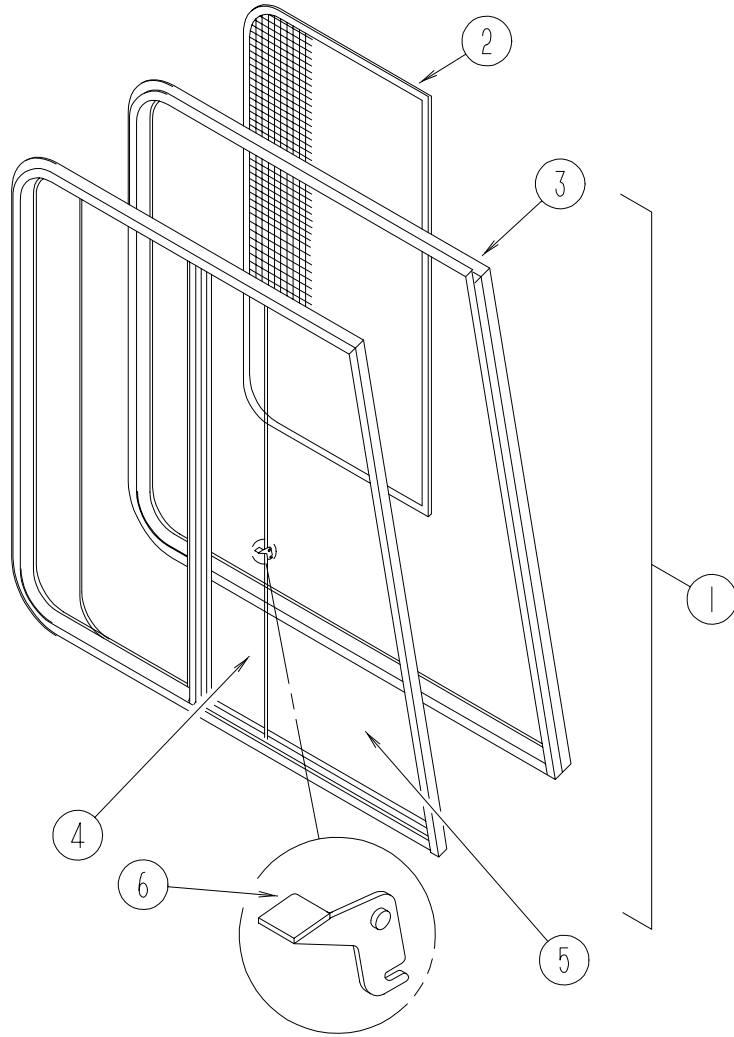
| KEY | PART NUMBER | U/M | DESCRIPTION | VENDOR NO. |
|-----|---------------|-----|--|--------------|
| 1 | 103658-07-01A | EA | WINDOW - DRIVER CAB 3 GLASS 25.3"T X 45.4"B X 45.2"H | |
| 2 | N/A | EA | WINDOW ASM. - W/O TRIM - DRIVER SIDE | H374-A2L |
| 3 | 103658-01-700 | EA | SCREEN ASM - W/ SEALS & CLIPS - DRIVER SIDE | H322-03L |
| 4 | 103658-07-700 | EA | RETAINER - TRIM - DRIVER SIDE | H374-66 &76L |
| 5 | 103658-01-703 | EA | GLASS - SLIDING - W/ SASH & LATCH - DRIVER SIDE | H322-A9L |
| 6 | 103658-01-702 | EA | GLASS - STATIONARY - BOTTOM - DRIVER SIDE | 106-017700 |
| 7 | 098644-01-700 | EA | LATCH - REPAIR KIT (BLACK) | B801-CK |
| 8 | 103658-07-701 | EA | GLASS - STATIONARY TOP | 106-018481 |
| | 098644-01-706 | FT | WEATHERSTRIP - GLASS | 171-010668 |
| | 098644-01-708 | FT | CHANNEL - RUN PIERCED | 122-016543 |
| | 098644-01-710 | FT | TRACK - SCREEN SPACER 12' | 132-017135 |
| | 098644-01-711 | FT | WEATHERSTRIP - SCREEN BLACK | 171-016965 |
| | 098644-01-713 | EA | CLIP - SPRING - METAL | 226-016966 |
| | 098644-01-716 | FT | PLUG - FILLER | 132-014470 |
| | 098644-01-717 | FT | SPLINE - SCREEN | 132-004716 |

THERMOPANE



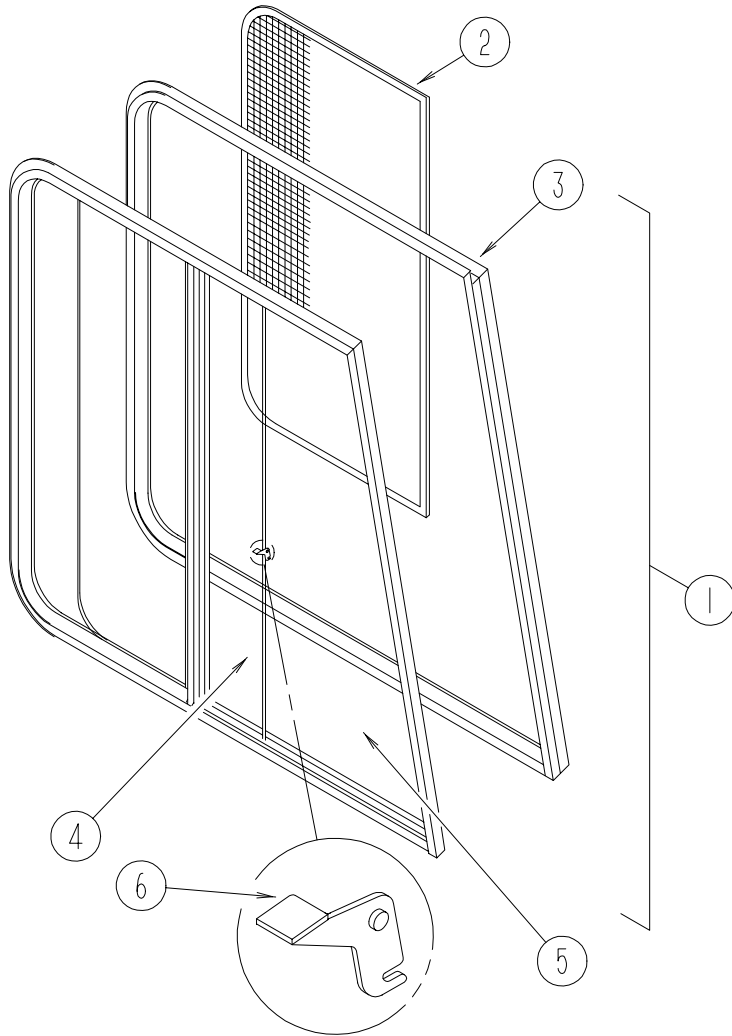
| KEY | PART NUMBER | U/M | DESCRIPTION | VENDOR NO. |
|-----|---------------|-----|---|--------------|
| 1 | 103658-08-01A | EA | WINDOW - PASSENGER CAB 3 GLASS 25.3"T X 45.4"B X 45.2"H | |
| 2 | N/A | EA | WINDOW ASM. - W/O TRIM - PASSENGER SIDE | H374-A2R |
| 3 | 103658-02-700 | EA | SCREEN ASM - W/ SEALS & CLIPS - PASSENGER SIDE | H322-03R |
| 4 | 103658-08-701 | EA | RETAINER - TRIM - PASSENGER SIDE | H374-66 &76R |
| 5 | 103658-02-701 | EA | GLASS - SLIDING - W/ SASH & LATCH - PASSENGER SIDE | 322-A9R |
| 6 | 103658-01-702 | EA | GLASS - STATIONARY - BOTTOM - PASSENGER SIDE | 106-017700 |
| 7 | 098644-01-700 | EA | LATCH - REPAIR KIT (BLACK) | B801-CK |
| 8 | 103658-07-701 | EA | GLASS - STATIONARY TOP | 106-018481 |
| | 098644-01-706 | FT | WEATHERSTRIP - GLASS | 171-010668 |
| | 098644-01-708 | FT | CHANNEL - RUN PIERCED | 122-016543 |
| | 098644-01-710 | FT | TRACK - SCREEN SPACER 12' | 132-017135 |
| | 098644-01-711 | FT | WEATHERSTRIP - SCREEN BLACK | 171-016965 |
| | 098644-01-713 | EA | CLIP - SPRING - METAL | 226-016966 |
| | 098644-01-716 | FT | PLUG - FILLER | 132-014470 |
| | 098644-01-717 | FT | SPLINE - SCREEN | 132-004716 |

THERMOPANE



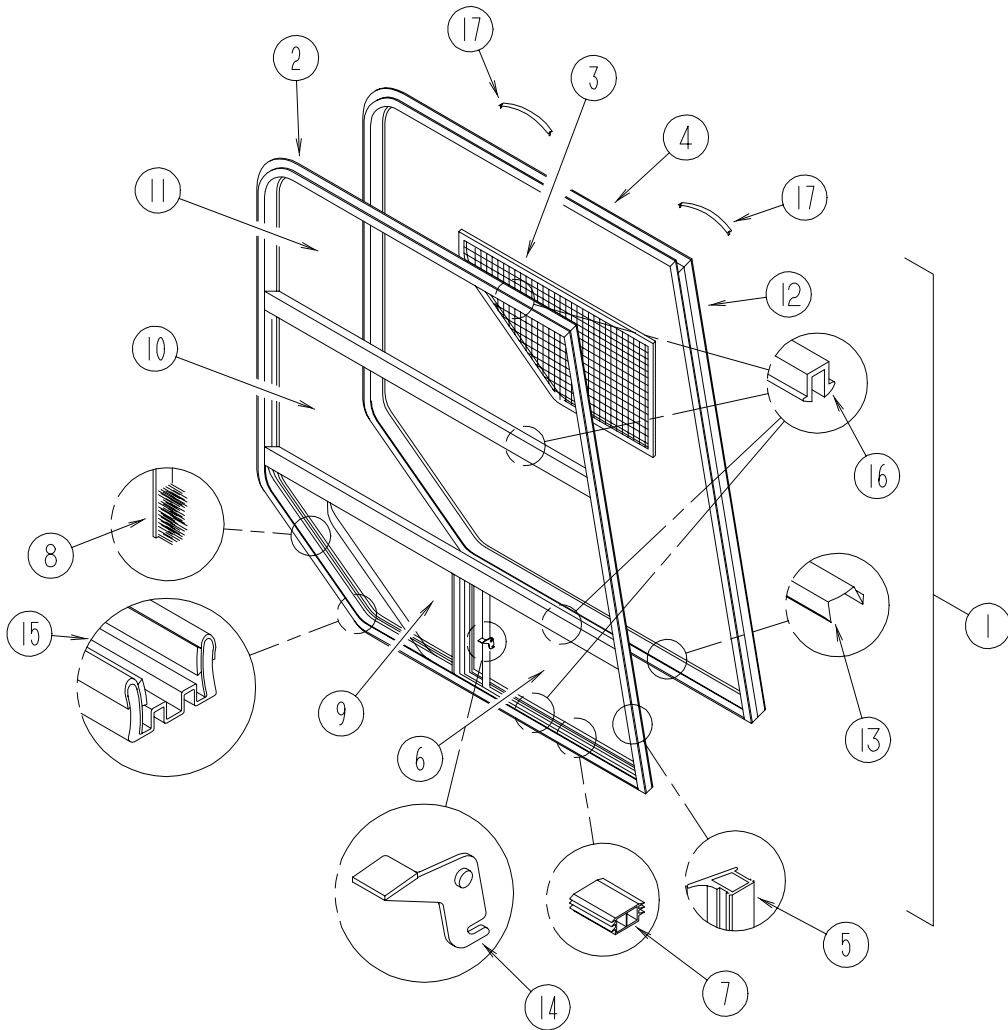
| KEY | PART NUMBER | U/M | DESCRIPTION | VENDOR NO. |
|-----|---------------|-----|-----------------------------------|---------------------|
| 1 | 103658-11-01A | EA | WINDOW - DRIVER CAB | |
| 2 | 113501-09-702 | EA | SCREEN ASSEMBLY - W/SEALS & CLIPS | 410-025381 |
| | 098644-01-717 | FT | SPLINE-SCREEN | 132-004716 |
| | 098644-01-713 | EA | CLIP-SPRING, METAL | 226-016966 |
| | 098644-01-710 | FT | TRACK-SCREEN SPACER, 12' LENGTH | 132-017135 |
| | 098644-01-711 | FT | WEATHERSTRIP-SCREEN, BLACK | 171-016965 |
| 3 | 113501-10-702 | EA | RETAINER-TRIM, DRIVERS SIDE | H506-41L & H506-42L |
| 4 | 103658-11-701 | EA | GLASS - SLIDING - W/SASH & LATCH | H506-A9 |
| 5 | 103658-11-700 | EA | GLASS - STATIONARY - RH/LH | 106-025379 |
| 6 | 098644-01-700 | EA | LATCH-REPAIR KIT, BLACK | B801-CK |
| | 098644-01-706 | FT | WEATHERSTRIP-GLASS | 171-010668 |
| | 098644-01-708 | FT | CHANNEL-RUN, PIERCED | 122-016543 |
| | 098644-01-716 | FT | PLUG-FILLER | 132-014470 |

THERMOPANE



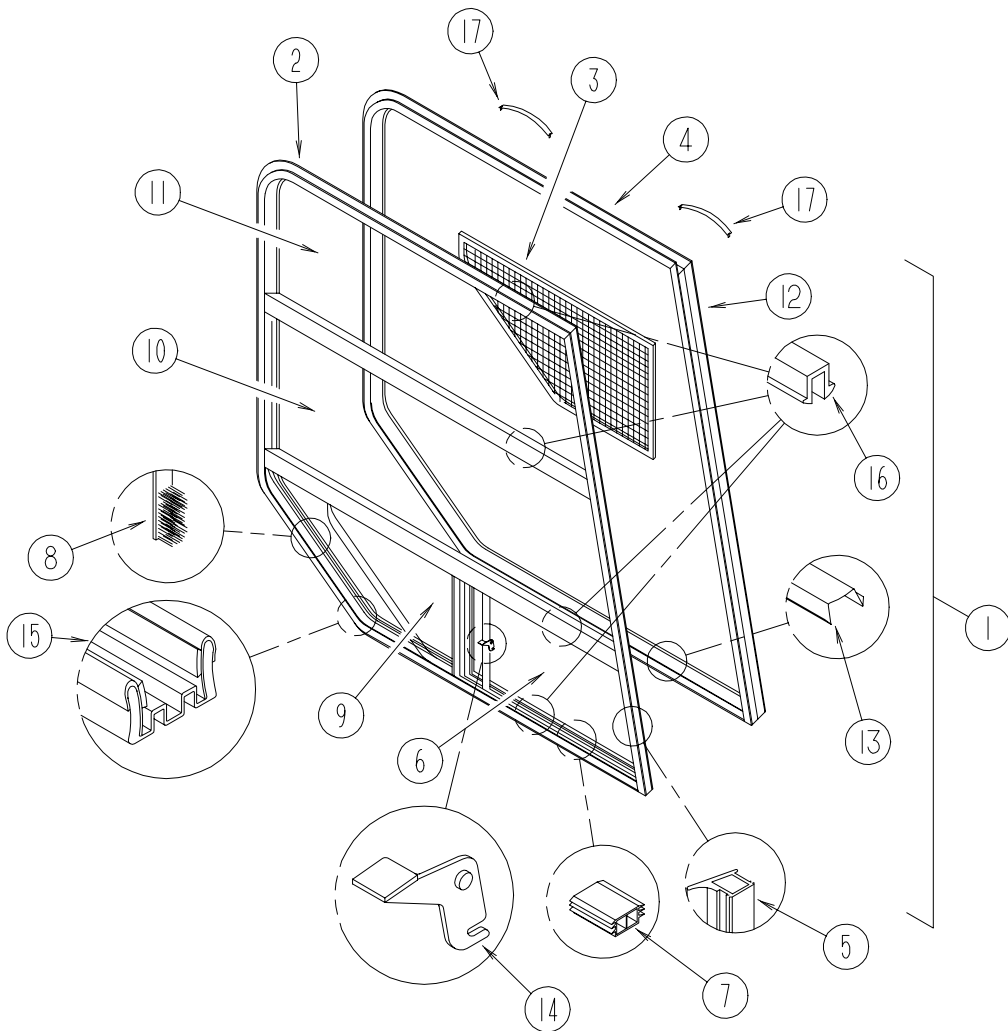
| KEY | PART NUMBER | U/M | DESCRIPTION | VENDOR NO. |
|-----|---------------|-----|-----------------------------------|---------------------|
| 1 | 103658-12-01A | EA | WINDOW - PASSENGER CAB | 410-025381 |
| 2 | 113501-09-702 | EA | SCREEN ASSEMBLY - W/SEALS & CLIPS | 132-004716 |
| | 098644-01-717 | FT | SPLINE-SCREEN | 226-016966 |
| | 098644-01-713 | EA | CLIP-SPRING, METAL | 132-017135 |
| | 098644-01-710 | FT | TRACK-SCREEN SPACER, 12' LENGTH | 171-016965 |
| | 098644-01-711 | FT | WEATHERSTRIP-SCREEN, BLACK | H506-41R & H506-42R |
| 3 | 113501-09-703 | EA | RETAINER-TRIM, PASSENGERS SIDE | H506-A9 |
| 4 | 103658-11-701 | EA | GLASS - SLIDING - W/SASH & LATCH | 106-025379 |
| 5 | 103658-11-700 | EA | GLASS - STATIONARY - RH/LH | B801-CK |
| 6 | 098644-01-700 | EA | LATCH-REPAIR KIT, BLACK | 171-010668 |
| | 098644-01-706 | FT | WEATHERSTRIP-GLASS | 122-016543 |
| | 098644-01-708 | FT | CHANNEL-RUN, PIERCED | 132-014470 |
| | 098644-01-716 | FT | PLUG-FILLER | |

THERMOPANE



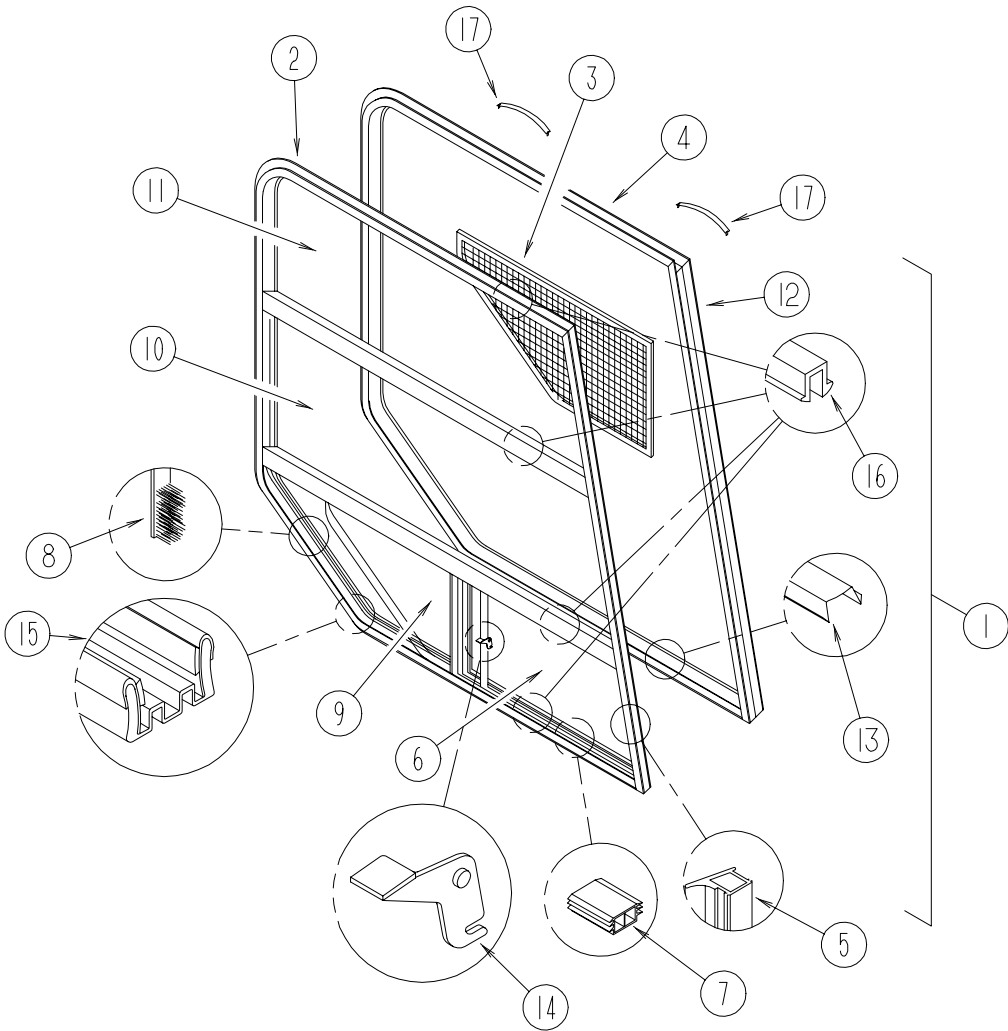
| KEY | PART NUMBER | U/M | DESCRIPTION | VENDOR NO. |
|-----|---------------|-----|---|------------|
| 1 | 106466-04-01A | EA | WINDOW - PASSENGER CAB - 42.1"TW X 48.3"CW X 50.3"H | |
| 2 | 098644-01-706 | FT | WEATHERSTRIP - GLASS | 171-010668 |
| 3 | 106466-08-704 | EA | SCREEN ASSEMBLY - W/SEALS & CLIPS | H461-03L |
| 4 | 106466-04-702 | EA | RETAINER - TRIM - CURVED | H461-42R |
| 5 | 098644-01-716 | FT | PLUG - FILLER | 132-014470 |
| 6 | 106466-04-700 | EA | GLASS - SLIDING - W/SASH & LATCH | H461A9R |
| 7 | 098644-01-719 | EA | STOP - SLIDER GLASS | 132-014203 |
| 8 | 098644-01-711 | FT | WEATHERSTRIP - SCREEN - BLACK | 171-016965 |
| 9 | 106466-08-701 | EA | GLASS - STATIONARY - LOWER | 106-019986 |
| 10 | 106466-08-702 | EA | GLASS - STATIONARY - MIDDLE | 106-019985 |
| 11 | 106466-08-700 | EA | GLASS - STATIONARY - UPPER | 106-019984 |
| 12 | 106466-04-701 | EA | RETAINER - TRIM - FRONT RAIL | H461-41R |
| 13 | 098644-01-710 | FT | TRACK - SCREEN SPACER - 12' LENGTH | 132-017135 |
| 14 | 098644-01-700 | EA | LATCH - REPAIR KIT (BLACK) | B801-CK |
| 15 | 098644-01-708 | FT | CHANNEL - RUN - PIERCED | 122-016543 |
| 16 | 098644-01-705 | FT | GLAZING - STRIP | 132-010231 |
| 17 | 098644-01-713 | EA | CLIP - SPRING - METAL | 226-016966 |
| | 098644-01-717 | FT | SPLINE - SCREEN | 132-004716 |

THERMOPANE



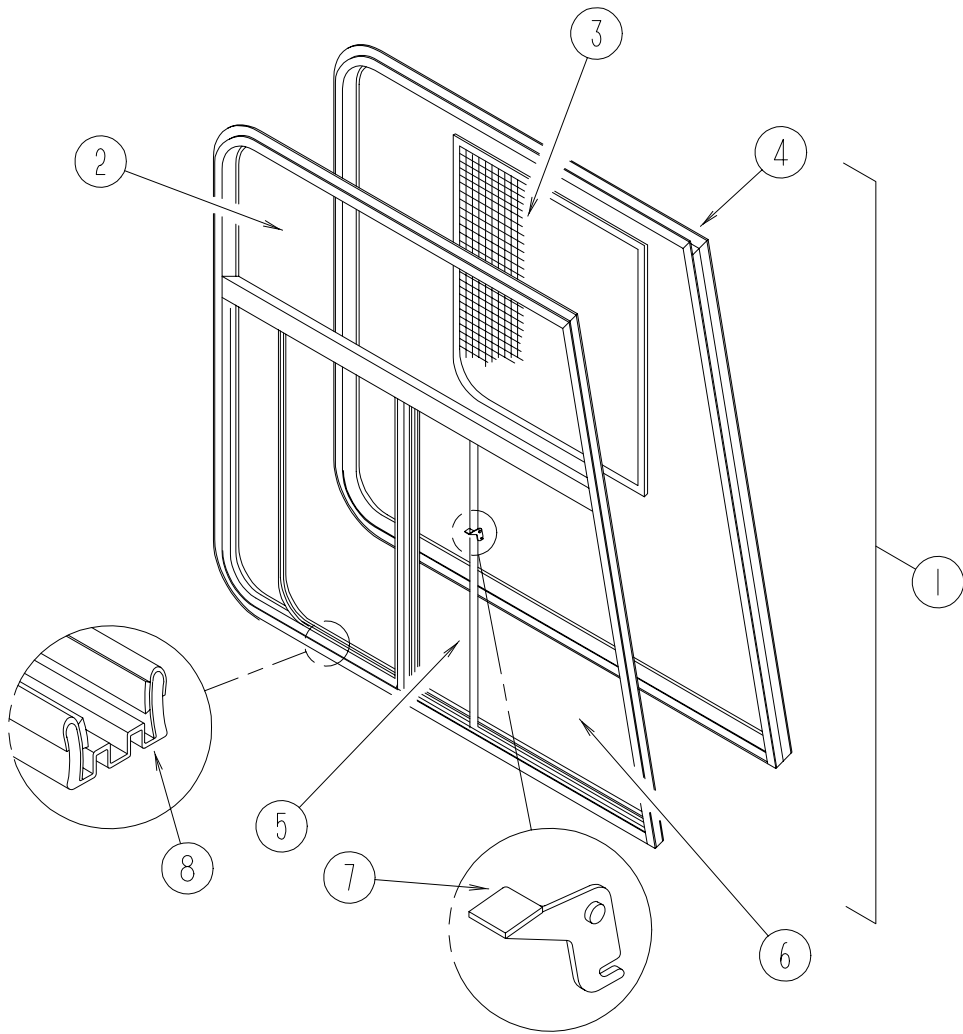
| KEY | PART NUMBER | U/M | DESCRIPTION | VENDOR NO. |
|-----|---------------|-----|--|------------|
| 1 | 106466-06-01A | EA | WINDOW - PASSENGER CAB - THERMO-42.1"TW X 48.3"CW X 50.3"H | |
| 2 | 098644-01-706 | FT | WEATHERSTRIP-GLASS | 171-010668 |
| 3 | 106466-08-704 | EA | SCREEN ASSEMBLY - W/SEALS & CLIPS | H461-03L |
| 4 | 106466-08-706 | EA | RETAINER - TRIM - CURVED | H461-42L |
| 5 | 112795-01-704 | FT | PLUG-FILLER - DOUBLE GLAZED | 132-018737 |
| 6 | 106466-09-703 | EA | GLASS - SLIDING - W/SASH & LATCH | DH461A9L |
| 7 | 112795-01-701 | EA | SLIDE - STOP | 132-019092 |
| 8 | 098644-01-711 | FT | WEATHERSTRIP-SCREEN, BLACK | 171-016965 |
| 9 | 106466-09-702 | EA | GLASS - STATIONARY - LOWER | 390-025906 |
| 10 | 106466-09-701 | EA | GLASS - STATIONARY - MIDDLE | 390-025905 |
| 11 | 106466-09-700 | EA | GLASS - STATIONARY - UPPER | 390-025904 |
| 12 | 106466-08-705 | EA | RETAINER - TRIM - FRONT RAIL | H461-41L |
| 13 | 098644-01-710 | FT | TRACK-SCREEN SPACER, 12' LENGTH | 132-017135 |
| 14 | 112795-01-700 | EA | LATCH ASSEMBLY - BLACK - BOLT ON | DH287-CK |
| 15 | 112795-01-703 | FT | CHANNEL - RUN - INCHES | 122-018736 |
| 16 | 112795-01-705 | FT | VINYL - GLAZING | 132-025736 |
| 17 | 098644-01-713 | EA | CLIP-SPRING, METAL | 226-016966 |

THERMOPANE



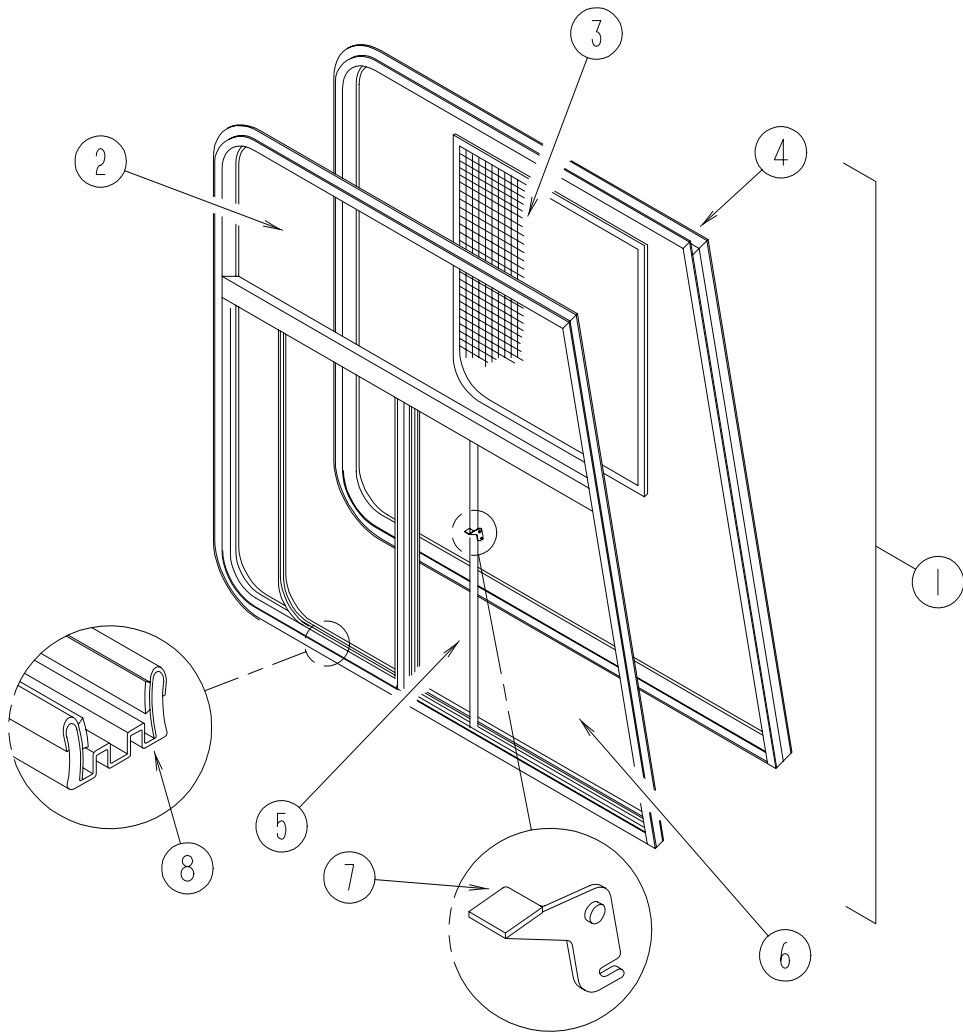
| KEY | PART NUMBER | U/M | DESCRIPTION | VENDOR NO. |
|-----|---------------|-----|---|------------|
| 1 | 106466-09-01A | EA | WINDOW - DRIVER CAB - THERMO - 42.1"TW X 48.3"CW X 50.3"H | |
| 2 | 098644-01-706 | FT | WEATHERSTRIP-GLASS | 171-010668 |
| 3 | 106466-08-704 | EA | SCREEN ASSEMBLY - W/SEALS & CLIPS | H461-03L |
| 4 | 106466-08-706 | EA | RETAINER - TRIM - CURVED | H461-42L |
| 5 | 112795-01-704 | FT | PLUG-FILLER - DOUBLE GLAZED | 132-018737 |
| 6 | 106466-09-703 | EA | GLASS - SLIDING - W/SASH & LATCH | DH461A9L |
| 7 | 112795-01-701 | EA | SLIDE - STOP | 132-019092 |
| 8 | 098644-01-711 | FT | WEATHERSTRIP-SCREEN, BLACK | 171-016965 |
| 9 | 106466-09-702 | EA | GLASS - STATIONARY - LOWER | 390-025906 |
| 10 | 106466-09-701 | EA | GLASS - STATIONARY - MIDDLE | 390-025905 |
| 11 | 106466-09-700 | EA | GLASS - STATIONARY - UPPER | 390-025904 |
| 12 | 106466-08-705 | EA | RETAINER - TRIM - FRONT RAIL | H461-41L |
| 13 | 098644-01-710 | FT | TRACK-SCREEN SPACER, 12' LENGTH | 132-017135 |
| 14 | 112795-01-700 | EA | LATCH ASSEMBLY - BLACK - BOLT ON | DH287-CK |
| 15 | 112795-01-703 | FT | CHANNEL - RUN - INCHES | 122-018736 |
| 16 | 112795-01-705 | FT | VINYL - GLAZING | 132-025736 |
| 17 | 098644-01-713 | EA | CLIP-SPRING, METAL | 226-016966 |

THERMOPANE



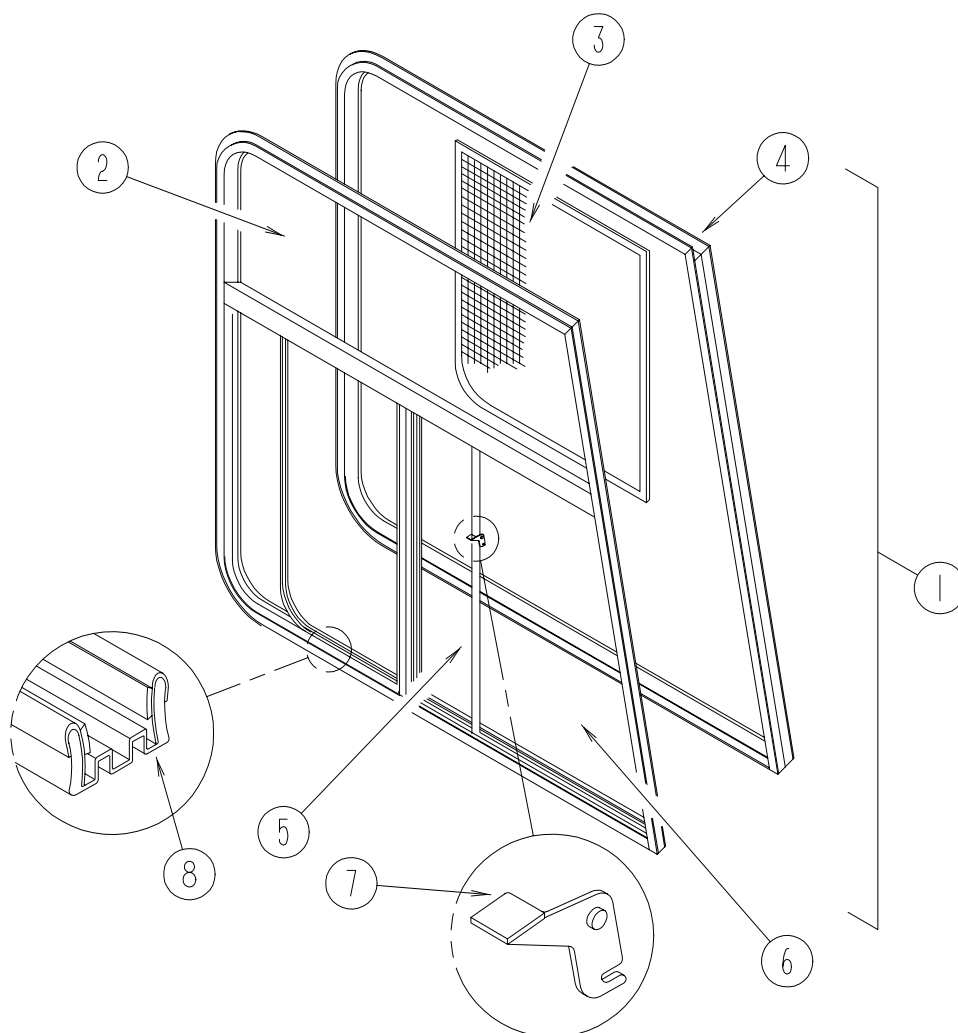
| KEY | PART NUMBER | U/M | DESCRIPTION | VENDOR NO. |
|-----|---------------|-----|---|---------------|
| 1 | 113501-01-01A | EA | WINDOW - DRIVER CAB THERMO (3 WINDOW) 44.3" X 24.4" X 44.1" | |
| 2 | N/A | EA | GLASS - STATIONARY - UPPER - DRIVER OR PASSENGER SIDE | 390-019137 |
| 3 | 103658-01-700 | EA | SCREEN ASM - W/ SEALS & CLIPS - DRIVER SIDE | H322-03L |
| | 098644-01-717 | FT | SPLINE - SCREEN | 32-004716 |
| | 098644-01-713 | EA | CLIP - SPRING - METAL | 226-016966 |
| 4 | 103658-05-702 | EA | RETAINER - TRIM - DRIVER SIDE | H373-66 & 76L |
| 5 | 113501-01-703 | EA | GLASS-SLIDING W/ SASH & LATCH - DRIVER SIDE | DH374-A9L |
| 6 | 113501-01-702 | EA | GLASS - STATIONARY - LOWER - DRIVER SIDE | 390-019139L |
| 7 | 112795-01-700 | EA | LATCH ASM. - BLACK (BOLT ON) | DH287-CK |
| 8 | 112795-01-703 | IN | CHANNEL - RUN (INCHES) | 122-018736 |
| | 098644-01-711 | FT | WEATHERSTRIP - SCREEN BLACK | 171-016965 |
| | 112795-01-701 | EA | SLIDE - STOP | 132-019092 |
| | 112795-01-704 | FT | PLUG FILLER (DOUBLE GLAZED) | 122-018737 |
| | 112795-01-705 | FT | VINYL - GLAZING | 132-09702 |
| | 112898-04-703 | EA | SASH LATCH KIT - RAISED | DH343-CK |

THERMOPANE



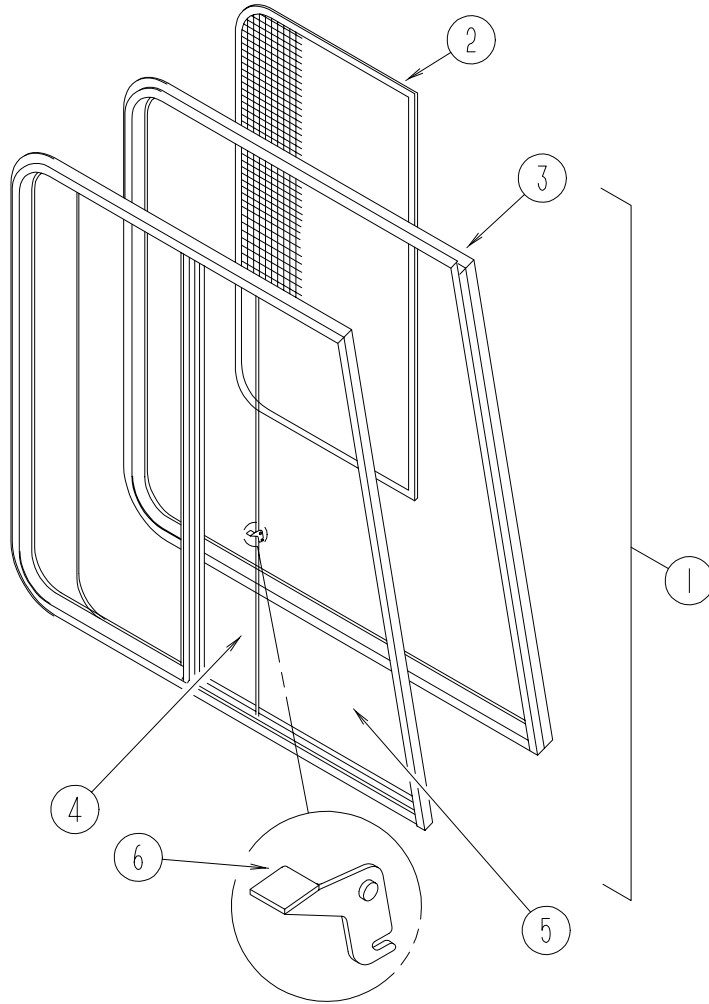
| KEY | PART NUMBER | U/M | DESCRIPTION | VENDOR NO. |
|-----|---------------|-----|---|---------------|
| 1 | 113501-02-01A | EA | WINDOW - PASS CAB THERMO (3 WINDOW) 44.3" X 24.4" X 44.1" | |
| 2 | N/A | EA | GLASS - STATIONARY - UPPER - DRIVER OR PASSENGER SIDE | 390-019137 |
| 3 | 103658-02-700 | EA | SCREEN ASM - W/ SEALS & CLIPS - PASSENGER SIDE | H322-03R |
| | 098644-01-717 | FT | SPLINE - SCREEN | 32-004716 |
| | 098644-01-713 | EA | CLIP - SPRING - METAL | 226-016966 |
| 4 | 103658-10-701 | EA | RETAINER - TRIM - PASSENGER SIDE | H373-66 & 76R |
| 5 | 113501-02-702 | EA | GLASS-SLIDING W/ SASH & LATCH - PASSENGER SIDE | DH374-A9R |
| 6 | 113501-02-701 | EA | GLASS - STATIONARY - LOWER - PASSENGER SIDE | 390-019138R |
| 7 | 112795-01-700 | EA | LATCH ASM. - BLACK (BOLT ON) | DH287-CK |
| 8 | 112795-01-703 | IN | CHANNEL - RUN (INCHES) | 122-018736 |
| | 098644-01-711 | FT | WEATHERSTRIP - SCREEN BLACK | 171-016965 |
| | 112795-01-701 | EA | SLIDE - STOP | 132-019092 |
| | 112795-01-704 | FT | PLUG FILLER (DOUBLE GLAZED) | 122-018737 |
| | 112795-01-705 | FT | VINYL - GLAZING | 132-09702 |
| | 112898-04-703 | EA | SASH LATCH KIT - RAISED | DH343-CK |

THERMOPANE



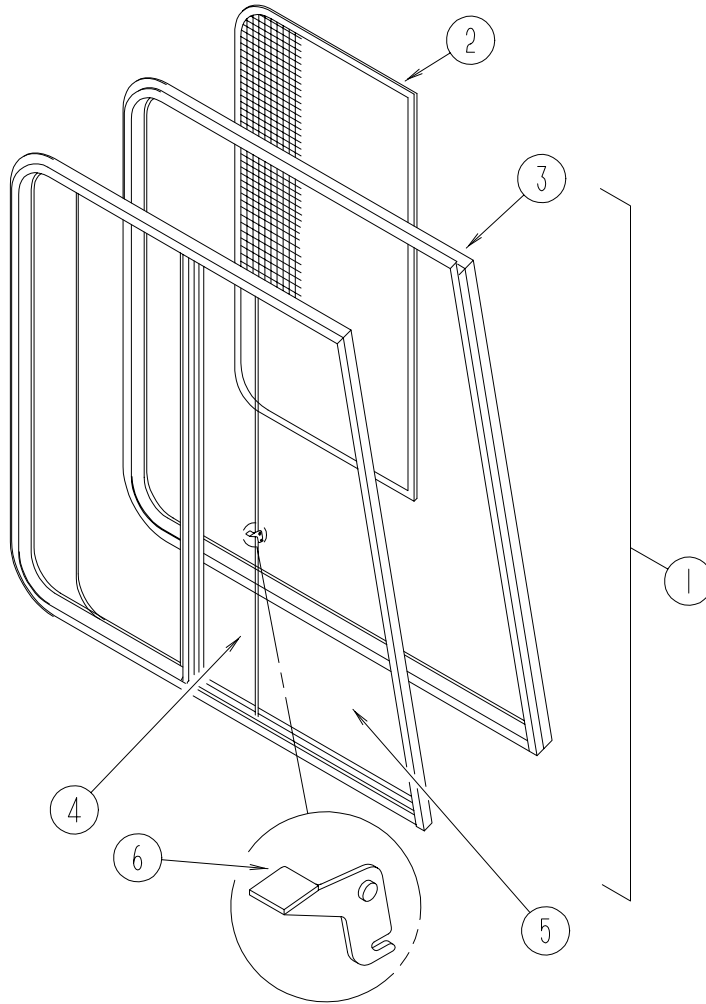
| KEY | PART NUMBER | U/M | DESCRIPTION | VENDOR NO. |
|-----|---------------|-----|---|---------------|
| 1 | 113501-05-01A | EA | WINDOW - PASS/CAB/THERMO/EURO(3 WINDOW) 24.4" T X 44.1" B X 44.3" | |
| 2 | 113501-05-700 | EA | GLASS - STATIONARY - UPPER | 395-019799R&L |
| 3 | 103658-02-700 | EA | SCREEN ASM - W/ SEALS & CLIPS | H322-03R |
| | 098644-01-717 | FT | SPLINE - SCREEN | 132-004716 |
| | 098644-01-713 | EA | CLIP - SPRING - METAL | 226-016966 |
| 4 | 103658-08-701 | EA | RETAINER - TRIM - PASSENGER SIDE | H374-66 & 76R |
| 5 | 113501-06-701 | EA | GLASS-SLIDING W/ SASH & LATCH | DH374-EA9R |
| 6 | 113501-06-700 | EA | GLASS - STATIONARY - LOWER | 395-019800R |
| 7 | 112795-01-700 | EA | LATCH ASM. - BLACK (BOLT ON) | DH287-CK |
| 8 | 112795-01-703 | IN | CHANNEL - RUN (INCHES) | 122-018736 |
| | 098644-01-711 | FT | WEATHERSTRIP - SCREEN BLACK | 171-016965 |
| | 112795-01-701 | EA | SLIDE - STOP | 132-019092 |
| | 112795-01-704 | FT | PLUG FILLER (DOUBLE GLAZED) | 122-018737 |
| | 112795-01-705 | FT | VINYL - GLAZING | 132-025736 |
| | 112898-04-703 | EA | VERTICAL LATCH (SASH KIT) | DH343-CK |
| | 125582-01-708 | EA | WEEPHOLE COVER - RIGHT HAND | 130-026598 |
| | 125582-01-709 | EA | WEEPHOLE COVER - LEFT HAND | 130-026599 |

THERMOPANE



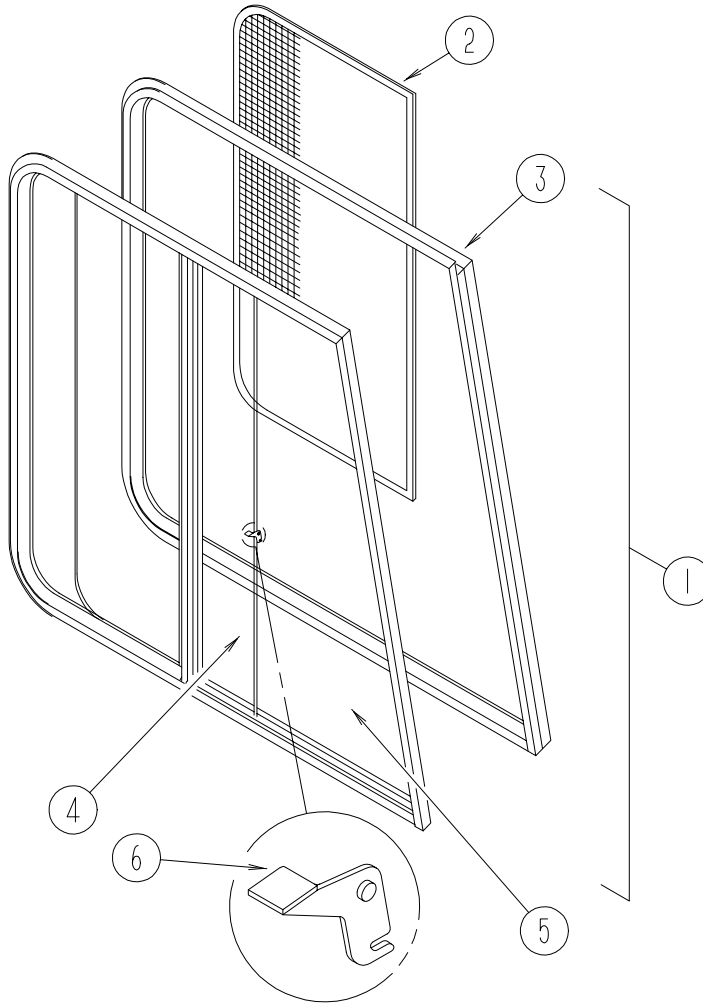
| KEY | PART NUMBER | U/M | DESCRIPTION | VENDOR NO. |
|-----|---------------|-----|--|---------------------|
| 1 | 113501-09-01A | EA | WINDOW ASM-CAB, W/RETAINER - 35.7" X 37.2" X 43.9" | 410-025381 |
| 2 | 103501-09-702 | EA | SCREEN ASM-W/SEALS & CLIPS | H506-41R & H506-42R |
| 3 | 113501-09-703 | EA | RETAINER-TRIM, OFF WHITE | DH506-A9R |
| 4 | 113501-09-701 | EA | GLASS-SLIDING, W/SASH & LATCH | 390-025839 |
| 5 | 113501-09-700 | EA | GLASS-STATIONARY | DH287-CK |
| 6 | 112795-01-700 | EA | LATCH ASM-BLACK, BOLT ON | 171-016965 |
| | 098644-01-711 | FT | WEATHERSTRIP-SCREEN, BLACK | 226-016966 |
| | 098644-01-713 | EA | CLIP-SPRING, METAL | 132-004716 |
| | 098644-01-717 | FT | SPLINE-SCREEN | 132-019092 |
| | 112795-01-701 | FT | SLIDE-STOP | 122-018736 |
| | 112795-01-703 | IN | CHANNEL-RUN (INCHES) | 122-018737 |
| | 112795-01-704 | FT | PLUG FILLER (DOUBLE GLAZED) | 132-025736 |
| | 112795-01-705 | FT | VINYL-GLAZING | DH343-CK |
| | 112898-04-703 | EA | SASH LATCH KIT, RAISED | |

THERMOPANE



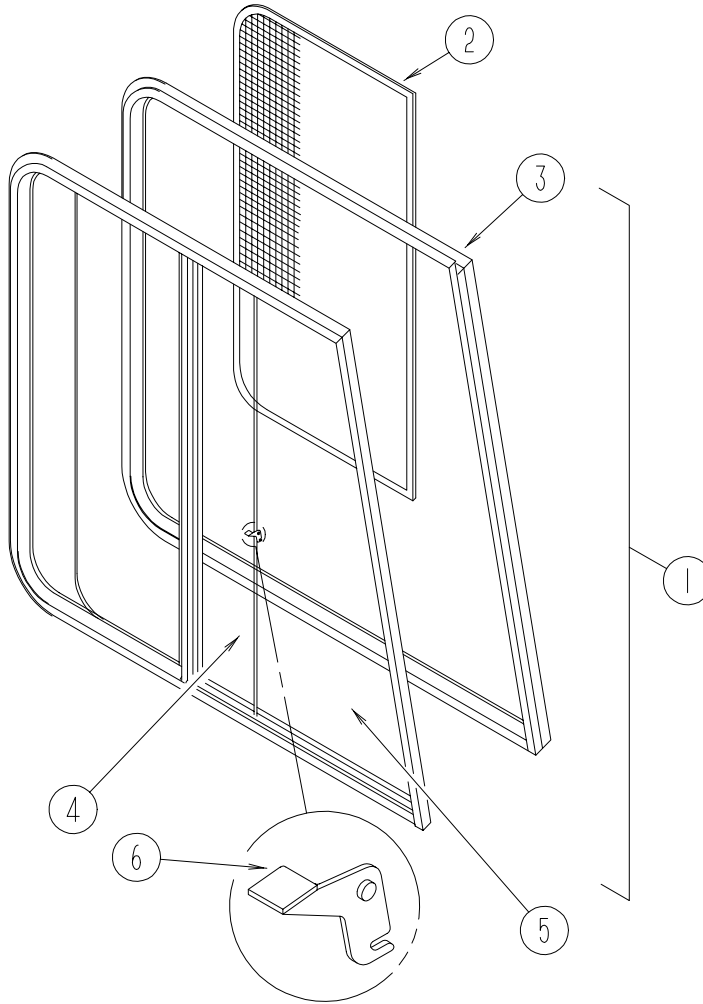
| KEY | PART NUMBER | U/M | DESCRIPTION | VENDOR NO. |
|-----|---------------|-----|-------------------------------|---------------------|
| 1 | 113501-10-01A | EA | WINDOW ASM-CAB, W/RETAINER | 410-025381 |
| 2 | 103501-09-702 | EA | SCREEN ASM-W/SEALS & CLIPS | H506-41L & H506-42L |
| 3 | 113501-10-702 | EA | RETAINER-TRIM, OFF WHITE | DH506-A9L |
| 4 | 113501-10-701 | EA | GLASS-SLIDING, W/SASH & LATCH | 390-025388 |
| 5 | 113501-10-700 | EA | GLASS-STATIONARY | DH287-CK |
| 6 | 112795-01-700 | EA | LATCH ASM-BLACK, BOLT ON | 171-016965 |
| | 098644-01-711 | FT | WEATHERSTRIP-SCREEN, BLACK | 226-016966 |
| | 098644-01-713 | EA | CLIP-SPRING, METAL | 132-004716 |
| | 098644-01-717 | FT | SPLINE-SCREEN | 132-019092 |
| | 112795-01-701 | FT | SLIDE-STOP | 122-018736 |
| | 112795-01-703 | IN | CHANNEL-RUN (INCHES) | 122-018737 |
| | 112795-01-704 | FT | PLUG FILLER (DOUBLE GLAZED) | 132-025736 |
| | 112795-01-705 | FT | VINYL-GLAZING | DH343-CK |
| | 112898-04-703 | EA | SASH LATCH KIT, RAISED | |

THERMOPANE



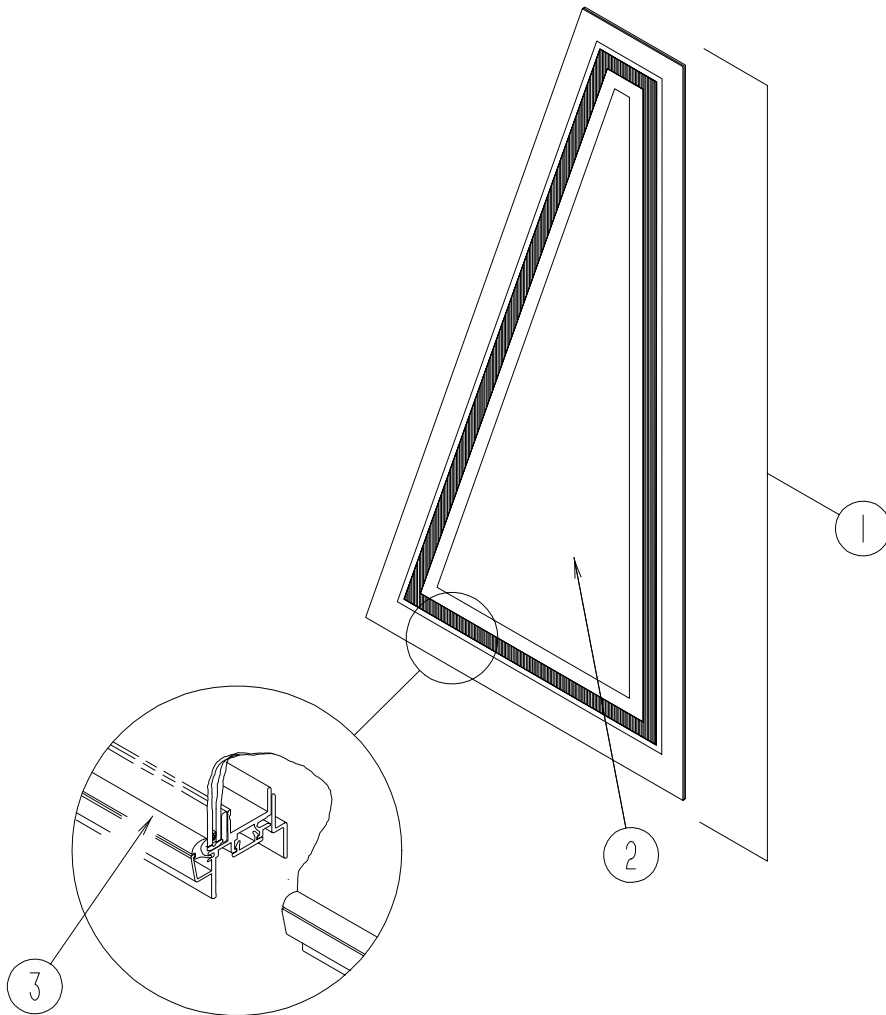
| KEY | PART NUMBER | U/M | DESCRIPTION | VENDOR NO. |
|-----|---------------|-----|---|----------------|
| 1 | 113501-11-01A | EA | WINDOW - PASS CAB THERMO (2 WINDOW)-35.7" X 37.2" X 43.9" | |
| 2 | 113501-09-702 | EA | SCREEN ASM - W/SEALS & CLIPS | 410-025381 |
| 3 | 113501-09-703 | EA | RETAINER - TRIM | H506-41R & 42R |
| 4 | 113501-11-701 | EA | GLASS ASM - W/SASH & LATCH | DH506-EA9R |
| 5 | 113501-11-700 | EA | GLASS - STATIONARY | 390-025769 |
| 6 | 112795-01-700 | EA | LATCH ASM. - BLK. (BOLT ON) | DH287-CK |
| | 098644-01-711 | FT | WEATHERSTRIP - SCREEN BLACK | 171-016965 |
| | 098644-01-713 | EA | CLIP - SPRING - METAL | 226-016966 |
| | 098644-01-717 | FT | SPLINE - SCREEN | 132-004716 |
| | 112795-01-701 | EA | SLIDE - STOP | 132-019092 |
| | 112795-01-703 | IN | CHANNEL - RUN (INCHES) | 122-018736 |
| | 112795-01-704 | FT | PLUG FILLER (DOUBLE GLAZED) | 122-018737 |
| | 112795-01-705 | FT | VINYL - GLAZING | 132-025736 |
| | 112898-04-703 | EA | SASH LATCH KIT - RAISED | DH343-CK |

THERMOPANE



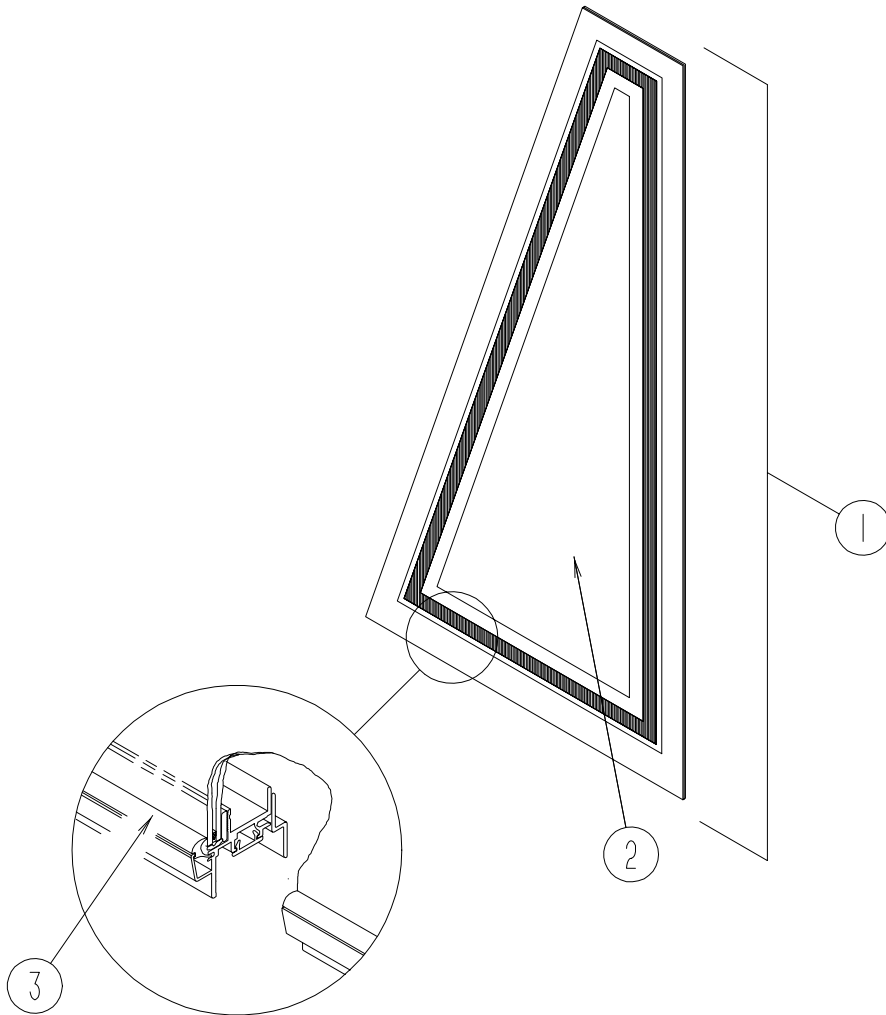
| KEY | PART NUMBER | U/M | DESCRIPTION | VENDOR NO. |
|-----|---------------|-----|---|----------------|
| 1 | 113501-12-01A | EA | WINDOW - DRIVER CAB THERMO (2 WINDOW)-35.7" X 37.2" X 43.9" | |
| 2 | 113501-09-702 | EA | SCREEN ASM - W/SEALS & CLIPS | 410-025381 |
| 3 | 113501-10-702 | EA | RETAINER - TRIM | H506-41L & 42L |
| 4 | 113501-12-701 | EA | GLASS ASM - W/SASH & LATCH | DH506-EA9L |
| 5 | 113501-12-700 | EA | GLASS - STATIONARY | 390-025770 |
| 6 | 112795-01-700 | EA | LATCH ASM. - BLK. (BOLT ON) | DH287-CK |
| | 098644-01-711 | FT | WEATHERSTRIP - SCREEN BLACK | 171-016965 |
| | 098644-01-713 | EA | CLIP - SPRING - METAL | 226-016966 |
| | 098644-01-717 | FT | SPLINE - SCREEN | 132-004716 |
| | 112795-01-701 | EA | SLIDE - STOP | 132-019092 |
| | 112795-01-703 | IN | CHANNEL - RUN (INCHES) | 122-018736 |
| | 112795-01-704 | FT | PLUG FILLER (DOUBLE GLAZED) | 122-018737 |
| | 112795-01-705 | FT | VINYL - GLAZING | 132-025736 |
| | 112898-04-703 | EA | SASH LATCH KIT - RAISED | DH343-CK |

**WINDOW - DRIVER WING
DH383-EA2B27**



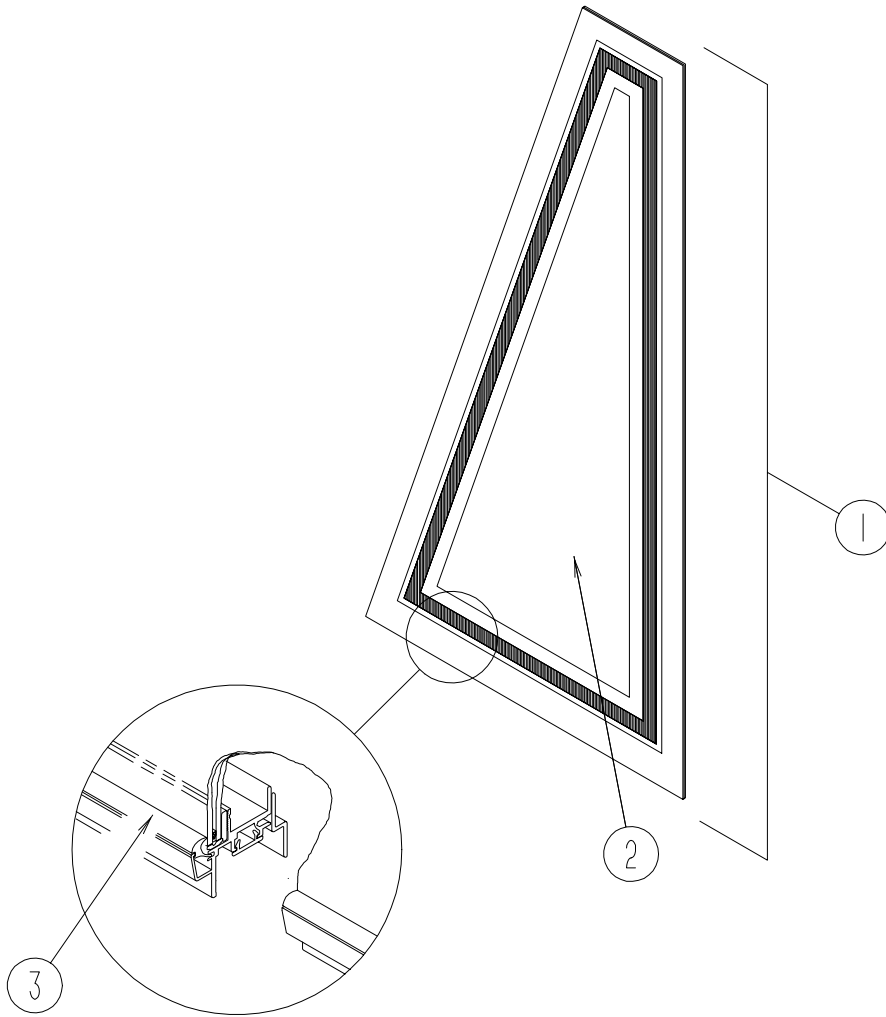
| KEY | PART NUMBER | U/M | DESCRIPTION | VENDOR NO. |
|-----|---------------|-----|--|------------|
| 1 | 115999-03-01A | EA | WINDOW - DRIVER WING - TRI/THERMO/EURO -11.1"B X 28"F X 25.5"H | 390-019550 |
| 2 | 115999-03-701 | EA | GLASS - STATIONARY | 132-018161 |
| 3 | 116000-01-704 | FT | VINYL - GLAZING - BUTYL | H383-43L |
| | 115999-02-702 | EA | RETAINER - TRIM RAIL - FRONT | H358-41L |
| | 115999-01-703 | EA | RETAINER - TRIM RAIL - REAR | |

**WINDOW - DRIVER WING
DH507-A2B27L**



| KEY | PART NUMBER | U/M | DESCRIPTION | VENDOR NO. |
|-----|---------------|-----|--|------------|
| 1 | 115999-06-01A | EA | WINDOW - DRIVER WING - THERMO -5.8"T X 11"B X 27.9"H | |
| 2 | 115999-06-700 | EA | GLASS - STATIONARY | 106-025392 |
| 3 | 116000-01-704 | FT | VINYL - GLAZING - BUTYL | 132-018161 |
| | 115999-06-702 | EA | RETAINER - TRIM RAIL - TOP | H507-42L |
| | 115999-06-701 | EA | RETAINER - TRIM RAIL - REAR | H507-41L |

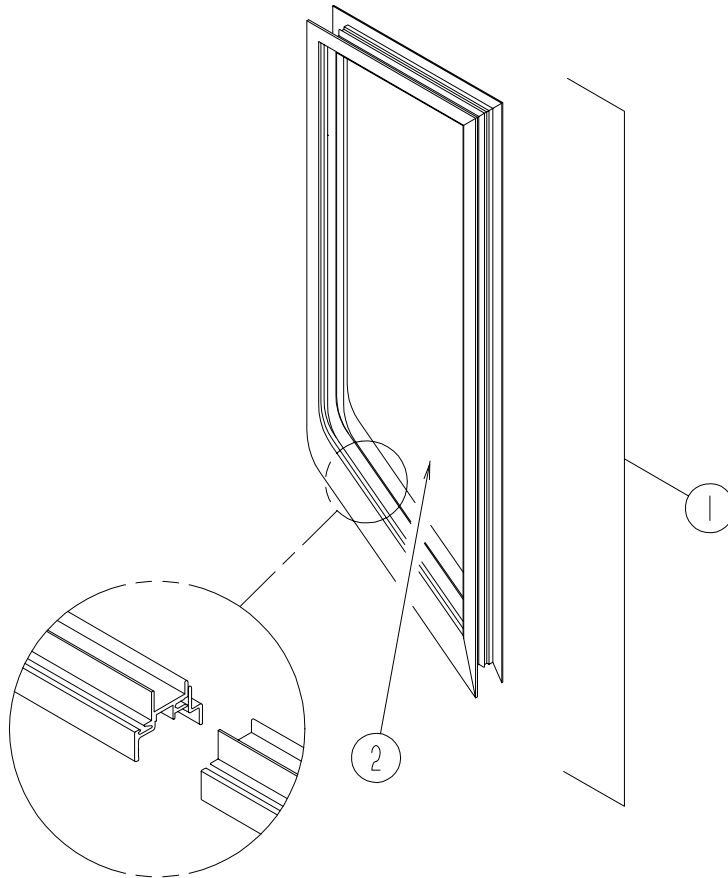
**WINDOW - DRIVER WING
SH507-EA2B27**



| KEY | PART NUMBER | U/M | DESCRIPTION |
|-----|---------------|-----|---|
| 1 | 115999-07-01A | EA | WINDOW - DRIVER WING - THERMO -5.8" T X 11" B X 27.9" H |
| 2 | 115999-07-700 | EA | GLASS - STATIONARY |
| 3 | 116000-01-704 | FT | VINYL - GLAZING - BUTYL |
| | 115999-07-701 | EA | RETAINER - TRIM |

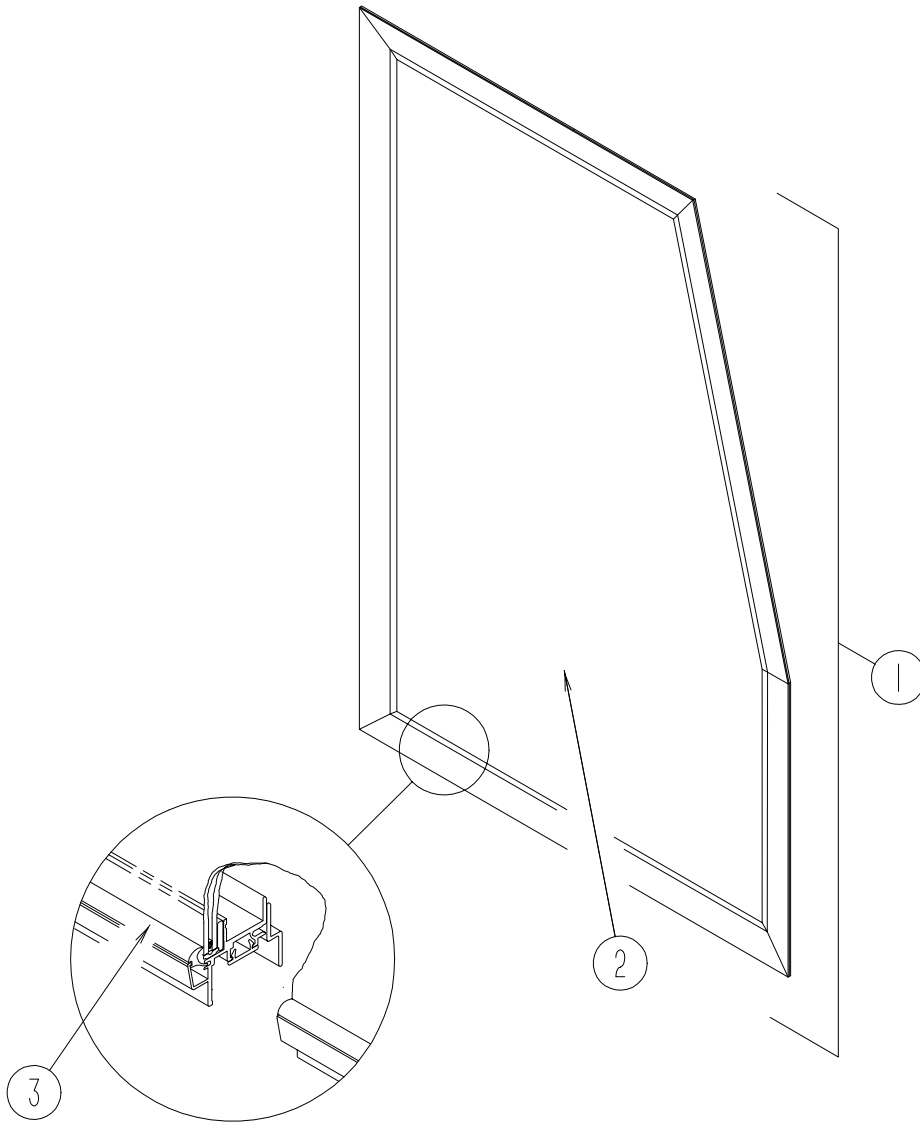
VENDOR NO.
390-025776
132-018161
H507-27L

**EXCEL
THERMOPANE**



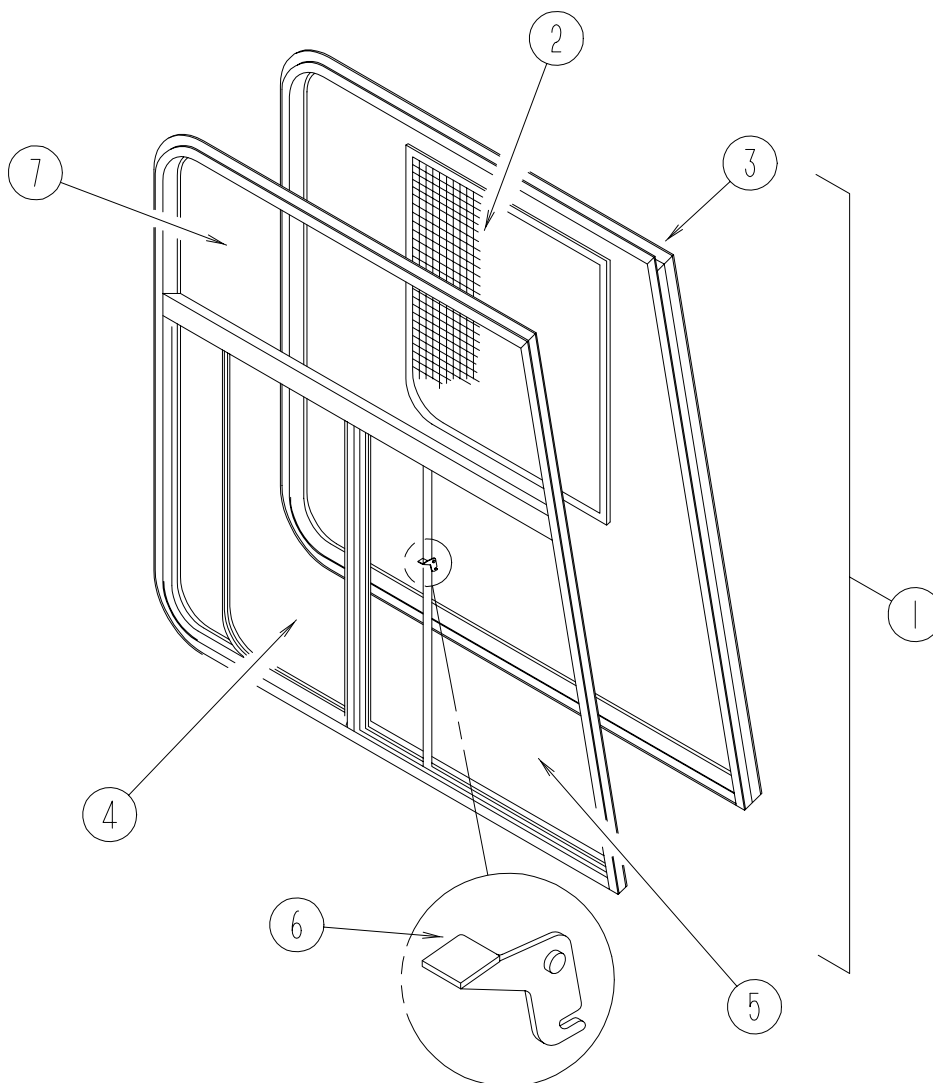
| KEY | PART NUMBER | U/M | DESCRIPTION | VENDOR NO. |
|-----|---------------|-----|--|------------|
| 1 | 122757-02-01A | EA | WINDOW - REAR SLANT THERMO - PASSENGER | |
| 2 | 122757-02-700 | EA | GLASS - STATIONARY | 390-025761 |
| | 116000-01-704 | FT | VINYL - GLAZING | 132-018161 |
| | 122757-02-701 | EA | RETAINER - TRIM - BENT | H518-41R |
| | 122757-02-702 | EA | RETAINER - TRIM - FRONT | H518-42R |
| | 122757-02-703 | EA | RETAINER - TRIM - TOP | H518-43R |

**EXCEL
THERMOPANE**



| KEY | PART NUMBER | U/M | DESCRIPTION | VENDOR NO. |
|------------|--------------------|------------|--|-------------------|
| 1 | 122758-02-01A | EA | WINDOW - ENTRANCE DOOR - THERMO 31.2"H X 27"TW X 29.2"BW | |
| 2 | 122758-02-700 | EA | GLASS - STATIONARY | 390-025759 |
| 3 | 116000-01-704 | FT | VINYL - GLAZING | 132-018161 |
| | 122758-02-701 | EA | RETAINER - TRIM - FRONT | H517-41R |
| | 122758-02-702 | EA | RETAINER - TRIM - TOP | H517-42R |
| | 122758-02-703 | EA | RETAINER - TRIM - REAR | H517-43R |
| | 122758-02-704 | EA | RETAINER - TRIM - BOTTOM | H517-43R |

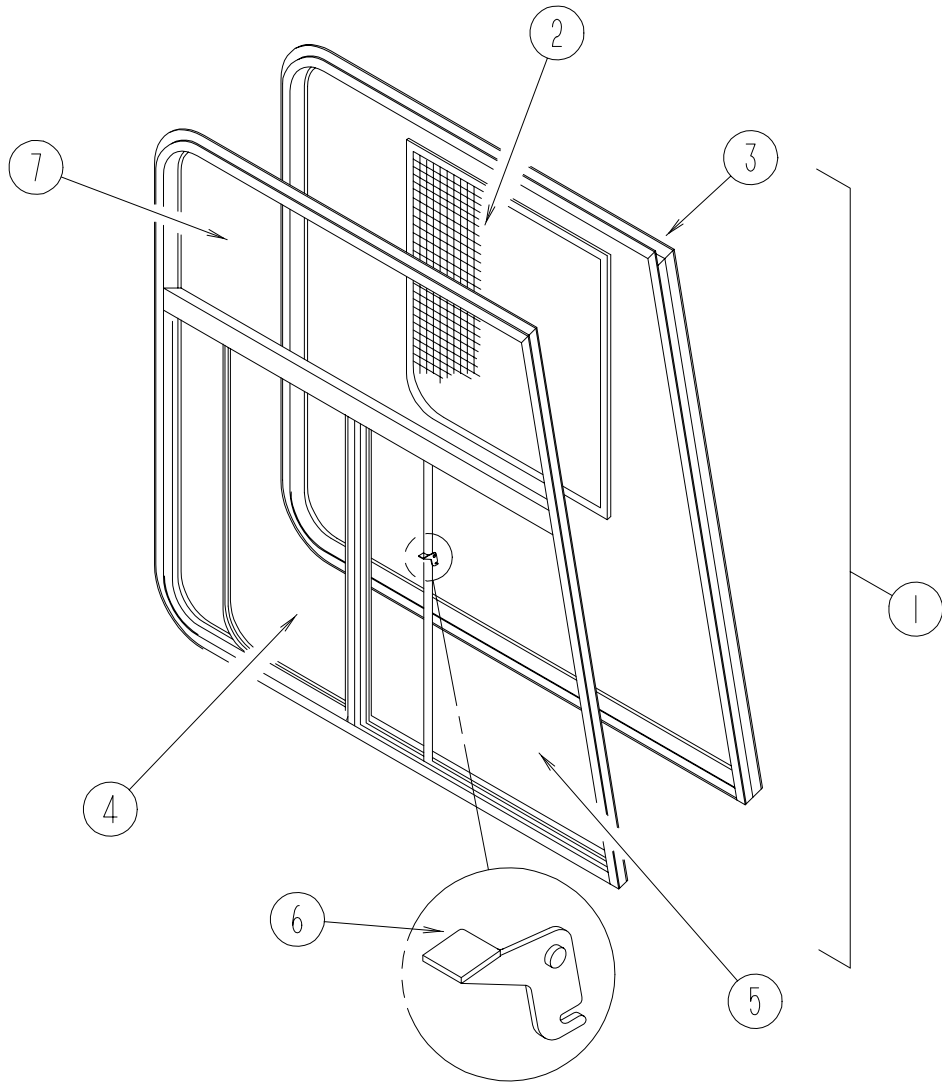
CAB WINDOW



PASSENGERS SIDE

| KEY | PART NUMBER | U/M | DESCRIPTION | VENDOR NO. |
|-----|---------------|-----|----------------------------------|------------|
| 1 | 125582-01-01A | EA | WINDOW - CAB - PASSENGER | |
| 2 | 125582-01-705 | EA | SCREEN ASM - W/SEALS & CLIPS | H57303R |
| 3 | 125582-01-706 | EA | RETAINER - TRIM | H57327R |
| 4 | 125582-01-704 | EA | GLASS - SLIDING - W/SASH & LATCH | H573A9R |
| 5 | 125582-01-703 | EA | GLASS - STATIONARY | 106-026083 |
| 6 | 098644-01-700 | EA | LATCH - REPAIR KIT (BLACK) | B801-CK |
| 7 | 125582-01-702 | EA | GLASS - STATIONARY - UPPER | 106-026082 |
| | 098644-01-716 | EA | PLUG - FILLER | 132-014470 |
| | 098644-01-705 | EA | GLAZING - STRIP | 132-010231 |
| | 098644-01-706 | EA | WEATHERSTRIP - GLASS | 171-010668 |
| | 098644-01-708 | EA | CHANNEL - RUN PIERCED | 122-016543 |
| | 098644-01-710 | EA | TRACK - SCREEN SPACER 12' | 132-017135 |
| | 098644-01-711 | EA | WEATHERSTRIP - SCREEN BLACK | 171-016965 |
| | 098644-01-717 | EA | SPLINE - SCREEN | 132-004716 |
| | 098644-01-719 | EA | STOP - SLIDER GLASS | 132-014203 |
| | 112520-01-706 | EA | WEATHERSTRIP - SCREEN - (FUZZY) | 171-017245 |
| | 125582-01-701 | EA | CLIP - SCREEN - PLASTIC | 130005153 |

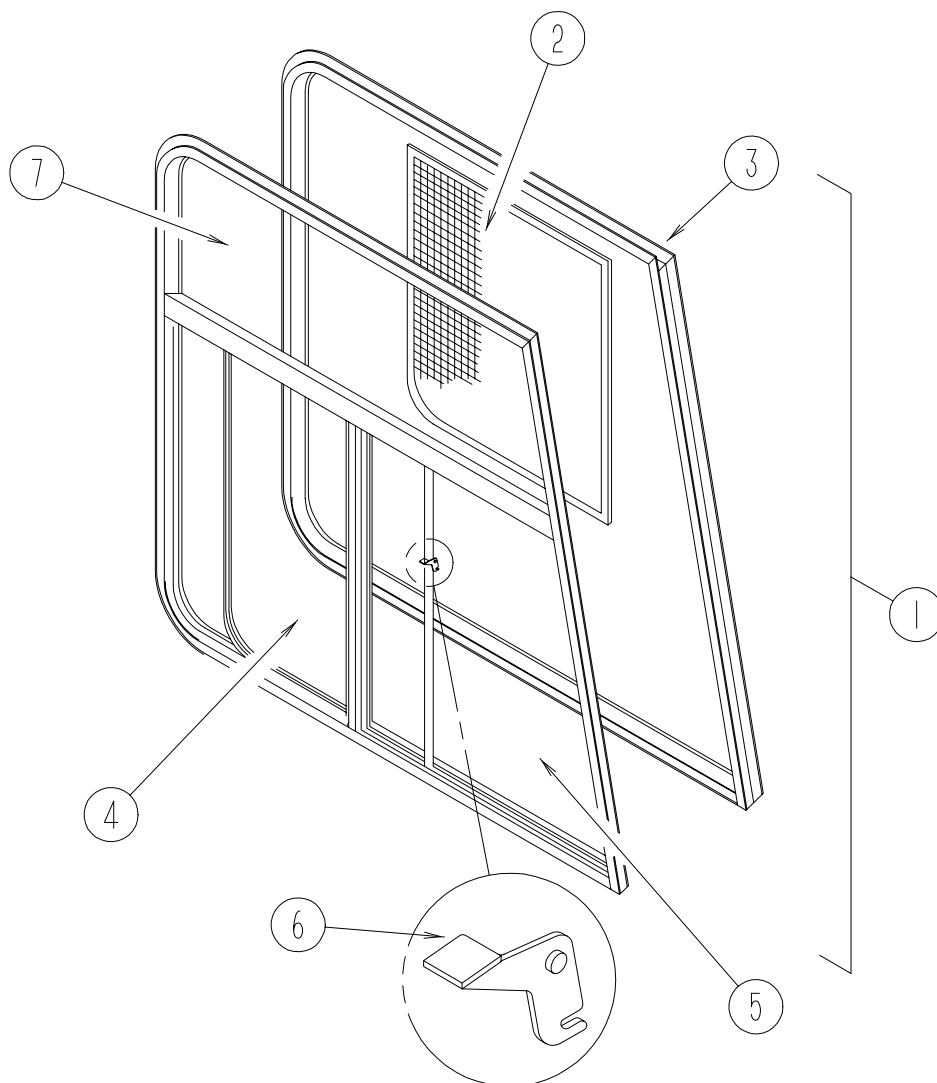
CAB WINDOW



DRIVERS SIDE

| KEY | PART NUMBER | U/M | DESCRIPTION | VENDOR NO. |
|-----|---------------|-----|------------------------------------|------------|
| 1 | 125582-02-01A | EA | WINDOW - CAB - DRIVER - H573A2B27L | |
| 2 | 125582-02-701 | EA | SCREEN ASM - W/SEALS & CLIPS | 410-026546 |
| 3 | 125582-02-702 | EA | RETAINER - TRIM | H573-27L |
| 4 | 125582-02-700 | EA | GLASS-SLIDING W/SASH & LATCH | H573-A9L |
| 5 | 125582-01-703 | EA | GLASS - STATIONARY - LOWER | 106-026083 |
| 6 | 098644-01-700 | EA | LATCH - REPAIR KIT (BLACK) | B801-CK |
| 7 | 125582-01-702 | EA | GLASS - STATIONARY - UPPER | 106-026082 |
| | 098644-01-705 | FT | GLAZING - STRIP | 132-010231 |
| | 098644-01-706 | FT | WEATHERSTRIP - GLASS | 171-010668 |
| | 098644-01-708 | FT | CHANNEL - RUN PIERCED | 122-016543 |
| | 098644-01-710 | FT | TRACK - SCREEN SPACER 12' | 132-017135 |
| | 098644-01-711 | FT | WEATHERSTRIP - SCREEN BLACK | 171-016965 |
| | 098644-01-716 | FT | PLUG - FILLER | 132-014470 |
| | 098644-01-717 | FT | SPLINE - SCREEN | 132-004716 |
| | 098644-01-719 | EA | STOP - SLIDER GLASS | 132-014203 |
| | 112520-01-706 | EA | WEATHERSTRIP-SCREEN, (FUZZY) | 171-017245 |
| | 125582-01-701 | EA | CLIP - SCREEN - PLASTIC | 130-005153 |

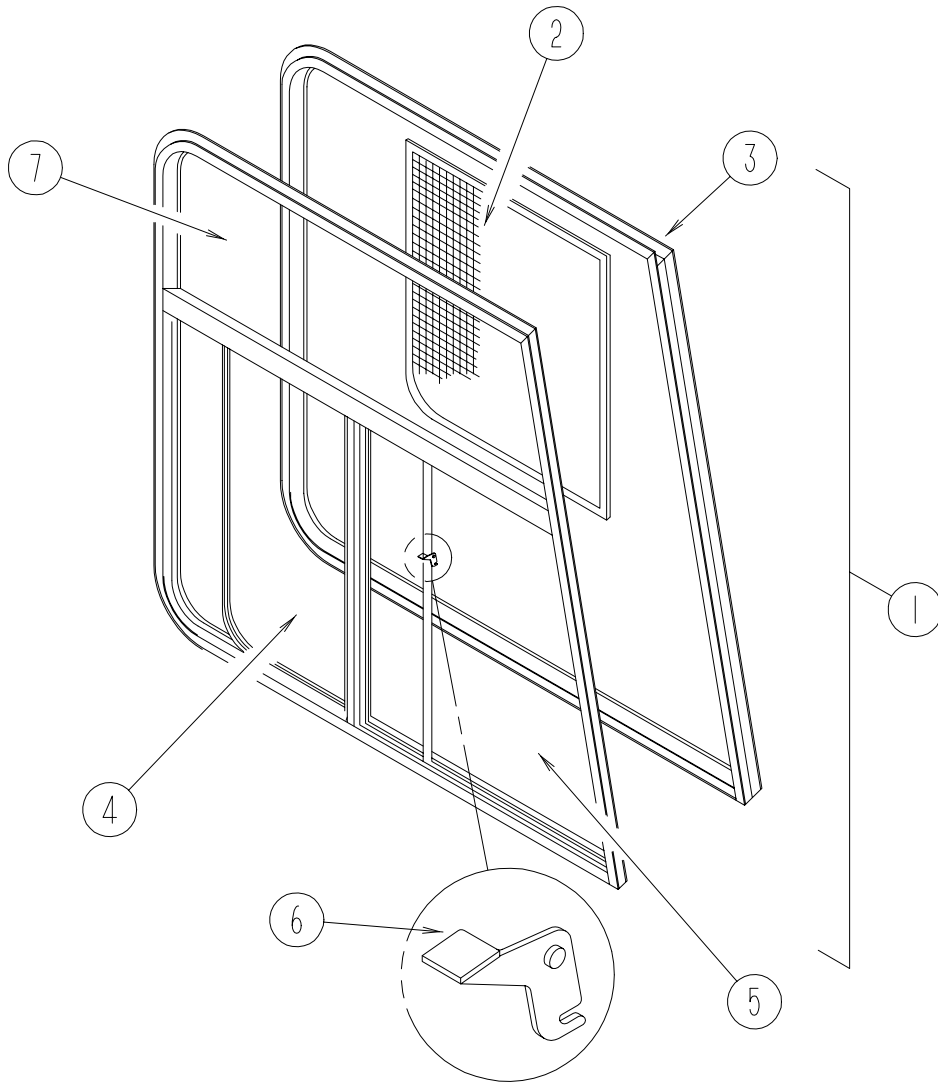
CAB WINDOW



PASSENGERS SIDE

| KEY | PART NUMBER | U/M | DESCRIPTION | VENDOR NO. |
|-----|---------------|-----|----------------------------------|------------|
| 1 | 125582-03-01A | EA | WINDOW - CAB - PASSENGER | |
| 2 | 125582-03-703 | EA | SCREEN ASM - W/SEALS & CLIPS | 410-026543 |
| 3 | 125582-03-704 | EA | RETAINER - TRIM | H56727R |
| 4 | 125582-03-702 | EA | GLASS - SLIDING - W/SASH & LATCH | H567A9R |
| 5 | 125582-03-701 | EA | GLASS - STATIONARY | 106026060 |
| 6 | 098644-01-700 | EA | LATCH - REPAIR KIT (BLACK) | B801-CK |
| 7 | 125582-03-700 | EA | GLASS - STATIONARY | 106026059 |
| | 098644-01-716 | EA | PLUG - FILLER | 132-014470 |
| | 098644-01-705 | EA | GLAZING - STRIP | 132-010231 |
| | 098644-01-706 | EA | WEATHERSTRIP - GLASS | 171-010668 |
| | 098644-01-708 | EA | CHANNEL - RUN PIERCED | 122-016543 |
| | 098644-01-710 | EA | TRACK - SCREEN SPACER 12' | 132-017135 |
| | 098644-01-711 | EA | WEATHERSTRIP - SCREEN BLACK | 171-016965 |
| | 098644-01-717 | EA | SPLINE - SCREEN | 132-004716 |
| | 098644-01-719 | EA | STOP - SLIDER GLASS | 132-014203 |
| | 112520-01-706 | EA | WEATHERSTRIP - SCREEN - (FUZZY) | 171-017245 |
| | 125582-01-701 | EA | CLIP - SCREEN - PLASTIC | 130005153 |

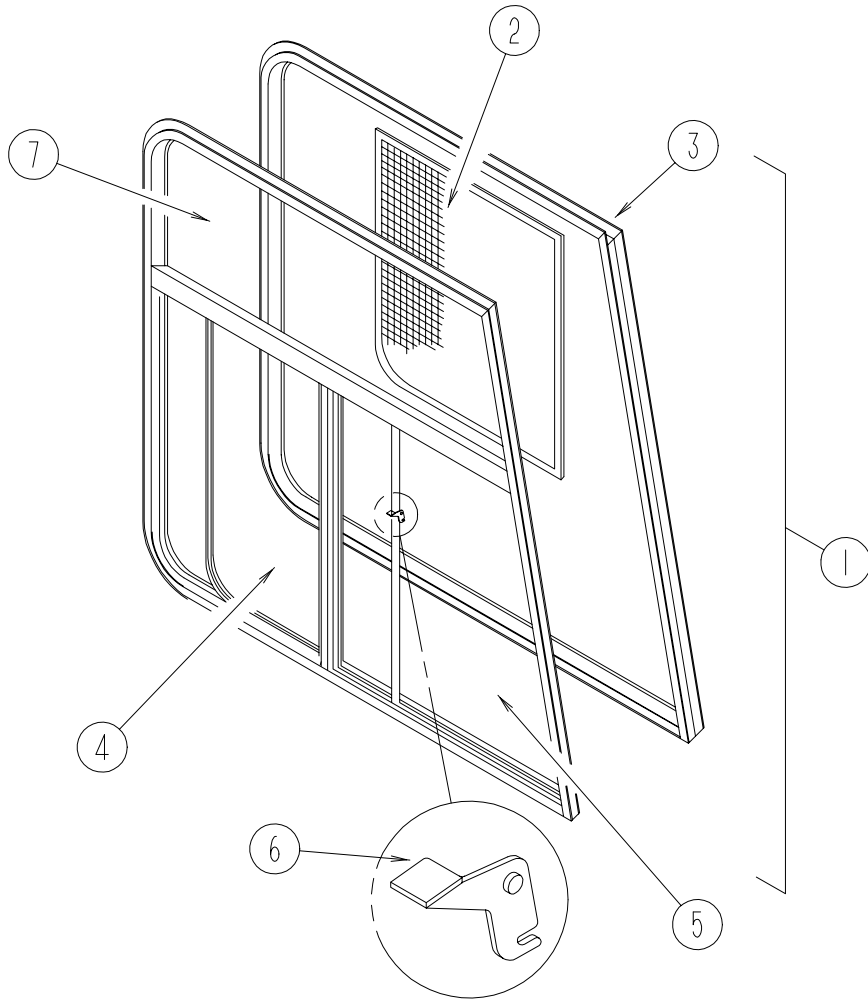
CAB WINDOW



DRIVERS SIDE

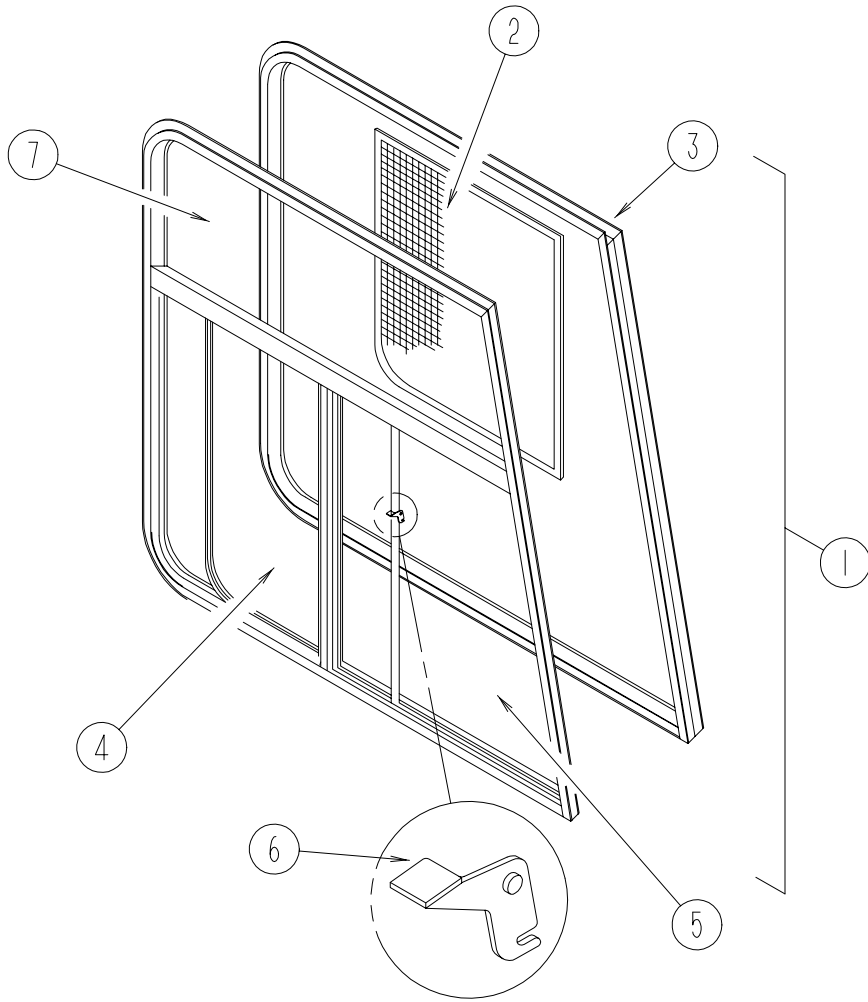
| KEY | PART NUMBER | U/M | DESCRIPTION | VENDOR NO. |
|-----|---------------|-----|------------------------------------|------------|
| 1 | 125582-04-01A | EA | WINDOW - CAB - DRIVER - H567A2B27L | |
| 2 | 125582-04-701 | EA | SCREEN ASM - W/SEALS & CLIPS | 410-026544 |
| 3 | 125582-04-702 | EA | RETAINER - TRIM | H567-27L |
| 4 | 125582-04-700 | EA | GLASS-SLIDING W/SASH & LATCH | H567-A9L |
| 5 | 125582-03-701 | EA | GLASS - STATIONARY | 106-026060 |
| 6 | 098644-01-700 | EA | LATCH - REPAIR KIT (BLACK) | B801-CK |
| 7 | 125582-03-700 | EA | GLASS - STATIONARY - TOP | 106-026059 |
| | 098644-01-705 | FT | GLAZING - STRIP | 132-010231 |
| | 098644-01-706 | FT | WEATHERSTRIP - GLASS | 171-010668 |
| | 098644-01-708 | FT | CHANNEL - RUN PIERCED | 122-016543 |
| | 098644-01-710 | FT | TRACK - SCREEN SPACER 12' | 132-017135 |
| | 098644-01-711 | FT | WEATHERSTRIP - SCREEN BLACK | 171-016965 |
| | 098644-01-716 | FT | PLUG - FILLER | 132-014470 |
| | 098644-01-717 | FT | SPLINE - SCREEN | 132-004716 |
| | 098644-01-719 | EA | STOP - SLIDER GLASS | 132-014203 |
| | 112520-01-706 | EA | WEATHERSTRIP-SCREEN, (FUZZY) | 171-017245 |
| | 125582-01-701 | EA | CLIP - SCREEN - PLASTIC | 130-005153 |

**CAB WINDOW
PASSENGER SIDE**



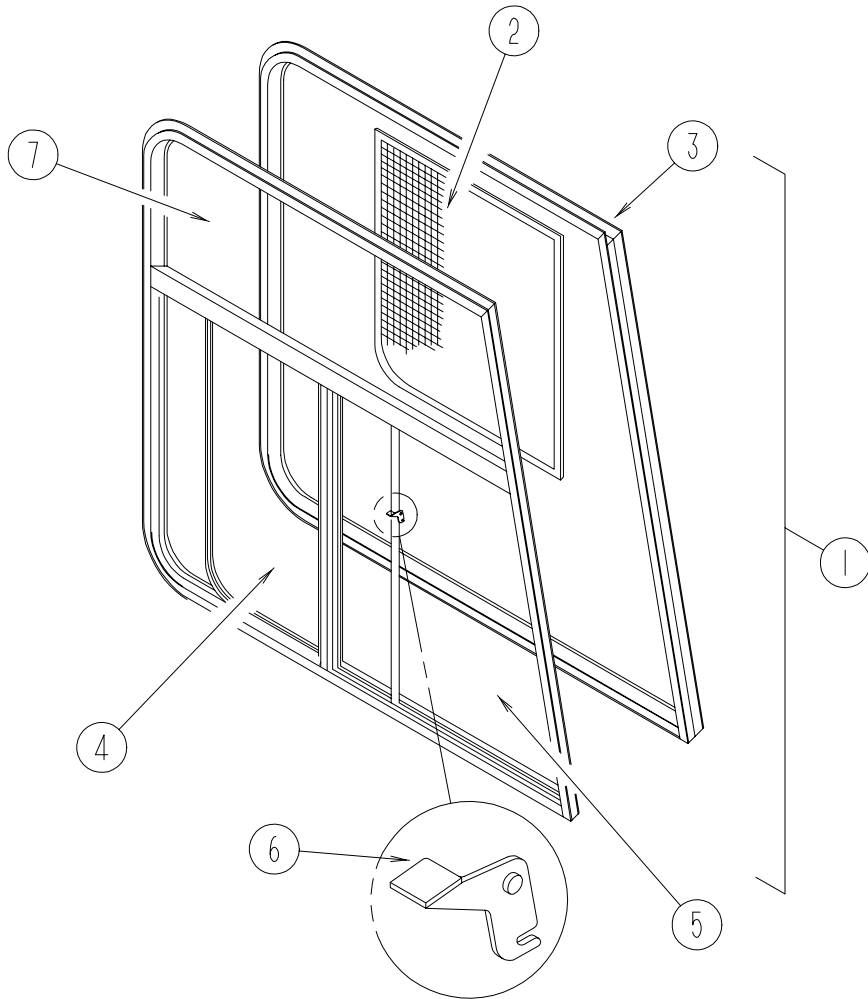
| KEY | PART NUMBER | U/M | DESCRIPTION | VENDOR NO. |
|-----|---------------|-----|---------------------------------------|------------|
| 1 | 125582-07-01A | EA | WINDOW - CAB - PASSENGER - H574A2B27R | |
| 2 | 125582-01-705 | EA | SCREEN ASM - W/SEALS & CLIPS | 410-026545 |
| 3 | 125582-07-701 | EA | RETAINER - TRIM | H574-27R |
| 5 | 125582-01-703 | EA | GLASS - STATIONARY - LOWER | 106-026083 |
| 6 | 098644-01-700 | EA | LATCH - REPAIR KIT (BLACK) | B801-CK |
| 7 | 125582-07-700 | EA | GLASS - STATIONARY | 106-026085 |
| | 098644-01-705 | FT | GLAZING - STRIP | 132-010231 |
| | 098644-01-706 | FT | WEATHERSTRIP - GLASS | 171-010668 |
| | 098644-01-708 | FT | CHANNEL - RUN PIERCED | 122-016543 |
| | 098644-01-710 | FT | TRACK - SCREEN SPACER 12' | 132-017135 |
| | 098644-01-711 | FT | WEATHERSTRIP - SCREEN BLACK | 171-016965 |
| | 098644-01-716 | FT | PLUG - FILLER | 132-014470 |
| | 098644-01-717 | FT | SPLINE - SCREEN | 132-004716 |
| | 098644-01-719 | EA | STOP - SLIDER GLASS | 132-014203 |
| | 112520-01-706 | EA | WEATHERSTRIP-SCREEN, (FUZZY) | 171-017245 |
| | 125582-01-701 | EA | CLIP - SCREEN - PLASTIC | 130-005153 |

**CAB WINDOW
DRIVERS SIDE**



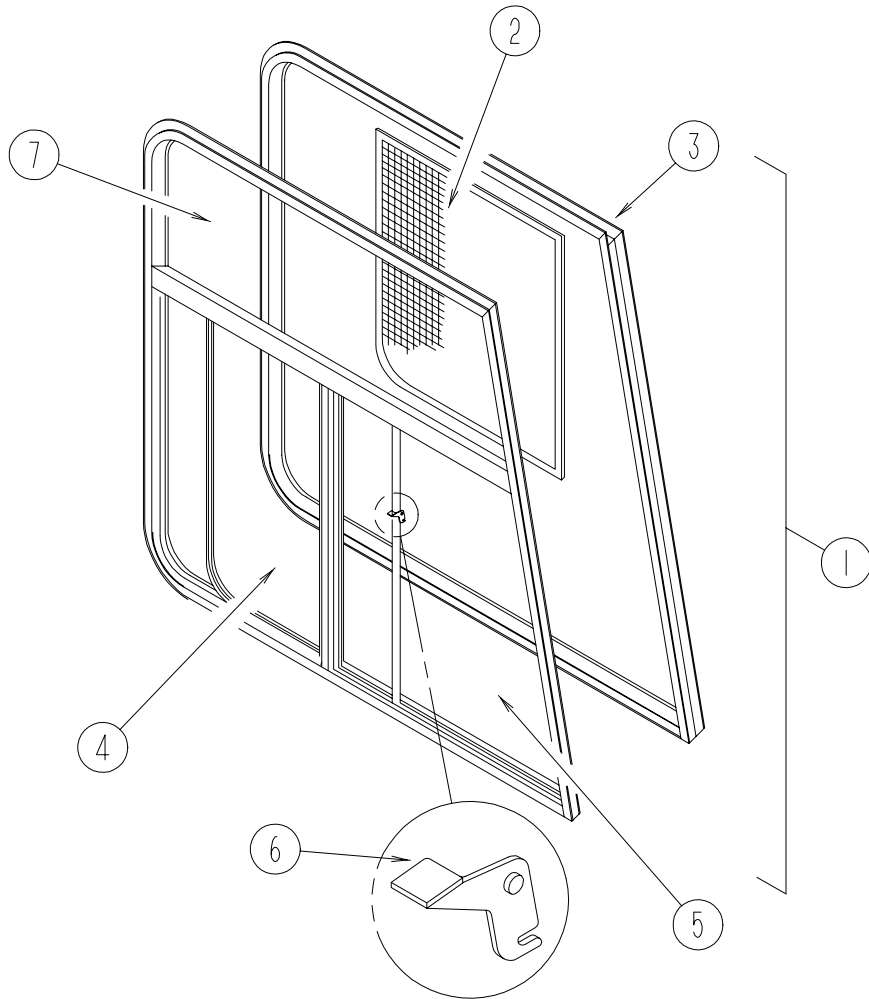
| KEY | PART NUMBER | U/M | DESCRIPTION | VENDOR NO. |
|-----|---------------|-----|------------------------------------|------------|
| 1 | 125582-08-01A | EA | WINDOW - CAB - DRIVER - H574A2B27L | |
| 2 | 125582-02-701 | EA | SCREEN ASM - W/SEALS & CLIPS | 410-026546 |
| 3 | 125582-07-701 | EA | RETAINER - TRIM | H574-27R |
| 4 | 125582-02-700 | EA | GLASS-SLIDING W/SASH & LATCH | H573-A9L |
| 5 | 125582-01-703 | EA | GLASS - STATIONARY - LOWER | 106-026083 |
| 6 | 098644-01-700 | EA | LATCH - REPAIR KIT (BLACK) | B801-CK |
| 7 | 125582-07-700 | EA | GLASS - STATIONARY | 106-026085 |
| | 098644-01-705 | FT | GLAZING - STRIP | 132-010231 |
| | 098644-01-706 | FT | WEATHERSTRIP - GLASS | 171-010668 |
| | 098644-01-708 | FT | CHANNEL - RUN PIERCED | 122-016543 |
| | 098644-01-710 | FT | TRACK - SCREEN SPACER 12' | 132-017135 |
| | 098644-01-711 | FT | WEATHERSTRIP - SCREEN BLACK | 171-016965 |
| | 098644-01-716 | FT | PLUG - FILLER | 132-014470 |
| | 098644-01-717 | FT | SPLINE - SCREEN | 132-004716 |
| | 098644-01-719 | EA | STOP - SLIDER GLASS | 132-014203 |
| | 112520-01-706 | EA | WEATHERSTRIP-SCREEN, (FUZZY) | 171-017245 |
| | 125582-01-701 | EA | CLIP - SCREEN - PLASTIC | 130-005153 |

**CAB WINDOW
PASSENGER SIDE**



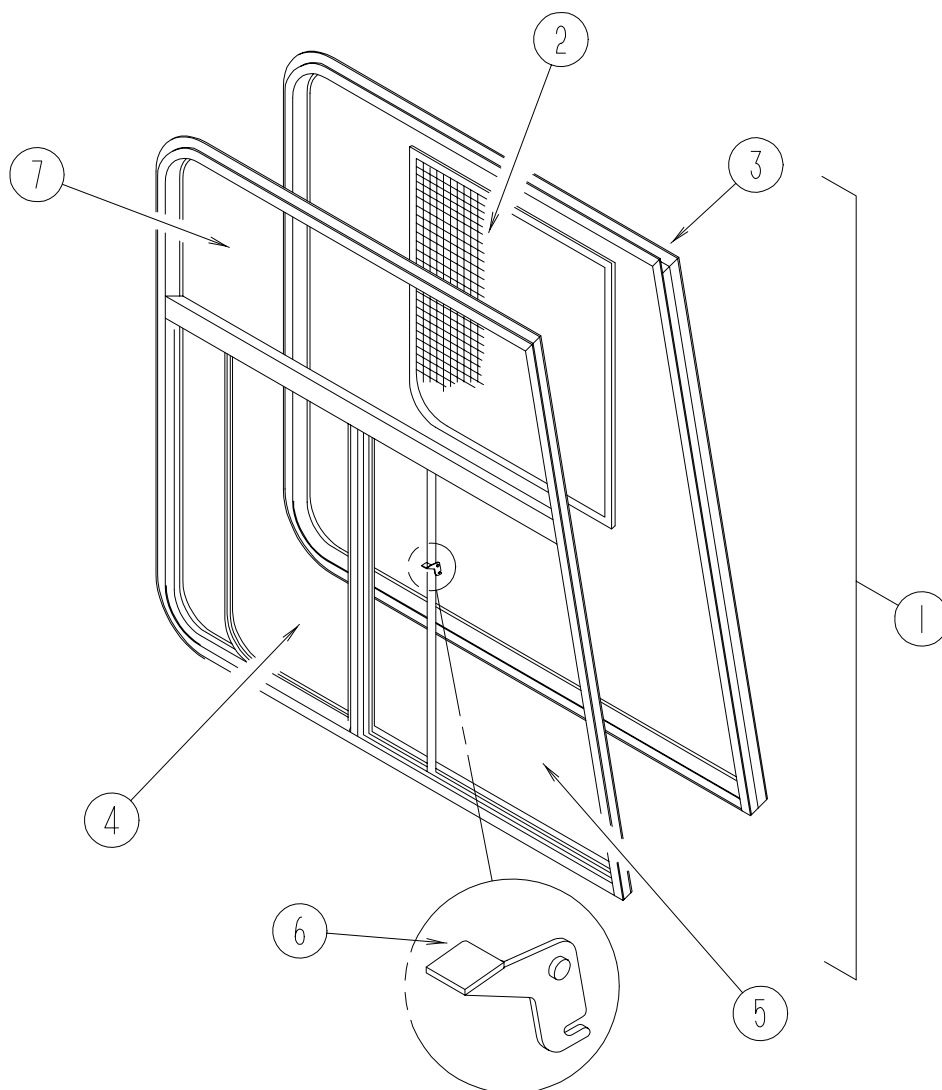
| KEY | PART NUMBER | U/M | DESCRIPTION | VENDOR NO. |
|-----|---------------|-----|---|------------|
| 1 | 125582-09-01A | EA | WINDOW - PASSENGER CAB - 3 WINDOW - 34.7" T X 37" H X 51.6" B | |
| 2 | 125582-03-703 | EA | SCREEN ASM - W/SEALS & CLIPS | 410-026543 |
| 3 | 125582-09-701 | EA | RETAINER - TRIM | H575-27R |
| 4 | 125582-03-702 | EA | GLASS-SLIDING W/SASH & LATCH | H567-A9R |
| 5 | 125582-01-700 | EA | GLASS - STATIONARY | 106-026086 |
| 6 | 098644-01-700 | EA | LATCH - REPAIR KIT (BLACK) | B801-CK |
| 7 | 125582-03-701 | EA | GLASS - STATIONARY | 106-026060 |
| | 098644-01-705 | FT | GLAZING - STRIP | 132-010231 |
| | 098644-01-706 | FT | WEATHERSTRIP - GLASS | 171-010668 |
| | 098644-01-708 | FT | CHANNEL - RUN PIERCED | 122-016543 |
| | 098644-01-710 | FT | TRACK - SCREEN SPACER 12' | 132-017135 |
| | 098644-01-711 | FT | WEATHERSTRIP - SCREEN BLACK | 171-016965 |
| | 098644-01-716 | FT | PLUG - FILLER | 132-014470 |
| | 098644-01-717 | FT | SPLINE - SCREEN | 132-004716 |
| | 098644-01-719 | EA | STOP - SLIDER GLASS | 132-014203 |
| | 112520-01-706 | EA | WEATHERSTRIP-SCREEN, (FUZZY) | 171-017245 |
| | 125582-01-701 | EA | CLIP - SCREEN - PLASTIC | 130-005153 |
| | 125582-01-708 | EA | WEEPHOLE COVER - RIGHT HAND | 130-026598 |
| | 125582-01-709 | EA | WEEPHOLE COVER - LEFT HAND | 130-026599 |

**CAB WINDOW
PASSENGER SIDE**



| KEY | PART NUMBER | U/M | DESCRIPTION | VENDOR NO. |
|-----|---------------|-----|---|------------|
| 1 | 125582-10-01A | EA | WINDOW - DRIVER CAB/3 WINDOW - 34.7"T X 37"H X 51.6"B | |
| 2 | 125582-04-701 | EA | SCREEN ASM - W/SEALS & CLIPS | 410-026544 |
| 3 | 125582-10-701 | EA | RETAINER - TRIM | H575-27L |
| 4 | 125582-04-700 | EA | GLASS-SLIDING W/SASH & LATCH | H567-A9L |
| 5 | 125582-09-700 | EA | GLASS - STATIONARY | 106-026086 |
| 6 | 098644-01-700 | EA | LATCH - REPAIR KIT (BLACK) | B801-CK |
| 7 | 125582-03-701 | EA | GLASS - STATIONARY | 106-026060 |
| | 098644-01-705 | FT | GLAZING - STRIP | 132-010231 |
| | 098644-01-706 | FT | WEATHERSTRIP - GLASS | 171-010668 |
| | 098644-01-708 | FT | CHANNEL - RUN PIERCED | 122-016543 |
| | 098644-01-710 | FT | TRACK - SCREEN SPACER 12' | 132-017135 |
| | 098644-01-711 | FT | WEATHERSTRIP - SCREEN BLACK | 171-016965 |
| | 098644-01-716 | FT | PLUG - FILLER | 132-014470 |
| | 098644-01-717 | FT | SPLINE - SCREEN | 132-004716 |
| | 098644-01-719 | EA | STOP - SLIDER GLASS | 132-014203 |
| | 112520-01-706 | EA | WEATHERSTRIP-SCREEN, (FUZZY) | 171-017245 |
| | 125582-01-701 | EA | CLIP - SCREEN - PLASTIC | 130-005153 |
| | 125582-01-708 | EA | WEEPHOLE COVER - RIGHT HAND | 130-026598 |
| | 125582-01-709 | EA | WEEPHOLE COVER - LEFT HAND | 130-026599 |

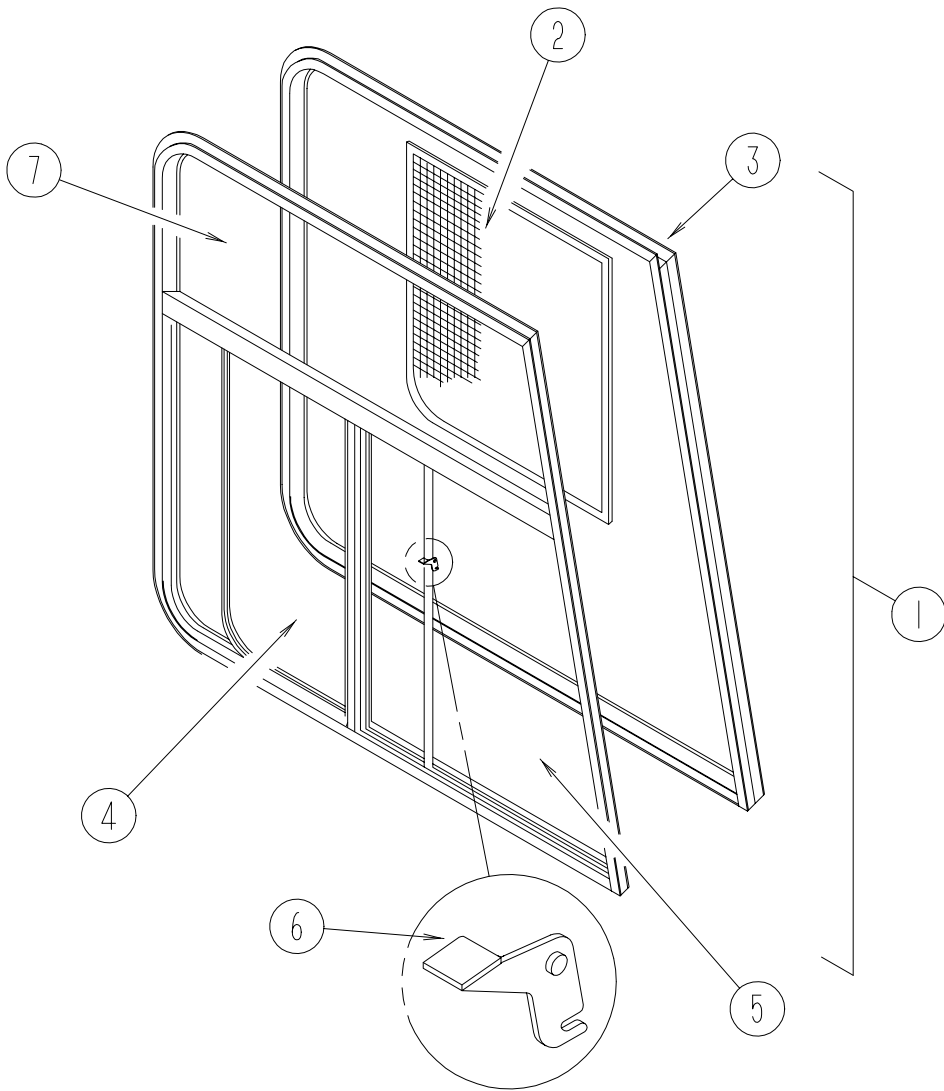
CAB WINDOW



PASSENGERS SIDE

| KEY | PART NUMBER | U/M | DESCRIPTION | VENDOR NO. |
|-----|---------------|-----|--|------------|
| 1 | 125583-01-01A | EA | WINDOW - PASS CAB-3 GLASS THERMO- 42.9"X 51.2"B X 42.6"H | |
| 2 | 125582-01-705 | EA | SCREEN ASM - W/SEALS & CLIPS | H57303R |
| 3 | 125582-01-706 | EA | RETAINER - TRIM | H57327R |
| 4 | 125583-01-700 | EA | GLASS - SLIDING W/SASH & LATCH | DH573A9R |
| 5 | 125583-01-702 | EA | GLASS - STATIONARY | 390026101 |
| 6 | 112795-01-700 | EA | LATCH - BLACK - (BOLT ON) | DH287-CK |
| 7 | 125583-01-701 | EA | GLASS - STATIONARY | 390026100 |
| | 098644-01-716 | EA | PLUG - FILLER | 132-014470 |
| | 098644-01-710 | EA | TRACK - SCREEN SPACER 12' | 132-017135 |
| | 098644-01-711 | EA | WEATHERSTRIP - SCREEN BLACK | 171-016965 |
| | 098644-01-713 | EA | CLIP - SCREEN - METAL | 226-016966 |
| | 098644-01-717 | EA | SPLINE - SCREEN | 132-004716 |
| | 112795-01-701 | EA | SLIDE - STOP | 132-019092 |
| | 112795-01-703 | EA | CHANNEL - RUN - (INCHES) | 122-018736 |
| | 112795-01-704 | EA | PLUG - FILLER - (DOUBLE GLAZED) | 122-018737 |
| | 125582-01-701 | EA | CLIP - SCREEN - PLASTIC | 130005153 |

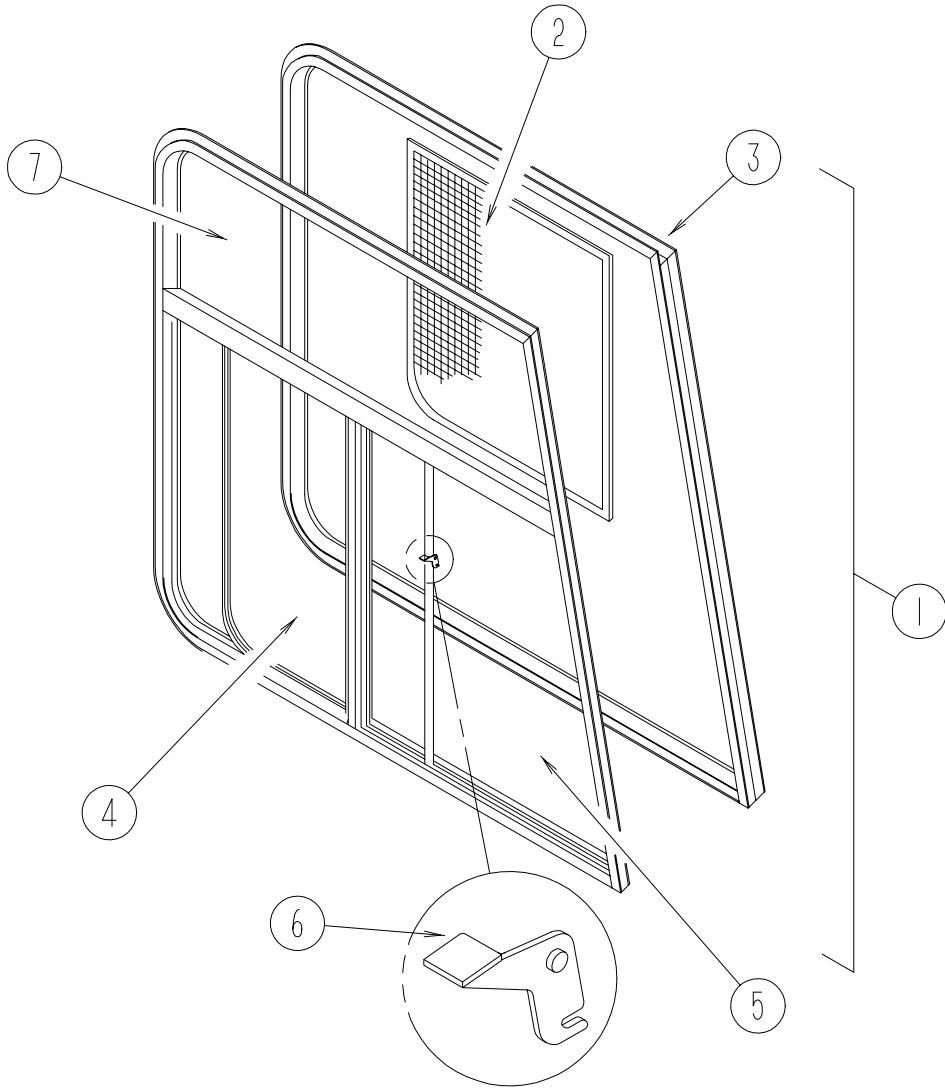
CAB WINDOW



DRIVERS SIDE

| KEY | PART NUMBER | U/M | DESCRIPTION | VENDOR NO. |
|-----|---------------|-----|--|-------------|
| 1 | 125583-02-01A | EA | WINDOW - DRVR CAB-3 GLASS THERMO-42.9" T X 51.2" B X 42.6" H | DH573A2B27L |
| 2 | 125582-02-701 | EA | SCREEN ASM - W/SEALS & CLIPS | 410-026546 |
| 3 | 125582-02-702 | EA | RETAINER - TRIM | H573-27L |
| 4 | 125583-02-700 | EA | GLASS-SLIDING W/SASH & LATCH | DH573-A9L |
| 5 | 125583-02-701 | EA | GLASS - STATIONARY | 390-026102 |
| 6 | 112795-01-700 | EA | LATCH ASM., BLK., (BOLT ON) | DH287-CK |
| 7 | 125583-01-701 | EA | GLASS - STATIONARY - UPPER | 390-026100 |
| | 098644-01-706 | FT | WEATHERSTRIP - GLASS | 171-010668 |
| | 098644-01-710 | FT | TRACK - SCREEN SPACER 12' | 132-017135 |
| | 098644-01-711 | FT | WEATHERSTRIP - SCREEN BLACK | 171-016965 |
| | 098644-01-713 | EA | CLIP - SCREEN - METAL | 226-016966 |
| | 098644-01-717 | FT | SPLINE - SCREEN | 132-004716 |
| | 112795-01-701 | EA | SLIDE-STOP | 132-019092 |
| | 112795-01-703 | IN | CHANNEL-RUN (INCHES) | 122-018736 |
| | 112795-01-704 | FT | PLUG FILLER (DOUBLE GLAZED) | 122-018737 |
| | 112795-01-705 | FT | VINYL - GLAZING | 132-025736 |
| | 125582-01-701 | EA | CLIP - SCREEN - PLASTIC | 130-005153 |

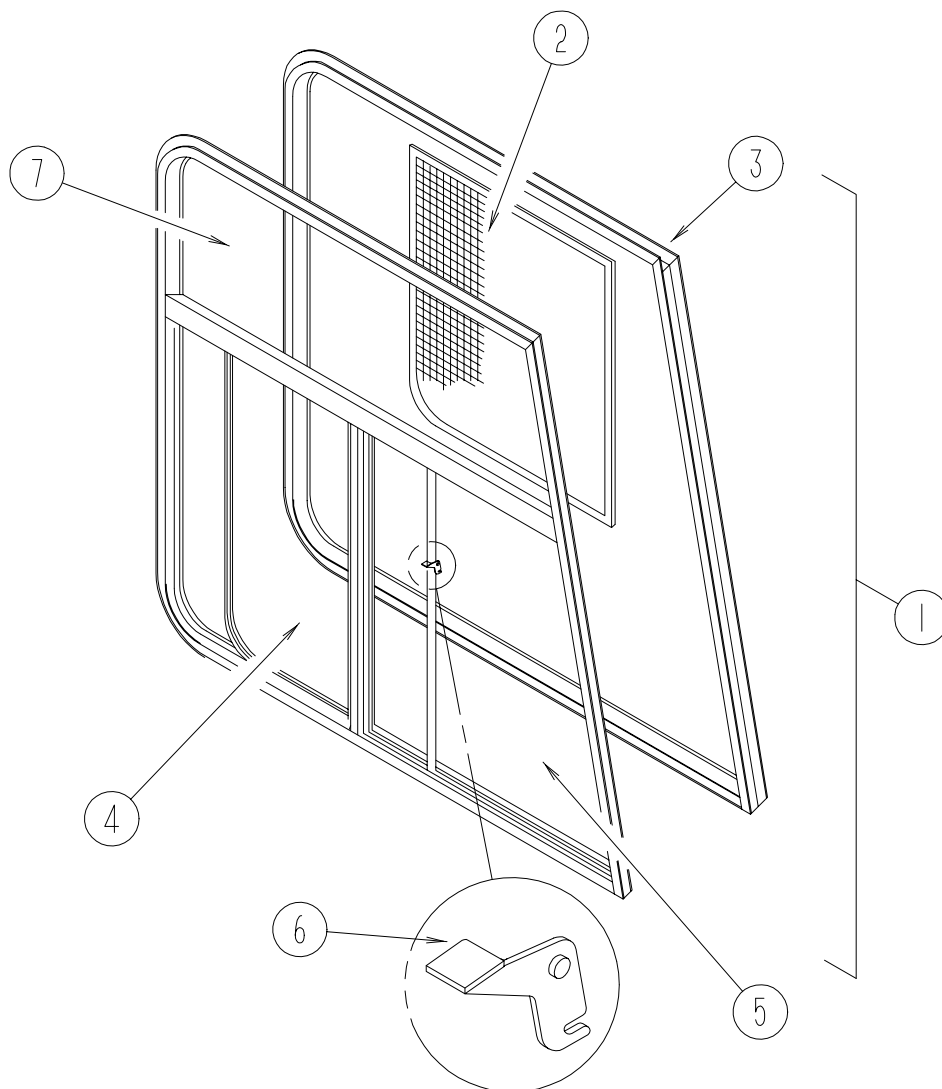
CAB WINDOW



PASSENGERS SIDE

| KEY | PART NUMBER | U/M | DESCRIPTION | VENDOR NO. |
|-----|---------------|-----|--|------------|
| 1 | 125583-03-01A | EA | WINDOW - PASS CAB-3 GLASS THERMO- 31.8"T X 51.6"B X 42.6"H | |
| 2 | 125582-03-703 | EA | SCREEN ASM - W/SEALS & CLIPS | H56703R |
| 3 | 125582-03-704 | EA | RETAINER - TRIM | H56727R |
| 4 | 125583-03-700 | EA | GLASS - SLIDING - W/SASH & LATCH | DH567A9R |
| 5 | 125583-03-702 | EA | GLASS - STATIONARY | 390026094 |
| 6 | 112795-01-700 | EA | LATCH - BLACK - (BOLT ON) | DH287-CK |
| 7 | 125583-03-701 | EA | GLASS - STATIONARY | 390026093 |
| | 098644-01-706 | EA | WEATHERSTRIP - GLASS | 171-010668 |
| | 098644-01-710 | EA | TRACK - SCREEN SPACER 12' | 132-017135 |
| | 098644-01-711 | EA | WEATHERSTRIP - SCREEN BLACK | 171-016965 |
| | 098644-01-713 | EA | CLIP - SCREEN - METAL | 226-016966 |
| | 098644-01-717 | EA | SPLINE - SCREEN | 132-004716 |
| | 112795-01-701 | EA | SLIDE - STOP | 132-019092 |
| | 112795-01-703 | EA | CHANNEL - RUN - (INCHES) | 122-018736 |
| | 112795-01-704 | EA | PLUG - FILLER - (DOUBLE GLAZED) | 122-018737 |
| | 125582-01-701 | EA | CLIP - SCREEN - PLASTIC | 130005153 |

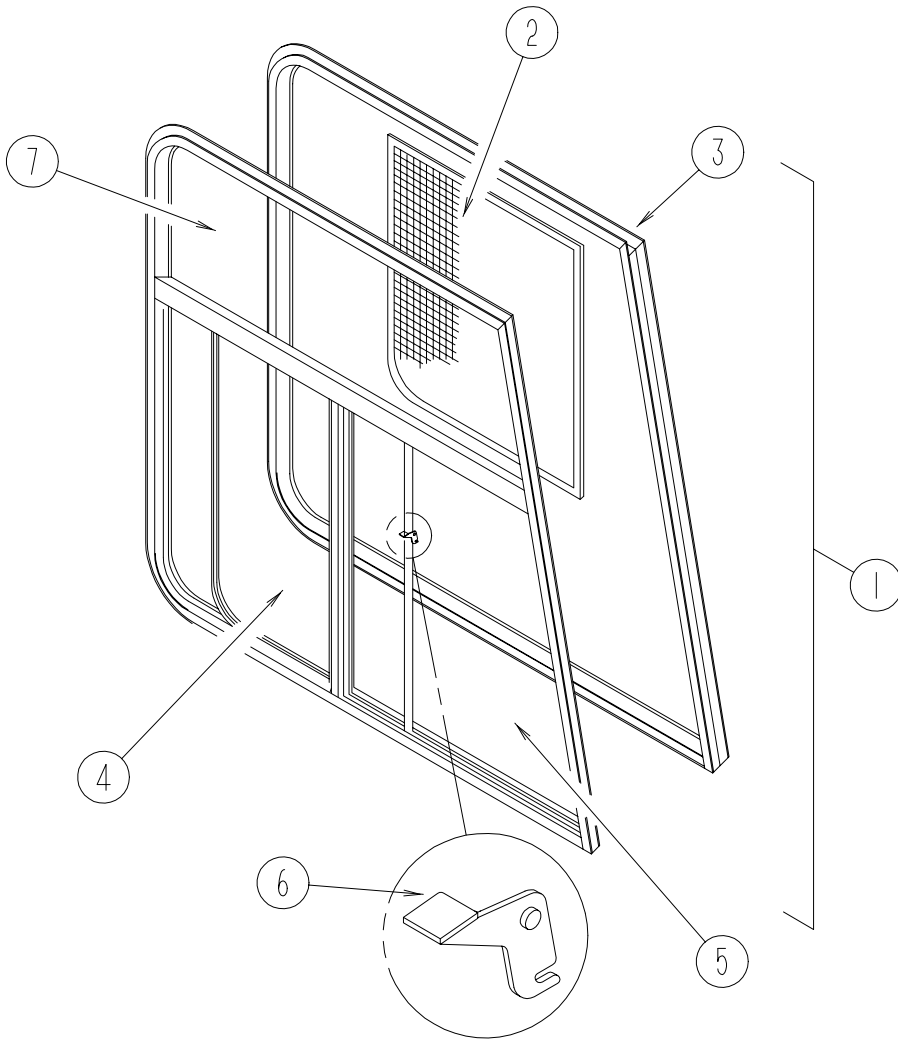
CAB WINDOW



DRIVERS SIDE

| KEY | PART NUMBER | U/M | DESCRIPTION | VENDOR NO. |
|-----|---------------|-----|--|------------|
| 1 | 125583-04-01A | EA | WINDOW - DRVR CAB-3 GLASS THERMO-31.8" T X 51.6" B X 42.6" H | I,BSMT |
| 2 | 125582-04-701 | EA | SCREEN ASM - W/SEALS & CLIPS | 410-026544 |
| 3 | 125582-04-702 | EA | RETAINER - TRIM | H567-27L |
| 4 | 125583-04-700 | EA | GLASS-SLIDING W/SASH & LATCH | DH567-A9L |
| 5 | 125583-04-701 | EA | GLASS - STATIONARY | 390-026095 |
| 6 | 112795-01-700 | EA | LATCH ASM., BLK.,(BOLT ON) | DH287-CK |
| 7 | 125583-03-701 | EA | GLASS - STATIONARY - UPPER | 390-026093 |
| | 098644-01-706 | FT | WEATHERSTRIP - GLASS | 171-010668 |
| | 098644-01-710 | FT | TRACK - SCREEN SPACER 12' | 132-017135 |
| | 098644-01-711 | FT | WEATHERSTRIP - SCREEN BLACK | 171-016965 |
| | 098644-01-713 | EA | CLIP - SCREEN - METAL | 226-016966 |
| | 098644-01-717 | FT | SPLINE - SCREEN | 132-004716 |
| | 112795-01-701 | EA | SLIDE-STOP | 132-019092 |
| | 112795-01-703 | IN | CHANNEL-RUN (INCHES) | 122-018736 |
| | 112795-01-704 | FT | PLUG FILLER (DOUBLE GLAZED) | 122-018737 |
| | 112795-01-705 | FT | VINYL - GLAZING | 132-025736 |
| | 125582-01-701 | EA | CLIP - SCREEN - PLASTIC | 130-005153 |

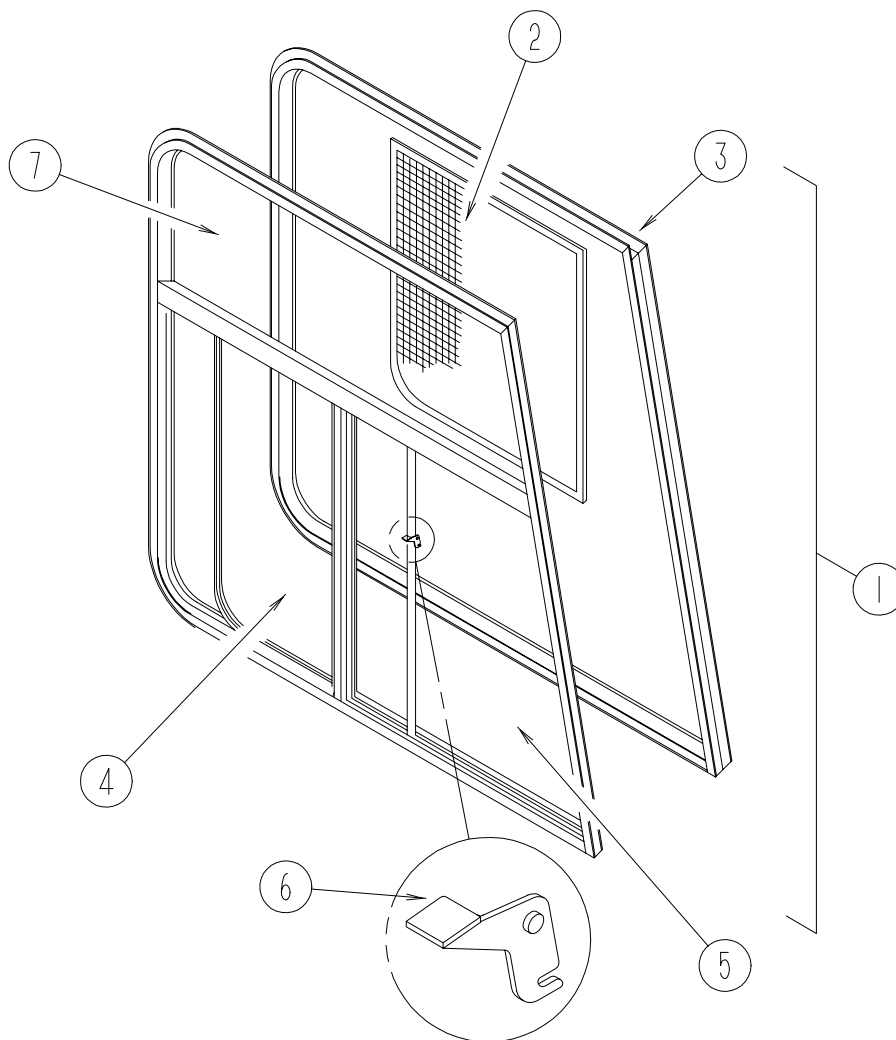
THERMO CAB WINDOW



PASSENGERS SIDE

| KEY | PART NUMBER | U/M | DESCRIPTION | VENDOR NO. |
|-----|---------------|-----|---|------------|
| 1 | 125583-07-01A | EA | WINDOW - PASS CAB-3 GLASS THERMO-44.2"T X 51.2"B X 37"H | 410-026545 |
| 2 | 125582-01-705 | EA | SCREEN ASM - W/SEALS & CLIPS | H574-27R |
| 3 | 125582-07-701 | EA | RETAINER - TRIM | DH573-A9R |
| 4 | 125583-01-700 | EA | GLASS-SLIDING W/SASH & LATCH | 390-026101 |
| 5 | 125583-01-702 | EA | GLASS - STATIONARY - R.H. | DH287-CK |
| 6 | 112795-01-700 | EA | LATCH ASM., BLK.,(BOLT ON) | 390-026287 |
| 7 | 125583-08-700 | EA | GLASS - STATIONARY/TOP | 171-010668 |
| | 098644-01-706 | FT | WEATHERSTRIP - GLASS | 132-017135 |
| | 098644-01-710 | FT | TRACK - SCREEN SPACER 12' | 171-016965 |
| | 098644-01-711 | FT | WEATHERSTRIP - SCREEN BLACK | 226-016966 |
| | 098644-01-713 | EA | CLIP - SCREEN - METAL | 132-004716 |
| | 098644-01-717 | FT | SPLINE - SCREEN | 132-019092 |
| | 112795-01-701 | EA | SLIDE-STOP | 122-018736 |
| | 112795-01-703 | IN | CHANNEL-RUN (INCHES) | 122-018737 |
| | 112795-01-704 | FT | PLUG FILLER (DOUBLE GLAZED) | 132-025736 |
| | 112795-01-705 | FT | VINYL - GLAZING | 130-005153 |
| | 125582-01-701 | EA | CLIP - SCREEN - PLASTIC | |

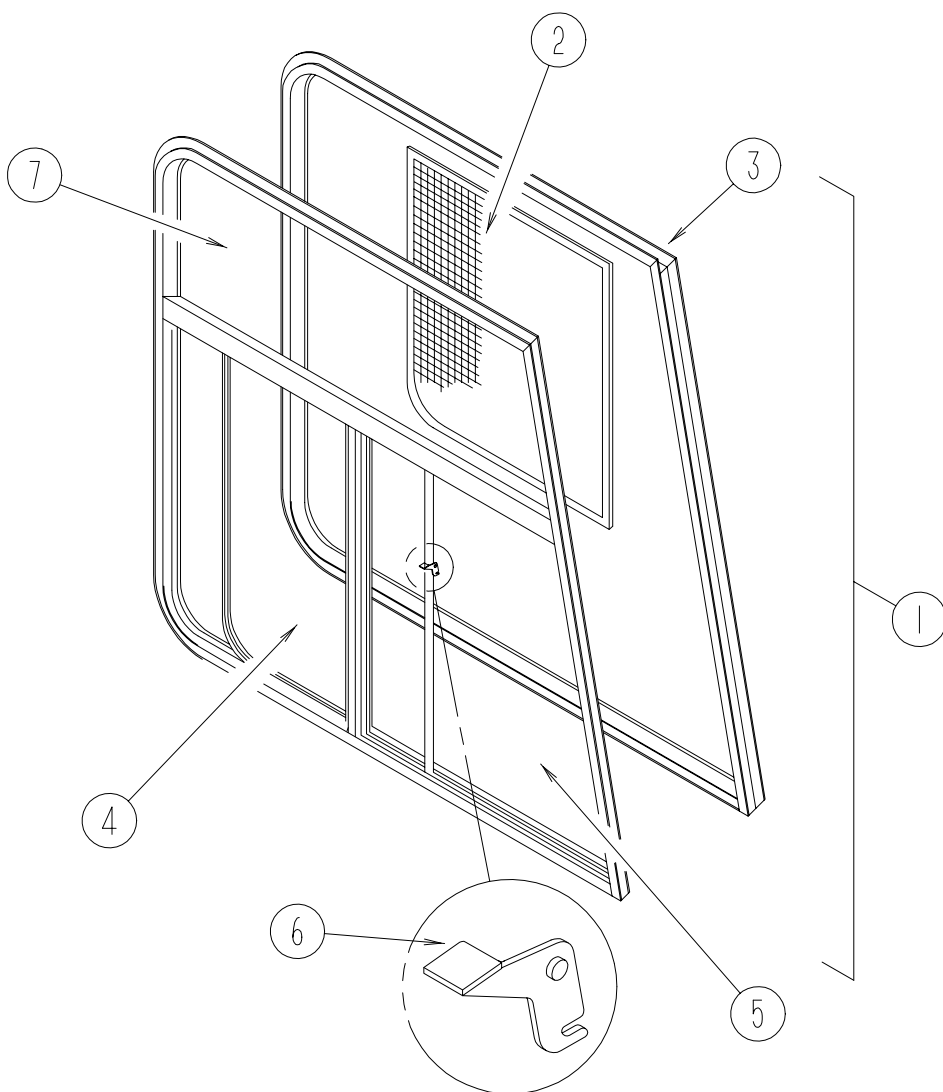
THERMO CAB WINDOW



DRIVERS SIDE

| KEY | PART NUMBER | U/M | DESCRIPTION | VENDOR NO. |
|-----|---------------|-----|---|------------|
| 1 | 125583-08-01A | EA | WINDOW - DRVR CAB-3 GLASS THERMO-44.2"T X 51.2"B X 37"H | 410-026546 |
| 2 | 125582-02-701 | EA | SCREEN ASM - W/SEALS & CLIPS | H567-27L |
| 3 | 125582-04-702 | EA | RETAINER - TRIM | DH573-A9L |
| 4 | 125583-02-700 | EA | GLASS-SLIDING W/SASH & LATCH | 390-026102 |
| 5 | 125583-02-701 | EA | GLASS - STATIONARY | DH287-CK |
| 6 | 112795-01-700 | EA | LATCH ASM., BLK.,(BOLT ON) | 390-026287 |
| 7 | 125583-08-700 | EA | GLASS - STATIONARY/TOP | 171-010668 |
| | 098644-01-706 | FT | WEATHERSTRIP - GLASS | 132-017135 |
| | 098644-01-710 | FT | TRACK - SCREEN SPACER 12' | 171-016965 |
| | 098644-01-711 | FT | WEATHERSTRIP - SCREEN BLACK | 226-016966 |
| | 098644-01-713 | EA | CLIP - SCREEN - METAL | 132-004716 |
| | 098644-01-717 | FT | SPLINE - SCREEN | 132-019092 |
| | 112795-01-701 | EA | SLIDE-STOP | 122-018736 |
| | 112795-01-703 | IN | CHANNEL-RUN (INCHES) | 122-018737 |
| | 112795-01-704 | FT | PLUG FILLER (DOUBLE GLAZED) | 132-025736 |
| | 112795-01-705 | FT | VINYL - GLAZING | 130-005153 |
| | 125582-01-701 | EA | CLIP - SCREEN - PLASTIC | |

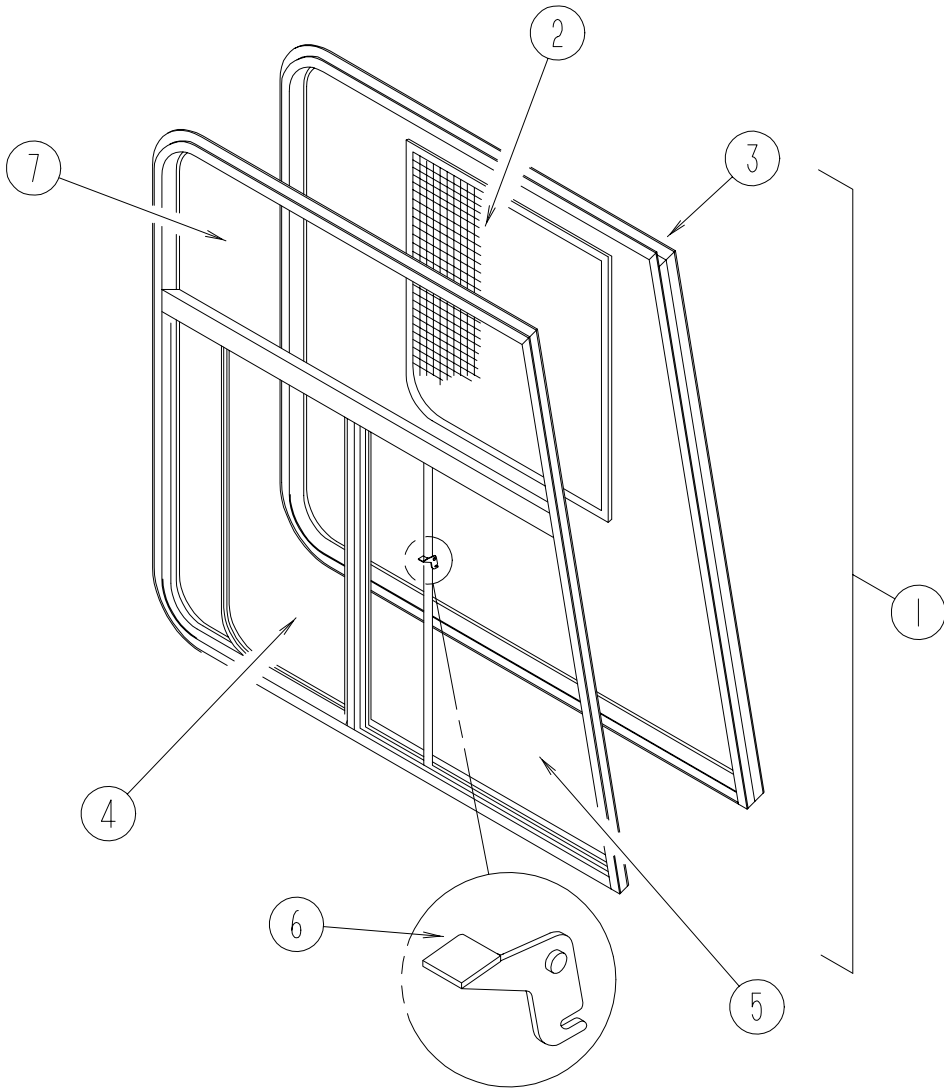
CAB WINDOW



PASSENGERS SIDE

| KEY | PART NUMBER | U/M | DESCRIPTION | VENDOR NO. |
|-----|---------------|-----|--|------------|
| 1 | 125583-09-01A | EA | WINDOW - CAB PASS-3 GLASS THERMO- 34.7"T X 51.6"B X 37"H | |
| 2 | 125582-03-703 | EA | SCREEN ASM - W/SEALS & CLIPS | 410-026543 |
| 3 | 125582-09-701 | EA | RETAINER - TRIM | H575-27R |
| 4 | 125583-03-700 | EA | GLASS - SLIDING - W/SASH & LATCH | DH567-A9R |
| 5 | 125583-09-700 | EA | GLASS - STATIONARY | 390-026323 |
| 6 | 112795-01-700 | EA | LATCH - BLACK - (BOLT ON) | DH287-CK |
| 7 | 125583-03-702 | EA | GLASS - STATIONARY | 390-026094 |
| | 098644-01-706 | EA | WEATHERSTRIP - GLASS | 171-010668 |
| | 098644-01-710 | EA | TRACK - SCREEN SPACER 12' | 132-017135 |
| | 098644-01-711 | EA | WEATHERSTRIP - SCREEN BLACK | 171-016965 |
| | 098644-01-713 | EA | CLIP - SCREEN - METAL | 226-016966 |
| | 098644-01-717 | EA | SPLINE - SCREEN | 132-004716 |
| | 112795-01-701 | EA | SLIDE - STOP | 132-019092 |
| | 112795-01-703 | EA | CHANNEL - RUN - (INCHES) | 122-018736 |
| | 112795-01-704 | EA | PLUG - FILLER - (DOUBLE GLAZED) | 122-018737 |
| | 125582-01-701 | EA | CLIP - SCREEN - PLASTIC | 130-005153 |
| | 125582-01-708 | EA | WEEPHOLE COVER - RIGHT HAND | 130-026598 |
| | 125582-01-709 | EA | WEEPHOLE COVER - LEFT HAND | 130-026599 |

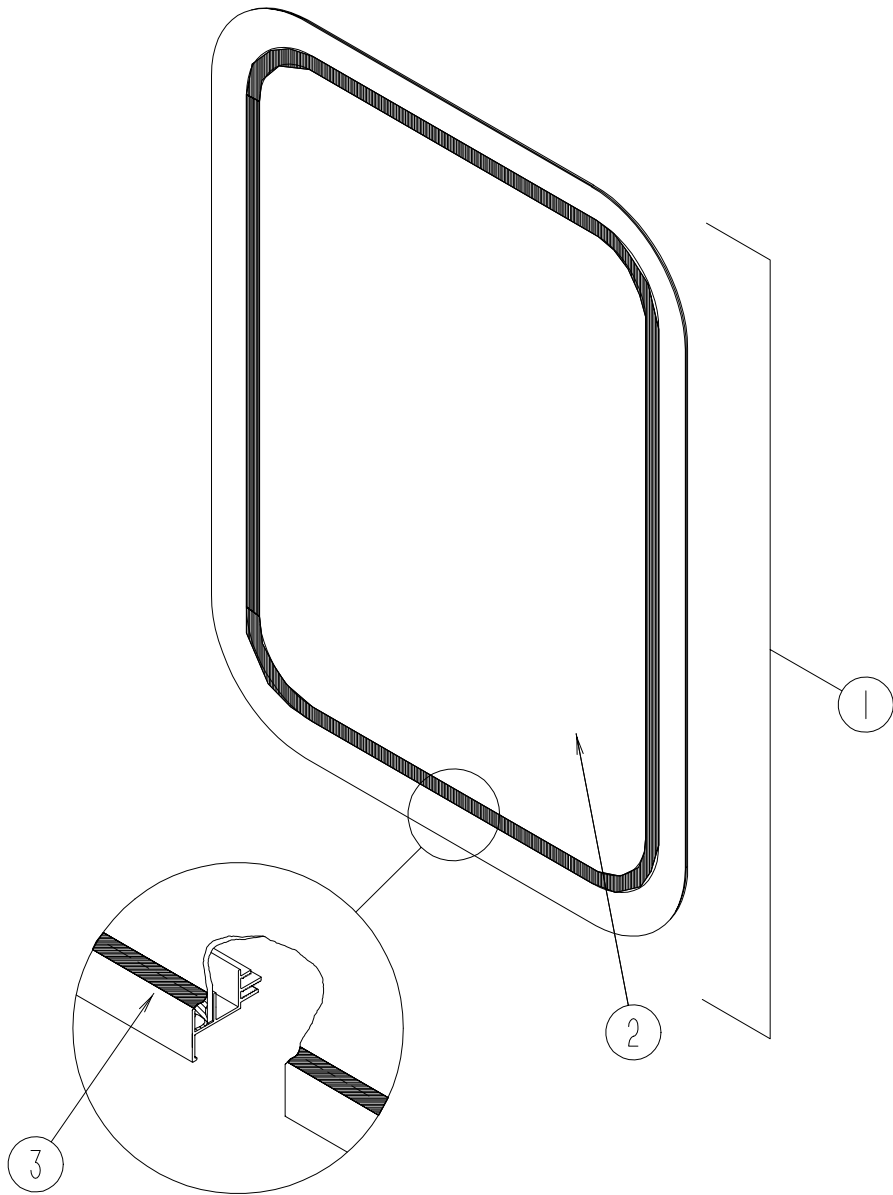
CAB WINDOW



PASSENGERS SIDE

| KEY | PART NUMBER | U/M | DESCRIPTION | VENDOR NO. |
|-----|---------------|-----|--|------------|
| 1 | 125583-10-01A | EA | WINDOW-CAB DRVR-3 GLASS THERMO-34.7" T X 51.6" B X 37" H | 410-026544 |
| 2 | 125582-04-701 | EA | SCREEN ASM - W/SEALS & CLIPS | H575-27L |
| 3 | 125582-10-700 | EA | RETAINER - TRIM | DH567-A9L |
| 4 | 125583-04-700 | EA | GLASS - SLIDING - W/SASH & LATCH | 390-026323 |
| 5 | 125583-09-700 | EA | GLASS - STATIONARY | DH287-CK |
| 6 | 112795-01-700 | EA | LATCH - BLACK - (BOLT ON) | 390-026095 |
| 7 | 125583-04-701 | EA | GLASS - STATIONARY | 171-010668 |
| | 098644-01-706 | EA | WEATHERSTRIP - GLASS | 132-017135 |
| | 098644-01-710 | EA | TRACK - SCREEN SPACER 12' | 171-016965 |
| | 098644-01-711 | EA | WEATHERSTRIP - SCREEN BLACK | 226-016966 |
| | 098644-01-713 | EA | CLIP - SCREEN - METAL | 132-004716 |
| | 098644-01-717 | EA | SPLINE - SCREEN | 132-019092 |
| | 112795-01-701 | EA | SLIDE - STOP | 122-018736 |
| | 112795-01-703 | EA | CHANNEL - RUN - (INCHES) | 122-018737 |
| | 112795-01-704 | EA | PLUG - FILLER - (DOUBLE GLAZED) | 130-005153 |
| | 125582-01-701 | EA | CLIP - SCREEN - PLASTIC | 130-026598 |
| | 125582-01-708 | EA | WEEPHOLE COVER - RIGHT HAND | 130-026599 |
| | 125582-01-709 | EA | WEEPHOLE COVER - LEFT HAND | |

THERMOPANE

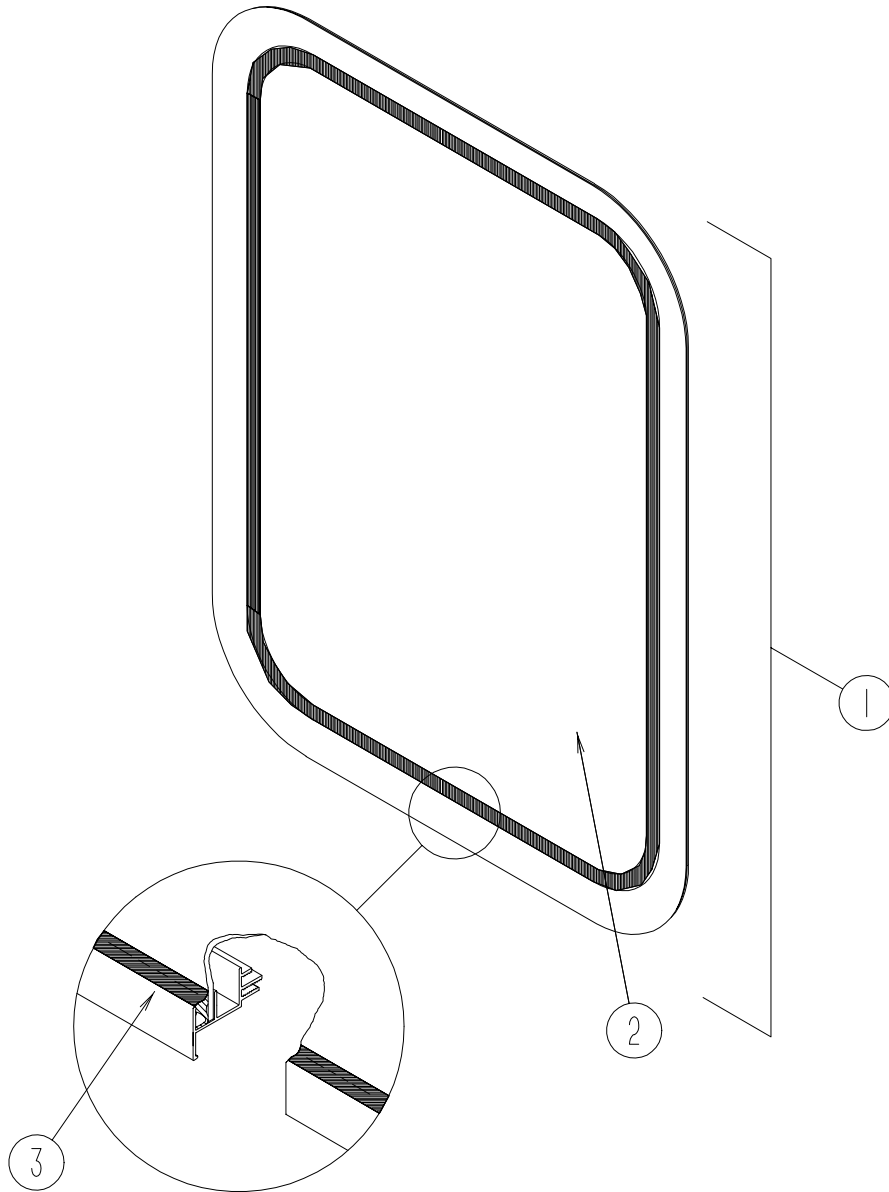


| KEY | PART NUMBER | U/M | DESCRIPTION |
|-----|---------------|-----|--|
| 1 | 113733-01-01A | EA | WINDOW - STATIONARY - THERMOPANE - 17" X 26.4" |
| 2 | 113733-01-702 | EA | GLASS - STATIONARY |
| 3 | 112795-01-705 | FT | VINYL-GLAZING |

VENDOR NO.

390-019187
132-025736

THERMOPANE

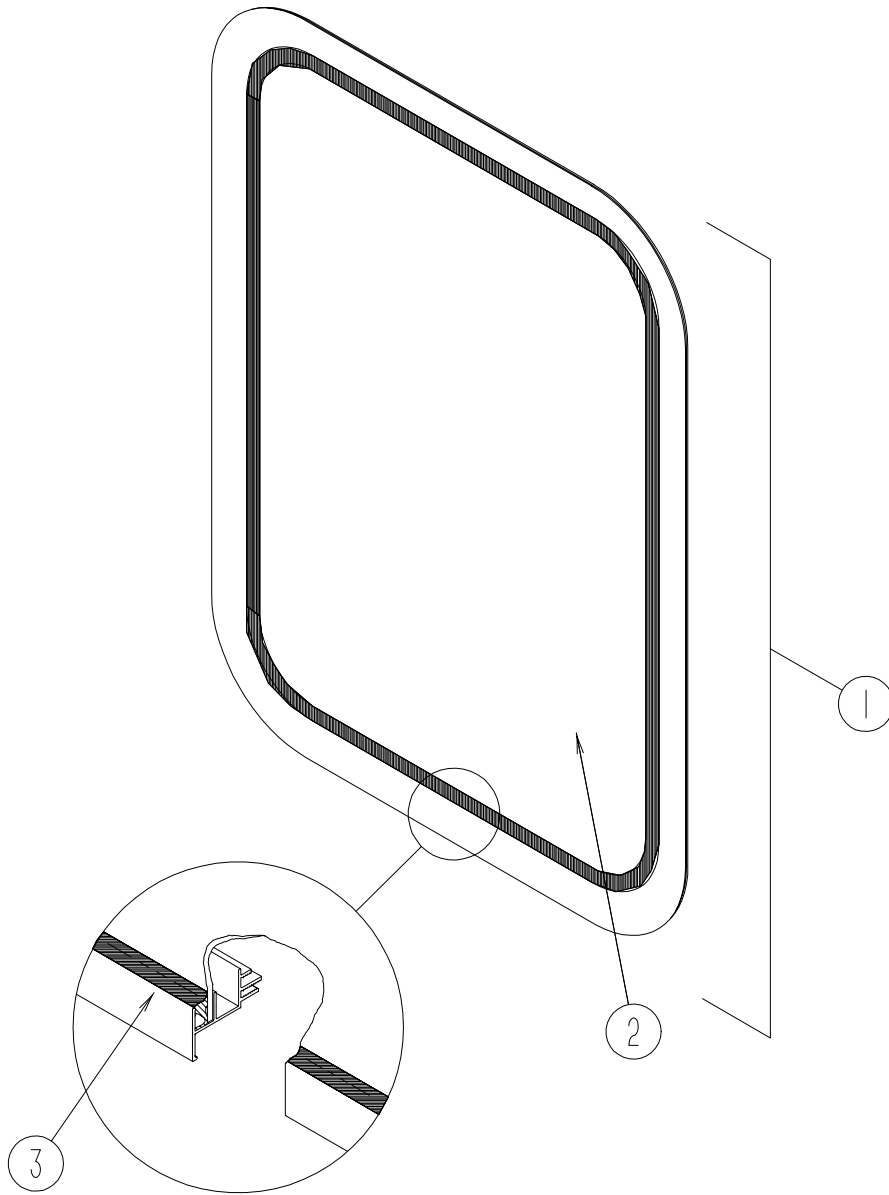


| KEY | PART NUMBER | U/M | DESCRIPTION |
|-----|---------------|-----|---|
| 1 | 113733-02-01A | EA | WINDOW - STATIONARY - THERMOPANE - 26.4" X 26.25" |
| 2 | 113733-02-702 | EA | GLASS - STATIONARY |
| 3 | 112795-01-705 | FT | VINYL-GLAZING |

VENDOR NO.

390-019461
132-025736

THERMOPANE

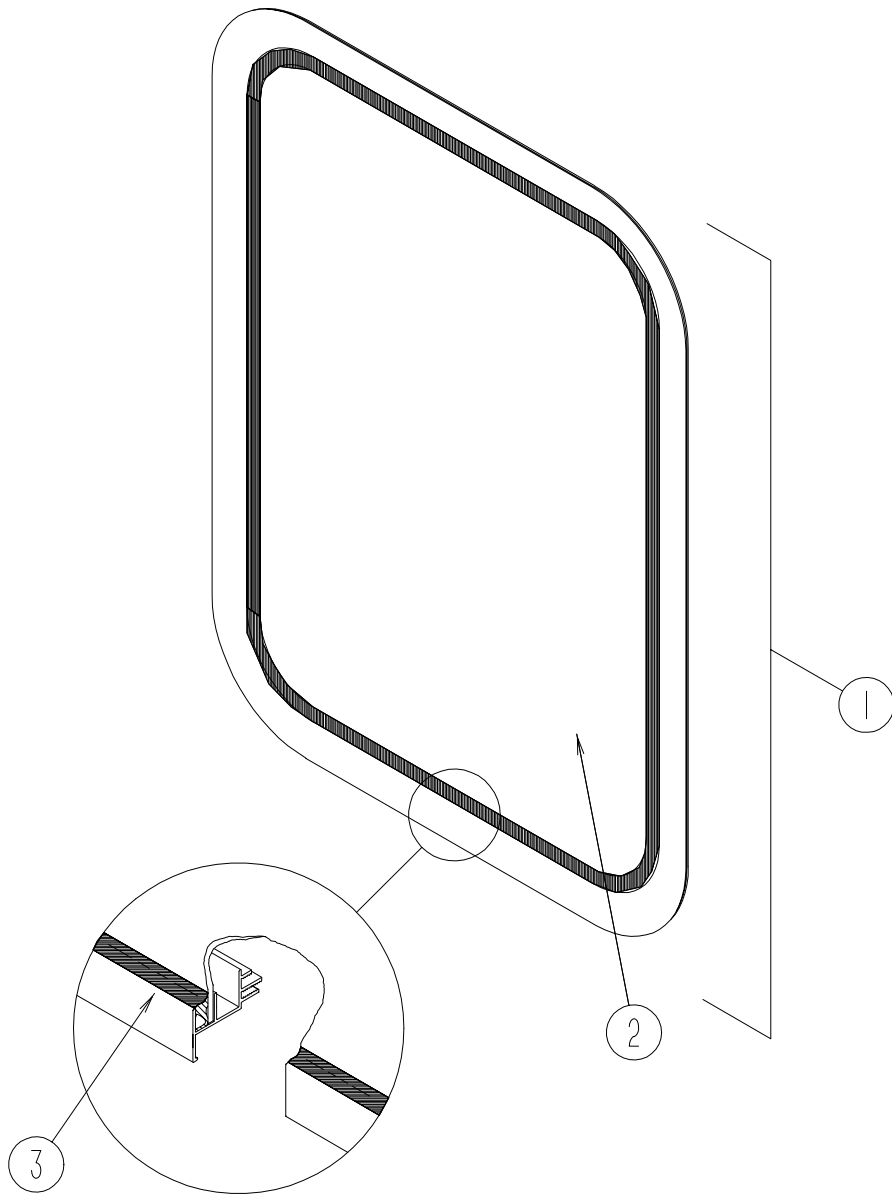


| KEY | PART NUMBER | U/M | DESCRIPTION |
|-----|---------------|-----|--|
| 1 | 113733-03-01A | EA | WINDOW - STATIONARY THERMOPANE - 26.4" X 17" |
| 2 | 113733-03-700 | EA | GLASS - STATIONARY |
| 3 | 112795-01-705 | FT | VINYL-GLAZING |

VENDOR NO.

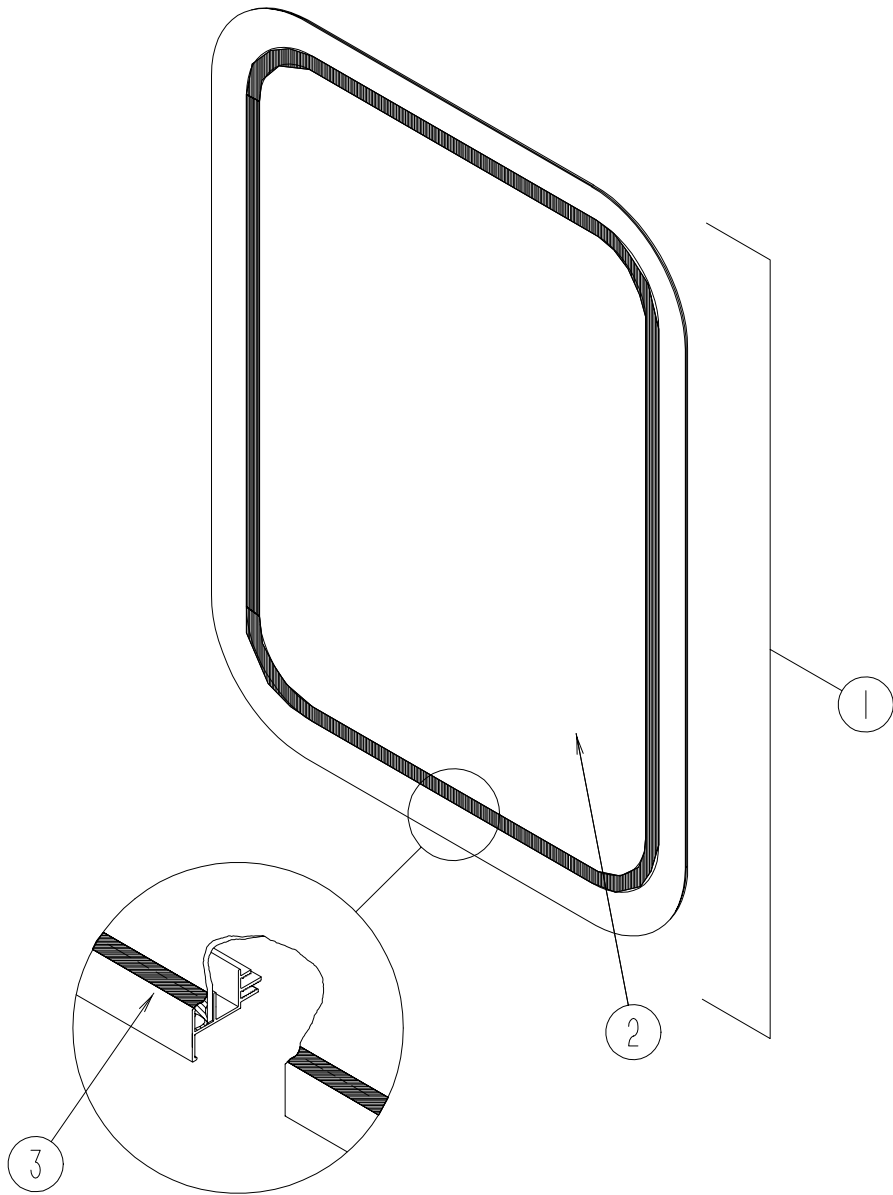
390-019685
132-025736

THERMOPANE



| KEY | PART NUMBER | U/M | DESCRIPTION | VENDOR NO. |
|-----|---------------|-----|---|------------|
| 1 | 113733-04-01A | EA | WINDOW-STATIONARY THERMOPANE/EUROPEAN - 24.8" X 17.1" | |
| 2 | 113733-04-701 | EA | GLASS - STATIONARY | 390-019687 |
| 3 | 112795-01-705 | FT | VINYL-GLAZING | 132-025736 |

THERMOPANE

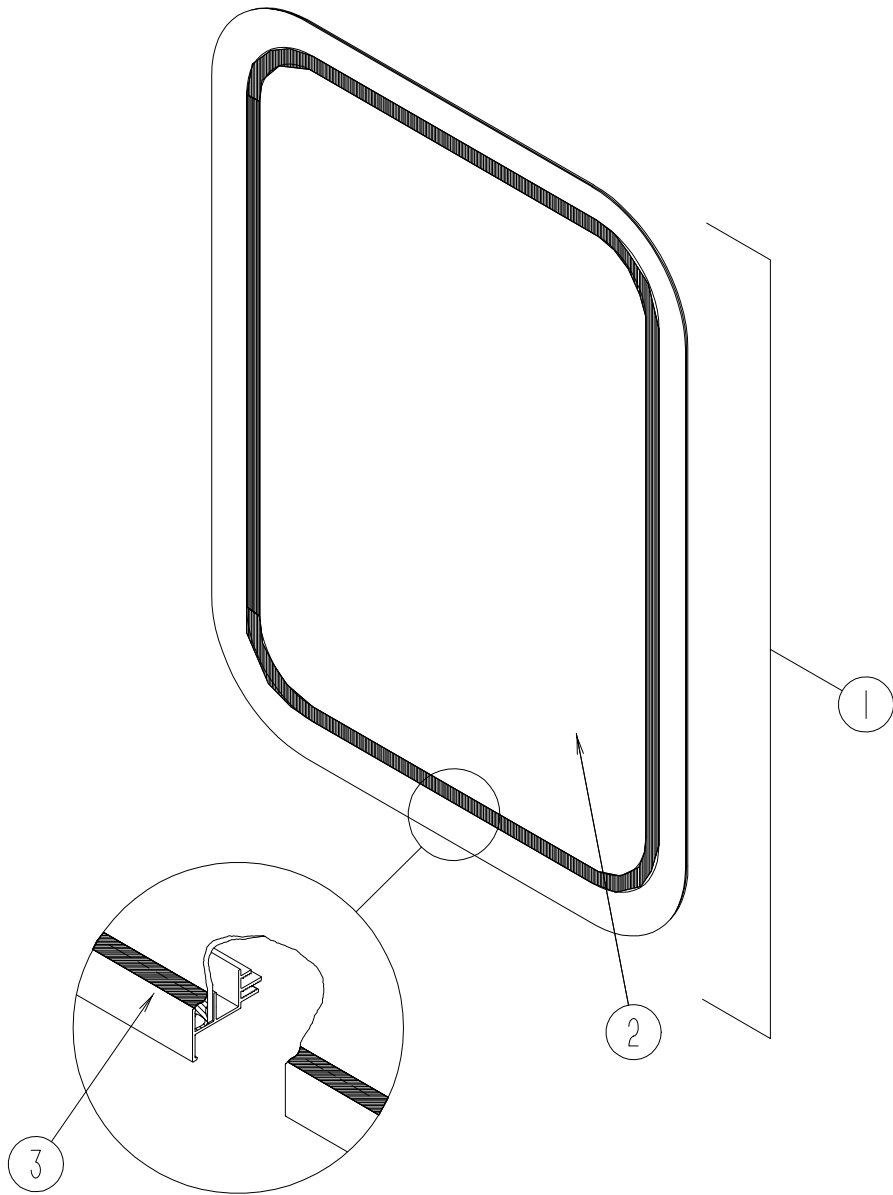


| KEY | PART NUMBER | U/M | DESCRIPTION |
|-----|---------------|-----|--|
| 1 | 113733-05-01A | EA | WINDOW - STATIONARY - THERMOPANE - 26.1" X 17" |
| 2 | 113733-01-702 | EA | GLASS - STATIONARY |
| 3 | 112795-01-705 | FT | VINYL-GLAZING |
| | 113733-05-700 | EA | RETAINER - TRIM |

VENDOR NO.

390-019187
132-025736
W45559

THERMOPANE

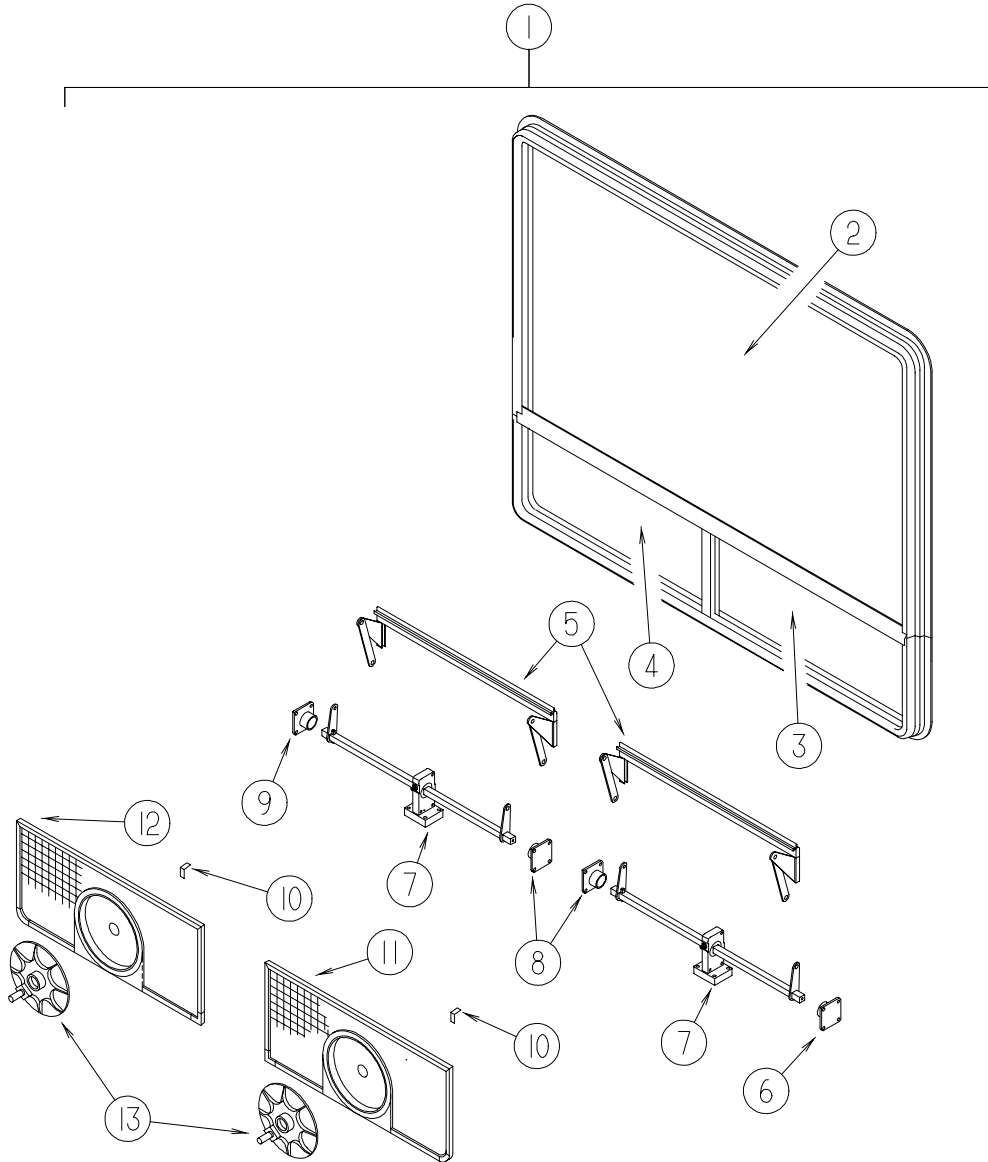


| KEY | PART NUMBER | U/M | DESCRIPTION |
|-----|---------------|-----|--|
| 1 | 113733-07-01A | EA | WINDOW - STATIONARY/THERMOPANE - 26.4" X 60" |
| 2 | 113733-07-702 | EA | GLASS - STATIONARY |
| 3 | 112795-01-705 | FT | VINYL-GLAZING |

VENDOR NO.

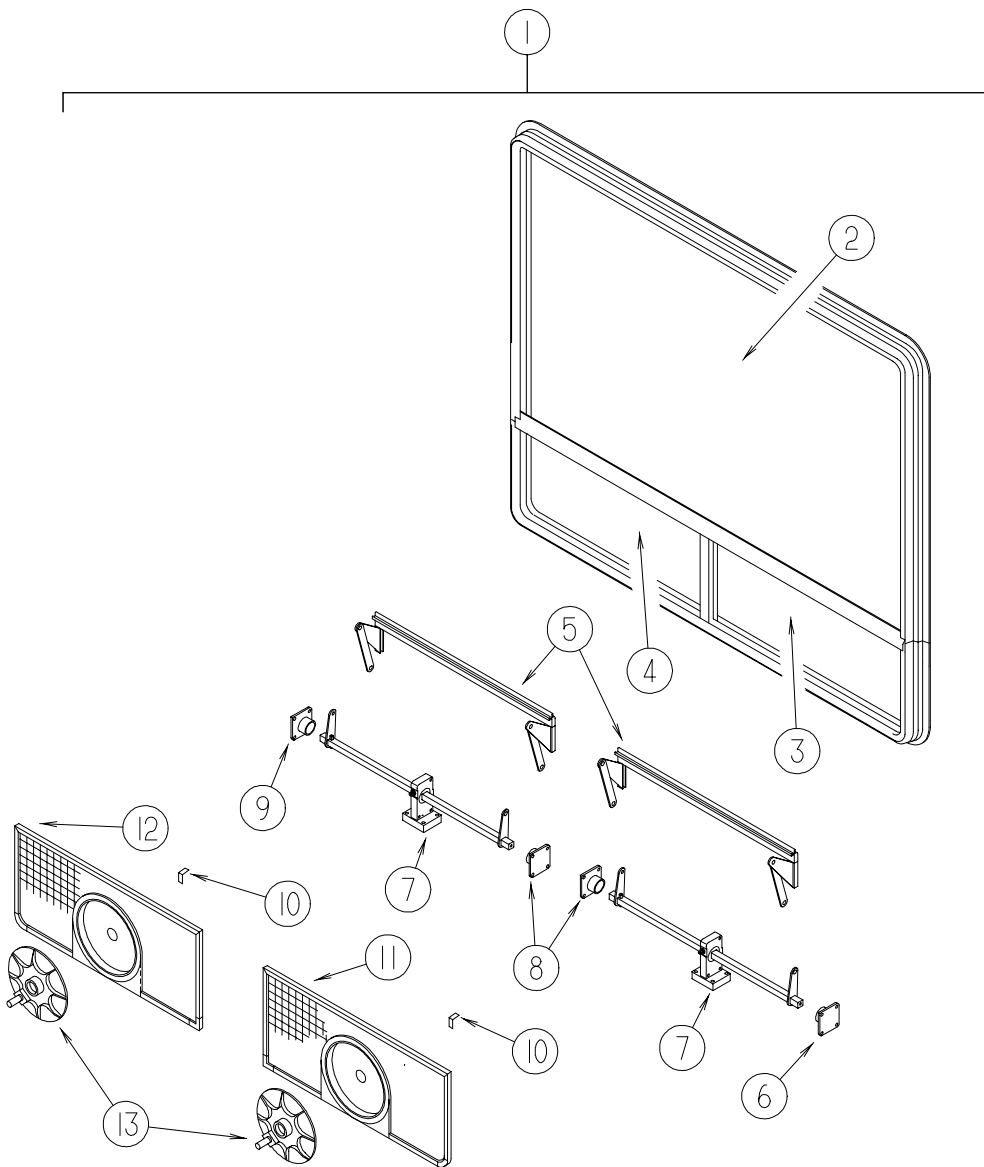
390-019051
132-025736

**WINDOW
DOUBLE TIPOUT**



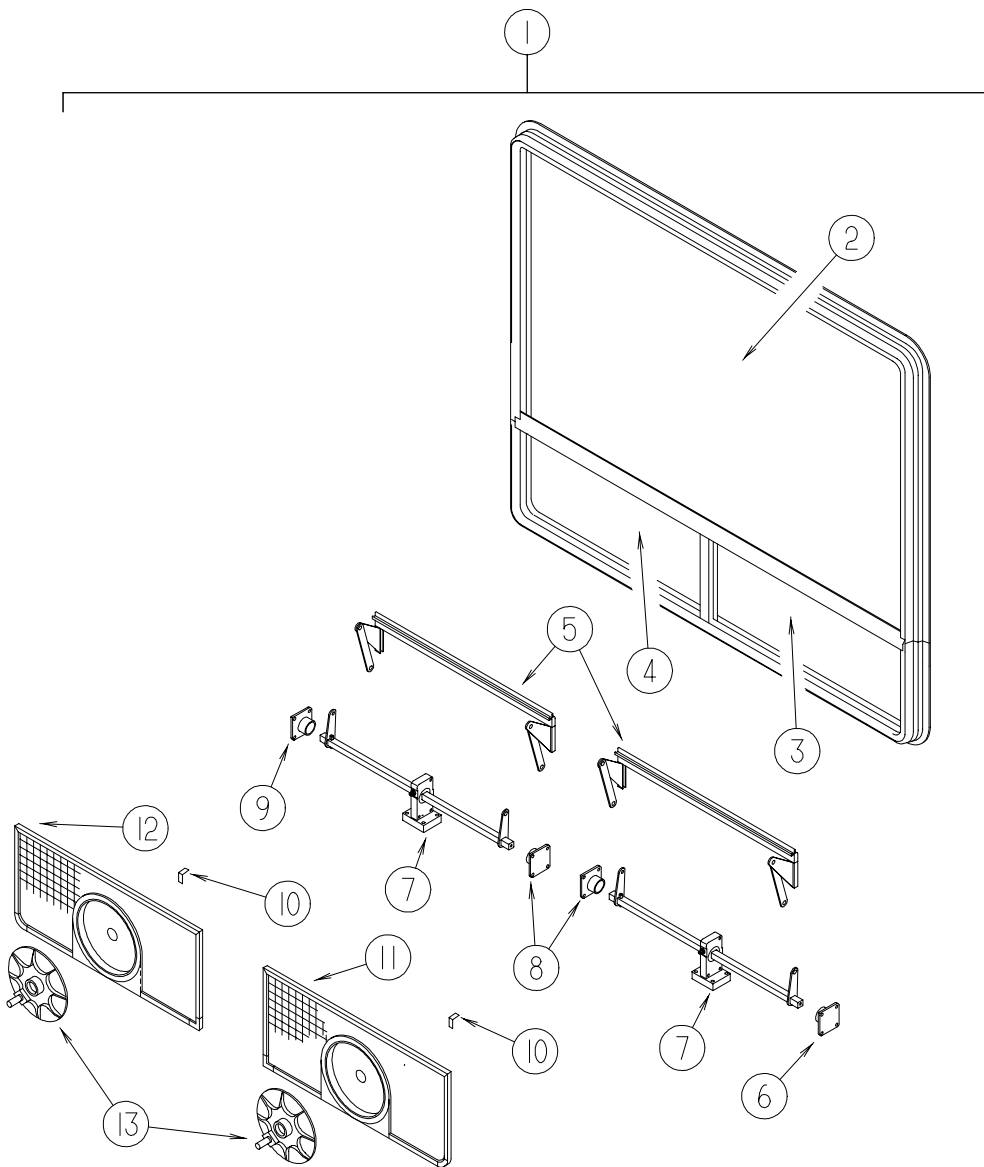
| KEY | PART NUMBER | U/M | DESCRIPTION | VENDOR NO. |
|-----|---------------|-----|---|-------------|
| 1 | 115360-01-01A | EA | WINDOW - DOUBLE HORIZONTAL TIPOUT - 30.8" X 56.5" | |
| 2 | 115360-01-700 | EA | GLASS STATIONARY | 106-025022 |
| 3 | 115360-01-704 | EA | GLASS - VENT ASM - RH-I/S | CH90-D9R |
| 4 | 115360-01-703 | EA | GLASS - VENT ASM - LH-I/S | CH90-D9L |
| 5 | 100322-01-712 | EA | RAIL - HORIZONTAL - RH OR LH | CH05-19 |
| 6 | 100322-01-715 | EA | SUPPORT - TORQUE BAR - RH | 130-015979 |
| 7 | 112519-01-702 | EA | OPERATOR - VENT | 410-016123 |
| 8 | 100322-01-716 | EA | SUPPORT - TORQUE BAR - CTR RAIL | 130-015980 |
| 9 | 100322-01-714 | EA | SUPPORT - TORQUE BAR - LH | 130-015978 |
| 10 | 112519-01-706 | EA | CLIP - SCREEN | CH21-50 |
| 11 | 115360-01-702 | EA | SCREEN W/SEAL/CLIPS - RH-I/S | 410-019478R |
| 12 | 115360-01-701 | EA | SCREEN W/SEAL/CLIPS - LH-I/S | 410-019477L |
| 13 | 100322-01-718 | EA | HANDLE - DIAL | 410-016081 |
| | 098644-01-716 | FT | PLUG - FILLER | 132-014470 |
| | 100322-01-701 | FT | SEAL-VENT | 122-016071 |
| | 100322-01-702 | EA | WEATHERSTRIP - HORIZONTAL RAIL | 132-015976 |
| | 100322-01-703 | FT | VINYL - GLAZING - BUTYL | 132-010723 |
| | 100322-01-704 | FT | TAPE - BUTYL | 154-016083 |
| | 100322-01-713 | EA | BAR - DIVISION - VERTICAL - RH & LH | HH19-20 |
| | 100322-01-717 | EA | E - RING | 245-015975 |
| | 115360-01-705 | EA | RETAINER - TRIM | W112-59 |

**WINDOW
DOUBLE TIPOUT**



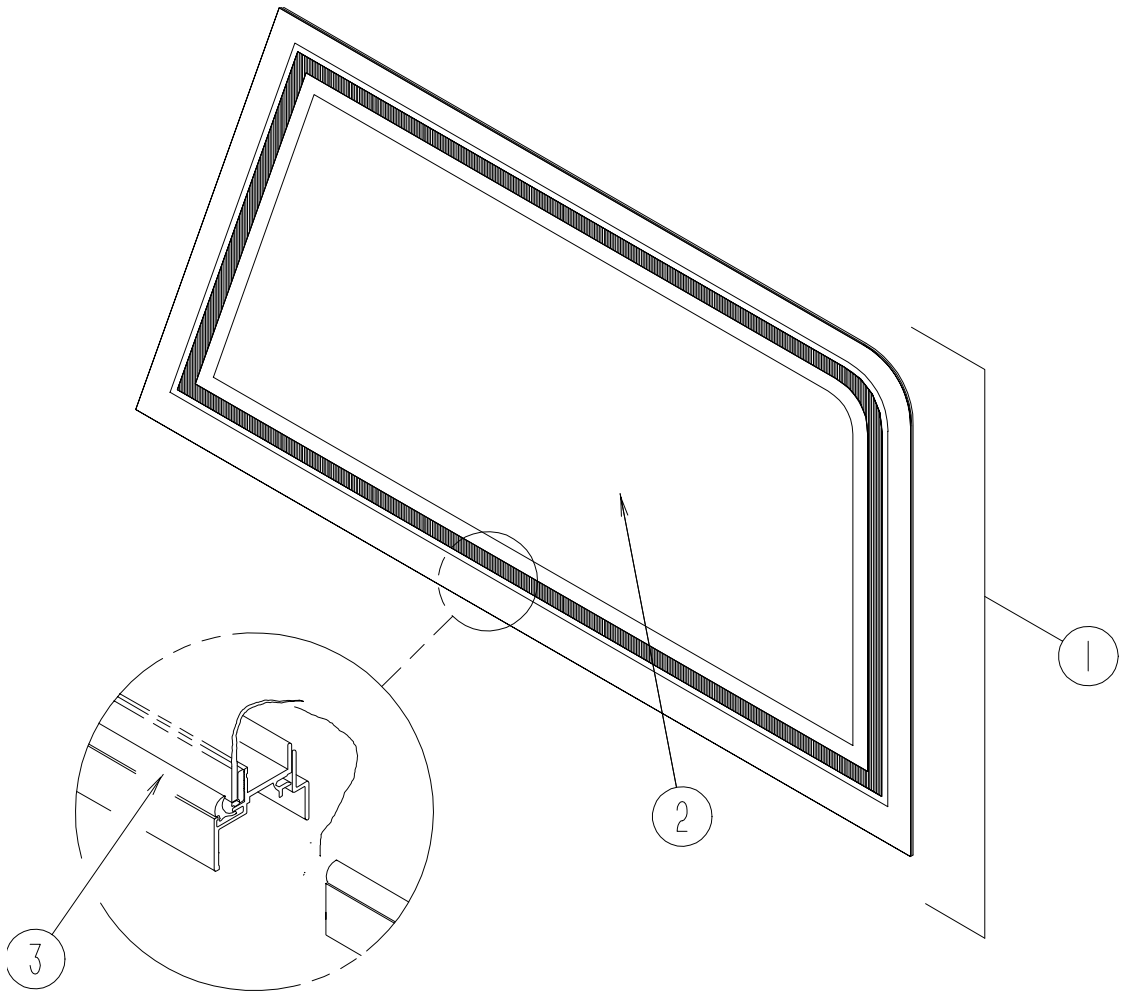
| KEY | PART NUMBER | U/M | DESCRIPTION | VENDOR NO. |
|-----|---------------|-----|---|-------------|
| 1 | 115360-02-01A | EA | WINDOW - DOUBLE HORIZONTAL TIPOUT - 38.7" X 56.5" | |
| 2 | 115360-02-700 | EA | GLASS STATIONARY | 106-025022 |
| 3 | 115360-01-704 | EA | GLASS - VENT ASM - RH-I/S | CH90-D9R |
| 4 | 115360-01-703 | EA | GLASS - VENT ASM - LH-I/S | CH90-D9L |
| 5 | 100322-01-712 | EA | RAIL - HORIZONTAL - RH OR LH | CH05-19 |
| 6 | 100322-01-715 | EA | SUPPORT - TORQUE BAR - RH | 130-015979 |
| 7 | 112519-01-702 | EA | OPERATOR - VENT | 410-016123 |
| 8 | 100322-01-716 | EA | SUPPORT - TORQUE BAR - CTR RAIL | 130-015980 |
| 9 | 100322-01-714 | EA | SUPPORT - TORQUE BAR - LH | 130-015978 |
| 10 | 112519-01-706 | EA | CLIP - SCREEN | CH21-50 |
| 11 | 115360-01-702 | EA | SCREEN W/SEAL/CLIPS - RH-I/S | 410-019478R |
| 12 | 115360-01-701 | EA | SCREEN W/SEAL/CLIPS - LH-I/S | 410-019477L |
| 13 | 100322-01-718 | EA | HANDLE - DIAL | 410-016081 |
| | 098644-01-716 | FT | PLUG - FILLER | 132-014470 |
| | 100322-01-701 | FT | SEAL-VENT | 122-016071 |
| | 100322-01-702 | EA | WEATHERSTRIP - HORIZONTAL RAIL | 132-015976 |
| | 100322-01-703 | FT | VINYL - GLAZING - BUTYL | 132-010723 |
| | 100322-01-704 | FT | TAPE - BUTYL | 154-016083 |
| | 100322-01-713 | EA | BAR - DIVISION - VERTICAL - RH & LH | HH19-20 |
| | 100322-01-717 | EA | E - RING | 245-015975 |
| | 115360-02-701 | EA | RETAINER - TRIM | CW97-59 |

**WINDOW
DOUBLE TIPOUT**



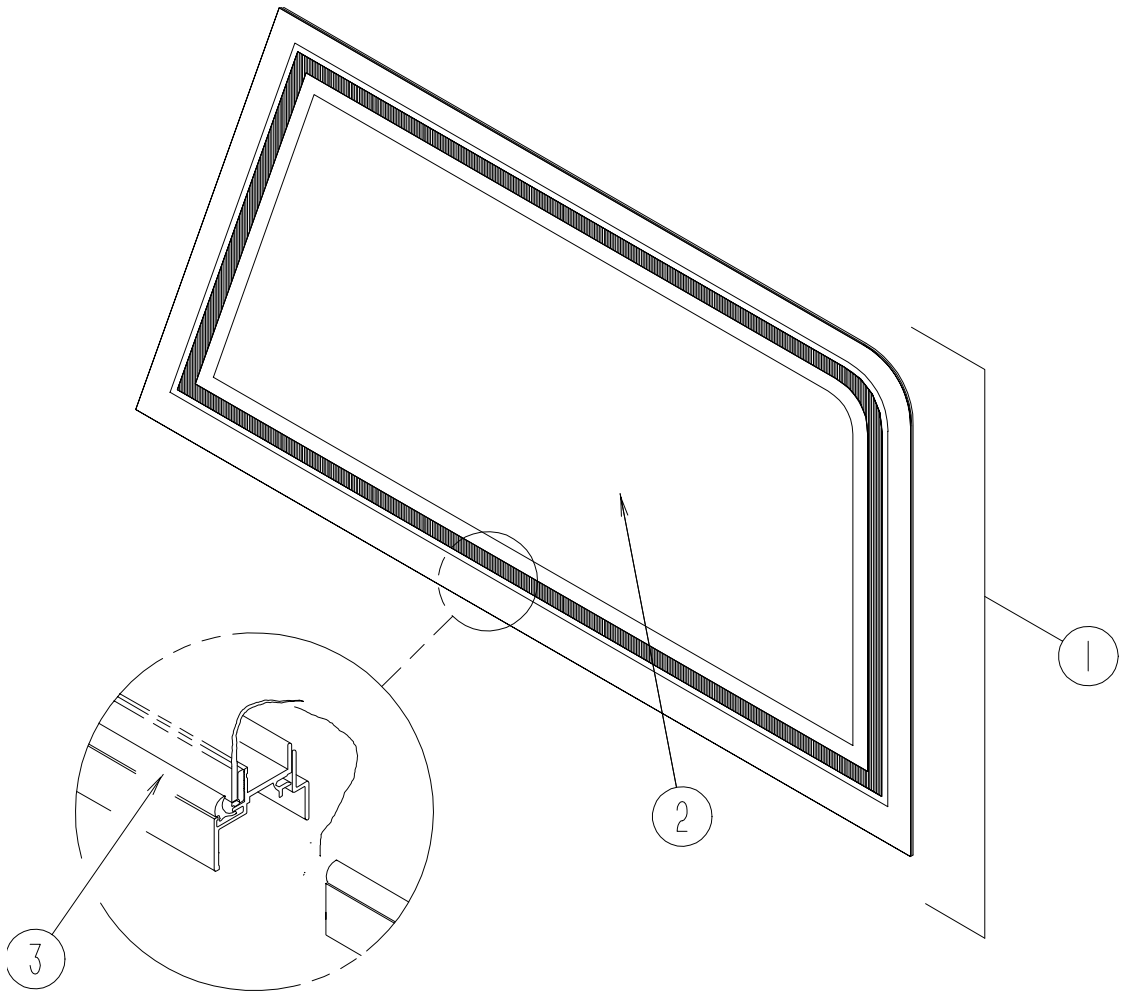
| KEY | PART NUMBER | U/M | DESCRIPTION | VENDOR NO. |
|-----|---------------|-----|---|-------------|
| 1 | 115360-03-01A | EA | WINDOW - DOUBLE HORIZONTAL TIPOUT - 22.6" X 56.5" | |
| 2 | 115360-03-700 | EA | GLASS STATIONARY | 106-025250 |
| 3 | 115360-01-704 | EA | GLASS - VENT ASM - RH-I/S | CH90-D9R |
| 4 | 115360-01-703 | EA | GLASS - VENT ASM - LH-I/S | CH90-D9L |
| 5 | 100322-01-712 | EA | RAIL - HORIZONTAL - RH OR LH | CH05-19 |
| 6 | 100322-01-715 | EA | SUPPORT - TORQUE BAR - RH | 130-015979 |
| 7 | 112519-01-702 | EA | OPERATOR - VENT | 410-016123 |
| 8 | 100322-01-716 | EA | SUPPORT - TORQUE BAR - CTR RAIL | 130-015980 |
| 9 | 100322-01-714 | EA | SUPPORT - TORQUE BAR - LH | 130-015978 |
| 10 | 112519-01-706 | EA | CLIP - SCREEN | CH21-50 |
| 11 | 115360-01-702 | EA | SCREEN W/SEAL/CLIPS - RH-I/S | 410-019478R |
| 12 | 115360-01-701 | EA | SCREEN W/SEAL/CLIPS - LH-I/S | 410-019477L |
| 13 | 100322-01-718 | EA | HANDLE - DIAL | 410-016081 |
| | 098644-01-716 | FT | PLUG - FILLER | 132-014470 |
| | 100322-01-701 | FT | SEAL-VENT | 122-016071 |
| | 100322-01-702 | EA | WEATHERSTRIP - HORIZONTAL RAIL | 132-015976 |
| | 100322-01-703 | FT | VINYL - GLAZING - BUTYL | 132-010723 |
| | 100322-01-704 | FT | TAPE - BUTYL | 154-016083 |
| | 100322-01-713 | EA | BAR - DIVISION - VERTICAL - RH & LH | HH19-20 |
| | 100322-01-717 | EA | E - RING | 245-015975 |
| | 115360-02-701 | EA | RETAINER - TRIM | CW97-59 |

THERMOPANE



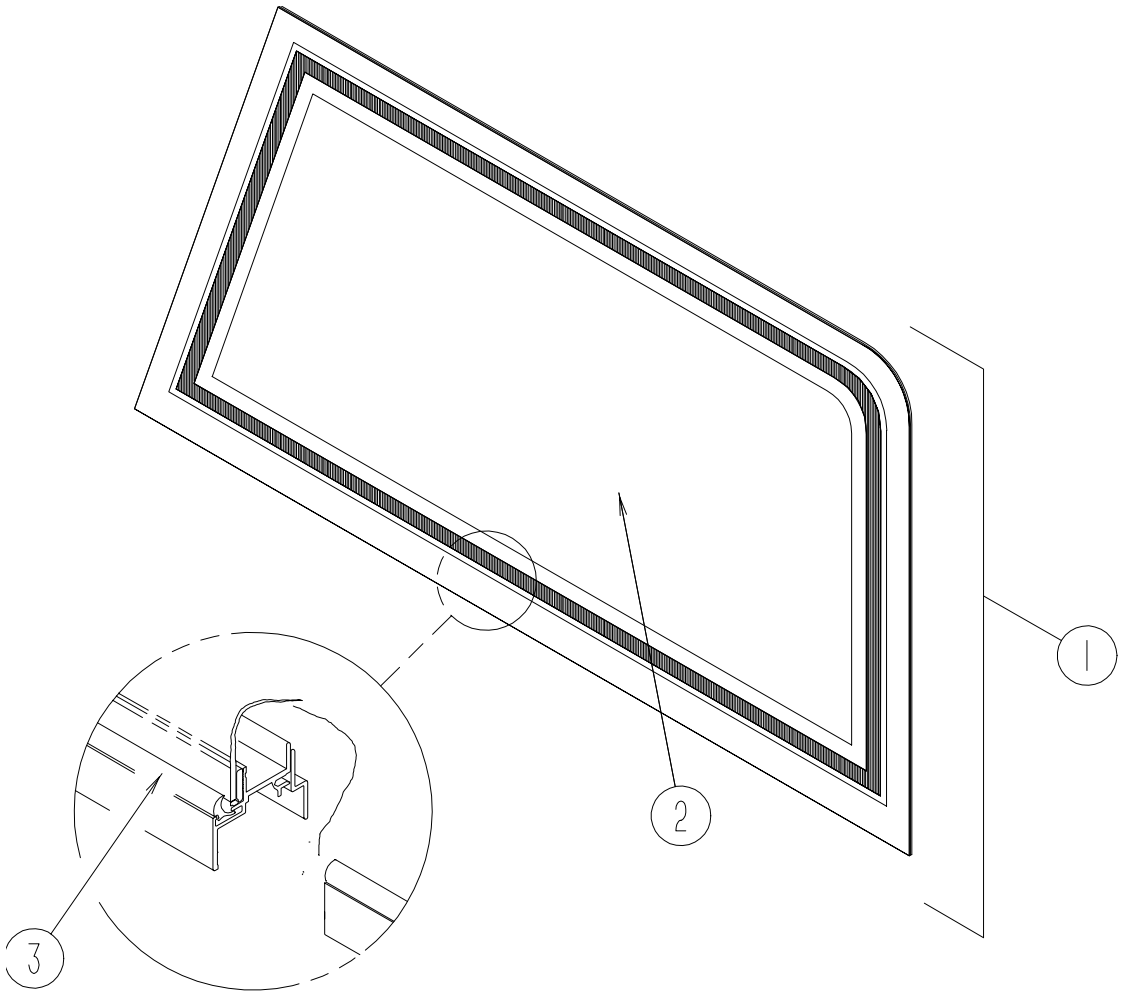
| KEY | PART NUMBER | U/M | DESCRIPTION | VENDOR NO. |
|-----|---------------|-----|-------------------------------------|------------|
| 1 | 116000-01-01A | EA | WINDOW-VISTA, LEFT - W/INSIDE FRAME | 390-019459 |
| 2 | 116000-01-702 | EA | GLASS STATIONARY | 132-018161 |
| 3 | 116000-01-704 | FT | VINYL - GLAZING | H359-41L |
| | 116000-01-706 | EA | RETAINER -TRIM TOP/REAR RAIL | H359-42L |
| | 116000-01-707 | EA | RETAINER - TRIM RAIL FRONT | H359-43L |
| | 116000-01-708 | EA | RETAINER - TRIM RAIL BOTTOM | |

THERMOPANE



| KEY | PART NUMBER | U/M | DESCRIPTION | VENDOR NO. |
|-----|---------------|-----|-------------------------------------|------------|
| 1 | 116000-02-01A | EA | WINDOW-VISTA, LEFT - W/INSIDE FRAME | 390-019551 |
| 2 | 116000-03-701 | EA | GLASS STATIONARY | 132-018161 |
| 3 | 116000-01-704 | FT | VINYL - GLAZING | H388-41L |
| | 116000-02-700 | EA | RETAINER -TRIM TOP/REAR RAIL | H388-42L |
| | 116000-02-701 | EA | RETAINER - TRIM RAIL FRONT | H388-43L |
| | 116000-02-702 | EA | RETAINER - TRIM RAIL BOTTOM | |

THERMOPANE

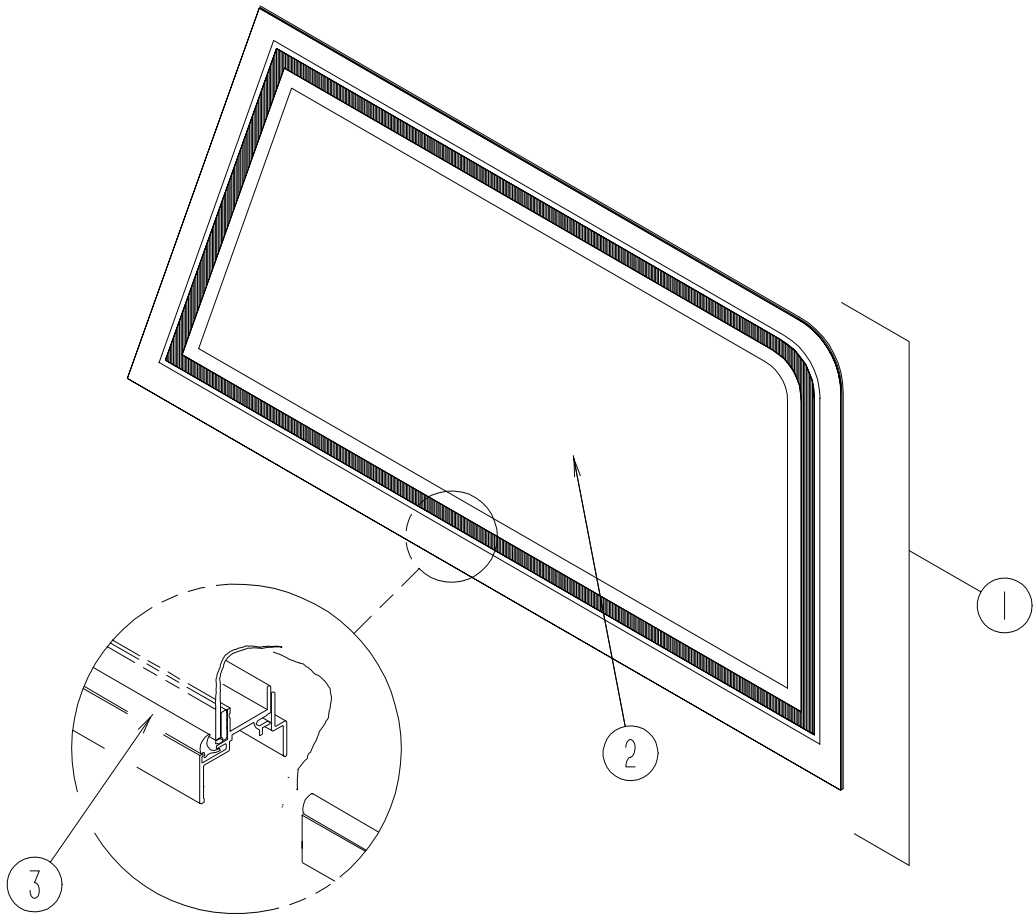


| KEY | PART NUMBER | U/M | DESCRIPTION |
|-----|---------------|-----|---|
| 1 | 116000-03-01A | EA | WINDOW - DRIVER VISTA - THERMO/EURO - 25.7" T X 32.2" B X 14.8" |
| 2 | 116000-03-701 | EA | GLASS STATIONARY |
| 3 | 116000-01-704 | FT | VINYL - GLAZING |
| | 116000-03-702 | EA | RETAINER - TRIM |

VENDOR NO.

390-019551
 132-018161
 H388-27L

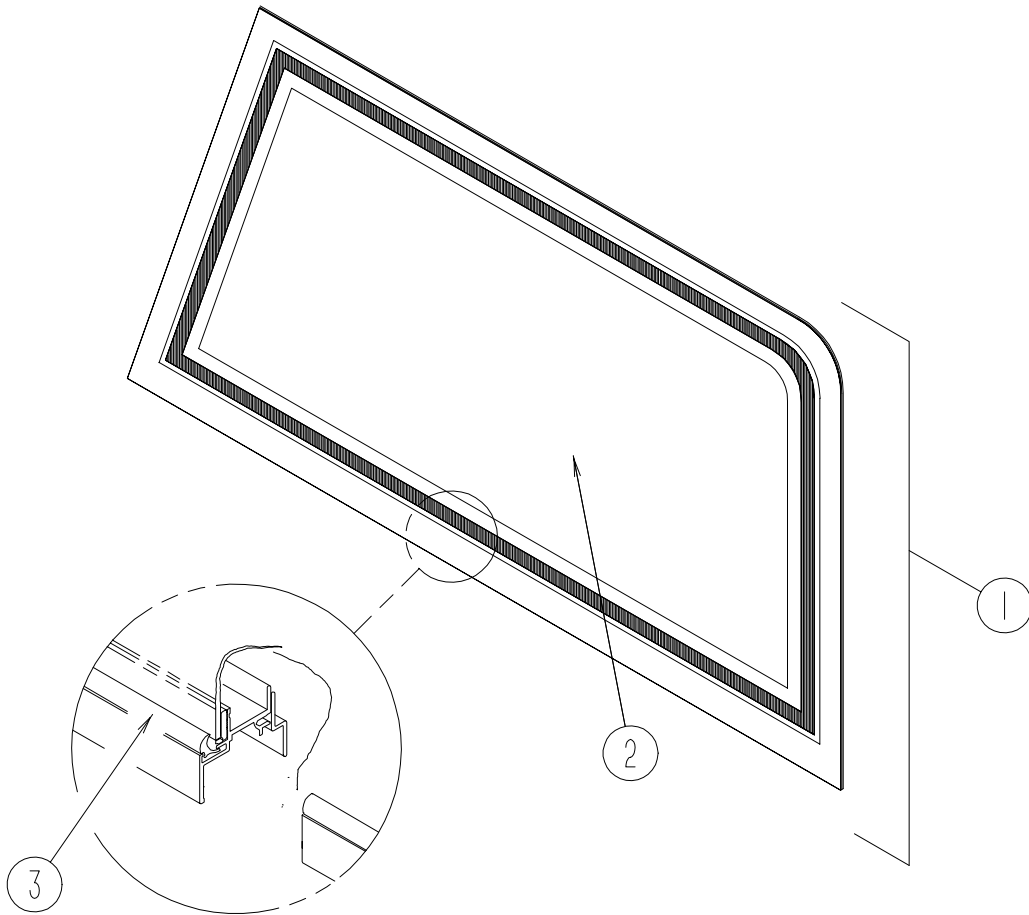
EXCEL
THERMOPANE



| KEY | PART NUMBER | U/M | DESCRIPTION |
|-----|---------------|-----|---|
| 1 | 116000-07-01A | EA | WINDOW - DRIVER VISTA - THERMO - 42.4"T X 45.2"B X 17.9"H |
| 3 | 116000-01-704 | FT | VINYL - GLAZING |

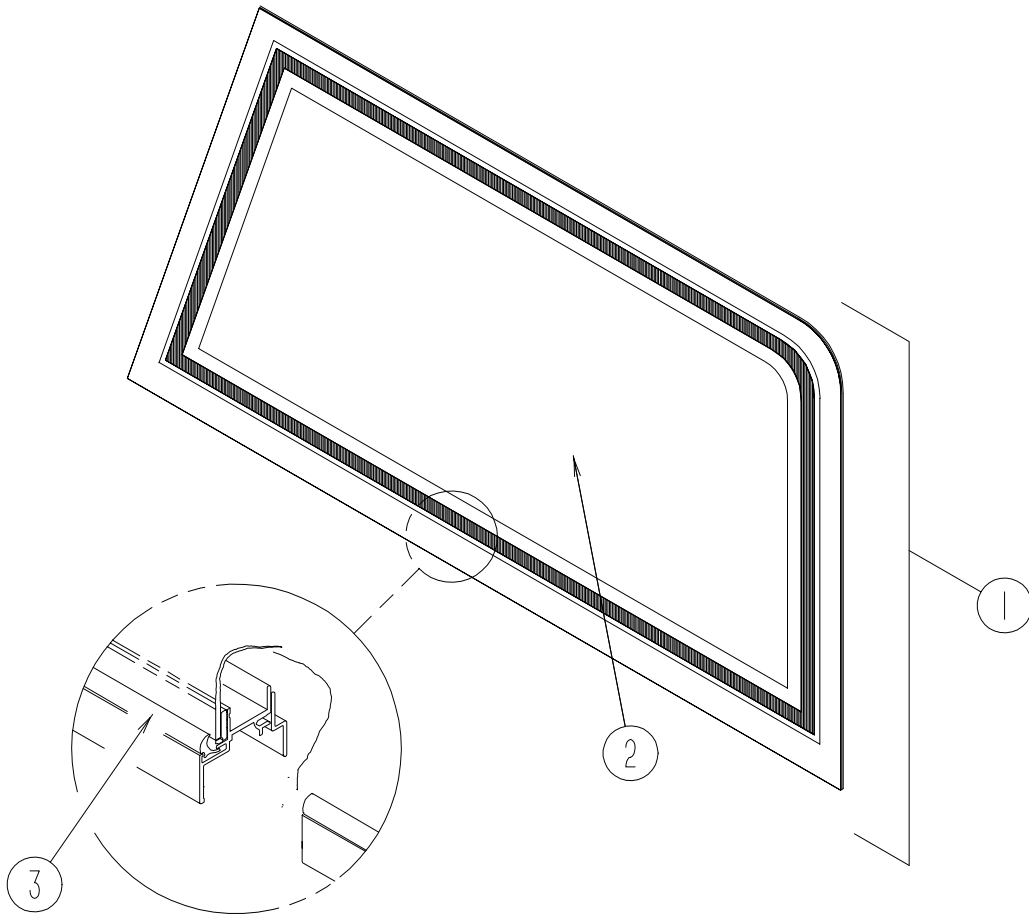
VENDOR NO.
132-018161

**EXCEL - THERMOPANE
SH508G2B27L**



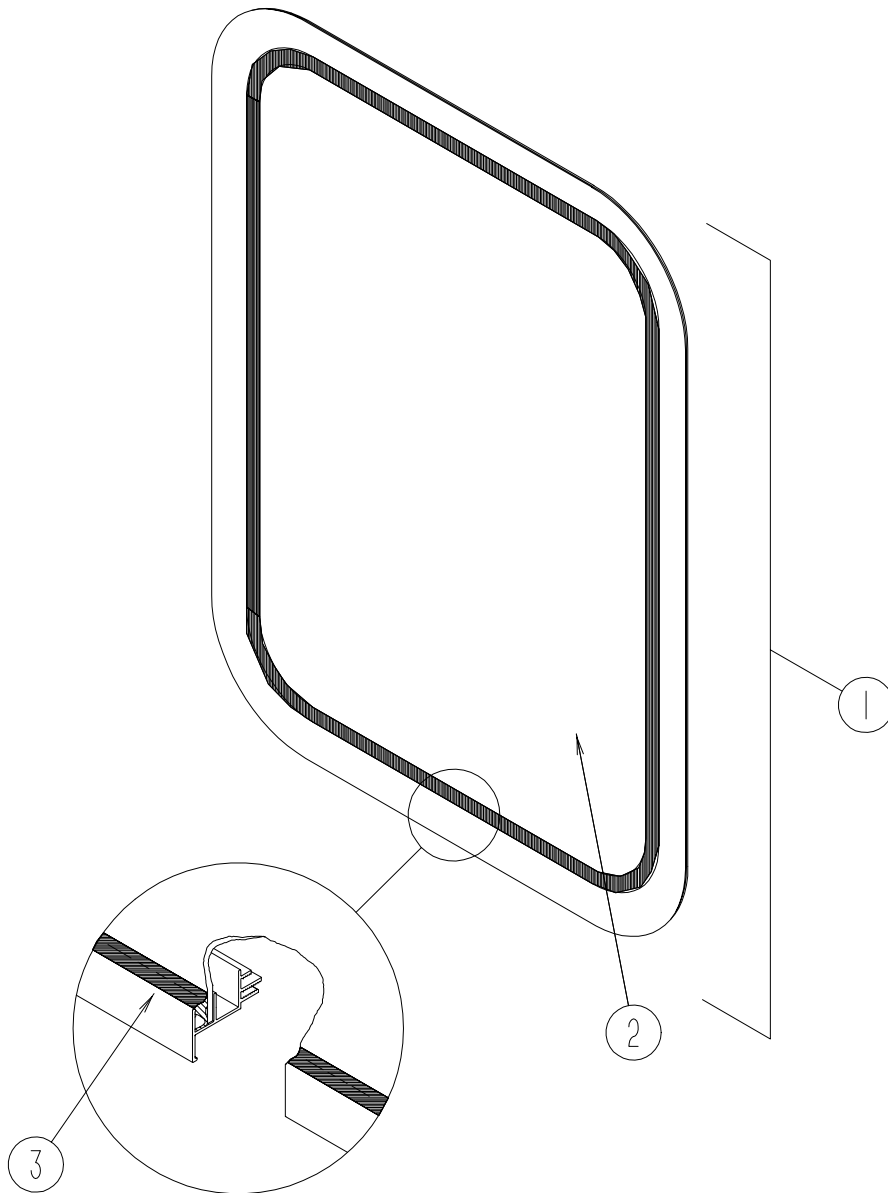
| KEY | PART NUMBER | U/M | DESCRIPTION | VENDOR NO. |
|-----|---------------|-----|--|------------|
| 1 | 116000-08-01A | EA | WINDOW - DRIVER VISTA - THERMO - 38.2"T X 39.4"B X 6.3"H | 390-025393 |
| 2 | 116000-08-700 | EA | GLASS - STATIONARY | 132-018161 |
| 3 | 116000-01-704 | FT | VINYL - GLAZING | H508-41L |
| | 116000-01-701 | EA | RETAINER - TRIM RAIL - TOP/REAR | H508-42L |
| | 116000-01-702 | EA | RETAINER - TRIM RAIL - FRONT | H508-43L |
| | 116000-01-703 | EA | RETAINER - TRIM RAIL - BOTTOM | |

**EXCEL - THERMOPANE
DH508-EG2B27**



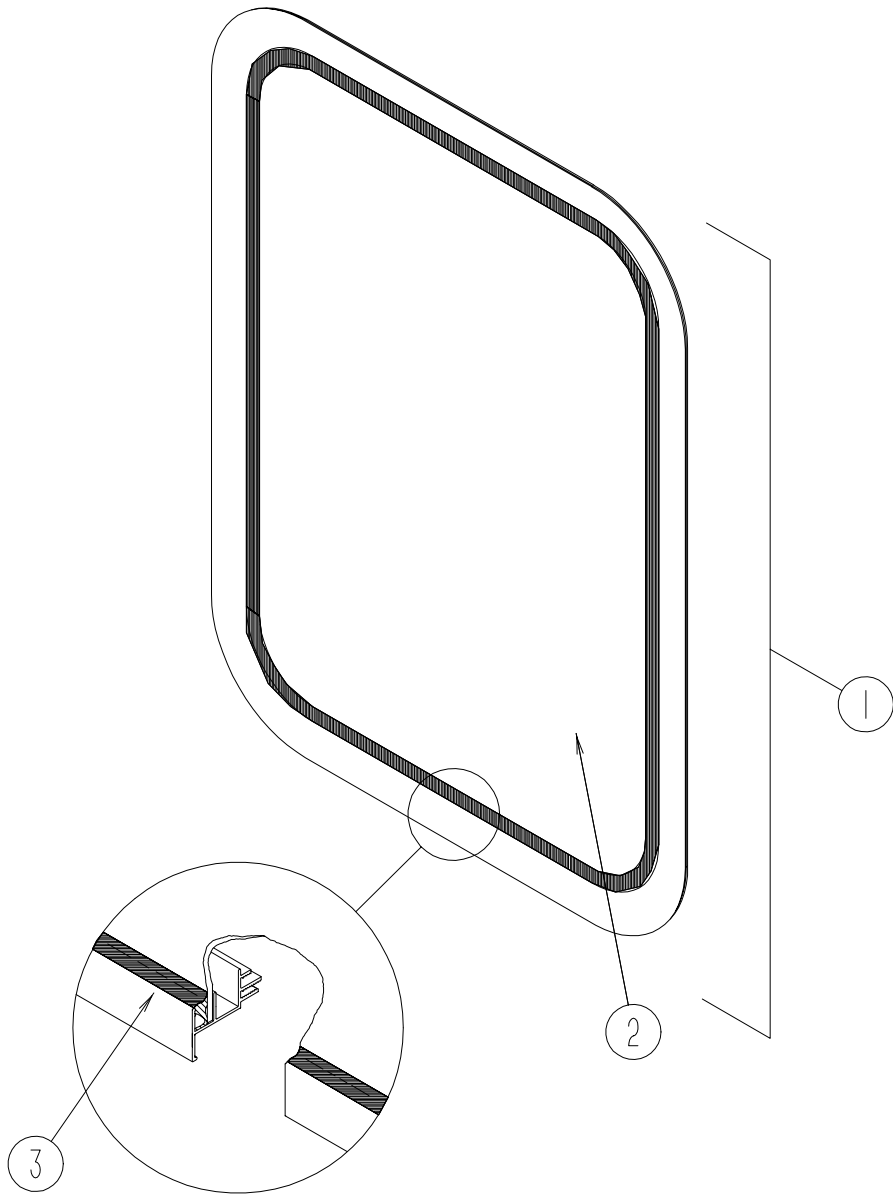
| KEY | PART NUMBER | U/M | DESCRIPTION | VENDOR NO. |
|-----|---------------|-----|--|------------|
| 1 | 116000-09-01A | EA | WINDOW - DRIVER VISTA - THERMO/EURO - 38.2" T X 39.4" B X 6.3" H | 390-025178 |
| 2 | 116000-09-700 | EA | GLASS - STATIONARY | 132-018161 |
| 3 | 116000-01-704 | FT | VINYL - GLAZING | H508-41L |
| | 116000-01-701 | EA | RETAINER - TRIM RAIL - TOP/REAR | H508-42L |
| | 116000-01-702 | EA | RETAINER - TRIM RAIL - FRONT | H508-43L |
| | 116000-01-703 | EA | RETAINER - TRIM RAIL - BOTTOM | |

THERMOPANE



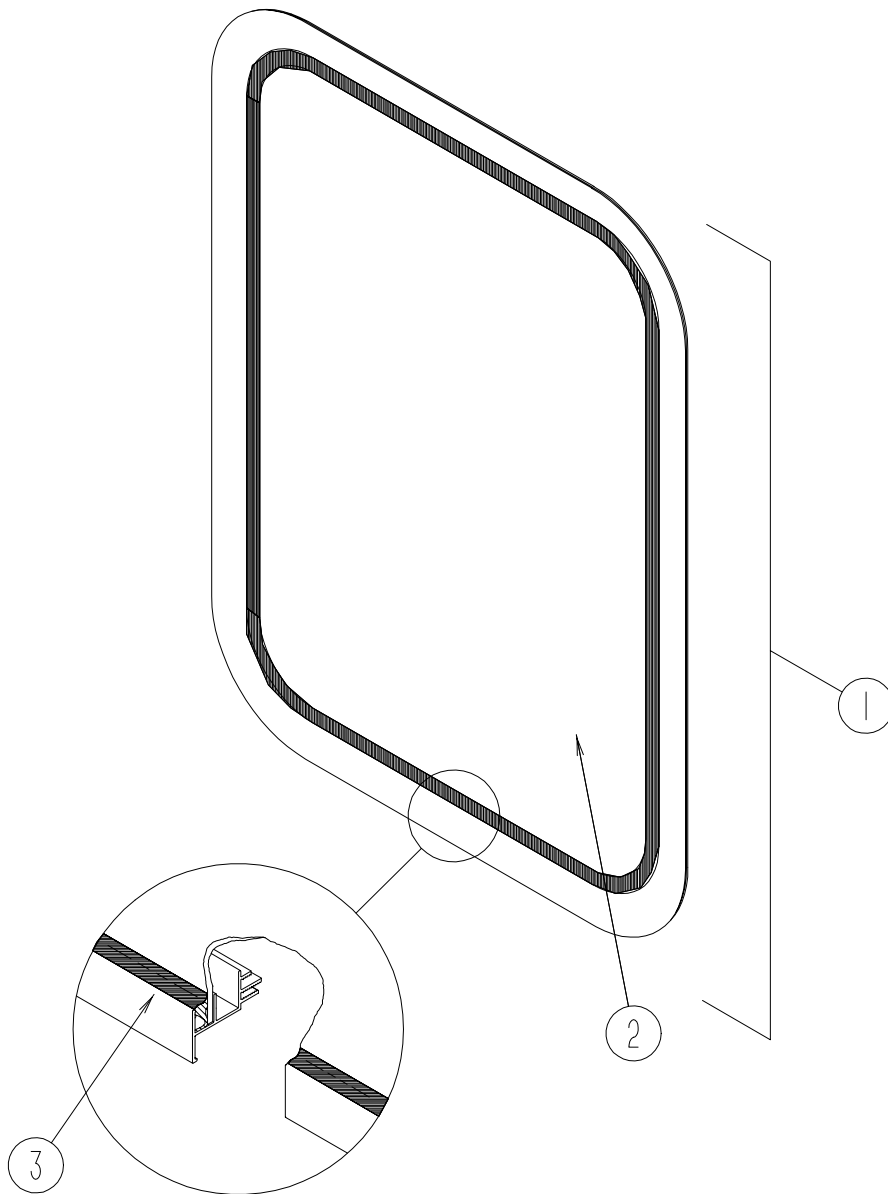
| KEY | PART NUMBER | U/M | DESCRIPTION |
|-----|---------------|-----|--|
| 1 | 117053-01-F45 | EA | WINDOW - PICTURE - 60% TINTING - 17.1" X 24.8" |
| 2 | 002181-28-000 | EA | GLASS - PICTURE - 23.9" X 16.19" |
| 3 | 087561-01-000 | FT | SEAL - GLASS - EXTERIOR - .5" WIDE - VINYL BLACK |
| | 114507-02-01A | EA | FRAME - WINDOW - INSIDE |

THERMOPANE



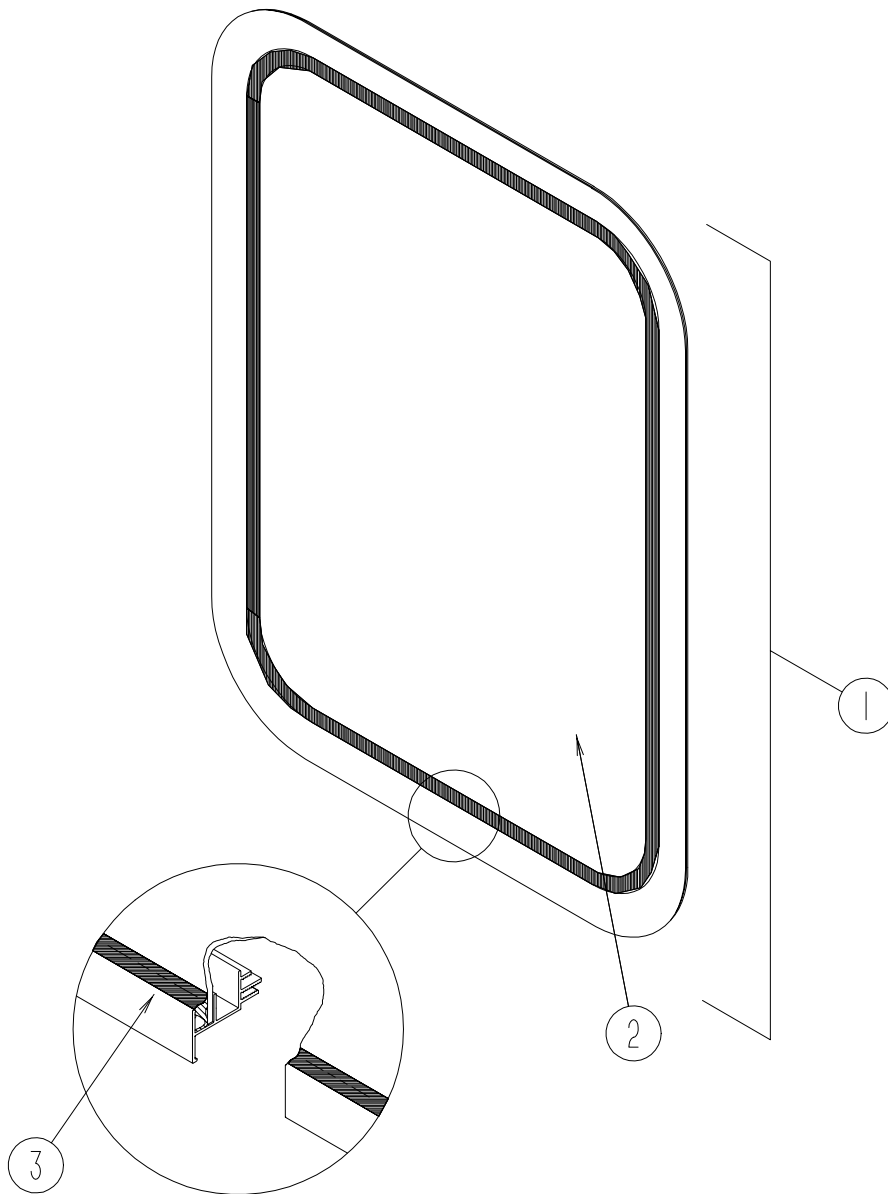
| KEY | PART NUMBER | U/M | DESCRIPTION |
|-----|---------------|-----|--|
| 1 | 117053-02-F36 | EA | WINDOW - PICTURE - 60% TINTING - 17" X 26.4" |
| 2 | 002181-25-000 | EA | GLASS - PICTURE - 25.7" X 16.4" |
| 3 | 087561-01-000 | FT | SEAL - GLASS - EXTERIOR - .5" WIDE - VINYL BLACK |

THERMOPANE



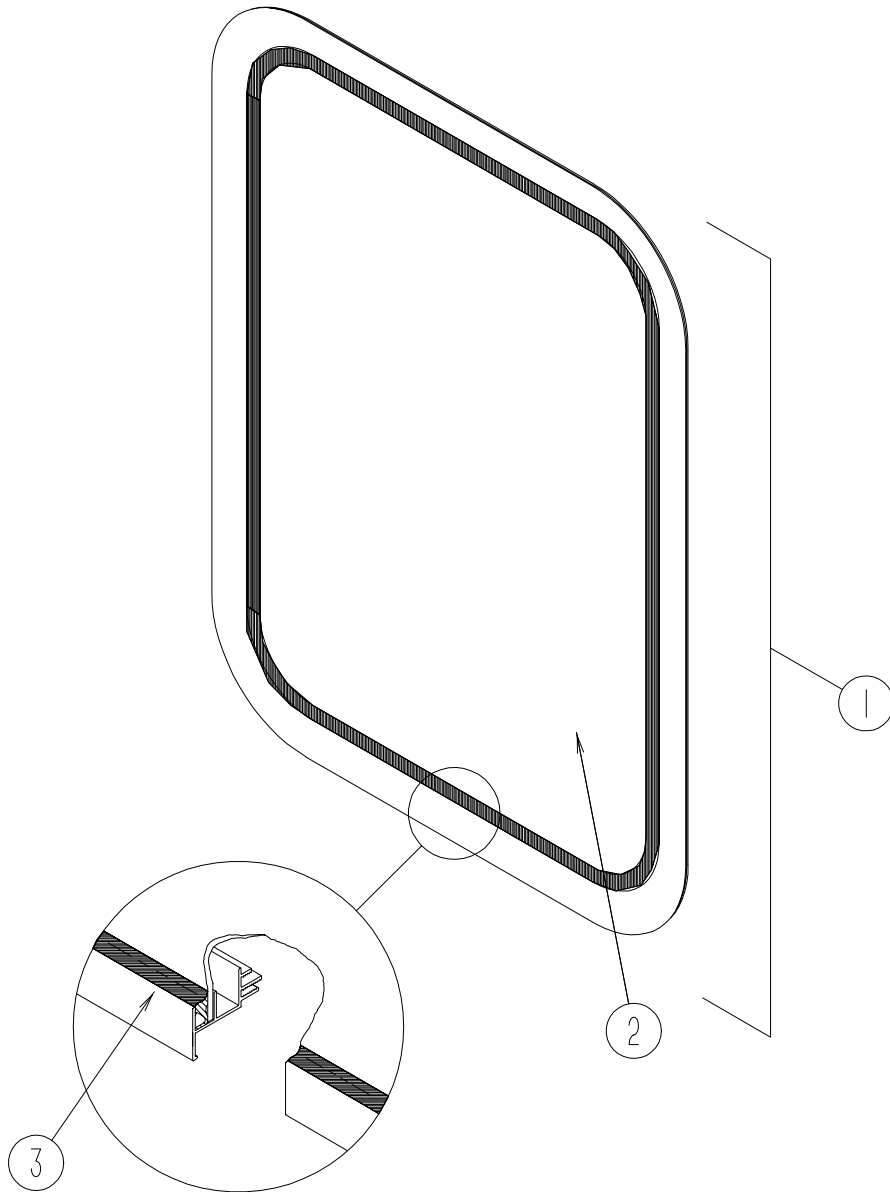
| KEY | PART NUMBER | U/M | DESCRIPTION |
|-----|---------------|-----|--|
| 1 | 117053-03-F31 | EA | WINDOW - PICTURE - 31% TINTING - 17" X 26.4" |
| 2 | 002181-26-000 | EA | GLASS - PICTURE - 25.7" X 16.39" |
| 3 | 087561-01-000 | FT | SEAL - GLASS - EXTERIOR - .5" WIDE - VINYL BLACK |

THERMOPANE



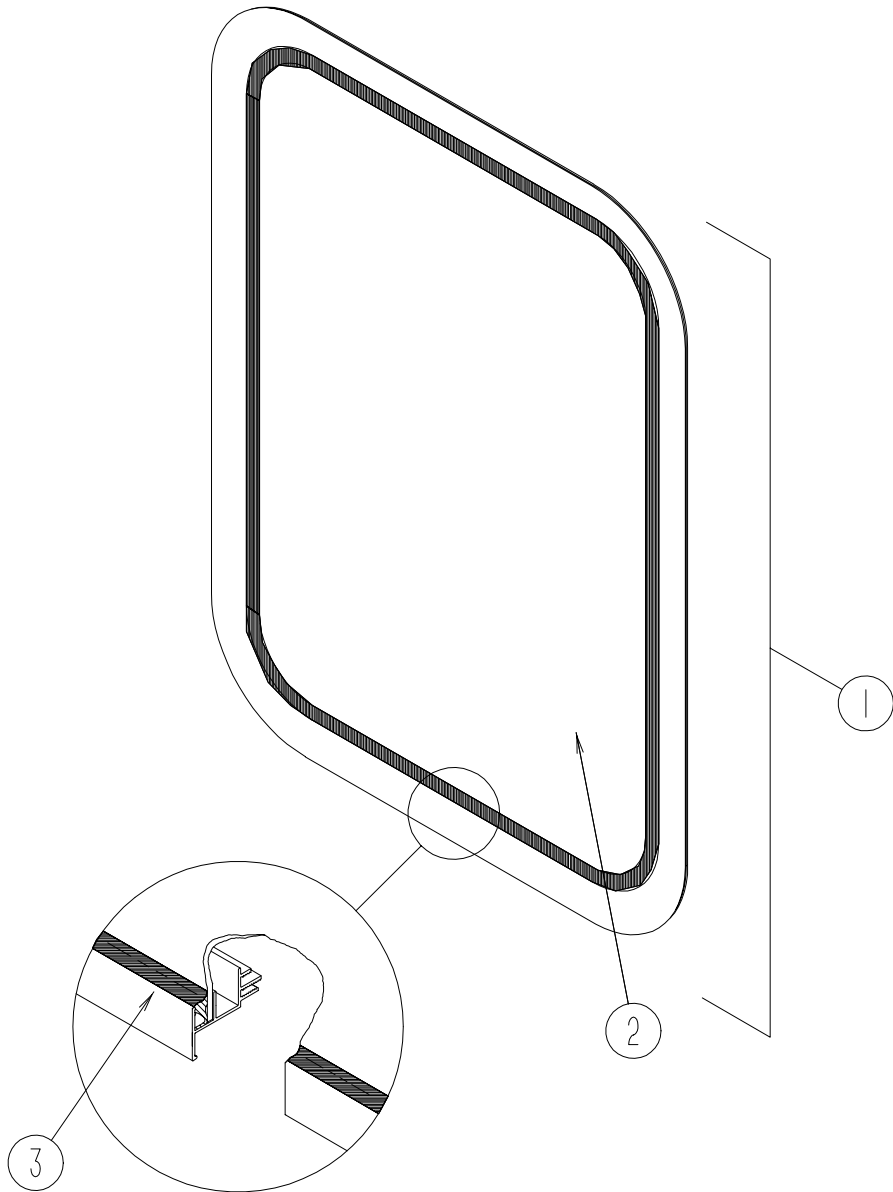
| KEY | PART NUMBER | U/M | DESCRIPTION |
|-----|---------------|-----|--|
| 1 | 117053-04-FB1 | EA | WINDOW - PICTURE - CLEAR - 17" X 26.4" |
| 2 | 002181-25-000 | EA | GLASS - PICTURE - 25.7" X 16.4" |
| 3 | 087561-01-000 | FT | SEAL - GLASS - EXTERIOR - .5" WIDE - VINYL BLACK |

THERMOPANE



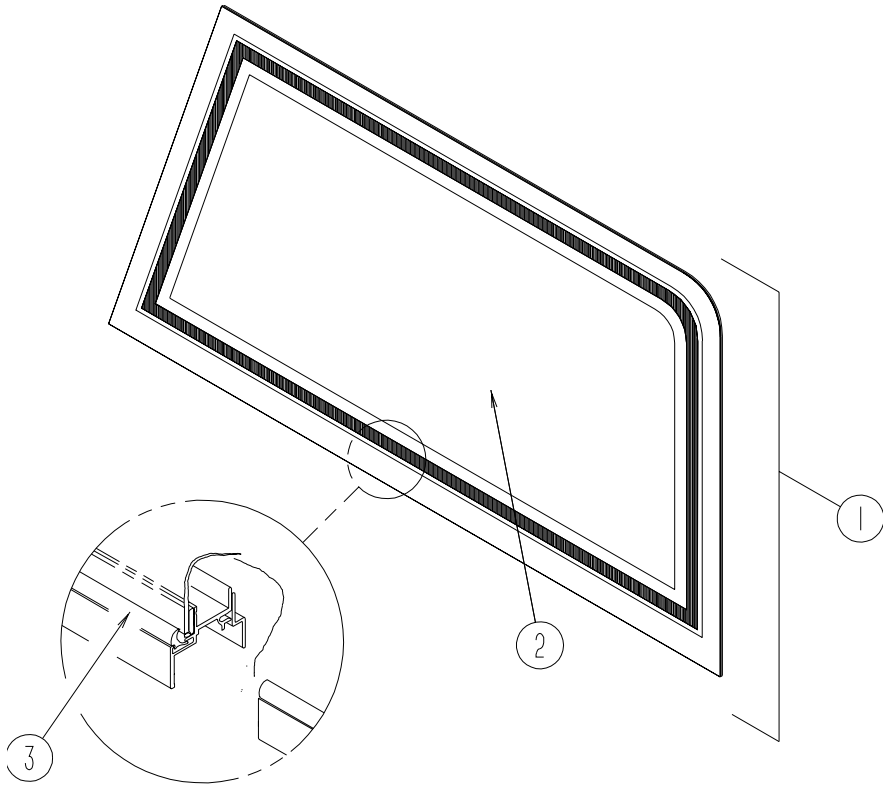
| KEY | PART NUMBER | U/M | DESCRIPTION |
|-----|---------------|-----|--|
| 1 | 117053-05-FB1 | EA | WINDOW - PICTURE - 60% TINTING - 13" X 24" |
| 2 | 002181-30-000 | EA | GLASS - PICTURE - 23.4" X 12.4" |
| 3 | 087561-01-000 | FT | SEAL - GLASS - EXTERIOR - .5" WIDE - VINYL BLACK |

WINDOW - PICTURE



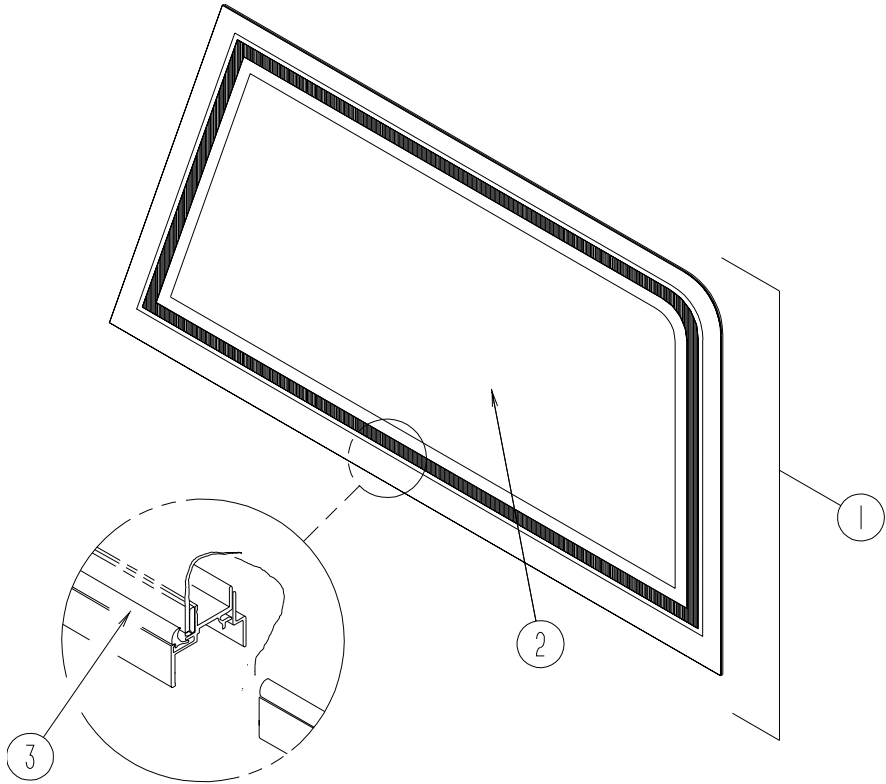
| KEY | PART NUMBER | U/M | DESCRIPTION |
|-----|---------------|-----|------------------------------|
| 1 | 103313-03-F15 | EA | WINDOW ASM-PICTURE |
| 2 | 002181-29-000 | EA | GLASS-PICTURE 1803 X 411 65R |
| 3 | 099154-01-000 | FT | CHANNEL-GLAZING |
| | 117054-01-01A | EA | RETAINER - TRIM - WHITE |

THERMOPANE

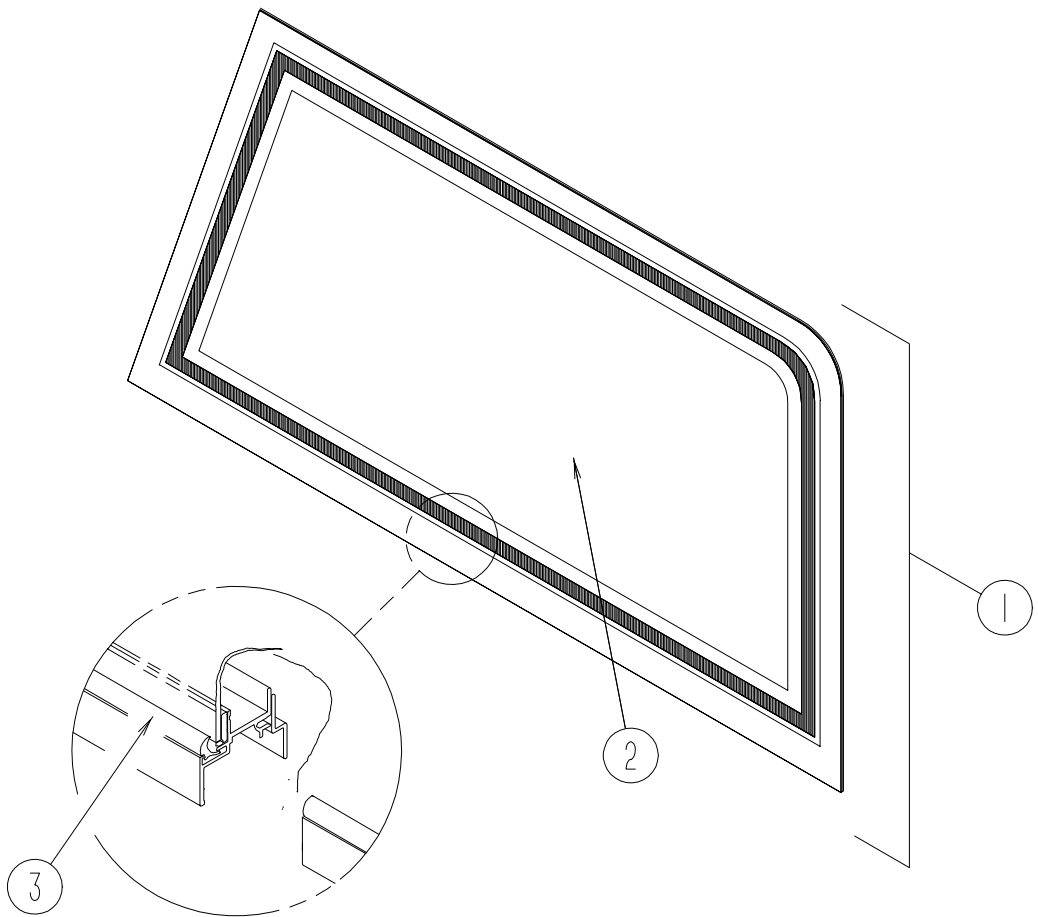


| KEY | PART NUMBER | U/M | DESCRIPTION | VENDOR NO. |
|-----|---------------|-----|------------------------|------------|
| 1 | 125586-01-01A | EA | WINDOW - VISTA | 106026079 |
| 2 | 125586-01-700 | EA | GLASS - STATIONARY | 132-010723 |
| 3 | 100322-01-703 | EA | VINYL - GLAZING, BUTYL | H57027L |
| | 125586-01-701 | EA | RETAINER - TRIM | |

THERMOPANE



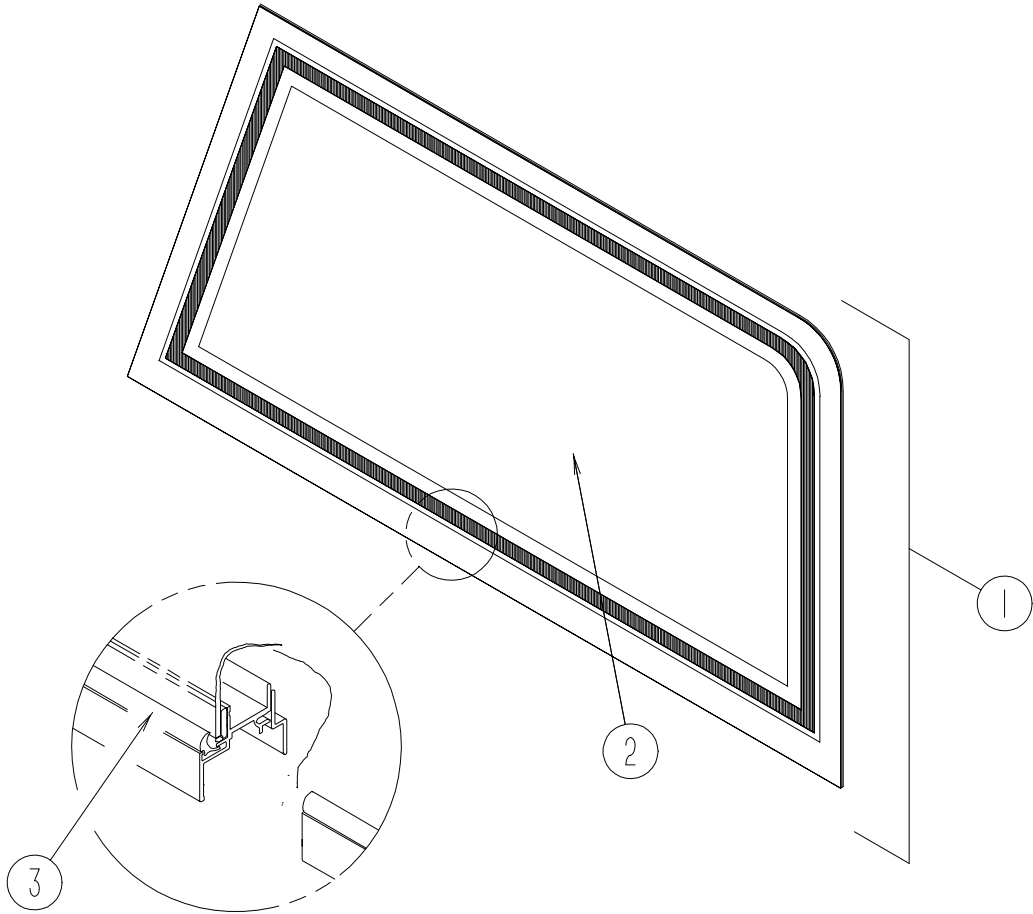
| KEY | PART NUMBER | U/M | DESCRIPTION | VENDOR NO. |
|-----|---------------|-----|------------------------|------------|
| 1 | 125586-02-01A | EA | WINDOW - VISTA | |
| 2 | 125586-02-700 | EA | GLASS - STATIONARY | 106-026057 |
| 3 | 100322-01-703 | EA | VINYL - GLAZING, BUTYL | 132-010723 |
| | 125586-02-701 | EA | RETAINER - TRIM | H565-27L |



THERMOPANE

| KEY | PART NUMBER | U/M | DESCRIPTION | VENDOR NO. |
|-----|---------------|-----|-------------------------------|------------|
| 1 | 125584-02-01A | EA | WINDOW - FRONT SLANT - DRIVER | 106026058 |
| 2 | 125584-02-700 | EA | GLASS - STATIONARY | 132-010723 |
| 3 | 100322-01-703 | EA | VINYL - GLAZING, BUTYL | H56627L |
| | 125584-02-701 | EA | RETAINER - TRIM | |

EXCEL
H471G1B27L

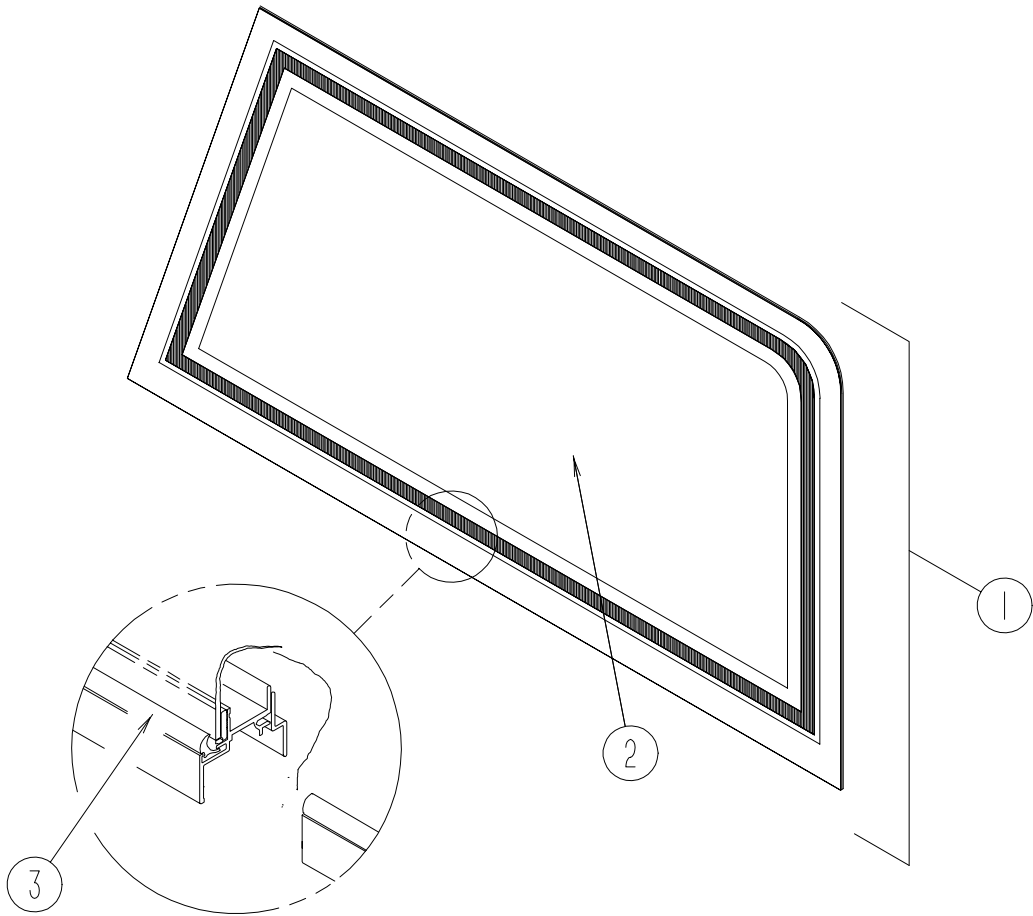


| KEY | PART NUMBER | U/M | DESCRIPTION |
|-----|---------------|-----|-------------------------|
| 1 | 125586-03-01A | EA | WINDOW - VISTA |
| 2 | 125586-03-700 | EA | GLASS - STATIONARY |
| 3 | 100322-01-703 | FT | VINYL - GLAZING - BUTYL |
| | 125586-03-701 | EA | RETAINER - TRIM |

VENDOR NO.

106-026080
132-010723
H571-27L

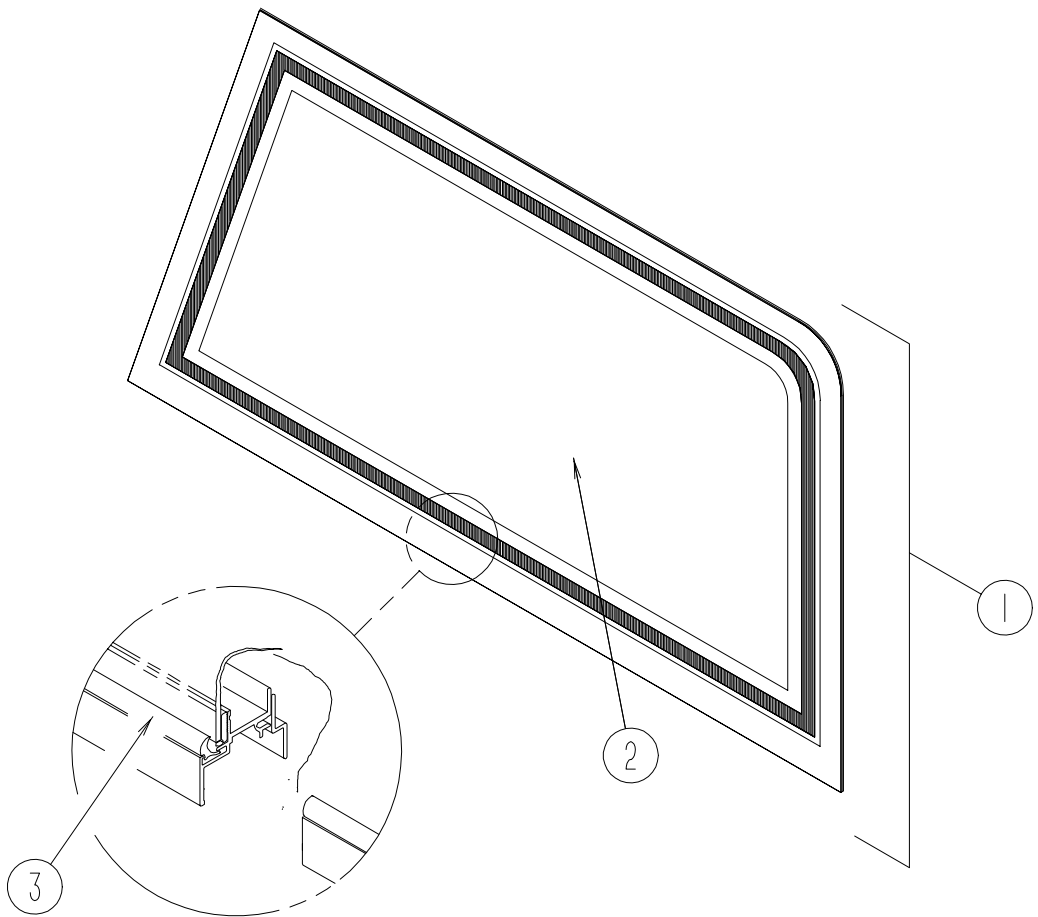
EXCEL
H572G1B27L



| KEY | PART NUMBER | U/M | DESCRIPTION |
|-----|---------------|-----|-------------------------|
| 1 | 125586-04-01A | EA | WINDOW - VISTA |
| 2 | 125586-04-700 | EA | GLASS - STATIONARY |
| 3 | 100322-01-703 | FT | VINYL - GLAZING - BUTYL |
| | 125586-04-701 | EA | RETAINER - TRIM |

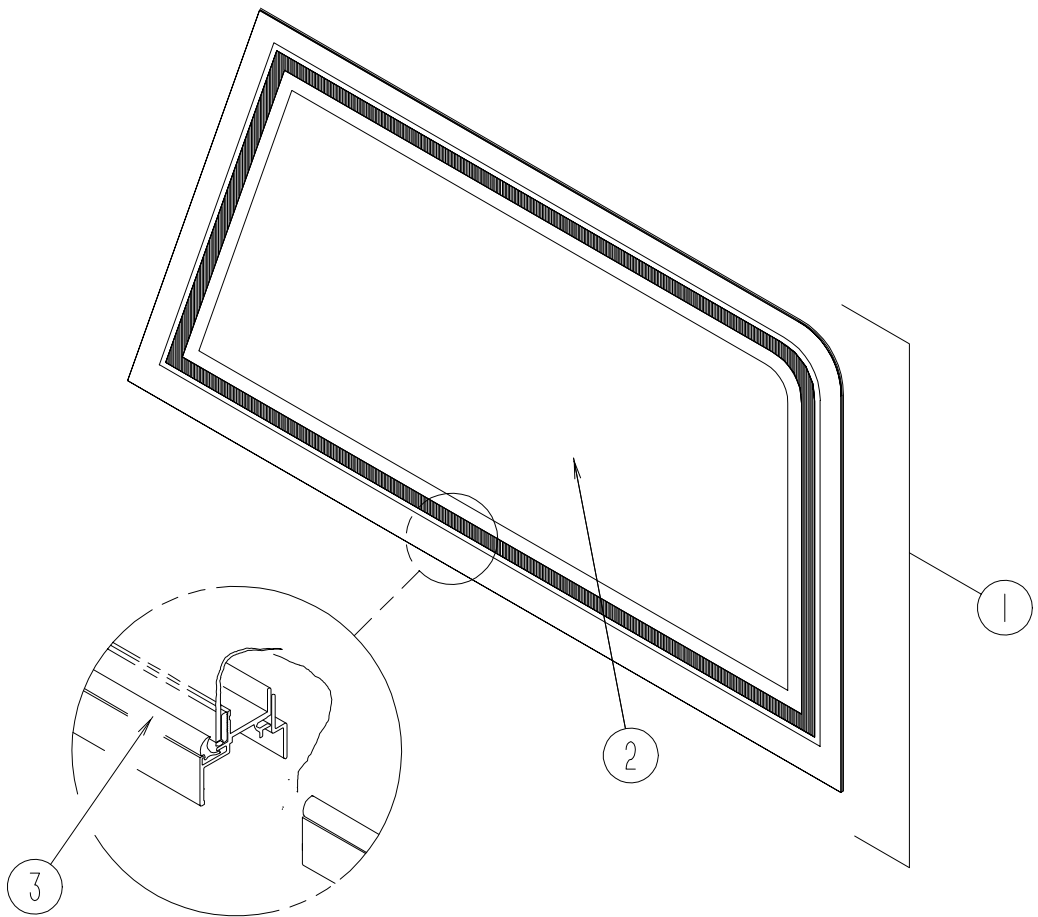
VENDOR NO.

106-026081
132-010723
H572-27L



THERMOPANE

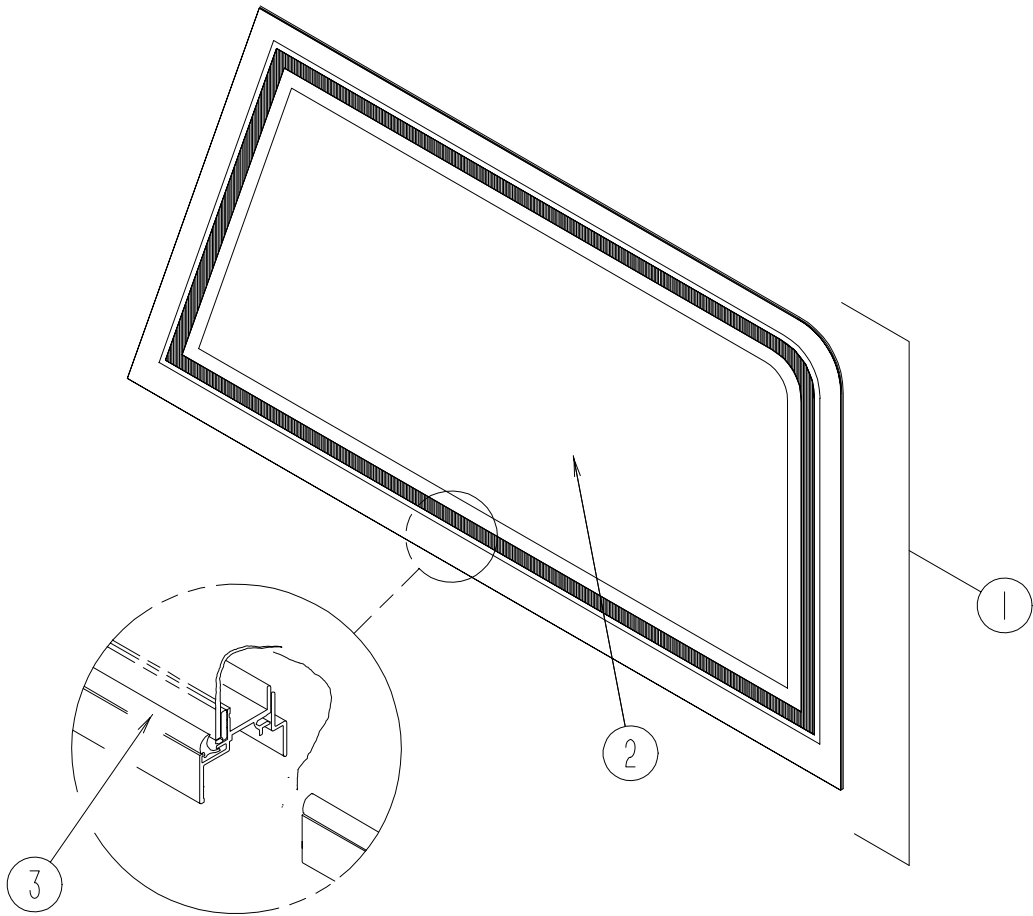
| KEY | PART NUMBER | U/M | DESCRIPTION | VENDOR NO. |
|-----|---------------|-----|-----------------------------|------------|
| | 125600-01-01A | EA | WINDOW - VISTA - THERMOPANE | |
| | 116000-01-704 | EA | VINYL - GLAZING | 132-018161 |
| | 125586-01-701 | EA | RETAINER - TRIM | H57027L |
| | 125600-01-700 | EA | GLASS - STATIONARY | 390026099 |



THERMOPANE

| KEY | PART NUMBER | U/M | DESCRIPTION | VENDOR NO. |
|-----|---------------|-----|-----------------------------|------------|
| | 125600-02-01A | EA | WINDOW - VISTA - THERMOPANE | |
| | 116000-01-704 | EA | VINYL - GLAZING | 132-018161 |
| | 125586-02-701 | EA | RETAINER - TRIM | H56527L |
| | 125600-02-700 | EA | GLASS - STATIONARY | 390026091 |

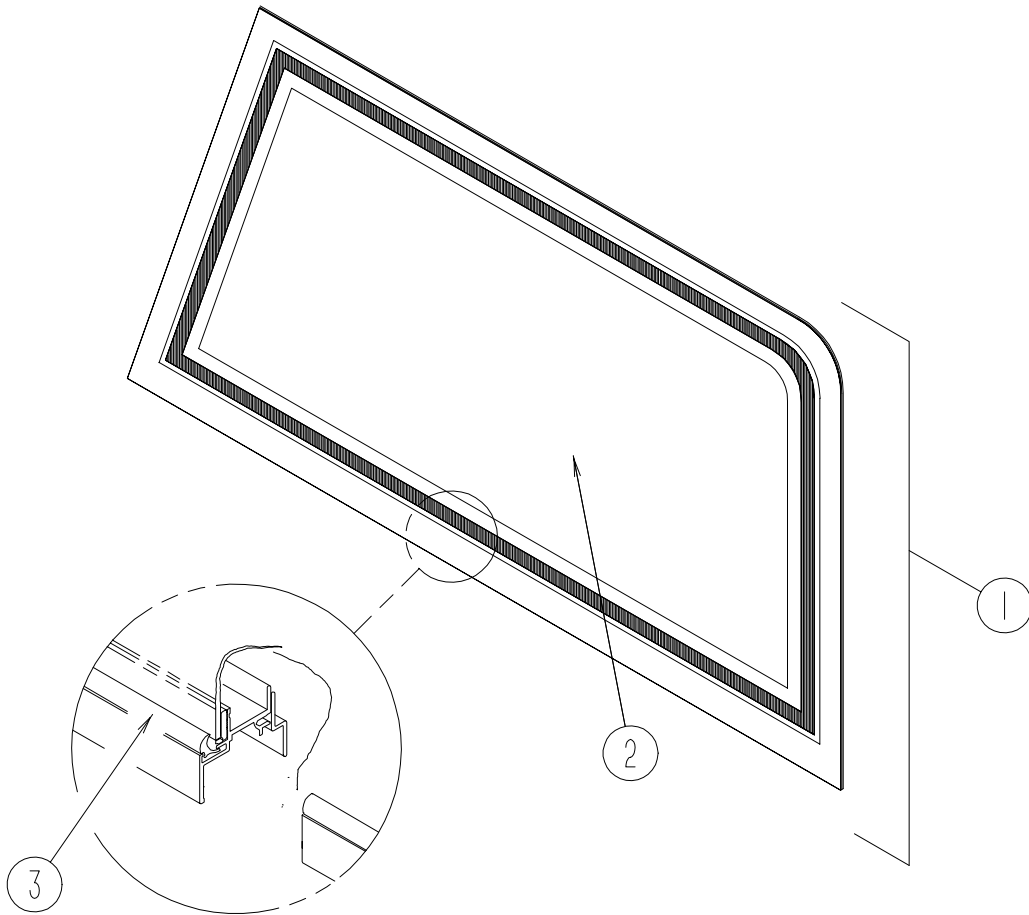
**EXCEL
THERMOPANE**



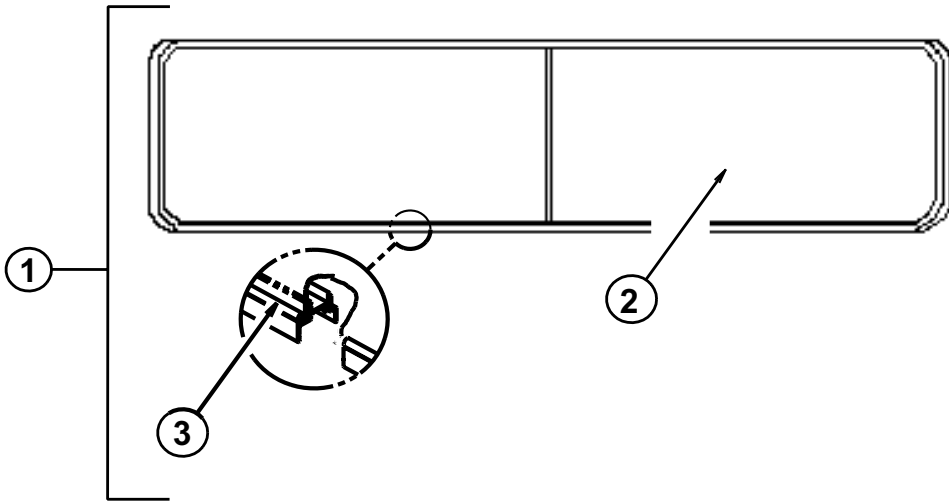
| KEY | PART NUMBER | U/M | DESCRIPTION |
|-----|---------------|-----|-----------------------------|
| 1 | 125600-03-01A | EA | WINDOW - VISTA - THERMOPANE |
| 2 | 125600-03-700 | EA | GLASS - STATIONARY |
| 3 | 116000-01-704 | FT | VINYL - GLAZING |
| | 125586-01-701 | EA | RETAINER - TRIM |

| VENDOR NO. |
|------------|
| 390-026288 |
| 132-018161 |
| H570-27L |

**EXCEL
THERMOPANE**

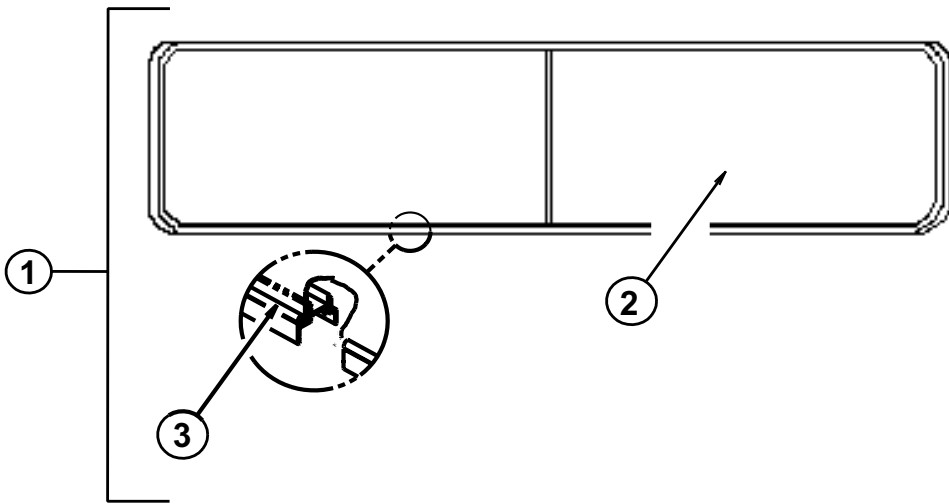


| KEY | PART NUMBER | U/M | DESCRIPTION | VENDOR NO. |
|-----|---------------|-----|-----------------------------|------------|
| 1 | 125600-04-01A | EA | WINDOW - VISTA - THERMOPANE | 390-026322 |
| 2 | 125600-04-700 | EA | GLASS - STATIONARY | 132-010723 |
| 3 | 100322-01-703 | FT | VINYL - GLAZING - BUTYL | K564-43L |
| | 125600-04-701 | EA | RETAINER - TRIM - BOTTOM | H572-41L |
| | 125600-04-702 | EA | RETAINER - TRIM - BENT | H572-41L |
| | 125600-04-703 | EA | RETAINER - TRIM - FRONT | H572-42L |



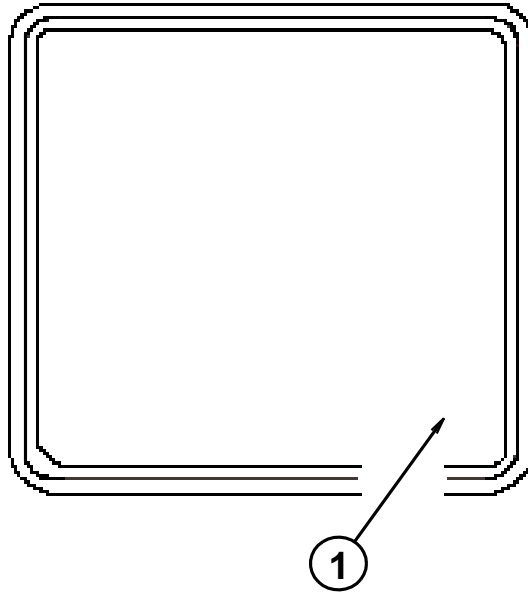
WINDOW - THERMOPANE

| KEY | PART NUMBER | U/M DESCRIPTION | VENDOR NO. |
|-----|---------------|---|-------------|
| 1 | 115630-01-01A | EA WINDOW - STATIONARY/THERMOPANE - 17.2" X 72" | DH438-G2W58 |
| 2 | 115630-01-702 | EA GLASS - STATIONARY -THERMO | 390-019467 |
| 3 | 098644-01-705 | FT GLAZING - STRIP | 132-010231 |
| | 115630-01-701 | EA RETAINER - TRIM | W438-58 |



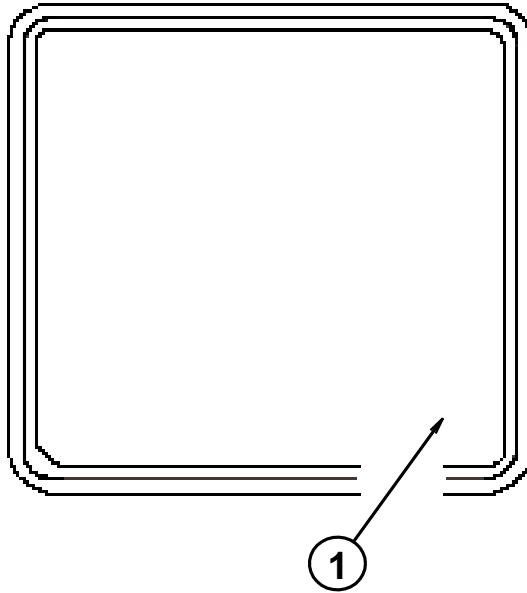
WINDOW - THERMOPANE

| KEY | PART NUMBER | U/M DESCRIPTION | VENDOR NO. |
|-----|---------------|---|-------------|
| 1 | 115630-02-01A | EA WINDOW - STATIONARY/THERMOPANE - 17.2" X 72" | DH438-G2W58 |
| 2 | 115630-02-702 | EA GLASS - STATIONARY -THERMO | 390-019467 |
| 3 | 116000-01-704 | FT GLAZING - STRIP | 132-010231 |
| | 115630-01-701 | EA RETAINER - TRIM | W438-58 |



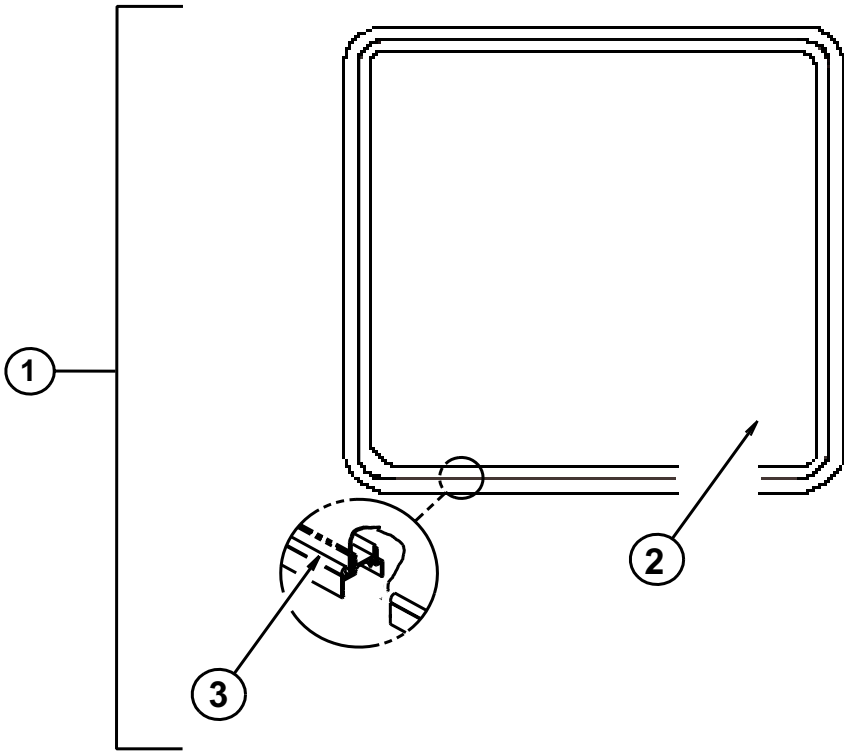
WINDOW - THERMOPANE

| KEY | PART NUMBER | U/M | DESCRIPTION | VENDOR NO. |
|------------|--------------------|------------|---|-------------------|
| | 116976-01-01A | EA | WINDOW - PICTURE/TINTED/ESCAPE - 26.4" X 26.3 | H386-G2W53 |
| 1 | 116976-01-700 | EA | GLASS - STATIONARY | 106-018786 |
| | 100322-01-701 | FT | SEAL - VENT | 122-016071 |
| | 112898-06-704 | EA | HANDLE - LATCH - RED - RH | 182-11293 |
| | 112898-06-705 | EA | HANDLE - LATCH - RED - LH | 182-11294 |
| | 116976-01-701 | EA | RETAINER - TRIM | W386-53 |
| | 116976-01-702 | FT | FILLER PLUG | 132-016065 |



WINDOW - THERMOPANE

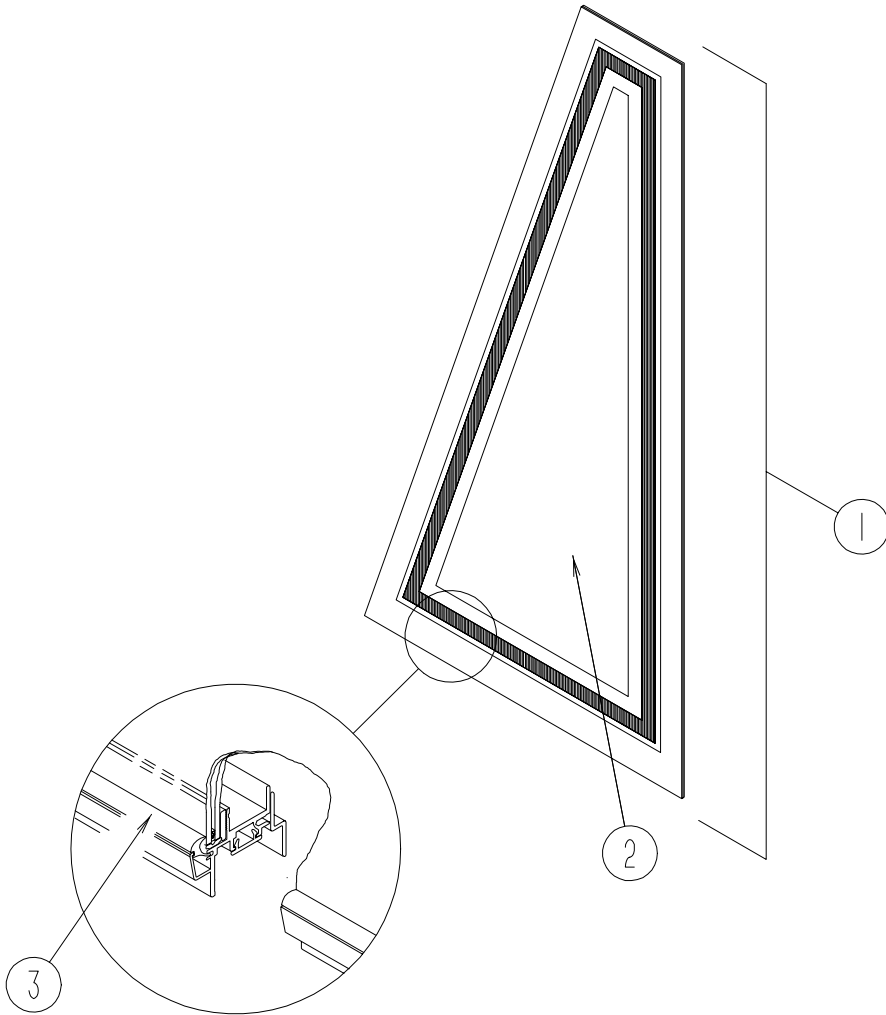
| KEY | PART NUMBER | U/M | DESCRIPTION | VENDOR NO. |
|------------|--------------------|------------|---|-------------------|
| | 116976-02-01A | EA | WINDOW - PICTURE/TINTED/ESCAPE - 26.4" X 25.3 | H386-G2W53 |
| 1 | 116976-02-700 | EA | GLASS - STATIONARY | 106-018785 |
| | 100322-01-701 | FT | SEAL - VENT | 122-016071 |
| | 112898-06-704 | EA | HANDLE - LATCH - RED - RH | 182-11293 |
| | 112898-06-705 | EA | HANDLE - LATCH - RED - LH | 182-11294 |
| | 116976-01-701 | EA | RETAINER - TRIM | W386-53 |
| | 116976-01-702 | FT | FILLER PLUG | 132-016065 |



WINDOW - THERMOPANE

| KEY | PART NUMBER | U/M | DESCRIPTION | VENDOR NO. |
|-----|---------------|-----|---|------------|
| 1 | 116976-04-01A | EA | WINDOW - PICTURE/TINTED/ESCAPE - 26.4" X 26.3 | H400-G2W60 |
| 2 | 116976-02-700 | EA | GLASS - STATIONARY | 106-019678 |
| 3 | 116976-03-701 | FT | GLAZING VINYL | 132-016071 |
| | 113733-02-701 | EA | RETAINER - TRIM | W386-60 |

THERMOPANE

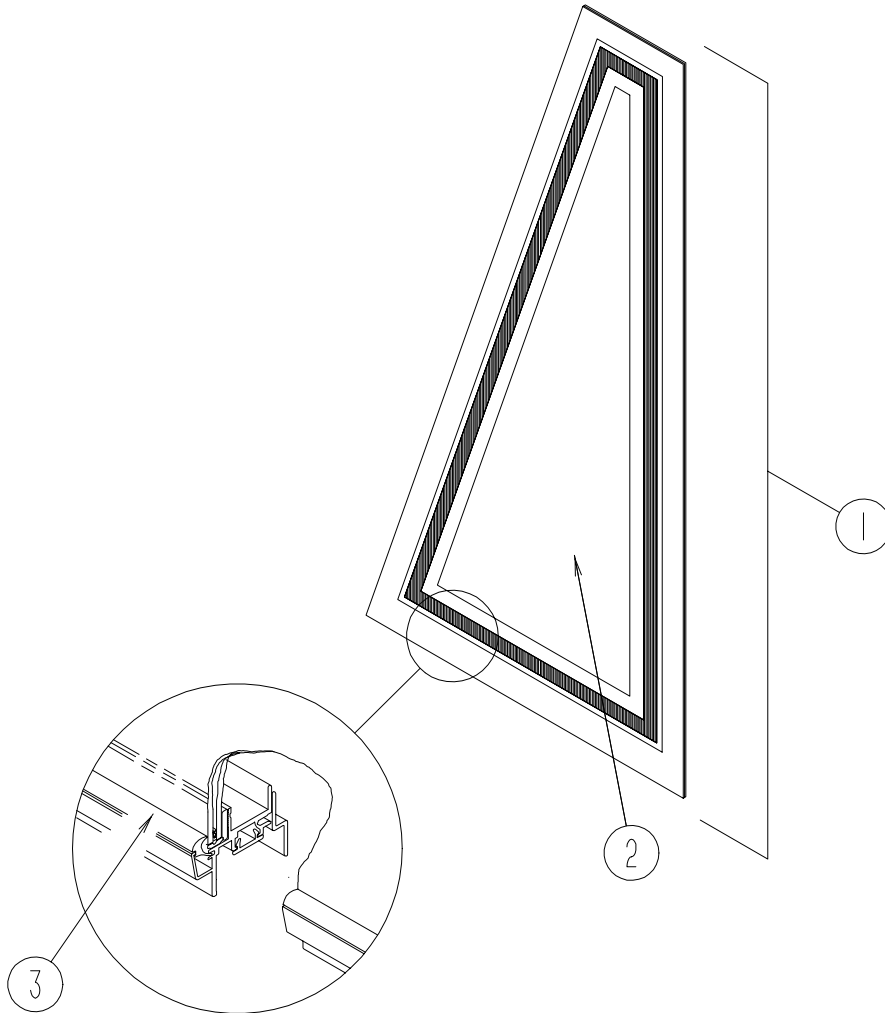


| KEY | PART NUMBER | U/M | DESCRIPTION |
|-----|---------------|-----|----------------------------------|
| 1 | 125584-01-01A | EA | WINDOW - FRONT SLANT - LEFT HAND |
| 2 | 125584-01-700 | EA | GLASS - STATIONARY |
| 3 | 100322-01-703 | EA | VINYL - GLAZING, BUTYL |
| | 125584-01-701 | EA | RETAINER - TRIM |

VENDOR NO.

106026078
132-010723
H56927L B969 GRL

THERMOPANE

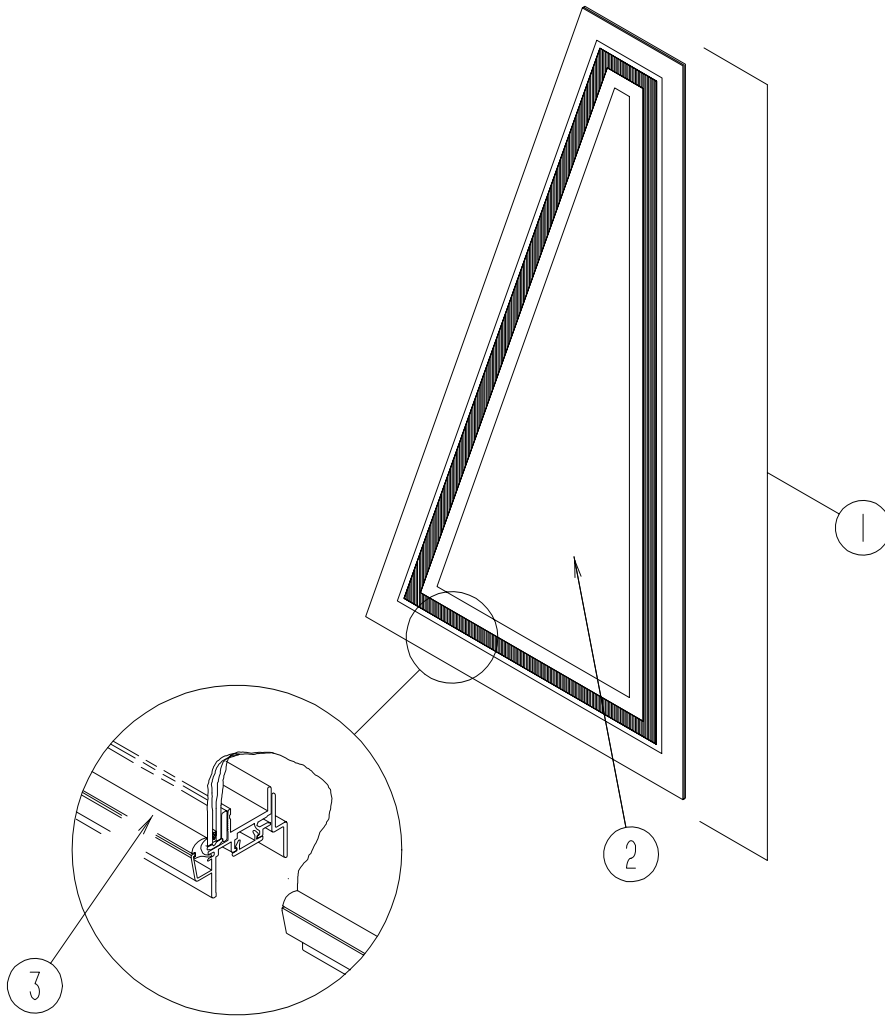


| KEY | PART NUMBER | U/M | DESCRIPTION |
|-----|---------------|-----|-------------------------------|
| 1 | 125584-02-01A | EA | WINDOW - FRONT SLANT - DRIVER |
| 2 | 125584-02-700 | EA | GLASS - STATIONARY |
| 3 | 100322-01-703 | EA | VINYL - GLAZING, BUTYL |
| | 125584-02-701 | EA | RETAINER - TRIM |

VENDOR NO.

106026058
132-010723
H56627L

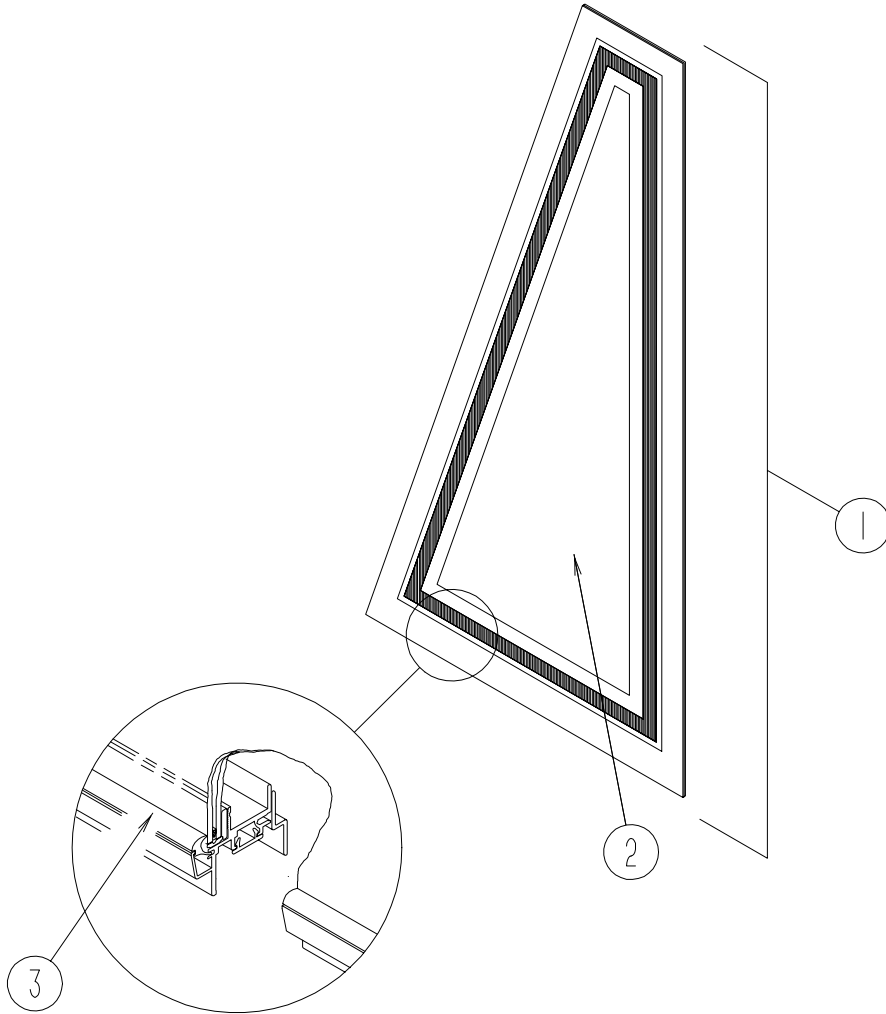
THERMOPANE



| KEY | PART NUMBER | U/M | DESCRIPTION |
|-----|---------------|-----|-------------------------------|
| 1 | 125585-01-01A | EA | WINDOW - FRONT SLANT - THERMO |
| 2 | 125585-01-700 | EA | GLASS - STATIONARY |
| 3 | 116000-01-704 | EA | VINYL - GLAZING |
| | 125584-01-701 | EA | RETAINER - TRIM |

| VENDOR NO. |
|------------|
| 390026092 |
| 132-018161 |
| 106026078 |

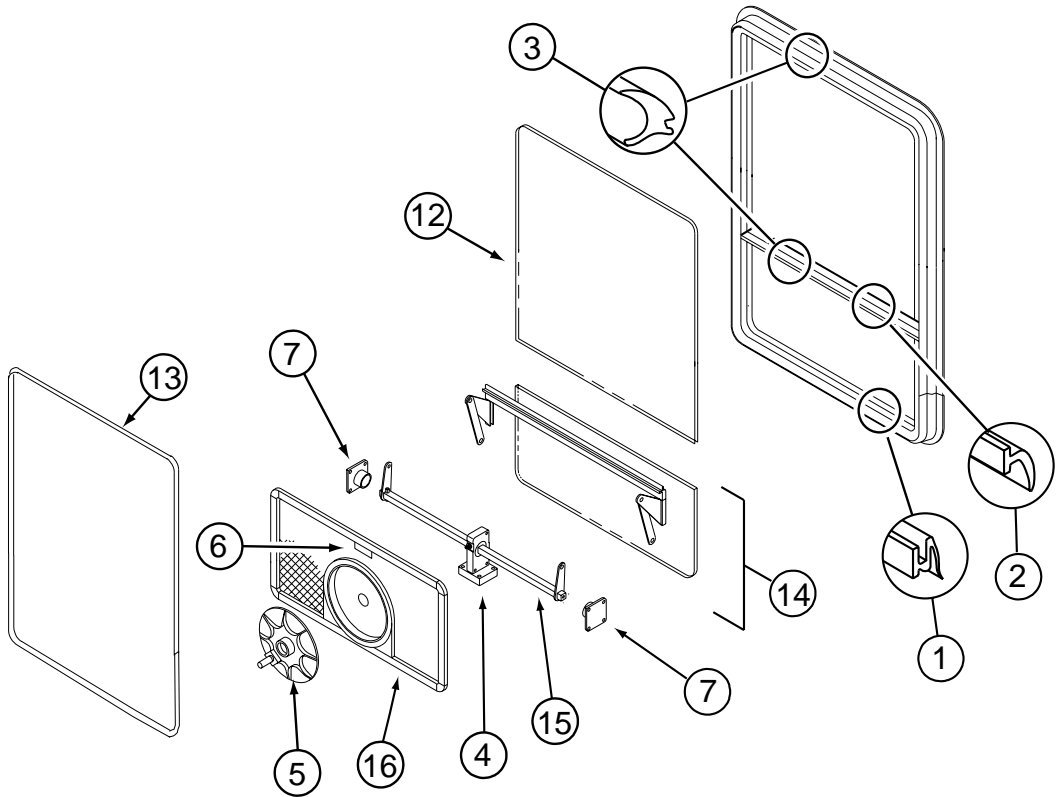
THERMOPANE



| KEY | PART NUMBER | U/M | DESCRIPTION |
|-----|---------------|-----|-------------------------------|
| 1 | 125585-02-01A | EA | WINDOW - FRONT SLANT - THERMO |
| 2 | 125585-02-700 | EA | GLASS - STATIONARY |
| 3 | 116000-01-704 | EA | VINYL - GLAZING |
| | 125584-02-701 | EA | RETAINER - TRIM |

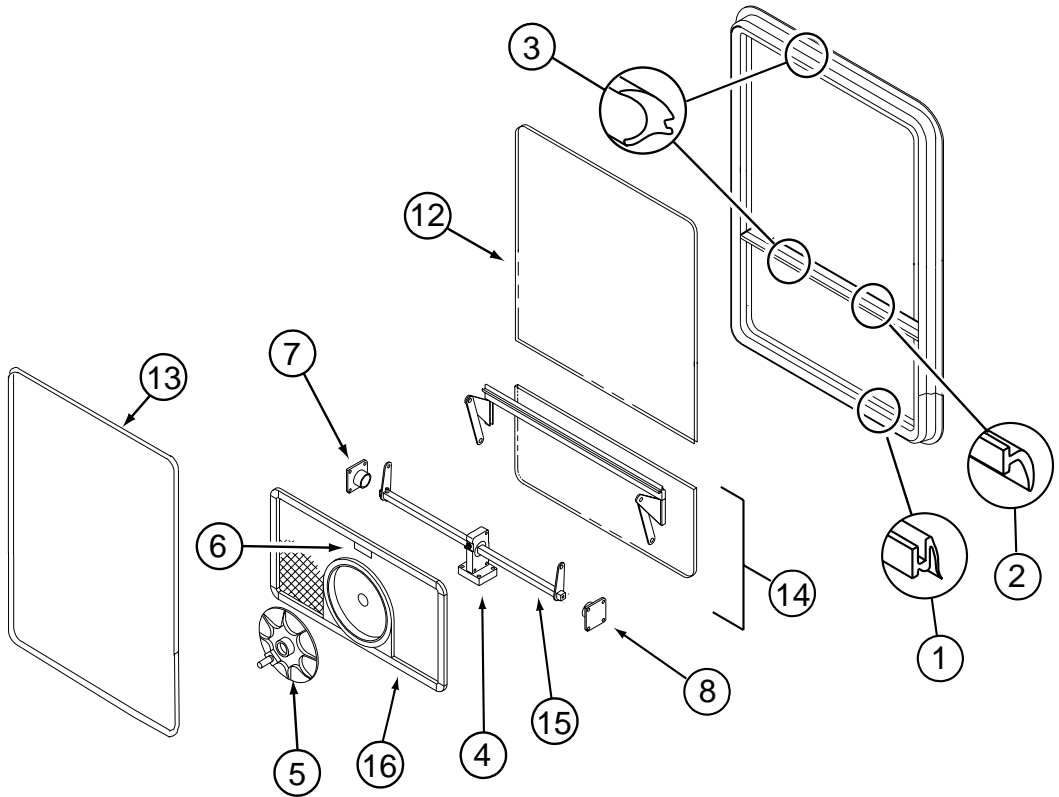
| VENDOR NO. |
|------------|
| 390026092 |
| 132-018161 |
| H566-27L |

**WINDOW
EXCEL DTH005-G2W62**



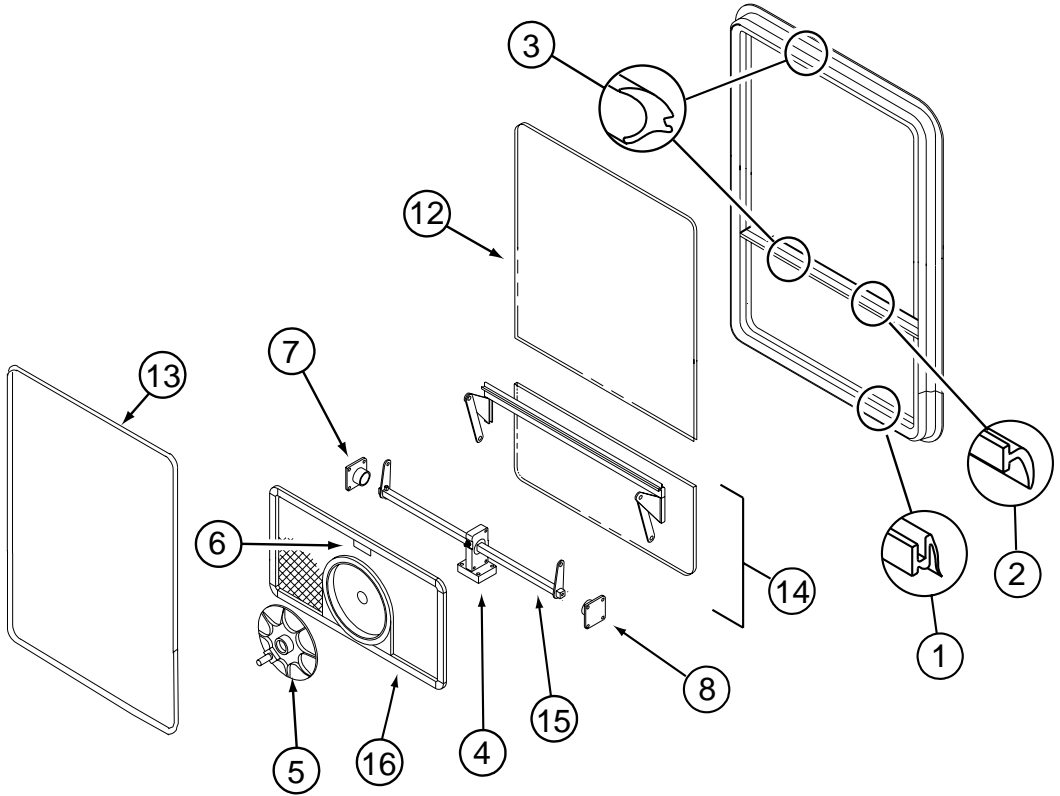
| KEY | PART NUMBER | U/M | DESCRIPTION | VENDOR NO. |
|-----|---------------|-----|--|------------|
| | 129929-01-01A | EA | WINDOW - TORQUE - THERMO - 26.3" X 47.9" | |
| 1 | 100322-01-701 | FT | SEAL-VENT | 122-016071 |
| 2 | 100322-01-702 | EA | WEATHERSTRIP-HORIZ. RAIL-54" | 132-015976 |
| 3 | 129929-01-705 | FT | GLAZING VINYL | 132-026811 |
| 4 | 112519-01-702 | EA | OPERATOR-VENT-CENTER SUPPORT | 410-016123 |
| 5 | 100322-01-718 | EA | HANDLE-DIAL | 410-016081 |
| 6 | 129929-01-706 | FT | SEAL - TOP F/CENTER EGRESS | 132-026811 |
| 7 | 129929-01-708 | EA | SUPPORT - TORQUE BAR - RT/LT | 130-026804 |
| 12 | 129929-01-700 | EA | GLASS - STATIONARY | 390-026856 |
| 13 | 129929-01-703 | EA | TRIM - RETAINER | CW100-62 |
| 14 | 129929-01-701 | EA | VENT GLASS ASSEMBLY | DTH001G9 |
| 15 | 129929-01-704 | EA | OPERATOR BAR ASSEMBLY | DTH001-15 |
| 16 | 129929-01-702 | EA | SCREEN ASM - W/SEALS & CLIPS | 410-026858 |
| | 129929-02-706 | FT | SEAL - FOAM | 140-027022 |
| | 129929-01-707 | FT | FILLER STRIP - DOUBLE GLAZED | 132-026808 |

**WINDOW
EXCEL DTH002-G2W62**



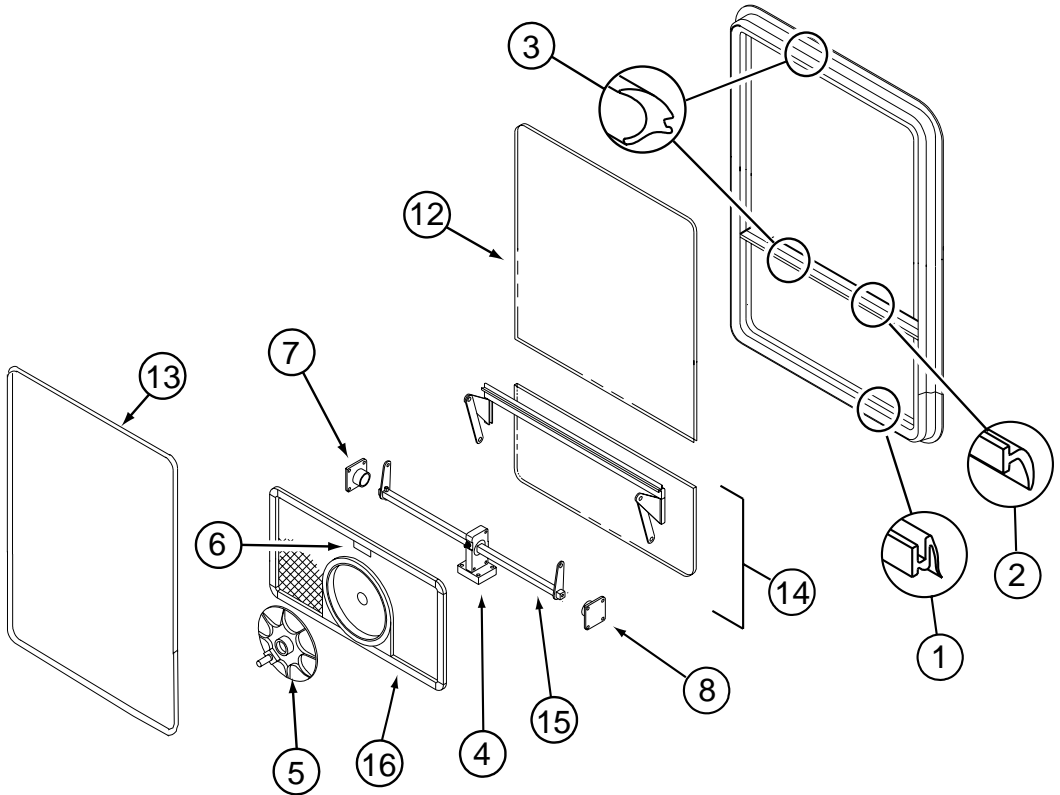
| KEY | PART NUMBER | U/M | DESCRIPTION | VENDOR NO. |
|-----|---------------|-----|--|------------|
| | 129929-02-01A | EA | WINDOW - TORQUE - THERMO - 26.3" X 47.9" | |
| 1 | 100322-01-701 | FT | SEAL-VENT | 122-016071 |
| 2 | 100322-01-702 | EA | WEATHERSTRIP-HORIZ. RAIL-54" | 132-015976 |
| 3 | 100322-01-718 | EA | HANDLE-DIAL | 410-016081 |
| 4 | 112519-01-702 | EA | OPERATOR-VENT-CENTER SUPPORT | 410-016123 |
| 5 | 129929-01-705 | FT | GLAZING VINYL | 132-026811 |
| 6 | 129929-01-706 | FT | SEAL - TOP F/CENTER EGRESS | 132-026811 |
| 7 | 129929-01-707 | FT | FILLER STRIP - DOUBLE GLAZED | 132-026808 |
| 8 | 129929-01-708 | EA | SUPPORT - TORQUE BAR - RT/LT | 130-026804 |
| 10 | 129929-02-700 | EA | GLASS - STATIONARY | 390-026859 |
| 11 | 129929-02-701 | EA | VENT GLASS ASSEMBLY | DTH002G9 |
| 12 | 129929-02-702 | EA | SCREEN ASM - W/SEALS & CLIPS | 410-026861 |
| 13 | 129929-02-703 | EA | TRIM - RETAINER | CW10162 |
| 14 | 129929-02-704 | EA | OPERATOR BAR ASSEMBLY | DTH002-15 |
| 15 | 112898-06-704 | EA | HANDLE-LATCH/RED-RH (TIPOUT) | 182-11293 |
| 16 | 112898-06-705 | EA | HANDLE-LATCH/RED-LH (TIPOUT) | 182-11294 |
| 17 | 129929-02-705 | EA | RETAINER - WINDOW ANTI LIFT | DTH002-34 |

**WINDOW
EXCEL DTH003-G2W62**



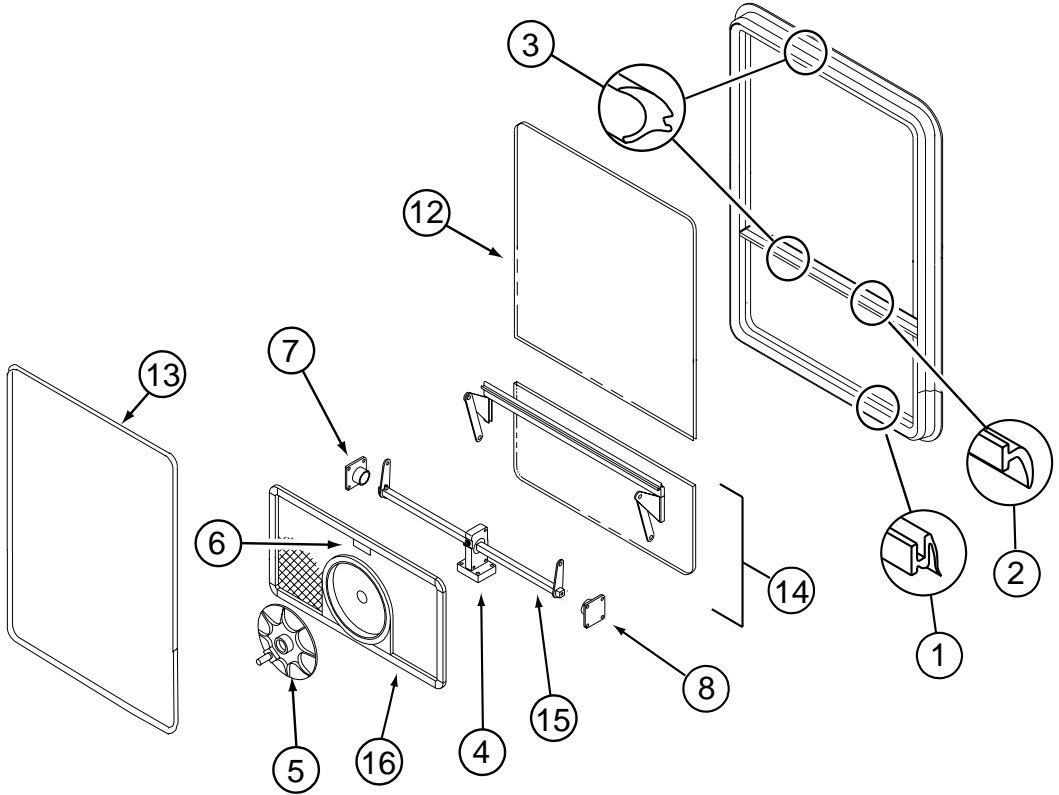
| KEY | PART NUMBER | U/M | DESCRIPTION | VENDOR NO. |
|-----|---------------|-----|--|------------|
| | 129929-03-01A | EA | WINDOW - TORQUE - THERMO - 42.2" X 30.2" | |
| 1 | 100322-01-701 | FT | SEAL-VENT | 122-016071 |
| 2 | 100322-01-702 | EA | WEATHERSTRIP-HORIZ. RAIL-54" | 132-015976 |
| 3 | 100322-01-718 | EA | HANDLE-DIAL | 410-016081 |
| 4 | 112519-01-702 | EA | OPERATOR-VENT-CENTER SUPPORT | 410-016123 |
| 5 | 129929-01-705 | FT | GLAZING VINYL | 132-026811 |
| 6 | 129929-01-706 | FT | SEAL - TOP F/CENTER EGRESS | 132-026811 |
| 7 | 129929-01-707 | FT | FILLER STRIP - DOUBLE GLAZED | 132-026808 |
| 8 | 129929-01-708 | EA | SUPPORT - TORQUE BAR - RT/LT | 130-026804 |
| 10 | 129929-03-700 | EA | GLASS - STATIONARY | 390-026905 |
| 11 | 129929-03-702 | EA | VENT GLASS ASSEMBLY | DTH003G9 |
| 12 | 129929-01-702 | EA | SCREEN ASM - W/SEALS & CLIPS | 410-026858 |
| 13 | 129929-03-701 | EA | TRIM - RETAINER | CW6162 |
| 14 | 129929-01-704 | EA | OPERATOR BAR ASSEMBLY | DTH001-15 |
| | 129929-02-706 | FT | SEAL - FOAM | 140-027022 |

**WINDOW
EXCEL DTH004-G2W62**



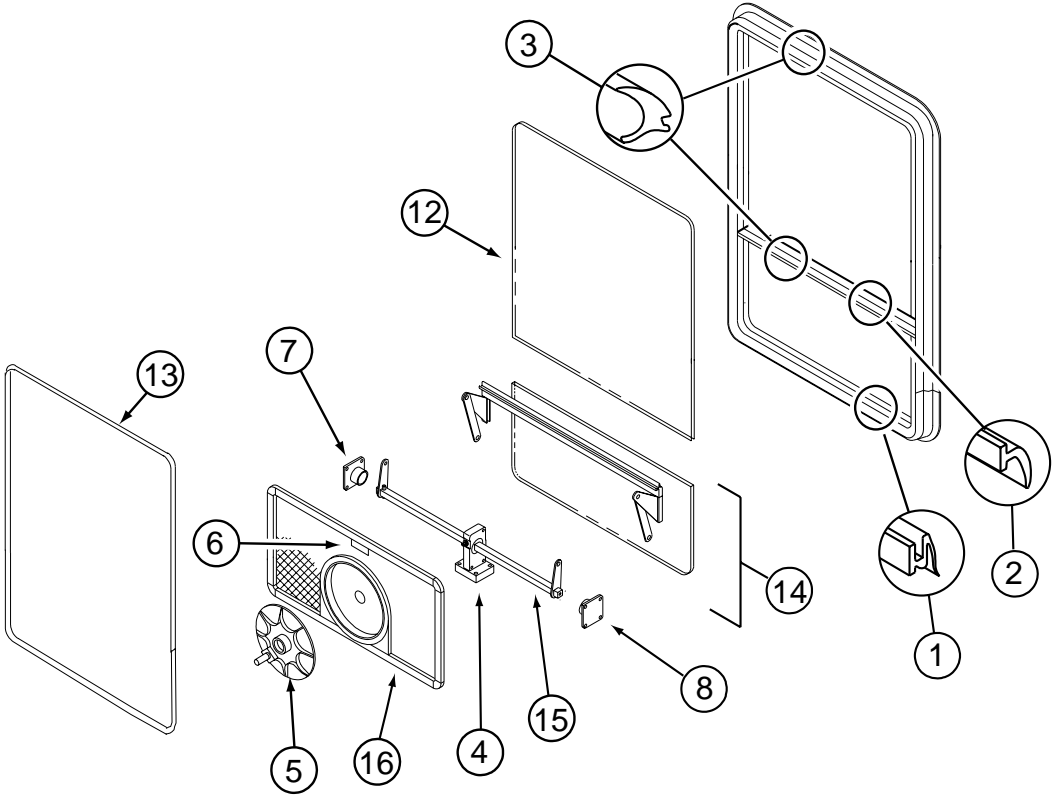
| KEY | PART NUMBER | U/M | DESCRIPTION | VENDOR NO. |
|-----|---------------|-----|---|------------|
| | 129929-04-01A | EA | WINDOW - TORQUE - THERMO ESCAPE - 42.2" X 30.2" | |
| 1 | 100322-01-701 | FT | SEAL-VENT | 122-016071 |
| 2 | 100322-01-702 | EA | WEATHERSTRIP-HORIZ. RAIL-54" | 132-015976 |
| 3 | 100322-01-718 | EA | HANDLE-DIAL | 410-016081 |
| 4 | 112519-01-702 | EA | OPERATOR-VENT-CENTER SUPPORT | 410-016123 |
| 5 | 129929-01-705 | FT | GLAZING VINYL | 132-026811 |
| 6 | 129929-01-706 | FT | SEAL - TOP F/CENTER EGRESS | 132-026811 |
| 7 | 129929-01-707 | FT | FILLER STRIP - DOUBLE GLAZED | 132-026808 |
| 8 | 129929-01-708 | EA | SUPPORT - TORQUE BAR - RT/LT | 130-026804 |
| 10 | 129929-04-700 | EA | GLASS - STATIONARY | 390-026906 |
| 11 | 129929-04-702 | EA | VENT GLASS ASSEMBLY | DTH004G9 |
| 12 | 129929-02-702 | EA | SCREEN ASM - W/SEALS & CLIPS | 410-026861 |
| 13 | 129929-04-701 | EA | TRIM - RETAINER | CW6562 |
| 14 | 129929-02-704 | EA | OPERATOR BAR ASSEMBLY | DTH002-15 |
| | 112898-06-704 | EA | HANDLE-LATCH/RED-RH (TIPOUT) | 182-11293 |
| | 112898-06-705 | EA | HANDLE-LATCH/RED-LH (TIPOUT) | 182-11294 |
| | 129929-02-705 | EA | RETAINER - WINDOW ANTI LIFT | DTH002-34 |
| | 129929-02-706 | FT | SEAL - FOAM | 140-027022 |

**WINDOW
EXCEL DTH005-G2W62**



| KEY | PART NUMBER | U/M | DESCRIPTION | VENDOR NO. |
|-----|---------------|-----|--|------------|
| | 129929-05-01A | EA | WINDOW - TORQUE - THERMO - 26.3" X 47.9" | |
| 1 | 100322-01-701 | FT | SEAL-VENT | 122-016071 |
| 2 | 100322-01-702 | EA | WEATHERSTRIP-HORIZ. RAIL-54" | 132-015976 |
| 3 | 100322-01-718 | EA | HANDLE-DIAL | 410-016081 |
| 4 | 112519-01-702 | EA | OPERATOR-VENT-CENTER SUPPORT | 410-016123 |
| 5 | 129929-01-705 | FT | GLAZING VINYL | 132-026811 |
| 6 | 129929-01-706 | FT | SEAL - TOP F/CENTER EGRESS | 132-026811 |
| 7 | 129929-01-707 | FT | FILLER STRIP - DOUBLE GLAZED | 132-026808 |
| 8 | 129929-01-708 | EA | SUPPORT - TORQUE BAR - RT/LT | 130-026804 |
| 10 | 129929-05-700 | EA | GLASS - STATIONARY | 390-026907 |
| 11 | 129929-05-701 | EA | VENT GLASS ASSEMBLY | DTH005G9 |
| 12 | 129929-05-702 | EA | SCREEN ASM - W/SEALS & CLIPS | 410-026909 |
| 13 | 129929-05-703 | EA | TRIM - RETAINER | CW05-62 |
| 14 | 129929-05-704 | EA | OPERATOR BAR ASSEMBLY | DTH005-15 |
| | 129929-02-706 | FT | SEAL - FOAM | 140-027022 |

**WINDOW
EXCEL DTH006-G2W62**



| KEY | PART NUMBER | U/M | DESCRIPTION | VENDOR NO. |
|-----|---------------|-----|------------------------------|------------|
| | 129929-06-01A | EA | WINDOW ASM-TORQUE THERMO | |
| 1 | 100322-01-701 | FT | SEAL-VENT | 122-016071 |
| 2 | 100322-01-702 | EA | WEATHERSTRIP-HORIZ RAIL-148" | 132-019631 |
| 3 | 100322-01-718 | EA | HANDLE-DIAL | 410-016081 |
| 4 | 112519-01-702 | EA | OPERATOR-VENT-CENTER SUPPORT | 410-016123 |
| 5 | 129929-01-705 | FT | GLAZING VINYL | 132-026811 |
| 6 | 129929-01-706 | FT | SEAL - TOP F/CENTER EGRESS | 132-026811 |
| 7 | 129929-01-707 | FT | FILLER STRIP - DOUBLE GLAZED | 132-026808 |
| 8 | 129929-01-708 | EA | SUPPORT - TORQUE BAR - RT/LT | 130-026804 |
| 10 | 129929-06-700 | EA | GLASS - STATIONARY | 390-026910 |
| 11 | 129929-06-702 | EA | VENT GLASS ASSEMBLY | DTH006G9 |
| 12 | 129929-05-702 | EA | SCREEN ASM - W/SEALS & CLIPS | 410-026909 |
| 13 | 129929-06-701 | EA | TRIM - RETAINER | CW0462 |
| 14 | 129929-05-704 | EA | OPERATOR BAR ASSEMBLY | DTH005-15 |
| | 129929-02-706 | FT | SEAL - FOAM | 140-027022 |