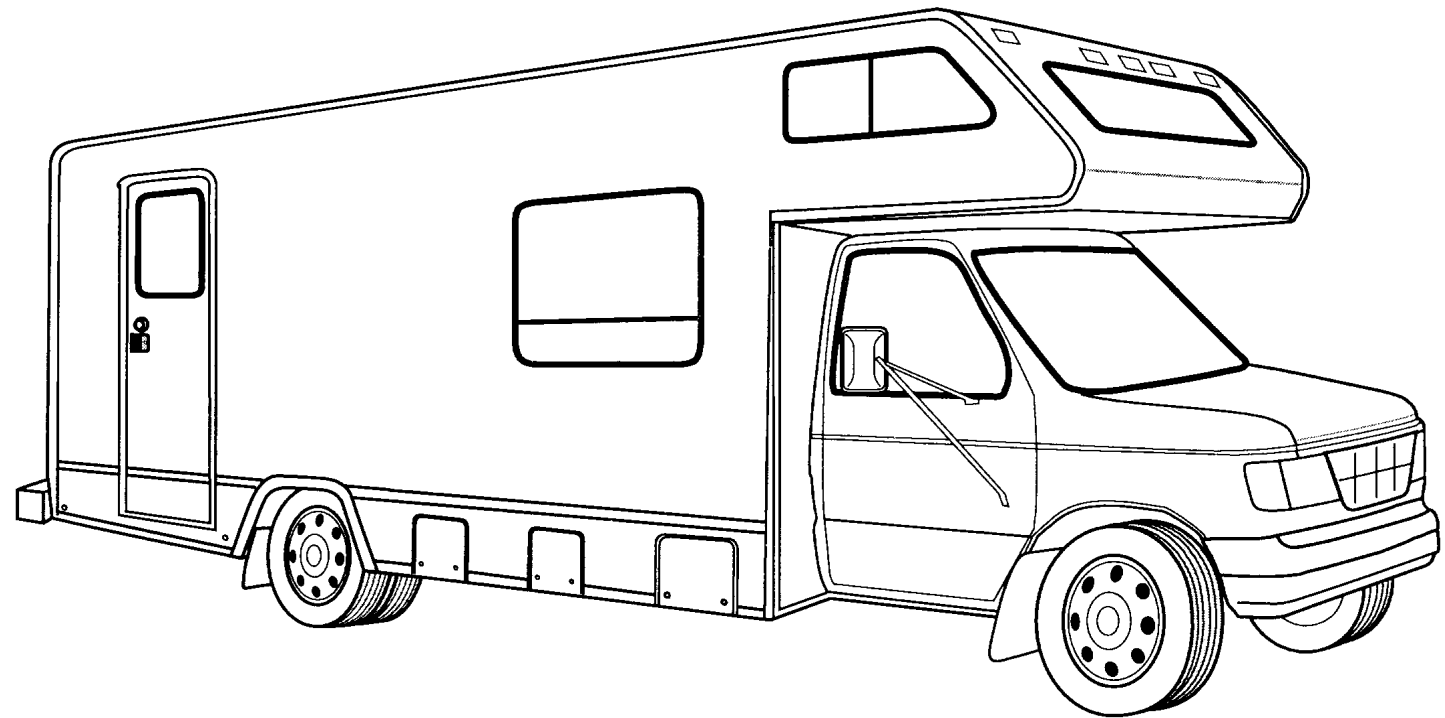
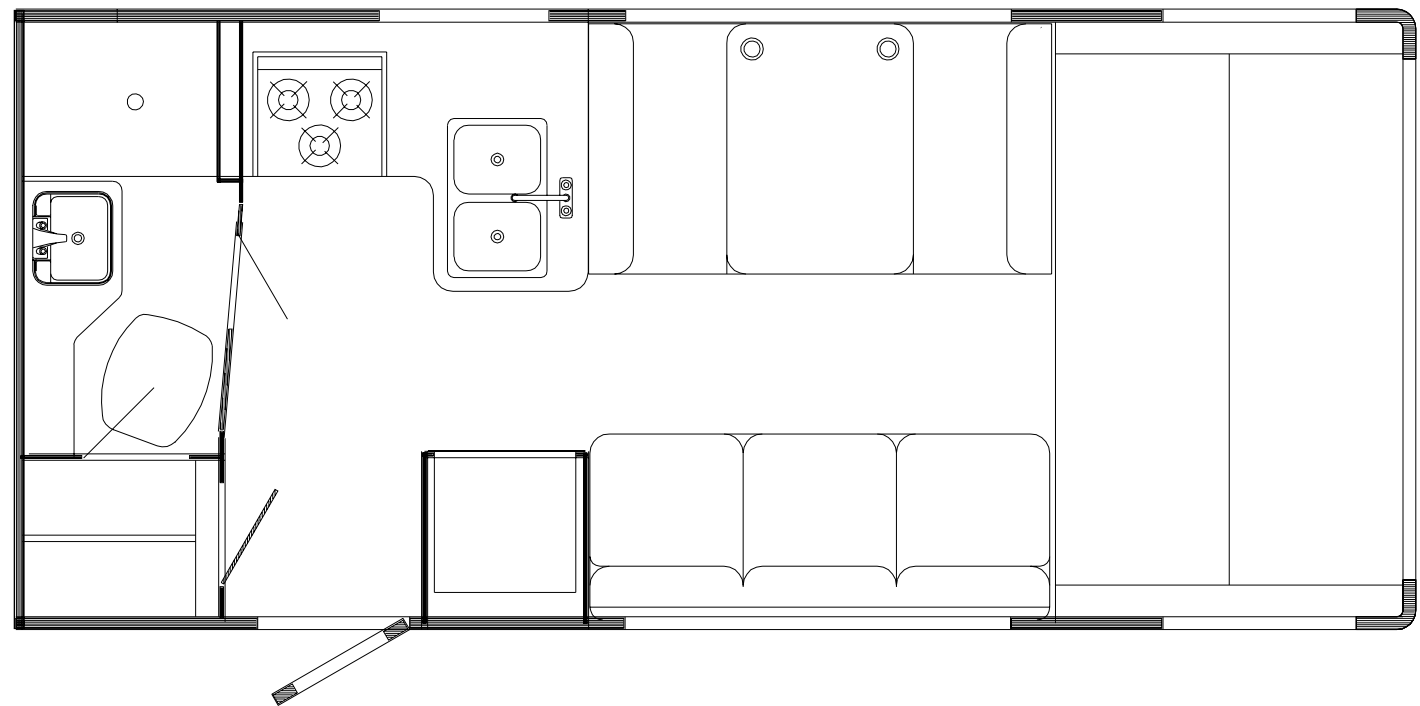


**1999  
WF322R**



- K01 SANDPIPER (SAND)**
- K02 HORIZON (BLUE)**
- K03 MEADOWBROOK (GREEN)**



## ACCESSORIES GROUP

### OPERATORS MANUAL

KEY	PART NUMBER	U/M	DESCRIPTION
	054185-J8-000	EA	MANUAL - OPERATOR 99 MINNIE
	129079-01-01A	EA	CASE - VINYL/BLACK-EXPANDABLE ACCORDION SIDES-7"WX9"HX14"L
	128942-01-000	DW	TOP LEVEL DRAWING - 1999 C BODY

## AUDIO VIDEO GROUP

### RADIO SPEAKERS

KEY	PART NUMBER	U/M	DESCRIPTION
	074979-01-000	EA	SHIELD - SPEAKER - BACK - MOLDED PLASTIC - 8" X 9"
	110469-01-000	EA	SPEAKER - 4" X 6" OVAL - COAXIAL
	110470-01-01A	EA	GRILLE - 4" X 6" OVAL - BLACK
	110465-01-000	EA	SPEAKER KIT,4 5X7 SPEAKERS FORD F2UF-18814-CD
	111177-01-01A	EA	GRILLE - SPEAKER - 6.6" X 8.9" - HOUSING 5" X 7" SPEAKER

### RADIO - PATIO ENTERTAINMENT CENTER

KEY	PART NUMBER	U/M	DESCRIPTION
	125322-02-000	EA	RADIO - AM/FM STEREO - CASSETTE - AUDIOVOX
	077069-02-000	EA	CABLE - ANTENNA/EXTENSION - RADIO - 96"
	090944-01-000	EA	ANTENNA - RADIO - 16" RUBBER
	108137-01-000	EA	PLUG - ANTENNA
	108847-01-000	EA	BRACKET - ANTENNA GROUND
	082134-01-000	EA	ADAPTER - TV - CABLE TO CABLE
	086756-01-000	EA	SPLITTER - TV - 2 WAY
	076319-09-000	EA	WALLPLATE - CABLE RECEPTACLE - TV - SINGLE - BROWN
	058708-02-000	EA	RECEPTACLE - ELECTRIC - DOUBLE - IVORY
	109889-01-000	EA	EXTENDER - SHAFT - ANTENNA 1"
	110469-01-000	EA	SPEAKER - 4" X 6" OVAL - COAXIAL
	110470-01-01A	EA	GRILLE - 4" X 6" OVAL - BLACK

### TV - VCR SYSTEMS

KEY	PART NUMBER	U/M	DESCRIPTION	VENDOR NO.
	086231-08-000	EA	TV - 13" COLOR - DC - AUDIOVOX	
	086231-08-700	EA	REMOTE-UNIVERSAL	8822325
	086231-08-701	EA	ADAPTER - WIRE	0891436
	094487-05-000	EA	VIDEO CASSETTE PLAYER - VERTIC	
	082134-01-000	EA	ADAPTER - TV - CABLE TO CABLE	
	086231-08-700	EA	REMOTE-UNIVERSAL	8822325
	082134-01-000	EA	ADAPTER - TV - CABLE TO CABLE	
	086756-01-000	EA	SPLITTER - TV - 2 WAY	
	082136-01-000	EA	NUT - HEX JAM - 3/8-32	
	086777-02-000	EA	WALLPLATE - TV CABLE - W/ANTENNA SWITCH - BROWN	
	076319-09-000	EA	WALLPLATE - CABLE RECEPTACLE - TV - SINGLE - BROWN	
	076319-03-000	FT	CABLE - COAXIAL - 75 OHM	
	076319-12-000	EA	CONNECTOR - COAXIAL - ONE PIECE	
	076319-06-000	EA	ADAPTER - CABLE ROOF PLATE	

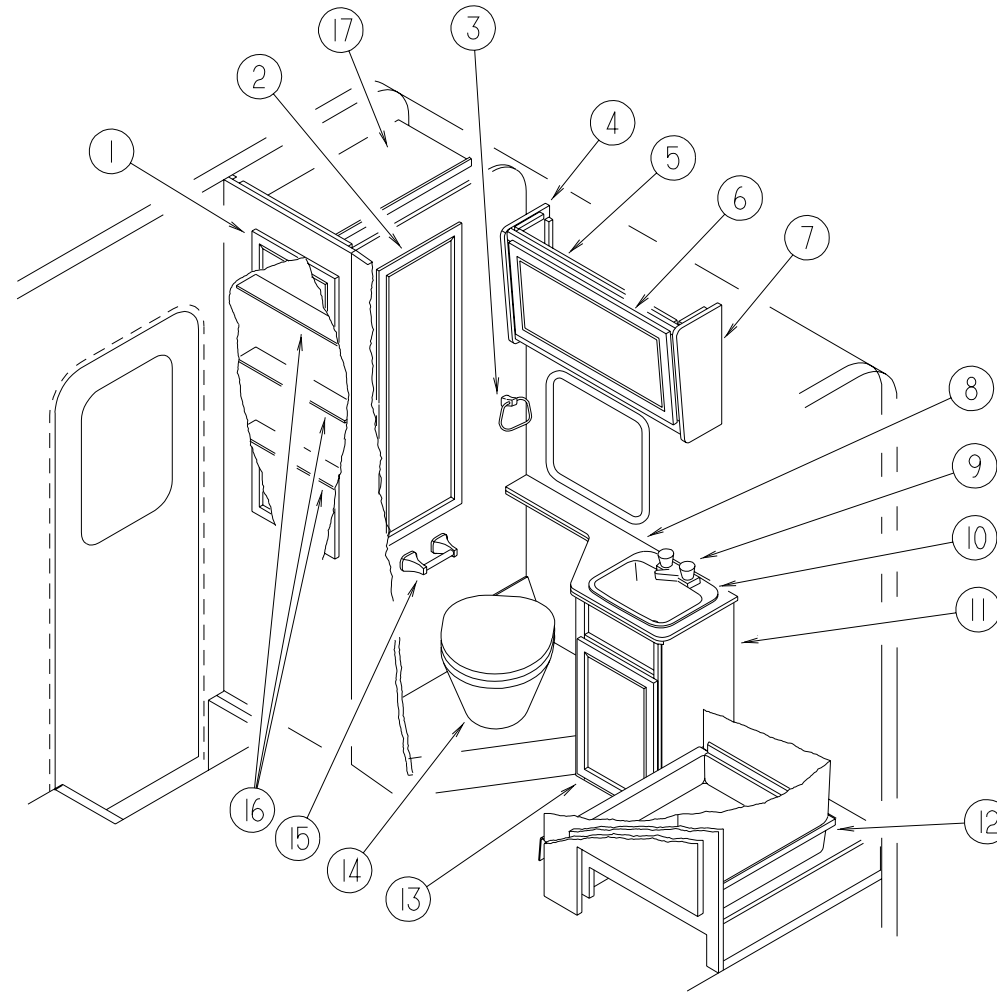
### TV ANTENNA - WINEGARD

KEY	PART NUMBER	U/M	DESCRIPTION
*	076319-23-000	EA	ANTENNA - TV ROOF MOUNT - 44.5" MAST
*	076319-25-000	EA	KIT - HARDWARE INTERIOR
	076319-06-000	EA	ADAPTER - CABLE ROOF PLATE
	076319-03-000	FT	CABLE - COAXIAL - 75 OHM
	076319-12-000	EA	CONNECTOR - COAXIAL - ONE PIECE

\*COMPONENT PARTS FOUND IN SERVICE PARTS LIBRARY

# BATH GROUP

## BATHROOM CABINETS & FIXTURES

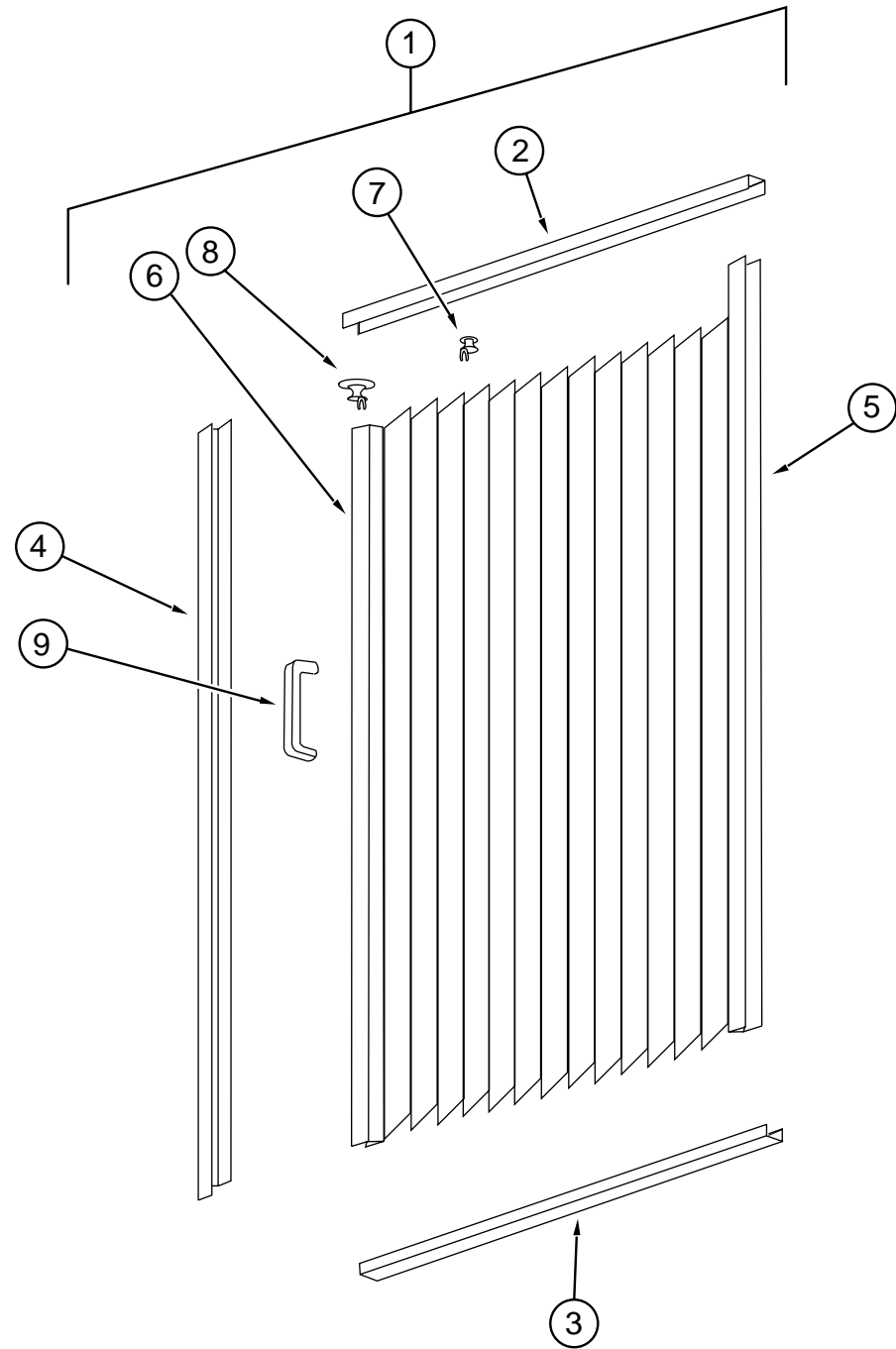


KEY	PART NUMBER	U/M	DESCRIPTION	VENDOR NO,
1	132006-10-K01	EA	DOOR - MITERED RAIL - 15.5" X 29.5" - W/O HARDWARE	
2	132141-35-K01	EA	DOOR - VENEER - 15.5" X 45.4" - W/O HARDWARE	
3	075454-02-000	EA	RING - TOWEL - W/MOUNTING HARDWARE - BRASS	
4	110948-12-G01	EA	CAP	
5	110948-01-K01	EA	CABINET - MEDICINE - W/O DOORS/HARDWARE	
	110948-11-G01	EA	SHELF - W/PLASTIC EDGE MOLDING	
6	132006-05-K01	EA	DOOR - MITERED RAIL - 16.7" X 48" - W/O HARDWARE	
7	110948-13-G01	EA	CAP ASM	
8	110942-11-G01	EA	COUNTERTOP - LAVATORY (K01)	
8	110942-11-K02	EA	COUNTERTOP - LAVATORY (K02)	
8	110942-11-K03	EA	COUNTERTOP - LAVATORY (K03)	
9	075240-06-000	EA	FAUCET - LAVATORY/BONE	
	091253-01-000	EA	GASKET - FAUCET - LAVATORY/GALLEY	
10	096927-01-01A	EA	SINK - LAVATORY - RECTANGULAR - PLASTIC/BONE	
	096927-01-700	EA	SINK STOPPER	M9801
	096927-01-701	EA	TAILPIECE-DRAIN-LAVATORY	M9802
11	110942-01-K01	EA	CABINET - LAVATORY - W/COUNTERTOP - W/O DOORS/HARDWARE	
11	110942-01-K02	EA	CABINET - LAVATORY - W/COUNTERTOP - W/O DOORS/HARDWARE	
11	110942-01-K03	EA	CABINET - LAVATORY - W/COUNTERTOP - W/O DOORS/HARDWARE	
12	M02429-07-000	EA	PAN - SHOWER W/STRAINER	
	011069-02-000	EA	TAILPIECE - TUB/SHOWER - 1 1/2" X 1 1/4" X 4" - BRASS	
	066440-01-000	EA	STRAINER - SHOWER DRAIN - W/RUBBER WASHER	
	057671-01-000	EA	COVER - SCREW - #8 - PLASTIC - OFF WHITE	

KEY	PART NUMBER	U/M	DESCRIPTION	VENDOR NO,
	103092-01-000	EA	SHOWER HEAD - W/60" HOSE - WHITE	
			FROM: 00-00-00 THRU: 07-12-98	
	131383-01-01A	EA	SHOWER HEAD - W/HOSE & BRACKET - 60" - IVORY	
			FROM: 07-13-98 THRU: 99-99-99	
	103092-02-000	EA	SHOWER HEAD - W/60" HOSE - CSA	
			FROM: 00-00-00 THRU: 07-12-98	
	131383-02-01A	EA	SHOWER HEAD - W/HOSE & BRACKET - 60" - CSA- IVORY	
			FROM: 07-13-98 THRU: 99-99-99	
	103092-01-700	EA	BRACKET-F/SHOWER HEAD, CLEAR	2328028
	011048-03-700	EA	BRACKET - F/SHOWER HEAD	2328029-1
	103092-01-702	EA	SEALS-SPRAY HEAD	
	075241-05-000	EA	FAUCET/SHOWER - BONE 3/4" MPT X 1.4" LONG INLET PIPES	
	075606-01-000	EA	PANEL - PLASTIC - FAUCET BACK - 5" X 9"	
13	131995-N3-K01	EA	DOOR - SOLID PANEL - 14.3" X 21.8" - W/O HARDWARE	
14*	067487-01-000	EA	TOILET - 12.37" - IVORY - HAND FLUSH	
15	075452-02-000	EA	HOLDER - TOILET TISSUE - BRASS	
	075453-02-000	EA	BAR - TOWEL - 18" BRASS	
16	114701-12-G01	EA	SHELF - W/PLASTIC EDGE TRIM	
17	114701-18-K01	EA	SHELF - W/PLASTIC EDGE MOLDING	

\*COMPONENT PARTS FOUND IN SERVICE PARTS LIBRARY

**BATH GROUP (CONTINUED)**



**SHOWER DOOR**

KEY	PART NUMBER	U/M	DESCRIPTION
1	117431-06-01A	EA	DOOR - SHOWER - FABRIC PLEATED - 31" X 63"
2	117431-01-700	EA	TRACK-TOP, ALUM.IVORY INSERT 48"
3	117431-01-701	EA	TRACK-BOTTOM, 48 "
4	117431-01-702	EA	RAIL-SIDE, 67"
5	117431-01-703	EA	RAIL-STATIONARY, 67"
6	117431-01-704	EA	RAIL-LEAD, 67" - W/LATCH
7	117431-01-705	EA	GLIDE-IVORY, TRAVELER
8	117431-01-706	EA	GLIDE-IVORY LEAD, TRAVELER
9	117431-01-707	EA	CATCH - BATH DOOR
	117431-01-708	EA	HANDLE - W/SCREWS
	117431-06-700	EA	STRAP-VINYL SHOWER

**BATH GROUP (CONTINUED)**

**BATH DOOR**

KEY	PART NUMBER	U/M	DESCRIPTION
	128967-18-K66	EA	DOOR - BATH
	128967-51-J01	EA	RACK - TOWEL/BATH DOOR
	100357-01-000	EA	ROD - F/TOWEL BAR - BRASS
	128967-52-J01	EA	MOLDING - VINYL WRAPPED
	128967-53-J01	EA	MOLDING - VINYL WRAPPED
	111155-01-01A	EA	LOCK - PRIVACY - POLISHED BRASS
			FROM: 00-00-00 THRU: 01-03-99
	111155-03-01A	EA	LOCK - PRIVACY - POLISHED BRASS
			FROM: 01-04-99 THRU: 99-99-99

## CHASSIS GROUP

### WHEEL LINERS - FORD

KEY	PART NUMBER	U/M	DESCRIPTION	VENDOR NO.
	110435-13-000	EA	LINER - WHEEL - SET OF 4	
	110435-10-705	EA	TOOL - INSTALLATION	V195P7-TOL
	110435-13-700	EA	LINER - WHEEL - FRONT	V160F7-FWC
	110435-13-701	EA	LINER - WHEEL - REAR	V160F7-RWC
	110435-13-702	EA	COVER - LUG NUT/JAMB NUT	V160F7-EJN
	095012-05-000	EA	EXTENSION - VALVE STEM - LIVE 5"	
	095012-06-000	EA	STABILIZER - VALVE - EXTENSION - LIVE	

### WHEEL - FORD

KEY	PART NUMBER	U/M	DESCRIPTION
	083617-03-000	EA	WHEEL - STEEL - 6" X 16"
	083617-04-000	EA	WHEEL - STEEL - 6" X 16" - '99 E350/E450
	051377-04-000	EA	VALVE STEM - .5" X 2"

### WHEEL LINERS - CHEVY

KEY	PART NUMBER	U/M	DESCRIPTION	VENDOR NO.
	091209-05-000	EA	LINER - WHEEL - SET OF 4 - 16" - STAINLESS STEEL	
	091209-03-702	EA	COVER-AXLE, FRONT, 8 LUG	64UE
	091209-03-703	EA	COVER-AXLE, REAR, 8 LUG	65UE
	091209-03-704	EA	RING-SNAP	
	091209-05-700	EA	LINER-WHEEL, FRONT	57-88 KAPER
	091209-05-701	EA	LINER-WHEEL, REAR	58-88
	095012-05-000	EA	EXTENSION - VALVE STEM - LIVE 5"	
	095012-06-000	EA	STABILIZER - VALVE - EXTENSION - LIVE	

### WHEEL - CHEVY

KEY	PART NUMBER	U/M	DESCRIPTION
	089359-03-000	EA	WHEEL - STEEL - 16" X 6" L - 8 HOLE - PRIMED
	051377-03-000	EA	VALVE STEM

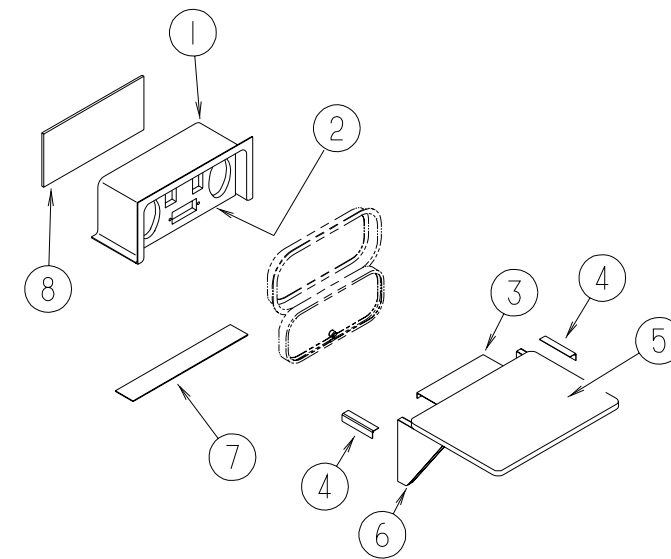
### WHEEL COVERS - DICOR

KEY	PART NUMBER	U/M	DESCRIPTION	VENDOR NO.
	109443-05-000	EA	WHEEL COVER - 4/SET - 16" STAINLESS STEEL	
	098532-01-700	EA	COVER-LUG NUT (CHROME)	SHAU-LNC
	109443-05-700	EA	COVER-WHEEL, 16" SS EA=1	SHFM16-CVR

### LUG WRENCH

KEY	PART NUMBER	U/M	DESCRIPTION
	112358-01-000	EA	WRENCH - LUG - 7/8" - L-SHAPE

## CHASSIS GROUP (CONTINUED)



### EXTERIOR ENTERTAINMENT CENTER

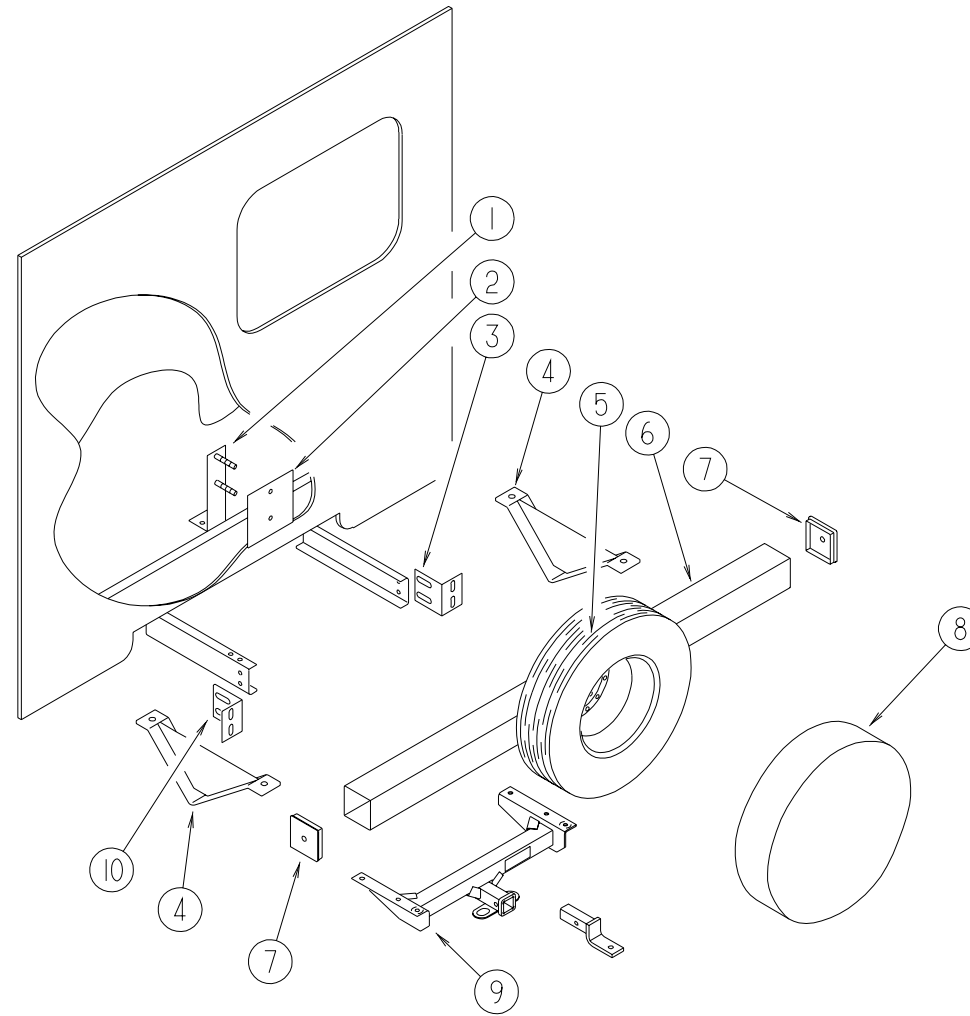
KEY	PART NUMBER	U/M	DESCRIPTION
1	124696-01-01A	EA	BOX - ENTERTAINMENT CENTER/EXTERIOR
2	127409-02-J01	EA	PLATE - RADIO MOUNTING
3	105377-01-04A	EA	BRACKET - TABLE HANGER - BRIGHT WHITE
4	105376-01-03A	EA	HINGE - CONTINUOUS - 2" X 5.5" - BRIGHT WHITE
5	105230-11-J01	EA	SHELF - EXTERIOR ENTERTAINMENT CENTER - W/O HARDWARE
6	105230-12-J01	EA	SUPPORT - EXTERIOR SHELF
7	104898-01-02A	EA	PLATE - PLASTIC BOTTOM - BRIGHT WHITE
8	104898-02-02A	EA	PLATE - PLASTIC BACK - BRIGHT WHITE

### REAR AIR SPRING

KEY	PART NUMBER	U/M	DESCRIPTION
	106067-03-000	EA	AIRSPRING - 4" DIA.TWIN BAG - '92 & NEWER FORD E350 C-BODY
	106067-04-000	EA	AIRSPRING - 4 " DIAMETER TWIN BAG - GM C-BODY CHASSIS
	106067-03-700	EA	AIR BAG REPL. KIT (2 BAGS) RK-FH3 FORD
	106067-04-700	EA	AIR BAG REPL KIT (2 BAGS) RK-PH3 GM
	109236-01-000	EA	PLATE - VALVE - AIR SPRING

## CHASSIS GROUP (CONTINUED)

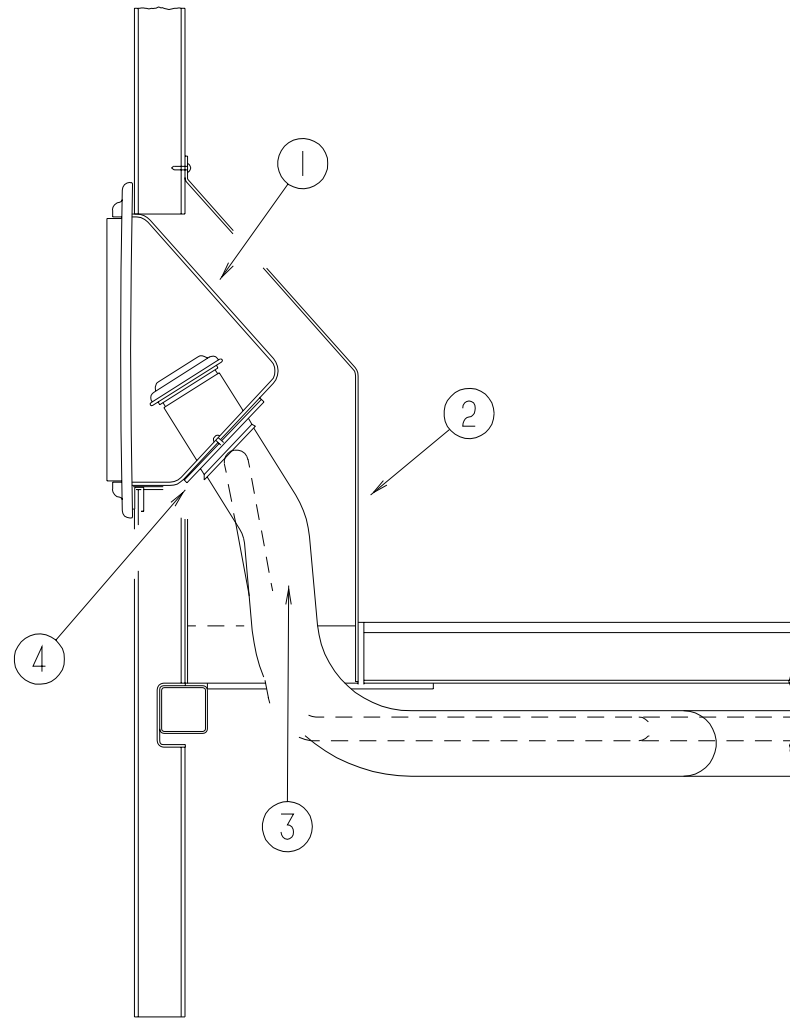
### REAR BUMPER, HITCH & SPARE TIRE CARRIER



KEY	PART NUMBER	U/M	DESCRIPTION
1	105209-06-C52	EA	BRACKET - SPARE TIRE - FORD
1	105209-04-C52	EA	BRACKET - SPARE TIRE - CHEVY
1	105209-09-H10	EA	BRACKET - SPARE TIRE - JAPAN
2	105208-01-000	EA	PLATE - SPARE TIRE
3	104420-01-000	EA	SUPPORT/ANGLE - REAR BUMPER - RIGHT HAND
4	083376-01-000	EA	PLATE/SKID - 13.2" X 6" X 2" STEEL
5	070917-05-000	EA	TIRE - LT225/75R16D - R4S M/S - FORD
5	106715-01-000	EA	TIRE - LT 225/75 R16 - LRD 550 AS - CHEVY
6	103422-02-02A	EA	BUMPER - REAR - SQUARE ALUMINUM - 92" - BRIGHT WHITE
7	039779-01-000	EA	CAP - BUMPER - RUBBER - 4" X 4" - BLACK

KEY	PART NUMBER	U/M	DESCRIPTION
8	073322-09-K04	EA	COVER - TIRE - 30"
8	M02047-01-F15	EA	PANEL - DOOR - TIRE COVER - JAPAN
	064082-02-000	EA	NUT - RETAINING - WHEEL COVER
	077408-02-000	EA	LOCK - KEY TYPE
8	079799-02-000	EA	COVER - TIRE - JAPAN
9	107707-08-000	EA	HITCH RECEIVER - BOLT ON CLASS II
			FROM: 00-00-00 THRU: 07-12-98
9	130339-04-000	EA	HITCH RECEIVER - BOLT ON CLASS II
			FROM: 07-13-98 THRU: 99-99-99
10	104420-02-000	EA	SUPPORT/ANGLE - REAR BUMPER - LEFT HAND
	113589-01-000	EA	CONNECTOR - PLUG - TRAILER
	113589-02-000	EA	CONNECTOR - SOCKET - TRAILER
	113588-02-01B	EA	BRACKET - CONNECTOR - TRAILER W/O LIP
	113634-01-000	EA	WIRE ASSEMBLY - TRAILER ADAPTER

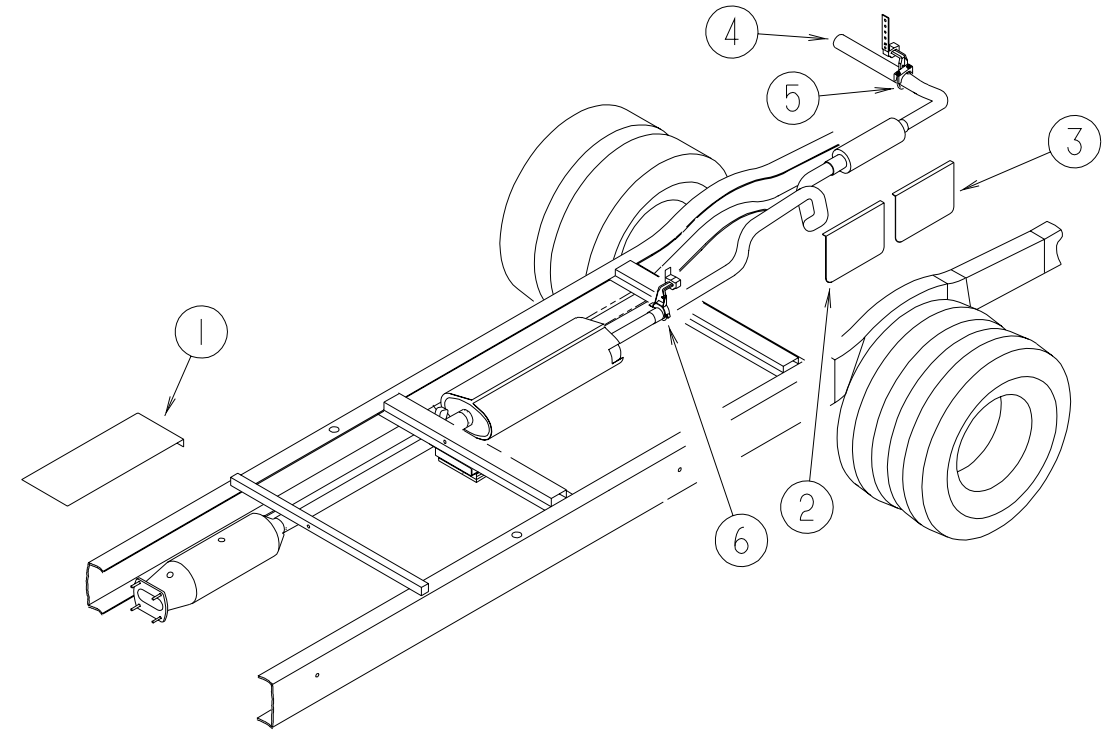
### CHASSIS GROUP (CONTINUED)



**FUEL SYSTEM**

KEY	PART NUMBER	U/M	DESCRIPTION
1	095854-01-04A	EA	SHROUD - FUEL FILL - BRIGHT WHITE - FORD
1	127291-01-01A	EA	SHROUD - FUEL FILL - BRIGHT WHITE - CHEVY
2	078040-05-000	EA	SHROUD - FUEL FILL - UPPER
3	124993-01-000	EA	NECK - FILLER - FUEL FILL - FORD
3	106413-02-000	EA	NECK - FILLER - FUEL FILL - DIESEL - FORD
3	128311-01-000	EA	NECK - FUEL FILL - UNLEADED - CHEVY
4	078200-01-000	EA	GASKET - FUEL FILL - 3.5"OD X 2"ID
	128139-03-000	FT	HOSE - FUEL - LOW PERMEABILITY - 1/4" DIAMETER
	084884-01-000	EA	PLUG - BRASS - 3/8"

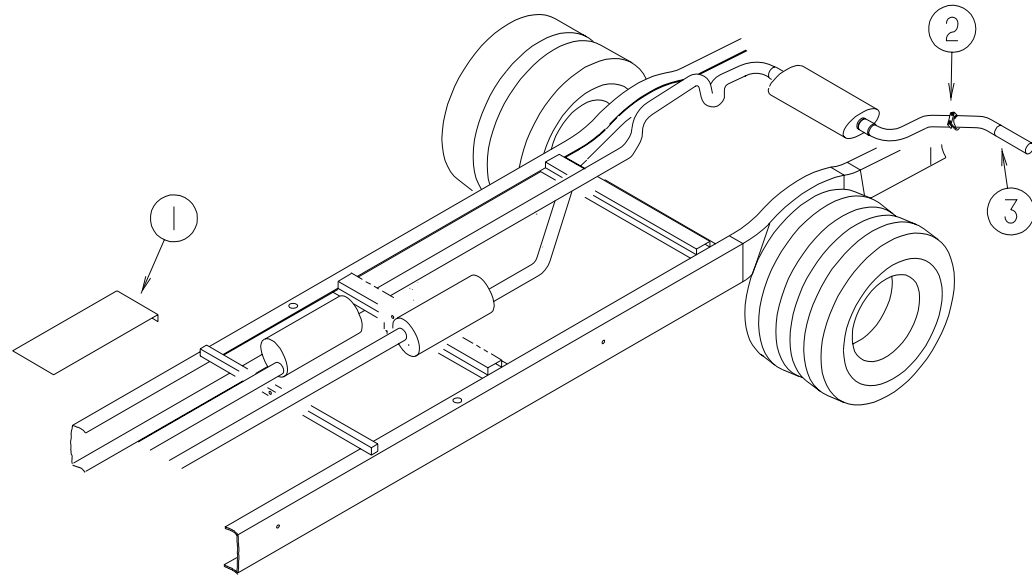
### CHASSIS GROUP (CONTINUED)



**EXHAUST SYSTEM COMPONENTS - FORD**

KEY	PART NUMBER	U/M	DESCRIPTION
1	127971-02-02B	EA	SHIELD - HEAT
2	111848-01-02B	EA	SHIELD - HEAT - EXHAUST
3	111848-02-02B	EA	SHIELD - HEAT - EXHAUST
4	111836-05-000	EA	PIPE - EXHAUST/TAIL - FORD
4	125521-02-000	EA	PIPE - EXHAUST/TAIL - DIESEL
5	007125-05-000	EA	CLAMP - MUFFLER - 2" DIAMETER
5	007125-07-000	EA	CLAMP - MUFFLER - 2.5" DIAMETER - DIESEL
5	007131-01-000	EA	HANGER - TAILPIPE - 6 SLOTS
6	007125-08-000	EA	CLAMP - MUFFLER - 3"

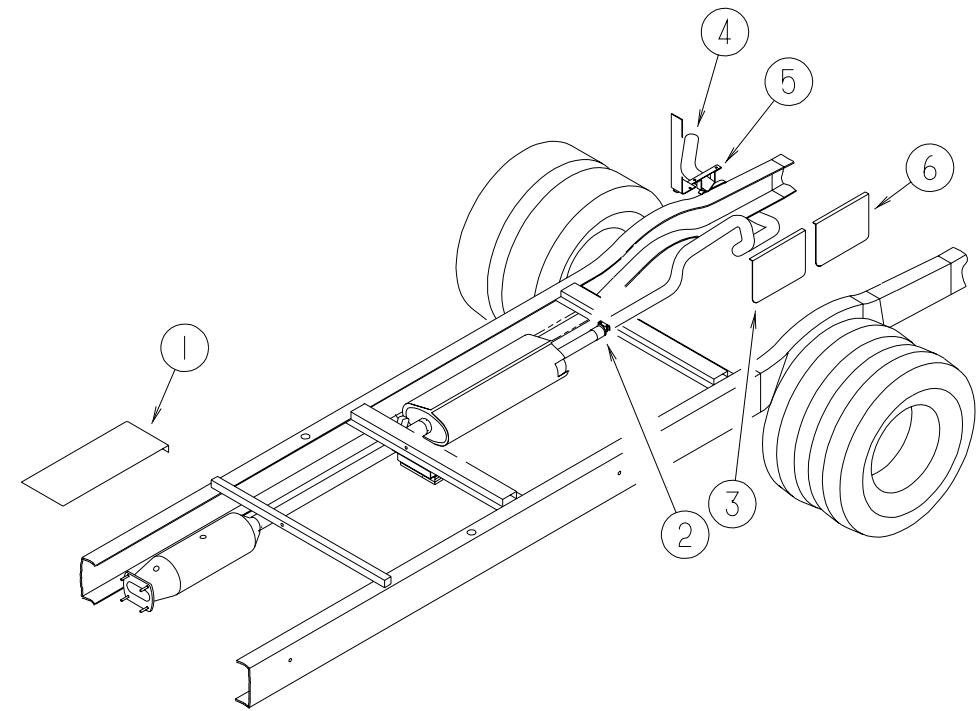
**CHASSIS GROUP (CONTINUED)**



**EXHAUST SYSTEM COMPONENTS - CHEVY GAS**

KEY	PART NUMBER	U/M	DESCRIPTION
1	127971-03-02B	EA	SHIELD - HEAT - CHEVY
2	007125-08-000	EA	CLAMP - MUFFLER - 3"
3	124571-01-000	EA	PIPE - EXHAUST - TAIL
	016379-02-000	EA	STRAP - HANGER EXTENSION - 2" X 1" - STEEL

**CHASSIS GROUP (CONTINUED)**

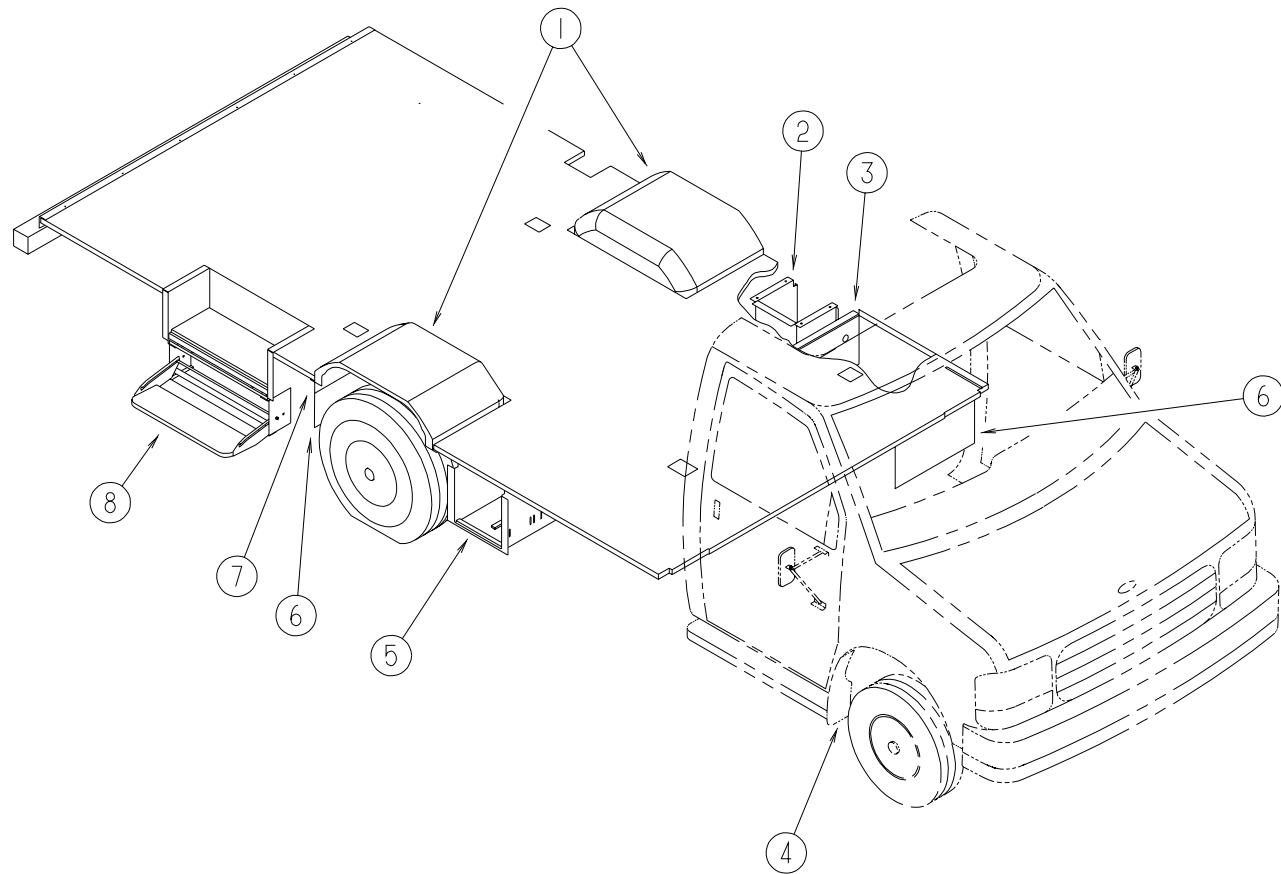


**EXHAUST SYSTEM COMPONENTS - FORD - JAPAN**

KEY	PART NUMBER	U/M	DESCRIPTION
1	127971-02-02B	EA	SHIELD - HEAT
2	007125-05-000	EA	CLAMP - MUFFLER - 2" DIAMETER
3	111848-01-02B	EA	SHIELD - HEAT - EXHAUST
4	111836-06-000	EA	PIPE - EXHAUST/TAIL - FORD
5	007131-01-000	EA	HANGER - TAILPIPE - 6 SLOTS
5	007125-08-000	EA	CLAMP - MUFFLER - 3"
6	111848-02-02B	EA	SHIELD - HEAT - EXHAUST



## CHASSIS GROUP (CONTINUED)

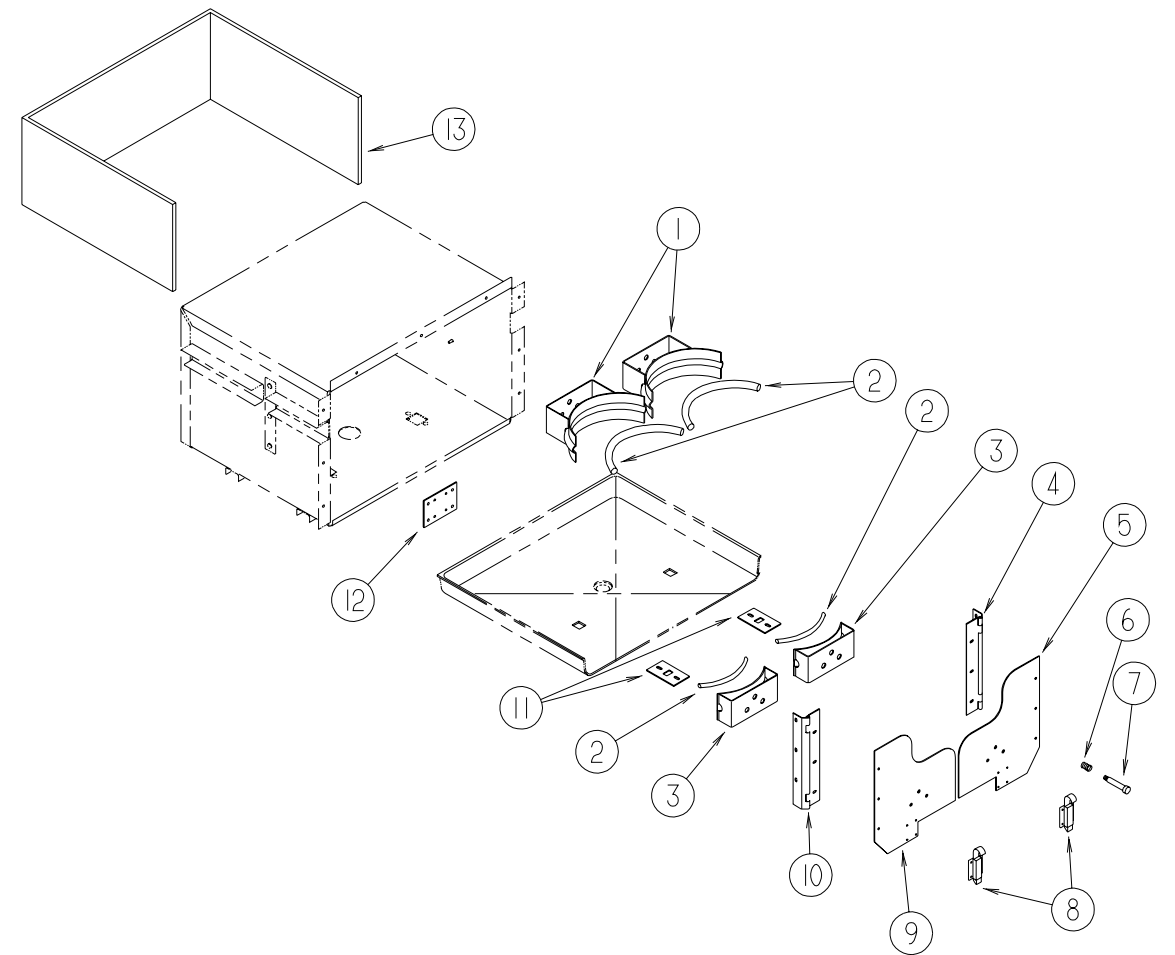


### COMPARTMENTS & ENTRANCE STEP

KEY	PART NUMBER	U/M	DESCRIPTION
1	096322-01-000	EA	WHEELWELL - REAR - DRIVER/PASSENGER - PLASTIC
2	101868-05-000	EA	COMPARTMENT - POWER CORD
3	114070-02-02B	EA	SUPPORT - GENERATOR - LEFT
3	114071-02-02B	EA	SUPPORT - GENERATOR - RIGHT
4	072884-27-703	EA	MUD FLAP W/HOLES, 1EA=PAIR 99171 - FORD
4	072884-28-701	EA	MUD FLAP - FRONT - 1EA=PAIR 99153 - CHEVY
5	105203-04-000	EA	COMPARTMENT - BATTERY
	084993-01-000	EA	STRAP - BATTERY - 43.2" LONG
	084993-02-000	EA	STRAP - BATTERY - 55" LONG
	065450-05-000	EA	TIEDOWN - BATTERY - 8.4" TUBE
6	017516-01-000	EA	MUD FLAP - 14" X 18" - BLACK
6	106141-01-000	EA	MUD FLAP - W/HOLES & WINNEBAGO LOGO - BLACK - JAPAN
7	045731-05-000	EA	GUARD - ROCK
8	077848-02-000	EA	STEP - PULLOUT
8*	094708-01-01A	EA	STEP - ENTRY DOOR - ELECTRIC - SINGLE - W/O DOOR SWITCH
	076241-14-000	EA	SUPPORT - STEP
	091176-01-000	EA	SUPPORT - BASE - ENTRANCE STEP
	061420-01-000	EA	PLUG/PLASTIC - 1.75" DIAMETER - BROWN

\*COMPONENT PARTS FOUND IN SERVICE PARTS LIBRARY

## CHASSIS GROUP (CONTINUED)



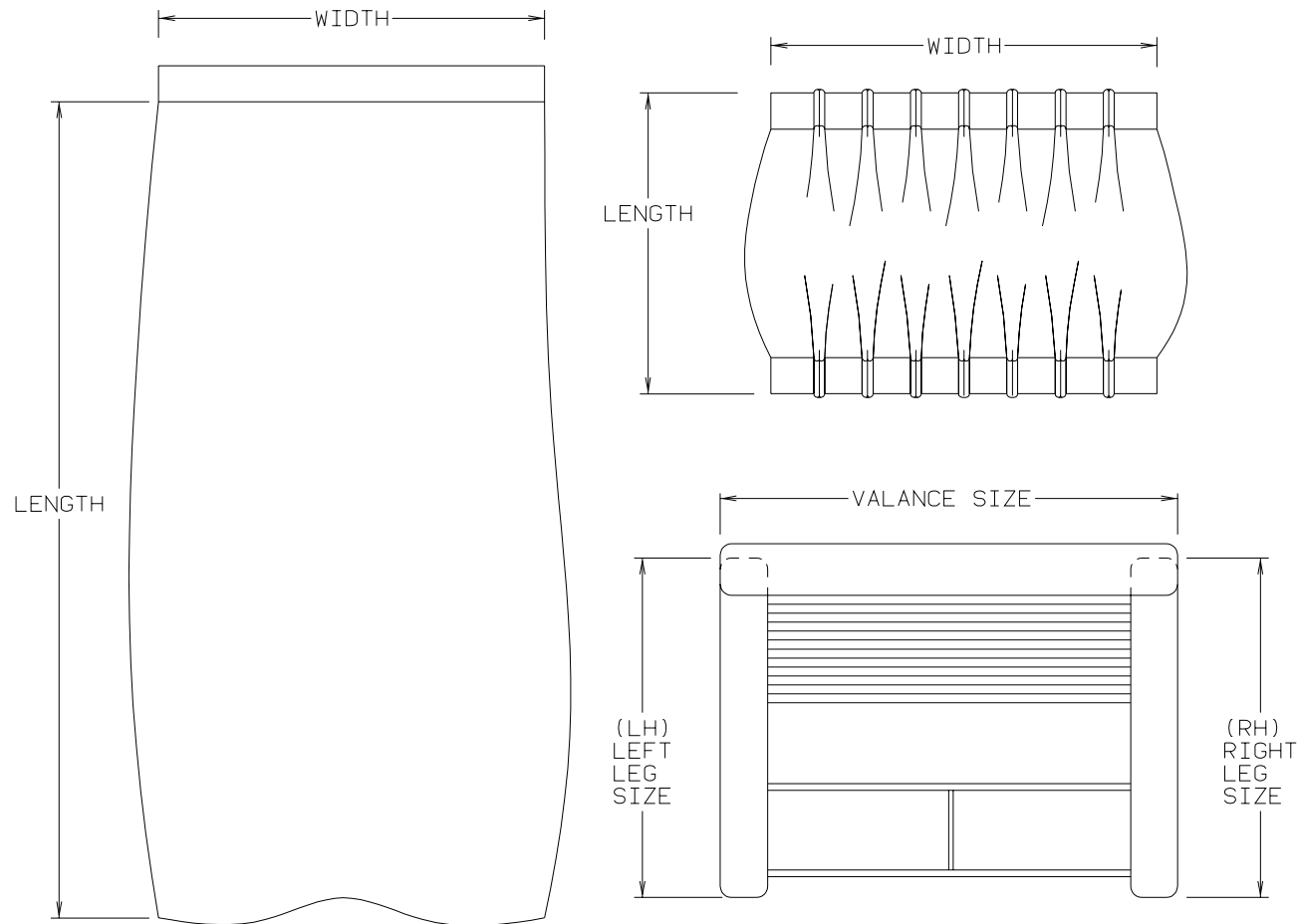
### LP COMPARTMENT COMPONENTS - JAPAN

KEY	PART NUMBER	U/M	DESCRIPTION
1	107414-01-000	EA	CRADLE - LP TANK
2	098408-01-000	FT	SEAL - SPONGE RUBBER - CLOSED CELL
3	107414-02-000	EA	CRADLE - LP TANK
4	097207-02-01A	EA	HINGE-CONTINUOUS,DOOR,RH MIL
5	107433-01-C82	EA	DOOR - HINGED - LP BOX - RIGHT HAND
6	107394-01-000	EA	SPRING - COMPRESSION - DOOR - LP
7	107393-01-000	EA	BOLT - SHOULDER - SOCKET HEAD - BLACK
8	107395-01-02A	EA	LATCH - BOLT - FINGER - LP DOOR
8	107395-01-01A	EA	LATCH - BOLT - LP DOOR
9	107433-02-C82	EA	DOOR - HINGED - LP BOX - LEFT HAND
10	097207-03-02A	EA	HINGE - CONTINUOUS - LP DOOR
11	107421-01-000	EA	PLATE - STRIKE - LP COMPARTMENT
12	107378-01-000	EA	PLATE - MOUNTING - LP REGULATOR
13	092321-01-000	FT	INSULATION-FIBERGLASS W/FOIL BACKING

## CURTAIN & CUSHION GROUP

### NOTICE

IN ORDER TO ASSIST OUR PARTS SALES DEPT. IN PROVIDING INTERIOR SOFTWARE ITEMS, PLEASE INCLUDE THE SERIAL NUMBER AND THE COLOR CODE NUMBER FROM THE VEHICLE CERTIFICATION LABEL WHEN ORDERING. THIS LABEL IS LOCATED ON THE LEFT SIDEWALL AT THE END OF THE DASH (A-BODY), OR ON THE DRIVER'S DOOR LATCH PLATE (C-BODY). AN EXAMPLE OF A COLOR CODE NUMBER IS B07, WHICH DESIGNATES AN OVERALL COLOR SCHEME OF A PARTICULAR UNIT. THE COLOR LISTED AFTER THE ITEM DESCRIPTION ON THE MICROFICHE, INDICATES THE OVERALL UNIT COLOR. ORDER THE ITEM YOU DESIRE ACCORDING TO UNIT COLOR CODE.



NOTE: USE THIS ILLUSTRATION WHEN DETERMINING LENGTH AND WIDTH MEASUREMENTS FOR CURTAINS. YOU WILL NOTE THE WIDTH MEASUREMENT IS TAKEN ON THE TOP OF THE CURTAIN WITH THE CURTAIN FULLY EXTENDED. THE LENGTH MEASUREMENT IS TAKEN FROM TOP TO BOTTOM. LEFT AND RIGHT WINDOW LEGS ARE DETERMINED WHEN FACING THE WINDOW.

## CURTAIN & CUSHION GROUP (CONTINUED)

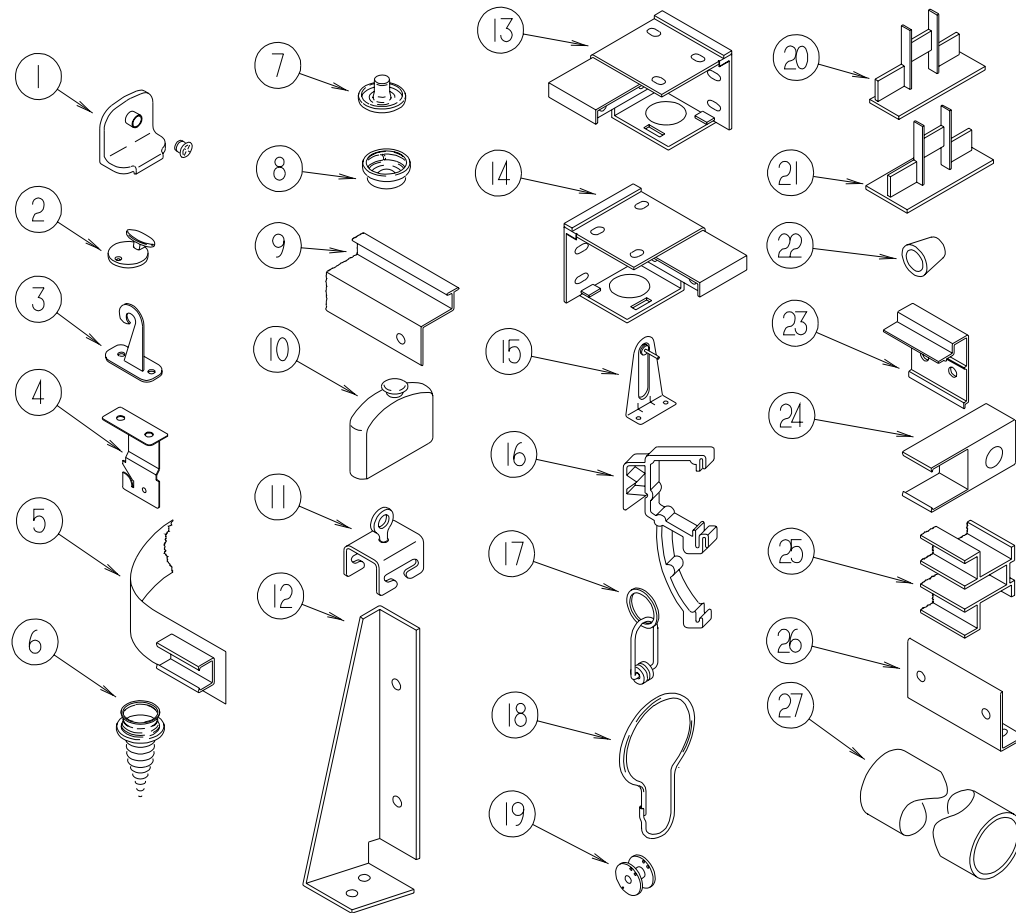
### FABRICS

Color Codes	K01	K02	K03
	SANDPIPER	HORIZON	MEADOWBROOK
<b>BUCKET SEATS</b>	108446-U1-000 108446-57-000	108446-F7-000 108446-F4-000	108446-C5-000 108446-S7-000
<b>DINETTE CUSHIONS</b>	108446-R8-000	108446-U5-000	126883-03-000
<b>DINETTE PADS</b>	108446-U1-000	108446-F7-000	108446-C5-000
<b>SOFA</b>	108446-R8-000	108446-U5-000	126883-03-000
<b>SWIVEL CHAIR</b>	108446-57-000	108446-F4-000	108446-S7-000
<b>LOUNGE/DINETTE VALANCE/LEG</b>	108446-57-000	108446-F4-000	108446-S7-000
<b>LOUNGE/DINETTE OVERLAYS</b>	108446-R8-000	108446-U5-000	126883-03-000
<b>BEDROOM VALANCE/LEG</b>	105745-G2-000	105745-65-000	105745-G8-000
<b>BEDROOM OVERLAYS</b>	105745-A1-000	105745-64-000	105745-45-000
<b>BEDSPREAD</b>	105745-G2-000	105745-65-000	105745-G8-000
<b>PILLOW SHAMS</b>	105745-G2-000 105745-A1-000	105745-65-000 105745-64-000	105745-G8-000 105745-45-000
<b>ENTRANCE DOOR VALANCE</b>	108446-57-000	108446-F4-000	108446-S7-000
<b>BUNK CUSHIONS</b>	108446-57-000	108446-F4-000	108446-S7-000
<b>DIVIDER CURTAIN</b>	105745-A1-000 105745-G2-000	105745-64-000 105745-65-000	105745-45-000 105745-G8-000
<b>WRAP AROUND</b>	105745-A1-000	105745-64-000	105745-45-000
<b>BUNK CURTAINS</b>	105745-G2-000	105745-65-000	105745-G8-000
<b>BUNK/PRIVACY CURTAINS</b>	105745-A1-000	105745-64-000	105745-45-000
<b>DRAPERY LINING</b>	087272-03-000	087272-03-000	087272-03-000
<b>TIRE COVER</b>	103907-01-01A	103907-01-01A	103907-01-01A
<b>HEADLINER</b>	103907-01-06A	103907-01-06A	103907-01-06A
<b>CEILING FROM:00-00-00 THRU:02-07-99</b>	113979-01-01A	113979-01-01A	113979-01-01A
<b>CEILING FROM:02-08-99 THRU:99-99-99</b>	113979-09-01A	113979-09-01A	113979-09-01A

NOTE: FABRIC LISTED FIRST IN A BLOCK, IS THE LARGEST QUANTITY OF FABRIC USED.

## CURTAIN & CUSHION GROUP (CONTINUED)

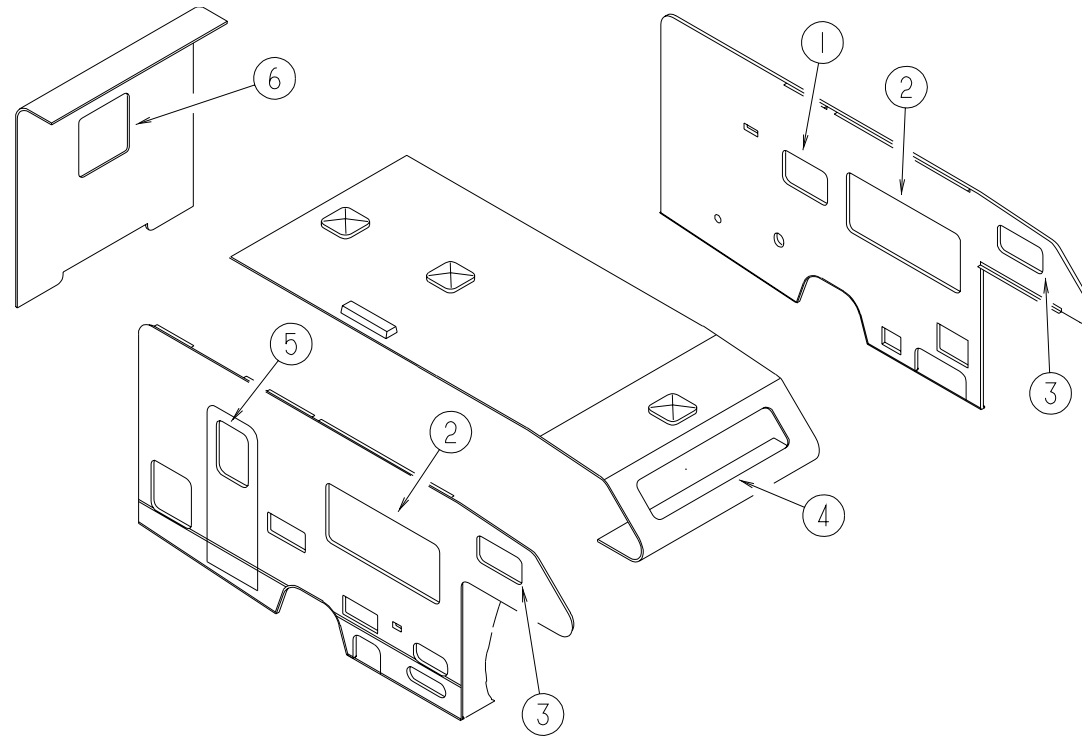
### CURTAIN & BLIND HARDWARE



KEY	PART NUMBER	U/M	DESCRIPTION
1	106544-01-000	EA	PULL - SHADE/BRASS
	106544-01-001	EA	SCREW - SHADE/BRASS
2	102555-03-000	EA	CLEAT - BLIND CORD - MILKY WHITE PLASTIC
3	109441-03-000	EA	HOLD DOWN - BLIND (CLOUDY)
	109441-02-000	EA	HOLD DOWN - SPACER
4	084434-01-000	EA	BRACKET - MOUNTING - ROLLER SHADE - 1 3/8"
	096843-01-000	EA	SPRING - REWIND/ROLLER SHADE
	086276-01-000	EA	TAPE - DOUBLE SIDED - 1/2"
5	101031-01-000	YD	TAPE - GLIDE/CURTAIN - 4.25" SPACING
6	029130-01-000	EA	SCREW - SNAP SOCKET - #8 PH X 5/8"
7	029155-01-000	EA	CAP - SNAP - 5/32" OUTSIDE DIAMETER OF PIN
8	029156-01-000	EA	SOCKET - SNAP - 9/16" O.D.
9	105450-08-01A	EA	TRACK - CURTAIN - 38" - OFF WHITE
9	105450-14-01A	EA	TRACK - CURTAIN - 90" - OFF WHITE
10	093475-01-701	EA	CAP-END, WITH INVERTED STUD
11	009702-01-000	EA	END STOP - CURTAIN CARRIER - L ROD
12	076827-02-000	EA	BRACKET - LEG - 2.9" X 1.8" - TRIANGLE
13	083170-01-000	EA	BRACKET - BLIND - LEFT SIDE WHEN FACING WINDOW
14	083170-02-000	EA	BRACKET - BLIND - RIGHT SIDE WHEN FACING WINDOW
15	095591-02-000	EA	BRACKET - BLIND - HOLD DOWN W/PIN - METAL
16	109353-04-000	EA	CLIP - VALANCE SLAT MOUNTING - CLEAR PLASTIC
17	009701-01-000	EA	CARRIER - CURTAIN - L ROD

KEY	PART NUMBER	U/M	DESCRIPTION
18	009136-02-000	EA	HANGER - RING - PIN TYPE - CURTAIN - BRASS
19	097592-02-000	EA	SPOOL - CORD - ELEVATED BLIND HOLDUP - LARGE - CLEAR
19	097592-01-000	EA	SPOOL - CORD - ELEVATED BLIND HOLDUP - SMALL - CLEAR
20	094907-04-000	EA	END CAP - BOTTOM/PLEATED BLIND (RH & LH)
21	094907-02-000	EA	END CAP - TOP/PLEATED BLIND - PLASTIC - GRAY
22	097564-03-000	EA	HANDLE - KNOB - E-Z LIFT SHADE - TAN
22	097564-04-000	EA	HANDLE - KNOB - E-Z LIFT SHADE - NAVY
	000G68-06-12J	EA	SCREW 6-18X.75 POH BRASS
23	097565-01-000	EA	BRACKET - MOUNTING/PLEATED BLIND
24	101033-02-000	EA	END CAP - TRACK/CLEAR
25	101033-04-000	EA	TRACK - WALL - 3'
25	101033-06-000	EA	TRACK - WALL - 6.5'
25	101033-07-000	EA	TRACK - WALL - 2.5'
26	083125-07-000	EA	BRACE - WINDOW MOUNT - 2.5" - OFF WHITE
26	083125-08-000	EA	BRACE - WINDOW MOUNT - 3/4 - OFF WHITE
27	102075-10-01A	EA	ROD - CURTAIN/SHOWER
	046867-02-000	EA	WASHER - HANDY BUTTON #3
	046867-03-000	EA	GROMMET - HANDY BUTTON #3
	048394-02-000	YD	VELCRO TAPE - HOOK - ADHESIVE BACK - .75" WIDE - BEIGE
	094896-02-000	EA	GROMMET - CORD/PLEATED BLIND - NYLON - GRAY
	097591-01-000	EA	SPRING - EXTENSION/PLEATED BLIND
	097593-02-000	FT	CORD - BLIND - PLEATED - GRAY

## CURTAIN & CUSHION GROUP (CONTINUED)



### CURTAINS & WINDOW TREATMENT

KEY	PART NUMBER	U/M	DESCRIPTION
1	109041-36-02A	EA	BLIND - MINI - 31" X 18" (K01, K03)
1	109041-36-01A	EA	BLIND - MINI - 31" X 18" (K02)
2	119263-25-J02	EA	VALANCE - STARBUCK II - 64.5" (K01)
2	119263-25-K02	EA	VALANCE - STARBUCK II - 64.5" (K02)
2	119263-25-K03	EA	VALANCE - STARBUCK II - 64.5" (K03)
2	109041-53-02A	EA	BLIND - MINI - 61" X 28.5" (K01, K03)
2	109041-53-01A	EA	BLIND - MINI - 61" X 28.5" (K02)
2	111910-57-K01	EA	BLIND - DAY/NIGHTER - 61" X 28.5" (K01, K03)
2	111910-57-K02	EA	BLIND - DAY/NIGHTER - 61" X 28.5" (K02)
2	127017-11-J02	EA	LEG - RIGHT - 25" (K01)
2	127017-11-J03	EA	LEG - RIGHT - 25" (K02)
2	127017-11-K18	EA	LEG - RIGHT - 25" (K03)
2	127017-12-J02	EA	LEG - LEFT - 25" (K01)
2	127017-12-J03	EA	LEG - LEFT - 25" (K02)
2	127017-12-K18	EA	LEG - LEFT - 25" (K03)
3	101034-51-J02	EA	CURTAIN - RIGHT HAND - 19" X 34" (K01)
3	101034-51-J03	EA	CURTAIN - RIGHT HAND - 19" X 34" (K02)
3	101034-51-K03	EA	CURTAIN - RIGHT HAND - 19" X 34" (K03)
3	101034-52-J02	EA	CURTAIN - LEFT HAND - 19" X 34" (K01)
3	101034-52-J03	EA	CURTAIN - LEFT HAND - 19" X 34" (K02)
3	101034-52-K03	EA	CURTAIN - LEFT HAND - 19" X 34" (K03)
4	101034-33-J02	EA	CURTAIN - RIGHT HAND - 21" X 60" (K01)
4	101034-33-E21	EA	CURTAIN - RIGHT HAND - 21" X 60" (K02)
4	101034-33-K03	EA	CURTAIN - RIGHT HAND - 21" X 60" (K03)
4	101034-34-J02	EA	CURTAIN - LEFT HAND - 21" X 60" (K01)
4	101034-34-E21	EA	CURTAIN - LEFT HAND - 21" X 60" (K02)
4	101034-34-K03	EA	CURTAIN - LEFT HAND - 21" X 60" (K03)
5	119263-31-J02	EA	VALANCE - STARBUCK II - 29" (K01)
5	119263-31-K02	EA	VALANCE - STARBUCK II - 29" (K02)
5	119263-31-K03	EA	VALANCE - STARBUCK II - 29" (K03)
5	084755-57-E07	EA	SHADE - PULL - 27.25"
6	093475-85-09A	EA	BLIND - MINI - 28" X 22.5" (K01, K03)
6	093475-85-07A	EA	BLIND - MINI - 28" X 22.5" (K02)

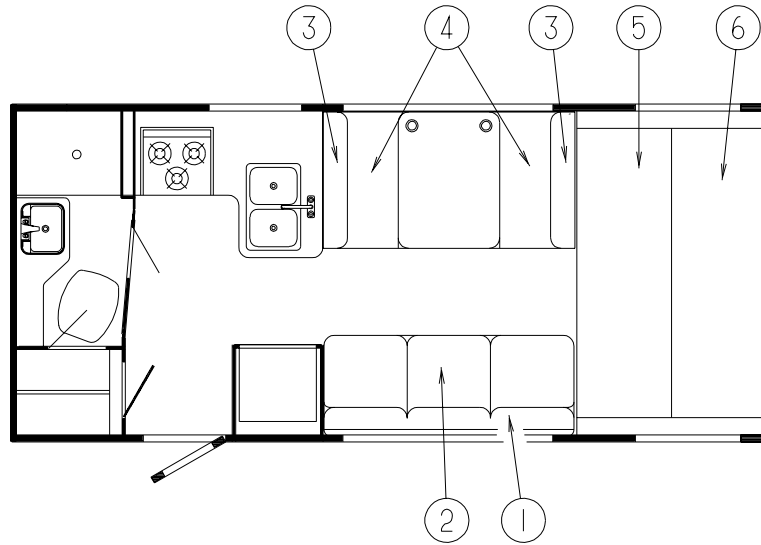
### PRIVACY CURTAINS

KEY	PART NUMBER	U/M	DESCRIPTION
	076892-23-J02	EA	CURTAIN - 44" X 80" (K01)
	076892-23-J03	EA	CURTAIN - 44" X 80" (K02)
	076892-23-K03	EA	CURTAIN - 44" X 80" (K03)
	101668-39-G01	EA	CURTAIN - RIGHT HAND - 35" X 50" (K01)
	101668-39-J03	EA	CURTAIN - RIGHT HAND - 35" X 50" (K02)
	101668-39-G02	EA	CURTAIN - RIGHT HAND - 35" X 50" (K03)
	101668-40-G01	EA	CURTAIN - LEFT HAND - 35" X 50" (K01)
	101668-40-J03	EA	CURTAIN - LEFT HAND - 35" X 50" (K02)
	101668-40-G02	EA	CURTAIN - LEFT HAND - 35" X 50" (K03)

### CURTAIN TIEBACKS

KEY	PART NUMBER	U/M	DESCRIPTION
	073260-23-G01	EA	TIEBACK - CURTAIN - 3" X 18" (K01)
	073260-23-F15	EA	TIEBACK - CURTAIN - 3" X 18" (K02)
	073260-23-G02	EA	TIEBACK - CURTAIN - 3" X 18" (K03)

## CURTAIN & CUSHION GROUP (CONTINUED)



### COUCH

KEY	PART NUMBER	U/M	DESCRIPTION
1	111319-01-J02	EA	BACK - SOFA/BED - W/FRAME - 74" (K01)
1	111319-01-J44	EA	BACK - SOFA/BED - W/FRAME - 74" (K02)
1	111319-01-K03	EA	BACK - SOFA/BED - W/FRAME - 74" (K03)
	P11319-01-J02	EA	COVER - BACK - SOFA/BED - 74" (K01)
	P11319-01-J44	EA	COVER - BACK - SOFA/BED - 74" (K02)
	P11319-01-K03	EA	COVER - BACK - SOFA/BED - 74" (K03)
	101085-10-000	EA	FRAME - BACK - SOFA/BED - 74.75"
2	100032-43-J02	EA	SEAT - SOFA/BED - W/FRAME - 74" - W/O ARMS (K01)
2	100032-43-J47	EA	SEAT - SOFA/BED - W/FRAME - 74" - W/O ARMS (K02)
2	100032-43-K03	EA	SEAT - SOFA/BED - W/FRAME - 74" - W/O ARMS (K03)
	P00032-43-J02	EA	COVER - SEAT - SOFA/BED - 74" - NO ARMS (K01)
	P00032-43-J47	EA	COVER - SEAT - SOFA/BED - 74" - NO ARMS (K02)
	P00032-43-K03	EA	COVER - SEAT - SOFA/BED - 74" - NO ARMS (K03)
	101085-04-000	EA	FRAME - SEAT - SOFA/BED - 74.75"
	101085-06-000	EA	FRAME - BASE - SOFA/BED - 74.75"
	127335-10-000	EA	BRACKET - CANADIAN LATCH

**NOTE: COUCH FRONT AND SIDE PANELS ARE FOUND IN LOUNGE GROUP**

### DINETTE CUSHIONS

KEY	PART NUMBER	U/M	DESCRIPTION
3	111897-17-J02	EA	CUSHION - BACK - 13.5" X 38" X 5" (K01)
3	111897-17-K02	EA	CUSHION - BACK - 13.5" X 38" X 5" (K02)
3	111897-17-K03	EA	CUSHION - BACK - 13.5" X 38" X 5" (K03)
	P11897-17-J02	EA	COVER - BACK - 13.5" X 38" X 5" (K01)
	P11897-17-K02	EA	COVER - BACK - 13.5" X 38" X 5" (K02)
	P11897-17-K03	EA	COVER - BACK - 13.5" X 38" X 5" (K03)
4	088927-87-J02	EA	CUSHION - SEAT - 23" X 38" X 5" (K01)
4	088927-87-J47	EA	CUSHION - SEAT - 23" X 38" X 5" (K02)
4	088927-87-K03	EA	CUSHION - SEAT - 23" X 38" X 5" (K03)
	M88927-87-J02	EA	COVER - SEAT - 23" X 38" X 5" (K01)
	M88927-87-J47	EA	COVER - SEAT - 23" X 38" X 5" (K02)
	M88927-87-K03	EA	COVER - SEAT - 23" X 38" X 5" (K03)

### BUNK CUSHIONS

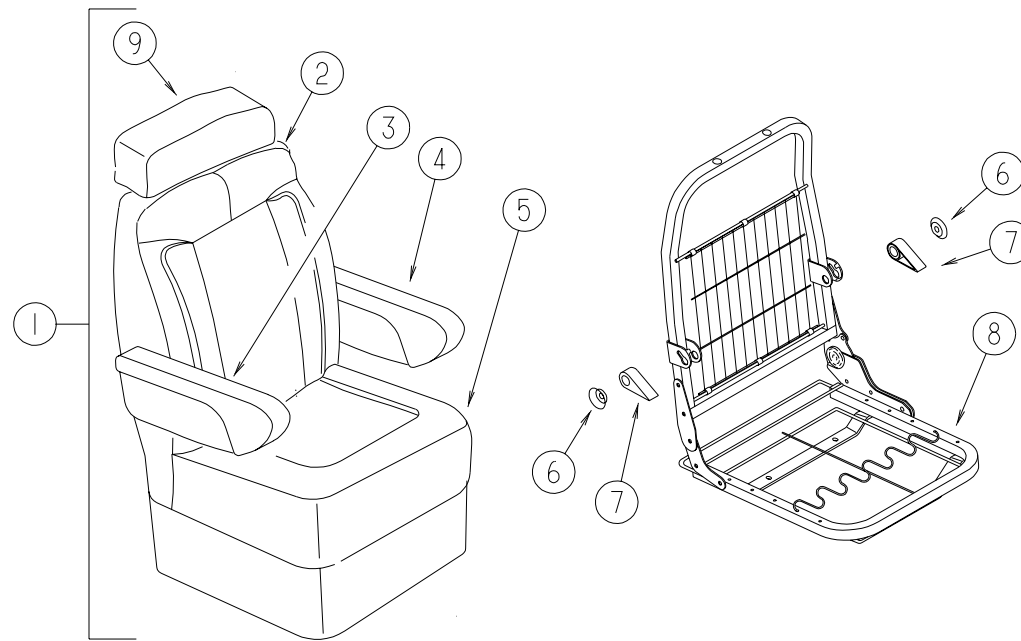
KEY	PART NUMBER	U/M	DESCRIPTION
5	105573-10-K01	EA	CUSHION - OVERHEAD BUNK/REAR - 27" X 23" X 80" X 5" (K01)
5	105573-10-J03	EA	CUSHION - OVERHEAD BUNK/REAR - 27" X 23" X 80" X 5" (K02)
5	105573-10-K03	EA	CUSHION - OVERHEAD BUNK/REAR - 27" X 23" X 80" X 5" (K03)
	P05573-10-K01	EA	COVER - CUSHION/OVERHEAD BUNK/REAR - 27" X 23" X 80" X 5" (K01)
	P05573-10-J03	EA	COVER - CUSHION/OVERHEAD BUNK/REAR - 27" X 23" X 80" X 5" (K02)
	P05573-10-K03	EA	COVER - CUSHION/OVERHEAD BUNK/REAR - 27" X 23" X 80" X 5" (K03)
6	105573-09-E22	EA	CUSHION - OVERHEAD BUNK/FRONT - 32.5" X 80" X 5" (K01)
6	105573-09-J03	EA	CUSHION - OVERHEAD BUNK/FRONT - 32.5" X 80" X 5" (K02)
6	105573-09-K03	EA	CUSHION - OVERHEAD BUNK/FRONT - 32.5" X 80" X 5" (K03)
	P05573-09-E22	EA	COVER - CUSHION/OVERHEAD BUNK/FRONT - 32.5" X 80" X 5" (K01)
	P05573-09-J03	EA	COVER - CUSHION/OVERHEAD BUNK/FRONT - 32.5" X 80" X 5" (K02)
	P05573-09-K03	EA	COVER - CUSHION/OVERHEAD BUNK/FRONT - 32.5" X 80" X 5" (K03)

### ASSIST HANDLE & SEATBELTS

KEY	PART NUMBER	U/M	DESCRIPTION
	053552-02-K01	EA	HANDLE - ASSIST - INTERIOR/ENTRY DOOR - VINYL/OFF WHITE
	069178-02-000	EA	BRACKET - MOUNTING/ASSIST HANDLE - GRAY
	000C16-07-16B	EA	BOLT - CARRIAGE - ASSIST HANDLE - 7/16" - 14 X 1"
	000D20-07-00B	EA	NUT - ACORN - ASSIST HANDLE - 7/16 - 14
	007021-01-000	EA	SEAT BELT - 2" X 90" - BLACK
	057759-01-000	EA	WASHER - FLAT F/SEAT BELT - 4" DIAMETER

## CURTAIN & CUSHION GROUP (CONTINUED)

### BUCKET SEAT - FORD

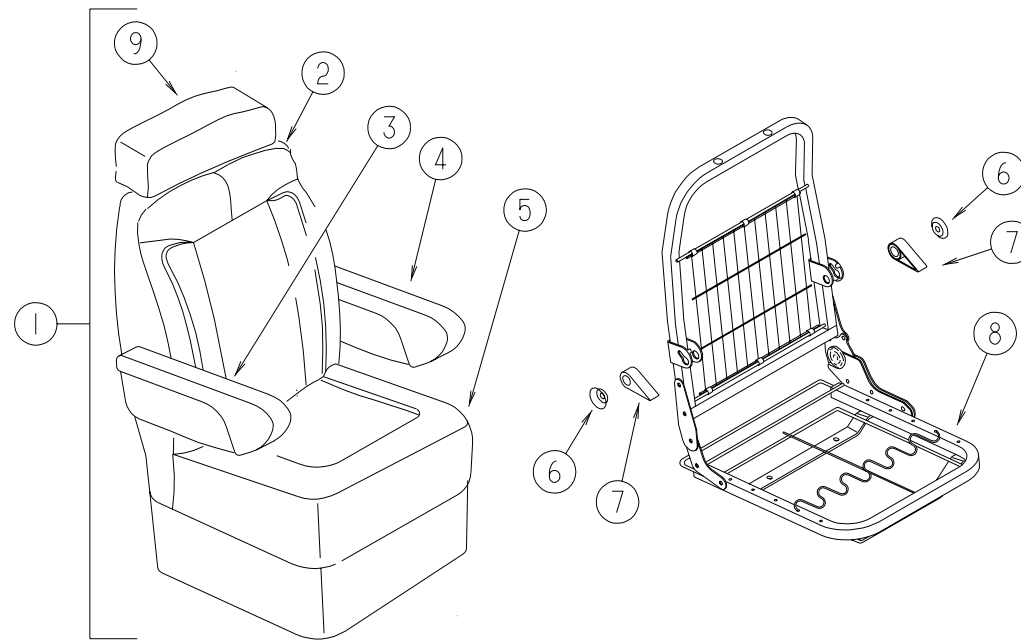


KEY	PART NUMBER	U/M	DESCRIPTION
1	110148-16-J02	EA	SEAT - BUCKET - W/HEADREST/RIGHT ARMREST - DRIVER (K01)
1	110148-16-K05	EA	SEAT - BUCKET - W/HEADREST/RIGHT ARMREST - DRIVER (K02)
1	110148-16-K03	EA	SEAT - BUCKET - W/HEADREST/RIGHT ARMREST - DRIVER (K03)
1	110148-17-J02	EA	SEAT - BUCKET - W/HEADREST/LEFT ARMREST - PASSENGER (K01)
1	110148-17-K02	EA	SEAT - BUCKET - W/HEADREST/LEFT ARMREST - PASSENGER (K02)
1	110148-17-K03	EA	SEAT - BUCKET - W/HEADREST/LEFT ARMREST - PASSENGER (K03)
2	M05962-55-J02	EA	COVER - BACK (K01)
2	M05962-55-J03	EA	COVER - BACK (K02)
2	M05962-55-K03	EA	COVER - BACK (K03)
3	122780-01-J02	EA	ARMREST - RIGHT HAND (K01)
3	122780-01-H16	EA	ARMREST - RIGHT HAND (K02)
3	122780-01-H02	EA	ARMREST - RIGHT HAND (K03)
	P22780-01-J02	EA	COVER - ARMREST - RIGHT HAND (K01)
	P22780-01-H16	EA	COVER - ARMREST - RIGHT HAND (K02)
	P22780-01-H02	EA	COVER - ARMREST - RIGHT HAND (K03)
	115617-03-000	EA	ARMREST - W/O COVER - RIGHT HAND
4	122780-02-J02	EA	ARMREST - LEFT HAND (K01)
4	122780-02-H16	EA	ARMREST - LEFT HAND (K02)
4	122780-02-H02	EA	ARMREST - LEFT HAND (K03)
	P22780-02-J02	EA	COVER - ARMREST - LEFT HAND (K01)
	P22780-02-H16	EA	COVER - ARMREST - LEFT HAND (K02)
	P22780-02-H02	EA	COVER - ARMREST - LEFT HAND (K03)
	115617-04-000	EA	ARMREST - W/O COVER - LEFT HAND

KEY	PART NUMBER	U/M	DESCRIPTION
5	M05962-56-J02	EA	COVER - SEAT (K01)
5	M05962-56-J03	EA	COVER - SEAT (K02)
5	M05962-56-K03	EA	COVER - SEAT (K03)
6	130802-03-000	EA	LEVER/SCREW
7	130802-01-000	EA	LEVER - LEFT HAND
7	130802-02-000	EA	LEVER - RIGHT HAND
8	125229-06-000	EA	FRAME - SEAT - DRIVER - W/RIGHT ARMREST BRACKET
8	125229-07-000	EA	FRAME - SEAT - PASSENGER - W/LEFT ARMREST BRACKET
	130800-01-000	EA	GUARD - HINGE
	007221-01-000	EA	SPACER - SEAT/ADJUSTER
9	119509-01-J02	EA	HEADREST - BUCKET SEAT (K01)
9	119509-01-H01	EA	HEADREST - BUCKET SEAT (K02)
9	119509-01-H02	EA	HEADREST - BUCKET SEAT (K03)
	P19509-01-J02	EA	COVER - HEADREST (K01)
	P19509-01-H01	EA	COVER - HEADREST (K02)
	P19509-01-H02	EA	COVER - HEADREST (K03)
	113977-12-000	EA	HEADREST INSERT - W/O LOCK
	113977-13-000	EA	HEADREST INSERT - W/LOCK

## CURTAIN & CUSHION GROUP (CONTINUED)

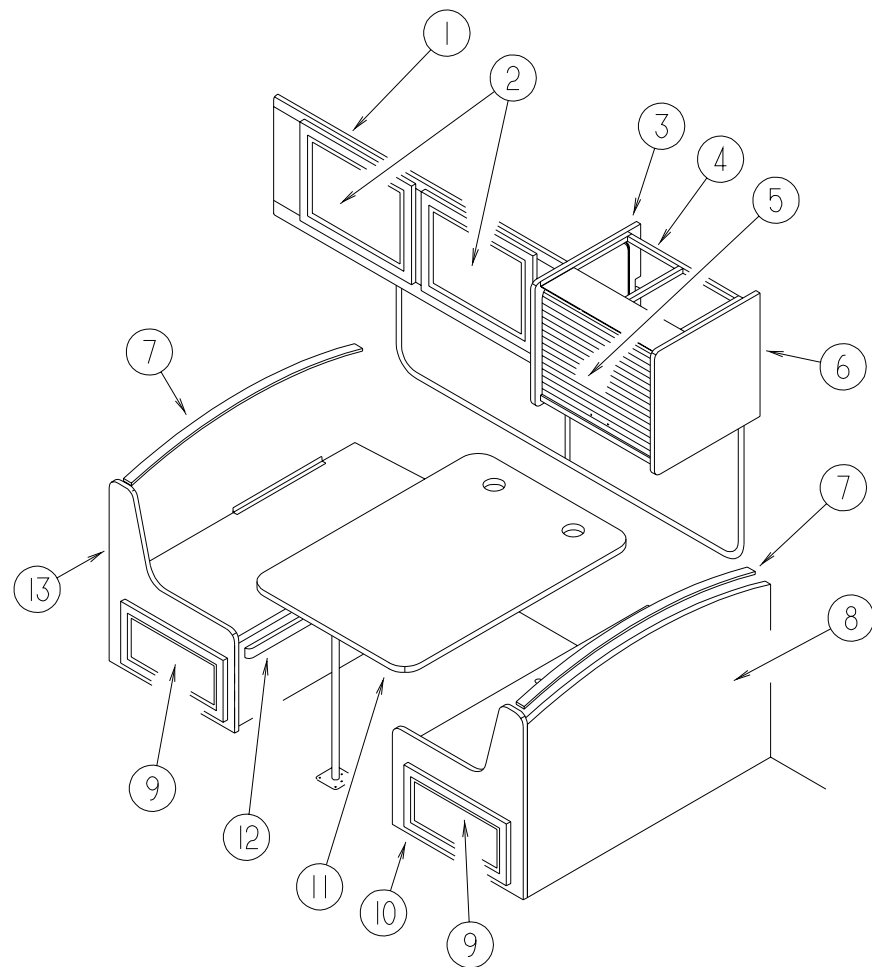
### BUCKET SEAT - CHEVY



KEY	PART NUMBER	U/M	DESCRIPTION
1	110148-18-K01	EA	SEAT - BUCKET - W/HEADREST/RIGHT ARMREST
1	110148-18-K02	EA	SEAT - BUCKET - W/HEADREST/RIGHT ARMREST
1	110148-18-K03	EA	SEAT - BUCKET - W/HEADREST/RIGHT ARMREST
1	110148-19-K01	EA	SEAT - BUCKET - W/HEADREST/LEFT ARMREST
1	110148-19-K02	EA	SEAT - BUCKET - W/HEADREST/LEFT ARMREST
1	110148-19-K03	EA	SEAT - BUCKET - W/HEADREST/LEFT ARMREST
2	M05962-55-J02	EA	COVER - BACK (K01)
2	M05962-55-J03	EA	COVER - BACK (K02)
2	M05962-55-K03	EA	COVER - BACK (K03)
3	122780-01-J02	EA	ARMREST - RIGHT HAND (K01)
3	122780-01-H01	EA	ARMREST - RIGHT HAND (K02)
3	122780-01-H02	EA	ARMREST - RIGHT HAND (K03)
	P22780-01-J02	EA	COVER - ARMREST - RIGHT HAND (K01)
	P22780-01-H01	EA	COVER - ARMREST - RIGHT HAND (K02)
	P22780-01-H02	EA	COVER - ARMREST - RIGHT HAND (K03)
	115617-03-000	EA	ARMREST - W/O COVER - RIGHT HAND
4	122780-02-J02	EA	ARMREST - LEFT HAND (K01)
4	122780-02-H16	EA	ARMREST - LEFT HAND (K02)
4	122780-02-H02	EA	ARMREST - LEFT HAND (K03)
	P22780-02-J02	EA	COVER - ARMREST - LEFT HAND (K01)
	P22780-02-H16	EA	COVER - ARMREST - LEFT HAND (K02)
	P22780-02-H02	EA	COVER - ARMREST - LEFT HAND (K03)
	115617-04-000	EA	ARMREST - W/O COVER - LEFT HAND

KEY	PART NUMBER	U/M	DESCRIPTION
5	M05962-69-J02	EA	COVER - SEAT (K01)
5	M05962-69-J03	EA	COVER - SEAT (K02)
5	M05962-69-K03	EA	COVER - SEAT (K03)
6	130802-03-000	EA	LEVER/SCREW
7	130802-02-000	EA	LEVER - RIGHT HAND
7	130802-01-000	EA	LEVER - LEFT HAND
8	125229-07-000	EA	FRAME - SEAT - PASSENGER - W/LEFT ARMREST BRACKET
8	125229-06-000	EA	FRAME - SEAT - DRIVER - W/RIGHT ARMREST BRACKET
	130800-01-000	EA	GUARD - HINGE
	125229-03-000	EA	LEVER - RECLINING
	007221-01-000	EA	SPACER - SEAT/ADJUSTER
9	119509-01-J02	EA	HEADREST - BUCKET SEAT (K01)
9	119509-01-H01	EA	HEADREST - BUCKET SEAT (K02)
9	119509-01-H02	EA	HEADREST - BUCKET SEAT (K03)
	P19509-01-J02	EA	COVER - HEADREST (K01)
	P19509-01-H01	EA	COVER - HEADREST (K02)
	P19509-01-H02	EA	COVER - HEADREST (K03)
	113977-12-000	EA	HEADREST INSERT - W/O LOCK
	113977-13-000	EA	HEADREST INSERT - W/LOCK

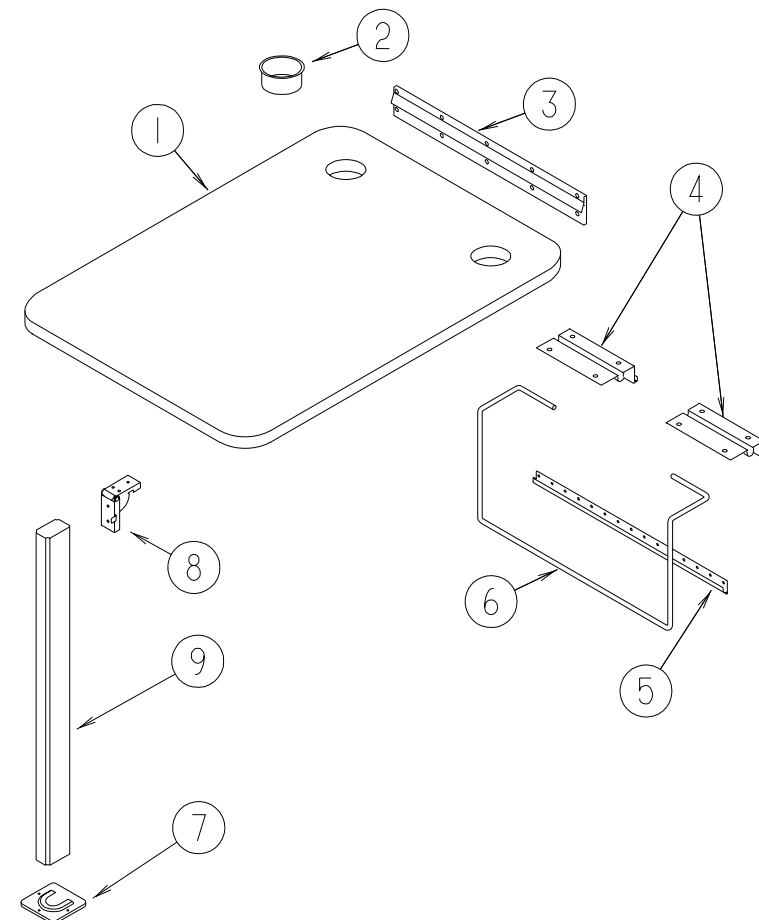
## DINETTE GROUP



### DINETTE CABINETS

KEY	PART NUMBER	U/M	DESCRIPTION
1	121840-02-K01	EA	CABINET - OVERHEAD/FRONT - W/O DOORS/HARDWARE
2	132141-08-K01	EA	DOOR - VENEER - 15.7" X 20.4" - W/O HARDWARE
3	125722-20-J01	EA	END CAP - OVERHEAD CABINET
4	M08163-07-J01	EA	CABINET - TV/VCP - W/O SHELF/SLIDES/TAMBOUR DOOR
4	M08163-08-J01	EA	CABINET - F/TV/VCP - W/SHELF/SLIDES/TAMBOUR DOOR
5	057882-04-700	EA	TAMBOUR - 48" X 48" SHEET - UNFINISHED
6	109908-58-J01	EA	END CAP - OVERHEAD CABINET
			FROM: 00-00-00 THRU: 08-06-98
6	109908-98-J01	EA	END CAP - OVERHEAD CABINET
			FROM: 08-07-98 THRU: 99-99-99
7	111338-09-J02	EA	PAD - DINETTE SEATBACK (K01)
7	111338-09-H01	EA	PAD - DINETTE SEATBACK (K02)
7	111338-09-G02	EA	PAD - DINETTE SEATBACK (K03)
8	M08123-05-J01	EA	CABINET - SEATBACK - RIGHT HAND - W/O HARDWARE
	016604-05-000	EA	BRACE - CABINET - ANGLE - 2.5" - OFF WHITE METAL
9	131995-G4-K01	EA	DOOR - SOLID PANEL - 10" X 19.1" - W/O HARDWARE
10	M08122-05-H04	EA	CABINET - SEATBASE - RIGHT HAND - W/O DOOR/DRAWER/HDW
11	081322-21-K01	EA	TABLE TOP ONLY
11	081322-21-K02	EA	TABLE TOP ONLY
11	081322-21-K03	EA	TABLE TOP ONLY
12	081295-01-G01	EA	SUPPORT - BED/DINETTE - 28" LONG
13	M08122-07-H04	EA	CABINET - SEATBASE - LEFT HAND - W/O DOOR/DRAWER/HDW
13	M08122-06-H04	EA	CABINET - SEATBASE - LEFT HAND - W/O DOOR/DRAWER/HDW - JAPAN

## DINETTE GROUP (CONTINUED)

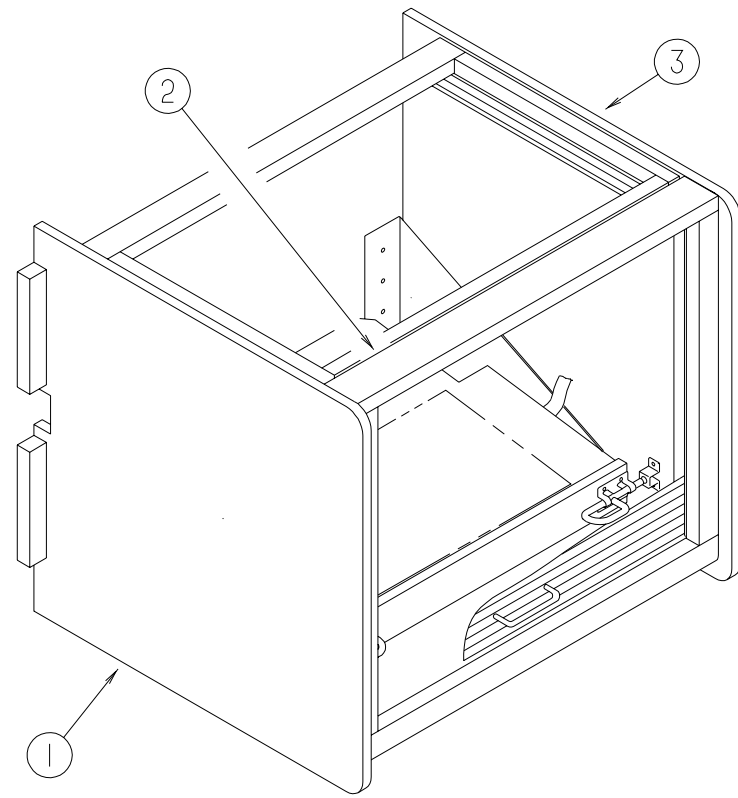


### DINETTE TABLE & HARDWARE

KEY	PART NUMBER	U/M	DESCRIPTION
1	081322-21-K01	EA	TABLE TOP ONLY
1	081322-21-K02	EA	TABLE TOP ONLY
1	081322-21-K03	EA	TABLE TOP ONLY
2	064781-06-000	EA	HOLDER - CUP - TWO STEP - OFF WHITE
3	053200-12-000	EA	BRACKET - TABLE SUPPORT - UPPER/WALL MOUNTED - 23.50"
4	088410-02-000	EA	BRACKET - LIFT - TABLE MOUNTED
5	024281-14-000	EA	BRACKET/TABLE - LIFT ROD/LOWER WALL MOUNTED - 22.12"
	002929-01-001	EA	EXTRUDED - BRACKET TABLE
6	024275-12-000	EA	ROD - TABLE LIFT
7	049493-12-000	EA	CATCH - TABLE LEG/FLOOR MOUNTED - OFF WHITE
	049493-11-700	EA	CATCH-TABLE LEG,E-COAT
8	093550-01-000	EA	BRACKET - HINGE - MOUNTS TO LEG & TABLE TOP - 1.7" X 2.6"
9	092707-06-05A	EA	LEG - TABLE - W/O HARDWARE - 28" - WATERFORD OAK
	092593-01-05A	EA	CATCH - TABLE LEG - OFF/WHITE



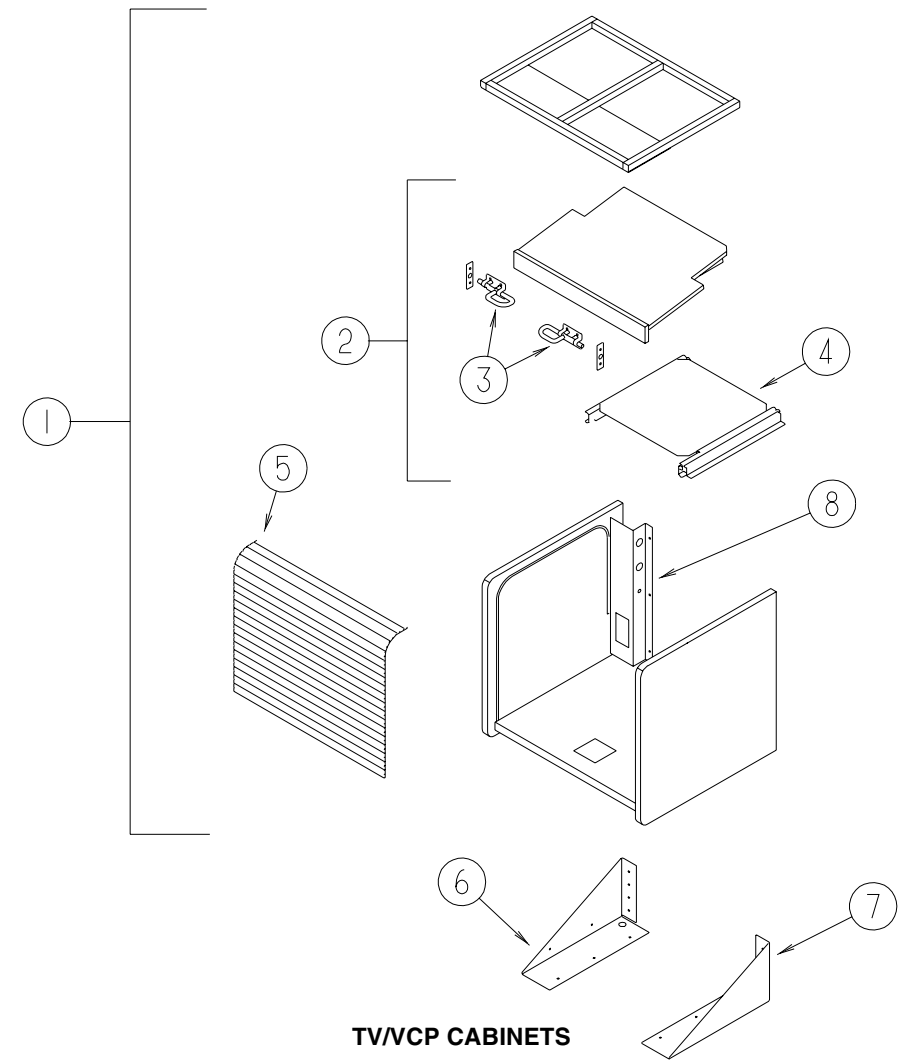
**DINETTE GROUP (CONTINUED)**



**OVERHEAD CABINET**

KEY	PART NUMBER	U/M	DESCRIPTION
1	125722-20-J01	EA	END CAP - OVERHEAD CABINET
2	M08163-07-J01	EA	CABINET - TV/VCP - W/O SHELF/SLIDES/TAMBOUR DOOR
2	M08163-08-J01	EA	CABINET - F/TV/VCP - W/SHELF/SLIDES/TAMBOUR DOOR
3	109908-58-J01	EA	END CAP - OVERHEAD CABINET
			FROM: 00-00-00 THRU: 08-06-98
3	109908-98-J01	EA	END CAP - OVERHEAD CABINET
			FROM: 08-07-98 THRU: 99-99-99

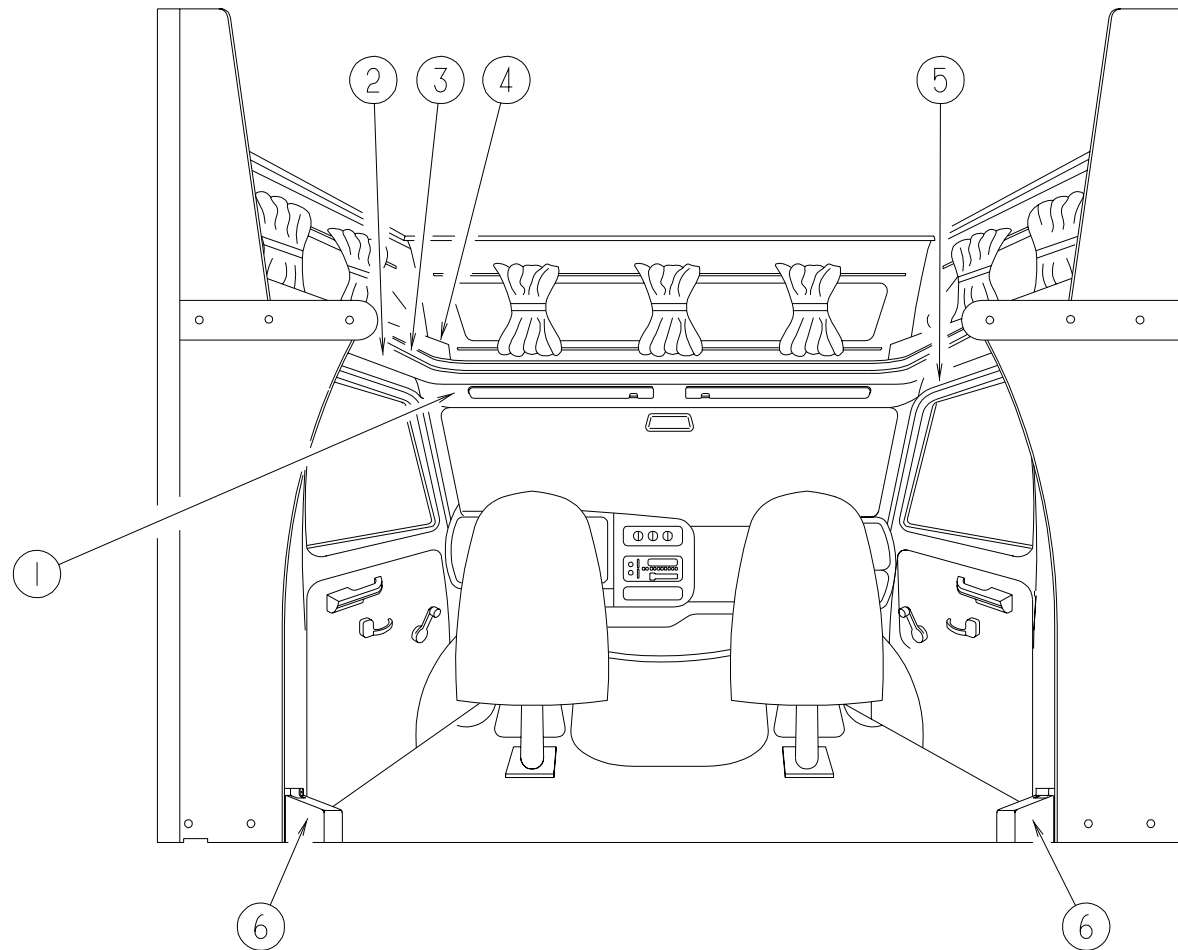
**DINETTE GROUP (CONTINUED)**



**TV/VCP CABINETS**

KEY	PART NUMBER	U/M	DESCRIPTION
1	M08163-07-J01	EA	CABINET - TV/VCP - W/O SHELF/SLIDES/TAMBOUR DOOR
1	M08163-08-J01	EA	CABINET - F/TV/VCP - W/SHELF/SLIDES/TAMBOUR DOOR
2	125722-13-J01	EA	SHELF - W/SLIDE & SWIVEL
3	103256-01-000	EA	LATCH - SLIDE
4	116773-02-000	EA	SWIVEL/SLIDES - F/TV SHELF
5	057882-04-700	EA	TAMBOUR - 48" X 48" SHEET - UNFINISHED
	093622-01-000	EA	TRACK - DOOR - TAMBOUR - PLASTIC - 8' LENGTHS
	093623-01-000	EA	CORNER - TRACK - TAMBOUR DOOR
6	122298-03-02B	EA	BRACKET - TV/VCR W/ANGLE - RIGHT HAND - E-COATED
7	122298-02-02B	EA	BRACKET - TV/VCR - LEFT HAND - E-COATED
8	122469-02-02B	EA	BRACKET - ZEE - W/CUTOUT - E-COATED
8	122469-01-02B	EA	BRACKET - ZEE - W/O CUTOUT

### DRIVERS COMPARTMENT GROUP



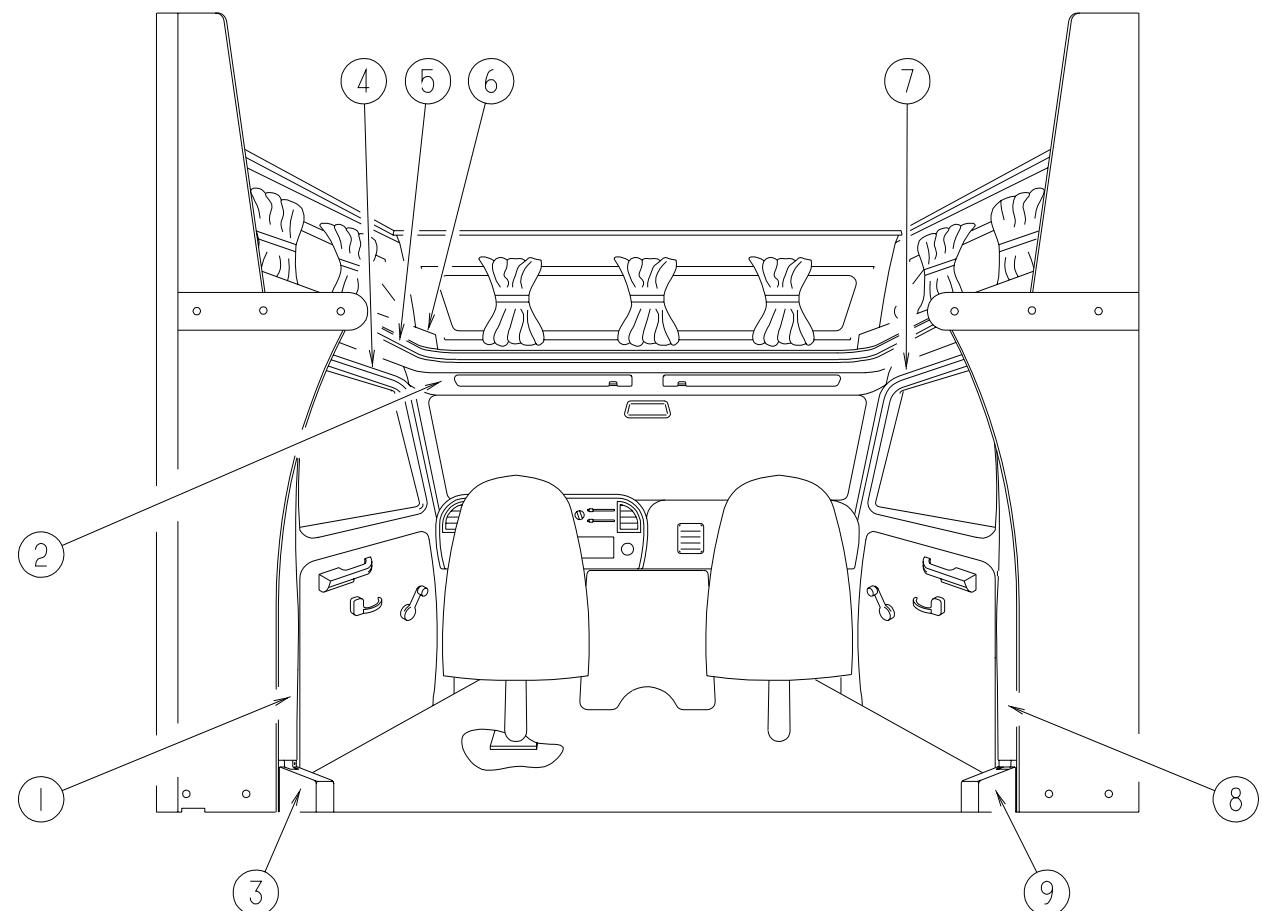
**CHEVY DRIVERS COMPARTMENT**

KEY	PART NUMBER	U/M	DESCRIPTION
1	124818-01-H04	EA	HEADLINER - W/VINYL
2	124819-01-H04	EA	TRIM - CAB DOOR - UPPER/LEFT HAND
3	119520-01-01A	FT	MOLDING-T - 1" - W/EDGE LIPS (OFF/WHITE-CREAM)
4	109894-01-K01	EA	CABINET - HAMPER - DRIVER/FRONT (K01)
4	109894-01-H10	EA	CABINET - HAMPER - DRIVER/FRONT (K02)
4	109894-01-K03	EA	CABINET - HAMPER - DRIVER/FRONT (K03)
5	124817-01-H04	EA	TRIM - CAB DOOR - UPPER RIGHT HAND
6	076302-03-000	EA	SEAT BELT - DRIVER/PASSENGER
	087932-03-000	EA	BRACKET - SHOULDER HARNESS - LEFT HAND
	087932-04-000	EA	BRACKET - SHOULDER HARNESS - RIGHT HAND

#### INSTRUMENT CLUSTERS - CHEVY

KEY	PART NUMBER	U/M	DESCRIPTION	VENDOR NO.
	094797-07-000	EA	CLUSTER - INSTRUMENT PANEL - GAS	
	100138-01-000	EA	MODULE - DAYTIME/RUNNING LIGHT	
	108357-09-000	EA	SWITCH - ROCKER SPDT - ON/NONE/MOM - 3 TERMINAL - AUX START	
	108356-07-01A	EA	COVER/ACTUATOR SWITCH - 2 ROWS DIMPLES - AUX START - BLACK	
	081994-07-000	EA	PLATE - SWITCH - AUX. START	
	087202-01-000	EA	SWITCH - 4 POSITION - W/KNOB/BEZEL - 5 TERMINAL - REAR AUTO HEATER	
	087202-01-702	EA	PLATE F/ROTARY SWITCH	062-0105
	087202-01-701	EA	KNOB-SWITCH, ROTARY	062-0104
	111414-01-000	EA	RECEPTACLE - 12V - W/O BIMETAL	

### DRIVERS COMPARTMENT GROUP (CONTINUED)



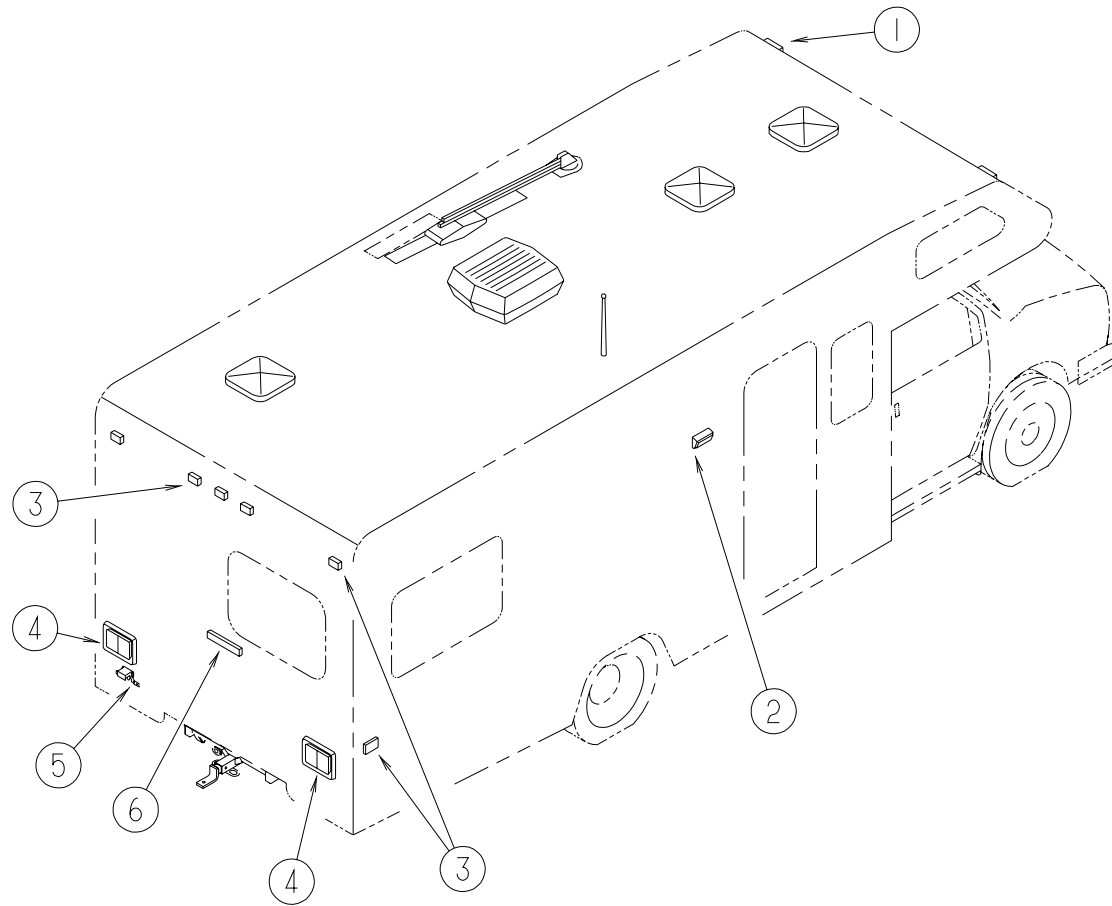
**FORD DRIVERS COMPARTMENT**

KEY	PART NUMBER	U/M	DESCRIPTION
1	125031-02-H04	EA	TRIM - CAB - B-PILLAR - DRIVER SIDE
2	106448-01-H04	EA	HEADLINER - W/VINYL
3	106431-02-02A	EA	COVER - SEATBELT RECOIL - DRIVER SIDE - VW GREY
4	106447-04-H04	EA	TRIM - CAB DOOR - UPPER/LEFT HAND
5	119520-01-01A	FT	MOLDING-T - 1" - W/EDGE LIPS (OFF/WHITE-CREAM)
5	109894-01-K01	EA	CABINET - HAMPER - DRIVER/FRONT (K01)
6	109894-01-H10	EA	CABINET - HAMPER - DRIVER/FRONT (K02)
6	109894-01-K03	EA	CABINET - HAMPER - DRIVER/FRONT (K03)
7	106447-03-H04	EA	TRIM - CAB DOOR - UPPER/RIGHT HAND
8	125031-01-H04	EA	TRIM - CAB - B-PILLAR - PASSENGER SIDE
9	106431-01-02A	EA	COVER - SEATBELT RECOIL - PASSENGER SIDE - VW GRAY
	106025-02-01A	EA	LADDER - BUNK - 52" - JAPAN
	125291-01-01A	EA	TRAY - BEVERAGE - F/DELUXE MOTOR COVER - JAPAN
	106025-01-700	EA	BRACKET SET-F/BUNK LADDER
	091952-01-000	EA	CLIP - GRIPPER - 1"

#### INSTRUMENT CLUSTERS - FORD

KEY	PART NUMBER	U/M	DESCRIPTION	VENDOR NO.
	094795-09-000	EA	CLUSTER - INSTRUMENT PANEL - KILOMETERS - GAS/DIESEL-FORD	
	100138-01-000	EA	MODULE - DAYTIME/RUNNING LIGHT	
	087202-01-000	EA	SWITCH - 4 POSITION - W/KNOB/BEZEL - 5 TERMINAL - REAR AUTO HEATER	
	087202-01-702	EA	PLATE F/ROTARY SWITCH	062-0105
	087202-01-701	EA	KNOB-SWITCH, ROTARY	062-0104
	062901-05-000	EA	FUSE - 15 AMPS - AUTOMOTIVE - REAR AUTO HEATER	
	108357-09-000	EA	SWITCH - ROCKER SPDT - ON/NONE/MOM - 3 TERMINAL - AUX START	
	108356-07-01A	EA	COVER/ACTUATOR SWITCH - 2 ROWS DIMPLES - AUX START - BLACK	
	081994-07-000	EA	PLATE - SWITCH - AUX. START	
	062901-01-000	EA	FUSE - 3 AMPS - AUTOMOTIVE - MIRRORS	

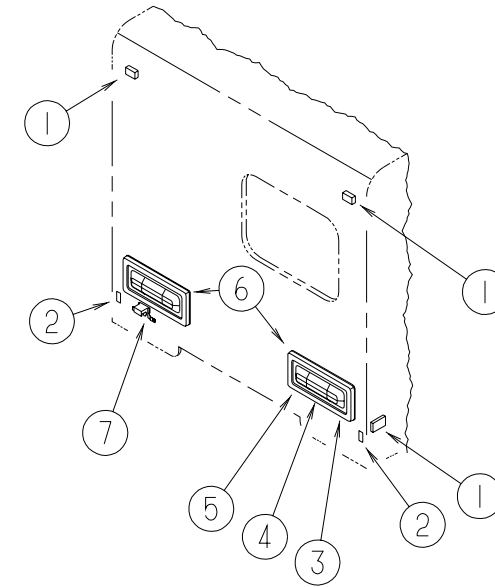
## ELECTRICAL GROUP



### EXTERIOR LIGHTS

KEY	PART NUMBER	U/M	DESCRIPTION	VENDOR NO.
1	111102-02-000	EA	LENS - AMBER - MARKER LAMP	
	111102-01-000	EA	BASE - MARKER LAMP	
	036196-01-000	EA	BULB - 12V - #194 - .27 AMP - BAYONETTE	
2	097917-01-06A	EA	LIGHT - PORCH - BRIGHT WHITE	
	008215-01-000	EA	BULB - 12 VOLT - #1003 - .94 AMP	
	097917-01-700	EA	LENS-LIGHT, CLEAR	30-78-021
	008089-02-000	EA	LIGHT - PORCH - RECESSED - CANADIAN	
	008089-01-700	EA	LENS-LIGHT, RECESSED, PORCH DECO	
3	008214-01-000	EA	BULB - 12 VOLT - #67 - .59 AMP	
	091981-01-000	EA	GASKET - PORCH LIGHT	
	111102-03-000	EA	LENS - RED - MARKER LAMP	
	111102-01-000	EA	BASE - MARKER LAMP	
4	036196-01-000	EA	BULB - 12V - #194 - .27 AMP - BAYONETTE	
	103355-01-05A	EA	POD - TAIL LIGHT - BRIGHT WHITE	
4	103355-02-01A	EA	POD - TAIL LIGHT - BRIGHT WHITE	
			FROM: 00-00-00 THRU: 11-22-98	
4			FROM: 11-23-98 THRU: 99-99-99	
	081638-01-000	EA	TAILLIGHT/DOUBLE W/BLACK TRIM - DRIVER/PASSENGER SIDE	
	037934-01-000	EA	BULB - 12V - #1156 - 2.1 AMP CLEAR GLASS	
4	037935-01-000	EA	BULB - 12V - #1157 OR #2057 - 2.1 AMP - CLEAR GLASS	
	081638-01-700	EA	LENS-TAILLIGHT, RED	30-84-010
4	081638-01-701	EA	LENS-TAILLIGHT, W/BACKUP	30-84-700
	066432-03-000	EA	BRACKET - LICENSE PLATE	
5	066432-02-000	EA	LIGHT - LICENSE - BLACK	
6	121950-01-000	EA	LIGHT - BRAKE - CENTER MOUNT	

## ELECTRICAL GROUP (CONTINUED)



### EXTERIOR LIGHTS - JAPAN

KEY	PART NUMBER	U/M	DESCRIPTION	VENDOR NO.
1	111102-03-000	EA	LENS - RED - MARKER LAMP	
	111102-01-000	EA	BASE - MARKER LAMP	
	036196-01-000	EA	BULB - 12V - #194 - .27 AMP - BAYONETTE	
2	106646-02-000	EA	REFLECTOR - STICK ON - RED	
3	081638-01-700	EA	LENS-TAILLIGHT, RED	30-84-010
4	081638-02-700	EA	LENS-TAILLIGHT, AMBER	30-84-016
5	081638-06-700	EA	LENS-TAILLIGHT, CLEAR BACKUP	30-84-050
	103545-02-01A	EA	TAIL LIGHT - TRIPLE/AMBER	
5	103545-01-700	EA	LENS-BACKUP	30-84-711
	037934-01-000	EA	BULB - 12V - #1156 - 2.1 AMP CLEAR GLASS	
	037935-01-000	EA	BULB - 12V - #1157 OR #2057 - 2.1 AMP - CLEAR GLASS	
7	105846-01-04A	EA	TRIM - TAIL LIGHT - REAR	
	066432-02-000	EA	LIGHT - LICENSE - BLACK	
	103247-01-000	EA	BRACKET - LICENSE PLATE - REAR	
	103491-02-000	EA	BRACKET - LICENSE PLATE - FRONT	

**ELECTRICAL GROUP (CONTINUED)****POWER CONVERTER/CONTROL CENTER/INVERTER**

KEY	PART NUMBER	U/M	DESCRIPTION
	083208-01-000	EA	CONTROL CENTER - 32 AMP - 120V/12V - W/O BREAKERS
	083208-05-000	EA	CONTROL CENTER - 45 AMP - 100/12V

**FUSES & CIRCUIT BREAKERS**

KEY	PART NUMBER	U/M	DESCRIPTION
	008235-01-000	EA	FUSE - 15 AMP/12VOLT - AUTOMOTIVE
	062901-02-000	EA	FUSE - 05 AMPS - AUTOMOTIVE
	062901-05-000	EA	FUSE - 15 AMPS - AUTOMOTIVE
	062901-06-000	EA	FUSE - 20 AMPS - AUTOMOTIVE
	100341-01-000	EA	FUSE HOLDER - IN LINE TYPE
	108669-01-000	EA	HOUSING - AUTO FUSE HOLDER
	083209-02-000	EA	CIRCUIT BREAKER - 15/15 AMP - 120 VOLT
	083209-03-000	EA	CIRCUIT BREAKER - 15/20 AMP - 120 VOLT
	083209-06-000	EA	CIRCUIT BREAKER - 30/15 AMP - 120 VOLT
	083209-07-000	EA	CIRCUIT BREAKER - 20/20 AMP - 120 VOLT
	093654-01-000	EA	CIRCUIT BREAKER - 6 AMP - 12 VOLT
	093655-01-000	EA	CIRCUIT BREAKER - 25 AMP - 12 VOLT
	093655-02-000	EA	CIRCUIT BREAKER - 30 AMP - 12 VOLT

**ELECTRIC BOXES, COVERS & POWER CORDS**

KEY	PART NUMBER	U/M	DESCRIPTION
	008052-01-000	EA	CORD - POWER - 10/3 WIRE - 30 AMP - 25' - CANADIAN
	008054-01-000	EA	CORD - POWER - 10/3 WIRE - 30 AMP - 25'
	008289-01-000	EA	BOX - ELECTRIC/STEEL - 1/2" & 3/4" KNOCKOUTS - 4" X 4"
	008294-01-000	EA	COVER - ELECTRICAL BOX - BLANK/STEEL - 4" X 4" - GRAY
	008294-02-000	EA	COVER - ELECTRICAL BOX - BLANK STEEL - 4" X 4" - CANADIAN
	069238-01-000	EA	COVER - ELECTRICAL BOX - W/HOLE - 4" X 4" - GRAY
	091910-01-000	EA	BOX - ELECTRIC - 3.8" X 3.5" X 1.8" - PLASTIC
	091910-02-000	EA	BOX - ELECTRIC - 2.2" X 3.5" X 1.8" - PLASTIC
	093603-01-000	EA	BOX - ELECTRIC - 4" X 2 1/8" X 2 1/8"
	107165-01-01A	EA	BOX - CIRCUIT BREAKER - 14.6" X 4" - PLASTIC

**WIRING ASSEMBLIES**

KEY	PART NUMBER	U/M	DESCRIPTION
	090986-01-000	EA	WIRE ASSEMBLY - ELECTRIC STEP
	096449-01-000	EA	WIRE ASSEMBLY - WATER TANK TO MONITOR PANEL
	097618-01-000	EA	WIRE ASSEMBLY - MONITOR PANEL- W/3 WIRES & ORANGE RESISTOR
	106851-01-000	EA	WIRE ASSEMBLY - RUNNING LIGHTS - FUSE

**CONNECTORS, HOUSINGS, TERMINALS & ELECTRICAL MISCELLANEOUS**

KEY	PART NUMBER	U/M	DESCRIPTION
	007942-01-000	EA	TAB - WIRE 10 TO 14 AWG
	007956-05-000	EA	INSULATOR - SHRINK - .25 ID X 1.50
	008311-01-000	EA	CONNECTOR - WIRE NUT - INSULATED - RED
	008313-01-000	EA	CONNECTOR - WIRE NUT - INSULATED - YELLOW
	008314-01-000	EA	CONNECTOR - WIRE NUT - INSULATED - GRAY
	008326-01-000	EA	TERMINAL - RING - 16/14 WIRE - 3/8" STUD
	008328-01-000	EA	TERMINAL - RING - 12/10 WIRE - #10 STUD FIT
	008331-01-000	EA	TERMINAL - RING - TONGUE - #4 WIRE - 3/8" STUD - COPPER
	008348-01-000	EA	TERMINAL - RING - 3/8" STUD 2 GA. WIRE

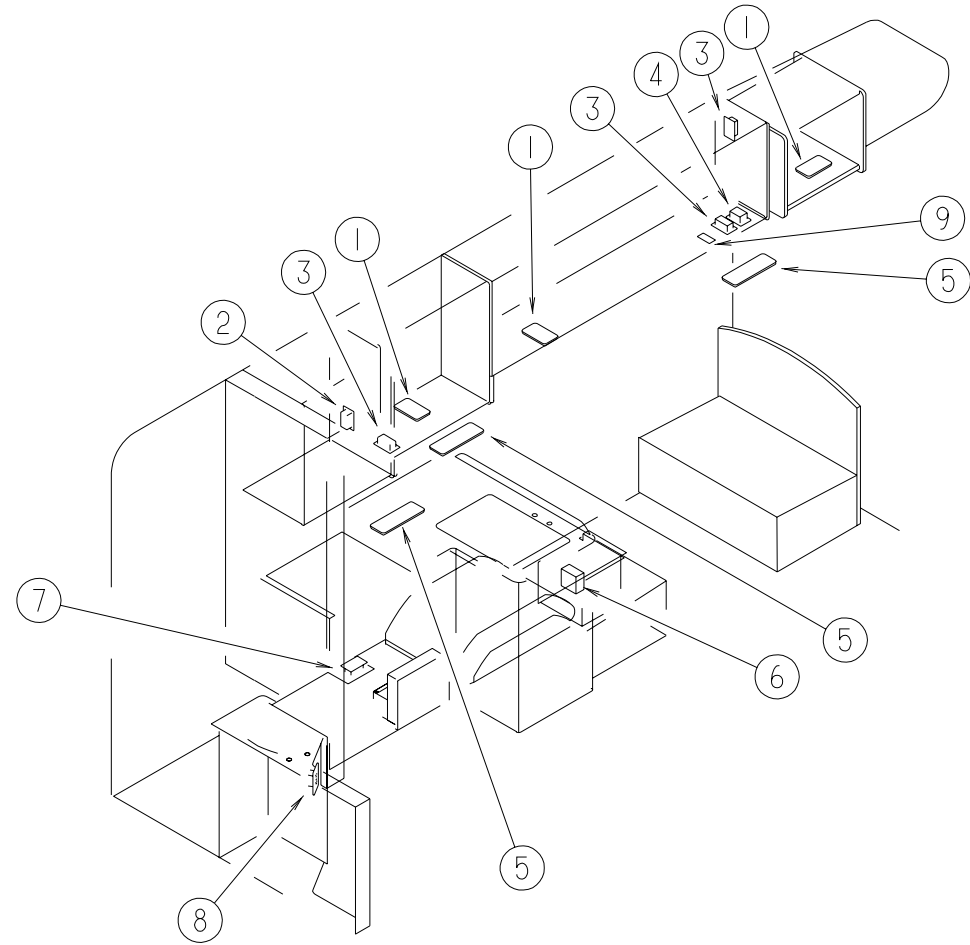
**ELECTRICAL GROUP (CONTINUED)****CONNECTORS, HOUSINGS, TERMINALS & ELECTRICAL MISCELLANEOUS (CONTINUED)**

KEY	PART NUMBER	U/M	DESCRIPTION
	008355-01-000	EA	CONNECTOR - CABLE CLAMPING - 3/4"
	008356-01-000	EA	CONNECTOR - PLASTIC - 3/8" AVG
	008394-01-000	FT	CONDUIT - FLEXIBLE - 1/2"
	035416-04-000	EA	TERMINAL - RING - #10 STUD FIT - INSULATED BARREL #16/14
	047443-01-000	EA	TERMINAL - .250 RECEPTACLE FIT - INSULATED - 16/14 AWG
	047443-02-000	EA	TERMINAL - .250 RECEPTACLE FIT - INSULATED - 12/10 AWG
	058028-01-000	EA	CONNECTOR - ELECTRICAL PIGTAIL - NYLON - CLEAR
	077479-01-000	EA	BOOT - BATTERY TERMINAL - DOUBLE CABLE
	077479-02-000	EA	BOOT - BATTERY TERMINAL - SINGLE CABLE
	080015-02-000	EA	RECEPTACLE - FLAG - .185 - 16/14 GAUGE
	080015-03-000	EA	RECEPTACLE - FLAG - .250 - 14/16 GAUGE
	087225-01-000	FT	SLEEVING - 1/2" - TYPE H
	087949-01-000	EA	BUSS BAR - 2 POSITION - .6" X 1.5"
	088473-03-000	EA	HOUSING - PIN - 9 CAVITY (3 ROWS OF 3)
	088473-06-000	EA	HOUSING - PIN - 6 CAVITY (2 ROWS OF 3)
	088473-08-000	EA	HOUSING - PIN - 4 CAVITY - IN-LINE
	088473-09-000	EA	HOUSING - PIN - 3 CAVITY - IN-LINE
	088473-10-000	EA	HOUSING - PIN - 2 CAVITY - IN LINE
	088474-03-000	EA	HOUSING - SOCKET - 9 CAVITY
	088474-06-000	EA	HOUSING - SOCKET - 6 CAVITY
	088474-07-000	EA	HOUSING - SOCKET - 5 CAVITY
	088474-08-000	EA	HOUSING - SOCKET - 4 CAVITY
	088474-09-000	EA	HOUSING - ELECTRICAL - 3 TERMINAL
	088474-10-000	EA	HOUSING - SOCKET - 2 CAVITY
	088475-01-000	EA	PIN - CONNECTOR - 14 - 20 AWG
	088475-02-000	EA	PIN - CONNECTOR - 10 - 12 AWG
	088476-01-000	EA	TERMINAL - ELECTRICAL
	088476-02-000	EA	SOCKET - CONNECTOR - 12-10 GA - PRE-TIN
	098261-02-000	EA	SOCKET - CONNECTOR - WEATHERPACK - 14-18 AWG
	098262-01-000	EA	SEAL - CONNECTOR - WEATHERPACK
	098265-02-000	EA	PIN - CONNECTOR - WEATHERPACK
	101751-02-000	EA	HOUSING - 1 PIN - WEATHERPACK
	102777-02-000	EA	TERMINAL - RING - #6 STUD - 10 AWG
	106655-02-000	EA	TERMINAL - FUSE BLOCK - 10-12 AWG
	112823-01-000	EA	SPLICE - REDUCER - 16-14 TO 18-22
	119223-01-000	EA	HOUSING - 6 POSITION - MALE - WEATHERPACK
	125323-02-000	EA	HOUSING - 8 POSITION - MALE
	125323-03-000	EA	LOCK - SECONDARY 8 POSITION
	125324-01-000	EA	TERMINAL - MALE - METRI-PACK - 150
	125325-01-000	EA	SEAL - CAVITY
	008188-01-000	EA	SOLENOID - 3 POST - BATTERY CHANGE OVER
	063910-01-000	EA	HOUSING - RELAY
	086233-01-000	EA	STUD - ISOLATED - 3/8" X 7/8" LONG
	086273-01-000	EA	RELAY - BATTERY DISCONNECT

**CONDUIT**

KEY	PART NUMBER	U/M	DESCRIPTION
	041953-01-000	FT	CONDUIT - CONVOLUTE SLIT - .5" ID - POLYETHYLENE
	041953-03-000	FT	CONDUIT - CONVOLUTE SLIT - 1" ID (CLOTHES ROD COVER)
	041953-06-000	FT	CONDUIT - CONVOLUTE SLIT - .375" ID - POLYETHYLENE
	041953-07-000	FT	CONDUIT - CONVOLUTE SLIT - .25" ID - POLYETHYLENE
	041953-08-000	FT	CONDUIT - CONVOLUTE SLIT - 1.50" ID - POLYETHYLENE
	041953-09-000	FT	CONDUIT - CONVOLUTE SLIT - .50" ID - NYLON
	041953-10-000	FT	CONDUIT - CONVOLUTE SLIT - .75" ID - NYLON
	041953-11-000	FT	CONDUIT - CONVOLUTE SLIT - 1.06" ID - NYLON
	041953-13-000	FT	CONDUIT - CONVOLUTE SLIT - 1.25

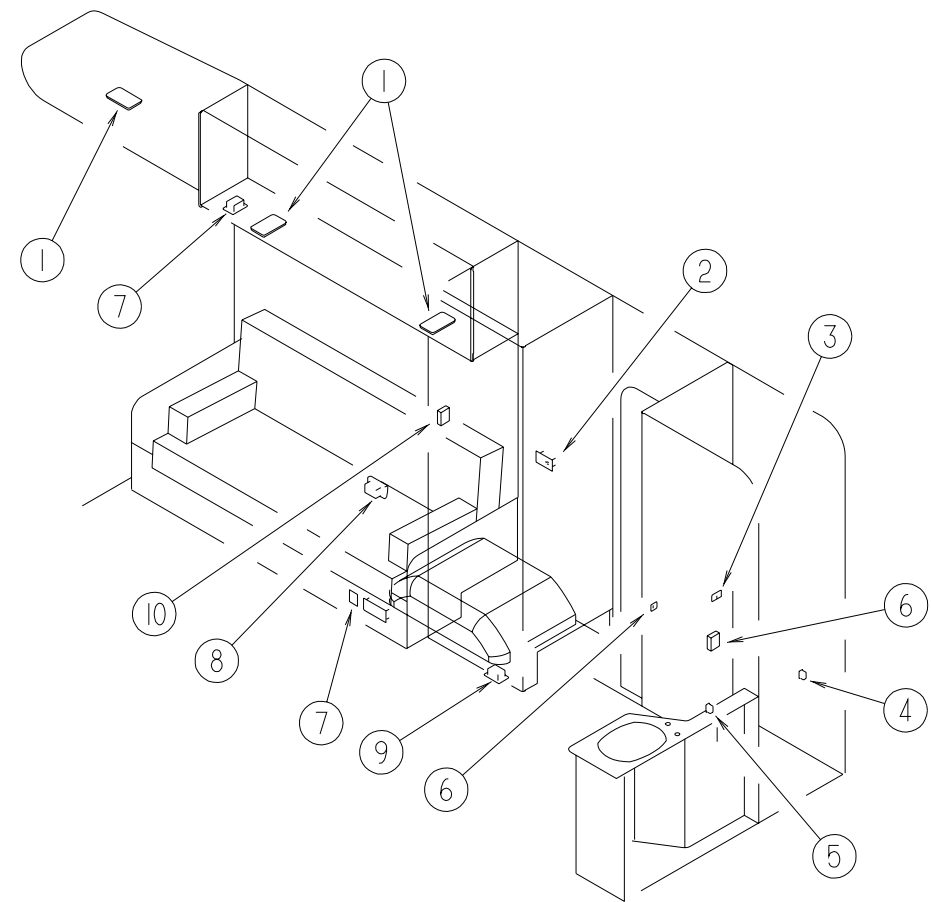
**ELECTRICAL GROUP (CONTINUED)**



**LIGHTS, SWITCHES & RECEPTACLES - DRIVER SIDE**

KEY	PART NUMBER	U/M	DESCRIPTION	VENDOR NO.
1	098024-05-02A	EA	LIGHT - DOME - 1 BULB - SKYLITE - WHITE	809902
	008218-01-000	EA	BULB - 12 VOLT - #1141 - 1.44 AMP	
	098024-01-701	EA	LENS - OPTI CLEAR - SKYLITE	
2	058708-05-000	EA	RECEPTACLE - ELECTRIC - SINGLE - BROWN	807877
3	058708-01-000	EA	RECEPTACLE - ELECTRIC - DOUBLE - BROWN	
4	086777-02-000	EA	WALLPLATE - TV CABLE - W/ANTENNA SWITCH - BROWN	
5	098024-03-02A	EA	LIGHT - DOME - 2 BULB - WHITE	
	008218-01-000	EA	BULB - 12 VOLT - #1141 - 1.44 AMP	
	098024-01-700	EA	LENS-LIGHT	
6	024924-02-000	EA	RECEPTACLE - POWER CORD - W/PARTIAL PLATE	
7	058707-02-000	EA	RECEPTACLE - BLANK - JUNCTION BOX	
8	084076-02-000	EA	RECEPTACLE - GFI - 15 AMP/125 VOLT - BROWN	
9	098351-14-01A	EA	PLATE/SWITCH - 1 GANG - POLISHED BRASS - TV	
9	079364-01-000	EA	SWITCH - ON/OFF ROCKER - 2 TERMINAL - BROWN	

**ELECTRICAL GROUP (CONTINUED)**

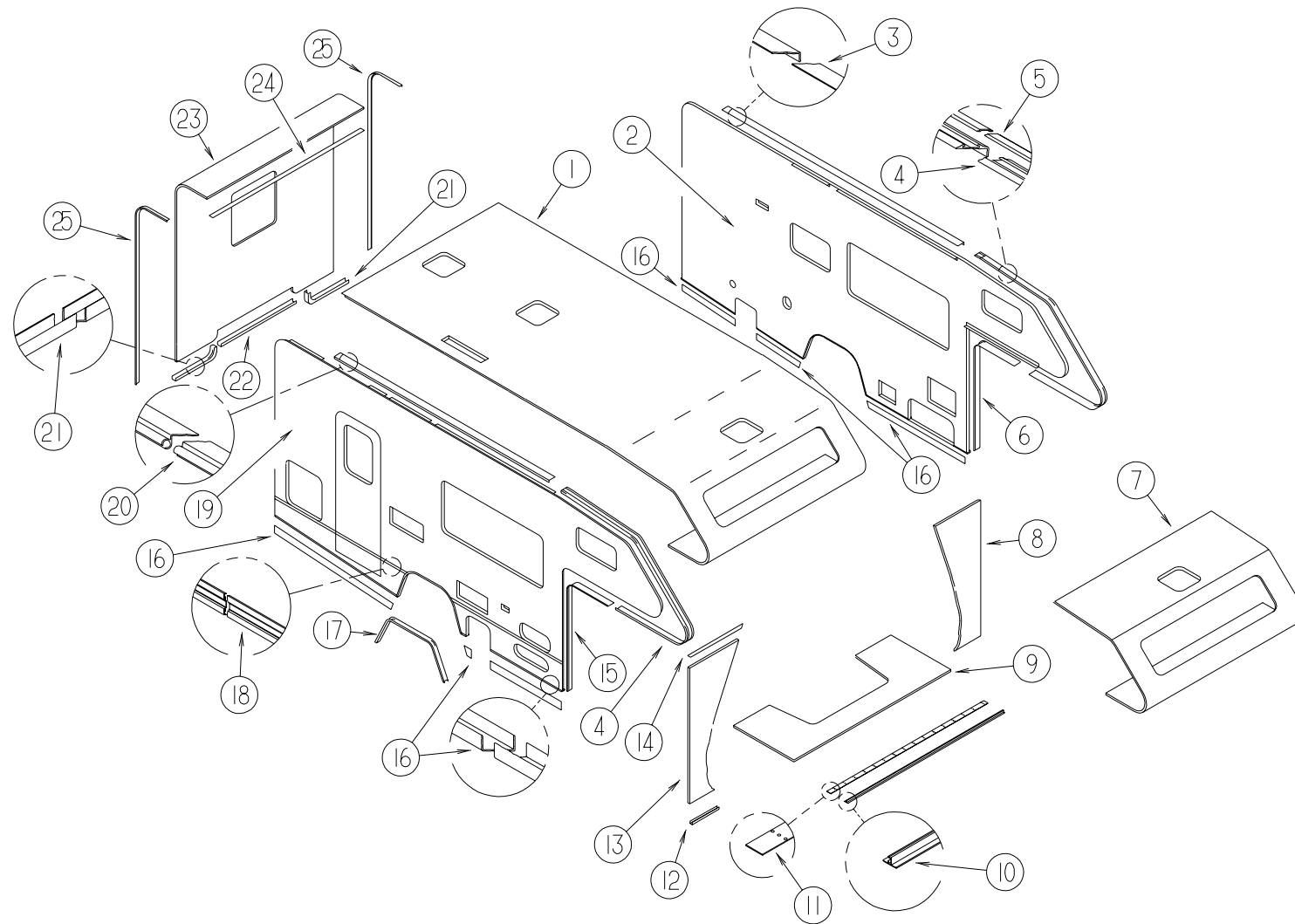


**LIGHTS, SWITCHES & RECEPTACLES - PASSENGER SIDE**

KEY	PART NUMBER	U/M	DESCRIPTION	VENDOR NO.
1	098024-05-02A	EA	LIGHT - DOME - 1 BULB - SKYLITE - WHITE	809902
	008218-01-000	EA	BULB - 12 VOLT - #1141 - 1.44 AMP	
	098024-01-701	EA	LENS - OPTI CLEAR - SKYLITE	
2	058707-01-000	EA	RECEPTACLE - ELECTRIC - SINGLE - BROWN	807877
3	098351-06-01A	EA	PLATE/SWITCH - 2 GANG - POLISHED BRASS - PORCH/CEILING	
	079364-01-000	EA	SWITCH - ON/OFF ROCKER - 2 TERMINAL - BROWN	
	095188-01-01A	EA	SPACER - SWITCH - 2.3" X 3.4" - PLASTIC - DARK BROWN	
4	081994-02-000	EA	PLATE - SWITCH - EXTERIOR SHOWER	
	108357-08-000	EA	SWITCH - ROCKER DPDT - ON/NONE/ON - 6 TERMINAL	
	108356-02-01A	EA	COVER/ACTUATOR SWITCH - 2 ROWS DIMPLES- CONTURA II - BLACK	
5	098351-07-01A	EA	PLATE/SWITCH - 1 GANG - POLISHED BRASS - GENERATOR	
	108357-06-000	EA	SWITCH - ROCKER DPDT - MOM/OFF/MOM - 6 TERMINAL	
	108356-11-01A	EA	COVER/ACTUATOR SWITCH - 3 GROOVES - AUX BATT - BLACK	
6	098351-01-01A	EA	PLATE/SWITCH - 1 GANG - POLISHED BRASS - W/O LABEL	807877
	079364-01-000	EA	SWITCH - ON/OFF ROCKER - 2 TERMINAL - BROWN	
	095188-01-01A	EA	SPACER - SWITCH - 2.3" X 3.4" - PLASTIC - DARK BROWN	807877
7	098351-01-01A	EA	PLATE/SWITCH - 1 GANG - POLISHED BRASS - W/O LABEL - JAPAN	
	079364-01-000	EA	SWITCH - ON/OFF ROCKER - 2 TERMINAL - BROWN	807877
8	112822-01-01A	EA	RECEPTACLE - DUPLEX - IVORY	
	112824-01-03A	EA	COVER - EXTERIOR DUPLEX RECEPTACLE - WHITE PLASTIC	FROM: 00-00-00 THRU: 11-15-98
				FROM: 00-00-00 THRU: 11-15-98
8	131826-01-01A	EA	RECEPTACLE - EXTERIOR - W/COVER/GASKET - WHITE	FROM: 11-16-98 THRU: 99-99-99
9	061424-01-000	EA	LIGHT - AISLE - 12 VOLT - RECTANGULAR	807877
	008103-01-000	EA	BULB - DASH/AISLE LIGHT - #53 - 12 VOLT - .12 AMP	
	079364-04-000	EA	SWITCH - ON/OFF ROCKER - 2 TERMINAL - BLACK	
	081994-07-000	EA	PLATE - SWITCH - AUX. START	
10	081087-01-000	EA	LIGHT - INDICATOR	

# EXTERIOR BODY GROUP

## EXTERIOR BODY PANELS

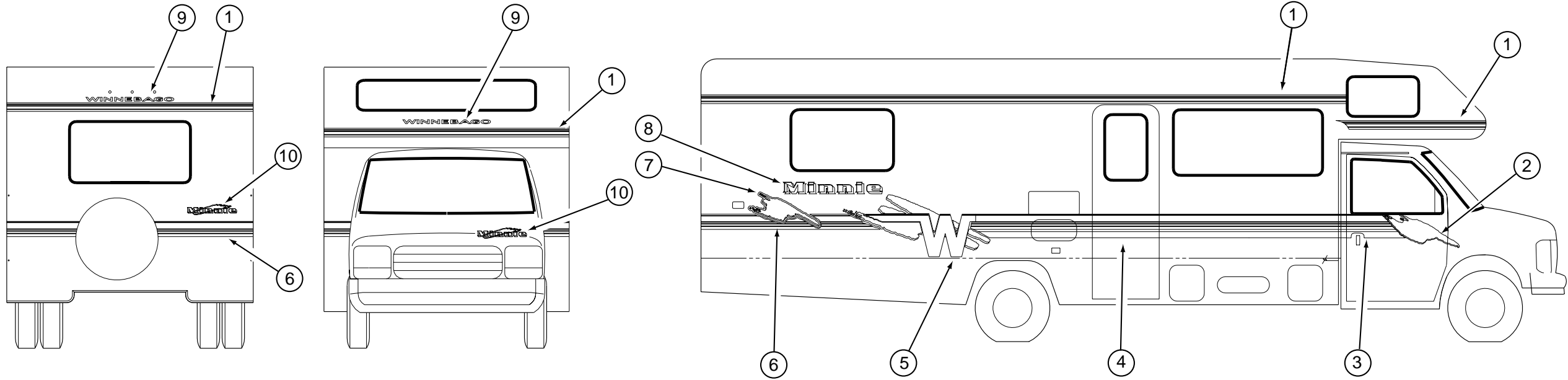


KEY	PART NUMBER	U/M	DESCRIPTION
1	M07431-11-K01	EA	ROOF - W/O LIGHTS/VENTS - W/WIRING
1	M07431-12-K01	EA	ROOF - W/O LIGHTS/VENTS - W/WIRING - JAPAN
2	P27559-01-K01	EA	SIDEWALL - DRIVER - W/O WINDOWS/TRIMS
2	P27559-01-K02	EA	SIDEWALL - DRIVER - W/O WINDOWS/TRIMS
2	P27559-01-K03	EA	SIDEWALL - DRIVER - W/O WINDOWS/TRIMS
	064675-54-003	EA	STEEL - ANGLE ROOF JOINT - 4' - OFF/WHITE
3	096864-04-01A	EA	TRIM - CONTOUR - ROOF TO SIDEWALL - BRIGHT WHITE
4	096854-06-02A	EA	TRIM - CONTOUR - BRIGHT WHITE - 130"
5	105312-01-07A	FT	INSERT - VINYL FEATURE STRIP - BRIGHT WHITE
6	104479-06-02A	EA	TRIM - FRONT CONTOUR - BRIGHT WHITE - LEFT HAND
7	M76177-01-700	EA	ROOF SECTION, FRONT, 8' X 8'
8	125065-02-H04	EA	WINGWALL
	099069-01-000	FT	SEAL - RUBBER - CLOSED SPONGE - .5" WIDE X .12" THICK -BLK
9	P25064-01-J01	EA	SLEEPERBOARD
10	100086-04-01A	EA	TRIM - SLEEPERBOARD/ROOF - 2" X 96.6"
11	100085-03-01A	EA	TRIM - SLEEPERBOARD - FLAT - 2.5" X 87.5"
12	002365-03-006	EA	U-CHANNEL - EXTRUDED - 1" X 192" - BRIGHT WHITE
13	125065-01-H04	EA	WINGWALL
14	022992-14-000	FT	MOLDING - REVERSE COVE
15	104479-05-02A	EA	TRIM - FRONT CONTOUR - BRIGHT WHITE - RIGHT HAND
16	108039-04-04A	EA	TRIM - BOTTOM SIDEWALL - 170.2" - BRIGHT WHITE

KEY	PART NUMBER	U/M	DESCRIPTION
17	124517-04-01A	EA	TRIM - WHEELWELL/REAR - BRIGHT WHITE
18	108688-01-03A	EA	STRIP - FEATURE - 15'
	108651-01-01A	EA	END CAP - FEATURE STRIP
	105312-01-07A	FT	INSERT - VINYL FEATURE STRIP - BRIGHT WHITE
19	P27558-02-K01	EA	SIDEWALL - PASSENGER - W/O WINDOWS/TRIMS
19	P27558-02-K02	EA	SIDEWALL - PASSENGER - W/O WINDOWS/TRIMS
19	P27558-02-K03	EA	SIDEWALL - PASSENGER - W/O WINDOWS/TRIMS
	064675-54-003	EA	STEEL - ANGLE ROOF JOINT - 4' - OFF/WHITE
20	099583-55-005	EA	RAIL - AWNING - 144" - BRIGHT WHITE
21	103334-02-02A	EA	TRIM - BACKWALL/LOWER
22	103335-02-02A	EA	TRIM - BACKWALL/LOWER - 46.2"
23	P27225-01-K01	EA	BACKWALL - W/O WINDOW/TRIM
23	P27225-01-K02	EA	BACKWALL - W/O WINDOW/TRIM
23	P27225-01-K03	EA	BACKWALL - W/O WINDOW/TRIM
23	P27225-02-K01	EA	BACKWALL - W/O WINDOW/TRIM - JAPAN
23	P27225-02-K02	EA	BACKWALL - W/O WINDOW/TRIM - JAPAN
23	P27225-02-K03	EA	BACKWALL - W/O WINDOW/TRIM - JAPAN
24	078580-02-000	EA	TRIM - ROOF/FRONT/REAR CAP
25	096854-05-02A	EA	TRIM - CONTOUR - BRIGHT WHITE - 114"

## EXTERIOR BODY GROUP (CONTINUED)

### DECALS, STRIPES & PAINT



KEY	PART NUMBER	U/M	DESCRIPTION
1	118710-03-02A	FT	FILM - MULTISTRIPE/OVERLAY - 4"
2	124449-03-01A	EA	DECAL - SPLASH - FRONT/RIGHT HAND
2	124449-04-01A	EA	DECAL - SPLASH - FRONT/LEFT HAND
3	124451-01-02A	EA	DECAL - CAB - RIGHT HAND - FORD
3	124451-02-02A	EA	DECAL - CAB - LEFT HAND - FORD
4	094446-02-02A	FT	FILM - MULTISTRIPE - 9.5"
5	124448-03-01A	EA	DECAL-W - W/SPLASH - RIGHT HAND
5	124448-04-01A	EA	DECAL-W - W/SPLASH - LEFT HAND
6	094445-06-02A	FT	FILM - MULTISTRIPE - 6.1"
7	124450-03-01A	EA	DECAL - SPLASH - REAR/RIGHT HAND
7	124450-04-01A	EA	DECAL - SPLASH - REAR/LEFT HAND
8	116849-01-04A	EA	DECAL - LOGO - MINNIE/LARGE
9	120702-03-09A	EA	DECAL - LOGO - WINNEBAGO/SMALL
10	124447-02-01A	EA	DECAL - WINNIE - W/SPLASH
	041561-03-000	EA	PAINT - 16 OUNCE SPRAY - OFF WHITE
	099399-23-701	EA	PAINT - BRT/WHT .3 OZ PEN RAABE
	122886-02-01A	EA	DECAL - MOBILIE - SMALL - JAPAN

#### DUPONT PAINT COLOR CODES

BRIGHT WHITE

DUPONT B8951U

#### DUPONT GRAPHICS COLOR CODES

VIOLET FIREMIST METALLIC  
 MARINE BLUE METALLIC  
 SEAMIST BLUE METALLIC  
 DARK BRIGHT TEAL METALLIC

FILM #288  
 FILM #417  
 FILM #411  
 FILM #465

DUPONT F4572  
 DUPONT F4579  
 DUPONT G9845  
 DUPONT GM240

**EXTERIOR BODY GROUP (CONTINUED)**

**FIBERGLASS, STYROFOAM, PLYWOOD & CHANNEL**

KEY	PART NUMBER	U/M	DESCRIPTION	VENDOR NO.
	076054-AC-000	EA	FIBERGLASS SHEET - 20" X 99.8" - OFF WHITE	
	076054-N3-000	EA	FIBERGLASS SHEET - 102" X 234" - BRIGHT WHITE	
	076054-P9-000	EA	FIBERGLASS SHEET - 37.4" X 99.3" - BRIGHT WHITE	
	076054-U4-000	EA	FIBERGLASS SHEET - 101" X 104" - BRIGHT WHITE	
	076054-U4-000	EA	FIBERGLASS SHEET - 101" X 104" - BRIGHT WHITE	
	076054-U8-000	EA	FIBERGLASS SHEET - 100" X 105" - BRIGHT WHITE	
	077517-62-000	EA	FIBERGLASS SHEET/SIDEWALL - 48" X 96" - BRIGHT WHITE	
	092321-01-000	FT	INSULATION-FIBERGLASS W/FOIL BACKING	
	000870-08-000	SF	STYROFOAM - 3/4" X 48" X 96" PLANED EXPANDED BEAD BOARD	
	100619-01-000	BF	FOAM - EXPANDED POLYSTYRENE - 1.34" X 48" X 96"	
	100619-04-000	BF	FOAM - EXPANDED POLYSTYRENE - .5" X 48" X 96"	
	100619-05-000	BF	FOAM - EXPANDED POLYSTYRENE - .75" X 48" X 96"-1.5 DENSITY	
	100619-16-000	BF	FOAM - EXPANDED POLYSTYRENE - .75" X 48" X 96"-2.0 DENSITY	
	089297-01-000	SF	PLYWOOD - LUAN - OVERLAY GRADE - 48" X 96"	
	089297-02-000	SF	PLYWOOD - LUAN - OVERLAY GRADE - 48" X 108"	
	000846-01-000	SF	PLYWOOD - 5/16" X 48" X 96" - CD GRADE	
	000846-02-000	SF	PLYWOOD/UNDERLAYMENT - 5/16" X 48" X 96"	
	002726-01-001	EA	GARNISH - U-CHANNEL - 1.38" X 19' - SERRATED	
	002754-01-001	EA	ANGLE- EXTRUDED - .75" X .75" X 18' - MILL ALUMINUM	
	058267-01-000	FT	CHANNEL - STEEL - W/HOLES - SIDEWALL STIFFENER - 2" X 20'	

**EXTERIOR MIRRORS - FORD**

KEY	PART NUMBER	U/M	DESCRIPTION	VENDOR NO.
	120269-01-01A	EA	MIRROR - EXTERIOR - PASSENGER	
	120269-02-01A	EA	MIRROR - EXTERIOR - DRIVER	
	120269-01-700	EA	GLASS KIT W/BEZEL RH/LH	709407-8

**EXTERIOR MIRRORS - CHEVY**

KEY	PART NUMBER	U/M	DESCRIPTION	VENDOR NO.
	106860-05-01A	EA	MIRROR - REGULAR HEAD/LOW MOUNT - PAIR - BRIGHT WHITE	
	106860-01-707	EA	MIRROR HEAD (BRT WHITE)	7092760

**EXTERIOR MIRRORS - JAPAN**

KEY	PART NUMBER	U/M	DESCRIPTION	VENDOR NO.
	120269-01-02A	EA	MIRROR-PASSENGER DOOR - BRIGHT WHITE	
	120269-02-02A	EA	MIRROR - EXTERIOR - DRIVER	
	120269-01-700	EA	GLASS KIT W/BEZEL RH/LH	709407-8

**AWNING**

KEY	PART NUMBER	U/M	DESCRIPTION	VENDOR NO.
	113874-03-02A	EA	AWNING - W/O HARDWARE - 11.5 (POLAR NAVY TEAL) VINYL	
	111038-01-01A	EA	SPACER - AWNING - LOWER	
*	113874-01-02A	EA	HARDWARE KIT - AWNING - W/O STANDOFF BRACKET-BRIGHT WHITE	
	113874-10-01A	EA	SPACER - AWNING - LOWER BRACKET	
	130320-01-02A	EA	BRACKET - AWNING - F/A&E INSTALLATION - BRIGHT WHITE	

\*COMPONENT PARTS FOUND IN SERVICE PARTS LIBRARY

**EXTERIOR BODY GROUP (CONTINUED)**

**RUNNING BOARDS - FORD**

KEY	PART NUMBER	U/M	DESCRIPTION	VENDOR NO.
	072884-27-000	EA	RUNNING BOARD SET - 39" - FORD - ALUMINUM	
	072884-27-700	EA	BRACKET SET 12" 92	RB2BRK/M
	072884-27-701	EA	RUNNING BOARD-FORD 39",RT&LT	
	072884-27-702	FT	TREAD TAPE	RB9202
	072884-27-703	EA	MUD FLAP W/HOLES, 1EA=PAIR	99171
	072884-27-704	EA	CAP-ENDS, 1EA=PAIR	99148

**RUNNING BOARDS - FORD - UPGRADE**

KEY	PART NUMBER	U/M	DESCRIPTION	VENDOR NO.
	106461-06-01A	EA	RUNNING BOARD - FIBERGLASS - PASSENGER - FORD - BRT WHITE	
	106461-07-01A	EA	RUNNING BOARD - FIBERGLASS - DRIVER - FORD - BRT WHITE	
	106461-03-000	EA	HARDWARE KIT - RUNNING BOARD	
	106461-04-000	EA	TRIM - RUNNING BOARD/FORD	
	106461-05-000	EA	NON SKID STRIP - RUNNING BOARD - DOUBLE RUBBER STRIP	

**RUNNING BOARDS - CHEVY**

KEY	PART NUMBER	U/M	DESCRIPTION	VENDOR NO.
	072884-28-000	EA	RUNNING BOARD - ALUMINUM - CHEVY CHASSIS	
	072884-27-704	EA	CAP-ENDS, 1EA=PAIR	99148
	072884-28-700	EA	RUNNING BOARDS ONLY- RT & LT	15543
	072884-28-701	EA	MUD FLAP - FRONT - 1EA=PAIR	99153
	072884-28-702	EA	BRACKET SET - COMPLETE	206771

**RUNNING BOARDS - CHEVY - UPGRADE**

KEY	PART NUMBER	U/M	DESCRIPTION	VENDOR NO.
	125727-01-01A	EA	RUNNING BOARD - FIBERGLASS - PASSENGER - CHEVY - BRT WHITE	
	125727-02-01A	EA	RUNNING BOARD - FIBERGLASS - DRIVER - CHEVY - BRIGHT WHITE	
	125727-03-000	EA	HARDWARE KIT - RUNNING BOARD	
	125727-04-000	EA	TRIM KIT - RUNNING BOARD - CHEVY	

**LADDER**

KEY	PART NUMBER	U/M	DESCRIPTION	VENDOR NO.
	129639-01-01A	EA	LADDER - BRUSHED ALUMINUM	
	129375-01-000	EA	SEAL/FOAM - LADDER BRACKET	
	131256-01-01A	EA	PLATE - LADDER	



**GALLEY GROUP****MICROWAVE OVEN**

KEY	PART NUMBER	U/M	DESCRIPTION
	128527-01-000	EA	OVEN - MICROWAVE - .9 CU FT - NON CONVECTION FROM: 00-00-00 THRU: 07-19-98
	128527-03-000	EA	OVEN - MICROWAVE - .9 CUBIC FEET FROM: 07-20-98 THRU: 11-22-98
	128527-01-000	EA	OVEN - MICROWAVE - .9 CU FT - NON CONVECTION FROM: 11-23-98 THRU: 99-99-99
	128642-01-000	EA	TRIM KIT W/VENT - MICROWAVE - .9 CU FT - SAMSUNG FROM: 11-23-98 THRU: 99-99-99
	128527-01-700	EA	TRIM RING-F/.9 CU.FT. MICRO
	098916-26-02B	EA	BRACE - MICROWAVE CABINET - LEFT HAND
	098916-27-02B	EA	BRACE - MICROWAVE CABINET - RIGHT HAND
	094750-10-000	EA	BRACKET - MICROWAVE - 89 DEGREE

**RANGE HOOD W/O MONITOR PANEL - MODEL TCS-5008-NADL**

KEY	PART NUMBER	U/M	DESCRIPTION
*	100258-16-03A	EA	HOOD - RANGE - W/O MONITOR PANEL - W/O HOUR METER & SWITCH

**RANGE HOOD W/O MONITOR PANEL - MODEL TCS-5008-NACL**

KEY	PART NUMBER	U/M	DESCRIPTION
*	100258-17-03A	EA	HOOD - RANGE - W/O MONITOR PANEL - W/O HOUR METER & SWITCH
	100258-10-01A	EA	GAUGE - HOUR METER W/SWITCH - SCREW ON STYLE

**RANGE HOOD W/O MONITOR PANEL - MODEL TPS-5009-SADL**

KEY	PART NUMBER	U/M	DESCRIPTION
*	100258-18-02A	EA	HOOD - RANGE - W/O MONITOR PANEL - W/HOUR METER & SWITCH
	100258-10-01A	EA	GAUGE - HOUR METER W/SWITCH - SCREW ON STYLE

**RANGE - W/OVEN**

KEY	PART NUMBER	U/M	DESCRIPTION
*	112881-02-02A	EA	RANGE - 16" - 3 BURNER
	105458-03-000	EA	BRACKET - STOVE TIEDOWN - RIGHT HAND
	105458-04-000	EA	BRACKET - STOVE TIEDOWN - LEFT HAND

**RANGETOP - JAPAN**

KEY	PART NUMBER	U/M	DESCRIPTION
*	114030-02-01A	EA	RANGE - 3 BURNER TOP - W/O OVEN - BLACK - UL
	081587-03-000	EA	BRACKET - TIEDOWN - RANGE - RIGHT
	081587-04-000	EA	BRACKET - TIEDOWN - RANGE - LEFT

\*COMPONENT PARTS FOUND IN SERVICE PARTS LIBRARY

**GALLEY GROUP (CONTINUED)****MONITOR PANEL - LVS**

KEY	PART NUMBER	U/M	DESCRIPTION
*	102765-04-01A	EA	PANEL - MONITOR - 2 HOLDING TANKS - ADJUSTABLE

**REFRIGERATOR & COMPONENTS**

KEY	PART NUMBER	U/M	DESCRIPTION
*	121568-02-01A	EA	REFRIGERATOR - SMALL DOUBLE DOOR/LEFT HAND - 2-WAY FROM: 00-00-00 THRU: 07-19-98
*	121568-04-01A	EA	REFRIGERATOR - SMALL DOUBLE DOOR/LEFT HAND - 2-WAY - BLACK FROM: 07-20-98 THRU: 99-99-99
	093646-01-000	EA	BRACKET - TIEDOWN/REFRIGERATOR - RIGHT HAND
	093646-02-000	EA	BRACKET - TIEDOWN/REFRIGERATOR - LEFT HAND
	116751-01-01A	EA	TRAY - REFRIGERATOR
	054450-01-000	EA	LEVEL - REFRIGERATOR
	065225-02-000	EA	PLATE - TIEDOWN - REFRIGERATOR

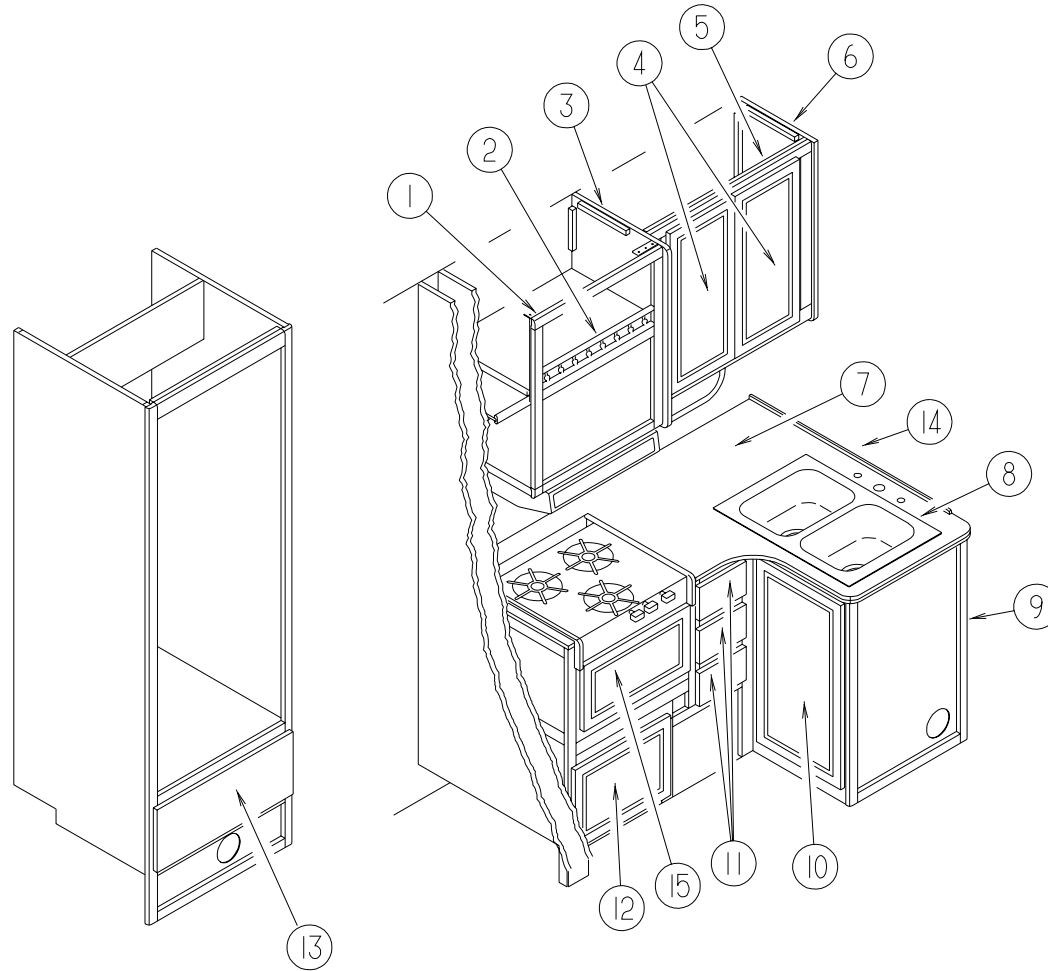
**REFRIGERATOR & COMPONENTS - JAPAN**

KEY	PART NUMBER	U/M	DESCRIPTION
	120076-03-01A	EA	REFRIGERATOR - SMALL DOUBLE DOOR/BLACK 3-WAY - RH - JAPAN FROM: 00-00-00 THRU: 07-19-98
	120076-06-01A	EA	REFRIGERATOR - SMALL DOUBLE DOOR - 3-WAY - BLACK - JAPAN FROM: 07-20-98 THRU: 99-99-99
	103251-07-01A	EA	INSERT - ACRYLIC/BLACK - 21.6" X 14.5"
	103251-08-01A	EA	INSERT - ACRYLIC/BLACK - 21.6" X 31.6"
	093646-01-000	EA	BRACKET - TIEDOWN/REFRIGERATOR - RIGHT HAND
	093646-02-000	EA	BRACKET - TIEDOWN/REFRIGERATOR - LEFT HAND
	116751-01-01A	EA	TRAY - REFRIGERATOR
	054450-01-000	EA	LEVEL - REFRIGERATOR
	065225-02-000	EA	PLATE - TIEDOWN - REFRIGERATOR

\*COMPONENT PARTS FOUND IN SERVICE PARTS LIBRARY

## GALLEY GROUP (CONTINUED)

### GALLEY CABINETS & FIXTURES



KEY	PART NUMBER	U/M	DESCRIPTION
1	128617-05-K01	EA	CABINET - MICROWAVE - W/O DOORS/HARDWARE
	106016-05-G09	EA	FACE - MICROWAVE CABINET - JAPAN
	132141-37-K01	EA	DOOR - VENEER - 10.8" X 23.8" - W/O HARDWARE - JAPAN
2	075249-01-000	EA	RAILING - OAK - 72" UNFINISHED
3	109908-92-K01	EA	END CAP - OVERHEAD CABINET
4	132141-05-K01	EA	DOOR - VENEER - 12" X 25.9" - W/O HARDWARE
5	128616-02-K01	EA	CABINET - OVERHEAD/GALLEY - W/O DOORS/HARDWARE
	128616-12-J01	EA	SHELF - W/PLASTIC EDGE TRIM
6	109908-91-K01	EA	END CAP - OVERHEAD CABINET
7	122022-18-K01	EA	COUNTERTOP - GALLEY CABINET
7	122022-18-K02	EA	COUNTERTOP - GALLEY CABINET
7	122022-18-K03	EA	COUNTERTOP - GALLEY CABINET
8	104113-01-000	EA	SINK - DOUBLE - STAINLESS STEEL
	092303-01-000	EA	STRAINER - SINK
	104114-02-01A	EA	FAUCET - GALLEY - SINGLE CONTROL
	103610-03-H24	EA	COVER - SINK - 15.2" X 11" (K01)
	103610-03-K02	EA	COVER - SINK - 15.2" X 11" (K02)
	103610-03-K18	EA	COVER - SINK - 15.2" X 11" (K03)

KEY	PART NUMBER	U/M	DESCRIPTION
9	122022-04-K01	EA	CABINET - GALLEY - W/COUNTERTOP - W/O DOORS/DRAWERS/HDW
9	122022-04-K02	EA	CABINET - GALLEY - W/COUNTERTOP - W/O DOORS/DRAWERS/HDW
9	122022-04-K03	EA	CABINET - GALLEY - W/COUNTERTOP - W/O DOORS/DRAWERS/HDW
9	122022-05-K01	EA	CABINET - GALLEY - W/COUNTERTOP - W/O DOORS/DRAWERS/HDW - JAPAN
9	122022-05-K02	EA	CABINET - GALLEY - W/COUNTERTOP - W/O DOORS/DRAWERS/HDW - JAPAN
9	122022-05-K03	EA	CABINET - GALLEY - W/COUNTERTOP - W/O DOORS/DRAWERS/HDW - JAPAN
10	131995-N3-K01	EA	DOOR - SOLID PANEL - 14.3" X 21.8" - W/O HARDWARE
11	M05971-LU-K01	EA	DRAWER - OGEE EDGE - 6.8"W X 13.8"D - W/O SLIDES/HARDWARE
12	131995-N4-K01	EA	DOOR - SOLID PANEL - 12.8" X 17.7" - W/O HARDWARE
13	131995-N0-K01	EA	DOOR - SOLID PANEL - 10" X 25.2" - W/O HARDWARE
	090329-01-000	FT	SEAL/T - REFRIGERATOR CABINET
14	098335-13-H24	EA	RAIL - GALLEY - 39.4" (K01)
14	098335-13-K02	EA	RAIL - GALLEY - 39.4" (K02)
14	098335-13-K03	EA	RAIL - GALLEY - 39.4" (K03)
15	131995-N5-K01	EA	DOOR - SOLID PANEL - 11" X 21.8" - W/O HARDWARE

## GENERATOR GROUP

### 4.0 KW MICROLITE GENERATOR - ONAN KY/FA/26100 B

KEY	PART NUMBER	U/M	DESCRIPTION
	109982-03-000	EA	GENERATOR - 4.0 MICROLITE
	007125-03-000	EA	CLAMP - MUFFLER - 1.5" DIAMETER
	007125-04-000	EA	CLAMP - MUFFLER - 1.12" DIAMETER
	105958-08-000	EA	PIPE/EXHAUST - GENERATOR
	007131-01-000	EA	HANGER - TAILPIPE - 6 SLOTS
	007067-01-000	SF	INSULATION - FIBERGLASS - 1" THICK X 4' - INCREMENTS/4 SF

### 4.0 KW MICROLITE GENERATOR - ONAN KY-FR/11429E

KEY	PART NUMBER	U/M	DESCRIPTION
	109982-06-000	EA	GENERATOR - 4.0 MICROLITE
	007125-03-000	EA	CLAMP - MUFFLER - 1.5" DIAMETER
	007125-04-000	EA	CLAMP - MUFFLER - 1.12" DIAMETER
	115716-02-000	EA	PIPE - EXHAUST - GENERATOR - LEFT HAND
	007131-01-000	EA	HANGER - TAILPIPE - 6 SLOTS
	007067-01-000	SF	INSULATION - FIBERGLASS - 1" THICK X 4' - INCREMENTS/4 SF

**NOTE: ADDITIONAL GENERATOR COMPONENTS ARE FOUND IN THE CHASSIS GROUP**

## HEATING & AIR CONDITIONING GROUP

### AIR CONDITIONERS - ROOF

KEY	PART NUMBER	U/M	DESCRIPTION	
*	108889-01-05A	EA	A/C - ROOF - 13,500 TSR	FROM: 00-00-00 THRU: 07-05-98
*	131185-01-01A	EA	A/C ROOF - 13,500 BTU - 220 VOLT - WHITE	FROM: 07-06-98 THRU: 99-99-99

### AIR CONDITIONER - CEILING

KEY	PART NUMBER	U/M	DESCRIPTION	
*	108891-01-02A	EA	CEILING ASSEMBLY - A/C COOL	FROM: 00-00-00 THRU: 07-05-98
*	131183-01-01A	EA	CEILING ASSEMBLY - A/C COOL - WHITE	FROM: 07-06-98 THRU: 99-99-99

### FURNACE

KEY	PART NUMBER	U/M	DESCRIPTION
*	098668-19-000	EA	FURNACE - 25000 BTU
*	098668-20-000	EA	FURNACE - 30000 BTU
	081087-01-000	EA	LIGHT - INDICATOR

### HEATING/AC COMPONENTS

KEY	PART NUMBER	U/M	DESCRIPTION	VENDOR NO.
	056464-10-000	EA	REGISTER - 4" DIAMETER - PLASTIC - W/O DAMPER - BEIGE	
	093614-01-02A	EA	GRILLE - RETURN AIR - 15.6" X 7.6" - BEIGE	
	040731-01-000	EA	NIPPLE - INLET MANIFOLD - GM	3838094
	115764-01-01A	EA	THERMOSTAT - FURNACE	
	009200-01-000	EA	TAPE - FURNACE - 1 1/2"	
	009198-01-000	FT	DUCT - HEAT - FLEXIBLE - 4" ID X 25'	
	076776-01-000	EA	TEE - BEADED - 5/8" X 5/8" X 5/8"	
	007108-01-000	FT	HOSE - HEATER - 5/8" ID - HI-TEMP - FORD	

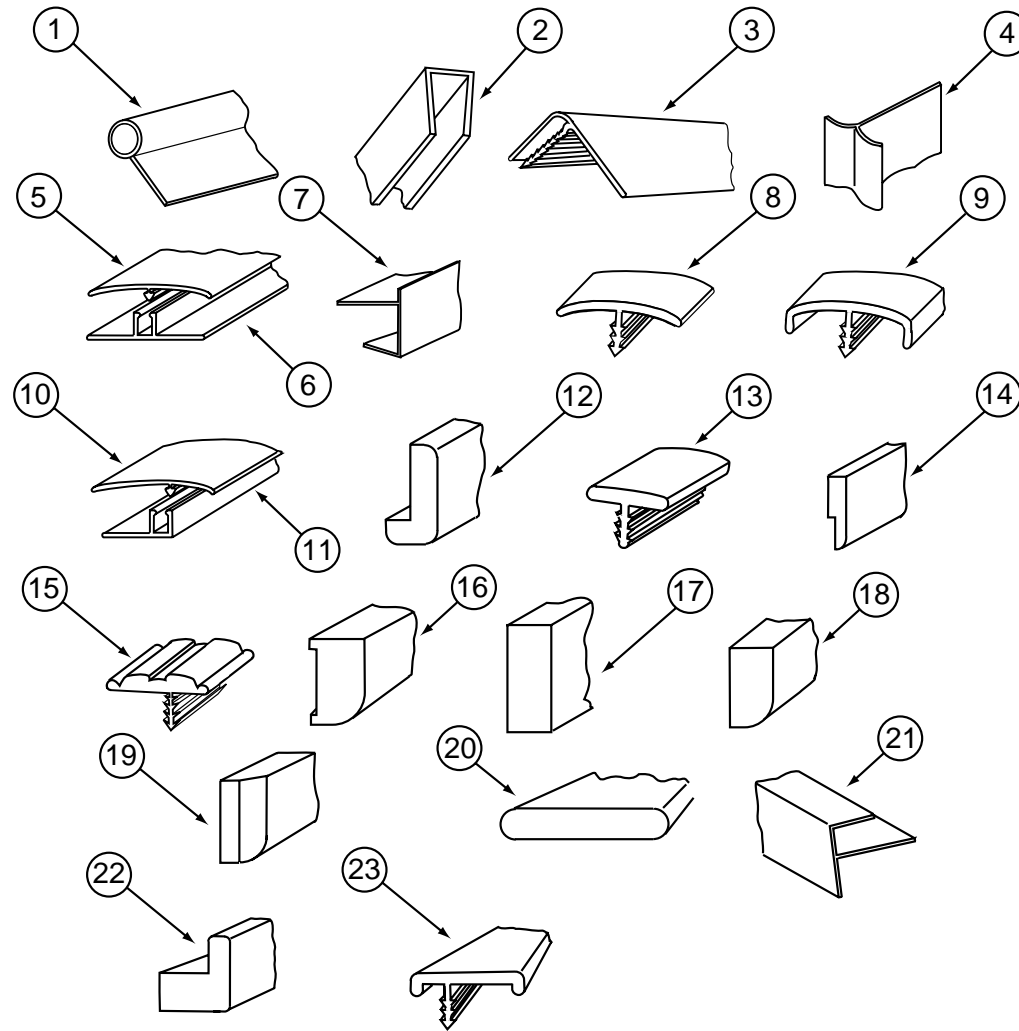
### REAR HEATER SYSTEM

KEY	PART NUMBER	U/M	DESCRIPTION	VENDOR NO.
	084405-01-000	EA	HEATER - REAR/DUCTED - W/MOTOR AID	
	084405-01-700	EA	CORE-HEATER	FT200229
	084405-01-701	EA	FAN BLADES	HV029931
	084405-01-702	EA	MOTOR ASSEMBLY, 12 VOLT	RV010348
	061673-01-000	EA	BRACKET - MOTOR AID TUBES - 4" X 1.5" - STEEL	
			FROM: 00-00-00 THRU: 12-08-98	
	131978-02-02B	EA	CLAMP - E-COATED	
			FROM: 12-09-98 THRU: 99-99-99	
	056464-10-000	EA	REGISTER - 4" DIAMETER - PLASTIC - W/O DAMPER - BEIGE	
	009198-01-000	FT	DUCT - HEAT - FLEXIBLE - 4" ID X 25'	
	069636-02-000	EA	CONNECTOR - DUCT - 4" ID	
	079059-01-000	EA	HOSE - 90 DEGREE - 5/8"ID X 4" X 36"	
	079059-13-000	EA	HOSE - 90 DEGREE - .61" X 4" X 48"	

**\*COMPONENT PARTS FOUND IN SERVICE PARTS LIBRARY**

# INTERIOR FINISH GROUP

## MOLDINGS & TRIMS



KEY	PART NUMBER	U/M	DESCRIPTION
1	009767-12-000	FT	WELTING - SIDEWALL/CEILING/CABINET - OFF/WHT
1	009767-15-000	FT	WELTING - WATERFORD OAK
2	009778-11-000	FT	U-CHANNEL - 1" - IVORY
2	009778-30-000	FT	U-CHANNEL - 1" - VILLAGE OAK
2	070504-21-000	FT	U-CHANNEL - PLASTIC - .8" X 84" - COUNTRY FOREST
2	070504-36-000	FT	U-CHANNEL - PLASTIC - .13" X 72" - WATERFORD OAK
2	070504-37-000	FT	U-CHANNEL - PLASTIC - .9" X 84" - WATERFORD OAK
2	070504-18-000	FT	U-CHANNEL - PLASTIC - .13" X 84" - IVORY
3	009809-23-000	EA	MOLDING - CORNER - OUTSIDE - 1" X 84" - MODERN IVORY
3	009809-28-000	EA	MOLDING - CORNER - OUTSIDE - 1" X 84" - WATERFORD OAK
3	009809-24-000	EA	MOLDING - CORNER - OUTSIDE - 1" X 84" - THOR PECAN
4	022992-11-000	FT	MOLDING - REVERSE COVE - T-SHAPED VINYL - IVORY
5	086229-15-000	EA	BATTEN - 1" X 96" - MODERN IVORY
5	086229-20-000	EA	BATTEN - 1" X 96" - BEIGE
6	086229-01-000	EA	RETAINER - BATTEN - .75" X 92.3" - ANY COLOR
7	103186-01-05A	FT	MOLDING - PLASTIC - 3/8" U-CHANNEL 3/4" FACE-WATERFORD OAK
7	103186-02-05A	FT	MOLDING - PLASTIC - 1" U-CHANNEL 1 3/8" FACE-WATERFORD OAK
8	009815-09-000	FT	MOLDING-T - .75" IVORY
8	105709-01-000	FT	MOLDING-T - 1" - MODERN IVORY
9	083620-09-000	FT	MOLDING-T - END CAP EDGE - W/EDGE LIP - .75"-MODERN IVORY
9	083620-12-000	FT	MOLDING-T - END CAP EDGE - W/EDGE LIP - .75"-WATERFORD OAK
9	104676-02-04A	FT	MOLDING-T - 1/2" - WATERFORD OAK

KEY	PART NUMBER	U/M	DESCRIPTION
10	086229-12-000	EA	BATTEN - 1.5" OFFSET X 97.01" IVORY
11	086229-11-000	EA	RETAINER - OFFSET - 97.01"
12	077840-01-G01	EA	MOLDING - CAP - WALL - 8' - WATERFORD OAK
13	104676-01-01A	FT	MOLDING-T - 5/16" RIGID GOLD
14	105004-01-05A	EA	MOLDING - VINYL WRAPPED - 1" X 96" - WATERFORD OAK
15	109736-02-01A	FT	T-MOLDING - 1" - NATURAL OAK
16	117268-D2-134	EA	MOLDING - VINYL WRAPPED - .7" X 1.6" X 84" - WATERFORD OAK
16	117268-F2-134	EA	MOLDING - VINYL WRAPPED - .7" X 2.7" X 84" - WATERFORD OAK
17	117267-D2-438	EA	LUMBER - VINYL WRAPPED - .7" X 1.5" X 96" - WATERFORD OAK
17	117267-E2-438	EA	LUMBER - VINYL WRAPPED - .7" X 2" X 96" - WATERFORD OAK
17	117267-R2-438	EA	LUMBER - VINYL WRAPPED - .7" X 3" X 96" - WATERFORD OAK
17	117267-J2-438	EA	LUMBER - VINYL WRAPPED - .7" X 5.5" X 96" - WATERFORD OAK
17	117267-F2-438	EA	LUMBER - VINYL WRAPPED - .7" X 2.5" X 96" - WATERFORD OAK
18	100818-01-05A	EA	MOLDING/VINYL WRAP - 1.6" X .4" X 7' - WATERFORD OAK
19	100659-01-G09	EA	MOLDING/TRIM - VINYL FLOOR
20	120492-01-01A	FT	STRIP - TRIM - IVORY
21	009812-29-000	EA	MOLDING - CORNER - 1/2" W/1/4" CHAN X 84" - WATERFORD OAK
21	009812-24-000	EA	MOLDING - CORNER - 1/2" W/1/4" CHAN X 108" - IVORY PLASTIC
22	100819-01-05A	EA	MOLDING/VINYL WRAP - L-SHAPED-1.5" X 1.5" X 7'-WATERFD OAK
23	119520-01-01A	FT	MOLDING-T - 1" - W/EDGE LIPS (OFF/WHITE-CREAM)

**INTERIOR FINISH GROUP (CONTINUED)**

**EDGE BAND MOLDING**

KEY	PART NUMBER	U/M	DESCRIPTION
	076325-47-000	FT	MOLDING - EDGE BAND - 1 5/16" X .030 - SAND (K01)
	076325-39-000	FT	MOLDING - EDGE BAND - 1 5/16" X .030 - ALMOND (K02, K03)
	076325-44-000	FT	MOLDING - EDGE BAND - .875" X .024" - SAND (K01)
	076325-40-000	FT	MOLDING - EDGE BAND - .875" X .024" - ALMOND (K02, K03)
	076325-73-000	FT	MOLDING - EDGE BAND - .93" X .024" - OFF WHITE
	076325-68-000	FT	MOLDING - EDGE BAND - 1 5/16" X .038 - WATERFORD OAK
	076325-67-000	FT	MOLDING - EDGE BAND - .93" X .024" - WATERFORD OAK

**BATT STRIPS**

KEY	PART NUMBER	U/M	DESCRIPTION
	088263-F5-000	EA	BATT STRIP - DECORATIVE - FLAGSTAFF SAND - 8' (K01)
	088263-E6-000	EA	BATT STRIP - DECORATIVE - MONTANA FROST - 8' (K02)
	088263-G0-000	EA	BATT STRIP - DECORATIVE - UPBEAT/TWILIGHT - 8' LONG (K03)
	085284-F1-000	FT	BATT TAPE - ADHESIVE BACKED - DECORATIVE/FLAGSTAFF SAND (K01)
	085284-E0-000	FT	BATT TAPE - ADHESIVE BACKED - MONTANA FROST (K02)
	085284-F8-000	FT	BATT TAPE - ADHESIVE BACKED - UPBEAT/TWILIGHT (K03)
	088263-E3-000	EA	BATT STRIP - DECORATIVE - PEBBLE EMBOSSED/ANTIQUE - 8'
	085284-D6-000	FT	BATT TAPE - ADHESIVE BACKED - DECORATIVE-EMBOSSED ANTIQUE
	088263-F9-000	EA	BATT STRIP - CEILING - IMPACT PEARL - 9'
	085284-F6-000	FT	BATT TAPE - ADHESIVE BACKED-IMPACT PEARL-W/FLEECE EMBOSSED
	069733-83-000	EA	BATT STRIP - WOODGRAINED/WATERFORD OAK - 8'
	085284-B5-000	FT	BATT TAPE - ADHESIVE BACKED - WOODGRAINED - WATERFORD OAK

**PANELING & PARTICLE BOARD**

KEY	PART NUMBER	U/M	DESCRIPTION
	088272-H5-000	SF	PANELING - FLAGSTAFF - 4' X 7' (K01)
	088272-G4-000	SF	PANELING - MONTANA FROST - 4' X 7' (K02)
	088272-H8-000	SF	PANELING - UPBEAT/TWILIGHT (K03)
	088272-G1-000	SF	PANELING - PEBBLE EMBOSSED - ANTIQUE WHITE - 4' X 7'
	074497-28-000	SF	PANELING - WATERFORD OAK - 4' X 8'
	074497-41-000	SF	PANELING - CEILING - IMPACT PEARL - EMBOSSED - 4' X 9'
	000885-76-000	SF	PARTICLE BOARD-3/8" X 48" X 96"-WATERFORD OAK/VINYL 1 SIDE
	000885-77-000	SF	PARTICLE BOARD-3/8" X 48" X 96"-WATERFORD OAK/VINYL 2 SIDE
	000885-78-000	SF	PARTICLE BOARD-1/2" X 48" X 96"-WATERFORD OAK/VINYL 2 SIDE
	000885-79-000	SF	PARTICLE BOARD-3/4" X 48" X 96"-WATERFORD OAK/VINYL 2 SIDE
	126339-01-000	SF	BOARD - WHEAT - 60" X 72"
	057882-04-700	EA	TAMBOUR - 48" X 48" SHEET - UNFINISHED

**INTERIOR FINISH GROUP (CONTINUED)**

**PLASTIC LAMINATES**

KEY	PART NUMBER	U/M	DESCRIPTION
	074498-54-000	SF	LAMINATE - PLASTIC - SAND SPEKTRUM - 5' X 8' (K01)
	074498-80-000	SF	LAMINATE - PLASTIC - WHITE TUNDRA - 5' X 8' (K02)
	074498-81-000	SF	LAMINATE - PLASTIC - ALMOND JAGUARD - 5' X 8' (K03)
	074498-40-000	SF	LAMINATE - PLASTIC - OFF WHITE - 5' X 8'
	074498-77-000	SF	LAMINATE - PLASTIC - ART CABIN (WATERFORD OAK) - 4' X 8'

**CARPETING & FLOOR MATS**

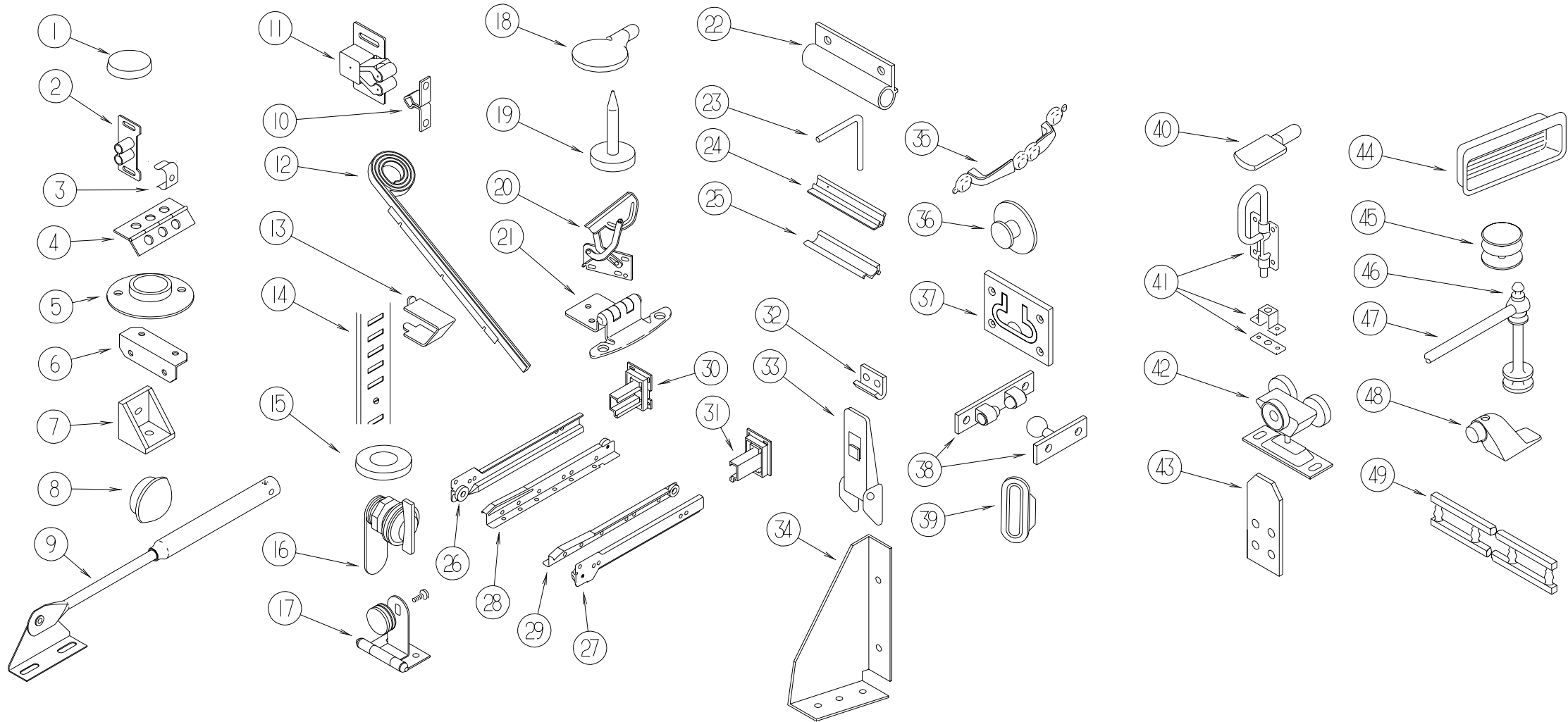
KEY	PART NUMBER	U/M	DESCRIPTION
	096060-95-000	SY	CARPET - DOESKIN - INCREMENTS OF 4 SQ YDS (K01)
	096060-97-000	SY	CARPET - LAPIS - INCREMENTS OF 4 SQ YDS (K02)
	096060-A2-000	SY	CARPET - NEW MEADOW - INCREMENTS OF 4 SQ YDS (K03)
	093486-01-000	SY	CARPET - COMPARTMENT - 72" WIDE - DARK GRAY
	042720-20-000	SY	VINYL - FLOOR COVERING - 7.5' WIDE - CALAY
	091261-01-000	FT	SLIPNOT - ANTISLIP - 1' WIDE
	096764-02-000	FT	SLIPNOT - ANTISLIP - 1" WIDE (100' ROLLS)
	122755-05-01A	EA	TILE - RUBBER/ENTRANCE DOOR - 11.2" X 26.9"
	124182-01-01A	EA	MAT - PASSENGER FRONT - CHEVY
	124182-02-01A	EA	MAT - DRIVER FRONT - CHEVY
	125780-01-000	EA	MAT - FLOOR - FRONT/PASSENGER - "W" - FORD
	125780-02-000	EA	MAT - FLOOR - FRONT/DRIVER - "W" - FORD

**SMOKE DETECTOR, CO DETECTOR & FIRE EXTINGUISHER**

KEY	PART NUMBER	U/M	DESCRIPTION	VENDOR NO.
	094499-03-000	EA	EXTINGUISHER/FIRE - DRY - 10B:C - W/O BRACKET	
	094499-04-000	EA	BRACKET - FIRE EXTINGUISHER	
	094499-02-000	EA	EXTINGUISHER/FIRE - DRY - 1A10BC - CANADIAN	
	094499-01-700	EA	BRACKET MTG. W/PLAS. STRAP	294039
	094499-01-701	EA	STRAP ONLY (METAL)	320351
	072852-01-000	EA	DETECTOR - SMOKE - W/9 VOLT BATTERY - US	
	125136-01-000	EA	CO DETECTOR - GAS - ROUND W/2 SCREWS - 9 VOLT	

## INTERIOR FINISH GROUP (CONTINUED)

### CABINET & TABLE HARDWARE

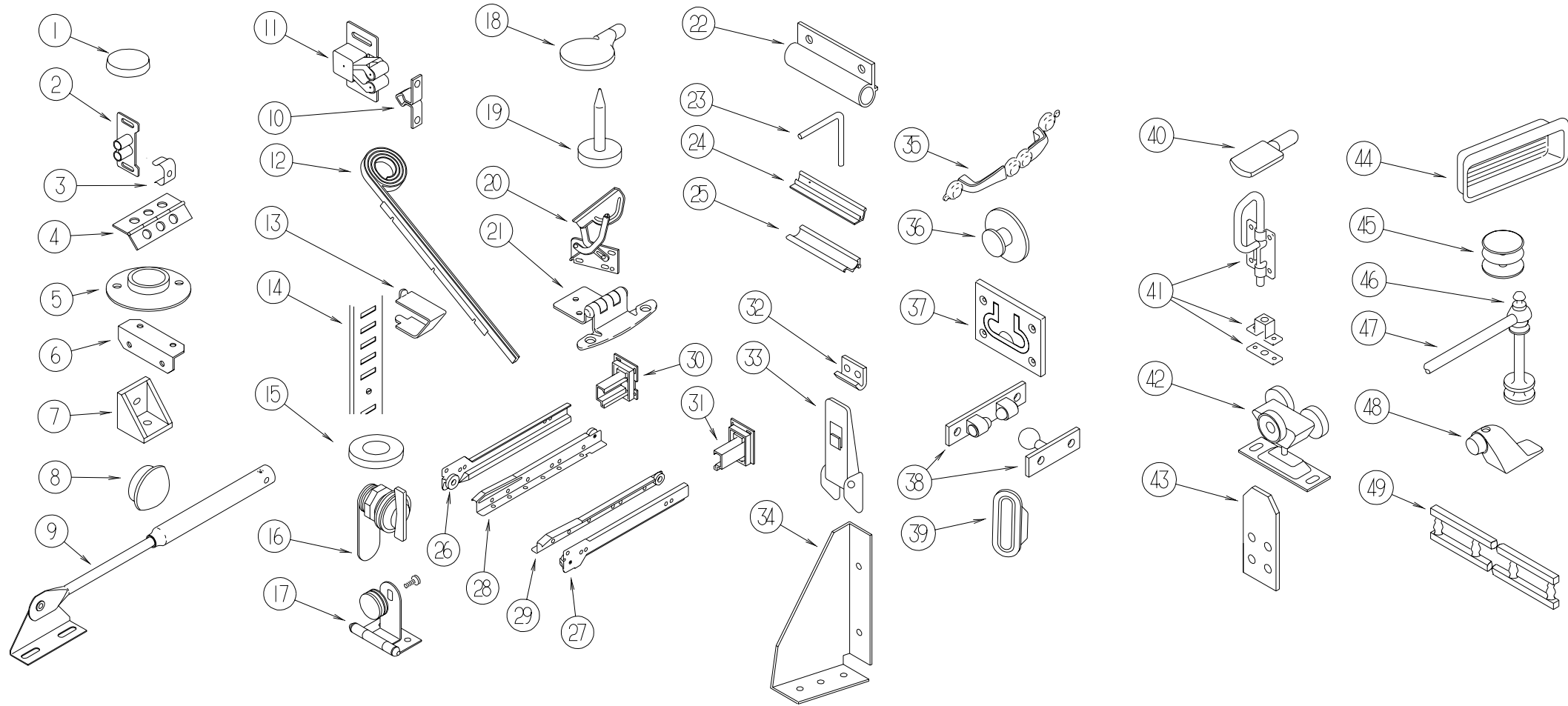


KEY	PART NUMBER	U/M	DESCRIPTION
1	004354-01-000	EA	BUMPER - RUBBER - .5" DIA - BROWN
2	009021-01-000	EA	CATCH - GRILLE - NYLON
3	009021-02-000	EA	STRIKE - SPRING STEEL
4	009059-01-000	EA	HINGE - DOOR - 2" X 1.4" - BRASS
4	009059-02-000	EA	HINGE - DOOR - 2" X 2.7" - BRASS
4	041389-35-000	EA	HINGE - PIANO - OFF WHITE - 31"
5	009112-01-000	EA	FLANGE - PLASTIC - 1" CLOTHES ROD - OFF WHITE
6	016604-01-000	EA	BRACE - CABINET - ANGLE - 2.5" - UNPAINTED METAL
6	016604-05-000	EA	BRACE - CABINET - ANGLE - 2.5" - OFF WHITE METAL
7	065740-01-000	EA	BRACE - CABINET/CORNER - PLASTIC
8	074045-01-000	EA	PLUG - OAK - 1/2" DIAMETER
9	074493-02-000	EA	SUPPORT - PISTON SPRING - CABINET DOOR
10	093586-05-000	EA	STRIKE - SPRING STEEL
11	093586-06-000	EA	CATCH - SPRING - ROLLER

KEY	PART NUMBER	U/M	DESCRIPTION
12	097141-02-700	EA	KIT - TRACK - TAMBOUR DOOR - W/ONE RT & ONE LEFT TRACK
13	098979-01-000	EA	CLIP - ADJUSTABLE SHELF
14	098980-06-000	EA	PILASTER - ADJUSTABLE SHELF - 24"
15	100707-01-000	EA	SPACER - GLASS DOOR - .8" DIA - .3" HOLE - PLASTIC
16	100710-01-01A	EA	LOCK - GLASS DOOR/TWIST TYPE - BRASS
17	100711-01-01A	EA	HINGE - GLASS DOOR
18	101766-01-000	EA	PIN - SUPPORT/GLASS DOOR
19	102194-01-000	EA	GUIDE - PLASTIC
20	108126-01-000	EA	TRAY HINGE SET (QTY. 2 PER SET)
21	108138-01-000	EA	HINGE - CABINET DOOR - BURNISHED BRASS
	000G13-06-08G	EA	SCREW - 6-20 X .50 PFH - ANTIQUE BRASS
22	108486-01-01A	EA	BRACKET - PROP ROD/OVERHEAD - BLACK
23	108487-02-01A	EA	SUPPORT - PROP ROD/OVERHEAD - BLACK
24	110107-01-04A	EA	PULL - DOOR - TERRATONE
25	110108-01-04A	EA	LATCH - DOOR - TERRATONE

# INTERIOR FINISH GROUP (CONTINUED)

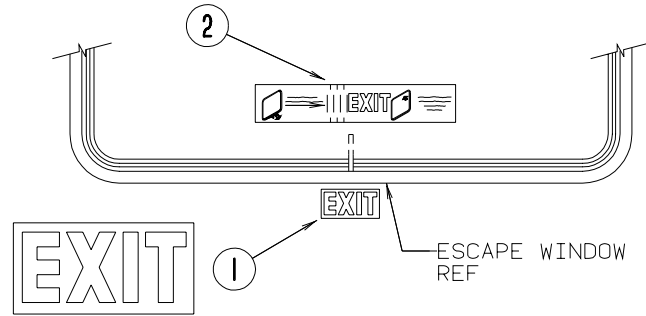
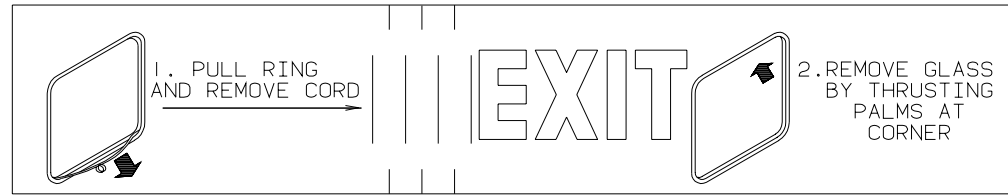
## CABINET & TABLE HARDWARE (CONTINUED)



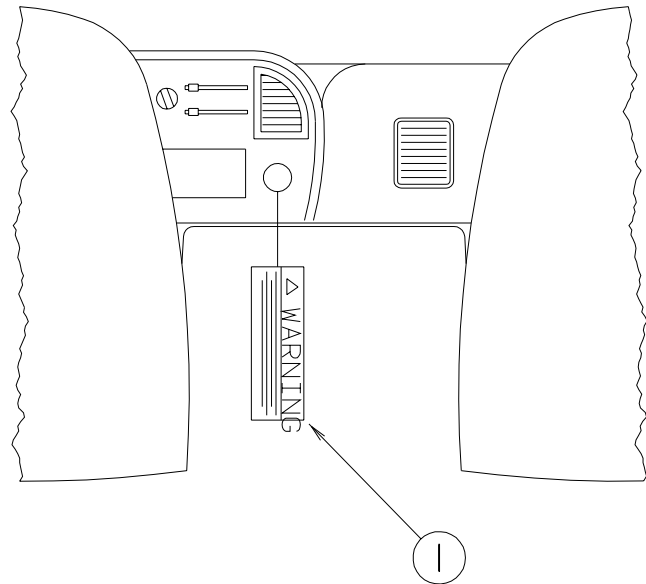
KEY	PART NUMBER	U/M	DESCRIPTION
26	128810-01-01A	EA	SLIDE - DRAWER - 12" - LEFT CABINET
26	128810-05-01A	EA	SLIDE - DRAWER - 14" - LEFT CABINET
26	128810-09-01A	EA	SLIDE - DRAWER - 16" - LEFT CABINET
26	128810-13-01A	EA	SLIDE - DRAWER - 18" - LEFT CABINET
26	128810-17-01A	EA	SLIDE - DRAWER - 20" - LEFT CABINET
26	128810-21-01A	EA	SLIDE - DRAWER - 22" - LEFT CABINET
26	128810-25-01A	EA	SLIDE - DRAWER - 24" - LEFT CABINET
27	128810-02-01A	EA	SLIDE - DRAWER - 12" - RIGHT CABINET
27	128810-06-01A	EA	SLIDE - DRAWER - 14" - RIGHT CABINET
27	128810-10-01A	EA	SLIDE - DRAWER - 16" - RIGHT CABINET
27	128810-14-01A	EA	SLIDE - DRAWER - 18" - RIGHT CABINET
27	128810-18-01A	EA	SLIDE - DRAWER - 20" - RIGHT CABINET
27	128810-22-01A	EA	SLIDE - DRAWER - 22" - RIGHT CABINET
27	128810-26-01A	EA	SLIDE - DRAWER - 24" - RIGHT CABINET
28	128810-03-01A	EA	SLIDE - DRAWER - 12" - LEFT DRAWER
28	128810-07-01A	EA	SLIDE - DRAWER - 14" - LEFT DRAWER
28	128810-11-01A	EA	SLIDE - DRAWER - 16" - LEFT DRAWER
28	128810-15-01A	EA	SLIDE - DRAWER - 18" - LEFT DRAWER
28	128810-19-01A	EA	SLIDE - DRAWER - 20" - LEFT DRAWER
28	128810-23-01A	EA	SLIDE - DRAWER - 22" - LEFT DRAWER
28	128810-27-01A	EA	SLIDE - DRAWER - 24" - LEFT DRAWER
29	128810-04-01A	EA	SLIDE - DRAWER - 12" - RIGHT DRAWER
29	128810-08-01A	EA	SLIDE - DRAWER - 14" - RIGHT DRAWER
29	128810-12-01A	EA	SLIDE - DRAWER - 16" - RIGHT DRAWER
29	128810-16-01A	EA	SLIDE - DRAWER - 18" - RIGHT DRAWER
29	128810-20-01A	EA	SLIDE - DRAWER - 20" - RIGHT DRAWER
29	128810-24-01A	EA	SLIDE - DRAWER - 22" - RIGHT DRAWER
29	128810-28-01A	EA	SLIDE - DRAWER - 24" - RIGHT DRAWER

KEY	PART NUMBER	U/M	DESCRIPTION
30	128811-01-01A	EA	BACKSOCKET - ADJUSTABLE - LEFT
31	128811-02-01A	EA	BACKSOCKET - ADJUSTABLE RIGHT
32	116975-02-01A	EA	KEEPER/STRIKE - BLACK - NEW STYLE
33	116975-01-01A	EA	LATCH - W/O STRIKE - BLACK - NEW STYLE
34	116978-01-03B	EA	GUSSET - SLIDEOUT ROOM - OFF/WHITE
35	121891-01-01A	EA	PULL - CABINET - BRASS
36	125221-01-01A	EA	PULL - MIRROR - W/ROUND HANDLE
37	072871-01-000	EA	PULL - FLUSH - CHROME
38	084451-01-000	EA	CATCH - BRASS
39	098410-01-01A	EA	PULL - FINGER - OVAL - BRASS
40	101766-01-000	EA	PIN - SUPPORT/GLASS DOOR
41	103256-01-000	EA	LATCH - SLIDE
42	103874-01-000	EA	HANGER - SLIDING DOOR
43	112053-01-01A	EA	STOP - DRAWER - BLACK
44	124311-01-01A	EA	HANDLE - RECESSED - BRASS
45	081114-02-000	EA	CAP - INSERT - ROUND 1" DIAMETER - WHITE
46	084070-03-000	EA	POST - END - 2.4" - BRASS
47	084071-12-000	EA	ROD - BRASS - 4.08" LONG
47	084071-19-000	EA	ROD - BRASS - 7.09" LONG
48	103257-01-000	EA	STOP - DOOR
49	075249-01-000	EA	RAILING - OAK - 72" UNFINISHED
	079921-01-000	EA	ROLLER - NYLON - W/STEEL SHAFT - BARBED
	113236-01-01A	EA	BRACKET - CLOTHES - ROD
	023320-01-000	EA	PAD - FELT 3/8" DIAMETER
	042438-01-000	EA	DOWEL - WOOD - CLOTHES ROD - 1" DIAMETER X 4'
	042438-02-000	EA	DOWEL - WOOD - 2" X 2"
	059783-01-000	FT	ROD - CLOTHES - SLOTTED ALUMINUM - 7'

**LABELS GROUP**



KEY	PART NUMBER	U/M	DESCRIPTION
1	039290-01-000	EA	LABEL - WARNING - EXIT
2	107571-01-000	EA	LABEL - EXIT/ESCAPE WINDOW



**WARNING**

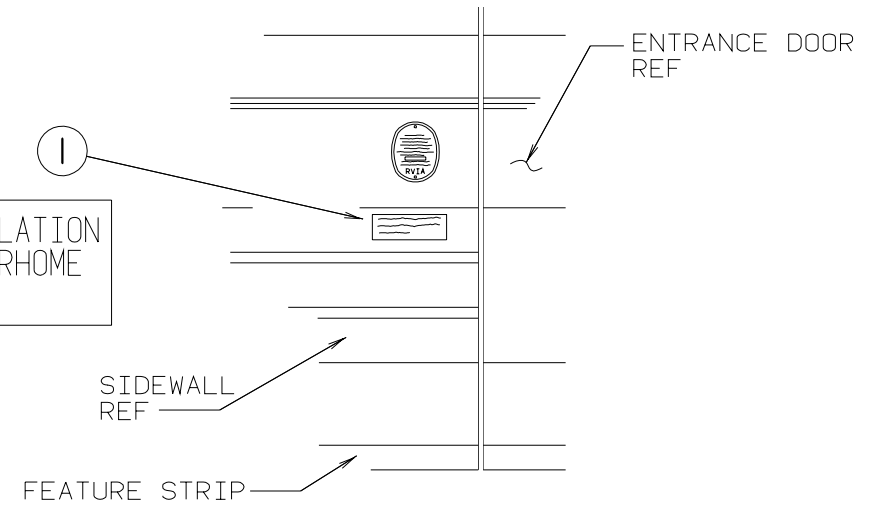
**Children Can be KILLED or INJURED by Passenger Air Bag**

The back seat is the safest place for children 12 and under. Make sure all children use seat belts or child seats.

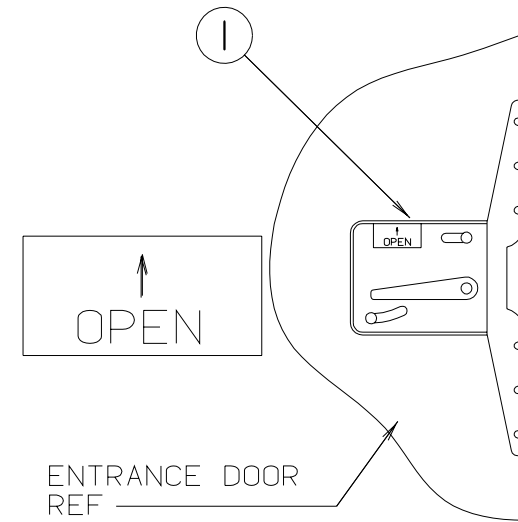
KEY	PART NUMBER	U/M	DESCRIPTION
1	126612-01-000	EA	LABEL - HANG TAG - AIR BAG - DASH

**LABELS GROUP (CONTINUED)**

FOR AWNING INSTALLATION CONTACT YOUR MOTORHOME DEALERSHIP



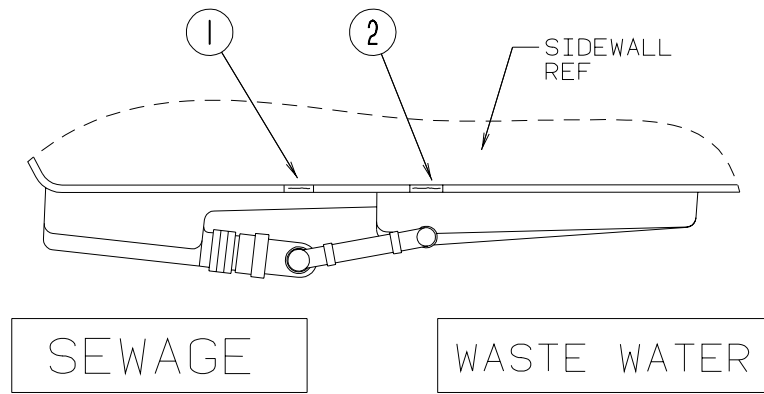
KEY	PART NUMBER	U/M	DESCRIPTION
1	099509-01-000	EA	LABEL - AWNING INSTALLATION



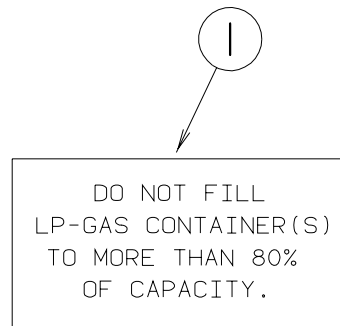
KEY	PART NUMBER	U/M	DESCRIPTION
1	040944-01-000	EA	LABEL - ENTRANCE DOOR - "OPEN"



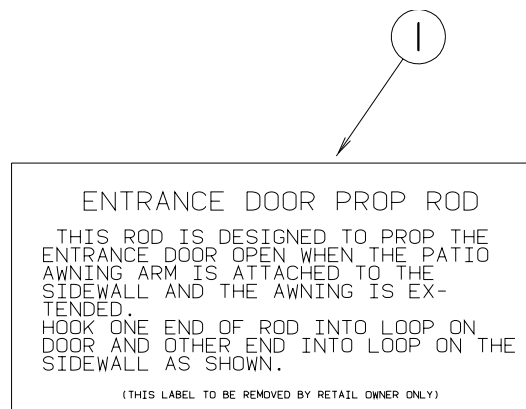
**LABELS GROUP (CONTINUED)**



KEY	PART NUMBER	U/M	DESCRIPTION
1	006187-01-000	EA	LABEL - SEWAGE
2	006188-01-000	EA	LABEL - WASTE WATER

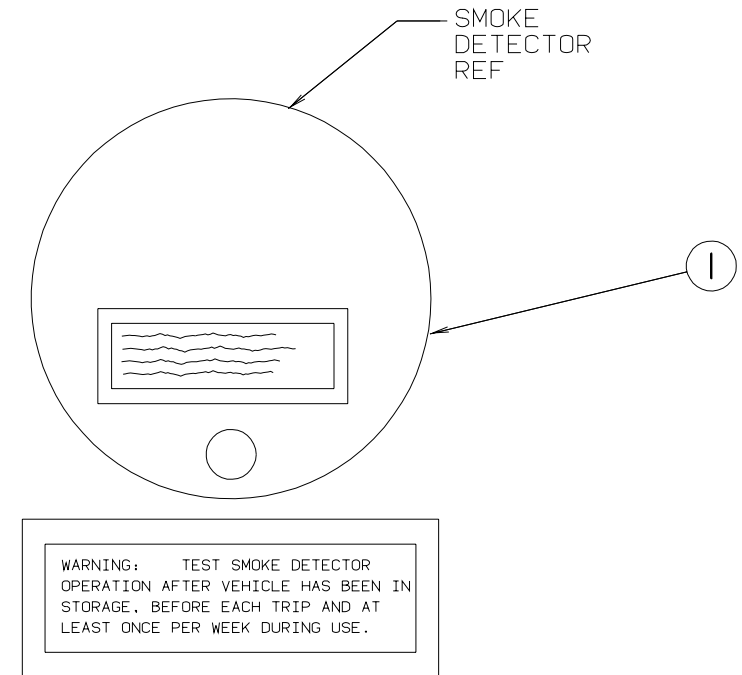


KEY	PART NUMBER	U/M	DESCRIPTION
1	079965-01-000	EA	LABEL - LPG - 80% CAPACITY

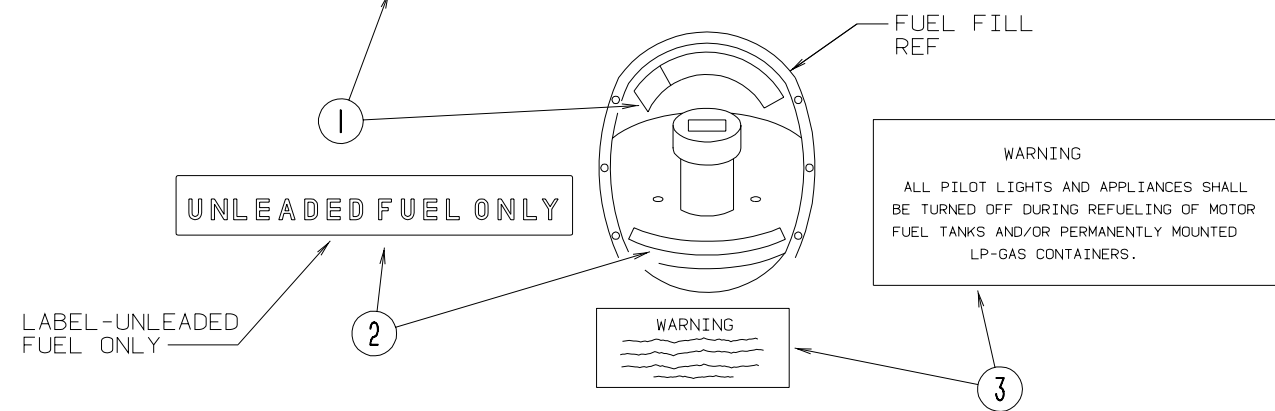
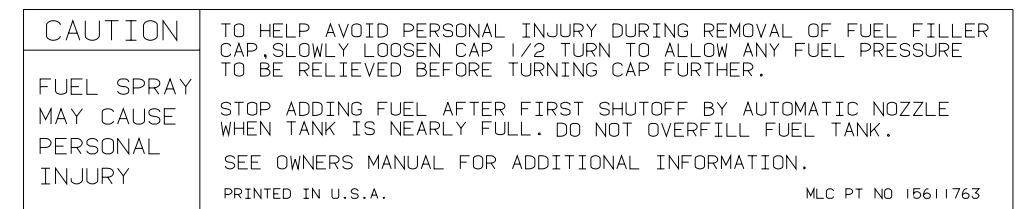


KEY	PART NUMBER	U/M	DESCRIPTION
1	128658-01-000	EA	LABEL - PROP ROD - ENTRY DOOR

**LABELS GROUP (CONTINUED)**

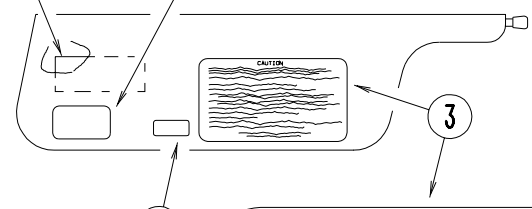
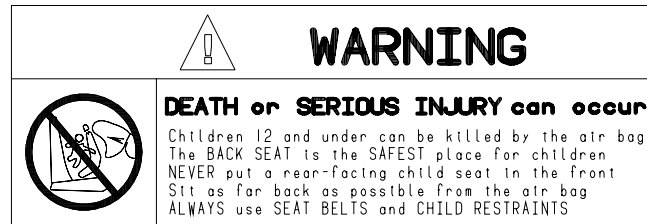


KEY	PART NUMBER	U/M	DESCRIPTION
1	077956-01-000	EA	LABEL - WARNING - SMOKE DETECTOR



KEY	PART NUMBER	U/M	DESCRIPTION
1	087207-05-000	EA	LABEL - FUEL CAP REMOVAL
2	062043-01-000	EA	LABEL - FUEL - UNLEADED
3	124519-01-02A	EA	LABEL - WARNING/REFUELING - WHITE ON CLEAR
3	124519-01-01A	EA	LABEL - WARNING/REFUELING - BLACK ON CLEAR

**LABELS GROUP (CONTINUED)**



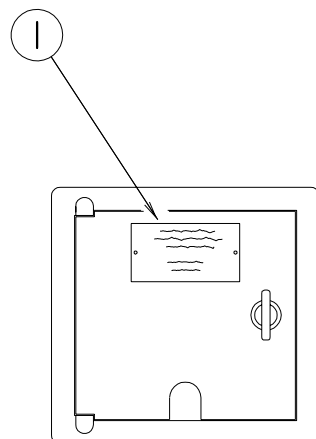
**WARNING**  
THIS VEHICLE, LIKE OTHER VEHICLES, MAY CONTAIN SMALL AMOUNTS OF ONE OR MORE SUBSTANCES WHICH ARE LISTED BY THE STATE OF CALIFORNIA FOR CAUSING CANCER OR REPRODUCTIVE TOXICITY.

**CAUTION**  
THIS MOTOR HOME HAS BEEN DESIGNED, MANUFACTURED AND TESTED WITH CONCERN FOR THE PROTECTION OF IT'S OCCUPANTS. WE RECOMMEND YOU PERFORM THE FOLLOWING INSPECTIONS FOR YOUR SAFETY AND THE SAFETY OF YOUR PASSENGERS BEFORE STARTING YOUR VEHICLE.

1. LP GAS SYSTEM- TURN OFF AT TANK FOR TRAVELING. TEST FOR LEAKS UPON ARRIVAL AT DESTINATION. BEFORE LIGHTING PILOTS.
2. WHEELS- INSPECT FOR DAMAGE AND CHECK LUG NUTS FOR TIGHTNESS.
3. TIRES- INSPECT FOR WEAR AND DAMAGE AND CHECK FOR RECOMMENDED AIR PRESSURE.
4. LIGHTING- TEST FOR PROPER OPERATION OF ALL INTERIOR AND EXTERIOR LIGHTS INCLUDING DASH LIGHTS, HEADLIGHTS, TAIL LIGHTS, BRAKE LIGHTS, CLEARANCE LIGHTS AND TURN SIGNALS.
5. EXITS- INSPECT RELEASE MECHANISM ON EMERGENCY EXIT WINDOW. TEST BOTH LOCKS ON MAIN ENTRANCE DOOR FOR EASE OF OPERATION AND INSTRUCT PASSENGERS HOW TO USE BOTH MEANS OF EXIT.
6. SEAT BELTS- DIRECT PASSENGERS TO DESIGNATED SEATS AND REQUIRE USE OF SEAT BELTS.
7. APPLIANCES- TURN OFF AND LATCH OR LOCK DOORS WHERE PROVIDED.
8. LOOSE PARCELS- STORE SECURELY.
9. UTILITY SUPPLY LINES- DISCONNECT ALL ELECTRIC, SEWER AND WATER LINES AND SECURE PROPERLY.
10. ENTRANCE DOOR STEP- PLACE IN RETRACTED POSITION FOR TRAVELING.

READ YOUR MOTOR HOME AND CHASSIS OWNER'S MANUAL FOR FURTHER PRECAUTIONS

KEY	PART NUMBER	U/M	DESCRIPTION
1	111802-01-000	EA	LABEL - CFC WARNING
2	099689-01-000	EA	LABEL - WARNING - CANCER/TOXICITY
3	056259-01-000	EA	LABEL - SAFETY CHECK LIST
4	126611-01-000	EA	LABEL - AIR BAG - VISOR



THIS CONNECTION IS FOR  
110-125 VOLT AC, 60HZ(CYCLES)  
30 AMP. MAX SERVICE.

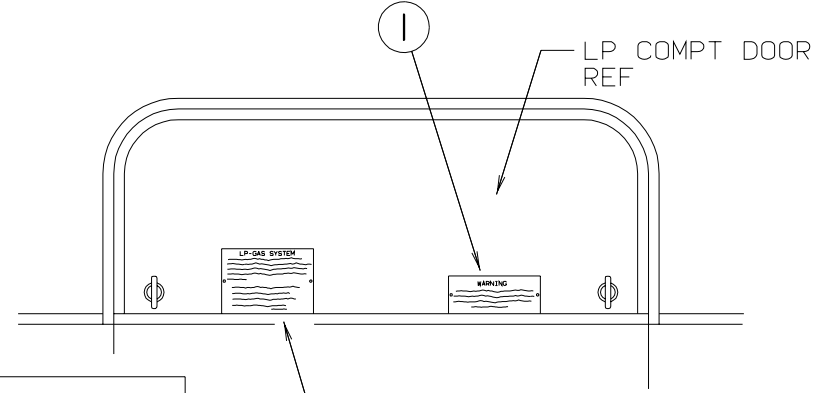
DO NOT CONNECT TO  
HIGHER VOLTAGE

DOOR ASM-  
POWER CORD  
REF

KEY	PART NUMBER	U/M	DESCRIPTION
1	125306-01-01A	EA	LABEL - ELECTRICAL ENTRANCE - 110 VOLT - 30 AMP

**LABELS GROUP (CONTINUED)**

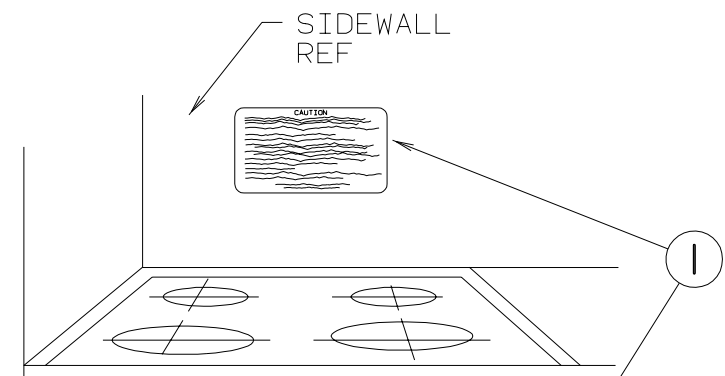
**WARNING**  
ALL PILOT LIGHTS AND APPLIANCES SHALL BE TURNED OFF DURING REFUELING OF MOTOR FUEL TANKS AND/OR PERMANENTLY MOUNTED LP-GAS CONTAINERS.



**LP-GAS SYSTEM**  
THIS GAS PIPING SYSTEM IS DESIGNED FOR USE OF LIQUIFIED PETROLEUM GAS ONLY. DO NOT CONNECT NATURAL GAS TO THIS SYSTEM.

SECURELY CAP INLET(S) WHEN NOT CONNECTED FOR USE. AFTER TURNING ON GAS, EXCEPT AFTER NORMAL CONTAINER REPLACEMENT, TEST GAS PIPING AND CONNECTIONS TO APPLIANCE FOR LEAKAGE WITH SOAPY WATER OR BUBBLE SOLUTION. DO NOT USE PRODUCTS THAT CONTAIN AMMONIA OR CHLORINE.  
P.N. 54531

KEY	PART NUMBER	U/M	DESCRIPTION
1	023769-01-000	EA	LABEL - WARNING - LPG - CANADIAN
2	124520-01-01A	EA	LABEL - LP GAS ONLY - BLACK ON CLEAR

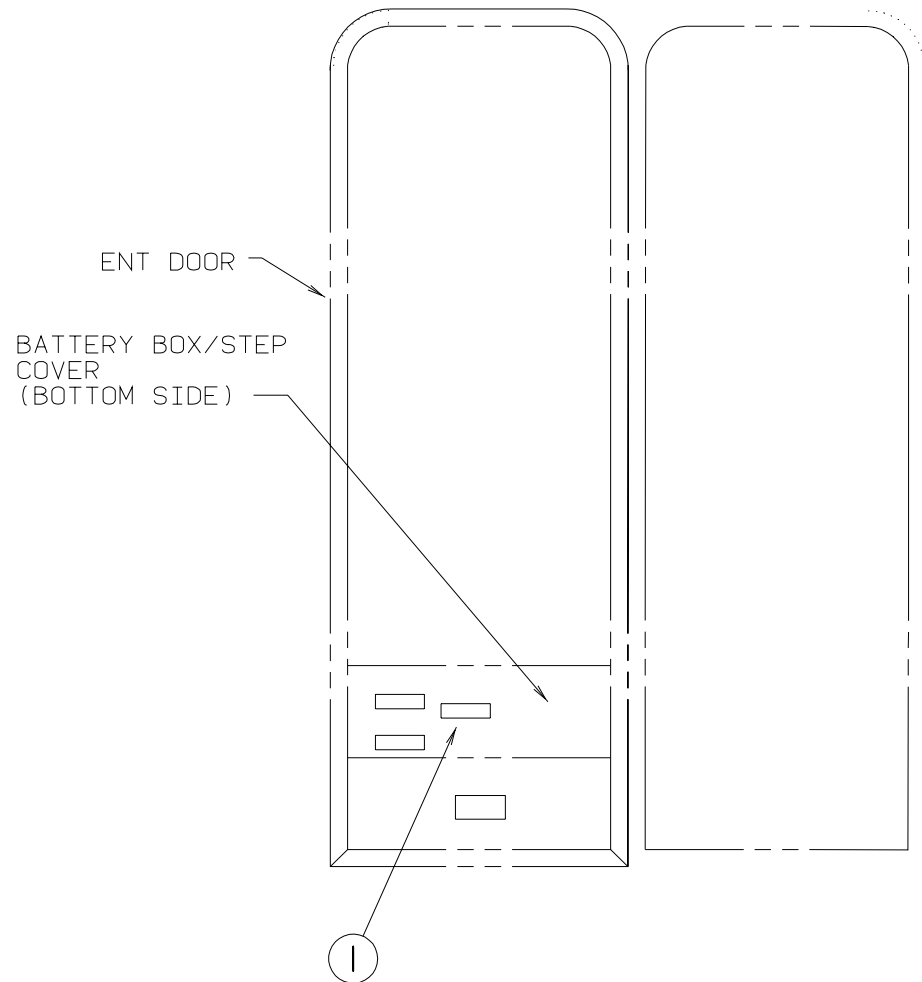


**WARNING**  
IT IS NOT SAFE TO USE COOKING APPLIANCES FOR COMFORT HEATING  
COOKING APPLIANCES NEED FRESH AIR FOR SAFE OPERATION BEFORE OPERATION:

1. OPEN OVERHEAD VENT OR TURN ON EXHAUST FAN AND;
2. OPEN WINDOW.

KEY	PART NUMBER	U/M	DESCRIPTION
1	050222-01-000	EA	LABEL - STOVE VENT - CANADIAN
1	050225-01-000	EA	LABEL - STOVE VENT - US

**LABELS GROUP (CONTINUED)**



WARNING: DISCONNECT BATTERIES BEFORE CONNECTING EXTERNAL CHARGING EQUIPMENT.

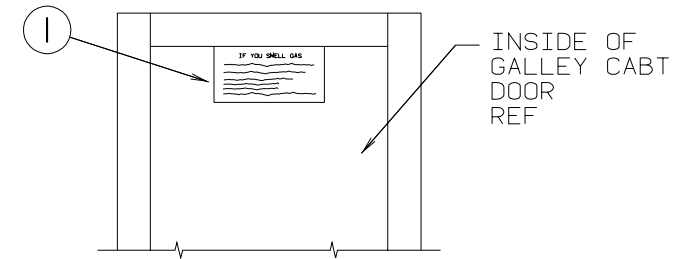
AVERTISSEMENT: DEBRANCHER LES BATTERIES AVANT DE BRANCHER TOUT EQUIPEMENT DE CHARGE EXTERIEUR.

KEY	PART NUMBER	U/M	DESCRIPTION
1	065748-01-000	EA	LABEL - CAUTION - BATTERY CHARGING



KEY	PART NUMBER	U/M	DESCRIPTION
1	111104-01-000	EA	LABEL - HITCH - READ MANUAL - WHITE
1	111104-02-000	EA	LABEL - HITCH - READ MANUAL - BLACK

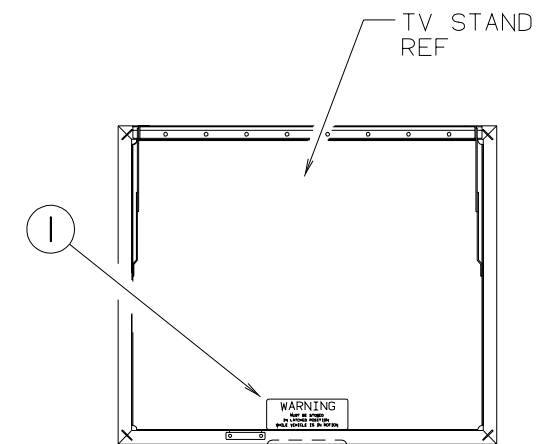
**LABELS GROUP (CONTINUED)**



**IF YOU SMELL GAS**

1. EXTINGUISH ANY OPEN FLAME, PILOT LIGHTS AND ALL SMOKING MATERIALS.
2. SHUT OFF THE GAS SUPPLY AT THE TANK VALVE( OR GAS SUPPLY CONNECTION.
3. OPEN DOORS AND OTHER VENTILATING OPENINGS.
4. DO NOT TOUCH ELECTRICAL SWITCHES.
5. LEAVE THE AREA UNTIL ODOR CLEARS.
6. HAVE THE GAS SYSTEM CHECKED AND LEAKAGE SOURCE CORRECTED BEFORE USING AGAIN.

KEY	PART NUMBER	U/M	DESCRIPTION
1	073998-01-000	EA	LABEL - LPG ODOR WARNING



**WARNING**  
MUST BE STOWED IN LATCHED POSITION WHILE VEHICLE IS IN MOTION

KEY	PART NUMBER	U/M	DESCRIPTION
1	079966-01-000	EA	LABEL - WARNING - STOWED - MOTION

**WARNING**  
ROOF SURFACE MAY BE SLIPPERY ESPECIALLY WHERE MOISTURE IS PRESENT SLIPPING MAY RESULT IN PERSONAL INJURY.

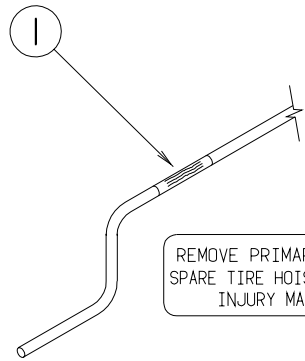
KEY	PART NUMBER	U/M	DESCRIPTION
1	128218-01-01A	EA	LABEL - WARNING - SLIPPERY ROOF

**LABELS GROUP (CONTINUED)**

AIR CONDITIONING CIRCUIT.  
THIS CONNECTION IS FOR  
AIR CONDITIONERS RATED 110-  
125 VOLT AC, 60 HZ, 16  
AMPERES MAXIMUM. DO NOT  
EXCEED CIRCUIT RATING.



KEY	PART NUMBER	U/M	DESCRIPTION
1	091243-01-000	EA	LABEL - A/C COVER "AIR CONDITIONING CIRCUIT ETC."



REMOVE PRIMARY TIRE HANGER BEFORE USING  
SPARE TIRE HOIST-SEE OWNERS MANUAL- PERSONAL  
INJURY MAY RESULT IF NOT FOLLOWED

KEY	PART NUMBER	U/M	DESCRIPTION
1	126024-01-01A	EA	LABEL - TIRE HANGER REMOVAL



INPUT

KEY	PART NUMBER	U/M	DESCRIPTION
1	087236-01-000	EA	LABEL - CABLE - INPUT



OUTLET

KEY	PART NUMBER	U/M	DESCRIPTION
1	087236-02-000	EA	LABEL - TV OUTLET

# BLACK HOLDING TANK



KEY	PART NUMBER	U/M	DESCRIPTION
1	126247-06-000	EA	LABEL - HOLDING TANK - BLACK

**LABELS GROUP (CONTINUED)**

# GRAY HOLDING TANK

KEY	PART NUMBER	U/M	DESCRIPTION
1	126247-05-000	EA	LABEL - GRAY HOLDING TANK



LP-GAS SYSTEM  
THIS GAS PIPING SYSTEM IS  
DESIGNED FOR USE OF  
LIQUIFIED PETROLEUM GAS  
ONLY. DO NOT CONNECT  
NATURAL GAS TO THIS  
SYSTEM.  
SECURELY CAP INLET(S) WHEN NOT  
CONNECTED FOR USE. AFTER TURNING  
ON GAS, EXCEPT AFTER NORMAL  
CONTAINER REPLACEMENT, TEST GAS  
PIPING AND CONNECTIONS TO  
APPLIANCES FOR LEAKAGE WITH SOAPY  
WATER OR BUBBLE SOLUTION. DO NOT  
USE PRODUCTS THAT CONTAIN AMMONIA  
OR CHLORINE.

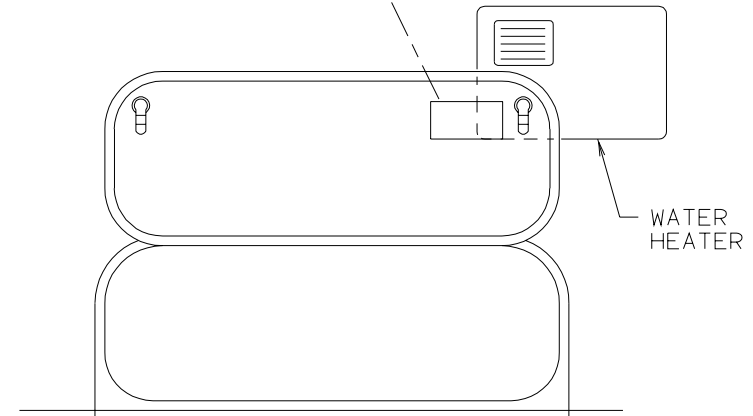
KEY	PART NUMBER	U/M	DESCRIPTION
1	054531-01-000	EA	LABEL - LP GAS ONLY



BATTERY MODE SWITCH    COACH BREAKER PANEL    ELECTRIC STEP IGNITION POWER    ELECTRIC STEP BATTERY POWER    ELECTRIC STEP CONTROL POWER    INVERTER

KEY	PART NUMBER	U/M	DESCRIPTION
1	093236-08-000	EA	LABEL - CIRCUIT BREAKER

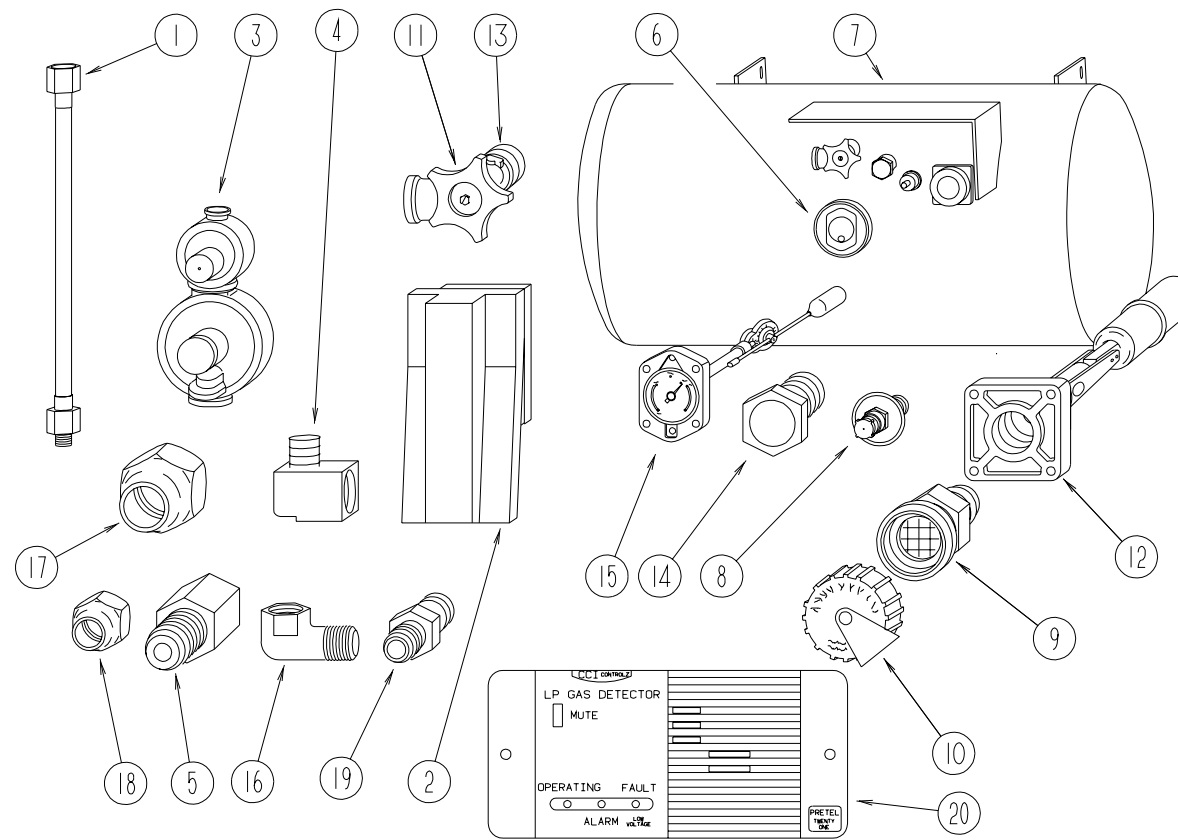
**CAUTION**  
DO NOT LATCH DOOR IN OPEN POSITION  
IF ~~(WATER HEATER)~~ FURNACE CONTROL IS IN THE ON  
POSITION. (SEE TAB) EXHAUST MAY  
DAMAGE OUTER SURFACE OF DOOR.



KEY	PART NUMBER	U/M	DESCRIPTION
1	113402-01-000	EA	LABEL - CAUTION - WATER HEATER EXHAUST
1	113402-02-000	EA	LABEL - CAUTION - FURNACE EXHAUST

# LP GROUP

## LP SYSTEM

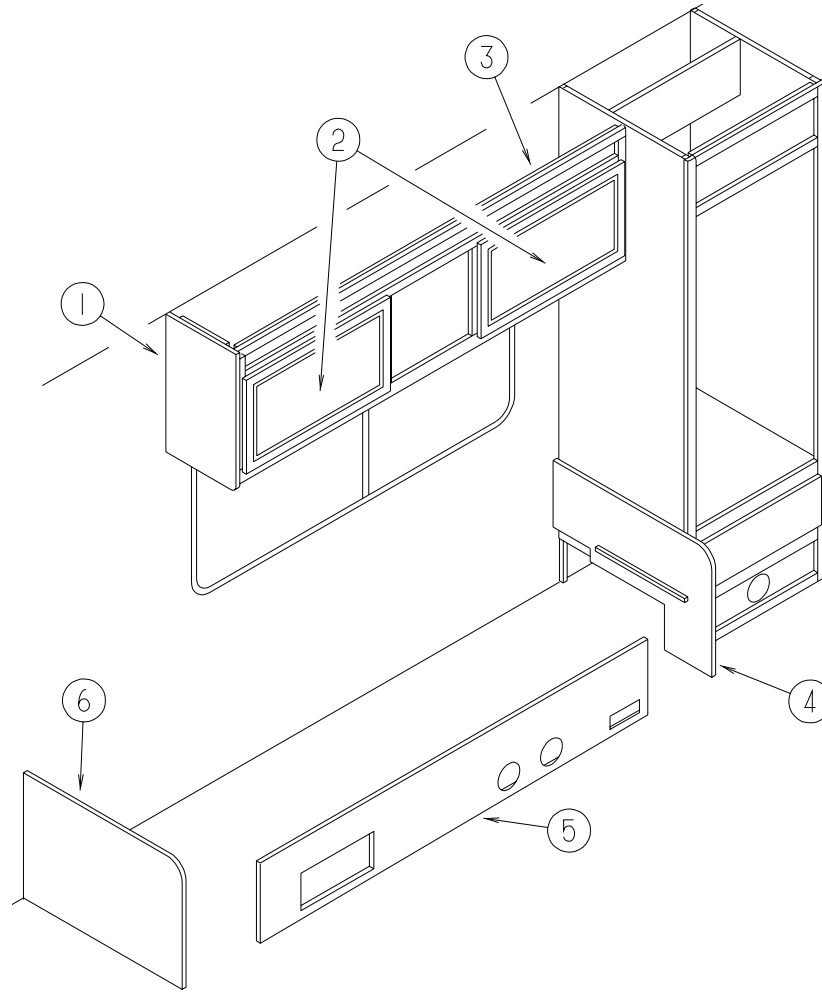


KEY	PART NUMBER	U/M	DESCRIPTION	VENDOR NO.
1	045703-05-000	EA	HOSE - LP - 3/8"ID X 28" - 3/8"MPT X 1/2"F SWIVEL - U.S.	
1	045703-06-000	EA	HOSE - LP - 3/8"ID X 28" - 3/8"MPT X 1/2"F SWIVEL - CANADA	
2	105658-01-000	EA	COMPARTMENT - LP REGULATOR	
3	106150-01-000	EA	REGULATOR - TWO STAGE -W/90 DEGREE ELBOW & 3/8" FPT OUTLET	
3	106150-02-000	EA	REGULATOR - TWO STAGE - 1/4" FPT INLET/3/8" FPT OUTLET	
4	010252-01-000	EA	ELBOW - BRASS - 90 DEGREE - 3/8"F X 1/2"MPT	
5	024250-01-000	EA	ADAPTER - BRASS - 3/8"F X 1/2"FPT	
6	040440-02-000	EA	TRANSMITTER - DIAL - 0-90 OHM -2 TERMINAL (POWER & GROUND)	
7	097821-03-000	EA	TANK - LP - 60 LB - 14" X 30"	
8	040421-01-700	EA	VALVE-LIQUID LEVEL, 20%	G-1013
9	040421-01-701	EA	VALVE-FILL-SHORT, LP	7547B
10	040421-01-702	EA	CAP-FILL VALVE, PLASTIC	G-1014-A

KEY	PART NUMBER	U/M	DESCRIPTION	VENDOR NO.
11	040421-01-708	EA	HANDWHEEL-SERVICE VALVE	G-1015-A
12	040421-01-711	EA	VALVE-80% FILL W/AUTO STOP	LLL/TL3
13	040421-01-712	EA	VALVE,SERV. W/O VAPOR RELIEF	29000853
14	040421-01-713	EA	VALVE-RELIEF 1" W/SPRING 7"	29000587
15	074142-01-700	EA	FLOAT ASM.SCREW ON F/13"TANK	13C-SCR
	074142-01-701	EA	FLOAT ASM.(SIGHT GAUGE) BOLT	13C-BLT
16	065318-02-000	EA	ELBOW - 90 DEGREE - 3/8" MPT TO 3/8" FPT	
17	010377-02-000	EA	NUT - BRASS - 3/8" FLARE - FORGED	
18	010380-02-000	EA	NUT - BRASS - 1/2" FLARE - FORGED	
19	010326-01-000	EA	ADAPTER - FLARE - W/CONE GASKET - 3/8"FEMALE X 1/2"MALE	
20	103613-03-000	EA	DETECTOR - LP GAS - W/O SHUT-OFF VALVE	
	010323-01-000	EA	ADAPTER - BRASS - 3/8"F X 1/2"MPT	
	010329-01-000	EA	ADAPTER - BRASS - 1/2"F X 1/2"MPT	

# LOUNGE GROUP

## DRIVER SIDE LOUNGE CABINETS



KEY	PART NUMBER	U/M	DESCRIPTION
1	109908-79-K01	EA	END CAP - OVERHEAD CABINET
2	132141-14-K01	EA	DOOR - VENEER - 15.7" X 27.9" - W/O HARDWARE
3	121972-02-K01	EA	CABINET - OVERHEAD/FRONT - W/O DOORS/HARDWARE
4	M05968-05-J02	EA	PANEL - LEFT END - SOFA/BED - FABRIC COVERED (K01)
4	M05968-05-K02	EA	PANEL - LEFT END - SOFA/BED - FABRIC COVERED (K02)
4	M05968-05-K03	EA	PANEL - LEFT END - SOFA/BED - FABRIC COVERED (K03)
4	M05968-08-J02	EA	PANEL - LEFT END - SOFA/BED - FABRIC COVERED (K01) - JAPAN
4	M05968-08-K02	EA	PANEL - LEFT END - SOFA/BED - FABRIC COVERED (K02) - JAPAN
4	M05968-08-K03	EA	PANEL - LEFT END - SOFA/BED - FABRIC COVERED (K03) - JAPAN

KEY	PART NUMBER	U/M	DESCRIPTION
5	M05968-06-J02	EA	PANEL - FRONT KICK - SOFA/BED - FABRIC COVERED (K01)
5	M05968-06-K02	EA	PANEL - FRONT KICK - SOFA/BED - FABRIC COVERED (K02)
5	M05968-06-K03	EA	PANEL - FRONT KICK - SOFA/BED - FABRIC COVERED (K03)
5	M05968-09-J02	EA	PANEL - FRONT KICK - SOFA/BED - FABRIC COVERED (K01) - JAPAN
5	M05968-09-K02	EA	PANEL - FRONT KICK - SOFA/BED - FABRIC COVERED (K02) - JAPAN
5	M05968-09-K03	EA	PANEL - FRONT KICK - SOFA/BED - FABRIC COVERED (K03) - JAPAN
6	M05968-04-J02	EA	PANEL - RIGHT END - SOFA/BED - FABRIC COVERED (K01)
6	M05968-04-K02	EA	PANEL - RIGHT END - SOFA/BED - FABRIC COVERED (K02)
6	M05968-04-K03	EA	PANEL - RIGHT END - SOFA/BED - FABRIC COVERED (K03)
6	M05968-07-J02	EA	PANEL - RIGHT END - SOFA/BED - FABRIC COVERED (K01) - JAPAN
6	M05968-07-K02	EA	PANEL - RIGHT END - SOFA/BED - FABRIC COVERED (K02) - JAPAN
6	M05968-07-K03	EA	PANEL - RIGHT END - SOFA/BED - FABRIC COVERED (K03) - JAPAN
	105947-01-000	EA	BRACKET - HOLD DOWN - COUCH - CANADIAN
	082525-01-000	EA	BRACE - COUCH - FLOOR MOUNT - ANGLE 3" LONG

## SEALANTS & FASTENERS GROUP

### ADHESIVES AND SEALERS

KEY	PART NUMBER	U/M	DESCRIPTION
	004006-05-700	EA	ADHESIVE-NAT. STARCH (5 GAL) 0802
	102352-01-000	EA	SEALER - PUMPABLE - BLACK
	102352-02-000	EA	SEALER - PUMPABLE - CLEAR
	106206-01-000	EA	SEALER - PUMPABLE - MANUS 30A - BLACK
	069640-01-000	FT	SEALER - RIBBON - 1/4" DIAMETER X 30' - BLACK
	069640-09-000	FT	SEALER - TAPE - .032"THICK X 2.50"WIDE X 80' - GREY
	069640-11-000	FT	SEALER - TAPE - .19"THICK X .38"WIDE X 40' - BLACK
	069640-18-000	FT	SEALER - TAPE - .50"THICK X 1/8"WIDE X 60' - BRIGHT WHITE
	069640-19-000	FT	SEALER - TAPE - .75"THICK X 1/8"WIDE X 60' - BRIGHT WHITE
	069640-21-000	FT	SEALER - TAPE - .50" THICK X 1/16 X 100FT - BRIGHT WHITE
	069640-22-000	FT	SEALER - TAPE - .25"THICK X 1/32 - BRIGHT WHITE
	076322-01-000	FT	TAPE - DOUBLE COATED/ADHESIVE BACK - .025"THK X .75"W X 18'
	076322-05-000	FT	TAPE - DOUBLE COATED/ADHESIVE BACK - .045"THK X .75"W X 9'
	076322-07-000	FT	TAPE - DOUBLE COATED/ADHESIVE BACK - .045"THK X .50"W X 9'
	123816-01-000	FT	TAPE - DOUBLE SIDED - 1"
	123816-03-000	FT	TAPE - DOUBLE SIDED - 1/2" X 3/4" - THICK
	120534-01-01A	EA	TAPE - SCOTCH - 3M - 1/2" FINE LINE
	104692-01-000	FT	SEAL - FOAM/ADHESIVE BACK - .75"THICK X .75"WIDE X 25'
	072889-09-000	EA	SEALANT - URETHANE - BLACK (TUBE) FROM: 00-00-00 THRU: 09-06-98
	072889-10-000	EA	SEALANT - URETHANE (HV) - BRIGHT WHITE FROM: 00-00-00 THRU: 09-06-98
	072889-12-000	EA	SEALANT - URETHANE (LV) BRIGHT WHITE FROM: 00-00-00 THRU: 09-06-98
	072889-18-000	EA	SEALANT - URETHANE - BLACK (FOIL) FROM: 09-07-98 THRU: 99-99-99
	072889-19-000	EA	SEALANT - URETHANE - (FOIL) - BLACK - 10 OUNCE FROM: 09-07-98 THRU: 99-99-99
	072889-20-000	EA	SEALANT - URETHANE - (FOIL) - BRIGHT WHITE - 10 OUNCE FROM: 09-07-98 THRU: 99-99-99
	053766-02-000	EA	BEDDING COMPOUND - TUBE - WHITE
	053766-06-000	EA	BEDDING COMPOUND - TUBE - CLEAR
	053766-08-000	EA	BEDDING COMPOUND - TUBE - GRAY
	131264-01-01A	EA	SILICONE - W/O NOZZLE - BLACK
	131264-01-02A	EA	SILICONE - W/O NOZZLE - CLEAR
	108716-03-000	EA	SILICONE - TUBE - BRIGHT WHITE/SELF LEVELING - W/O NOZZLE FROM: 00-00-00 THRU: 09-06-98
	131264-03-01A	EA	SILICONE - SELF LEVELING - W/O NOZZLE - BRIGHT WHITE FROM: 09-07-98 THRU: 99-99-99
	120074-02-01A	EA	SEALANT - SILICONE - OFF WHITE
	900390-01-000	EA	TIP - 2 1/2" X 1/8" ORIFICE
	900390-03-000	EA	NOZZLE - SILICONE TUBE

### GROMMETS

KEY	PART NUMBER	U/M	DESCRIPTION
	016188-03-000	EA	GROMMET - L/P LINE - 3/8" HOLE X 2 1/2" LONG - RUBBER
	016188-04-000	EA	GROMMET - GASLINE - .50 - 2.5 LONG
	016188-05-000	EA	GROMMET - L/P LINE - 3/8" HOLE X 1 1/4" LONG - RUBBER
	023942-01-000	EA	GROMMET - RUBBER - 2" OD
	114208-02-000	EA	GROMMET - EDGE LINER - FITS .625
	071015-26-000	EA	GROMMET - RUBBER - 1.5" ID X 2.1" OD W/.06" GROOVE-BLACK

## SEALANTS & FASTENERS GROUP (CONTINUED)

### NUTS AND RIVETS

KEY	PART NUMBER	U/M	DESCRIPTION
	000D29-09-00B	EA	NUT - HEX - SELF LOCKING - 9/16-12 - ZINC
	000D34-06-00B	EA	NUT - HEX - LOCKING - 3/8-16 GRADE C - ZINC-PREVAILING
	000D39-04-00B	EA	NUT - HEX - LOCKING W/SERRATED FLANGE - 1/4-20 - ZINC
	000D39-05-00B	EA	NUT - HEX - LOCKING W/SERRATED FLANGE - 5/16-18 - ZINC
	000D39-06-00B	EA	NUT - HEX - LOCKING W/SERRATED FLANGE - 3/8-18 - ZINC
	000D39-07-00B	EA	NUT - HEX - LOCKING W/SERRATED FLANGE - 7/16-14 - ZINC
	000D39-08-00B	EA	NUT - HEX - LOCKING W/SERRATED FLANGE - 1/2-13 - ZINC
	000D44-07-00B	EA	NUT - HEX - LOCKING W/SERRATED FLANGE - 7/16-20 - ZINC
	000D46-04-00A	EA	NUT - HEX - WELD - 1/4-20 - PLAIN
	000D58-06-00A	EA	NUT - HEX - WELD 3/8-16 - PLAIN
	000D60-05-00A	EA	NUT - HEX - WELD/LOCK 5/16 - 18 UNCUT
	000D65-08-00B	EA	NUT - HEX - LOCKING W/SERRATED FLANGE - 8-32 - ZINC
	040921-01-000	EA	NUT - SPEED - U TYPE - 10-24 BLACK
	044364-02-000	EA	NUT - SPEED - FLAT - ROUND
	104369-01-000	EA	NUT - HEX - HEAVY - 5/8-11 UNC
	000H16-04-06R	EA	RIVET - POP ALUMINUM - 1/8 X .313 - .375
	069592-02-000	EA	RIVET-T - POP - 1/4 X .093 - .156

### CLAMPS AND TIES

KEY	PART NUMBER	U/M	DESCRIPTION
	007161-01-000	EA	CLAMP - HOSE - SPRING TYPE - 1/2"
	010495-01-000	EA	CLAMP - CABLE - 9/16"
	010497-04-000	EA	CLAMP - CLOSED - 1.62" ID
	010497-07-000	EA	CLAMP - CLOSED - 3/8" ID
	010497-08-000	EA	CLAMP - CLOSED - .125"
	010499-01-000	EA	CLAMP - CLOSED - 3/8 ID
	056134-01-000	EA	HOLDER - RING - 3.6" DIAMETER - METAL
	062401-01-000	EA	CLAMP - HOSE - WORMGEAR - .25" - 1"
	062401-02-000	EA	CLAMP - HOSE - WORMGEAR - 1.56" - 2.5"
	062401-03-000	EA	CLAMP - HOSE - WORMGEAR - .22" - 1"
	062401-04-000	EA	CLAMP - HOSE - WORMGEAR - .69" - 1.25"
	062401-05-000	EA	CLAMP - HOSE - WORMGEAR - 2" TO 3" ID
	062401-06-000	EA	CLAMP - HOSE - WORMGEAR - .22" - .62" ID
	062401-11-000	EA	CLAMP - HOSE - WORMGEAR - 3.50" - 4.50"
	080734-02-000	EA	CLIP - WIRE NYLON
	083610-01-000	EA	CLAMP - WIRE - DUAL - UNEQUAL DIAMETERS - 3/4" & 1 1/4"
	091952-02-000	EA	CLIP - GRIPPER - 3/4"
	008343-02-000	EA	TIE - WIRE - 14"
	088792-01-000	YD	VELCRO TAPE - HOOK - 5/8" - NON-ADHESIVE BACKED
	088792-02-000	YD	VELCRO TAPE - LOOP - ADHESIVE BACKED - .75" WIDE - BEIGE
	088792-05-000	YD	VELCRO TAPE - LOOP - 5/8" - NON-ADHESIVE BACKED - WHITE
	108046-02-000	EA	CABLE TIE - SCREW MOUNT 15"
	110943-02-000	FT	FELTSTRIP - 3/8" - ADHESIVE BACK - WHITE

**SEALANTS & FASTENERS GROUP (CONTINUED)**

**SCREWS**

KEY	PART NUMBER	U/M	DESCRIPTION
	0G1108-12-170	EA	SCREW - 8-18 X .75 PPH - BRIGHT WHITE
	0G3908-08-170	EA	SCREW - SF/DR - 8-18 X .50 PPH - BRIGHT WHITE
	0G3908-12-250	EA	SCREW - SF/DR - 8-18 X .75 PPH - DARK GRAY
	0G3908-16-170	EA	SCREW-SF/DR,8,18X1.00 PPH - BRIGHT WHITE
	0G3908-24-170	EA	SCREW - SF/DR - 8-18 X 1.50 PPH - BRIGHT WHITE
	0G3910-12-170	EA	SCREW - SF/DR - 10-16 X .75 PPH - BRIGHT WHITE
	0G5508-16-250	EA	SCREW - SF/DR - 8-18 X 1.00 PWH - VW DARK GRAY
	0G6008-16-170	EA	SCREW - SF/DR - 8-18 X 1.00 POH - BRIGHT WHITE
	0G6710-08-170	EA	SCREW - 10-12 X 1/2 PPH - BRIGHT WHITE
	000G11-06-10B	EA	SCREW - 6-20 X 5/8 PPH - ZINC
	000G11-06-08B	EA	SCREW - 6-20 X 1/2 PPH - ZINC
	000G11-06-06B	EA	SCREW - 6-20 X 3/8 PPH - ZINC
	000G11-06-10J	EA	SCREW - 6-20 X 5/8 PPH - BRASS
	000G11-07-08B	EA	SCREW - 7-19 X 1/2 PPH - ZINC
	000G11-08-08T	EA	SCREW - 8-18 X 1/2 PPH - FLUOROCARBON COATING
	000G11-08-08B	EA	SCREW - 8-18 X 1/2 PPH - ZINC
	000G11-08-20B	EA	SCREW - 8-18 X 1 1/4 PPH - ZINC
	000G11-08-16S	EA	SCREW - 8-18 X 1 PPH - OFF WHITE
	000G11-08-16B	EA	SCREW - 8-18 X 1 PPH - ZINC
	000G11-08-12T	EA	SCREW - 8-18 X 3/4 PPH - BLACK
	000G11-08-12P	EA	SCREW - 8-18 X 3/4 PPH - DARK BROWN
	000G11-08-12B	EA	SCREW - 8-18 X 3/4 PPH - ZINC
	000G11-10-16B	EA	SCREW - 10-16 X 1 PPH - ZINC
	000G11-10-12S	EA	SCREW - 10-16 X 3/4 PPH - OFF WHITE
	000G12-06-08T	EA	SCREW - 6-20 X 1/2 POH - BLACK
	000G12-08-12S	EA	SCREW - 8-18 X 3/4 POH - OFF WHITE
	000G13-05-10B	EA	SCREW - 5-12 X 5/8 PFH - ZINC
	000G13-06-10G	EA	SCREW - 6-20 X 5/8 PFH - ANTIQUE BRASS
	000G13-06-24J	EA	SCREW - 6-20 X 1 1/2 PFH - BRASS
	000G13-06-16J	EA	SCREW - 6-20 X 1 PFH - BRASS
	000G13-07-12B	EA	SCREW - 7-19 X 3/4 PFH - ZINC
	000G13-08-16B	EA	SCREW - 8-18 X 1 PFH - ZINC
	000G18-08-22B	EA	SCREW - MACHINE - 8-32 X 1 3/8 PPH - ZINC
	000G19-10-12F	EA	SCREW - MACHINE - 10-32 X 3/4 PPH - STAINLESS STEEL
	000G32-10-06B	EA	SCREW - 10-32 X 3/8 PPH - ZINC
	000G39-06-10T	EA	SCREW - SF/DR - 6-20 X 5/8 PPH - BLACK
	000G39-06-10T	EA	SCREW - SF/DR - 6-20 X 5/8 PPH - BLACK
	000G39-08-16R	EA	SCREW - SF/DR - 8-18 X 1 PPH - BEIGE
	000G39-08-16B	EA	SCREW - SF/DR - 8-18 X 1 PPH - ZINC
	000G39-08-12T	EA	SCREW - SF/DR - 8-18 X 3/4 PPH - BLACK
	000G39-08-12B	EA	SCREW - SF/DR - 8-18 X 3/4 PPH - ZINC
	000G39-08-08T	EA	SCREW - SF/DR - 8-18 X 1/2 PPH - BLACK
	000G39-08-08S	EA	SCREW - SF/DR - 8-18 X 1/2 PPH - OFF WHITE
	000G39-08-08B	EA	SCREW - SF/DR - 8-18 X 1/2 PPH - ZINC
	000G39-10-08B	EA	SCREW - SF/DR - 10-16 X 1/2 PPH - ZINC
	000G39-10-209	EA	SCREW - SF/DR - 10-16 X 1 1/4 PPH - FLUOROCARBON SILVER
	000G39-10-20B	EA	SCREW - SF/DR - 10-16 X 1 1/4 PPH - ZINC
	000G39-10-12D	EA	SCREW - SF/DR - 10-16 X 3/4 PPH - BLACK
	000G39-10-12B	EA	SCREW - SF/DR - 10-16 X 3/4 PPH - ZINC
	000G39-10-32B	EA	SCREW - SF/DR - 10-16 X 2 - PPH - ZINC
	000G42-04-16B	EA	SCREW - SF/DR - 1/4-14 X 1 HWH - ZINC
	000G42-04-12B	EA	SCREW - SF/DR - 1/4-14 X 3/4 HWH - ZINC
	000G46-08-24T	EA	SCREW - MACHINE - 8-32 X 1 1/2 PFH - BLACK

**SEALANTS & FASTENERS GROUP (CONTINUED)**

**SCREWS (CONTINUED)**

KEY	PART NUMBER	U/M	DESCRIPTION
	000G50-04-12B	EA	SCREW - MACHINE - 1/4-20 X 3/4 PPH - ZINC
	000G52-08-18B	EA	SCREW - MACHINE - 8-32 X 1 1/8 PTH - ZINC
	000G54-04-20B	EA	SCREW - 1/4-20 X 1.25 PTH - TYPE 23 - ZINC PLATED
	000G56-12-48B	EA	SCREW - WOOD - 12-11 X 3 POH - SPECIAL HARDENED
	000G67-10-10B	EA	SCREW - 10-12 X 5/8 PPH - ZINC - TYPE A
	000G67-10-08S	EA	SCREW - 10-12 X 1/2 PPH - OFF WHITE
	000G67-10-08B	EA	SCREW - 10-12 X 1/2 PPH - ZINC
	000G67-10-12P	EA	SCREW - 10-12 X 3/4 PPH - DARK BROWN
	000G67-10-12B	EA	SCREW - 10-12 X 3/4 PPH - ZINC
	000G67-10-10S	EA	SCREW - 10-12 X 5/8 PPH - OFF WHITE
	000G67-10-10D	EA	SCREW - 10-12 X 5/8 PPH - BLACK - TYPE A
	000G67-10-32B	EA	SCREW - 10-12 X 2 PPH - ZINC
	000G67-10-120	EA	SCREW - 10-12 X 3/4 PPH - TAN
	000G67-10-12R	EA	SCREW - 10-12 X .75 PPH - BEIGE
	000G68-06-10G	EA	SCREW - 6-18 X 5/8 POH - ANTIQUE BRASS
	000G68-10-20I	EA	SCREW - 10-12 X 1 1/4 POH - BLACK
	049465-03-000	EA	SCREW - 10-16 X 1 POH W/WASHER - OFF WHITE
	054434-02-000	EA	SCREW - SF/DR - 10-16 X 2 - ZINC
	057671-01-000	EA	COVER - SCREW - #8 - PLASTIC - OFF WHITE
	075908-01-000	EA	SCREW - MACHINE - 10-32 X .56 PTH - EXTERNAL TOOTH - ZINC
	076790-01-000	EA	SCREW - 6-20 X 1 1/4 PPH - BLACK
	087721-01-000	EA	SCREW - FLAT HEAD - TAPPING - 1/4" X 1 1/4" LONG - ZINC
	105126-01-000	EA	SCREW - MACH - 8-32 X 1 PPH TAPIT

**BOLTS**

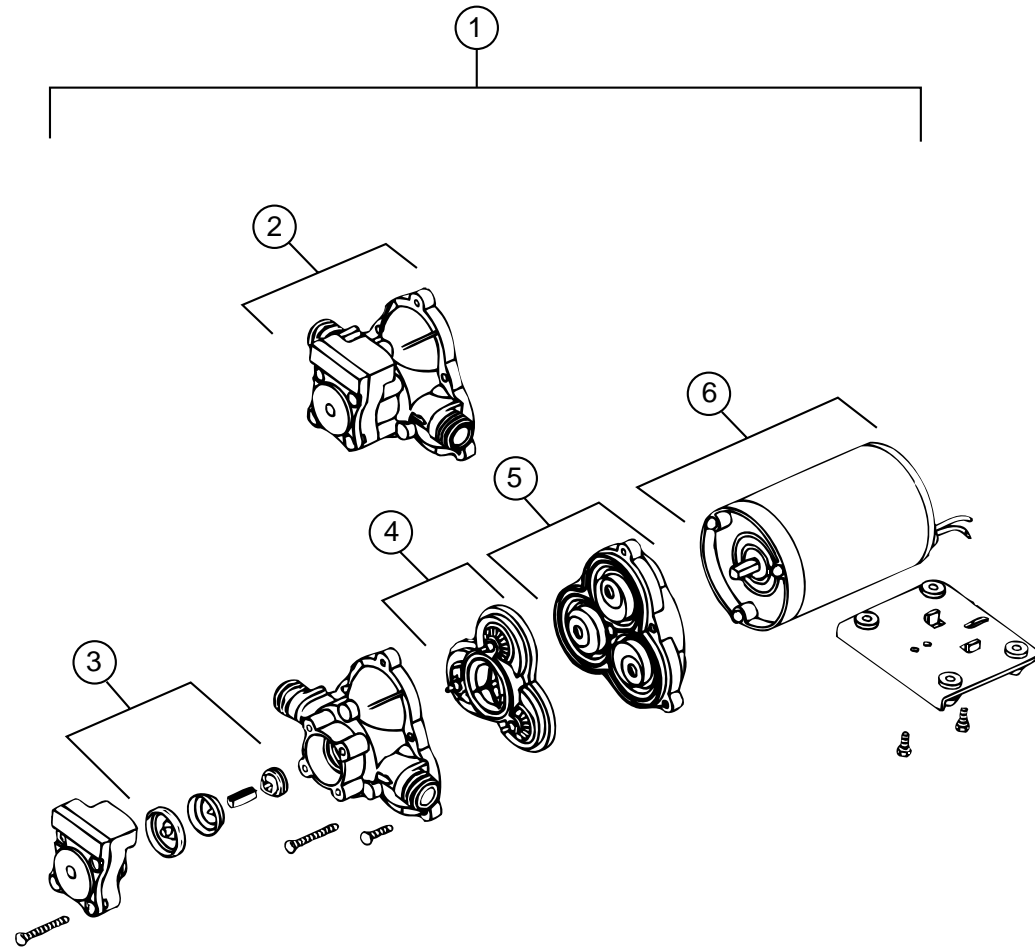
KEY	PART NUMBER	U/M	DESCRIPTION
	000C12-05-16B	EA	BOLT - HEX - 5/16-18 X 1 - ZINC 5
	000C12-06-16B	EA	BOLT - HEX - 3/8-16 X 1 LG - ZINC 5
	000C12-08-24B	EA	BOLT - HEX - 1/2-13 X 1.50 - ZINC 5
	000C13-07-48B	EA	BOLT - HEX - 7/16-20 X 3 - ZINC 5
	000C18-05-40A	EA	BOLT - ELEVATOR - 5/16-18 X 2.50 - PL
	000C26-04-10B	EA	BOLT - HEX - SERRATED FLANGE - 1/4-20 X 5/8 - ZINC
	000C26-05-16B	EA	BOLT - HEX - SERRATED FLANGE - 5/16-18 X 1 - ZINC
	000C26-05-12B	EA	BOLT - HEX - SERRATED FLANGE - 5/16-18 X 3/4 - ZINC
	000C26-06-16B	EA	BOLT - HEX - SERRATED FLANGE - 3/8-16 X 1 - ZINC
	000C26-06-12B	EA	BOLT - HEX - SERRATED FLANGE - 3/8-16 X 3/4 - ZINC
	000C26-08-24B	EA	BOLT - HEX - SERRATED FLANGE - 1/2-13 X 1 1/2 ZINC
	051387-06-000	EA	BOLT - CARRIAGE W/O HOLE - 5/16-18 X 9.5 - ZINC

**WASHERS**

KEY	PART NUMBER	U/M	DESCRIPTION
	000E11-07-00B	EA	WASHER - LOCKING - 7/16 MED SPLIT - ZINC
	000E11-08-00B	EA	WASHER - LOCKING - 1/2 MED SPLIT - ZINC
	000E13-18-00B	EA	WASHER - FLAT - 3/8 WIDE - ZINC
	000E13-20-00B	EA	WASHER - FLAT - 7/16 WIDE - ZINC
	000E13-21-00B	EA	WASHER - FLAT - 1/2 NARROW - ZINC



## WATER & SEWAGE GROUP



### WATER PUMP-SHURFLO

KEY	PART NUMBER	U/M	DESCRIPTION	VENDOR NO.
1	098607-01-000	EA	PUMP - WATER - W/.5" MPT FITTING - FLOW 2.8 GPM	
2	098607-01-706	EA	HOUSING, W/SWITCH ONLY	94-231-20
3	098607-01-705	EA	VALVE-CHECK, KIT	94-237-00
4	098607-01-703	EA	VALVE KIT	94-232-00
5	098607-01-702	EA	DIAPHRAGM/DRIVE ASSEMBLY KIT	94-238-04
6	098607-01-707	EA	MOTOR W/BASEPLATE	11-148-04

### WATER HEATERS

KEY	PART NUMBER	U/M	DESCRIPTION
*	051391-03-000	EA	WATER HEATER G6A-8E ELECTRONIC IGNITION
*	051393-01-000	EA	WATER HEATER - GH6-8E - ELECTRONIC IGNITION W/MOTOR AID
	097967-01-000	EA	SWITCH - WATER HEATER - REMOTE W/LIGHT

\*COMPONENT PARTS FOUND IN SERVICE PARTS LIBRARY

### FRESH WATER TANK

KEY	PART NUMBER	U/M	DESCRIPTION
	045195-04-000	EA	TANK - WATER - 30 GALLON - W/FITTINGS - 34.5" X 18" X 12"
	045195-01-000	EA	TANK - WATER - 30 GALLON - W/O FITTINGS-34.5" X 18" X 12"
	077908-08-000	EA	TANK - WATER - 33 GALLON - W/FITTINGS - JAPAN
	077908-01-000	EA	TANK - WATER - W/O FTGS - 33 GAL - 36" X 22.6" X 10.5" - JAPAN
	039861-01-000	EA	SENDING UNIT - W/SCREW - WASHER - WELL NUT/TERMINAL RING
	042989-03-000	EA	FITTING - SPINWELD - 1 1/4"NPT - PLASTIC
	042989-04-000	EA	FITTING - SPINWELD - 3/8"FPT - WHITE PLASTIC
	042989-05-000	EA	FITTING - SPINWELD - 1/2"FPT - PLASTIC
	049032-01-000	EA	PATCH - SPINWELD - 3/8" - PLASTIC
	077954-02-000	EA	FILTER - WATER TANK - W/SCREEN IN TANK

## WATER & SEWAGE GROUP (CONTINUED)

### WATER SYSTEM COMPONENTS

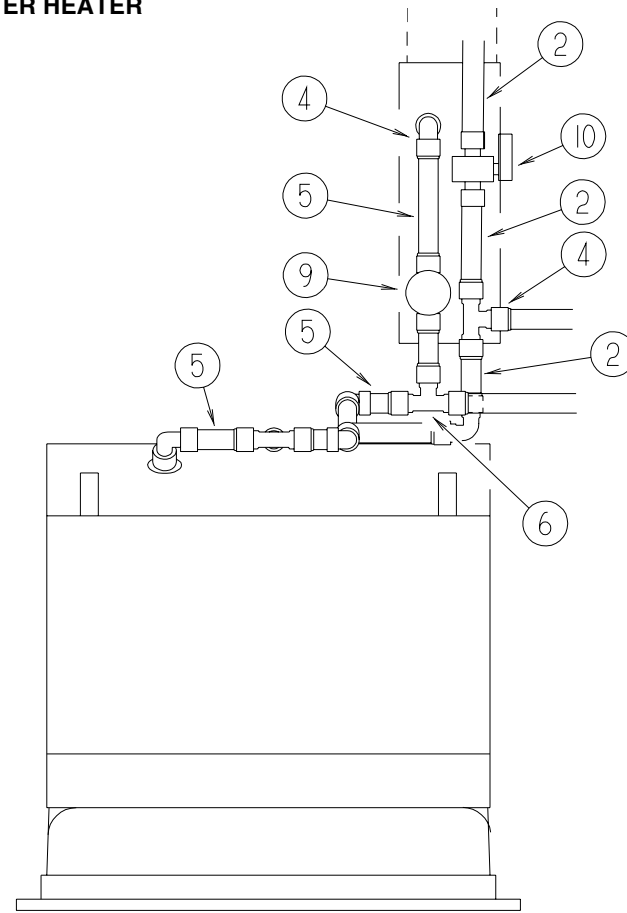
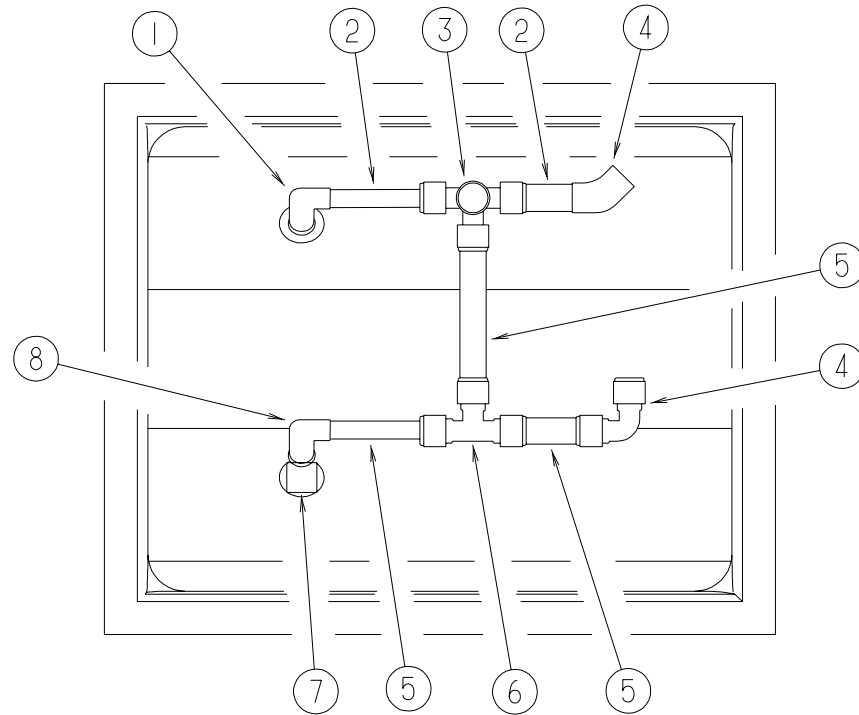
KEY	PART NUMBER	U/M	DESCRIPTION
	010224-01-000	EA	ADAPTER - HOSE TO PIPE - 3/8 MPT X 3/8 BARB - PLASTIC
	044927-01-000	EA	ADAPTER - HOSE TO PIPE-1 1/4 MPTX1 1/4 BARB-BLACK PLASTIC
	123152-01-000	EA	ADAPTER - 1/2 FPT X 1/2 BARB - SWIVEL
	114430-02-000	EA	ADAPTER - SWIVEL - 1/2"P X 1/2"FPT
	114430-03-000	EA	ADAPTER - 1/2"P X 1/2"MPT
	114430-06-000	EA	ADAPTER - 1/2"P X 3/8"FPT
	124188-01-000	FT	TUBING - PEX - 1/2" ID X 20' - BLUE(COLD)
	124188-02-000	FT	TUBING - PEX - 1/2" ID X 20' - RED(HOT)
	074462-02-000	FT	TUBING - VINYL - 3/8 ID X 20' - CLEAR
	079381-01-000	FT	TUBING - RIBBED FLEXIBLE - WATER FILL - 1.4" X 10"
	112176-01-000	FT	TUBING - VINYL - REINFORCED - 1/2" ID
	114429-01-000	EA	ELBOW - 1/2"P X 1/2"P
	114429-02-000	EA	ELBOW - 1/2"P X 1/2"MPT
	114429-03-000	EA	ELBOW - SWIVEL - 1/2"P X 1/2"FPT
	123150-01-000	EA	ELBOW - 1/2 FPT X 1/2 BARB - SWIVEL
	114431-01-000	EA	VALVE - 180 DEGREE/CENTER DRAIN - 1/2"P - THREE WAY
	114431-02-000	EA	VALVE - WATER BYPASS - 1/2"P - THREE WAY (WATER HEATER)
	114431-03-000	EA	VALVE - 90 DEGREE DRAIN - 1/2"P
	114431-04-000	EA	VALVE - "INLINE SHUT-OFF" - 1/2"P
	110438-02-000	EA	VALVE - CHECK - BRASS - 1/2 MPT X 1/2 MPT
	110915-01-01A	EA	FILL - CITY WATER - CHROME
	113697-01-000	EA	CAP - 3/8 FTG
	114428-01-000	EA	TEE - 1/2"P X 1/2"P X 1/2"P
	114428-02-000	EA	TEE - SWIVEL - 1/2"P X 1/2"P X 1/2"FPT

### EXTERIOR SHOWER

KEY	PART NUMBER	U/M	DESCRIPTION	VENDOR NO.
	129571-01-01A	EA	TRAY - DRIP - BLACK	
			FROM: 00-00-00 THRU: 07-27-98	
	114293-01-01A	EA	PAN - DRIP - EXTERIOR - OFF WHITE	
			FROM: 07-28-98 THRU: 11-15-98	
	114293-01-02A	EA	PAN - DRIP - EXTERIOR - BRIGHT WHITE	
			FROM: 11-16-98 THRU: 99-99-99	
	075241-05-000	EA	FAUCET/SHOWER - BONE - 3/4"MPT X 1.4" LONG INLET PIPES	
			FROM: 00-00-00 THRU: 07-12-98	
	075241-06-000	EA	FAUCET - SHOWER CONTROL - BRIGHT WHITE	
			FROM: 07-13-98 THRU: 99-99-99	
	103092-01-000	EA	SHOWER HEAD - W/60" HOSE - WHITE	
			FROM: 00-00-00 THRU: 07-12-98	
	131383-01-02A	EA	SHOWER HEAD - W/HOSE & BRACKET - 60" - WHITE	
			FROM: 07-13-98 THRU: 99-99-99	
	103092-02-000	EA	SHOWER HEAD - W/60" HOSE - CSA	
			FROM: 00-00-00 THRU: 07-12-98	
	131383-02-02A	EA	SHOWER HEAD - W/HOSE & BRACKET - 60" - CSA - WHITE	
			FROM: 07-13-98 THRU: 99-99-99	
	103092-01-700	EA	BRACKET-F/SHOWER HEAD, CLEAR	2328028
	011048-03-700	EA	BRACKET - F/SHOWER HEAD	2328029-1
	131383-03-02A	EA	BRACKET - SHOWER HEAD - WHITE	
	103092-01-702	EA	SEALS-SPRAY HEAD	
	114429-03-000	EA	ELBOW - SWIVEL - 1/2"P X 1/2"FPT	
	124188-01-000	FT	TUBING - PEX - 1/2" ID X 20' - BLUE(COLD)	
	124188-02-000	FT	TUBING - PEX - 1/2" ID X 20' - RED(HOT)	
	081994-02-000	EA	PLATE - SWITCH - EXTERIOR SHOWER	
	108356-02-01A	EA	COVER/ACTUATOR SWITCH - 2 ROWS DIMPLES- CONTURA II - BLACK	
	108357-08-000	EA	SWITCH - ROCKER DPDT - ON/NONE/ON - 6 TERMINAL	

## WATER & SEWAGE GROUP (CONTINUED)

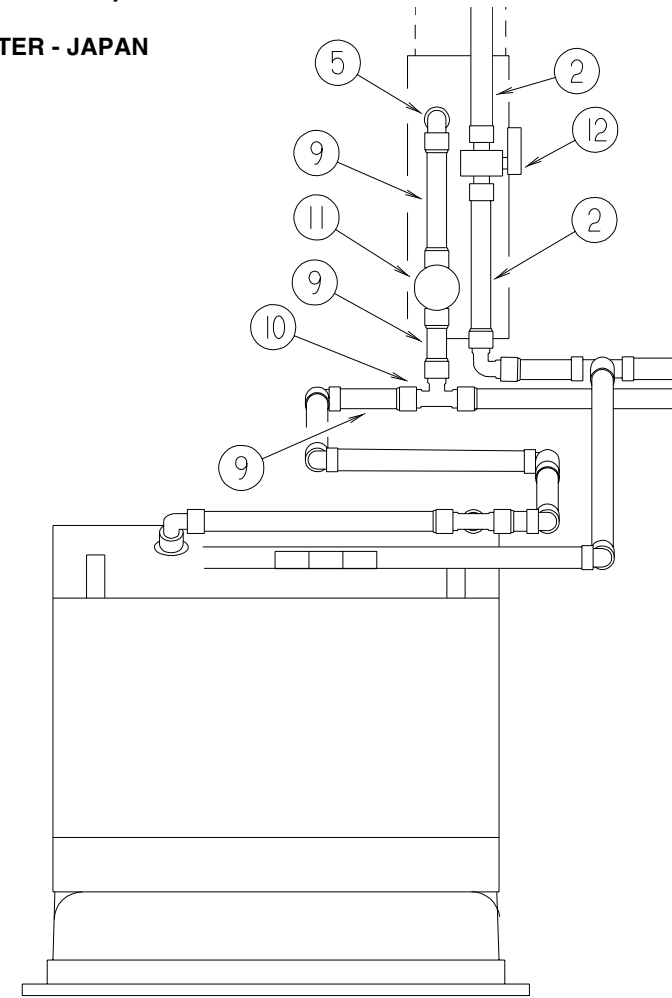
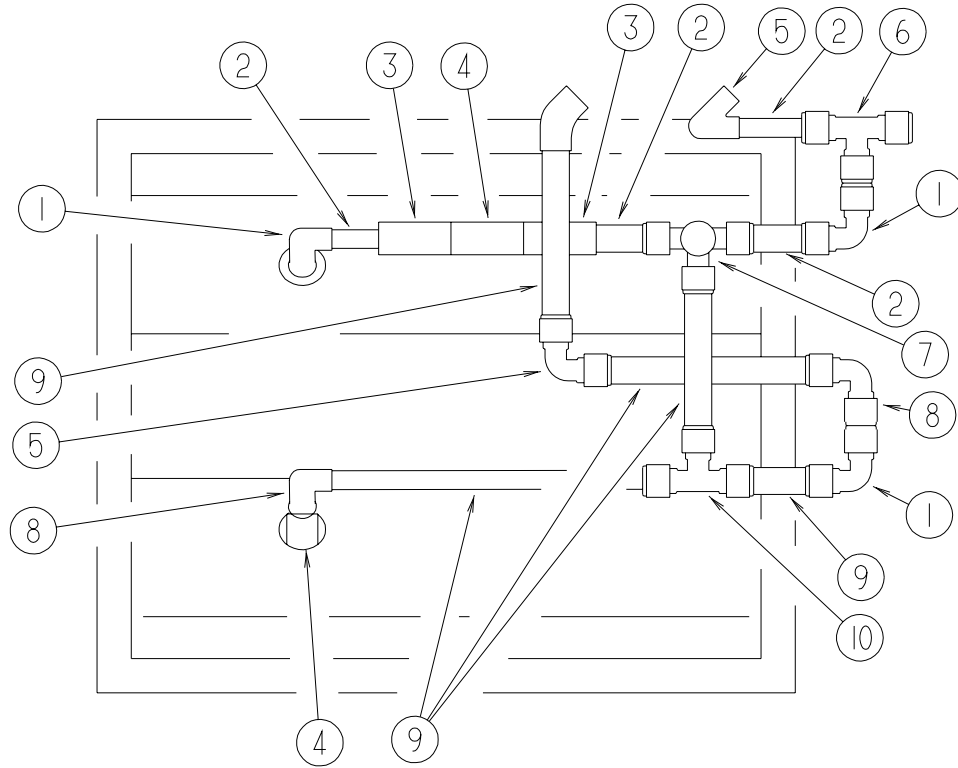
### WATER SYSTEM COMPONENTS - WATER HEATER



KEY	PART NUMBER	U/M	DESCRIPTION
1	114429-02-000	EA	ELBOW - 1/2"P X 1/2"MPT
2	124188-01-000	FT	TUBING - PEX - 1/2" ID X 20' - BLUE(COLD)
3	114431-02-000	EA	VALVE - WATER BYPASS - 1/2"P - THREE WAY (WATER HEATER)
4	114429-01-000	EA	ELBOW - 1/2"P X 1/2"P
5	124188-02-000	FT	TUBING - PEX - 1/2" ID X 20' - RED(HOT)

KEY	PART NUMBER	U/M	DESCRIPTION
6	114428-01-000	EA	TEE - 1/2"P X 1/2"P X 1/2"P
7	110438-02-000	EA	VALVE - CHECK - BRASS - 1/2 MPT X 1/2 MPT
8	114429-03-000	EA	ELBOW - SWIVEL - 1/2"P X 1/2"FPT
9	114431-04-000	EA	VALVE - "INLINE SHUT-OFF" - 1/2"P
10	114431-01-000	EA	VALVE - 180 DEGREE/CENTER DRAIN - 1/2"P - THREE WAY

**WATER & SEWAGE GROUP (CONTINUED)**  
**WATER SYSTEM COMPONENTS - WATER HEATER - JAPAN**

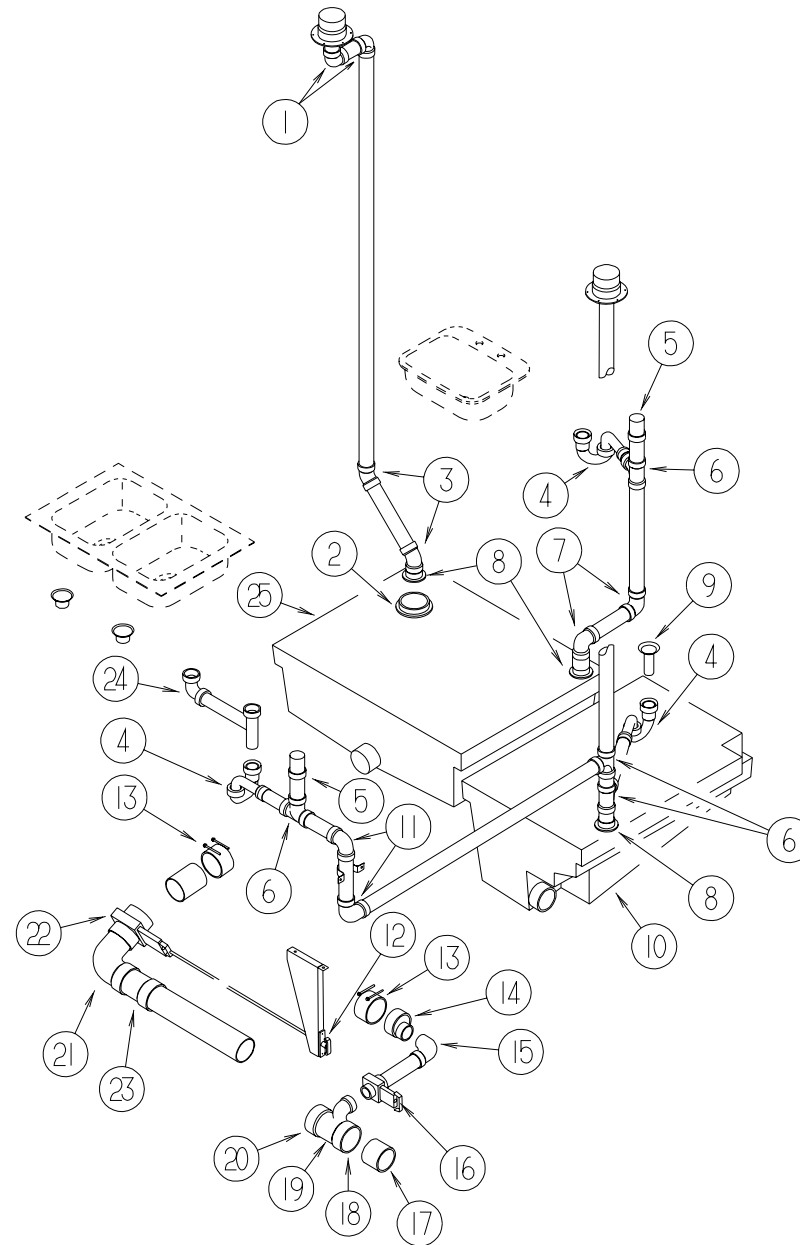


KEY	PART NUMBER	U/M	DESCRIPTION
1	114429-02-000	EA	ELBOW - 1/2"P X 1/2"MPT
2	124188-01-000	FT	TUBING - PEX - 1/2" ID X 20' - BLUE(COLD)
3	114430-02-000	EA	ADAPTER - SWIVEL - 1/2"P X 1/2"FPT
4	110438-02-000	EA	VALVE - CHECK - BRASS - 1/2 MPT X 1/2 MPT
5	114429-01-000	EA	ELBOW - 1/2"P X 1/2"P
6	114428-02-000	EA	TEE - SWIVEL - 1/2"P X 1/2"P X 1/2"FPT

KEY	PART NUMBER	U/M	DESCRIPTION
7	114431-02-000	EA	VALVE - WATER BYPASS - 1/2"P - THREE WAY (WATER HEATER)
8	114429-03-000	EA	ELBOW - SWIVEL - 1/2"P X 1/2"FPT
9	124188-02-000	FT	TUBING - PEX - 1/2" ID X 20' - RED(HOT)
10	114428-01-000	EA	TEE - 1/2"P X 1/2"P X 1/2"P
11	114431-04-000	EA	VALVE - "INLINE SHUT-OFF" - 1/2"P
12	114431-01-000	EA	VALVE - 180 DEGREE/CENTER DRAIN - 1/2"P - THREE WAY

# WATER & SEWAGE GROUP (CONTINUED)

## DRAINAGE SYSTEM

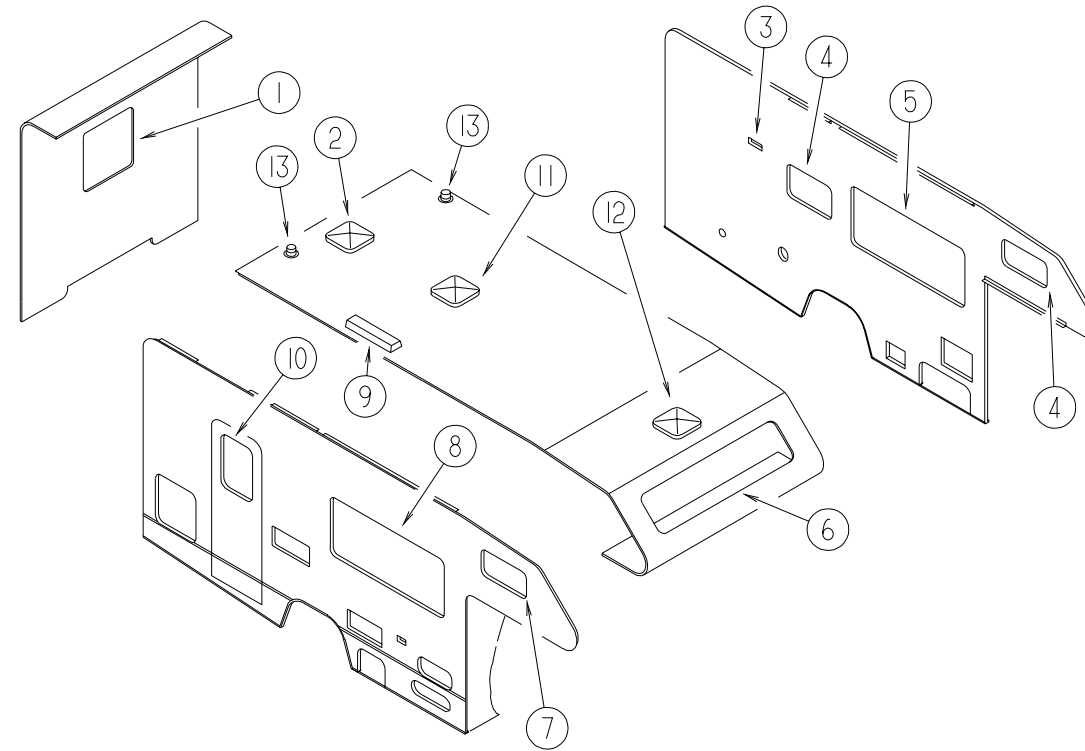


KEY	PART NUMBER	U/M	DESCRIPTION
1	034250-01-000	EA	ELBOW - 90 DEGREE - LONG TURN - 1 1/2" HUB X HUB - ABS
2	061607-02-000	EA	GROMMET - HOLDING TANK - 3" NPS
	116644-01-000	EA	FLANGE - CLOSET - 4" X 3"
3	010006-01-000	EA	ELBOW - 45 DEGREE - 1 1/2" HUB X HUB - PLASTIC
4	107538-01-000	EA	P TRAP - PLASTIC - 1 1/4" W/EXTENSION ARM
	109571-01-000	EA	ADAPTER - P TRAP - 1 1/2" P X 1 1/4" MPT
4	011071-01-000	EA	P-TRAP - PLASTIC - 1 1/2" - CSA
5	079968-01-000	EA	VENT - MECHANICAL/TRAP ARM - ANTI-SIPHON-2" X 7.3" PLASTIC
6	010071-01-000	EA	TEE - SANITARY - 1 1/2" HUB X HUB X HUB - PLASTIC
7	010008-01-000	EA	ELBOW - 90 DEGREE - 1 1/2" HUB X HUB - PLASTIC
8	061607-01-000	EA	GROMMET - HOLDING TANK - 1 1/2" NPS
9	011069-02-000	EA	TAILPIECE - TUB/SHOWER - 1 1/2" X 1 1/4" X 4" - BRASS
	066440-01-000	EA	STRAINER - SHOWER DRAIN - W/RUBBER WASHER
	127440-02-01A	EA	WASHER - RUBBER - 1.8" X .1"
	130403-01-000	EA	NUT - SLIP - W/WINGS 1 1/2"
10	071271-01-000	EA	TANK - HOLDING - 31 GALLON - W/O FITTINGS
11	010008-01-000	EA	ELBOW - 90 DEGREE - 1 1/2" HUB X HUB - PLASTIC

KEY	PART NUMBER	U/M	DESCRIPTION
12	062419-05-000	EA	BRACKET - VALVE - LOCKING
12	062419-06-000	EA	HANDLE - T
12	062419-07-000	EA	HANDLE/ROD - EXTENSION W/THREADED END - 36"
13	078406-01-000	EA	COUPLER - RUBBER - W/CLAMPS - 3" X 3"
14	062422-01-000	EA	ADAPTER - OFFSET REDUCER - 3" X 1 1/2" - PLASTIC
15	033761-01-000	EA	ELBOW - TURN - 90 DEGREE 1 1/2" HUB X 1 1/2" SPIGOT
16	062421-01-000	EA	VALVE - DUMP - W/HANDLE - 1 1/2" - BLACK PLASTIC
17	062415-01-000	EA	CAP - SEWER - 3" DIAMETER
	062415-01-700	EA	STRING-SEWER CAP V#SV7 STRAP
18	062416-01-000	EA	ADAPTER - SEWER HOSE TO 3" PIPE
	010201-01-000	EA	HOSE - SEWER - 3" ID X 8'
19	031365-01-000	EA	TEE - PLASTIC - 3" X 3" X 1 1/2" EXTENSION LG TUR
20	109450-01-000	EA	ADAPTER - SEWER HOSE - PLASTIC
21	010023-01-000	EA	ELBOW/STREET - PLASTIC
22	062418-01-000	EA	VALVE - DUMP - W/HANDLE - 3" - PLASTIC/BLACK
23	031126-01-000	EA	ELBOW - 1/4 BEND - 3" X 90" XLT - BLACK PLASTIC
24	011091-02-000	EA	WASTE - CONTINUOUS - DOUBLE SINK
25	074861-01-000	EA	TANK - HOLDING - W/O GROMMETS - 35 GALLON - 35"X 11"X 27"

# WINDOW, VENT & EXTERIOR DOOR GROUP

## WINDOWS & VENTS



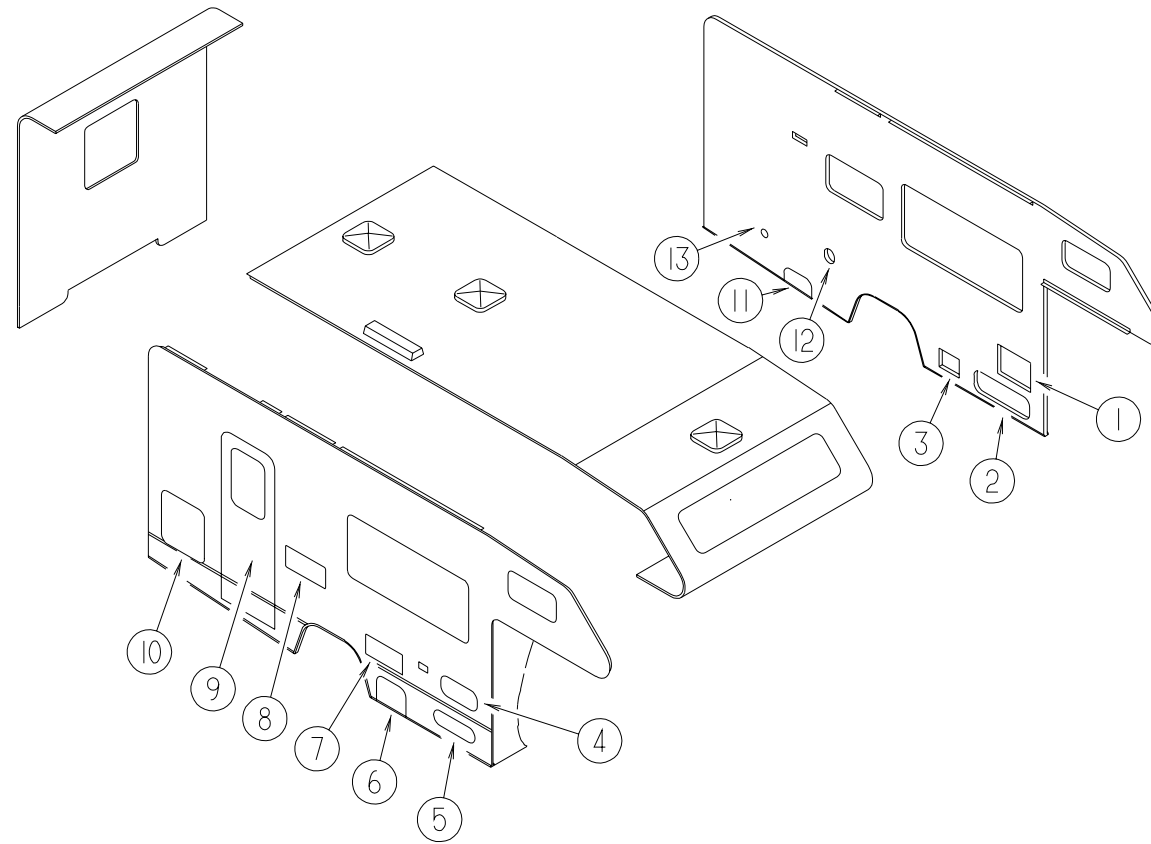
KEY	PART NUMBER	U/M	DESCRIPTION
1*	117053-04-FB1	EA	WINDOW - PICTURE - CLEAR - 17" X 26.4"
1*	113733-05-01A	EA	WINDOW - STATIONARY THERMOPANE - 26.4" X 17"
2*	122882-02-01A	EA	VENT - ROOF - W/FAN - W/O INSIDE GARNISH - UL
2*	122882-03-01A	EA	VENT - ROOF - W/FAN - W/O INSIDE GARNISH - CSA
2*	123780-01-01A	EA	VENT - ROOF - 1" - W/FAN/POWER LIFT - W/O THERMOSTAT - JAPAN
3	084878-09-000	EA	VENT - EXHAUST/RANGE HOOD - OFF WHITE
3	084616-07-000	EA	SHROUD - EXHAUST VENT/RANGE HOOD - BRIGHT WHITE
4*	098647-32-01A	EA	WINDOW - DRVR HORIZ SLIDER W/TRIM - CLEAR - 15.7" X 28.5"
4*	112795-20-01A	EA	WINDOW - DRIVER HORIZONTAL SLIDER - THERMO - 16" X 28.7"
5*	098647-28-01A	EA	WINDOW - DRVR HORIZ SLIDER W/TRIM - CLEAR - 26.1" X 59.7"
5*	112795-15-01A	EA	WINDOW - DRIVER HORIZONTAL SLIDER - THERMO - 26.4" X 60"
6*	103313-03-F15	EA	WINDOW - PICTURE - 11.6" X 58.6" (INSIDE FRAME #117054)
6*	115630-01-01A	EA	WINDOW - STATIONARY/THERMOPANE - 17.2" X 72"

KEY	PART NUMBER	U/M	DESCRIPTION
7*	098647-31-01A	EA	WINDOW - PASS HORIZ SLIDER W/TRIM - CLEAR - 15.7" X 28.5"
7*	112795-19-01A	EA	WINDOW - PASSENGER HORIZ SLIDER - THERMO - 15.7" X 28.5"
8*	098647-27-01A	EA	WINDOW - PASS HORIZ SLIDER W/TRIM - CLEAR - 26.1" X 59.7"
8*	112795-16-01A	EA	WINDOW - PASSENGER HORIZ SLIDER - THERMO - 26.1" X 59.8"
9	084073-07-000	EA	VENT - ROOF/REFRIGERATOR - BRIGHT WHITE - NORCOLD
	084073-04-000	EA	BASE - ROOF VENT/REFRIGERATOR - BLACK - NORCOLD
10*	117053-04-FB1	EA	WINDOW - PICTURE - CLEAR - 17" X 26.4"
10*	113733-01-01A	EA	WINDOW - STATIONARY THERMOPANE - 26.4" X 17"
11*	122882-01-01A	EA	VENT - ROOF - NONPOWERED - W/O INSIDE GARNISH
12*	122882-01-01A	EA	VENT - ROOF - NONPOWERED - W/O INSIDE GARNISH
12*	123780-01-01A	EA	VENT - ROOF - 1" - W/FAN/POWER LIFT - W/O THERMOSTAT
13	083558-03-000	EA	VENT - PLUMBING - ROOF PIPE COVERED - OFF WHITE

\*COMPONENT PARTS FOUND IN SERVICE PARTS LIBRARY

# WINDOW, VENT & EXTERIOR DOOR GROUP (CONTINUED)

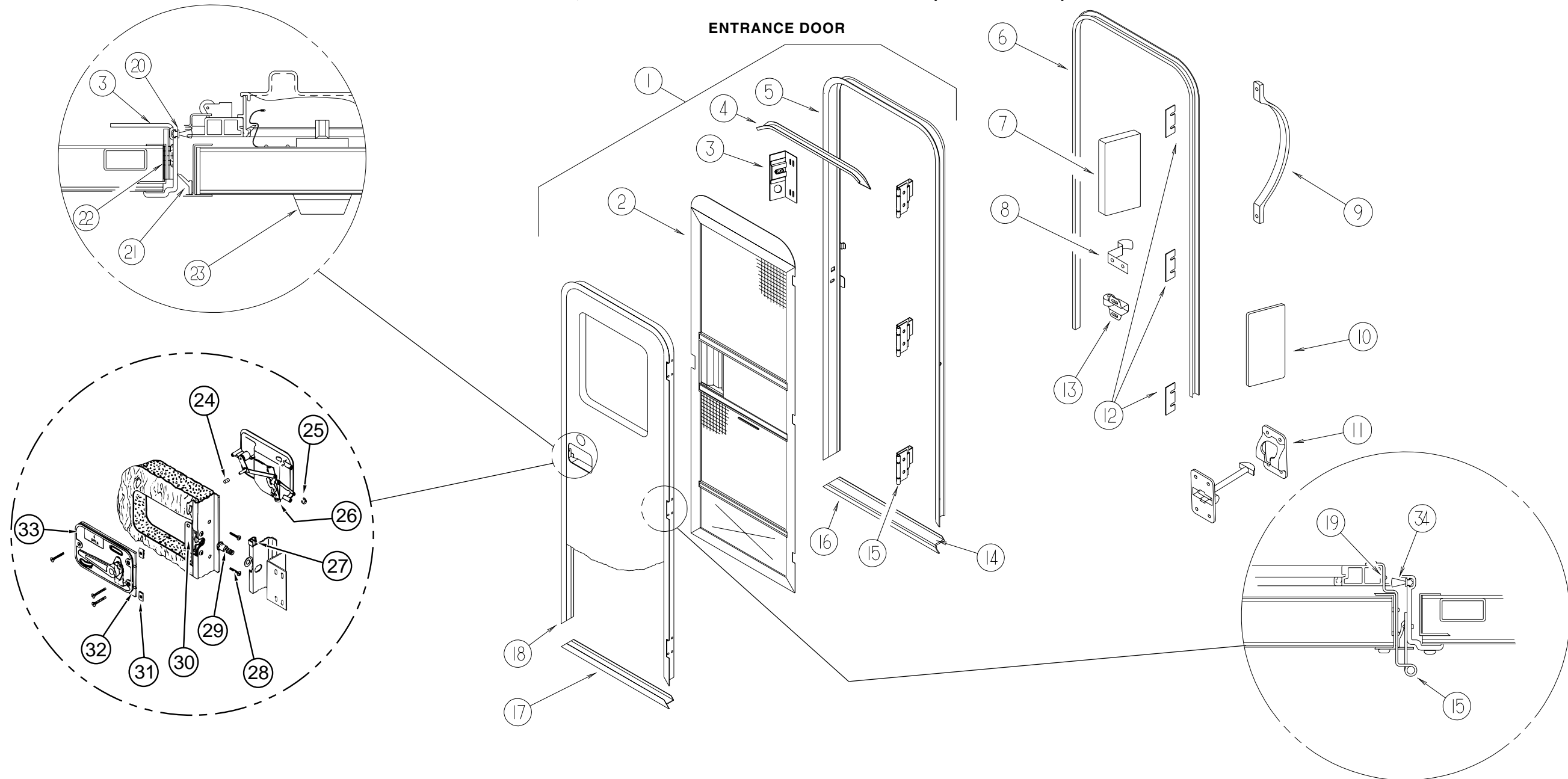
## EXTERIOR DOORS



KEY	PART NUMBER	U/M	DESCRIPTION
1	052009-06-000	EA	DOOR - WATER HEATER - BRIGHT WHITE - 18" X 14.6"
	116424-01-000	EA	PROTECTOR - LATCH - WATER HEATER
2	126946-05-J01	EA	DOOR/STORAGE - W/O HARDWARE - 27.5" X 9.3"
3	088794-06-000	EA	DOOR - POWER CORD W/HATCH - BRIGHT WHITE - 9.2" X 11"
4	126945-01-J22	EA	DOOR/STORAGE - W/O HARDWARE - 18" X 8.3"
5	126945-02-J01	EA	DOOR/STORAGE - W/O HARDWARE - 18" X 8.3"
5	127405-04-J01	EA	VALANCE/DOOR - W/O HARDWARE - 27.4" X 17.9" - JAPAN
6	127405-01-J01	EA	VALANCE/DOOR - W/O HARDWARE - 14.5" X 11.8"
	101667-03-000	EA	PROP- ROD
	089329-02-000	EA	CLIP - SPRING
	076322-05-000	EA	TAPE - DOUBLE COATED/ADHESIVE BACK - .045"THK X .75"W X 9'
	076767-04-000	EA	CABLE - SUPPORT - 5.9" STAINLESS STEEL
	010497-07-000	EA	CLAMP - CLOSED - 3/8" ID
7	098668-23-000	EA	DOOR - ACCESS - FURNACE - BRIGHT WHITE

KEY	PART NUMBER	U/M	DESCRIPTION
8	084103-08-000	EA	DOOR - VENT/REFRIGERATOR - W/O JAMB - BRIGHT WHITE
	084104-08-000	EA	JAMB - VENT DOOR/REFRIGERATOR - BRIGHT WHITE
	084104-01-700	EA	LOCK-MALE, FASTENER 201-721-010
	084104-01-701	EA	LOCK-FEMALE, FASTENER 201-802-010
9	115108-01-K01	EA	DOOR - ENTRY - W/SCREEN DOOR - W/O WINDOW
9	115108-01-K02	EA	DOOR - ENTRY - W/SCREEN DOOR - W/O WINDOW
9	115108-01-K03	EA	DOOR - ENTRY - W/SCREEN DOOR - W/O WINDOW
9	115108-05-K01	EA	DOOR - ENTRY - W/SCREEN DOOR - W/O WINDOW - ELECTRIC STEP (K01)
9	115108-05-J47	EA	DOOR - ENTRY - W/SCREEN DOOR - W/O WINDOW - ELECTRIC STEP (K02)
9	115108-05-K03	EA	DOOR - ENTRY - W/SCREEN DOOR - W/O WINDOW - ELECTRIC STEP (K03)
10	126946-15-J01	EA	DOOR/STORAGE - W/O HARDWARE - 21.2" X 22.6"
11	127278-01-J01	EA	VALANCE/DOOR - W/O HARDWARE - DRIVER - 7.4" X 13.1" X 6.3"
12	081240-20-000	EA	FILL - WATER - LOCKABLE - BRIGHT WHITE
13	078010-15-000	EA	DOOR - FUEL FILL - W/O LOCK - JAPAN

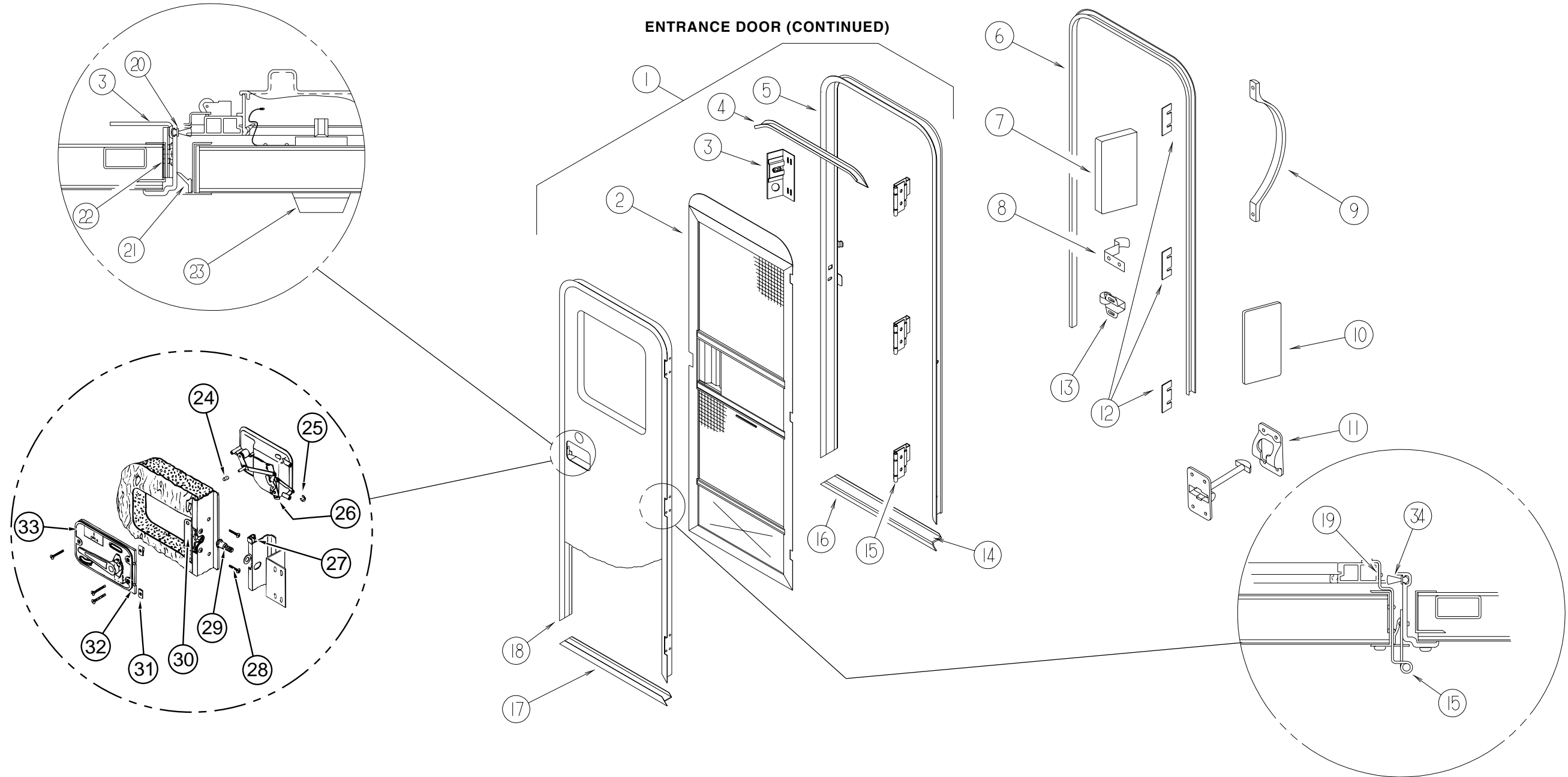
## WINDOW, VENT & EXTERIOR DOOR GROUP (CONTINUED)



KEY	PART NUMBER	U/M	DESCRIPTION
1	115108-01-K01	EA	DOOR - ENTRY - W/SCREEN DOOR - W/O WINDOW (K01)
1	115108-01-K02	EA	DOOR - ENTRY - W/SCREEN DOOR - W/O WINDOW (K02)
1	115108-01-K03	EA	DOOR - ENTRY - W/SCREEN DOOR - W/O WINDOW (K03)
1	115108-05-K01	EA	DOOR - ENTRY - W/SCREEN DOOR - W/O WINDOW - ELECTRIC STEP (K01)
1	115108-05-J47	EA	DOOR - ENTRY - W/SCREEN DOOR - W/O WINDOW - ELECTRIC STEP (K02)
1	115108-05-K03	EA	DOOR - ENTRY - W/SCREEN DOOR - W/O WINDOW - ELECTRIC STEP (K03)
2	121899-03-GB1	EA	DOOR - SCREEN - W/O HARDWARE
3	041546-07-000	EA	BRACKET - DOOR ANGLE - OFF WHITE
4	044582-44-000	EA	CAP - DRIP - JAMB - BRIGHT WHITE
5	121898-03-01A	EA	JAMB - ENTRY DOOR
5	121898-04-01A	EA	JAMB - ENTRY DOOR - BRIGHT WHITE - ELECTRIC STEP
6	115222-04-01A	EA	GARNISH - ENTRY DOOR - RADIUS
7	077461-03-000	EA	COVER - STRIKE - ENTRY DOOR - 6.5" X 2.5" - WHITE PLASTICKEY

KEY	PART NUMBER	U/M	DESCRIPTION
8	100412-01-000	EA	CATCH - SCREEN DOOR
9	009126-03-000	EA	HANDLE - ASSIST - BLACK TEXTURED
10	076725-02-000	EA	COVER - HINGE - ENTRY DOOR - 6" X 3.2" - OFF WHITE
11	104099-01-04A	EA	CATCH - DOOR HOLDER - STRIKE - BRIGHT WHITE
11	104099-02-04A	EA	CATCH - DOOR HOLDER - RETAINER - BRIGHT WHITE
12	102248-01-000	EA	SHIM - DOOR
13	109403-01-000	EA	CATCH - SINGLE ROLLER - SCREEN DOOR
14	038327-01-000	EA	TAPE - ANTI SLIP - 2" X 60"
15	106719-01-05A	EA	HINGE - ENTRY DOOR - BRIGHT WHITE
	116111-02-01A	EA	SCREW - TAPTITE - 1/4-20 X 3/8 PPH - ZINC
16	051049-01-000	EA	JAMB - BOTTOM - ENTRY DOOR - 25.9" - UNPAINTED
17	121893-01-01A	EA	FRAME - ENTRY DOOR/BOTTOM - BRIGHT WHITE

**WINDOW, VENT & EXTERIOR DOOR GROUP (CONTINUED)**

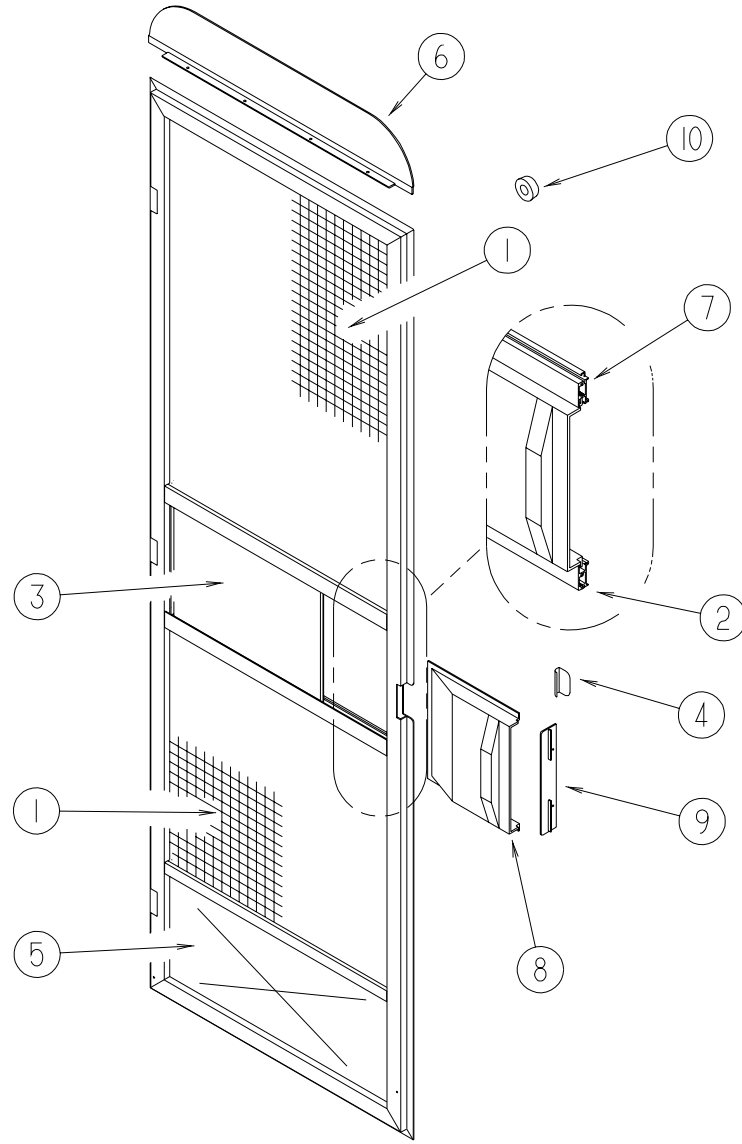


KEY	PART NUMBER	U/M	DESCRIPTION	VENDOR NO.
18	121894-07-01A	EA	FRAME - ENTRY DOOR - BRIGHT WHITE	
	098173-01-04A	EA	STIFFENER - ENTRY DOOR - SUPPORTS LATCH/STRIKE - UNPAINTED	
	122241-01-01A	EA	BUMPER - FOAM RUBBER W/ADH BACK - .5" X .5" X .25" - BLACK	
19	100128-02-000	EA	SEAL - FOAM - ADHESIVE BACK - .37" WIDE X .37" THICK	
20	118929-01-01A	FT	SEAL - PILE - PUSH ON	
21	075671-04-000	FT	SEAL - SPONGE - LAZY T - W/ADHESIVE STRIP - .5" WIDE	
22	104692-01-000	FT	SEAL - FOAM/ADHESIVE BACK - .75"THICK X .75"WIDE X 25'	
23	101145-01-06A	EA	DEADBOLT - ENTRY DOOR W/O SECURITY BOLT W/2 KEYS - BLACK	
	095229-01-700	EA	KEY-BLANK, DEADBOLT	81205-03
	101145-01-701	EA	CYLINDER-LOCK ASM., W/KEY	81306-03
	101147-01-000	EA	BOLT - SECURITY - 4.12"	
24	039984-01-000	EA	CAP - ROUND - VINYL - .28" ID X .62" - BLACK	
25	036618-02-000	EA	E-RING - EXTERNAL - 3/16" SHAFT DIAMETER - LYNOR DOOR LOCK	

KEY	PART NUMBER	U/M	DESCRIPTION	VENDOR NO.
26	045017-13-000	EA	LATCH - ENTRY DOOR - BLACK TEXTURED	
	045017-11-701	EA	KEY - BLANK (F1 SERIES) "K-104" - DOOR LOCK (TM 200 - 250)	
	045017-11-703	EA	CYLINDER-LOCK ASM. W/KEYS	81266-09
27	064075-07-000	FT	SEAL - BULB - W/WIRED U CHANNEL - .3" X .5" CHANNEL - BLK	
28	000G54-04-20B	EA	SCREW - 1/4-20 X 1 1/4 PTH TYP 23	
29	039539-01-000	EA	STRIKE - LOCK - ENTRY DOOR - ROUND W/THREADED WASHER	
	039715-01-000	EA	NUT-SERT - 1/4" DIAMETER - 20 THREADS	
30	039540-01-000	EA	LATCH MECHANISM - HOOK - ENTRY DOOR - INTERIOR	
	086285-05-000	EA	SPACER - NYLON - .7" X .56"	
31	040921-01-000	EA	NUT-SPEED-U TYPE 10-24 BLACK	
32	096810-01-01A	EA	PLATE - LATCH - ENTRY DOOR - BLACK	
33	039979-06-000	EA	COVER - LATCH PLATE - RIGHT HAND - BLACK TEXTURED	
34	118929-01-01A	FT	SEAL - PILE - PUSH ON	
	130444-01-01A	EA	CAP - KEY IDENTIFIER - GRAY	



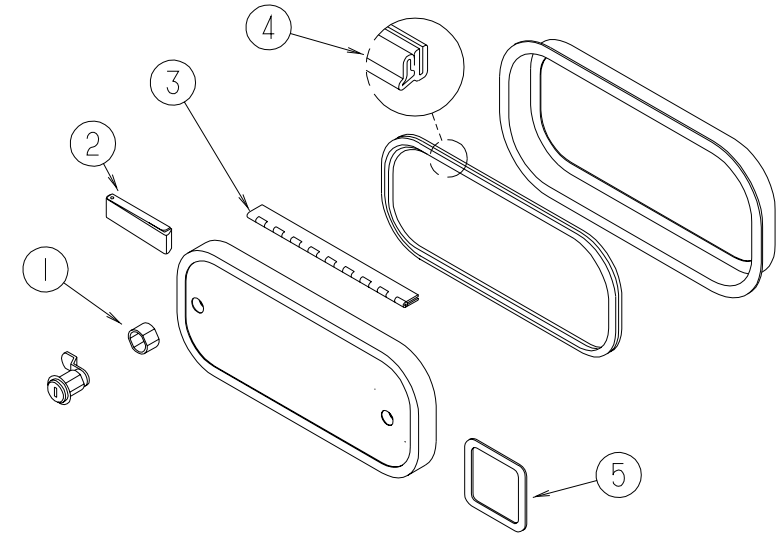
**WINDOW, VENT & EXTERIOR DOOR GROUP (CONTINUED)**



**SCREEN DOOR & COMPONENTS**

KEY	PART NUMBER	U/M DESCRIPTION
	121899-03-GB1	EA DOOR - SCREEN - W/O HARDWARE
1	002293-02-000	SF SCREENING - WINDOW/DOOR - 26" - CHARCOAL
2	002294-01-000	FT SPLINE - SCREENING - .135" X .138"
3	016454-01-000	EA INSERT - CENTER - LEATHER GRAIN ALUMINUM - UNPAINTED
	001014-01-013	EA INSERT - CENTER - 10.25" X 16.31" - UNPAINTED
4	050712-06-000	EA HANDLE - SCREEN DOOR - BRIGHT WHITE
5	078552-03-000	EA KICK PANEL - SCREEN DOOR - LOWER INSERT - UNPAINTED
6	078595-01-000	EA TOP PLATE - SCREEN DOOR - CURVED TOP - 4.7" X 25.35"
7	078777-08-000	FT CHANNEL - SLIDER
8	079086-03-000	EA SLIDER - SCREEN DOOR - BRIGHT WHITE
9	079087-03-000	EA STRIKE - SLIDER - SCREEN DOOR - BRIGHT WHITE
10	120863-06-000	EA BUMPER - RUBBER - 3/4" X 3/8"

**WINDOW, VENT & EXTERIOR DOOR GROUP (CONTINUED)**

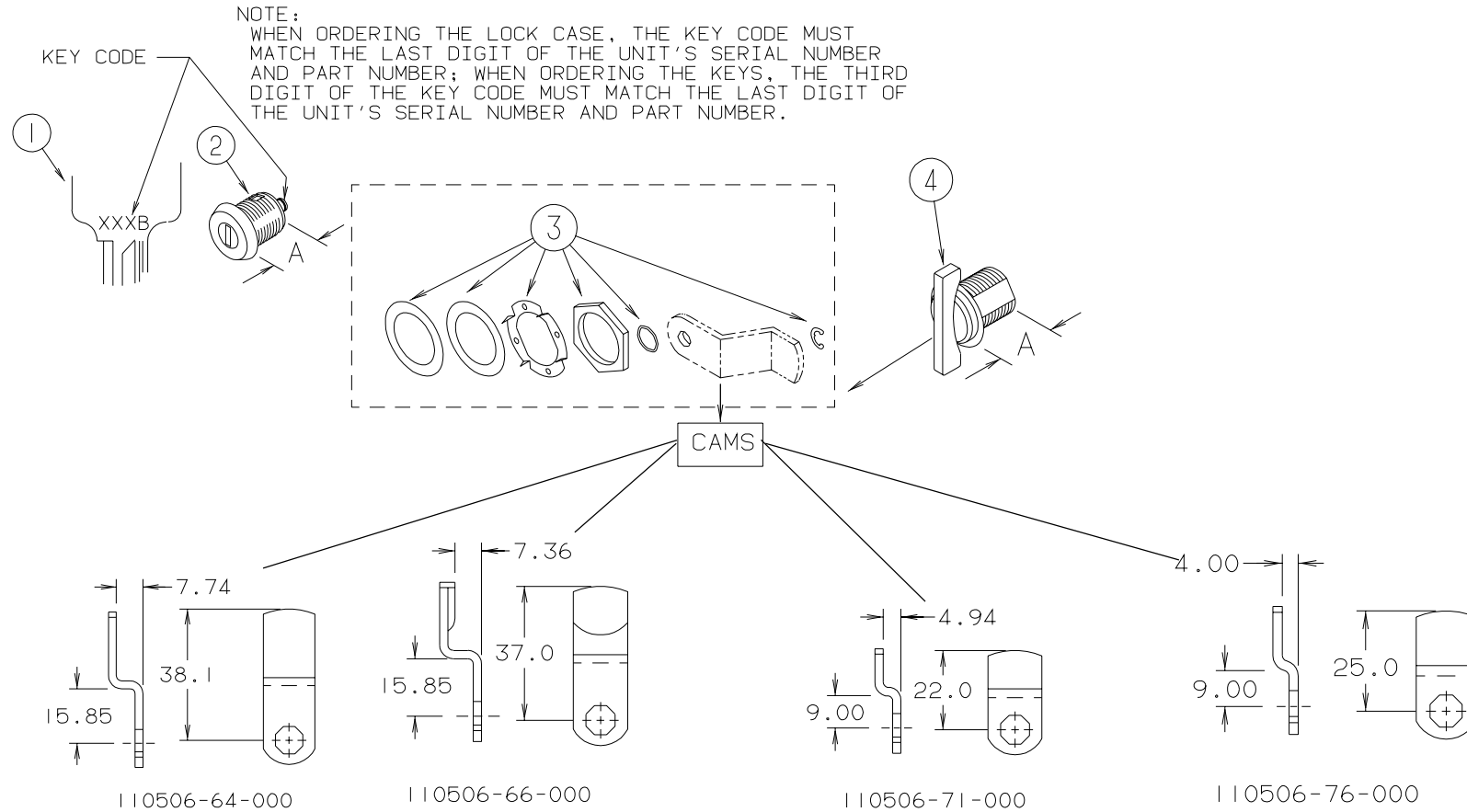


**EXTERIOR DOOR COMPONENTS**

KEY	PART NUMBER	U/M DESCRIPTION
1	107997-51-003	EA SPACER - DOOR LOCK .79" DEEP
	107997-51-002	EA EXTRUDED - SPACER - 16'
2	102768-01-000	EA HOLDER - COMPARTMENT/ENTRY DOOR - METAL - MILL FINISH
3	081801-V3-000	EA HINGE - ALUMINUM - 2" X 96" - BRIGHT WHITE
4	064075-07-000	FT SEAL - BULB - W/WIRED U CHANNEL - .3" X .5" CHANNEL-BLACK
4	106850-02-000	FT SEAL-E - SPONGE RUBBER - .43" X .75"
5	098338-01-000	EA GASKET - LOCK POCKET
	098408-01-000	FT SEAL - SPONGE RUBBER - CLOSED CELL
	096217-55-006	EA U CHANNEL - 210"
	112160-02-000	FT SEAL - D SECTION - .2 X .3" - FOAM RUBBER

# WINDOW, VENT & EXTERIOR DOOR GROUP (CONTINUED)

## BRIGGS & STRATTON LOCKS & COMPONENTS



KEY	PART NUMBER	U/M	DESCRIPTION	VENDOR NO.	KEY	PART NUMBER	U/M	DESCRIPTION	VENDOR NO.
1	110506-59-000	EA	KEYS - SET OF TWO	596720	1	110506-59-006	EA	KEYS - SET OF TWO	596726
2	110506-52-000	EA	CASE/CYLINDER - LOCKING W/O CAM - .65"	702370	2	110506-52-006	EA	CASE/CYLINDER - LOCKING W/O CAM - .65"	702370
2	110506-54-000	EA	CASE/CYLINDER - LOCKING W/O CAM OR KEY - 1 1/4"	703170	2	110506-54-006	EA	CASE/CYLINDER - LOCKING W/O CAM OR KEY - 1 1/4"	703170
1	110506-59-001	EA	KEYS - SET OF TWO	596721	1	110506-59-007	EA	KEYS - SET OF TWO	596727
2	110506-52-001	EA	CASE/CYLINDER - LOCKING W/O CAM - .65"	702370	2	110506-52-007	EA	CASE/CYLINDER - LOCKING W/O CAM - .65"	702370
2	110506-54-001	EA	CASE/CYLINDER - LOCKING W/O CAM OR KEY - 1 1/4"	703170	2	110506-54-007	EA	CASE/CYLINDER - LOCKING W/O CAM OR KEY - 1 1/4"	703170
1	110506-59-002	EA	KEYS - SET OF TWO	596722	1	110506-59-008	EA	KEYS - SET OF TWO	596728
2	110506-52-002	EA	CASE/CYLINDER - LOCKING W/O CAM - .65"	702370	2	110506-52-008	EA	CASE/CYLINDER - LOCKING W/O CAM - .65"	702370
2	110506-54-002	EA	CASE/CYLINDER - LOCKING W/O CAM OR KEY - 1 1/4"	703170	2	110506-54-008	EA	CASE/CYLINDER - LOCKING W/O CAM OR KEY - 1 1/4"	703170
1	110506-59-003	EA	KEYS - SET OF TWO	596723	1	110506-59-009	EA	KEYS - SET OF TWO	596729
2	110506-52-003	EA	CASE/CYLINDER - LOCKING W/O CAM - .65"	702370	2	110506-52-009	EA	CASE/CYLINDER - LOCKING W/O CAM - .65"	702370
2	110506-54-003	EA	CASE/CYLINDER - LOCKING W/O CAM OR KEY - 1 1/4"	703170	2	110506-54-009	EA	CASE/CYLINDER - LOCKING W/O CAM OR KEY - 1 1/4"	703170
1	110506-59-004	EA	KEYS - SET OF TWO	596724	3	110506-40-700	EA	HARDWARE KIT	
2	110506-52-004	EA	CASE/CYLINDER - LOCKING W/O CAM - .65"	702370	4	110506-55-000	EA	CASE/CYLINDER - TWIST LOCK W/O CAM - 1 1/4"	
2	110506-54-004	EA	CASE/CYLINDER - LOCKING W/O CAM OR KEY - 1 1/4"	703170		110506-64-000	EA	CAM - LATCHING - DOG LEGGED 1.8" LONG	
1	110506-59-005	EA	KEYS - SET OF TWO	596725		110506-66-000	EA	CAM - LATCHING - DOG LEGGED 1.5" LONG	
2	110506-52-005	EA	CASE/CYLINDER - LOCKING W/O CAM - .65"	702370		110506-71-000	EA	CAM - LATCHING - DOG LEGGED .86" LONG	
2	110506-54-005	EA	CASE/CYLINDER - LOCKING W/O CAM OR KEY - 1 1/4"	703170		110506-76-000	EA	CAM - LOCK	
						110506-59-701	EA	KEY BLANK (GOLD)	