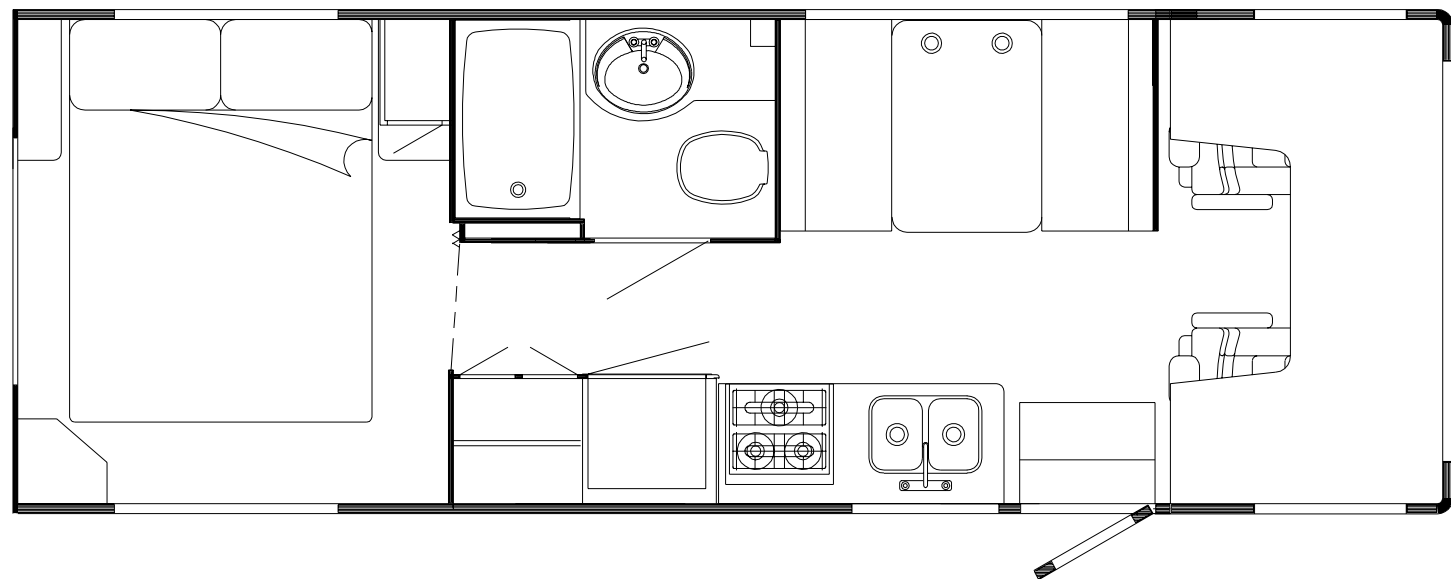
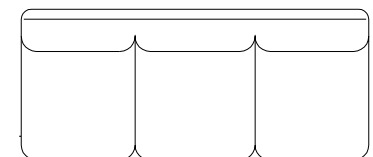
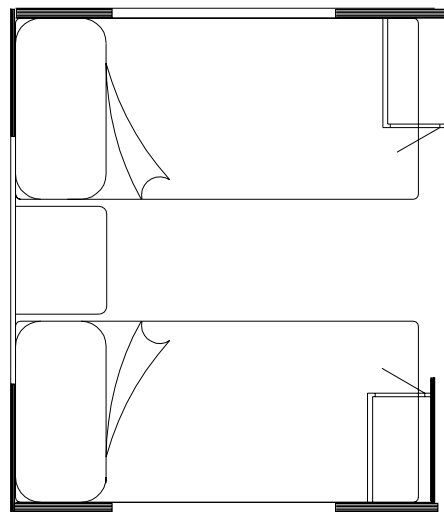
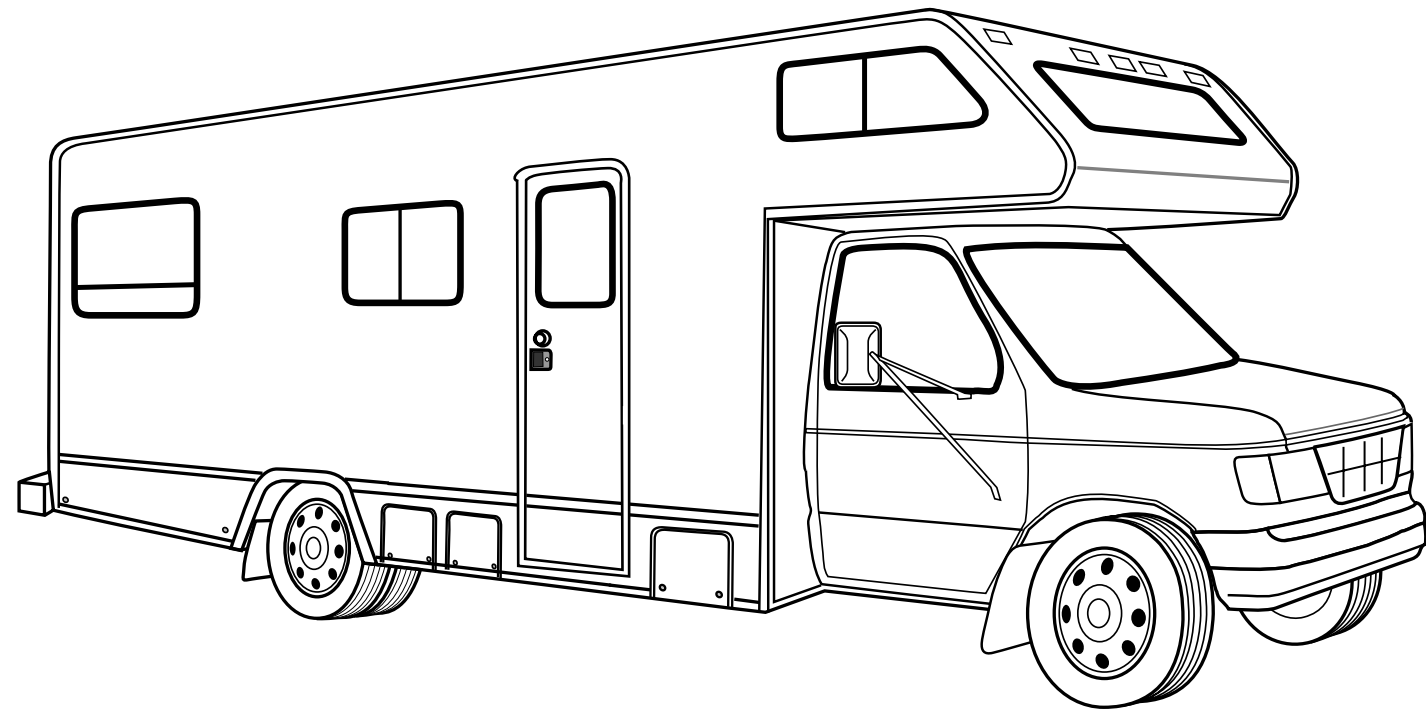


**1999
WC327U**

**K01
SANDPIPER (SAND)**

**K02
HORIZON (BLUE)**

**K03
MEADOWBROOK (GREEN)**



ACCESSORIES GROUP

OPERATORS MANUAL

KEY	PART NUMBER	UM	DESCRIPTION
	054185-J8-000	EA	MANUAL - OPERATOR 99 MINNIE
	129079-01-01A	EA	CASE - VINYL/BLACK-EXPANDABLE ACCORDION SIDES-7"WX9"HX14"L
	128942-01-000	DW	TOP LEVEL-C,1999

AUDIO VIDEO GROUP

RADIO SPEAKERS

KEY	PART NUMBER	U/M	DESCRIPTION
	110465-01-000	EA	SPEAKER KIT,4 5X7 SPEAKERS - FORD F2UF-18814-CD
	111177-01-01A	EA	GRILLE - SPEAKER - 6.6" X 8.9" - HOUSING 5" X 7" SPEAKER
	110469-01-000	EA	SPEAKER - 4" X 6" OVAL - COAXIAL
	110470-01-01A	EA	GRILLE - 4" X 6" OVAL - BLACK

RADIO - PATIO ENTERTAINMENT CENTER

KEY	PART NUMBER	U/M	DESCRIPTION
	125322-02-000	EA	RADIO - AM/FM STEREO - CASSETTE - AUDIOVOX
	090944-01-000	EA	ANTENNA - RADIO - 16" RUBBER
	108847-01-000	EA	BRACKET - ANTENNA GROUND
	109889-01-000	EA	EXTENDER - SHAFT - ANTENNA 1"
	108137-01-000	EA	PLUG - ANTENNA
	110469-01-000	EA	SPEAKER - 4" X 6" OVAL - COAXIAL
	110470-01-01A	EA	GRILLE - 4" X 6" OVAL - BLACK
	077069-02-000	EA	CABLE - ANTENNA/EXTENSION - RADIO - 96"
	086756-01-000	EA	SPLITTER - TV - 2 WAY
	058708-02-000	EA	RECEPTACLE - ELECTRIC - DOUBLE - IVORY
	076319-09-000	EA	WALLPLATE - CABLE RECEPTACLE - TV - SINGLE - BROWN

TV - VCR SYSTEMS

KEY	PART NUMBER	U/M	DESCRIPTION	VENDOR NO.
	126696-02-000	EA	TV - 19" COLOR W/1/8" JACK - UL/CSA	
			FROM: 00-00-00 THRU: 06-09-99	
	126696-01-700	EA	REMOTE	226725
	126696-03-000	EA	TV - 19" COLOR W/7/8" JACK - UL/CSA	
			FROM: 06-10-99 THRU: 99-99-99	
	126696-01-700	EA	REMOTE	226725
	126697-02-000	EA	VCR-VHS - CABLE READY - W/REMOTE	GE VG2042
			FROM: 00-00-00 THRU: 04-24-99	
	126697-02-700	EA	REMOTE	238513
	126697-03-000	EA	VCR-VHS - CABLE READY - W/REMOTE	GE VG2042
			FROM: 04-25-99 THRU: 99-99-99	
	126697-02-700	EA	REMOTE	238513
	086231-08-000	EA	TV - 13" COLOR - DC - AUDIOVOX AVT-1475	
	086231-08-700	EA	REMOTE-UNIVERSAL	8822325
	094487-05-000	EA	VIDEO CASSETTE PLAYER - VERTIC	
	086231-08-700	EA	REMOTE-UNIVERSAL	8822325
	086757-04-000	EA	CONTROL CENTER - SWITCH - 5 INPUTS	
	086231-08-701	EA	ADAPTER - WIRE	0891436
	082136-01-000	EA	NUT - HEX JAM - 3/8-32	
	086777-02-000	EA	WALLPLATE - TV CABLE - W/ANTENNA SWITCH - BROWN	
	086777-06-000	EA	WALLPLATE - TV CABLE - ANTENNA BOOSTER/1 OUTPUT - BROWN	
	082134-01-000	EA	ADAPTER - TV - CABLE TO CABLE	
	086756-01-000	EA	SPLITTER - TV - 2 WAY	

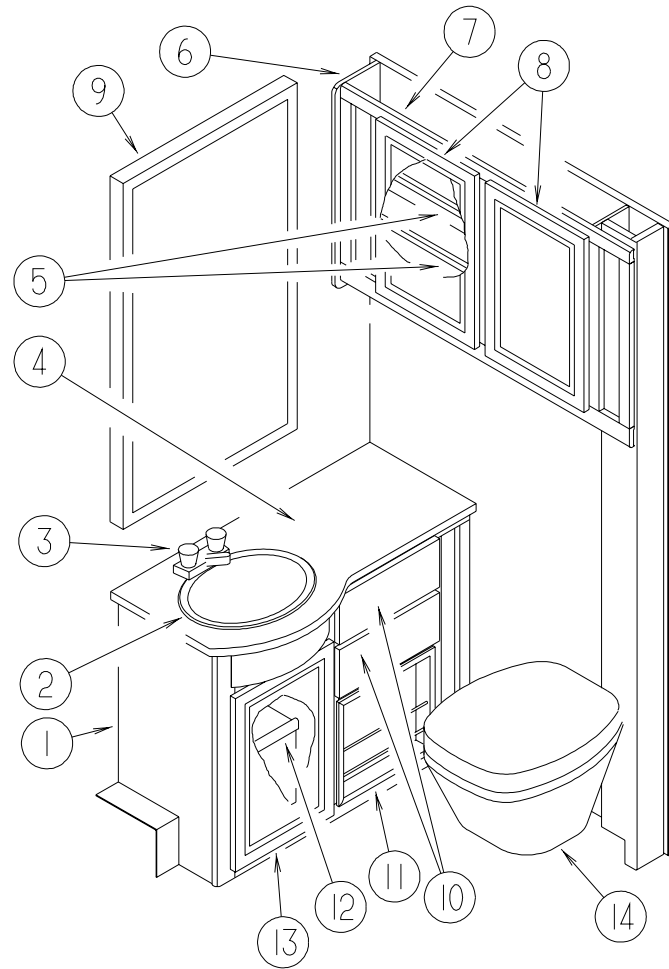
TV ANTENNA - WINEGARD

KEY	PART NUMBER	U/M	DESCRIPTION
*	076319-23-000	EA	ANTENNA - TV ROOF MOUNT - 44.5" MAST
*	076319-25-000	EA	KIT - HARDWARE INTERIOR
	076319-03-000	FT	CABLE - COAXIAL - 75 OHM
	076319-12-000	EA	CONNECTOR - COAXIAL - ONE PIECE
	076319-06-000	EA	ADAPTER - CABLE ROOF PLATE
	086777-02-000	EA	WALLPLATE - TV CABLE - W/ANTENNA SWITCH

*COMPONENT PARTS FOUND IN SERVICE PARTS LIBRARY

BATH GROUP

BATHROOM CABINETS & FIXTURES

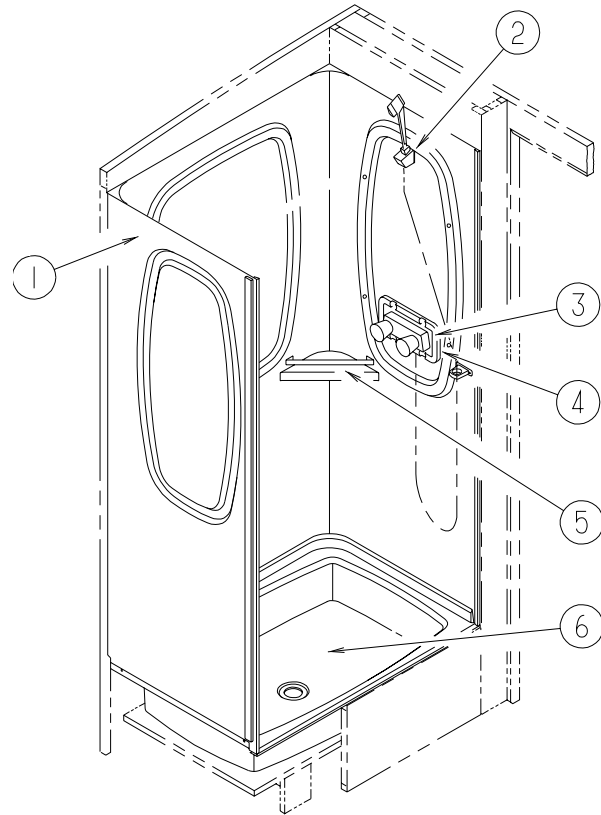


KEY	PART NUMBER	U/M	DESCRIPTION
1	128709-01-K04	EA	CABINET - LAVATORY - W/COUNTERTOP - W/O DOOR/DRWERS/HDW (K01)
1	128709-01-K05	EA	CABINET - LAVATORY - W/COUNTERTOP - W/O DOOR/DRWERS/HDW (K02)
1	128709-01-K03	EA	CABINET - LAVATORY - W/COUNTERTOP - W/O DOOR/DRWERS/HDW (K03)
2	089366-01-000	EA	SINK - OVAL W/TAIL PIECE - PLASTIC - IVORY
	106116-01-01A	EA	STRAINER/PLASTIC - STOPPER/TAILPIECE/GASKET & NUT-LAVATORY
3	075240-06-000	EA	FAUCET - LAVATORY/BONE
4	128709-13-J02	EA	COUNTERTOP - LAVATORY (K01)
4	128709-13-K05	EA	COUNTERTOP - LAVATORY (K02)
4	128709-13-K03	EA	COUNTERTOP - LAVATORY (K03)
5	128666-11-J01	EA	SHELF - W/PLASTIC EDGE TRIM
6	109908-95-K04	EA	END CAP - OVERHEAD CABINET
7	128666-02-K04	EA	CABINET - MEDICINE - W/O DOORS/HARDWARE
8	132141-02-K01	EA	DOOR - RAIL/VENEER - 14.3" X 21.8" - W/O HARDWARE
9	058331-85-000	EA	MIRROR - SAFETY GLASS - 20.8" X 35.4"

KEY	PART NUMBER	U/M	DESCRIPTION
10	M05971-EB-J15	EA	DRAWER - OGEE EDGE - 12.4"W X 11.8"D - W/O SLIDES/HARDWARE FROM: 00-00-00 THRU: 04-11-99
10	M09316-47-K04	EA	DRAWER - OGEE EDGE - 12.4"W X 11.8"D - W/O SLIDES/HARDWARE FROM: 04-12-99 THRU: 99-99-99
11	097208-07-K01	EA	MAGAZINE RACK FROM: 00-00-00 THRU: 04-01-99
11	131096-02-K16	EA	WALL POCKET - MAGAZINE RACK FROM: 04-02-99 THRU: 99-99-99
12	128709-11-J01	EA	SHELF - W/PLASTIC EDGE TRIM
13	131995-P0-K01	EA	DOOR - SOLID PANEL - 14.3" X 21.8" - W/O HARDWARE
14*	063740-01-000	EA	TOILET - HIGH/HAND FLUSH FROM: 00-00-00 THRU: 01-03-99
14*	131932-01-01A	EA	TOILET - AQUA MAGIC 4 - HIGH - HAND FLUSH - IVORY FROM: 01-04-99 THRU: 99-99-99
	075453-02-000	EA	BAR - TOWEL - 18" BRASS
	075454-02-000	EA	RING - TOWEL - W/MOUNTING HARDWARE - BRASS
	075452-02-000	EA	HOLDER - TOILET TISSUE - BRASS

***COMPONENT PARTS FOUND IN SERVICE PARTS LIBRARY**

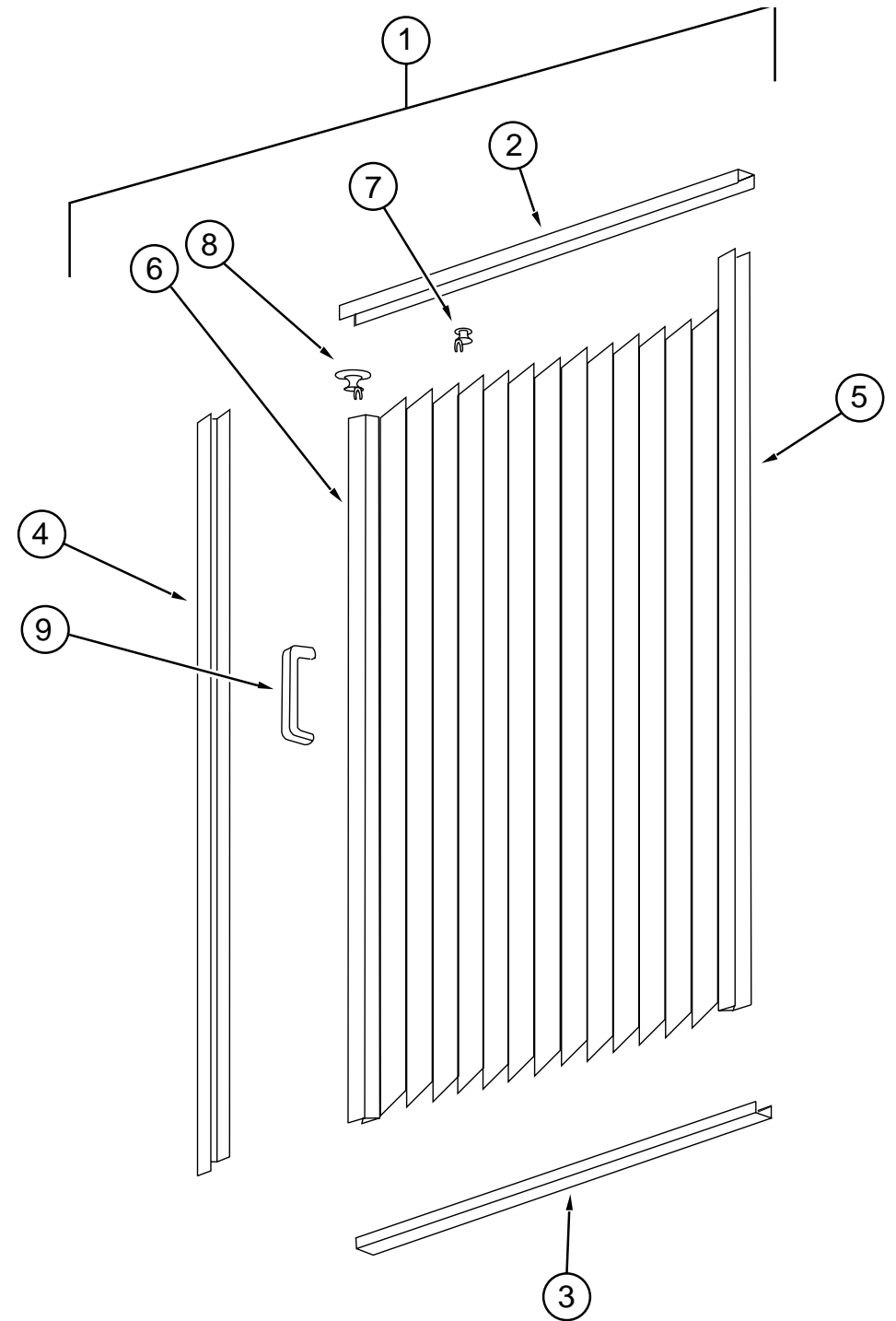
BATH GROUP (CONTINUED)



SHOWER CABINET & FIXTURES

KEY	PART NUMBER	U/M	DESCRIPTION
1	115612-03-01A	EA	SURROUND - SHOWER - OFF WHITE
2	131383-01-01A	EA	SHOWER HEAD - W/60" HOSE & BRACKET - IVORY
2	131383-02-01A	EA	SHOWER HEAD - W/60" HOSE & BRACKET - IVORY - CSA
3	075242-04-000	EA	FAUCET - TUB/SHOWER - BONE
4	075606-01-000	EA	PANEL - PLASTIC - FAUCET BACK - 5" X 9"
5	113714-04-01A	EA	RETAINER - SHELF - SHOWER
6	M02630-28-F11	EA	SHOWER PAN - W/STRAINER/TAIPIECE
	066729-01-000	EA	STRAINER - TUB/SHOWER W/PLUG - CHROME
	127440-02-01A	EA	WASHER - RUBBER - 1.8" X .1"
	011069-02-000	EA	TAIPIECE - TUB/SHOWER - 1 1/2" X 1 1/4" X 4" - BRASS
	130403-01-000	EA	NUT - SLIP - W/WINGS 1 1/2"

BATH GROUP (CONTINUED)



SHOWER DOOR

KEY	PART NUMBER	U/M	DESCRIPTION
1	117431-01-01A	EA	DOOR - SHOWER PLEATED FABRIC
2	117431-01-700	EA	TRACK-TOP, ALUM.IVORY INSERT
3	117431-01-701	EA	TRACK-BOTTOM, 48"
4	117431-01-702	EA	RAIL-SIDE, 67"
5	117431-01-703	EA	RAIL-STATIONARY, 67"
6	117431-01-704	EA	RAIL-LEAD, 67"
7	117431-01-705	EA	GLIDE-IVORY, TRAVELER
8	117431-01-706	EA	GLIDE-IVORY LEAD, TRAVELER
9	117431-01-708	EA	HANDLES & SCREWS
	117431-01-707	EA	LATCH
	117431-01-709	EA	STRAP-VINYL

BATH GROUP (CONTINUED)**BATH PRIVACY DOOR**

KEY	PART NUMBER	U/M	DESCRIPTION
	128967-14-K01	EA	DOOR - BATH
	128967-51-J01	EA	RACK - TOWEL/BATH DOOR
	100357-01-000	EA	ROD - F/TOWEL BAR - BRASS
	128967-52-J01	EA	MOLDING/SIDE RAIL - TOWEL BAR RACK - LEFT SIDE
	128967-53-J01	EA	MOLDING/SIDE RAIL - TOWEL BAR RACK - RIGHT SIDE
	102920-01-01A	EA	HINGE/SPRING LOADED - BRASS
	110496-01-01A	EA	HINGE - BRASS
	111155-03-01A	EA	LOCK - PRIVACY/LOCKING - POLISHED BRASS

BATH GROUP (CONTINUED)**BATH/BEDROOM PRIVACY DOOR - FROM: 00-00-00 THRU: 12-12-98**

KEY	PART NUMBER	U/M	DESCRIPTION	VENDOR NO.
	042488-10-000	EA	DOOR - FOLDING - OFF WHITE FABRIC - 37" X 75"	
	042488-10-700	EA	LEADRAIL-PREPUNCHED F/HANDLE	DW2100
	080224-01-703	EA	HANDLE W/LATCH-CATCH, ALMOND	DE03505
	080224-01-705	EA	LATCH & CATCH ASM., ALMOND	DE25010 & DE25020
	094856-06-02A	EA	TRACK - FOLDING DOOR - OFF WHITE	
	029130-01-000	EA	SCREW - SNAP SOCKET - #8 PH X 5/8"	
	009702-01-000	EA	END STOP - CURTAIN CARRIER - L ROD	

BATH/BEDROOM PRIVACY DOOR - FROM: 12-13-98 THRU: 01-31-99

KEY	PART NUMBER	U/M	DESCRIPTION
	131595-01-01A	EA	DOOR - FOLDING - 37" X 75" - W/4 CEILING MOUNTED BRACKETS
	131595-01-700	EA	END STOP ONLY-FABRIC DOOR
	131595-01-701	EA	BRACKET/MOUNTING-FABRIC DOOR
	131595-01-702	EA	TRACK/STRAIGHT-37"FABRIC DR
	080224-01-703	EA	HANDLE W/LATCH-CATCH, ALMOND

BATH/BEDROOM PRIVACY DOOR - FROM: 02-01-99 THRU: 03-07-99

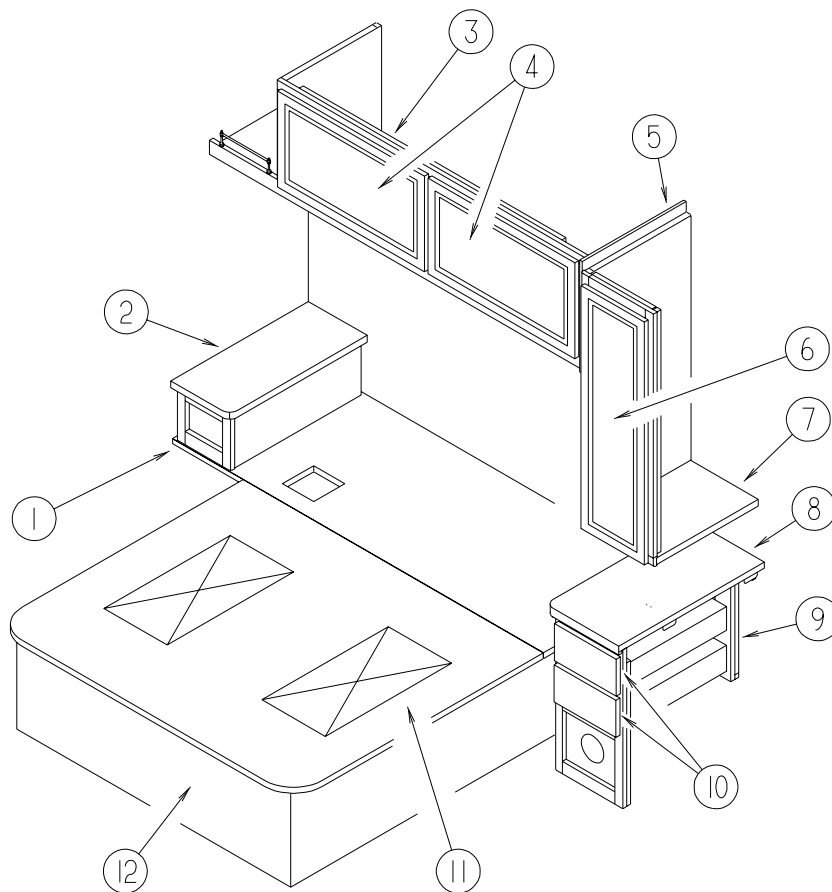
KEY	PART NUMBER	U/M	DESCRIPTION	VENDOR NO.
	042488-10-000	EA	DOOR - FOLDING - OFF WHITE FABRIC - 37" X 75"	
	042488-10-700	EA	LEADRAIL-PREPUNCHED F/HANDLE	DW2100
	080224-01-703	EA	HANDLE W/LATCH-CATCH, ALMOND	DE03505
	080224-01-705	EA	LATCH & CATCH ASM., ALMOND	DE25010 & DE25020
	094856-06-02A	EA	TRACK - FOLDING DOOR - 37.6"	
	029130-01-000	EA	SCREW - SNAP SOCKET - #8 PH X 5/8"	
	009702-01-000	EA	END STOP - CURTAIN CARRIER - L ROD	

BATH/BEDROOM PRIVACY DOOR - FROM: 03-08-99 THRU: 99-99-99

KEY	PART NUMBER	U/M	DESCRIPTION
	131595-01-01A	EA	DOOR - FOLDING - 37" X 75" - W/4 CEILING MOUNTED BRACKETS
	131595-01-700	EA	END STOP ONLY-FABRIC DOOR
	131595-01-701	EA	BRACKET/MOUNTING-FABRIC DOOR
	131595-01-702	EA	TRACK/STRAIGHT-37"FABRIC DR
	080224-01-703	EA	HANDLE W/LATCH-CATCH, ALMOND

BEDROOM GROUP

QUEEN BEDROOM CABINETS

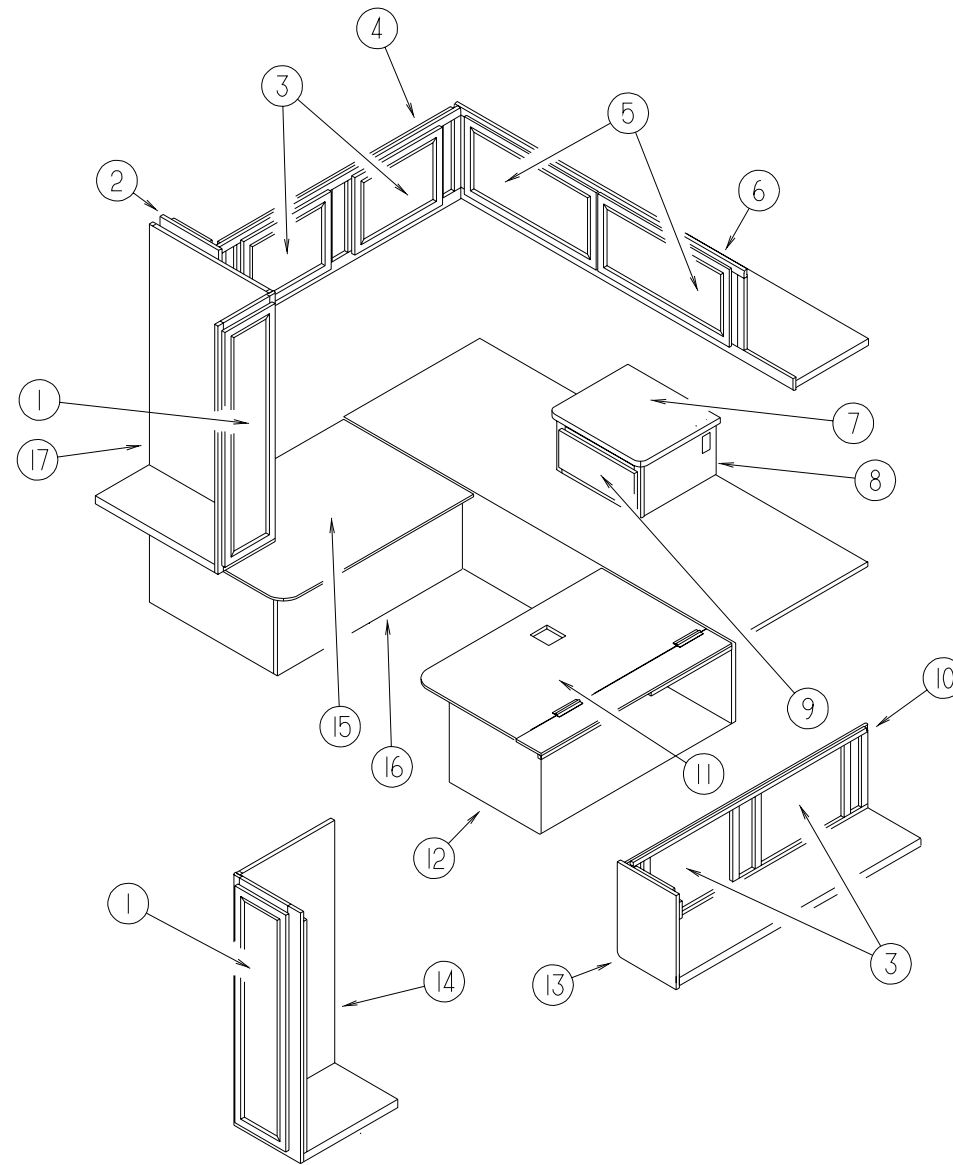


KEY	PART NUMBER	U/M	DESCRIPTION
1	128708-01-J02	EA	CABINET/NIGHTSTAND - W/COUNTERTOP - W/O DOORS/DWRS/HDW (K01)
1	128708-01-K02	EA	CABINET/NIGHTSTAND - W/COUNTERTOP - W/O DOORS/DWRS/HDW (K02)
1	128708-01-K03	EA	CABINET/NIGHTSTAND - W/COUNTERTOP - W/O DOORS/DWRS/HDW (K03)
2	128708-11-J02	EA	COUNTERTOP - NIGHTSTAND (K01)
2	128708-11-K02	EA	COUNTERTOP - NIGHTSTAND (K02)
2	128708-11-K03	EA	COUNTERTOP - NIGHTSTAND (K03)
3	124351-01-H04	EA	CABINET - OVERHEAD REAR/LEFT HAND - W/O DOORS/HARDWARE
4	132141-14-K01	EA	DOOR - RAIL/VENEER - 15.7" X 27.9" - W/O HARDWARE
5	109908-51-H04	EA	END CAP - OVERHEAD CABINET
6	132141-23-K01	EA	DOOR - RAIL/VENEER - 12" X 39.9" - W/O HARDWARE
7	P28532-01-J01	EA	CABINET - SHIRT CLOSET - W/O DOORS/HARDWARE
8	128707-12-J02	EA	COUNTERTOP - NIGHTSTAND/RIGHT HAND (K01)
8	128707-12-K02	EA	COUNTERTOP - NIGHTSTAND/RIGHT HAND (K02)
8	128707-12-K03	EA	COUNTERTOP - NIGHTSTAND/RIGHT HAND (K03)

KEY	PART NUMBER	U/M	DESCRIPTION
9	P28707-01-J02	EA	CABINET - NIGHTSTAND - W/CTRTP - W/O DOORS/DRAWERS/HDW (K01)
9	P28707-01-K02	EA	CABINET - NIGHTSTAND - W/CTRTP - W/O DOORS/DRAWERS/HDW (K02)
9	P28707-01-K03	EA	CABINET - NIGHTSTAND - W/CTRTP - W/O DOORS/DRAWERS/HDW (K03)
10	M05971-J8-K01	EA	DRAWER - OGEE EDGE - 8.9"W X 19.7"D - W/O SLIDES/HARDWARE
11	M07500-04-J01	EA	TOP - QUEEN BED - W/O HARDWARE
12	P28544-01-J01	EA	CABINE/BASE - QUEEN BED - W/O DOORS/DRAWERS/HARDWARE
	107796-26-000	EA	SPRING/GAS - 12" COMPRESSED/20" EXTENDED - 90 LB..
	126263-06-02B	EA	BRACKET - GAS SPRING - E-COATED
	126263-08-02B	EA	BRACKET - GAS SPRING - LOWER - E-COATED
	097872-04-000	EA	DOWEL - WOOD - 1" DIAMETER X 1.38" LONG
	091952-01-000	EA	CLIP - GRIPPER - 1"

BEDROOM GROUP (CONTINUED)

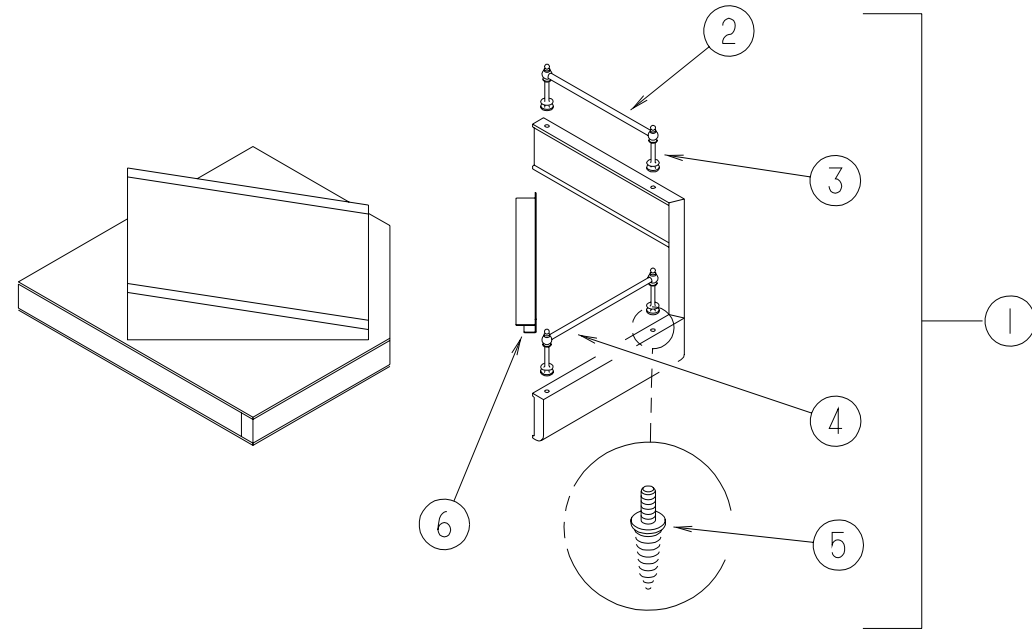
TWIN BEDROOM CABINETS



KEY	PART NUMBER	U/M	DESCRIPTION
1	132141-23-K01	EA	DOOR - RAIL/VENEER - 12" X 39.9" - W/O HARDWARE
2	109908-78-K04	EA	END CAP - OVERHEAD CABINET
3	132141-08-K01	EA	DOOR - RAIL/VENEER - 15.7" X 20.4" - W/O HARDWARE
4	128887-04-K04	EA	CABINET - OVERHEAD/REAR - W/O DOORS/HARDWARE
5	132141-14-K01	EA	DOOR - RAIL/VENEER - 15.7" X 27.9" - W/O HARDWARE
6	121210-01-G04	EA	CABINET - OVERHEAD/REAR - W/O DOORS/HARDWARE - F/TWIN BED
7	125233-11-J02	EA	COUNTERTOP - NIGHTSTAND (K01)
7	125233-11-K02	EA	COUNTERTOP - NIGHTSTAND (K02)
7	125233-11-K03	EA	COUNTERTOP - NIGHTSTAND (K03)
8	P25233-01-J02	EA	CABINET - NIGHTSTAND/TWIN - W/COUNTERTOP-W/O DRS/DWRS/HDW (K01)
8	P25233-01-K02	EA	CABINET - NIGHTSTAND/TWIN - W/COUNTERTOP-W/O DRS/DWRS/HDW (K02)
8	P25233-01-K03	EA	CABINET - NIGHTSTAND/TWIN - W/COUNTERTOP-W/O DRS/DWRS/HDW (K03)

KEY	PART NUMBER	U/M	DESCRIPTION
9	M05971-MC-J01	EA	DRAWER - OGEE EDGE - 14.9"W X 11.8"D - W/O SLIDES/HARDWARE
10	121345-08-K04	EA	CABINET - OVERHEAD/REAR - W/O DOORS/HDW - F/TWIN BED
11	M06960-06-000	EA	CABINET - TOP - TWIN BED/LEFT HAND - W/O HARDWARE
12	P28888-01-J01	EA	CABINET/BASE - TWIN BED/LEFT HAND - W/O DOORS/DRAWERS/HDW
13	109908-77-K04	EA	END CAP - OVERHEAD CABINET
14	128886-01-J03	EA	CABINET - OVERHEAD - SHIRT/LEFT HAND - W/O DOORS/HARDWARE
15	M06960-07-J03	EA	CABINET - TOP - TWIN BED/RIGHT HAND - W/O HARDWARE
16	P28889-01-J01	EA	CABINET - BASE/TWIN BED/RIGHT HAND - W/O DOORS/DRAWERS/HDW
17	112831-01-G04	EA	CABINET - SHIRT CLOSET/RIGHT HAND - W/O DOORS/HARDWARE

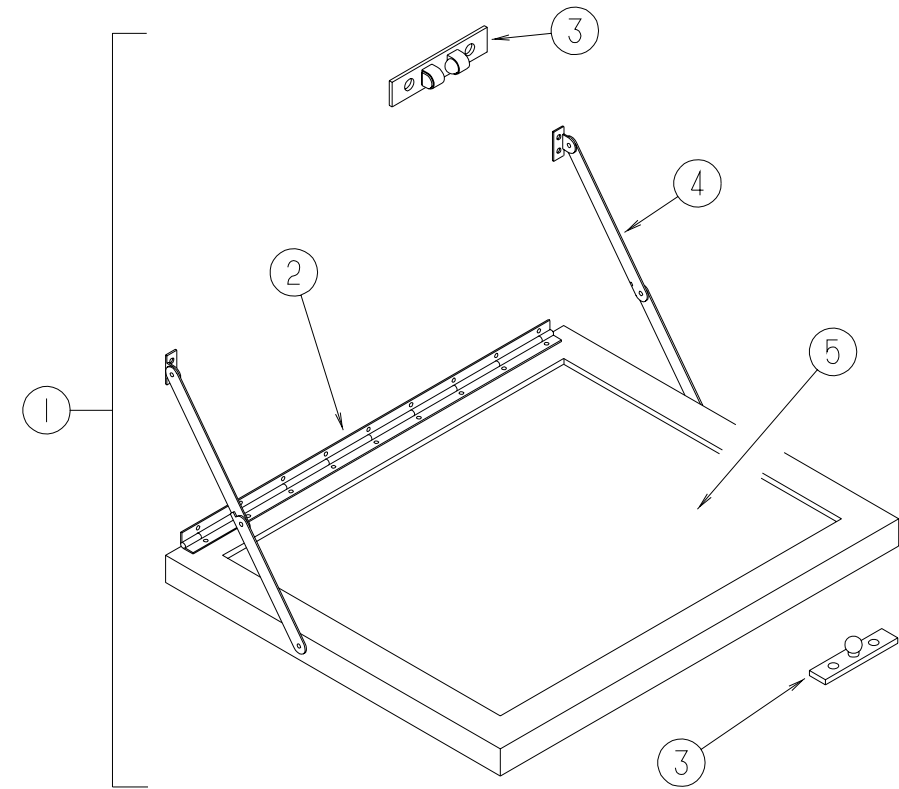
BEDROOM GROUP (CONTINUED)



QUEEN BED TV SHELF

KEY	PART NUMBER	U/M	DESCRIPTION
1	116553-03-G04	EA	CABINET - TV SHELF - W/BRASS RODS/POST ENDS
2	084071-12-000	EA	ROD - BRASS - 4.08" LONG
3	084070-03-000	EA	POST - END - 2.4" - BRASS
4	084071-19-000	EA	ROD - BRASS - 7.09"
5	106166-01-000	EA	BOLT/COLLARED HANGER - 8-32 X 1"
6	103186-01-05A	FT	MOLDING - PLASTIC - 3/8" U-CHANNEL 3/4" FACE-WATERFORD OAK

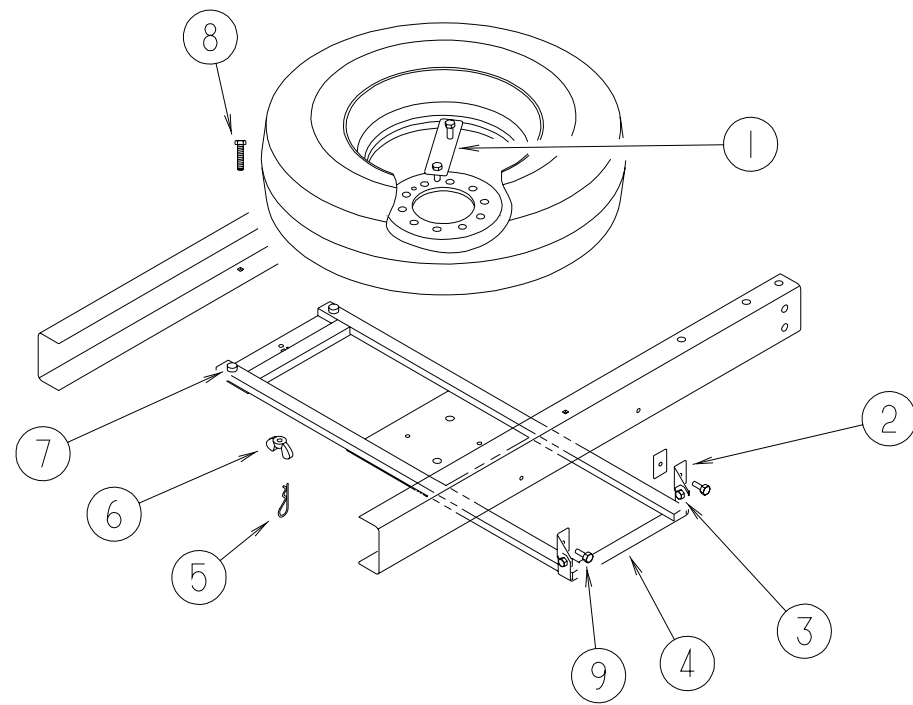
BEDROOM GROUP (CONTINUED)



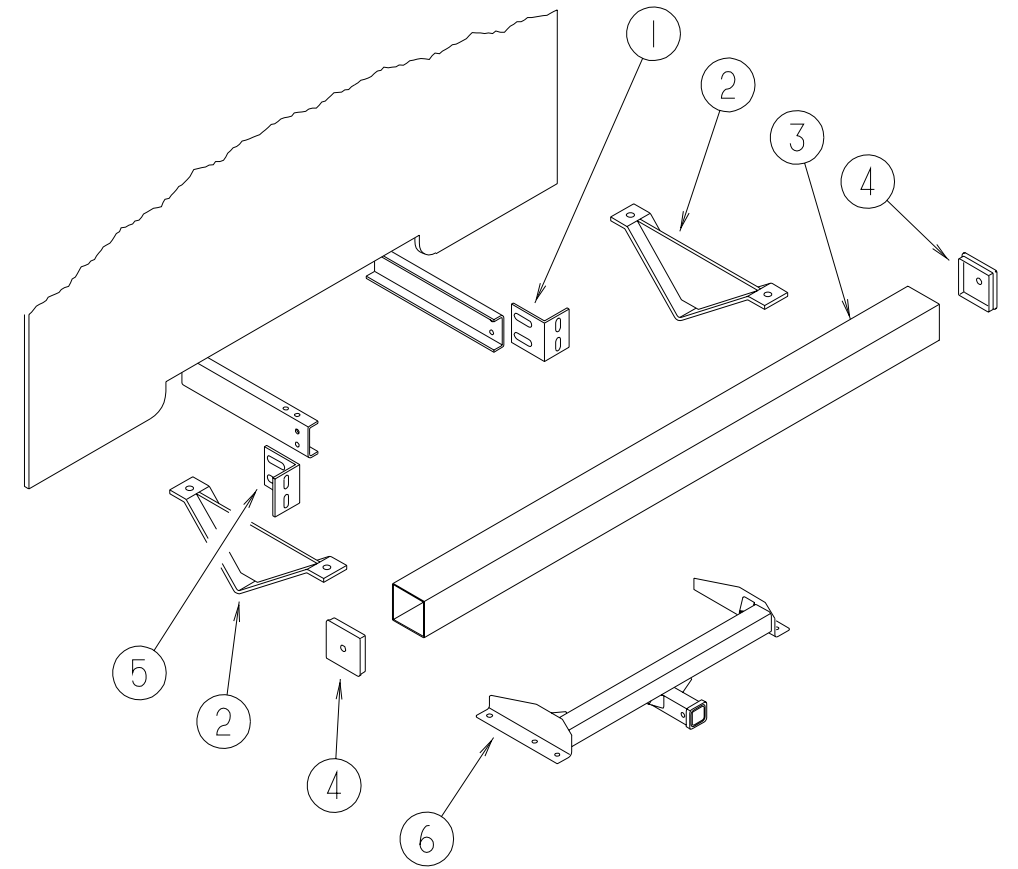
TWIN BED TV SHELF

KEY	PART NUMBER	U/M	DESCRIPTION
1	084357-02-H13	EA	TV STAND
2	084413-01-000	EA	HINGE/CONTINUOUS - ALUMINUM 1" X 72" - W/HOLES
3	088451-01-000	EA	CATCH - BRASS
4	084412-01-000	EA	SUPPORT/HINGE KIT (LEFT & RIGHT HINGES)
5	084356-08-000	EA	INSERT - TV STAND - W/SUPPORT HINGES - OFF WHITE

CHASSIS GROUP



CHASSIS GROUP (CONTINUED)



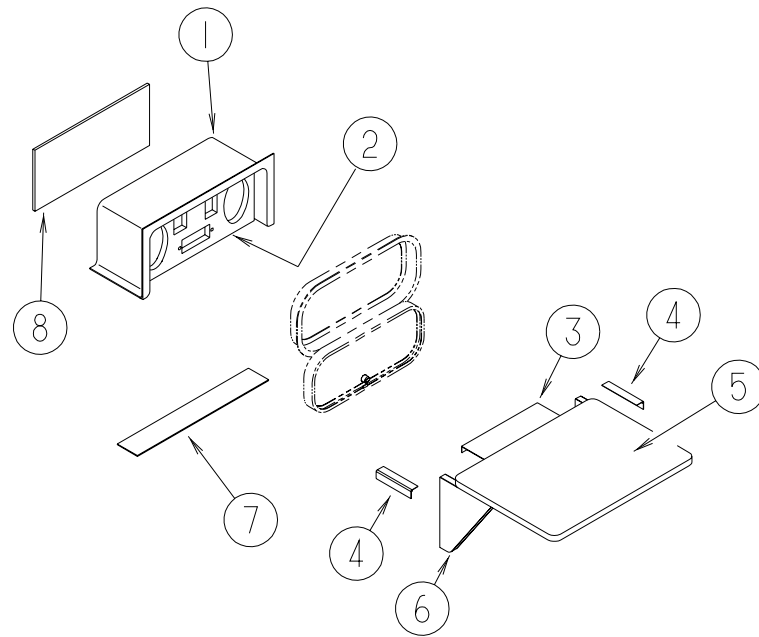
SPARE TIRE INSTALLATION

KEY	PART NUMBER	U/M	DESCRIPTION
1	116338-02-02B	EA	BRACKET/CLAMP - SPARE TIRE - E-COATED
	000D29-09-00B	EA	NUT - HEX SELFLOCKING - 9/16-12 - ZINC
2	116349-01-02B	EA	BRACKET/HINGE - SPARE TIRE - E-COATED
3	000C26-06-12B	EA	BOLT - HEX - SERRATED FLANGE - 3/8-16 X 3/4 - ZINC
	000D34-06-00B	EA	NUT - HEX - LOCKING - 3/8-16 GRADE C ZINC - PREVAILING TORQUE
	000E13-17-00B	EA	WASHER - FLAT - 3/8" AR - ZINC
4	116348-01-02B	EA	CRADLE - SPARE TIRE - E-COATED
5	034513-01-000	EA	PIN - HITCH - 3/16" WIRE
6	064081-03-000	EA	NUT - WING 3/8-16 - W/WELD NUT
7	069726-02-000	EA	BUMPER - .88 DIAMETER - 40 - BLACK
8	000C18-06-56A	EA	BOLT - ELEVATOR - 3/8-16 X 3 1/2 - GRADE 5
9	000C26-06-12B	EA	BOLT - HEX - SERRATED FLANGE - 3/8-16 X 3/4 - ZINC
	000D39-06-00B	EA	NUT - HEX - LOCKING W/SERRATED FLANGE - 3/8-18 - ZINC
	112358-01-000	EA	WRENCH - LUG - 7/8" - L-SHAPE

REAR BUMPER & HITCH

KEY	PART NUMBER	U/M	DESCRIPTION
1	104420-01-000	EA	SUPPORT/ANGLE - REAR BUMPER - RIGHT HAND
2	083376-01-000	EA	PLATE/SKID - 13.2" X 6" X 2" STEEL
3	103422-05-02A	EA	BUMPER - REAR - SQUARE ALUMINUM - 97.3" - BRIGHT WHITE
4	039779-01-000	EA	CAP - BUMPER - RUBBER - 4" X 4" - BLACK
5	104420-02-000	EA	SUPPORT/ANGLE - REAR BUMPER - LEFT HAND
6	130339-04-000	EA	HITCH RECEIVER - BOLT ON CLASS II
	034513-01-000	EA	PIN - HITCH - 3/16" WIRE
	113589-02-000	EA	CONNECTOR - SOCKET - TRAILER
	113589-01-000	EA	CONNECTOR - PLUG - TRAILER
	113588-02-01B	EA	BRACKET - CONNECTOR - TRAILER W/O LIP

CHASSIS GROUP (CONTINUED)



EXTERIOR ENTERTAINMENT CENTER

KEY	PART NUMBER	U/M	DESCRIPTION
1	124696-01-01A	EA	BOX - ENTERTAINMENT CENTER/EXTERIOR
2	127409-02-J01	EA	PLATE - RADIO MOUNTING
			FROM: 00-00-00 THRU: 06-13-99
2	127409-02-L15	EA	PLATE - RADIO MOUNTING
			FROM: 06-14-99 THRU: 99-99-99
3	105377-01-04A	EA	BRACKET - TABLE HANGER - BRIGHT WHITE
4	105376-01-03A	EA	HINGE - CONTINUOUS - 2" X 5.5" - BRIGHT WHITE
5	105230-11-J01	EA	SHELF - EXTERIOR ENTERTAINMENT CENTER - W/O HARDWARE
6	105230-12-J01	EA	SUPPORT - EXTERIOR SHELF
7	104898-01-02A	EA	PLATE - PLASTIC BOTTOM - BRIGHT WHITE
8	104898-02-02A	EA	PLATE - PLASTIC BACK - BRIGHT WHITE

CHASSIS GROUP (CONTINUED)

DRIVESHAFT ASSEMBLY

KEY	PART NUMBER	U/M	DESCRIPTION
	127347-02-000	EA	DRIVESHAFT ASSEMBLY - BALANCE PAIR - 189" - CHEVY
	P27348-01-000	EA	DRIVESHAFT - SLIP YOKE/MALE SPLINE - 159" WHEELBASE - CHEVY
	P27348-02-000	EA	DRIVESHAFT - SLIP YOKE/YOKE - 159" WHEELBASE - CHEVY
	074833-01-000	EA	SPACER - BEARING - DRIVESHAFT - 2" X 8" X .5" THICK
	085771-03-000	EA	NUT - HEX - FLARE TORQUE - GRADE G - DRIVESHAFT
	088498-01-000	EA	UNION - INVERTED FLARE - BRASS - 3/16
	088498-02-000	EA	UNION - INVERTED FLARE - BRASS - 1/4
	103653-23-000	EA	BOLT - U-JOINT - 5/16-24 X .75
	103653-24-000	EA	STRAP - U-JOINT
	131694-02-000	EA	DRIVESHAFT ASSEMBLY - BALANCED PAIR - 188" WHEEL BASE - FORD
	074833-01-000	EA	SPACER - BEARING - DRIVESHAFT - 2" X 8" X .5" THICK
	000C13-07-40B	EA	BOLT - HEX - 7/16-20 X 2 1/2 - ZINC 5
	085771-03-000	EA	NUT - HEX - FLARE TORQUE - GRADE G - DRIVESHAFT

WHEEL LINERS - FORD

KEY	PART NUMBER	U/M	DESCRIPTION	VENDOR NO.
	110435-13-000	EA	LINER - WHEEL - SET OF 4	
	110435-10-705	EA	TOOL - INSTALLATION	V195P7-TOL
	110435-13-700	EA	LINER - WHEEL - FRONT	V160F7-FWC
	110435-13-701	EA	LINER - WHEEL - REAR	V160F7-RWC
	110435-13-702	EA	COVER-LUG NUT W/JAMB NUT FT	V160F7-EJN
	095012-05-000	EA	EXTENSION - VALVE STEM - LIVE 5"	
	095012-06-000	EA	STABILIZER - VALVE EXTENSION - LIVE	

WHEEL LINERS - CHEVY

KEY	PART NUMBER	U/M	DESCRIPTION	VENDOR NO.
	091209-05-000	EA	LINER - WHEEL - SET OF 4 - 16" - STAINLESS STEEL	
	091209-03-702	EA	COVER-AXLE, FRONT, 8 LUG	64UE
	091209-03-703	EA	COVER-AXLE, REAR, 8 LUG	65UE
	091209-03-704	EA	RING-SNAP	00
	091209-05-700	EA	LINER-WHEEL, FRONT	57-88 KAPER
	091209-05-701	EA	LINER-WHEEL, REAR	58-88
	095012-05-000	EA	EXTENSION - VALVE STEM - LIVE 5"	
	095012-06-000	EA	STABILIZER - VALVE EXTENSION - LIVE	

WHEEL COVERS - DICOR

KEY	PART NUMBER	U/M	DESCRIPTION	VENDOR NO.
	109443-05-000	EA	WHEEL COVER - 4/SET - 16" STAINLESS STEEL	
	098532-01-700	EA	COVER-LUG NUT (CHROME)	SHAU-LNC
	109443-05-700	EA	COVER-WHEEL, 16" SS EA=1	SHFM16-CVR

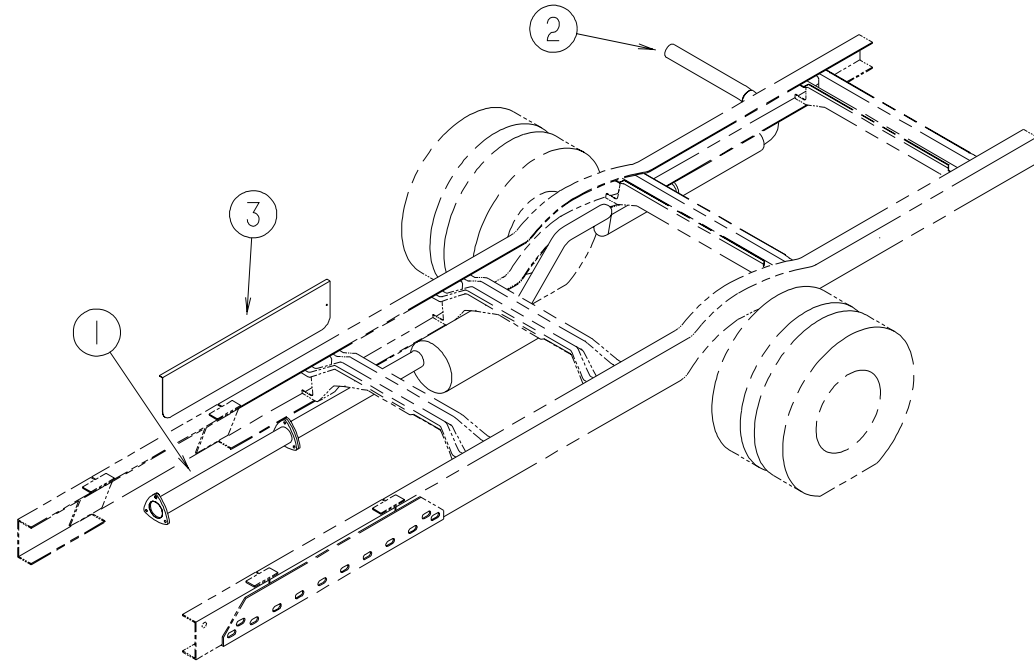
TIRE & WHEEL - CHEVY

KEY	PART NUMBER	U/M	DESCRIPTION
	106715-01-000	EA	TIRE - LT 225/75 R16 - LRD 550 AS
	051377-03-000	EA	VALVE STEM
	089359-03-000	EA	WHEEL - STEEL - 16" X 6" L - 8 HOLE - PRIMED

TIRE & WHEEL - FORD

KEY	PART NUMBER	U/M	DESCRIPTION
	070917-06-000	EA	TIRE - LT225/75R16E - R4S - M/S - FIRESTONE
	051377-04-000	EA	VALVE STEM - .5" X 2"
	083617-03-000	EA	WHEEL - STEEL - 6" X 16"
			FROM: 00-00-00 THRU: 12-02-98
	083617-04-000	EA	WHEEL - STEEL - 6" X 16" - '99 E350/E450
			FROM: 12-03-98 THRU: 99-99-99

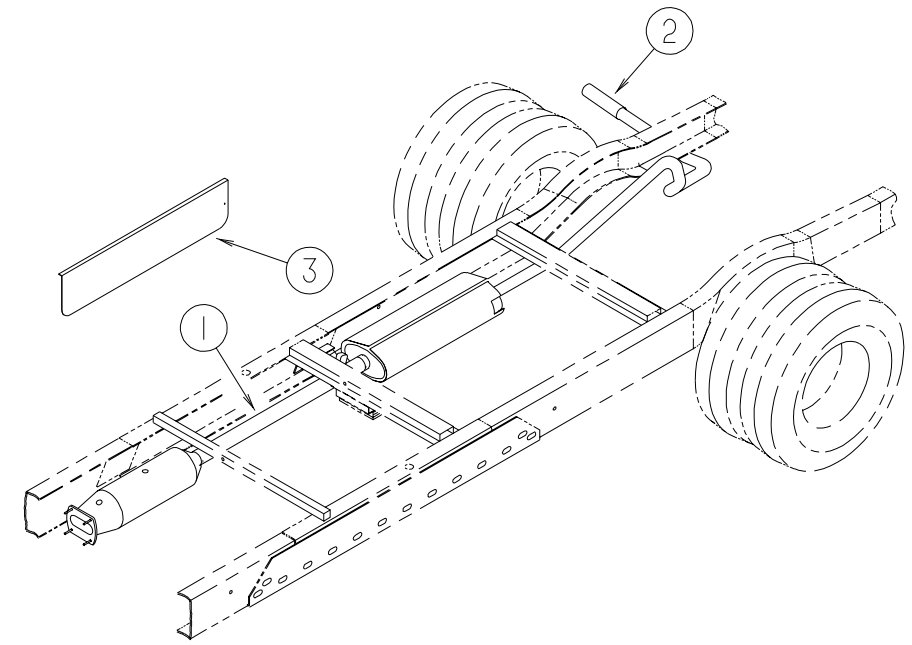
CHASSIS GROUP (CONTINUED)



CHEVY EXHAUST SYSTEM COMPONENTS

KEY	PART NUMBER	U/M	DESCRIPTION
1	124477-01-000	EA	PIPE - EXHAUST
	124610-01-000	EA	GASKET - EXHAUST
2	124570-02-000	EA	PIPE - EXHAUST - TAIL
	094918-06-000	EA	CLAMP - EXHAUST - 3" - HEAVY DUTY
3	091182-11-000	EA	SHIELD - HEAT

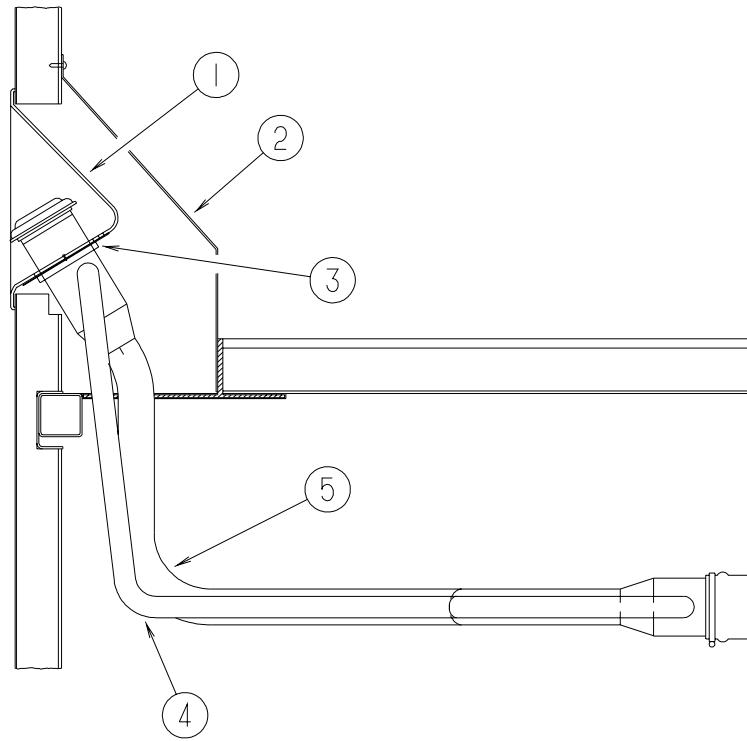
CHASSIS GROUP (CONTINUED)



FORD EXHAUST SYSTEM COMPONENTS

KEY	PART NUMBER	U/M	DESCRIPTION
1	111478-01-000	EA	EXHAUST PIPE - DOUBLE WALL STAINLESS STEEL - 32" - GAS
	094918-06-000	EA	CLAMP - EXHAUST - 3" - HEAVY DUTY
1	098762-14-000	EA	PIPE - EXHAUST - STRAIGHT - 3.5" - DIESEL
	094918-02-000	EA	CLAMP - EXHAUST - 3.5"
2	098762-18-000	EA	PIPE - EXHAUST - STRAIGHT - 3"
			FROM: 00-00-00 THRU: 12-30-98
3	091182-07-000	EA	SHIELD - HEAT

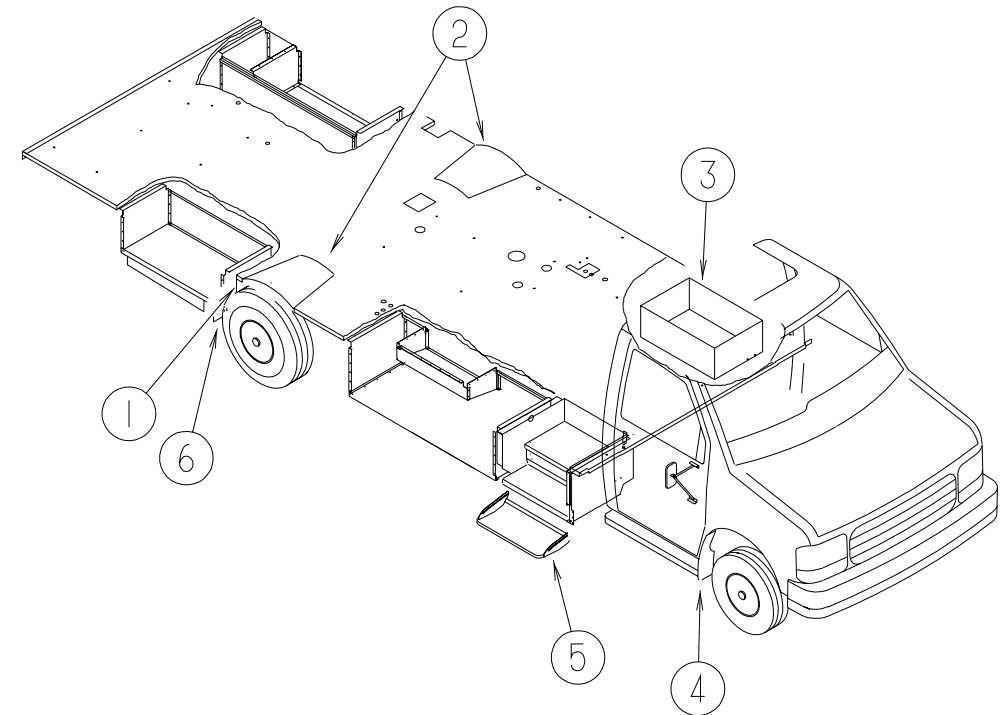
CHASSIS GROUP (CONTINUED)



FUEL SYSTEM COMPONENTS

KEY	PART NUMBER	U/M	DESCRIPTION
1	127291-01-01A	EA	SHROUD - FUEL FILL - BRIGHT WHITE - CHEVY
1	127291-02-01A	EA	SHROUD - FUEL FILL - BRIGHT WHITE - FORD
2	078040-09-000	EA	SHROUD - FUEL FILL - UPPER
3	078200-01-000	EA	GASKET - FUEL FILL - 3.5"OD X 2"ID
4	129505-02-000	EA	TUBE - VENT - FUEL - STEEL - 5/8" X 13.5" - FORD
5	128331-01-000	EA	NECK ASM-FUEL FILL - CHEVY
5	108603-02-000	EA	NECK - FILLER - FUEL FILL - DIESEL
	106389-10-000	EA	FUEL LINE - FORD - 3/8 HP - FORD
	125055-01-000	EA	PIPE - FUEL/GAS - CHEVY
	125187-01-000	FT	HOSE - FUEL - LOW PERMEABILITY - 11.1 ID - FORD
	125187-02-000	FT	HOSE - FUEL - LOW PERMEABILITY - 12.71 ID - FORD
	128139-03-000	FT	HOSE - FUEL - LOW PERMEABILITY - 1/4" DIAMETER - GENERATOR
	084884-01-000	EA	PLUG - BRASS - 3/8"

CHASSIS GROUP (CONTINUED)



MISCELLANEOUS CHASSIS COMPONENTS

KEY	PART NUMBER	U/M	DESCRIPTION	VENDOR NO.
1	045731-06-000	EA	GUARD - ROCK	
2	112435-03-000	EA	WHEELWELL	
3	114070-02-02B	EA	SUPPORT - GENERATOR - LEFT	
3	114071-02-02B	EA	SUPPORT - GENERATOR - RIGHT	
4	072884-27-703	EA	MUD FLAP W/HOLES, 1EA=PAIR - FORD	99171
4	072884-28-701	EA	FRONT FLAP - PAIR - CHEVY	99153
5	077848-05-000	EA	STEP - PULLOUT	
	102569-04-000	EA	MAT - ANTI SLIP	
	077441-06-000	EA	BRACKET - STEP	
	091176-01-000	EA	SUPPORT - BASE - ENTRANCE STEP	
	084993-01-000	EA	STRAP - BATTERY - 43.2" LONG	
	084993-02-000	EA	STRAP - BATTERY - 55" LONG	
	065450-05-000	EA	TIEDOWN - BATTERY - 8.4" TUBE	
5*	094708-01-01A	EA	STEP - ENTRY DOOR - ELECTRIC - SINGLE - W/O DOOR SWITCH FROM: 00-00-00 THRU: 01-13-99	
	116995-01-000	EA	SWITCH/MAGNET - ELECTRIC STEP - WHITE/WHITE - OPEN CIRCUIT	
5*	094708-03-01A	EA	STEP - ELECTRIC - SINGLE - BLACK FROM: 01-14-99 THRU: 99-99-99	
	116995-02-000	EA	SWITCH/MAGNET - ELECTRIC STEP - BLACK/WHITE-CLOSED CIRCUIT	
6	017516-01-000	EA	MUD FLAP - 14" X 18" - BLACK	
	061420-01-000	EA	PLUG/PLASTIC - 1.75" DIAMETER - BROWN	

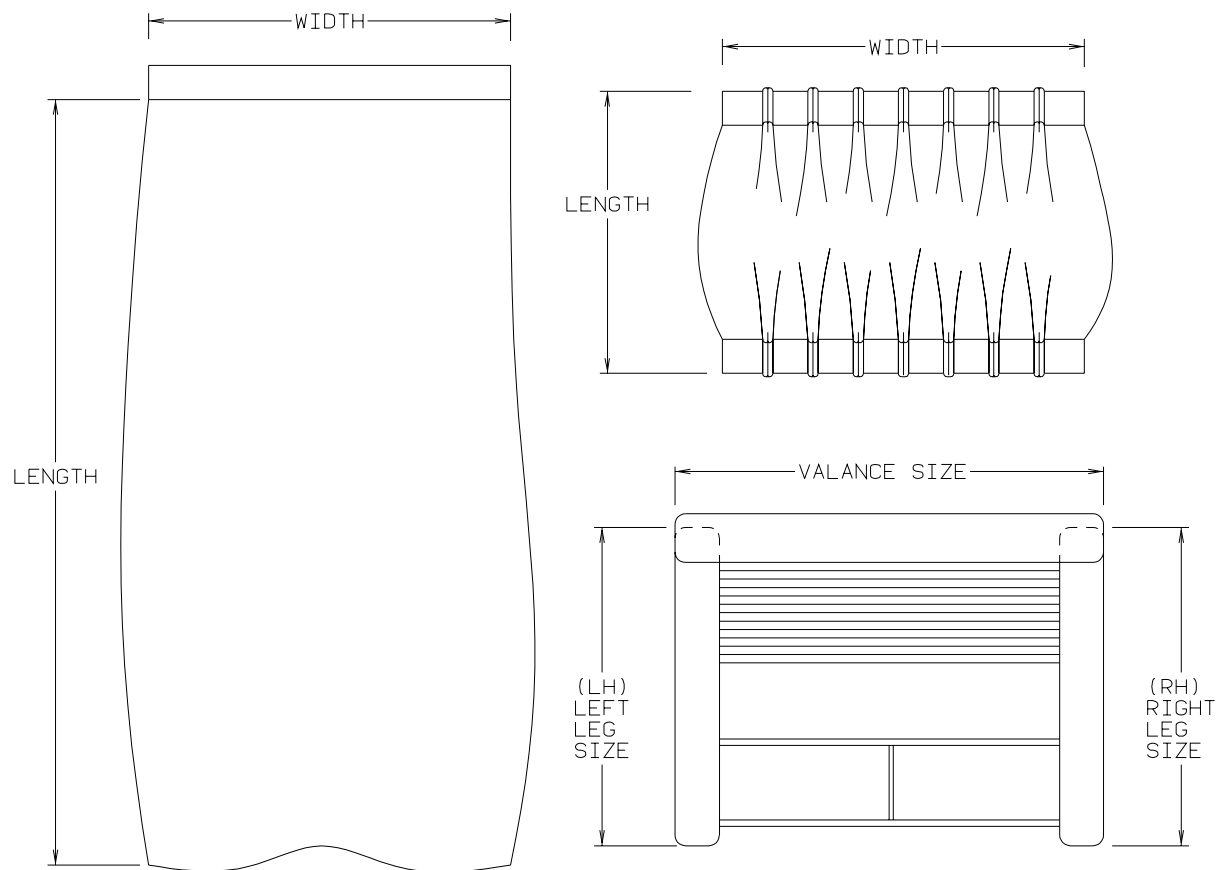
*COMPONENT PARTS FOUND IN SERVICE PARTS LIBRARY

CURTAIN & CUSHION GROUP

NOTICE

IN ORDER TO ASSIST OUR PARTS SALES DEPT. IN PROVIDING INTERIOR SOFTWARE ITEMS, PLEASE INCLUDE THE SERIAL NUMBER AND THE COLOR CODE NUMBER FROM THE VEHICLE CERTIFICATION LABEL WHEN ORDERING. THIS LABEL IS LOCATED ON THE LEFT SIDEWALL AT THE END OF THE DASH (A-BODY), OR ON THE DRIVER'S DOOR LATCH PLATE (C-BODY).

AN EXAMPLE OF A COLOR CODE NUMBER IS B07, WHICH DESIGNATES AN OVERALL COLOR SCHEME OF A PARTICULAR UNIT. THE COLOR LISTED AFTER THE ITEM DESCRIPTION ON THE MICROFICHE, INDICATES THE OVERALL UNIT COLOR. ORDER THE ITEM YOU DESIRE ACCORDING TO UNIT COLOR CODE.



NOTE: USE THIS ILLUSTRATION WHEN DETERMINING LENGTH AND WIDTH MEASUREMENTS FOR CURTAINS. YOU WILL NOTE THE WIDTH MEASUREMENT IS TAKEN ON THE TOP OF THE CURTAIN WITH THE CURTAIN FULLY EXTENDED. THE LENGTH MEASUREMENT IS TAKEN FROM TOP TO BOTTOM. LEFT AND RIGHT WINDOW LEGS ARE DETERMINED WHEN FACING THE WINDOW.

CURTAIN & CUSHION GROUP (CONTINUED)

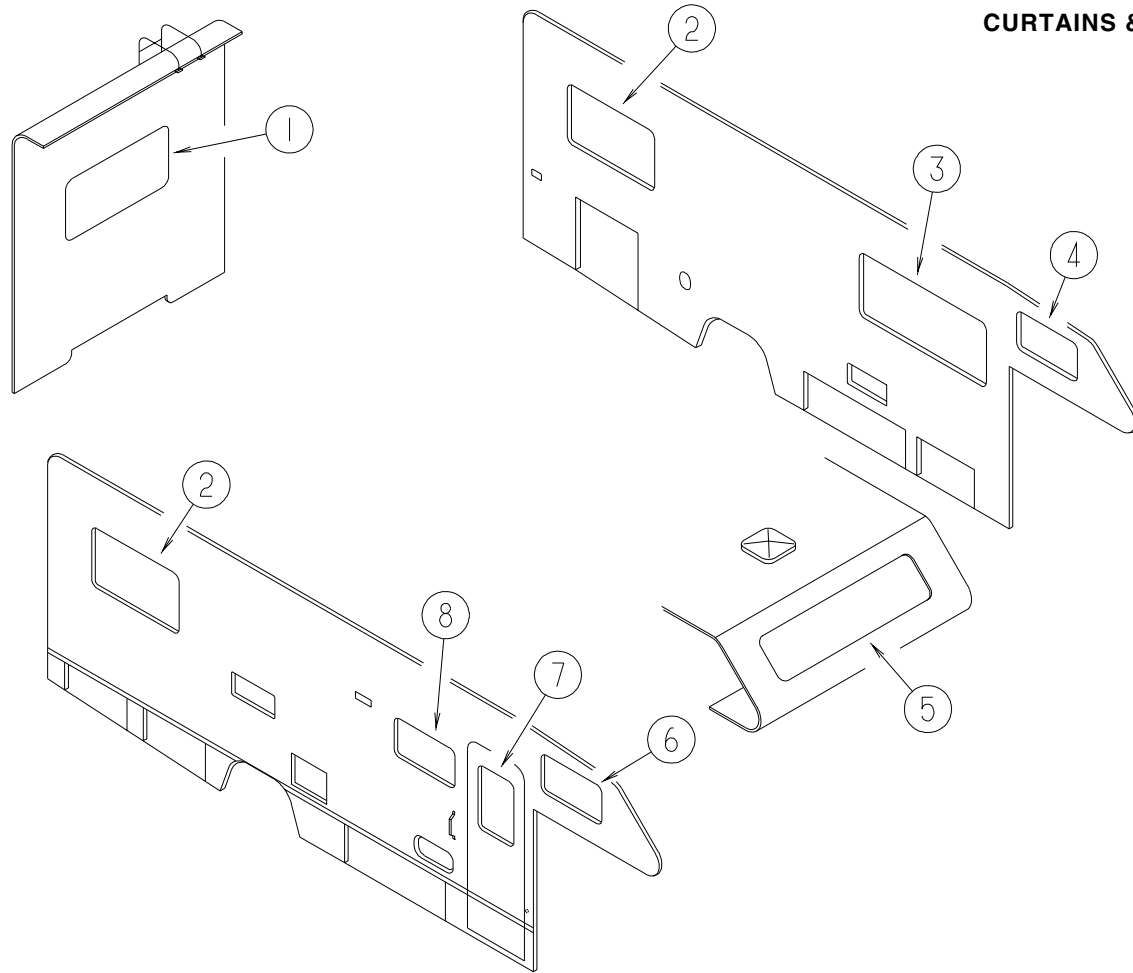
FABRICS

Color Codes	K01	K02	K03
	SANDPIPER	HORIZON	MEADOWBROOK
BUCKET SEATS	108446-U1-000 108446-57-000	108446-F7-000 108446-F4-000	108446-C5-000 108446-S7-000
DINETTE CUSHIONS	108446-R8-000	108446-U5-000	126883-03-000
DINETTE PADS	108446-U1-000	108446-F7-000	108446-C5-000
SOFA	108446-R8-000	108446-U5-000	126883-03-000
SWIVEL CHAIR	108446-57-000	108446-F4-000	108446-S7-000
LOUNGE/DINETTE VALANCE/LEG	108446-57-000	108446-F4-000	108446-S7-000
LOUNGE/DINETTE OVERLAYS	108446-R8-000	108446-U5-000	126883-03-000
BEDROOM VALANCE/LEG	105745-G2-000	105745-65-000	105745-G8-000
BEDROOM OVERLAYS	105745-A1-000	105745-64-000	105745-45-000
BEDSPREAD	105745-G2-000	105745-65-000	105745-G8-000
PILLOW SHAMS	105745-G2-000 105745-A1-000	105745-65-000 105745-64-000	105745-G8-000 105745-45-000
ENTRANCE DOOR VALANCE	108446-57-000	108446-F4-000	108446-S7-000
BUNK CUSHIONS	108446-57-000	108446-F4-000	108446-S7-000
DIVIDER CURTAIN	105745-A1-000 105745-G2-000	105745-64-000 105745-65-000	105745-45-000 105745-G8-000
WRAP AROUND	105745-A1-000	105745-64-000	105745-45-000
BUNK CURTAINS	105745-G2-000	105745-65-000	105745-G8-000
BUNK/PRIVACY CURTAINS	105745-A1-000	105745-64-000	105745-45-000
DRAPERY LINING	087272-03-000	087272-03-000	087272-03-000
TIRE COVER	103907-05-000	103907-05-000	103907-05-000
HEADLINER	103907-01-06A	103907-01-06A	103907-01-06A
CEILING FROM:00-00-00 THRU:02-07-99	113979-01-01A	113979-01-01A	113979-01-01A
CEILING FROM:02-08-99 THRU:99-99-99	113979-09-01A	113979-09-01A	113979-09-01A

NOTE: FABRIC LISTED FIRST IN A BLOCK IS THE LARGEST QUANTITY OF FABRIC USED

CURTAIN & CUSHION GROUP (CONTINUED)

CURTAINS & WINDOW TREATMENT



KEY	PART NUMBER	U/M	DESCRIPTION
1	119263-28-J02	EA	VALANCE - STARBUCK II - 53" (K01)
1	119263-28-J03	EA	VALANCE - STARBUCK II - 53" (K02)
1	119263-28-K03	EA	VALANCE - STARBUCK II - 53" (K03)
1	111910-62-K01	EA	BLIND - DAY/NIGHTER - 49" X 27"
1	111910-62-K02	EA	BLIND - DAY/NIGHTER - 49" X 27"
1	111910-62-K03	EA	BLIND - DAY/NIGHTER - 49" X 27"
1	109041-54-02A	EA	BLIND - MINI - 49" X 27" (K01, K03)
1	109041-54-01A	EA	BLIND - MINI - 49" X 27" (K02)
1	127017-07-K04	EA	LEG - RIGHT - 25" (K01)
1	127017-07-J44	EA	LEG - RIGHT - 25" (K02)
1	127017-07-J32	EA	LEG - RIGHT - 25" (K03)
1	127017-08-K04	EA	LEG - LEFT - 25" (K01)
1	127017-08-J44	EA	LEG - LEFT - 25" (K02)
1	127017-08-J32	EA	LEG - LEFT - 25" (K03)
2	119263-32-J02	EA	VALANCE - STARBUCK II - 45" (K01)
2	119263-32-J03	EA	VALANCE - STARBUCK II - 45" (K02)
2	119263-32-K03	EA	VALANCE - STARBUCK II - 45" (K03)
2	111910-53-K01	EA	BLIND - DAY/NIGHTER - 42" X 28.5"
2	111910-53-K02	EA	BLIND - DAY/NIGHTER - 42" X 28.5"
2	111910-53-K03	EA	BLIND - DAY/NIGHTER - 42" X 28.5"
2	109041-33-02A	EA	BLIND - MINI - 42" X 28" (K01, K03)
2	109041-33-01A	EA	BLIND - MINI - 42" X 28" (K02)
2	127017-07-K04	EA	LEG - RIGHT - 25" (K01)
2	127017-07-J44	EA	LEG - RIGHT - 25" (K02)
2	127017-07-J32	EA	LEG - RIGHT - 25" (K03)
2	127017-08-K04	EA	LEG - LEFT - 25" (K01)
2	127017-08-J44	EA	LEG - LEFT - 25" (K02)
2	127017-08-J32	EA	LEG - LEFT - 25" (K03)

KEY	PART NUMBER	U/M	DESCRIPTION
3	119263-25-J02	EA	VALANCE - STARBUCK II - 64.5" (K01)
3	119263-25-K02	EA	VALANCE - STARBUCK II - 64.5" (K02)
3	119263-25-K03	EA	VALANCE - STARBUCK II - 64.5" (K03)
3	111910-57-K01	EA	BLIND - DAY/NIGHTER - 61" X 28.5"
3	111910-57-K02	EA	BLIND - DAY/NIGHTER - 61" X 28.5"
3	111910-57-K03	EA	BLIND - DAY/NIGHTER - 61" X 28.5"
3	109041-53-02A	EA	BLIND - MINI - 61" X 28.5" (K01, K03)
3	109041-53-01A	EA	BLIND - MINI - 61" X 28.5" (K02)
3	127017-11-J02	EA	LEG - RIGHT - 25" (K01)
3	127017-11-J03	EA	LEG - RIGHT - 25" (K02)
3	127017-11-K18	EA	LEG - RIGHT - 25" (K03)
3	127017-12-J02	EA	LEG - LEFT - 25" (K01)
3	127017-12-J03	EA	LEG - LEFT - 25" (K02)
3	127017-12-K18	EA	LEG - LEFT - 25" (K03)
4	101034-52-J02	EA	CURTAIN - LEFT HAND - 19" X 34" (K01)
4	101034-52-J03	EA	CURTAIN - LEFT HAND - 19" X 34" (K02)
4	101034-52-K03	EA	CURTAIN - LEFT HAND - 19" X 34" (K03)
5	101034-34-J02	EA	CURTAIN - LEFT HAND - 21" X 60" (K01)
5	101034-34-E21	EA	CURTAIN - LEFT HAND - 21" X 60" (K02)
5	101034-34-K03	EA	CURTAIN - LEFT HAND - 21" X 60" (K03)
5	101034-33-J02	EA	CURTAIN - RIGHT HAND - 21" X 60" (K01)
5	101034-33-E21	EA	CURTAIN - RIGHT HAND - 21" X 60" (K02)
5	101034-33-K03	EA	CURTAIN - RIGHT HAND - 21" X 60" (K03)
6	101034-51-J02	EA	CURTAIN - RIGHT HAND - 19" X 34" (K01)
6	101034-51-J03	EA	CURTAIN - RIGHT HAND - 19" X 34" (K02)
6	101034-51-K03	EA	CURTAIN - RIGHT HAND - 19" X 34" (K03)
7	119263-31-J02	EA	VALANCE - STARBUCK II - 29" (K01)
7	119263-31-K02	EA	VALANCE - STARBUCK II - 29" (K02)
7	119263-31-K03	EA	VALANCE - STARBUCK II - 29" (K03)
7	084755-57-E07	EA	SHADE - PULL - 27.25"
8	109041-44-02A	EA	BLIND - MINI - 30.5" X 18" (K01, K03)
8	109041-44-01A	EA	BLIND - MINI - 30.5" X 18" (K02)

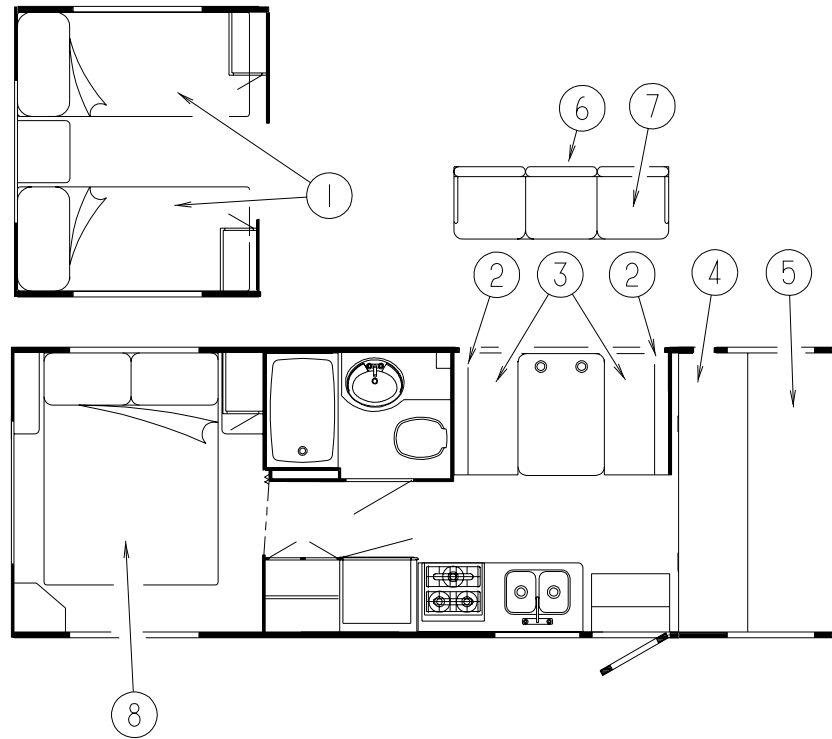
PRIVACY CURTAINS & CURTAIN TIEBACKS

KEY	PART NUMBER	U/M	DESCRIPTION
	076892-23-J02	EA	CURTAIN - 44" X 80" (K01)
	076892-23-J03	EA	CURTAIN - 44" X 80" (K02)
	076892-23-K03	EA	CURTAIN - 44" X 80" (K03)
	101668-39-G01	EA	CURTAIN - RIGHT HAND - 35" X 50" (K01)
	101668-39-J03	EA	CURTAIN - RIGHT HAND - 35" X 50" (K02)
	101668-39-G02	EA	CURTAIN - RIGHT HAND - 35" X 50" (K03)
	101668-40-G01	EA	CURTAIN - LEFT HAND - 35" X 50" (K01)
	101668-40-J03	EA	CURTAIN - LEFT HAND - 35" X 50" (K02)
	101668-40-G02	EA	CURTAIN - LEFT HAND - 35" X 50" (K03)
	073260-23-G01	EA	TIEBACK - CURTAIN - 3" X 18" (K01)
	073260-23-F15	EA	TIEBACK - CURTAIN - 3" X 18" (K02)
	073260-23-G02	EA	TIEBACK - CURTAIN - 3" X 18" (K03)

ASSIST HANDLE & SEATBELTS

KEY	PART NUMBER	U/M	DESCRIPTION
	007021-01-000	EA	SEAT BELT - 2" X 90" - BLACK
	057759-01-000	EA	WASHER - FLAT F/SEAT BELT - 4" DIAMETER
	053552-02-K01	EA	HANDLE - ASSIST - INTERIOR/ENTRY DOOR - VINYL/OFF WHITE
	069178-02-000	EA	BRACKET - MOUNTING/ASSIST HANDLE - GRAY
	000C16-07-16B	EA	BOLT - CARRIAGE - ASSIST HANDLE - 7/16" - 14 X 1"
	000D20-07-00B	EA	NUT - ACORN - ASSIST HANDLE - 7/16 - 14

CURTAIN & CUSHION GROUP (CONTINUED)



TWIN BEDSPREAD, PILLOW & MATTRESS

KEY	PART NUMBER	U/M	DESCRIPTION
1	123471-09-J46	EA	BEDSPREAD/THROW - 36" X 80" (K01)
1	123471-09-J47	EA	BEDSPREAD/THROW - 36" X 80" (K02)
1	123471-09-K18	EA	BEDSPREAD/THROW - 36" X 80" (K03)
	104176-08-J02	EA	PILLOW SHAM - 33" (K01)
	104176-08-J03	EA	PILLOW SHAM - 33" (K02)
	104176-08-K03	EA	PILLOW SHAM - 33" (K03)
	101123-30-000	EA	MATTRESS - COMPLETE FOAM - 36" X 80" - 1 CORNER CUT
	P01123-30-000	EA	COVER - MATTRESS - 36" X 80" - W/1 CUT CORNER

DINETTE CUSHIONS

KEY	PART NUMBER	U/M	DESCRIPTION
2	111897-14-J02	EA	CUSHION - BACK - 13.5" X 42" X 5" (K01)
2	111897-14-K02	EA	CUSHION - BACK - 13.5" X 42" X 5" (K02)
2	111897-14-K03	EA	CUSHION - BACK - 13.5" X 42" X 5" (K03)
	P11897-14-J02	EA	COVER - BACK - 13.5" X 42" X 5" (K01)
	P11897-14-K02	EA	COVER - BACK - 13.5" X 42" X 5" (K02)
	P11897-14-K03	EA	COVER - BACK - 13.5" X 42" X 5" (K03)
3	105603-15-J02	EA	CUSHION - SEAT - 23" X 42" X 5" (K01)
3	105603-15-J47	EA	CUSHION - SEAT - 23" X 42" X 5" (K02)
3	105603-15-K18	EA	CUSHION - SEAT - 23" X 42" X 5" (K03)
	P05603-15-J02	EA	COVER - SEAT - 23" X 42" X 5" (K01)
	P05603-15-J47	EA	COVER - SEAT - 23" X 42" X 5" (K02)
	P05603-15-K18	EA	COVER - SEAT - 23" X 42" X 5" (K03)

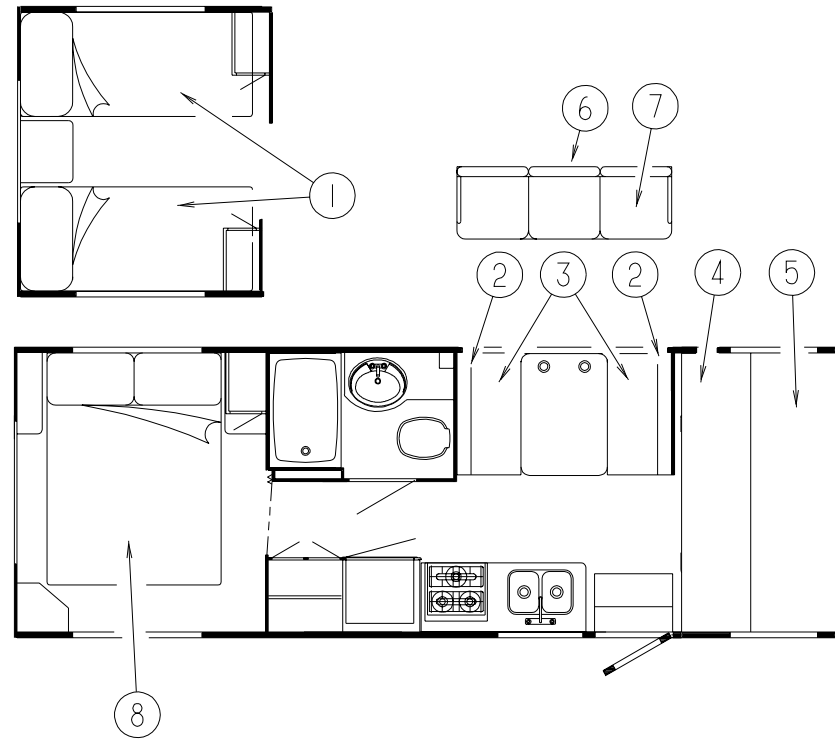
BUNK CUSHIONS

KEY	PART NUMBER	U/M	DESCRIPTION
4	105573-10-K01	EA	CUSHION - OVERHEAD BUNK/REAR - 27" X 23" X 80" X 5" (K01)
4	105573-10-J03	EA	CUSHION - OVERHEAD BUNK/REAR - 27" X 23" X 80" X 5" (K02)
4	105573-10-K03	EA	CUSHION - OVERHEAD BUNK/REAR - 27" X 23" X 80" X 5" (K03)
	P05573-10-K01	EA	COVER - CUSHION/OVERHEAD BUNK/REAR - 27" X 23" X 80" X 5" (K01)
	P05573-10-J03	EA	COVER - CUSHION/OVERHEAD BUNK/REAR - 27" X 23" X 80" X 5" (K02)
	P05573-10-K03	EA	COVER - CUSHION/OVERHEAD BUNK/REAR - 27" X 23" X 80" X 5" (K03)
5	105573-09-E22	EA	CUSHION - OVERHEAD BUNK/Front - 32.5" X 80" X 5" (K01)
5	105573-09-J03	EA	CUSHION - OVERHEAD BUNK/Front - 32.5" X 80" X 5" (K02)
5	105573-09-K03	EA	CUSHION - OVERHEAD BUNK/Front - 32.5" X 80" X 5" (K03)
	P05573-09-E22	EA	COVER - CUSHION/OVERHEAD BUNK/Front - 32.5" X 80" X 5" (K01)
	P05573-09-J03	EA	COVER - CUSHION/OVERHEAD BUNK/Front - 32.5" X 80" X 5" (K02)
	P05573-09-K03	EA	COVER - CUSHION/OVERHEAD BUNK/Front - 32.5" X 80" X 5" (K03)

BUNK CUSHIONS-OVERHEAD ENTERTAINMENT CENTER

KEY	PART NUMBER	U/M	DESCRIPTION
	079145-08-000	EA	CUSHION - BUNK - 25" X 74" X 3.5"
	M79145-08-000	EA	COVER - CUSHION/BUNK - 25" X 74" X 3.5"

CURTAIN & CUSHION GROUP (CONTINUED)



COUCH

KEY	PART NUMBER	U/M	DESCRIPTION
6	111319-01-J02	EA	BACK - SOFA/BED - W/FRAME - 74" (K01)
6	111319-01-K02	EA	BACK - SOFA/BED - W/FRAME - 74" (K02)
6	111319-01-K03	EA	BACK - SOFA/BED - W/FRAME - 74" (K03)
	P11319-01-J02	EA	COVER - BACK - SOFA/BED - 74" (K01)
	P11319-01-K02	EA	COVER - BACK - SOFA/BED - 74" (K02)
	P11319-01-K03	EA	COVER - BACK - SOFA/BED - 74" (K03)
	101085-10-000	EA	FRAME - BACK - SOFA/BED - 74.75"
7	100032-43-J02	EA	SEAT - SOFA/BED - W/FRAME - 74" - W/O ARMS (K01)
7	100032-43-K02	EA	SEAT - SOFA/BED - W/FRAME - 74" - W/O ARMS (K02)
7	100032-43-K03	EA	SEAT - SOFA/BED - W/FRAME - 74" - W/O ARMS (K03)
	P00032-43-J02	EA	COVER - SEAT - SOFA/BED - 74" - W/O ARMS (K01)
	P00032-43-K02	EA	COVER - SEAT - SOFA/BED - 74" - W/O ARMS (K02)
	P00032-43-K03	EA	COVER - SEAT - SOFA/BED - 74" - W/O ARMS (K03)
	101085-04-000	EA	FRAME - SEAT - SOFA/BED - 74.75"
	101085-06-000	EA	FRAME - BASE - SOFA/BED - 74.75"

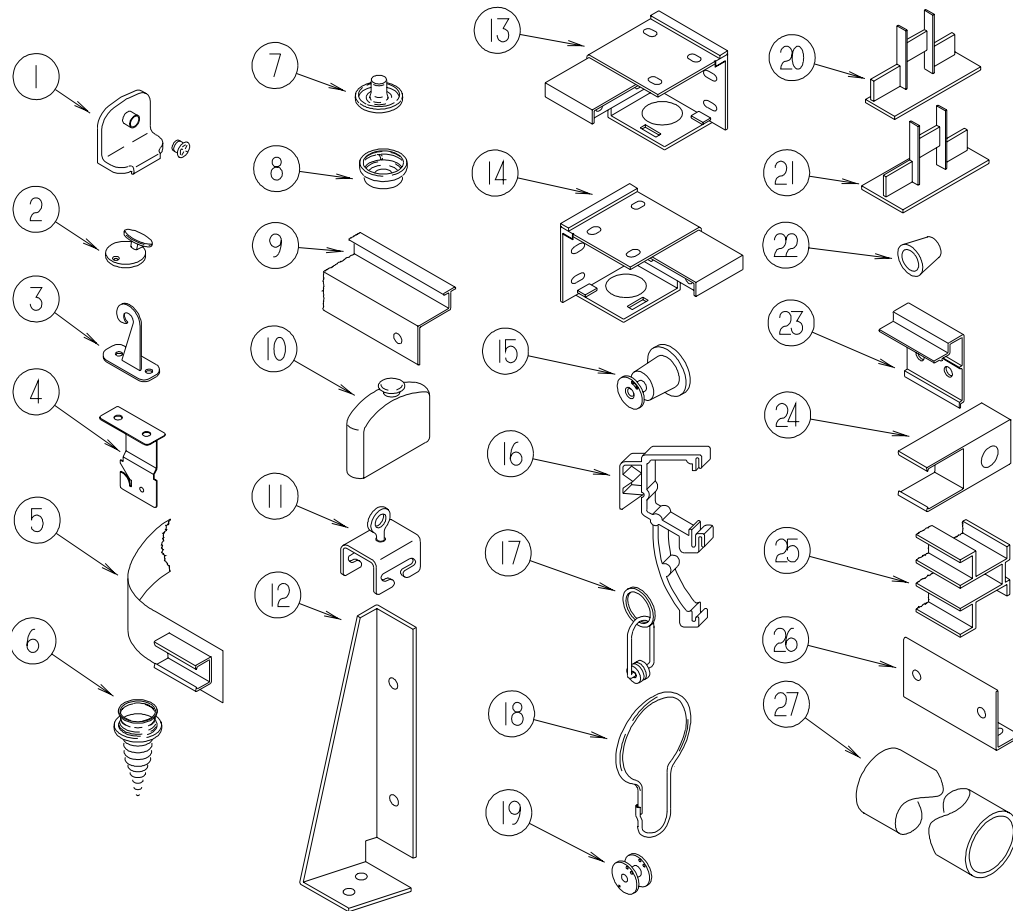
QUEEN BEDSPREAD, PILLOW & MATTRESS

KEY	PART NUMBER	U/M	DESCRIPTION
8	123471-23-J02	EA	BEDSPREAD/THROW - 60" X 80" (K01)
8	123471-23-J03	EA	BEDSPREAD/THROW - 60" X 80" (K02)
8	123471-23-K18	EA	BEDSPREAD/THROW - 60" X 80" (K03)
	104176-04-J02	EA	PILLOW SHAM - 30" (K01)
	104176-04-J03	EA	PILLOW SHAM - 30" (K02)
	104176-04-K03	EA	PILLOW SHAM - 30" (K03)
	101123-30-000	EA	MATTRESS - COMPLETE FOAM - 36" X 80" - 1 CORNER CUT
	P01123-30-000	EA	COVER - MATTRESS - 36" X 80" - W/1 CUT CORNER

NOTE: COUCH FRONT AND SIDE PANELS ARE FOUND IN LOUNGE GROUP

CURTAIN & CUSHION GROUP (CONTINUED)

CURTAIN & BLIND HARDWARE

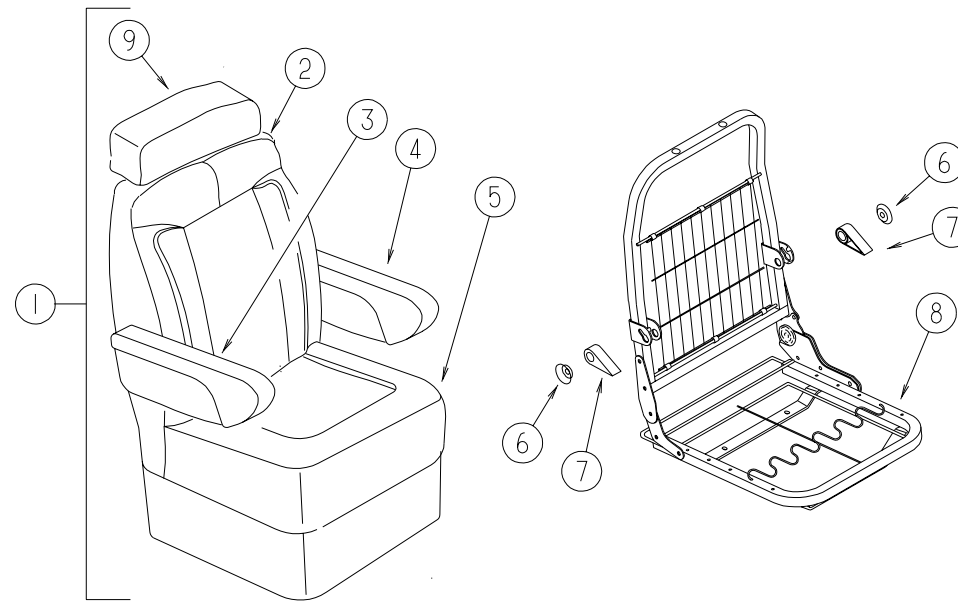


KEY	PART NUMBER	U/M	DESCRIPTION
1	106544-01-000	EA	PULL - SHADE/BRASS
	106544-01-001	EA	SCREW - SHADE/BRASS
2	102555-03-000	EA	CLEAT - BLIND CORD - MILKY WHITE PLASTIC
3	109441-03-000	EA	HOLD DOWN - BLIND (CLOUDY)
	109441-02-000	EA	HOLD DOWN - SPACER
4	084434-01-000	EA	BRACKET - MOUNTING - ROLLER SHADE - 1 3/8"
	096843-01-000	EA	SPRING - REWIND/ROLLER SHADE
	086276-01-000	EA	TAPE - DOUBLE SIDED - 1/2"
5	101031-01-000	YD	TAPE - GLIDE/CURTAIN - 4.25" SPACING
6	029130-01-000	EA	SCREW - SNAP SOCKET - #8 PH X 5/8"
7	029155-01-000	EA	CAP - SNAP - 5/32" OUTSIDE DIAMETER OF PIN
8	029156-01-000	EA	SOCKET - SNAP - 9/16" O.D.
9	105450-08-01A	EA	TRACK - CURTAIN - 38" - OFF WHITE
9	105450-14-01A	EA	TRACK - CURTAIN - 90" - OFF WHITE
10	093475-01-701	EA	CAP-END, WITH INVERTED STUD
11	009702-01-000	EA	END STOP - CURTAIN CARRIER - L ROD
12	076827-02-000	EA	BRACKET - LEG - 2.9" X 1.8" - TRIANGLE
13	083170-01-000	EA	BRACKET - BLIND - LEFT SIDE WHEN FACING WINDOW
14	083170-02-000	EA	BRACKET - BLIND - RIGHT SIDE WHEN FACING WINDOW
15	097592-02-000	EA	SPOOL - CORD - ELEVATED BLIND HOLDUP - LARGE - CLEAR
16	109353-04-000	EA	CLIP - VALANCE SLAT MOUNTING - CLEAR PLASTIC
17	009701-01-000	EA	CARRIER - CURTAIN - L ROD
18	009136-02-000	EA	HANGER - RING - PIN TYPE - CURTAIN - BRASS

KEY	PART NUMBER	U/M	DESCRIPTION
19	097592-01-000	EA	SPOOL - CORD - ELEVATED BLIND HOLDUP - SMALL - CLEAR
20	094907-04-000	EA	END CAP - BOTTOM/PLEATED BLIND (RH & LH)
21	094907-02-000	EA	END CAP - TOP/PLEATED BLIND - PLASTIC - GRAY
22	097564-03-000	EA	HANDLE - KNOB - E-Z LIFT SHADE - TAN
22	097564-04-000	EA	HANDLE - KNOB - E-Z LIFT SHADE - NAVY
22	097564-05-000	EA	HANDLE - KNOB - E-Z LIFT SHADE - TEAL
	000G68-06-12J	EA	SCREW 6-18X.75 POH BRASS
23	097565-01-000	EA	BRACKET - MOUNTING/PLEATED BLIND
24	101033-02-000	EA	END CAP - TRACK/CLEAR
25	101033-04-000	EA	TRACK - WALL - 3'
25	101033-06-000	EA	TRACK - WALL - 6.5'
25	101033-07-000	EA	TRACK - WALL - 2.5'
26	083125-07-000	EA	BRACE - WINDOW MOUNT - 2.5" - OFF WHITE
26	083125-08-000	EA	BRACE - WINDOW MOUNT - 3/4 - OFF WHITE
27	102075-10-01A	EA	ROD - CURTAIN/SHOWER
	046867-02-000	EA	WASHER - HANDY BUTTON #3
	046867-03-000	EA	GROMMET - HANDY BUTTON #3
	048394-02-000	YD	VELCRO TAPE - HOOK - ADHESIVE BACK - .75" WIDE - BEIGE
	094896-02-000	EA	GROMMET - CORD/PLEATED BLIND - NYLON - GRAY
	097591-01-000	EA	SPRING - EXTENSION/PLEATED BLIND
	097593-02-000	FT	CORD - BLIND - PLEATED - GRAY
	097593-06-000	FT	CORD - BLIND - PLEATED - PEWTER
	097593-07-000	FT	CORD - BLIND - PLEATED - JADE

CURTAIN & CUSHION GROUP (CONTINUED)

BUCKET SEAT - CHEVY

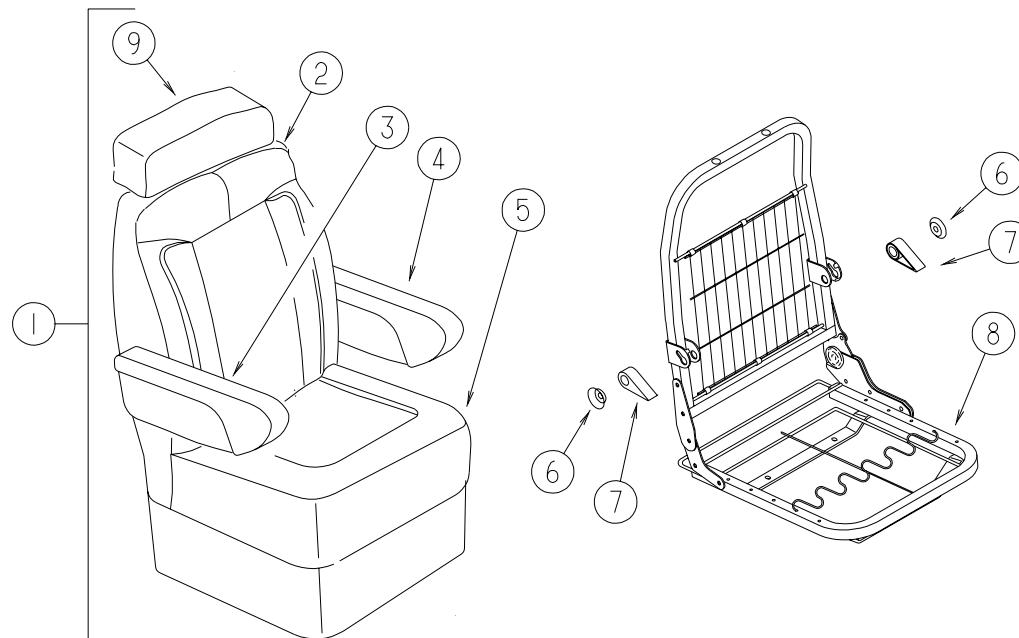


KEY	PART NUMBER	U/M	DESCRIPTION
1	110148-18-K01	EA	SEAT - BUCKET - W/HEADREST/RIGHT ARMREST - DRIVER
1	110148-18-K02	EA	SEAT - BUCKET - W/HEADREST/RIGHT ARMREST - DRIVER
1	110148-18-K03	EA	SEAT - BUCKET - W/HEADREST/RIGHT ARMREST - DRIVER
1	110148-19-K01	EA	SEAT - BUCKET - W/HEADREST/LEFT ARMREST - PASSENGER
1	110148-19-K02	EA	SEAT - BUCKET - W/HEADREST/LEFT ARMREST - PASSENGER
1	110148-19-K03	EA	SEAT - BUCKET - W/HEADREST/LEFT ARMREST - PASSENGER
2	M05962-55-J02	EA	COVER - BACK (K01)
2	M05962-55-J03	EA	COVER - BACK (K02)
2	M05962-55-K03	EA	COVER - BACK (K03)
3	122780-01-J02	EA	ARMREST - RIGHT HAND (K01)
3	122780-01-H16	EA	ARMREST - RIGHT HAND (K02)
3	122780-01-H02	EA	ARMREST - RIGHT HAND (K03)
	P22780-01-J02	EA	COVER - ARMREST - RIGHT HAND (K01)
	P22780-01-H16	EA	COVER - ARMREST - RIGHT HAND (K02)
	P22780-01-H02	EA	COVER - ARMREST - RIGHT HAND (K03)
	115617-03-000	EA	ARMREST - W/O COVER - RIGHT HAND
4	122780-02-J02	EA	ARMREST - LEFT HAND (K01)
4	122780-02-H16	EA	ARMREST - LEFT HAND (K02)
4	122780-02-H02	EA	ARMREST - LEFT HAND (K03)
	P22780-02-J02	EA	COVER - ARMREST - LEFT HAND (K01)
	P22780-02-H16	EA	COVER - ARMREST - LEFT HAND (K02)
	P22780-02-H02	EA	COVER - ARMREST - LEFT HAND (K03)
	115617-04-000	EA	ARMREST - W/O COVER - LEFT HAND

KEY	PART NUMBER	U/M	DESCRIPTION
5	M05962-56-J02	EA	COVER - SEAT (K01)
5	M05962-56-J03	EA	COVER - SEAT (K02)
5	M05962-56-K03	EA	COVER - SEAT (K03)
6	130802-03-000	EA	LEVER/SCREW
7	130802-01-000	EA	LEVER - LEFT HAND
7	130802-02-000	EA	LEVER - RIGHT HAND
8	125229-06-000	EA	FRAME - SEAT - DRIVER - W/RIGHT ARMREST BRACKET
8	125229-07-000	EA	FRAME - SEAT - PASSENGER - W/LEFT ARMREST BRACKET
	130800-01-000	EA	GUARD - HINGE
	007221-01-000	EA	SPACER - SEAT/ADJUSTER
9	119509-01-J02	EA	HEADREST - BUCKET SEAT (K01)
9	119509-01-H01	EA	HEADREST - BUCKET SEAT (K02)
9	119509-01-H02	EA	HEADREST - BUCKET SEAT (K03)
	P19509-01-J02	EA	COVER - HEADREST (K01)
	P19509-01-H01	EA	COVER - HEADREST (K02)
	P19509-01-H02	EA	COVER - HEADREST (K03)
	113977-12-000	EA	HEADREST INSERT - W/O LOCK
	113977-13-000	EA	HEADREST INSERT - W/LOCK

CURTAIN & CUSHION GROUP (CONTINUED)

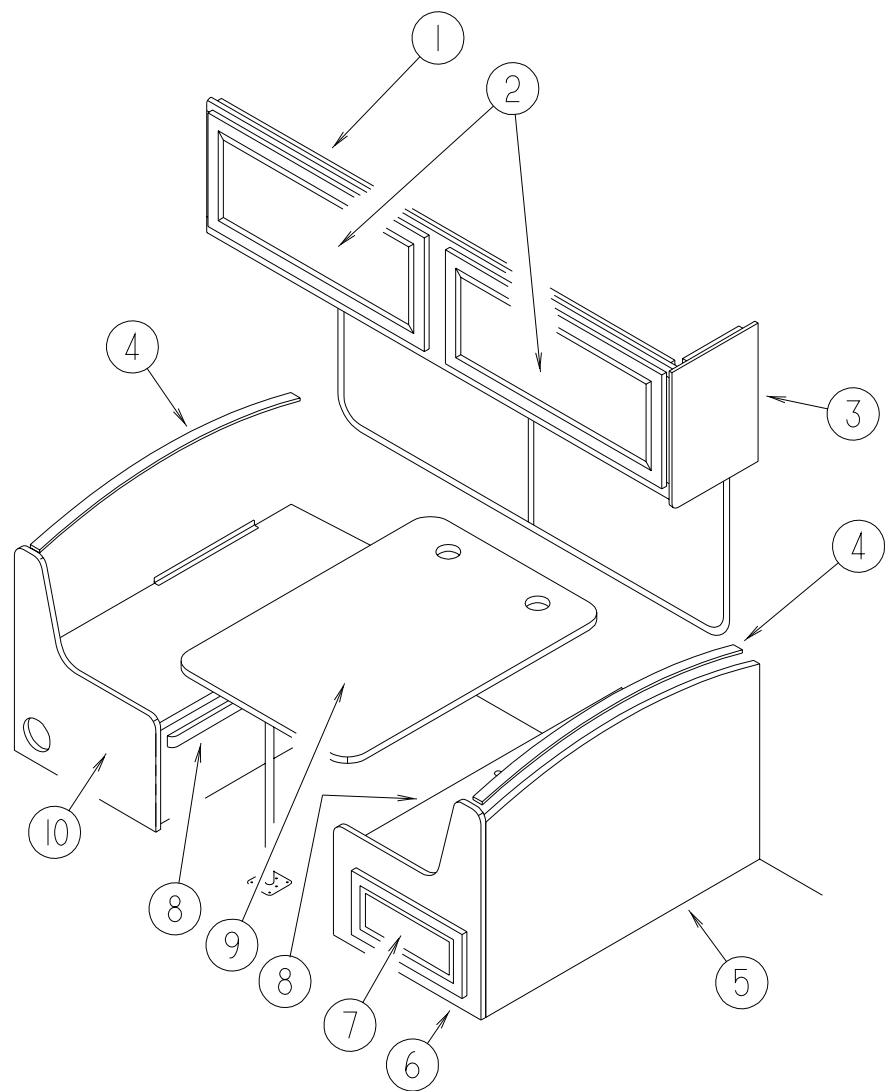
BUCKET SEAT - FORD



KEY	PART NUMBER	U/M	DESCRIPTION
1	110148-16-J02	EA	SEAT - BUCKET - W/HEADREST/RIGHT ARMREST - DRIVER (K01)
1	110148-16-K05	EA	SEAT - BUCKET - W/HEADREST/RIGHT ARMREST - DRIVER (K02)
1	110148-16-K03	EA	SEAT - BUCKET - W/HEADREST/RIGHT ARMREST - DRIVER (K03)
1	110148-17-J02	EA	SEAT - BUCKET - W/HEADREST/LEFT ARMREST - PASSENGER (K01)
1	110148-17-K02	EA	SEAT - BUCKET - W/HEADREST/LEFT ARMREST - PASSENGER (K02)
1	110148-17-K03	EA	SEAT - BUCKET - W/HEADREST/LEFT ARMREST - PASSENGER (K03)
2	M05962-55-J02	EA	COVER - BACK (K01)
2	M05962-55-J03	EA	COVER - BACK (K02)
2	M05962-55-K03	EA	COVER - BACK (K03)
3	122780-01-J02	EA	ARMREST - RIGHT HAND (K01)
3	122780-01-H16	EA	ARMREST - RIGHT HAND (K02)
3	122780-01-H02	EA	ARMREST - RIGHT HAND (K03)
	P22780-01-J02	EA	COVER - ARMREST - RIGHT HAND (K01)
	P22780-01-H16	EA	COVER - ARMREST - RIGHT HAND (K02)
	P22780-01-H02	EA	COVER - ARMREST - RIGHT HAND (K03)
	115617-03-000	EA	ARMREST - W/O COVER - RIGHT HAND
4	122780-02-J02	EA	ARMREST - LEFT HAND (K01)
4	122780-02-H16	EA	ARMREST - LEFT HAND (K02)
4	122780-02-H02	EA	ARMREST - LEFT HAND (K03)
	P22780-02-J02	EA	COVER - ARMREST - LEFT HAND (K01)
	P22780-02-H16	EA	COVER - ARMREST - LEFT HAND (K02)
	P22780-02-H02	EA	COVER - ARMREST - LEFT HAND (K03)
	115617-04-000	EA	ARMREST - W/O COVER - LEFT HAND

KEY	PART NUMBER	U/M	DESCRIPTION
5	M05962-56-J02	EA	COVER - SEAT (K01)
5	M05962-56-J03	EA	COVER - SEAT (K02)
5	M05962-56-K03	EA	COVER - SEAT (K03)
6	130802-03-000	EA	LEVER/SCREW
7	130802-01-000	EA	LEVER - LEFT HAND
7	130802-02-000	EA	LEVER - RIGHT HAND
8	125229-06-000	EA	FRAME - SEAT - DRIVER - W/RIGHT ARMREST BRACKET
8	125229-07-000	EA	FRAME - SEAT - PASSENGER - W/LEFT ARMREST BRACKET
	130800-01-000	EA	GUARD - HINGE
	007221-01-000	EA	SPACER - SEAT/ADJUSTER
9	119509-01-J02	EA	HEADREST - BUCKET SEAT (K01)
9	119509-01-H01	EA	HEADREST - BUCKET SEAT (K02)
9	119509-01-H02	EA	HEADREST - BUCKET SEAT (K03)
	P19509-01-J02	EA	COVER - HEADREST (K01)
	P19509-01-H01	EA	COVER - HEADREST (K02)
	P19509-01-H02	EA	COVER - HEADREST (K03)
	113977-12-000	EA	HEADREST INSERT - W/O LOCK
	113977-13-000	EA	HEADREST INSERT - W/LOCK

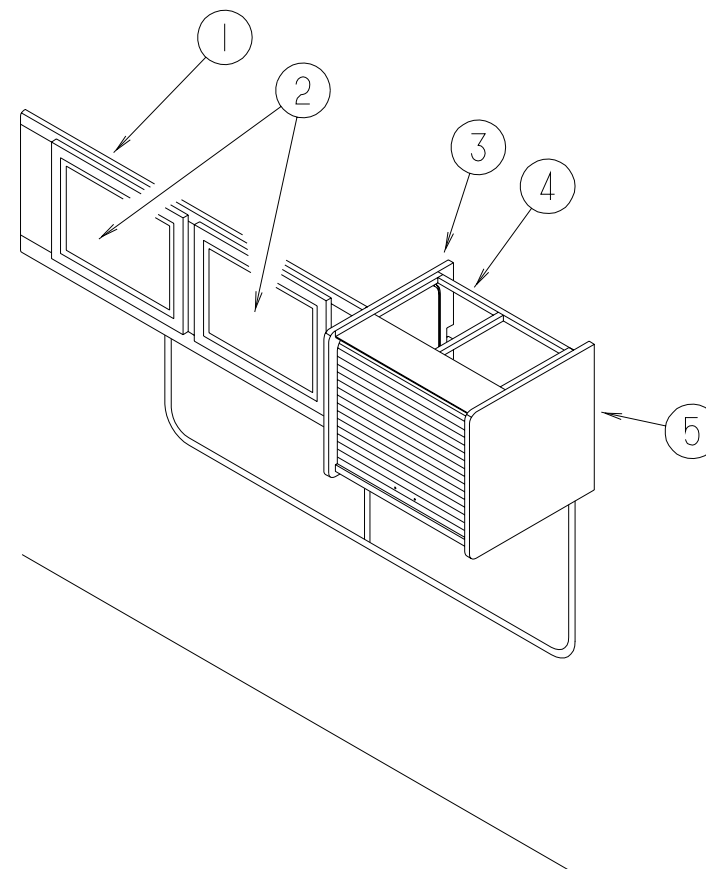
DINETTE GROUP



DINETTE CABINETS, PADS & TABLE

KEY	PART NUMBER	U/M	DESCRIPTION
1	121459-03-K04	EA	CABINET - OVERHEAD/DINETTE - W/O DOORS/HARDWARE FROM: 00-00-00 THRU: 12-08-98
1	121459-05-K04	EA	CABINET - OVERHEAD/DINETTE - W/O DOORS/HARDWARE FROM: 12-09-98 THRU: 99-99-99
2	132141-14-K01	EA	DOOR - RAIL/VENEER - 15.7" X 27.9" - W/O HARDWARE
3	109908-80-K04	EA	END CAP - OVERHEAD CABINET
4	111338-11-J02	EA	PAD - DINETTE SEATBACK (K01)
4	111338-11-J03	EA	PAD - DINETTE SEATBACK (K02)
4	111338-11-K03	EA	PAD - DINETTE SEATBACK (K03)
5	M08123-16-J01	EA	CABINET - SEATBACK - RIGHT HAND
6	M08122-17-J01	EA	CABINET - SEATBASE - RIGHT HAND - W/O DOOR/DRAWER/HDW
7	131995-G4-K01	EA	DOOR - SOLID PANEL - 10" X 19.1" - W/O HARDWARE
8	081295-01-G01	EA	SUPPORT - BED/DINETTE - 28" LONG
9	081322-20-J98	EA	TABLE TOP ONLY (K01)
9	081322-20-K17	EA	TABLE TOP ONLY (K02)
9	081322-20-K18	EA	TABLE TOP ONLY (K03)
10	M08122-24-J01	EA	CABINET - SEATBASE - LEFT HAND - W/O DOOR/DRAWER/HDW

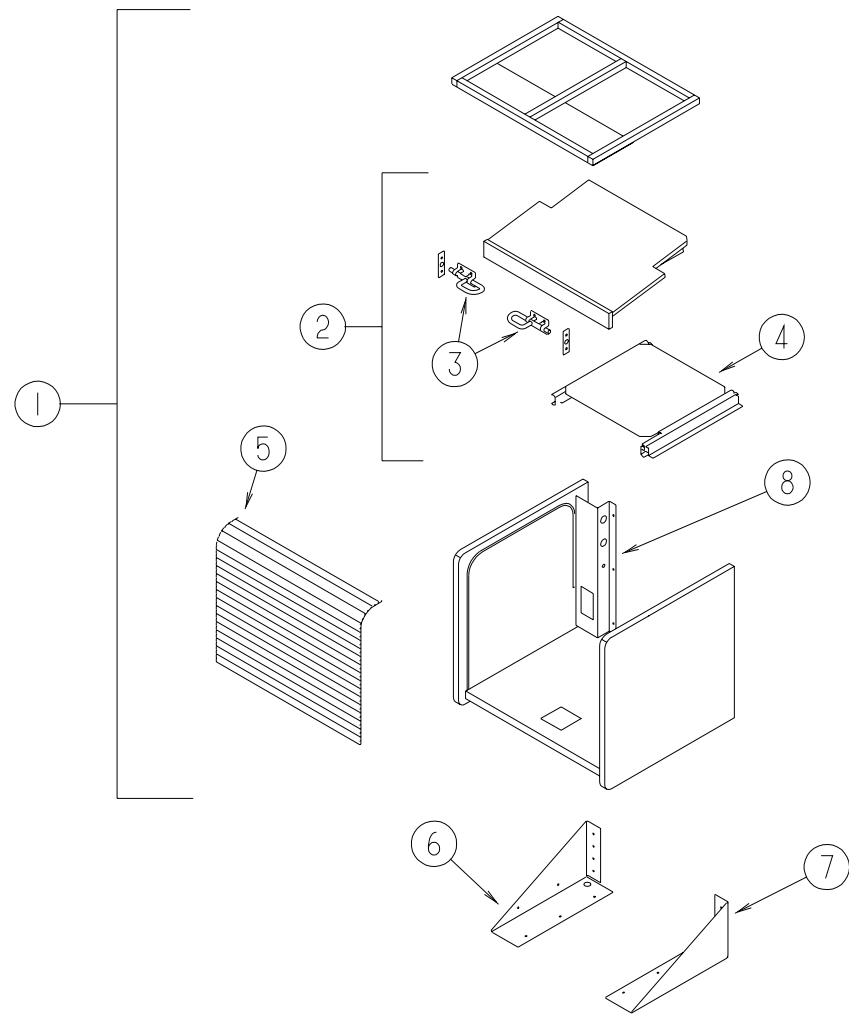
DINETTE GROUP (CONTINUED)



DINETTE OVERHEAD CABINET

KEY	PART NUMBER	U/M	DESCRIPTION
1	121840-02-K01	EA	CABINET - OVERHEAD/FRONT - W/O DOORS/HARDWARE
2	132141-08-K01	EA	DOOR - RAIL/VENEER - 15.7" X 20.4" - W/O HARDWARE
3	109908-98-J01	EA	END CAP - OVERHEAD CABINET
4	M08163-08-J01	EA	CABINET - TV/VCP - W/SHELF/SLIDES/TAMBOUR DOOR
4	M08163-07-J01	EA	CABINET - TV/VCP - W/O SHELF/SLIDES - W/O TAMBOUR DOOR
5	109908-58-J01	EA	END CAP - OVERHEAD CABINET

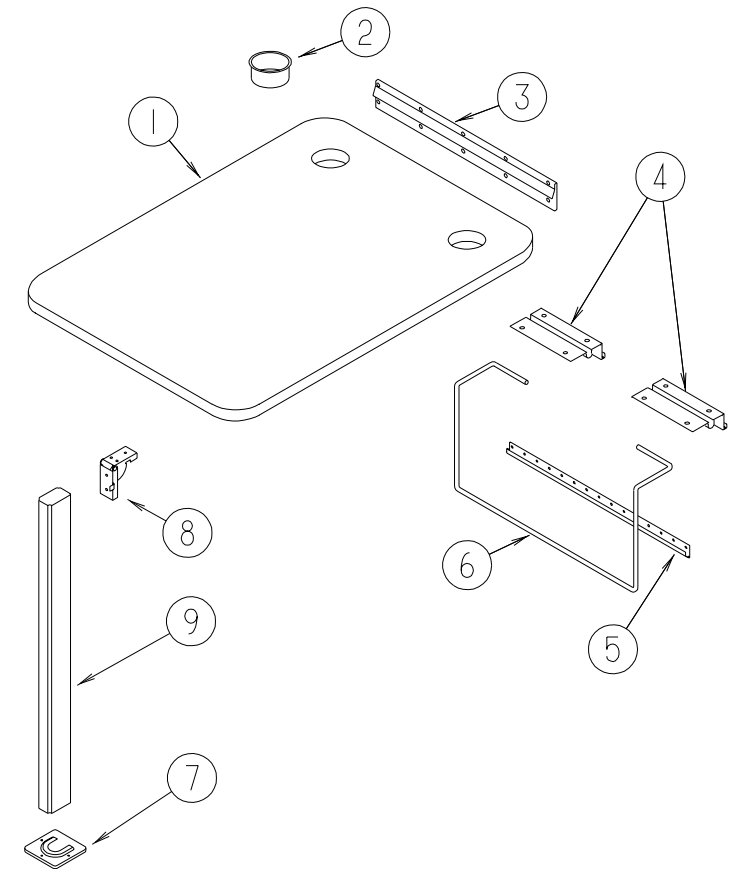
DINETTE GROUP (CONTINUED)



DINETTE TV/VCR CABINET

KEY	PART NUMBER	U/M	DESCRIPTION
1	M08163-07-J01	EA	CABINET - TV/VCR - W/O SHELF/SLIDES/TAMBOUR DOOR
1	M08163-08-J01	EA	CABINET - F/TV/VCR - W/SHELF/SLIDES/TAMBOUR DOOR
2	125722-13-J01	EA	SHELF - W/SLIDE & SWIVEL
3	103256-01-000	EA	LATCH - SLIDE
4	116773-02-000	EA	SWIVEL/SLIDES - F/TV SHELF
5	057882-04-700	EA	TAMBOUR - 4' X 4' SHEET - UNFINISHED
	093622-01-000	EA	TRACK - DOOR - TAMBOUR - PLASTIC - 8' LENGTHS
	093623-01-000	EA	CORNER - TRACK - TAMBOUR DOOR
6	122298-03-02B	EA	BRACKET - TV/VCR W/ANGLE - RIGHT HAND - E-COATED
7	122298-02-02B	EA	BRACKET - TV/VCR - LEFT HAND - E-COATED
8	122469-02-02B	EA	BRACKET - ZEE - W/CUTOUT - E-COATED
8	122469-01-02B	EA	BRACKET - ZEE

DINETTE GROUP (CONTINUED)

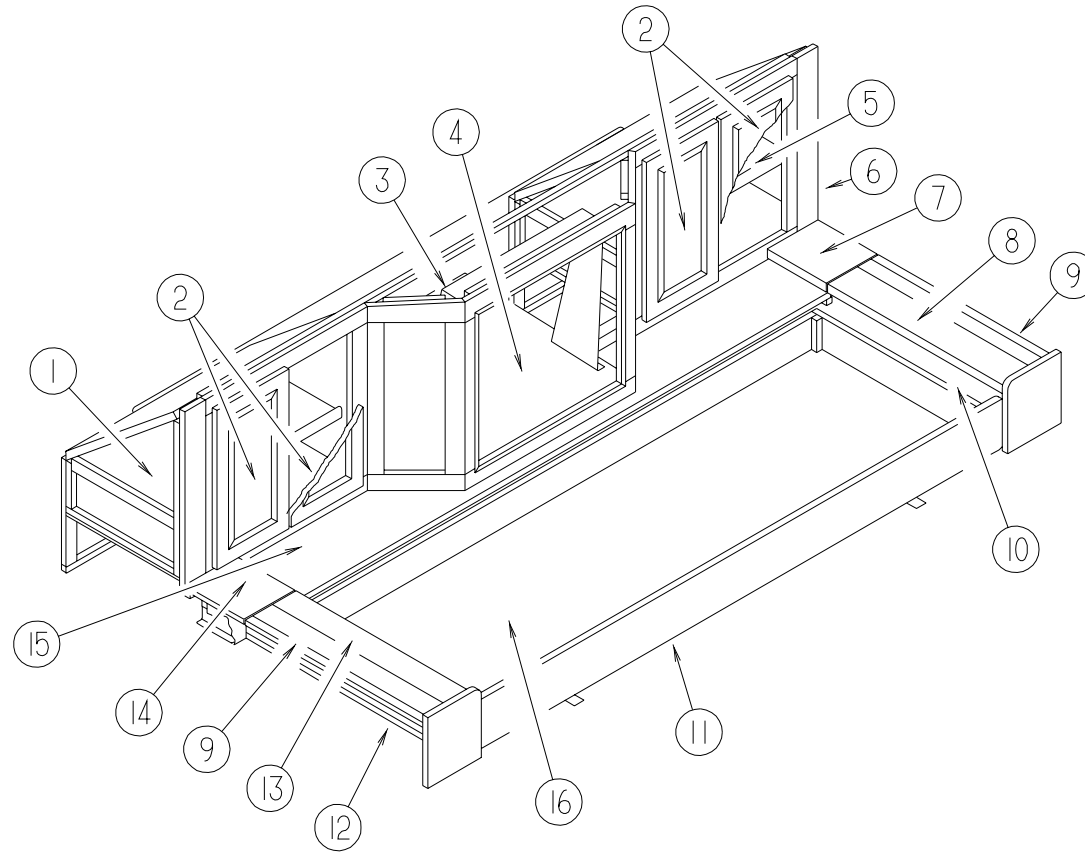


DINETTE TABLE & HARDWARE

KEY	PART NUMBER	U/M	DESCRIPTION
1	081322-20-J98	EA	TABLE TOP ONLY (K01)
1	081322-20-K17	EA	TABLE TOP ONLY (K02)
1	081322-20-K18	EA	TABLE TOP ONLY (K03)
2	064781-06-000	EA	HOLDER - CUP - TWO STEP - OFF WHITE
3	053200-12-000	EA	BRACKET - TABLE SUPPORT - UPPER/WALL MOUNTED - 23.50"
4	088410-02-000	EA	BRACKET - LIFT - TABLE MOUNTED
5	024281-14-000	EA	BRACKET/TABLE - LIFT ROD/LOWER WALL MOUNTED - 22.12"
	002929-01-001	EA	EXTRUDED - BRACKET TABLE
6	024275-12-000	EA	ROD - TABLE LIFT
7	049493-12-000	EA	CATCH - TABLE LEG/FLOOR MOUNTED - OFF WHITE
	049493-11-700	EA	CATCH - TABLE LEG/FLOOR MOUNTED - E COATED
8	093550-01-000	EA	BRACKET - HINGE - MOUNTS TO LEG & TABLE TOP - 1.7" X 2.6"
9	092707-04-05A	EA	LEG - TABLE - W/O HARDWARE - 27" - WATERFORD OAK
	092593-01-05A	EA	CATCH - TABLE LEG - OFF/WHITE

DRIVERS COMPARTMENT GROUP

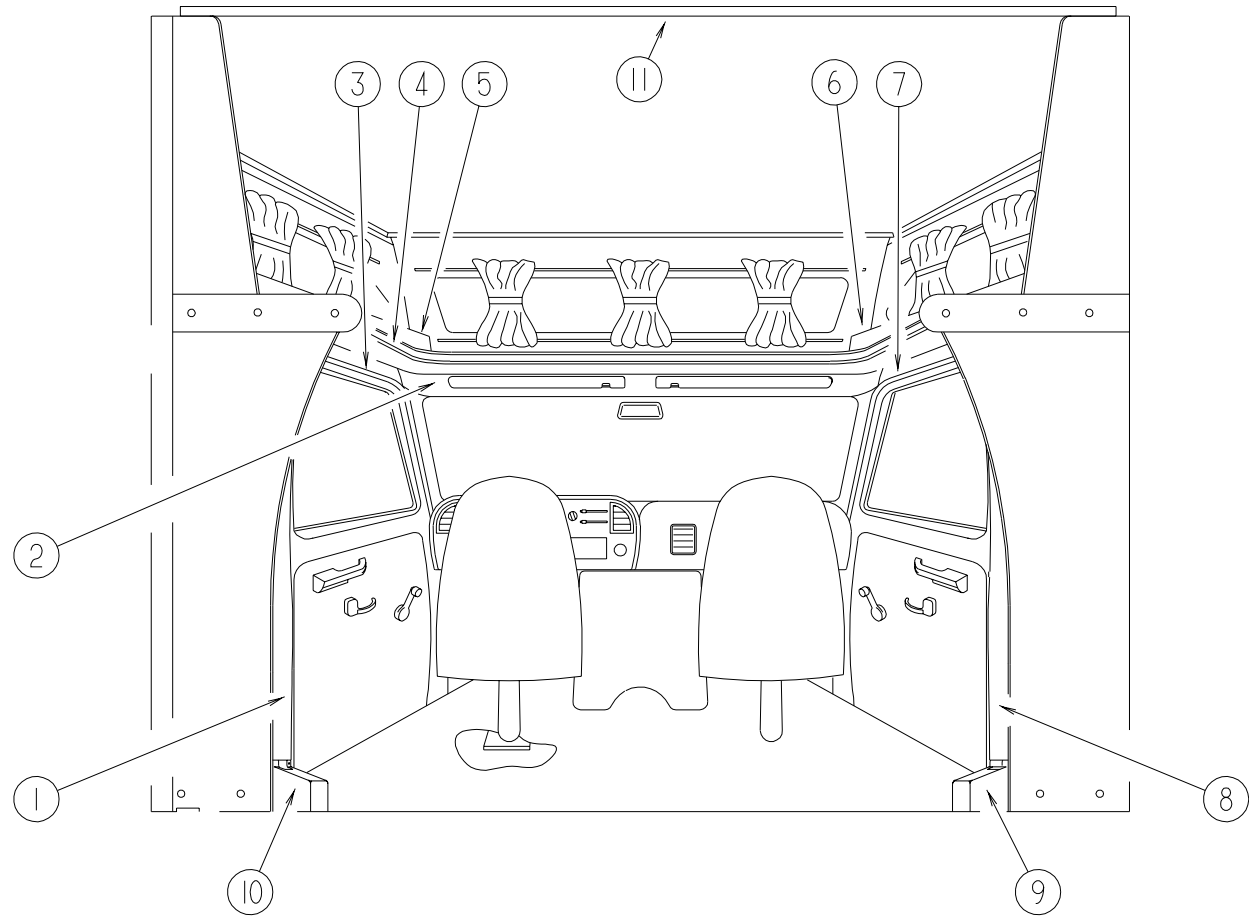
FRONT ENTERTAINMENT CENTER



KEY	PART NUMBER	U/M	DESCRIPTION
1	113156-02-G04	EA	CABINET-ENTERTAINMENT CTR-W/SHELF-DRIVER SIDE-W/O DOOR/HDW
2	132141-92-K01	EA	DOOR - VENEER - 10.6" X 19.8" - W/O HARDWARE
3	110790-03-000	EA	BRACKET - TIEDOWN/TV
	106699-01-01A	EA	BRACKET - OVERHEAD CABINET/TV
	122790-02-02B	EA	BRACKET - VCP - E-COATED
4	111356-02-J01	EA	SHELF - TV - W/TIEDOWN BRACKET
5	113156-01-G04	EA	CABINET-ENTERTAINMENT CTR-W/SHELF-PASS SIDE-W/O DOOR/HDW
6	113157-02-J01	EA	CABINET/FACE - ENTERTAINMENT CENTER - W/O HARDWARE
7	113155-11-E01	EA	COUNTERTOP - ENTERTAINMENT CENTER STORAGE (K01)
7	113155-11-K02	EA	COUNTERTOP - ENTERTAINMENT CENTER STORAGE (K02)
7	113155-11-K08	EA	COUNTERTOP - ENTERTAINMENT CENTER STORAGE (K03)
8	113155-12-G04	EA	COUNTERTOP - ENTERTAINMENT CENTER STORAGE (K01)
8	113155-12-K02	EA	COUNTERTOP - ENTERTAINMENT CENTER STORAGE (K02)
8	113155-12-K08	EA	COUNTERTOP - ENTERTAINMENT CENTER STORAGE (K03)
9	113155-21-G04	EA	COUNTERTOP - ENTERTAINMENT CENTER STORAGE (K01)
9	113155-21-K02	EA	COUNTERTOP - ENTERTAINMENT CENTER STORAGE (K02)
9	113155-21-K08	EA	COUNTERTOP - ENTERTAINMENT CENTER STORAGE (K03)

KEY	PART NUMBER	U/M	DESCRIPTION
10	113155-01-J02	EA	CABINET/STORAGE - RIGHT END - W/FLIP UP COUNTERTOP (K01)
10	113155-01-K02	EA	CABINET/STORAGE - RIGHT END - W/FLIP UP COUNTERTOP (K02)
10	113155-01-K08	EA	CABINET/STORAGE - RIGHT END - W/FLIP UP COUNTERTOP (K03)
11	100847-11-J02	EA	FACE - DRAWER VINYL COVERED - 5.5" X 76.7"
12	113155-02-G04	EA	CABINET/STORAGE - LEFT END - W/FLIP UP COUNTERTOP (K01)
12	113155-02-K02	EA	CABINET/STORAGE - LEFT END - W/FLIP UP COUNTERTOP (K02)
12	113155-02-K08	EA	CABINET/STORAGE - LEFT END - W/FLIP UP COUNTERTOP (K03)
13	113155-18-G04	EA	COUNTERTOP - ENTERTAINMENT CENTER STORAGE (K01)
13	113155-18-K02	EA	COUNTERTOP - ENTERTAINMENT CENTER STORAGE (K02)
13	113155-18-K08	EA	COUNTERTOP - ENTERTAINMENT CENTER STORAGE (K03)
14	113155-19-E01	EA	COUNTERTOP - ENTERTAINMENT CENTER STORAGE (K01)
14	113155-19-K02	EA	COUNTERTOP - ENTERTAINMENT CENTER STORAGE (K02)
14	113155-19-K08	EA	COUNTERTOP - ENTERTAINMENT CENTER STORAGE (K03)
15	113157-12-G04	EA	SHELF
16	100847-01-J02	EA	DRAWER - ENTERTAINMENT CENTER - W/O HARDWARE (K01)
16	100847-01-K02	EA	DRAWER - ENTERTAINMENT CENTER - W/O HARDWARE (K02)
16	100847-01-K03	EA	DRAWER - ENTERTAINMENT CENTER - W/O HARDWARE (K03)
	102194-01-000	EA	GUIDE - PLASTIC

DRIVERS COMPARTMENT GROUP (CONTINUED)



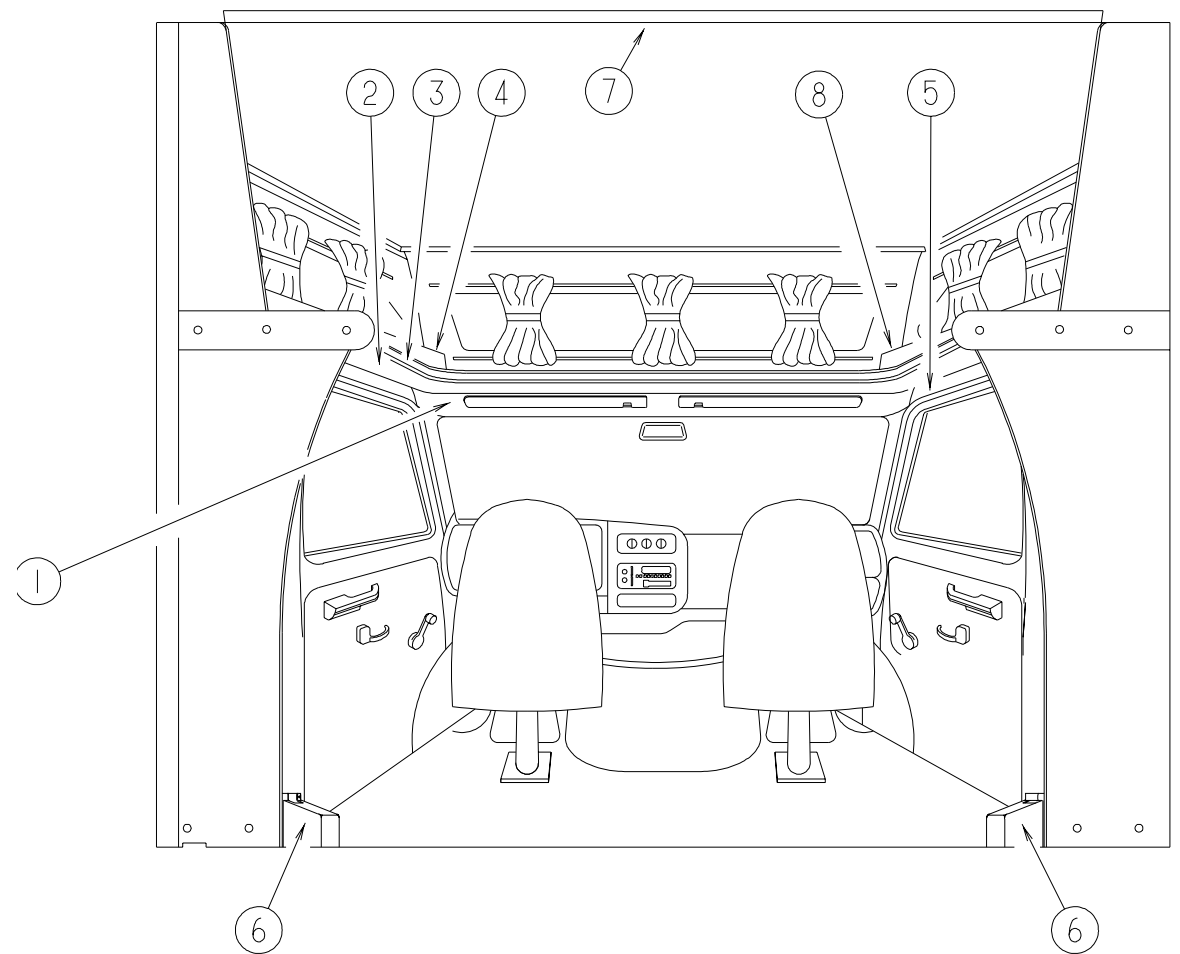
FORD - DRIVERS COMPARTMENT

KEY	PART NUMBER	U/M	DESCRIPTION
1	125031-02-H04	EA	TRIM - CAB - B-PILLAR - DRIVER SIDE
2	106448-01-H04	EA	HEADLINER - W/VINYL
3	106447-04-H04	EA	TRIM - CAB DOOR - UPPER/LEFT HAND
4	119520-01-01A	FT	MOLDING-T - 1" - W/EDGE LIPS (OFF/WHITE-CREAM)
5	109894-01-K01	EA	CABINET - HAMPER - DRIVER/FRONT (K01)
5	109894-01-H10	EA	CABINET - HAMPER - DRIVER/FRONT (K02)
5	109894-01-K03	EA	CABINET - HAMPER - DRIVER/FRONT (K03)
6	109894-03-K01	EA	CABINET - HAMPER - PASSENGER/FRONT (K01)
6	109894-03-H10	EA	CABINET - HAMPER - PASSENGER/FRONT (K02)
6	109894-03-K03	EA	CABINET - HAMPER - PASSENGER/FRONT (K03)
7	106447-03-H04	EA	TRIM - CAB DOOR - UPPER/RIGHT HAND
8	125031-01-H04	EA	TRIM - CAB - B-PILLAR - PASSENGER SIDE
9	106431-01-02A	EA	COVER - SEATBELT RECOIL - PASSENGER SIDE - VW GRAY
10	106431-02-02A	EA	COVER - SEATBELT RECOIL - DRIVER SIDE - VW GREY
11	131666-01-01A	EA	TRIM - FRONT SECTION/ROOF

INSTRUMENT CLUSTERS - FORD

KEY	PART NUMBER	U/M	DESCRIPTION
	094795-09-000	EA	CLUSTER - INSTRUMENT PANEL - KILOMETERS - GAS/DIESEL-FORD
	100138-01-000	EA	MODULE - DAYTIME/RUNNING LIGHT
	108357-09-000	EA	SWITCH - ROCKER SPDT - ON/NONE/MOM - 3 TERMINAL
	111414-01-000	EA	RECEPTACLE - 12V - W/O BIMETAL
	108356-07-01A	EA	COVER/ACTUATOR SWITCH - 2 ROWS DIMPLES - AUX START - BLACK
	081994-07-000	EA	PLATE - SWITCH - "AUXILIARY START"

DRIVERS COMPARTMENT GROUP (CONTINUED)



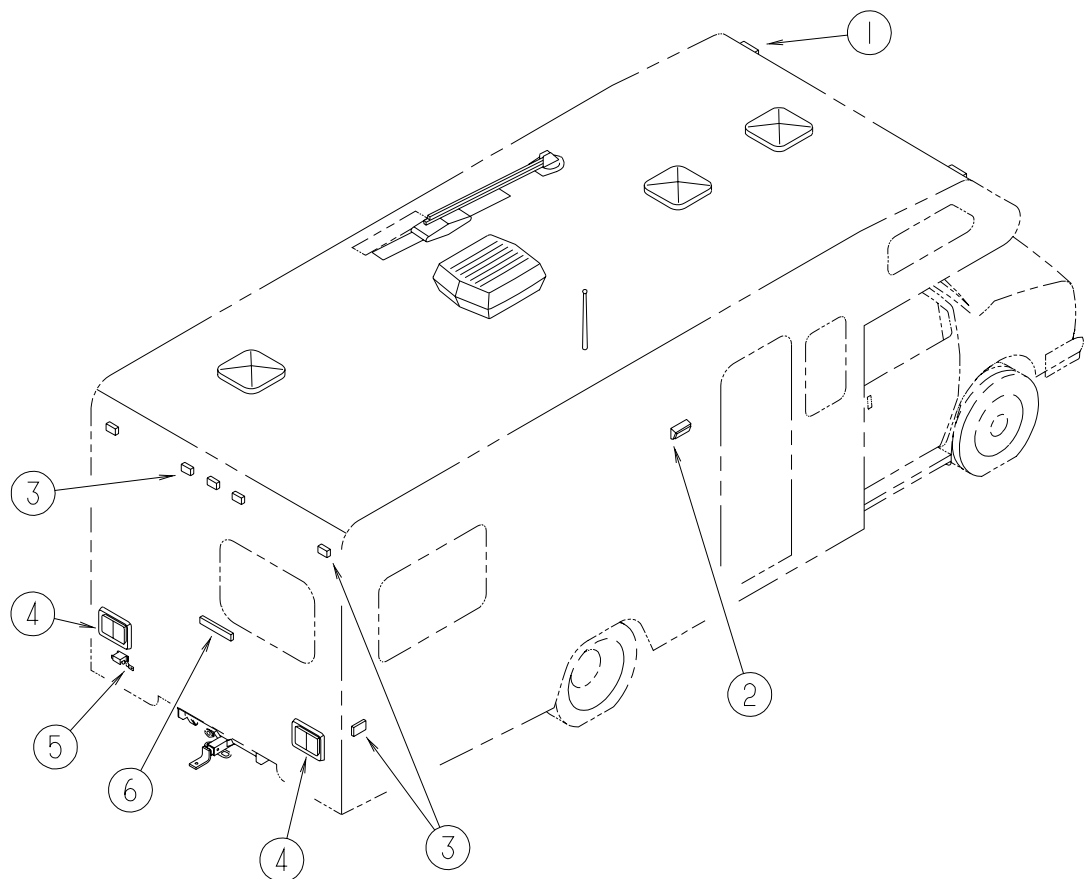
CHEVY DRIVERS COMPARTMENT

KEY	PART NUMBER	U/M	DESCRIPTION
1	124818-01-H04	EA	HEADLINER - W/VINYL
2	124819-01-H04	EA	TRIM - CAB DOOR - UPPER/LEFT HAND
3	119520-01-01A	FT	MOLDING-T - 1" - W/EDGE LIPS (OFF/WHITE-CREAM)
4	109894-01-K01	EA	CABINET - HAMPER - DRIVER/FRONT (K01)
4	109894-01-H10	EA	CABINET - HAMPER - DRIVER/FRONT (K02)
4	109894-01-K03	EA	CABINET - HAMPER - DRIVER/FRONT (K03)
5	124817-01-H04	EA	TRIM - CAB DOOR - UPPER RIGHT HAND
6	076302-03-000	EA	SEAT BELT - DRIVER/PASSENGER
	087932-03-000	EA	BRACKET - SHOULDER HARNESS - LEFT HAND
	087932-04-000	EA	BRACKET - SHOULDER HARNESS - RIGHT HAND
7	131666-01-01A	EA	TRIM - FRONT SECTION/ROOF
8	109894-03-K01	EA	CABINET - HAMPER - PASSENGER/FRONT (K01)
8	109894-03-H10	EA	CABINET - HAMPER - PASSENGER/FRONT (K02)
8	109894-03-K03	EA	CABINET - HAMPER - PASSENGER/FRONT (K03)

INSTRUMENT CLUSTERS - CHEVY

KEY	PART NUMBER	U/M	DESCRIPTION
	094797-07-000	EA	CLUSTER - INSTRUMENT PANEL - GAS FROM: 00-00-00 THRU: 01-28-99
	094797-13-000	EA	CLUSTER - INSTRUMENT PANEL - KILOMETERS/MILES FROM: 01-29-99 THRU: 99-99-99
	100138-01-000	EA	MODULE - DAYTIME/RUNNING LIGHT
	108357-09-000	EA	SWITCH - ROCKER SPDT - ON/NONE/MOM - 3 TERMINAL
	108356-07-01A	EA	COVER/ACTUATOR SWITCH - 2 ROWS DIMPLES - AUX START - BLACK
	081994-07-000	EA	PLATE - SWITCH - "AUXILIARY START"
	111414-01-000	EA	RECEPTACLE - 12V - W/O BIMETAL

ELECTRICAL GROUP



EXTERIOR LIGHTS

KEY	PART NUMBER	U/M DESCRIPTION	VENDOR NO.
1	111102-02-000	EA LENS - AMBER - MARKER LAMP	
	111102-01-000	EA BASE - LAMP MARKER	
	036196-01-000	EA BULB - 12V - #194 - .27 AMP - BAYONETTE	
	091983-01-000	EA GASKET - CLEARANCE/SIDEMARKER LIGHT	
	112823-01-000	EA SPLICE - REDUCER - 16-14 TO 18-22	
2	097917-01-06A	EA LIGHT - PORCH - BRIGHT WHITE	
	008215-01-000	EA BULB - 12 VOLT - #1003 - .94 AMP	
	097917-01-700	EA LENS-LIGHT, CLEAR	30-78-021
2	008089-02-000	EA LIGHT - PORCH - RECESSED - CANADIAN	
	008214-01-000	EA BULB - 12 VOLT - #67 - .59 AMP	
	091981-01-000	EA GASKET - PORCH LIGHT	
3	008089-01-700	EA LENS-LIGHT, RECESSED, PORCH	DECO
	111102-03-000	EA LENS - RED - MARKER LAMP	
	111102-01-000	EA BASE - LAMP MARKER	
	036196-01-000	EA BULB - 12V - #194 - .27 AMP - BAYONETTE	
4	091983-01-000	EA GASKET - CLEARANCE/SIDEMARKER LIGHT	
	112823-01-000	EA SPLICE - REDUCER - 16-14 TO 18-22	
	103355-01-05A	EA POD - TAIL LIGHT - BRIGHT WHITE	
			FROM: 00-00-00 THRU: 11-22-98
4	103355-02-01A	EA POD - TAIL LIGHT - BRIGHT WHITE	
			FROM: 11-23-98 THRU: 99-99-99
	081638-01-000	EA TAIL LIGHT/DOUBLE W/BLACK TRIM - DRIVER/PASSENGER SIDE	
	037934-01-000	EA BULB - 12V - #1156 - 2.1 AMP CLEAR GLASS	
	037935-01-000	EA BULB - 12V - #1157 OR #2057 - 2.1 AMP - CLEAR GLASS	
	081638-01-700	EA LENS-TAILLIGHT, RED	30-84-010
5	081638-01-701	EA LENS-TAILLIGHT, W/BACKUP	30-84-700
	066432-02-000	EA LIGHT - LICENSE - BLACK	
6	066432-03-000	EA BRACKET - LICENSE PLATE	
	121950-01-000	EA LIGHT - BRAKE - CENTER MOUNT	

ELECTRICAL GROUP (CONTINUED)

POWER CONVERTER, INVERTER & LOAD CENTER

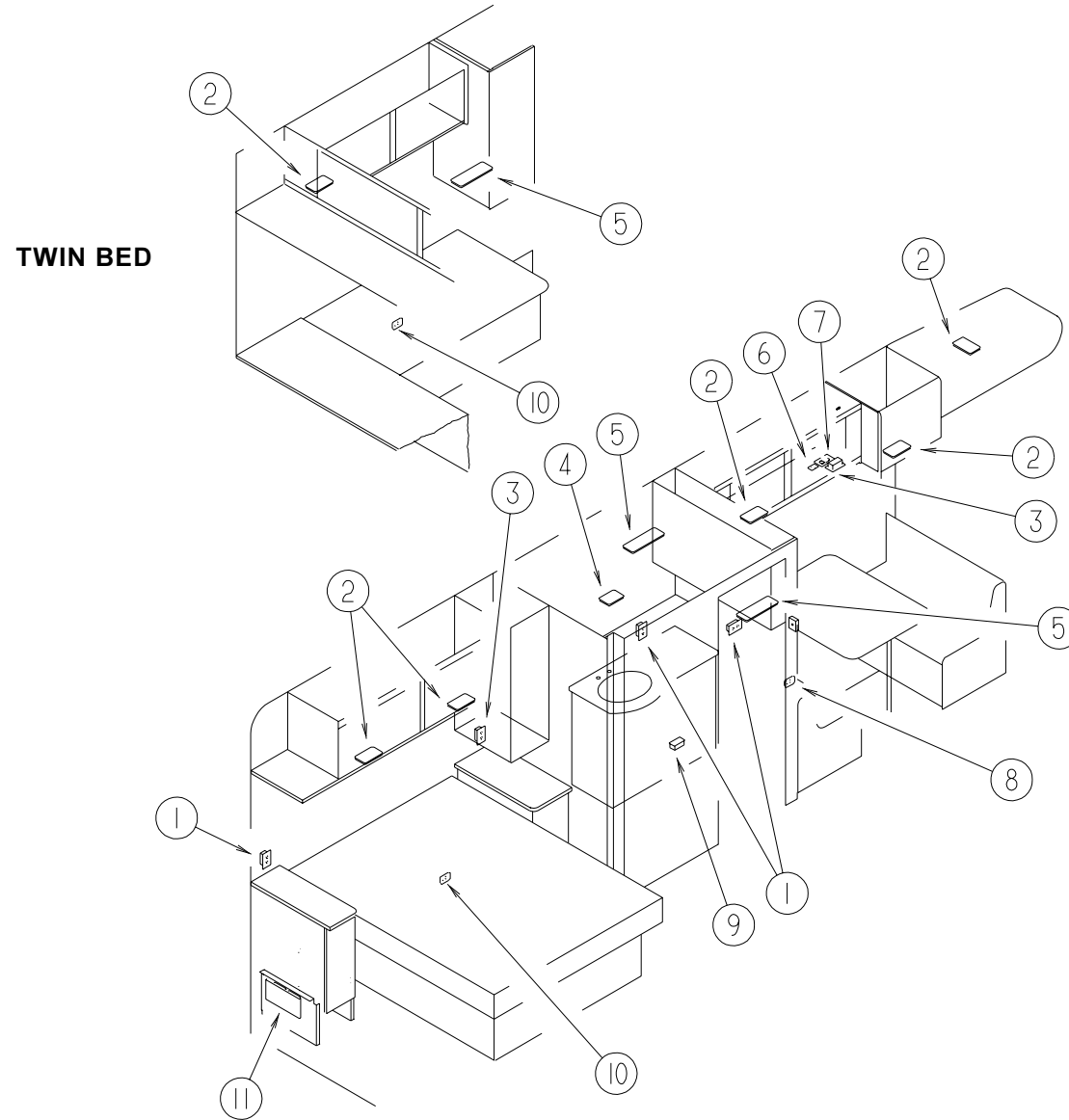
KEY	PART NUMBER	U/M DESCRIPTION
	099048-03-000	EA INVERTER - 130 WATT
	083208-02-000	EA CONTROL CENTER - 45 AMP - 120/12V - W/O BREAKERS
	106071-03-700	EA CIRCUIT BOARD/TIME DELAY SW TD0001
	106071-03-000	EA SWITCH - AUTOMATIC TRANSFER - 50 AMP F/30AMP E.M.S.
		FROM: 00-00-00 THRU: 03-14-99
	106071-04-000	EA SWITCH - AUTOMATIC TRANSFER W/CONNECTION LUGS
		FROM: 03-15-99 THRU: 99-99-99
	108915-02-000	EA LOAD CENTER - 120/240 VOLT - 100 AMP
		FROM: 00-00-00 THRU: 04-04-99
	108915-03-000	EA LOAD CENTER - 120/240 - 100 AMP
		FROM: 04-05-99 THRU: 99-99-99
	113132-01-000	EA LOAD CENTER - 120/240 VOLT - 60 AMP

WIRING ASSEMBLIES

KEY	PART NUMBER	U/M DESCRIPTION
	090986-01-000	EA WIRE ASSEMBLY - ELECTRIC STEP
		FROM: 00-00-00 THRU: 02-07-99
	090986-02-000	EA WIRE ASSEMBLY - ELECTRIC STEP
		FROM: 02-08-99 THRU: 99-99-99
	096449-01-000	EA WIRE ASSEMBLY - WATER TANK TO MONITOR PANEL
	106851-01-000	EA WIRE ASSEMBLY - RUNNING LIGHTS - FUSE
	116894-01-000	EA WIRE ASSEMBLY - SPEED SENSOR EXTENDED
	125853-01-000	EA WIRE ASSEMBLY - ENTERTAINMENT CENTER
	073328-B4-000	EA CABLE ASSEMBLY - BATTERY - W/TERMINALS

ELECTRICAL GROUP (CONTINUED)

LIGHTS, SWITCHES & RECEPTACLES - DRIVER SIDE

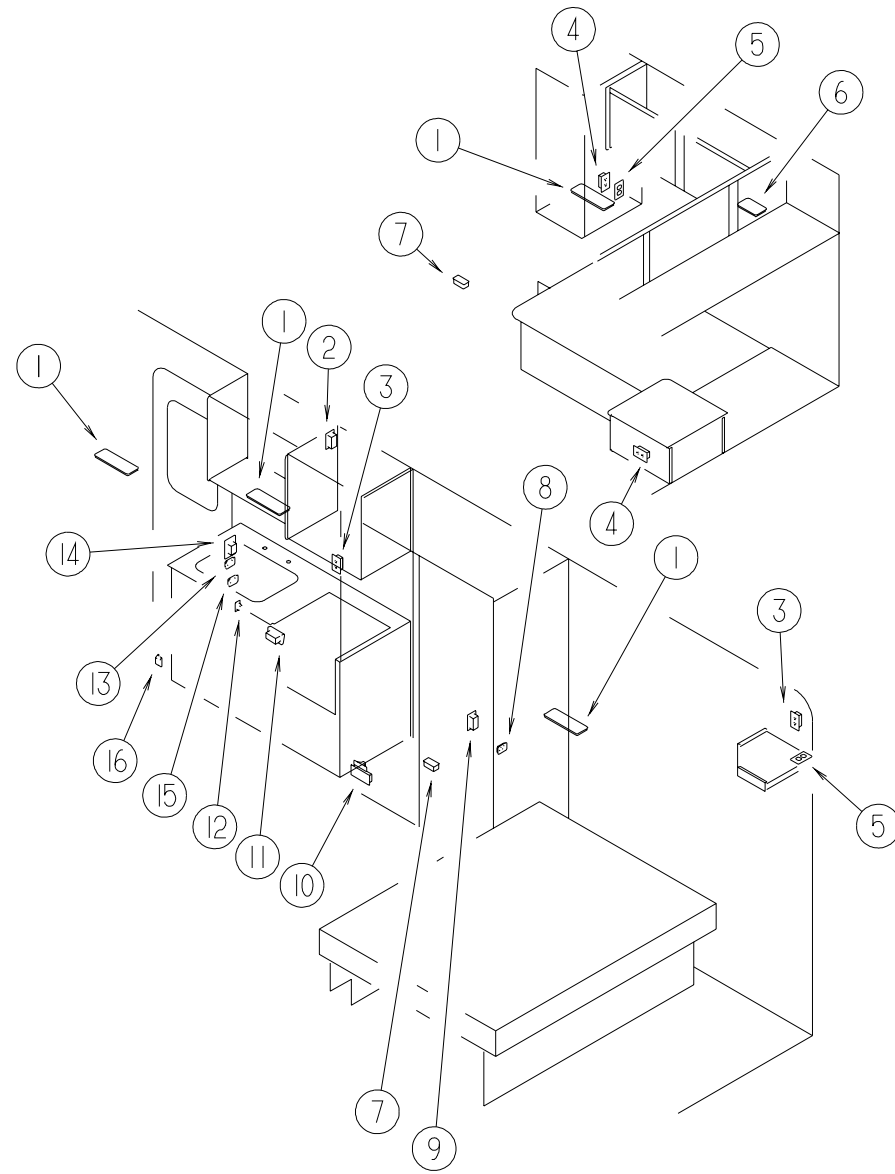


KEY	PART NUMBER	U/M	DESCRIPTION	VENDOR NO.
1	058708-02-000	EA	RECEPTACLE - ELECTRIC - DOUBLE - IVORY	
	102568-01-GB1	EA	SPACER - RECEPTACLE - BETWEEN SIDEWALL & PLATE - WOOD	
2	098024-05-02A	EA	LIGHT - DOME - 1 BULB - SKYLITE - WHITE	
	008218-01-000	EA	BULB - 12 VOLT - #1141 - 1.44 AMP	
	098024-01-701	EA	LENS - OPTI CLEAR - SKYLITE	809902
3	058708-01-000	EA	RECEPTACLE - ELECTRIC - DOUBLE - BROWN	
	102568-01-GB1	EA	SPACER - RECEPTACLE - BETWEEN SIDEWALL & PLATE - WOOD	
4	121935-01-01A	EA	LIGHT - DOME - SHOWER	
5	098024-03-02A	EA	LIGHT - DOME - 2 BULB - WHITE	
6	079364-01-000	EA	SWITCH - ON/OFF ROCKER - 2 TERMINAL - BROWN - W/SIDE TV	
6	079364-03-000	EA	SWITCH - ON/OFF ROCKER - 3 TERMINAL - BROWN - W/SIDE TV	

KEY	PART NUMBER	U/M	DESCRIPTION
6	098351-15-01A	EA	PLATE/SWITCH - 2 GANG - POLISHED BRASS - LAMP - W/SIDE TV
6	095188-01-01A	EA	SPACER - SWITCH - 2.3" X 3.4" - PLASTIC - DARK BROWN - W/SIDE TV
6	079364-03-000	EA	SWITCH - ON/OFF ROCKER - 3 TERMINAL - BROWN - W/FRONT TV
6	098351-01-01A	EA	PLATE/SWITCH - 1 GANG - POLISHED BRASS - W/O LABEL - W/FRONT TV
6	095188-01-01A	EA	SPACER - SWITCH - 2.3" X 3.4" - PLASTIC - DARK BROWN - W/FRONT TV
7	086777-02-000	EA	WALLPLATE - TV CABLE - W/ANTENNA SWITCH
7	086777-06-000	EA	WALLPLATE - TV CABLE - ANTENNA/1 OUTPUT - BROWN
8	098351-02-01A	EA	PLATE/SWITCH - 2 GANG - POLISHED BRASS - W/O LABEL
8	079364-01-000	EA	SWITCH - ON/OFF ROCKER - 2 TERMINAL - BROWN
9	058707-02-000	EA	RECEPTACLE - BLANK - JUNCTION BOX
10	108357-08-000	EA	SWITCH - ROCKER DPDT - ON/NONE/ON - 6 TERMINAL
10	108356-02-01A	EA	COVER/ACTUATOR SWITCH - 2 ROWS DIMPLES- CONTURA II - BLACK
11	024924-02-000	EA	RECEPTACLE - POWER CORD - W/PARTIAL PLATE

ELECTRICAL GROUP (CONTINUED)

LIGHTS, SWITCHES & RECEPTACLES - PASSENGER SIDE



TWIN BED

KEY	PART NUMBER	U/M	DESCRIPTION	VENDOR NO.
1	098024-03-02A	EA	LIGHT - DOME - 2 BULB - WHITE	
	008218-01-000	EA	BULB - 12 VOLT - #1141 - 1.44 AMP	
	098024-01-700	EA	LENS-LIGHT 807877	
2	058708-05-000	EA	RECEPTACLE - ELECTRIC - SINGLE - BROWN	
3	058708-02-000	EA	RECEPTACLE - ELECTRIC - DOUBLE - IVORY	
	102568-01-GB1	EA	SPACER - RECEPTACLE - BETWEEN SIDEWALL & PLATE - WOOD	
4	058708-01-000	EA	RECEPTACLE - ELECTRIC - DOUBLE - BROWN	
5	076319-09-000	EA	WALLPLATE - CABLE RECEPTACLE - TV - SINGLE - BROWN	
6	098024-05-02A	EA	LIGHT - DOME - 1 BULB - SKYLITE - WHITE	
	008218-01-000	EA	BULB - 12 VOLT - #1141 - 1.44 AMP	
	098024-01-701	EA	LENS - OPTI CLEAR - SKYLITE	809902
7	058707-02-000	EA	RECEPTACLE - BLANK - JUNCTION BOX	
8	079364-01-000	EA	SWITCH - ON/OFF ROCKER - 2 TERMINAL - BROWN	
8	079364-03-000	EA	SWITCH - ON/OFF ROCKER - 3 TERMINAL - BROWN	
8	098351-02-01A	EA	PLATE/SWITCH - 2 GANG - POLISHED BRASS - W/O LABEL	
8	095188-01-01A	EA	SPACER - SWITCH - 2.3" X 3.4" - PLASTIC - DARK BROWN	
9	058707-01-000	EA	RECEPTACLE - ELECTRIC - SINGLE - BROWN	

KEY	PART NUMBER	U/M	DESCRIPTION
10	061424-01-000	EA	LIGHT - AISLE - 12 VOLT - RECTANGULAR
	008103-01-000	EA	BULB - DASH/AISLE LIGHT - #53 - 12 VOLT - .12 AMP
11	112822-01-01A	EA	RECEPTACLE - DUPLEX - IVORY
			FROM: 00-00-00 THRU: 11-15-98
11	112824-01-03A	EA	COVER - EXTERIOR DUPLEX RECEPTACLE - WHITE PLASTIC
			FROM: 00-00-00 THRU: 11-15-98
11	131826-01-01A	EA	RECEPTACLE - EXTERIOR - W/COVER/GASKET - WHITE
			FROM: 11-16-98 THRU: 99-99-99
12	098351-07-01A	EA	PLATE/SWITCH - 1 GANG - POLISHED BRASS - GENERATOR
12	108357-06-000	EA	SWITCH - ROCKER DPDT - MOM/OFF/MOM - 6 TERMINAL
13	098351-06-01A	EA	PLATE/SWITCH - 2 GANG - POLISHED BRASS - PORCH/CEILING
13	079364-01-000	EA	SWITCH - ON/OFF ROCKER - 2 TERMINAL - BROWN
14	084076-02-000	EA	RECEPTACLE - GFI - 15 AMP/125 VOLT - BROWN - W/COVER
14	084077-02-000	EA	PLATE - COVER - RECEPTACLE - GFI - BROWN
15	079364-01-000	EA	SWITCH - ON/OFF ROCKER - 2 TERMINAL - BROWN
15	098351-01-01A	EA	PLATE/SWITCH - 1 GANG - POLISHED BRASS - W/O LABEL
15	095188-01-01A	EA	SPACER - SWITCH - 2.3" X 3.4" - PLASTIC - DARK BROWN
16	116995-01-000	EA	SWITCH/MAGNET - ELECTRIC STEP - WHITE/WHITE - OPEN CIRCUIT
			FROM: 00-00-00 THRU: 01-13-99
16	116995-02-000	EA	SWITCH/MAGNET - ELECTRIC STEP - BLACK/WHITE-CLOSED CIRCUIT
			FROM: 01-14-99 THRU: 99-99-99

ELECTRICAL GROUP (CONTINUED)**FUSES & CIRCUIT BREAKERS**

KEY	PART NUMBER	U/M	DESCRIPTION
	008235-01-000	EA	FUSE - 15 AMP/12VOLT - AUTOMOTIVE
	062901-02-000	EA	FUSE - 05 AMPS - AUTOMOTIVE
	062901-05-000	EA	FUSE - 15 AMPS - AUTOMOTIVE
	100341-01-000	EA	FUSE HOLDER - IN LINE TYPE
	083209-01-000	EA	CIRCUIT BREAKER - 15 AMP - 120 VOLT - CANADIAN
	083209-02-000	EA	CIRCUIT BREAKER - 15/15 AMP - 120 VOLT
	083209-03-000	EA	CIRCUIT BREAKER - 15/20 AMP - 120 VOLT
	083209-04-000	EA	CIRCUIT BREAKER - 30 AMP - 120 VOLT
	083209-06-000	EA	CIRCUIT BREAKER - 30/15 AMP - 120 VOLT
	093654-01-000	EA	CIRCUIT BREAKER - 6 AMP - 12 VOLT
	093654-03-000	EA	CIRCUIT BREAKER - 20 AMP - 12 VOLT
	093655-01-000	EA	CIRCUIT BREAKER - 25 AMP - 12 VOLT
	093655-02-000	EA	CIRCUIT BREAKER - 30 AMP - 12 VOLT
	122811-01-000	EA	CIRCUIT BREAKER - 20/50/50/20

ELECTRIC BOXES, COVERS & POWER CORDS

KEY	PART NUMBER	U/M	DESCRIPTION
	008052-01-000	EA	CORD - POWER - 10/3 WIRE - 30 AMP - 25' - CANADIAN
	008054-01-000	EA	CORD - POWER - 10/3 WIRE - 30 AMP - 25'
	008289-01-000	EA	BOX - ELECTRIC/STEEL - 1/2" & 3/4" KNOCKOUTS - 4" X 4"
	008289-02-000	EA	BOX - ELECTRIC/STEEL - 1/2" & 3/4" KNOCKOUTS - 4" X 4"-CAN
	008294-01-000	EA	COVER - ELECTRICAL BOX - BLANK/STEEL - 4" X 4" - GRAY
	008294-02-000	EA	COVER - ELECTRICAL BOX - BLANK STEEL - 4" X 4" - CANADIAN
	069238-01-000	EA	COVER - ELECTRICAL BOX - W/HOLE - 4" X 4" - GRAY USED WITH 30 AMP RECEPTACLE
	091910-01-000	EA	BOX - ELECTRIC - 3.8" X 3.5" X 1.8" - PLASTIC
	091910-02-000	EA	BOX - ELECTRIC - 2.2" X 3.5" X 1.8" - PLASTIC
	093603-01-000	EA	BOX - ELECTRIC - 4" X 2 1/8" X 2 1/8"
	107165-01-01A	EA	BOX - CIRCUIT BREAKER - 14.6" X 4" - PLASTIC
	108934-01-000	EA	POWER CORD - 36'/50 AMP - 4 WIRE

CONDUIT

KEY	PART NUMBER	U/M	DESCRIPTION
	041953-01-000	FT	CONDUIT - CONVOLUTE SLIT - .5" ID - POLYETHYLENE
	041953-03-000	FT	CONDUIT - CONVOLUTE SLIT - 1" ID (CLOTHES ROD COVER)
	041953-06-000	FT	CONDUIT - CONVOLUTE SLIT - .375" ID - POLYETHYLENE
	041953-07-000	FT	CONDUIT - CONVOLUTE SLIT - .25" ID - POLYETHYLENE
	041953-08-000	FT	CONDUIT - CONVOLUTE SLIT - 1.50" ID - POLYETHYLENE
	041953-09-000	FT	CONDUIT - CONVOLUTE SLIT - .50" ID - NYLON
	041953-10-000	FT	CONDUIT - CONVOLUTE SLIT - .75" ID - NYLON
	041953-11-000	FT	CONDUIT - CONVOLUTE SLIT - 1.06" ID - NYLON
	041953-12-000	FT	CONDUIT - CONVOLUTE SOLID - 1.1" ID - NYLON
	041953-13-000	FT	CONDUIT - CONVOLUTE SLIT - 1.25"
	008394-01-000	FT	CONDUIT - FLEXIBLE - 1/2"

ELECTRICAL GROUP (CONTINUED)**CONNECTORS, HOUSINGS, & TERMINALS**

KEY	PART NUMBER	U/M	DESCRIPTION
	008311-01-000	EA	CONNECTOR - WIRE NUT - INSULATED - RED
	008312-01-000	EA	CONNECTOR - WIRE NUT - INSULATED - BLUE
	008313-01-000	EA	CONNECTOR - WIRE NUT - INSULATED - YELLOW
	008314-01-000	EA	CONNECTOR - WIRE NUT - INSULATED - GRAY
	008355-01-000	EA	CONNECTOR - CABLE CLAMPING - 3/4"
	008356-01-000	EA	CONNECTOR - PLASTIC - 3/8" AVG
	008356-02-000	EA	CONNECTOR - PLASTIC - 21/32
	041480-01-000	EA	CONNECTOR - STRAIGHT - 1/2" FLEX CONDUIT
	058028-01-000	EA	CONNECTOR - ELECTRICAL PIGTAIL - NYLON - CLEAR
	115932-02-000	EA	CONNECTOR - FEMALE - 50 AMP/240 VOLT
	088476-02-000	EA	SOCKET - CONNECTOR - 12-10 GA - PRE-TIN
	098261-02-000	EA	SOCKET - CONNECTOR - WEATHERPACK - 14-18 AWG
	115931-02-000	EA	COVER - CONNECTOR - 50 AMP W/LOCKING RING
	098262-01-000	EA	SEAL - CONNECTOR - WEATHERPACK
	088475-01-000	EA	PIN - CONNECTOR - 14-20 AWG
	088475-02-000	EA	PIN - CONNECTOR - 10-12 AWG
	098265-02-000	EA	PIN - CONNECTOR - WEATHERPACK
	119223-01-000	EA	HOUSING - 6 POSITION - MALE - WEATHERPACK
	125323-02-000	EA	HOUSING - 8 POSITION - MALE
	088473-01-000	EA	HOUSING - PIN - 12 CAVITY (3 ROWS OF 4)
	088473-02-000	EA	HOUSING - PIN - 15 CAVITY (3 ROWS OF 5)
	088473-03-000	EA	HOUSING - PIN - 9 CAVITY (3 ROWS OF 3)
	088473-08-000	EA	HOUSING - PIN - 4 CAVITY - IN-LINE
	088473-09-000	EA	HOUSING - PIN - 3 CAVITY - IN-LINE
	088473-10-000	EA	HOUSING - PIN - 2 CAVITY - IN LINE
	101751-02-000	EA	HOUSING - 1 PIN - WEATHERPACK
	088474-01-000	EA	HOUSING - SOCKET - 12 CAVITY
	088474-02-000	EA	HOUSING - SOCKET - 15 CAVITY
	088474-03-000	EA	HOUSING - SOCKET - 9 CAVITY
	088474-07-000	EA	HOUSING - SOCKET - 5 CAVITY
	088474-08-000	EA	HOUSING - SOCKET - 4 CAVITY
	088474-09-000	EA	HOUSING - SOCKET - 3 CAVITY
	088474-10-000	EA	HOUSING - SOCKET - 2 CAVITY
	125325-01-000	EA	SEAL - CAVITY
	008326-01-000	EA	TERMINAL - RING - 16/14 WIRE - 3/8" STUD
	008328-01-000	EA	TERMINAL - RING - 12/10 WIRE - #10 STUD FIT
	008331-01-000	EA	TERMINAL - RING - TONGUE - #4 WIRE - 3/8" STUD - COPPER
	008348-01-000	EA	TERMINAL - RING - 3/8" STUD 2 GA. WIRE
	102777-02-000	EA	TERMINAL - RING - #6 STUD - 10 AWG
	035416-04-000	EA	TERMINAL - RING - #10 STUD FIT - INSULATED BARREL #16/14
	047443-01-000	EA	TERMINAL - .250 RECEPTACLE FIT - INSULATED - 16/14 AWG
	047443-02-000	EA	TERMINAL - .250 RECEPTACLE FIT - INSULATED - 12/10 AWG
	088476-01-000	EA	TERMINAL - ELECTRICAL
	125324-01-000	EA	TERMINAL - MALE - METRI-PACK - 150

EXTERIOR BODY GROUP

LADDER

KEY	PART NUMBER	U/M	DESCRIPTION
	129639-01-01A	EA	LADDER - BRUSHED ALUMINUM
	131256-01-01A	EA	PLATE - LADDER
	129375-01-000	EA	SEAL/FOAM - LADDER BRACKET

AWNING

KEY	PART NUMBER	U/M	DESCRIPTION
	113874-04-02A	EA	AWNING - W/O HARDWARE - 13' (POLAR NAY TEAL) VINYL
*	113874-01-02A	EA	HARDWARE KIT - AWNING - W/O STANDOFF BRACKET-BRIGHT WHITE
	111038-01-01A	EA	SPACER - AWNING - LOWER
	127647-02-01A	EA	ROD/AWNING GUARD - ENTRANCE DOOR
	130320-01-02A	EA	BRACKET - AWNING - F/A&E INSTALLATION - BRIGHT WHITE

*COMPONENT PARTS FOUND IN SERVICE PARTS LIBRARY

EXTERIOR BODY GROUP (CONTINUED)

FIBERGLASS, STYROFOAM, PLYWOOD & CHANNEL

KEY	PART NUMBER	U/M	DESCRIPTION
	076054-AC-000	EA	FIBERGLASS SHEET - 20" X 99.8" - OFF WHITE
	076054-P9-000	EA	FIBERGLASS SHEET - 37.4" X 99.3" - BRIGHT WHITE
	076054-U4-000	EA	FIBERGLASS SHEET - 101" X 104" - BRIGHT WHITE
	076054-U8-000	EA	FIBERGLASS SHEET - 100" X 105" - BRIGHT WHITE
	076054-Y2-000	EA	FIBERGLASS SHEET - 102" X 320" - BRIGHT WHITE
	077517-62-000	EA	FIBERGLASS SHEET/SIDEWALL - 48" X 96" - BRIGHT WHITE
	000870-08-000	SF	STYROFOAM - 3/4" X 48" X 96" PLANED EXPANDED BEAD BOARD
	100619-01-000	BF	FOAM - EXPANDED POLYSTYRENE - 1.34" X 48" X 96"
	100619-04-000	BF	FOAM - EXPANDED POLYSTYRENE - .5" X 48" X 96"
	100619-05-000	BF	FOAM - EXPANDED POLYSTYRENE - .75" X 48" X 96"-1.5 DENSITY
	089297-01-000	SF	PLYWOOD - LUAN - OVERLAY GRADE - 48" X 96"
	089297-02-000	SF	PLYWOOD - LUAN - OVERLAY GRADE - 48" X 108"
	002726-01-001	EA	GARNISH - U-CHANNEL - 1.38" X 19' - SERRATED
	002766-01-001	EA	ANGLE - EXTRUDED - 1" X 1.5" X 17'
	068716-01-001	EA	BRACE - 90 DEGREE L-ANGLE - 16'

EXTERIOR MIRRORS - FORD

KEY	PART NUMBER	U/M	DESCRIPTION	VENDOR NO.
	120269-03-02A	EA	MIRROR - EXTERIOR - PASSENGER - 102"	
	120269-04-02A	EA	MIRROR - EXTERIOR - DRIVER - 102"	
	120269-01-700	EA	GLASS KIT W/BEZEL RH/LH	09407-8

EXTERIOR MIRRORS - CHEVY

KEY	PART NUMBER	U/M	DESCRIPTION	VENDOR NO.
	106860-06-01A	EA	MIRROR - REGULAR HEAD - DRIVER/PASSENGER - BRIGHT WHITE	
	106860-01-707	EA	MIRROR HEAD (BRT WHITE)	7092760

RUNNING BOARDS - FORD

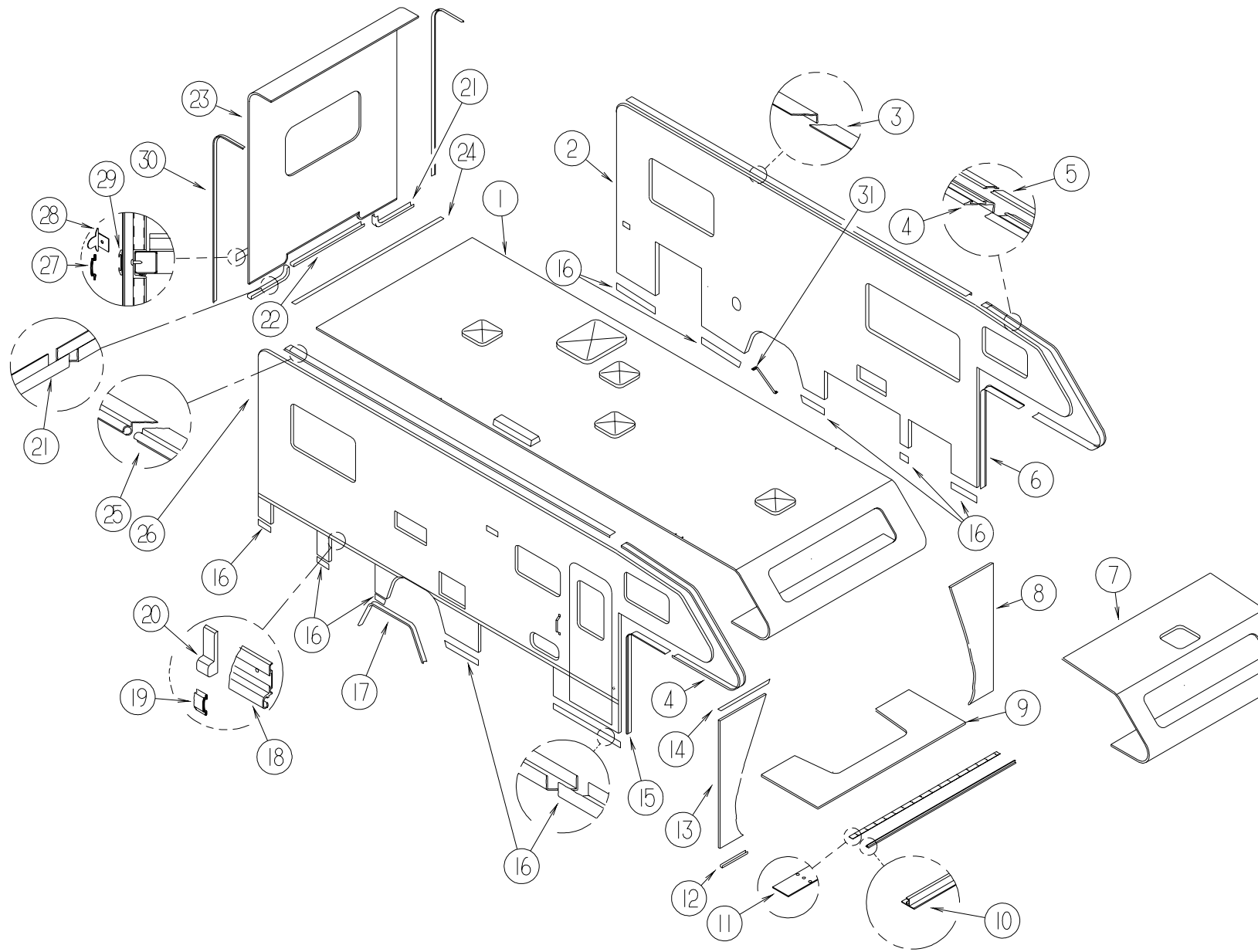
KEY	PART NUMBER	U/M	DESCRIPTION	VENDOR NO.
	072884-27-000	EA	RUNNING BOARD SET - 39" - FORD - ALUMINUM	
	072884-27-700	EA	BRACKET SET 12" 92	RB2BRK/M
	072884-27-701	EA	RUNNING BOARD - 39" - RIGHT OR LEFT - FORD	
	072884-27-702	FT	TREAD TAPE	RB9202
	072884-27-703	EA	MUD FLAP W/HOLES, 1EA=PAIR	99171
	072884-27-704	EA	CAP-ENDS, 1EA=PAIR	99148

RUNNING BOARDS - CHEVY

KEY	PART NUMBER	U/M	DESCRIPTION	VENDOR NO.
	072884-28-000	EA	RUNNING BOARD - ALUMINUM - CHEVY CHASSIS	
	072884-27-704	EA	CAP-ENDS, 1EA=PAIR	99148
	072884-28-700	EA	RUNNING BOARDS ONLY- RT & LT	15543
	072884-28-701	EA	MUD FLAP - FRONT - 1EA=PAIR	99153
	072884-28-702	EA	BRACKET SET - COMPLETE	206771

EXTERIOR BODY GROUP (CONTINUED)

EXTERIOR BODY PANELS

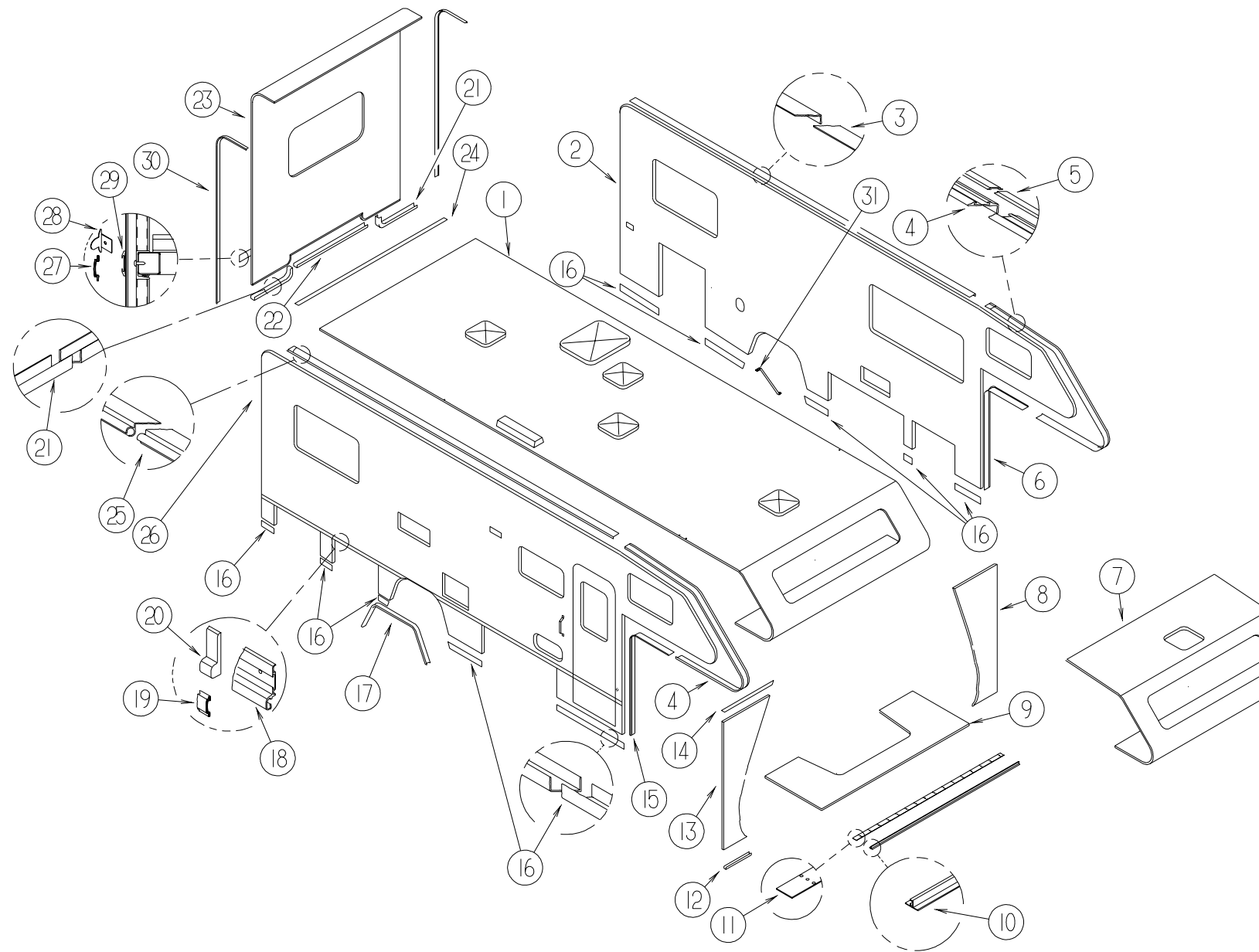


KEY	PART NUMBER	U/M	DESCRIPTION
1	P28712-03-K01	EA	ROOF - W/O LIGHTS/VENTS - W/WIRING
2	M09306-08-K01	EA	SIDEWALL - DRIVER - W/O WINDOWS/TRIMS
2	M09306-08-K02	EA	SIDEWALL - DRIVER - W/O WINDOWS/TRIMS
2	M09306-08-K03	EA	SIDEWALL - DRIVER - W/O WINDOWS/TRIMS
3	096864-01-02A	EA	TRIM - CONTOUR - ROOF TO SIDEWALL - 120"
4	096854-06-02A	EA	TRIM - CONTOUR - BRIGHT WHITE - 130"
5	105312-01-07A	FT	INSERT - VINYL FEATURE STRIP - BRIGHT WHITE
6	104479-06-02A	EA	TRIM - FRONT CONTOUR - BRIGHT WHITE - LEFT HAND
7	M76177-01-700	EA	ROOF SECTION, FRONT - 8' X 8'
8	125088-04-J01	EA	WINGWALL - LEFT HAND

KEY	PART NUMBER	U/M	DESCRIPTION
9	P25129-01-J01	EA	SLEEPERBOARD
10	100086-04-01A	EA	TRIM - SLEEPERBOARD/ROOF - 2" X 96.6"
11	100085-05-01A	EA	TRIM - STRAP - SLEEPERBOARD
12	002365-03-006	EA	U-CHANNEL - EXTRUDED - 1" X 192" - BRIGHT WHITE
13	125088-03-J01	EA	WINGWALL - RIGHT HAND
14	022992-14-000	FT	MOLDING - REVERSE COVE
15	104479-05-02A	EA	TRIM - FRONT CONTOUR - BRIGHT WHITE - RIGHT HAND
16	127820-33-01A	EA	TRIM - SIDEWALL/LOWER - 76.2" - BRIGHT WHITE
16	128426-01-01A	EA	TRIM - ROCKER - NOTCHED - 143.1" - BRIGHT WHITE
17	127848-01-01A	EA	TRIM - WHEELWELL - UNIVERSAL - BRIGHT WHITE

EXTERIOR BODY GROUP (CONTINUED)

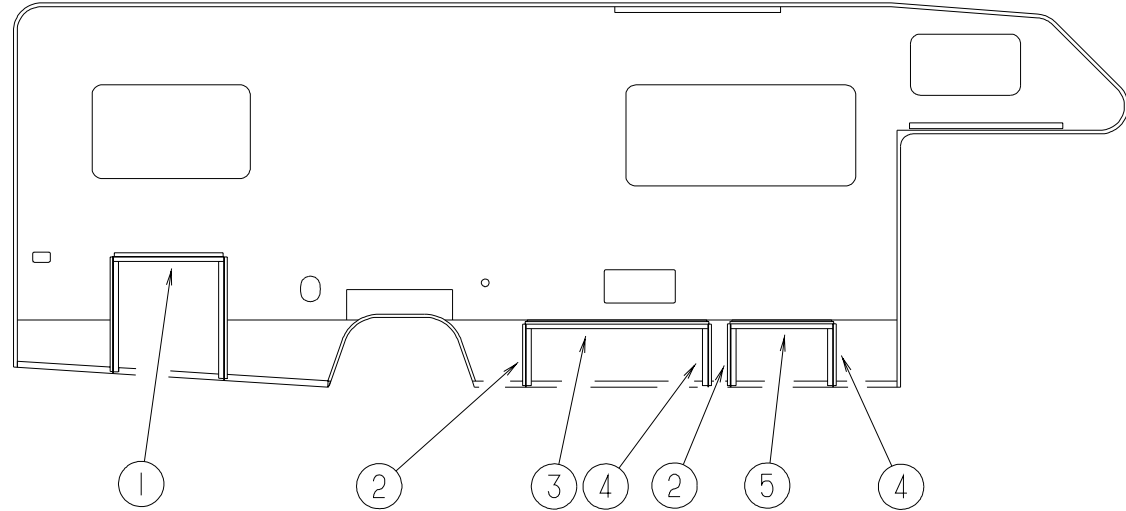
EXTERIOR BODY PANELS (CONTINUED)



KEY	PART NUMBER	U/M	DESCRIPTION
18	128129-04-01A	EA	STRIP - FEATURE HINGE - BRIGHT WHITE
19	105312-01-07A	FT	INSERT - VINYL FEATURE STRIP - BRIGHT WHITE
20	127910-01-01A	EA	CAP - TRIM/SIDEWALL - RIGHT HAND - BRIGHT WHITE
20	127910-02-01A	EA	CAP - TRIM/SIDEWALL - LEFT HAND - BRIGHT WHITE
21	103334-03-02A	EA	TRIM - BACKWALL/LOWER - 25.6"
22	103335-02-02A	EA	TRIM - BACKWALL/LOWER - 46.2"
23	M08778-09-K04	EA	BACKWALL - W/O WINDOWS/TRIMS - F/DOUBLE BED (K01)
23	M08778-09-K05	EA	BACKWALL - W/O WINDOWS/TRIMS - F/DOUBLE BED (K02)
23	M08778-09-K03	EA	BACKWALL - W/O WINDOWS/TRIMS - F/DOUBLE BED (K03)
23	M08778-10-K04	EA	BACKWALL - W/O WINDOWS/TRIMS - F/TWIN BED (K01)
23	M08778-10-K05	EA	BACKWALL - W/O WINDOWS/TRIMS - F/TWIN BED (K02)
23	M08778-10-K03	EA	BACKWALL - W/O WINDOWS/TRIMS - F/TWIN BED (K03)
24	078580-02-000	EA	TRIM - ROOF/FRONT/REAR CAP

KEY	PART NUMBER	U/M	DESCRIPTION
25	099583-55-003	EA	RAIL - AWNING - 120"
26	M09306-09-K01	EA	SIDEWALL - PASSENGER - W/O WINDOWS/TRIMS
26	M09306-09-K02	EA	SIDEWALL - PASSENGER - W/O WINDOWS/TRIMS
26	M09306-09-K03	EA	SIDEWALL - PASSENGER - W/O WINDOWS/TRIMS
27	105312-01-07A	FT	INSERT - VINYL FEATURE STRIP - BRIGHT WHITE
28	108651-01-01A	EA	END CAP - FEATURE STRIP
29	108688-01-03A	EA	STRIP - FEATURE - 15'
30	096854-07-02A	EA	TRIM - CONTOUR - BRIGHT WHITE - 144"
31	069362-06-000	EA	TUBE/SUPPORT - FLOOR TO VALANCE PANEL - 17"
	107865-02-000	EA	ROD - SUPPORT - VALANCE PANEL - 13.2"

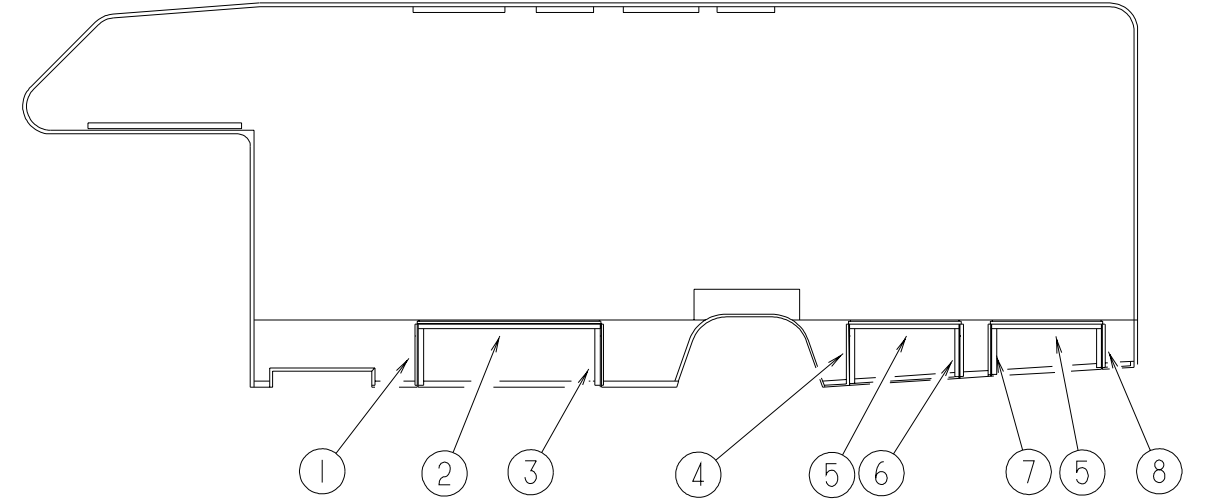
EXTERIOR BODY GROUP (CONTINUED)



EXTERIOR STORAGE DOOR TRIM - DRIVER SIDE

KEY	PART NUMBER	U/M	DESCRIPTION
1	129413-01-J01	EA	JAMB - DOOR
2	128425-01-01A	EA	JAMB - DOOR - STORAGE/RIGHT HAND - BRIGHT WHITE - 16"
3	128427-01-01A	EA	JAMB - DOOR - STORAGE/TOP - BRIGHT WHITE
4	128425-02-01A	EA	JAMB - DOOR - STORAGE/LEFT HAND - BRIGHT WHITE - 16"
5	128427-02-01A	EA	JAMB - DOOR - STORAGE/TOP - BRIGHT WHITE

EXTERIOR BODY GROUP (CONTINUED)

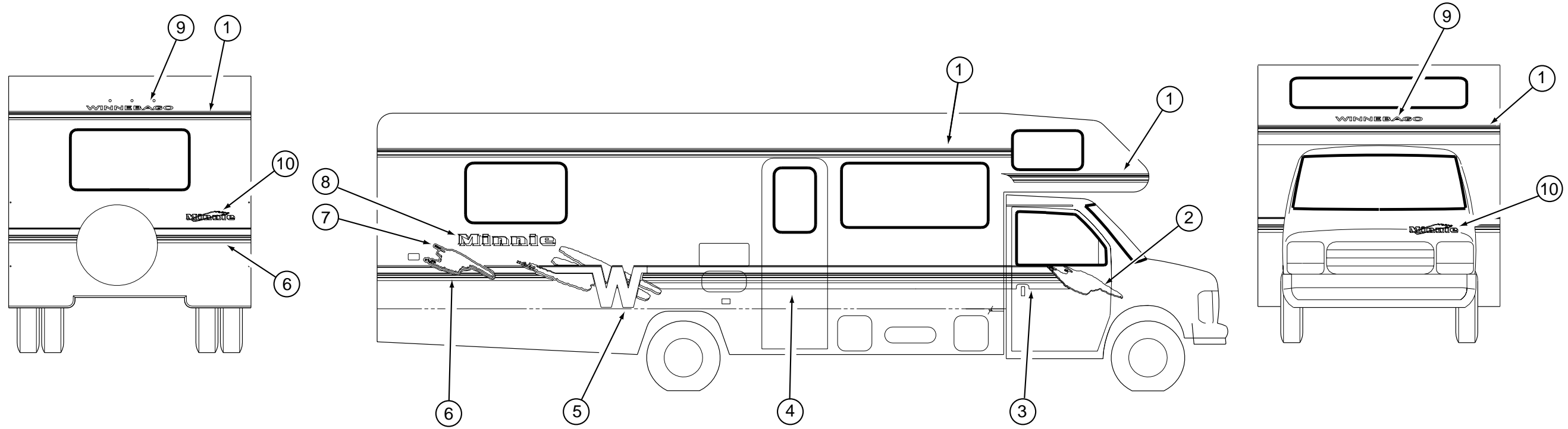


EXTERIOR STORAGE DOOR TRIM - PASSENGER SIDE

KEY	PART NUMBER	U/M	DESCRIPTION
1	128425-01-01A	EA	JAMB - DOOR - STORAGE/RIGHT HAND - BRIGHT WHITE - 16"
2	128427-01-01A	EA	JAMB - DOOR - STORAGE/TOP - BRIGHT WHITE
3	128425-02-01A	EA	JAMB - DOOR - STORAGE/LEFT HAND - BRIGHT WHITE - 16"
4	128425-13-01A	EA	JAMB - DOOR - STORAGE/RIGHT HAND - BRIGHT WHITE - 15.6"
5	128427-04-01A	EA	JAMB - DOOR - STORAGE/TOP - BRIGHT WHITE
6	128425-14-01A	EA	JAMB - DOOR - STORAGE/LEFT HAND - BRIGHT WHITE - 13.7"
7	128425-15-01A	EA	JAMB - DOOR - STORAGE/RIGHT HAND - BRIGHT WHITE - 13.3"
8	128425-06-01A	EA	JAMB - DOOR - STORAGE/LEFT HAND - BRIGHT WHITE - 11.3"

EXTERIOR BODY GROUP (CONTINUED)

DECALS, STRIPES & PAINT



KEY	PART NUMBER	U/M	DESCRIPTION
1	118710-03-02A	FT	FILM - MULTISTRIPE/OVERLAY - 4"
2	124449-03-01A	EA	DECAL - SPLASH - FRONT/RIGHT HAND
2	124449-04-01A	EA	DECAL - SPLASH - FRONT/LEFT HAND
3	124451-01-02A	EA	DECAL - CAB - RIGHT HAND - FORD
3	124451-02-02A	EA	DECAL - CAB - LEFT HAND - FORD
4	094446-02-02A	FT	FILM - MULTISTRIPE - 9.5"
5	124448-03-01A	EA	DECAL-W - W/SPLASH - RIGHT HAND
5	124448-04-01A	EA	DECAL-W - W/SPLASH - LEFT HAND
6	094445-06-02A	FT	FILM - MULTISTRIPE - 6.1"
7	124450-03-01A	EA	DECAL - SPLASH - REAR/RIGHT HAND
7	124450-04-01A	EA	DECAL - SPLASH - REAR/LEFT HAND
8	116849-01-04A	EA	DECAL - LOGO - MINNIE/LARGE
9	120702-03-09A	EA	DECAL - LOGO - WINNEBAGO/SMALL
10	124447-02-01A	EA	DECAL - MINNIE - W/SPLASH
	041561-03-000	EA	PAINT - 16 OUNCE SPRAY - OFF WHITE
	099399-23-701	EA	PAINT - BRT/WHT .3 OZ PEN RAABE

DUPONT PAINT COLOR CODES

BRIGHT WHITE

DUPONT B8951U

DUPONT GRAPHICS COLOR CODES

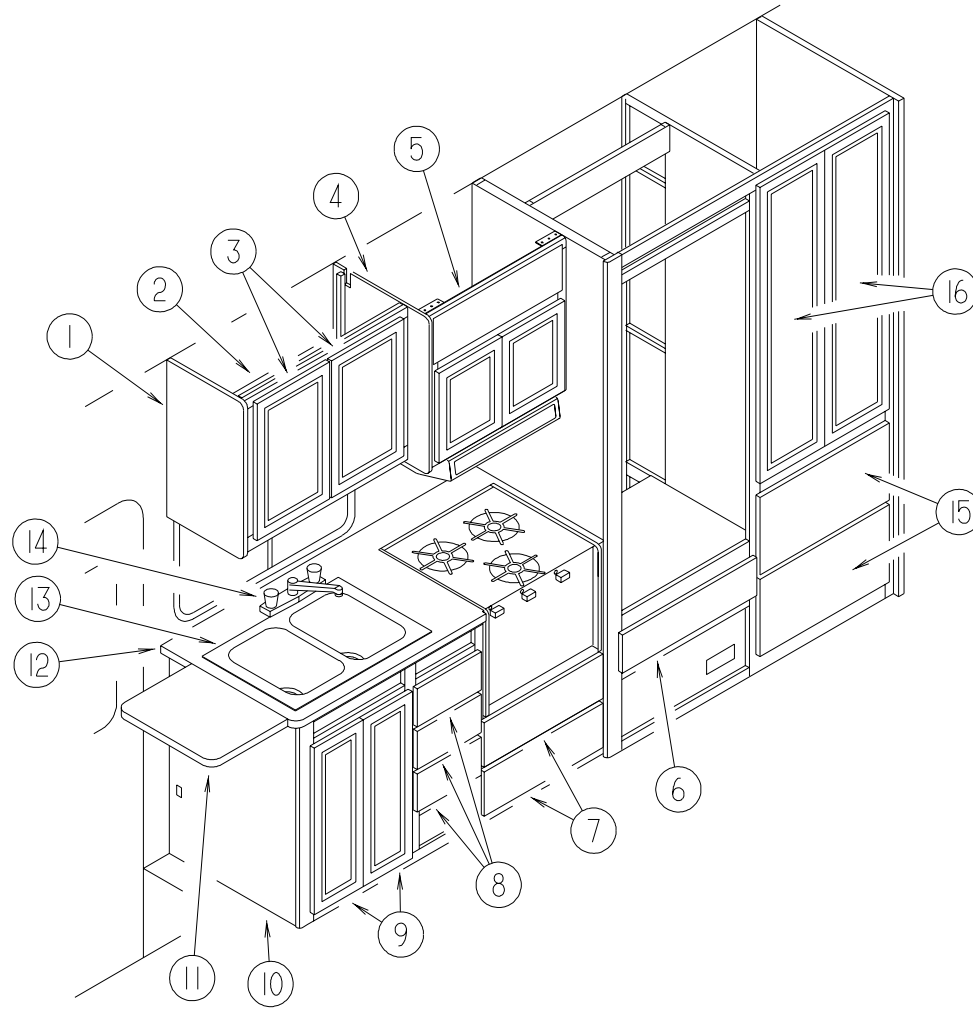
VIOLET FIREMIST METALLIC
 MARINE BLUE METALLIC
 SEAMIST BLUE METALLIC
 DARK BRIGHT TEAL METALLIC

FILM #288
 FILM #417
 FILM #411
 FILM #465

DUPONT F4572
 DUPONT F4579
 DUPONT G9845
 DUPONT GM240

GALLEY GROUP

GALLEY CABINETS & FIXTURES



KEY	PART NUMBER	U/M	DESCRIPTION
1	109908-83-K04	EA	END CAP - OVERHEAD CABINET
2	124210-02-K04	EA	CABINET - OVERHEAD/GALLEY - W/O DOORS/HARDWARE
	124210-11-H04	EA	SHELF - W/PLASTIC EDGE TRIM
3	132141-44-K01	EA	DOOR - RAIL/VENEER - 13.4" X 21.8" - W/O HARDWARE
4	109908-52-H04	EA	END CAP - OVERHEAD CABINET
5	128618-05-K04	EA	CABINET - MICROWAVE - W/O DOORS/HARDWARE
			FROM: 00-00-00 THRU: 04-18-99
5	128618-04-K01	EA	CABINET - MICROWAVE - W/O DOORS/HARDWARE
			FROM: 04-19-99 THRU: 99-99-99
6	M09316-33-J01	EA	DRAWER - OGEE EDGE - 22.5"W X 13.7"D - W/O SLIDES/HARDWARE
	090329-01-000	FT	SEAL/T - REFRIGERATOR CABINET
7	M09316-08-K04	EA	DRAWER - OGEE EDGE - 9.9"W X 17.7"D - W/O SLIDES/HARDWARE
8	M09316-49-K01	EA	DRAWER - OGEE EDGE - 19.8"W X 17.7"D - W/O SLIDES/HARDWARE
9	131995-S3-K01	EA	DOOR - SOLID PANEL - 9" X 26.5" - W/O HARDWARE
10	P30560-02-K01	EA	CABINET - GALLEY - W/COUNTERTOP - W/O DOORS/DRAWERS/HDW
10	P30560-02-K02	EA	CABINET - GALLEY - W/COUNTERTOP - W/O DOORS/DRAWERS/HDW
10	P30560-02-K03	EA	CABINET - GALLEY - W/COUNTERTOP - W/O DOORS/DRAWERS/HDW
	130560-12-K01	EA	SHELF - W/PLASTIC EDGE TRIM

KEY	PART NUMBER	U/M	DESCRIPTION
11	129503-01-K04	EA	EXTENSION - GALLEY - W/O HARDWARE (K01)
11	129503-01-K02	EA	EXTENSION - GALLEY - W/O HARDWARE (K02)
11	129503-01-K03	EA	EXTENSION - GALLEY - W/O HARDWARE (K03)
12	130560-11-K01	EA	COUNTERTOP - GALLEY
12	130560-11-K02	EA	COUNTERTOP - GALLEY
12	130560-11-K03	EA	COUNTERTOP - GALLEY
13	104113-01-000	EA	SINK - DOUBLE - STAINLESS STEEL
	066437-02-000	EA	STRAINER - W/BASKET - SINK
	103610-03-H24	EA	COVER - SINK - 15.2" X 11" - LAMINATED BOTH SIDES (K01)
	103610-03-K02	EA	COVER - SINK - 15.2" X 11" - LAMINATED BOTH SIDES (K02)
	103610-03-K18	EA	COVER - SINK - 15.2" X 11" - LAMINATED BOTH SIDES (K03)
14	104114-02-01A	EA	FAUCET - GALLEY - SINGLE CONTROL
15	M05971-ML-K01	EA	DRAWER - OGEE EDGE - 21.9"W X 19.6"D - W/O SLIDES/HARDWARE
16	132006-07-K01	EA	DOOR - MIRROR/MITERED RAIL - 12" X 48" - W/O HDW

GALLEY GROUP (CONTINUED)

RANGE HOOD W/O MONITOR PANEL - U.S. - MODEL TCS-5008-NADL

KEY	PART NUMBER	U/M	DESCRIPTION
*	100258-16-03A	EA	HOOD - RANGE - W/O MONITOR PANEL - W/O HOUR METER & SWITCH

***COMPONENT PARTS FOUND IN SERVICE PARTS LIBRARY**

RANGE HOOD W/O MONITOR PANEL - CANADIAN - MODEL TCS-5008-NACL

KEY	PART NUMBER	U/M	DESCRIPTION	VENDOR NO.
*	100258-17-03A	EA	HOOD - RANGE - W/O MONITOR PANEL - W/O HOUR METER & SWITCH	
	100258-10-01A	EA	GAUGE - HOUR METER W/SWITCH - SCREW ON STYLE	
	100258-10-701	EA	GAUGE-HOUR METER, CLIP ON	L0775-00

***COMPONENT PARTS FOUND IN SERVICE PARTS LIBRARY**

RANGE HOOD W/O MONITOR PANEL - U.S. W/GENERATOR - MODEL TPS-5009-SADLG

KEY	PART NUMBER	U/M	DESCRIPTION	VENDOR NO.
*	100258-18-03A	EA	HOOD - RANGE - W/O MONITOR PANEL-W/HOUR METER/SWITCH - US	
	100258-10-01A	EA	GAUGE - HOUR METER W/SWITCH - SCREW ON STYLE	
	100258-10-701	EA	GAUGE-HOUR METER, CLIP ON	L0775-00

***COMPONENT PARTS FOUND IN SERVICE PARTS LIBRARY**

MONITOR PANEL - LVS

KEY	PART NUMBER	U/M	DESCRIPTION
*	102765-04-01A	EA	PANEL - MONITOR - 2 HOLDING TANKS - ADJUSTABLE

***COMPONENT PARTS FOUND IN SERVICE PARTS LIBRARY**

GALLEY GROUP (CONTINUED)

MICROWAVE OVEN

KEY	PART NUMBER	U/M	DESCRIPTION	VENDOR NO.
	128527-03-000	EA	OVEN - MICROWAVE - .9 CUBIC FEET FROM: 00-00-00 THRU: 11-22-98	
	128527-01-000	EA	OVEN - MICROWAVE - .9 CU FT - NON CONVECTION FROM: 11-23-98 THRU: 04-13-99	
	128642-01-000	EA	TRIM KIT W/VENT - MICROWAVE - .9 CU FT - SAMSUNG FROM: 11-23-98 THRU: 04-13-99	
	128527-03-000	EA	OVEN - MICROWAVE - .9 CUBIC FEET FROM: 04-14-99 THRU: 99-99-99	
	128527-01-700	EA	TRIM RING-F/.9 CU.FT. MICRO	MC-5471-EA
	098916-24-02B	EA	BRACE - MICROWAVE CABINET - LEFT HAND	
	098916-25-02B	EA	BRACE - MICROWAVE CABINET - RIGHT HAND	
	094750-10-000	EA	BRACKET - MICROWAVE - 89 DEGREE	

NORCOLD REFRIGERATOR - MODEL N621R

KEY	PART NUMBER	U/M	DESCRIPTION
*	121568-03-01A	EA	REFRIGERATOR - SMALL DBL DOOR/BLK-52.8"HX23.5"WX24"D-2-WAY
	054450-01-000	EA	LEVEL - REFRIGERATOR
	065225-02-000	EA	PLATE - TIEDOWN - REFRIGERATOR
	093646-01-000	EA	BRACKET - TIEDOWN/REFRIGERATOR - RIGHT HAND
	093646-02-000	EA	BRACKET - TIEDOWN/REFRIGERATOR - LEFT HAND
	116751-01-01A	EA	TRAY - REFRIGERATOR
	116751-08-01A	EA	TRAY - REFRIGERATOR - CANADIAN

***COMPONENT PARTS FOUND IN SERVICE PARTS LIBRARY**

RANGE W/OVEN - MAGIC CHEF - MODEL CLY1631BDL

KEY	PART NUMBER	U/M	DESCRIPTION
*	112881-02-02A	EA	RANGE - 16" - 3 BURNER
	105458-03-000	EA	BRACKET - STOVE TIEDOWN - RIGHT HAND
	105458-04-000	EA	BRACKET - STOVE TIEDOWN - LEFT HAND

***COMPONENT PARTS FOUND IN SERVICE PARTS LIBRARY**

GENERATOR GROUP

4.0 KW GENERATOR

KEY	PART NUMBER	U/M	DESCRIPTION
	109982-03-000	EA	GENERATOR - 4.0 MICROLITE
	007125-03-000	EA	CLAMP - MUFFLER - 1.5" DIAMETER
	105958-09-000	EA	PIPE - GENERATOR EXHAUST - 1.3" OD X 5.9" X 22"
	007067-01-000	SF	INSULATION - FIBERGLASS - 1" THICK X 4'-INCREMENTS 4 SF

3.6 KW GENERATOR - LP

KEY	PART NUMBER	U/M	DESCRIPTION
	109982-04-000	EA	GENERATOR - 3.6 MICROLITE
	007125-03-000	EA	CLAMP - MUFFLER - 1.5" DIAMETER
	105958-09-000	EA	PIPE - GENERATOR EXHAUST - 1.3" OD X 5.9" X 22"
	007067-01-000	SF	INSULATION - FIBERGLASS - 1" THICK X 4'-INCREMENTS 4 SF

NOTE: ADDITIONAL GENERATOR COMPONENTS ARE FOUND IN THE CHASSIS GROUP

HEATING & AIR CONDITIONING GROUP

ROOF A/C - 13,500 BTU - COLEMAN - MODEL - 8333-876

KEY	PART NUMBER	U/M	DESCRIPTION
*	131185-01-01A	EA	A/C ROOF - 13,500 BTU - WHITE

***COMPONENT PARTS FOUND IN SERVICE PARTS LIBRARY**

CEILING A/C - COLEMAN - MODEL - 8330-713

KEY	PART NUMBER	U/M	DESCRIPTION
*	131183-01-01A	EA	CEILING ASSEMBLY - A/C COOL - WHITE
	084077-03-000	EA	COVER/BLANK - ROOF A/C 5.2" X 3.5" - IVORY

***COMPONENT PARTS FOUND IN SERVICE PARTS LIBRARY**

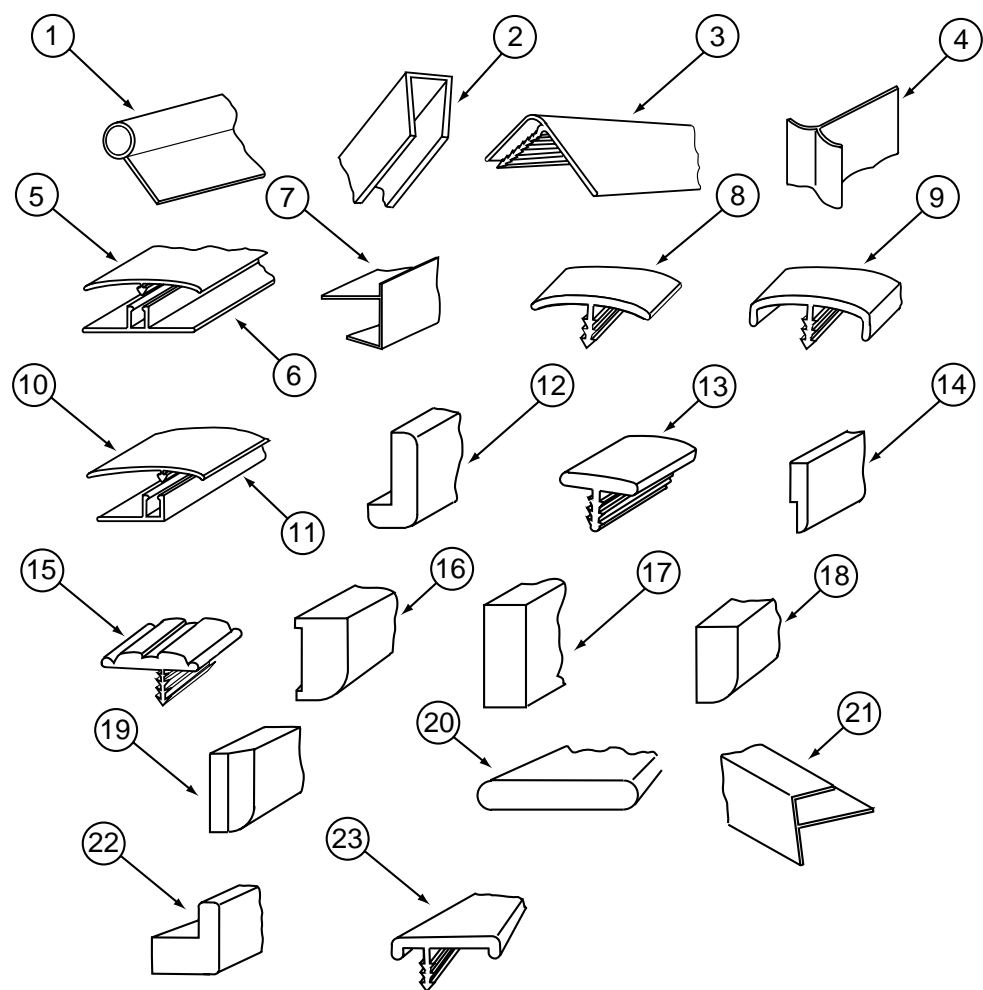
FURNACE -30,000 BTU - SUBURBAN - MODEL SF-30 2273

KEY	PART NUMBER	U/M	DESCRIPTION
*	098668-20-000	EA	FURNACE - 30,000 BTU
	115764-01-01A	EA	THERMOSTAT - FURNACE
	009200-01-000	EA	TAPE - FURNACE - 1 1/2"
	009198-01-000	FT	DUCT - HEAT - FLEXIBLE - 4" ID X 25'
	069636-02-000	EA	CONNECTOR - DUCT - 4" ID
	056464-10-000	EA	REGISTER W/O DAMPER - 4" DIAMETER - PLASTIC - BEIGE
	093614-01-02A	EA	GRILLE - RETURN AIR - 15.6" X 7.6" - BEIGE

***COMPONENT PARTS FOUND IN SERVICE PARTS LIBRARY**

INTERIOR FINISH GROUP

MOLDINGS & TRIMS



KEY	PART NUMBER	U/M	DESCRIPTION
1	009767-12-000	FT	WELTING - SIDEWALL/CEILING/CABINET - OFF/WHT
1	009767-15-000	FT	WELTING - WATERFORD OAK
2	009778-11-000	FT	U-CHANNEL - 1" - IVORY
2	070504-03-000	EA	U-CHANNEL - PLASTIC - .9" X 96" - GRADY BROWN
2	009778-21-000	FT	U-CHANNEL - 1" - WATERFORD OAK
2	009778-30-000	FT	U-CHANNEL - 1" - VILLAGE OAK
2	070504-21-000	FT	U-CHANNEL - PLASTIC - .8" X 84" - COUNTRY FOREST
2	070504-36-000	FT	U-CHANNEL - PLASTIC - .13" X 72" - WATERFORD OAK
2	070504-37-000	FT	U-CHANNEL - PLASTIC - .9" X 84" - WATERFORD OAK
2	070504-18-000	FT	U-CHANNEL - PLASTIC - .13" X 84" - IVORY
3	009809-23-000	EA	MOLDING - CORNER - OUTSIDE - 1" X 84" - MODERN IVORY
3	009809-28-000	EA	MOLDING - CORNER - OUTSIDE - 1" X 84" - WATERFORD OAK
3	009809-24-000	EA	MOLDING - CORNER - OUTSIDE - 1" X 84" - THOR PECAN
4	022992-11-000	FT	MOLDING - REVERSE COVE - T-SHAPED VINYL - IVORY
5	086229-15-000	EA	BATTEN - 1" X 96" - MODERN IVORY
5	086229-20-000	EA	BATTEN - 1" X 96" - BEIGE
6	086229-01-000	EA	RETAINER - BATTEN - .75" X 92.3" - ANY COLOR
7	103186-01-05A	FT	MOLDING - PLASTIC - 3/8" U-CHANNEL 3/4" FACE-WATERFORD OAK
7	103186-02-05A	FT	MOLDING - PLASTIC - 1" U-CHANNEL 1 3/8" FACE-WATERFORD OAK
8	009815-09-000	FT	MOLDING-T - .75" IVORY
8	105709-01-000	FT	MOLDING-T - 1" - MODERN IVORY
9	083620-09-000	FT	MOLDING-T - END CAP EDGE - W/EDGE LIP - .75"-MODERN IVORY
9	083620-12-000	FT	MOLDING-T - END CAP EDGE - W/EDGE LIP - .75"-WATERFORD OAK
9	104676-02-04A	FT	MOLDING-T - 1/2" - WATERFORD OAK

KEY	PART NUMBER	U/M	DESCRIPTION
10	086229-12-000	EA	BATTEN - 1.5" OFFSET X 97.01" IVORY
11	086229-11-000	EA	RETAINER - OFFSET - 97.01"
12	077840-01-G01	EA	MOLDING - CAP - WALL - 8' - WATERFORD OAK
13	104676-01-01A	FT	MOLDING-T - 5/16" RIGID GOLD
14	105004-01-05A	EA	MOLDING - VINYL WRAPPED - 1" X 96" - WATERFORD OAK
15	109736-02-01A	FT	T-MOLDING - 1" - NATURAL OAK/BRASS
16	117268-D2-134	EA	MOLDING - VINYL WRAPPED - .7" X 1.6" X 84" - WATERFORD OAK
16	117268-F2-134	EA	MOLDING - VINYL WRAPPED - .7" X 2.7" X 84" - WATERFORD OAK
17	117267-D2-438	EA	LUMBER - VINYL WRAPPED - .7" X 1.5" X 96" - WATERFORD OAK
17	117267-E2-438	EA	LUMBER - VINYL WRAPPED - .7" X 2" X 96" - WATERFORD OAK
17	117267-R2-438	EA	LUMBER - VINYL WRAPPED - .7" X 3" X 96" - WATERFORD OAK
17	117267-J2-438	EA	LUMBER - VINYL WRAPPED - .7" X 5.5" X 96" - WATERFORD OAK
17	117267-F2-438	EA	LUMBER - VINYL WRAPPED - .7" X 2.5" X 96" - WATERFORD OAK
17	117267-R2-438	EA	LUMBER - FULL VINYL WRAP - .7" X 3" X 96" - WATERFORD OAK
18	100818-01-05A	EA	MOLDING/VINYL WRAP - 1.6" X .4" X 7" - WATERFORD OAK
19	100659-01-G09	EA	MOLDING/TRIM - VINYL FLOOR
20	120492-01-01A	FT	STRIP - TRIM - 1/2" WIDE - IVORY
21	009812-29-000	EA	MOLDING - CORNER - 1/2" W/1/4" CHAN X 84" - WATERFORD OAK
21	009812-24-000	EA	MOLDING - CORNER - 1/2" W/1/4" CHAN X 108" - IVORY PLASTIC
22	100819-01-05A	EA	MOLDING/VINYL WRAP - L-SHAPED-1.5" X 1.5" X 7"-WATERFD OAK
23	119520-01-01A	FT	MOLDING-T - 1" - W/EDGE LIPS (OFF/WHITE-CREAM)

INTERIOR FINISH GROUP (CONTINUED)

EDGE BAND MOLDING

KEY	PART NUMBER	U/M	DESCRIPTION
	076325-47-000	FT	MOLDING - EDGE BAND - 1 5/16" X .030 - SAND (K01)
	076325-39-000	FT	MOLDING - EDGE BAND - 1 5/16" X .030 - ALMOND (K02, K03)
	076325-44-000	FT	MOLDING - EDGE BAND - .875" X .024" - SAND (K01)
	076325-40-000	FT	MOLDING - EDGE BAND - .875" X .024" - ALMOND (K02, K03)
	076325-73-000	FT	MOLDING - EDGE BAND - .93" X .024" - OFF WHITE
	076325-68-000	FT	MOLDING - EDGE BAND - 1 5/16" X .038 - WATERFORD OAK
	076325-67-000	FT	MOLDING - EDGE BAND - .93" X .024" - WATERFORD OAK

BATT STRIPS & TAPE

KEY	PART NUMBER	U/M	DESCRIPTION
	088263-F5-000	EA	BATT STRIP - DECORATIVE - FLAGSTAFF SAND - 8' (K01)
	088263-E6-000	EA	BATT STRIP - DECORATIVE - MONTANA FROST - 8' (K02)
	088263-G0-000	EA	BATT STRIP - DECORATIVE - UPBEAT/TWILIGHT - 8' LONG (K03)
	085284-F1-000	FT	BATT TAPE - ADHESIVE BACKED - DECORATIVE/FLAGSTAFF SAND (K01)
	085284-E0-000	FT	BATT TAPE - ADHESIVE BACKED - MONTANA FROST (K02)
	085284-F8-000	FT	BATT TAPE - ADHESIVE BACKED - UPBEAT/TWILIGHT (K03)
	088263-E3-000	EA	BATT STRIP - DECORATIVE - PEBBLE EMBOSSED/ANTIQUE - 8'
	085284-D6-000	FT	BATT TAPE - ADHESIVE BACKED - DECORATIVE-EMBOSSED ANTIQUE
	088263-F9-000	EA	BATT STRIP - CEILING - IMPACT PEARL - 9'
	085284-F6-000	FT	BATT TAPE - ADHESIVE BACKED-IMPACT PEARL-W/FLEECE EMBOSSED
	069733-83-000	EA	BATT STRIP - WOODGRAINED/WATERFORD OAK - 8'
	085284-B5-000	FT	BATT TAPE - ADHESIVE BACKED - WOODGRAINED - WATERFORD OAK

PANELING & PARTICLE BOARD

KEY	PART NUMBER	U/M	DESCRIPTION
	088272-H5-000	SF	PANELING - FLAGSTAFF - 4' X 7' (K01)
	088272-G4-000	SF	PANELING - MONTANA FROST - 4' X 7' (K02)
	088272-H8-000	SF	PANELING - UPBEAT/TWILIGHT (K03)
	088272-G1-000	SF	PANELING - PEBBLE EMBOSSED - ANTIQUE WHITE - 4' X 7'
	074497-28-000	SF	PANELING - WATERFORD OAK - 4' X 8'
	074497-41-000	SF	PANELING - CEILING - IMPACT PEARL - EMBOSSED - 4' X 9'
	000885-76-000	SF	PARTICLE BOARD-3/8" X 48" X 96"-WATERFORD OAK/VINYL 1 SIDE
	000885-77-000	SF	PARTICLE BOARD-3/8" X 48" X 96"-WATERFORD OAK/VINYL 2 SIDE
	000885-78-000	SF	PARTICLE BOARD-1/2" X 48" X 96"-WATERFORD OAK/VINYL 2 SIDE
	000885-79-000	SF	PARTICLE BOARD-3/4" X 48" X 96"-WATERFORD OAK/VINYL 2 SIDE
	126339-01-000	SF	BOARD - WHEAT - 60" X 72"
	057882-04-700	EA	TAMBOUR - 48" X 48" SHEET - UNFINISHED

INTERIOR FINISH GROUP (CONTINUED)

PLASTIC LAMINATES

KEY	PART NUMBER	U/M	DESCRIPTION
	074498-54-000	SF	LAMINATE - PLASTIC - SAND SPEKTRUM - 5' X 8' (K01)
	074498-80-000	SF	LAMINATE - PLASTIC - WHITE TUNDRA - 5' X 8' (K02)
	074498-81-000	SF	LAMINATE - PLASTIC - ALMOND JAGUARD - 5' X 8' (K03)
	074498-40-000	SF	LAMINATE - PLASTIC - OFF WHITE - 5' X 8'
	074498-77-000	SF	LAMINATE - PLASTIC - ART CABIN (WATERFORD OAK) - 4' X 8'

CARPETING & FLOOR MATS

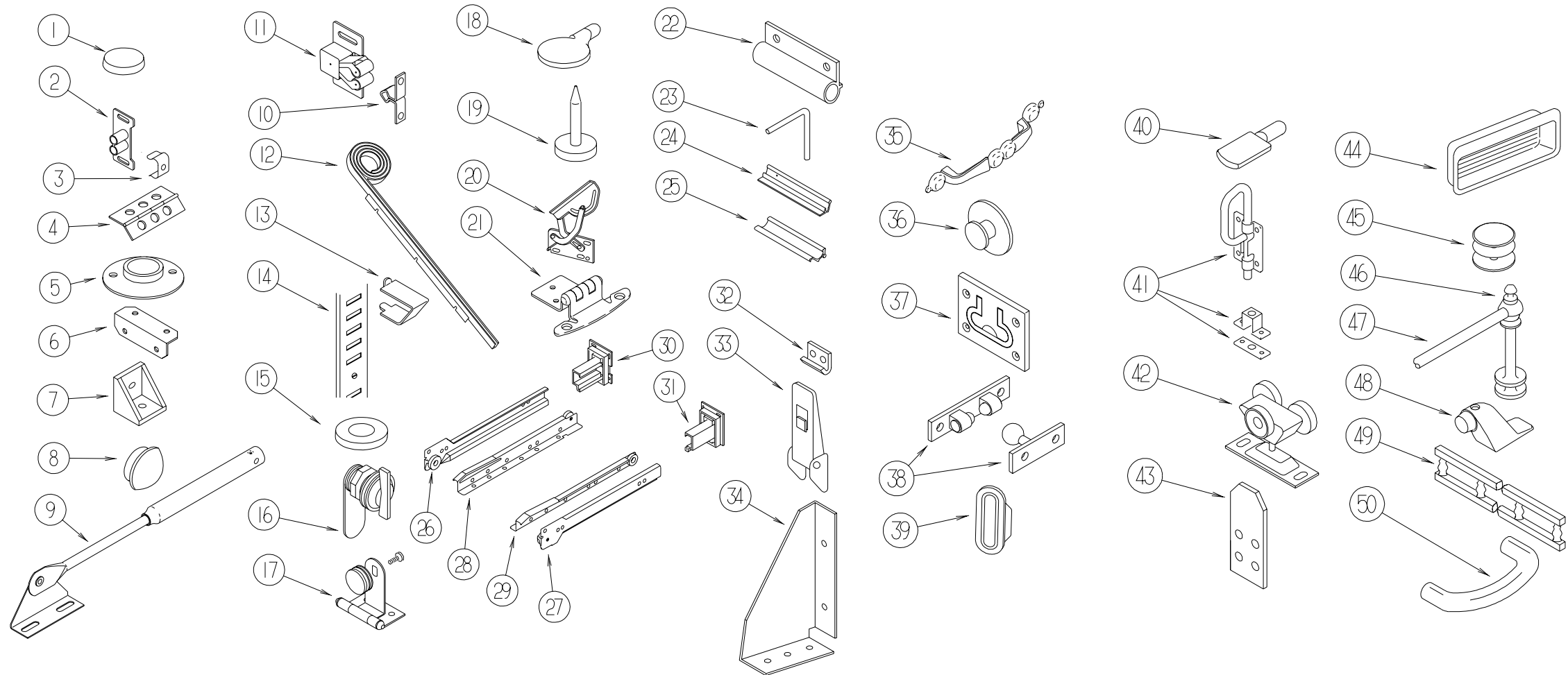
KEY	PART NUMBER	U/M	DESCRIPTION
	096060-95-000	SY	CARPET - DOESKIN - INCREMENTS OF 4 SQ YDS (K01)
	096060-97-000	SY	CARPET - LAPIS - INCREMENTS OF 4 SQ YDS (K02)
	096060-A2-000	SY	CARPET - NEW MEADOW - INCREMENTS OF 4 SQ YDS (K03)
	093486-01-000	SY	CARPET - COMPARTMENT - 72" WIDE - DARK GRAY
	042720-20-000	SY	VINYL - FLOOR COVERING - 7.5' WIDE - CALAY
	091261-01-000	FT	SLIPNOT - ANTISLIP - 1' WIDE
	096764-02-000	FT	SLIPNOT - ANTISLIP - 1" WIDE (100' ROLLS)
	122755-05-01A	EA	TILE - RUBBER/ENTRANCE DOOR - 11.2" X 26.9"
	125780-01-000	EA	MAT - FLOOR - FRONT/PASSENGER - "W" - FORD
	125780-02-000	EA	MAT - FLOOR - FRONT/DRIVER - "W" - FORD

SMOKE DETECTOR, CO DETECTOR & FIRE EXTINGUISHER

KEY	PART NUMBER	U/M	DESCRIPTION	VENDOR NO.
	094499-03-000	EA	EXTINGUISHER/FIRE - DRY - 10B:C - W/O BRACKET	
	094499-04-000	EA	BRACKET - FIRE EXTINGUISHER	
	094499-02-000	EA	EXTINGUISHER/FIRE - DRY - 1A10BC - CANADIAN	
	094499-01-700	EA	BRACKET MTG. W/PLAS. STRAP	294039
	094499-01-701	EA	STRAP ONLY (METAL)	320351
	072852-01-000	EA	DETECTOR - SMOKE - W/9 VOLT BATTERY - US	
	125136-01-000	EA	CO DETECTOR - GAS - ROUND W/2 SCREWS - 9 VOLT	

INTERIOR FINISH GROUP (CONTINUED)

CABINET & TABLE HARDWARE

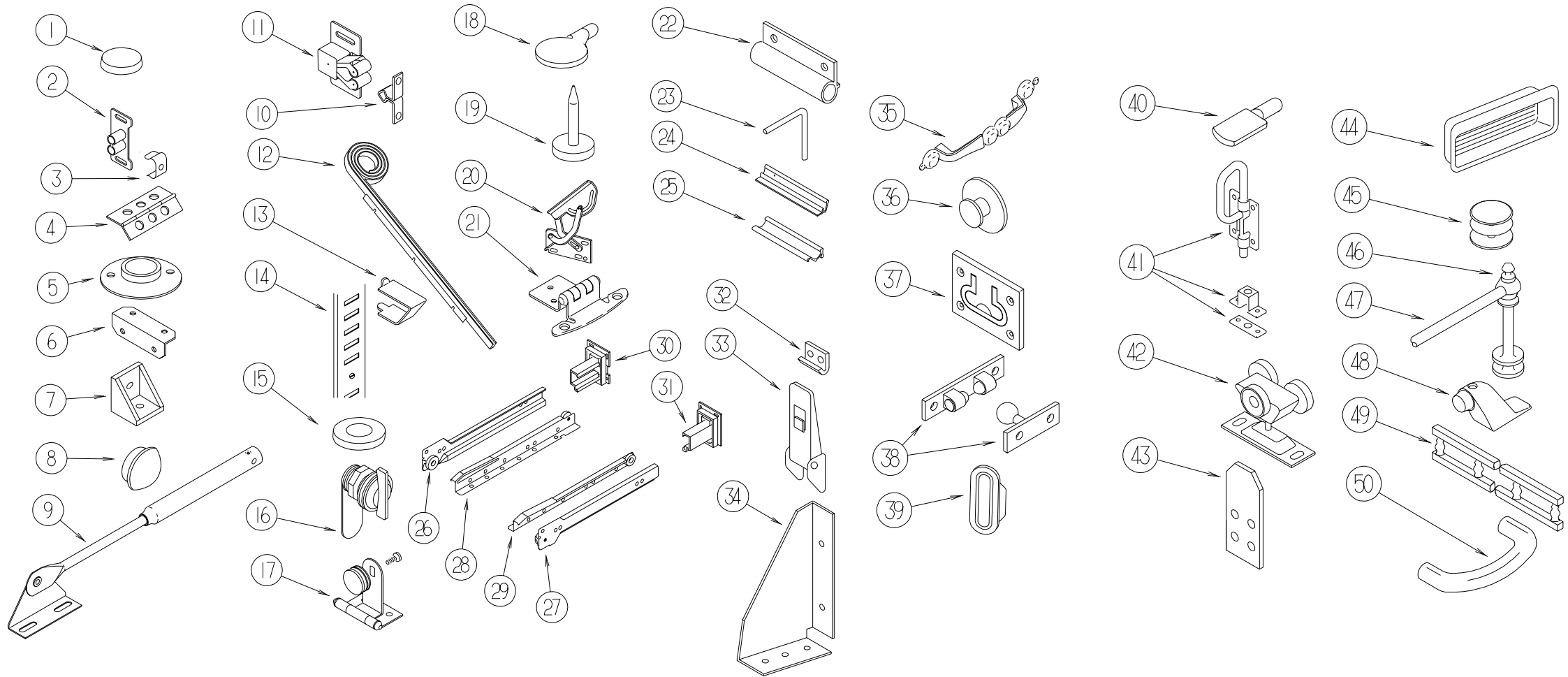


KEY	PART NUMBER	U/M	DESCRIPTION
1	004354-01-000	EA	BUMPER - RUBBER - .5" DIA - BROWN
2	009021-01-000	EA	CATCH - GRILLE - NYLON
3	009021-02-000	EA	STRIKE - SPRING STEEL
4	009059-01-000	EA	HINGE - DOOR - 2" X 1.4" - BRASS
4	009059-02-000	EA	HINGE - DOOR - 2" X 2.7" - BRASS
4	041389-35-000	EA	HINGE - PIANO - OFF WHITE - 31"
5	009112-01-000	EA	FLANGE - PLASTIC - 1" CLOTHES ROD - OFF WHITE
6	016604-01-000	EA	BRACE - CABINET - ANGLE - 2.5" - UNPAINTED METAL
6	016604-05-000	EA	BRACE - CABINET - ANGLE - 2.5" - OFF WHITE METAL
7	065740-01-000	EA	BRACE - CABINET/CORNER - PLASTIC
8	074045-01-000	EA	PLUG - OAK - 1/2" DIAMETER
9	074493-02-000	EA	SUPPORT - PISTON SPRING - CABINET DOOR
10	093586-05-000	EA	STRIKE - SPRING STEEL
11	093586-06-000	EA	CATCH - SPRING - ROLLER
12	097141-02-700	EA	KIT - TRACK - TAMBOUR DOOR - W/ONE RT & ONE LEFT TRACK
13	098979-01-000	EA	CLIP - ADJUSTABLE SHELF
14	098980-06-000	EA	PILASTER - ADJUSTABLE SHELF - 24"
15	100707-01-000	EA	SPACER - GLASS DOOR - .8" DIA - .3" HOLE - PLASTIC
16	100710-01-01A	EA	LOCK - GLASS DOOR/TWIST TYPE - BRASS
17	100711-01-01A	EA	HINGE - GLASS DOOR
18	101766-01-000	EA	PIN - SUPPORT/GLASS DOOR
19	102194-01-000	EA	GUIDE - PLASTIC
20	108126-01-000	EA	TRAY HINGE SET (QTY. 2 PER SET)
21	108138-01-000	EA	HINGE - CABINET DOOR - BURNISHED BRASS
	000G13-06-08G	EA	SCREW - 6-20 X .50 PFH - ANTIQUE BRASS
22	108486-01-01A	EA	BRACKET - PROP ROD/OVERHEAD - BLACK
23	108487-02-01A	EA	SUPPORT - PROP ROD/OVERHEAD - BLACK
	039984-01-000	EA	CAP - ROUND - VINYL - .28" ID X .62" - BLACK
24	110107-01-04A	EA	PULL - DOOR - TERRATONE
25	110108-01-04A	EA	LATCH - DOOR - TERRATONE

KEY	PART NUMBER	U/M	DESCRIPTION
26	128810-01-01A	EA	SLIDE - DRAWER - 12" - LEFT CABINET
26	128810-05-01A	EA	SLIDE - DRAWER - 14" - LEFT CABINET
26	128810-09-01A	EA	SLIDE - DRAWER - 16" - LEFT CABINET
26	128810-13-01A	EA	SLIDE - DRAWER - 18" - LEFT CABINET
26	128810-17-01A	EA	SLIDE - DRAWER - 20" - LEFT CABINET
26	128810-21-01A	EA	SLIDE - DRAWER - 22" - LEFT CABINET
26	128810-25-01A	EA	SLIDE - DRAWER - 24" - LEFT CABINET
27	128810-02-01A	EA	SLIDE - DRAWER - 12" - RIGHT CABINET
27	128810-06-01A	EA	SLIDE - DRAWER - 14" - RIGHT CABINET
27	128810-10-01A	EA	SLIDE - DRAWER - 16" - RIGHT CABINET
27	128810-14-01A	EA	SLIDE - DRAWER - 18" - RIGHT CABINET
27	128810-18-01A	EA	SLIDE - DRAWER - 20" - RIGHT CABINET
27	128810-22-01A	EA	SLIDE - DRAWER - 22" - RIGHT CABINET
27	128810-26-01A	EA	SLIDE - DRAWER - 24" - RIGHT CABINET
28	128810-03-01A	EA	SLIDE - DRAWER - 12" - LEFT DRAWER
28	128810-07-01A	EA	SLIDE - DRAWER - 14" - LEFT DRAWER
28	128810-11-01A	EA	SLIDE - DRAWER - 16" - LEFT DRAWER
28	128810-15-01A	EA	SLIDE - DRAWER - 18" - LEFT DRAWER
28	128810-19-01A	EA	SLIDE - DRAWER - 20" - LEFT DRAWER
28	128810-23-01A	EA	SLIDE - DRAWER - 22" - LEFT DRAWER
28	128810-27-01A	EA	SLIDE - DRAWER - 24" - LEFT DRAWER
29	128810-04-01A	EA	SLIDE - DRAWER - 12" - RIGHT DRAWER
29	128810-08-01A	EA	SLIDE - DRAWER - 14" - RIGHT DRAWER
29	128810-12-01A	EA	SLIDE - DRAWER - 16" - RIGHT DRAWER
29	128810-16-01A	EA	SLIDE - DRAWER - 18" - RIGHT DRAWER
29	128810-20-01A	EA	SLIDE - DRAWER - 20" - RIGHT DRAWER
29	128810-24-01A	EA	SLIDE - DRAWER - 22" - RIGHT DRAWER
29	128810-28-01A	EA	SLIDE - DRAWER - 24" - RIGHT DRAWER
30	128811-01-01A	EA	BACKSOCKET - ADJUSTABLE - LEFT

INTERIOR FINISH GROUP (CONTINUED)

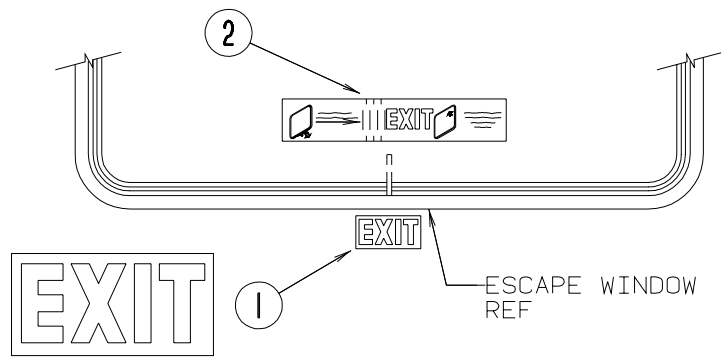
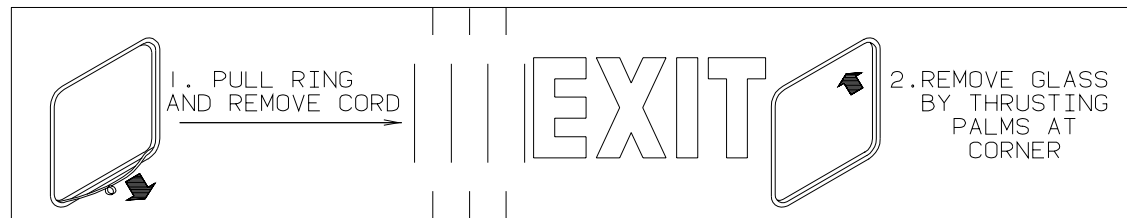
CABINET & TABLE HARDWARE (CONTINUED)



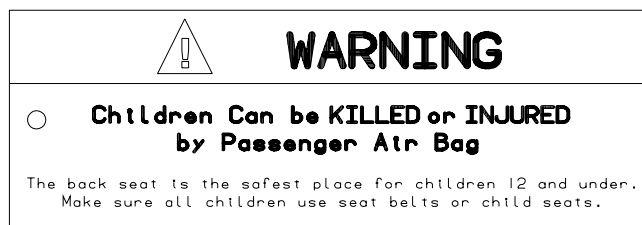
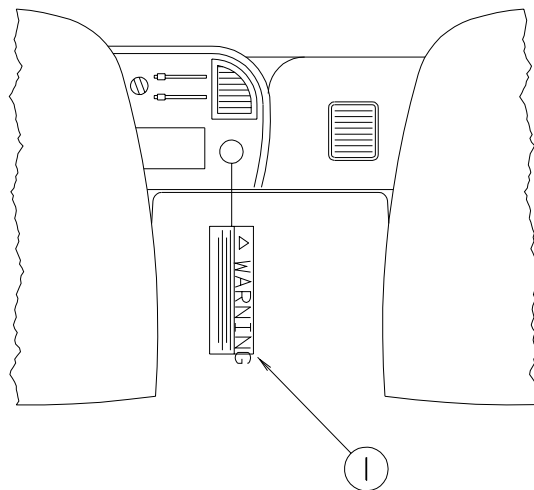
KEY	PART NUMBER	U/M	DESCRIPTION
31	128811-02-01A	EA	BACKSOCKET - ADJUSTABLE RIGHT
32	116975-02-01A	EA	KEEPER/STRIKE - BLACK - NEW STYLE
33	116975-01-01A	EA	LATCH - W/O STRIKE - BLACK - NEW STYLE
34	116978-01-03B	EA	GUSSET - SLIDEOUT ROOM - OFF/WHITE
35	121891-01-01A	EA	PULL - CABINET - BRASS
36	125221-01-01A	EA	PULL - MIRROR - W/ROUND HANDLE
37	072871-01-000	EA	PULL - FLUSH - CHROME
38	084451-01-000	EA	CATCH - BRASS
39	098410-01-01A	EA	PULL - FINGER - OVAL - BRASS
40	101766-01-000	EA	PIN - SUPPORT/GLASS DOOR
41	103256-01-000	EA	LATCH - SLIDE
42	103874-01-000	EA	HANGER - SLIDING DOOR
43	112053-01-01A	EA	STOP - DRAWER - BLACK

KEY	PART NUMBER	U/M	DESCRIPTION
44	124311-01-01A	EA	HANDLE - RECESSED - BRASS
45	081114-02-000	EA	CAP - INSERT - ROUND 1" DIAMETER - WHITE
46	084070-03-000	EA	POST - END - 2.4" - BRASS
47	084071-12-000	EA	ROD - BRASS - 4.08" LONG
47	084071-19-000	EA	ROD - BRASS - 7.09" LONG
47	084071-24-000	EA	ROD - BRASS - 3.8" LONG
48	103257-01-000	EA	STOP - DOOR
49	075249-01-000	EA	RAILING - OAK - 72" UNFINISHED
50	131964-01-01A	EA	PULL - CABINET - POLISHED BRASS
	079921-01-000	EA	ROLLER - NYLON - W/STEEL SHAFT - BARBED
	113236-01-01A	EA	BRACKET - CLOTHES - ROD
	023320-01-000	EA	PAD - FELT 3/8" DIAMETER
	042438-01-000	EA	DOWEL - WOOD - CLOTHES ROD - 1" DIAMETER X 4'
	042438-02-000	EA	DOWEL - WOOD - 2" X 2"
	059783-01-000	FT	ROD - CLOTHES - SLOTTED ALUMINUM - 7'

LABELS GROUP



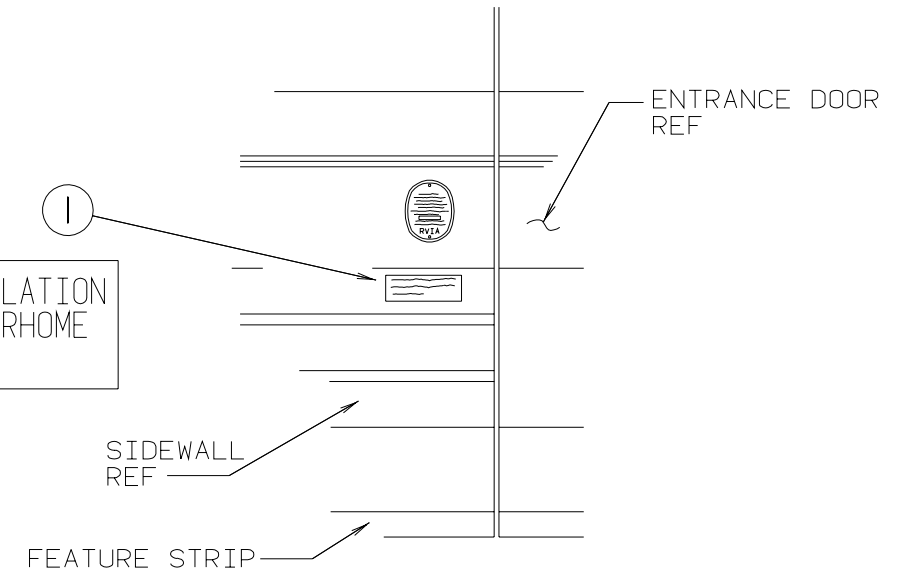
KEY	PART NUMBER	U/M DESCRIPTION
1	039290-01-000	EA LABEL - WARNING - EXIT
2	107571-01-000	EA LABEL - EXIT/ESCAPE WINDOW



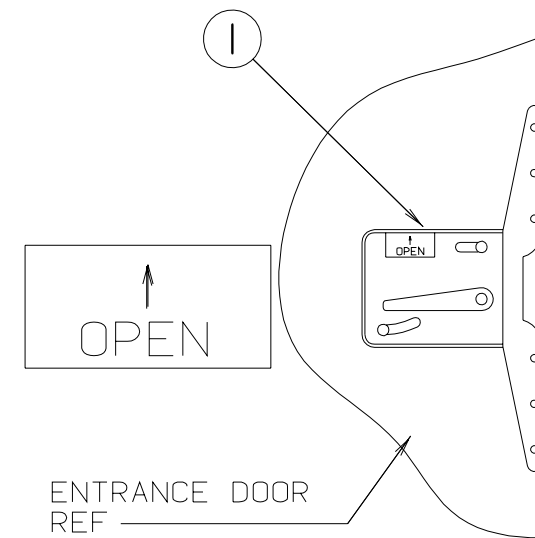
KEY	PART NUMBER	U/M DESCRIPTION
	126612-01-000	EA LABEL - HANG TAG - AIR BAG - DASH

LABELS GROUP (CONTINUED)

FOR AWNING INSTALLATION CONTACT YOUR MOTORHOME DEALERSHIP

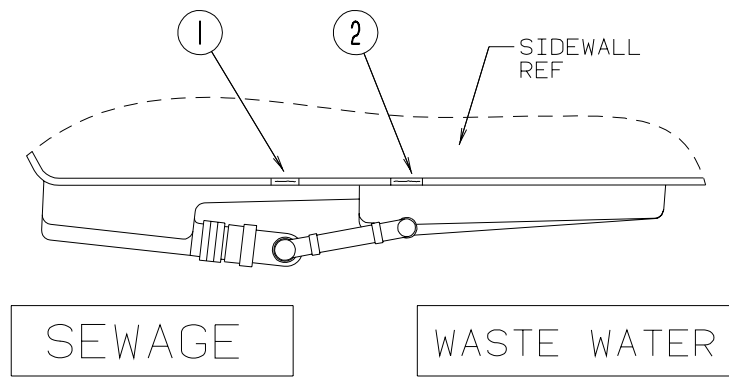


KEY	PART NUMBER	U/M DESCRIPTION
1	099509-01-000	EA LABEL - AWNING INSTALLATION

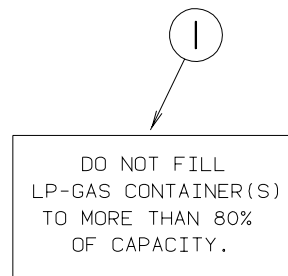


KEY	PART NUMBER	U/M DESCRIPTION
1	040944-01-000	EA LABEL - ENTRANCE DOOR - "OPEN"

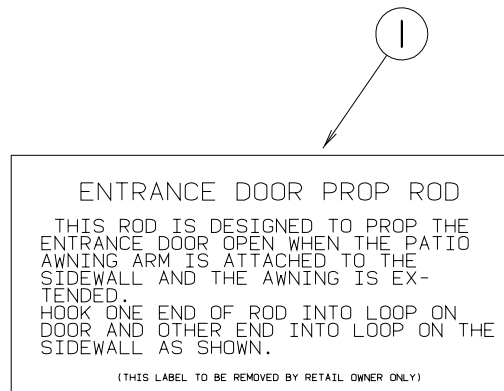
LABELS GROUP (CONTINUED)



KEY	PART NUMBER	U/M DESCRIPTION
1	006187-01-000	EA LABEL - SEWAGE
2	006188-01-000	EA LABEL - WASTE WATER

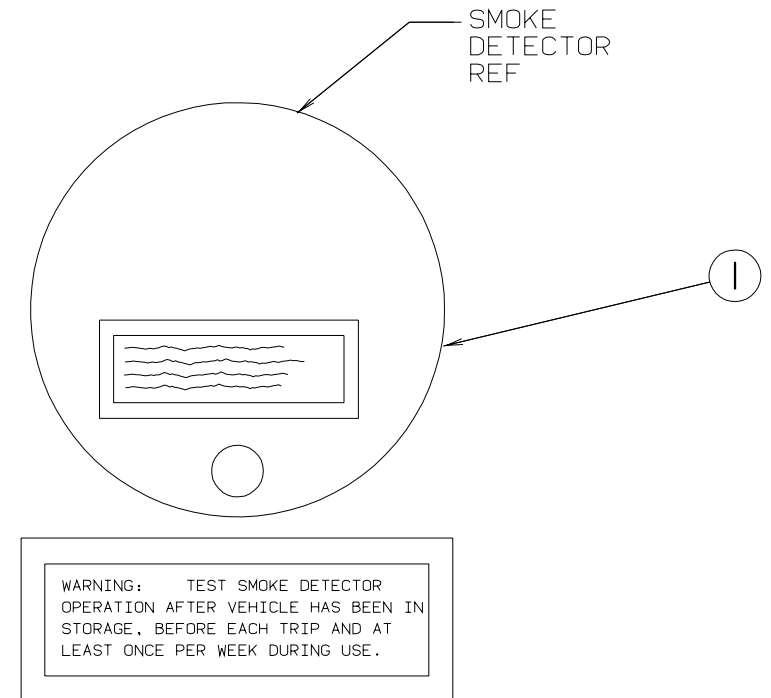


KEY	PART NUMBER	U/M DESCRIPTION
1	079965-01-000	EA LABEL - LPG - 80% CAPACITY



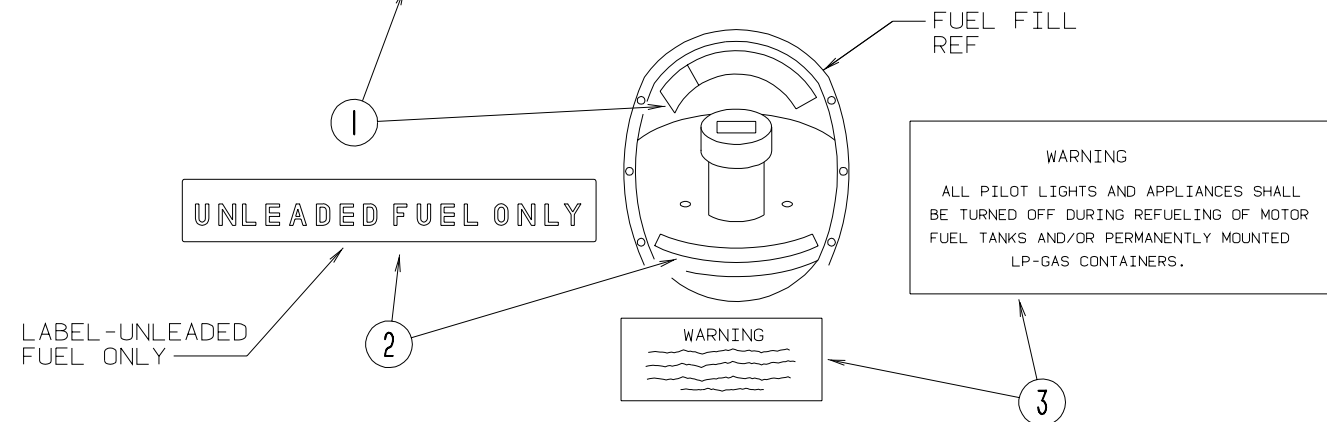
KEY	PART NUMBER	U/M DESCRIPTION
1	128658-01-000	EA LABEL - PROP ROD - ENTRY DOOR

LABELS GROUP (CONTINUED)



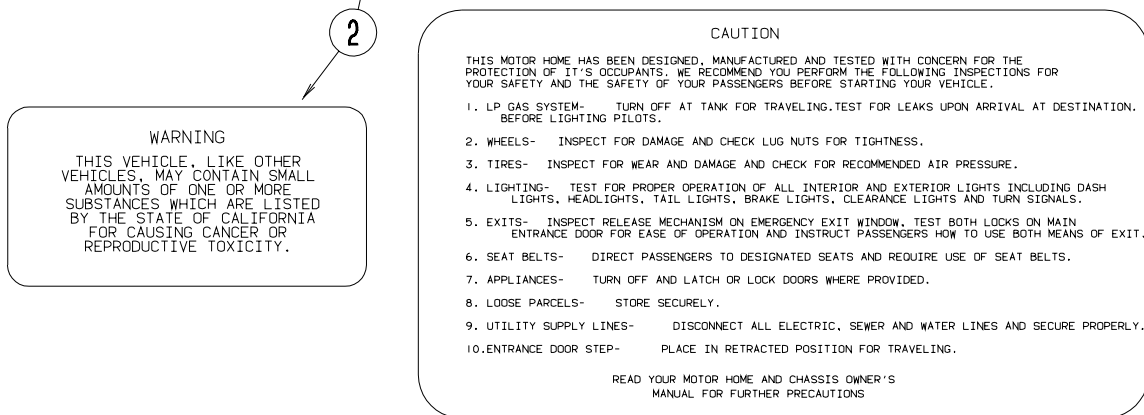
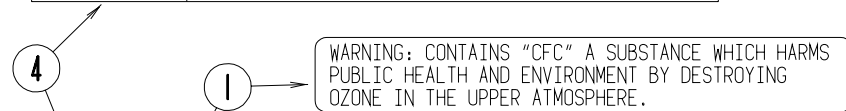
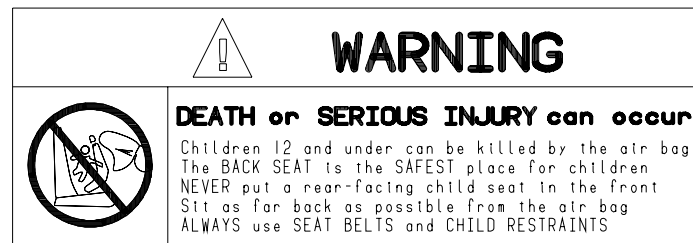
KEY	PART NUMBER	U/M DESCRIPTION
1	077956-01-000	EA LABEL - WARNING - SMOKE DETECTOR

CAUTION	TO HELP AVOID PERSONAL INJURY DURING REMOVAL OF FUEL FILLER CAP, SLOWLY LOOSEN CAP 1/2 TURN TO ALLOW ANY FUEL PRESSURE TO BE RELIEVED BEFORE TURNING CAP FURTHER.
FUEL SPRAY MAY CAUSE PERSONAL INJURY	STOP ADDING FUEL AFTER FIRST SHUTOFF BY AUTOMATIC NOZZLE WHEN TANK IS NEARLY FULL. DO NOT OVERFILL FUEL TANK. SEE OWNERS MANUAL FOR ADDITIONAL INFORMATION.
	PRINTED IN U.S.A. MLC PT NO 15611763

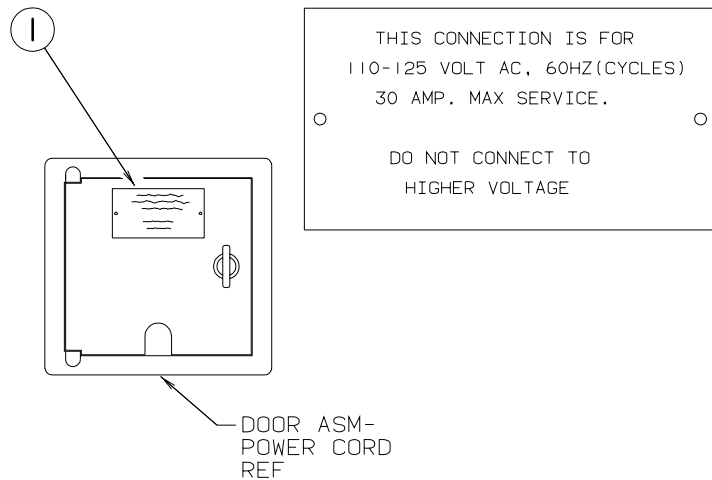


KEY	PART NUMBER	U/M DESCRIPTION
1	087207-05-000	EA LABEL - FUEL CAP REMOVAL
2	062043-01-000	EA LABEL - FUEL - UNLEADED
3	124519-01-01A	EA LABEL - WARNING/REFUELING - BLACK ON CLEAR
3	124519-02-01A	EA LABEL - WARNING/REFUELING - CSA

LABELS GROUP (CONTINUED)

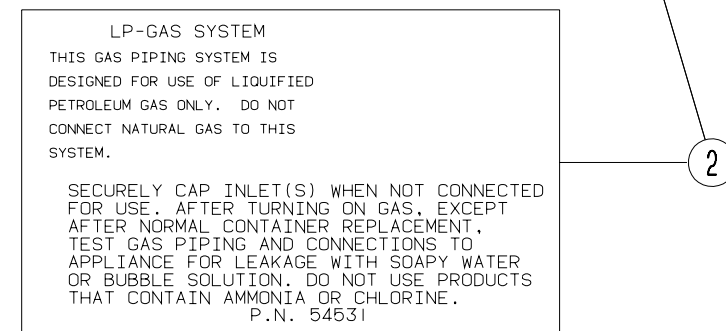
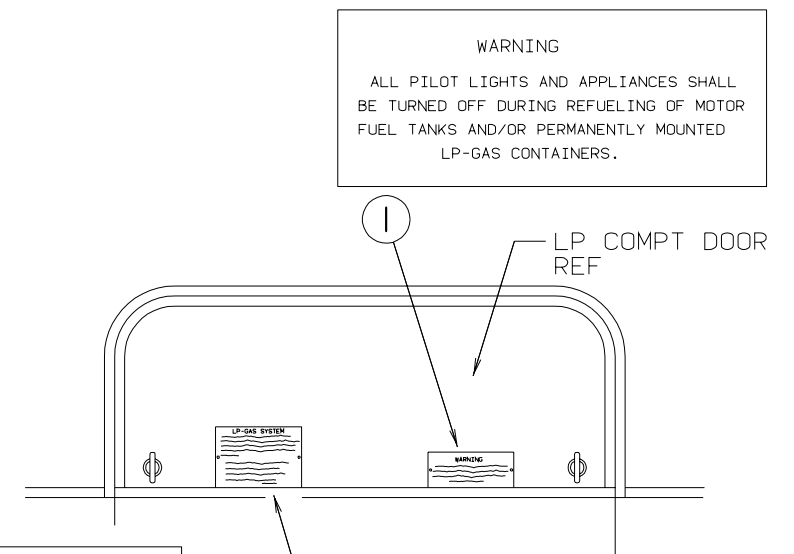


KEY	PART NUMBER	U/M DESCRIPTION
1	111802-01-000	EA LABEL - CFC WARNING
2	099689-01-000	EA LABEL - WARNING - CANCER/TOXICITY
3	056259-01-000	EA LABEL - SAFETY CHECK LIST

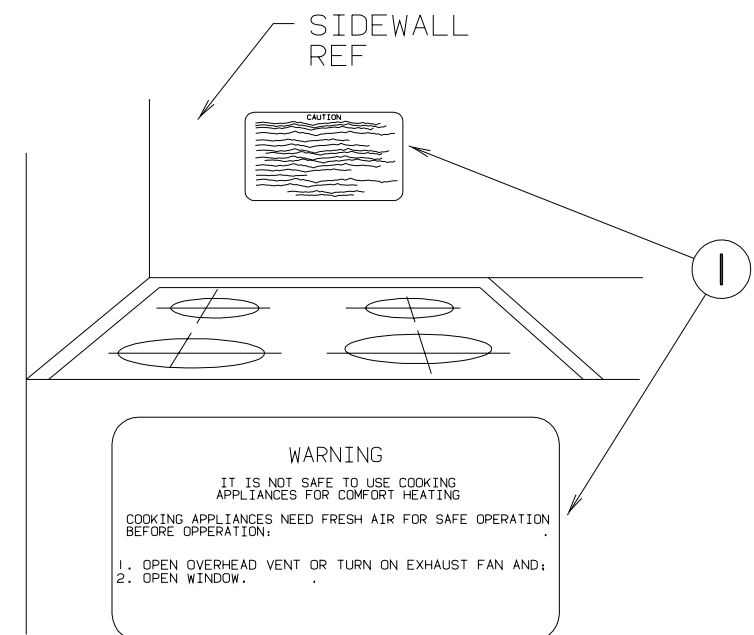


KEY	PART NUMBER	U/M DESCRIPTION
1	125306-01-01A	EA LABEL - ELECTRICAL ENTRANCE - 110VOLT 30AMP

LABELS GROUP (CONTINUED)

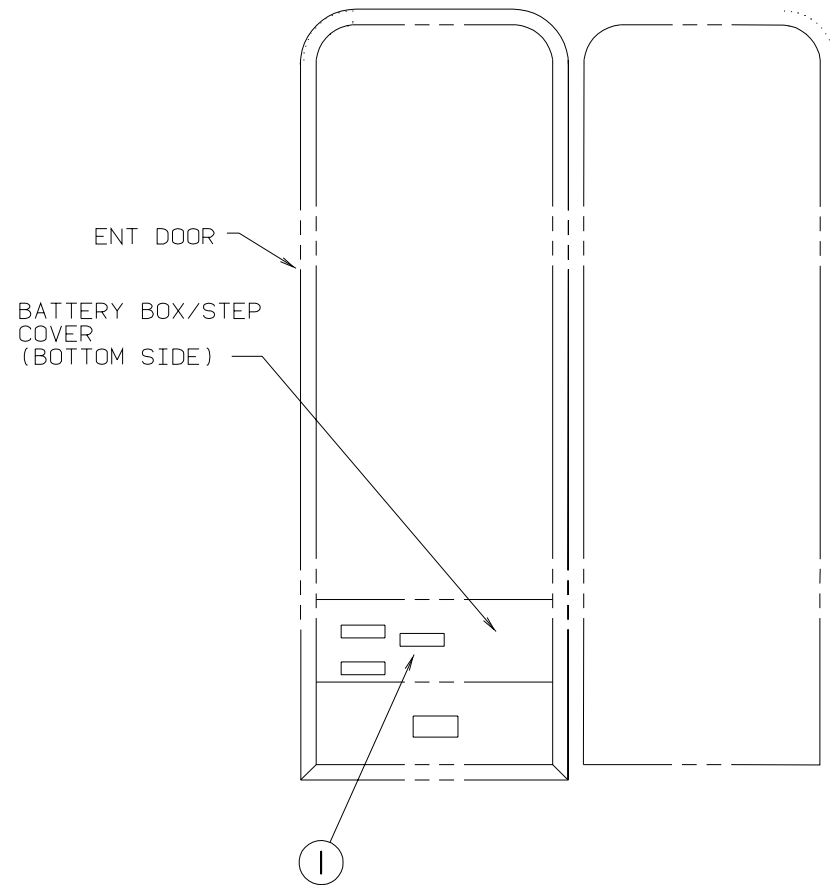


KEY	PART NUMBER	U/M DESCRIPTION
1	023769-01-000	EA LABEL - WARNING - LPG - CANADIAN
2	124520-01-01A	EA LABEL - LP GAS ONLY - BLACK ON CLEAR



KEY	PART NUMBER	U/M DESCRIPTION
1	050222-01-000	EA LABEL - STOVE VENT - CANADIAN
1	050225-01-000	EA LABEL - WARNING - STOVE VENT - US

LABELS GROUP (CONTINUED)



WARNING: DISCONNECT BATTERIES BEFORE CONNECTING EXTERNAL CHARGING EQUIPMENT.

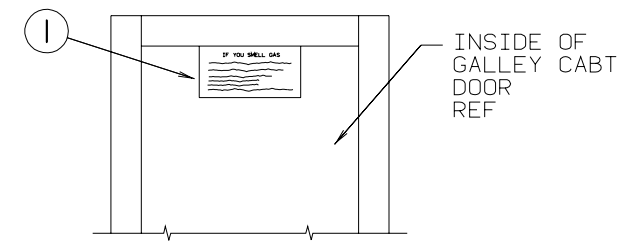
AVERTISSEMENT: DEBRANCHER LES BATTERIES AVANT DE BRANCHER TOUT EQUIPEMENT DE CHARGE EXTERIEUR.

KEY	PART NUMBER	U/M DESCRIPTION
1	065748-01-000	EA LABEL - CAUTION - BATTERY CHARGING



KEY	PART NUMBER	U/M DESCRIPTION
1	111104-01-000	EA LABEL - HITCH - READ MANUAL - WHITE
1	111104-02-000	EA LABEL - HITCH - READ MANUAL - BLACK

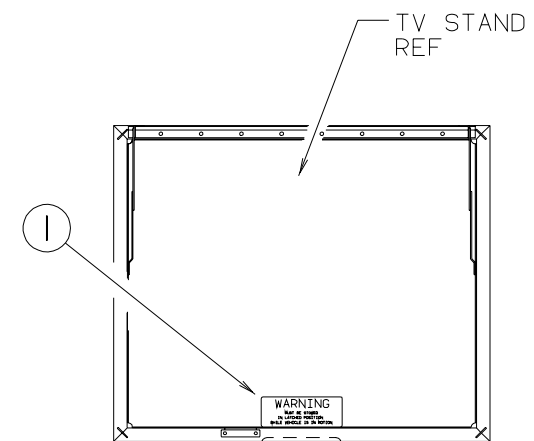
LABELS GROUP (CONTINUED)



IF YOU SMELL GAS

1. EXTINGUISH ANY OPEN FLAME, PILOT LIGHTS AND ALL SMOKING MATERIALS.
2. SHUT OFF THE GAS SUPPLY AT THE TANK VALVE(OR GAS SUPPLY CONNECTION.
3. OPEN DOORS AND OTHER VENTILATING OPENINGS.
4. DO NOT TOUCH ELECTRICAL SWITCHES.
5. LEAVE THE AREA UNTIL ODOR CLEARS.
6. HAVE THE GAS SYSTEM CHECKED AND LEAKAGE SOURCE CORRECTED BEFORE USING AGAIN.

KEY	PART NUMBER	U/M DESCRIPTION
1	073998-01-000	EA LABEL - LPG ODOR WARNING



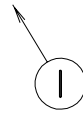
WARNING

MUST BE STOWED IN LATCHED POSITION WHILE VEHICLE IS IN MOTION

KEY	PART NUMBER	U/M DESCRIPTION
1	079966-01-000	EA LABEL - WARNING - STOWED - MOTION

LABELS GROUP (CONTINUED)

AIR CONDITIONING CIRCUIT.
THIS CONNECTION IS FOR
AIR CONDITIONERS RATED 110-
125 VOLT AC, 60 HZ, 16
AMPERES MAXIMUM. DO NOT
EXCEED CIRCUIT RATING.



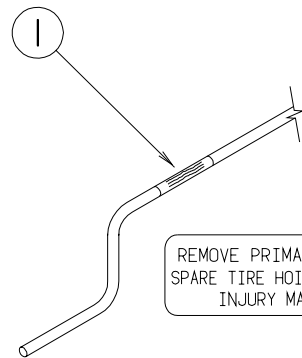
KEY PART NUMBER U/M DESCRIPTION
1 091243-01-000 EA LABEL - A/C COVER "AIR CONDITIONING CIRCUIT ETC."

LABELS GROUP (CONTINUED)

BATTERY MODE SWITCH	COACH BREAKER PANEL	ELECTRIC STEP IGNITION POWER	ELECTRIC STEP BATTERY POWER	ELECTRIC STEP CONTROL POWER	INVERTER
---------------------------	---------------------------	---------------------------------------	--------------------------------------	--------------------------------------	----------



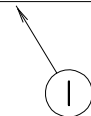
KEY PART NUMBER U/M DESCRIPTION
1 093236-08-000 EA LABEL - CIRCUIT BREAKER



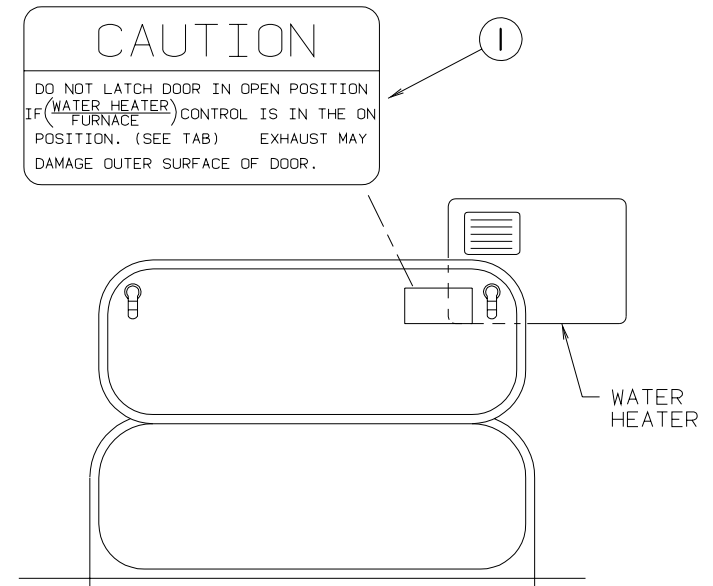
REMOVE PRIMARY TIRE HANGER BEFORE USING
SPARE TIRE HOIST-SEE OWNERS MANUAL- PERSONAL
INJURY MAY RESULT IF NOT FOLLOWED

KEY PART NUMBER U/M DESCRIPTION
1 126024-01-01A EA LABEL - TIRE HANGER REMOVAL

WARNING
ROOF SURFACE MAY BE SLIPPERY
ESPECIALLY WHERE MOISTURE IS PRESENT
SLIPPING MAY RESULT IN PERSONAL INJURY.
128218-01

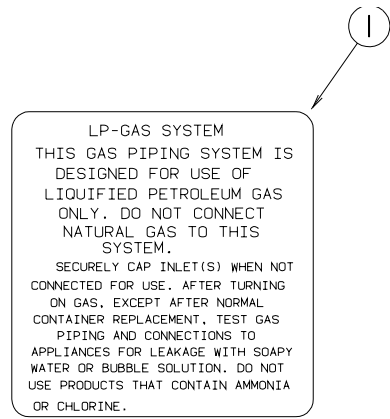


KEY PART NUMBER U/M DESCRIPTION
1 128218-01-01A EA LABEL - WARNING - SLIPPERY ROOF

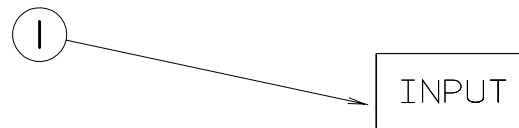


KEY PART NUMBER U/M DESCRIPTION
1 113402-01-000 EA LABEL - CAUTION - WATER HEATER EXHAUST
1 113402-02-000 EA LABEL - CAUTION -FURNACE EXHAUST

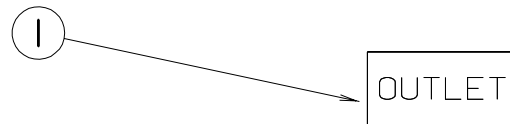
LABELS GROUP (CONTINUED)



KEY	PART NUMBER	U/M	DESCRIPTION
1	054531-01-000	EA	LABEL - LP GAS ONLY



KEY	PART NUMBER	U/M	DESCRIPTION
1	087236-01-000	EA	LABEL - CABLE - INPUT



KEY	PART NUMBER	U/M	DESCRIPTION
1	087236-02-000	EA	LABEL - TV OUTLET

LABELS GROUP (CONTINUED)



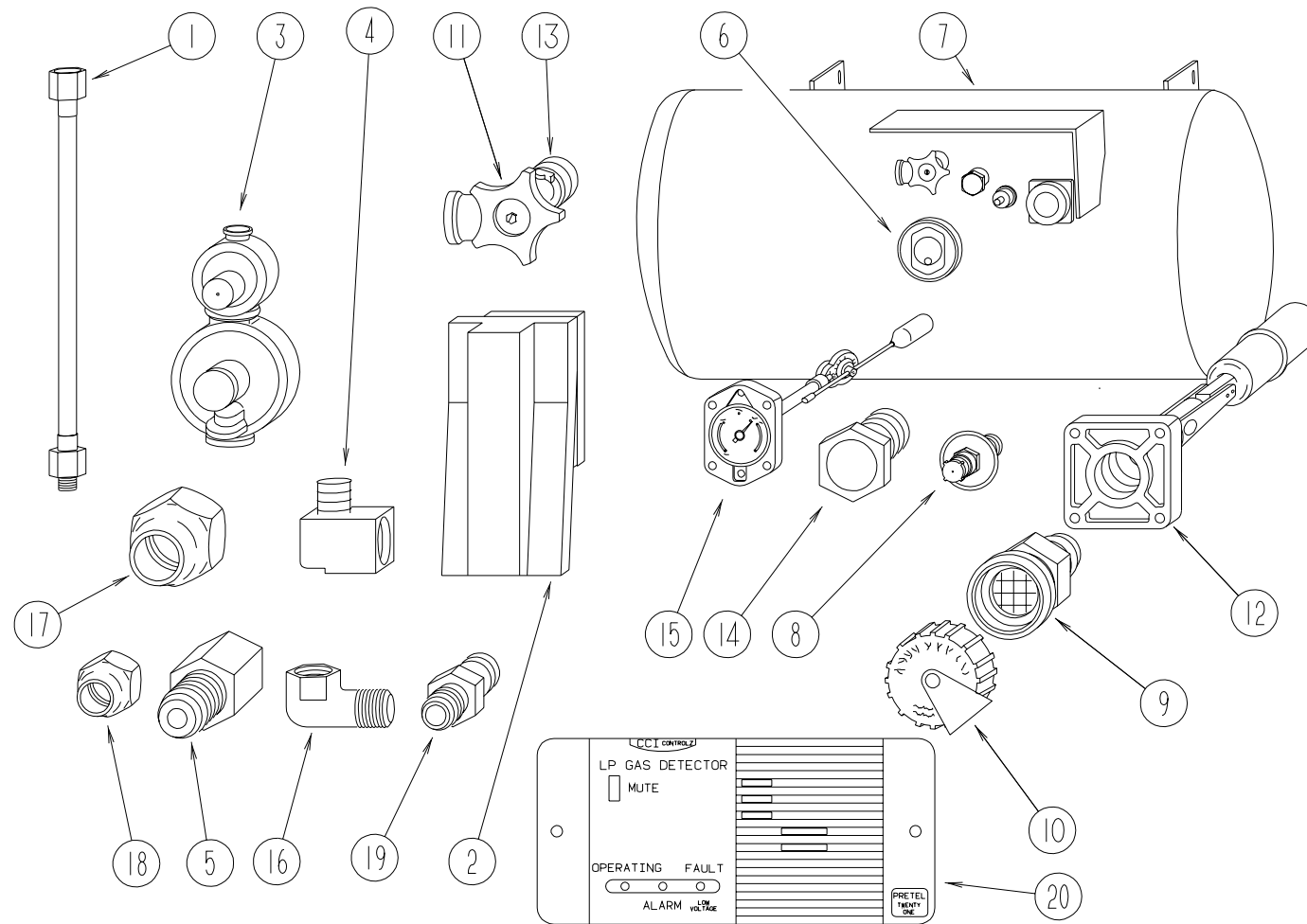
KEY	PART NUMBER	U/M	DESCRIPTION
1	126247-06-000	EA	LABEL - HOLDING TANK - BLACK



KEY	PART NUMBER	U/M	DESCRIPTION
1	126247-05-000	EA	LABEL - GRAY HOLDING TANK

LP GROUP

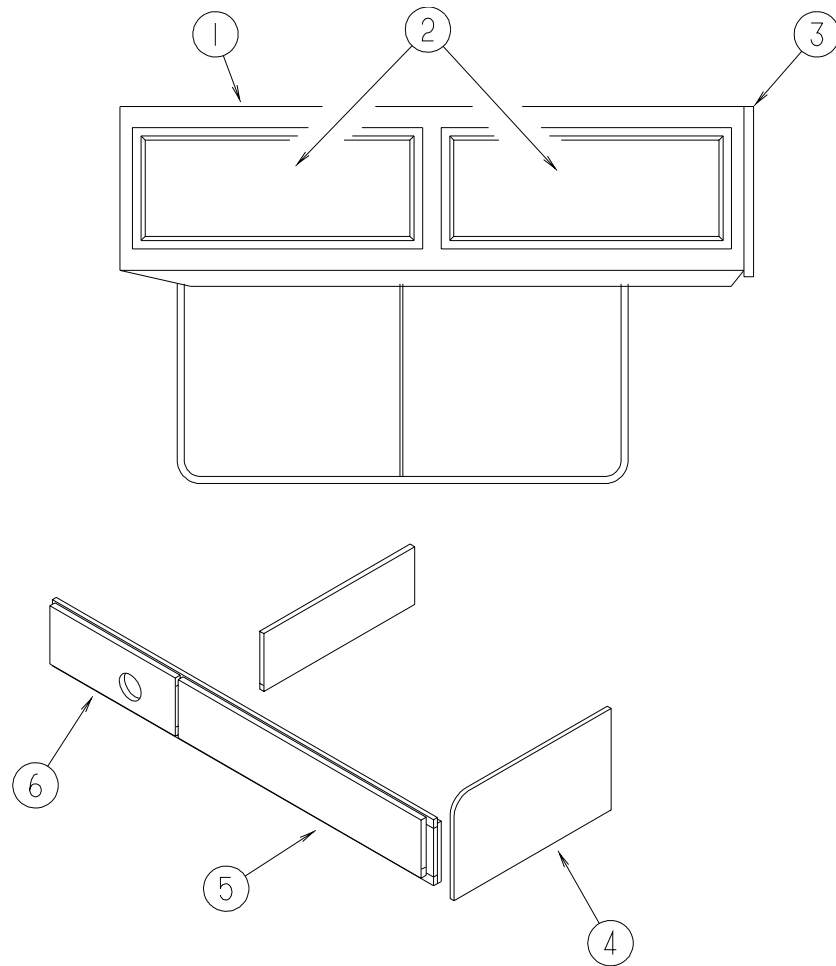
LP SYSTEM



KEY	PART NUMBER	U/M	DESCRIPTION	VENDOR NO.
1	045703-09-000	EA	HOSE - LP - 3/8"ID X 24" - 3/8"ID F SWIVEL X 3/8"ID F SWIV	
1	045703-11-000	EA	HOSE - LP - 3/8"ID X 36" - 3/8"MPT X 3/8"F SWIVEL - UL/CSA	
2	105658-01-000	EA	COMPARTMENT - LP REGULATOR	
3	106150-01-000	EA	REGULATOR - TWO STAGE - W/90 DEGREE ELBOW & 3/8" FPT OUTLET	
3	106150-02-000	EA	REGULATOR - TWO STAGE - 1/4" FPT INLET/3/8" FPT OUTLET	
4	010252-01-000	EA	ELBOW - BRASS - 90 DEGREE - 3/8"F X 1/2"MPT	
5	024250-01-000	EA	ADAPTER - BRASS - 3/8"F X 1/2"FPT	
6	040440-02-000	EA	TRANSMITTER - DIAL - 0-90 OHM -2 TERMINAL (POWER & GROUND)	
7	080450-01-000	EA	TANK-LP - 42 LB - 13" DIAMETER X 24" LONG	
	040421-01-706	EA	DIAL-VISIBLE FACE, LP TANK	MA-8 ROCHST
8	040421-01-700	EA	VALVE-LIQUID LEVEL, 20%	G-1013
9	040421-01-701	EA	VALVE-FILL-SHORT, LP	7547B
10	040421-01-702	EA	CAP-FILL VALVE, PLASTIC	G-1014-A

KEY	PART NUMBER	U/M	DESCRIPTION	VENDOR NO.
11	040421-01-708	EA	HANDWHEEL-SERVICE VALVE	G-1015-A
12	040421-01-711	EA	VALVE-80% FILL W/AUTO STOP	LLL/TL3
13	040421-01-712	EA	VALVE,SERV. W/O VAPOR RELIEF	29000853
14	040421-01-713	EA	VALVE-RELIEF 1" W/SPRING 7"	29000587
15	074142-01-700	EA	FLOAT ASM.SCREW ON F/13"TANK	13C-SCR
15	074142-01-701	EA	FLOAT ASM.(SIGHT GAUGE) BOLT	13C-BLT
16	065318-02-000	EA	ELBOW - 90 DEGREE - 3/8" MPT TO 3/8" FPT	
17	010377-02-000	EA	NUT - BRASS - 3/8" FLARE - FORGED	
18	010380-02-000	EA	NUT - BRASS - 1/2" FLARE - FORGED	
19	010326-01-000	EA	ADAPTER - FLARE - W/CONE GASKET - 3/8"F X 1/2"F	
20	103613-03-000	EA	DETECTOR - LP GAS - W/O SHUT-OFF VALVE	
20	090939-02-000	EA	DETECTOR-LP GAS W/SOLENOID 7752.4	
	010323-01-000	EA	ADAPTER - BRASS - 3/8"F X 1/2"MPT	
	010265-01-000	EA	ELBOW - BRASS - 90 DEGREE - 3/8"F X 1/2"FPT	

LOUNGE GROUP



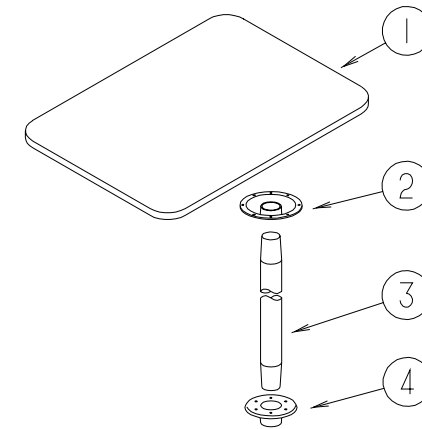
DRIVER SIDE LOUNGE CABINETS

KEY	PART NUMBER	U/M	DESCRIPTION
1	121459-03-K04	EA	CABINET - OVERHEAD/DINETTE - W/O DOORS/HARDWARE FROM: 00-00-00 THRU: 12-08-98
1	121459-05-K04	EA	CABINET - OVERHEAD/DINETTE - W/O DOORS/HARDWARE FROM: 12-09-98 THRU: 99-99-99
2	132141-14-K01	EA	DOOR - RAIL/VENEER - 15.7" X 27.9" - W/O HARDWARE
3	109908-80-K04	EA	END CAP - OVERHEAD CABINET
4	130047-11-J02	EA	PANEL - LEFT END - SOFA/BED - FABRIC COVERED (K01)
4	130047-11-K02	EA	PANEL - LEFT END - SOFA/BED - FABRIC COVERED (K02)
4	130047-11-K03	EA	PANEL - LEFT END - SOFA/BED - FABRIC COVERED (K03)
5	130047-12-J02	EA	PANEL - DOOR - SOFA/BED - FABRIC COVERED (K01)
5	130047-12-K02	EA	PANEL - DOOR - SOFA/BED - FABRIC COVERED (K02)
5	130047-12-K03	EA	PANEL - DOOR - SOFA/BED - FABRIC COVERED (K03)
6	M08107-28-J02	EA	PANEL - FRONT KICK W/VENT OPENING - SOFA/BED - FABRIC CVRD (K01)
6	M08107-28-K02	EA	PANEL - FRONT KICK W/VENT OPENING - SOFA/BED - FABRIC CVRD (K02)
6	M08107-28-K03	EA	PANEL - FRONT KICK W/VENT OPENING - SOFA/BED - FABRIC CVRD (K03)

LID-ENTRANCE DOOR CABINET

KEY	PART NUMBER	U/M	DESCRIPTION
	P14437-02-000	EA	CABINET - LID ENTRANCE DOOR - W/O CARPET
	101222-01-02A	EA	BRACKET - CATCH - LID - OFF WHITE
	122755-05-01A	EA	FLOORING/RUBBER - ENTRANCE DOOR - 11.2" X 27"

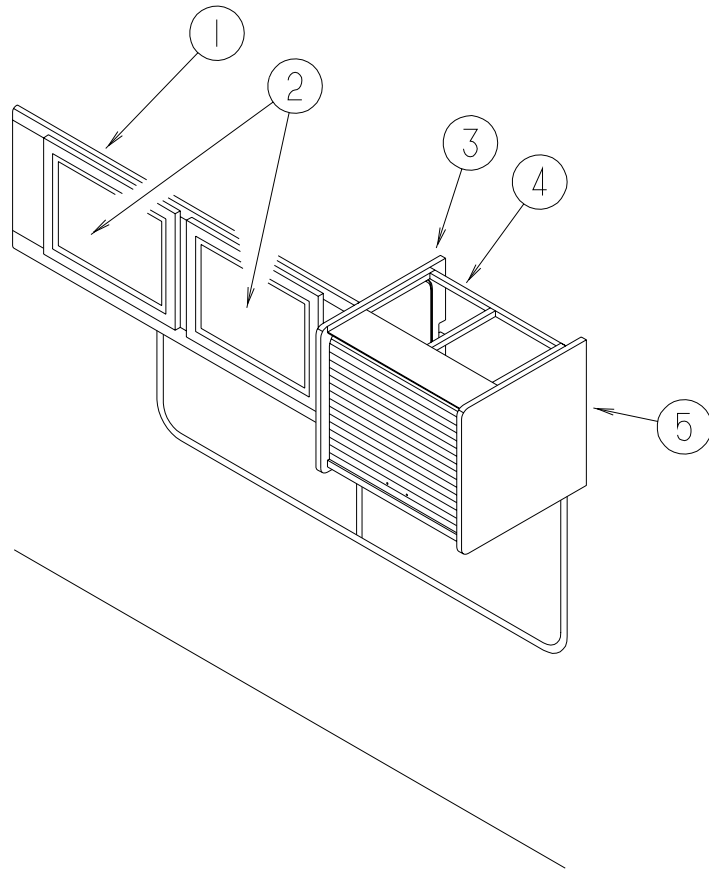
LOUNGE GROUP (CONTINUED)



LOUNGE TABLE

KEY	PART NUMBER	U/M	DESCRIPTION
1	130969-02-K01	EA	TABLE TOP ONLY
1	130969-02-K02	EA	TABLE TOP ONLY
1	130969-02-K03	EA	TABLE TOP ONLY
2	009040-03-000	EA	BASE - TABLE/RAISED - TABLE MOUNTED
3	009040-02-000	EA	PEDESTAL TABLE LEG - 27.5" X 2.25" DIAMETER
4	041194-01-000	EA	BASE - TABLE/FLUSH - FLOOR MOUNTED
	062046-01-000	EA	CLIP - LEG - PEDESTAL - 1.7" X 2.2" - DIA FROM 2 - 2.5"
	042438-02-000	EA	DOWEL - WOOD - 2" X 2"

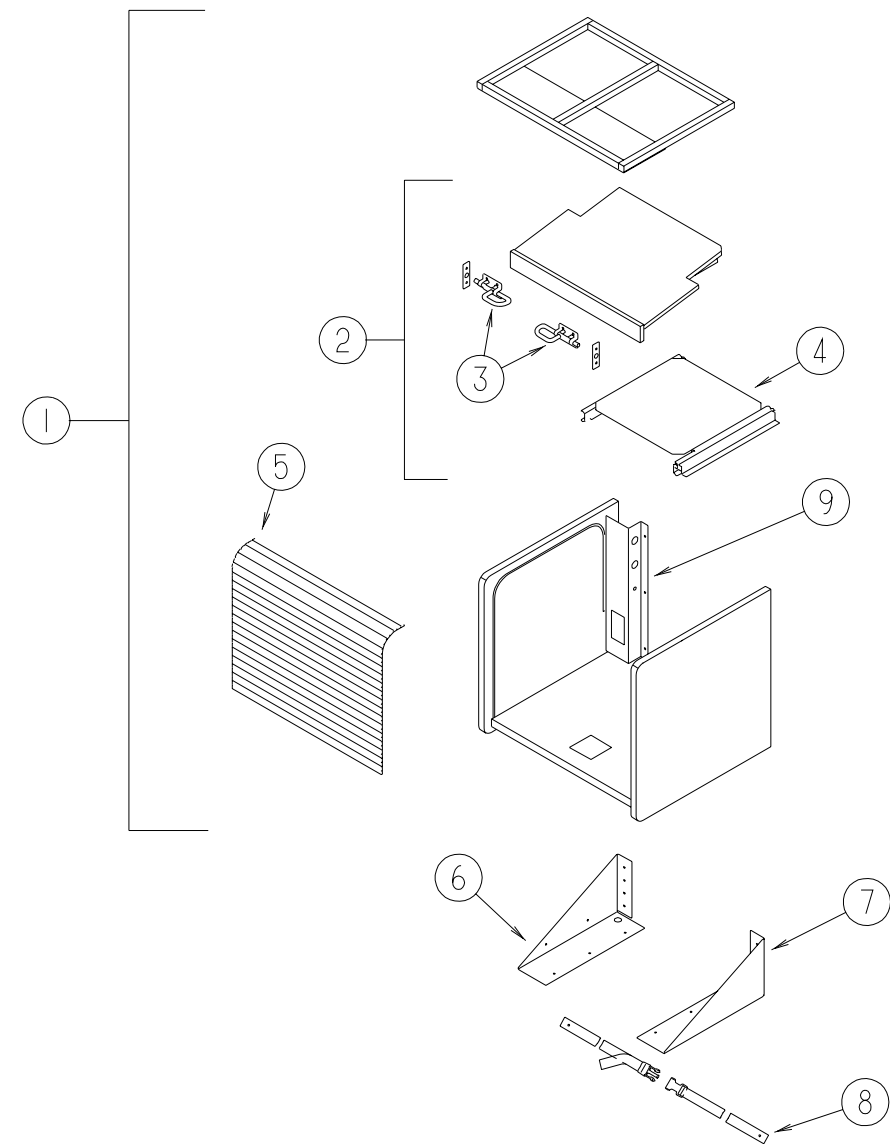
LOUNGE GROUP (CONTINUED)



LOUNGE CABINETS W/TV/VCP CABINET

KEY	PART NUMBER	U/M	DESCRIPTION
1	121840-02-K01	EA	CABINET - OVERHEAD/FRONT - W/O DOORS/HARDWARE
2	132141-08-K01	EA	DOOR - RAIL/VENEER - 15.7" X 20.4" - W/O HARDWARE
3	109908-98-J01	EA	END CAP - OVERHEAD CABINET
4	M08163-08-J01	EA	CABINET - TV/VCP - W/SHELF/SLIDES/TAMBOUR DOOR
4	M08163-07-J01	EA	CABINET - TV/VCP - W/O SHELF/SLIDES - TAMBOUR DOOR
5	109908-58-J01	EA	END CAP - OVERHEAD CABINET

LOUNGE GROUP (CONTINUED)



LOUNGE TV/VCP CABINET

KEY	PART NUMBER	U/M	DESCRIPTION
1	M08163-07-J01	EA	CABINET - TV/VCP - W/O SHELF/SLIDES/TAMBOUR DOOR
1	M08163-08-J01	EA	CABINET - F/TV/VCP - W/SHELF/SLIDES/TAMBOUR DOOR
2	125722-13-J01	EA	SHELF - W/SLIDE & SWIVEL
3	103256-01-000	EA	LATCH - SLIDE
4	116773-02-000	EA	SWIVEL/SLIDES - F/TV SHELF
5	057882-04-700	EA	TAMBOUR - 4' X 4' SHEET - UNFINISHED
	093622-01-000	EA	TRACK - DOOR - TAMBOUR - PLASTIC - 8' LENGTHS
	093623-01-000	EA	CORNER - TRACK - TAMBOUR DOOR
6	122298-03-02B	EA	BRACKET - TV/VCR W/ANGLE - RIGHT HAND - E-COATED
7	122298-02-02B	EA	BRACKET - TV/VCR - LEFT HAND - E-COATED
8	099717-04-000	EA	STRAP - TIE DOWN W/21.3" FEMALE STRAP & 27.2" MALE STRAP
9	122469-02-02B	EA	BRACKET - ZEE - W/CUTOUT - E-COATED
9	122469-01-02B	EA	BRACKET - ZEE

SEALANTS & FASTENERS GROUP

ADHESIVES AND SEALERS

KEY	PART NUMBER	U/M	DESCRIPTION
	004006-05-700	EA	ADHESIVE-NAT. STARCH (5 GAL)
	087211-01-000	GL	PROMOTER - ADHESIVE
	102352-01-000	EA	SEALER - PUMPABLE - TUBE - BLACK
	102352-02-000	EA	SEALER - PUMPABLE - TUBE - BLACK
	106206-01-000	EA	SEALER - PUMPABLE - TUBE - BLACK - MANUS
	053766-02-000	EA	BEDDING COMPOUND - TUBE - WHITE
	053766-06-000	EA	BEDDING COMPOUND - TUBE - CLEAR
	053766-08-000	EA	BEDDING COMPOUND - TUBE - GRAY
	069640-02-000	FT	SEALER - TAPE - .13"THICK X .5"WIDE X 60' - GRAY
	069640-09-000	FT	SEALER - TAPE - .032"THICK X 2.50"WIDE X 80' - GRAY
	069640-18-000	FT	SEALER - TAPE - .50"THICK X 1/8"WIDE X 60' - BRIGHT WHITE
	069640-19-000	FT	SEALER - TAPE - .75"THICK X 1/8"WIDE X 60' - BRIGHT WHITE
	069640-21-000	FT	SEALER - TAPE - 1/2" THICK X 1/16" WIDE X 100' - BRT WHT
	069640-22-000	FT	SEALER - TAPE - 1/4" THICK X 1/32" WIDE - BRIGHT WHITE
	076322-05-000	FT	TAPE - DOUBLE COATED/ADHESIVE BACK - .045"THK X .75"W X 9'
	076322-07-000	FT	TAPE - DOUBLE COATED/ADHESIVE BACK - .045"THK X .50"W X 9'
	120534-01-01A	EA	TAPE - SCOTCH - 3M - 1/2" FINE LINE
	123816-01-000	FT	TAPE - DOUBLE SIDED - 1"
	123816-03-000	FT	TAPE - DOUBLE SIDED - 1/2" X 3/4" - THICK
	091255-02-000	FT	SEAL - ADHESIVE BACKED/FOAM - .18" THICK X 1.5" WIDE
	104692-01-000	FT	SEAL - ADHESIVE BACKED FOAM-.75"THICK X .75"WIDE X 25'
	069640-01-000	FT	SEALER - RIBBON - 1/4" DIAMETER X 30' - BLACK
	072889-11-000	EA	SEALANT - URETHANE - GRAY - TUBE
	072889-18-000	EA	SEALANT - URETHANE - (FOIL) BLACK - 20 OZ
	072889-19-000	EA	SEALANT - URETHANE - (FOIL) BLACK - 10 OZ
	072889-20-000	EA	SEALANT - URETHANE - (FOIL) BRIGHT WHITE - 10 OUNCE
	120074-02-01A	EA	SEALANT - W/O NOZZLE - OFF/WHITE
	131264-01-01A	EA	SILICONE - W/O NOZZLE - BLACK
	131264-01-02A	EA	SILICONE - W/O NOZZLE - CLEAR
	131264-03-01A	EA	SILICONE - SELF LEVELING - W/O NOZZLE - BRIGHT WHITE
	900390-01-000	EA	TIP - 2 1/2" X 1/8" ORIFICE
	900390-03-000	EA	NOZZLE - SILICONE TUBE

WASHERS

KEY	PART NUMBER	U/M	DESCRIPTION
	000E11-08-00B	EA	WASHER - LOCKING - 1/2 MED SPLIT - ZINC
	000E13-17-00B	EA	WASHER - FLAT - 3/8" AR - ZINC
	000E13-18-00B	EA	WASHER - FLAT - 3/8 WIDE - ZINC
	000E13-20-00B	EA	WASHER - FLAT - 7/16 WIDE - ZINC
	000E13-21-00B	EA	WASHER - FLAT - 1/2 NARROW - ZINC
	077071-01-000	EA	WASHER - FENDER - 3/16"ID X 1" OD

SEALANTS & FASTENERS GROUP (CONTINUED)

NUTS AND RIVETS

KEY	PART NUMBER	U/M	DESCRIPTION
	000D29-09-00B	EA	NUT - HEX - SELF LOCKING - 9/16-12 - ZINC
	000D34-06-00B	EA	NUT - HEX - LOCKING - 3/8-16 GRADE C - ZINC
	000D39-04-00B	EA	NUT - HEX - LOCKING W/SERRATED FLANGE - 1/4-20 - ZINC
	000D39-05-00B	EA	NUT - HEX - LOCKING W/SERRATED FLANGE - 5/16-18 - ZINC
	000D39-06-00B	EA	NUT - HEX - LOCKING W/SERRATED FLANGE - 3/8-18 - ZINC
	000D39-07-00B	EA	NUT - HEX - LOCKING W/SERRATED FLANGE - 7/16-14 - ZINC
	000D39-08-00B	EA	NUT - HEX - LOCKING W/SERRATED FLANGE - 1/2-13 - ZINC
	000D44-07-00B	EA	NUT - HEX - LOCKING W/SERRATED FLANGE - 7/16-20 - ZINC
	000D65-08-00B	EA	NUT - HEX - LOCKING W/SERRATED FLANGE - 8-32 - ZINC
	000D76-06-00B	EA	NUT - HEX FLANGE - 3/8-16
	040921-01-000	EA	NUT - SPEED - U TYPE - #10-24 - BLACK
	044364-02-000	EA	NUT - SPEED - FLAT - ROUND
	069592-02-000	EA	RIVET-T - POP - 1/4 X .093 - .156
	000H16-04-06R	EA	RIVET - POP ALUMINUM - 1/8 X .313 - .375
	118626-01-01A	EA	RIVET - POP - ALUMINUM 3/16 X .08-.375

CLAMPS AND TIES

KEY	PART NUMBER	U/M	DESCRIPTION
	007161-01-000	EA	CLAMP - HOSE - SPRING TYPE - 1/2"
	010495-01-000	EA	CLAMP - CABLE - 9/16"
	010497-01-000	EA	CLAMP - CLOSED - 5/8" ID
	010497-03-000	EA	CLAMP - CLOSED - 1" ID - CUSHIONED
	010497-04-000	EA	CLAMP - CLOSED - 1.62" ID
	010497-05-000	EA	CLAMP - CLOSED - 1/2 ID
	010497-07-000	EA	CLAMP - CLOSED - 3/8" ID
	010497-08-000	EA	CLAMP - CLOSED - .125" ID
	010499-01-000	EA	CLAMP - CLOSED - 3/8" ID
	056134-02-000	EA	HOLDER - RING - 1.8" DIAMETER - METAL
	062401-01-000	EA	CLAMP - HOSE - WORMGEAR - .25" - 1"
	062401-03-000	EA	CLAMP - HOSE - WORMGEAR - .22" - 1"
	062401-05-000	EA	CLAMP - HOSE - WORMGEAR - 2" TO 3" ID
	062401-06-000	EA	CLAMP - HOSE - WORMGEAR - .22" - .62" ID
	062401-11-000	EA	CLAMP - HOSE - WORMGEAR - 3.50" - 4.50"
	075148-02-000	EA	CLAMP - GROUNDING - BRONZE SCREWS
	080734-02-000	EA	CLIP - WIRE NYLON
	091952-01-000	EA	CLIP - GRIPPER - 1"
	008343-02-000	EA	TIE - WIRE - 14"
	085774-01-000	FT	FASTENER - DUAL LOCK - 1" WIDE - ADHESIVE BACK - BLACK
	085774-02-000	FT	FASTENER - DUAL HOOK - 1" WIDE - ADHESIVE BACK - BLACK
	088792-01-000	YD	VELCRO TAPE - HOOK - 5/8" - NON-ADHESIVE BACKED
	088792-02-000	YD	VELCRO TAPE - LOOP - ADHESIVE BACKED - .75" WIDE - BEIGE
	088792-05-000	YD	VELCRO TAPE - LOOP - 5/8" - NON-ADHESIVE BACKED - WHITE
	108046-02-000	EA	CABLE TIE - SCREW MOUNT 15"
	110943-02-000	FT	FELTSTRIP - 3/8" - ADHESIVE BACK - WHITE

GROMMETS

KEY	PART NUMBER	U/M	DESCRIPTION
	016188-03-000	EA	GROMMET - L/P LINE - 3/8" HOLE X 2 1/2" LONG - RUBBER
	016188-04-000	EA	GROMMET - GAS LINE - 1/2" HOLE X 2 1/2" LONG - RUBBER
	008386-01-000	EA	GROMMET - SNAP - 3/8"
	071015-11-000	EA	GROMMET - 1.00 ID - FITS .12 MATERIAL
	071015-26-000	EA	GROMMET - RUBBER - 1.5" ID X 2.1" OD W/.06" GROOVE-BLACK
	114208-05-000	EA	GROMMET - EDGE LINER - FITS 2"

SEALANTS & FASTENERS GROUP (CONTINUED)

SCREWS

KEY	PART NUMBER	U/M	DESCRIPTION
	0G1108-12-170	EA	SCREW - 8-18 X .75 PPH - BRIGHT WHITE
	0G3908-08-170	EA	SCREW - SF/DR - 8-18 X .50 PPH - BRIGHT WHITE
	0G3908-12-250	EA	SCREW - SF/DR - 8-18 X .75 PPH - DARK GRAY
	0G3908-24-170	EA	SCREW - SF/DR - 8-18 X 1.50 PPH - BRIGHT WHITE
	0G3910-12-170	EA	SCREW - SF/DR - 10-16 X .75 PPH - BRIGHT WHITE
	0G5508-16-250	EA	SCREW - SF/DR - 8-18 X 1.00 PWH - VW DARK GRAY
	0G6008-16-170	EA	SCREW - SF/DR - 8-18 X 1.00 POH - BRIGHT WHITE
	000G39-06-16T	EA	SCREW - SF/DR - 6-20 X 1 PPH - BLACK
	000G39-06-10T	EA	SCREW - SF/DR - 6-20 X 5/8 PPH - BLACK
	000G39-08-08S	EA	SCREW - SF/DR - 8-18 X 1/2 PPH - OFF WHITE
	000G39-08-08B	EA	SCREW - SF/DR - 8-18 X 1/2 PPH - ZINC
	000G39-08-16T	EA	SCREW - SF/DR - 6-20 X 1 PPH - BLACK
	000G39-08-16B	EA	SCREW - SF/DR - 8-18 X 1 PPH - ZINC
	000G39-08-12T	EA	SCREW - SF/DR - 8-18 X 3/4 PPH - BLACK
	000G39-08-12B	EA	SCREW - SF/DR - 8-18 X 3/4 PPH - ZINC
	000G39-08-08T	EA	SCREW - SF/DR - 8-18 X 1/2 PPH - BLACK
	000G39-10-12D	EA	SCREW - SF/DR - 10-16 X 3/4 PPH - BLACK
	000G39-10-08B	EA	SCREW - SF/DR - 10-16 X 1/2 PPH - ZINC
	000G39-10-32B	EA	SCREW - SF/DR - 10-16 X 2 - PPH - ZINC
	000G39-10-209	EA	SCREW - SF/DR - 10-16 X 1 1/4 PPH - FLUOROCARBON SILVER
	000G39-10-129	EA	SCREW - SF/DR - 10-16 X 3/4 PPH - FLUOROCARBON SILVER
	000G39-12-12E	EA	SCREW - SF/DR - 12-14 X 3/4 PPH - CHROME
	000G42-04-16B	EA	SCREW - SF/DR - 1/4-14 X 1 HWH - ZINC
	000G39-10-12B	EA	SCREW - SF/DR - 10-16 X 3/4 PPH - ZINC
	000G55-08-12S	EA	SCREW - SF/DR - 8-18 X 3/4 PWH - OFF WHITE
	000G60-10-28T	EA	SCREW - SF/DR - 10-16 X 1 3/4 - BLACK
	086256-01-000	EA	SCREW - SF/DR - 8 X 3/4 HWH
	0G6710-08-170	EA	SCREW - 10-12 X 1/2 PPH - BRIGHT WHITE
	0G6710-12-170	EA	SCREW - 10-12 X .75 PPH - BRIGHT WHITE
	000G11-06-10J	EA	SCREW - 6-20 X 5/8 PPH - BRASS
	000G11-06-10B	EA	SCREW - 6-20 X 5/8 PPH - ZINC
	000G11-06-08B	EA	SCREW - 6-20 X 1/2 PPH - ZINC
	000G11-06-06B	EA	SCREW - 6-20 X 3/8 PPH - ZINC
	000G11-07-08B	EA	SCREW - 7-19 X 1/2 PPH - ZINC
	000G11-08-08T	EA	SCREW - 8-18 X 1/2 PPH - FLUOROCARBON COATING
	000G11-08-08B	EA	SCREW - 8-18 X 1/2 PPH - ZINC
	000G11-08-06B	EA	SCREW - 8-18 X 3/8 PPH - ZINC
	000G11-08-20B	EA	SCREW - 8-18 X 1 1/4 PPH - ZINC
	000G11-08-16S	EA	SCREW - 8-18 X 1 PPH - OFF WHITE
	000G11-08-16B	EA	SCREW - 8-18 X 1 PPH - ZINC
	000G11-08-12T	EA	SCREW - 8-18 X 3/4 PPH - BLACK
	000G11-08-12P	EA	SCREW - 8-18 X 3/4 PPH - DARK BROWN
	000G11-08-12B	EA	SCREW - 8-18 X 3/4 PPH - ZINC
	000G11-10-12S	EA	SCREW - 10-16 X 3/4 PPH - OFF WHITE
	000G11-10-16B	EA	SCREW - 10-16 X 1 PPH - ZINC
	000G12-06-08T	EA	SCREW - 6-20 X 1/2 POH - BLACK
	054434-02-000	EA	SCREW - SF/DR - 10-16 X 2 - ZINC
	000G12-08-12S	EA	SCREW - 8-18 X 3/4 POH - OFF WHITE
	000G13-06-08B	EA	SCREW - 6-20 X 1/2 PFH - ZINC
	000G13-06-24J	EA	SCREW - 6-20 X 1 1/2 PFH - BRASS
	000G13-06-16J	EA	SCREW - 6-20 X 1 PFH - BRASS
	000G13-06-10G	EA	SCREW - 6-20 X 5/8 PFH - ANTIQUE BRASS
	000G13-07-12B	EA	SCREW - 7-19 X 3/4 PFH - ZINC
	000G13-08-16B	EA	SCREW - 8-18 X 1 PFH - ZINC
	000G32-10-06B	EA	SCREW - 10-32 X 3/8 PPH - ZINC

SEALANTS & FASTENERS GROUP (CONTINUED)

SCREWS (CONTINUED)

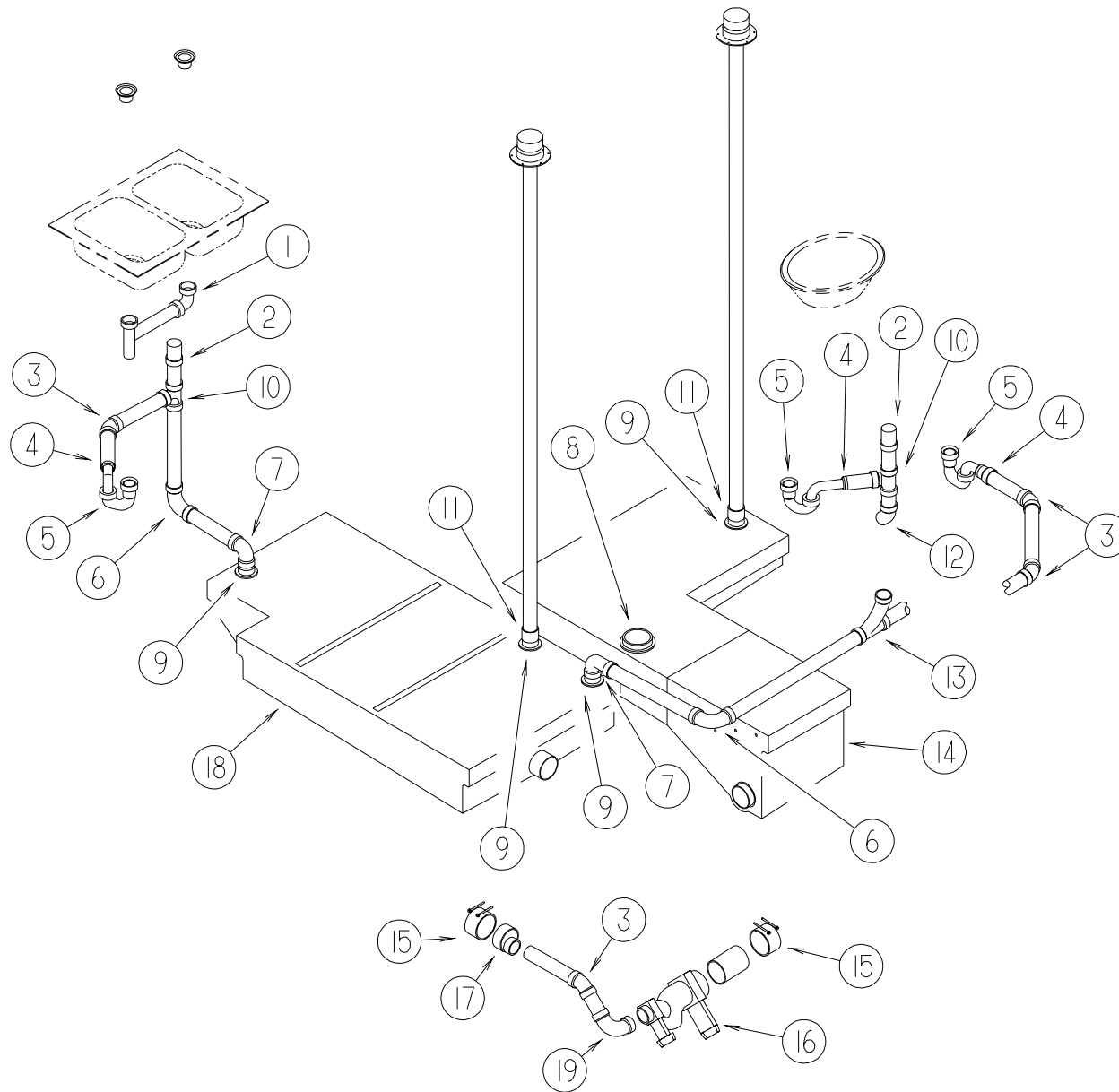
KEY	PART NUMBER	U/M	DESCRIPTION
	000G54-04-20B	EA	SCREW - 1/4-20 X 1.25 PTH - TYPE 23 - ZINC PLATED
	000G67-10-08S	EA	SCREW - 10-12 X 1/2 PPH - OFF WHITE
	000G67-10-08R	EA	SCREW - 10-12 X 1/2 PPH - BEIGE - TYPE A
	000G67-10-08B	EA	SCREW - 10-12 X 1/2 PPH - ZINC
	000G67-10-32B	EA	SCREW - 10-12 X 2 PPH - ZINC
	000G67-10-20D	EA	SCREW - 10-12 X 1.25 PPH - BLACK
	000G67-10-16B	EA	SCREW - 10-12 X 1 PPH - ZINC
	000G67-10-12R	EA	SCREW - 10-12 X .75 PPH - BEIGE
	000G67-10-12P	EA	SCREW - 10-12 X 3/4 PPH - DARK BROWN
	000G67-10-12B	EA	SCREW - 10-12 X 3/4 PPH - ZINC
	000G67-10-10S	EA	SCREW - 10-12 X 5/8 PPH - OFF WHITE
	000G67-10-10D	EA	SCREW - 10-12 X 5/8 PPH - BLACK - TYPE A
	000G67-10-10B	EA	SCREW - 10-12 X 5/8 PPH - ZINC - TYPE A
	000G68-06-10G	EA	SCREW - 6-18 X 5/8 POH - ANTIQUE BRASS
	049465-01-000	EA	SCREW - 10-16 PTH W/WASHER - DARK BROWN
	076790-01-000	EA	SCREW - 6-20 X 1 1/4 PPH - BLACK
	075908-01-000	EA	SCREW - MACHINE - 10-32 X .56 PTH - EXTERNAL TOOTH - ZINC
	105126-01-000	EA	SCREW - MACH - 8-32 X 1 PPH TAPIT
	000G18-08-22B	EA	SCREW - MACHINE - 8-32 X 1 3/8 PPH - ZINC
	000G19-10-12F	EA	SCREW - MACHINE - 10-32 X 3/4 PPH - STAINLESS STEEL
	000G46-08-24T	EA	SCREW - MACHINE - 8-32 X 1 1/2 PFH - BLACK
	000G50-04-12B	EA	SCREW - MACHINE - 1/4-20 X 3/4 PPH - ZINC
	000G52-08-18B	EA	SCREW - MACHINE - 8-32 X 1 1/8 PTH - ZINC
	083554-01-000	EA	SCREW - DRYWALL - 8 X 1.25
	087721-01-000	EA	SCREW - FLAT HEAD - TAPPING - 1/4" X 1 1/4" LONG - ZINC
	057671-01-000	EA	COVER - SCREW - #8 - PLASTIC - OFF WHITE
	057671-15-000	EA	COVER - SCREW - BRIGHT WHITE

BOLTS

KEY	PART NUMBER	U/M	DESCRIPTION
	000C12-05-16B	EA	BOLT - HEX - 5/16-18 X 1 - GRADE #5 - ZINC
	000C12-06-16B	EA	BOLT - HEX - 3/8-16 X 1" - GRADE #5 - ZINC
	000C12-07-20B	EA	BOLT - HEX - 7/16-14 X 1 1/4 - ZINC 5
	000C12-08-24B	EA	BOLT - HEX - 1/2-13 X 1.5" - GRADE #3 - ZINC
	000C13-07-48B	EA	BOLT - HEX - 7/16-20 X 3" - GRADE #5 - ZINC
	000C13-07-40B	EA	BOLT - HEX - 7/16-20 X 2.5" - GRADE #5 - ZINC
	000C18-05-40A	EA	BOLT - ELEVATOR - 5/16-18 X 2.50 - PL
	000C18-06-56A	EA	BOLT - ELEVATOR - 3/8-16 X 3 1/2 - GRADE 5
	000C26-04-14B	EA	BOLT - HEX - SERRATED FLANGE - 1/4-20 X 7/8 - ZINC
	000C26-05-12B	EA	BOLT - HEX - SERRATED FLANGE - 5/16-18 X 3/4 - ZINC
	000C26-05-16B	EA	BOLT - HEX - SERRATED FLANGE - 5/16-18 X 1 - ZINC
	000C26-06-16B	EA	BOLT - HEX - SERRATED FLANGE - 3/8-16 X 1 - ZINC
	000C26-06-12B	EA	BOLT - HEX - SERRATED FLANGE - 3/8-16 X 3/4 - ZINC
	000C26-08-24B	EA	BOLT - HEX - SERRATED FLANGE - 1/2-13 X 1 1/2 - ZINC
	000G45-05-16B	EA	BOLT - LAG - 5/16-9 X 1 - ZINC
	051387-06-000	EA	BOLT - CARRIAGE W/O HOLE - 5/16-18 X 9.5 - ZINC
	106166-01-000	EA	BOLT/COLLARED HANGER - 8-32 X 1"

WATER & SEWAGE GROUP

DRAINAGE SYSTEM



KEY	PART NUMBER	U/M	DESCRIPTION
1	011091-02-000	EA	WASTE - CONTINUOUS - DOUBLE SINK
2	079968-01-000	EA	VENT - MECHANICAL/TRAP ARM - ANTI-SIPHON-2" X 7.3" PLASTIC
3	010006-01-000	EA	ELBOW - 45 DEGREE - 1 1/2" HUB X HUB - PLASTIC
4	109571-01-000	EA	ADAPTER - P TRAP - 1 1/2"P X 1 1/4"MPT
5	107538-01-000	EA	P TRAP - PLASTIC - 1 1/4" W/EXTENSION ARM
5	011071-01-000	EA	P-TRAP - PLASTIC - 1 1/2" - CSA
6	010008-01-000	EA	ELBOW - 90 DEGREE - 1 1/2" HUB X HUB - PLASTIC
7	034250-01-000	EA	ELBOW - 90 DEGREE - LONG TURN - 1 1/2" HUB X HUB - ABS
8	061607-02-000	EA	GROMMET - HOLDING TANK - 3" NPS
8	063641-01-000	EA	FLANGE - CLOSET - 4" X 3"
9	061607-01-000	EA	GROMMET - HOLDING TANK - 1 1/2" NPS
10	010071-01-000	EA	TEE - SANITARY - 1 1/2" HUB X HUB X HUB - PLASTIC
11	010115-01-000	EA	COUPLING - 1 1/2" HUB X HUB - PLASTIC

KEY	PART NUMBER	U/M	DESCRIPTION	VENDOR NO.
12	010115-01-000	EA	COUPLING - 1 1/2" HUB X HUB - PLASTIC	
13	031365-02-000	EA	TEE - PLASTIC - 1 1/2" EXTRA LONG TURN	
14	128597-01-700	EA	TANK-HOLDING 36 GAL-3" NIPPLE	
	010129-03-000	EA	NIPPLE - PLASTIC - 3" X 3" TOE	
15	078406-01-000	EA	COUPLER - RUBBER - W/CLAMPS - 3" X 3"	
16	070916-01-000	EA	VALVE - DUAL DUMP - W/CAP - 3" X 1 1/2"	
	070916-01-700	EA	VALVE ONLY (WASTE) 3"	T1003BU
	070916-01-701	EA	VALVE ONLY (WASTE) 1 1/2"	T1001BU
	010201-01-000	EA	HOSE - SEWER - 3" ID X 8'	
	062415-01-000	EA	CAP - SEWER - 3" DIAMETER	
	062415-01-700	EA	STRING-SEWER CAP	V#SV7 STRAP
	062416-01-000	EA	ADAPTER - SEWER HOSE TO 3" PIPE	
17	062422-01-000	EA	ADAPTER - OFFSET REDUCER - 3" X 1 1/2" - PLASTIC	
18	128535-01-000	EA	TANK - HOLDING - 30 GALLON	
19	033761-01-000	EA	ELBOW - TURN - 90 DEGREE 1 1/2" HUB X 1 1/2" SPIGOT	

WATER & SEWAGE GROUP (CONTINUED)

FRESH WATER TANK

KEY	PART NUMBER	U/M	DESCRIPTION
	077908-09-000	EA	TANK - WATER - W/SPINWELD FITTINGS - 33 GAL - QUEEN BED
	077908-01-000	EA	TANK - WATER - W/O FTGS - 33 GAL - 36" X 22.6" X 10.5" - QUEEN BED
	117217-11-000	EA	TANK - FRESH WATER - 30 GALLON - W/FITTINGS - TWIN BED
	117217-01-000	EA	TANK - FRESH WATER - 30 GALLON - W/O FITTINGS - TWIN BED
	056337-21-000	EA	STRAP - RETAINING - WATER TANK
	010224-01-000	EA	ADAPTER - HOSE TO PIPE - 3/8 MPT X 3/8 BARB - PLASTIC
	044927-01-000	EA	ADAPTER - HOSE TO PIPE-1 1/4 MPTX1 1/4 BARB-BLACK PLASTIC
	074462-02-000	FT	TUBING - VINYL - 3/8 ID X 20' - CLEAR
	042989-03-000	EA	FITTING - SPINWELD - 1 1/4"NPT - PLASTIC
	042989-04-000	EA	FITTING - SPINWELD - 3/8"FPT - PLASTIC
	042989-05-000	EA	FITTING - SPINWELD - 1/2"FPT - PLASTIC
	049032-01-000	EA	PATCH - SPINWELD - 3/8" - PLASTIC
	077954-02-000	EA	FILTER - WATER TANK - W/SCREEN IN TANK
	079381-01-000	FT	TUBING - RIBBED FLEXIBLE - WATER FILL - 1.4" I.D.
	114430-03-000	EA	ADAPTER - 1/2"P X 1/2"MPT
	039861-01-000	EA	SENDING UNIT - W/SCREW - WASHER - WELL NUT/TERMINAL RING

WATER SYSTEM

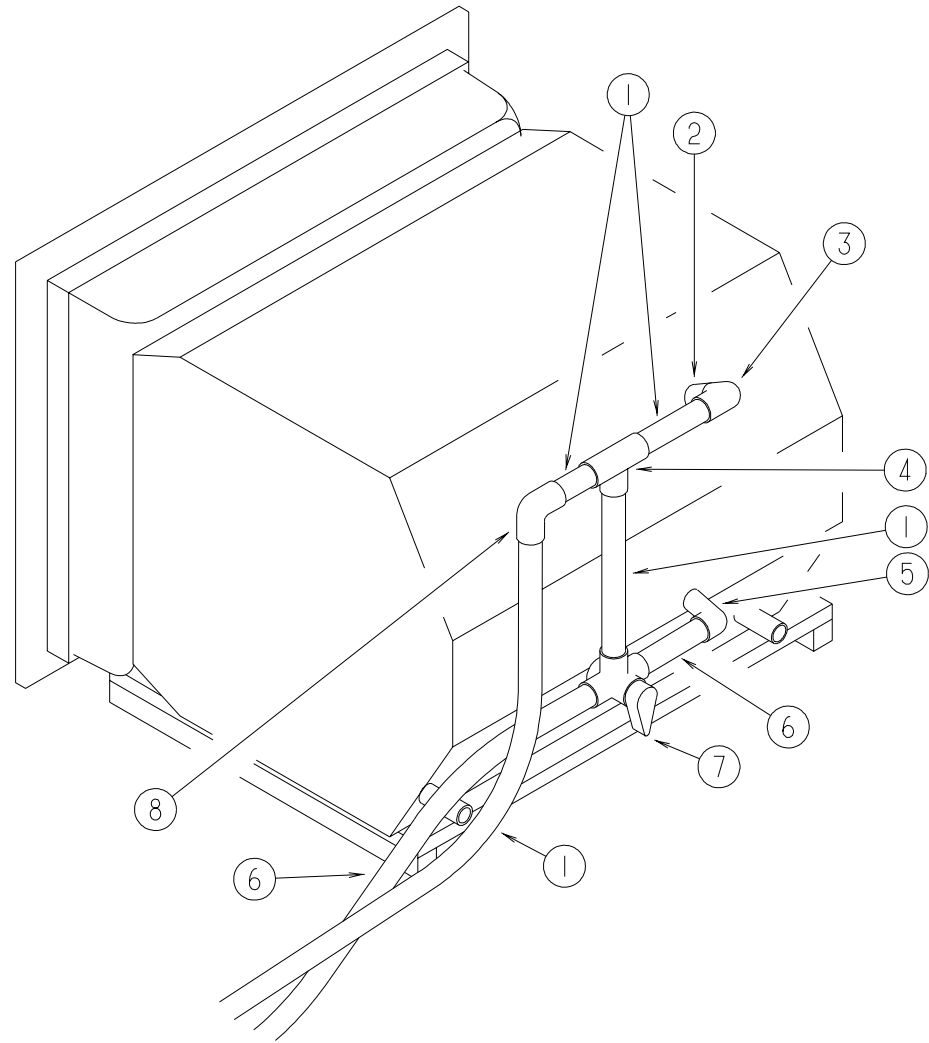
KEY	PART NUMBER	U/M	DESCRIPTION
	112176-01-000	FT	TUBING - VINYL - REINFORCED - 1/2" ID
	124188-01-000	FT	TUBING - PEX - 1/2" ID X 20' - BLUE(COLD)
	124188-02-000	FT	TUBING - PEX - 1/2" ID X 20' - RED(HOT)
	074462-02-000	FT	TUBING - VINYL - 3/8 ID X 20' - CLEAR
	079381-01-000	FT	TUBING - RIBBED FLEXIBLE - WATER FILL - 1.4" I.D.
	010224-01-000	EA	ADAPTER - HOSE TO PIPE - 3/8 MPT X 3/8 BARB - PLASTIC
	114430-02-000	EA	ADAPTER - SWIVEL - 1/2"P X 1/2"FPT
	114430-03-000	EA	ADAPTER - 1/2"P X 1/2"MPT
	114430-06-000	EA	ADAPTER - 1/2"P X 3/8"FPT
	044927-01-000	EA	ADAPTER - HOSE TO PIPE-1 1/4 MPTX1 1/4 BARB-BLACK PLASTIC
	110438-02-000	EA	VALVE - CHECK - BRASS - 1/2 MPT X 1/2 MPT
	114431-01-000	EA	VALVE - 180 DEGREE/CENTER DRAIN - 1/2"P - THREE WAY
	114431-02-000	EA	VALVE - WATER BYPASS - 1/2"P - THREE WAY (WATER HEATER)
	114431-03-000	EA	VALVE - 90 DEGREE DRAIN - 1/2"P
	110438-02-000	EA	VALVE - CHECK - BRASS - 1/2 MPT X 1/2 MPT
	114428-01-000	EA	TEE - 1/2"P X 1/2"P X 1/2"P
	114429-01-000	EA	ELBOW - 1/2"P X 1/2"P
	114429-02-000	EA	ELBOW - 1/2"P X 1/2"MPT
	114429-03-000	EA	ELBOW - SWIVEL - 1/2"P X 1/2"FPT
	114429-08-000	EA	ELBOW - SWIVEL - 1/2"MPT X 1/2"FPT SWIVEL
			FROM: 00-00-00 THRU: 03-18-99
			FROM: 03-19-99 THRU: 99-99-99
	123150-01-000	EA	ELBOW - 1/2 FPT X 1/2 BARB - SWIVEL
	110915-01-01A	EA	FILL - CITY WATER - CHROME
	113697-01-000	EA	CAP - 3/8 FTG

WATER & SEWAGE GROUP (CONTINUED)

EXTERIOR SHOWER & WASH STATION

KEY	PART NUMBER	U/M	DESCRIPTION
	131383-01-02A	EA	SHOWER HEAD - W/HOSE & BRACKET - 60" - WHITE
	131383-02-02A	EA	SHOWER HEAD - W/HOSE & BRACKET - 60" - CSA - WHITE
	131383-03-02A	EA	BRACKET - SHOWER HEAD - WHITE
	075241-06-000	EA	FAUCET - SHOWER CONTROL - BRIGHT WHITE
	091952-02-000	EA	CLIP - GRIPPER - 3/4"
	108355-01-000	EA	HOUSING - SWITCH
	108356-02-01A	EA	COVER/ACTUATOR SWITCH - 2 ROWS DIMPLES- CONTURA II - BLACK
	108357-08-000	EA	SWITCH - ROCKER DPDT - ON/NONE/ON - 6 TERMINAL
	114428-01-000	EA	TEE - 1/2"P X 1/2"P X 1/2"P
	114428-08-000	EA	TEE - 1/2"P X 1/2"P X 1/2"MPT
	114429-03-000	EA	ELBOW - SWIVEL - 1/2"P X 1/2"FPT
			FROM: 00-00-00 THRU: 03-18-99
	114429-08-000	EA	ELBOW - SWIVEL - 1/2"MPT X 1/2"FPT SWIVEL
			FROM: 03-19-99 THRU: 99-99-99
	114430-02-000	EA	ADAPTER - SWIVEL - 1/2"P X 1/2"FPT
	124184-01-000	EA	SUPPORT - WATER LINE - BEND
	124188-01-000	FT	TUBING - PEX - 1/2" ID X 20' - BLUE(COLD)
	124188-02-000	FT	TUBING - PEX - 1/2" ID X 20' - RED(HOT)

WATER & SEWAGE GROUP (CONTINUED)



WATER HEATER W/BYPASS

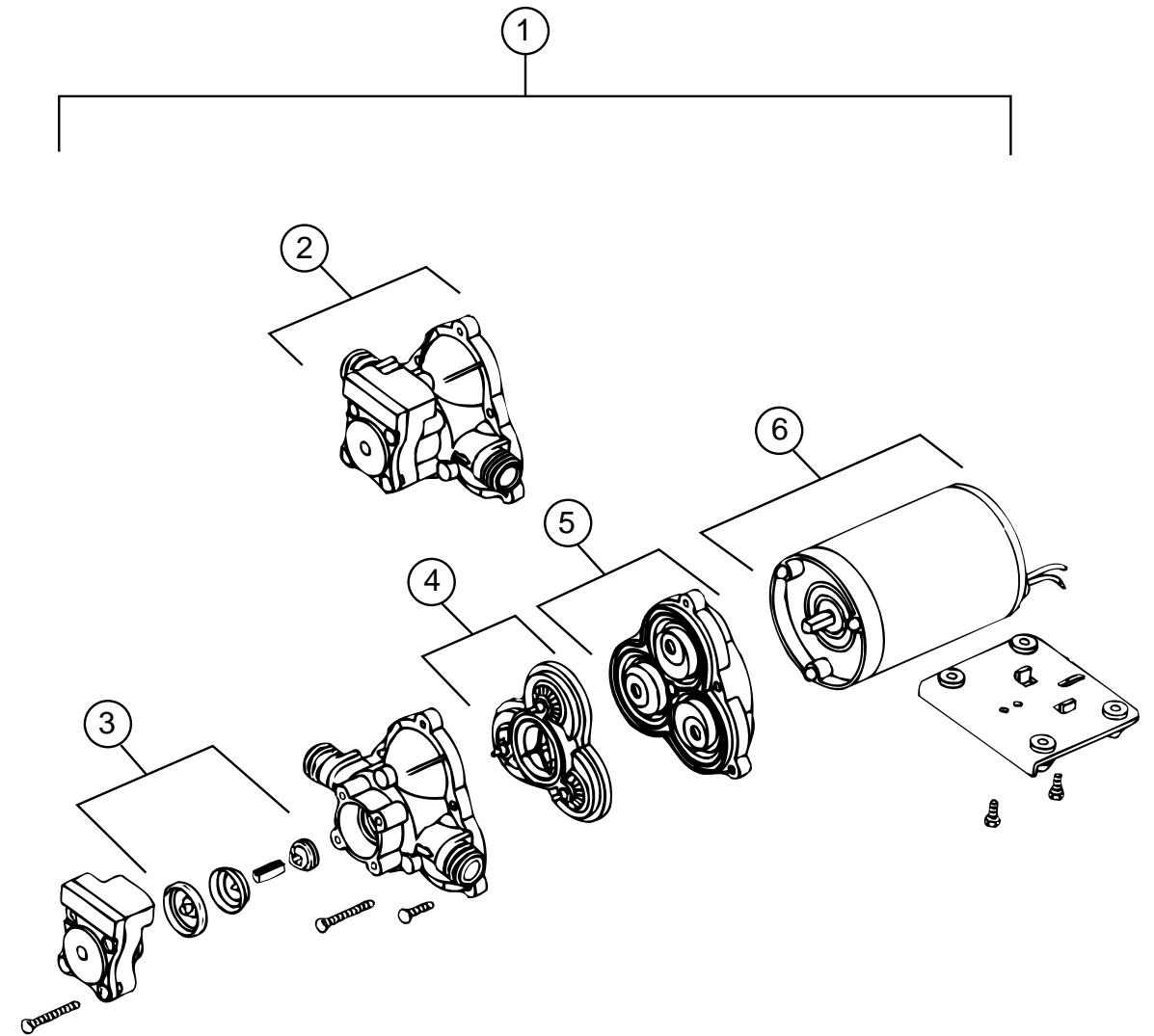
KEY	PART NUMBER	U/M	DESCRIPTION
1	124188-02-000	FT	TUBING - PEX - 1/2" ID X 20' - RED(HOT)
2	110438-02-000	EA	VALVE - CHECK - BRASS - 1/2 MPT X 1/2 MPT
3	114429-03-000	EA	ELBOW - SWIVEL - 1/2"P X 1/2"FPT
			FROM: 00-00-00 THRU: 03-18-99
3	114429-08-000	EA	ELBOW - SWIVEL - 1/2"MPT X 1/2"FPT SWIVEL
			FROM: 03-19-99 THRU: 99-99-99
4	114428-01-000	EA	TEE - 1/2"P X 1/2"P X 1/2"P
5	114429-02-000	EA	ELBOW - 1/2"P X 1/2"MPT
6	124188-01-000	FT	TUBING - PEX - 1/2" ID X 20' - BLUE(COLD)
7	114431-02-000	EA	VALVE - WATER BYPASS - 1/2"P - THREE WAY (WATER HEATER)
8	114429-01-000	EA	ELBOW - 1/2"P X 1/2"P

WATER HEATER W/O MOTOR AID - ATWOOD G6A-8E

KEY	PART NUMBER	U/M	DESCRIPTION
*	051391-03-000	EA	WATER HEATER G6A-8E - ELECTRONIC IGNITION
	097967-01-000	EA	SWITCH - WATER HEATER - REMOTE W/LIGHT

*COMPONENT PARTS FOUND IN SERVICE PARTS LIBRARY

WATER & SEWAGE GROUP (CONTINUED)

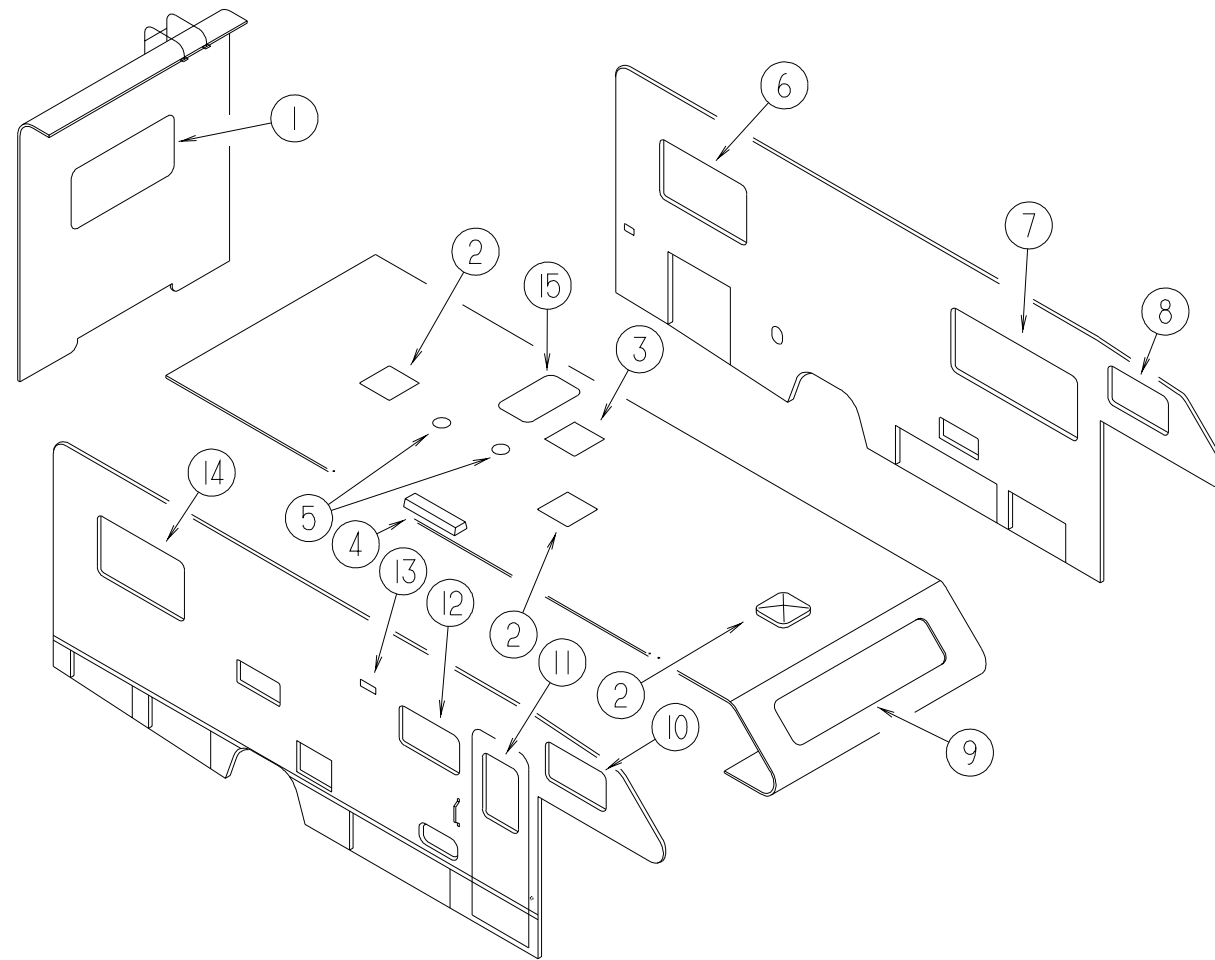


WATER PUMP - SHURFLO

KEY	PART NUMBER	U/M	DESCRIPTION	VENDOR NO.
1	098607-01-000	EA	PUMP - WATER - W/5" MPT FITTING - FLOW 2.8 GPM	
2	098607-01-706	EA	HOUSING, W/SWITCH ONLY	94-231-20
3	098607-01-705	EA	VALVE-CHECK, KIT	94-237-00
4	098607-01-703	EA	VALVE KIT	94-232-00
5	098607-01-702	EA	DIAPHRAGM/DRIVE ASSEMBLY KIT	94-238-04
6	098607-01-707	EA	MOTOR W/BASEPLATE	11-148-04

WINDOW, VENT & EXTERIOR DOOR GROUP

WINDOWS & VENTS



KEY	PART NUMBER	U/M	DESCRIPTION
1*	078528-07-F15	EA	WINDOW - ESCAPE W/O INSIDE TRIM - CLEAR - 24.5" X 48.5"
	074816-11-000	EA	RETAINER - TRIM - ESCAPE WINDOW - OFF WHITE
1*	113502-01-01A	EA	WINDOW - REAR/CENTER ESCAPE - THERMO - 24.8" X 48.7"
2*	122882-01-01A	EA	VENT - ROOF - NONPOWERED - W/O INSIDE GARNISH
3*	122882-02-01A	EA	VENT - ROOF - W/FAN - W/O INSIDE GARNISH - UL
3*	122882-03-01A	EA	VENT - ROOF - W/FAN - W/O INSIDE GARNISH - CSA
4	084073-07-000	EA	VENT - ROOF/REFRIGERATOR - BRIGHT WHITE - NORCOLD
	084073-04-000	EA	BASE - ROOF VENT/REFRIGERATOR - BLACK - NORCOLD
5	083558-03-000	EA	VENT - PLUMBING - ROOF PIPE COVERED - OFF WHITE
6*	098647-30-01A	EA	WINDOW - DRVR HORIZ SLIDER W/TRIM - CLEAR - 24.2" X 41"
6*	129929-06-01A	EA	WINDOW - TORQUE - THERMO - 24.4" X 41.2"
7*	098647-28-01A	EA	WINDOW - DRVR HORIZ SLIDER W/TRIM - CLEAR - 26.1" X 59.7"
7*	112795-15-01A	EA	WINDOW - DRIVER HORIZONTAL SLIDER - THERMO - 26.4" X 60"
8*	098647-32-01A	EA	WINDOW - DRVR HORIZ SLIDER W/TRIM - CLEAR - 15.7" X 28.5"
8*	112795-20-01A	EA	WINDOW - DRIVER HORIZONTAL SLIDER - THERMO - 16" X 28.7"

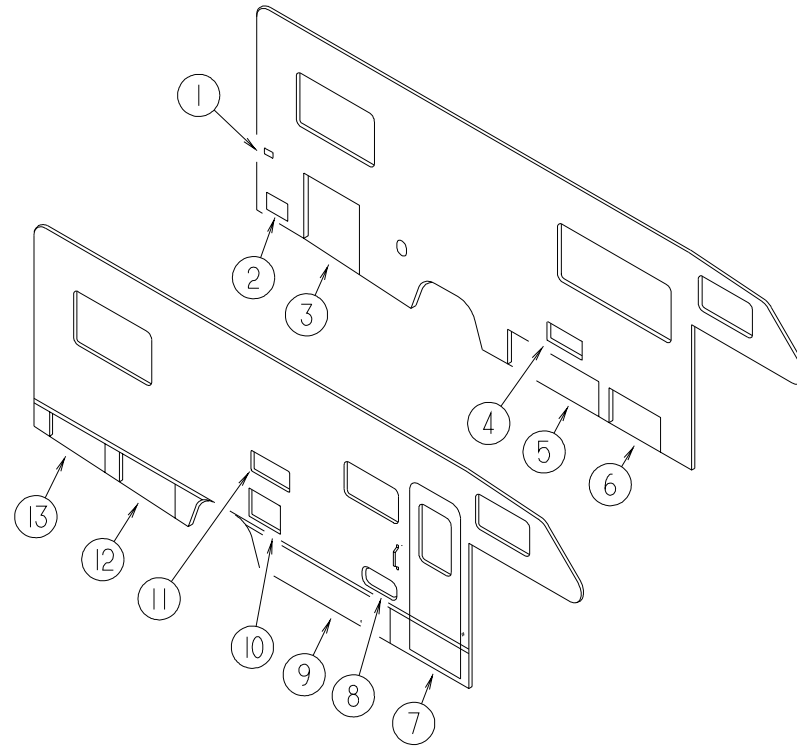
*COMPONENT PARTS FOUND IN SERVICE PARTS LIBRARY

KEY	PART NUMBER	U/M	DESCRIPTION
9*	103313-03-F15	EA	WINDOW - PICTURE - 16.2" X 71" (INSIDE FRAME #117054)
9*	115630-01-01A	EA	WINDOW - STATIONARY/THERMOPANE - 17.2" X 72"
10*	098647-31-01A	EA	WINDOW - PASS HORIZ SLIDER W/TRIM - CLEAR - 15.7" X 28.5"
10*	112795-19-01A	EA	WINDOW - PASSENGER HORIZ SLIDER - THERMO - 15.7" X 28.5"
11*	117053-04-FB1	EA	WINDOW - PICTURE - CLEAR - 17" X 26.4" - W/O RETAINER
11*	113733-01-01A	EA	WINDOW - STATIONARY THERMOPANE - 17"W X 26.4"H
12*	098647-49-01A	EA	WINDOW - PASS HORIZ SLIDER W/TRIM - CLEAR - 15" X 23.7"
12*	112795-61-01A	EA	WINDOW - PASSENGER HORIZ SLIDER - THERMO - 15.2"X24"
13	084878-09-000	EA	VENT - EXHAUST/RANGE HOOD - OFF WHITE
	084616-07-000	EA	SHROUD - EXHAUST VENT/RANGE HOOD - BRIGHT WHITE
14*	098647-29-01A	EA	WINDOW - PASS HORIZ SLIDER W/TRIM - CLEAR - 24.2" X 41"
14*	129929-06-01A	EA	WINDOW - TORQUE - THERMO - 24.4" X 41.2"
	111222-01-02A	EA	COVER - VENT/REFRIGERATOR - SIDE - BRIGHT WHITE
15	122192-01-02A	EA	PANEL - SKYLITE - OUTER - 16.4" X 27.8"
15	122193-01-02A	EA	PANEL - SKYLITE - INNER

*COMPONENT PARTS FOUND IN SERVICE PARTS LIBRARY

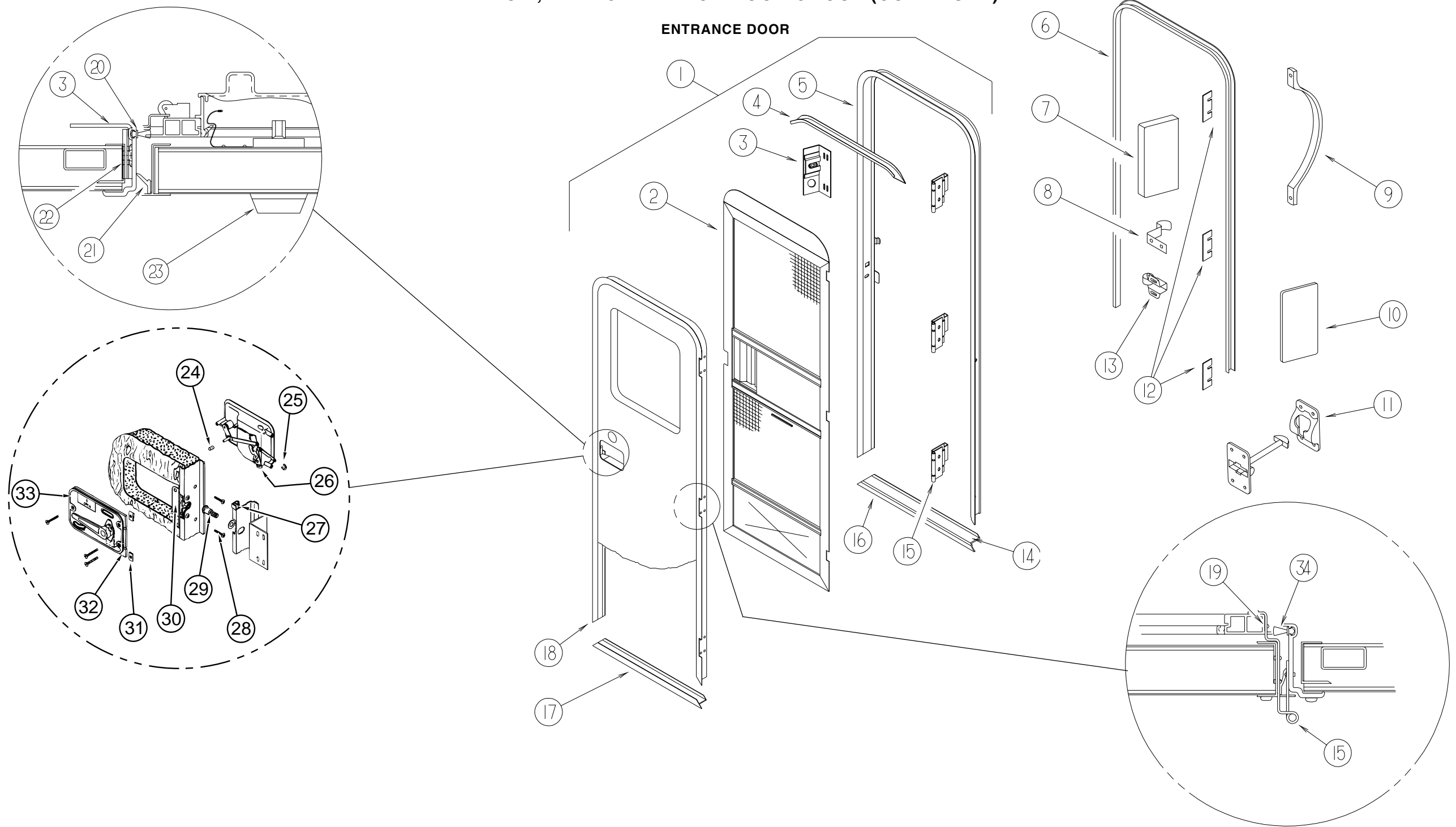
WINDOW, VENT & EXTERIOR DOOR GROUP (CONTINUED)

EXTERIOR DOORS



KEY	PART NUMBER	U/M	DESCRIPTION	VENDOR NO.	KEY	PART NUMBER	U/M	DESCRIPTION	VENDOR NO.
1	081240-20-000	EA	DOOR - WATER FILL - W/O LOCK - BRIGHT WHITE		8	126945-01-J22	EA	DOOR/STORAGE - W/O HARDWARE - 18" X 8.3"	
2	088794-06-000	EA	DOOR - POWER CORD W/HATCH - BRIGHT WHITE - 9.2" X 11"		9	127795-01-J01	EA	VALANCE/DOOR - W/O HARDWARE - 46.4" X 15.4"	
3	127826-05-J01	EA	VALANCE/DOOR - PASSENGER W/O HDW - 31.1" X 27.9" X 29.4"		10	052009-06-000	EA	DOOR - WATER HEATER - BRIGHT WHITE - 18" X 14.6"	
4	098668-23-000	EA	DOOR - ACCESS - FURNACE - BRIGHT WHITE			116424-01-000	EA	PROTECTOR - LATCH - WATER HEATER	
5	127795-01-J01	EA	VALANCE/DOOR - W/O HARDWARE - 46.4" X 15.4"		11	084103-08-000	EA	DOOR - VENT/REFRIGERATOR - W/O JAMB - BRIGHT WHITE	
	089329-02-000	EA	CLIP - SPRING			084104-01-700	EA	LOCK-MALE, FASTENER	201-721-010
	101667-02-000	EA	ROD - PROP - 21.97"			084104-01-701	EA	LOCK-FEMALE, FASTENER	201-802-010
6	127795-02-J01	EA	VALANCE/DOOR - W/O HARDWARE - 25.6" X 15.4"			084104-08-000	EA	JAMB - VENT DOOR/REFRIGERATOR - BRIGHT WHITE	
7	115108-01-K01	EA	DOOR - ENTRY - W/SCREEN DOOR - W/O WINDOW (K01)			129413-01-J01	EA	JAMB - DOOR	
7	115108-01-K02	EA	DOOR - ENTRY - W/SCREEN DOOR - W/O WINDOW (K02)		12	127826-06-J01	EA	VALANCE/DOOR - PASSENGER W/O HDW - 14.9" X 27.8" X 13.4"	
7	115108-01-K03	EA	DOOR - ENTRY - W/SCREEN DOOR - W/O WINDOW (K03)			089329-02-000	EA	CLIP - SPRING	
7	115108-05-K01	EA	DOOR - ENTRY - W/SCREEN DOOR - W/O WINDOW - ELECTRIC STEP (K01)			101667-02-000	EA	ROD - PROP - 21.97"	
7	115108-05-J47	EA	DOOR - ENTRY - W/SCREEN DOOR - W/O WINDOW - ELECTRIC STEP (K02)		13	127826-07-J01	EA	VALANCE/DOOR - PASSENGER W/O HDW - 12.6" X 27.8" X 10.8"	
7	115108-05-K03	EA	DOOR - ENTRY - W/SCREEN DOOR - W/O WINDOW - ELECTRIC STEP (K03)						

WINDOW, VENT & EXTERIOR DOOR GROUP (CONTINUED)

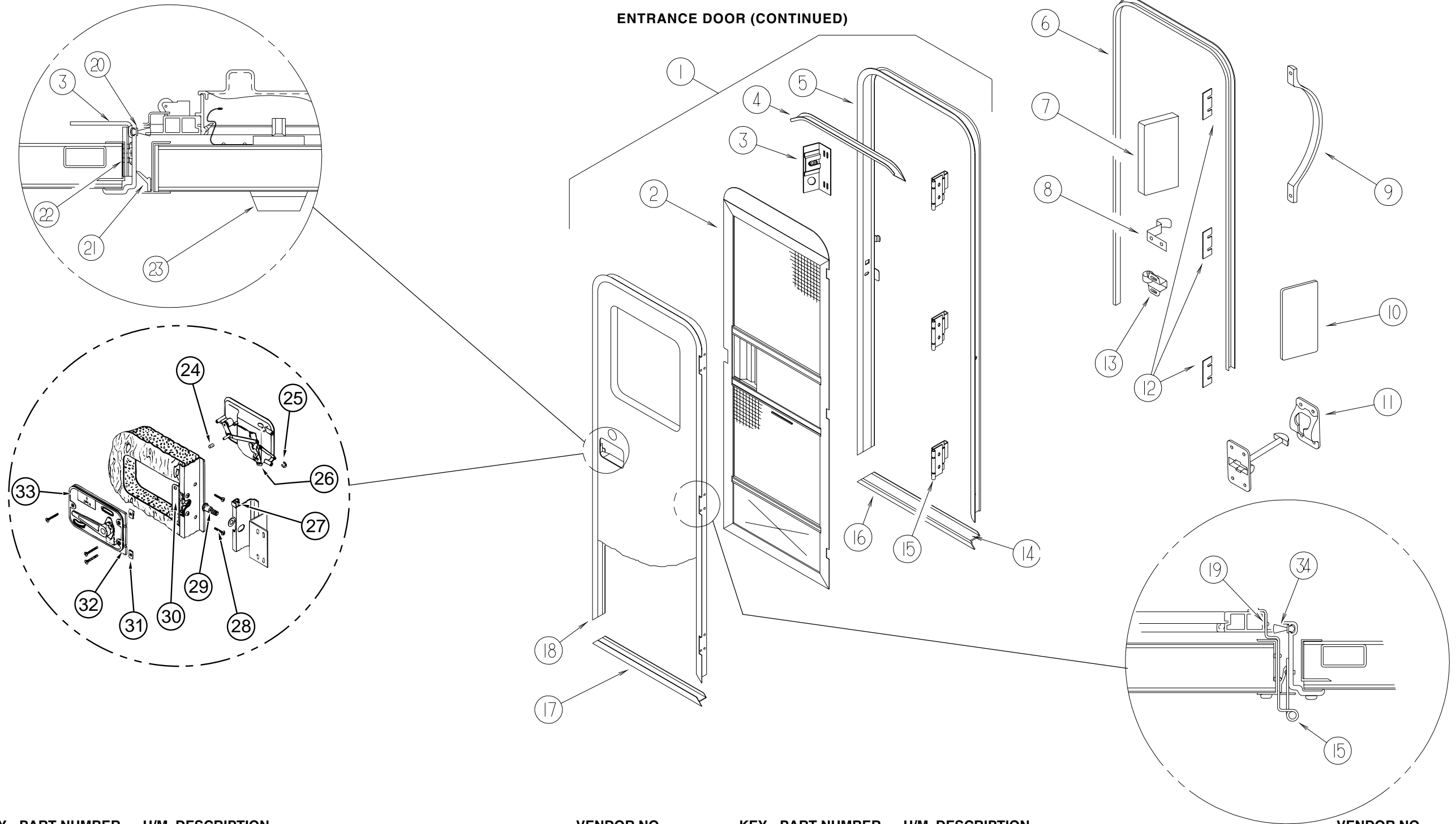


KEY	PART NUMBER	U/M	DESCRIPTION
1	115108-01-K01	EA	DOOR - ENTRY - W/SCREEN DOOR - W/O WINDOW (K01)
1	115108-01-K02	EA	DOOR - ENTRY - W/SCREEN DOOR - W/O WINDOW (K02)
1	115108-01-K03	EA	DOOR - ENTRY - W/SCREEN DOOR - W/O WINDOW (K03)
1	115108-05-K01	EA	DOOR - ENTRY - W/SCREEN DOOR - W/O WINDOW - ELECTRIC STEP (K01)
1	115108-05-J47	EA	DOOR - ENTRY - W/SCREEN DOOR - W/O WINDOW - ELECTRIC STEP (K02)
1	115108-05-K03	EA	DOOR - ENTRY - W/SCREEN DOOR - W/O WINDOW - ELECTRIC STEP (K03)
2	121899-03-GB1	EA	DOOR - SCREEN - W/O HARDWARE
3	041546-07-000	EA	BRACKET - DOOR ANGLE - OFF WHITE
4	044582-44-000	EA	CAP - DRIP - JAMB - BRIGHT WHITE
5	121898-03-01A	EA	JAMB - ENTRY DOOR
5	121898-04-01A	EA	JAMB - ENTRY DOOR - BRIGHT WHITE - ELECTRIC STEP
6	115222-04-01A	EA	GARNISH - ENTRY DOOR - RADIUS
7	077461-03-000	EA	COVER - STRIKE - ENTRY DOOR - 6.5" X 2.5" - WHITE PLASTICKEY

KEY	PART NUMBER	U/M	DESCRIPTION
8	100412-01-000	EA	CATCH - SCREEN DOOR
9	009126-03-000	EA	HANDLE - ASSIST - BLACK TEXTURED
10	076725-02-000	EA	COVER - HINGE - ENTRY DOOR - 6" X 3.2" - OFF WHITE
11	104099-01-04A	EA	CATCH - DOOR HOLDER - STRIKE - BRIGHT WHITE
11	104099-02-04A	EA	CATCH - DOOR HOLDER - RETAINER - BRIGHT WHITE
12	102248-01-000	EA	SHIM - DOOR
13	109403-01-000	EA	CATCH - SINGLE ROLLER - SCREEN DOOR
14	038327-01-000	EA	TAPE - ANTI SLIP - 2" X 60'
15	106719-01-05A	EA	HINGE - ENTRY DOOR - BRIGHT WHITE
	116111-02-01A	EA	SCREW - TAPTITE - 1/4-20 X 3/8 PPH - ZINC
16	051049-01-000	EA	JAMB - BOTTOM - ENTRY DOOR - 25.9" - UNPAINTED
17	121893-01-01A	EA	FRAME - ENTRY DOOR/BOTTOM - BRIGHT WHITE

WINDOW, VENT & EXTERIOR DOOR GROUP (CONTINUED)

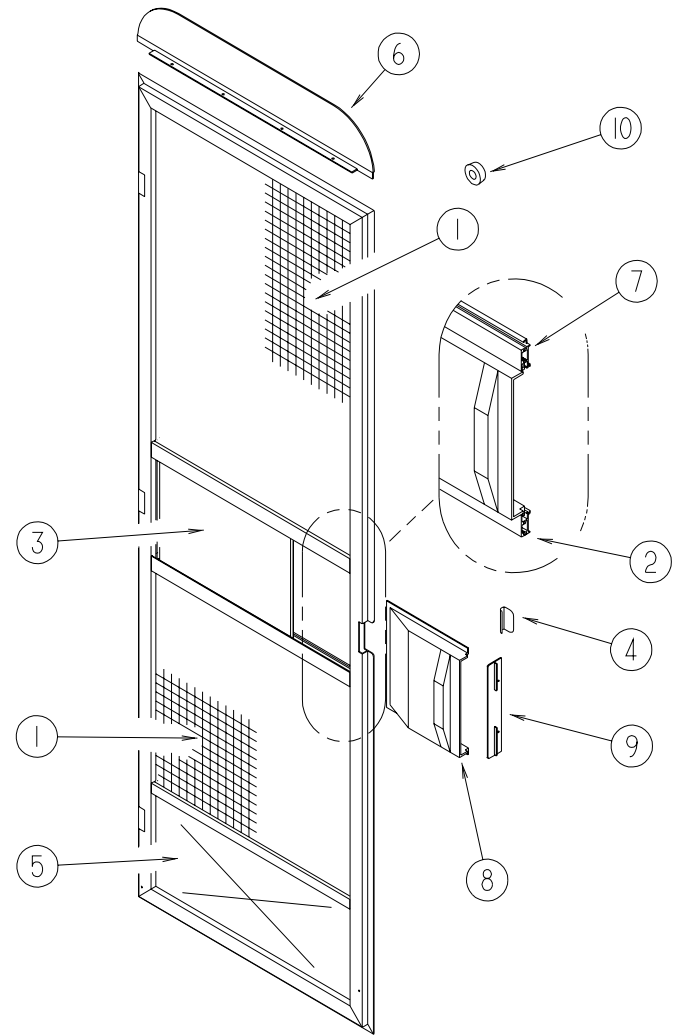
ENTRANCE DOOR (CONTINUED)



KEY	PART NUMBER	U/M	DESCRIPTION	VENDOR NO.
18	121894-07-01A	EA	FRAME - ENTRY DOOR - BRIGHT WHITE	
	098173-01-04A	EA	STIFFENER - ENTRY DOOR - SUPPORTS LATCH/STRIKE - UNPAINTED	
	122241-01-01A	EA	BUMPER - FOAM RUBBER W/ADH BACK - .5" X .5" X .25" - BLACK	
19	100128-02-000	EA	SEAL - FOAM - ADHESIVE BACK - .37" WIDE X .37" THICK	
20	118929-01-01A	FT	SEAL - PILE - PUSH ON	
21	075671-04-000	FT	SEAL - SPONGE - LAZY T - W/ADHESIVE STRIP - .5" WIDE	
22	104692-01-000	FT	SEAL - FOAM/ADHESIVE BACK - .75"THICK X .75"WIDE X 25'	
23	101145-01-06A	EA	DEADBOLT - ENTRY DOOR W/O SECURITY BOLT W/2 KEYS - BLACK	
	095229-01-700	EA	KEY-BLANK, DEADBOLT	81205-03
	101145-01-701	EA	CYLINDER-LOCK ASM., W/KEY	81306-03
	101147-01-000	EA	BOLT - SECURITY - 4.12"	
24	039984-01-000	EA	CAP - ROUND - VINYL - .28" ID X .62" - BLACK	
25	036618-02-000	EA	E-RING - EXTERNAL - 3/16" SHAFT DIAMETER - LYNOR DOOR LOCK	

KEY	PART NUMBER	U/M	DESCRIPTION	VENDOR NO.
26	045017-13-000	EA	LATCH - ENTRY DOOR - BLACK TEXTURED	
	045017-11-701	EA	KEY - BLANK (F1 SERIES) "K-104" - DOOR LOCK (TM 200 - 250)	
	045017-11-703	EA	CYLINDER-LOCK ASM. W/KEYS	81266-09
27	064075-07-000	FT	SEAL - BULB - W/WIRED U CHANNEL - .3" X .5" CHANNEL - BLK	
28	000G54-04-20B	EA	SCREW - 1/4-20 X 1 1/4 PTH TYP 23	
29	039539-01-000	EA	STRIKE - LOCK - ENTRY DOOR - ROUND W/THREADED WASHER	
	039715-01-000	EA	NUT-SERT - 1/4" DIAMETER - 20 THREADS	
30	039540-01-000	EA	LATCH MECHANISM - HOOK - ENTRY DOOR - INTERIOR	
	086285-05-000	EA	SPACER - NYLON - .7" X .56"	
31	040921-01-000	EA	NUT-SPEED-U TYPE 10-24 BLACK	
32	096810-01-01A	EA	PLATE - LATCH - ENTRY DOOR - BLACK	
33	039979-06-000	EA	COVER - LATCH PLATE - RIGHT HAND - BLACK TEXTURED	
34	118929-01-01A	FT	SEAL - PILE - PUSH ON	
	130444-01-01A	EA	CAP - KEY IDENTIFIER - GRAY	

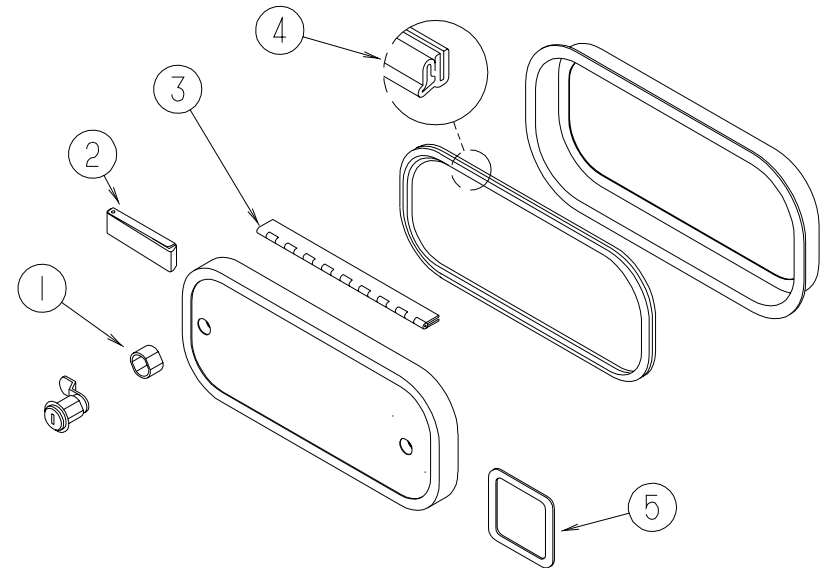
WINDOW, VENT & EXTERIOR DOOR GROUP (CONTINUED)



SCREEN DOOR COMPONENTS

KEY	PART NUMBER	U/M	DESCRIPTION
	121899-03-GB1	EA	DOOR - SCREEN - W/O HARDWARE
1	002293-02-000	SF	SCREENING - WINDOW/DOOR - 26" - CHARCOAL
2	002294-01-000	FT	SPLINE - SCREENING - .135" X .138"
3	016454-01-000	EA	INSERT - CENTER - LEATHER GRAIN ALUMINUM - UNPAINTED
	001014-01-013	EA	INSERT - CENTER - 10.25" X 16.31" - UNPAINTED
4	050712-06-000	EA	HANDLE - SCREEN DOOR - BRIGHT WHITE
5	078552-03-000	EA	KICK PANEL - SCREEN DOOR - LOWER INSERT - UNPAINTED
6	078595-01-000	EA	TOP PLATE - SCREEN DOOR - CURVED TOP - 4.7" X 25.35"
7	078777-08-000	FT	CHANNEL - SLIDER
8	079086-03-000	EA	SLIDER - SCREEN DOOR - BRIGHT WHITE
9	079087-03-000	EA	STRIKE - SLIDER - SCREEN DOOR - BRIGHT WHITE
10	120863-06-000	EA	BUMPER - RUBBER - 3/4" X 3/8"

WINDOW, VENT & EXTERIOR DOOR GROUP (CONTINUED)

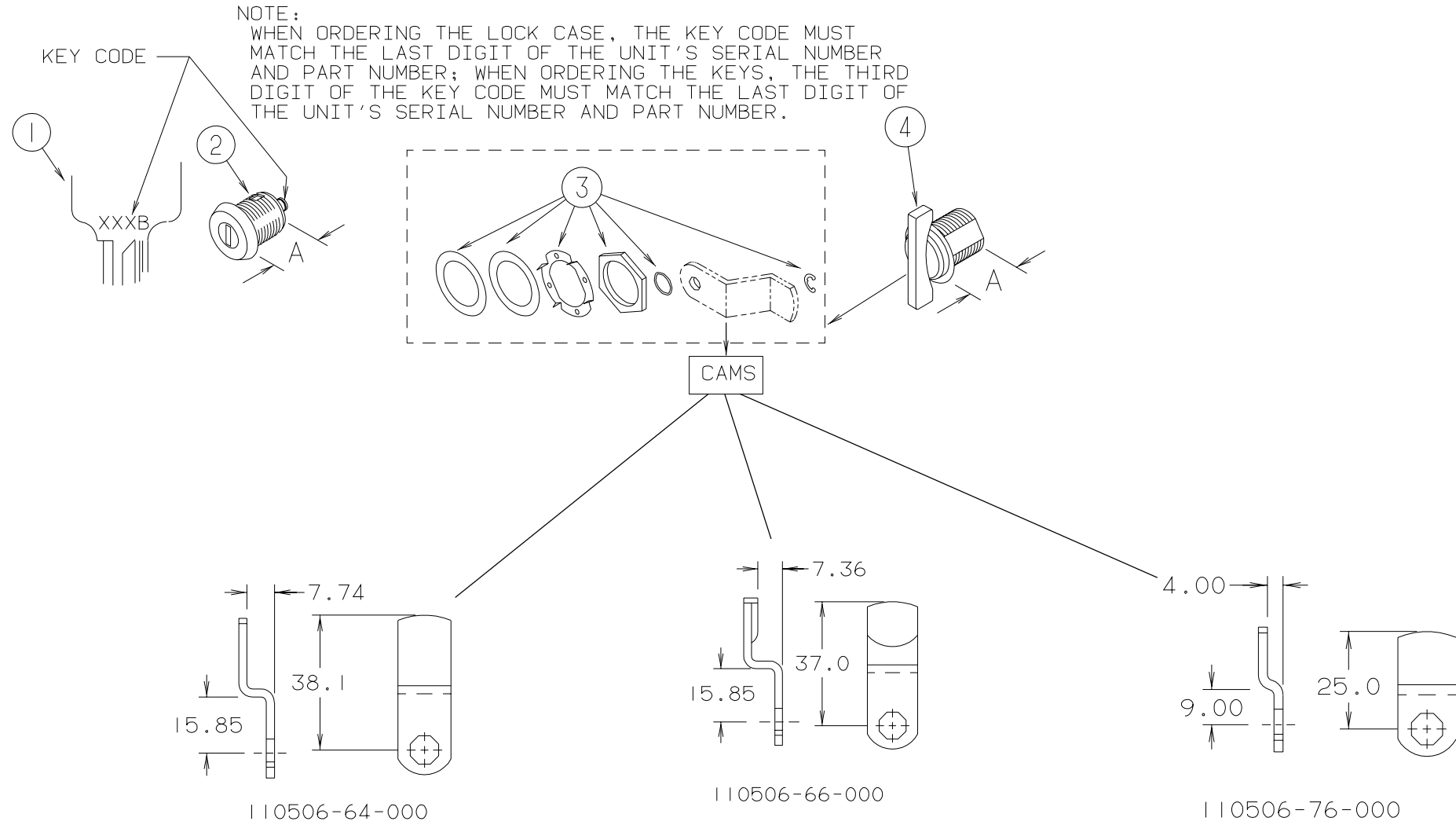


EXTERIOR COMPARTMENT DOOR COMPONENTS

KEY	PART NUMBER	U/M	DESCRIPTION
1	107997-51-003	EA	SPACER - DOOR LOCK .79" DEEP
	107997-51-002	EA	EXTRUDED - SPACER - 16'
2	102768-01-000	EA	HOLDER - COMPARTMENT/ENTRY DOOR - METAL - MILL FINISH
3	081801-V3-000	EA	HINGE - ALUMINUM - 2" X 96" - BRIGHT WHITE
4	064075-07-000	FT	SEAL - BULB - W/WIRED U CHANNEL - .3" X .5" CHANNEL-BLACK
4	106850-02-000	FT	SEAL-E - SPONGE RUBBER - .43" X .75"
5	098338-01-000	EA	GASKET - LOCK POCKET
	098408-01-000	FT	SEAL - SPONGE RUBBER - CLOSED CELL
	096217-55-006	EA	U CHANNEL - 210"

WINDOW, VENT & EXTERIOR DOOR GROUP (CONTINUED)

BRIGGS & STRATTON LOCKS & COMPONENTS



KEY	PART NUMBER	U/M	DESCRIPTION	VENDOR NO.
1	110506-59-000	EA	KEYS - SET OF TWO	596720
2	110506-52-000	EA	CASE/CYLINDER - LOCKING - W/O CAM/KEY - .65"	702370
2	110506-54-000	EA	CASE/CYLINDER - LOCKING - W/O CAM/KEY - 1.25"	703170
1	110506-59-001	EA	KEYS - SET OF TWO	596721
2	110506-52-001	EA	CASE/CYLINDER - LOCKING - W/O CAM/KEY - .65"	702371
2	110506-54-001	EA	CASE/CYLINDER - LOCKING - W/O CAM/KEY - 1.25"	703171
1	110506-59-002	EA	KEYS - SET OF TWO	596722
2	110506-52-002	EA	CASE/CYLINDER - LOCKING - W/O CAM/KEY - .65"	702372
2	110506-54-002	EA	CASE/CYLINDER - LOCKING - W/O CAM/KEY - 1.25"	703172
1	110506-59-003	EA	KEYS - SET OF TWO	596723
2	110506-52-003	EA	CASE/CYLINDER - LOCKING - W/O CAM/KEY - .65"	702373
2	110506-54-003	EA	CASE/CYLINDER - LOCKING - W/O CAM/KEY - 1.25"	703173
1	110506-59-004	EA	KEYS - SET OF TWO	596724
2	110506-52-004	EA	CASE/CYLINDER - LOCKING - W/O CAM/KEY - .65"	702374
2	110506-54-004	EA	CASE/CYLINDER - LOCKING - W/O CAM/KEY - 1.25"	703174
1	110506-59-005	EA	KEYS - SET OF TWO	596725
2	110506-52-005	EA	CASE/CYLINDER - LOCKING - W/O CAM/KEY - .65"	702375
2	110506-54-005	EA	CASE/CYLINDER - LOCKING - W/O CAM/KEY - 1.25"	703175

KEY	PART NUMBER	U/M	DESCRIPTION	VENDOR NO.
1	110506-59-006	EA	KEYS - SET OF TWO	596726
2	110506-52-006	EA	CASE/CYLINDER - LOCKING - W/O CAM/KEY - .65"	702376
2	110506-54-006	EA	CASE/CYLINDER - LOCKING - W/O CAM/KEY - 1.25"	703176
1	110506-59-007	EA	KEYS - SET OF TWO	596727
2	110506-52-007	EA	CASE/CYLINDER - LOCKING - W/O CAM/KEY - .65"	702377
2	110506-54-007	EA	CASE/CYLINDER - LOCKING - W/O CAM/KEY - 1.25"	703177
1	110506-59-008	EA	KEYS - SET OF TWO	596728
2	110506-52-008	EA	CASE/CYLINDER - LOCKING - W/O CAM/KEY - .65"	702378
2	110506-54-008	EA	CASE/CYLINDER - LOCKING - W/O CAM/KEY - 1.25"	703178
1	110506-59-009	EA	KEYS - SET OF TWO	596729
2	110506-52-009	EA	CASE/CYLINDER - LOCKING - W/O CAM/KEY - .65"	702379
2	110506-54-009	EA	CASE/CYLINDER - LOCKING - W/O CAM/KEY - 1.25"	703179
3	110506-40-700	EA	HARDWARE KIT	596950AAL
4	110506-55-000	EA	CASE/CYLINDER - TWIST LOCK - W/O CAM - 1.25"	597312AA1
	110506-64-000	EA	CAM - LATCHING - DOG LEGGED 1.8" LONG	
	110506-66-000	EA	CAM - LATCHING - DOG LEGGED 1.5" LONG	
	110506-76-000	EA	CAM - LOCK	
	110506-59-701	EA	KEY BLANK (GOLD)	