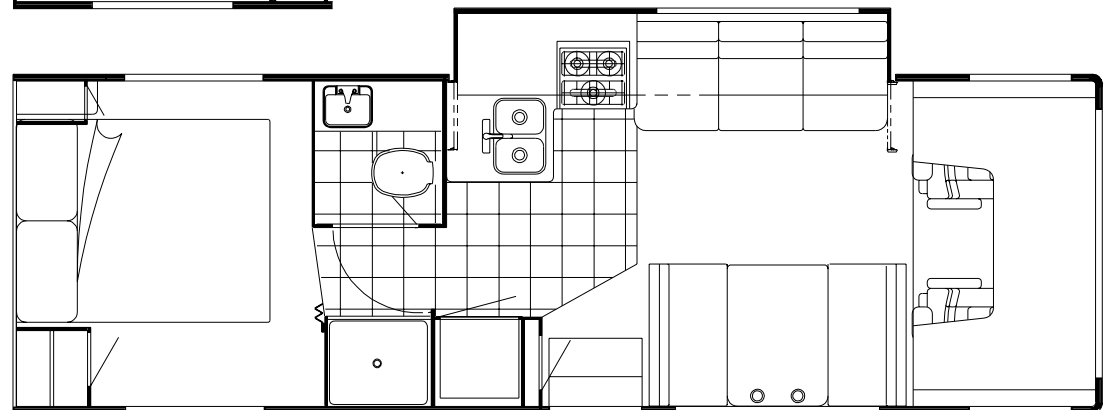
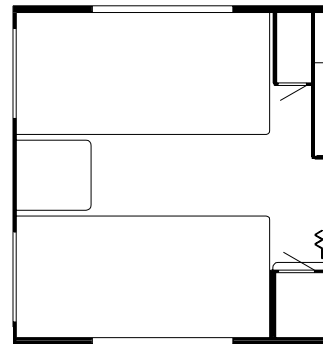


**1999**  
**WF430V DL**

**K13**  
"WILLOW" (TAUPE)

**K15**  
"CLOUD" (GRAY)



## ACCESSORIES GROUP

### OPERATORS MANUAL

KEY	PART NUMBER	U/M	DESCRIPTION
	054185-K1-000	EA	MANUAL - OPERATOR 99 MINNIE WINNIE
	129079-01-01A	EA	CASE - VINYL/BLACK-EXPANDABLE ACCORDION SIDES-7"WX9"HX14"L
	128942-01-000	DW	TOP LEVEL-C,1999

## AUDIO VIDEO GROUP

### RADIO SYSTEM & ANTENNA

KEY	PART NUMBER	U/M	DESCRIPTION
	N/A	EA	SPEAKER - 5" X 7" OVAL - FORD F2UF-18814-CD
	111177-01-01A	EA	GRILLE - SPEAKER - 6.6" X 8.9" - HOUSING 5" X 7" SPEAKER
	125322-02-000	EA	RADIO - AM/FM STEREO - CASSETTE - AUDIOVOX - MODEL MS-306
	090944-01-000	EA	ANTENNA - RADIO - 16" RUBBER
	077069-02-000	EA	CABLE - ANTENNA/EXTENSION - RADIO - 96"
	108137-01-000	EA	PLUG - ANTENNA
	108847-01-000	EA	BRACKET - ANTENNA GROUND
	090944-01-000	EA	ANTENNA - RADIO - 16" RUBBER
	110470-01-01A	EA	GRILLE - 4" X 6" OVAL - BLACK
	110469-01-000	EA	SPEAKER - 4" X 6" OVAL - COAXIAL

### TV & VCR SYSTEMS

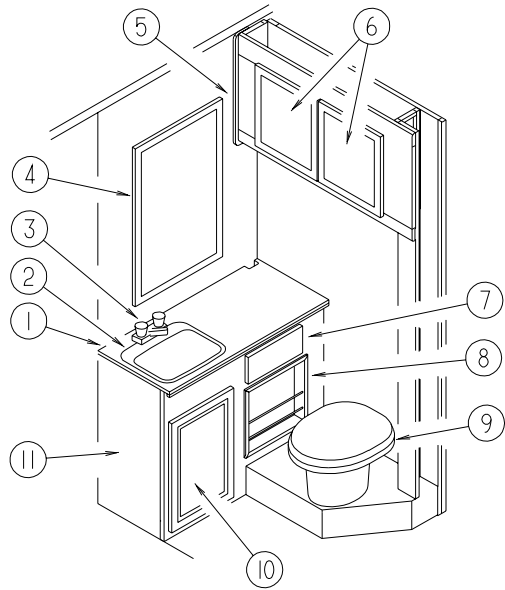
KEY	PART NUMBER	U/M	DESCRIPTION	VENDOR NO.
	086231-08-000	EA	TV - 13" COLOR - DC - AUDIOVOX AVT-1475	
	086231-08-700	EA	REMOTE-UNIVERSAL	8822325
	086231-08-701	EA	ADAPTER - WIRE	0891436
	126696-02-000	EA	TV - 19" COLOR W/1/8" JACK - UL/CSA - GE19GT319M	
	126696-01-700	EA	REMOTE	226725/228006
	126697-02-000	EA	VCR-VHS - CABLE READY - W/REMOTE - GE VG2042	
	126697-02-700	EA	REMOTE	238513
	094487-05-000	EA	VIDEO CASSETTE PLAYER - VERTIC	
	122790-02-02B	EA	BRACKET - VCP - E-COATED	
	082134-01-000	EA	ADAPTER - TV - CABLE TO CABLE	
	082136-01-000	EA	NUT - HEX JAM - 3/8-32	
	076319-03-000	FT	CABLE - COAXIAL - 75 OHM	
	076319-12-000	EA	CONNECTOR - COAXIAL - ONE PIECE	
	076319-09-000	EA	WALLPLATE - CABLE RECEPTACLE - TV - SINGLE - BROWN	
	076319-08-000	EA	WALLPLATE - CABLE RECEPTACLE - TV - SINGLE - IVORY	
	086777-02-000	EA	WALLPLATE - TV CABLE - W/ANTENNA SWITCH - BROWN	
	086777-06-000	EA	WALLPLATE - TV CABLE - ANTENNA BOOSTER/1 OUTPUT - BROWN	
	086756-01-000	EA	SPLITTER - TV - 2 WAY	
	086757-03-000	EA	CONTROL CENTER - SWITCH - VCR/TV	
				FROM: 00-00-00 THRU: 09-28-98
	086757-04-000	EA	CONTROL CENTER - SWITCH - 5 INPUTS	
				FROM: 09-29-98 THRU: 99-99-99
	099717-02-000	EA	STRAP - TV TIE DOWN W/29.9" FEMALE STRAP/14.2" MALE STRAP	
	099717-04-000	EA	STRAP - TIE DOWN W/21.3" FEMALE STRAP & 27.2" MALE STRAP	

### TV ANTENNA & SATELLITE DISH

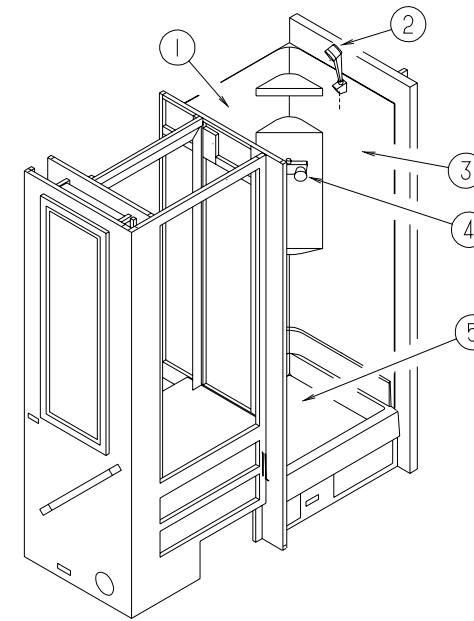
KEY	PART NUMBER	U/M	DESCRIPTION
*	076319-23-000	EA	ANTENNA - TV ROOF MOUNT - 44.5" MAST
*	076319-25-000	EA	KIT - HARDWARE INTERIOR
*	120233-04-000	EA	ANTENNA - SATELLITE - W/DIGITAL SENSOR/READ OUT DISPLAY

\*COMPONENT PARTS FOUND IN SERVICE PARTS LIBRARY

## BATH GROUP



## BATH GROUP (CONTINUED)



### BATHROOM CABINETS & FIXTURES

KEY	PART NUMBER	U/M	DESCRIPTION	VENDOR NO.
1	130488-12-K13	EA	COUNTERTOP - LAVATORY (K13)	
1	130488-12-K07	EA	COUNTERTOP - LAVATORY (K15)	
2	096927-01-01A	EA	SINK - LAVATORY - RECTANGULAR - PLASTIC/BONE	
	096927-01-700	EA	SINK STOPPER	M9801
	096927-01-701	EA	TAILPIECE-DRAIN-LAVATORY	M9802
3	075240-06-000	EA	FAUCET - LAVATORY/BONE	
3	091253-01-000	EA	GASKET - FAUCET - LAVATORY/GALLEY	
4	058331-85-000	EA	MIRROR - SAFETY GLASS - 20.8" X 35.4"	
5	130662-01-K13	EA	CABINET - MEDICINE - W/O DOORS/HARDWARE	
			FROM: 00-00-00 THRU: 09-20-98	
5	130662-02-K13	EA	CABINET - MEDICINE - W/O DOORS/HARDWARE	
			FROM: 09-21-98 THRU: 99-99-99	
5	109908-72-K13	EA	END CAP - OVERHEAD CABINET	
			FROM: 00-00-00 THRU: 09-20-98	
5	109908-A3-K13	EA	END CAP - OVERHEAD CABINET	
			FROM: 09-21-98 THRU: 99-99-99	
	130662-11-K13	EA	SHELF - W/PLASTIC EDGE TRIM	
6	131995-E9-K13	EA	DOOR - SOLID PANEL - 14.3" X 16.1" - W/O HARDWARE	
7	M09316-59-K13	EA	DRAWER - OGEE EDGE - 10.7"W X 13.7"D - W/O SLIDES/HARDWARE	
8	131096-01-K13	EA	RACK - MAGAZINE	
9*	067487-01-000	EA	TOILET - 12.37" - IVORY - HAND FLUSH	
10	131995-P0-K13	EA	DOOR - SOLID PANEL - 14.3" X 21.8" - W/O HARDWARE	
11	130488-01-K13	EA	CABINET - LAVATORY - W/COUNTERTOP - W/O DOORS/DRAWERS/HDW	
11	130488-01-K15	EA	CABINET - LAVATORY - W/COUNTERTOP - W/O DOORS/DRAWERS/HDW	
	075454-02-000	EA	RING - TOWEL - W/MOUNTING HARDWARE - BRASS	
	084017-30-000	EA	ROD - BRASS - 11.6" LONG	
	075453-02-000	EA	BAR - TOWEL - 18" BRASS	
	075452-02-000	EA	HOLDER - TOILET TISSUE - BRASS	

### SHOWER CABINETS & FIXTURES

KEY	PART NUMBER	U/M	DESCRIPTION	VENDOR NO.
1	105629-01-01A	EA	SURROUND - SHOWER	
	117431-01-01A	EA	DOOR - SHOWER - FABRIC PLEATED - 29.6" X 63.0"	
	117431-01-709	EA	STRAP - VINYL	
	113714-02-01A	EA	RETAINER - SHELF	
	102075-10-01A	EA	ROD - CURTAIN/SHOWER	
2	103092-01-000	EA	SHOWER HEAD - W/60" HOSE - IVORY	
			FROM: 00-00-00 THRU: 07-12-98	
2	103092-02-000	EA	SHOWER HEAD - W/HOSE & BRACKET - 60" - CSA- IVORY	
			FROM: 00-00-00 THRU: 07-12-98	
	103092-01-700	EA	BRACKET-F/SHOWER HEAD, CLEAR	2328028
	011048-03-700	EA	BRACKET - F/SHOWER HEAD	2328029-I
	103092-01-702	EA	SEALS-SPRAY HEAD	24466
2	131383-01-01A	EA	SHOWER HEAD - W/HOSE & BRACKET - 60" - IVORY	
			FROM: 07-13-98 THRU: 99-99-99	
2	131383-02-01A	EA	SHOWER HEAD - W/HOSE & BRACKET - 60" - CSA- IVORY	
			FROM: 07-13-98 THRU: 99-99-99	
3	075606-01-000	EA	PANEL - PLASTIC - FAUCET BACK - 5" X 9"	
4	075241-05-000	EA	FAUCET/SHOWER - BONE - 3/4"MPT X 1.4" LONG INLET PIPES	
5	M02673-10-K07	EA	PAN - SHOWER - W/STRAINER	
	122192-01-02A	EA	PANEL - SKYLIGHT - OUTER - 16.4" X 27.8"	
	122193-01-02A	EA	PANEL - SKYLIGHT - INNER	

\*COMPONENT PARTS FOUND IN SERVICE PARTS LIBRARY

## BATH GROUP (CONTINUED)

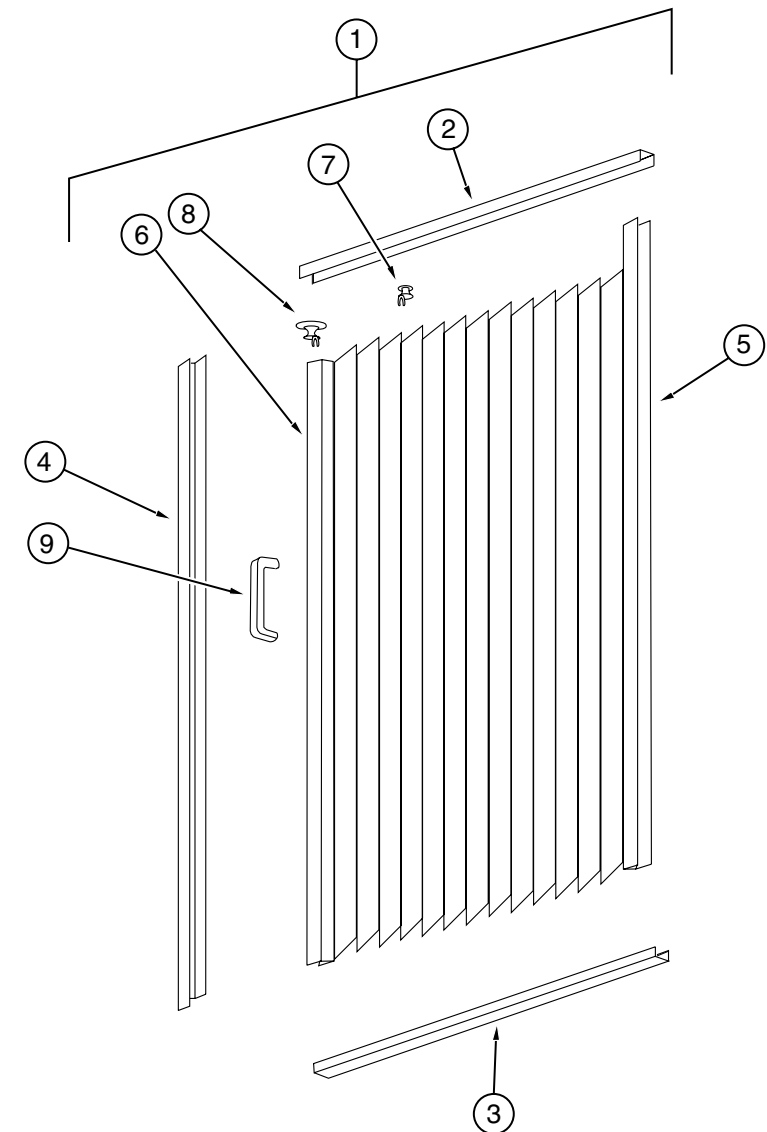
### BATH DOOR

KEY	PART NUMBER	U/M	DESCRIPTION
	128967-14-K37	EA	DOOR - BATH
	102920-01-01A	EA	HINGE/SPRING LOADED - BRASS
	110496-01-01A	EA	HINGE - BRASS
	111155-01-01A	EA	LOCK - PRIVACY - POLISHED BRASS
	100357-01-000	EA	ROD - F/TOWEL BAR - BRASS
	128967-52-K81	EA	MOLDING/SIDE RAIL - TOWEL BAR RACK - LEFT SIDE
	128967-53-K81	EA	MOLDING/SIDE RAIL - TOWEL BAR RACK - RIGHT SIDE

### EXTERIOR SHOWER PARTS

KEY	PART NUMBER	U/M	DESCRIPTION	VENDOR NO.
	093527-02-000	EA	BRACKET - EXTERIOR SHOWER HEAD/SQUEEGEE	
				FROM: 00-00-00 THRU: 10-27-98
	131732-01-12B	EA	BRACKET - SQUEEGEE - BRIGHT WHITE	
				FROM: 10-28-98 THRU: 99-99-99
	131383-03-02A	EA	BRACKET - SHOWER HEAD - WHITE	
				FROM: 09-13-98 THRU: 99-99-99
	091952-02-000	EA	CLIP - GRIPPER - 3/4"	
	075241-05-000	EA	FAUCET/SHOWER - BONE 3/4" MPT X 1.4" LONG INLET PIPES	
				FROM: 00-00-00 THRU: 07-12-98
	075241-06-000	EA	FAUCET - SHOWER CONTROL - BRIGHT WHITE	
				FROM: 07-13-98 THRU: 99-99-99
	103092-01-000	EA	SHOWER HEAD - W/60" HOSE - IVORY	
				FROM: 00-00-00 THRU: 07-12-98
	103092-02-000	EA	SHOWER HEAD - W/60" HOSE - CSA	
				FROM: 07-13-98 THRU: 99-99-99
	103092-01-700	EA	BRACKET-F/SHOWER HEAD, CLEAR	2328028
	011048-03-700	EA	BRACKET - F/SHOWER HEAD	2328029-I
	103092-01-702	EA	SEALS-SPRAY HEAD	24466
	131383-01-02A	EA	SHOWER HEAD - W/HOSE & BRACKET - 60" - WHITE	
				FROM: 07-13-98 THRU: 99-99-99
	131383-02-02A	EA	SHOWER HEAD - W/HOSE & BRACKET - 60" - CSA - WHITE	
				FROM: 07-13-98 THRU: 99-99-99
	121577-04-01A	EA	PLATE - EXTERIOR SHOWER - BRIGHT WHITE	
	108357-01-000	EA	SWITCH - ROCKER SPST - ON/OFF - 2 TERMINAL	

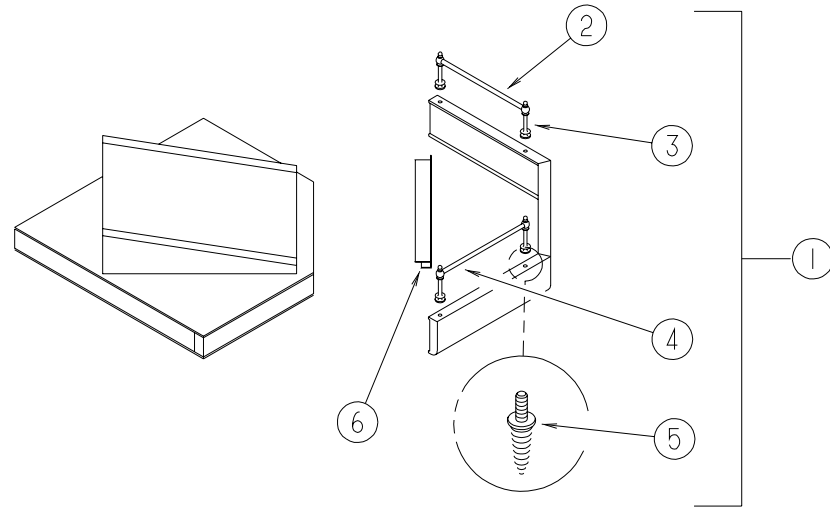
## BATH GROUP (CONTINUED)



### SHOWER DOOR - COASTAL

KEY	PART NUMBER	U/M	DESCRIPTION
1	117431-01-01A	EA	DOOR - SHOWER - FABRIC PLEATED - 29.6" X 63.0"
2	117431-01-700	EA	TRACK-TOP, ALUM.IVORY INSERT 48"
3	117431-01-701	EA	TRACK-BOTTOM, 48"
4	117431-01-702	EA	RAIL - SIDE, 67"
5	117431-01-703	EA	RAIL - STATIONARY, 67"
6	117431-01-704	EA	RAIL-LEAD, 67" - W/LATCH
7	117431-01-705	EA	GLIDE - IVORY, TRAVELER
8	117431-01-706	EA	GLIDE - IVORY LEAD, TRAVELER
	117431-01-707	EA	CATCH - BATH DOOR
9	117431-01-708	EA	HANDLE - W/SCREWS
	117431-01-709	EA	STRAP - VINYL

**BEDROOM GROUP**



**TV SHELF - BEDROOM**

KEY	PART NUMBER	U/M	DESCRIPTION
1	116553-01-G07	EA	CABINET - TV SHELF - W/BRASS RODS/POST ENDS
	116773-02-000	EA	SWIVEL/SLIDES - F/TV SHELF
2	084071-24-000	EA	ROD - BRASS - 3.8"
3	084070-03-000	EA	POST - END - 2.4" - SHINY BRASS
4	084071-19-000	EA	ROD - BRASS - 7.1"
5	106166-01-000	EA	BOLT/COLLARED HANGER - 8-32 X 1"
6	103186-01-04A	FT	MOLDING - PLASTIC - 3/8" U-CHANNEL 3/4" FACE - CHERRY

**BEDROOM GROUP (CONTINUED)**

**FOLDING DOOR & HARDWARE  
FROM: 00-00-00 THRU: 12-22-98**

KEY	PART NUMBER	U/M	DESCRIPTION	VENDOR NO.
	042488-10-000	EA	DOOR - FOLDING - OFF WHITE FABRIC - 37" X 75"	
	042488-10-700	EA	LEADRAIL-PREPUNCHED F/HANDLE	DW2100
	080224-01-703	EA	HANDLE W/LATCH-CATCH, ALMOND	DE03505
	080224-01-705	EA	LATCH & CATCH ASM., ALMOND	DE25010 & DE25020
	094856-13-01A	EA	TRACK - FOLDING DOOR - OFF WHITE	

**FOLDING DOOR & HARDWARE  
FROM: 12-23-98 THRU: 01-31-99**

KEY	PART NUMBER	U/M	DESCRIPTION
	131595-01-01A	EA	DOOR - FOLDING - 37" X 75" - W/4 CEILING MOUNTED BRACKETS
	131595-01-700	EA	END STOP ONLY - FABRIC DOOR
	131595-01-701	EA	BRACKET/MOUNTING-FABRIC DOOR
	131595-01-702	EA	TRACK/STRAIGHT-37"FABRIC DR

**FOLDING DOOR & HARDWARE  
FROM: 02-01-99 THRU: 03-07-99**

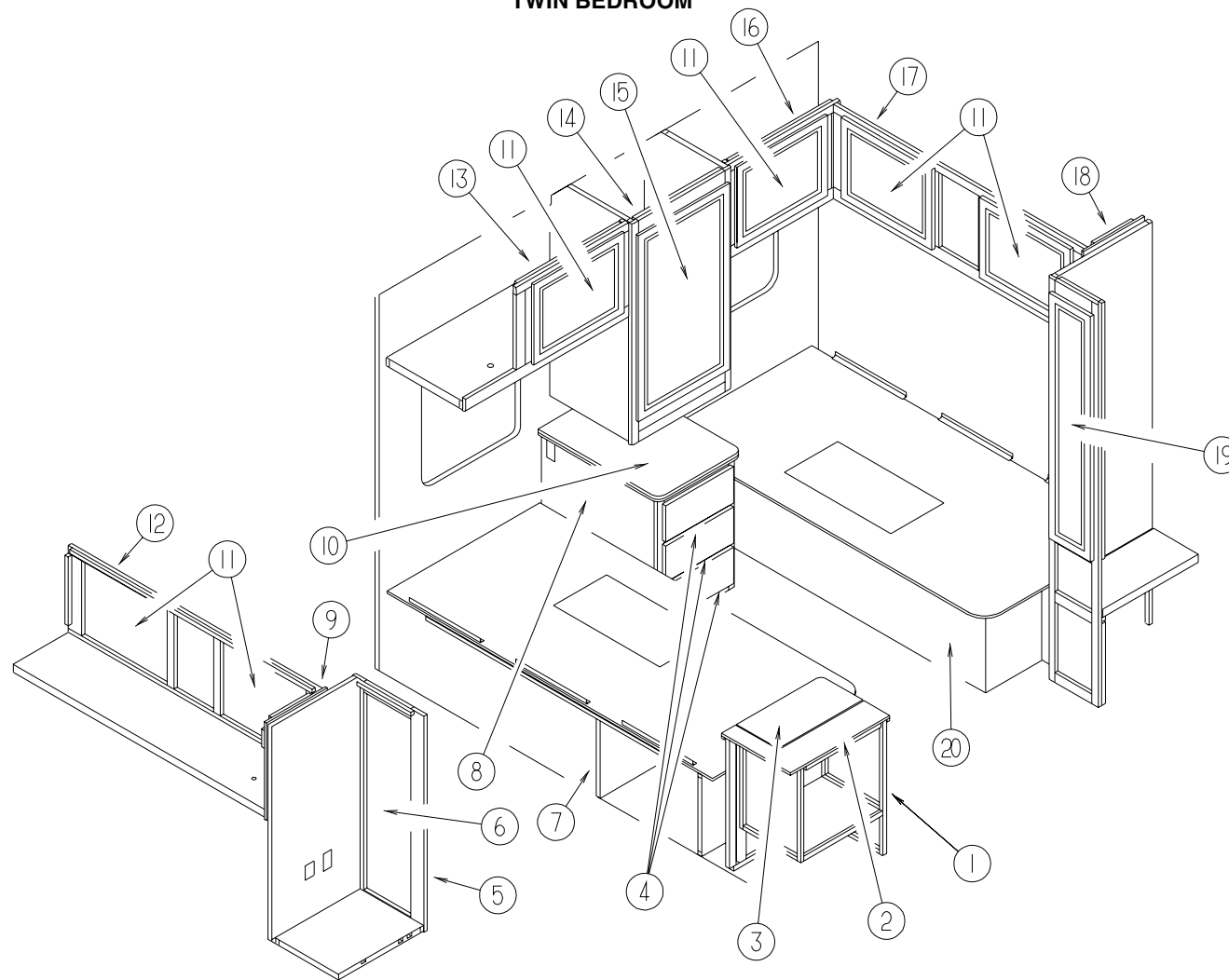
KEY	PART NUMBER	U/M	DESCRIPTION	VENDOR NO.
	042488-10-000	EA	DOOR - FOLDING - OFF WHITE FABRIC - 37" X 75"	
	042488-10-700	EA	LEADRAIL-PREPUNCHED F/HANDLE	DW2100
	080224-01-703	EA	HANDLE W/LATCH-CATCH, ALMOND	DE03505
	080224-01-705	EA	LATCH & CATCH ASM., ALMOND	DE25010 & DE25020
	094856-13-01A	EA	TRACK - FOLDING DOOR - OFF WHITE	

**FOLDING DOOR & HARDWARE  
FROM: 03-08-99 THRU: 99-99-99**

KEY	PART NUMBER	U/M	DESCRIPTION
	131595-01-01A	EA	DOOR - FOLDING - 37" X 75" - W/4 CEILING MOUNTED BRACKETS
	131595-01-700	EA	END STOP ONLY - FABRIC DOOR
	131595-01-701	EA	BRACKET/MOUNTING-FABRIC DOOR
	131595-01-702	EA	TRACK/STRAIGHT-37"FABRIC DR

## BEDROOM GROUP (CONTINUED)

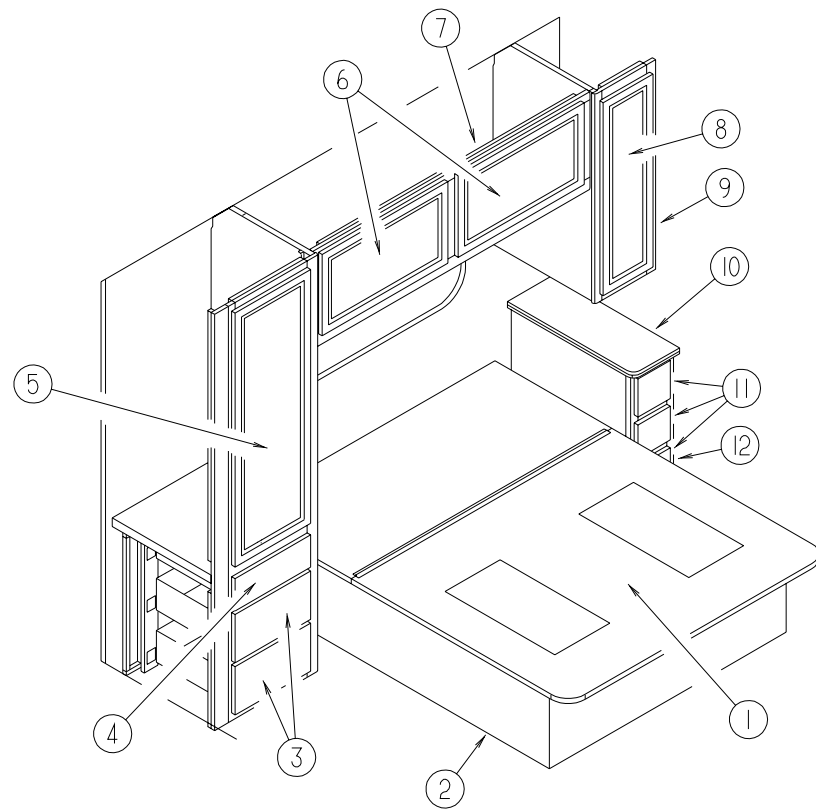
### TWIN BEDROOM



KEY	PART NUMBER	U/M	DESCRIPTION
1	131364-01-K13	EA	CABINET - HAMPER - W/O DOOR/HARDWARE
1	131364-01-K15	EA	CABINET - HAMPER - W/O DOOR/HARDWARE
2	131364-11-K13	EA	COUNTERTOP/HAMPER CABINET - STATIONARY(K13)
2	131364-11-K19	EA	COUNTERTOP/HAMPER CABINET - STATIONARY(K15)
3	131364-12-K13	EA	COUNTERTOP/HAMPER CABINET - LIFT UP(K13)
3	131364-12-K19	EA	COUNTERTOP/HAMPER CABINET - LIFT UP(K15)
4	M09316-70-K13	EA	DRAWER - OGEE EDGE - 13.5"W X 19.6"D - W/O SLIDES/HARDWARE
5	112831-01-G07	EA	CABINET - SHIRT CLOSET/RIGHT HAND - W/O DOORS/HARDWARE
6	131995-74-K13	EA	DOOR - SOLID PANEL - 12" X 39.9" - W/O HARDWARE
7	P31129-01-K13	EA	CABINET - BASE/TWIN BED/LEFT HAND - W/O DOORS/DRAWERS/HDW
8	131148-01-K13	EA	CABINET - NIGHTSTAND - W/COUNTERTOP - W/O DRS/DWRS/HDW
8	131148-01-K15	EA	CABINET - NIGHTSTAND - W/COUNTERTOP - W/O DRS/DWRS/HDW
9	109908-09-F08	EA	END CAP - OVERHEAD CABINET
10	131148-11-K13	EA	COUNTERTOP - NIGHTSTAND (K13)
10	131148-11-K19	EA	COUNTERTOP - NIGHTSTAND (K15)
11	131995-D1-K37	EA	DOOR - SOLID PANEL - 15.7" X 20.4" - W/O HARDWARE
12	131087-01-K13	EA	CABINET - OVERHEAD/REAR - W/O DOORS/HARDWARE
12	131087-01-K15	EA	CABINET - OVERHEAD/REAR - W/O DOORS/HARDWARE
13	110004-03-F08	EA	CABINET - OVERHEAD/REAR/RIGHT HAND TWIN - W/O DOORS/HDW FROM: 00-00-00 THRU: 09-20-98
13	110004-07-K13	EA	CABINET - OVERHEAD/REAR/RIGHT HAND TWIN - W/O DOORS/HDW FROM: 09-21-98 THRU: 99-99-99
14	123051-01-H10	EA	CABINET - SHIRT CLOSET/RIGHT REAR - W/O DOORS/HARDWARE
15	132006-12-K13	EA	DOOR - MITERED RAIL - 20.6" X 36.4" - W/O HARDWARE

KEY	PART NUMBER	U/M	DESCRIPTION
16	110004-04-F08	EA	CABINET - OVERHEAD/REAR - LEFT HAND TWIN - W/O DRS/HDW FROM: 00-00-00 THRU: 09-20-98
16	110004-08-K13	EA	CABINET - OVERHEAD/REAR/LEFT HAND TWIN - W/O DOORS/HDW FROM: 09-21-98 THRU: 99-99-99
17	131087-02-K13	EA	CABINET - OVERHEAD/REAR - W/O DOORS/HARDWARE
17	131087-02-K15	EA	CABINET - OVERHEAD/REAR - W/O DOORS/HARDWARE
18	109908-08-F08	EA	END CAP - OVERHEAD CABINET
19	132006-13-K13	EA	DOOR COMPL-MITERED
	058331-F7-000	EA	MIRROR - SAFETY GLASS - 6.8" X 44.7"
20	P18433-01-K13	EA	CABINET - TWIN BED - LH - W/O DOORS/DRAWERS/HARDWARE FROM: 00-00-00 THRU: 10-26-98
20	P15315-02-K13	EA	CABINET - TWIN BED - LH - W/O DOORS/DRAWERS/HARDWARE FROM: 10-27-98 THRU: 99-99-99
	096764-02-000	FT	SLIPNOT-ANTISLIP - 1' WIDE (100' ROLLS)
	126263-08-02B	EA	BRACKET - GAS SPRING - LOWER - E-COATED
	126263-06-02B	EA	BRACKET - GAS SPRING - E-COATED
	107796-26-000	EA	SPRING/GAS - 12" COMPRESSED/20" EXTENDED - 90 LB.
	105376-01-02A	EA	HINGE - CONTINUOUS - 2" X 5.5" - OFF WHITE
	084357-02-K56	EA	TV STAND - FOLD DOWN W/MIRROR FROM: 10-27-98 THRU: 99-99-99
	058331-14-000	EA	MIRROR - SAFETY GLASS - 14" X 12.7"
	084356-08-000	EA	INSERT - TV STAND - W/SUPPORT HINGES - OFF WHITE
	084412-01-000	EA	SUPPORT/HINGE KIT (LEFT & RIGHT HINGES)
	084413-01-000	EA	HINGE/CONTINUOUS - ALUMINUM 1" X 72" - W/HOLES
	084451-01-000	EA	CATCH & LATCH - 1.7" - BRASS
	042438-01-000	EA	DOWEL - WOOD - CLOTHES ROD - 1" DIAMETER X 4'
	009112-01-000	EA	FLANGE - PLASTIC - 1" CLOTHES ROD - OFF WHITE

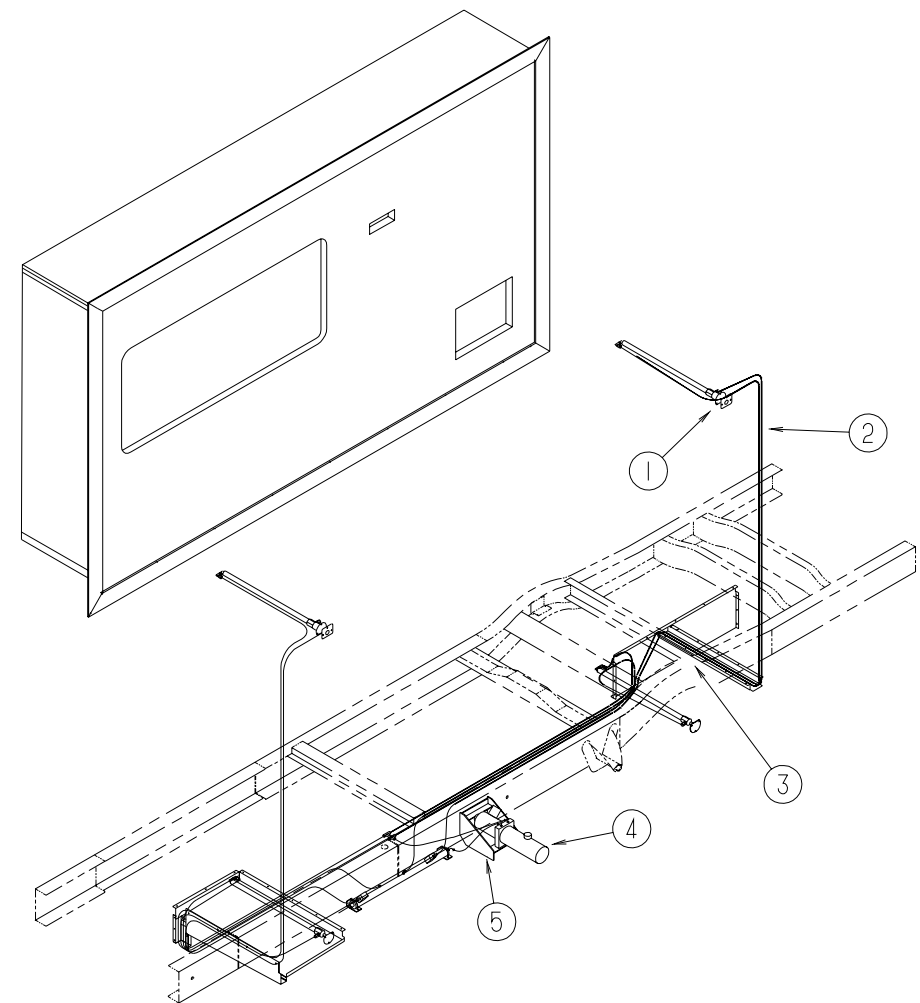
## BEDROOM GROUP (CONTINUED)



**CENTER QUEEN BEDROOM**

KEY	PART NUMBER	U/M	DESCRIPTION
1	M08789-02-000	EA	TOP - QUEEN BED - W/O HARDWARE
	096764-02-000	FT	SLIPNOT-ANTISLIP - 1' WIDE (100' ROLLS)
	126263-08-02B	EA	BRACKET - GAS SPRING - LOWER - E-COATED
	126263-06-02B	EA	BRACKET - GAS SPRING - E-COATED
	107796-06-000	EA	SPRING/GAS - 12" COMPRESSED/20" EXTENDED - 90 LB.
2	P30243-01-K13	EA	CABINET/BASE - QUEEN BED - W/O HARDWARE
3	M09316-37-K13	EA	DRAWER - OGEE EDGE - 14.7"W X 17.7"D - W/O SLIDES/HARDWARE
4	M09316-36-K13	EA	DRAWER - OGEE EDGE - 14.7"W X 17.7"D - W/O SLIDES/HARDWARE
5	132006-08-K13	EA	DOOR - MITERED RAIL - 16.7" X 48" - W/O HARDWARE
	058331-A3-000	EA	MIRROR - SAFETY GLASS - 13.4" X 44.7"
	042438-01-000	EA	DOWEL - WOOD - CLOTHES ROD - 1" DIAMETER X 4'
	009112-01-000	EA	FLANGE - PLASTIC - 1" CLOTHES ROD - OFF WHITE
6	131995-D4-K37	EA	DOOR - SOLID PANEL - 15.7" X 27.9" - W/O HARDWARE
7	130237-01-K13	EA	CABINET - OVERHEAD/REAR - W/O DOORS/HARDWARE
			FROM: 00-00-00 THRU: 09-20-98
7	130237-02-K13	EA	CABINET - OVERHEAD/REAR - W/O DOORS/HARDWARE
			FROM: 09-21-98 THRU: 99-99-99
8	131995-50-K13	EA	DOOR - SOLID PANEL - 10.8" X 36.4" - W/O HARDWARE
9	P30687-01-K07	EA	CABINET - SHIRT CLOSET - W/O DOORS/HARDWARE
10	129251-21-K13	EA	COUNTERTOP - NIGHTSTAND (K13)
10	129251-21-K07	EA	COUNTERTOP - NIGHTSTAND (K15)
11	M09316-58-K13	EA	DRAWER - OGEE EDGE - 10.7"W X 19.6"D - W/O SLIDES/HARDWARE
12	129251-09-K13	EA	CABINET/NIGHTSTAND/LH - W/COUNTERTOP - W/O DRS/DWRS/HDW
12	129251-09-K15	EA	CABINET/NIGHTSTAND/LH - W/COUNTERTOP - W/O DRS/DWRS/HDW

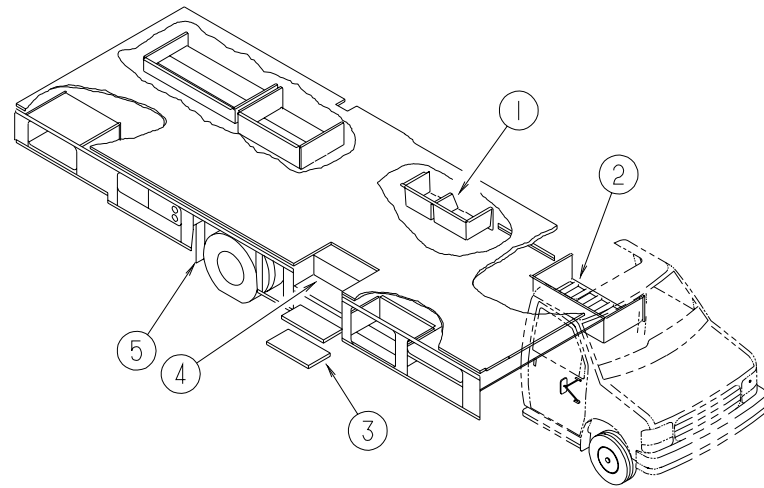
## CHASSIS GROUP



**SLIDEOUT HARDWARE**

KEY	PART NUMBER	U/M	DESCRIPTION	VENDOR NO.
1	131014-01-01A	EA	BEZEL - SLIDEOUT - UPPER - BRIGHT WHITE	
1	102333-02-01A	EA	BOLT - CARRIAGE - 1/4-20	
1	000D39-04-00B	EA	NUT - HEX - LOCKING W/SERRATED FLANGE - 1/4-20 - ZINC	
2	130606-02-000	EA	CONTROL - PUMP/SLIDEOUT	
3	114208-04-000	EA	GROMMET - EDGE LINER - FITS 1.00"	
4	130606-01-000	EA	SLIDEOUT - HYDRAULIC	
	100532-09-710	EA	SOLENOID-INTERMITTENT DUTY	RAP0533
	130606-01-700	EA	CYLINDER - LOWER SLIDE	RAP90650
	130606-01-701	EA	RELAY - 5-TERMINAL	RAP90653
	130606-01-702	EA	CYLINDER - FRONT/UPPER	RAP90647
	130606-01-703	EA	CYLINDER - REAR/UPPER	RAP90648
	130606-01-704	EA	SYNCRONIZING CYLINDER	AP18543
	130606-01-705	EA	PUMP/RESERVOIR W/SOLENOIDS	AP17438
	130606-01-706	EA	PRESSURE SWITCH F/SYNC CYL	RAP90654
5	107938-08-000	EA	BRACKET - PUMP	

## CHASSIS GROUP (CONTINUED)

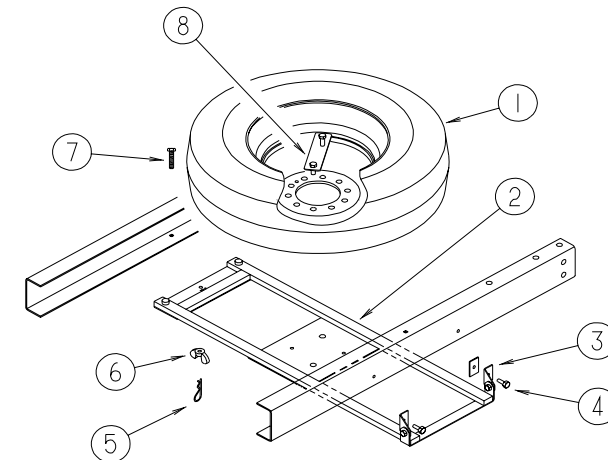


### COMPARTMENTS, PLUGS & SEALS

KEY	PART NUMBER	U/M	DESCRIPTION
1	117186-03-J05	EA	COMPARTMENT - STORAGE
1	116926-03-01A	EA	COMPARTMENT - SEWER
1	M06991-02-FQ0	EA	HATCH/COMPARTMENT - W/FOAMED INSULATION - 3.8" X 8.2"
1	M06991-04-FB1	EA	HATCH/COMPARTMENT - W/FOAMED INSULATION - 5.3" X 15.3"
1	121175-01-01A	EA	LATCH - SWELL - BLACK
2	117928-06-01A	EA	COMPARTMENT - STORAGE - 23.4" X 42.4"
3*	094707-01-01A	EA	STEP - DOUBLE - ELECTRIC - KWIKEE
			FROM: 00-00-00 THRU: 01-13-99
	116995-01-000	EA	SWITCH/MAGNET - ELECTRIC STEP - WHITE/WHITE - OPEN CIRCUIT
			FROM: 00-00-00 THRU: 01-13-99
3*	094707-03-01A	EA	STEP - ELECTRIC DOUBLE - W/BLACK CONTROL BOX - KWIKEE
			FROM: 01-14-99 THRU: 99-99-99
	116995-02-000	EA	SWITCH/MAGNET - ELECTRIC STEP - BLACK/WHITE-CLOSED CIRCUIT
			FROM: 01-14-99 THRU: 99-99-99
	091176-01-000	EA	SUPPORT - BASE - ENTRANCE STEP
4	122755-05-01A	EA	TILE - RUBBER/ENTRANCE DOOR - 11.2" X 26.9"
4	P14437-02-000	EA	CABINET - LID ENTRANCE DOOR - W/O CARPET
5	017516-01-000	EA	MUD FLAP - 14" X 18" - BLACK
	065450-05-000	EA	TIEDOWN - BATTERY - 8.4" TUBE
	121948-01-000	EA	SHIELD - SIGHT
			FROM: 00-00-00 THRU: 09-20-98
	119845-01-01A	EA	PLUG - PLASTIC - BLACK - 1 1/2" SQUARE
			FROM: 12-21-98 THRU: 99-99-99

\*COMPONENT PARTS FOUND IN SERVICE PARTS LIBRARY

## CHASSIS GROUP (CONTINUED)

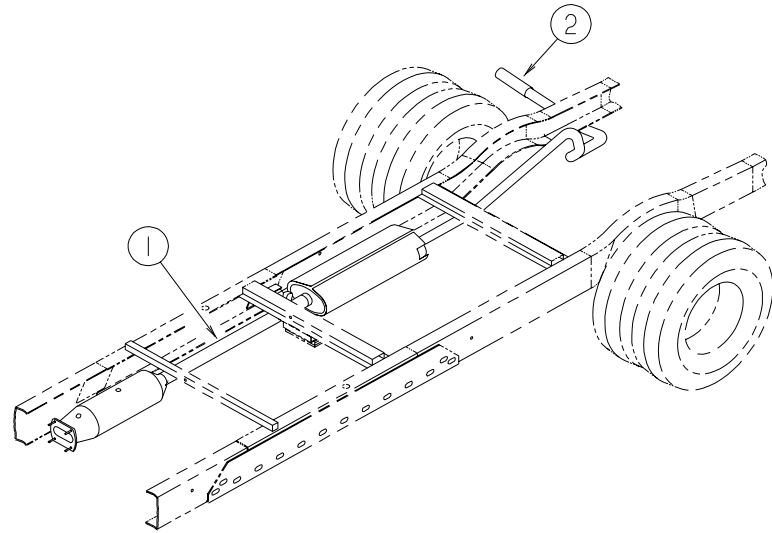


### SPARE TIRE

KEY	PART NUMBER	U/M	DESCRIPTION
1	070917-06-000	EA	TIRE - LT225/75R16E - R4S - M/S - FIRESTONE
1	083617-03-000	EA	WHEEL - STEEL - 6" X 16"
			FROM: 00-00-00 THRU: 12-02-98
1	083617-04-000	EA	WHEEL - STEEL - 6" X 16" - '99 E350/E450
			FROM: 12-03-98 THRU: 99-99-99
	051377-04-000	EA	VALVE STEM - .5" X 2"
2	116348-01-02B	EA	CRADLE - SPARE TIRE - E-COATED
3	116349-01-02B	EA	BRACKET/HINGE - SPARE TIRE - E-COATED
4	000C26-06-12B	EA	BOLT - HEX - SERRATED FLANGE - 3/8-16 X 3/4 - ZINC
4	000E13-17-00B	EA	WASHER - FLAT - 3/8" AR - ZINC
4	000D34-06-00B	EA	NUT - HEX - LOCKING - 3/8-16 GRADE C - ZINC
5	034513-01-000	EA	PIN - HITCH - 3/16" WIRE
6	064081-03-000	EA	NUT - WING 3/8-16 - W/WELD NUT
7	000C18-06-56A	EA	BOLT - ELEVATOR - 3/8-16 X 3 1/2 - GRADE 5
8	116338-02-02B	EA	BRACKET/CLAMP - SPARE TIRE - E-COATED
8	000D29-09-00B	EA	NUT - HEX - SELF LOCKING - 9/16-12 ZINC
	112358-01-000	EA	WRENCH - LUG - 7/8" - L-SHAPE



## CHASSIS GROUP (CONTINUED)

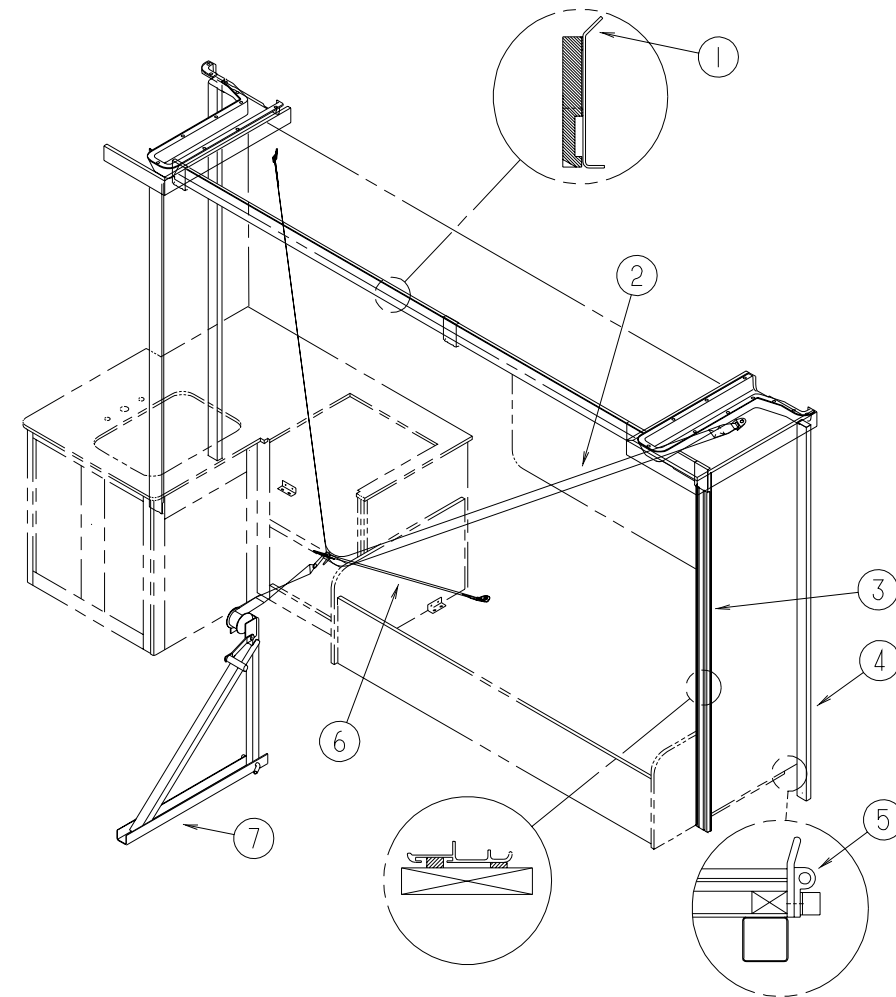


### EXHAUST SYSTEM COMPONENTS

KEY	PART NUMBER	U/M	DESCRIPTION
1	111478-03-000	EA	EXHAUST PIPE - DOUBLE WALL STAINLESS STEEL - 49"
	094918-06-000	EA	CLAMP - EXHAUST - 3" - HEAVY DUTY
2	098762-18-000	EA	PIPE - EXHAUST - STRAIGHT - 3"
	091182-14-000	EA	SHIELD - HEAT

FROM: 00-00-00 THRU: 12-30-98

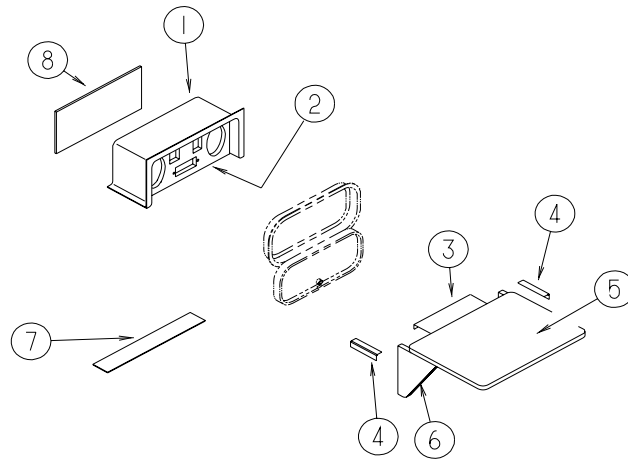
## CHASSIS GROUP (CONTINUED)



### SLIDEOUT HARDWARE

KEY	PART NUMBER	U/M	DESCRIPTION
1	116967-06-K13	EA	TRIM - CENTER - WOOD - 3.8" X 57.9"
2	116101-05-K19	EA	STRAP - WINCH - 149.8" CENTER/CENTER BRACKET
3	116951-14-K19	EA	MOLDING - TRIM - 3" X 70.6"
4	119992-18-01A	EA	TRIM - SEAL - W/MITERED ENDS - BRIGHT WHITE
5	121283-01-000	FT	SEAL - P SHAPED
6	116101-06-K19	EA	STRAP - WINCH - 53" CENTER BRACKET/STRAP END
7	115767-02-000	EA	WINCH - SLIDEOUT
	128599-03-000	EA	PAD - SLIDEOUT - HYDRAULIC
	131014-01-01A	EA	BEZEL - SLIDEOUT - UPPER - BRIGHT WHITE
	130792-01-02B	EA	BRACKET - MOUNT - SLIDEOUT - E-COATED
	130792-02-02B	EA	BRACKET - MOUNT - SLIDEOUT - E-COATED
	131007-01-12B	EA	BRACKET - SLIDEOUT - BRIGHT WHITE
	131007-02-12B	EA	BRACKET - SLIDEOUT - BRIGHT WHITE
	130606-01-000	EA	SLIDEOUT - HYDRAULIC
	130606-02-000	EA	CONTROL - PUMP/SLIDEOUT

## CHASSIS GROUP (CONTINUED)



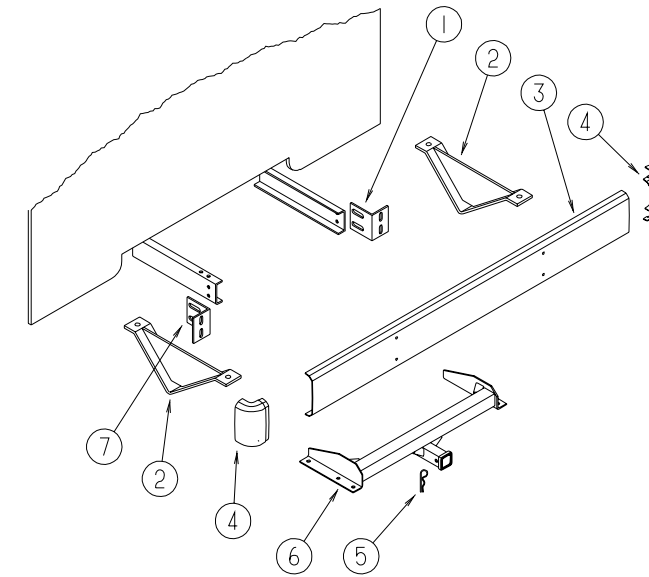
### ENTERTAINMENT COMPARTMENT

KEY	PART NUMBER	U/M	DESCRIPTION
1	124696-01-01A	EA	BOX - ENTERTAINMENT CENTER/EXTERIOR
2	127409-02-J01	EA	PLATE - RADIO MOUNTING
3	105377-01-04A	EA	BRACKET - TABLE HANGER - BRIGHT WHITE
4	105376-01-03A	EA	HINGE - CONTINUOUS - 2" X 5.5" - BRIGHT WHITE
5	105230-11-J01	EA	SHELF - EXTERIOR ENTERTAINMENT CENTER - W/O HARDWARE
6	105230-13-J01	EA	SUPPORT - EXTERIOR SHELF
7	104898-01-02A	EA	PLATE - PLASTIC BOTTOM - BRIGHT WHITE
8	104898-02-02A	EA	PLATE - PLASTIC BACK - BRIGHT WHITE

### WHEEL LINERS

KEY	PART NUMBER	U/M	DESCRIPTION	VENDOR NO.
	110435-13-000	EA	LINER - WHEEL - SET OF 4	
	110435-10-705	EA	TOOL - INSTALLATION	V195P7-TOL
	110435-13-700	EA	LINER - WHEEL - FRONT	V160F7-FWC
	110435-13-701	EA	LINER - WHEEL - REAR	V160F7-RWC
	110435-13-702	EA	COVER - LUG NUT/JAMB NUT	V160F7-EJN
	095012-05-000	EA	EXTENSION - VALVE STEM - LIVE 5"	
	095012-06-000	EA	STABILIZER - VALVE EXTENSION - LIVE	

## CHASSIS GROUP (CONTINUED)



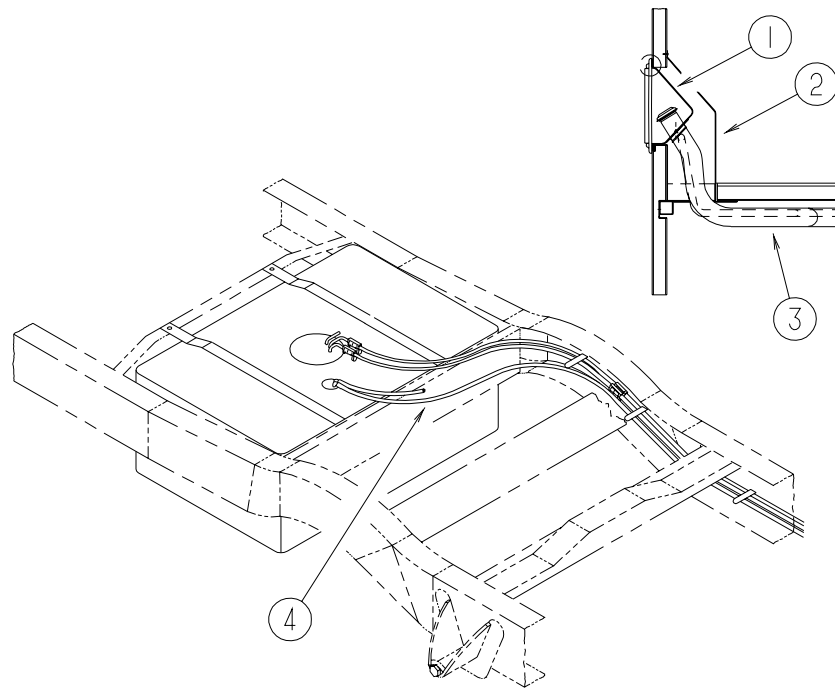
### REAR BUMPER & HITCH

KEY	PART NUMBER	U/M	DESCRIPTION
1	104420-01-000	EA	SUPPORT/ANGLE - REAR BUMPER - RIGHT HAND
2	083376-01-000	EA	PLATE/SKID - 13.2" X 6" X 2" STEEL
3	103099-05-02A	EA	BUMPER - REAR - SQUARE ALUMINUM - 97.3" - BRIGHT WHITE
	105933-01-000	EA	BRACKET - BUMPER - REAR/RIGHT HAND
	105933-02-000	EA	BRACKET - BUMPER - REAR/LEFT HAND
4	106147-01-02A	EA	CAP - BUMPER - BLACK
	034512-01-000	EA	PIN - LOCKING - DRAWBAR
5	034513-01-000	EA	PIN - HITCH - 3/16" WIRE
6	107707-08-000	EA	HITCH RECEIVER - BOLT-ON CLASS II
			FROM: 00-00-00 THRU: 07-12-98
6	130339-04-000	EA	HITCH RECEIVER - BOLT-ON CLASS II
			FROM: 07-13-98 THRU: 99-99-99
7	104420-02-000	EA	SUPPORT/ANGLE - REAR BUMPER - LEFT HAND
	113589-02-000	EA	CONNECTOR - SOCKET - TRAILER
	113589-01-000	EA	CONNECTOR - PLUG - TRAILER
	113588-02-01B	EA	BRACKET - CONNECTOR - TRAILER W/O LIP

### DRIVESHAFT & BRAKE LINE FLARE UNION

KEY	PART NUMBER	U/M	DESCRIPTION
	074833-01-000	EA	SPACER - BEARING - DRIVESHAFT - 2" X 8" X .5" THICK
	085771-03-000	EA	NUT - HEX - FLARE TORQUE - GRADE G - DRIVESHAFT
	088498-01-000	EA	UNION - INVERTED FLARE - BRASS - 3/16
	103653-23-000	EA	BOLT - U-JOINT - 5/16-24 X .75
	103653-24-000	EA	STRAP - U-JOINT
	131695-01-000	EA	DRIVESHAFT ASSEMBLY - 3 BALANCED - 205" WHEEL BASE
			FROM: 09-15-98 THRU: 99-99-99

## CHASSIS GROUP (CONTINUED)



### FUEL SYSTEM COMPONENTS

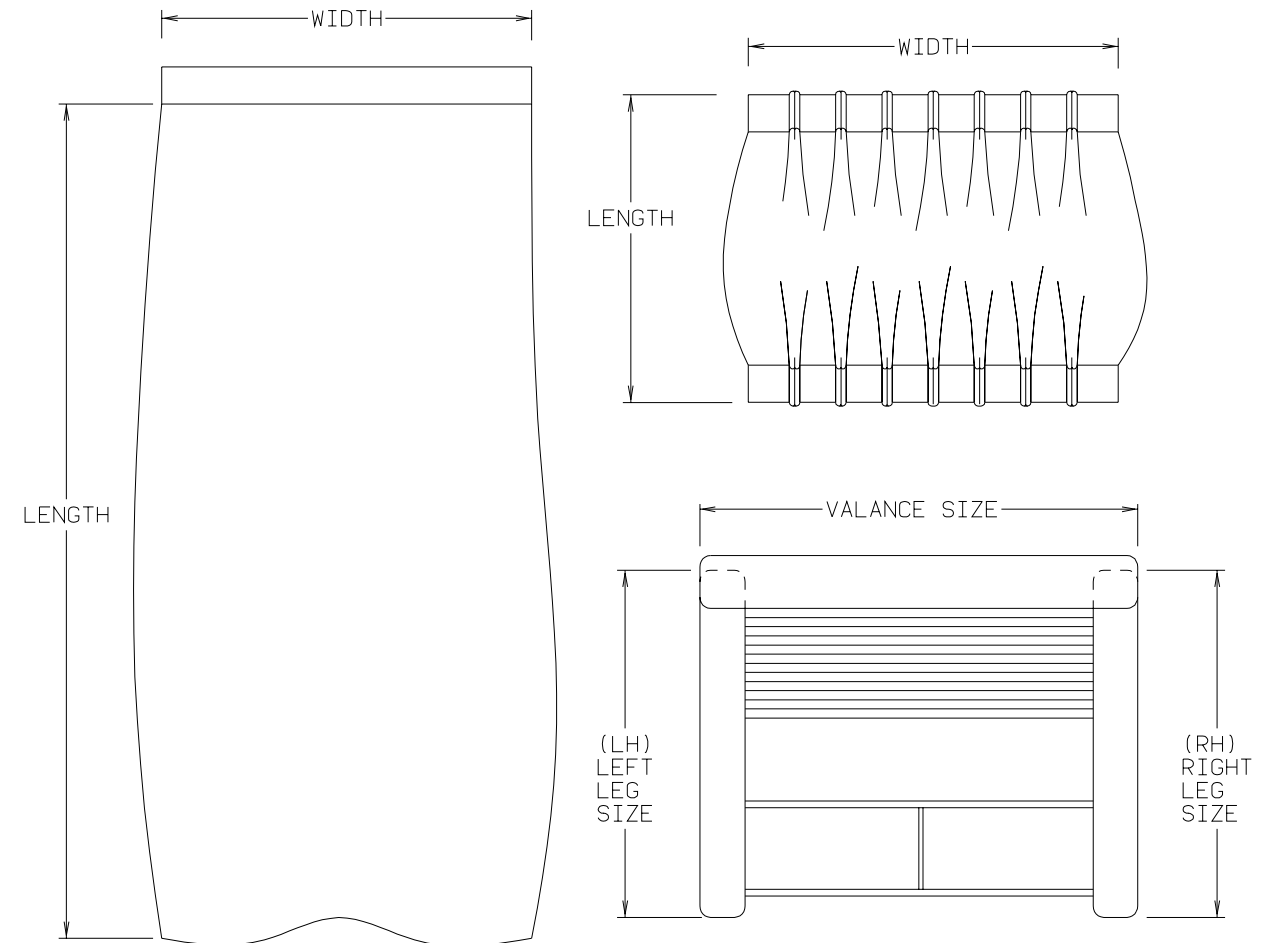
KEY	PART NUMBER	U/M	DESCRIPTION
1	095854-01-04A	EA	SHROUD - FUEL FILL - BRIGHT WHITE
2	078040-06-000	EA	SHROUD - FUEL FILL - UPPER
3	N/A	EA	NECK - FILLER - FUEL FILL - UNLEADED (CHASSIS SUPPLIED)
	078200-01-000	EA	GASKET - FUEL FILL - 3.5"OD X 2"ID
4	125187-01-000	FT	HOSE - FUEL - LOW PERM - 11.1 ID
4	125187-02-000	FT	HOSE - FUEL - LOW PERM - 12.7 ID
4	128139-03-000	FT	HOSE - FUEL - LOW PERMEABILITY - 1/4" DIAMETER
	084884-01-000	EA	PLUG - BRASS - 3/8
	129505-02-000	EA	TUBE - STEEL - 5/8" X 13.5"

## CURTAIN & CUSHION GROUP

### NOTICE

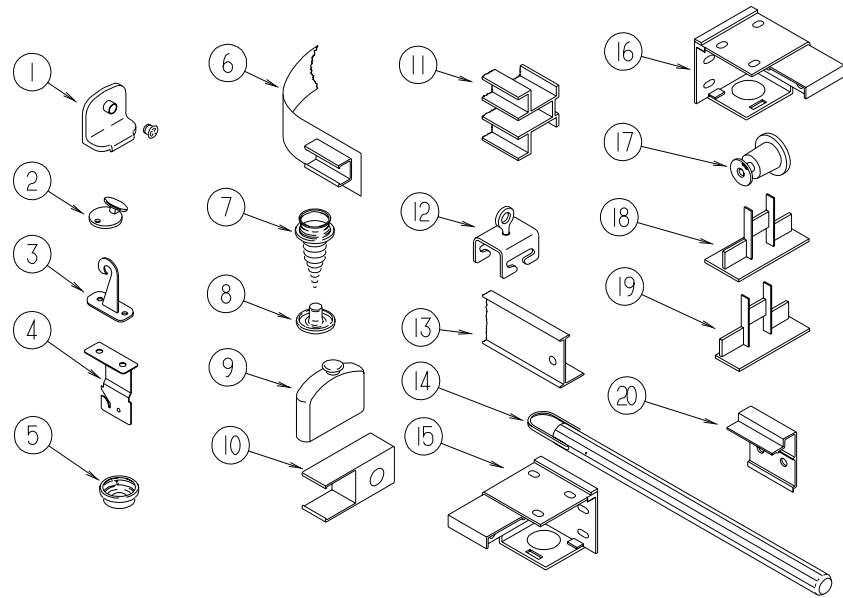
IN ORDER TO ASSIST OUR PARTS SALES DEPT. IN PROVIDING INTERIOR SOFTWARE ITEMS, PLEASE INCLUDE THE SERIAL NUMBER AND THE COLOR CODE NUMBER FROM THE VEHICLE CERTIFICATION LABEL WHEN ORDERING. THIS LABEL IS LOCATED ON THE LEFT SIDEWALL AT THE END OF THE DASH (A-BODY), OR ON THE DRIVER'S DOOR LATCH PLATE (C-BODY).

AN EXAMPLE OF A COLOR CODE NUMBER IS B07, WHICH DESIGNATES AN OVERALL COLOR SCHEME OF A PARTICULAR UNIT. THE COLOR LISTED AFTER THE ITEM DESCRIPTION ON THE MICROFICHE, INDICATES THE OVERALL UNIT COLOR. ORDER THE ITEM YOU DESIRE ACCORDING TO UNIT COLOR CODE.



NOTE: USE THIS ILLUSTRATION WHEN DETERMINING LENGTH AND WIDTH MEASUREMENTS FOR CURTAINS. YOU WILL NOTE THE WIDTH MEASUREMENT IS TAKEN ON THE TOP OF THE CURTAIN WITH THE CURTAIN FULLY EXTENDED. THE LENGTH MEASUREMENT IS TAKEN FROM TOP TO BOTTOM. LEFT AND RIGHT WINDOW LEGS ARE DETERMINED WHEN FACING THE WINDOW.

**CURTAIN & CUSHION GROUP (CONTINUED)**



**CURTAIN & BLIND HARDWARE**

KEY	PART NUMBER	U/M	DESCRIPTION
1	106544-01-000	EA	PULL - SHADE/BRASS
	106544-01-001	EA	SCREW - SHADE/BRASS
2	102555-03-000	EA	CLEAT - BLIND CORD - MILKY WHITE PLASTIC
3	109441-03-000	EA	HOLD DOWN - BLIND (CLOUDY)
4	084434-01-000	EA	BRACKET - MOUNTING - ROLLER SHADE - 1 3/8"
5	029156-01-000	EA	SOCKET - SNAP - 9/16" O.D.
6	101031-01-000	YD	TAPE - GLIDE/CURTAIN - 4.25" SPACING
7	029130-01-000	EA	SCREW - SNAP SOCKET - #8 PH X 5/8"
8	029155-01-000	EA	CAP - SNAP - 5/32" OUTSIDE DIAMETER OF PIN
9	093475-01-701	EA	CAP-END, WITH INVERTED STUD PAR
10	101033-02-000	EA	END CAP - TRACK/CLEAR
11	101033-04-000	EA	TRACK - WALL - 3'
11	101033-06-000	EA	TRACK - WALL - 6.5'
11	101033-07-000	EA	TRACK - WALL - 2.5'
12	009702-01-000	EA	END STOP - CURTAIN CARRIER - L ROD
			FROM: 00-00-00 THRU: 12-22-98
13	009700-04-002	EA	TRACK/CURTAIN - L SHAPED - 15.5' - OFF WHITE
14	093475-01-700	EA	WAND-BLIND W/METAL CLIP, 8"
15	083170-01-000	EA	BRACKET - BLIND - LEFT SIDE WHEN FACING WINDOW
16	083170-02-000	EA	BRACKET - BLIND - RIGHT SIDE WHEN FACING WINDOW
17	097592-02-000	EA	SPOOL - CORD - ELEVATED BLIND HOLDUP - LARGE - CLEAR
18	094907-04-000	EA	END CAP - BOTTOM/PLEATED BLIND (RH & LH)
	094907-04-700	EA	END CAP-RH BOTTOM BLIND
	094907-04-701	EA	END CAP-LH BOTTOM BLIND
19	094907-02-000	EA	END CAP - TOP/PLEATED BLIND - PLASTIC - GRAY
20	097565-01-000	EA	BRACKET - MOUNTING/PLEATED BLIND
	046867-02-000	EA	WASHER - HANDY BUTTON #3
	046867-03-000	EA	GROMMET - HANDY BUTTON #3
	048394-02-000	YD	VELCRO TAPE - HOOK - ADHESIVE BACK - .75" WIDE - BEIGE
	096843-01-000	EA	SPRING - REWIND/ROLLER SHADE
	086276-01-000	EA	TAPE - DOUBLE SIDED - 1/2"
	075943-10-000	EA	BRACE - VALANCE - 20"
	083125-08-000	EA	BRACE - WINDOW MOUNT - .75" - OFF WHITE
	095567-01-000	EA	TACK - STRIP - .5" X 625' ROLL
	094896-02-000	EA	GROMMET - CORD/PLEATED BLIND - NYLON - GRAY
	097564-03-000	EA	HANDLE - KNOB - E-Z LIFT SHADE - TAN
	097591-01-000	EA	SPRING - EXTENSION/PLEATED BLIND
	097593-02-000	FT	CORD - BLIND - PLEATED - GRAY

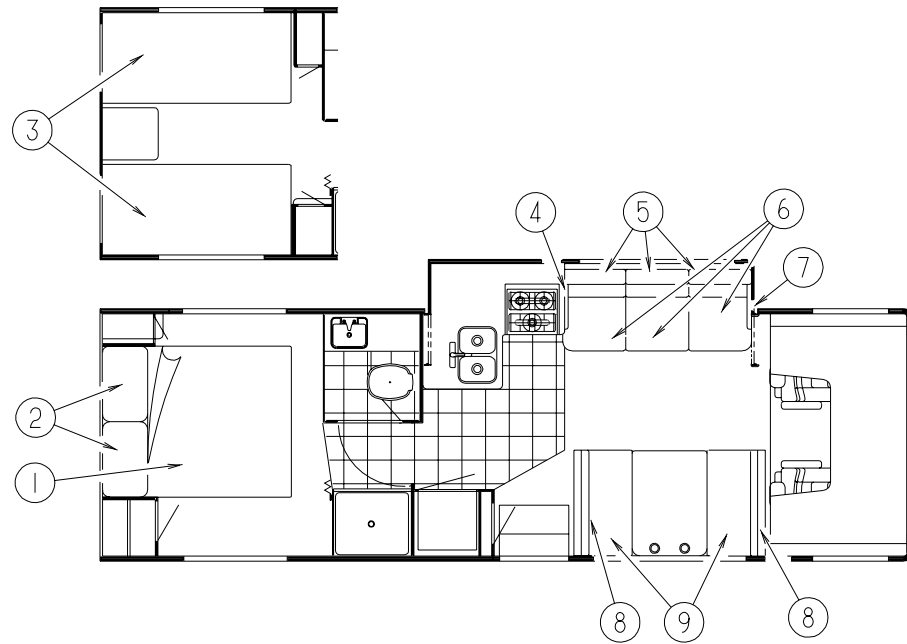
**CURTAIN & CUSHION GROUP (CONTINUED)**

**MINNIE WINNIE DL FABRICS**

Family - 400's	K13 Willow	K15 Cloud
<b>Bucket Seats</b>	108446-S6-000 103907-01-03A	108446-W2-000 103907-01-08A
<b>Dinette</b>	108446-S4-000	108446-U6--000
<b>Dinette Pads</b>	108446--S6-000	108446-W2-000
<b>Sofa</b>	108446-S4-000	108446-U6-000
<b>Swivel Chair</b>	108446-S1-000	108446-W3-000
<b>Lounge Pillows</b>	108446-S4-000 084415-66-000	108446-U6-000 084415-93-000
<b>Lounge Windows</b>	108446-S1-000 108446-S4-000	108446-W3-000 108446-U6-000
<b>Overhead Bunk</b>	108446-S1-000	108446-W3-000
<b>Bedroom Window</b>	105745-G3-000 105745-B5-000	105745-H4-000 105745-H8-000
<b>Bedroom Legs</b>	105745-G3-000	105745-H8-000
<b>Bedroom Pillow</b>	105745-B5-000	105745-H8-000
<b>Bedsread</b>	105745-G3-000 105745-B3-000	105745-H4-000 105745-H8-000
<b>Pillow Shams</b>	105745-G3-000 105745-B3-000	105745-H4-000 105745-H8-000
<b>Front Wraparound</b>	072333-85-000	072333-88-000
<b>Overhead Curtain</b>	105745-G3-000	105745-H5-000
<b>Day/Nighter</b>	094911-30-000 094911-50-000	094911-30-000 094911-50-000
<b>Ceiling Vinyl</b>	113979-09-01A	113979-09-01A

NOTE: THE FABRIC LISTED FIRST, IN A BLOCK, IS THE LARGEST QUANTITY OF FABRIC USED.

**CURTAIN & CUSHION GROUP (CONTINUED)**



**QUEEN BEDSPREAD, PILLOW & MATTRESS**

KEY	PART NUMBER	U/M	DESCRIPTION
1	123015-06-000	EA	MATTRESS - INNERSPRING - 60" X 74.5"
1	123471-11-K13	EA	BEDSPREAD/THROW - 60" X 75"
1	123471-08-K15	EA	BEDSPREAD/THROW - 60" X 75"
2	104176-04-K13	EA	PILLOW SHAM - 30"
2	104176-04-K15	EA	PILLOW SHAM - 30"
	111862-09-K13	EA	PILLOW - 17" X 17"
	111862-09-K15	EA	PILLOW - 17" X 17"

**TWIN BEDSPREAD, PILLOW & MATTRESS**

KEY	PART NUMBER	U/M	DESCRIPTION
3	101123-29-000	EA	MATTRESS - FOAM - 35" X 74"
3	P01123-29-000	EA	COVER - MATTRESS - 35" X 74"
3	123471-17-K13	EA	BEDSPREAD/THROW - 36" X 75"
3	123471-17-K15	EA	BEDSPREAD/THROW - 36" X 75"
	104176-08-K13	EA	PILLOW SHAM - 33"
	104176-08-K15	EA	PILLOW SHAM - 33"
	111862-09-K13	EA	PILLOW - 17" X 17"
	111862-09-K15	EA	PILLOW - 17" X 17"

**SECTIONAL COUCH**

KEY	PART NUMBER	U/M	DESCRIPTION
4	123381-05-K13	EA	ARMREST - RIGHT HAND
4	123381-05-K15	EA	ARMREST - RIGHT HAND
	P23381-05-K13	EA	COVER - ARMREST/RIGHT HAND
	P23381-05-K15	EA	COVER - ARMREST/RIGHT HAND
	123499-04-000	EA	SOFA - ARM - WOOD - RIGHT HAND
5	130573-03-K13	EA	SOFA - BACK - 67.5" (K13)
5	130573-03-K58	EA	SOFA - BACK - 67.5" (K15)
	P30573-03-K13	EA	COVER - BACK - 67.5" (K13)
	P30573-03-K58	EA	COVER - BACK - 67.5" (K15)

**SECTIONAL COUCH (CONTINUED)**

KEY	PART NUMBER	U/M	DESCRIPTION
6	130573-04-K13	EA	SOFA - SEAT - 67.5" (K13)
6	130573-04-K58	EA	SOFA - SEAT - 67.5" (K15)
	P30573-04-K13	EA	COVER - SEAT - 67.5" (K13)
	P30573-04-K58	EA	COVER - SEAT - 67.5" (K15)
7	123381-06-K13	EA	ARMREST - LEFT HAND
7	123381-06-K15	EA	ARMREST - LEFT HAND
	P23381-06-K13	EA	COVER - ARMREST/LEFT HAND
	P23381-06-K15	EA	COVER - ARMREST/LEFT HAND
	103669-30-K13	EA	PILLOW - 17" X 17"
	103669-30-K15	EA	PILLOW - 17" X 17"
	123499-05-000	EA	SOFA - ARM - WOOD - LEFT HAND
	116104-03-02B	EA	BRACKET - ZEE W/HOLES - 5.9"
	116104-04-02B	EA	BRACKET - ZEE W/HOLES - 3.2"
	121906-01-02B	EA	BRACKET - KICKBOARD - E-COATED
	124656-96-000	EA	LOCK - CANADIAN - #3380EZLK

**NOTE: COUCH FRONT AND SIDE PANELS ARE FOUND IN THE LOUNGE GROUP.**

**DINETTE CUSHIONS**

KEY	PART NUMBER	U/M	DESCRIPTION
8	111897-05-J41	EA	CUSHION - BACK - 13.5" X 42" X 5" (K13)
8	111897-05-J54	EA	CUSHION - BACK - 13.5" X 42" X 5" (K15)
	P11897-05-J41	EA	COVER - BACK - 13.5" X 42" X 5" (K13)
	P11897-05-J54	EA	COVER - BACK - 13.5" X 42" X 5" (K15)
9	105603-15-J41	EA	CUSHION - SEAT - 23" X 42" X 5" (K13)
9	105603-15-J54	EA	CUSHION - SEAT - 23" X 42" X 5" (K15)
	P05603-15-J41	EA	COVER - SEAT - 23" X 42" X 5" (K13)
	P05603-15-J54	EA	COVER - SEAT - 23" X 42" X 5" (K15)
	078155-01-000	EA	STRAP - SNAP - BACKREST CUSHION

**BUNK CUSHIONS**

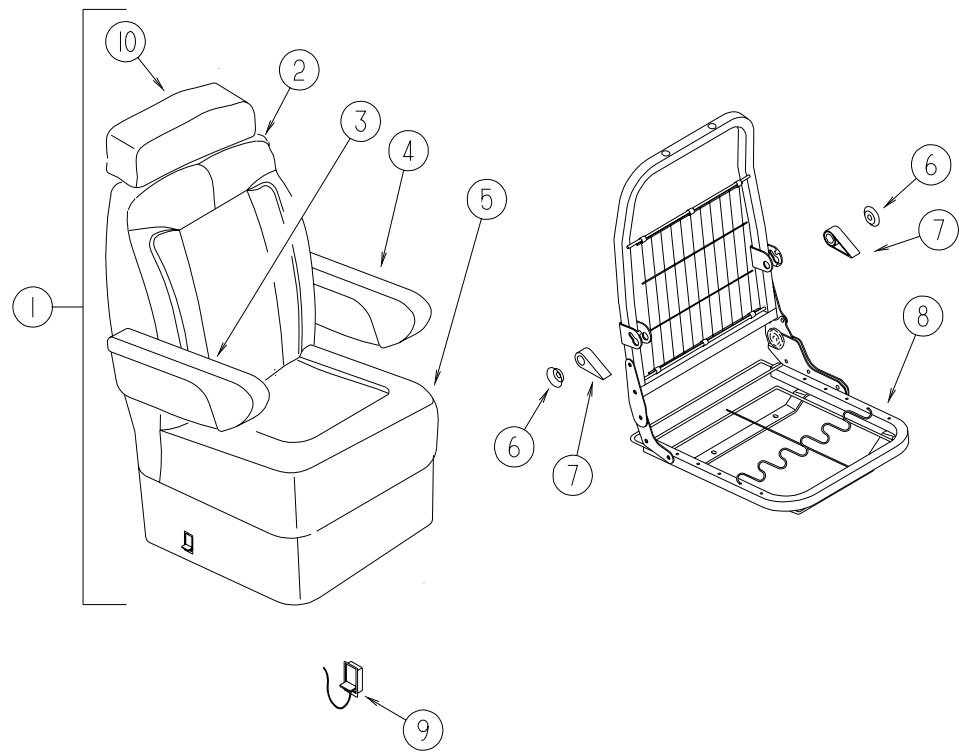
KEY	PART NUMBER	U/M	DESCRIPTION
	105573-10-J41	EA	CUSHION - OVERHEAD BUNK/REAR - 27" X 23" X 80" X 5" (K13)
	105573-10-K15	EA	CUSHION - OVERHEAD BUNK/REAR - 27" X 23" X 80" X 5" (K15)
	P05573-10-J41	EA	COVER - CUSHION/OVERHEAD BUNK/REAR - 27" X 23" X 80" X 5" (K13)
	P05573-10-K15	EA	COVER - CUSHION/OVERHEAD BUNK/REAR - 27" X 23" X 80" X 5" (K15)
	105573-09-J41	EA	CUSHION - OVERHEAD BUNK/Front - 32.5" X 80" X 5" (K13)
	105573-09-K15	EA	CUSHION - OVERHEAD BUNK/Front - 32.5" X 80" X 5" (K15)
	P05573-09-J41	EA	COVER - CUSHION/OVERHEAD BUNK/Front - 32.5" X 80" X 5" (K13)
	P05573-09-K15	EA	COVER - CUSHION/OVERHEAD BUNK/Front - 32.5" X 80" X 5" (K15)
	079145-08-000	EA	CUSHION - BUNK - 25" X 74" X 3.5"
	M79145-08-000	EA	COVER - CUSHION/BUNK - 25" X 74" X 3.5"
	094658-02-F08	EA	OAK HANDLE - SALEM CHERRY

**VINYL ASSIST HANDLE, BUTTONS, & SEATBELTS**

KEY	PART NUMBER	U/M	DESCRIPTION
	069178-02-000	EA	BRACKET - MOUNTING/ASSIST HANDLE - GRAY
	053552-02-K01	EA	HANDLE - ASSIST - INTERIOR/ENTRY DOOR - VINYL/OFF WHITE
	000C16-07-16B	EA	BOLT - CARRIAGE - ASSIST HANDLE - 7/16" - 14 X 1"
	000D20-07-00B	EA	NUT - ACORN - ASSIST HANDLE - 7/16 - 14
	057759-01-000	EA	WASHER - FLAT F/SEAT BELT - 4" DIAMETER
	007021-01-000	EA	SEAT BELT - 2" X 90" - BLACK
	056271-01-000	EA	SEAT BELT - 2" X 102" - BLACK
	084415-66-000	YD	TRIM - BRAID (K13)
	084415-93-000	YD	TRIM - BRAID - CLOUD (K15)

## CURTAIN & CUSHION GROUP (CONTINUED)

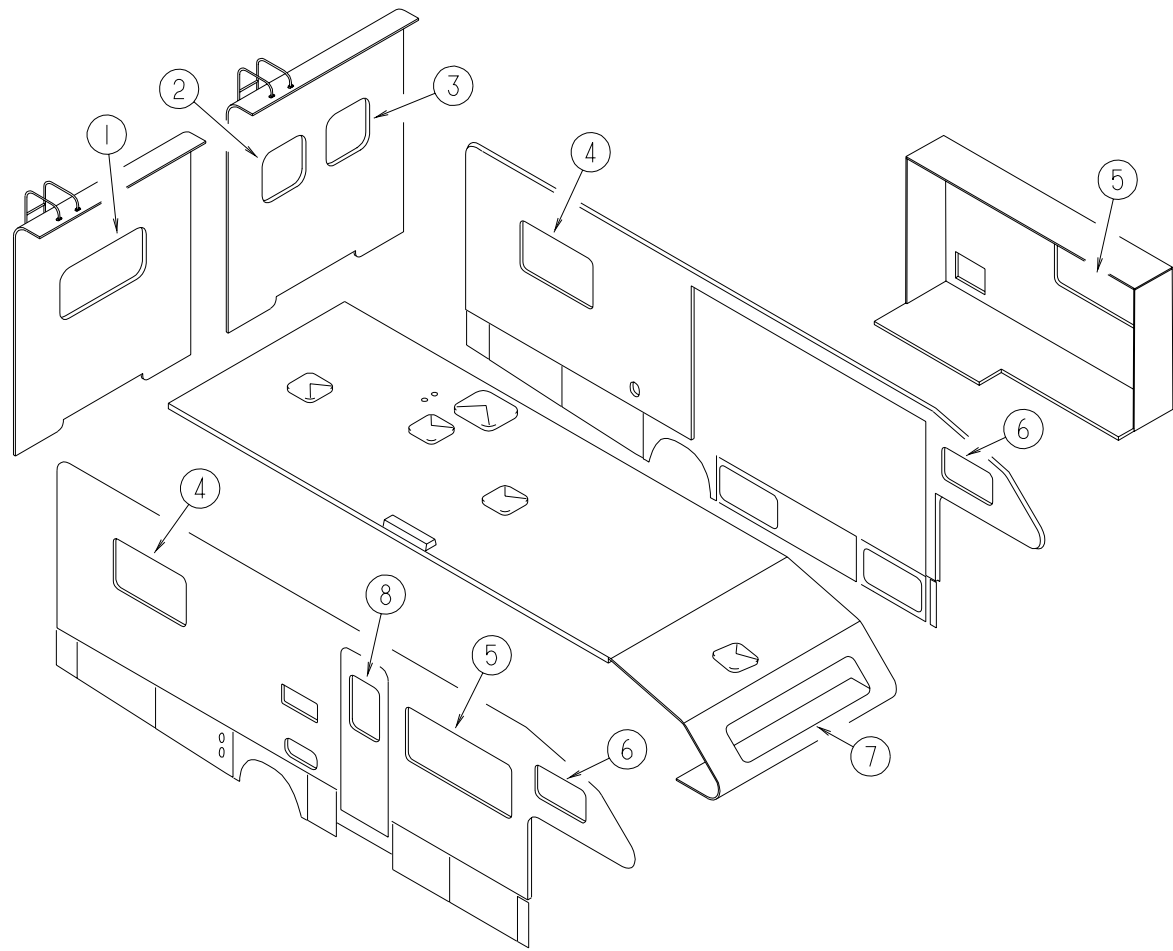
### BUCKET SEATS



KEY	PART NUMBER	U/M	DESCRIPTION
1	127581-01-K13	EA	SEAT - BUCKET - DRIVER - W/ARMREST
1	127581-01-K15	EA	SEAT - BUCKET - DRIVER - W/ARMREST
1	127581-02-K13	EA	SEAT - BUCKET - PASSENGER - W/ARMREST
1	127581-02-K15	EA	SEAT - BUCKET - PASSENGER - W/ARMREST
2	M05962-72-K13	EA	COVER - BACK
2	M05962-72-K15	EA	COVER - BACK
3	122780-01-K06	EA	ARMREST - RIGHT HAND (K13)
3	122780-01-K15	EA	ARMREST - RIGHT HAND (K15)
	P22780-01-K06	EA	COVER - ARMREST - RIGHT HAND (K13)
	P22780-01-K15	EA	COVER - ARMREST - RIGHT HAND (K15)
	115617-03-000	EA	ARMREST - W/O COVER - RIGHT HAND
4	122780-02-J06	EA	ARMREST - LEFT HAND (K13)
4	122780-02-J54	EA	ARMREST - LEFT HAND (K15)
	P22780-02-J06	EA	COVER - ARMREST - LEFT HAND (K13)
	P22780-02-J54	EA	COVER - ARMREST - LEFT HAND (K15)
	115617-04-000	EA	ARMREST - W/O COVER - LEFT HAND
5	M05962-60-K13	EA	COVER - SEAT (K13)
5	M05962-60-K15	EA	COVER - SEAT (K15)
6	130802-03-000	EA	LEVER/SCREW
7	130800-01-000	EA	GUARD - HINGE
	130802-02-000	EA	LEVER - RIGHT HAND
	130802-01-000	EA	LEVER - LEFT HAND
8	125229-06-000	EA	FRAME - SEAT - DRIVER - W/RIGHT ARMREST BRACKET
8	125229-07-000	EA	FRAME - SEAT - PASSENGER - W/LEFT ARMREST BRACKET
9	108049-04-000	EA	CABLE - W/SWITCHES - W/26" MINI LEVER ACTION
	108049-02-000	EA	CLIP - CABLE/PEDESTAL
10	119509-01-J06	EA	HEADREST - BUCKET SEAT (K13)
10	119509-01-J54	EA	HEADREST - BUCKET SEAT (K15)
	P19509-01-J06	EA	COVER - HEADREST (K13)
	P19509-01-J54	EA	COVER - HEADREST (K15)
	113977-12-000	EA	HEADREST INSERT - W/O LOCK
	113977-13-000	EA	HEADREST INSERT - W/LOCK
	130800-01-000	EA	GUARD - HINGE
	007221-01-000	EA	SPACER - SEAT/ADJUSTER

## CURTAIN & CUSHION GROUP (CONTINUED)

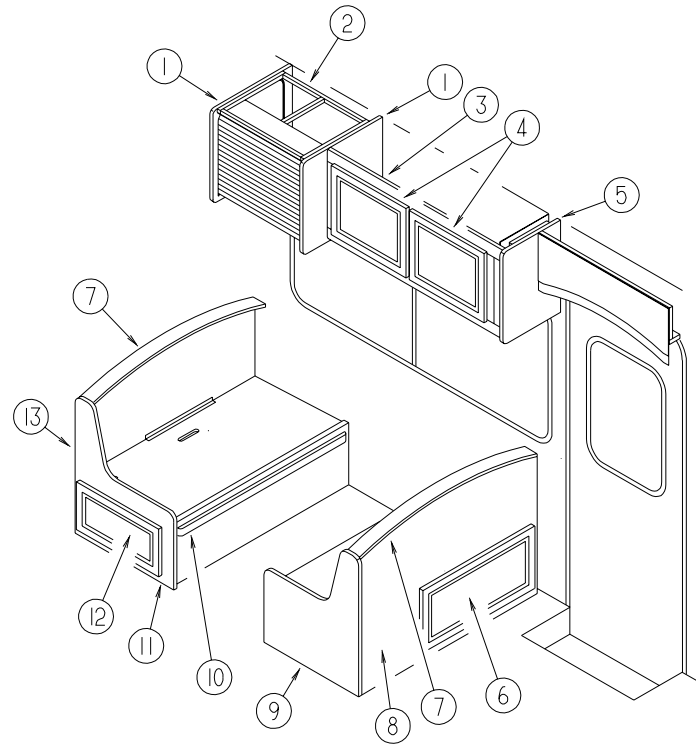
### CURTAINS, SHADES VALANCES & BLINDS



KEY	PART NUMBER	U/M	DESCRIPTION
4	119299-25-K13	EA	VALANCE - WHITNEY - 45" (QUEEN)
4	119299-25-K15	EA	VALANCE - WHITNEY - 45" (QUEEN)
4	119299-01-K13	EA	VALANCE - WHITNEY - 53" (TWIN)
4	119299-01-K15	EA	VALANCE - WHITNEY - 53" (TWIN)
4	127017-21-K13	EA	LEG - RIGHT - 27" (K13)
4	127017-21-J54	EA	LEG - RIGHT - 27" (K15)
4	127017-22-K13	EA	LEG - LEFT - 27" (K13)
4	127017-22-J54	EA	LEG - LEFT - 27" (K15)
4	111910-53-K15	EA	BLIND - DAY/NIGHTER - 42" X 28.5" (QUEEN)
4	111910-62-K58	EA	BLIND - DAY/NIGHTER - 49" X 27" (TWIN)
5	111858-49-K13	EA	LAMBREQUIN - WINDSOR - 63"
5	111858-49-K15	EA	LAMBREQUIN - WINDSOR - 63"
5	111910-57-K58	EA	BLIND - DAY/NIGHTER - 61" X 28.5"
6	101034-51-J41	EA	CURTAIN - RIGHT HAND - 19" X 34" (K13)
6	101034-51-K15	EA	CURTAIN - RIGHT HAND - 19" X 34" (K15)
6	101034-52-J41	EA	CURTAIN - LEFT HAND - 19" X 34" (K13)
6	101034-52-K15	EA	CURTAIN - LEFT HAND - 19" X 34" (K15)
7	101034-33-J41	EA	CURTAIN - RIGHT HAND - 21" X 60" (K13)
7	101034-33-K15	EA	CURTAIN - RIGHT HAND - 21" X 60" (K15)
7	101034-34-J41	EA	CURTAIN - LEFT HAND - 21" X 60" (K13)
7	101034-34-K15	EA	CURTAIN - LEFT HAND - 21" X 60" (K15)
8	120820-45-K13	EA	VALANCE - 31.7" - W/CLOCK OPENING
8	120820-45-K15	EA	VALANCE - 31.7" - W/CLOCK OPENING
8	084755-57-E07	EA	SHADE - PULL - 27.25"
	093487-10-01A	EA	CURTAIN - BUNK/PRIVACY/PLEATED - 31" X 100"
	076892-23-G07	EA	CURTAIN - 44" X 80" (K13)
	076892-23-K11	EA	CURTAIN - 44" X 80" (K15)

KEY	PART NUMBER	U/M	DESCRIPTION
1	119299-01-K13	EA	VALANCE - WHITNEY - 53" (QUEEN)
1	119299-01-K15	EA	VALANCE - WHITNEY - 53" (QUEEN)
1	127017-21-K13	EA	LEG - RIGHT - 27" (K13) (QUEEN)
1	127017-21-J54	EA	LEG - RIGHT - 27" (K15) (QUEEN)
1	127017-22-K13	EA	LEG - LEFT - 27" (K13) (QUEEN)
1	127017-22-J54	EA	LEG - LEFT - 27" (K15) (QUEEN)
1	111910-62-K58	EA	BLIND - DAY/NIGHTER - 49" X 27" (QUEEN)
2	119299-05-K13	EA	VALANCE - WHITNEY - 31" (TWIN)
2	119299-05-K15	EA	VALANCE - WHITNEY - 31" (TWIN)
2	127017-21-K13	EA	LEG - RIGHT - 27" (K13) (TWIN)
2	127017-21-J54	EA	LEG - RIGHT - 27" (K15) (TWIN)
2	127017-22-K13	EA	LEG - LEFT - 27" (K13) (TWIN)
2	127017-22-J54	EA	LEG - LEFT - 27" (K15) (TWIN)
2	111910-20-K58	EA	BLIND - DAY/NIGHTER - 28" X 28" (TWIN)
3	119299-04-K13	EA	VALANCE - WHITNEY - 31" (TWIN)
3	119299-04-K15	EA	VALANCE - WHITNEY - 31" (TWIN)
3	123910-17-K13	EA	LEG - RIGHT HAND - 27" (TWIN)
3	123910-17-K15	EA	LEG - RIGHT HAND - 27" (TWIN)
3	123910-18-K13	EA	LEG - LEFT HAND - 27" (TWIN)
3	123910-18-K15	EA	LEG - LEFT HAND - 27" (TWIN)
3	111910-20-K58	EA	BLIND - DAY/NIGHTER - 28" X 28" (TWIN)

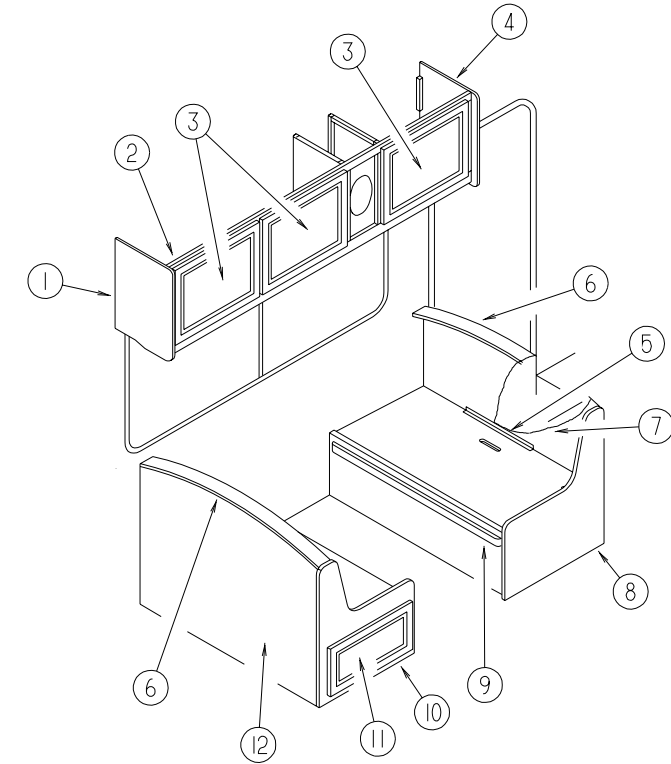
## DINETTE GROUP



### DINETTE CABINETRY

KEY	PART NUMBER	U/M	DESCRIPTION
1	109908-58-J10	EA	END CAP - OVERHEAD CABINET
1	109908-98-J10	EA	END CAP - OVERHEAD CABINET
2	M08163-05-J10	EA	CABINET - TV/VCP - W/O SHELF/SLIDES/SWIVEL- W/TAMBOUR DOOR FROM: 00-00-00 THRU: 08-06-98
2	M08163-09-K56	EA	CABINET - TV/VCP - W/O SHELF/SLIDES/SWIVEL- W/TAMBOUR DOOR FROM: 08-07-98 THRU: 99-99-99 FROM: 10-05-98 THRU: 99-99-99
3	131028-01-K13	EA	CABINET - OVERHEAD/FRONT - W/O DOORS/HARDWARE
3	131028-01-K15	EA	CABINET - OVERHEAD/FRONT - W/O DOORS/HARDWARE
4	131995-A4-K37	EA	DOOR - SOLID PANEL - 14.3" X 17.9" - W/O HARDWARE
5	109908-74-K13	EA	END CAP - OVERHEAD CABINET
6	131995-G7-K13	EA	DOOR - SOLID PANEL - 10" X 29.5" - W/O HARDWARE
7	111338-06-J06	EA	BRACKET - CATCH - LID - OFF WHITE
7	111338-06-K15	EA	PAD - DINETTE SEATBACK (K13)
7	111338-06-K15	EA	PAD - DINETTE SEATBACK (K15)
8	M08123-03-G07	EA	CABINET - SEATBACK - RIGHT HAND
9	M08122-27-K13	EA	CABINET - SEATBASE - RIGHT HAND - W/O DOOR/DRAWER/HDW
10	081295-01-G01	EA	SUPPORT - BED/DINETTE - 28" LONG
11	M08122-04-H10	EA	CABINET - SEATBASE - LEFT HAND - W/O DOOR/DRAWER/HDW
12	131995-G4-K56	EA	DOOR - SOLID PANEL - 10" X 19.1" - W/O HARDWARE
13	M08123-04-H10	EA	CABINET - SEATBACK - LEFT HAND
	122021-02-02A	EA	ANGLE - W/HOLES - 13.7" LONG - OFF WHITE

## DINETTE GROUP (CONTINUED)

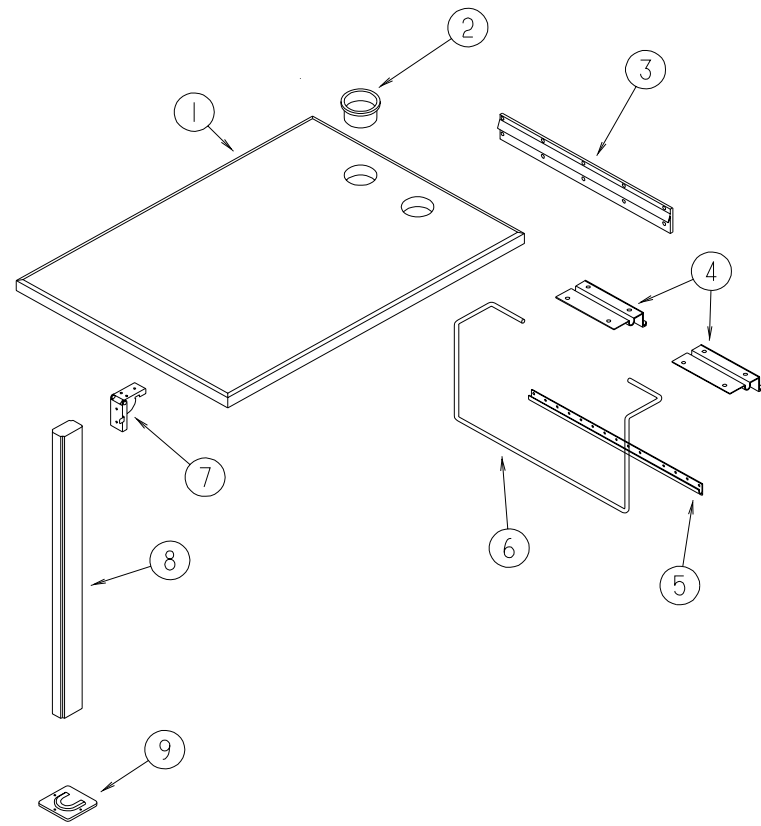


### DINETTE CABINETRY W/FRONT ENTERTAINMENT CENTER

KEY	PART NUMBER	U/M	DESCRIPTION
1	109908-73-K13	EA	END CAP - OVERHEAD CABINET
2	131027-01-K13	EA	CABINET - OVERHEAD/FRONT - W/O DOORS/HARDWARE (K13)
2	131027-01-K15	EA	CABINET - OVERHEAD/FRONT - W/O DOORS/HARDWARE (K15)
3	131995-D1-K37	EA	DOOR - SOLID PANEL - 15.7" X 20.4" - W/O HARDWARE
4	109908-74-K13	EA	END CAP - OVERHEAD CABINET
5	131995-G7-K13	EA	DOOR - SOLID PANEL - 10" X 29.5" - W/O HARDWARE
6	101222-01-02A	EA	BRACKET - CATCH - LID - OFF WHITE
6	111338-06-J06	EA	PAD - DINETTE SEATBACK (K13)
6	111338-06-K15	EA	PAD - DINETTE SEATBACK (K15)
7	M08123-04-H10	EA	CABINET - SEATBACK - RIGHT HAND
8	M08122-27-K13	EA	CABINET - SEATBASE - RIGHT HAND - W/O DOOR/DRAWER/HDW
9	081295-01-G01	EA	SUPPORT - BED/DINETTE - 28" LONG
10	M08122-04-H10	EA	CABINET - SEATBASE - LEFT HAND - W/O DOOR/DRAWER/HDW
11	131995-G4-K56	EA	DOOR - SOLID PANEL - 10" X 19.1" - W/O HARDWARE
12	M08123-03-G07	EA	CABINET - SEATBACK - LEFT HAND
	122021-02-02A	EA	ANGLE - W/HOLES - 13.7" LONG - OFF WHITE



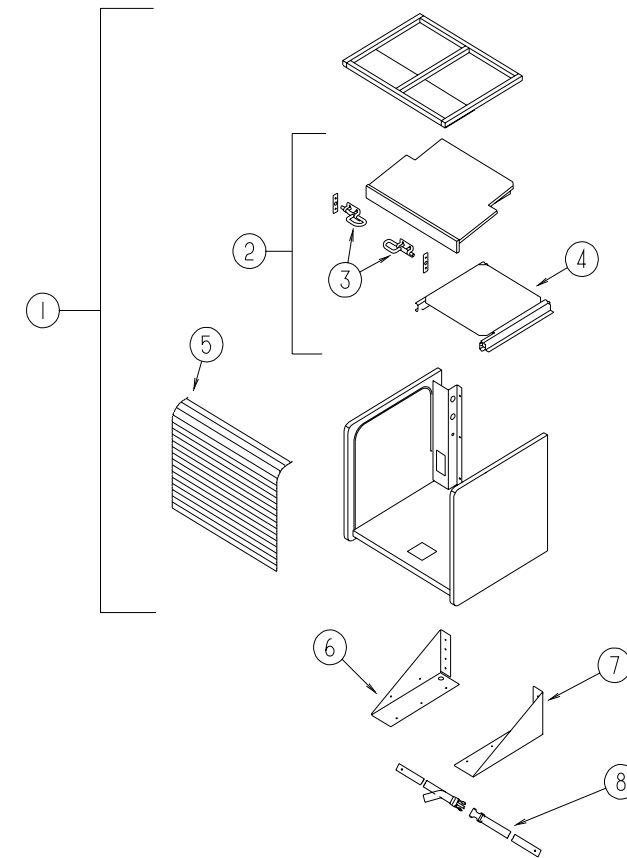
## DINETTE GROUP (CONTINUED)



### DINETTE TABLE

KEY	PART NUMBER	U/M	DESCRIPTION
1	081322-27-K13	EA	TABLE TOP ONLY (K13)
1	081322-27-K07	EA	TABLE TOP ONLY (K15)
2	064781-06-000	EA	HOLDER - CUP - TWO STEP - OFF WHITE
3	053200-12-000	EA	BRACKET - TABLE SUPPORT - UPPER/WALL MOUNTED - 23.50"
4	088410-02-000	EA	BRACKET - LIFT - TABLE MOUNTED
5	024281-14-000	EA	BRACKET/TABLE - LIFT ROD/LOWER WALL MOUNTED - 22.12"
6	024275-12-000	EA	ROD - TABLE LIFT
7	093550-01-000	EA	BRACKET - HINGE - MOUNTS TO LEG & TABLE TOP - 1.7" X 2.6"
8	092707-04-04A	EA	LEG - TABLE - W/O HARDWARE - 27" - CHERRY
	092593-01-05A	EA	CATCH - TABLE LEG - OFF/WHITE
9	049493-11-700	EA	CATCH - TABLE LEG - E-COAT
9	049493-12-000	EA	CATCH - TABLE LEG/FLOOR MOUNTED - OFF WHITE
	102194-01-000	EA	GUIDE - PLASTIC

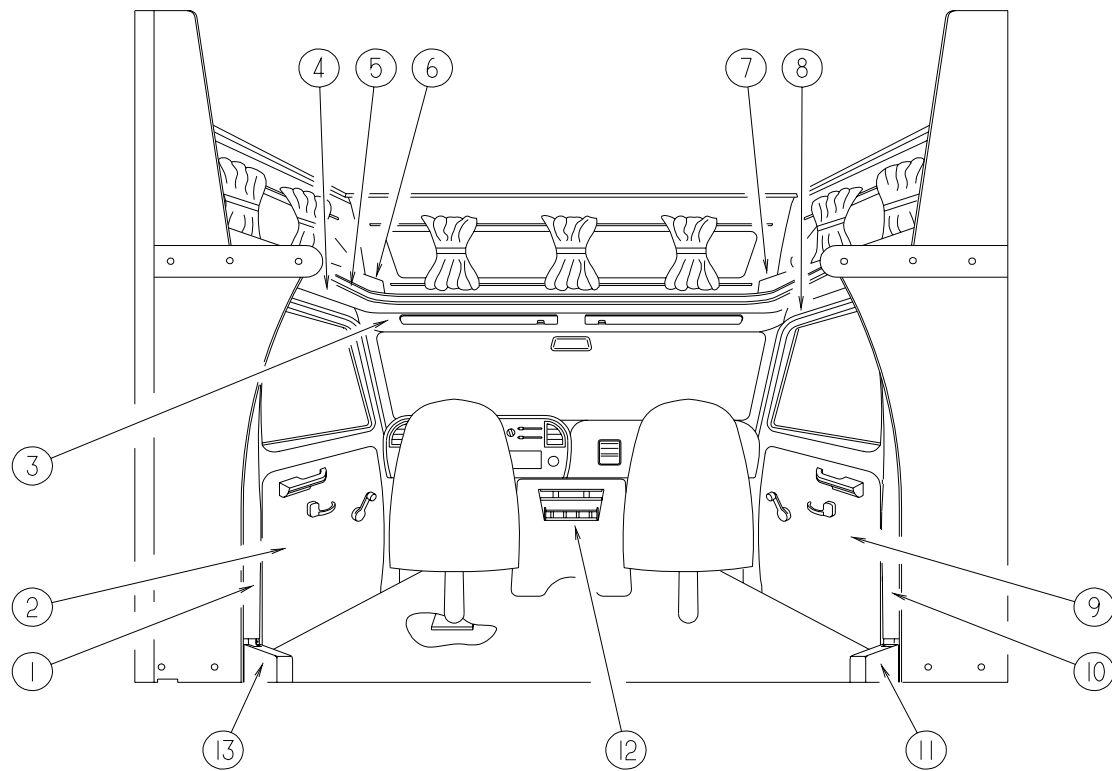
## DINETTE GROUP (CONTINUED)



### PASSENGER SIDE TV CABINET

KEY	PART NUMBER	U/M	DESCRIPTION
1	M08163-06-J10	EA	CABINET - TV/VCP - W/SHELF/SLIDES/SWIVEL - W/TAMBOUR DOOR FROM: 00-00-00 THRU: 10-04-98
1	M08163-10-K56	EA	CABINET - TV/VCP - W/SHELF/SLIDES/SWIVEL - W/TAMBOUR DOOR FROM: 10-05-98 THRU: 99-99-99
2	125722-13-J10	EA	SHELF - W/SLIDE & SWIVEL
3	103256-01-000	EA	LATCH - SLIDE
4	116773-02-000	EA	SWIVEL/SLIDES - F/TV SHELF
5	057882-04-700	EA	TAMBOUR - 48" X 48" SHEET - UNFINISHED
	126866-05-K13	EA	HANDLE - TAMBOUR DOOR
6	122298-03-02B	EA	BRACKET - TV/VCR - RIGHT HAND
7	122298-02-02B	EA	BRACKET - TV/VCR - LEFT HAND
8	099717-04-000	EA	STRAP - TIE DOWN W/21.3" FEMALE STRAP & 27.2" MALE STRAP
	122469-01-02B	EA	BRACKET - ZEE

## DRIVERS COMPARTMENT GROUP



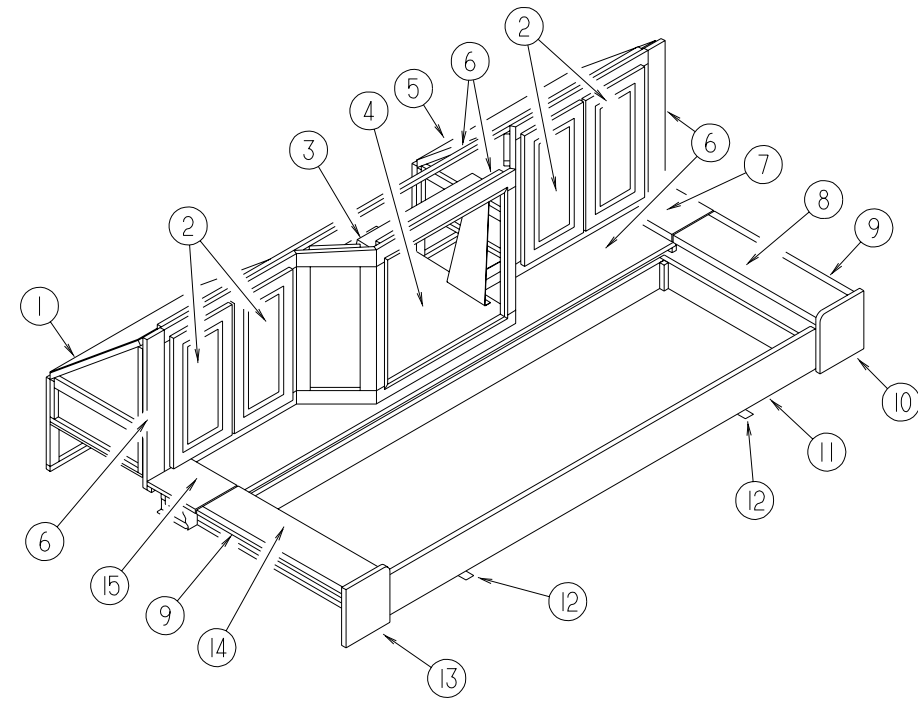
DRIVERS COMPARTMENT

KEY	PART NUMBER	U/M	DESCRIPTION	VENDOR NO.
1	125031-02-H04	EA	TRIM - CAB - B-PILLAR - DRIVER SIDE	
2	N/A	EA	CHASSIS SUPPLIED	
3	106448-01-H04	EA	HEADLINER - W/VINYL	
4	106447-04-H04	EA	TRIM - CAB DOOR - UPPER/LEFT HAND	
5	119520-01-01A	FT	MOLDING-T - 1" - W/EDGE LIPS (OFF/WHITE-CREAM)	
6	109894-01-J41	EA	CABINET - HAMPER - DRIVER/Front (K13)	
6	109894-01-K06	EA	CABINET - HAMPER - DRIVER/Front (K15)	
7	109894-03-K08	EA	CABINET - HAMPER - PASSENGER/Front (K13)	
7	109894-03-K06	EA	CABINET - HAMPER - PASSENGER/Front (K15)	
8	106447-03-H04	EA	TRIM - CAB DOOR - UPPER/RIGHT HAND	
9	N/A	EA	CHASSIS SUPPLIED	
10	125031-01-H04	EA	TRIM - CAB - B-PILLAR - PASSENGER SIDE	
11	106431-01-02A	EA	COVER - SEATBELT RECOIL - PASSENGER SIDE - VW GRAY	
12	N/A	EA	CHASSIS SUPPLIED	
13	106431-02-02A	EA	COVER - SEATBELT RECOIL - DRIVER SIDE - VW GRAY	
	106025-03-01A	EA	LADDER - BUNK - BLACK - 47.3"	
	106025-01-700	EA	BRACKET SET-F/BUNK LADDER	08-0030-00
	091952-01-000	EA	CLIP-GRIPPER - 1"	
	024700-64-000	EA	COVER-SDW ROLL BAR,OFF WHITE	

### INSTRUMENT SWITCHES

KEY	PART NUMBER	U/M	DESCRIPTION	VENDOR NO.
	100138-01-000	EA	MODULE - DAYTIME/RUNNING LIGHT	
	108355-01-000	EA	HOUSING - SWITCH	
	108356-02-01A	EA	COVER/ACTUATOR SWITCH - 2 ROWS DIMPLES- CONTURA II - BLACK	
	108357-08-000	EA	SWITCH - ROCKER DPDT - ON/NONE/ON - 6 TERMINAL	
	108357-09-000	EA	SWITCH - ROCKER SPDT - ON/NONE/MOM - 3 TERMINAL	
	081994-07-000	EA	PLATE - SWITCH - AUX. START	
	108356-07-01A	EA	COVER/ACTUATOR SWITCH - 2 ROWS DIMPLES - AUX START - BLACK	
	087202-01-000	EA	SWITCH - 4 POSITION - W/KNOB/BEZEL - 5 TERMINAL	
	087202-01-702	EA	PLATE F/ROTARY SWITCH	062-0105
	087202-01-701	EA	KNOB-SWITCH, ROTARY	062-0104

## DRIVERS COMPARTMENT GROUP (CONTINUED)



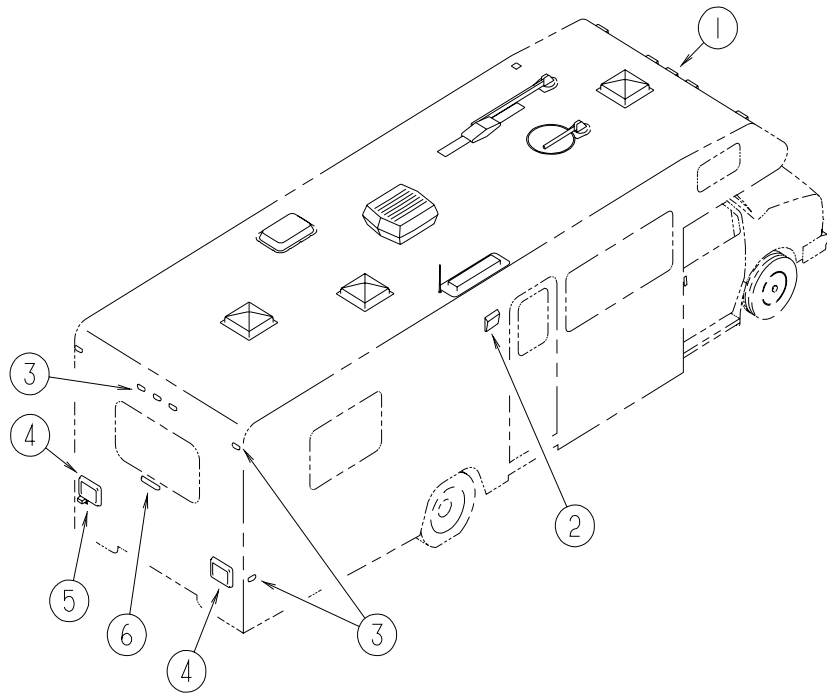
FRONT ENTERTAINMENT CENTER

KEY	PART NUMBER	U/M	DESCRIPTION
1	113156-02-F08	EA	CABINET-ENTERTAINMENT CTR-W/SHELF-DRIVER SIDE-W/O DOOR/HDW
2	131995-35-K13	EA	DOOR - SOLID PANEL - 10.6" X 19.8" - W/O HARDWARE
3	110790-03-000	EA	BRACKET - TIEDOWN/TV
4	111356-02-J10	EA	SHELF - TV - W/TIEDOWN BRACKET
5	113156-01-F08	EA	CABINET-ENTERTAINMENT CTR-W/SHELF-PASS SIDE-W/O DOOR/HDW
6	121563-02-J10	EA	CABINET - FACE - ENTERTAINMENT CENTER - W/O HARDWARE
7	113155-11-G05	EA	COUNTERTOP - ENTERTAINMENT CENTER STORAGE (K13)
7	113155-11-F09	EA	COUNTERTOP - ENTERTAINMENT CENTER STORAGE (K15)
8	113155-12-G05	EA	COUNTERTOP - ENTERTAINMENT CENTER STORAGE (K13)
8	113155-12-G07	EA	COUNTERTOP - ENTERTAINMENT CENTER STORAGE (K15)
9	113155-21-G05	EA	COUNTERTOP - ENTERTAINMENT CENTER STORAGE (K13)
9	113155-21-F09	EA	COUNTERTOP - ENTERTAINMENT CENTER STORAGE (K15)
10	113155-03-K13	EA	CABINET/STORAGE - RIGHT END - W/FLIP UP COUNTERTOP
10	113155-03-K15	EA	CABINET/STORAGE - RIGHT END - W/FLIP UP COUNTERTOP
11	100847-01-K13	EA	DRAWER - ENTERTAINMENT CENTER - W/O HARDWARE (K13)
11	100847-01-K07	EA	DRAWER - ENTERTAINMENT CENTER - W/O HARDWARE (K15)
	100847-11-J10	EA	FACE - DRAWER VINYL COVERED - 5.5" X 76.7"
12	093673-01-01A	FT	TRIM/MOLDING - 1.4" WIDE X 8' LONG
13	113155-04-K13	EA	CABINET/STORAGE - LEFT END - W/FLIP UP COUNTERTOP
13	113155-04-K15	EA	CABINET/STORAGE - LEFT END - W/FLIP UP COUNTERTOP
14	113155-18-G05	EA	COUNTERTOP - ENTERTAINMENT CENTER STORAGE (K13)
14	113155-18-G07	EA	COUNTERTOP - ENTERTAINMENT CENTER STORAGE (K15)
15	113155-19-G05	EA	COUNTERTOP - ENTERTAINMENT CENTER STORAGE (K13)
15	113155-19-F09	EA	COUNTERTOP - ENTERTAINMENT CENTER STORAGE (K15)
	106699-01-01A	EA	BRACKET - OVERHEAD CABINET/TV

### INSTRUMENT CLUSTER & APPLIQUES

KEY	PART NUMBER	U/M	DESCRIPTION
	111414-01-000	EA	RECEPTACLE - 12V - W/O BIMETAL
	116220-01-000	EA	APPLIQUE - SWITCH/SLIDEOUT
	094795-09-000	EA	CLUSTER - INSTRUMENT PANEL - KILOMETERS - GAS/DIESEL-FORD

## ELECTRICAL GROUP



### EXTERIOR LIGHTS

KEY	PART NUMBER	U/M	DESCRIPTION	VENDOR NO.
1	111102-01-000	EA	BASE - MARKER LAMP	
1	111102-02-000	EA	LENS - AMBER - MARKER LAMP	
	036196-01-000	EA	BULB - 12V - #194 - .27 AMP - BAYONETTE	
2	097917-01-06A	EA	LIGHT - PORCH - BRIGHT WHITE	
	097917-01-700	EA	LENS-LIGHT, CLEAR	30-78-021
	008215-01-000	EA	BULB - 12 VOLT - #1003 - .94 AMP	
2	008089-02-000	EA	LIGHT - PORCH - RECESSED - CANADIAN	
	008089-01-700	EA	LENS-LIGHT, RECESSED, PORCH	DECO
	008214-01-000	EA	BULB - 12 VOLT - #67 - .59 AMP	
	091981-01-000	EA	GASKET - PORCH LIGHT	
3	111102-01-000	EA	BASE - MARKER LAMP	
3	111102-03-000	EA	LENS - RED - MARKER LAMP	
	036196-01-000	EA	BULB - 12V - #194 - .27 AMP - BAYONETTE	
4	081638-01-000	EA	TAILLIGHT/DOUBLE W/BLACK TRIM - DRIVER/PASSENGER SIDE	
4	081638-01-700	EA	LENS-TAILLIGHT, RED	30-84-010
4	081638-01-701	EA	LENS-TAILLIGHT, W/BACKUP	30-84-700
4	103355-01-05A	EA	POD - TAIL LIGHT - BRIGHT WHITE	
			FROM: 00-00-00 THRU: 11-22-98	
4	103355-02-01A	EA	POD - TAIL LIGHT - BRIGHT WHITE	
			FROM: 11-23-98 THRU: 99-99-99	
4	037934-01-000	EA	BULB# 1156 - (BACK UP & TURN SIGNAL)	
4	037935-01-000	EA	BULB# 2057 OR #1157 - (BRAKE LIGHT)	
5	066432-02-000	EA	LIGHT - LICENSE - BLACK	
	066432-03-000	EA	BRACKET - LICENSE PLATE	
6	121950-01-000	EA	LIGHT - BRAKE - CENTER MOUNT	

## ELECTRICAL GROUP (CONTINUED)

### FUSES & CIRCUIT BREAKERS

KEY	PART NUMBER	U/M	DESCRIPTION
	008235-01-000	EA	FUSE - 15 AMP/12VOLT - AUTOMOTIVE
	062901-02-000	EA	FUSE - 05 AMPS - AUTOMOTIVE
	062901-05-000	EA	FUSE - 15 AMPS - AUTOMOTIVE
	083209-02-000	EA	CIRCUIT BREAKER - 15/15 AMP - 120 VOLT
	083209-03-000	EA	CIRCUIT BREAKER - 15/20 AMP - 120 VOLT
	083209-04-000	EA	CIRCUIT BREAKER - 30 AMP - 120 VOLT
	083209-06-000	EA	CIRCUIT BREAKER - 30/15 AMP - 120 VOLT
	093654-01-000	EA	CIRCUIT BREAKER - 6 AMP - 12 VOLT
	093654-03-000	EA	CIRCUIT BREAKER - 20 AMP - 12 VOLT
	093655-01-000	EA	CIRCUIT BREAKER - 25 AMP - 12 VOLT
	093655-02-000	EA	CIRCUIT BREAKER - 30 AMP - 12 VOLT
	100341-01-000	EA	FUSE HOLDER - IN LINE TYPE
	108669-01-000	EA	HOUSING - AUTO FUSE HOLDER

### WIRING ASSEMBLIES

KEY	PART NUMBER	U/M	DESCRIPTION
	073328-B4-000	EA	CABLE ASSEMBLY - BATTERY - W/TERMINALS
	090986-01-000	EA	WIRE ASSEMBLY - ELECTRIC STEP
	096449-01-000	EA	WIRE ASSEMBLY - WATER TANK TO MONITOR PANEL
	097618-01-000	EA	WIRE ASSEMBLY - MONITOR PANEL - W/3 WIRES & ORANGE RESISTOR
	106851-01-000	EA	WIRE ASSEMBLY - RUNNING LIGHTS - FUSE
	116894-01-000	EA	WIRE ASSEMBLY - SPEED SENSOR EXTENDED
	120233-05-000	EA	WIRE ASSEMBLY - 30" CONNECTS TO WALLPLATE DISPLAY
	105306-03-000	EA	WIRE - MONITOR PANEL ADAPTER
	130232-01-000	EA	WIRE ASSEMBLY - EXTENSION/SLIDEOUT
	130233-01-000	EA	WIRE ASSEMBLY - SLIDEOUT ROOM

### RELAY HOUSING & SOLENOID

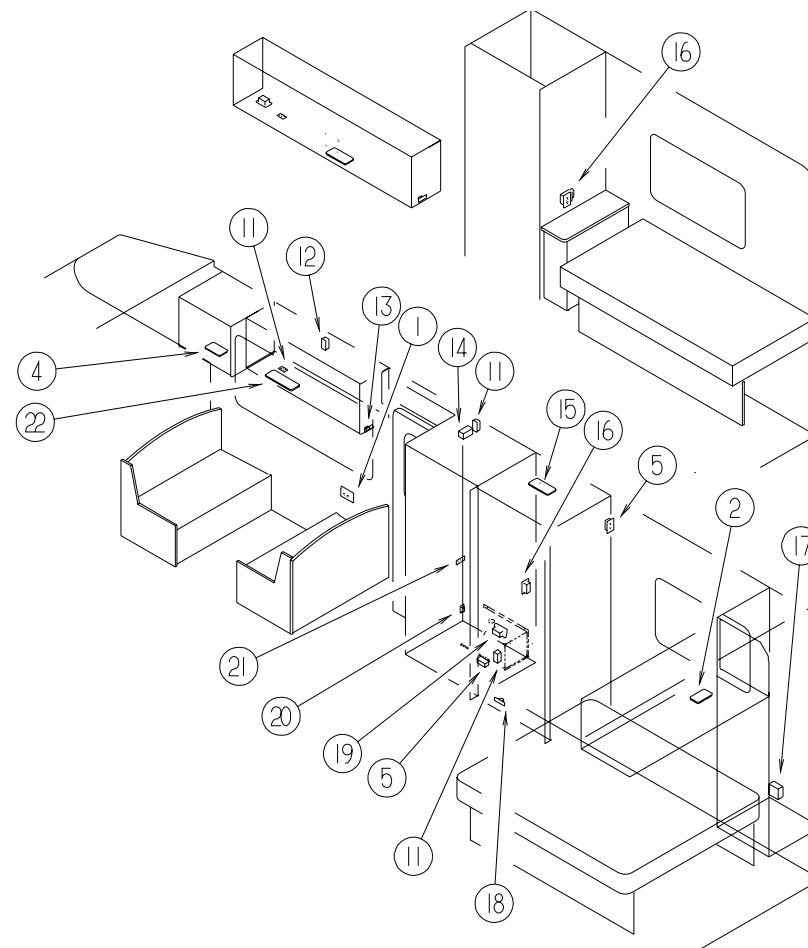
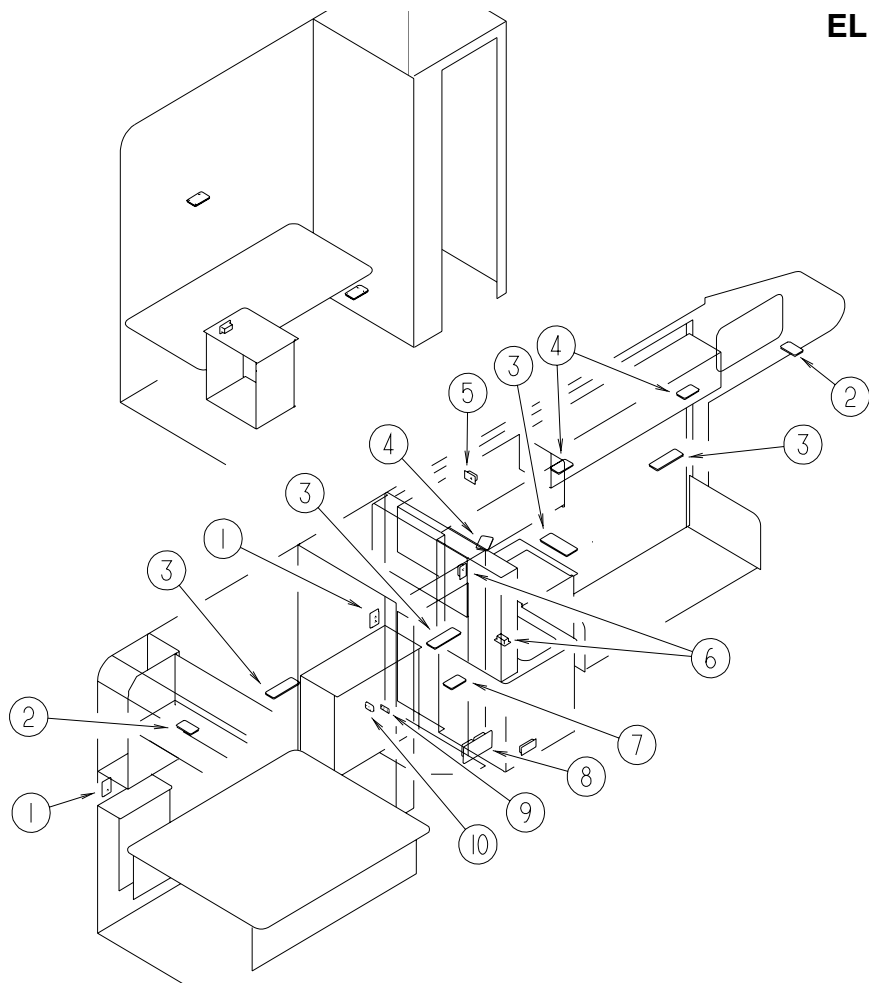
KEY	PART NUMBER	U/M	DESCRIPTION
	008188-01-000	EA	SOLENOID - 3 POST - BATTERY CHANGE OVER
	063910-01-000	EA	HOUSING - RELAY
	063912-02-000	EA	RELAY - CANISTER - SPDT
	086273-01-000	EA	RELAY - BATTERY DISCONNECT

### POWER CONVERTER & INVERTER

KEY	PART NUMBER	U/M	DESCRIPTION
	099048-03-000	EA	INVERTER - 130 WATT
	113132-01-000	EA	LOAD CENTER - 120/240 VOLT - 60 AMP
	123058-02-000	EA	CONVERTER - 45 AMP - ELECTRONIC - 4 1/8"H X 7"W X 12 3/8"L

## ELECTRICAL GROUP (CONTINUED)

### LIGHTS, SWITCHES & RECEPTACLES



KEY	PART NUMBER	U/M	DESCRIPTION	VENDOR NO.
1	102568-01-E41	EA	SPACER - RECEPTACLE - BETWEEN SIDEWALL & PLATE - WOOD	
1	058708-02-000	EA	RECEPTACLE - ELECTRIC - DOUBLE - IVORY	
2	104172-01-01A	EA	LIGHT - BULLET - UL/CSA	
2	104173-01-01A	EA	LIGHT - DESIGNER - BRASS - UL	
3	098024-01-03A	EA	LIGHT - DOME - 1 BULB - WHITE	
3	008218-01-000	EA	BULB - 12 VOLT - #1141 - 1.44 AMP	
3	098024-01-700	EA	LENS-LIGHT	807877
4	098024-05-02A	EA	LIGHT - DOME - 1 BULB - SKYLITE - WHITE	
4	008218-01-000	EA	BULB - 12 VOLT - #1141 - 1.44 AMP	
4	098024-01-701	EA	LENS - OPTI CLEAR - SKYLITE	809902
5	058708-05-000	EA	RECEPTACLE - ELECTRIC - SINGLE - BROWN	
6	058708-01-000	EA	RECEPTACLE - ELECTRIC - DOUBLE - BROWN	
7	098024-03-02A	EA	LIGHT - DOME - 2 BULB - WHITE	
7	008218-01-000	EA	BULB - 12 VOLT - #1141 - 1.44 AMP	
7	098024-01-700	EA	LENS-LIGHT	807877
8	024924-02-000	EA	RECEPTACLE - POWER CORD - W/PARTIAL PLATE	
9	079364-01-000	EA	SWITCH - ON/OFF ROCKER - 2 TERMINAL - BROWN	
9	079364-03-000	EA	SWITCH - ON/OFF ROCKER - 3 TERMINAL - BROWN	
9	098351-03-01A	EA	PLATE/SWITCH - 3 GANG - POLISHED BRASS - W/O LABEL	
9	095188-02-01A	EA	SPACER - SWITCH - 2.3" X 4.1" - PLASTIC - DARK BROWN	
10	079364-01-000	EA	SWITCH - ON/OFF ROCKER - 2 TERMINAL - BROWN	
10	079364-03-000	EA	SWITCH - ON/OFF ROCKER - 3 TERMINAL - BROWN	
10	098351-02-01A	EA	PLATE/SWITCH - 2 GANG - POLISHED BRASS - W/O LABEL	
10	095188-01-01A	EA	SPACER - SWITCH - 2.3" X 3.4" - PLASTIC - DARK BROWN	
	086280-01-000	EA	LIGHT - SURFACE MOUNT - 12 VOLT	
	086280-01-700	EA	BULB, 12V	ARP1089
	081994-08-000	EA	PLATE - SWITCH - F/SLIDEOUT	
	108357-01-000	EA	SWITCH - ROCKER SPST - ON/OFF - 2 TERMINAL	
11	079364-03-000	EA	SWITCH - ON/OFF ROCKER - 3 TERMINAL - BROWN	
11	098351-01-01A	EA	PLATE/SWITCH - 1 GANG - POLISHED BRASS - COURTESY LAMP	
11	079364-01-000	EA	SWITCH - ON/OFF ROCKER - 2 TERMINAL - BROWN	

KEY	PART NUMBER	U/M	DESCRIPTION
11	079364-03-000	EA	SWITCH - ON/OFF ROCKER - 3 TERMINAL - BROWN
11	098351-15-01A	EA	PLATE/SWITCH - 2 GANG - POLISHED BRASS - COURTESY LAMP/TV
12	058707-02-000	EA	RECEPTACLE - BLANK - JUNCTION BOX
13	108356-02-01A	EA	COVER/ACTUATOR SWITCH - 2 ROWS DIMPLES- CONTURA II - BLACK
13	108357-06-000	EA	SWITCH - ROCKER DPDT - MOM/OFF/MOM - 6 TERMINAL
14	093603-01-000	EA	BOX - ELECTRIC - 4" X 2 1/8" X 2 1/8"
14	091243-01-000	EA	LABEL - A/C COVER "AIR CONDITIONING CIRCUIT ETC."
15	121935-01-01A	EA	LIGHT - DOME - SHOWER
16	058707-01-000	EA	RECEPTACLE - ELECTRIC - SINGLE - BROWN
17	084076-01-000	EA	RECEPTACLE - GFI - 15 AMP/125 VOLT - IVORY
17	084076-02-000	EA	RECEPTACLE - GFI - 15 AMP/125 VOLT - BROWN
18	061424-01-000	EA	LIGHT - AISLE - 12 VOLT - RECTANGULAR
18	008103-01-000	EA	BULB - DASH/AISLE LIGHT - #53 - 12 VOLT - .12 AMP
19	112822-01-01A	EA	RECEPTACLE - DUPLEX - IVORY
			FROM: 00-00-00 THRU: 11-15-98
19	112824-01-03A	EA	COVER - EXTERIOR DUPLEX RECEPTACLE - WHITE PLASTIC
			FROM: 00-00-00 THRU: 11-15-98
19	131826-01-01A	EA	RECEPTACLE - EXTERIOR - W/COVER/GASKET - WHITE
			FROM: 11-16-98 THRU: 99-99-99
20	098351-07-01A	EA	PLATE/SWITCH - 1 GANG - POLISHED BRASS - GENERATOR
20	108357-06-000	EA	SWITCH - ROCKER DPDT - MOM/OFF/MOM - 6 TERMINAL
20	108356-11-000	EA	COVER/ACTUATOR SWITCH - 3 GROOVES - AUX BATT - BLACK
21	098351-05-01A	EA	PLATE/SWITCH - 3 GANG - POLISHED BRASS-PORCH/CEILING/STEP
21	095188-02-01A	EA	SPACER - SWITCH - 2.3" X 4.1" - PLASTIC - DARK BROWN
21	079364-03-000	EA	SWITCH - ON/OFF ROCKER - 3 PRONGS - BROWN - AISLE LIGHT
22	098024-06-02A	EA	LIGHT - DOME - 2 BULB - SKYLITE
	130338-01-01A	EA	LIGHT - FLUORESCENT 18" - THIN LITE
	117806-01-000	EA	BULB - 12 VOLT #912 - 1.0 AMPS

## ELECTRICAL GROUP (CONTINUED)

### CONDUIT, CONNECTORS, HOUSINGS & TERMINALS

KEY	PART NUMBER	U/M	DESCRIPTION
	041953-01-000	FT	CONDUIT - CONVOLUTE SLIT - .5" ID - POLYETHYLENE
	041953-02-000	FT	CONDUIT - CONVOLUTE SLIT - .625" ID
	041953-03-000	FT	CONDUIT - CONVOLUTE SLIT - 1" ID (CLOTHES ROD COVER)
	041953-05-000	FT	CONDUIT - CONVOLUTE SOLID - .62" ID - POLYETHYLENE
	041953-06-000	FT	CONDUIT - CONVOLUTE SLIT - .375" ID - POLYETHYLENE
	041953-07-000	FT	CONDUIT - CONVOLUTE SLIT - .25" ID - POLYETHYLENE
	041953-08-000	FT	CONDUIT - CONVOLUTE SLIT - 1.50" ID - POLYETHYLENE
	041953-09-000	FT	CONDUIT - CONVOLUTE SLIT - .50" ID - NYLON
	041953-10-000	FT	CONDUIT - CONVOLUTE SLIT - .75" ID - NYLON
	041953-11-000	FT	CONDUIT - CONVOLUTE SLIT - 1.06" ID - NYLON
	041953-12-000	FT	CONDUIT - CONVOLUTE SOLID - 1.1" ID - NYLON
	041953-13-000	FT	CONDUIT - CONVOLUTE SLIT - 1.25
	008311-01-000	EA	CONNECTOR - WIRE NUT - INSULATED - RED
	008313-01-000	EA	CONNECTOR - WIRE NUT - INSULATED - YELLOW
	008314-01-000	EA	CONNECTOR - WIRE NUT - INSULATED - GRAY
	008355-01-000	EA	CONNECTOR - CABLE CLAMPING - 3/4"
	008356-01-000	EA	CONNECTOR - PLASTIC - 3/8" AVG
	008356-02-000	EA	CONNECTOR - PLASTIC - 21/32
	058028-01-000	EA	CONNECTOR - ELECTRICAL PIGTAIL - NYLON - CLEAR
	008326-01-000	EA	TERMINAL - RING - 16/14 WIRE - 3/8" STUD
	008328-01-000	EA	TERMINAL - RING - 12/10 WIRE - #10 STUD FIT
	008331-01-000	EA	TERMINAL - RING - TONGUE - #4 WIRE - 3/8" STUD - COPPER
	008348-01-000	EA	TERMINAL - RING - 3/8" STUD 2 GA. WIRE
	035416-04-000	EA	TERMINAL - RING - #10 STUD FIT - INSULATED BARREL #16/14
	047443-01-000	EA	TERMINAL - .250 RECEPTACLE FIT - INSULATED - 16/14 AWG
	047443-02-000	EA	TERMINAL - .250 RECEPTACLE FIT - INSULATED - 12/10 AWG
	088476-01-000	EA	TERMINAL - ELECTRICAL
	102777-02-000	EA	TERMINAL - RING - #6 STUD - 10 AWG
	106655-01-000	EA	TERMINAL - FUSE BLOCK - 14-16 AWG
	106655-02-000	EA	TERMINAL - FUSE BLOCK - 10-12 AWG
	116811-01-000	EA	TERMINAL - .110 RECEPTACLE - 16-14 AWG
	125324-01-000	EA	TERMINAL - MALE - METRI-PACK - 150
	088473-01-000	EA	HOUSING - PIN - 12 CAVITY (3 ROWS OF 4)
	088473-02-000	EA	HOUSING - PIN - 15 CAVITY (3 ROWS OF 5)
	088473-03-000	EA	HOUSING - PIN - 9 CAVITY (3 ROWS OF 3)
	088473-04-000	EA	HOUSING - PIN - 8 CAVITY IN-LINE
	088473-06-000	EA	HOUSING - PIN - 6 CAVITY (2 ROWS OF 3)
	088473-07-000	EA	HOUSING - PIN - 5 CAVITY - IN-LINE
	088473-08-000	EA	HOUSING - PIN - 4 CAVITY - IN-LINE
	088473-09-000	EA	HOUSING - PIN - 3 CAVITY - IN-LINE
	088473-10-000	EA	HOUSING - PIN - 2 CAVITY - IN LINE
	088474-01-000	EA	HOUSING - SOCKET - 12 CAVITY
	088474-02-000	EA	HOUSING - SOCKET - 15 CAVITY
	088474-03-000	EA	HOUSING - SOCKET - 9 CAVITY
	088474-06-000	EA	HOUSING - SOCKET - 6 CAVITY
	088474-07-000	EA	HOUSING - SOCKET - 5 CAVITY
	088474-08-000	EA	HOUSING - SOCKET - 4 CAVITY
	088474-09-000	EA	HOUSING - SOCKET - 3 CAVITY
	088474-10-000	EA	HOUSING - SOCKET - 2 CAVITY
	101751-02-000	EA	HOUSING - 1 PIN - WEATHERPACK
	119223-01-000	EA	HOUSING - 6 POSITION - MALE - WEATHERPACK
	125323-02-000	EA	HOUSING - 8 POSITION - MALE

## ELECTRICAL GROUP (CONTINUED)

### MISCELLANEOUS

KEY	PART NUMBER	U/M	DESCRIPTION
	088475-01-000	EA	PIN - CONNECTOR - 14 - 20 AWG
	088475-02-000	EA	PIN - CONNECTOR - 10 - 12 AWG
	098265-02-000	EA	PIN - CONNECTOR - WEATHERPACK
	088476-02-000	EA	SOCKET - CONNECTOR - 12-10 GA - PRE-TIN
	098261-02-000	EA	SOCKET - CONNECTOR - WEATHERPACK - 14-18 AWG
	098262-01-000	EA	SEAL - CONNECTOR - WEATHERPACK
	125325-01-000	EA	SEAL - CAVITY
	112823-01-000	EA	SPLICE - REDUCER - 16-14 TO 18-22
	125323-03-000	EA	LOCK - SECONDARY 8 POSITION
	007942-01-000	EA	TAB - WIRE 10 TO 14 AWG
	007956-05-000	EA	INSULATOR - SHRINK - .25 ID X 1.50
	077479-01-000	EA	BOOT - BATTERY TERMINAL - DOUBLE CABLE
	077479-02-000	EA	BOOT - BATTERY TERMINAL - SINGLE CABLE
	087949-01-000	EA	BUSS BAR - 2 POSITION - .6" X 1.5"
	080015-02-000	EA	RECEPTACLE - FLAG - .185 - 16/14 GAUGE
	080015-03-000	EA	RECEPTACLE - FLAG - .250 - 14/16 GAUGE

### ELECTRIC BOXES, COVERS & POWER CORDS

KEY	PART NUMBER	U/M	DESCRIPTION	VENDOR NO.
	008052-01-000	EA	CORD - POWER - 10/3 WIRE - 30 AMP - 25' - CANADIAN	
	008054-01-000	EA	CORD - POWER - 10/3 WIRE - 30 AMP - 25'	
	008289-01-000	EA	BOX - ELECTRIC/STEEL - 1/2" & 3/4" KNOCKOUTS - 4" X 4"	
	008289-02-000	EA	BOX - ELECTRIC/STEEL - 1/2" & 3/4" KNOCKOUTS - 4" X 4"-CAN	
	008294-01-000	EA	COVER - ELECTRICAL BOX - BLANK/STEEL - 4" X 4" - GRAY	
	008294-02-000	EA	COVER - ELECTRICAL BOX - BLANK STEEL - 4" X 4" - CANADIAN	
	069238-01-000	EA	COVER - ELECTRICAL BOX - W/HOLE - 4" X 4" - GRAY	
	091910-01-000	EA	BOX - ELECTRIC - 3.8" X 3.5" X 1.8" - PLASTIC	
	091910-02-000	EA	BOX - ELECTRIC - 2.2" X 3.5" X 1.8" - PLASTIC	
	093257-02-000	EA	BOX - ELECTRIC - W/O CIRCUIT BREAKERS/FUSES	
	093257-02-701	EA	FUSE BLOCK - DC- 11 POINT	30507060
	093257-02-700	EA	GROUND BAR - 8 POINT	13507201
	093257-02-702	EA	STAB ASSEMBLY - BREAKER	M91500008
	093257-02-704	EA	NEUTRAL BAR ASM.W/GROUND BAR	M91500009
	093257-02-703	EA	DEAD FRT ASM.-AC BREAKER CVR	M91500011
	093603-01-000	EA	BOX - ELECTRIC - 4" X 2 1/8" X 2 1/8"	
	107165-01-01A	EA	BOX - CIRCUIT BREAKER - 14.6" X 4" - PLASTIC	
	107165-04-01A	EA	BOX - CIRCUIT BREAKER MOUNT	

**EXTERIOR BODY GROUP****AWNING - A & E**

KEY	PART NUMBER	U/M	DESCRIPTION
	113874-05-02A	EA	AWNING/W/O HARDWARE 14' (POLAR/NAVY/TEAL) VINYL
*	113874-01-02A	EA	HARDWARE KIT - AWNING - W/O STANDOFF BRACKET-BRIGHT WHITE
	111038-01-01A	EA	SPACER - AWNING - LOWER
	130320-01-02A	EA	BRACKET - AWNING - F/A&E INSTALLATION - BRIGHT WHITE
	113874-11-01A	EA	AWNING - LAG SCREW - 1/4" X 1" STAINLESS STEEL

**\*COMPONENT PARTS FOUND IN SERVICE PARTS LIBRARY****RUNNING BOARDS**

KEY	PART NUMBER	U/M	DESCRIPTION
	106461-03-000	EA	HARDWARE KIT - RUNNING BOARD
	106461-06-02A	EA	RUNNING BOARD - FIBERGLASS - PASSENGER - FORD
	106461-07-02A	EA	RUNNING BOARD - FIBERGLASS - DRIVER - FORD
	106461-04-000	EA	TRIM - RUNNING BOARD/FORD
	106461-05-000	EA	NON SKID STRIP - RUNNING BOARD

**EXTERIOR BODY GROUP (CONTINUED)****FIBERGLASS, STYROFOAM & ALUMINUM CHANNEL**

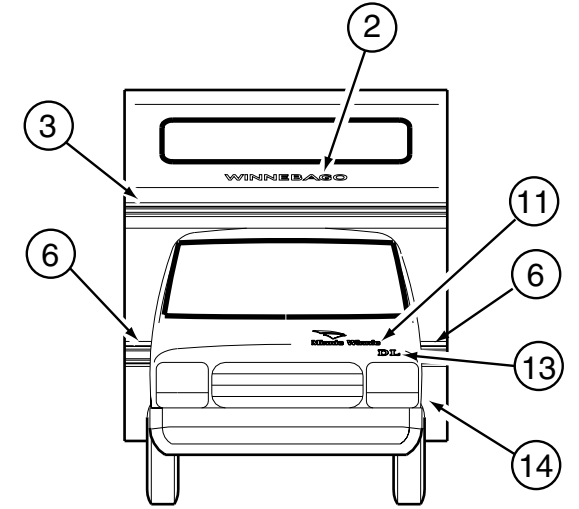
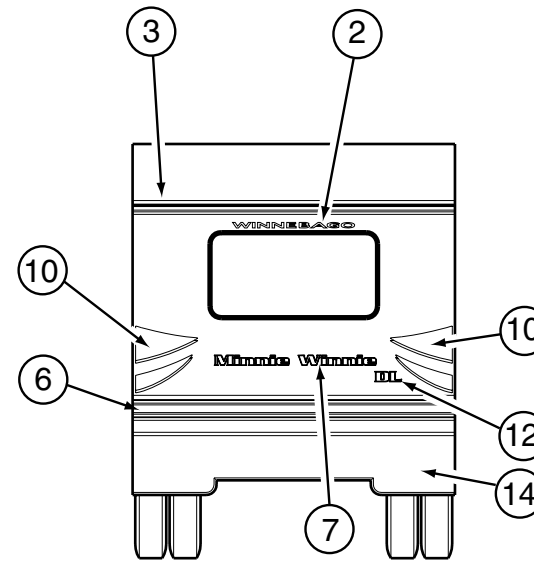
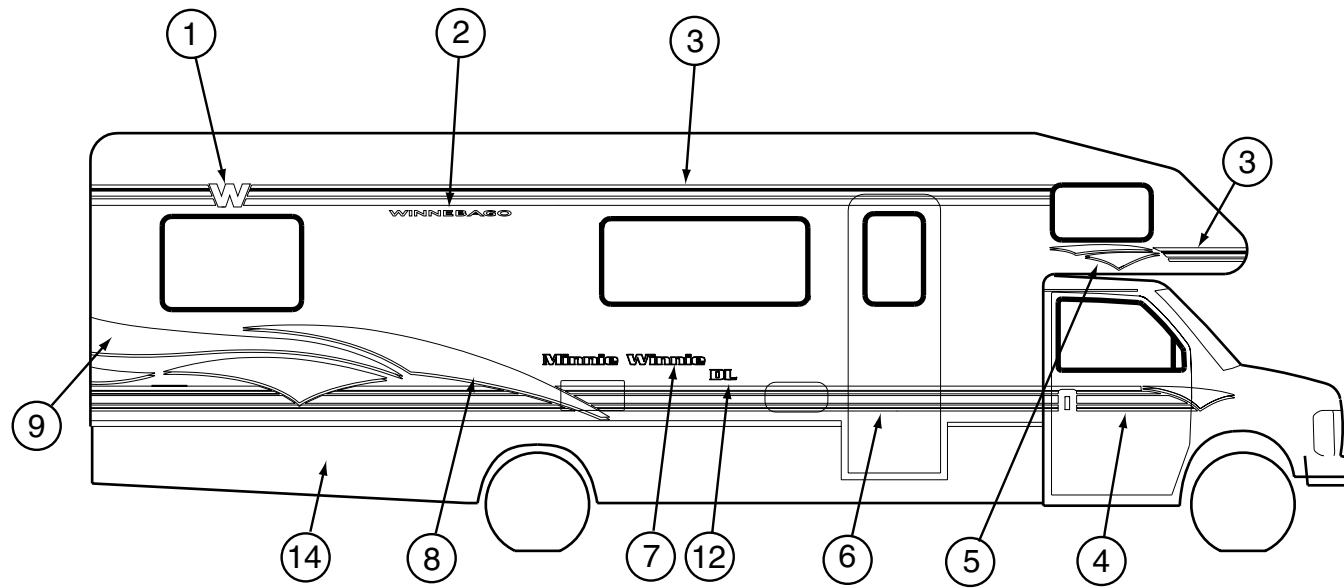
KEY	PART NUMBER	U/M	DESCRIPTION
	100619-01-000	BF	FOAM - EXPANDED POLYSTYRENE - 1.34" X 48" X 96"
	100619-02-000	BF	FOAM - EXPANDED POLYSTYRENE - 1.5" X 48" X 96"
	100619-04-000	BF	FOAM - EXPANDED POLYSTYRENE - .5" X 48" X 96"
	100619-05-000	BF	FOAM - EXPANDED POLYSTYRENE - .75" X 48" X 96"-1.5 DENSITY
	100619-16-000	BF	FOAM - EXPANDED POLYSTYRENE - .75" X 48" X 96"-2.0 DENSITY
	100619-11-000	BF	FOAM - EXPANDED POLYSTYRENE - 2" X 48" X 96"
	100619-24-000	BF	FOAM - EXPANDED POLYSTYRENE - 3" X 48" X 96"
	076054-AC-000	EA	FIBERGLASS SHEET - 20" X 99.8" - OFF WHITE
	076054-W2-000	EA	FIBERGLASS SHEET - 85" X 339" - BRIGHT WHITE
	076054-W5-000	EA	FIBERGLASS SHEET - 101.4" X 108.7" - BRIGHT WHITE
	076054-X9-000	EA	FIBERGLASS SHEET - 22.1" X 70.6" - BRIGHT WHITE
	077517-62-000	EA	FIBERGLASS SHEET/SIDEWALL - 48" X 96" - BRIGHT WHITE
	076054-P9-000	EA	FIBERGLASS SHEET - 37.4" X 99.3" - BRIGHT WHITE
	076054-U4-000	EA	FIBERGLASS SHEET - 101" X 104" - BRIGHT WHITE
	000870-08-000	SF	STYROFOAM - 3/4" X 48" X 96" PLANED EXPANDED BEAD BOARD
	002726-01-001	EA	GARNISH - U-CHANNEL - 1.38" X 19' - SERRATED
	089297-01-000	SF	PLYWOOD - LUAN - OVERLAY GRADE - 48" X 96"
	089297-02-000	SF	PLYWOOD - LUAN - OVERLAY GRADE - 48" X 108"
	117754-03-01A	EA	FIBERGLASS SHEET - 10.5" X 96" - BRIGHT WHITE
	002754-01-001	EA	ANGLE- EXTRUDED - .75" X .75" X 18' - MILL ALUMINUM
	068716-01-001	EA	BRACE - 90 DEGREE - L-ANGLE - 16'

**EXTERIOR MIRRORS - VELVAC**

KEY	PART NUMBER	U/M	DESCRIPTION	VENDOR NO.
	120269-05-01A	EA	MIRROR - EXTERIOR - W/HEAT/REMOTE - PASSENGER	
	120269-06-01A	EA	MIRROR - EXTERIOR - W/HEAT/REMOTE - DRIVER	
	120269-05-701	EA	GLASS ONLY REPLACEMENT RH/LH	709411-8
	120269-07-01A	EA	PANEL - DRIVERS DOOR MIRROR CONTROL W/SWITCH & PIGTAIL	
	120269-08-000	EA	HARNES - ELECTRIC MIRROR	

## EXTERIOR BODY GROUP (CONTINUED)

### DECALS, STRIPES & PAINT



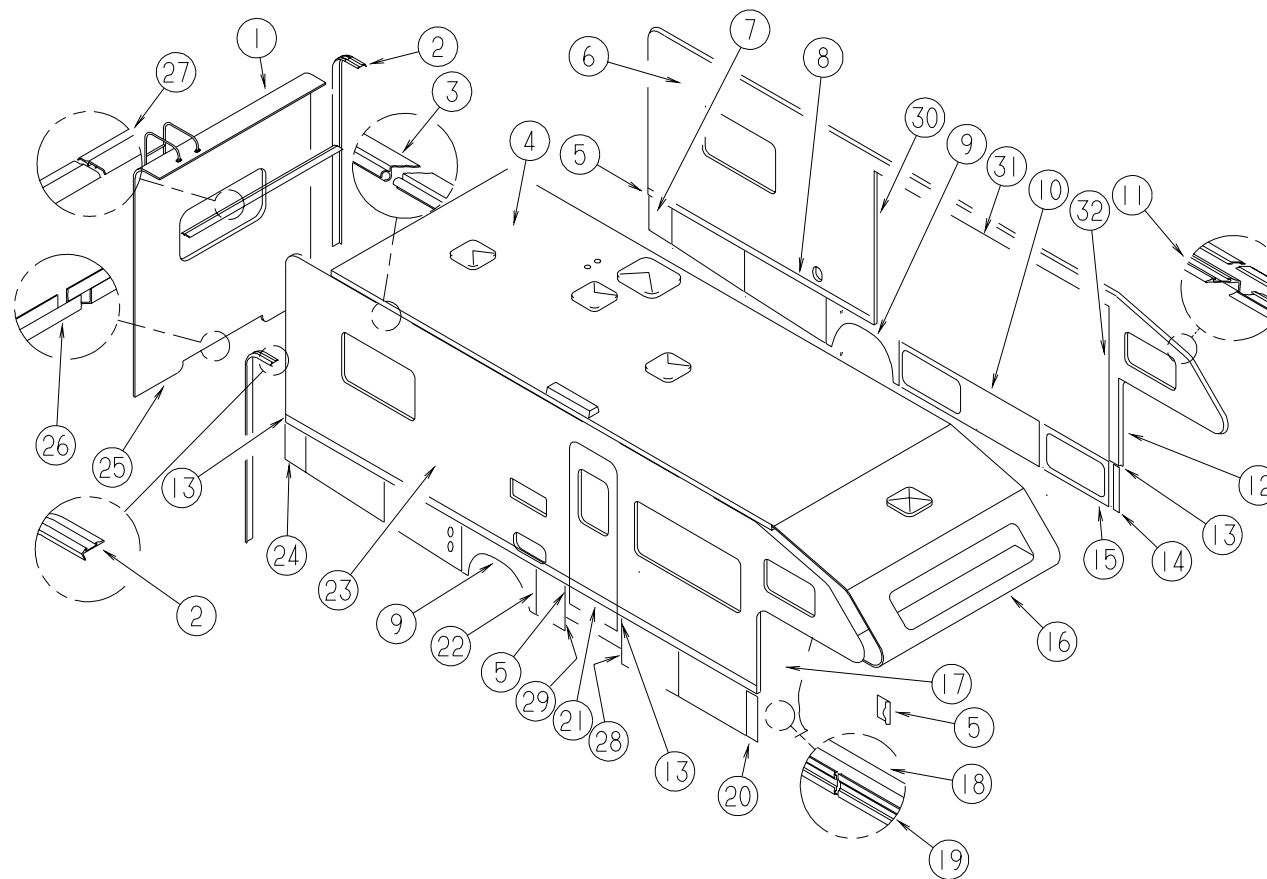
KEY	PART NUMBER	U/M	DESCRIPTION	VENDOR NO.
1	120700-04-01A	EA	DECAL - LOGO - W	
2	120702-03-10A	EA	DECAL - LOGO - WINNEBAGO/SMALL	
3	093689-27-01A	FT	FILM - MULTISTRIPE - 4"	
4	129670-01-01A	EA	DECAL - GRAPHICS - CAB/PASSENGER	
	129670-02-01A	EA	DECAL - GRAPHICS - CAB/DRIVER	
5	129671-01-01A	EA	DECAL - GRAPHICS - SMALL/PASSENGER	
	129671-02-01A	EA	DECAL - GRAPHICS - SMALL/DRIVER	
6	094445-07-01A	FT	FILM - MULTISTRIPE - 7.2"	
7	121744-01-03A	EA	DECAL - "MINNIE WINNIE" - 3" X 47.2"	
	122886-02-01A	EA	DECAL - MOBILIE - SMALL - JAPAN	
8	129672-01-01A	EA	DECAL - GRAPHICS 1 - PASSENGER	
	129672-02-01A	EA	DECAL - GRAPHICS 1 - DRIVER	
9	129673-01-01A	EA	DECAL - GRAPHICS 2 - PASSENGER	
	129673-02-01A	EA	DECAL - GRAPHICS 2 - DRIVER	
10	129674-01-01A	EA	DECAL - GRAPHICS - REAR/PASSENGER	
	129674-02-01A	EA	DECAL - GRAPHICS - REAR/DRIVER	
11	129667-01-01A	EA	DECAL - HOOD - "MINNIE WINNIE"	
12	123777-01-03A	EA	DECAL - "DL" LOGO - 3" X 8"	
13	123777-02-03A	EA	DECAL - "DL" LOGO - 1.3" X 3.4"	
14	N/A	GL	PAINT-PLATINUM MET	DUPONT F2528U
14	N/A	GL	PAINT-BLUE GREEN MET	DUPONT F4591U
14	099399-23-700	GL	PAINT-SPRAY-BRT WHITE ENAMEL	B8951U DUPONT
	041561-03-000	EA	PAINT - 16 OUNCE SPRAY - OFF WHITE	

#### DUPONT COLOR CODES

OFF WHITE	L8723A
BRIGHT WHITE	B8951U
LT. BLUE MET	BM359
LIGHT GREEN MET	GM185
SMOKE MET	MM328
MAJESTIC PURPLE MET	F0704
TRUE ROYAL BLUE MET	BM461

## EXTERIOR BODY GROUP (CONTINUED)

### BODY PANELS & TRIMS

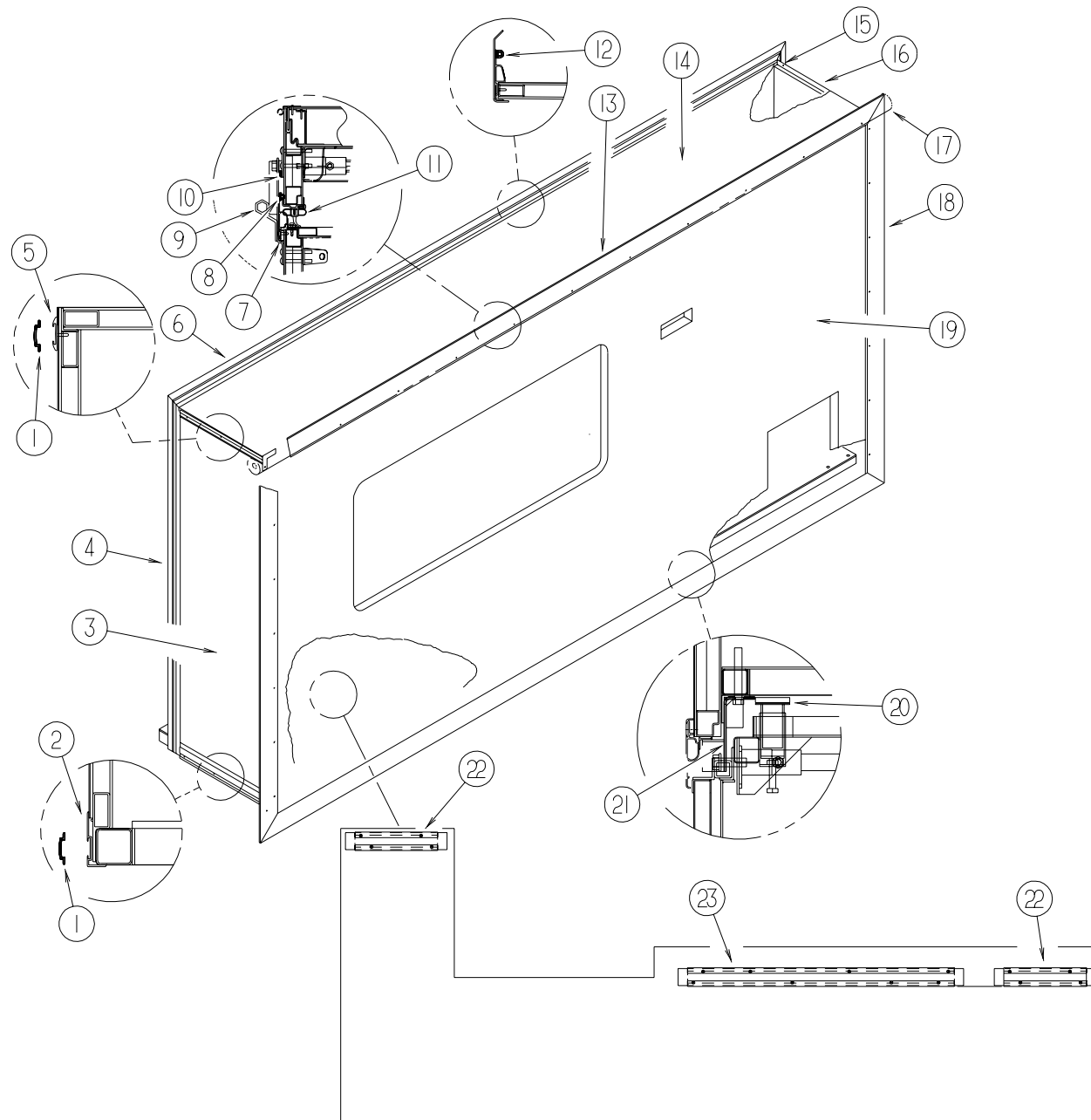


KEY	PART NUMBER	U/M	DESCRIPTION	KEY	PART NUMBER	U/M	DESCRIPTION
1	M07432-08-K13	EA	BACKWALL - W/O WINDOW/TRIM - QUEEN BED	21	108688-01-03A	EA	STRIP - FEATURE - 15'
1	M07432-08-K15	EA	BACKWALL - W/O WINDOW/TRIM - QUEEN BED	21	105312-01-07A	FT	INSERT - VINYL FEATURE STRIP - BRIGHT WHITE
1	M07432-09-K08	EA	BACKWALL - W/O WINDOW/TRIM - TWIN BED (K13)	21	108651-01-01A	EA	END CAP - FEATURE STRIP
1	M07432-09-K15	EA	BACKWALL - W/O WINDOW/TRIM - TWIN BED (K15)	22	122776-08-JA1	EA	VALANCE/PANEL - W/O HARDWARE - 16.3"W X 21.7"H
2	096854-05-02A	EA	TRIM - CONTOUR - BRIGHT WHITE - 114"	23	P30286-02-K13	EA	SIDEWALL - PASSENGER - W/O WINDOWS/TRIMS
	105312-01-07A	FT	INSERT - VINYL FEATURE STRIP - BRIGHT WHITE	23	P30286-02-K15	EA	SIDEWALL - PASSENGER - W/O WINDOWS/TRIMS
3	099583-55-003	EA	RAIL - AWNING - 120" (PASSENGER SIDE)	24	122732-33-K13	EA	VALANCE/PANEL - REAR PASSENGER - W/O HARDWARE - 4.6"
	099583-55-005	EA	RAIL - AWNING - 144" (DRIVER SIDE)	25	103334-03-02A	EA	TRIM - BACKWALL/LOWER - 25.6"
4	P30288-01-K07	EA	ROOF - W/O LIGHTS/VENTS - W/WIRING	26	103335-02-02A	EA	TRIM - BACKWALL/LOWER - 46.2"
5	124132-01-01A	EA	CAP - SIDEWALL TRIM - RIGHT HAND - 1.4" - BRIGHT WHITE	27	078580-02-000	EA	TRIM - ROOF/FRONT/REAR CAP
6	P30287-02-K13	EA	SIDEWALL - DRIVER - W/O WINDOWS/TRIMS	28	125089-02-JA1	EA	TRIM - ENTRANCE STEP
6	P30287-02-K15	EA	SIDEWALL - DRIVER - W/O WINDOWS/TRIMS	29	125089-01-JA1	EA	TRIM - ENTRANCE STEP
7	122732-34-K13	EA	VALANCE/PANEL - REAR DRIVER - W/O HARDWARE - 12.5"	30	115863-26-01A	EA	TRIM - SIDEWALL/SLIDEOUT - RIGHT HAND - 76.8" - BRT WHT
8	124176-01-01A	EA	TRIM - SIDEWALL - BRIGHT WHITE - 16'	30	115886-02-03A	EA	RETAINER - SIDEWALL - BRIGHT WHITE 73.5"
8	124299-51-001	EA	EXTRUDED - RETAINER - TRIM - 144"	31	115863-24-01A	EA	TRIM - SIDEWALL/SLIDEOUT - TOP - 133.7" - BRIGHT WHITE
9	121304-02-02A	EA	PANEL - WHEEL LIP - REAR	31	115886-10-01A	EA	RETAINER - SIDEWALL - BRIGHT WHITE
10	122776-33-K13	EA	VALANCE/PANEL - W/O HARDWARE - 80"	32	115863-25-01A	EA	TRIM - SIDEWALL/SLIDEOUT - LEFT HAND - 76.8" - BRT WHT
11	096854-07-02A	EA	TRIM - CONTOUR - 144" - BRIGHT WHITE	32	115886-02-03A	EA	RETAINER - SIDEWALL - BRIGHT WHITE 73.5"
	105312-01-07A	FT	INSERT - VINYL FEATURE STRIP - BRIGHT WHITE		107865-01-000	EA	ROD - SUPPORT - VALANCE PANEL - 14.3"
12	104479-06-02A	EA	TRIM - FRONT CONTOUR - BRIGHT WHITE - LEFT HAND		107865-02-000	EA	ROD - SUPPORT - VALANCE PANEL - 13.2"
13	124132-02-01A	EA	CAP - SIDEWALL TRIM - LEFT HAND - 1.4" - BRIGHT WHITE		107865-06-000	EA	ROD - SUPPORT - VALANCE PANEL - 15"
14	122776-39-K13	EA	VALANCE/PANEL - W/O HARDWARE - 22"		002726-01-001	EA	GARNISH - U-CHANNEL - 1.38" X 19' - SERRATED
14	1233512-01-02B	EA	BRACKET - VALANCE DOOR - E-COATED		002365-03-006	EA	U-CHANNEL - EXTRUDED - 1" X 192" - BRIGHT WHITE
15	122776-32-K13	EA	VALANCE/PANEL - W/O HARDWARE - 37.3"		099069-01-000	FT	SEAL - RUBBER - CLOSED SPONGE - .5" WIDE X .12" THICK -BLK
16	P21337-01-H07	EA	ROOF - FRONT ONLY - W/O LIGHTS/VENTS - W/WIRING		119568-01-01A	EA	STANDOFF - VALANCE PANEL - BLACK
17	104479-05-02A	EA	TRIM - FRONT CONTOUR - BRIGHT WHITE - RIGHT HAND				
18	124299-51-001	EA	EXTRUDED - RETAINER - TRIM - 144"				
19	124176-01-01A	EA	TRIM - SIDEWALL - BRIGHT WHITE - 16'				
20	122776-06-JA1	EA	VALANCE/PANEL - W/O HARDWARE - 4.8"W X 21.7"H				



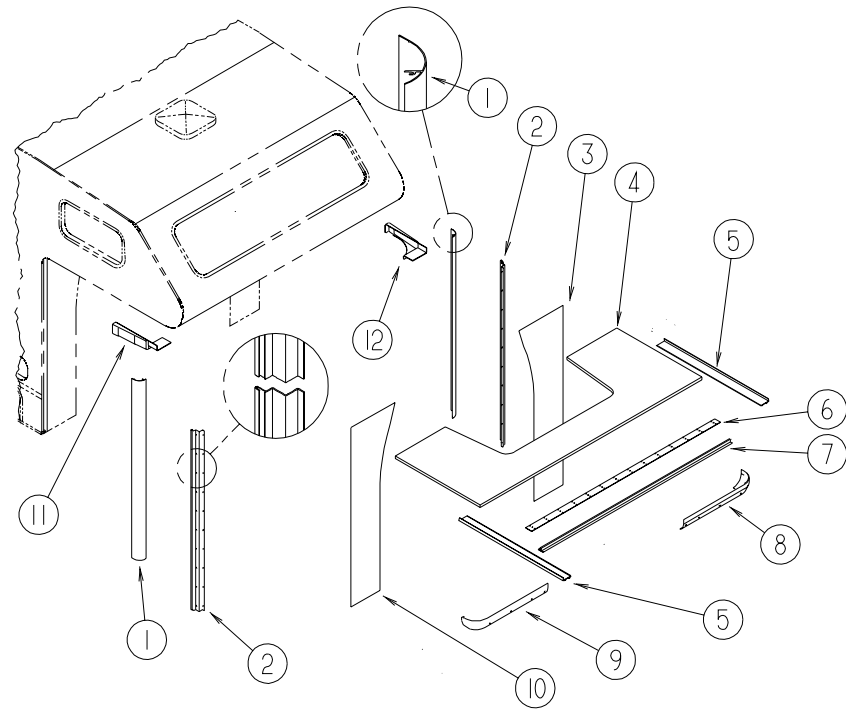
## EXTERIOR BODY GROUP (CONTINUED)

### BODY PANELS & TRIMS



KEY	PART NUMBER	U/M	DESCRIPTION
1	105312-01-07A	FT	INSERT - VINYL FEATURE STRIP - BRIGHT WHITE
2	125051-01-01A	EA	STRIP - FEATURE - LOWER - BRIGHT WHITE
3	121401-01-J60	EA	PANEL - SLIDEOUT/FRONT (K13)
3	121401-01-J31	EA	PANEL - SLIDEOUT/FRONT (K15)
4	117004-01-03A	EA	TRIM - SEAL/INNER VERTICAL-W/MITERED ENDS-73.5"- BRT WHT
5	108688-01-03A	EA	STRIP - FEATURE - 15'
6	125466-06-02A	EA	SUPPORT - ROOF/INTERIOR - BRIGHT WHITE
6	117004-10-01A	EA	TRIM - SEAL/INNER VERTICAL-W/MITERED ENDS-132.7" OFF WHITE
7	131007-01-12B	EA	BRACKET - SLIDEOUT/RIGHT HAND - BRIGHT WHITE
7	131007-02-12B	EA	BRACKET - SLIDEOUT/LEFT HAND - BRIGHT WHITE
8	099418-01-000	FT	SEAL - D-SECTION/ADHESIVE BACK - .44" X .44"- BLK RUBBER
9	049465-22-000	EA	SCREW - 10-16 X 1 1/2 POH W/WASHER - SABLE
10	069726-02-000	EA	BUMPER - .88" OD X .40" THICK - BLACK
11	115076-01-000	FT	SEAL - SLIDEOUT
12	112091-01-000	FT	D-SEAL - NEOPRENE - TRUNK - HEAT ACTIVE ADHESIVE
13	119992-16-01A	EA	TRIM - SEAL - W/MITERED ENDS
13	116933-14-01A	EA	TRIM - SEAL/FLOOR EDGE - 129.6" - BRIGHT WHITE
14	130786-01-K07	EA	ROOF - F/SLIDEOUT - W/O VENTS/TRIMS
15	117004-02-03A	EA	TRIM - SEAL/INNER HORIZONTAL W/MITERED ENDS-73.5 - BRT WHT
16	121402-05-K13	EA	PANEL - SLIDEOUT/REAR (K13)
16	121402-05-K07	EA	PANEL - SLIDEOUT/REAR (K15)
17	122977-08-01A	EA	AWNING - SLIDEOUT COVER - 24" ROOM EXTENSION - BRIGHT WHT
18	119992-18-01A	EA	TRIM - SEAL - W/MITERED ENDS - BRIGHT WHITE
19	105312-01-07A	FT	INSERT - VINYL FEATURE STRIP - BRIGHT WHITE
19	125665-02-K13	EA	PANEL - SLIDEOUT/OUTER (K13)
19	125665-02-K07	EA	PANEL - SLIDEOUT/OUTER (K15)
20	128599-03-000	EA	PAD - SLIDEOUT - HYDRAULIC
21	130792-01-02B	EA	BRACKET - MOUNT - SLIDEOUT/RIGHT HAND - E-COATED
21	130792-02-02B	EA	BRACKET - MOUNT - SLIDEOUT/LEFT HAND - E-COATED
22	115325-08-01A	EA	RAIL - FLOOR/SLIDEOUT ROOM - BLACK
22	115325-07-01A	EA	RAIL - FLOOR/SLIDEOUT ROOM
23	115661-01-000	EA	POLYETHYLENE - HIGH DENSITY - 1/16" X 3'

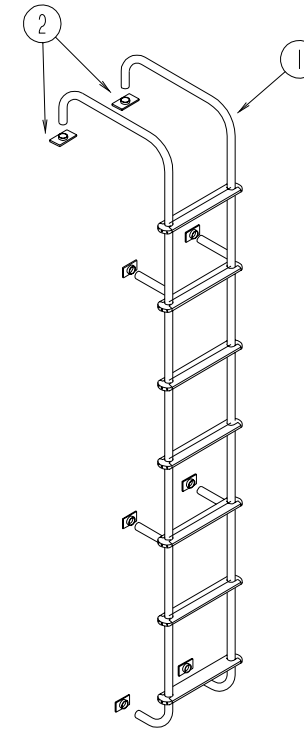
**EXTERIOR BODY GROUP (CONTINUED)**



**WINGWALL, SLEEPERBOARD & TRIM**

KEY	PART NUMBER	U/M	DESCRIPTION
1	108037-02-02A	EA	COVER - WINGWALL OUTER-CURVED BRIGHT WHITE ALUMINUM
2	105015-02-02A	EA	TRIM-WINGWALL/SIDEWALL INNER SUPPORT BRKT - BRIGHT WHITE
3	125128-02-J10	EA	WINGWALL - DRIVER
4	P25129-01-J01	EA	SLEEPERBOARD
5	096854-05-02A	EA	TRIM - CONTOUR - BRIGHT WHITE - 114"
5	105312-01-07A	FT	INSERT - VINYL FEATURE STRIP - BRIGHT WHITE
6	100086-04-01A	EA	TRIM - SLEEPER BOARD/ROOF - 2" X 96.6"
7	100085-05-01A	EA	TRIM - STRAP - SLEEPERBOARD
8	122910-02-G07	EA	COVER - WINGWALL - DRIVER
9	122910-01-G07	EA	COVER - WINGWALL - PASSENGER
10	125128-01-J10	EA	WINGWALL - PASSENGER
11	104444-01-02A	EA	COVER - WINGWALL TRIM - UPPER PASSENGER - BRIGHT WHITE
12	104444-02-02A	EA	COVER - WINGWALL TRIM - UPPER DRIVER - BRIGHT WHITE

**EXTERIOR BODY GROUP (CONTINUED)**

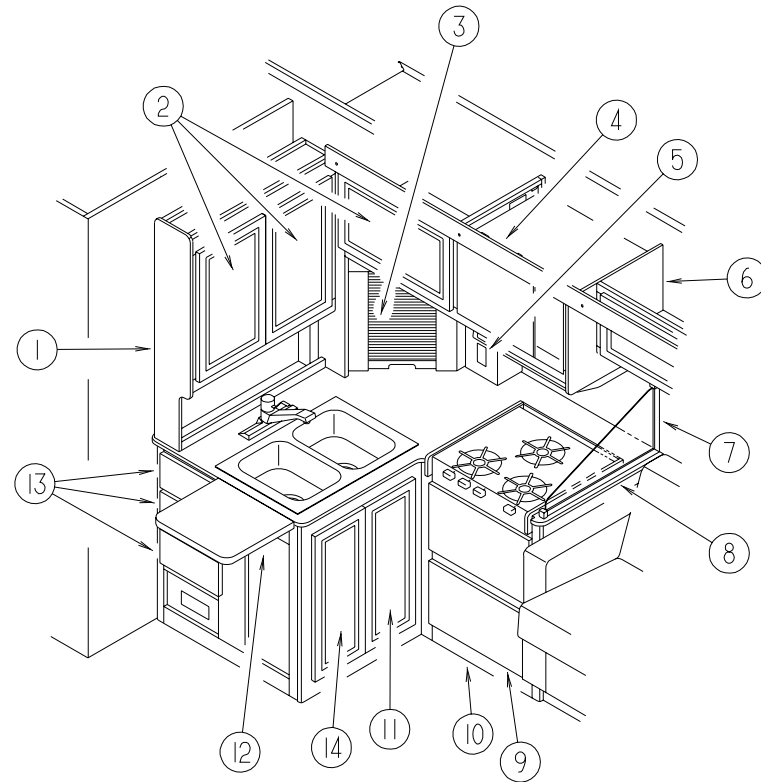


**LADDER**

KEY	PART NUMBER	U/M	DESCRIPTION
1	129639-05-01A	EA	LADDER - BRUSHED ALUMINUM
2	131256-01-01A	EA	PLATE - LADDER
	129375-01-000	EA	SEAL/FOAM - LADDER BRACKET

FROM: 09-28-98 THRU: 99-99-99

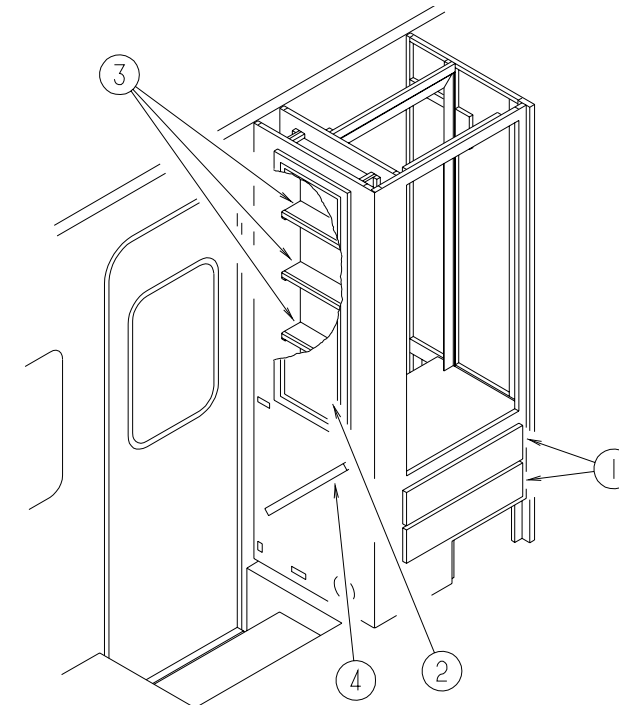
## GALLEY GROUP



### CABINETS & FIXTURES

KEY	PART NUMBER	U/M	DESCRIPTION
1	131060-01-K13	EA	CABINET - HUTCH - W/O DOORS/DRAWERS/HARDWARE
1	131060-01-K15	EA	CABINET - HUTCH - W/O DOORS/DRAWERS/HARDWARE
	131060-12-K13	EA	SHELF - W/PLASTIC EDGE MOLDING
	116951-13-K09	EA	MOLDING - TRIM - 3.4" X 28.3" (K09,K11)
	116951-15-K09	EA	MOLDING - WOOD - 1.7" X 11" (K09,K11)
2	131995-98-K13	EA	DOOR - SOLID PANEL - 13.7" X 23.2" - W/O HARDWARE
3	130454-01-K13	EA	CABINET - OVERHEAD/FRONT/LEFT HAND - W/O DOORS/HARDWARE
	126866-05-K13	EA	HANDLE - TAMBOUR DOOR
	057882-04-700	EA	TAMBOUR - 48" X 48" SHEET - UNFINISHED
4	130580-01-K13	EA	CABINET - OVERHEAD/MICROWAVE - W/O DOOR/HARDWARE
			FROM: 00-00-00 THRU: 09-20-98
4	130580-02-K13	EA	CABINET - OVERHEAD/MICROWAVE - W/O DOOR/HARDWARE
			FROM: 09-21-98 THRU: 99-99-99
5	131059-02-K13	EA	CABINET - MONITOR PANEL - W/O DOORS/HARDWARE
6	109908-71-K13	EA	END CAP - OVERHEAD CABINET
			FROM: 00-00-00 THRU: 09-20-98
6	109908-A4-K13	EA	END CAP - OVERHEAD CABINET
			FROM: 09-21-98 THRU: 99-99-99
7	126875-02-K13	EA	TRIM/SPLASHGUARD - GALLEY CABINET
	127117-02-01A	EA	GLASS - STATIONARY - SPLASHGUARD
8	130157-12-K13	EA	COUNTERTOP - GALLEY (K13)
8	130157-12-K07	EA	COUNTERTOP - GALLEY (K15)
	104113-01-000	EA	SINK - DOUBLE - STAINLESS STEEL
	104114-02-01A	EA	FAUCET - GALLEY - SINGLE CONTROL
	092303-01-000	EA	STRAINER - SINK
	103610-03-H05	EA	COVER - SINK - 15.2" X 11" (K13)
	103610-03-H07	EA	COVER - SINK - 15.2" X 11" (K15)
9	M09316-27-K13	EA	DRAWER - OGEE EDGE - 19.8"W X 15.7"D - W/O SLIDES/HARDWARE
10	130157-01-K13	EA	CABINET - GALLEY - W/COUNTERTOP - W/O DOORS/DRAWERS/HDW
10	130157-01-K15	EA	CABINET - GALLEY - W/COUNTERTOP - W/O DOORS/DRAWERS/HDW
11	131995-N6-K13	EA	DOOR - SOLID PANEL - 14.3" X 17.9" - W/O HARDWARE
12	080812-06-J16	EA	EXTENSION - GALLEY COUNTERTOP (K13)
12	080812-06-GD1	EA	EXTENSION - GALLEY COUNTERTOP (K15)
13	M09316-60-K13	EA	DRAWER - OGEE EDGE - 10.3"W X 19.6"D - W/O SLIDES/HARDWARE
14	131995-N7-K13	EA	DOOR - SOLID PANEL - 14.3" X 17.9" - W/O HARDWARE

## GALLEY GROUP (CONTINUED)



### REFRIGERATOR CABINETRY

KEY	PART NUMBER	U/M	DESCRIPTION
1	M09316-57-K13	EA	DRAWER - OGEE EDGE - 22.5"W X 13.7"D - W/O SLIDES/HARDWARE
2	131995-C8-K37	EA	DOOR - SOLID PANEL - 15.5" X 45.4" - W/O HARDWARE
3	130158-13-K13	EA	SHELF - W/PLASTIC EDGE MOLDING
4	091257-09-000	EA	HANDLE - ASSIST - CHERRY
	103251-07-01A	EA	INSERT/REFRIGERATOR DOOR-BLACK ACRYLIC - 21.6" X 14.5"
	103251-08-01A	EA	INSERT/REFRIGERATOR DOOR-BLACK ACRYLIC - 21.6" X 31.6"
	090329-01-000	FT	SEAL/T - REFRIGERATOR CABINET

### MICROWAVE OVEN - SAMSUNG FROM: 00-00-00 THRU: 02-07-99

KEY	PART NUMBER	U/M	DESCRIPTION	VENDOR NO.
	128527-02-000	EA	OVEN - MICROWAVE - 1.2 CU FT - NON CONVECTION	
	128527-02-700	EA	TRIM RING-F/1.2 CU.FT. MICRO	MC-6471-EA
	128642-02-000	EA	TRIM KIT W/VENT - MICROWAVE - 1.2 CU FT - SAMSUNG	

### MICROWAVE OVEN - SAMSUNG FROM: 02-08-99 THRU: 99-99-99

KEY	PART NUMBER	U/M	DESCRIPTION
	128527-04-000	EA	OVEN - MICROWAVE - 1.2 CU FT

### RANGE HOODS - VENTLINE

KEY	PART NUMBER	U/M	DESCRIPTION
*	100258-22-03A	EA	HOOD - RANGE - 22" - W/MONITOR PANEL
*	100258-23-03A	EA	HOOD - RANGE - 22" - W/MONITOR PANEL

\*COMPONENT PARTS FOUND IN SERVICE PARTS LIBRARY

## GALLEY GROUP (CONTINUED)

### REFRIGERATOR - NORCOLD 9162

KEY	PART NUMBER	U/M	DESCRIPTION
*	121568-01-01A	EA	REFRIGERATOR - SMALL DBL DOOR/2 WAY-52.8"H X 23.5"W X 24"D FROM: 00-00-00 THRU: 07-19-98
*	121568-03-01A	EA	REFRIGERATOR - SMALL DBL DOOR/2 WAY-52.8"H X 23.5"W X 24"D FROM: 07-20-98 THRU: 99-99-99
	065225-02-000	EA	PLATE - TIEDOWN - REFRIGERATOR
	093646-01-000	EA	BRACKET - TIEDOWN/REFRIGERATOR - RIGHT HAND
	093646-02-000	EA	BRACKET - TIEDOWN/REFRIGERATOR - LEFT HAND
	090329-01-000	FT	SEAL/T - REFRIGERATOR CABINET
	054450-01-000	EA	LEVEL - REFRIGERATOR
	116751-05-01A	EA	TRAY - REFRIGERATOR - BLACK

\*COMPONENT PARTS FOUND IN SERVICE PARTS LIBRARY

### COFFEE MAKER - BLACK & DECKER

KEY	PART NUMBER	U/M	DESCRIPTION
	124649-02-01A	EA	COFFEEMAKER - BLACK/10 CUP/DEEP BREW - UL
	124649-03-01A	EA	COFFEEMAKER - BLACK/10 CUP/24 HOUR PROGRAM/DEEP BREW - CSA

### RANGE - MAGIC CHEF

KEY	PART NUMBER	U/M	DESCRIPTION
*	112881-02-01A	EA	RANGE - 16" - 3 BURNER - FRONT 9100/REAR 6500 BTU-BLK TOP (US)
*	112881-03-01A	EA	RANGE - 16" - 3 BURNER - BLACK DOOR/BLACK GLASS (CSA)
	105458-01-000	EA	BRACKET - STOVE TIEDOWN - RIGHT HAND
	105458-02-000	EA	BRACKET - STOVE TIEDOWN - LEFT HAND

\*COMPONENT PARTS FOUND IN SERVICE PARTS LIBRARY

### MONITOR PANEL - LVS

KEY	PART NUMBER	U/M	DESCRIPTION
	096449-01-000	EA	WIRE ASSEMBLY - WATER TANK TO MONITOR PANEL
	097618-01-000	EA	WIRE ASSEMBLY - MONITOR PANEL- W/3 WIRES & ORANGE RESISTOR
*	102765-04-01A	EA	PANEL - MONITOR - 2 HOLDING TANKS - ADJUSTABLE

\*COMPONENT PARTS FOUND IN SERVICE PARTS LIBRARY

## GENERATOR GROUP

### 4000 KW ONAN GENERATOR

KEY	PART NUMBER	U/M	DESCRIPTION
	007067-01-000	SF	INSULATION - FIBERGLASS - 1" THICK X 4'-INCREMENTS 4 SF
	109982-03-000	EA	GENERATOR - 4.0 MICROLITE
	118248-01-02B	EA	BRACKET - GENERATOR - W/O NOTCH - E-COATED
	118248-02-02B	EA	BRACKET - GENERATOR - W/NOTCH - E-COATED
	007125-04-000	EA	CLAMP - MUFFLER - 1.12" DIAMETER
	105958-09-000	EA	PIPE - GENERATOR EXHAUST - 1.3" OD X 5.9" X 22" FROM: 00-00-00 THRU: 11-08-98
	127920-02-000	EA	PIPE - EXHAUST - GENERATOR FROM: 11-09-98 THRU: 99-99-99

NOTE: ADDITIONAL GENERATOR COMPONENTS ARE FOUND IN THE CHASSIS GROUP.

## HEATING & AIR CONDITIONING GROUP

### HEATING SYSTEM

KEY	PART NUMBER	U/M	DESCRIPTION
	007108-01-000	FT	HOSE - HEATER - 5/8" ID - HI-TEMP - FORD
	076776-01-000	EA	TEE - BEADED - 5/8" X 5/8" X 5/8"
	009198-02-000	FT	DUCT - FLEXIBLE - 2" ID X 25'
	009200-01-000	EA	TAPE - FURNACE - 1 1/2"
	089367-02-000	EA	TEE - 4" X 2" X 4"
	093614-01-02A	EA	GRILLE - RETURN AIR - 15.6" X 7.6" - BEIGE
	040731-01-000	EA	NIPPLE - INLET MANIFOLD - GM —3838094
	094600-05-01A	EA	REGISTER W/O DAMPER-3.6" X 11.3" FACE/2.1" X 9.9" RO-BEIGE
	056464-11-000	EA	REGISTER - 4" DIAMETER - PLASTIC - W/DAMPER - OFF WHITE
	093741-01-000	EA	BOX - BOOT - FLOOR REGISTER
	092777-01-000	EA	ADAPTER - DUCT - 4"
	092776-01-000	EA	ADAPTER - DUCT - 2"
	079059-01-000	EA	HOSE - 90 DEGREE - 5/8"ID X 4" X 36"
	079059-02-000	EA	HOSE - 90 DEGREE - .61" ID X 4" X 6"
	118761-01-000	EA	REDUCER - 4"-2" - GALVANIZED

### REAR HEATER - EVANS

KEY	PART NUMBER	U/M	DESCRIPTION	VENDOR NO.
	084405-01-000	EA	HEATER - REAR/DUCTED - W/MOTOR AID	
	084405-01-700	EA	CORE-HEATER	FT200229
	084405-01-701	EA	FAN BLADES	HV029931
	084405-01-702	EA	MOTOR ASSEMBLY, 12 VOLT	RV010348
	009198-01-000	FT	DUCT - HEAT - FLEXIBLE - 4" ID X 25'	
	069636-02-000	EA	CONNECTOR - DUCT - 4" ID	
	061673-01-000	EA	BRACKET - MOTOR AID TUBES - 4" X 1.5" - STEEL	
	056464-10-000	EA	REGISTER - 4" DIAMETER - PLASTIC - W/O DAMPER - BEIGE	

### AIR CONDITIONERS & CEILING ASM.

KEY	PART NUMBER	U/M	DESCRIPTION
*	108889-02-03A	EA	AIR CONDITIONER - 13,500 BTU/220 VOLT - BRIGHT WHITE - EXP FROM: 00-00-00 THRU: 08-02-98
*	131185-02-01A	EA	A/C ROOF - 13,500 BTU - 220 VOLT - WHITE FROM: 08-03-98 THRU: 99-99-99
*	115219-01-03A	EA	A/C - ROOF - 14,800 MACH 15 - BRIGHT WHITE FROM: 00-00-00 THRU: 07-05-98
*	131188-01-01A	EA	A/C - ROOF - 14,800 MACH 15 - WHITE FROM: 07-06-98 THRU: 99-99-99
*	108892-01-01A	EA	CEILING ASSEMBLY - A/C DUCTED FROM: 00-00-00 THRU: 07-05-98
*	131184-01-01A	EA	CEILING ASSEMBLY - A/C DUCTED - WHITE FROM: 07-06-98 THRU: 99-99-99
	131184-02-01A	EA	BOARD - DIVIDER - SILVER FROM: 06-15-98 THRU: 99-99-99
	120134-01-02A	EA	REGISTER - 4.5" DIAMETER W/DAMPNER
	117238-01-01A	EA	THERMOSTAT - A/C - FURNACE
	102289-01-000	EA	SPRING - SCREW - ROOF A/C GASKET FROM: 00-00-00 THRU: 08-02-98
	084077-03-000	EA	COVER/BLANK - ROOF A/C 5.2" X 3.5" - IVORY FROM: 00-00-00 THRU: 09-30-98

\*COMPONENT PARTS FOUND IN SERVICE PARTS LIBRARY

### FURNACE - 30,000 BTU

KEY	PART NUMBER	U/M	DESCRIPTION
*	098668-20-000	EA	FURNACE - 30,000 BTU
	098668-23-000	EA	DOOR - ACCESS - FURNACE - BRIGHT WHITE
	115764-01-01A	EA	THERMOSTAT - FURNACE

\*COMPONENT PARTS FOUND IN SERVICE PARTS LIBRARY

## INTERIOR FINISH GROUP

### PANELING, LAMINATES & PLASTIC

KEY	PART NUMBER	U/M	DESCRIPTION
	074497-23-000	SF	PANELING - CHERRY - 1/8" X 48" X 96"
	074497-41-000	SF	PANELING - CEILING - IMPACT PEARL - EMBOSSED - 4' X 9'
	088272-H3-000	SF	PANELING - BARCELONA - 48" X 84" (K13)
	088272-H4-000	SF	PANELING - TRAVIS - 4' X 7'(28 SQ.FT.) (K15)
	088272-G1-000	SF	PANELING - PEBBLE EMBOSSED - ANTIQUE WHITE - 48" X 84"(BATH)
	122481-17-000	FT	WALLPAPER - 6.8" BORDER (K13)
	122481-19-000	FT	WALLPAPER - 6.8" BORDER (K15)
	000885-71-000	SF	PARTICLE BOARD - 3/8" X 48" X 96" - CHERRY - VINYL 1 SIDED
	000885-72-000	SF	PARTICLE BOARD - 1/2" X 48" X 96" - CHERRY - VINYL 2 SIDED
	000885-73-000	SF	PARTICLE BOARD - 3/4" X 48" X 96" - CHERRY - VINYL 2 SIDED
	000885-74-000	SF	PARTICLE BOARD - 3/8" X 48" X 98" - CHERRY - VINYL 2 SIDED
	074498-72-000	SF	LAMINATE - PLASTIC - PEBBLE SANTOS - 5' X 8' (K13)
	074498-71-000	SF	LAMINATE - PLASTIC - NEUTRAL SANTOS - 5'X 8' (K15)
	074498-40-000	SF	LAMINATE - PLASTIC - OFF WHITE - 5' X 8'
	126339-01-000	SF	BOARD - WHEAT - 60" X 72"
	057882-04-700	EA	DOOR-TAMBOUR 4'X4' PC WINONA PART SALES
	000846-01-000	SF	PLYWOOD - 5/16" X 48" X 96" - CD GRADE
	000846-02-000	SF	PLYWOOD/UNDERLAYMENT - 5/16" X 48" X 96"

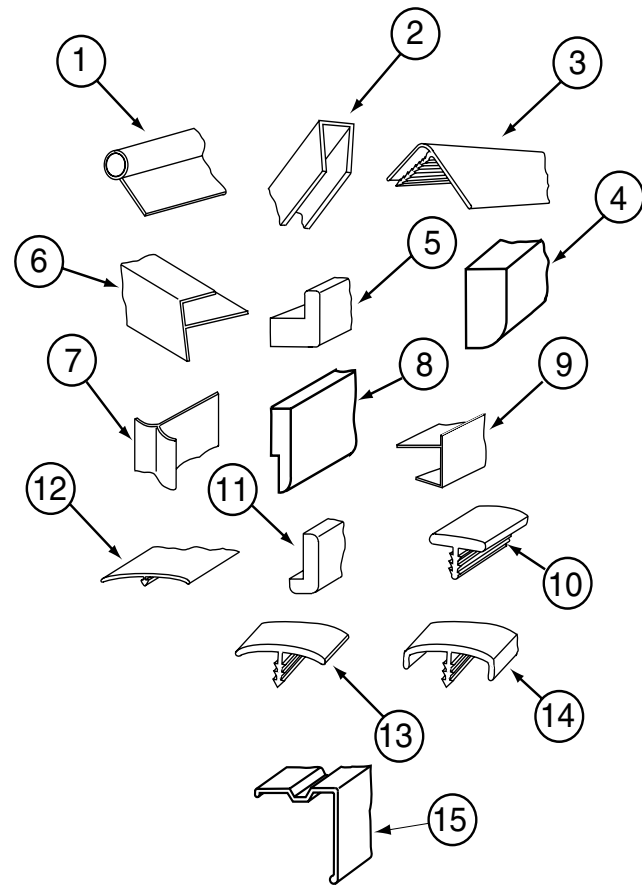
### FIRE EXTINGUISHER, DETECTORS & CLOCK

KEY	PART NUMBER	U/M	DESCRIPTION	VENDOR NO.
	072852-01-000	EA	DETECTOR - SMOKE - W/9 VOLT BATTERY - US	
	072852-02-000	EA	DETECTOR - SMOKE - W/9 VOLT BATTERY - CANADIAN	
	094499-03-000	EA	EXTINGUISHER/FIRE - DRY - 10B:C - W/O BRACKET	
	094499-04-000	EA	BRACKET - FIRE EXTINGUISHER	
	094499-02-000	EA	EXTINGUISHER/FIRE - DRY - 1A10BC - CANADIAN	
	094499-01-700	EA	BRACKET MTG. W/PLAS. STRAP	294039
	118081-02-01A	EA	CLOCK - WALL - ROUND 8" - BRASS	
	125136-01-000	EA	CO DETECTOR - GAS - ROUND W/2 SCREWS - 9 VOLT	

### CARPETING & FLOOR MATS

KEY	PART NUMBER	U/M	DESCRIPTION
	096060-95-000	SY	CARPET - DOESKIN - INCREMENTS OF 4 SY (K13)
	096060-D1-000	SY	CARPET - SILVER ASPEN - INCREMENTS OF 4 SQ YD (K15)
	093486-01-000	SY	CARPET - COMPARTMENT - 72" WIDE - DARK GRAY
	093873-01-01A	EA	TRIM - CARPET - L-ANGLE 1.1" X 1.3" X 12' - GRAY VINYL
	122755-05-01A	EA	TILE - RUBBER/ENTRANCE DOOR - 11.2" X 26.9"
	125780-01-000	EA	MAT - FLOOR - FRONT/PASSENGER - "W" - FORD
	125780-02-000	EA	MAT - FLOOR - FRONT/DRIVER - "W" - FORD
	091261-01-000	FT	SLIPNOT - ANTISLIP - 1' WIDE
	096764-02-000	FT	SLIPNOT - ANTISLIP - 1" WIDE (100' ROLLS)

**INTERIOR FINISH GROUP (CONTINUED)**



**MOLDINGS & TRIMS**

KEY	PART NUMBER	U/M	DESCRIPTION
1	009767-12-000	FT	WELTING - SIDEWALL/CEILING/CABINET - OFF/WHT
2	009778-18-000	FT	U-CHANNEL - 1" - CHERRY
2	009778-31-000	FT	U-CHANNEL - 1" - GRADY BROWN
2	009778-22-000	FT	U-CHANNEL - 1 1/4" - WATERFORD OAK
2	009778-11-000	FT	U-CHANNEL - 1" - IVORY
2	070504-03-000	FT	U-CHANNEL - PLASTIC - .9" X 96" - GRADY BROWN
2	070504-30-000	FT	U-CHANNEL - PLASTIC - .13" X 72" - CHERRY
2	070504-31-000	FT	U-CHANNEL - PLASTIC - .9" X 84" - CHERRY
3	009809-27-000	EA	MOLDING - CORNER - OUTSIDE - 1" X 84" - CHERRY
4	100818-01-04A	EA	MOLDING - VINYL WRAPPED - 1.6" X .4" X 84" - CHERRY
5	100819-01-04A	EA	MOLDING - VINYL WRAPPED - L-SHAPED - 1.5"X1.5"X84"-CHERRY
6	009812-26-000	EA	MOLDING - CORNER - 1/2" W/1/4" CHAN X 84" - CHERRY
6	009812-24-000	EA	MOLDING - PLASTIC - 1/2" O/S CORNER - IVORY
7	022992-11-000	FT	MOLDING - REVERSE COVE - T-SHAPED VINYL - IVORY
8	105004-01-03A	EA	MOLDING - VINYL WRAPPED - 1" X 96" - CHERRY
9	103186-01-04A	FT	MOLDING - PLASTIC - 3/8" U-CHANNEL 3/4" FACE-CHERRY
10	104676-02-03A	FT	MOLDING-T - 1/2" - CHERRY
11	077840-01-E41	EA	MOLDING - CAP - WALL - 8' - CHERRY
12	086229-15-000	EA	BATTEN - 1" X 96" - MODERN IVORY
12	086229-12-000	EA	BATTEN - 1.5" OFFSET X 97.01" IVORY
12	086229-18-000	EA	BATTEN - 1" X 97.68" - OFF WHITE
12	086229-20-000	EA	BATTEN - 1" X 96" - BEIGE
13	009815-09-000	FT	MOLDING-T - .75" IVORY
13	105709-01-000	FT	MOLDING-T - 1" - MODERN IVORY
14	083620-09-000	FT	MOLDING-T - END CAP EDGE - W/EDGE LIP - .75"-MODERN IVORY
14	083620-11-000	FT	MOLDING-T - END CAP EDGE - W/EDGE LIP - .75"-CHERRY
14	119520-01-01A	FT	MOLDING-T - 1" - W/EDGE LIPS (OFF/WHITE-CREAM)

**INTERIOR FINISH GROUP (CONTINUED)**

**MOLDINGS & TRIMS (CONTINUED)**

KEY	PART NUMBER	U/M	DESCRIPTION
15	093873-01-01A	EA	TRIM - CARPET - L-ANGLE 1.1" X 1.3" X 12' - GRAY VINYL
	116951-13-K13	EA	MOLDING - TRIM - 3.4" X 28.3"
	116951-14-K13	EA	MOLDING - TRIM - 3" X 70.6"
	116951-15-K13	EA	MOLDING - WOOD - 1.7" X 11"
			FROM: 08-10-98 THRU: 99-99-99
	086229-11-000	EA	RETAINER - OFFSET - 97.01"
	111136-F2-134	EA	MOLDING - VINYL WRAPPED - .7" X 2.6" X 84" - CHERRY
	111136-F2-438	EA	MOLDING - VINYL WRAPPED - .7" X 2.5" X 84" - CHERRY
	111134-D2-134	EA	MOLDING - VINYL WRAPPED - .7" X 1.6" X 84" - CHERRY
	111134-D2-438	EA	LUMBER - VINYL WRAPPED - .7" X 1.5" X 96" - CHERRY
	111134-E2-438	EA	LUMBER - VINYL WRAPPED - .7" X 2" X 96" - CHERRY
	111134-G2-438	EA	LUMBER - VINYL WRAPPED - .7" X 3" X 96" - CHERRY
	111134-J2-438	EA	LUMBER - VINYL WRAPPED - .7" X 5.5" X 96" - CHERRY

**EDGE BAND MOLDING**

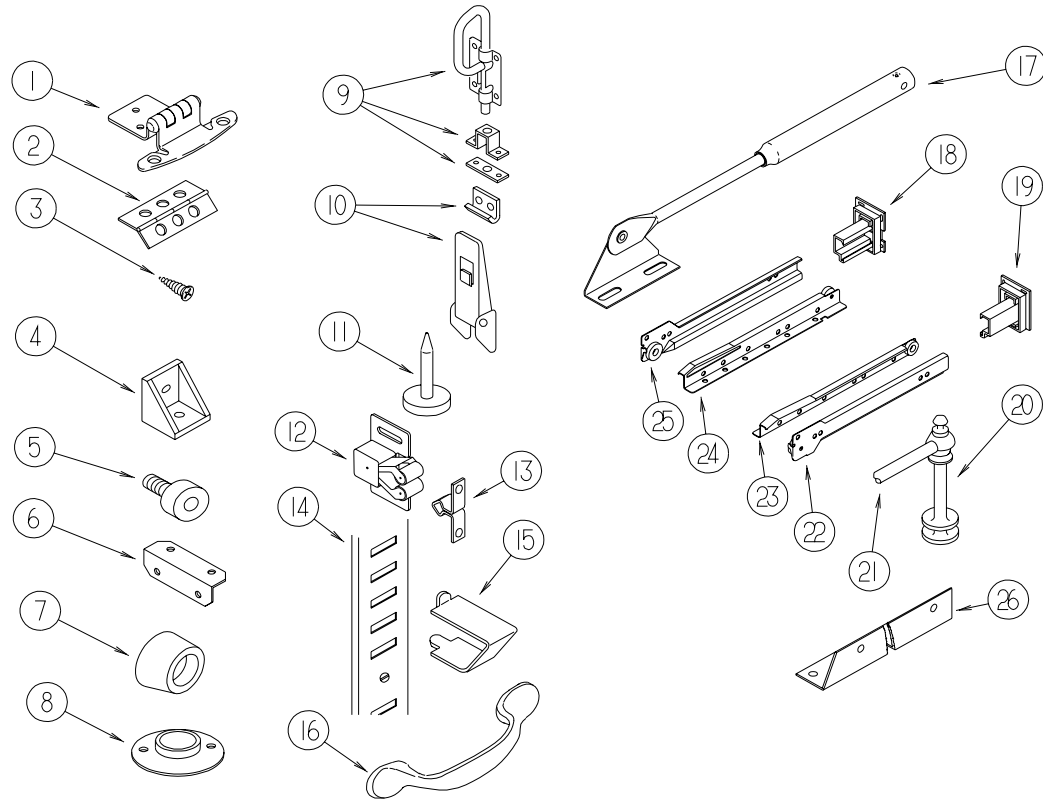
KEY	PART NUMBER	U/M	DESCRIPTION
	076325-50-000	FT	MOLDING - EDGE BAND - 1 5/16" X .038" - CHERRY
	076325-52-000	FT	MOLDING - EDGE BAND - .93" X .024" - CHERRY
	076325-37-000	FT	MOLDING - EDGE BAND - 1 5/16" X .030" - 1136
	076325-40-000	FT	BATT STRIP - DECORATIVE - BARCELONA LINEN - 8'
	076325-73-000	FT	MOLDING - EDGE BAND - .93" X .024" - OFF WHITE

**BATT STRIP & TAPE**

KEY	PART NUMBER	U/M	DESCRIPTION
	069733-82-000	EA	BATT STRIP - WOODGRAINED/CHERRY - 8'
	085284-97-000	FT	BATT TAPE - ADHESIVE BACKED - WOODGRAINED - CHERRY
	088263-F3-000	EA	BATT STRIP - DECORATIVE - BARCELONA LINEN - 8' (K13)
	085284-E8-000	FT	BATT TAPE - ADHESIVE BACKED - DECORATIVE/BARCELONA LINEN (K13)
	088263-F4-000	EA	BATT STRIP - DECORATIVE - UPBEAT/TWILIGHT - 8' LONG (K15)
	085284-E9-000	FT	BATT TAPE - ADHESIVE BACKED - DECORATIVE/TRAVIS MERCURY (K15)

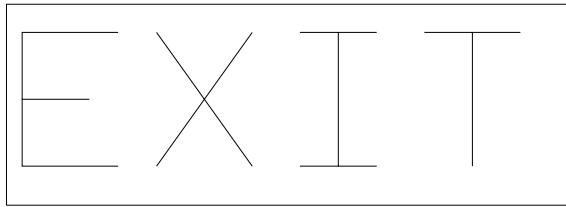
# INTERIOR FINISH GROUP (CONTINUED)

## CABINET & TABLE HARDWARE

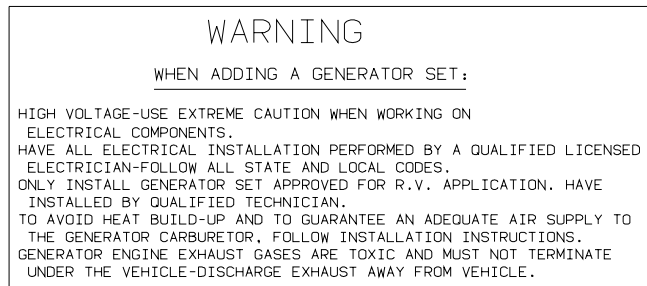


KEY	PART NUMBER	U/M	DESCRIPTION
1	108138-01-000	EA	HINGE - CABINET DOOR - BURNISHED BRASS
2	009059-02-000	EA	HINGE - DOOR - 2" X 2.7" - BRASS
3	000G13-06-08G	EA	SCREW - 6-20 X 5/8 PFH - ANTIQUE BRASS (HINGE 108138-01-000)
4	065740-01-000	EA	BRACE - CABINET/CORNER - PLASTIC
5	079921-01-000	EA	ROLLER - NYLON - W/STEEL SHAFT - BARBED
6	016604-01-000	EA	BRACE - CABINET - ANGLE - 2.5" - UNPAINTED METAL
6	016604-05-000	EA	BRACE - CABINET - ANGLE - 2.5" - OFF WHITE METAL
7	004354-01-000	EA	BUMPER - RUBBER - .5" DIA - BROWN
8	009112-01-000	EA	FLANGE - PLASTIC - 1" CLOTHES ROD - OFF WHITE
9	103256-01-000	EA	LATCH - SLIDE
10	116975-01-01A	EA	LATCH - W/O STRIKE - BLACK - NEW STYLE
10	116975-02-01A	EA	KEEPER/STRIKE - BLACK - NEW STYLE
11	102194-01-000	EA	GUIDE - PLASTIC
12	093586-06-000	EA	CATCH - SPRING ROLLER
13	093586-05-000	EA	STRIKE - SPRING STEEL
14	098980-01-000	EA	PILASTER - ADJUSTABLE SHELF - 18"
15	098979-01-000	EA	CLIP - ADJUSTABLE SHELF
16	125165-01-01A	EA	PULL - CABINET - ANTIQUE BRASS
16	131963-01-01A	EA	PULL - CABINET - POLISHED BRASS
			FROM: 00-00-00 THRU: 06-07-99
			FROM: 06-08-99 THRU: 99-99-99
17	074493-02-000	EA	SUPPORT - PISTON SPRING - CABINET DOOR - 26 LBS
18	128811-01-01A	EA	BACKSOCKET - ADJUSTABLE - LEFT
19	128811-02-01A	EA	BACKSOCKET - ADJUSTABLE - RIGHT
20	084070-03-000	EA	POST - END - 2.4" - SHINY BRASS
21	084071-24-000	EA	ROD - BRASS - 3.8"
21	084071-19-000	EA	ROD - BRASS - 7.09" LONG
22	128810-06-01A	EA	SLIDE - DRAWER - 14" - RIGHT CABINET
22	128810-10-01A	EA	SLIDE - DRAWER - 16" - RIGHT CABINET
22	128810-18-01A	EA	SLIDE - DRAWER - 20" - RIGHT CABINET
22	128810-22-01A	EA	SLIDE - DRAWER - 22" - RIGHT CABINET
23	128810-08-01A	EA	SLIDE - DRAWER - 14" - RIGHT DRAWER
23	128810-12-01A	EA	SLIDE - DRAWER - 16" - RIGHT DRAWER
23	128810-20-01A	EA	SLIDE - DRAWER - 20" - RIGHT DRAWER
23	128810-24-01A	EA	SLIDE - DRAWER - 22" - RIGHT DRAWER
24	128810-07-01A	EA	SLIDE - DRAWER - 14" - LEFT DRAWER
24	128810-11-01A	EA	SLIDE - DRAWER - 16" - LEFT DRAWER
24	128810-19-01A	EA	SLIDE - DRAWER - 20" - LEFT DRAWER
24	128810-23-01A	EA	SLIDE - DRAWER - 22" - LEFT DRAWER
25	128810-05-01A	EA	SLIDE - DRAWER - 14" - LEFT CABINET
25	128810-09-01A	EA	SLIDE - DRAWER - 16" - LEFT CABINET
25	128810-17-01A	EA	SLIDE - DRAWER - 20" - LEFT CABINET
25	128810-21-01A	EA	SLIDE - DRAWER - 22" - LEFT CABINET
26	114693-01-01A	EA	SUPPORT - BLACK - RIGHT HAND
26	114693-02-01A	EA	SUPPORT - BLACK - LEFT HAND
	023320-01-000	EA	PAD - FELT 3/8" DIAMETER
	042438-01-000	EA	DOWEL - WOOD - CLOTHES ROD - 1" DIAMETER X 4'
	118933-01-01A	EA	SUPPORT - HINGE LOCK
	124311-01-01A	EA	HANDLE - RECESSED - BRASS
	122021-02-02A	EA	ANGLE - W/HOLES

**LABELS GROUP**



KEY	PART NUMBER	U/M	DESCRIPTION
	039290-01-000	EA	LABEL - WARNING - EXIT
	107571-01-000	EA	LABEL - EXIT/ESCAPE WINDOW



KEY	PART NUMBER	U/M	DESCRIPTION
	077510-01-000	EA	LABEL-GENERATOR PREP

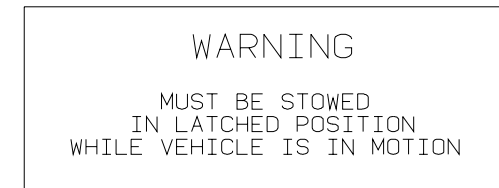
**LABELS GROUP (CONTINUED)**



KEY	PART NUMBER	U/M	DESCRIPTION
	099509-01-000	EA	LABEL - AWNING INSTALLATION



KEY	PART NUMBER	U/M	DESCRIPTION
	040944-01-000	EA	LABEL - ENTRANCE DOOR - "OPEN"



KEY	PART NUMBER	U/M	DESCRIPTION
	079966-01-000	EA	LABEL - WARNING - STOWED - MOTION



**LABELS GROUP (CONTINUED)**

**WARNING** DISCONNECT BATTERIES BEFORE CONNECTING EXTERNAL CHARGING EQUIPMENT.

**KEY PART NUMBER U/M DESCRIPTION**  
065748-01-000 EA LABEL - CAUTION - BATTERY CHARGING

SEWAGE

**KEY PART NUMBER U/M DESCRIPTION**  
126247-05-000 EA LABEL - SEWAGE

WASTE WATER

**KEY PART NUMBER U/M DESCRIPTION**  
126247-06-000 EA LABEL - WASTE WATER

IF YOU SMELL GAS

1. EXTINGUISH ANY OPEN FLAME, PILOT LIGHTS AND ALL SMOKING MATERIALS.
2. DO NOT TOUCH ELECTRICAL SWITCHES.
3. SHUT OFF THE GAS SUPPLY AT THE TANK VALVE(S) OR GAS SUPPLY CONNECTION.
4. OPEN DOORS AND OTHER VENTILATING OPENINGS.
5. LEAVE THE AREA UNTIL ODOR CLEARS.
6. HAVE THE GAS SYSTEM CHECKED AND LEAKAGE SOURCE CORRECTED BEFORE USING AGAIN.

**KEY PART NUMBER U/M DESCRIPTION**  
1 073998-01-000 EA LABEL - LPG ODOR WARNING

**LABELS GROUP (CONTINUED)**

WARNING: TEST SMOKE DETECTOR OPERATION AFTER VEHICLE HAS BEEN IN STORAGE, BEFORE EACH TRIP AND AT LEAST ONCE PER WEEK DURING USE.

**KEY PART NUMBER U/M DESCRIPTION**  
077956-01-000 EA LABEL - WARNING - SMOKE DETECTOR



**WARNING**



**DEATH or SERIOUS INJURY can occur**

Children 12 and under can be killed by the air bag  
The BACK SEAT is the SAFEST place for children  
NEVER put a rear-facing child seat in the front  
Sit as far back as possible from the air bag  
ALWAYS use SEAT BELTS and CHILD RESTRAINTS

**KEY PART NUMBER U/M DESCRIPTION**  
126612-01-000 EA LABEL - HANG TAG - AIR BAG - DASH

WARNING

THIS SYSTEM IS DESIGNED FOR USE WITH PROPANE ONLY  
DO NOT CONNECT NATURAL GAS TO THIS SYSTEM

BEFORE TURNING ON PROPANE:

- (A) BE CERTAIN APPLIANCES ARE CERTIFIED FOR PROPANE AND ARE EQUIPPED WITH CORRECT BURNING ORIFICES.
- (B) MAKE CERTAIN ALL PROPANE CONNECTIONS ARE TIGHT BY TESTING WITH SOAPY WATER. ALL APPLIANCE VALVES ARE TURNED OFF, AND ANY UNCONNECTED OUTLETS ARE CAPPED.

AFTER TURNING ON PROPANE:

- (A) LIGHT ALL PILOT LIGHTS
- (B) (B) ALL CONNECTIONS, INCLUDING THOSE AT THE APPLIANCES, REGULATORS AND CYLINDERS SHOULD BE LEAK-TESTED PERIODICALLY WITH SOAPY WATER BY THE OCCUPANT. NEVER USE A LIGHTED MATCH OR OTHER FLAME WHEN CHECKING FOR LEAKS.
- (C) DO NOT LEAVE SYSTEM TURNED ON OF CONTAINERS CONNECTED UNTIL THE SYSTEM HAS BEEN PROVEN TO BE FREE OF LEAKS.
- (D) COOKING APPLIANCES SHOULD NOT BE USED FOR SPACE HEATING.
- (E) WHEN THE CONTAINERS ARE DISCONNECTED THE PROPANE SUPPLY LINE SHOULD BE CAPPED OR PLUGGED.

AVERTISSEMENT

CETTE INSTALLATION EST CONÇUE POUR LE PROPANE SEULEMENT  
NE PAS L'ALIMENTER EN GAZ NATUREL

AVANT LA MISE EN SERVICE:

- (A) S'ASSURER QUE LES APPAREILS SONT CERTIFIES POUR LE PROPANE ET MUNIS D'ORIFICES DE BRULEUR APPROPRIES.
- (B) VERIFIER L'ETANCHEITE DE TOUS LES RACCORDEMENTS AU PROPANE, LA PERMETURE DE TOUS LES ROBINETS D'APPAREILS ET L'OBTURATION DE TOUTES LES SORTIES NON RACCORDEES.

APRES LA MISE EN SERVICE:

- (A) ALLUMER TOUTES LES VEILLEUSES.
- (B) L'OCCUPANT DOIT EPROUVER PERIODIQUEMENT L'ETANCHEITE DE TOUS LES RACCORDEMENTS Y COMPRIS CEUX AUX APPAREILS, AUX DETENDEURS ET AUX BOUTEILLES, EN Y APPLIQUANT DE L'EAU SAVONNEUSE NE JAMA'S SE SERVIR D'UNE ALLUMETTE OU AUTRE POUR LA DETECTION DES FUITES.
- (C) NE PAS LAISSER L'ALIMENTATION OUVERTE NI LES RECIPIENTS RACCORDES AVANT D'AVOIR COMPLETE L'EPREUVE D'ETANCHEITE AU PROPANE DE L'INSTALLATION.
- (D) LES APPAREILS DE CUISSON NE DOIVENT PAS ETRE UTILISES POUR LE CHAUFFAGE DES LOCAUX.
- (E) LORSQUE LES RECIPIENTS SONT DECONNECTES, L'ALIMENTATION DE PROPANE DOIT ETRE OBTUREE OU SCELLEE.

**KEY PART NUMBER U/M DESCRIPTION**  
1 023769-01-000 EA LABEL - WARNING - LPG - CANADIAN

**LABELS GROUP (CONTINUED)**

LP-GAS SYSTEM  
 THIS GAS PIPING SYSTEM IS  
 DESIGNED FOR USE OF  
 LIQUIFIED PETROLEUM GAS  
 ONLY. DO NOT CONNECT  
 NATURAL GAS TO THIS  
 SYSTEM.  
 SECURE CAP INLET(S) WHEN NOT  
 CONNECTED FOR USE. AFTER TURNING  
 ON GAS, EXCEPT AFTER NORMAL  
 CONTAINER REPLACEMENT, TEST GAS  
 PIPING AND CONNECTIONS TO  
 APPLIANCES FOR LEAKAGE WITH SOAPY  
 WATER OR BUBBLE SOLUTION. DO NOT  
 USE PRODUCTS THAT CONTAIN AMMONIA  
 OR CLORINE. 124520

**KEY PART NUMBER U/M DESCRIPTION**  
 124520-01-01A EA LABEL - LP GAS ONLY - BLACK ON CLEAR

WARNING  
 ALL PILOT LIGHTS, APPLIANCES AND THIER  
 IGNITORS (SEE OPERATING INSTRUCTIONS) SHALL  
 BE TURNED OFF DURING REFUELING OF MOTOR  
 FUEL TANKS AND/OR LP GAS CONTAINERS

**KEY PART NUMBER U/M DESCRIPTION**  
 124519-01-01A EA LABEL - WARNING/REFUELING - BLACK ON CLEAR  
 124519-02-01A EA LABEL - WARNING/REFUELING - CSA

THIS CONNECTION IS FOR  
 110-125 VOLT AC, 60HZ(CYCLES)  
 30 AMP. MAX SERVICE.  
 DO NOT CONNECT TO  
 HIGHER VOLTAGE

**KEY PART NUMBER U/M DESCRIPTION**  
 125306-01-01A EA LABEL - ELECTRICAL ENTRANCE - 110 VOLT - 30 AMP

**LABELS GROUP (CONTINUED)**

WARNING  
 IT IS NOT SAFE TO USE COOKING  
 APPLIANCES FOR COMFORT HEATING  
 COOKING APPLIANCES NEED FRESH AIR FOR SAFE OPERATION  
 BEFORE OPERATION:  
 1. OPEN OVERHEAD VENT OR TURN ON EXHAUST FAN AND;  
 2. OPEN WINDOW.


**KEY PART NUMBER U/M DESCRIPTION**  
 050225-01-000 EA LABEL - STOVE VENT - US  
 050222-01-000 EA LABEL - STOVE VENT - CANADIAN

WARNING  
 THIS VEHICLE, LIKE OTHER  
 VEHICLES, MAY CONTAIN SMALL  
 AMOUNTS OF ONE OR MORE  
 SUBSTANCES WHICH ARE LISTED  
 BY THE STATE OF CALIFORNIA  
 FOR CAUSING CANCER OR  
 REPRODUCTIVE TOXICITY.

**KEY PART NUMBER U/M DESCRIPTION**  
 099689-01-000 EA LABEL - WARNING - CANCER/TOXICITY

CAUTION  
 THIS MOTOR HOME HAS BEEN DESIGNED, MANUFACTURED AND TESTED WITH CONCERN FOR THE  
 PROTECTION OF IT'S OCCUPANTS. WE RECOMMEND YOU PERFORM THE FOLLOWING INSPECTIONS FOR  
 YOUR SAFETY AND THE SAFETY OF YOUR PASSENGERS BEFORE STARTING YOUR VEHICLE.  
 1. LP GAS SYSTEM- TURN OFF AT TANK FOR TRAVELING. TEST FOR LEAKS UPON ARRIVAL AT DESTINATION.  
 BEFORE LIGHTING PILOTS.  
 2. WHEELS- INSPECT FOR DAMAGE AND CHECK LUG NUTS FOR TIGHTNESS.  
 3. TIRES- INSPECT FOR WEAR AND DAMAGE AND CHECK FOR RECOMMENDED AIR PRESSURE.  
 4. LIGHTING- TEST FOR PROPER OPERATION OF ALL INTERIOR AND EXTERIOR LIGHTS INCLUDING DASH  
 LIGHTS, HEADLIGHTS, TAIL LIGHTS, BRAKE LIGHTS, CLEARANCE LIGHTS AND TURN SIGNALS.  
 5. EXITS- INSPECT RELEASE MECHANISM ON EMERGENCY EXIT WINDOW. TEST BOTH LOCKS ON MAIN  
 ENTRANCE DOOR FOR EASE OF OPERATION AND INSTRUCT PASSENGERS HOW TO USE BOTH MEANS OF EXIT.  
 6. SEAT BELTS- DIRECT PASSENGERS TO DESIGNATED SEATS AND REQUIRE USE OF SEAT BELTS.  
 7. APPLIANCES- TURN OFF AND LATCH OR LOCK DOORS WHERE PROVIDED.  
 8. LOOSE PARCELS- STORE SECURELY.  
 9. UTILITY SUPPLY LINES- DISCONNECT ALL ELECTRIC, SEWER AND WATER LINES AND SECURE PROPERLY.  
 10. ENTRANCE DOOR STEP- PLACE IN RETRACTED POSITION FOR TRAVELING.  
 READ YOUR MOTOR HOME AND CHASSIS OWNER'S  
 MANUAL FOR FURTHER PRECAUTIONS

**KEY PART NUMBER U/M DESCRIPTION**  
 056259-01-000 EA LABEL - SAFETY CHECK LIST

 **WARNING**  
 Children Can be KILLED or INJURED  
 by Passenger Air Bag  
 The back seat is the safest place for children 12 and under.  
 Make sure all children use seat belts or child seats.

**KEY PART NUMBER U/M DESCRIPTION**  
 126611-01-000 EA LABEL - AIR BAG - VISOR

**LABELS GROUP (CONTINUED)**

WARNING: CONTAINS "CFC" A SUBSTANCE WHICH HARMS PUBLIC HEALTH AND ENVIRONMENT BY DESTROYING OZONE IN THE UPPER ATMOSPHERE.

**KEY PART NUMBER U/M DESCRIPTION**  
 111802-01-000 EA LABEL - CFC WARNING

REMOVE PRIMARY TIRE HANGER BEFORE USING SPARE TIRE HOIST-SEE OWNERS MANUAL - PERSONAL INJURY MAY RESULT IF NOT FOLLOWED

**KEY PART NUMBER U/M DESCRIPTION**  
 126024-01-01A EA LABEL - TIRE HANGER REMOVAL

DO NOT USE HITCH BEFORE READING OWNERS MANUAL REGARDING VEHICLE LOADING AND TOWING

**KEY PART NUMBER U/M DESCRIPTION**  
 111104-01-000 EA LABEL - HITCH - READ MANUAL - WHITE

**CAUTION**

DO NOT LATCH DOOR IN OPEN POSITION IF WATER HEATER CONTROL IS IN THE ON POSITION. WATER HEATER EXHAUST MAY DAMAGE OUTER SURFACE OF DOOR.

**KEY PART NUMBER U/M DESCRIPTION**  
 113402-01-000 EA LABEL - CAUTION - WATER HEATER EXHAUST

**LABELS GROUP (CONTINUED)**

**CAUTION**

TO HELP AVOID PERSONAL INJURY DURING REMOVAL OF FUEL FILLER CAP, SLOWLY LOOSEN CAP 1/2 TURN TO ALLOW ANY FUEL PRESSURE TO BE RELIEVED BEFORE TURNING CAP FURTHER.

FUEL SPRAY MAY CAUSE PERSONAL INJURY

STOP ADDING FUEL AFTER FIRST SHUTOFF BY AUTOMATIC NOZZLE WHEN TANK IS NEARLY FULL. DO NOT OVERFILL FUEL TANK.

SEE OWNERS MANUAL FOR ADDITIONAL INFORMATION.

PRINTED IN U.S.A.

WLC PT NO 15611763

**KEY PART NUMBER U/M DESCRIPTION**  
 087207-05-000 EA LABEL - FUEL CAP REMOVAL

AIR CONDITIONING CIRCUIT. THIS CONNECTION IS FOR AIR CONDITIONERS RATED 110-125 VOLT AC, 60 HZ, 16 AMPERES MAXIMUM. DO NOT EXCEED CIRCUIT RATING.

**KEY PART NUMBER U/M DESCRIPTION**  
 091243-01-000 EA LABEL - A/C COVER "AIR CONDITIONING CIRCUIT ETC."

INPUT

**EY PART NUMBER U/M DESCRIPTION**  
 087236-01-000 EA LABEL - CABLE INPUT

**MISCELLANEOUS LABELS**

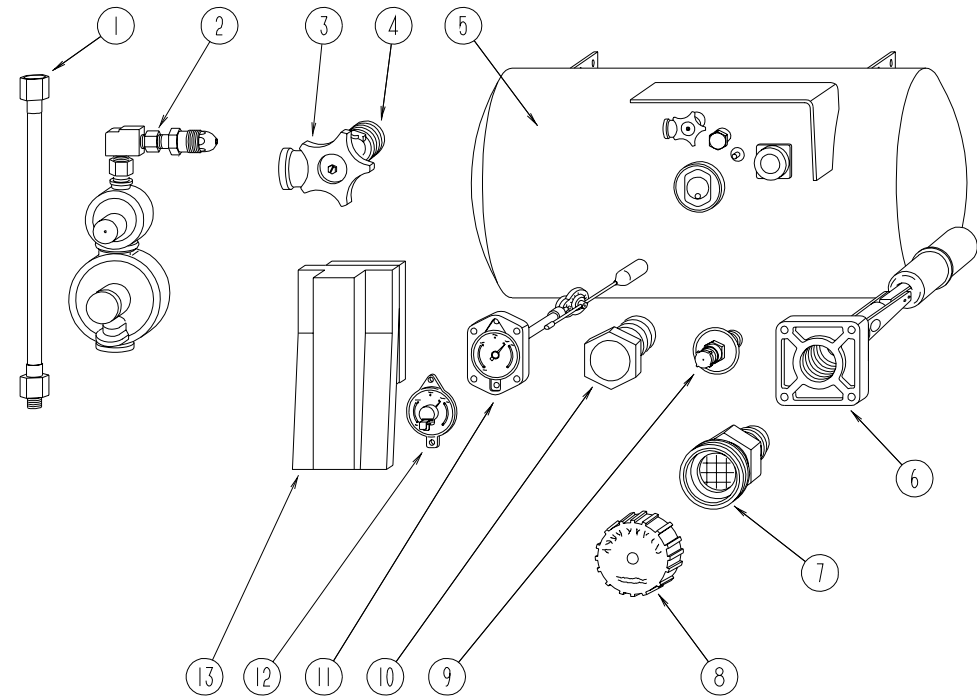
**KEY PART NUMBER U/M DESCRIPTION**  
 102267-01-000 EA LABEL - NO OCCUPANCY - US  
 102267-02-000 EA LABEL - NO OCCUPANCY - CSA  
 087207-05-000 EA LABEL - FUEL CAP REMOVAL  
 128658-01-000 EA LABEL - PROP ROD - ENTRY DOOR  
 093236-18-000 EA LABEL - CIRCUIT BREAKER  
 116549-01-000 EA LABEL - WARNING - SLIDEOUT  
 128218-01-01A EA LABEL - WARNING - SLIPPERY ROOF

**LABELS GROUP (CONTINUED)**

DO NOT FILL  
LP-GAS CONTAINER(S)  
TO MORE THAN 80%  
OF CAPACITY.

KEY	PART NUMBER	U/M	DESCRIPTION
1	079965-01-000	EA	LABEL - LPG - 80% CAPACITY

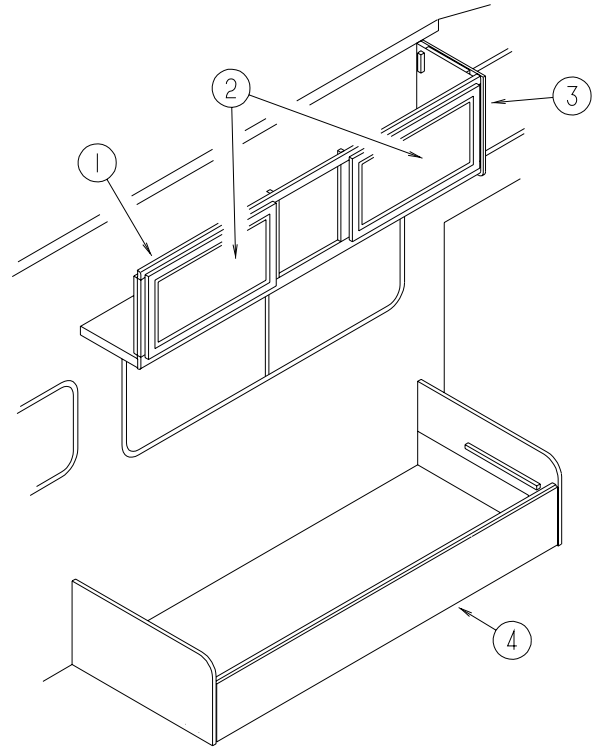
**LP GROUP**



**LP SYSTEM**

KEY	PART NUMBER	U/M	DESCRIPTION	VENDOR NO.
1	045703-05-000	EA	HOSE - LP - 3/8"ID X 28" - 3/8"MPT X 1/2"F SWIVEL - U.S.	
1	045703-02-000	EA	HOSE - LP - 3/8"ID X 24" - 3/8"MPT X 1/2"F SWIVEL - CANADA	
	045703-09-000	EA	HOSE ASM-LP 3/8" ID X 24" US & CGA 3/8" F SWIVEL X 3/8" F SWIVEL (DIESEL)	
2	106150-01-000	EA	REGULATOR - TWO STAGE -W/90 DEGREE ELBOW & 3/8" FPT OUTLET	
3	040421-01-708	EA	HANDWHEEL-SERVICE VALVE	G-1015-A
4	040421-01-712	EA	VALVE,SERV. W/O VAPOR RELIEF	29000853
5	097821-01-000	EA	TANK - LP - 60 LB BRUNNER - 14" X 30"	
6	040421-01-711	EA	VALVE-80% FILL W/AUTO STOP	LLL/TL3
7	040421-01-701	EA	VALVE-FILL-SHORT, LP	7547B
8	040421-01-702	EA	CAP-FILL VALVE, PLASTIC	G-1014-A
9	040421-01-700	EA	VALVE-LIQUID LEVEL, 20%	G-1013
10	040421-01-713	EA	VALVE-RELIEF 1" W/SPRING 7"	29000587
11	040421-01-707	EA	FLOAT ASM.(SIGHT GAUGE) 14"	14C
12	040440-02-000	EA	TRANSMITTER - DIAL - 0-90 OHM -2 TERMINAL (POWER & GROUND)	
13	105658-01-000	EA	COMPARTMENT - LP REGULATOR	
	024250-01-000	EA	ADAPTER - BRASS - 3/8"F X 1/2"FPT	
	045703-13-000	EA	HOSE - LP - 3/8"ID X 120" - 3/8"F SWIVEL X 1/2"F SWIVEL US	
	045703-15-000	EA	HOSE - LP - 3/8"ID X 142" - 1/2"F SWIVEL X 3/8F	
	057042-01-000	EA	ADAPTER - CROSS 1/2" PIPE	
	010323-01-000	EA	ADAPTER - BRASS - 3/8"F X 1/2"MPT	
	010377-02-000	EA	NUT - BRASS - 3/8" FLARE - FORGED	
	010380-02-000	EA	NUT - BRASS - 1/2" FLARE - FORGED	
	103613-03-000	EA	DETECTOR - LP GAS - W/O SHUT-OFF VALVE	
	008042-01-000	FT	TUBING - VINYL - .65" ID	
	065318-02-000	EA	ELBOW - 90 DEGREE - 3/8" MPT TO 3/8" FPT	

## LOUNGE GROUP



### FRONT FACING COUCH, TABLE & CABINETS

KEY	PART NUMBER	U/M	DESCRIPTION
1	130579-01-K13	EA	CABINET - OVERHEAD/FRONT - LEFT HAND - W/O DOORS/HARDWARE
1	130579-01-K15	EA	CABINET - OVERHEAD/FRONT - LEFT HAND - W/O DOORS/HARDWARE
2	131995-47-K37	EA	DOOR - SOLID PANEL - 10.8" X 27.9" - W/O HARDWARE
3	109908-A5-K13	EA	END CAP - OVERHEAD CABINET
4	120992-09-K13	EA	PANEL - FRONT KICK - SOFA/BED - FABRIC COVERED
	120992-09-K15	EA	PANEL - FRONT KICK - SOFA/BED - FABRIC COVERED
	083125-07-000	EA	BRACE - COUCH - 2.5" - OFF WHITE
	114693-01-01A	EA	SUPPORT - BLACK - RIGHT HAND
	114693-02-01A	EA	SUPPORT - BLACK - LEFT HAND
	114739-01-01A	EA	PAD - NON SKID - PSA - 1 EACH = PAIR

## LOUNGE GROUP (CONTINUED)

### DRIVER SIDE TABLE W/SECTIONAL SLEEPER COUCH

KEY	PART NUMBER	U/M	DESCRIPTION
	081298-01-K13	EA	TABLE TOP ONLY (K13,K15)
			FROM: 00-00-00 THRU: 11-29-98
	081298-16-K13	EA	TABLE TOP ONLY (K13)
			FROM: 11-30-98 THRU: 99-99-99
	081298-16-K19	EA	TABLE TOP ONLY (K15)
			FROM: 11-30-98 THRU: 99-99-99
	041194-01-000	EA	BASE - TABLE/FLUSH - FLOOR MOUNTED
	009040-02-000	EA	PEDESTAL TABLE LEG - 27.5" X 2.25" DIAMETER
	009040-03-000	EA	BASE - TABLE/RAISED - TABLE MOUNTED
	042438-02-000	EA	DOWEL - WOOD - 2" X 2"
	062046-01-000	EA	CLIP - LEG - PEDESTAL - 1.7" X 2.2" - DIA FROM 2 - 2.5"

## SEALANTS & FASTENERS GROUP

### SCREWS

KEY	PART NUMBER	U/M	DESCRIPTION
	0G1208-12-170	EA	SCREW - 8-18 X .75 POH - BRIGHT WHITE
	0G3908-08-170	EA	SCREW - SF/DR - 8-18 X .50 PPH - BRIGHT WHITE
	0G3908-20-170	EA	SCREW - SF/DR - 8-18 X 1.25 PPH - BRIGHT WHITE
	0G3908-24-170	EA	SCREW - SF/DR - 8-18 X 1.50 PPH - BRIGHT WHITE
	0G3910-12-170	EA	SCREW - SF/DR - 10-16 X .75 PPH - BRIGHT WHITE
	0G5508-12-170	EA	SCREW - SF/DR - 8-18 X .75 PWH - BRIGHT WHITE
	0G5508-16-250	EA	SCREW - SF/DR - 8-18 X 1.00 PWH - VW DARK GRAY
	0G6710-08-170	EA	SCREW - 10-12 X 1/2 PPH - BRIGHT WHITE
	000G11-06-10B	EA	SCREW - 6-20 X 5/8 PPH - ZINC
	000G11-06-08B	EA	SCREW - 6-20 X 1/2 PPH - ZINC
	000G11-06-10J	EA	SCREW - 6-20 X 5/8 PPH - BRASS
	000G11-07-08B	EA	SCREW - 7-19 X 1/2 PPH - ZINC
	000G11-08-08B	EA	SCREW - 8-18 X 1/2 PPH - ZINC
	000G11-08-06B	EA	SCREW - 8-18 X 3/8 PPH - ZINC
	000G11-08-20B	EA	SCREW - 8-18 X 1 1/4 PPH - ZINC
	000G11-08-16S	EA	SCREW - 8-18 X 1 PPH - OFF WHITE
	000G11-08-16B	EA	SCREW - 8-18 X 1 PPH - ZINC
	000G11-08-12T	EA	SCREW - 8-18 X 3/4 PPH - BLACK
	000G11-08-12P	EA	SCREW - 8-18 X 3/4 PPH - DARK BROWN
	000G11-08-12D	EA	SCREW - 8-18 X 3/4 PPH - BLACK
	000G11-08-12B	EA	SCREW - 8-18 X 3/4 PPH - ZINC
	000G11-10-12S	EA	SCREW - 10-16 X 3/4 PPH - OFF WHITE
	000G11-10-16B	EA	SCREW - 10-16 X 1 PPH - ZINC
	000G12-08-12S	EA	SCREW - 8-18 X 3/4 POH - OFF WHITE
	000G13-05-10B	EA	SCREW - 5-12 X 5/8 PFH - ZINC
	000G13-06-08B	EA	SCREW - 6-20 X 1/2 PFH - ZINC
	000G13-06-24J	EA	SCREW - 6-20 X 1 1/2 PFH - BRASS
	000G13-06-16J	EA	SCREW - 6-20 X 1 PFH - BRASS
	000G13-06-10G	EA	SCREW - 6-20 X 5/8 PFH - ANTIQUE BRASS
	000G13-06-08G	EA	SCREW - 6-20 X .50 PFH - ANTIQUE BRASS
	000G13-07-12B	EA	SCREW - 7-19 X 3/4 PFH - ZINC
	000G13-08-16B	EA	SCREW - 8-18 X 1 PFH - ZINC
	000G18-08-22B	EA	SCREW - MACHINE - 8-32 X 1 3/8 PPH - ZINC
	000G19-10-12F	EA	SCREW - MACHINE - 10-32 X 3/4 PPH - STAINLESS STEEL
	000G32-10-06B	EA	SCREW - 10-32 X 3/8 PPH - ZINC
	000G37-08-089	EA	SCREW - 8 X 18 X 1/2 PPH
	000G39-06-10T	EA	SCREW - SF/DR - 6-20 X 5/8 PPH - BLACK
	000G39-06-08B	EA	SCREW - SF/DR - 6-18 X 1/2 - ZINC
	000G39-08-32B	EA	SCREW - SF/DR - 8-18 X 2 PPH - ZINC
	000G39-08-24B	EA	SCREW - SF/DR - 8-18 X 1 1/2 PPH - ZINC
	000G39-08-16T	EA	SCREW - SF/DR - 6-20 X 1 PPH - BLACK
	000G39-08-16R	EA	SCREW - SF/DR - 8-18 X 1 PPH - BEIGE
	000G39-08-16B	EA	SCREW - SF/DR - 8-18 X 1 PPH - ZINC
	000G39-08-12B	EA	SCREW - SF/DR - 8-18 X 3/4 PPH - ZINC
	000G39-08-08T	EA	SCREW - SF/DR - 8-18 X 1/2 PPH - BLACK
	000G39-08-08S	EA	SCREW - SF/DR - 8-18 X 1/2 PPH - OFF WHITE
	000G39-08-08B	EA	SCREW - SF/DR - 8-18 X 1/2 PPH - ZINC
	000G39-08-06B	EA	SCREW - SF/DR - 8-18 X 3/8 PPH - ZINC
	000G39-10-088	EA	SCREW - SF/DR - 10-16 X 1/2 PPH - FLEX FLUOROCARBON
	000G39-10-08B	EA	SCREW - SF/DR - 10-16 X 1/2 PPH - ZINC
	000G39-10-32B	EA	SCREW - SF/DR - 10-16 X 2 - PPH - ZINC
	000G39-10-20B	EA	SCREW - SF/DR - 10-16 X 1 1/4 PPH - ZINC
	000G39-10-129	EA	SCREW - SF/DR - 10-16 X 3/4 PPH - FLUOROCARBON SILVER
	000G39-10-12D	EA	SCREW - SF/DR - 10-16 X 3/4 PPH - BLACK
	000G39-10-12B	EA	SCREW - SF/DR - 10-16 X 3/4 PPH - ZINC
	000G39-10-10B	EA	SCREW - SF/DR - 10-16 X 5/8 - ZINC
	000G42-04-16B	EA	SCREW - SF/DR - 1/4-14 X 1 HWH - ZINC
	000G46-08-24T	EA	SCREW - MACHINE - 8-32 X 1 1/2 PFH - BLACK
	000G50-04-12B	EA	SCREW - MACHINE - 1/4-20 X 3/4 PPH - ZINC
	000G52-08-18B	EA	SCREW - MACHINE - 8-32 X 1 1/8 PTH - ZINC
	000G54-04-20B	EA	SCREW - 1/4-20 X 1.25 PTH - TYPE 23 - ZINC PLATED
	000G60-10-20B	EA	SCREW - SF/DR - 10-16 X 1 1/4 POH - ZINC

## SEALANTS & FASTENERS GROUP (CONTINUED)

### SCREWS (CONTINUED)

KEY	PART NUMBER	U/M	DESCRIPTION
	000G67-08-32B	EA	SCREW - 8-15 X 2 PPH - ZINC
	000G67-10-08B	EA	SCREW - 10-12 X 1/2 PPH - ZINC
	000G67-10-36T	EA	SCREW - 10-12 X 2 1/4 - PPH - BLACK
	000G67-10-32B	EA	SCREW - 10-12 X 2 PPH - ZINC
	000G67-10-24B	EA	SCREW - 10-12 X 1.50 PPH - ZINC
	000G67-10-20D	EA	SCREW - 10-12 X 1.25 PPH - BLACK
	000G67-10-16B	EA	SCREW - 10-12 X 1 PPH - ZINC
	000G67-10-12P	EA	SCREW - 10-12 X 3/4 PPH - DARK BROWN
	000G67-10-12B	EA	SCREW - 10-12 X 3/4 PPH - ZINC
	000G67-10-10S	EA	SCREW - 10-12 X 5/8 PPH - OFF WHITE
	000G67-10-10D	EA	SCREW - 10-12 X 5/8 PPH - BLACK - TYPE A
	000G67-10-10B	EA	SCREW - 10-12 X 5/8 PPH - ZINC - TYPE A
	000G67-10-08S	EA	SCREW - 10-12 X 1/2 PPH - OFF WHITE
	000G67-10-08R	EA	SCREW - 10-12 X 1/2 PPH - BEIGE - TYPE A
	000G68-06-12B	EA	SCREW - 6-18 X .75 POH
	000G68-06-10G	EA	SCREW - 6-18 X 5/8 POH - ANTIQUE BRASS
	049465-01-000	EA	SCREW - 10-16 PTH W/WASHER - DARK BROWN
	049465-17-000	EA	SCREW - 10-16 X 1 POH W/WASHER - BRIGHT WHITE
	049465-22-000	EA	SCREW - 10-16 X 1 1/2 POH W/WASHER - SABLE
	054434-02-000	EA	SCREW - SF/DR - 10-16 X 2 - ZINC
	054434-03-000	EA	SCREW - SF/DR - 10-16 X 2 - PWH - ZINC - W/O WINGS
	057671-01-000	EA	COVER - SCREW - #8 - PLASTIC - OFF WHITE
	057671-15-000	EA	COVER - SCREW - BRIGHT WHITE
	075908-01-000	EA	SCREW - MACHINE - 10-32 X .56 PTH - EXTERNAL TOOTH - ZINC
	076790-01-000	EA	SCREW - 6-20 X 1 1/4 PPH - BLACK
	083554-01-000	EA	SCREW - DRYWALL - 8 X 1.25
	086256-01-000	EA	SCREW - SF/DR - 8 X 3/4 HWH LONG
	105126-01-000	EA	SCREW - MACH - 8-32 X 1 PPH TAPIT

### CLAMPS, GROMMETS, CLIPS & RIVETS

KEY	PART NUMBER	U/M	DESCRIPTION
	000H16-04-06R	EA	RIVET - POP ALUMINUM - 1/8 X .313 - .375
	007161-01-000	EA	CLAMP - HOSE - SPRING TYPE - 1/2"
	010495-01-000	EA	CLAMP - CABLE - 9/16"
	010497-01-000	EA	CLAMP - CLOSED - 5/8" ID
	010497-03-000	EA	CLAMP - CLOSED - 1" ID - CUSHIONED
	010497-04-000	EA	CLAMP - CLOSED - 1.62" ID
	010497-08-000	EA	CLAMP - CLOSED - .125"
	010499-01-000	EA	CLAMP - CLOSED - 3/8 ID
	016188-03-000	EA	GROMMET - L/P LINE - 3/8" HOLE X 2 1/2" LONG - RUBBER
	062401-01-000	EA	CLAMP - HOSE - WORMGEAR - .25" - 1"
	062401-02-000	EA	CLAMP - HOSE - WORMGEAR - 1.56" - 2.5"
	062401-03-000	EA	CLAMP - HOSE - WORMGEAR - .22" - 1"
	062401-04-000	EA	CLAMP - HOSE - WORMGEAR - .69" - 1.25"
	062401-06-000	EA	CLAMP - HOSE - WORMGEAR - .22" - .62" ID
	062401-11-000	EA	CLAMP - HOSE - WORMGEAR - 3.50" - 4.50"
	071015-11-000	EA	GROMMET - 1.00 ID - FITS .12 MATERIAL
	080734-02-000	EA	CLIP - WIRE NYLON
	091952-01-000	EA	CLIP - GRIPPER - 1"
	091952-02-000	EA	CLIP - GRIPPER - 3/4"
	094362-02-000	EA	CLIP - XMAS - BINDER HEAD - .9" LONG

**SEALANTS & FASTENERS GROUP (CONTINUED)**

**BOLTS, NUTS & WASHERS**

KEY	PART NUMBER	U/M	DESCRIPTION
	000C12-05-16B	EA	BOLT - HEX - 5/16-18 X 1 - ZINC 5
	000C12-05-12B	EA	BOLT - HEX - 5/16-18 X 3/4 - ZINC 5
	000C12-06-16B	EA	BOLT - HEX - 3/8-16 X 1 LG - ZINC 5
	000C12-07-20B	EA	BOLT - HEX - 7/16-14 X 1 1/4 - ZINC 5
	000C12-08-24B	EA	BOLT - HEX - 1/2-13 X 1.50 - ZINC 5
	000C13-07-48B	EA	BOLT - HEX - 7/16-20 X 3 - ZINC 5
	000C18-05-40A	EA	BOLT - ELEVATOR - 5/16-18 X 2.50 - PL
	000C18-06-48B	EA	BOLT - ELEVATOR - 3/8-16 X 3 - ZINC - GRADE 5
	000C26-04-10B	EA	BOLT - HEX - SERRATED FLANGE - 1/4-20 X 5/8 - ZINC
	000C26-04-14B	EA	BOLT - HEX - SERRATED FLANGE - 1/4-20 X 7/8 - ZINC
	000C26-05-12B	EA	BOLT - HEX - SERRATED FLANGE - 5/16-18 X 3/4 - ZINC
	000C26-05-16B	EA	BOLT - HEX - SERRATED FLANGE - 5/16-18 X 1 - ZINC
	000C26-06-16B	EA	BOLT - HEX - SERRATED FLANGE - 3/8-16 X 1 - ZINC
	000C26-06-12B	EA	BOLT - HEX - SERRATED FLANGE - 3/8-16 X 3/4 - ZINC
	000C26-08-24B	EA	BOLT - HEX - SERRATED FLANGE - 1/2-13 X 1 1/2 ZINC
	000D24-10-00B	EA	NUT - HEX - SELF LOCKING - 10-32 ZINC
	000D29-09-00B	EA	NUT - HEX - SELF LOCKING - 9/16-12 - ZINC
	000D34-06-00B	EA	NUT - HEX - LOCKING - 3/8-16 GRADE C - ZINC-PREVAILING
	000D39-04-00B	EA	NUT - HEX - LOCKING W/SERRATED FLANGE - 1/4-20 - ZINC
	000D39-05-00B	EA	NUT - HEX - LOCKING W/SERRATED FLANGE - 5/16-18 - ZINC
	000D39-06-00B	EA	NUT - HEX - LOCKING W/SERRATED FLANGE - 3/8-18 - ZINC
	000D39-07-00B	EA	NUT - HEX - LOCKING W/SERRATED FLANGE - 7/16-14 - ZINC
	000D39-08-00B	EA	NUT - HEX - LOCKING W/SERRATED FLANGE - 1/2-13 - ZINC
	000D44-07-00B	EA	NUT - HEX - LOCKING W/SERRATED FLANGE - 7/16-20 - ZINC
	000D46-04-00A	EA	NUT - HEX - WELD - 1/4-20 - PLAIN
	000D65-08-00B	EA	NUT - HEX/SERRATED FLANGE - 8-32 ZINC
	000E11-07-00B	EA	WASHER - LOCKING - 7/16 MED SPLIT - ZINC
	000E11-08-00B	EA	WASHER - LOCKING - 1/2 MED SPLIT - ZINC
	000E13-17-00B	EA	WASHER - FLAT - 3/8" AR - ZINC
	000E13-18-00B	EA	WASHER - FLAT - 3/8 WIDE - ZINC
	000E13-20-00B	EA	WASHER - FLAT - 7/16 WIDE - ZINC
	000E13-21-00B	EA	WASHER - FLAT - 1/2 NARROW - ZINC
	058716-03-000	EA	WASHER - FLAT/NYLON - .500 X 1.25 X .060
	040921-01-000	EA	NUT - SPEED - U TYPE - 10-24 BLACK
	044364-02-000	EA	NUT - SPEED - FLAT - ROUND
	051387-06-000	EA	BOLT - CARRIAGE W/O HOLE - 5/16-18 X 9.5 - ZINC
	102333-02-01A	EA	BOLT - CARRIAGE - 1/4-20
	102333-02-06A	EA	BOLT - CARRIAGE - 7/16-14 STAINLESS STEEL CAP
	077071-01-000	EA	WASHER - FENDER - 3/16"ID X 1" OD
	106166-01-000	EA	BOLT/COLLARED HANGER - 8-32 X 1"
	088787-12-000	EA	STUD - WELD - 1/4 - 20 X X1.0 LG - MN

**TIES & FASTENERS**

KEY	PART NUMBER	U/M	DESCRIPTION
	008343-01-000	EA	TIE - WIRE - 6"
	085774-01-000	FT	FASTENER - DUAL LOCK - 1" WIDE - ADHESIVE BACK - BLACK
	085774-02-000	FT	FASTENER - DUAL HOOK - 1" WIDE - ADHESIVE BACK - BLACK
	088792-04-000	YD	VELCRO TAPE - LOOP - 5/8" - NON-ADHESIVE BACK - WHITE
	088792-05-000	YD	VELCRO TAPE - LOOP - 5/8" - NON-ADHESIVE BACKED - WHITE
	088792-02-000	YD	VELCRO TAPE - LOOP - 3/4" - ADHESIVE BACKED - BEIGE
	108046-01-000	EA	CABLE TIE - SCREW MOUNT 8"
	108046-02-000	EA	CABLE TIE - SCREW MOUNT 15"
	110943-02-000	FT	FELTSTRIP - 3/8" - ADHESIVE BACK - WHITE

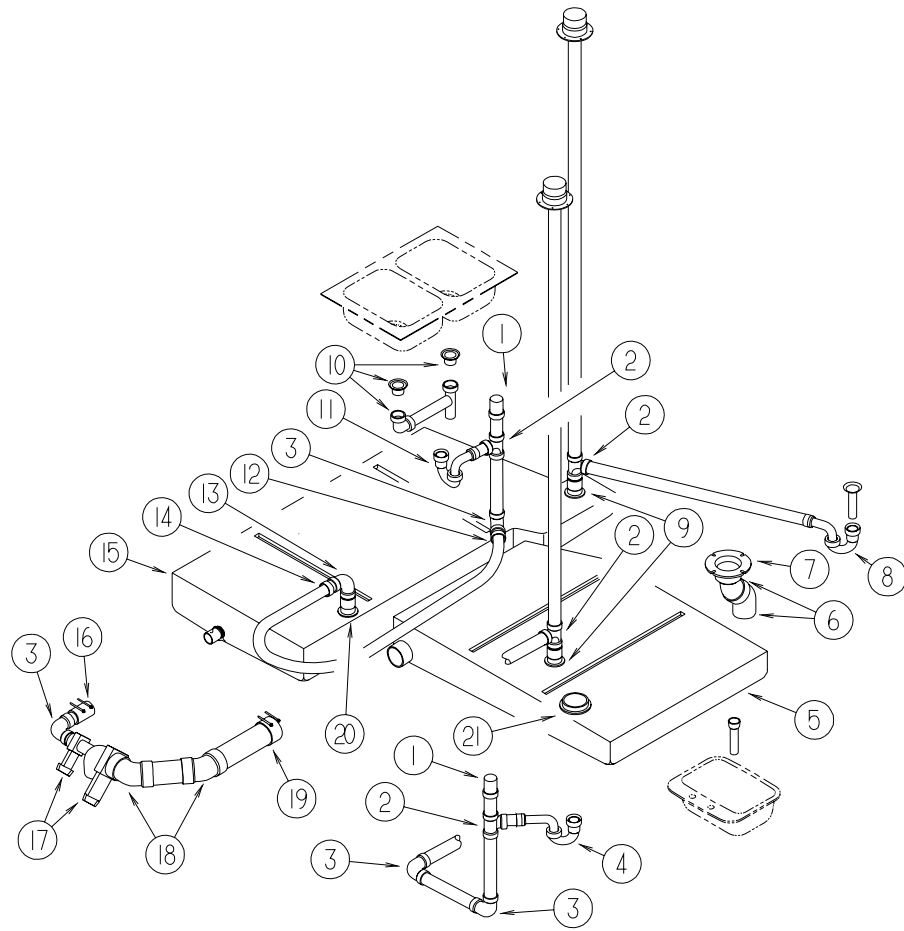
**SEALANTS & FASTENERS GROUP (CONTINUED)**

**ADHESIVE & FASTENERS**

KEY	PART NUMBER	U/M	DESCRIPTION	VENDOR NO.
	004006-05-700	EA	ADHESIVE-NAT. STARCH (5 GAL)	0802
	004020-01-000	QT	ADHESIVE - ABS CEMENT - QUART	
	034552-02-000	EA	SILICONE - TUBE - W/O NOZZLE - CLEAR	
	039518-01-000	EA	SILICONE - TUBE - W/O NOZZLE - BLACK	
	053766-06-000	EA	BEDDING COMPOUND - TUBE - CLEAR	
	069640-01-000	FT	SEALER - RIBBON - 1/4" DIAMETER X 30' - BLACK	
	069640-02-000	FT	SEALER - TAPE - .13"THICK X .5"WIDE X 60' - GRAY	
	069640-07-000	FT	SEALER - TAPE - .09"THICK X 2"WIDE X 45' - GRAY	
	069640-09-000	FT	SEALER - TAPE - .032"THICK X 2.50"WIDE X 80' - GREY	
	069640-11-000	FT	SEALER - TAPE - .19"THICK X .38"WIDE X 40' - BLACK	
	069640-17-000	FT	SEALER - TAPE - .03"THICK X 1"WIDE X 90' - GRAY	
	069640-18-000	FT	SEALER - TAPE - .50"THICK X 1/8"WIDE X 60' - BRIGHT WHITE	
	069640-19-000	FT	SEALER - TAPE - .75"THICK X 1/8"WIDE X 60' - BRIGHT WHITE	
	069640-21-000	FT	SEALER - TAPE - .50" THICK X 1/16 X 100FT - BRIGHT WHITE	
	069640-23-000	FT	SEALER - TAPE - 1/16"THICK X 3/4"WIDE X 100' - BRIGHT WHITE	
	072889-09-000	EA	SEALANT - URETHANE - BLACK (TUBE)	
				FROM: 00-00-00 THRU: 09-06-98
	072889-10-000	EA	SEALANT - URETHANE (HV) - BRIGHT WHITE	
				FROM: 00-00-00 THRU: 09-06-98
	072889-12-000	EA	SEALANT - URETHANE (LV) BRIGHT WHITE	
				FROM: 00-00-00 THRU: 09-06-98
	072889-18-000	EA	SEALANT - URETHANE - BLACK (FOIL)	
				FROM: 09-07-98 THRU: 99-99-99
	072889-19-000	EA	SEALANT - URETHANE - (FOIL) - BLACK - 10 OUNCE	
				FROM: 09-07-98 THRU: 99-99-99
	072889-20-000	EA	SEALANT - URETHANE - (FOIL) - BRIGHT WHITE - 10 OUNCE	
				FROM: 09-07-98 THRU: 99-99-99
	076314-02-000	FT	TAPE - CARPET SEAM - HEAT-BOND - 4" WIDE	
	123816-04-000	FT	TAPE - DOUBLE SIDED - 6"	
	076322-01-000	FT	TAPE - DOUBLE COATED/ADHESIVE BACK - .025"THK X .75"W X18'	
	076322-02-000	FT	TAPE - DOUBLE COATED/ADHESIVE BACK - .045"THK X 1"W X 108'	
	076322-03-000	FT	TAPE - DOUBLE COATED/ADHESIVE BACK - .045"THK X .50"W X 9'	
	076322-04-000	FT	TAPE - DOUBLE COATED/ADHESIVE BACK - .045"THK X .75"W X 9'	
	076322-05-000	FT	TAPE - DOUBLE COATED/ADHESIVE BACK - .045"THK X .75"W X 9'	
	076322-07-000	FT	TAPE - DOUBLE COATED/ADHESIVE BACK - .045"THK X .50"W X 9'	
	087211-01-000	GL	PROMOTER - ADHESIVE	
	091255-02-000	FT	SEAL - ADHESIVE BACKED/FOAM - .18" THICK X 1.5" WIDE	
	102352-01-000	EA	SEALER - PUMPABLE - BLACK	
	102352-02-000	EA	SEALER - PUMPABLE - CLEAR	
	104692-01-000	FT	SEAL - FOAM/ADHESIVE BACK - .75"THICK X .75"WIDE X 25'	
	106206-01-000	EA	SEALER - PUMPABLE - MANUS 30A - BLACK	
	108716-03-000	EA	SILICONE - TUBE - BRIGHT WHITE/SELF LEVELING - W/O NOZZLE	
				FROM: 00-00-00 THRU: 09-06-98
	131264-03-01A	EA	SILICONE - SELF LEVELING - W/O NOZZLE - BRIGHT WHITE	
				FROM: 09-07-98 THRU: 99-99-99
	112864-01-000	FT	SEAL - FOAM/BUTYL COVERED - 3/8"	
	118085-02-01A	FT	TAPE - FOIL - 1"	
	120074-02-01A	EA	SEALANT - SILICONE - OFF WHITE	
	120534-01-01A	EA	TAPE - SCOTCH - 3M - 1/2" FINE LINE	
	123816-01-000	FT	TAPE - DOUBLE SIDED - 1"	
	123816-02-000	FT	TAPE - DOUBLE SIDED - 1/2" X 1 1/3" THICK	
	123816-03-000	FT	TAPE - DOUBLE SIDED - 1/2" X 3/4" - THICK	
	900390-01-000	EA	TIP - 2 1/2" X 1/8" ORIFICE	
	900390-03-000	EA	NOZZLE - SILICONE TUBE	

# WATER & SEWAGE GROUP

## DRAINAGE SYSTEM



KEY	PART NUMBER	U/M	DESCRIPTION	VENDOR NO.
1	079968-01-000	EA	VENT - MECHANICAL/TRAP ARM - ANTI-SIPHON-2" X 7.3" PLASTIC	
2	010071-01-000	EA	TEE - SANITARY - 1 1/2" HUB X HUB X HUB - PLASTIC	
3	010008-01-000	EA	ELBOW - 90 DEGREE - 1 1/2" HUB X HUB - PLASTIC	
4	109571-01-000	EA	ADAPTER - P TRAP - 1 1/2"P X 1 1/4"MPT	
4	011071-01-000	EA	P-TRAP - PLASTIC - 1 1/2" - CSA	
4	107538-01-000	EA	P TRAP - PLASTIC - 1 1/4" W/EXTENSION ARM	
5	129964-01-000	EA	TANK - HOLDING - 38 GALLON - W/O FITTINGS	
6	010061-01-000	EA	ELBOW - 45 DEGREE ST - 3" SPIGOT & HUB - PLASTIC	
7	063641-01-000	EA	FLANGE - CLOSET - 4" X 3"	
8	011071-01-000	EA	P-TRAP - PLASTIC - 1 1/2" - CSA	
8	107538-01-000	EA	P TRAP - PLASTIC - 1 1/4" W/EXTENSION ARM	
8	066440-01-000	EA	STRAINER - SHOWER DRAIN - W/RUBBER WASHER	
8	130403-01-000	EA	NUT - SLIP - W/WINGS 1 1/2"	
8	127440-02-01A	EA	WASHER - RUBBER - 1.8" X .1"	
9	010115-01-000	EA	COUPLING - 1 1/2" HUB X HUB - PLASTIC	
10	011091-02-000	EA	WASTE - CONTINUOUS - DOUBLE SINK	
11	109450-01-000	EA	ADAPTER - SEWER HOSE - PLASTIC	
11	011071-01-000	EA	P-TRAP - PLASTIC - 1 1/2" - CSA	
11	107538-01-000	EA	P TRAP - PLASTIC - 1 1/4" W/EXTENSION ARM	
12	126424-01-000	EA	ADAPTER - 1 1/2" MPT X 1 1/2" HUB	
12	126425-02-000	EA	ADAPTER - SWIVEL - 1 1/2 FPT X SPIGOT	
13	034250-01-000	EA	ELBOW - 90 DEGREE - LONG TURN - 1 1/2" HUB X HUB - ABS	
14	010115-01-000	EA	COUPLING - 1 1/2" HUB X HUB - PLASTIC	
14	126424-01-000	EA	ADAPTER - 1 1/2" MPT X 1 1/2" HUB	
14	126425-02-000	EA	ADAPTER - SWIVEL - 1 1/2 FPT X SPIGOT	
15	129966-01-000	EA	TANK - HOLDING - 40 GALLON - W/O FITTINGS	
16	089355-01-000	EA	COUPLER - RUBBER - 1 1/2" X 1 1/2"	
17	070916-01-000	EA	VALVE - DUAL DUMP - W/CAP - 3" X 1 1/2"	
17	070916-01-700	EA	VALVE ONLY (WASTE) 3"	T1003BU
17	070916-01-701	EA	VALVE ONLY (WASTE) 1 1/2"	T1001BU
18	010024-01-000	EA	ELBOW - 45 DEGREE - 3" HUB X HUB - PLASTIC	
19	078406-01-000	EA	COUPLER - RUBBER - W/CLAMPS - 3" X 3"	
20	061607-01-000	EA	GROMMET - HOLDING TANK - 1 1/2" NPS	
21	061607-02-000	EA	GROMMET - HOLDING TANK - 3" NPS	
	126427-01-000	EA	ADHESIVE - ALL PURPOSE - ABS/PVC	
	126427-02-000	EA	PRIMER - CLEANER - FLEX PIPING	
	109571-02-000	EA	ADAPTER - 1 1/2" HUB X 1 1/2" MPT	
	010201-01-000	EA	HOSE - SEWER - 3" ID X 8'	
	062416-01-000	EA	ADAPTER - SEWER HOSE TO 3" PIPE	

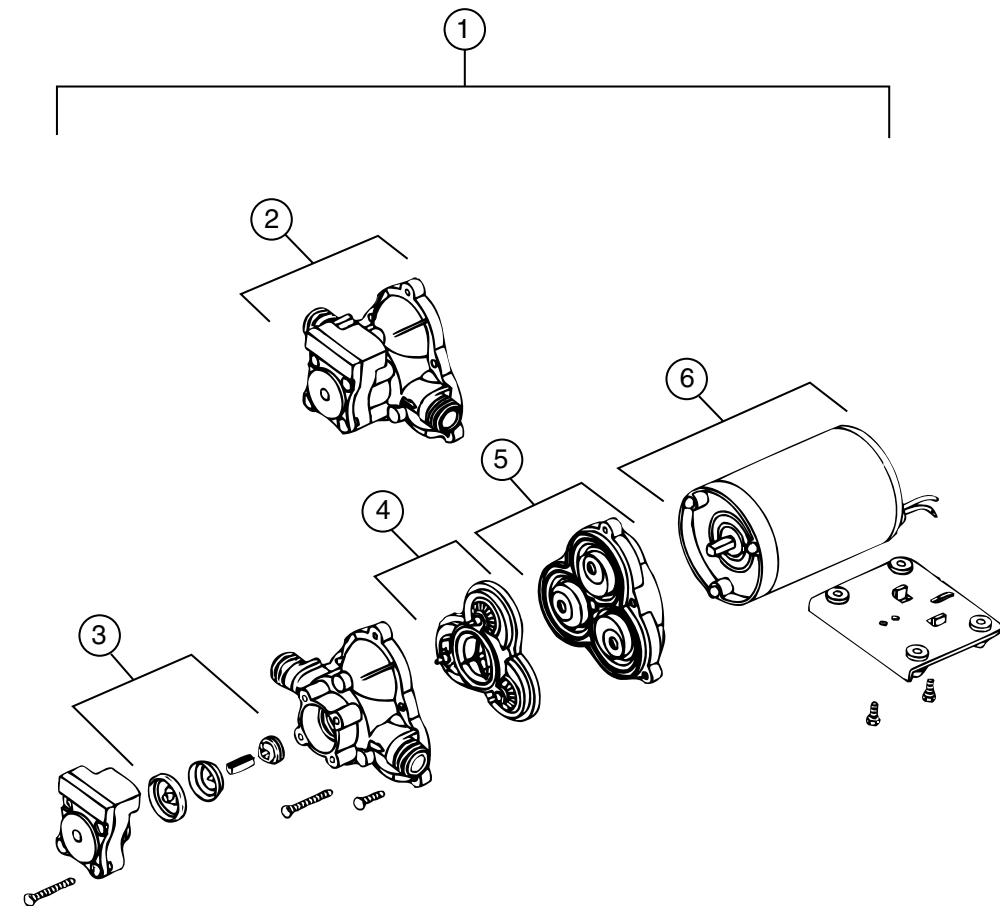


## WATER & SEWAGE GROUP (CONTINUED)

### FRESH WATER TANK & WATER SYSTEM

KEY	PART NUMBER	U/M	DESCRIPTION
	126086-03-000	EA	TANK - WATER - 35 GALLON - W/FITTINGS
	126086-01-000	EA	TANK - WATER - 35 GALLON - W/O FITTINGS
	077954-02-000	EA	FILTER - WATER TANK - W/SCREEN IN TANK
	042989-03-000	EA	FITTING - SPINWELD - 1 1/4"NPT - PLASTIC
	042989-04-000	EA	FITTING - SPINWELD - 3/8"FPT - WHITE PLASTIC
	042989-05-000	EA	FITTING - SPINWELD - 1/2"FPT - PLASTIC
	049032-01-000	EA	PATCH - SPINWELD - 3/8" - PLASTIC
	039861-01-000	EA	SENDING UNIT - W/SCREW - WASHER - WELL NUT/TERMINAL RING
	079381-01-000	FT	TUBING - RIBBED FLEXIBLE - WATER FILL - 1.4" X 10"
	010224-01-000	EA	ADAPTER - HOSE TO PIPE - 3/8 MPT X 3/8 BARB - PLASTIC
	044927-01-000	EA	ADAPTER - HOSE TO PIPE-1 1/4 MPTX1 1/4 BARB-BLACK PLASTIC
	114430-02-000	EA	ADAPTER - SWIVEL - 1/2"P X 1/2"FPT
	114430-03-000	EA	ADAPTER - 1/2"P X 1/2"MPT
	114430-06-000	EA	ADAPTER - 1/2"P X 3/8"FPT
	123152-01-000	EA	ADAPTER - 1/2 FPT X 1/2 BARB - SWIVEL
	113697-01-000	EA	CAP - 3/8 FTG
	114429-01-000	EA	ELBOW - 1/2"P X 1/2"P
	114429-02-000	EA	ELBOW - 1/2"P X 1/2"MPT
	114429-03-000	EA	ELBOW - SWIVEL - 1/2"P X 1/2"FPT
	123150-01-000	EA	ELBOW - 1/2 FPT X 1/2 BARB - SWIVEL
	114429-02-000	EA	ELBOW - 1/2"P X 1/2"MPT
	110915-01-01A	EA	FILL - CITY WATER - CHROME
	110438-02-000	EA	VALVE - CHECK - BRASS - 1/2 MPT X 1/2 MPT
	114293-01-01A	EA	PAN - DRIP - EXTERIOR - OFF WHITE
	114293-01-02A	EA	PAN - DRIP - EXTERIOR - BRIGHT WHITE
			FROM: 00-00-00 THRU: 11-15-98
			FROM: 11-16-98 THRU: 99-99-99
	124184-01-000	EA	SUPPORT - WATER LINE - BEND
	114428-01-000	EA	TEE - 1/2"P X 1/2"P X 1/2"P
	114428-03-000	EA	TEE - 1/2"P X 1/2"P X 1/2"MPT
	074462-02-000	FT	TUBING - VINYL - 3/8 ID X 20' - CLEAR
	124188-01-000	FT	TUBING - PEX - 1/2" ID X 20' - BLUE(COLD)
	124188-02-000	FT	TUBING - PEX - 1/2" ID X 20' - RED(HOT)
	112176-01-000	FT	TUBING - VINYL - REINFORCED - 1/2" ID
	114431-01-000	EA	VALVE - 180 DEGREE/CENTER DRAIN - 1/2"P - THREE WAY
	114431-02-000	EA	VALVE - WATER BYPASS - 1/2"P - THREE WAY (WATER HEATER)
	114431-03-000	EA	VALVE - 90 DEGREE DRAIN - 1/2"P

## WATER & SEWAGE GROUP (CONTINUED)



### WATER PUMP - SHURFLO

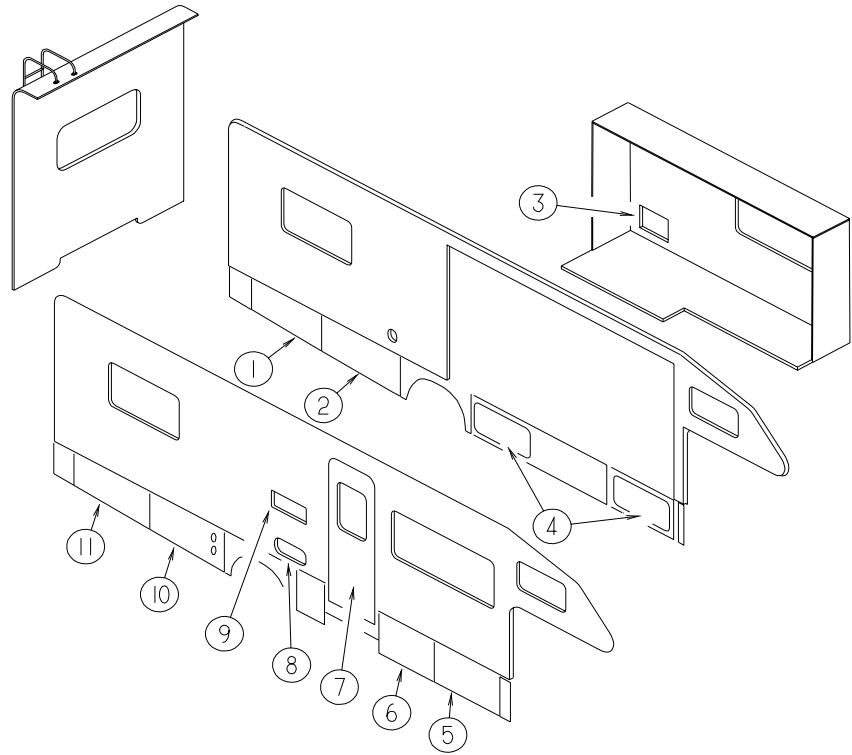
KEY	PART NUMBER	U/M	DESCRIPTION	VENDOR NO.
1	098607-01-000	EA	PUMP - WATER - W/.5" MPT FITTING - FLOW 2.8 GPM	
2	098607-01-706	EA	HOUSING, W/SWITCH ONLY	94-231-20
3	098607-01-705	EA	VALVE-CHECK, KIT	94-237-00
4	098607-01-703	EA	VALVE KIT	94-232-00
5	098607-01-702	EA	DIAPHRAGM/DRIVE ASSEMBLY KIT	94-238-04
6	098607-01-707	EA	MOTOR W/BASEPLATE	11-148-04

### WATER HEATER W/ELECTRIC IGNITION ATWOOD (G6A-8E)

KEY	PART NUMBER	U/M	DESCRIPTION
*	051391-03-000	EA	WATER HEATER G6A-8E - ELECTRONIC IGNITION
*	051393-01-000	EA	WATER HEATER - GH6-8E - ELECTRONIC IGNITION W/MOTOR AID

\*COMPONENT PARTS FOUND IN SERVICE PARTS LIBRARY

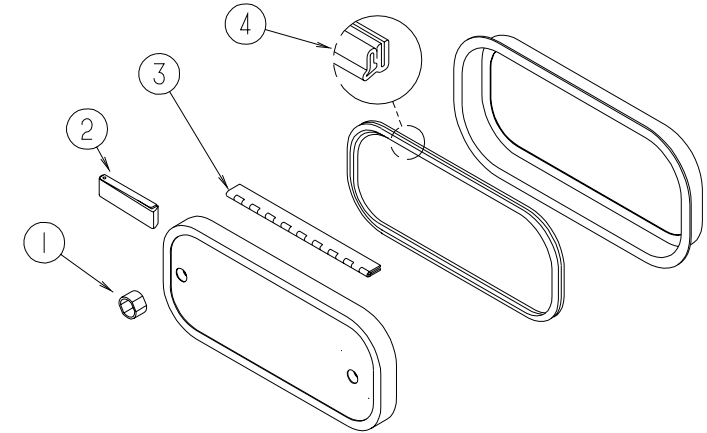
**WINDOW, VENT & EXTERIOR DOOR GROUP**



**EXTERIOR DOORS**

KEY	PART NUMBER	U/M	DESCRIPTION	VENDOR NO.
1	122391-78-K13	EA	VALANCE/DOOR-DRIVER W/O PADDLE LATCH 18.5" X 40.6" X 16.5"	
2	122391-79-K13	EA	VALANCE/DOOR-DRIVER W/O PADDLE LATCH 20.7" X 45.6" X 18.7"	
3	052009-06-000	EA	DOOR - WATER HEATER - BRIGHT WHITE - 18" X 14.6"	
3	116424-01-000	EA	PROTECTOR - LATCH - WATER HEATER	
4	126946-24-K13	EA	DOOR/STORAGE - W/O HARDWARE - 31" X 15.4"	
5	122239-B7-K13	EA	VALANCE/DOOR - W/O PADDLE LATCH/HINGE	
6	122239-B8-K13	EA	VALANCE/DOOR - W/O PADDLE LATCH/HINGE	
	123478-01-G04	EA	DOOR - COMPARTMENT - W/O LATCH/HINGE	
7	115108-02-J41	EA	DOOR - ENTRY - W/SCREEN DOOR - W/O WINDOW (K13)	
7	115108-02-J11	EA	DOOR - ENTRY - W/SCREEN DOOR - W/O WINDOW (K15)	
8	126945-01-J22	EA	DOOR/STORAGE - W/O HARDWARE - 18" X 8.3"	
9	084103-08-000	EA	DOOR - VENT/REFRIGERATOR - W/O JAMB - BRIGHT WHITE	
9	084104-08-000	EA	JAMB - VENT DOOR/REFRIGERATOR - BRIGHT WHITE	
9	084104-01-700	EA	LOCK-MALE, FASTENER	201-721-010
9	084104-01-701	EA	LOCK-FEMALE, FASTENER	201-802-010
10	122391-77-K13	EA	VALANCE/DOOR-PASS W/O PADDLE LATCH 21.5" X 43.7" X 19.6"	
	098668-23-000	EA	DOOR - ACCESS - FURNACE - BRIGHT WHITE	
11	122391-80-K13	EA	VALANCE/DOOR-PASS W/O PADDLE LATCH 18.9" X 50.5" X 16.1"	

**WINDOW, VENT & EXTERIOR DOOR GROUP (CONTINUED)**

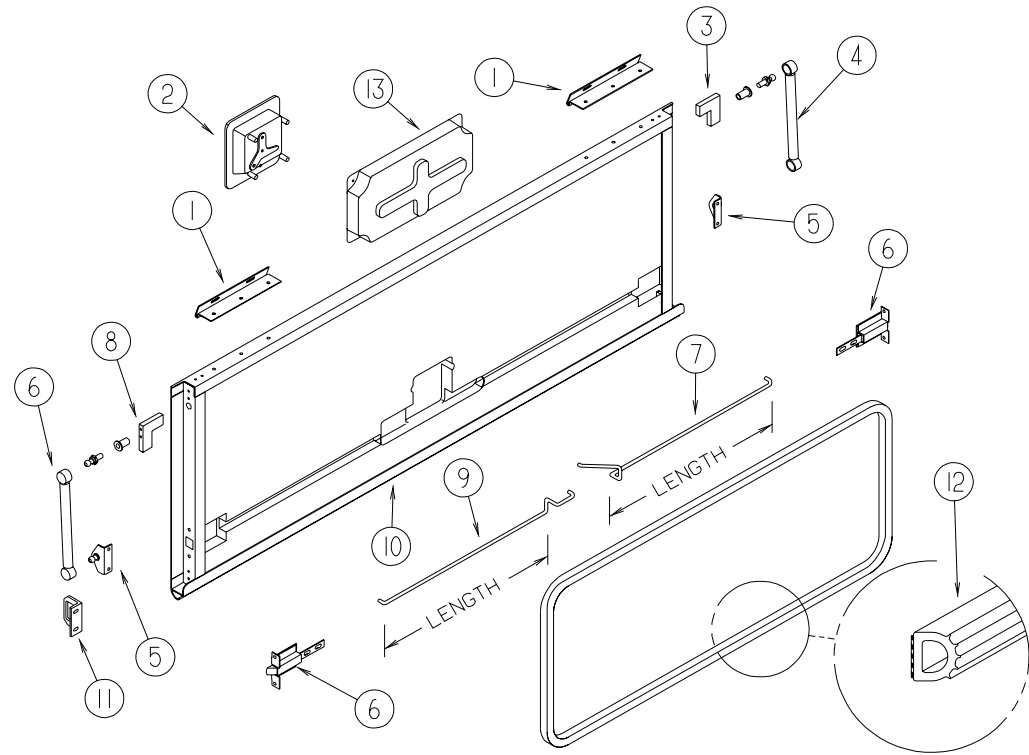


**ENTERTAINMENT CENTER DOOR COMPONENTS**

KEY	PART NUMBER	U/M	DESCRIPTION
1	107997-51-001	EA	SPACER - DOOR LOCK - .6" DEEP
	107997-51-002	EA	EXTRUDED - SPACER - 16'
2	102768-01-000	EA	HOLDER - COMPARTMENT/ENTRY DOOR - METAL - MILL FINISH
3	081801-V3-000	EA	HINGE - ALUMINUM - 2" X 96" - BRIGHT WHITE
3	081801-02-000	EA	HINGE - DOOR - PIANO - 2" X 96"
3	009065-01-000	EA	HINGE - ALUMINUM - 1 1/2" X 96" - UNPAINTED
	064075-07-000	FT	SEAL - BULB - W/WIRED U CHANNEL - .3" X .5" CHANNEL-BLACK
4	106850-02-000	FT	SEAL-E - SPONGE RUBBER - .43" X .75"
4	104692-01-000	FT	SEAL - FOAM/ADHESIVE BACK - .75"THICK X .75"WIDE X 25'

# WINDOW, VENT & EXTERIOR DOOR GROUP (CONTINUED)

## EXTERIOR DOOR COMPONENTS



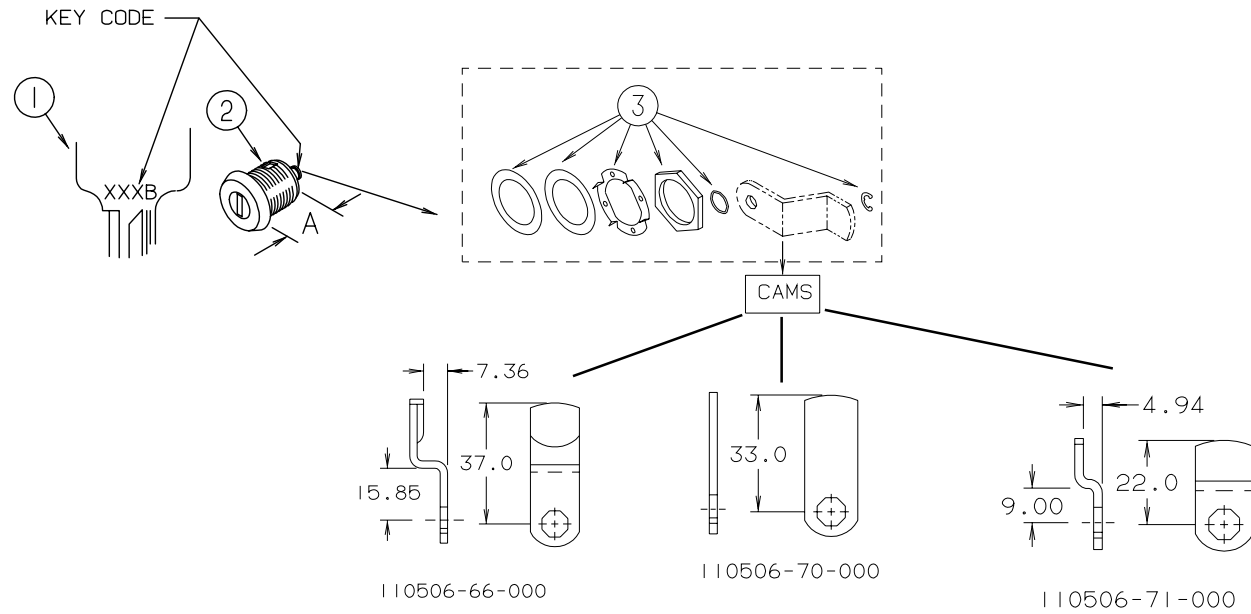
KEY	PART NUMBER	U/M	DESCRIPTION
1	121755-01-04A	EA	HINGE - 6.00 INCH
2	112949-01-03A	EA	LATCH - PADDLE W/LOCK - W/O KEY - BRIGHT WHITE
2	112949-02-04A	EA	LATCH - PADDLE NON-LOCKING - BRIGHT WHITE
	112949-03-000	EA	KEY - TRI-MARK #TM500
3	123892-10-02B	EA	CORNER STABILIZER W/BALL STUD - RIGHT HAND - E-COATED
	126259-01-000	EA	STUD - BALL - GAS SHOCK MOUNTING
4	107796-18-000	EA	SPRING/GAS - 7" COMPRESSED/10" EXTENDED - 80 LB.
5	126263-02-02B	EA	BRACKET - GAS SPRING
6	121947-01-01A	EA	BOLT - SLIDE W/PLASTIC PLUNGER
7	122269-27-000	EA	ROD - LATCH - 8.22"
7	122269-18-000	EA	ROD - LATCH - 11.28"
7	122269-24-000	EA	ROD - LATCH - 15.09"
7	122269-67-000	EA	ROD - LATCH - 12.6"
7	122269-68-000	EA	ROD - LATCH - 17.5"
8	123892-12-02B	EA	CORNER STABILIZER W/BALL STUD - LEFT HAND - E-COATED
	126259-01-000	EA	STUD - BALL - GAS SHOCK MOUNTING
9	122268-27-000	EA	ROD - LATCH - 8.22"
9	122268-18-000	EA	ROD - LATCH - 11.28"
9	122268-24-000	EA	ROD - LATCH - 15.09"
9	122268-68-000	EA	ROD - LATCH - 12.6"
9	122268-69-000	EA	ROD - LATCH - 17.5"
10	122613-55-001	EA	ROCKER PANEL/EXTRUSION - 192" - BRIGHT WHITE
11	123783-01-01A	EA	STRIKER - DOOR - MILL
12	107721-07-000	FT	SEAL - ACCESS DOOR (SEWAGE & 110V DOOR ONLY)
12	107721-08-000	FT	SEAL - ACCESS DOOR
13	122277-02-01A	EA	COVER - LATCH - BLACK
	088270-01-000	FT	SEAL/BULB - RIGID WIRED U-CHANNEL - .5" - RUBBER - BLACK
	122612-55-001	EA	U-CHANNEL/EXTRUSION - 192" - BRIGHT WHITE
	122614-55-001	EA	H-CHANNEL/EXTRUSION - 192" - BRIGHT WHITE
	122613-55-001	EA	EXTRUDED - ROCKER PANEL - 192" - BRIGHT WHITE
	099418-01-000	FT	SEAL - D-SECTION/ADHESIVE BACK - .44" X .44" - BLK RUBBER
	098408-01-000	FT	SEAL - SPONGE RUBBER - CLOSED CELL

## WINDOW, VENT & EXTERIOR DOOR GROUP (CONTINUED)

### BRIGGS & STRATTON LOCKS & COMPONENTS

**NOTE:**

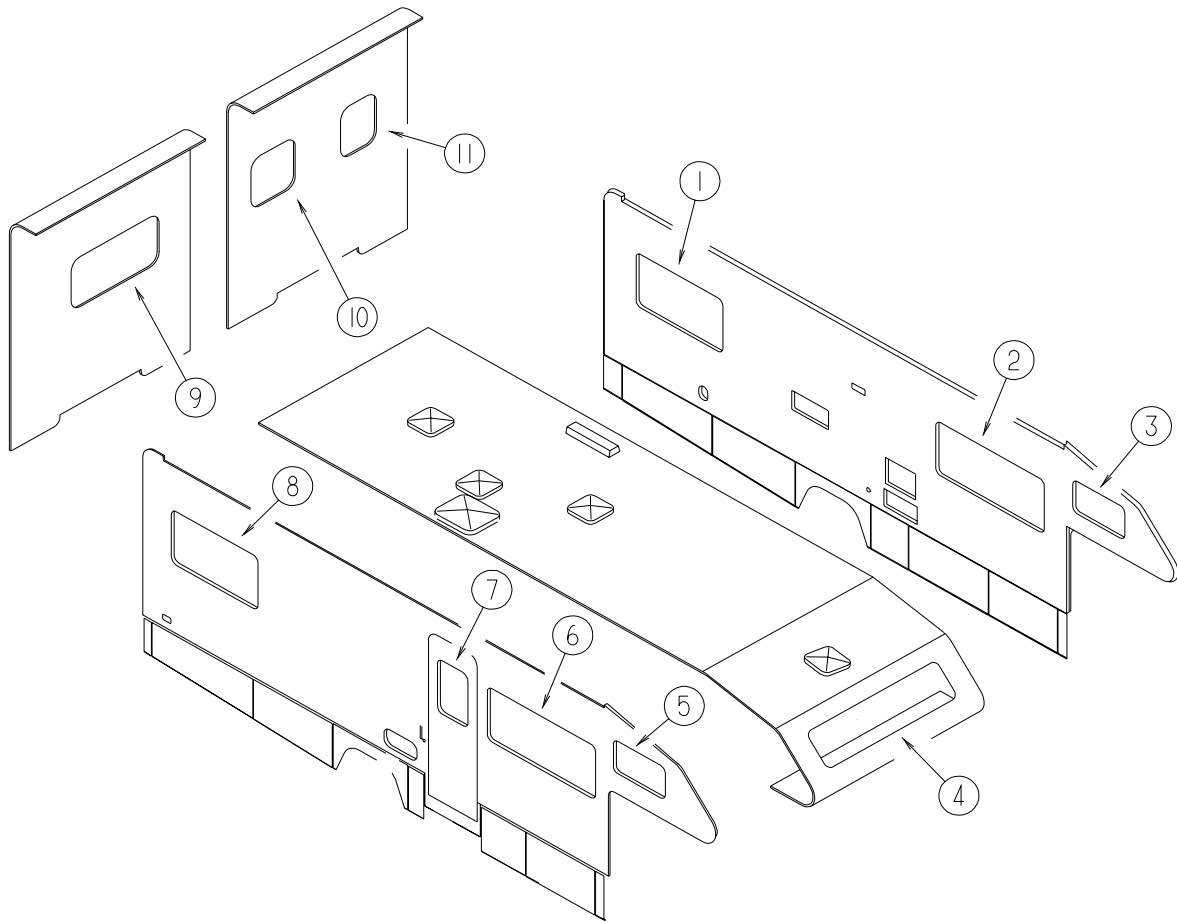
WHEN ORDERING THE LOCK CASE, THE KEY CODE MUST MATCH THE LAST DIGIT OF THE VEHICLE'S SERIAL NUMBER AND PART NUMBER; WHEN ORDERING THE KEYS, THE THIRD DIGIT OF THE KEY CODE MUST MATCH THE LAST DIGIT OF THE VEHICLE'S SERIAL NUMBER AND PART NUMBER.



KEY	PART NUMBER	U/M	DESCRIPTION	VENDOR NO.	KEY	PART NUMBER	U/M	DESCRIPTION	VENDOR NO.
1	110506-59-000	EA	KEYS - SET OF TWO	596720	1	110506-59-007	EA	KEYS - SET OF TWO	596727
2	110506-52-000	EA	CASE/CYLINDER - LOCKING - W/O CAM/KEY - .65"	702370	2	110506-52-007	EA	CASE/CYLINDER - LOCKING - W/O CAM/KEY - .65"	702377
2	110506-54-000	EA	CASE/CYLINDER - LOCKING - W/O CAM/KEY - 1.25"	703170	2	110506-54-007	EA	CASE/CYLINDER - LOCKING - W/O CAM/KEY - 1.25"	703177
1	110506-59-001	EA	KEYS - SET OF TWO	596721	1	110506-59-008	EA	KEYS - SET OF TWO	596728
2	110506-52-001	EA	CASE/CYLINDER - LOCKING - W/O CAM/KEY - .65"	702371	2	110506-52-008	EA	CASE/CYLINDER - LOCKING - W/O CAM/KEY - .65"	702378
2	110506-54-001	EA	CASE/CYLINDER - LOCKING - W/O CAM/KEY - 1.25"	703171	2	110506-54-008	EA	CASE/CYLINDER - LOCKING - W/O CAM/KEY - 1.25"	703178
1	110506-59-002	EA	KEYS - SET OF TWO	596722	1	110506-59-009	EA	KEYS - SET OF TWO	596729
2	110506-52-002	EA	CASE/CYLINDER - LOCKING - W/O CAM/KEY - .65"	702372	2	110506-52-009	EA	CASE/CYLINDER - LOCKING - W/O CAM/KEY - .65"	702379
2	110506-54-002	EA	CASE/CYLINDER - LOCKING - W/O CAM/KEY - 1.25"	703172	2	110506-54-009	EA	CASE/CYLINDER - LOCKING - W/O CAM/KEY - 1.25"	703179
1	110506-59-003	EA	KEYS - SET OF TWO	596723	3	110506-40-700	EA	HDWE KIT	596950AAL
2	110506-52-003	EA	CASE/CYLINDER - LOCKING - W/O CAM/KEY - .65"	702373		110506-66-000	EA	CAM - LATCHING - DOG LEGGED 1.5" LONG	
2	110506-54-003	EA	CASE/CYLINDER - LOCKING - W/O CAM/KEY - 1.25"	703173		110506-70-000	EA	CAM - LATCHING - STRAIGHT 1.3" LONG	
1	110506-59-004	EA	KEYS - SET OF TWO	596724		110506-71-000	EA	CAM - LATCHING - DOG LEGGED .86" LONG	
2	110506-52-004	EA	CASE/CYLINDER - LOCKING - W/O CAM/KEY - .65"	702374		110506-76-000	EA	CAM - LOCK	
2	110506-54-004	EA	CASE/CYLINDER - LOCKING - W/O CAM/KEY - 1.25"	703174		110506-59-701	EA	KEY BLANK (GOLD)	
1	110506-59-005	EA	KEYS - SET OF TWO	596725					
2	110506-52-005	EA	CASE/CYLINDER - LOCKING - W/O CAM/KEY - .65"	702375					
2	110506-54-005	EA	CASE/CYLINDER - LOCKING - W/O CAM/KEY - 1.25"	703175					
1	110506-59-006	EA	KEYS - SET OF TWO	596726					
2	110506-52-006	EA	CASE/CYLINDER - LOCKING - W/O CAM/KEY - .65"	702376					
2	110506-54-006	EA	CASE/CYLINDER - LOCKING - W/O CAM/KEY - 1.25"	703176					

**WINDOW, VENT & EXTERIOR DOOR GROUP (CONTINUED)**

**WINDOW, VENT & EXTERIOR DOOR GROUP (CONTINUED)**



**WINDOWS**

KEY	PART NUMBER	U/M	DESCRIPTION
1*	104691-13-01A	EA	WINDOW - SINGLE TIPOUT - 48" X 26.4"(TWIN BED)
1*	129929-05-01A	EA	WINDOW - TORQUE - THERMO - 26.3" X 47.9"(TWIN BED) FROM: 00-00-00 THRU: 08-05-98
1*	112795-25-01A	EA	WINDOW - DRIVER HORIZONTAL SLIDER - THERMO - 26.4" X 48"(TWIN BED) FROM: 08-06-98 THRU: 99-99-99
1*	113500-01-01A	EA	WINDOW - DOUBLE TIPOUT - TINTED - 24.5" X 41.3" (QUEEN)
1*	129929-06-01A	EA	WINDOW - TORQUE - THERMO - 24.4" X 41.2" (QUEEN)
2*	098647-22-01A	EA	WINDOW - DRIVER HORIZ SLIDER W/TRIM-TINTED - 26.1" X 59.7"
2*	112795-15-01A	EA	WINDOW - DRIVER HORIZONTAL SLIDER - THERMO - 26.4" X 60"
3*	098647-34-01A	EA	WINDOW - DRIVER HORIZ SLIDER W/TRIM-TINTED - 15.7" X 28.5"
3*	112795-20-01A	EA	WINDOW - DRIVER HORIZONTAL SLIDER - THERMO - 16" X 28.7"
4*	103313-03-F15	EA	WINDOW - PICTURE - 11.6" X 58.6" (INSIDE FRAME #117054)
4*	115630-01-01A	EA	WINDOW - STATIONARY/THERMOPANE - 17.2" X 72"
5*	098647-33-01A	EA	WINDOW - PASS HORIZ SLIDER W/TRIM - TINTED - 15.7" X 28.5"
5*	112795-19-01A	EA	WINDOW - PASSENGER HORIZ SLIDER - THERMO - 15.7" X 28.5"
6*	098647-23-01A	EA	WINDOW - PASS HORIZ SLIDER W/TRIM - TINTED - 26.1" X 59.7"
6*	112795-16-01A	EA	WINDOW - PASSENGER HORIZ SLIDER - THERMO - 26.1" X 59.8"
7*	117053-02-F36	EA	WINDOW - PICTURE - 60% TINTING - 17" X 26.4"
7*	113733-01-01A	EA	WINDOW - STATIONARY THERMOPANE - 26.4" X 17"
8*	104691-13-01A	EA	WINDOW - SINGLE TIPOUT - 48" X 26.4"(TWIN BED)
8*	129929-05-01A	EA	WINDOW - TORQUE - THERMO - 26.3" X 47.9" (TWIN BED) FROM: 00-00-00 THRU: 08-05-98
8*	112795-22-01A	EA	WINDOW - PASSENGER HORIZ SLIDER - THERMO - 26.1" X 47.8" (TWIN BED) FROM: 08-06-98 THRU: 99-99-99
8*	113500-01-01A	EA	WINDOW - DOUBLE TIPOUT - TINTED - 24.5" X 41.3" (QUEEN)
8*	129929-06-01A	EA	WINDOW - TORQUE - THERMO - 24.4" X 41.2" (QUEEN)

\*COMPONENT PARTS FOUND IN SERVICE PARTS LIBRARY

**WINDOWS**

KEY	PART NUMBER	U/M	DESCRIPTION
9*	078528-06-E10	EA	WINDOW - ESCAPE - W/O RETAINER/TRIM - 48.5" X 24.5"
9*	113502-01-01A	EA	WINDOW - REAR/CENTER ESCAPE - THERMO - 24.8" X 48.7"
10*	116976-04-01A	EA	WINDOW - PICTURE/TINTED - 26.4" X 26.3"
10*	113733-02-01A	EA	WINDOW - STATIONARY THERMOPANE - 26.4" X 26.4"
11*	116976-02-01A	EA	WINDOW - PICTURE/TINTED/ESCAPE - 26.4" X 25.3"
11*	113502-04-01A	EA	WINDOW - REAR ESCAPE - THERMO - 26.4" X 26.3"

\*COMPONENT PARTS FOUND IN SERVICE PARTS LIBRARY

**POWERED ROOF VENTILATOR - US - FANTASTIC**

KEY	PART NUMBER	U/M	DESCRIPTION
*	122882-02-01A	EA	VENT - ROOF - W/FAN - W/O INSIDE GARNISH - UL
*	123780-01-01A	EA	VENT - ROOF - 1" - W/FAN/POWER LIFT - W/O THERMOSTAT

\*COMPONENT PARTS FOUND IN SERVICE PARTS LIBRARY

**VENT**

KEY	PART NUMBER	U/M	DESCRIPTION
*	122882-01-01A	EA	VENT - ROOF - NONPOWERED - W/O INSIDE GARNISH
*	122882-02-01A	EA	VENT - ROOF - W/FAN - W/O INSIDE GARNISH - UL
*	122882-03-01A	EA	VENT - ROOF - W/FAN - W/O INSIDE GARNISH - CSA
	122882-07-01A	EA	GARNISH - ROOF VENT - 2.5" TO 4"

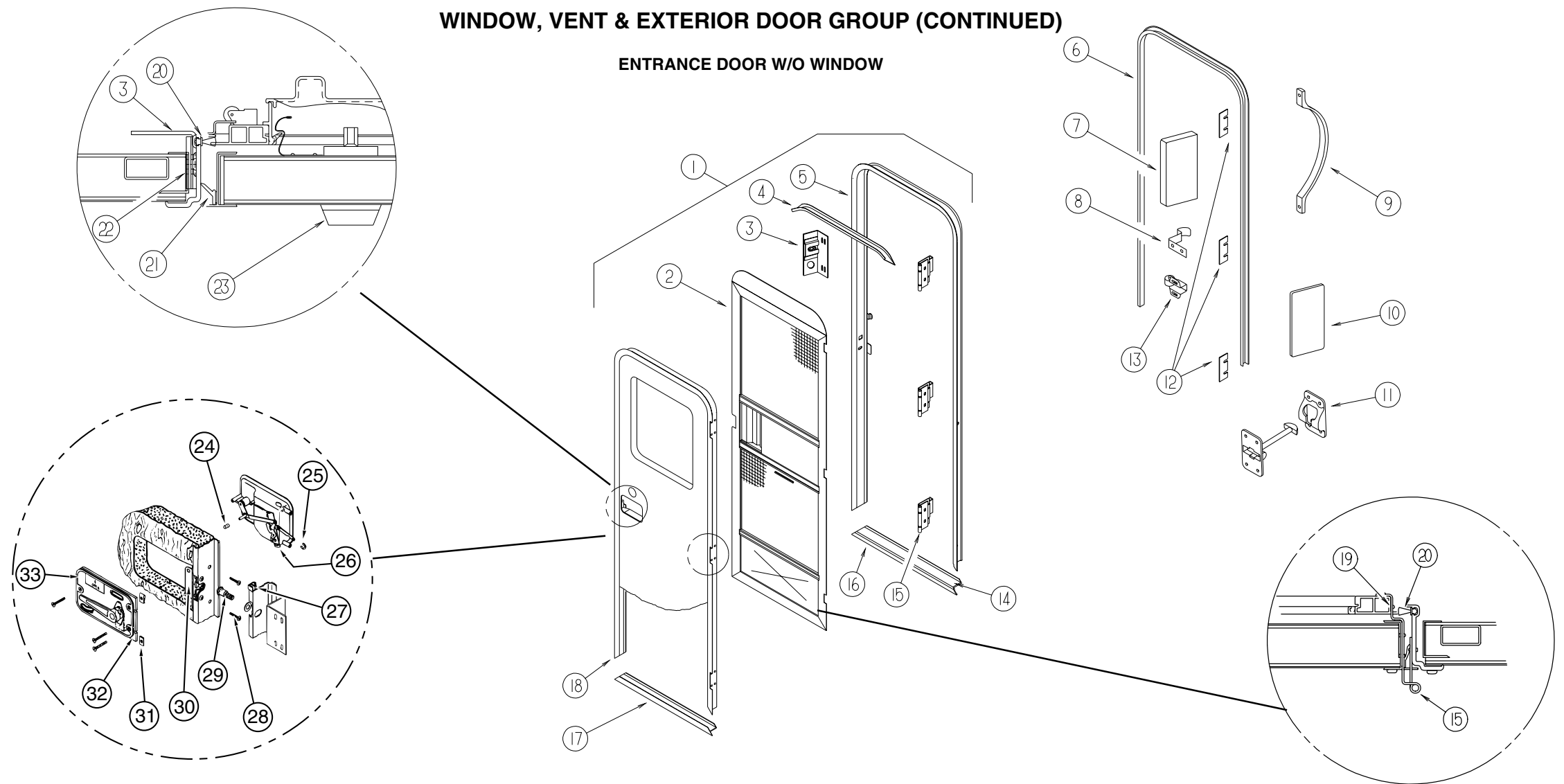
\*COMPONENT PARTS FOUND IN SERVICE PARTS LIBRARY

**VENTS, SHROUDS AND ROOF COVERS**

KEY	PART NUMBER	U/M	DESCRIPTION	VENDOR NO.
	084073-04-000	EA	BASE - ROOF VENT/REFRIGERATOR - BLACK - NORCOLD	
	084073-07-000	EA	VENT - ROOF/REFRIGERATOR - BRIGHT WHITE - NORCOLD	
	083558-03-000	EA	VENT - PLUMBING - ROOF PIPE COVERED - OFF WHITE	
	111222-01-02A	EA	COVER - VENT - SIDE - BRIGHT WHITE	
	092698-02-05A	EA	VENT - W/DOOR - BRIGHT WHITE	
	092698-02-700	EA	FASTENER - PUSH	VB430
	092698-02-701	EA	CLAMP-CONDUIT	VB334

## WINDOW, VENT & EXTERIOR DOOR GROUP (CONTINUED)

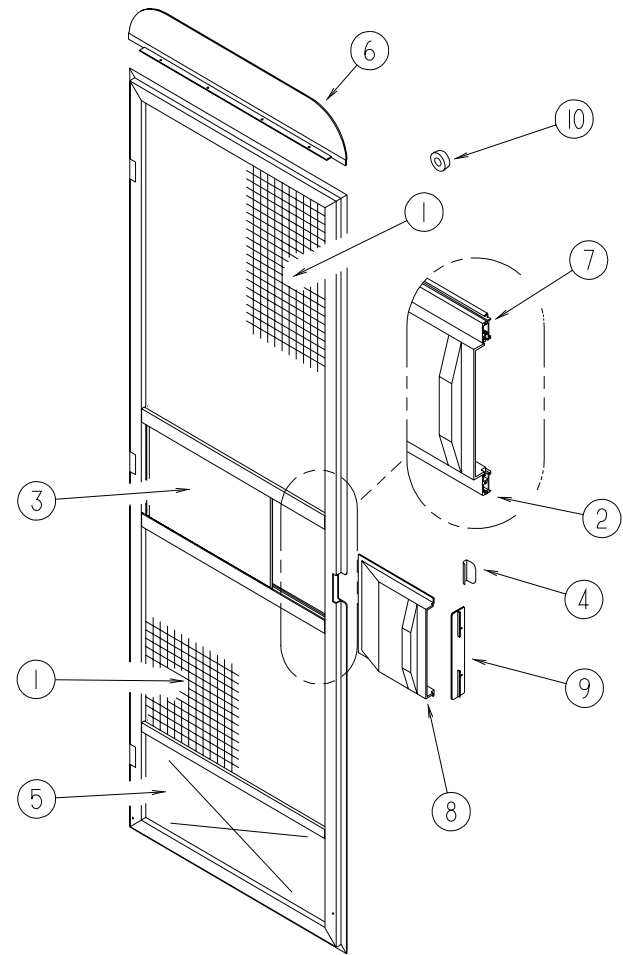
### ENTRANCE DOOR W/O WINDOW



KEY	PART NUMBER	U/M	DESCRIPTION
1	115108-02-J41	EA	DOOR - ENTRY - W/SCREEN DOOR - W/O WINDOW (K13)
1	115108-02-J11	EA	DOOR - ENTRY - W/SCREEN DOOR - W/O WINDOW (K15)
2	121899-01-G04	EA	DOOR - SCREEN - W/O HARDWARE - BRIGHT WHITE
3	041546-07-000	EA	BRACKET - DOOR ANGLE - OFF WHITE
4	044582-44-000	EA	CAP - DRIP - JAMB - BRIGHT WHITE
5	121898-01-01A	EA	JAMB - ENTRY DOOR
6	115222-05-01A	EA	GARNISH - RADIUS - ENTRY DOOR
7	077461-05-000	EA	COVER/BRACKET - STRIKE
8	100412-01-000	EA	CATCH - SCREEN DOOR
9	009126-03-000	EA	HANDLE - ASSIST - BLACK TEXTURED
10	076725-02-000	EA	COVER - HINGE - ENTRY DOOR - 6" X 3.2" - OFF WHITE
11	102768-01-000	EA	HOLDER - COMPARTMENT/ENTRY DOOR - METAL - MILL FINISH
12	102248-01-000	EA	SHIM - DOOR
13	079087-03-000	EA	STRIKE - SLIDER - SCREEN DOOR - BRIGHT WHITE
14	038327-01-000	EA	TAPE - ANTI-SLIP - 2" X 60'
15	106719-01-05A	EA	HINGE - ENTRY DOOR - BRIGHT WHITE
	039715-01-000	EA	NUT-SERT - 1/4" DIAMETER - 20 THREADS
16	051049-01-000	EA	JAMB - BOTTOM - ENTRY DOOR - 25.9" - UNPAINTED
	075673-05-000	FT	SEAL - PILE - ADHESIVE BACK - BLACK
	075673-01-000	FT	SEAL - PILE - ADHESIVE BACK - GRAY
17	121893-01-01A	EA	FRAME - ENTRY DOOR/BOTTOM - BRIGHT WHITE
18	121894-03-01A	EA	FRAME - ENTRY DOOR
	098173-01-04A	EA	STIFFENER - ENTRY DOOR - SUPPORTS LATCH/STRIKE/UNPAINTED
19	100128-02-000	FT	SEAL - FOAM/ADHESIVE BACK - .37" WIDE X .37" THICK
20	118929-01-01A	FT	SEAL - PILE - PUSH ON
21	075671-04-000	FT	SEAL - SPONGE - LAZY T - W/ADHESIVE STRIP - .5" WIDE

KEY	PART NUMBER	U/M	DESCRIPTION	VENDOR NO.
22	104692-01-000	FT	SEAL - FOAM/ADHESIVE BACK - .75"THICK X .75"WIDE X 25'	
	116111-02-01A	EA	SCREW - TAPTITE - 1/4-20 X 3/8 PPH - ZINC	
23	101145-01-06A	EA	DEADBOLT - ENTRY DOOR W/O SECURITY BOLT W/2 KEYS - BLACK	
	101147-01-000	EA	BOLT - SECURITY - 4.12"	
	095229-01-700	EA	KEY-BLANK, DEADBOLT	81205-03
	101145-01-701	EA	CYLINDER-LOCK ASM., W/KEY	81306-03
24	039984-01-000	EA	CAP - ROUND - VINYL - .28" ID X .62" - BLACK	
25	036618-02-000	EA	E-RING - EXTERNAL - 3/16" SHAFT DIAMETER - LYNOR DOOR LOCK	
26	045017-13-000	EA	LATCH - ENTRY DOOR - BLACK TEXTURED	
	045017-11-703	EA	CYLINDER-LOCK ASM. W/KEYS	81266-09
27	064075-07-000	FT	SEAL - BULB - W/WIRED U CHANNEL - .3" X .5" CHANNEL-BLACK	
28	000G54-04-20B	EA	SCREW - 1/4-20 X 1.25 PTH - TYPE 23 - ZINC PLATED	
29	039539-01-000	EA	STRIKE - LOCK - ENTRY DOOR - ROUND W/THREADED WASHER	
30	039540-01-000	EA	LATCH MECHANISM - HOOK - ENTRY DOOR - INTERIOR	
31	040921-01-000	EA	NUT - SPEED - U TYPE - 10-24 BLACK	
32	096810-01-01A	EA	PLATE - LATCH - ENTRY DOOR - BLACK	
33	039979-06-000	EA	COVER - LATCH PLATE - RIGHT HAND - BLACK TEXTURED	
	086285-05-000	EA	SPACER - NYLON - .7" X .56"	
	104099-01-04A	EA	CATCH - DOOR HOLDER - STRIKE - BRIGHT WHITE	
	104099-02-04A	EA	CATCH - DOOR HOLDER - RETAINER - BRIGHT WHITE	
	121676-01-01A	EA	ANGLE - ENTRY DOOR/LEFT SIDE - BRIGHT WHITE	
	121676-02-01A	EA	ANGLE - ENTRY DOOR/RIGHT SIDE - BRIGHT WHITE	
	121676-03-01A	EA	ANGLE - ENTRY DOOR - BRIGHT WHITE	
	090340-01-000	FT	SEAL - FOAM - CLOSED CELL - 1/4" X 1/2" X 50'	

## WINDOW, VENT & EXTERIOR DOOR GROUP (CONTINUED)



### SCREEN DOOR COMPONENTS

KEY	PART NUMBER	U/M	DESCRIPTION
	121899-01-G04	EA	DOOR - SCREEN - W/O HARDWARE - BRIGHT WHITE
1	002293-02-000	SF	SCREEN - 26" - CHARCOAL
2	002294-01-000	FT	SPLINE - SCREENING - .135" X .138"
3	016454-01-000	EA	INSERT - CENTER - LEATHER GRAIN ALUMINUM - UNPAINTED
	001014-01-013	EA	INSERT - CENTER - 10.25" X 16.31" - UNPAINTED
4	050712-06-000	EA	HANDLE - SCREEN DOOR - BRIGHT WHITE
5	078552-03-000	EA	KICK PANEL - SCREEN DOOR - LOWER INSERT - UNPAINTED
6	078595-01-000	EA	TOP PLATE - SCREEN DOOR - CURVED TOP - 4.7" X 25.35"
7	078777-08-000	FT	CHANNEL - SLIDER
8	079086-03-000	EA	SLIDER - SCREEN DOOR - BRIGHT WHITE
9	079087-03-000	EA	STRIKE - SLIDER - SCREEN DOOR - BRIGHT WHITE
10	120863-06-000	EA	BUMPER - RUBBER - 3/4" X 3/8"
	109403-01-000	EA	CATCH - SINGLE ROLLER - SCREEN DOOR