

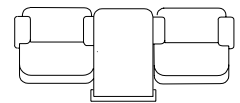
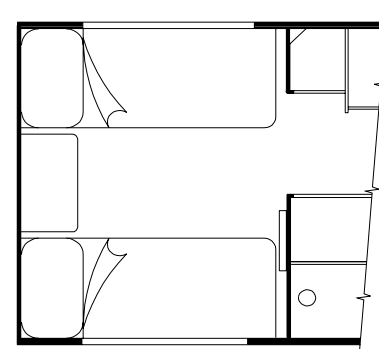
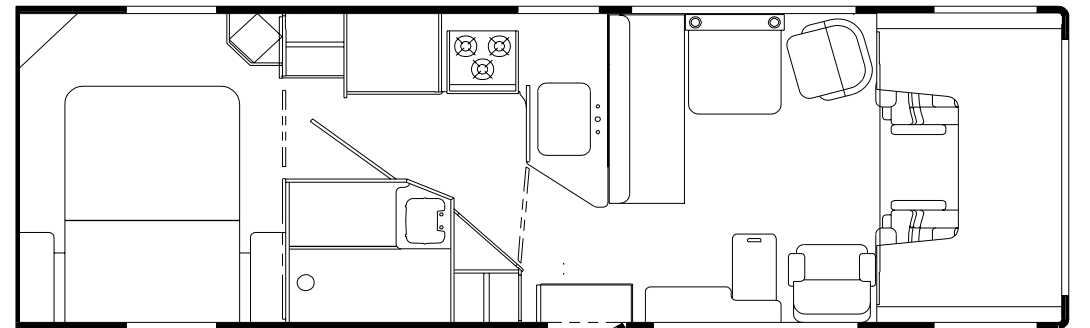
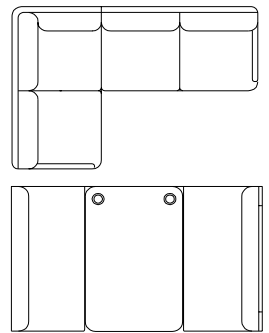
1999
WF429U DL

K13

"WILLOW" (TAUPE)

K15

"CLOUD" (GRAY)



ACCESSORIES GROUP

OPERATORS MANUAL

KEY	PART NUMBER	U/M	DESCRIPTION
	054185-K1-000	EA	MANUAL - OPERATOR 99 MINNIE WINNE
	129079-01-01A	EA	CASE - VINYL/BLACK-EXPANDABLE ACCORDION SIDES-7"WX9"HX14"L
	128942-01-000	DW	TOP LEVEL-C,1999

AUDIO VIDEO GROUP

RADIO SYSTEM & ANTENNA

KEY	PART NUMBER	U/M	DESCRIPTION
	N/A	EA	SPEAKER - 5" X 7" OVAL - FORD F2UF-18814-CD
	111177-01-01A	EA	GRILLE - SPEAKER - 6.6" X 8.9" - HOUSING 5" X 7" SPEAKER
	125322-02-000	EA	RADIO - AM-FM STEREO - CASSETTE - AUDIOVOX
	090944-01-000	EA	ANTENNA - RADIO - 16" RUBBER
	077069-02-000	EA	CABLE - ANTENNA/EXTENSION - RADIO - 96"
	108137-01-000	EA	PLUG - ANTENNA
	108847-01-000	EA	BRACKET - ANTENNA GROUND
	109889-04-000	EA	EXTENDER - ANTENNA SHAFT - 3"
	110469-01-000	EA	SPEAKER - 4" X 6" OVAL - COAXIAL
	110470-01-01A	EA	GRILLE - 4" X 6" OVAL - BLACK

TV & VCR SYSTEMS

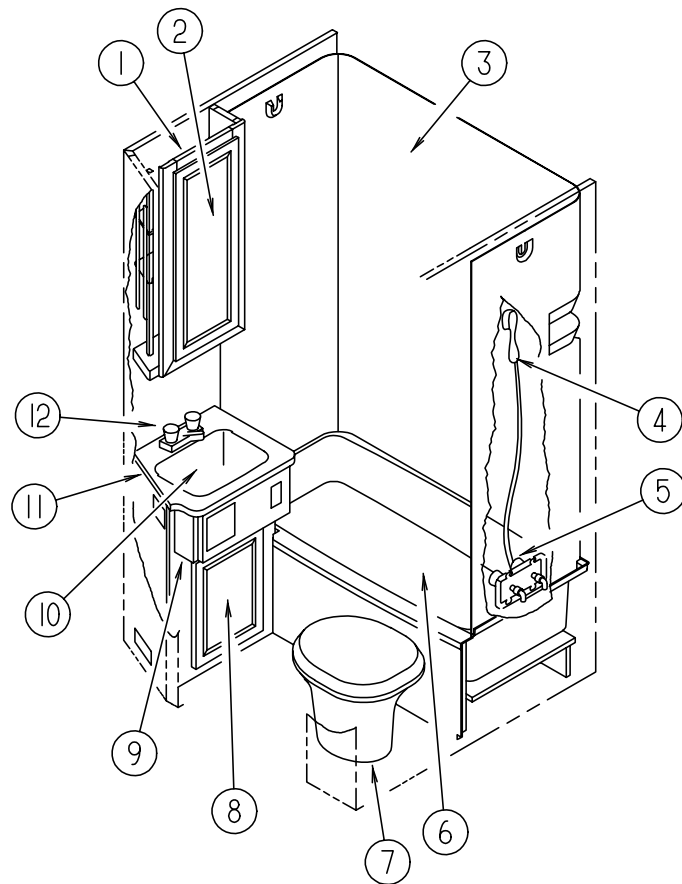
KEY	PART NUMBER	U/M	DESCRIPTION	VENDOR NO.
	086231-08-000	EA	TV - 13" COLOR - DC - AUDIOVOX	
	086231-08-700	EA	REMOTE-UNIVERSAL	8822325
	086231-08-701	EA	ADAPTER - WIRE	0891436
	126696-02-000	EA	TV - 19" COLOR W/1/8" JACK - UL/CSA	
	126696-01-700	EA	REMOTE	226725
	126697-02-000	EA	VCR-VHS - CABLE READY - W/REMOTE	
	126697-02-700	EA	REMOTE	238513
	094487-05-000	EA	VIDEO CASSETTE PLAYER - VERTIC	
	122790-02-02B	EA	BRACKET - VCP - E-COATED	
	082134-01-000	EA	ADAPTER - TV - CABLE TO CABLE	
	082136-01-000	EA	NUT - HEX JAM - 3/8-32	
	076319-03-000	FT	CABLE - COAXIAL - 75 OHM	
	076319-12-000	EA	CONNECTOR - COAXIAL - ONE PIECE	
	076319-09-000	EA	WALLPLATE - CABLE RECEPTACLE - TV - SINGLE - BROWN	
	076319-08-000	EA	WALLPLATE - CABLE RECEPTACLE - TV - SINGLE - IVORY	
	086777-02-000	EA	WALLPLATE - TV CABLE - W/ANTENNA SWITCH	
	086777-06-000	EA	WALLPLATE - TV CABLE - ANTENNA BOOSTER/1 OUTPUT - BROWN	
	086756-01-000	EA	SPLITTER - TV - 2 WAY	
	086757-03-000	EA	CONTROL CENTER - SWITCH - VCR/TV	
	086757-04-000	EA	CONTROL CENTER - SWITCH - 5 INPUTS	
	099717-02-000	EA	STRAP - TV TIE DOWN W/29.9" FEMALE STRAP/14.2" MALE STRAP	
	099717-04-000	EA	STRAP - TIE DOWN W/21.3" FEMALE STRAP & 27.2" MALE STRAP	

TV ANTENNA & SATELLITE DISH

KEY	PART NUMBER	U/M	DESCRIPTION
*	076319-23-000	EA	ANTENNA-TV - ROOF MOUNT - 44.5" MAST
*	076319-25-000	EA	KIT - HARDWARE INTERIOR
*	120233-01-000	EA	ANTENNA - SATELLITE (DISH & HDW) W/O RECEIVER - MANUAL FROM: 00-00-00 THRU: 06-14-98
*	120233-04-000	EA	ANTENNA - SATELLITE - W/DIGITAL SENSOR/READ OUT DISPLAY FROM: 06-15-98 THRU: 99-99-99

***COMPONENT PARTS FOUND IN SERVICE PARTS LIBRARY**

BATH GROUP



BATHROOM CABINETS & FIXTURES

KEY	PART NUMBER	U/M	DESCRIPTION	VENDOR NO.
1	114744-01-F08	EA	CABINET - MEDICINE - W/O DOORS/HARDWARE	
	114744-11-F08	EA	SHELF - W/PLASTIC EDGE TRIM	
2	M06803-A4-J10	EA	DOOR - MITERED CORNER/OGEE EDGE - 10" X 29.5" - W/O HDW	
	058331-84-000	EA	MIRROR - SAFETY GLASS - 6.6" X 26.2"	
3	110541-02-01A	EA	SURROUND - SHOWER/TUB - W/MOLDED ROD BRACKETS	
	113714-02-01A	EA	RETAINER - SHELF	
			FROM: 08-18-98 THRU: 99-99-99	
	102075-10-01A	EA	ROD - CURTAIN/SHOWER	
4	103092-01-000	EA	SHOWER HEAD - W/60" HOSE - IVORY	
			FROM: 00-00-00 THRU: 07-26-98	
4	103092-02-000	EA	SHOWER HEAD - W/HOSE & BRACKET - 60" - CSA- IVORY	
			FROM: 00-00-00 THRU: 07-26-98	
	103092-01-700	EA	BRACKET-F/SHOWER HEAD, CLEAR	2328028
	011048-03-700	EA	BRACKET - F/SHOWER HEAD	2328029-I
	103092-01-702	EA	SEALS-SPRAY HEAD	24466
4	131383-01-01A	EA	SHOWER HEAD - W/HOSE & BRACKET - 60" - IVORY	
			FROM: 07-27-98 THRU: 99-99-99	
4	131383-02-01A	EA	SHOWER HEAD - W/HOSE & BRACKET - 60" - CSA- IVORY	
			FROM: 07-27-98 THRU: 99-99-99	
5	075606-01-000	EA	PANEL - PLASTIC - FAUCET BACK - 5" X 9"	
5	075454-02-000	EA	RING - TOWEL - W/MOUNTING HARDWARE - BRASS	
6	M02630-26-F01	EA	SHOWER PAN	
7*	063740-01-000	EA	TOILET - HIGH/HAND FLUSH	
			FROM: 00-00-00 THRU: 01-03-99	
7*	131932-01-01A	EA	TOILET - AQUA MAGIC 4 - HIGH - HAND FLUSH - IVORY	
			FROM: 01-04-99 THRU: 99-99-99	
8	M05992-P6-J10	EA	DOOR - STRAIGHT CORNER/OGEE EDGE - 12.8" X 17.7" - W/O HDW	
9	P18429-01-K13	EA	CABINET - LAVATORY - W/COUNTERTOP - W/O DOORS/DRAWWERS/HDW	
9	P18429-01-K15	EA	CABINET - LAVATORY - W/COUNTERTOP - W/O DOORS/DRAWWERS/HDW	

BATH GROUP (CONTINUED)

BATHROOM CABINETS & FIXTURES (CONTINUED)

KEY	PART NUMBER	U/M	DESCRIPTION	VENDOR NO
10	096927-01-01A	EA	SINK - LAVATORY - RECTANGULAR - PLASTIC/BONE	
	096927-01-700	EA	SINK STOPPER	M9801
	096927-01-701	EA	TAILPIECE-DRAIN-LAVATORY	M9802
11	118429-12-K13	EA	COUNTERTOP - LAVATORY (K13)	
11	118429-12-K09	EA	COUNTERTOP - LAVATORY (K15)	
12	075240-06-000	EA	FAUCET - LAVATORY/BONE	
	091253-01-000	EA	GASKET - FAUCET - LAVATORY/GALLEY	
	085278-01-000	EA	HOLDER - TOILET PAPER - RECESSED - BRASS	
	114496-01-02A	EA	PANEL - SKYLIGHT - OUTER - 22" X 37"	
	122191-01-02A	EA	PANEL - SKYLIGHT - INNER W/LIGHT CUTOUT - 20.7" X 35.4"	

*COMPONENT PARTS FOUND IN SERVICE PARTS LIBRARY

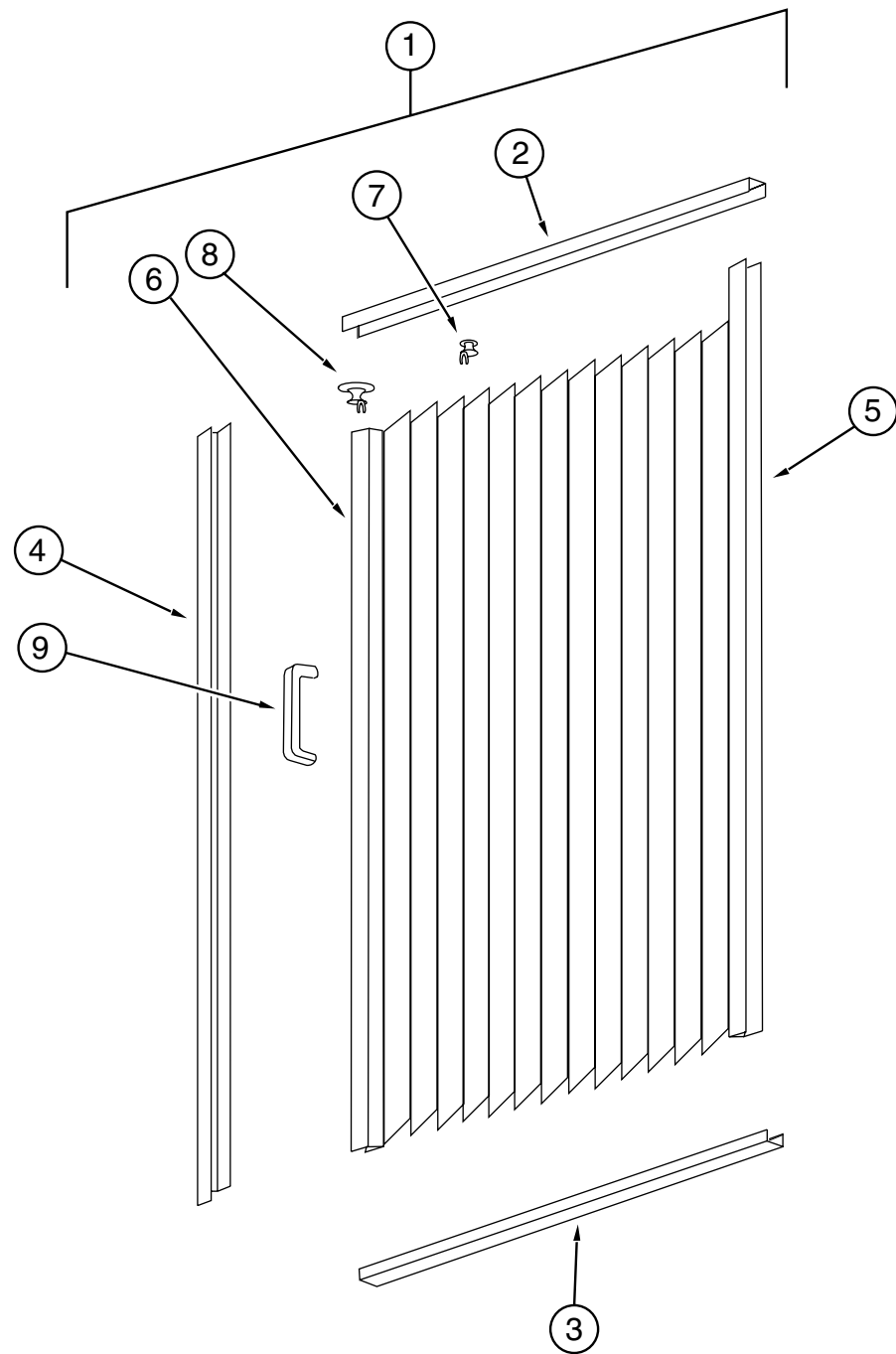
BATH DOOR

KEY	PART NUMBER	U/M	DESCRIPTION
	128967-08-K13	EA	DOOR - BATH
	111155-01-01A	EA	LOCK - PRIVACY - POLISHED BRASS
	128967-51-K81	EA	RACK - TOWEL/BATH DOOR
	100357-01-000	EA	ROD - F/TOWEL BAR - BRASS
	128967-52-K81	EA	MOLDING - VINYL WRAPPED
	128967-53-K81	EA	MOLDING - VINYL WRAPPED

EXTERIOR SHOWER PARTS

KEY	PART NUMBER	U/M	DESCRIPTION	VENDOR NO.
	093527-02-000	EA	BRACKET - EXTERIOR SHOWER HEAD/SQUEEGEE	
			FROM: 00-00-00 THRU: 10-27-98	
	131732-01-12B	EA	BRACKET - SQUEEGEE - BRIGHT WHITE	
			FROM: 10-28-98 THRU: 99-99-99	
	131383-03-02A	EA	BRACKET - SHOWER HEAD - WHITE	
			FROM: 09-13-98 THRU: 99-99-99	
	091952-02-000	EA	CLIP - GRIPPER - 3/4"	
	075241-05-000	EA	FAUCET/SHOWER - BONE 3/4" MPT X 1.4" LONG INLET PIPES	
			FROM: 00-00-00 THRU: 07-12-98	
	075241-06-000	EA	FAUCET - SHOWER CONTROL - BRIGHT WHITE	
			FROM: 07-27-98 THRU: 99-99-99	
	103092-01-000	EA	SHOWER HEAD - W/60" HOSE - IVORY	
			FROM: 00-00-00 THRU: 07-26-98	
	103092-02-000	EA	SHOWER HEAD - W/60" HOSE - CSA	
			FROM: 00-00-00 THRU: 07-26-98	
	103092-01-700	EA	BRACKET-F/SHOWER HEAD, CLEAR	2328028
	011048-03-700	EA	BRACKET - F/SHOWER HEAD	2328029-I
	103092-01-702	EA	SEALS-SPRAY HEAD	24466
	131383-01-02A	EA	SHOWER HEAD - W/HOSE & BRACKET - 60" - WHITE	
			FROM: 07-27-98 THRU: 99-99-99	
	131383-02-02A	EA	SHOWER HEAD - W/HOSE & BRACKET - 60" - CSA - WHITE	
			FROM: 07-27-98 THRU: 99-99-99	
	108357-01-000	EA	SWITCH - ROCKER SPST - ON/OFF - 2 TERMINAL	

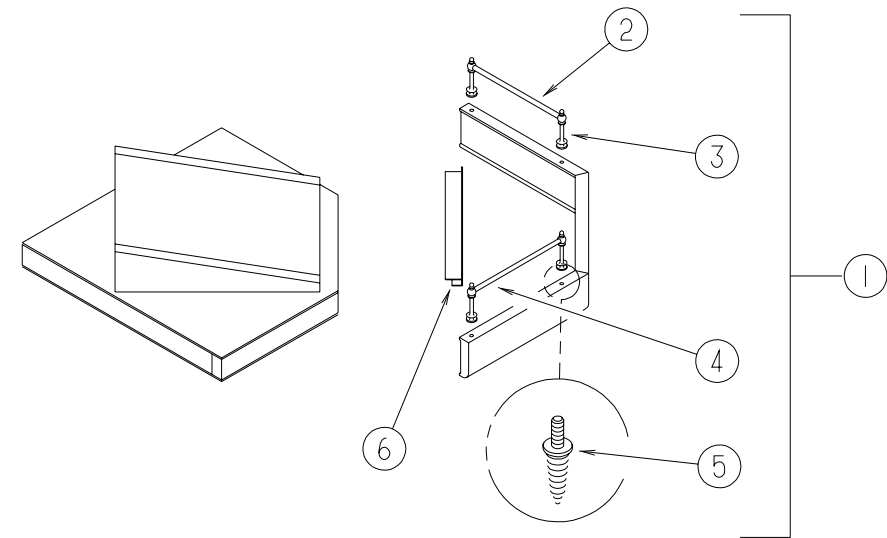
BATH GROUP (CONTINUED)



SHOWER DOOR - COASTAL

KEY	PART NUMBER	U/M	DESCRIPTION
1	117431-01-01A	EA	DOOR - SHOWER - FABRIC PLEATED - 29.6" X 63.0"
2	117431-01-700	EA	TRACK-TOP, ALUM.IVORY INSERT 48"
3	117431-01-701	EA	TRACK-BOTTOM, 48"
4	117431-01-702	EA	RAIL - SIDE, 67"
5	117431-01-703	EA	RAIL - STATIONARY, 67"
6	117431-01-704	EA	RAIL-LEAD, 67" - W/LATCH
7	117431-01-705	EA	GLIDE - IVORY, TRAVELER
8	117431-01-706	EA	GLIDE - IVORY LEAD, TRAVELER

BEDROOM GROUP



TV SHELF - BEDROOM

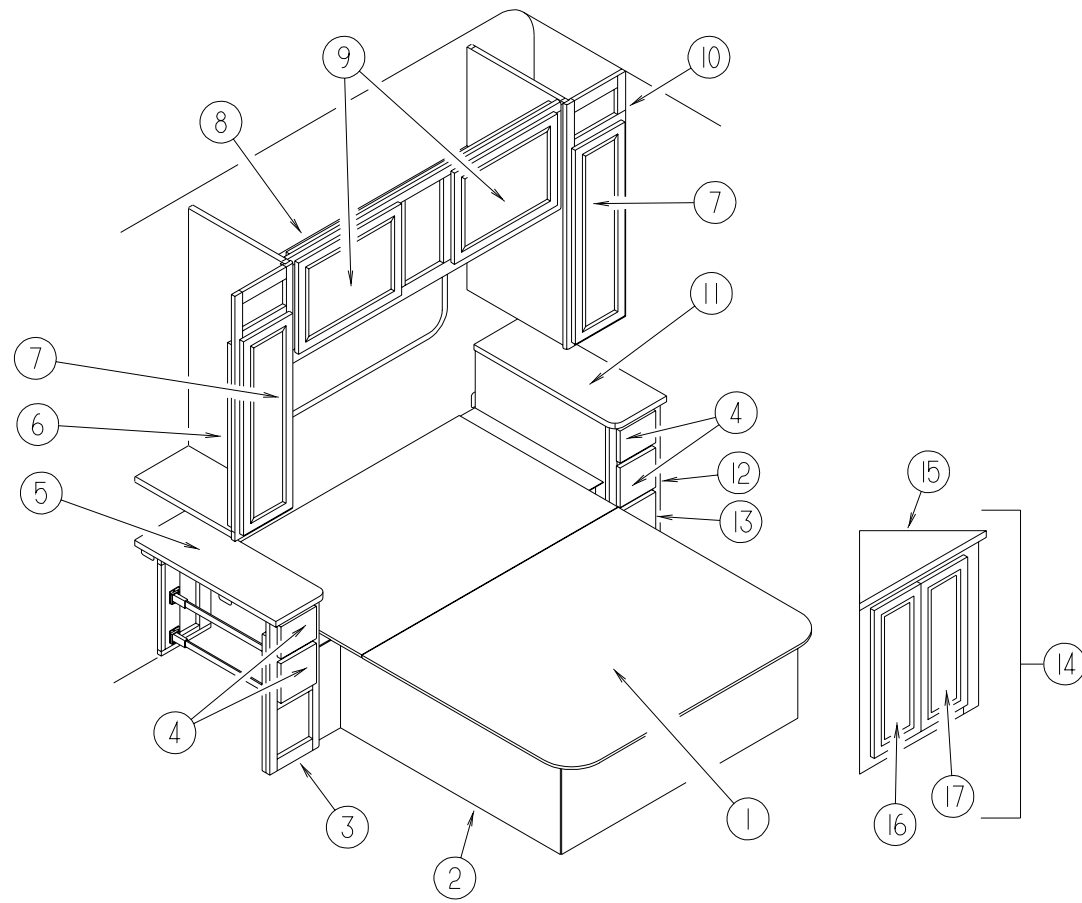
KEY	PART NUMBER	U/M	DESCRIPTION
1	116553-01-G07	EA	CABINET - TV SHELF - W/BRASS RODS/POST ENDS
	116773-02-000	EA	SWIVEL/SLIDES - F/TV SHELF
2	084071-24-000	EA	ROD - BRASS - 3.8"
3	084070-03-000	EA	POST - END - 2.4" - SHINY BRASS
4	084071-19-000	EA	ROD - BRASS - 7.1"
5	106166-01-000	EA	BOLT/COLLARED HANGER - 8-32 X 1"
6	103186-01-04A	FT	MOLDING - PLASTIC - 3/8" U-CHANNEL 3/4" FACE - CHERRY

FOLDING DOOR & HARDWARE

KEY	PART NUMBER	U/M	DESCRIPTION	VENDOR NO.
	042488-10-000	EA	DOOR - FOLDING - OFF WHITE FABRIC - 37" X 75"	
			FROM: 00-00-00 THRU: 12-22-98	
	042488-10-700	EA	LEADRAIL-PREPUNCHED F/HANDLE	DW2100
	080224-01-703	EA	HANDLE W/LATCH-CATCH, ALMOND	DE03505
	080224-01-705	EA	LATCH & CATCH ASM., ALMOND	DE25010 & DE25020
	094856-10-01A	EA	TRACK - FOLDING DOOR - OFF WHITE	
			FROM: 00-00-00 THRU: 12-22-98	
	131595-01-01A	EA	DOOR - FOLDING - 37" X 75" - W/4 CEILING MOUNTED BRACKETS	
			FROM: 12-23-98 THRU: 01-31-99	
	042488-10-000	EA	DOOR - FOLDING - OFF WHITE FABRIC - 37" X 75"	
			FROM: 02-01-99 THRU: 03-07-99	
	042488-10-700	EA	LEADRAIL-PREPUNCHED F/HANDLE	DW2100
	080224-01-703	EA	HANDLE W/LATCH-CATCH, ALMOND	DE03505
	080224-01-705	EA	LATCH & CATCH ASM., ALMOND	DE25010 & DE25020
	094856-10-01A	EA	TRACK - FOLDING DOOR - OFF WHITE	
			FROM: 02-01-99 THRU: 03-07-99	
	131595-01-01A	EA	DOOR - FOLDING - 37" X 75" - W/4 CEILING MOUNTED BRACKETS	
			FROM: 03-08-99 THRU: 99-99-99	

BEDROOM GROUP (CONTINUED)

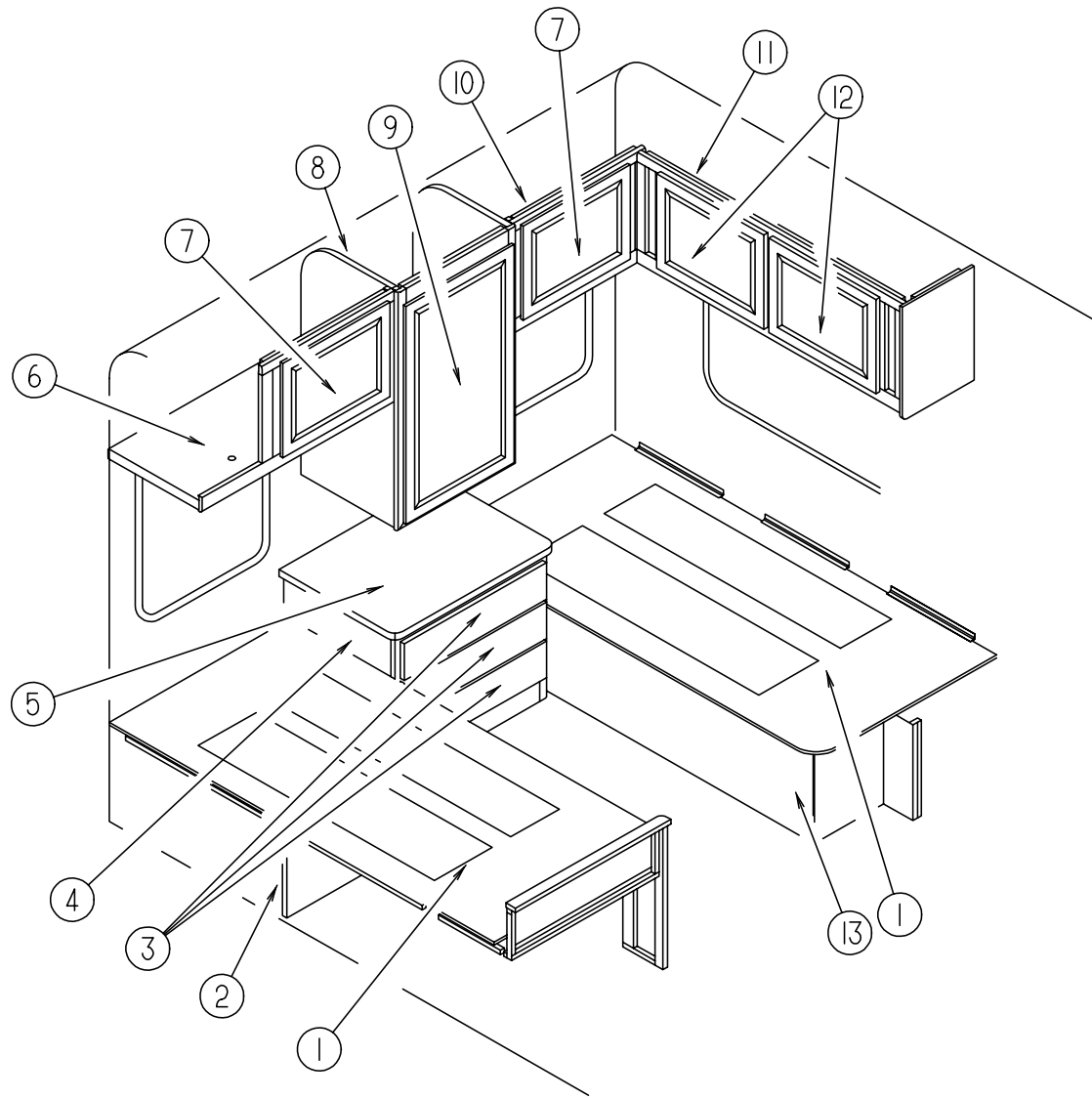
CENTER QUEEN BEDROOM



KEY	PART NUMBER	U/M	DESCRIPTION
1	M07550-01-G04	EA	TOP - QUEEN BED - W/O HARDWARE
	096764-02-000	FT	SLIPNOT - ANTISLIP - 1" WIDE (100' ROLLS)
	126263-08-02B	EA	BRACKET - GAS SPRING - LOWER - E-COATED
	126263-06-02B	EA	BRACKET - GAS SPRING - E-COATED
	107796-26-000	EA	SPRING/GAS - 12" COMPRESSED/20" EXTENDED - 90 LB.
	126259-01-000	EA	STUD - BALL - GAS SHOCK MOUNTING
2	P18430-03-K13	EA	CABINET - BASE/QUEEN BED - W/O DOORS/DRAWERS/HARDWARE
3	129251-10-K13	EA	CABINET - NIGHTSTAND/RH - W/COUNTERTOP - W/O DRS/DWRS/HDW
3	129251-10-K15	EA	CABINET - NIGHTSTAND/RH - W/COUNTERTOP - W/O DRS/DWRS/HDW
4	M09316-58-K13	EA	DRAWER - OGEE EDGE - 10.7"W X 19.6"D - W/O SLIDES/HARDWARE
5	129251-22-K13	EA	COUNTERTOP - NIGHTSTAND (K13)
5	129251-22-K19	EA	COUNTERTOP - NIGHTSTAND (K15)
6	P14697-01-F08	EA	CABINET - SHIRT CLOSET/LEFT HAND - W/O DOORS/DRAWERS/HDW
	042438-01-000	EA	DOWEL - WOOD - CLOTHES ROD - 1" DIAMETER X 4'
	009112-01-000	EA	FLANGE - PLASTIC - 1" CLOTHES ROD - OFF WHITE
7	M05992-01-J10	EA	DOOR - STRAIGHT CORNER/OGEE EDGE - 9.8" X 33.4" - W/O HDW
8	123255-01-H10	EA	CABINET - OVERHEAD REAR - W/O DOORS/HARDWARE
9	M05992-48-J10	EA	DOOR - STRAIGHT CORNER/OGEE EDGE - 15.7" X 27.9" - W/O HDW
10	114608-01-F08	EA	CABINET - SHIRT CLOSET/RIGHT HAND - W/O DOORS/DRAWERS/HDW
11	129251-21-K13	EA	COUNTERTOP - NIGHTSTAND (K13)
11	129251-21-K07	EA	COUNTERTOP - NIGHTSTAND (K15)
12	129251-09-K13	EA	CABINET/NIGHTSTAND/LEFT HAND - W/COUNTERTOP - W/O DRS/HDW
12	129251-09-K15	EA	CABINET/NIGHTSTAND/LEFT HAND - W/COUNTERTOP - W/O DRS/HDW
13	M09316-69-K13	EA	DRAWER - OGEE EDGE - W/O SLIDES/HARDWARE
14	119617-03-K13	EA	CABINET - CORNER - W/COUNTERTOP/SHELF - W/O HARDWARE
14	119617-03-K15	EA	CABINET - CORNER - W/COUNTERTOP/SHELF - W/O HARDWARE
15	119617-11-G05	EA	COUNTERTOP - CORNER CABINET (K13)
15	119617-11-G25	EA	COUNTERTOP - CORNER CABINET (K15)
	119617-13-G07	EA	SHELF - W/EDGE MOLDING
16	M05992-BW-K13	EA	DOOR - STRAIGHT CORNER/OGEE EDGE - 9.2" X 21.8" - W/O HDW
17	M05992-BX-K13	EA	DOOR - STRAIGHT CORNER/OGEE EDGE - 9.2" X 21.8" - W/O HDW

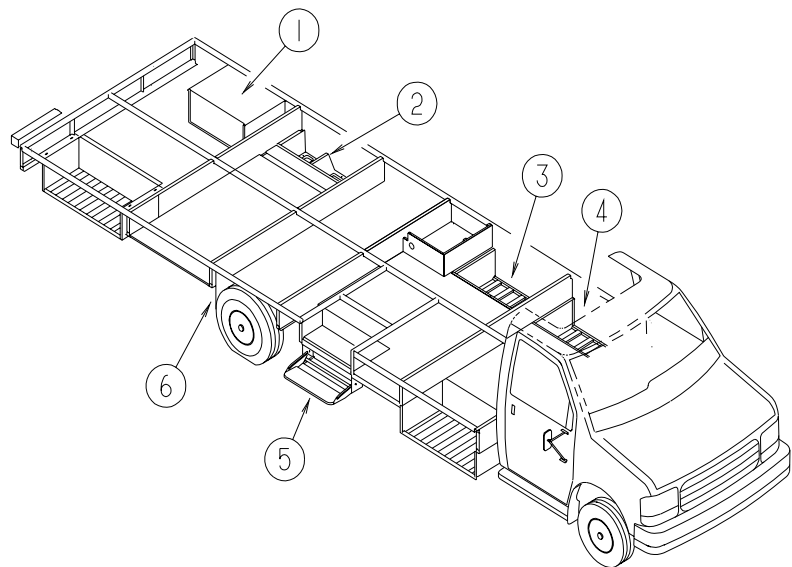
BEDROOM GROUP (CONTINUED)

TWIN BEDROOM



KEY	PART NUMBER	U/M	DESCRIPTION
1	096764-02-000	FT	SLIPNOT - ANTISLIP - 1" WIDE (100' ROLLS)
	126263-08-02B	EA	BRACKET - GAS SPRING - LOWER - E-COATED
	126263-06-02B	EA	BRACKET - GAS SPRING - E-COATED
	107796-26-000	EA	SPRING/GAS - 12" COMPRESSED/20" EXTENDED - 90 LB.
	126259-01-000	EA	STUD - BALL - GAS SHOCK MOUNTING
	105376-01-02A	EA	HINGE - CONTINUOUS - 2" X 5.5" - OFF WHITE
2	P18432-01-G07	EA	CABINET - BASE/TWIN BED - RIGHT HAND-W/O DOORS/DWRS/HDW
3	M09316-70-K13	EA	DRAWER - OGEE EDGE - 13.5"W X 19.6"D - W/O SLIDES/HARDWARE
4	131148-01-K13	EA	CABINET - NIGHTSTAND - W/COUNTERTOP - W/O DRS/DWRS/HDW
4	131148-01-K15	EA	CABINET - NIGHTSTAND - W/COUNTERTOP - W/O DRS/DWRS/HDW
5	131148-11-K13	EA	COUNTERTOP - NIGHTSTAND (K13)
5	131148-11-K19	EA	COUNTERTOP - NIGHTSTAND (K15)
6	110004-03-F08	EA	CABINET - OVERHEAD/REAR/RIGHT HAND TWIN - W/O DOORS/HDW FROM: 00-00-00 THRU: 09-20-98
6	110004-07-K13	EA	CABINET - OVERHEAD/REAR/RIGHT HAND TWIN - W/O DOORS/HDW FROM: 09-21-98 THRU: 99-99-99
7	M05992-41-J10	EA	DOOR - STRAIGHT CORNER/OGEE EDGE - 15.7" X 20.4" - W/O HDW
8	123051-01-H10	EA	CABINET - SHIRT CLOSET/RIGHT REAR - W/O DOORS/HARDWARE
	042438-01-000	EA	DOWEL - WOOD - CLOTHES ROD - 1" DIAMETER X 4'
	009112-01-000	EA	FLANGE - PLASTIC - 1" CLOTHES ROD - OFF WHITE
9	M06803-CJ-J10	EA	DOOR - MIRROR/MTRD CRNR/OGEE EDGE - 20.6" X 32.4" - W/O HDW
10	110004-04-F08	EA	CABINET - OVERHEAD/REAR - LEFT HAND TWIN - W/O DRS/HDW FROM: 00-00-00 THRU: 09-20-98
10	110004-08-K13	EA	CABINET - OVERHEAD/REAR/LEFT HAND TWIN - W/O DOORS/HDW FROM: 09-21-98 THRU: 99-99-99
11	118427-01-G07	EA	CABINET - OVERHEAD/REAR - LEFT HAND - W/O DOORS/HARDWARE FROM: 00-00-00 THRU: 09-20-98
11	118427-03-K13	EA	CABINET - OVERHEAD/REAR/LEFT HAND - W/O DOORS/HARDWARE FROM: 09-21-98 THRU: 99-99-99
	109908-80-K13	EA	END CAP - OVERHEAD CABINET
	118427-02-G07	EA	CABINET - OVERHEAD/REAR - RIGHT HAND - W/O DOORS/HARDWARE FROM: 00-00-00 THRU: 09-20-98
	118427-04-K13	EA	CABINET - OVERHEAD/REAR/RIGHT HAND - W/O DOORS/HARDWARE FROM: 09-21-98 THRU: 99-99-99
	109908-79-K13	EA	END CAP - OVERHEAD CABINET
12	M05992-48-J10	EA	DOOR - STRAIGHT CORNER/OGEE EDGE - 15.7" X 27.9" - W/O HDW
13	P18433-01-K13	EA	CABINET - BASE/TWIN BED - LEFT HAND-W/O DOORS/DRAWERS/HDW
	084357-01-H10	EA	TV STAND
	084356-07-000	EA	INSERT - TV STAND - W/SUPPORT HINGES - OFF WHITE
	084412-01-000	EA	SUPPORT/HINGE KIT (LEFT & RIGHT HINGES)
	084413-01-000	EA	HINGE/CONTINUOUS - ALUMINUM 1" X 72" - W/HOLES
	084451-01-000	EA	CATCH & LATCH - 1.7" - BRASS
	058331-10-000	EA	MIRROR - SAFETY GLASS - 14" X 17"

CHASSIS GROUP

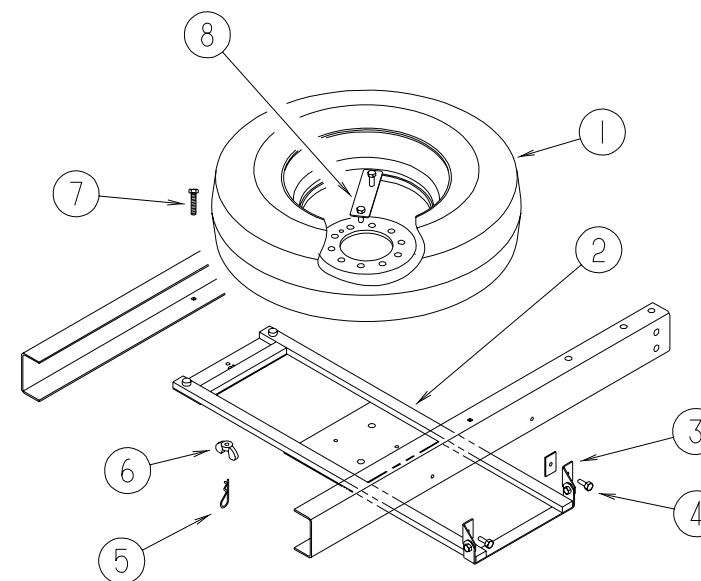


COMPARTMENTS, PLUGS & SEALS

KEY	PART NUMBER	U/M	DESCRIPTION
1	118248-02-02B	EA	BRACKET - GENERATOR - W/NOTCH - E-COATED
1	118248-01-02B	EA	BRACKET - GENERATOR - W/O NOTCH - E-COATED
2	117186-02-G04	EA	COMPARTMENT - STORAGE
2	116926-02-01A	EA	COMPARTMENT - SEWER & 110V POWER CORD
2	M06991-02-FQ0	EA	HATCH/COMPARTMENT - W/FOAMED INSULATION (110 POWER)
2	M06991-04-FB1	EA	HATCH/COMPARTMENT - W/FOAMED INSULATION (WATER OR SEWER)
2	121175-01-01A	EA	LATCH - SWELL - BLACK
3	117928-01-01A	EA	COMPARTMENT - STORAGE
4	117928-06-01A	EA	COMPARTMENT - STORAGE - 23.4" X 42.4"
5*	094707-01-01A	EA	STEP - DOUBLE - ELECTRIC - KWIKEE
	116995-01-000	EA	SWITCH/MAGNET - ELECTRIC STEP
	091176-01-000	EA	SUPPORT - BASE - ENTRANCE STEP
6	017516-01-000	EA	MUD FLAP - 14" X 18" - BLACK
	065450-05-000	EA	TIEDOWN - BATTERY - 8.4" TUBE
	098408-01-000	FT	SEAL - SPONGE RUBBER - CLOSED CELL
	121948-01-000	EA	SHIELD - SIGHT
	119845-01-01A	EA	PLUG - PLASTIC - BLACK - 1 1/2" SQUARE

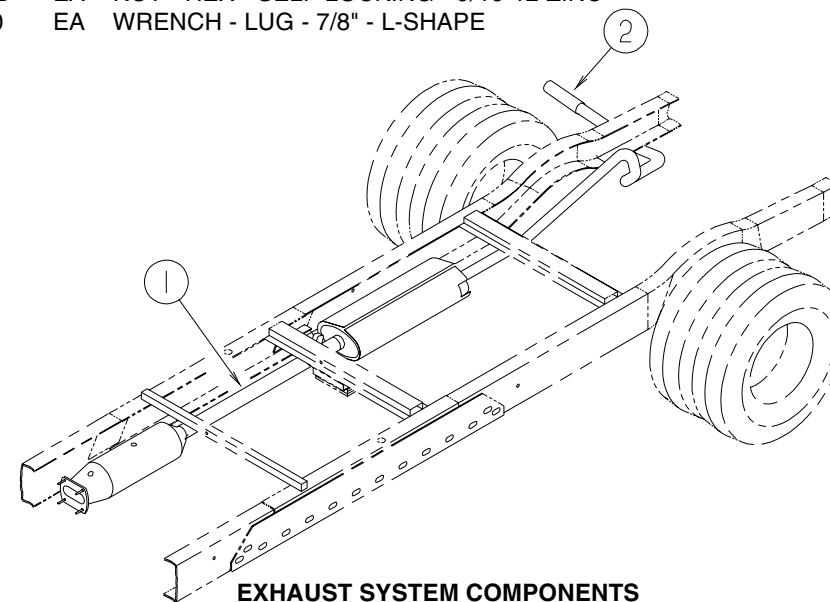
*COMPONENT PARTS FOUND IN SERVICE PARTS LIBRARY

CHASSIS GROUP (CONTINUED)



SPARE TIRE

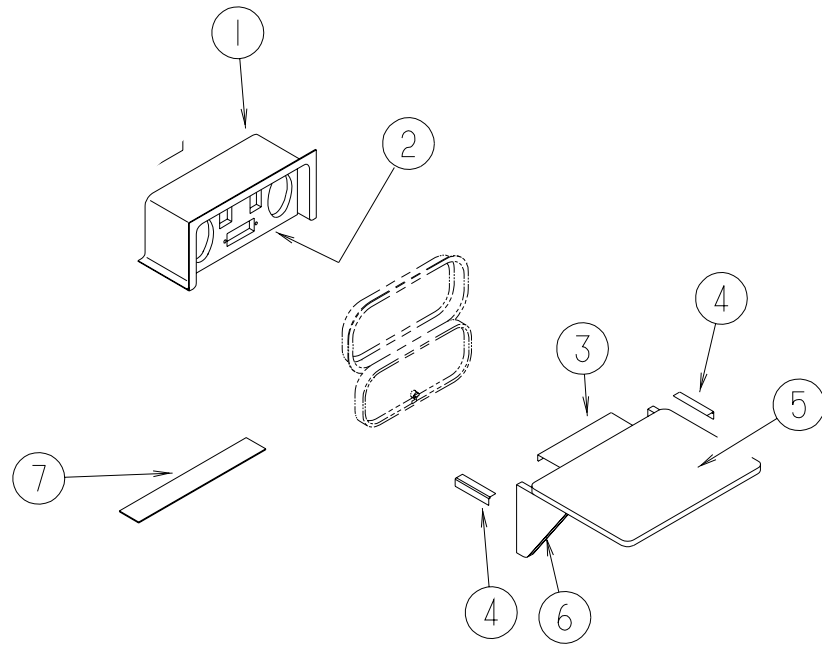
KEY	PART NUMBER	U/M	DESCRIPTION
1	070917-06-000	EA	TIRE - LT225/75R16E - R4S - M/S - FIRESTONE
1	083617-03-000	EA	WHEEL - STEEL - 16.0 X 6
	051377-04-000	EA	VALVE STEM - .5" X 2"
2	116348-01-02B	EA	CRADLE - SPARE TIRE - E-COATED
3	116349-01-02B	EA	BRACKET/HINGE - SPARE TIRE - E-COATED
4	000C26-06-12B	EA	BOLT-HEX-SER FLANGE - 3/8-16 X 3/4 - ZINC
4	000E13-17-00B	EA	WASHER-FLANGE - 3/8" AR ZINC
4	000D34-06-00B	EA	NUT-HEX, LK - 3/8 - 16 GRADE C ZN - PREVAILING TORQUE
5	034513-01-000	EA	PIN-HITCH - 3/16" WIRE
6	064081-03-000	EA	NUT - WING 3/8-16 - W/WELD NUT
7	000C18-06-56A	EA	BOLT - ELEVATOR - 3/8-16 X 3 1/2 - GRADE 5
8	116338-02-02B	EA	BRACKET/CLAMP - SPARE TIRE - E-COATED
8	000D29-09-00B	EA	NUT - HEX - SELF LOCKING - 9/16-12 ZINC
	112358-01-000	EA	WRENCH - LUG - 7/8" - L-SHAPE



EXHAUST SYSTEM COMPONENTS

KEY	PART NUMBER	U/M	DESCRIPTION
1	111478-02-000	EA	EXHAUST PIPE - DOUBLE WALL STAINLESS STEEL - 34"
	094918-06-000	EA	CLAMP - EXHAUST - 3" - HEAVY DUTY
1	098762-13-000	EA	PIPE - EXHAUST - STRAIGHT - 3.5" - DIESEL
	094918-02-000	EA	CLAMP - EXHAUST - 3.5"
2	098762-18-000	EA	PIPE - EXHAUST - STRAIGHT - 3"

CHASSIS GROUP (CONTINUED)



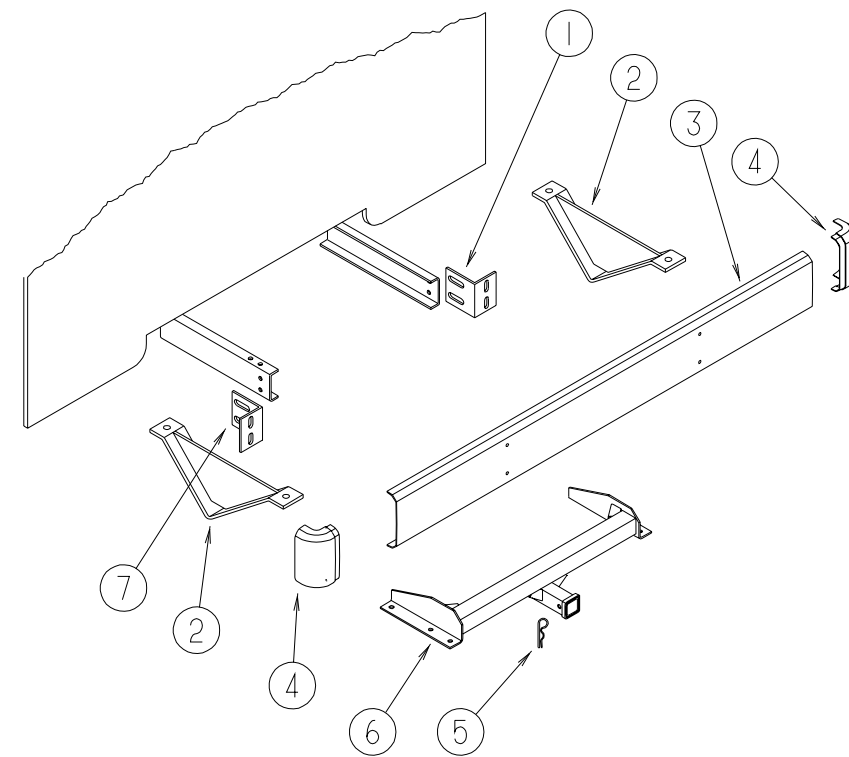
ENTERTAINMENT COMPARTMENT

KEY	PART NUMBER	U/M	DESCRIPTION
1	104897-02-02A	EA	BOX - EXTERIOR ENTERTAINMENT CENTER
2	127409-01-J01	EA	PLATE - RADIO MOUNTING
3	105377-01-04A	EA	BRACKET - TABLE HANGER - BRIGHT WHITE
4	105376-01-03A	EA	HINGE - CONTINUOUS - 2" X 5.5" - BRIGHT WHITE
5	105230-11-J01	EA	SHELF - EXTERIOR ENTERTAINMENT CENTER - W/O HARDWARE
6	105230-13-J01	EA	SUPPORT - EXTERIOR SHELF
7	104898-01-02A	EA	PLATE - PLASTIC BOTTOM - BRIGHT WHITE

WHEEL COVERS & WHEEL LINERS

KEY	PART NUMBER	U/M	DESCRIPTION	VENDOR NO.
	110435-13-000	EA	LINER - WHEEL - SET OF 4	
	110435-10-705	EA	TOOL - INSTALLATION	V195P7-TOL
	110435-13-700	EA	LINER - WHEEL - FRONT	V160F7-FWC
	110435-13-701	EA	LINER - WHEEL - REAR	V160F7-RWC
	110435-13-702	EA	COVER - LUG NUT/JAMB NUT	V160F7-EJN
	095012-05-000	EA	EXTENSION - VALVE STEM - LIVE 5"	
	095012-06-000	EA	STABILIZER - VALVE EXTENSION - LIVE	

CHASSIS GROUP (CONTINUED)



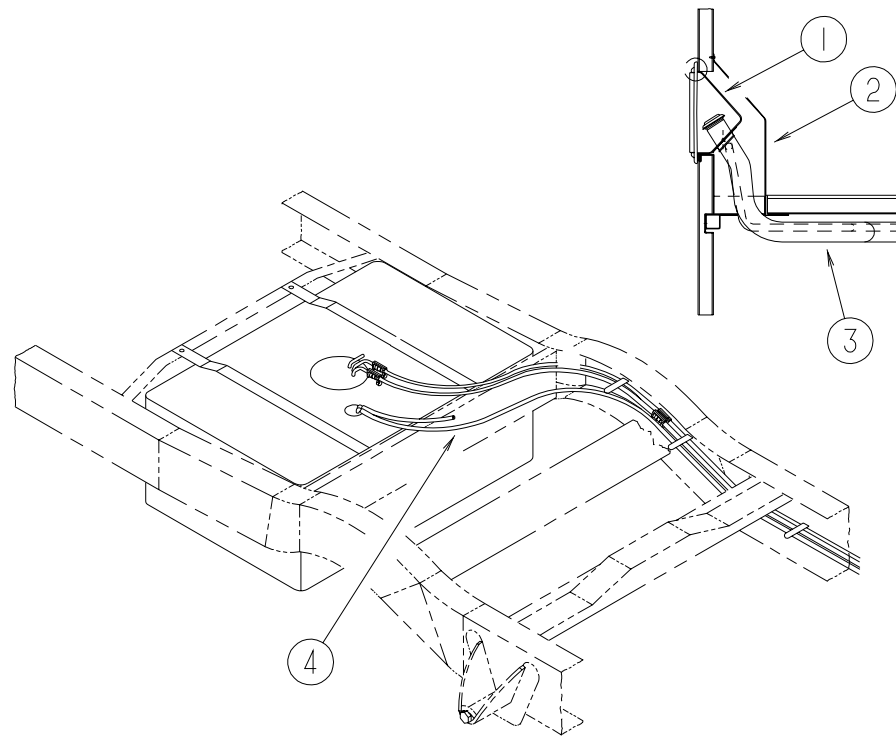
REAR BUMPER & HITCH

KEY	PART NUMBER	U/M	DESCRIPTION
1	105933-01-000	EA	BRACKET - BUMPER - REAR/RIGHT HAND
2	083376-01-000	EA	PLATE/SKID - 13.2" X 6" X 2" STEEL
3	103099-05-02A	EA	BUMPER - REAR - BRIGHT WHITE
4	106147-01-02A	EA	END CAP - BUMPER - BLACK
5	034513-01-000	EA	PIN - HITCH - 3/16" WIRE
6	107707-08-000	EA	HITCH RECEIVER - BOLT-ON CLASS II
7	105933-02-000	EA	BRACKET - BUMPER - REAR/LEFT HAND
	113589-02-000	EA	CONNECTOR - SOCKET - TRAILER
	113589-01-000	EA	CONNECTOR - PLUG - TRAILER
	097744-02-000	EA	HOUSING - TRAILER PIN - 48"
	113634-01-000	EA	WIRE ASSEMBLY - TRAILER ADAPTER
	113588-02-01B	EA	BRACKET - CONNECTOR - TRAILER W/O LIP
	000C26-08-24B	EA	BOLT - HEX - SERRATED FLANGE - 1/2-13 X 1.5 ZINC
	000E13-21-00B	EA	WASHER - FLAT - W/2 NAR - ZINC

DRIVESHAFT & BRAKE LINE FLARE UNION

KEY	PART NUMBER	U/M	DESCRIPTION
	131694-03-000	EA	DRIVESHAFT ASSEMBLY - BALANCED PAIR - 190" WHEEL BASE
	074833-01-000	EA	SPACER - BEARING - DRIVESHAFT - 2" X 8" X .5" THICK
	085771-03-000	EA	NUT - HEX - FLARE TORQUE - GRADE G - DRIVESHAFT
	088498-01-000	EA	UNION - INVERTED FLARE - BRASS - 3/16 - BRAKE LINE

CHASSIS GROUP (CONTINUED)



FUEL SYSTEM COMPONENTS

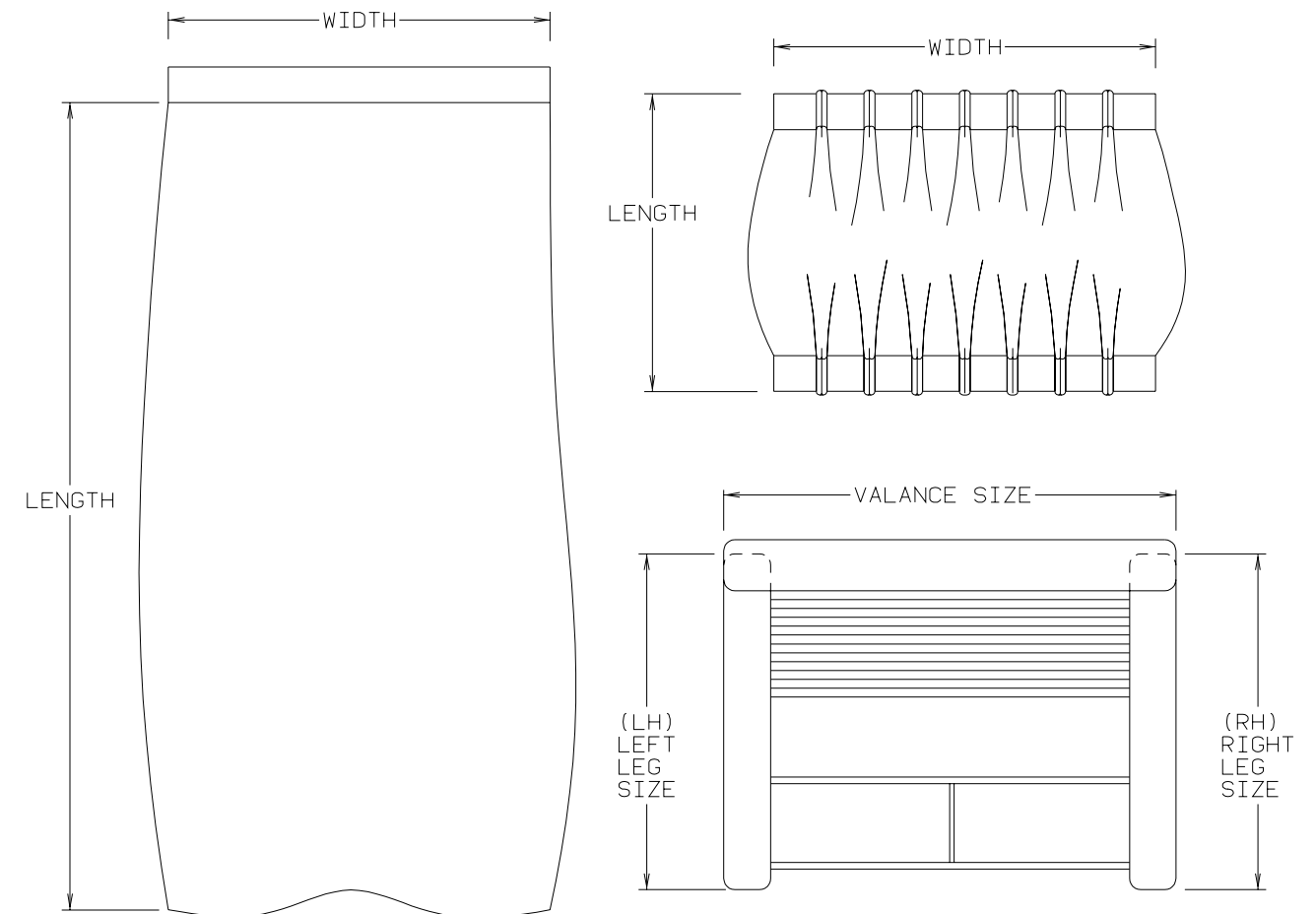
KEY	PART NUMBER	U/M	DESCRIPTION
1	095854-01-04A	EA	SHROUD - FUEL FILL - BRIGHT WHITE
2	078040-06-000	EA	SHROUD - FUEL FILL - UPPER
3	124994-01-000	EA	NECK - FILLER - FUEL FILL - UNLEADED
3	117934-02-000	EA	NECK - FILLER - FUEL FILL - DIESEL
	078200-01-000	EA	GASKET - FUEL FILL - 3.5"OD X 2"ID
4	125187-01-000	FT	HOSE - FUEL - LOW PERM - 11.1 ID
4	125187-02-000	FT	HOSE - FUEL - LOW PERM - 12.7 ID
4	128139-03-000	FT	HOSE - FUEL - LOW PERMEABILITY - 1/4" DIAMETER
	084884-01-000	EA	PLUG - BRASS - 3/8"

CURTAIN & CUSHION GROUP

NOTICE

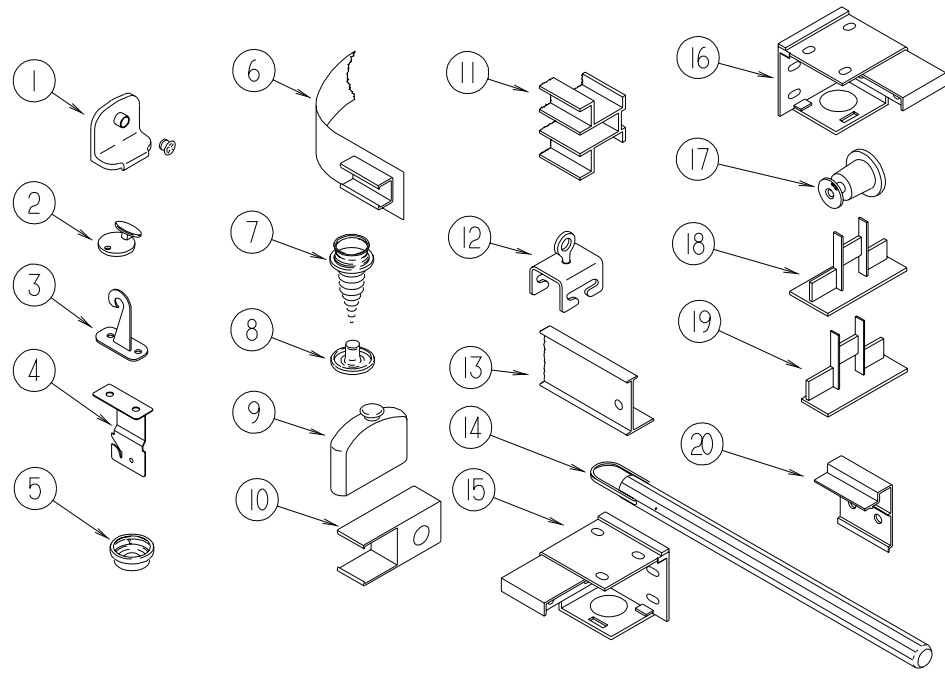
IN ORDER TO ASSIST OUR PARTS SALES DEPT. IN PROVIDING INTERIOR SOFTWARE ITEMS, PLEASE INCLUDE THE SERIAL NUMBER AND THE COLOR CODE NUMBER FROM THE VEHICLE CERTIFICATION LABEL WHEN ORDERING. THIS LABEL IS LOCATED ON THE LEFT SIDEWALL AT THE END OF THE DASH (A-BODY), OR ON THE DRIVER'S DOOR LATCH PLATE (C-BODY).

AN EXAMPLE OF A COLOR CODE NUMBER IS B07, WHICH DESIGNATES AN OVERALL COLOR SCHEME OF A PARTICULAR UNIT. THE COLOR LISTED AFTER THE ITEM DESCRIPTION ON THE MICROFICHE, INDICATES THE OVERALL UNIT COLOR. ORDER THE ITEM YOU DESIRE ACCORDING TO UNIT COLOR CODE.



NOTE: USE THIS ILLUSTRATION WHEN DETERMINING LENGTH AND WIDTH MEASUREMENTS FOR CURTAINS. YOU WILL NOTE THE WIDTH MEASUREMENT IS TAKEN ON THE TOP OF THE CURTAIN WITH THE CURTAIN FULLY EXTENDED. THE LENGTH MEASUREMENT IS TAKEN FROM TOP TO BOTTOM. LEFT AND RIGHT WINDOW LEGS ARE DETERMINED WHEN FACING THE WINDOW.

CURTAIN & CUSHION GROUP (CONTINUED)



CURTAIN & BLIND HARDWARE

KEY	PART NUMBER	U/M	DESCRIPTION
1	106544-01-000	EA	PULL - SHADE/BRASS
	106544-01-001	EA	SCREW - SHADE/BRASS
2	102555-03-000	EA	CLEAT - BLIND CORD - MILKY WHITE PLASTIC
3	109441-03-000	EA	HOLD DOWN - BLIND (CLOUDY)
4	084434-01-000	EA	BRACKET - MOUNTING - ROLLER SHADE - 1 3/8"
5	029156-01-000	EA	SOCKET - SNAP - 9/16" O.D.
6	101031-01-000	YD	TAPE - GLIDE/CURTAIN - 4.25" SPACING
7	029130-01-000	EA	SCREW - SNAP SOCKET - #8 PH X 5/8"
8	029155-01-000	EA	CAP - SNAP - 5/32" OUTSIDE DIAMETER OF PIN
9	093475-01-701	EA	CAP-END, WITH INVERTED STUD PAR
10	101033-02-000	EA	END CAP - TRACK/CLEAR
11	101033-04-000	EA	TRACK - WALL - 3'
11	101033-06-000	EA	TRACK - WALL - 6.5'
11	101033-07-000	EA	TRACK - WALL - 2.5'
12	009702-01-000	EA	END STOP - CURTAIN CARRIER - L ROD
13	009700-04-002	EA	TRACK/CURTAIN - L SHAPED - 15.5' - OFF WHITE
14	093475-01-700	EA	WAND-BLIND W/METAL CLIP, 8"
15	083170-01-000	EA	BRACKET - BLIND - LEFT SIDE WHEN FACING WINDOW
16	083170-02-000	EA	BRACKET - BLIND - RIGHT SIDE WHEN FACING WINDOW
17	097592-02-000	EA	SPOOL - CORD - ELEVATED BLIND HOLDUP - LARGE - CLEAR
18	094907-04-000	EA	END CAP - BOTTOM/PLEATED BLIND (RH & LH)
	094907-04-700	EA	END CAP-RH BOTTOM BLIND
	094907-04-701	EA	END CAP-LH BOTTOM BLIND
19	094907-02-000	EA	END CAP - TOP/PLEATED BLIND - PLASTIC - GRAY
20	097565-01-000	EA	BRACKET - MOUNTING/PLEATED BLIND
	046867-02-000	EA	WASHER - HANDY BUTTON #3
	046867-03-000	EA	GROMMET - HANDY BUTTON #3
	048394-02-000	YD	VELCRO TAPE - HOOK - ADHESIVE BACK - .75" WIDE - BEIGE
	096843-01-000	EA	SPRING - REWIND/ROLLER SHADE
	086276-01-000	EA	TAPE - DOUBLE SIDED - 1/2"
	083125-08-000	EA	BRACE - WINDOW MOUNT - 3/4 - OFF WHITE
	094896-02-000	EA	GROMMET - CORD/PLEATED BLIND - NYLON - GRAY
	097564-03-000	EA	HANDLE - KNOB - E-Z LIFT SHADE - TAN
	097591-01-000	EA	SPRING - EXTENSION/PLEATED BLIND
	097593-02-000	FT	CORD - BLIND - PLEATED - GRAY

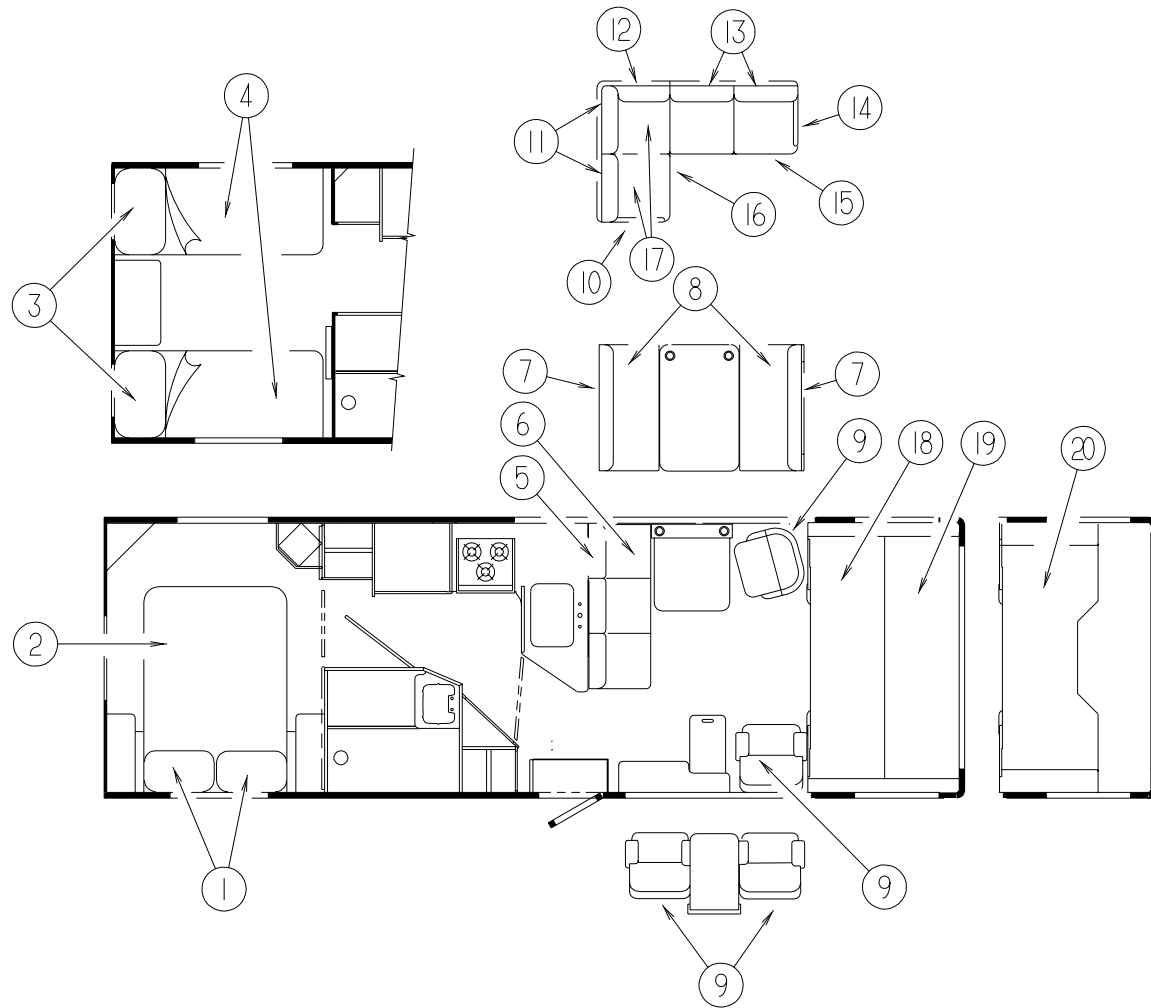
CURTAIN & CUSHION GROUP (CONTINUED)

MINNIE WINNIE DL FABRICS

Family - 400's	K08 "Castleton" (Taupe)	K19 "Mint" (Green)
Bucket Seats	108446-S6-000	126883-34-000
Dinette	126883-09-000	126883-33-000
Dinette Pads	108446-S6-000	126883-34-000
Sofa	126883-09-000	126883-33-000
Swivel Chair	126883-18-000	108446-U8-000
Lounge Windows	126883-18-000 126883-09-000	108446-U8-000 126883-33-000
Legs	126883-18-000	108446-U8-000
Overhead Bunk	126883-18-000	108446-U8-000
Bedroom Window	105745-H1-000 105745-J0-000	105745-H6-000 105745-E7-000
Bedroom Leg	105745-H1-000	105745-H6-000
Bedroom Pillow	105745-H1-000 105745-J0-000	105745-H6-000 105745-E7-000
Bedsread	105745-H1-000	105745-H6-000
Pillow Shams	105745-H1-000 105745-J0-000	105745-H6-000 105745-E7-000
Overhead Curtain	105745-H1-000	105745-H6-000
Day/Nighter	094911-30-000 094911-50-000	094911-30-000 094911-50-000
Ceiling Vinyl	113979-09-01A	113979-09-01A

NOTE: THE FABRIC LISTED FIRST, IN A BLOCK, IS THE LARGEST QUANTITY OF FABRIC USED.

CURTAIN & CUSHION GROUP (CONTINUED)



FORWARD FACING COUCH

KEY	PART NUMBER	U/M	DESCRIPTION
5	114969-01-J41	EA	BACK - SOFA/BED - COMPLETE (K13)
5	114969-01-K15	EA	BACK - SOFA/BED - COMPLETE (K15)
	114969-02-J41	EA	BACK - SOFA/BED - RIGHT & LEFT CUSHIONS (K13)
	114969-02-K15	EA	BACK - SOFA/BED - RIGHT & LEFT CUSHIONS (K15)
	P14969-02-J41	EA	COVER - BACK - RIGHT/LEFT CUSHION - SOFA/BED (K13)
	P14969-02-K15	EA	COVER - BACK - RIGHT/LEFT CUSHION - SOFA/BED (K15)
	114969-03-J41	EA	BACK - SOFA/BED - CENTER CUSHION (K13)
	114969-03-K15	EA	BACK - SOFA/BED - CENTER CUSHION (K15)
	P14969-03-J41	EA	COVER - CENTER BACK CUSHION - FORWARD FACING (K13)
	P14969-03-K15	EA	COVER - CENTER BACK CUSHION - FORWARD FACING (K15)
6	114969-04-J41	EA	SEAT - SOFA/BED - W/O BACKREST (K13)
6	114969-04-K15	EA	SEAT - SOFA/BED - W/O BACKREST (K15)
	P14969-04-J41	EA	COVER - SEAT - SOFA/BED (K13)
	P14969-04-K15	EA	COVER - SEAT - SOFA/BED (K15)
	114763-01-000	EA	FRAME - FORWARD FACING BASE - SOFA/BED
	114763-02-000	EA	FRAME - FORWARD FACING SEAT - SOFA/BED
	114763-07-000	EA	FRAME - FORWARD FACING LEGS - SOFA/BED
	114763-09-000	EA	FRAME - JACKKNIFE FRAME - W/8" LEGS
	116631-02-02B	EA	PLATE - W/HOLES - E-COATED
	117125-01-02B	EA	BRACKET-CABLE HOLDER - E-COAT
	120962-01-000	EA	BRACKET - QUICK RELEASE CLAMP
	114726-01-J58	EA	TRAY - BEVERAGE
	116104-03-02B	EA	BRACKET - ZEE W/HOLES
	116104-04-02B	EA	BRACKET - ZEE W/HOLES - 3.2"

NOTE: COUCH FRONT AND SIDE PANELS ARE FOUND IN THE LOUNGE GROUP.

DINETTE CUSHIONS

KEY	PART NUMBER	U/M	DESCRIPTION
7	111897-05-J41	EA	CUSHION - BACK - 13.5" X 42" X 5" (K13)
7	111897-05-J54	EA	CUSHION - BACK - 13.5" X 42" X 5" (K15)
	P11897-05-J41	EA	COVER - BACK - 13.5" X 42" X 5" (K13)
	P11897-05-J54	EA	COVER - BACK - 13.5" X 42" X 5" (K15)
8	105603-15-J41	EA	CUSHION - SEAT - 23" X 42" X 5" (K13)
8	105603-15-J54	EA	CUSHION - SEAT - 23" X 42" X 5" (K15)
	P05603-15-J41	EA	COVER - SEAT - 23" X 42" X 5" (K13)
	P05603-15-J54	EA	COVER - SEAT - 23" X 42" X 5" (K15)
	078155-01-000	EA	STRAP-SNAP - BACKREST CUSHION

SWIVEL CHAIR

KEY	PART NUMBER	U/M	DESCRIPTION
9	115470-01-J41	EA	CHAIR - SWIVEL (K13)
9	115470-01-K15	EA	CHAIR - SWIVEL (K15)
	P15470-01-J41	EA	COVER - CHAIR (K13)
	P15470-01-K15	EA	COVER - CHAIR (K15)

QUEEN BEDSPREAD, PILLOW & MATTRESS

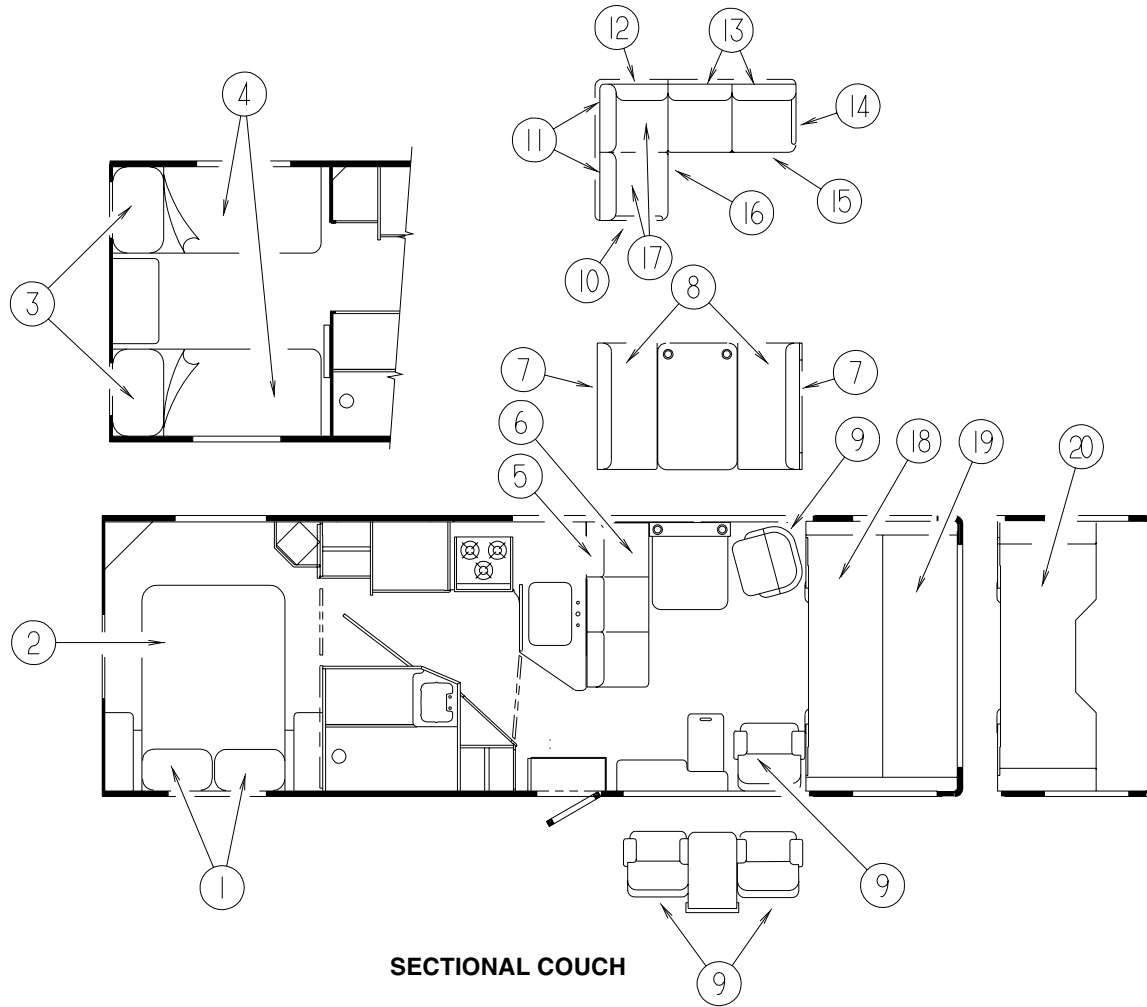
KEY	PART NUMBER	U/M	DESCRIPTION
1	104176-04-K13	EA	PILLOW SHAM - 30"
1	104176-04-K15	EA	PILLOW SHAM - 30"
2	123015-06-000	EA	MATTRESS - INNERSPRING - 60" X 74.5"
2	123471-11-K13	EA	BEDSPREAD/THROW - 60" X 75"
2	123471-11-K15	EA	BEDSPREAD/THROW - 60" X 75"
	111637-09-K13	EA	PILLOW - 17" X 17"
	111637-09-K15	EA	PILLOW - 17" X 17"

TWIN BEDSPREAD, PILLOW & MATTRESS

KEY	PART NUMBER	U/M	DESCRIPTION
3	104176-08-K13	EA	PILLOW SHAM - 33"
3	104176-08-K15	EA	PILLOW SHAM - 33"
4	101123-30-000	EA	MATTRESS - COMPLETE FOAM - 36" X 80" - 1 CORNER CUT
4	P01123-30-000	EA	COVER - MATTRESS - 36" X 80" - W/1 CUT CORNER
4	123471-24-K13	EA	BEDSPREAD/THROW - 36" X 80"
4	123471-24-K15	EA	BEDSPREAD/THROW - 36" X 80"
	111637-09-K13	EA	PILLOW - 17" X 17"
	111637-09-K15	EA	PILLOW - 17" X 17"

CURTAIN & CUSHION GROUP (CONTINUED)

CURTAIN & CUSHION GROUP (CONTINUED)



BUNK CUSHIONS

KEY	PART NUMBER	U/M	DESCRIPTION
18	105573-10-J41	EA	CUSHION - OVERHEAD BUNK/REAR - 27" X 23" X 80" X 5" (K13)
18	105573-10-K15	EA	CUSHION - OVERHEAD BUNK/REAR - 27" X 23" X 80" X 5" (K15)
	P05573-10-J41	EA	COVER - CUSHION/OVERHEAD BUNK/REAR - 27" X 23" X 80" X 5" (K13)
	P05573-10-K15	EA	COVER - CUSHION/OVERHEAD BUNK/REAR - 27" X 23" X 80" X 5" (K15)
19	105573-09-J41	EA	CUSHION - OVERHEAD BUNK/Front - 32.5" X 80" X 5" (K13)
19	105573-09-K15	EA	CUSHION - OVERHEAD BUNK/Front - 32.5" X 80" X 5" (K15)
	P05573-09-J41	EA	COVER - CUSHION/OVERHEAD BUNK/Front - 32.5" X 80" X 5" (K13)
	P05573-09-K15	EA	COVER - CUSHION/OVERHEAD BUNK/Front - 32.5" X 80" X 5" (K15)
20	079145-08-000	EA	CUSHION - BUNK - 25" X 74" X 3.5"
20	M79145-08-000	EA	COVER - CUSHION/BUNK - 25" X 74" X 3.5"
	094658-02-F08	EA	OAK HANDLE - SALEM CHERRY

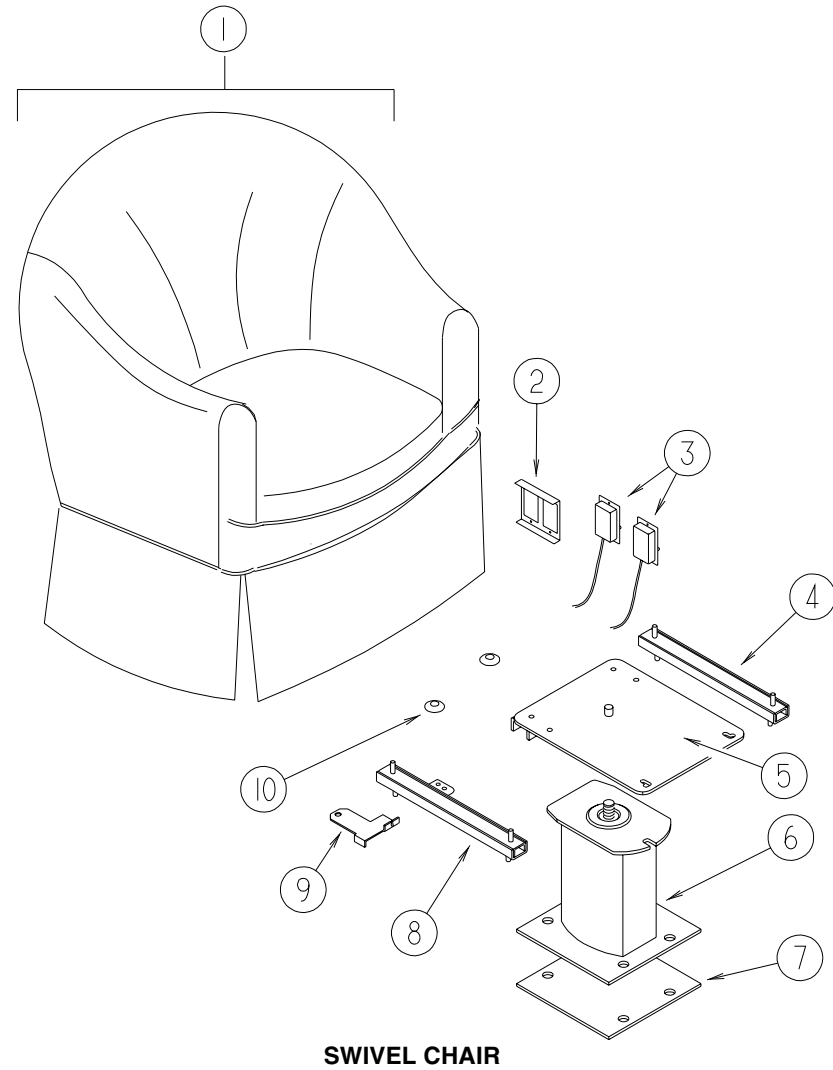
VINYL ASSIST HANDLE, BUTTONS, & SEATBELTS

KEY	PART NUMBER	U/M	DESCRIPTION
	069178-02-000	EA	BRACKET - MOUNTING/ASSIST HANDLE - GRAY
	053552-02-K01	EA	HANDLE - ASSIST - INTERIOR/ENTRY DOOR - VINYL/OFF WHITE
	000C16-07-16B	EA	BOLT - CARRIAGE - ASSIST HANDLE - 7/16" - 14 X 1"
	000D20-07-00B	EA	NUT - ACORN - ASSIST HANDLE - 7/16 - 14
	057759-01-000	EA	WASHER - FLAT F/SEAT BELT - 4" DIAMETER
	007021-01-000	EA	SEAT BELT - 2" X 90" - BLACK
	084415-66-000	YD	TRIM - BRAID (K13)
	084415-93-000	YD	TRIM - BRAID (K15)

SECTIONAL COUCH

KEY	PART NUMBER	U/M	DESCRIPTION
10	125471-01-J41	EA	ARMREST - RIGHT HAND (K13)
10	125471-01-K15	EA	ARMREST - RIGHT HAND (K15)
	124366-01-000	EA	SOFA - RIGHT WOOD ARM - 8' SECTIONAL
11	104655-03-J41	EA	CUSHION - BACK - SOFA/BED (K13)
11	104655-03-K15	EA	CUSHION - BACK - SOFA/BED (K15)
	P04655-03-J41	EA	COVER - CUSHION/BACK (K13)
	P04655-03-K15	EA	COVER - CUSHION/BACK (K15)
12	104655-04-J41	EA	CUSHION - CORNER - SOFA/BED (K13)
12	104655-04-K15	EA	CUSHION - CORNER - SOFA/BED (K15)
	P04655-04-J41	EA	COVER - CUSHION/CORNER (K13)
	P04655-04-K15	EA	COVER - CUSHION/CORNER (K15)
13	125060-01-J41	EA	BED COMPLETE (K13)
13	125060-01-K15	EA	BED COMPLETE (K15)
	P25060-01-J41	EA	COVER - SOFA/BED (K13)
	P25060-01-K15	EA	COVER - SOFA/BED (K15)
14	125471-02-J41	EA	ARMREST - LEFT HAND (K13)
14	125471-02-K15	EA	ARMREST - LEFT HAND (K15)
	124366-02-000	EA	SOFA - LEFT WOOD ARM - 8' SECTIONAL
15	120992-06-J41	EA	PANEL - FRONT KICK - SOFA/BED - FABRIC COVERED (K13)
15	120992-06-K15	EA	PANEL - FRONT KICK - SOFA/BED - FABRIC COVERED (K15)
16	120992-05-J41	EA	PANEL - FRONT KICK - SOFA/BED - FABRIC COVERED (K13)
16	120992-05-K15	EA	PANEL - FRONT KICK - SOFA/BED - FABRIC COVERED (K15)
	121906-01-02B	EA	BRACKET - KICKBOARD - E-COATED
17	125059-01-J41	EA	SEAT - SOFA/BED - STATIONARY (K13)
17	125059-01-K15	EA	SEAT - SOFA/BED - STATIONARY (K15)
	P25059-01-J41	EA	COVER - SEAT - SOFA/BED (K13)
	P25059-01-K15	EA	COVER - SEAT - SOFA/BED (K15)
	123622-04-000	EA	FRAME - BACK - 44"
	123622-05-000	EA	FRAME - SEAT - 44"
	123622-06-000	EA	FRAME - BASE WITH LEGS - 44"
	123624-01-000	EA	FRAME - FIXED 55"

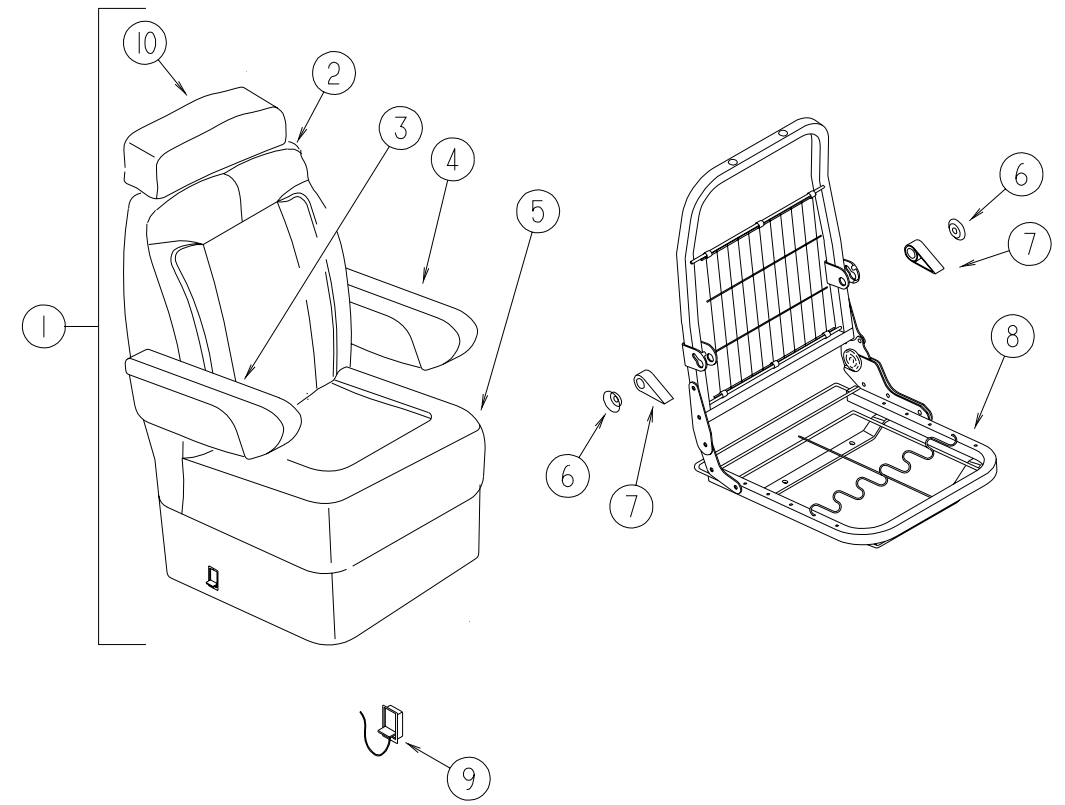
CURTAIN & CUSHION GROUP (CONTINUED)



SWIVEL CHAIR

KEY	PART NUMBER	U/M	DESCRIPTION
1	115470-01-J41	EA	CHAIR - SWIVEL (K13)
1	115470-01-K15	EA	CHAIR - SWIVEL (K15)
	P15470-01-J41	EA	COVER - CHAIR (K13)
	P15470-01-K15	EA	COVER - CHAIR (K15)
	P07977-01-J41	EA	COVER - SKIRT (K13)
	P07977-01-K15	EA	COVER - SKIRT (K15)
2	127159-02-02B	EA	BRACKET - SEAT RELEASE - DUAL REMOTE
3	108049-04-000	EA	CABLE - W/SWITCHES - W/26" MINI LEVER ACTION
	108049-02-000	EA	CLIP - CABLE/PEDESTAL
4	119952-01-000	EA	SLIDE/SEAT - HEAVY DUTY NON LOCKING
5	107921-08-000	EA	PLATE - TOP PEDESTAL - W/O SEAT BELT BAR
	107921-06-000	EA	BEARING KIT - PEDESTAL
6	107921-01-000	EA	PEDESTAL/FLOOR MOUNTED - W/9.75" EXTENSION
7	108445-02-000	EA	PLATE/FLOOR MOUNTED - PEDESTAL SEAT
8	119952-03-000	EA	SLIDE/SEAT - HEAVY DUTY LOCKING - 2 STUDS
9	117125-01-02B	EA	BRACKET - CABLE MOUNT - ADJUSTER W/LOCK
10	007221-01-000	EA	SPACER - SEAT/ADJUSTER - 4 USED PER SWIVEL CHAIR

CURTAIN & CUSHION GROUP (CONTINUED)

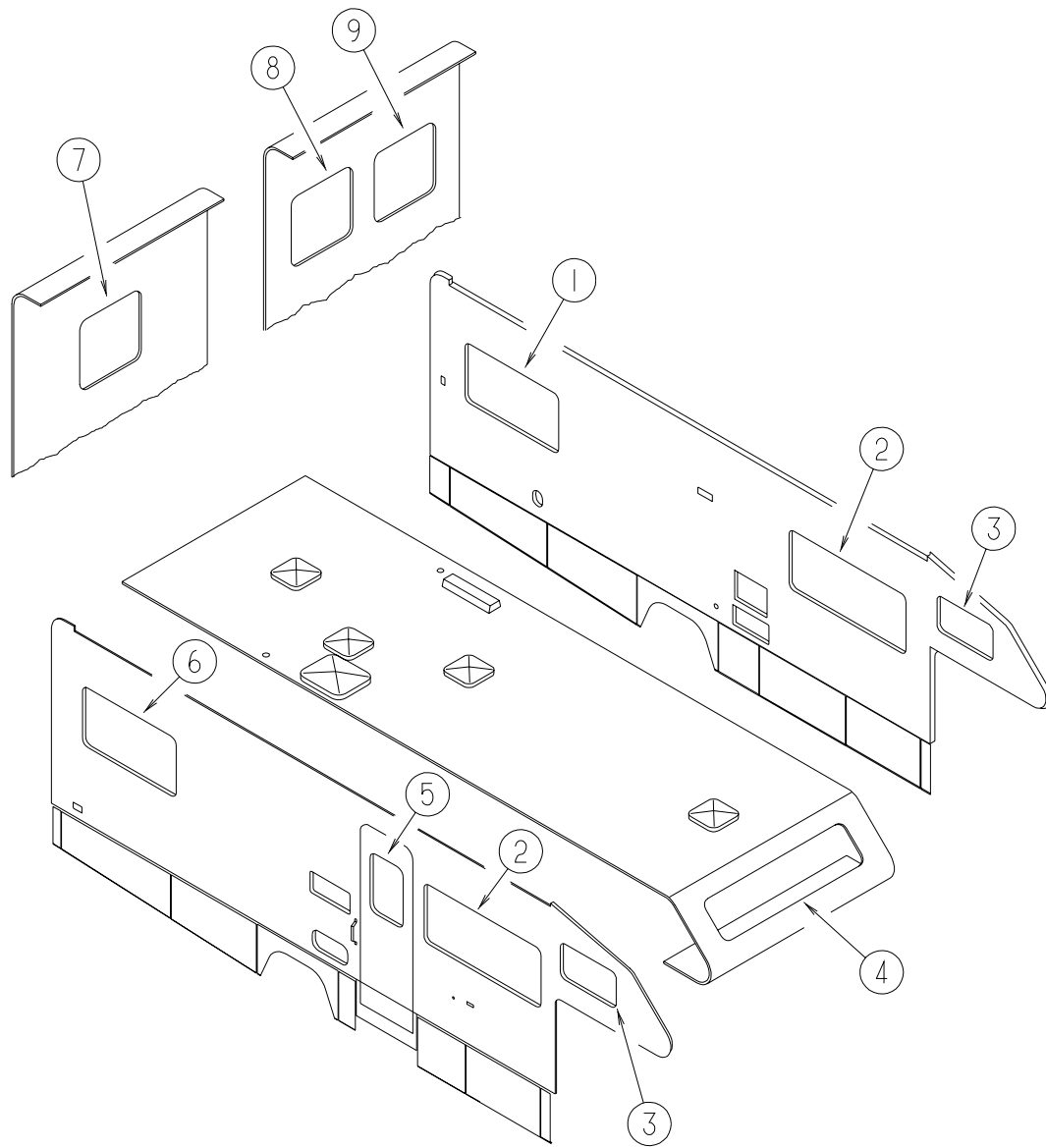


BUCKET SEATS

KEY	PART NUMBER	U/M	DESCRIPTION
1	127581-01-K13	EA	SEAT - BUCKET - DRIVER - W/ARMREST
1	127581-01-K15	EA	SEAT - BUCKET - DRIVER - W/ARMREST
1	127581-02-K13	EA	SEAT - BUCKET - PASSENGER - W/ARMREST
1	127581-02-K15	EA	SEAT - BUCKET - PASSENGER - W/ARMREST
2	M05962-72-K13	EA	COVER - BACK
2	M05962-72-K15	EA	COVER - BACK
3	122780-01-K06	EA	ARMREST - RIGHT HAND (K13)
3	122780-01-K15	EA	ARMREST - RIGHT HAND (K15)
	P22780-01-K06	EA	COVER - ARMREST - RIGHT HAND (K13)
	P22780-01-K15	EA	COVER - ARMREST - RIGHT HAND (K15)
	115617-03-000	EA	ARMREST - W/O COVER - RIGHT HAND
4	122780-02-J06	EA	ARMREST - LEFT HAND (K13)
4	122780-02-J54	EA	ARMREST - LEFT HAND (K15)
	P22780-02-J06	EA	COVER - ARMREST - LEFT HAND (K13)
	P22780-02-J54	EA	COVER - ARMREST - LEFT HAND (K15)
	115617-04-000	EA	ARMREST - W/O COVER - LEFT HAND
5	M05962-60-K13	EA	COVER - SEAT
5	M05962-60-K15	EA	COVER - SEAT
6	130802-03-000	EA	LEVER - SCREW
7	130802-01-000	EA	LEVER - LEFT HAND
	130802-02-000	EA	LEVER - RIGHT HAND
8	125229-06-000	EA	FRAME - SEAT - DRIVER - W/RIGHT ARMREST BRACKET
8	125229-07-000	EA	FRAME - SEAT - PASSENGER - W/LEFT ARMREST BRACKET
9	108049-04-000	EA	CABLE - W/SWITCHES - W/26" MINI LEVER ACTION
	108049-02-000	EA	CLIP - CABLE/PEDESTAL
10	119509-01-J06	EA	HEADREST - BUCKET SEAT (K13)
10	119509-01-J54	EA	HEADREST - BUCKET SEAT (K15)
	P19509-01-J06	EA	COVER - HEADREST (K13)
	P19509-01-J54	EA	COVER - HEADREST (K15)
	113977-12-000	EA	HEADREST INSERT - W/O LOCK
	113977-13-000	EA	HEADREST INSERT - W/LOCK
	130800-01-000	EA	GUARD - HINGE

CURTAIN & CUSHION GROUP (CONTINUED)

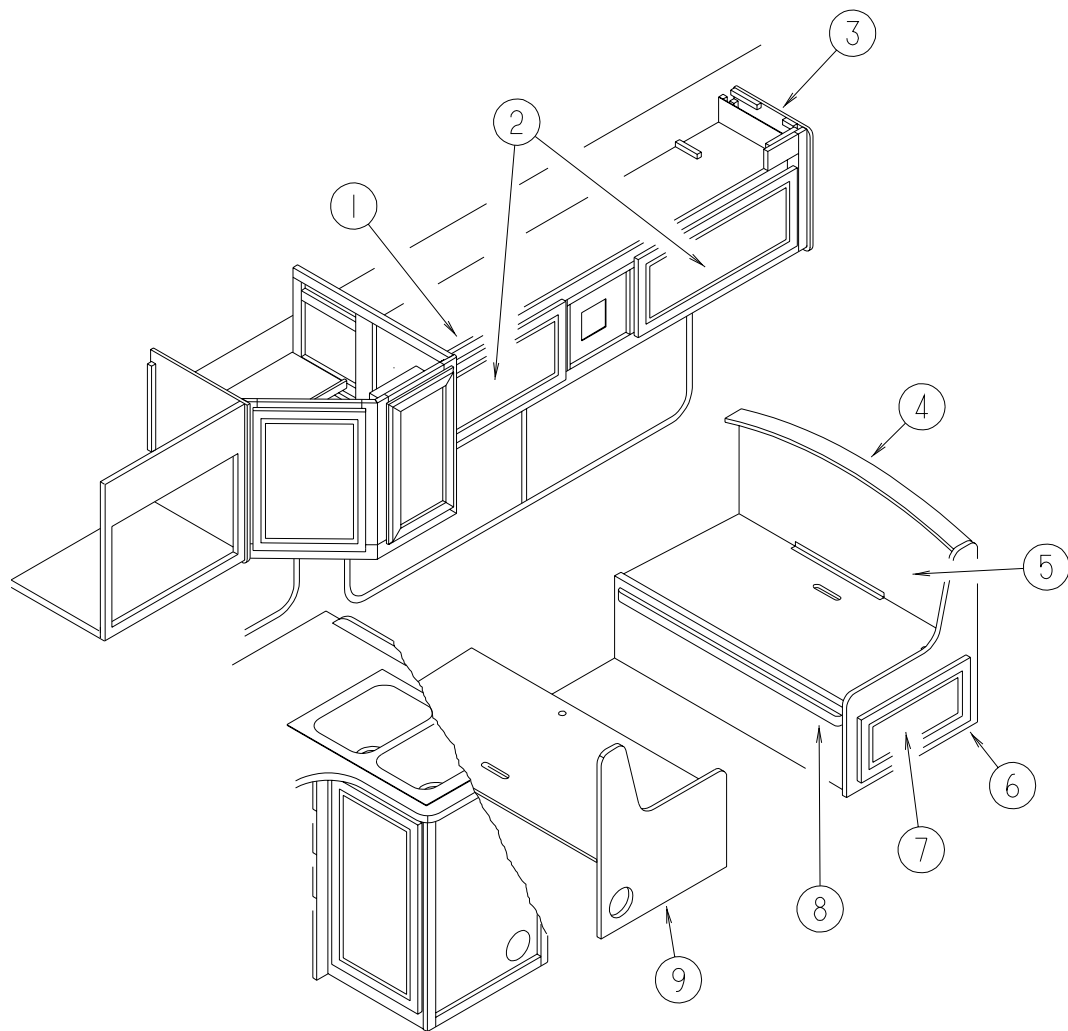
CURTAINS, SHADES VALANCES & BLINDS



KEY	PART NUMBER	U/M	DESCRIPTION
1	119299-24-K13	EA	VALANCE - WHITNEY - 53"(QUEEN)
1	119299-24-K15	EA	VALANCE - WHITNEY - 53"(QUEEN)
1	119299-01-K13	EA	VALANCE - WHITNEY - 53"(TWIN)
1	119299-01-K15	EA	VALANCE - WHITNEY - 53"(TWIN)
1	127017-21-K13	EA	LEG - RIGHT - 27" (K13)
1	127017-21-J54	EA	LEG - RIGHT - 27" (K15)
1	127017-22-K13	EA	LEG - LEFT - 27" (K13)
1	127017-22-J54	EA	LEG - LEFT - 27" (K15)
1	111910-62-J04	EA	BLIND - DAY/NIGHTER - 49" X 27" (K13)
1	111910-62-K58	EA	BLIND - DAY/NIGHTER - 49" X 27" (K15)
2	111858-49-K13	EA	LAMBREQUIN - WINDSOR - 63"
2	111858-49-K15	EA	LAMBREQUIN - WINDSOR - 63"
2	111910-57-J38	EA	BLIND - DAY/NIGHTER - 61" X 28.5" (K13)
2	111910-57-K58	EA	BLIND - DAY/NIGHTER - 61" X 28.5" (K15)
3	101034-51-J41	EA	CURTAIN - RIGHT HAND - 19" X 34" (K13)
3	101034-51-K15	EA	CURTAIN - RIGHT HAND - 19" X 34" (K15)
3	101034-52-J41	EA	CURTAIN - LEFT HAND - 19" X 34"(K13)
3	101034-52-K15	EA	CURTAIN - LEFT HAND - 19" X 34"(K15)

KEY	PART NUMBER	U/M	DESCRIPTION
4	101034-33-J41	EA	CURTAIN - RIGHT HAND - 21" X 60" (K13)
4	101034-33-K15	EA	CURTAIN - RIGHT HAND - 21" X 60" (K15)
4	101034-34-J41	EA	CURTAIN - LEFT HAND - 21" X 60" (K13)
4	101034-34-K15	EA	CURTAIN - LEFT HAND - 21" X 60" (K15)
5	119262-72-K13	EA	VALANCE - FLAT DOOR - 32.25"
5	119262-72-K15	EA	VALANCE - FLAT DOOR - 32.25"
5	084755-57-E07	EA	SHADE - PULL - 27.25"
6	119299-01-K13	EA	VALANCE - WHITNEY - 53"
6	119299-01-K15	EA	VALANCE - WHITNEY - 53"
6	127017-21-K13	EA	LEG - RIGHT - 27" (K13)
6	127017-21-J54	EA	LEG - RIGHT - 27" (K15)
6	127017-22-K13	EA	LEG - LEFT - 27" (K13)
6	127017-22-J54	EA	LEG - LEFT - 27" (K15)
6	111910-62-J04	EA	BLIND - DAY/NIGHTER - 49" X 27" (K13)
6	111910-62-K58	EA	BLIND - DAY/NIGHTER - 49" X 27" (K15)
7	119299-24-K13	EA	VALANCE - WHITNEY - 53"(QUEEN)
7	119299-24-K15	EA	VALANCE - WHITNEY - 53"(QUEEN)
7	127017-21-K13	EA	LEG - RIGHT - 27" (K13)
7	127017-21-J54	EA	LEG - RIGHT - 27" (K15)
7	127017-22-K13	EA	LEG - LEFT - 27" (K13)
7	127017-22-J54	EA	LEG - LEFT - 27" (K15)
7	111910-62-J04	EA	BLIND - DAY/NIGHTER - 49" X 27" (K13)
7	111910-62-K58	EA	BLIND - DAY/NIGHTER - 49" X 27" (K15)
8	119299-05-K13	EA	VALANCE - WHITNEY - 31"
8	119299-05-K15	EA	VALANCE - WHITNEY - 31"
8	127017-21-K13	EA	LEG - RIGHT - 27" (K13)
8	127017-21-J54	EA	LEG - RIGHT - 27" (K15)
8	127017-22-K13	EA	LEG - LEFT - 27" (K13)
8	127017-22-J54	EA	LEG - LEFT - 27" (K15)
8	111910-20-J38	EA	BLIND - DAY/NIGHTER - 28" X 28" (K13)
8	111910-20-K38	EA	BLIND - DAY/NIGHTER - 28" X 28" (K15)
9	119299-04-K13	EA	VALANCE - WHITNEY - 31"
9	119299-04-K15	EA	VALANCE - WHITNEY - 31"
9	123910-17-K13	EA	LEG - RIGHT - 27"
9	123910-17-K15	EA	LEG - RIGHT - 27"
9	123910-18-K13	EA	LEG - LEFT - 27"
9	123910-18-K15	EA	LEG - LEFT - 27"
9	111910-20-J38	EA	BLIND - DAY/NIGHTER - 28" X 28" (K13)
9	111910-20-K58	EA	BLIND - DAY/NIGHTER - 28" X 28" (K15)
	093487-10-01A	EA	CURTAIN - BUNK/PRIVACY/PLEATED - 31" X 100"
	076892-23-G07	EA	CURTAIN - 44" X 80" (K13)
	076892-23-K11	EA	CURTAIN - 44" X 80" (K15)

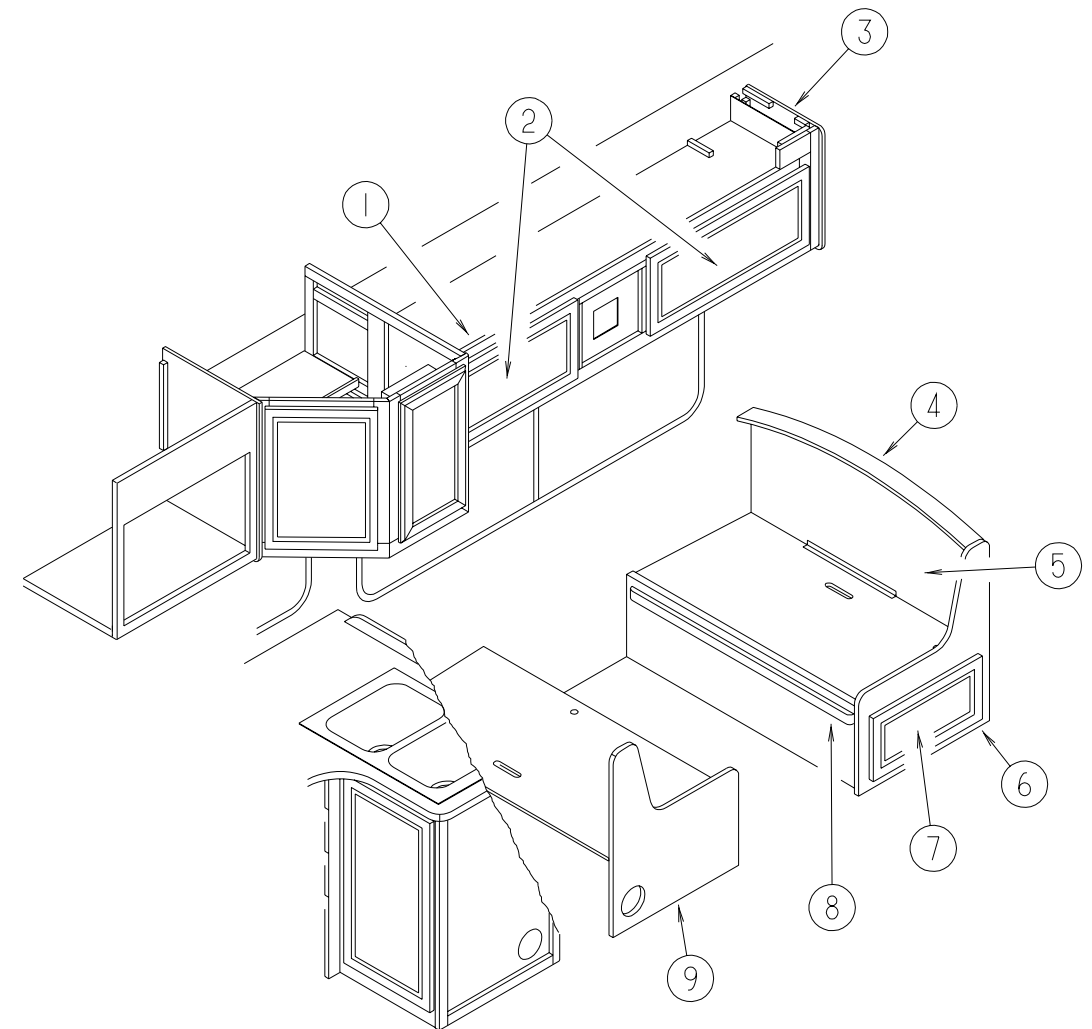
DINETTE GROUP



DINETTE CABINETRY

KEY	PART NUMBER	U/M	DESCRIPTION
1	122926-01-K13	EA	CABINET - OVERHEAD - W/O DOORS/HARDWARE FROM: 00-00-00 THRU: 09-20-98
1	122926-01-K15	EA	CABINET - OVERHEAD - W/O DOORS/HARDWARE FROM: 00-00-00 THRU: 09-20-98
1	122926-04-K13	EA	CABINET - OVERHEAD/DINETTE - W/O DOORS/HARDWARE FROM: 09-21-98 THRU: 99-99-99
1	122926-04-K15	EA	CABINET - OVERHEAD/DINETTE - W/O DOORS/HARDWARE FROM: 09-21-98 THRU: 99-99-99
2	M05992-50-J10	EA	DOOR - STRAIGHT CORNER/OGEE EDGE - 11.4" X 28.2" - W/O HDW
3	109908-09-F08	EA	END CAP - OVERHEAD CABINET FROM: 00-00-00 THRU: 09-20-98
3	109908-80-K13	EA	END CAP - OVERHEAD CABINET FROM: 09-21-98 THRU: 99-99-99
4	111338-06-E22	EA	PAD - DINETTE SEATBACK (K13)
4	111338-06-K15	EA	PAD - DINETTE SEATBACK (K15)
5	M08123-04-H10	EA	CABINET - SEATBACK - RIGHT HAND
6	M08122-10-H10	EA	CABINET - SEATBASE - RIGHT HAND - W/O DOOR/DRAWER/HDW
7	M05992-M7-J10	EA	DOOR - STRAIGHT CORNER/OGEE EDGE - 10" X 19.1" - W/O HDW
8	081295-01-G04	EA	SUPPORT - BED/DINETTE - 28" LONG
9	M06885-24-H10	EA	CABINET - SEATBASE - LEFT HAND-W/O DOORS/DRAWERS/HARDWARE

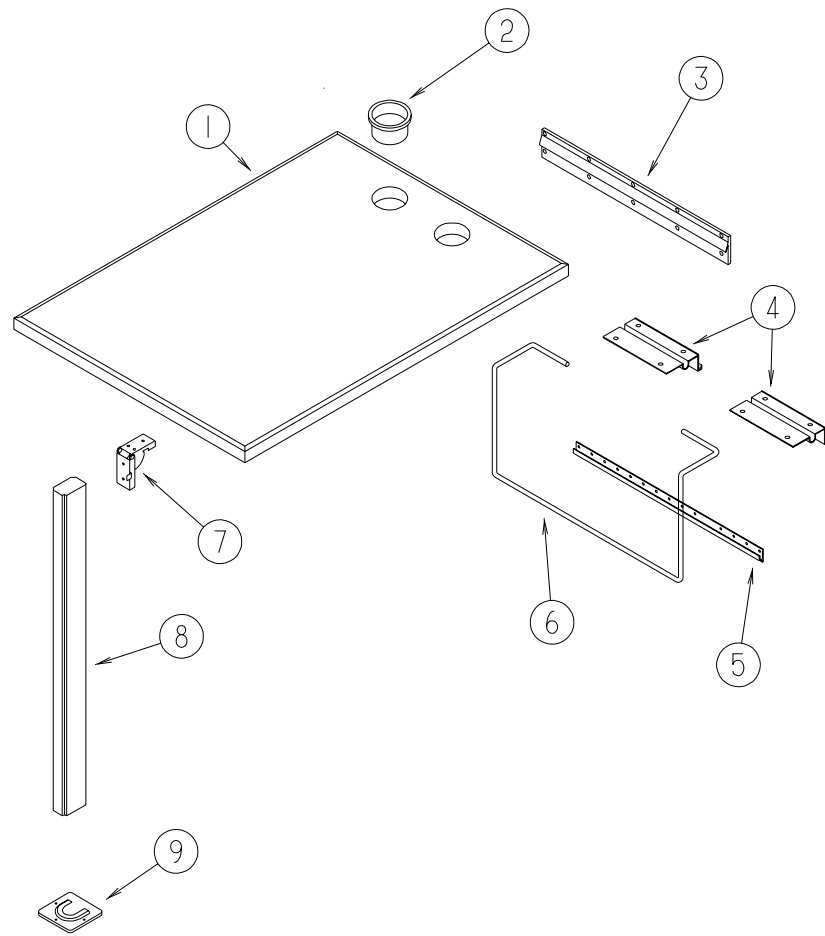
DINETTE GROUP (CONTINUED)



DINETTE CABINETRY W/FRONT ENTERTAINMENT CENTER

KEY	PART NUMBER	U/M	DESCRIPTION
1	122926-02-K13	EA	CABINET - OVERHEAD - W/O DOORS/HARDWARE FROM: 00-00-00 THRU: 09-20-98
1	122926-02-K15	EA	CABINET - OVERHEAD - W/O DOORS/HARDWARE FROM: 00-00-00 THRU: 09-20-98
1	122926-03-K13	EA	CABINET - OVERHEAD/DINETTE - W/O DOORS/HARDWARE FROM: 09-21-98 THRU: 99-99-99
1	122926-03-K15	EA	CABINET - OVERHEAD/DINETTE - W/O DOORS/HARDWARE FROM: 09-21-98 THRU: 99-99-99
2	M05992-89-J10	EA	DOOR - STRAIGHT CORNER/OGEE EDGE - 14.3" X 26.7" - W/O HDW
3	109908-09-F08	EA	END CAP - OVERHEAD CABINET FROM: 00-00-00 THRU: 09-20-98
3	109908-80-K13	EA	END CAP - OVERHEAD CABINET FROM: 09-21-98 THRU: 99-99-99
4	111338-06-E22	EA	PAD - DINETTE SEATBACK (K13)
4	111338-06-K15	EA	PAD - DINETTE SEATBACK (K15)
5	M08123-04-H10	EA	CABINET - SEATBACK - RIGHT HAND
6	M08122-10-H10	EA	CABINET - SEATBASE - RIGHT HAND - W/O DOOR/DRAWER/HDW
7	M05992-M7-J10	EA	DOOR - STRAIGHT CORNER/OGEE EDGE - 10" X 19.1" - W/O HDW
8	081295-01-G04	EA	SUPPORT - BED/DINETTE - 28" LONG
9	M06885-24-H10	EA	CABINET - SEATBASE - LEFT HAND-W/O DOORS/DRAWERS/HARDWARE

DINETTE GROUP (CONTINUED)



DINETTE TABLE

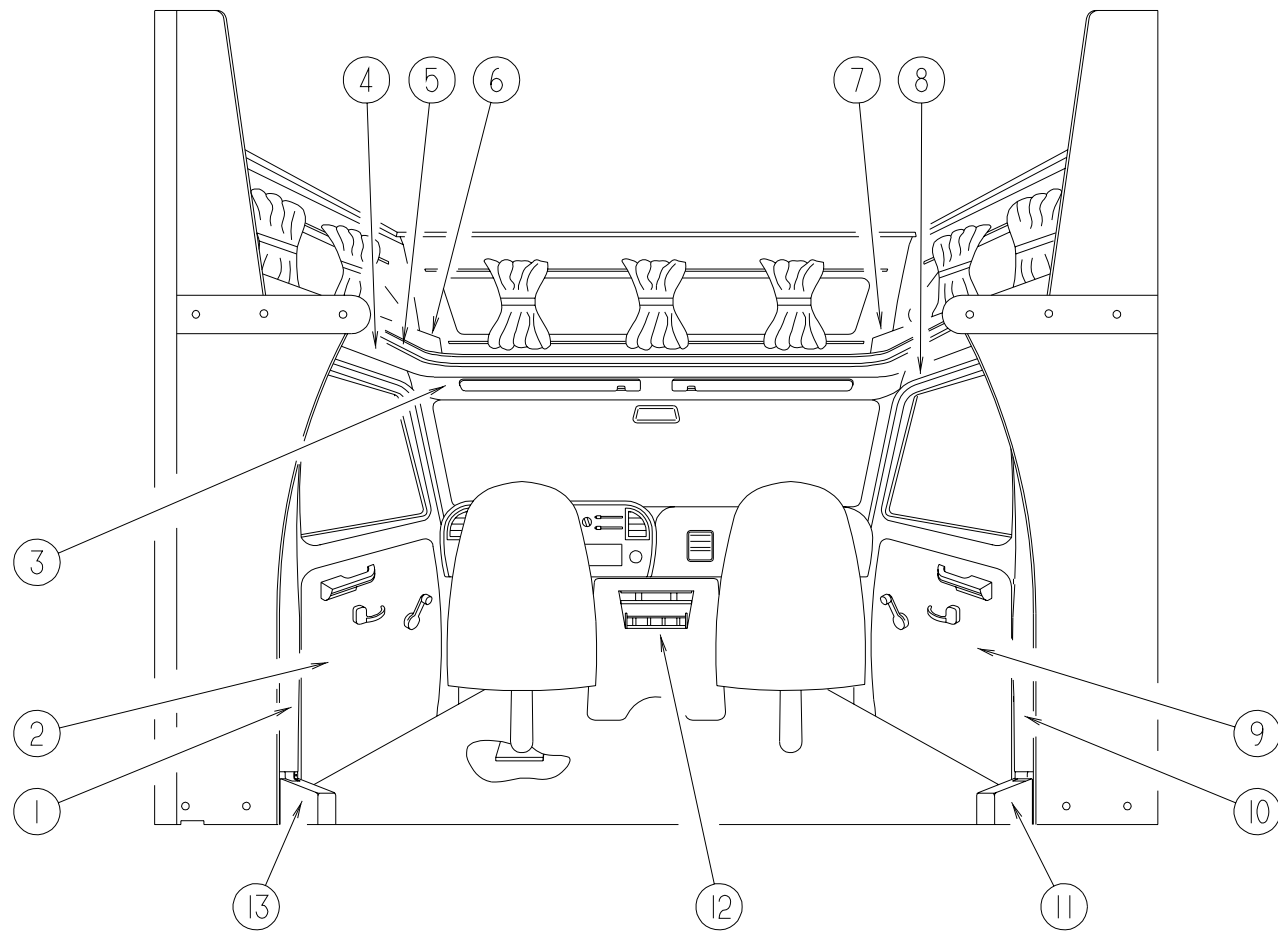
KEY	PART NUMBER	U/M	DESCRIPTION
1	M81322-12-J04	EA	TABLE - DINETTE W/SUPPORT - W/O HARDWARE (K13)
1	M81322-12-J01	EA	TABLE - DINETTE W/SUPPORT - W/O HARDWARE (K15)
2	064781-06-000	EA	HOLDER - CUP - TWO STEP - OFF WHITE
3	053200-12-000	EA	BRACKET - TABLE SUPPORT - UPPER/WALL MOUNTED - 23.50"
4	088410-02-000	EA	BRACKET - LIFT - TABLE MOUNTED
5	024281-14-000	EA	BRACKET/TABLE - LIFT ROD/LOWER WALL MOUNTED - 22.12"
6	024275-12-000	EA	ROD - TABLE LIFT
7	093550-01-000	EA	BRACKET - HINGE - MOUNTS TO LEG & TABLE TOP - 1.7" X 2.6"
8	092707-04-04A	EA	MOLDING - TABLE LEG - 27" - CHERRY/CHERRY
	092593-01-05A	EA	CATCH - TABLE LEG - OFF/WHITE
9	049493-11-700	EA	CATCH-TABLE LEG,E-COAT *90 ALL UNITS
9	049493-12-000	EA	CATCH - TABLE LEG/FLOOR MOUNTED - OFF WHITE

DRIVERS COMPARTMENT GROUP

INSTRUMENT CLUSTERS & BATTERY SWITCH

KEY	PART NUMBER	U/M	DESCRIPTION
	111414-01-000	EA	RECEPTACLE - 12V - W/O BIMETAL
	094795-09-000	EA	CLUSTER - INSTRUMENT PANEL - KILOMETERS - GAS/DIESEL-FORD
	100138-01-000	EA	MODULE - DAYTIME/RUNNING LIGHT
	108355-01-000	EA	HOUSING - SWITCH
	108356-02-01A	EA	COVER/ACTUATOR SWITCH - 2 ROWS DIMPLES- CONTURA II - BLACK
	108357-08-000	EA	SWITCH - ROCKER DPDT - ON/NONE/ON - 6 TERMINAL
	108357-09-000	EA	SWITCH - ROCKER SPDT - ON/NONE/MOM - 3 TERMINAL
	081994-07-000	EA	PLATE - SWITCH - AUX. START
	108356-07-01A	EA	COVER/ACTUATOR SWITCH - 2 ROWS DIMPLES - AUX START - BLACK

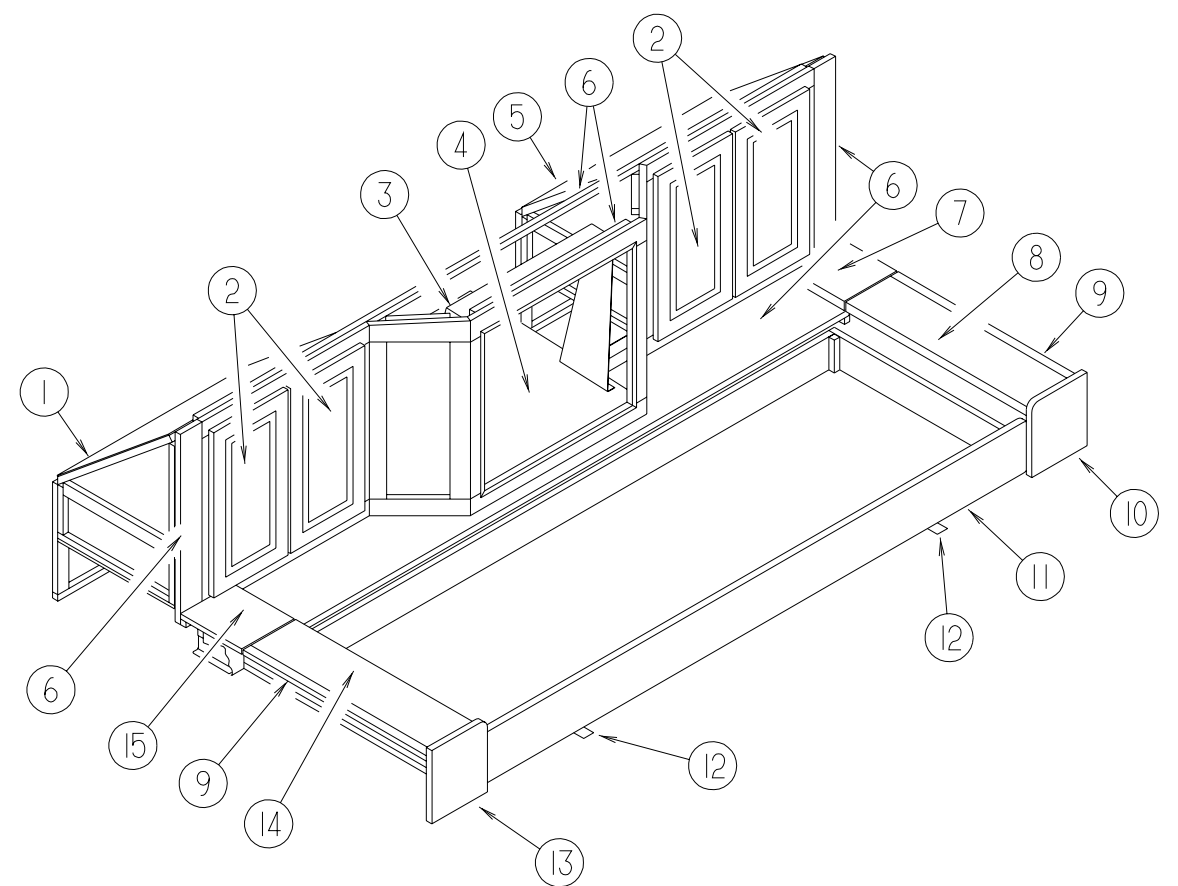
DRIVERS COMPARTMENT GROUP (CONTINUED)



DRIVERS COMPARTMENT

KEY	PART NUMBER	U/M	DESCRIPTION	VENDOR NO.
1	125031-02-H04	EA	TRIM - CAB - B-PILLAR - DRIVER SIDE	
2	N/A	EA	CHASSIS SUPPLIED	
3	106448-01-H04	EA	HEADLINER - W/VINYL	
4	106447-04-H04	EA	TRIM - CAB DOOR - UPPER/LEFT HAND	
5	119520-01-01A	FT	MOLDING-T - 1" - W/EDGE LIPS (OFF/WHITE-CREAM)	
6	109894-01-J41	EA	CABINET - HAMPER - DRIVER/Front (K13)	
6	109894-01-K06	EA	CABINET - HAMPER - DRIVER/Front (K15)	
7	109894-03-K08	EA	CABINET - HAMPER - PASSENGER/Front (K13)	
7	109894-03-K06	EA	CABINET - HAMPER - PASSENGER/Front (K15)	
8	106447-03-H04	EA	TRIM - CAB DOOR - UPPER/RIGHT HAND	
9	N/A	EA	CHASSIS SUPPLIED	
10	125031-01-H04	EA	TRIM - CAB - B-PILLAR - PASSENGER SIDE	
11	106431-01-02A	EA	COVER - SEATBELT RECOIL - PASSENGER SIDE - VW GREY	
12	125291-01-01A	EA	TRAY - BEVERAGE - F/DELUXE MOTOR COVER	
13	106431-02-02A	EA	COVER - SEATBELT RECOIL - DRIVER SIDE - VW GREY	
	106025-03-01A	EA	LADDER - BUNK - BLACK - 47.3"	
	106025-01-700	EA	BRACKET SET-F/BUNK LADDER	08-0030-00
	091952-01-000	EA	CLIP-GRIPPER - 1"	

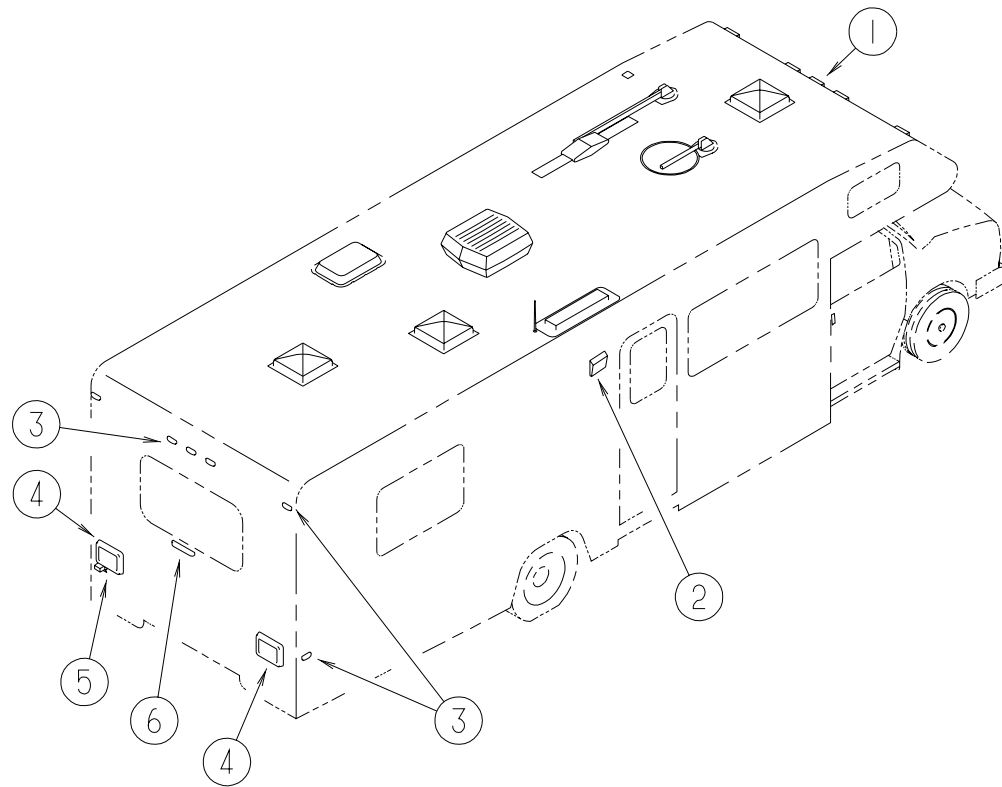
DRIVERS COMPARTMENT GROUP (CONTINUED)



FRONT ENTERTAINMENT CENTER

KEY	PART NUMBER	U/M	DESCRIPTION
1	113156-02-F08	EA	CABINET-ENTERTAINMENT CTR-W/SHELF-DRIVER SIDE-W/O DOOR/HDW
2	M05992-67-J10	EA	DOOR - STRAIGHT CORNER/OGEE EDGE - 10.6" X 19.9" - W/O HDW
3	110790-03-000	EA	BRACKET - TIEDOWN/TV
4	111356-02-J10	EA	SHELF - TV - W/TIEDOWN BRACKET
5	113156-01-F08	EA	CABINET-ENTERTAINMENT CTR-W/SHELF-PASS SIDE-W/O DOOR/HDW
6	N/A	EA	FACE - ENTERTAINMENT CENTER - W/O HARDWARE
7	113155-11-G05	EA	COUNTERTOP - ENTERTAINMENT CENTER STORAGE (K13)
7	113155-11-F09	EA	COUNTERTOP - ENTERTAINMENT CENTER STORAGE (K15)
8	113155-12-G05	EA	COUNTERTOP - ENTERTAINMENT CENTER STORAGE (K13)
8	113155-12-G07	EA	COUNTERTOP - ENTERTAINMENT CENTER STORAGE (K15)
9	113155-21-G05	EA	COUNTERTOP - ENTERTAINMENT CENTER STORAGE (K13)
9	113155-21-F09	EA	COUNTERTOP - ENTERTAINMENT CENTER STORAGE (K15)
10	113155-01-K13	EA	CABINET/STORAGE - RIGHT END - W/FLIP UP COUNTERTOP
10	113155-01-K15	EA	CABINET/STORAGE - RIGHT END - W/FLIP UP COUNTERTOP
11	100847-01-K13	EA	DRAWER - ENTERTAINMENT CENTER - W/O HARDWARE
11	100847-01-K15	EA	DRAWER - ENTERTAINMENT CENTER - W/O HARDWARE
12	093673-01-01A	FT	TRIM/MOLDING - 1.4" WIDE X 8' LONG
13	113155-02-K13	EA	CABINET/STORAGE - LEFT END - W/FLIP UP COUNTERTOP (K13)
13	113155-02-J11	EA	CABINET/STORAGE - LEFT END - W/FLIP UP COUNTERTOP (K15)
14	113155-18-G05	EA	COUNTERTOP - ENTERTAINMENT CENTER STORAGE (K13)
14	113155-18-G07	EA	COUNTERTOP - ENTERTAINMENT CENTER STORAGE (K15)
15	113155-19-G05	EA	COUNTERTOP - ENTERTAINMENT CENTER STORAGE (K13)
15	113155-19-F09	EA	COUNTERTOP - ENTERTAINMENT CENTER STORAGE (K15)
	106699-01-01A	EA	BRACKET - OVERHEAD CABINET/TV

ELECTRICAL GROUP



EXTERIOR LIGHTS

KEY	PART NUMBER	U/M	DESCRIPTION	VENDOR NO.
1	111102-01-000	EA	BASE - LAMP MARKER	
1	111102-02-000	EA	LENS - AMBER - MARKER LAMP	
	036196-01-000	EA	BULB - 12V - #194 - .27 AMP - BAYONETTE	
2	097917-01-06A	EA	LIGHT - PORCH - BRIGHT WHITE	
	097917-01-700	EA	LENS-LIGHT, CLEAR	30-78-021
	008215-01-000	EA	BULB - 12 VOLT - #1003 - .94 AMP	
2	008089-02-000	EA	LIGHT - PORCH - RECESSED - CANADIAN	
	008089-01-700	EA	LENS-LIGHT, RECESSED, PORCH	DECO
	008214-01-000	EA	BULB - 12 VOLT - #67 - .59 AMP	
	091981-01-000	EA	GASKET - PORCH LIGHT	
3	111102-01-000	EA	BASE - LAMP MARKER	
3	111102-03-000	EA	LENS - RED - MARKER LAMP	
	036196-01-000	EA	BULB - 12V - #194 - .27 AMP - BAYONETTE	
4	081638-01-000	EA	TAILLIGHT/DOUBLE W/BLACK TRIM - DRIVER/PASSENGER SIDE	
4	081638-01-700	EA	LENS-TAILLIGHT, RED	30-84-010
4	081638-01-701	EA	LENS-TAILLIGHT, W/BACKUP	30-84-700
4	103355-01-05A	EA	POD-TAILLIGHT, BRIGHT WHITE	
4	037934-01-000	EA	BULB# 1156 - (BACK UP & TURN SIGNAL)	
4	037935-01-000	EA	BULB# 2057 OR #1157 - (BRAKE LIGHT)	
5	066432-02-000	EA	LIGHT - LICENSE - BLACK	
	066432-03-000	EA	BRACKET - LICENSE PLATE	
6	121950-01-000	EA	LIGHT - BRAKE - CENTER MOUNT	

ELECTRICAL GROUP (CONTINUED)

FUSES & CIRCUIT BREAKERS

KEY	PART NUMBER	U/M	DESCRIPTION
	008235-01-000	EA	FUSE - 15 AMP/12VOLT - AUTOMOTIVE
	062901-02-000	EA	FUSE - 05 AMPS - AUTOMOTIVE
	062901-05-000	EA	FUSE - 15 AMPS - AUTOMOTIVE
	083209-02-000	EA	CIRCUIT BREAKER - 15/15 AMP - 120 VOLT
	083209-03-000	EA	CIRCUIT BREAKER - 15/20 AMP - 120 VOLT
	083209-04-000	EA	CIRCUIT BREAKER - 30 AMP - 120 VOLT
	083209-06-000	EA	CIRCUIT BREAKER - 30/15 AMP - 120 VOLT
	093654-01-000	EA	CIRCUIT BREAKER - 6 AMP - 12 VOLT
	093654-03-000	EA	CIRCUIT BREAKER - 20 AMP - 12 VOLT
	093655-01-000	EA	CIRCUIT BREAKER - 25 AMP - 12 VOLT
	093655-02-000	EA	CIRCUIT BREAKER - 30 AMP - 12 VOLT
	100341-01-000	EA	FUSE HOLDER - IN LINE TYPE
	108669-01-000	EA	HOUSING - AUTO FUSE HOLDER

POWER CONVERTER & INVERTER

KEY	PART NUMBER	U/M	DESCRIPTION
	099048-03-000	EA	INVERTER - 130 WATT
	113132-01-000	EA	LOAD CENTER - 120/240 VOLT - 60 AMP
	123058-02-000	EA	CONVERTER - 45 AMP - ELECTRONIC - 4 1/8"H X 7"W X 12 3/8"L

WIRING ASSEMBLIES

KEY	PART NUMBER	U/M	DESCRIPTION
	073328-B4-000	EA	CABLE ASSEMBLY - BATTERY - W/TERMINALS
	090986-01-000	EA	WIRE ASSEMBLY - ELECTRIC STEP
	096449-01-000	EA	WIRE ASSEMBLY - WATER TANK TO MONITOR PANEL
	097618-01-000	EA	WIRE ASSEMBLY - MONITOR PANEL- W/3 WIRES & ORANGE RESISTOR
	106851-01-000	EA	WIRE ASSEMBLY - RUNNING LIGHTS - FUSE
	116894-01-000	EA	WIRE ASSEMBLY - SPEED SENSOR EXTENDED
	120233-05-000	EA	WIRE - 30" W/DIGITAL SENSOR CONNECTOR/STRIPED LEAD

ELECTRIC BOXES, COVERS & POWER CORDS

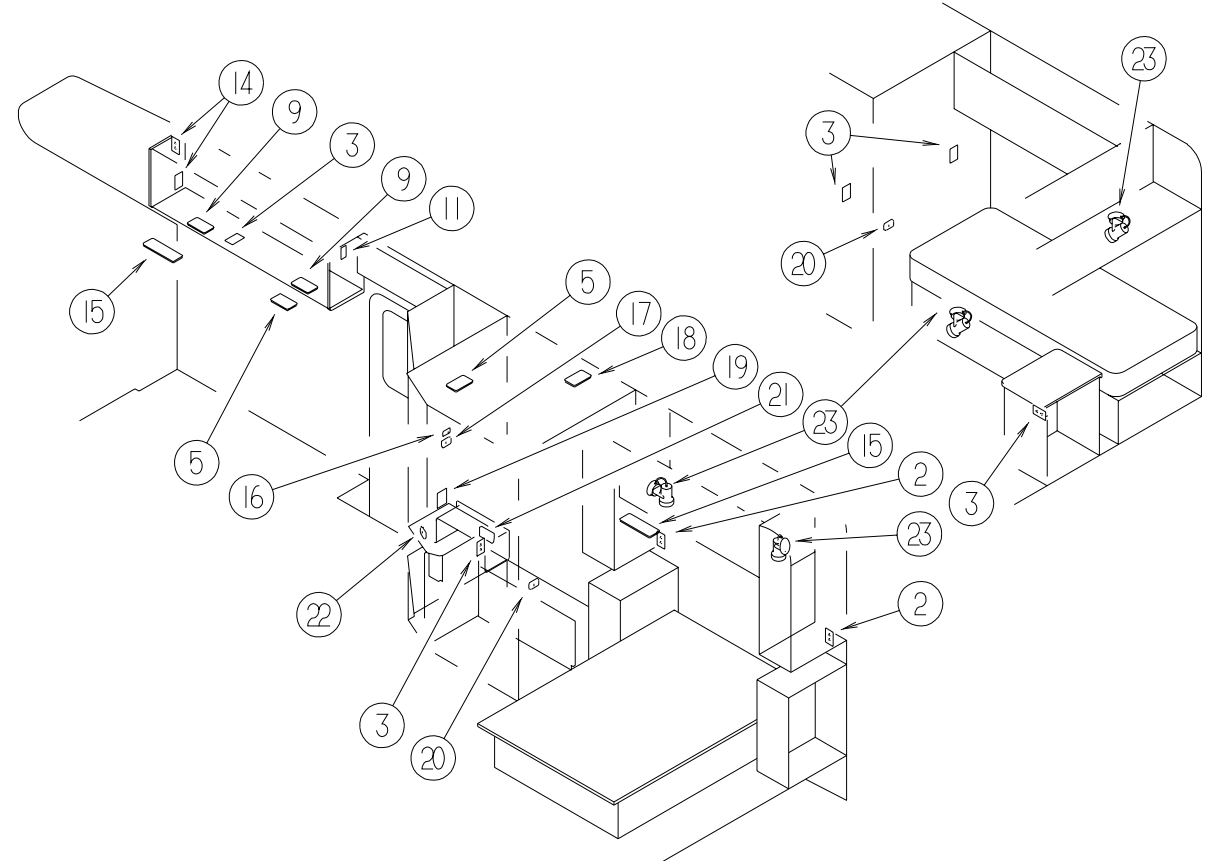
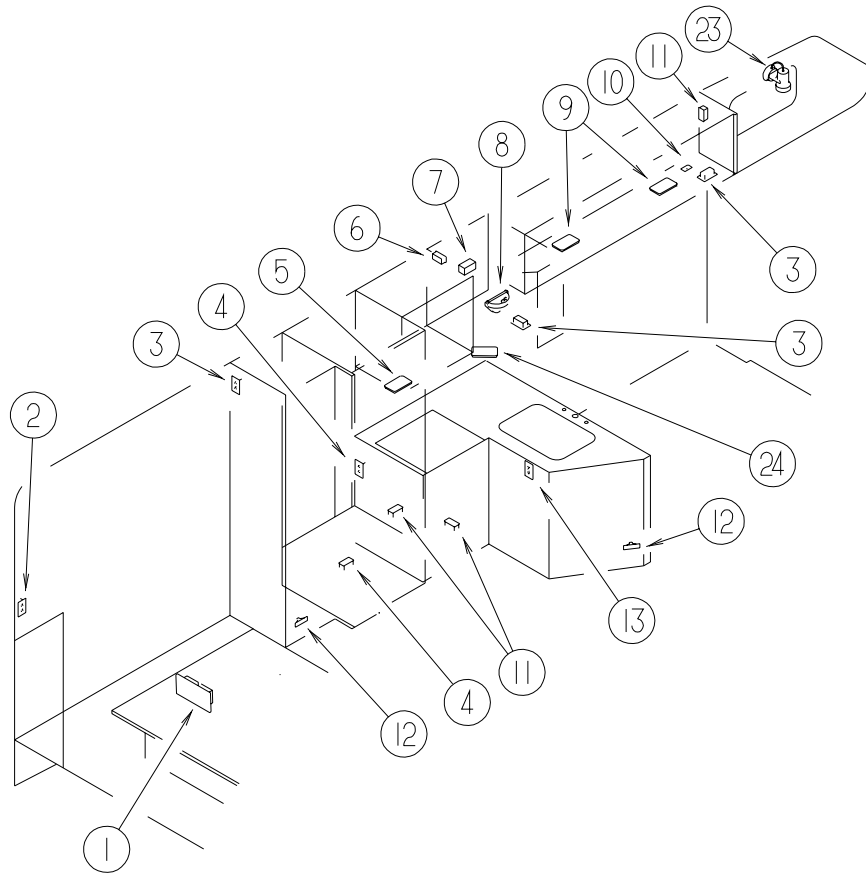
KEY	PART NUMBER	U/M	DESCRIPTION	VENDOR NO.
	008052-01-000	EA	CORD - POWER - 10/3 WIRE - 30 AMP - 25' - CANADIAN	
	008054-01-000	EA	CORD - POWER - 10/3 WIRE - 30 AMP - 25'	
	008289-01-000	EA	BOX - ELECTRIC/STEEL - 1/2" & 3/4" KNOCKOUTS - 4" X 4"	
	008289-02-000	EA	BOX - ELECTRIC/STEEL - 1/2" & 3/4" KNOCKOUTS - 4" X 4"-CAN	
	069238-01-000	EA	COVER - ELECTRICAL BOX - W/HOLE - 4" X 4" - GRAY	
	091910-01-000	EA	BOX - ELECTRIC - 3.8" X 3.5" X 1.8" - PLASTIC	
	091910-02-000	EA	BOX - ELECTRIC - 2.2" X 3.5" X 1.8" - PLASTIC	
	093257-02-000	EA	BOX - ELECTRIC - W/O CIRCUIT BREAKERS/FUSES	
	093257-02-700	EA	GROUND BAR - 8 POINT	13507201
	093257-02-701	EA	FUSE BLOCK - DC- 11 POINT	30507060
	093257-02-703	EA	DEAD FRT ASM.-AC BREAKER CVR	M91500011
	093257-02-702	EA	STAB ASSEMBLY - BREAKER	M91500008
	093257-02-704	EA	NEUTRAL BAR ASM.W/GROUND BAR	M91500009
	093603-01-000	EA	BOX - ELECTRIC - 4" X 2 1/8" X 2 1/8"	
	107165-01-01A	EA	BOX - CIRCUIT BREAKER - 14.6" X 4" - PLASTIC	
	107165-03-01A	EA	BOX - CIRCUIT BREAKER - 7.1" X 4"	

RELAY HOUSING & SOLENOID

KEY	PART NUMBER	U/M	DESCRIPTION
	008188-01-000	EA	SOLENOID - 3 POST - BATTERY CHANGE OVER
	063910-01-000	EA	HOUSING - RELAY
	086233-01-000	EA	STUD - ISOLATED - 3/8" X 7/8" LONG
	086273-01-000	EA	RELAY - BATTERY DISCONNECT

ELECTRICAL GROUP (CONTINUED)

LIGHTS, SWITCHES & RECEPTACLES



KEY	PART NUMBER	U/M	DESCRIPTION	VENDOR NO.
1	024924-02-000	EA	RECEPTACLE - POWER CORD - W/PARTIAL PLATE	
1	069238-01-000	EA	COVER - ELECTRICAL BOX - W/HOLE - 4" X 4" - GRAY	
2	058708-02-000	EA	RECEPTACLE - ELECTRIC - DOUBLE - IVORY	
2	102568-01-E41	EA	SPACER - RECEPTACLE - BETWEEN SIDEWALL & PLATE - WOOD	
3	058708-01-000	EA	RECEPTACLE - ELECTRIC - DOUBLE - BROWN	
4	058707-01-000	EA	RECEPTACLE - ELECTRIC - SINGLE - BROWN	
5	098024-01-03A	EA	LIGHT - DOME - 1 BULB - WHITE	
5	008218-01-000	EA	BULB - DOME LIGHT - 12 VOLT - NO. 1141	
5	098024-01-700	EA	LENS-LIGHT	807877
6	058708-05-000	EA	RECEPTACLE - SINGLE - BROWN	
7	091927-01-000	EA	COVER - RECEPTACLE - DOUBLE - IVORY	
8	119257-03-01A	EA	SHADE - LAMP - LINEN	
8	065202-24-000	EA	LAMP - WALL/BRASS - W/O SHADE	
8	067479-01-000	EA	BULB - 12 VOLT - #1076 - 1.80 AMP	
9	098024-05-02A	EA	LIGHT - DOME - 1 BULB - SKYLITE - WHITE	
9	008218-01-000	EA	BULB - DOME LIGHT - 12 VOLT - NO. 1141	
9	098024-01-701	EA	LENS - OPTI CLEAR - SKYLITE	809902
10	098351-02-01A	EA	PLATE/SWITCH - 2 GANG - POLISHED BRASS - W/O LABEL (W/SIDE TV CABINET)	
10	079364-01-000	EA	SWITCH - ON/OFF ROCKER - 2 PRONGS - BROWN - TV (W/SIDE TV CABINET)	
10	079364-03-000	EA	SWITCH - ON/OFF ROCKER - 3 PRONGS - BROWN - COURTESY LIGHT	
10	098351-01-01A	EA	PLATE/SWITCH - 1 GANG - POLISHED BRASS - W/O LABE (W/O SIDE TV CABINET)	
10	098351-15-01A	EA	PLATE/SWITCH - 2 GANG - POLISHED BRASS - COURTESY LAMP/TV	
11	058707-02-000	EA	RECEPTACLE - BLANK JUNCTION BOX	
12	061424-01-000	EA	LIGHT - AISLE - 12 VOLT - RECTANGULAR	
12	008103-01-000	EA	BULB - DASH/AISLE LIGHT - #53 - 12 VOLT - .12 AMP	
13	084076-02-000	EA	RECEPTACLE - GFI - 15 AMP - 125 VOLT - BROWN	
14	111414-01-000	EA	RECEPTACLE - 12V - W/O BIMETAL	
15	098024-03-02A	EA	LIGHT - DOME - 2 BULB - WHITE	
15	008218-01-000	EA	BULB - 12 VOLT - #1141 - 1.44 AMP	
15	098024-01-700	EA	LENS-LIGHT	807877

KEY	PART NUMBER	U/M	DESCRIPTION	VENDOR NO.
16	098351-06-01A	EA	PLATE/SWITCH - 2 GANG - POLISHED BRASS - PORCH/CEILING	
16	079364-01-000	EA	SWITCH - ON/OFF ROCKER - 2 PRONGS - BROWN - CEILING/PORCH/STEP	
16	098351-10-01A	EA	PLATE/SWITCH - 1 GANG - POLISHED BRASS - STEP	
17	098351-01-01A	EA	PLATE - SWITCH - 1 GANG POLISHED BRASS	
17	079364-01-000	EA	SWITCH - ON/OFF ROCKER - 2 PRONGS - BROWN - STEP	
18	121935-01-01A	EA	LIGHT - DOME - SHOWER	
19	098351-07-01A	EA	PLATE - SWITCH - GENERATOR - POLISHED BRASS	
19	108357-06-000	EA	SWITCH - ROCKER DPDT - MOM/OFF/MOM - 6 TERMINAL	
19	108356-11-01A	EA	COVER-ACTUATOR SWITCH - 3 GROOVES - AUX BATT - BLACK	
20	098351-02-01A	EA	PLATE - SWITCH - 2 GANG POLISHED BRASS	
20	079364-01-000	EA	SWITCH - ON/OFF ROCKER - 2 PRONGS - BROWN - CEILING LIGHT	
20	079364-03-000	EA	SWITCH - ON/OFF ROCKER - 3 PRONGS - BROWN - AISLE LIGHT	
20	095188-01-01A	EA	SPACER - SWITCH - 2.3" X 3.4" - PLASTIC - DARK BROWN	
21	112822-01-01A	EA	RECEPTACLE - DUPLEX - IVORY	
21	112824-01-03A	EA	COVER - RECEPTACLE - EXTERIOR DUPLEX	
22	098351-03-01A	EA	PLATE - SWITCH - 3 GANG POLISHED BRASS	
22	079364-01-000	EA	SWITCH - ON/OFF ROCKER - 2 PRONGS - BROWN - CEILING/SHOWER	
22	079364-03-000	EA	SWITCH - ON/OFF ROCKER - 3 PRONGS - BROWN - PUMP	
22	095188-02-01A	EA	SPACER - SWITCH - 2.3" X 4.1" - PLASTIC - DARK BROWN	
23	104172-01-01A	EA	LIGHT - BULLET - UL/CSA	
23	104173-01-01A	EA	LIGHT - DESIGNER - BRASS - UL	
24	130338-01-01A	EA	LIGHT - FLUORESCENT 18" - THIN LITE	
	086280-01-000	EA	LIGHT - SURFACE MOUNT - 12 VOLT	
	086280-01-700	EA	BULB, 12V	ARP1089
	108355-01-000	EA	HOUSING - SWITCH	
	097734-01-02A	EA	EXTENSION - RECEPTACLE - 3.2" X 5" X .7" - BROWN PLASTIC	

ELECTRICAL GROUP (CONTINUED)**CONDUIT, CONNECTORS, HOUSINGS & TERMINALS**

KEY	PART NUMBER	U/M	DESCRIPTION
	007956-05-000	EA	INSULATOR - SHRINK - .25 ID X 1.50
	008311-01-000	EA	CONNECTOR - WIRE NUT - INSULATED - RED
	008313-01-000	EA	CONNECTOR - WIRE NUT - INSULATED - YELLOW
	008314-01-000	EA	CONNECTOR - WIRE NUT - INSULATED - GRAY
	008326-01-000	EA	TERMINAL - RING - 16/14 WIRE - 3/8" STUD
	008328-01-000	EA	TERMINAL - RING - 12/10 WIRE - #10 STUD FIT
	008331-01-000	EA	TERMINAL - RING - TONGUE - #4 WIRE - 3/8" STUD - COPPER
	008348-01-000	EA	TERMINAL - RING - 3/8" STUD 2 GA. WIRE
	008355-01-000	EA	CONNECTOR - CABLE CLAMPING - 3/4"
	008356-01-000	EA	CONNECTOR - PLASTIC - 3/8" AVG
	008356-02-000	EA	CONNECTOR - PLASTIC - 21/32
	035416-04-000	EA	TERMINAL - RING - #10 STUD FIT - INSULATED BARREL #16/14
	041953-01-000	FT	CONDUIT - CONVOLUTE SLIT - .5" ID - POLYETHYLENE
	041953-03-000	FT	CONDUIT - CONVOLUTE SLIT - 1" ID (CLOTHES ROD COVER)
	041953-05-000	FT	CONDUIT - CONVOLUTE SOLID - .62" ID - POLYETHYLENE
	041953-06-000	FT	CONDUIT - CONVOLUTE SLIT - .375" ID - POLYETHYLENE
	041953-07-000	FT	CONDUIT - CONVOLUTE SLIT - .25" ID - POLYETHYLENE
	041953-08-000	FT	CONDUIT - CONVOLUTE SLIT - 1.50" ID - POLYETHYLENE
	041953-09-000	FT	CONDUIT - CONVOLUTE SLIT - .50" ID - NYLON
	041953-10-000	FT	CONDUIT - CONVOLUTE SLIT - .75" ID - NYLON
	041953-11-000	FT	CONDUIT - CONVOLUTE SLIT - 1.06" ID - NYLON
	041953-12-000	FT	CONDUIT - CONVOLUTE SOLID - 1.1" ID - NYLON
	047443-01-000	EA	TERMINAL - .250 RECEPTACLE FIT - INSULATED - 16/14 AWG
	047443-02-000	EA	TERMINAL - .250 RECEPTACLE FIT - INSULATED - 12/10 AWG
	058028-01-000	EA	CONNECTOR - ELECTRICAL PIGTAIL - NYLON - CLEAR
	077479-01-000	EA	BOOT - BATTERY TERMINAL - DOUBLE CABLE
	077479-02-000	EA	BOOT - BATTERY TERMINAL - SINGLE CABLE
	080015-02-000	EA	RECEPTACLE - FLAG - .185 - 16/14 GAUGE
	080015-03-000	EA	RECEPTACLE - FLAG - .250 - 14/16 GAUGE
	087949-01-000	EA	BUSS BAR - 2 POSITION - .6" X 1.5"
	088473-01-000	EA	HOUSING - PIN - 12 CAVITY (3 ROWS OF 4)
	088473-02-000	EA	HOUSING - PIN - 15 CAVITY (3 ROWS OF 5)
	088473-07-000	EA	HOUSING - PIN - 5 CAVITY - IN-LINE
	088473-08-000	EA	HOUSING - PIN - 4 CAVITY - IN-LINE
	088473-09-000	EA	HOUSING - PIN - 3 CAVITY - IN-LINE
	088473-10-000	EA	HOUSING - PIN - 2 CAVITY - IN LINE
	088474-01-000	EA	HOUSING - SOCKET - 12 CAVITY
	088474-02-000	EA	HOUSING - SOCKET - 15 CAVITY
	088474-03-000	EA	HOUSING - SOCKET - 9 CAVITY
	088474-07-000	EA	HOUSING - SOCKET - 5 CAVITY
	088474-08-000	EA	HOUSING - SOCKET - 4 CAVITY
	088474-09-000	EA	HOUSING - ELECTRICAL - 3 TERMINAL
	088474-10-000	EA	HOUSING - SOCKET - 2 CAVITY
	088475-01-000	EA	PIN - CONNECTOR - 14-20 AWG
	088475-02-000	EA	PIN - CONNECTOR - 10 - 12 AWG
	088476-01-000	EA	TERMINAL - ELECTRICAL
	088476-02-000	EA	SOCKET - CONNECTOR - 12-10 GA - PRE-TIN
	098261-02-000	EA	SOCKET - CONNECTOR - WEATHERPACK
	098262-01-000	EA	SEAL - CONNECTOR - WEATHERPACK
	098265-02-000	EA	PIN - CONNECTOR - WEATHERPACK
	101751-02-000	EA	HOUSING - 1 PIN - WEATHERPACK
	102777-02-000	EA	TERMINAL - RING - #6 STUD - 10 AWG
	106655-01-000	EA	TERMINAL - FUSE BLOCK - 14-16 AWG
	106655-02-000	EA	TERMINAL - FUSE BLOCK - 10-12 AWG
	119223-01-000	EA	HOUSING - 6 POSITION - MALE - WEATHERPACK
	125323-02-000	EA	HOUSING - 8 POSITION - MALE
	125324-01-000	EA	TERMINAL - MALE - METRI-PACK - 150
	125325-01-000	EA	SEAL - CAVITY

EXTERIOR BODY GROUP**AWNING - A & E**

KEY	PART NUMBER	U/M	DESCRIPTION
	113874-05-02A	EA	AWNING/W/O HARDWARE 14' (POLAR/NAVY/TEAL) VINYL
*	113874-01-02A	EA	HARDWARE KIT - AWNING - W/O STANDOFF BRACKET-BRIGHT WHITE
	111038-01-01A	EA	SPACER - AWNING - LOWER
	130320-01-02A	EA	BRACKET - AWNING - F/A&E INSTALLATION - BRIGHT WHITE
	113874-11-01A	EA	AWNING - LAG SCREW - 1/4" X 1" STAINLESS STEEL
			FROM: 07-17-98 THRU: 99-99-99
	129375-01-000	EA	SEAL/FOAM - LADDER BRACKET

COMPONENT PARTS FOUND IN SERVICE PARTS LIBRARY*RUNNING BOARDS**

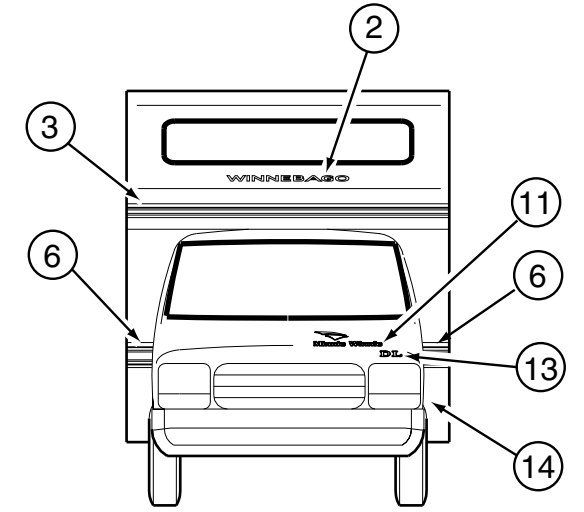
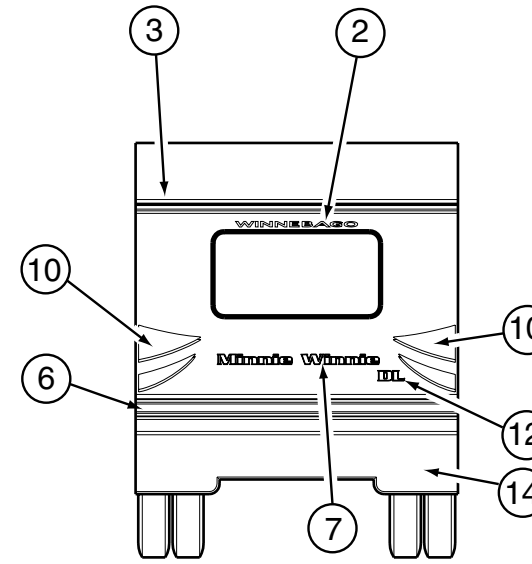
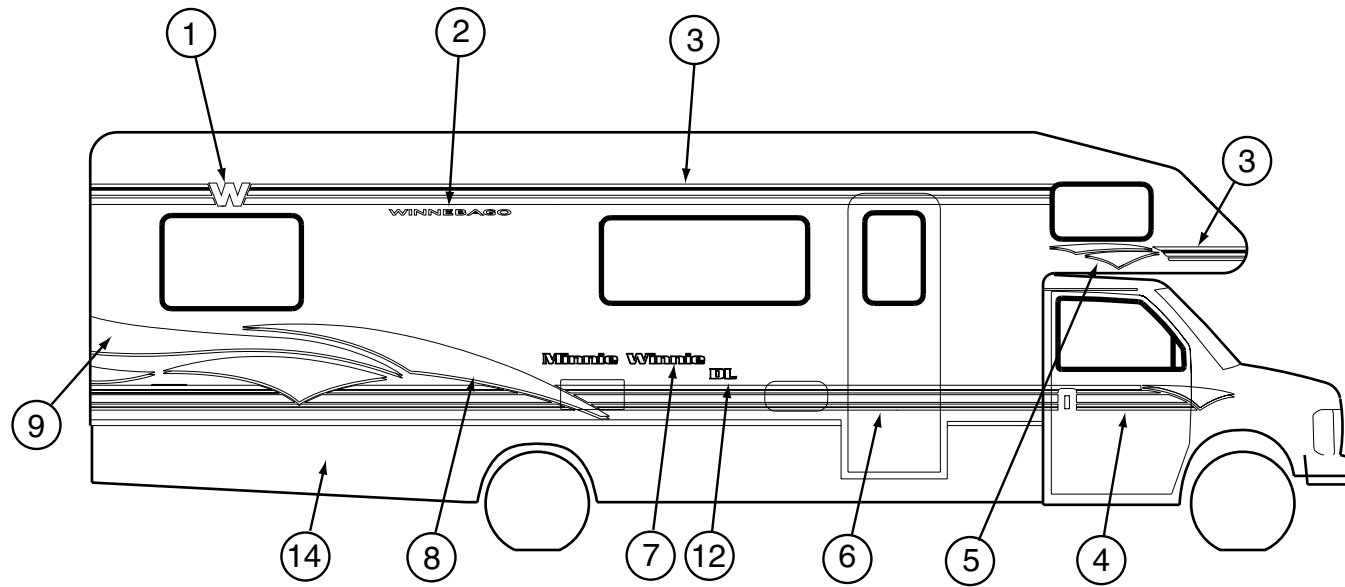
KEY	PART NUMBER	U/M	DESCRIPTION
	106461-03-000	EA	HARDWARE KIT - RUNNING BOARD
	106461-06-02A	EA	RUNNING BOARD - FIBERGLASS - PASSENGER - FORD
	106461-07-02A	EA	RUNNING BOARD - FIBERGLASS - DRIVER - FORD
	106461-04-000	EA	TRIM - RUNNING BOARD/FORD
	106461-05-000	EA	NON SKID STRIP - RUNNING BOARD

FIBERGLASS, STYROFOAM & ALUMINUM CHANNEL

KEY	PART NUMBER	U/M	DESCRIPTION
	100619-01-000	BF	FOAM - EXPANDED POLYSTYRENE - 1.34" X 48" X 96"
	100619-02-000	BF	FOAM - EXPANDED POLYSTYRENE - 1.5" X 48" X 96"
	100619-04-000	BF	FOAM - EXPANDED POLYSTYRENE - .5" X 48" X 96"
	100619-05-000	BF	FOAM - EXPANDED POLYSTYRENE - .75" X 48" X 96"-1.5 DENSITY
	100619-13-000	BF	FOAM - EXPANDED POLYSTYRENE - .34" X 34.65" X 96"
	100619-16-000	BF	FOAM - EXPANDED POLYSTYRENE - .75" X 48" X 96"-2.0 DENSITY
	076054-AC-000	EA	FIBERGLASS SHEET - 20" X 99.8" - OFF WHITE
	076054-W2-000	EA	FIBERGLASS SHEET - 85" X 339" - BRIGHT WHITE
	076054-W5-000	EA	FIBERGLASS SHEET - 101.4" X 108.7" - BRIGHT WHITE
	077517-62-000	EA	FIBERGLASS SHEET/SIDEWALL - 48" X 96" - BRIGHT WHITE
	076054-P9-000	EA	FIBERGLASS SHEET - 37.4" X 99.3" - BRIGHT WHITE
	076054-U4-000	EA	FIBERGLASS SHEET - 101" X 104" - BRIGHT WHITE
	000870-08-000	SF	STYROFOAM - 3/4" X 48" X 96" PLANED EXPANDED BEAD BOARD
	002726-01-001	EA	GARNISH - U-CHANNEL - 1.38" X 19' - SERRATED
	089297-01-000	SF	PLYWOOD - LUAN - OVERLAY GRADE - 48" X 96"
	089297-02-000	SF	PLYWOOD - LUAN - OVERLAY GRADE - 48" X 108"
	117754-03-01A	EA	FIBERGLASS SHEET - 10.5" X 96" - BRIGHT WHITE
	002754-01-001	EA	ANGLE- EXTRUDED - .75" X .75" X 18' - MILL ALUMINUM

EXTERIOR BODY GROUP (CONTINUED)

DECALS, STRIPES & PAINT

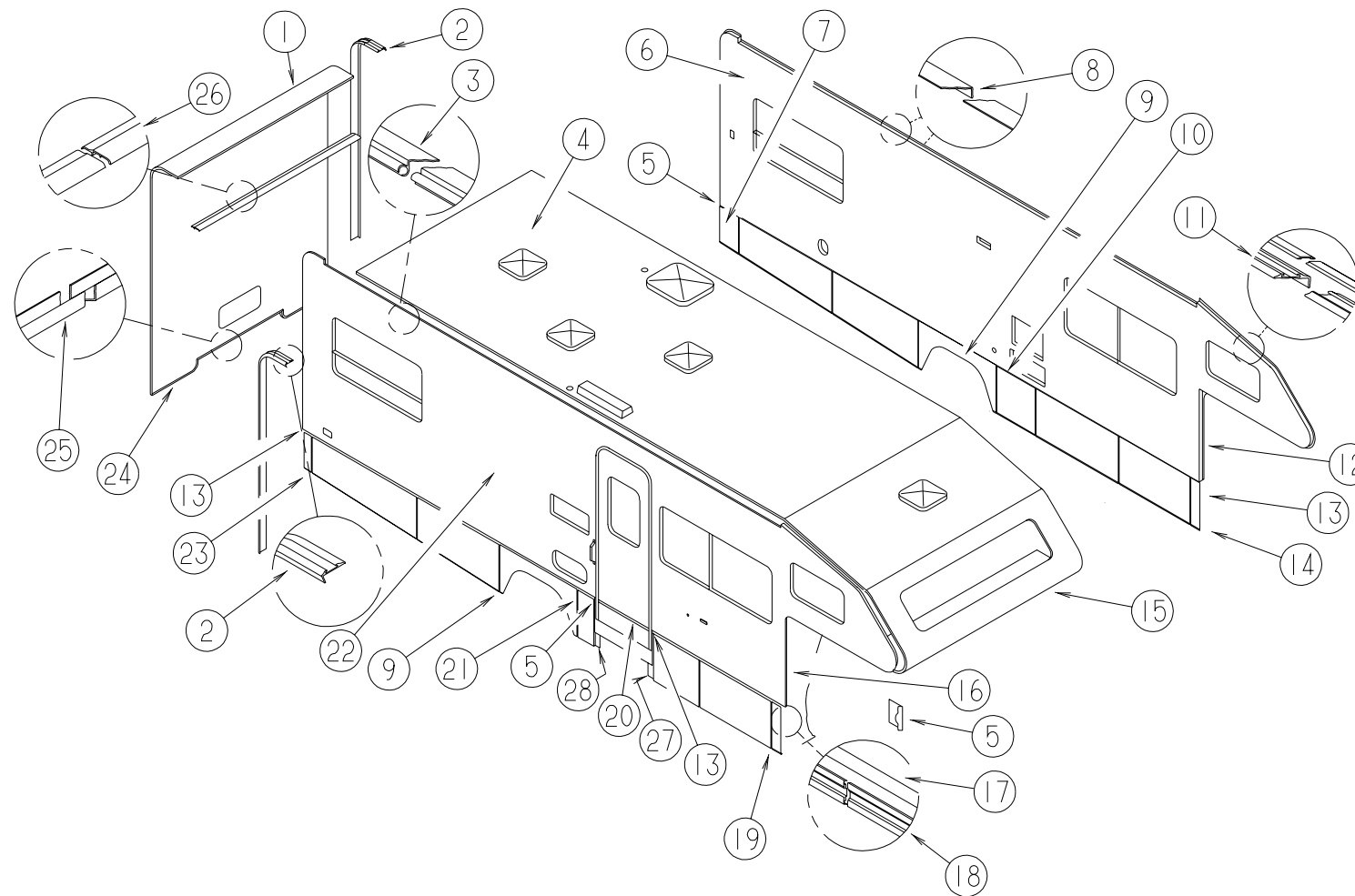


KEY	PART NUMBER	U/M	DESCRIPTION	VENDOR NO.
1	120700-04-01A	EA	DECAL - LOGO - W	
2	120702-03-10A	EA	DECAL - LOGO - WINNEBAGO/SMALL	
3	093689-27-01A	FT	FILM - MULTISTRIPE - 4"	
4	129670-01-01A	EA	DECAL - GRAPHICS - CAB/PASSENGER	
	129670-02-01A	EA	DECAL - GRAPHICS - CAB/DRIVER	
5	129671-01-01A	EA	DECAL - GRAPHICS - SMALL/PASSENGER	
	129671-02-01A	EA	DECAL - GRAPHICS - SMALL/DRIVER	
6	094445-07-01A	FT	FILM - MULTISTRIPE - 7.2"	
7	121744-01-03A	EA	DECAL - "MINNIE WINNIE" - 3" X 47.2"	
	122886-02-01A	EA	DECAL - MOBILIE - SMALL - JAPAN	
8	129672-01-01A	EA	DECAL - GRAPHICS 1 - PASSENGER	
	129672-02-01A	EA	DECAL - GRAPHICS 1 - DRIVER	
9	129673-01-01A	EA	DECAL - GRAPHICS 2 - PASSENGER	
	129673-02-01A	EA	DECAL - GRAPHICS 2 - DRIVER	
10	129674-01-01A	EA	DECAL - GRAPHICS - REAR/PASSENGER	
	129674-02-01A	EA	DECAL - GRAPHICS - REAR/DRIVER	
11	129667-01-01A	EA	DECAL - HOOD - "MINNIE WINNIE"	
12	123777-01-03A	EA	DECAL - "DL" LOGO - 3" X 8"	
13	123777-02-03A	EA	DECAL - "DL" LOGO - 1.3" X 3.4"	
14	N/A	GL	PAINT-PLATINUM MET	DUPONT F2528U
14	N/A	GL	PAINT-BLUE GREEN MET	DUPONT F4591U
	041561-03-000	EA	PAINT - 16 OUNCE SPRAY - OFF WHITE	

DUPONT COLOR CODES	
OFF WHITE	L8723A
BRIGHT WHITE	B8951U
LT. BLUE MET	BM359
LIGHT GREEN MET	GM185
SMOKE MET	MM328
MAJESTIC PURPLE MET	F0704
TRUE ROYAL BLUE MET	BM461

EXTERIOR BODY GROUP (CONTINUED)

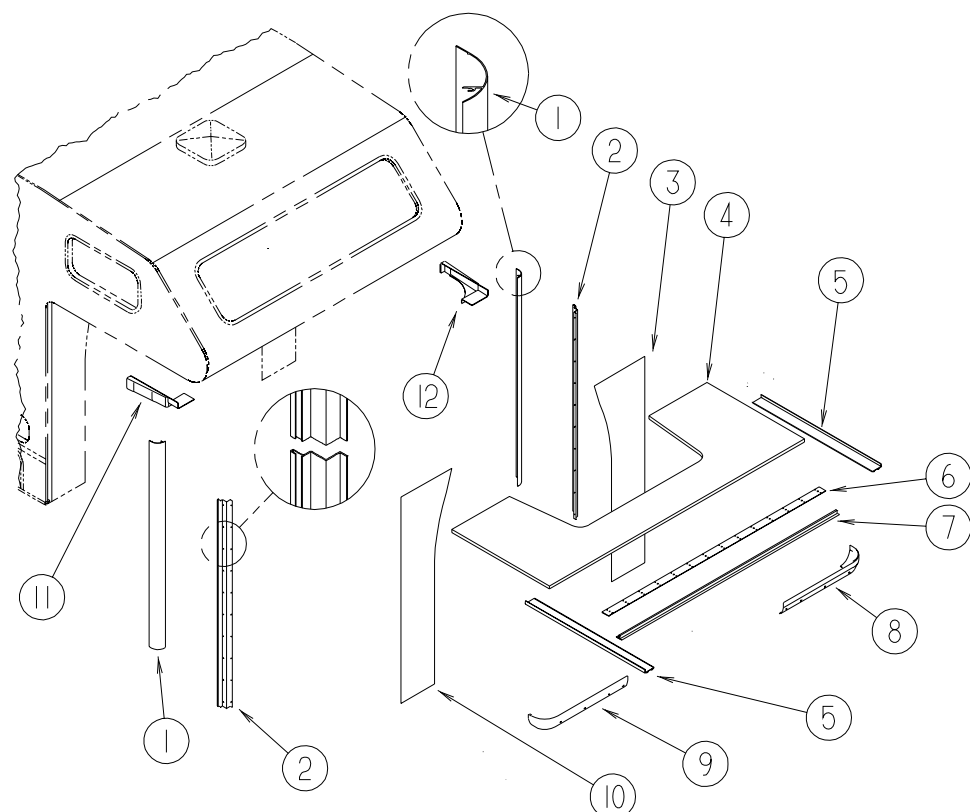
BODY PANELS & TRIMS



KEY	PART NUMBER	U/M	DESCRIPTION
1	P26658-01-K13	EA	BACKWALL - W/O WINDOW/TRIM - F/CENTER QUEEN BED (K13)
1	P26658-01-J11	EA	BACKWALL - W/O WINDOW/TRIM - F/CENTER QUEEN BED (K15)
1	P26658-02-K13	EA	BACKWALL - W/O WINDOW/TRIM - F/TWIN BED (K13)
1	P26658-02-J11	EA	BACKWALL - W/O WINDOW/TRIM - F/TWIN BED (K15)
2	096854-05-02A	EA	TRIM - CONTOUR - BRIGHT WHITE - 114"
	105312-01-07A	FT	INSERT - VINYL FEATURE STRIP - BRIGHT WHITE
3	099583-55-003	EA	RAIL - AWNING - 120"
4	P29466-01-K07	EA	ROOF - REAR - W/O LIGHTS/VENTS - W/WIRING
5	124132-01-01A	EA	CAP - SIDEWALL TRIM - RIGHT HAND - 1.4" - BRIGHT WHITE
6	P25931-01-J41	EA	SIDEWALL - DRIVER - W/O WINDOWS/TRIMS (K13)
6	P25391-01-J11	EA	SIDEWALL - DRIVER - W/O WINDOWS/TRIMS (K15)
7	122732-04-JA1	EA	VALANCE/PANEL - REAR DRIVER - W/O HARDWARE - 8.9"
8	096864-01-02A	EA	TRIM - CONTOUR - ROOF TO SIDEWALL - 120"
9	121304-02-02A	EA	PANEL - WHEEL LIP - REAR
10	122776-10-JA1	EA	VALANCE/PANEL - W/O HARDWARE - 20.6"
11	096854-06-02A	EA	TRIM - CONTOUR - BRIGHT WHITE - 130"
			FROM: 00-00-00 THRU: 08-16-98
11	096854-07-02A	EA	TRIM - CONTOUR - 144" - BRIGHT WHITE
			FROM: 08-17-98 THRU: 99-99-99
	105312-01-07A	FT	INSERT - VINYL FEATURE STRIP - BRIGHT WHITE
12	104479-06-02A	EA	TRIM - FRONT CONTOUR - BRIGHT WHITE - LEFT HAND
13	124132-02-01A	EA	CAP - SIDEWALL TRIM - LEFT HAND - 1.4" - BRIGHT WHITE
14	122776-07-JA1	EA	VALANCE/PANEL - W/O HARDWARE - 4.8"
15	P21337-01-H07	EA	ROOF - FRONT ONLY - W/O LIGHTS/VENTS - W/WIRING

KEY	PART NUMBER	U/M	DESCRIPTION
16	104479-05-02A	EA	TRIM - FRONT CONTOUR - BRIGHT WHITE - RIGHT HAND
17	124299-51-001	EA	EXTRUDED - RETAINER - TRIM - 144"
18	124176-01-01A	EA	TRIM - SIDEWALL - BRIGHT WHITE - 16"
19	122776-06-JA1	EA	VALANCE/PANEL - W/O HARDWARE - 4.8"
20	108688-01-03A	EA	STRIP - FEATURE - 15"
20	108651-01-01A	EA	END CAP - FEATURE STRIP
21	122776-03-JA1	EA	VALANCE/PANEL - W/O HARDWARE - 8.9"
22	P25930-01-J41	EA	SIDEWALL - PASSENGER - W/O WINDOWS/TRIMS (K13)
22	P25930-01-J11	EA	SIDEWALL - PASSENGER - W/O WINDOWS/TRIMS (K15)
23	122732-03-JA1	EA	VALANCE/PANEL - REAR PASSENGER - W/O HARDWARE - 4.9"
24	103334-03-02A	EA	TRIM - BACKWALL/LOWER - 25.6"
25	103335-02-02A	EA	TRIM - BACKWALL/LOWER - 46.2"
26	078580-02-000	EA	TRIM - ROOF/FRONT/REAR CAP
27	125089-01-JA1	EA	TRIM - ENTRANCE STEP
28	125089-02-JA1	EA	TRIM - ENTRANCE STEP
	107865-06-000	EA	ROD - SUPPORT - VALANCE PANEL - 15"
	107865-01-000	EA	ROD - SUPPORT - VALANCE PANEL - 14.3"
	002726-01-001	EA	GARNISH - U-CHANNEL - 1.38" X 19' - SERRATED
	002365-03-006	EA	U-CHANNEL - EXTRUDED - 1" X 192" - BRIGHT WHITE
	099069-01-000	FT	SEAL - RUBBER - CLOSED SPONGE - .5" WIDE X .12" THICK -BLK
	107865-06-000	EA	ROD - SUPPORT - VALANCE PANEL - 15"
	119568-01-01A	EA	STANDOFF - VALANCE PANEL - BLACK

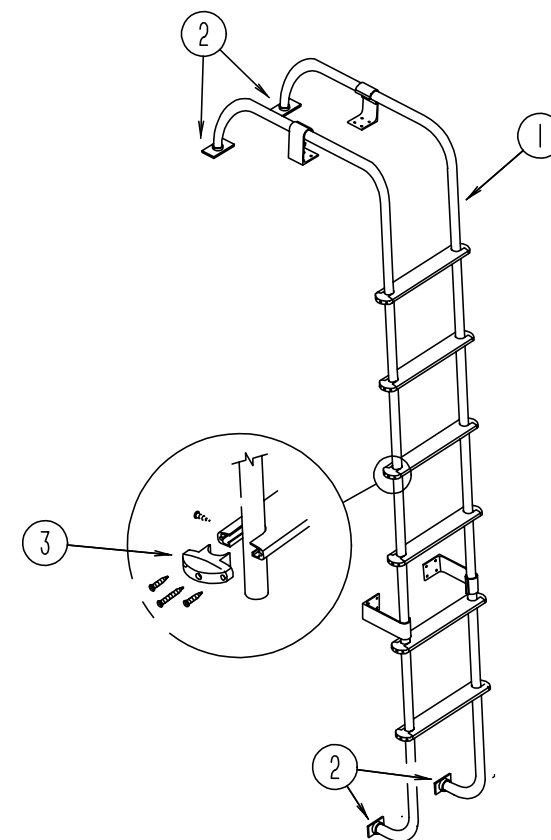
EXTERIOR BODY GROUP (CONTINUED)



WINGWALL, SLEEPERBOARD & TRIM

KEY	PART NUMBER	U/M	DESCRIPTION
1	108037-02-02A	EA	COVER - WINGWALL OUTER-CURVED BRIGHT WHITE ALUMINUM
2	105015-02-02A	EA	TRIM-WINGWALL/SIDEWALL INNER SUPPORT BRKT - BRIGHT WHITE
3	125128-02-J10	EA	WINGWALL - DRIVER
4	P25129-01-J01	EA	SLEEPERBOARD
5	096854-05-02A	EA	TRIM - CONTOUR - BRIGHT WHITE - 114"
5	105312-01-07A	FT	INSERT - VINYL FEATURE STRIP - BRIGHT WHITE
6	100086-04-01A	EA	TRIM - SLEEPER BOARD/ROOF - 2" X 96.6"
7	100085-05-01A	EA	TRIM - STRAP - SLEEPERBOARD
8	122910-02-G07	EA	COVER - WINGWALL - DRIVER
9	122910-01-G07	EA	COVER - WINGWALL - PASSENGER
10	125128-01-J10	EA	WINGWALL - PASSENGER
11	104444-01-02A	EA	COVER - WINGWALL TRIM - UPPER PASSENGER - BRIGHT WHITE
12	104444-02-02A	EA	COVER - WINGWALL TRIM - UPPER DRIVER - BRIGHT WHITE

EXTERIOR BODY GROUP (CONTINUED)



LADDER

KEY	PART NUMBER	U/M	DESCRIPTION
1	102953-15-K07	EA	LADDER - BRUSHED ALUMINUM
FROM: 00-00-00 THRU: 06-05-98			
2	067165-01-000	EA	BRACKET - MOUNTING - RACK & LADDER
	000G39-06-10T	EA	SCREW - SF/DR - 6-20 X 5/8 PPH - BLACK
	000G68-10-36T	EA	SCREW - 10-12 X 2.25 POH BLACK
3	076980-02-000	EA	END CAP - STEP - BLACK
	038327-01-000	EA	TAPE - ANTI-SLIP - 2" X 60'
	081114-01-000	EA	CAP - INSERT - ROUND - 1" DIAMETER - BLACK PLASTIC

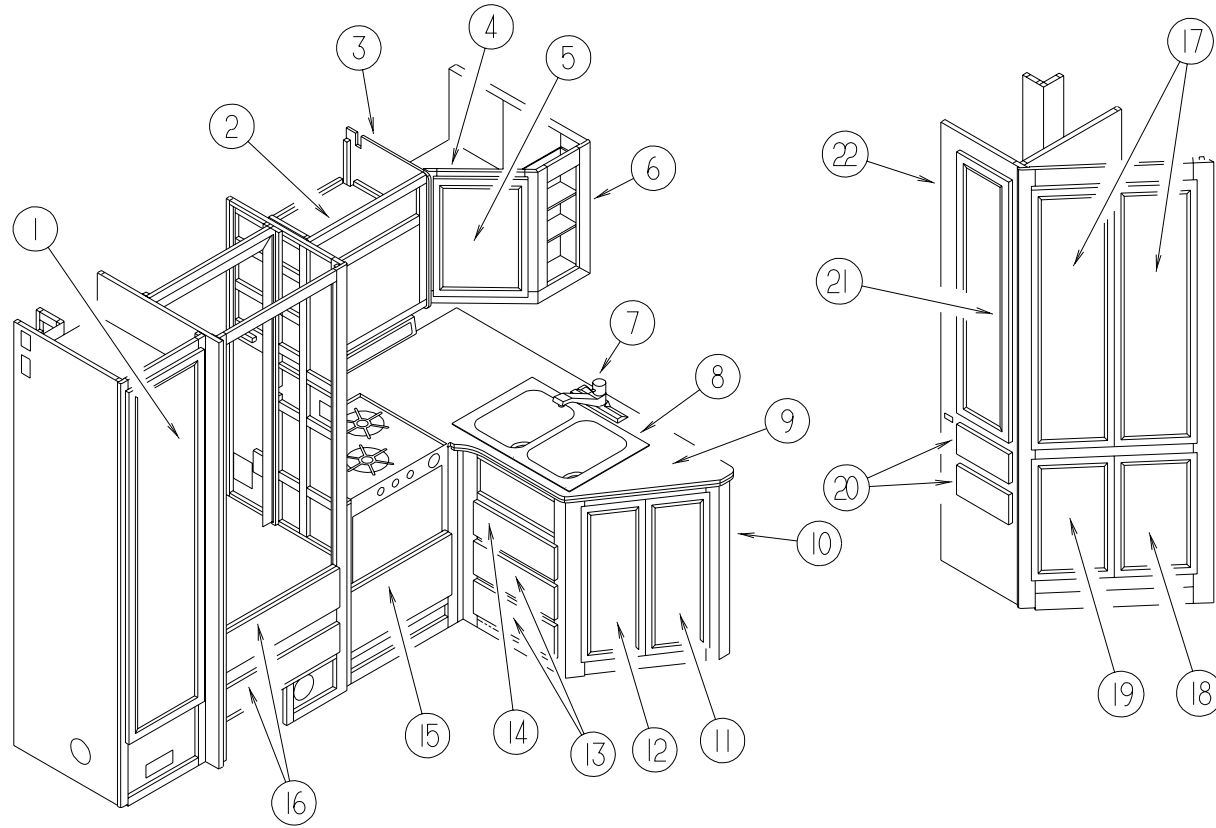
LADDER

KEY	PART NUMBER	U/M	DESCRIPTION
1	129639-05-01A	EA	LADDER - BRUSHED ALUMINUM
FROM: 06-06-98 THRU: 99-99-99			
	131256-01-01A	EA	PLATE - LADDER
	129375-01-000	EA	SEAL/FOAM - LADDER BRACKET

EXTERIOR MIRRORS - VELVAC

KEY	PART NUMBER	U/M	DESCRIPTION	VENDOR NO.
	120269-05-01A	EA	MIRROR - EXTERIOR - W/HEAT/REMOTE - PASSENGER	
	120269-06-01A	EA	MIRROR - EXTERIOR - W/HEAT/REMOTE - DRIVER	
	120269-05-701	EA	GLASS ONLY REPLACEMENT RH/LH	709411-8
	120269-07-01A	EA	PANEL - DRIVERS DOOR MIRROR CONTROL W/SWITCH & PIGTAIL	
	120269-08-000	EA	HARNES - ELECTRIC MIRROR	

GALLEY GROUP



CABINETS & FIXTURES

KEY	PART NUMBER	U/M	DESCRIPTION
1	M06803-11-J10	EA	DOOR - MIRROR/MTRD CRNR/OGEE EDGE - 16.1" X 65.3"-W//O HDW
	123122-12-H10	EA	SHELF - W/PLASTIC EDGE TRIM
2	128619-01-J10	EA	CABINET - MICROWAVE - W/O DOORS/HARDWARE
3	109908-68-J10	EA	END CAP - OVERHEAD CABINET
4	P14876-01-J10	EA	CABINET - GALLEY OVERHEAD W/SPICE RACK - W/O DOORS/HDW
	114876-11-F08	EA	SHELF - W/PLASTIC EDGE TRIM
5	M05992-69-J10	EA	DOOR - STRAIGHT CORNER/OGEE EDGE - 14.3" X 21.8" - W/O HDW
6	114875-01-J10	EA	CABINET - SPICE RACK - W/O DOORS/HARDWARE
	098335-15-G05	EA	RAIL - GALLEY - 46.1" (K13)
	098335-15-J11	EA	RAIL - GALLEY - 46.1" (K15)
7	104114-02-01A	EA	FAUCET - GALLEY - SINGLE CONTROL
8	104113-01-000	EA	SINK - DOUBLE - STAINLESS STEEL
	092303-01-000	EA	STRAINER - SINK
	103610-03-H05	EA	COVER - SINK - 15.2" X 11" (K13)
	103610-03-H07	EA	COVER - SINK - 15.2" X 11" (K15)
9	123123-20-H31	EA	COUNTERTOP - GALLEY (K13)
9	123123-20-J11	EA	COUNTERTOP - GALLEY (K15)
10	M07554-03-K13	EA	CABINET - GALLEY - W/COUNTERTOP - W/O DRS/DWRS/HDW-F/COUCH
10	M07554-03-K15	EA	CABINET - GALLEY - W/COUNTERTOP - W/O DRS/DWRS/HDW-F/COUCH
10	M07554-04-K13	EA	CABINET - GALLEY - W/COUNTERTOP-W/O DRS/DWRS/HDW-F/DINETTE
10	M07554-04-K15	EA	CABINET - GALLEY - W/COUNTERTOP-W/O DRS/DWRS/HDW-F/DINETTE
10	M07554-05-K13	EA	CABINET - GALLEY-W/COUNTERTOP-W/O DRS/DWRS/HDW-F/COUCH-CAN
10	M07554-05-K15	EA	CABINET - GALLEY-W/COUNTERTOP-W/O DRS/DWRS/HDW-F/COUCH-CAN
10	M07554-06-K13	EA	CABINET - GALLEY-W/COUNTERTOP-W/O DRS/DWRS/HDW -F/DIN-CAN
10	M07554-06-K15	EA	CABINET - GALLEY-W/COUNTERTOP-W/O DRS/DWRS/HDW -F/DIN-CAN
11	M05992-N1-J10	EA	DOOR - STRAIGHT CORNER/OGEE EDGE - 10" X 29.5" - W/O HDW
12	M05992-N2-J10	EA	DOOR - STRAIGHT CORNER/OGEE EDGE - 10" X 29.5" - W/O HDW
	123123-17-H10	EA	SHELF - W/PLASTIC EDGE TRIM
13	M05971-J4-J10	EA	DRAWER - OGEE EDGE - 15.4"W X 17.7"D - W/O SLIDES/HARDWARE
14	M05971-J3-J10	EA	DRAWER - OGEE EDGE - 12.5"W X 8.6"D - W/O SLIDES/HARDWARE
15	M05971-KM-K13	EA	DRAWER - OGEE EDGE - 19.7"W X 15.7"D - W/O SLIDES/HARDWARE
16	M05971-L9-J10	EA	DRAWER - OGEE EDGE - 22.5"W X 21.6"D - W/O SLIDES/HARDWARE
	090329-01-000	FT	SEAL/T - REFRIGERATOR CABINET

GALLEY GROUP (CONTINUED)

CABINETS & FIXTURES (CONTINUED)

KEY	PART NUMBER	U/M	DESCRIPTION
17	M06803-28-J10	EA	DOOR - MIRROR/MTRD CORNER/OGEE EDGE - 12" X 48" - W/O HDW
18	M05992-P8-J10	EA	DOOR - STRAIGHT CORNER/OGEE EDGE - 12" X 21.8" - W/O HDW
19	M05992-P9-J10	EA	DOOR - STRAIGHT CORNER/OGEE EDGE - 12" X 21.8" - W/O HDW
20	M05971-J1-J10	EA	DRAWER - OGEE EDGE - 9.8"W X 13.8"D - W/O SLIDES/HARDWARE
21	M05992-15-K13	EA	DOOR - STRAIGHT CORNER/OGEE EDGE - 12" X 48" - W/O HDW
22	114308-01-H10	EA	CABINET - PANTRY - W/O DOORS/DRAWERS/HARDWARE
	114308-12-F08	EA	SHELF - W/PLASTIC EDGE TRIM
	114308-16-H10	EA	SHELF - W/PLASTIC EDGE TRIM

RANGE HOODS - VENTLINE

KEY	PART NUMBER	U/M	DESCRIPTION
*	100258-22-03A	EA	HOOD - RANGE - 22" - W/MONITOR PANEL
*	100258-23-03A	EA	HOOD - RANGE - 22" - W/MONITOR PANEL
	096449-01-000	EA	WIRE ASSEMBLY - WATER TANK TO MONITOR PANEL
	097618-01-000	EA	WIRE ASSEMBLY - MONITOR PANEL- W/3 WIRES & ORANGE RESISTOR

***COMPONENT PARTS FOUND IN SERVICE PARTS LIBRARY**

MICROWAVE OVEN - SAMSUNG FROM: 00-00-00 THRU: 01-15-99

KEY	PART NUMBER	U/M	DESCRIPTION	VENDOR NO.
	128527-02-000	EA	OVEN - MICROWAVE - 1.2 CU FT - NON CONVECTION	
	128527-02-700	EA	TRIM RING-F/1.2 CU.FT. MICRO	MC-6471-EA
	128642-02-000	EA	TRIM KIT W/VENT - MICROWAVE - 1.2 CU FT - SAMSUNG	
	098916-22-02B	EA	BRACE - MICROWAVE CABINET - LEFT HAND	
	098916-23-02B	EA	BRACE - MICROWAVE CABINET - RIGHT HAND	
	094750-10-000	EA	BRACKET - MICROWAVE - 89 DEGREE	

MICROWAVE OVEN - SAMSUNG FROM: 01-16-99 THRU: 99-99-99

KEY	PART NUMBER	U/M	DESCRIPTION
	128527-04-000	EA	OVEN - MICROWAVE - 1.2 CU FT
	098916-22-02B	EA	BRACE - MICROWAVE CABINET - LEFT HAND
	098916-23-02B	EA	BRACE - MICROWAVE CABINET - RIGHT HAND
	094750-10-000	EA	BRACKET - MICROWAVE - 89 DEGREE

REFRIGERATOR - NORCOLD 9162

KEY	PART NUMBER	U/M	DESCRIPTION
*	121568-02-01A	EA	REFRIGERATOR - SMALL DOUBLE DOOR/LEFT HAND - 2-WAY FROM: 00-00-00 THRU: 07-19-98
*	121568-04-01A	EA	REFRIGERATOR - SMALL DOUBLE DOOR/LEFT HAND - 2-WAY - BLACK FROM: 07-20-98 THRU: 99-99-99
	065225-02-000	EA	PLATE - TIEDOWN - REFRIGERATOR
	093646-01-000	EA	BRACKET - TIEDOWN/REFRIGERATOR - RIGHT HAND
	093646-02-000	EA	BRACKET - TIEDOWN/REFRIGERATOR - LEFT HAND
	054450-01-000	EA	LEVEL - REFRIGERATOR
	116751-06-01A	EA	TRAY - REFRIGERATOR - BLACK
	103251-07-01A	EA	INSERT - ACRYLIC/BLACK - 21.60" X 14.53"
	103251-08-01A	EA	INSERT - ACRYLIC/BLACK - 21.6" X 31.6"

***COMPONENT PARTS FOUND IN SERVICE PARTS LIBRARY**

GALLEY GROUP (CONTINUED)

COFFEE MAKER - BLACK & DECKER

KEY	PART NUMBER	U/M	DESCRIPTION	VENDOR NO.
	126019-01-01A	EA	COFFEEMAKER - OPTIMA - W/BRACKETS - BLACK & DECKER	
	126019-01-700	EA	GLASS CARAFE	172547-00
	126019-01-701	EA	RESERVOIR- WATER	172554
	126019-01-702	EA	BASKET - FILTER	172553-00
	126019-01-703	EA	HARDWARE - MOUNTING	172174-00

RANGE - MAGIC CHEF

KEY	PART NUMBER	U/M	DESCRIPTION
*	112881-02-01A	EA	RANGE - 16" - 3 BURNER - FRONT 9100/REAR 6500 BTU-BLK TOP
	105458-01-000	EA	BRACKET - STOVE TIEDOWN - RIGHT HAND
	105458-02-000	EA	BRACKET - STOVE TIEDOWN - LEFT HAND

*COMPONENT PARTS FOUND IN SERVICE PARTS LIBRARY

GENERATOR GROUP

4000 KW ONAN GENERATOR

KEY	PART NUMBER	U/M	DESCRIPTION
	007067-01-000	SF	INSULATION - FIBERGLASS - 1" THICK X 4'-INCREMENTS 4 SF
	109982-03-000	EA	GENERATOR - 4.0 MICROLITE
	118248-01-02B	EA	BRACKET - GENERATOR - W/O NOTCH - E-COATED
	118248-02-02B	EA	BRACKET - GENERATOR - W/NOTCH - E-COATED
	007125-04-000	EA	CLAMP - MUFFLER - 1.12" DIAMETER
	105958-09-000	EA	PIPE - GENERATOR EXHAUST - 1.3" OD X 5.9" X 22"

3.6 KW ONAN GENERATOR

KEY	PART NUMBER	U/M	DESCRIPTION
	007067-01-000	SF	INSULATION - FIBERGLASS - 1" THICK X 4'-INCREMENTS 4 SF
	109982-04-000	EA	GENERATOR - 3.6 MICROLITE
	118248-01-02B	EA	BRACKET - GENERATOR - W/O NOTCH - E-COATED
	118248-02-02B	EA	BRACKET - GENERATOR - W/NOTCH - E-COATED
	007125-04-000	EA	CLAMP - MUFFLER - 1.12" DIAMETER
	105958-09-000	EA	PIPE - GENERATOR EXHAUST - 1.3" OD X 5.9" X 22"

NOTE: ADDITIONAL GENERATOR COMPONENTS ARE FOUND IN THE CHASSIS GROUP.

HEATING & AIR CONDITIONING GROUP

HEATING SYSTEM

KEY	PART NUMBER	U/M	DESCRIPTION
	007108-01-000	FT	HOSE - HEATER - 5/8" ID - HI-TEMP - FORD
	076776-01-000	EA	TEE - BEADED - 5/8" X 5/8" X 5/8"
	009198-02-000	FT	DUCT - FLEXIBLE - 2" ID X 25'
	009200-01-000	EA	TAPE - FURNACE - 1 1/2"
	089367-02-000	EA	TEE - 4" X 2" X 4"
	093614-01-02A	EA	GRILLE - RETURN AIR - 15.6" X 7.6" - BEIGE
	040731-01-000	EA	NIPPLE - INLET MANIFOLD - GM —3838094
	094600-05-01A	EA	REGISTER W/O DAMPER-3.6" X 11.3" FACE/2.1" X 9.9" RO-BEIGE
	056464-11-000	EA	REGISTER - 4" DIAMETER - PLASTIC - W/DAMPER - OFF WHITE
	093741-01-000	EA	BOX - BOOT - FLOOR REGISTER
	079059-02-000	EA	HOSE - 90 DEGREE - .61" ID X 4" X 6"

REAR HEATER - EVANS

KEY	PART NUMBER	U/M	DESCRIPTION	VENDOR NO.
	084405-01-000	EA	HEATER - REAR/DUCTED - W/MOTOR AID	
	084405-01-700	EA	CORE-HEATER	FT200229
	084405-01-701	EA	FAN BLADES	HV029931
	084405-01-702	EA	MOTOR ASSEMBLY, 12 VOLT	RV010348
	009198-01-000	FT	DUCT - HEAT - FLEXIBLE - 4" ID X 25'	
	069636-02-000	EA	CONNECTOR - DUCT - 4" ID	
	061673-01-000	EA	BRACKET - MOTOR AID TUBES - 4" X 1.5" - STEEL	
	056464-10-000	EA	REGISTER - 4" DIAMETER - PLASTIC - W/O DAMPER - BEIGE	

AIR CONDITIONERS & CEILING ASM.

KEY	PART NUMBER	U/M	DESCRIPTION
*	115219-01-03A	EA	A/C - ROOF - 14,800 MACH 15 - BRIGHT WHITE FROM: 00-00-00 THRU: 07-05-98
*	131188-01-01A	EA	A/C - ROOF - 14,800 MACH 15 - WHITE FROM: 07-06-98 THRU: 99-99-99
*	108889-02-03A	EA	AIR CONDITIONER - 13,500 BTU/220 VOLT - BRIGHT WHITE - EXP FROM: 00-00-00 THRU: 08-02-98
*	131185-02-01A	EA	A/C ROOF - 13,500 BTU - 220 VOLT - WHITE FROM: 08-03-98 THRU: 99-99-99
*	108892-01-01A	EA	CEILING ASSEMBLY - A/C DUCTED FROM: 00-00-00 THRU: 07-05-98
*	131184-01-01A	EA	CEILING ASSEMBLY - A/C DUCTED - WHITE FROM: 07-06-98 THRU: 99-99-99
	131184-02-01A	EA	BOARD - DIVIDER - SILVER FROM: 06-15-98 THRU: 99-99-99
	120134-01-02A	EA	REGISTER - 4" TO 5" IN DIAMETER W/DAMPER
	117238-01-01A	EA	THERMOSTAT - A/C - FURNACE
	102289-01-000	EA	SPRING - SCREW - ROOF A/C GASKET FROM: 00-00-00 THRU: 08-02-98
	084077-03-000	EA	COVER/BLANK - ROOF A/C 5.2" X 3.5" - IVORY

*COMPONENT PARTS FOUND IN SERVICE PARTS LIBRARY

FURNACE - 30,000 BTU

KEY	PART NUMBER	U/M	DESCRIPTION
*	098668-20-000	EA	FURNACE - 30,000 BTU
	098668-23-000	EA	DOOR - ACCESS - FURNACE - BRIGHT WHITE
	115764-01-01A	EA	THERMOSTAT - FURNACE

*COMPONENT PARTS FOUND IN SERVICE PARTS LIBRARY

INTERIOR FINISH GROUP

PANELING, LAMINATES & PLASTIC

KEY	PART NUMBER	U/M	DESCRIPTION
	074497-23-000	SF	PANELING - CHERRY - 1/8" X 48" X 96"
	074497-41-000	SF	PANELING - CEILING - IMPACT PEARL - EMBOSSED - 4' X 9'
	088272-H3-000	SF	PANELING - BARCELONA - 48" X 84" (K13)
	088272-H4-000	SF	PANELING - TRAVIS - 4' X 7'(28 SQ.FT.) (K15)
	088272-G1-000	SF	PANELING - PEBBLE EMBOSSED - ANTIQUE WHITE - 4' X 7'
	122481-17-000	FT	WALLPAPER - 6.8" BORDER (K13)
	122481-19-000	FT	WALLPAPER - 6.9" BORDER (K15)
	000885-71-000	SF	PARTICLE BOARD - 3/8" X 48" X 96" - CHERRY/VINYL 1 SIDED
	000885-72-000	SF	PARTICLE BOARD - 1/2" X 48" X 96" - CHERRY/VINYL 2 SIDED
	000885-73-000	SF	PARTICLE BOARD - 3/4" X 48" X 96" - CHERRY/VINYL 2 SIDED
	000885-74-000	SF	PARTICLE BOARD - 3/8" X 48" X 98" - CHERRY/VINYL 2 SIDED
	074498-40-000	SF	LAMINATE - PLASTIC - OFF WHITE - 5' X 8'
	074498-58-000	SF	LAMINATE - PLASTIC - CHERRY - 4' X 8'
	074498-72-000	SF	LAMINATE - PLASTIC - PEBBLE SANTOS - 5' X 8'
	074498-71-000	SF	LAMINATE - PLASTIC - NEUTRAL SANTOS - 5'X 8'
	126339-01-000	SF	BOARD - WHEAT - 60" X 72"
	057882-04-700	EA	DOOR-TAMBOUR 4'X4' PC WINONA PART SALES
	083618-07-000	SF	PLYWOOD - MAPLE - 1 SIDE 3/16"

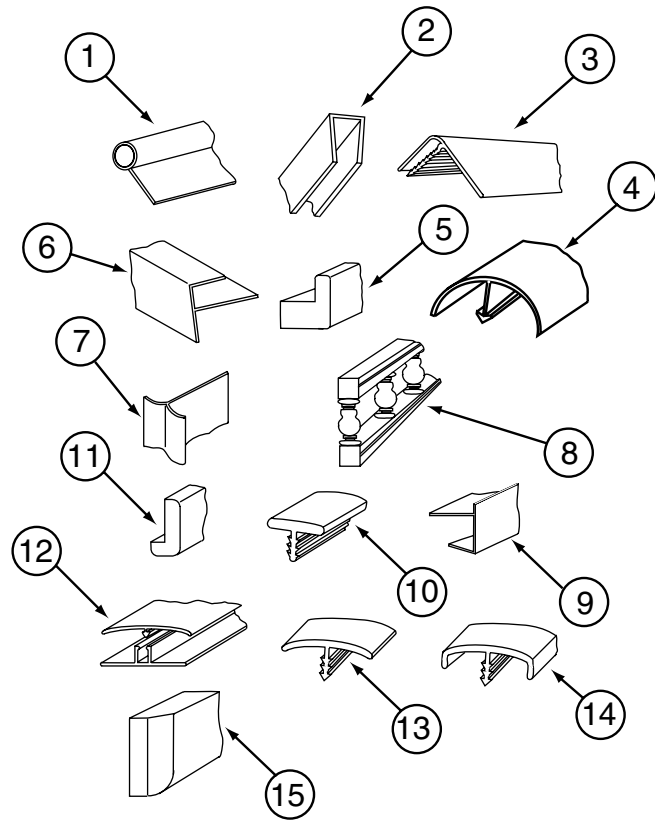
FIRE EXTINGUISHER, DETECTORS & CLOCK

KEY	PART NUMBER	U/M	DESCRIPTION	VENDOR NO.
	072852-01-000	EA	DETECTOR - SMOKE - W/9 VOLT BATTERY - US	
	072852-02-000	EA	DETECTOR - SMOKE - W/9 VOLT BATTERY - CANADIAN	
	094499-03-000	EA	EXTINGUISHER/FIRE - DRY - 10B:C - W/O BRACKET	
	094499-04-000	EA	BRACKET - FIRE EXTINGUISHER	
	094499-02-000	EA	EXTINGUISHER/FIRE - DRY - 1A10BC - CANADIAN	
	094499-01-700	EA	BRACKET MTG. W/PLAS. STRAP	294039
	094499-01-701	EA	STRAP ONLY (METAL)	320351
	118081-02-01A	EA	CLOCK - WALL - ROUND 8" - BRASS	
	125136-01-000	EA	CO DETECTOR - GAS - ROUND W/2 SCREWS - 9 VOLT	

CARPETING & FLOOR MATS

KEY	PART NUMBER	U/M	DESCRIPTION
	096060-95-000	SY	CARPET - JUBILATION/DOESKIN - INCREMENTS OF 4 SQ YDS (K13)
	096060-D1-000	SY	CARPET - JUBILATION - SEAL GRAY - INCREMENTS OF 4 SQ YDS (K15)
	093486-01-000	SY	CARPET - COMPARTMENT - 72" WIDE - DARK GRAY
	093873-01-01A	EA	TRIM - CARPET - L-ANGLE 1.1" X 1.3" X 12' - GRAY VINYL
	122755-05-01A	EA	TILE - RUBBER/ENTRANCE DOOR - 11.2" X 26.9"
	125780-01-000	EA	MAT - FLOOR - FRONT/PASSENGER - "W" - FORD
	125780-02-000	EA	MAT - FLOOR - FRONT/DRIVER - "W" - FORD
	091261-01-000	FT	SLIPNOT - ANTISLIP - 1' WIDE
	096764-02-000	FT	SLIPNOT - ANTISLIP - 1" WIDE (100' ROLLS)

INTERIOR FINISH GROUP (CONTINUED)



MOLDINGS & TRIMS

KEY	PART NUMBER	U/M	DESCRIPTION
1	009767-12-000	FT	WELTING - SIDEWALL/CEILING/CABINET - OFF/WHT
1	009767-14-000	FT	WELTING - CHERRY
2	009778-18-000	FT	U-CHANNEL - 1" - CHERRY-CHERRY
2	009778-20-700	EA	U-CHANNEL, 1"X55" MODERN IVORY
2	070504-03-000	FT	U-CHANNEL - PLASTIC - .9" X 96" - GRADY BROWN
2	070504-30-000	FT	U-CHANNEL - PLASTIC - .13" X 84" - CHERRY
2	070504-31-000	FT	U-CHANNEL - PLASTIC - .9" X 84" - CHERRY
3	009809-27-000	EA	MOLDING - CORNER - OUTSIDE - 1" X 84" - CHERRY
4	042357-19-000	EA	MOLDING - CORNER - RADIUS/PLASTIC - CHERRY
5	100819-01-04A	EA	MOLDING - VINYL WRAPPED - L-SHAPED-1.5" X 1.5" X 84" - OAK
6	009812-26-000	EA	MOLDING - CORNER - 1/2" W/1/4" CHAN X 84" - CHERRY
6	009812-24-000	EA	MOLDING - PLASTIC - 1/2" O/S CORNER - IVORY
7	022992-11-000	FT	MOLDING - REVERSE COVE - T-SHAPED VINYL - IVORY
8	075249-01-000	EA	RAILING - OAK - 72" UNFINISHED
9	103186-01-04A	FT	MOLDING - PLASTIC - 3/8" U-CHANNEL 3/4" FACE - CHERRY
10	104676-02-03A	FT	MOLDING-T - 1/2" - CHERRY
11	077840-01-E41	EA	MOLDING - CAP/WALL - 8' - SALEM CHERRY
12	086229-11-000	EA	RETAINER - OFFSET - 97.01"
12	086229-12-000	EA	BATTEN - 1.5" OFFSET X 97.01" IVORY
12	086229-15-000	EA	BATTEN - 1" X 96" - MODERN IVORY
12	086229-18-000	EA	BATTEN - 1" X 97.68" - OFF WHITE
13	009815-09-000	FT	MOLDING-T - .75" IVORY
13	105709-01-000	FT	MOLDING-T - 1" - MODERN IVORY
14	083620-09-000	FT	MOLDING-T - END CAP EDGE - W/EDGE LIP - .75"-MODERN IVORY
14	083620-11-000	FT	MOLDING-T - END CAP EDGE - W/EDGE LIP - .75" - CHERRY
14	119520-01-01A	FT	MOLDING-T - 1" - W/EDGE LIPS (OFF/WHITE-CREAM)
15	100659-01-E74	EA	MOLDING/TRIM - VINYL FLOOR
	111134-F2-438	EA	LUMBER - VINYL WRAPPED - .7" X 2.5" X 96" - CHERRY
	111136-D2-134	EA	MOLDING - VINYL WRAPPED - .7" X 1.6" X 7" - CHERRY
	111136-F2-438	EA	MOLDING - VINYL WRAPPED - .7" X 2.5" X 8" - CHERRY
	111136-F2-134	EA	MOLDING - VINYL WRAPPED - .7" X 2.6" X 84" - CHERRY

INTERIOR FINISH GROUP (CONTINUED)

MOLDINGS & TRIMS (CONTINUED)

KEY	PART NUMBER	U/M	DESCRIPTION
	081521-02-007	EA	MOUNT - METAL MOLDING - F/RADIUS CORNER MOLDING - 12'6" EA
	093873-01-01A	EA	TRIM - CARPET - L-ANGLE 1.1" X 1.3" X 12' - GRAY VINYL
	111134-D2-438	EA	LUMBER - VINYL WRAPPED - .7" X 1.5" X 96" - CHERRY
	111134-E2-438	EA	LUMBER - VINYL WRAPPED - .7" X 2" X 96" - CHERRY
	111134-G2-438	EA	LUMBER - VINYL WRAPPED - .7" X 3" X 96" - CHERRY
	111134-J2-438	EA	LUMBER - VINYL WRAPPED - .7" X 5.5" X 96" - CHERRY

EDGE BAND MOLDING

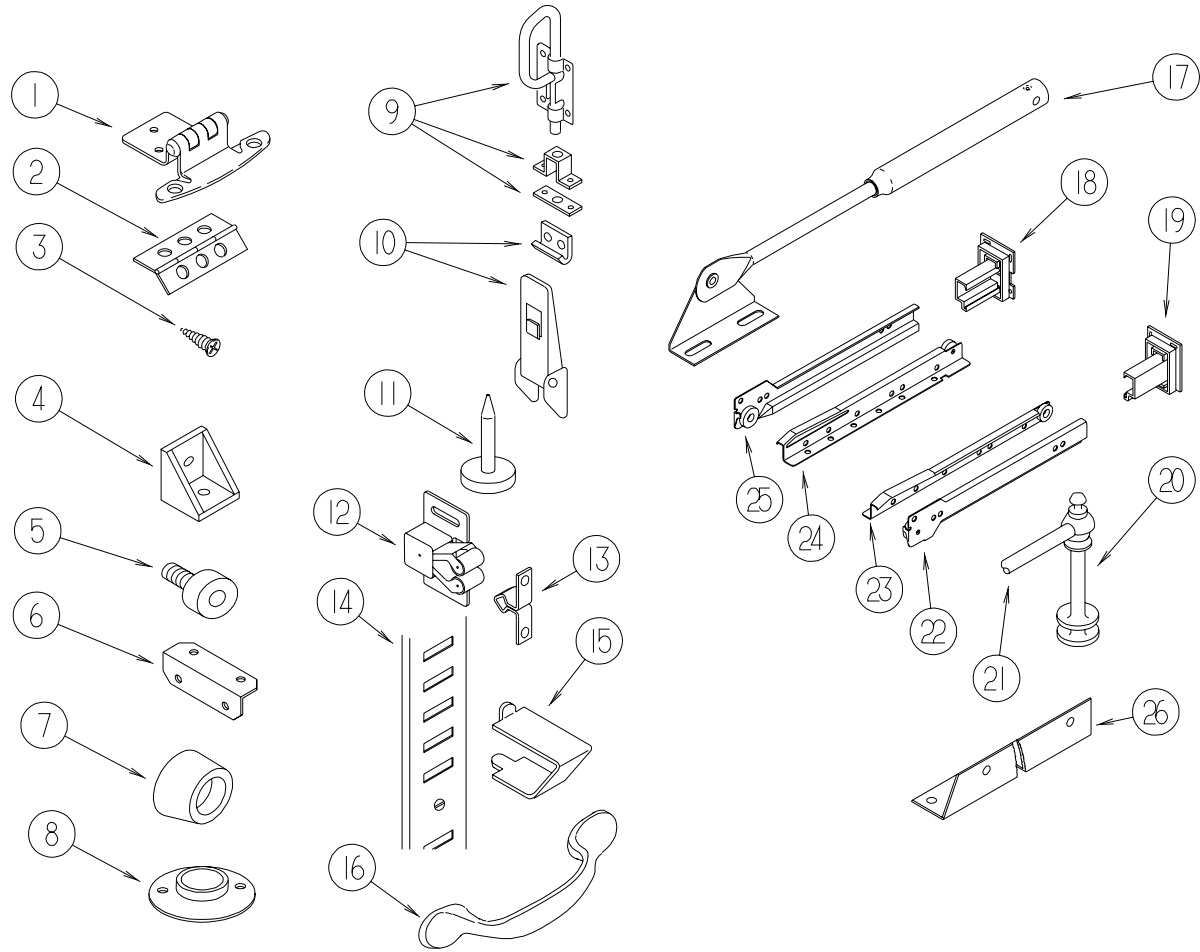
KEY	PART NUMBER	U/M	DESCRIPTION
	076325-50-000	FT	MOLDING - EDGE BAND - 1 5/16" X .030" - CHERRY
	076325-52-000	FT	MOLDING - EDGE BAND - .93" X .024" - CHERRY
	076325-37-000	FT	MOLDING - EDGE BAND - 1 5/16" X .030" - 1136 (K13)
	076325-38-000	FT	MOLDING - EDGE BAND - .875" X .024" - 1136 (K13)
	076325-39-000	FT	MOLDING - EDGE BAND - 1 5/16" X .030" - ALMOND (K15)
	076325-40-000	FT	MOLDING - EDGE BAND - .93" X .024" - ALMOND (K15)
	076325-73-000	FT	MOLDING - EDGE BAND - .93" X .024" - OFF WHITE

BATT STRIP & TAPE

KEY	PART NUMBER	U/M	DESCRIPTION
	079653-20-000	EA	BATT STRIP - KERFED - CHERRY/CHERRY - 8'
	069733-82-000	EA	BATT STRIP - WOODGRAINED/SALEM CHERRY - 8'
	085284-97-000	FT	BATT TAPE - ADHESIVE BACKED - WOODGRAINED/SALEM CHERRY
	088263-F3-000	EA	BATT STRIP - DECORATIVE - BARCELONA LINEN - 8' (K13)
	085284-E8-000	FT	BATT TAPE - ADHESIVE BACKED - DECORATIVE/BARCELONA LINEN (K13)
	088263-F4-000	EA	BATT STRIP - DECORATIVE - TRAVIS MERCURY - 8' (K15)
	085284-E9-000	FT	BATT TAPE - ADHESIVE BACKED - DECORATIVE/TRAVIS MERCURY (K15)

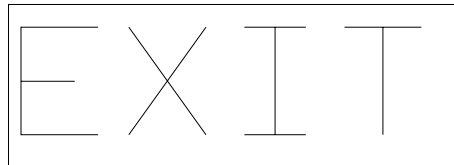
INTERIOR FINISH GROUP (CONTINUED)

CABINET & TABLE HARDWARE

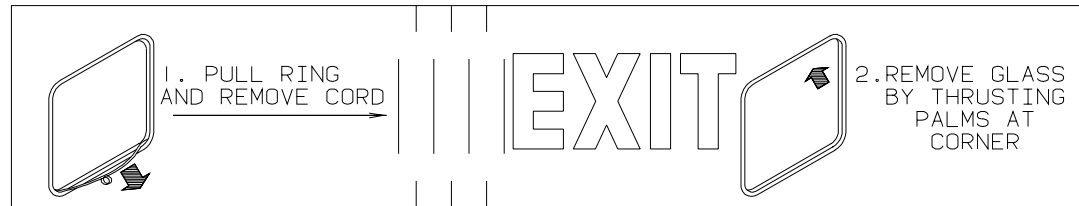


KEY	PART NUMBER	U/M	DESCRIPTION
1	108138-01-000	EA	HINGE - CABINET DOOR - BURNISHED BRASS
2	009059-02-000	EA	HINGE - DOOR - 2" X 2.7" - BRASS
3	000G13-06-08G	EA	SCREW - 6-20 X 5/8 PFH - ANTIQUE BRASS (HINGE 108138-01-000)
4	065740-01-000	EA	BRACE - CABINET/CORNER - PLASTIC
5	079921-01-000	EA	ROLLER - NYLON - W/STEEL SHAFT - BARBED
6	016604-01-000	EA	BRACE - CABINET - ANGLE - 2.5" - UNPAINTED METAL
6	016604-05-000	EA	BRACE - CABINET - ANGLE - 2.5" - OFF WHITE METAL
7	004354-01-000	EA	BUMPER - RUBBER - .5" DIA - BROWN
8	009112-01-000	EA	FLANGE - PLASTIC - 1" CLOTHES ROD - OFF WHITE
9	103256-01-000	EA	LATCH - SLIDE
10	116975-01-01A	EA	LATCH - W/O STRIKE - BLACK - NEW STYLE
	116975-02-01A	EA	KEEPER/STRIKE - BLACK - NEW STYLE
11	102194-01-000	EA	GUIDE - PLASTIC
12	093586-06-000	EA	CATCH - SPRING ROLLER
13	093586-05-000	EA	STRIKE - SPRING STEEL
14	098980-01-000	EA	PILASTER - ADJUSTABLE SHELF - 18"
15	098979-01-000	EA	CLIP - ADJUSTABLE SHELF
16	125165-01-01A	EA	PULL - CABINET - ANTIQUE BRASS
			FROM: 00-00-00 THRU: 06-07-99
16	131963-01-01A	EA	PULL - CABINET - POLISHED BRASS
			FROM: 06-08-99 THRU: 99-99-99
17	074493-02-000	EA	SUPPORT - PISTON SPRING - CABINET DOOR - 26 LBS
18	128811-01-01A	EA	BACKSOCKET - ADJUSTABLE - LEFT
19	128811-02-01A	EA	BACKSOCKET - ADJUSTABLE - RIGHT
20	084070-03-000	EA	POST - END - 2.4" - SHINY BRASS
21	084071-24-000	EA	ROD - BRASS - 3.8"
21	084071-19-000	EA	ROD - BRASS - 7.09" LONG
22	128810-06-01A	EA	SLIDE - DRAWER - 14" - RIGHT CABINET
22	128810-10-01A	EA	SLIDE - DRAWER - 16" - RIGHT CABINET
22	128810-18-01A	EA	SLIDE - DRAWER - 20" - RIGHT CABINET
22	128810-22-01A	EA	SLIDE - DRAWER - 22" - RIGHT CABINET
23	128810-08-01A	EA	SLIDE - DRAWER - 14" - RIGHT DRAWER
23	128810-12-01A	EA	SLIDE - DRAWER - 16" - RIGHT DRAWER
23	128810-20-01A	EA	SLIDE - DRAWER - 20" - RIGHT DRAWER
23	128810-24-01A	EA	SLIDE - DRAWER - 22" - RIGHT DRAWER
24	128810-07-01A	EA	SLIDE - DRAWER - 14" - LEFT DRAWER
24	128810-11-01A	EA	SLIDE - DRAWER - 16" - LEFT DRAWER
24	128810-19-01A	EA	SLIDE - DRAWER - 20" - LEFT DRAWER
24	128810-23-01A	EA	SLIDE - DRAWER - 22" - LEFT DRAWER
25	128810-05-01A	EA	SLIDE - DRAWER - 14" - LEFT CABINET
25	128810-09-01A	EA	SLIDE - DRAWER - 16" - LEFT CABINET
25	128810-17-01A	EA	SLIDE - DRAWER - 20" - LEFT CABINET
25	128810-21-01A	EA	SLIDE - DRAWER - 22" - LEFT CABINET
26	114693-01-01A	EA	SUPPORT - BLACK - RIGHT HAND
26	114693-02-01A	EA	SUPPORT - BLACK - LEFT HAND
	023320-01-000	EA	PAD - FELT 3/8" DIAMETER
	042438-01-000	EA	DOWEL - WOOD - CLOTHES ROD - 1" DIAMETER X 4'
	118933-01-01A	EA	SUPPORT - HINGE LOCK
	124311-01-01A	EA	HANDLE - RECESSED - BRASS
	122021-02-02A	EA	ANGLE - W/HOLES

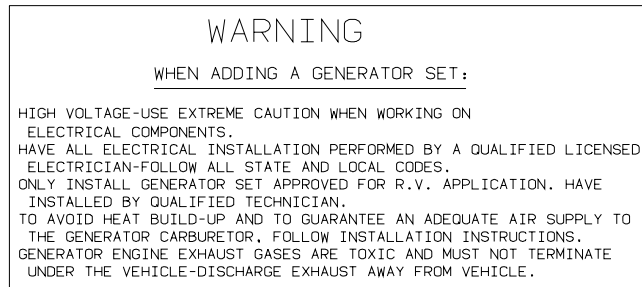
LABELS GROUP



KEY PART NUMBER U/M DESCRIPTION
 039290-01-000 EA LABEL - WARNING - EXIT



KEY PART NUMBER U/M DESCRIPTION
 107571-01-000 EA LABEL - EXIT/ESCAPE WINDOW



KEY PART NUMBER U/M DESCRIPTION
 1 077510-01-000 EA LABEL-GENERATOR PREP

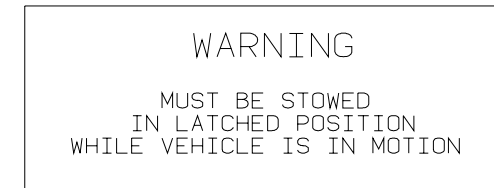
LABELS GROUP (CONTINUED)



KEY PART NUMBER U/M DESCRIPTION
 099509-01-000 EA LABEL - AWNING INSTALLATION



KEY PART NUMBER U/M DESCRIPTION
 040944-01-000 EA LABEL - ENTRANCE DOOR - "OPEN"



KEY PART NUMBER U/M DESCRIPTION
 079966-01-000 EA LABEL - WARNING - STOWED - MOTION



KEY PART NUMBER U/M DESCRIPTION
 065748-01-000 EA LABEL - CAUTION - BATTERY CHARGING

LABELS GROUP (CONTINUED)

SEWAGE

KEY PART NUMBER U/M DESCRIPTION
126247-05-000 EA LABEL - SEWAGE

WASTE WATER

KEY PART NUMBER U/M DESCRIPTION
126247-06-000 EA LABEL - WASTE WATER



IF YOU SMELL GAS

1. EXTINGUISH ANY OPEN FLAME, PILOT LIGHTS AND ALL SMOKING MATERIALS.
2. DO NOT TOUCH ELECTRICAL SWITCHES.
3. SHUT OFF THE GAS SUPPLY AT THE TANK VALVE(S) OR GAS SUPPLY CONNECTION.
4. OPEN DOORS AND OTHER VENTILATING OPENINGS.
5. LEAVE THE AREA UNTIL ODOR CLEARS.
6. HAVE THE GAS SYSTEM CHECKED AND LEAKAGE SOURCE CORRECTED BEFORE USING AGAIN.

KEY PART NUMBER U/M DESCRIPTION
073998-01-000 EA LABEL - LPG ODOR WARNING

WARNING: TEST SMOKE DETECTOR OPERATION AFTER VEHICLE HAS BEEN IN STORAGE, BEFORE EACH TRIP AND AT LEAST ONCE PER WEEK DURING USE.

KEY PART NUMBER U/M DESCRIPTION
077956-01-000 EA LABEL - WARNING - SMOKE DETECTOR

	WARNING
	<p>DEATH or SERIOUS INJURY can occur</p> <p>Children 12 and under can be killed by the air bag. The BACK SEAT is the SAFEST place for children. NEVER put a rear-facing child seat in the front. Sit as far back as possible from the air bag. ALWAYS use SEAT BELTS and CHILD RESTRAINTS.</p>

KEY PART NUMBER U/M DESCRIPTION
126612-01-000 EA LABEL - HANG TAG - AIR BAG - DASH

LABELS GROUP (CONTINUED)

WARNING

ALL PILOT LIGHTS, APPLIANCES AND THEIR IGNITORS (SEE OPERATING INSTRUCTIONS) SHALL BE TURNED OFF DURING REFUELING OF MOTOR FUEL TANKS AND/OR LP GAS CONTAINERS

KEY PART NUMBER U/M DESCRIPTION
124519-01-01A EA LABEL - WARNING/REFUELING - BLACK ON CLEAR
124519-02-01A EA LABEL - WARNING/REFUELING - CSA

WARNING

THIS SYSTEM IS DESIGNED FOR USE WITH PROPANE ONLY. DO NOT CONNECT NATURAL GAS TO THIS SYSTEM.

BEFORE TURNING ON PROPANE:

- (A) BE CERTAIN APPLIANCES ARE CERTIFIED FOR PROPANE AND ARE EQUIPPED WITH CORRECT BURNING ORIFICES.
- (B) MAKE CERTAIN ALL PROPANE CONNECTIONS ARE TIGHT BY TESTING WITH SOAPY WATER. ALL APPLIANCE VALVES ARE TURNED OFF, AND ANY UNCONNECTED OUTLETS ARE CAPPED.

AFTER TURNING ON PROPANE:

- (A) LIGHT ALL PILOT LIGHTS
- (B) ALL CONNECTIONS, INCLUDING THOSE AT THE APPLIANCES, REGULATORS AND CYLINDERS SHOULD BE LEAK-TESTED PERIODICALLY WITH SOAPY WATER BY THE OCCUPANT. NEVER USE A LIGHTED MATCH OR OTHER FLAME WHEN CHECKING FOR LEAKS.
- (C) DO NOT LEAVE SYSTEM TURNED ON OF CONTAINERS CONNECTED UNTIL THE SYSTEM HAS BEEN PROVEN TO BE FREE OF LEAKS.
- (D) COOKING APPLIANCES SHOULD NOT BE USED FOR SPACE HEATING.
- (E) WHEN THE CONTAINERS ARE DISCONNECTED THE PROPANE SUPPLY LINE SHOULD BE CAPPED OR PLUGGED.

AVERTISSEMENT

CETTE INSTALLATION EST CONÇUE POUR LE PROPANE SEULEMENT. NE PAS L'ALIMENTER EN GAZ NATUREL.

AVANT LA MISE EN SERVICE:

- (A) S'ASSURER QUE LES APPAREILS SONT CERTIFIÉS POUR LE PROPANE ET MUNIS D'ORIFICES DE BRÛLEUR APPROPRIÉS.
- (B) VÉRIFIER L'ÉTANCHEITÉ DE TOUTS LES RACCORDEMENTS AU PROPANE, LA PERMÉABILITÉ DE TOUTS LES ROBINETS D'APPAREILS ET L'OBTURATION DE TOUTES LES SORTIES NON RACCORDEES.

APRÈS LA MISE EN SERVICE:

- (A) ALLUMER TOUTES LES VEILLEUSES.
- (B) L'OCCUPANT DOIT ÉPROUVER PÉRIODIQUEMENT L'ÉTANCHEITÉ DE TOUTS LES RACCORDEMENTS Y COMPRIS CEUX AUX APPAREILS, AUX DÉTENDEURS ET AUX BOUTEILLES, EN Y APPLIQUANT DE L'EAU SAVONNEUSE. NE JAMAIS SE SERVIR D'UNE ALLUMETTE OU AUTRE POUR LA DÉTECTION DES FUITES.
- (C) NE PAS LAISSER L'ALIMENTATION OUVERTE NI LES RÉCIPIENTS RACCORDES AVANT D'AVOIR COMPLÉTÉ L'ÉPREUVE D'ÉTANCHEITÉ AU PROPANE DE L'INSTALLATION.
- (D) LES APPAREILS DE CUISSON NE DOIVENT PAS ÊTRE UTILISÉS POUR LE CHAUFFAGE DES LOCAUX.
- (E) LORSQUE LES RÉCIPIENTS SONT DÉCONNECTÉS, L'ALIMENTATION DE PROPANE DOIT ÊTRE OBTURÉE OU SCELLÉE.

KEY PART NUMBER U/M DESCRIPTION
023769-01-000 EA LABEL - WARNING - LPG - CANADIAN

LABELS GROUP (CONTINUED)

THIS CONNECTION IS FOR
110-125 VOLT AC, 60HZ(CYCLES)
30 AMP. MAX SERVICE.

DO NOT CONNECT TO
HIGHER VOLTAGE

KEY PART NUMBER U/M DESCRIPTION
125306-01-01A EA LABEL - ELECTRICAL ENTRANCE - 110 VOLT - 30 AMP

WARNING
IT IS NOT SAFE TO USE COOKING
APPLIANCES FOR COMFORT HEATING
COOKING APPLIANCES NEED FRESH AIR FOR SAFE OPERATION
BEFORE OPERATION:

1. OPEN OVERHEAD VENT OR TURN ON EXHAUST FAN AND;
2. OPEN WINDOW.

KEY PART NUMBER U/M DESCRIPTION
050225-01-000 EA LABEL - STOVE VENT - US
050222-01-000 EA LABEL - STOVE VENT - CANADIAN

CAUTION

THIS MOTOR HOME HAS BEEN DESIGNED, MANUFACTURED AND TESTED WITH CONCERN FOR THE PROTECTION OF IT'S OCCUPANTS. WE RECOMMEND YOU PERFORM THE FOLLOWING INSPECTIONS FOR YOUR SAFETY AND THE SAFETY OF YOUR PASSENGERS BEFORE STARTING YOUR VEHICLE.

1. LP GAS SYSTEM- TURN OFF AT TANK FOR TRAVELING. TEST FOR LEAKS UPON ARRIVAL AT DESTINATION. BEFORE LIGHTING PILOTS.
2. WHEELS- INSPECT FOR DAMAGE AND CHECK LUG NUTS FOR TIGHTNESS.
3. TIRES- INSPECT FOR WEAR AND DAMAGE AND CHECK FOR RECOMMENDED AIR PRESSURE.
4. LIGHTING- TEST FOR PROPER OPERATION OF ALL INTERIOR AND EXTERIOR LIGHTS INCLUDING DASH LIGHTS, HEADLIGHTS, TAIL LIGHTS, BRAKE LIGHTS, CLEARANCE LIGHTS AND TURN SIGNALS.
5. EXITS- INSPECT RELEASE MECHANISM ON EMERGENCY EXIT WINDOW. TEST BOTH LOCKS ON MAIN ENTRANCE DOOR FOR EASE OF OPERATION AND INSTRUCT PASSENGERS HOW TO USE BOTH MEANS OF EXIT.
6. SEAT BELTS- DIRECT PASSENGERS TO DESIGNATED SEATS AND REQUIRE USE OF SEAT BELTS.
7. APPLIANCES- TURN OFF AND LATCH OR LOCK DOORS WHERE PROVIDED.
8. LOOSE PARCELS- STORE SECURELY.
9. UTILITY SUPPLY LINES- DISCONNECT ALL ELECTRIC, SEWER AND WATER LINES AND SECURE PROPERLY.
10. ENTRANCE DOOR STEP- PLACE IN RETRACTED POSITION FOR TRAVELING.

READ YOUR MOTOR HOME AND CHASSIS OWNER'S
MANUAL FOR FURTHER PRECAUTIONS

KEY PART NUMBER U/M DESCRIPTION
056259-01-000 EA LABEL - SAFETY CHECK LIST

LABELS GROUP (CONTINUED)

WARNING
THIS VEHICLE, LIKE OTHER
VEHICLES, MAY CONTAIN SMALL
AMOUNTS OF ONE OR MORE
SUBSTANCES WHICH ARE LISTED
BY THE STATE OF CALIFORNIA
FOR CAUSING CANCER OR
REPRODUCTIVE TOXICITY.

KEY PART NUMBER U/M DESCRIPTION
099689-01-000 EA LABEL - WARNING - CANCER/TOXICITY

 **WARNING**

**Children Can be KILLED or INJURED
by Passenger Air Bag**

The back seat is the safest place for children 12 and under.
Make sure all children use seat belts or child seats.

KEY PART NUMBER U/M DESCRIPTION
126611-01-000 EA LABEL - AIR BAG - VISOR

**WARNING: CONTAINS "CFC" A SUBSTANCE WHICH HARMS
PUBLIC HEALTH AND ENVIRONMENT BY DESTROYING
OZONE IN THE UPPER ATMOSPHERE.**

KEY PART NUMBER U/M DESCRIPTION
111802-01-000 EA LABEL - CFC WARNING

REMOVE PRIMARY TIRE HANGER BEFORE USING
SPARE TIRE HOIST-SEE OWNERS MANUAL- PERSONAL
INJURY MAY RESULT IF NOT FOLLOWED

KEY PART NUMBER U/M DESCRIPTION
126024-01-01A EA LABEL - TIRE HANGER REMOVAL

LABELS GROUP (CONTINUED)

CAUTION	TO HELP AVOID PERSONAL INJURY DURING REMOVAL OF FUEL FILLER CAP, SLOWLY LOOSEN CAP 1/2 TURN TO ALLOW ANY FUEL PRESSURE TO BE RELIEVED BEFORE TURNING CAP FURTHER.
FUEL SPRAY MAY CAUSE PERSONAL INJURY	STOP ADDING FUEL AFTER FIRST SHUTOFF BY AUTOMATIC NOZZLE WHEN TANK IS NEARLY FULL. DO NOT OVERFILL FUEL TANK. SEE OWNERS MANUAL FOR ADDITIONAL INFORMATION. PRINTED IN U.S.A. WLC PT NO 15611763

KEY PART NUMBER U/M DESCRIPTION
087207-05-000 EA LABEL - FUEL CAP REMOVAL

WARNING
ALL PILOT LIGHTS, APPLIANCES AND THEIR IGNITORS (SEE OPERATING INSTRUCTIONS) SHALL BE TURNED OFF DURING REFUELING OF MOTOR FUEL TANKS AND/OR LP GAS CONTAINERS

KEY PART NUMBER U/M DESCRIPTION
124519-01-01A EA LABEL - WARNING/REFUELING - BLACK ON CLEAR
124519-02-01A EA LABEL - WARNING/REFUELING - CSA

AIR CONDITIONING CIRCUIT.
THIS CONNECTION IS FOR
AIR CONDITIONERS RATED 110-
125 VOLT AC, 60 HZ, 16
AMPERES MAXIMUM. DO NOT
EXCEED CIRCUIT RATING.

KEY PART NUMBER U/M DESCRIPTION
091243-01-000 EA LABEL - A/C COVER "AIR CONDITIONING CIRCUIT ETC."

OUTLET

KEY PART NUMBER U/M DESCRIPTION
087236-02-000 EA LABEL - TV OUTLET

WARNING
ROOF SURFACE MAY BE SLIPPERY
ESPECIALLY WHERE MOISTURE IS PRESENT
SLIPPING MAY RESULT IN PERSONAL INJURY.
128218-01

KEY PART NUMBER U/M DESCRIPTION
128218-01-01A EA LABEL - WARNING - SLIPPERY ROOF

LABELS GROUP (CONTINUED)

LP-GAS SYSTEM
THIS GAS PIPING SYSTEM IS
DESIGNED FOR USE OF
LIQUIFIED PETROLEUM GAS
ONLY. DO NOT CONNECT
NATURAL GAS TO THIS
SYSTEM.
SECURE CAP INLET(S) WHEN NOT
CONNECTED FOR USE. AFTER TURNING
ON GAS, EXCEPT AFTER NORMAL
CONTAINER REPLACEMENT, TEST GAS
PIPING AND CONNECTIONS TO
APPLIANCES FOR LEAKAGE WITH SOAPY
WATER OR BUBBLE SOLUTION. DO NOT
USE PRODUCTS THAT CONTAIN AMMONIA
OR CLORINE. 124520

KEY PART NUMBER U/M DESCRIPTION
124520-01-01A EA LABEL - LP GAS ONLY - BLACK ON CLEAR

DO NOT USE HITCH BEFORE
READING OWNERS MANUAL REGARDING
VEHICLE LOADING AND TOWING

KEY PART NUMBER U/M DESCRIPTION
111104-01-000 EA LABEL - HITCH - READ MANUAL - WHITE

CAUTION
DO NOT LATCH DOOR IN OPEN POSITION
IF WATER HEATER CONTROL IS IN THE ON
POSITION. WATER HEATER EXHAUST MAY
DAMAGE OUTER SURFACE OF DOOR.

KEY PART NUMBER U/M DESCRIPTION
113402-01-000 EA LABEL - CAUTION - WATER HEATER EXHAUST

BATTERY MODE SWITCH	COACH BREAKER PANEL	ELECTRIC STEP IGNITION POWER	ELECTRIC STEP BATTERY POWER	ELECTRIC STEP CONTROL POWER	INVERTER
---------------------------	---------------------------	---------------------------------------	--------------------------------------	--------------------------------------	----------

KEY PART NUMBER U/M DESCRIPTION
093236-08-000 EA LABEL - CIRCUIT BREAKER

LABELS GROUP (CONTINUED)

DO NOT FILL
LP-GAS CONTAINER(S)
TO MORE THAN 80%
OF CAPACITY.

KEY PART NUMBER U/M DESCRIPTION
079965-01-000 EA LABEL - LPG - 80% CAPACITY

THIS CHAIR IS NOT INTENDED
FOR OCCUPANCY WHEN VEHICLE
IS IN MOTION AND MUST BE
RETURNED TO STOWED POSITION

KEY PART NUMBER U/M DESCRIPTION
102267-01-000 EA LABEL - NO OCCUPANCY - US

DTS ISICE SIEGE N'EST PAS
DESTINE A ETRE OCCUPE LORSQUE
LE VEHICULE EST EN MOUVEMENT
ET IL FAUT QUE LE RANGER

THIS CHAIR IS NOT INTENDED
FOR OCCUPANCY WHEN VEHICLE
IS IN MOTION AND MUST BE
RETURNED TO STOWED POSITION

KEY PART NUMBER U/M DESCRIPTION
102267-02-000 EA LABEL - NO OCCUPANCY - CSA

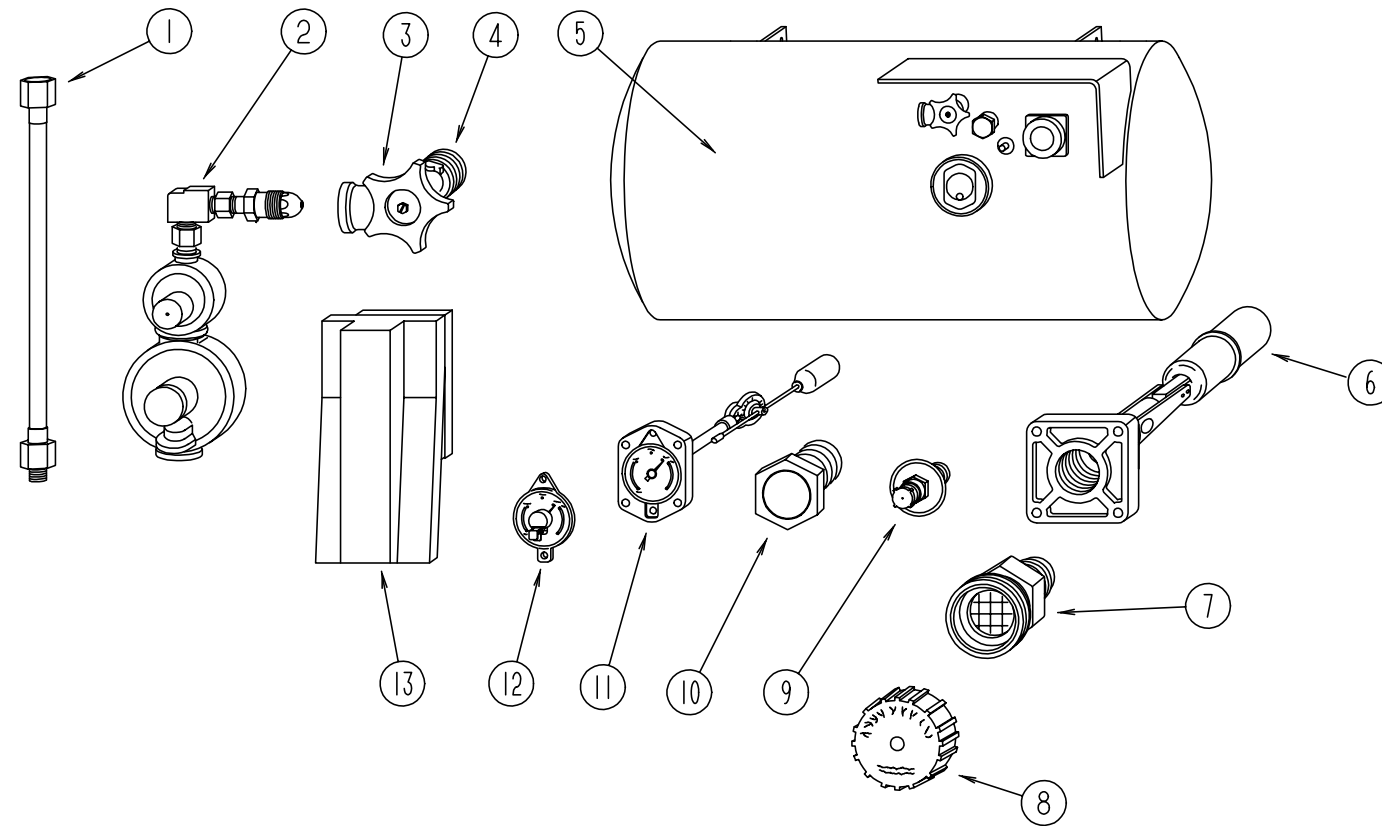
CAUTION	TO HELP AVOID PERSONAL INJURY DURING REMOVAL OF FUEL FILLER CAP, SLOWLY LOOSEN CAP 1/2 TURN TO ALLOW ANY FUEL PRESSURE TO BE RELIEVED BEFORE TURNING CAP FURTHER.
FUEL SPRAY MAY CAUSE PERSONAL INJURY	STOP ADDING FUEL AFTER FIRST SHUTOFF BY AUTOMATIC NOZZLE WHEN TANK IS NEARLY FULL. DO NOT OVERFILL FUEL TANK. SEE OWNERS MANUAL FOR ADDITIONAL INFORMATION. PRINTED IN U.S.A. WLC PT NO 15611763

KEY PART NUMBER U/M DESCRIPTION
087207-05-000 EA LABEL - FUEL CAP REMOVAL

ENTRANCE DOOR PROP ROD
THIS ROD IS DESIGNED TO PROP THE
ENTRANCE DOOR OPEN WHEN THE PATIO
AWNING ARM IS ATTACHED TO THE
SIDEWALL AND THE AWNING IS EX-
TENDED.
HOOK ONE END OF ROD INTO LOOP ON
DOOR AND OTHER END INTO LOOP ON THE
SIDEWALL AS SHOWN.
(THIS LABEL TO BE REMOVED BY RETAIL OWNER ONLY)

KEY PART NUMBER U/M DESCRIPTION
128658-01-000 EA LABEL - PROP ROD - ENTRY DOOR

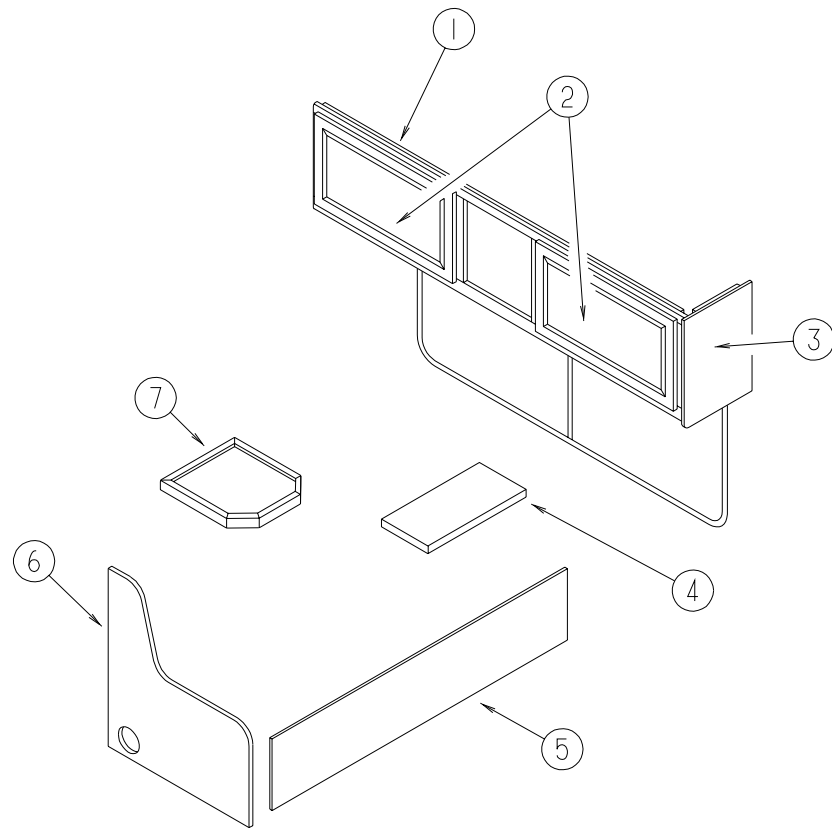
LP GROUP



LP SYSTEM

KEY	PART NUMBER	U/M DESCRIPTION	VENDOR NO.
1	045703-05-000	EA HOSE - LP - 3/8"ID X 28" - 3/8"MPT X 1/2"F SWIVEL - U.S.	
1	045703-02-000	EA HOSE - LP - 3/8"ID X 24" - 3/8"MPT X 1/2"F SWIVEL - CANADA	
	045703-09-000	EA HOSE ASM-LP 3/8" ID X 24" US & CGA 3/8" F SWIVEL X 3/8" F SWIVEL (DIESEL)	
2	106150-01-000	EA REGULATOR - TWO STAGE -W/90 DEGREE ELBOW & 3/8" FPT OUTLET	
2	106150-02-000	EA REGULATOR - TWO STAGE - 1/4" FPT INLET/3/8" FPT OUTLET (DIESEL)	
3	040421-01-708	EA HANDWHEEL-SERVICE VALVE	G-1015-A
4	040421-01-712	EA VALVE,SERV. W/O VAPOR RELIEF	29000853
5	097821-01-000	EA TANK - LP - 60 LB BRUNNER - 14" X 30"	
6	040421-01-711	EA VALVE-80% FILL W/AUTO STOP	LLL/TL3
7	040421-01-701	EA VALVE-FILL-SHORT, LP	7547B
8	040421-01-702	EA CAP-FILL VALVE, PLASTIC	G-1014-A
9	040421-01-700	EA VALVE-LIQUID LEVEL, 20%	G-1013
10	040421-01-713	EA VALVE-RELIEF 1" W/SPRING 7"	29000587
11	040421-01-707	EA FLOAT ASM.(SIGHT GAUGE) 14"	14C
12	040440-02-000	EA TRANSMITTER - DIAL - 0-90 OHM -2 TERMINAL (POWER & GROUND)	
13	105658-01-000	EA COMPARTMENT - LP REGULATOR	
	010265-01-000	EA ELBOW - BRASS - 90 DEGREE - 3/8"F X 1/2"FPT	
	010323-01-000	EA ADAPTER - BRASS - 3/8"F X 1/2"MPT	
	010326-01-000	EA ADAPTER - FLARE - W/CONE GASKET - 3/8"F X 1/2"F	
	010377-02-000	EA NUT - BRASS - 3/8" FLARE - FORGED	
	010380-02-000	EA NUT - BRASS - 1/2" FLARE - FORGED	
	103613-03-000	EA DETECTOR - LP GAS - W/O SHUT-OFF VALVE	
	008042-01-000	FT TUBING - VINYL - .65" ID	
	065318-02-000	EA ELBOW - 90 DEGREE - 3/8" MPT TO 3/8" FPT	

LOUNGE GROUP



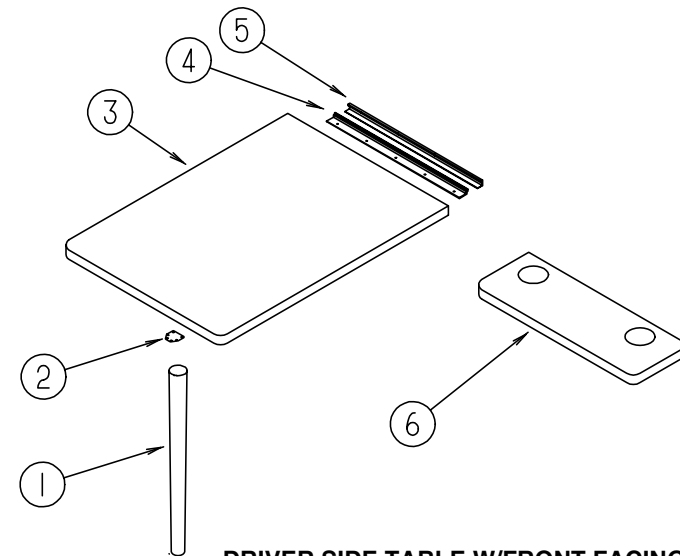
LOUNGE GROUP (CONTINUED)

FRONT FACING COUCH, TABLE & CABINETS W/FRONT ENTERTAINMENT CENTER

KEY	PART NUMBER	U/M	DESCRIPTION
1	122926-02-K13	EA	CABINET - OVERHEAD - W/O DOORS/HARDWARE FROM: 00-00-00 THRU: 09-20-98
1	122926-02-K15	EA	CABINET - OVERHEAD - W/O DOORS/HARDWARE FROM: 00-00-00 THRU: 09-20-98
1	122926-03-K13	EA	CABINET - OVERHEAD/DINETTE - W/O DOORS/HARDWARE FROM: 09-21-98 THRU: 99-99-99
1	122926-03-K15	EA	CABINET - OVERHEAD/DINETTE - W/O DOORS/HARDWARE FROM: 09-21-98 THRU: 99-99-99
2	M05992-89-J10	EA	DOOR - STRAIGHT CORNER/OGEE EDGE - 14.3" X 26.7" - W/O HDW
3	109908-09-F08	EA	END CAP - OVERHEAD CABINET FROM: 00-00-00 THRU: 09-20-98
3	109908-80-K13	EA	END CAP - OVERHEAD CABINET FROM: 09-21-98 THRU: 99-99-99
4	N/A	EA	COVER - AIR RETURN W/O CARPET
5	M02634-01-J41	EA	PANEL - FRONT KICK - SOFA/BED - FABRIC COVERED (K13)
5	M02634-01-K15	EA	PANEL - FRONT KICK - SOFA/BED - FABRIC COVERED (K15)
6	116110-03-J41	EA	PANEL - RIGHT END W/REGISTER - SOFA/BED - FABRIC COVERED (K13)
6	116110-03-K15	EA	PANEL - RIGHT END W/REGISTER - SOFA/BED - FABRIC COVERED (K15)
6	116110-04-J41	EA	PANEL - RIGHT END W/REGISTER - SOFA/BED - FABRIC COVERED (W/MOTOR AID) (K13)
6	116110-04-K15	EA	PANEL - RIGHT END W/REGISTER - SOFA/BED - FABRIC COVERED (W/MOTOR AID) (K15)
7	114726-01-K07	EA	TRAY - BEVERAGE
	083125-07-000	EA	BRACE - COUCH - 2.5" - OFF WHITE
	114693-01-01A	EA	SUPPORT - BLACK - RIGHT HAND
	114693-02-01A	EA	SUPPORT - BLACK - LEFT HAND
	114739-01-01A	EA	PAD - NON SKID - PSA - 1 EACH = PAIR

FRONT FACING COUCH, TABLE & CABINETS

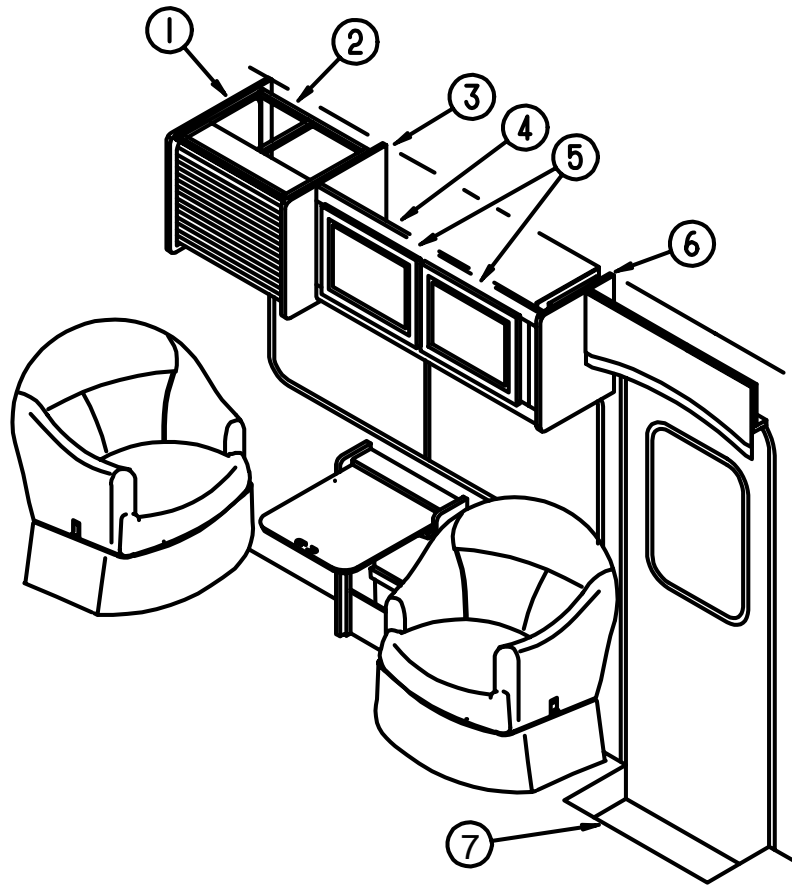
KEY	PART NUMBER	U/M	DESCRIPTION
1	122926-01-K13	EA	CABINET - OVERHEAD - W/O DOORS/HARDWARE FROM: 00-00-00 THRU: 09-20-98
1	122926-01-K15	EA	CABINET - OVERHEAD - W/O DOORS/HARDWARE FROM: 00-00-00 THRU: 09-20-98
1	122926-04-K13	EA	CABINET - OVERHEAD/DINETTE - W/O DOORS/HARDWARE FROM: 09-21-98 THRU: 99-99-99
1	122926-04-K15	EA	CABINET - OVERHEAD/DINETTE - W/O DOORS/HARDWARE FROM: 09-21-98 THRU: 99-99-99
2	M05992-50-J10	EA	DOOR - STRAIGHT CORNER/OGEE EDGE - 11.4" X 28.2" - W/O HDW
3	109908-09-F08	EA	END CAP - OVERHEAD CABINET FROM: 00-00-00 THRU: 09-20-98
3	109908-80-K13	EA	END CAP - OVERHEAD CABINET FROM: 09-21-98 THRU: 99-99-99
4	N/A	EA	COVER - AIR RETURN W/O CARPET
5	M02634-01-J41	EA	PANEL - FRONT KICK - SOFA/BED - FABRIC COVERED (K13)
5	M02634-01-K15	EA	PANEL - FRONT KICK - SOFA/BED - FABRIC COVERED (K15)
6	116110-03-J41	EA	PANEL - RIGHT END W/REGISTER - SOFA/BED - FABRIC COVERED (K13)
6	116110-03-K15	EA	PANEL - RIGHT END W/REGISTER - SOFA/BED - FABRIC COVERED (K15)
6	116110-04-J41	EA	PANEL - RIGHT END W/REGISTER - SOFA/BED - FABRIC COVERED (W/MOTOR AID) (K13)
6	116110-04-K15	EA	PANEL - RIGHT END W/REGISTER - SOFA/BED - FABRIC COVERED (W/MOTOR AID) (K15)
7	114726-01-K07	EA	TRAY - BEVERAGE
	083125-07-000	EA	BRACE - COUCH - 2.5" - OFF WHITE
	114693-01-01A	EA	SUPPORT - BLACK - RIGHT HAND
	114693-02-01A	EA	SUPPORT - BLACK - LEFT HAND
	114739-01-01A	EA	PAD - NON SKID - PSA - 1 EACH = PAIR



DRIVER SIDE TABLE W/FRONT FACING COUCH

KEY	PART NUMBER	U/M	DESCRIPTION
1	114724-01-05A	EA	LEG - TABLE/TAPERED - WOOD - CHERRY
1	114724-01-01A	EA	LEG - TABLE/TAPERED - WOOD - UNFINISHED
2	114724-02-000	EA	PLATE - TABLE LEG
3	081322-14-H31	EA	TABLE TOP ONLY (K13)
3	081322-14-G07	EA	TABLE TOP ONLY (K15)
	114739-01-01A	EA	PAD - NON SKID - PSA - 1 EACH = PAIR
4	102201-04-02A	EA	SUPPORT - HINGE CATCH - TABLE MOUNTED - OFF WHITE
5	118933-01-01A	EA	SUPPORT - HINGE LOCK
6	114681-01-F29	EA	TABLE - LOUNGE - SMALL - W/O HARDWARE (K13)
6	114681-01-J38	EA	TABLE - LOUNGE - SMALL - W/O HARDWARE (K15)
	069726-02-000	EA	BUMPER - .88" OD X .40" THICK - BLACK
	064781-06-000	EA	HOLDER - CUP - TWO STEP - OFF WHITE

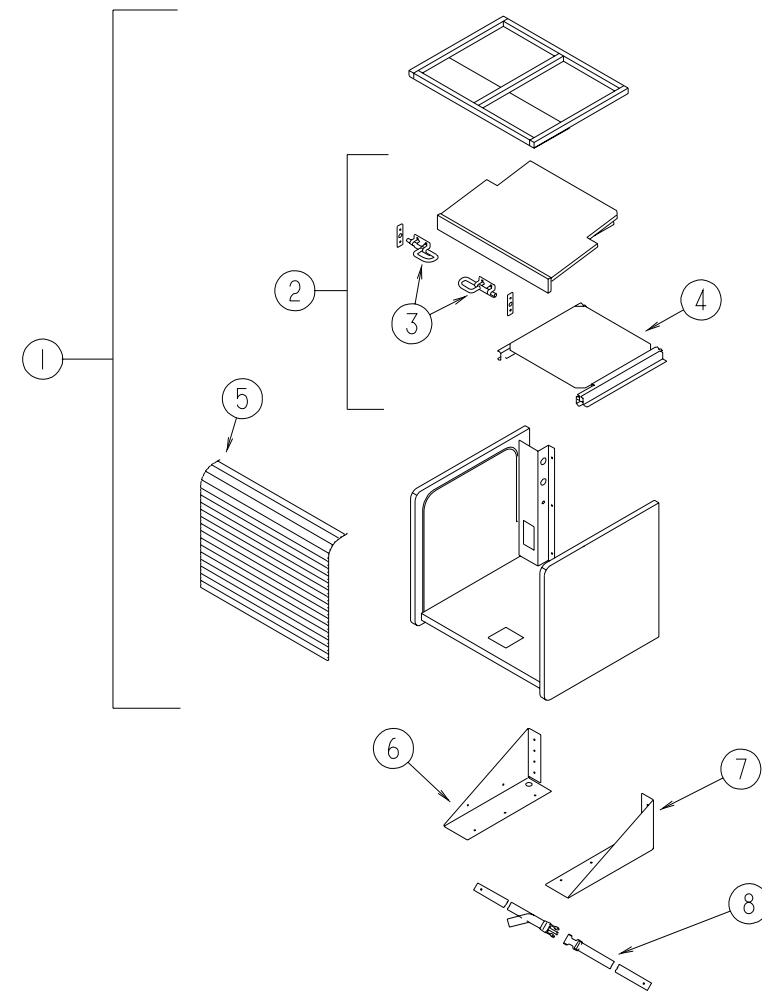
LOUNGE GROUP (CONTINUED)



PASSENGER SIDE OVERHEAD CABINETRY W/TV CABINET

KEY	PART NUMBER	U/M	DESCRIPTION
1	109908-58-J10	EA	END CAP - OVERHEAD CABINET
1	109908-98-J10	EA	END CAP - OVERHEAD CABINET
2	M08163-05-J10	EA	CABINET - TV/VCP - W/O SHELF/SLIDES/SWIVEL - W/TAMBOUR DOOR
2	M08163-06-J10	EA	CABINET - TV/VCP - W/SHELF/SLIDES/SWIVEL - W/TAMBOUR DOOR
	122469-02-02B	EA	BRACKET - ZEE
3	109908-58-J10	EA	END CAP - OVERHEAD CABINET
			FROM: 00-00-00 THRU: 08-06-98
3	109908-98-J10	EA	END CAP - OVERHEAD CABINET
			FROM: 08-07-98 THRU: 99-99-99
4	122777-01-H10	EA	CABINET - OVERHEAD FRONT - W/O DOORS/HARDWARE
			FROM: 00-00-00 THRU: 09-20-98
4	122777-02-K13	EA	CABINET - OVERHEAD/FRONT - W/O DOORS/HARDWARE
			FROM: 09-21-98 THRU: 99-99-99
5	M05992-L2-J10	EA	DOOR - STRAIGHT CORNER/OGEE EDGE - 10" X 29.5" - W/O HDW
6	109908-09-F08	EA	END CAP - OVERHEAD CABINET
7	P14437-02-000	EA	CABINET - LID ENTRANCE DOOR - W/O CARPET
7	101222-01-02A	EA	BRACKET - CATCH - LID - OFF WHITE

LOUNGE GROUP (CONTINUED)



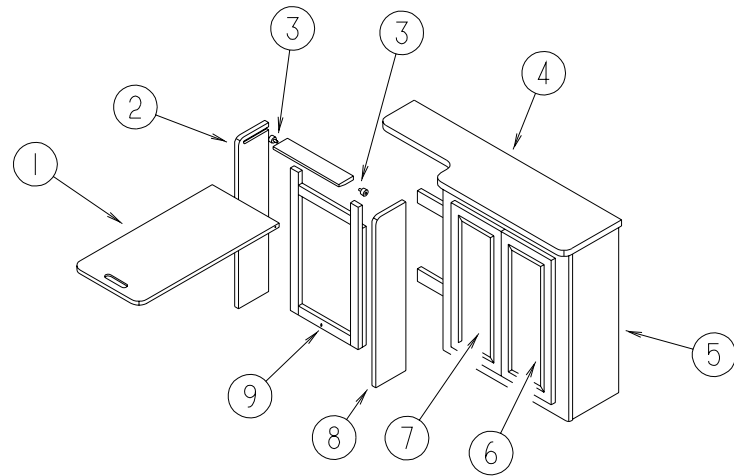
PASSENGER SIDE TV CABINET

KEY	PART NUMBER	U/M	DESCRIPTION
1	M08163-06-J10	EA	CABINET - TV/VCP - W/SHELF/SLIDES/SWIVEL - W/TAMBOUR DOOR
2	125722-13-J10	EA	SHELF - W/SLIDE & SWIVEL
3	103256-01-000	EA	LATCH - SLIDE
4	116773-02-000	EA	SWIVEL/SLIDES - F/TV SHELF
5	057882-04-700	EA	TAMBOUR - 48" X 48" SHEET - UNFINISHED
6	122298-03-02B	EA	BRACKET - TV/VCR - RIGHT HAND
7	122298-02-02B	EA	BRACKET - TV/VCR - LEFT HAND
8	099717-04-000	EA	STRAP - TIE DOWN W/21.3" FEMALE STRAP & 27.2" MALE STRAP
	122469-01-02B	EA	BRACKET - ZEE

DRIVER SIDE TABLE W/SECTIONAL SLEEPER COUCH

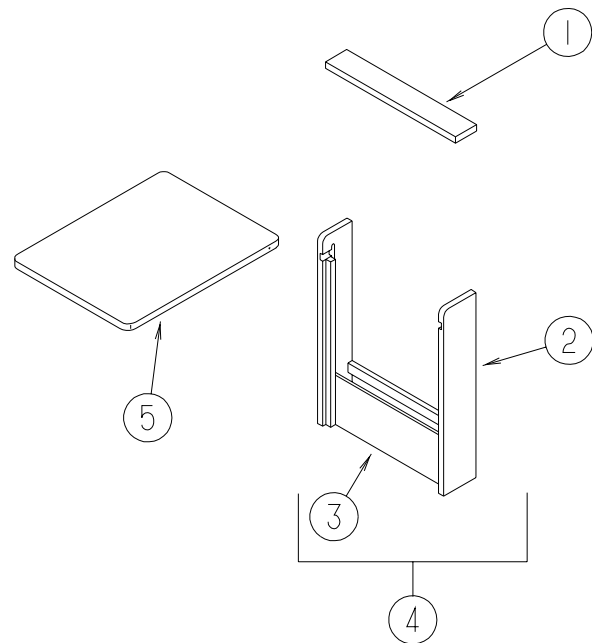
KEY	PART NUMBER	U/M	DESCRIPTION
	081298-01-K13	EA	TABLE TOP ONLY (K13,K15)
			FROM: 00-00-00 THRU: 11-29-98
	130969-04-K13	EA	TABLE TOP ONLY (K13)
			FROM: 11-30-98 THRU: 99-99-99
	130969-04-K19	EA	TABLE TOP ONLY (K15)
			FROM: 11-30-98 THRU: 99-99-99
	041194-01-000	EA	BASE - TABLE/FLUSH - FLOOR MOUNTED
	009040-02-000	EA	PEDESTAL TABLE LEG - 27.5" X 2.25" DIAMETER
	009040-03-000	EA	BASE - TABLE/RAISED - TABLE MOUNTED
	042438-02-000	EA	DOWEL - WOOD - 2" X 2"
	062046-01-000	EA	CLIP - LEG - PEDESTAL - 1.7" X 2.2" - DIA FROM 2 - 2.5"

LOUNGE GROUP (CONTINUED)



PASSENGER SIDE HUTCH TABLE

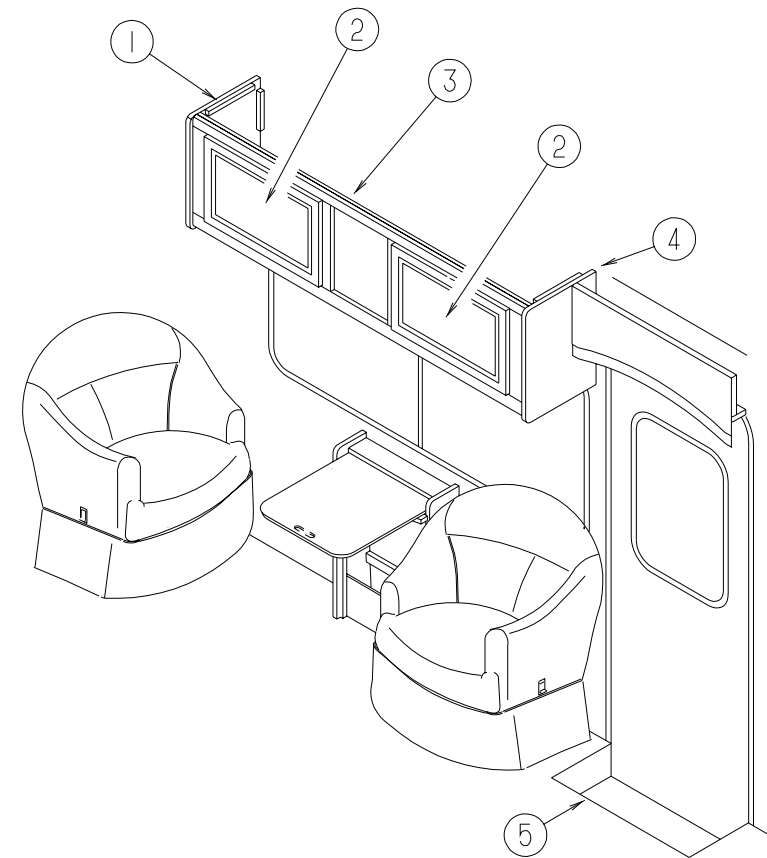
KEY	PART NUMBER	U/M	DESCRIPTION
1	114796-15-G07	EA	TABLE - PULLOUT - HUTCH CABINET
2	114796-13-F08	EA	PANEL - OUTSIDE - FLIP UP TABLE CABINET
3	079921-01-000	EA	ROLLER - NYLON - W/STEEL SHAFT - BARBED
4	114796-11-F29	EA	COUNTERTOP - HUTCH CABINET (K13)
4	114796-11-J38	EA	COUNTERTOP - HUTCH CABINET (K15)
5	114796-01-K13	EA	CABINET - HUTCH/FRONT/RH - W/COUNTERTOP-W/O DRS/DWRS/HDW (K13)
5	114796-01-J59	EA	CABINET - HUTCH/FRONT/RH - W/COUNTERTOP-W/O DRS/DWRS/HDW (K15)
6	M05992-H0-J10	EA	DOOR - STRAIGHT CORNER/OGEE EDGE - 10" X 25.2" - W/O HDW
7	M05992-H1-J10	EA	DOOR - STRAIGHT CORNER/OGEE EDGE - 10" X 25.2" - W/O HDW
8	114796-12-G07	EA	PANEL - INSIDE - FLIP UP TABLE CABINET
9	049176-01-000	EA	HEDLOCK II - 3/4 DIAMETER SCREW MOUNT



PASSENGER SIDE PULL OUT TABLE W/ SWIVEL CHAIRS

KEY	PART NUMBER	U/M	DESCRIPTION
1	096873-15-G07	EA	SHELF - SUPPORT - OVER PULLOUT TABLE TOP
2	096873-14-F08	EA	CABINET/LEFT SIDE - F/PULLOUT TABLE - 5.7" X 28.7"
	096873-13-F08	EA	CABINET/RIGHT SIDE - F/PULLOUT TABLE - 5.7" X 28.7"
3	096873-16-G07	EA	TABLE FRONT - BOTTOM - 18.1" X 6.7"
4	M96873-01-G07	EA	CABINET - F/PULLOUT TABLE - W/O TOP
5	096873-11-K13	EA	TABLE TOP ONLY - PULLOUT (K13)
5	096873-11-J10	EA	TABLE TOP ONLY - PULLOUT (K15)
	080736-01-000	EA	PULL - RECESSED - 1.25 X 4" - OAK

LOUNGE GROUP (CONTINUED)



PASSENGER SIDE LOUNGE CABINETRY W/O TV CABINET

KEY	PART NUMBER	U/M	DESCRIPTION
1	109908-08-F08	EA	END CAP - OVERHEAD CABINET
2	M05992-41-J10	EA	DOOR - STRAIGHT CORNER/OGEE EDGE - 15.7" X 20.4" - W/O HDW
3	120939-01-K13	EA	CABINET - OVERHEAD/FRONT - W/O DOORS/HARDWARE FROM: 00-00-00 THRU: 09-20-98
3	120939-01-K15	EA	CABINET - OVERHEAD/FRONT - W/O DOORS/HARDWARE FROM: 00-00-00 THRU: 09-20-98
3	120939-02-K13	EA	CABINET - OVERHEAD FRONT - W/O DOORS/HARDWARE FROM: 09-21-98 THRU: 99-99-99
3	120939-02-K15	EA	CABINET - OVERHEAD FRONT - W/O DOORS/HARDWARE FROM: 09-21-98 THRU: 99-99-99
4	109908-09-F08	EA	END CAP - OVERHEAD CABINET
5	P14437-02-000	EA	CABINET - LID ENTRANCE DOOR - W/O CARPET
5	101222-01-02A	EA	BRACKET - CATCH - LID - OFF WHITE

SEALANTS & FASTENERS GROUP

SCREWS

KEY	PART NUMBER	U/M	DESCRIPTION
	0G1108-12-170	EA	SCREW - 8-18 X .75 PPH - BRIGHT WHITE
	0G1208-12-170	EA	SCREW - 8-18 X .75 POH - BRIGHT WHITE
	0G3908-08-170	EA	SCREW - SF/DR - 8-18 X .50 PPH - BRIGHT WHITE
	0G3908-24-170	EA	SCREW - SF/DR - 8-18 X 1.50 PPH - BRIGHT WHITE
	0G5508-16-250	EA	SCREW - SF/DR - 8-18 X 1.00 PWH - VW DARK GRAY
	0G6710-08-170	EA	SCREW - 10-12 X 1/2 PPH - BRIGHT WHITE
	000C18-06-56A	EA	BOLT - ELEVATOR - 3/8-16 X 3 1/2 - GRADE 5
	000G11-06-10J	EA	SCREW - 6-20 X 5/8 PPH - BRASS
	000G11-06-10B	EA	SCREW - 6-20 X 5/8 PPH - ZINC
	000G11-06-08B	EA	SCREW - 6-20 X 1/2 PPH - ZINC
	000G11-07-08B	EA	SCREW - 7-19 X 1/2 PPH - ZINC
	000G11-08-12D	EA	SCREW - 8-18 X 3/4 PPH - BLACK
	000G11-08-12B	EA	SCREW - 8-18 X 3/4 PPH - ZINC
	000G11-08-08B	EA	SCREW - 8-18 X 1/2 PPH - ZINC
	000G11-08-06B	EA	SCREW - 8-18 X 3/8 PPH - ZINC
	000G11-08-20B	EA	SCREW - 8-18 X 1 1/4 PPH - ZINC
	000G11-08-16S	EA	SCREW - 8-18 X 1 PPH - OFF WHITE
	000G11-08-12T	EA	SCREW - 8-18 X 3/4 PPH - BLACK
	000G11-08-12P	EA	SCREW - 8-18 X 3/4 PPH - DARK BROWN
	000G11-08-12P	EA	SCREW - 8-18 X 3/4 PPH - DARK BROWN
	000G11-10-12S	EA	SCREW - 10-16 X 3/4 PPH - OFF WHITE
	000G12-06-08T	EA	SCREW - 6-20 X 1/2 POH - BLACK
	000G12-08-12S	EA	SCREW - 8-18 X .75 POH - OFF WHITE
	000G13-05-10B	EA	SCREW - 5-12 X 5/8 PFH - ZINC
	000G13-06-16J	EA	SCREW - 6-20 X 1 PFH - BRASS
	000G13-06-10G	EA	SCREW - 6-20 X 5/8 PFH - ANTIQUE BRASS
	000G13-06-08B	EA	SCREW - 6-20 X 1/2 PFH - ZINC
	000G13-06-24J	EA	SCREW - 6-20 X 1 1/2 PFH - BRASS
	000G13-07-12B	EA	SCREW - 7-19 X 3/4 PFH - ZINC
	000G13-08-16B	EA	SCREW - 8-18 X 1 PFH - ZINC
	000G18-08-22B	EA	SCREW - MACHINE - 8-32 X 1 3/8 PPH - ZINC
	000G19-10-12F	EA	SCREW - MACHINE - 10-32 X 3/4 PPH - STAINLESS STEEL
	000G32-10-06B	EA	SCREW - 10-32 X 3/8 PPH - ZINC
	000G37-08-089	EA	SCREW - 8 X 18 X 1/2 PPH
	000G39-06-08B	EA	SCREW - SF/DR - 6-18 X 1/2 - ZINC
	000G39-06-10T	EA	SCREW - SF/DR - 6-20 X 5/8 PPH - BLACK
	000G39-06-10T	EA	SCREW - SF/DR - 6-20 X 5/8 PPH - BLACK
	000G39-08-08S	EA	SCREW - SF/DR - 8-18 X 1/2 PPH - OFF WHITE
	000G39-08-08B	EA	SCREW - SF/DR - 8-18 X 1/2 PPH - ZINC
	000G39-08-06B	EA	SCREW - SF/DR - 8-18 X 3/8 PPH - ZINC
	000G39-08-24B	EA	SCREW - SF/DR - 8-18 X 1 1/2 PPH - ZINC
	000G39-08-16T	EA	SCREW - SF/DR - 6-20 X 1 PPH - BLACK
	000G39-08-16R	EA	SCREW - SF/DR - 8-18 X 1 PPH - BEIGE
	000G39-08-12B	EA	SCREW - SF/DR - 8-18 X 3/4 PPH - ZINC
	000G39-10-10B	EA	SCREW - SF/DR - 10-16 X 5/8 - ZINC
	000G39-10-088	EA	SCREW - SF/DR - 10-16 X 1/2 PPH - FLEX FLUOROCARBON
	000G39-10-08B	EA	SCREW - SF/DR - 10-16 X 1/2 PPH - ZINC
	000G39-10-32B	EA	SCREW - SF/DR - 10-16 X 2 - PPH - ZINC
	000G39-10-20B	EA	SCREW - SF/DR - 10-16 X 1 1/4 PPH - ZINC
	000G39-10-129	EA	SCREW - SF/DR - 10-16 X 3/4 PPH - FLUOROCARBON SILVER
	000G39-10-12D	EA	SCREW - SF/DR - 10-16 X 3/4 PPH - BLACK
	000G39-10-12B	EA	SCREW - SF/DR - 10-16 X 3/4 PPH - ZINC
	000G42-04-16B	EA	SCREW - SF/DR - 1/4-14 X 1 HWH - ZINC
	000G46-08-24T	EA	SCREW - MACHINE - 8-32 X 1 1/2 PFH - BLACK
	000G50-04-12B	EA	SCREW - MACHINE - 1/4-20 X 3/4 PPH - ZINC
	000G52-08-18B	EA	SCREW - MACHINE - 8-32 X 1 1/8 PTH - ZINC
	000G54-04-20B	EA	SCREW - 1/4-20 X 1.25 PTH - TYPE 23 - ZINC PLATED
	000G60-10-20B	EA	SCREW - SF/DR - 10-16 X 1 1/4 POH - ZINC
	000G67-10-08B	EA	SCREW - 10-12 X 1/2 PPH - ZINC
	000G67-10-36T	EA	SCREW - 10-12 X 2 1/4 - PPH - BLACK
	000G67-10-32B	EA	SCREW - 10-12 X 2 PPH - ZINC

SEALANTS & FASTENERS GROUP (CONTINUED)

SCREWS (CONTINUED)

KEY	PART NUMBER	U/M	DESCRIPTION
	000G67-10-24B	EA	SCREW - 10-12 X 1.50 PPH - ZINC
	000G67-10-20D	EA	SCREW - 10-12 X 1.25 PPH - BLACK
	000G67-10-16B	EA	SCREW - 10-12 X 1 PPH - ZINC
	000G67-10-120	EA	SCREW - 10-12 X 3/4 PPH - TAN
	000G67-10-12P	EA	SCREW - 10-12 X 3/4 PPH - DARK BROWN
	000G67-10-12B	EA	SCREW - 10-12 X 3/4 PPH - ZINC
	000G67-10-10S	EA	SCREW - 10-12 X 5/8 PPH - OFF WHITE
	000G67-10-10D	EA	SCREW - 10-12 X 5/8 PPH - BLACK - TYPE A
	000G67-10-10B	EA	SCREW - 10-12 X 5/8 PPH - ZINC - TYPE A
	000G67-10-08R	EA	SCREW - 10-12 X 1/2 PPH - BEIGE - TYPE A
	000G68-06-12B	EA	SCREW - 6-18 X .75 POH
	000G68-06-10G	EA	SCREW - 6-18 X 5/8 POH - ANTIQUE BRASS
	000G68-10-36T	EA	SCREW - 10-12 X 2.25 POH BLACK
	049465-01-000	EA	SCREW - 10-16 W/WASHER PTH - DARK BROWN
	049465-17-000	EA	SCREW - 10-16 X 1 POH W/WASHER - BRIGHT WHITE
	054434-02-000	EA	SCREW - SF/DR - 10-16 X 2 - ZINC
	054434-03-000	EA	SCREW - SF/DR - 10-16 X 2 - PWH - ZINC - W/O WINGS
	057671-01-000	EA	COVER - SCREW - #8 - PLASTIC - OFF WHITE
	057671-15-000	EA	COVER - SCREW - BRIGHT WHITE
	075908-01-000	EA	SCREW - MACHINE - 10-32 X .56 PTH - EXTERNAL TOOTH - ZINC
	076790-01-000	EA	SCREW - 6-20 X 1 1/4 PPH - BLACK
	086256-01-000	EA	SCREW - SF/DR - 8 X 3/4 HWH LONG
	087721-01-000	EA	SCREW - FLAT HEAD - TAPPING - 1/4" X 1 1/4" LONG - ZINC
	097974-01-000	EA	SCREW - PARTICLE BOARD - 7-9 X 3/4 PPH
	105126-01-000	EA	SCREW - MACH - 8-32 X 1 PPH TAPIT

CLAMPS, GROMMETS, CLIPS & RIVETS

KEY	PART NUMBER	U/M	DESCRIPTION
	000H16-04-06R	EA	RIVET - POP ALUMINUM - 1/8 X .313 - .375
	007161-01-000	EA	CLAMP - HOSE - SPRING TYPE - 1/2"
	010495-01-000	EA	CLAMP - CABLE - 9/16"
	010497-01-000	EA	CLAMP - CLOSED - 5/8" ID
	010497-03-000	EA	CLAMP - CLOSED - 1" ID - CUSHIONED
	010497-04-000	EA	CLAMP - CLOSED - 1.62" ID
	010497-08-000	EA	CLAMP - CLOSED - .125"
	010499-01-000	EA	CLAMP - CLOSED - 3/8 ID
	016188-05-000	EA	GROMMET - L/P LINE - 3/8" HOLE X 1 1/4" LONG - RUBBER
	062401-01-000	EA	CLAMP - HOSE - WORMGEAR - .25" - 1"
	062401-02-000	EA	CLAMP - HOSE - WORMGEAR - 1.56" - 2.5"
	062401-03-000	EA	CLAMP - HOSE - WORMGEAR - .22" - 1"
	062401-04-000	EA	CLAMP - HOSE - WORMGEAR - .69" - 1.25"
	062401-06-000	EA	CLAMP - HOSE - WORMGEAR - .22" - .62" ID
	062401-11-000	EA	CLAMP - HOSE - WORMGEAR - 3.50" - 4.50"
	069592-02-000	EA	RIVET-T - POP - 1/4 X .093 - .156
	071015-11-000	EA	GROMMET - 1.00 ID - FITS .12 MATERIAL
	071015-26-000	EA	GROMMET - RUBBER - 1.5" ID X 2.12" OD W/.06" GROOVE - BLK
	075148-02-000	EA	CLAMP - GROUNDING - BRONZE SCREWS
	080734-02-000	EA	CLIP - WIRE NYLON
	083610-01-000	EA	CLAMP - WIRE - DUAL - UNEQUAL DIAMETERS - 3/4" & 1 1/4"
	091952-01-000	EA	CLIP - GRIPPER - 1"
	091952-02-000	EA	CLIP - GRIPPER - 3/4"

SEALANTS & FASTENERS GROUP (CONTINUED)

BOLTS, NUTS & WASHERS

KEY	PART NUMBER	U/M	DESCRIPTION
	000C12-05-16B	EA	BOLT - HEX - 5/16-18 X 1 - ZINC 5
	000C12-05-12B	EA	BOLT - HEX - 5/16-18 X 3/4 - ZINC 5
	000C12-06-16B	EA	BOLT - HEX - 3/8-16 X 1 LG - ZINC 5
	000C12-07-20B	EA	BOLT - HEX - 7/16-14 X 1 1/4 - ZINC 5
	000C12-08-24B	EA	BOLT - HEX - 1/2-13 X 1.50 - ZINC 5
	000C13-07-48B	EA	BOLT - HEX - 7/16-20 X 3 - ZINC 5
	000C18-05-40A	EA	BOLT - ELEVATOR - 5/16-18 X 2.50 - PL
	000C18-06-48B	EA	BOLT - ELEVATOR - 3/8-16 X 3 - ZINC - GRADE 5
	000C26-04-10B	EA	BOLT - HEX - SERRATED FLANGE - 1/4-20 X 5/8 - ZINC
	000C26-04-14B	EA	BOLT - HEX - SERRATED FLANGE - 1/4-20 X 7/8 - ZINC
	000C26-05-12B	EA	BOLT - HEX - SERRATED FLANGE - 5/16-18 X 3/4 - ZINC
	000C26-06-16B	EA	BOLT - HEX - SERRATED FLANGE - 3/8-16 X 1 - ZINC
	000C26-06-12B	EA	BOLT - HEX - SERRATED FLANGE - 3/8-16 X 3/4 - ZINC
	000C26-08-24B	EA	BOLT - HEX - SERRATED FLANGE - 1/2-13 X 1 1/2 ZINC
	000D24-10-00B	EA	NUT - HEX - SELF LOCKING - 10-32 ZINC
	000D29-09-00B	EA	NUT - HEX - SELF LOCKING - 9/16-12 - ZINC
	000D34-06-00B	EA	NUT - HEX - LOCKING - 3/8-16 GRADE C - ZINC-PREVAILING
	000D39-04-00B	EA	NUT - HEX - LOCKING W/SERRATED FLANGE - 1/4-20 - ZINC
	000D39-05-00B	EA	NUT - HEX - LOCKING W/SERRATED FLANGE - 5/16-18 - ZINC
	000D39-06-00B	EA	NUT - HEX - LOCKING W/SERRATED FLANGE - 3/8-18 - ZINC
	000D39-07-00B	EA	NUT - HEX - LOCKING W/SERRATED FLANGE - 7/16-14 - ZINC
	000D39-08-00B	EA	NUT - HEX - LOCKING W/SERRATED FLANGE - 1/2-13 - ZINC
	000D44-07-00B	EA	NUT - HEX - LOCKING W/SERRATED FLANGE - 7/16-20 - ZINC
	000D46-04-00A	EA	NUT - HEX - WELD - 1/4-20 - PLAIN
	000D65-08-00B	EA	NUT - HEX/SERRATED FLANGE - 8-32 ZINC
	000E11-07-00B	EA	WASHER - LOCKING - 7/16 MED SPLIT - ZINC
	000E11-08-00B	EA	WASHER - LOCKING - 1/2 MED SPLIT - ZINC
	000E13-14-00B	EA	WASHER - FLAT - 1/4 WIDE - ZINC
	000E13-17-00B	EA	WASHER - FLAT - 3/8" AR - ZINC
	000E13-18-00B	EA	WASHER - FLAT - 3/8 WIDE - ZINC
	000E13-20-00B	EA	WASHER - FLAT - 7/16 WIDE - ZINC
	000E13-21-00B	EA	WASHER - FLAT - 1/2 NARROW - ZINC
	040921-01-000	EA	NUT - SPEED - U TYPE - 10-24 BLACK
	044364-02-000	EA	NUT - SPEED - FLAT - ROUND
	051387-06-000	EA	BOLT - CARRIAGE W/O HOLE - 5/16-18 X 9.5 - ZINC
	102333-01-06A	EA	BOLT - CARRIAGE - 7/16-14 STAINLESS STEEL CAP
	077071-01-000	EA	WASHER - FENDER - 3/16"ID X 1" OD
	106166-01-000	EA	BOLT/COLLARED HANGER - 8-32 X 1"

TIES & FASTENERS

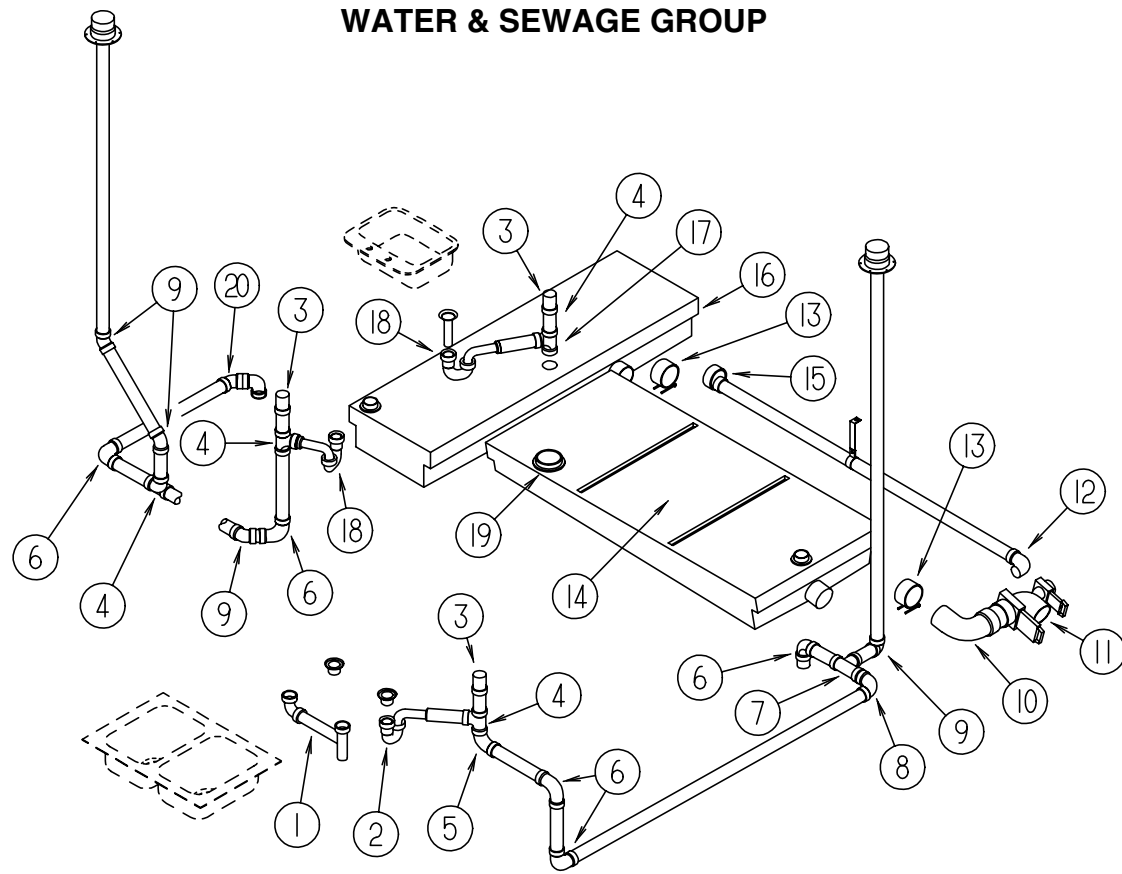
KEY	PART NUMBER	U/M	DESCRIPTION
	008343-01-000	EA	TIE - WIRE - 6"
	085774-01-000	FT	FASTENER - DUAL HOOK - 1" WIDE - ADHESIVE BACK - BLACK
	085774-02-000	FT	FASTENER - DUAL HOOK - 1" WIDE - ADHESIVE BACK - BLACK
	088792-04-000	YD	VELCRO TAPE - LOOP - 5/8" - NON-ADHESIVE BACK - WHITE
	088792-05-000	YD	VELCRO TAPE - LOOP - 5/8" - NON-ADHESIVE BACKED - WHITE
	088792-02-000	YD	VELCRO TAPE - LOOP - 3/4" - ADHESIVE BACKED - BEIGE
	108046-01-000	EA	CABLE TIE - SCREW MOUNT 8"
	108046-02-000	EA	CABLE TIE - SCREW MOUNT 15"
	110943-02-000	FT	FELTSTRIP - 3/8" - ADHESIVE BACK - WHITE

SEALANTS & FASTENERS GROUP (CONTINUED)

ADHESIVE & FASTENERS

KEY	PART NUMBER	U/M	DESCRIPTION
	004006-05-700	EA	ADHESIVE-NAT. STARCH (5 GAL) 0802
	004020-01-000	QT	ADHESIVE - ABS CEMENT - QUART
	034552-02-000	EA	SILICONE - TUBE - W/O NOZZLE - CLEAR
	039518-01-000	EA	SILICONE - TUBE - W/O NOZZLE - BLACK
	053766-06-000	EA	BEDDING COMPOUND - TUBE - CLEAR
	069640-01-000	FT	SEALER - RIBBON - 1/4" DIAMETER X 30' - BLACK
	069640-07-000	FT	SEALER - TAPE - .09"THICK X 2"WIDE X 45' - GRAY
	069640-09-000	FT	SEALER - TAPE - .032"THICK X 2.50"WIDE X 80' - GREY
	069640-10-000	FT	SEALER - TAPE - .03"THICK X 1.50"WIDE X 90' - GRAY
	069640-11-000	FT	SEALER - TAPE - .19"THICK X .38"WIDE X 40' - BLACK
	069640-17-000	FT	SEALER - TAPE - .03"THICK X 1"WIDE X 90' - GRAY
	069640-18-000	FT	SEALER - TAPE - .50"THICK X 1/8"WIDE X 60' - BRIGHT WHITE
	069640-19-000	FT	SEALER - TAPE - .75"THICK X 1/8"WIDE X 60' - BRIGHT WHITE
	069640-21-000	FT	SEALER - TAPE - .50" THICK X 1/16 X 100FT - BRIGHT WHITE
	072889-09-000	EA	SEALANT - URETHANE - BLACK (TUBE) FROM: 00-00-00 THRU: 09-06-98
	072889-10-000	EA	SEALANT - URETHANE (HV) - BRIGHT WHITE FROM: 00-00-00 THRU: 09-06-98
	072889-12-000	EA	SEALANT - URETHANE (LV) BRIGHT WHITE FROM: 00-00-00 THRU: 09-06-98
	072889-18-000	EA	SEALANT - URETHANE - BLACK (FOIL) FROM: 09-07-98 THRU: 99-99-99
	072889-19-000	EA	SEALANT - URETHANE - (FOIL) - BLACK - 10 OUNCE FROM: 09-07-98 THRU: 99-99-99
	072889-20-000	EA	SEALANT - URETHANE - (FOIL) - BRIGHT WHITE - 10 OUNCE FROM: 09-07-98 THRU: 99-99-99
	076314-02-000	FT	TAPE - CARPET SEAM - HEAT-BOND - 4" WIDE
	076322-01-000	FT	TAPE - DOUBLE COATED/ADHESIVE BACK - .025"THK X .75"W X 18'
	076322-02-000	FT	TAPE - DOUBLE COATED/ADHESIVE BACK - .045"THK X 1"W X 108'
	076322-03-000	FT	TAPE - DOUBLE COATED/ADHESIVE BACK - .045"THK X .50"W X 9'
	076322-05-000	FT	TAPE - DOUBLE COATED/ADHESIVE BACK - .045"THK X .75"W X 9'
	076322-07-000	FT	TAPE - DOUBLE COATED/ADHESIVE BACK - .045"THK X .50"W X 9'
	087211-01-000	GL	PROMOTER - ADHESIVE
	091255-02-000	FT	SEAL - ADHESIVE BACKED/FOAM - .18" THICK X 1.5" WIDE
	102352-01-000	EA	SEALER - PUMPABLE - BLACK
	102352-02-000	EA	SEALER - PUMPABLE - CLEAR
	104692-01-000	FT	SEAL - FOAM/ADHESIVE BACK - .75"THICK X .75"WIDE X 25'
	106206-01-000	EA	SEALER - PUMPABLE - MANUS 30A - BLACK
	108716-03-000	EA	SILICONE - TUBE - BRIGHT WHITE/SELF LEVELING - W/O NOZZLE FROM: 00-00-00 THRU: 09-06-98
	131264-03-01A	EA	SILICONE - SELF LEVELING - W/O NOZZLE - BRIGHT WHITE FROM: 09-07-98 THRU: 99-99-99
	112864-01-000	FT	SEAL - FOAM/BUTYL COVERED - 3/8"
	118085-02-01A	FT	TAPE - FOIL - 1"
	120074-02-01A	EA	SEALANT - SILICONE - OFF WHITE
	120534-01-01A	EA	TAPE - SCOTCH - 3M - 1/2" FINE LINE
	123816-01-000	FT	TAPE - DOUBLE SIDED - 1"
	123816-02-000	FT	TAPE - DOUBLE SIDED - 1/2" X 1 1/3" THICK
	123816-03-000	FT	TAPE - DOUBLE SIDED - 1/2" X 3/4" - THICK
	900390-01-000	EA	TIP - 2 1/2" X 1/8" ORIFICE
	900390-03-000	EA	NOZZLE - SILICONE TUBE

WATER & SEWAGE GROUP



DRAINAGE SYSTEM

KEY	PART NUMBER	U/M	DESCRIPTION	VENDOR NO.
1	011091-02-000	EA	WASTE - CONTINUOUS - DOUBLE SINK	
1	011091-03-000	EA	PIPE-DRAIN - W/SEALS - DOUBLE SINK - EXTENDS 9" TO 16"- CANADIAN	
2	109571-01-000	EA	ADAPTER - P TRAP - 1 1/2"P X 1 1/4"MPT	
2	107538-01-000	EA	P TRAP - PLASTIC - 1 1/4" W/EXTENSION ARM	
2	011071-01-000	EA	P-TRAP - PLASTIC - 1 1/2" - CSA	
3	079968-01-000	EA	VENT - MECHANICAL/TRAP ARM - ANTI-SIPHON-2" X 7.3" PLASTIC	
4	010071-01-000	EA	TEE - SANITARY - 1 1/2" HUB X HUB X HUB - PLASTIC	
5	010051-01-000	EA	ELBOW - 45 DEGREE - 1 1/2" SPIGOT & HUB - PLASTIC	
6	010008-01-000	EA	ELBOW - 90 DEGREE - 1 1/2" HUB X HUB - PLASTIC	
7	010115-01-000	EA	COUPLING - 1 1/2" HUB X HUB - PLASTIC	
	066729-01-000	EA	STRAINER - TUB/SHOWER W/PLUG - CHROME	
	127440-02-01A	EA	WASHER - RUBBER - 1.8" X .1"	
	130403-01-000	EA	NUT - SLIP - W/WINGS 1 1/2"	
8	034250-01-000	EA	ELBOW - 90 DEGREE - LONG TURN - 1 1/2" HUB X HUB - ABS	
9	010073-01-000	EA	WYE - 45 DEGREE - 1 1/2" HUB X HUB X HUB - PLASTIC	
10	010006-01-000	EA	ELBOW - 45 DEGREE - 1 1/2" HUB X HUB - PLASTIC	
11	031126-01-000	EA	ELBOW - 1/4 BEND - 3" X 90" XLT - BLACK PLASTIC	
12	070916-01-000	EA	VALVE - DUAL DUMP - W/CAP - 3" X 1 1/2"	
	070916-01-700	EA	VALVE ONLY (WASTE) 3"	T1003BU
	070916-01-701	EA	VALVE ONLY (WASTE) 1 1/2"	T1001BU
12	062415-01-000	EA	CAP - SEWER - 3" DIAMETER	
	062415-01-700	EA	STRING-SEWER CAP	V#SV7 STRAP
	010201-01-000	EA	HOSE - SEWER - 3" ID X 8'	
	062416-01-000	EA	ADAPTER-SEWER HOSE TO 3" PIPE	
13	089355-01-000	EA	COUPLER - RUBBER - 1 1/2" X 1 1/2"	
	109571-02-000	EA	ADAPTER - 1 1/2" HUB X 1 1/2" MPT	
14	078406-01-000	EA	COUPLER - RUBBER - W/CLAMPS - 3" X 3"	
15	117580-01-700	EA	TANK-HOLDING 33 GAL-1.5"ADAP PARTS SALES	
16	123643-01-000	EA	TANK - HOLDING - 32 GALLON - W/O FITTINGS	
17	010166-01-000	EA	PLUG - THREADED - 1 1/4" DIAMETER - PLASTIC - BLACK	
18	010122-01-000	EA	BUSHING - REDUCER - 1 1/2 SMTH X 1 1/4 THD - BLACK PLASTIC	
19	063641-01-000	EA	FLANGE - CLOSET - 4" X 3"	
19	061607-02-000	EA	GROMMET - HOLDING TANK - 3" NPS	

WATER & SEWAGE GROUP (CONTINUED)

DRAINAGE SYSTEM (CONTINUED)

KEY	PART NUMBER	U/M	DESCRIPTION
20	010009-01-000	EA	ELBOW - 90 DEGREE - 1/4 BEND - 1 1/2" PLASTIC
	061607-01-000	EA	GROMMET - HOLDING TANK - 1 1/2" NPS
	041956-01-000	EA	ELBOW - 3" STREET - 90 DEGREE PLASTIC
	094756-02-01A	EA	BRACKET - L - 6.1" LONG X 3.9" WIDE - STEEL

WATER HEATER W/ELECTRIC IGNITION ATWOOD (G6A-8E)

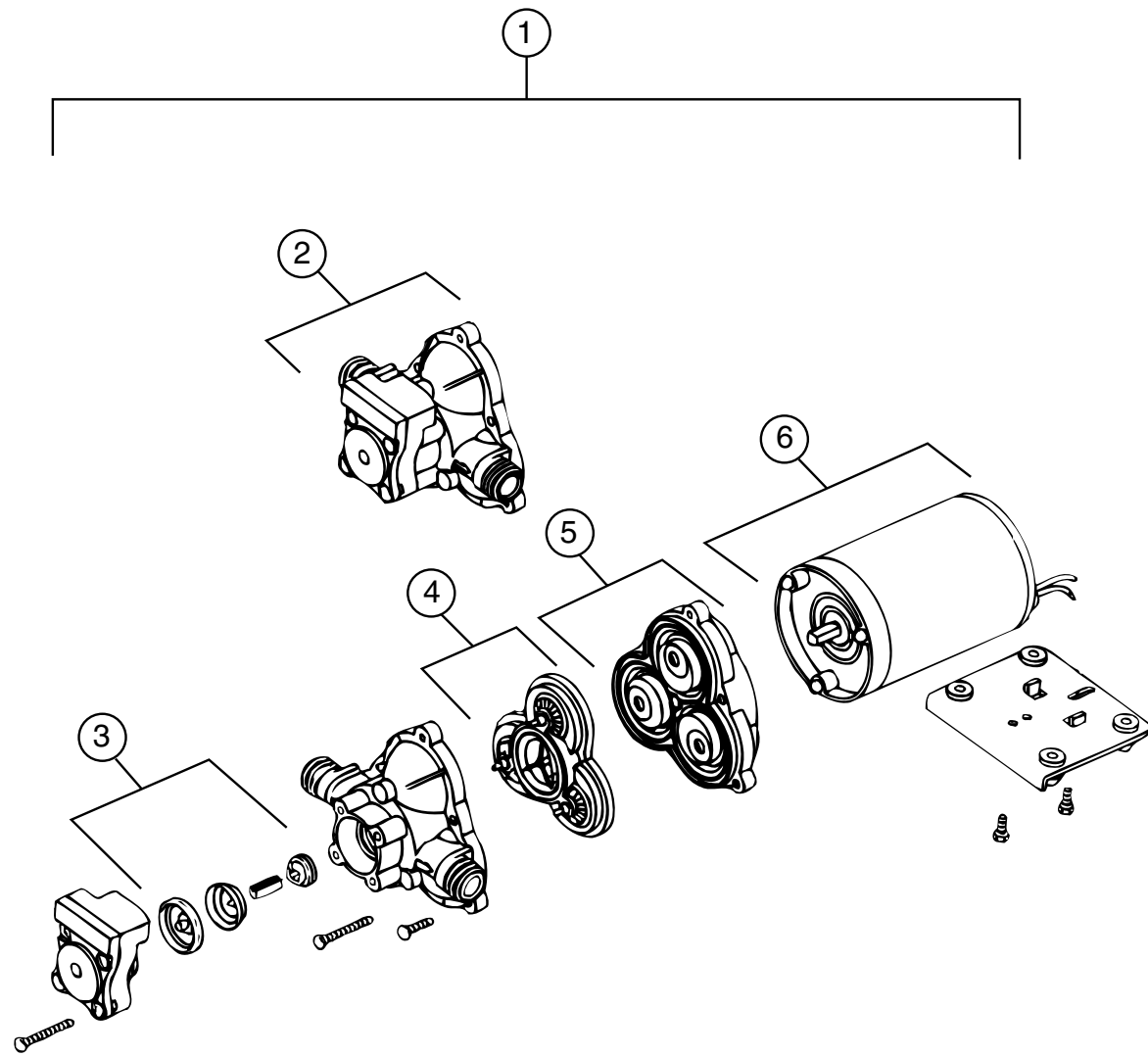
KEY	PART NUMBER	U/M	DESCRIPTION
*	051391-03-000	EA	WATER HEATER G6A-8E - ELECTRONIC IGNITION
*	051393-01-000	EA	WATER HEATER - GH6-8E - ELECTRONIC IGNITION W/MOTOR AID

*COMPONENT PARTS FOUND IN SERVICE PARTS LIBRARY

FRESH WATER TANK & WATER SYSTEM

KEY	PART NUMBER	U/M	DESCRIPTION
	119109-06-000	EA	TANK - WATER - 40 GALLON - W/FITTINGS
	119109-01-000	EA	TANK - WATER - 40 GALLON - W/O FITTINGS
	077954-02-000	EA	FILTER - WATER TANK - W/SCREEN IN TANK
	042989-03-000	EA	FITTING - SPINWELD - 1 1/4"NPT - PLASTIC
	042989-04-000	EA	FITTING - SPINWELD - 3/8"FPT - WHITE PLASTIC
	042989-05-000	EA	FITTING - SPINWELD - 1/2"FPT - PLASTIC
	049032-01-000	EA	PATCH - SPINWELD - 3/8" - PLASTIC
	039861-01-000	EA	SENDING UNIT - W/SCREW - WASHER - WELL NUT/TERMINAL RING
	079381-01-000	FT	TUBING - RIBBED FLEXIBLE - WATER FILL - 1.4" X 10"
	114430-02-000	EA	ADAPTER - SWIVEL - 1/2"P X 1/2"FPT
	114430-03-000	EA	ADAPTER - 1/2"P X 1/2"MPT
	114430-06-000	EA	ADAPTER - 1/2"P X 3/8"FPT
	123152-01-000	EA	ADAPTER - 1/2 FPT X 1/2 BARB - SWIVEL
	010224-01-000	EA	ADAPTER - HOSE TO PIPE - 3/8 MPT X 3/8 BARB - PLASTIC
	044927-01-000	EA	ADAPTER - HOSE TO PIPE-1 1/4 MPTX1 1/4 BARB-BLACK PLASTIC
	113697-01-000	EA	CAP - 3/8 FTG
	123150-01-000	EA	ELBOW - 1/2 FPT X 1/2 BARB - SWIVEL
	114429-01-000	EA	ELBOW - 1/2"P X 1/2"P
	114429-02-000	EA	ELBOW - 1/2"P X 1/2"MPT
	114429-03-000	EA	ELBOW - SWIVEL - 1/2"P X 1/2"FPT
	010230-06-000	EA	FILL - CITY WATER - W/CHECK VALVE - MPT
	081240-20-000	EA	FILL - WATER - LOCKABLE - BRIGHT WHITE
	110438-02-000	EA	VALVE - CHECK - BRASS - 1/2 MPT X 1/2 MPT
	114428-01-000	EA	TEE - 1/2"P X 1/2"P X 1/2"P
	114428-03-000	EA	TEE - 1/2"P X 1/2"P X 1/2"MPT
	112176-01-000	FT	TUBING - VINYL - REINFORCED - 1/2" ID
	124188-01-000	FT	TUBING - PEX - 1/2" ID X 20' - BLUE(COLD)
	124188-02-000	FT	TUBING - PEX - 1/2" ID X 20' - RED(HOT)
	114431-02-000	EA	VALVE - WATER BYPASS - 1/2"P - THREE WAY (WATER HEATER)
	114431-03-000	EA	VALVE - 90 DEGREE DRAIN - 1/2"P
	110438-02-000	EA	VALVE - CHECK - BRASS - 1/2 MPT X 1/2 MPT
	035539-01-000	EA	ELBOW - PLASTIC - 3/8 MPT X 3/8 BARB

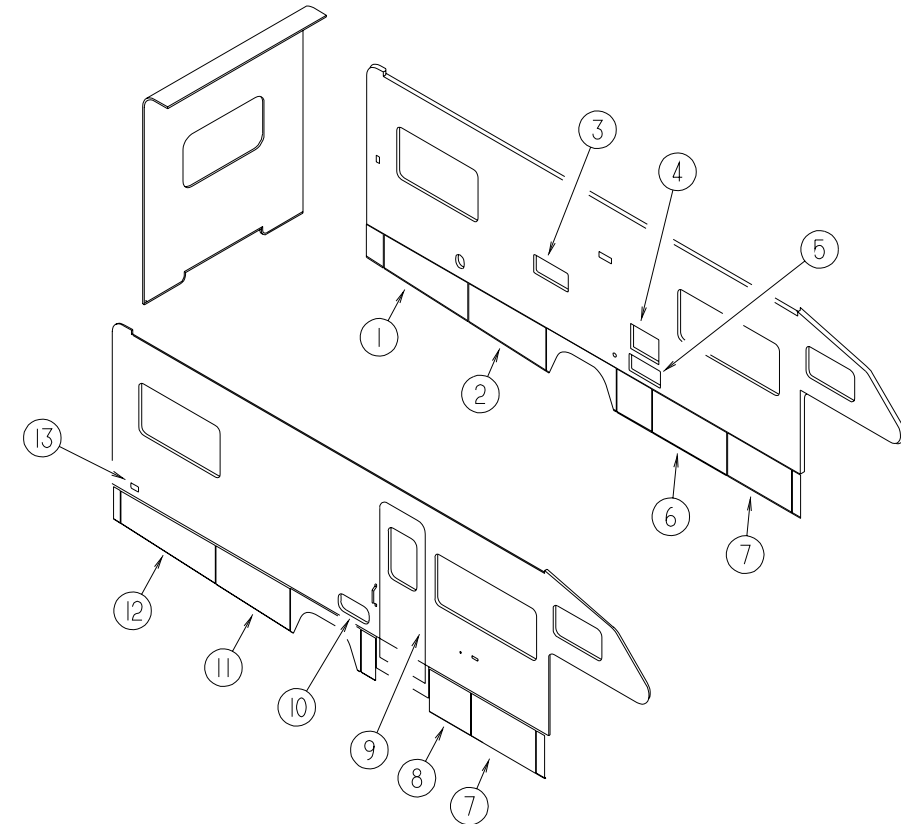
WATER & SEWAGE GROUP (CONTINUED)



WATER PUMP - SHURFLO

KEY	PART NUMBER	U/M	DESCRIPTION	VENDOR NO.
1	098607-01-000	EA	PUMP - WATER - W/.5" MPT FITTING - FLOW 2.8 GPM	
2	098607-01-706	EA	HOUSING, W/SWITCH ONLY	94-231-20
3	098607-01-705	EA	VALVE-CHECK, KIT	94-237-00
4	098607-01-703	EA	VALVE KIT	94-232-00
5	098607-01-702	EA	DIAPHRAGM/DRIVE ASSEMBLY KIT	94-238-04
6	098607-01-707	EA	MOTOR W/BASEPLATE	11-148-04

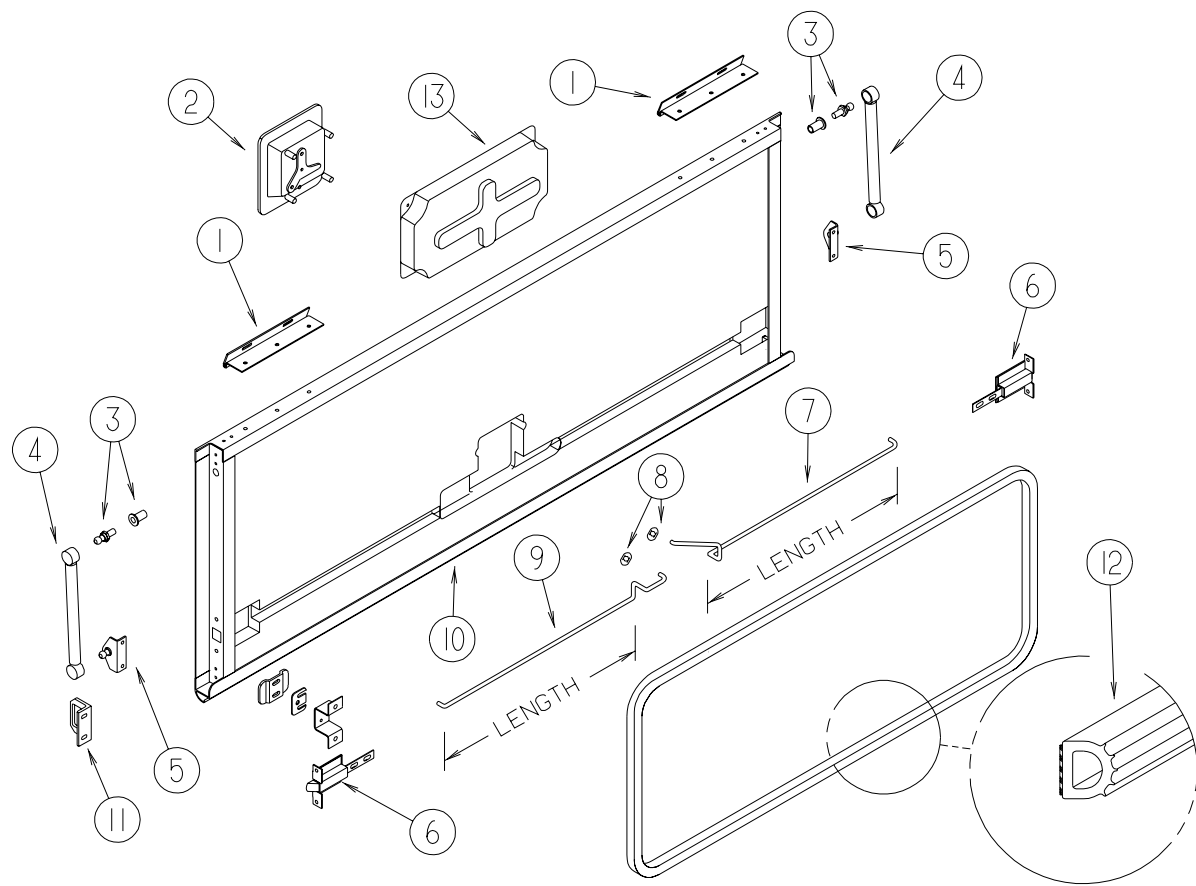
WINDOW, VENT & EXTERIOR DOOR GROUP



EXTERIOR DOORS

KEY	PART NUMBER	U/M	DESCRIPTION	VENDOR NO.
1	122391-38-JA1	EA	VALANCE/DOOR-DRIVER W/O PADDLE LATCH 19.3" X 49.5" X 16.8"	
2	122391-10-JA1	EA	VALANCE/DOOR-DRIVER W/O PADDLE LATCH 21.5" X 45.6" X 19.5"	
3	084103-08-000	EA	DOOR - VENT/REFRIGERATOR - W/O JAMB - BRIGHT WHITE	
3	084104-08-000	EA	JAMB - VENT DOOR/REFRIGERATOR - BRIGHT WHITE	
3	084104-01-700	EA	LOCK-MALE, FASTENER	201-721-010
3	084104-01-701	EA	LOCK-FEMALE, FASTENER	201-802-010
4	052009-06-000	EA	DOOR - WATER HEATER - BRIGHT WHITE - 18" X 14.6"	
4	116424-01-000	EA	PROTECTOR - LATCH - WATER HEATER	
5	098668-23-000	EA	DOOR - ACCESS - FURNACE - BRIGHT WHITE	
6	122239-18-JA1	EA	VALANCE/DOOR - W/O PADDLE LATCH/HINGE - 21.5" X 43.9"	
7	122239-17-JA1	EA	VALANCE/DOOR - W/O PADDLE LATCH/HINGE - 21.5" X 38"	
8	122239-20-JA1	EA	VALANCE/DOOR - W/O PADDLE LATCH/HINGE - 21.5" X 24.5"	
	123478-02-H07	EA	DOOR - COMPARTMENT - W/O LATCH/HINGE	
	115476-10-01A	EA	HINGE - CONTINUOUS - W/O HOLES - BRIGHT WHITE	
9	115108-02-J41	EA	DOOR - ENTRY - W/SCREEN DOOR - W/O WINDOW (K13)	
9	115108-02-J11	EA	DOOR - ENTRY - W/SCREEN DOOR - W/O WINDOW (K15)	
	120863-02-000	EA	BUMPER - RUBBER - 1" DIAMETER X 1.50"	
10	126945-01-J22	EA	DOOR/STORAGE - W/O HARDWARE - 18" X 8.3"	
11	122391-09-JA1	EA	VALANCE/DOOR-PASS W/O PADDLE LATCH 21.5" X 43.3" X 19.6"	
12	122391-11-JA1	EA	VALANCE/DOOR-PASS W/O PADDLE LATCH 19.4" X 55.8" X 16.6"	
13	081240-16-000	EA	DOOR - WATER FILL - LOCKABLE W/O LOCK - 4" X 4 5/8"	
	088794-06-000	EA	DOOR - POWER CORD W/HATCH - BRIGHT WHITE - 9.2" X 11"	

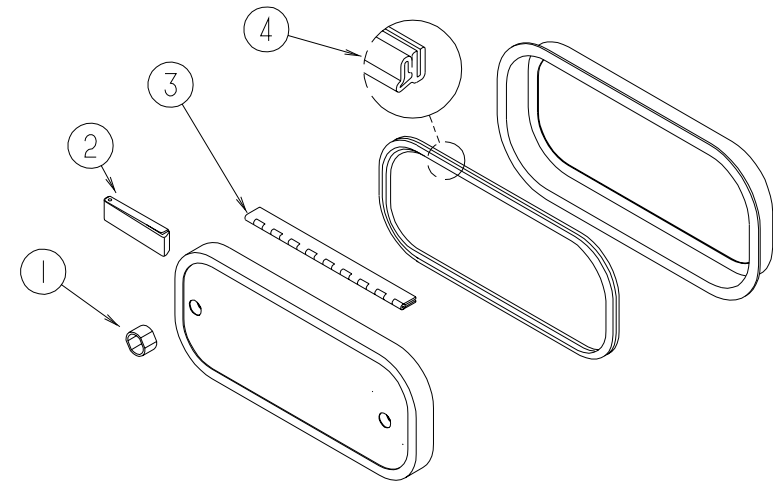
WINDOW, VENT & EXTERIOR DOOR GROUP (CONTINUED)



EXTERIOR DOOR COMPONENTS

KEY	PART NUMBER	U/M	DESCRIPTION
1	121755-01-04A	EA	HINGE - 6.00 INCH
2	112949-01-04A	EA	LATCH - PADDLE W/LOCK - W/O KEY - BLACK
2	112949-02-05A	EA	LATCH - PADDLE NON-LOCKING - BLACK
	112949-03-000	EA	KEY - TRI-MARK #TM500
3	123892-10-02B	EA	CORNER STABILIZER W/BALL STUD - RIGHT HAND - E-COATED
	126259-01-000	EA	STUD - BALL - GAS SHOCK MOUNTING
4	107796-18-000	EA	SPRING/GAS - 7" COMPRESSED/10" EXTENDED - 80 LB.
5	126263-02-02B	EA	BRACKET - GAS SPRING
6	121947-01-01A	EA	BOLT - SLIDE W/PLASTIC PLUNGER
7	122269-23-000	EA	ROD - LATCH - 20.19"
7	122269-24-000	EA	ROD - LATCH - 15.09"
7	122268-25-000	EA	ROD - LATCH - 17.04"
8	123892-12-02B	EA	CORNER STABILIZER W/BALL STUD - LEFT HAND - E-COATED
	126259-01-000	EA	STUD - BALL - GAS SHOCK MOUNTING
9	122268-18-000	EA	ROD - LATCH - 11.28"
9	122268-19-000	EA	ROD - LATCH - 14.22"
9	122268-21-000	EA	ROD - LATCH - 4.52"
10	122613-55-001	EA	ROCKER PANEL/EXTRUSION - 192" - BRIGHT WHITE
11	123783-01-01A	EA	STRIKER - DOOR - MILL
12	107721-07-000	FT	SEAL - ACCESS DOOR (SEWAGE & 110V DOOR ONLY)
12	107721-08-000	FT	SEAL - ACCESS DOOR
13	122277-02-01A	EA	COVER - LATCH - BLACK
	088270-01-000	FT	SEAL/BULB - RIGID WIRED U-CHANNEL - .5" - RUBBER - BLACK
	122612-55-007	EA	U-CHANNEL/EXTRUSION - 192" - BLACK
	122614-55-007	EA	H-CHANNEL/EXTRUSION - 192" - BLACK
	122613-55-007	EA	EXTRUDED - ROCKER PANEL - 192" - BLACK
	099418-01-000	FT	SEAL - D-SECTION/ADHESIVE BACK - .44" X .44" - BLK RUBBER

WINDOW, VENT & EXTERIOR DOOR GROUP (CONTINUED)



EXTERIOR DOOR COMPONENTS

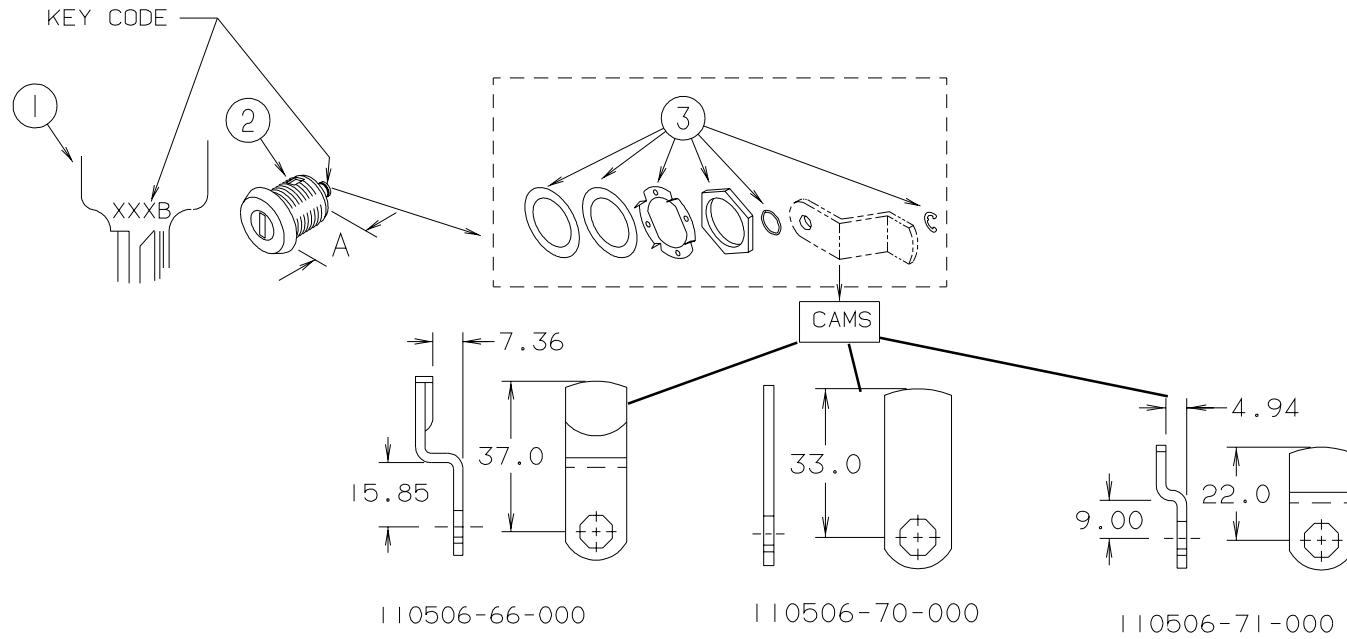
KEY	PART NUMBER	U/M	DESCRIPTION
1	107997-51-001	EA	SPACER - DOOR LOCK - .6" DEEP
	107997-51-002	EA	EXTRUDED - SPACER - 16'
2	102768-01-000	EA	HOLDER - COMPARTMENT/ENTRY DOOR - METAL - MILL FINISH
3	081801-V3-000	EA	HINGE - ALUMINUM - 2" X 96" - BRIGHT WHITE
3	009065-01-000	EA	HINGE - ALUMINUM - 1 1/2" X 96" - UNPAINTED
	064075-07-000	FT	SEAL - BULB - W/WIRED U CHANNEL - .3" X .5" CHANNEL-BLACK
4	106850-02-000	FT	SEAL-E - SPONGE RUBBER - .43" X .75"
4	104692-01-000	FT	SEAL - FOAM/ADHESIVE BACK - .75"THICK X .75"WIDE X 25'

WINDOW, VENT & EXTERIOR DOOR GROUP (CONTINUED)

BRIGGS & STRATTON LOCKS & COMPONENTS

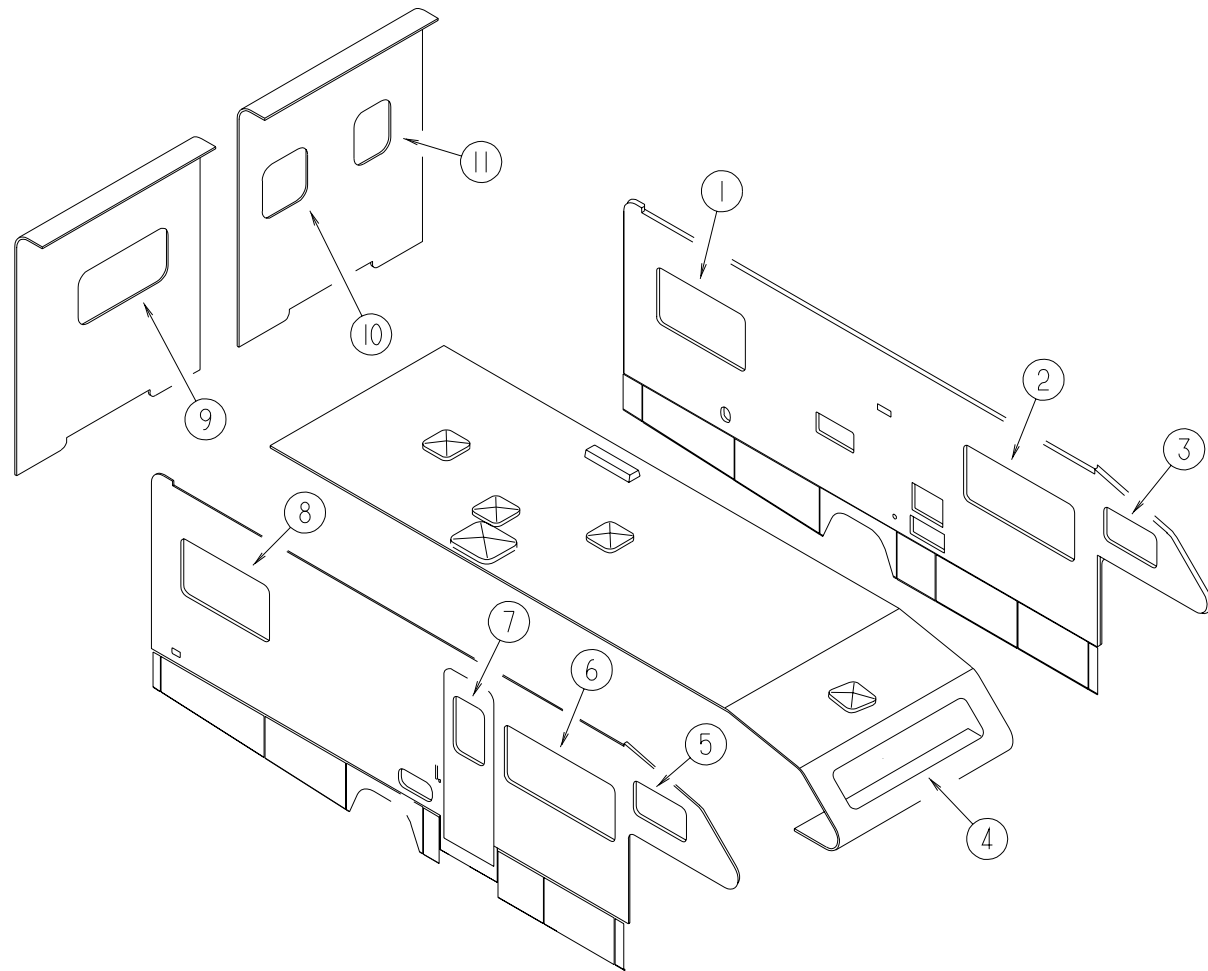
NOTE:

WHEN ORDERING THE LOCK CASE, THE KEY CODE MUST MATCH THE LAST DIGIT OF THE VEHICLE'S SERIAL NUMBER AND PART NUMBER; WHEN ORDERING THE KEYS, THE THIRD DIGIT OF THE KEY CODE MUST MATCH THE LAST DIGIT OF THE VEHICLE'S SERIAL NUMBER AND PART NUMBER.



KEY	PART NUMBER	U/M	DESCRIPTION	VENDOR NO.	KEY	PART NUMBER	U/M	DESCRIPTION	VENDOR NO.
1	110506-59-000	EA	KEYS - SET OF TWO	596720	1	110506-59-007	EA	KEYS - SET OF TWO	596727
2	110506-52-000	EA	CASE/CYLINDER - LOCKING - W/O CAM/KEY - .65"	702370	2	110506-52-007	EA	CASE/CYLINDER - LOCKING - W/O CAM/KEY - .65"	702377
2	110506-54-000	EA	CASE/CYLINDER - LOCKING - W/O CAM/KEY - 1.25"	703170	2	110506-54-007	EA	CASE/CYLINDER - LOCKING - W/O CAM/KEY - 1.25"	703177
1	110506-59-001	EA	KEYS - SET OF TWO	596721	1	110506-59-008	EA	KEYS - SET OF TWO	596728
2	110506-52-001	EA	CASE/CYLINDER - LOCKING - W/O CAM/KEY - .65"	702371	2	110506-52-008	EA	CASE/CYLINDER - LOCKING - W/O CAM/KEY - .65"	702378
2	110506-54-001	EA	CASE/CYLINDER - LOCKING - W/O CAM/KEY - 1.25"	703171	2	110506-54-008	EA	CASE/CYLINDER - LOCKING - W/O CAM/KEY - 1.25"	703178
1	110506-59-002	EA	KEYS - SET OF TWO	596722	1	110506-59-009	EA	KEYS - SET OF TWO	596729
2	110506-52-002	EA	CASE/CYLINDER - LOCKING - W/O CAM/KEY - .65"	702372	2	110506-52-009	EA	CASE/CYLINDER - LOCKING - W/O CAM/KEY - .65"	702379
2	110506-54-002	EA	CASE/CYLINDER - LOCKING - W/O CAM/KEY - 1.25"	703172	2	110506-54-009	EA	CASE/CYLINDER - LOCKING - W/O CAM/KEY - 1.25"	703179
1	110506-59-003	EA	KEYS - SET OF TWO	596723	3	110506-40-700	EA	HDWE KIT	596950AAL
2	110506-52-003	EA	CASE/CYLINDER - LOCKING - W/O CAM/KEY - .65"	702373		110506-66-000	EA	CAM - LATCHING - DOG LEGGED 1.5" LONG	
2	110506-54-003	EA	CASE/CYLINDER - LOCKING - W/O CAM/KEY - 1.25"	703173		110506-70-000	EA	CAM - LATCHING - STRAIGHT 1.3" LONG	
1	110506-59-004	EA	KEYS - SET OF TWO	596724		110506-71-000	EA	CAM - LATCHING - DOG LEGGED .86" LONG	
2	110506-52-004	EA	CASE/CYLINDER - LOCKING - W/O CAM/KEY - .65"	702374		110506-76-000	EA	CAM - LOCK	
2	110506-54-004	EA	CASE/CYLINDER - LOCKING - W/O CAM/KEY - 1.25"	703174		110506-59-701	EA	KEY BLANK	
1	110506-59-005	EA	KEYS - SET OF TWO	596725					
2	110506-52-005	EA	CASE/CYLINDER - LOCKING - W/O CAM/KEY - .65"	702375					
2	110506-54-005	EA	CASE/CYLINDER - LOCKING - W/O CAM/KEY - 1.25"	703175					
1	110506-59-006	EA	KEYS - SET OF TWO	596726					
2	110506-52-006	EA	CASE/CYLINDER - LOCKING - W/O CAM/KEY - .65"	702376					
2	110506-54-006	EA	CASE/CYLINDER - LOCKING - W/O CAM/KEY - 1.25"	703176					

WINDOW, VENT & EXTERIOR DOOR GROUP (CONTINUED)



WINDOWS

KEY	PART NUMBER	U/M	DESCRIPTION
1*	104691-13-01A	EA	WINDOW - SINGLE TIPOUT - 48" X 26.4"
1*	112795-25-01A	EA	WINDOW - DRIVER HORIZONTAL SLIDER - THERMO - 26.4" X 48"
2*	112795-22-01A	EA	WINDOW - PASSENGER HORIZONTAL SLIDER -THERMO-26.1" X 47.8"
2*	112795-15-01A	EA	WINDOW - DRIVER HORIZONTAL SLIDER - THERMO - 26.4" X 60"
3*	098647-34-01A	EA	WINDOW - DRIVER HORIZ SLIDER W/TRIM-TINTED - 15.7" X 28.5"
3*	112795-20-01A	EA	WINDOW - DRIVER HORIZONTAL SLIDER - THERMO - 16" X 28.7"
4*	103313-03-F15	EA	WINDOW - PICTURE - 11.6" X 58.6"
4*	115630-01-01A	EA	WINDOW - STATIONARY/THERMOPANE - 17.2" X 72"
5*	098647-33-01A	EA	WINDOW - PASS HORIZ SLIDER W/TRIM - TINTED - 15.7" X 28.5"
5*	112795-19-01A	EA	WINDOW - PASSENGER HORIZONTAL SLIDER -THERMO-15.7" X 28.5"
6*	098647-23-01A	EA	WINDOW - PASS HORIZ SLIDER W/TRIM - TINTED - 26.1" X 59.7"
6*	112795-16-01A	EA	WINDOW - PASSENGER HORIZONTAL SLIDER -THERMO-26.1" X 59.8"
7*	117053-02-F36	EA	WINDOW - PICTURE - 60% TINTING - 17" X 26.4"
7*	113733-02-01A	EA	WINDOW - STATIONARY THERMOPANE - 26.4" X 26.3"
8*	104691-13-01A	EA	WINDOW - SINGLE TIPOUT - 48" X 26.4"
8*	129929-05-01A	EA	WINDOW - TORQUE - THERMO - 26.3" X 47.9"
			FROM: 00-00-00 THRU: 08-05-98
8*	112795-22-01A	EA	WINDOW - PASSENGER HORIZONTAL SLIDER -THERMO-26.1" X 47.8"
			FROM: 08-06-98 THRU: 99-99-99
9*	078528-06-E10	EA	WINDOW - ESCAPE - W/O RETAINER/TRIM - 48.5" X 24.5"
9*	113502-01-01A	EA	WINDOW - REAR/CENTER ESCAPE - THERMO - 24.8" X 48.7"
10*	116976-04-01A	EA	WINDOW - PICTURE/TINTED - 26.4" X 26.3"
10*	113733-02-01A	EA	WINDOW - STATIONARY THERMOPANE - 26.4" X 26.3"
11*	116976-02-01A	EA	WINDOW - PICTURE/TINTED/ESCAPE - 26.4" X 25.3"
11*	113502-04-01A	EA	WINDOW - REAR ESCAPE - THERMO - 26.4" X 26.3"

***COMPONENT PARTS FOUND IN SERVICE PARTS LIBRARY**

WINDOW, VENT & EXTERIOR DOOR GROUP (CONTINUED)

POWERED ROOF VENTILATOR - US - FANTASTIC

KEY	PART NUMBER	U/M	DESCRIPTION
*	122882-02-01A	EA	VENT - ROOF - W/FAN - W/O INSIDE GARNISH - UL
*	123780-01-01A	EA	VENT - ROOF - 1" - W/FAN/POWER LIFT - W/O THERMOSTAT

***COMPONENT PARTS FOUND IN SERVICE PARTS LIBRARY**

VENT

KEY	PART NUMBER	U/M	DESCRIPTION
*	122882-01-01A	EA	VENT - ROOF - NONPOWERED - W/O INSIDE GARNISH
*	122882-02-01A	EA	VENT - ROOF - W/FAN - W/O INSIDE GARNISH - UL
*	122882-03-01A	EA	VENT - ROOF - W/FAN - W/O INSIDE GARNISH - CSA
	122882-07-01A	EA	GARNISH - ROOF VENT - 2.5" TO 4"

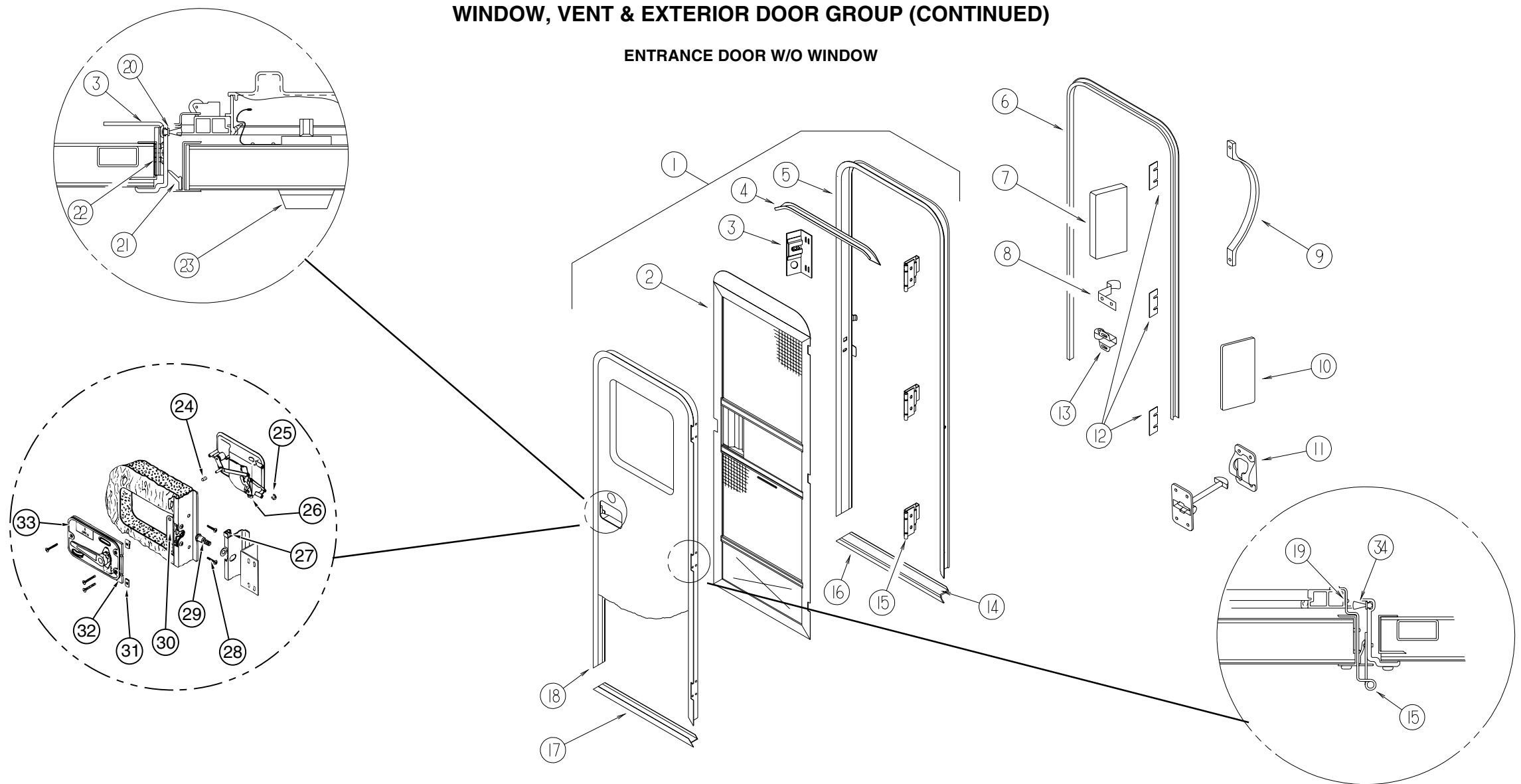
***COMPONENT PARTS FOUND IN SERVICE PARTS LIBRARY**

VENTS, SHROUDS AND ROOF COVERS

KEY	PART NUMBER	U/M	DESCRIPTION	VENDOR NO.
	084878-09-000	EA	VENT - EXHAUST/RANGE HOOD - OFF WHITE	
	083558-03-000	EA	VENT - PLUMBING - ROOF PIPE COVERED - OFF WHITE	
	084616-07-000	EA	SHROUD - EXHAUST VENT/RANGE HOOD - BRIGHT WHITE	
	092698-02-05A	EA	VENT - W/DOOR - BRIGHT WHITE	
	092698-02-700	EA	FASTENER - PUSH	VB430
	092698-02-701	EA	CLAMP-CONDUIT	VB334

WINDOW, VENT & EXTERIOR DOOR GROUP (CONTINUED)

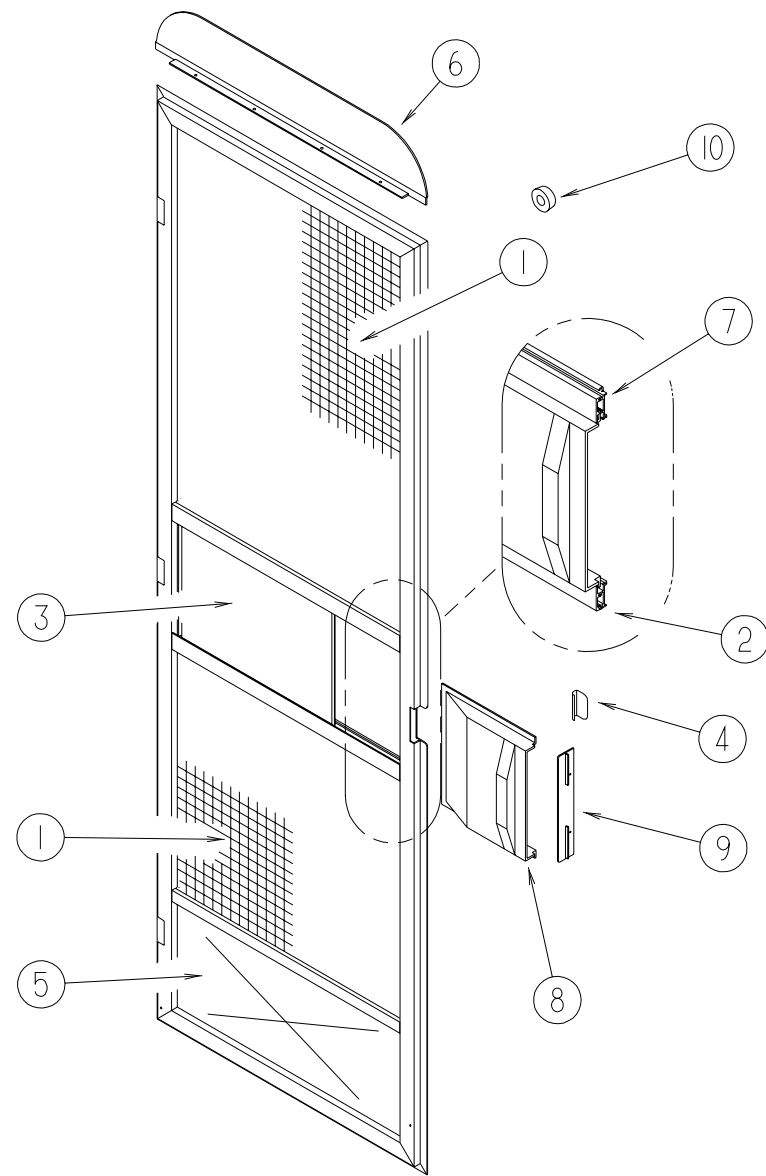
ENTRANCE DOOR W/O WINDOW



KEY	PART NUMBER	U/M	DESCRIPTION
1	115108-02-J41	EA	DOOR - ENTRY - W/SCREEN DOOR - W/O WINDOW (K13)
1	115108-02-J11	EA	DOOR - ENTRY - W/SCREEN DOOR - W/O WINDOW (K15)
2	121899-01-G04	EA	DOOR - SCREEN - W/O HARDWARE - BRIGHT WHITE
3	041546-07-000	EA	BRACKET - DOOR ANGLE - OFF WHITE
4	044582-44-000	EA	CAP - DRIP - JAMB - BRIGHT WHITE
5	121898-01-01A	EA	JAMB - ENTRY DOOR
6	115222-05-01A	EA	GARNISH - RADIUS - ENTRY DOOR
7	077461-05-000	EA	COVER/BRACKET - STRIKE
8	100412-01-000	EA	CATCH - SCREEN DOOR
9	009126-03-000	EA	HANDLE - ASSIST - BLACK TEXTURED
10	076725-02-000	EA	COVER - HINGE - ENTRY DOOR - 6" X 3.2" - OFF WHITE
11	102768-01-000	EA	HOLDER - COMPARTMENT/ENTRY DOOR - METAL - MILL FINISH
12	102248-01-000	EA	SHIM - DOOR
13	079087-03-000	EA	STRIKE - SLIDER - SCREEN DOOR - BRIGHT WHITE
14	038327-01-000	EA	TAPE - ANTI-SLIP - 2" X 60'
15	106719-01-05A	EA	HINGE - ENTRY DOOR - BRIGHT WHITE
	039715-01-000	EA	NUT - SERT - 1/4" DIAMETER - 20 THREADS
16	051049-01-000	EA	JAMB - BOTTOM - ENTRY DOOR - 25.9" - UNPAINTED
	075673-05-000	FT	SEAL - PILE - ADHESIVE BACK - BLACK
	075673-01-000	FT	SEAL - PILE - ADHESIVE BACK - GRAY
17	121893-01-01A	EA	FRAME - ENTRY DOOR/BOTTOM - BRIGHT WHITE
18	121894-03-01A	EA	FRAME - ENTRY DOOR
	098173-01-04A	EA	STIFFENER - ENTRY DOOR - SUPPORTS LATCH/STRIKE - UNPAINTED
19	100128-02-000	FT	SEAL - FOAM/ADHESIVE BACK - .37" WIDE X .37" THICK
20	118929-01-01A	FT	SEAL - PILE - PUSH ON
21	075671-04-000	FT	SEAL - SPONGE - LAZY T - W/ADHESIVE STRIP - .5" WIDE

KEY	PART NUMBER	U/M	DESCRIPTION	VENDOR NO.
22	104692-01-000	FT	SEAL - FOAM/ADHESIVE BACK - .75"THICK X .75"WIDE X 25'	
	116111-02-01A	EA	SCREW - TAPTITE - 1/4-20 X 3/8 PPH - ZINC	
23	101145-01-06A	EA	DEADBOLT - ENTRY DOOR W/O SECURITY BOLT W/2 KEYS - BLACK	
	101147-01-000	EA	BOLT - SECURITY - 4.12"	
	095229-01-700	EA	KEY-BLANK, DEADBOLT	81205-03
	101145-01-701	EA	CYLINDER-LOCK ASM., W/KEY	81306-03
24	039984-01-000	EA	CAP - ROUND - VINYL - .28" ID X .62" - BLACK	
25	036618-02-000	EA	E-RING - EXTERNAL - 3/16" SHAFT DIAMETER - LYNOR DOOR LOCK	
26	045017-13-000	EA	LATCH - ENTRY DOOR - BLACK TEXTURED	
	045017-11-702	EA	KEY-MASTER, F SERIES	14264-02-2004
	045017-11-703	EA	CYLINDER-LOCK ASM. W/KEYS	81266-09
27	064075-07-000	FT	SEAL - BULB - W/WIRED U CHANNEL - .3" X .5" CHANNEL-BLACK	
28	000G54-04-20B	EA	SCREW - 1/4-20 X 1.25 PTH - TYPE 23 - ZINC PLATED	
29	039539-01-000	EA	STRIKE - LOCK - ENTRY DOOR - ROUND W/THREADED WASHER	
30	039540-01-000	EA	LATCH MECHANISM - HOOK - ENTRY DOOR - INTERIOR	
31	040921-01-000	EA	NUT - SPEED - U TYPE - 10-24 BLACK	
32	096810-01-01A	EA	PLATE - LATCH - ENTRY DOOR - BLACK	
33	039979-06-000	EA	COVER - LATCH PLATE - RIGHT HAND - BLACK TEXTURED	
	086285-05-000	EA	SPACER - NYLON - .7" X .56"	
	104099-01-04A	EA	CATCH - DOOR HOLDER - STRIKE - BRIGHT WHITE	
	104099-02-04A	EA	CATCH - DOOR HOLDER - RETAINER - BRIGHT WHITE	
	121676-01-01A	EA	ANGLE - ENTRY DOOR/LEFT SIDE - BRIGHT WHITE	
	121676-02-01A	EA	ANGLE - ENTRY DOOR/RIGHT SIDE - BRIGHT WHITE	
	121676-03-01A	EA	ANGLE - ENTRY DOOR - BRIGHT WHITE	
	039984-01-000	EA	CAP - ROUND - VINYL - .28" ID X .62" - BLACK	
	090340-01-000	FT	SEAL - FOAM - CLOSED CELL - 1/4" X 1/2" X 50'	

WINDOW, VENT & EXTERIOR DOOR GROUP (CONTINUED)



SCREEN DOOR COMPONENTS

KEY	PART NUMBER	U/M	DESCRIPTION
	121899-01-G04	EA	DOOR - SCREEN - W/O HARDWARE - BRIGHT WHITE
1	002293-02-000	SF	SCREENING - WINDOW/DOOR - 26" - CHARCOAL
2	002294-01-000	FT	SPLINE - SCREENING - .135" X .138"
3	016454-01-000	EA	INSERT - CENTER - LEATHER GRAIN ALUMINUM - UNPAINTED
	001014-01-013	EA	INSERT - CENTER - 10.25" X 16.31" - UNPAINTED
4	050712-06-000	EA	HANDLE - SCREEN DOOR - BRIGHT WHITE
5	078552-03-000	EA	KICK PANEL - SCREEN DOOR - LOWER INSERT - UNPAINTED
6	078595-01-000	EA	TOP PLATE - SCREEN DOOR - CURVED TOP - 4.7" X 25.35"
7	078777-08-000	FT	CHANNEL - SLIDER
8	079086-03-000	EA	SLIDER - SCREEN DOOR - BRIGHT WHITE
9	079087-03-000	EA	STRIKE - SLIDER - SCREEN DOOR - BRIGHT WHITE
10	120863-06-000	EA	BUMPER - RUBBER - 3/4" X 3/8"
	109403-01-000	EA	CATCH - SINGLE ROLLER - SCREEN DOOR