

1999 VCM39Y

**K80 HEMINGWAY (TAN)
WASHED MAPLE**

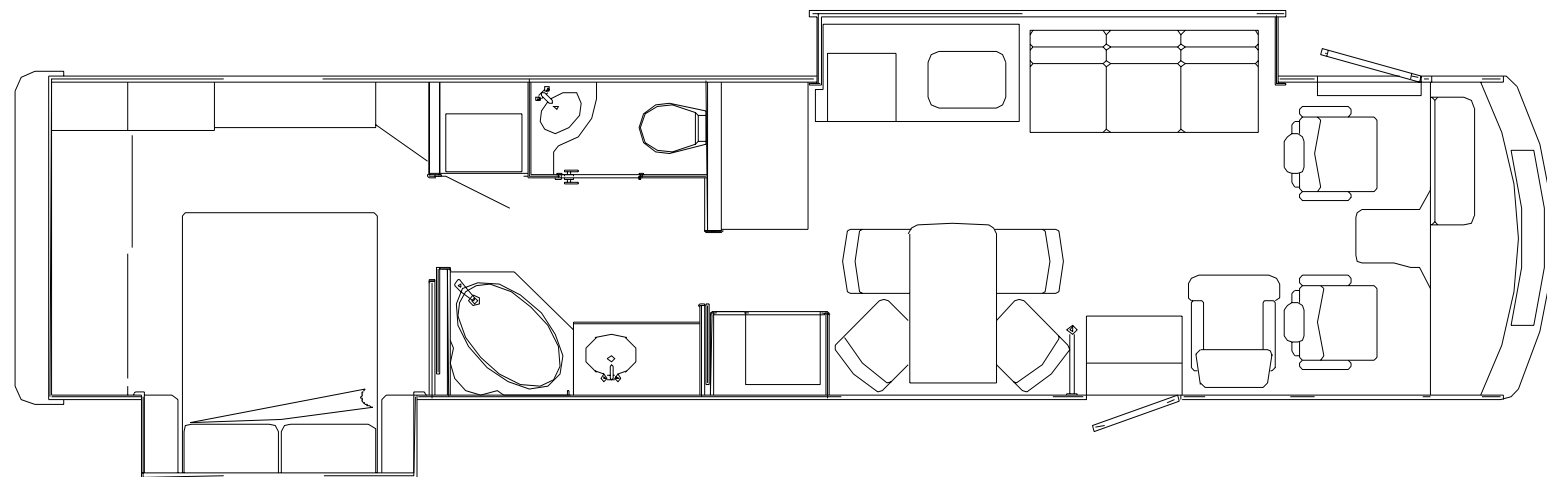
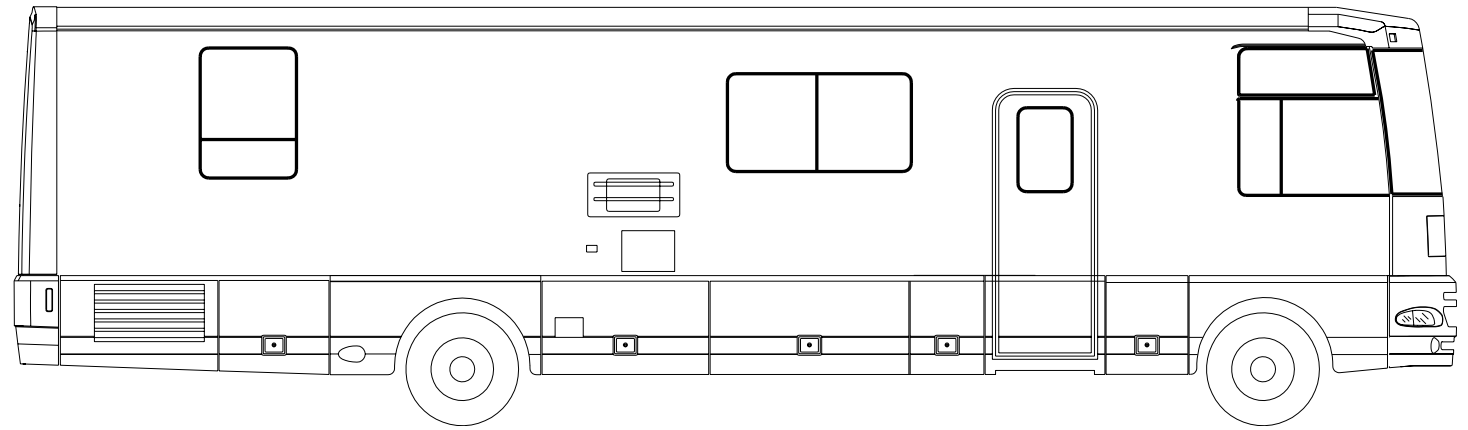
**K81 HEMINGWAY (TAN)
SALEM CHERRY**

**K82 GULF MIST (GREEN)
WASHED MAPLE**

**K83 GULF MIST (GREEN)
SALEM CHERRY**

**K84 SOUTH BEACH (SAND)
WASHED MAPLE**

**K85 SOUTH BEACH (SAND)
SALEM CHERRY**



ACCESSORIES GROUP

OPERATORS MANUAL

KEY	PART NUMBER	U/M DESCRIPTION
	054185-J4-000	EA MANUAL- OPERATOR 99 VECTRA
	129079-01-01A	EA CASE - VINYL/BLACK - EXPANDABLE ACCORDION SIDES - 7"W X 9"H X 14"L
	128516-01-000	DW TOP LEVEL - M - 1999

VACUUM CLEANER

KEY	PART NUMBER	U/M DESCRIPTION	VENDOR NO.
	108186-03-000	EA VACUUM CLEANER - BUILT IN	
	108186-02-000	EA TOOL SET - VACUUM - W/O POWER BRUSH W/30' HOSE	
	092304-02-700	EA BRUSH - POWER - VACUUM (RUGRAT)	6970
	092304-02-701	EA TOOL - DUSTING	1142
	092304-02-702	EA TOOL - RUG	4982
	092304-02-707	EA TOOL - UPHOLSTERY	7029
	092304-02-708	EA WAND - PLASTIC	4978
	092304-02-709	EA HOSE ASM. - 30' COMPLETE	4988-30-G
	092304-02-710	EA SECONDARY FILTER	4929
	108186-03-700	EA PAPER BAG - 3-PKG	7767
	108186-03-701	EA MOTOR F/RV2000	7756
	108186-03-702	EA REDUCER	5531
	108187-01-000	EA VACUUM SYSTEM - 2" PVC LINE	
	108187-02-000	EA ELBOW - 90 DEG - 2" SPGXS	

AUDIO VIDEO GROUP

EXTERIOR ENTERTAINMENT CENTER

KEY	PART NUMBER	U/M DESCRIPTION
	127516-03-000	EA RADIO - AM/FM STEREO - CD PLAYER - PANASON CQ-DP930
	125322-02-000	EA RADIO - AM/FM STEREO - CASSETTE - AUDIOVOX
	126123-01-J60	EA PLATE - RADIO MOUNTING
	110470-01-01A	EA GRILLE - 4" X 6" OVAL - BLACK
	110469-01-000	EA SPEAKER - 4" X 6" OVAL - COAXIAL
	086756-01-000	EA SPLITTER - TV - 2 WAY

DELUXE SOUND SYSTEM

KEY	PART NUMBER	U/M DESCRIPTION
	124883-02-000	EA SPEAKER - CUBE - W/BRACKET
	124884-01-000	EA SPEAKER - 6" X 9" - SUB-WOOFER
	124885-01-000	EA GRILLE - SPEAKER - 6" X 9" - SUB-WOOFER

REAR STEREO SYSTEM

KEY	PART NUMBER	U/M DESCRIPTION
	077069-02-000	EA CABLE - ANTENNA/EXTENSION - RADIO - 96"
	089340-02-000	EA GRILLE - SPEAKER - 6.5" SQUARE
	094097-01-000	EA SPEAKER - RADIO/TV - W/O GRILLE - 5.25" DIAMETER
	126958-01-000	EA RADIO - WALL MOUNT - AM/FM CASSETTE - AUDIOVOX

CAB RADIO

KEY	PART NUMBER	U/M DESCRIPTION	VENDOR NO.
	128074-01-000	EA FILTER - NOISE - 12VOLT D.C.	
	124881-01-000	EA AMPLIFIER - AUDIO	
	124882-02-000	EA WIRE ASSEMBLY - AMPLIFIER	
	089340-02-000	EA GRILLE - SPEAKER - 6.5" SQUARE	
	094097-01-000	EA SPEAKER - RADIO/TV - W/O GRILLE - 5.25" DIAMETER	
	127516-03-000	EA RADIO - AM/FM STEREO - CD PLAYER - PANASON CQ-DP930	
	127264-01-000	EA RADIO - AM/FM STEREO - CASSETTE	
	127264-01-700	EA TRIM RING	YFC054C044ZB
	127264-01-701	EA KNOB - VOLUME	YFE074C045ZA
	127264-01-702	EA KNOB - FADER	YEFE074C026
	127264-01-703	EA FACTORY HARNESS	YAJ024C048ZB

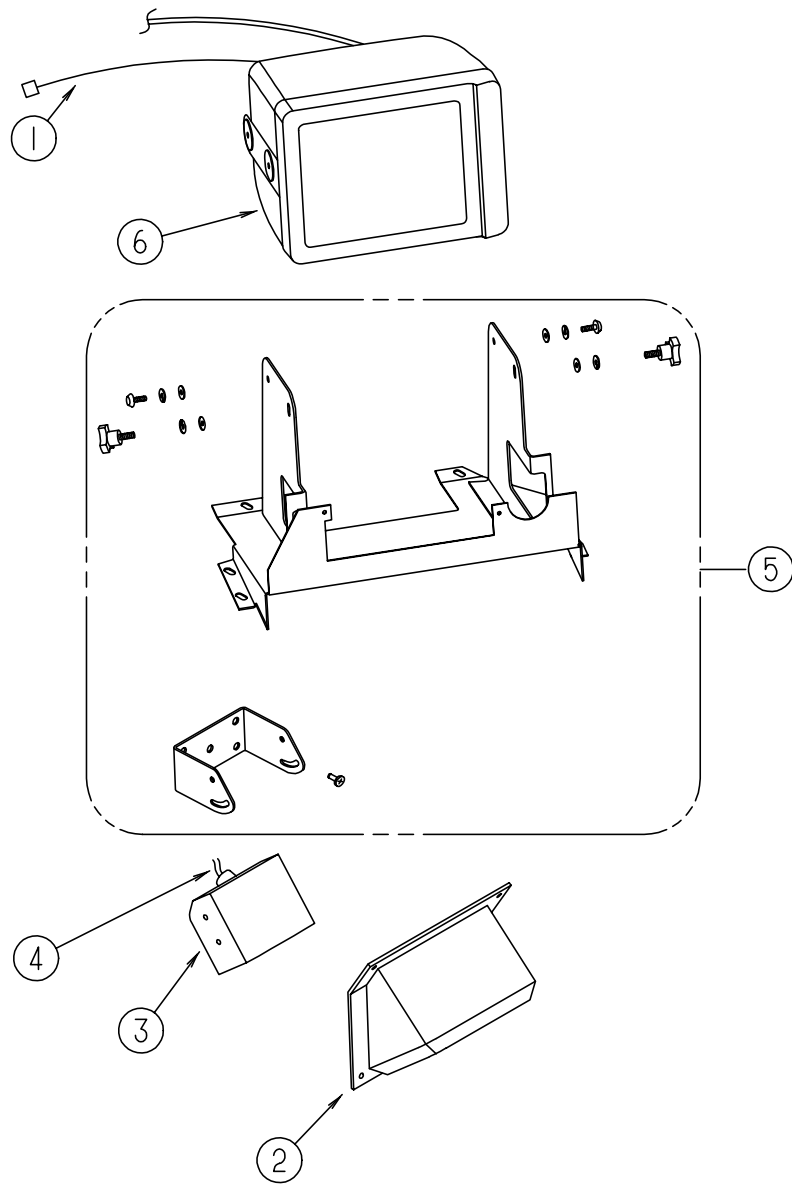
RADIO & CB ANTENNA

KEY	PART NUMBER	U/M DESCRIPTION
	123256-01-000	EA ANTENNA - CB - W/O CABLE
	123256-02-000	EA CABLE - CB COAX
	090944-01-000	EA ANTENNA - RADIO - 16" RUBBER
	108847-01-000	EA BRACKET - ANTENNA GROUND
	109889-04-000	EA EXTENDER - ANTENNA SHAFT - 3"
	077069-02-000	EA CABLE - ANTENNA/EXTENSION - RADIO - 96"
	115916-01-01B	EA BRACKET - ANTENNA MOUNT

TELEPHONE SYSTEM

KEY	PART NUMBER	U/M DESCRIPTION
	093253-01-01A	EA PLATE - WALL - TELEPHONE - BEIGE
	093254-01-000	EA HOUSING - TELEPHONE

AUDIO VIDEO GROUP (CONTINUED)



REAR MONITOR SYSTEM

KEY	PART NUMBER	U/M DESCRIPTION	VENDOR NO.
	093040-10-000	EA MONITOR - 7" REAR VIEW - W/BRACKET - SONY	
	093040-09-000	EA CAMERA - REAR VIEW - W/BRACKET - SONY	
	093040-10-700	EA LENS - MONITOR - REAR VIEW F/7"	3-708-537-01
1	096717-03-000	EA WIRE - REAR MONITOR - AFTER MARKET INSTALLATION	
	093040-03-000	EA WIRE - MONITOR - REAR VIEW TELEVISION - SONY SM-HRN1	
2	123281-01-01A	EA SHROUD - CAMERA/OUTER - BRIGHT WHITE	
	P23280-01-01A	EA SHROUD - CAMERA - INNER	
3	093040-09-000	EA CAMERA - REAR VIEW - W/BRACKET - SONY	
4	093041-01-000	EA CABLE - MONITOR/CAMERA - INTERNAL USE - 65.6'	
	093041-02-000	EA CABLE - MONITOR/CAMERA - EXTERNAL USE - 59.1'	
5	N/A	EA PARTS ARE INCLUDED W/TELEVISION SYSTEM - SONY	

AUDIO VIDEO GROUP (CONTINUED)

TV & VCR SYSTEMS

KEY	PART NUMBER	U/M DESCRIPTION	VENDOR NO.
	124075-03-000	EA TV - 19" COLOR W/1/8" JACK - UL/CSA - RCA	
	124075-03-700	EA REMOTE	226551
	124073-06-000	EA VCR - VHS/CABLE READY - W/REMOTE	
	124073-03-700	EA REMOTE	237698
	086757-03-000	EA CONTROL CENTER - SWITCH - VCR/TV	
	093214-01-02A	EA GRILLE - SPEAKER - 4" - BROWN	
	098819-01-000	EA SPEAKER - 4" - 2 WATT - 8 OHM	
	115539-01-000	EA RELAY - RADIO/TV SPEAKER - SWITCH	
	082134-01-000	EA ADAPTER - TV - CABLE TO CABLE	
	076319-03-000	FT CABLE - COAXIAL - 75 OHM	
	076319-12-000	EA CONNECTOR - COAXIAL - ONE PIECE	
	086777-05-000	EA WALLPLATE - TV CABLE - ANTENNA/1 OUTPUT - IVORY	
	086777-06-000	EA WALLPLATE - TV CABLE - ANTENNA BOOSTER/1 OUTPUT - BROWN	
	082136-01-000	EA NUT - HEX JAM - 3/8 - 32	
	086756-01-000	EA SPLITTER - TV - 2 WAY	
	093901-03-000	EA PLATE - TV COAX - EXTERIOR - 1.8" X 2.5"	
	093901-06-000	EA PLATE - TV COAX - EXTERIOR - 1.8" X 4.1"	
	114870-01-000	EA PLUG - 3.5MM AUDIO W/LEADS	
	128138-02-000	EA ANTENNA - SATELLITE - AUTOMATIC	

SATELLITE DISH

KEY	PART NUMBER	U/M DESCRIPTION
*	120233-01-000	EA ANTENNA - SATELLITE (DISH & HDW) W/O RECEIVER - MANUAL FROM: 00-00-00 THRU: 06-02-98
*	120233-04-000	EA ANTENNA - SATELLITE - W/DIGITAL SENSOR/READ OUT DISPLAY FROM: 06-03-98 THRU: 99-99-99
	120233-03-000	EA CERTIFICATE - SATELLITE RECEIVER DISH
	114870-02-000	EA PLUG - .14" AUDIO W/LEADS

*COMPONENT PARTS FOUND IN SERVICE PARTS LIBRARY

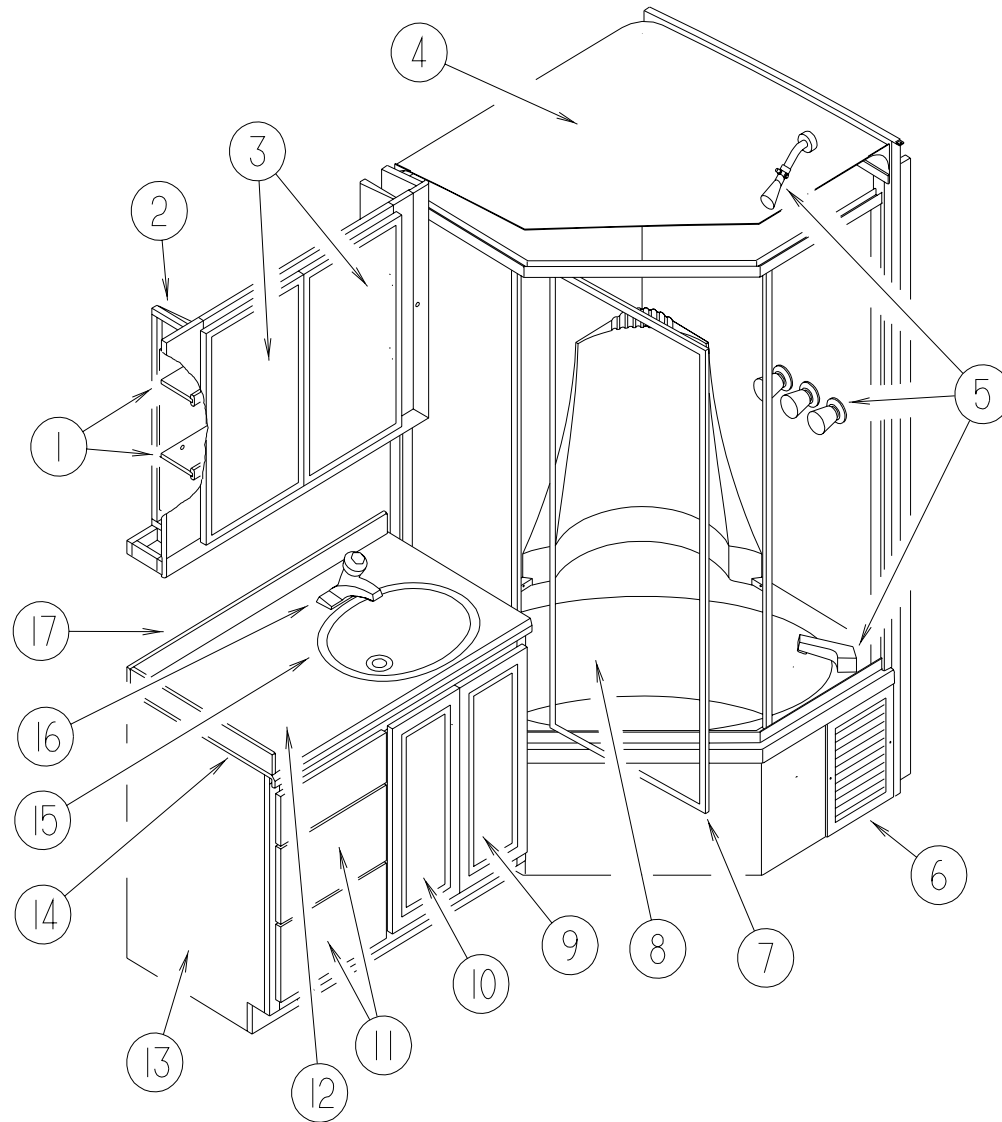
TV ANTENNA

KEY	PART NUMBER	U/M DESCRIPTION
*	076319-23-000	EA ANTENNA-TV - ROOF MOUNT - 44.5" MAST
*	076319-25-000	EA KIT - HARDWARE INTERIOR

*COMPONENT PARTS FOUND IN SERVICE PARTS LIBRARY

BATH GROUP

BATH CABINETS & FIXTURES



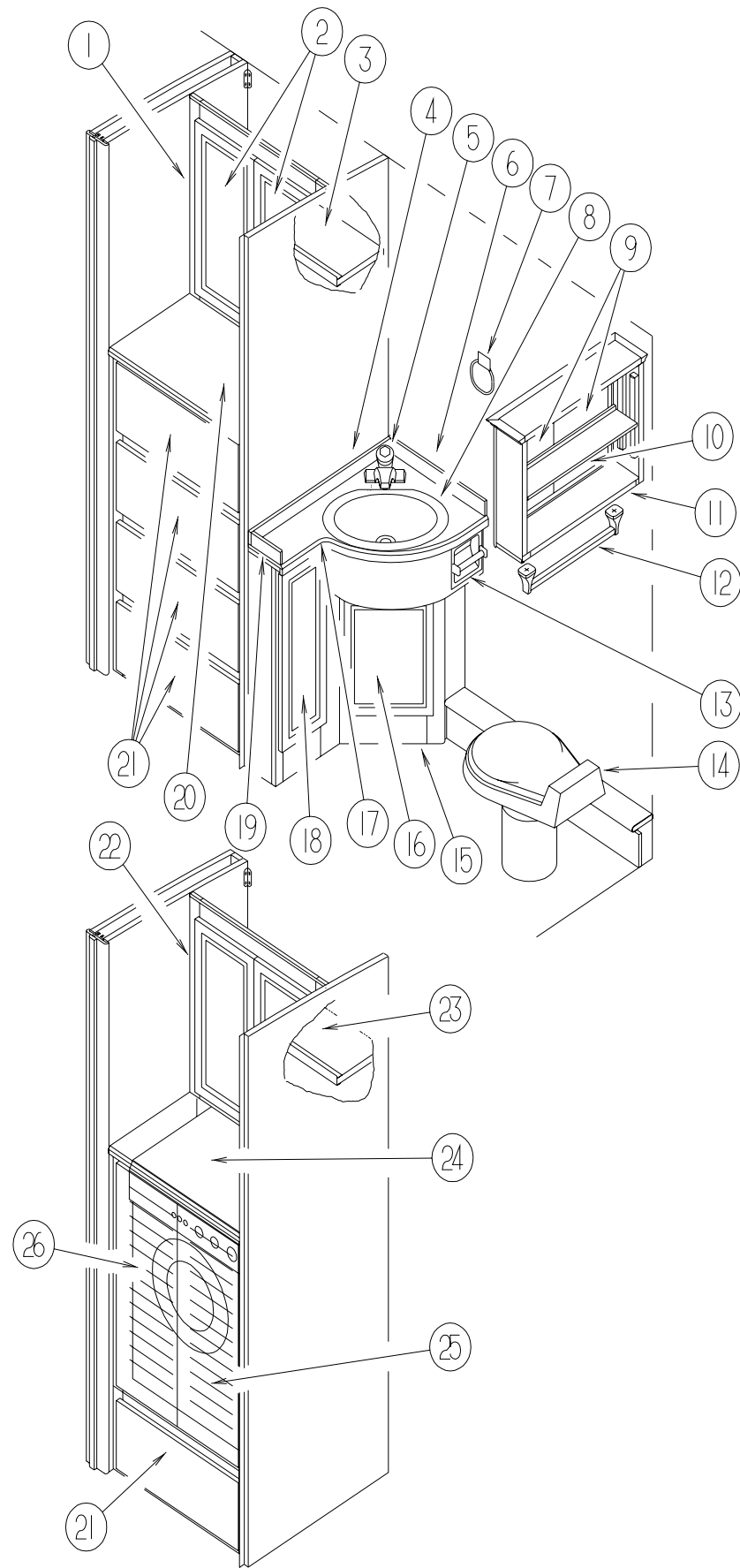
KEY	PART NUMBER	U/M DESCRIPTION	VENDOR NO.
1	129194-15-K80	EA SHELF - MEDICINE CABINET - W/EDGE TRIM (WASHED MAPLE)	
1	129194-15-K81	EA SHELF - MEDICINE CABINET - W/EDGE TRIM (SALEM CHERRY)	
2	129194-01-K80	EA CABINET - OVERHEAD/MEDICINE - W/O DOOR/HARDWARE (WASHED MAPLE)	
2	129194-01-K81	EA CABINET - OVERHEAD/MEDICINE - W/O DOOR/HARDWARE (SALEM CHERRY)	
3	115237-07-K80	EA DOOR - MIRRORED/MEDICINE CABINET - W/O HARDWARE (WASHED MAPLE)	
	093606-30-000	EA MIRROR - BEVELED - 1/8" X 16.5" X 25.9"	
3	115237-07-K81	EA DOOR - MIRRORED/MEDICINE CABINET - W/O HARDWARE (SALEM CHERRY)	
	093606-30-000	EA MIRROR - BEVELED- 1/8" X 16.5" X 25.9"	
4	126604-01-02A	EA ENCLOSURE - SURROUND - SOFT WHITE	
5	119677-01-01A	EA SHOWER - 3 PIECES - HEAD/FAUCET/SPOUT	
5	119677-01-700	EA HANDLE - SHOWER/BATH CLEAR	38-9
5	119677-01-701	EA SHOWERHEAD ONLY 1/2"	34PB
5	119677-01-702	EA SPOUT - BATH	39-7PB-0
5	119677-01-703	EA DIVERTER KIT	639-5-0
5	119677-01-704	EA STEM & BONNET	61-5-0
5	119677-01-705	EA PLATE - STRAINER (SHOWER HEAD)	34-3PL
5	119677-01-706	EA ARM - SHOWER HEAD	61-10-PB
5	119677-01-707	EA BUTTON	38-16A
5	119677-01-708	EA BUTTON - COLD	38-16C
5	119677-01-709	EA BUTTON - HOT	38-16H
5	119677-01-710	EA FLANGE - SHOWERHEAD	60-10-8PB
5	119677-01-711	EA FLANGE - AROUND TURN HANDLE	38-8PB
6	093614-08-01A	EA GRILL - RETURN AIR	
7	123242-01-02A	EA DOOR - TUB/SHOWER	
8	126605-01-02A	EA TUB - SHOWER - SOFT WHITE	
9	M05992-03-J70	EA DOOR - STRAIGHT CORNER/OGEE EDGE - 10.8" X 23.8" - W/O HDW (WASHED MAPLE)	
9	M05992-03-GV1	EA DOOR - STRAIGHT CORNER/OGEE EDGE - 10.8" X 23.8" - W/O HDW (SALEM CHERRY)	
10	M05992-04-J70	EA DOOR - STRAIGHT CORNER/OGEE EDGE - 10.8" X 23.8" - W/O HDW (WASHED MAPLE)	
10	M05992-04-GV1	EA DOOR - STRAIGHT CORNER/OGEE EDGE - 10.8" X 23.8" - W/O HDW (SALEM CHERRY)	
11	P28813-15-K80	EA DRAWER - OGEE EDGE - 13.5"W X 19.7"D - W/O SLIDES/HARDWARE (WASHED MAPLE)	
11	P28813-15-K81	EA DRAWER - OGEE EDGE - 13.5"W X 19.7"D - W/O SLIDES/HARDWARE (SALEM CHERRY)	
12	128869-17-K80	EA COUNTERTOP - LAVATORY	
13	128869-01-K80	EA CABINET - LAVATORY - W/COUNTERTOP - W/O DOORS/DRAWERS/HDW (WASHED MAPLE)	
13	128869-01-K81	EA CABINET - LAVATORY - W/COUNTERTOP - W/O DOORS/DRAWERS/HDW (SALEM CHERRY)	
	128869-14-K80	EA SHELF - W/PLASTIC EDGE TRIM (WASHED MAPLE)	
	128869-14-K81	EA SHELF - W/PLASTIC EDGE TRIM (SALEM CHERRY)	
14	088090-67-K80	EA BACKSPLASH - COUNTERTOP	
15	113539-02-02A	EA SINK - LAVATORY - GLACIER WHITE	
16	128997-01-01A	EA FAUCET - LAVATORY - SINGLE CONTROL - POLISHED BRASS	
17	088090-66-K80	EA BACKSPLASH - COUNTERTOP	
	075454-02-000	EA RING - TOWEL - W/MOUNTING HARDWARE - BRASS	
	122214-01-02A	EA PANEL - SKYLITE - INNER	
	122215-01-02A	EA PANEL - SKYLITE - OUTER	

SLIDING DOORS

KEY	PART NUMBER	U/M DESCRIPTION
	104013-10-K80	EA DOOR - SLIDING - W/O HARDWARE (BATH/GALLEY) (WASHED MAPLE)
	104013-10-K81	EA DOOR - SLIDING - W/O HARDWARE (BATH/GALLEY) (SALEM CHERRY)
	104013-11-J60	EA DOOR - SLIDING - W/O HARDWARE (BATH/BEDROOM) (WASHED MAPLE)
	104013-11-J30	EA DOOR - SLIDING - W/O HARDWARE (BATH/BEDROOM) (SALEM CHERRY)
	103874-01-000	EA HANGER - SLIDING DOOR
	098410-01-01A	EA PULL - FINGER - BRASS

BATH GROUP (CONTINUED)

DRIVERS SIDE BATH

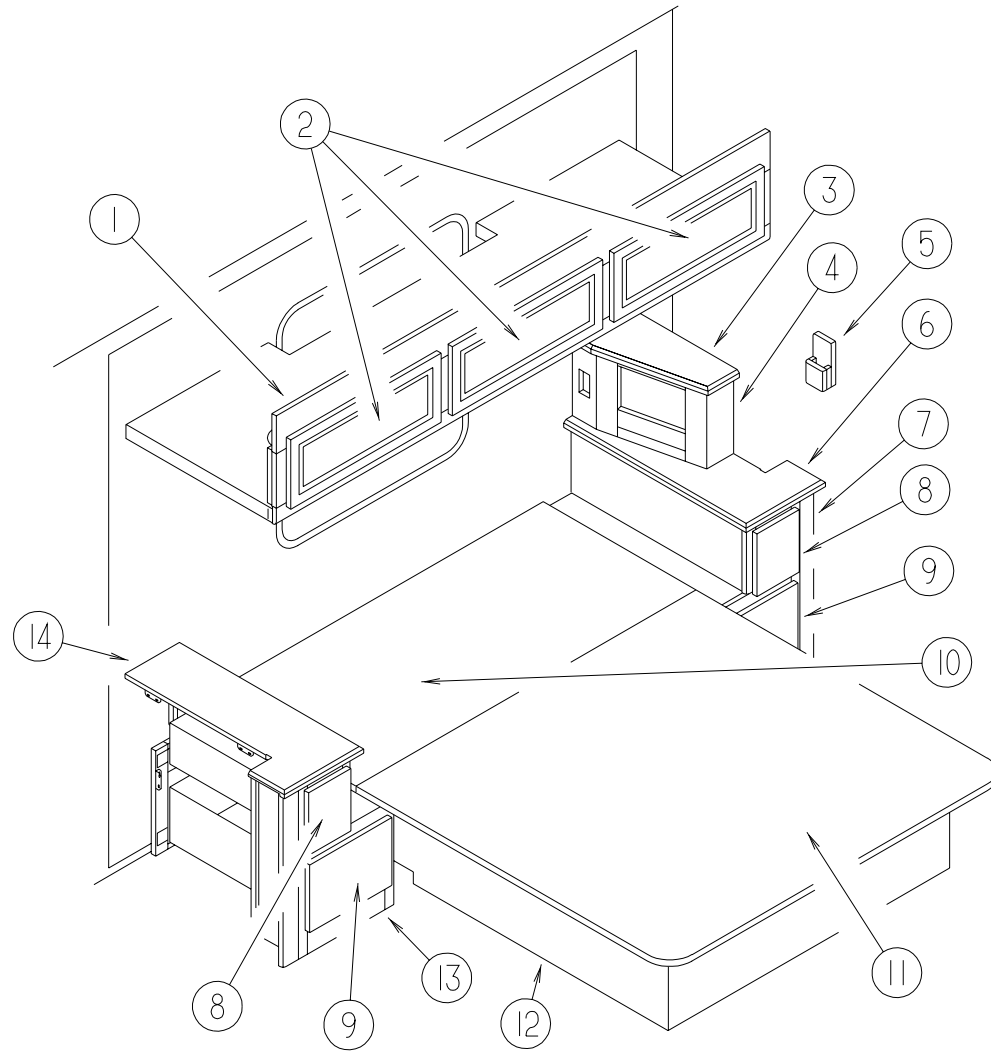


KEY	PART NUMBER	U/M	DESCRIPTION
1	129740-01-K80	EA	CABINET - LINEN - W/COUNTERTOP - W/O DOORS/DRAWERS/HDW (WASHED MAPLE)
1	129740-01-K81	EA	CABINET - LINEN - W/COUNTERTOP - W/O DOORS/DRAWERS/HDW (SALEM CHERRY)
2	M05990-07-K80	EA	DOOR - ARCHED/OGEE EDGE - 25.9" X 12" - W/O HARDWARE (WASHED MAPLE)
2	M05990-07-K81	EA	DOOR - ARCHED/OGEE EDGE - 25.9" X 12" - W/O HARDWARE (SALEM CHERRY)
3	129740-11-K80	EA	SHELF - W/PLASTIC EDGE TRIM (WASHED MAPLE)
3	129740-11-K81	EA	SHELF - W/PLASTIC EDGE TRIM (SALEM CHERRY)
4	088090-59-HQ2	EA	BACKSPLASH - COUNTERTOP
5	128997-01-01A	EA	FAUCET - LAVATORY - SINGLE CONTROL - POLISHED BRASS
6	088090-73-K80	EA	BACKSPLASH - COUNTERTOP
7	075454-02-000	EA	RING - TOWEL - W/MOUNTING HARDWARE - BRASS
8	113539-01-02A	EA	SINK - OVAL LAVATORY - GLACIAL WHITE
9	M05990-26-J70	EA	DOOR - ARCHED/OGEE EDGE - 11.4" X 16.1" - W/O HARDWARE (WASHED MAPLE)
9	M05990-26-GV1	EA	DOOR - ARCHED/OGEE EDGE - 11.4" X 16.1" - W/O HARDWARE (SALEM CHERRY)
10	128948-12-K80	EA	SHELF - CABINET/OVERHEAD BATH (WASHED MAPLE)
10	128948-12-K81	EA	SHELF - CABINET/OVERHEAD BATH (SALEM CHERRY)
11	128948-01-K80	EA	CABINET - OVERHEAD/BATH - W/O DOORS/HARDWARE (WASHED MAPLE)
11	128948-01-K81	EA	CABINET - OVERHEAD/BATH - W/O DOORS/HARDWARE (SALEM CHERRY)
12	075453-02-000	EA	BAR - TOWEL - 18" BRASS
13	085278-01-000	EA	HOLDER - TOILET PAPER - RECESSED - BRASS
14*	085330-08-000	EA	TOILET - CHINA - STANDARD - GLACIER WHITE
15	P29720-01-K80	EA	CABINET - LAVATORY - W/COUNTERTOP - W/O DOORS/DWRS/HDW (WASHED MAPLE)
15	P29720-01-K81	EA	CABINET - LAVATORY - W/COUNTERTOP - W/O DOORS/DWRS/HDW (SALEM CHERRY)
16	M05992-X2-K80	EA	DOOR - STRAIGHT CORNER/OGEE EDGE - 12.8" X 17.7" - W/O HDW (WASHED MAPLE)
16	M05992-X2-K81	EA	DOOR - STRAIGHT CORNER/OGEE EDGE - 12.8" X 17.7" - W/O HDW (SALEM CHERRY)
17	129720-19-K80	EA	COUNTERTOP - LAVATORY
18	M05992-L1-K80	EA	DOOR - STRAIGHT CORNER/OGEE EDGE - 9" X 26.5" - W/O HDW (WASHED MAPLE)
18	M05992-L1-K81	EA	DOOR - STRAIGHT CORNER/OGEE EDGE - 9" X 26.5" - W/O HDW (SALEM CHERRY)
19	088090-74-K80	EA	BACKSPLASH - COUNTERTOP
20	P29740-12-K80	EA	COUNTERTOP (K80,K82)
20	P29740-12-K81	EA	COUNTERTOP (K81,K83)
20	P29740-12-K84	EA	COUNTERTOP (K84)
20	P29740-12-K85	EA	COUNTERTOP (K85)
21	P28813-22-K80	EA	DRAWER - OGEE EDGE - 22.5"W X 19.6"D - W/O SLIDES/HDW (WASHED MAPLE)
21	P28813-22-K81	EA	DRAWER - OGEE EDGE - 22.5"W X 19.6"D - W/O SLIDES/HDW (SALEM CHERRY)
22	129740-02-K80	EA	CABINET - LINEN - W/COUNTERTOP - W/O DOORS/DRAWERS/HDW (WASHED MAPLE)
22	129740-02-K81	EA	CABINET - LINEN - W/COUNTERTOP - W/O DOORS/DRAWERS/HDW (SALEM CHERRY)
23	129740-14-K80	EA	SHELF - W/PLASTIC EDGE TRIM (WASHED MAPLE)
23	129740-14-K81	EA	SHELF - W/PLASTIC EDGE TRIM (SALEM CHERRY)
24	P29740-16-K80	EA	COUNTERTOP (K80,K82)
24	P29740-16-K81	EA	COUNTERTOP (K81,K83)
24	P29740-16-K84	EA	COUNTERTOP (K84)
24	P29740-16-K85	EA	COUNTERTOP (K85)
25	M07411-13-K80	EA	DOOR - LOUVERED/OGEE EDGE - 33.4" X 12.3" - W/O HARDWARE (WASHED MAPLE)
25	M07411-13-K81	EA	DOOR - LOUVERED/OGEE EDGE - 33.4" X 12.3" - W/O HARDWARE (SALEM CHERRY)
26	M07411-19-K80	EA	DOOR - LOUVERED/OGEE EDGE - 33.4" X 12.3" - W/O HARDWARE (WASHED MAPLE)
26	M07411-19-K81	EA	DOOR - LOUVERED/OGEE EDGE - 33.4" X 12.3" - W/O HARDWARE (SALEM CHERRY)

*COMPONENT PARTS FOUND IN SERVICE PARTS LIBRARY

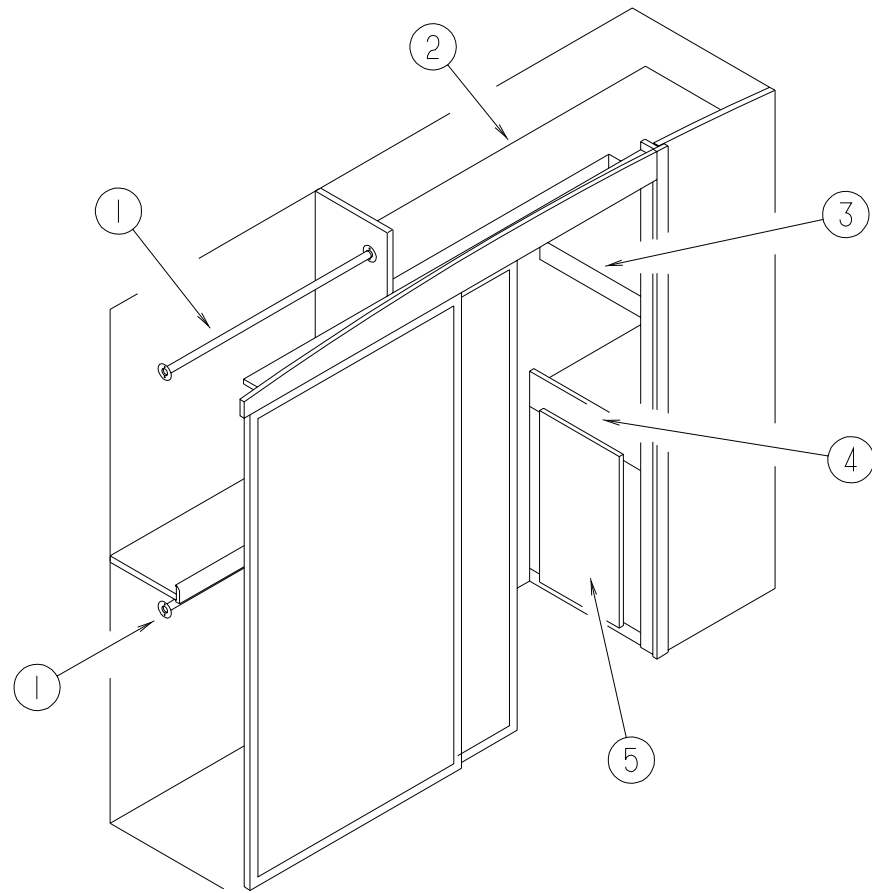
BEDROOM GROUP

PASSENGER SIDE QUEEN BEDROOM CABINETS



KEY	PART NUMBER	U/M DESCRIPTION
1	129244-01-K80	EA CABINET - OVERHEAD/REAR - RIGHT HAND - W/O DOORS/HARDWARE (WASHED MAPLE)
1	129244-01-K81	EA CABINET - OVERHEAD/REAR - RIGHT HAND - W/O DOORS/HARDWARE (SALEM CHERRY)
2	M05990-17-K80	EA DOOR - OGEE EDGE - 10" X 25.1" - W/O HARDWARE (WASHED MAPLE)
2	M05990-17-K81	EA DOOR - OGEE EDGE - 10" X 25.1" - W/O HARDWARE (SALEM CHERRY)
3	129200-12-K80	EA COUNTERTOP - F/RADIO CABINET (K80,K82)
3	129200-12-K81	EA COUNTERTOP - F/RADIO CABINET (K81,K83)
3	129200-12-K84	EA COUNTERTOP - F/RADIO CABINET (K84)
3	129200-12-K85	EA COUNTERTOP - F/RADIO CABINET (K85)
4	129200-02-K80	EA CABINET - F/RADIO - W/COUNTERTOP - W/O DOORS/HARDWARE - F/CD (K80,K82)
4	129200-02-K81	EA CABINET - F/RADIO - W/COUNTERTOP - W/O DOORS/HARDWARE - F/CD (K81,K83)
4	129200-02-K84	EA CABINET - F/RADIO - W/COUNTERTOP - W/O DOORS/HARDWARE - F/CD (K84)
4	129200-02-K85	EA CABINET - F/RADIO - W/COUNTERTOP - W/O DOORS/HARDWARE - F/CD (K85)
4	129200-01-K80	EA CABINET - F/RADIO - W/COUNTERTOP - W/O DOORS/HARDWARE (K80,K82)
4	129200-01-K81	EA CABINET - F/RADIO - W/COUNTERTOP - W/O DOORS/HARDWARE (K81,K83)
4	129200-01-K84	EA CABINET - F/RADIO - W/COUNTERTOP - W/O DOORS/HARDWARE (K84)
4	129200-01-K85	EA CABINET - F/RADIO - W/COUNTERTOP - W/O DOORS/HARDWARE (K85)
5	113906-02-K80	EA HOLDER - REMOTE (WASHED MAPLE)
5	113906-02-K81	EA HOLDER - REMOTE (SALEM CHERRY)
6	129243-12-K80	EA COUNTERTOP - NIGHTSTAND (K80,K82)
6	129243-12-K81	EA COUNTERTOP - NIGHTSTAND (K81,K83)
6	129243-12-K84	EA COUNTERTOP - NIGHTSTAND (K84)
6	129243-12-K85	EA COUNTERTOP - NIGHTSTAND (K85)
6	129243-13-K80	EA COUNTERTOP - NIGHTSTAND - F/REAR RADIO (K80,K82)
6	129243-13-K81	EA COUNTERTOP - NIGHTSTAND - F/REAR RADIO (K81,K83)
6	129243-13-K84	EA COUNTERTOP - NIGHTSTAND - F/REAR RADIO (K84)
6	129243-13-K85	EA COUNTERTOP - NIGHTSTAND - F/REAR RADIO (K85)
7	129243-02-K80	EA CABINET - NIGHTSTAND/LH - W/COUNTERTOP - W/O DRS/DWRS/HDW (K80,K82)
7	129243-02-K81	EA CABINET - NIGHTSTAND/LH - W/COUNTERTOP - W/O DRS/DWRS/HDW (K81,K83)
7	129243-02-K84	EA CABINET - NIGHTSTAND/LH - W/COUNTERTOP - W/O DRS/DWRS/HDW (K84)
7	129243-02-K85	EA CABINET - NIGHTSTAND/LH - W/COUNTERTOP - W/O DRS/DWRS/HDW (K85)
7	129243-03-K80	EA CABINET - NIGHTSTAND/LH - W/COUNTERTOP - W/O DRS/DWRS/HDW F/REAR RADIO (K80,K82)
7	129243-03-K81	EA CABINET - NIGHTSTAND/LH - W/COUNTERTOP - W/O DRS/DWRS/HDW F/REAR RADIO (K81,K83)
7	129243-03-K84	EA CABINET - NIGHTSTAND/LH - W/COUNTERTOP - W/O DRS/DWRS/HDW F/REAR RADIO (K84)
7	129243-03-K85	EA CABINET - NIGHTSTAND/LH - W/COUNTERTOP - W/O DRS/DWRS/HDW F/REAR RADIO (K85)
8	P28813-13-K80	EA DRAWER - OGEE EDGE - 4.8"W X 23.6"D - W/O SLIDES/HARDWARE (WASHED MAPLE)
8	P28813-13-K81	EA DRAWER - OGEE EDGE - 4.8"W X 23.6"D - W/O SLIDES/HARDWARE (SALEM CHERRY)
9	P28813-14-K80	EA DRAWER - OGEE EDGE - 11.9"W X 23.6"D - W/O SLIDES/HARDWARE (WASHED MAPLE)
9	P28813-14-K81	EA DRAWER - OGEE EDGE - 11.9"W X 23.6"D - W/O SLIDES/HARDWARE (SALEM CHERRY)
10	M05087-38-000	EA CABINET - TOP/QUEEN BED - HEAD - W/O HARDWARE
11	M05087-37-000	EA CABINET - TOP/QUEEN BED - FOOT - W/O HARDWARE
12	P29149-01-K80	EA CABINET - BASE/QUEEN BED - W/O DOORS/DRAWERS/HARDWARE (WASHED MAPLE)
12	P29149-01-K81	EA CABINET - BASE/QUEEN BED - W/O DOORS/DRAWERS/HARDWARE (SALEM CHERRY)
13	129243-01-K80	EA CABINET - NIGHTSTAND/RH - W/COUNTERTOP - W/O DRS/DWRS/HDW (K80,K82)
13	129243-01-K81	EA CABINET - NIGHTSTAND/RH - W/COUNTERTOP - W/O DRS/DWRS/HDW (K81,K83)
13	129243-01-K84	EA CABINET - NIGHTSTAND/RH - W/COUNTERTOP - W/O DRS/DWRS/HDW (K84)
13	129243-01-K85	EA CABINET - NIGHTSTAND/RH - W/COUNTERTOP - W/O DRS/DWRS/HDW (K85)
14	129243-11-K80	EA COUNTERTOP - NIGHTSTAND (K80,K82)
14	129243-11-K81	EA COUNTERTOP - NIGHTSTAND (K81,K83)
14	129243-11-K84	EA COUNTERTOP - NIGHTSTAND (K84)
14	129243-11-K85	EA COUNTERTOP - NIGHTSTAND (K85)
	107796-06-000	EA SPRING/GAS - 12" COMPRESSED/20" EXTENDED - 120 LB.
	112515-03-01A	EA PICTURE - DECOR - HIBISCUS - 16" X 24"

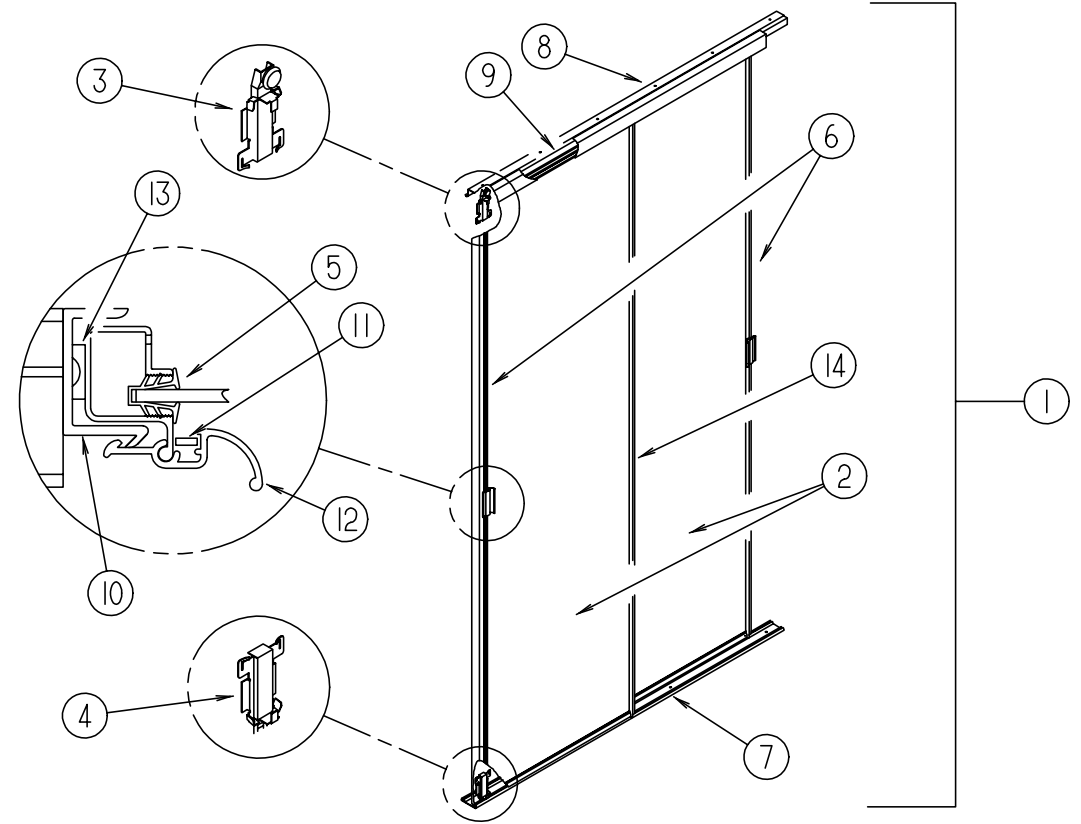
BEDROOM GROUP (CONTINUED)



BEDROOM WARDROBE CABINET

KEY	PART NUMBER	U/M DESCRIPTION
1	042438-01-000	EA DOWEL - WOOD - CLOTHES ROD - 1" DIAMETER X 4'
1	009112-01-000	EA FLANGE - PLASTIC - 1" CLOTHES ROD - OFF WHITE
1	041953-03-000	FT CONDUIT - CONVOLUTE SLIT - 1" ID (CLOTHES ROD COVER)
2	129883-16-K80	EA SHELF - W/VINYL EDGE MOLDING (WASHED MAPLE)
2	129883-16-K81	EA SHELF - W/VINYL EDGE MOLDING (SALEM CHERRY)
3	129883-17-K80	EA SHELF - W/PLASTIC EDGE MOLDING (WASHED MAPLE)
3	129883-17-K81	EA SHELF - W/PLASTIC EDGE MOLDING (SALEM CHERRY)
4	128198-01-K80	EA CABINET - HAMPER - W/O DOORS/HARDWARE (WASHED MAPLE)
4	128198-01-K81	EA CABINET - HAMPER - W/O DOORS/HARDWARE (SALEM CHERRY)
5	M05992-Y3-K80	EA DOOR - STRAIGHT CORNER/OGEE EDGE - 14.3" X 26.8" - W/O HDW (WASHED MAPLE)
5	M05992-Y3-K81	EA DOOR - STRAIGHT CORNER/OGEE EDGE - 14.3" X 26.8" - W/O HDW (SALEM CHERRY)

BEDROOM GROUP (CONTINUED)

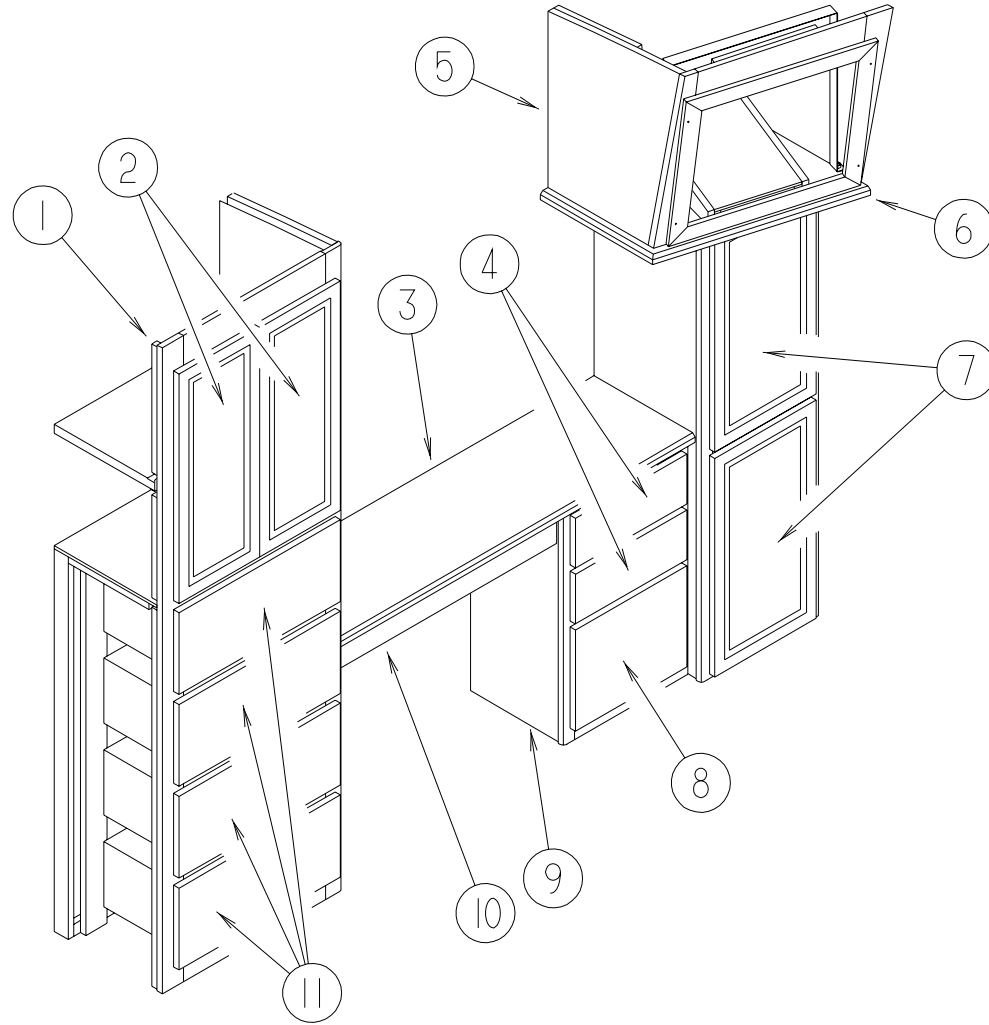


WARDROBE DOOR

KEY	PART NUMBER	U/M DESCRIPTION
1	114149-08-GV0	EA DOOR - WARDROBE/MIRRORED
2	058331-E1-000	EA MIRROR - SAFETY GLASS - 36.6" X 73.7"
3	107390-02-000	EA CORNER HANGER (DOUBLE ROLLER W/BACKET) (SOLD AS 1 EACH)
4	107391-01-000	EA GUIDE - BOTTOM - BY-PASS (PAIR)
5	111575-01-01A	FT CHANNEL - GLAZING - SWING DOOR
6	114104-06-01A	EA STILE - DOOR - SLIDING
7	114105-08-01A	EA TRACK - DOOR - SLIDING/LOWER
8	114106-08-01A	EA TRACK - DOOR - SLIDING/UPPER
9	114107-07-01A	EA RAIL - SLIDING DOOR
10	115538-03-01A	EA JAMB - DOOR - WARDROBE/MIRRORED
11	115541-01-000	EA SPRING - DOOR - SLIDING
12	128587-01-01A	EA LATCH - DOOR - WARDROBE/MIRRORED
13	114104-06-01A	EA STILE - DOOR - SLIDING
14	114104-02-01A	EA STILE - DOOR - SLIDING

BEDROOM GROUP (CONTINUED)

DRIVERS SIDE BEDROOM CABINETS

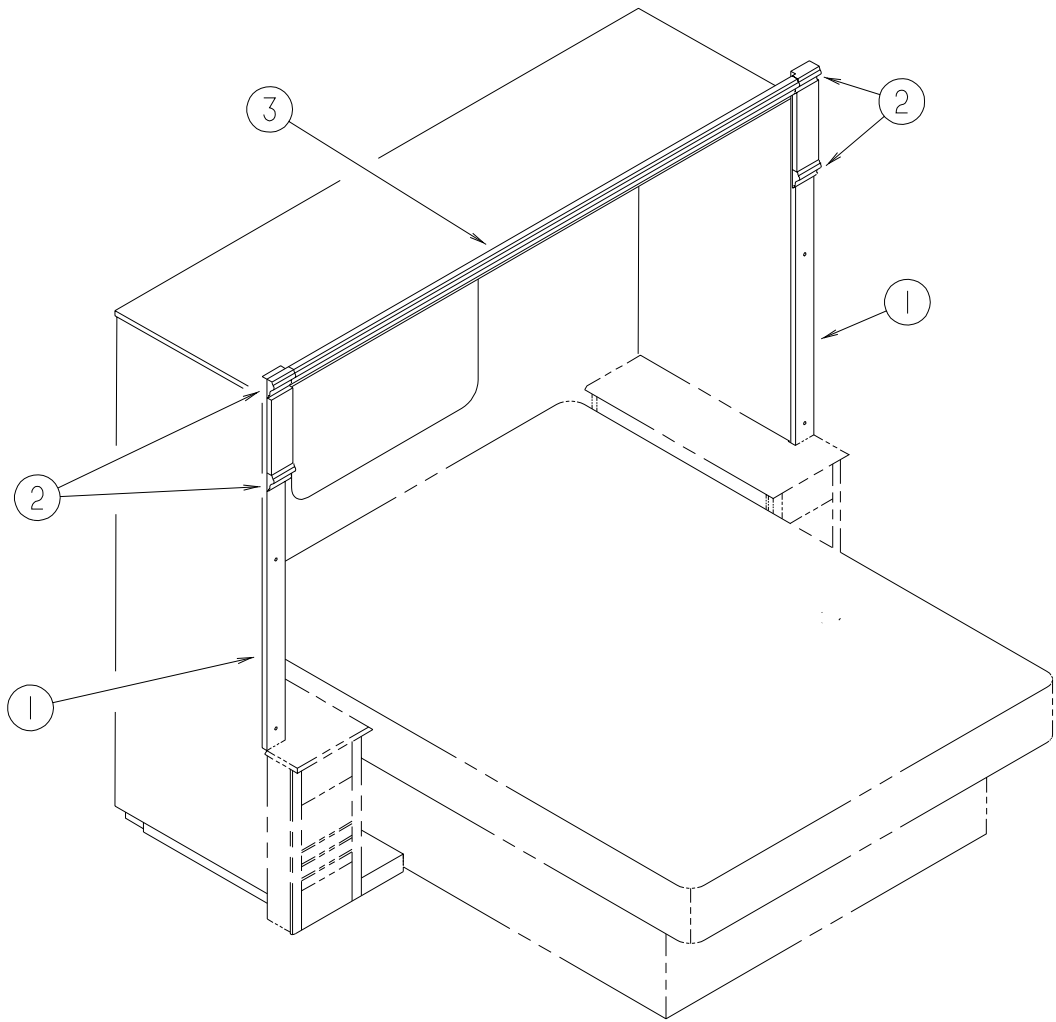


KEY	PART NUMBER	U/M DESCRIPTION
1	129718-01-K80	EA CABINET - DRESSER - W/O DRAWERS/HARDWARE (WASHED MAPLE)
1	129718-01-K81	EA CABINET - DRESSER - W/O DRAWERS/HARDWARE (SALEM CHERRY)
2	M05990-41-K80	EA DOOR - ARCHED/OGEE EDGE - 28.1" X 11.4" - W/O HDW (WASHED MAPLE)
2	M05990-41-K81	EA DOOR - ARCHED/OGEE EDGE - 28.1" X 11.4" - W/O HDW (SALEM CHERRY)
3	129722-11-K80	EA COUNTERTOP - DESK/VANITY (K80,K82)
3	129722-11-K81	EA COUNTERTOP - DESK/VANITY (K81,K83)
3	129722-11-K84	EA COUNTERTOP - DESK/VANITY (K84)
3	129722-11-K85	EA COUNTERTOP - DESK/VANITY (K85)
4	P28813-07-K80	EA DRAWER - OGEE EDGE - 13.5"W X 11.7"D - W/O SLIDES/HARDWARE (WASHED MAPLE)
4	P28813-07-K81	EA DRAWER - OGEE EDGE - 13.5"W X 11.7"D - W/O SLIDES/HARDWARE (SALEM CHERRY)
5	129721-01-K80	EA CABINET - TV SHELF - W/O HARDWARE (K80,K82)
5	129721-01-K81	EA CABINET - TV SHELF - W/O HARDWARE (K81,K83)
5	129721-01-K84	EA CABINET - TV SHELF - W/O HARDWARE (K84)
5	129721-01-K85	EA CABINET - TV SHELF - W/O HARDWARE (K85)
5	129721-02-K80	EA CABINET - TV SHELF - W/O HARDWARE - W/WEDGE (K80,K82)
5	129721-02-K81	EA CABINET - TV SHELF - W/O HARDWARE - W/WEDGE (K81,K83)
5	129721-02-K84	EA CABINET - TV SHELF - W/O HARDWARE - W/WEDGE (K84)
5	129721-02-K85	EA CABINET - TV SHELF - W/O HARDWARE - W/WEDGE (K85)
	099856-04-000	EA TIEDOWN - STRAP - 1" X 25.8" WEBBING W/3" OVERLAP - BLACK
6	129721-14-K80	EA COUNTERTOP - TV SHELF (K80,K82)
6	129721-14-K81	EA COUNTERTOP - TV SHELF (K81,K83)
6	129721-14-K84	EA COUNTERTOP - TV SHELF (K84)
6	129721-14-K85	EA COUNTERTOP - TV SHELF (K85)
7	M05992-W6-K80	EA DOOR - STRAIGHT CORNER/OGEE EDGE - 14.3" X 26.7" - W/O HDW (WASHED MAPLE)
7	M05992-W6-K81	EA DOOR - STRAIGHT CORNER/OGEE EDGE - 14.3" X 26.7" - W/O HDW (SALEM CHERRY)
8	P28813-08-K80	EA DRAWER - OGEE EDGE - 13.5"W X 11.7"D - W/O SLIDES/HARDWARE (WASHED MAPLE)
8	P28813-08-K81	EA DRAWER - OGEE EDGE - 13.5"W X 11.7"D - W/O SLIDES/HARDWARE (SALEM CHERRY)
9	129722-01-K80	EA CABINET - VANITY/DESK - W/O DOORS/DRAWERS/HARDWARE (K80,K82)
9	129722-01-K81	EA CABINET - VANITY/DESK - W/O DOORS/DRAWERS/HARDWARE (K81,K83)
9	129722-01-K84	EA CABINET - VANITY/DESK - W/O DOORS/DRAWERS/HARDWARE (K84)
9	129722-01-K85	EA CABINET - VANITY/DESK - W/O DOORS/DRAWERS/HARDWARE (K85)
10	P10163-MA-K80	EA DRAWER - W/O SLIDES/HARDWARE - 20.7"W X 11.8"D (WASHED MAPLE)
10	P10163-MA-K81	EA DRAWER - W/O SLIDES/HARDWARE - 20.7"W X 11.8"D (SALEM CHERRY)
11	P28813-23-K80	EA DRAWER - OGEE EDGE - 19"W X 11.8"D - W/O SLIDES/HARDWARE (WASHED MAPLE)
11	P28813-23-K81	EA DRAWER - OGEE EDGE - 19"W X 11.8"D - W/O SLIDES/HARDWARE (SALEM CHERRY)
	109380-04-K80	EA VANITY STOOL (K80,K81)
	109380-04-K82	EA VANITY STOOL (K82,K83)
	109380-04-K84	EA VANITY STOOL (K84,K85)

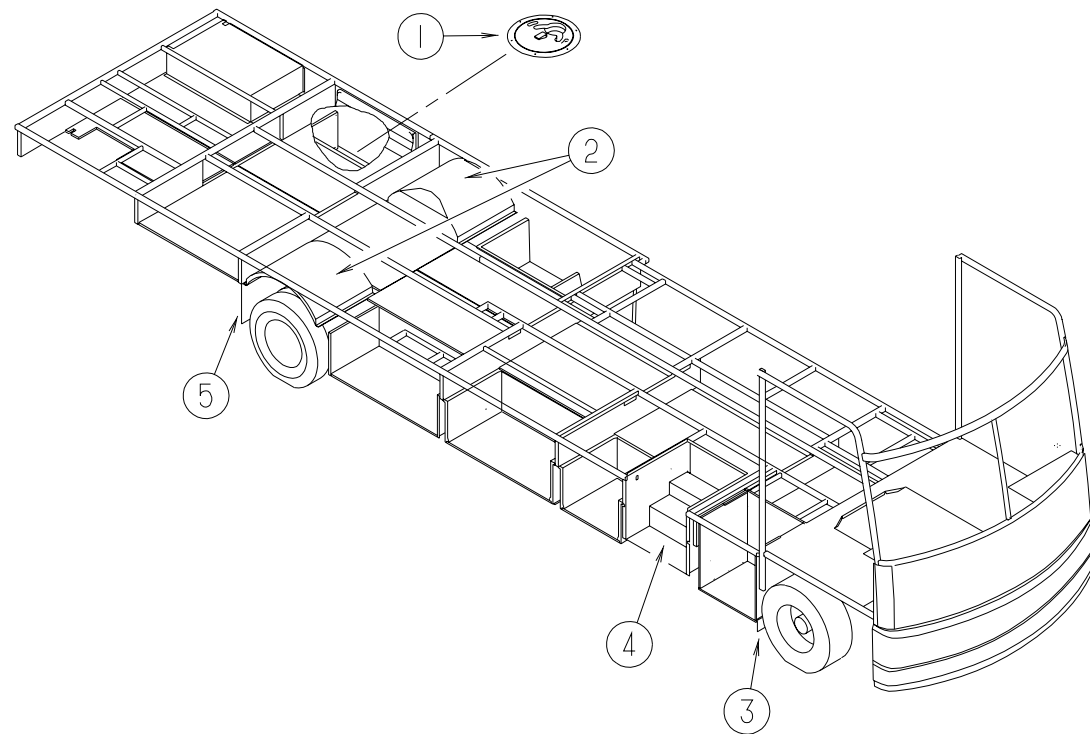
BEDROOM GROUP (CONTINUED)

PASSENGER SIDE BEDROOM SLIDEOUT TRIM

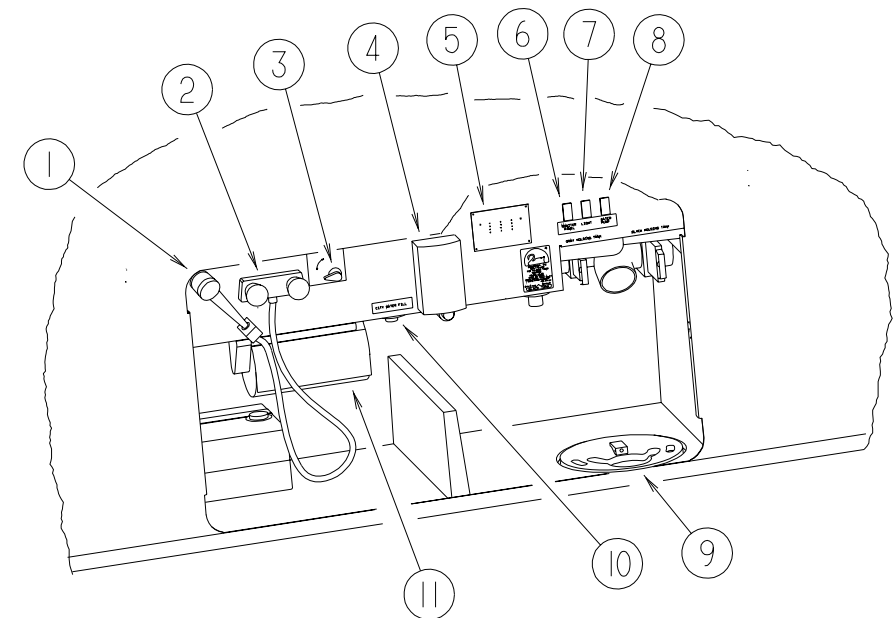
KEY	PART NUMBER	U/M DESCRIPTION
1	116951-05-J60	EA MOLDING - WOOD - 3.5" X 75.7" (WASHED MAPLE)
1	116951-05-J30	EA MOLDING - WOOD - 3.5" X 75.7" (SALEM CHERRY)
2	125547-04-J60	EA MOLDING - CROWN (WASHED MAPLE)
2	125547-04-J30	EA MOLDING - CROWN (SALEM CHERRY)
3	125547-01-J60	EA MOLDING - CROWN (WASHED MAPLE)
3	125547-01-J30	EA MOLDING - CROWN (SALEM CHERRY)



CHASSIS GROUP



CHASSIS GROUP (CONTINUED)



COMPARTMENTS & COMPONENTS

KEY	PART NUMBER	U/M DESCRIPTION
1	129015-01-K80	EA PORT COMPLETE - F/ELECTRICAL/DRAIN
	121175-02-01A	EA LATCH - SWELL
2	055374-03-000	EA WHEELWELL - PLASTIC
3	017516-01-000	EA MUD FLAP - 14" X 18" - BLACK
3	020167-03-000	EA DIRT GUARD - STEEL - 11" LONG
4*	094707-01-01A	EA STEP - DOUBLE - ELECTRIC - KWIKEE
4	110063-01-000	EA PLATE - STEP
4	065450-05-000	EA TIEDOWN - BATTERY - 8.4" TUBE
5	017516-01-000	EA MUD FLAP - 14" X 18" - BLACK
5	020167-05-000	EA DIRT GUARD - STEEL - 14.9" LONG

*COMPONENT PARTS FOUND IN SERVICE PARTS LIBRARY

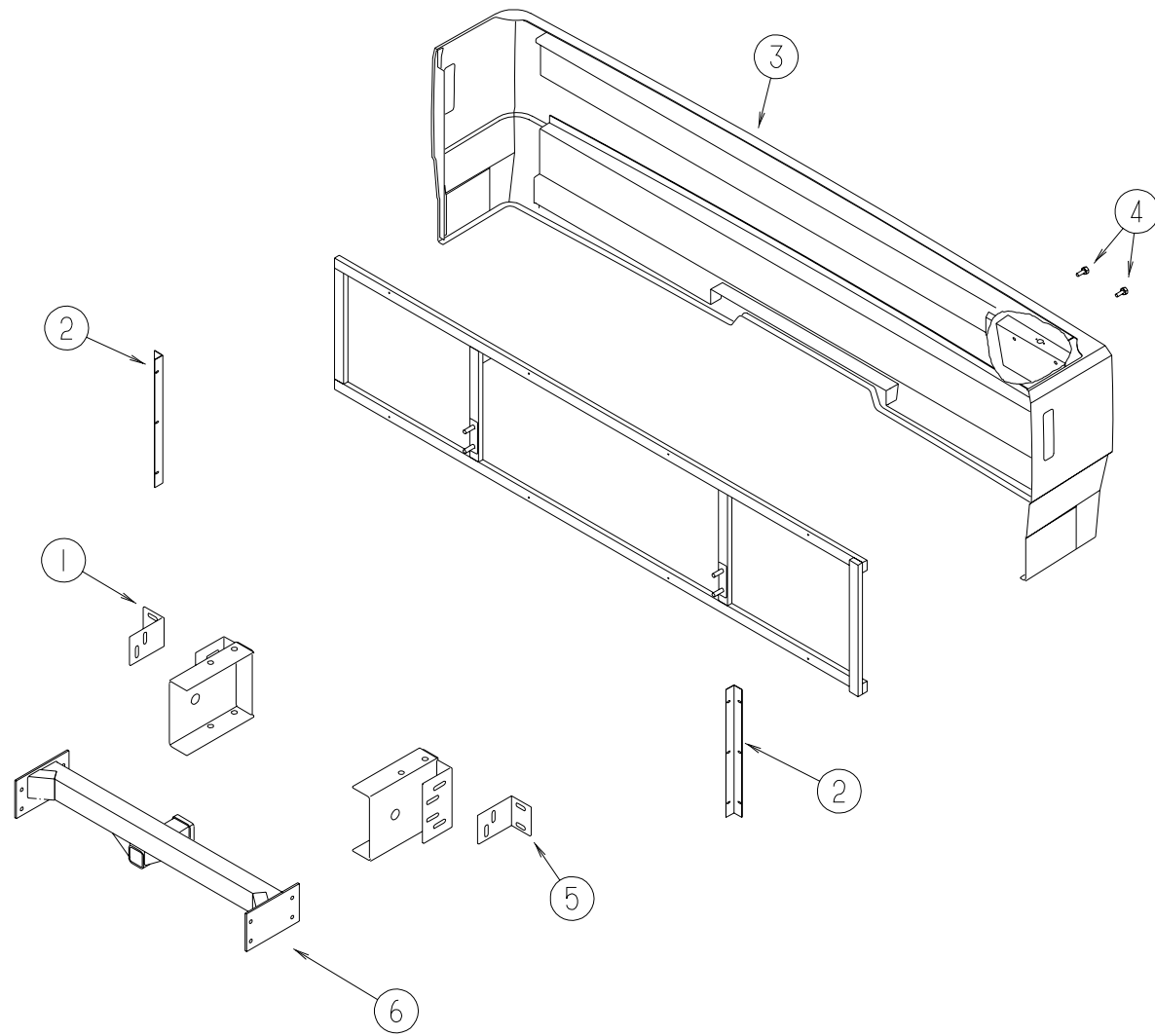
DRIVESHAFT

KEY	PART NUMBER	U/M DESCRIPTION
	128531-05-000	EA DRIVESHAFT ASSEMBLY - 4 BALANCED - CHEVY P12 - 272"
	074833-01-000	EA SPACER - BEARING - DRIVESHAFT - 2" X 8" X .5" THICK
	128528-02-000	EA DRIVESHAFT ASSEMBLY - YOKE/BEARING/YOKE
	128528-03-000	EA BOLT - U-JOINT - 3/8-24 X 3/4
	128528-04-000	EA STRAP - BEARING - 1480 JOINT

STORAGE COMPARTMENT

KEY	PART NUMBER	U/M DESCRIPTION
1	103092-01-000	EA SHOWER HEAD - W/60" HOSE - WHITE
2	075241-05-000	EA FAUCET/SHOWER - BONE 3/4" MPT X 1.4" LONG INLET PIPES
3	114431-03-000	EA VALVE - 90 DEGREE DRAIN - 1/2" P
4	114899-01-000	EA DISPENSER - SOAP - LIQUID
5	129561-01-01A	EA PANEL/MONITOR - READ OUT ONLY - HOLDING/WATER TANK
6	108357-09-000	EA SWITCH - ROCKER SPDT - ON/NONE/MOM - 3 TERMINAL
6	108356-02-01A	EA COVER/ACTUATOR SWITCH - 2 ROWS DIMPLES - CONTURA II - BLACK
7	108357-01-000	EA SWITCH - ROCKER SPST - ON/OFF - 2 TERMINAL
7	108356-02-01A	EA COVER/ACTUATOR SWITCH - 2 ROWS DIMPLES - CONTURA II - BLACK
8	108357-08-000	EA SWITCH - ROCKER DPDT - ON/NONE/ON - 6 TERMINAL
8	108356-02-01A	EA COVER/ACTUATOR SWITCH - 2 ROWS DIMPLES - CONTURA II - BLACK
9	M08628-01-H17	EA HATCH W/FOAM INSERT
	121175-02-01A	EA LATCH - SWELL
10	010230-06-000	EA FILL - CITY WATER - W/CHECK VALVE - MPT
11	129041-01-01A	EA HOLDER - PAPER TOWEL

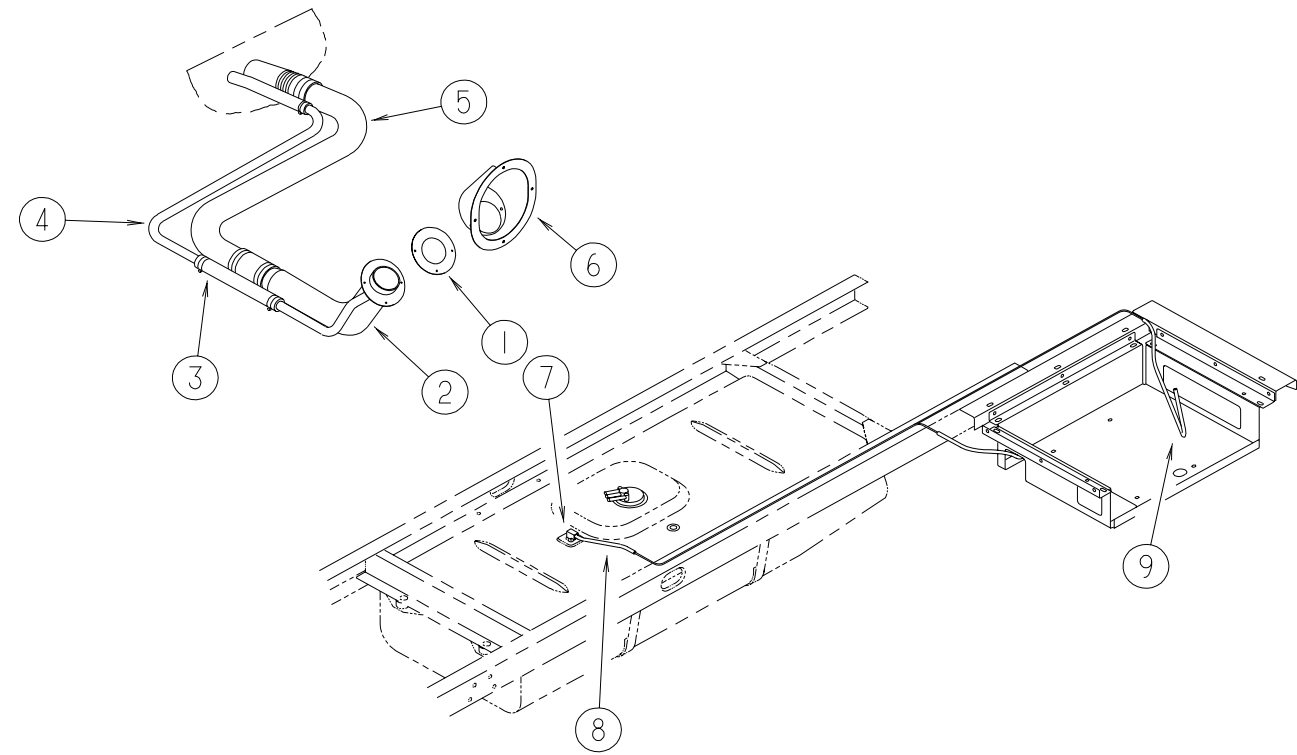
CHASSIS GROUP (CONTINUED)



REAR BUMPER & TRAILER HITCH

KEY	PART NUMBER	U/M DESCRIPTION
1	107524-01-000	EA ANGLE - BUMPER - INNER/RIGHT HAND
2	113041-08-02B	EA ANGLE - BUMPER MOUNT
3	M08673-05-K80	EA BUMPER - REAR
4	087234-01-000	EA NUT - JACK - 1/4 X 20 THD - MOLLY
5	107524-02-000	EA ANGLE - BUMPER - INNER/LEFT HAND
6	117313-03-04B	EA HITCH RECEIVER - BOLT-ON CLASS III
6	130339-02-000	EA HITCH RECEIVER - BOLT ON CLASS III
		FROM: 00-00-00 THRU: 06-14-98
		FROM: 06-15-98 THRU: 99-99-99
	113589-01-000	EA CONNECTOR - PLUG - TRAILER
	111742-01-000	EA PLATE - SKID
	113588-01-01B	EA BRACKET - CONNECTOR - TRAILER W/LIP
	113589-02-000	EA CONNECTOR - SOCKET - TRAILER
	077313-51-002	EA PLATE/BUMPER - INNER PIN SUPPORT

CHASSIS GROUP (CONTINUED)



FUEL SYSTEM

KEY	PART NUMBER	U/M DESCRIPTION
1	078200-01-000	EA GASKET - FUEL FILL - 3.5" OD X 2" ID
2	127301-03-000	EA NECK - FUEL FILL
3	128139-02-000	FT HOSE - FUEL - LOW PERMEABILITY - 5/8" DIAMETER
4	128524-01-000	EA PIPE - VENT - FUEL FILL
5	124327-04-000	EA TUBE - FUEL INLET
6	128299-01-01A	EA SHROUD - FUEL FILL
7	114254-01-000	EA ADAPTER - 1/4 BARB X 1/8 MPT
7	068382-06-000	EA BUSHING - BRASS - 3/8"MPT X 1/8"FPT
8	128139-03-000	FT HOSE - FUEL - LOW PERMEABILITY - 1/4" DIAMETER
9	128139-03-000	FT HOSE - FUEL - LOW PERMEABILITY - 1/4" DIAMETER
9	084884-01-000	EA PLUG - BRASS - 3/8"
9	062401-06-000	EA CLAMP - HOSE - WORMGEAR - .22" - .62" ID

CHASSIS GROUP (CONTINUED)

ALUMINUM WHEELS

KEY	PART NUMBER	U/M DESCRIPTION
	128689-01-000	EA WHEEL - ALUMINUM - 22.5" X 7.5" - FRONT AXLE
	128689-02-000	EA WHEEL - ALUMINUM - 22.5" X 7.5" - REAR AXLE
	129058-01-000	EA COVER - FRONT AXLE
	129058-02-000	EA COVER - WHEEL HUB/REAR
	129058-03-000	EA COVER - WHEEL NUT
	129058-04-000	EA VALVE STEM - .9" X 5" LONG
	129058-05-000	EA VALVE STEM
	129058-06-000	EA EXTENSION - VALVE STEM - 4" LONG
	129058-07-000	EA STABILIZER - VALVE STEM
	080208-04-000	EA LUG WRENCH - 1 3/16" - OSHKOSH/SPARTAN
	080208-05-000	EA BAR - LEVERAGE - LUG WRENCH - .75"DIA. - OSHKOSH/SPARTAN

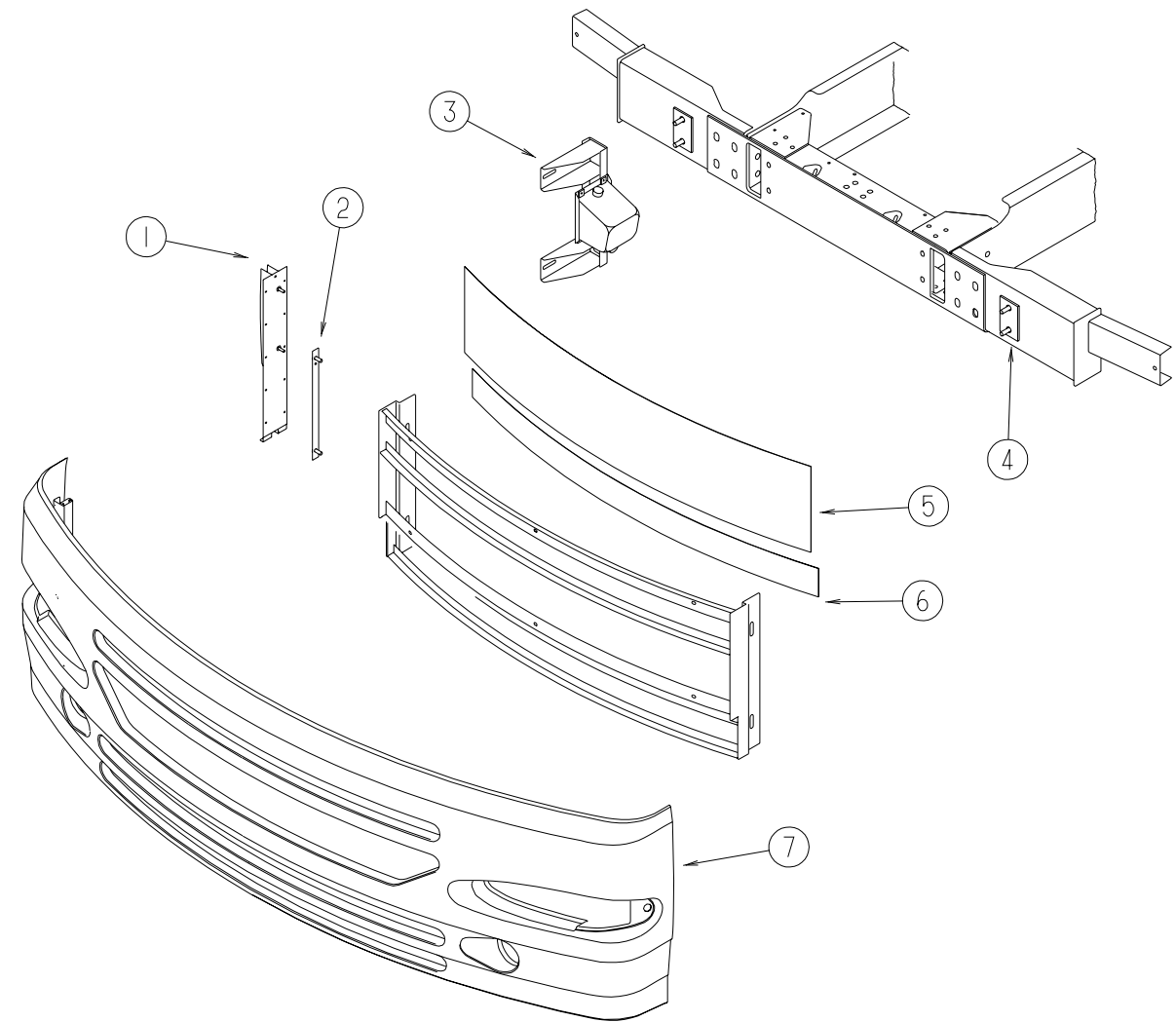
WHEEL LINERS - SET OF 4

KEY	PART NUMBER	U/M DESCRIPTION	VENDOR NO.
	110435-16-000	EA LINER - WHEEL (SET=4) 22.5/28869	
	110435-16-700	EA LINER - WHEEL - FRONT	V22580-FWC
	110435-16-701	EA HUB COVER - FRONT	V22580-FHC
	110435-16-702	EA LINER - REAR - WHEEL	V22580-RWC
	110435-16-703	EA HUB COVER - REAR	V22508-RHC
	110435-16-704	EA STUD EXTENDER - 20MM	V22580-8TX
	110435-05-700	EA CAP - CENTER - POP-OUT	V22510-POC
	110435-05-710	EA NUT - JAM - RIGHT HAND THREAD	V22506-RJN
	110435-05-711	EA COVER - LUG NUT	V22506-LNC
	110435-05-712	EA TOOL INSTALLATION	V22506-TOL

LEVELING SYSTEM

KEY	PART NUMBER	U/M DESCRIPTION	VENDOR NO.
	100532-49-000	EA LEVELING SYSTEM - HYDRAULIC - 2 SLIDEOUTS	
	100532-01-713	EA PUMP - RESERVOIR ASM. - MONARCH	RAP90014
	100532-03-710	EA SENSING UNIT 21' MTA	RAP6798
	100532-03-715	EA CAP - BREATHER W/DIPSTICK	RAP7876
	100532-03-716	EA SOLENOID - CONTINUOUS DUTY	RAP7505
	100532-03-717	EA VALVE - PRESS. - RETURN SHUTTLE	RAP7964
	100532-03-719	EA TUBE ASM. (SHORT SHUTTLE)	RAP8088
	100532-03-721	EA VALVE - CHECK KIT (SGL)	RAP7944
	100532-03-722	EA O-RING KIT	R7430
	100532-03-723	EA O-RING/SEAL KIT	RAP9171
	100532-03-726	EA SWITCH - PRESSURE	RAP8003
	100532-09-702	EA CABLE - MODULAR 5'	RAP1020
	100532-09-700	EA PANEL ASM. - TOUCH CONTROL	RAP1002
	100532-09-704	EA VALVE - PRESSURE SOLENOID	RAP0642
	100532-09-705	EA SWITCH - PRESS - W/HEAD - 3000#	RAP0993
	100532-09-710	EA SOLENOID - INTERMITTENT DUTY	RAP0533
	100532-12-706	EA SWITCH - WARNING/MAGNETIC	RAP1008 / RAP90496
	100532-12-707	EA SPRING KIT	R3847
	100532-31-701	EA CHECK VALVE & KIT	RAP10021
	100532-31-702	EA O-RING/SEAL KIT - MANIFOLD	RAP90127
	100532-48-701	EA MANIFOLD - ROOM EXT - 2 ROOM	RAP90035
	100532-49-700	EA JACK - 9K FRONT/STRAIGHT ACT	RAP90508
	100532-49-701	EA CONTROL BOX - 610 W/ROOM EXT	RAP90529
	100532-49-702	EA CABLE - 10' F/610 SYSTEM	RAP90528
	100532-53-700	EA CYLINDER ASM. - 9K	RAP90491
	123264-01-000	EA TEE - UNION - 1/4" X 1/4" X 1/4"	
	107938-03-000	EA BRACKET - PUMP	
	100536-43-000	EA HOSE KIT - LEVEL JACKS/SLIDE-OUT ROOM KIT CONTAINS: 4 JACK HOSES (60"-116"-354"-384") & 4 ROOM HOSES (108"-110"-276"-280")	
	117183-01-02B	EA COVER - SENSOR - LEVELING	
	128571-02-000	EA JACK ASSEMBLY - REAR LEVELING - W/CROSSMEMBER - AUTOMATIC	

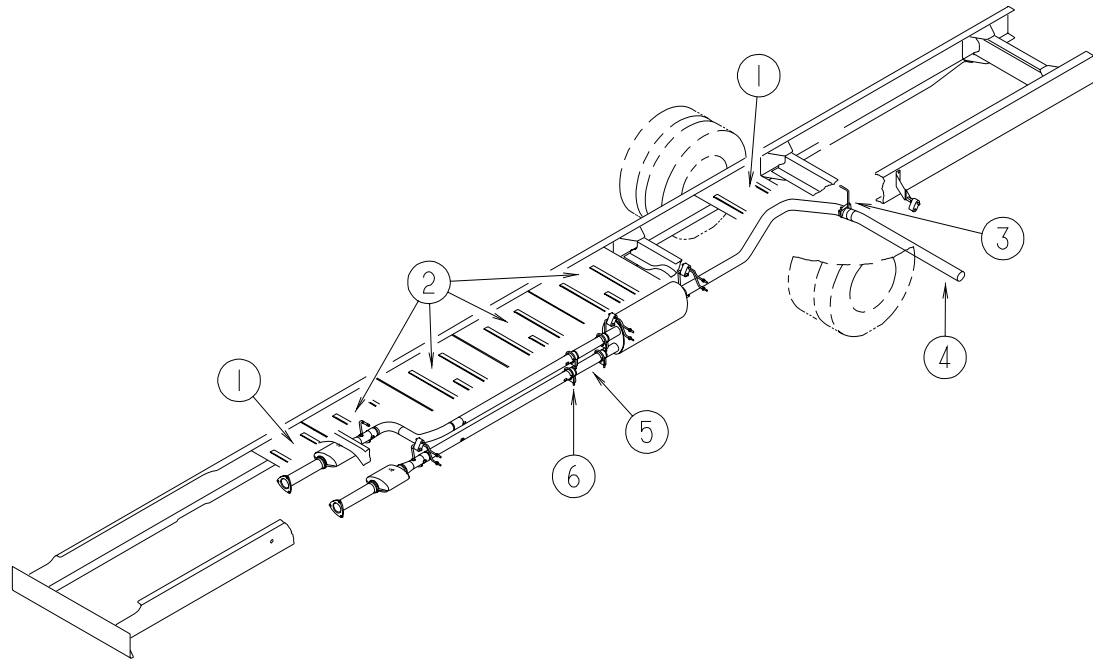
CHASSIS GROUP (CONTINUED)



FRONT BUMPER

KEY	PART NUMBER	U/M DESCRIPTION
1	128266-01-02B	EA BRACKET - WHEEL LIP - PASSENGER - E-COATED
1	128266-02-02B	EA BRACKET - WHEEL LIP - DRIVER - E-COATED
2	106730-08-000	EA PLATE - STUD
3	113474-05-02B	EA BRACKET/SUPPORT - BUMPER/FRONT - PASSENGER - E-COATED
3	113474-06-02B	EA BRACKET/SUPPORT - BUMPER/FRONT - DRIVER - E-COATED
4	116617-01-02B	EA SPACER - BUMPER
5	115924-25-02A	EA GRILLE - WOVEN WIRE - FLAT BLACK
6	115924-26-02A	EA GRILLE - WOVEN WIRE - FLAT BLACK
7	P28259-02-K80	EA PANEL/BUMPER - W/GRILLE/FRAME - SUPPORT BRACKETS

CHASSIS GROUP (CONTINUED)



EXHAUST

KEY	PART NUMBER	U/M DESCRIPTION
1	101544-01-000	EA SHIELD - HEAT/EXHAUST - 19.7" X 29.1"
2	101544-02-000	EA SHIELD - HEAT/EXHAUST - 30" X 29.1"
3	122392-05-02B	EA HANGER - TAILPIPE - FRONT
		FROM: 00-00-00 THRU: 05-19-98
3	122392-06-02B	EA HANGER - TAILPIPE - E-COATED
		FROM: 05-20-98 THRU: 99-99-99
4	128754-01-000	EA PIPE - EXHAUST - TAIL
	094918-01-000	EA CLAMP - EXHAUST - 3" - GUILLOTINE STYLE
5	098762-24-000	EA PIPE - EXHAUST/STRAIGHT - 2.5"
6	007125-07-000	EA CLAMP - MUFFLER - 2.5" DIAMETER

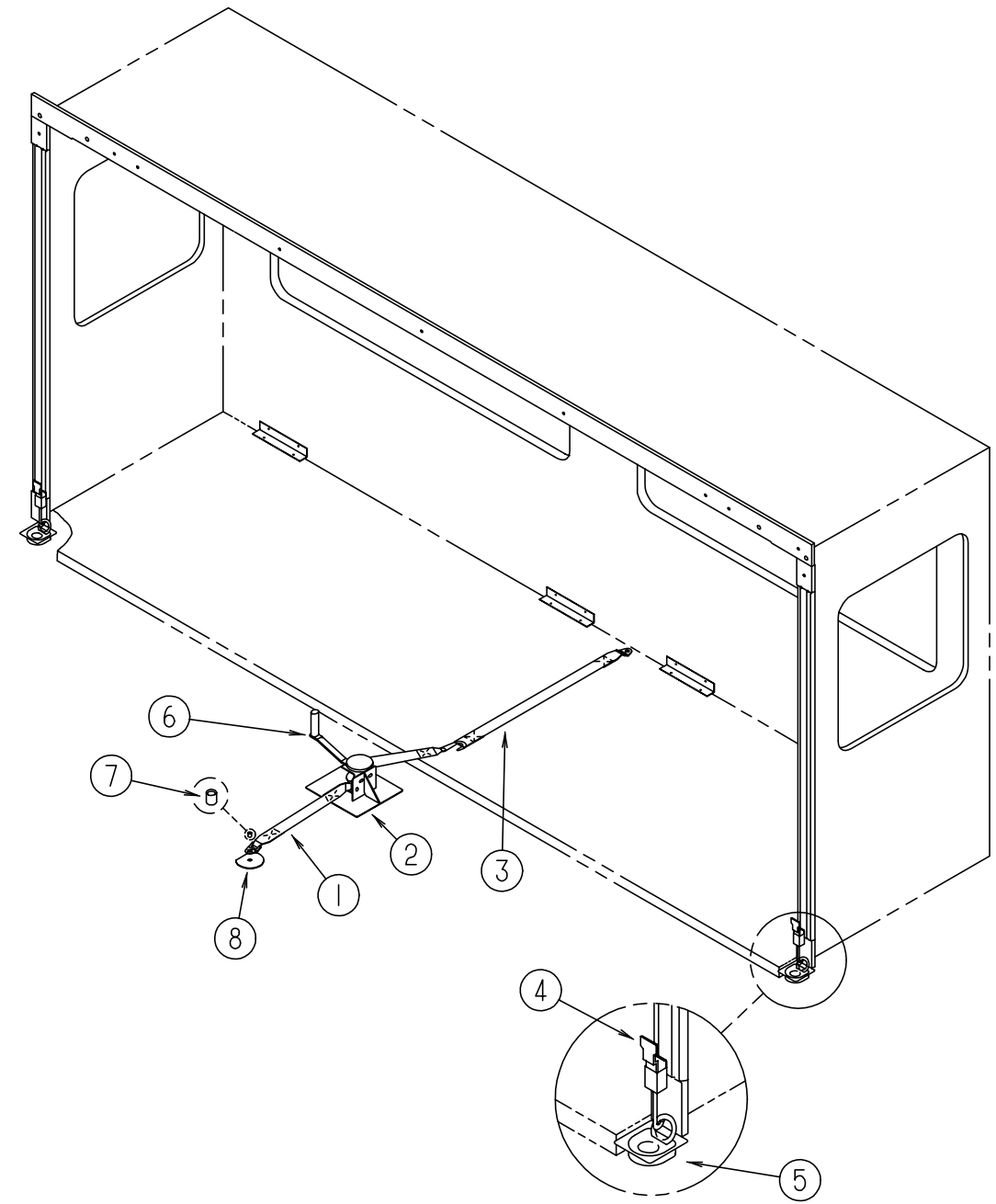
BEDROOM SLIDE-OUT

KEY	PART NUMBER	U/M DESCRIPTION
	128599-03-000	EA PAD - SLIDEOUT - HYDRAULIC
	128599-04-000	EA SLIDEOUT - HYDRAULIC CYLINDER

GALLEY/COUCH SLIDE-OUT

KEY	PART NUMBER	U/M DESCRIPTION	VENDOR NO.
	125687-01-000	EA SLIDEOUT - HYDRAULIC	
	125687-01-700	EA CYLINDER (RAM - 2 USED PER SLIDE)	
	125687-01-701	EA HOSE - HYDRAULIC - 120"	AP13772
	125687-01-702	EA CYLINDER - SYNCHRONIZING	RAP90471
	125888-01-02B	EA BRACKET - SLIDEOUT COMPARTMENT - E-COATED - RIGHT HAND	
	125888-02-02B	EA BRACKET - SLIDEOUT COMPARTMENT - E-COATED - LEFT HAND	
	126050-07-J22	EA SUPPORT - SLIDEOUT COMPARTMENT	

CHASSIS GROUP (CONTINUED)



SLIDEOUT HARDWARE

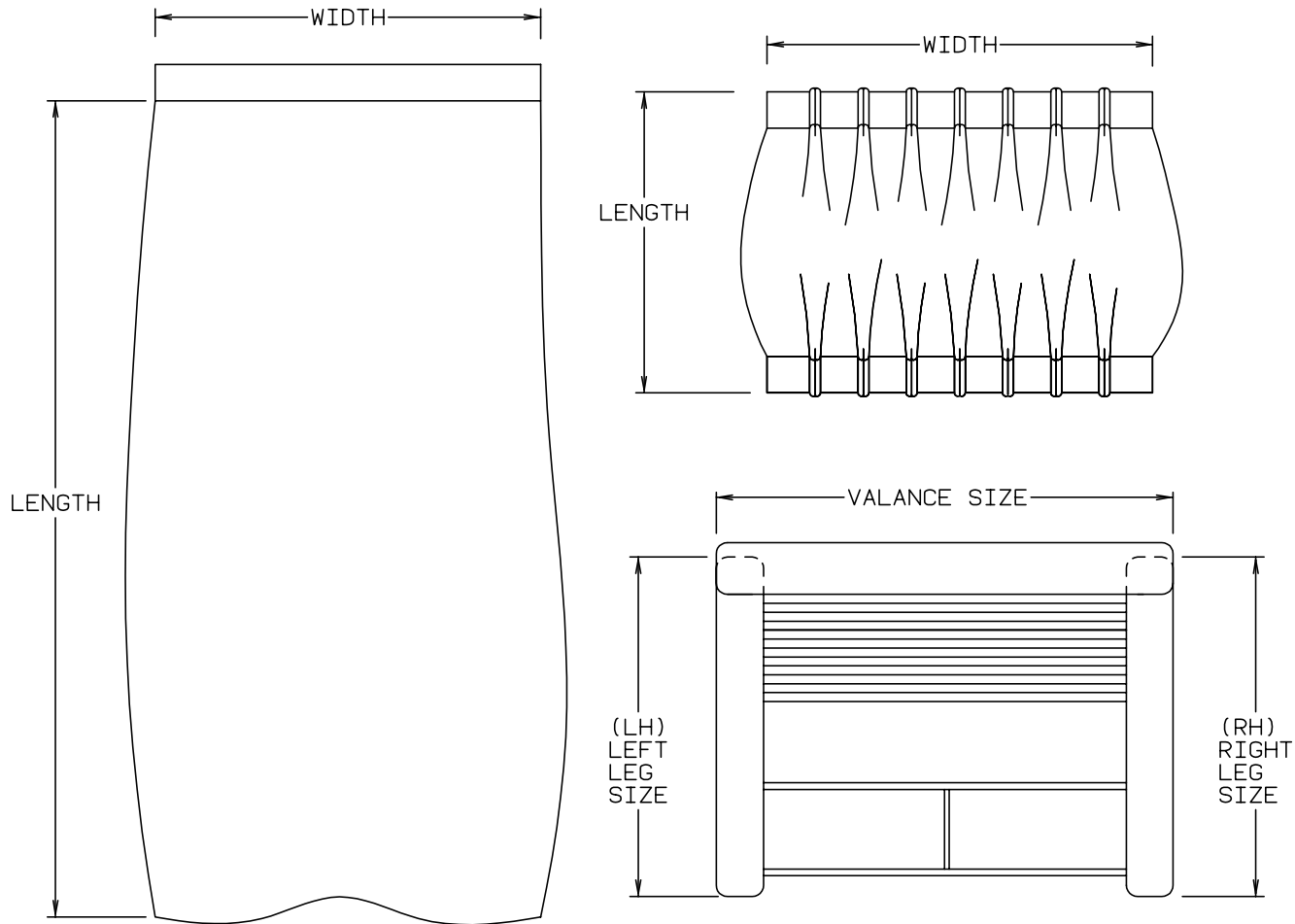
KEY	PART NUMBER	U/M DESCRIPTION
1	116101-01-F31	EA STRAP - WINCH
2	116082-03-02B	EA BRACKET - WINCH
3	116101-02-F31	EA STRAP - WINCH
4	116737-01-01A	EA LATCH - DRAW - ADJUSTABLE - ZINC
5	116736-01-01A	EA TIEDOWN - DROP/D - ZINC
6	115767-02-000	EA SLIDEOUT - WINCH
7	116743-01-01A	EA CAP - LUG COVER - THREAD - BLACK
8	057759-01-000	EA WASHER BRACKET - SEAT BELT - 4" DIAMETER
8	064081-03-000	EA NUT - WING 3/8-16 - W/WELD NUT
	077298-55-003	EA EXTRUSION - TUBE - .275"

CURTAIN & CUSHION GROUP

NOTICE

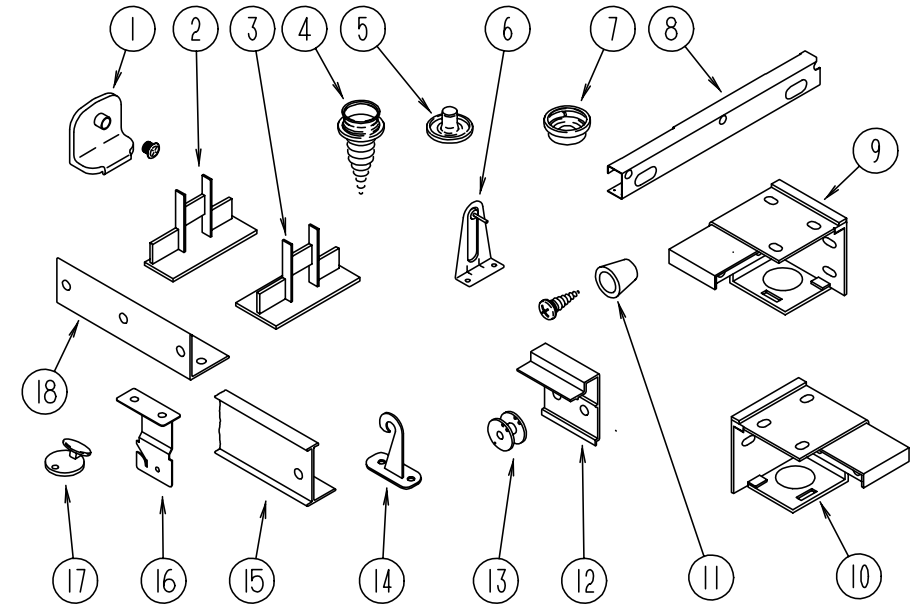
IN ORDER TO ASSIST OUR PARTS SALES DEPT. IN PROVIDING INTERIOR SOFTWARE ITEMS, PLEASE INCLUDE THE SERIAL NUMBER AND THE COLOR CODE NUMBER FROM THE VEHICLE CERTIFICATION LABEL WHEN ORDERING. THIS LABEL IS LOCATED ON THE LEFT SIDEWALL AT THE END OF THE DASH (A-BODY), OR ON THE DRIVER'S DOOR LATCH PLATE (C-BODY).

AN EXAMPLE OF A COLOR CODE NUMBER IS B07, WHICH DESIGNATES AN OVERALL COLOR SCHEME OF A PARTICULAR UNIT. THE COLOR LISTED AFTER THE ITEM DESCRIPTION ON THE MICROFICHE, INDICATES THE OVERALL UNIT COLOR. ORDER THE ITEM YOU DESIRE ACCORDING TO UNIT COLOR CODE. IF ALL COLORS USE THE SAME ITEM NO COLOR CODE WILL BE NOTED.



NOTE: USE THIS ILLUSTRATION WHEN DETERMINING LENGTH AND WIDTH MEASUREMENTS FOR CURTAINS. YOU WILL NOTE THE WIDTH MEASUREMENT IS TAKEN ON THE TOP OF THE CURTAIN WITH THE CURTAIN FULLY EXTENDED. THE LENGTH MEASUREMENT IS TAKEN FROM TOP TO BOTTOM. LEFT AND RIGHT WINDOW LEGS ARE DETERMINED WHEN FACING THE WINDOW.

CURTAIN & CUSHION GROUP (CONTINUED)



CURTAIN HARDWARE

KEY	PART NUMBER	U/M DESCRIPTION
1	106544-01-000	EA PULL - SHADE/BRASS
	106544-01-001	EA SCREW - SHADE/BRASS
2	094907-02-000	EA END CAP - TOP/PLEATED BLIND - PLASTIC - GRAY
3	094907-05-000	EA HARDWARE - END CAP - BOTTOM - PULL TYPE
	094907-05-700	EA END CAP - RH - BOTTOM BLIND
	094907-05-701	EA END CAP - LH - BOTTOM BLIND
	094907-06-000	EA HARDWARE - END CAP - E-Z LIFT - TOP
	094908-03-000	FT HARDWARE - SEMI-RIDGED PVC - EZ LIFT
	094908-04-000	FT STRAP - FLAT POLY VINYL
	097591-01-000	EA SPRING - EXTENSION/PLEATED BLIND
	097593-02-000	FT CORD - BLIND/PLEATED - GRAY
	094896-02-000	EA GROMMET - CORD/PLEATED BLIND - NYLON - GRAY
4	029130-01-000	EA SCREW - SNAP SOCKET - #8 PH X 5/8"
5	029155-01-000	EA CAP - SNAP - 5/32" OUTSIDE DIAMETER OF PIN
6	095591-02-000	EA BRACKET - BLIND - HOLD DOWN W/PIN - METAL
7	029156-01-000	EA SOCKET - SNAP - 9/16" O.D.
8	110597-01-000	EA BRACKET - SHADE - CAB/RIGHT SIDE
8	110597-02-000	EA BRACKET - SHADE - CAB/LEFT SIDE
9	083170-01-000	EA BRACKET - BLIND - LEFT SIDE WHEN FACING WINDOW
10	083170-02-000	EA BRACKET - BLIND - RIGHT SIDE WHEN FACING WINDOW
11	097564-03-000	EA HANDLE - KNOB - E-Z LIFT SHADE - TAN
12	097565-01-000	EA BRACKET - MOUNTING/PLEATED BLIND
13	097592-02-000	EA BRACKET - HOLDDOWN ADJUSTER
14	109441-03-000	EA HOLD DOWN - BLIND (CLOUDY)
15	118896-03-K81	EA TRACK - CURTAIN - RIGHT HAND - HAMPTON TAN
15	118897-03-02A	EA TRACK - CURTAIN - LEFT HAND - HAMPTON TAN
16	084434-01-000	EA BRACKET - MOUNTING - ROLLER SHADE - 1 3/8"
17	102555-01-000	EA CLEAT - BLIND CORD - CLEAR PLASTIC
	102555-03-000	EA CLEAT - BLIND CORD - MILKY WHITE PLASTIC
18	105648-01-02A	EA BRACE - VALANCE - OFF/WHITE - 14"
	046867-03-000	EA GROMMET - HANDY BUTTON #3
	048394-02-000	YD VELCRO TAPE - HOOK - ADHESIVE BACK - .75" WIDE - BEIGE
	086276-01-000	EA TAPE - DOUBLE SIDED - 1/2"
	088792-02-000	YD VELCRO TAPE - LOOP - .75" - ADHESIVE BACKED - BEIGE
	096843-01-000	EA SPRING - REWIND/ROLLER SHADE

CURTAIN & CUSHION GROUP (CONTINUED)

QUEEN BEDSPREAD, PILLOWS & MATTRESSES

KEY	PART NUMBER	U/M DESCRIPTION
1	126211-01-J74	EA PILLOW SHAM - 20" X 33" (K80,K81)
1	126211-03-J76	EA PILLOW SHAM - 20" X 33" (K82,K83)
1	126211-01-K84	EA PILLOW SHAM - 20" X 33" (K84,K85)
2	123015-07-000	EA MATTRESS - INNERSPRING - 60" X 79.5"
2	109588-05-K80	EA BEDSPREAD/THROW - 60" X 80" (K80,K81)
2	109588-12-K82	EA BEDSPREAD/THROW - 60" X 80" (K82,K83)
2	109588-05-K84	EA BEDSPREAD/THROW - 60" X 80" (K84,K85)

BEDROOM THROW PILLOWS

KEY	PART NUMBER	U/M DESCRIPTION
	106728-07-K80	EA PILLOW - 9" X 20" (K80,K81)
	106728-07-K82	EA PILLOW - 9" X 20" (K82,K83)
	106728-07-K84	EA PILLOW - 9" X 20" (K84,K85)

LOUNGE THROW PILLOWS

KEY	PART NUMBER	U/M DESCRIPTION
	106728-03-J74	EA PILLOW - 9" X 20" (K80,K81)
	106728-03-J76	EA PILLOW - 9" X 20" (K82,K83)
	106728-03-K84	EA PILLOW - 9" X 20" (K84,K85)

SOFA

KEY	PART NUMBER	U/M DESCRIPTION
3	119727-06-000	EA SOFA - VILLA 80" - W/FLAIR ARMRESTS/KICKBOARD (K80,K81)
3	119728-11-000	EA SOFA - VILLA - W/O CUT OUT (K82,K83)
3	119728-10-000	EA SOFA - VILLA - W/O CUT OUT (K84,K85)
3	121886-02-000	EA SOFA - VILLA - 80" - PEACH - LEATHER OPTION (K80,K81)
3	121884-11-000	EA SOFA - VILLA - 80" - CREAM - LEATHER OPTION (K82,K83)
3	121884-10-000	EA SOFA - VILLA - 80" - ANTELOPE - LEATHER OPTION (K84,K85)
	116104-03-02B	EA BRACKET - ZEE W/HOLES

SWIVEL CHAIR

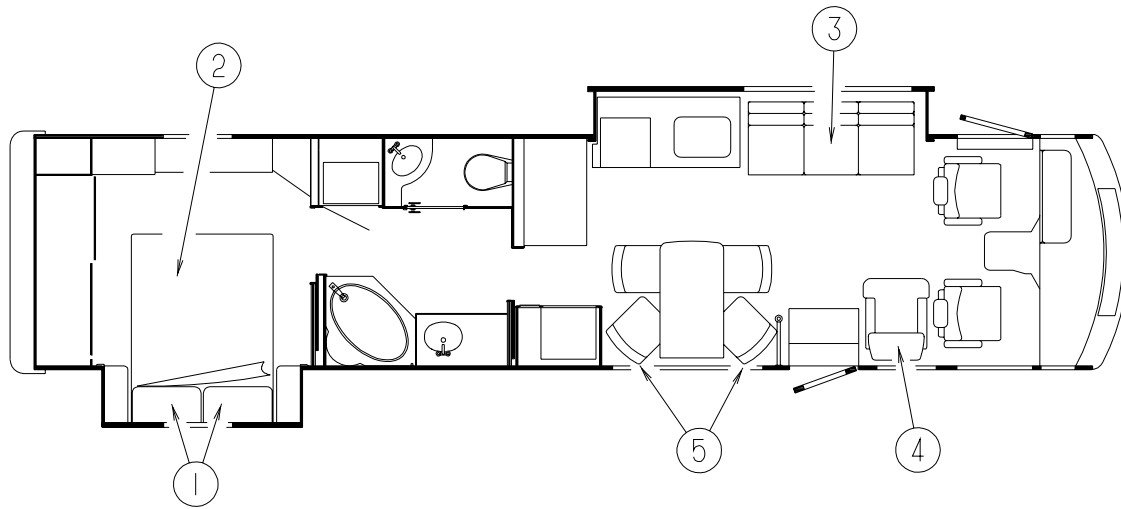
KEY	PART NUMBER	U/M DESCRIPTION
4	130565-01-K80	EA CHAIR - INCLINER - W/FOOTREST (K80,K81)
4	130565-01-K82	EA CHAIR - INCLINER - W/FOOTREST (K82,K83)
4	130565-01-K84	EA CHAIR - INCLINER - W/FOOTREST (K84,K85)
4	121883-07-000	EA CHAIR - VILLA - HEMINGWAY - LEATHER OPTION (K80,K81)
4	121883-08-000	EA CHAIR - VILLA - LEATHER OPTION (K82,K83)
4	121883-09-000	EA CHAIR - HAMPTON TAN - LEATHER OPTION (K84,K85)

DINETTE CHAIR

KEY	PART NUMBER	U/M DESCRIPTION
5	126637-08-000	EA CHAIR - DINETTE (K80,K81)
5	126637-09-000	EA CHAIR - DINETTE (K82,K83)
5	126637-10-000	EA CHAIR - DINETTE (K84,K85)

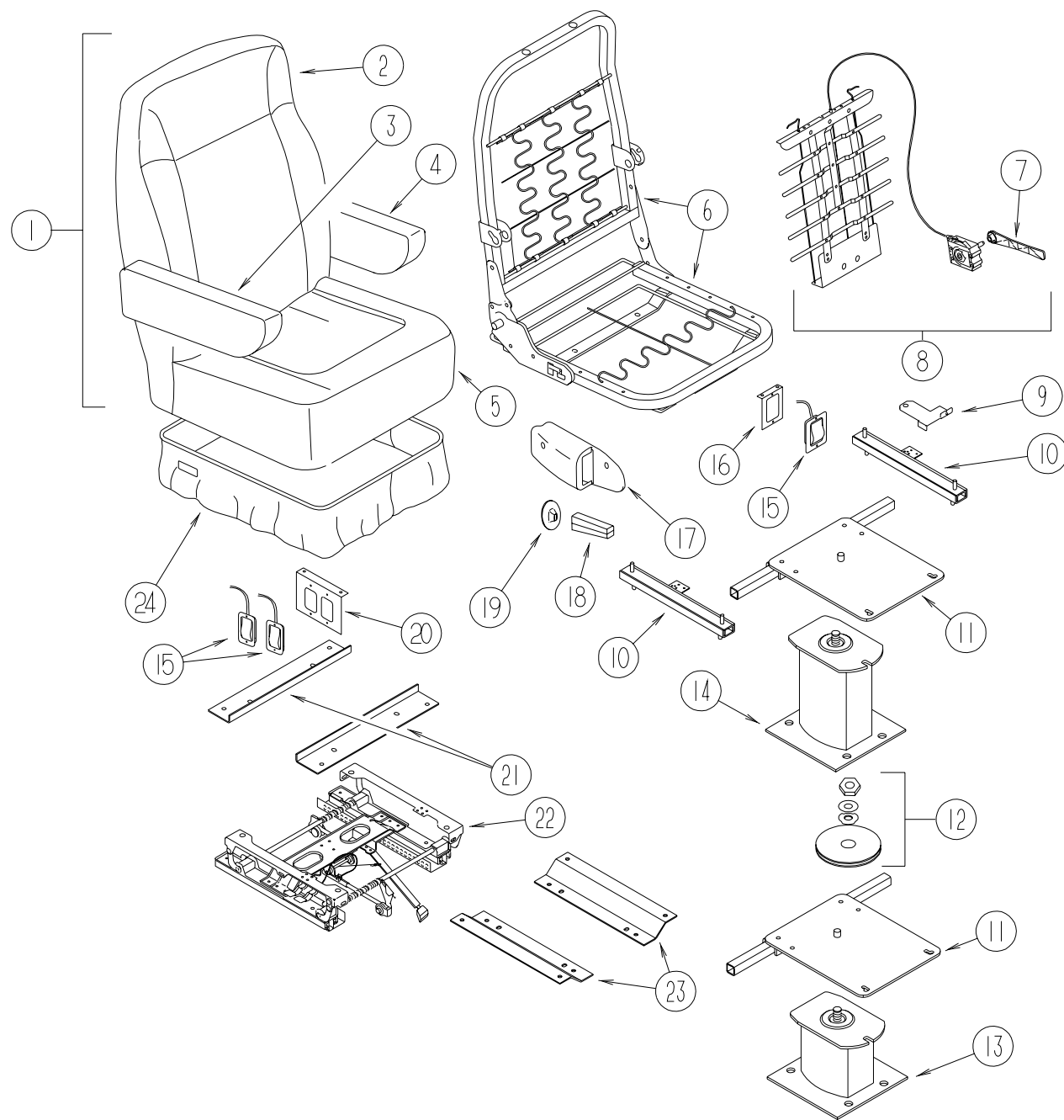
FOLDING CHAIRS

KEY	PART NUMBER	U/M DESCRIPTION
	101604-01-04A	EA CHAIR - FOLDING/DINETTE - LINEN FABRIC - SOLAR MAPLE
	101604-01-02A	EA CHAIR - FOLDING/DINETTE - LINEN FABRIC - CHERRY



CURTAIN & CUSHION GROUP (CONTINUED)

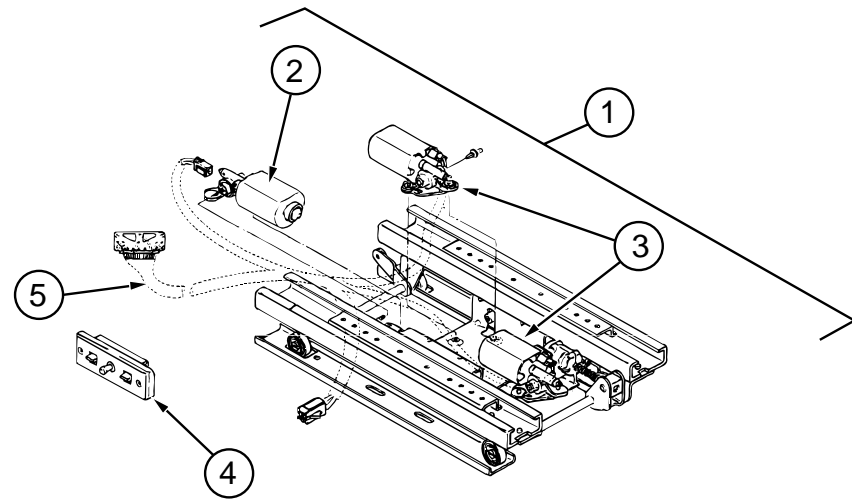
BUCKET SEATS



KEY	PART NUMBER	U/M DESCRIPTION
1	129715-01-K80	EA SEAT - BUCKET - WIDE - W/LUMBAR (DRIVER) (K80,K81)
1	129715-01-K82	EA SEAT - BUCKET - WIDE - W/LUMBAR (DRIVER) (K82,K83)
1	129715-01-K84	EA SEAT - BUCKET - WIDE - W/LUMBAR (DRIVER) (K84,K85)
1	129192-01-000	EA SEAT - BUCKET - DRIVERS - 6-WAY - LEATHER OPTION (K80,K81)
1	129192-04-000	EA SEAT - BUCKET - DRIVERS - 6-WAY - LEATHER OPTION (K82,K83)
1	129192-02-000	EA SEAT - BUCKET - DRIVERS - 6-WAY - LEATHER OPTION (K84,K85)
1	129715-02-K80	EA SEAT - BUCKET - WIDE (PASSENGER) (K80,K81)
1	129715-02-K82	EA SEAT - BUCKET - WIDE (PASSENGER) (K82,K83)
1	129715-02-K84	EA SEAT - BUCKET - WIDE (PASSENGER) (K84,K85)
1	123609-10-000	EA SEAT - BUCKET - PASSENGERS - LEATHER OPTION (K80,K81)
1	123609-12-000	EA SEAT - BUCKET - PASSENGERS - LEATHER OPTION (K82,K83)
1	123609-08-000	EA SEAT - BUCKET - PASSENGERS - LEATHER OPTION (K84,K85)

KEY	PART NUMBER	U/M DESCRIPTION	VENDOR NO.
2	M05962-82-K80	EA COVER - BACK - WIDE (K80,K81)	
2	M05962-82-K82	EA COVER - BACK - WIDE (K82,K83)	
2	M05962-82-K84	EA COVER - BACK - WIDE (K84,K85)	
3	129716-01-K80	EA ARMREST - RIGHT HAND/ADJUSTABLE (DRIVER) (K80,K81)	
3	129716-01-K82	EA ARMREST - RIGHT HAND/ADJUSTABLE (DRIVER) (K82,K83)	
3	129716-01-K84	EA ARMREST - RIGHT HAND/ADJUSTABLE (DRIVER) (K84,K85)	
3	P29716-01-K80	EA COVER - ARMREST/RIGHT (DRIVER) (K80,K81)	
3	P29716-01-K82	EA COVER - ARMREST/RIGHT (DRIVER) (K82,K83)	
3	P29716-01-K84	EA COVER - ARMREST/RIGHT (DRIVER) (K84,K85)	
3	129716-03-K80	EA ARMREST - RIGHT HAND (PASSENGER) (K80,K81)	
3	129716-03-K82	EA ARMREST - RIGHT HAND (PASSENGER) (K82,K83)	
3	129716-03-K84	EA ARMREST - RIGHT HAND (PASSENGER) (K84,K85)	
3	P29716-03-K80	EA COVER - ARMREST/RIGHT (PASSENGER) (K80,K81)	
3	P29716-03-K82	EA COVER - ARMREST/RIGHT (PASSENGER) (K82,K83)	
3	P29716-03-K84	EA COVER - ARMREST/RIGHT (PASSENGER) (K84,K85)	
4	129716-02-K80	EA ARMREST - LEFT HAND/ADJUSTABLE (DRIVER) (K80,K81)	
4	129716-02-K82	EA ARMREST - LEFT HAND/ADJUSTABLE (DRIVER) (K82,K83)	
4	129716-02-K84	EA ARMREST - LEFT HAND/ADJUSTABLE (DRIVER) (K84,K85)	
4	P29716-02-K80	EA COVER - ARMREST/LEFT (DRIVER) (K80,K81)	
4	P29716-02-K82	EA COVER - ARMREST/LEFT (DRIVER) (K82,K83)	
4	P29716-02-K84	EA COVER - ARMREST/LEFT (DRIVER) (K84,K85)	
4	129716-04-K80	EA ARMREST - LEFT HAND (PASSENGER) (K80,K81)	
4	129716-04-K82	EA ARMREST - LEFT HAND (PASSENGER) (K82,K83)	
4	129716-04-K84	EA ARMREST - LEFT HAND (PASSENGER) (K84,K85)	
4	P29716-04-K80	EA COVER - ARMREST/LEFT (PASSENGER) (K80,K81)	
4	P29716-04-K82	EA COVER - ARMREST/LEFT (PASSENGER) (K82,K83)	
4	P29716-04-K84	EA COVER - ARMREST/LEFT (PASSENGER) (K84,K85)	
5	M05962-83-K80	EA COVER - SEAT - WIDE (K80,K81)	
5	M05962-83-K82	EA COVER - SEAT - WIDE (K82,K83)	
5	M05962-83-K84	EA COVER - SEAT - WIDE (K84,K85)	
6	122695-01-01B	EA FRAME - SEAT/BACK	
7	122611-02-701	EA LUMBAR - LEVER	412
8	122611-02-000	EA LUMBAR - W/LEVER	
9	117125-01-02B	EA BRACKET - CABLE MOUNT - ADJUSTER W/LOCK	
10	119952-04-000	EA SLIDE/SEAT - HEAVY DUTY LOCKING - 4 STUDS	
10	119952-07-000	EA WIRE - LATCH RELEASE/ROTARY	
11	107921-05-000	EA PLATE - TOP - W/SEAT BELT BAR	
11	119730-90-000	EA TOP PLATE - F/VILLA BUCKET SEAT - PASSENGER - LEATHER OPTION	
11	119730-97-000	EA TOP PLATE - VILLA - DRIVER - LEATHER OPTION	
12	107921-06-000	EA BEARING KIT - PEDESTAL	
13	107921-07-000	EA PEDESTAL BASE - POWER	
14	107921-14-000	EA PEDESTAL/FLOOR MOUNTED - W/5.75" EXTENSION - MANUAL SEAT	
15	108049-03-000	EA CABLE - W/SWITCHES - 25.5" SHEATH/28.5" CABLE W/DOG LEG	
15	108049-02-000	EA CLIP - CABLE/PEDESTAL	
16	127159-01-02B	EA BRACKET - SEAT RELEASE - SINGLE REMOTE	
17	080730-09-000	EA SHIELD - RECLINER HANDLE	
18	080730-08-000	EA HANDLE - RECLINER	
19	080730-11-000	EA SHIELD - RUBBER BOOT	
20	127159-02-02B	EA BRACKET - SEAT RELEASE - DUAL REMOTE	
21	116215-02-000	EA BRACKET - UPPER MOUNT - 6-WAY MANUAL SEAT	
21	007221-01-000	EA SPACER - SEAT/ADJUSTER	
22	116215-01-000	EA ADJUSTER/SLIDE - DRIVERS SEAT - 6-WAY MANUAL	
23	116215-03-000	EA BRACKET - LOWER MOUNT - 6-WAY MANUAL SEAT	
24	071126-68-K80	EA SKIRT - WIDE - 10.5" OPEN CORNER (STANDARD & 6-WAY POWER) (K80,K81)	
24	071126-68-K82	EA SKIRT - WIDE - 10.5" OPEN CORNER (STANDARD & 6-WAY POWER) (K82,K83)	
24	071126-68-K84	EA SKIRT - WIDE - 10.5" OPEN CORNER (STANDARD & 6-WAY POWER) (K84,K85)	

CURTAIN & CUSHION GROUP (CONTINUED)



DELCO POWER SEAT - 6 WAY

KEY	PART NUMBER	U/M DESCRIPTION	VENDOR NO.
1	081373-03-000	EA SEAT - POWER 6 WAY	
2	081373-02-703	EA MOTOR PACKAGE - ADJUST HORIZONTAL	22063237 & H-195
3	081373-02-704	EA MOTOR PACKAGE - ADJUST VERTICAL	22063238 & H-196
4	081373-03-700	EA SWITCH ASM - FLAT - BROWN - GRAY	22138182 & H-441
	081373-02-700	EA SWITCH W/CLEAR MOLDED CONN.	22063234
	081373-01-700	EA BRACKET - L - CONTROL SWITCH	H-171
5	081373-03-701	EA WIRE HARNESS ASM. - LH SIDE	6000
	081373-03-702	EA WIRE HARNESS ASM. - RH SIDE	6001

CURTAIN & CUSHION GROUP (CONTINUED)

FABRIC TRIMS & BUTTONS

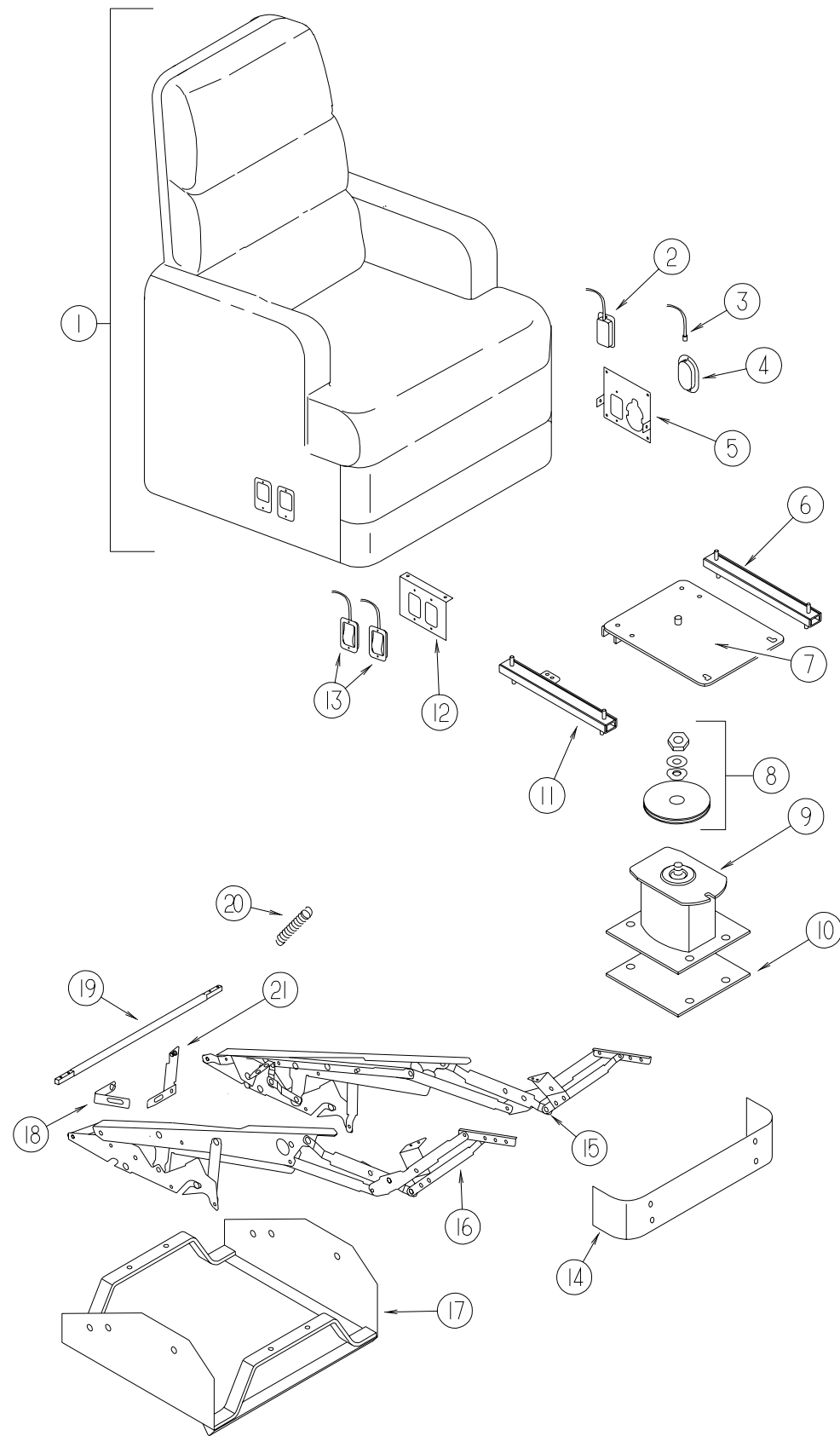
KEY	PART NUMBER	U/M DESCRIPTION
	079349-04-J74	YD WELT - NARROW (K80,K81)
	079349-04-J76	YD WELT - NARROW (K82,K83)
	079349-04-J84	YD WELT - NARROW (K84,K85)
	084415-80-000	YD TRIM - BRAID - COZUMEL (K80,K81)
	084415-99-000	YD TRIM - BRAID - GULF MIST (K82,K83)
	084415-96-000	YD TRIM - BRAID - CD-15337 - .5"CORD (K84,K85)
	070578-02-E37	EA BUTTON - #30 - VINYL
	070578-13-J74	EA BUTTON - #30 (K80,K81)
	070578-14-J76	EA BUTTON - #30 (K82,K83)
	070578-13-J21	EA BUTTON - #30 (K84,K85)
	074494-05-000	EA BUTTON - #30 - SINGLE PIVOT
	074494-06-000	EA BUTTON - #30 - PIVOT
	057534-01-000	EA TIEBACK/TIEDOWN - 6" CLEAR PLASTIC
	057534-08-000	EA TIEBACK ASM - CLEAR 16"

SEATBELTS & ASSIST HANDLE

KEY	PART NUMBER	U/M DESCRIPTION
	007021-01-000	EA SEAT BELT - 2" X 90" - BLACK
	091990-06-01A	EA SEAT BELT/SHOULDER HARNESS - DRIVER/PASSENGER
	000C16-07-16B	EA BOLT - CARRIAGE - ASSIST HANDLE - 7/16" - 14 X 1"
	000D20-07-00B	EA NUT - ACORN - ASSIST HANDLE - 7/16 - 14
	053552-02-K01	EA HANDLE - ASSIST - INTERIOR/ENTRY DOOR - VINYL/OFF WHITE
	069178-02-000	EA BRACKET - MOUNTING/ASSIST HANDLE - GRAY

CURTAIN & CUSHION GROUP (CONTINUED)

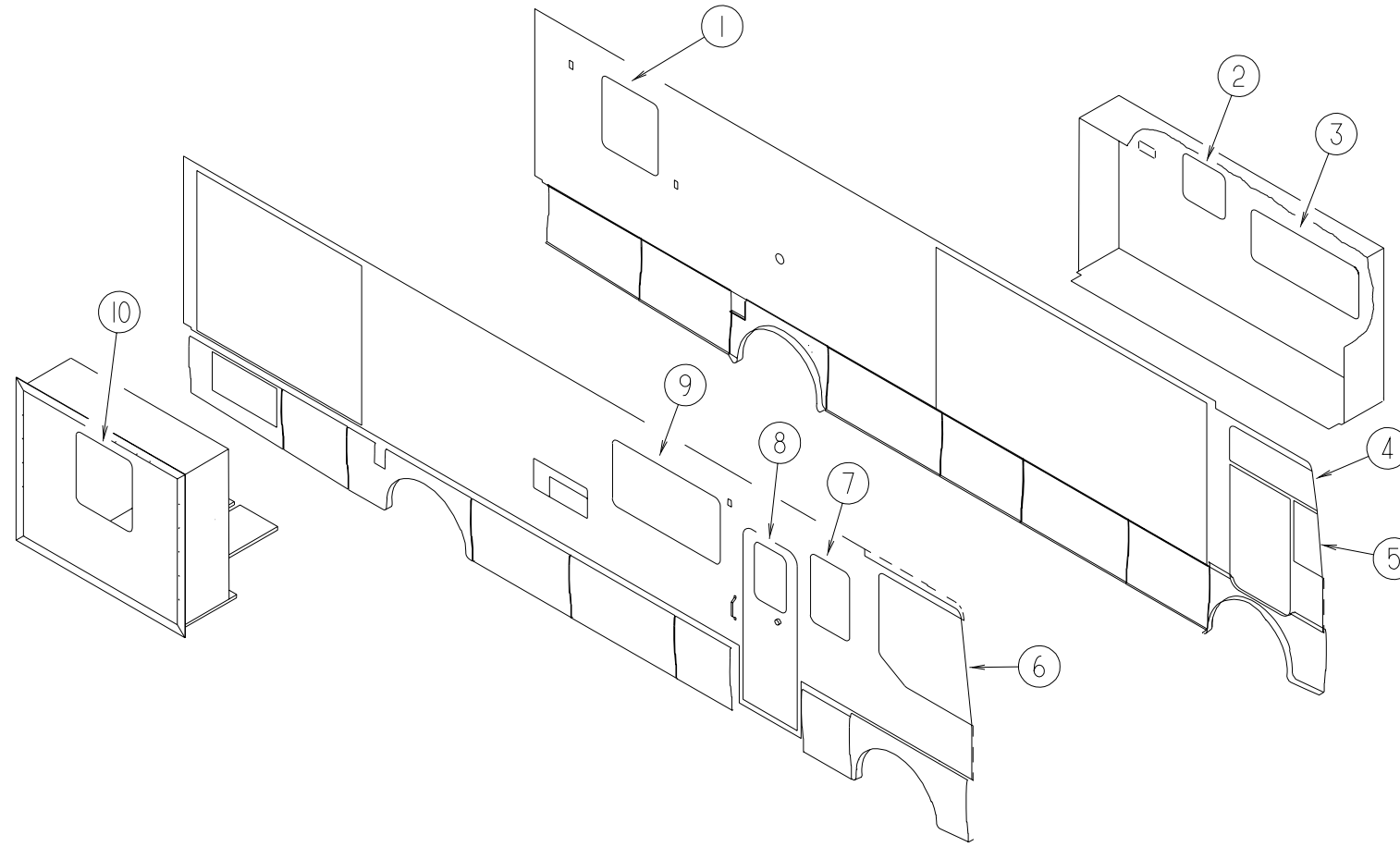
CHAIR - INCLINER W/FOOTREST



KEY	PART NUMBER	U/M DESCRIPTION
1	130565-01-K80	EA CHAIR - INCLINER - W/FOOTREST (K80,K81)
1	130565-01-K82	EA CHAIR - INCLINER - W/FOOTREST (K82,K83)
1	130565-01-K84	EA CHAIR - INCLINER - W/FOOTREST (K84,K85)
1	P30565-01-K80	EA COVER - CHAIR/INCLINER - W/FOOTREST (K80,K81)
1	P30565-01-K82	EA COVER - CHAIR/INCLINER - W/FOOTREST (K82,K83)
1	P30565-01-K84	EA COVER - CHAIR/INCLINER - W/FOOTREST (K84,K85)
2	108049-05-000	EA FRAME - CABLE - REMOTE RECLINE - W/MINI LEVER ACTION
3	129148-05-000	EA INCLINER - CABLE - 30"
4	129148-06-000	EA INCLINER - LEVER F/CABLE
5	129164-01-02B	EA BRACKET - SEAT RELEASE - REMOTE
6	119952-02-000	EA SLIDE/SEAT - HEAVY DUTY NON LOCKING
7	107921-08-000	EA TOP PLATE - PEDESTAL - W/O SEAT BELT BAR
8	107921-06-000	EA BEARING KIT - PEDESTAL
9	107921-14-000	EA PEDESTAL/FLOOR MOUNTED - W/5.75" EXTENSION - MANUAL SEAT
10	108445-02-000	EA PLATE/FLOOR MOUNTED - PEDESTAL SEAT
11	119952-04-000	EA SLIDE/SEAT - HEAVY DUTY LOCKING - 4 STUDS
12	129162-01-02B	EA BRACKET - SEAT RELEASE - REMOTE
13	108049-04-000	EA CABLE - W/SWITCHES - W/26" MINI LEVER ACTION
	108049-02-000	EA CLIP - CABLE/PEDESTAL
14	119901-04-000	EA FOOT REST - RECLINER - W/O FOAM/FABRIC
15	129148-01-000	EA INCLINER - LEFT
16	129148-02-000	EA INCLINER - RIGHT
17	129173-01-02B	EA FRAME - INCLINER - E-COATED
	129148-09-000	EA INCLINER - CLIP/HAIRPIN - 1 7/16 X .07
18	129148-08-000	EA INCLINER - CLIP F/CABLE
19	129148-10-000	EA INCLINER TUBE - MODIFIED
20	129148-03-000	EA SPRING - INCLINER
21	129148-07-000	EA INCLINER - CABLE F/BREAK RELEASE

CURTAIN & CUSHION GROUP (CONTINUED)

CURTAINS & WINDOW TREATMENT



KEY	PART NUMBER	U/M DESCRIPTION
1	124516-06-K80	EA VALANCE - CAPRI - 34" (K80,K81)
1	124516-06-K82	EA VALANCE - CAPRI - 34" (K82,K83)
1	124516-06-K84	EA VALANCE - CAPRI - 34" (K84,K85)
1	123910-33-K80	EA LEG - RIGHT - 32" (K80,K81)
1	123910-33-K82	EA LEG - RIGHT - 32" (K82,K83)
1	123910-33-K84	EA LEG - RIGHT - 32" (K84,K85)
1	123910-34-K80	EA LEG - LEFT - 32" (K80,K81)
1	123910-34-K82	EA LEG - LEFT - 32" (K82,K83)
1	123910-34-K84	EA LEG - LEFT - 32" (K84,K85)
1	123964-14-K80	EA BLIND - MICRO - DAY/NIGHTER - 31" X 35"
2	111861-02-01A	EA BLIND - MICRO MINI - 24.5" X 22"
3	114213-38-K80	EA LAMBREQUIN - WINDSONG - 61" X 33" (K80,K81)
3	114213-42-K82	EA LAMBREQUIN - WINDSONG - 61" X 33" (K82,K83)
3	114213-46-K84	EA LAMBREQUIN - WINDSONG - 61" X 33" (K84,K85)
3	123964-06-HB6	EA BLIND - MICRO - DAY/NIGHTER - 59" X 26.5"
4	126841-07-000	EA SHADE - PULL - CHARCOAL MESH - 43" X 60"
5	130872-02-K80	EA CURTAIN - LEFT HAND - 50" X 108"
6	130872-01-K80	EA CURTAIN - RIGHT HAND - 50" X 108"
7	114213-39-K80	EA LAMBREQUIN - WINDSONG - 24" X 33.5" (K80,K81)
7	114213-43-K82	EA LAMBREQUIN - WINDSONG - 24" X 33.5" (K82,K83)
7	114213-47-K84	EA LAMBREQUIN - WINDSONG - 24" X 33.5" (K84,K85)
7	123964-16-K80	EA BLIND - MICRO - DAY-NIGHTER - 22" X 33"
8	114213-40-K80	EA LAMBREQUIN - WINDSONG - 7" X 33.5" (K80,K81)
8	114213-44-K82	EA LAMBREQUIN - WINDSONG - 7" X 33.5" (K82,K83)
8	114213-48-K84	EA LAMBREQUIN - WINDSONG - 7" X 33.5" (K84,K85)
8	084755-60-F01	EA SHADE - PULL - 29.25"

KEY	PART NUMBER	U/M DESCRIPTION
9	114213-37-K80	EA LAMBREQUIN - WINDSONG - 61" X 26" (K80,K81)
9	114213-41-K82	EA LAMBREQUIN - WINDSONG - 61" X 26" (K82,K83)
9	114213-45-K84	EA LAMBREQUIN - WINDSONG - 61" X 26" (K84,K85)
9	123964-05-K80	EA BLIND - MICRO - DAY/NIGHTER - 59" X 33" (K80)
9	123964-05-K81	EA BLIND - MICRO - DAY/NIGHTER - 59" X 33" (K81,K82,K83,K84,K85)
10	124516-04-K80	EA VALANCE - CAPRI - 34" (K80,K81)
10	124516-04-K82	EA VALANCE - CAPRI - 34" (K82,K83)
10	124516-04-K84	EA VALANCE - CAPRI - 34" (K84,K85)
10	127017-21-K80	EA LEG - RIGHT - 27" (K80,K81)
10	127017-21-K82	EA LEG - RIGHT - 27" (K82,K83)
10	127017-21-K84	EA LEG - RIGHT - 27" (K84,K85)
10	127017-22-K80	EA LEG - LEFT - 27" (K80,K81)
10	127017-22-K82	EA LEG - LEFT - 27" (K82,K83)
10	127017-22-K84	EA LEG - LEFT - 27" (K84,K85)
10	123964-17-K80	EA BLIND - DAY/NITER - 31" X 28.5"

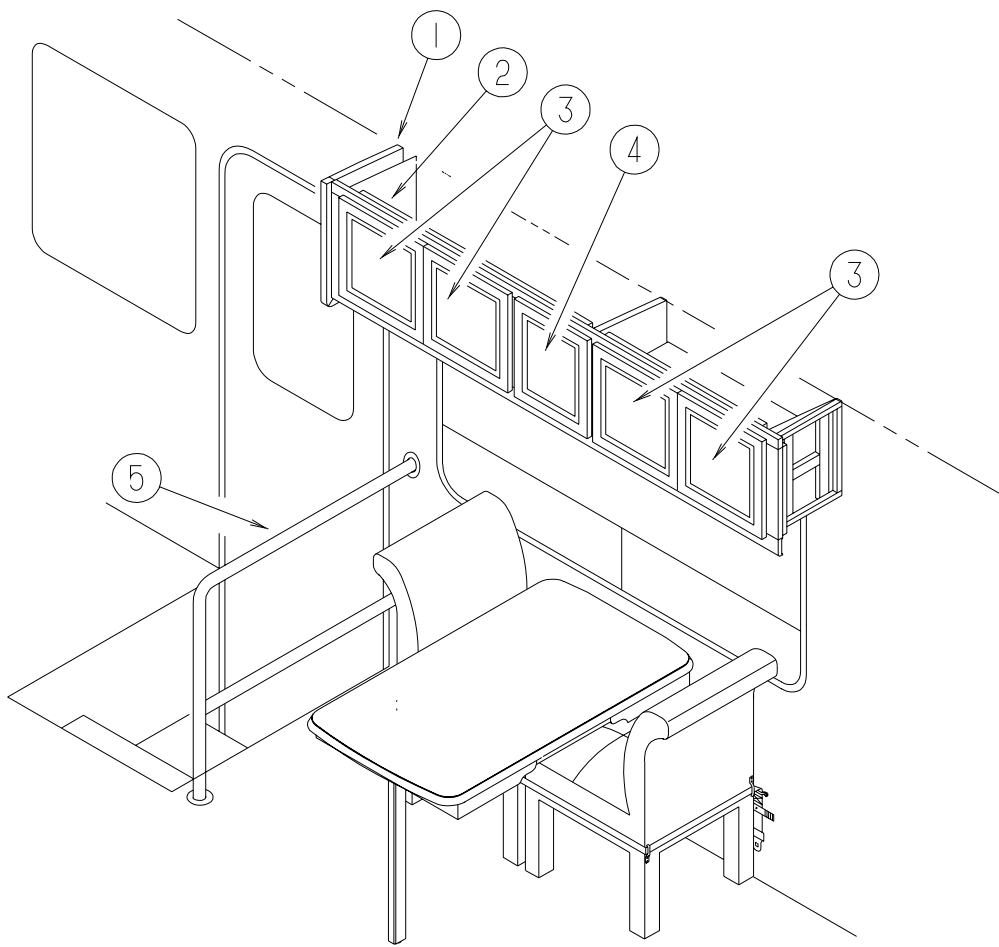
CURTAIN & CUSHION GROUP (CONTINUED)

FABRICS

COLOR CODES	K80,K81	K82,K83	K84,K85		COLOR CODES	K80,K81	K82,K83	K84,K85
	HEMINGWAY TAN	GULF MIST GREEN	SOUTH BEACH SAND			HEMINGWAY TAN	GULF MIST GREEN	SOUTH BEACH TAN
BUCKET SEAT	108446-T9-000	108446-X2-000	126883-02-000		SHAMS	105745-G9-000 105745-E7-000 108446-E7-000	105745-J1-000 108446-X2-000	105745-J6-000 105745-B5-000 108446-B5-000
DINETTE	108446-T7-000	108446-W9-000	126883-01-000		DINETTE CHAIRS	108446-T9-000	108446-X2-000	126883-01-000
SOFA	108446-T7-000	108446-W9-000	126883-01-000		SUNVISORS	123450-01-01A 123298-02-03A	123450-01-01A 123298-02-03A	123450-01-01A 123298-02-03A
INCLINER	108446-T9-000	108446-X2-000	126883-02-000		BEDROOM PILLOWS	105745-G9-000 084415-80-000	105745-J1-000 084415-A1-000	105745-J6-000 084415-96-000
LOUNGE WINDOWS	108446-T7-000 108446-T9-000	108446-W9-000 108446-X2-000 084415-A1-000	126883-01-000 126883-02-000 084415-96-000		BED BOARD	105745-E7-000	105745-J1-000	105745-B5-000
BEDSPREAD	105745-G9-000 105745-E7-000	105745-J1-000 084415-A1-000	105745-J6-000 105745-B5-000		HEADBOARD	105745-G9-000 105745-E7-000	105745-J1-000 108446-X2-000	105745-J6-000 105745-B5-000
MICRO DAYNIGHTERS	094911-44-000 094911-51-000	094911-44-000 094911-51-000	094911-44-000 094911-51-000		LOUNGE OVHD INSERTS	108446-T9-000	108446-X2-000	126883-02-000
DINETTE PAD	108446-T9-000	108446-X2-000	126883-02-000		BEDROOM OVHD INSERTS	105745-G9-000	105745-J1-000	105745-B5-000
LOUNGE PILLOW	108446-T7-000 084415-80-000	108446-W9-000 084415-99-000	126883-01-000 084415-96-000		BEDROOM WINDOWS	105745-G9-000 105745-E7-000	105745-J1-000	105745-J6-000 105745-B5-000
FRONT WRAP	072333-85-000	072333-85-000	072333-85-000		CEILING	113979-01-01A	113979-01-01A	113979-01-01A
CEILING (24oz)	113979-08-01A	113979-08-01A	11297908-01A					

NOTE: FABRIC LISTED FIRST IN A BLOCK, IS THE LARGEST QUANTITY OF FABRIC USED

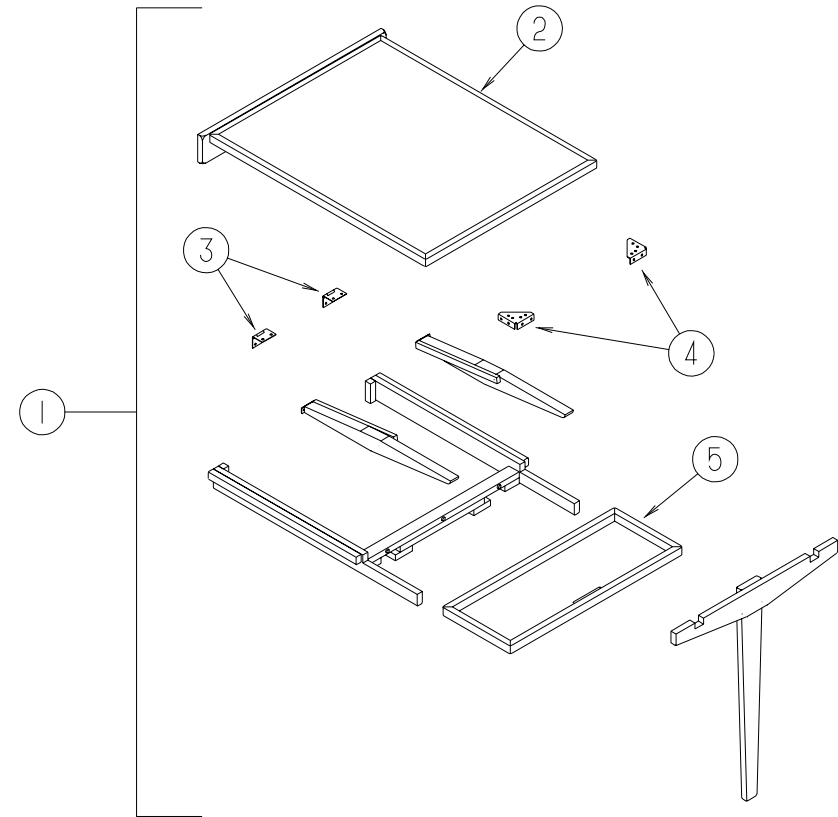
DINETTE GROUP



DINETTE CABINETS

KEY	PART NUMBER	U/M DESCRIPTION
1	107494-36-K80	EA END CAP - OVERHEAD CABINET - LEFT HAND (WASHED MAPLE)
1	107494-36-K81	EA END CAP - OVERHEAD CABINET - LEFT HAND (SALEM CHERRY)
2	129120-01-K80	EA CABINET - OVERHEAD/DINETTE - W/O DOORS/HARDWARE (WASHED MAPLE)
2	129120-01-K81	EA CABINET - OVERHEAD/DINETTE - W/O DOORS/HARDWARE (SALEM CHERRY)
	129120-17-K80	EA SHELF - W/PLASTIC EDGE TRIM (WASHED MAPLE)
	129120-17-K81	EA SHELF - W/PLASTIC EDGE TRIM (SALEM CHERRY)
3	M05990-36-K80	EA DOOR - ARCHED/OGEE EDGE - 14.3" X 14.3" - W/O HARDWARE (WASHED MAPLE)
3	M05990-36-K81	EA DOOR - ARCHED/OGEE EDGE - 14.3" X 14.3" - W/O HARDWARE (SALEM CHERRY)
4	M05990-22-K80	EA DOOR - ARCHED/OGEE EDGE - 14.3" X 12.4" - W/O HARDWARE (WASHED MAPLE)
4	M05990-22-FQ1	EA DOOR - ARCHED/OGEE EDGE - 14.3" X 12.4" - W/O HARDWARE (SALEM CHERRY)
5	108808-04-01A	EA HANDRAIL - ENTRANCE - BRASS

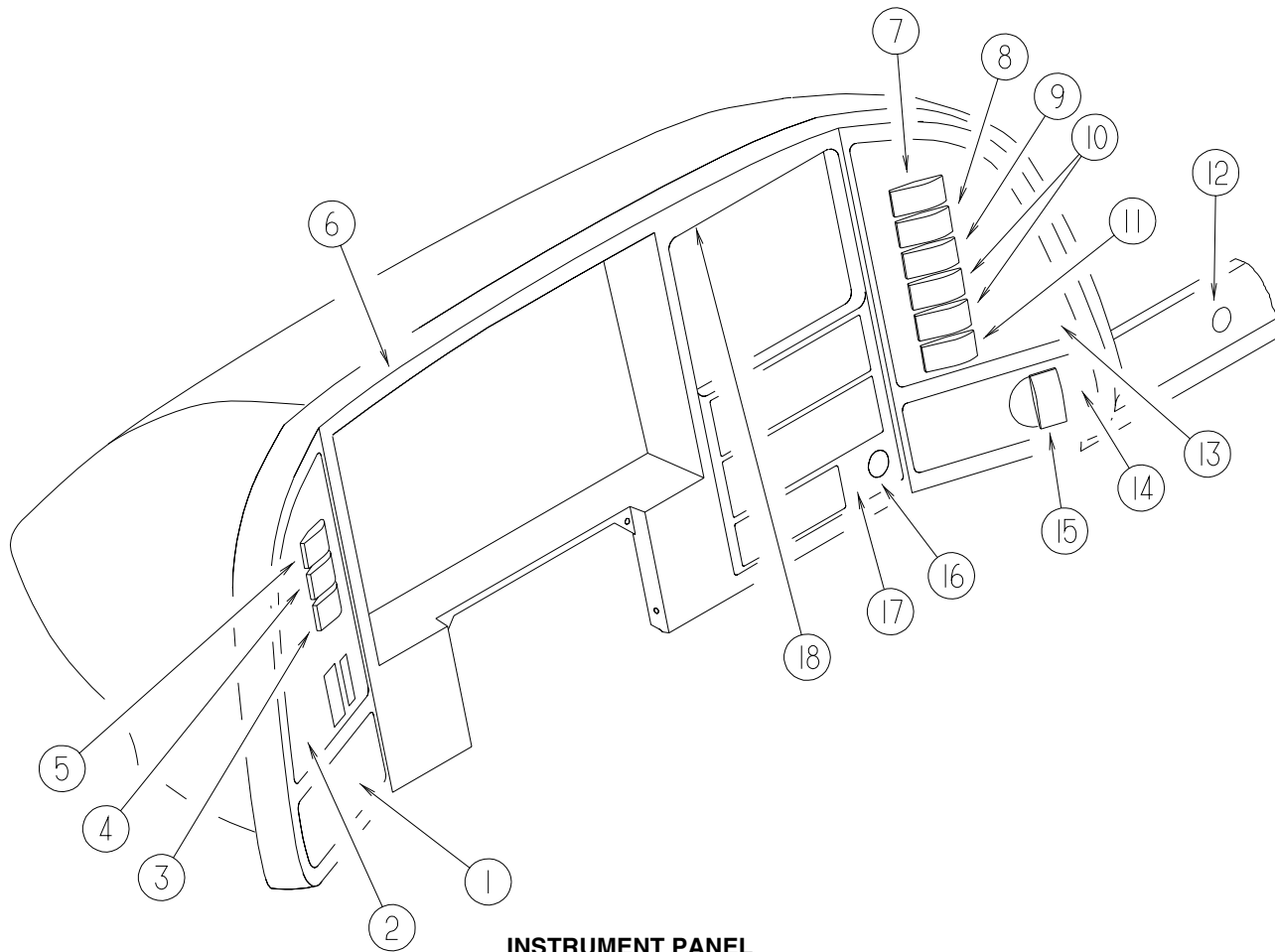
DINETTE GROUP (CONTINUED)



DINETTE PULLOUT TABLE

KEY	PART NUMBER	U/M DESCRIPTION
1	129107-01-K80	EA TABLE - W/PULLOUT SELF STORING LEAF/HARDWARE (K80,K82)
1	129107-01-K81	EA TABLE - W/PULLOUT SELF STORING LEAF/HARDWARE (K81,K83)
1	129107-01-K84	EA TABLE - W/PULLOUT SELF STORING LEAF/HARDWARE (K84)
1	129107-01-K85	EA TABLE - W/PULLOUT SELF STORING LEAF/HARDWARE (K85)
2	129107-11-K80	EA TABLE TOP - W/O SELF STORING LEAF (K80,K82)
2	129107-11-K81	EA TABLE TOP - W/O SELF STORING LEAF (K81,K83)
2	129107-11-K84	EA TABLE TOP - W/O SELF STORING LEAF (K84)
2	129107-11-K85	EA TABLE TOP - W/O SELF STORING LEAF (K85)
3	114278-01-000	EA HINGE - CONTINOUS - 3" WIDE
4	102810-01-04A	EA BRACE - TABLE LEG - BLACK
5	129107-12-K80	EA LEAF - SELF STORING (K80,K82)
5	129107-12-K81	EA LEAF - SELF STORING (K81,K83)
5	129107-12-K84	EA LEAF - SELF STORING (K84)
5	129107-12-K85	EA LEAF - SELF STORING (K85)

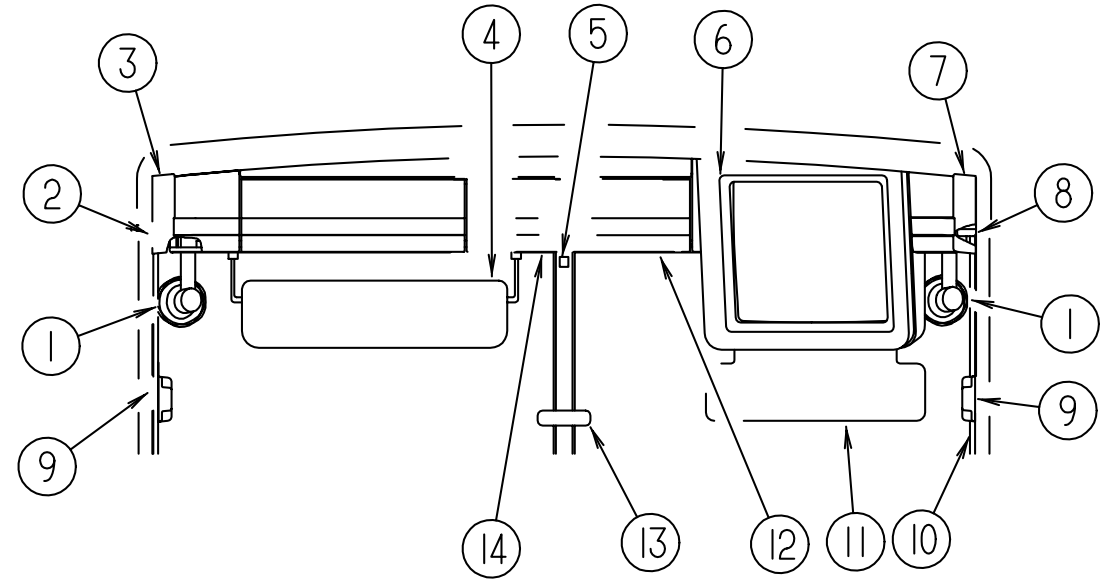
DRIVERS COMPARTMENT GROUP



INSTRUMENT PANEL

KEY	PART NUMBER	U/M DESCRIPTION
1	110420-04-02A	EA APPLIQUE - BEZEL - LOWER LEFT
2	110420-27-02A	EA APPLIQUE - BEZEL - DRIVER
3	108357-01-000	EA SWITCH - ROCKER SPST - ON/OFF - 2 TERMINAL
4	108356-01-01A	EA COVER/ACTUATOR SWITCH - 3 GROOVES - CONTURA III - BLACK
5	108357-09-000	EA SWITCH - ROCKER DPDT - ON/NONE/ON - 6 TERMINAL
6	108356-01-01A	EA COVER/ACTUATOR SWITCH - 3 GROOVES - CONTURA III - BLACK
7	108357-08-000	EA SWITCH - ROCKER DPDT - ON/NONE/ON - 6 TERMINAL
8	108356-01-01A	EA COVER/ACTUATOR SWITCH - 3 GROOVES - CONTURA III - BLACK
9	108357-10-000	EA SWITCH - ROCKER SPDT - W/LIGHT - MOM/NONE/MOM - 5 TERMINAL
10	108356-03-01A	EA COVER/ACTUATOR SWITCH - 3 GROOVES - CONTURA III - BLACK
11	108357-01-000	EA SWITCH - ROCKER SPST - ON/OFF - 2 TERMINAL
11	108356-01-01A	EA COVER/ACTUATOR SWITCH - 3 GROOVES - CONTURA III - BLACK
11	096241-08-000	EA SWITCH - BLANK - HAMPTON TAN
12	111414-01-000	EA RECEPTACLE - 12V - W/O BIMETAL
13	110420-28-02A	EA APPLIQUE - BEZEL - PASSENGER
14	110420-29-02A	EA APPLIQUE - BEZEL - LOWER RIGHT
15	108357-07-000	EA SWITCH - ROCKER SPDT - MOM/OFF/MOM - 3 TERMINAL
16	108356-02-01A	EA COVER/ACTUATOR SWITCH - 2 ROWS DIMPLES - CONTURA II - BLACK
16	116220-01-000	EA APPLIQUE - SWITCH/SLIDEOUT
16	089294-01-000	EA LIGHTER - CIGARETTE - W/SOCKET & WIRE
17	110420-07-02A	EA APPLIQUE - BEZEL - CENTER - HAMPTON TAN
18	110420-08-02A	EA APPLIQUE - BEZEL - UPPER/CENTER - HAMPTON TAN
18	103603-01-000	EA BULB - 12V - #74 - .12A WEDGE - GE 22-25 - USED IN DASH

DRIVERS COMPARTMENT GROUP (CONTINUED)

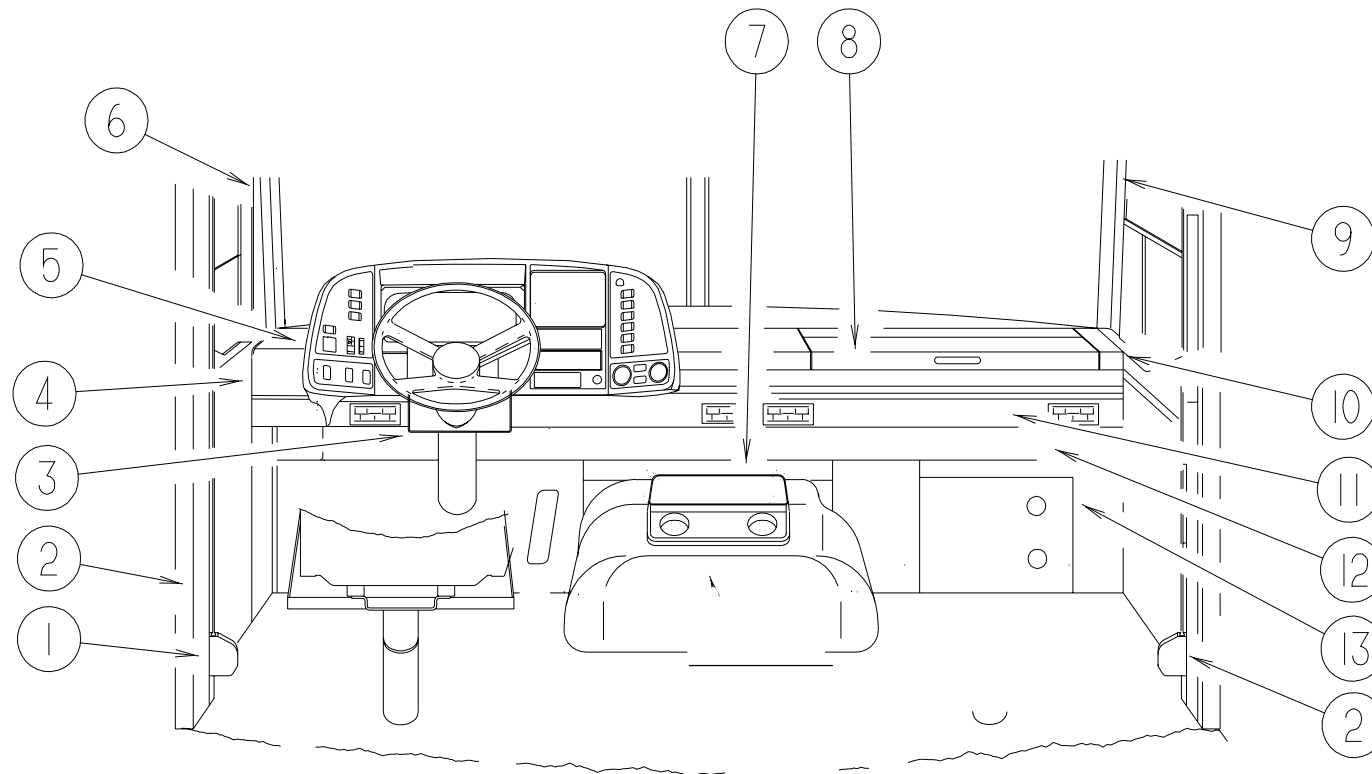


UPPER DRIVERS COMPARTMENT

KEY	PART NUMBER	U/M DESCRIPTION	VENDOR NO.
1	122856-01-01A	EA FAN - DEFROSTER - 2 SPEED W/SWIVEL BASE/NON - OSCILATING - CHROME	
2	118693-02-J70	EA PANEL - HEADLINER	
3	129138-02-01A	EA PANEL - TRIM UPPER SIDE	
4	123298-02-03A	EA SUNVISOR - DRIVER - 10.5" X 28.5"	
5	118452-07-01A	EA TRIM - WINDSHIELD - CENTER - HAMPTON TAN	
6	116734-08-01A	EA COVER - TV - OVERHEAD/FRONT RIGHT HAND - HAMPTON TAN	
7	129138-01-01A	EA PANEL - TRIM UPPER SIDE	
8	118138-03-K80	EA PANEL - HEADLINER - LEFT HAND	
9	103961-03-01A	EA COVER - BRACKET - SEATBELT OFF WHITE - F/DRVRS DOOR OPTION	
9	091990-06-01A	EA SEAT BELT/SHOULDER HARNESS - DRIVERS/PASSENGER - BLACK	
9	091990-01-701	EA EXTENDER 9" FOR A8408 3 PT	I-1331-02
10	109146-01-000	EA BOLT - SHOULDER/SEAT BELT	
10	129005-01-01A	EA TRIM - A PILLAR - INTERIOR/RIGHT HAND - TAN	
10	129005-02-01A	EA TRIM - A PILLAR - INTERIOR/LEFT HAND - TAN	
11	123450-01-01A	EA SUNVISOR - W/PULLOUTS - PASSENGER	
12	118453-01-01A	EA TRIM - WINDSHIELD - INTERIOR - TOP/PASSENGER	
13	040714-01-000	EA MIRROR - REAR VIEW/ARM MOUNT & SET SCREW	
13	067490-01-000	EA BUTTON - MIRROR/REAR VIEW	
14	118453-02-01A	EA TRIM - WINDSHIELD - INTERIOR - TOP/DRIVER	

DRIVERS COMPARTMENT GROUP (CONTINUED)

LOWER DRIVERS COMPARTMENT

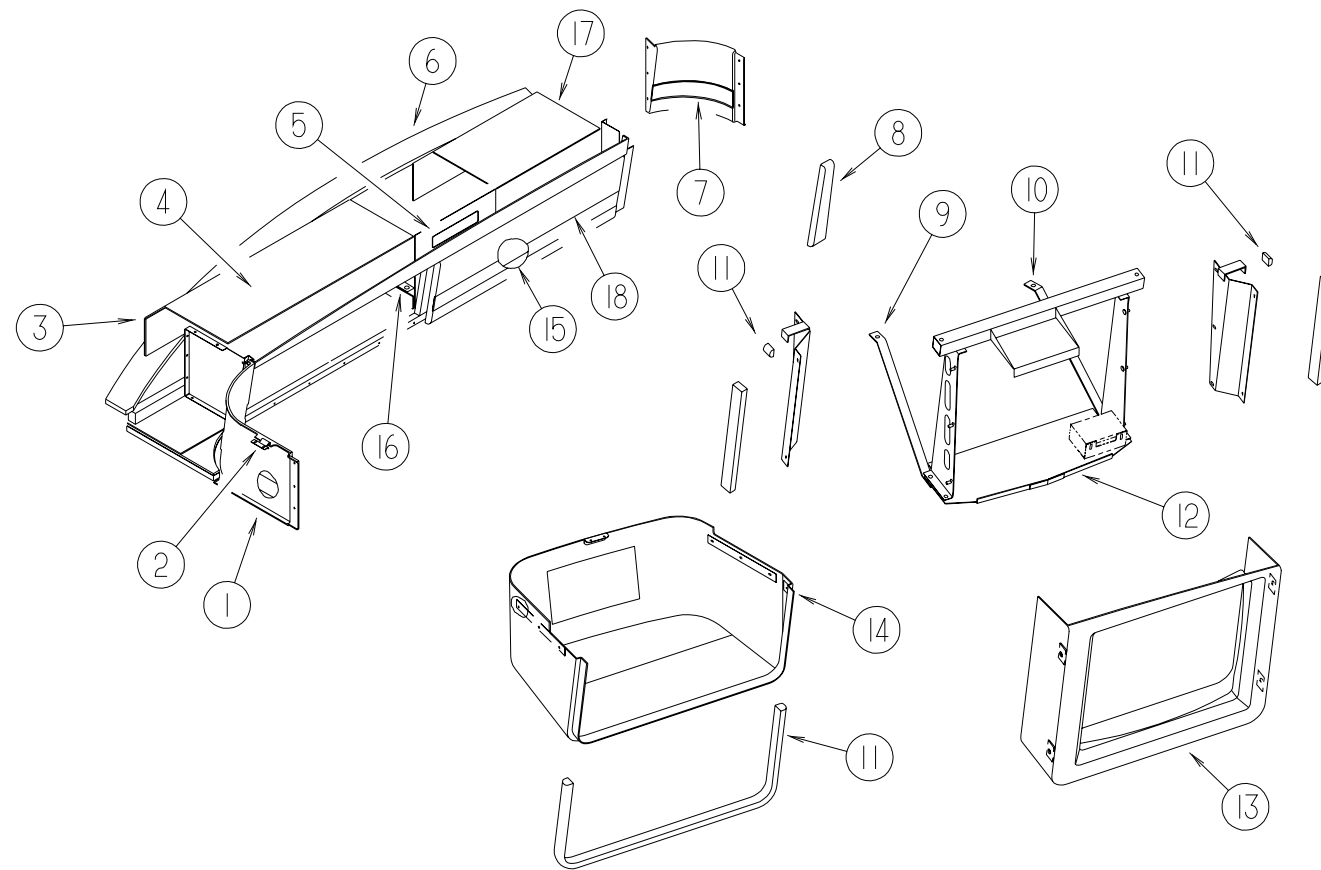


KEY	PART NUMBER	U/M DESCRIPTION
1	103961-03-01A	EA COVER - BRACKET - SEATBELT/OFF WHITE
2	024700-51-000	EA COVER - ROLL BAR
3	128802-01-01A	EA COVER - STEERING COLUMN - LOWER - BLACK
3	128801-01-01A	EA COVER - STEERING COLUMN - UPPER - BLACK
4	128805-01-01A	EA PANEL - DASH END/DRIVER - HAMPTON TAN
5	128972-01-01A	EA POD - INSTRUMENT PANEL - HAMPTON TAN
6	129005-02-01A	EA TRIM - A PILLAR - INTERIOR/LEFT HAND - TAN
7	128114-01-03A	EA TRAY - BEVERAGE - HAMPTON TAN
	128113-01-K80	EA LID - BEVERAGE TRAY
	118719-01-01A	EA ASHTRAY - TOP MOUNT - BLACK PLASTIC
8	128465-01-01A	EA PANEL - DASH - SLIDEOUT/OUTER - HAMPTON TAN
8	128464-01-01A	EA PANEL - DASH - SLIDEOUT/INNER - HAMPTON TAN
	127597-02-000	EA SLIDE - WORK STATION - DASH
9	129005-01-01A	EA TRIM - A PILLAR - INTERIOR/RIGHT HAND - TAN
10	128804-01-01A	EA PANEL - DASH END/PASSENGER - HAMPTON TAN
11	128671-01-01A	EA TRIM - DASH - UPPER/PASSENGER - HAMPTON TAN
11	130110-01-01A	EA APPLIQUE - DASH/LOWER - LIGHT HAMPTON TAN
11	126340-04-01A	EA DECAL - LOGO - GRAND TOUR - 3D
12	128501-01-01A	EA TRIM - DASH - LOWER PASSENGER
13	095757-07-K80	EA COVER - HEATER (K80,K81)
13	095757-07-K82	EA COVER - HEATER (K82,K83)
13	095757-07-K84	EA COVER - HEATER (K84,K85)

KEY	PART NUMBER	U/M DESCRIPTION
	115860-02-01A	EA TRIM - MOTOR COVER
	116833-01-02B	EA WRENCH - HEX MOTOR COVER - E-COATED
	115850-01-02B	EA RETAINER - LATCH - MOTOR COVER - RIGHT HAND - E-COAT FROM: 00-00-00 THRU: 05-17-98
	115850-03-02B	EA RETAINER - LATCH - MOTOR COVER - RIGHT HAND - E-COATED FROM: 05-18-98 THRU: 99-99-99
	116581-01-000	EA LATCH - MOTOR COVER

DRIVERS COMPARTMENT GROUP (CONTINUED)

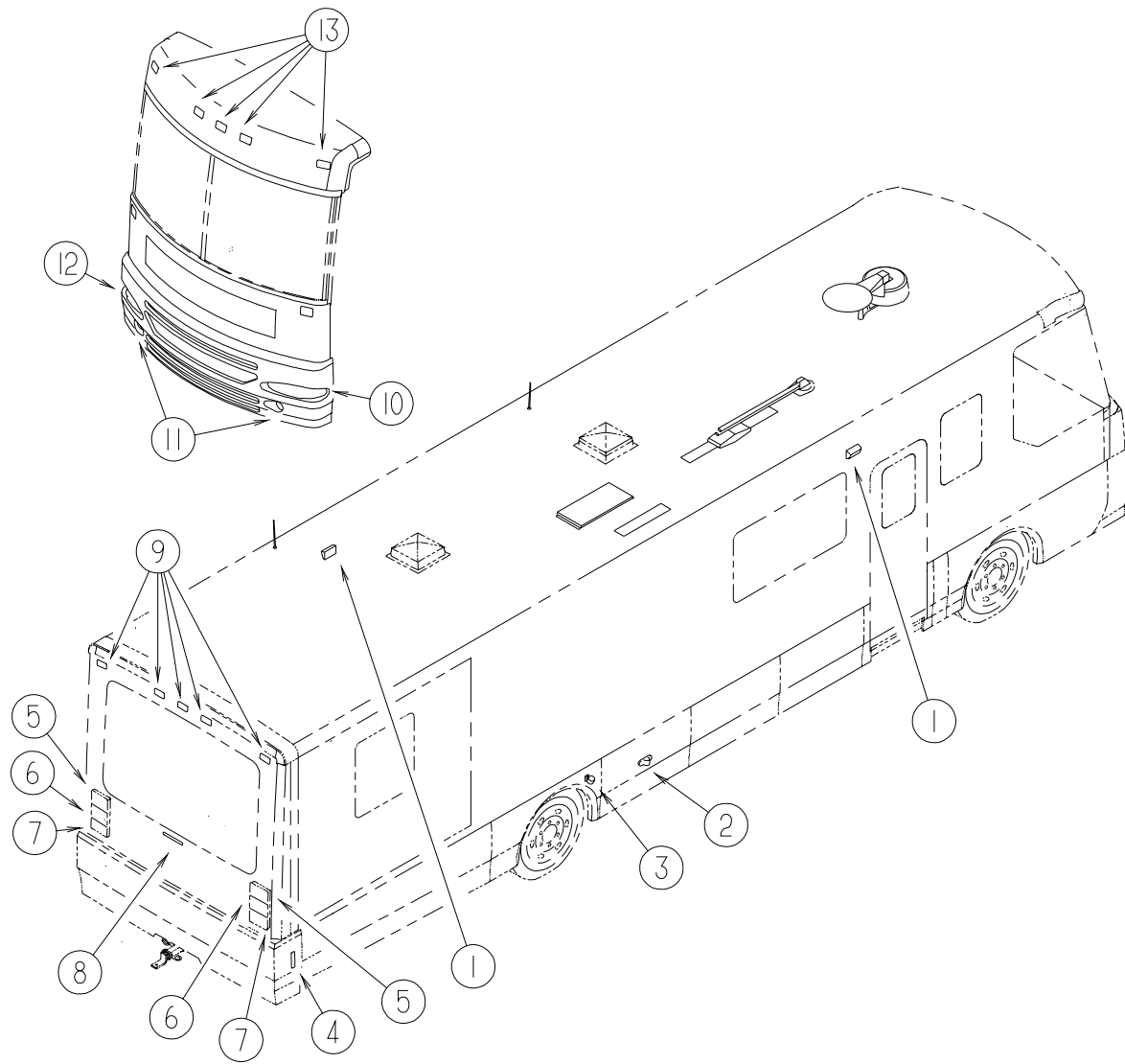
OVERHEAD TV & VCR CABINETS



KEY	PART NUMBER	U/M	DESCRIPTION
1	118465-02-01A	EA	PANEL - TRIM - UPPER/CORNER LEFT HAND W/O INSERT
1	P18465-02-GV0	EA	PANEL - TRIM - UPPER/CORNER LEFT HAND W/INSERT
2	073050-03-000	EA	MOUNTING CLIP - VALANCE PANEL
3	118836-03-H56	EA	PANEL - BACK - VINYL COVERED
4	118215-02-H56	EA	PANEL - TOP - VINYL COVERED
5	118208-05-H56	EA	PANEL - VINYL COVERED (STANDARD TV)
5	118208-06-H56	EA	PANEL - VINYL COVERED (W/VCR)
5	118208-08-H56	EA	PANEL - VINYL COVERED (W/CONVERTER)
5	118208-09-H56	EA	PANEL - VINYL COVERED (W/CONVERTER & VCR)
6	118305-02-J70	EA	CABINET - OVERHEAD/FRONT - W/O DOORS/HARDWARE (WASHED MAPLE)
6	118305-02-J71	EA	CABINET - OVERHEAD/FRONT - W/O DOORS/HARDWARE (SALEM CHERRY)
7	118852-02-01A	EA	PANEL - TRIM - INSERT/PASSENGER
8	120485-02-01A	EA	PANEL - TRIM - TRANSITION - TV
9	124090-01-02B	EA	SUPPORT - SHELF - TV
10	124090-01-02B	EA	SUPPORT - SHELF - TV
11	112160-02-000	FT	SEAL - D SECTION - .2 X .3" - FOAM RUBBER
12	116747-07-02B	EA	SHELF - TV - W/O HARDWARE
13	116734-08-01A	EA	COVER - TV - OVERHEAD/FRONT RIGHT HAND - HAMPTON TAN
14	118566-06-01A	EA	COVER - TV - OVERHEAD/LOWER RIGHT HAND - HAMPTON TAN
15	118836-03-H56	EA	PANEL - BACK - VINYL COVERED
16	118835-01-H56	EA	PANEL - RIGHT HAND - VINYL COVERED
17	118215-05-H56	EA	PANEL - TOP - VINYL COVERED
18	118898-01-GV0	EA	DOOR - PANEL - OVERHEAD CABINET - W/O HARDWARE
	107280-02-000	EA	BRACKET - MOUNTING - TV/RIGHT HAND
	107281-01-000	EA	BRACKET - MOUNTING - TV/LEFT HAND

ELECTRICAL GROUP

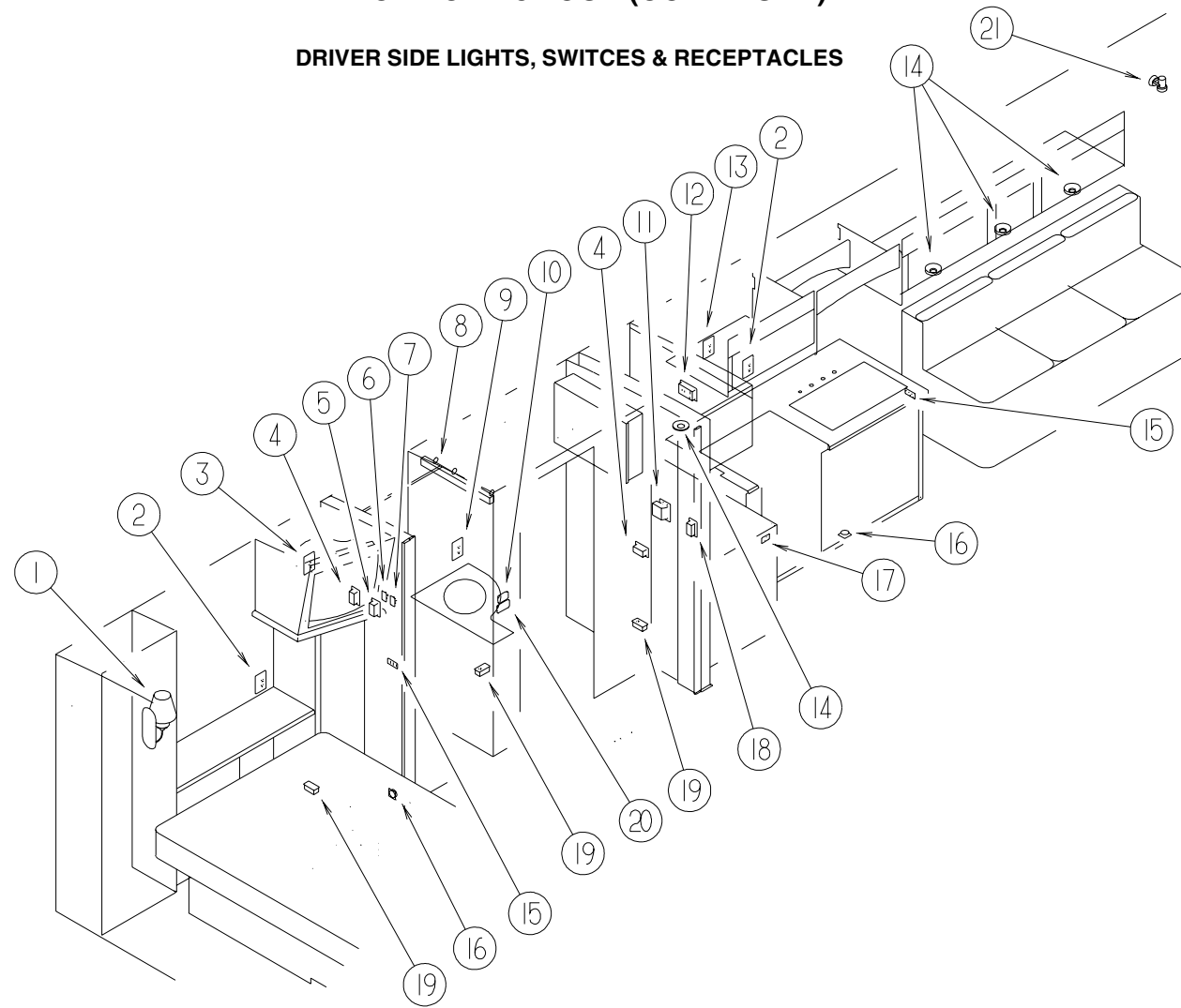
EXTERIOR LIGHTS



KEY	PART NUMBER	U/M DESCRIPTION	VENDOR NO.
1	097917-01-06A	EA LIGHT - PORCH - BRIGHT WHITE	
	008215-01-000	EA BULB - 12 VOLT - #1003 - .94 AMP	
	097917-01-700	EA LENS - LIGHT - CLEAR	30-78-021
	058028-01-000	EA CONNECTOR - ELECTRICAL PIGTAIL - NYLON - CLEAR	
1	008089-02-000	EA LIGHT - PORCH - RECESSED - CANADIAN	
	008214-01-000	EA BULB - 12 VOLT - #67 - .59 AMP	
	008089-01-700	EA LENS - LIGHT - RECESSED - PORCH	DECO
	091981-01-000	EA GASKET - PORCH LIGHT	
2	058028-01-000	EA CONNECTOR - ELECTRICAL PIGTAIL - NYLON - CLEAR	
	113293-01-000	EA LAMP - SIDEMARKER/TURN	
	037935-01-000	EA BULB - 12V - #1157 OR #2057 - 2.1 AMP - CLEAR GLASS	
3	129746-01-000	EA LAMP - DRIVING	
4	117826-01-000	EA SIDE MARKER LAMP ASSEMBLY - RED	
	036196-01-000	EA BULB - 12V - #194 - .27 AMP - BAYONETTE	
	117826-03-000	EA GASKET - MARKER LIGHT	
5	129747-03-000	EA LIGHT ASSEMBLY - STOP/PARK/RED	
6	129747-02-000	EA LIGHT ASSEMBLY - TURN - AMBER	
	037934-01-000	EA BULB - 12V - #1156 - 2.1 AMP CLEAR GLASS	
7	129747-01-000	EA LIGHT ASSEMBLY - BACKUP - WHITE/CLEAR	
	037934-01-000	EA BULB - 12V - #1156 - 2.1 AMP CLEAR GLASS	
8	121950-01-000	EA LIGHT - BRAKE - CENTER MOUNT	
9	102520-02-000	EA LIGHT - CLEARANCE - W/O SOCKET/HOUSING - RED	
	067789-02-000	EA SOCKET - LAMP	
	088474-09-000	EA HOUSING - ELECTRICAL - 3 TERMINAL	
	088476-01-000	EA TERMINAL - ELECTRICAL	
10	036196-01-000	EA BULB - 12V - #194 - .27 AMP - BAYONETTE	
	102541-01-000	EA GASKET - CLEARANCE LIGHT	
	124162-02-000	EA HEADLAMP - DRIVER W/HALOGEN BULB	
	124163-01-000	EA CLIP	
	124187-01-000	EA SOCKET/HOUSING - LOW BEAM HEADLAMP	
	124187-02-000	EA SOCKET/HOUSING - HIGH BEAM HEADLAMP	
	088758-01-000	EA HOUSING - HEADLAMP - CONNECTOR TERMINAL W/3 WIRES	
	124161-02-000	EA LAMP - DRIVER PARK/TURN	
11	117827-01-000	EA LAMP - FOG - CLEAR LENS - ROUND	
	117503-02-01A	EA HOUSING - FOG LAMP	
12	124162-01-000	EA HEADLAMP - PASSENGER W/HALOGEN BULB	
	124163-01-000	EA CLIP	
	124187-01-000	EA SOCKET/HOUSING - LOW BEAM HEADLAMP	
	124187-02-000	EA SOCKET/HOUSING - HIGH BEAM HEADLAMP	
	088758-01-000	EA HOUSING - HEADLAMP - CONNECTOR TERMINAL W/3 WIRES	
	124161-01-000	EA LAMP - PASSENGER PARK/TURN	
	102520-01-000	EA LIGHT - CLEARANCE - W/O SOCKET/HOUSING - AMBER	
	067789-02-000	EA SOCKET - LAMP	
13	088474-09-000	EA HOUSING - ELECTRICAL - 3 TERMINAL	
	088476-01-000	EA TERMINAL - ELECTRICAL	
	036196-01-000	EA BULB - 12V - #194 - .27 AMP - BAYONETTE	
	102541-01-000	EA GASKET - CLEARANCE LIGHT	

ELECTRICAL GROUP (CONTINUED)

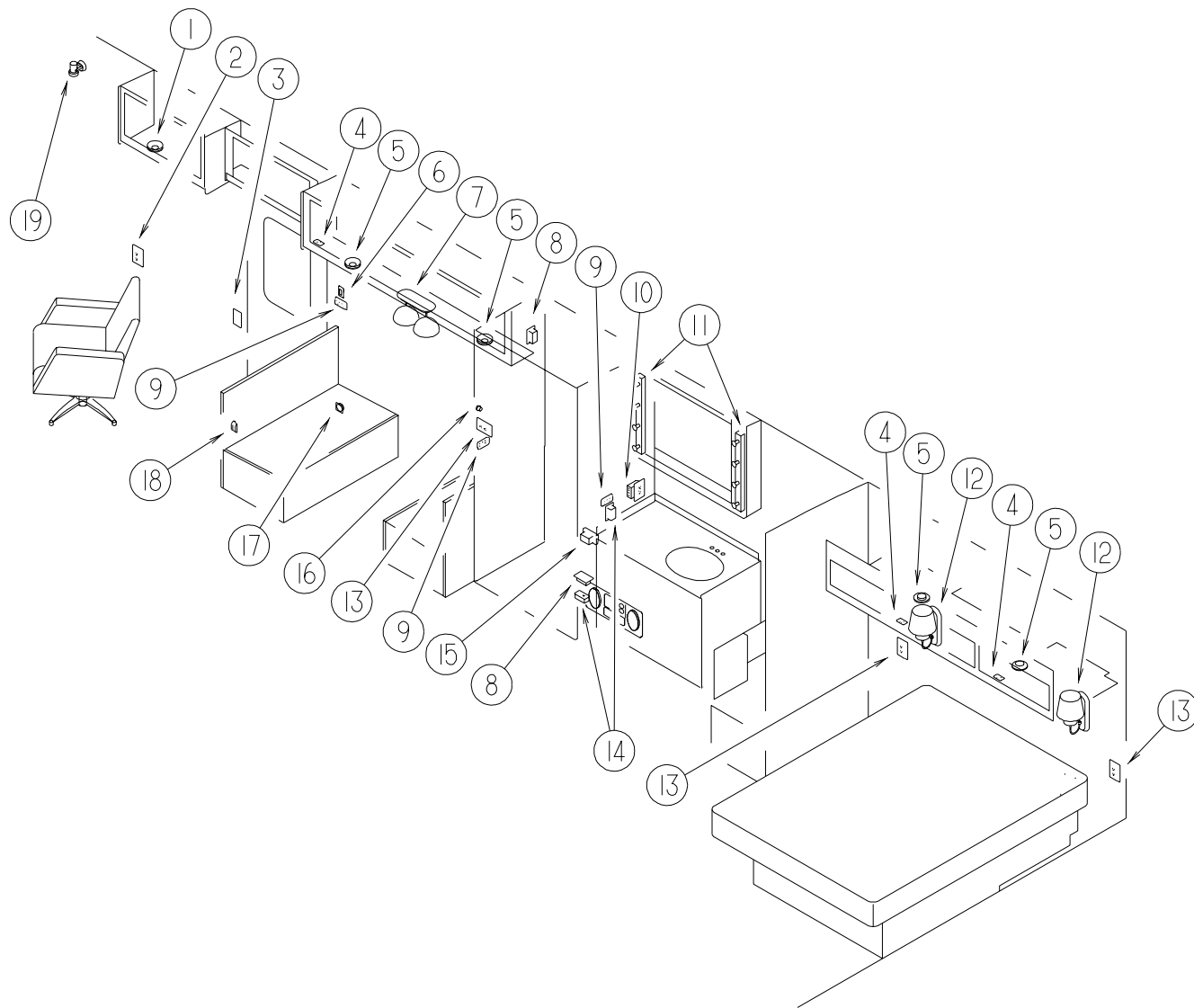
DRIVER SIDE LIGHTS, SWITCES & RECEPTACLES



KEY	PART NUMBER	U/M	DESCRIPTION	VENDOR NO.	KEY	PART NUMBER	U/M	DESCRIPTION	VENDOR NO.
1	119258-01-02A	EA	LAMP - WALL- FRENCH GOLD		11	084076-01-000	EA	RECEPTACLE - GFI - 15 AMP/125 VOLT - IVORY	
1	067479-01-000	EA	BULB - 12 VOLT - #1076 - 1.80 AMP		12	113685-03-000	EA	REMOTE PANEL - INVERTER/CHARGER	
1	119257-01-01A	EA	SHADE - LAMP - POTPOUM (K80,K81)		13	058708-01-000	EA	RECEPTACLE - ELECTRIC - DOUBLE - BROWN	
1	065201-09-000	EA	SHADE - LAMP - FABRIC - PARCHMENT (K82,K83,K84,K85)		13	102568-01-J70	EA	SPACER - RECEPTACLE - SIDEWALL (WASHED MAPLE)	
2	058708-02-000	EA	RECEPTACLE - ELECTRIC - DOUBLE - IVORY		13	102568-01-E41	EA	SPACER - RECEPTACLE - SIDEWALL (SALEM CHERRY)	
2	102568-01-J70	EA	SPACER - RECEPTACLE - SIDEWALL (WASHED MAPLE)		14	123775-01-01A	EA	LIGHT - HALOGEN - ROUND	
2	102568-01-E41	EA	SPACER - RECEPTACLE - SIDEWALL (SALEM CHERRY)		14	123775-01-700	EA	BULB - 10 WATT - HALOGEN	71-JC10
3	058708-01-000	EA	RECEPTACLE - ELECTRIC - DOUBLE - BROWN		14	123775-02-01A	EA	COLLAR - BRASS F/LIGHT	
3	102568-01-J70	EA	SPACER - RECEPTACLE - SIDEWALL (WASHED MAPLE)		15	079364-03-000	EA	SWITCH - ON/OFF ROCKER - 3 TERMINAL - BROWN	
3	102568-01-E41	EA	SPACER - RECEPTACLE - SIDEWALL (SALEM CHERRY)		15	079364-01-000	EA	SWITCH - ON/OFF ROCKER - 2 TERMINAL - BROWN	
4	058708-05-000	EA	RECEPTACLE - ELECTRIC - SINGLE - BROWN		15	098351-03-01A	EA	PLATE - SWITCH - 3 GANG POLISHED BRASS	
5	058708-01-000	EA	RECEPTACLE - ELECTRIC - DOUBLE - BROWN		15	095188-02-01A	EA	SPACER - SWITCH - 2.3" X 4.1" - PLASTIC - DARK BROWN	
6	108357-10-000	EA	SWITCH - ROCKER SPDT - W/LIGHT - MOM/NONE/MOM - 5 TERMINAL		16	108354-01-01A	EA	LIGHT - COURTESY	
6	098351-07-01A	EA	PLATE - SWITCH - GENERATOR - POLISHED BRASS		16	108354-01-700	EA	BULB-COURTESY LIGHT	395-B
6	108356-05-01A	EA	COVER/ACTUATOR SWITCH-3 GROOVES W/LENS-GEN SET-CONTURA III		17	079364-01-000	EA	SWITCH - ON/OFF ROCKER - 2 TERMINAL - BROWN	
7	108357-06-000	EA	SWITCH - ROCKER DPDT - MOM/OFF/MOM - 6 TERMINAL		17	098351-01-01A	EA	PLATE - SWITCH - 1 GANG POLISHED BRASS	
7	108356-02-01A	EA	COVER/ACTUATOR SWITCH - 2 ROWS DIMPLES- CONTURA II - BLACK8		18	084420-03-000	EA	SWITCH - TOGGLE - 15 AMP - 120 VOLT - IVORY	
	110235-02-01A	EA	LIGHT - MAKE UP - 4 BULB PANLESS		19	058708-02-000	EA	RECEPTACLE - ELECTRIC - DOUBLE - IVORY	
8	081633-01-700	EA	BULB-LIGHT, MAKE-UP	RP1041	20	109294-01-01A	EA	SWITCH PANEL - W/SWITCHES - VENT FAN	
9	084076-01-000	EA	RECEPTACLE - GFI - 15 AMP/125 VOLT - IVORY		20	095188-02-01A	EA	SPACER - SWITCH - 2.3" X 4.1" - PLASTIC - DARK BROWN	
9	102568-01-J70	EA	SPACER - RECEPTACLE - SIDEWALL (WASHED MAPLE)		21	128786-01-01A	EA	LIGHT - READING/SWIVEL	
9	102568-01-E41	EA	SPACER - RECEPTACLE - SIDEWALL (SALEM CHERRY)		21	123917-01-000	EA	BULB - 12V - HALOGEN SPOT	
10	079364-03-000	EA	SWITCH - ON/OFF ROCKER - 3 TERMINAL - BROWN						
10	079364-01-000	EA	SWITCH - ON/OFF ROCKER - 2 TERMINAL - BROWN						
10	095188-01-01A	EA	SPACER - SWITCH - 2.3" X 3.4" - PLASTIC - DARK BROWN						

ELECTRICAL GROUP (CONTINUED)

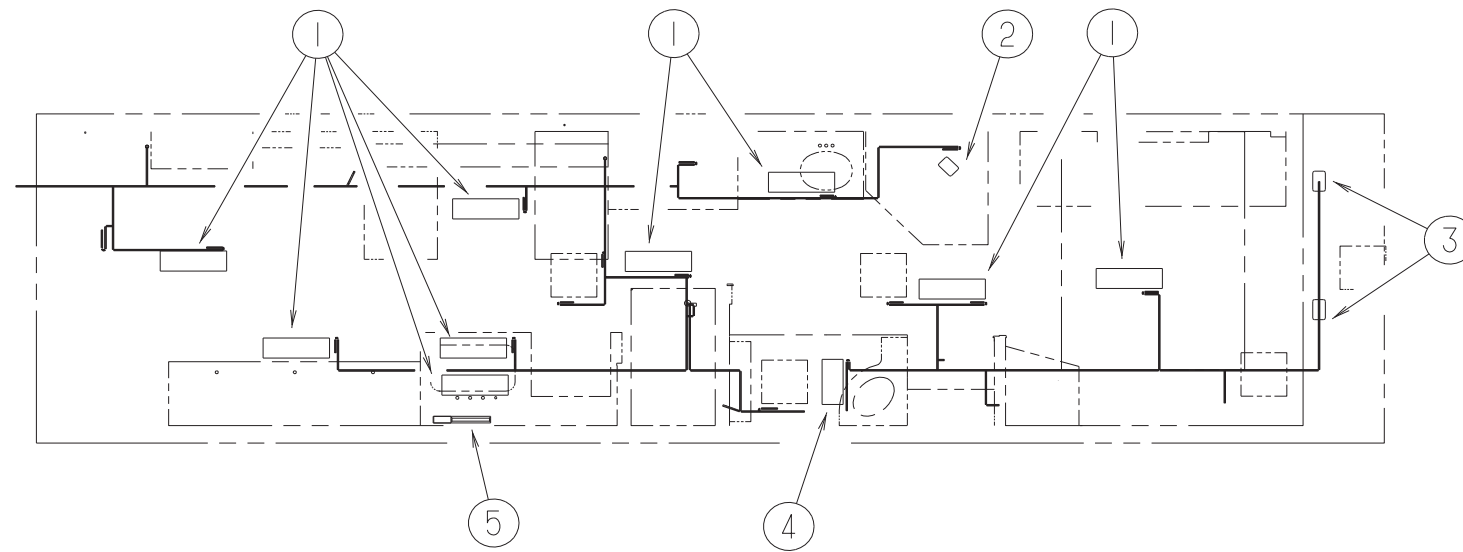
PASSENGER SIDE LIGHTS, SWITCES & RECEPTACLES



KEY	PART NUMBER	U/M	DESCRIPTION	VENDOR NO.
1	072353-14-000	EA	LIGHT - READING - SWIVEL - ROUND	
2	058708-02-000	EA	RECEPTACLE - ELECTRIC - DOUBLE - IVORY	
2	102568-01-J70	EA	SPACER - RECEPTACLE - SIDEWALL (WASHED MAPLE)	
2	102568-01-E41	EA	SPACER - RECEPTACLE - SIDEWALL (SALEM CHERRY)	
3	076725-02-000	EA	COVER - HINGE - ENTRY DOOR - 6" X 3.2" - OFF WHITE	
4	079364-01-000	EA	SWITCH - ON/OFF ROCKER - 2 TERMINAL - BROWN	
4	098351-01-01A	EA	PLATE - SWITCH - 1 GANG POLISHED BRASS	
5	123775-01-01A	EA	LIGHT - HALOGEN - ROUND	
5	123775-01-700	EA	BULB - 10 WATT - HALOGEN	71-JC10
5	123775-02-01A	EA	COLLAR - BRASS F/LIGHT	
6	093132-02-000	EA	SWITCH - ROCKER - 5 TERM - KEY LOCK/ARROW F/POWER DOOR LOCK	
6	094086-01-01A	EA	PLATE - SWITCH - SINGLE GANG - 1.8" X 3" - BLACK PLASTIC	
7	093575-09-02A	EA	LIGHT - CEILING - DOUBLE	
7	119252-01-02A	EA	SHADE - LAMP/GLASS SWIRL	
7	067479-01-000	EA	BULB - 12 VOLT - #1076 - 1.80 AMP	
8	058707-02-000	EA	RECEPTACLE - BLANK - JUNCTION BOX	
9	079364-01-000	EA	SWITCH - ON/OFF ROCKER - 2 TERMINAL - BROWN	
9	098351-01-01A	EA	PLATE - SWITCH - 1 GANG POLISHED BRASS	
9	095188-02-01A	EA	SPACER - SWITCH - 2.3" X 4.1" - PLASTIC - DARK BROWN	
10	084076-01-000	EA	RECEPTACLE - GFI - 15 AMP/125 VOLT - IVORY	
11	110235-02-01A	EA	LIGHT - MAKE UP - 4 BULB PANLESS	
11	081633-01-700	EA	BULB-LIGHT, MAKE-UP	RP1041
12	119258-01-02A	EA	LAMP - WALL - FRENCH GOLD	
12	067479-01-000	EA	BULB - 12 VOLT - #1076 - 1.80 AMP	
12	119257-01-01A	EA	SHADE - LAMP - POTPOUM (K80,K81)	
12	065201-09-000	EA	SHADE - LAMP - FABRIC - PARCHMENT (K82,K83,K84,K85)	
13	058708-01-000	EA	RECEPTACLE - ELECTRIC - DOUBLE - BROWN	
13	102568-01-J70	EA	SPACER - RECEPTACLE - SIDEWALL (WASHED MAPLE)	
13	102568-01-E41	EA	SPACER - RECEPTACLE - SIDEWALL (SALEM CHERRY)	
14	058707-01-000	EA	RECEPTACLE - ELECTRIC - SINGLE - BROWN	
15	112822-01-01A	EA	RECEPTACLE - DUPLEX - IVORY	
15	112824-01-03A	EA	COVER - RECEPTACLE - EXTERIOR DUPLEX	
16	115505-01-000	EA	LIGHT - MONITOR/SOLAR PANEL - RED LED INDICATOR	
17	108354-01-01A	EA	LIGHT - COURTESY	
17	108354-01-700	EA	BULB-COURTESY LIGHT	395-B
18	116995-01-000	EA	SWITCH/MAGNET - ELECTRIC STEP	
19	128786-01-01A	EA	LIGHT - READING/SWIVEL	
19	123917-01-000	EA	BULB - 12V - HALOGEN SPOT	

ELECTRICAL GROUP (CONTINUED)

CEILING LIGHTS



KEY	PART NUMBER	U/M	DESCRIPTION	VENDOR NO.
1	091937-04-000	EA	LIGHT - FLUORESCENT - 12V/30 WATT - 20.8" LONG - THIN LITE	
2	121935-01-01A	EA	LIGHT - DOME - SHOWER	
3	098024-01-03A	EA	LIGHT - DOME - 1 BULB - WHITE	
	008218-01-000	EA	BULB - DOME LIGHT - 12 VOLT - NO. 1141	
	098024-01-700	EA	LENS - LIGHT	807877
4	091937-05-000	EA	LIGHT - FLUORESCENT - 12V/16 WATT - 15" LONG - THIN LITE	
	091937-05-701	EA	LENS - LIGHT - FLUORESCENT	D-732
5	113371-01-000	EA	LIGHT - FLUORESCENT 18" - STRIP - THIN-LITE 141 UL/CS	

ELECTRICAL GROUP (CONTINUED)**CIRCUIT BREAKERS & FUSES**

KEY	PART NUMBER	U/M DESCRIPTION
	083209-01-000	EA CIRCUIT BREAKER - 15 AMP - 120 VOLT - CANADIAN
	083209-02-000	EA CIRCUIT BREAKER - 15/15 AMP - 120 VOLT
	083209-03-000	EA CIRCUIT BREAKER - 15/20 AMP - 120 VOLT
	083209-04-000	EA CIRCUIT BREAKER - 30 AMP - 120 VOLT
	083209-05-000	EA CIRCUIT BREAKER - 20AMP - 120 VOLT
	083209-06-000	EA CIRCUIT BREAKER - 30/15 AMP - 120 VOLT
	093654-01-000	EA CIRCUIT BREAKER - 6 AMP - 12 VOLT
	093654-02-000	EA CIRCUIT BREAKER - 15 AMP - 12 VOLT
	093654-03-000	EA CIRCUIT BREAKER - 20 AMP - 12 VOLT
	093655-01-000	EA CIRCUIT BREAKER - 25 AMP - 12 VOLT
	093655-02-000	EA CIRCUIT BREAKER - 30 AMP - 12 VOLT
	093655-03-000	EA CIRCUIT BREAKER - 40 AMP - 12 VOLT
	093674-01-000	EA PLATE - CIRCUIT BREAKER - HOUSE - 8.4" X 4.1" - STEEL
	108916-01-000	EA CIRCUIT BREAKER - 50 AMP - 12 VOLT - 2 POLE
	113482-01-000	EA CIRCUIT BREAKER - 55AMP
	062901-02-000	EA FUSE - 05 AMPS - AUTOMOTIVE
	115187-01-000	EA FUSE - 300 AMP - NON-DELAY
	115187-02-000	EA FUSE HOLDER - BUSS ANN/ANL BLOCK
	122811-01-000	EA CIRCUIT BREAKER - 20/50/50/20
	125986-04-000	EA FUSE - 10 AMP - AUTO - MINI BLADE

CONVERTER, INVERTER & LOAD CENTERS

KEY	PART NUMBER	U/M DESCRIPTION
	106071-03-000	EA SWITCH - AUTOMATIC TRANSFER - 50 AMP - TODD IF MOTORHOME HAS "MAGNETEK" TRANSFER SWITCH ORDER #10607102000
	108915-02-000	EA LOAD CENTER - 120/240 VOLT - 100 AMP
	109677-01-000	EA LOAD CENTER - 120 VOLT - 40 AMP
	113132-01-000	EA LOAD CENTER - 120/240 VOLT - 60 AMP
	113685-03-000	EA REMOTE PANEL - INVERTER/CHARGER
	113685-04-000	EA INVERTER - CHARGER - 1500W AC
	123058-01-000	EA CONVERTER - 55 AMP - ELECTRONIC - 4 1/8"H X 7"W X 12 3/8"L
	127002-01-000	EA MODULE - CONTROL - ENERGY MANAGEMENT SYSTEM
	127002-02-000	EA PANEL - MONITOR - ENERGY MANAGEMENT SYSTEM

SOLENOID & RELAYS

KEY	PART NUMBER	U/M DESCRIPTION
	008188-01-000	EA SOLENOID - 3 POST - BATTERY CHANGE OVER
	063910-01-000	EA HOUSING - RELAY
	063912-02-000	EA RELAY - CANISTER - SPDT
	086233-01-000	EA STUD - ISOLATED - 3/8" X 7/8" LONG
	086273-01-000	EA RELAY - BATTERY DISCONNECT

ELECTRICAL GROUP (CONTINUED)**WIRE ASSEMBLIES**

KEY	PART NUMBER	U/M DESCRIPTION
	P27264-02-000	EA WIRE ASSEMBLY - RADIO AM/FM CASSETTE
	P27516-04-000	EA WIRE ASSEMBLY - RADIO AM/FM/CD
	090986-01-000	EA WIRE ASSEMBLY - ELECTRIC STEP
	093057-05-000	EA WIRE ASSEMBLY - POWER LOCK - ENTRANCE
	097618-01-000	EA WIRE ASSEMBLY - MONITOR PANEL- W/3 WIRES & ORANGE RESISTOR ORANGE RESISTOR W/3 (ORANGE-GREEN-BLUE) WIRES
	108029-01-000	EA WIRE ASSEMBLY - POWER DRIVER SEAT
	113639-01-000	FT CABLE - 3/0 AWG STRANDED - RED
	113639-02-000	FT CABLE - 3/9 AWG STRANDED - BLK
	127002-03-000	EA WIRE ASSEMBLY - ENERGY MANAGEMENT SYSTEM
	129560-01-000	EA WIRE - 2 MONITOR PANEL

ELECTRIC BOXES

KEY	PART NUMBER	U/M DESCRIPTION
	008289-01-000	EA BOX - ELECTRIC/STEEL - 1/2" & 3/4" KNOCKOUTS - 4" X 4"
	008289-02-000	EA BOX - ELECTRIC/STEEL - 1/2" & 3/4" KNOCKOUTS - 4" X 4"-CAN
	008294-01-000	EA COVER - ELECTRICAL BOX - BLANK/STEEL - 4" X 4" - GRAY
	008294-02-000	EA COVER - ELECTRICAL BOX - BLANK STEEL - 4" X 4" - CANADIAN
	091910-02-000	EA BOX - ELECTRIC - 2.2" X 3.5" X 1.8" - PLASTIC
	098196-01-000	EA LATCH - 1/4 TURN - T-BAR
	118905-02-02B	EA DOOR - ELECTRIC - 6.1" X 11.1" - CHEVY/FORD
	120454-01-01B	EA PANEL - ELECTRICAL - BACK - MILL FINISH
	120455-01-01B	EA PANEL - ELECTRICAL - SIDE - MILL FINISH
	069238-01-000	EA COVER - ELECTRICAL BOX - W/HOLE - 4" X 4" - GRAY USED WITH 30 AMP RECEPTACLE
	074890-01-000	EA BOX - EXTENSION/STEEL - OPEN SIDES - 4" X 4" X 1 1/2"
	074897-01-000	EA COVER - ELECTRICAL BOX W/HOLES - 4" X 4"
	092492-11-000	EA SEAL - ELECTRIC BOX - 7" X 18.4" SQ
	109925-04-000	EA DOOR - ELECTRICAL BOX - GM/FORD

POWER CORDS

KEY	PART NUMBER	U/M DESCRIPTION
	108934-01-000	EA CORD - POWER - 50 AMP - 4 WIRE - 36'
	109172-01-000	EA CORD - POWER - 13 AMP - 3-WIRE - 4'
	008052-01-000	EA CORD - POWER - 10/3 WIRE - 30 AMP - 25' - CANADIAN
	121470-01-000	EA CORD/EXTENSION - 6 FOOT - 16-2 WIRE

SOLAR PANEL

KEY	PART NUMBER	U/M DESCRIPTION	VENDOR NO.
	115504-01-000	EA PANEL - SOLAR 10 WATT	
	115505-01-000	EA LIGHT - MONITOR/SOLAR PANEL - RED LED INDICATOR	
	115504-01-700	EA PLUG & CABLE - 10 WATT PANEL	600-016

ELECTRICAL GROUP (CONTINUED)

CONNECTORS & HOUSINGS

KEY	PART NUMBER	U/M DESCRIPTION
	007954-01-000	EA RECEPTACLE - HOUSING - 6 POSITION
	007956-05-000	EA INSULATOR - SHRINK - .25 ID X 1.50
	008311-01-000	EA CONNECTOR - WIRE NUT - INSULATED - RED
	008312-01-000	EA CONNECTOR - WIRE NUT - INSULATED - BLUE
	008313-01-000	EA CONNECTOR - WIRE NUT - INSULATED - YELLOW
	008314-01-000	EA CONNECTOR - WIRE NUT - INSULATED - GRAY
	008356-01-000	EA CONNECTOR - PLASTIC - 3/8" AVG
	008356-02-000	EA CONNECTOR - PLASTIC - 21/32
	008355-01-000	EA CONNECTOR - CABLE CLAMPING - 3/4"
	041480-01-000	EA CONNECTOR - STRAIGHT - 1/2" FLEX CONDUIT
	058028-01-000	EA CONNECTOR - ELECTRICAL PIGTAIL - NYLON - CLEAR
	115932-02-000	EA CONNECTOR - FEMALE - 50 AMP - 240 VOLT
	118571-01-000	EA CONNECTOR - 3-WAY - MALE/SEALED
	118571-02-000	EA CONNECTOR - 3-WAY - FEMALE/SEALED
	088475-01-000	EA PIN - CONNECTOR - 14-20 AWG
	088475-02-000	EA PIN - CONNECTOR - 10 - 12 AWG
	098265-02-000	EA PIN - CONNECTOR - WEATHERPACK
	008326-01-000	EA TERMINAL - RING - 16/14 WIRE - 3/8" STUD
	008328-01-000	EA TERMINAL - RING - 12/10 WIRE - #10 STUD FIT
	008348-01-000	EA TERMINAL - RING - 3/8" STUD 2 GA. WIRE
	035416-04-000	EA TERMINAL - RING - #10 STUD FIT - INSULATED BARREL #16/14
	047443-01-000	EA TERMINAL - .250 RECEPTACLE FIT - INSULATED - 16/14 AWG
	047443-02-000	EA TERMINAL - .250 RECEPTACLE FIT - INSULATED - 12/10 AWG
	062036-01-000	EA TERMINAL - PACK - CON - 12/10 AWG
	088267-01-000	EA TERMINAL - FEMALE - 1/4
	088476-01-000	EA TERMINAL - ELECTRICAL
	113135-01-000	EA TERMINAL - FEMALE - M/P - 14-16
	113135-02-000	EA TERMINAL - FEMALE - M/P - 280 - 10-12
	113306-01-000	EA TERMINAL - FEMALE - M/P - 14-16
	113306-02-000	EA TERMINAL - FEMALE - M/P - 10-12 - 480
	113307-01-000	EA TERMINAL - FEMALE - M/P - 16-20
	113308-01-000	EA TERMINAL - FEMALE - M/P - 14-16 - 280
	118597-01-000	EA TERMINAL - MALE - M/P - 480 - 14-16
	118599-01-000	EA TERMINAL - MALE - M/P - 280 - 14-16
	102777-02-000	EA TERMINAL - RING - #6 STUD - 10 AWG
	104100-03-000	EA TERMINAL - 75 AMP
	116811-01-000	EA TERMINAL - .110 RECEPTACLE - 16-14 AWG
	125324-01-000	EA TERMINAL - MALE - METRI-PACK - 150
	129236-01-000	EA TERMINAL - FEMALE - M/P- 630 - 10-12
	077479-02-000	EA BOOT - BATTERY TERMINAL - SINGLE CABLE
	080015-02-000	EA RECEPTACLE - FLAG - .185 - 16/14 GAUGE
	087225-01-000	FT SLEEVING - 1/2" - TYPE H
	087949-01-000	EA BUSS BAR - 2 POSITION - .6" X 1.5"
	087949-02-000	EA BUSS BAR - 3 POSITION - .6" X 2.4"
	087949-03-000	EA BUSS BAR - 4 POSITION
	092786-03-000	EA BUSS BAR - 6.9" LONG
	082109-01-000	EA HOUSING - CONNECTOR - PACKARD
	088473-01-000	EA HOUSING - PIN - 12 CAVITY (3 ROWS OF 4)
	088473-02-000	EA HOUSING - PIN - 15 CAVITY (3 ROWS OF 5)
	088473-03-000	EA HOUSING - PIN - 9 CAVITY (3 ROWS OF 3)
	088473-06-000	EA HOUSING - PIN - 6 CAVITY (2 ROWS OF 3)

ELECTRICAL GROUP (CONTINUED)

CONNECTORS & HOUSINGS (CONTINUED)

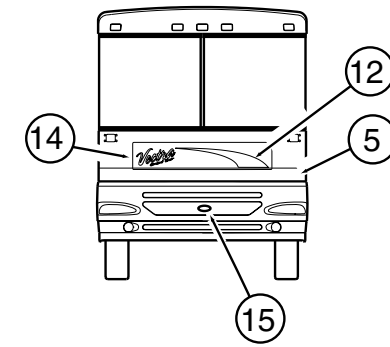
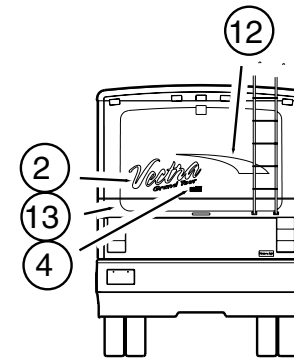
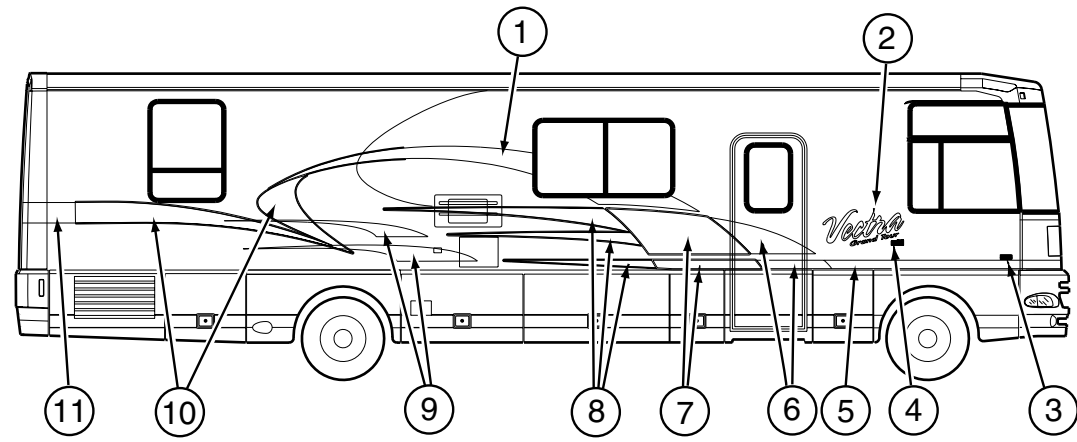
KEY	PART NUMBER	U/M DESCRIPTION
	088473-08-000	EA HOUSING - PIN - 4 CAVITY - IN-LINE
	088473-09-000	EA HOUSING - PIN - 3 CAVITY IN-LINE
	088473-10-000	EA HOUSING - PIN - 2 CAVITY - IN LINE
	088474-01-000	EA HOUSING - SOCKET - 12 CAVITY
	088474-02-000	EA HOUSING - SOCKET - 15 CAVITY
	088474-03-000	EA HOUSING - SOCKET - 9 CAVITY
	088474-06-000	EA HOUSING - SOCKET - 6 CAVITY
	088474-08-000	EA HOUSING - SOCKET - 4 CAVITY
	088474-09-000	EA HOUSING - ELECTRICAL - 3 TERMINAL
	088474-10-000	EA HOUSING - SOCKET - 2 CAVITY
	098264-01-000	EA HOUSING - 2 PIN - WEATHERPACK
	129233-01-000	EA HOUSING - 2-POSITION/FEMALE - 280-SERIES
	129233-02-000	EA HOUSING - 2-POSITION/FEMALE - 280-SERIES
	129234-01-000	EA HOUSING - 6-POSITION/FEMALE - 280-SERIES
	129234-02-000	EA HOUSING - 6-POSITION/FEMALE - 280-SERIES
	098264-02-000	EA HOUSING - 2 PIN - WEATHERPACK
	100690-02-000	EA HOUSING - 5 POSITION - FEMALE - WEATHERPACK
	104100-01-000	EA HOUSING - 1 POSITION - 75 AMPS
	113468-01-000	EA HOUSING - 2 POSITION - FEMALE USED ON WIPER/WASHER WIRE ASM
	117700-01-000	EA HOUSING - 2 POSITION - METRI-PACK - FEMALE
	119248-02-000	EA HOUSING - 7 POSITION - FEMALE
	125323-02-000	EA HOUSING - 8 POSITION - MALE
	129235-01-000	EA HOUSING - 2-POSITION/FEMALE - 630-SERIES
	088476-02-000	EA SOCKET - CONNECTOR - 12-10 GA - PRE-TIN
	098261-02-000	EA SOCKET - CONNECTOR - WEATHERPACK
	098262-01-000	EA SEAL - CONNECTOR - WEATHERPACK
	098262-05-000	EA SEAL - CAVITY
	098262-06-000	EA SEAL - CONNECTOR - M/P - 10 GAUGE
	103608-01-000	EA SOCKET - WEDGE BASE W/LEADS
	112823-01-000	EA SPLICE - REDUCER - 16-14 TO 18-22
	115931-02-000	EA COVER - CONNECTOR
	118571-03-000	EA BRACKET - MOUNTING
	118571-04-000	EA GASKET
	118571-05-000	EA LOCK - SECONDARY - FEMALE
	118571-06-000	EA LOCK - SECONDARY - MALE
	118820-01-000	EA INSULATOR - TERMINAL
	125323-03-000	EA LOCK - SECONDARY 8 POSITION
	125325-01-000	EA SEAL - CAVITY
	129234-03-000	EA LOCK - SECONDARY - 6-POSITION
	129235-02-000	EA LOCK - SECONDARY - 2-POSITION

CONDUIT

KEY	PART NUMBER	U/M DESCRIPTION
	041953-01-000	FT CONDUIT - CONVOLUTE SLIT - .5" ID
	041953-03-000	FT CONDUIT - CONVOLUTE SLIT - 1" ID (CLOTHES ROD COVER)
	041953-05-000	FT CONDUIT - CONVOLUTE SOLID - .62" ID
	041953-06-000	FT CONDUIT - CONVOLUTE SLIT - .375" ID
	041953-07-000	FT CONDUIT - CONVOLUTE SLIT - .25" ID
	041953-08-000	FT CONDUIT - CONVOLUTE SLIT - 1.50" ID
	041953-09-000	FT CONDUIT - CONVOLUTE SLIT - .50" ID
	041953-10-000	FT CONDUIT - CONVOLUTE SLIT - .75" ID
	041953-11-000	FT CONDUIT - CONVOLUTE SLIT - 1.06" ID
	041953-12-000	FT CONDUIT - CONVOLUTE SOLID - 1.1" ID
	008394-01-000	FT CONDUIT - FLEXIBLE - 1/2"

EXTERIOR BODY GROUP

DECALS, STRIPES & PAINTS



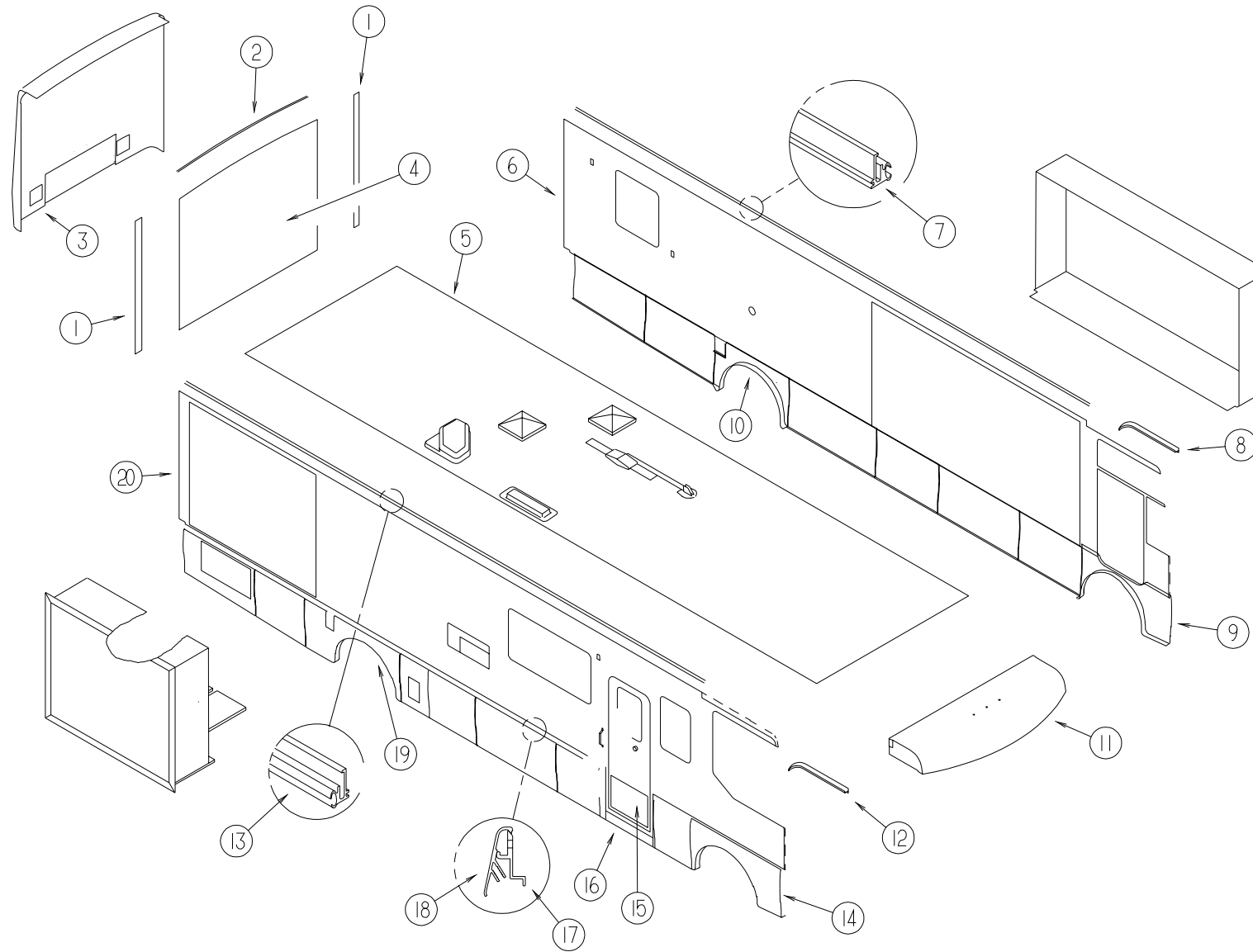
KEY	PART NUMBER	U/M	DESCRIPTION
1	128185-01-01A	EA	DECAL - SWEEP #3 - RIGHT HAND
1	128185-02-01A	EA	DECAL - SWEEP #3 - LEFT HAND
2	126196-03-01A	EA	DECAL - LOGO - VECTRA GRAND TOUR
3	122312-02-01A	EA	DECAL - VORTEC 7400 FUEL INJECTED
4	122770-02-13A	EA	DECAL - "BUILT PROUDLY BY WINNEBAGO INDUSTRIES"
5	093681-55-01A	FT	FILM - 3.6"
6	128183-01-01A	EA	DECAL - SWEEP #1 - RIGHT HAND
6	128183-02-01A	EA	DECAL - SWEEP #1 - LEFT HAND
7	128184-01-01A	EA	DECAL - SWEEP #2 - RIGHT HAND
7	128184-02-01A	EA	DECAL - SWEEP #2 - LEFT HAND
8	128188-01-01A	EA	DECAL - POINTS - RIGHT HAND
8	128188-02-01A	EA	DECAL - POINTS - LEFT HAND
9	128189-01-01A	EA	DECAL - SLASHES - RIGHT HAND
9	128189-02-01A	EA	DECAL - SLASHES - LEFT HAND
10	128186-01-01A	EA	DECAL - SWEEP #4 - RIGHT HAND
10	128186-02-01A	EA	DECAL - SWEEP #4 - LEFT HAND
11	093681-40-01A	FT	FILM - 2"
12	128187-01-01A	EA	DECAL - SWEEP - HOOD
13	093681-56-01A	FT	FILM - 6.1"
14	126196-04-01A	EA	DECAL - LOGO - VECTRA GRAND TOUR - SMALL
15	120875-01-01A	EA	DECAL - LOGO - GRILLE/DOMED
15	120994-01-01A	EA	BEZEL - DOMED GRILLE LOGO
	041561-03-000	EA	PAINT - 16 OUNCE SPRAY - OFF WHITE

DUPONT PAINT COLOR CODES

LT. SILVER MET. F2573U
 CHAMPAGNE MET. F2997U

EXTERIOR BODY GROUP (CONTINUED)

BODY PANELS & TRIM

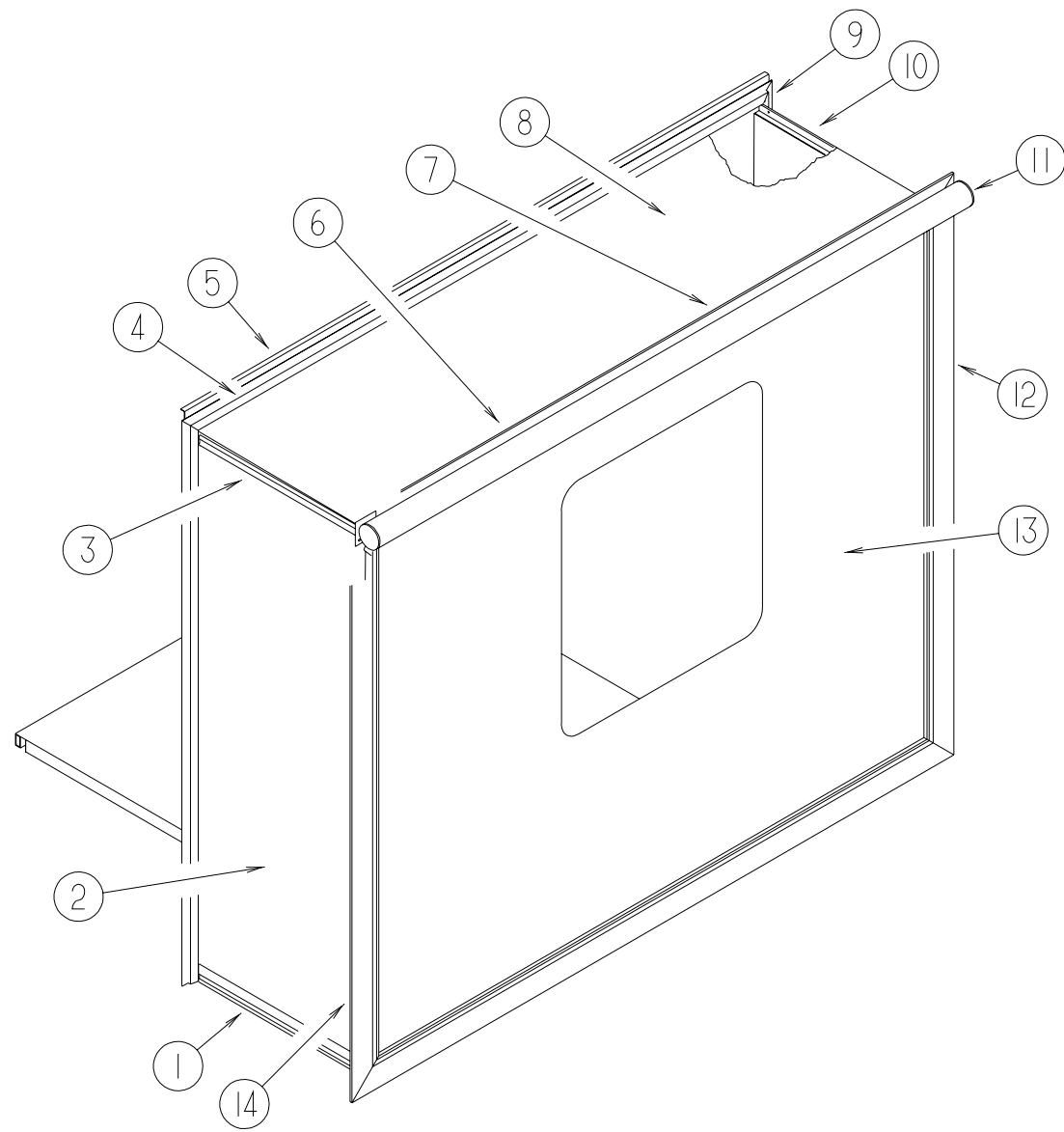


KEY	PART NUMBER	U/M DESCRIPTION
1	091985-01-07A	FT MOLDING - TRIM - BRIGHT WHITE
1	092041-02-03A	EA TRIM - REAR - CAP TO SIDEWALL
2	083805-23-000	EA TRIM - CAP - ROOF - 92"
3	128243-02-K80	EA PANEL - REAR CAP - W/O DOOR
4	129073-02-K80	EA BACKWALL - W/O WINDOW/TRIM (K80,K81)
4	129073-02-K82	EA BACKWALL - W/O WINDOW/TRIM (K82,K83)
4	129073-02-K84	EA BACKWALL - W/O WINDOW/TRIM (K84,K85)
5	129710-01-K80	EA ROOF - W/O LIGHTS/VENTS - W/WIRING
6	129708-02-K80	EA SIDEWALL - DRIVER - W/O WINDOWS/TRIMS (K80,K81)
6	129708-02-K82	EA SIDEWALL - DRIVER - W/O WINDOWS/TRIMS (K82,K83)
6	129708-02-K84	EA SIDEWALL - DRIVER - W/O WINDOWS/TRIMS (K84,K85)
7	120092-01-02A	EA RAIL - AWNING - BRIGHT WHITE
8	108274-08-02A	EA RAIL - DRIP - FRONT/DRIVER - BRIGHT WHITE
9	128346-01-K80	EA WHEEL LIP - FRONT/DRIVER
10	129299-03-K80	EA WHEEL LIP - REAR - DRIVER
	129299-04-K80	EA FRAME - WHEEL LIP - DRIVER
11	M05794-07-K80	EA CAP - FRONT
12	108274-07-02A	EA RAIL - DRIP - FRONT/PASSENGER - BRIGHT WHITE
13	120092-01-02A	EA RAIL - AWNING - BRIGHT WHITE
14	128346-02-K80	EA WHEEL LIP - FRONT/PASSENGER

KEY	PART NUMBER	U/M DESCRIPTION
15	128820-01-K80	EA PANEL - VALANCE - ENTRY DOOR
16	128822-01-K80	EA PANEL - VALANCE - HORSEHOE
17	125285-51-001	EA EXTRUDED - LOWER SIDEWALL - 12'
18	123993-01-03A	EA TRIM - COVER
	113161-01-01A	EA TRIM - PANEL - VALANCE - RIGHT HAND
	113161-02-01A	EA TRIM - PANEL - VALANCE - LEFT HAND
	126775-01-01A	EA END CAP - VALANCE - RIGHT HAND/LOWER
	126775-02-01A	EA END CAP - VALANCE - LEFT HAND/LOWER
19	129299-07-K80	EA WHEEL LIP - REAR
20	129709-02-K80	EA SIDEWALL - PASSENGER - W/O WINDOWS/TRIMS (K80,K81)
20	129709-02-K82	EA SIDEWALL - PASSENGER - W/O WINDOWS/TRIMS (K82,K83)
20	129709-02-K84	EA SIDEWALL - PASSENGER - W/O WINDOWS/TRIMS (K84,K85)

EXTERIOR BODY GROUP (CONTINUED)

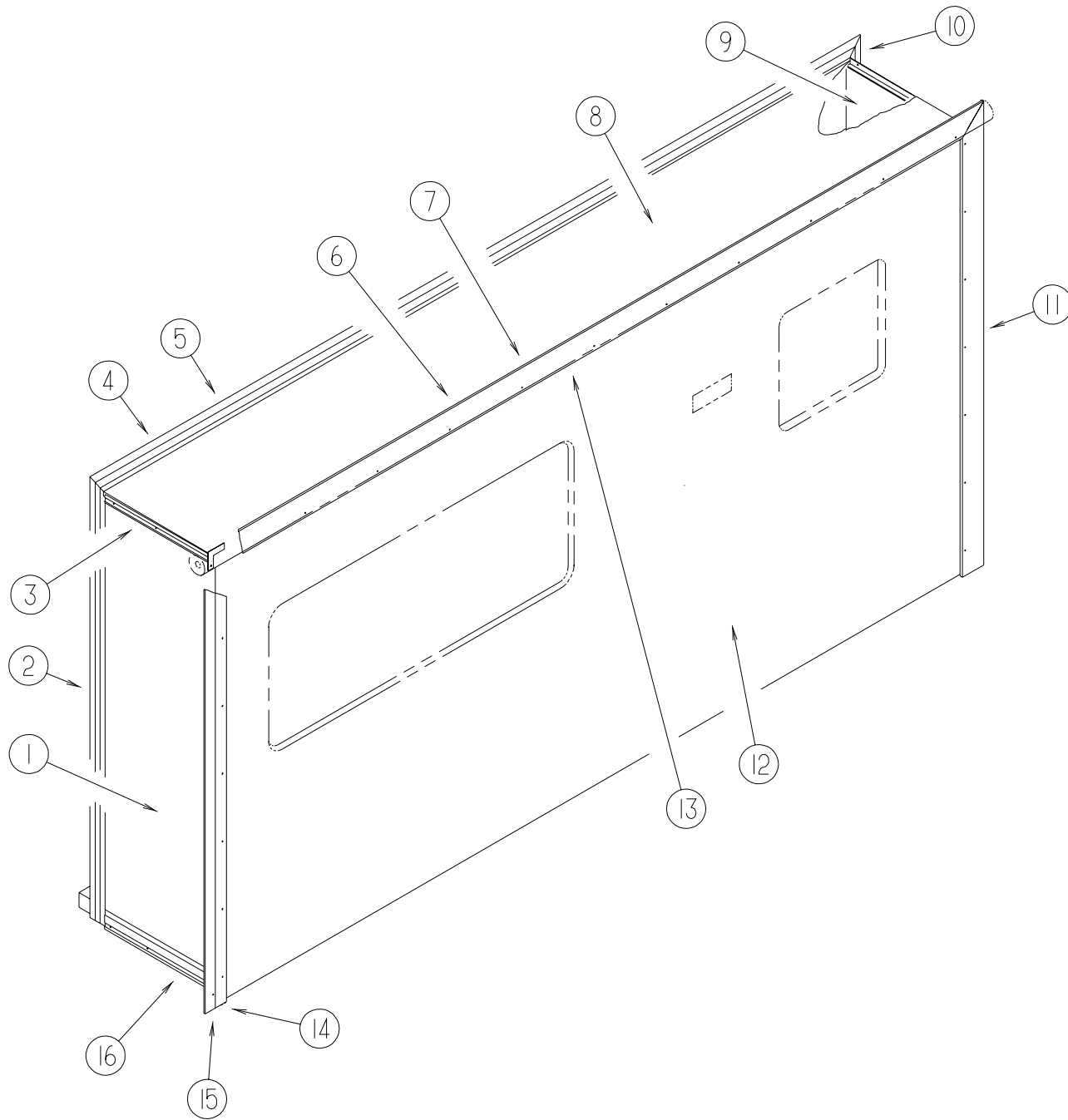
REAR SLIDEOUT PANELS & TRIMS



KEY	PART NUMBER	U/M DESCRIPTION
1	125051-02-01A	EA TRIM - LOWER FEATURE - BRIGHT WHITE
1	105312-01-07A	FT INSERT - VINYL FEATURE STRIP - BRIGHT WHITE
2	127706-02-K80	EA PANEL - SLIDEOUT/REAR
3	108688-01-03A	EA STRIP - FEATURE - 15'
3	105312-01-07A	FT INSERT - VINYL FEATURE STRIP - BRIGHT WHITE
4	117004-04-03A	EA TRIM - SEAL - INNER - BRIGHT WHITE
5	125468-05-03B	EA SUPPORT - INTERIOR ROOF - OFF/WHITE
6	119992-04-02A	EA TRIM - SEAL - W/MITERED ENDS
6	105312-01-07A	FT INSERT - VINYL FEATURE STRIP - BRIGHT WHITE
7	117058-01-01A	FT TAPE - LOOP - 3/4" WIDE - ADHESIVE BACKED
8	127705-01-J60	EA ROOF - SLIDEOUT - W/O LIGHTS/VENTS - W/WIRING
9	117004-07-03A	EA TRIM - SEAL - INNER - BRIGHT WHITE
10	127707-02-K80	EA PANEL - SLIDEOUT/FRONT
11	122977-05-01A	EA AWNING - SLIDEOUT COVER - 90" - BRIGHT WHITE
12	119992-05-02A	EA TRIM - SEAL - W/MITERED ENDS
12	105312-01-07A	FT INSERT - VINYL FEATURE STRIP - BRIGHT WHITE
13	121403-04-K80	EA PANEL - SLIDEOUT/OUTER
14	119992-05-02A	EA TRIM - SEAL - W/MITERED ENDS
14	105312-01-07A	FT INSERT - VINYL FEATURE STRIP - BRIGHT WHITE

EXTERIOR BODY GROUP (CONTINUED)

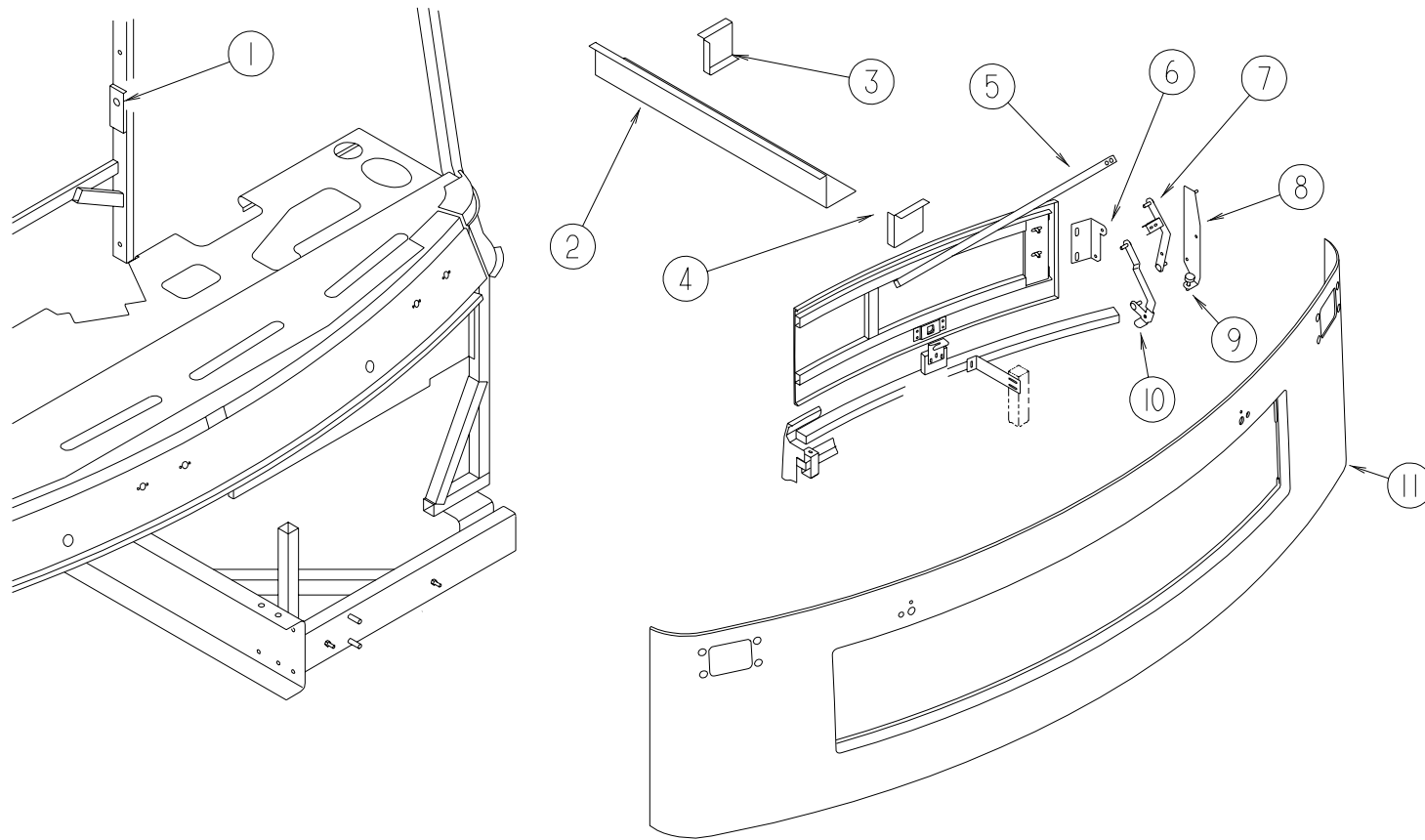
FRONT SLIDEOUT PANELS & TRIMS



KEY	PART NUMBER	U/M DESCRIPTION
1	121401-03-K80	EA PANEL - SLIDEOUT/FRONT
2	117004-01-03A	EA TRIM - SEAL - INNER
3	108688-01-03A	EA STRIP - FEATURE - 15'
3	105312-01-07A	FT INSERT - VINYL FEATURE STRIP - BRIGHT WHITE
4	117004-08-03A	EA TRIM - SEAL - INNER - BRIGHT WHITE
5	125466-02-01A	EA SUPPORT - ROOF/INTERIOR - OFF/WHITE
6	119992-07-02A	EA TRIM - SEAL/ROOF EDGE W/MITERED ENDS - 147" - BRIGHT WHITE
6	105312-01-07A	FT INSERT - VINYL FEATURE STRIP - BRIGHT WHITE
7	117058-01-01A	FT TAPE - LOOP - 3/4" WIDE - ADHESIVE BACKED
8	126221-01-J22	EA ROOF - SLIDEOUT - W/O LIGHTS/VENTS - W/WIRING
9	121402-04-K80	EA PANEL - SLIDEOUT/REAR
10	117004-02-03A	EA TRIM - SEAL - INNER
11	119992-10-01A	EA TRIM - SEAL W/MITERED ENDS - 75.7" - BRIGHT WHITE
11	105312-01-07A	FT INSERT - VINYL FEATURE STRIP - BRIGHT WHITE
12	119783-12-K80	EA PANEL - SLIDEOUT/OUTER
13	122977-07-01A	EA AWNING - SLIDEOUT COVER - 147" - BRIGHT WHITE
14	119992-09-01A	EA TRIM - SEAL W/MITERED ENDS - 75.7" - BRIGHT WHITE
14	105312-01-07A	FT INSERT - VINYL FEATURE STRIP - BRIGHT WHITE
15	126546-01-02A	EA COVER - END/SIDEWALL SLIDEOUT - BRIGHT WHITE
16	125051-01-01A	EA STRIP - FEATURE - LOWER - BRIGHT WHITE

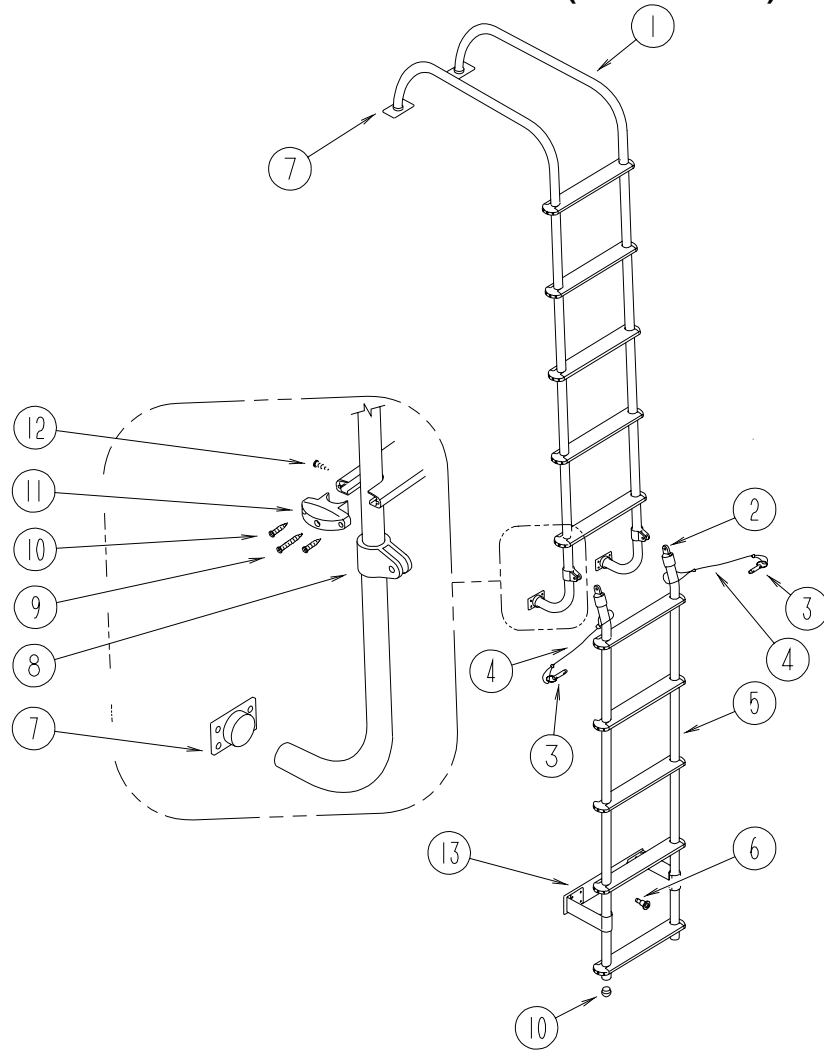
EXTERIOR BODY GROUP (CONTINUED)

FRONT END ASSEMBLY



KEY	PART NUMBER	U/M DESCRIPTION
1	070579-06-000	EA PLATE - ANCHOR - W/7/16 WELD NUT - 1.5" X 3.3"
	070579-07-000	EA PLATE - ANCHOR - W/O WELD NUT - 1.5" X 3.3"
2	106746-02-000	EA PANEL - STEPWELL
3	106747-03-000	EA PANEL - STEPWELL - RIGHT HAND END
4	106747-04-000	EA PANEL - STEPWELL - LEFT HAND END
5	105096-10-000	EA TUBE - HOOD HINGE TIMING W/WELDNUTS - CHEVY
6	109927-05-000	EA ANGLE - LINK - HOOD/RIGHT HAND
6	109927-06-000	EA ANGLE - LINK - HOOD/LEFT HAND
7	118156-01-02B	EA LINK - HOOD HINGE - UPPER/RIGHT HAND
7	118156-02-02B	EA LINK - HOOD HINGE - UPPER/LEFT HAND
8	109926-11-000	EA BRACKET - LINK - HINGE/RIGHT HAND
8	109926-12-000	EA BRACKET - LINK - HINGE/LEFT HAND
9	058786-01-000	EA BOLT - ADJUSTING HOOD - W/BLACK PAD
10	118154-03-02B	EA LINK - HOOD HINGE - LOWER/RIGHT HAND
10	118154-04-02B	EA LINK - HOOD HINGE - LOWER/LEFT HAND

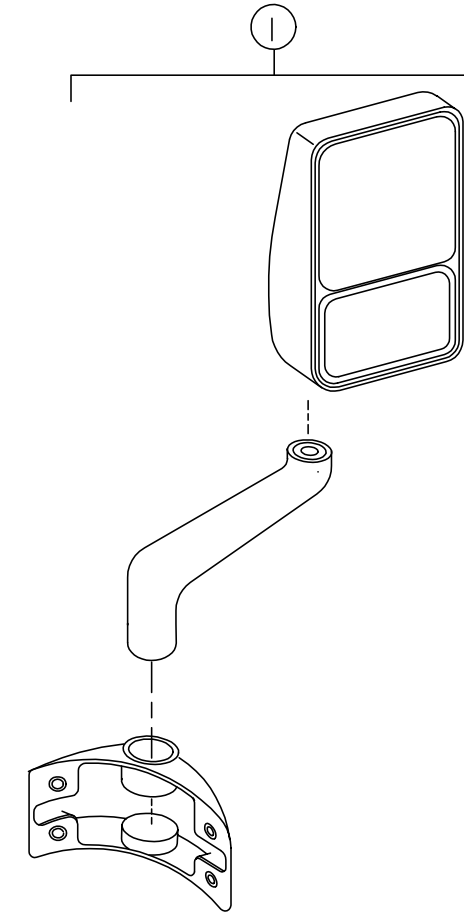
EXTERIOR BODY GROUP (CONTINUED)



LADDER

KEY	PART NUMBER	U/M DESCRIPTION
1	123636-01-HQ0	EA LADDER - UPPER FROM: 00-00-00 THRU: 06-14-98
1	130164-03-01A	EA LADDER - UPPER - ANODIZED ALUMINUM FROM: 06-15-98 THRU: 99-99-99
2	081115-01-000	EA TOP CAP - RACK & LADDER - 1"
3	081056-01-000	EA PIN - QUICK RELEASE - SINGLE ACTION - LADDER
4	076767-11-000	EA CABLE - 1/16" X 5.9"
5	123637-02-K80	EA LADDER - LOWER FROM: 00-00-00 THRU: 06-14-98
5	130163-03-01A	EA LADDER - LOWER - ANODIZED ALUMINUM FROM: 06-15-98 THRU: 99-99-99
6	114834-01-000	EA PIN - QUICK RELEASE
7	067165-01-000	EA BRACKET - MOUNTING - RACK & LADDER
8	081116-01-000	EA SLIDE - TOP - RACK & LADDER - 1"
9	000G67-10-36T	EA SCREW - 10-12 X 2.25 PPH, BLACK
10	000G39-06-10T	EA SCREW-SF/DR, 6-20 X 5/8 PPH
11	076980-02-000	EA END CAP - STEP - BLACK
12	000G39-10-16U	EA SCREW-SF/DR, 10-16 X 1.00 PPH
13	108423-01-02A	EA PLATE - BUMPER - LOWER LADDER
	081114-01-000	EA CAP - INSERT - ROUND - 1" DIAMETER - BLACK PLASTIC
	038327-01-000	EA TAPE - ANTI-SLIP - 2" X 60'
	081055-01-000	EA SPRING GRIP - INTERNAL TOOTH - LADDER
	129375-01-000	EA SEAL/FOAM - LADDER BRACKET

EXTERIOR BODY GROUP (CONTINUED)



EXTERIOR MIRRORS

KEY	PART NUMBER	U/M DESCRIPTION	VENDOR NO.
1	119774-09-02A	EA MIRROR - EXTERIOR REMOTE/HEAT - PASSENGER FROM: 00-00-00 THRU: 10-11-98	
	106015-12-700	EA MIRROR - FLAT - W/W/O HEAT	709448
	106015-12-701	EA MIRROR - CONVEX - W/W/O HEAT	709449
	119774-09-700	EA PLATE-INNER SUPT/MIRROR HEAD	709418-7RH
1	119774-10-02A	EA MIRROR - EXTERIOR REMOTE/HEAT - DRIVER FROM: 00-00-00 THRU: 10-11-98	
	106015-12-700	EA MIRROR - FLAT - W/W/O HEAT	709448
	106015-12-701	EA MIRROR - CONVEX - W/W/O HEAT	709449
	119774-09-701	EA PLATE INNER SUPT/MIRROR HEAD	709419-7LH
	108825-02-000	EA GASKET - MIRROR	
	130120-01-01A	EA BRACKET - MOUNTING/MIRROR	
	088246-01-000	EA SWITCH - REMOTE - EXTERIOR - SQUARE PUSH	
	087695-02-000	EA SWITCH - HEATER - EXTERIOR MIRROR	
	087695-03-000	EA CONNECTOR - ASSEMBLY	
1	131431-01-01A	EA MIRROR - EXTERIOR - REMOTE/HEATED - PASSENGER FROM: 10-12-98 THRU: 99-99-99	
	106015-12-700	EA MIRROR-FLAT - W/W/O HEAT	709448
	106015-12-701	EA MIRROR-CONVEX - W/W/O HEAT	709449
	119774-09-700	EA PLATE-INNER SUPT/MIRROR HEAD	709418-7RH
	131431-01-700	EA HANDSET - CONVEX	7475410
	131431-01-701	EA MOTOR	7475400
1	131431-02-01A	EA MIRROR - EXTERIOR - W/REMOTE/HEAT - DRIVER FROM: 10-12-98 THRU: 99-99-99	
	106015-12-700	EA MIRROR-FLAT - W/W/O HEAT	709448
	106015-12-701	EA MIRROR-CONVEX - W/W/O HEAT	709449
	119774-09-701	EA PLATE INNER SUPT/MIRROR HEAD	709419-7LH
	131431-01-700	EA HANDSET - CONVEX	7475410
	131431-01-701	EA MOTOR	7475400

EXTERIOR BODY GROUP (CONTINUED)

HADLEY AIR HORN

KEY	PART NUMBER	U/M DESCRIPTION	VENDOR NO.
	077497-06-000	EA HORN - AIR - CHROME - TWIN	
	077497-01-701	EA SWITCH - COMPRESSOR	13940-S
	077497-01-702	EA SWITCH - TOGGLE - W/WIRE	12949-S
	071390-04-000	FT TUBING - AIR BRAKE - 1/4" OD-BLK WEATHERHEAD (BRKS & HORN)	
	077497-03-000	EA FITTING KIT - HOSE/HOSE FITTING/AIR GAUGE - F/AUX HORN	
	077497-01-710	EA GAUGE-AIR PRESSURE	14212S
	077497-05-000	EA COMPRESSOR/TANK/SOLENOID KIT, HADLEY 852EB	
	077497-01-700	EA SOLENOID - AIR TANK	550B
	077497-01-703	EA TANK - AIR	751-N
	077497-01-704	EA COMPRESSOR W/SWITCH	852EC
	077497-01-706	EA VALVE & HEAD REPAIR - COMPRESSOR	H00852HV
	077497-01-707	EA BELT & SCREW COVER - COMPRESSOR	H00852BR
	077497-01-708	EA FILTER & MOUNTING HARDWARE - COMPRESSOR	H00852FM
	077497-01-709	EA PLUNGER & SPRING - SOLENOID	H136215
	077497-02-000	EA HOSE - AUXILIARY AIR HORN	
	081404-01-000	EA BRACKET - MOUNTING - COMPRESSOR - L SHAPED - 4" X 7.5"	
	077497-09-000	EA TANK - AIR - SOLENOID KIT - AUXILIARY HORN	
	071386-06-000	EA CONNECTOR - MALE - 1/4 TUBE X 1/4	
	108114-01-000	EA BRACKET - TANK/AIR HORN - CHEVY	

SQUEEGEE

KEY	PART NUMBER	U/M DESCRIPTION
	091955-02-000	EA SQUEEGEE - EXTENDED HANDLE
	110429-03-D18	EA BRACKET - SQUEEGEE

EXTERIOR AWNING (A & E)

KEY	PART NUMBER	U/M DESCRIPTION
	113874-09-22A	EA AWNING - W/O HARDWARE - 20' - VINYL (BURGUNDY)
*	113874-01-02A	EA HARDWARE KIT - AWNING - W/O STANDOFF BRACKET - BRIGHT WHT
	111037-01-01A	EA SPACER - AWNING - UPPER - BLACK
	119496-01-02A	EA SPACER/ZEE - AWNING
	113874-11-01A	EA SCREW/LAG - AWNING - 1/4" X 1" STAINLESS STEEL
	130320-01-02A	EA BRACKET - AWNING - F/A&E INSTALLATION - BRIGHT WHITE

*COMPONENT PARTS FOUND IN SERVICE PARTS LIBRARY

EXTERIOR BODY GROUP (CONTINUED)

FIBERGLASS, STYROFOAM & STEEL CHANNEL

KEY	PART NUMBER	U/M DESCRIPTION
	113192-06-01A	EA FIBERGLASS/LUAN LAMINATED SHEET - BRT/WHT - .200" X 79" X 446"
	113192-07-01A	EA FIBERGLASS/LUAN/LAMINATED SHEET - BRIGHT WHITE
	128782-02-01A	EA FIBERGLASS SHEET - 79" X 456"/HIGH GLOSS - BRIGHT WHITE
	076054-U4-000	EA FIBERGLASS SHEET - 101" X 104" - BRIGHT WHITE
	108535-05-702	EA FRP FLAT 108" X 396" BRT WHT PARTS DEPT
	002726-01-001	EA GARNISH - U-CHANNEL - 1.38" X 19' - SERRATED
	002754-01-001	EA ANGLE - EXTRUDED - .75" X .75" X 18' - MILL ALUMINUM
	068716-01-001	EA BRACE - 90 DEGREE L-ANGLE - 16'
	083574-06-000	SF STYROFOAM - .75 X 48" X 108" - INCREMENTS OF 14 SF
	089297-01-000	SF PLYWOOD - LUAN - OVERLAY GRADE - 48" X 96"
	100619-01-000	BF FOAM - EXPANDED POLYSTYRENE - 1.34" X 48" X 96"
	100619-02-000	BF FOAM - EXPANDED POLYSTYRENE - 1.5" X 48" X 96"
	100619-05-000	BF FOAM - EXPANDED POLYSTYRENE - .75" X 48" X 96"
	100619-11-000	BF FOAM - EXPANDED POLYSTYRENE - 2" X 48" X 96"
	100619-13-000	BF FOAM - EXPANDED POLYSTYRENE - .34" X 34.65" X 96"
	100619-16-000	BF FOAM - EXPANDED POLYSTYRENE - .75" X 48" X 96"
	105077-08-000	EA FOAM - PLUG - ROOF CAP
	116942-03-01A	LB ALUMINUM - .7" X 40" X 158"
	120107-03-000	EA FOAM - PLUG - SIDEWALL TUBE - 1.2" X 2.1" X 1.8" LONG
	120107-04-000	EA FOAM - ROOF COVE
	120107-05-000	EA FOAM PLUG - ROOF TUBE
	120107-06-000	EA FOAM - PLUG - ROOF TUBE - WISCONSIN EPS

GALLEY GROUP**STOVE TOP COVERS**

KEY	PART NUMBER	U/M DESCRIPTION
	M05904-05-K80	EA COVER - STOVE - W/SOLID COUNTERTOP
	126022-01-01A	EA COVER - RANGE - BI-FOLD - 16" & 22" - BLACK TEXTURED

MICROWAVE OVEN

KEY	PART NUMBER	U/M DESCRIPTION	VENDOR NO.
	119267-04-01A	EA OVEN - MICROWAVE - W/HOOD	
	119267-05-000	EA FILTER - HOOD - CHARCOAL	
	119267-04-700	EA FILTER - GREASE	BOO2
	107109-31-04B	EA BRACKET - TIEDOWN - BLACK - RH	
	107109-32-04B	EA BRACKET - TIEDOWN - BLACK - LH	
	130036-01-01A	EA MICROWAVE OVEN - W/HOOD - CSA - GE #JUM1090BWC	
	130036-02-000	EA FILTER/CHARCOAL - MICROWAVE - GE #C08-4030	

COFFEE MAKER - BLACK & DECKER SDC2B

KEY	PART NUMBER	U/M DESCRIPTION
	124649-02-01A	EA COFFEEMAKER - BLACK/10 CUP/DEEP BREW - UL
	124649-03-01A	EA COFFEEMAKER - BLACK/10 CUP/24 HOUR PROGRAM/DEEP BREW - CSA

DISHWASHER

KEY	PART NUMBER	U/M DESCRIPTION	VENDOR NO.
	107752-03-01A	EA DISHWASHER 18" BLACK - WESTINGHO MDR251RE	
	096983-01-700	EA SWITCH - ON/OFF	L0108-00
	090973-01-700	EA MOTOR -12 VOLT, CSA & UL	CA508-1
	090973-01-702	EA BLADE - FAN	VA183-1
	092696-01-710	EA HOLDER - LAMP	CB267-2
	092696-02-701	EA LENS - LAMP	CC179-2
	096983-01-701	EA SWITCH - SPST/MOM 2 TERMINAL	L0111-00
	096983-01-702	EA SWITCH - MOM/OFF/MOM/3 TERM	L0112-00
	096983-01-703	EA SWITCH - ON/ON	L0115-00
	100258-05-700	EA FILTER - CHARCOAL	CC248
	100258-05-701	EA SWITCH - FAN/2 SPEED	117
	100258-11-700	EA BOARD - CIRCUIT	L5099-01
	100258-14-701	EA PANEL - CONTROL ASSEMBLY	LA9078
	111913-01-01A	EA BRACKET - WASHER - TIE DOWN	

GALLEY GROUP (CONTINUED)**RANGE W/OVEN**

KEY	PART NUMBER	U/M DESCRIPTION
*	128727-01-01A	EA RANGE - 3 BURNER W/OVEN - 22" BLACK GLASS DOOR

COMPONENT PARTS FOUND IN SERVICE PARTS LIBRARY*RANGE TOP**

KEY	PART NUMBER	U/M DESCRIPTION
*	128728-01-01A	EA RANGE - 3 BURNER W/O OVEN - BLACK

COMPONENT PARTS FOUND IN SERVICE PARTS LIBRARY*REFRIGERATOR**

KEY	PART NUMBER	U/M DESCRIPTION
*	125242-01-01A	EA REFRIGERATOR - 4 DOOR W/ICE MAKER
*	120075-03-01A	EA REFRIGERATOR - LARGE DOUBLE DOOR/RIGHT HAND - 2-WAY W/ICE
	118871-01-01A	EA TRAY - REFRIGERATOR - SIDE/SIDE
	065225-02-000	EA PLATE - TIEDOWN - REFRIGERATOR
	090195-08-000	EA BAFFLE - REFRIGERATOR - LOWER
	093369-03-000	EA STRAP - REFRIGERATOR
	093646-01-000	EA BRACKET - TIEDOWN/REFRIGERATOR - RIGHT HAND
	093646-02-000	EA BRACKET - TIEDOWN/REFRIGERATOR - LEFT HAND
	054450-01-000	EA LEVEL - REFRIGERATOR
	116751-02-01A	EA TRAY - REFRIGERATOR - BLACK
	129144-01-02A	EA PANEL - INSERT RAISED MAPLE - 16.1" X 18.3"
	129144-01-01A	EA PANEL - INSERT RAISED CHERRY - 16.1" X 18.3"
	129144-02-02A	EA PANEL - INSERT RAISED MAPLE - 16.1" X 41.1"
	129144-02-01A	EA PANEL - INSERT RAISED CHERRY - 16.1" X 41.1"

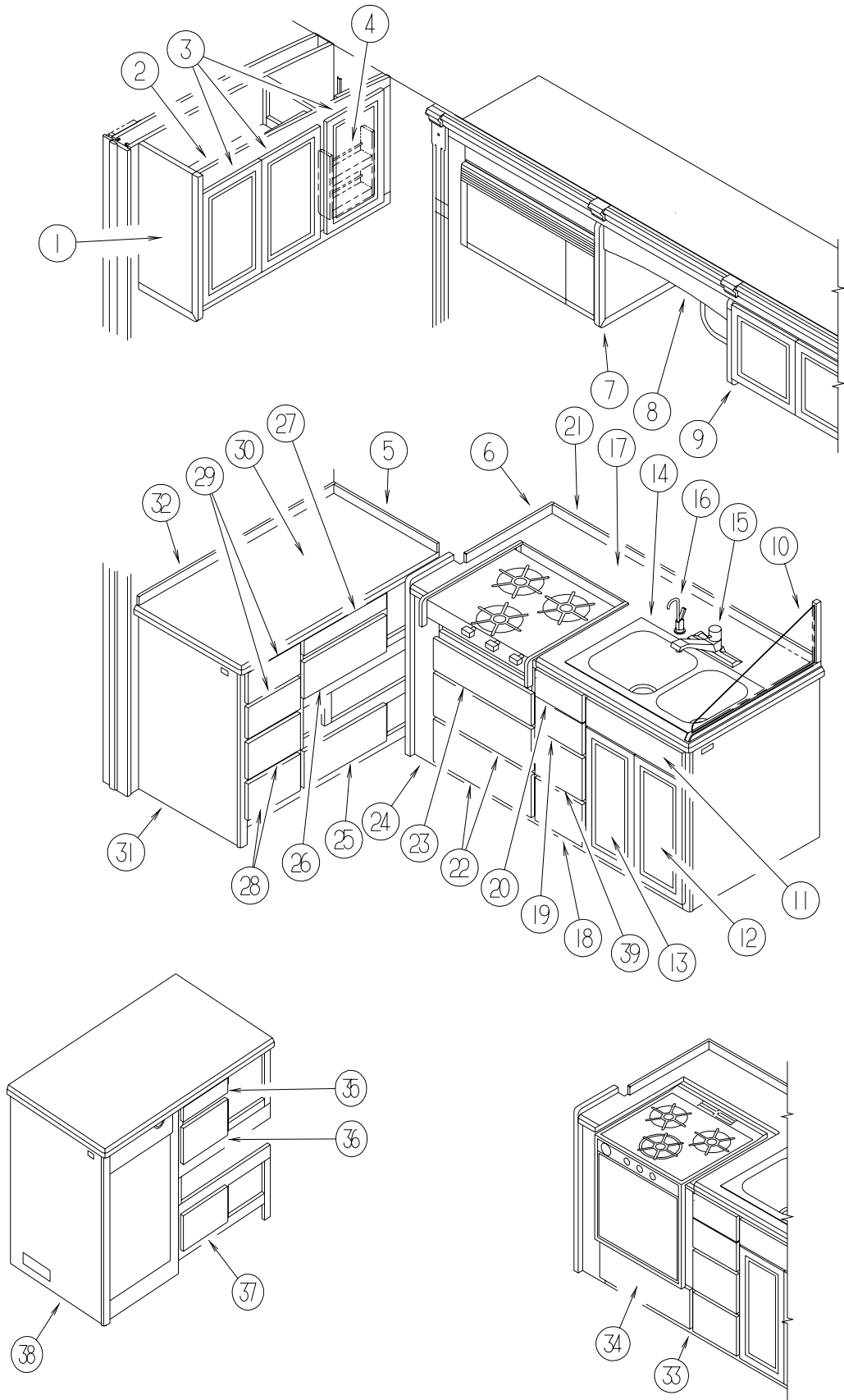
COMPONENT PARTS FOUND IN SERVICE PARTS LIBRARY*MONITOR PANEL**

KEY	PART NUMBER	U/M DESCRIPTION
*	121148-06-01A	EA PANEL - MONITOR - 2 PANEL/2 TANK

***COMPONENT PARTS FOUND IN SERVICE PARTS LIBRARY**

GALLEY GROUP (CONTINUED)

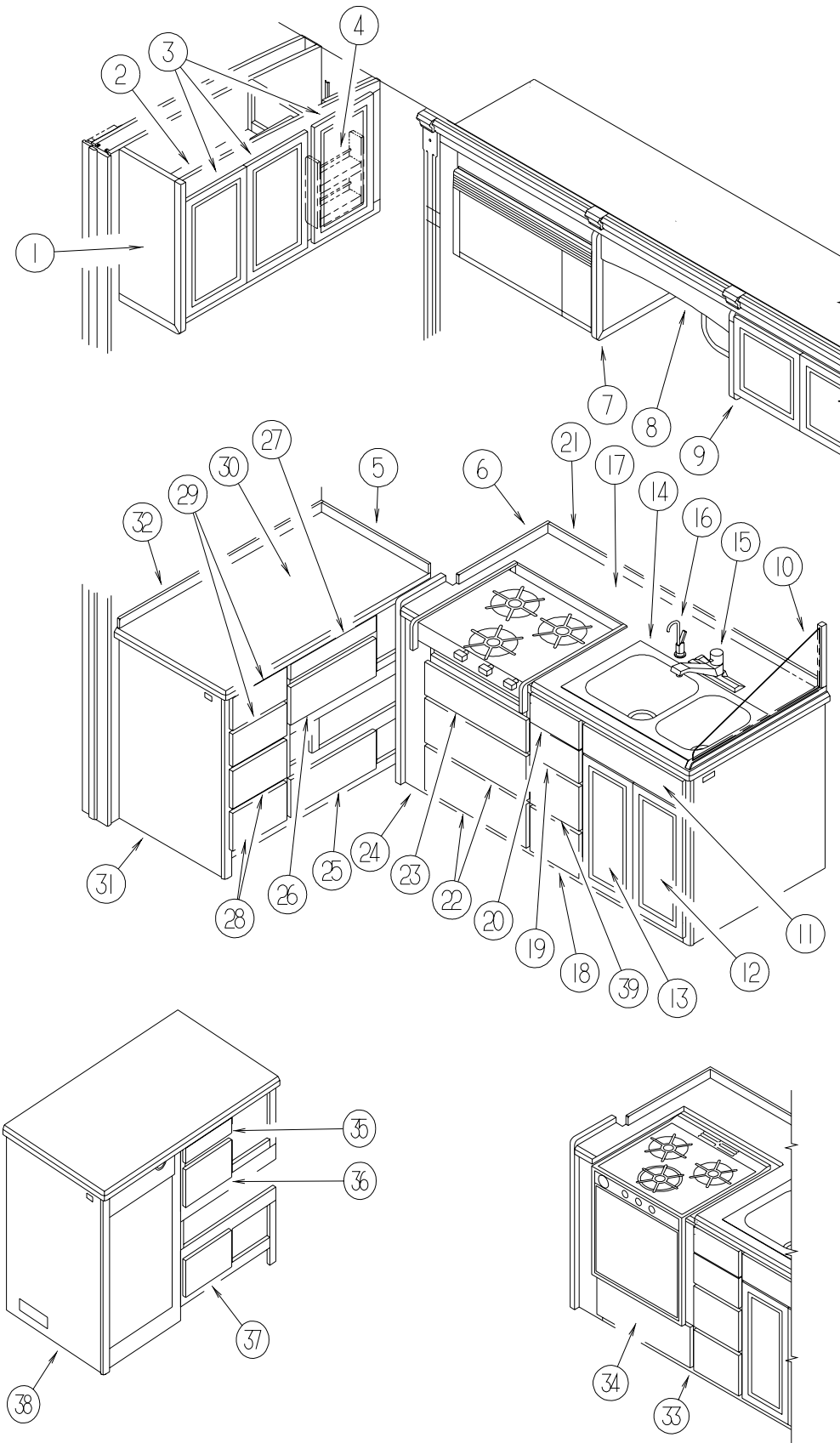
GALLEY CABINETS



KEY	PART NUMBER	U/M DESCRIPTION	VENDOR NO.
1	107494-39-K80	EA END CAP - OVERHEAD CABINET - LEFT HAND (WASHED MAPLE)	
1	107494-39-K81	EA END CAP - OVERHEAD CABINET - LEFT HAND (SALEM CHERRY)	
2	129574-01-K80	EA CABINET - OVERHEAD/GALLEY - W/O DOORS/HARDWARE (WASHED MAPLE)	
2	129574-01-K81	EA CABINET - OVERHEAD/GALLEY - W/O DOORS/HARDWARE (SALEM CHERRY)	
3	M05990-38-K80	EA DOOR - ARCHED/OGEE EDGE - 21.8" X 12.8" - W/O HARDWARE (WASHED MAPLE)	
3	M05990-38-K81	EA DOOR - ARCHED/OGEE EDGE - 21.8" X 12.8" - W/O HARDWARE (SALEM CHERRY)	
4	128879-01-K80	EA CABINET - SPICE RACK - W/O DOORS/HARDWARE (WASHED MAPLE)	
4	128879-01-K81	EA CABINET - SPICE RACK - W/O DOORS/HARDWARE (SALEM CHERRY)	
5	088090-72-K80	EA BACKSPLASH - COUNTERTOP	
6	088090-63-K80	EA BACKSPLASH - COUNTERTOP	
7	107494-38-K80	EA END CAP - OVERHEAD CABINET - LEFT HAND (WASHED MAPLE)	
7	107494-38-K81	EA END CAP - OVERHEAD CABINET - LEFT HAND (SALEM CHERRY)	
8	129575-01-K80	EA CABINET - OVERHEAD/GALLEY - W/O DOORS/HARDWARE (WASHED MAPLE)	
8	129575-01-K81	EA CABINET - OVERHEAD/GALLEY - W/O DOORS/HARDWARE (SALEM CHERRY)	
9	107494-31-K80	EA END CAP - OVERHEAD CABINET - RIGHT HAND (WASHED MAPLE)	
9	107494-31-K81	EA END CAP - OVERHEAD CABINET - RIGHT HAND (SALEM CHERRY)	
10	127117-01-01A	EA GLASS - STATIONARY - SPLASHGUARD	
11	M06810-19-K80	EA DRAWER - TIPOUT - OGEE EDGE - W/HIDDEN TRAY (WASHED MAPLE)	
11	M06810-19-K81	EA DRAWER - TIPOUT - OGEE EDGE - W/HIDDEN TRAY (SALEM CHERRY)	
12	M05992-04-J70	EA DOOR - STRAIGHT CORNER/OGEE EDGE - 10.8" X 23.8" - W/O HDW (WASHED MAPLE)	
12	M05992-04-GV1	EA DOOR - STRAIGHT CORNER/OGEE EDGE - 10.8" X 23.8" - W/O HDW (SALEM CHERRY)	
	130818-02-01A	EA TRASH CONTAINER - 20 QUART ALMOND	
	093605-03-01A	EA RACK - TOWEL/SLIDE	
13	M05992-03-J70	EA DOOR - STRAIGHT CORNER/OGEE EDGE - 10.8" X 23.8" - W/O HDW (WASHED MAPLE)	
13	M05992-03-GV1	EA DOOR - STRAIGHT CORNER/OGEE EDGE - 10.8" X 23.8" - W/O HDW (SALEM CHERRY)	
14	110654-01-000	EA SINK - STAINLESS STEEL/DOUBLE BASIN (1 LG-1 SM BASIN)	
	092303-01-000	EA STRAINER - SINK	
	107044-05-J72	EA COVER - RECESSED SINK - 14.9" X 11.1"	
	107044-06-J72	EA COVER - RECESSED SINK - 14.9" X 15"	
15	064952-01-000	EA FAUCET - GALLEY - SINGLE CONTROL - 8"	
16	103635-01-000	EA FAUCET - SINGLE CONTROL (DRINKING WATER)	
	103635-01-700	EA FITTING KIT, FAUCET REPAIR	3071-70
	103635-01-701	EA TUBING-PLASTIC	3019-20
	103635-01-702	EA FAUCET REPAIR KIT	3026-46
17	128774-19-000	EA COUNTERTOP - GALLEY	
18	P28813-03-K80	EA DRAWER - OGEE EDGE - 8.4"W X 23.6"D - W/O SLIDES/HARDWARE (WASHED MAPLE)	
18	P28813-03-K81	EA DRAWER - OGEE EDGE - 8.4"W X 23.6"D - W/O SLIDES/HARDWARE (SALEM CHERRY)	
19	P28813-01-K80	EA DRAWER - OGEE EDGE - 8.4"W X 23.6"D - W/O SLIDES/HARDWARE (WASHED MAPLE)	
19	P28813-01-K81	EA DRAWER - OGEE EDGE - 8.4"W X 23.6"D - W/O SLIDES/HARDWARE (SALEM CHERRY)	
20	M06810-20-K80	EA DRAWER - TIPOUT - OGEE EDGE - W/HIDDEN TRAY (WASHED MAPLE)	
20	M06810-20-K81	EA DRAWER - TIPOUT - OGEE EDGE - W/HIDDEN TRAY (SALEM CHERRY)	
21	088090-62-K80	EA BACKSPLASH - COUNTERTOP	
22	P28813-04-K80	EA DRAWER - OGEE EDGE - 19.7"W X 23.6"D - W/O SLIDES/HARDWARE (WASHED MAPLE)	
22	P28813-04-K81	EA DRAWER - OGEE EDGE - 19.7"W X 23.6"D - W/O SLIDES/HARDWARE (SALEM CHERRY)	
23	P28813-02-K80	EA DRAWER - OGEE EDGE - 19.7"W X 23.6"D - W/O SLIDES/HARDWARE (WASHED MAPLE)	
23	P28813-02-K81	EA DRAWER - OGEE EDGE - 19.7"W X 23.6"D - W/O SLIDES/HARDWARE (SALEM CHERRY)	
24	128774-01-K80	EA CABINET - GALLEY - W/COUNTERTOP - W/O DOORS/DRAWERS/HDW (WASHED MAPLE)	
24	128774-01-K81	EA CABINET - GALLEY - W/COUNTERTOP - W/O DOORS/DRAWERS/HDW (SALEM CHERRY)	

GALLEY GROUP (CONTINUED)

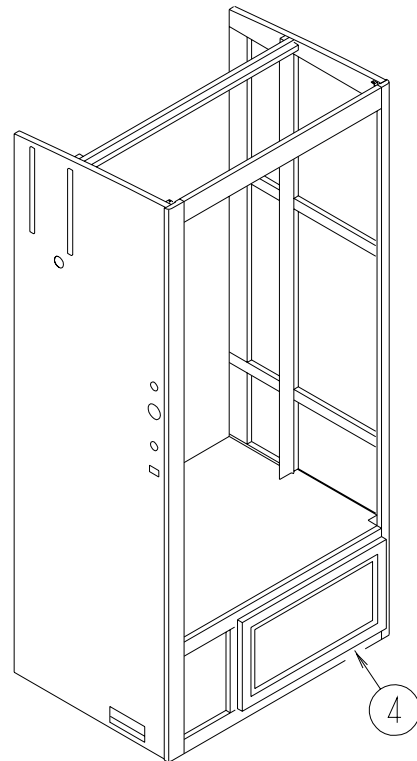
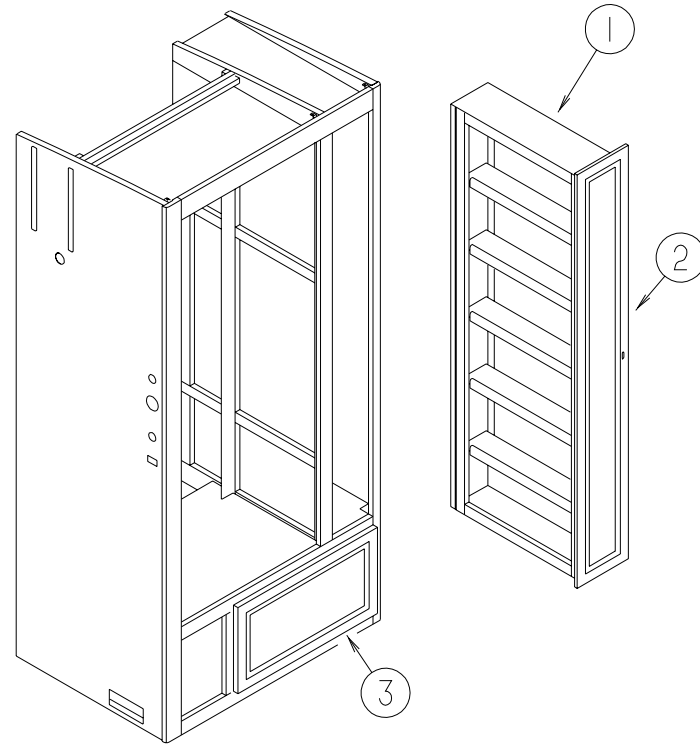
GALLEY CABINETS (CONTINUED)



KEY	PART NUMBER	U/M DESCRIPTION
25	P28813-20-K80	EA DRAWER - OGEE EDGE - 16.2"W X 15.7"D - W/O SLIDES/HARDWARE (WASHED MAPLE)
25	P28813-20-K81	EA DRAWER - OGEE EDGE - 16.2"W X 15.7"D - W/O SLIDES/HARDWARE (SALEM CHERRY)
26	P28813-11-K80	EA DRAWER - OGEE EDGE - 16.2"W X 15.7"D - W/O SLIDES/HARDWARE (WASHED MAPLE)
26	P28813-11-K81	EA DRAWER - OGEE EDGE - 16.2"W X 15.7"D - W/O SLIDES/HARDWARE (SALEM CHERRY)
27	M05976-10-K80	EA DRAWER - CUTTING BOARD - OGEE EDGE - W/O SLIDES/HARDWARE (WASHED MAPLE)
27	M05976-10-K81	EA DRAWER - CUTTING BOARD - OGEE EDGE - W/O SLIDES/HARDWARE (SALEM CHERRY)
	100081-01-01A	EA TRAY - SILVERWARE - 9" X 13.3" RUBBERMAID ALMOND PLASTIC
28	P28813-06-K80	EA DRAWER - OGEE EDGE - 9.5"W X 23.6"D - W/O SLIDES/HARDWARE (WASHED MAPLE)
28	P28813-06-K81	EA DRAWER - OGEE EDGE - 9.5"W X 23.6"D - W/O SLIDES/HARDWARE (SALEM CHERRY)
29	P28813-05-K80	EA DRAWER - OGEE EDGE - 9.5"W X 23.6"D - W/O SLIDES/HARDWARE (WASHED MAPLE)
29	P28813-05-K80	EA DRAWER - OGEE EDGE - 9.5"W X 23.6"D - W/O SLIDES/HARDWARE (SALEM CHERRY)
30	128882-12-K80	EA COUNTERTOP - STORAGE/GALLEY
31	128882-01-K80	EA CABINET - STORAGE/GALLEY - W/COUNTERTOP-W/O DOORS/HARDWARE (WASHED MAPLE)
31	128882-01-K81	EA CABINET - STORAGE/GALLEY - W/COUNTERTOP-W/O DOORS/HARDWARE (SALEM CHERRY)
32	088090-71-K80	EA BACKSPASH - COUNTERTOP
33	128774-02-K80	EA CABINET - GALLEY - W/COUNTERTOP - W/O DOORS/DRAWERS/HDW (WASHED MAPLE)
33	128774-02-K81	EA CABINET - GALLEY - W/COUNTERTOP - W/O DOORS/DRAWERS/HDW (SALEM CHERRY)
34	P28813-02-K80	EA DRAWER - OGEE EDGE - 19.7"W X 23.6"D - W/O SLIDES/HARDWARE (WASHED MAPLE)
34	P28813-02-K81	EA DRAWER - OGEE EDGE - 19.7"W X 23.6"D - W/O SLIDES/HARDWARE (SALEM CHERRY)
35	M05976-11-K80	EA DRAWER - CUTTING BOARD - OGEE EDGE - W/O SLIDES/HARDWARE (WASHED MAPLE)
35	M05976-11-K81	EA DRAWER - CUTTING BOARD - OGEE EDGE - W/O SLIDES/HARDWARE (SALEM CHERRY)
	100081-01-01A	EA TRAY - SILVERWARE - 9" X 13.3" RUBBERMAID ALMOND PLASTIC
36	P28813-18-K80	EA DRAWER - OGEE EDGE - 9.2"W X 11.8"D - W/O SLIDES/HARDWARE (WASHED MAPLE)
36	P28813-18-K81	EA DRAWER - OGEE EDGE - 9.2"W X 11.8"D - W/O SLIDES/HARDWARE (SALEM CHERRY)
37	P28813-17-K80	EA DRAWER - OGEE EDGE - 9.2"W X 11.8"D - W/O SLIDES/HARDWARE (WASHED MAPLE)
37	P28813-17-K81	EA DRAWER - OGEE EDGE - 9.2"W X 11.8"D - W/O SLIDES/HARDWARE (SALEM CHERRY)
38	128882-02-K80	EA CABINET - STORAGE/GALLEY - W/COUNTERTOP-W/O DOORS/HARDWARE (WASHED MAPLE)
38	128882-02-K81	EA CABINET - STORAGE/GALLEY - W/COUNTERTOP-W/O DOORS/HARDWARE (SALEM CHERRY)
39	P28813-01-K80	EA DRAWER - OGEE EDGE - 8.4"W X 23.6"D - W/O SLIDES/HARDWARE (WASHED MAPLE)
39	P28813-01-K81	EA DRAWER - OGEE EDGE - 8.4"W X 23.6"D - W/O SLIDES/HARDWARE (SALEM CHERRY)
	130818-02-01A	EA TRASH CONTAINER - 20 QUART ALMOND

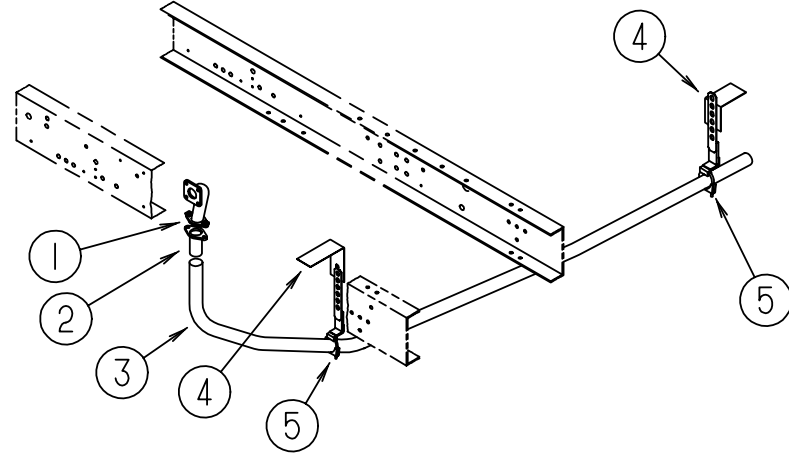
GALLEY GROUP (CONTINUED)

REFRIGERATOR CABINET



KEY	PART NUMBER	U/M DESCRIPTION
1	122325-01-J60	EA CABINET - PANTRY/RIGHT HAND SLIDING - W/O SLIDES/HARDWARE (WASHED MAPLE)
1	122325-01-H57	EA CABINET - PANTRY/RIGHT HAND SLIDING - W/O SLIDES/HARDWARE (SALEM CHERRY)
	122325-11-J70	EA SHELF - W/EDGE MOLDING (WASHED MAPLE)
	122325-11-H57	EA SHELF - W/EDGE MOLDING (SALEM CHERRY)
	122360-02-000	EA SLIDE - PANTRY - W/O LOCK - RIGHT/LEFT HAND
	122360-03-000	EA SLIDE - PANTRY - W/LOCK - RIGHT HAND
2	M05992-Z2-K80	EA DOOR - STRAIGHT CORNER/OGEE EDGE - 8.5" X 60.7" - W/O HDW (WASHED MAPLE)
2	M05992-Z2-K81	EA DOOR - STRAIGHT CORNER/OGEE EDGE - 8.5" X 60.7" - W/O HDW (SALEM CHERRY)
	123673-01-01A	EA KNOB - PANTRY SLIDE
3	M05992-BG-K80	EA DOOR - OGEE EDGE - 16.7" X 9.2" - W/O HARDWARE (W/VACCUM CLEANER) (WASHED MAPLE)
3	M05992-BG-K81	EA DOOR - OGEE EDGE - 16.7" X 9.2" - W/O HARDWARE (W/VACCUM CLEANER) (SALEM CHERRY)
3	P28813-19-K80	EA DRAWER - OGEE EDGE - 22.6"W X 17.7"D - W/O SLIDES/HARDWARE (W/O VACCUM CLEANER) (WASHED MAPLE)
3	P28813-19-K81	EA DRAWER - OGEE EDGE - 22.6"W X 17.7"D - W/O SLIDES/HARDWARE (W/O VACCUM CLEANER) (SALEM CHERRY)
4	P28813-25-K80	EA DRAWER - W/O SLIDES/HARDWARE - 19.8"W X 15.7"D (W/4 DOOR REFRIGERATOR) (WASHED MAPLE)
4	P28813-25-K81	EA DRAWER - W/O SLIDES/HARDWARE - 19.8"W X 15.7"D (W/4 DOOR REFRIGERATOR) (SALEM CHERRY)
	090329-01-000	FT SEAL/T - REFRIGERATOR CABINET

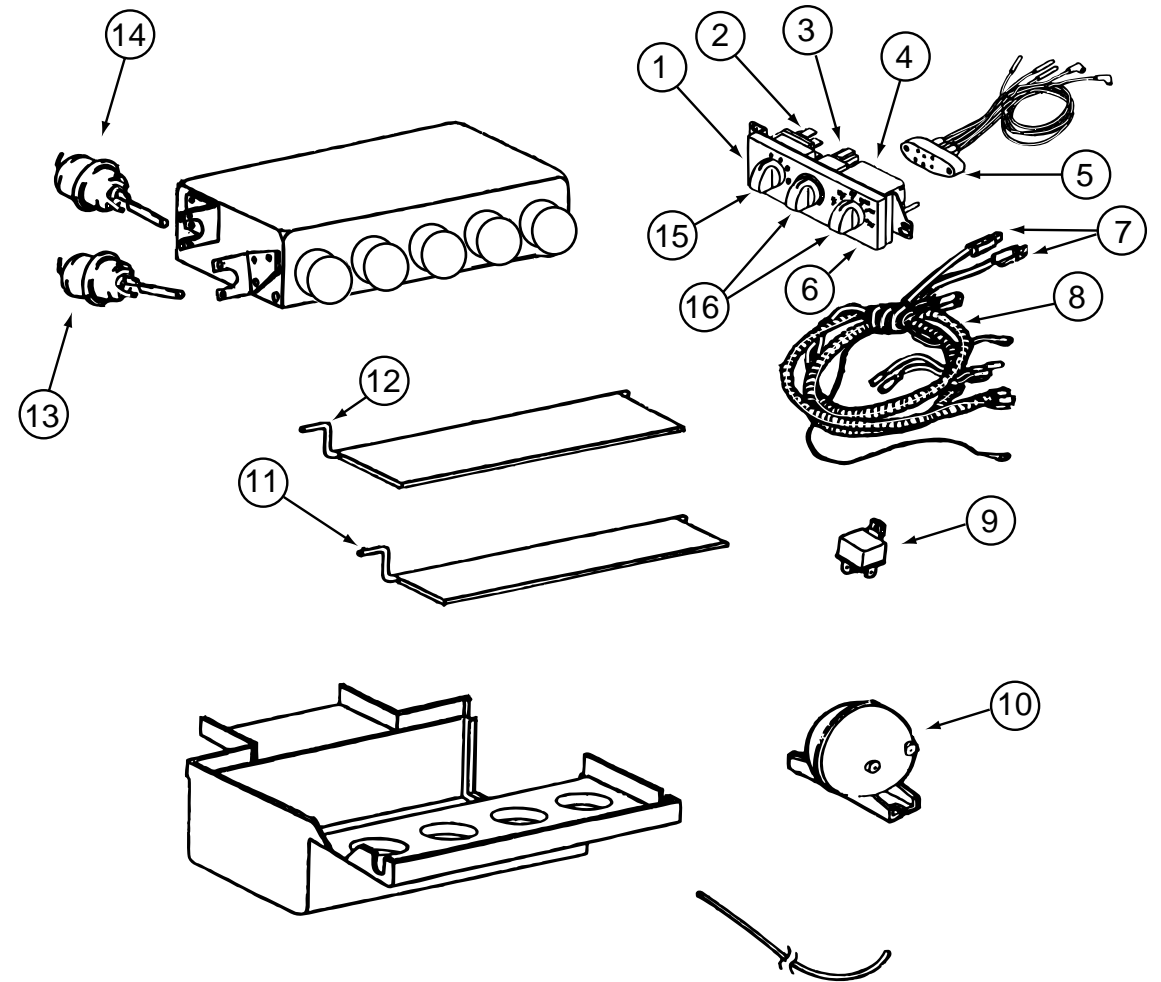
GENERATOR GROUP



7 KW ONAN MARQUIS GENERATOR

KEY	PART NUMBER	U/M DESCRIPTION
	105559-03-000	EA GENERATOR - 7 KW MARQUIS 30/30
1	N/A	EA ADAPTOR - EXHAUST (SUPPLIED WITH GENERATOR)
2	106235-01-000	EA ADAPTOR - GENERATOR EXHAUST
3	105958-15-000	EA PIPE - GENERATOR EXHAUST - 1.5" OD X 9.8" X 24"
4	007131-01-000	EA HANGER - TAILPIPE - 6 SLOTS
5	007125-03-000	EA CLAMP - MUFFLER - 1.5" DIAMETER
	112365-04-000	EA BREAKER - 20 AMP

HEATING & AIR CONDITIONING GROUP

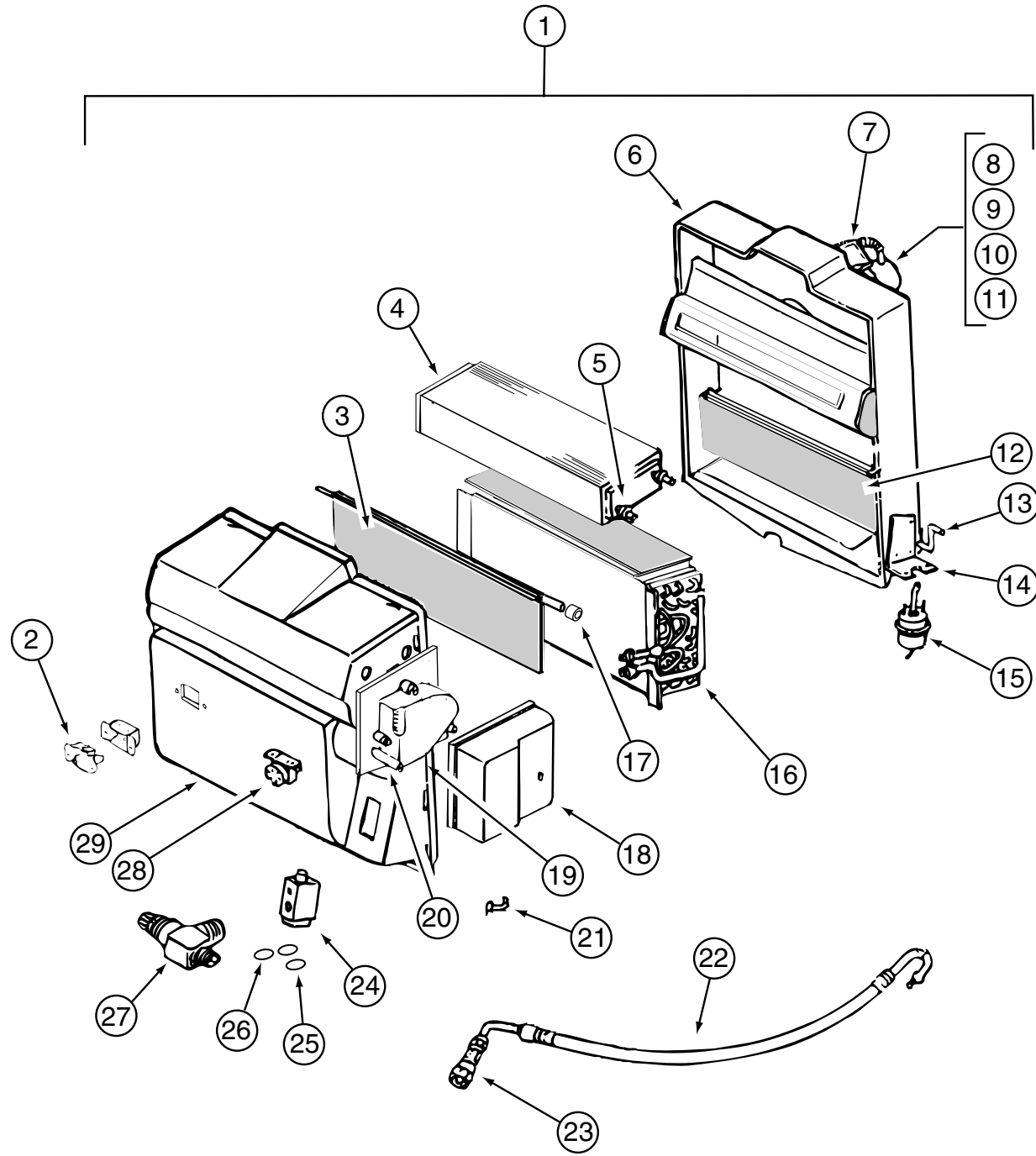


AUTO A/C CONTROL PLENUM - ROTARY

KEY	PART NUMBER	U/M DESCRIPTION	VENDOR NO.
	103930-39-000	EA CONTROL/PLENUM - ROTARY	
1	103930-33-702	EA CONTROL PANEL	083-0169
2	103930-33-707	EA SWITCH - BLOWER	032-00066
3	103930-33-708	EA SWITCH - POTENTIOMETER	032-0184
4	103930-33-709	EA SWITCH - VACUUM	032-0183
5	103930-33-703	EA VACUUM HARNESS	036-0466
6	103930-33-710	EA DECAL F/CONTROL HEAD	058-0102
7	103930-33-705	EA LIGHT BULBS	035-0030
8	103930-33-711	EA WIRE HARNESS - MAIN	036-0496
9	103930-02-707	EA RELAY - BOSCH W/RESISTER	031-0001
10	103930-02-710	EA CANISTER - VACUUM	054-0002
11	103930-39-700	EA ROD - DOOR - AC/HEAT	073-067
12	103930-39-701	EA ROD - DOOR - AC/DEFROST	073-0069
13	103930-02-708	EA MOTOR - VACUUM SERVO - A/C	030-0025
14	103930-33-701	EA MOTOR - VACUUM - 3 STAGE	030-0105
15	103930-33-712	EA KNOB - BLOWER	062-00539
16	103930-33-713	EA KNOB	062-00540
	103930-39-704	EA SPRING	022-0119

HEATING & AIR CONDITIONING GROUP (CONTINUED)

EVAPORATOR/HEATER ASSEMBLY



KEY	PART NUMBER	U/M DESCRIPTION	VENDOR NO.
1	103930-30-000	EA EVAPORATOR/HEATER - CHEVY - SERVO MOTOR CONTROLLED	
2	103930-01-710	EA RESISTOR - FUSED - A/C	035-0006
3	103930-30-705	EA DOOR - BLEND AIR	071-0568
4	103930-01-703	EA CORE - HEATER	042-0010
5	110279-01-712	EA FITTING - HEATER	050-0076
6	103930-20-711	EA CASE - BACK - SUB-ASSEMBLY	062-0147
7	110279-01-703	EA HOSE - VENT F/BLOWER MOTOR	051-0034
8	103930-20-707	EA HOUSING - BLOWER	062-0145
9	103930-30-706	EA MOTOR - BLOWER W/PIGTAIL HARNESS	030-0109
10	103930-01-717	EA WHEEL - BLOWER - CLOCKWISE	062-0010
11	103930-20-708	EA CLIP - MOTOR SHAFT	022-0001
12	103930-20-705	EA PANEL - DOOR - RECIRCULATING	071-0213
13	103930-20-704	EA ROD - DOOR - RECIRCULATING	073-0018
14	103930-01-708	EA BRACKET - VACUUM MOTOR	070-0113
15	103930-02-708	EA MOTOR - VACUUM SERVO - A/C	030-0025
16	103930-01-704	EA COIL - EVAPORATOR	041-0017
17	103930-30-702	EA BUSHING - BLEND AIR DOOR	062-0168
18	103930-30-704	EA COVER - SERVO	062-0545
19	103930-30-703	EA MOTOR - SERVO	030-0104
20	103930-30-701	EA PLATE - MOTOR MOUNT	062-0544
21	103930-20-706	EA CLIP - RETAINER - CASE ATTACH	022-0057
22	103930-25-700	EA HOSE ASM #6 EVAPORATOR/DRIER	085-0350
23	103930-12-709	EA FITTING - QUICK CONNECT	050-0120
24	103930-20-700	EA VALVE - EXPANSION - BLOCK - 2 TON	034-0032
25	103930-17-702	EA O'RING #10	045-0127
26	113245-01-707	EA O'RING #8	045-0126
27	103930-20-709	EA VALVE - SERVICE	050-0159
28	103930-01-711	EA THERMOSTAT	033-0003
29	103930-30-700	EA CASE - FRONT	062-0542

HEATING & AIR CONDITIONING GROUP (CONTINUED)

AUTO A/C & HEAT SYSTEM

KEY	PART NUMBER	U/M DESCRIPTION
	007076-01-000	EA HOSE - FLEXIBLE PVC - 2" ID - INCREMENTS OF 50'
	007108-01-000	FT HOSE - HEATER - 5/8" ID - HI-TEMP - FORD
	007281-01-000	EA HOSE - FLEXIBLE PVC - 2.5" ID X 50'
	024990-05-000	EA OUTLET - DEFROSTER - 4" DIAMETER W/SWIVEL DEFLECTORS
	024990-07-000	EA OUTLET - DEFROSTER - W/SWIVEL - 2"
	056402-05-000	EA BRACKET - HEATER VENT - ROUND W/BEND - BLACK
	056402-06-000	EA BRACKET - HEATER/BLACK
	076776-01-000	EA TEE - BEADED - 5/8" X 5/8" X 5/8"
	077075-01-000	EA GASKET - INSTRUMENT PANEL/DEFROSTER PLENUM - .6" X 10.2"
	103016-01-000	EA PLENUM - TRANSITION
	103017-03-000	EA PLENUM - DEFROSTER
	103558-01-08A	EA VENT - DEFROSTER - 2" X 14.4" X 1.4" - HAMPTON TAN FROM: 00-00-00 THRU: 05-09-98
	103558-04-02A	EA VENT - DEFROSTER - ABS H.TAN FROM: 05-10-98 THRU: 99-99-99
	103796-01-01A	EA LOUVER - A/C-ADJUSTABLE - 2.2" X 5.4" F/2.5" HOSE - BLACK
	103930-23-000	EA VALVE - WATER - 2 PORT
	024990-05-000	EA OUTLET - DEFROSTER - 4" DIAMETER W/SWIVEL DEFLECTORS
	103930-37-000	EA MANUAL - OWNERS - HEATER/A/C

AUTO A/C & HEATER HOSE KIT

KEY	PART NUMBER	U/M DESCRIPTION	VENDOR NO.
	103930-29-000	EA HOSE KIT - #10 F/GM L-29 & L-65 CHASSIS	
	103930-29-701	EA O'RING F/LOW PRESSURE SWITCH	045-0483
	103930-17-702	EA O'RING #10	045-0127
	117870-03-01A	EA PLENUM - A/C	
	103930-42-000	EA DRYER/HOSE KIT - PRECHARGED R13	
	076776-01-000	EA TEE - BEADED - 5/8" X 5/8" X 5/8"	
	103930-23-000	EA VALVE - WATER - 2 PORT	

HEATING & AIR CONDITIONING GROUP (CONTINUED)

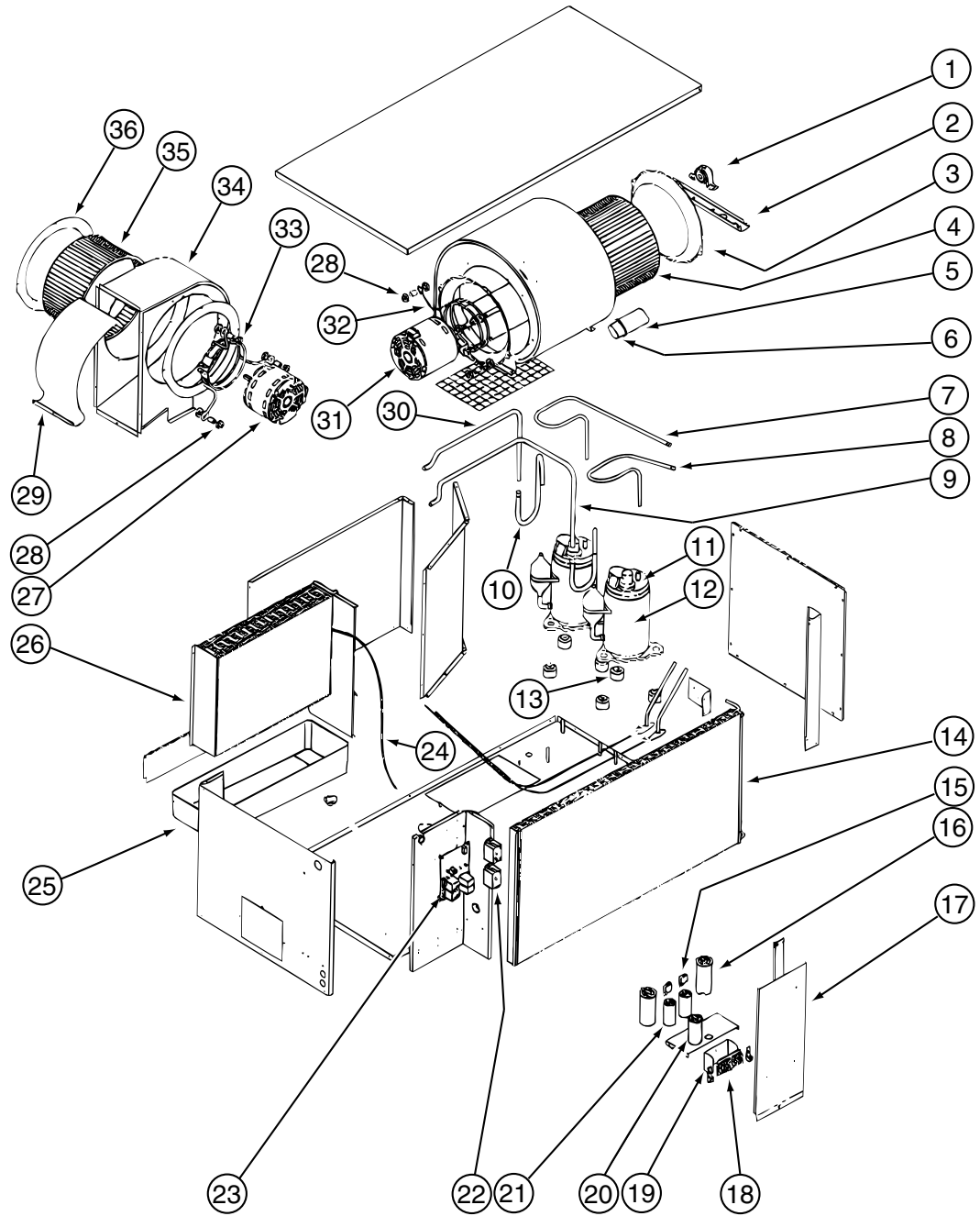
FURNACE-SUBURBAN - 40,000 BTU - SF-422275

KEY	PART NUMBER	U/M DESCRIPTION
*	098668-22-000	EA FURNACE - 40,000 BTU
	094600-05-01A	EA REGISTER W/O DAMPER-3.6" X 11.3" FACE/2.1" X 9.9" RO-BEIGE
	094600-06-01A	EA REGISTER W/DAMPER-3.6" X 11.3" FACE/2.1" X 9.9" RO-BEIGE
	056464-10-000	EA REGISTER - 4" DIAMETER - PLASTIC - W/O DAMPER - BEIGE
	120134-01-02A	EA REGISTER - 4" TO 5" IN DIAMETER W/DAMPER
	009198-02-000	FT DUCT - FLEXIBLE - 2" ID X 25'
	009198-01-000	FT DUCT - HEAT - FLEXIBLE - 4" ID X 25'
	076776-01-000	EA TEE - BEADED - 5/8" X 5/8" X 5/8"
	093614-03-02A	EA GRILLE - RETURN AIR - 14" X 8" - BEIGE
	009200-01-000	EA TAPE - FURNACE - 1 1/2"

***COMPONENT PARTS FOUND IN SERVICE PARTS LIBRARY**

HEATING & AIR CONDITIONING GROUP (CONTINUED)

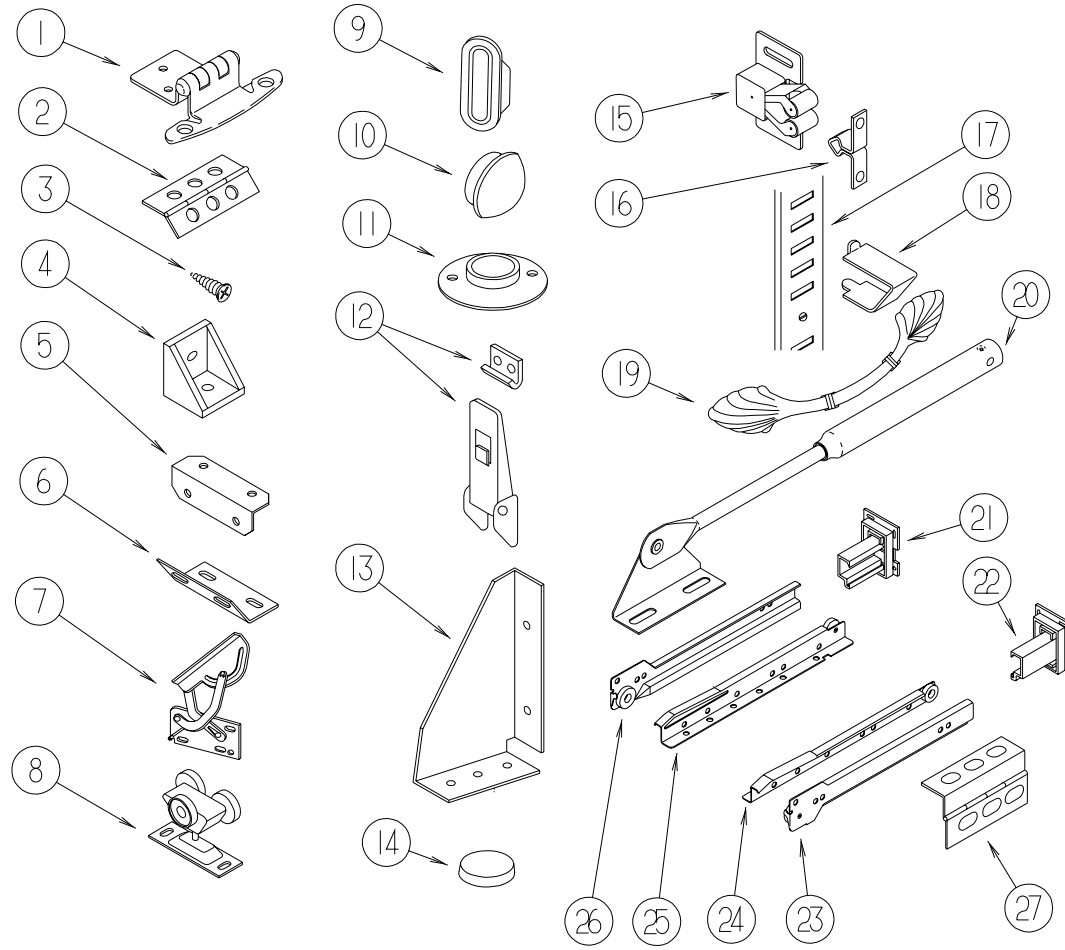
CENTRAL A/C



KEY	PART NUMBER	U/M DESCRIPTION	VENDOR NO.
	105620-10-000	EA A/C-CENTRAL PKG RH - POWER SAV - COLEMAN	6636-871
1	105620-10-701	EA BEARING/PILLOW BLOCK - O.D.	6536-301
2	105620-10-700	EA BEARING BRACKET - O.D.	6536-574
3	105620-01-714	EA VENTURI - BLOWER - O.D.	6795-150
4	105620-01-713	EA WHEEL - BLOWER - O.D.	1472-1011
5	105620-01-718	EA CAPACITOR - FAN - 12.5 MFD/370V	1499-5631
6	105620-10-715	EA RUBBER CAPACITOR BOOT	1499-951
7	105620-10-713	EA DISCHARGE LINE ASSEMBLY #2	6636-125
8	105620-10-712	EA DISCHARGE LINE ASSEMBLY #1	6636-126
9	105620-10-710	EA SUCTION LINE ASSY COIL #1	6636-131
10	105620-10-714	EA SUCTION LINE ASSY COMP #1& 2	6636-130
11	126860-01-701	EA OVERLOAD PROTECTOR MRA# 1460	1450-0071
12	126860-01-700	EA COMPRESSOR RK136AT-002-A4Y	1450A2119
13	105620-01-706	EA MOUNTING PKG. - COMP. - 3 PER	6759-3081
14	105620-10-707	EA CONDENSER COIL	1452-1541
15	105620-10-705	EA PTCR	1497-9021
16	126859-01-703	EA CAPACITOR - RUN	1499-5671
17	105620-10-706	EA DOOR/ELECTRIC BOX	6636-146
18	105620-01-738	EA BOARD - TERMINAL - HIGH VOLTAGE	6795-315
19	105620-01-733	EA ISOLATOR - HIGH VOLTAGE	6795-117
20	093763-01-704	EA CAPACITOR - FAN	1499-5461
21	105620-10-704	EA START COMPACITOR	1497-0861
22	105620-01-729	EA RELAY - COMPRESSOR	1460-1011
23	105620-05-700	EA BOARD - PRINTED CIRCUIT - 2 TON	6795-3201
24	105620-01-726	EA SWITCH - FREEZE	6795A3301
25	105620-10-709	EA DRAIN PAN	6636-304
26	105620-10-708	EA EVAPORATOR COIL	1452-1531
27	105620-01-724	EA MOTOR - BLOWER INSIDE AIR-REV.	1468A3129
28	105620-01-716	EA SLEEVE & GROMMET - 4 PER PKG	6795A3031
29	105620-10-703	EA INDOOR BLOWER CUTOFF	6636-288
30	105620-10-711	EA SUCTION LINE ASSY COIL #2	6636-129
31	105620-01-717	EA MOTOR - BLOWER - OUTSIDE AIR	1468A3029
32	105620-01-715	EA MOUNT - BLOWER - O.D.	6795A3011
33	105620-01-723	EA MOUNT - MOTOR - BLOWER I.D.	6795-3021
34	105620-10-702	EA BLOWER HOUSING - I.D.	6636-589
35	105620-01-721	EA WHEEL - BLOWER - I.D.	1472-1001
36	105620-01-722	EA VENTURI - BLOWER - I.D.	6795-151

INTERIOR FINISH GROUP

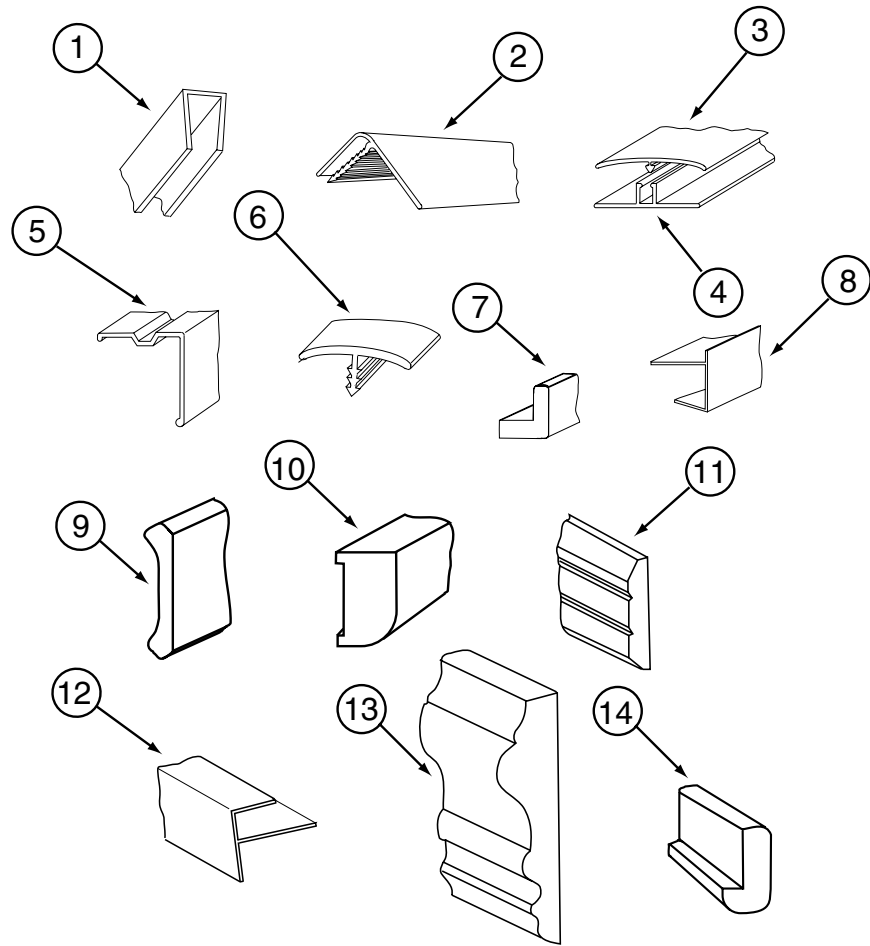
CABINET HARDWARE



KEY	PART NUMBER	U/M DESCRIPTION
1	108138-01-000	EA HINGE - CABINET DOOR - BURNISHED BRASS
2	009059-01-000	EA HINGE - DOOR - 2" X 1.4" - BRASS
2	009059-02-000	EA HINGE - DOOR - 2" X 2.7" - BRASS
3	000G13-06-10G	EA SCREW - 6-20 X 5/8 PFH - ANTIQUE BRASS
3	000G13-06-08G	EA SCREW - 6-20 X .50 PFH - ANTIQUE BRASS
4	065740-01-000	EA BRACE - CABINET/CORNER - PLASTIC
5	016604-01-000	EA BRACE - CABINET - ANGLE - 2.5" - UNPAINTED METAL
5	016604-05-000	EA BRACE - CABINET - ANGLE - 2.5" - OFF WHITE METAL
6	111866-01-02A	EA BRACE - SEAT - ANGLE - OFF WHITE
7	108126-01-000	EA TRAY HINGE SET (QTY. 2 PER SET)
8	103874-01-000	EA HANGER - SLIDING DOOR
9	098410-01-01A	EA PULL - FINGER - OVAL - BRASS
10	042356-01-000	EA PLUG - BUTTON - MAHOGANY - 3/8" DIAMETER - WOOD
11	009112-01-000	EA FLANGE - PLASTIC - 1" CLOTHES ROD - OFF WHITE
12	116975-01-01A	EA LATCH - W/O STRIKE - BLACK - NEW STYLE
	116975-02-01A	EA KEEPER/STRIKE - BLACK - NEW STYLE
13	116978-01-03B	EA GUSSET - SLIDEOUT ROOM - OFF/WHITE
14	004354-01-000	EA BUMPER - RUBBER - .5" DIA - BROWN
15	093586-06-000	EA CATCH - SPRING ROLLER
16	093586-05-000	EA STRIKE - SPRING STEEL
17	098980-01-000	EA PILASTER - ADJUSTABLE SHELF - 18"
17	098980-02-000	EA PILASTER - ADJUSTABLE SHELF - 12"
17	098980-04-000	EA PILASTER - ADJUSTABLE SHELF - 48"
17	098980-06-000	EA PILASTER - ADJUSTABLE SHELF - 24"
18	098979-01-000	EA CLIP - ADJUSTABLE SHELF
19	113202-01-000	EA PULL - CABINET - BRASS
20	074493-03-000	EA SUPPORT - PISTON SPRING - CABINET DOOR - 12 LBS
21	128811-01-01A	EA BACKSOCKET - ADJUSTABLE LEFT
22	128811-02-01A	EA BACKSOCKET - ADJUSTABLE RIGHT
23	128810-02-01A	EA SLIDE - DRAWER - 12" - RIGHT CABINET
23	128810-06-01A	EA SLIDE - DRAWER - 14" - RIGHT CABINET
23	128810-10-01A	EA SLIDE - DRAWER - 16" - RIGHT CABINET
23	128810-14-01A	EA SLIDE - DRAWER - 18" - RIGHT CABINET
23	128810-18-01A	EA SLIDE - DRAWER - 20" - RIGHT CABINET
23	128810-22-01A	EA SLIDE - DRAWER - 22" - RIGHT CABINET
23	128810-26-01A	EA SLIDE - DRAWER - 24" - RIGHT CABINET
24	128810-04-01A	EA SLIDE - DRAWER - 12" - RIGHT DRAWER
24	128810-08-01A	EA SLIDE - DRAWER - 14" - RIGHT DRAWER
24	128810-12-01A	EA SLIDE - DRAWER - 16" - RIGHT DRAWER
24	128810-16-01A	EA SLIDE - DRAWER - 18" - RIGHT DRAWER
24	128810-20-01A	EA SLIDE - DRAWER - 20" - RIGHT DRAWER
24	128810-24-01A	EA SLIDE - DRAWER - 22" - RIGHT DRAWER
24	128810-28-01A	EA SLIDE - DRAWER - 24" - RIGHT DRAWER
25	128810-03-01A	EA SLIDE - DRAWER - 12" - LEFT DRAWER
25	128810-07-01A	EA SLIDE - DRAWER - 14" - LEFT DRAWER
25	128810-11-01A	EA SLIDE - DRAWER - 16" - LEFT DRAWER
25	128810-15-01A	EA SLIDE - DRAWER - 18" - LEFT DRAWER
25	128810-19-01A	EA SLIDE - DRAWER - 20" - LEFT DRAWER
25	128810-23-01A	EA SLIDE - DRAWER - 22" - LEFT DRAWER
25	128810-27-01A	EA SLIDE - DRAWER - 24" - LEFT DRAWER
26	128810-01-01A	EA SLIDE - DRAWER - 12" - LEFT CABINET
26	128810-05-01A	EA SLIDE - DRAWER - 14" - LEFT CABINET
26	128810-09-01A	EA SLIDE - DRAWER - 16" - LEFT CABINET
26	128810-13-01A	EA SLIDE - DRAWER - 18" - LEFT CABINET
26	128810-17-01A	EA SLIDE - DRAWER - 20" - LEFT CABINET
26	128810-21-01A	EA SLIDE - DRAWER - 22" - LEFT CABINET
26	128810-25-01A	EA SLIDE - DRAWER - 24" - LEFT CABINET
27	118802-01-02A	EA HINGE - CAB DOOR - OVERHEAD - HAMPTON TAN
	023320-01-000	EA PAD - FELT 3/8" DIAMETER
	041389-25-000	EA HINGE - PIANO - 1 1/2" X 55"
	042438-01-000	EA DOWEL - WOOD - CLOTHES ROD - 1" DIAMETER X 4'
	042438-06-000	EA DOWEL - WOOD - 1.5" X 26" - OAK
	084071-08-000	EA ROD - BRASS - 9.3" LONG

INTERIOR FINISH GROUP (CONTINUED)

MOLDINGS & TRIMS



KEY	PART NUMBER	U/M DESCRIPTION
1	009778-27-000	FT U-CHANNEL - 1" - WASHED MAPLE
1	009778-18-000	FT U-CHANNEL - 1" - CHERRY-CHERRY
1	070504-50-000	FT U-CHANNEL - PLASTIC - .13" X 84" - WASHED MAPLE (WASHED MAPLE)
1	070504-51-000	FT U-CHANNEL - PLASTIC - .87" X 84" - WASHED MAPLE (WASHED MAPLE)
1	070504-30-000	FT U-CHANNEL - PLASTIC - .13" X 84" - CHERRY (SALEM CHERRY)
1	070504-31-000	FT U-CHANNEL - PLASTIC - .87" X 84" - CHERRY (SALEM CHERRY)
2	009809-31-000	EA MOLDING - CORNER - OUTSIDE - 1" X 84" - WASHED MAPLE (WASHED MAPLE)
2	009809-27-000	EA MOLDING - CORNER - OUTSIDE - 1" X 84" - CHERRY (SALEM CHERRY)
3	086229-15-000	EA BATTEN - 1" X 96" - MODERN IVORY
3	086229-20-000	EA BATTEN - 1" X 96" - BEIGE
4	086229-01-000	EA RETAINER - BATTEN - .75" X 92.3" - ANY COLOR
5	093873-01-01A	EA TRIM - CARPET - L-ANGLE 1.1" X 1.3" X 12' - GRAY VINYL
6	105709-01-000	FT MOLDING-T - 1" - MODERN IVORY
7	100818-01-08A	EA MOLDING - VINYL WRAPPED - 1.65" X .4" X 7' (WASHED MAPLE)
7	100818-01-04A	EA MOLDING - VINYL WRAPPED - 1.65" X .4" X 7' (SALEM CHERRY)
8	103186-02-08A	FT MOLDING - PLASTIC/1" U-CHANNEL W/1 3/8" FACE - WASHED MAPLE
8	103186-02-04A	FT MOLDING - PLASTIC/1" U-CHANNEL W/1 3/8" FACE - CHERRY
9	113794-01-03A	EA MOLDING - CROWN (WASHED MAPLE)
9	113794-01-02A	EA MOLDING - CROWN (SALEM CHERRY)
10	126204-F2-134	EA MOLDING - VINYL WRAPPED - WASHED MAPLE - .7" X 2.5" X 84"
11	116951-05-J60	EA MOLDING - WOOD - 3.5" X 75.7" (WASHED MAPLE)
11	116951-05-J30	EA MOLDING - WOOD - 3.5" X 75.7" (SALEM CHERRY)
12	009812-31-000	EA MOLDING - CORNER - 1/2" W/1/4" CHAN X 84" - BEIGE ILLUSION
12	009812-33-000	EA MOLDING - CORNER - 1/2" W/1/4" CHAN X 84" - WASHED MAPLE
12	009812-26-000	EA MOLDING - CORNER - 1/2" W/1/4" CHAN X 84" - CHERRY
13	125547-04-J60	EA MOLDING - CROWN - .31" (WASHED MAPLE)
13	125547-04-J30	EA MOLDING - CROWN - .31" (SALEM CHERRY)
13	125547-05-J60	EA MOLDING - CROWN - 2.57" (WASHED MAPLE)
13	125547-05-J30	EA MOLDING - CROWN - 2.57" (SALEM CHERRY)
13	125547-07-J60	EA MOLDING - CROWN - .27" (WASHED MAPLE)
13	125547-07-J30	EA MOLDING - CROWN - .27" (SALEM CHERRY)
14	116280-02-J70	EA MOLDING - CAP - WASHED MAPLE
14	116280-02-GV1	EA MOLDING - CAP - SALEM CHERRY

INTERIOR FINISH GROUP (CONTINUED)

PANELING & LUMBER

KEY	PART NUMBER	U/M DESCRIPTION
	000846-01-000	SF PLYWOOD - 5/16" X 48" X 96" - CD GRADE
	000846-02-000	SF PLYWOOD/UNDERLAYMENT - 5/16" X 48" X 96"
	000885-89-000	SF PARTICLE BOARD - 3/8" X 48" X 96" - WASHED MAPLE - 2-SIDED
	000885-74-000	SF PARTICLE BOARD - 3/8" X 48" X 98" - CHERRY/VINYL 2 SIDED
	000885-91-000	SF PARTICLE BOARD-3/4" X 48" X 96" - WASHED MAPLE - 2-SIDED
	000885-73-000	SF PARTICLE BOARD - 3/4" X 48" X 96" - CHERRY/VINYL 2 SIDED
	052372-02-000	BF LUMBER - CLASS II - 1" X 48" X RL
	074497-39-000	SF PANELING - WASHED MAPLE - 4' X 8'
	074497-23-000	SF PANELING - CHERRY - 1/8" X 48" X 96"
	076773-14-000	SF PANELING - WOODGRAINED-2 SIDED/WASHED MAPLE- 3MM X 4'X 8'
	079666-03-000	SF PANELING - CLOSET - CEDAR - .12" X 48" X 84"
	080215-13-000	SF PANELING - 2 SIDED - WASHED MAPLE - .2" X 4' X 8'
	080215-09-000	SF PANELING - 2 SIDED - CHERRY - .2" X 48" X 96"
	085217-12-000	SF COUNTERTOP - SIERRA AURORA - 1/2"
	085217-18-000	SF COUNTERTOP - SIERRA AURORA - 1/4"
	085217-22-000	SF COUNTERTOP - SIERRA AURORA - 1/2" X 36" X 144"
	088272-G1-000	SF PANELING - PEBBLE EMBOSSED - ANTIQUE WHITE - 48' X 84'
	088272-G9-000	SF PANELING - GAZEBO - PEARL (K80,K81)
	088272-H6-000	SF PANELING - ARTESIA SPRING - 48" X 96" (K82,K83)
	088272-H2-000	SF PANELING - TUSCAN MINK - 48" X 84" (K84,K85)
	088272-H9-000	SF PANELING - PEBBLE EMBOSSED - WHITE
	126205-D2-438	EA LUMBER - VINYL WRAPPED - .7" X 1.5" X 96" - WASHED MAPLE
	111134-D2-438	EA LUMBER - VINYL WRAPPED - .7" X 1.5" X 96" - CHERRY
	126205-E2-438	EA LUMBER - VINYL WRAPPED - .7" X 2" X 96" - WASHED MAPLE
	111134-E2-438	EA LUMBER - VINYL WRAPPED - .7" X 2" X 96" - CHERRY
	126205-G2-438	EA LUMBER - VINYL WRAPPED - .7" X 3" X 96" - WASHED MAPLE
	111134-G2-438	EA LUMBER - VINYL WRAPPED - .7" X 3" X 96" - CHERRY
	126205-J2-438	EA LUMBER - VINYL WRAPPED - .7" X 5.5" X 96" - WASHED MAPLE
	111134-J2-438	EA LUMBER - VINYL WRAPPED - .7" X 5.5" X 96" - CHERRY

LAMINATES & EDGE BAND

KEY	PART NUMBER	U/M DESCRIPTION
	074498-40-000	SF LAMINATE - PLASTIC - OFF WHITE - 5' X 8' - INC OF 40 SF
	074498-81-000	SF LAMINATE - PLASTIC - ALMOND JAGUARD - 5' X 8' INC OF 40SF (K80,K81,K82,K83)
	074498-72-000	SF LAMINATE - PLASTIC - PEBBLE SANTOS - 5' X 8' (K84,K85)
	076325-39-000	FT MOLDING - EDGE BAND - 1 5/16" X .030" - ALMOND (K80,K81,K82,K83)
	076325-37-000	FT MOLDING - EDGE BAND - 1 5/16" X .030" - 1136 (K84,K85)
	076325-40-000	FT MOLDING - EDGE BAND - .9" X .024" - ALMOND (K80,K81,K82,K83)
	076325-38-000	FT MOLDING - EDGE BAND - .875" X .024" - 1136 (K84,K85)
	076325-73-000	FT MOLDING - EDGE BAND - .93" X .024" - OFF WHITE

BATT STRIPS

KEY	PART NUMBER	U/M DESCRIPTION
	085284-F5-000	FT BATT TAPE - ADHESIVE BACKED - WASHED MAPLE
	085284-97-000	FT BATT TAPE - ADHESIVE BACKED - WOODGRAINED/SALEM CHERRY
	085284-E5-000	FT BATT TAPE - ADHESIVE BACKED - DECORATIVE - GAXEBO PEARL - MAIN WALL (K80,K81)
	085284-F2-000	FT BATT TAPE - ADHESIVE BACKED - DECORATIVE ARTESIA/SPRING - MAIN WALL (K82,K83)
	085284-E7-000	FT BATT TAPE - ADHESIVE BACKED - DECORATIVE/TUSCAN MINK - MAIN WALL (K84,K85)
	085284-F9-000	FT BATT TAPE - ADHESIVE BACKED - PEBBLE EMBOSSED - WET BATH
	069733-86-000	EA BATT - STRIP - WOODGRAINED/WASHED MAPLE - 8'
	069733-82-000	EA BATT STRIP - WOODGRAINED/SALEM CHERRY - 8'
	088263-F1-000	EA BATT STRIP - DECORATIVE - GAZEBO/PEARL - 8' LONG - MAIN WALL (K80,K81)
	088263-F6-000	EA BATT STRIP - DECORATIVE - ARTESIA/SPRING - 96" - MAIN WALL (K82,K83)
	088263-F2-000	EA BATT STRIP - DECORATIVE - TUSCAN MINK - 8' LENGTHS - MAIN WALL (K84,K85)
	088263-G1-000	EA BATT STRIP - DECORATIVE - PEBBLE EMBOSSED - 8' LONG

INTERIOR FINISH GROUP (CONTINUED)

FIRE EXTINGUISHER & DETECTORS

KEY	PART NUMBER	U/M DESCRIPTION	VENDOR NO.
	094499-03-000	EA EXTINGUISHER/FIRE - DRY - 10B:C - W/O BRACKET	
	094499-04-000	EA BRACKET - FIRE EXTINGUISHER	
	094499-02-000	EA EXTINGUISHER/FIRE - DRY - 1A10BC - CANADIAN	
	094499-01-700	EA BRACKET - MOUNTING - W/PLASTIC STRAP	294039
	094499-01-701	EA STRAP ONLY (METAL)	320351
	072852-01-000	EA DETECTOR - SMOKE - W/9 VOLT BATTERY - US	
	072852-02-000	EA DETECTOR - SMOKE - W/9 VOLT BATTERY - CANADIAN	
	125136-01-000	EA CO DETECTOR - GAS - ROUND W/2 SCREWS - 9 VOLT	
	103613-02-000	EA DETECTOR - LP GAS	

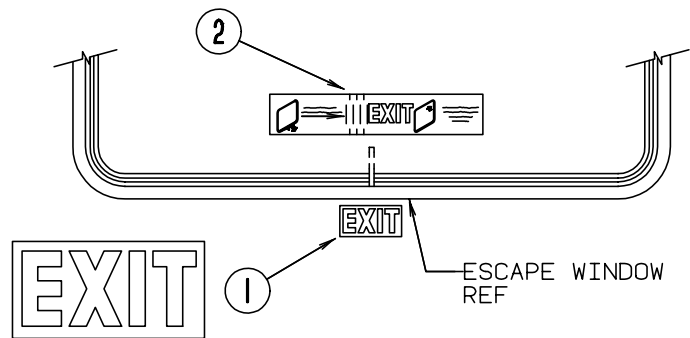
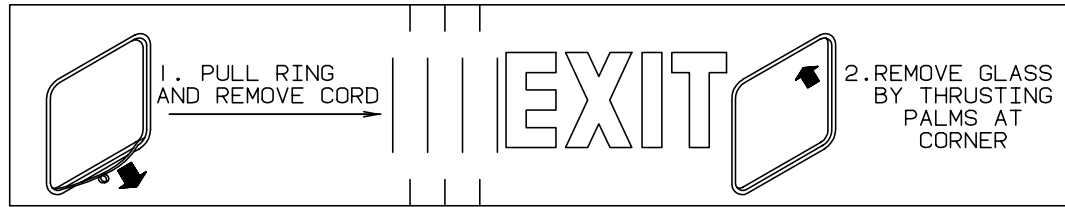
FLOOR COVERINGS

KEY	PART NUMBER	U/M DESCRIPTION
	096060-C7-000	SY CARPET - BAMBOO - INCREMENTS OF 4 SQ. YARDS (K80,K81)
	096060-D7-000	SY CARPET - EXCALIBUR - GULF MIST - INCREMENTS OF 4 SQ. YARDS (K82,K83)
	096060-D8-000	SY CARPET - EXCALIBUR - PARCHMENT - INCREMENTS OF 4 SQ. YARDS (K84,K85)
	124253-01-02A	EA VINYL - FLOOR PLANK - 3" X 12" - MAPLE
	124253-01-01A	EA VINYL - FLOOR PLANK - 3" X 12" - CHERRY
	093486-01-000	SY CARPET - COMPARTMENT - 72" WIDE - DARK GRAY
	042720-22-000	SY VINYL - FLOOR COVERING - 12' WIDE - VIS SOL

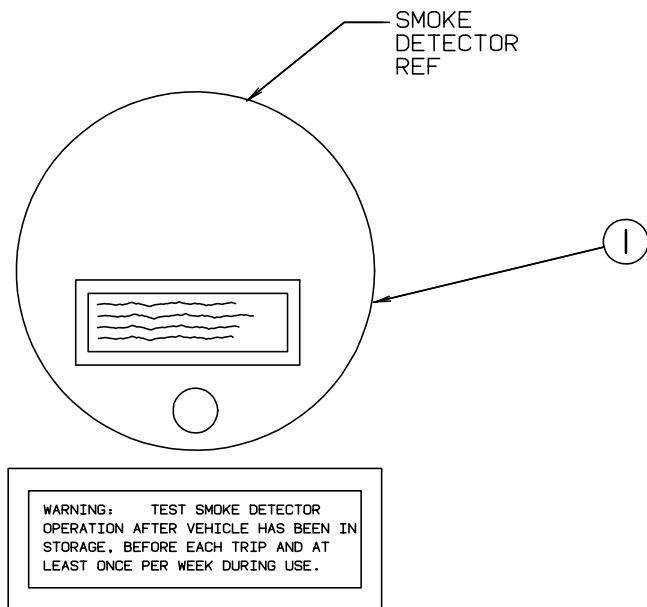
FLOOR MATS

KEY	PART NUMBER	U/M DESCRIPTION
	122755-04-01A	EA TILE - RUBBER/ENTRANCE DOOR - 17.7" X 28.5"
	108152-01-000	EA MAT - FLOOR - PASSENGER
	108152-02-000	EA MAT - FLOOR - DRIVER
	105924-04-K80	EA MAT - STEP CARPET - 28.8" X 8" (K80,K81)
	105924-04-K82	EA MAT - STEP CARPET - 28.8" X 8" (K82,K83)
	105924-04-K84	EA MAT - STEP CARPET - 28.8" X 8" (K84,K85)

LABELS GROUP

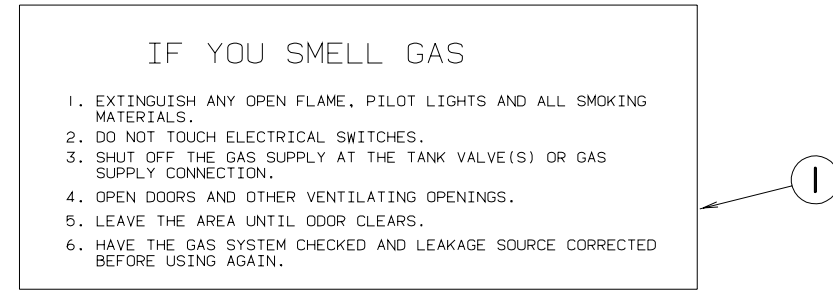


KEY	PART NUMBER	U/M DESCRIPTION
1	039290-01-000	EA LABEL - WARNING - EXIT
2	107571-01-000	EA LABEL - ESCAPE EXIT - WINDOW

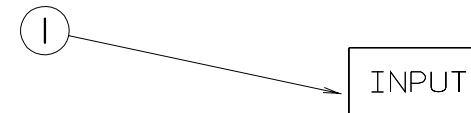


KEY	PART NUMBER	U/M DESCRIPTION
1	077956-01-000	EA LABEL - WARNING - SMOKE DETECTOR

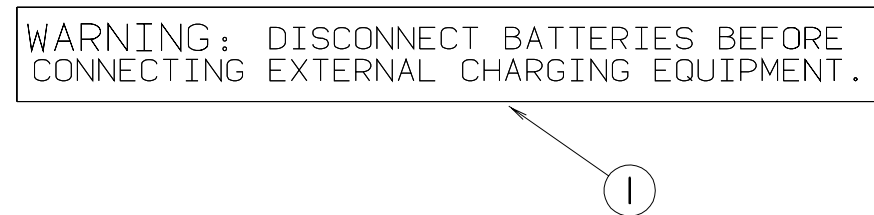
LABELS GROUP (CONTINUED)



KEY	PART NUMBER	U/M DESCRIPTION
1	073998-01-000	EA LABEL - LPG ODOR WARNING

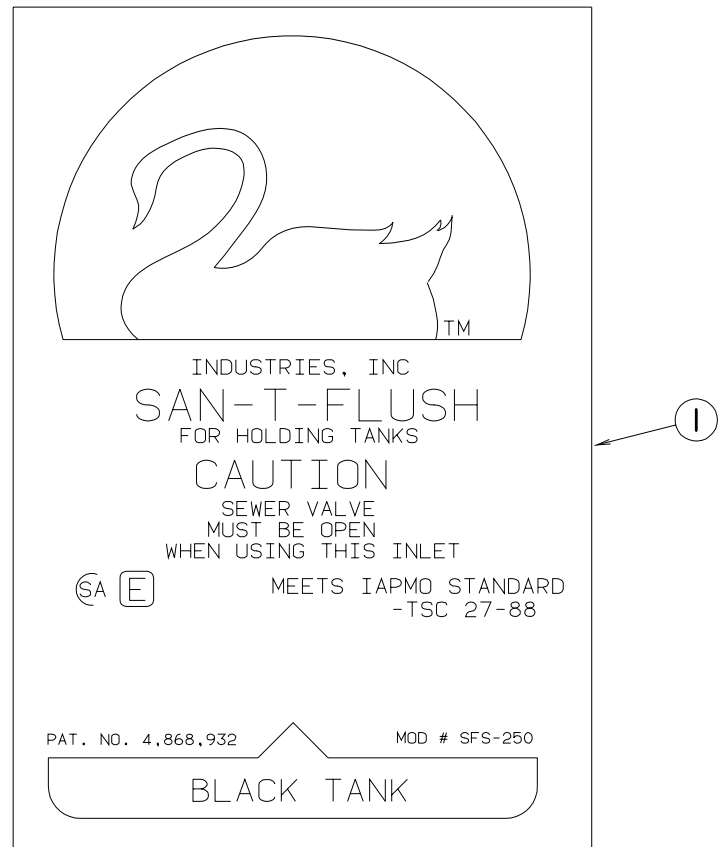


KEY	PART NUMBER	U/M DESCRIPTION
1	087236-01-000	EA LABEL - CABLE - INPUT

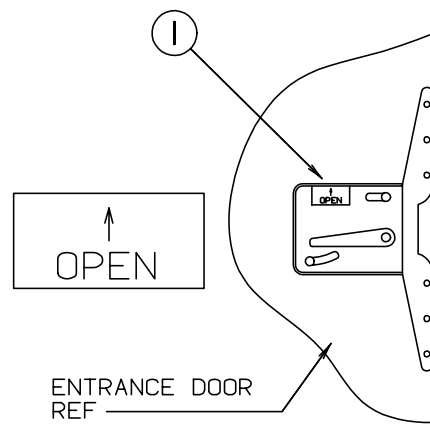


KEY	PART NUMBER	U/M DESCRIPTION
1	065748-01-000	EA LABEL - CAUTION - BATTERY CHARGING

LABELS GROUP (CONTINUED)

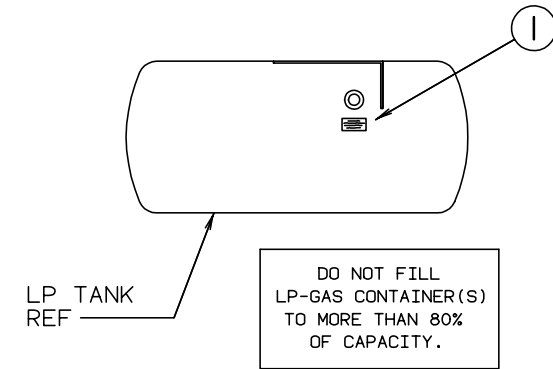


KEY PART NUMBER U/M DESCRIPTION
 1 125697-07-000 EA LABEL - CAUTION - FLUSHING SYSTEM

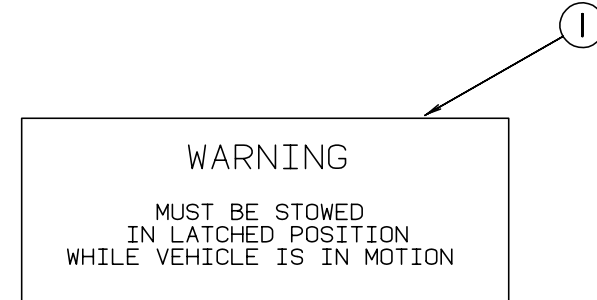


KEY PART NUMBER U/M DESCRIPTION
 1 040944-01-000 EA LABEL - ENTRANCE DOOR - "OPEN"

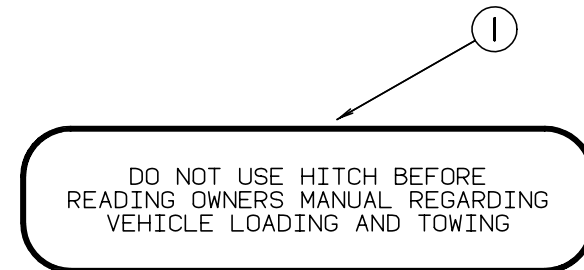
LABELS GROUP (CONTINUED)



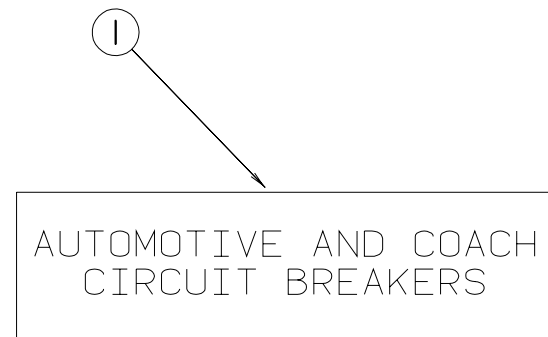
KEY PART NUMBER U/M DESCRIPTION
 1 079965-01-000 EA LABEL - LPG 80 CAPACITY



KEY PART NUMBER U/M DESCRIPTION
 1 079966-01-000 EA LABEL - WARNING - STOWED - MOTION

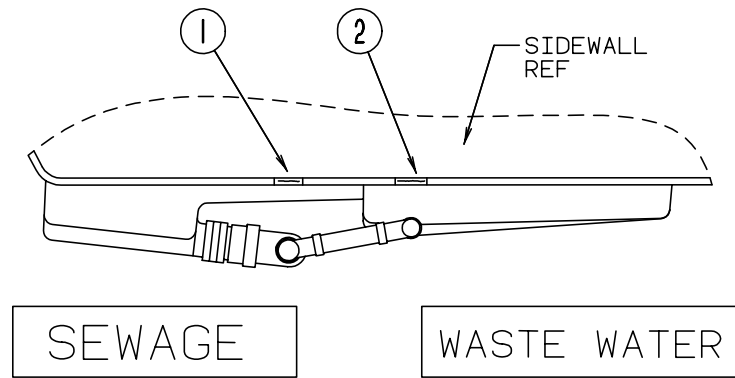


KEY PART NUMBER U/M DESCRIPTION
 1 111104-01-000 EA LABEL - HITCH - READ MANUAL



KEY PART NUMBER U/M DESCRIPTION
 1 098379-01-000 EA LABEL - FRONT BOX - CIRCUIT BREAKER

LABELS GROUP (CONTINUED)

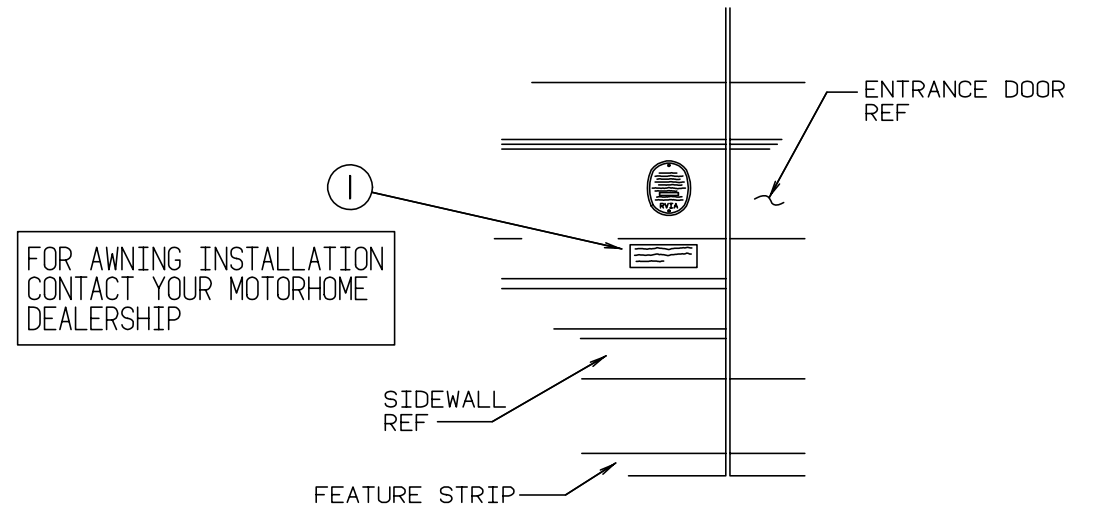


SEWAGE

WASTE WATER

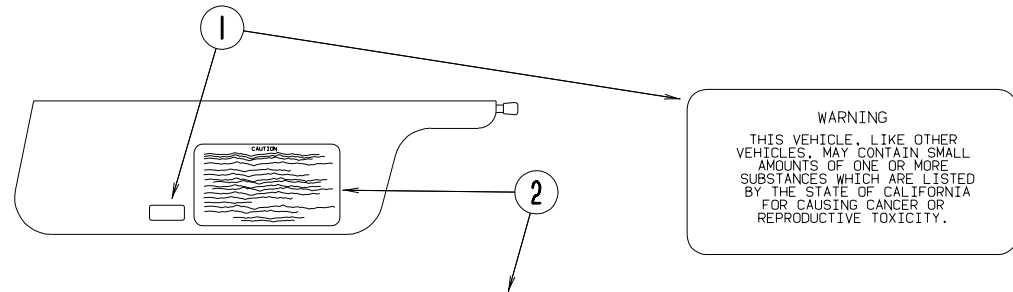
KEY	PART NUMBER	U/M DESCRIPTION
1	006187-01-000	EA LABEL - SEWAGE
2	006188-01-000	EA LABEL - WASTE WATER

LABELS GROUP (CONTINUED)



FOR AWNING INSTALLATION
CONTACT YOUR MOTORHOME
DEALERSHIP

KEY	PART NUMBER	U/M DESCRIPTION
1	099509-01-000	EA LABEL - AWNING INSTALLATION



WARNING
THIS VEHICLE, LIKE OTHER
VEHICLES, MAY CONTAIN SMALL
AMOUNTS OF ONE OR MORE
SUBSTANCES WHICH ARE LISTED
BY THE STATE OF CALIFORNIA
FOR CAUSING CANCER OR
REPRODUCTIVE TOXICITY.

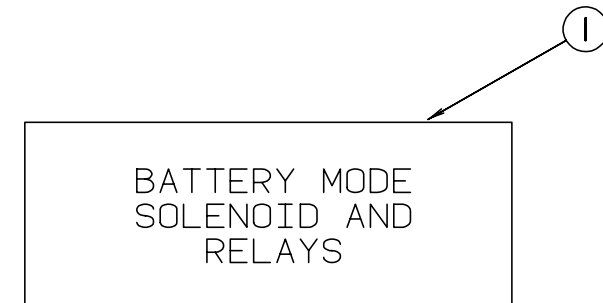
CAUTION

THIS MOTOR HOME HAS BEEN DESIGNED, MANUFACTURED AND TESTED WITH CONCERN FOR THE PROTECTION OF IT'S OCCUPANTS. WE RECOMMEND YOU PERFORM THE FOLLOWING INSPECTIONS FOR YOUR SAFETY AND THE SAFETY OF YOUR PASSENGERS BEFORE STARTING YOUR VEHICLE.

1. LP GAS SYSTEM- TURN OFF AT TANK FOR TRAVELING. TEST FOR LEAKS UPON ARRIVAL AT DESTINATION. BEFORE LIGHTING PILOTS.
2. WHEELS- INSPECT FOR DAMAGE AND CHECK LUG NUTS FOR TIGHTNESS.
3. TIRES- INSPECT FOR WEAR AND DAMAGE AND CHECK FOR RECOMMENDED AIR PRESSURE.
4. LIGHTING- TEST FOR PROPER OPERATION OF ALL INTERIOR AND EXTERIOR LIGHTS INCLUDING DASH LIGHTS, HEADLIGHTS, TAIL LIGHTS, BRAKE LIGHTS, CLEARANCE LIGHTS AND TURN SIGNALS.
5. EXITS- INSPECT RELEASE MECHANISM ON EMERGENCY EXIT WINDOW. TEST BOTH LOCKS ON MAIN ENTRANCE DOOR FOR EASE OF OPERATION AND INSTRUCT PASSENGERS HOW TO USE BOTH MEANS OF EXIT.
6. SEAT BELTS- DIRECT PASSENGERS TO DESIGNATED SEATS AND REQUIRE USE OF SEAT BELTS.
7. APPLIANCES- TURN OFF AND LATCH OR LOCK DOORS WHERE PROVIDED.
8. LOOSE PARCELS- STORE SECURELY.
9. UTILITY SUPPLY LINES- DISCONNECT ALL ELECTRIC, SEWER AND WATER LINES AND SECURE PROPERLY.
10. ENTRANCE DOOR STEP- PLACE IN RETRACTED POSITION FOR TRAVELING.

READ YOUR MOTOR HOME AND CHASSIS OWNER'S
MANUAL FOR FURTHER PRECAUTIONS

KEY	PART NUMBER	U/M DESCRIPTION
1	099689-01-000	EA LABEL - WARNING - CANCER/TOXICITY
2	056259-01-000	EA LABEL - SAFETY CHECK LIST



KEY	PART NUMBER	U/M DESCRIPTION
1	098379-04-000	EA LABEL - ELECTRICAL BOX - SIDE

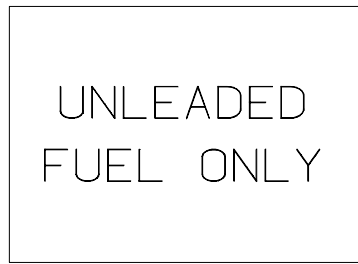
NOTE: TUNE ANTENNA PER MANUFACTURER'S DIRECTIONS. FAILURE TO COMPLY COULD RESULT IN DAMAGE TO CB.

CB POWER PROVISION

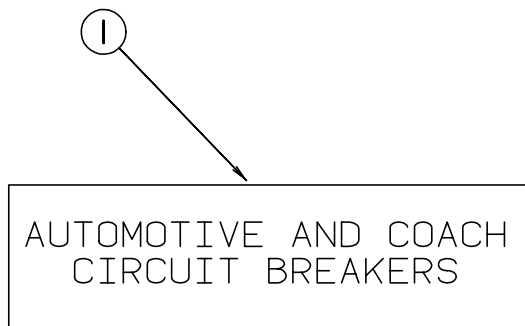
RED	+12 V
BLACK	GROUND
COAX	ANTENNA
(SEE REVERSE ALSO)	

KEY	PART NUMBER	U/M DESCRIPTION
1	104678-01-000	EA LABEL - CB PREP

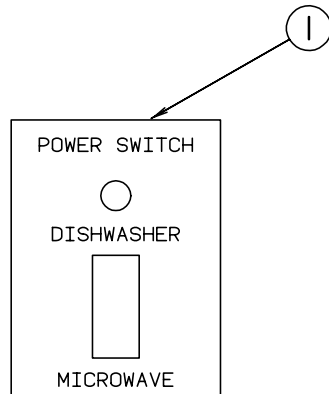
LABELS GROUP (CONTINUED)



KEY PART NUMBER U/M DESCRIPTION
 1 098641-01-000 EA LABEL - FUEL - UNLEADED - DASH

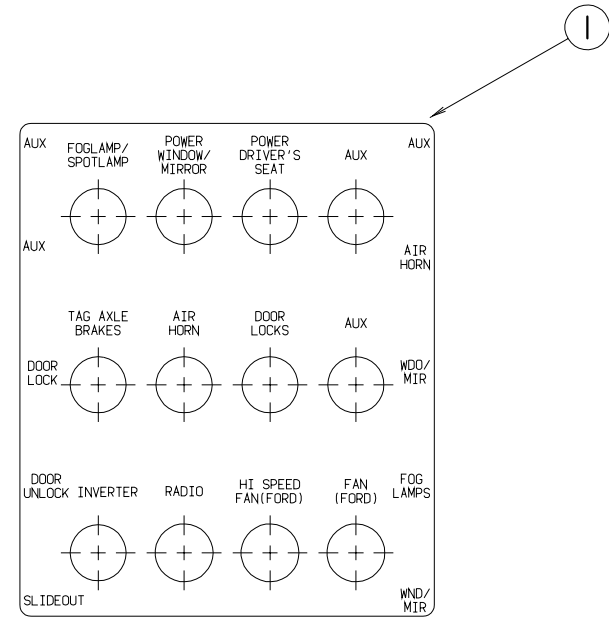


KEY PART NUMBER U/M DESCRIPTION
 1 098379-03-000 EA LABEL - ELECTRICAL BOX - FRONT

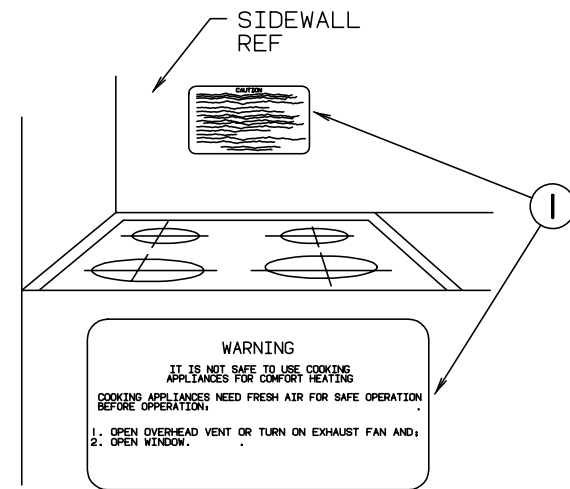


KEY PART NUMBER U/M DESCRIPTION
 1 109051-02-000 EA LABEL - SWITCH - 50A POWER (DISHWASHER)

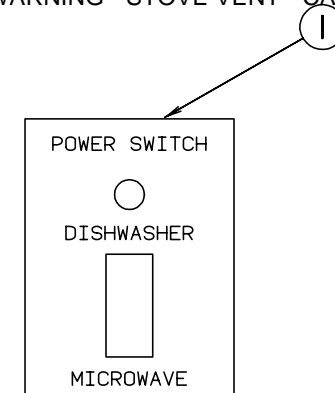
LABELS GROUP (CONTINUED)



KEY PART NUMBER U/M DESCRIPTION
 1 093236-16-000 EA LABEL - CIRCUIT BREAKER

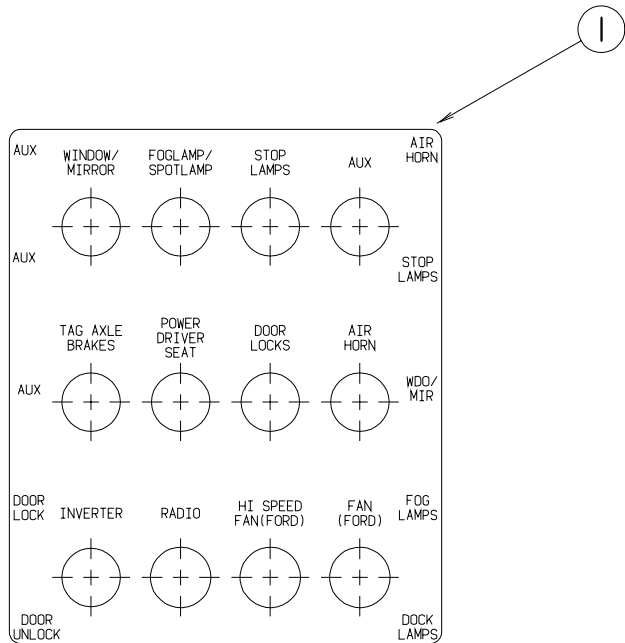


KEY PART NUMBER U/M DESCRIPTION
 1 050225-01-000 EA LABEL - WARNING - STOVE VENT - US
 1 050222-01-000 EA LABEL - WARNING - STOVE VENT - CANADIAN

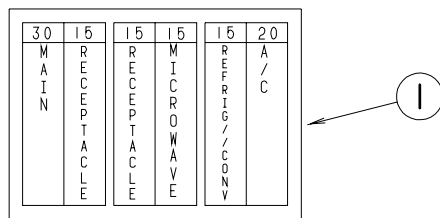


KEY PART NUMBER U/M DESCRIPTION
 1 109051-03-000 EA LABEL - SWITCH - 30AMP POWER

LABELS GROUP (CONTINUED)



KEY PART NUMBER U/M DESCRIPTION
 1 093236-14-000 EA LABEL - CIRCUIT BREAKER

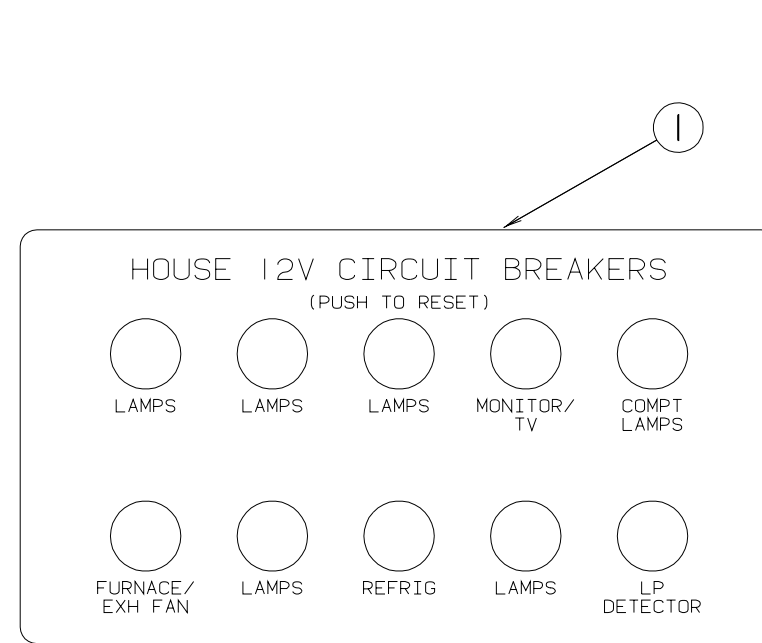


KEY PART NUMBER U/M DESCRIPTION
 1 095721-14-000 EA LABEL - CONTROL CENTER (30A)

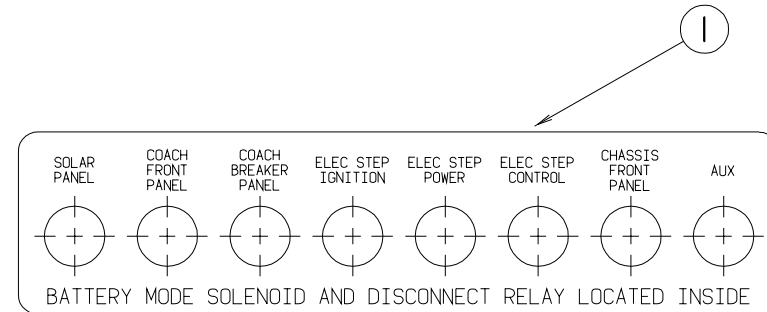
WARNING: CONTAINS "CFC" A SUBSTANCE WHICH HARMS PUBLIC HEALTH AND ENVIRONMENT BY DESTROYING OZONE IN THE UPPER ATMOSPHERE.

KEY PART NUMBER U/M DESCRIPTION
 1 111802-01-000 EA LABEL - CFC WARNING

LABELS GROUP (CONTINUED)



KEY PART NUMBER U/M DESCRIPTION
 1 092547-06-000 EA LABEL - CIRCUIT BREAKER

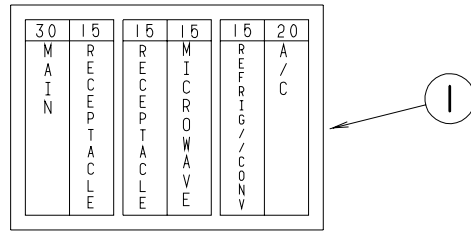


KEY PART NUMBER U/M DESCRIPTION
 1 093236-13-000 EA LABEL - CIRCUIT BREAKER

WARNING
 ALL PILOT LIGHTS, APPLIANCES AND THIER IGNITORS (SEE OPERATING INSTRUCTIONS) SHALL BE TURNED OFF DURING REFUELING OF MOTOR FUEL TANKS AND/OR LP GAS CONTAINERS

KEY PART NUMBER U/M DESCRIPTION
 1 124519-01-01A EA LABEL - WARNING/REFUELING - BLACK ON CLEAR
 1 124519-01-02A EA LABEL - WARNING/REFUELING - WHITE ON CLEAR

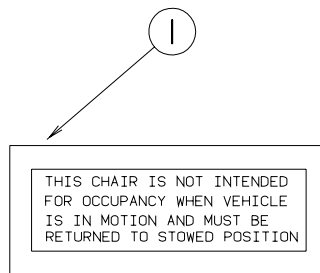
LABELS GROUP (CONTINUED)



KEY PART NUMBER U/M DESCRIPTION
 1 124520-01-02A EA LABEL - LP GAS ONLY

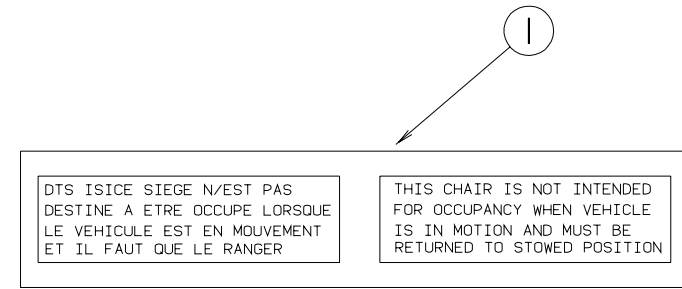
LP-GAS SYSTEM
 THIS GAS PIPING SYSTEM IS DESIGNED FOR USE OF LIQUIFIED PETROLEUM GAS ONLY. DO NOT CONNECT NATURAL GAS TO THIS SYSTEM.
 SECURE CAP INLET(S) WHEN NOT CONNECTED FOR USE AFTER TURNING ON GAS. EXCEPT AFTER NORMAL CONTAINER REPLACEMENT, TEST GAS PIPING AND CONNECTIONS TO APPLIANCES FOR LEAKAGE WITH SOAPY WATER OR BUBBLE SOLUTION. DO NOT USE PRODUCTS THAT CONTAIN AMMONIA OR CHLORINE.

KEY PART NUMBER U/M DESCRIPTION
 1 095721-10-000 EA LABEL - CONTROL CENTER (30A) CSA

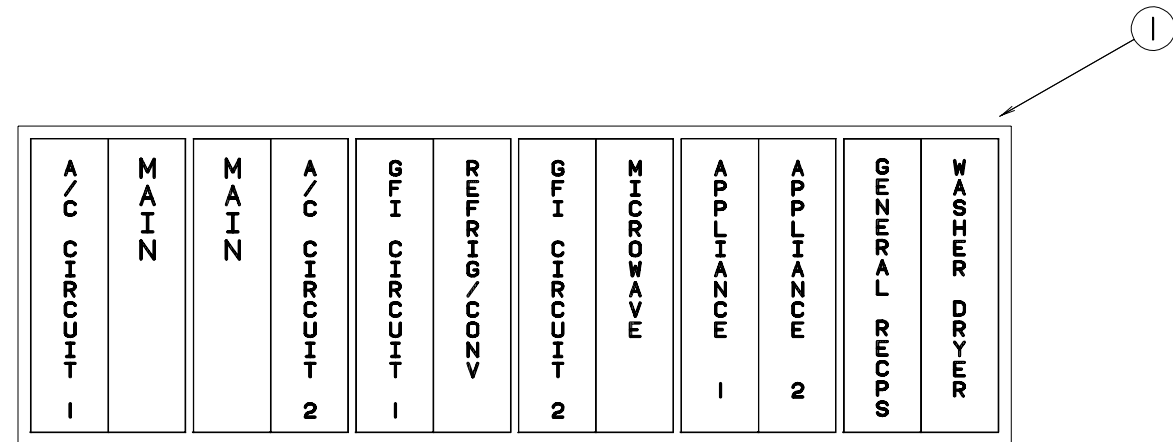


KEY PART NUMBER U/M DESCRIPTION
 1 102267-01-000 EA LABEL - NO OCCUPANCY - US

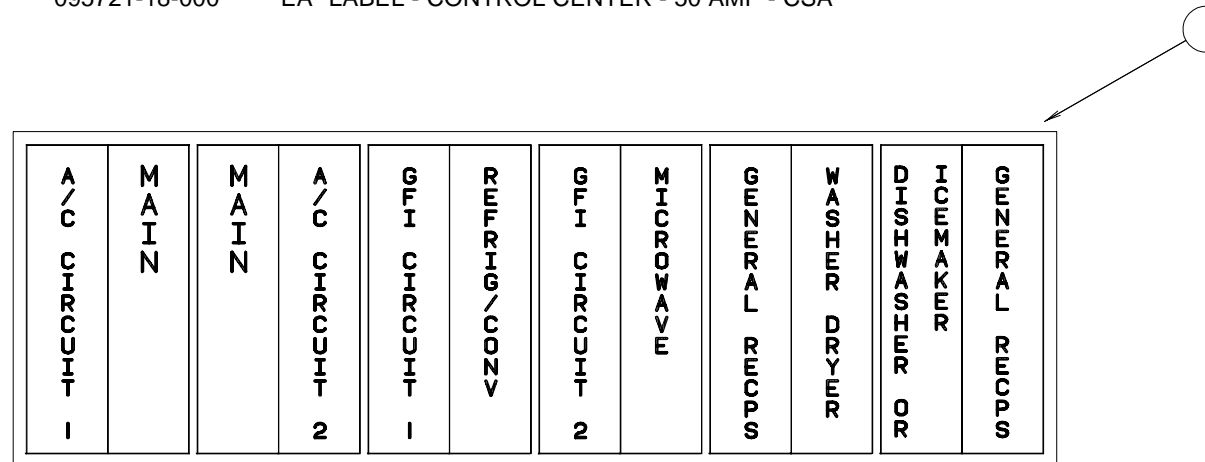
LABELS GROUP (CONTINUED)



KEY PART NUMBER U/M DESCRIPTION
 1 102267-02-000 EA LABEL - NO OCCUPANCY - CSA



KEY PART NUMBER U/M DESCRIPTION
 1 095721-18-000 EA LABEL - CONTROL CENTER - 50 AMP - CSA



KEY PART NUMBER U/M DESCRIPTION
 1 095721-17-000 EA LABEL - CONTROL CENTER - 50 AMP - US

LABELS GROUP (CONTINUED)

CAUTION	TO HELP AVOID PERSONAL INJURY DURING REMOVAL OF FUEL FILLER CAP, SLOWLY LOOSEN CAP 1/2 TURN TO ALLOW ANY FUEL PRESSURE TO BE RELIEVED BEFORE TURNING CAP FURTHER.
FUEL SPRAY MAY CAUSE PERSONAL INJURY	STOP ADDING FUEL AFTER FIRST SHUTOFF BY AUTOMATIC NOZZLE WHEN TANK IS NEARLY FULL. DO NOT OVERFILL FUEL TANK. SEE OWNERS MANUAL FOR ADDITIONAL INFORMATION. PRINTED IN U.S.A. WLC PT NO 15611763



KEY PART NUMBER U/M DESCRIPTION
1 087207-05-000 EA LABEL - FUEL CAP REMOVAL

WARNING
POTABLE WATER ONLY
SANITIZE, FLUSH, AND
DRAIN BEFORE USING.
SEE INSTRUCTION MANUAL



KEY PART NUMBER U/M DESCRIPTION
1 128725-01-02A EA LABEL - POTABLE WATER ONLY

WARNING
ROOF SURFACE MAY BE SLIPPERY
ESPECIALLY WHERE MOISTURE IS PRESENT
SLIPPING MAY RESULT IN PERSONAL INJURY.
128218-01



KEY PART NUMBER U/M DESCRIPTION
1 128218-01-01A EA LABEL - WARNING - ROOF SLIPPERY

REMOVE PRIMARY TIRE HANGER BEFORE USING
SPARE TIRE HOIST-SEE OWNERS MANUAL- PERSONAL
INJURY MAY RESULT IF NOT FOLLOWED



KEY PART NUMBER U/M DESCRIPTION
1 126024-01-01A EA LABEL - TIRE HANGER REMOVAL

LABELS GROUP (CONTINUED)



WARNING:
ALL PILOT LIGHTS AND APPLIANCES SHALL BE TURNED
OFF DURING REFUELING OF MOTOR FUEL TANKS AND/
OR PROPANE CONTAINERS.
AVERTISSEMENT :
FERMER TOUTES LES VEILLEUSES AINSI QUE TOUS LES
APPAREILS LORSQU'ON FAIT LE PLEIN DES RESERVOIRS
À CARBURANT OU À PROPANE.
124519-02

KEY PART NUMBER U/M DESCRIPTION
1 124519-02-02A EA LABEL - WARNING/REFUELING - CSA



THIS CONNECTION IS FOR
(B) VOLT AC, 60 HZ (CYCLES)
(A) AMPERE SUPPLY

DO NOT CONNECT TO
HIGHER VOLTAGE

KEY PART NUMBER U/M DESCRIPTION
1 125306-01-01A EA LABEL - ELECTRICAL ENTRANCE - 110VOLT 30AMP
FROM: 00-00-00 THRU: 07-13-97

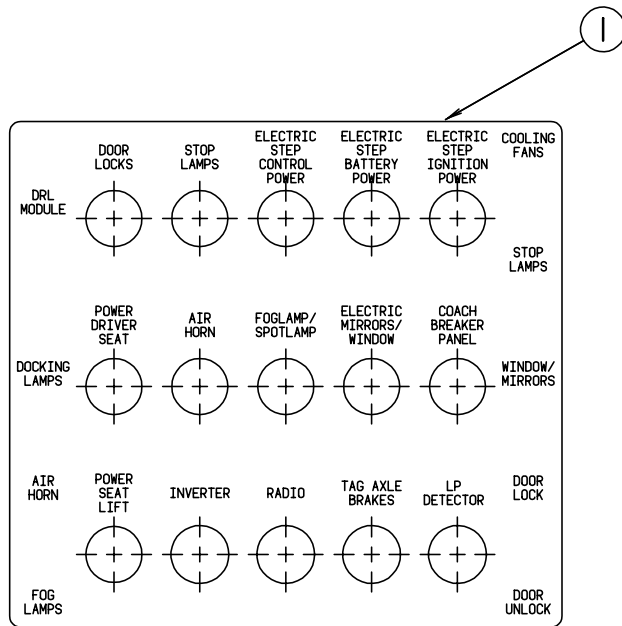


THIS CONNECTION IS FOR
(B) VOLT AC, 3-POLE, 4 WIRE
60 HZ (CYCLES), (A) AMPERE SUPPLY

DO NOT CONNECT TO
HIGHER VOLTAGE

KEY PART NUMBER U/M DESCRIPTION
1 125306-04-01A EA LABEL - ELECTRICAL ENTRANCE - 120 VOLT 240 AMP
FROM: 07-14-97 THRU: 99-99-99

LABELS GROUP (CONTINUED)

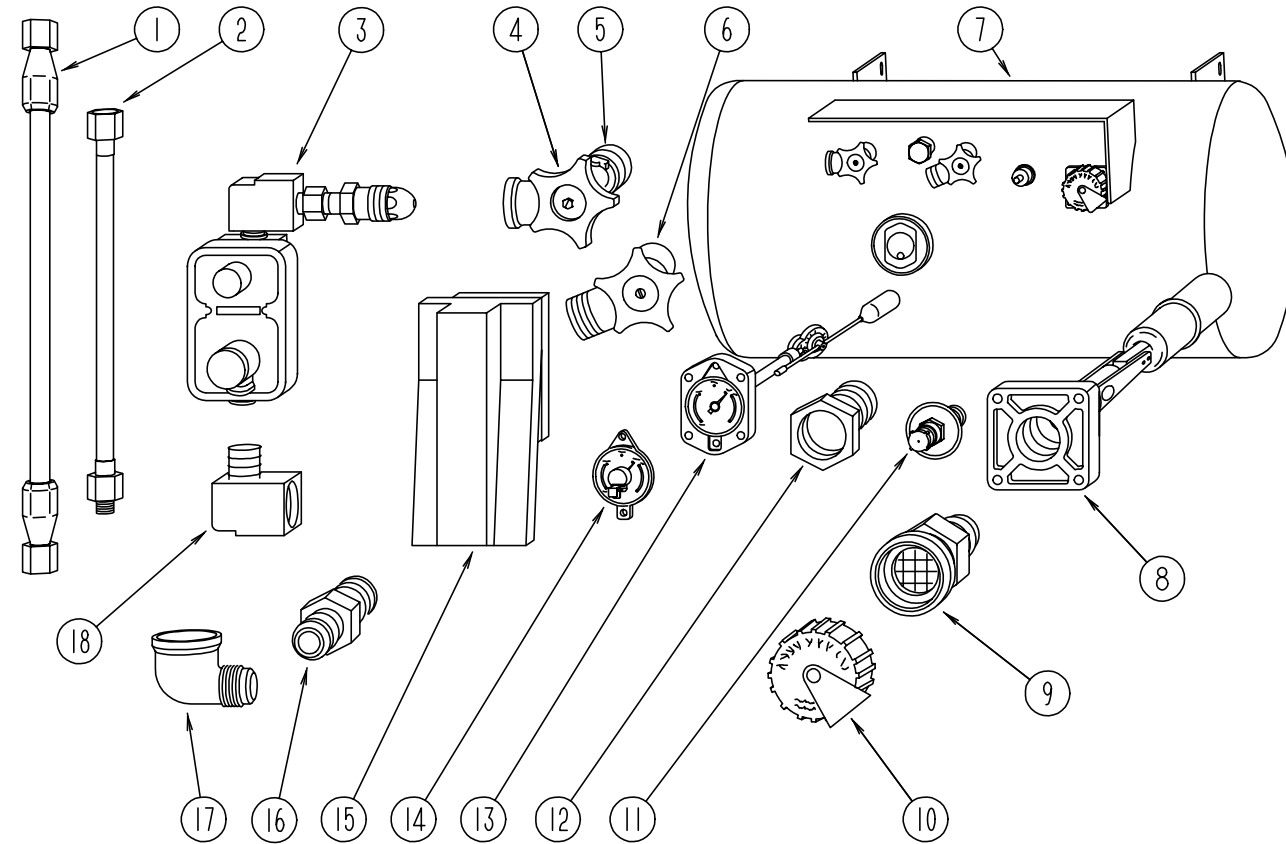


KEY	PART NUMBER	U/M DESCRIPTION
1	093236-12-000	EA LABEL - CIRCUIT BREAKER

MISCELLANEOUS LABELS

KEY	PART NUMBER	U/M DESCRIPTION
	023769-01-000	EA LABEL - WARNING - LPG - CANADIAN
	083588-01-000	EA LABEL - ON/OFF - WATER HEATER
	065748-02-000	EA LABEL - WARNING - BATTERY/FRENCH
	117629-03-000	EA LABEL - WATER PUMP/FILL
	126247-05-000	EA LABEL - HOLDING TANK - GRAY
	126248-03-000	EA LABEL - EXTERIOR SHOWER
	095721-20-000	EA LABEL - CONTROL CENTER W/INVERTOR
	111104-02-000	EA LABEL - HITCH - READ MANUAL - BLACK
	113402-02-000	EA LABEL - CAUTION - FURNACE EXHAUST
	114866-02-000	EA LABEL - PHONE & CABLE INPUT
	116549-01-000	EA LABEL - WARNING - SLIDEOUT
	126249-03-000	EA LABEL - CITY WATER FILL
	121593-02-000	EA LABEL - DRAINAGE DOOR - SLIDEOUT
	129033-01-000	EA LABEL - HANG TAG - TRAVEL LATCH - 1.5" X 3"
	128658-01-000	EA LABEL - PROP ROD - ENTRY DOOR
	129669-02-02A	EA LABEL - HITCH/VEHICLE RATE - 500 - BLACK ON CLEAR
	129669-02-01A	EA LABEL - HITCH/VEHICLE RATE - 500 - WHITE ON CLEAR
	130170-01-000	EA LABEL - SWITCH PANEL
	117628-03-000	EA LABEL - SWITCH - MONENTARY/LIGHTS/PUMP
	117629-02-000	EA LABEL - WATER PUMP/FILL
	126247-01-000	EA LABEL - GRAY HOLDING TANK
	126247-03-000	EA LABEL - GRAY HOLDING TANK
	126248-02-000	EA LABEL - EXTERIOR SHOWER
	126249-02-000	EA LABEL - CITY WATER FILL
	130670-01-01A	EA LABEL - CAUTION DRYER VENTING - BLACK ON CLEAR
	131341-01-000	EA LABEL - STOW OBJECTS - US
	131341-02-000	EA LABEL - STOW OBJECTS - CANADIAN

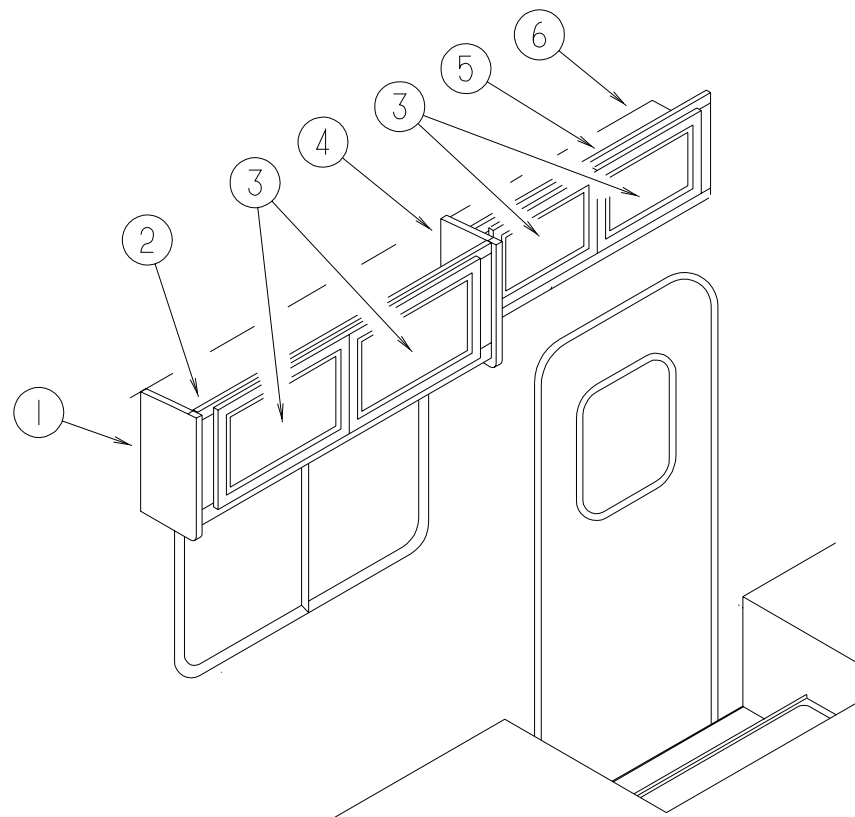
LP GROUP



BRUNNER LP TANK & COMPONENTS

KEY	PART NUMBER	U/M DESCRIPTION	VENDOR NO.
1	045703-01-000	EA HOSE - LP - 3/8"ID X 24" - 3/8"MPT X 1/2"F SWIVEL - U.S.	
1	045703-05-000	EA HOSE - LP - 3/8"ID X 28" - 3/8"MPT X 1/2"F SWIVEL - U.S.	
1	045703-15-000	EA HOSE - LP - 3/8"ID X 142" - 1/2F SWIVEL X 3/8F	
2	045703-06-000	EA HOSE - LP - 3/8"ID X 28" - 3/8"MPT X 1/2"F SWIVEL - CANADA	
2	045703-02-000	EA HOSE - LP - 3/8"ID X 24" - 3/8"MPT X 1/2"F SWIVEL - CANADA	
2	045703-14-000	EA HOSE - LP - 3/8"ID X 157.5" - 1/2"F SWIVEL X 1/2"F SWIVEL	
3	106150-01-000	EA REGULATOR - TWO STAGE	
4	040421-01-708	EA HANDWHEEL - SERVICE VALVE	G-1015-A
5	040421-01-712	EA VALVE - SERVICE - W/O VAPOR RELIEF	29000853
6	040421-01-710	EA VALVE - SERVICE - LIQUID	910145
7	088253-03-000	EA TANK - LP - 100 LB - 16" DIAMETER X 36" LONG - SPL	
8	040421-01-711	EA VALVE - 80% FILL W/AUTO STOP	LLL/TL3
9	040421-01-701	EA VALVE - FILL - SHORT - LP	75478
10	040421-01-702	EA CAP - FILL VALVE - PLASTIC	G-1014-A
11	040421-01-700	EA VALVE - LIQUID LEVEL - 20%	G-1013
12	040421-01-713	EA VALVE - RELIEF 1" W/SPRING 7"	29000587
13	088253-01-700	EA GAUGE - FLOAT ASSEMBLY - L.P.	16C
	040421-01-706	EA DIAL - VISIBLE FACE - LP TANK	MA-8 ROCHST
14	040440-02-000	EA TRANSMITTER - DIAL - 0-90 OHM - 2 TERMINAL (POWER & GROUND)	
15	105658-01-000	EA COMPARTMENT - LP REGULATOR	
16	010323-01-000	EA ADAPTER - BRASS - 3/8"F X 1/2"MPT	
17	010265-01-000	EA ELBOW - BRASS - 90 DEGREE - 3/8"F X 1/2"FPT	
18	065318-02-000	EA ELBOW - 90 DEGREE - 3/8" MPT TO 3/8" FPT	
	106846-01-000	EA VALVE - RELIEF	
	106871-01-000	EA BUSHING - 1/2 X 1/4 - BLACK	
	010377-02-000	EA NUT - BRASS - 3/8" FLARE - FORGED	
	010380-02-000	EA NUT -BRASS - 1/2" FLARE - FORGED	
	010329-01-000	EA ADAPTER - BRASS - 1/2" F X 1/2" MPT	
	010252-01-000	EA ELBOW - BRASS - 90 DEGREE - 3/8"F X 1/2"MPT	
	120867-01-02B	EA MOUNT - LP TANK	
	103613-03-000	EA DETECTOR - LP GAS - W/O SHUT-OFF VALVE	

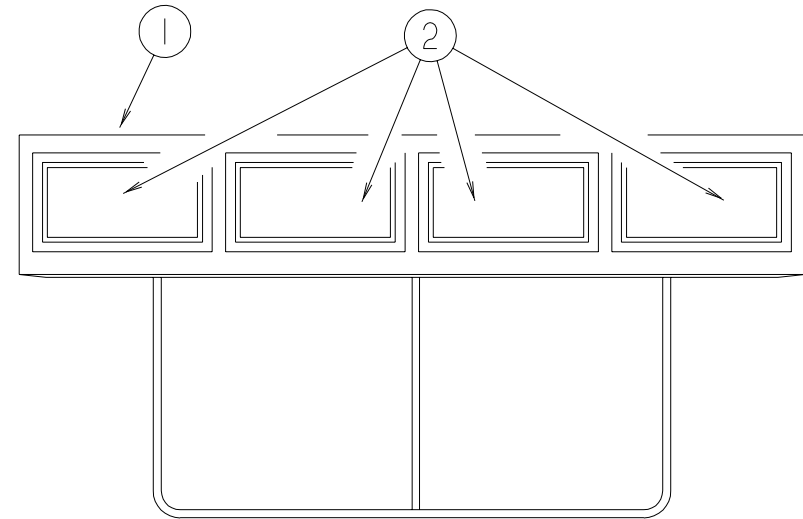
LOUNGE GROUP



PASSENGER SIDE CABINETS

KEY	PART NUMBER	U/M DESCRIPTION
1	107494-36-K80	EA END CAP - OVERHEAD CABINET - LEFT HAND (WASHED MAPLE)
1	107494-36-K81	EA END CAP - OVERHEAD CABINET - LEFT HAND (SALEM CHERRY)
2	129161-01-K80	EA CABINET - OVERHEAD/FRONT/RIGHT HAND - W/O DOORS/HARDWARE (WASHED MAPLE)
2	129161-01-K81	EA CABINET - OVERHEAD/FRONT/RIGHT HAND - W/O DOORS/HARDWARE (SALEM CHERRY)
3	M05990-36-K80	EA DOOR - ARCHED/OGEE EDGE - 14.3" X 14.3" - W/O HARDWARE (WASHED MAPLE)
3	M05990-36-K81	EA DOOR - ARCHED/OGEE EDGE - 14.3" X 14.3" - W/O HARDWARE (SALEM CHERRY)
4	107494-37-K80	EA END CAP - OVERHEAD CABINET - RIGHT HAND (WASHED MAPLE)
4	107494-37-K81	EA END CAP - OVERHEAD CABINET - RIGHT HAND (SALEM CHERRY)
5	129160-01-K80	EA CABINET - OVERHEAD/ENTRY DOOR - W/O DOORS/HARDWARE (WASHED MAPLE)
5	129160-01-K81	EA CABINET - OVERHEAD/ENTRY DOOR - W/O DOORS/HARDWARE (SALEM CHERRY)
6	129160-12-K80	EA SHELF - W/PLASTIC EDGE TRIM (WASHED MAPLE)
6	129160-12-K81	EA SHELF - W/PLASTIC EDGE TRIM (SALEM CHERRY)
	101222-01-02A	EA BRACKET - CATCH - LID - OFF WHITE

LOUNGE GROUP (CONTINUED)



DRIVER SIDE CABINETS

KEY	PART NUMBER	U/M DESCRIPTION
1	128880-01-K80	EA CABINET - OVERHEAD - FRONT/LEFT HAND - W/O DOORS/HDW (WASHED MAPLE)
1	128880-01-K81	EA CABINET - OVERHEAD - FRONT/LEFT HAND - W/O DOORS/HDW (SALEM CHERRY)
2	M05990-36-K80	EA DOOR - ARCHED/OGEE EDGE - 14.3" X 14.3" - W/O HARDWARE (WASHED MAPLE)
2	M05990-36-K81	EA DOOR - ARCHED/OGEE EDGE - 14.3" X 14.3" - W/O HARDWARE (SALEM CHERRY)

SEALANTS & FASTENERS GROUP

SEALANTS & ADHESIVES

KEY	PART NUMBER	U/M	DESCRIPTION
	004006-05-700	EA	ADHESIVE-NAT. STARCH (5 GAL) 0802
	034552-02-000	EA	SILICONE - TUBE - 300 ML - W/O NOZZLE - CLEAR ALSO ORDER P.N.#900390-03-000 NOZZLE SEPARATELY
	039518-01-000	EA	SILICONE - TUBE - 300 ML - BLACK - W/O NOZZLE ALSO ORDER P.N.#900390-03-000 NOZZLE SEPARATELY
	053766-02-000	EA	BEDDING COMPOUND - TUBE - WHITE
	120074-02-01A	EA	SEALANT - SILICONE - OFF WHITE
	120074-02-02A	EA	SEALANT - SILICONE - SOFT WHITE
	107828-01-000	EA	SEALANT - SB - 190 EVERSEAL
	900390-01-000	EA	TIP - 2 1/2" X 1/8" ORIFICE
	900390-03-000	EA	NOZZLE - SILICONE TUBE
	063642-01-000	FT	TAPE - ADHESIVE - .4" X 1.5" X 180"
	069640-01-000	FT	SEALER - RIBBON - 1/4" DIAMETER X 30' - BLACK
	069640-03-000	FT	SEALER - TAPE - .13"THICK X .75"WIDE X 60' - BLACK
	069640-09-000	FT	SEALER - TAPE - .032"THICK X 2.50"WIDE X 80' - GREY
	069640-15-000	FT	SEALER - TAPE - .06"THICK X .38"WIDE X 80' - GREY
	069640-18-000	FT	SEALER - TAPE - .50"THICK X 1/8"WIDE X 60' - BRIGHT WHITE
	069640-19-000	FT	SEALER - TAPE - .75"THICK X 1/8"WIDE X 60' - BRIGHT WHITE
	072889-09-000	EA	SEALANT - URETHANE - BLACK (TUBE)
	072889-10-000	EA	SEALANT - URETHANE (HV) - BRIGHT WHITE
	072889-11-000	EA	SEALANT - URETHANE - (TUBE) - GRAY
	072889-12-000	EA	SEALANT - URETHANE (LV) BRIGHT WHITE
	076322-01-000	FT	TAPE - DOUBLE COATED/ADHESIVE BACK - .025"THK X .75"W X 18'
	076322-02-000	FT	TAPE - DOUBLE COATED/ADHESIVE BACK - .045"THK X 1"W X 108'
	076322-03-000	FT	TAPE - DOUBLE COATED/ADHESIVE BACK - .045"THK X .50"W X 9'
	076322-05-000	FT	TAPE - DOUBLE COATED/ADHESIVE BACK - .045"THK X .75"W X 9'
	076322-05-000	FT	TAPE - DOUBLE COATED/ADHESIVE BACK - .045"THK X .75"W X 9'
	076322-06-000	FT	TAPE - DOUBLE COATED/ADHESIVE BACK - .045"THK X 1"W X 9'
	076322-07-000	FT	TAPE - DOUBLE COATED/ADHESIVE BACK - .045"THK X .50"W X 9'
	076322-11-000	FT	TAPE - DOUBLE COATED/ADHESIVE BACK - .020"THK X 1"W X 9'
	123244-01-000	FT	TAPE - DOUBLE SIDED FOAM 5/64" THICK X .75" WIDE
	123816-01-000	FT	TAPE - DOUBLE SIDED - 1"
	123816-02-000	FT	TAPE - DOUBLE SIDED - 1/2" X 35 MIL THICK
	123816-03-000	FT	TAPE - DOUBLE SIDED - 1/2" X 20 MIL THICK
	087211-01-000	GL	PROMOTER - ADHESIVE
	088479-01-000	EA	TAPE - ALUMINUM - 3"
	102352-01-000	EA	SEALER - PUMPABLE - BLACK
	102352-02-000	EA	SEALER - PUMPABLE - CLEAR
	106206-01-000	EA	SEALER - PUMPABLE - MANUS 30A - BLACK
	108353-01-000	FT	SEAL - FOAM - 5/16" X 1/2" - ADHESIVE BACKED
	108716-03-000	EA	SILICONE - TUBE - BRIGHT WHITE/SELF LEVELING - W/O NOZZLE
	112901-02-000	EA	ADHESIVE - PLEXUS - 50ML
	118085-02-01A	FT	TAPE - FOIL - 1"

SEALANTS & FASTENERS GROUP (CONTINUED)

BOLTS, NUTS, & WASHERS

KEY	PART NUMBER	U/M	DESCRIPTION
	0MC53K-12-050	EA	BOLT - HEX - M12 X 1.75 X 050
	0MC54K-14-035	EA	BOLT-HEX M14X2,00X035 10.9 - C-TECH DIN 931,10.9
	0MD74K-14-000	EA	NUT - HEX - PREVIOUS TORQUE - M14 X 2
	0MD77K-12-000	EA	NUT - HEX - PREVIOUS TORQUE- M12 X 1.75
	0ME06K-12-300	EA	WASHER - FLAT - 12 ID X 30 OD
	0ME06K-14-280	EA	WASHER - FLAT - 14 ID X 28.00 OD
	000C12-05-16B	EA	BOLT - HEX - 5/16-18 X 1 - ZINC 5
	000C12-06-20B	EA	BOLT - HEX - 3/8 - 16 X 1 1/4 - ZINC #5
	000C12-06-16B	EA	BOLT - HEX - 3/8-16 X 1 LG - ZINC 5
	000C12-08-16B	EA	BOLT - HEX - 1/2-13 X 1.00 - GD5 - ZINC
	000C12-08-24B	EA	BOLT - HEX - 1/2-13 X 1.50 - ZINC 5
	000C12-10-24B	EA	BOLT - HEX - 5/8-11 X 1.50 - ZINC 5
	000C14-06-28B	EA	BOLT - HEX - 3/8-16 X 1 3/4 - GRADE 8 - ZINC
	000C26-04-18B	EA	BOLT - HEX - SERRATED FLANGE - 1/4-20 X 1 1/8 - ZINC
	000C26-04-14B	EA	BOLT - HEX - SERRATED FLANGE - 1/4-20 X 7/8 - ZINC
	000C26-04-10B	EA	BOLT - HEX - SERRATED FLANGE - 1/4-20 X 5/8 - ZINC
	000C26-05-12B	EA	BOLT - HEX - SERRATED FLANGE - 5/16-18 X 3/4 - ZINC
	000C26-06-40B	EA	BOLT - HEX - SERRATED FLANGE - 3/8-16 X 1 3/4 - ZINC
	000C26-06-16B	EA	BOLT - HEX - SERRATED FLANGE - 3/8-16 X 1 - ZINC
	000C26-06-12B	EA	BOLT - HEX - SERRATED FLANGE - 3/8-16 X 3/4 - ZINC
	000C26-08-24B	EA	BOLT - HEX - SERRATED FLANGE - 1/2-13 X 1 1/2 ZINC
	000D24-10-00B	EA	NUT - HEX - SELF LOCKING - 10-32 ZINC
	000D29-05-00B	EA	NUT - HEX - LOCKING W/SERRATED FLANGE-NYLON WASHER INSERT
	000D34-06-00B	EA	NUT - HEX - LOCKING - 3/8-16 GRADE C - ZINC-PREVAILING
	000D39-04-00B	EA	NUT - HEX - LOCKING W/SERRATED FLANGE - 1/4-20 - ZINC
	000D39-05-00B	EA	NUT - HEX - LOCKING W/SERRATED FLANGE - 5/16-18 - ZINC
	000D39-06-00B	EA	NUT - HEX - LOCKING W/SERRATED FLANGE - 3/8-18 - ZINC
	000D39-08-00B	EA	NUT - HEX - LOCKING W/SERRATED FLANGE - 1/2-13 - ZINC
	000D46-04-00A	EA	NUT - HEX - WELD - 1/4-20 - PLAIN
	000E11-08-00B	EA	WASHER - LOCKING - 1/2 MED SPLIT - ZINC
	000E13-14-00B	EA	WASHER - FLAT - 1/4 WIDE - ZINC
	000E13-18-00B	EA	WASHER - FLAT - 3/8 WIDE - ZINC
	000E13-20-00B	EA	WASHER - FLAT - 7/16 WIDE - ZINC
	000E13-22-00B	EA	WASHER - FLAT - 1/2 WIDE - ZINC
	000E14-10-00B	EA	WASHER - LOCKING - #10 EXTERNAL TOOTH - ZINC
	040921-04-000	EA	NUT - SPEED - U TYPE - 8-.59" LENGTH X .44" WIDTH
	040921-05-000	EA	NUT - SPEED - U-TYPE - 8-.67" X .44" WIDE
	044364-02-000	EA	NUT - SPEED - FLAT - ROUND
	051387-06-000	EA	BOLT - CARRIAGE W/O HOLE - 5/16-18 X 9.5 - ZINC
	058716-02-000	EA	WASHER - FLAT NYLON
	077071-01-000	EA	WASHER - FENDER - 3/16"ID X 1" OD
	087234-01-000	EA	NUT - JACK - 1/4 X 20 THD - MOLLY MOUNTS LICENSE PLATES
	088787-12-000	EA	STUD - WELD - 1/4 - 20 X 1.0 LG - MN
	102540-02-000	EA	SEAL - SCREW
	106956-03-000	EA	BOLT - HEX TAP - 1/2-12NC X 3 - GRADE 5 - FULL THREAD/ZINC
	107397-01-000	EA	WASHER - FENDER - .25" ID X 1" OD
	108067-03-000	EA	STUD - WELD - 1/4 - 20 X 1/2 CD
	120506-01-01A	EA	RIVET - PLASTIC - 3/16 DIAMETER

SEALANTS & FASTENERS GROUP (CONTINUED)

SCREWS

KEY	PART NUMBER	U/M DESCRIPTION
	0G1108-12-170	EA SCREW - 8-18 X .75 PPH - BRIGHT WHITE
	0G1208-12-170	EA SCREW - 8-18 X .75 POH - BRIGHT WHITE
	0G3908-08-170	EA SCREW - SF/DR - 8-18 X .50 PPH - BRIGHT WHITE
	0G3908-24-170	EA SCREW - SF/DR - 8-18 X 1.50 PPH - BRIGHT WHITE
	0G3910-12-170	EA SCREW - SF/DR - 10-16 X .75 PPH - BRIGHT WHITE
	0G5508-12-110	EA SCREW - SF/DR-8-18 X .75 PWH
	0G6710-16-230	EA SCREW - 10-12 X 1 PPH
	000G11-06-10J	EA SCREW - 6-20 X 5/8 PPH - BRASS
	000G11-06-10B	EA SCREW - 6-20 X 5/8 PPH - ZINC
	000G11-06-08B	EA SCREW - 6-20 X 1/2 PPH - ZINC
	000G11-06-06B	EA SCREW - 6-20 X 3/8 PPH - ZINC
	000G11-07-08B	EA SCREW - 7-19 X 1/2 PPH - ZINC
	000G11-08-10B	EA SCREW - 8-18 X .50 PPH - ZINC
	000G11-08-08B	EA SCREW - 8-18 X 1/2 PPH - ZINC
	000G11-08-06B	EA SCREW - 8-18 X 3/8 PPH - ZINC
	000G11-08-20B	EA SCREW - 8-18 X 1 1/4 PPH - ZINC
	000G11-08-16S	EA SCREW - 8-18 X 1 PPH - OFF WHITE
	000G11-08-12P	EA SCREW - 8-18 X 3/4 PPH - DARK BROWN
	000G11-08-12P	EA SCREW - 8-18 X 3/4 PPH - DARK BROWN
	000G11-08-12D	EA SCREW - 8-18 X 3/4 PPH - BLACK
	000G11-08-12B	EA SCREW - 8-18 X 3/4 PPH - ZINC
	000G11-10-12S	EA SCREW - 10-16 X 3/4 PPH - OFF WHITE
	000G11-10-12D	EA SCREW - 10-16 X 3/4 PPH - BLACK
	000G11-10-16B	EA SCREW - 10-16 X 1 PPH - ZINC
	000G12-06-08T	EA SCREW - 6-20 X 1/2 POH - BLACK
	000G13-06-10G	EA SCREW - 6-20 X 5/8 PFH - ANTIQUE BRASS
	000G13-06-08G	EA SCREW - 6-20 X .50 PFH - ANTIQUE BRASS
	000G13-06-24J	EA SCREW - 6-20 X 1 1/2 PFH - BRASS
	000G13-06-16J	EA SCREW - 6-20 X 1 PFH - BRASS
	000G13-07-12B	EA SCREW - 7-19 X 3/4 PFH - ZINC
	000G13-08-109	EA SCREW - 8-18 X 5/8 PFH
	000G13-08-16B	EA SCREW - 8-18 X 1 PFH - ZINC
	000G18-08-22B	EA SCREW - MACHINE - 8-32 X 1 3/8 PPH - ZINC
	000G19-10-12F	EA SCREW - MACHINE - 10-32 X 3/4 PPH - STAINLESS STEEL
	000G19-10-08B	EA SCREW - MACHINE - 10-32 X 1/2 PPH - ZINC
	000G19-10-20B	EA SCREW - MACHINE - 10-32 X 1 1/2 PPH - ZINC
	000G34-05-12B	EA SCREW - HEX HEAD TAPPING - 5/16 X 3/4 LONG
	000G39-06-10T	EA SCREW - SF/DR - 6-20 X 5/8 PPH - BLACK
	000G39-06-10T	EA SCREW - SF/DR - 6-20 X 5/8 PPH - BLACK
	000G39-08-32B	EA SCREW - SF/DR - 8-18 X 2 PPH - ZINC
	000G39-08-24T	EA SCREW - SF/DR - 8-18 X 1.50 PPH - BLACK
	000G39-08-24B	EA SCREW - SF/DR - 8-18 X 1 1/2 PPH - ZINC
	000G39-08-16T	EA SCREW - SF/DR - 6-20 X 1 PPH - BLACK
	000G39-08-16R	EA SCREW - SF/DR - 8-18 X 1 PPH - BEIGE
	000G39-08-16B	EA SCREW - SF/DR - 8-18 X 1 PPH - ZINC
	000G39-08-12T	EA SCREW - SF/DR - 8-18 X 3/4 PPH - BLACK
	000G39-08-12B	EA SCREW - SF/DR - 8-18 X 3/4 PPH - ZINC
	000G39-08-08T	EA SCREW - SF/DR - 8-18 X 1/2 PPH - BLACK
	000G39-08-08S	EA SCREW - SF/DR - 8-18 X 1/2 PPH - OFF WHITE
	000G39-08-08B	EA SCREW - SF/DR - 8-18 X 1/2 PPH - ZINC
	000G39-08-06B	EA SCREW - SF/DR - 8-18 X 3/8 PPH - ZINC
	000G39-10-08B	EA SCREW - SF/DR - 10-16 X 1/2 PPH - ZINC
	000G39-10-129	EA SCREW - SF/DR - 10-16 X 3/4 PPH - FLUOROCARBON SILVER
	000G39-10-12D	EA SCREW - SF/DR - 10-16 X 3/4 PPH - BLACK
	000G39-10-12B	EA SCREW - SF/DR - 10-16 X 3/4 PPH - ZINC
	000G39-10-10B	EA SCREW - SF/DR - 10-16 X 5/8 - ZINC
	000G39-10-40D	EA SCREW - SF/DR - 10-16 X 2 1/2 PPH - BLACK

SEALANTS & FASTENERS GROUP (CONTINUED)

SCREWS (CONTINUED)

KEY	PART NUMBER	U/M DESCRIPTION
	000G39-10-32B	EA SCREW - SF/DR - 10-16 X 2 - PPH - ZINC
	000G39-10-20B	EA SCREW - SF/DR - 10-16 X 1 1/4 PPH - ZINC
	000G42-04-12B	EA SCREW - SF/DR - 1/4-14 X 3/4 HWH - ZINC
	000G42-04-16B	EA SCREW - SF/DR - 1/4-14 X 1 HWH - ZINC
	000G50-04-12B	EA SCREW - MACHINE - 1/4-20 X 3/4 PPH - ZINC
	000G51-08-08B	EA SCREW - 8-18 X 1/2 PTH - ZINC
	000G52-08-18B	EA SCREW - MACHINE - 8-32 X 1 1/8 PTH - ZINC
	000G54-04-20B	EA SCREW - 1/4-20 X 1.25 PTH - TYPE 23 - ZINC PLATED
	000G55-08-12S	EA SCREW - SF/DR - 8-18 X 3/4 PWH - OFF WHITE
	000G56-12-48B	EA SCREW - WOOD - 12-11 X 3 POH - SPECIAL HARDENED
	000G57-05-16J	EA SCREW - 5-20 X 1 PFH - BRASS
	000G67-08-32B	EA SCREW - 8-15 X 2 PPH - ZINC
	000G67-10-08B	EA SCREW - 10-12 X 1/2 PPH - ZINC
	000G67-10-36T	EA SCREW - 10-12 X 2 1/4 - PPH - BLACK
	000G67-10-24B	EA SCREW - 10-12 X 1 1/2 PPH - ZINC
	000G67-10-20D	EA SCREW - 10-12 X 1.25 PPH - BLACK
	000G67-10-16B	EA SCREW - 10-12 X 1 PPH - ZINC
	000G67-10-12B	EA SCREW - 10-12 X 3/4 PPH - ZINC
	000G67-10-10D	EA SCREW - 10-12 X 5/8 PPH - BLACK - TYPE A
	000G67-10-10B	EA SCREW - 10-12 X 5/8 PPH - ZINC - TYPE A
	000G68-06-10G	EA SCREW - 6-18 X 5/8 POH - ANTIQUE BRASS
	000G68-06-12S	EA SCREW - 6-18 X 3/4 POH
	000G68-10-20I	EA SCREW - 10-12 X 1 1/4 POH - BLACK
	049465-03-000	EA SCREW - 10-16 X 1 POH W/WASHER - OFF WHITE
	049465-17-000	EA SCREW - 10-16 X 1 POH W/WASHER - BRIGHT WHITE
	054434-02-000	EA SCREW - SF/DR - 10-16 X 2 - ZINC
	057671-11-000	EA COVER - SCREW - HAMPTON TAN - #8
	057671-15-000	EA COVER - SCREW - BRIGHT WHITE
	075908-01-000	EA SCREW - MACHINE - 10-32 X .56 PTH - EXTERNAL TOOTH - ZINC
	076790-01-000	EA SCREW - 6-20 X 1 1/4 PPH - BLACK
	086256-01-000	EA SCREW - SF/DR - 8 X 3/4 HWH LONG
	101618-01-000	EA SCREW - 1/4-20 X 3/4 HEX - TAPPING - STALGARD TYPE F
	109152-03-000	EA SCREW - 3/8-16 X 2 - FLAT SOC - STAINLESS STEEL - BLACK
	112782-08-01A	EA SCREW - MOUNTING/PLATE - ZINC
	129967-01-01A	EA SCREW - MACHINE - 8-32 X 3/4 PH STAINLESS STEEL
	130245-01-01A	EA SCREW - EUROPEAN M6.3 X 10

SEALANTS & FASTENERS GROUP (CONTINUED)

CLAMPS, CLIPS, & GROMMETS

KEY	PART NUMBER	U/M DESCRIPTION
	000H14-04-04A	EA RIVET - MANDREL BLIND - 1/8 X .400
	000H16-04-06R	EA RIVET - POP ALUMINUM - 1/8 X .313 - .375
	000H16-06-10R	EA RIVET - POP ALUMINUM - 3/16 X .501-.625
	007161-01-000	EA CLAMP - HOSE - SPRING TYPE - 1/2"
	008384-01-000	EA GROMMET - SNAP - 3/4 DIAMETER - NYLON
	010495-01-000	EA CLAMP - CABLE - 9/16"
	010495-02-000	EA CLAMP - CABLE - 3/8
	010497-01-000	EA CLAMP - CLOSED - 5/8" ID
	010497-03-000	EA CLAMP - CLOSED - 1" ID - CUSHIONED
	010497-08-000	EA CLAMP - CLOSED - .125"
	010499-01-000	EA CLAMP - CLOSED - 3/8 ID
	016188-03-000	EA GROMMET - L/P LINE - 3/8" HOLE X 2 1/2" LONG - RUBBER
	016188-05-000	EA GROMMET - L/P LINE - 3/8" HOLE X 1 1/4" LONG - RUBBER
	023942-01-000	EA GROMMET - RUBBER - 2" OD
	062401-01-000	EA CLAMP - HOSE - WORMGEAR - .25" - 1"
	062401-02-000	EA CLAMP - HOSE - WORMGEAR - 1.56" - 2.5"
	062401-03-000	EA CLAMP - HOSE - WORMGEAR - .22" - 1"
	062401-04-000	EA CLAMP - HOSE - WORMGEAR - .69" - 1.25"
	062401-05-000	EA CLAMP - HOSE - WORMGEAR - 2" TO 3" ID
	062401-06-000	EA CLAMP - HOSE - WORMGEAR - .22" - .62" ID
	062401-09-000	EA CLAMP - HOSE - WORMGEAR - 2.8" - 3.75"
	071015-21-000	EA GROMMET - RUBBER - 1/2 ID X 1.06 OD - W/.19 GROOVE - BLACK
	071015-29-000	EA GROMMET - RUBBER - .25 ID X 1.25 OD W .12 GROOVE - BLK
	075148-02-000	EA CLAMP - GROUNDING - BRONZE SCREWS
	083609-01-000	EA CLAMP - WIRE - DUAL - EQUAL DIAMETERS - 5/8"
	083610-01-000	EA CLAMP - WIRE - DUAL - UNEQUAL DIAMETERS - 3/4" & 1 1/4"
	083610-02-000	EA CLAMP - WIRE - DUAL - UNEQUAL DIAMETERS - 3/4" & 2"
	083610-03-000	EA CLAMP - DUAL WIRE
	088756-01-000	EA GROMMET - WEB - 1 1/8 " I.D.
	091952-01-000	EA CLIP - GRIPPER - 1"
	091952-02-000	EA CLIP - GRIPPER - 3/4"
	114208-01-000	EA GROMMET - EDGE LINER - FITS 1 3/4"
	114208-05-000	EA GROMMET - EDGE LINER - FITS 2"

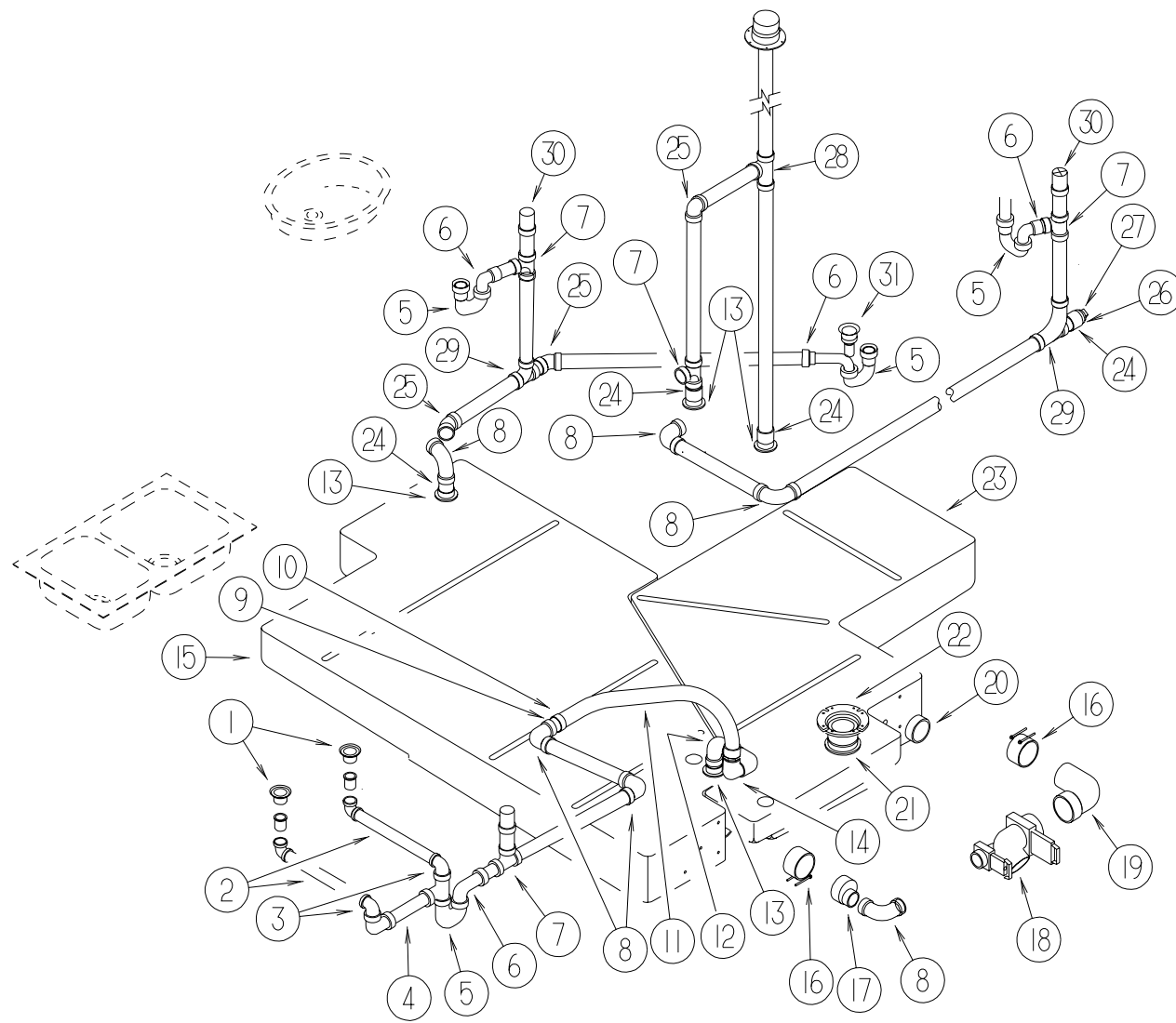
SEALANTS & FASTENERS GROUP (CONTINUED)

TIES & FASTENERS

KEY	PART NUMBER	U/M DESCRIPTION
	008343-01-000	EA TIE - WIRE - 6"
	008343-02-000	EA TIE - WIRE - 14"
	008343-03-000	EA TIE - WIRE - 7 1/2" - BLACK
	081211-03-000	EA PLUG - PLASTIC - .50 DIAMETER - BLACK
	085774-01-000	FT FASTENER - DUAL HOOK - 1" WIDE - ADHESIVE BACK - BLACK USE WITH #08577402000 DUAL HOOK TAPE
	085774-02-000	FT FASTENER - DUAL HOOK - 1" WIDE - ADHESIVE BACK - BLACK USE WITH #08577401000 DUAL LOCK TAPE
	085774-03-000	FT FASTENER - DUAL HOOK - 1/2" WIDE - ADHESIVE BACK - BLACK
	085774-04-000	FT FASTENER - DUAL HOOK - 1/2" WIDE - ADHESIVE BACK - BLACK
	088792-02-000	YD VELCRO TAPE - LOOP - 3/4" - ADHESIVE BACKED - BEIGE
	108046-01-000	EA CABLE TIE - SCREW MOUNT 8"
	110943-02-000	FT FELTSTRIP - 3/8" - ADHESIVE BACK - WHITE

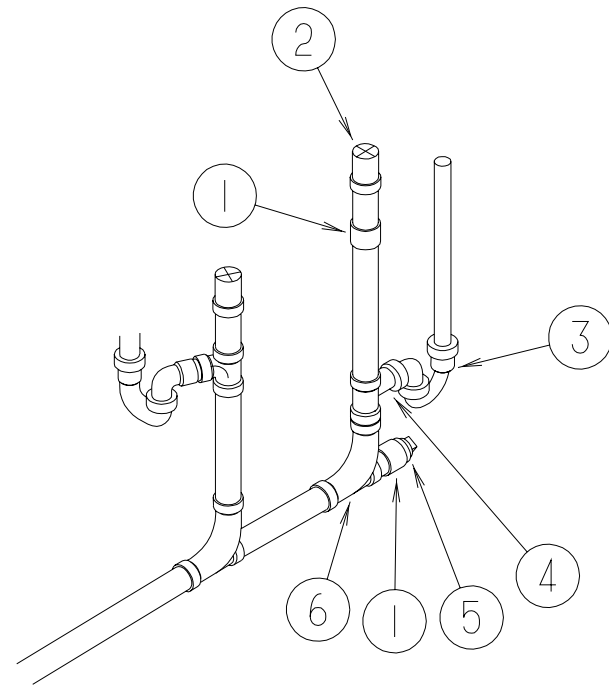
WATER & SEWAGE GROUP

DRAINAGE SYSTEM



KEY	PART NUMBER	U/M DESCRIPTION	VENDOR NO.
1	092303-01-000	EA STRAINER - SINK	
1	127440-02-01A	EA WASHER - RUBBER - 1.8" X .1"	
2	126588-02-000	EA ARM - WASTE - 1 1/2 X 20 - FEMALE	
3	125569-01-000	EA ELBOW - 1 1/2" X 90 DEGREE - DOUBLE SLIP	
4	011091-02-000	EA WASTE - CONTINUOUS - DOUBLE SINK	
5	107538-01-000	EA P TRAP - PLASTIC - 1 1/4" W/EXTENSION ARM	
5	011071-01-000	EA P-TRAP - PLASTIC - 1 1/2" - CSA	
6	109571-01-000	EA ADAPTER - P TRAP - 1 1/2"P X 1 1/4"MPT	
7	010071-01-000	EA TEE - SANITARY - 1 1/2" HUB X HUB X HUB - PLASTIC	
8	010008-01-000	EA ELBOW - 90 DEGREE - 1 1/2" HUB X HUB - PLASTIC	
9	126425-02-000	EA ADAPTER - SWIVEL - 1 1/2 FPT X SPIGOT	
10	126424-01-000	EA ADAPTER - 1 1/2" MPT X 1 1/2" HUB	
11	126426-01-000	FT PIPE - 1 1/2" FLEXIBLE	
	126427-01-000	EA ADHESIVE - ALL PURPOSE - ABS/PVC	
	126427-02-000	EA PRIMER - CLEANER - FLEX PIPING	
12	034250-01-000	EA ELBOW - 90 DEGREE - LONG TURN - 1 1/2" HUB X HUB - ABS	
13	061607-01-000	EA GROMMET - HOLDING TANK - 1 1/2" NPS	
14	129488-01-000	EA KIT - SWIVEL ELBOW ASSEMBLY - 1 1/2"	
15	128561-01-000	EA TANK - HOLDING	
16	078406-01-000	EA COUPLER - RUBBER - W/CLAMPS - 3" X 3"	
17	062422-01-000	EA ADAPTER - OFFSET REDUCER - 3" X 1 1/2" - PLASTIC	
18	070916-01-000	EA VALVE - DUAL DUMP - W/CAP - 3" X 1 1/2"	
	070916-01-700	EA VALVE ONLY (WASTE) 3"	T1003BU
	070916-01-701	EA VALVE ONLY (WASTE) 1 1/2"	T1001BU
	010201-01-000	EA HOSE - SEWER - 3" ID X 8'	
	062416-01-000	EA ADAPTER - SEWER HOSE TO 3" PIPE	
19	041956-01-000	EA ELBOW - STREET - 1/4" BARB X 90 DEGREE X 3 XLT	
20	010129-03-000	EA NIPPLE - PLASTIC - 3" X 3" TOE	
21	061607-02-000	EA GROMMET - HOLDING TANK - 3" NPS	
22	116644-01-000	EA FLANGE - CLOSET - 4" X 3"	
23	128562-01-700	EA TANK - HOLDING - 128 GAL - 3"NIPPLE	
24	010115-01-000	EA COUPLING - 1 1/2" HUB X HUB - PLASTIC	
25	010006-01-000	EA ELBOW - 45 DEGREE - 1 1/2" HUB X HUB - PLASTIC	
26	010122-01-000	EA BUSHING - REDUCER - 1 1/2 SMTH X 1 1/4 THD - BLACK PLASTIC	
27	010166-01-000	EA PLUG - THREADED - 1 1/4" DIAMETER - PLASTIC - BLACK	
28	010073-01-000	EA WYE - 45 DEGREE - 1 1/2" HUB X HUB X HUB - PLASTIC	
29	031365-02-000	EA TEE - PLASTIC - 1 1/2" EXT LG TURN	
30	079968-01-000	EA VENT - MECHANICAL/TRAP ARM - ANTI-SIPHON - 2" X 7.3" PLASTIC	
31	120981-01-01A	EA DRAIN - BATH/SHOWER W/SPRING LOADED PLUNGER - BRASS	
31	127440-02-01A	EA WASHER - RUBBER - 1.8" X .1"	
31	066729-01-000	EA STRAINER - TUB/SHOWER W/PLUG - CHROME	

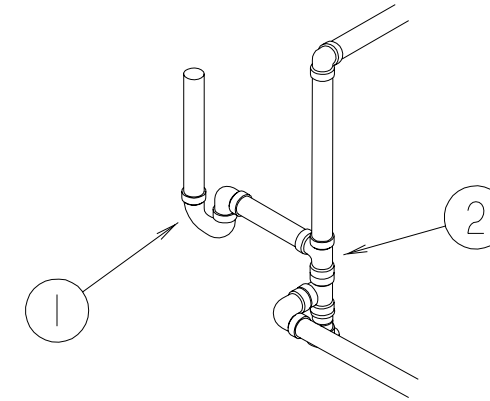
WATER & SEWAGE GROUP (CONTINUED)



WASHER/DRYER

KEY	PART NUMBER	U/M DESCRIPTION
	107753-03-01A	EA WASHER - DRYER - WHITE - VENTED - CSA
1	010115-01-000	EA COUPLING - 1 1/2" HUB X HUB - PLASTIC
2	079968-01-000	EA VENT - MECHANICAL/TRAP ARM - ANTI-SIPHON - 2" X 7.3" PLASTIC
3	107538-01-000	EA P TRAP - PLASTIC - 1 1/4" W/EXTENSION ARM
3	011071-01-000	EA P-TRAP - PLASTIC - 1 1/2" - CSA
4	109571-01-000	EA ADAPTER - P TRAP - 1 1/2"P X 1 1/4"MPT
5	010166-01-000	EA PLUG - THREADED - 1 1/4" DIAMETER - PLASTIC - BLACK
6	031365-02-000	EA TEE - PLASTIC - 1 1/2" EXT LG TURN
	113795-01-02B	EA BRACKET - WASHER - RH
	113795-02-02B	EA BRACKET - WASHER - LH
	111913-01-01A	EA BRACKET - WASHER - TIE DOWN
	098419-01-000	EA FAUCET - WASHER - 90 DEGREE
	111842-01-01A	EA BRACKET - FAUCET - WASHER

WATER & SEWAGE GROUP (CONTINUED)



DISHWASHER

KEY	PART NUMBER	U/M DESCRIPTION
	107752-03-01A	EA DISHWASHER 18" BLACK
1	037763-01-000	EA P-TRAP - PLASTIC - 1 1/2 HXH W/UNION
2	010071-01-000	EA TEE - SANITARY - 1 1/2" HUB X HUB X HUB - PLASTIC

WINTERIZATION KIT

KEY	PART NUMBER	U/M DESCRIPTION
	118569-01-000	EA WINTERIZATION SYSTEM
	118569-01-700	EA VALVE/SOLENOID-ELECT CONTROL
	118569-01-701	EA SWITCH - ELECTRIC
	118569-01-702	EA PLATE - SWITCH
	118569-02-700	EA TANK - 2 GALLON
	118569-01-704	EA PLUG - 3/4 MPT
	118569-01-705	EA PLUG - 1/2 MPT
	118569-01-706	EA SCREEN - WHITE

WATER & SEWAGE GROUP (CONTINUED)

FRESH WATER TANK

KEY	PART NUMBER	U/M DESCRIPTION
	129043-01-000	EA WATER TANK
	129043-02-000	EA WATER TANK - W/FITTINGS
	129044-01-000	EA WATER TANK - W/O FITTINGS
	129044-02-000	EA WATER TANK - W/FITTINGS
	129044-03-000	EA WATER TANK - W/FITTINGS
	039861-01-000	EA SENDING UNIT - W/SCREW - WASHER - WELL NUT/TERMINAL RING
	044927-01-000	EA ADAPTER - HOSE TO PIPE - 1 1/4 MPT X 1 1/4 BARB - BLK PLS
	077954-02-000	EA FILTER - WATER TANK - W/SCREEN IN TANK
	079381-01-000	FT TUBING - SMOOTH FLEXIBLE - 1 3/8 ID X 20'
	114429-02-000	EA ELBOW - 1/2"P X 1/2"MPT
	042989-03-000	EA FITTING - WATER TANK - SPINWELD - 1 1/4"NPT - PLASTIC
	042989-05-000	EA FITTING - WATER TANK - SPINWELD - 1/2"FPT - PLASTIC
	049032-01-000	EA PATCH - SPINWELD - 3/8" - PLASTIC

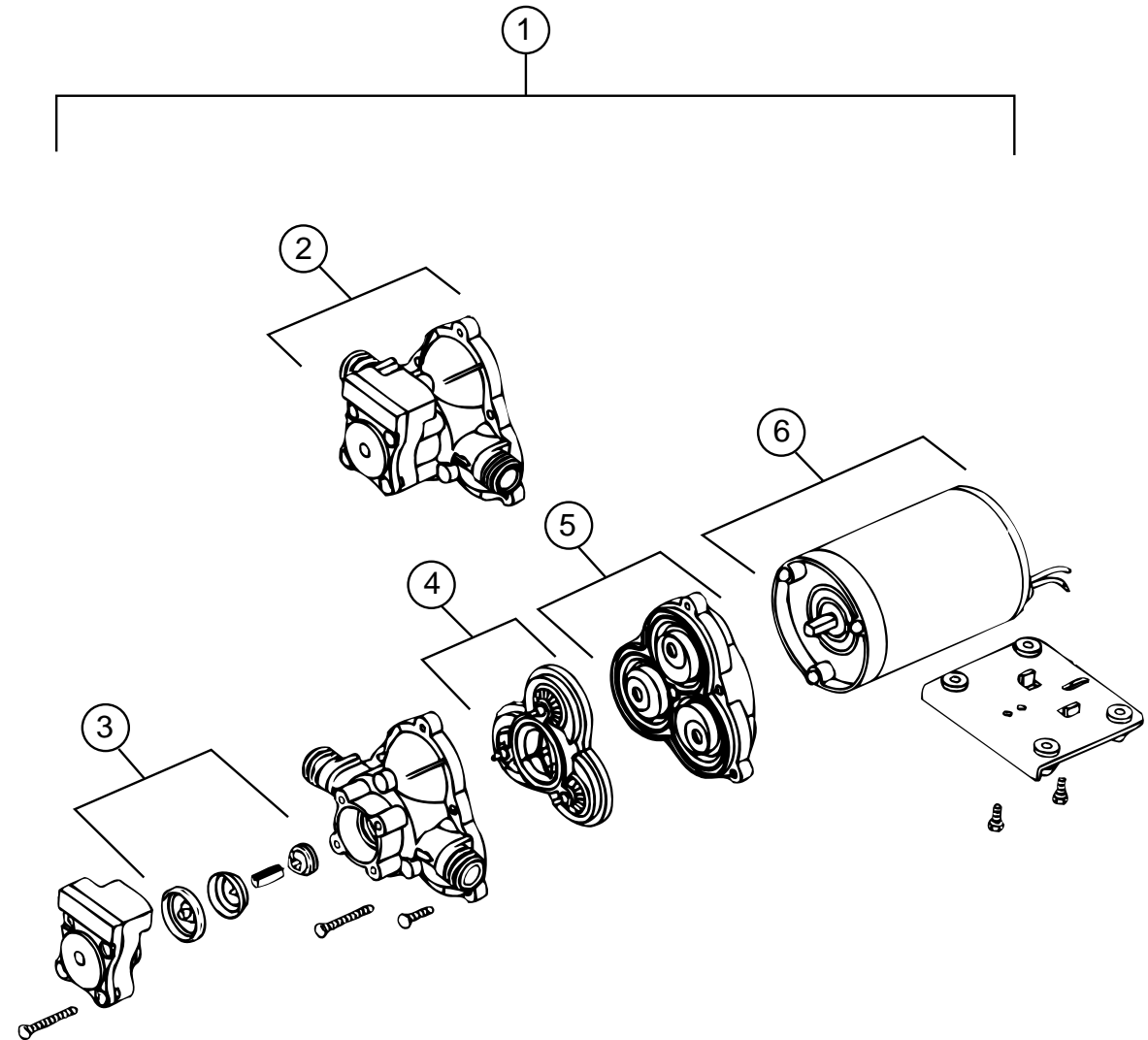
WATER SYSTEM

KEY	PART NUMBER	U/M DESCRIPTION
	039800-04-000	FT TUBING - POLYBUTYL - 1/4"OD
	039800-02-000	FT TUBING - POLYBUTYL - 5/8"OD X 20' - INC OF 20'
	124188-02-000	FT TUBING - PEX - 1/2" ID X 20' - RED
	124188-01-000	FT TUBING - PEX - 1/2" ID X 20' - BLUE
	074462-02-000	FT TUBING - VINYL - 3/8 ID X 20' - CLEAR
	112176-01-000	FT TUBING - VINYL - REINFORCED - 1/2" ID
	114429-01-000	EA ELBOW - 1/2"P X 1/2"P
	114429-02-000	EA ELBOW - 1/2"P X 1/2"MPT
	114429-03-000	EA ELBOW - FLAIR-IT SWIVEL - 1/2"P X 1/2"FPT
	114429-04-000	EA ELBOW - 1/2"P X 3/8"MPT
	114429-05-000	EA ELBOW - 1/2"P X 3/4"MPT
	114429-06-000	EA ELBOW - SWIVEL - 1/2"P X 3/4"FPT
	114430-01-000	EA ADAPTER - 1/2"P X 1/2"P
	114430-02-000	EA ADAPTER - SWIVEL - 1/2"P X 1/2"FPT
	114430-03-000	EA ADAPTER - 1/2"P X 1/2"MPT
	114430-06-000	EA ADAPTER - 1/2"P X 3/8"FPT
	114428-01-000	EA TEE - 1/2"P X 1/2"P X 1/2"P
	114428-02-000	EA TEE - SWIVEL - 1/2"P X 1/2"P X 1/2"FPT
	118423-01-000	EA FITTING - BRASS-TEE - 1/4C X 1/4C X 1/4C
	111888-02-000	EA INSERT - BRASS - 1/4 COMP
	010230-06-000	EA FILL - CITY WATER - W/CHECK VALVE - MPT
	111888-01-000	EA FERRULE - PLASTIC - .250 ID X .375 OD
	114431-01-000	EA VALVE - 180 DEGREE/CENTER DRAIN - 1/2"P - THREE WAY
	114431-02-000	EA VALVE - WATER BYPASS - 1/2"P - THREE WAY (WATER HEATER)
	114431-03-000	EA VALVE - 90 DEGREE DRAIN - 1/2"P
	114431-04-000	EA VALVE - "INLINE SHUT-OFF" - 1/2"P
	120868-01-000	EA VALVE - NEEDLE - 1/4" COMPRESSION X 1/4" COMPRESSION
	115029-01-000	FT HOSE - WATER - 3/8 ID
	110438-02-000	EA VALVE - CHECK - BRASS - 1/2 MPT X 1/2 MPT
	113697-01-000	EA CAP - 3/8 FTG
	123152-01-000	EA ADAPTER - 1/2 FPT X 1/2 BARB - SWIVEL
	111223-03-000	EA ELBOW - 3/4" MPT X 1/2" BARB - PLASTIC
	124184-01-000	EA SUPPORT - WATER LINE - BEND
	125697-05-000	EA INLET - WATER - FLUSHING SYSTEM
	125697-06-000	EA INSTRUCTIONS - USER - FLUSHING SYSTEM
	010219-01-000	EA ELBOW - 1 1/4 MPT X 1 1/4 BARB - WATER FILL - PLASTIC
	123150-01-000	EA ELBOW - 1/2 FPT X 1/2 BARB - SWIVEL
	123243-01-000	EA TANK - ACCUMULATOR - 24 OZ

WATER PURIFICATION

KEY	PART NUMBER	U/M DESCRIPTION	VENDOR NO.
	701069-01-000	EA WATER PURIFICATION SYSTEM	
	701069-03-700	EA CARTRIDGE RELACEMENT	9592-06

WATER & SEWAGE GROUP (CONTINUED)



WATER PUMP-SHURFLO

KEY	PART NUMBER	U/M DESCRIPTION	VENDOR NO.
	1	098607-01-000	EA PUMP - WATER - W/.5" MPT FITTING - FLOW 2.8 GPM
	2	098607-01-706	EA HOUSING - W/SWITCH ONLY
	3	098607-01-705	EA CHECK VALVE - KIT
	4	098607-01-703	EA VALVE KIT
	5	098607-01-702	EA DIAPHRAGM/DRIVE ASSEMBLY KIT
	6	098607-01-707	EA MOTOR W/BASEPLATE

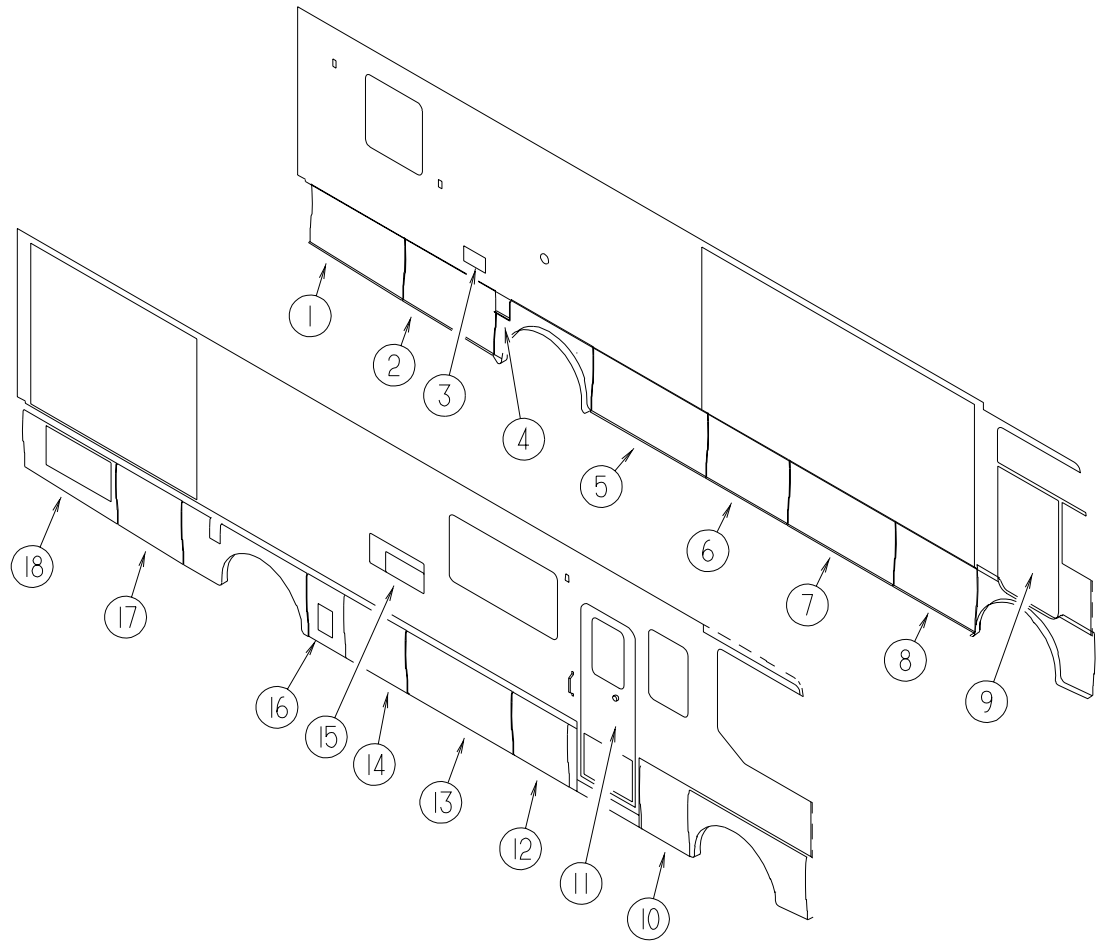
WATER HEATER 10 GALLON

KEY	PART NUMBER	U/M DESCRIPTION
*	128994-01-000	EA WATER HEATER - 10 GALLON - 110/GAS

*COMPONENT PARTS FOUND IN SERVICE PARTS LIBRARY

WINDOW, VENT & EXTERIOR DOOR GROUP

EXTERIOR DOORS



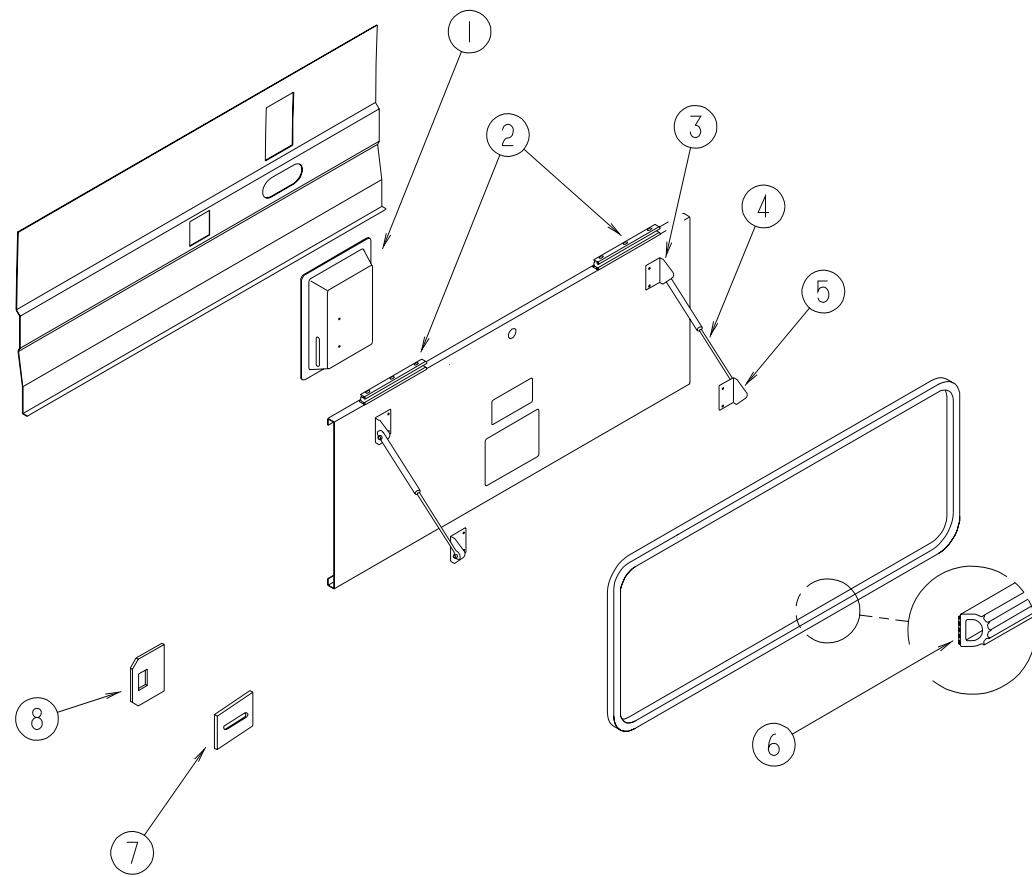
KEY	PART NUMBER	U/M DESCRIPTION
1	123699-06-K80	EA VALANCE/DOOR - DRIVER REAR W/LKG LATCH - 26.7" X 49.4" X 28.4"
	119443-01-01A	EA COVER - LATCH - VALANCE DOOR
	121677-01-01A	EA HINGE - SINGLE PIVOT
	126263-05-02B	EA BRACKET - GAS SPRING - UPPER - E-COATED
2	123699-05-K80	EA VALANCE/DOOR - DRIVER REAR W/LKG LATCH - 28.4" X 48" X 29.5"
	119443-01-01A	EA COVER - LATCH - VALANCE DOOR
	121677-01-01A	EA HINGE - SINGLE PIVOT
	126263-05-02B	EA BRACKET - GAS SPRING - UPPER - E-COATED
3	081240-16-000	EA DOOR - WATER FILL - LOCKABLE W/O LOCK - 4" X 4 5/8"
4	129249-01-01A	EA DOOR - FUEL FILL - BLACK
5	123669-15-K80	EA VALANCE/DOOR - W/O PADDLE LATCH
	119443-01-01A	EA COVER - LATCH - VALANCE DOOR
	121677-01-01A	EA HINGE - SINGLE PIVOT
	126263-05-02B	EA BRACKET - GAS SPRING - UPPER - E-COATED
6	123669-13-K80	EA VALANCE/DOOR - W/O PADDLE LATCH - 43.1" X 29.5"
	119443-01-01A	EA COVER - LATCH - VALANCE DOOR
	121677-01-01A	EA HINGE - SINGLE PIVOT
	126263-05-02B	EA BRACKET - GAS SPRING - UPPER - E-COATED

KEY	PART NUMBER	U/M DESCRIPTION	VENDOR NO.
7	123669-12-K80	EA VALANCE/DOOR - W/O PADDLE LATCH - 56" X 29.5"	
	119443-01-01A	EA COVER - LATCH - VALANCE DOOR	
	121677-01-01A	EA HINGE - SINGLE PIVOT	
	126263-05-02B	EA BRACKET - GAS SPRING - UPPER - E-COATED	
8	123669-10-K80	EA VALANCE/DOOR - W/O PADDLE LATCH - 43.1" X 29.5"	
	119443-01-01A	EA COVER - LATCH - VALANCE DOOR	
	121677-01-01A	EA HINGE - SINGLE PIVOT	
	126263-05-02B	EA BRACKET - GAS SPRING - UPPER - E-COATED	
9	125581-03-01A	EA DOOR - DRIVER - POWER	
10	123669-08-K80	EA VALANCE/DOOR - W/O PADDLE LATCH - 25.7" X 29.5"	
	119443-01-01A	EA COVER - LATCH - VALANCE DOOR	
	121677-01-01A	EA HINGE - SINGLE PIVOT	
	126263-05-02B	EA BRACKET - GAS SPRING - UPPER - E-COATED	
11	115108-15-K80	EA DOOR - ENTRY W/SCREEN DOOR - W/O WINDOW - W/ELECTRIC LOCK (K80,K81)	
11	115108-15-K82	EA DOOR - ENTRY W/SCREEN DOOR - W/O WINDOW - W/ELECTRIC LOCK (K82,K83)	
11	115108-15-K84	EA DOOR - ENTRY W/SCREEN DOOR - W/O WINDOW - W/ELECTRIC LOCK (K84,K85)	
11	115108-16-K80	EA DOOR - ENTRY W/SCREEN DOOR - W/O WINDOW (K80,K81)	
11	115108-16-K82	EA DOOR - ENTRY W/SCREEN DOOR - W/O WINDOW (K82,K83)	
11	115108-16-K84	EA DOOR - ENTRY W/SCREEN DOOR - W/O WINDOW (K84,K85)	
12	123669-09-K80	EA VALANCE/DOOR - W/O PADDLE LATCH - 29.6" X 29.5"	
	119443-01-01A	EA COVER - LATCH - VALANCE DOOR	
	121677-01-01A	EA HINGE - SINGLE PIVOT	
	126263-05-02B	EA BRACKET - GAS SPRING - UPPER - E-COATED	
13	123669-14-K80	EA VALANCE/DOOR - W/O PADDLE LATCH - 56" X 29.5"	
	119443-01-01A	EA COVER - LATCH - VALANCE DOOR	
	121677-01-01A	EA HINGE - SINGLE PIVOT	
	126263-05-02B	EA BRACKET - GAS SPRING - UPPER - E-COATED	
14	123669-17-K80	EA VALANCE/DOOR - W/O PADDLE LATCH W/LIGHT POCKET 51.2" X 29.5"	
	119443-01-01A	EA COVER - LATCH - VALANCE DOOR	
	121677-01-01A	EA HINGE - SINGLE PIVOT	
	126263-05-02B	EA BRACKET - GAS SPRING - UPPER - E-COATED	
15	084103-08-000	EA DOOR - VENT/REFRIGERATOR - W/O JAMB - BRIGHT WHITE	
	084104-01-700	EA LOCK - MALE - FASTENER	201-721-010
	084104-01-701	EA LOCK - FEMALE - FASTENER	201-802-010
	084104-08-000	EA JAMB - VENT DOOR/REFRIGERATOR - BRIGHT WHITE	
	104692-01-000	FT SEAL - FOAM/ADHESIVE BACK - .75"THICK X .75"WIDE X 25'	
16	125321-04-01A	EA VALANCE/DOOR - HEATER	
17	123699-04-K80	EA VALANCE/DOOR - PASS REAR W/LKG LATCH - 29.5" X 34.5" X 28.4"	
		FROM: 00-00-00 THRU: 08-02-98	
		FROM: 08-03-98 THRU: 99-99-99	
	119443-01-01A	EA COVER - LATCH - VALANCE DOOR	
	121677-01-01A	EA HINGE - SINGLE PIVOT	
	126263-05-02B	EA BRACKET - GAS SPRING - UPPER - E-COATED	
18	123367-02-01A	EA VALANCE/DOOR - A/C - W/O HARDWARE - 28.4" X 26.6" X 49.4"	
	121677-01-01A	EA HINGE - SINGLE PIVOT	

WINDOW, VENT & EXTERIOR DOOR GROUP (CONTINUED)

WINDOW, VENT & EXTERIOR DOOR GROUP (CONTINUED)

PADDLE LATCH COMPONENTS



KEY	PART NUMBER	U/M DESCRIPTION
	129676-01-000	EA KEY - T/M 14472-07-1431
	129676-02-000	EA KEY - T/M 14472-07-1432
	129676-03-000	EA KEY - T/M 14472-07-1443
	129676-04-000	EA KEY - T/M 14472-07-1434
	129676-05-000	EA KEY - T/M 14472-07-1435
	129676-06-000	EA KEY - T/M 14472-07-1436
	129676-07-000	EA KEY - T/M 14472-07-1437
	129676-08-000	EA KEY - T/M 14472-07-1438
	129676-09-000	EA KEY - T/M 14472-07-1439
	129676-10-000	EA KEY - T/M 14472-07-1440
	129686-01-000	EA CYLINDER - LOCK ASSEMBLY W/O MASTER - T/M 14487-02-0431
	129686-02-000	EA CYLINDER - LOCK ASSEMBLY W/O MASTER - T/M 14487-02-0432
	129686-03-000	EA CYLINDER - LOCK ASSEMBLY W/O MASTER - T/M 14487-02-0433
	129686-04-000	EA CYLINDER - LOCK ASSEMBLY W/O MASTER - T/M 14487-02-0434
	129686-05-000	EA CYLINDER - LOCK ASSEMBLY W/O MASTER - T/M 14487-02-0435
	129686-06-000	EA CYLINDER - LOCK ASSEMBLY W/O MASTER - T/M 14487-02-0436
	129686-07-000	EA CYLINDER - LOCK ASSEMBLY W/O MASTER - T/M 14487-02-0437
	129686-08-000	EA CYLINDER - LOCK ASSEMBLY W/O MASTER - T/M 14487-02-0438
	129686-09-000	EA CYLINDER - LOCK ASSEMBLY W/O MASTER - T/M 14487-02-0439
	129686-10-000	EA CYLINDER - LOCK ASSEMBLY W/O MASTER - T/M 14487-02-0440

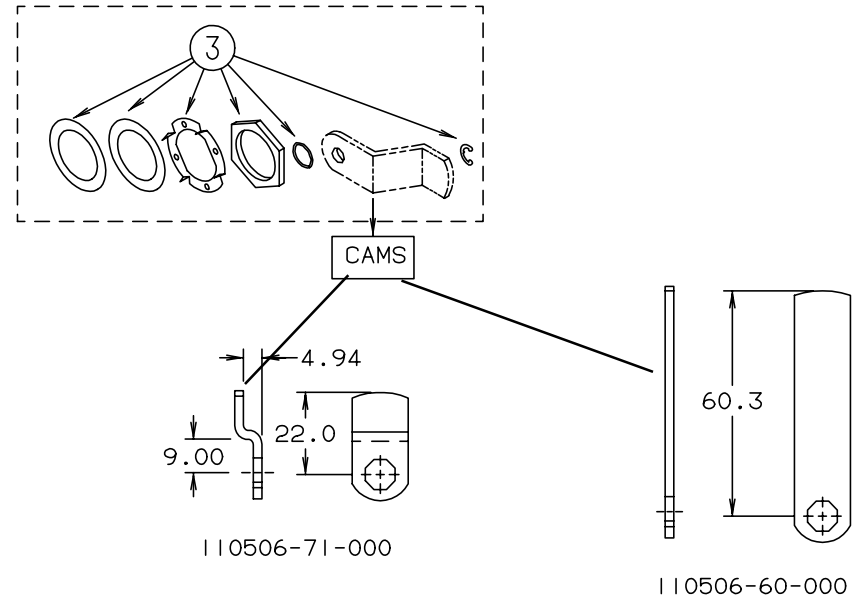
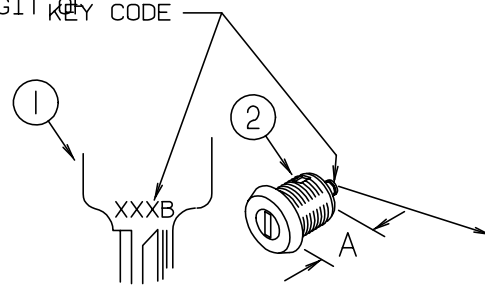
EXTERIOR DOOR COMPONENTS & HOLDER

KEY	PART NUMBER	U/M DESCRIPTION
1	119443-01-01A	EA COVER - LATCH - VALANCE DOOR
	100128-02-000	FT SEAL - FOAM/ADHESIVE BACK - .37" WIDE X .37" THICK
2	121677-01-01A	EA HINGE - SINGLE PIVOT
3	126263-05-02B	EA BRACKET - GAS SPRING - UPPER - E-COATED
4	107796-23-000	EA SPRING/GAS - 11.3" COMPRESSED/18.5" EXTENDED - 45 LB.
4	107796-24-000	EA SPRING/GAS - 11.3" COMPRESSED/18.5" EXTENDED - 60 LB.
5	126263-08-02B	EA BRACKET - GAS SPRING - LOWER - E-COATED
6	107721-01-000	FT BULB SEAL - "D" SHAPED W/ADHESIVE ON FLAT SIDE
7	110415-01-01A	EA SHIM - LATCH - VALANCE DOOR
8	123783-01-01A	EA STRIKER - DOOR - MILL
	091876-01-000	EA RETAINER - DOOR - 1.9" X .8" - METAL

WINDOW, VENT & EXTERIOR DOOR GROUP (CONTINUED)

BRIGGS & STRATTON LOCKS & COMPONENTS

NOTE:
 WHEN ORDERING THE LOCK CASE, THE KEY CODE MUST MATCH THE LAST DIGIT OF THE VEHICLE'S SERIAL NUMBER AND PART NUMBER; WHEN ORDERING THE KEYS, THE THIRD DIGIT OF THE KEY CODE MUST MATCH THE LAST DIGIT OF THE VEHICLE'S SERIAL NUMBER AND PART NUMBER

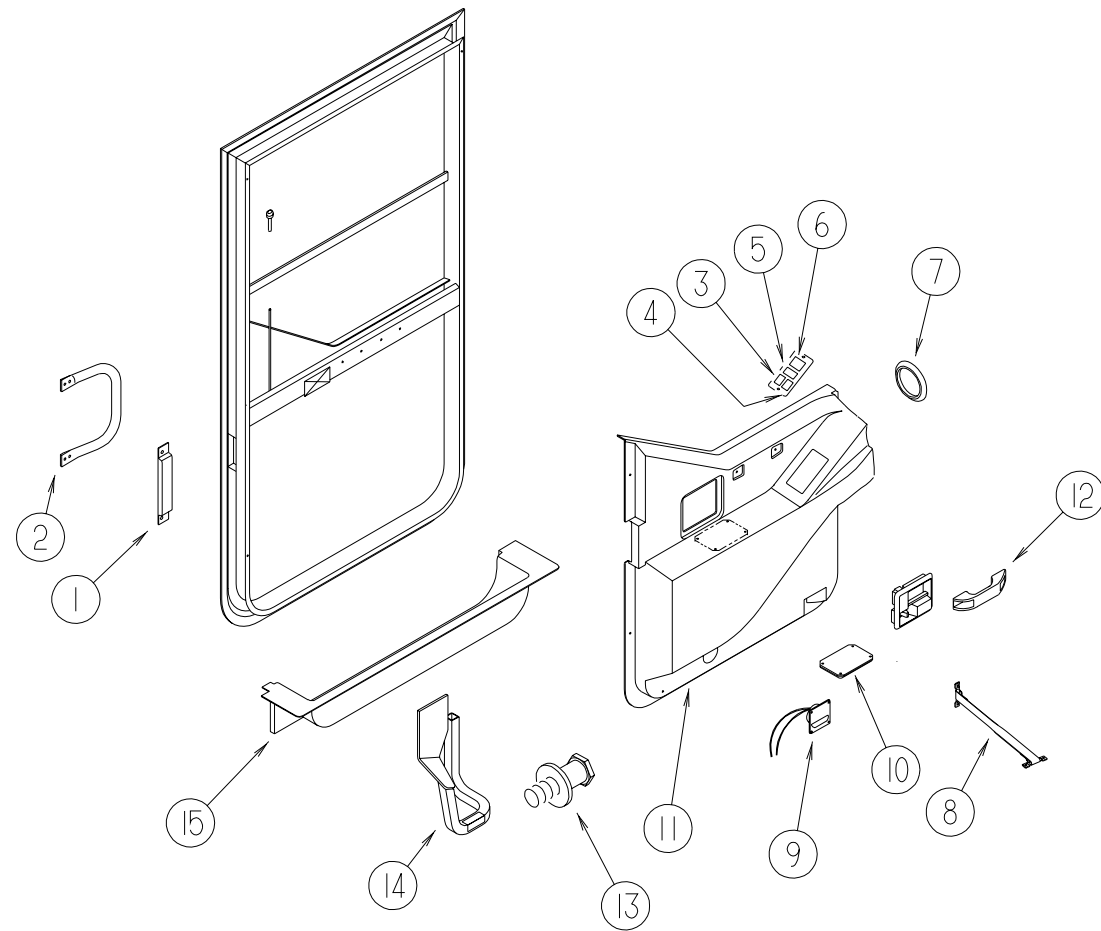


KEY	PART NUMBER	U/M	DESCRIPTION	VENDOR NO.
1	110506-59-000	EA	KEYS - SET OF TWO	596720
2	110506-52-000	EA	CASE ASM-LOCK 17 MM	702370
2	110506-53-000	EA	CASE ASM-LOCK 25MM	702380
1	110506-59-001	EA	KEYS - SET OF TWO	596721
2	110506-52-001	EA	CASE ASM-LOCK 17 MM	702371
2	110506-53-001	EA	CASE ASM-LOCK 25MM	702381
1	110506-59-002	EA	KEYS - SET OF TWO	596722
2	110506-52-002	EA	CASE ASM-LOCK 17 MM	702372
2	110506-53-002	EA	CASE ASM-LOCK 25MM	702382
1	110506-59-003	EA	KEYS - SET OF TWO	596723
2	110506-52-003	EA	CASE ASM-LOCK 17 MM	702373
2	110506-53-003	EA	CASE ASM-LOCK 25MM	702383
1	110506-59-004	EA	KEYS - SET OF TWO	596724
2	110506-52-004	EA	CASE ASM-LOCK 17 MM	702374
2	110506-53-004	EA	CASE ASM-LOCK 25MM	702384
1	110506-59-005	EA	KEYS - SET OF TWO	596725
2	110506-52-005	EA	CASE ASM-LOCK 17 MM	702375
2	110506-53-005	EA	CASE ASM-LOCK 25MM	702385
1	110506-59-006	EA	KEYS - SET OF TWO	596726
2	110506-52-006	EA	CASE ASM-LOCK 17 MM	702376
2	110506-53-006	EA	CASE ASM-LOCK 25MM	702386

KEY	PART NUMBER	U/M	DESCRIPTION	VENDOR NO.
1	110506-59-007	EA	KEYS-SET OF TWO	596727
2	110506-52-007	EA	CASE ASM-LOCK 17 MM	702377
2	110506-53-007	EA	CASE ASM-LOCK 25MM	702387
1	110506-59-008	EA	KEYS-SET OF TWO	596728
2	110506-52-008	EA	CASE ASM-LOCK 17 MM	702378
2	110506-53-008	EA	CASE ASM-LOCK 25MM	702388
1	110506-59-009	EA	KEYS-SET OF TWO	596729
2	110506-52-009	EA	CASE ASM-LOCK 17 MM	702379
2	110506-53-009	EA	CASE ASM-LOCK 25MM	702389
3	110506-40-700	EA	HARDWARE PACKAGE-CYLINDER/CASE	
	110506-60-000	EA	CAM - LATCHING - STRAIGHT 2.4"	
	110506-71-000	EA	CAM - LATCHING - STRAIGHT 2.4"	
	110506-59-701	EA	KEY BLANK (GOLD)	

WINDOW, VENT & EXTERIOR DOOR GROUP (CONTINUED)

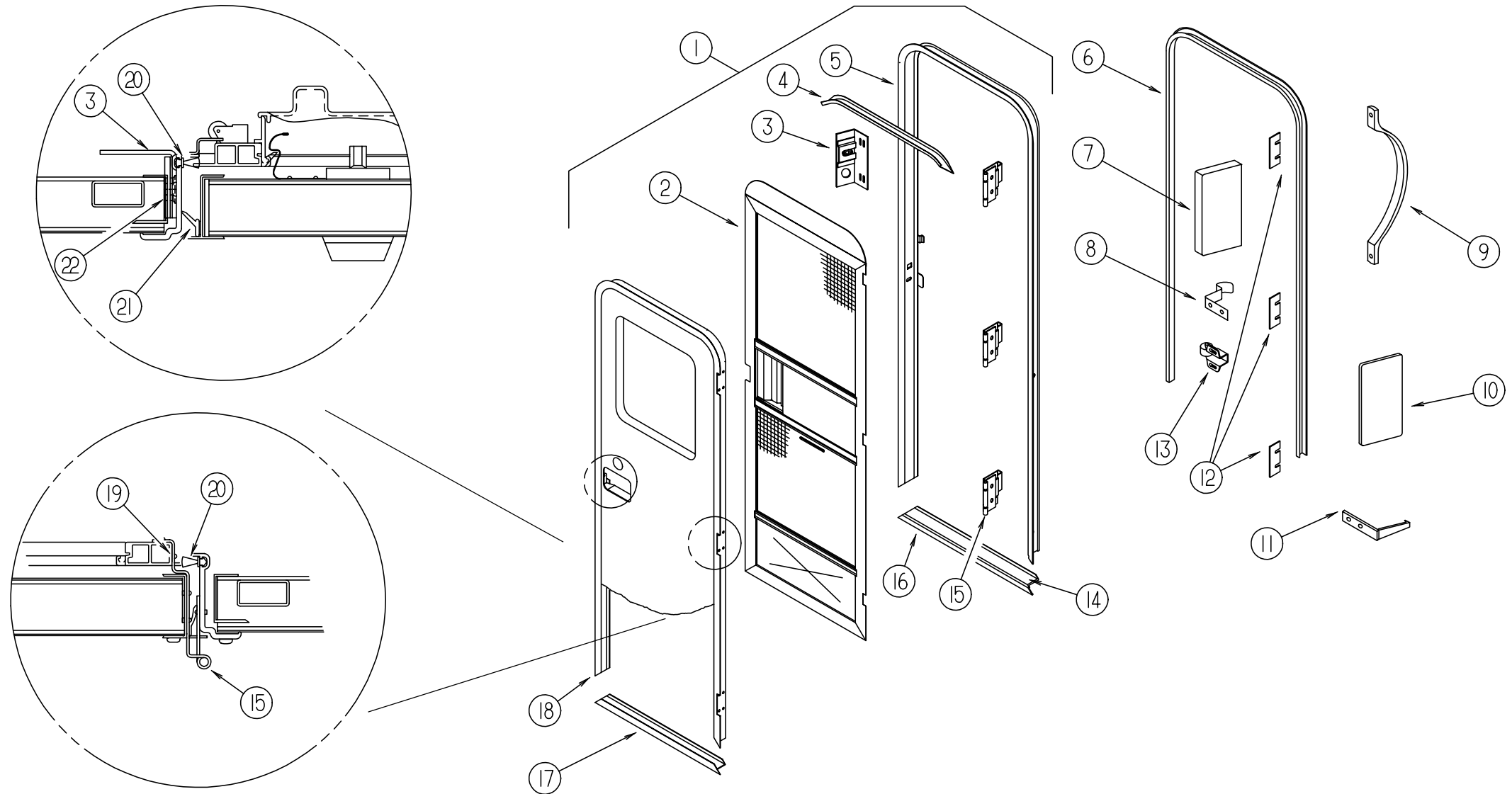
DRIVERS DOOR



KEY	PART NUMBER	U/M	DESCRIPTION	VENDOR NO.
	125581-03-01A	EA	DOOR - DRIVER - POWER	
1	108654-01-01A	EA	COVER - STRIKE - DRIVER DOOR	
2	108832-02-01A	EA	HANDLE - ASSIST - DOOR/DRIVER	
3	093132-02-000	EA	SWITCH - ROCKER - 5 TERM - KEY LOCK/ARROW F/POWER DOOR LOCK	
4	093132-01-000	EA	SWITCH - ROCKER - 5 TERMINAL - W/ARROWS F/POWER WINDOWS	
5	087695-02-000	EA	SWITCH - HEATER - EXTERIOR MIRROR	
6	088246-01-000	EA	SWITCH - REMOTE - EXTERIOR - SQUARE PUSH	
7	093146-01-000	EA	GROMMET - WIRE - 1.7" X 3.1" - OVAL SHAPED - BLACK PLASTIC	
8	109378-01-000	EA	STRAP - CHECK - DRIVER DOOR - 12.8"	
	064219-01-000	EA	RETAINER - CHECK STRAP - DRIVER DOOR	
9	108354-01-01A	EA	LIGHT - COURTESY	
	108354-01-700	EA	BULB - COURTESY LIGHT	395-B
10	107889-02-000	EA	CONTROL PANEL KIT - ELECTRONIC SOFT TOUCH	
	100532-09-700	EA	PANEL ASM.-TOUCH CONTROL	RAP1002
	100532-09-702	EA	CABLE - MODULAR 5'	RAP1020
11	125899-03-03A	EA	PANEL - CAB DOOR - INNER/DRIVER - HAMPTON TAN	
12	123246-01-01A	EA	HANDLE - GRAB	
13	106469-04-703	EA	BOLT - STRIKER - W/WASHER	248-041152
13	106469-04-704	EA	NUT ASSEMBLY - CAGED W/STRIKER	248-041151
14	128075-02-04B	EA	STEP - UPPER - DR DOOR BLK	
15	P07818-02-01A	EA	TRIM - STEP - DRIVERS DOOR	
	102569-02-000	EA	MAT - ANTI SLIP - LOWER	
	109506-01-000	EA	FILM - URETHANE - PROTECTANT - 4.25" X 26.75"	
	109235-01-01A	FT	COVER - SCREW - MAT BLACK	
	106469-01-702	EA	SEAL - DOOR - (FRAME) EA=1	122-040984
	106469-01-705	FT	CHANNEL - RUN - SLIDING	122-01085
	106469-01-709	FT	WEATHERSTRIP FUZZY	171-040630
	106469-01-723	EA	SEAL - BULB ASM. (JAMB)	171-040985
	106469-04-703	EA	BOLT - STRIKER - W/WASHER	248-041152
	106469-04-704	EA	NUT ASSEMBLY - CAGED W/STRIKER	248-041151
	106469-04-705	EA	ROD - LATCH - HORIZONTAL	203-041139
	106469-04-711	EA	ROD - LOCK - HORIZONTAL	203-041137
	106469-04-712	EA	HANDLE/DOOR - INNER W/HARDWARE	248-041402
	106469-04-713	EA	ROD - CLIP - LH	248-041154
	106469-04-714	EA	ROD - CLIP - RH	248-041153
	106469-05-700	EA	ROD CLIP	231-041095
	106469-05-701	EA	ACTUATOR - F/ELECTRIC LOCK	410-041096
	106469-05-702	EA	HINGE - 42"	211-041194
	106469-05-704	EA	ROD - LOCK - POWER	203-041141
	106469-05-706	EA	LATCH - ROTARY - W/LINKAGE	248-041150
	125581-03-700	EA	MULLION RAIL - BLACK	V123-84
	125581-03-701	EA	SILL - INNER - BLACK	V123-68L
	125581-03-702	EA	REGULATOR - ELECTRIC - SPECIAL RH	410-040966
	125581-03-703	EA	WEATHERSTRIP - BELTING	132-041069
	125581-03-704	EA	PADDLE - W/O LOCK/RH - BLACK	248-041524
	125581-03-705	EA	DOOR FRAME - SUB ASSEMBLY	V164-94L
	125581-04-700	EA	ROD - LATCH/VERTICAL ADJUST.	203-041767
	125581-04-701	EA	ROD - LOCK/VERTICAL ADJUST.	203-041768
	125581-04-703	EA	FRAME - MOUNTING - BLACK	V180-35L
	125581-04-704	EA	GLASS - ROLL-UP	106-041821
	125581-04-705	EA	GLASS - STATIONARY	106-041547
	125581-04-707	EA	CHANNEL - ROLL UP GLASS	V156-60
	125581-04-708	EA	CHANNEL - STATIONARY GLASS	V156-61
	125581-04-710	EA	VINYL - GLAZING	132-041484
	125581-04-711	EA	CHANNEL - GLASS - LIFT BRKT	N135-66

WINDOW, VENT & EXTERIOR DOOR GROUP (CONTINUED)

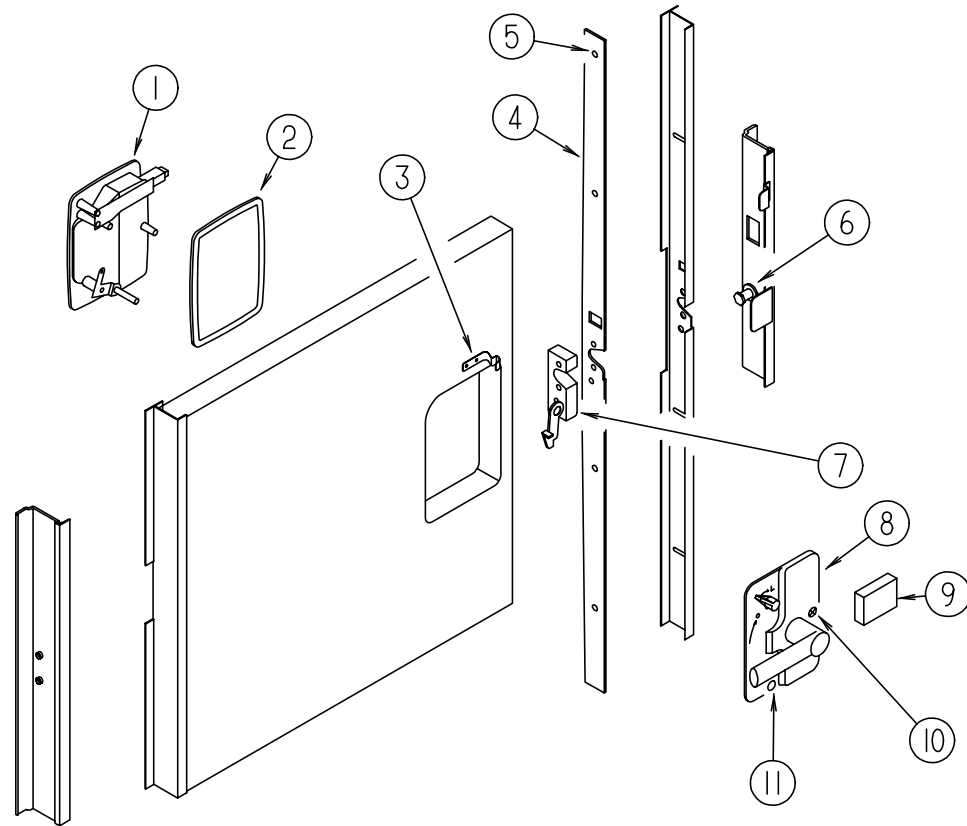
ENTRANCE DOOR



KEY	PART NUMBER	U/M DESCRIPTION
1	115108-15-K80	EA DOOR - ENTRY W/SCREEN DOOR - W/O WINDOW - W/ELECTRIC LOCK (K80,K81)
1	115108-15-K82	EA DOOR - ENTRY W/SCREEN DOOR - W/O WINDOW - W/ELECTRIC LOCK (K82,K83)
1	115108-15-K84	EA DOOR - ENTRY W/SCREEN DOOR - W/O WINDOW - W/ELECTRIC LOCK (K84,K85)
1	115108-16-K80	EA DOOR - ENTRY W/SCREEN DOOR - W/O WINDOW (K80,K81)
1	115108-16-K82	EA DOOR - ENTRY W/SCREEN DOOR - W/O WINDOW (K82,K83)
1	115108-16-K84	EA DOOR - ENTRY W/SCREEN DOOR - W/O WINDOW (K84,K85)
2	117077-03-K80	EA DOOR - SCREEN
3	041546-08-000	EA BRACKET - DOOR ANGLE O/W
4	044582-50-000	EA CAP - DRIP - JAMB MITERED
5	121898-12-01A	EA JAMB - ENTRY DOOR - BRIGHT WHITE - W/ELECTRIC LOCK
5	121898-13-01A	EA JAMB - ENTRY DOOR - BRIGHT WHITE
	092927-03-000	EA STRIKER - ROUND - JAMB MOUNTED
6	115222-12-01A	EA GARNISH - RADIUS - ENTRY DOOR
7	077461-03-000	EA COVER - STRIKE - ENTRY DOOR - 6.5" X 2.5" - WHITE PLASTIC
8	100412-01-000	EA CATCH - SCREEN DOOR
9	115102-04-000	EA HANDLE - ASSIST
10	076725-02-000	EA COVER - ACCESS - HINGE - ENTRY DOOR - 6" X 3.2"
11	102768-01-000	EA HOLDER - COMPARTMENT/ENTRY DOOR - METAL - MILL FINISH
12	102248-01-000	EA SHIM - DOOR
13	109403-01-000	EA CATCH - SINGLE ROLLER - SCREEN DOOR
14	038327-01-000	EA TAPE - ANTI-SLIP - 2" X 60'
15	106719-01-05A	EA HINGE - ENTRANCE DOOR - BRIGHT WHITE
	039715-01-000	EA NUT-SERT - 1/4" DIAMETER - 20 THREADS
	116111-02-01A	EA SCREW - TAPTITE - 1/4-20 X 3/8 PPH - ZINC

KEY	PART NUMBER	U/M DESCRIPTION
16	051049-05-000	EA JAMB/DOOR - LOWER - ENTRANCE DOOR
17	089748-21-000	EA FRAME - DOOR/ENTRY BOTTOM
18	122102-02-02A	EA FRAME - ENTRY DOOR
18	122102-01-02A	EA FRAME - ENTRY DOOR - W/POWER LOCK
19	100128-02-000	FT SEAL - FOAM - ADHESIVE BACK - .37" WIDE X .37" THICK
20	118929-01-01A	FT SEAL - PILE - PUSH ON
21	075671-04-000	FT SEAL - SPONGE - LAZY T - W/ADHESIVE STRIP - .5" WIDE
22	104692-01-000	FT SEAL - FOAM/ADHESIVE BACK - .75"THICK X .75"WIDE X 25'

WINDOW, VENT & EXTERIOR DOOR GROUP (CONTINUED)



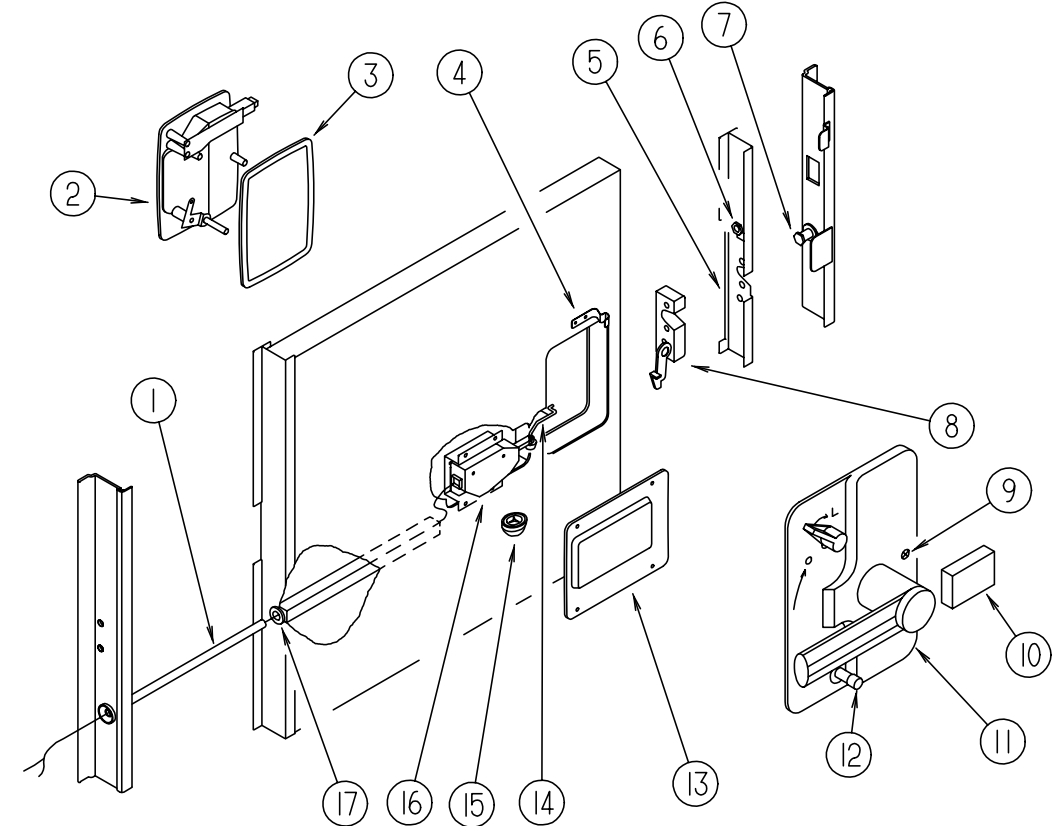
ENTRANCE DOOR LATCH COMPONENTS W/O POWER LOCKS

KEY	PART NUMBER	U/M DESCRIPTION
1	112782-07-01A	EA LATCH - EXTERIOR - W/O CYLINDER
	129685-01-000	EA CYLINDER - LOCK ASM W/MASTER - T/M 14487-01-0431
	129685-02-000	EA CYLINDER - LOCK ASM W/MASTER - T/M 14487-01-0432
	129685-03-000	EA CYLINDER - LOCK ASM W/MASTER - T/M 14487-01-0433
	129685-04-000	EA CYLINDER - LOCK ASM W/MASTER - T/M 14487-01-0434
	129685-05-000	EA CYLINDER - LOCK ASM W/MASTER - T/M 14487-01-0435
	129685-06-000	EA CYLINDER - LOCK ASM W/MASTER - T/M 14487-01-0436
	129685-07-000	EA CYLINDER - LOCK ASM W/MASTER - T/M 14487-01-0437
	129685-08-000	EA CYLINDER - LOCK ASM W/MASTER - T/M 14487-01-0438
	129685-09-000	EA CYLINDER - LOCK ASM W/MASTER - T/M 14487-01-0439
	129685-10-000	EA CYLINDER - LOCK ASM W/MASTER - T/M 14487-01-0440
2	112782-04-01A	EA GASKET
3	100412-01-000	EA CATCH - SCREEN DOOR
4	121334-03-01A	EA STIFFENER - DOOR - MILL
5	072893-04-000	EA NUTSERT - 10-32
	075908-01-000	EA SCREW - MACHINE - 10-32 X .56 PTH - EXTERNAL TOOTH - ZINC
6	092927-03-000	EA STRIKER - ROUND - JAMB MOUNTED
7	112782-03-01A	EA LATCH - SINGLE ROTOR
8	112782-02-01A	EA LATCH - INTERIOR PLATE
9	122241-01-01A	EA BUMPER - RUBBER - FOAM - BLACK
10	112782-06-01A	EA SCREW - F/MOUNTING PLATE - ZINC
11	112782-05-01A	EA CAP - VINYL - RED

POWER DOOR LOCKS W/REMOTE

KEY	PART NUMBER	U/M DESCRIPTION	VENDOR NO.
	102756-02-000	EA REMOTE KEYLESS ENTRY SYSTEM	
	102756-01-701	EA BATTERY - 12 V F/TRANSMITTER	402-1004
	102756-01-704	EA HARNESS - MAIN	203-6638
	102756-02-700	EA REMOTE (TRANSMITTER) KEYLESS	412-1036
	102756-02-701	EA BOARD - MODULE - NEW SYSTEM	202-3153

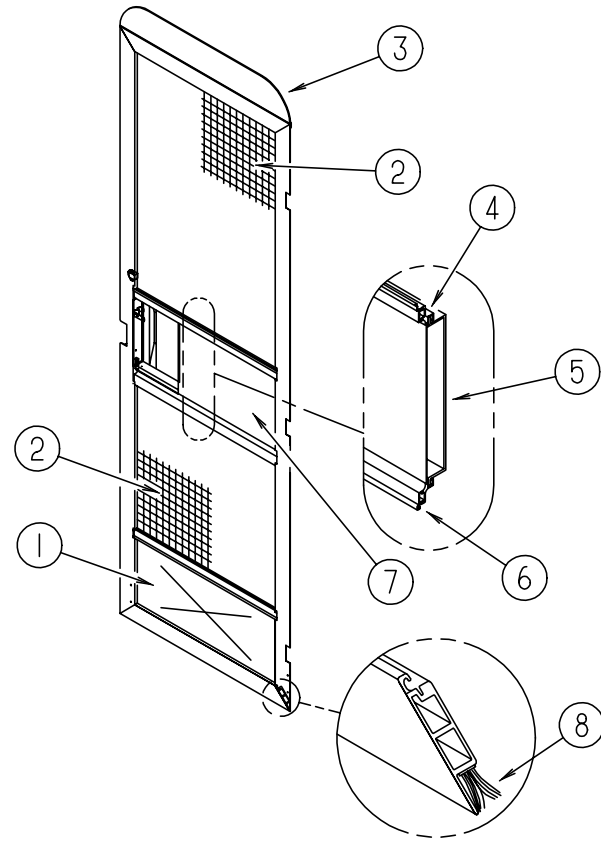
WINDOW, VENT & EXTERIOR DOOR GROUP (CONTINUED)



ENTRANCE DOOR LATCH COMPONENTS W/POWER LOCKS

KEY	PART NUMBER	U/M DESCRIPTION
1	077222-01-000	EA SPRING - WIRE GUARD - ENTRY DOOR
	093057-05-000	EA WIRE ASSEMBLY - POWER LOCK - ENTRANCE
2	112782-07-01A	EA LATCH - EXTERIOR - W/O CYLINDER
	129685-01-000	EA CYLINDER - LOCK ASM W/MASTER - T/M 14487-01-0431
	129685-02-000	EA CYLINDER - LOCK ASM W/MASTER - T/M 14487-01-0432
	129685-03-000	EA CYLINDER - LOCK ASM W/MASTER - T/M 14487-01-0433
	129685-04-000	EA CYLINDER - LOCK ASM W/MASTER - T/M 14487-01-0434
	129685-05-000	EA CYLINDER - LOCK ASM W/MASTER - T/M 14487-01-0435
	129685-06-000	EA CYLINDER - LOCK ASM W/MASTER - T/M 14487-01-0436
	129685-07-000	EA CYLINDER - LOCK ASM W/MASTER - T/M 14487-01-0437
	129685-08-000	EA CYLINDER - LOCK ASM W/MASTER - T/M 14487-01-0438
	129685-09-000	EA CYLINDER - LOCK ASM W/MASTER - T/M 14487-01-0439
	129685-10-000	EA CYLINDER - LOCK ASM W/MASTER - T/M 14487-01-0440
3	112782-04-01A	EA GASKET
4	100412-01-000	EA CATCH - SCREEN DOOR
5	121334-03-01A	EA STIFFENER - DOOR MILL
6	072893-04-000	EA NUTSERT - 10-32, ENTRANCE DOOR STIFFENER
7	092927-03-000	EA STRIKER - ROUND - JAMB MOUNTED
8	112782-03-01A	EA LATCH - SINGLE ROTOR
9	112782-06-01A	EA SCREW - F/MOUNTING PLATE - ZINC
10	122241-01-01A	EA BUMPER - RUBBER - FOAM - BLACK
11	112782-02-01A	EA LATCH - INTERIOR PLATE
12	112782-05-01A	EA CAP - VINYL - RED
13	113960-01-01A	EA COVER - ACTUATOR - POWER LOCK - OFF WHITE
14	113651-01-01A	EA ROD - CONTROL - MOTOR - LOCK
15	114209-01-01A	EA PUSHNUT - CAP - 1/8" - WHITE
16	113638-01-000	EA POWER DOOR LOCK MOTOR/ACTUATOR
	113638-02-000	EA CONNECTOR - ELECTRIC - ACTUATOR - EURAMETEC
17	008384-01-000	EA GROMMET - SNAP - 3/4" DIAMETER - NYLON

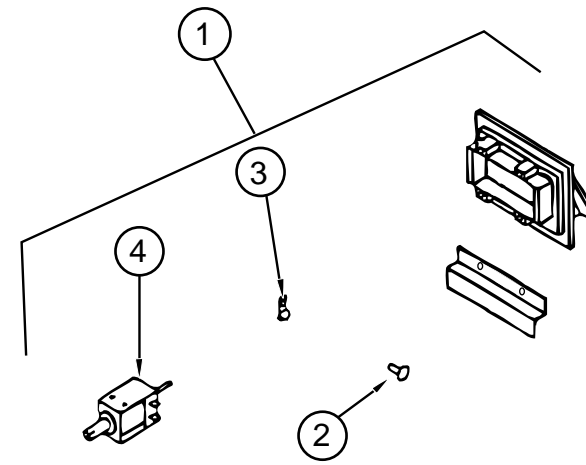
WINDOW, VENT & EXTERIOR DOOR GROUP (CONTINUED)



SCREEN DOOR COMPONENTS

KEY	PART NUMBER	U/M DESCRIPTION
1	078552-09-000	EA INSERT - SCREEN DOOR - LOWER
2	002293-02-000	SF SCREENING - WINDOW/DOOR - 26" - CHARCOAL
3	078595-03-000	EA PLATE - SCREEN DOOR
4	078777-08-000	EA CHANNEL SLIDER
5	079086-03-000	EA SLIDER - SCREEN DOOR - BRIGHT WHITE
6	002294-01-000	FT SPLINE - SCREENING - .135" X .138"
7	001014-01-013	EA INSERT - CENTER - 10.25" X 16.31" - UNPAINTED
8	075673-01-000	FT SEAL - PILE - ADHESIVE BACK - GRAY

WINDOW, VENT & EXTERIOR DOOR GROUP (CONTINUED)



RANGE HOOD VENT

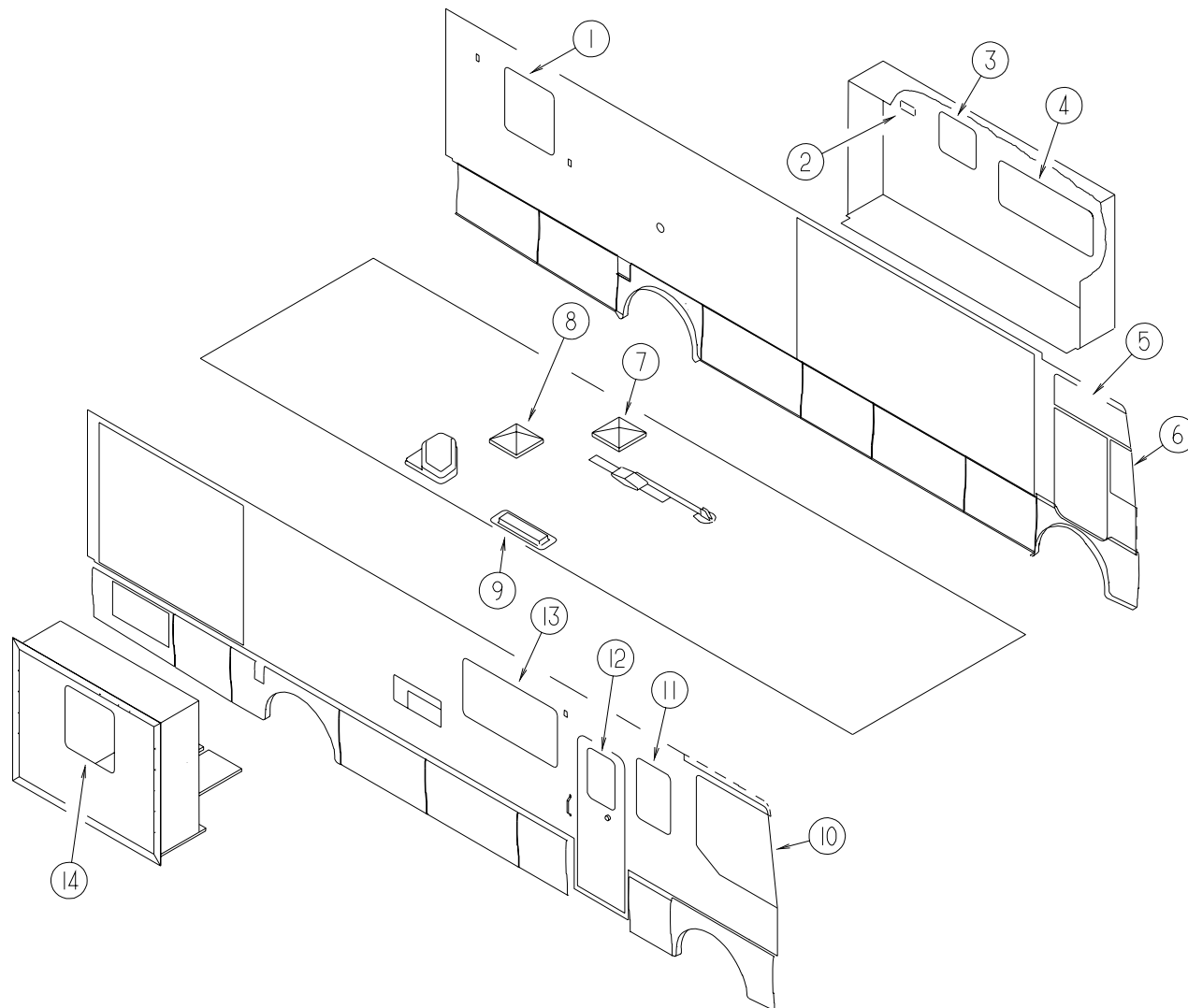
KEY	PART NUMBER	U/M DESCRIPTION	VENDOR NO.
1	092698-03-06A	EA VENT - W/DOOR AND SOLENOID - BRIGHT WHITE	
2	092698-02-700	EA FASTENER - PUSH - EXTERIOR RANGE HOOD VENT VB430	
3	092698-02-701	EA CLAMP - CONDUIT - EXTERIOR RANGE HOOD VENT VB334	
4	092698-03-706	EA SOLENOID - RANGE HOOD - VENTLINE	UB530
	096983-01-709	EA MODULE - SWITCH & LEVER - 17 1/2	CB547-4
	100258-04-702	EA SWITCH - LEVER - W/CABLE	CB547-1
	092696-01-701	EA KNOB - PLASTIC	CC 225

PLUMBING & REFRIGERATOR ROOF VENTS

KEY	PART NUMBER	U/M DESCRIPTION
	083558-06-000	EA VENT - ROOF PLUMBING PIPE - COVERED
	084073-07-000	EA VENT - ROOF/REFRIGERATOR - BRIGHT WHITE - NORCOLD
	084073-04-000	EA BASE - ROOF VENT/REFRIGERATOR - BLACK - NORCOLD
	118369-01-02A	EA CAP - REFRIGERATOR ROOF VENT - SIDE/SIDE - BRIGHT WHITE
	118369-02-02A	EA BASE - REFRIGERATOR ROOF VENT - SIDE/SIDE - BRIGHT WHITE

WINDOW, VENT & EXTERIOR DOOR GROUP (CONTINUED)

WINDOWS & VENTS



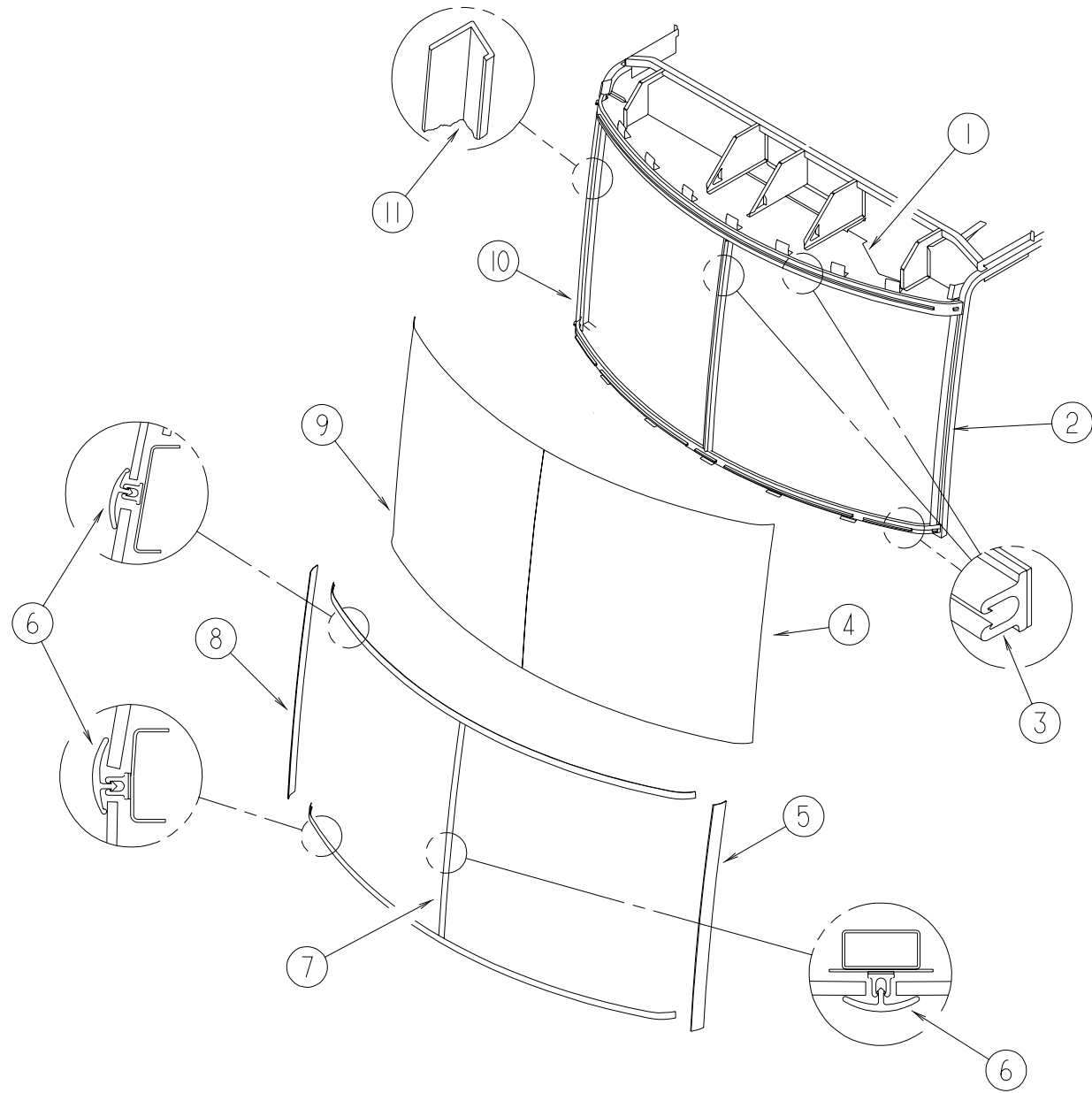
KEY	PART NUMBER	U/M DESCRIPTION
1*	113500-06-01A	EA WINDOW - DOUBLE TIPOUT W/ESCAPE - TINTED - 33.2" X 30.2"
1*	112898-18-01A	EA WINDOW - VERTICAL SLIDER - THERMO - ESCAPE - 30.2" X 33.2" FROM: 00-00-00 THRU: 09-02-98
1*	129929-02-01A	EA WINDOW - TORQUE - THERMO - 33.2" X 30.2" FROM: 09-03-98 THRU: 99-99-99
2	092698-03-06A	EA VENT - W/DOOR AND SOLENOID - BRIGHT WHITE
3*	104691-16-01A	EA WINDOW - SINGLE TIPOUT - TINTED - 22.8" X 21.1" - O/W TRIM
3*	112898-07-01A	EA WINDOW - VERTICAL SLIDER - THERMO - 22.8" X 21.1"
4*	115360-03-01A	EA WINDOW - DOUBLE HORIZONTAL TIPOUT - 22.6" X 56.5"
4*	112795-54-01A	EA WINDOW - DRIVER/HORIZONTAL SLIDER - THERMO - 23.9" X 57.8"
5*	106467-10-01A	EA WINDOW - DRIVER VISTA W/TRIM - 45.3"T X 48"B X 17.9"H
5*	106467-11-01A	EA WINDOW - DRIVER VISTA/THERMO - 45.3"T X 48"B X 17.9"H
6*	106468-06-01A	EA WINDOW - DRIVER WING W/TRIM - 13.8"T X 16.6"B X 29.2"H
6*	106468-07-01A	EA WINDOW - DRIVER WING/THERMO - 13.8"T X 16.6"B X 29.2"H
7*	123780-05-01A	EA VENTILATOR - ROOF/3"-4" - W/THERMOSTAT/POWER LIFT
7*	123780-06-01A	EA VENTILATOR - ROOF/3"-4" - CSA - W/THERMOSTAT/POWER LIFT
8*	122882-04-01A	EA VENT - ROOF - W/FAN/POWER LIFT - W/O INSIDE GARNISH - CSA
8*	122882-05-01A	EA VENT - ROOF - W/FAN/POWER LIFT - W/O INSIDE GARNISH - CSA
8*	123780-03-01A	EA VENT - ROOF - 3" TO 4" - W/FAN/POWER LIFT - W/O THERMOSTAT
9	084073-07-000	EA VENT - ROOF/REFRIGERATOR - BRIGHT WHITE - NORCOLD
9	084073-04-000	EA BASE - ROOF VENT/REFRIGERATOR - BLACK - NORCOLD
9	118369-01-02A	EA CAP - REFRIGERATOR ROOF VENT - SIDE/SIDE - BRIGHT WHITE
9	118369-02-02A	EA BASE - REFRIGERATOR ROOF VENT - SIDE/SIDE - BRIGHT WHITE
10*	106466-11-01A	EA WINDOW - PASS CAB-4 GLASS-35.7"T X 45.2"CW X 32"B X 50.6"H
10*	106466-12-01A	EA WINDOW - PASS CAB - THERMO - 42.1"TW X 48.3"CW X 50.3"H
11*	098644-04-02A	EA WINDOW - VERTICAL SLIDER W/TRIM - TINTED - 31.7" X 21.1"
11*	112898-20-01A	EA WINDOW - VERTICAL SLIDER - THERMO - 21.1" X 31.7"
12*	117053-03-F31	EA WINDOW - PICTURE - 31% TINTING - 17" X 26.4"
12*	113733-01-01A	EA WINDOW - STATIONARY THERMOPANE - 17" X 26.4"
13*	115360-01-01A	EA WINDOW - DOUBLE HORIZONTAL TIPOUT - 30.8" X 56.5"
13*	112795-50-01A	EA WINDOW - PASSENGER HORIZONTAL SLIDE THERMO 30 3/4" X 57 3/4"
14*	113500-05-01A	EA WINDOW - DOUBLE TIPOUT - TINTED - 33.2" X 30.2"
14*	112898-16-01A	EA WINDOW - VERTICAL SLIDER - THERMO - 30.2" X 33.2" FROM: 00-00-00 THRU: 09-02-98
14*	129929-01-01A	EA WINDOW - TORQUE - THERMO - 33.2" X 30.2" FROM: 09-03-98 THRU: 99-99-99

***COMPONENT PARTS FOUND IN SERVICE PARTS LIBRARY**

WINDSHIELD & WIPER GROUP

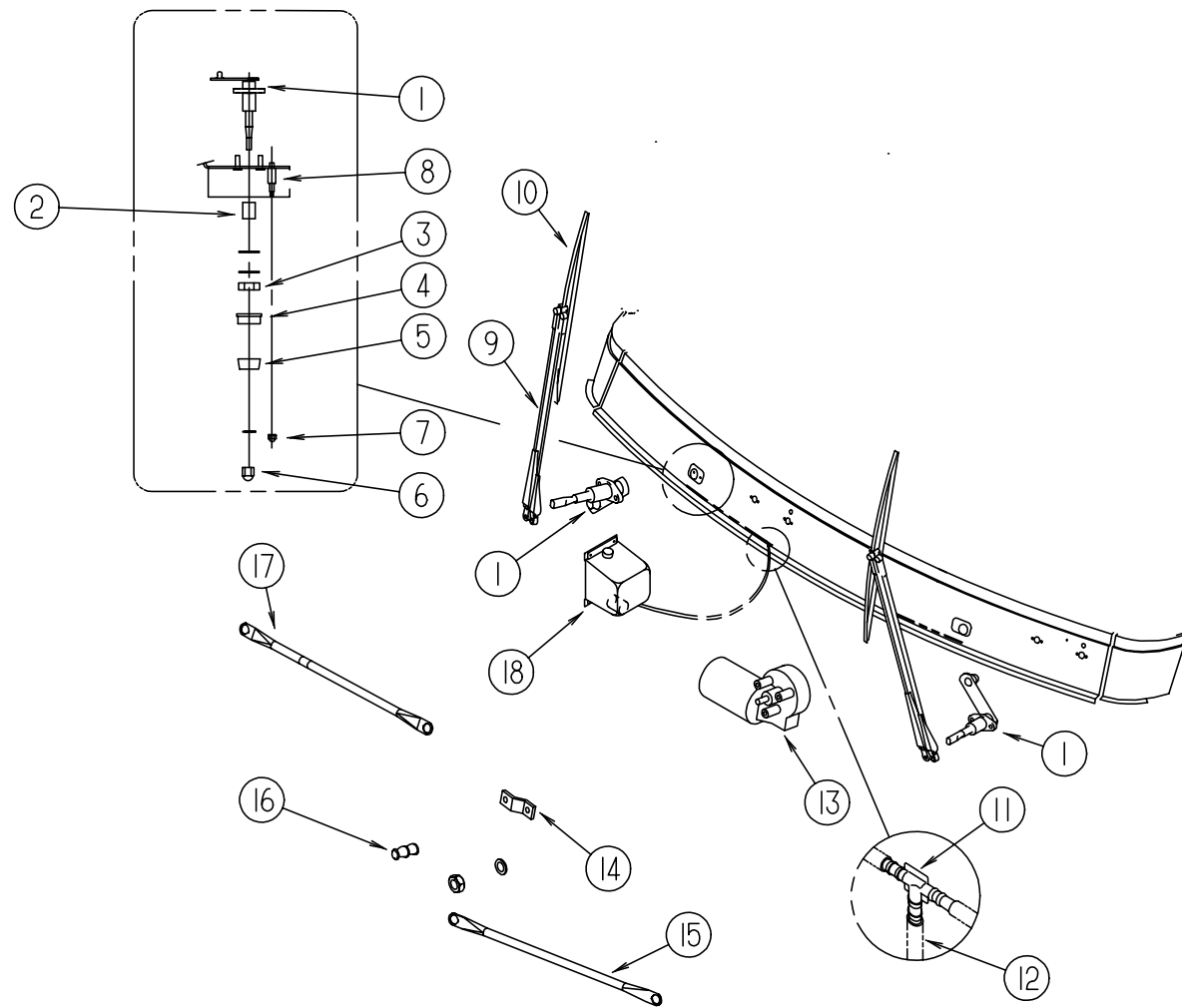
WINDSHIELD

KEY	PART NUMBER	U/M DESCRIPTION
1	117730-04-01B	EA HEADER - WINDSHIELD
2	117203-04-01B	EA FRAME - WINDSHIELD - A PILLAR - LEFT HAND
3	127862-01-000	EA CARRIER - REVEAL - WINDSHIELD - 47.2"
4	124590-02-000	EA GLASS - WINDSHIELD - DRIVER
5	125384-10-02A	EA TRIM - WINDSHIELD - A-PILLAR - DRIVER
6	120533-01-000	FT MOLDING - REVEAL - WINDSHIELD
7	118452-07-01A	EA TRIM - WINDSHIELD - CENTER - HAMPTON TAN
8	125384-09-02A	EA TRIM - WINDSHIELD - A-PILLAR - PASSENGER
9	124590-01-000	EA GLASS - WINDSHIELD - PASSENGER
10	117203-03-01B	EA FRAME - WINDSHIELD - A PILLAR - RIGHT HAND
11	098788-06-000	EA CHANNEL - 49" PVC
	107285-01-000	EA BRACKET - SUPPORT - WINDSHIELD
	002328-02-000	EA BLOCK - WINDSHIELD - .062" X .5" X .98"



WINDSHIELD & WIPER GROUP (CONTINUED)

WIPER & WASHER



KEY	PART NUMBER	U/M DESCRIPTION	VENDOR NO.
1	096505-09-000	EA SHAFT/PIVOT - WINDSHIELD WIPER	
2	061603-01-000	EA GROMMET - SNAP - 3/16"ID - 3/8" HOLE - PLASTIC BLACK	
3	096505-02-701	EA NUT - HEX - (HD) W/.687 BARREL	NT721021
4	096505-02-702	EA CAP - RUBBER - (HD) BARREL .687	CP721084
5	096505-02-700	EA DRIVER - KNURLED - (HD) BARREL .687	NT721017
6	096505-02-703	EA CAP - NUT (ACORN) HD W/.687 BARREL	51065-40-NT27WC
7	077049-02-000	EA NUT - ACORN - 10-32 BLACK/ANODIZED	
8	117768-01-000	EA SHAFT - ADAPTER - PANTOGRAPH ARM	
	107397-01-000	EA WASHER - FENDER - .25" ID X 1" OD	
9	117769-01-000	EA ARM - WIPER - PANTOGRAPH - 28"	
	096931-01-701	EA NOZZLE - HARDWARE KIT (NOZZLE-NUT-LONG SCREW-SHORT SCREW)	
10	095964-01-000	EA BLADE - WINDSHIELD WIPER - 24"	
	095964-01-700	EA BLADE - REFILL 24" EA = 1 PAIR	12360
11	110605-01-000	EA TEE - PLASTIC - BARBED - 1/8" X 1/8" X 3/16"	
	117765-03-000	EA CONNECTOR - 5/32" - WINDSHIELD WASHER	
12	045794-01-000	FT HOSE - WASHER - WINDSHIELD - 5/32" ID - BLACK	
13	104346-05-000	EA MOTOR - WIPER W/INTERNAL BREAKER - DYNAMIC PARK (FORD)	
13	104346-04-000	EA MOTOR - WIPER W/INTERNAL BREAKER (CHEVY)	
14	104347-04-000	EA ARM - DRIVE - WIPER MOTOR	
15	117770-02-000	EA LINK - CONNECTING - DRIVER - 24"	
16	067188-01-000	EA STUD - CRANK - WIPER MOTOR	
17	117770-01-000	EA LINK - CONNECTING - PASSENGER - 24"	
18	117766-02-000	EA RESERVOIR/PUMP - WINDSHIELD WASHER	
	096931-01-700	FT HOSE - WASHER - 1/8" ID	
	000D28-10-00B	EA NUT - HEX - W/NYLON LOCK - 10-32 ZINC	