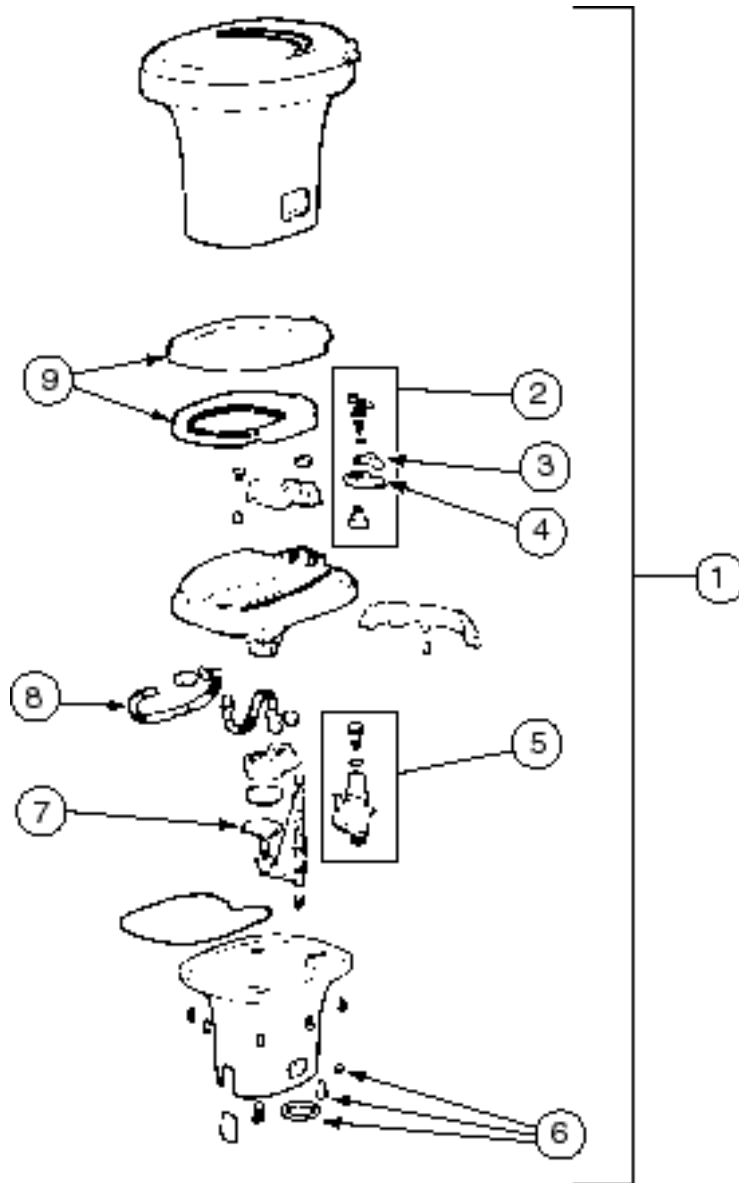
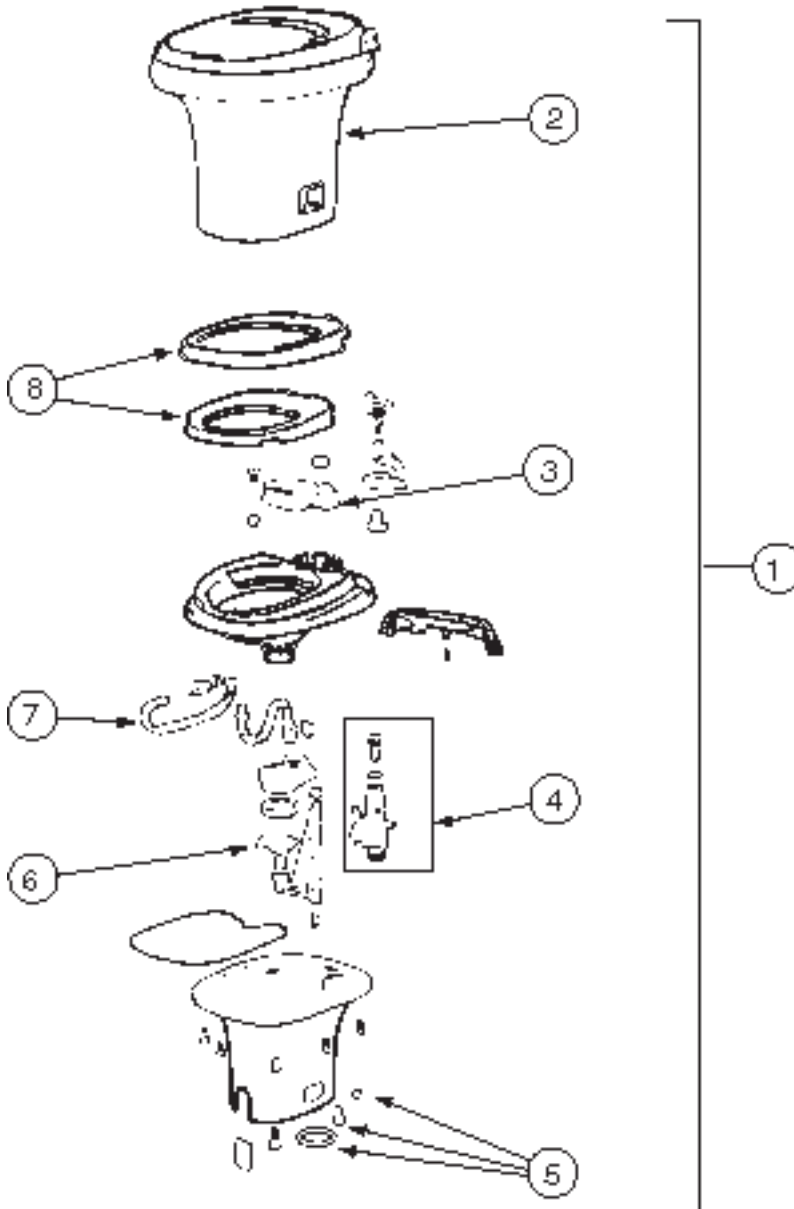


**THETFORD
MODEL AQUA MAGIC IV
HIGH - IVORY**



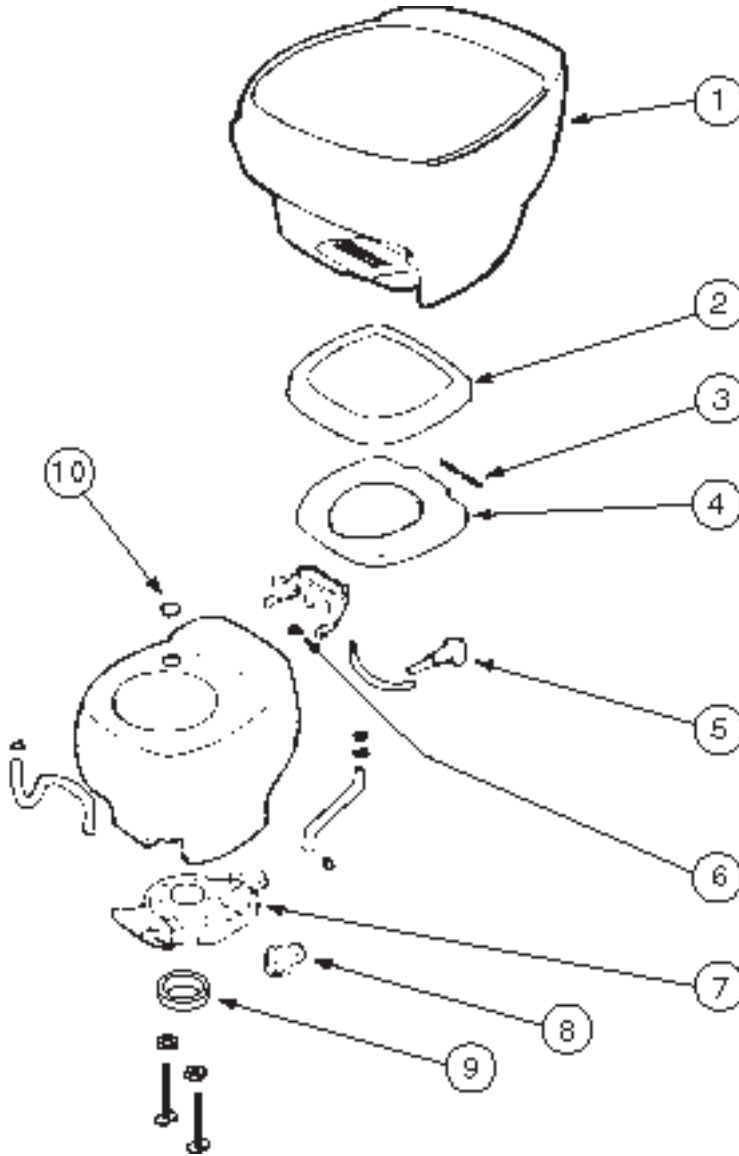
KEY	PART NUMBER	U/M	DESCRIPTION	VENDOR NO.
1	063740-01-000	EA	TOILET - 12.37" - IVORY - HAND FLUSH	THETFORD-HANDFLUSH
2	063740-01-700	EA	LEVER-WATER	12514
3	063740-01-701	EA	LEVER-FLUSH	12515
4	063740-01-720	EA	LEVER KIT - WATER - FLUSH - BEARING	24629
5	063740-01-714	EA	VALVE ASM (VALVE-BALL SEAL)	13168
6	063740-01-706	EA	BOLT PACKAGE-FLOOR FLANGE	12524
7	063740-01-721	EA	BLADE ONLY	1248232
8	063740-01-717	EA	TUBE-FLUSH	12509
9	063740-02-700	EA	SEAT & COVER, PARCHMENT	2464157

**THETFORD
MODEL AQUA MAGIC IV
HIGH - FOOT FLUSH**



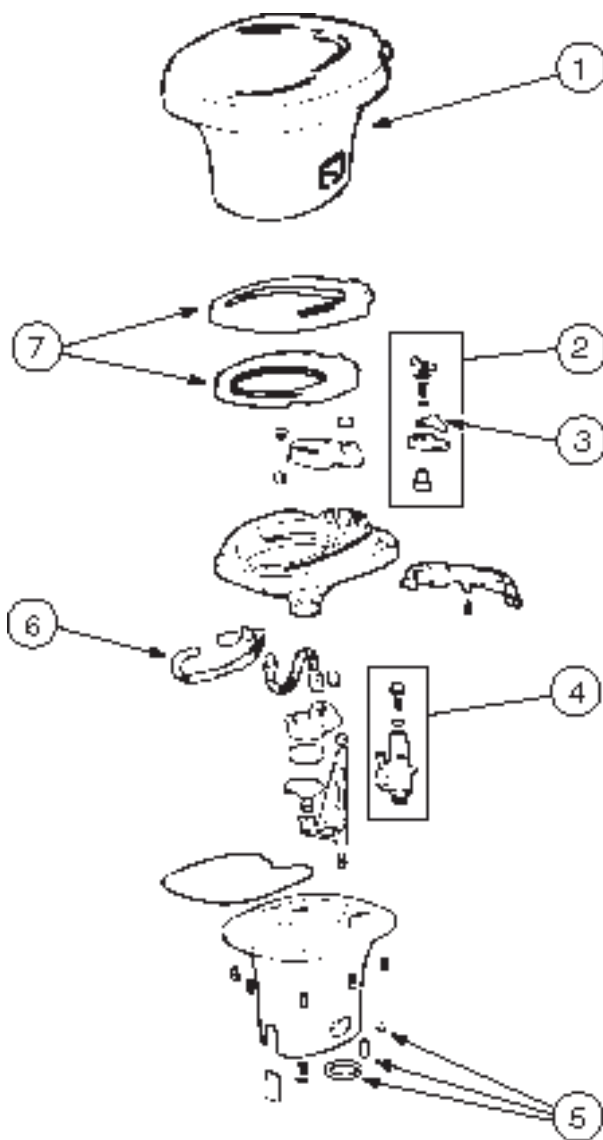
KEY	PART NUMBER	U/M	DESCRIPTION	VENDOR NO.
1	063740-02-000	EA	TOILET - HIGH - FOOT FLUSH	
2	063740-02-701	EA	RESERVOIR (TANK ASM.)	24630
3	063740-01-720	EA	LEVER KIT - WATER - FLUSH - BEARING	24629
4	063740-01-714	EA	VALVE ASM (VALVE-BALL SEAL)	13168
5	063740-01-706	EA	BOLT PACKAGE-FLOOR FLANGE	12524
6	063740-01-721	EA	BLADE ONLY	1248232
7	063740-01-717	EA	TUBE-FLUSH	12509
8	063740-02-700	EA	SEAT & COVER, PARCHMENT	2464157

**THETFORD
MODEL STARLITE
MODEL - 20900-AM SH LO**



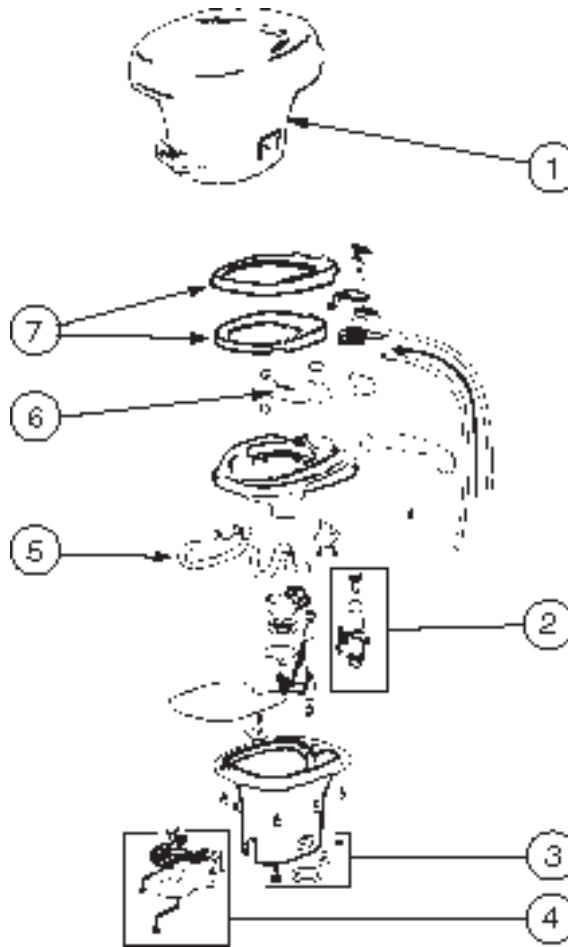
KEY	PART NUMBER	U/M	DESCRIPTION	VENDOR NO.
1	064076-01-000	EA	TOILET - 11.25" TALL - IVORY - WATERSAVER	
2	039341-02-700	EA	COVER - SEAT - TOILET - IVORY	037151
3	039341-02-707	EA	PIN - HINGE	12986
4	039341-02-704	EA	SEAT/COVER SET - NEW STYLE IV	08855
5	067487-01-701	EA	WATER SAVER PACKAGE	08993
6	067487-01-702	EA	CLAMP	03752
7	064076-01-701	EA	MECHANISM - FLUSHING	14622
8	064076-01-705	EA	VALVE - BALL - REPLACEMENT PACKAGE	09868
9	039341-02-705	EA	SEAL & BOLT PKG - W/O FLANGE	08975
10	039341-02-703	EA	PLUG-HOLE - TOILET - IVORY	03895-10
	700011-14-003	EA	BREAKER - VACUUM - WHITE - THETFORD 08200	

**THETFORD
MODEL AQUA MAGIC IV**



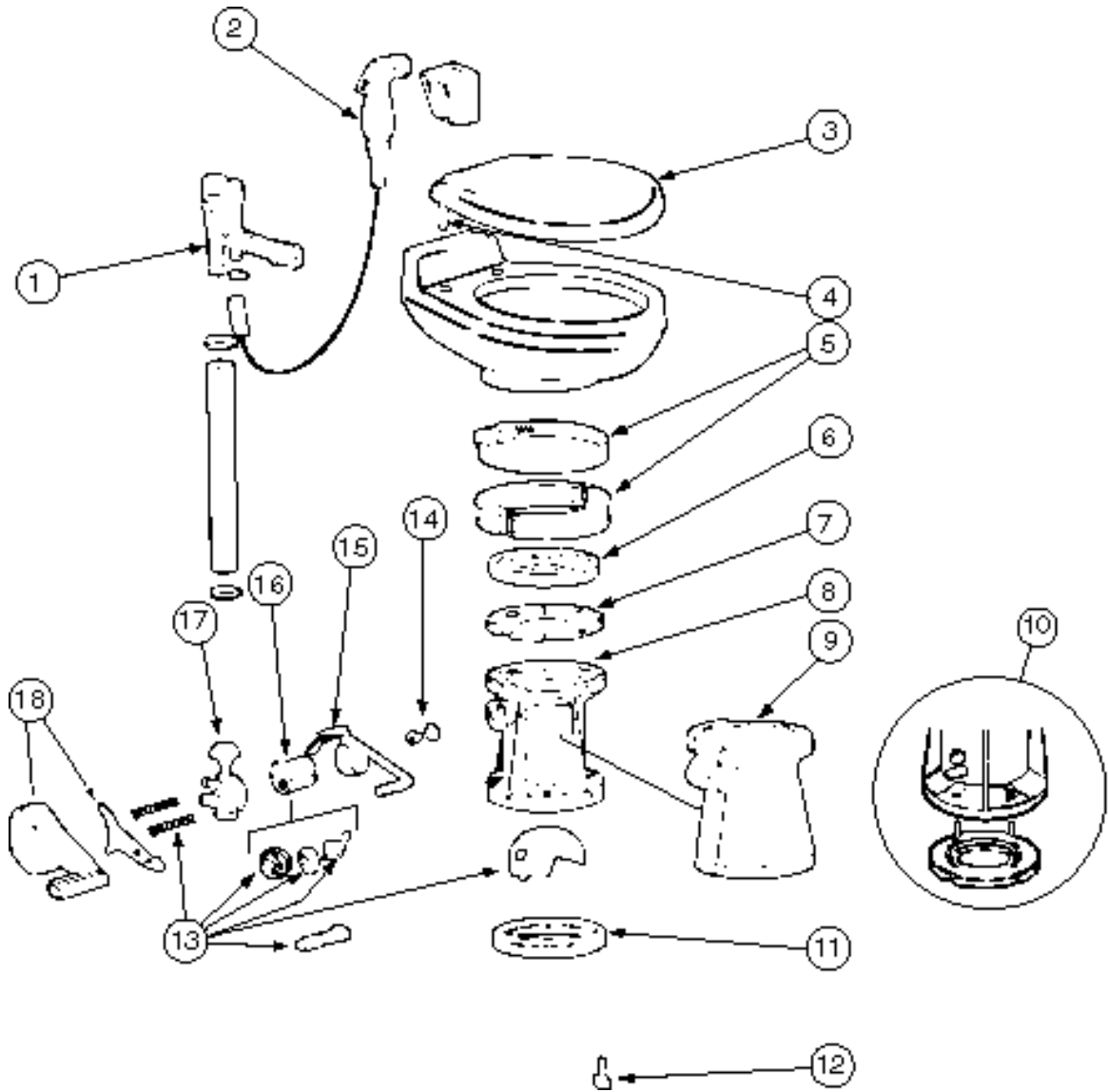
KEY	PART NUMBER	U/M	DESCRIPTION	VENDOR NO.
1	067487-01-000	EA	TOILET - 12.37" - IVORY - HAND FLUSH	THETFORD-HANDFLUSH
2	063740-01-700	EA	LEVER-WATER	12514
3	063740-01-701	EA	LEVER-FLUSH	12515
4	063740-01-714	EA	VALVE ASM (VALVE-BALL SEAL)	13168
5	063740-01-706	EA	BOLT PACKAGE-FLOOR FLANGE	12524
6	063740-01-717	EA	TUBE-FLUSH	12509
7	063740-02-700	EA	SEAT & COVER, PARCHMENT	2464157
	067487-02-702	EA	TANK-RESERVOIR	12507

**THETFORD
MODEL AQUA MAGIC IV**



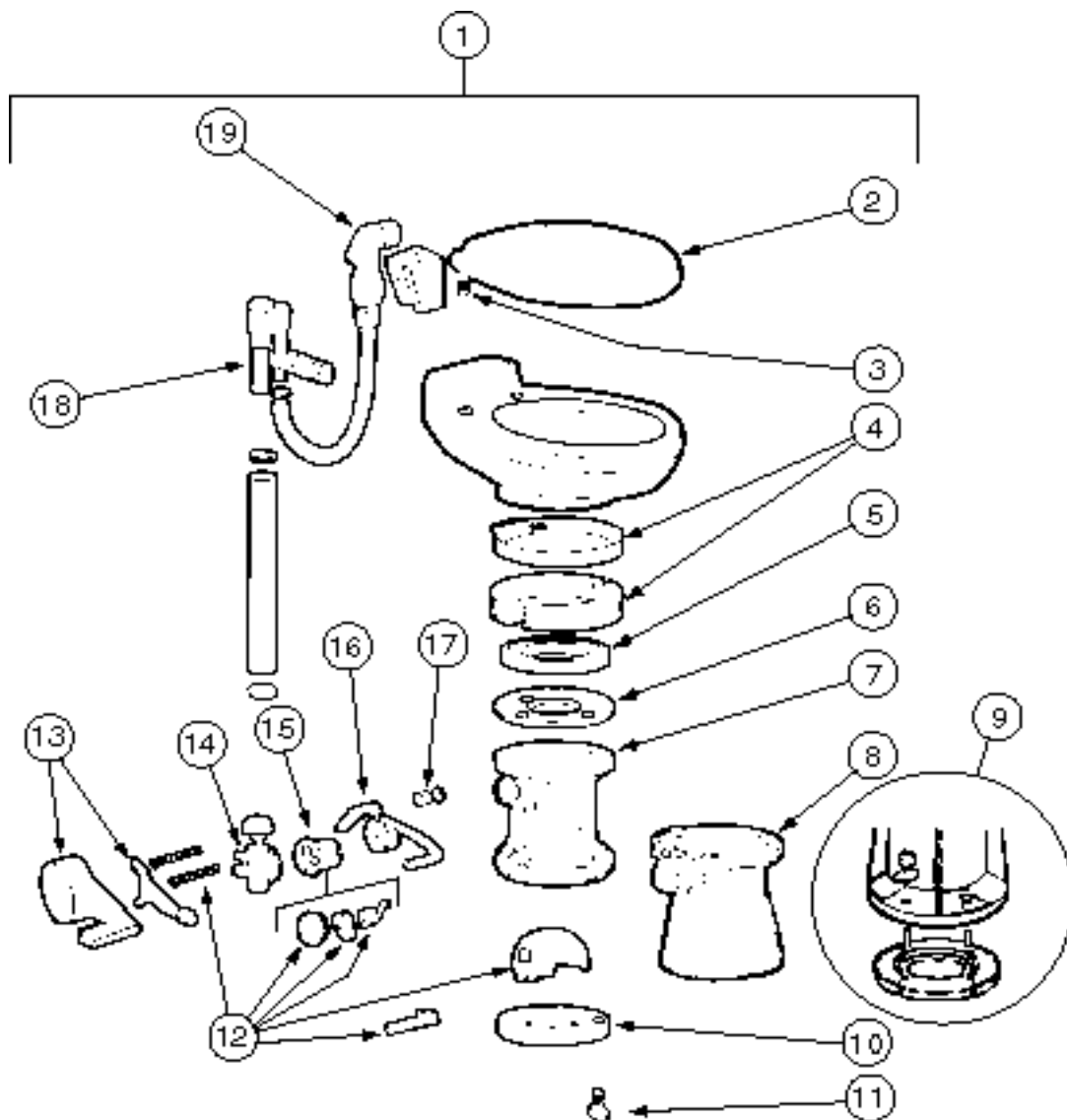
KEY	PART NUMBER	U/M	DESCRIPTION	VENDOR NO.
1	067487-02-000	EA	TOILET - 12.37" - IVORY - FOOT FLUSH	
2	063740-01-714	EA	VALVE ASM (VALVE-BALL SEAL)	13168
3	063740-01-706	EA	BOLT PACKAGE-FLOOR FLANGE	12524
4	067487-02-701	EA	PEDAL PKG. (FOOT FLUSH)	20821
5	063740-01-717	EA	TUBE-FLUSH	12509
6	063740-02-701	EA	RESERVOIR (TANK ASM.)	24630
7	063740-02-700	EA	SEAT & COVER, PARCHMENT	2464157

SEALAND
MODEL ML 510



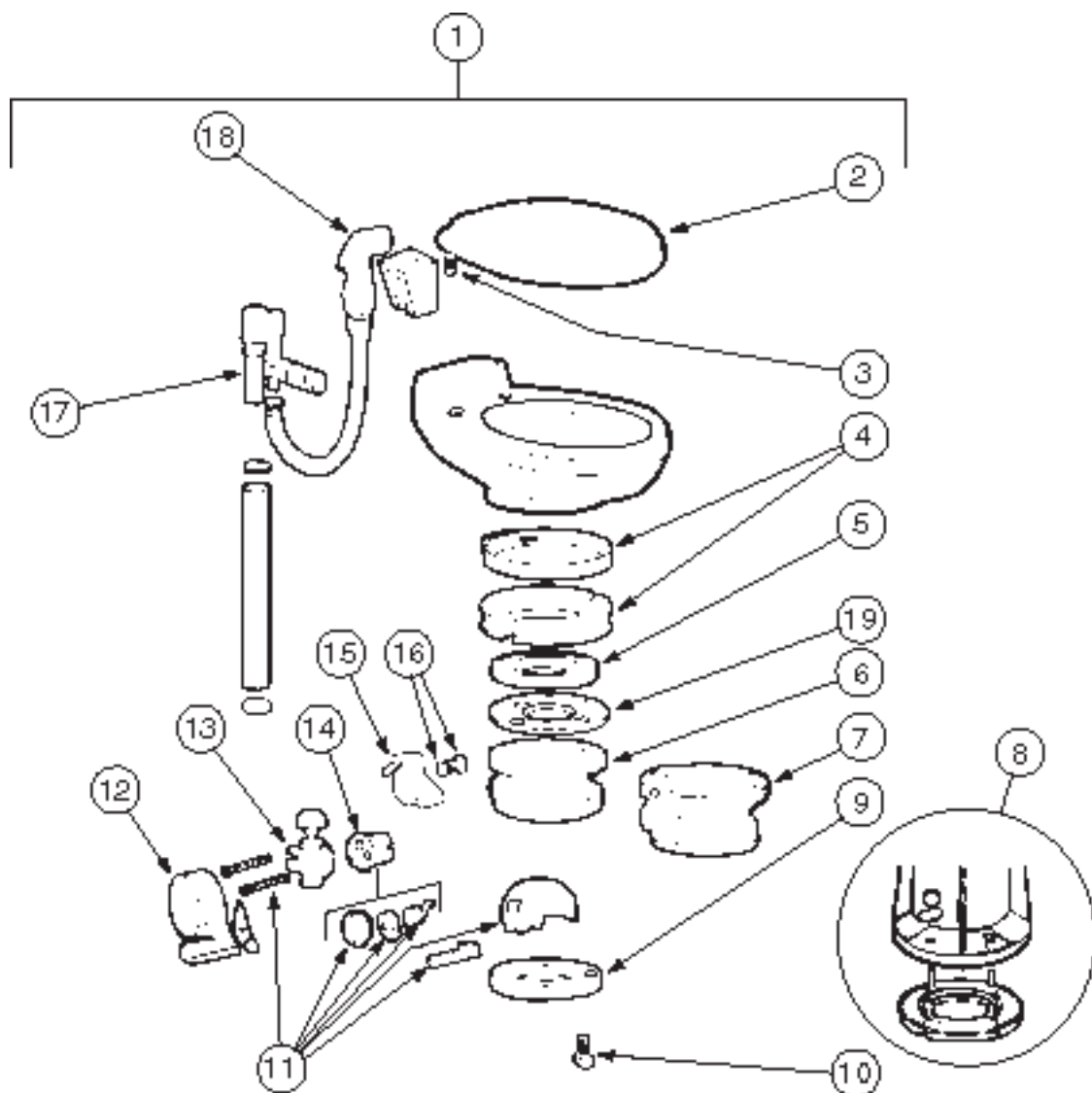
KEY	PART NUMBER	U/M	DESCRIPTION	VENDOR NO.
	085330-02-000	EA	TOILET - STANDARD BONE CHINA SEALAND ML 510	
1	085330-04-700	EA	BREAKER-VACUUM, F/HANDSPRAY	230325
2	085330-04-701	EA	HAND SPRAY W/HOSE(500 & 900)	340683
3	085330-04-707	EA	SEAT ASSEMBLY, BONE	340816
4	085330-01-720	EA	HINGE HARDWARE, (BONE) SET	341707
5	085330-01-703	EA	RING & HALF CLAMPS, BONE	385310048
6	085330-01-704	EA	TEFLON & RUBBER SEAL KIT	385316140
7	085330-01-705	EA	SUPPORT-SEAL, PLASTIC	390346405
8	085330-02-700	EA	BASE ASM	310121
9	085330-02-702	EA	COVER-PEDESTAL, BONE 510	310112
10	085330-01-718	EA	SEAL-FLANGE W/BOLT PACKAGE	3853100-63
11	085330-01-714	EA	SEAL-FLANGE, FLOOR	390343892
12	085330-01-717	EA	BOLT MOUNTING PACKAGE	3100-64
13	085330-01-706	EA	BALL(FLAPPER)SHAFT/CARTRIDGE	385318162
14	085330-01-710	EA	DRAIN-KIT, PLUG-CAP W/SEAL	230384
15	085330-06-703	EA	LEVER-FLUSH	340873
16	085330-01-707	EA	CARTRIDGE SPRING ASSEMBLY	381236096
17	085330-01-709	EA	VALVE-WATER	385314349
18	085330-02-703	EA	COVER-PEDAL, BONE NEW STYLE	310115

SEALAND
MODEL 910



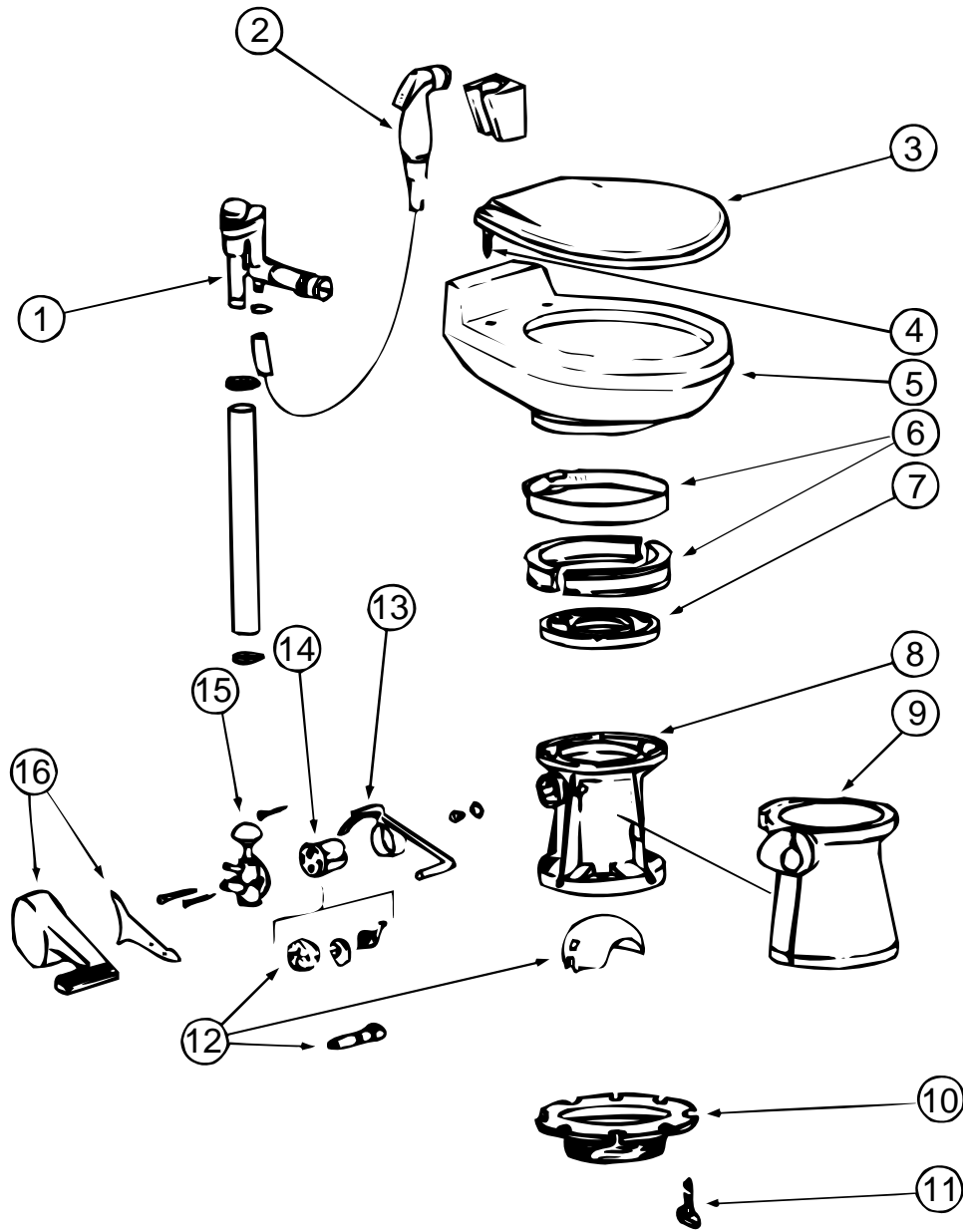
KEY	PART NUMBER	U/M	DESCRIPTION	VENDOR NO.
1	085330-06-000	EA	TOILET - CHINA - STANDARD (BONE) - 591003	
2	085330-06-700	EA	SEAT ASSEMBLY (BONE)	340591
3	085330-06-702	EA	HINGE HARDWARE (BONE) SET	342131
4	085330-01-703	EA	RING & HALF CLAMPS ASM (BONE)	385310048
5	085330-01-704	EA	TEFLON & RUBBER SEAL KIT	385316140
6	085330-01-705	EA	SUPPORT - SEAL - PLASTIC	390346405
7	085330-02-700	EA	BASE ASM	310121
8	085330-02-702	EA	COVER - PEDESTAL - BONE 510	310112
9	085330-01-718	EA	SEAL & BASE W/ MOUNTING HARDWARE	3853100-63
10	085330-01-714	EA	SEAL - FLANGE - FLOOR	390343892
11	085330-01-717	EA	STOOL MOUNTING PACKAGE - BOLT & SEAL	3100-64
12	085330-01-706	EA	BALL - SHAFT & CARTRIDGE	385318162
13	085330-02-703	EA	COVER - PEDAL - BONE NEW STYLE	310115
14	085330-01-709	EA	VALVE - WATER	385314349
15	085330-01-707	EA	CARTRIDGE - SPRING ASM.	381236096
16	085330-06-703	EA	LEVER - FLUSH	340873
17	085330-01-710	EA	DRAIN - KIT - PLUG - CAP W/ SEAL	230384
18	085330-06-701	EA	BREAKER - VACUUM/ DIVERTER (900)	230335
19	085330-04-701	EA	HAND SPRAY - W/ HOSE (500 & 900)	340683

SEALAND
MODEL 911



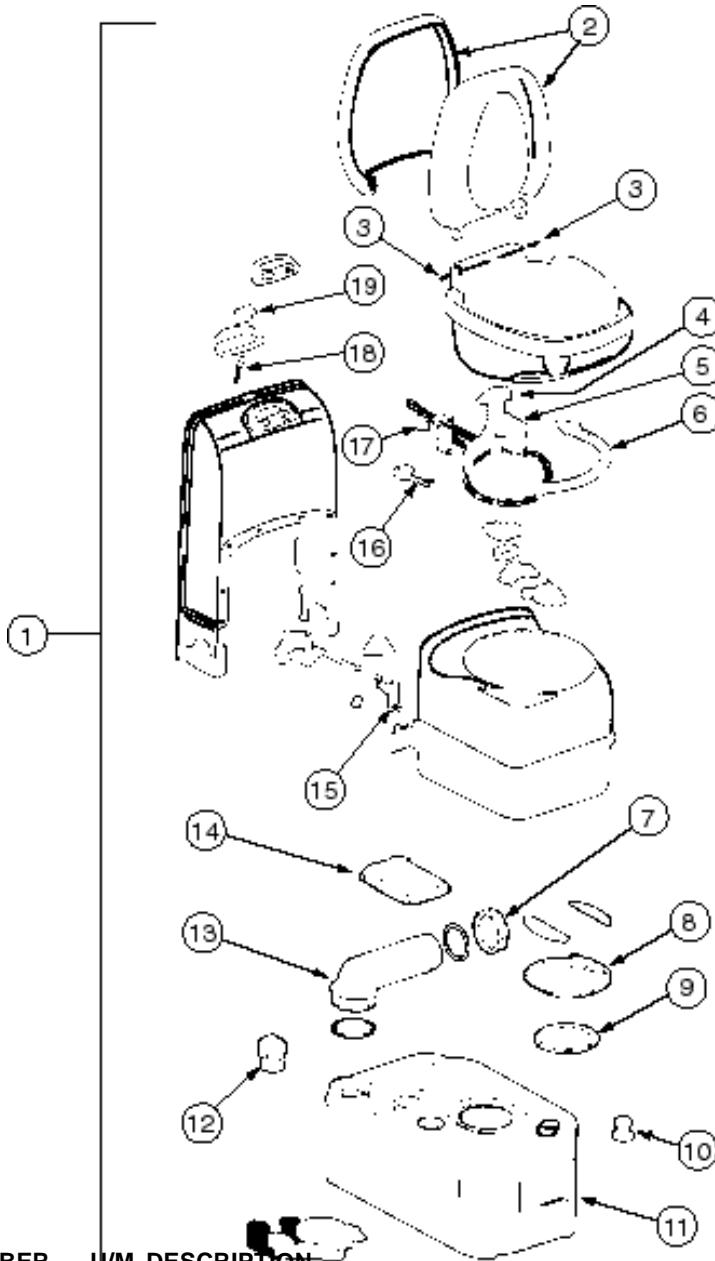
KEY	PART NUMBER	U/M	DESCRIPTION	VENDOR NO.
1	085330-07-000	EA	TOILET - CHINA - SHORTY W/SPRAY - BONE	
2	085330-06-700	EA	SEAT ASSEMBLY, BONE	340591
3	085330-06-702	EA	HINGE HARDWARE (BONE) SET	342131
4	085330-01-703	EA	RING & HALF CLAMPS, BONE	385310048
5	085330-01-704	EA	TEFLON & RUBBER SEAL KIT	385316140
6	085330-04-704	EA	BASE ASM-BONE	310124
7	085330-04-705	EA	COVER ASSEMBLY-PEDESTAL	310109
8	085330-01-718	EA	SEAL & BASE W/MOUNTING HDW	3853100-63
9	085330-01-714	EA	SEAL-FLANGE, FLOOR	390343892
10	085330-01-717	EA	STOOL MTG., PKG. BOLT & SEAL	3100-64
11	085330-01-706	EA	BALL(FLAPPER)SHAFT/CARTRIDGE	385318162
12	085330-04-703	EA	COVER ASSEMBLY-PEDAL	310118
13	085330-01-709	EA	VALVE-WATER	385314349
14	085330-01-707	EA	CARTRIDGE SPRING ASSEMBLY	381236096
15	085330-04-702	EA	LEVER-FLUSH	340825
16	085330-01-710	EA	DRAIN-KIT, PLUG-CAP W/SEAL	230384
17	085330-06-701	EA	BREAKER-VACUUM/DIVERTER(900)	230335
18	085330-04-701	EA	HAND SPRAY W/HOSE(500 & 900)	340683
19	085330-01-705	EA	SUPPORT-SEAL, PLASTIC	390346405

TOILET



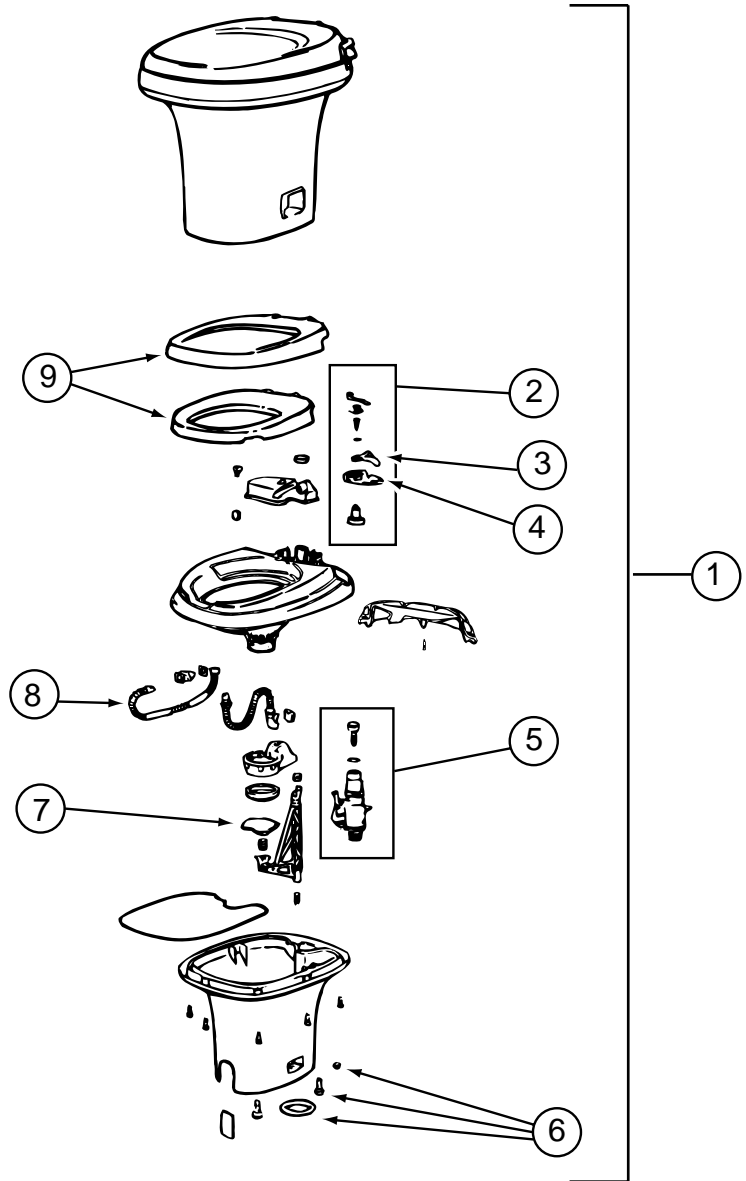
KEY	PART NUMBER	U/M	DESCRIPTION	VENDOR NO.
	085330-08-000	EA	TOILET - CHINA - STANDARD - GLACIER WHITE	SEALAND 510
1	085330-01-701	EA	BREAKER-VACUUM	385318065
2	085330-04-701	EA	HAND SPRAY W/HOSE(500 & 900)	340683
3	085330-08-701	EA	SEAT ASSEMBLY - WHITE	341605
4	085330-08-703	EA	HINGE-HARDWARE SET - (WHITE)	341706
5	085330-08-702	EA	BOWL/CHINA - WHITE	310080
6	085330-01-703	EA	RING & HALF CLAMPS, BONE	385310048
7	085330-01-704	EA	TEFLON & RUBBER SEAL KIT	385316140
8	085330-09-703	EA	BASE KIT - BONE	310120
9	085330-09-704	EA	PEDESTAL COVER - WHITE	310111
10	085330-01-716	EA	FLANGE-FLOOR, 3" MPT	345889
11	085330-01-717	EA	BOLT MOUNTING PACKAGE	3100-64
12	085330-01-706	EA	BALL(FLAPPER)SHAFT/CARTRIDGE	385318162
13	085330-06-703	EA	LEVER-FLUSH	340873
14	085330-01-707	EA	CARTRIDGE SPRING ASSEMBLY	381236096
15	085330-01-709	EA	VALVE-WATER	385314349
16	085330-09-702	EA	COVER/PEDAL KIT - WHITE	310114

THETFORD CASSETTE TOILET - JAPAN



KEY	PART NUMBER	U/M	DESCRIPTION	VENDOR NO.
1	121003-01-01A	EA	TOILET	
2	121003-01-700	EA	SEAT & COVER ASM - WHITE	2370662
3	121003-01-701	EA	PIN-HINGE, WHITE	2370762
4	121003-01-703	EA	VALVE ASM - ELECTRIC - W/VACUUM	16833
5	121003-01-702	EA	BREAKER ASM - VACUUM - WHITE	2370862
6	121003-01-704	EA	TUBE - FLUSH	2370962
7	121003-01-711	EA	CAP - SPOUT	1638462
8	121003-01-714	EA	SEAL- COVER W/SCREWS	2372074
9	121003-01-715	EA	SEAL - LIP	23721
10	121003-01-717	EA	BUTTON - VENT	2134478
11	121003-01-710	EA	TANK - HOLDING, (COMPLETE)	2371974
12	121003-01-716	EA	VENT ASM - PRESSURE RELEASE	2372274
13	121003-01-712	EA	SPOUT - DRAIN	1619674
14	121003-01-713	EA	COVER - SLIDING	2133374
15	121003-01-705	EA	HANDLE - VALVE, BLADE	2371362
16	121003-01-706	EA	SWITCH - REED	2371462
17	121003-01-707	EA	FUSE (2PACK)	23715
18	121003-01-709	EA	INDICATOR - WARNING LEVEL	23718
19	121003-01-708	EA	SWITCH - FLUSH	23716

THETFORD 20920 HAND



KEY	PART NUMBER	U/M	DESCRIPTION	VENDOR NO.
1	131932-01-01A	EA	TOILET - AQUA MAGIC 4 - HIGH/HAND FLUSH - IVORY	
2	063740-01-700	EA	LEVER-WATER	12514
3	063740-01-701	EA	LEVER-FLUSH	12515
4	063740-01-720	EA	LEVER KIT, WAT-FLUSH-BEARING	24629
5	063740-01-714	EA	VALVE ASM (VALVE-BALL SEAL)	13168
6	063740-01-706	EA	BOLT PACKAGE-FLOOR FLANGE	12524
7	063740-01-721	EA	BLADE ONLY	1248232
8	063740-01-717	EA	TUBE-FLUSH	12509
9	063740-02-700	EA	SEAT & COVER, PARCHMENT	2464157