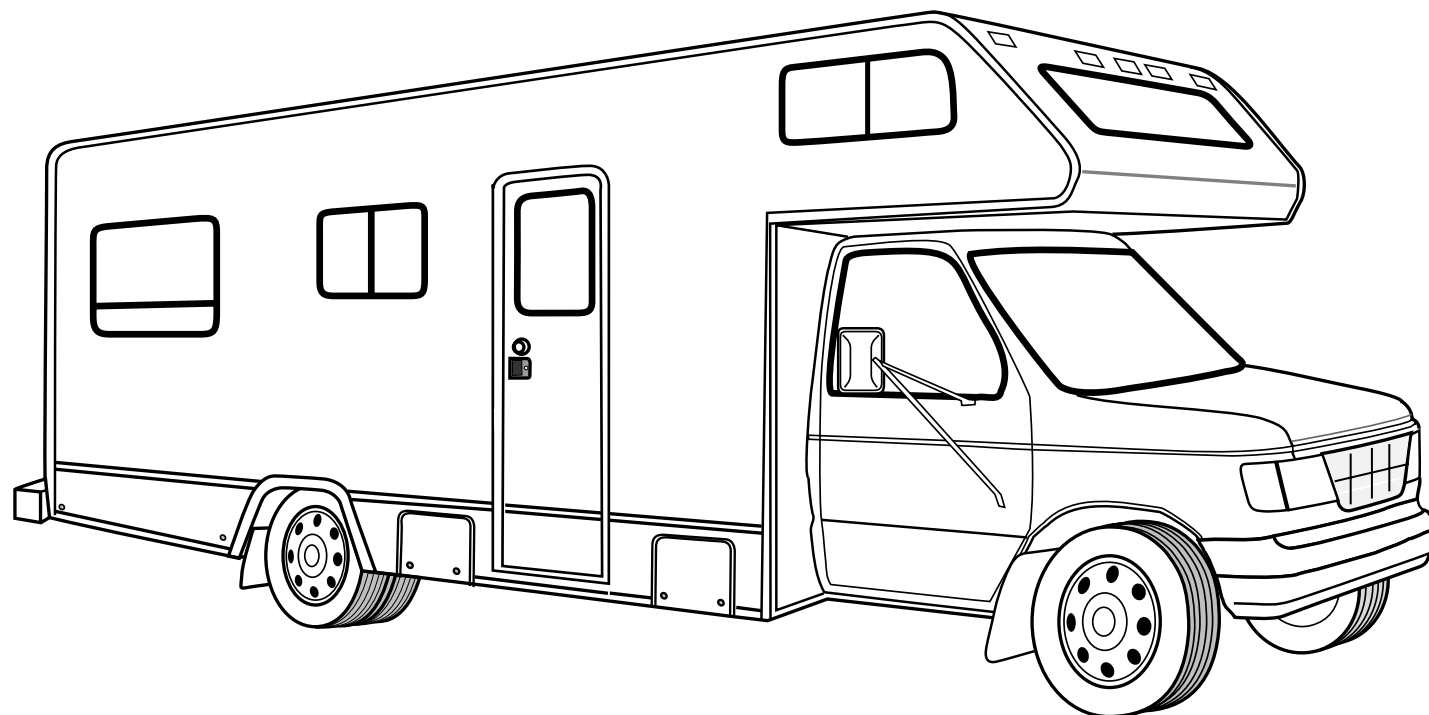


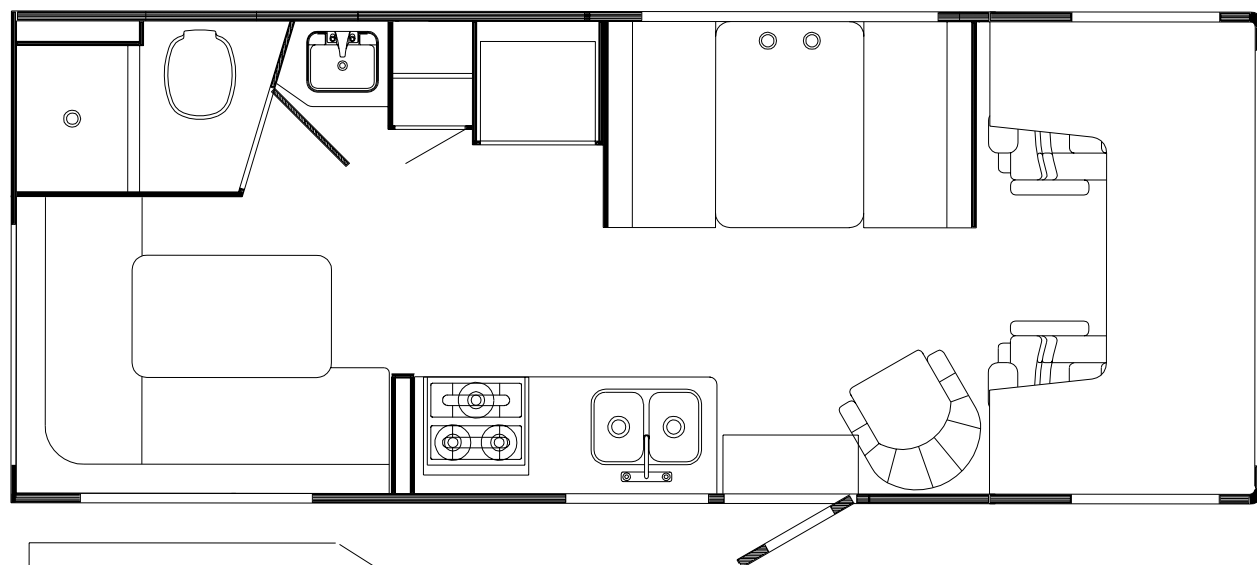
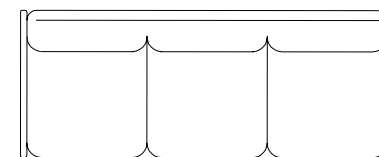
**1999
IF324V**



**K04
SANDPIPER (SAND)**

**K05
HORIZON (BLUE)**

**K06
RIVERWALK (TAUPE)**



ACCESSORIES GROUP**OPERATORS MANUAL**

KEY	PART NUMBER	UM DESCRIPTION
	054185-J9-000	EA MANUAL - OPERATOR - 99 ITASCA SPIRIT
	129079-01-01A	EA CASE - VINYL/BLACK-EXPANDABLE ACCORDION SIDES-7"WX9"HX14"L
	128942-01-000	DW TOP LEVEL-C,1999

AUDIO VIDEO GROUP**RADIO SPEAKERS**

KEY	PART NUMBER	U/M DESCRIPTION
	074979-01-000	EA SHIELD - SPEAKER - BACK - MOLDED PLASTIC - 8" X 9"
	110469-01-000	EA SPEAKER - 4" X 6" OVAL - COAXIAL
	110470-01-01A	EA GRILLE - 4" X 6" OVAL - BLACK
	110465-01-000	EA SPEAKER KIT,4 5X7 SPEAKERS FORD F2UF-18814-CD
	111177-01-01A	EA GRILLE - SPEAKER - 6.6" X 8.9" - HOUSING 5" X 7" SPEAKER

RADIO - PATIO ENTERTAINMENT CENTER

KEY	PART NUMBER	U/M DESCRIPTION
	125322-02-000	EA RADIO - AM/FM STEREO - CASSETTE - AUDIOVOX
	077069-02-000	EA CABLE - ANTENNA/EXTENSION - RADIO - 96"
	090944-01-000	EA ANTENNA - RADIO - 16" RUBBER
	108137-01-000	EA PLUG - ANTENNA
	108847-01-000	EA BRACKET - ANTENNA GROUND
	082134-01-000	EA ADAPTER - TV - CABLE TO CABLE
	086756-01-000	EA SPLITTER - TV - 2 WAY
	076319-09-000	EA WALLPLATE - CABLE RECEPTACLE - TV - SINGLE - BROWN
	058708-02-000	EA RECEPTACLE - ELECTRIC - DOUBLE - IVORY
	109889-01-000	EA EXTENDER - SHAFT - ANTENNA 1"
	110469-01-000	EA SPEAKER - 4" X 6" OVAL - COAXIAL
	110470-01-01A	EA GRILLE - 4" X 6" OVAL - BLACK

TV - VCR SYSTEMS

KEY	PART NUMBER	U/M DESCRIPTION	VENDOR NO.
	126696-02-000	EA TV - 19" COLOR W/1/8" JACK - UL/CSA - GE19GT319M	
	126696-01-700	EA REMOTE	226725/228006
	126697-02-000	EA VCR-VHS - CABLE READY - W/REMOTE - GE VG2042	
	126697-02-700	EA REMOTE	238513
	086231-08-000	EA TV - 13" COLOR - DC - AUDIOVOX AVT-1475	
	086231-08-700	EA REMOTE-UNIVERSAL	8822325
	086231-08-701	EA ADAPTER - WIRE	0891436
	094487-05-000	EA VIDEO CASSETTE PLAYER - VERTIC	
	086231-08-700	EA REMOTE-UNIVERSAL	8822325
	086231-08-701	EA ADAPTER - WIRE	0891436
	086757-03-000	EA CONTROL CENTER - SWITCH - VCR/TV	
	086757-04-000	EA CONTROL CENTER - SWITCH - VCR/TV - 5 INPUTS	
		FROM: 00-00-00 THRU: 09-28-98	
		FROM: 09-29-98 THRU: 99-99-99	
	086777-06-000	EA WALLPLATE - TV CABLE - ANTENNA BOOSTER/1 OUTPUT - BROWN	
	082134-01-000	EA ADAPTER - TV - CABLE TO CABLE	
	082136-01-000	EA NUT - HEX JAM - 3/8-32	
	086756-01-000	EA SPLITTER - TV - 2 WAY	

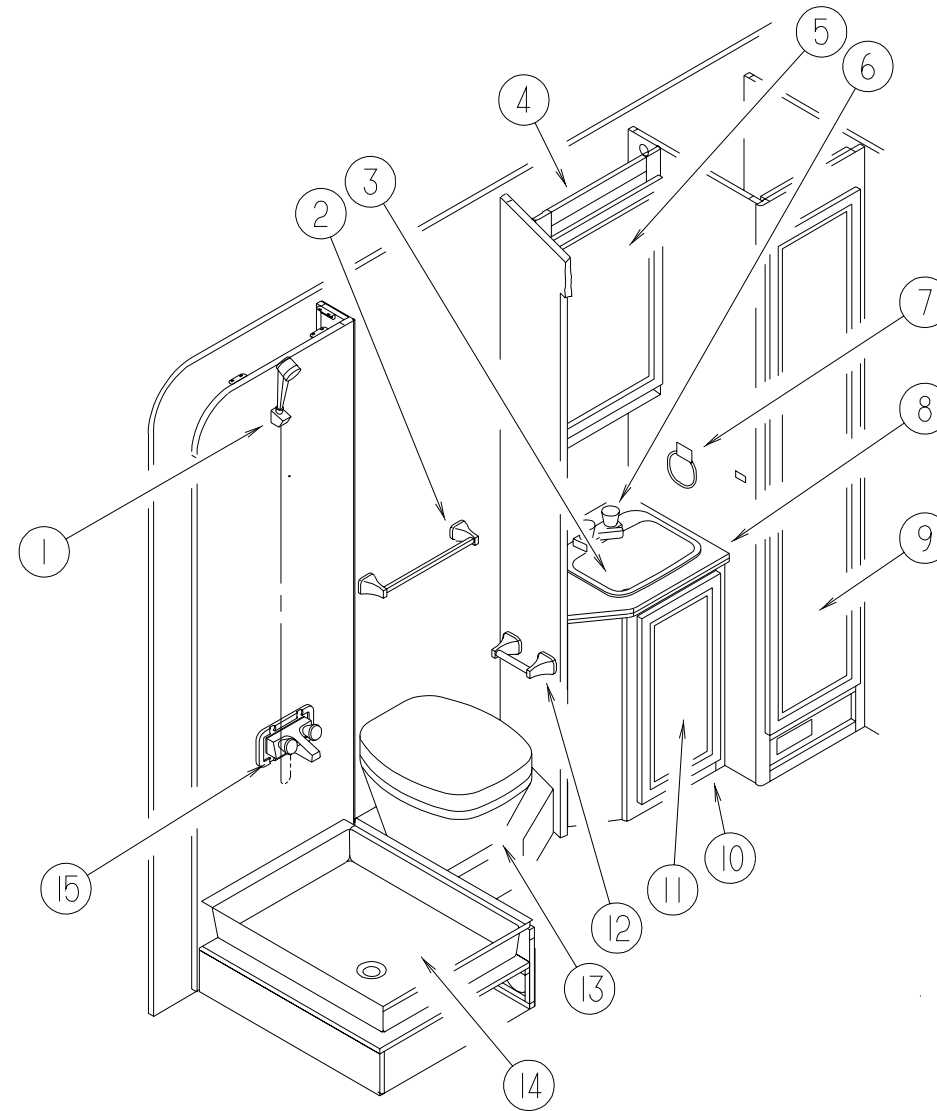
TV ANTENNA

KEY	PART NUMBER	U/M DESCRIPTION
*	076319-23-000	EA ANTENNA - TV ROOF MOUNT - 44.5" MAST
*	076319-25-000	EA KIT - HARDWARE INTERIOR
	076319-06-000	EA ADAPTER - CABLE ROOF PLATE
	076319-03-000	FT CABLE - COAXIAL - 75 OHM
	076319-12-000	EA CONNECTOR - COAXIAL - ONE PIECE

***COMPONENT PARTS FOUND IN SERVICE PARTS LIBRARY**

BATH GROUP

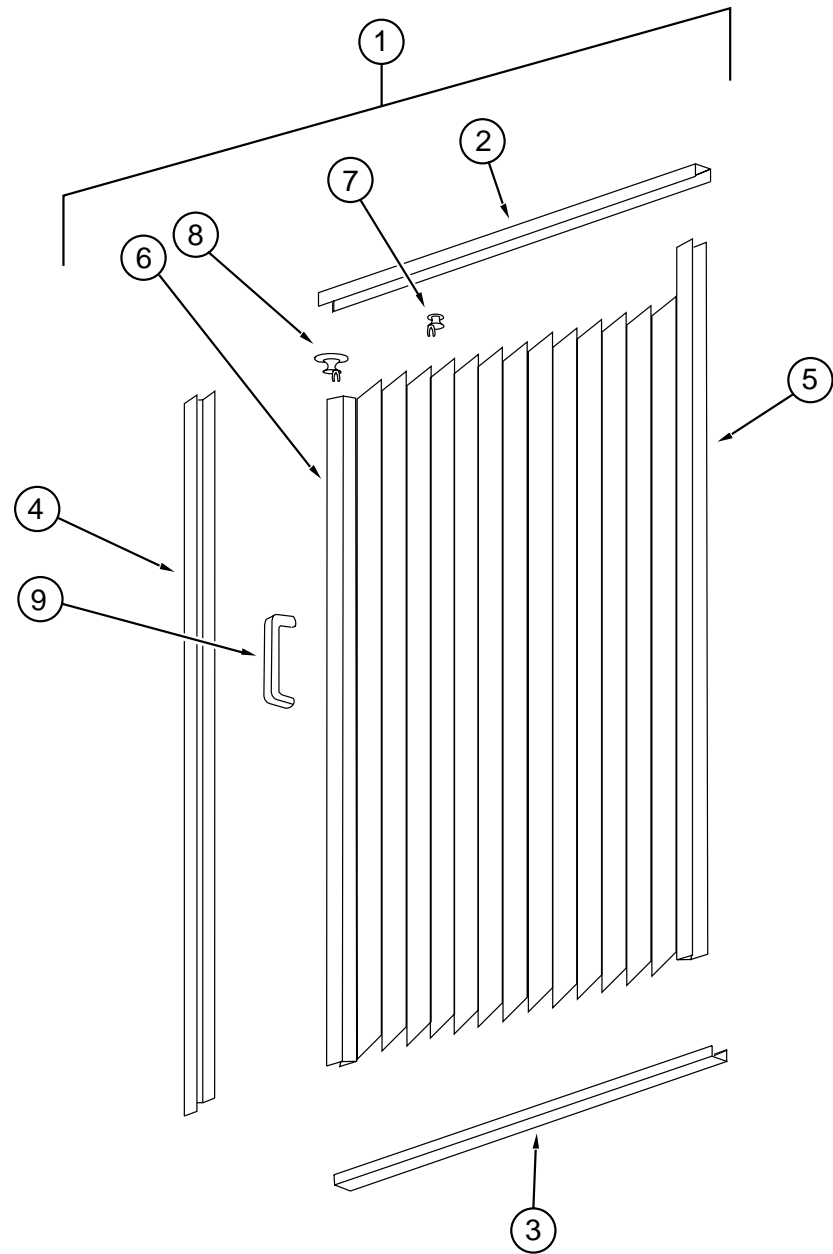
BATHROOM CABINETS & FIXTURES



KEY	PART NUMBER	U/M DESCRIPTION	VENDOR NO.	KEY	PART NUMBER	U/M DESCRIPTION
1	103092-01-01A	EA SHOWER HEAD - W/60" HOSE & BRACKET - IVORY FROM: 00-00-00 THRU: 07-12-98		6	075240-06-000	EA FAUCET - LAVATORY/BONE
1	131383-01-01A	EA SHOWER HEAD - W/60" HOSE & BRACKET - IVORY FROM: 07-13-98 THRU: 99-99-99		7	091253-01-000	EA GASKET - FAUCET - LAVATORY/GALLEY
1	103092-02-01A	EA SHOWER HEAD - W/60" HOSE & BRACKET - CSA - IVORY FROM: 00-00-00 THRU: 07-12-98		8	075454-02-000	EA RING - TOWEL - W/MOUNTING HARDWARE - BRASS
1	131383-02-01A	EA SHOWER HEAD - W/60" HOSE & BRACKET - CSA - IVORY FROM: 07-13-98 THRU: 99-99-99		8	123296-13-H24	EA COUNTERTOP - LAVATORY (K04)
	103092-01-700	EA BRACKET-F/SHOWER HEAD, CLEAR	2328028	8	123296-13-K02	EA COUNTERTOP - LAVATORY (K05)
	011048-03-700	EA BRACKET - SHOWER HEAD/IVORY	2328029-I	8	123296-13-H11	EA COUNTERTOP - LAVATORY (K06)
	103092-01-702	EA SEALS-SPRAY HEAD	24466	9	132006-04-K01	EA DOOR - MITERED RAIL - 15.5" X 45.4" - W/O HARDWARE
2	075453-02-000	EA BAR - TOWEL - 18" BRASS		10	123296-01-K04	EA CABINET - LAVATORY - W/COUNTERTOP - W/O DOORS/DRAWERS/HDW
3	096927-01-01A	EA SINK - LAVATORY - RECTANGULAR - PLASTIC/BONE		10	123296-01-K05	EA CABINET - LAVATORY - W/COUNTERTOP - W/O DOORS/DRAWERS/HDW
	096927-01-700	EA SINK STOPPER	M9801	10	123296-01-K06	EA CABINET - LAVATORY - W/COUNTERTOP - W/O DOORS/DRAWERS/HDW
	096927-01-701	EA TAILPIECE-DRAIN-LAVATORY	M9802	11	131995-P5-K01	EA DOOR - SOLID PANEL - 13.4" X 21.8" - W/O HARDWARE
4	116863-01-J01	EA CABINET - MEDICINE - W/O DOORS/HARDWARE		12	075452-02-000	EA HOLDER - TOILET TISSUE - BRASS
	116863-13-G01	EA SHELF - W/PLASTIC EDGE TRIM		13*	067487-01-000	EA TOILET - 12.37" - IVORY - HAND FLUSH
5	115237-04-G01	EA DOOR - MIRRORED - BATH - W/O HARDWARE		14	M02673-05-B13	EA PAN - SHOWER W/STRAINER - 29.8" X 22.7" X 5.7" - OFF WHITE
					105629-01-01A	EA SURROUND - SHOWER
				15	075241-05-000	EA FAUCET/SHOWER - BONE - 3/4"MPT X 1.4" LONG INLET PIPES
					075606-01-000	EA PANEL - PLASTIC - FAUCET BACK - 5" X 9"

*COMPONENT PARTS FOUND IN SERVICE PARTS LIBRARY

BATH GROUP (CONTINUED)



SHOWER DOOR

KEY	PART NUMBER	U/M DESCRIPTION
1	117431-01-01A	EA DOOR - SHOWER - FABRIC PLEATED - 29.6" X 63.0"
2	117431-01-700	EA TRACK-TOP, ALUM.IVORY INSERT 48"
3	117431-01-701	EA TRACK-BOTTOM, 48 "
4	117431-01-702	EA RAIL-SIDE, 67"
5	117431-01-703	EA RAIL-STATIONARY, 67"
6	117431-01-704	EA RAIL-LEAD, 67" - W/LATCH
7	117431-01-705	EA GLIDE-IVORY, TRAVELER
8	117431-01-706	EA GLIDE-IVORY LEAD, TRAVELER
9	117431-01-708	EA HANDLE - W/SCREWS
	117431-01-707	EA CATCH - BATH DOOR
	117431-01-709	EA STRAP-VINYL

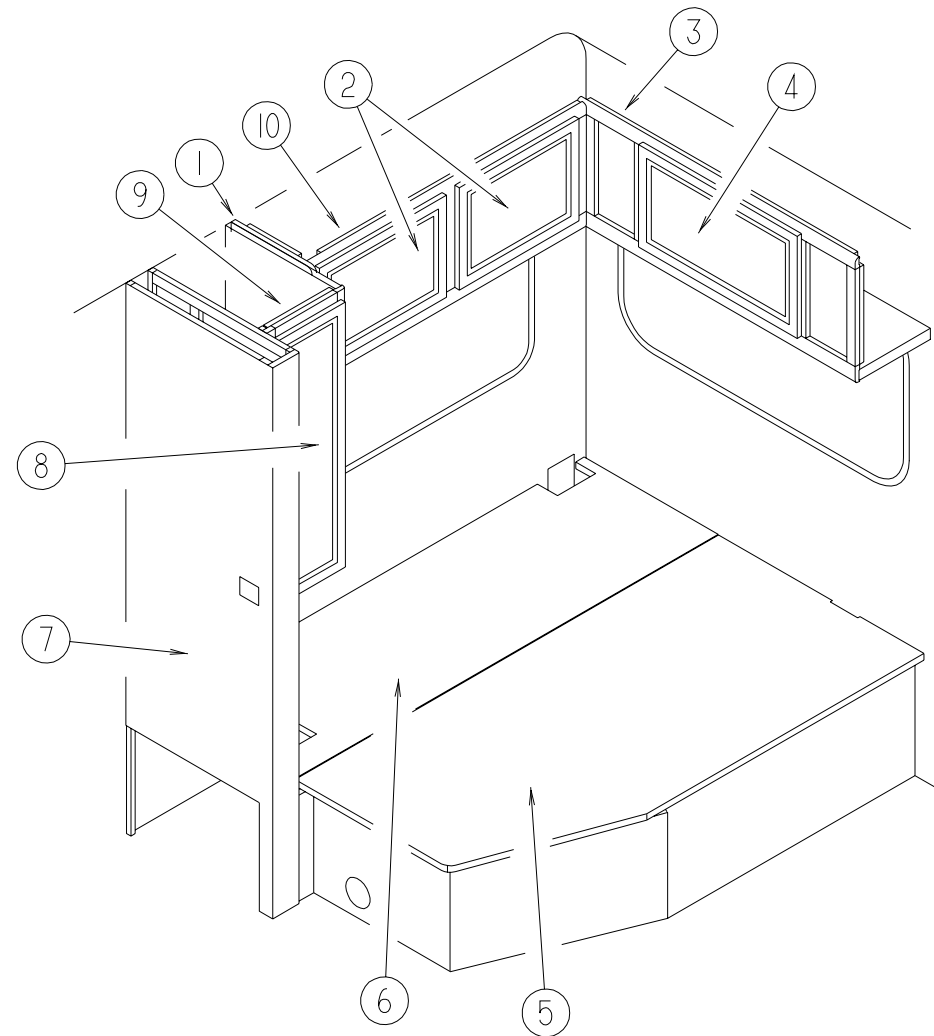
BATH GROUP (CONTINUED)

BATH PRIVACY DOOR

KEY	PART NUMBER	U/M DESCRIPTION
	128967-02-K04	EA DOOR - BATH
	128967-51-J01	EA RACK - TOWEL/BATH DOOR
	100357-01-000	EA ROD - F/TOWEL BAR - BRASS
	128967-52-J01	EA MOLDING/SIDE RAIL - TOWEL BAR RACK - LEFT SIDE
	128967-53-J01	EA MOLDING/SIDE RAIL - TOWEL BAR RACK - RIGHT SIDE
	009059-02-000	EA HINGE - DOOR - 2" X 2.7" - BRASS
	111155-01-01A	EA LOCK - PRIVACY/LOCKING - POLISHED BRASS
		FROM: 00-00-00 THRU: 01-03-99
	111155-03-01A	EA LOCK - PRIVACY/LOCKING - POLISHED BRASS
		FROM: 01-04-99 THRU: 99-99-99

BEDROOM GROUP

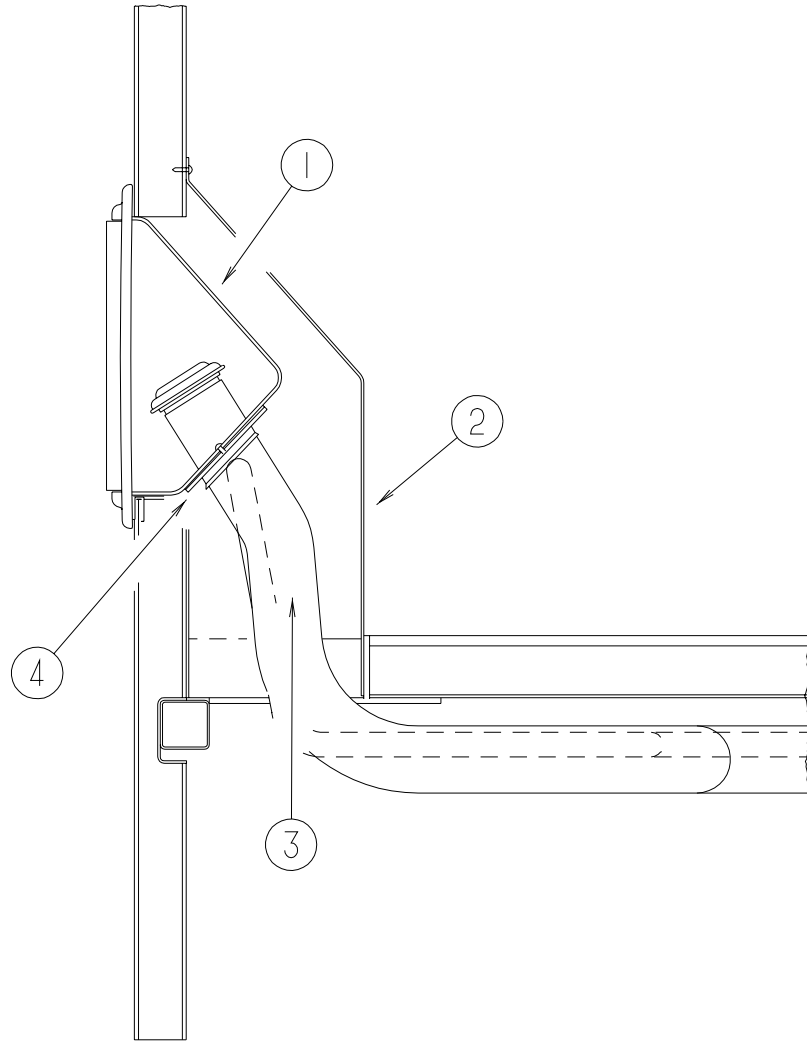
BEDROOM CABINETS



KEY	PART NUMBER	U/M DESCRIPTION
1	109908-79-K01	EA END CAP - OVERHEAD CABINET
2	132141-08-K01	EA DOOR - RAIL/VENEER - 15.7" X 20.4" - W/O HARDWARE
3	127484-01-J03	EA CABINET - OVERHEAD - REAR - W/O DOORS/HARDWARE
4	132141-14-K01	EA DOOR - RAIL/VENEER - 15.7" X 27.9" - W/O HARDWARE
5	M07448-06-J03	EA TOP - QUEEN BED - W/O HARDWARE
6	M07448-05-000	EA TOP - QUEEN BED - W/O HARDWARE
	089076-08-000	EA H-CHANNEL - SUPPORT/BED
	002766-01-001	EA ANGLE - EXTRUDED - 1" X 1.5" X 17'

KEY	PART NUMBER	U/M DESCRIPTION
7	127483-01-K04	EA CABINET - PIPE COVER
7	127483-01-K05	EA CABINET - PIPE COVER
7	127483-01-K06	EA CABINET - PIPE COVER
8	132141-23-K01	EA DOOR - RAIL/VENEER - 12" X 39.9" - W/O HARDWARE
9	P29293-01-K04	EA CABINET - SHIRT CLOSET - W/O DOORS/HARDWARE
10	128887-05-K01	EA CABINET - OVERHEAD/REAR - W/O DOORS/HARDWARE

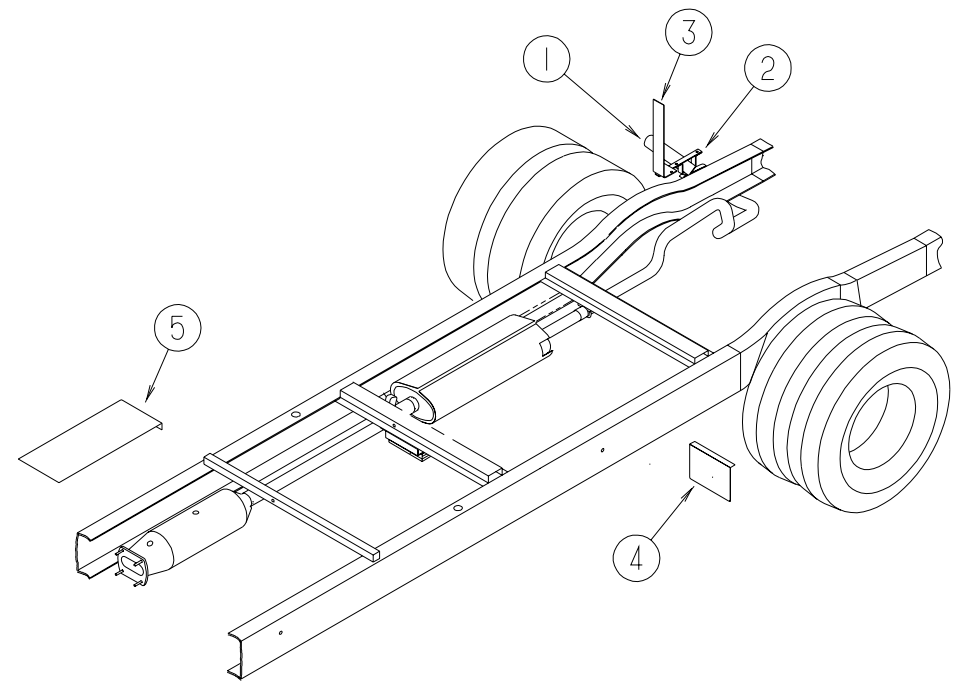
CHASSIS GROUP



FUEL SYSTEM COMPONENTS

KEY	PART NUMBER	U/M DESCRIPTION
1	095854-01-04A	EA SHROUD - FUEL FILL - BRIGHT WHITE - FORD
1	127291-01-01A	EA SHROUD - FUEL FILL - BRIGHT WHITE - CHEVY
2	078040-05-000	EA SHROUD - FUEL FILL - UPPER
3	124995-01-000	EA NECK - FUEL FILL - UNLEADED - FORD
3	128312-03-000	EA NECK - FUEL FILL - CHEVY - UNLEADED
4	078200-01-000	EA GASKET - FUEL FILL - 3.5"OD X 2"ID
	128139-03-000	FT HOSE - FUEL - LOW PERMEABILITY - 1/4" DIAMETER - GENERATOR
	084884-01-000	EA PLUG - BRASS - 3/8"

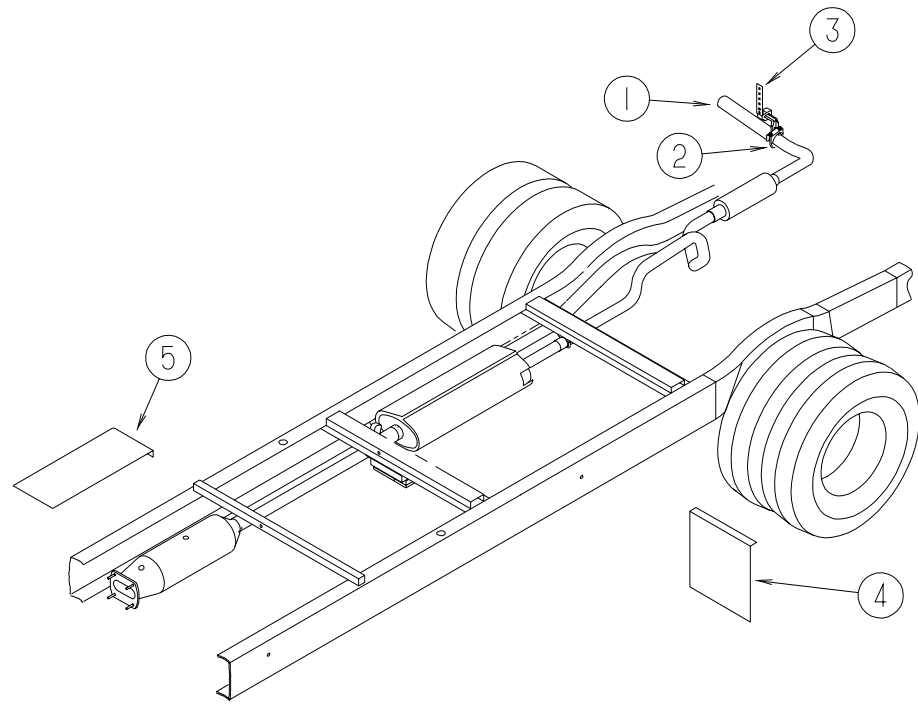
CHASSIS GROUP (CONTINUED)



EXHAUST SYSTEM - FORD

KEY	PART NUMBER	U/M DESCRIPTION
1	016379-02-000	EA STRAP - HANGER EXTENSION - 2" X 1" - STEEL
2	007125-08-000	EA CLAMP - MUFFLER - 3"
3	007131-01-000	EA HANGER - TAILPIPE - 6 SLOTS
4	111848-01-02B	EA SHIELD - HEAT
5	091182-01-000	EA SHIELD - HEAT

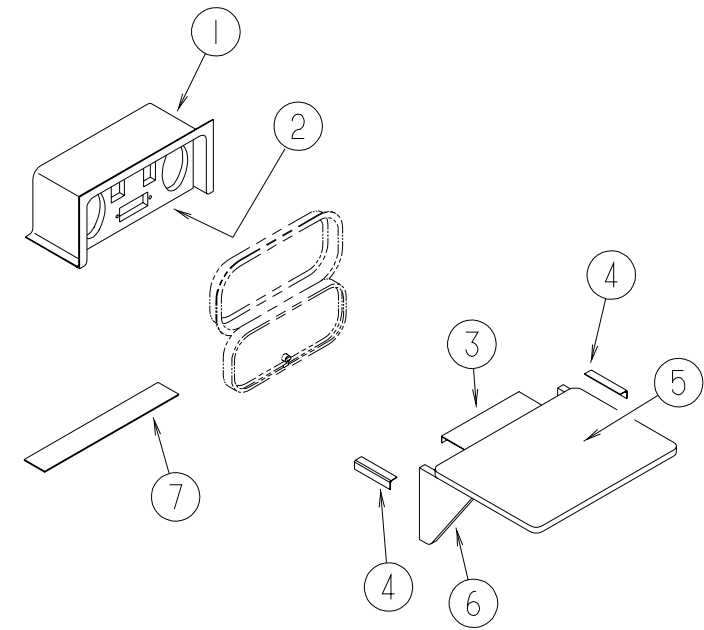
CHASSIS GROUP (CONTINUED)



EXHAUST SYSTEM - CHEVY

KEY	PART NUMBER	U/M DESCRIPTION
1	124570-02-000	EA PIPE - EXHAUST - TAIL
	016379-02-000	EA STRAP - HANGER EXTENSION - 2" X 1" - STEEL
2	007125-07-000	EA CLAMP - MUFFLER - 2.5" DIAMETER
3	007131-01-000	EA HANGER - TAILPIPE - 6 SLOTS
	007125-07-000	EA CLAMP - MUFFLER - 2.5" DIAMETER
4	111848-01-02B	EA SHIELD - HEAT
5	091182-09-000	EA SHIELD - HEAT

CHASSIS GROUP (CONTINUED)



EXTERIOR ENTERTAINMENT CENTER

KEY	PART NUMBER	U/M DESCRIPTION
1	104897-02-02A	EA BOX - EXTERIOR ENTERTAINMENT CENTER
2	127409-01-K04	EA PLATE - RADIO MOUNTING
3	105377-01-04A	EA BRACKET - TABLE HANGER - BRIGHT WHITE
4	105376-01-03A	EA HINGE - CONTINUOUS - 2" X 5.5" - BRIGHT WHITE
5	105230-11-J01	EA SHELF - EXTERIOR ENTERTAINMENT CENTER - W/O HARDWARE
6	105230-12-J01	EA SUPPORT - EXTERIOR SHELF
7	104898-01-02A	EA PLATE - PLASTIC BOTTOM - BRIGHT WHITE

CHASSIS GROUP (CONTINUED)

WHEEL COVERS

KEY	PART NUMBER	U/M DESCRIPTION	VENDOR NO.
	109443-05-000	EA WHEEL COVER - 4/SET - 16" STAINLESS STEEL	
	098532-01-700	EA COVER-LUG NUT (CHROME)	SHAU-LNC
	109443-05-700	EA COVER-WHEEL, 16" SS EA=1	SHFM16-CVR

WHEEL LINERS - FORD

KEY	PART NUMBER	U/M DESCRIPTION	VENDOR NO.
	110435-13-000	EA LINER - WHEEL - SET OF 4	
	110435-10-705	EA TOOL - INSTALLATION	V195P7-TOL
	110435-13-700	EA LINER - WHEEL - FRONT	V160F7-FWC
	110435-13-701	EA LINER - WHEEL - REAR	V160F7-RWC
	110435-13-702	EA COVER-LUG NUT W/JAMB NUT FT	V160F7-EJN
	095012-05-000	EA EXTENSION - VALVE STEM - LIVE 5"	
	095012-06-000	EA STABILIZER - VALVE EXTENSION - LIVE	

WHEEL - FORD

KEY	PART NUMBER	U/M DESCRIPTION
	083617-03-000	EA WHEEL - STEEL - 6" X 16" FROM: 00-00-00 THRU: 12-02-98
	083617-04-000	EA WHEEL - STEEL - 6" X 16" - '99 E350/E450 FROM: 12-03-98 THRU: 99-99-99

CHASSIS GROUP (CONTINUED)

WHEEL LINERS - CHEVY

KEY	PART NUMBER	U/M DESCRIPTION	VENDOR NO.
	091209-05-000	EA LINER - WHEEL - SET OF 4 - 16" - STAINLESS STEEL	
	091209-03-702	EA COVER-AXLE, FRONT, 8 LUG	64UE
	091209-03-703	EA COVER-AXLE, REAR, 8 LUG	65UE
	091209-03-704	EA RING-SNAP	00
	091209-05-700	EA LINER-WHEEL, FRONT	57-88 KAPER
	091209-05-701	EA LINER-WHEEL, REAR	58-88
	095012-05-000	EA EXTENSION - VALVE STEM - LIVE 5"	
	095012-06-000	EA STABILIZER - VALVE EXTENSION - LIVE	

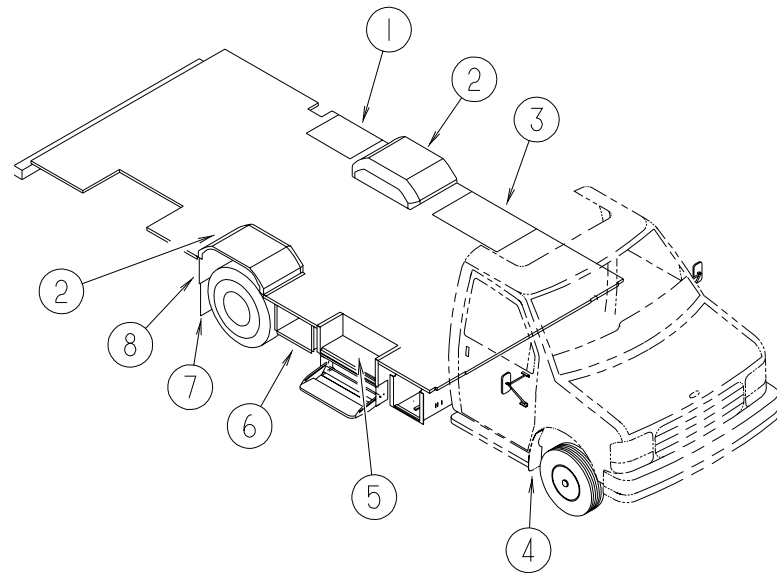
WHEEL - CHEVY

KEY	PART NUMBER	U/M DESCRIPTION
	089359-03-000	EA WHEEL - STEEL - 16" X 6" L - 8 HOLE - PRIMED

LUG WRENCH

KEY	PART NUMBER	U/M DESCRIPTION
	112358-01-000	EA WRENCH - LUG - 7/8" - L-SHAPE

CHASSIS GROUP (CONTINUED)

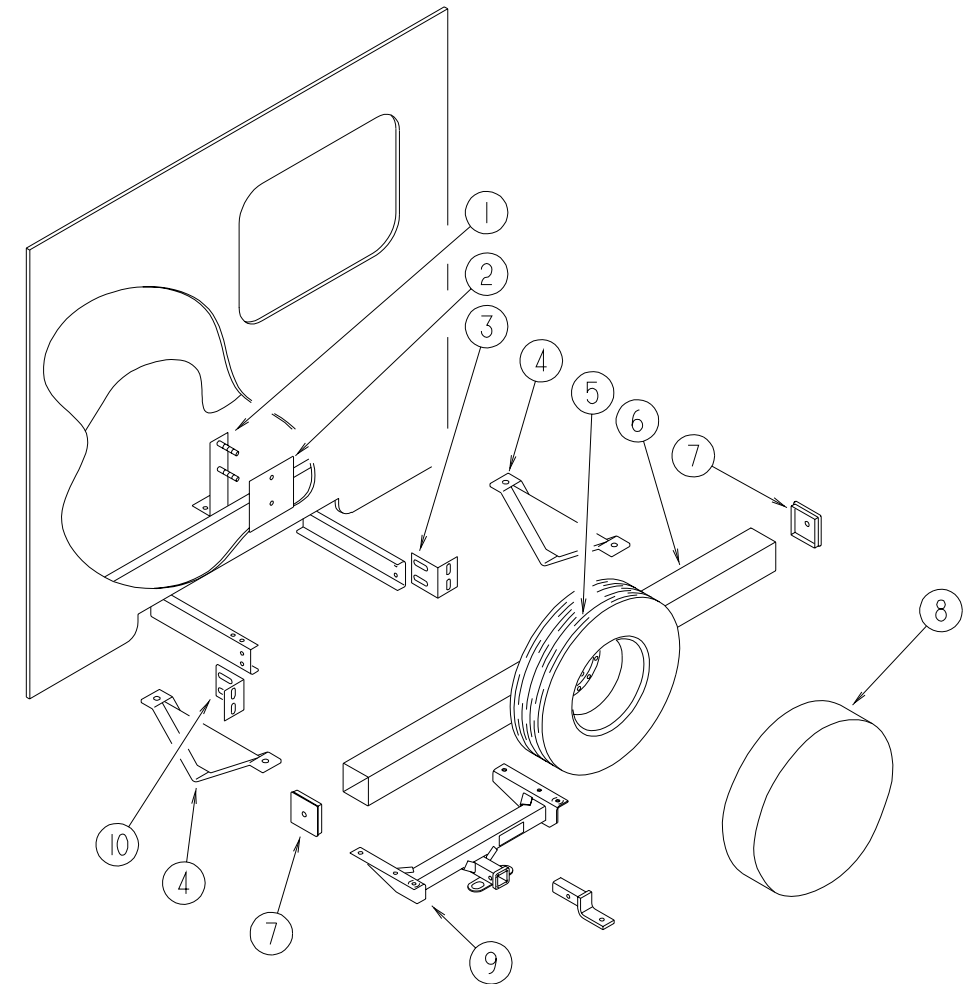


MISCELLANEOUS CHASSIS COMPONENTS

KEY	PART NUMBER	U/M DESCRIPTION	VENDOR NO.
1	101868-08-000	EA COMPARTMENT - POWER CORD	
2	125621-01-000	EA WHEELWELL	
3	114070-02-02B	EA SUPPORT - GENERATOR - LEFT	
3	114071-02-02B	EA SUPPORT - GENERATOR - RIGHT	
4	072884-28-701	EA MUD FLAP - FRONT - 1EA=PAIR - CHEVY	99153
4	072884-27-703	EA MUD FLAP W/HOLES, 1EA=PAIR - FORD	99171
5	077848-02-000	EA STEP - PULLOUT	
	076241-14-000	EA SUPPORT - STEP	
	091176-01-000	EA SUPPORT - BASE - ENTRANCE STEP	
5*	094708-01-01A	EA STEP - ENTRY DOOR - ELECTRIC - SINGLE - W/O DOOR SWITCH FROM: 00-00-00 THRU: 01-13-99	
5*	094708-03-01A	EA STEP - ELECTRIC - SINGLE - BLACK CONTROL BOX FROM: 01-14-99 THRU: 99-99-99	
	116995-01-000	EA SWITCH/MAGNET - ELECTRIC STEP - WHITE/WHITE - OPEN CIRCUIT FROM: 00-00-00 THRU: 01-13-99	
	116995-02-000	EA SWITCH/MAGNET - ELECTRIC STEP - BLACK/WHITE-CLOSED CIRCUIT FROM: 01-14-99 THRU: 99-99-99	
6	105203-04-000	EA COMPARTMENT - BATTERY	
	084993-01-000	EA STRAP - BATTERY - 43.2" LONG	
	084993-02-000	EA STRAP - BATTERY - 55" LONG	
	065450-05-000	EA TIEDOWN - BATTERY - 8.4" TUBE	
7	017516-01-000	EA MUD FLAP - 14" X 18" - BLACK	
8	045731-05-000	EA GUARD - ROCK	
	061420-01-000	EA PLUG/PLASTIC - 1.75" DIAMETER - BROWN	

*COMPONENT PARTS FOUND IN SERVICE PARTS LIBRARY

CHASSIS GROUP (CONTINUED)



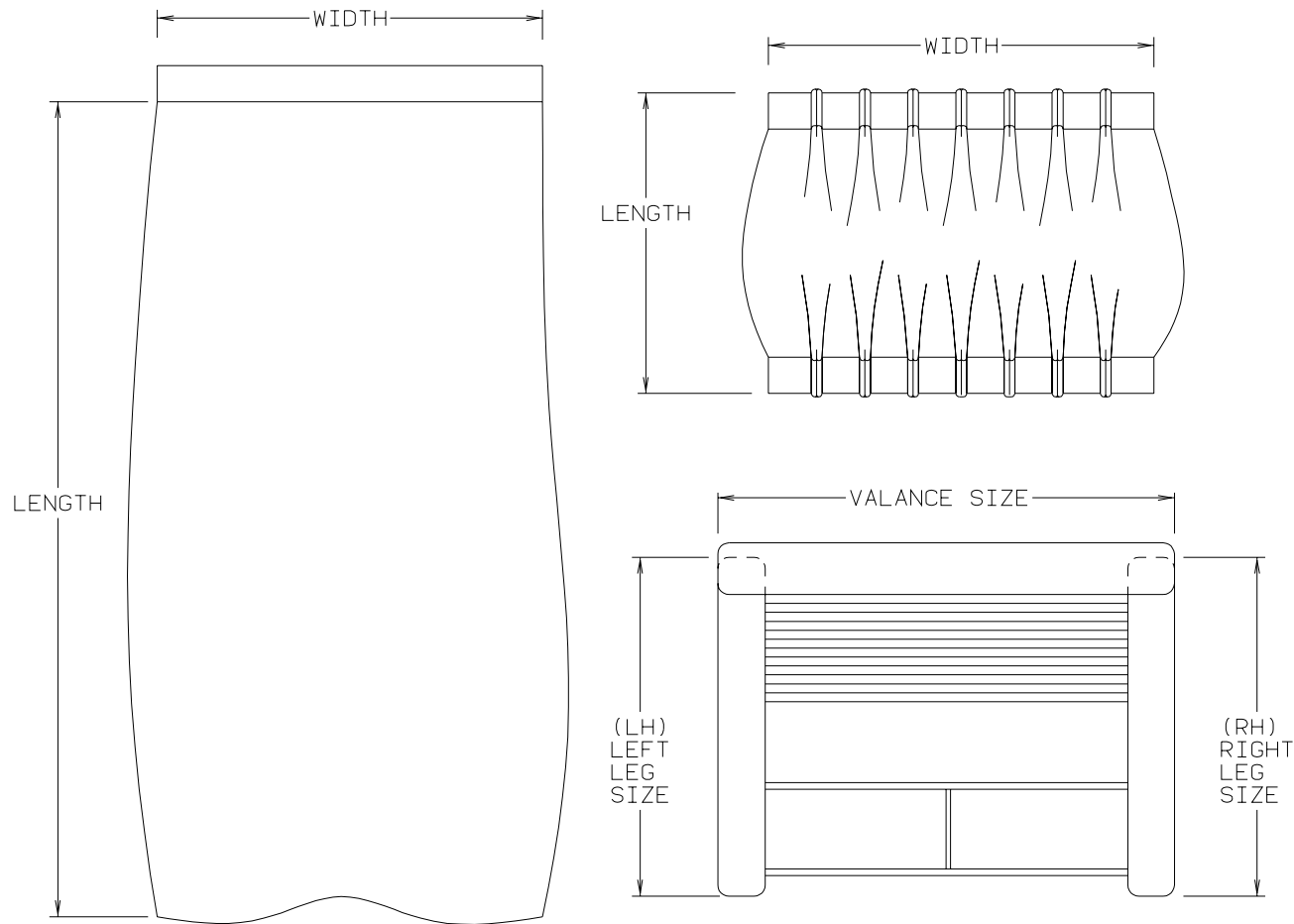
REAR BUMPER, HITCH & SPARE TIRE CARRIER

KEY	PART NUMBER	U/M DESCRIPTION
1	105209-06-C52	EA BRACKET - SPARE TIRE - FORD
1	105209-04-C52	EA BRACKET - SPARE TIRE - CHEVY
2	105208-01-000	EA PLATE - SPARE TIRE
3	104420-01-000	EA SUPPORT/ANGLE - REAR BUMPER - RIGHT HAND
4	083376-01-000	EA PLATE/SKID - 13.2" X 6" X 2" STEEL
5	070917-05-000	EA TIRE - LT225/75R16D - R4S M/S - FORD FROM: 00-00-00 THRU: 02-28-99
5	070917-06-000	EA TIRE - LT225/75R16E - R4S - M/S - FIRESTONE - FORD FROM: 03-01-99 THRU: 99-99-99
	051377-04-000	EA VALVE STEM - .5" X 2"
5	106715-01-000	EA TIRE - LT 225/75 R16 - LRD 550 AS - CHEVY
	051377-03-000	EA VALVE STEM
6	103422-05-02A	EA BUMPER/ALUMINUM - SQUARE TUBE
7	039779-01-000	EA CAP - BUMPER - RUBBER - 4" X 4" - BLACK
	105208-01-000	EA PLATE - SPARE TIRE
8	073322-09-K04	EA COVER - TIRE - 30"
9	130339-04-000	EA HITCH RECEIVER - BOLT ON CLASS II FROM: 00-00-00 THRU: 07-12-98
9	130339-04-000	EA HITCH RECEIVER - BOLT ON CLASS II FROM: 07-13-98 THRU: 99-99-99
10	104420-02-000	EA SUPPORT/ANGLE - REAR BUMPER - LEFT HAND
	113589-01-000	EA CONNECTOR - PLUG - TRAILER
	113589-02-000	EA CONNECTOR - SOCKET - TRAILER
	113588-02-01B	EA BRACKET - CONNECTOR - TRAILER W/O LIP

CURTAIN & CUSHION GROUP

NOTICE

IN ORDER TO ASSIST OUR PARTS SALES DEPT. IN PROVIDING INTERIOR SOFTWARE ITEMS, PLEASE INCLUDE THE SERIAL NUMBER AND THE COLOR CODE NUMBER FROM THE VEHICLE CERTIFICATION LABEL WHEN ORDERING. THIS LABEL IS LOCATED ON THE LEFT SIDEWALL AT THE END OF THE DASH (A-BODY), OR ON THE DRIVER'S DOOR LATCH PLATE (C-BODY). AN EXAMPLE OF A COLOR CODE NUMBER IS B07, WHICH DESIGNATES AN OVERALL COLOR SCHEME OF A PARTICULAR UNIT. THE COLOR LISTED AFTER THE ITEM DESCRIPTION ON THE MICROFICHE, INDICATES THE OVERALL UNIT COLOR. ORDER THE ITEM YOU DESIRE ACCORDING TO UNIT COLOR CODE.



NOTE: USE THIS ILLUSTRATION WHEN DETERMINING LENGTH AND WIDTH MEASUREMENTS FOR CURTAINS. YOU WILL NOTE THE WIDTH MEASUREMENT IS TAKEN ON THE TOP OF THE CURTAIN WITH THE CURTAIN FULLY EXTENDED. THE LENGTH MEASUREMENT IS TAKEN FROM TOP TO BOTTOM. LEFT AND RIGHT WINDOW LEGS ARE DETERMINED WHEN FACING THE WINDOW.

CURTAIN & CUSHION GROUP (CONTINUED)

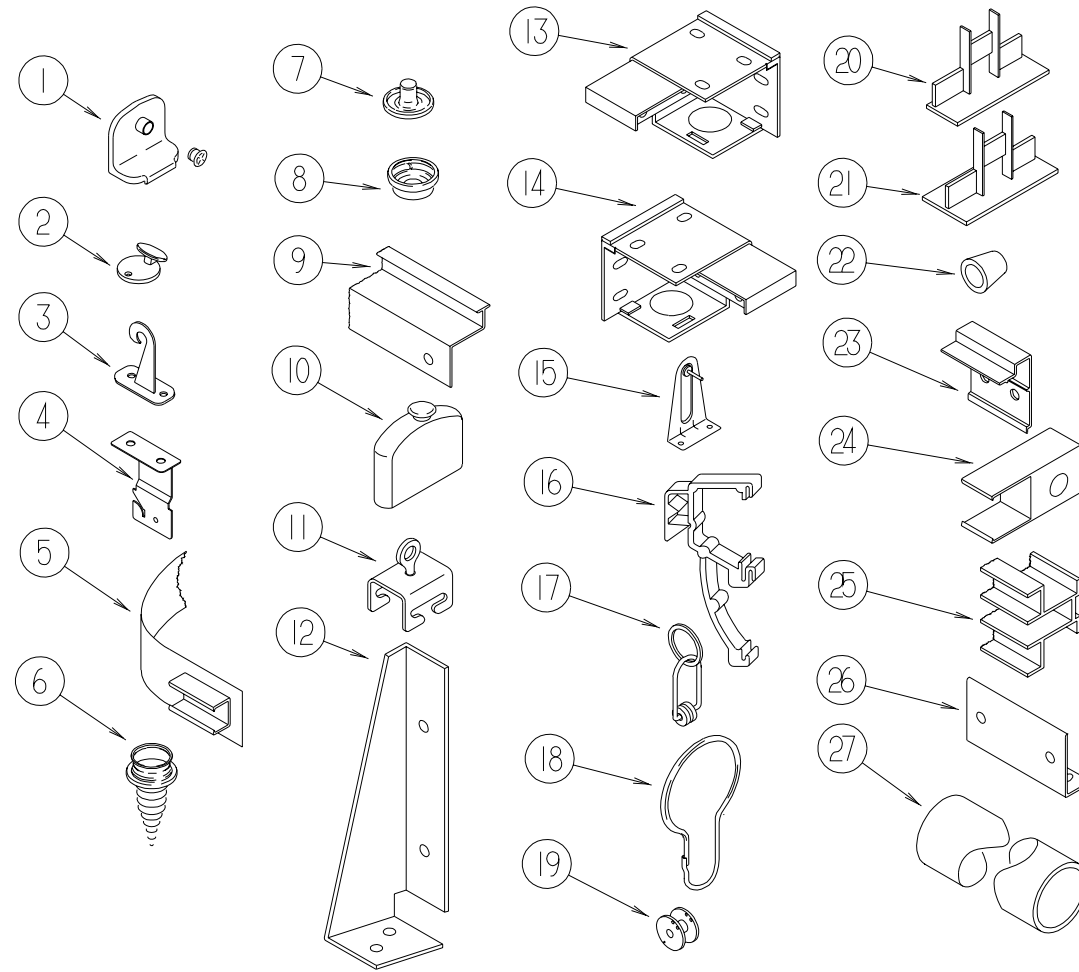
FABRICS

Color Codes	K04	K05	K06
	SANDPIPER	HORIZON	RIVERWALK
BUCKET SEATS	108446-U1-000 108446-57-000	108446-F7-000 108446-F4-000	108446-S6-000 126883-05-000
DINETTE CUSHIONS	108446-R8-000	108446-U5-000	126883-04-000
DINETTE PADS	108446-U1-000	108446-F7-000	108446-S6-000
SOFA	108446-R8-000	108446-U5-000	126883-04-000
SWIVEL CHAIR	108446-57-000	108446-F4-000	126883-05-000
LOUNGE/DINETTE VALANCE/LEG	108446-57-000	108446-F4-000	126883-05-000
LOUNGE/DINETTE OVERLAYS	108446-R8-000	108446-U5-000	126883-04-000
BEDROOM VALANCE/LEG	105745-G2-000	105745-65-000	105745-G6-000
BEDROOM OVERLAYS	105745-A1-000	105745-64-000	105745-B5-000
BEDSPREAD	105745-G2-000	105745-65-000	105745-G6-000
PILLOW SHAMS	105745-G2-000 105745-A1-000	105745-65-000 105745-64-000	105745-G6-000 105745-B5-000
ENTRANCE DOOR VALANCE	108446-57-000	108446-F4-000	126883-05-000
BUNK CUSHIONS	108446-57-000	108446-F4-000	126883-05-000
DIVIDER CURTAIN	105745-A1-000 105745-G2-000	105745-64-000 105745-65-000	105745-B5-000 105745-G6-000
WRAP AROUND	105745-A1-000	105745-64-000	105745-B5-000
BUNK CURTAINS	105745-G2-000	105745-65-000	105745-G6-000
BUNK/PRIVACY CURTAINS	105745-A1-000	105745-64-000	105745-B5-000
DRAPERY LINING	087272-03-000	087272-03-000	087272-03-000
TIRE COVER	103907-01-01A	103907-01-01A	103907-01-01A
HEADLINER	103907-01-06A	103907-01-06A	103907-01-06A
CEILING FROM: 00-00-00 THRU: 02-07-99	113979-01-01A	113979-01-01A	113979-01-01A
CEILING FROM: 02-08-99 THRU: 99-99-99	113979-09-01A	113979-09-01A	113979-09-01A

NOTE: FABRIC LISTED FIRST IN A BLOCK, IS THE LARGEST QUANTITY OF FABRIC USED

CURTAIN & CUSHION GROUP (CONTINUED)

CURTAIN & BLIND HARDWARE

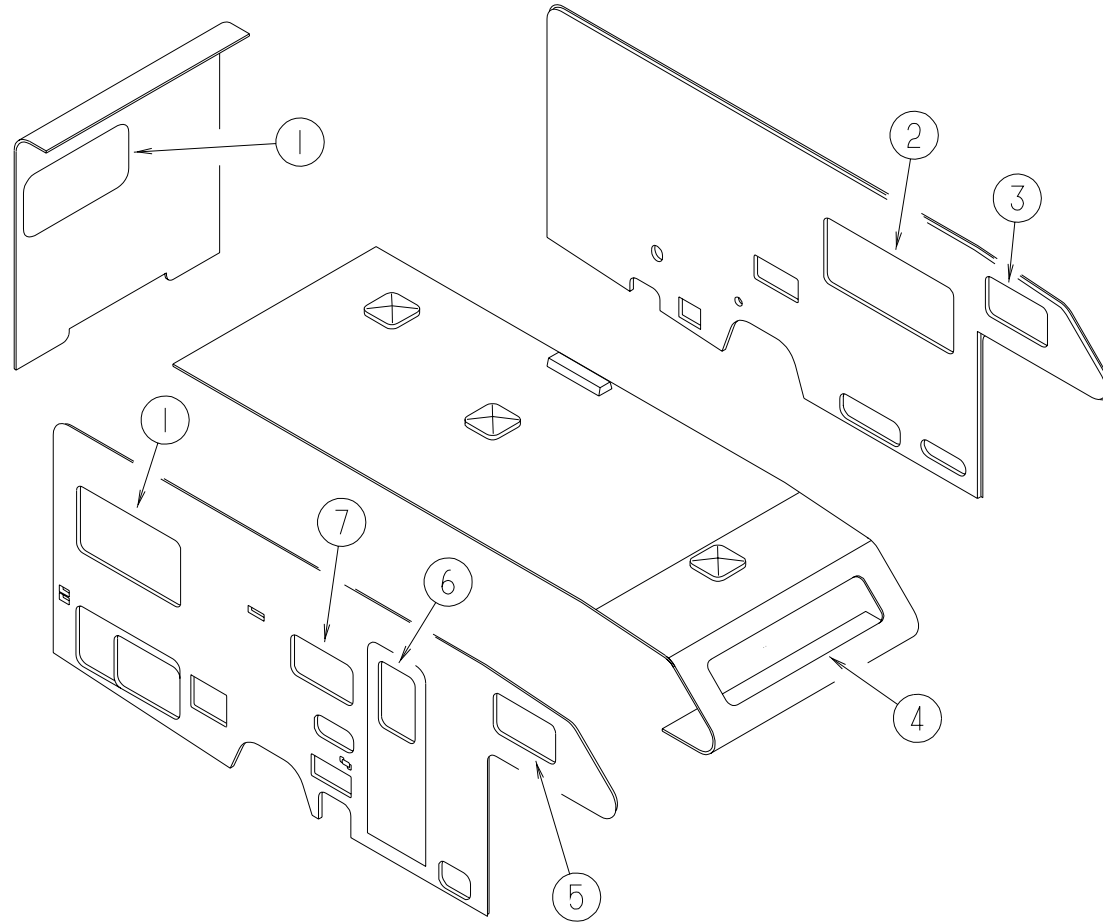


KEY	PART NUMBER	U/M DESCRIPTION
1	106544-01-000	EA PULL - SHADE/BRASS
	106544-01-001	EA SCREW - SHADE/BRASS
2	102555-03-000	EA CLEAT - BLIND CORD - MILKY WHITE PLASTIC
3	109441-03-000	EA HOLD DOWN - BLIND (CLOUDY)
	109441-02-000	EA HOLD DOWN - SPACER
4	084434-01-000	EA BRACKET - MOUNTING - ROLLER SHADE - 1 3/8"
	096843-01-000	EA SPRING - REWIND/ROLLER SHADE
	086276-01-000	EA TAPE - DOUBLE SIDED - 1/2"
5	101031-01-000	YD TAPE - GLIDE/CURTAIN - 4.25" SPACING
6	029130-01-000	EA SCREW - SNAP SOCKET - #8 PH X 5/8"
7	029155-01-000	EA CAP - SNAP - 5/32" OUTSIDE DIAMETER OF PIN
8	029156-01-000	EA SOCKET - SNAP - 9/16" O.D.
9	105450-08-01A	EA TRACK - CURTAIN - 38" - OFF WHITE
9	105450-14-01A	EA TRACK - CURTAIN - 90" - OFF WHITE
10	093475-01-701	EA CAP-END, WITH INVERTED STUD
11	009702-01-000	EA END STOP - CURTAIN CARRIER - L ROD
12	076827-02-000	EA BRACKET - LEG - 2.9" X 1.8" - TRIANGLE
13	083170-01-000	EA BRACKET - BLIND - LEFT SIDE WHEN FACING WINDOW
14	083170-02-000	EA BRACKET - BLIND - RIGHT SIDE WHEN FACING WINDOW
15	095591-02-000	EA BRACKET - BLIND - HOLD DOWN W/PIN - METAL
16	109353-04-000	EA CLIP - VALANCE SLAT MOUNTING - CLEAR PLASTIC
17	009701-01-000	EA CARRIER - CURTAIN - L ROD
18	009136-02-000	EA HANGER - RING - PIN TYPE - CURTAIN - BRASS

KEY	PART NUMBER	U/M DESCRIPTION
19	097592-02-000	EA SPOOL - CORD - ELEVATED BLIND HOLDUP - LARGE - CLEAR
19	097592-01-000	EA SPOOL - CORD - ELEVATED BLIND HOLDUP - SMALL - CLEAR
20	094907-04-000	EA END CAP - BOTTOM/PLEATED BLIND (RH & LH)
21	094907-02-000	EA END CAP - TOP/PLEATED BLIND - PLASTIC - GRAY
22	097564-03-000	EA HANDLE - KNOB - E-Z LIFT SHADE - TAN
22	097564-04-000	EA HANDLE - KNOB - E-Z LIFT SHADE - NAVY
	000G68-06-12J	EA SCREW 6-18X.75 POH BRASS
23	097565-01-000	EA BRACKET - MOUNTING/PLEATED BLIND
24	101033-02-000	EA END CAP - TRACK/CLEAR
25	101033-04-000	EA TRACK - WALL - 3'
25	101033-06-000	EA TRACK - WALL - 6.5'
25	101033-07-000	EA TRACK - WALL - 2.5'
26	083125-07-000	EA BRACE - WINDOW MOUNT - 2.5" - OFF WHITE
26	083125-08-000	EA BRACE - WINDOW MOUNT - 3/4 - OFF WHITE
27	102075-10-01A	EA ROD - CURTAIN/SHOWER
	046867-02-000	EA WASHER - HANDY BUTTON #3
	046867-03-000	EA GROMMET - HANDY BUTTON #3
	048394-02-000	YD VELCRO TAPE - HOOK - ADHESIVE BACK - .75" WIDE - BEIGE
	094896-02-000	EA GROMMET - CORD/PLEATED BLIND - NYLON - GRAY
	097591-01-000	EA SPRING - EXTENSION/PLEATED BLIND
	097593-02-000	FT CORD - BLIND - PLEATED - GRAY
	097593-06-000	FT CORD - BLIND - PLEATED - PEWTER

CURTAIN & CUSHION GROUP (CONTINUED)

CURTAINS & WINDOW TREATMENT



KEY	PART NUMBER	U/M DESCRIPTION
1	119263-28-J02	EA VALANCE - STARBUCK II - 53" (K04) - QUEEN BED
1	119263-28-J03	EA VALANCE - STARBUCK II - 53" (K05) - QUEEN BED
1	119263-28-K06	EA VALANCE - STARBUCK II - 53" (K06) - QUEEN BED
1	119263-48-K04	EA VALANCE - STARBUCK - 53" - REAR DINETTE
1	119263-48-K05	EA VALANCE - STARBUCK - 53" - REAR DINETTE
1	119263-48-K06	EA VALANCE - STARBUCK - 53" - REAR DINETTE
1	109041-54-02A	EA BLIND - MINI - 49" X 27" (K04, K06)
1	109041-54-01A	EA BLIND - MINI - 49" X 27" (K05)
1	111910-62-K09	EA BLIND - DAY/NIGHTER - 49" X 27" (K04, K06)
1	111910-62-K40	EA BLIND - DAY/NIGHTER - 49" X 27" (K05)
1	127017-21-K04	EA LEG - RIGHT - 27" - QUEEN BED
1	127017-21-K05	EA LEG - RIGHT - 27" - QUEEN BED
1	127017-21-K06	EA LEG - RIGHT - 27" - QUEEN BED
1	127017-22-K04	EA LEG - LEFT - 27" - QUEEN BED
1	127017-22-K05	EA LEG - LEFT - 27" - QUEEN BED
1	127017-22-K06	EA LEG - LEFT - 27" - QUEEN BED
1	127017-49-K04	EA LEG - RIGHT - 27" - REAR DINETTE
1	127017-49-K05	EA LEG - RIGHT - 27" - REAR DINETTE
1	127017-49-K06	EA LEG - RIGHT - 27" - REAR DINETTE
1	127017-50-K04	EA LEG - LEFT - 27" - REAR DINETTE
1	127017-50-K05	EA LEG - LEFT - 27" - REAR DINETTE
1	127017-50-K06	EA LEG - LEFT - 27" - REAR DINETTE
2	119263-25-J02	EA VALANCE - STARBUCK II - 64.5" (K04)
2	119263-25-K02	EA VALANCE - STARBUCK II - 64.5" (K05)
2	119263-25-K06	EA VALANCE - STARBUCK II - 64.5" (K06)
2	109041-53-02A	EA BLIND - MINI - 61" X 28.5" (K04, K06)
2	109041-53-01A	EA BLIND - MINI - 61" X 28.5" (K05)

KEY	PART NUMBER	U/M DESCRIPTION
2	111910-57-K06	EA BLIND - DAY/NIGHTER - 61" X 28.5" (K04, K06)
2	111910-57-J90	EA BLIND - DAY/NIGHTER - 61" X 28.5" (K05)
2	127017-11-J02	EA LEG - RIGHT - 25" (K04)
2	127017-11-J03	EA LEG - RIGHT - 25" (K05)
2	127017-11-K48	EA LEG - RIGHT - 25" (K06)
2	127017-12-J02	EA LEG - LEFT - 25" (K04)
2	127017-12-J03	EA LEG - LEFT - 25" (K05)
2	127017-12-K48	EA LEG - LEFT - 25" (K06)
3	101034-34-J02	EA CURTAIN - LEFT HAND - 21" X 60" (K04)
3	101034-34-E21	EA CURTAIN - LEFT HAND - 21" X 60" (K05)
3	101034-34-J11	EA CURTAIN - LEFT HAND - 21" X 60" (K06)
4	101034-52-J02	EA CURTAIN - LEFT HAND - 19" X 34" (K04)
4	101034-52-J03	EA CURTAIN - LEFT HAND - 19" X 34" (K05)
4	101034-52-J11	EA CURTAIN - LEFT HAND - 19" X 34" (K06)
4	101034-51-J02	EA CURTAIN - RIGHT HAND - 19" X 34" (K04)
4	101034-51-J03	EA CURTAIN - RIGHT HAND - 19" X 34" (K05)
4	101034-51-J11	EA CURTAIN - RIGHT HAND - 19" X 34" (K06)
5	101034-33-J02	EA CURTAIN - RIGHT HAND - 21" X 60" (K04)
5	101034-33-E21	EA CURTAIN - RIGHT HAND - 21" X 60" (K05)
5	101034-33-J11	EA CURTAIN - RIGHT HAND - 21" X 60" (K06)
6	119263-31-J02	EA VALANCE - STARBUCK II - 29" (K04)
6	119263-31-K02	EA VALANCE - STARBUCK II - 29" (K05)
6	119263-31-K06	EA VALANCE - STARBUCK II - 29" (K06)
6	084755-57-E07	EA SHADE - PULL - 27.25"
7	109041-44-02A	EA BLIND - MINI - 30.5" X 18" (K04, K06)
7	109041-44-01A	EA BLIND - MINI - 30.5" X 18" (K05)

CURTAIN & CUSHION GROUP (CONTINUED)**PRIVACY CURTAINS & TIEBACKS - QUEEN BED**

KEY	PART NUMBER	U/M DESCRIPTION
	101668-53-G01	EA CURTAIN - 70" X 60" - TAPE TOP (K04)
	101668-53-J03	EA CURTAIN - 70" X 60" - TAPE TOP (K05)
	101668-53-K06	EA CURTAIN - 70" X 60" - TAPE TOP (K06)
	073260-63-J02	EA TIEBACK - 4" X 15" (K04)
	073260-63-J03	EA TIEBACK - 4" X 15" (K05)
	073260-63-J04	EA TIEBACK - 4" X 15" (K06)

PRIVACY CURTAINS & TIEBACKS - QUEEN BED W/DAY NIGHTER BLINDS

KEY	PART NUMBER	U/M DESCRIPTION
	101668-53-G01	EA CURTAIN - 70" X 60" - TAPE TOP (K04)
	101668-53-J03	EA CURTAIN - 70" X 60" - TAPE TOP (K05)
	101668-53-J04	EA CURTAIN - 70" X 60" - TAPE TOP (K06)
	073260-63-J02	EA TIEBACK - 4" X 15" (K04)
	073260-63-J03	EA TIEBACK - 4" X 15" (K05)
	073260-63-J04	EA TIEBACK - 4" X 15" (K06)

PRIVACY CURTAINS & TIEBACKS - REAR DINETTE

KEY	PART NUMBER	U/M DESCRIPTION
	101668-58-K01	EA CURTAIN - TAPE TOP - 70" X 60" (K04)
	101668-58-J03	EA CURTAIN - TAPE TOP - 70" X 60" (K05)
	101668-58-J04	EA CURTAIN - TAPE TOP - 70" X 60" (K06)
	073260-65-J02	EA TIEBACK - 4" X 15" (K04)
	073260-65-J03	EA TIEBACK - 4" X 15" (K05)
	073260-65-J04	EA TIEBACK - 4" X 15" (K06)

PRIVACY CURTAINS & TIEBACKS - REAR DINETTE W/DAY NIGHTER BLINDS

KEY	PART NUMBER	U/M DESCRIPTION
	101668-58-J02	EA CURTAIN - TAPE TOP - 70" X 60" (K04)
	101668-58-J03	EA CURTAIN - TAPE TOP - 70" X 60" (K05)
	101668-58-J04	EA CURTAIN - TAPE TOP - 70" X 60" (K06)
	073260-65-J02	EA TIEBACK - 4" X 15" (K04)
	073260-65-J03	EA TIEBACK - 4" X 15" (K05)
	073260-65-J04	EA TIEBACK - 4" X 15" (K06)

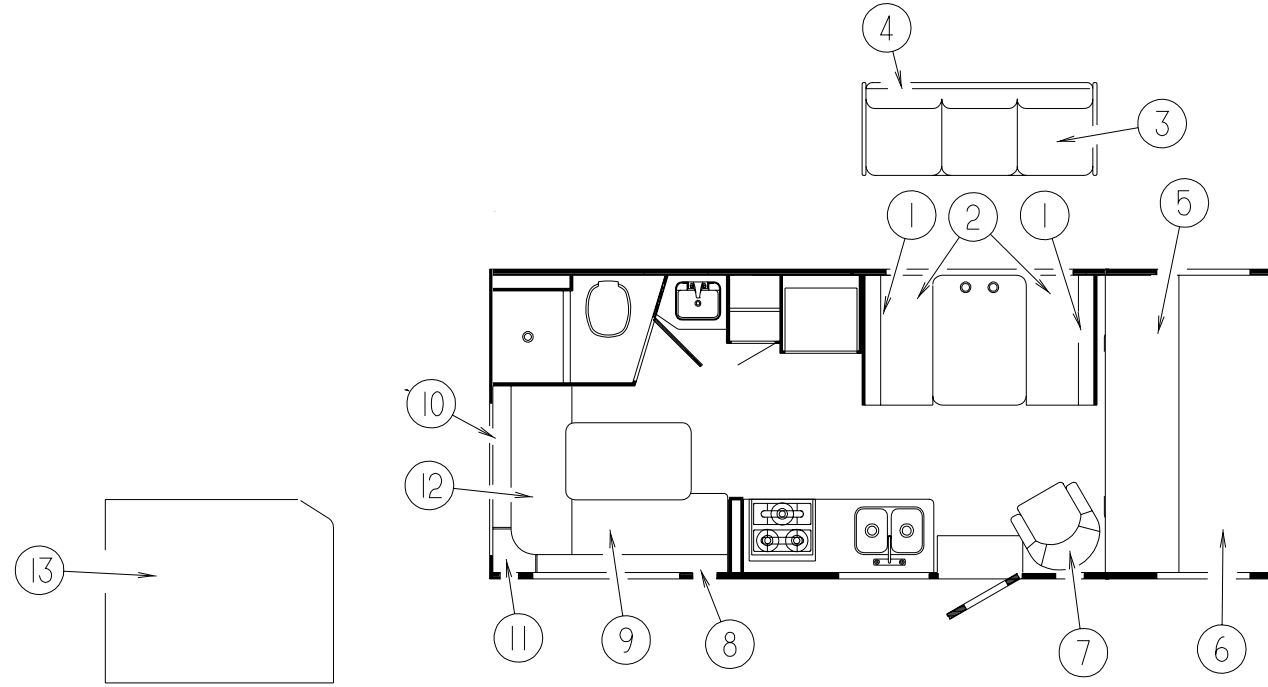
CURTAIN & CUSHION GROUP (CONTINUED)**PRIVACY CURTAINS & TIEBACKS**

KEY	PART NUMBER	U/M DESCRIPTION
	076892-23-J02	EA CURTAIN - 44" X 80" (K04)
	076892-23-J03	EA CURTAIN - 44" X 80" (K05)
	076892-23-J04	EA CURTAIN - 44" X 80" (K06)
	101668-39-G01	EA CURTAIN - RIGHT HAND - 35" X 50" (K04)
	101668-39-J03	EA CURTAIN - RIGHT HAND - 35" X 50" (K05)
	101668-39-J04	EA CURTAIN - RIGHT HAND - 35" X 50" (K06)
	101668-40-G01	EA CURTAIN - LEFT HAND - 35" X 50" (K04)
	101668-40-J03	EA CURTAIN - LEFT HAND - 35" X 50" (K05)
	101668-40-J04	EA CURTAIN - LEFT HAND - 35" X 50" (K06)
	073260-23-G01	EA TIEBACK - CURTAIN - 3" X 18" (K04)
	073260-23-F15	EA TIEBACK - CURTAIN - 3" X 18" (K05)
	073260-23-J04	EA TIEBACK - CURTAIN - 3" X 18" (K06)

ASSIST HANDLE & SEAT BELTS

KEY	PART NUMBER	U/M DESCRIPTION
	007021-01-000	EA SEAT BELT - 2" X 90" - BLACK
	057759-01-000	EA WASHER - FLAT F/SEAT BELT - 4" DIAMETER
	000C16-07-16B	EA BOLT - CARRIAGE - ASSIST HANDLE - 7/16" - 14 X 1"
	000D20-07-00B	EA NUT - ACORN - ASSIST HANDLE - 7/16 - 14
	053552-02-K01	EA HANDLE - ASSIST - INTERIOR/ENTRY DOOR - VINYL/OFF WHITE
	069178-02-000	EA BRACKET - MOUNTING/ASSIST HANDLE - GRAY

CURTAIN & CUSHION GROUP (CONTINUED)



DINETTE CUSHIONS

KEY	PART NUMBER	U/M DESCRIPTION
1	111897-14-J02	EA CUSHION - BACK - 13.5" X 42" X 5" (K04)
1	111897-14-K02	EA CUSHION - BACK - 13.5" X 42" X 5" (K05)
1	111897-14-K06	EA CUSHION - BACK - 13.5" X 42" X 5" (K06)
	P11897-14-J02	EA COVER - BACK - 13.5" X 42" X 5" (K04)
	P11897-14-K02	EA COVER - BACK - 13.5" X 42" X 5" (K05)
	P11897-14-K06	EA COVER - BACK - 13.5" X 42" X 5" (K06)
2	105603-15-J02	EA CUSHION - SEAT - 23" X 42" X 5" (K04)
2	105603-15-J47	EA CUSHION - SEAT - 23" X 42" X 5" (K05)
2	105603-15-K48	EA CUSHION - SEAT - 23" X 42" X 5" (K06)
	P05603-15-J02	EA COVER - SEAT - 23" X 42" X 5" (K04)
	P05603-15-J47	EA COVER - SEAT - 23" X 42" X 5" (K05)
	P05603-15-K48	EA COVER - SEAT - 23" X 42" X 5" (K06)

BUNK CUSHIONS-OVERHEAD ENTERTAINMENT CENTER

KEY	PART NUMBER	U/M DESCRIPTION
	079145-08-000	EA CUSHION - BUNK - 25" X 74" X 3.5"
	M79145-08-000	EA COVER - CUSHION/BUNK - 25" X 74" X 3.5"

COUCH

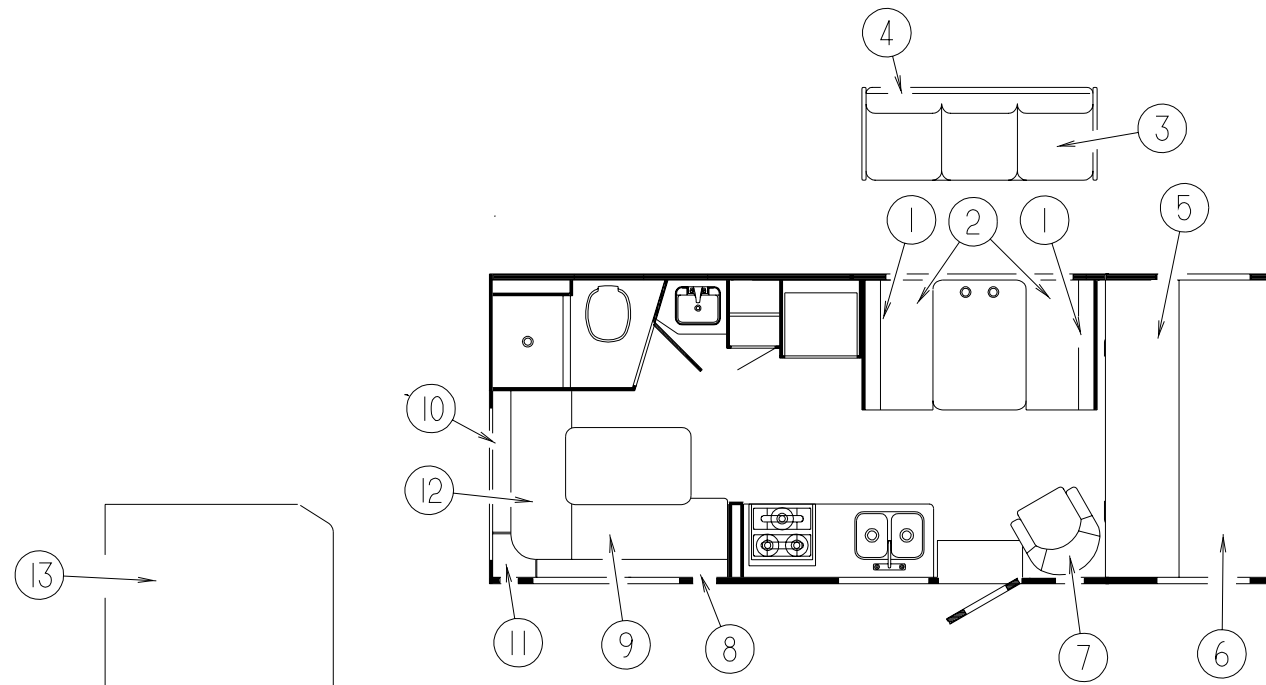
KEY	PART NUMBER	U/M DESCRIPTION
3	129688-02-K16	EA SOFA - SEAT - 74" (K04)
3	129688-02-K17	EA SOFA - SEAT - 74" (K05)
3	129688-02-K48	EA SOFA - SEAT - 74" (K06)
	P29688-02-K16	EA COVER - SEAT - 74" (K04)
	P29688-02-K17	EA COVER - SEAT - 74" (K05)
	P29688-02-K48	EA COVER - SEAT - 74" (K06)
	116104-03-02B	EA BRACKET - ZEE W/HOLES - 5.9"
	116104-04-02B	EA BRACKET - ZEE W/HOLES - 3.2"
	127335-12-000	EA FRAME-10" LEG
	127335-10-000	EA BRACKET - CANADIAN LATCH
4	129688-01-K04	EA SOFA - BACK - 74"
4	129688-01-K05	EA SOFA - BACK - 74"
4	129688-01-K06	EA SOFA - BACK - 74"
	P29688-01-K16	EA COVER - BACK - 74" (K04)
	P29688-01-K17	EA COVER - BACK - 74" (K05)
	P29688-01-K48	EA COVER - BACK - 74" (K06)

NOTE: COUCH FRONT AND SIDE PANELS ARE FOUND IN LOUNGE GROUP

BUNK CUSHIONS

KEY	PART NUMBER	U/M DESCRIPTION
5	105573-10-K04	EA CUSHION - OVERHEAD BUNK/REAR - 27" X 23" X 80" X 5"
5	105573-10-K05	EA CUSHION - OVERHEAD BUNK/REAR - 27" X 23" X 80" X 5"
5	105573-10-K06	EA CUSHION - OVERHEAD BUNK/REAR - 27" X 23" X 80" X 5"
	P05573-10-K04	EA COVER - CUSHION/OVERHEAD BUNK/REAR - 27" X 23" X 80" X 5"
	P05573-10-K05	EA COVER - CUSHION/OVERHEAD BUNK/REAR - 27" X 23" X 80" X 5"
	P05573-10-K06	EA COVER - CUSHION/OVERHEAD BUNK/REAR - 27" X 23" X 80" X 5"
6	105573-09-E22	EA CUSHION - OVERHEAD BUNK/FRONT - 32.5" X 80" X 5" (K04)
6	105573-09-J03	EA CUSHION - OVERHEAD BUNK/FRONT - 32.5" X 80" X 5" (K05)
6	105573-09-K06	EA CUSHION - OVERHEAD BUNK/FRONT - 32.5" X 80" X 5" (K06)
	P05573-09-E22	EA COVER - CUSHION/OVERHEAD BUNK/FRONT - 32.5" X 80" X 5" (K04)
	P05573-09-J03	EA COVER - CUSHION/OVERHEAD BUNK/FRONT - 32.5" X 80" X 5" (K05)
	P05573-09-K06	EA COVER - CUSHION/OVERHEAD BUNK/FRONT - 32.5" X 80" X 5" (K06)

CURTAIN & CUSHION GROUP (CONTINUED)



SWIVEL CHAIR

KEY	PART NUMBER	U/M DESCRIPTION
7	115470-01-F01	EA CHAIR - SWIVEL (K04)
7	115470-01-GB1	EA CHAIR - SWIVEL (K05)
7	115470-01-K06	EA CHAIR - SWIVEL (K06)

REAR DINETTE CUSHIONS

KEY	PART NUMBER	U/M DESCRIPTION
8	127742-02-K04	EA CUSHION - BACK - 48" X 14" X 5"
8	127742-02-K05	EA CUSHION - BACK - 48" X 14" X 5"
8	127742-02-K06	EA CUSHION - BACK - 48" X 14" X 5"
	P27742-02-K04	EA COVER - BACK - 48" X 14" X 5"
	P27742-02-K05	EA COVER - BACK - 48" X 14" X 5"
	P27742-02-K06	EA COVER - BACK - 48" X 14" X 5"
9	127742-01-K04	EA CUSHION - SEAT - 31.25" X 48" X 4.75"
9	127742-01-K05	EA CUSHION - SEAT - 31.25" X 48" X 4.75"
9	127742-01-K06	EA CUSHION - SEAT - 31.25" X 48" X 4.75"
	P27742-01-K04	EA COVER - SEAT - 31.25" X 48" X 4.75"
	P27742-01-K05	EA COVER - SEAT - 31.25" X 48" X 4.75"
	P27742-01-K06	EA COVER - SEAT - 31.25" X 48" X 4.75"
	110550-01-000	EA CAP - TUBE .9" SQUARE
	127553-01-J03	EA LEG - DINETTE CUSHION
10	127742-04-K04	EA CUSHION - BACK - 27.5" X 14" X 7"
10	127742-04-K05	EA CUSHION - BACK - 27.5" X 14" X 7"
10	127742-04-K06	EA CUSHION - BACK - 27.5" X 14" X 7"
	P27742-04-K04	EA COVER - BACK - 27.5" X 14" X 7"
	P27742-04-K05	EA COVER - BACK - 27.5" X 14" X 7"
	P27742-04-K06	EA COVER - BACK - 27.5" X 14" X 7"

REAR DINETTE CUSHIONS (CONTINUED)

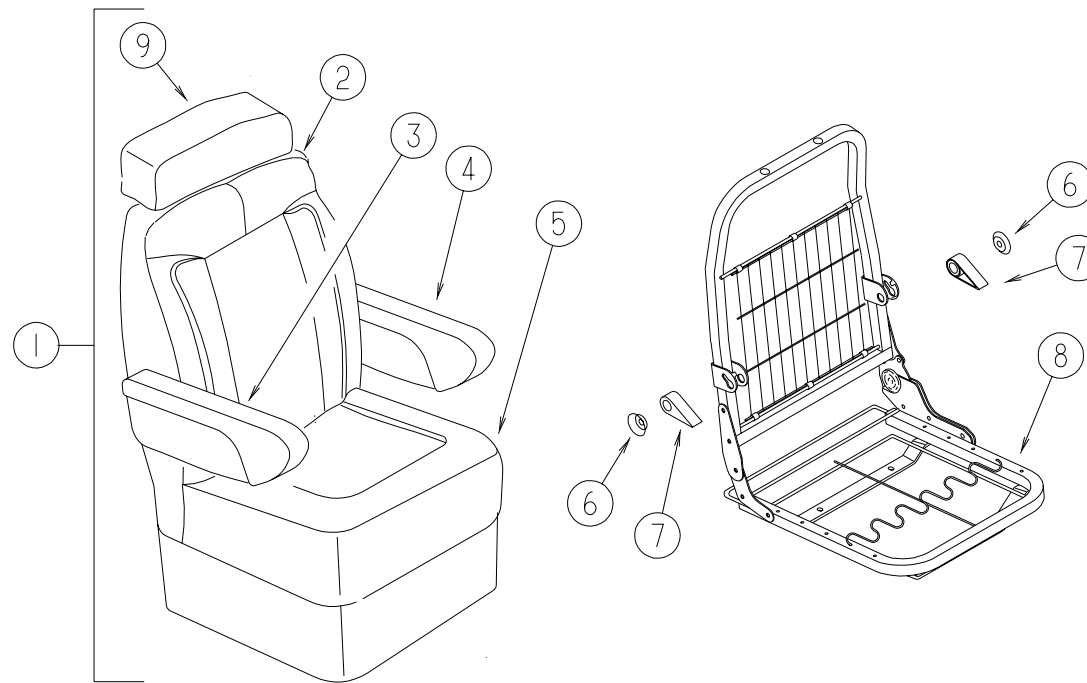
KEY	PART NUMBER	U/M DESCRIPTION
11	127742-05-K04	EA CUSHION - CORNER - BOLSTER
11	127742-05-K05	EA CUSHION - CORNER - BOLSTER
11	127742-05-K06	EA CUSHION - CORNER - BOLSTER
	P27742-05-K04	EA COVER - CORNER - BOLSTER
	P27742-05-K05	EA COVER - CORNER - BOLSTER
	P27742-05-K06	EA COVER - CORNER - BOLSTER
12	127742-03-K04	EA CUSHION - SEAT - 27" X 60" X 5"
12	127742-03-K05	EA CUSHION - SEAT - 27" X 60" X 5"
12	127742-03-K06	EA CUSHION - SEAT - 27" X 60" X 5"
	P27742-03-K04	EA COVER - SEAT - 27" X 60" X 5"
	P27742-03-K05	EA COVER - SEAT - 27" X 60" X 5"
	P27742-03-K06	EA COVER - SEAT - 27" X 60" X 5"

QUEEN BEDSPREAD, PILLOW SHAM & MATTRESS

KEY	PART NUMBER	U/M DESCRIPTION
13	123471-08-J02	EA BEDSPREAD/THROW - 60" X 75" (K04)
13	123471-08-J03	EA BEDSPREAD/THROW - 60" X 75" (K05)
13	123471-08-K48	EA BEDSPREAD/THROW - 60" X 75" (K06)
	104176-04-J02	EA PILLOW SHAM - 30" (K04)
	104176-04-J03	EA PILLOW SHAM - 30" (K05)
	104176-04-K06	EA PILLOW SHAM - 30" (K06)
	101123-35-000	EA MATTRESS - FOAM W/1 CUT CORNER - 60" X 75" X 6.5"
	P01123-35-000	EA COVER - MATTRESS - 60" X 75" X 6.5"

CURTAIN & CUSHION GROUP (CONTINUED)

BUCKET SEAT - FORD

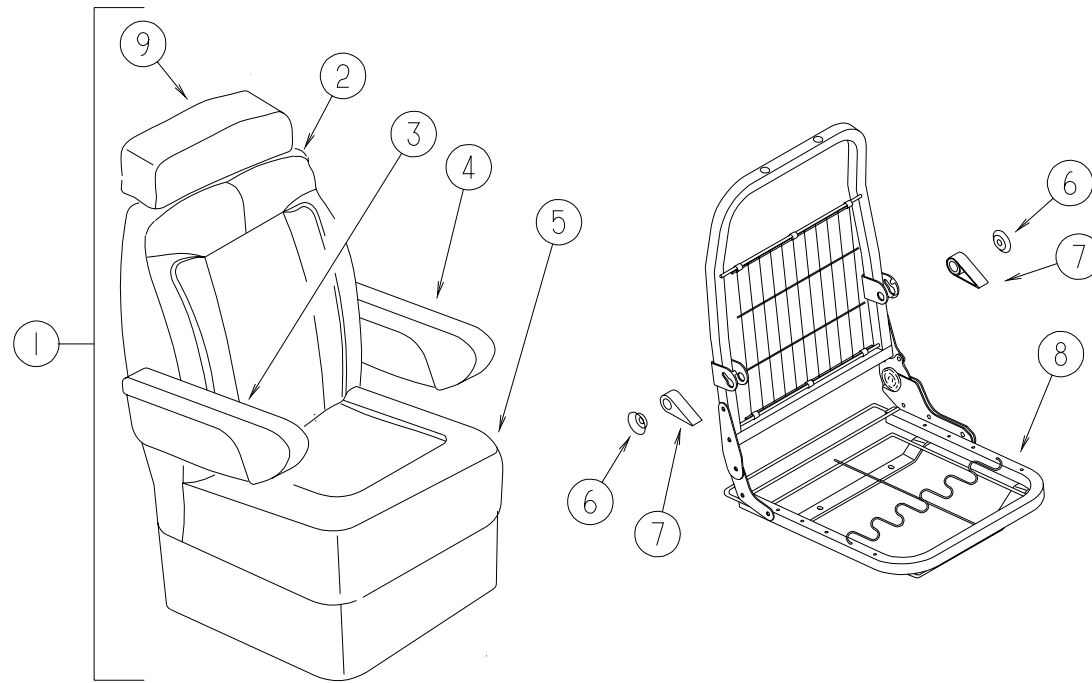


KEY	PART NUMBER	U/M DESCRIPTION
1	110148-16-J02	EA SEAT - BUCKET - W/HEADREST/RIGHT ARMREST - DRIVER (K04)
1	110148-16-K05	EA SEAT - BUCKET - W/HEADREST/RIGHT ARMREST - DRIVER (K05)
1	110148-16-K06	EA SEAT - BUCKET - W/HEADREST/RIGHT ARMREST - DRIVER (K06)
1	110148-17-J02	EA SEAT - BUCKET - W/HEADREST/LEFT ARMREST - PASSENGER (K04)
1	110148-17-K05	EA SEAT - BUCKET - W/HEADREST/LEFT ARMREST - PASSENGER (K05)
1	110148-17-K06	EA SEAT - BUCKET - W/HEADREST/LEFT ARMREST - PASSENGER (K06)
2	M05962-55-J02	EA COVER - BACK (K04)
2	M05962-55-J03	EA COVER - BACK (K05)
2	M05962-55-K06	EA COVER - BACK (K06)
3	122780-01-J02	EA ARMREST - RIGHT HAND (K04)
3	122780-01-H16	EA ARMREST - RIGHT HAND (K05)
3	122780-01-J06	EA ARMREST - RIGHT HAND (K06)
	P22780-01-J02	EA COVER - ARMREST - RIGHT HAND (K04)
	P22780-01-H16	EA COVER - ARMREST - RIGHT HAND (K05)
	P22780-01-J06	EA COVER - ARMREST - RIGHT HAND (K06)
	115617-03-000	EA ARMREST - W/O COVER - RIGHT HAND
4	122780-02-J02	EA ARMREST - LEFT HAND (K04)
4	122780-02-H16	EA ARMREST - LEFT HAND (K05)
4	122780-02-J06	EA ARMREST - LEFT HAND (K06)
	P22780-02-J02	EA COVER - ARMREST - LEFT HAND (K04)
	P22780-02-H16	EA COVER - ARMREST - LEFT HAND (K05)
	P22780-02-J06	EA COVER - ARMREST - LEFT HAND (K06)
	115617-04-000	EA ARMREST - W/O COVER - LEFT HAND

KEY	PART NUMBER	U/M DESCRIPTION
5	M05962-56-J02	EA COVER - SEAT (K04)
5	M05962-56-J03	EA COVER - SEAT (K05)
5	M05962-56-K06	EA COVER - SEAT (K06)
6	130802-03-000	EA LEVER/SCREW
7	130802-02-000	EA LEVER - RIGHT HAND
7	130802-01-000	EA LEVER - LEFT HAND
8	125229-07-000	EA FRAME - SEAT - PASSENGER - W/LEFT ARMREST BRACKET
8	125229-06-000	EA FRAME - SEAT - DRIVER - W/RIGHT ARMREST BRACKET
	130800-01-000	EA GUARD - HINGE
	007221-01-000	EA SPACER - SEAT/ADJUSTER
9	119509-01-J02	EA HEADREST - BUCKET SEAT (K04)
9	119509-01-H01	EA HEADREST - BUCKET SEAT (K05)
9	119509-01-J06	EA HEADREST - BUCKET SEAT (K06)
	P19509-01-J02	EA COVER - HEADREST (K04)
	P19509-01-H01	EA COVER - HEADREST (K05)
	P19509-01-J06	EA COVER - HEADREST (K06)
	113977-12-000	EA HEADREST INSERT - W/O LOCK
	113977-13-000	EA HEADREST INSERT - W/LOCK

CURTAIN & CUSHION GROUP (CONTINUED)

BUCKET SEAT - CHEVY

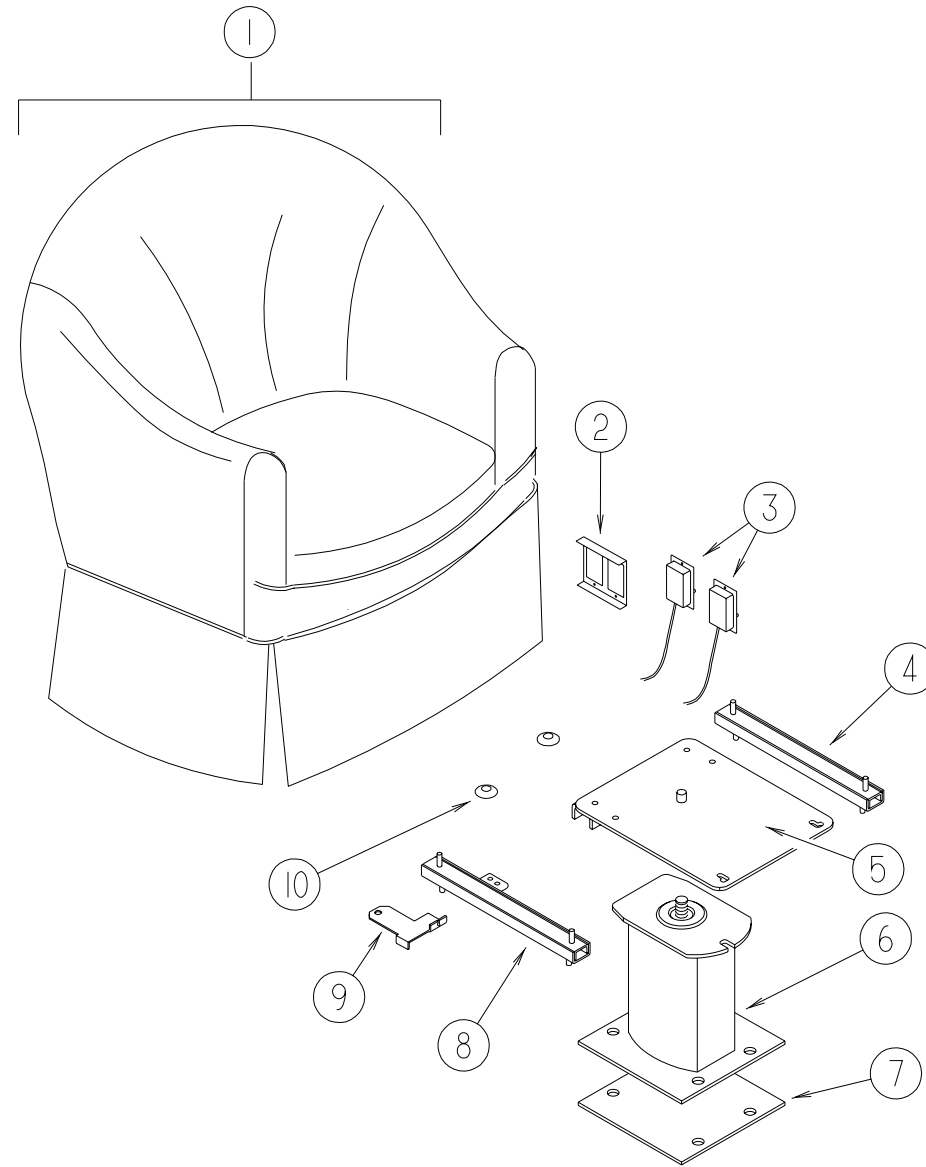


KEY	PART NUMBER	U/M DESCRIPTION
1	110148-18-J02	EA SEAT - BUCKET - W/HEADREST/RIGHT ARMREST (K04)
1	110148-18-K02	EA SEAT - BUCKET - W/HEADREST/RIGHT ARMREST (K05)
1	110148-18-K06	EA SEAT - BUCKET - W/HEADREST/RIGHT ARMREST (K06)
1	110148-19-K04	EA SEAT - BUCKET - W/HEADREST/LEFT ARMREST (K04)
1	110148-19-K05	EA SEAT - BUCKET - W/HEADREST/LEFT ARMREST (K05)
1	110148-19-K06	EA SEAT - BUCKET - W/HEADREST/LEFT ARMREST (K06)
2	M05962-55-J02	EA COVER - BACK (K04)
2	M05962-55-J03	EA COVER - BACK (K05)
2	M05962-55-K06	EA COVER - BACK (K06)
3	122780-01-K04	EA ARMREST - RIGHT HAND (K04)
3	122780-01-K05	EA ARMREST - RIGHT HAND (K05)
3	122780-01-J06	EA ARMREST - RIGHT HAND (K06)
	P22780-01-K04	EA COVER - ARMREST - RIGHT HAND (K04)
	P22780-01-K05	EA COVER - ARMREST - RIGHT HAND (K05)
	P22780-01-J06	EA COVER - ARMREST - RIGHT HAND (K06)
	115617-03-000	EA ARMREST - W/O COVER - RIGHT HAND
4	122780-02-J02	EA ARMREST - LEFT HAND (K04)
4	122780-02-H16	EA ARMREST - LEFT HAND (K05)
4	122780-02-J06	EA ARMREST - LEFT HAND (K06)
	P22780-02-J02	EA COVER - ARMREST - LEFT HAND (K04)
	P22780-02-H16	EA COVER - ARMREST - LEFT HAND (K05)
	P22780-02-J06	EA COVER - ARMREST - LEFT HAND (K06)
	115617-04-000	EA ARMREST - W/O COVER - LEFT HAND

KEY	PART NUMBER	U/M DESCRIPTION
5	M05962-69-J02	EA COVER - SEAT (K04)
5	M05962-69-J03	EA COVER - SEAT (K05)
5	M05962-69-K06	EA COVER - SEAT (K06)
6	130802-03-000	EA LEVER/SCREW
7	130802-02-000	EA LEVER - RIGHT HAND
7	130802-01-000	EA LEVER - LEFT HAND
8	125229-07-000	EA FRAME - SEAT - PASSENGER - W/LEFT ARMREST BRACKET
8	125229-06-000	EA FRAME - SEAT - DRIVER - W/RIGHT ARMREST BRACKET
	130800-01-000	EA GUARD - HINGE
	007221-01-000	EA SPACER - SEAT/ADJUSTER
9	119509-01-J02	EA HEADREST - BUCKET SEAT (K04)
9	119509-01-H01	EA HEADREST - BUCKET SEAT (K05)
9	119509-01-J06	EA HEADREST - BUCKET SEAT (K06)
	P19509-01-J02	EA COVER - HEADREST (K04)
	P19509-01-H01	EA COVER - HEADREST (K05)
	P19509-01-J06	EA COVER - HEADREST (K06)
	113977-12-000	EA HEADREST INSERT - W/O LOCK
	113977-13-000	EA HEADREST INSERT - W/LOCK

CURTAIN & CUSHION GROUP (CONTINUED)

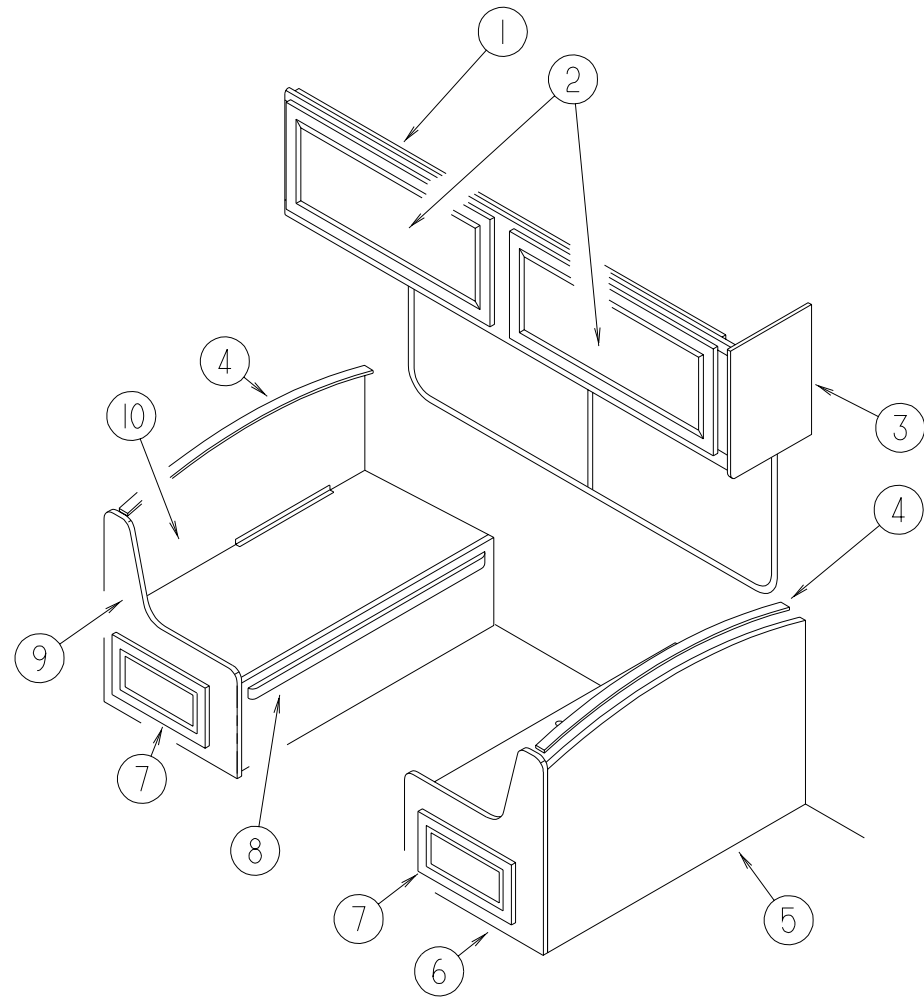
SWIVEL CHAIR



KEY	PART NUMBER	U/M DESCRIPTION
1	115470-01-F01	EA CHAIR - SWIVEL (K04)
1	115470-01-GB1	EA CHAIR - SWIVEL (K05)
1	115470-01-K06	EA CHAIR - SWIVEL (K06)
	P15470-01-F01	EA COVER - CHAIR (K04)
	P15470-01-GB1	EA COVER - CHAIR (K05)
	P15470-01-K06	EA COVER - CHAIR (K06)
2	127159-02-02B	EA BRACKET - SEAT RELEASE - DUAL REMOTE
3	108049-04-000	EA CABLE - W/SWITCHES - W/26" MINI LEVER ACTION
	108049-02-000	EA CLIP - CABLE/PEDESTAL
	010495-01-000	EA CLAMP - CABLE - 9/16"

KEY	PART NUMBER	U/M DESCRIPTION
4	119952-01-000	EA SLIDE/SEAT - HEAVY DUTY NON LOCKING
5	107921-08-000	EA PLATE - TOP PEDESTAL - W/O SEAT BELT BAR
	107921-06-000	EA BEARING KIT - PEDESTAL
6	107921-01-000	EA PEDESTAL/FLOOR MOUNTED - W/9.75" EXTENSION
7	108445-02-000	EA PLATE/FLOOR MOUNTED - PEDESTAL SEAT
8	119952-03-000	EA SLIDE/SEAT - HEAVY DUTY LOCKING - 2 STUDS
9	117125-01-02B	EA BRACKET - CABLE MOUNT - ADJUSTER W/LOCK
10	007221-01-000	EA SPACER - SEAT/ADJUSTER

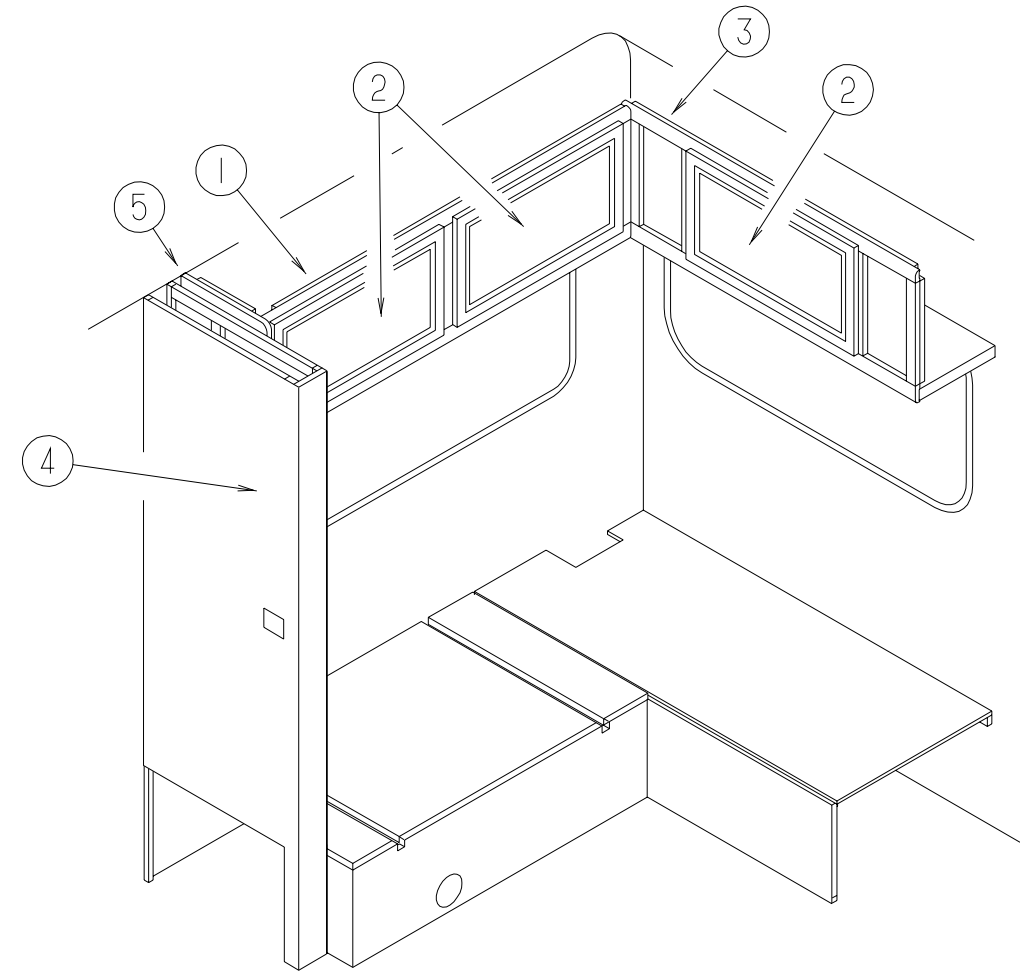
DINETTE GROUP



DINETTE CABINETS & PADS

KEY	PART NUMBER	U/M DESCRIPTION
1	122610-05-K01	EA CABINET - OVERHEAD/DINETTE - W/O DOORS/HARDWARE
2	132141-14-K01	EA DOOR - RAIL/VENEER - 15.7" X 27.9" - W/O HARDWARE
3	109908-82-K04	EA END CAP - OVERHEAD CABINET
4	111338-11-J02	EA PAD - DINETTE SEATBACK (K04)
4	111338-11-J03	EA PAD - DINETTE SEATBACK (K05)
4	111338-11-K06	EA PAD - DINETTE SEATBACK (K06)
5	M08123-16-J01	EA CABINET - SEATBACK - RIGHT HAND
6	M08122-17-J01	EA CABINET - SEATBASE - RIGHT HAND - W/O DOOR/DRAWER/HDW
7	131995-G4-K01	EA DOOR - SOLID PANEL - 10" X 19.1" - W/O HARDWARE
8	081295-04-G04	EA SUPPORT - BED/DINETTE - 40" LONG
9	M08122-25-J03	EA CABINET - SEATBASE - LEFT HAND - W/O DOOR/DRAWER/HDW
10	M08123-23-J03	EA CABINET - SEATBACK - LEFT HAND

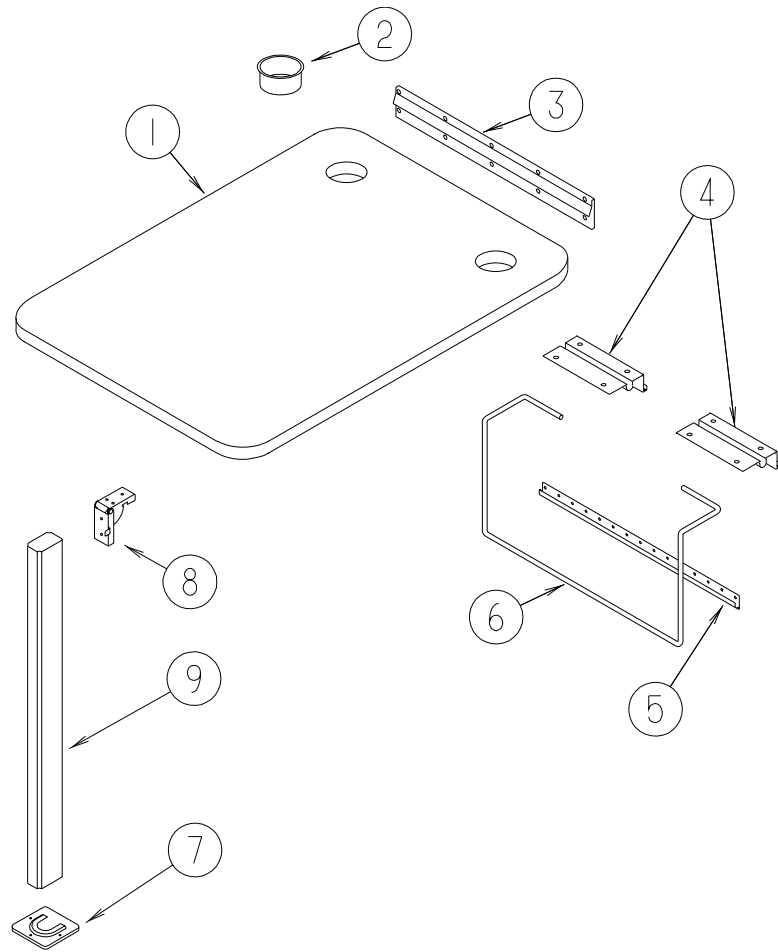
DINETTE GROUP (CONTINUED)



REAR DINETTE CABINETS

KEY	PART NUMBER	U/M DESCRIPTION
1	122609-03-K01	EA CABINET - OVERHEAD/REAR - W/O DOORS/HARDWARE
2	132141-14-K01	EA DOOR - RAIL/VENEER - 15.7" X 27.9" - W/O HARDWARE
3	127484-01-J03	EA CABINET - OVERHEAD - REAR - W/O DOORS/HARDWARE
4	127483-01-K04	EA CABINET - PIPE COVER
4	127483-01-K05	EA CABINET - PIPE COVER
4	127483-01-K06	EA CABINET - PIPE COVER
5	109908-79-K01	EA END CAP - OVERHEAD CABINET

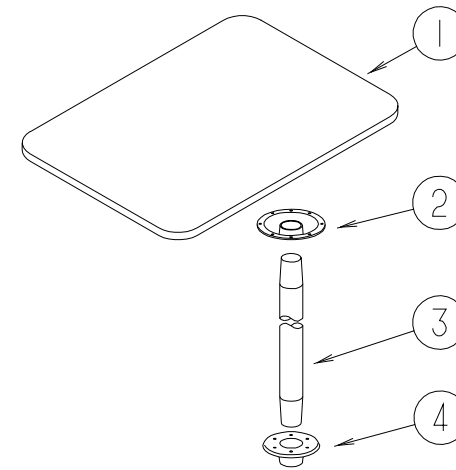
DINETTE GROUP (CONTINUED)



DINETTE TABLE & HARDWARE

KEY	PART NUMBER	U/M DESCRIPTION
1	081322-20-J98	EA TABLE TOP ONLY (K04)
1	081322-20-J37	EA TABLE TOP ONLY (K05)
1	081322-20-J38	EA TABLE TOP ONLY (K06)
2	064781-06-000	EA HOLDER - CUP - TWO STEP - OFF WHITE
3	053200-12-000	EA BRACKET - TABLE SUPPORT - UPPER/WALL MOUNTED - 23.50"
4	088410-02-000	EA BRACKET - LIFT - TABLE MOUNTED
5	024281-14-000	EA BRACKET/TABLE - LIFT ROD/LOWER WALL MOUNTED - 22.12"
6	024275-12-000	EA ROD - TABLE LIFT
7	049493-12-000	EA CATCH - TABLE LEG/FLOOR MOUNTED - OFF WHITE
	049493-11-700	EA CATCH - TABLE LEG/FLOOR MOUNTED - E COATED
8	093550-01-000	EA BRACKET - HINGE - MOUNTS TO LEG & TABLE TOP - 1.7" X 2.6"
9	092707-04-05A	EA LEG - TABLE - W/O HARDWARE - 27" - WATERFORD OAK
	092593-01-05A	EA CATCH - TABLE LEG - OFF/WHITE

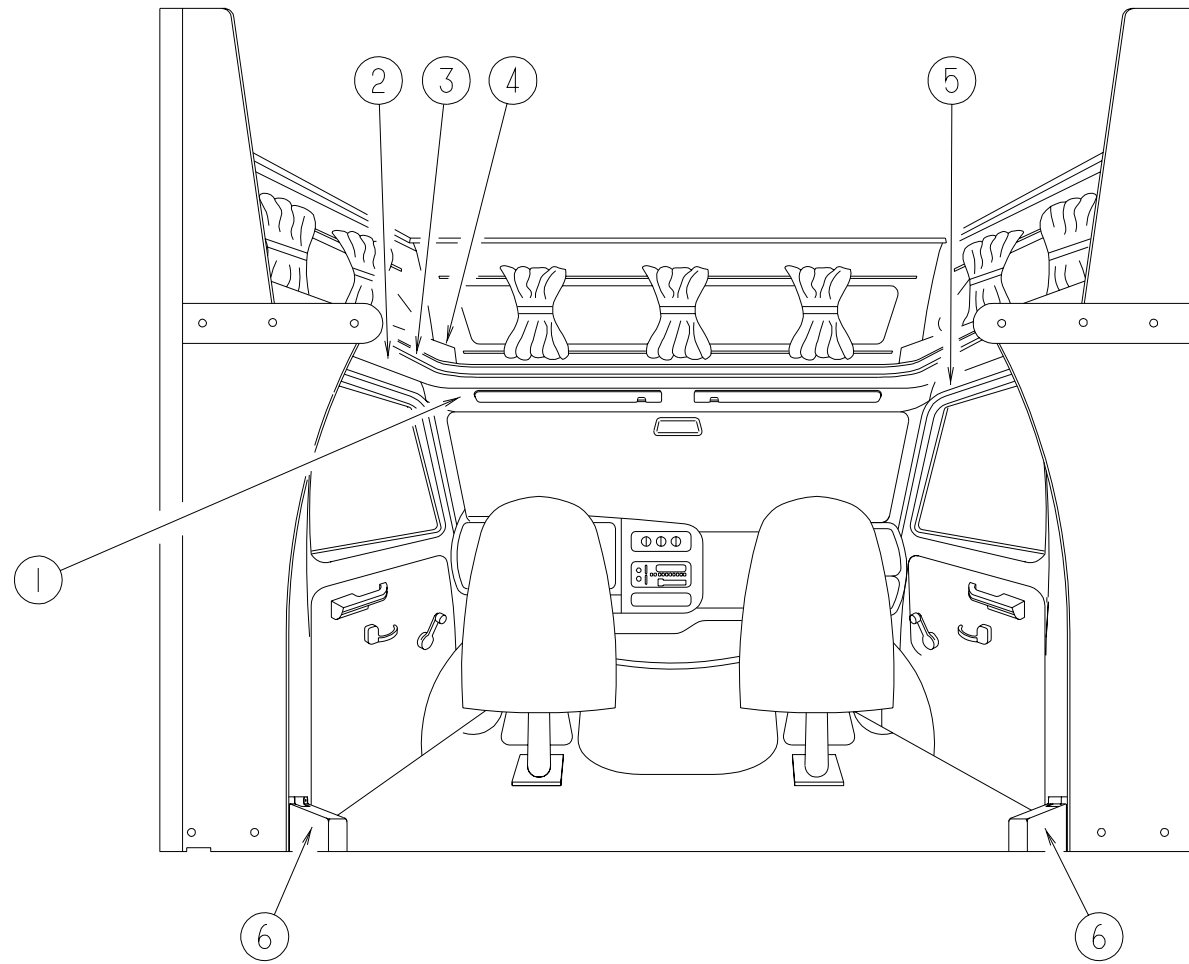
DINETTE GROUP (CONTINUED)



DINETTE PEDESTAL TABLE & HARDWARE

KEY	PART NUMBER	U/M DESCRIPTION
1	130969-01-K04	EA TABLE TOP ONLY - PEDESTAL TYPE
1	130969-01-K05	EA TABLE TOP ONLY - PEDESTAL TYPE
1	130969-01-K06	EA TABLE TOP ONLY - PEDESTAL TYPE
1	081323-12-K04	EA TOP - TABLE/PEDESTAL - W/O HARDWARE - CANADIAN
1	081323-12-K05	EA TOP - TABLE/PEDESTAL - W/O HARDWARE - CANADIAN
1	081323-12-K06	EA TOP - TABLE/PEDESTAL - W/O HARDWARE - CANADIAN
2	009040-03-000	EA BASE - TABLE/RAISED - TABLE MOUNTED
3	009040-02-000	EA PEDESTAL TABLE LEG - 27.5" X 2.25" DIAMETER
4	041194-01-000	EA BASE - TABLE/FLUSH - FLOOR MOUNTED

DRIVERS COMPARTMENT GROUP



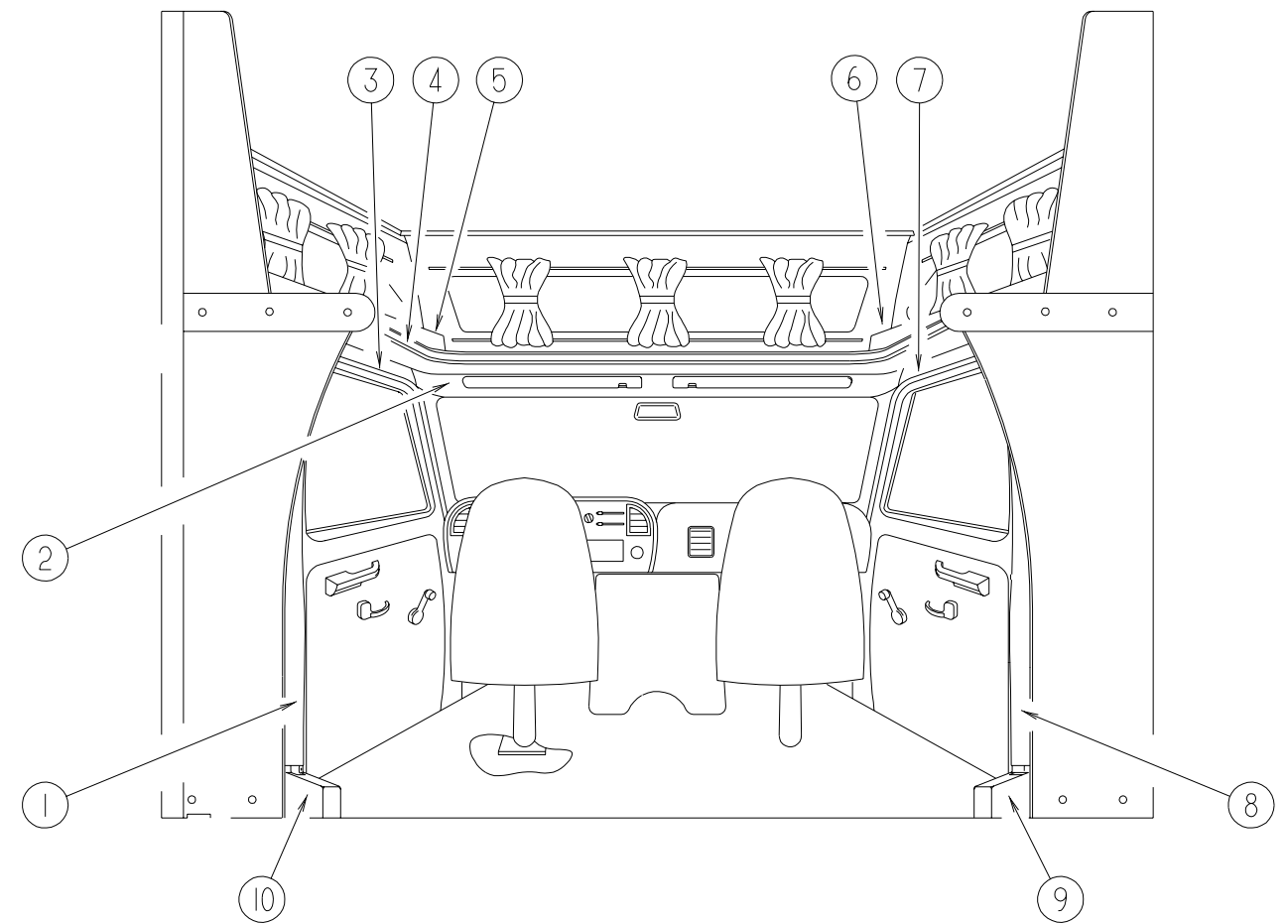
CHEVY DRIVERS COMPARTMENT

KEY	PART NUMBER	U/M DESCRIPTION
1	124818-01-H04	EA HEADLINER - W/VINYL
2	124819-01-H04	EA TRIM - CAB DOOR - UPPER/LEFT HAND
3	119520-01-01A	FT MOLDING-T - 1" - W/EDGE LIPS (OFF/WHITE-CREAM)
4	109894-01-K01	EA CABINET - HAMPER - DRIVER/FRONT (K04)
4	109894-01-H10	EA CABINET - HAMPER - DRIVER/FRONT (K05)
4	109894-01-K06	EA CABINET - HAMPER - DRIVER/FRONT (K06)
4	109894-03-K01	EA CABINET - HAMPER - PASSENGER/FRONT (K04)
4	109894-03-H10	EA CABINET - HAMPER - PASSENGER/FRONT (K05)
4	109894-03-K06	EA CABINET - HAMPER - PASSENGER/FRONT (K06)
5	124817-01-H04	EA TRIM - CAB DOOR - UPPER RIGHT HAND
6	076302-03-000	EA SEAT BELT - DRIVER/PASSENGER
	087932-03-000	EA BRACKET - SHOULDER HARNESS - LEFT HAND
	087932-04-000	EA BRACKET - SHOULDER HARNESS - RIGHT HAND

INSTRUMENT CLUSTERS - CHEVY

KEY	PART NUMBER	U/M DESCRIPTION
	094797-07-000	EA CLUSTER - INSTRUMENT PANEL - GAS FROM: 00-00-00 THRU: 01-28-99
	094797-13-000	EA CLUSTER - INSTRUMENT PANEL - KILOMETERS/MILES FROM: 01-29-99 THRU: 99-99-99

DRIVERS COMPARTMENT GROUP (CONTINUED)



FORD DRIVERS COMPARTMENT

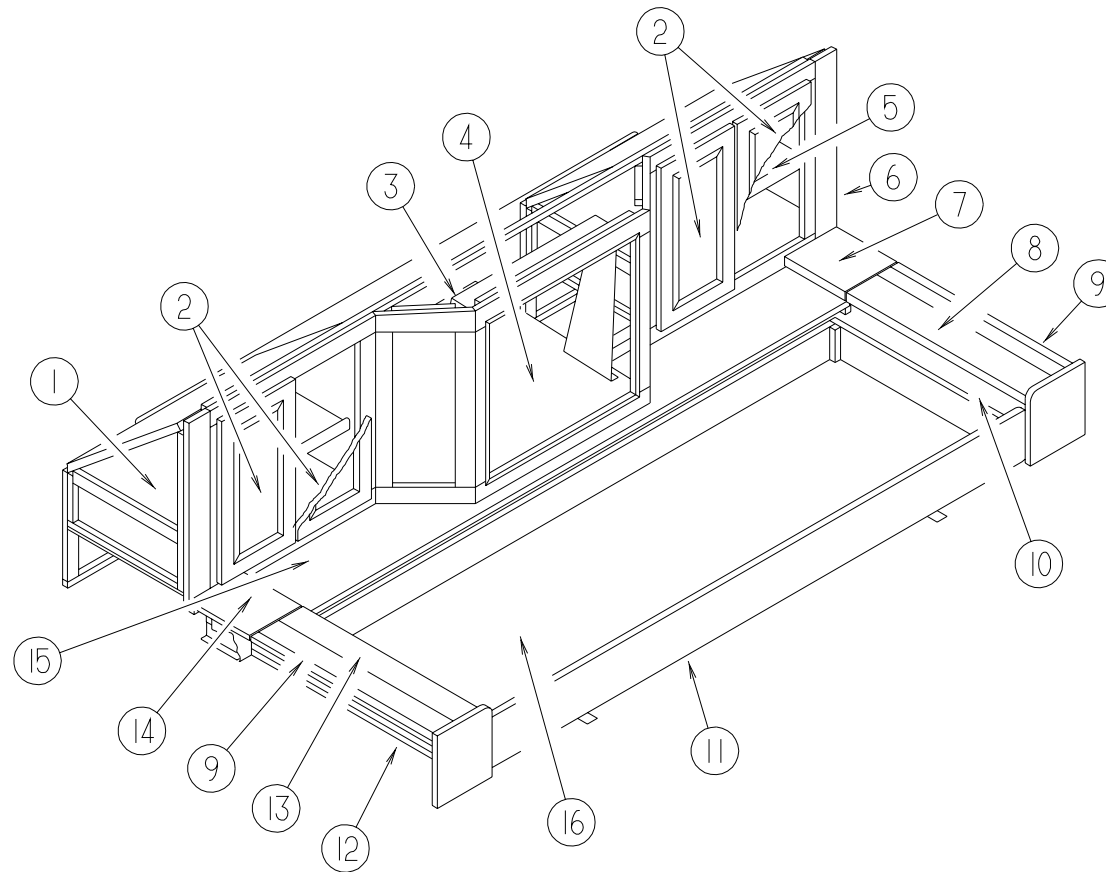
KEY	PART NUMBER	U/M DESCRIPTION
1	125031-02-H04	EA TRIM - CAB - B-PILLAR - DRIVER SIDE
2	106448-01-H04	EA HEADLINER - W/VINYL
3	106447-04-H04	EA TRIM - CAB DOOR - UPPER/LEFT HAND
4	119520-01-01A	FT MOLDING-T - 1" - W/EDGE LIPS (OFF/WHITE-CREAM)
5	109894-01-K01	EA CABINET - HAMPER - DRIVER/FRONT (K04)
5	109894-01-H10	EA CABINET - HAMPER - DRIVER/FRONT (K05)
5	109894-01-K06	EA CABINET - HAMPER - DRIVER/FRONT (K06)
6	109894-03-K01	EA CABINET - HAMPER - PASSENGER/FRONT (K04)
6	109894-03-H10	EA CABINET - HAMPER - PASSENGER/FRONT (K05)
6	109894-03-K06	EA CABINET - HAMPER - PASSENGER/FRONT (K06)
7	106447-03-H04	EA TRIM - CAB DOOR - UPPER/RIGHT HAND
8	125031-01-H04	EA TRIM - CAB - B-PILLAR - PASSENGER SIDE
9	106431-01-02A	EA COVER - SEATBELT RECOIL - PASSENGER SIDE - VW GRAY
10	106431-02-02A	EA COVER - SEATBELT RECOIL - DRIVER SIDE - VW GREY

INSTRUMENT CLUSTERS - FORD

KEY	PART NUMBER	U/M DESCRIPTION
	094795-09-000	EA CLUSTER - INSTRUMENT PANEL - KILOMETERS - GAS/DIESEL-FORD
	100138-01-000	EA MODULE - DAYTIME/RUNNING LIGHT
	108357-09-000	EA SWITCH - ROCKER SPDT - ON/NONE/MOM - 3 TERMINAL
	108356-07-01A	EA COVER/ACTUATOR SWITCH - 2 ROWS DIMPLES - AUX START - BLACK

DRIVERS COMPARTMENT GROUP (CONTINUED)

FRONT ENTERTAINMENT CENTER

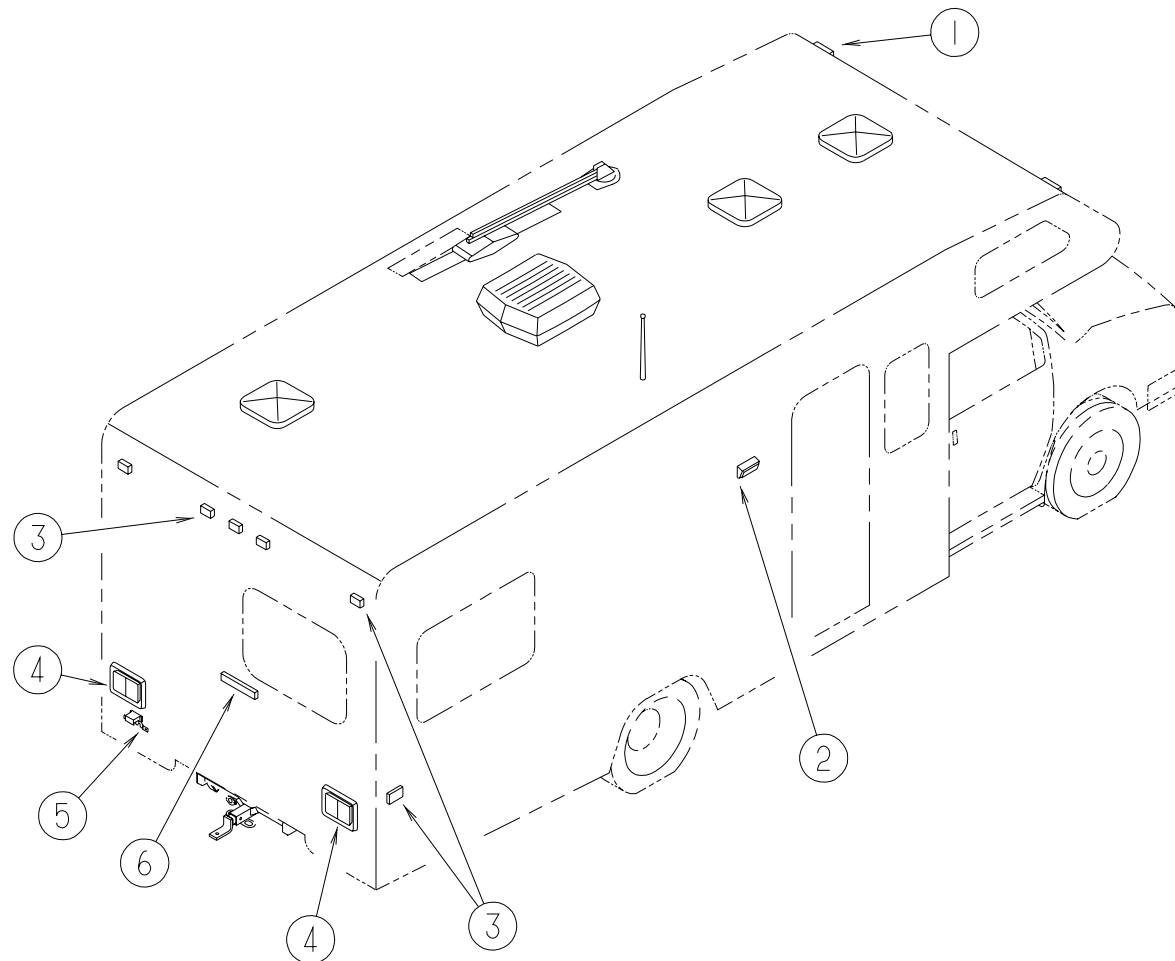


KEY	PART NUMBER	U/M DESCRIPTION
1	113156-02-G04	EA CABINET-ENTERTAINMENT CTR-W/SHELF-DRIVER SIDE-W/O DOOR/HDW
2	132141-92-K01	EA DOOR - RAIL/VENEER - 10.6" X 19.8" - W/O HARDWARE
3	110790-03-000	EA BRACKET - TIEDOWN/TV
	106699-01-01A	EA BRACKET - OVERHEAD CABINET/TV
	122790-02-02B	EA BRACKET - VCP - E-COATED
4	111356-02-J01	EA SHELF - TV - W/TIEDOWN BRACKET
5	113156-01-G04	EA CABINET-ENTERTAINMENT CTR-W/SHELF-PASS SIDE-W/O DOOR/HDW
6	113157-02-J01	EA CABINET/FACE - ENTERTAINMENT CENTER - W/O HARDWARE
7	113155-11-E01	EA COUNTERTOP - ENTERTAINMENT CENTER STORAGE (K04)
7	113155-11-F02	EA COUNTERTOP - ENTERTAINMENT CENTER STORAGE (K05)
7	113155-11-F09	EA COUNTERTOP - ENTERTAINMENT CENTER STORAGE (K06)
8	113155-12-G04	EA COUNTERTOP - ENTERTAINMENT CENTER STORAGE (K04)
8	113155-12-G24	EA COUNTERTOP - ENTERTAINMENT CENTER STORAGE (K05)
8	113155-12-G07	EA COUNTERTOP - ENTERTAINMENT CENTER STORAGE (K06)
9	113155-21-G04	EA COUNTERTOP - ENTERTAINMENT CENTER STORAGE (K04)
9	113155-21-F02	EA COUNTERTOP - ENTERTAINMENT CENTER STORAGE (K05)
9	113155-21-F09	EA COUNTERTOP - ENTERTAINMENT CENTER STORAGE (K06)

KEY	PART NUMBER	U/M DESCRIPTION
10	113155-01-J02	EA CABINET/STORAGE - RIGHT END - W/FLIP UP COUNTERTOP (K04)
10	113155-01-H08	EA CABINET/STORAGE - RIGHT END - W/FLIP UP COUNTERTOP (K05)
10	113155-01-H07	EA CABINET/STORAGE - RIGHT END - W/FLIP UP COUNTERTOP (K06)
11	100847-11-J02	EA FACE - DRAWER VINYL COVERED - 5.5" X 76.7"
12	113155-02-G04	EA CABINET/STORAGE - LEFT END - W/FLIP UP COUNTERTOP (K04)
12	113155-02-G24	EA CABINET/STORAGE - LEFT END - W/FLIP UP COUNTERTOP (K05)
12	113155-02-G25	EA CABINET/STORAGE - LEFT END - W/FLIP UP COUNTERTOP (K06)
13	113155-18-G04	EA COUNTERTOP - ENTERTAINMENT CENTER STORAGE (K04)
13	113155-18-G24	EA COUNTERTOP - ENTERTAINMENT CENTER STORAGE (K05)
13	113155-18-G07	EA COUNTERTOP - ENTERTAINMENT CENTER STORAGE (K06)
14	113155-19-E01	EA COUNTERTOP - ENTERTAINMENT CENTER STORAGE (K04)
14	113155-19-F02	EA COUNTERTOP - ENTERTAINMENT CENTER STORAGE (K05)
14	113155-19-G07	EA COUNTERTOP - ENTERTAINMENT CENTER STORAGE (K06)
15	113157-12-G04	EA SHELF
16	100847-01-J02	EA DRAWER - ENTERTAINMENT CENTER - W/O HARDWARE (K04)
16	100847-01-J03	EA DRAWER - ENTERTAINMENT CENTER - W/O HARDWARE (K05)
16	100847-01-K06	EA DRAWER - ENTERTAINMENT CENTER - W/O HARDWARE (K06)

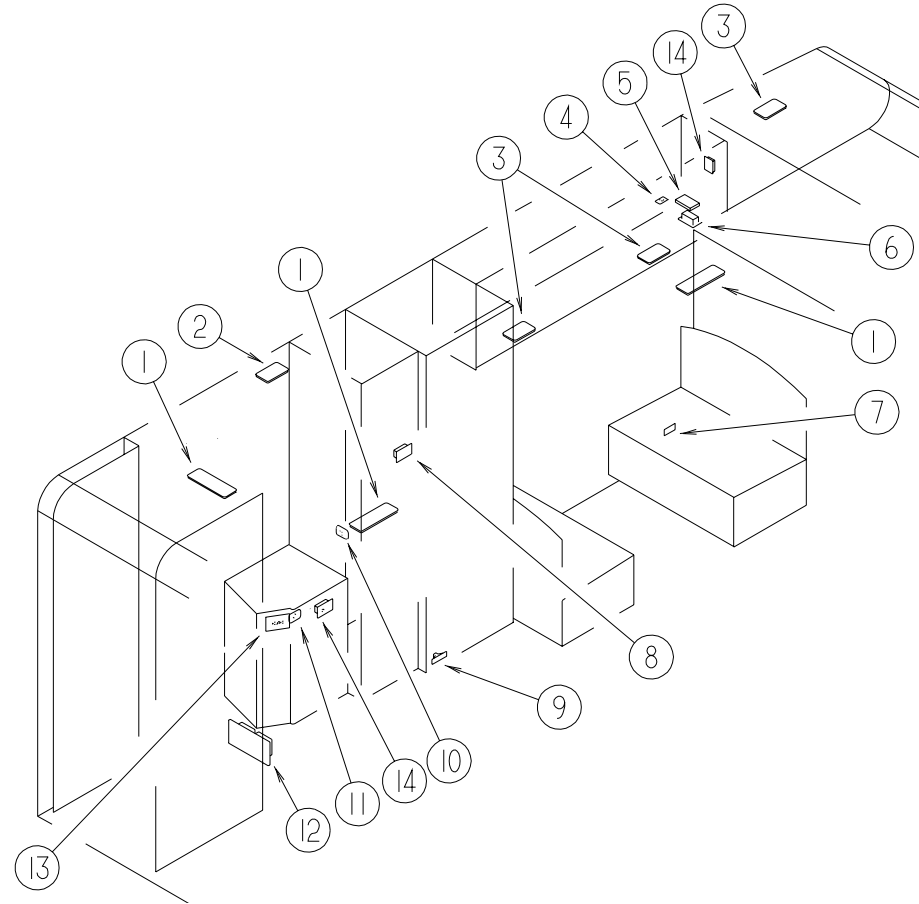
ELECTRICAL GROUP

EXTERIOR LIGHTS



KEY	PART NUMBER	U/M DESCRIPTION	VENDOR NO.	KEY	PART NUMBER	U/M DESCRIPTION	VENDOR NO.
1	111102-02-000	EA LENS - AMBER - MARKER LAMP		4	103355-01-05A	EA POD - TAIL LIGHT - BRIGHT WHITE	
	111102-01-000	EA BASE - LAMP MARKER					FROM: 00-00-00 THRU: 11-22-98
	036196-01-000	EA BULB - 12V - #194 - .27 AMP - BAYONETTE		4	103355-02-01A	EA POD - TAIL LIGHT - BRIGHT WHITE	
	091983-01-000	EA GASKET - CLEARANCE/SIDEMARKER LIGHT					FROM: 11-23-98 THRU: 99-99-99
	112823-01-000	EA SPLICE - REDUCER - 16-14 TO 18-22			081638-01-000	EA TAIL LIGHT/DOUBLE W/BLACK TRIM - DRIVER/PASSENGER SIDE	
2	097917-01-06A	EA LIGHT - PORCH - BRIGHT WHITE			037934-01-000	EA BULB - 12V - #1156 - 2.1 AMP CLEAR GLASS	
	008215-01-000	EA BULB - 12 VOLT - #1003 - .94 AMP			037935-01-000	EA BULB - 12V - #1157 OR #2057 - 2.1 AMP - CLEAR GLASS	
	097917-01-700	EA LENS-LIGHT, CLEAR	30-78-021		081638-01-700	EA LENS-TAILLIGHT, RED	30-84-010
2	008089-02-000	EA LIGHT - PORCH - RECESSED - CANADIAN			081638-01-701	EA LENS-TAILLIGHT, W/BACKUP	30-84-700
	008214-01-000	EA BULB - 12 VOLT - #67 - .59 AMP		5	066432-02-000	EA LIGHT - LICENSE - BLACK	
	091981-01-000	EA GASKET - PORCH LIGHT			066432-03-000	EA BRACKET - LICENSE PLATE	
	008089-01-700	EA LENS-LIGHT, RECESSED, PORCH	DECO	6	121950-01-000	EA LIGHT - BRAKE - CENTER MOUNT	
3	111102-03-000	EA LENS - RED - MARKER LAMP					
	111102-01-000	EA BASE - LAMP MARKER					
	036196-01-000	EA BULB - 12V - #194 - .27 AMP - BAYONETTE					
	091983-01-000	EA GASKET - CLEARANCE/SIDEMARKER LIGHT					
	112823-01-000	EA SPLICE - REDUCER - 16-14 TO 18-22					

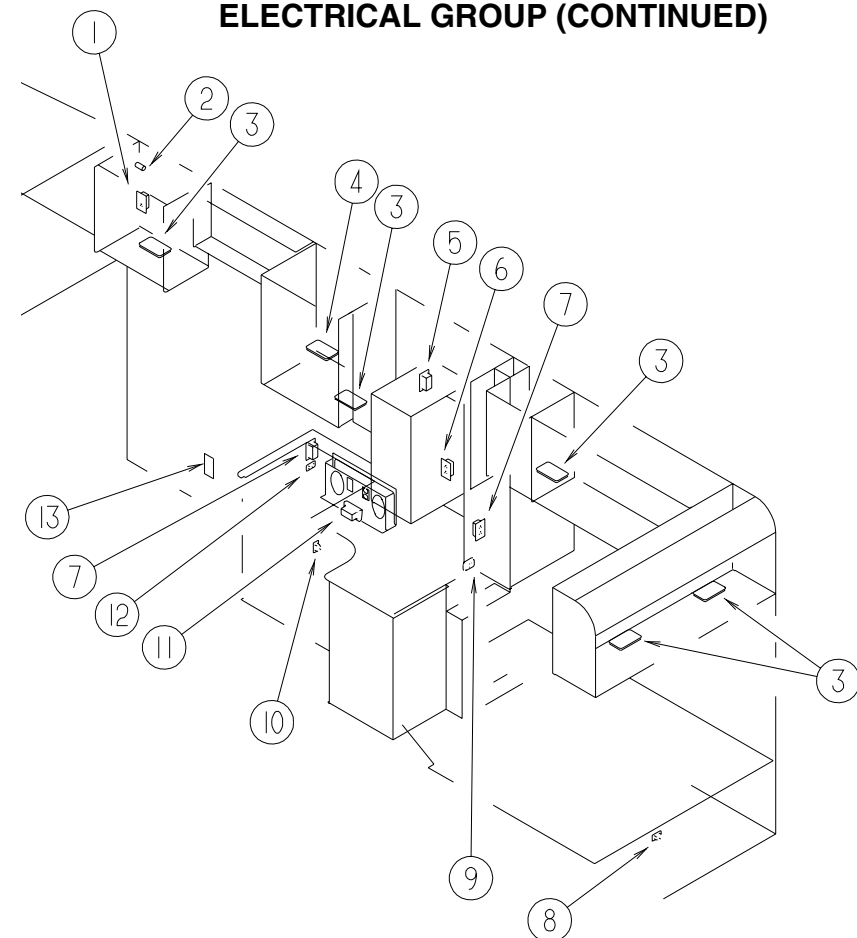
ELECTRICAL GROUP (CONTINUED)



LIGHTS, SWITCHES & RECEPTACLES - DRIVER SIDE

KEY	PART NUMBER	U/M DESCRIPTION	VENDOR NO.
1	098024-03-02A	EA LIGHT - DOME - 2 BULB - WHITE	
	008218-01-000	EA BULB - 12 VOLT - #1141 - 1.44AMP	
	098024-01-700	EA LENS-LIGHT	807877
2	098024-01-03A	EA LIGHT - DOME - 1 BULB - WHITE	
	008218-01-000	EA BULB - 12 VOLT - #1141 - 1.44AMP	
	098024-01-700	EA LENS-LIGHT	807877
3	098024-05-02A	EA LIGHT - DOME - 1 BULB - SKYLITE - WHITE	
	008218-01-000	EA BULB - 12 VOLT - #1141 - 1.44AMP	
	098024-01-701	EA LENS - OPTI CLEAR - SKYLITE	809902
4	079364-03-000	EA SWITCH - ON/OFF ROCKER - 3 TERMINAL - BROWN - W/O TV STORAGE	
	098351-01-01A	EA PLATE - SWITCH - 1 GANG POLISHED BRASS	
4	079364-03-000	EA SWITCH - ON/OFF ROCKER - 3 TERMINAL - BROWN - W/TV STORAGE	
4	079364-01-000	EA SWITCH - ON/OFF ROCKER - 2 TERMINAL - BROWN - W/TV STORAGE	
	098351-15-01A	EA PLATE - SWITCH - 2 GANG W/LABEL	
5	086777-02-000	EA WALLPLATE - TV CABLE - W/ANTENNA SWITCH	
5	086777-06-000	EA WALLPLATE - TV CABLE - ANTENNA/1 OUTPUT - BROWN	
6	058708-01-000	EA RECEPTACLE - ELECTRIC - DOUBLE - BROWN	
7	084077-03-000	EA COVER/BLANK - ROOF A/C 5.2" X 3.5" - IVORY	
8	058707-01-000	EA RECEPTACLE - ELECTRIC - SINGLE - BROWN	
9	061424-01-000	EA LIGHT - AISLE - 12 VOLT - RECTANGULAR	
	008103-01-000	EA BULB - DASH/AISLE LIGHT - #53 - 12 VOLT - .12 AMP	
10	079364-03-000	EA SWITCH - ON/OFF ROCKER - 3 TERMINAL - BROWN	
10	079364-01-000	EA SWITCH - ON/OFF ROCKER - 2 TERMINAL - BROWN	
	098351-02-01A	EA PLATE - SWITCH - 2 GANG POLISHED BRASS	
	095188-01-01A	EA SPACER - SWITCH - 2.3" X 3.4" - PLASTIC - DARK BROWN	
11	079364-01-000	EA SWITCH - ON/OFF ROCKER - 2 TERMINAL - BROWN	
	098351-01-01A	EA PLATE - SWITCH - 1 GANG POLISHED BRASS	
	095188-01-01A	EA SPACER - SWITCH - 2.3" X 3.4" - PLASTIC - DARK BROWN	
12	024924-02-000	EA RECEPTACLE - POWER CORD - W/PARTIAL PLATE	
13	084076-02-000	EA RECEPTACLE - GFI - 15 AMP/125 VOLT - BROWN	
13	084077-02-000	EA PLATE - COVER - RECEPTACLE - GFI - BROWN	
14	058707-02-000	EA RECEPTACLE - BLANK - JUNCTION BOX	

ELECTRICAL GROUP (CONTINUED)



LIGHTS, SWITCHES & RECEPTACLES - PASSENGER SIDE

KEY	PART NUMBER	U/M DESCRIPTION	VENDOR NO.
1	111414-01-000	EA RECEPTACLE - 12V - W/O BIMETAL	
2	058708-01-000	EA RECEPTACLE - ELECTRIC - DOUBLE - BROWN	
3	098024-05-02A	EA LIGHT - DOME - 1 BULB - SKYLITE - WHITE	
	008218-01-000	EA BULB - 12 VOLT - #1141 - 1.44AMP	
	098024-01-701	EA LENS - OPTI CLEAR - SKYLITE	809902
4	098024-01-03A	EA LIGHT - DOME - 1 BULB - WHITE	
	008218-01-000	EA BULB - 12 VOLT - #1141 - 1.44AMP	
	098024-01-700	EA LENS-LIGHT	807877
5	058708-05-000	EA RECEPTACLE - ELECTRIC - SINGLE - BROWN	
6	058708-02-000	EA RECEPTACLE - ELECTRIC - DOUBLE - IVORY	
7	058708-01-000	EA RECEPTACLE - ELECTRIC - DOUBLE - BROWN	
8	108357-08-000	EA SWITCH - ROCKER DPDT - ON/NONE/ON - 6 TERMINAL	
8	108356-02-01A	EA COVER/ACTUATOR SWITCH - 2 ROWS DIMPLES- CONTURA II - BLACK	
9	081994-02-000	EA PLATE - SWITCH - EXTERIOR SHOWER	
9	079364-01-000	EA SWITCH - ON/OFF ROCKER - 2 TERMINAL - BROWN	
9	098351-01-01A	EA PLATE - SWITCH - 1 GANG POLISHED BRASS	
10	098351-07-01A	EA PLATE - SWITCH - GENERATOR - POLISHED BRASS	
10	108357-06-000	EA SWITCH - ROCKER SPDT - MON/OFF/MOM - 6 TERMINAL	
10	108356-11-01A	EA ACTUATOR/COVER - SWITCH - 3 GROOVES	
11	112822-01-01A	EA RECEPTACLE - DUPLEX - IVORY	
11	112824-01-03A	EA COVER - RECEPTACLE - EXTERIOR DUPLEX	
12	079364-01-000	EA SWITCH - ON/OFF ROCKER - 2 TERMINAL - BROWN	
12	098351-06-01A	EA PLATE - SWITCH - 2 GANG POLISHED BRASS	
13	116995-01-000	EA SWITCH/MAGNET - ELECTRIC STEP - WHITE/WHITE - OPEN CIRCUIT FROM: 00-00-00 THRU: 01-13-99	
13	116995-02-000	EA SWITCH/MAGNET - ELECTRIC STEP - BLACK/WHITE-CLOSED CIRCUIT FROM: 01-14-99 THRU: 99-99-99	

ELECTRICAL GROUP (CONTINUED)**FUSES & CIRCUIT BREAKERS**

KEY	PART NUMBER	U/M DESCRIPTION
	008235-01-000	EA FUSE - 15 AMP/12VOLT - AUTOMOTIVE
	062901-02-000	EA FUSE - 05 AMPS - AUTOMOTIVE
	062901-05-000	EA FUSE - 15 AMPS - AUTOMOTIVE
	100341-01-000	EA FUSE HOLDER - IN LINE TYPE
	083209-02-000	EA CIRCUIT BREAKER - 15/15 AMP - 120 VOLT
	083209-03-000	EA CIRCUIT BREAKER - 15/20 AMP - 120 VOLT
	083209-06-000	EA CIRCUIT BREAKER - 30/15 AMP - 120 VOLT
	093654-01-000	EA CIRCUIT BREAKER - 6 AMP - 12 VOLT
	093654-03-000	EA CIRCUIT BREAKER - 20 AMP - 12 VOLT
	093655-01-000	EA CIRCUIT BREAKER - 25 AMP - 12 VOLT
	093655-02-000	EA CIRCUIT BREAKER - 30 AMP - 12 VOLT

ELECTRIC BOXES, COVERS & POWER CORDS

KEY	PART NUMBER	U/M DESCRIPTION
	008052-01-000	EA CORD - POWER - 10/3 WIRE - 30 AMP - 25' - CANADIAN
	008054-01-000	EA CORD - POWER - 10/3 WIRE - 30 AMP - 25'
	008058-01-000	EA ADAPTER-POWER CORD, 30 AMP TO 15 AMP - RENTAL
	008289-01-000	EA BOX - ELECTRIC/STEEL - 1/2" & 3/4" KNOCKOUTS - 4" X 4"
	008289-02-000	EA BOX - ELECTRIC/STEEL - 1/2" & 3/4" KNOCKOUTS - 4" X 4"-CAN
	008294-01-000	EA COVER - ELECTRICAL BOX - BLANK/STEEL - 4" X 4" - GRAY
	008294-02-000	EA COVER - ELECTRICAL BOX - BLANK STEEL - 4" X 4" - CANADIAN
	069238-01-000	EA COVER - ELECTRICAL BOX - W/HOLE - 4" X 4" - GRAY USED WITH 30 AMP RECEPTACLE
	091910-01-000	EA BOX - ELECTRIC - 3.8" X 3.5" X 1.8" - PLASTIC
	091910-02-000	EA BOX - ELECTRIC - 2.2" X 3.5" X 1.8" - PLASTIC
	093603-01-000	EA BOX - ELECTRIC - 4" X 2 1/8" X 2 1/8"
	107165-01-01A	EA BOX - CIRCUIT BREAKER - 14.6" X 4" - PLASTIC

CONDUIT

KEY	PART NUMBER	U/M DESCRIPTION
	041953-01-000	FT CONDUIT - CONVOLUTE SLIT - .5" ID - POLYETHYLENE
	041953-03-000	FT CONDUIT - CONVOLUTE SLIT - 1" ID (CLOTHES ROD COVER)
	041953-06-000	FT CONDUIT - CONVOLUTE SLIT - .375" ID - POLYETHYLENE
	041953-07-000	FT CONDUIT - CONVOLUTE SLIT - .25" ID - POLYETHYLENE
	041953-08-000	FT CONDUIT - CONVOLUTE SLIT - 1.50" ID - POLYETHYLENE
	041953-09-000	FT CONDUIT - CONVOLUTE SLIT - .50" ID - NYLON
	041953-10-000	FT CONDUIT - CONVOLUTE SLIT - .75" ID - NYLON
	041953-11-000	FT CONDUIT - CONVOLUTE SLIT - 1.06" ID - NYLON
	041953-13-000	FT CONDUIT - CONVOLUTE SLIT - 1.25
	008394-01-000	FT CONDUIT - FLEXIBLE - 1/2"

WIRING ASSEMBLIES

KEY	PART NUMBER	U/M DESCRIPTION
	090986-01-000	EA WIRE ASSEMBLY - ELECTRIC STEP FROM: 00-00-00 THRU: 02-07-99
	090986-02-000	EA WIRE ASM-ELECTRIC STEP FROM: 02-08-99 THRU: 99-99-99
	096449-01-000	EA WIRE ASSEMBLY - WATER TANK TO MONITOR PANEL
	097618-01-000	EA WIRE ASSEMBLY - MONITOR PANEL- W/3 WIRES & ORANGE RESISTOR ORANGE RESISTOR W/3 (ORANGE-GREEN-BLUE) WIRES
	106851-01-000	EA WIRE ASSEMBLY - RUNNING LIGHTS - FUSE

ELECTRICAL GROUP (CONTINUED)**CONTROL CENTER & INVERTER**

KEY	PART NUMBER	U/M DESCRIPTION
	083208-01-000	EA CONTROL CENTER - 32 AMP - 120V/12V - W/O BREAKERS
	099048-03-000	EA INVERTER - 130 WATT

CONNECTORS, HOUSINGS, TERMINALS & ELECTRICAL MISCELLANEOUS

KEY	PART NUMBER	U/M DESCRIPTION
	008311-01-000	EA CONNECTOR - WIRE NUT - INSULATED - RED
	008313-01-000	EA CONNECTOR - WIRE NUT - INSULATED - YELLOW
	008314-01-000	EA CONNECTOR - WIRE NUT - INSULATED - GRAY
	008355-01-000	EA CONNECTOR - CABLE CLAMPING - 3/4"
	008356-01-000	EA CONNECTOR - PLASTIC - 3/8" AVG
	008356-02-000	EA CONNECTOR - PLASTIC - 21/32
	041480-01-000	EA CONNECTOR - STRAIGHT - 1/2" FLEX CONDUIT
	058028-01-000	EA CONNECTOR - ELECTRICAL PIGTAIL - NYLON - CLEAR
	088476-02-000	EA SOCKET - CONNECTOR - 12-10 GA - PRE-TIN
	098261-02-000	EA SOCKET - CONNECTOR - WEATHERPACK - 14-18 AWG
	098262-01-000	EA SEAL - CONNECTOR - WEATHERPACK
	088475-01-000	EA PIN - CONNECTOR - 14 - 20 AWG
	088475-02-000	EA PIN - CONNECTOR - 10-12 AWG
	098265-02-000	EA PIN - CONNECTOR - WEATHERPACK
	008326-01-000	EA TERMINAL - RING - 16/14 WIRE - 3/8" STUD
	008328-01-000	EA TERMINAL - RING - 12/10 WIRE - #10 STUD FIT
	008331-01-000	EA TERMINAL - RING - TONGUE - #4 WIRE - 3/8" STUD - COPPER
	008348-01-000	EA TERMINAL - RING - 3/8" STUD 2 GA. WIRE

EXTERIOR BODY GROUP**LADDER**

KEY	PART NUMBER	U/M DESCRIPTION	
	129639-01-01A	EA LADDER - BRUSHED ALUMINUM	
	131256-01-01A	EA PLATE - LADDER	
			FROM: 09-28-98 THRU: 99-99-99
	129375-01-000	EA SEAL/FOAM - LADDER BRACKET	

EXTERIOR MIRRORS - FORD

KEY	PART NUMBER	U/M DESCRIPTION	VENDOR NO.
	120269-03-01A	EA MIRROR - EXTERIOR - PASSENGER	
	120269-04-01A	EA MIRROR - EXTERIOR - DRIVER	
	120269-01-700	EA GLASS KIT W/BEZEL RH/LH	709407-8

EXTERIOR MIRRORS - CHEVY

KEY	PART NUMBER	U/M DESCRIPTION	VENDOR NO.
	106860-06-01A	EA MIRROR - REGULAR HEAD - DRIVER/PASSENGER - BRIGHT WHITE	
	106860-01-707	EA MIRROR HEAD (BRT WHITE)	7092760

EXTERIOR BODY GROUP (CONTINUED)**FIBERGLASS, STYROFOAM, PLYWOOD & CHANNEL**

KEY	PART NUMBER	U/M DESCRIPTION	
	076054-AC-000	EA FIBERGLASS SHEET - 20" X 99.8" - OFF WHITE	
	076054-N4-000	EA FIBERGLASS SHEET - 102" X 261.8" BRIGHT WHITE	
	076054-P9-000	EA FIBERGLASS SHEET - 37.4" X 99.3" - BRIGHT WHITE	
	076054-U4-000	EA FIBERGLASS SHEET - 101" X 104" - BRIGHT WHITE	
	076054-U8-000	EA FIBERGLASS SHEET - 100" X 105" - BRIGHT WHITE	
	077517-62-000	EA FIBERGLASS SHEET/SIDEWALL - 48" X 96" - BRIGHT WHITE	
	100619-01-000	BF FOAM - EXPANDED POLYSTYRENE - 1.34" X 48" X 96"	
	100619-04-000	BF FOAM - EXPANDED POLYSTYRENE - .5" X 48" X 96"	
	100619-05-000	BF FOAM - EXPANDED POLYSTYRENE - .75" X 48" X 96"-1.5 DENSITY	
	100619-16-000	BF FOAM - EXPANDED POLYSTYRENE - .75" X 48" X 96"-2.0 DENSITY	
	089297-01-000	SF PLYWOOD - LUAN - OVERLAY GRADE - 48" X 96"	
	089297-02-000	SF PLYWOOD - LUAN - OVERLAY GRADE - 48" X 108"	
	002726-01-001	EA GARNISH - U-CHANNEL - 1.38" X 19' - SERRATED	
	002754-01-001	EA ANGLE - EXTRUDED - .75" X .75" X 16' - MILL ALUMINUM	
	002766-01-001	EA ANGLE - EXTRUDED - 1" X 1.5" X 17'	
	033381-17-001	FT STEEL - TUBE - 16 GAUGE 1.5" X 1.5" X 16'	
			FROM: 00-00-00 THRU: 07-04-98

AWNING

KEY	PART NUMBER	U/M DESCRIPTION	
	113874-03-02A	EA AWNING - W/O HARDWARE - 11.5'(POLAR NAVY TEAL) VINYL	
	130320-01-02A	EA BRACKET - AWNING - F/A&E INSTALLATION - BRIGHT WHITE	
	113874-10-01A	EA SPACER - AWNING - LOWER BRACKET	
	111038-01-01A	EA SPACER - AWNING - LOWER	
*	113874-01-02A	EA HARDWARE KIT - AWNING - W/O STANDOFF BRACKET-BRIGHT WHITE	
	127647-01-01A	EA ROD/AWNING GUARD - ENTRY DOOR	

COMPONENT PARTS FOUND IN SERVICE PARTS LIBRARY*RUNNING BOARDS - CHEVY**

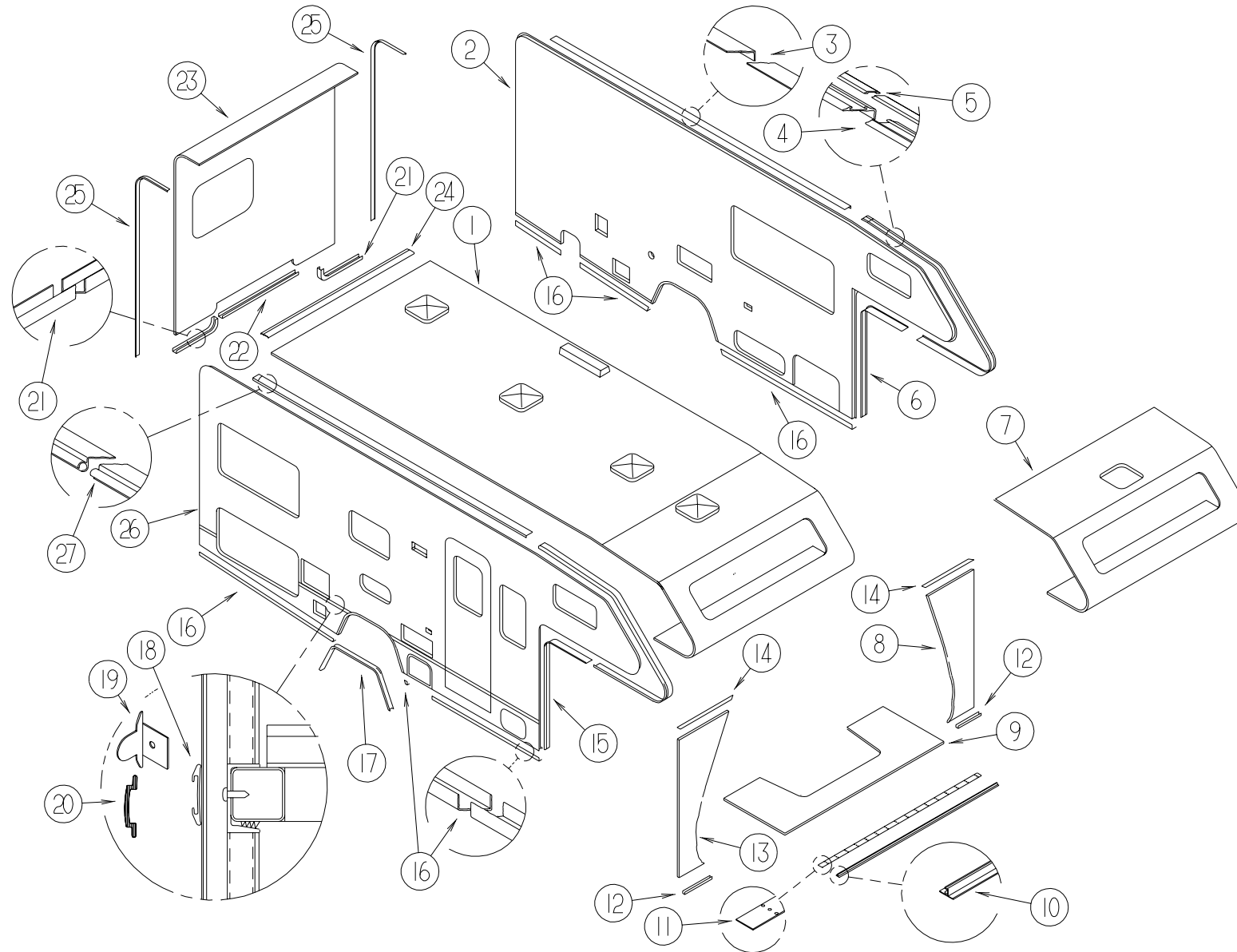
KEY	PART NUMBER	U/M DESCRIPTION	VENDOR NO.
	072884-28-000	EA RUNNING BOARD - ALUMINUM - CHEVY CHASSIS	
	072884-27-704	EA CAP-ENDS, 1EA=PAIR	99148
	072884-28-700	EA RUNNING BOARDS ONLY- RT & LT	15543
	072884-28-701	EA MUD FLAP - FRONT - 1EA=PAIR	99153
	072884-28-702	EA BRACKET SET - COMPLETE	206771

RUNNING BOARDS - FORD

KEY	PART NUMBER	U/M DESCRIPTION	VENDOR NO.
	072884-27-000	EA RUNNING BOARD SET - 39" - FORD - ALUMINUM	
	072884-27-700	EA BRACKET SET 12" 92	RB2BRK/M
	072884-27-701	EA RUNNING BOARD-FORD 39",RT<	
	072884-27-702	FT TREAD TAPE	RB9202
	072884-27-703	EA MUD FLAP W/HOLES, 1EA=PAIR	99171
	072884-27-704	EA CAP-ENDS, 1EA=PAIR	99148

EXTERIOR BODY GROUP (CONTINUED)

EXTERIOR BODY PANELS

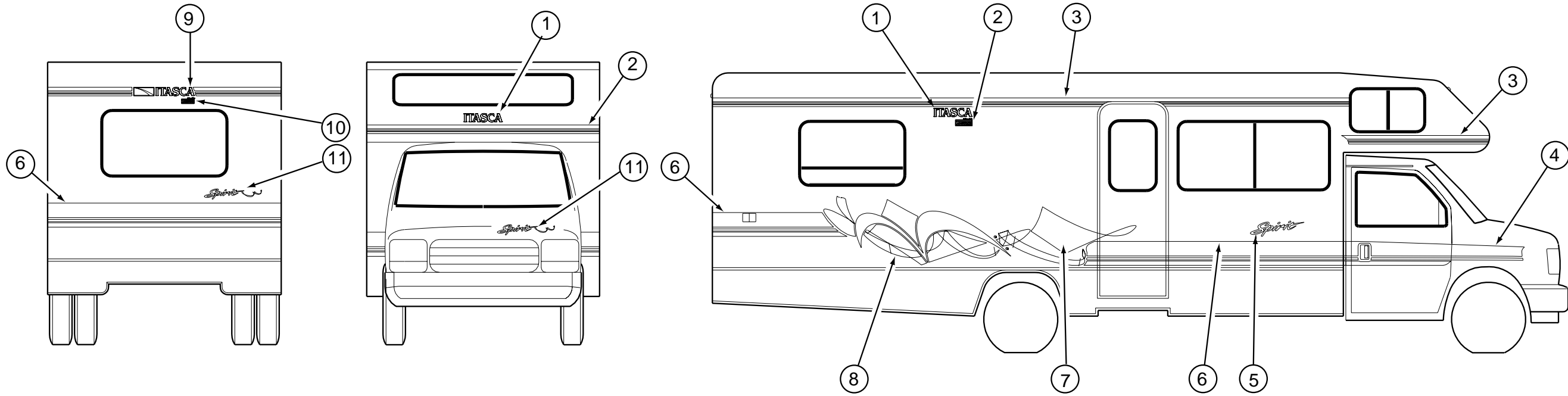


KEY	PART NUMBER	U/M DESCRIPTION
1	P29199-01-K04	EA ROOF - W/O LIGHTS/VENTS - W/WIRING
2	P25702-01-K04	EA SIDEWALL - DRIVER - W/O WINDOWS/TRIMS
2	P25702-01-K05	EA SIDEWALL - DRIVER - W/O WINDOWS/TRIMS
2	P25702-01-K06	EA SIDEWALL - DRIVER - W/O WINDOWS/TRIMS
3	096864-01-02A	EA TRIM - CONTOUR - ROOF TO SIDEWALL - 120"
4	096854-06-02A	EA TRIM - CONTOUR - BRIGHT WHITE - 130"
5	105312-01-07A	FT INSERT - VINYL FEATURE STRIP - BRIGHT WHITE
6	104479-06-02A	EA TRIM - FRONT CONTOUR - BRIGHT WHITE - LEFT HAND
7	M76177-01-700	EA ROOF SECTION, FRONT 8' X 8'
8	125088-06-J01	EA WINGWALL
9	P25129-01-J01	EA SLEEPERBOARD
10	100086-04-01A	EA TRIM - SLEEPERBOARD/ROOF - 2" X 96.6"
11	100085-05-01A	EA TRIM - STRAP - SLEEPERBOARD
12	002365-03-006	EA U-CHANNEL - EXTRUDED - 1" X 192" - BRIGHT WHITE
13	125088-05-J01	EA WINGWALL
14	022992-14-000	FT MOLDING - REVERSE COVE
15	104479-05-02A	EA TRIM - FRONT CONTOUR - BRIGHT WHITE - RIGHT HAND
16	108039-04-04A	EA TRIM - BOTTOM SIDEWALL - 170.2" - BRIGHT WHITE

KEY	PART NUMBER	U/M DESCRIPTION
17	124517-04-01A	EA TRIM - WHEELWELL/REAR - BRIGHT WHITE
18	108688-01-03A	EA STRIP - FEATURE - 15'
19	108651-01-01A	EA END CAP - FEATURE STRIP
20	105312-01-07A	FT INSERT - VINYL FEATURE STRIP - BRIGHT WHITE
21	103334-03-02A	EA TRIM - BACKWALL/LOWER - 25.6"
22	103335-02-02A	EA TRIM - BACKWALL/LOWER - 46.2"
23	P25974-01-K04	EA BACKWALL - W/O WINDOW/TRIM
23	P25974-01-K05	EA BACKWALL - W/O WINDOW/TRIM
23	P25974-01-K06	EA BACKWALL - W/O WINDOW/TRIM
24	078580-02-000	EA TRIM - ROOF/FRONT/REAR CAP
25	096854-05-02A	EA TRIM - CONTOUR - BRIGHT WHITE - 114"
26	P29369-01-K04	EA SIDEWALL - PASSENGER - W/O WINDOWS/TRIMS
26	P29369-01-K05	EA SIDEWALL - PASSENGER - W/O WINDOWS/TRIMS
26	P29369-01-K06	EA SIDEWALL - PASSENGER - W/O WINDOWS/TRIMS
27	099583-55-003	EA RAIL - AWNING - 120"

EXTERIOR BODY GROUP (CONTINUED)

DECALS, STRIPES & PAINT



KEY	PART NUMBER	U/M	DESCRIPTION
1	124811-01-07A	EA	DECAL - LOGO - ITASCA
2	122770-01-11A	EA	DECAL - "BUILT PROUDLY BY WINNEBAGO INDUSTRIES"
3	094443-56-01A	FT	FILM - MULTISTRIPE - 3.5"
4	128434-01-01A	EA	DECAL - CAB DOOR - RIGHT HAND
4	128434-02-01A	EA	DECAL - CAB DOOR - LEFT HAND
5	115130-02-04A	EA	DECAL - LOGO - SPIRIT - LARGE
6	094443-57-01A	FT	FILM - MULTISTRIPE - 9.7"
7	128431-01-01A	EA	DECAL - GEOMETRIX - #1 - RIGHT HAND
7	128431-02-01A	EA	DECAL - GEOMETRIX - #1 - LEFT HAND
8	128433-01-01A	EA	DECAL - GEOMETRIX - #2 - RIGHT HAND
8	128433-02-01A	EA	DECAL - GEOMETRIX - #2 - LEFT HAND
9	124806-01-06A	EA	DECAL - LOGO - ITASCA W/ICON
10	122770-02-14A	EA	DECAL - "BUILT PROUDLY BY WINNEBAGO INDUSTRIES"
11	128435-01-01A	EA	DECAL - HOOD/BACKWALL - SPIRIT W/RIBBON
	099399-23-701	EA	PAINT - BRT/WHT .3 OZ PEN RAABE
	099399-23-700	EA	PAINT-SPRAY-BRT WHITE ENAMEL

DUPONT PAINT COLOR CODES

BRIGHT WHITE

DUPONT B8951U

DUPONT GRAPHICS COLOR CODES

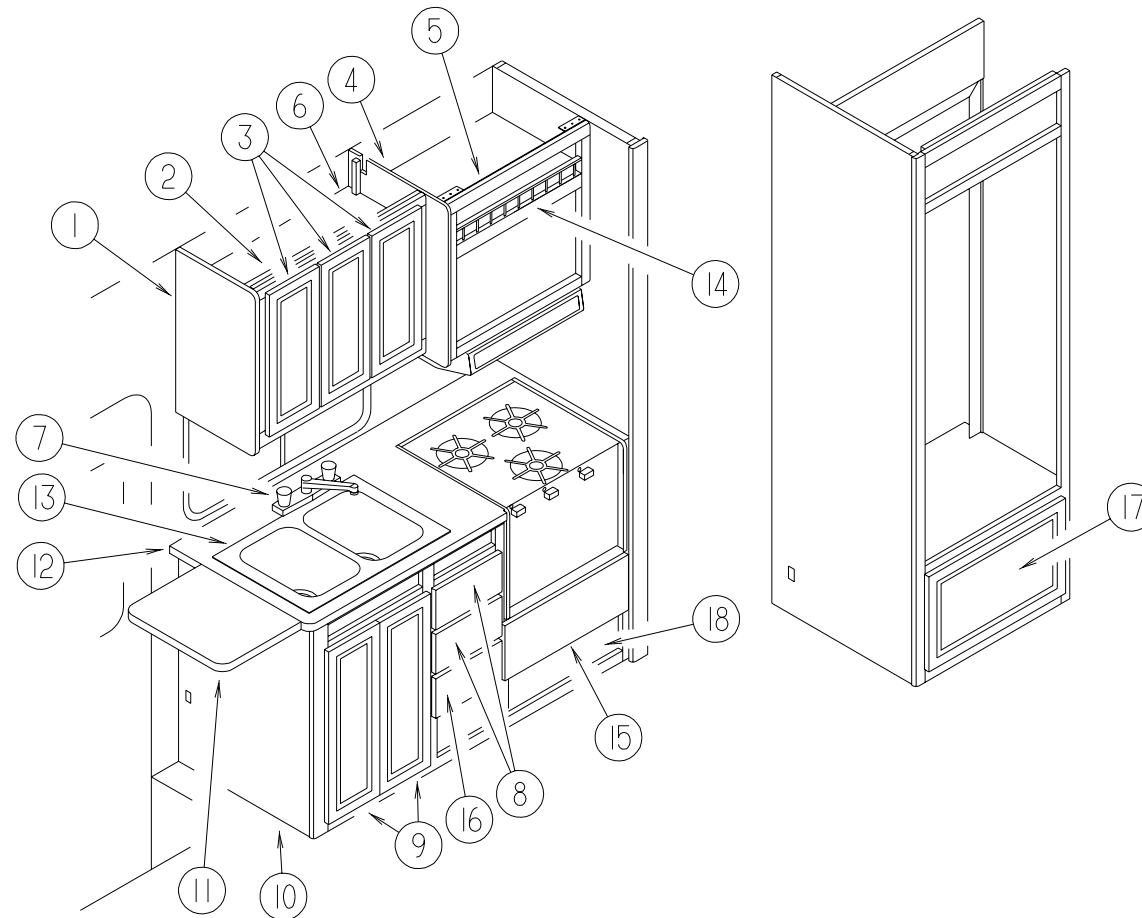
PINE NEEDLE GREEN METALLIC
 SAHARA GRAY METALLIC
 SILVER PLUM METALLIC
 TEAL PEARL

FILM #6039
 FILM #2031
 FILM #2482
 FILM #2592

DUPONT GM130
 DUPONT LM137
 DUPONT MM003
 DUPONT GM046

GALLEY GROUP

GALLEY CABINETS & FIXTURES



KEY	PART NUMBER	U/M DESCRIPTION
1	109908-86-K01	EA END CAP - OVERHEAD CABINET
2	127482-02-K01	EA CABINET - OVERHEAD/GALLEY - W/O DOORS/HARDWARE
3	132141-29-K01	EA DOOR - VENEER - 10" X 25.1" - W/O HARDWARE
4	109908-93-K01	EA END CAP - OVERHEAD CABINET
5	128617-06-K01	EA CABINET - MICROWAVE - W/O DOORS/HARDWARE
6	127482-11-J03	EA SHELF ASM
7	104114-02-01A	EA FAUCET - GALLEY - SINGLE CONTROL
8	M09316-08-K04	EA DRAWER - OGEE EDGE - 9.9"W X 17.7"D - W/O SLIDES/HARDWARE
9	131995-P9-K01	EA DOOR - SOLID PANEL - 11.4" X 16.1" - W/O HARDWARE
10	127448-02-K04	EA CABINET - GALLEY - W/COUNTERTOP - W/O DOORS/DRAWERS/HDW
10	127448-02-K05	EA CABINET - GALLEY - W/COUNTERTOP - W/O DOORS/DRAWERS/HDW
10	127448-02-K06	EA CABINET - GALLEY - W/COUNTERTOP - W/O DOORS/DRAWERS/HDW
11	129503-01-K04	EA EXTENSION - GALLEY - W/O HARDWARE
11	129503-01-K05	EA EXTENSION - GALLEY - W/O HARDWARE
11	129503-01-K06	EA EXTENSION - GALLEY - W/O HARDWARE

KEY	PART NUMBER	U/M DESCRIPTION
12	127448-14-K04	EA COUNTERTOP - GALLEY
12	127448-14-K05	EA COUNTERTOP - GALLEY
12	127448-14-K06	EA COUNTERTOP - GALLEY
13	104113-01-000	EA SINK - DOUBLE - STAINLESS STEEL
	092303-01-000	EA STRAINER - SINK
	103610-03-H24	EA COVER - SINK - 15.2" X 11" - LAMINATED BOTH SIDES (K04)
	103610-03-K02	EA COVER - SINK - 15.2" X 11" - LAMINATED BOTH SIDES (K05)
	103610-03-H07	EA COVER - SINK - 15.2" X 11" - LAMINATED BOTH SIDES (K06)
14	075249-01-000	EA RAILING - OAK - 72" UNFINISHED
15	M09316-09-K04	EA DRAWER - OGEE EDGE - 19.8"W X 11.8"D - W/O SLIDES/HARDWARE
16	M09316-10-K04	EA DRAWER - OGEE EDGE - 9.9"W X 13.8"D - W/O SLIDES/HARDWARE
17	131995-N0-K01	EA DOOR - SOLID PANEL - 10" X 25.2" - W/O HARDWARE
	090329-01-000	FT SEAL/T - REFRIGERATOR CABINET
18	118200-01-01A	SF MESH - PLASTIC - 1/2 INCH

GALLEY GROUP (CONTINUED)**RANGE HOOD W/O MONITOR PANEL - U.S. W/GENERATOR - MODEL TPS-5009-SADLG**

KEY	PART NUMBER	U/M DESCRIPTION
*	100258-18-02A	EA HOOD - RANGE - W/O MONITOR PANEL - W/HOUR METER & SWITCH
	100258-10-01A	EA GAUGE - HOUR METER W/SWITCH - SCREW ON STYLE

COMPONENT PARTS FOUND IN SERVICE PARTS LIBRARY*RANGE HOOD W/O MONITOR PANEL - U.S. - MODEL TCS-5008-NADL**

KEY	PART NUMBER	U/M DESCRIPTION
*	100258-16-03A	EA HOOD - RANGE - W/O MONITOR PANEL - W/O HOUR METER & SWITCH

COMPONENT PARTS FOUND IN SERVICE PARTS LIBRARY*RANGE HOOD W/O MONITOR PANEL - CANADIAN - MODEL TCS-5008-NACL**

KEY	PART NUMBER	U/M DESCRIPTION
*	100258-17-03A	EA HOOD - RANGE - W/O MONITOR PANEL - W/O HOUR METER & SWITCH
	100258-10-01A	EA GAUGE - HOUR METER W/SWITCH - SCREW ON STYLE

COMPONENT PARTS FOUND IN SERVICE PARTS LIBRARY*NORCOLD REFRIGERATOR SMALL DOUBLE DOOR**

KEY	PART NUMBER	U/M DESCRIPTION
*	121568-02-01A	EA REFRIGERATOR - SMALL DOUBLE DOOR/LEFT HAND - 2-WAY FROM: 00-00-00 THRU: 07-19-98
*	121568-04-01A	EA REFRIGERATOR - SMALL DOUBLE DOOR/LEFT HAND - 2-WAY - BLACK FROM: 07-20-98 THRU: 99-99-99
	054450-01-000	EA LEVEL - REFRIGERATOR
	065225-02-000	EA PLATE - TIEDOWN - REFRIGERATOR
	093646-01-000	EA BRACKET - TIEDOWN/REFRIGERATOR - RIGHT HAND
	093646-02-000	EA BRACKET - TIEDOWN/REFRIGERATOR - LEFT HAND
	116751-08-01A	EA TRAY - REFRIGERATOR

COMPONENT PARTS FOUND IN SERVICE PARTS LIBRARY*MONITOR PANEL - LVS**

KEY	PART NUMBER	U/M DESCRIPTION
*	102765-04-01A	EA PANEL - MONITOR - 2 HOLDING TANKS - ADJUSTABLE

COMPONENT PARTS FOUND IN SERVICE PARTS LIBRARY*GALLEY GROUP (CONTINUED)****RANGE W/OVEN - MAGIC CHEF - MODEL CLY1631BDL**

KEY	PART NUMBER	U/M DESCRIPTION
*	112881-02-02A	EA RANGE - 16" - 3 BURNER
	105458-03-000	EA BRACKET - STOVE TIEDOWN - RIGHT HAND
	105458-04-000	EA BRACKET - STOVE TIEDOWN - LEFT HAND

COMPONENT PARTS FOUND IN SERVICE PARTS LIBRARY*MICROWAVE OVEN**

KEY	PART NUMBER	U/M DESCRIPTION
	128527-01-000	EA OVEN - MICROWAVE - .9 CU FT - NON CONVECTION FROM: 00-00-00 THRU: 07-19-98
	128527-03-000	EA OVEN - MICROWAVE - .9 CUBIC FEET FROM: 07-20-98 THRU: 11-22-98
	128527-01-000	EA OVEN - MICROWAVE - .9 CU FT - NON CONVECTION FROM: 11-23-98 THRU: 99-99-99
	128642-01-000	EA TRIM KIT W/VENT - MICROWAVE - .9 CU FT - SAMSUNG FROM: 11-23-98 THRU: 99-99-99
	128527-01-700	EA TRIM RING-F/.9 CU.FT. MICR0 MC-5471-EA
	098916-26-02B	EA BRACE - MICROWAVE CABINET - LEFT HAND
	098916-27-02B	EA BRACE - MICROWAVE CABINET - RIGHT HAND
	094750-10-000	EA BRACKET - MICROWAVE - 89 DEGREE

GENERATOR GROUP

4.0 KW ONAN GENERATOR

KEY	PART NUMBER	U/M DESCRIPTION
	109982-03-000	EA GENERATOR - 4.0 MICROLITE
	007125-03-000	EA CLAMP - MUFFLER - 1.5" DIAMETER
	007125-04-000	EA CLAMP - MUFFLER - 1.12" DIAMETER
	105958-08-000	EA PIPE - GENERATOR EXHAUST - 1.5" OD X 3.1" X 19.7"
	007131-01-000	EA HANGER - TAILPIPE - 6 SLOTS
	007067-01-000	SF INSULATION - FIBERGLASS - 1" THICK X 4'-INCREMENTS 4 SF

NOTE: ADDITIONAL GENERATOR COMPONENTS ARE FOUND IN THE CHASSIS GROUP

HEATING & AIR CONDITIONING GROUP

ROOF AIR CONDITIONER - COLEMAN

KEY	PART NUMBER	U/M DESCRIPTION
*	108889-01-05A	EA A/C - ROOF - 13,500 TSR FROM: 00-00-00 THRU: 07-05-98
*	131185-01-01A	EA A/C ROOF - 13,500 BTU - WHITE FROM: 07-06-98 THRU: 99-99-99
	084077-03-000	EA COVER/BLANK - ROOF A/C 5.2" X 3.5" - IVORY

***COMPONENT PARTS FOUND IN SERVICE PARTS LIBRARY**

CEILING A/C - COLEMAN

KEY	PART NUMBER	U/M DESCRIPTION
*	108891-01-02A	EA CEILING ASSEMBLY - A/C COOL FROM: 00-00-00 THRU: 07-05-98
*	131183-01-01A	EA CEILING ASSEMBLY - A/C COOL - WHITE FROM: 07-06-98 THRU: 99-99-99

***COMPONENT PARTS FOUND IN SERVICE PARTS LIBRARY**

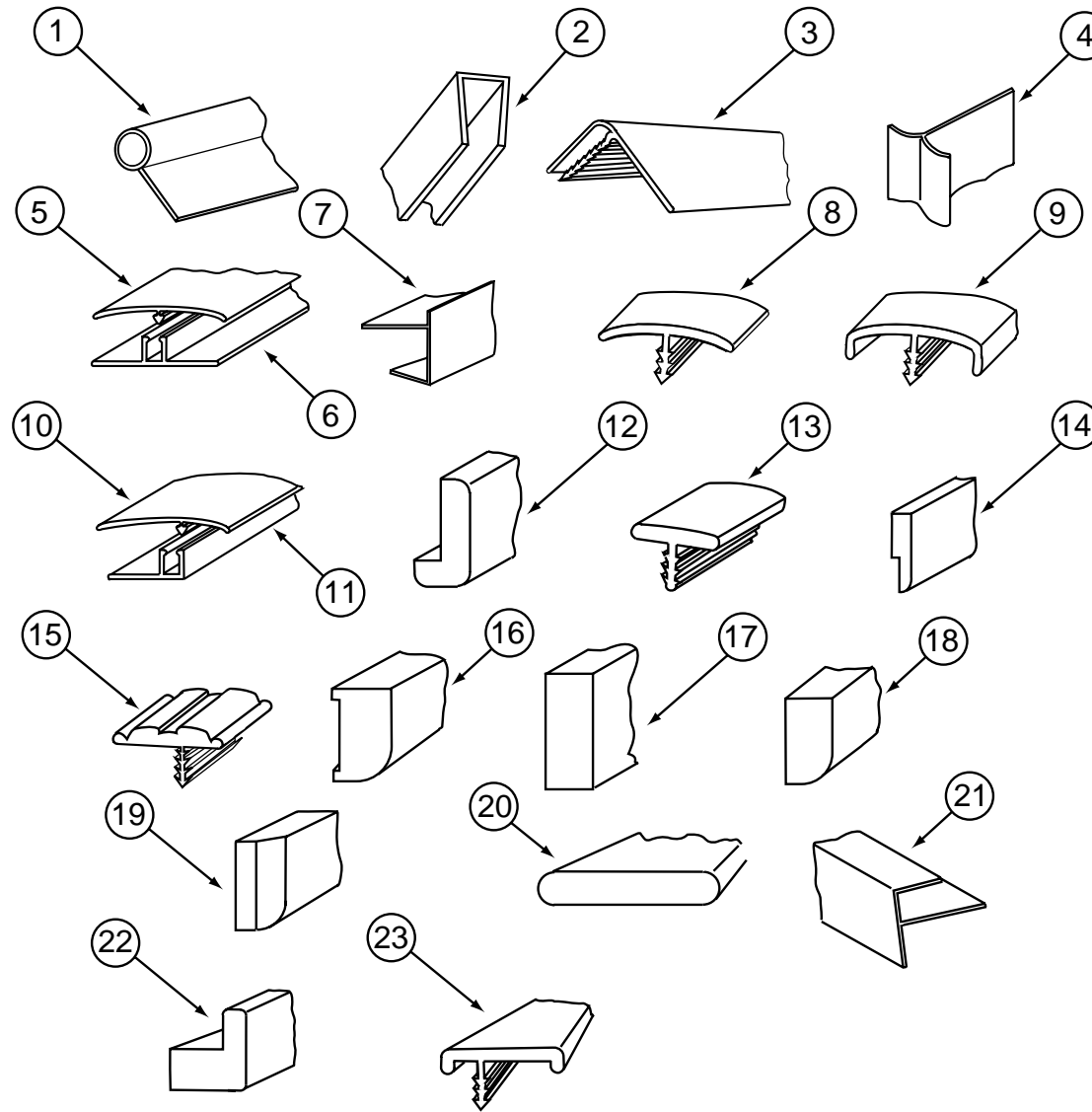
FURNACE - 25,000 BTU - SUBURBAN - MODEL SF-25 227

KEY	PART NUMBER	U/M DESCRIPTION
*	098668-19-000	EA FURNACE - 25000 BTU
	115764-01-01A	EA THERMOSTAT - FURNACE
	098668-23-000	EA DOOR - ACCESS - FURNACE - BRIGHT WHITE
	056464-10-000	EA REGISTER W/O DAMPER - 4" DIAMETER - PLASTIC - BEIGE
	009198-01-000	FT DUCT - HEAT - FLEXIBLE - 4" ID X 25'
	069636-02-000	EA CONNECTOR - DUCT - 4" ID
	009200-01-000	EA TAPE - FURNACE - 1 1/2"

***COMPONENT PARTS FOUND IN SERVICE PARTS LIBRARY**

INTERIOR FINISH GROUP

MOLDINGS & TRIMS



KEY	PART NUMBER	U/M DESCRIPTION
1	009767-12-000	FT WELTING - SIDEWALL/CEILING/CABINET - OFF/WHT
1	009767-15-000	FT WELTING - WATERFORD OAK
2	009778-11-000	FT U-CHANNEL - 1" - IVORY
2	009778-30-000	FT U-CHANNEL - 1" - VILLAGE OAK
2	070504-21-000	FT U-CHANNEL - PLASTIC - .8" X 84" - COUNTRY FOREST
2	070504-36-000	FT U-CHANNEL - PLASTIC - .13" X 72" - WATERFORD OAK
2	070504-37-000	FT U-CHANNEL - PLASTIC - .9" X 84" - WATERFORD OAK
2	070504-18-000	FT U-CHANNEL - PLASTIC - .13" X 84" - IVORY
3	009809-23-000	EA MOLDING - CORNER - OUTSIDE - 1" X 84" - MODERN IVORY
3	009809-28-000	EA MOLDING - CORNER - OUTSIDE - 1" X 84" - WATERFORD OAK
3	009809-24-000	EA MOLDING - CORNER - OUTSIDE - 1" X 84" - THOR PECAN
4	022992-11-000	FT MOLDING - REVERSE COVE - T-SHAPED VINYL - IVORY
5	086229-15-000	EA BATTEN - 1" X 96" - MODERN IVORY
5	086229-20-000	EA BATTEN - 1" X 96" - BEIGE
6	086229-01-000	EA RETAINER - BATTEN - .75" X 92.3" - ANY COLOR
7	103186-01-05A	FT MOLDING - PLASTIC - 3/8" U-CHANNEL 3/4" FACE-WATERFORD OAK
7	103186-02-05A	FT MOLDING - PLASTIC - 1" U-CHANNEL 1 3/8" FACE-WATERFORD OAK
8	009815-09-000	FT MOLDING-T - .75" IVORY
8	105709-01-000	FT MOLDING-T - 1" - MODERN IVORY
9	083620-09-000	FT MOLDING-T - END CAP EDGE - W/EDGE LIP - .75"-MODERN IVORY
9	083620-12-000	FT MOLDING-T - END CAP EDGE - W/EDGE LIP - .75"-WATERFORD OAK
9	104676-02-04A	FT MOLDING-T - 1/2" - WATERFORD OAK

KEY	PART NUMBER	U/M DESCRIPTION
10	086229-12-000	EA BATTEN - 1.5" OFFSET X 97.01" IVORY
11	086229-11-000	EA RETAINER - OFFSET - 97.01"
12	077840-01-G01	EA MOLDING - CAP - WALL - 8' - WATERFORD OAK
13	104676-01-01A	FT MOLDING-T - 5/16" RIGID GOLD
14	105004-01-05A	EA MOLDING - VINYL WRAPPED - 1" X 96" - WATERFORD OAK
15	109736-02-01A	FT T-MOLDING - 1" - NATURAL OAK
16	117268-D2-134	EA MOLDING - VINYL WRAPPED - .7" X 1.6" X 84" - WATERFORD OAK
16	117268-F2-134	EA MOLDING - VINYL WRAPPED - .7" X 2.7" X 84" - WATERFORD OAK
17	117267-D2-438	EA LUMBER - VINYL WRAPPED - .7" X 1.5" X 96" - WATERFORD OAK
17	117267-E2-438	EA LUMBER - VINYL WRAPPED - .7" X 2" X 96" - WATERFORD OAK
17	117267-R2-438	EA LUMBER - VINYL WRAPPED - .7" X 3" X 96" - WATERFORD OAK
17	117267-J2-438	EA LUMBER - VINYL WRAPPED - .7" X 5.5" X 96" - WATERFORD OAK
17	117267-F2-438	EA LUMBER - VINYL WRAPPED - .7" X 2.5" X 96" - WATERFORD OAK
18	100818-01-05A	EA MOLDING/VINYL WRAP - 1.6" X .4" X 7' - WATERFORD OAK
19	100659-01-G09	EA MOLDING/TRIM - VINYL FLOOR
20	120492-01-01A	FT STRIP - TRIM - IVORY
21	009812-29-000	EA MOLDING - CORNER - 1/2" W/1/4" CHAN X 84" - WATERFORD OAK
21	009812-24-000	EA MOLDING - CORNER - 1/2" W/1/4" CHAN X 108" - IVORY PLASTIC
22	100819-01-05A	EA MOLDING/VINYL WRAP - L-SHAPED-1.5" X 1.5" X 7'-WATERFD OAK
23	119520-01-01A	FT MOLDING-T - 1" - W/EDGE LIPS (OFF/WHITE-CREAM)

INTERIOR FINISH GROUP (CONTINUED)**EDGE BAND MOLDING**

KEY	PART NUMBER	U/M DESCRIPTION
	076325-47-000	FT MOLDING - EDGE BAND - 1 5/16" X .030 - SAND (K04)
	076325-39-000	FT MOLDING - EDGE BAND - 1 5/16" X .030 - ALMOND (K05, K06)
	076325-44-000	FT MOLDING - EDGE BAND - .875" X .024" - SAND (K04)
	076325-40-000	FT MOLDING - EDGE BAND - .875" X .024" - ALMOND (K05, K06)
	076325-73-000	FT MOLDING - EDGE BAND - .93" X .024" - OFF WHITE
	076325-68-000	FT MOLDING - EDGE BAND - 1 5/16" X .038 - WATERFORD OAK
	076325-67-000	FT MOLDING - EDGE BAND - .93" X .024" - WATERFORD OAK

BATT STRIPS & TAPE

KEY	PART NUMBER	U/M DESCRIPTION
	088263-F5-000	EA BATT STRIP - DECORATIVE - FLAGSTAFF SAND - 8' (K04)
	088263-E6-000	EA BATT STRIP - DECORATIVE - MONTANA FROST - 8' (K05)
	088263-F4-000	EA BATT STRIP - DECORATIVE - TRAVIS MERCURY - 8' LONG (K06)
	085284-F1-000	FT BATT TAPE - ADHESIVE BACKED - DECORATIVE/FLAGSTAFF SAND (K04)
	085284-E0-000	FT BATT TAPE - ADHESIVE BACKED - MONTANA FROST (K05)
	085284-E9-000	FT BATT TAPE - ADHESIVE BACKED - DECORATIVE/TRAVIS MERCURY (K06)
	088263-E3-000	EA BATT STRIP - DECORATIVE - PEBBLE EMBOSSED/ANTIQUE - 8'
	085284-D6-000	FT BATT TAPE - ADHESIVE BACKED - DECORATIVE-EMBOSSED ANTIQUE
	088263-F9-000	EA BATT STRIP - CEILING - IMPACT PEARL - 9'
	085284-F6-000	FT BATT TAPE - ADHESIVE BACKED-IMPACT PEARL-W/FLEECE EMBOSSED
	069733-83-000	EA BATT STRIP - WOODGRAINED/WATERFORD OAK - 8'
	085284-B5-000	FT BATT TAPE - ADHESIVE BACKED - WOODGRAINED - WATERFORD OAK

PANELING & PARTICLE BOARD

KEY	PART NUMBER	U/M DESCRIPTION
	088272-H5-000	SF PANELING - FLAGSTAFF - 4' X 7' (K04)
	088272-G4-000	SF PANELING - MONTANA FROST - 4' X 7' (K05)
	088272-H4-000	SF PANELING - TRAVIS (K06)
	088272-G1-000	SF PANELING - PEBBLE EMBOSSED - ANTIQUE WHITE - 4' X 7'
	074497-28-000	SF PANELING - WATERFORD OAK - 4' X 8'
	074497-41-000	SF PANELING - CEILING - IMPACT PEARL - EMBOSSED - 4' X 9'
	000885-76-000	SF PARTICLE BOARD-3/8" X 48" X 96"-WATERFORD OAK/VINYL 1 SIDE
	000885-77-000	SF PARTICLE BOARD-3/8" X 48" X 96"-WATERFORD OAK/VINYL 2 SIDE
	000885-78-000	SF PARTICLE BOARD-1/2" X 48" X 96"-WATERFORD OAK/VINYL 2 SIDE
	000885-79-000	SF PARTICLE BOARD-3/4" X 48" X 96"-WATERFORD OAK/VINYL 2 SIDE
	126339-01-000	SF BOARD - WHEAT - 60" X 72"
	057882-04-700	EA TAMBOUR - 48" X 48" SHEET - UNFINISHED

INTERIOR FINISH GROUP (CONTINUED)**PLASTIC LAMINATES**

KEY	PART NUMBER	U/M DESCRIPTION
	074498-54-000	SF LAMINATE - PLASTIC - SAND SPEKTRUM - 5' X 8' (K04)
	074498-80-000	SF LAMINATE - PLASTIC - WHITE TUNDRA - 5' X 8' (K05)
	074498-71-000	SF LAMINATE - PLASTIC - NEUTRAL SANTOS - 5' X 8' (K06)
	074498-40-000	SF LAMINATE - PLASTIC - OFF WHITE - 5' X 8'
	074498-77-000	SF LAMINATE - PLASTIC - ART CABIN (WATERFORD OAK) - 4' X 8'

CARPETING & FLOOR MATS

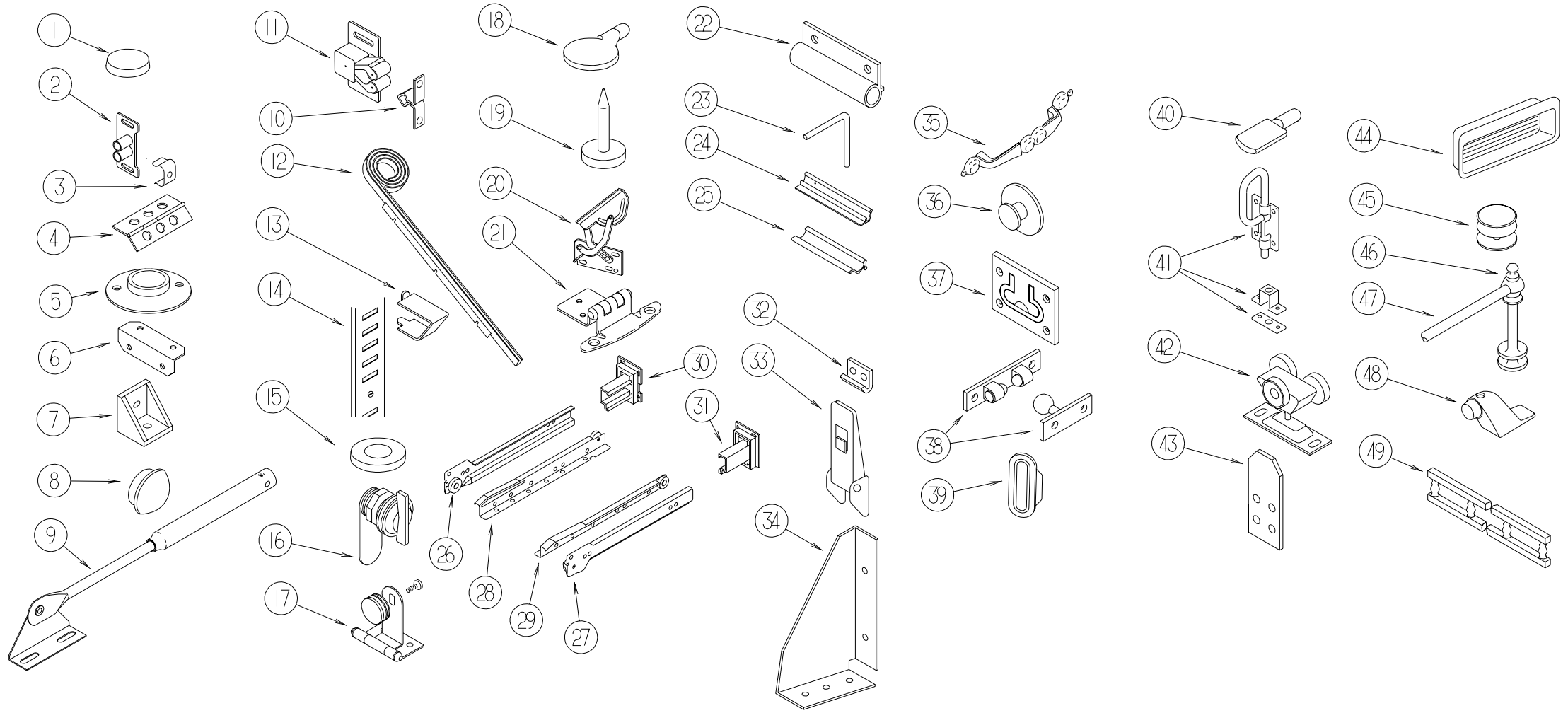
KEY	PART NUMBER	U/M DESCRIPTION
	096060-95-000	SY CARPET - DOESKIN - INCREMENTS OF 4 SQ YDS (K04)
	096060-97-000	SY CARPET - LAPIS - INCREMENTS OF 4 SQ YDS (K05)
	096060-99-000	SY CARPET - PARCHMENT - INCREMENTS OF 4 SQ YDS (K06)
	093486-01-000	SY CARPET - COMPARTMENT - 72" WIDE - DARK GRAY
	042720-20-000	SY VINYL - FLOOR COVERING - 7.5' WIDE - CALAY
	042720-24-000	SY VINYL - FLOOR COVERING - 12' WIDE - TRADITIONS SOLARIAN - RENTAL
	091261-01-000	FT SLIPNOT - ANTISLIP - 1' WIDE
	096764-02-000	FT SLIPNOT - ANTISLIP - 1" WIDE (100' ROLLS)
	122755-05-01A	EA TILE - RUBBER/ENTRANCE DOOR - 11.2" X 26.9"
	124182-03-01A	EA MAT - PASSENGER FRONT FLOOR - CHEVY
	124182-04-01A	EA MAT - DRIVER FRONT FLOOR - ITASCA CHEVY
	125780-03-000	EA MAT - FLOOR - FRONT PASSENGER - "I" - FORD
	125780-04-000	EA MAT - FLOOR - FRONT DRIVER - "I" - FORD

SMOKE DETECTOR, CO DETECTOR & FIRE EXTINGUISHER

KEY	PART NUMBER	U/M DESCRIPTION	VENDOR NO.
	094499-03-000	EA EXTINGUISHER/FIRE - DRY - 10B:C - W/O BRACKET	
	094499-04-000	EA BRACKET - FIRE EXTINGUISHER	
	094499-02-000	EA EXTINGUISHER/FIRE - DRY - 1A10BC - CANADIAN	
	094499-01-700	EA BRACKET MTG. W/PLAS. STRAP	294039
	094499-01-701	EA STRAP ONLY (METAL)	320351
	072852-01-000	EA DETECTOR - SMOKE - W/9 VOLT BATTERY - US	
	125136-01-000	EA CO DETECTOR - GAS - ROUND W/2 SCREWS - 9 VOLT	

INTERIOR FINISH GROUP (CONTINUED)

CABINET & TABLE HARDWARE

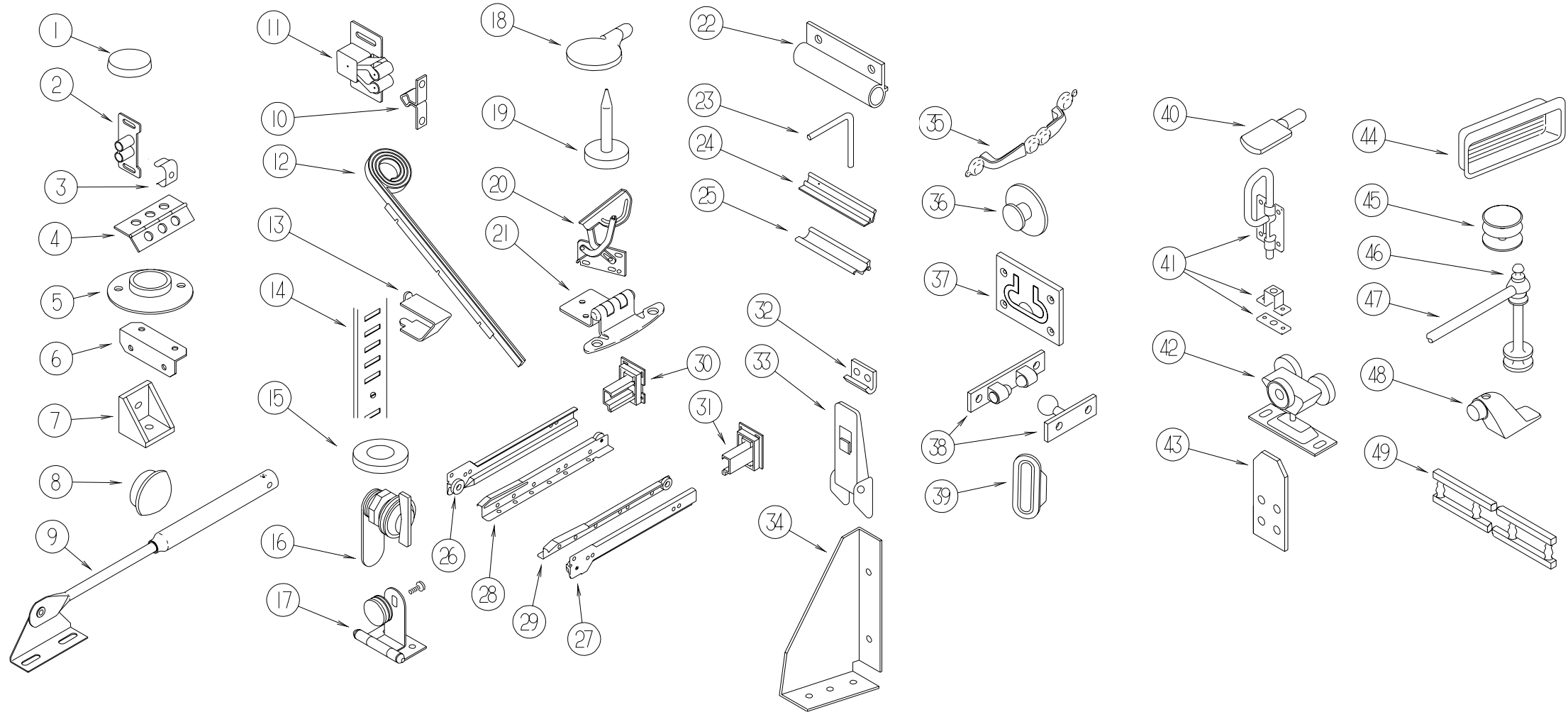


KEY	PART NUMBER	U/M DESCRIPTION
1	004354-01-000	EA BUMPER - RUBBER - .5" DIA - BROWN
2	009021-01-000	EA CATCH - GRILLE - NYLON
3	009021-02-000	EA STRIKE - SPRING STEEL
4	009059-01-000	EA HINGE - DOOR - 2" X 1.4" - BRASS
4	009059-02-000	EA HINGE - DOOR - 2" X 2.7" - BRASS
4	041389-35-000	EA HINGE - PIANO - OFF WHITE - 31"
5	009112-01-000	EA FLANGE - PLASTIC - 1" CLOTHES ROD - OFF WHITE
6	016604-01-000	EA BRACE - CABINET - ANGLE - 2.5" - UNPAINTED METAL
6	016604-05-000	EA BRACE - CABINET - ANGLE - 2.5" - OFF WHITE METAL
7	065740-01-000	EA BRACE - CABINET/CORNER - PLASTIC
8	074045-01-000	EA PLUG - OAK - 1/2" DIAMETER
9	074493-02-000	EA SUPPORT - PISTON SPRING - CABINET DOOR
10	093586-05-000	EA STRIKE - SPRING STEEL
11	093586-06-000	EA CATCH - SPRING - ROLLER
12	097141-02-700	EA KIT - TRACK - TAMBOUR DOOR - W/ONE RT & ONE LEFT TRACK

KEY	PART NUMBER	U/M DESCRIPTION
13	098979-01-000	EA CLIP - ADJUSTABLE SHELF
14	098980-06-000	EA PILASTER - ADJUSTABLE SHELF - 24"
15	100707-01-000	EA SPACER - GLASS DOOR - .8" DIA - .3" HOLE - PLASTIC
16	100710-01-01A	EA LOCK - GLASS DOOR/TWIST TYPE - BRASS
17	100711-01-01A	EA HINGE - GLASS DOOR
18	101766-01-000	EA PIN - SUPPORT/GLASS DOOR
19	102194-01-000	EA GUIDE - PLASTIC
20	108126-01-000	EA TRAY HINGE SET (QTY. 2 PER SET)
21	108138-01-000	EA HINGE - CABINET DOOR - BURNISHED BRASS
	000G13-06-08G	EA SCREW - 6-20 X .50 PFH - ANTIQUE BRASS
22	108486-01-01A	EA BRACKET - PROP ROD/OVERHEAD - BLACK
23	108487-02-01A	EA SUPPORT - PROP ROD/OVERHEAD - BLACK
24	110107-01-04A	EA PULL - DOOR - TERRATONE
25	110108-01-04A	EA LATCH - DOOR - TERRATONE

INTERIOR FINISH GROUP (CONTINUED)

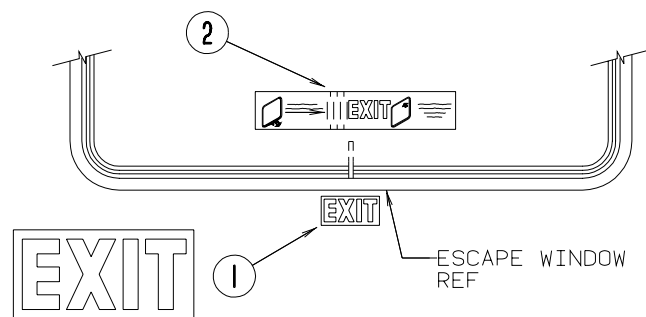
CABINET & TABLE HARDWARE (CONTINUED)



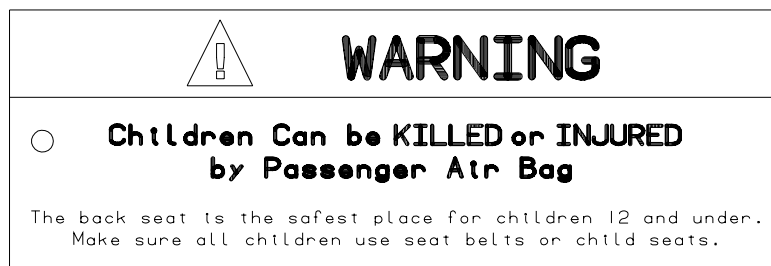
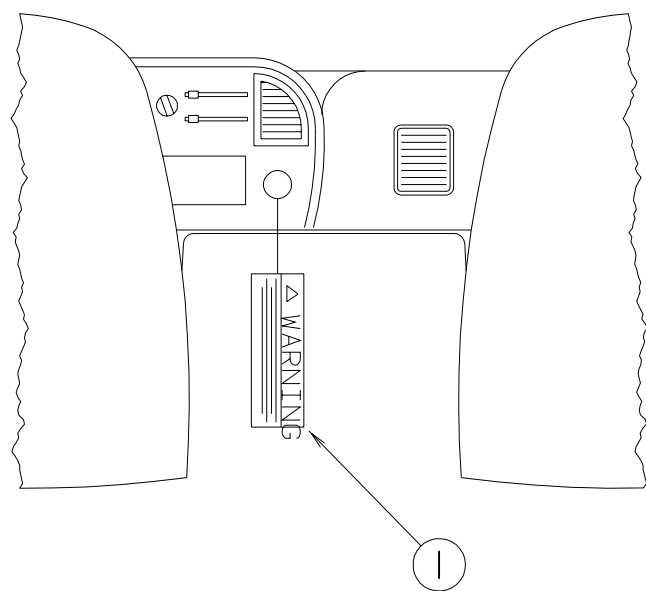
KEY	PART NUMBER	U/M DESCRIPTION
26	128810-01-01A	EA SLIDE - DRAWER - 12" - LEFT CABINET
26	128810-05-01A	EA SLIDE - DRAWER - 14" - LEFT CABINET
26	128810-09-01A	EA SLIDE - DRAWER - 16" - LEFT CABINET
26	128810-13-01A	EA SLIDE - DRAWER - 18" - LEFT CABINET
26	128810-17-01A	EA SLIDE - DRAWER - 20" - LEFT CABINET
26	128810-21-01A	EA SLIDE - DRAWER - 22" - LEFT CABINET
26	128810-25-01A	EA SLIDE - DRAWER - 24" - LEFT CABINET
27	128810-02-01A	EA SLIDE - DRAWER - 12" - RIGHT CABINET
27	128810-06-01A	EA SLIDE - DRAWER - 14" - RIGHT CABINET
27	128810-10-01A	EA SLIDE - DRAWER - 16" - RIGHT CABINET
27	128810-14-01A	EA SLIDE - DRAWER - 18" - RIGHT CABINET
27	128810-18-01A	EA SLIDE - DRAWER - 20" - RIGHT CABINET
27	128810-22-01A	EA SLIDE - DRAWER - 22" - RIGHT CABINET
27	128810-26-01A	EA SLIDE - DRAWER - 24" - RIGHT CABINET
28	128810-03-01A	EA SLIDE - DRAWER - 12" - LEFT DRAWER
28	128810-07-01A	EA SLIDE - DRAWER - 14" - LEFT DRAWER
28	128810-11-01A	EA SLIDE - DRAWER - 16" - LEFT DRAWER
28	128810-15-01A	EA SLIDE - DRAWER - 18" - LEFT DRAWER
28	128810-19-01A	EA SLIDE - DRAWER - 20" - LEFT DRAWER
28	128810-23-01A	EA SLIDE - DRAWER - 22" - LEFT DRAWER
28	128810-27-01A	EA SLIDE - DRAWER - 24" - LEFT DRAWER
29	128810-04-01A	EA SLIDE - DRAWER - 12" - RIGHT DRAWER
29	128810-08-01A	EA SLIDE - DRAWER - 14" - RIGHT DRAWER
29	128810-12-01A	EA SLIDE - DRAWER - 16" - RIGHT DRAWER
29	128810-16-01A	EA SLIDE - DRAWER - 18" - RIGHT DRAWER
29	128810-20-01A	EA SLIDE - DRAWER - 20" - RIGHT DRAWER
29	128810-24-01A	EA SLIDE - DRAWER - 22" - RIGHT DRAWER
29	128810-28-01A	EA SLIDE - DRAWER - 24" - RIGHT DRAWER

KEY	PART NUMBER	U/M DESCRIPTION
30	128811-01-01A	EA BACKSOCKET - ADJUSTABLE - LEFT
31	128811-02-01A	EA BACKSOCKET - ADJUSTABLE RIGHT
32	116975-02-01A	EA KEEPER/STRIKE - BLACK - NEW STYLE
33	116975-01-01A	EA LATCH - W/O STRIKE - BLACK - NEW STYLE
34	116978-01-03B	EA GUSSET - SLIDEOUT ROOM - OFF/WHITE
35	121891-01-01A	EA PULL - CABINET - BRASS
36	125221-01-01A	EA PULL - MIRROR - W/ROUND HANDLE
37	072871-01-000	EA PULL - FLUSH - CHROME
38	084451-01-000	EA CATCH - BRASS
39	098410-01-01A	EA PULL - FINGER - OVAL - BRASS
40	101766-01-000	EA PIN - SUPPORT/GLASS DOOR
41	103256-01-000	EA LATCH - SLIDE
42	103874-01-000	EA HANGER - SLIDING DOOR
43	112053-01-01A	EA STOP - DRAWER - BLACK
44	124311-01-01A	EA HANDLE - RECESSED - BRASS
45	081114-02-000	EA CAP - INSERT - ROUND 1" DIAMETER - WHITE
46	084070-03-000	EA POST - END - 2.4" - BRASS
47	084071-12-000	EA ROD - BRASS - 4.08" LONG
47	084071-19-000	EA ROD - BRASS - 7.09" LONG
48	103257-01-000	EA STOP - DOOR
49	075249-01-000	EA RAILING - OAK - 72" UNFINISHED
	079921-01-000	EA ROLLER - NYLON - W/STEEL SHAFT - BARBED
	113236-01-01A	EA BRACKET - CLOTHES - ROD
	023320-01-000	EA PAD - FELT 3/8" DIAMETER
	042438-01-000	EA DOWEL - WOOD - CLOTHES ROD - 1" DIAMETER X 4'
	042438-02-000	EA DOWEL - WOOD - 2" X 2"
	059783-01-000	FT ROD - CLOTHES - SLOTTED ALUMINUM - 7'

LABELS GROUP



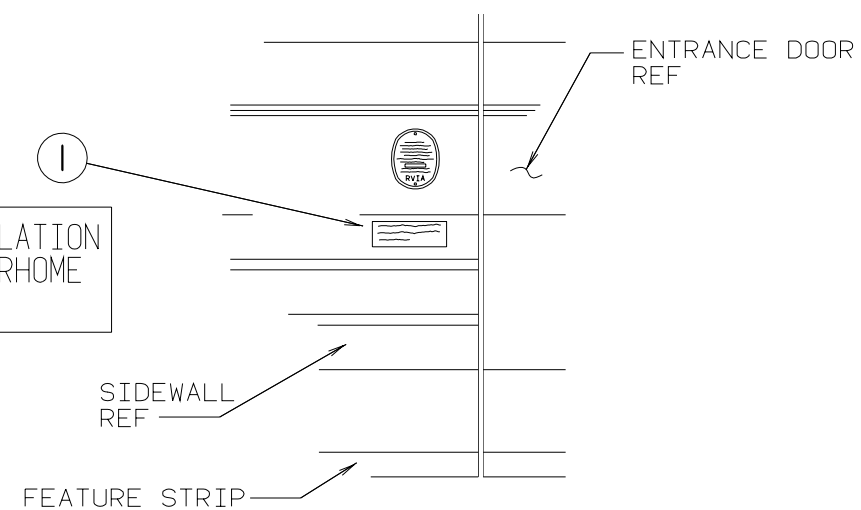
KEY	PART NUMBER	U/M DESCRIPTION
1	039290-01-000	EA LABEL - WARNING - EXIT
2	107571-01-000	EA LABEL - EXIT/ESCAPE WINDOW



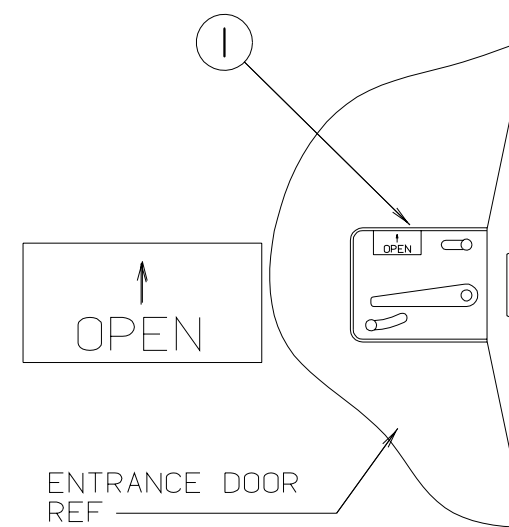
KEY	PART NUMBER	U/M DESCRIPTION
1	126612-01-000	EA LABEL - HANG TAG - AIR BAG - DASH

LABELS GROUP (CONTINUED)

FOR AWNING INSTALLATION CONTACT YOUR MOTORHOME DEALERSHIP

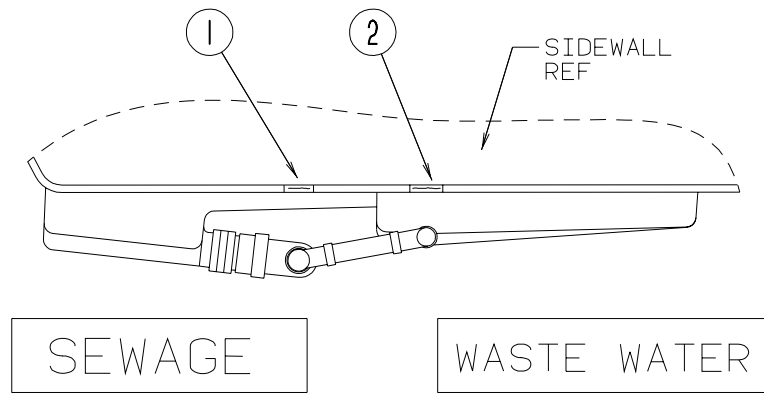


KEY	PART NUMBER	U/M DESCRIPTION
1	099509-01-000	EA LABEL - AWNING INSTALLATION

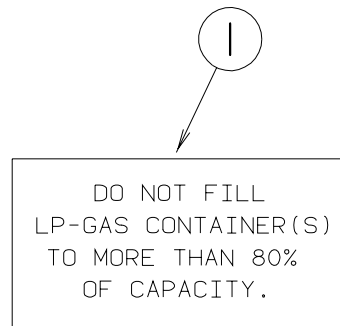


KEY	PART NUMBER	U/M DESCRIPTION
1	040944-01-000	EA LABEL - ENTRANCE DOOR - "OPEN"

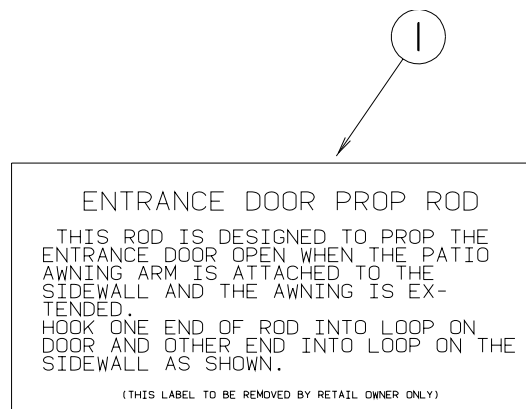
LABELS GROUP (CONTINUED)



KEY	PART NUMBER	U/M DESCRIPTION
1	006187-01-000	EA LABEL - SEWAGE
2	006188-01-000	EA LABEL - WASTE WATER

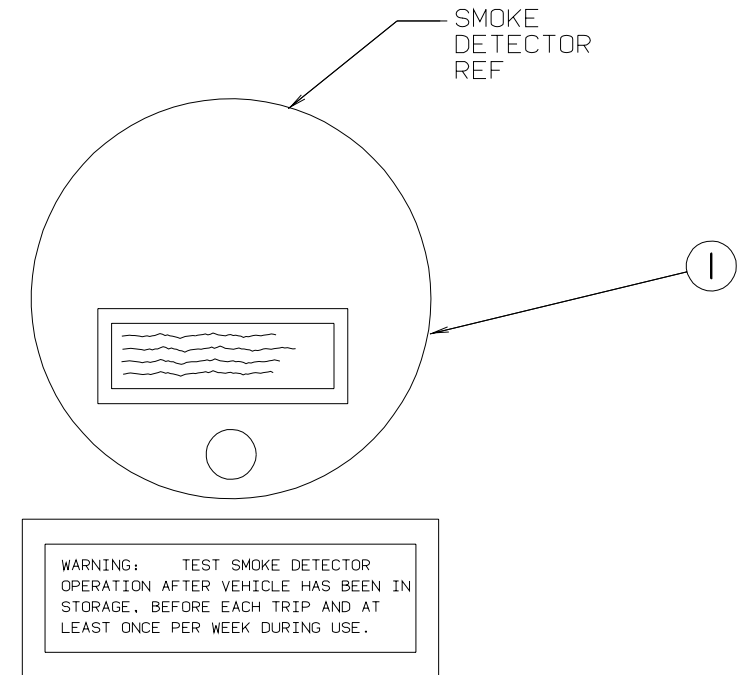


KEY	PART NUMBER	U/M DESCRIPTION
1	079965-01-000	EA LABEL - LPG - 80% CAPACITY



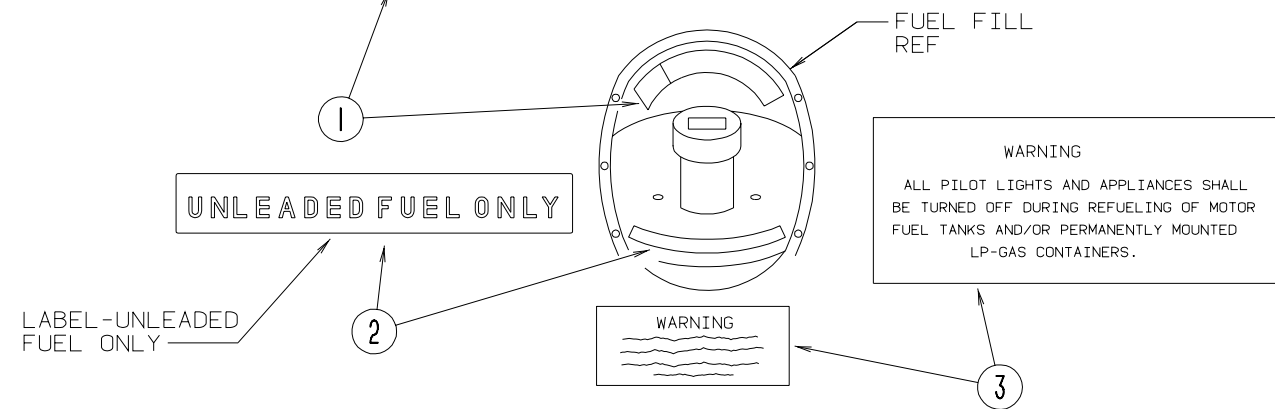
KEY	PART NUMBER	U/M DESCRIPTION
1	128658-01-000	EA LABEL - PROP ROD - ENTRY DOOR

LABELS GROUP (CONTINUED)



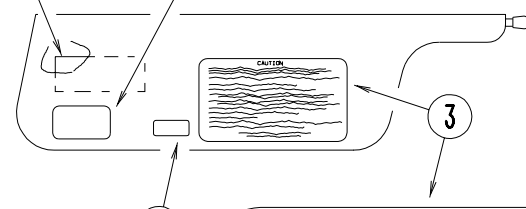
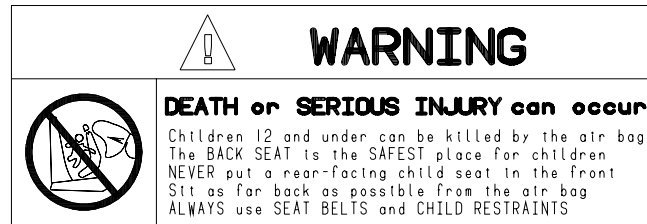
KEY	PART NUMBER	U/M DESCRIPTION
1	077956-01-000	EA LABEL - WARNING - SMOKE DETECTOR

CAUTION	TO HELP AVOID PERSONAL INJURY DURING REMOVAL OF FUEL FILLER CAP, SLOWLY LOOSEN CAP 1/2 TURN TO ALLOW ANY FUEL PRESSURE TO BE RELIEVED BEFORE TURNING CAP FURTHER.
FUEL SPRAY MAY CAUSE PERSONAL INJURY	STOP ADDING FUEL AFTER FIRST SHUTOFF BY AUTOMATIC NOZZLE WHEN TANK IS NEARLY FULL. DO NOT OVERFILL FUEL TANK. SEE OWNERS MANUAL FOR ADDITIONAL INFORMATION.
	PRINTED IN U.S.A. MLC PT NO 15611763



KEY	PART NUMBER	U/M DESCRIPTION
1	087207-05-000	EA LABEL - FUEL CAP REMOVAL
2	062043-01-000	EA LABEL - FUEL - UNLEADED
3	124519-01-02A	EA LABEL - WARNING/REFUELING - WHITE ON CLEAR
3	124519-01-01A	EA LABEL - WARNING/REFUELING - BLACK ON CLEAR

LABELS GROUP (CONTINUED)



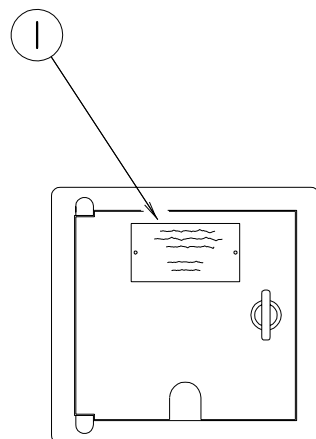
WARNING
THIS VEHICLE, LIKE OTHER VEHICLES, MAY CONTAIN SMALL AMOUNTS OF ONE OR MORE SUBSTANCES WHICH ARE LISTED BY THE STATE OF CALIFORNIA FOR CAUSING CANCER OR REPRODUCTIVE TOXICITY.

CAUTION
THIS MOTOR HOME HAS BEEN DESIGNED, MANUFACTURED AND TESTED WITH CONCERN FOR THE PROTECTION OF IT'S OCCUPANTS. WE RECOMMEND YOU PERFORM THE FOLLOWING INSPECTIONS FOR YOUR SAFETY AND THE SAFETY OF YOUR PASSENGERS BEFORE STARTING YOUR VEHICLE.

1. LP GAS SYSTEM- TURN OFF AT TANK FOR TRAVELING. TEST FOR LEAKS UPON ARRIVAL AT DESTINATION. BEFORE LIGHTING PILOTS.
2. WHEELS- INSPECT FOR DAMAGE AND CHECK LUG NUTS FOR TIGHTNESS.
3. TIRES- INSPECT FOR WEAR AND DAMAGE AND CHECK FOR RECOMMENDED AIR PRESSURE.
4. LIGHTING- TEST FOR PROPER OPERATION OF ALL INTERIOR AND EXTERIOR LIGHTS INCLUDING DASH LIGHTS, HEADLIGHTS, TAIL LIGHTS, BRAKE LIGHTS, CLEARANCE LIGHTS AND TURN SIGNALS.
5. EXITS- INSPECT RELEASE MECHANISM ON EMERGENCY EXIT WINDOW. TEST BOTH LOCKS ON MAIN ENTRANCE DOOR FOR EASE OF OPERATION AND INSTRUCT PASSENGERS HOW TO USE BOTH MEANS OF EXIT.
6. SEAT BELTS- DIRECT PASSENGERS TO DESIGNATED SEATS AND REQUIRE USE OF SEAT BELTS.
7. APPLIANCES- TURN OFF AND LATCH OR LOCK DOORS WHERE PROVIDED.
8. LOOSE PARCELS- STORE SECURELY.
9. UTILITY SUPPLY LINES- DISCONNECT ALL ELECTRIC, SEWER AND WATER LINES AND SECURE PROPERLY.
10. ENTRANCE DOOR STEP- PLACE IN RETRACTED POSITION FOR TRAVELING.

READ YOUR MOTOR HOME AND CHASSIS OWNER'S MANUAL FOR FURTHER PRECAUTIONS

KEY	PART NUMBER	U/M DESCRIPTION
1	111802-01-000	EA LABEL - CFC WARNING
2	099689-01-000	EA LABEL - WARNING - CANCER/TOXICITY
3	056259-01-000	EA LABEL - SAFETY CHECK LIST
4	126611-01-000	EA LABEL - AIR BAG - VISOR



THIS CONNECTION IS FOR
110-125 VOLT AC, 60HZ(CYCLES)
30 AMP. MAX SERVICE.

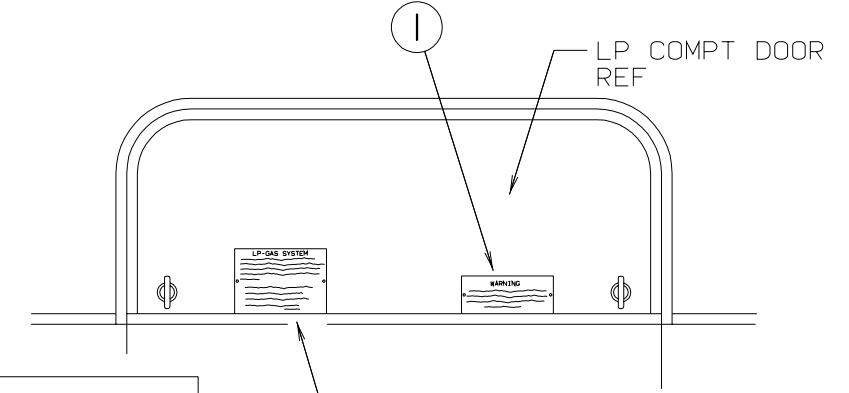
DO NOT CONNECT TO
HIGHER VOLTAGE

DOOR ASM-
POWER CORD
REF

KEY	PART NUMBER	U/M DESCRIPTION
1	125306-01-01A	EA LABEL - ELECTRICAL ENTRANCE - 110 VOLT - 30 AMP

LABELS GROUP (CONTINUED)

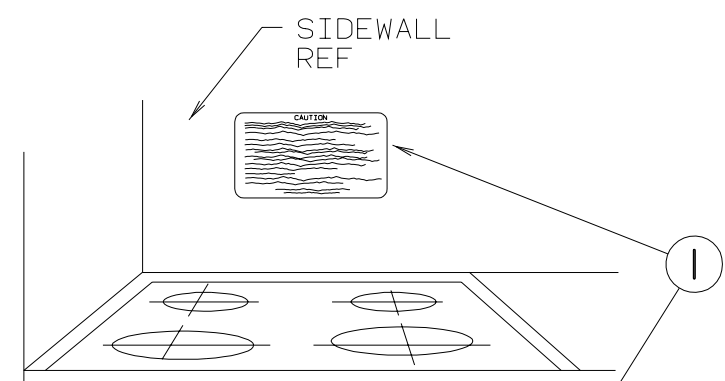
WARNING
ALL PILOT LIGHTS AND APPLIANCES SHALL BE TURNED OFF DURING REFUELING OF MOTOR FUEL TANKS AND/OR PERMANENTLY MOUNTED LP-GAS CONTAINERS.



LP-GAS SYSTEM
THIS GAS PIPING SYSTEM IS DESIGNED FOR USE OF LIQUIFIED PETROLEUM GAS ONLY. DO NOT CONNECT NATURAL GAS TO THIS SYSTEM.

SECURELY CAP INLET(S) WHEN NOT CONNECTED FOR USE. AFTER TURNING ON GAS, EXCEPT AFTER NORMAL CONTAINER REPLACEMENT, TEST GAS PIPING AND CONNECTIONS TO APPLIANCE FOR LEAKAGE WITH SOAPY WATER OR BUBBLE SOLUTION. DO NOT USE PRODUCTS THAT CONTAIN AMMONIA OR CHLORINE.
P.N. 54531

KEY	PART NUMBER	U/M DESCRIPTION
1	023769-01-000	EA LABEL - WARNING - LPG - CANADIAN
2	124520-01-01A	EA LABEL - LP GAS ONLY - BLACK ON CLEAR

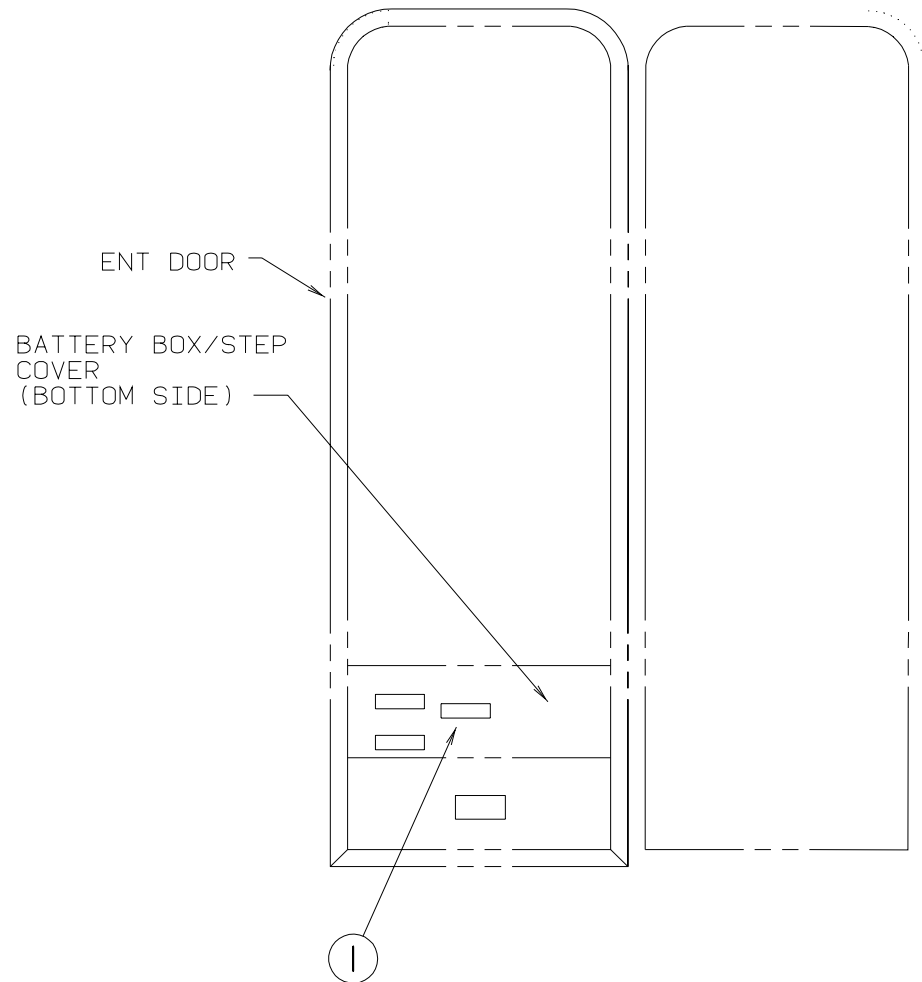


WARNING
IT IS NOT SAFE TO USE COOKING APPLIANCES FOR COMFORT HEATING
COOKING APPLIANCES NEED FRESH AIR FOR SAFE OPERATION BEFORE OPERATION:

1. OPEN OVERHEAD VENT OR TURN ON EXHAUST FAN AND;
2. OPEN WINDOW.

KEY	PART NUMBER	U/M DESCRIPTION
1	050222-01-000	EA LABEL - STOVE VENT - CANADIAN
1	050225-01-000	EA LABEL - STOVE VENT - US

LABELS GROUP (CONTINUED)



WARNING: DISCONNECT BATTERIES BEFORE CONNECTING EXTERNAL CHARGING EQUIPMENT.

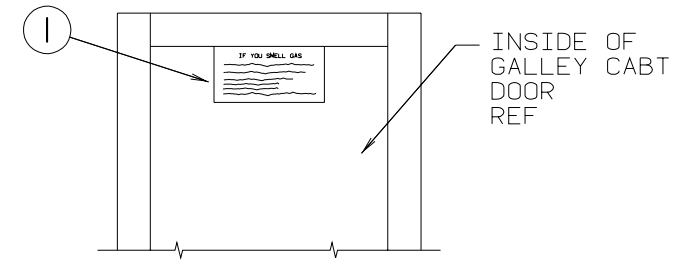
AVERTISSEMENT: DEBRANCHER LES BATTERIES AVANT DE BRANCHER TOUT EQUIPEMENT DE CHARGE EXTERIEUR.

KEY	PART NUMBER	U/M DESCRIPTION
1	065748-01-000	EA LABEL - CAUTION - BATTERY CHARGING



KEY	PART NUMBER	U/M DESCRIPTION
1	111104-01-000	EA LABEL - HITCH - READ MANUAL - WHITE
1	111104-02-000	EA LABEL - HITCH - READ MANUAL - BLACK

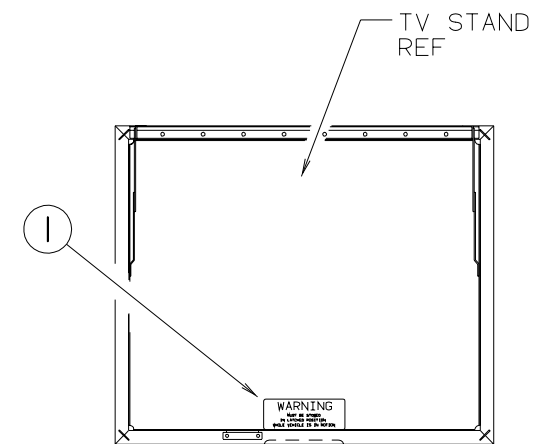
LABELS GROUP (CONTINUED)



IF YOU SMELL GAS

1. EXTINGUISH ANY OPEN FLAME, PILOT LIGHTS AND ALL SMOKING MATERIALS.
2. SHUT OFF THE GAS SUPPLY AT THE TANK VALVE(OR GAS SUPPLY CONNECTION.
3. OPEN DOORS AND OTHER VENTILATING OPENINGS.
4. DO NOT TOUCH ELECTRICAL SWITCHES.
5. LEAVE THE AREA UNTIL ODOR CLEARS.
6. HAVE THE GAS SYSTEM CHECKED AND LEAKAGE SOURCE CORRECTED BEFORE USING AGAIN.

KEY	PART NUMBER	U/M DESCRIPTION
1	073998-01-000	EA LABEL - LPG ODOR WARNING



WARNING
MUST BE STOWED IN LATCHED POSITION WHILE VEHICLE IS IN MOTION

KEY	PART NUMBER	U/M DESCRIPTION
1	079966-01-000	EA LABEL - WARNING - STOWED - MOTION

WARNING
ROOF SURFACE MAY BE SLIPPERY ESPECIALLY WHERE MOISTURE IS PRESENT SLIPPING MAY RESULT IN PERSONAL INJURY.

128218-01

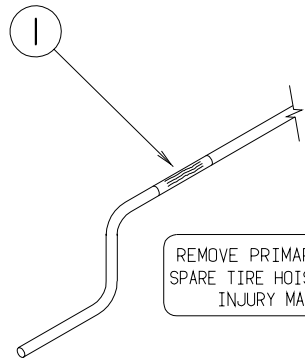
KEY	PART NUMBER	U/M DESCRIPTION
1	128218-01-01A	EA LABEL - WARNING - SLIPPERY ROOF

LABELS GROUP (CONTINUED)

AIR CONDITIONING CIRCUIT.
THIS CONNECTION IS FOR
AIR CONDITIONERS RATED 110-
125 VOLT AC, 60 HZ, 16
AMPERES MAXIMUM. DO NOT
EXCEED CIRCUIT RATING.



KEY	PART NUMBER	U/M DESCRIPTION
1	091243-01-000	EA LABEL - A/C COVER "AIR CONDITIONING CIRCUIT ETC."



REMOVE PRIMARY TIRE HANGER BEFORE USING
SPARE TIRE HOIST-SEE OWNERS MANUAL- PERSONAL
INJURY MAY RESULT IF NOT FOLLOWED

KEY	PART NUMBER	U/M DESCRIPTION
1	126024-01-01A	EA LABEL - TIRE HANGER REMOVAL



INPUT

KEY	PART NUMBER	U/M DESCRIPTION
1	087236-01-000	EA LABEL - CABLE - INPUT



OUTLET

KEY	PART NUMBER	U/M DESCRIPTION
1	087236-02-000	EA LABEL - TV OUTLET

BLACK HOLDING TANK



KEY	PART NUMBER	U/M DESCRIPTION
1	126247-06-000	EA LABEL - HOLDING TANK - BLACK

LABELS GROUP (CONTINUED)

GRAY HOLDING TANK

KEY	PART NUMBER	U/M DESCRIPTION
1	126247-05-000	EA LABEL - GRAY HOLDING TANK



LP-GAS SYSTEM
THIS GAS PIPING SYSTEM IS
DESIGNED FOR USE OF
LIQUIFIED PETROLEUM GAS
ONLY. DO NOT CONNECT
NATURAL GAS TO THIS
SYSTEM.
SECURELY CAP INLET(S) WHEN NOT
CONNECTED FOR USE. AFTER TURNING
ON GAS, EXCEPT AFTER NORMAL
CONTAINER REPLACEMENT, TEST GAS
PIPING AND CONNECTIONS TO
APPLIANCES FOR LEAKAGE WITH SOAPY
WATER OR BUBBLE SOLUTION. DO NOT
USE PRODUCTS THAT CONTAIN AMMONIA
OR CHLORINE.

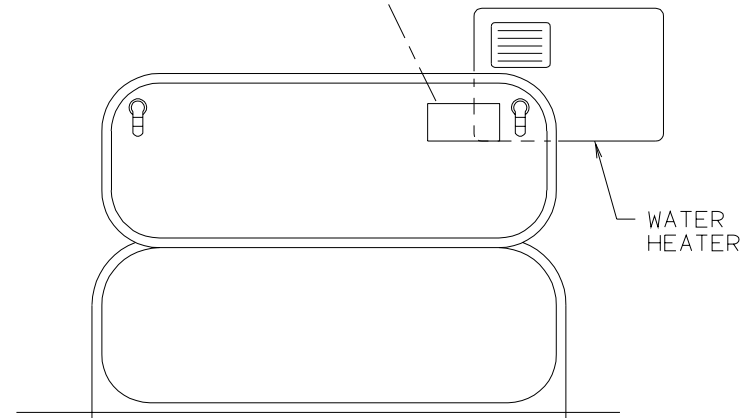
KEY	PART NUMBER	U/M DESCRIPTION
1	054531-01-000	EA LABEL - LP GAS ONLY



BATTERY MODE SWITCH	COACH BREAKER PANEL	ELECTRIC STEP IGNITION POWER	ELECTRIC STEP BATTERY POWER	ELECTRIC STEP CONTROL POWER	INVERTER
---------------------------	---------------------------	---------------------------------------	--------------------------------------	--------------------------------------	----------

KEY	PART NUMBER	U/M DESCRIPTION
1	093236-08-000	EA LABEL - CIRCUIT BREAKER

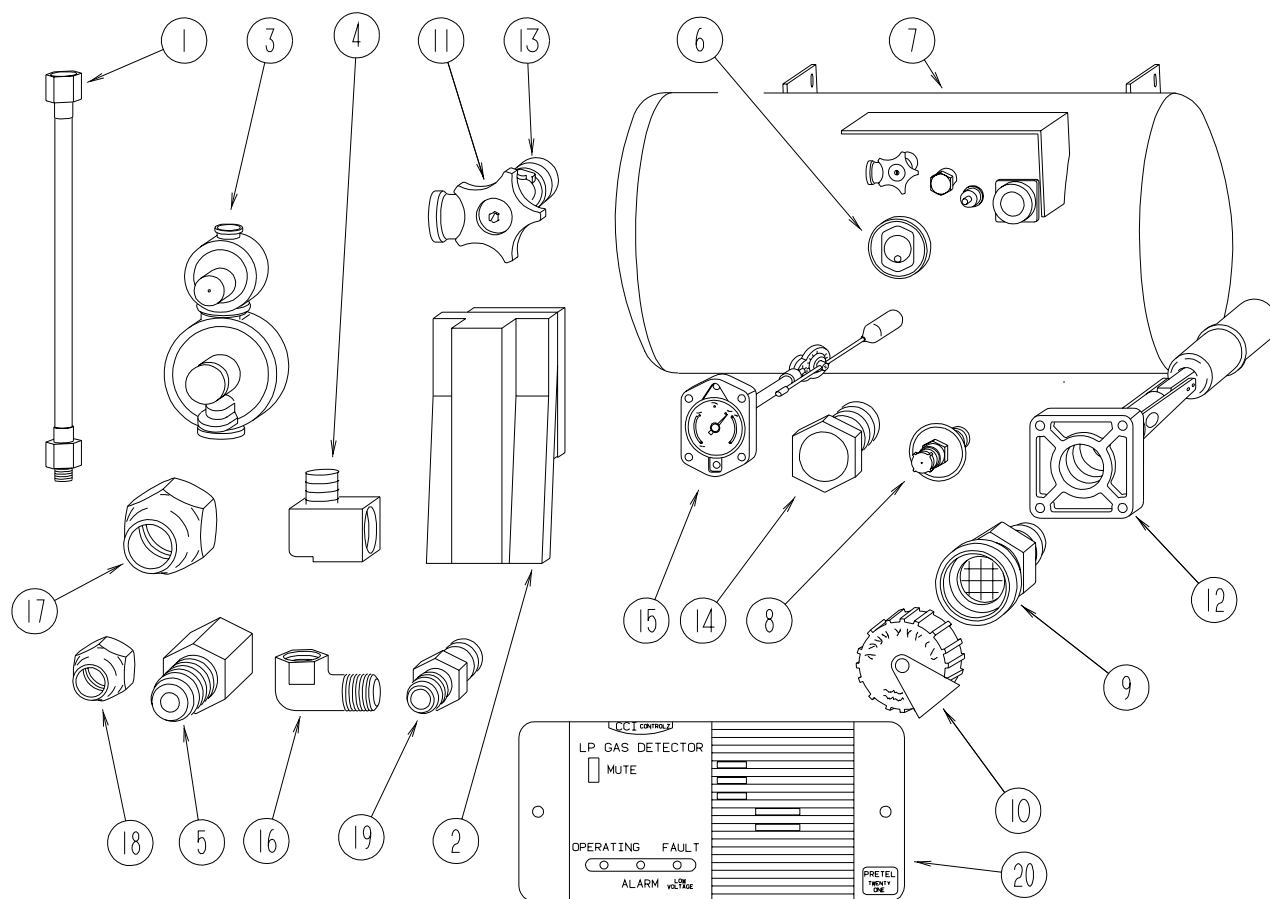
CAUTION
DO NOT LATCH DOOR IN OPEN POSITION
IF ~~(WATER HEATER)~~ FURNACE CONTROL IS IN THE ON
POSITION. (SEE TAB) EXHAUST MAY
DAMAGE OUTER SURFACE OF DOOR.



KEY	PART NUMBER	U/M DESCRIPTION
1	113402-01-000	EA LABEL - CAUTION - WATER HEATER EXHAUST
1	113402-02-000	EA LABEL - CAUTION - FURNACE EXHAUST

LP GROUP

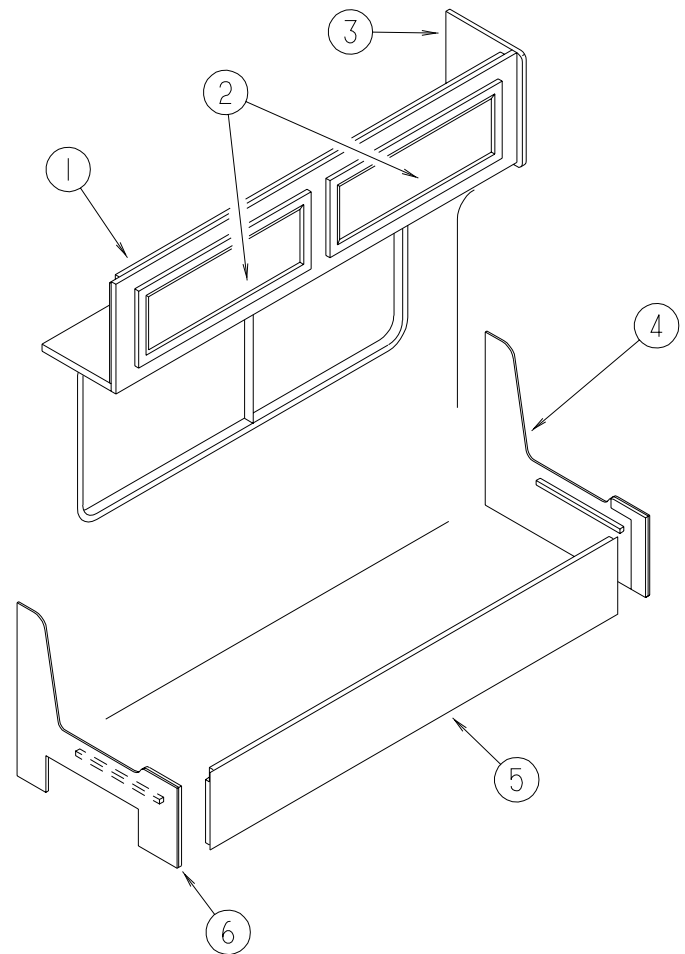
LP TANK & COMPONENTS



KEY	PART NUMBER	U/M DESCRIPTION	VENDOR NO.
1	045703-01-000	EA HOSE - LP - 3/8"ID X 24" - 3/8"MPT X 1/2"F SWIVEL - U.S.	
1	045703-02-000	EA HOSE - LP - 3/8"ID X 24" - 3/8"MPT X 1/2"F SWIVEL - CANADA	
2	105658-01-000	EA COMPARTMENT - LP REGULATOR	
3	106150-01-000	EA REGULATOR - TWO STAGE -W/90 DEGREE ELBOW & 3/8" FPT OUTLET	
4	010252-01-000	EA ELBOW - BRASS - 90 DEGREE - 3/8"F X 1/2"MPT	
5	010323-01-000	EA ADAPTER - BRASS - 3/8"F X 1/2"MPT	
6	040440-02-000	EA TRANSMITTER - DIAL - 0-90 OHM -2 TERMINAL (POWER & GROUND)	
7	080450-01-000	EA TANK-LP - 42 LB - 13" DIAMETER X 24" LONG	
8	040421-01-700	EA VALVE-LIQUID LEVEL, 20%	G-1013
9	040421-01-701	EA VALVE-FILL-SHORT, LP	7547B
10	040421-01-702	EA CAP-FILL VALVE, PLASTIC	G-1014-A
11	040421-01-708	EA HANDWHEEL-SERVICE VALVE	G-1015-A
12	040421-01-711	EA VALVE-80% FILL W/AUTO STOP	LLL/TL3

KEY	PART NUMBER	U/M DESCRIPTION	
13	040421-01-712	EA VALVE,SERV. W/O VAPOR RELIEF	29000853
14	040421-01-713	EA VALVE-RELIEF 1" W/SPRING 7"	29000587
15	074142-01-700	EA FLOAT ASM.SCREW ON F/13"TANK	13C-SCR
	074142-01-701	EA FLOAT ASM.(SIGHT GAUGE) BOLT	13C-BLT
16	065318-02-000	EA ELBOW - 90 DEGREE - 3/8" MPT TO 3/8" FPT	
17	010377-02-000	EA NUT - BRASS - 3/8" FLARE - FORGED	
18	010380-02-000	EA NUT - BRASS - 1/2" FLARE - FORGED	
19	010326-01-000	EA ADAPTER - FLARE - W/CONE GASKET - 3/8"F X 1/2"F	
20	103613-03-000	EA DETECTOR - LP GAS - W/O SHUT-OFF VALVE	
	010265-01-000	EA ELBOW - BRASS - 90 DEGREE - 3/8"F X 1/2"FPT	
	057042-01-000	EA ADAPTER - CROSS 1/2"PIPE	
	010329-01-000	EA ADAPTER - BRASS - 1/2"F X 1/2"MPT	

LOUNGE GROUP



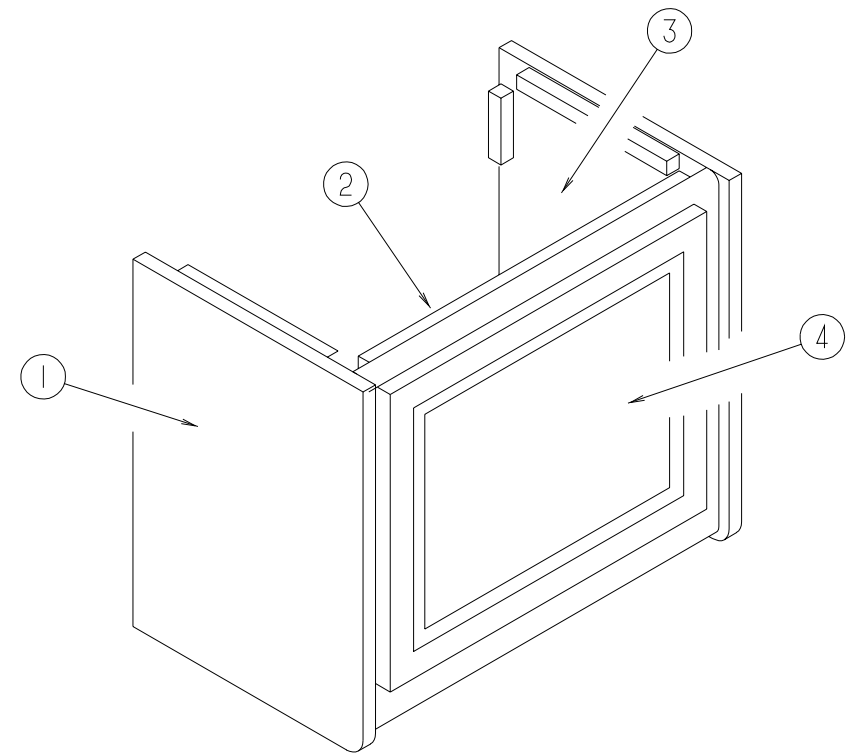
DRIVER SIDE LOUNGE CABINET

KEY	PART NUMBER	U/M DESCRIPTION
1	122610-05-K01	EA CABINET - OVERHEAD/DINETTE - W/O DOORS/HARDWARE
2	132141-14-K01	EA DOOR - RAIL/VENEER - 15.7" X 27.9" - W/O HARDWARE
3	109908-82-K04	EA END CAP - OVERHEAD CABINET
4	127840-02-K04	EA PANEL - LEFT HAND - SOFA/BED - FABRIC COVERED
4	127840-02-K05	EA PANEL - LEFT HAND - SOFA/BED - FABRIC COVERED
4	127840-02-K06	EA PANEL - LEFT HAND - SOFA/BED - FABRIC COVERED
5	120992-07-J46	EA PANEL - FRONT KICK - SOFA/BED - FABRIC COVERED (K04)
5	120992-07-J47	EA PANEL - FRONT KICK - SOFA/BED - FABRIC COVERED (K05)
5	120992-07-K48	EA PANEL - FRONT KICK - SOFA/BED - FABRIC COVERED (K06)
	121906-01-02B	EA BRACKET - KICKBOARD - E-COATED
6	127840-06-K04	EA PANEL - RIGHT HAND W/CUTOUT - SOFA/BED - FABRIC COVERED
6	127840-06-K05	EA PANEL - RIGHT HAND W/CUTOUT - SOFA/BED - FABRIC COVERED
6	127840-06-K06	EA PANEL - RIGHT HAND W/CUTOUT - SOFA/BED - FABRIC COVERED

ENTRANCE DOOR STEP COVER

KEY	PART NUMBER	U/M DESCRIPTION
	P29778-02-01A	EA LINER - STEP - BRIGHT WHITE W/TAPE
	129778-02-01A	EA LINER - STEP - BRIGHT WHITE
	122755-05-01A	EA TILE - RUBBER/ENTRANCE DOOR - 11.2" X 26.9"
	038327-01-000	EA TAPE - ANTI-SLIP - 2" X 60'

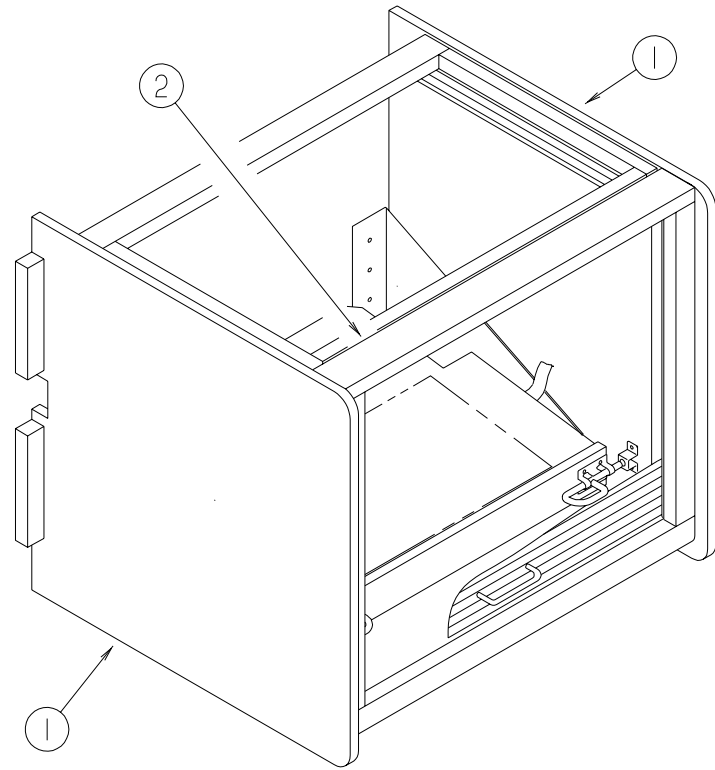
LOUNGE GROUP (CONTINUED)



PASSENGER SIDE LOUNGE OVERHEAD CABINET

KEY	PART NUMBER	U/M DESCRIPTION
1	109908-81-K04	EA END CAP - OVERHEAD CABINET
2	124390-03-K01	EA CABINET - OVERHEAD/FRONT/RIGHT HAND - W/O DOORS/HARDWARE
3	109908-82-K04	EA END CAP - OVERHEAD CABINET
4	132141-08-K01	EA DOOR - RAIL/VENEER - 15.7" X 20.4" - W/O HARDWARE

LOUNGE GROUP (CONTINUED)



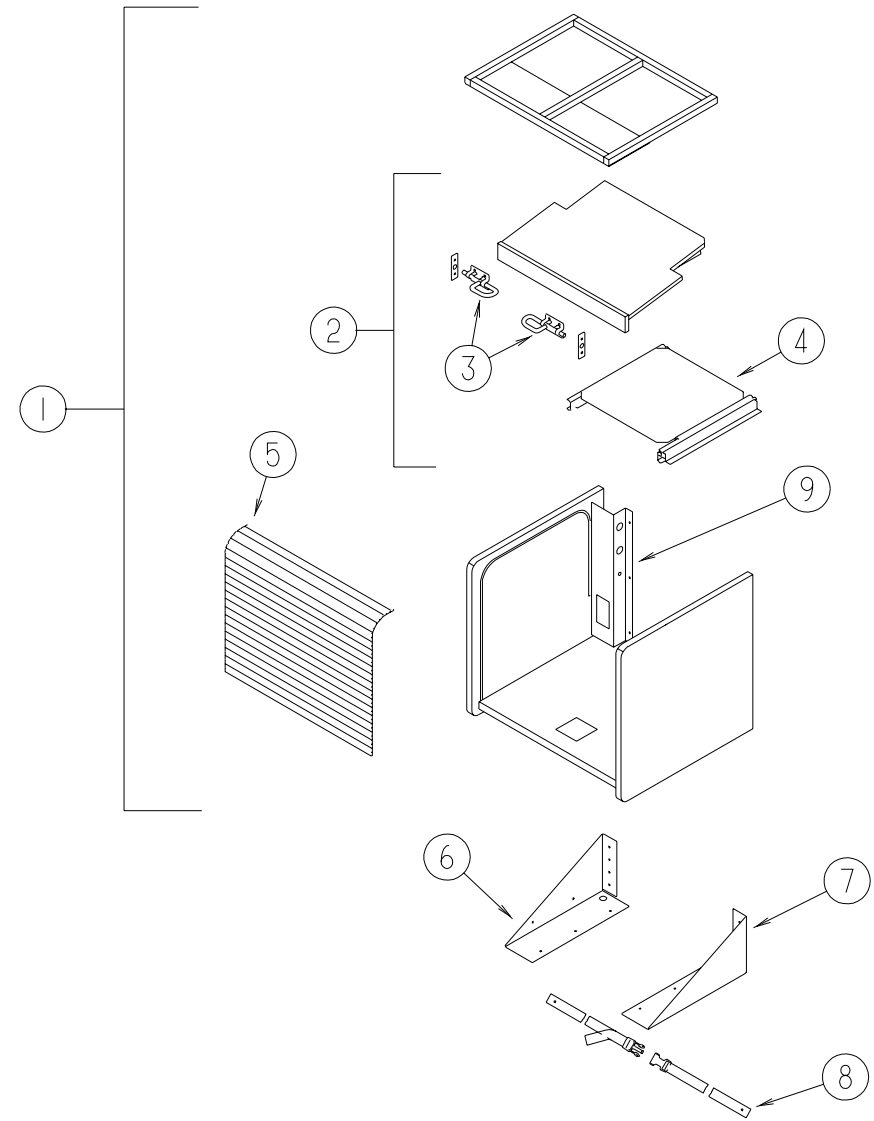
PASSENGER SIDE LOUNGE OVERHEAD CABINET - W/O TV/VCR

KEY	PART NUMBER	U/M DESCRIPTION
1	109908-58-J01	EA END CAP - OVERHEAD CABINET FROM: 00-00-00 THRU: 08-06-98
1	109908-98-J01	EA END CAP - OVERHEAD CABINET FROM: 08-07-98 THRU: 99-99-99
2	M08163-09-J03	EA CABINET - TV/VCP - W/O SHELF/SLIDES/SWIVEL- W/TAMBOUR DOOR

PASSENGER SIDE LOUNGE OVERHEAD CABINET - W/TV/VCR

KEY	PART NUMBER	U/M DESCRIPTION
1	109908-58-J01	EA END CAP - OVERHEAD CABINET FROM: 00-00-00 THRU: 08-06-98
1	109908-98-J01	EA END CAP - OVERHEAD CABINET FROM: 08-07-98 THRU: 99-99-99
2	M08163-10-J03	EA CABINET - TV/VCP - W/SHELF/SLIDES/SWIVEL/TAMBOUR DOOR

LOUNGE GROUP (CONTINUED)



TV/VCR CABINETS

KEY	PART NUMBER	U/M DESCRIPTION
1	M08163-10-J03	EA CABINET - TV/VCP - W/SHELF/SLIDES/SWIVEL/TAMBOUR DOOR
1	M08163-09-J03	EA CABINET - TV/VCP - W/O SHELF/SLIDES/SWIVEL- W/TAMBOUR DOOR
2	125722-13-J01	EA SHELF - W/SLIDE & SWIVEL
3	103256-01-000	EA LATCH - SLIDE
4	116773-02-000	EA SWIVEL/SLIDES - F/TV SHELF
5	057882-04-700	EA TAMBOUR - 48" X 48" SHEET - UNFINISHED
6	122298-03-02B	EA BRACKET - TV/VCR W/ANGLE - LEFT HAND - E-COATED
7	122298-02-02B	EA BRACKET - TV/VCR W/ANGLE - RIGHT HAND - E-COATED
8	099717-04-000	EA STRAP - TIE DOWN W/21.3" FEMALE STRAP & 27.2" MALE STRAP
9	122469-02-02B	EA BRACKET - ZEE - W/CUTOUT - E-COATED
9	122469-01-02B	EA BRACKET - ZEE

SEALANTS & FASTENERS GROUP

ADHESIVES AND SEALERS

KEY	PART NUMBER	U/M	DESCRIPTION
	004006-05-700	EA	ADHESIVE-NAT. STARCH (5 GAL) 0802
	004020-01-000	QT	ADHESIVE - ABS CEMENT - QUART
	087211-01-000	GL	PROMOTER - ADHESIVE
	102352-01-000	EA	SEALER - PUMPABLE - BLACK
	102352-02-000	EA	SEALER - PUMPABLE - CLEAR
	106206-01-000	EA	SEALER - PUMPABLE - MANUS 30A - BLACK
	069640-01-000	FT	SEALER - RIBBON - 1/4" DIAMETER X 30' - BLACK
	069640-09-000	FT	SEALER - TAPE - .032"THICK X 2.50"WIDE X 80' - GREY
	069640-18-000	FT	SEALER - TAPE - .50"THICK X 1/8"WIDE X 60' - BRIGHT WHITE
	069640-19-000	FT	SEALER - TAPE - .75"THICK X 1/8"WIDE X 60' - BRIGHT WHITE
	069640-21-000	FT	SEALER - TAPE - 1/2" THICK X 1/16" WIDE X 100' - BRT WHT
	069640-22-000	FT	SEALER - TAPE - 1/4" THICK X 1/32" WIDE - BRIGHT WHITE
	104692-01-000	FT	SEAL - FOAM/ADHESIVE BACK - .75"THICK X .75"WIDE X 25'
	076314-02-000	FT	TAPE - CARPET SEAM - HEAT-BOND - 4" WIDE
	076322-01-000	FT	TAPE - DOUBLE COATED/ADHESIVE BACK - .025"THK X .75"W X 18'
	076322-05-000	FT	TAPE - DOUBLE COATED/ADHESIVE BACK - .045"THK X .75"W X 9'
	076322-07-000	FT	TAPE - DOUBLE COATED/ADHESIVE BACK - .045"THK X .50"W X 9'
	120534-01-01A	EA	TAPE - SCOTCH - 3M - 1/2" FINE LINE
	123816-01-000	FT	TAPE - DOUBLE SIDED - 1"
	123816-03-000	FT	TAPE - DOUBLE SIDED - 1/2" X 3/4" - THICK
	072889-09-000	EA	SEALANT - URETHANE - BLACK (TUBE) FROM: 00-00-00 THRU: 09-06-98
	072889-18-000	EA	SEALANT - URETHANE - BLACK (FOIL) FROM: 09-07-98 THRU: 99-99-99
	072889-19-000	EA	SEALANT - URETHANE - (FOIL) - BLACK - 10 OUNCE FROM: 09-07-98 THRU: 99-99-99
	072889-10-000	EA	SEALANT - URETHANE (HV) - BRIGHT WHITE FROM: 00-00-00 THRU: 09-06-98
	072889-12-000	EA	SEALANT - URETHANE (LV) BRIGHT WHITE FROM: 00-00-00 THRU: 09-06-98
	072889-20-000	EA	SEALANT - URETHANE - (FOIL) - BRIGHT WHITE - 10 OUNCE FROM: 09-07-98 THRU: 99-99-99
	053766-02-000	EA	BEDDING COMPOUND - TUBE - WHITE
	053766-06-000	EA	BEDDING COMPOUND - TUBE - CLEAR
	053766-08-000	EA	BEDDING COMPOUND - TUBE - GRAY
	120074-02-01A	EA	SEALANT - SILICONE - OFF WHITE
	108716-03-000	EA	SILICONE - TUBE - BRIGHT WHITE/SELF LEVELING - W/O NOZZLE
	131264-01-01A	EA	SILICONE - W/O NOZZLE - BLACK
	131264-01-02A	EA	SILICONE - W/O NOZZLE - CLEAR
	131264-03-01A	EA	SILICONE - SELF LEVELING - W/O NOZZLE - BRIGHT WHITE
	900390-03-000	EA	NOZZLE - SILICONE TUBE

BOLTS

KEY	PART NUMBER	U/M	DESCRIPTION
	000C12-05-16B	EA	BOLT - HEX - 5/16-18 X 1 - ZINC 5
	000C12-06-16B	EA	BOLT - HEX - 3/8-16 X 1 LG - ZINC 5
	000C12-08-24B	EA	BOLT - HEX - 1/2-13 X 1.50 - ZINC 5
	000C13-07-48B	EA	BOLT - HEX - 7/16-20 X 3 - ZINC 5
	000C26-05-16B	EA	BOLT - HEX - SERRATED FLANGE - 5/16-18 X 1 - ZINC
	000C26-06-16B	EA	BOLT - HEX - SERRATED FLANGE - 3/8-16 X 1 - ZINC
	000C26-08-24B	EA	BOLT - HEX - SERRATED FLANGE - 1/2-13 X 1 1/2 ZINC
	051387-06-000	EA	BOLT - CARRIAGE W/O HOLE - 5/16-18 X 9.5 - ZINC
	000C18-05-40A	EA	BOLT - ELEVATOR - 5/16-18 X 2.50 - PL

SEALANTS & FASTENERS GROUP (CONTINUED)

NUTS AND RIVETS

KEY	PART NUMBER	U/M	DESCRIPTION
	000D29-09-00B	EA	NUT - HEX - SELF LOCKING - 9/16-12 - ZINC
	000D34-06-00B	EA	NUT - HEX - LOCKING - 3/8-16 GRADE C - ZINC-PREVAILING
	000D39-04-00B	EA	NUT - HEX - LOCKING W/SERRATED FLANGE - 1/4-20 - ZINC
	000D39-05-00B	EA	NUT - HEX - LOCKING W/SERRATED FLANGE - 5/16-18 - ZINC
	000D39-06-00B	EA	NUT - HEX - LOCKING W/SERRATED FLANGE - 3/8-18 - ZINC
	000D39-07-00B	EA	NUT - HEX - LOCKING W/SERRATED FLANGE - 7/16-14 - ZINC
	000D39-08-00B	EA	NUT - HEX - LOCKING W/SERRATED FLANGE - 1/2-13 - ZINC
	000D44-07-00B	EA	NUT - HEX - LOCKING W/SERRATED FLANGE - 7/16-20 - ZINC
	000D46-04-00A	EA	NUT - HEX - WELD - 1/4-20 - PLAIN
	000D65-08-00B	EA	NUT - HEX - LOCKING W/SERRATED FLANGE - 8-32 - ZINC
	104369-01-000	EA	NUT - HEX - HEAVY - 5/8-11 UNC
	040921-01-000	EA	NUT - SPEED - U TYPE - 10-24 BLACK
	044364-02-000	EA	NUT - SPEED - FLAT - ROUND
	000H16-04-06R	EA	RIVET - POP ALUMINUM - 1/8 X .313 - .375
	069592-02-000	EA	RIVET-T - POP - 1/4 X .093 - .156

CLAMPS, TIES AND FASTENERS

KEY	PART NUMBER	U/M	DESCRIPTION
	007161-01-000	EA	CLAMP - HOSE - SPRING TYPE - 1/2"
	010495-01-000	EA	CLAMP - CABLE - 9/16"
	010497-03-000	EA	CLAMP - CLOSED - 1" ID - CUSHIONED
	010497-07-000	EA	CLAMP - CLOSED - 3/8" ID
	010497-08-000	EA	CLAMP - CLOSED - .125" ID
	010499-01-000	EA	CLAMP - CLOSED - 3/8" ID
	062401-01-000	EA	CLAMP - HOSE - WORMGEAR - .25" - 1"
	062401-02-000	EA	CLAMP - HOSE - WORMGEAR - 1.56" - 2.5"
	062401-03-000	EA	CLAMP - HOSE - WORMGEAR - .22" - 1"
	062401-05-000	EA	CLAMP - HOSE - WORMGEAR - 2" TO 3" ID
	062401-11-000	EA	CLAMP - HOSE - WORMGEAR - 3.50" - 4.50"
	083609-01-000	EA	CLAMP - WIRE - DUAL - EQUAL DIAMETERS - 5/8"
	080734-02-000	EA	CLIP - WIRE NYLON
	091952-02-000	EA	CLIP - GRIPPER - 3/4"
	056134-02-000	EA	HOLDER - RING - 1.8" DIAMETER - METAL
	008343-02-000	EA	TIE - WIRE - 14"
	108046-02-000	EA	CABLE TIE - SCREW MOUNT 15"
	061420-05-000	EA	PLUG/PLASTIC - 1.8" DIAMETER
	115361-01-01A	EA	PLUG - PLASTIC - 1/2" DIAMETER
	085774-01-000	FT	FASTENER - DUAL LOCK - 1" WIDE - ADHESIVE BACK - BLACK
	085774-02-000	FT	FASTENER - DUAL HOOK - 1" WIDE - ADHESIVE BACK - BLACK
	088792-02-000	YD	VELCRO TAPE - LOOP - ADHESIVE BACKED - .75" WIDE - BEIGE
	088792-05-000	YD	VELCRO TAPE - LOOP - 5/8" - NON-ADHESIVE BACKED - WHITE
	110943-02-000	FT	FELTSTRIP - 3/8" - ADHESIVE BACK - WHITE

SEALANTS & FASTENERS GROUP (CONTINUED)

SCREWS

KEY	PART NUMBER	U/M DESCRIPTION
	0G1108-12-170	EA SCREW - 8-18 X .75 PPH - BRIGHT WHITE
	0G6710-08-170	EA SCREW - 10-12 X 1/2 PPH - BRIGHT WHITE
	000G11-06-10B	EA SCREW - 6-20 X 5/8 PPH - ZINC
	000G11-06-08B	EA SCREW - 6-20 X 1/2 PPH - ZINC
	000G11-06-06B	EA SCREW - 6-20 X 3/8 PPH - ZINC
	000G11-06-10J	EA SCREW - 6-20 X 5/8 PPH - BRASS
	000G11-07-08B	EA SCREW - 7-19 X 1/2 PPH - ZINC
	000G11-08-08T	EA SCREW - 8-18 X 1/2 PPH - FLUOROCARBON COATING
	000G11-08-08B	EA SCREW - 8-18 X 1/2 PPH - ZINC
	000G11-08-20B	EA SCREW - 8-18 X 1 1/4 PPH - ZINC
	000G11-08-16S	EA SCREW - 8-18 X 1 PPH - OFF WHITE
	000G11-08-16B	EA SCREW - 8-18 X 1 PPH - ZINC
	000G11-08-12T	EA SCREW - 8-18 X 3/4 PPH - BLACK
	000G11-08-12P	EA SCREW - 8-18 X 3/4 PPH - DARK BROWN
	000G11-08-12B	EA SCREW - 8-18 X 3/4 PPH - ZINC
	000G11-10-16B	EA SCREW - 10-16 X 1 PPH - ZINC
	000G11-10-12S	EA SCREW - 10-16 X 3/4 PPH - OFF WHITE
	000G12-06-08T	EA SCREW - 6-20 X 1/2 POH - BLACK
	000G12-08-12S	EA SCREW - 8-18 X 3/4 POH - OFF WHITE
	000G13-05-10B	EA SCREW - 5-12 X 5/8 PFH - ZINC
	000G13-06-08B	EA SCREW - 6-20 X 1/2 PFH - ZINC
	000G13-06-24J	EA SCREW - 6-20 X 1 1/2 PFH - BRASS
	000G13-06-16J	EA SCREW - 6-20 X 1 PFH - BRASS
	000G13-06-10G	EA SCREW - 6-20 X 5/8 PFH - ANTIQUE BRASS
	000G13-06-08G	EA SCREW - 6-20 X .50 PFH - ANTIQUE BRASS
	000G13-07-12B	EA SCREW - 7-19 X 3/4 PFH - ZINC
	000G13-08-16B	EA SCREW - 8-18 X 1 PFH - ZINC
	000G32-10-06B	EA SCREW - 10-32 X 3/8 PPH - ZINC
	000G67-10-32B	EA SCREW - 10-12 X 2 PPH - ZINC
	000G67-10-16B	EA SCREW - 10-12 X 1 PPH - ZINC
	000G67-10-120	EA SCREW - 10-12 X 3/4 PPH - TAN
	000G67-10-12R	EA SCREW - 10-12 X .75 PPH - BEIGE
	000G67-10-12P	EA SCREW - 10-12 X 3/4 PPH - DARK BROWN
	000G67-10-12B	EA SCREW - 10-12 X 3/4 PPH - ZINC
	000G67-10-10S	EA SCREW - 10-12 X 5/8 PPH - OFF WHITE
	000G67-10-10D	EA SCREW - 10-12 X 5/8 PPH - BLACK - TYPE A
	000G67-10-10B	EA SCREW - 10-12 X 5/8 PPH - ZINC - TYPE A
	000G67-10-08S	EA SCREW - 10-12 X 1/2 PPH - OFF WHITE
	000G67-10-08R	EA SCREW - 10-12 X 1/2 PPH - BEIGE - TYPE A
	000G67-10-08B	EA SCREW - 10-12 X 1/2 PPH - ZINC
	000G68-06-10G	EA SCREW - 6-18 X 5/8 POH - ANTIQUE BRASS
	000G68-10-36T	EA SCREW - 10-12 X 2.25 POH BLACK
	049465-03-000	EA SCREW - 10-16 X 1 POH W/WASHER - OFF WHITE
	049465-17-000	EA SCREW - 10-16 X 1 POH W/WASHER - BRIGHT WHITE
	000G54-04-20B	EA SCREW - 1/4-20 X 1.25 PTH - TYPE 23 - ZINC PLATED
	076790-01-000	EA SCREW - 6-20 X 1 1/4 PPH - BLACK

SEALANTS & FASTENERS GROUP (CONTINUED)

SCREWS (CONTINUED)

KEY	PART NUMBER	U/M DESCRIPTION
	054434-02-000	EA SCREW - SF/DR - 10-16 X 2 - ZINC
	0G3908-08-170	EA SCREW - SF/DR - 8-18 X .50 PPH - BRIGHT WHITE
	0G3908-12-250	EA SCREW - SF/DR - 8-18 X .75 PPH - DARK GRAY
	0G3908-24-170	EA SCREW - SF/DR - 8-18 X 1.50 PPH - BRIGHT WHITE
	0G3910-12-170	EA SCREW - SF/DR - 10-16 X .75 PPH - BRIGHT WHITE
	0G5508-16-250	EA SCREW - SF/DR - 8-18 X 1.00 PWH - VW DARK GRAY
	0G6008-16-170	EA SCREW - SF/DR - 8-18 X 1.00 POH - BRIGHT WHITE
	000G39-06-16T	EA SCREW - SF/DR - 6-20 X 1 PPH - BLACK
	000G39-06-10T	EA SCREW - SF/DR - 6-20 X 5/8 PPH - BLACK
	000G39-08-24B	EA SCREW - SF/DR - 8-18 X 1 1/2 PPH - ZINC
	000G39-08-16R	EA SCREW - SF/DR - 8-18 X 1 PPH - BEIGE
	000G39-08-16B	EA SCREW - SF/DR - 8-18 X 1 PPH - ZINC
	000G39-08-12T	EA SCREW - SF/DR - 8-18 X 3/4 PPH - BLACK
	000G39-08-12B	EA SCREW - SF/DR - 8-18 X 3/4 PPH - ZINC
	000G39-08-08T	EA SCREW - SF/DR - 8-18 X 1/2 PPH - BLACK
	000G39-08-08S	EA SCREW - SF/DR - 8-18 X 1/2 PPH - OFF WHITE
	000G39-08-08B	EA SCREW - SF/DR - 8-18 X 1/2 PPH - ZINC
	000G39-10-12B	EA SCREW - SF/DR - 10-16 X 3/4 PPH - ZINC
	000G39-10-08B	EA SCREW - SF/DR - 10-16 X 1/2 PPH - ZINC
	000G39-10-32B	EA SCREW - SF/DR - 10-16 X 2 - PPH - ZINC
	000G39-10-209	EA SCREW - SF/DR - 10-16 X 1 1/4 PPH - FLUOROCARBON SILVER
	000G39-10-20B	EA SCREW - SF/DR - 10-16 X 1 1/4 PPH - ZINC
	000G39-10-12D	EA SCREW - SF/DR - 10-16 X 3/4 PPH - BLACK
	000G39-12-12E	EA SCREW - SF/DR - 12-14 X 3/4 PPH - CHROME
	000G42-04-16B	EA SCREW - SF/DR - 1/4-14 X 1 HWH - ZINC
	000G46-08-24T	EA SCREW - MACHINE - 8-32 X 1 1/2 PFH - BLACK
	000G50-04-12B	EA SCREW - MACHINE - 1/4-20 X 3/4 PPH - ZINC
	000G52-08-18B	EA SCREW - MACHINE - 8-32 X 1 1/8 PTH - ZINC
	000G18-08-22B	EA SCREW - MACHINE - 8-32 X 1 3/8 PPH - ZINC
	000G19-10-12F	EA SCREW - MACHINE - 10-32 X 3/4 PPH - STAINLESS STEEL
	075908-01-000	EA SCREW - MACHINE - 10-32 X .56 PTH - EXTERNAL TOOTH - ZINC
	105126-01-000	EA SCREW - MACH - 8-32 X 1 PPH TAPIT
	000G56-12-48B	EA SCREW - WOOD - 12-11 X 3 POH - SPECIAL HARDENED
	087721-01-000	EA SCREW - FLAT HEAD - TAPPING - 1/4" X 1 1/4" LONG - ZINC
	057671-01-000	EA COVER - SCREW - #8 - PLASTIC - OFF WHITE

GROMMETS

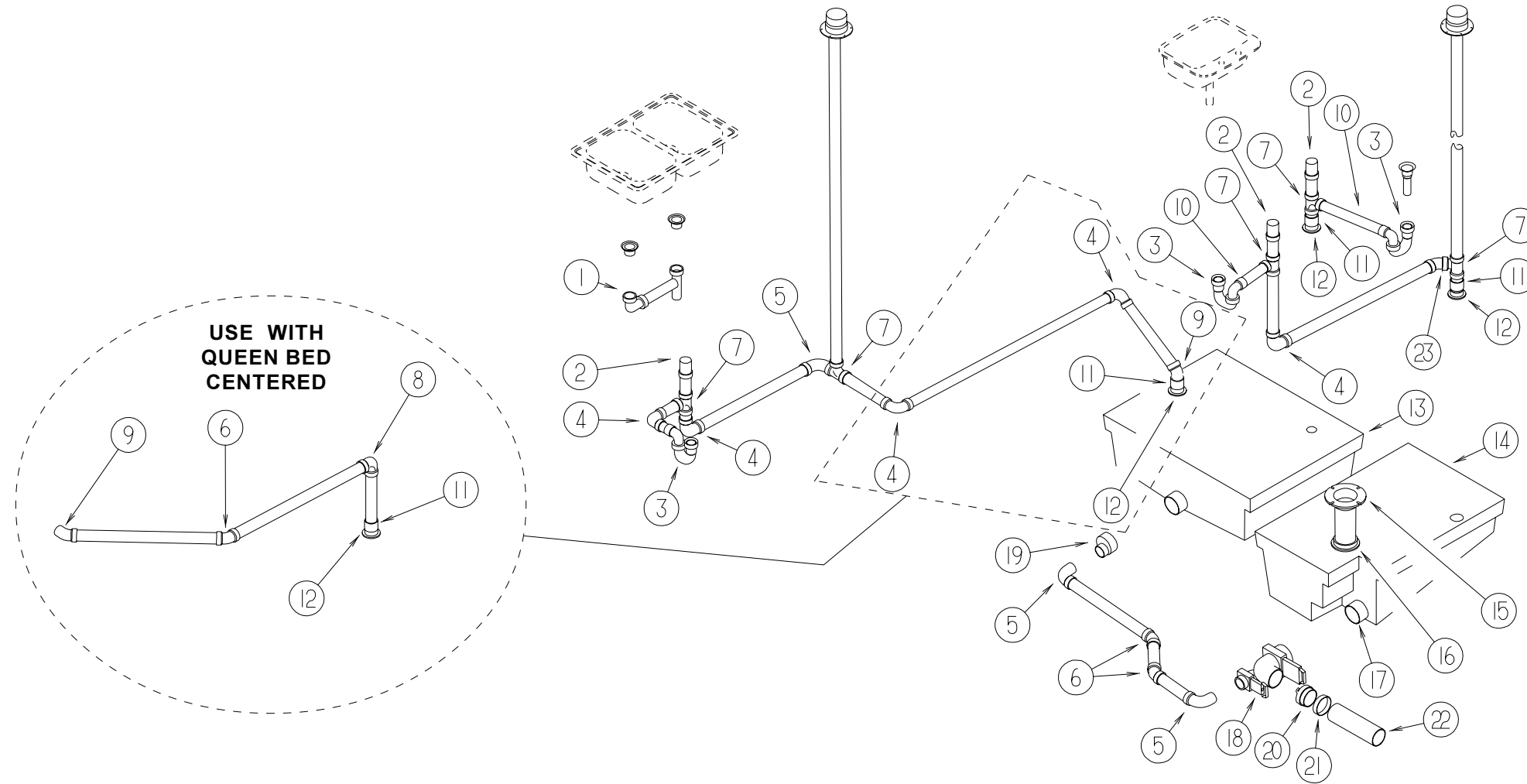
KEY	PART NUMBER	U/M DESCRIPTION
	008386-01-000	EA GROMMET - SNAP - 3/8"
	016188-03-000	EA GROMMET - L/P LINE - 3/8" HOLE X 2 1/2" LONG - RUBBER
	016188-04-000	EA GROMMET - GASLINE - 1/2" HOLE X 2 1/2" LONG - RUBBER
	071015-11-000	EA GROMMET - 1.00 ID - FITS .12 MATERIAL
	071015-26-000	EA GROMMET - RUBBER - 1.5" ID X 2.1" OD W/.06" GROOVE-BLACK

WASHERS

KEY	PART NUMBER	U/M DESCRIPTION
	000E11-07-00B	EA WASHER - LOCKING - 7/16 MED SPLIT - ZINC
	000E11-08-00B	EA WASHER - LOCKING - 1/2 MED SPLIT - ZINC
	000E13-18-00B	EA WASHER - FLAT - 3/8 WIDE - ZINC
	000E13-20-00B	EA WASHER - FLAT - 7/16 WIDE - ZINC
	000E13-21-00B	EA WASHER - FLAT - 1/2 NARROW - ZINC
	077071-01-000	EA WASHER - FENDER - 3/16"ID X 1" OD

WATER & SEWAGE GROUP

DRAINAGE SYSTEM



KEY	PART NUMBER	U/M DESCRIPTION
1	011091-02-000	EA WASTE - CONTINUOUS - DOUBLE SINK
2	079968-01-000	EA VENT - MECHANICAL/TRAP ARM - ANTI-SIPHON-2" X 7.3" PLASTIC
3	107538-01-000	EA P TRAP - PLASTIC - 1 1/4" W/EXTENSION ARM
3	011071-01-000	EA P-TRAP - PLASTIC - 1 1/2" - CSA
4	010008-01-000	EA ELBOW - 90 DEGREE - 1 1/2" HUB X HUB - PLASTIC
5	033761-01-000	EA ELBOW - TURN - 90 DEGREE 1 1/2" HUB X 1 1/2" SPIGOT
6	010006-01-000	EA ELBOW - 45 DEGREE - 1 1/2" HUB X HUB - PLASTIC
7	010071-01-000	EA TEE - SANITARY - 1 1/2" HUB X HUB X HUB - PLASTIC
8	034250-01-000	EA ELBOW - 90 DEGREE - LONG TURN - 1 1/2" HUB X HUB - ABS
9	010051-01-000	EA ELBOW - 45 DEGREE - 1 1/2" SPIGOT & HUB - PLASTIC
10	109571-01-000	EA ADAPTER - P TRAP - 1 1/2"P X 1 1/4"MPT
11	010115-01-000	EA COUPLING - 1 1/2" HUB X HUB - PLASTIC
12	061607-01-000	EA GROMMET - HOLDING TANK - 1 1/2" NPS
13	074861-01-000	EA TANK - HOLDING - W/O GROMMETS - 35 GALLON - 35"X 11"X 27"
14	074870-01-000	EA TANK - HOLDING - W/O GROMMETS - 30 GALLON-36.5"X13.3"X23"

KEY	PART NUMBER	U/M DESCRIPTION	VENDOR NO.
15	116644-01-000	EA FLANGE - CLOSET - 4" X 3"	
16	061607-02-000	EA GROMMET - HOLDING TANK - 3" NPS	
17	078406-01-000	EA COUPLER - RUBBER - W/CLAMPS - 3" X 3"	
18	070916-01-000	EA VALVE - DUAL DUMP - W/CAP - 3" X 1 1/2"	
	070916-01-700	EA VALVE ONLY (WASTE) 3"	T1003BU
	070916-01-701	EA VALVE ONLY (WASTE) 1 1/2"	T1001BU
19	062422-01-000	EA ADAPTER - OFFSET REDUCER - 3" X 1 1/2" - PLASTIC	
20	062416-01-000	EA ADAPTER - SEWER HOSE TO 3" PIPE	
21	062401-05-000	EA CLAMP - HOSE - WORMGEAR - 2" TO 3" ID	
22	010201-01-000	EA HOSE - SEWER - 3" ID X 8'	
22	010201-02-000	EA HOSE - SEWER - 3" ID X 20 FEET - RENTAL	
23	010051-01-000	EA ELBOW - 45 DEGREE - 1 1/2" SPIGOT & HUB - PLASTIC - QUEEN BED	
23	034250-01-000	EA ELBOW - 90 DEGREE - LONG TURN - 1 1/2" HUB X HUB - ABS - RR DINETTE	

WATER & SEWAGE GROUP (CONTINUED)

FRESH WATER TANK

KEY	PART NUMBER	U/M DESCRIPTION
	127281-02-000	EA TANK - WATER - 40 GALLON - W/FITTINGS
	127281-01-000	EA TANK - WATER - 40 GALLON - W/O FITTINGS
	042989-03-000	EA FITTING - SPINWELD - 1 1/4"NPT - PLASTIC
	042989-04-000	EA FITTING - SPINWELD - 3/8"FPT - WHITE PLASTIC
	042989-05-000	EA FITTING - SPINWELD - 1/2"FPT - PLASTIC
	049032-01-000	EA PATCH - SPINWELD - 3/8" - PLASTIC
	039861-01-000	EA SENDING UNIT - W/SCREW - WASHER - WELL NUT/TERMINAL RING
	077954-02-000	EA FILTER - WATER TANK - W/SCREEN IN TANK

WATER SYSTEM

KEY	PART NUMBER	U/M DESCRIPTION
	701077-03-000	EA WATER-MATE - G9227 MARSHALL
	112176-01-000	FT TUBING - VINYL - REINFORCED - 1/2" ID
	074462-02-000	FT TUBING - VINYL - 3/8 ID X 20' - CLEAR
	079381-01-000	FT TUBING - RIBBED FLEXIBLE - WATER FILL - 1.4" I.D.
	124188-01-000	FT TUBING - PEX - 1/2" ID X 20' - BLUE(COLD)
	124188-02-000	FT TUBING - PEX - 1/2" ID X 20' - RED(HOT)
	010224-01-000	EA ADAPTER - HOSE TO PIPE - 3/8 MPT X 3/8 BARB - PLASTIC
	044927-01-000	EA ADAPTER - HOSE TO PIPE-1 1/4 MPTX1 1/4 BARB-BLACK PLASTIC
	010224-01-000	EA ADAPTER - HOSE TO PIPE - 3/8 MPT X 3/8 BARB - PLASTIC
	114430-02-000	EA ADAPTER - SWIVEL - 1/2"P X 1/2"FPT
	114430-03-000	EA ADAPTER - 1/2"P X 1/2"MPT
	114430-06-000	EA ADAPTER - 1/2"P X 3/8"FPT
	123152-01-000	EA ADAPTER - 1/2 FPT X 1/2 BARB - SWIVEL
	114428-01-000	EA TEE - 1/2"P X 1/2"P X 1/2"P
	114429-01-000	EA ELBOW - 1/2"P X 1/2"P
	114429-03-000	EA ELBOW - SWIVEL - 1/2"P X 1/2"FPT
	123150-01-000	EA ELBOW - 1/2 FPT X 1/2 BARB - SWIVEL
	114431-01-000	EA VALVE - 180 DEGREE/CENTER DRAIN - 1/2"P - THREE WAY
	114431-02-000	EA VALVE - WATER BYPASS - 1/2"P - THREE WAY (WATER HEATER)
	114431-03-000	EA VALVE - 90 DEGREE DRAIN - 1/2"P
	110915-01-01A	EA FILL - CITY WATER - CHROME
	113697-01-000	EA CAP - 3/8 FTG

WATER & SEWAGE GROUP (CONTINUED)

EXTERIOR SHOWER

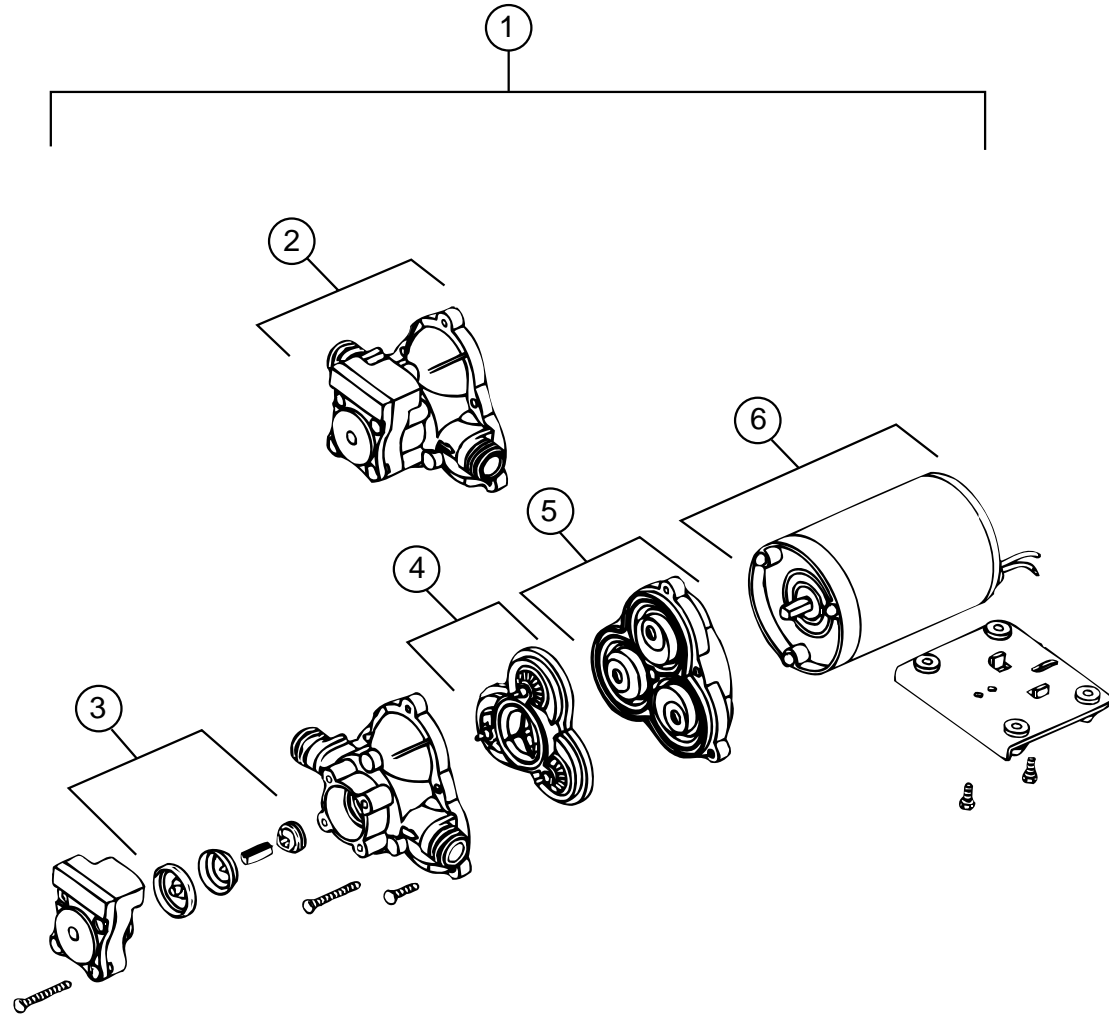
KEY	PART NUMBER	U/M DESCRIPTION	VENDOR NO.
	114429-03-000	EA ELBOW - SWIVEL - 1/2"P X 1/2"FPT	
	124188-01-000	FT TUBING - PEX - 1/2" ID X 20' - BLUE(COLD)	
	124188-02-000	FT TUBING - PEX - 1/2" ID X 20' - RED(HOT)	
	081994-02-000	EA PLATE - SWITCH - EXTERIOR SHOWER	
	108356-02-01A	EA COVER/ACTUATOR SWITCH - 2 ROWS DIMPLES- CONTURA II - BLACK	
	108357-08-000	EA SWITCH - ROCKER DPDT - ON/NONE/ON - 6 TERMINAL	
	129571-01-01A	EA TRAY - DRIP - BLACK	
			FROM: 00-00-00 THRU: 07-27-98
	114293-01-01A	EA PAN - DRIP - EXTERIOR - OFF WHITE	
			FROM: 07-28-98 THRU: 11-15-98
	114293-01-02A	EA PAN - DRIP - EXTERIOR - BRIGHT WHITE	
			FROM: 11-16-98 THRU: 99-99-99
	075241-05-000	EA FAUCET/SHOWER - BONE 3/4" MPT X 1.4" LONG INLET PIPES	
			FROM: 00-00-00 THRU: 07-12-98
	075241-06-000	EA FAUCET - SHOWER CONTROL - BRIGHT WHITE	
			FROM: 07-13-98 THRU: 99-99-99
	103092-01-000	EA SHOWER HEAD - W/60" HOSE - WHITE	
			FROM: 00-00-00 THRU: 07-12-98
	131383-01-01A	EA SHOWER HEAD - W/HOSE & BRACKET - 60" - IVORY	
			FROM: 07-13-98 THRU: 99-99-99
	103092-02-000	EA SHOWER HEAD - W/60" HOSE - CSA	
			FROM: 00-00-00 THRU: 07-12-98
	131383-02-02A	EA SHOWER HEAD - W/60" HOSE & BRACKET - CSA - WHITE	
			FROM: 07-13-98 THRU: 99-99-99
	103092-01-700	EA BRACKET-F/SHOWER HEAD, CLEAR	2328028
	011048-03-700	EA BRACKET - F/SHOWER HEAD	2328029-I
	103092-01-702	EA SEALS-SPRAY HEAD	24466
	131383-03-02A	EA BRACKET - SHOWER HEAD - WHITE	

WATER HEATER - ATWOOD G6A-8E

KEY	PART NUMBER	U/M DESCRIPTION
*	051391-03-000	EA WATER HEATER G6A-8E - ELECTRONIC IGNITION
	097967-01-000	EA SWITCH - WATER HEATER - REMOTE W/LIGHT

***COMPONENT PARTS FOUND IN SERVICE PARTS LIBRARY**

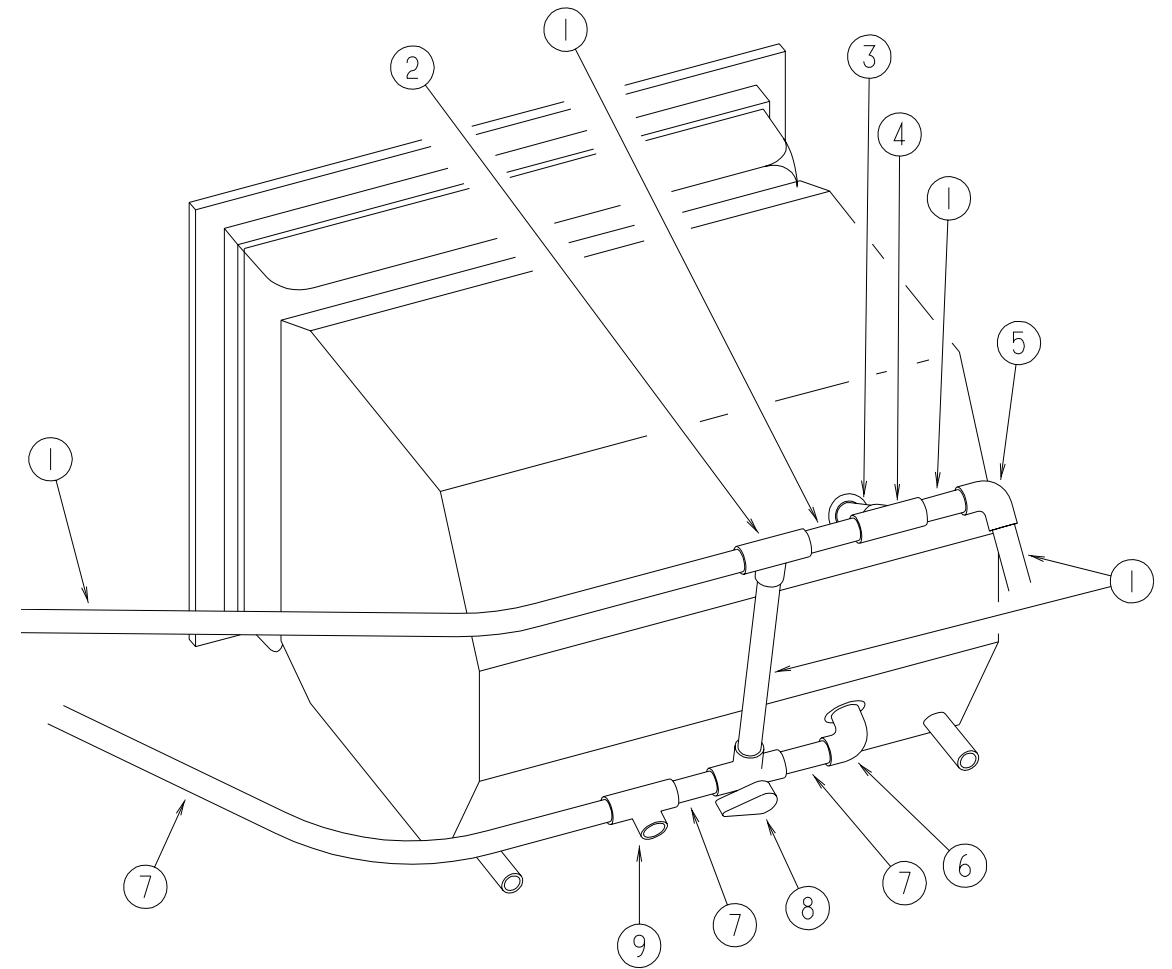
WATER & SEWAGE GROUP (CONTINUED)



WATER PUMP-SHURFLOW

KEY	PART NUMBER	U/M DESCRIPTION	VENDOR NO.
1	098607-01-000	EA PUMP - WATER - W/.5" MPT FITTING - FLOW 2.8 GPM	
2	098607-01-706	EA HOUSING, W/SWITCH ONLY	94-231-20
3	098607-01-705	EA VALVE-CHECK, KIT	94-237-00
4	098607-01-703	EA VALVE KIT	94-232-00
5	098607-01-702	EA DIAPHRAGM/DRIVE ASSEMBLY KIT	94-238-04
6	098607-01-707	EA MOTOR W/BASEPLATE	11-148-04

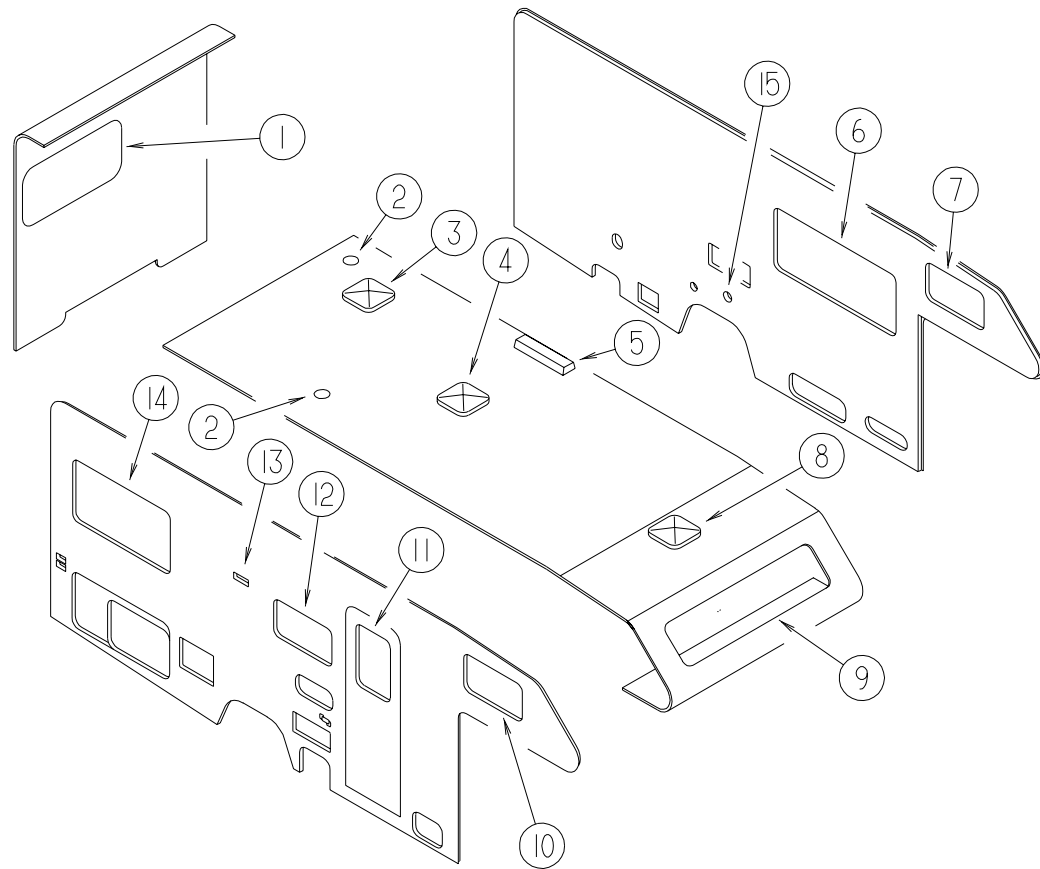
WATER & SEWAGE GROUP (CONTINUED)



WATER HEATER W/BYPASS

KEY	PART NUMBER	U/M DESCRIPTION
1	124188-02-000	FT TUBING - PEX - 1/2" ID X 20' - RED(HOT)
2	114428-01-000	EA TEE - 1/2"P X 1/2"P X 1/2"P
3	110438-02-000	EA VALVE - CHECK - BRASS - 1/2 MPT X 1/2 MPT
4	114428-02-000	EA TEE - SWIVEL - 1/2"P X 1/2"P X 1/2"FPT
5	114429-01-000	EA ELBOW - 1/2"P X 1/2"P
6	114429-02-000	EA ELBOW - 1/2"P X 1/2"MPT
7	124188-01-000	FT TUBING - PEX - 1/2" ID X 20' - BLUE(COLD)
8	114431-02-000	EA VALVE - WATER BYPASS - 1/2"P - THREE WAY (WATER HEATER)
9	114428-03-000	EA TEE - 1/2"P X 1/2"P X 1/2"MPT

WINDOW, VENT & EXTERIOR DOOR GROUP

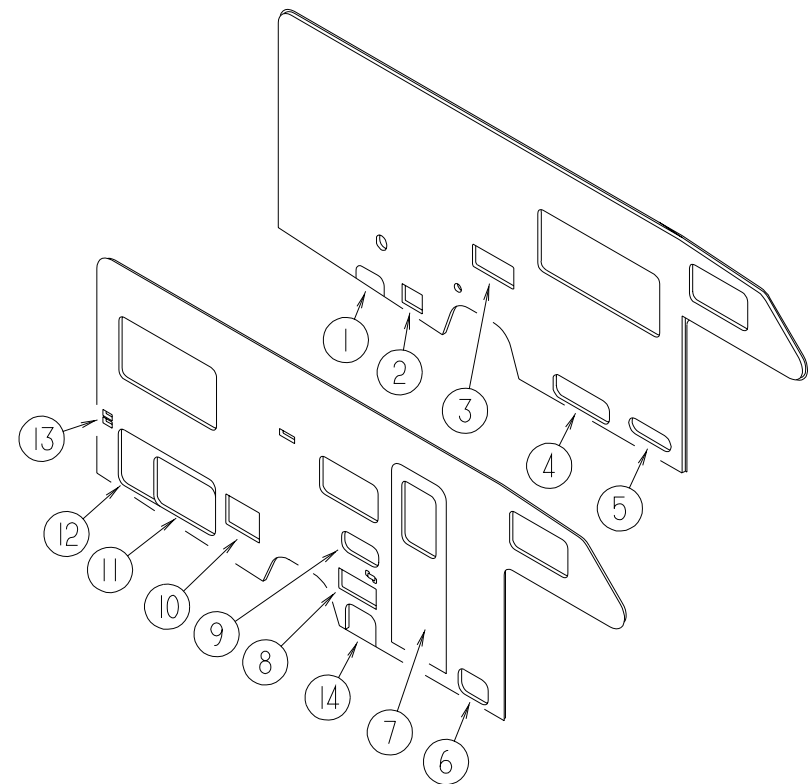


WINDOWS & VENTS

KEY	PART NUMBER	U/M DESCRIPTION
1*	078528-07-F15	EA WINDOW - ESCAPE W/O INSIDE TRIM - CLEAR - 24.5" X 48.5"
	074816-11-000	EA RETAINER - TRIM - ESCAPE WINDOW - OFF WHITE
1*	113502-01-01A	EA WINDOW - REAR/CENTER ESCAPE - THERMO - 24.8" X 48.7"
2	083558-03-000	EA VENT - PLUMBING - ROOF PIPE COVERED - OFF WHITE
3*	122882-02-01A	EA VENT - ROOF - W/FAN - W/O INSIDE GARNISH - UL
3*	122882-03-01A	EA VENT - ROOF - W/FAN - W/O INSIDE GARNISH - CSA
4*	122882-01-01A	EA VENT - ROOF - NONPOWERED - W/O INSIDE GARNISH
5	084073-07-000	EA VENT - ROOF/REFRIGERATOR - BRIGHT WHITE - NORCOLD
	084073-04-000	EA BASE - ROOF VENT/REFRIGERATOR - BLACK - NORCOLD
6*	098647-28-01A	EA WINDOW - DRVR HORIZ SLIDER W/TRIM - CLEAR - 26.1" X 59.7"
6*	112795-15-01A	EA WINDOW - DRIVER HORIZONTAL SLIDER - THERMO - 26.4" X 60"
7*	098647-32-01A	EA WINDOW - DRVR HORIZ SLIDER W/TRIM - CLEAR - 15.7" X 28.5"
7*	112795-20-01A	EA WINDOW - DRIVER HORIZONTAL SLIDER - THERMO - 16" X 28.7"
8*	122882-01-01A	EA VENT - ROOF - NONPOWERED - W/O INSIDE GARNISH
8*	123780-01-01A	EA VENT - ROOF - 1" - W/FAN/POWER LIFT - W/O THERMOSTAT
9*	103313-03-F15	EA WINDOW - PICTURE - 16.2" X 71" (INSIDE FRAME #117054)
	117054-01-01A	EA RETAINER - TRIM - WHITE
9*	115630-01-01A	EA WINDOW - STATIONARY/THERMOPANE - 17.2" X 72"
10*	098647-31-01A	EA WINDOW - PASS HORIZ SLIDER W/TRIM - CLEAR - 15.7" X 28.5"
10*	112795-19-01A	EA WINDOW - PASSENGER HORIZ SLIDER - THERMO - 15.7" X 28.5"
11*	117053-04-FB1	EA WINDOW - PICTURE - CLEAR - 17" X 26.4" - W/O RETAINER
	117054-02-02A	EA RETAINER - TRIM - BRIGHT WHITE
11*	113733-01-01A	EA WINDOW - STATIONARY THERMOPANE - 26.4" X 17"
12*	098647-31-01A	EA WINDOW - PASS HORIZ SLIDER W/TRIM - CLEAR - 15.7" X 28.5"
12*	112795-19-01A	EA WINDOW - PASSENGER HORIZ SLIDER - THERMO - 15.7" X 28.5"
13	084616-07-000	EA SHROUD - EXHAUST VENT/RANGE HOOD - BRIGHT WHITE
13	084878-09-000	EA VENT - EXHAUST/RANGE HOOD - OFF WHITE
14*	098647-38-01A	EA WINDOW - PASS HORIZ SLIDER W/TRIM - CLEAR - 30.5" X 57.5"
14*	112795-22-01A	EA WINDOW - PASSENGER HORIZ SLIDER - THERMO - 26.1" X 47.8"
15	111222-01-02A	EA COVER - VENT - SIDE - BRIGHT WHITE - CANADIAN

*COMPONENT PARTS FOUND IN SERVICE PARTS LIBRARY

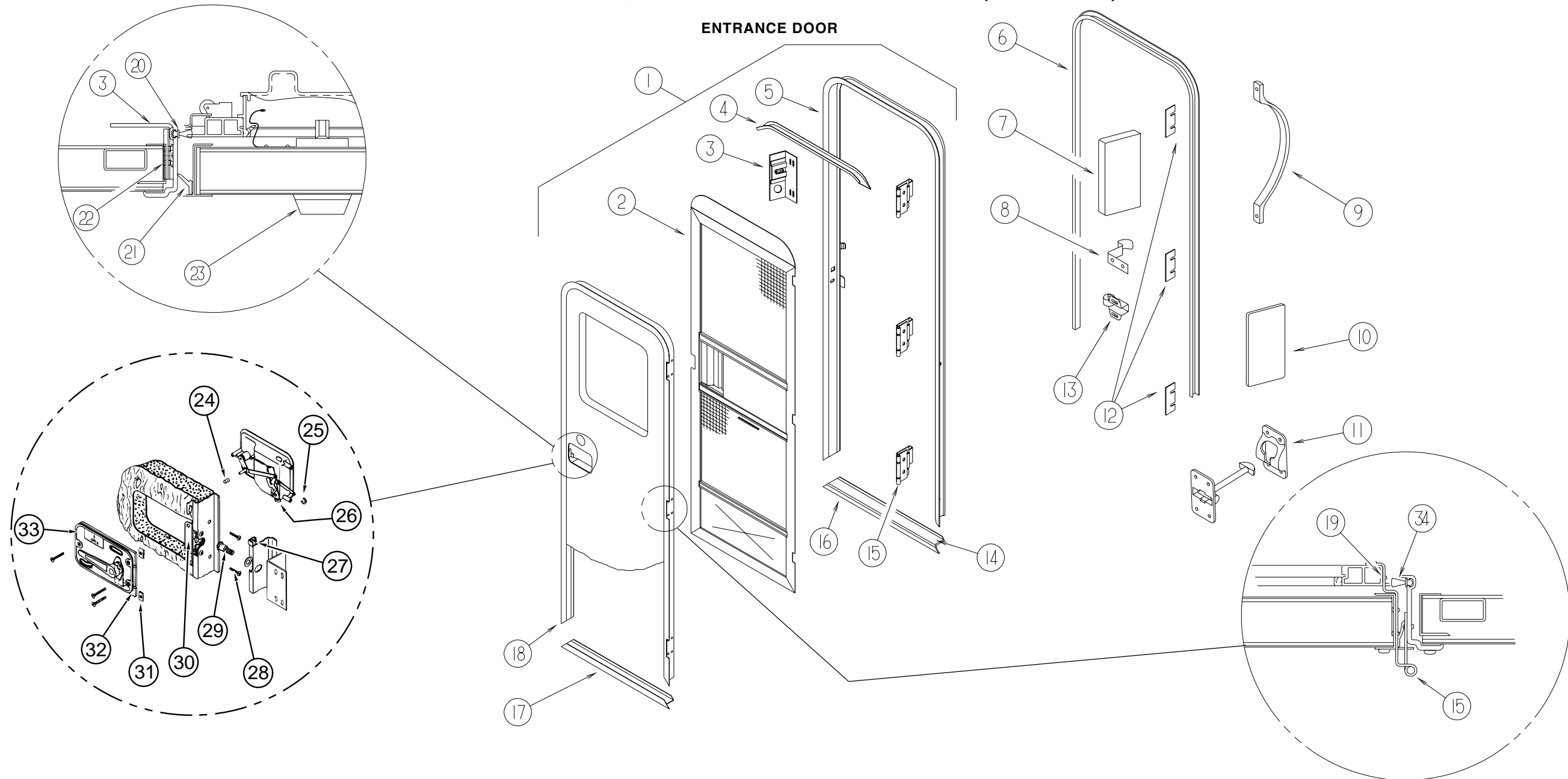
WINDOW, VENT & EXTERIOR DOOR GROUP (CONTINUED)



EXTERIOR DOORS

KEY	PART NUMBER	U/M DESCRIPTION	VENDOR NO.
1	127278-01-J01	EA VALANCE/DOOR - W/O HARDWARE - DRIVER - 7.4" X 13.1" X 6.3"	
2	088794-06-000	EA DOOR - POWER CORD W/HATCH - BRIGHT WHITE - 9.2" X 11"	
3	084103-08-000	EA DOOR - VENT/REFRIGERATOR - W/O JAMB - BRIGHT WHITE	
	084104-08-000	EA JAMB - VENT DOOR/REFRIGERATOR - BRIGHT WHITE	
	084104-01-700	EA LOCK-MALE, FASTENER	201-721-010
	084104-01-701	EA LOCK-FEMALE, FASTENER	201-802-010
4	126946-05-J01	EA DOOR/STORAGE - W/O HARDWARE - 27.5" X 9.3"	
5	126945-02-J01	EA DOOR/STORAGE - W/O HARDWARE - 18" X 8.3"	
6	126945-07-J01	EA DOOR/STORAGE - W/O HARDWARE - 14.4" X 10"	
7	115108-01-K01	EA DOOR - ENTRY - W/SCREEN DOOR - W/O WINDOW (K04)	
7	115108-01-K02	EA DOOR - ENTRY - W/SCREEN DOOR - W/O WINDOW (K05)	
7	115108-01-K06	EA DOOR - ENTRY - W/SCREEN DOOR - W/O WINDOW (K06)	
7	115108-05-K01	EA DOOR - ENTRY - W/SCREEN DOOR - W/O WINDOW - ELECTRIC STEP (K04)	
7	115108-05-J47	EA DOOR - ENTRY - W/SCREEN DOOR - W/O WINDOW - ELECTRIC STEP (K05)	
7	115108-05-K06	EA DOOR - ENTRY - W/SCREEN DOOR - W/O WINDOW - ELECTRIC STEP (K06)	
8	052009-06-000	EA DOOR - WATER HEATER - BRIGHT WHITE - 18" X 14.6"	
	116424-01-000	EA PROTECTOR - LATCH - WATER HEATER	
9	126945-01-J22	EA DOOR/STORAGE - W/O HARDWARE - 18" X 8.3"	
10	098668-23-000	EA DOOR - ACCESS - FURNACE - BRIGHT WHITE	
11	126946-08-J01	EA DOOR/STORAGE - W/O HARDWARE - 30.1" X 20.4"	
12	126946-07-J01	EA DOOR/STORAGE - W/O HARDWARE - 47.5" X 23.3"	
13	081240-20-000	EA FILL - WATER - LOCKABLE - W/O LOCK - BRIGHT WHITE	
14	127405-01-J01	EA VALANCE/DOOR - W/O HARDWARE - 14.5" X 11.8"	
	101667-05-000	EA PROP ROD	
	121264-01-01A	EA BRACKET - F/PROP ROD - BRIGHT WHITE	
	089329-02-000	EA CLIP - SPRING	
	076767-04-000	EA CABLE - SUPPORT - 5.9" STAINLESS STEEL	

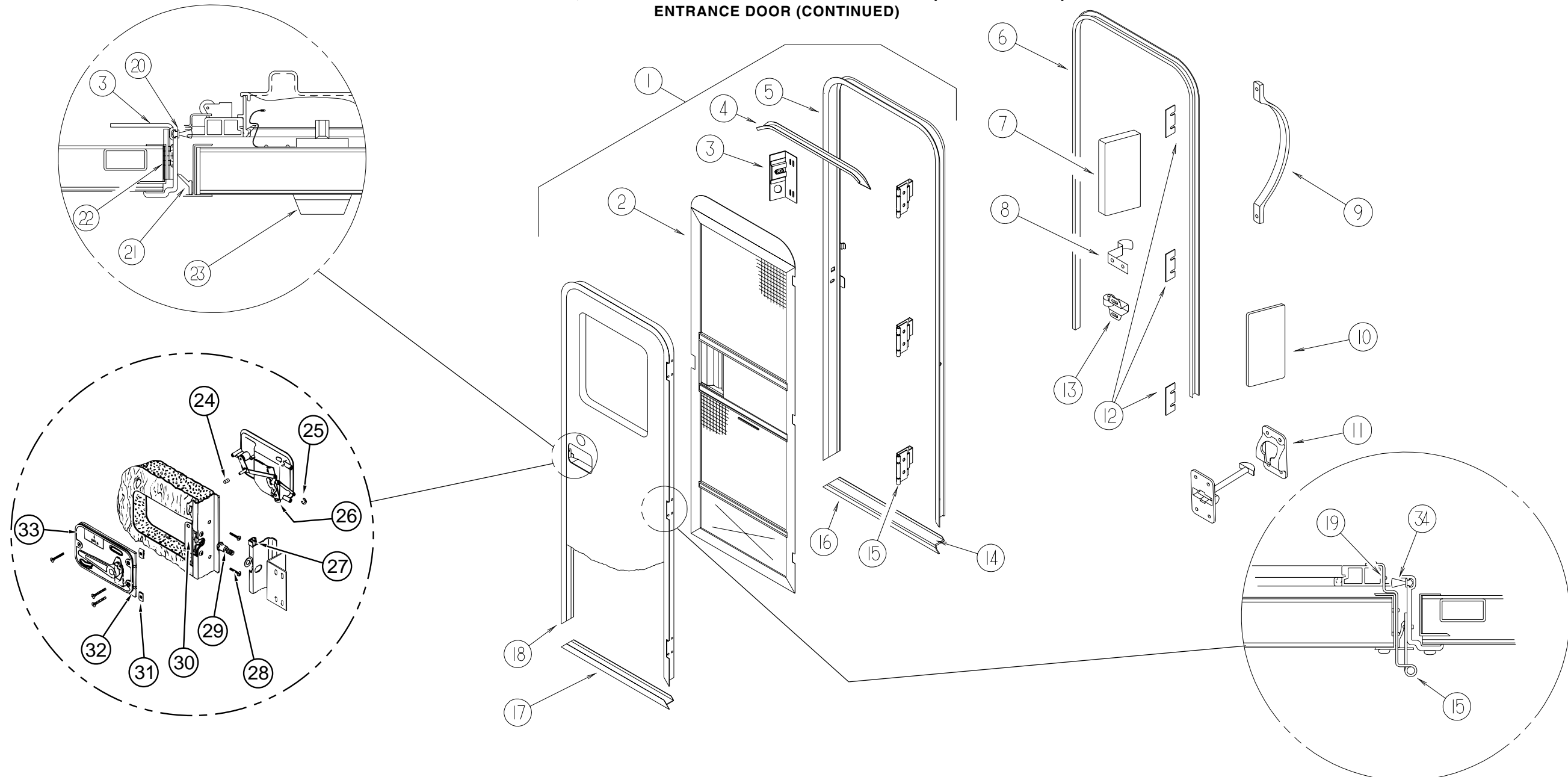
WINDOW, VENT & EXTERIOR DOOR GROUP (CONTINUED)



KEY	PART NUMBER	U/M DESCRIPTION
1	115108-01-K01	EA DOOR - ENTRY - W/SCREEN DOOR - W/O WINDOW (K04)
1	115108-01-K02	EA DOOR - ENTRY - W/SCREEN DOOR - W/O WINDOW (K05)
1	115108-01-K06	EA DOOR - ENTRY - W/SCREEN DOOR - W/O WINDOW (K06)
1	115108-05-K01	EA DOOR - ENTRY - W/SCREEN DOOR - W/O WINDOW - ELECTRIC STEP (K04)
1	115108-05-J47	EA DOOR - ENTRY - W/SCREEN DOOR - W/O WINDOW - ELECTRIC STEP (K05)
1	115108-05-K06	EA DOOR - ENTRY - W/SCREEN DOOR - W/O WINDOW - ELECTRIC STEP (K06)
2	121899-03-GB1	EA DOOR - SCREEN - W/O HARDWARE
3	041546-07-000	EA BRACKET - DOOR ANGLE - OFF WHITE
4	044582-44-000	EA CAP - DRIP - JAMB - BRIGHT WHITE
5	121898-03-01A	EA JAMB - ENTRY DOOR
5	121898-04-01A	EA JAMB - ENTRY DOOR - BRIGHT WHITE - ELECTRIC STEP
6	115222-04-01A	EA GARNISH - ENTRY DOOR - RADIUS
7	077461-03-000	EA COVER - STRIKE - ENTRY DOOR - 6.5" X 2.5" - WHITE PLASTICKEY

KEY	PART NUMBER	U/M DESCRIPTION
8	100412-01-000	EA CATCH - SCREEN DOOR
9	009126-03-000	EA HANDLE - ASSIST - BLACK TEXTURED
10	076725-02-000	EA COVER - HINGE - ENTRY DOOR - 6" X 3.2" - OFF WHITE
11	104099-01-04A	EA CATCH - DOOR HOLDER - STRIKE - BRIGHT WHITE
11	104099-02-04A	EA CATCH - DOOR HOLDER - RETAINER - BRIGHT WHITE
12	102248-01-000	EA SHIM - DOOR
13	109403-01-000	EA CATCH - SINGLE ROLLER - SCREEN DOOR
14	038327-01-000	EA TAPE - ANTI SLIP - 2" X 60'
15	106719-01-05A	EA HINGE - ENTRY DOOR - BRIGHT WHITE
	116111-02-01A	EA SCREW - TAPTITE - 1/4-20 X 3/8 PPH - ZINC
16	051049-01-000	EA JAMB - BOTTOM - ENTRY DOOR - 25.9" - UNPAINTED
17	121893-01-01A	EA FRAME - ENTRY DOOR/BOTTOM - BRIGHT WHITE

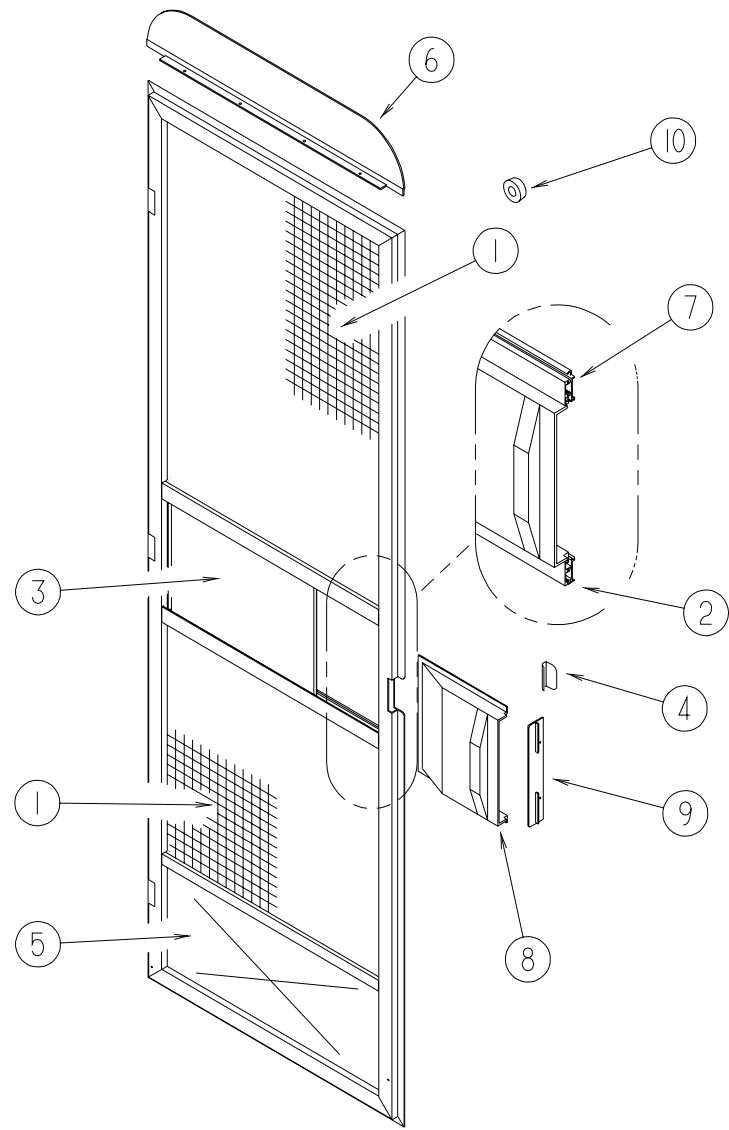
WINDOW, VENT & EXTERIOR DOOR GROUP (CONTINUED)
ENTRANCE DOOR (CONTINUED)



KEY	PART NUMBER	U/M DESCRIPTION	VENDOR NO.
18	121894-07-01A	EA FRAME - ENTRY DOOR - BRIGHT WHITE	
	098173-01-04A	EA STIFFENER - ENTRY DOOR - SUPPORTS LATCH/STRIKE - UNPAINTED	
	122241-01-01A	EA BUMPER - FOAM RUBBER W/ADH BACK - .5" X .5" X .25" - BLACK	
19	100128-02-000	EA SEAL - FOAM - ADHESIVE BACK - .37" WIDE X .37" THICK	
20	118929-01-01A	FT SEAL - PILE - PUSH ON	
21	075671-04-000	FT SEAL - SPONGE - LAZY T - W/ADHESIVE STRIP - .5" WIDE	
22	104692-01-000	FT SEAL - FOAM/ADHESIVE BACK - .75"THICK X .75"WIDE X 25'	
23	101145-01-06A	EA DEADBOLT - ENTRY DOOR W/O SECURITY BOLT W/2 KEYS - BLACK	
	095229-01-700	EA KEY-BLANK, DEADBOLT	81205-03
	101145-01-701	EA CYLINDER-LOCK ASM., W/KEY	81306-03
	101147-01-000	EA BOLT - SECURITY - 4.12"	
24	039984-01-000	EA CAP - ROUND - VINYL - .28" ID X .62" - BLACK	
25	036618-02-000	EA E-RING - EXTERNAL - 3/16" SHAFT DIAMETER - LYNOR DOOR LOCK	

KEY	PART NUMBER	U/M DESCRIPTION	VENDOR NO.
26	045017-13-000	EA LATCH - ENTRY DOOR - BLACK TEXTURED	
	045017-11-701	EA KEY - BLANK (F1 SERIES) "K-104" - DOOR LOCK (TM 200 - 250)	
	045017-11-703	EA CYLINDER-LOCK ASM. W/KEYS	81266-09
27	064075-07-000	FT SEAL - BULB - W/WIRED U CHANNEL - .3" X .5" CHANNEL - BLK	
28	000G54-04-20B	EA SCREW - 1/4-20 X 1 1/4 PTH TYP 23	
29	039539-01-000	EA STRIKE - LOCK - ENTRY DOOR - ROUND W/THREADED WASHER	
	039715-01-000	EA NUT-SERT - 1/4" DIAMETER - 20 THREADS	
30	039540-01-000	EA LATCH MECHANISM - HOOK - ENTRY DOOR - INTERIOR	
	086285-05-000	EA SPACER - NYLON - .7" X .56"	
31	040921-01-000	EA NUT-SPEED-U TYPE 10-24 BLACK	
32	096810-01-01A	EA PLATE - LATCH - ENTRY DOOR - BLACK	
33	039979-06-000	EA COVER - LATCH PLATE - RIGHT HAND - BLACK TEXTURED	
34	118929-01-01A	FT SEAL - PILE - PUSH ON	
	130444-01-01A	EA CAP - KEY IDENTIFIER - GRAY	

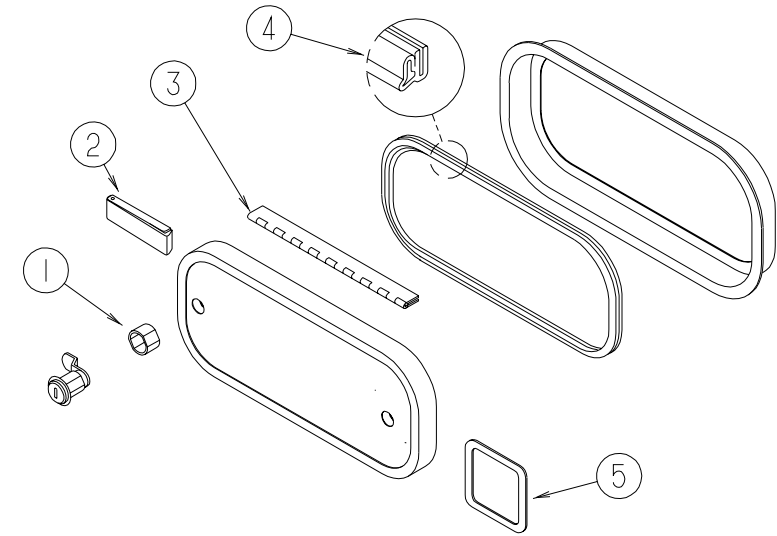
WINDOW, VENT & EXTERIOR DOOR GROUP (CONTINUED)



SCREEN DOOR COMPONENTS

KEY	PART NUMBER	U/M DESCRIPTION
	121899-03-GB1	EA DOOR - SCREEN - W/O HARDWARE
1	002293-02-000	SF SCREENING - WINDOW/DOOR - 26" - CHARCOAL
2	002294-01-000	FT SPLINE - SCREENING - .135" X .138"
3	016454-01-000	EA INSERT - CENTER - LEATHER GRAIN ALUMINUM - UNPAINTED
	001014-01-013	EA INSERT - CENTER - 10.25" X 16.31" - UNPAINTED
4	050712-06-000	EA HANDLE - SCREEN DOOR - BRIGHT WHITE
5	078552-03-000	EA KICK PANEL - SCREEN DOOR - LOWER INSERT - UNPAINTED
6	078595-01-000	EA TOP PLATE - SCREEN DOOR - CURVED TOP - 4.7" X 25.35"
7	078777-08-000	FT CHANNEL - SLIDER
8	079086-03-000	EA SLIDER - SCREEN DOOR - BRIGHT WHITE
9	079087-03-000	EA STRIKE - SLIDER - SCREEN DOOR - BRIGHT WHITE
10	120863-06-000	EA BUMPER - RUBBER - 3/4" X 3/8"

VENT & EXTERIOR DOOR GROUP (CONTINUED)

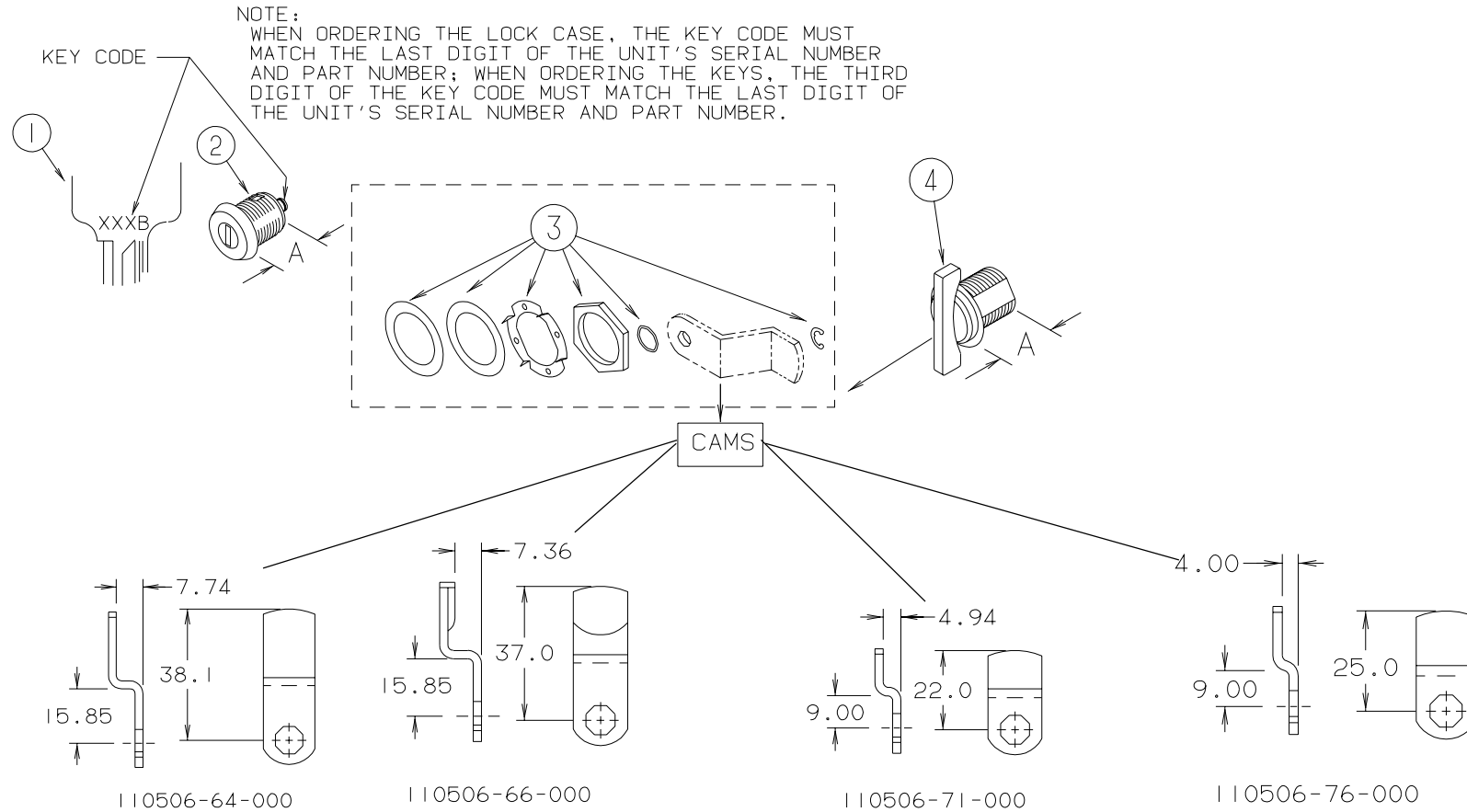


EXTERIOR COMPARTMENT DOOR COMPONENTS

KEY	PART NUMBER	U/M DESCRIPTION
1	107997-51-003	EA SPACER - DOOR LOCK .79" DEEP
	107997-51-002	EA EXTRUDED - SPACER - 16'
2	102768-01-000	EA HOLDER - COMPARTMENT/ENTRY DOOR - METAL - MILL FINISH
3	081801-V3-000	EA HINGE - ALUMINUM - 2" X 96" - BRIGHT WHITE
4	064075-07-000	FT SEAL - BULB - W/WIRED U CHANNEL - .3" X .5" CHANNEL-BLACK
4	106850-02-000	FT SEAL-E - SPONGE RUBBER - .43" X .75"
5	098338-01-000	EA GASKET - LOCK POCKET
	098408-01-000	FT SEAL - SPONGE RUBBER - CLOSED CELL
	112160-02-000	FT SEAL - D SECTION - .2 X .3" - FOAM RUBBER
	096217-55-006	EA U CHANNEL - 210"

WINDOW, VENT & EXTERIOR DOOR GROUP (CONTINUED)

BRIGGS & STRATTON LOCKS & COMPONENTS



KEY	PART NUMBER	U/M	DESCRIPTION	VENDOR NO.	KEY	PART NUMBER	U/M	DESCRIPTION	VENDOR NO.
1	110506-59-000	EA	KEYS - SET OF TWO	596720	1	110506-59-006	EA	KEYS - SET OF TWO	596726
2	110506-52-000	EA	CASE/CYLINDER - LOCKING W/O CAM - .65"	702370	2	110506-52-006	EA	CASE/CYLINDER - LOCKING W/O CAM - .65"	702370
2	110506-54-000	EA	CASE/CYLINDER - LOCKING W/O CAM OR KEY - 1 1/4"	703170	2	110506-54-006	EA	CASE/CYLINDER - LOCKING W/O CAM OR KEY - 1 1/4"	703170
1	110506-59-001	EA	KEYS - SET OF TWO	596721	1	110506-59-007	EA	KEYS - SET OF TWO	596727
2	110506-52-001	EA	CASE/CYLINDER - LOCKING W/O CAM - .65"	702370	2	110506-52-007	EA	CASE/CYLINDER - LOCKING W/O CAM - .65"	702370
2	110506-54-001	EA	CASE/CYLINDER - LOCKING W/O CAM OR KEY - 1 1/4"	703170	2	110506-54-007	EA	CASE/CYLINDER - LOCKING W/O CAM OR KEY - 1 1/4"	703170
1	110506-59-002	EA	KEYS - SET OF TWO	596722	1	110506-59-008	EA	KEYS - SET OF TWO	596728
2	110506-52-002	EA	CASE/CYLINDER - LOCKING W/O CAM - .65"	702370	2	110506-52-008	EA	CASE/CYLINDER - LOCKING W/O CAM - .65"	702370
2	110506-54-002	EA	CASE/CYLINDER - LOCKING W/O CAM OR KEY - 1 1/4"	703170	2	110506-54-008	EA	CASE/CYLINDER - LOCKING W/O CAM OR KEY - 1 1/4"	703170
1	110506-59-003	EA	KEYS - SET OF TWO	596723	1	110506-59-009	EA	KEYS - SET OF TWO	596729
2	110506-52-003	EA	CASE/CYLINDER - LOCKING W/O CAM - .65"	702370	2	110506-52-009	EA	CASE/CYLINDER - LOCKING W/O CAM - .65"	702370
2	110506-54-003	EA	CASE/CYLINDER - LOCKING W/O CAM OR KEY - 1 1/4"	703170	2	110506-54-009	EA	CASE/CYLINDER - LOCKING W/O CAM OR KEY - 1 1/4"	703170
1	110506-59-004	EA	KEYS - SET OF TWO	596724	3	110506-40-700	EA	HARDWARE KIT	
2	110506-52-004	EA	CASE/CYLINDER - LOCKING W/O CAM - .65"	702370	4	110506-55-000	EA	CASE/CYLINDER - TWIST LOCK W/O CAM - 1 1/4"	
2	110506-54-004	EA	CASE/CYLINDER - LOCKING W/O CAM OR KEY - 1 1/4"	703170		110506-64-000	EA	CAM - LATCHING - DOG LEGGED 1.8" LONG	
1	110506-59-005	EA	KEYS - SET OF TWO	596725		110506-66-000	EA	CAM - LATCHING - DOG LEGGED 1.5" LONG	
2	110506-52-005	EA	CASE/CYLINDER - LOCKING W/O CAM - .65"	702370		110506-71-000	EA	CAM - LATCHING - DOG LEGGED .86" LONG	
2	110506-54-005	EA	CASE/CYLINDER - LOCKING W/O CAM OR KEY - 1 1/4"	703170		110506-76-000	EA	CAM - LOCK	
						110506-59-701	EA	KEY BLANK (GOLD)	