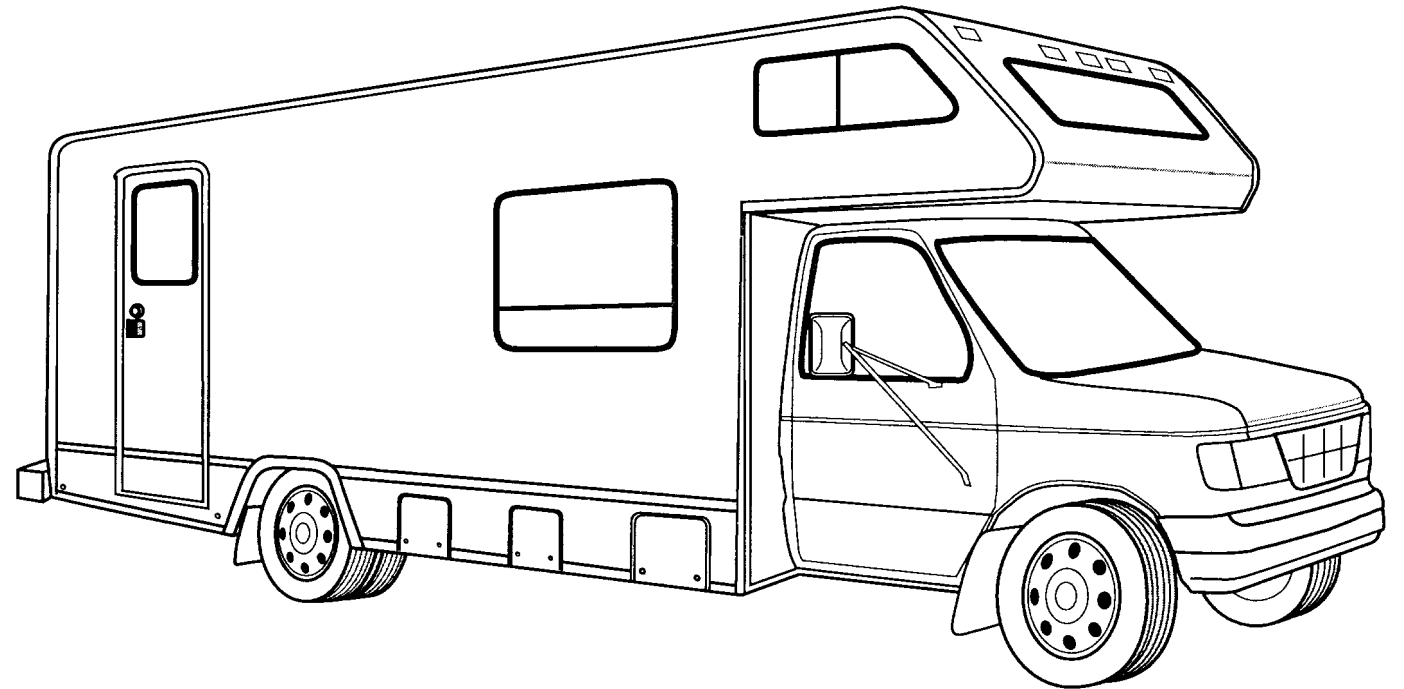


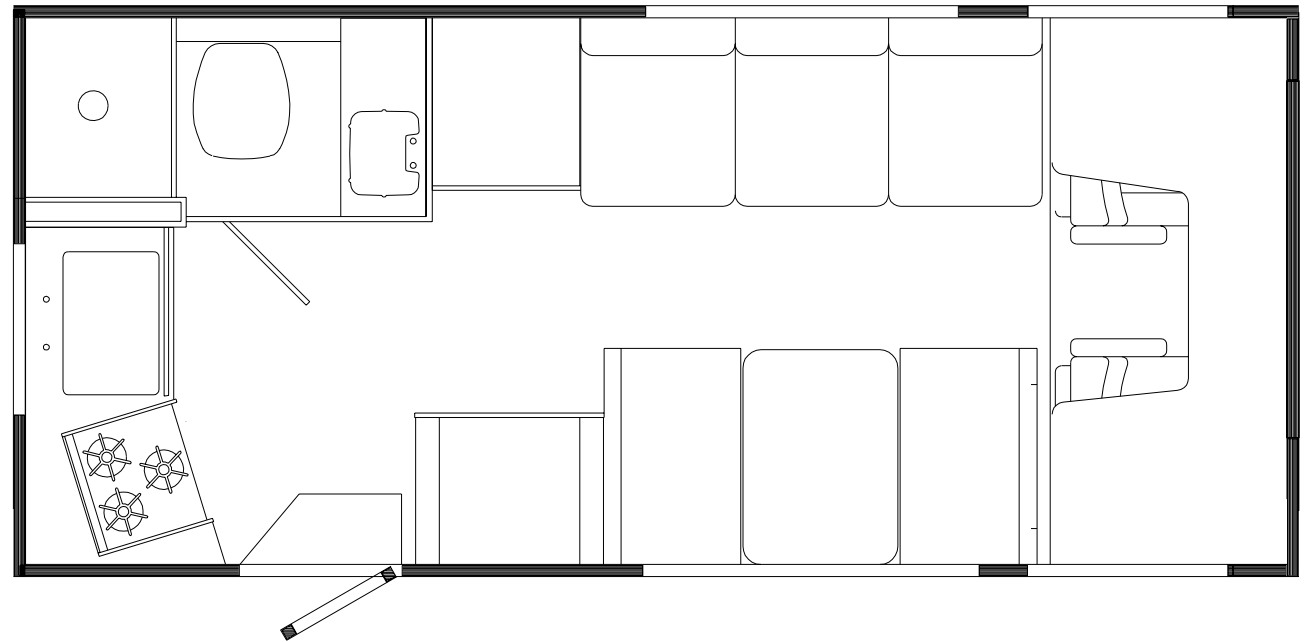
**1999  
IF322E**



**K04  
SANDPIPER (SAND)**

**K05  
HORIZON (BLUE)**

**K06  
RIVERWALK (TAUPE)**



## ACCESSORIES GROUP

### OPERATORS MANUAL

KEY	PART NUMBER	U/M	DESCRIPTION
	054185-J9-000	EA	MANUAL - OPERATOR 99 SPIRIT
	129079-01-01A	EA	CASE - VINYL/BLACK-EXPANDABLE ACCORDION SIDES-7"WX9"HX14"L
	128942-01-000	DW	TOP LEVEL DRAWING - 1999 C BODY

## AUDIO VIDEO GROUP

### RADIO SPEAKER

KEY	PART NUMBER	U/M	DESCRIPTION
	111177-01-01A	EA	GRILLE - SPEAKER - 6.6" X 8.9" - HOUSING 5" X 7" SPEAKER
	110465-01-000	EA	SPEAKER KIT,4 5X7 SPEAKERS

### RADIO - PATIO ENTERTAINMENT CENTER

KEY	PART NUMBER	U/M	DESCRIPTION
	125322-02-000	EA	RADIO - AM/FM STEREO - CASSETTE - AUDIOVOX
	077069-02-000	EA	CABLE - ANTENNA/EXTENSION - RADIO - 96"
	090944-01-000	EA	ANTENNA - RADIO - 16" RUBBER
	108847-01-000	EA	BRACKET - ANTENNA GROUND
	109889-01-000	EA	EXTENDER - SHAFT - ANTENNA 1"
	110469-01-000	EA	SPEAKER - 4" X 6" OVAL - COAXIAL
	110470-01-01A	EA	GRILLE - 4" X 6" OVAL - BLACK
	108137-01-000	EA	PLUG - ANTENNA
	086756-01-000	EA	SPLITTER - TV - 2 WAY
	076319-09-000	EA	WALLPLATE - CABLE RECEPTACLE - TV - SINGLE - BROWN
	058708-02-000	EA	RECEPTACLE - ELECTRIC - DOUBLE - IVORY

### TV - VCR SYSTEMS

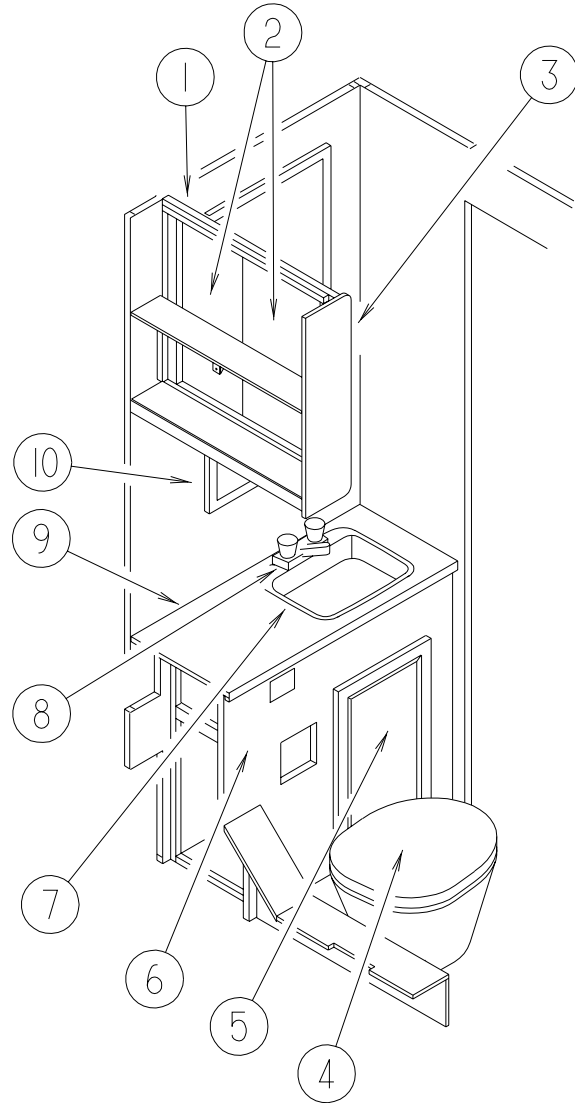
KEY	PART NUMBER	U/M	DESCRIPTION	VENDOR NO.
	086231-08-000	EA	TV - 13" COLOR - DC - AUDIOVOX	
	086231-08-700	EA	REMOTE-UNIVERSAL	8822325
	094487-05-000	EA	VIDEO CASSETTE PLAYER - VERTIC	
	082134-01-000	EA	ADAPTER - TV - CABLE TO CABLE	
	086231-08-701	EA	ADAPTER - WIRE	0891436
	082136-01-000	EA	NUT - HEX JAM - 3/8-32	
	086777-02-000	EA	WALLPLATE - TV CABLE - W/ANTENNA SWITCH - BROWN	
	086756-01-000	EA	SPLITTER - TV - 2 WAY	

### TV ANTENNA - WINEGARD

KEY	PART NUMBER	U/M	DESCRIPTION
*	076319-23-000	EA	ANTENNA-TV - ROOF MOUNT - 44.5" MAST
*	076319-25-000	EA	KIT - HARDWARE INTERIOR

\*COMPONENT PARTS FOUND IN SERVICE PARTS LIBRARY

## BATH GROUP

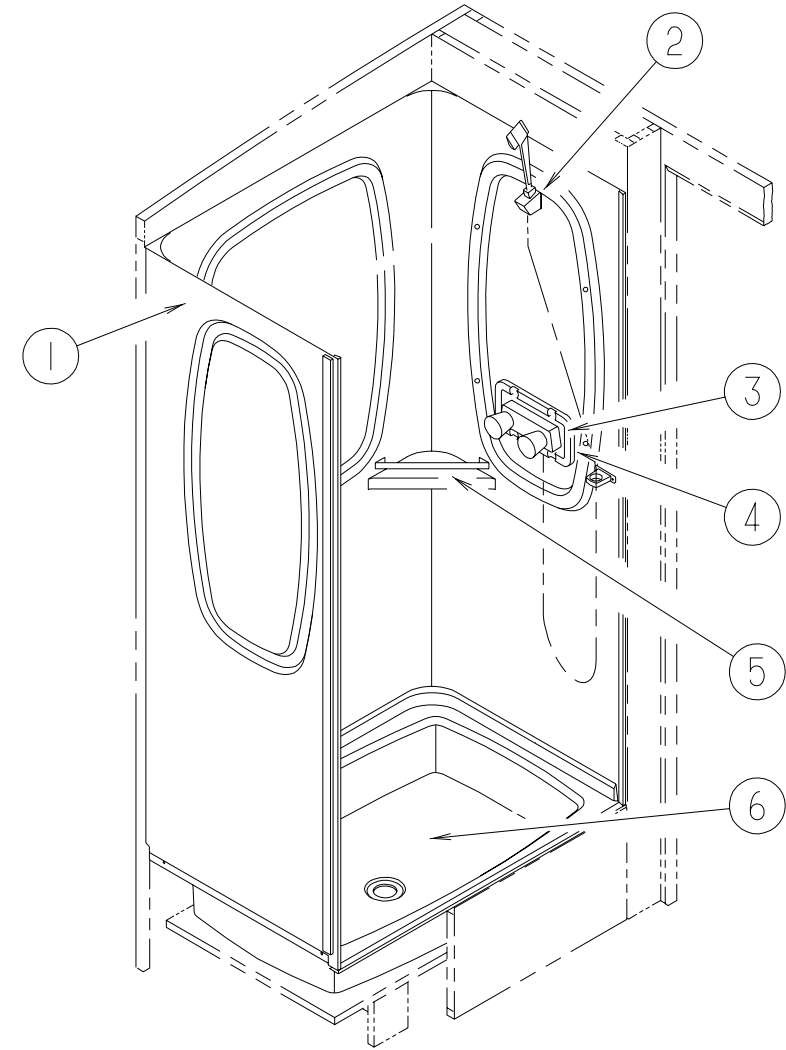


### BATHROOM CABINETS & FIXTURES

KEY	PART NUMBER	U/M	DESCRIPTION	VENDOR NO.
1	125660-02-K01	EA	CABINET - MEDICINE - W/O DOORS/HARDWARE	
	125660-11-J01	EA	SHelf - W/PLASTIC EDGE TRIM	
2	M09332-09-K01	EA	DOOR - RAISED MEMBRANE/OGEE EDGE - 17.7" X 21.8" - W/O HDW	
3	109908-85-K01	EA	END CAP - OVERHEAD CABINET	
4*	063740-01-000	EA	TOILET - HIGH/HAND FLUSH	
5	M05992-AA-K01	EA	DOOR - STRAIGHT CORNER/OGEE EDGE - 13.4" X 21.8" - W/O HDW	
6	125659-02-K01	EA	CABINET - LAVATORY - W/COUNTERTOP - W/O DOORS/DWRS/HDW (K04)	
6	125659-02-K02	EA	CABINET - LAVATORY - W/COUNTERTOP - W/O DOORS/DWRS/HDW (K05)	
6	125659-02-K06	EA	CABINET - LAVATORY - W/COUNTERTOP - W/O DOORS/DWRS/HDW (K06)	
7	096927-01-01A	EA	SINK - LAVATORY - RECTANGULAR - PLASTIC/BONE	
	096927-01-700	EA	SINK STOPPER	M9801
	096927-01-701	EA	TAILPIECE-DRAIN-LAVATORY	M9802
8	075240-06-000	EA	FAUCET - LAVATORY/BONE	
	091253-01-000	EA	GASKET - FAUCET - LAVATORY/GALLEY	
9	125659-11-J02	EA	COUNTERTOP - LAVATORY (K04)	
9	125659-11-K02	EA	COUNTERTOP - LAVATORY (K05)	
9	125659-11-J01	EA	COUNTERTOP - LAVATORY (K06)	
10	058331-01-000	EA	MIRROR - SAFETY GLASS - 19" X 26"	
	075453-02-000	EA	BAR - TOWEL - 18" BRASS	
	075454-02-000	EA	RING - TOWEL - W/MOUNTING HARDWARE - BRASS	
	085278-01-000	EA	HOLDER - TOILET PAPER - RECESSED - BRASS	

\*COMPONENT PARTS FOUND IN SERVICE PARTS LIBRARY

## BATH GROUP (CONTINUED)



### SHOWER CABINET & FIXTURES

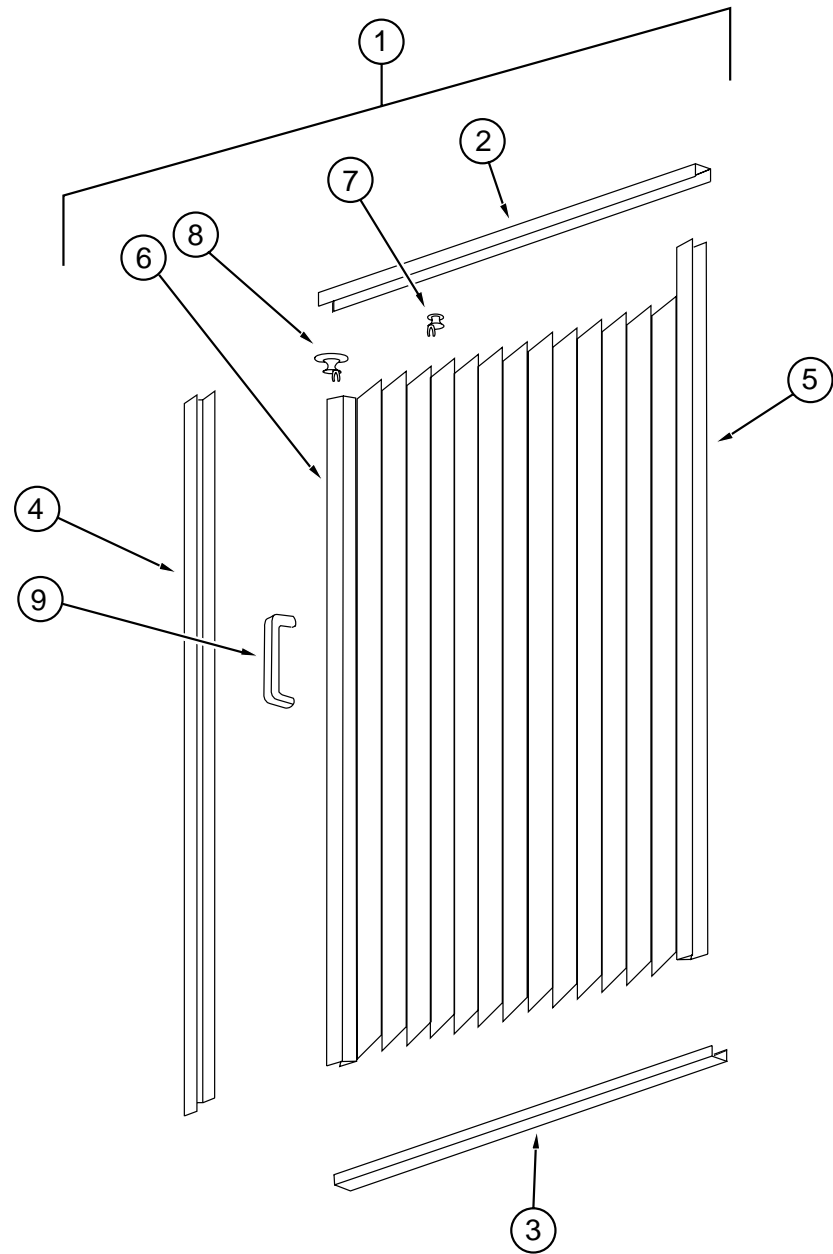
KEY	PART NUMBER	U/M	DESCRIPTION	VENDOR NO.
1	104464-04-01A	EA	SURROUND - SHOWER - UPGRADE OPTION	
2	131383-01-01A	EA	SHOWER HEAD - W/HOSE & BRACKET - 60" - IVORY	
2	131383-02-01A	EA	SHOWER HEAD - W/HOSE & BRACKET - 60" - CSA- IVORY	
	103092-01-700	EA	BRACKET-F/SHOWER HEAD, CLEAR	2328028
	011048-03-700	EA	BRACKET - F/SHOWER HEAD	2328029-I
	103092-01-702	EA	SEALS-SPRAY HEAD	24466
3	075241-06-000	EA	FAUCET - SHOWER CONTROL - BRIGHT WHITE	
4	075606-01-000	EA	PANEL - PLASTIC - FAUCET BACK - 5" X 9"	
5	113714-04-01A	EA	RETAINER - SHELF - SHOWER	
6	M02630-22-C07	EA	SHOWER PAN - W/STRAINER	

**BATH GROUP (CONTINUED)**

**BATH GROUP (CONTINUED)**

**BATH DOOR**

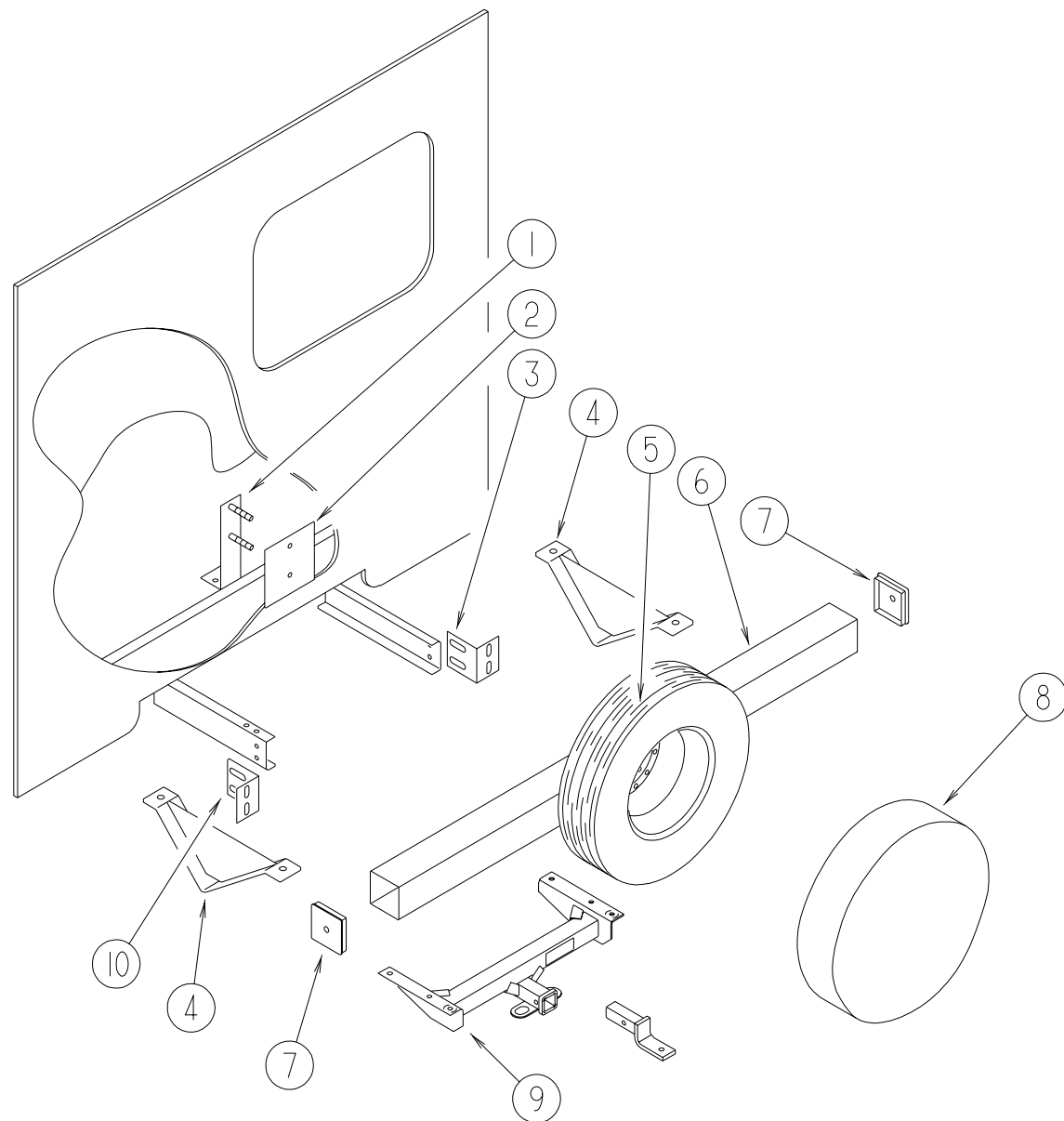
KEY	PART NUMBER	U/M	DESCRIPTION
	128967-04-K01	EA	DOOR - BATH
	111155-01-01A	EA	LOCK - PRIVACY - POLISHED BRASS
	128967-51-J01	EA	RACK - TOWEL/BATH DOOR
	100357-01-000	EA	ROD - F/TOWEL BAR - BRASS
	128967-52-J01	EA	MOLDING - VINYL WRAPPED
	128967-53-J01	EA	MOLDING - VINYL WRAPPED



**SHOWER DOOR**

KEY	PART NUMBER	U/M	DESCRIPTION
1	117431-06-01A	EA	DOOR - SHOWER - FABRIC PLEATED - 31" X 63"
2	117431-01-700	EA	TRACK-TOP, ALUM.IVORY INSERT 48"
3	117431-01-701	EA	TRACK-BOTTOM, 48"
4	117431-01-702	EA	RAIL-SIDE, 67"
5	117431-01-703	EA	RAIL-STATIONARY, 67"
6	117431-01-704	EA	RAIL-LEAD, 67"
7	117431-01-705	EA	GLIDE-IVORY, TRAVELER
8	117431-01-706	EA	GLIDE-IVORY LEAD, TRAVELER
9	117431-01-708	EA	HANDLES & SCREWS
	117431-01-707	EA	LATCH
	117431-06-700	EA	STRAP-VINYL SHOWER

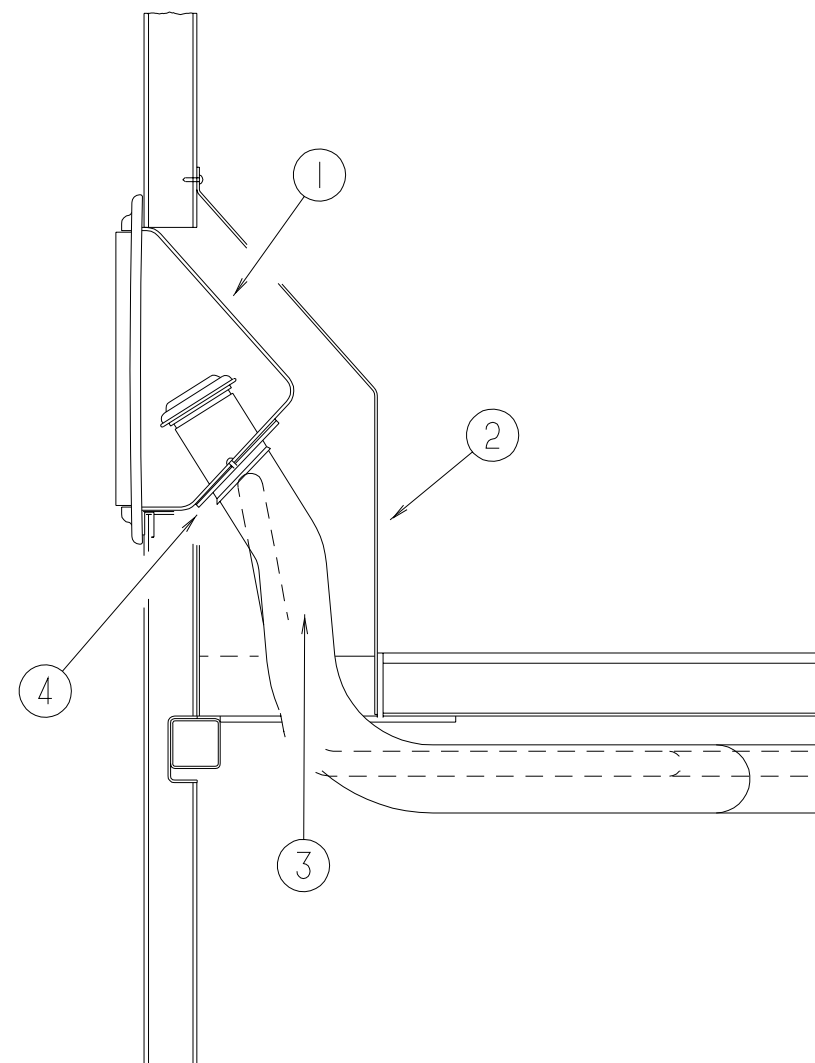
## CHASSIS GROUP



**REAR BUMPER, HITCH & SPARE TIRE CARRIER**

KEY	PART NUMBER	U/M	DESCRIPTION
1	105209-06-C52	EA	BRACKET - SPARE TIRE - FORD
1	105209-04-C52	EA	BRACKET - SPARE TIRE - CHEVY
2	105208-01-000	EA	PLATE - SPARE TIRE
3	104420-01-000	EA	SUPPORT/ANGLE - REAR BUMPER - RIGHT HAND
4	083376-01-000	EA	PLATE/SKID - 13.2" X 6" X 2" STEEL
5	070917-05-000	EA	TIRE - LT225/75R16D - R4S M/S - FORD
5	106715-01-000	EA	TIRE - LT 225/75 R16 - LRD 550 AS - CHEVY
6	103422-05-02A	EA	BUMPER - REAR - SQUARE ALUMINUM - 97.3" - BRIGHT WHITE
7	039779-01-000	EA	CAP - BUMPER - RUBBER - 4" X 4" - BLACK
8	073322-09-J01	EA	COVER - TIRE - 30"
9	130339-04-000	EA	HITCH RECEIVER - BOLT ON CLASS II
10	104420-02-000	EA	SUPPORT/ANGLE - REAR BUMPER - LEFT HAND
	113589-02-000	EA	CONNECTOR - SOCKET - TRAILER
	113588-02-01B	EA	BRACKET - CONNECTOR - TRAILER W/O LIP
	113589-01-000	EA	CONNECTOR - PLUG - TRAILER

## CHASSIS GROUP (CONTINUED)

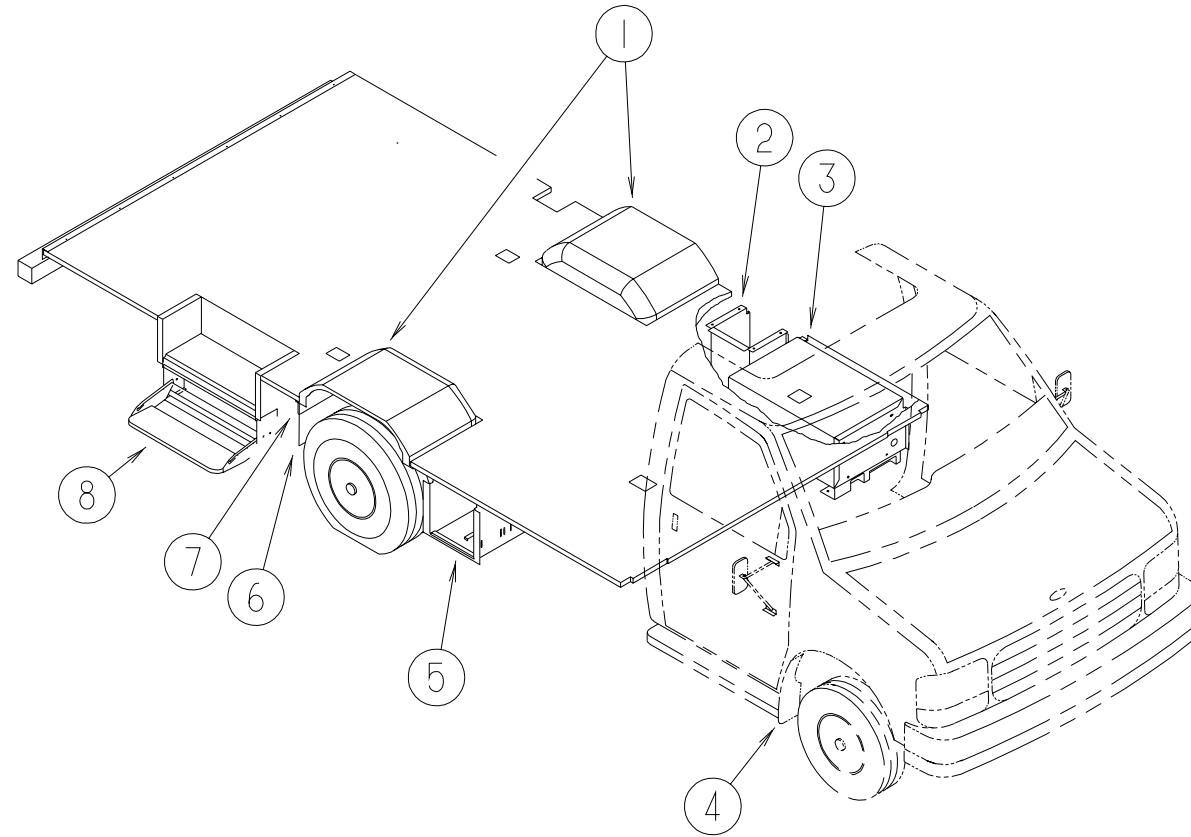


**FUEL SYSTEM COMPONENTS**

KEY	PART NUMBER	U/M	DESCRIPTION
1	095854-01-04A	EA	SHROUD - FUEL FILL - BRIGHT WHITE - FORD
1	127291-01-01A	EA	SHROUD - FUEL FILL - BRIGHT WHITE - CHEVY
2	078040-05-000	EA	SHROUD - FUEL FILL - UPPER
3	124993-01-000	EA	NECK - FILLER - FUEL FILL - FORD
3	106413-02-000	EA	NECK - FILLER - FUEL FILL - DIESEL - FORD
3	128311-03-000	EA	NECK - FUEL FILL - CHEVY UNLEADED
4	078200-01-000	EA	GASKET - FUEL FILL - 3.5"OD X 2"ID
	125187-01-000	FT	HOSE - FUEL - LOW PERM - 11.1 ID - FORD
	125187-02-000	FT	HOSE - FUEL - LOW PERM - 12.7 ID - FORD
	128139-03-000	FT	HOSE - FUEL - LOW PERMEABILITY - 1/4" DIAMETER - CHEVY
	084884-01-000	EA	PLUG - BRASS - 3/8"
	125055-01-000	EA	PIPE - FUEL/GAS - CHEVY

## CHASSIS GROUP (CONTINUED)

### COMPARTMENTS, PLUGS & SEALS

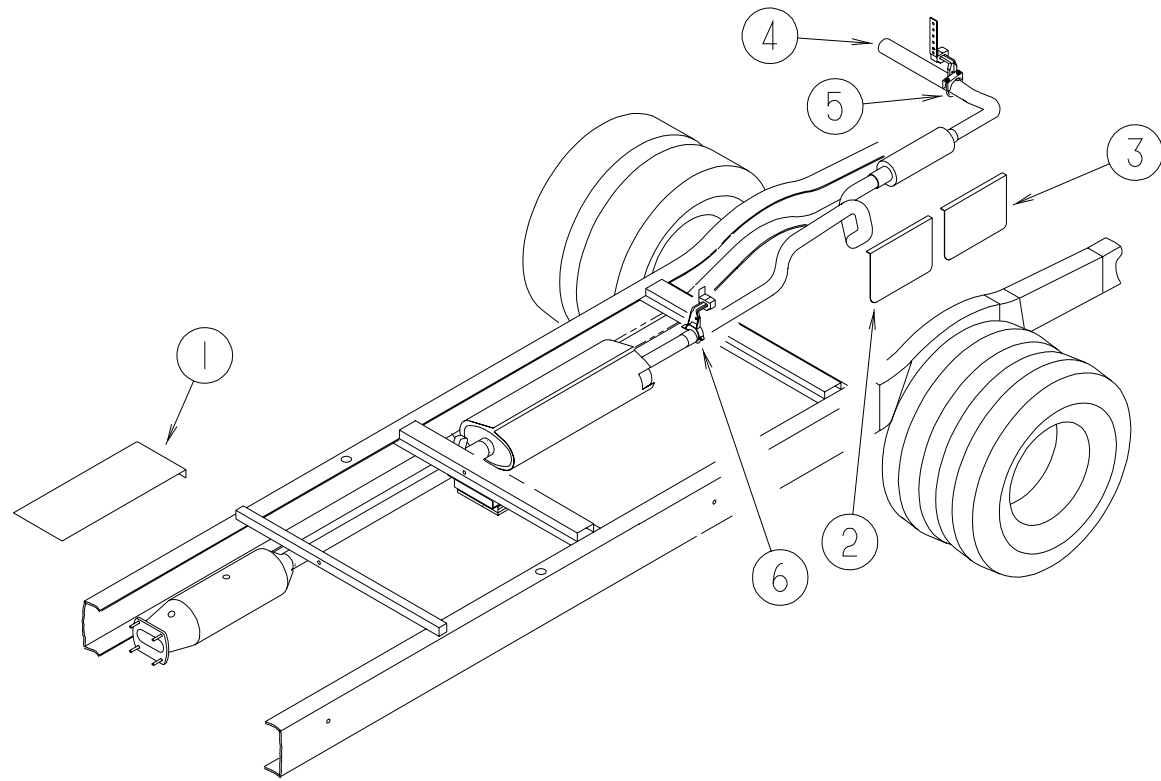


KEY	PART NUMBER	U/M	DESCRIPTION
1	125621-01-000	EA	WHEELWELL
2	101868-05-000	EA	COMPARTMENT - POWER CORD
3	114070-02-02B	EA	SUPPORT - GENERATOR - LEFT
3	114071-02-02B	EA	SUPPORT - GENERATOR - RIGHT
4	072884-27-703	EA	MUD FLAP W/HOLES, 1EA=PAIR - FORD
4	072884-28-701	EA	FRONT FLAP - PAIR - CHEVY
5	105203-04-000	EA	COMPARTMENT - BATTERY
	084993-01-000	EA	STRAP - BATTERY - 43.2" LONG
	084993-02-000	EA	STRAP - BATTERY - 55" LONG
	065450-05-000	EA	TIEDOWN - BATTERY - 8.4" TUBE

KEY	PART NUMBER	U/M	DESCRIPTION
6	017516-01-000	EA	MUD FLAP - 14" X 18" - BLACK
7	045731-05-000	EA	GUARD - ROCK
8	077848-02-000	EA	STEP - PULLOUT
8*	094708-01-01A	EA	STEP - ENTRY DOOR - ELECTRIC - SINGLE - W/O DOOR SWITCH
	091176-01-000	EA	SUPPORT - BASE - ENTRANCE STEP
	061420-01-000	EA	PLUG/PLASTIC - 1.75" DIAMETER - BROWN

\*COMPONENT PARTS FOUND IN SERVICE PARTS LIBRARY

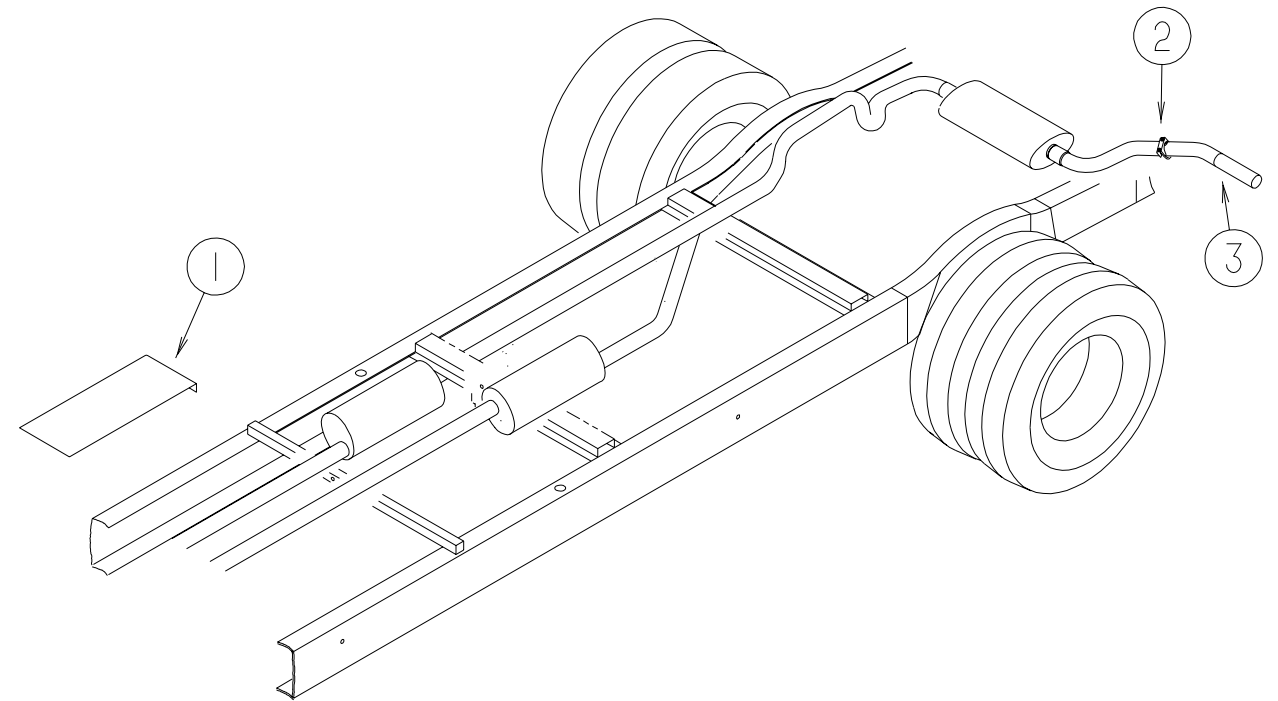
### CHASSIS GROUP (CONTINUED)



### EXHAUST SYSTEM COMPONENTS - FORD

KEY	PART NUMBER	U/M	DESCRIPTION
1	127971-02-02B	EA	SHIELD - HEAT
2	111848-01-02B	EA	SHIELD - HEAT - EXHAUST
3	111848-02-02B	EA	SHIELD - HEAT - EXHAUST
4	111836-05-000	EA	PIPE - EXHAUST/TAIL - GAS
4	125521-02-000	EA	PIPE - EXHAUST/TAIL - DIESEL
4	098762-18-000	EA	PIPE - EXHAUST - STRAIGHT - 3"
	016379-02-000	EA	STRAP - HANGER EXTENSION - 2" X 1" - STEEL
5	007131-01-000	EA	HANGER - TAILPIPE - 6 SLOTS
5	007125-08-000	EA	CLAMP - MUFFLER - 3"
6	007125-08-000	EA	CLAMP - MUFFLER - 3"

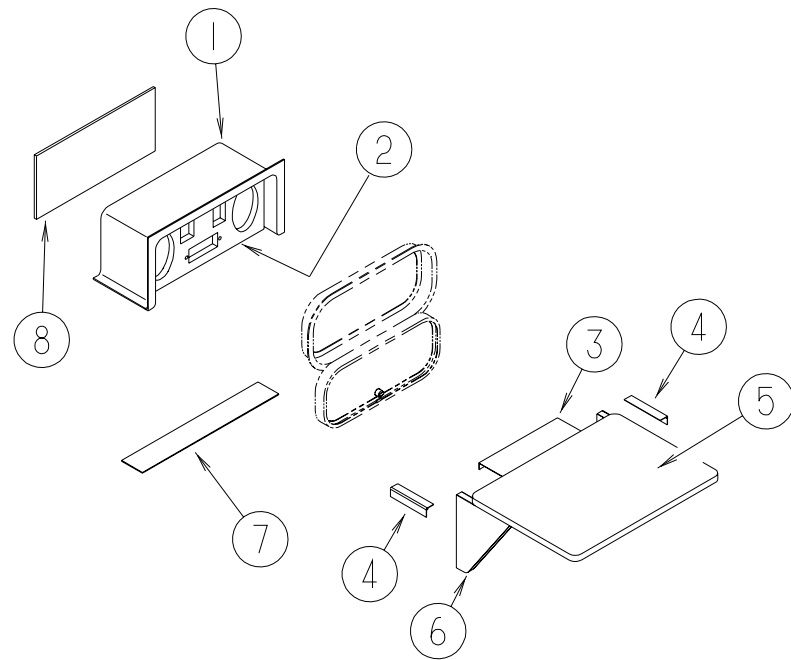
### CHASSIS GROUP (CONTINUED)



### EXHAUST SYSTEM COMPONENTS - CHEVY

KEY	PART NUMBER	U/M	DESCRIPTION
1	127971-03-02B	EA	SHIELD - HEAT - CHEVY
2	007125-08-000	EA	CLAMP - MUFFLER - 3"
3	124571-02-000	EA	PIPE - EXHAUST - TAIL

**CHASSIS GROUP (CONTINUED)**



**EXTERIOR ENTERTAINMENT CENTER**

KEY	PART NUMBER	U/M	DESCRIPTION
1	124696-01-01A	EA	BOX - ENTERTAINMENT CENTER/EXTERIOR
2	127409-02-K04	EA	PLATE - RADIO MOUNTING
3	105377-01-04A	EA	BRACKET - TABLE HANGER - BRIGHT WHITE
4	105376-01-03A	EA	HINGE - CONTINUOUS - 2" X 5.5" - BRIGHT WHITE
5	105230-11-J01	EA	SHELF - EXTERIOR TV
6	105230-12-J01	EA	SUPPORT - EXTERIOR SHELF
7	104898-01-02A	EA	PLATE - PLASTIC BOTTOM - BRIGHT WHITE
8	104898-02-02A	EA	PLATE - PLASTIC BACK - BRIGHT WHITE

**CHASSIS GROUP (CONTINUED)**

**WHEEL LINERS - FORD**

KEY	PART NUMBER	U/M	DESCRIPTION	VENDOR NO.
	110435-13-000	EA	LINER - WHEEL - SET OF 4	
	110435-10-705	EA	TOOL - INSTALLATION	V195P7-TOL
	110435-13-700	EA	LINER - WHEEL - FRONT	V160F7-FWC
	110435-13-701	EA	LINER - WHEEL - REAR	V160F7-RWC
	110435-13-702	EA	COVER - LUG NUT/JAMB NUT	V160F7-EJN
	095012-05-000	EA	EXTENSION - VALVE STEM - LIVE 5"	
	095012-06-000	EA	STABILIZER - VALVE EXTENSION - LIVE	

**WHEEL - FORD**

KEY	PART NUMBER	U/M	DESCRIPTION
	051377-04-000	EA	VALVE STEM - .5" X 2"
	083617-03-000	EA	WHEEL - STEEL - 16.0 X 6

**WHEEL LINERS - CHEVY**

KEY	PART NUMBER	U/M	DESCRIPTION	VENDOR NO.
	091209-05-000	EA	LINER - WHEEL - SET OF 4 - 16" - STAINLESS STEEL	
	091209-03-702	EA	COVER-AXLE, FRONT, 8 LUG	64UE
	091209-03-703	EA	COVER-AXLE, REAR, 8 LUG	65UE
	091209-03-704	EA	RING-SNAP	
	091209-05-700	EA	LINER-WHEEL, FRONT	57-88 KAPER
	091209-05-701	EA	LINER-WHEEL, REAR	58-88
	095012-05-000	EA	EXTENSION - VALVE STEM - LIVE 5"	
	095012-06-000	EA	STABILIZER - VALVE EXTENSION - LIVE	

**WHEEL - CHEVY**

KEY	PART NUMBER	U/M	DESCRIPTION
	051377-03-000	EA	VALVE STEM
	089359-03-000	EA	WHEEL - STEEL - 16" X 6" L - 8 HOLE - PRIMED

**WHEEL COVERS - DICOR**

KEY	PART NUMBER	U/M	DESCRIPTION	VENDOR NO.
	109443-05-000	EA	WHEEL COVER - 4/SET - 16" STAINLESS STEEL	
	098532-01-700	EA	COVER-LUG NUT (CHROME)	SHAU-LNC
	109443-05-700	EA	COVER-WHEEL, 16" SS EA=1	SHFM16-CVR

**LUG WRENCH**

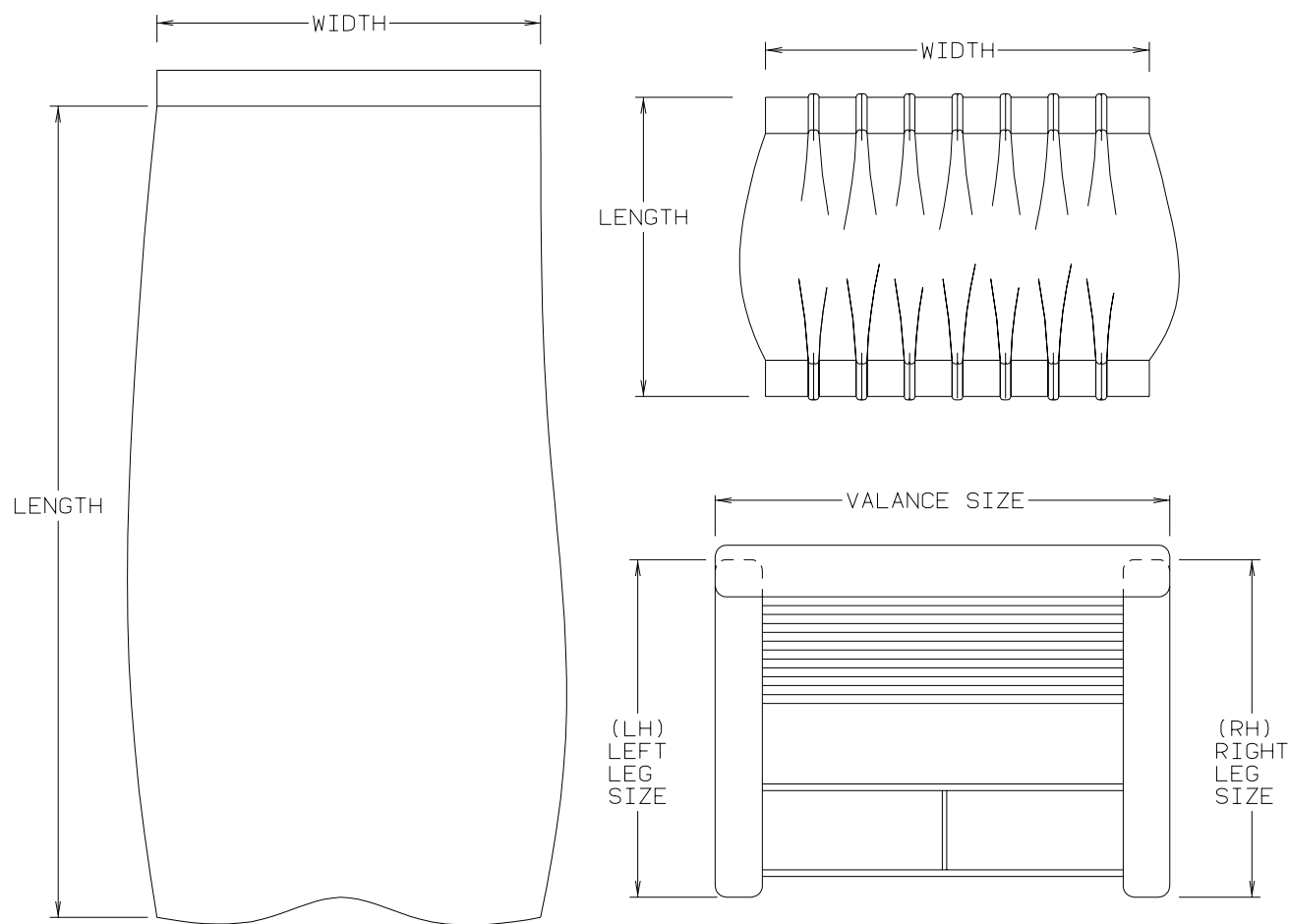
KEY	PART NUMBER	U/M	DESCRIPTION
	112358-01-000	EA	WRENCH - LUG - 7/8" - L-SHAPE



## CURTAIN & CUSHION GROUP

### NOTICE

IN ORDER TO ASSIST OUR PARTS SALES DEPT. IN PROVIDING INTERIOR SOFTWARE ITEMS, PLEASE INCLUDE THE SERIAL NUMBER AND THE COLOR CODE NUMBER FROM THE VEHICLE CERTIFICATION LABEL WHEN ORDERING. THIS LABEL IS LOCATED ON THE LEFT SIDEWALL AT THE END OF THE DASH (A-BODY), OR ON THE DRIVER'S DOOR LATCH PLATE (C-BODY). AN EXAMPLE OF A COLOR CODE NUMBER IS K01, WHICH DESIGNATES AN OVERALL COLOR SCHEME OF A PARTICULAR UNIT. THE COLOR LISTED AFTER THE ITEM DESCRIPTION ON THE MICROFICHE, INDICATES THE OVERALL UNIT COLOR. ORDER THE ITEM YOU DESIRE ACCORDING TO UNIT COLOR CODE.



NOTE: USE THIS ILLUSTRATION WHEN DETERMINING LENGTH AND WIDTH MEASUREMENTS FOR CURTAINS. YOU WILL NOTE THE WIDTH MEASUREMENT IS TAKEN ON THE TOP OF THE CURTAIN WITH THE CURTAIN FULLY EXTENDED. THE LENGTH MEASUREMENT IS TAKEN FROM TOP TO BOTTOM. LEFT AND RIGHT WINDOW LEGS ARE DETERMINED WHEN FACING THE WINDOW.

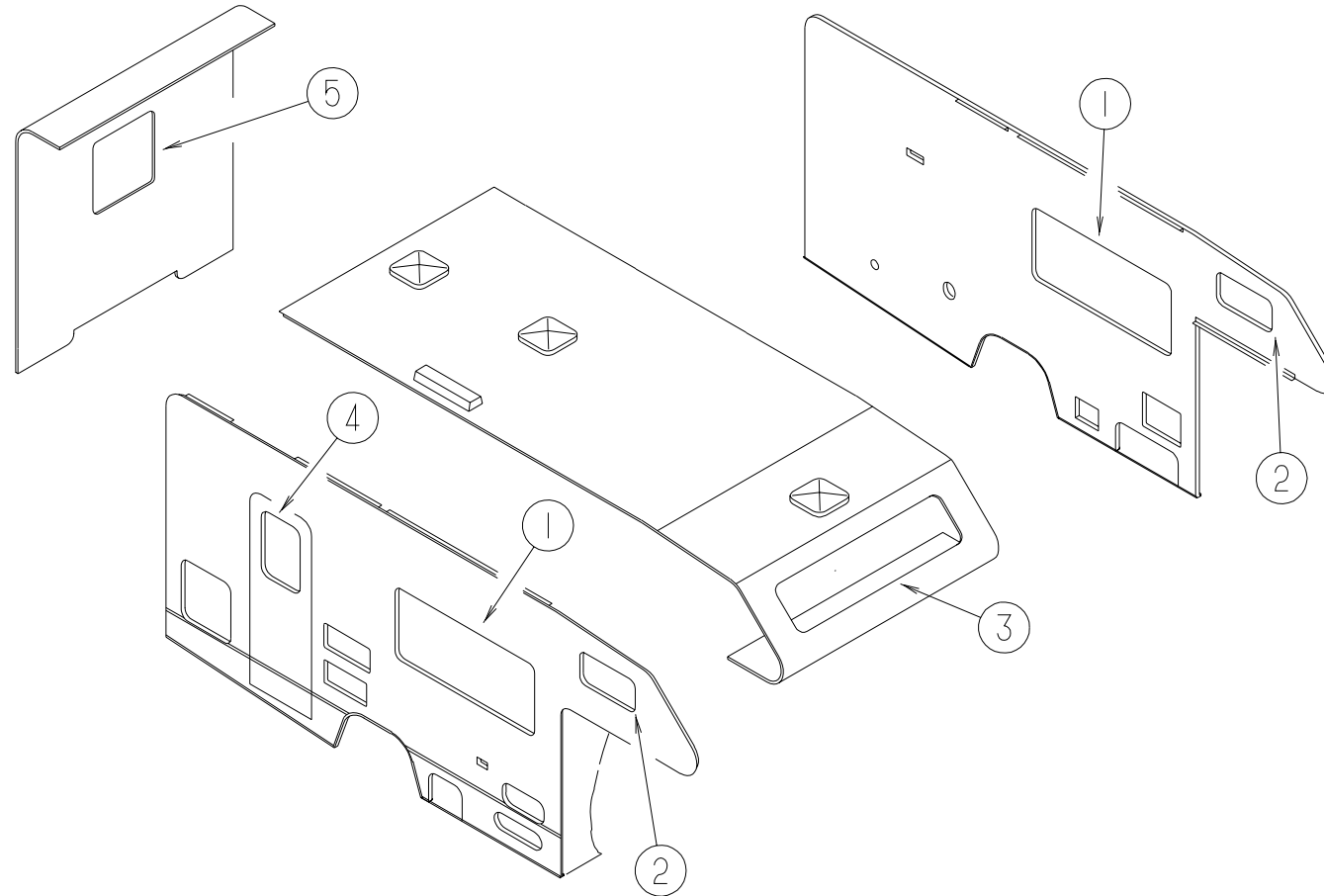
## CURTAIN & CUSHION GROUP (CONTINUED)

### FABRICS

Color Codes	K04	K05	K06
	SANDPIPER	HORIZON	RIVERWALK
BUCKET SEATS	108446-U1-000 108446-57-000	108446-F7-000 108446-F4-000	108446-S6-000 126883-05-000
DINETTE CUSHIONS	108446-R8-000	108446-U5-000	126883-04-000
DINETTE PADS	108446-U1-000	108446-F7-000	108446-S6-000
SOFA	108446-R8-000	108446-U5-000	126883-04-000
SWIVEL CHAIR	108446-57-000	108446-F4-000	126883-05-000
LOUNGE/DINETTE VALANCE/LEG	108446-57-000	108446-F4-000	126883-05-000
LOUNGE/DINETTE OVERLAYS	108446-R8-000	108446-U5-000	126883-04-000
BEDROOM VALANCE/LEG	105745-G2-000	105745-65-000	105745-G6-000
BEDROOM OVERLAYS	105745-A1-000	105745-64-000	105745-B5-000
BEDSPREAD	105745-G2-000	105745-65-000	105745-G6-000
PILLOW SHAMS	105745-G2-000 105745-A1-000	105745-65-000 105745-64-000	105745-G6-000 105745-B5-000
ENTRANCE DOOR VALANCE	108446-57-000	108446-F4-000	126883-05-000
BUNK CUSHIONS	108446-57-000	108446-F4-000	126883-05-000
DIVIDER CURTAIN	105745-A1-000 105745-G2-000	105745-64-000 105745-65-000	105745-B5-000 105745-G6-000
WRAP AROUND	105745-A1-000	105745-64-000	105745-B5-000
BUNK CURTAINS	105745-G2-000	105745-65-000	105745-G6-000
BUNK/PRIVACY CURTAINS	105745-A1-000	105745-64-000	105745-B5-000
DRAPERY LINING	087272-03-000	087272-03-000	087272-03-000
TIRE COVER	103907-01-01A	103907-01-01A	103907-01-01A
HEADLINER	103907-01-06A	103907-01-06A	103907-01-06A

NOTE: FABRIC LISTED FIRST IN A BLOCK, IS THE LARGEST QUANTITY OF FABRIC USED

**CURTAIN & CUSHION GROUP (CONTINUED)**



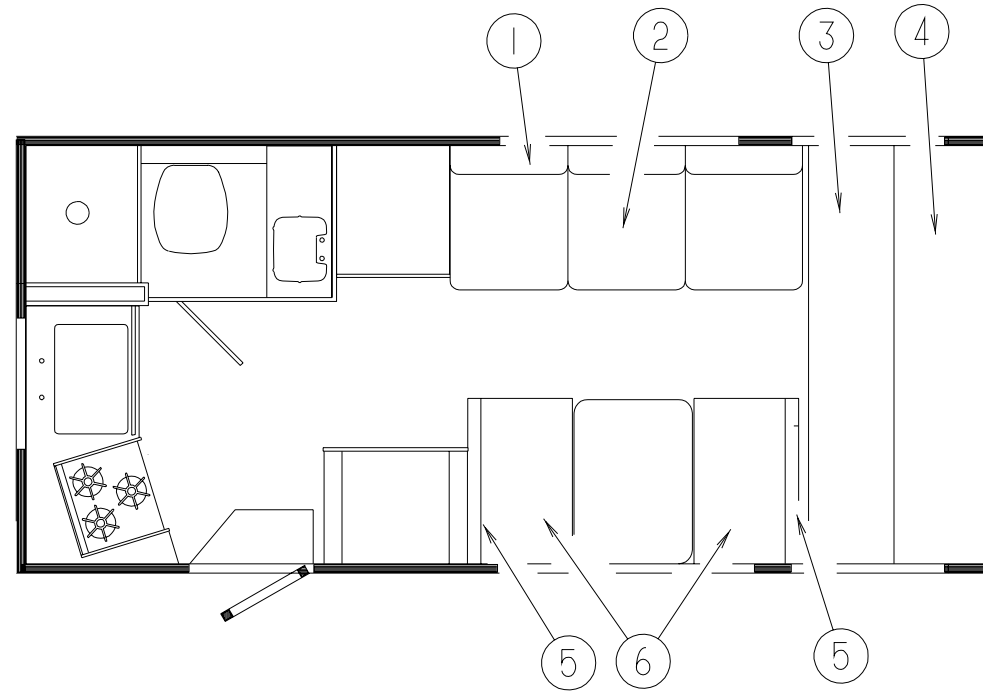
**CURTAINS & WINDOW TREATMENT**

KEY	PART NUMBER	U/M	DESCRIPTION
1	119263-25-J02	EA	VALANCE - STARBUCK II - 64.5" (K04)
1	119263-25-K02	EA	VALANCE - STARBUCK II - 64.5" (K05)
1	119263-25-K06	EA	VALANCE - STARBUCK II - 64.5" (K06)
1	109041-53-02A	EA	BLIND - MINI - 61" X 28.5" (K04, K06)
1	109041-53-01A	EA	BLIND - MINI - 61" X 28.5" (K05)
1	111910-57-K01	EA	BLIND - DAY/NIGHTER - 61" X 28.5" (K04)
1	111910-57-K02	EA	BLIND - DAY/NIGHTER - 61" X 28.5" (K05)
1	111910-57-K06	EA	BLIND - DAY/NIGHTER - 61" X 28.5" (K06)
1	127017-11-J02	EA	LEG - RIGHT - 25" (K04)
1	127017-11-J03	EA	LEG - RIGHT - 25" (K05)
1	127017-11-K48	EA	LEG - RIGHT - 25" (K06)
1	127017-12-J02	EA	LEG - LEFT - 25" (K04)
1	127017-12-J03	EA	LEG - LEFT - 25" (K05)
1	127017-12-K48	EA	LEG - LEFT - 25" (K06)
2	101034-52-J02	EA	CURTAIN - LEFT HAND - 19" X 34" (K04)
2	101034-52-J03	EA	CURTAIN - LEFT HAND - 19" X 34" (K05)
2	101034-52-J11	EA	CURTAIN - LEFT HAND - 19" X 34" (K06)
2	101034-51-J02	EA	CURTAIN - RIGHT HAND - 19" X 34" (K04)
2	101034-51-J03	EA	CURTAIN - RIGHT HAND - 19" X 34" (K05)
2	101034-51-J11	EA	CURTAIN - RIGHT HAND - 19" X 34" (K06)
3	101034-33-J02	EA	CURTAIN - RIGHT HAND - 21" X 60" (K04)
3	101034-33-E21	EA	CURTAIN - RIGHT HAND - 21" X 60" (K05)
3	101034-33-J11	EA	CURTAIN - RIGHT HAND - 21" X 60" (K06)
3	101034-34-J02	EA	CURTAIN - LEFT HAND - 21" X 60" (K04)
3	101034-34-E21	EA	CURTAIN - LEFT HAND - 21" X 60" (K05)
3	101034-34-J11	EA	CURTAIN - LEFT HAND - 21" X 60" (K06)
4	119263-31-J02	EA	VALANCE - STARBUCK II - 29" (K04)
4	119263-31-K02	EA	VALANCE - STARBUCK II - 29" (K05)
4	119263-31-K06	EA	VALANCE - STARBUCK II - 29" (K06)
4	084755-57-E07	EA	SHADE - PULL - 27.25"
5	109041-35-02A	EA	BLIND - MINI - 28.5" X 19" (K04, K06)
5	109041-35-01A	EA	BLIND - MINI - 28.5" X 19" (K05)

**PRIVACY CURTAINS & TIEBACKS**

KEY	PART NUMBER	U/M	DESCRIPTION
	101668-39-G01	EA	CURTAIN - RIGHT HAND - 35" X 50" (K04)
	101668-39-J03	EA	CURTAIN - RIGHT HAND - 35" X 50" (K05)
	101668-39-J04	EA	CURTAIN - RIGHT HAND - 35" X 50" (K06)
	101668-40-G01	EA	CURTAIN - LEFT HAND - 35" X 50" (K04)
	101668-40-J03	EA	CURTAIN - LEFT HAND - 35" X 50" (K05)
	101668-40-J04	EA	CURTAIN - LEFT HAND - 35" X 50" (K06)
	073260-23-G01	EA	TIEBACK - CURTAIN - 3" X 18" (K04)
	073260-23-F15	EA	TIEBACK - CURTAIN - 3" X 18" (K05)
	073260-23-J04	EA	TIEBACK - CURTAIN - 3" X 18" (K06)
	076892-23-J02	EA	CURTAIN - 44" X 80" (K04)
	076892-23-J03	EA	CURTAIN - 44" X 80" (K05)
	076892-23-J04	EA	CURTAIN - 44" X 80" (K06)
	101668-58-K01	EA	CURTAIN - TAPE TOP - 70" X 60" (K04)
	101668-58-K02	EA	CURTAIN - TAPE TOP - 70" X 60" (K05)
	101668-58-J04	EA	CURTAIN - TAPE TOP - 70" X 60" (K06)
	073260-65-J02	EA	TIEBACK - 4" X 15" (K04)
	073260-65-J03	EA	TIEBACK - 4" X 15" (K05)
	073260-65-J04	EA	TIEBACK - 4" X 15" (K06)

**CURTAIN & CUSHION GROUP (CONTINUED)**



**COUCH**

**DINETTE CUSHIONS**

KEY	PART NUMBER	U/M	DESCRIPTION
1	111319-01-J02	EA	BACK - SOFA/BED - W/FRAME - 74" (K04)
1	111319-01-J44	EA	BACK - SOFA/BED - W/FRAME - 74" (K05)
1	111319-01-K06	EA	BACK - SOFA/BED - W/FRAME - 74" (K06)
	P11319-01-J02	EA	COVER - BACK - SOFA/BED - 74" (K04)
	P11319-01-J44	EA	COVER - BACK - SOFA/BED - 74" (K05)
	P11319-01-K06	EA	COVER - BACK - SOFA/BED - 74" (K06)
	101085-10-000	EA	FRAME - BACK - SOFA/BED - 74.75"
2	100032-43-J02	EA	SEAT - SOFA/BED - W/FRAME - 74" - W/O ARMS (K04)
2	100032-43-J47	EA	SEAT - SOFA/BED - W/FRAME - 74" - W/O ARMS (K05)
2	100032-43-K06	EA	SEAT - SOFA/BED - W/FRAME - 74" - W/O ARMS (K06)
	P00032-43-J02	EA	COVER - SEAT - SOFA/BED - 74" - NO ARMS (K04)
	P00032-43-J47	EA	COVER - SEAT - SOFA/BED - 74" - NO ARMS (K05)
	P00032-43-K06	EA	COVER - SEAT - SOFA/BED - 74" - NO ARMS (K06)
	101085-04-000	EA	FRAME - SEAT - SOFA/BED - 74.75"
	101085-06-000	EA	FRAME - BASE - SOFA/BED - 74.75"
	113990-09-000	EA	LOCK - BRACKET - MALE FLEXSTEEL
	122556-04-01A	EA	LOCK - JACK KNIFE SEAT

KEY	PART NUMBER	U/M	DESCRIPTION
5	111897-14-J02	EA	CUSHION - BACK - 13.5" X 42" X 5" (K04) FROM: 00-00-00 THRU: 09-13-98
5	111897-14-K02	EA	CUSHION - BACK - 13.5" X 42" X 5" (K05) FROM: 00-00-00 THRU: 09-13-98
5	111897-14-K06	EA	CUSHION - BACK - 13.5" X 42" X 5" (K06) FROM: 00-00-00 THRU: 09-13-98
	P11897-14-J02	EA	COVER - BACK CUSHION - 13.5" X 42" X 5" (K04)
	P11897-14-K02	EA	COVER - BACK CUSHION - 13.5" X 42" X 5" (K05)
	P11897-14-K06	EA	COVER - BACK CUSHION - 13.5" X 42" X 5" (K06)
5	111897-21-K04	EA	CUSHION - BACK - 12.5" X 42" X 5" FROM: 09-14-98 THRU: 99-99-99
5	111897-21-K05	EA	CUSHION - BACK - 12.5" X 42" X 5" FROM: 09-14-98 THRU: 99-99-99
5	111897-21-K06	EA	CUSHION - BACK - 12.5" X 42" X 5" FROM: 09-14-98 THRU: 99-99-99
	P11897-21-K04	EA	COVER - BACK CUSHION - 13.5" X 42" X 5"
	P11897-21-K05	EA	COVER - BACK CUSHION - 13.5" X 42" X 5"
	P11897-21-K06	EA	COVER - BACK CUSHION - 13.5" X 42" X 5"
6	105603-23-J02	EA	CUSHION - SEAT BOTTOM - 21" X 42" X 5" (K04)
6	105603-23-K02	EA	CUSHION - SEAT BOTTOM - 21" X 42" X 5" (K05)
6	105603-23-K06	EA	CUSHION - SEAT BOTTOM - 21" X 42" X 5" (K06)
	P05603-23-J02	EA	COVER - SEAT BOTTOM - 21" X 42" X 5" (K04)
	P05603-23-K02	EA	COVER - SEAT BOTTOM - 21" X 42" X 5" (K05)
	P05603-23-K06	EA	COVER - SEAT BOTTOM - 21" X 42" X 5" (K06)

**NOTE: COUCH FRONT AND SIDE PANELS ARE FOUND IN LOUNGE GROUP**

**OVERHEAD BUNK CUSHIONS**

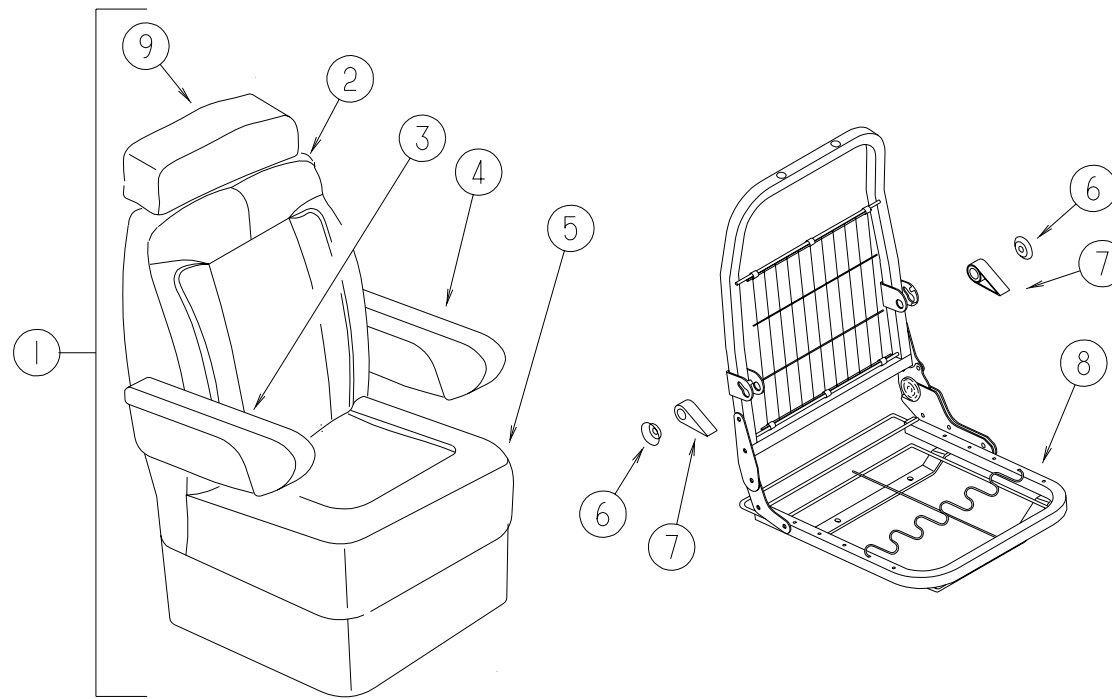
KEY	PART NUMBER	U/M	DESCRIPTION
3	105573-10-K04	EA	CUSHION - OVERHEAD BUNK/REAR - 27" X 23" X 80" X 5"
3	105573-10-K05	EA	CUSHION - OVERHEAD BUNK/REAR - 27" X 23" X 80" X 5"
3	105573-10-K06	EA	CUSHION - OVERHEAD BUNK/REAR - 27" X 23" X 80" X 5"
	P05573-10-K04	EA	COVER - CUSHION/OVERHEAD BUNK/REAR - 27" X 23" X 80" X 5"
	P05573-10-K05	EA	COVER - CUSHION/OVERHEAD BUNK/REAR - 27" X 23" X 80" X 5"
	P05573-10-K06	EA	COVER - CUSHION/OVERHEAD BUNK/REAR - 27" X 23" X 80" X 5"
4	105573-09-E22	EA	CUSHION - OVERHEAD BUNK/FRONT - 32.5" X 80" X 5" (K04)
4	105573-09-J03	EA	CUSHION - OVERHEAD BUNK/FRONT - 32.5" X 80" X 5" (K05)
4	105573-09-K06	EA	CUSHION - OVERHEAD BUNK/FRONT - 32.5" X 80" X 5" (K06)
	P05573-09-E22	EA	COVER - CUSHION/OVERHEAD BUNK/FRONT - 32.5" X 80" X 5" (K04)
	P05573-09-J03	EA	COVER - CUSHION/OVERHEAD BUNK/FRONT - 32.5" X 80" X 5" (K05)
	P05573-09-K06	EA	COVER - CUSHION/OVERHEAD BUNK/FRONT - 32.5" X 80" X 5" (K06)

**ASSIST HANDLE & SEATBELTS**

KEY	PART NUMBER	U/M	DESCRIPTION
	007021-01-000	EA	SEAT BELT - 2" X 90" - BLACK
	056271-01-000	EA	BELT - SEAT - 2" X 102" - BLACK
	057759-01-000	EA	WASHER - FLAT F/SEAT BELT - 4" DIAMETER
	000C16-07-16B	EA	BOLT - CARRIAGE - ASSIST HANDLE - 7/16" - 14 X 1"
	000D20-07-00B	EA	NUT - ACORN - ASSIST HANDLE - 7/16 - 14
	053552-02-K01	EA	HANDLE - ASSIST - INTERIOR/ENTRY DOOR - VINYL/OFF WHITE
	069178-02-000	EA	BRACKET - MOUNTING/ASSIST HANDLE - GRAY

## CURTAIN & CUSHION GROUP (CONTINUED)

### BUCKET SEAT - FORD

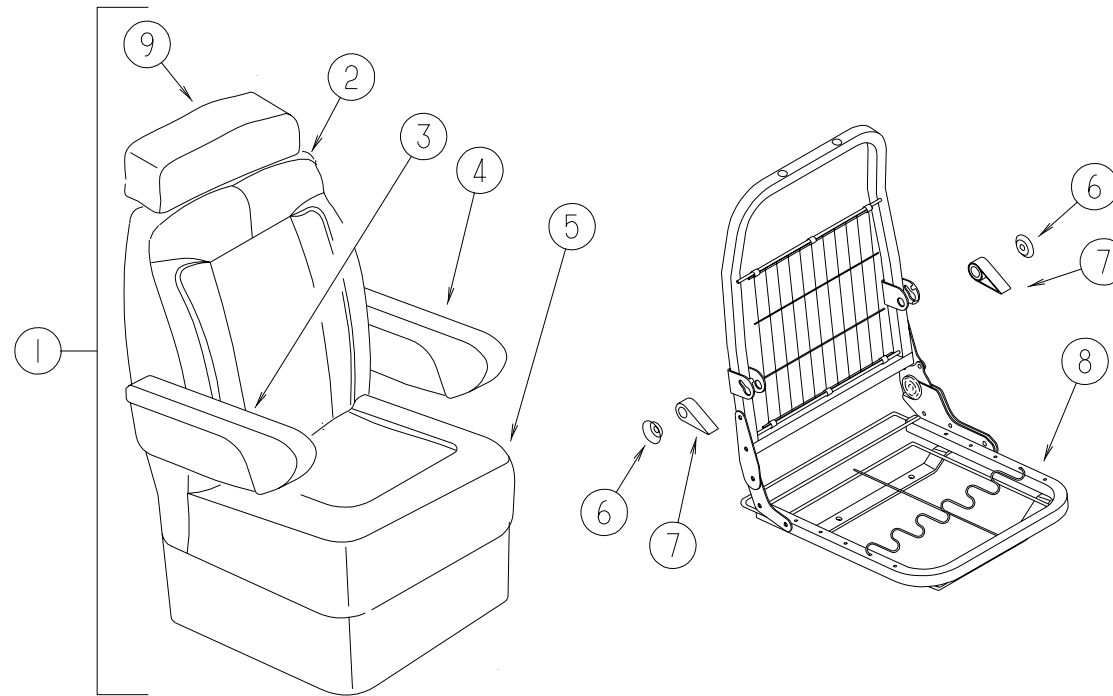


KEY	PART NUMBER	U/M	DESCRIPTION
1	110148-16-J02	EA	SEAT - BUCKET - W/HEADREST/RIGHT ARMREST - DRIVER (K04)
1	110148-16-K05	EA	SEAT - BUCKET - W/HEADREST/RIGHT ARMREST - DRIVER (K05)
1	110148-16-K06	EA	SEAT - BUCKET - W/HEADREST/RIGHT ARMREST - DRIVER (K06)
1	110148-17-J02	EA	SEAT - ECONO 3 - W/HEADREST/LEFT ARMREST (K04)
1	110148-17-K05	EA	SEAT - ECONO 3 - W/HEADREST/LEFT ARMREST (K05)
1	110148-17-K06	EA	SEAT - ECONO 3 - W/HEADREST/LEFT ARMREST (K06)
2	M05962-55-J02	EA	COVER - BACK (K04)
2	M05962-55-J03	EA	COVER - BACK (K05)
2	M05962-55-K06	EA	COVER - BACK (K06)
3	122780-01-J02	EA	ARMREST - RIGHT HAND (K04)
3	122780-01-K05	EA	ARMREST - RIGHT HAND (K05)
3	122780-01-K06	EA	ARMREST - RIGHT HAND (K06)
	P22780-01-J02	EA	COVER - ARMREST - RIGHT HAND (K04)
	P22780-01-K05	EA	COVER - ARMREST - RIGHT HAND (K05)
	P22780-01-K06	EA	COVER - ARMREST - RIGHT HAND (K06)
	115617-03-000	EA	ARMREST - W/O COVER - RIGHT HAND
4	122780-02-J02	EA	ARMREST - LEFT HAND (K04)
4	122780-02-H16	EA	ARMREST - LEFT HAND (K05)
4	122780-02-J06	EA	ARMREST - LEFT HAND (K06)
	P22780-02-J02	EA	COVER - ARMREST - LEFT HAND (K04)
	P22780-02-H16	EA	COVER - ARMREST - LEFT HAND (K05)
	P22780-02-J06	EA	COVER - ARMREST - LEFT HAND (K06)
	115617-04-000	EA	ARMREST - W/O COVER - LEFT HAND

KEY	PART NUMBER	U/M	DESCRIPTION
5	M05962-56-J02	EA	COVER - SEAT (K04)
5	M05962-56-J03	EA	COVER - SEAT (K05)
5	M05962-56-K06	EA	COVER - SEAT (K06)
6	130802-03-000	EA	LEVER - SCREW
7	130802-01-000	EA	LEVER - LEFT HAND
7	130802-02-000	EA	LEVER - RIGHT HAND
8	125229-07-000	EA	FRAME - SEAT - PASSENGER - W/LEFT ARMREST BRACKET
8	125229-06-000	EA	FRAME - SEAT - DRIVER - W/RIGHT ARMREST BRACKET
	130800-01-000	EA	GUARD-HINGE, #92948 - FLEXSTEEL
	007221-01-000	EA	SPACER - SEAT/ADJUSTER
9	119509-01-J02	EA	HEADREST - BUCKET SEAT (K04)
9	119509-01-H01	EA	HEADREST - BUCKET SEAT (K05)
9	119509-01-J06	EA	HEADREST - BUCKET SEAT (K06)
	P19509-01-J02	EA	COVER - HEADREST (K04)
	P19509-01-H01	EA	COVER - HEADREST (K05)
	P19509-01-J06	EA	COVER - HEADREST (K06)
	113977-12-000	EA	HEADREST INSERT - W/O LOCK
	113977-13-000	EA	HEADREST INSERT - W/LOCK

## CURTAIN & CUSHION GROUP (CONTINUED)

### BUCKET SEAT - CHEVY

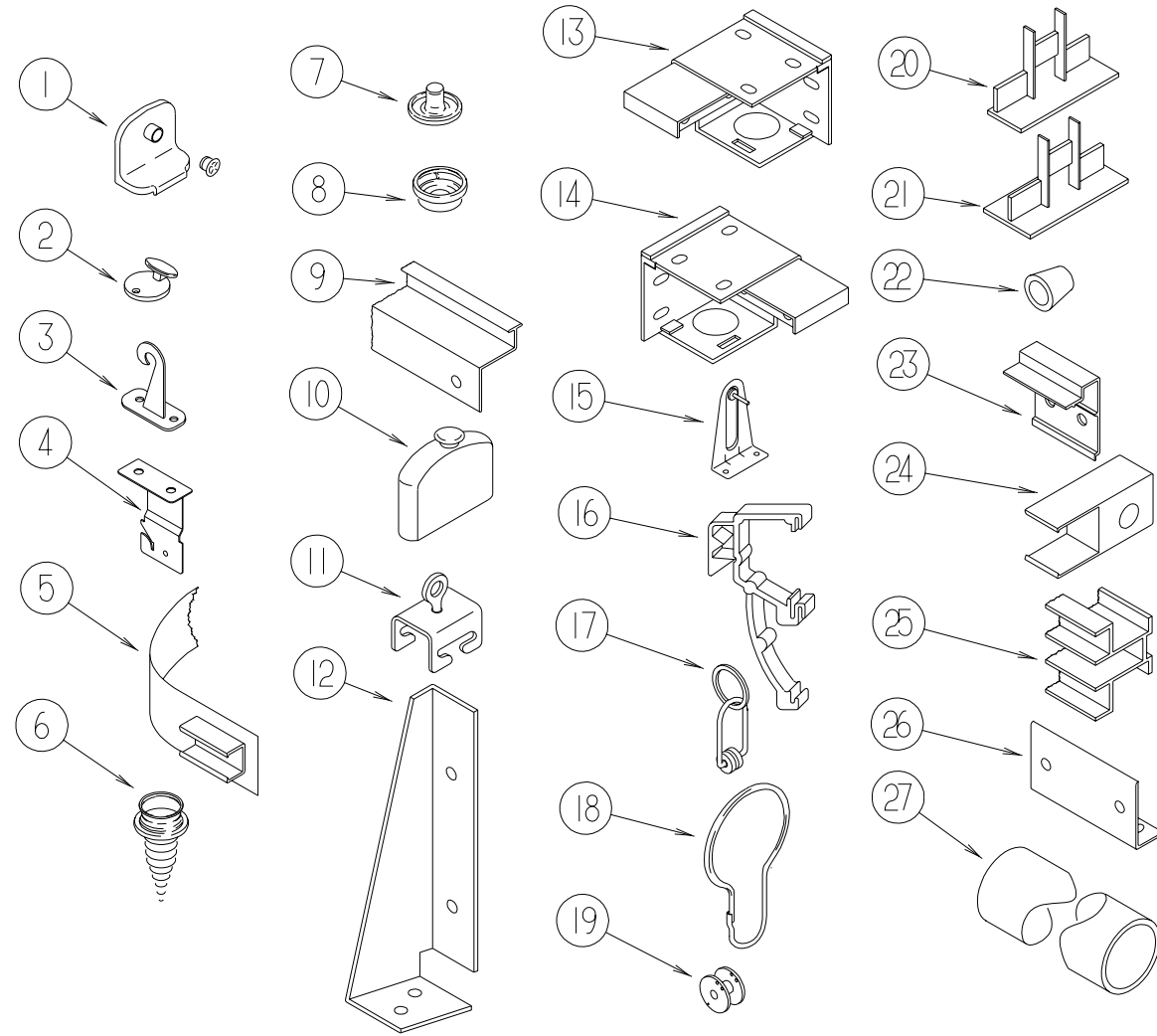


KEY	PART NUMBER	U/M	DESCRIPTION
1	110148-18-J02	EA	SEAT - ECONO 3 - W/HEADREST/RIGHT ARMREST (K04)
1	110148-18-K02	EA	SEAT - ECONO 3 - W/HEADREST/RIGHT ARMREST (K05)
1	110148-18-K06	EA	SEAT - ECONO 3 - W/HEADREST/RIGHT ARMREST (K06)
1	110148-19-K04	EA	SEAT - ECONO 3 - W/HEADREST/LEFT ARMREST (K04)
1	110148-19-K05	EA	SEAT - ECONO 3 - W/HEADREST/LEFT ARMREST (K05)
1	110148-19-K06	EA	SEAT - ECONO 3 - W/HEADREST/LEFT ARMREST (K06)
2	M05962-55-J02	EA	COVER - BACK (K04)
2	M05962-55-J03	EA	COVER - BACK (K05)
2	M05962-55-K06	EA	COVER - BACK (K06)
3	122780-01-J02	EA	ARMREST - RIGHT HAND (K04)
3	122780-01-K05	EA	ARMREST - RIGHT HAND (K05)
3	122780-01-K06	EA	ARMREST - RIGHT HAND (K06)
	P22780-01-J02	EA	COVER - ARMREST - RIGHT HAND (K04)
	P22780-01-K05	EA	COVER - ARMREST - RIGHT HAND (K05)
	P22780-01-K06	EA	COVER - ARMREST - RIGHT HAND (K06)
	115617-03-000	EA	ARMREST - W/O COVER - RIGHT HAND
4	122780-02-J02	EA	ARMREST - LEFT HAND (K04)
4	122780-02-H16	EA	ARMREST - LEFT HAND (K05)
4	122780-02-J06	EA	ARMREST - LEFT HAND (K06)
	P22780-02-J02	EA	COVER - ARMREST - LEFT HAND (K04)
	P22780-02-H16	EA	COVER - ARMREST - LEFT HAND (K05)
	P22780-02-J06	EA	COVER - ARMREST - LEFT HAND (K06)
	115617-04-000	EA	ARMREST - W/O COVER - LEFT HAND

KEY	PART NUMBER	U/M	DESCRIPTION
5	M05962-69-J02	EA	COVER - SEAT (K04)
5	M05962-69-J03	EA	COVER - SEAT (K05)
5	M05962-69-K06	EA	COVER - SEAT (K06)
6	130802-03-000	EA	LEVER - SCREW
7	130802-01-000	EA	LEVER - LEFT HAND
7	130802-02-000	EA	LEVER - RIGHT HAND
8	125229-07-000	EA	FRAME - SEAT - PASSENGER - W/LEFT ARMREST BRACKET
8	125229-06-000	EA	FRAME - SEAT - DRIVER - W/RIGHT ARMREST BRACKET
	130800-01-000	EA	GUARD - HINGE
	007221-01-000	EA	SPACER - SEAT/ADJUSTER
9	119509-01-J02	EA	HEADREST - BUCKET SEAT (K04)
9	119509-01-H01	EA	HEADREST - BUCKET SEAT (K05)
9	119509-01-J06	EA	HEADREST - BUCKET SEAT (K06)
	P19509-01-J02	EA	COVER - HEADREST (K04)
	P19509-01-H01	EA	COVER - HEADREST (K05)
	P19509-01-J06	EA	COVER - HEADREST (K06)
	113977-12-000	EA	HEADREST INSERT - W/O LOCK
	113977-13-000	EA	HEADREST INSERT - W/LOCK

## CURTAIN & CUSHION GROUP (CONTINUED)

### CURTAIN & BLIND HARDWARE

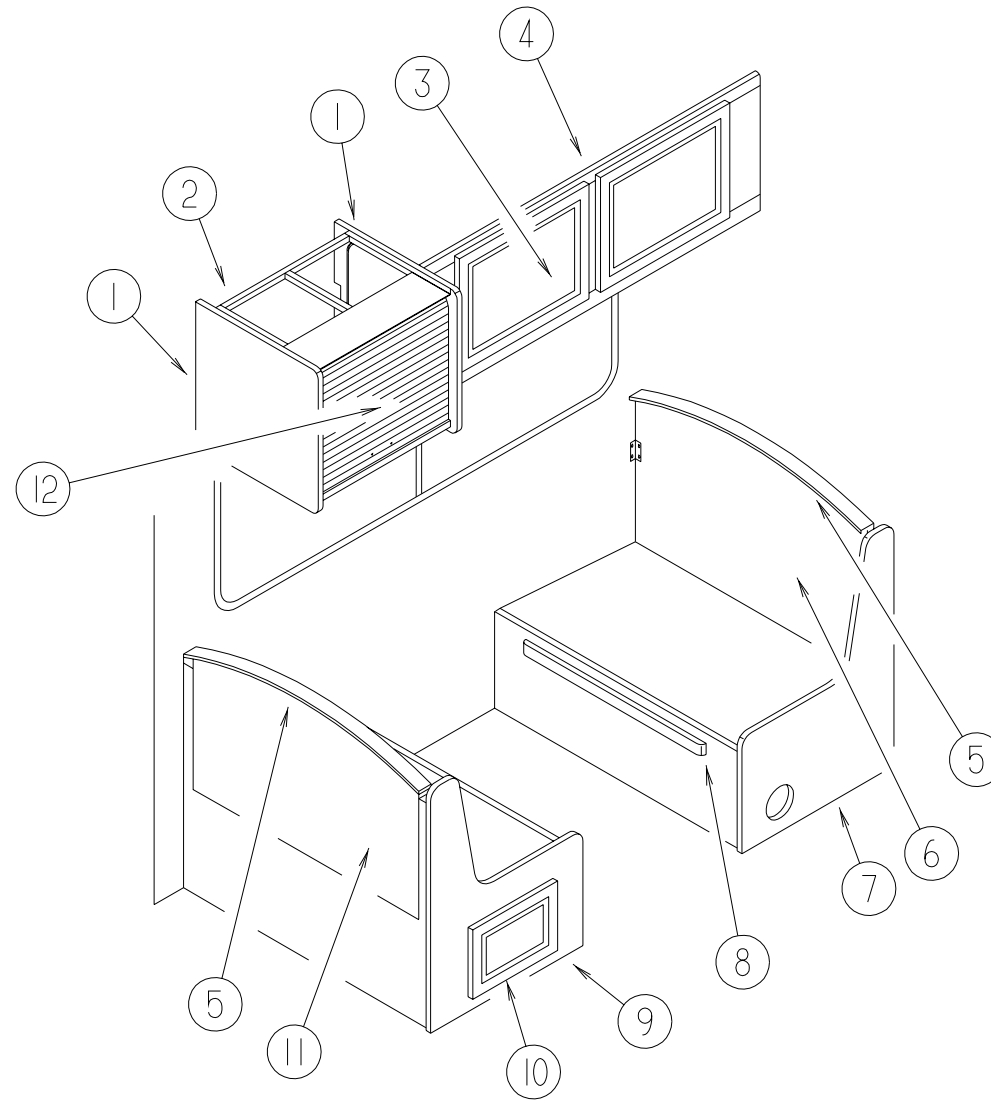


KEY	PART NUMBER	U/M	DESCRIPTION
1	106544-01-000	EA	PULL - SHADE/BRASS
	106544-01-001	EA	SCREW - SHADE/BRASS
2	102555-03-000	EA	CLEAT - BLIND CORD - MILKY WHITE PLASTIC
3	109441-03-000	EA	HOLD DOWN - BLIND (CLOUDY)
	109441-02-000	EA	HOLD DOWN - SPACER
4	084434-01-000	EA	BRACKET - MOUNTING - ROLLER SHADE - 1 3/8"
	096843-01-000	EA	SPRING - REWIND/ROLLER SHADE
	086276-01-000	EA	TAPE - DOUBLE SIDED - 1/2"
5	101031-01-000	YD	TAPE - GLIDE/CURTAIN - 4.25" SPACING
6	029130-01-000	EA	SCREW - SNAP SOCKET - #8 PH X 5/8"
7	029155-01-000	EA	CAP - SNAP - 5/32" OUTSIDE DIAMETER OF PIN
8	029156-01-000	EA	SOCKET - SNAP - 9/16" O.D
9	105450-08-01A	EA	TRACK - CURTAIN - 38" - OFF WHITE
9	105450-14-01A	EA	TRACK - CURTAIN - 90" - OFF WHITE
10	093475-01-701	EA	CAP-END, WITH INVERTED STUD
11	009702-01-000	EA	END STOP - CURTAIN CARRIER - L ROD
12	076827-02-000	EA	BRACKET - LEG - 2.9" X 1.8" - TRIANGLE
13	083170-01-000	EA	BRACKET - BLIND - LEFT SIDE WHEN FACING WINDOW
14	083170-02-000	EA	BRACKET - BLIND - RIGHT SIDE WHEN FACING WINDOW
15	095591-02-000	EA	BRACKET - BLIND - HOLD DOWN W/PIN - METAL
16	109353-04-000	EA	CLIP - VALANCE SLAT MOUNTING - CLEAR PLASTIC
17	009701-01-000	EA	CARRIER - CURTAIN - L ROD
18	009136-02-000	EA	HANGER - RING - PIN TYPE - CURTAIN - BRASS
19	097592-02-000	EA	SPOOL - CORD - ELEVATED BLIND HOLDUP - LARGE - CLEAR
19	097592-01-000	EA	SPOOL - CORD - ELEVATED BLIND HOLDUP - SMALL - CLEAR

KEY	PART NUMBER	U/M	DESCRIPTION
20	094907-04-000	EA	END CAP - BOTTOM/PLEATED BLIND (RH & LH)
21	094907-02-000	EA	END CAP - TOP/PLEATED BLIND - PLASTIC - GRAY
22	097564-03-000	EA	HANDLE - KNOB - E-Z LIFT SHADE - TAN
22	097564-04-000	EA	HANDLE - KNOB - E-Z LIFT SHADE - NAVY
	000G68-06-12J	EA	SCREW 6-18X.75 POH BRASS
23	097565-01-000	EA	BRACKET - MOUNTING/PLEATED BLIND
24	101033-02-000	EA	END CAP - TRACK/CLEAR
25	101033-04-000	EA	TRACK - WALL - 3'
25	101033-06-000	EA	TRACK - WALL - 6.5'
25	101033-07-000	EA	TRACK - WALL - 2.5'
26	083125-07-000	EA	BRACE - COUCH - 2.5"
27	102075-10-01A	EA	ROD - CURTAIN/SHOWER
	046867-02-000	EA	WASHER - HANDY BUTTON #3
	046867-03-000	EA	GROMMET - HANDY BUTTON #3
	048394-02-000	YD	VELCRO TAPE - HOOK - ADHESIVE BACK - .75" WIDE - BEIGE
	094896-02-000	EA	GROMMET - CORD/PLEATED BLIND - NYLON - GRAY
	097591-01-000	EA	SPRING - EXTENSION/PLEATED BLIND
	097593-02-000	FT	CORD - BLIND - PLEATED - GRAY
	097593-07-000	FT	CORD - BLIND - PLEATED - JADE

# DINETTE GROUP

## DINETTE CABINETS

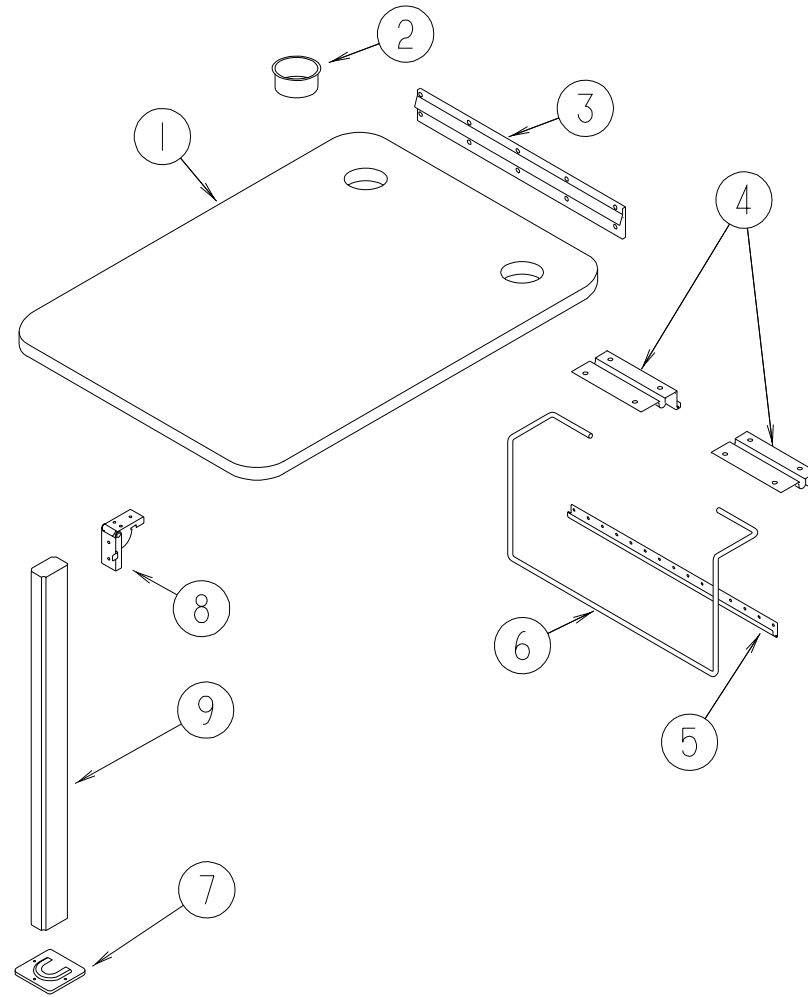


KEY	PART NUMBER	U/M	DESCRIPTION
1	109908-58-J01	EA	END CAP - OVERHEAD CABINET FROM: 00-00-00 THRU: 08-06-98
1	109908-98-J01	EA	END CAP - OVERHEAD CABINET FROM: 08-07-98 THRU: 99-99-99
2	M08163-09-J03	EA	CABINET - TV/VCP - W/O SHELF/SLIDES/SWIVEL - W/TAMBOUR DOOR
	122298-02-02B	EA	BRACKET - TV/VCR - LEFT HAND
	122298-03-02B	EA	BRACKET - TV/VCR - RIGHT HAND
	122469-02-02B	EA	BRACKET - ZEE
2	M08163-10-J03	EA	CABINET - TV/VCP - W/SHELF/SLIDES/SWIVEL/TAMBOUR DOOR
	122298-02-02B	EA	BRACKET - TV/VCR - LEFT HAND
	122298-03-02B	EA	BRACKET - TV/VCR - RIGHT HAND
	122469-01-02B	EA	BRACKET - ZEE
3	M09332-03-K01	EA	DOOR - RAISED MEMBRANE/OGEE EDGE - 15.7" X 20.4" - W/O HDW
4	122188-02-K01	EA	CABINET - OVERHEAD/DINETTE - W/O DOORS/HARDWARE
5	111338-11-J02	EA	PAD - DINETTE SEATBACK (K04)
5	111338-11-J03	EA	PAD - DINETTE SEATBACK (K05)
5	111338-11-K03	EA	PAD - DINETTE SEATBACK (K06)
6	M08123-18-J01	EA	CABINET - SEATBACK - RIGHT HAND FROM: 00-00-00 THRU: 09-07-98

KEY	PART NUMBER	U/M	DESCRIPTION
6	M08123-28-K01	EA	CABINET - SEATBACK - W/O HARDWARE FROM: 09-08-98 THRU: 99-99-99
7	M08122-21-J01	EA	CABINET - SEATBASE - RIGHT HAND - W/O DOOR/DRAWER/HDW FROM: 00-00-00 THRU: 09-07-98
7	M08122-31-K01	EA	CABINET - SEATBASE - W/O DOOR/DRAWER/HARDWARE FROM: 09-08-98 THRU: 99-99-99
8	081295-04-G04	EA	SUPPORT - BED/DINETTE - 40" LONG
9	M08122-20-J01	EA	CABINET - SEATBASE - LEFT HAND - W/O DOOR/DRAWER/HDW FROM: 00-00-00 THRU: 09-07-98
9	M08123-30-K01	EA	CABINET - SEATBASE - W/O DOOR/DRAWER/HARDWARE FROM: 09-08-98 THRU: 99-99-99
10	M05992-M7-J18	EA	DOOR - STRAIGHT CORNER/OGEE EDGE - 10" X 19.1" - W/O HDW
11	M08123-17-J01	EA	CABINET - SEATBACK - LEFT HAND FROM: 00-00-00 THRU: 09-07-98
11	M08123-27-K01	EA	CABINET - SEATBACK - W/O HARDWARE FROM: 09-08-98 THRU: 99-99-99
12	125722-19-J01	EA	DOOR - TAMBOUR - NON-STAINED
	093622-01-000	EA	TRACK - DOOR - TAMBOUR - PLASTIC - 8' LENGTHS
	093623-01-000	EA	CORNER - TRACK - TAMBOUR DOOR

## DINETTE GROUP (CONTINUED)

### DINETTE TABLE & HARDWARE

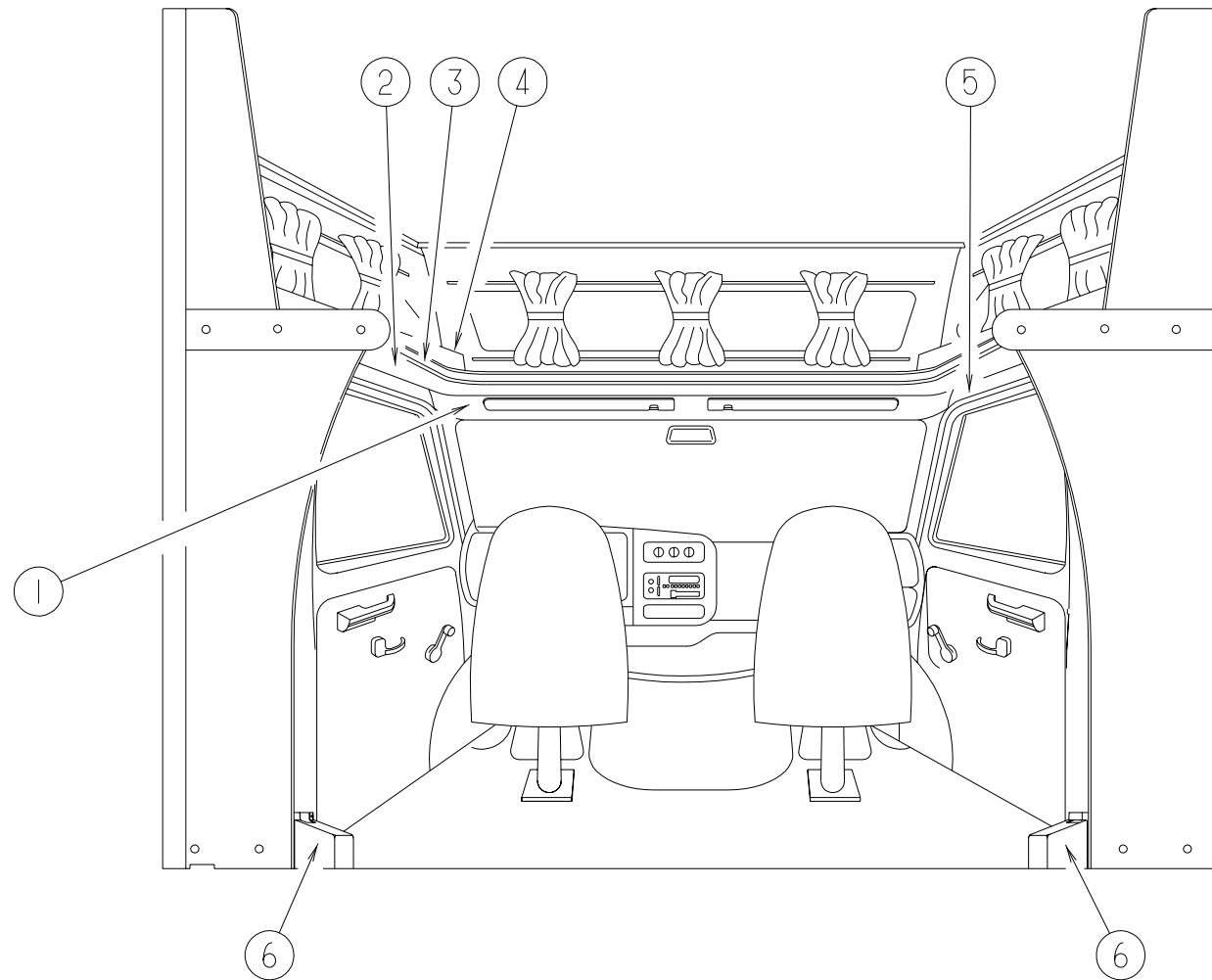


KEY	PART NUMBER	U/M	DESCRIPTION
1	081322-19-J02	EA	TABLE TOP ONLY (K04)
1	081322-19-K03	EA	TABLE TOP ONLY (K05)
1	081322-19-J01	EA	TABLE TOP ONLY (K06)
2	064781-06-000	EA	HOLDER - CUP - TWO STEP - OFF WHITE
3	053200-12-000	EA	BRACKET - TABLE SUPPORT - UPPER/WALL MOUNTED - 23.50"
4	088410-02-000	EA	BRACKET - LIFT - TABLE MOUNTED

KEY	PART NUMBER	U/M	DESCRIPTION
5	024281-14-000	EA	BRACKET/TABLE - LIFT ROD/LOWER WALL MOUNTED - 22.12"
	002929-01-001	EA	EXTRUDED - BRACKET TABLE
6	024275-13-000	EA	ROD - TABLE LIFT - OFF/WHITE
7	092593-01-05A	EA	CATCH - TABLE LEG - OFF/WHITE
8	093550-01-000	EA	BRACKET - HINGE - MOUNTS TO LEG & TABLE TOP - 1.7" X 2.6"
9	092707-04-05A	EA	LEG - TABLE - W/O HARDWARE - 27" - WATERFORD OAK



### DRIVERS COMPARTMENT GROUP



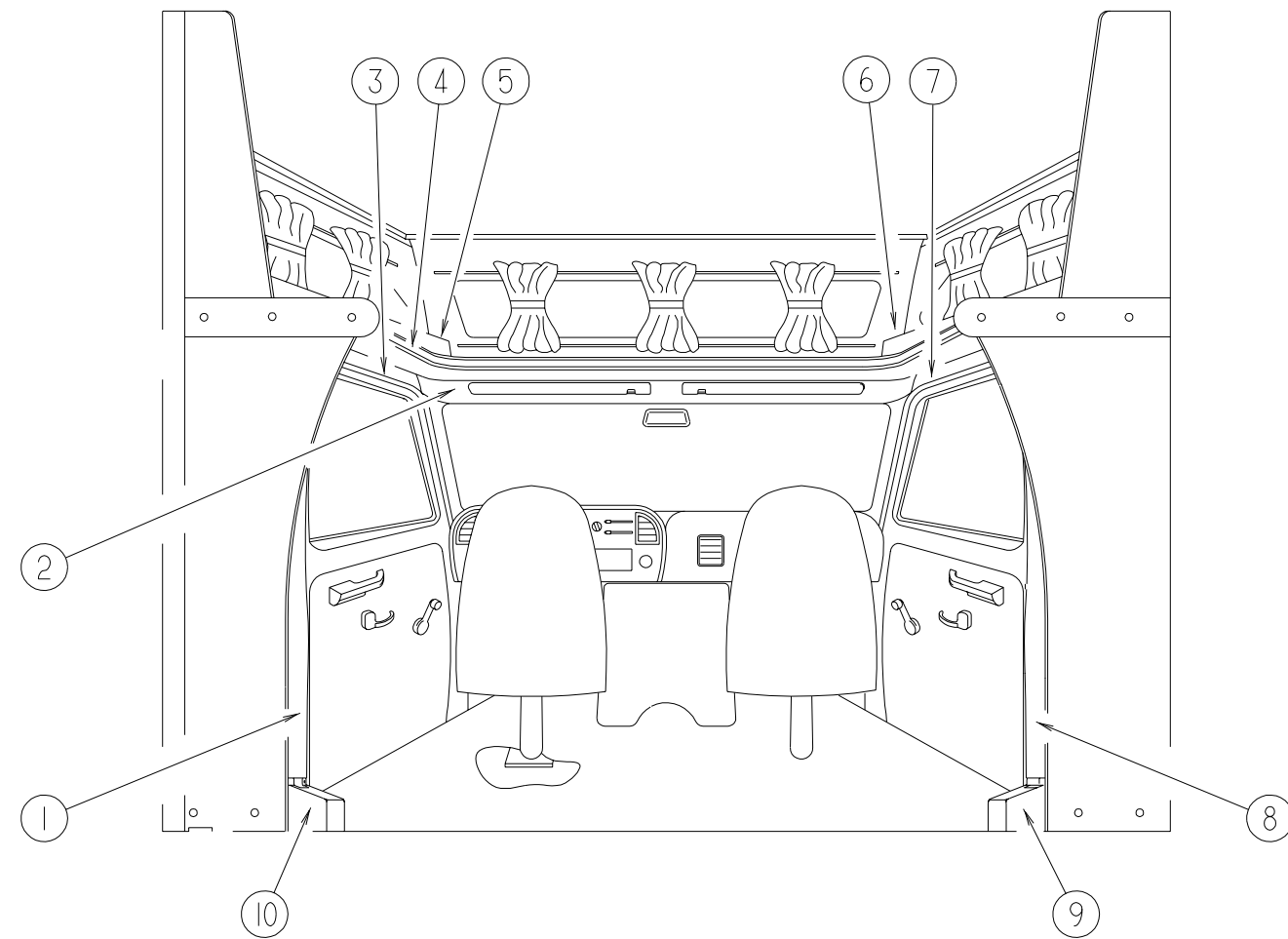
#### CHEVY DRIVERS COMPARTMENT

KEY	PART NUMBER	U/M	DESCRIPTION
1	124818-01-H04	EA	HEADLINER - W/VINYL
2	124819-01-H04	EA	TRIM - CAB DOOR - UPPER/LEFT HAND
3	119520-01-01A	FT	MOLDING-T - 1" - W/EDGE LIPS (OFF/WHITE-CREAM)
4	109894-01-K01	EA	CABINET - HAMPER - DRIVER/FRONT (K04)
4	109894-01-H10	EA	CABINET - HAMPER - DRIVER/FRONT (K05)
4	109894-01-K06	EA	CABINET - HAMPER - DRIVER/FRONT (K06)
4	109894-03-K01	EA	CABINET - HAMPER - PASSENGER/FRONT (K04)
4	109894-03-H10	EA	CABINET - HAMPER - PASSENGER/FRONT (K05)
4	109894-03-K06	EA	CABINET - HAMPER - PASSENGER/FRONT (K06)
5	124817-01-H04	EA	TRIM - CAB DOOR - UPPER RIGHT HAND
5	124819-01-H04	EA	TRIM - CAB DOOR - UPPER LEFT HAND
6	076302-03-000	EA	SEAT BELT - DRIVER/PASSENGER
	087932-03-000	EA	BRACKET - SHOULDER HARNESS - LEFT HAND
	087932-04-000	EA	BRACKET - SHOULDER HARNESS - RIGHT HAND

#### INSTRUMENT CLUSTERS - CHEVY

KEY	PART NUMBER	U/M	DESCRIPTION
	094797-07-000	EA	CLUSTER - INSTRUMENT PANEL - GAS
	108357-09-000	EA	SWITCH - ROCKER SPDT - ON/NONE/MOM - 3 TERMINAL
	108357-08-000	EA	SWITCH - ROCKER DPDT - ON/NONE/ON - 6 TERMINAL
	111414-01-000	EA	RECEPTACLE - 12V - W/O BIMETAL

### DRIVERS COMPARTMENT GROUP (CONTINUED)



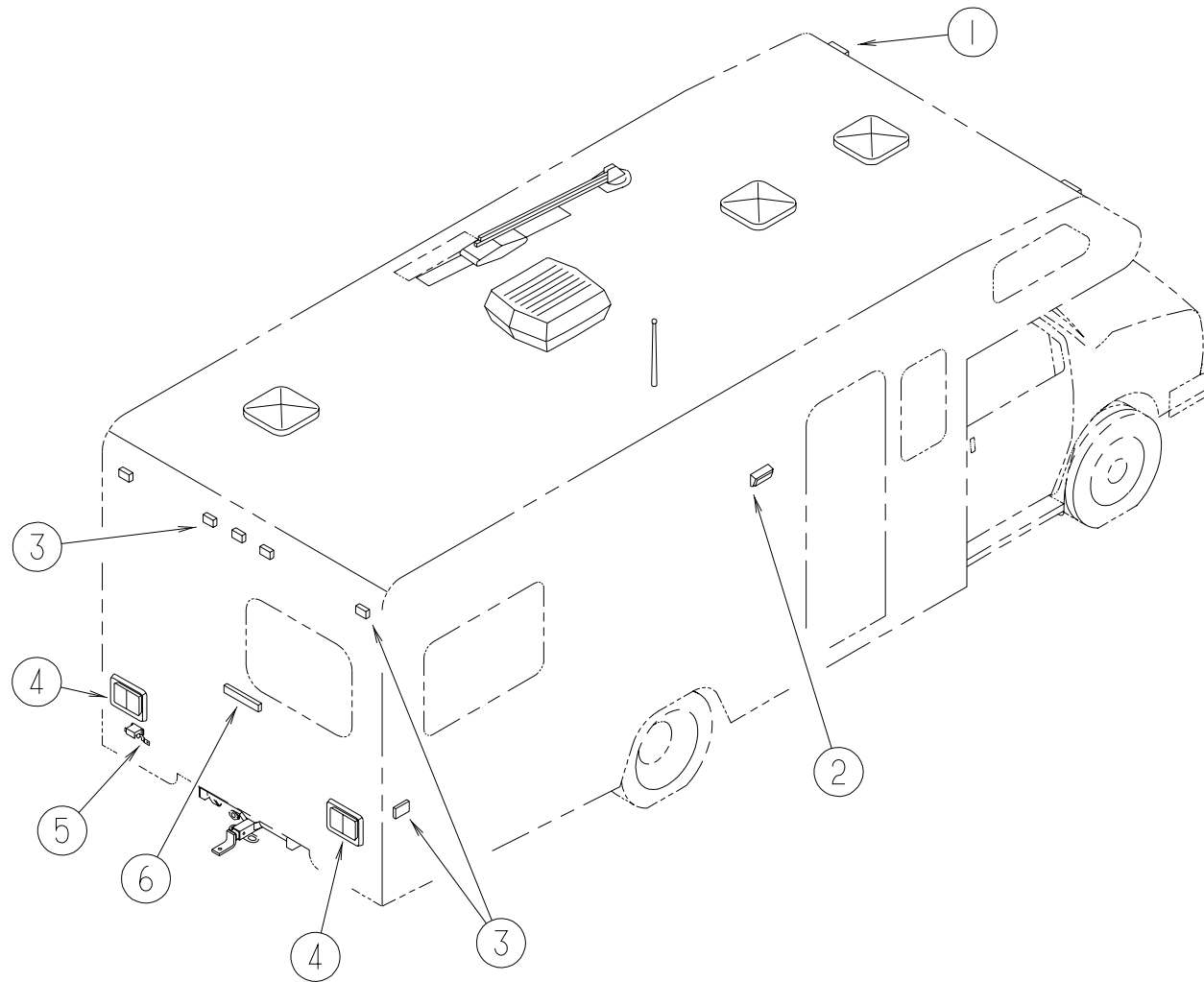
#### FORD DRIVERS COMPARTMENT

KEY	PART NUMBER	U/M	DESCRIPTION
1	125031-02-H04	EA	TRIM - CAB - B-PILLAR - DRIVER SIDE
2	106448-01-H04	EA	HEADLINER - W/VINYL
3	106447-04-H04	EA	TRIM - CAB DOOR - UPPER/LEFT HAND
4	119520-01-01A	FT	MOLDING-T - 1" - W/EDGE LIPS (OFF/WHITE-CREAM)
5	109894-01-K01	EA	CABINET - HAMPER - DRIVER/FRONT (K04)
5	109894-01-H10	EA	CABINET - HAMPER - DRIVER/FRONT (K05)
5	109894-01-K06	EA	CABINET - HAMPER - DRIVER/FRONT (K06)
6	109894-03-K01	EA	CABINET - HAMPER - PASSENGER/FRONT (K04)
6	109894-03-H10	EA	CABINET - HAMPER - PASSENGER/FRONT (K05)
6	109894-03-K06	EA	CABINET - HAMPER - PASSENGER/FRONT (K06)
7	106447-03-H04	EA	TRIM - CAB DOOR - UPPER/RIGHT HAND
8	125031-01-H04	EA	TRIM - CAB - B-PILLAR - PASSENGER SIDE
9	106431-01-02A	EA	COVER - SEATBELT RECOIL - PASSENGER SIDE - VW GRAY
10	106431-02-02A	EA	COVER - SEATBELT RECOIL - DRIVER SIDE - VW GREY

#### INSTRUMENT CLUSTERS

KEY	PART NUMBER	U/M	DESCRIPTION
	094795-09-000	EA	CLUSTER - INSTRUMENT PANEL - KILOMETERS - GAS/DIESEL-FORD
	100138-01-000	EA	MODULE - DAYTIME/RUNNING LIGHT
	108357-08-000	EA	SWITCH - ROCKER DPDT - ON/NONE/ON - 6 TERMINAL
	111414-01-000	EA	RECEPTACLE - 12V - W/O BIMETAL
	108356-07-01A	EA	COVER/ACTUATOR SWITCH - 2 ROWS DIMPLES - AUX START - BLACK
	108357-09-000	EA	SWITCH - ROCKER SPDT - ON/NONE/MOM - 3 TERMINAL

## ELECTRICAL GROUP



## EXTERIOR LIGHTS

KEY	PART NUMBER	U/M	DESCRIPTION	VENDOR NO.
1	111102-02-000	EA	LENS - AMBER - MARKER LAMP	
	111102-01-000	EA	BASE - LAMP MARKER	
	036196-01-000	EA	BULB - 12 VOLT - #194 - .27 AMP - BAYONETTE	
	091983-01-000	EA	GASKET - CLEARANCE/SIDEMARKER LIGHT	
	112823-01-000	EA	SPLICE - REDUCER - 16-14 TO 18-22	
2	097917-01-06A	EA	LIGHT - PORCH - BRIGHT WHITE	
	008215-01-000	EA	BULB - 12 VOLT - #1003 - .94 AMP	
	097917-01-700	EA	LENS-LIGHT, CLEAR	30-78-021
	008089-02-000	EA	LIGHT - PORCH - RECESSED - CANADIAN	
	091981-01-000	EA	GASKET - PORCH LIGHT	
3	008089-01-700	EA	LENS-LIGHT, RECESSED, PORCH DECO	
	008214-01-000	EA	BULB - 12 VOLT - #67 - .59 AMP	
	111102-03-000	EA	LENS - RED - MARKER LAMP	
	111102-01-000	EA	BASE - LAMP MARKER	
	091983-01-000	EA	GASKET - CLEARANCE/SIDEMARKER LIGHT	
4	036196-01-000	EA	BULB - 12 VOLT - #194 - .27 AMP - BAYONETTE	
	112823-01-000	EA	SPLICE - REDUCER - 16-14 TO 18-22	
	103355-01-05A	EA	POD - TAIL LIGHT	
	081638-01-000	EA	TAILLIGHT/DOUBLE W/BLACK TRIM - DRIVER/PASSENGER SIDE	
	037934-01-000	EA	BULB - 12V - #1156 - 2.1 AMP CLEAR GLASS	
5	037935-01-000	EA	BULB - 12V - #1157 OR #2057 - 2.1 AMP - CLEAR GLASS	
	081638-01-700	EA	LENS-TAILLIGHT, RED	30-84-010
	081638-01-701	EA	LENS-TAILLIGHT, W/BACKUP	30-84-700
6	066432-03-000	EA	BRACKET - LICENSE PLATE	
	066432-02-000	EA	LIGHT - LICENSE - BLACK	
121950-01-000	EA	LIGHT - BRAKE - CENTER MOUNT		

## ELECTRICAL GROUP (CONTINUED)

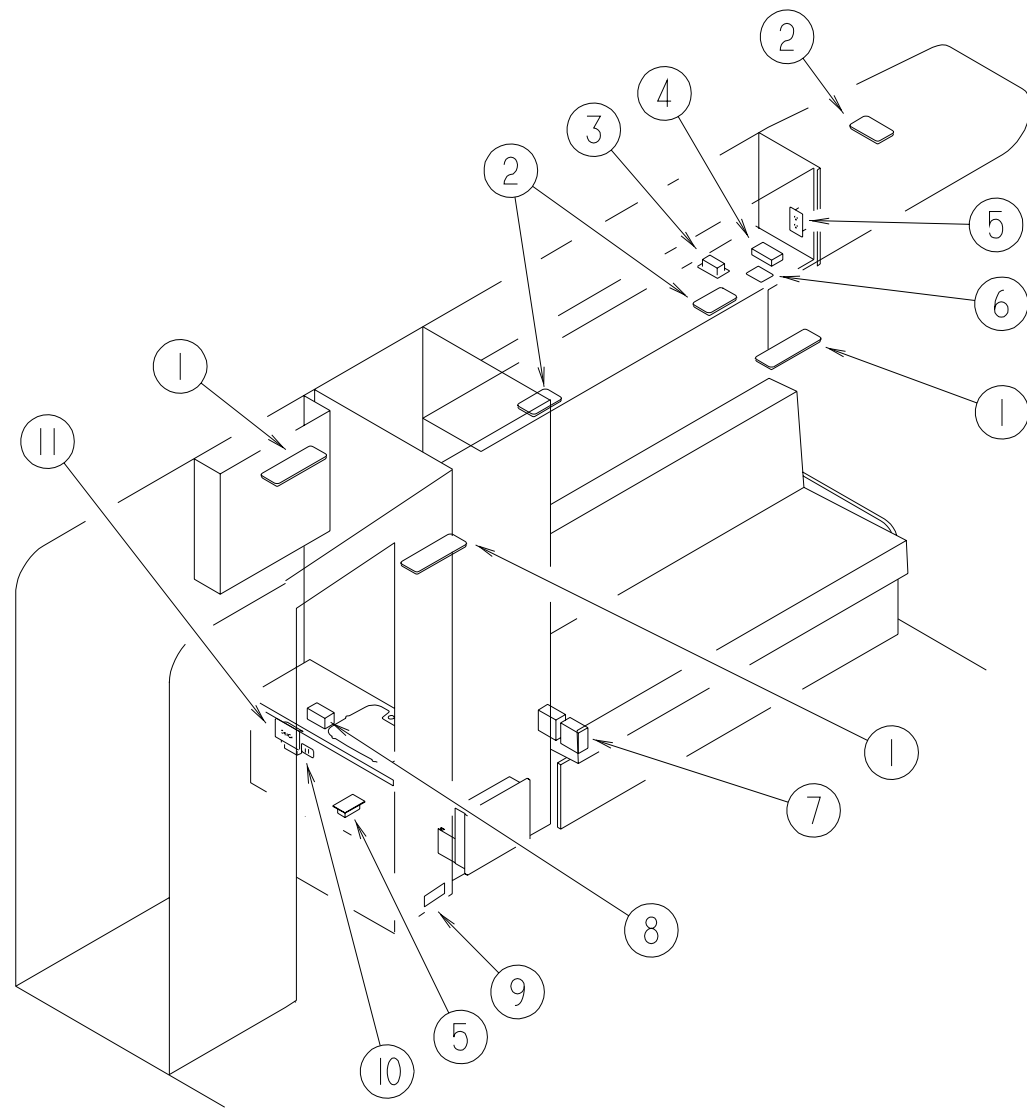
### POWER CONVERTER

KEY	PART NUMBER	U/M	DESCRIPTION
	083208-01-000	EA	CONTROL CENTER - 32 AMP - 120V/12V - W/O BREAKERS

### WIRING ASSEMBLIES

KEY	PART NUMBER	U/M	DESCRIPTION
	090986-01-000	EA	WIRE ASSEMBLY - ELECTRIC STEP
	096449-01-000	EA	WIRE ASSEMBLY - WATER TANK TO MONITOR PANEL
	097618-01-000	EA	WIRE ASSEMBLY - MONITOR PANEL - W/3 WIRES & ORANGE RESISTOR ORANGE RESISTOR W/3 (ORANGE-GREEN-BLUE) WIRES
	106851-01-000	EA	WIRE ASSEMBLY - RUNNING LIGHTS - FUSE

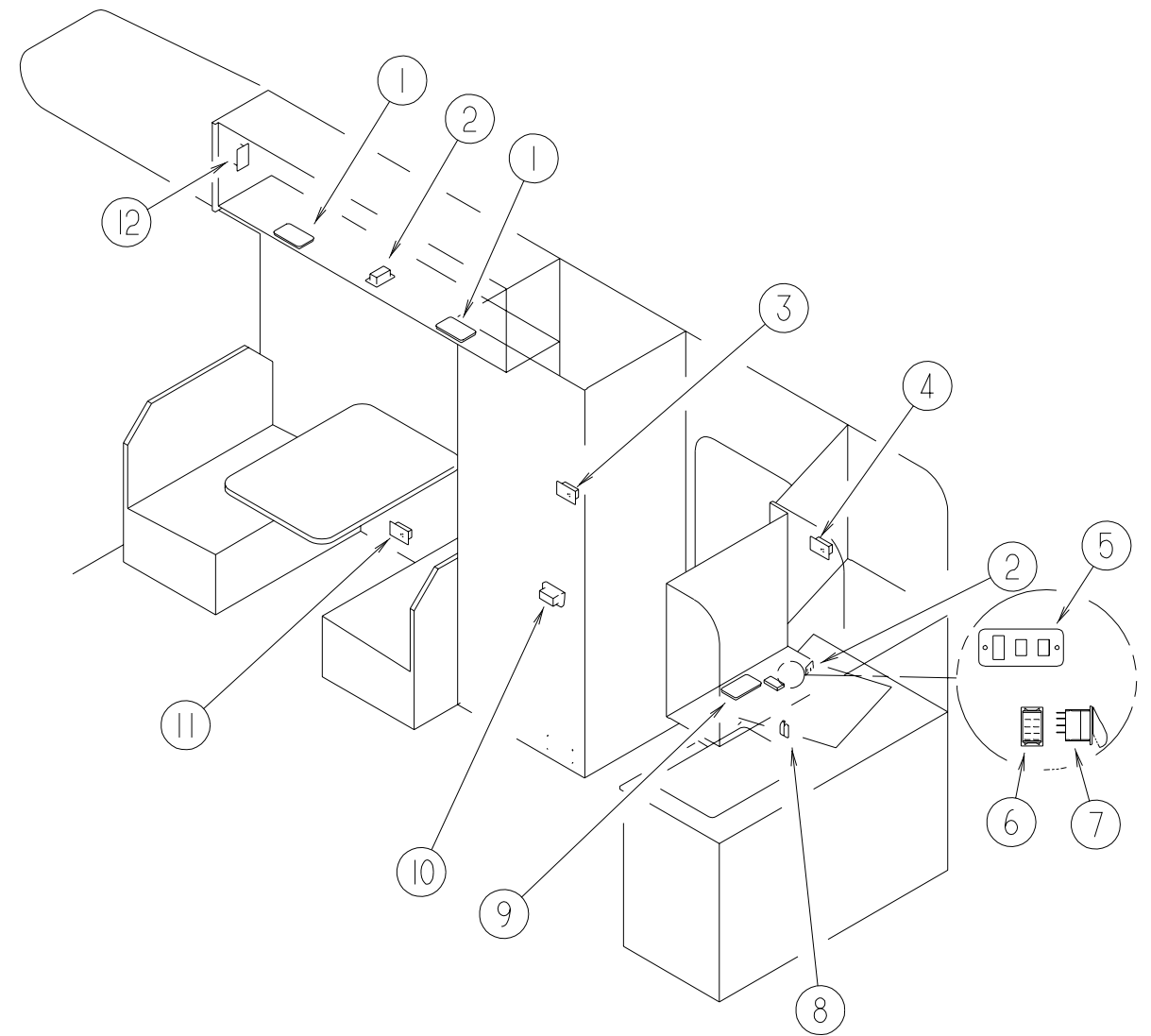
**ELECTRICAL GROUP (CONTINUED)**



**LIGHTS, SWITCHES & RECEPTACLES - DRIVER SIDE**

KEY	PART NUMBER	U/M	DESCRIPTION	VENDOR NO.
1	098024-03-02A	EA	LIGHT - DOME - 2 BULB - WHITE	
	008218-01-000	EA	BULB - 12 VOLT - #1141 - 1.44AMP	
	098024-01-700	EA	LENS-LIGHT	807877
2	098024-05-02A	EA	LIGHT - DOME - 1 BULB - SKYLITE - WHITE	
	008218-01-000	EA	BULB - 12 VOLT - #1141 - 1.44AMP	
	098024-01-701	EA	LENS - OPTI CLEAR - SKYLITE	809902
3	058708-01-000	EA	RECEPTACLE - ELECTRIC - DOUBLE - BROWN	
4	086777-02-000	EA	WALLPLATE - TV CABLE - W/ANTENNA SWITCH	
5	058707-02-000	EA	RECEPTACLE - BLANK - JUNCTION BOX	
6	098351-15-01A	EA	PLATE - SWITCH - 2 GANG W/LABEL	
6	079364-01-000	EA	SWITCH - ON/OFF ROCKER - 2 TERMINAL - BROWN	
6	079364-03-000	EA	SWITCH - ON/OFF ROCKER - 3 TERMINAL - BROWN	
7	024924-02-000	EA	RECEPTACLE - POWER CORD - W/PARTIAL PLATE	
8	108357-08-000	EA	SWITCH - ROCKER DPDT - ON/NONE/ON - 6 TERMINAL	
8	108356-02-01A	EA	COVER/ACTUATOR SWITCH - 2 ROWS DIMPLES- CONTURA II - BLACK	
9	108354-01-01A	EA	LIGHT - COURTESY	
	108354-01-700	EA	BULB-COURTESY LIGHT	395-B
10	098351-01-01A	EA	PLATE - SWITCH - 1 GANG POLISHED BRASS	
10	079364-01-000	EA	SWITCH - ON/OFF ROCKER - 2 TERMINAL - BROWN	
11	084076-02-000	EA	RECEPTACLE - GFI - 15 AMP/125 VOLT - BROWN	

**ELECTRICAL GROUP (CONTINUED)**



**LIGHTS, SWITCHES & RECEPTACLES - PASSENGER SIDE**

KEY	PART NUMBER	U/M	DESCRIPTION	VENDOR NO.
1	098024-05-02A	EA	LIGHT - DOME - 1 BULB - SKYLITE - WHITE	
	008218-01-000	EA	BULB - 12 VOLT - #1141 - 1.44AMP	
	098024-01-701	EA	LENS - OPTI CLEAR - SKYLITE	809902
2	058708-01-000	EA	RECEPTACLE - ELECTRIC - DOUBLE - BROWN	
3	058707-01-000	EA	RECEPTACLE - ELECTRIC - SINGLE - BROWN	
4	058708-05-000	EA	RECEPTACLE - ELECTRIC - SINGLE - BROWN	
5	098351-03-01A	EA	PLATE - SWITCH - 3 GANG POLISHED BRASS	
5	079364-01-000	EA	SWITCH - ON/OFF ROCKER - 2 TERMINAL - BROWN	
5	079364-03-000	EA	SWITCH - ON/OFF ROCKER - 3 TERMINAL - BROWN	
6	098351-07-01A	EA	PLATE - SWITCH - GENERATOR - POLISHED BRASS	
6	108357-06-000	EA	SWITCH - ROCKER DPDT - MOM/OFF/MOM - 6 TERMINAL	
7	108356-11-01A	EA	COVER/ACTUATOR SWITCH - 3 GROOVES - AUX BATT - BLACK	
8	116995-01-000	EA	SWITCH/MAGNET - ELECTRIC STEP	
9	098024-06-02A	EA	LIGHT - DOME - 2 BULB - SKYLITE	
	008218-01-000	EA	BULB - 12 VOLT - #1141 - 1.44AMP	
	098024-01-701	EA	LENS - OPTI CLEAR - SKYLITE	809902
10	112822-01-01A	EA	RECEPTACLE - DUPLEX - IVORY	
	112824-01-03A	EA	COVER - EXTERIOR DUPLEX RECEPTACLE - WHITE PLASTIC	
11	058708-02-000	EA	RECEPTACLE - ELECTRIC - DOUBLE - IVORY	
11	076319-09-000	EA	WALLPLATE - CABLE RECEPTACLE - TV - SINGLE - BROWN	
12	058708-01-000	EA	RECEPTACLE - ELECTRIC - DOUBLE - BROWN	
12	111414-01-000	EA	RECEPTACLE - 12V - W/O BIMETAL	

**ELECTRICAL GROUP (CONTINUED)****FUSES & CIRCUIT BREAKERS**

KEY	PART NUMBER	U/M	DESCRIPTION
	008235-01-000	EA	FUSE - 15 AMP/12VOLT - AUTOMOTIVE
	062901-02-000	EA	FUSE - 05 AMPS - AUTOMOTIVE
	062901-05-000	EA	FUSE - 15 AMPS - AUTOMOTIVE
	083209-02-000	EA	CIRCUIT BREAKER - 15/15 AMP - 120 VOLT
	083209-03-000	EA	CIRCUIT BREAKER - 15/20 AMP - 120 VOLT
	083209-05-000	EA	CIRCUIT BREAKER - 20AMP - 120 VOLT
	083209-06-000	EA	CIRCUIT BREAKER - 30/15 AMP - 120 VOLT
	093654-01-000	EA	CIRCUIT BREAKER - 6 AMP - 12 VOLT
	093655-01-000	EA	CIRCUIT BREAKER - 25 AMP - 12 VOLT
	093655-02-000	EA	CIRCUIT BREAKER - 30 AMP - 12 VOLT
	100341-01-000	EA	FUSE HOLDER - IN LINE TYPE

**ELECTRIC BOXES, COVERS & POWER CORDS**

KEY	PART NUMBER	U/M	DESCRIPTION
	008052-01-000	EA	CORD - POWER - 10/3 WIRE - 30 AMP - 25' - CANADIAN
	008054-01-000	EA	CORD - POWER - 10/3 WIRE - 30 AMP - 25'
	008058-01-000	EA	ADAPTER-POWER CORD, 30 AMP TO 15 AMP - RENTAL
	008289-01-000	EA	BOX - ELECTRIC/STEEL - 1/2" & 3/4" KNOCKOUTS - 4" X 4"
	008289-02-000	EA	BOX - ELECTRIC/STEEL - 1/2" & 3/4" KNOCKOUTS - 4" X 4"-CAN
	008294-01-000	EA	COVER - ELECTRICAL BOX - BLANK/STEEL - 4" X 4" - GRAY
	008294-02-000	EA	COVER - ELECTRICAL BOX - BLANK STEEL - 4" X 4" - CANADIAN
	069238-01-000	EA	COVER - ELECTRICAL BOX - W/HOLE - 4" X 4" - GRAY USED WITH 30 AMP RECEPTACLE
	091910-01-000	EA	BOX - ELECTRIC - 3.8" X 3.5" X 1.8" - PLASTIC
	091910-02-000	EA	BOX - ELECTRIC - 2.2" X 3.5" X 1.8" - PLASTIC
	093603-01-000	EA	BOX - ELECTRIC - 4" X 2 1/8" X 2 1/8"
	107165-01-01A	EA	BOX - CIRCUIT BREAKER - 14.6" X 4" - PLASTIC

**CONDUIT**

KEY	PART NUMBER	U/M	DESCRIPTION
	041953-01-000	FT	CONDUIT - CONVOLUTE SLIT - .5" ID - POLYETHYLENE
	041953-03-000	FT	CONDUIT - CONVOLUTE SLIT - 1" ID (CLOTHES ROD COVER)
	041953-05-000	FT	CONDUIT - CONVOLUTE SOLID - .62" ID - POLYETHYLENE
	041953-06-000	FT	CONDUIT - CONVOLUTE SLIT - .375" ID - POLYETHYLENE
	041953-07-000	FT	CONDUIT - CONVOLUTE SLIT - .25" ID - POLYETHYLENE
	041953-08-000	FT	CONDUIT - CONVOLUTE SLIT - 1.50" ID - POLYETHYLENE
	041953-09-000	FT	CONDUIT - CONVOLUTE SLIT - .50" ID - NYLON
	041953-10-000	FT	CONDUIT - CONVOLUTE SLIT - .75" ID - NYLON
	041953-11-000	FT	CONDUIT - CONVOLUTE SLIT - 1.06" ID - NYLON
	041953-12-000	FT	CONDUIT - CONVOLUTE SOLID - 1.1" ID - NYLON

**ELECTRICAL GROUP (CONTINUED)****CONNECTORS, HOUSINGS, & TERMINALS**

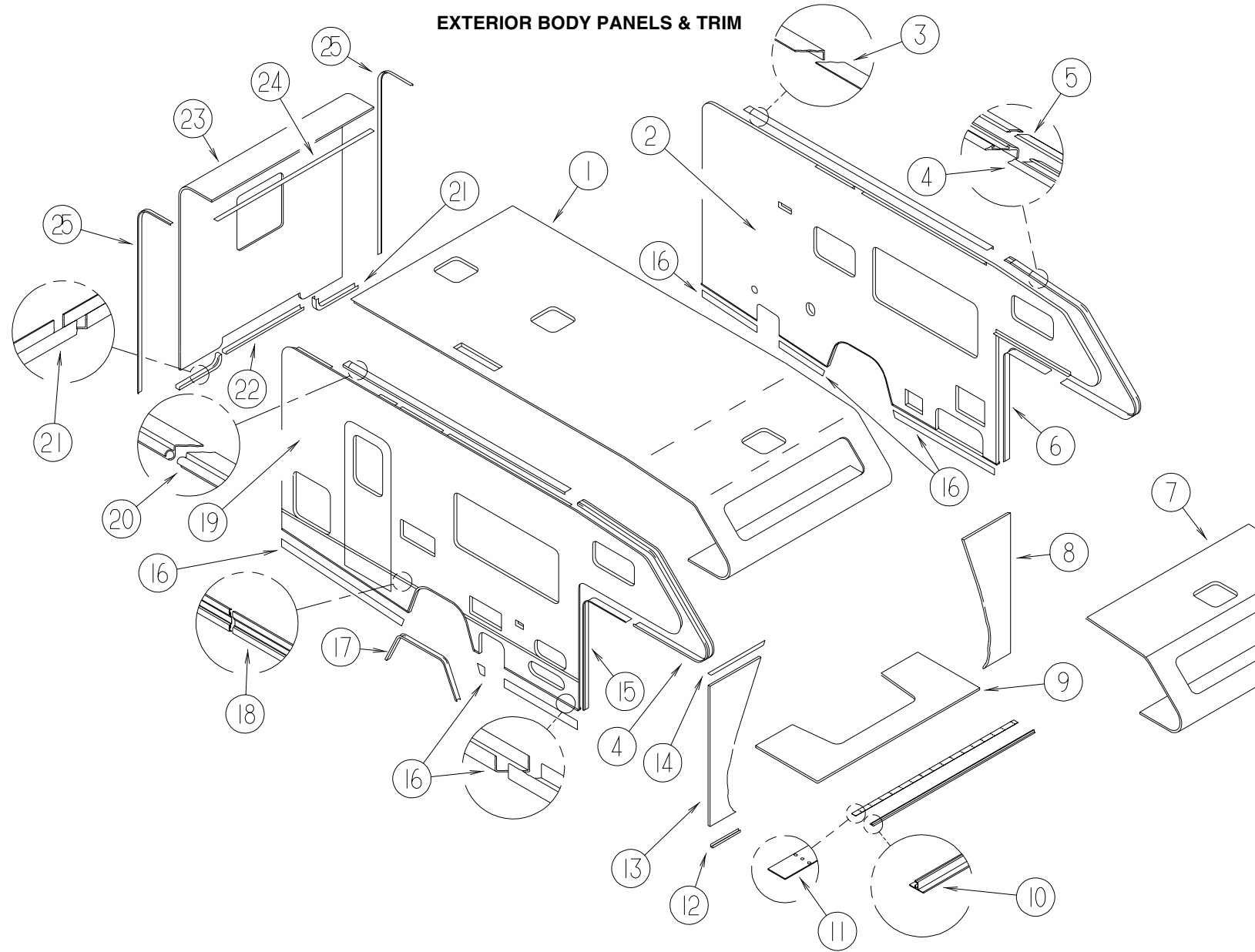
KEY	PART NUMBER	U/M	DESCRIPTION
	007956-05-000	EA	INSULATOR - SHRINK - .25 ID X 1.50
	008311-01-000	EA	CONNECTOR - WIRE NUT - INSULATED - RED
	008313-01-000	EA	CONNECTOR - WIRE NUT - INSULATED - YELLOW
	008314-01-000	EA	CONNECTOR - WIRE NUT - INSULATED - GRAY
	008326-01-000	EA	TERMINAL - RING - 16/14 WIRE - 3/8" STUD
	008328-01-000	EA	TERMINAL - RING - 12/10 WIRE - #10 STUD FIT
	008331-01-000	EA	TERMINAL - RING - TONGUE - #4 WIRE - 3/8" STUD - COPPER
	008348-01-000	EA	TERMINAL - RING - 3/8" STUD 2 GA. WIRE
	008355-01-000	EA	CONNECTOR - CABLE CLAMPING - 3/4"
	008356-01-000	EA	CONNECTOR - PLASTIC - 3/8" AVG
	008394-01-000	FT	CONDUIT - FLEXIBLE - 1/2"
	035416-04-000	EA	TERMINAL - RING - #10 STUD FIT - INSULATED BARREL #16/14
	041480-01-000	EA	CONNECTOR - STRAIGHT - 1/2" FLEX CONDUIT
	047443-01-000	EA	TERMINAL - .250 RECEPTACLE FIT - INSULATED - 16/14 AWG
	047443-02-000	EA	TERMINAL - .250 RECEPTACLE FIT - INSULATED - 12/10 AWG
	058028-01-000	EA	CONNECTOR - ELECTRICAL PIGTAIL - NYLON - CLEAR
	077479-01-000	EA	BOOT - BATTERY TERMINAL - DOUBLE CABLE
	077479-02-000	EA	BOOT - BATTERY TERMINAL - SINGLE CABLE
	080015-02-000	EA	RECEPTACLE - FLAG - .185 - 16/14 GAUGE
	080015-03-000	EA	RECEPTACLE - FLAG - .250 - 14/16 GAUGE
	087949-01-000	EA	BUSS BAR - 2 POSITION - .6" X 1.5"
	088473-03-000	EA	HOUSING - PIN - 9 CAVITY (3 ROWS OF 3)
	088473-06-000	EA	HOUSING - PIN - 6 CAVITY (2 ROWS OF 3)
	088473-08-000	EA	HOUSING - PIN - 4 CAVITY - IN-LINE
	088473-09-000	EA	HOUSING - PIN - 3 CAVITY IN-LINE
	088473-10-000	EA	HOUSING - PIN - 2 CAVITY - IN LINE
	088474-03-000	EA	HOUSING - SOCKET - 9 CAVITY
	088474-06-000	EA	HOUSING - SOCKET - 6 CAVITY
	088474-07-000	EA	HOUSING - SOCKET - 5 CAVITY
	088474-08-000	EA	HOUSING - SOCKET - 4 CAVITY
	088474-09-000	EA	HOUSING - ELECTRICAL - 3 TERMINAL
	088474-10-000	EA	HOUSING - SOCKET - 2 CAVITY
	088475-01-000	EA	PIN - CONNECTOR - 14-20 AWG
	088475-02-000	EA	PIN - CONNECTOR - 10 - 12 AWG
	088476-01-000	EA	TERMINAL - ELECTRICAL
	088476-02-000	EA	SOCKET - CONNECTOR - 12-10 GA - PRE-TIN
	098261-02-000	EA	SOCKET - CONNECTOR - WEATHERPACK
	098262-01-000	EA	SEAL - CONNECTOR - WEATHERPACK
	098265-02-000	EA	PIN - CONNECTOR - WEATHERPACK
	101751-02-000	EA	HOUSING - 1 PIN - WEATHERPACK
	102777-02-000	EA	TERMINAL - RING - #6 STUD - 10 AWG
	112823-01-000	EA	SPLICE - REDUCER - 16-14 TO 18-22
	119223-01-000	EA	HOUSING - 6 POSITION - MALE - WEATHERPACK
	125323-02-000	EA	HOUSING - 8 POSITION - MALE
	125324-01-000	EA	TERMINAL - MALE - METRI-PACK - 150
	125325-01-000	EA	SEAL - CAVITY

**ELECTRICAL MISCELLANEOUS**

KEY	PART NUMBER	U/M	DESCRIPTION
	008188-01-000	EA	SOLENOID - 3 POST - BATTERY CHANGE OVER
	063910-01-000	EA	HOUSING - RELAY
	086233-01-000	EA	STUD - ISOLATED - 3/8" X 7/8" LONG
	086273-01-000	EA	RELAY - BATTERY DISCONNECT

# EXTERIOR BODY GROUP

## EXTERIOR BODY PANELS & TRIM

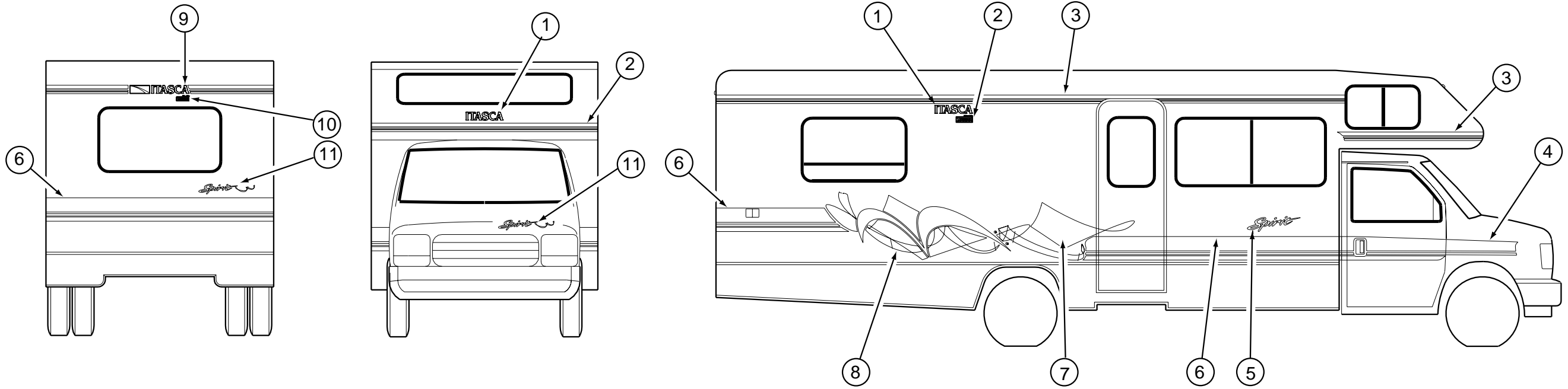


KEY	PART NUMBER	U/M	DESCRIPTION
1	P29158-01-K01	EA	ROOF - W/O LIGHTS/VENTS - W/WIRING
2	P25609-01-K01	EA	SIDEWALL - DRIVER - W/O WINDOWS/TRIMS (K04)
2	P25609-01-K02	EA	SIDEWALL - DRIVER - W/O WINDOWS/TRIMS (K05)
2	P25609-01-K06	EA	SIDEWALL - DRIVER - W/O WINDOWS/TRIMS (K06)
3	096864-04-01A	EA	TRIM - CONTOUR - ROOF TO SIDEWALL - BRIGHT WHITE
4	096854-06-02A	EA	TRIM - CONTOUR - BRIGHT WHITE - 130"
5	105312-01-07A	FT	INSERT - VINYL FEATURE STRIP - BRIGHT WHITE
6	104479-06-02A	EA	TRIM - FRONT CONTOUR - BRIGHT WHITE - LEFT HAND
7	M76177-01-700	EA	ROOF SECTION, FRONT, 8' X 8'
8	125088-06-J01	EA	WINGWALL
	099069-01-000	FT	SEAL - RUBBER - CLOSED SPONGE - .5" WIDE X .12" THICK -BLK
9	P25129-01-J01	EA	SLEEPERBOARD
10	100086-04-01A	EA	TRIM - SLEEPERBOARD/ROOF - 2" X 96.6"
11	100085-05-01A	EA	TRIM - STRAP - SLEEPERBOARD
12	002365-03-006	EA	U-CHANNEL - EXTRUDED - 1" X 192" - BRIGHT WHITE
13	125088-05-J01	EA	WINGWALL
14	022992-14-000	FT	MOLDING - REVERSE COVE
15	104479-05-02A	EA	TRIM - FRONT CONTOUR - BRIGHT WHITE - RIGHT HAND

KEY	PART NUMBER	U/M	DESCRIPTION
16	108039-04-04A	EA	TRIM - BOTTOM SIDEWALL - 170.2" - BRIGHT WHITE
17	124517-04-01A	EA	TRIM - WHEELWELL/REAR - BRIGHT WHITE
18	108688-01-03A	EA	STRIP - FEATURE - 15'
	108651-01-01A	EA	END CAP - FEATURE STRIP
	105312-01-07A	FT	INSERT - VINYL FEATURE STRIP - BRIGHT WHITE
19	P25561-01-K01	EA	SIDEWALL - PASSENGER - W/O WINDOWS/TRIMS (K04)
19	P25561-01-K02	EA	SIDEWALL - PASSENGER - W/O WINDOWS/TRIMS (K05)
19	P25561-01-K06	EA	SIDEWALL - PASSENGER - W/O WINDOWS/TRIMS (K06)
20	099583-55-005	EA	RAIL - AWNING - 144" - BRIGHT WHITE
21	103334-03-02A	EA	TRIM - BACKWALL/LOWER - 25.6"
22	103335-02-02A	EA	TRIM - BACKWALL/LOWER - 46.2"
23	P25623-01-K01	EA	BACKWALL - W/O WINDOW/TRIM (K04)
23	P25623-01-K02	EA	BACKWALL - W/O WINDOW/TRIM (K05)
23	P25623-01-K06	EA	BACKWALL - W/O WINDOW/TRIM (K06)
24	078580-02-000	EA	TRIM - ROOF/FRONT/REAR CAP
25	096854-05-02A	EA	TRIM - CONTOUR - BRIGHT WHITE - 114"

## EXTERIOR BODY GROUP (CONTINUED)

### DECALS, STRIPES & PAINT



KEY	PART NUMBER	U/M	DESCRIPTION
1	124811-01-07A	EA	DECAL - LOGO - ITASCA
2	122770-01-11A	EA	DECAL - "BUILT PROUDLY BY WINNEBAGO INDUSTRIES"
3	094443-56-01A	FT	FILM - MULTISTRIPE - 3.5"
4	128434-01-01A	EA	DECAL - CAB DOOR - RIGHT HAND
4	128434-02-01A	EA	DECAL - CAB DOOR - LEFT HAND
5	115130-02-04A	EA	DECAL - LOGO - SPIRIT - LARGE
6	094443-57-01A	FT	FILM - MULTISTRIPE - 9.7"
7	128431-01-01A	EA	DECAL - GEOMETRIX - #1 - RIGHT HAND
7	128431-02-01A	EA	DECAL - GEOMETRIX - #1 - LEFT HAND
8	128433-01-01A	EA	DECAL - GEOMETRIX - #2 - RIGHT HAND
8	128433-02-01A	EA	DECAL - GEOMETRIX - #2 - LEFT HAND
9	124806-01-06A	EA	DECAL - LOGO - ITASCA W/ICON
10	122770-02-14A	EA	DECAL - "BUILT PROUDLY BY WINNEBAGO INDUSTRIES"
11	128435-01-01A	EA	DECAL - HOOD - SPIRIT W/RIBBON
	099399-23-701	EA	PAINT - BRT/WHT .3 OZ PEN RAABE
	099399-23-700	EA	PAINT-SPRAY-BRT WHITE ENAMEL

#### DUPONT PAINT COLOR CODES

BRIGHT WHITE

DUPONT B8951U

#### DUPONT GRAPHICS COLOR CODES

PINE NEEDLE GREEN METALLIC  
 SAHARA GRAY METALLIC  
 SILVER PLUM METALLIC  
 TEAL PEARL

FILM #6039  
 FILM #2031  
 FILM #2482  
 FILM #2592

DUPONT GM130  
 DUPONT LM137  
 DUPONT MM003  
 DUPONT GM046

**EXTERIOR BODY GROUP (CONTINUED)**

**EXTERIOR MIRRORS - FORD**

KEY	PART NUMBER	U/M	DESCRIPTION	VENDOR NO.
	120269-04-02A	EA	MIRROR - EXTERIOR - DRIVER - 102"	
	120269-03-02A	EA	MIRROR - EXTERIOR - PASSENGER - 102"	
	120269-01-700	EA	GLASS KIT W/BEZEL RH/LH	709407-8

**EXTERIOR MIRRORS - CHEVY**

KEY	PART NUMBER	U/M	DESCRIPTION	VENDOR NO.
	106860-06-01A	EA	MIRROR - REGULAR HEAD - BRIGHT WHITE	
	106860-01-707	EA	MIRROR HEAD (BRT WHITE)	7092760

**RUNNING BOARDS - FORD**

KEY	PART NUMBER	U/M	DESCRIPTION	VENDOR NO.
	072884-27-000	EA	RUNNING BOARD SET - 39" - FORD - ALUMINUM	
	072884-27-700	EA	BRACKET SET 12" 92	RB2BRK/M
	072884-27-701	EA	RUNNING BOARD-FORD 39",RT&LT	
	072884-27-702	FT	TREAD TAPE	RB9202
	072884-27-703	EA	MUD FLAP W/HOLES, 1EA=PAIR	99171
	072884-27-704	EA	CAP-ENDS, 1EA=PAIR	99148

**RUNNING BOARDS - CHEVY**

KEY	PART NUMBER	U/M	DESCRIPTION	VENDOR NO.
	072884-28-000	EA	RUNNING BOARD - ALUMINUM - CHEVY CHASSIS	
	072884-27-704	EA	CAP-ENDS, 1EA=PAIR	99148
	072884-28-700	EA	RUNNING BOARDS ONLY- RT & LT	15543
	072884-28-701	EA	MUD FLAP - FRONT - 1EA=PAIR	99153
	072884-28-702	EA	BRACKET SET - COMPLETE	206771

**EXTERIOR BODY GROUP (CONTINUED)**

**LADDER**

KEY	PART NUMBER	U/M	DESCRIPTION
	131256-01-01A	EA	PLATE - LADDER
	129639-01-01A	EA	LADDER - BRUSHED ALUMINUM
	129375-01-000	EA	SEAL/FOAM - LADDER BRACKET

**AWNING**

KEY	PART NUMBER	U/M	DESCRIPTION
	113874-03-02A	EA	AWNING - W/O HARDWARE - 11.5 (POLAR NAVY TEAL) VINYL
*	113874-01-02A	EA	HARDWARE KIT - AWNING - W/O STANDOFF BRACKET-BRIGHT WHITE
	111038-01-01A	EA	SPACER - AWNING - LOWER
	113874-10-01A	EA	SPACER - AWNING - LOWER BRACKET
	130320-01-02A	EA	BRACKET - AWNING - F/A&E INSTALLATION - BRIGHT WHITE

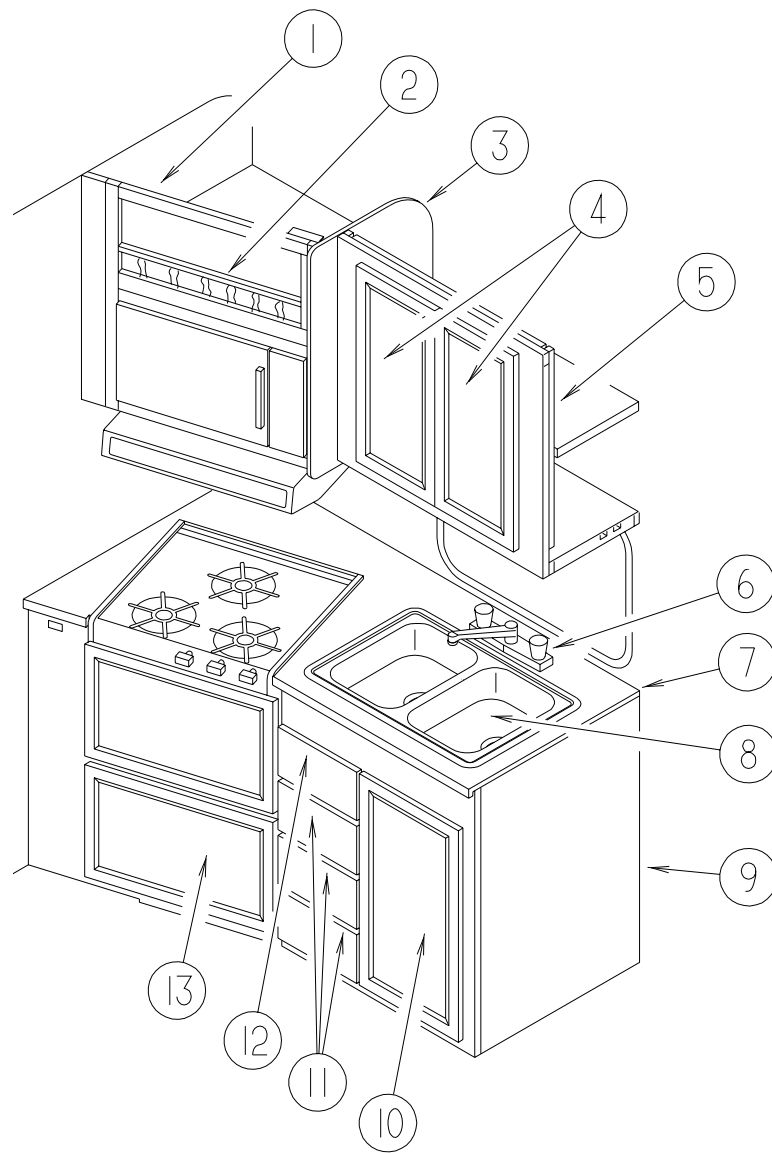
**\*COMPONENT PARTS FOUND IN SERVICE PARTS LIBRARY**

**FIBERGLASS, STYROFOAM, ALUMINUM, PLYWOOD & CHANNEL**

KEY	PART NUMBER	U/M	DESCRIPTION
	076054-AC-000	EA	FIBERGLASS SHEET - 20" X 99.8" - OFF WHITE
	076054-N3-000	EA	FIBERGLASS SHEET - 102" X 234" - BRIGHT WHITE
	076054-P9-000	EA	FIBERGLASS SHEET - 37.4" X 99.3" - BRIGHT WHITE
	076054-U4-000	EA	FIBERGLASS SHEET - 101" X 104" - BRIGHT WHITE
	076054-U8-000	EA	FIBERGLASS SHEET - 100" X 105" - BRIGHT WHITE
	077517-62-000	EA	FIBERGLASS SHEET/SIDEWALL - 48" X 96" - BRIGHT WHITE
	083574-06-000	SF	STYROFOAM - .75 X 4' X 9' - INCREMENTS OF 14 SF
	100619-01-000	BF	FOAM - EXPANDED POLYSTYRENE - 1.34" X 48" X 96"
	100619-04-000	BF	FOAM - EXPANDED POLYSTYRENE - .5" X 48" X 96"
	100619-05-000	BF	FOAM - EXPANDED POLYSTYRENE - .75" X 48" X 96"-1.5 DENSITY
	100619-16-000	BF	FOAM - EXPANDED POLYSTYRENE - .75" X 48" X 96"-2.0 DENSITY
	089297-01-000	SF	PLYWOOD - LUAN - OVERLAY GRADE - 48" X 96"
	089297-02-000	SF	PLYWOOD - LUAN - OVERLAY GRADE - 48" X 108"
	000846-01-000	SF	PLYWOOD - 5/16" X 48" X 96" - CD GRADE
	000846-02-000	SF	PLYWOOD/UNDERLAYMENT - 5/16" X 48" X 96"
	002726-01-001	EA	GARNISH - U-CHANNEL - 1.38" X 19' - SERRATED
	002754-01-001	EA	ANGLE- EXTRUDED - .75" X .75" X 18' - MILL ALUMINUM

# GALLEY GROUP

## GALLEY CABINETS & FIXTURES

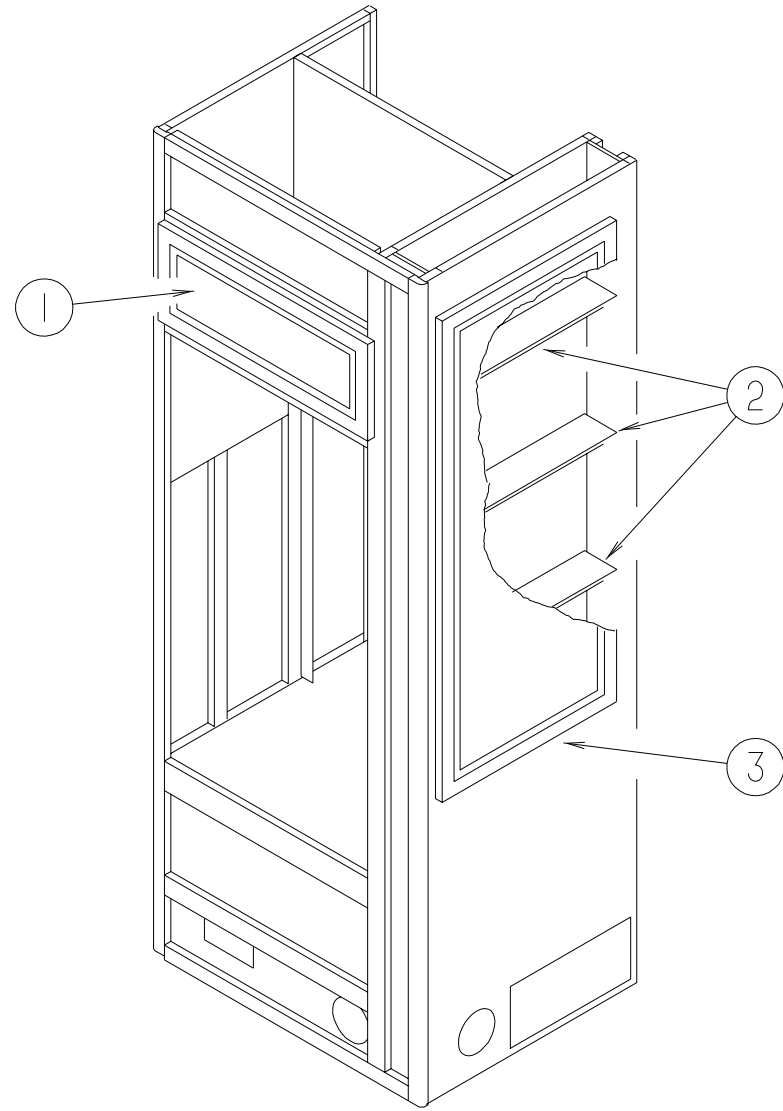


KEY	PART NUMBER	U/M	DESCRIPTION
1	128686-02-K01	EA	CABINET - MICROWAVE - W/O DOORS/HARDWARE
2	075249-01-000	EA	RAILING - OAK - 72" UNFINISHED
3	128686-15-K01	EA	CAP ASM
4	M09332-03-K01	EA	DOOR - RAISED MEMBRANE/OGEE EDGE - 15.7" X 20.4" - W/O HDW
5	122070-02-K01	EA	CABINET - OVERHEAD/GALLEY - W/O DOORS/HARDWARE
	122070-11-H04	EA	SHELF - W/PLASTIC EDGE TRIM
6	104114-02-01A	EA	FAUCET - GALLEY - SINGLE CONTROL
7	122068-13-K01	EA	CTRTP - GALLEY (K04)
7	122068-13-K02	EA	CTRTP - GALLEY (K05)
7	122068-13-K06	EA	CTRTP - GALLEY (K06)
8	102551-01-000	EA	SINK/STAINLESS STEEL - DOUBLE - 17" X 25" X 6"
	066437-02-000	EA	STRAINER - W/BASKET - SINK
	110012-02-G01	EA	COVER - SINK - 10.8" X 14.9" - LEFT CORNER CUTOUT (K04)
	110012-02-GB1	EA	COVER - SINK - 10.8" X 14.9" - LEFT CORNER CUTOUT (K05)
	110012-02-G22	EA	COVER - SINK - 10.8" X 14.9" - LEFT CORNER CUTOUT (K06)

KEY	PART NUMBER	U/M	DESCRIPTION
9	122068-03-K01	EA	CABINET - GALLEY - W/CTRTP - W/O DOORS/DRAWERS/HDW (K04)
9	122068-03-K05	EA	CABINET - GALLEY - W/CTRTP - W/O DOORS/DRAWERS/HDW (K05)
9	122068-03-K06	EA	CABINET - GALLEY - W/CTRTP - W/O DOORS/DRAWERS/HDW (K06)
9	122068-06-K04	EA	CABINET - GALLEY - W/CTRTP - W/O DOORS/DRAWERS/HDW - RENTAL
9	122068-06-K05	EA	CABINET - GALLEY - W/CTRTP - W/O DOORS/DRAWERS/HDW - RENTAL
9	122068-06-K06	EA	CABINET - GALLEY - W/CTRTP - W/O DOORS/DRAWERS/HDW - RENTAL
	122068-12-K01	EA	SHELF - W/PLASTIC EDGE TRIM
10	M05992-76-J01	EA	DOOR - STRAIGHT CORNER/OGEE EDGE - 14.9" X 21.8" - W/O HDW
11	M09316-03-K01	EA	DRAWER - OGEE EDGE - W/O SLIDES/HARDWARE
12	M09316-04-K01	EA	DRAWER - OGEE EDGE - W/O SLIDES/HARDWARE
13	M05992-87-K01	EA	DOOR - STRAIGHT CORNER/OGEE EDGE - 14" X 26.7" - W/O HDW



**GALLEY GROUP (CONTINUED)**



**REFRIGERATOR CABINET**

KEY	PART NUMBER	U/M	DESCRIPTION
1	NOT USED		
2	116823-13-G01	EA	SHELF - W/PLASTIC EDGE MOLDING
3	M09332-18-K01	EA	DOOR - RAISED MEMBRANE/OGEE EDGE - 16.7" X 48" - W/O HDW
	090329-01-000	FT	SEAL/T - REFRIGERATOR CABINET

**GALLEY GROUP (CONTINUED)**  
**RANGE HOOD - MODEL TCR 5041 NADLG - U.S.**

KEY	PART NUMBER	U/M	DESCRIPTION
*	100258-31-01A	EA	HOOD - RANGE - 22" - W/O MONITOR PANEL/HOUR METER
	100258-10-01A	EA	GAUGE - HOUR METER W/SWITCH - SCREW ON STYLE

**RANGE HOOD - MODEL TCR 5041 NACLG - CANADIAN**

KEY	PART NUMBER	U/M	DESCRIPTION
*	100258-32-01A	EA	HOOD - RANGE - 22" - W/O MONITOR PANEL/HOUR METER
	100258-10-01A	EA	GAUGE - HOUR METER W/SWITCH - SCREW ON STYLE

**RANGE HOOD - MODEL TPR 5042 NADLG - U.S. W/GENERATOR**

KEY	PART NUMBER	U/M	DESCRIPTION
*	100258-33-01A	EA	HOOD - RANGE - 22" - W/O MONITOR PANEL - W/HOUR METER
	100258-10-01A	EA	GAUGE - HOUR METER W/SWITCH - SCREW ON STYLE

**NORCOLD REFRIGERATORS**

KEY	PART NUMBER	U/M	DESCRIPTION
*	121568-02-01A	EA	REFRIGERATOR - SMALL DOUBLE DOOR/LEFT HAND - 2-WAY FROM: 00-00-00 THRU: 07-19-98
*	121568-04-01A	EA	REFRIGERATOR - SMALL DOUBLE DOOR/LEFT HAND - 2-WAY - BLACK FROM: 07-20-98 THRU: 99-99-99
	054450-01-000	EA	LEVEL - REFRIGERATOR
	065225-02-000	EA	PLATE - TIEDOWN - REFRIGERATOR
	093646-01-000	EA	BRACKET - TIEDOWN/REFRIGERATOR - RIGHT HAND
	093646-02-000	EA	BRACKET - TIEDOWN/REFRIGERATOR - LEFT HAND
	116751-01-01A	EA	TRAY - REFRIGERATOR

**RANGE - 3 BURNER W/OVEN - MAGIC CHEF - MODEL CLY1631BDL**

KEY	PART NUMBER	U/M	DESCRIPTION
*	112881-02-02A	EA	RANGE - 16" - 3 BURNER
	116884-01-01B	EA	BRACKET - TIE DOWN
	116884-02-01B	EA	BRACKET - TIE DOWN

**MONITOR PANEL - LVS**

KEY	PART NUMBER	U/M	DESCRIPTION
*	102765-04-01A	EA	PANEL - MONITOR - 2 HOLDING TANKS - ADJUSTABLE

**MICROWAVE OVEN**

KEY	PART NUMBER	U/M	DESCRIPTION	VENDOR NO.
	128527-01-000	EA	OVEN - MICROWAVE - .9 CUBIC FEET FROM: 00-00-00 THRU: 07-19-98	
	128527-01-700	EA	TRIM RING-F/.9 CU.FT. MICRO	MC-5471-EA
	128642-01-000	EA	TRIM KIT W/VENT - MICROWAVE - .9 CU FT - SAMSUNG	
	128527-03-000	EA	OVEN - MICROWAVE - .9 CUBIC FEET FROM: 07-20-98 THRU: 99-99-99	
	098916-28-02B	EA	BRACE - MICROWAVE CABINET - LEFT HAND	
	098916-29-02B	EA	BRACE - MICROWAVE CABINET - RIGHT HAND	
	128711-01-02B	EA	BRACKET - MICROWAVE	
	116843-03-02B	EA	BRACKET - MICROWAVE	

\*COMPONENT PARTS FOUND IN SERVICE PARTS LIBRARY

## GENERATOR GROUP

### 4.0 KW MICROLITE GENERATOR - US & CANADIAN

KEY	PART NUMBER	U/M	DESCRIPTION
	109982-03-000	EA	GENERATOR - 4.0 MICROLITE
	007067-01-000	SF	INSULATION - FIBERGLASS - 1" THICK X 4'-INCREMENTS 4 SF
	007125-03-000	EA	CLAMP - MUFFLER - 1.5" DIAMETER
	007125-04-000	EA	CLAMP - MUFFLER - 1.12" DIAMETER
	105958-08-000	EA	PIPE - GENERATOR EXHAUST - 1.5" OD X 3.1" X 19.7"
	007131-01-000	EA	HANGER - TAILPIPE - 6 SLOTS

**NOTE: ADDITIONAL GENERATOR PARTS ARE FOUND IN THE CHASSIS GROUP**

## HEATING & AIR CONDITIONING GROUP

### FURNACE - 25,000 BTU - SUBURBAN - MODEL SF-25

KEY	PART NUMBER	U/M	DESCRIPTION
*	098668-19-000	EA	FURNACE - 25000 BTU
	115764-01-01A	EA	THERMOSTAT - FURNACE
	009200-01-000	EA	TAPE - FURNACE - 1 1/2"
	098668-23-000	EA	DOOR - ACCESS - FURNACE - BRIGHT WHITE
	009198-01-000	FT	DUCT - HEAT - FLEXIBLE - 4" ID X 25'
	093614-01-02A	EA	GRILLE - RETURN AIR - 15.6" X 7.6" - BEIGE
	056464-10-000	EA	REGISTER - 4" DIAMETER - PLASTIC - W/O DAMPER - BEIGE
	069636-02-000	EA	CONNECTOR - DUCT - 4" ID

**\*COMPONENT PARTS FOUND IN SERVICE PARTS LIBRARY**

### ROOF AIR CONDITIONER - COLEMAN - MODEL TSR-HO - U.S. & CANADIAN

KEY	PART NUMBER	U/M	DESCRIPTION
*	131185-01-01A	EA	A/C ROOF - 13,500 BTU - 220 VOLT - WHITE

**\*COMPONENT PARTS FOUND IN SERVICE PARTS LIBRARY**

### CEILING AIR CONDITIONER - COLEMAN

KEY	PART NUMBER	U/M	DESCRIPTION
*	131183-01-01A	EA	CEILING ASSEMBLY - A/C COOL - WHITE

**\*COMPONENT PARTS FOUND IN SERVICE PARTS LIBRARY**

## INTERIOR FINISH GROUP

### EDGE BAND MOLDING

KEY	PART NUMBER	U/M	DESCRIPTION
	076325-47-000	FT	MOLDING - EDGE BAND - 1 5/16" X .030 - SAND (K04)
	076325-39-000	FT	MOLDING - EDGE BAND - 1 5/16" X .030 - ALMOND (K05, K06)
	076325-44-000	FT	MOLDING - EDGE BAND - .875" X .024" - SAND (K04)
	076325-40-000	FT	MOLDING - EDGE BAND - .875" X .024" - ALMOND (K05, K06)
	076325-73-000	FT	MOLDING - EDGE BAND - .93" X .024" - OFF WHITE
	076325-68-000	FT	MOLDING - EDGE BAND - 1 5/16" X .038 - WATERFORD OAK
	076325-67-000	FT	MOLDING - EDGE BAND - .93" X .024" - WATERFORD OAK

### BATT STRIPS

KEY	PART NUMBER	U/M	DESCRIPTION
	088263-F5-000	EA	BATT STRIP - DECORATIVE - FLAGSTAFF SAND - 8' (K04)
	088263-E6-000	EA	BATT STRIP - DECORATIVE - MONTANA FROST - 8' (K05)
	088263-F4-000	EA	BATT STRIP - DECORATIVE - TRAVIS MERCURY - 8' (K06)
	085284-F1-000	FT	BATT TAPE - ADHESIVE BACKED - DECORATIVE/FLAGSTAFF SAND (K04)
	085284-E0-000	FT	BATT TAPE - ADHESIVE BACKED - MONTANA FROST (K05)
	085284-E9-000	FT	BATT TAPE - ADHESIVE BACKED - DECORATIVE/TRAVIS MERCURY (K06)
	088263-E3-000	EA	BATT STRIP - DECORATIVE - PEBBLE EMBOSSED/ANTIQUE - 8'
	085284-D6-000	FT	BATT TAPE - ADHESIVE BACKED - DECORATIVE-EMBOSSED ANTIQUE
	088263-F9-000	EA	BATT STRIP - CEILING - IMPACT PEARL - 9'
	085284-F6-000	FT	BATT TAPE-ADHESIVE BACKED-IMPACT PEARL-W/FLEECE EMBOSSEING
	069733-83-000	EA	BATT STRIP - WOODGRAINED/WATERFORD OAK - 8'
	085284-B5-000	FT	BATT TAPE - ADHESIVE BACKED - WOODGRAINED - WATERFORD OAK

### PANELING & PARTICLE BOARD

KEY	PART NUMBER	U/M	DESCRIPTION
	088272-H5-000	SF	PANELING - FLAGSTAFF - 4' X 7' (K04)
	088272-G4-000	SF	PANELING - MONTANA FROST - 4' X 7' (K05)
	088272-H4-000	SF	PANELING - TRAVIS - 4' X 7'(28 SQ.FT.) (K06)
	088272-G1-000	SF	PANELING - PEBBLE EMBOSSED - ANTIQUE WHITE - 4' X 7'
	074497-28-000	SF	PANELING - WATERFORD OAK - 4' X 8'
	074497-41-000	SF	PANELING - CEILING - IMPACT PEARL - EMBOSSED - 4' X 9'
	000885-76-000	SF	PARTICLE BOARD-3/8" X 48" X 96"-WATERFORD OAK/VINYL 1 SIDE
	000885-77-000	SF	PARTICLE BOARD-3/8" X 48" X 96"-WATERFORD OAK/VINYL 2 SIDE
	000885-78-000	SF	PARTICLE BOARD-1/2" X 48" X 96"-WATERFORD OAK/VINYL 2 SIDE
	000885-79-000	SF	PARTICLE BOARD-3/4" X 48" X 96"-WATERFORD OAK/VINYL 2 SIDE
	126339-01-000	SF	BOARD - WHEAT - 60" X 72"
	057882-04-700	EA	DOOR-TAMBOUR 4'X4' PC WINONA PART SALES

## INTERIOR FINISH GROUP (CONTINUED)

### PLASTIC LAMINATES

KEY	PART NUMBER	U/M	DESCRIPTION
	074498-54-000	SF	LAMINATE - PLASTIC - SAND SPEKTRUM - 5' X 8' (K04)
	074498-80-000	SF	LAMINATE - PLASTIC - WHITE TUNDRA - 5' X 8' (K05)
	074498-71-000	SF	LAMINATE - PLASTIC - NEUTRAL SANTOS - 5'X 8' (K06)
	074498-40-000	SF	LAMINATE - PLASTIC - OFF WHITE - 5' X 8'
	074498-77-000	SF	LAMINATE - PLASTIC - ART CABIN (WATERFORD OAK) - 4' X 8'

### CARPETING & FLOOR MATS

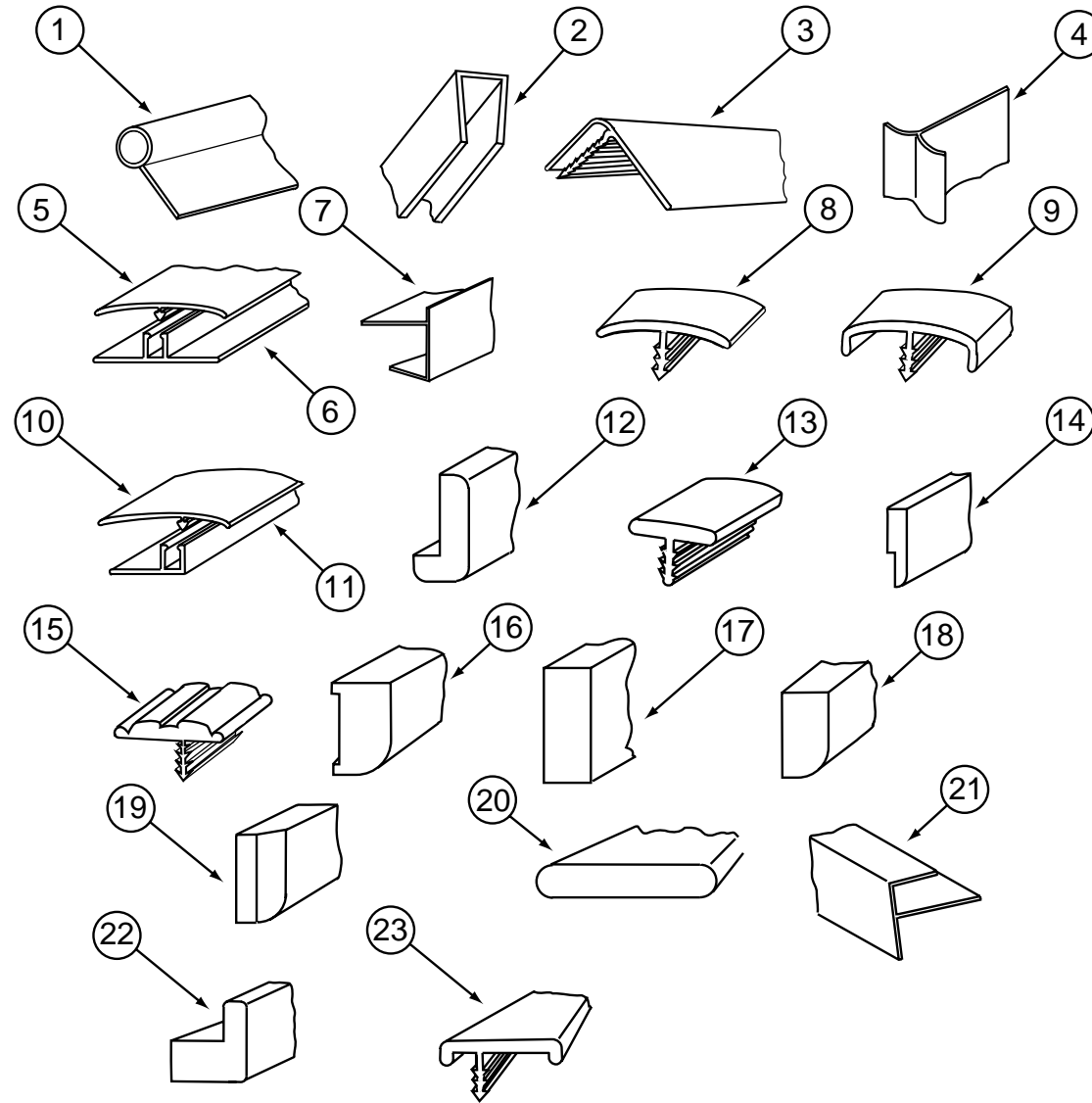
KEY	PART NUMBER	U/M	DESCRIPTION
	096060-95-000	SY	CARPET - DOESKIN - INCREMENTS OF 4 SQ YDS (K04)
	096060-97-000	SY	CARPET - LAPIS - INCREMENTS OF 4 SQ YDS (K05)
	096060-99-000	SY	CARPET - PARCHMENT (K06)
	093486-01-000	SY	CARPET - COMPARTMENT - 72" WIDE - DARK GRAY
	042720-20-000	SY	VINYL - FLOOR COVERING - 7.5' WIDE - CALAY
	042720-24-000	SY	VINYL - FLOOR COVERING - 12' WIDE - TRADITIONS SOLARIAN - RENTAL
	091261-01-000	FT	SLIPNOT - ANTISLIP - 1' WIDE
	096764-02-000	FT	SLIPNOT - ANTISLIP - 1" WIDE (100' ROLLS)
	122755-05-01A	EA	TILE - RUBBER/ENTRANCE DOOR - 11.2" X 26.9"
	124182-03-01A	EA	MAT - PASSENGER FRONT FLOOR - CHEVY
	124182-04-01A	EA	MAT - DRIVER FRONT FLOOR - ITASCA CHEVY
	125780-03-000	EA	MAT - FLOOR - FRONT PASSENGER - "I" - FORD
	125780-04-000	EA	MAT - FLOOR - FRONT DRIVER - "I" - FORD

### SMOKE DETECTOR, CO DETECTOR & FIRE EXTINGUISHER

KEY	PART NUMBER	U/M	DESCRIPTION	VENDOR NO.
	094499-03-000	EA	EXTINGUISHER/FIRE - DRY - 10B:C - W/O BRACKET	
	094499-04-000	EA	BRACKET - FIRE EXTINGUISHER	
	094499-02-000	EA	EXTINGUISHER/FIRE - DRY - 1A10BC - CANADIAN	
	094499-01-700	EA	BRACKET MTG. W/PLAS. STRAP	294039
	094499-01-701	EA	STRAP ONLY (METAL)	320351
	072852-01-000	EA	DETECTOR - SMOKE - W/9 VOLT BATTERY - US	
	125136-01-000	EA	CO DETECTOR - GAS - ROUND W/2 SCREWS - 9 VOLT	

## INTERIOR FINISH GROUP (CONTINUED)

### MOLDINGS & TRIMS

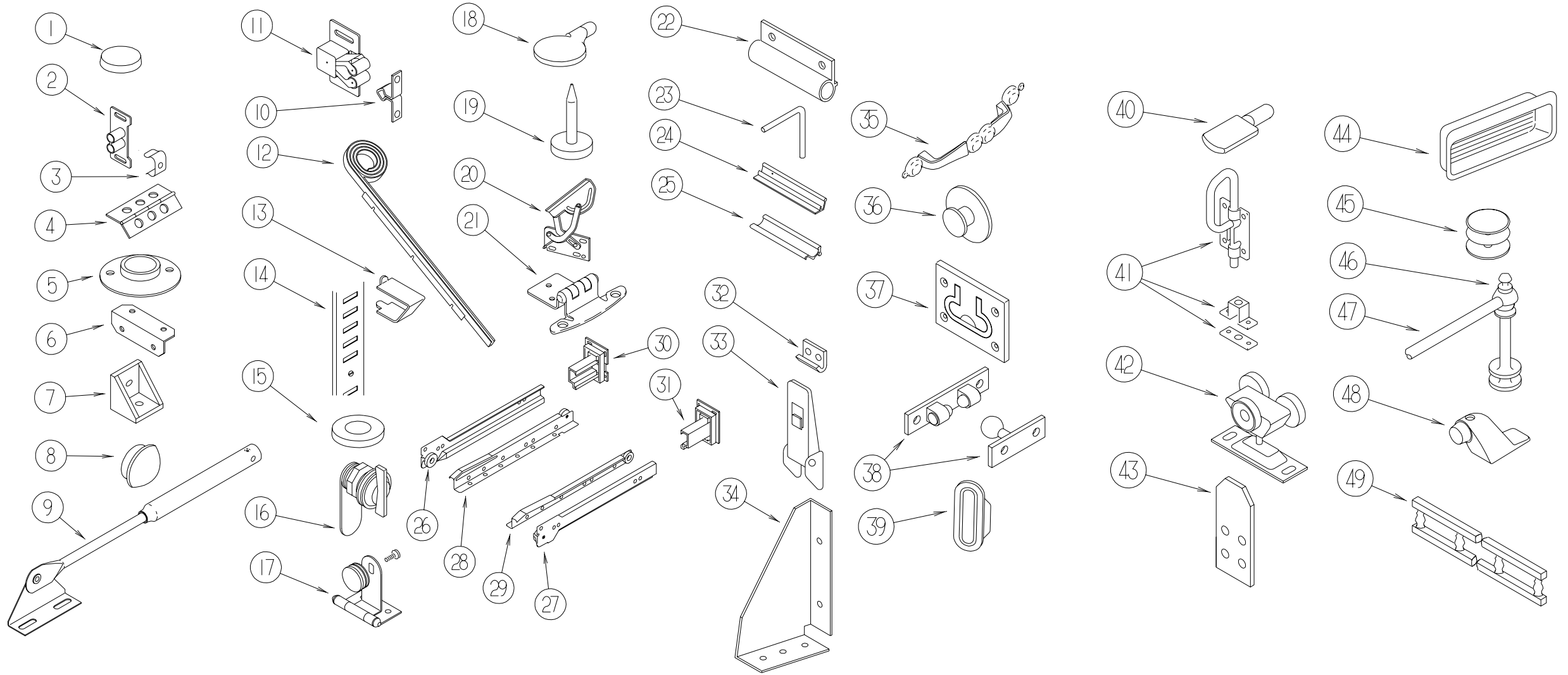


KEY	PART NUMBER	U/M	DESCRIPTION
1	009767-12-000	FT	WELTING - SIDEWALL/CEILING/CABINET - OFF/WHT
1	009767-15-000	FT	WELTING - WATERFORD OAK
2	009778-11-000	FT	U-CHANNEL - 1" - IVORY
2	070504-18-000	FT	U-CHANNEL - PLASTIC - .13" X 84" - IVORY
2	009778-30-000	FT	U-CHANNEL - 1" - VILLAGE OAK
2	009778-22-000	FT	U-CHANNEL - 1 1/4" - WATERFORD OAK
2	070504-03-000	FT	U-CHANNEL - PLASTIC - .9" X 96" - GRADY BROWN
2	070504-36-000	FT	U-CHANNEL - PLASTIC - .13" X 72" - WATERFORD OAK
2	070504-37-000	FT	U-CHANNEL - PLASTIC - .9" X 84" - WATERFORD OAK
3	009809-24-000	EA	MOLDING - PLASTIC - 1/2" O/S CORNER - IVORY
3	009809-28-000	EA	MOLDING - CORNER - OUTSIDE - 1" X 84" - WATERFORD OAK
3	009812-29-000	EA	MOLDING - CORNER - 1/2" W/1/4" CHAN X 84" - WATERFORD OAK
4	022992-11-000	FT	MOLDING - REVERSE COVE - T-SHAPED VINYL - IVORY
5	086229-15-000	EA	BATTEN - 1" X 96" - MODERN IVORY
5	086229-20-000	EA	BATTEN - 1" X 96" - BEIGE
6	086229-01-000	EA	RETAINER - BATTEN - .75" X 92.3" - ANY COLOR
7	103186-01-05A	FT	MOLDING - PLASTIC - 3/8" U-CHANNEL 3/4" FACE-WATERFORD OAK
8	009815-09-000	FT	MOLDING-T - .75" IVORY
9	083620-09-000	FT	MOLDING-T - END CAP EDGE - W/EDGE LIP - .75"-MODERN IVORY
9	083620-12-000	FT	MOLDING-T - END CAP EDGE - W/EDGE LIP - .75"-WATERFORD OAK
9	119520-01-01A	FT	MOLDING-T - 1" - W/EDGE LIPS (OFF/WHITE-CREAM)
9	104676-02-04A	FT	MOLDING-T - 1/2" - WATERFORD OAK

KEY	PART NUMBER	U/M	DESCRIPTION
10	086229-12-000	EA	BATTEN - 1.5" OFFSET X 97.01" IVORY
11	086229-11-000	EA	RETAINER - OFFSET - 97.01"
12	077840-01-G01	EA	MOLDING - CAP/WALL - 8' WATERFORD OAK
13	104676-01-01A	FT	MOLDING-T - 5/16" RIGID GOLD
14	105004-01-05A	EA	MOLDING - VINYL WRAPPED - 1" X 96" - WATERFORD OAK
15	109736-02-01A	FT	T-MOLDING - 1" - NATURAL OAK
16	117268-D2-134	EA	MOLDING - VINYL WRAPPED - .7" X 1.6" X 84" - WATERFORD OAK
16	117268-F2-134	EA	MOLDING - VINYL WRAPPED - .7" X 2.7" X 84" - WATERFORD OAK
17	117267-D2-438	EA	LUMBER - VINYL WRAPPED - .7" X 1.5" X 96" - WATERFORD OAK
17	117267-E2-438	EA	LUMBER - VINYL WRAPPED - .7" X 2" X 96" - WATERFORD OAK
17	117267-G2-438	EA	LUMBER - VINYL WRAPPED - .7" X 3" X 96" - WATERFORD OAK
17	117267-J2-438	EA	LUMBER - VINYL WRAPPED - .7" X 5.5" X 96" - WATERFORD OAK
17	117267-F2-438	EA	LUMBER - VINYL WRAPPED - .7" X 2.5" X 96" - WATERFORD OAK
18	100818-01-05A	EA	MOLDING - VINYL WRAP - 1.6" X .4" X 84" - WATERFORD OAK
18	100819-01-05A	EA	MOLDING - VINYL WRAP - L-SHAPED - 1.5" X 1.5" X 7' - OAK
19	100659-01-G09	EA	MOLDING/TRIM - VINYL FLOOR
20	120492-01-01A	FT	STRIP - TRIM - IVORY
21	009812-29-000	EA	MOLDING - CORNER - 1/2" W/1/4" CHAN X 84" - WATERFORD OAK
21	009812-24-000	EA	MOLDING - CORNER - 1/2" W/1/4" CHAN X 108" - IVORY PLASTIC
22	100819-01-05A	EA	MOLDING - VINYL WRAPPED - L-SHAPED - 1.5" X 1.5" X 84" - OAK
23	119520-01-01A	FT	MOLDING-T - 1" - W/EDGE LIPS (OFF/WHITE-CREAM)

# INTERIOR FINISH GROUP (CONTINUED)

## CABINET & TABLE HARDWARE

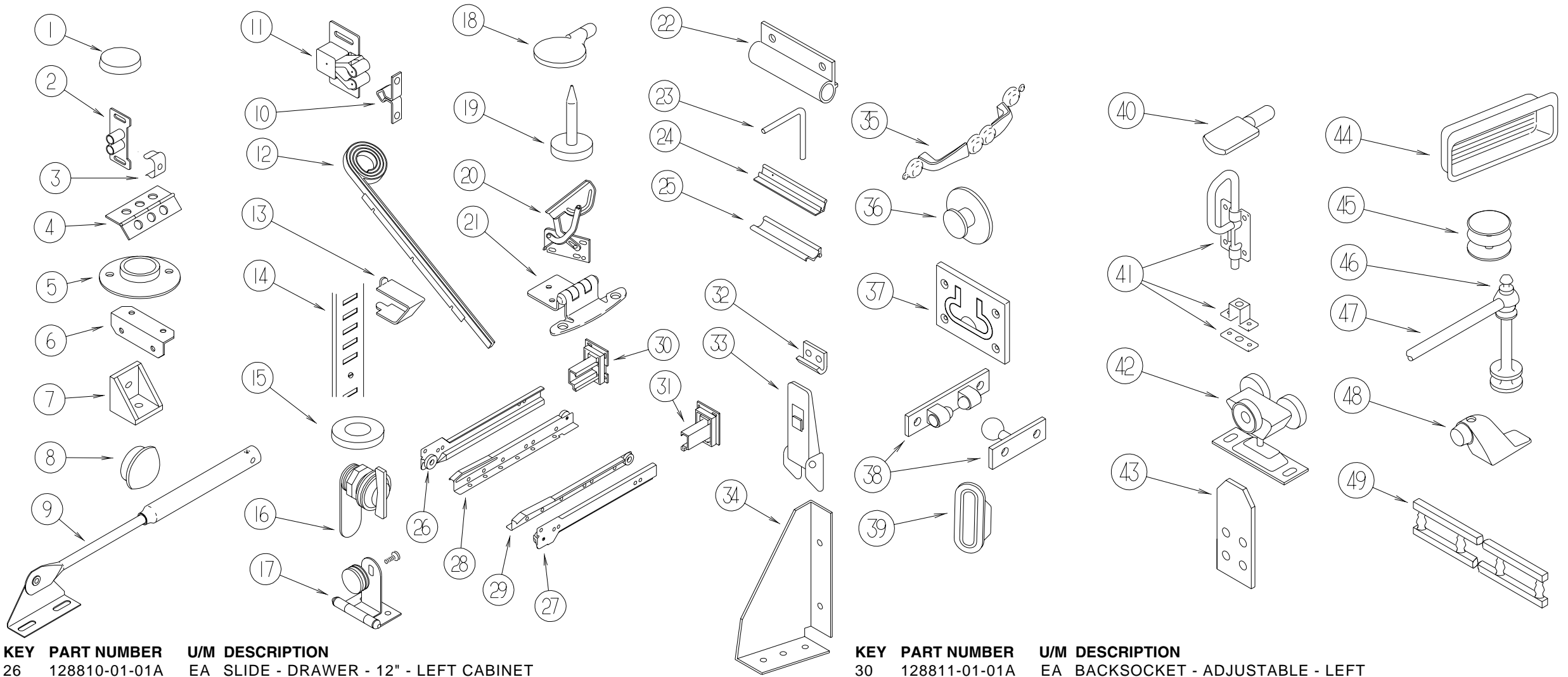


KEY	PART NUMBER	U/M	DESCRIPTION
1	004354-01-000	EA	BUMPER - RUBBER - .5" DIA - BROWN
2	009021-01-000	EA	CATCH - GRILLE - NYLON
3	009021-02-000	EA	STRIKE - SPRING STEEL
4	009059-01-000	EA	HINGE - DOOR - 2" X 1.4" - BRASS
4	009059-02-000	EA	HINGE - DOOR - 2" X 2.7" - BRASS
4	041389-35-000	EA	HINGE - PIANO - OFF WHITE - 31"
5	009112-01-000	EA	FLANGE - PLASTIC - 1" CLOTHES ROD - OFF WHITE
6	016604-01-000	EA	BRACE - CABINET - ANGLE - 2.5" - UNPAINTED METAL
6	016604-05-000	EA	BRACE - CABINET - ANGLE - 2.5" - OFF WHITE METAL
7	065740-01-000	EA	BRACE - CABINET/CORNER - PLASTIC
8	074045-01-000	EA	PLUG - OAK - 1/2" DIAMETER
9	074493-02-000	EA	SUPPORT - PISTON SPRING - CABINET DOOR
10	093586-05-000	EA	STRIKE - SPRING STEEL
11	093586-06-000	EA	CATCH - SPRING - ROLLER

KEY	PART NUMBER	U/M	DESCRIPTION
12	097141-02-700	EA	KIT - TRACK - TAMBOUR DOOR - W/ONE RT & ONE LEFT TRACK
13	098979-01-000	EA	CLIP - ADJUSTABLE SHELF
14	098980-06-000	EA	PILASTER - ADJUSTABLE SHELF - 24"
15	100707-01-000	EA	SPACER - GLASS DOOR - .8" DIA - .3" HOLE - PLASTIC
16	100710-01-01A	EA	LOCK - GLASS DOOR/TWIST TYPE - BRASS
17	100711-01-01A	EA	HINGE - GLASS DOOR
18	101766-01-000	EA	PIN - SUPPORT/GLASS DOOR
19	102194-01-000	EA	GUIDE - PLASTIC
20	108126-01-000	EA	TRAY HINGE SET (QTY. 2 PER SET)
21	108138-01-000	EA	HINGE - CABINET DOOR - BURNISHED BRASS
	000G13-06-08G	EA	SCREW - 6-20 X .50 PFH - ANTIQUE BRASS
22	108486-01-01A	EA	BRACKET - PROP ROD/OVERHEAD - BLACK
23	108487-02-01A	EA	SUPPORT - PROP ROD/OVERHEAD - BLACK
24	110107-01-04A	EA	PULL - DOOR - TERRATONE
25	110108-01-04A	EA	LATCH - DOOR - TERRATONE

# INTERIOR FINISH GROUP (CONTINUED)

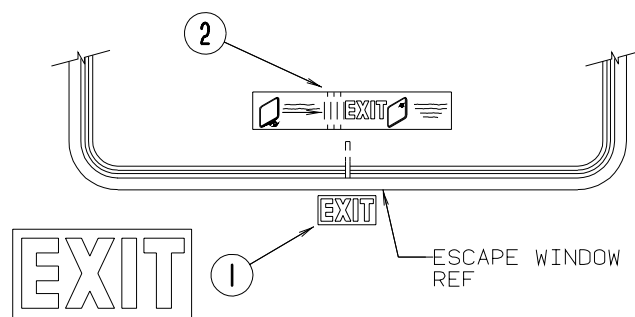
## CABINET & TABLE HARDWARE (CONTINUED)



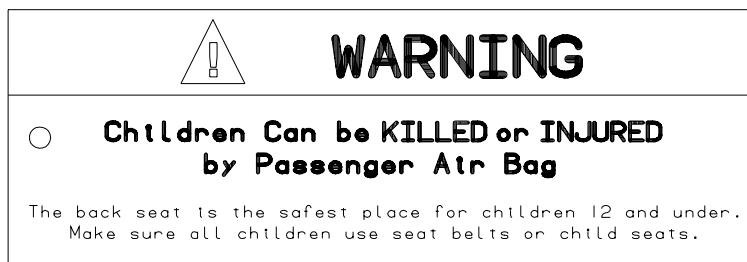
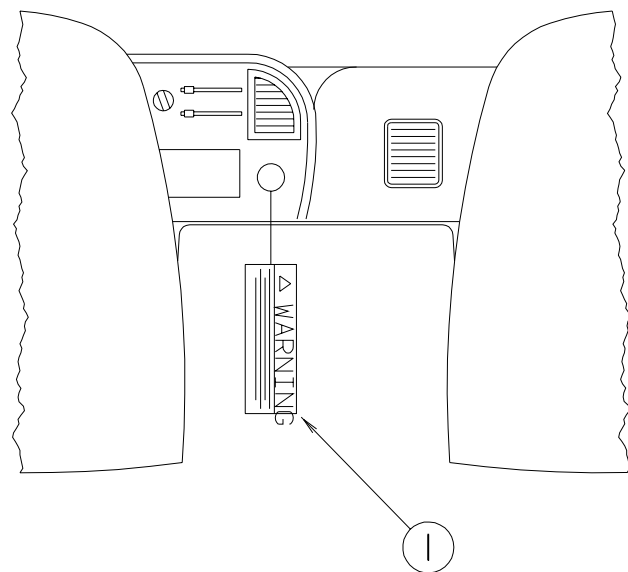
KEY	PART NUMBER	U/M	DESCRIPTION
26	128810-01-01A	EA	SLIDE - DRAWER - 12" - LEFT CABINET
26	128810-05-01A	EA	SLIDE - DRAWER - 14" - LEFT CABINET
26	128810-09-01A	EA	SLIDE - DRAWER - 16" - LEFT CABINET
26	128810-13-01A	EA	SLIDE - DRAWER - 18" - LEFT CABINET
26	128810-17-01A	EA	SLIDE - DRAWER - 20" - LEFT CABINET
26	128810-21-01A	EA	SLIDE - DRAWER - 22" - LEFT CABINET
26	128810-25-01A	EA	SLIDE - DRAWER - 24" - LEFT CABINET
27	128810-02-01A	EA	SLIDE - DRAWER - 12" - RIGHT CABINET
27	128810-06-01A	EA	SLIDE - DRAWER - 14" - RIGHT CABINET
27	128810-10-01A	EA	SLIDE - DRAWER - 16" - RIGHT CABINET
27	128810-14-01A	EA	SLIDE - DRAWER - 18" - RIGHT CABINET
27	128810-18-01A	EA	SLIDE - DRAWER - 20" - RIGHT CABINET
27	128810-22-01A	EA	SLIDE - DRAWER - 22" - RIGHT CABINET
27	128810-26-01A	EA	SLIDE - DRAWER - 24" - RIGHT CABINET
28	128810-03-01A	EA	SLIDE - DRAWER - 12" - LEFT DRAWER
28	128810-07-01A	EA	SLIDE - DRAWER - 14" - LEFT DRAWER
28	128810-11-01A	EA	SLIDE - DRAWER - 16" - LEFT DRAWER
28	128810-15-01A	EA	SLIDE - DRAWER - 18" - LEFT DRAWER
28	128810-19-01A	EA	SLIDE - DRAWER - 20" - LEFT DRAWER
28	128810-23-01A	EA	SLIDE - DRAWER - 22" - LEFT DRAWER
28	128810-27-01A	EA	SLIDE - DRAWER - 24" - LEFT DRAWER
29	128810-04-01A	EA	SLIDE - DRAWER - 12" - RIGHT DRAWER
29	128810-08-01A	EA	SLIDE - DRAWER - 14" - RIGHT DRAWER
29	128810-12-01A	EA	SLIDE - DRAWER - 16" - RIGHT DRAWER
29	128810-16-01A	EA	SLIDE - DRAWER - 18" - RIGHT DRAWER
29	128810-20-01A	EA	SLIDE - DRAWER - 20" - RIGHT DRAWER
29	128810-24-01A	EA	SLIDE - DRAWER - 22" - RIGHT DRAWER
29	128810-28-01A	EA	SLIDE - DRAWER - 24" - RIGHT DRAWER

KEY	PART NUMBER	U/M	DESCRIPTION
30	128811-01-01A	EA	BACKSOCKET - ADJUSTABLE - LEFT
31	128811-02-01A	EA	BACKSOCKET - ADJUSTABLE RIGHT
32	116975-02-01A	EA	KEEPER/STRIKE - BLACK - NEW STYLE
33	116975-01-01A	EA	LATCH - W/O STRIKE - BLACK - NEW STYLE
34	116978-01-03B	EA	GUSSET - SLIDEOUT ROOM - OFF/WHITE
35	121891-01-01A	EA	PULL - CABINET - BRASS
36	125221-01-01A	EA	PULL - MIRROR - W/ROUND HANDLE
37	072871-01-000	EA	PULL - FLUSH - CHROME
38	084451-01-000	EA	CATCH - BRASS
39	098410-01-01A	EA	PULL - FINGER - OVAL - BRASS
40	101766-01-000	EA	PIN - SUPPORT/GLASS DOOR
41	103256-01-000	EA	LATCH - SLIDE
42	103874-01-000	EA	HANGER - SLIDING DOOR
43	112053-01-01A	EA	STOP - DRAWER - BLACK
44	124311-01-01A	EA	HANDLE - RECESSED - BRASS
45	081114-02-000	EA	CAP - INSERT - ROUND 1" DIAMETER - WHITE
46	084070-03-000	EA	POST - END - 2.4" - BRASS
47	084071-12-000	EA	ROD - BRASS - 4.08" LONG
47	084071-19-000	EA	ROD - BRASS - 7.09" LONG
48	103257-01-000	EA	STOP - DOOR
49	075249-01-000	EA	RAILING - OAK - 72" UNFINISHED
	079921-01-000	EA	ROLLER - NYLON - W/STEEL SHAFT - BARBED
	113236-01-01A	EA	BRACKET - CLOTHES - ROD
	023320-01-000	EA	PAD - FELT 3/8" DIAMETER
	042438-01-000	EA	DOWEL - WOOD - CLOTHES ROD - 1" DIAMETER X 4'
	042438-02-000	EA	DOWEL - WOOD - 2" X 2"

**LABELS GROUP**



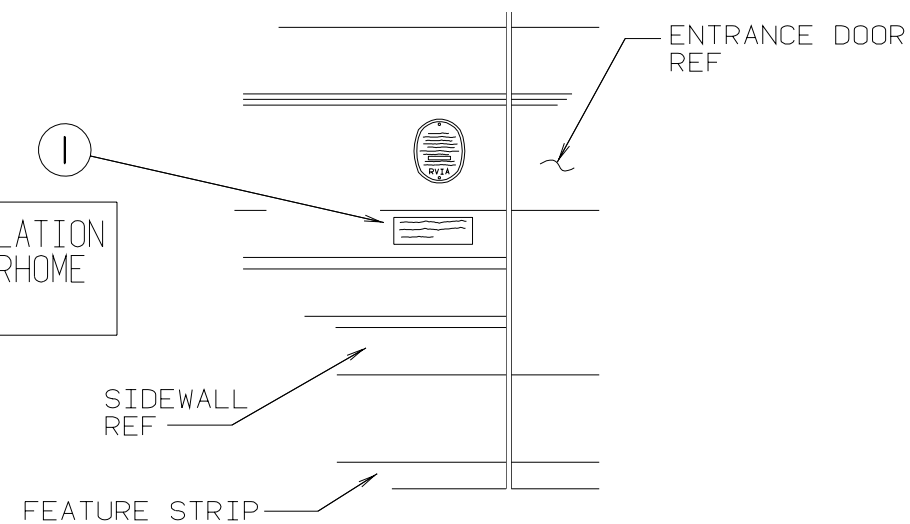
KEY	PART NUMBER	U/M DESCRIPTION
1	039290-01-000	EA LABEL - WARNING - EXIT
2	107571-01-000	EA LABEL - EXIT/ESCAPE WINDOW



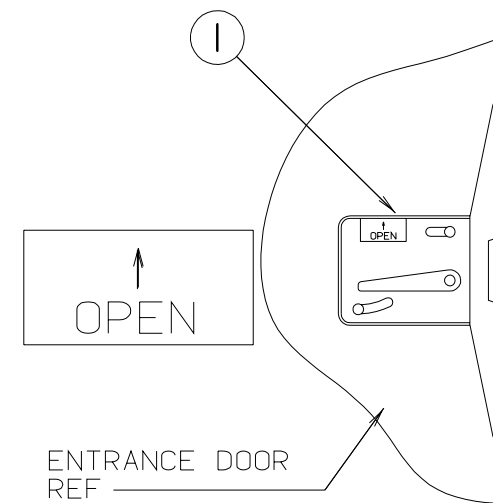
KEY	PART NUMBER	U/M DESCRIPTION
1	126612-01-000	EA LABEL - HANG TAG - AIR BAG - DASH

**LABELS GROUP (CONTINUED)**

FOR AWNING INSTALLATION CONTACT YOUR MOTORHOME DEALERSHIP

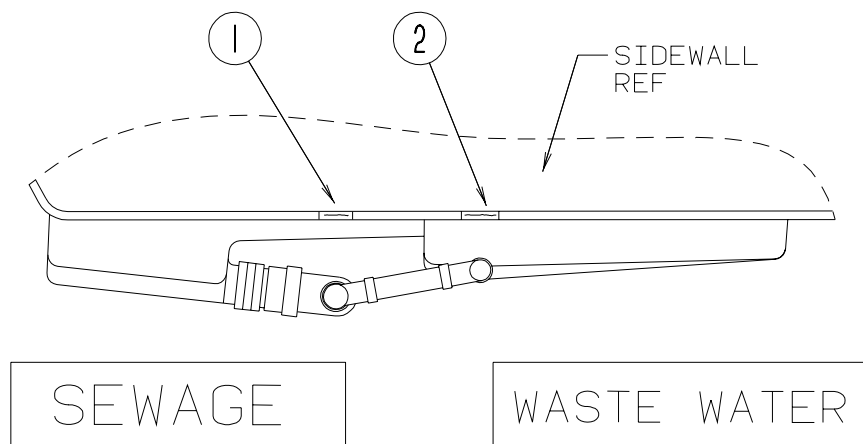


KEY	PART NUMBER	U/M DESCRIPTION
1	099509-01-000	EA LABEL - AWNING INSTALLATION



KEY	PART NUMBER	U/M DESCRIPTION
1	040944-01-000	EA LABEL - ENTRANCE DOOR - "OPEN"

**LABELS GROUP (CONTINUED)**

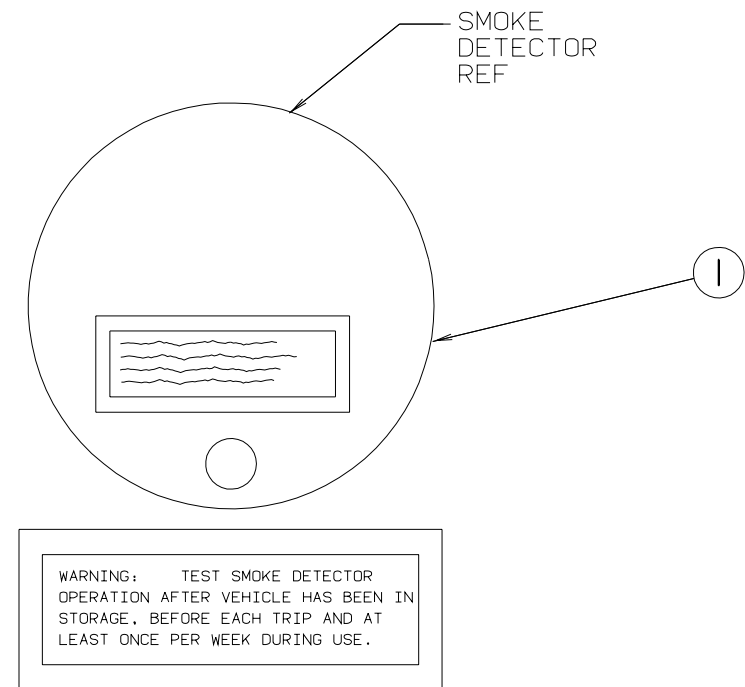


SEWAGE

WASTE WATER

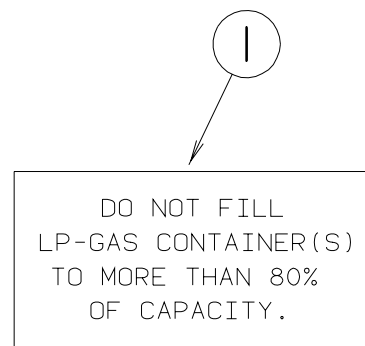
KEY	PART NUMBER	U/M DESCRIPTION
1	006187-01-000	EA LABEL - SEWAGE
2	006188-01-000	EA LABEL - WASTE WATER

**LABELS GROUP (CONTINUED)**

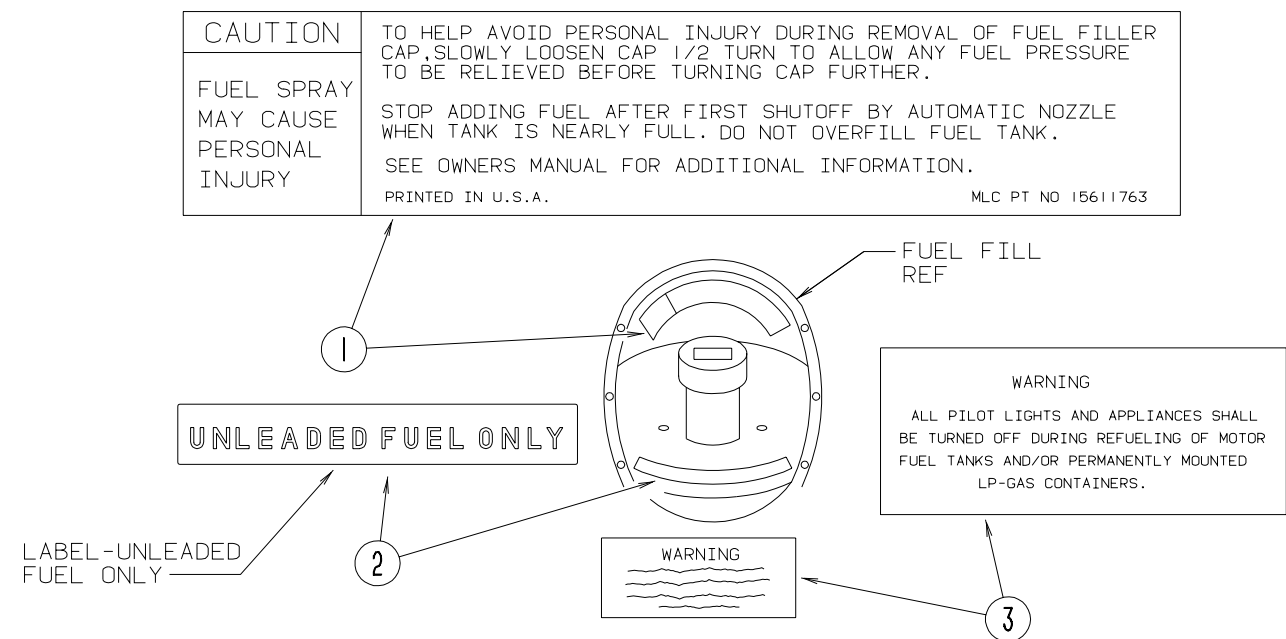


WARNING: TEST SMOKE DETECTOR OPERATION AFTER VEHICLE HAS BEEN IN STORAGE. BEFORE EACH TRIP AND AT LEAST ONCE PER WEEK DURING USE.

KEY	PART NUMBER	U/M DESCRIPTION
1	077956-01-000	EA LABEL - WARNING - SMOKE DETECTOR



KEY	PART NUMBER	U/M DESCRIPTION
1	079965-01-000	EA LABEL - LPG - 80% CAPACITY



**CAUTION**  
 TO HELP AVOID PERSONAL INJURY DURING REMOVAL OF FUEL FILLER CAP, SLOWLY LOOSEN CAP 1/2 TURN TO ALLOW ANY FUEL PRESSURE TO BE RELIEVED BEFORE TURNING CAP FURTHER.

**FUEL SPRAY MAY CAUSE PERSONAL INJURY**  
 STOP ADDING FUEL AFTER FIRST SHUTOFF BY AUTOMATIC NOZZLE WHEN TANK IS NEARLY FULL. DO NOT OVERFILL FUEL TANK.  
 SEE OWNERS MANUAL FOR ADDITIONAL INFORMATION.  
 PRINTED IN U.S.A. MLC PT NO 15611763

UNLEADED FUEL ONLY

LABEL - UNLEADED FUEL ONLY

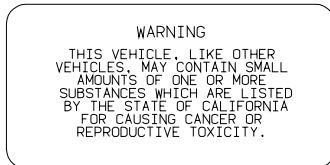
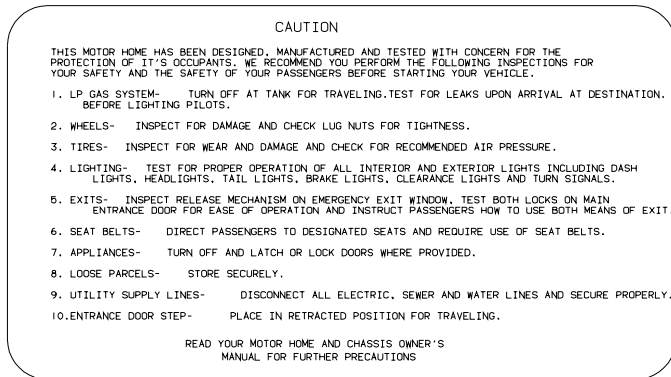
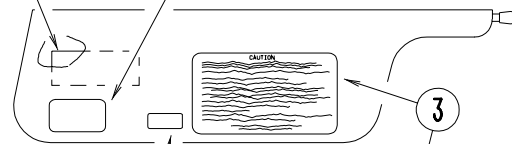
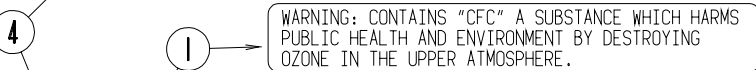
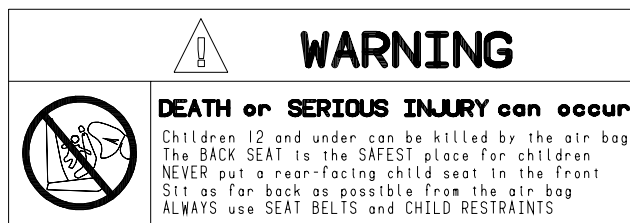
**WARNING**  
 ALL PILOT LIGHTS AND APPLIANCES SHALL BE TURNED OFF DURING REFUELING OF MOTOR FUEL TANKS AND/OR PERMANENTLY MOUNTED LP-GAS CONTAINERS.

WARNING

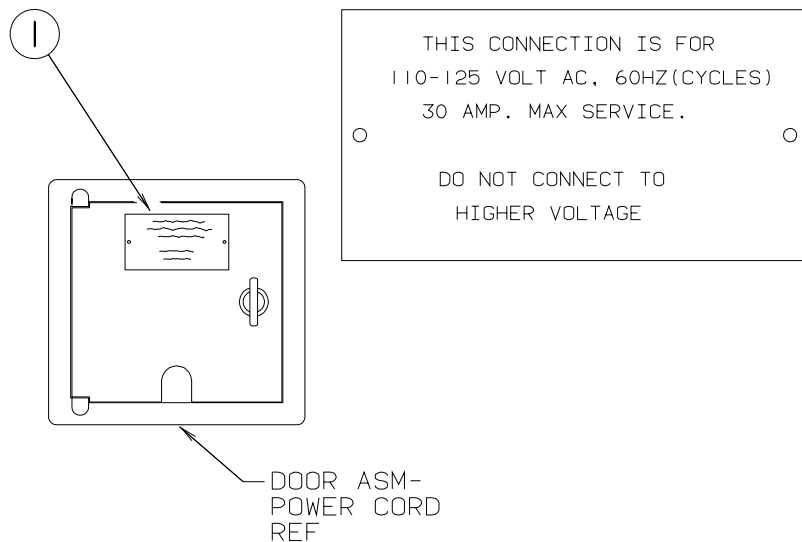
KEY	PART NUMBER	U/M DESCRIPTION
1	087207-05-000	EA LABEL - FUEL CAP REMOVAL
2	062043-01-000	EA LABEL - FUEL - UNLEADED
3	124519-01-01A	EA LABEL - WARNING/REFUELING - BLACK ON CLEAR
3	124519-02-01A	EA LABEL - WARNING/REFUELING - CSA



**LABELS GROUP (CONTINUED)**

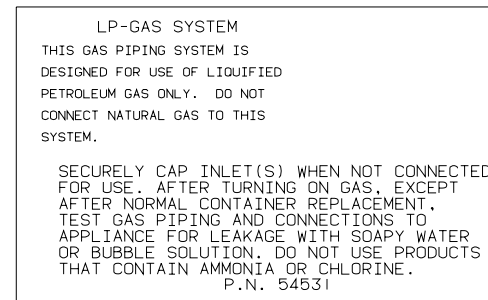
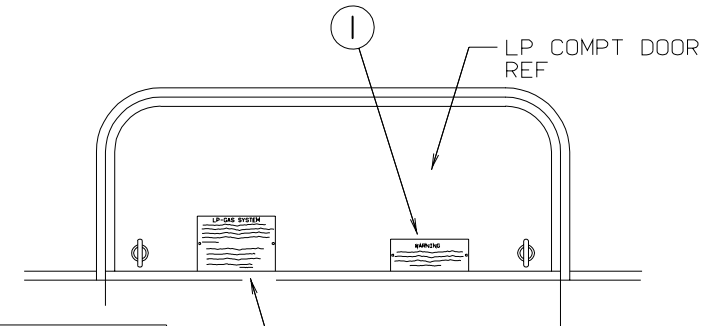
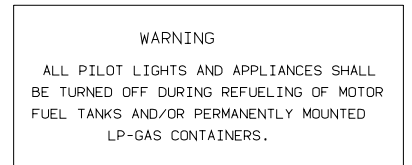


KEY	PART NUMBER	U/M	DESCRIPTION
1	111802-01-000	EA	LABEL - CFC WARNING
2	099689-01-000	EA	LABEL - WARNING - CANCER/TOXICITY
3	056259-01-000	EA	LABEL - SAFETY CHECK LIST
4	126611-01-000	EA	LABEL - AIR BAG - VISOR

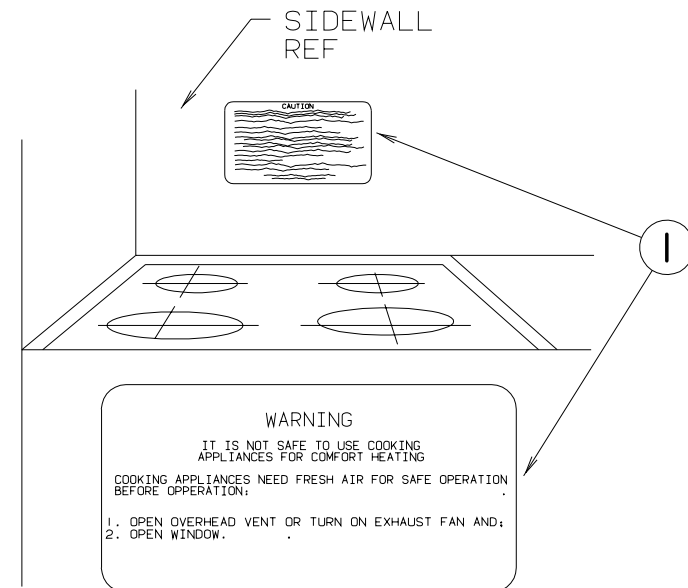


KEY	PART NUMBER	U/M	DESCRIPTION
1	125306-01-01A	EA	LABEL - ELECTRICAL ENTRANCE - 110 VOLT - 30 AMP

**LABELS GROUP (CONTINUED)**

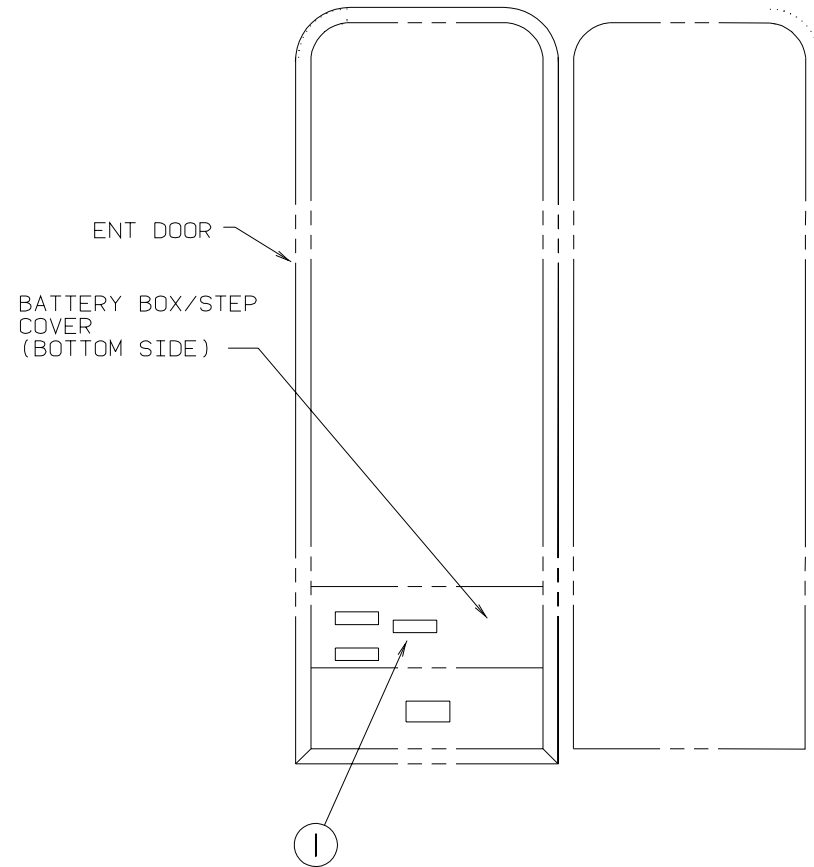


KEY	PART NUMBER	U/M	DESCRIPTION
1	023769-01-000	EA	LABEL - WARNING - LPG - CANADIAN
2	124520-01-01A	EA	LABEL - LP GAS ONLY - BLACK ON CLEAR



KEY	PART NUMBER	U/M	DESCRIPTION
1	050222-01-000	EA	LABEL - STOVE VENT - CANADIAN
1	050225-01-000	EA	LABEL - STOVE VENT - US

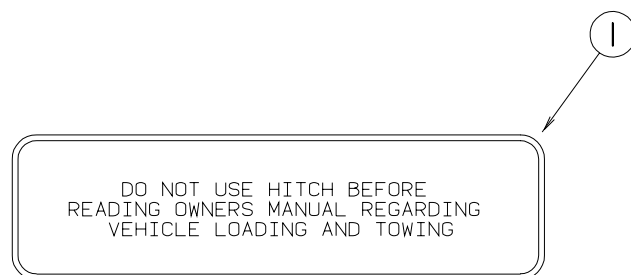
**LABELS GROUP (CONTINUED)**



WARNING: DISCONNECT BATTERIES BEFORE CONNECTING EXTERNAL CHARGING EQUIPMENT.

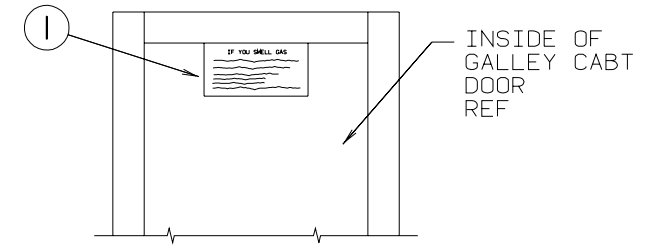
AVERTISSEMENT: DEBRANCHER LES BATTERIES AVANT DE BRANCHER TOUT EQUIPEMENT DE CHARGE EXTERIEUR.

KEY	PART NUMBER	U/M DESCRIPTION
1	065748-01-000	EA LABEL - CAUTION - BATTERY CHARGING



KEY	PART NUMBER	U/M DESCRIPTION
1	111104-01-000	EA LABEL - HITCH - READ MANUAL - WHITE
1	111104-02-000	EA LABEL - HITCH - READ MANUAL - BLACK

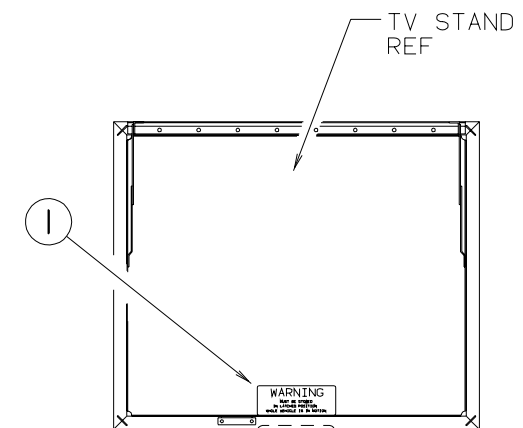
**LABELS GROUP (CONTINUED)**



**IF YOU SMELL GAS**

1. EXTINGUISH ANY OPEN FLAME, PILOT LIGHTS AND ALL SMOKING MATERIALS.
2. SHUT OFF THE GAS SUPPLY AT THE TANK VALVE( OR GAS SUPPLY CONNECTION.
3. OPEN DOORS AND OTHER VENTILATING OPENINGS.
4. DO NOT TOUCH ELECTRICAL SWITCHES.
5. LEAVE THE AREA UNTIL ODDOR CLEARS.
6. HAVE THE GAS SYSTEM CHECKED AND LEAKAGE SOURCE CORRECTED BEFORE USING AGAIN.

KEY	PART NUMBER	U/M DESCRIPTION
1	073998-01-000	EA LABEL - LPG ODOR WARNING



**WARNING**  
MUST BE STOWED IN LATCHED POSITION WHILE VEHICLE IS IN MOTION

KEY	PART NUMBER	U/M DESCRIPTION
1	079966-01-000	EA LABEL - WARNING - STOWED - MOTION

**WARNING**  
IF SURFACE MAY BE SLIPPERY ESPECIALLY WHERE MOISTURE IS PRESENT. SLIPPING MAY RESULT IN PERSONAL INJURY.

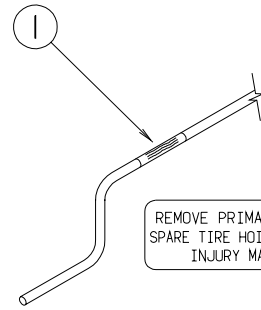
KEY	PART NUMBER	U/M DESCRIPTION
1	128218-01-01A	EA LABEL - WARNING - SLIPPERY ROOF

**LABELS GROUP (CONTINUED)**

AIR CONDITIONING CIRCUIT.  
THIS CONNECTION IS FOR  
AIR CONDITIONERS RATED 110-  
125 VOLT AC, 60 HZ, 16  
AMPERES MAXIMUM. DO NOT  
EXCEED CIRCUIT RATING.



**KEY PART NUMBER U/M DESCRIPTION**  
1 091243-01-000 EA LABEL - A/C COVER "AIR CONDITIONING CIRCUIT ETC."

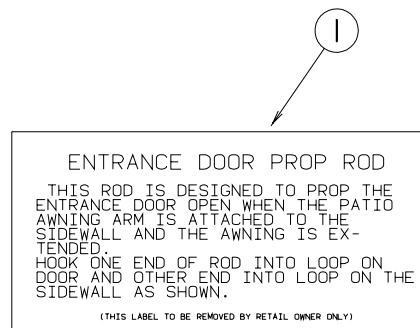


REMOVE PRIMARY TIRE HANGER BEFORE USING  
SPARE TIRE HOIST-SEE OWNERS MANUAL- PERSONAL  
INJURY MAY RESULT IF NOT FOLLOWED

**KEY PART NUMBER U/M DESCRIPTION**  
1 126024-01-01A EA LABEL - TIRE HANGER REMOVAL



**KEY PART NUMBER U/M DESCRIPTION**  
1 087236-01-000 EA LABEL - CABLE - INPUT



ENTRANCE DOOR PROP ROD  
THIS ROD IS DESIGNED TO PROP THE  
ENTRANCE DOOR OPEN WHEN THE PATIO  
AWNING ARM IS ATTACHED TO THE  
SIDEWALL AND THE AWNING IS EX-  
TENDED.  
HOOK ONE END OF ROD INTO LOOP ON  
DOOR AND OTHER END INTO LOOP ON THE  
SIDEWALL AS SHOWN.  
(THIS LABEL TO BE REMOVED BY RETAIL OWNER ONLY)

**KEY PART NUMBER U/M DESCRIPTION**  
1 128658-01-000 EA LABEL - PROP ROD - ENTRY DOOR

**LABELS GROUP (CONTINUED)**

LP-GAS SYSTEM  
THIS GAS PIPING SYSTEM IS  
DESIGNED FOR USE OF  
LIQUIFIED PETROLEUM GAS  
ONLY. DO NOT CONNECT  
NATURAL GAS TO THIS  
SYSTEM.  
SECURELY CAP INLET(S) WHEN NOT  
CONNECTED FOR USE. AFTER TURNING  
ON GAS, EXCEPT AFTER NORMAL  
CONTAINER REPLACEMENT, TEST GAS  
PIPING AND CONNECTIONS TO  
APPLIANCES FOR LEAKAGE WITH SOAPY  
WATER OR BUBBLE SOLUTION. DO NOT  
USE PRODUCTS THAT CONTAIN AMMONIA  
OR CHLORINE.

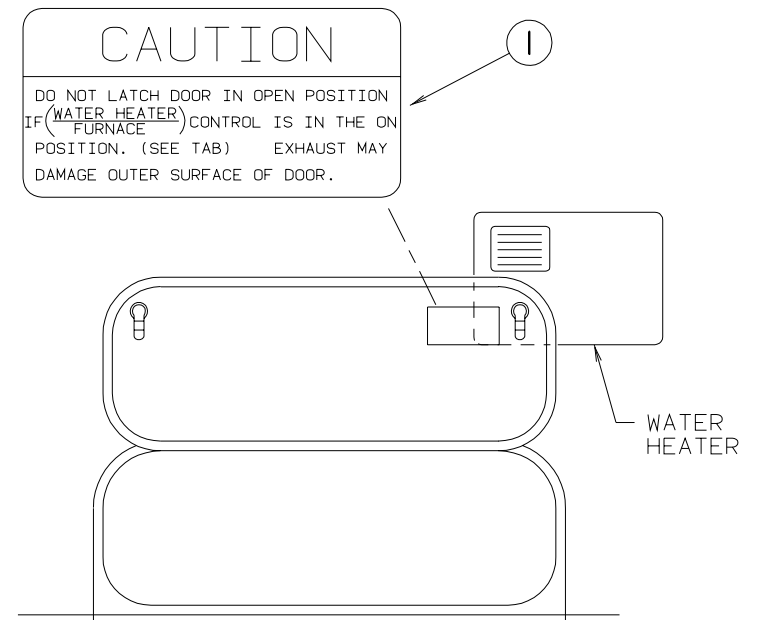


**KEY PART NUMBER U/M DESCRIPTION**  
1 054531-01-000 EA LABEL - LP GAS ONLY

BATTERY COACH ELECTRIC ELECTRIC ELECTRIC INVERTER  
MODE BREAKER STEP STEP STEP  
SWITCH PANEL IGNITION BATTERY CONTROL  
POWER POWER POWER

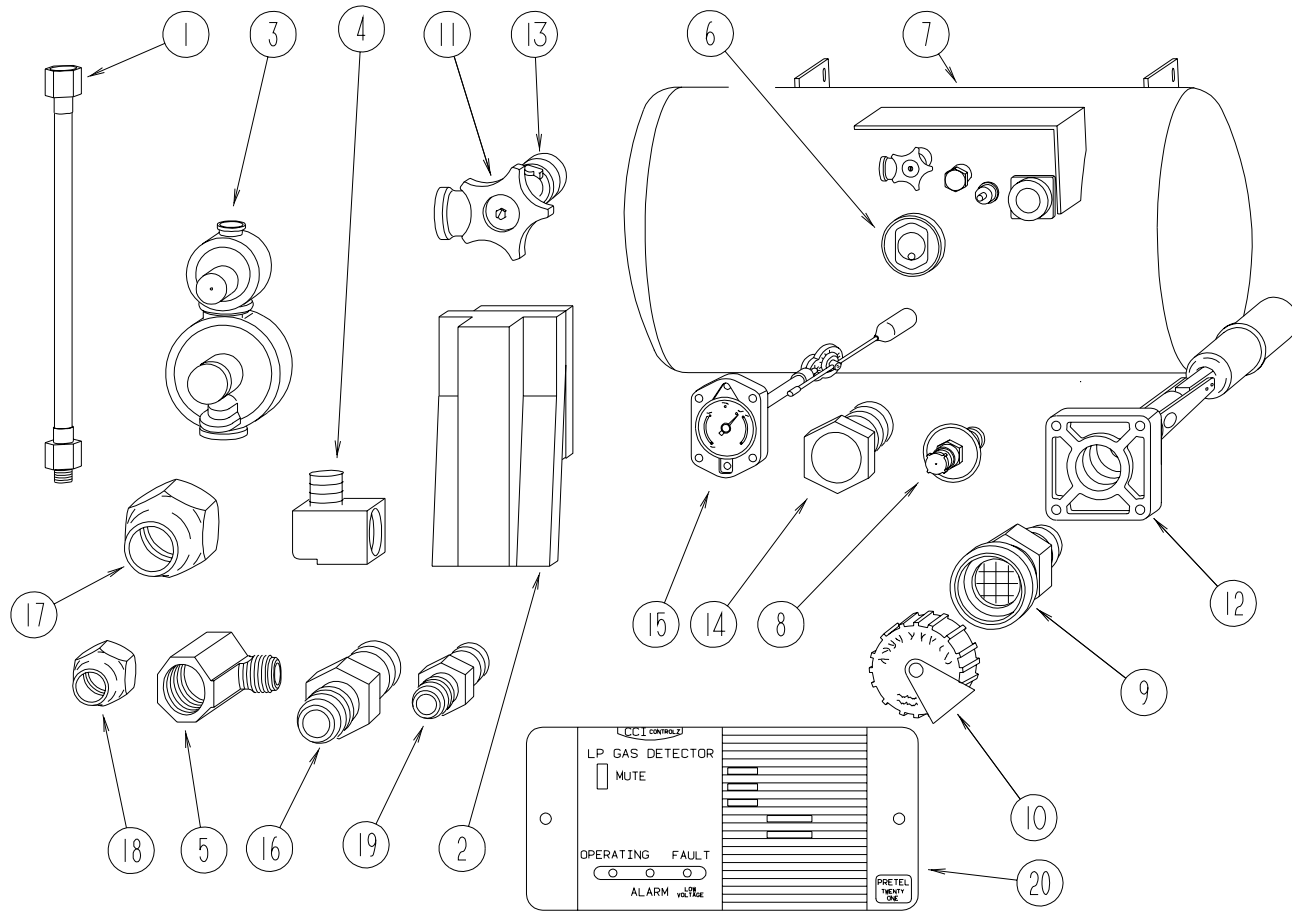


**KEY PART NUMBER U/M DESCRIPTION**  
1 093236-08-000 EA LABEL - CIRCUIT BREAKER



**KEY PART NUMBER U/M DESCRIPTION**  
1 113402-02-000 EA LABEL - CAUTION - FURNACE EXHAUST

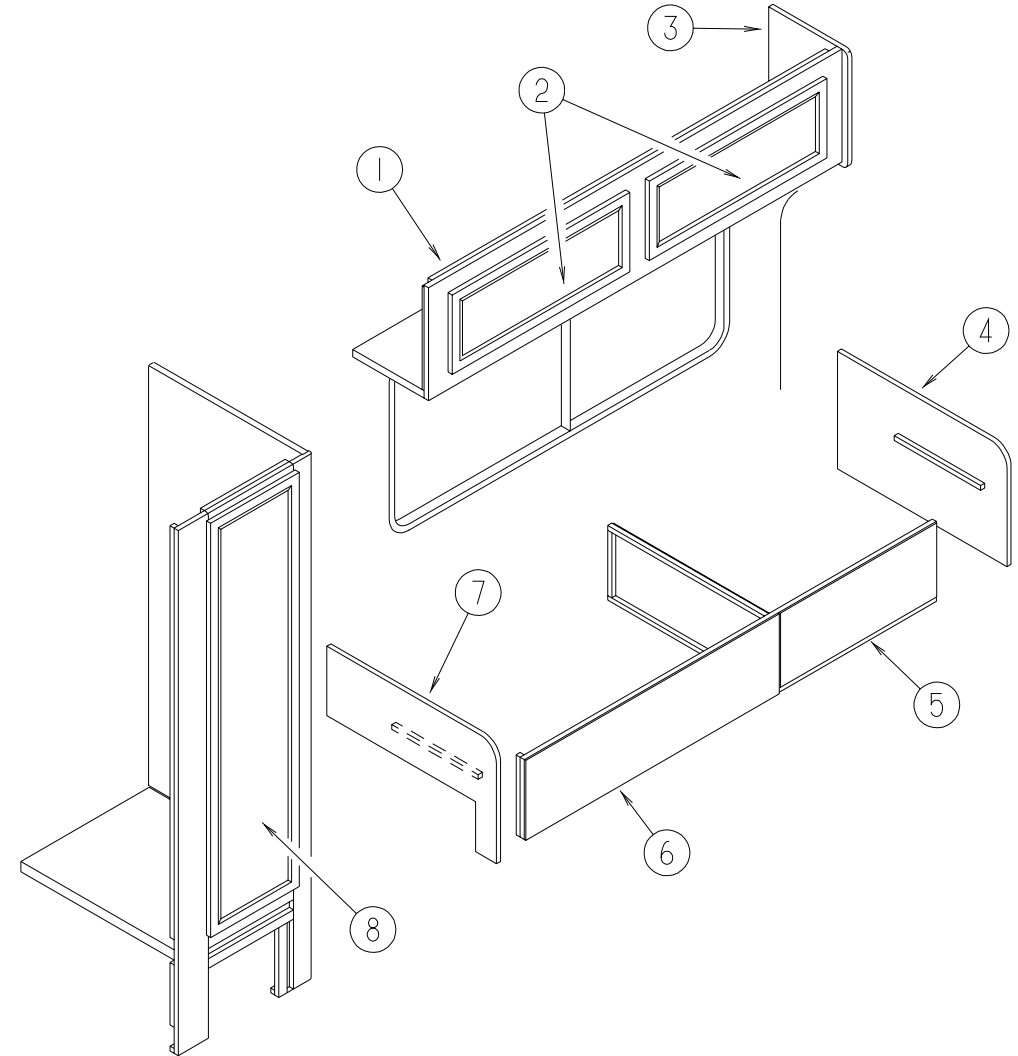
## LP GROUP



### LP TANK & COMPONENTS

KEY	PART NUMBER	U/M	DESCRIPTION	VENDOR NO.
1	045703-01-000	EA	HOSE - LP - 3/8"ID X 24" - 3/8"MPT X 1/2"F SWIVEL - U.S.	
1	045703-02-000	EA	HOSE - LP - 3/8"ID X 24" - 3/8"MPT X 1/2"F SWIVEL - CANADA	
2	105658-01-000	EA	COMPARTMENT - LP REGULATOR	
3	106150-01-000	EA	REGULATOR - TWO STAGE -W/90 DEGREE ELBOW & 3/8" FPT OUTLET	
4	010252-01-000	EA	ELBOW - BRASS - 90 DEGREE - 3/8"F X 1/2"MPT	
5	NOT USED			
6	040440-02-000	EA	TRANSMITTER - DIAL - 0-90 OHM -2 TERMINAL (POWER & GROUND)	
7	080450-01-000	EA	TANK-LP - 42 LB - 13" DIAMETER X 24" LONG	
8	040421-01-700	EA	VALVE-LIQUID LEVEL, 20%	G-1013
9	040421-01-701	EA	VALVE-FILL-SHORT, LP	7547B
10	040421-01-702	EA	CAP-FILL VALVE, PLASTIC	G-1014-A
11	040421-01-708	EA	HANDWHEEL-SERVICE VALVE	G-1015-A
12	040421-01-711	EA	VALVE-80% FILL W/AUTO STOP	LLL/TL3
13	040421-01-712	EA	VALVE,SERV. W/O VAPOR RELIEF	29000853
14	040421-01-713	EA	VALVE-RELIEF 1" W/SPRING 7"	29000587
15	074142-01-700	EA	FLOAT ASM.SCREW ON F/13"TANK	13C-SCR
	074142-01-701	EA	FLOAT ASM.(SIGHT GAUGE) BOLT	13C-BLT
16	010329-01-000	EA	ADAPTER - BRASS - 1/2"F X 1/2"MPT	
17	010377-02-000	EA	NUT - BRASS - 3/8" FLARE - FORGED	
18	010380-02-000	EA	NUT - BRASS - 1/2" FLARE - FORGED	
19	010326-01-000	EA	ADAPTER - FLARE - W/CONE GASKET - 3/8"FEMALE X 1/2"MALE	
20	103613-03-000	EA	DETECTOR - LP GAS - W/O SHUT-OFF VALVE	

## LOUNGE GROUP



### DRIVER SIDE LOUNGE CABINETS

KEY	PART NUMBER	U/M	DESCRIPTION
1	122926-02-K01	EA	CABINET - OVERHEAD - W/O DOORS/HARDWARE (K04)
1	122926-02-K02	EA	CABINET - OVERHEAD - W/O DOORS/HARDWARE (K05)
1	122926-02-K06	EA	CABINET - OVERHEAD - W/O DOORS/HARDWARE (K06)
2	M09332-19-K01	EA	DOOR - RAISED MEMBRANE/OGEE EDGE - 14.3" X 26.7" - W/O HDW
3	109908-09-G04	EA	END CAP - OVERHEAD CABINET
4	M08107-15-J02	EA	PANEL - LEFT END - SOFA/BED - FABRIC COVERED (K04)
4	M08107-15-K02	EA	PANEL - LEFT END - SOFA/BED - FABRIC COVERED (K05)
4	M08107-15-K06	EA	PANEL - LEFT END - SOFA/BED - FABRIC COVERED (K06)
5	M08107-17-J02	EA	PANEL - FRONT DOOR - SOFA/BED - FABRIC COVERED (K04)
5	M08107-17-K02	EA	PANEL - FRONT DOOR - SOFA/BED - FABRIC COVERED (K05)
5	M08107-17-K06	EA	PANEL - FRONT DOOR - SOFA/BED - FABRIC COVERED (K06)
6	M08107-13-J02	EA	PANEL - FRONT KICK - SOFA/BED - FABRIC COVERED (K04)
6	M08107-13-K02	EA	PANEL - FRONT KICK - SOFA/BED - FABRIC COVERED (K05)
6	M08107-13-K06	EA	PANEL - FRONT KICK - SOFA/BED - FABRIC COVERED (K06)
7	M08107-16-J02	EA	PANEL - RIGHT END - SOFA/BED - FABRIC COVERED (K04)
7	M08107-16-K02	EA	PANEL - RIGHT END - SOFA/BED - FABRIC COVERED (K05)
7	M08107-16-K06	EA	PANEL - RIGHT END - SOFA/BED - FABRIC COVERED (K06)
	082525-01-000	EA	BRACE - COUCH - FLOOR MOUNT - ANGLE 3" LONG
8	M06803-11-J01	EA	DOOR - MIRROR/MTRD CRNR/OGEE EDGE - 16.1" X 65.3"-W//O HDW

### ENTRANCE DOOR STEP TILE

KEY	PART NUMBER	U/M	DESCRIPTION
	122755-03-01A	EA	TILE - RUBBER/ENTRANCE DOOR - 17.7" X 26.4"
	129778-01-01A	EA	LINER - STEP - BRIGHT WHITE - RENTAL

## SEALANTS & FASTENERS GROUP

### ADHESIVES

KEY	PART NUMBER	U/M	DESCRIPTION
	004006-05-700	EA	ADHESIVE-NAT. STARCH (5 GAL)
	004020-01-000	QT	ADHESIVE - ABS CEMENT - QUART
	034552-02-000	EA	SILICONE - TUBE - W/O NOZZLE - CLEAR
	039518-01-000	EA	SILICONE - TUBE - W/O NOZZLE - BLACK
	053766-02-000	EA	BEDDING COMPOUND - TUBE - WHITE
	053766-06-000	EA	BEDDING COMPOUND - TUBE - CLEAR
	053766-08-000	EA	BEDDING COMPOUND - TUBE - GRAY
	069640-01-000	FT	SEALER - RIBBON - 1/4" DIAMETER X 30' - BLACK
	069640-09-000	FT	SEALER - TAPE - .032"THICK X 2.50"WIDE X 80' - GREY
	069640-18-000	FT	SEALER - TAPE - .50"THICK X 1/8"WIDE X 60' - BRIGHT WHITE
	069640-19-000	FT	SEALER - TAPE - .75"THICK X 1/8"WIDE X 60'- BRIGHT WHITE
	072889-09-000	EA	SEALANT - URETHANE - BLACK (TUBE) FROM: 00-00-00 THRU: 09-06-98
	072889-18-000	EA	SEALANT - URETHANE - BLACK (FOIL) FROM: 09-07-98 THRU: 99-99-99
	072889-19-000	EA	SEALANT - URETHANE - (FOIL) - BLACK - 10 OUNCE FROM: 09-07-98 THRU: 99-99-99
	072889-10-000	EA	SEALANT - URETHANE (HV) - BRIGHT WHITE FROM: 00-00-00 THRU: 09-06-98
	072889-12-000	EA	SEALANT - URETHANE (LV) BRIGHT WHITE FROM: 00-00-00 THRU: 09-06-98
	072889-20-000	EA	SEALANT - URETHANE - (FOIL) - BRIGHT WHITE - 10 OUNCE FROM: 09-07-98 THRU: 99-99-99
	076314-02-000	FT	TAPE - CARPET SEAM - HEAT-BOND - 4" WIDE
	076322-05-000	FT	TAPE - DOUBLE COATED/ADHESIVE BACK - .045"THK X .75"W X 9'
	076322-07-000	FT	TAPE - DOUBLE COATED/ADHESIVE BACK - .045"THK X .50"W X 9'
	087211-01-000	GL	PROMOTER - ADHESIVE
	091255-02-000	FT	SEAL - ADHESIVE BACKED/FOAM - .18" THICK X 1.5" WIDE
	102352-01-000	EA	SEALER - PUMPABLE - BLACK
	102352-02-000	EA	SEALER - PUMPABLE - CLEAR
	104692-01-000	FT	SEAL - FOAM/ADHESIVE BACK - .75"THICK X .75"WIDE X 25'
	106206-01-000	EA	SEALER - PUMPABLE - MANUS 30A - BLACK
	108716-03-000	EA	SILICONE - TUBE - BRIGHT WHITE/SELF LEVELING - W/O NOZZLE FROM: 00-00-00 THRU: 09-06-98
	131264-03-01A	EA	SILICONE - SELF LEVELING - W/O NOZZLE - BRIGHT WHITE FROM: 09-07-98 THRU: 99-99-99
	120074-02-01A	EA	SEALANT - SILICONE - OFF WHITE
	120534-01-01A	EA	TAPE - SCOTCH - 3M - 1/2" FINE LINE
	123816-01-000	FT	TAPE - DOUBLE SIDED - 1"
	123816-03-000	FT	TAPE - DOUBLE SIDED - 1/2" X 3/4" - THICK
	900390-01-000	EA	TIP - 2 1/2" X 1/8" ORIFICE
	900390-03-000	EA	NOZZLE - SILICONE TUBE

### WASHERS

KEY	PART NUMBER	U/M	DESCRIPTION
	000E11-07-00B	EA	WASHER - LOCKING - 7/16 MED SPLIT - ZINC
	000E11-08-00B	EA	WASHER - LOCKING - 1/2 MED SPLIT - ZINC
	000E13-18-00B	EA	WASHER - FLAT - 3/8 WIDE - ZINC
	000E13-20-00B	EA	WASHER - FLAT - 7/16 WIDE - ZINC
	000E13-21-00B	EA	WASHER - FLAT - 1/2 NARROW - ZINC
	077071-01-000	EA	WASHER - FENDER - 3/16"ID X 1" OD

### GROMMETS

KEY	PART NUMBER	U/M	DESCRIPTION
	016188-03-000	EA	GROMMET - L/P LINE - 3/8" HOLE X 2 1/2" LONG - RUBBER
	016188-05-000	EA	GROMMET - L/P LINE - 3/8" HOLE X 1 1/4" LONG - RUBBER
	071015-26-000	EA	GROMMET - RUBBER - 1.5" ID X 2.12" OD W/.06" GROOVE - BLK

## SEALANTS & FASTENERS GROUP (CONTINUED)

### BOLTS, NUTS & RIVETS

KEY	PART NUMBER	U/M	DESCRIPTION
	000C12-05-16B	EA	BOLT - HEX - 5/16-18 X 1 - ZINC 5
	000C12-06-16B	EA	BOLT - HEX - 3/8-16 X 1 LG - ZINC 5
	000C12-08-24B	EA	BOLT - HEX - 1/2-13 X 1.50 - ZINC 5
	000C13-07-48B	EA	BOLT - HEX - 7/16-20 X 3 - ZINC 5
	000C18-05-40A	EA	BOLT - ELEVATOR - 5/16-18 X 2.50 - PL
	000C26-05-16B	EA	BOLT - HEX - SERRATED FLANGE - 5/16-18 X 1 - ZINC
	000C26-08-24B	EA	BOLT - HEX - SERRATED FLANGE - 1/2-13 X 1 1/2 ZINC
	000D29-09-00B	EA	NUT - HEX - SELF LOCKING - 9/16-12 - ZINC
	000D34-06-00B	EA	NUT - HEX - LOCKING - 3/8-16 GRADE C - ZINC-PREVAILING
	000D39-05-00B	EA	NUT - HEX - LOCKING W/SERRATED FLANGE - 5/16-18 - ZINC
	000D39-06-00B	EA	NUT - HEX - LOCKING W/SERRATED FLANGE - 3/8-18 - ZINC
	000D39-07-00B	EA	NUT - HEX - LOCKING W/SERRATED FLANGE - 7/16-14 - ZINC
	000D39-08-00B	EA	NUT - HEX - LOCKING W/SERRATED FLANGE - 1/2-13 - ZINC
	000D44-07-00B	EA	NUT - HEX - LOCKING W/SERRATED FLANGE - 7/16-20 - ZINC
	000D46-04-00A	EA	NUT - HEX - WELD - 1/4-20 - PLAIN
	000D65-08-00B	EA	NUT - HEX/SERRATED FLANGE - 8-32 ZINC
	040921-01-000	EA	NUT - SPEED - U TYPE - 10-24 BLACK
	044364-02-000	EA	NUT - SPEED - FLAT - ROUND
	051387-06-000	EA	BOLT - CARRIAGE W/O HOLE - 5/16-18 X 9.5 - ZINC
	104369-01-000	EA	NUT - HEX - HEAVY - 5/8-11 UNC
	000H16-04-06R	EA	RIVET - POP ALUMINUM - 1/8 X .313 - .375
	069592-02-000	EA	RIVET-T - POP - 1/4 X .093 - .156

### CLAMPS, CLIPS & HOLDERS & FASTENERS

KEY	PART NUMBER	U/M	DESCRIPTION
	007161-01-000	EA	CLAMP - HOSE - SPRING TYPE - 1/2"
	010495-01-000	EA	CLAMP - CABLE - 9/16"
	010497-04-000	EA	CLAMP - CLOSED - 1.62" ID
	010497-08-000	EA	CLAMP - CLOSED - .125"
	010499-01-000	EA	CLAMP - CLOSED - 3/8 ID
	056134-02-000	EA	HOLDER - RING - 1.8" DIAMETER - METAL
	062401-01-000	EA	CLAMP - HOSE - WORMGEAR - .25" - 1"
	062401-02-000	EA	CLAMP - HOSE - WORMGEAR - 1.56" - 2.5"
	062401-03-000	EA	CLAMP - HOSE - WORMGEAR - .22" - 1"
	062401-06-000	EA	CLAMP - HOSE - WORMGEAR - .22" - .62" ID
	062401-11-000	EA	CLAMP - HOSE - WORMGEAR - 3.50" - 4.50"
	080734-02-000	EA	CLIP - WIRE NYLON
	091952-02-000	EA	CLIP - GRIPPER - 3/4"
	008343-02-000	EA	TIE - WIRE - 14"
	088792-02-000	YD	VELCRO TAPE - LOOP - 3/4" - ADHESIVE BACKED - BEIGE
	088792-05-000	YD	VELCRO TAPE - LOOP - 5/8" - NON-ADHESIVE BACKED - WHITE
	110943-02-000	FT	FELTSTRIP - 3/8" - ADHESIVE BACK - WHITE

**SEALANTS & FASTENERS GROUP (CONTINUED)**

**SCREWS**

KEY	PART NUMBER	U/M	DESCRIPTION
	0G3908-08-170	EA	SCREW - SF/DR - 8-18 X .50 PPH - BRIGHT WHITE
	0G3908-12-250	EA	SCREW - SF/DR - 8-18 X .75 PPH - DARK GRAY
	0G3908-24-170	EA	SCREW - SF/DR - 8-18 X 1.50 PPH - BRIGHT WHITE
	0G3910-12-170	EA	SCREW - SF/DR - 10-16 X .75 PPH - BRIGHT WHITE
	0G5508-16-250	EA	SCREW - SF/DR - 8-18 X 1.00 PWH - VW DARK GRAY
	0G6008-16-170	EA	SCREW - SF/DR - 8-18 X 1.00 POH
	0G6710-08-170	EA	SCREW - 10-12 X 1/2 PPH - BRIGHT WHITE
	000G11-06-08B	EA	SCREW - 6-20 X 1/2 PPH - ZINC
	000G11-06-06B	EA	SCREW - 6-20 X 3/8 PPH - ZINC
	000G11-06-10J	EA	SCREW - 6-20 X 5/8 PPH - BRASS
	000G11-06-10B	EA	SCREW - 6-20 X 5/8 PPH - ZINC
	000G11-07-08B	EA	SCREW - 7-19 X 1/2 PPH - ZINC
	000G11-08-08B	EA	SCREW - 8-18 X 1/2 PPH - ZINC
	000G11-08-20B	EA	SCREW - 8-18 X 1 1/4 PPH - ZINC
	000G11-08-16S	EA	SCREW - 8-18 X 1 PPH - OFF WHITE
	000G11-08-12T	EA	SCREW - 8-18 X 3/4 PPH - BLACK
	000G11-08-12P	EA	SCREW - 8-18 X 3/4 PPH - DARK BROWN
	000G11-08-12B	EA	SCREW - 8-18 X 3/4 PPH - ZINC
	000G11-08-08T	EA	SCREW - 8-18 X 1/2 PPH - FLUOROCARBON COATING
	000G12-06-08T	EA	SCREW - 6-20 X 1/2 POH - BLACK
	000G12-08-12S	EA	SCREW - 8-18 X .75 POH - OFF WHITE
	000G13-06-16J	EA	SCREW - 6-20 X 1 PFH - BRASS
	000G13-06-10G	EA	SCREW - 6-20 X 5/8 PFH - ANTIQUE BRASS
	000G13-06-08G	EA	SCREW - 6-20 X .50 PFH - ANTIQUE BRASS
	000G13-06-08B	EA	SCREW - 6-20 X 1/2 PFH - ZINC
	000G13-06-24J	EA	SCREW - 6-20 X 1 1/2 PFH - BRASS
	000G13-07-12B	EA	SCREW - 7-19 X 3/4 PFH - ZINC
	000G13-08-16B	EA	SCREW - 8-18 X 1 PFH - ZINC
	000G18-08-22B	EA	SCREW - MACHINE - 8-32 X 1 3/8 PPH - ZINC
	000G19-10-12F	EA	SCREW - MACHINE - 10-32 X 3/4 PPH - STAINLESS STEEL
	000G32-10-06B	EA	SCREW - 10-32 X 3/8 PPH - ZINC
	000G39-06-10T	EA	SCREW - SF/DR - 6-20 X 5/8 PPH - BLACK
	000G39-08-08S	EA	SCREW - SF/DR - 8-18 X 1/2 PPH - OFF WHITE
	000G39-08-08B	EA	SCREW - SF/DR - 8-18 X 1/2 PPH - ZINC
	000G39-08-16R	EA	SCREW - SF/DR - 8-18 X 1 PPH - BEIGE
	000G39-08-16B	EA	SCREW - SF/DR - 8-18 X 1 PPH - ZINC
	000G39-08-12B	EA	SCREW - SF/DR - 8-18 X 3/4 PPH - ZINC
	000G39-08-08T	EA	SCREW - SF/DR - 8-18 X 1/2 PPH - BLACK
	000G39-10-209	EA	SCREW - SF/DR - 10-16 X 1 1/4 PPH - FLUOROCARBON SILVER
	000G39-10-20B	EA	SCREW - SF/DR - 10-16 X 1 1/4 PPH - ZINC
	000G39-10-12D	EA	SCREW - SF/DR - 10-16 X 3/4 PPH - BLACK
	000G39-10-12B	EA	SCREW - SF/DR - 10-16 X 3/4 PPH - ZINC
	000G39-10-32B	EA	SCREW - SF/DR - 10-16 X 2 - PPH - ZINC
	000G39-12-12E	EA	SCREW - SF/DR - 12-14 X 3/4 PPH - CHROME
	000G42-04-16B	EA	SCREW - SF/DR - 1/4-14 X 1 HWH - ZINC
	000G46-08-24T	EA	SCREW - MACHINE - 8-32 X 1 1/2 PFH - BLACK
	000G50-04-12B	EA	SCREW - MACHINE - 1/4-20 X 3/4 PPH - ZINC

**SEALANTS & FASTENERS GROUP (CONTINUED)**

**SCREWS (CONTINUED)**

KEY	PART NUMBER	U/M	DESCRIPTION
	000G52-08-18B	EA	SCREW - MACHINE - 8-32 X 1 1/8 PTH - ZINC
	000G54-04-20B	EA	SCREW - 1/4-20 X 1.25 PTH - TYPE 23 - ZINC PLATED
	000G55-08-12S	EA	SCREW - SF/DR - 8-18 X 3/4 PWH - OFF WHITE
	000G56-12-48B	EA	SCREW - WOOD - 12-11 X 3 POH - SPECIAL HARDENED
	000G67-10-08R	EA	SCREW - 10-12 X 1/2 PPH - BEIGE - TYPE A
	000G67-10-08B	EA	SCREW - 10-12 X 1/2 PPH - ZINC
	000G67-10-12B	EA	SCREW - 10-12 X 3/4 PPH - ZINC
	000G67-10-10S	EA	SCREW - 10-12 X 5/8 PPH - OFF WHITE
	000G67-10-10D	EA	SCREW - 10-12 X 5/8 PPH - BLACK - TYPE A
	000G67-10-10B	EA	SCREW - 10-12 X 5/8 PPH - ZINC - TYPE A
	000G67-10-120	EA	SCREW - 10-12 X 3/4 PPH - TAN
	000G67-10-12P	EA	SCREW - 10-12 X 3/4 PPH - DARK BROWN
	000G68-06-10G	EA	SCREW - 6-18 X 5/8 POH - ANTIQUE BRASS
	000G68-10-36T	EA	SCREW - 10-12 X 2.25 POH BLACK
	049465-03-000	EA	SCREW - 10-16 X 1 POH W/WASHER - OFF WHITE
	049465-17-000	EA	SCREW - 10-16 X 1 POH W/WASHER - BRIGHT WHITE
	054434-02-000	EA	SCREW - SF/DR - 10-16 X 2 - ZINC
	057671-01-000	EA	COVER - SCREW - #8 - PLASTIC - OFF WHITE
	075908-01-000	EA	SCREW - MACHINE - 10-32 X .56 PTH - EXTERNAL TOOTH - ZINC
	076790-01-000	EA	SCREW - 6-20 X 1 1/4 PPH - BLACK
	087721-01-000	EA	SCREW - FLAT HEAD - TAPPING - 1/4" X 1 1/4" LONG - ZINC
	105126-01-000	EA	SCREW - MACH - 8-32 X 1 PPH TAPIT

**WATER & SEWAGE GROUP****FRESH WATER TANK & WATER SYSTEM**

KEY	PART NUMBER	U/M	DESCRIPTION
	109606-05-000	EA	WATER TANK - 30 GALLON - W/FITTINGS
	109606-01-000	EA	WATER TANK - 30 GALLON - W/O FITTINGS
	039861-01-000	EA	SENDING UNIT - W/SCREW - WASHER - WELL NUT/TERMINAL RING
	077954-02-000	EA	FILTER - WATER TANK - W/SCREEN IN TANK
	010224-01-000	EA	ADAPTER - HOSE TO PIPE - 3/8 MPT X 3/8 BARB - PLASTIC
	044927-01-000	EA	ADAPTER - HOSE TO PIPE-1 1/4 MPTX1 1/4 BARB-BLACK PLASTIC
	114430-03-000	EA	ADAPTER - 1/2"P X 1/2"MPT
	074462-02-000	FT	TUBING - VINYL - 3/8 ID X 20' - CLEAR
	079381-01-000	FT	TUBING - RIBBED FLEXIBLE - WATER FILL - 1.4" X 10"
	042989-03-000	EA	FITTING - SPINWELD - 1 1/4"NPT - PLASTIC
	042989-04-000	EA	FITTING - SPINWELD - 3/8"FPT - WHITE PLASTIC
	042989-05-000	EA	FITTING - SPINWELD - 1/2"FPT - PLASTIC
	049032-01-000	EA	PATCH - SPINWELD - 3/8" - PLASTIC

**WATER SYSTEM COMPONENTS**

KEY	PART NUMBER	U/M	DESCRIPTION
	074462-02-000	FT	TUBING - VINYL - 3/8 ID X 20' - CLEAR
	112176-01-000	FT	TUBING - VINYL - REINFORCED - 1/2" ID
	124188-01-000	FT	TUBING - PEX - 1/2" ID X 20' - BLUE(COLD)
	124188-02-000	FT	TUBING - PEX - 1/2" ID X 20' - RED(HOT)
	010224-01-000	EA	ADAPTER - HOSE TO PIPE - 3/8 MPT X 3/8 BARB - PLASTIC
	114430-02-000	EA	ADAPTER - SWIVEL - 1/2"P X 1/2"FPT
	114430-03-000	EA	ADAPTER - 1/2"P X 1/2"MPT
	114430-06-000	EA	ADAPTER - 1/2"P X 3/8"FPT
	123152-01-000	EA	ADAPTER - 1/2 FPT X 1/2 BARB - SWIVEL
	114428-01-000	EA	TEE - 1/2"P X 1/2"P X 1/2"P
	114429-03-000	EA	ELBOW - SWIVEL - 1/2"P X 1/2"FPT
	114429-01-000	EA	ELBOW - 1/2"P X 1/2"P
	123150-01-000	EA	ELBOW - 1/2 FPT X 1/2 BARB - SWIVEL
	114431-01-000	EA	VALVE - 180 DEGREE/CENTER DRAIN - 1/2"P - THREE WAY
	114431-02-000	EA	VALVE - WATER BYPASS - 1/2"P - THREE WAY (WATER HEATER)
	114431-03-000	EA	VALVE - 90 DEGREE DRAIN - 1/2"P
	110915-01-01A	EA	FILL - CITY WATER - CHROME
	113697-01-000	EA	CAP - 3/8 FTG
	081240-20-000	EA	FILL - WATER - LOCKABLE - BRIGHT WHITE
	701077-03-000	EA	WATER-MATE - RENTAL

**WATER & SEWAGE GROUP (CONTINUED)****EXTERIOR SHOWER**

KEY	PART NUMBER	U/M	DESCRIPTION	VENDOR NO.
	106208-01-02A	EA	COMPARTMENT - SHOWER - EXTERIOR - BRIGHT WHITE	
	121577-04-01A	EA	PLATE - EXTERIOR SHOWER - BRIGHT WHITE	
	075241-06-000	EA	FAUCET - SHOWER CONTROL - BRIGHT WHITE	
	131383-01-02A	EA	SHOWER HEAD - W/HOSE & BRACKET - 60" - WHITE	
	103092-01-702	EA	SEALS-SPRAY HEAD	24466
	131383-02-01A	EA	SHOWER HEAD - W/HOSE & BRACKET - 60" - CSA- IVORY	
	011048-03-700	EA	BRACKET - F/SHOWER HEAD	2328029-I
	091952-02-000	EA	CLIP - GRIPPER - 3/4"	
	093527-02-000	EA	BRACKET - EXTERIOR SHOWER HEAD/SQUEEGEE	
			FROM: 00-00-00 THRU: 10-27-98	
	131732-01-12B	EA	BRACKET - SQUEEGEE - BRIGHT WHITE	
			FROM: 10-28-98 THRU: 99-99-99	
	114430-02-000	EA	ADAPTER - SWIVEL - 1/2"P X 1/2"FPT	
	114428-01-000	EA	TEE - 1/2"P X 1/2"P X 1/2"P	
	114429-03-000	EA	ELBOW - SWIVEL - 1/2"P X 1/2"FPT	
	124188-01-000	FT	TUBING - PEX - 1/2" ID X 20' - BLUE(COLD)	
	124188-02-000	FT	TUBING - PEX - 1/2" ID X 20' - RED(HOT)	
	108357-08-000	EA	SWITCH - ROCKER DPDT - ON/NONE/ON - 6 TERMINAL	
	108356-02-01A	EA	COVER/ACTUATOR SWITCH - 2 ROWS DIMPLES- CONTURA II - BLACK	

**WATER HEATER BYPASS SYSTEM**

KEY	PART NUMBER	U/M	DESCRIPTION
	110438-02-000	EA	VALVE - CHECK - BRASS - 1/2 MPT X 1/2 MPT
	114428-01-000	EA	TEE - 1/2"P X 1/2"P X 1/2"P
	114429-01-000	EA	ELBOW - 1/2"P X 1/2"P
	114429-02-000	EA	ELBOW - 1/2"P X 1/2"MPT
	114429-03-000	EA	ELBOW - SWIVEL - 1/2"P X 1/2"FPT
	114431-02-000	EA	VALVE - WATER BYPASS - 1/2"P - THREE WAY (WATER HEATER)
	124188-01-000	FT	TUBING - PEX - 1/2" ID X 20' - BLUE (COLD)
	124188-02-000	FT	TUBING - PEX - 1/2" ID X 20' - RED (HOT)

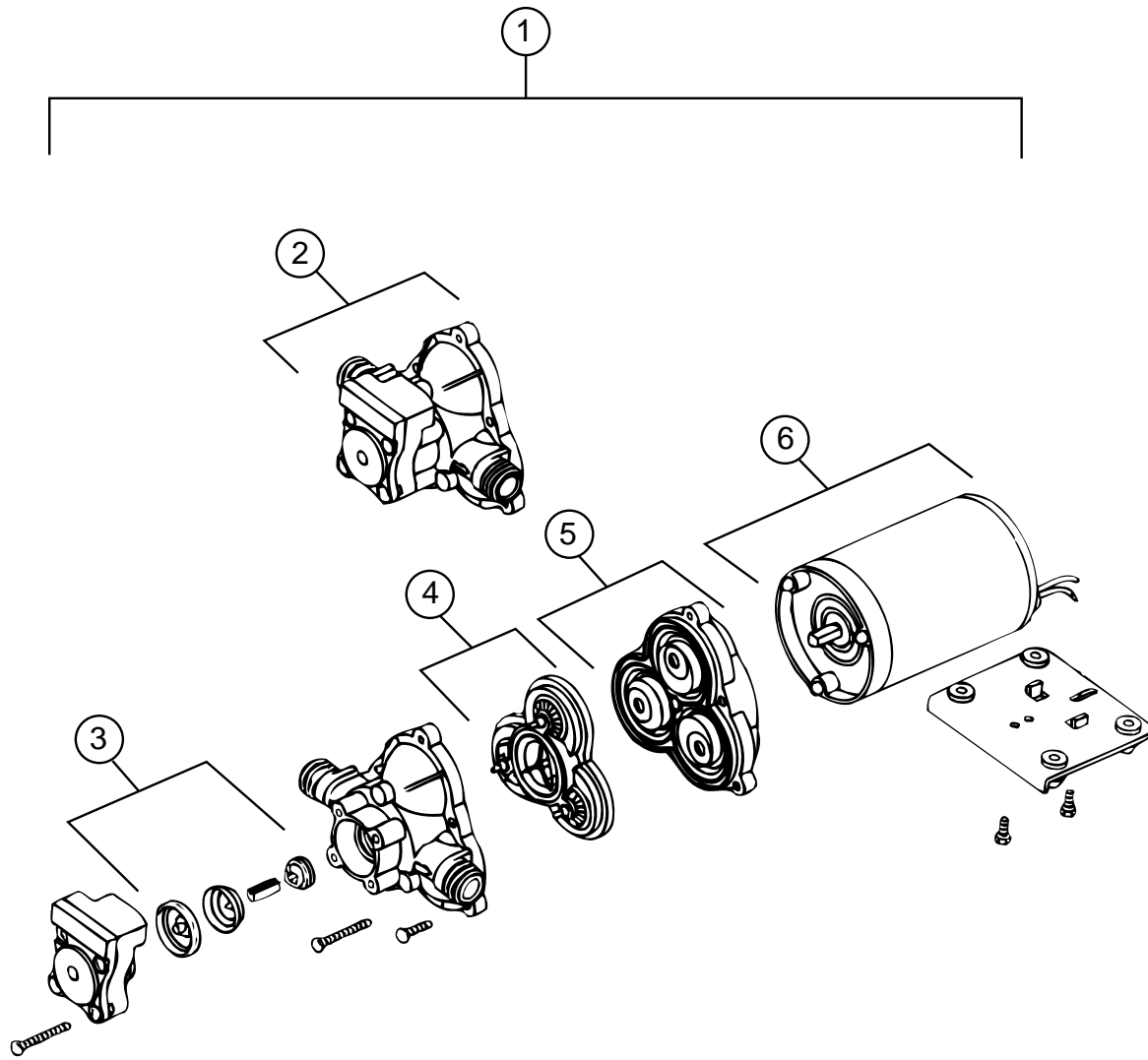
**WATER & SEWAGE GROUP (CONTINUED)**

**WATER & SEWAGE GROUP (CONTINUED)**

**WATER HEATER W/O MOTOR AID - ATWOOD - MODEL G6A8E**

KEY	PART NUMBER	U/M	DESCRIPTION
*	051391-03-000	EA	WATER HEATER G6A-8E ELECTRONIC IGNITION
	097967-01-000	EA	SWITCH - WATER HEATER - REMOTE W/LIGHT

\*COMPONENT PARTS FOUND IN SERVICE PARTS LIBRARY



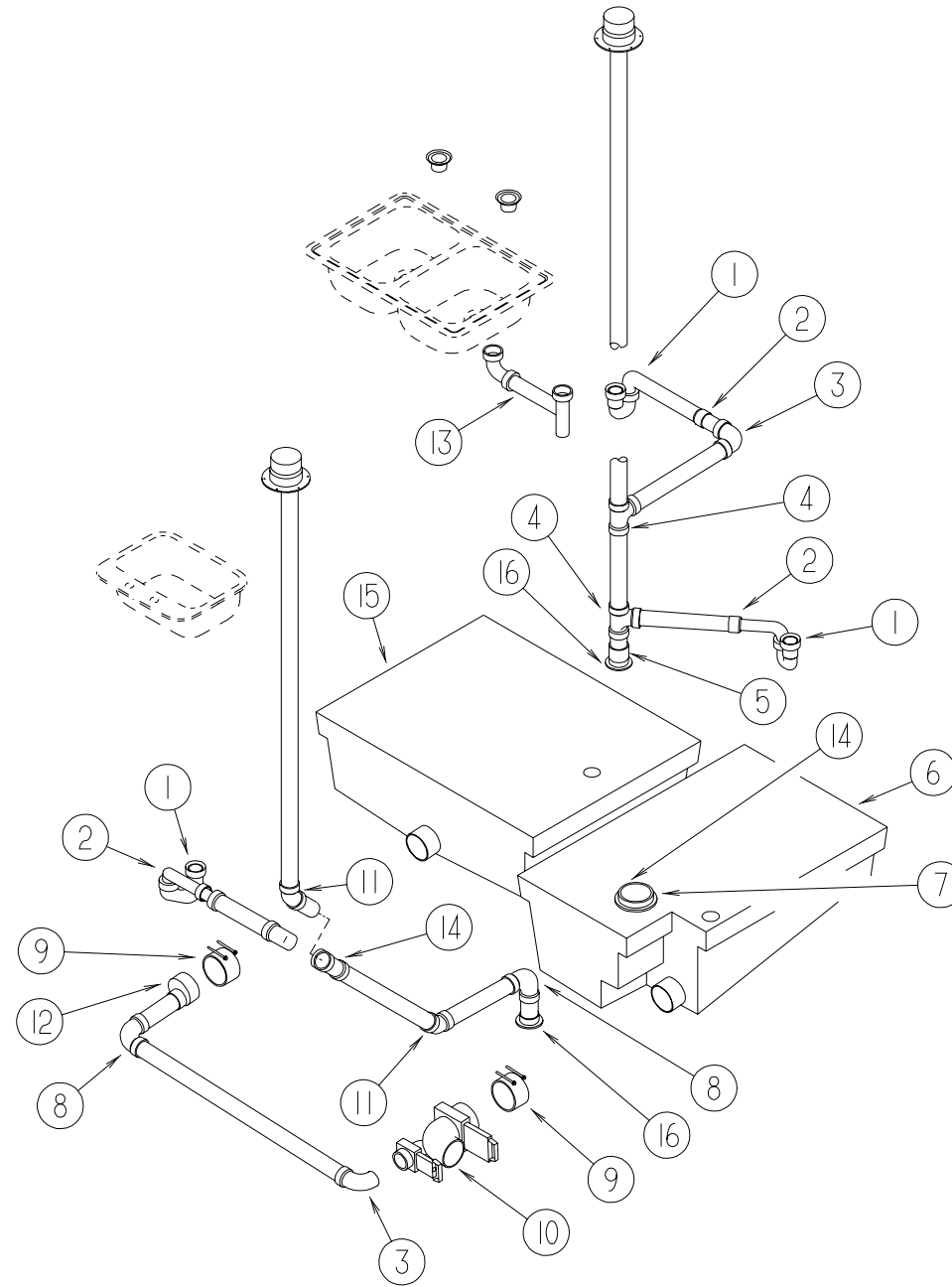
**WATER PUMP - SHURFLOW**

KEY	PART NUMBER	U/M	DESCRIPTION	VENDOR NO.
1	098607-01-000	EA	PUMP - WATER - W/.5" MPT FITTING - FLOW 2.8 GPM	
2	098607-01-706	EA	HOUSING, W/SWITCH ONLY	94-231-20
3	098607-01-705	EA	VALVE-CHECK, KIT	94-237-00
4	098607-01-703	EA	VALVE KIT	94-232-00
5	098607-01-702	EA	DIAPHRAGM/DRIVE ASSEMBLY KIT	94-238-04
6	098607-01-707	EA	MOTOR W/BASEPLATE	11-148-04



# WATER & SEWAGE GROUP (CONTINUED)

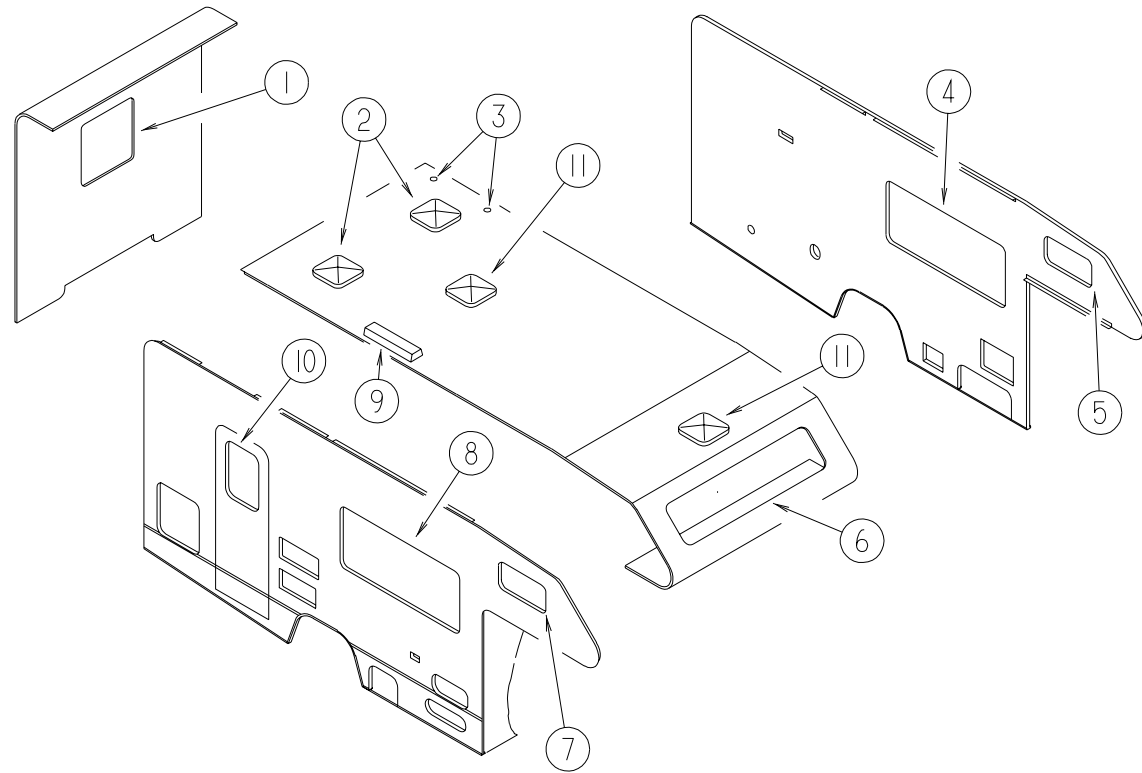
## DRAINAGE SYSTEM



KEY	PART NUMBER	U/M	DESCRIPTION	VENDOR NO.
1	107538-01-000	EA	P TRAP - PLASTIC - 1 1/4" W/EXTENSION ARM	
1	011071-01-000	EA	P-TRAP - PLASTIC - 1 1/2" - CSA	
2	109571-01-000	EA	ADAPTER - P TRAP - 1 1/2"P X 1 1/4"MPT	
3	033761-01-000	EA	ELBOW - TURN - 90 DEGREE 1 1/2" HUB X 1 1/2" SPIGOT	
4	010071-01-000	EA	TEE - SANITARY - 1 1/2" HUB X HUB X HUB - PLASTIC	
5	010115-01-000	EA	COUPLING - 1 1/2" HUB X HUB - PLASTIC	
6	074861-01-000	EA	TANK - HOLDING - W/O GROMMETS - 35 GALLON - 35"X 11"X 27"	
7	061607-02-000	EA	GROMMET - HOLDING TANK - 3" NPS	
8	010008-01-000	EA	ELBOW - 90 DEGREE - 1 1/2" HUB X HUB - PLASTIC	
9	078406-01-000	EA	COUPLER - RUBBER - W/CLAMPS - 3" X 3"	
10	070916-01-000	EA	VALVE - DUAL DUMP - W/CAP - 3" X 1 1/2"	
	070916-01-700	EA	VALVE ONLY (WASTE) 3"	T1003BU
	070916-01-701	EA	VALVE ONLY (WASTE) 1 1/2"	T1001BU

KEY	PART NUMBER	U/M	DESCRIPTION	VENDOR NO.
	062415-01-000	EA	CAP - SEWER - 3" DIAMETER	
	062415-01-700	EA	STRING-SEWER CAP	V#SV7 STRAP
	010201-01-000	EA	HOSE - SEWER - 3" ID X 8'	
	010201-02-000	EA	HOSE - SEWER - 3" ID X 20 FEET - RENTAL	
	062416-01-000	EA	ADAPTER - SEWER HOSE TO 3" PIPE	
11	010006-01-000	EA	ELBOW - 45 DEGREE - 1 1/2" HUB X HUB - PLASTIC	
12	062422-01-000	EA	ADAPTER - OFFSET REDUCER - 3" X 1 1/2" - PLASTIC	
13	011091-02-000	EA	WASTE - CONTINUOUS - DOUBLE SINK	
14	116644-01-000	EA	FLANGE - CLOSET - 4" X 3"	
15	074870-01-000	EA	TANK - HOLDING - W/O GROMMETS - 30 GALLON-36.5"X13.3"X23"	
16	061607-01-000	EA	GROMMET - HOLDING TANK - 1 1/2" NPS	

## WINDOW, VENT & EXTERIOR DOOR GROUP

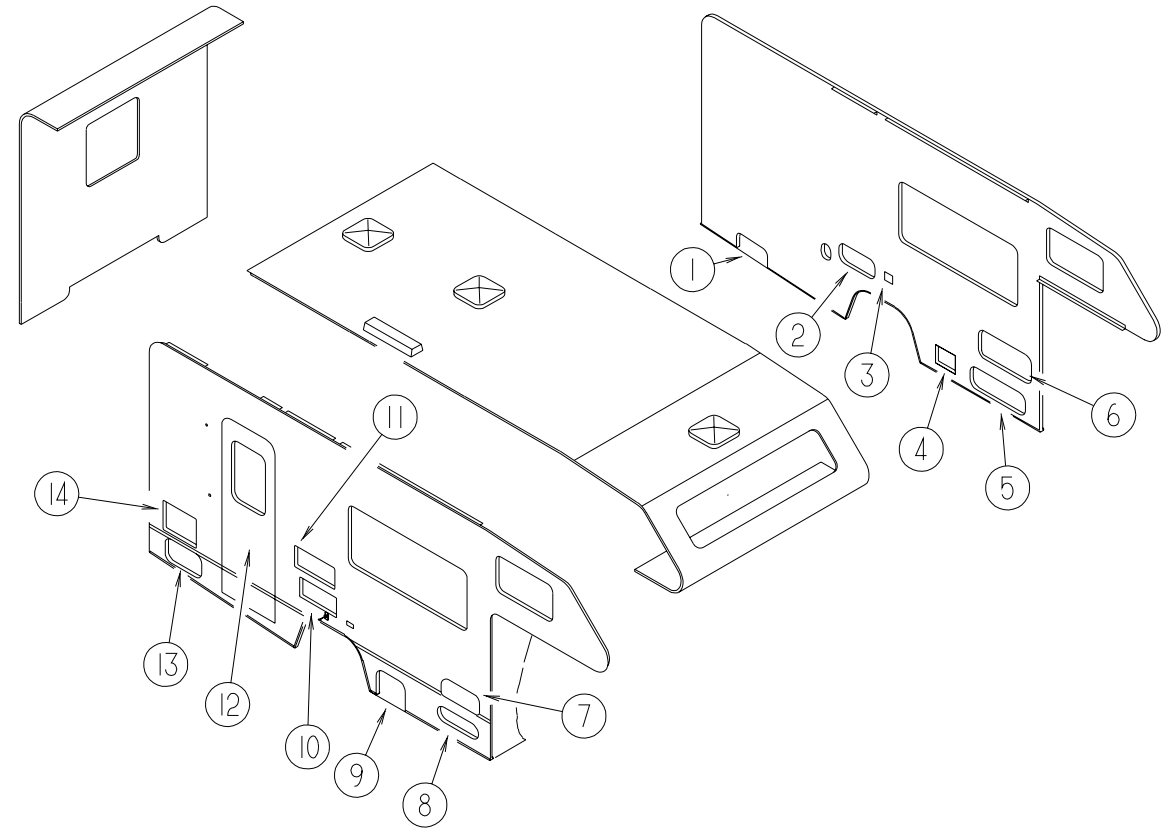


**WINDOWS & VENTS**

KEY	PART NUMBER	U/M	DESCRIPTION
1*	117053-04-FB1	EA	WINDOW - PICTURE - CLEAR - 17" X 26.4"
	117054-02-01A	EA	RETAINER - TRIM - WHITE
1*	113733-05-01A	EA	WINDOW - STATIONARY THERMOPANE - 17" X 26.4"
2*	122882-02-01A	EA	VENT - ROOF - W/FAN - W/O INSIDE GARNISH - UL
2*	122882-03-01A	EA	VENT - ROOF - W/FAN - W/O INSIDE GARNISH - CSA
3	083558-03-000	EA	VENT - PLUMBING - ROOF PIPE COVERED - OFF WHITE
4*	098647-28-01A	EA	WINDOW - DRVR HORIZ SLIDER W/TRIM - CLEAR - 26.1" X 59.7"
4*	112795-15-01A	EA	WINDOW - DRIVER HORIZONTAL SLIDER - THERMO - 26.4" X 60"
5*	098647-32-01A	EA	WINDOW - DRVR HORIZ SLIDER W/TRIM - CLEAR - 15.7" X 28.5"
5*	112795-20-01A	EA	WINDOW - DRIVER HORIZONTAL SLIDER - THERMO - 16" X 28.7"
6*	103313-03-F15	EA	WINDOW - PICTURE - 11.6" X 58.6"
	117054-01-01A	EA	RETAINER - TRIM - WHITE
6*	115630-01-01A	EA	WINDOW - STATIONARY/THERMOPANE - 17.2" X 72"
7*	098647-31-01A	EA	WINDOW - PASS HORIZ SLIDER W/TRIM - CLEAR - 15.7" X 28.5"
7*	112795-19-01A	EA	WINDOW - PASSENGER HORIZONTAL SLIDER - THERMO-15.7" X 28.5"
8*	098647-27-01A	EA	WINDOW - PASS HORIZ SLIDER W/TRIM - CLEAR - 26.1" X 59.7"
8*	112795-16-01A	EA	WINDOW - PASSENGER HORIZONTAL SLIDER - THERMO-26.1" X 59.8"
9	084073-07-000	EA	VENT - ROOF/REFRIGERATOR - BRIGHT WHITE - NORCOLD
	084073-04-000	EA	BASE - ROOF VENT/REFRIGERATOR - BLACK - NORCOLD
10*	117053-04-FB1	EA	WINDOW - PICTURE - CLEAR - 17" X 26.4"
	117054-02-01A	EA	RETAINER - TRIM - WHITE
10*	113733-01-01A	EA	WINDOW - STATIONARY THERMOPANE - 17" X 26.4"
11*	122882-01-01A	EA	VENT - ROOF - NONPOWERED - W/O INSIDE GARNISH

\*COMPONENT PARTS FOUND IN SERVICE PARTS LIBRARY

## WINDOW, VENT & EXTERIOR DOOR GROUP (CONTINUED)

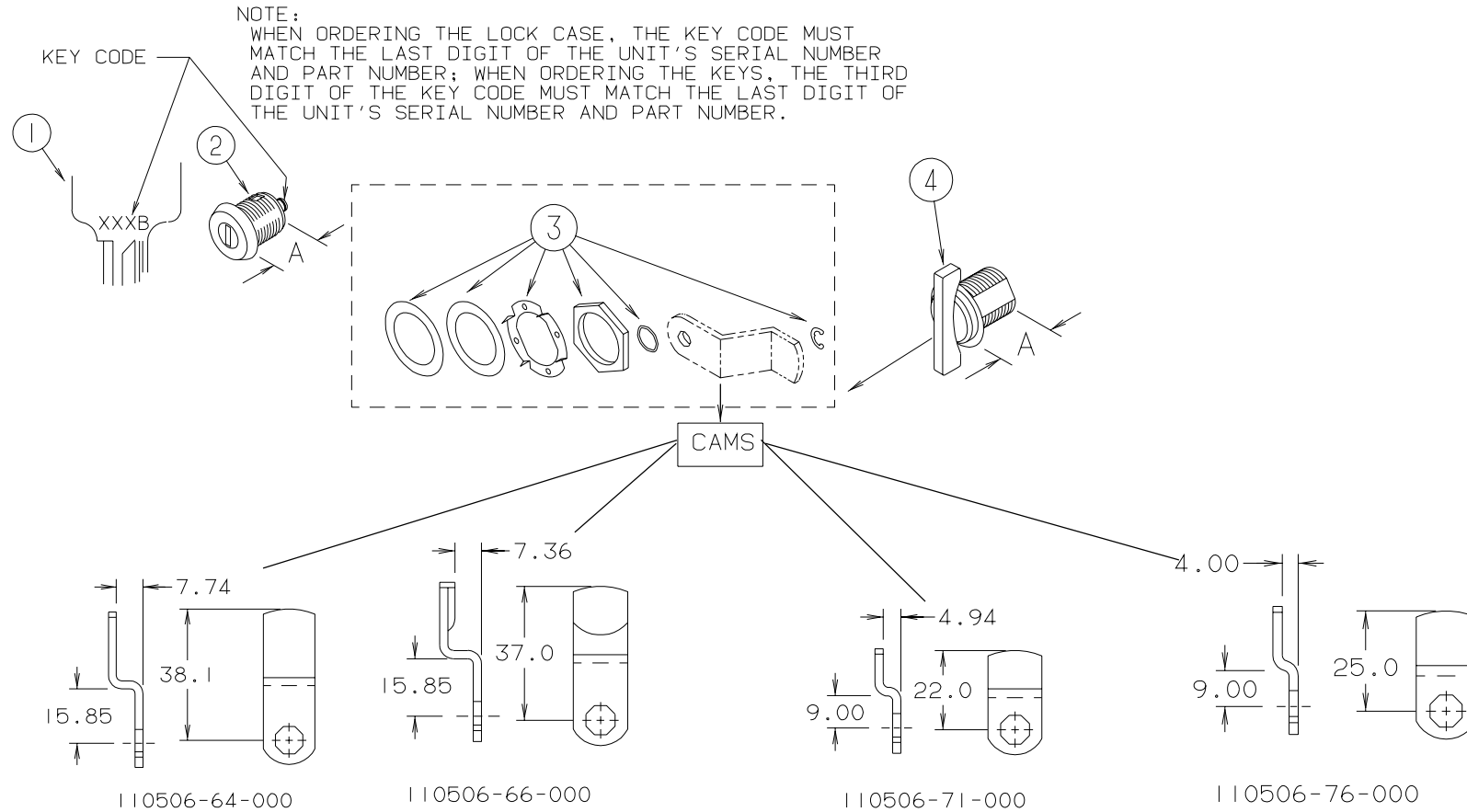


**EXTERIOR DOORS**

KEY	PART NUMBER	U/M	DESCRIPTION	VENDOR NO.
1	127278-01-J01	EA	VALANCE/DOOR - W/O HARDWARE - DRIVER - 7.4" X 13.1" X 6.3"	
2	126945-04-J01	EA	DOOR/STORAGE - W/O HARDWARE - 18" X 8.3"	
3	081240-16-000	EA	DOOR - WATER FILL - LOCKABLE W/O LOCK - 4" X 4 5/8"	
4	088794-06-000	EA	DOOR - POWER CORD W/HATCH - BRIGHT WHITE - 9.2" X 11"	
5	126946-05-J01	EA	DOOR/STORAGE - W/O HARDWARE - 27.5" X 9.3"	
6	126946-10-J01	EA	DOOR/STORAGE - W/O HARDWARE - 26.5" X 12.2"	
7	126945-01-J22	EA	DOOR/STORAGE - W/O HARDWARE - 18" X 8.3"	
8	126945-02-J01	EA	DOOR/STORAGE - W/O HARDWARE - 18" X 8.3"	
9	127405-01-J01	EA	VALANCE/DOOR - W/O HARDWARE - 14.5" X 11.8"	
10	098668-23-000	EA	DOOR - ACCESS - FURNACE - BRIGHT WHITE	
11	084103-08-000	EA	DOOR - VENT/REFRIGERATOR - W/O JAMB - BRIGHT WHITE	
	084104-08-000	EA	JAMB - VENT DOOR/REFRIGERATOR - BRIGHT WHITE	
	084104-01-700	EA	LOCK-MALE, FASTENER	201-721-010
	084104-01-701	EA	LOCK-FEMALE, FASTENER	201-802-010
12	115108-01-K01	EA	DOOR - ENTRY - W/SCREEN DOOR - W/O WINDOW (K04)	
12	115108-01-K02	EA	DOOR - ENTRY - W/SCREEN DOOR - W/O WINDOW (K05)	
12	115108-01-K06	EA	DOOR - ENTRY - W/SCREEN DOOR - W/O WINDOW (K06)	
12	115108-05-K01	EA	DOOR - ENTRY - W/SCREEN DOOR - W/O WINDOW - ELECTRIC STEP (K04)	
12	115108-05-J47	EA	DOOR - ENTRY - W/SCREEN DOOR - W/O WINDOW - ELECTRIC STEP (K05)	
12	115108-05-K06	EA	DOOR - ENTRY - W/SCREEN DOOR - W/O WINDOW - ELECTRIC STEP (K06)	
13	126946-09-J01	EA	DOOR/STORAGE - W/O HARDWARE - 18.3" X 10"	
14	052009-06-000	EA	DOOR - WATER HEATER - BRIGHT WHITE - 18" X 14.6"	
	116424-01-000	EA	PROTECTOR - LATCH - WATER HEATER	

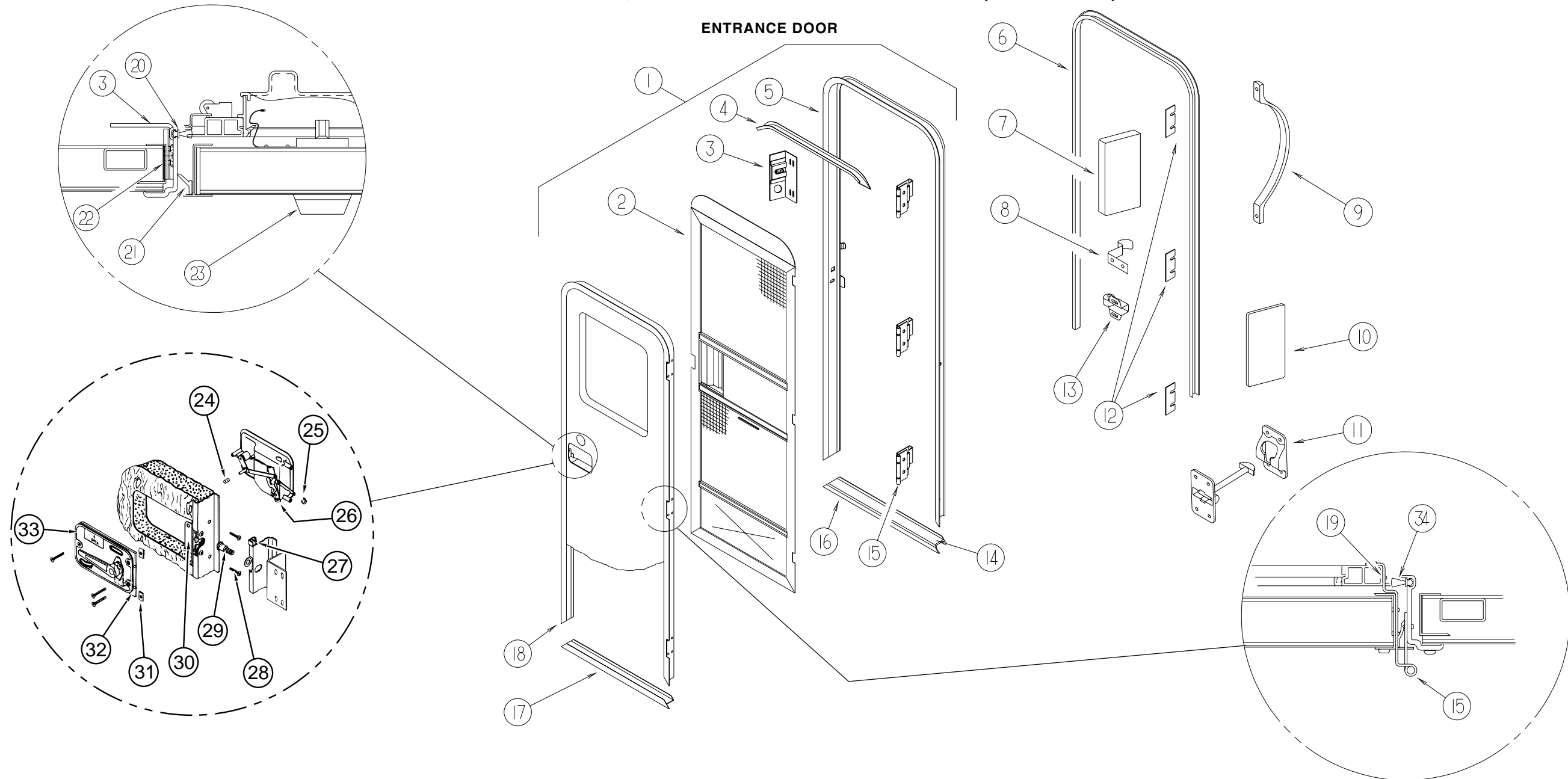
# WINDOW, VENT & EXTERIOR DOOR GROUP (CONTINUED)

## BRIGGS & STRATTON LOCKS & COMPONENTS



KEY	PART NUMBER	U/M	DESCRIPTION	VENDOR NO.	KEY	PART NUMBER	U/M	DESCRIPTION	VENDOR NO.
1	110506-59-000	EA	KEYS - SET OF TWO	596720	1	110506-59-006	EA	KEYS - SET OF TWO	596726
2	110506-52-000	EA	CASE/CYLINDER - LOCKING W/O CAM - .65"	702370	2	110506-52-006	EA	CASE/CYLINDER - LOCKING W/O CAM - .65"	702370
2	110506-54-000	EA	CASE/CYLINDER - LOCKING W/O CAM OR KEY - 1 1/4"	703170	2	110506-54-006	EA	CASE/CYLINDER - LOCKING W/O CAM OR KEY - 1 1/4"	703170
1	110506-59-001	EA	KEYS - SET OF TWO	596721	1	110506-59-007	EA	KEYS - SET OF TWO	596727
2	110506-52-001	EA	CASE/CYLINDER - LOCKING W/O CAM - .65"	702370	2	110506-52-007	EA	CASE/CYLINDER - LOCKING W/O CAM - .65"	702370
2	110506-54-001	EA	CASE/CYLINDER - LOCKING W/O CAM OR KEY - 1 1/4"	703170	2	110506-54-007	EA	CASE/CYLINDER - LOCKING W/O CAM OR KEY - 1 1/4"	703170
1	110506-59-002	EA	KEYS - SET OF TWO	596722	1	110506-59-008	EA	KEYS - SET OF TWO	596728
2	110506-52-002	EA	CASE/CYLINDER - LOCKING W/O CAM - .65"	702370	2	110506-52-008	EA	CASE/CYLINDER - LOCKING W/O CAM - .65"	702370
2	110506-54-002	EA	CASE/CYLINDER - LOCKING W/O CAM OR KEY - 1 1/4"	703170	2	110506-54-008	EA	CASE/CYLINDER - LOCKING W/O CAM OR KEY - 1 1/4"	703170
1	110506-59-003	EA	KEYS - SET OF TWO	596723	1	110506-59-009	EA	KEYS - SET OF TWO	596729
2	110506-52-003	EA	CASE/CYLINDER - LOCKING W/O CAM - .65"	702370	2	110506-52-009	EA	CASE/CYLINDER - LOCKING W/O CAM - .65"	702370
2	110506-54-003	EA	CASE/CYLINDER - LOCKING W/O CAM OR KEY - 1 1/4"	703170	2	110506-54-009	EA	CASE/CYLINDER - LOCKING W/O CAM OR KEY - 1 1/4"	703170
1	110506-59-004	EA	KEYS - SET OF TWO	596724	3	110506-40-700	EA	HARDWARE KIT	
2	110506-52-004	EA	CASE/CYLINDER - LOCKING W/O CAM - .65"	702370	4	110506-55-000	EA	CASE/CYLINDER - TWIST LOCK W/O CAM - 1 1/4"	
2	110506-54-004	EA	CASE/CYLINDER - LOCKING W/O CAM OR KEY - 1 1/4"	703170		110506-64-000	EA	CAM - LATCHING - DOG LEGGED 1.8" LONG	
1	110506-59-005	EA	KEYS - SET OF TWO	596725		110506-66-000	EA	CAM - LATCHING - DOG LEGGED 1.5" LONG	
2	110506-52-005	EA	CASE/CYLINDER - LOCKING W/O CAM - .65"	702370		110506-71-000	EA	CAM - LATCHING - DOG LEGGED .86" LONG	
2	110506-54-005	EA	CASE/CYLINDER - LOCKING W/O CAM OR KEY - 1 1/4"	703170		110506-76-000	EA	CAM - LOCK	
						110506-59-701	EA	KEY BLANK (GOLD)	

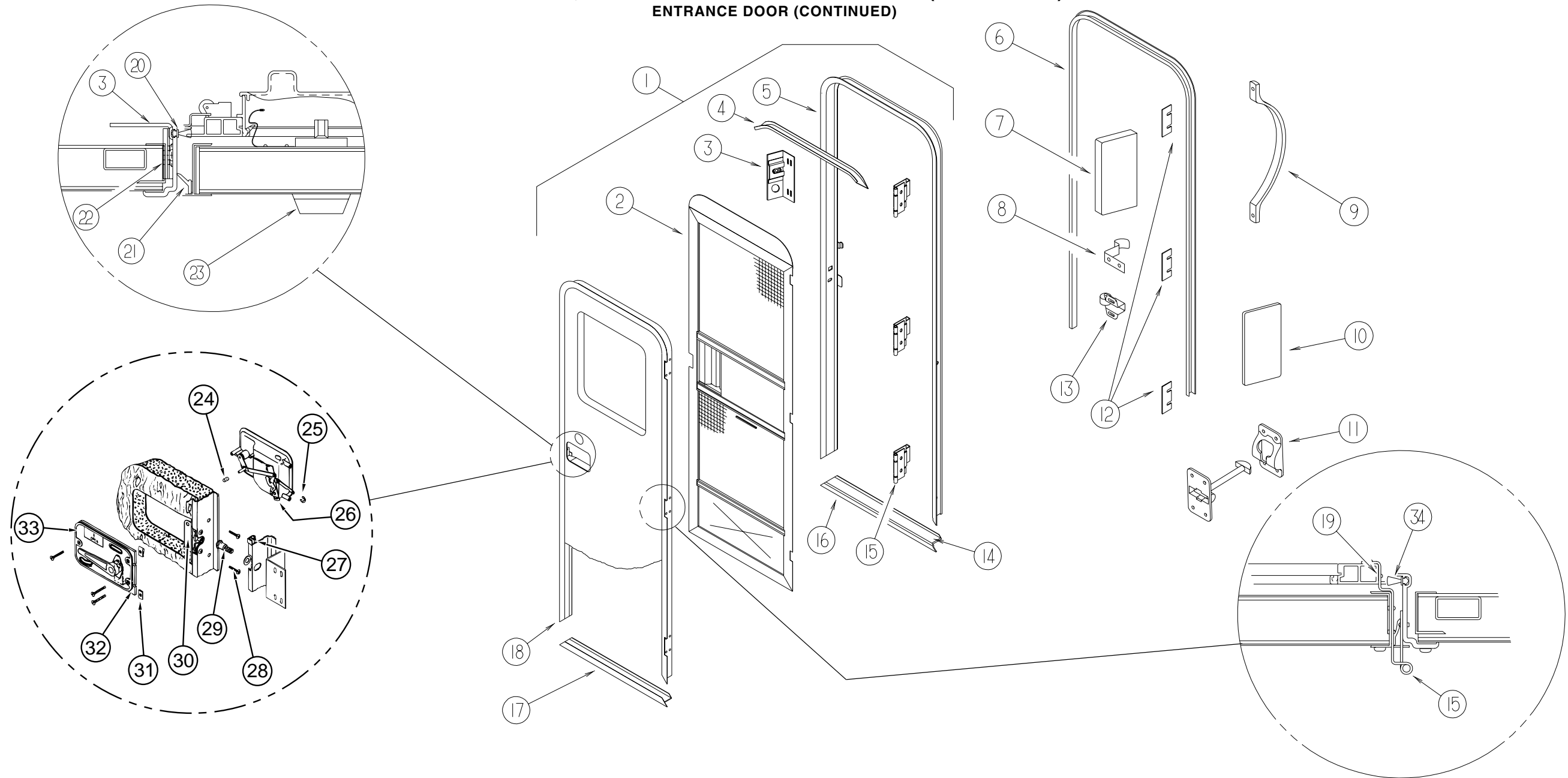
## WINDOW, VENT & EXTERIOR DOOR GROUP (CONTINUED)



KEY	PART NUMBER	U/M DESCRIPTION
1	115108-01-K01	EA DOOR - ENTRY - W/SCREEN DOOR - W/O WINDOW (K04)
1	115108-01-K02	EA DOOR - ENTRY - W/SCREEN DOOR - W/O WINDOW (K05)
1	115108-01-K06	EA DOOR - ENTRY - W/SCREEN DOOR - W/O WINDOW (K06)
1	115108-05-K01	EA DOOR - ENTRY - W/SCREEN DOOR - W/O WINDOW - ELECTRIC STEP (K04)
1	115108-05-J47	EA DOOR - ENTRY - W/SCREEN DOOR - W/O WINDOW - ELECTRIC STEP (K05)
1	115108-05-K06	EA DOOR - ENTRY - W/SCREEN DOOR - W/O WINDOW - ELECTRIC STEP (K06)
2	121899-03-GB1	EA DOOR - SCREEN - W/O HARDWARE
3	041546-07-000	EA BRACKET - DOOR ANGLE - OFF WHITE
4	044582-44-000	EA CAP - DRIP - JAMB - BRIGHT WHITE
5	121898-03-01A	EA JAMB - ENTRY DOOR
5	121898-04-01A	EA JAMB - ENTRY DOOR - BRIGHT WHITE - ELECTRIC STEP
6	115222-04-01A	EA GARNISH - ENTRY DOOR - RADIUS
7	077461-03-000	EA COVER - STRIKE - ENTRY DOOR - 6.5" X 2.5" - WHITE PLASTICKEY

KEY	PART NUMBER	U/M DESCRIPTION
8	100412-01-000	EA CATCH - SCREEN DOOR
9	009126-03-000	EA HANDLE - ASSIST - BLACK TEXTURED
10	076725-02-000	EA COVER - HINGE - ENTRY DOOR - 6" X 3.2" - OFF WHITE
11	104099-01-04A	EA CATCH - DOOR HOLDER - STRIKE - BRIGHT WHITE
11	104099-02-04A	EA CATCH - DOOR HOLDER - RETAINER - BRIGHT WHITE
12	102248-01-000	EA SHIM - DOOR
13	109403-01-000	EA CATCH - SINGLE ROLLER - SCREEN DOOR
14	038327-01-000	EA TAPE - ANTI SLIP - 2" X 60'
15	106719-01-05A	EA HINGE - ENTRY DOOR - BRIGHT WHITE
	116111-02-01A	EA SCREW - TAPTITE - 1/4-20 X 3/8 PPH - ZINC
16	051049-01-000	EA JAMB - BOTTOM - ENTRY DOOR - 25.9" - UNPAINTED
17	121893-01-01A	EA FRAME - ENTRY DOOR/BOTTOM - BRIGHT WHITE

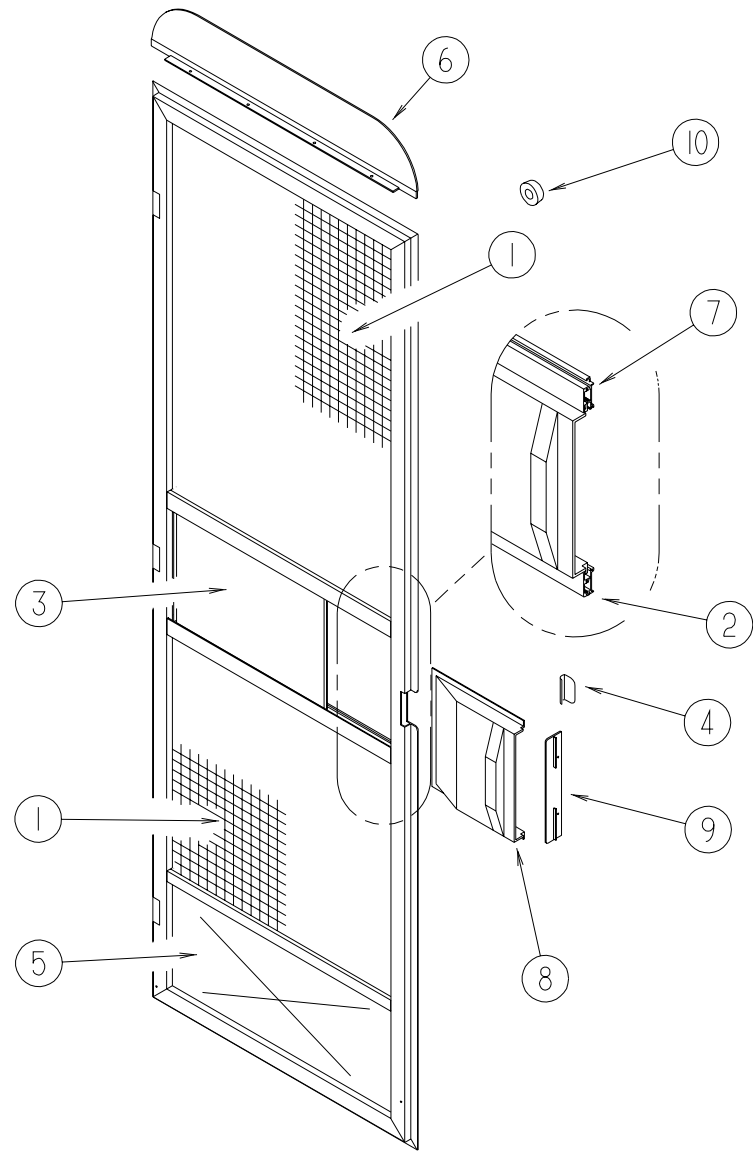
**WINDOW, VENT & EXTERIOR DOOR GROUP (CONTINUED)**  
**ENTRANCE DOOR (CONTINUED)**



KEY	PART NUMBER	U/M DESCRIPTION	VENDOR NO.
18	121894-07-01A	EA FRAME - ENTRY DOOR - BRIGHT WHITE	
	098173-01-04A	EA STIFFENER - ENTRY DOOR - SUPPORTS LATCH/STRIKE - UNPAINTED	
	122241-01-01A	EA BUMPER - FOAM RUBBER W/ADH BACK - .5" X .5" X .25" - BLACK	
19	100128-02-000	EA SEAL - FOAM - ADHESIVE BACK - .37" WIDE X .37" THICK	
20	118929-01-01A	FT SEAL - PILE - PUSH ON	
21	075671-04-000	FT SEAL - SPONGE - LAZY T - W/ADHESIVE STRIP - .5" WIDE	
22	104692-01-000	FT SEAL - FOAM/ADHESIVE BACK - .75"THICK X .75"WIDE X 25'	
23	101145-01-06A	EA DEADBOLT - ENTRY DOOR W/O SECURITY BOLT W/2 KEYS - BLACK	
	095229-01-700	EA KEY-BLANK, DEADBOLT	81205-03
	101145-01-701	EA CYLINDER-LOCK ASM., W/KEY	81306-03
	101147-01-000	EA BOLT - SECURITY - 4.12"	
24	039984-01-000	EA CAP - ROUND - VINYL - .28" ID X .62" - BLACK	
25	036618-02-000	EA E-RING - EXTERNAL - 3/16" SHAFT DIAMETER - LYNOR DOOR LOCK	

KEY	PART NUMBER	U/M DESCRIPTION	VENDOR NO.
26	045017-13-000	EA LATCH - ENTRY DOOR - BLACK TEXTURED	
	045017-11-701	EA KEY - BLANK (F1 SERIES) "K-104" - DOOR LOCK (TM 200 - 250)	
	045017-11-703	EA CYLINDER-LOCK ASM. W/KEYS	81266-09
27	064075-07-000	FT SEAL - BULB - W/WIRED U CHANNEL - .3" X .5" CHANNEL - BLK	
28	000G54-04-20B	EA SCREW - 1/4-20 X 1 1/4 PTH TYP 23	
29	039539-01-000	EA STRIKE - LOCK - ENTRY DOOR - ROUND W/THREADED WASHER	
	039715-01-000	EA NUT-SERT - 1/4" DIAMETER - 20 THREADS	
30	039540-01-000	EA LATCH MECHANISM - HOOK - ENTRY DOOR - INTERIOR	
	086285-05-000	EA SPACER - NYLON - .7" X .56"	
31	040921-01-000	EA NUT-SPEED-U TYPE 10-24 BLACK	
32	096810-01-01A	EA PLATE - LATCH - ENTRY DOOR - BLACK	
33	039979-06-000	EA COVER - LATCH PLATE - RIGHT HAND - BLACK TEXTURED	
34	118929-01-01A	FT SEAL - PILE - PUSH ON	
	130444-01-01A	EA CAP - KEY IDENTIFIER - GRAY	

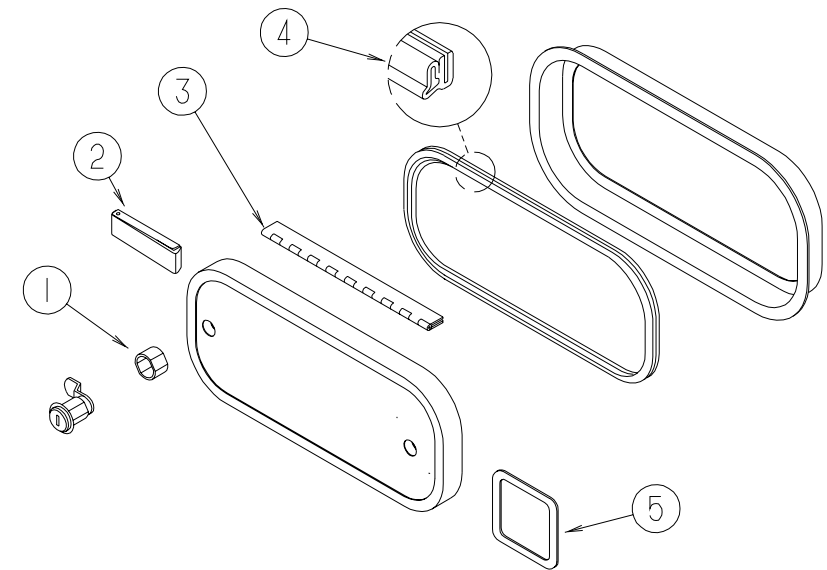
WINDOW, VENT & EXTERIOR DOOR GROUP (CONTINUED)



SCREEN DOOR COMPONENTS

KEY	PART NUMBER	U/M	DESCRIPTION
	121899-03-GB1	EA	DOOR - SCREEN - W/O HARDWARE
1	002293-02-000	SF	SCREENING - WINDOW/DOOR - 26" - CHARCOAL
2	002294-01-000	FT	SPLINE - SCREENING - .135" X .138"
3	016454-01-000	EA	INSERT - CENTER - LEATHER GRAIN ALUMINUM - UNPAINTED
	001014-01-013	EA	INSERT - CENTER - 10.25" X 16.31" - UNPAINTED
4	050712-06-000	EA	HANDLE - SCREEN DOOR - BRIGHT WHITE
5	078552-03-000	EA	KICK PANEL - SCREEN DOOR - LOWER INSERT - UNPAINTED
6	078595-01-000	EA	TOP PLATE - SCREEN DOOR - CURVED TOP - 4.7" X 25.35"
7	078777-08-000	FT	CHANNEL - SLIDER
8	079086-03-000	EA	SLIDER - SCREEN DOOR - BRIGHT WHITE
9	079087-03-000	EA	STRIKE - SLIDER - SCREEN DOOR - BRIGHT WHITE
10	120863-06-000	EA	BUMPER - RUBBER - 3/4" X 3/8"

WINDOW, VENT & EXTERIOR DOOR GROUP (CONTINUED)



EXTERIOR COMPARTMENT DOOR COMPONENTS

KEY	PART NUMBER	U/M	DESCRIPTION
1	107997-51-003	EA	SPACER - DOOR LOCK .79" DEEP
	107997-51-002	EA	EXTRUDED - SPACER - 16'
2	112160-02-000	FT	SEAL - D SECTION - .2 X .3" - FOAM RUBBER
3	081801-V3-000	EA	HINGE - ALUMINUM - 2" X 96" - BRIGHT WHITE
4	064075-07-000	FT	SEAL - BULB - W/WIRED U CHANNEL - .3" X .5" CHANNEL-BLACK
4	106850-02-000	FT	SEAL-E - SPONGE RUBBER - .43" X .75"
5	098338-01-000	EA	GASKET - LOCK POCKET
6	102768-01-000	EA	HOLDER - COMPARTMENT/ENTRY DOOR - METAL - MILL FINISH
	098408-01-000	FT	SEAL - SPONGE RUBBER - CLOSED CELL
	096217-55-006	EA	U CHANNEL - 210"