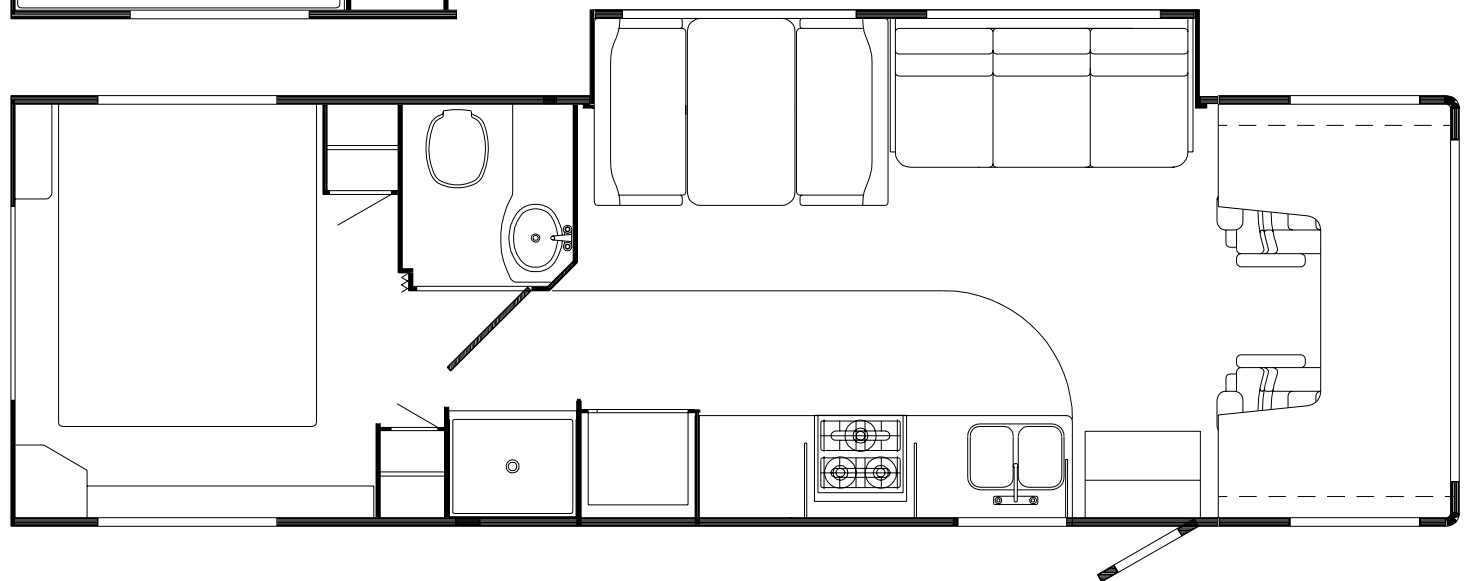
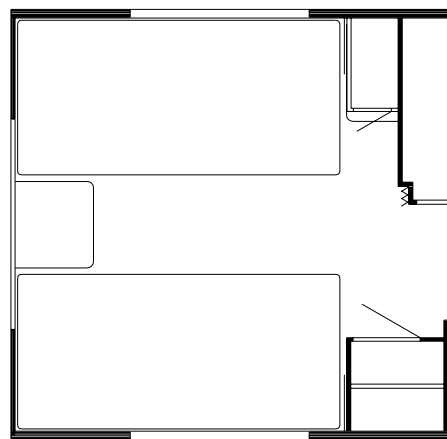
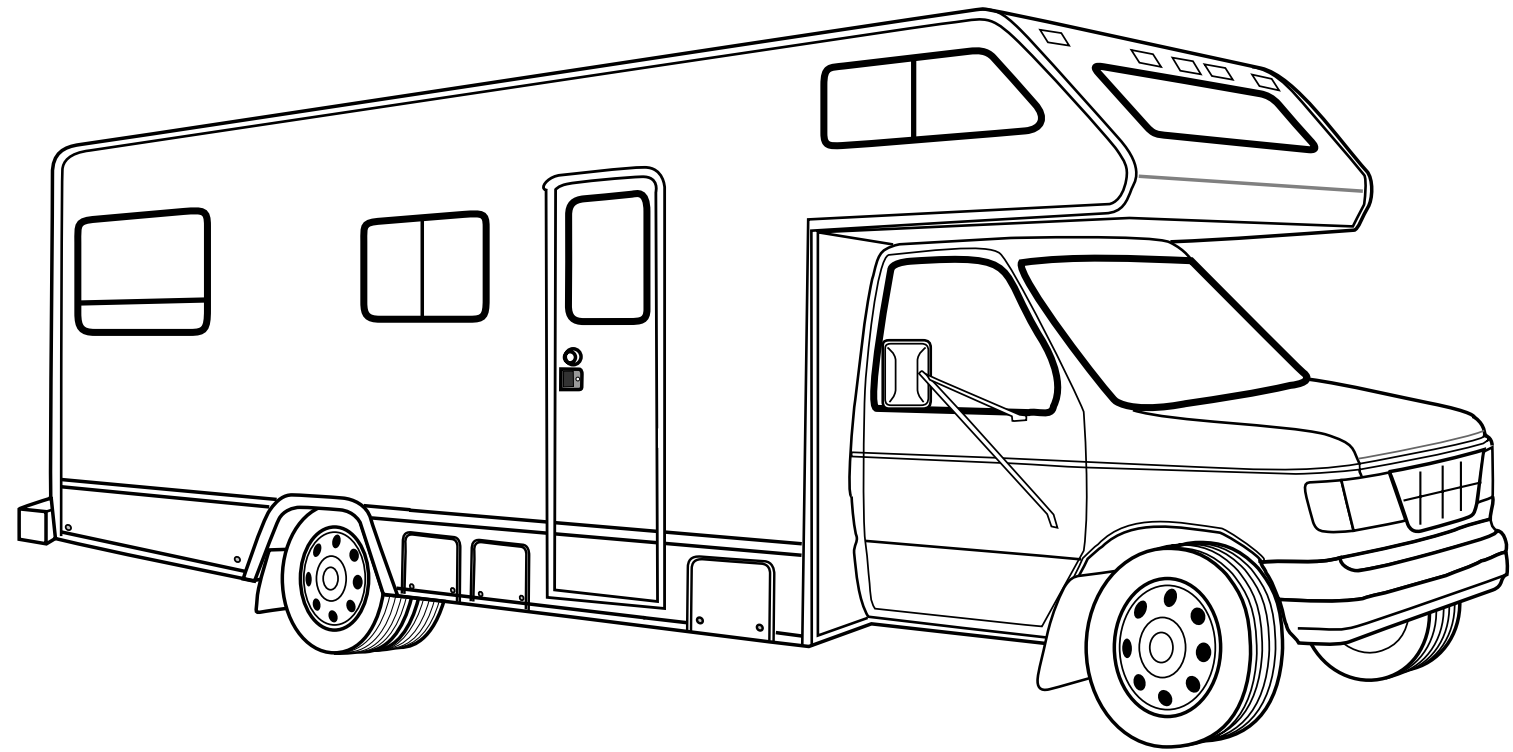


1999
IF331T
K04
SANDPIPER (SAND)
K05
HORIZON (BLUE)
K06
RIVERWALK (TAUPE)



ACCESSORIES GROUP

OPERATORS MANUAL

KEY	PART NUMBER	U/M DESCRIPTION
	054185-J9-000	EA MANUAL - OPERATOR - 99 ITASCA SPIRIT
	129079-01-01A	EA CASE - VINYL/BLACK-EXPANDABLE ACCORDION SIDES - 7"W X 9"H X 14"L
	128942-01-000	DW TOP LEVEL-C,1999

AUDIO VIDEO GROUP

RADIO SPEAKERS

KEY	PART NUMBER	U/M DESCRIPTION
	110465-01-000	EA SPEAKER KIT,4 5X7 SPEAKERS - FORD F2UF-18814-CD
	111177-01-01A	EA GRILLE - SPEAKER - 6.6" X 8.9" - HOUSING 5" X 7" SPEAKER
	110469-01-000	EA SPEAKER - 4" X 6" OVAL - COAXIAL
	110470-01-01A	EA GRILLE - 4" X 6" OVAL - BLACK
	074979-01-000	EA SHIELD - SPEAKER - BACK - MOLDED PLASTIC - 8" X 9"

RADIO - PATIO ENTERTAINMENT CENTER

KEY	PART NUMBER	U/M DESCRIPTION
	125322-02-000	EA RADIO - AM/FM STEREO - CASSETTE - AUDIOVOX
	090944-01-000	EA ANTENNA - RADIO - 16" RUBBER
	108847-01-000	EA BRACKET - ANTENNA GROUND
	109889-01-000	EA EXTENDER - SHAFT - ANTENNA 1"
	108137-01-000	EA PLUG - ANTENNA
	110469-01-000	EA SPEAKER - 4" X 6" OVAL - COAXIAL
	110470-01-01A	EA GRILLE - 4" X 6" OVAL - BLACK
	077069-02-000	EA CABLE - ANTENNA/EXTENSION - RADIO - 96"
	086756-01-000	EA SPLITTER - TV - 2 WAY
	058708-02-000	EA RECEPTACLE - ELECTRIC - DOUBLE - IVORY
	076319-09-000	EA WALLPLATE - CABLE RECEPTACLE - TV - SINGLE - BROWN

TV - VCR SYSTEMS

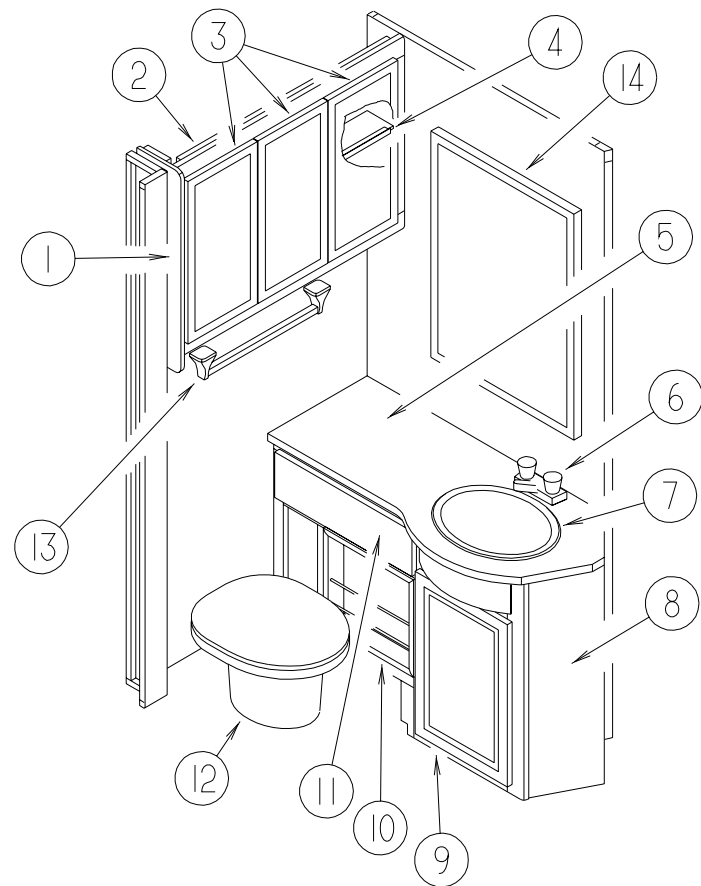
KEY	PART NUMBER	U/M DESCRIPTION	VENDOR NO.
	126696-02-000	EA TV - 19" COLOR W/1/8" JACK - UL/CSA	
		FROM: 00-00-00 THRU: 06-09-99	226725
	126696-01-700	EA REMOTE	
	126696-03-000	EA TV - 19" COLOR W/7/8" JACK - UL/CSA	
		FROM: 06-10-99 THRU: 99-99-99	226725
	126696-01-700	EA REMOTE	GE VG2042
	126697-02-000	EA VCR-VHS - CABLE READY - W/REMOTE	
		FROM: 00-00-00 THRU: 04-24-99	238513
	126697-02-700	EA REMOTE	GE VG2042
	126697-03-000	EA VCR-VHS - CABLE READY - W/REMOTE	
		FROM: 04-25-99 THRU: 99-99-99	238513
	126697-02-700	EA REMOTE	
	086231-08-000	EA TV - 13" COLOR - DC - AUDIOVOX AVT-1475	
	086231-08-700	EA REMOTE-UNIVERSAL	8822325
	094487-05-000	EA VIDEO CASSETTE PLAYER - VERTIC	
	086231-08-700	EA REMOTE-UNIVERSAL	8822325
	086757-03-000	EA CONTROL CENTER - SWITCH - VCR/TV	
		FROM: 00-00-00 THRU: 09-28-98	
	086757-04-000	EA CONTROL CENTER - SWITCH - 5 INPUTS	
		FROM: 09-29-98 THRU: 99-99-99	0891436
	086231-08-701	EA ADAPTER - WIRE	
	082136-01-000	EA NUT - HEX JAM - 3/8-32	
	086777-02-000	EA WALLPLATE - TV CABLE - W/ANTENNA SWITCH - BROWN	
	086777-06-000	EA WALLPLATE - TV CABLE - ANTENNA BOOSTER/1 OUTPUT - BROWN	
	082134-01-000	EA ADAPTER - TV - CABLE TO CABLE	
	086756-01-000	EA SPLITTER - TV - 2 WAY	

TV ANTENNA - WINEGARD

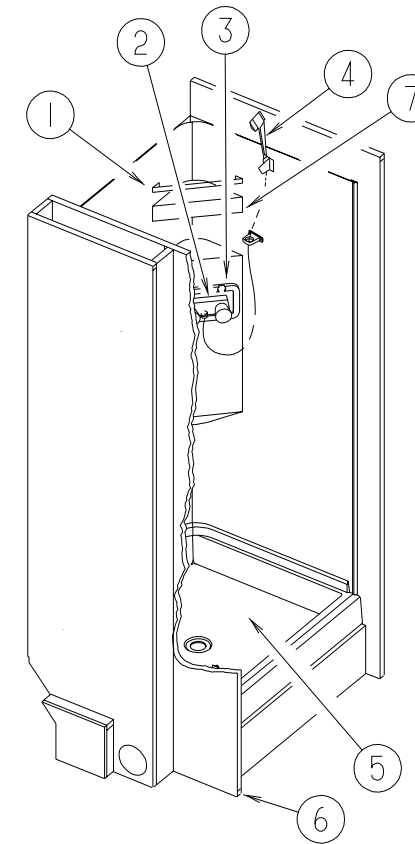
KEY	PART NUMBER	U/M DESCRIPTION
*	076319-23-000	EA ANTENNA - TV ROOF MOUNT - 44.5" MAST
*	076319-25-000	EA KIT - HARDWARE INTERIOR
	076319-03-000	FT CABLE - COAXIAL - 75 OHM
	076319-12-000	EA CONNECTOR - COAXIAL - ONE PIECE
	076319-06-000	EA ADAPTER - CABLE ROOF PLATE
	086777-02-000	EA WALLPLATE - TV CABLE - W/ANTENNA SWITCH

*COMPONENT PARTS FOUND IN SERVICE PARTS LIBRARY

BATH GROUP



BATH GROUP (CONTINUED)



BATHROOM CABINETS & FIXTURES

KEY	PART NUMBER	U/M	DESCRIPTION
1	109908-88-K01	EA	END CAP - OVERHEAD CABINET
2	127895-02-K01	EA	CABINET - MEDICINE - W/O DOORS/HARDWARE
3	132141-11-K01	EA	DOOR - VENEER - 11" X 21.8" - W/O HARDWARE
4	127895-11-J01	EA	SHELF - W/PLASTIC EDGE TRIM
5	130305-14-K01	EA	COUNTERTOP - LAVATORY (K04)
5	130305-14-K02	EA	COUNTERTOP - LAVATORY (K05)
5	130305-14-K06	EA	COUNTERTOP - LAVATORY (K06)
6	075240-06-000	EA	FAUCET - LAVATORY/BONE
7	089366-01-000	EA	SINK - OVAL W/TAIL PIECE - PLASTIC - IVORY
	106116-01-01A	EA	STRAINER/PLASTIC - STOPPER/TAILPIECE/GASKET & NUT-LAVATORY
8	130305-01-K01	EA	CABINET - LAVATORY - W/COUNTERTOP - W/O DOORS/DWRS/HDW (K04)
8	130305-01-K02	EA	CABINET - LAVATORY - W/COUNTERTOP - W/O DOORS/DWRS/HDW (K05)
8	130305-01-K06	EA	CABINET - LAVATORY - W/COUNTERTOP - W/O DOORS/DWRS/HDW (K06)
9	131995-P0-K01	EA	DOOR - SOLID PANEL - 14.3" X 21.8" - W/O HARDWARE
10	097208-07-K01	EA	MAGAZINE RACK
			FROM: 00-00-00 THRU: 04-01-99
10	131096-02-K16	EA	WALL POCKET - MAGAZINE RACK
			FROM: 04-02-99 THRU: 99-99-99
11	M09316-41-K01	EA	DRAWER - OGEE EDGE - 16.2"W X 19.8"D - W/O SLIDES/HARDWARE
12*	067487-01-000	EA	TOILET - 12.37" - IVORY - HAND FLUSH
13	075453-02-000	EA	BAR - TOWEL - 18" BRASS
14	058331-08-000	EA	MIRROR ONLY - SAFETY GLASS - 24" X 30"
	075452-02-000	EA	HOLDER - TOILET TISSUE - BRASS

SHOWER CABINET & FIXTURES

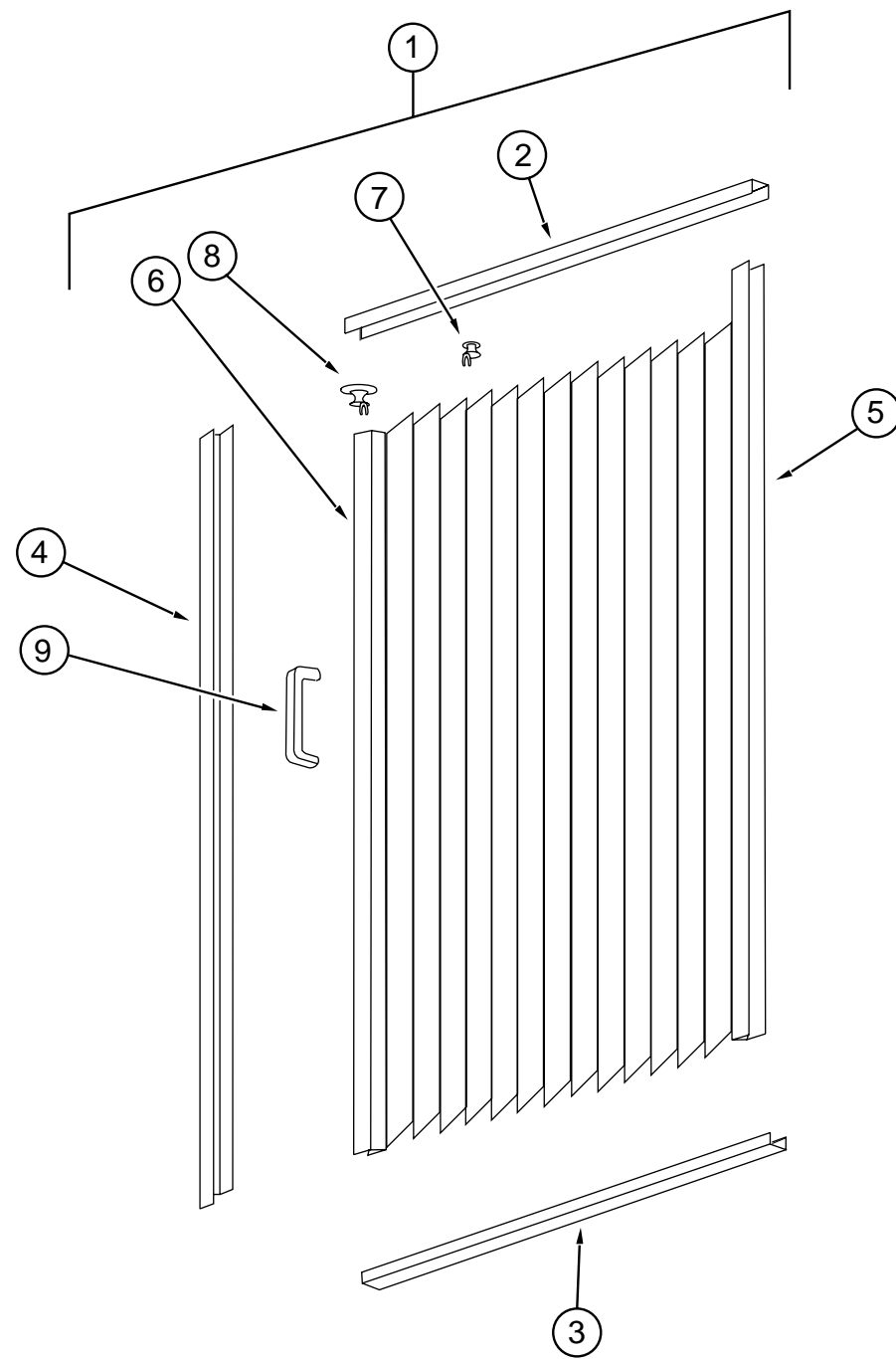
KEY	PART NUMBER	U/M	DESCRIPTION	VENDOR NO.
1	113714-02-01A	EA	RETAINER - SHELF	
2	075241-05-000	EA	FAUCET/SHOWER - BONE - 3/4"MPT X 1.4" LONG INLET PIPES	
3	075606-01-000	EA	PANEL - PLASTIC - FAUCET BACK - 5" X 9"	
4	131383-01-01A	EA	SHOWER HEAD - W/60" HOSE & BRACKET - IVORY	
4	131383-02-01A	EA	SHOWER HEAD - W/60" HOSE & BRACKET - CSA - IVORY	
	103092-01-700	EA	BRACKET-F/SHOWER HEAD, CLEAR	2328028
	011048-03-700	EA	BRACKET - SHOWER HEAD/IVORY	2328029-1
	103092-01-702	EA	SEALS-SPRAY HEAD	24466
5	M02673-08-000	EA	PAN - SHOWER W/STRAINER - OFF WHITE	
	066440-01-000	EA	STRAINER - SHOWER DRAIN - W/RUBBER WASHER	
	127440-02-01A	EA	WASHER - RUBBER - 1.8" X .1"	
	011069-02-000	EA	TAILPIECE - TUB/SHOWER - 1 1/2" X 1 1/4" X 4" - BRASS	
6	105629-01-01A	EA	SURROUND - SHOWER	
7	105707-01-01A	EA	CADDY - SHOWER	

SKYLIGHT

KEY	PART NUMBER	U/M	DESCRIPTION
	122192-01-02A	EA	PANEL - SKYLITE - OUTER - 16.4" X 27.8"
	122193-01-02A	EA	PANEL - SKYLITE - INNER

*COMPONENT PARTS FOUND IN SERVICE PARTS LIBRARY

BATH GROUP (CONTINUED)



SHOWER DOOR

KEY	PART NUMBER	U/M DESCRIPTION
1	117431-01-01A	EA DOOR - SHOWER - FABRIC PLEATED - 29.6" X 63.0"
2	117431-01-700	EA TRACK-TOP, ALUM.IVORY INSERT 48"
3	117431-01-701	EA TRACK-BOTTOM, 48 "
4	117431-01-702	EA RAIL-SIDE, 67"
5	117431-01-703	EA RAIL-STATIONARY, 67"
6	117431-01-704	EA RAIL-LEAD, 67" - W/LATCH
7	117431-01-705	EA GLIDE-IVORY, TRAVELER
8	117431-01-706	EA GLIDE-IVORY LEAD, TRAVELER
9	117431-01-708	EA HANDLE - W/SCREWS
	117431-01-707	EA CATCH - BATH DOOR
	117431-01-709	EA STRAP-VINYL

BATH GROUP (CONTINUED)

BATH DOOR

KEY	PART NUMBER	U/M DESCRIPTION
	128967-14-K01	EA DOOR - BATH
	128967-51-J01	EA RACK - TOWEL/BATH DOOR
	100357-01-000	EA ROD - F/TOWEL BAR - BRASS
	128967-52-J01	EA MOLDING/SIDE RAIL - TOWEL BAR RACK - LEFT SIDE
	128967-53-J01	EA MOLDING/SIDE RAIL - TOWEL BAR RACK - RIGHT SIDE
	102920-01-01A	EA HINGE/SPRING LOADED - BRASS
	110496-01-01A	EA HINGE - BRASS
	111155-03-01A	EA LOCK - PRIVACY/LOCKING - POLISHED BRASS

BATH/BEDROOM PRIVACY DOOR - FROM: 00-00-00 THRU: 12-12-98

KEY	PART NUMBER	U/M DESCRIPTION	VENDOR NO.
	042488-10-000	EA DOOR - FOLDING - OFF WHITE FABRIC - 37" X 75"	
	042488-10-700	EA LEADRAIL-PREPUNCHED F/HANDLE	DW2100
	080224-01-703	EA HANDLE W/LATCH-CATCH, ALMOND	DE03505
	080224-01-705	EA LATCH & CATCH ASM., ALMOND	DE25010 & DE25020
	094832-03-01A	EA TRACK - FOLDING DOOR - OFF WHITE	
	029130-01-000	EA SCREW - SNAP SOCKET - #8 PH X 5/8"	
	009702-01-000	EA END STOP - CURTAIN CARRIER - L ROD	

BATH/BEDROOM PRIVACY DOOR - FROM: 12-13-98 THRU: 01-31-99

KEY	PART NUMBER	U/M DESCRIPTION
	131595-01-01A	EA DOOR - FOLDING - 37" X 75" - W/4 CEILING MOUNTED BRACKETS
	080224-01-703	EA HANDLE W/LATCH-CATCH, ALMOND
	131595-01-700	EA END STOP ONLY-FABRIC DOOR
	131595-01-701	EA BRACKET/MOUNTING-FABRIC DOOR
	131595-01-702	EA TRACK/STRAIGHT-37"FABRIC DR
	131595-02-01A	EA TRACK - DOOR - CURVED ENDS - 28.6"

BATH/BEDROOM PRIVACY DOOR - FROM: 02-01-99 THRU: 03-07-99

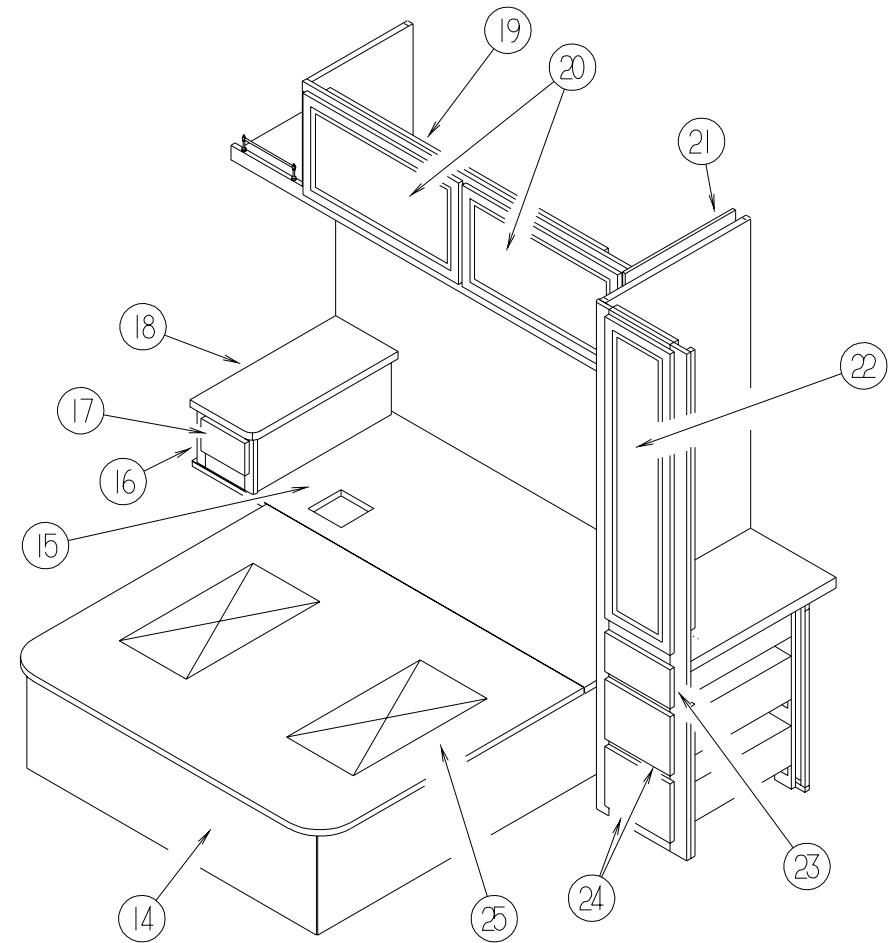
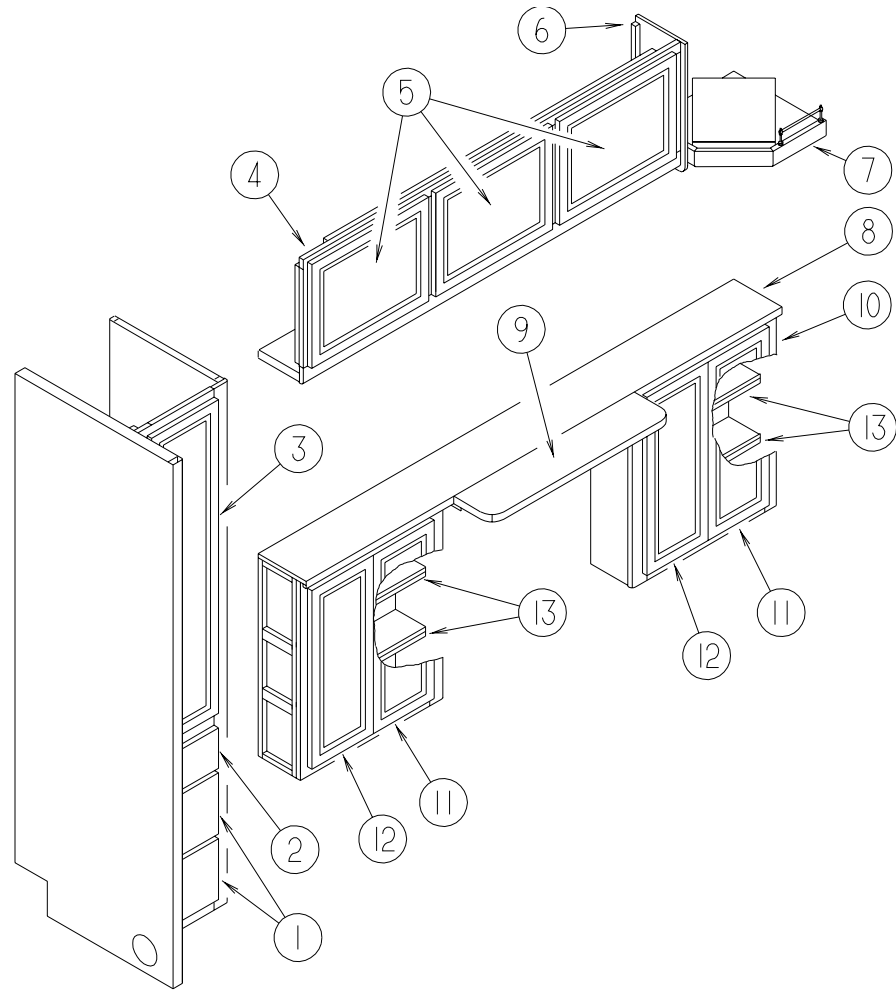
KEY	PART NUMBER	U/M DESCRIPTION	VENDOR NO.
	042488-10-000	EA DOOR - FOLDING - OFF WHITE FABRIC - 37" X 75"	
	042488-10-700	EA LEADRAIL-PREPUNCHED F/HANDLE	DW2100
	080224-01-703	EA HANDLE W/LATCH-CATCH, ALMOND	DE03505
	080224-01-705	EA LATCH & CATCH ASM., ALMOND	DE25010 & DE25020
	094832-03-01A	EA TRACK - FOLDING DOOR - OFF WHITE	
	029130-01-000	EA SCREW - SNAP SOCKET - #8 PH X 5/8"	
	009702-01-000	EA END STOP - CURTAIN CARRIER - L ROD	

BATH/BEDROOM PRIVACY DOOR - FROM: 03-08-99 THRU: 99-99-99

KEY	PART NUMBER	U/M DESCRIPTION
	131595-01-01A	EA DOOR - FOLDING - 37" X 75" - W/4 CEILING MOUNTED BRACKETS
	080224-01-703	EA HANDLE W/LATCH-CATCH, ALMOND
	131595-01-700	EA END STOP ONLY-FABRIC DOOR
	131595-01-701	EA BRACKET/MOUNTING-FABRIC DOOR
	131595-01-702	EA TRACK/STRAIGHT-37"FABRIC DR
	131595-02-01A	EA TRACK - DOOR - CURVED ENDS - 28.6"

BEDROOM GROUP

QUEEN BEDROOM CABINETS

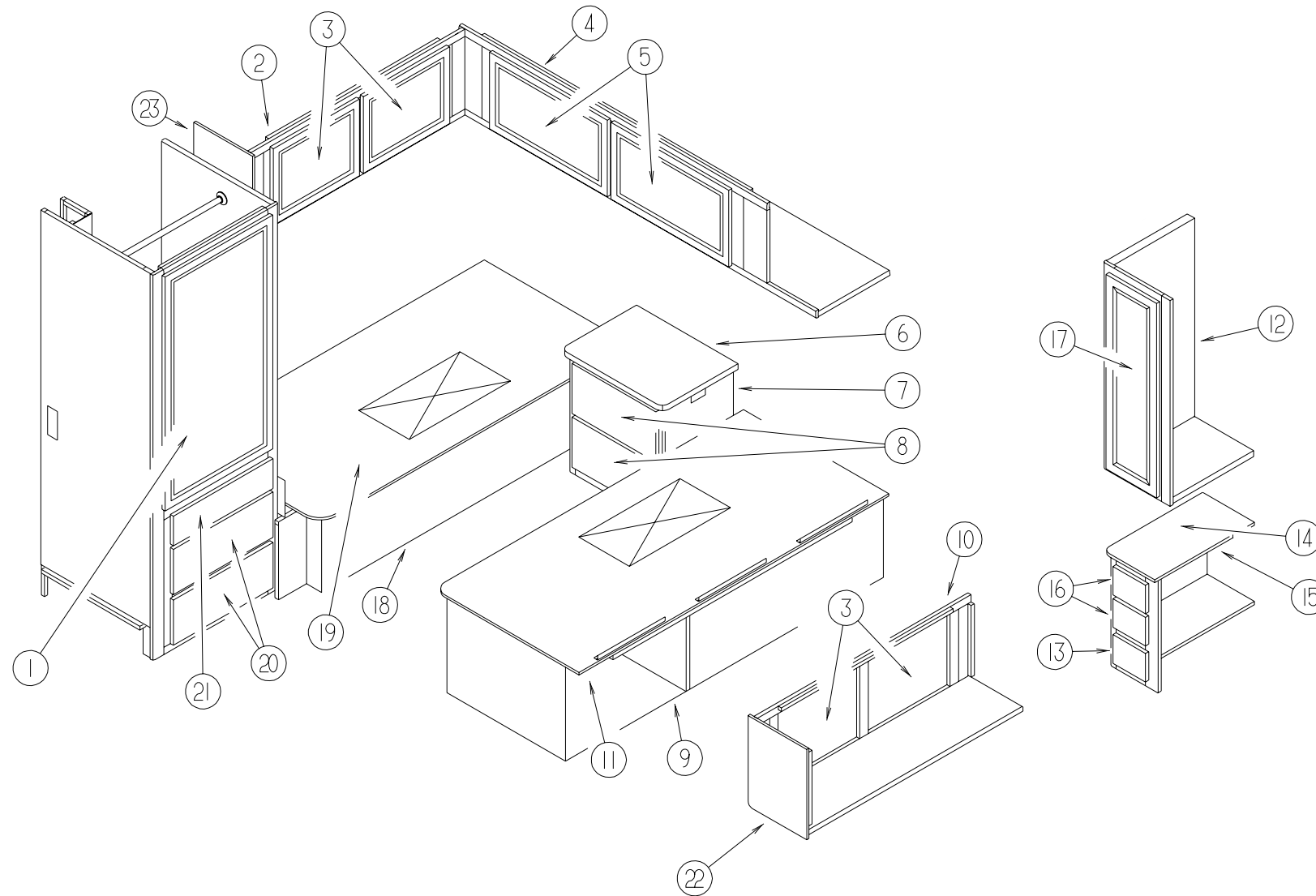


KEY	PART NUMBER	U/M	DESCRIPTION
1	M05971-MH-K04	EA	DRAWER - OGEE EDGE - 9.8"W X 11.8"D - W/O SLIDES/HARDWARE
2	M05971-MG-J03	EA	DRAWER - OGEE EDGE - 9.8"W X 11.8"D - W/O SLIDES/HARDWARE
3	132006-07-K01	EA	DOOR - MIRROR/MITERED RAIL - 12" X 48" - W/O HDW
4	128092-04-K04	EA	CABINET - OVERHEAD/REAR/RIGHT HAND - W/O DOORS/HARDWARE
5	132141-08-K01	EA	DOOR - RAIL/VENEER - 15.7" X 20.4" - W/O HARDWARE
6	109908-99-K04	EA	END CAP - OVERHEAD CABINET
7	116553-03-G04	EA	CABINET - TV SHELF - W/BRASS RODS/POST ENDS
8	128037-12-K04	EA	COUNTERTOP - VANITY
8	128037-12-K05	EA	COUNTERTOP - VANITY
8	128037-12-K06	EA	COUNTERTOP - VANITY
9	128037-15-K04	EA	COUNTERTOP - VANITY
9	128037-15-K05	EA	COUNTERTOP - VANITY
9	128037-15-K06	EA	COUNTERTOP - VANITY
10	128037-01-K04	EA	CABINET - VANITY - W/COUNTERTOP - W/O DOORS/DWRS/HDW
10	128037-01-K05	EA	CABINET - VANITY - W/COUNTERTOP - W/O DOORS/DWRS/HDW
10	128037-01-K06	EA	CABINET - VANITY - W/COUNTERTOP - W/O DOORS/DWRS/HDW
11	131995-P1-K01	EA	DOOR - ARCHED - 10.8" X 27.9" - W/O HARDWARE
12	131995-P2-K01	EA	DOOR - ARCHED - 10.8" X 27.9" - W/O HARDWARE
13	128037-11-J03	EA	SHELF - W/PLASTIC EDGE TRIM

KEY	PART NUMBER	U/M	DESCRIPTION
14	P28583-01-J03	EA	CABINET - BASE - QUEEN BED - W/O DOORS/DRAWERS/HARDWARE
15	M08110-11-K04	EA	TOP - QUEEN BED - W/O HARDWARE
16	P28582-01-K04	EA	CABINET - NIGHTSTAND - W/CTRTP - W/O DOORS/DWRS/HDW
16	P28582-01-K05	EA	CABINET - NIGHTSTAND - W/CTRTP - W/O DOORS/DWRS/HDW
16	P28582-01-K06	EA	CABINET - NIGHTSTAND - W/CTRTP - W/O DOORS/DWRS/HDW
17	M09316-45-K04	EA	DRAWER - OGEE EDGE - 6"W X 19.7"D - W/O SLIDES/HARDWARE
18	128582-11-K04	EA	COUNTERTOP - NIGHTSTAND
18	128582-11-K05	EA	COUNTERTOP - NIGHTSTAND
18	128582-11-K06	EA	COUNTERTOP - NIGHTSTAND
19	124351-01-H04	EA	CABINET - OVERHEAD REAR/LEFT HAND - W/O DOORS/HARDWARE
20	132141-14-K01	EA	DOOR - RAIL/VENEER - 15.7" X 27.9" - W/O HARDWARE
21	109908-51-H04	EA	END CAP - OVERHEAD CABINET
22	132141-17-K01	EA	DOOR - RAIL/VENEER - 12" X 48" - W/O HARDWARE
23	M05971-MJ-J03	EA	DRAWER - OGEE EDGE - 9.9"W X 19.6"D - W/O SLIDES/HARDWARE
24	M05971-MK-K04	EA	DRAWER - OGEE EDGE - 9.9"W X 19.6"D - W/O SLIDES/HARDWARE
25	M08110-12-000	EA	TOP - QUEEN BED - W/O HARDWARE
	107796-26-000	EA	SPRING/GAS - 12" COMPRESSED/20" EXTENDED - 90 LB..
	126263-06-02B	EA	BRACKET - GAS SPRING - E-COATED
	126263-08-02B	EA	BRACKET - GAS SPRING - LOWER - E-COATED
	097872-04-000	EA	DOWEL - WOOD - 1" DIAMETER X 1.38" LONG
	091952-01-000	EA	CLIP - GRIPPER - 1"

BEDROOM GROUP (CONTINUED)

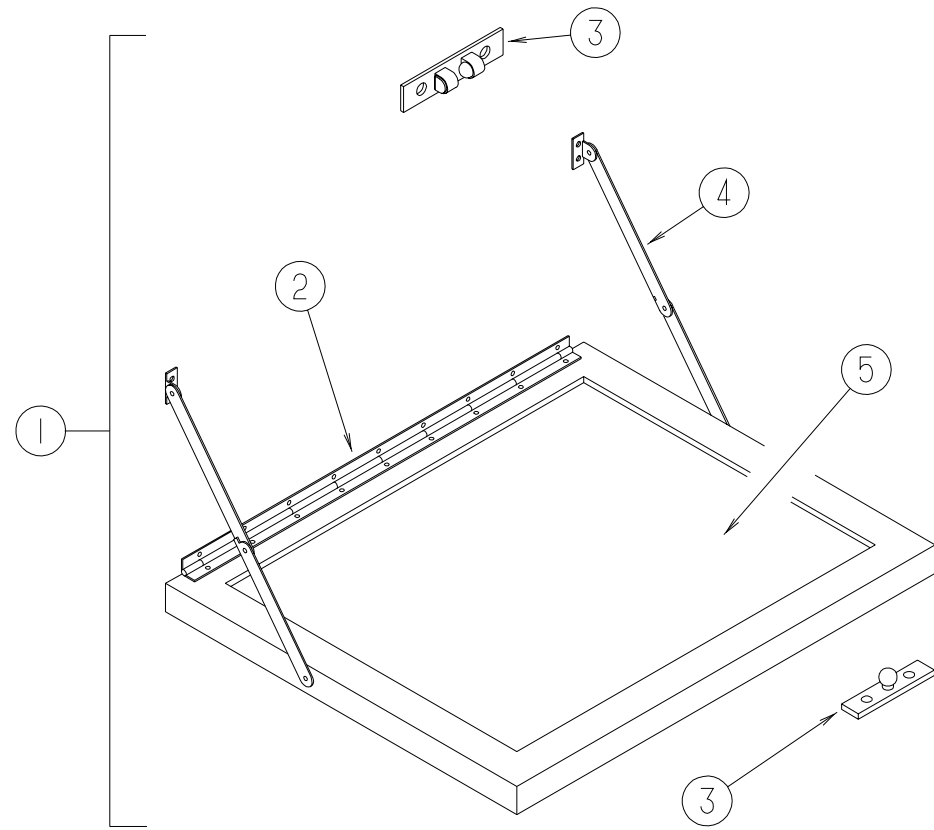
TWIN BEDROOM CABINETS



KEY	PART NUMBER	U/M	DESCRIPTION
1	132006-05-K01	EA	DOOR - MIRROR/MTRD RAIL - 16.7" X 48" - W/O HARDWARE
2	121345-06-K01	EA	CABINET - OVERHEAD/REAR/RH - W/O DOORS/HDW - F/TWIN BED
3	132141-08-K01	EA	DOOR - RAIL/VENEER - 15.7" X 20.4" - W/O HARDWARE
4	121210-01-G04	EA	CABINET - OVERHEAD/REAR - W/O DOORS/HARDWARE - F/TWIN BED
5	132141-14-K01	EA	DOOR - RAIL/VENEER - 15.7" X 27.9" - W/O HARDWARE
6	121166-11-H24	EA	COUNTERTOP - NIGHTSTAND (K04)
6	121166-11-K02	EA	COUNTERTOP - NIGHTSTAND (K05)
6	121166-11-G25	EA	COUNTERTOP - NIGHTSTAND (K06)
7	P21166-01-H24	EA	CABINET - NIGHTSTAND - W/COUNTERTOP - W/O DOORS/DWRS/HDW (K04)
7	P21166-01-K02	EA	CABINET - NIGHTSTAND - W/COUNTERTOP - W/O DOORS/DWRS/HDW (K05)
7	P21166-01-G25	EA	CABINET - NIGHTSTAND - W/COUNTERTOP - W/O DOORS/DWRS/HDW (K06)
8	M05971-LZ-J01	EA	DRAWER - OGEE EDGE - 17.9"W X 13.7"D - W/O SLIDES/HARDWARE
9	P29567-01-J01	EA	CABINET - BASE - TWIN BED/LEFT HAND-W/O DOORS/DRAWERS/HDW
10	121345-07-K01	EA	CABINET - OVERHEAD/REAR/RH - W/O DOORS/HDW - F/TWIN BED

KEY	PART NUMBER	U/M	DESCRIPTION
11	P29567-01-J01	EA	CABINET - BASE - TWIN BED/LEFT HAND-W/O DOORS/DRAWERS/HDW
12	126143-02-J01	EA	CABINET - SHIRT CLOSET - W/O DOORS/HARDWARE
13	M05971-LY-J01	EA	DRAWER - OGEE EDGE - 8.9"W X 19.7"D - W/O SLIDES/HARDWARE
14	128082-11-J02	EA	COUNTERTOP - NIGHTSTAND - TWIN (K04)
14	128082-11-K02	EA	COUNTERTOP - NIGHTSTAND - TWIN (K05)
14	128082-11-J01	EA	COUNTERTOP - NIGHTSTAND - TWIN (K06)
15	P28082-01-J02	EA	CABINET - NIGHTSTAND/TWIN - W/CTRTP - W/O DOORS/DWRS/HDW
16	M05971-LX-J03	EA	DRAWER - OGEE EDGE - 8.9"W X 19.7"D - W/O SLIDES/HARDWARE
17	132141-23-K01	EA	DOOR - RAIL/VENEER - 12" X 39.9" - W/O HARDWARE
18	P21138-01-G04	EA	CABINET - BASE - TWIN BED/RIGHT HAND-W/O DOORS/DRAWERS/HDW
19	121138-11-G04	EA	TOP - TWIN BED - W/O HARDWARE
20	M05971-LV-J03	EA	DRAWER - OGEE EDGE - 14.6"W X 11.8"D - W/O SLIDES/HARDWARE
21	M05971-LW-J01	EA	DRAWER - OGEE EDGE - 14.6"W X 11.8"D - W/O SLIDES/HARDWARE
22	109908-78-K04	EA	END CAP - OVERHEAD CABINET
23	109908-77-K04	EA	END CAP - OVERHEAD CABINET

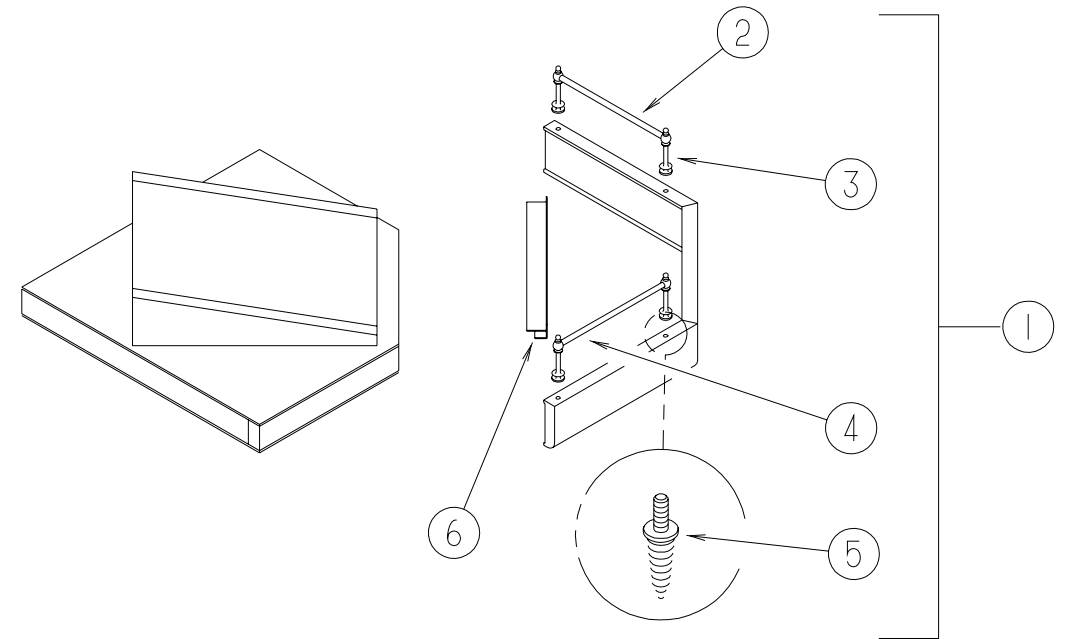
BEDROOM GROUP (CONTINUED)



TV SHELF - TWIN BED

KEY	PART NUMBER	U/M	DESCRIPTION
1	084357-02-H13	EA	TV STAND
2	084413-01-000	EA	HINGE/CONTINUOUS - ALUMINUM 1" X 72" - W/HOLES
3	088451-01-000	EA	CATCH - BRASS
4	084412-01-000	EA	SUPPORT/HINGE KIT (LEFT & RIGHT HINGES)
5	084356-08-000	EA	INSERT - TV STAND - W/SUPPORT HINGES - OFF WHITE

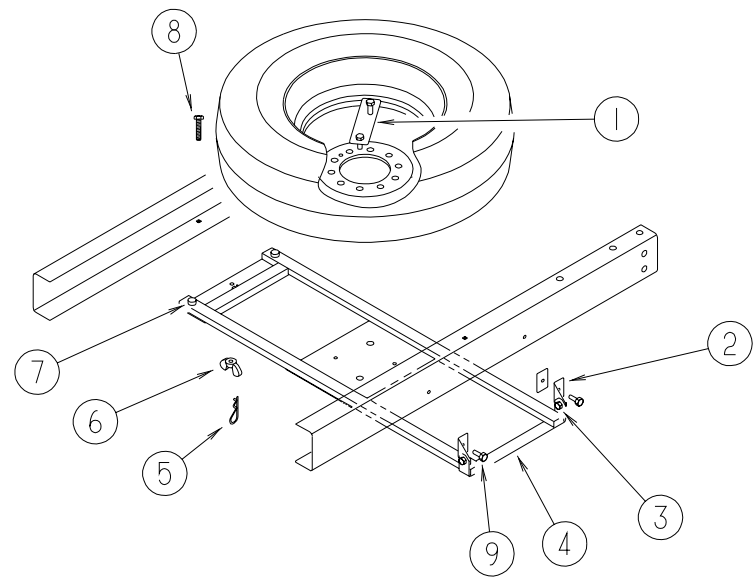
BEDROOM GROUP (CONTINUED)



TV SHELF - QUEEN BED

KEY	PART NUMBER	U/M	DESCRIPTION
1	116553-03-G04	EA	CABINET - TV SHELF - W/BRASS RODS/POST ENDS
2	084071-12-000	EA	ROD - BRASS - 4.08" LONG
3	084070-03-000	EA	POST - END - 2.4" - BRASS
4	084071-19-000	EA	ROD - BRASS - 7.09"
5	106166-01-000	EA	BOLT/COLLARED HANGER - 8-32 X 1"
6	103186-01-05A	FT	MOLDING - PLASTIC - 3/8" U-CHANNEL 3/4" FACE-WATERFORD OAK

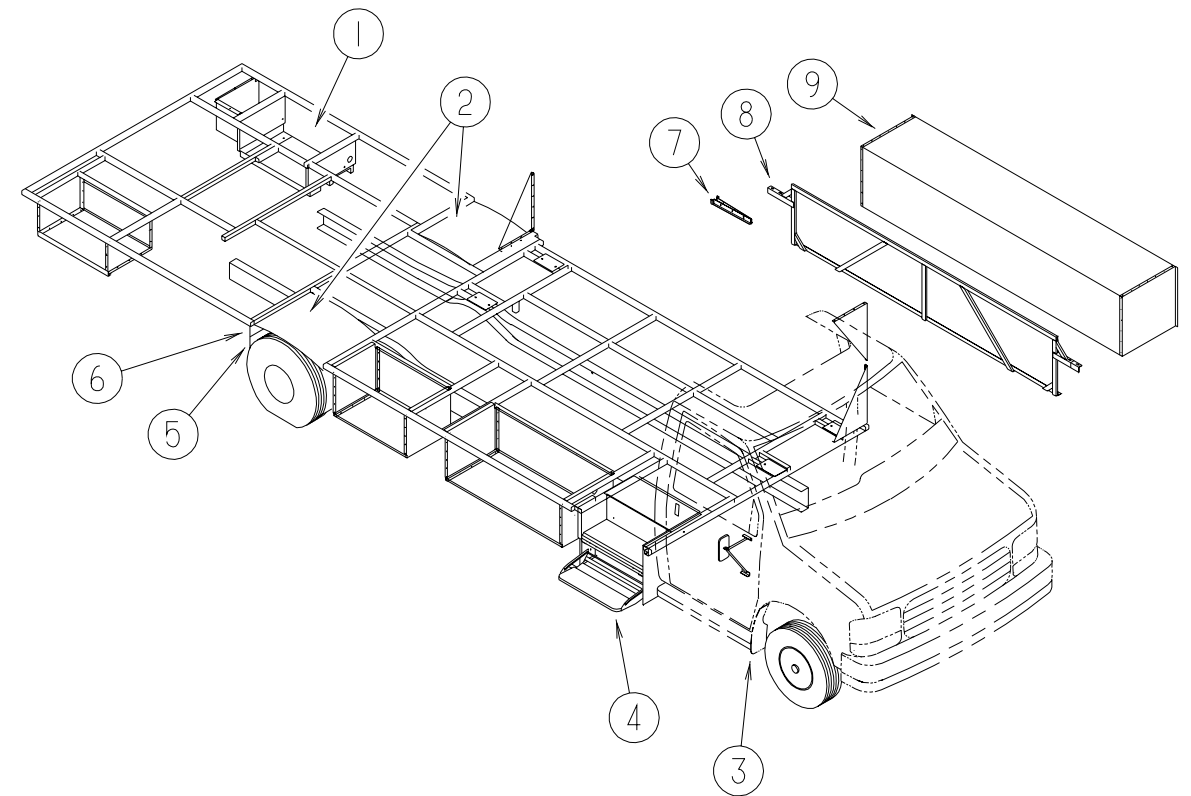
CHASSIS GROUP



SPARE TIRE INSTALLATION

KEY	PART NUMBER	U/M	DESCRIPTION
1	116338-02-02B	EA	BRACKET/CLAMP - SPARE TIRE - E-COATED
	000D29-09-00B	EA	NUT - HEX SELFLOCKING - 9/16-12 - ZINC
2	116349-01-02B	EA	BRACKET/HINGE - SPARE TIRE - E-COATED
3	000C26-06-12B	EA	BOLT - HEX - SERRATED FLANGE - 3/8-16 X 3/4 - ZINC
	000D34-06-00B	EA	NUT - HEX - LOCKING - 3/8-16 GRADE C ZINC - PREVAILING TORQUE
	000E13-17-00B	EA	WASHER - FLAT - 3/8" AR - ZINC
4	116348-01-02B	EA	CRADLE - SPARE TIRE - E-COATED
5	034513-01-000	EA	PIN - HITCH - 3/16" WIRE
6	064081-03-000	EA	NUT - WING 3/8-16 - W/WELD NUT
7	069726-02-000	EA	BUMPER - .88 DIAMETER - 40 - BLACK
8	000C18-06-56A	EA	BOLT - ELEVATOR - 3/8-16 X 3 1/2 - GRADE 5
9	000C26-06-12B	EA	BOLT - HEX - SERRATED FLANGE - 3/8-16 X 3/4 - ZINC
	000D39-06-00B	EA	NUT - HEX - LOCKING W/SERRATED FLANGE - 3/8-18 - ZINC
	112358-01-000	EA	WRENCH - LUG - 7/8" - L-SHAPE

CHASSIS GROUP (CONTINUED)

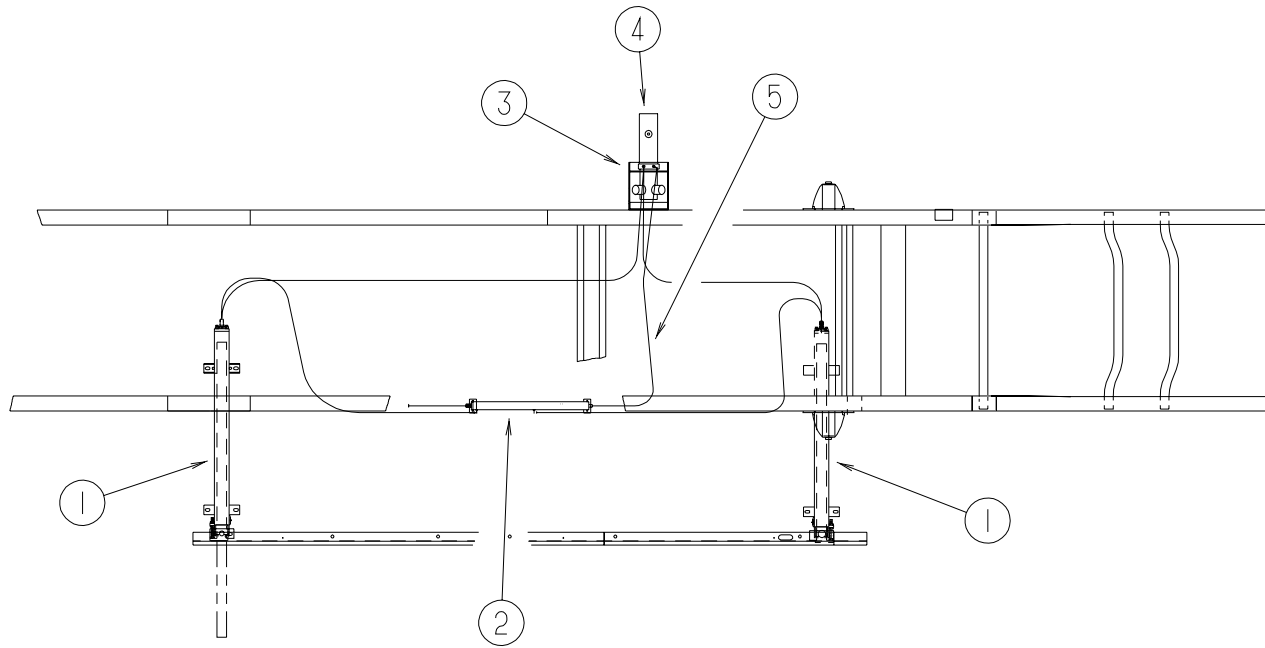


MISCELLANEOUS CHASSIS COMPONENTS

KEY	PART NUMBER	U/M	DESCRIPTION	VENDOR NO.
1	114070-02-02B	EA	SUPPORT - GENERATOR - LEFT	
1	114071-02-02B	EA	SUPPORT - GENERATOR - RIGHT	
2	112435-03-000	EA	WHEELWELL	
3	072884-27-703	EA	MUD FLAP W/HOLES, 1EA=PAIR	99171
4	077848-05-000	EA	STEP - PULLOUT	
	091176-01-000	EA	SUPPORT - BASE - ENTRANCE STEP	
	077441-06-000	EA	BRACKET - STEP	
	102569-04-000	EA	MAT - ANTI SLIP	
	065450-05-000	EA	TIEDOWN - BATTERY - 8.4" TUBE	
	084993-01-000	EA	STRAP - BATTERY - 43.2" LONG	
	084993-02-000	EA	STRAP - BATTERY - 55" LONG	
4*	094708-01-01A	EA	STEP - ENTRY DOOR - ELECTRIC - SINGLE - W/O DOOR SWITCH	
			FROM: 00-00-00 THRU: 01-13-99	
	116995-01-000	EA	SWITCH/MAGNET - ELECTRIC STEP - WHITE/WHITE - OPEN CIRCUIT	
4*	094708-03-01A	EA	STEP - ELECTRIC - SINGLE - BLACK	
			FROM: 01-14-99 THRU: 99-99-99	
	116995-02-000	EA	SWITCH/MAGNET - ELECTRIC STEP - BLACK/WHITE-CLOSED CIRCUIT	
5	017516-01-000	EA	MUD FLAP - 14" X 18" - BLACK	
6	045731-06-000	EA	GUARD - ROCK	
	061420-01-000	EA	PLUG/PLASTIC - 1.75" DIAMETER - BROWN	
7	126591-01-02B	EA	CARRIER - WIRE -SLIDEOUT	
8	126050-04-J01	EA	SUPPORT - SLIDEOUT/COMPARTMENT	
9	126390-04-000	EA	COMPARTMENT - SLIDEOUT	
	099069-01-000	FT	SEAL - RUBBER - CLOSED SPONGE - .5" WIDE X .12" THICK -BLK	
	126694-55-001	EA	EXTRUSION - U-CHANNEL/HINGED - 191.7" - BRIGHT WHITE	

*COMPONENT PARTS FOUND IN SERVICE PARTS LIBRARY

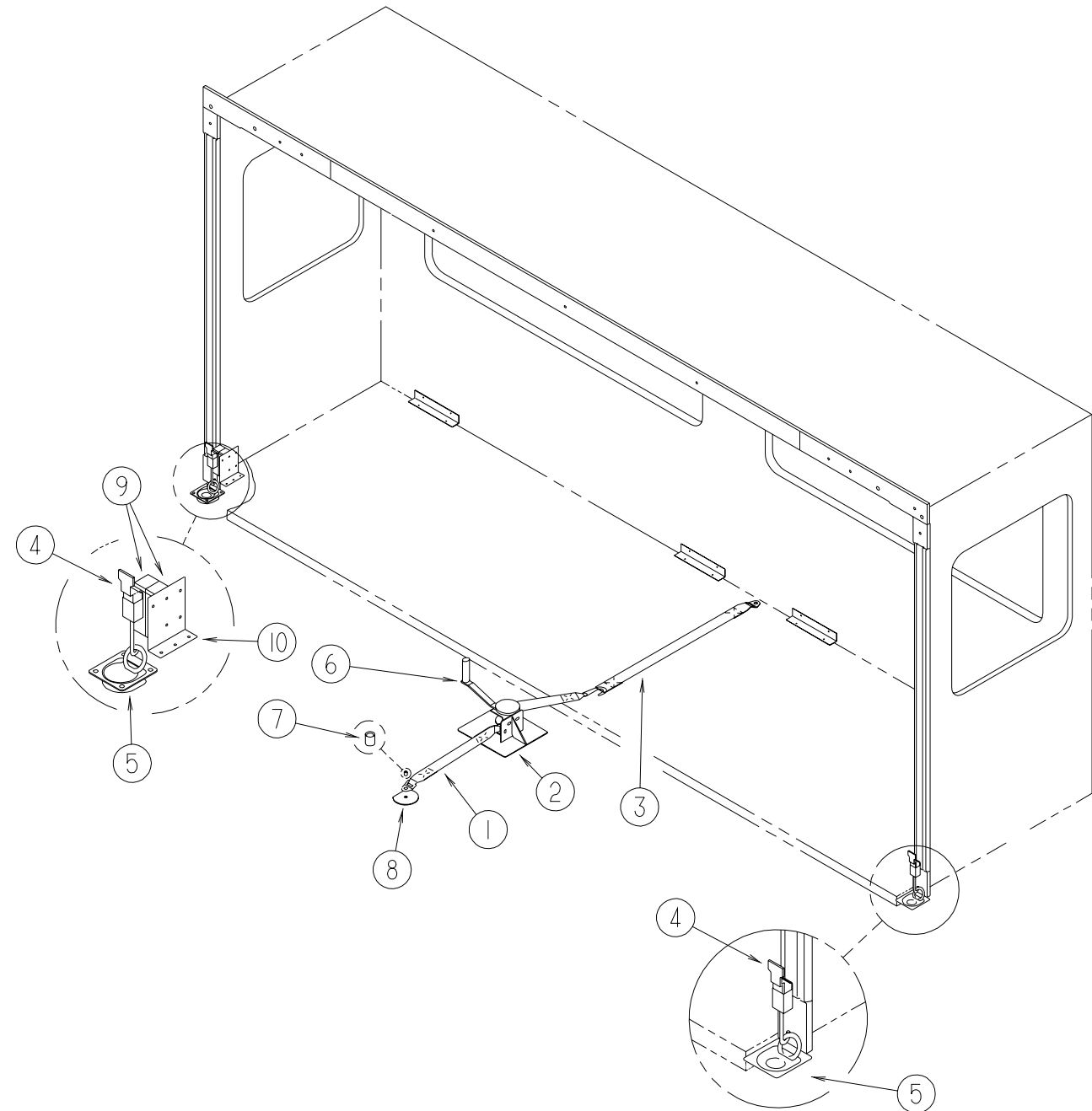
CHASSIS GROUP (CONTINUED)



SLIDEOUT ROOM HYDRAULIC SYSTEM

KEY	PART NUMBER	U/M	DESCRIPTION	VENDOR NO.
1	125687-01-000	EA	SLIDEOUT - HYDRAULIC	
	125687-01-700	EA	CYLINDER	AP15190
	125687-01-701	EA	HOSE - HYDRAULIC - 120"	RAP13772
2	125687-01-702	EA	CYLINDER - SYCRONIZING	AP13607
3	107938-07-000	EA	BRACKET - PUMP	
4	122359-04-000	EA	PUMP/RESERVOIR - SLIDE-OUT - HYDRAULIC - W/O JACKS SYSTEM	
	100532-03-715	EA	CAP-BREATHER W/DIPSTICK	RAP7876
	100532-09-710	EA	SOLENOID-INTERMITENT DUTY	RAP0533
	122359-04-700	EA	PRESSURE SOLENOID - HYD	RAP90376/AP12292
5	100536-41-000	EA	HOSE - F/SLIDEOUT	

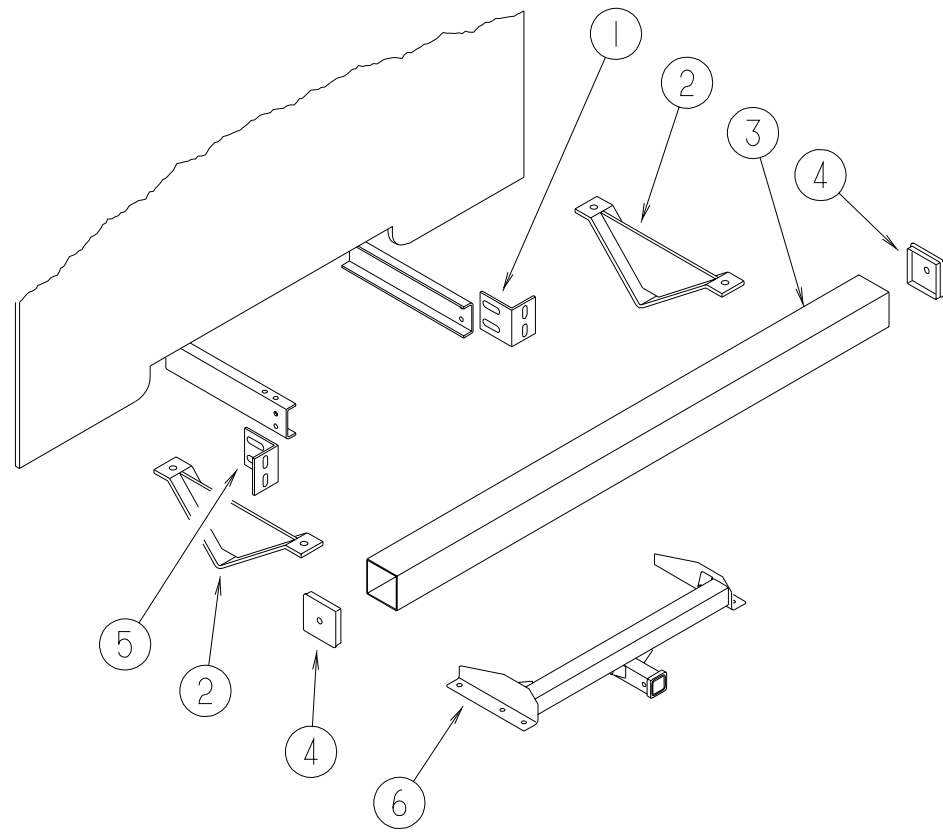
CHASSIS GROUP (CONTINUED)



SLIDEOUT ROOM WINCH & COMPONENTS

KEY	PART NUMBER	U/M	DESCRIPTION
1	116101-01-F31	EA	STRAP - WINCH
2	116082-01-02B	EA	BRACKET - WINCH
3	116101-02-F31	EA	STRAP - WINCH
4	116737-01-01A	EA	LATCH - DRAW - ADJUSTABLE - ZINC
5	116736-01-01A	EA	TIEDOWN - DROP/D - ZINC
6	115767-02-000	EA	WINCH - SLIDEOUT
7	116743-01-01A	EA	CAP - LUG COVER - THREAD PROTECTOR - BLACK
8	057759-01-000	EA	WASHER BRACKET - SEAT BELT - 4" DIAMETER
	077298-55-003	EA	EXTRUSION - TUBE - .275"
9	119845-01-01A	EA	PLUG - PLASTIC - BLACK - 1 1/2" SQUARE
10	131776-01-02B	EA	SUPPORT - LATCH - SLIDEOUT - E-COATED

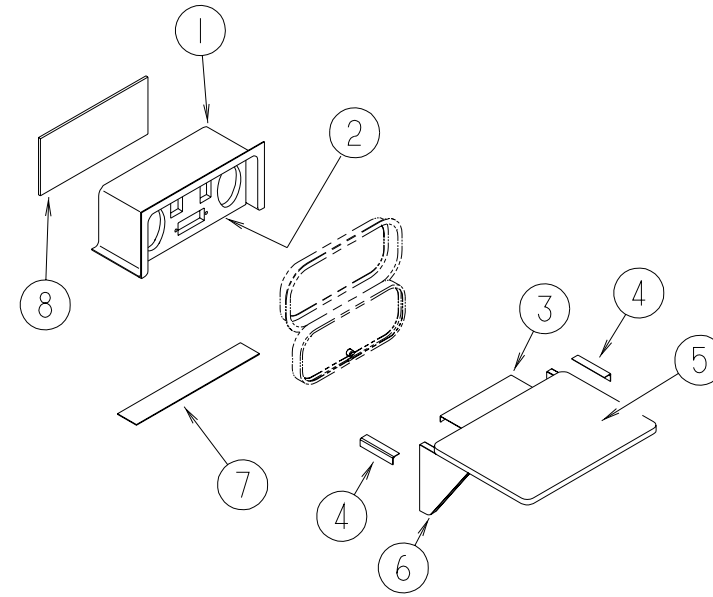
CHASSIS GROUP (CONTINUED)



REAR BUMPER & HITCH

KEY	PART NUMBER	U/M DESCRIPTION
1	104420-01-000	EA SUPPORT/ANGLE - REAR BUMPER - RIGHT HAND
2	083376-01-000	EA PLATE/SKID - 13.2" X 6" X 2" STEEL
3	103422-05-02A	EA BUMPER - REAR - SQUARE ALUMINUM - 97.3" - BRIGHT WHITE
4	039779-01-000	EA CAP - BUMPER - RUBBER - 4" X 4" - BLACK
5	104420-02-000	EA SUPPORT/ANGLE - REAR BUMPER - LEFT HAND
6	130339-04-000	EA HITCH RECEIVER - BOLT ON CLASS II
	034513-01-000	EA PIN - HITCH - 3/16" WIRE
	113589-02-000	EA CONNECTOR - SOCKET - TRAILER
	113589-01-000	EA CONNECTOR - PLUG - TRAILER
	113588-02-01B	EA BRACKET - CONNECTOR - TRAILER W/O LIP

CHASSIS GROUP (CONTINUED)



EXTERIOR ENTERTAINMENT CENTER

KEY	PART NUMBER	U/M DESCRIPTION
1	124696-01-01A	EA BOX - ENTERTAINMENT CENTER/EXTERIOR
2	127409-02-J01	EA PLATE - RADIO MOUNTING
		FROM: 00-00-00 THRU: 06-13-99
2	127409-02-L15	EA PLATE - RADIO MOUNTING
		FROM: 06-14-99 THRU: 99-99-99
3	105377-01-04A	EA BRACKET - TABLE HANGER - BRIGHT WHITE
4	105376-01-03A	EA HINGE - CONTINUOUS - 2" X 5.5" - BRIGHT WHITE
5	105230-11-J01	EA SHELF - EXTERIOR ENTERTAINMENT CENTER - W/O HARDWARE
6	105230-12-J01	EA SUPPORT - EXTERIOR SHELF
7	104898-01-02A	EA PLATE - PLASTIC BOTTOM - BRIGHT WHITE
8	104898-02-02A	EA PLATE - PLASTIC BACK - BRIGHT WHITE

CHASSIS GROUP (CONTINUED)

DRIVESHAFT

KEY	PART NUMBER	U/M	DESCRIPTION
	074833-01-000	EA	SPACER - BEARING - DRIVESHAFT - 2" X 8" X .5" THICK
	085771-03-000	EA	NUT - HEX - FLARE TORQUE - GRADE G - DRIVESHAFT
	088498-01-000	EA	UNION - INVERTED FLARE - BRASS - 3/16 - BRAKE LINE
	103653-23-000	EA	BOLT - U-JOINT - 5/16-24 X .75
	103653-24-000	EA	STRAP - U-JOINT

WHEEL LINERS - DICOR

KEY	PART NUMBER	U/M	DESCRIPTION	VENDOR NO.
	110435-13-000	EA	LINER - WHEEL - SET OF 4	
	110435-10-705	EA	TOOL - INSTALLATION	V195P7-TOL
	110435-13-700	EA	LINER - WHEEL - FRONT	V160F7-FWC
	110435-13-701	EA	LINER - WHEEL - REAR	V160F7-RWC
	110435-13-702	EA	COVER-LUG NUT W/JAMB NUT FT	V160F7-EJN
	095012-05-000	EA	EXTENSION - VALVE STEM - LIVE 5"	
	095012-06-000	EA	STABILIZER - VALVE - EXTENSION - L	

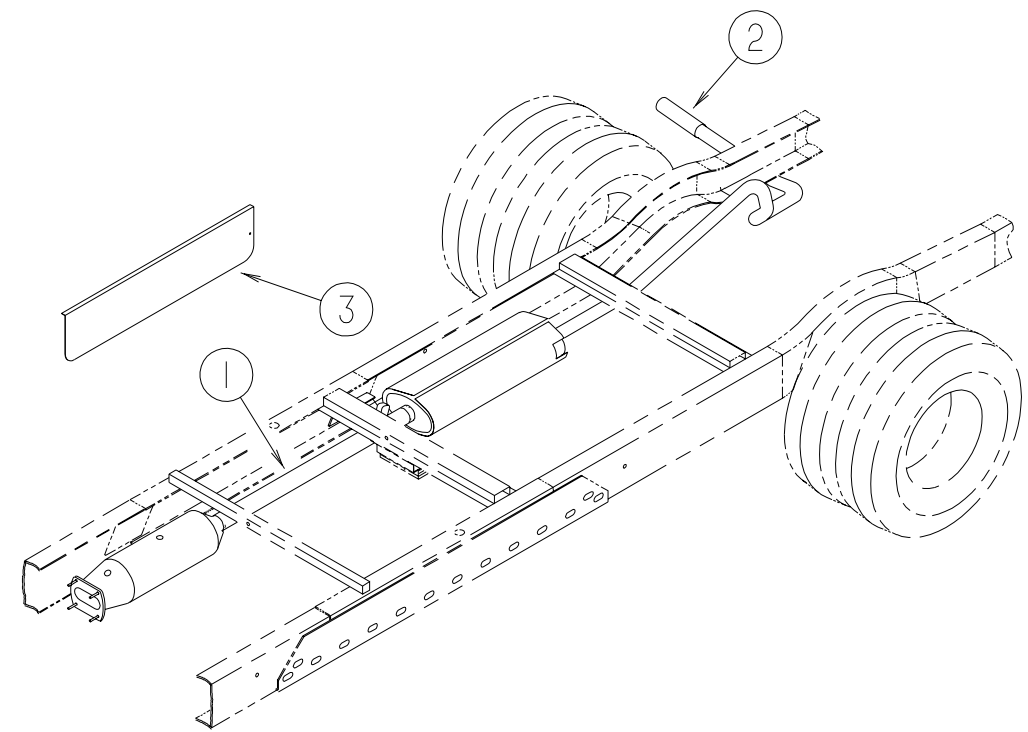
WHEEL COVER

KEY	PART NUMBER	U/M	DESCRIPTION	VENDOR NO.
	109443-05-000	EA	WHEEL COVER - 4/SET - 16" STAINLESS STEEL	
	098532-01-700	EA	COVER-LUG NUT (CHROME)	SHAU-LNC
	109443-05-700	EA	COVER-WHEEL, 16" SS EA=1	SHFM16-CVR

TIRE & WHEEL

KEY	PART NUMBER	U/M	DESCRIPTION
	051377-04-000	EA	VALVE STEM - .5" X 2"
	070917-06-000	EA	TIRE - LT225/75R16E - R4S - M/S - FIRESTONE
	083617-03-000	EA	WHEEL - STEEL - 6" X 16"
			FROM: 00-00-00 THRU: 12-02-98
	083617-04-000	EA	WHEEL - STEEL - 6" X 16" - '99 E350/E450
			FROM: 12-03-98 THRU: 99-99-99

CHASSIS GROUP (CONTINUED)

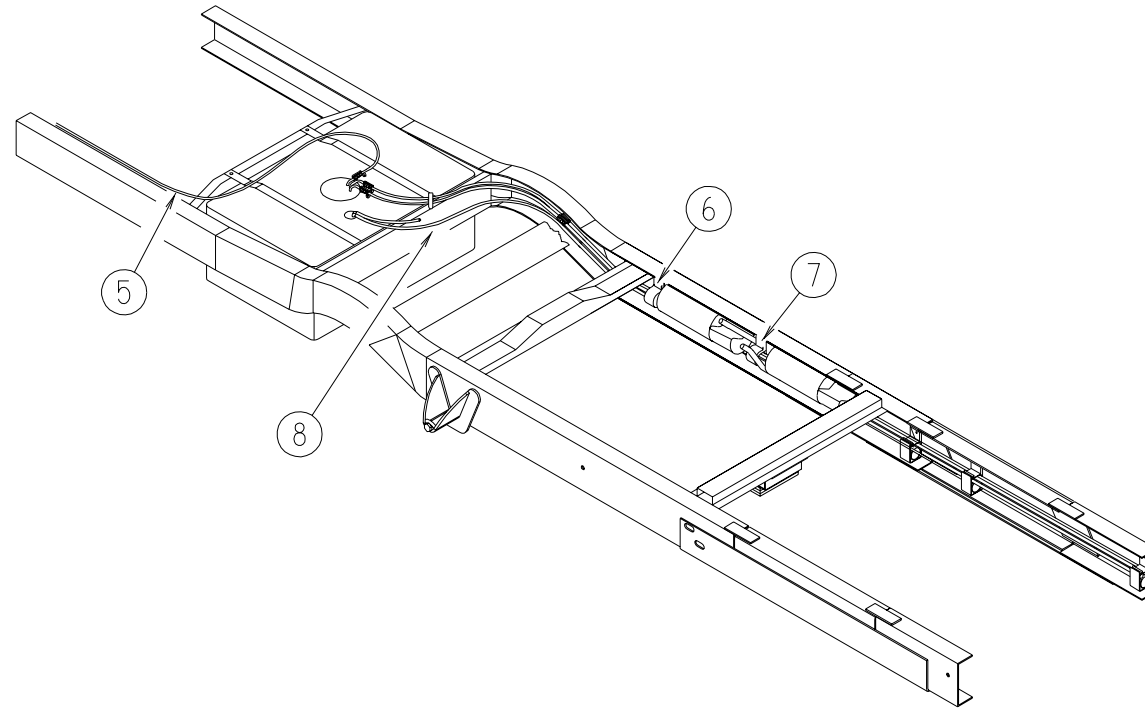
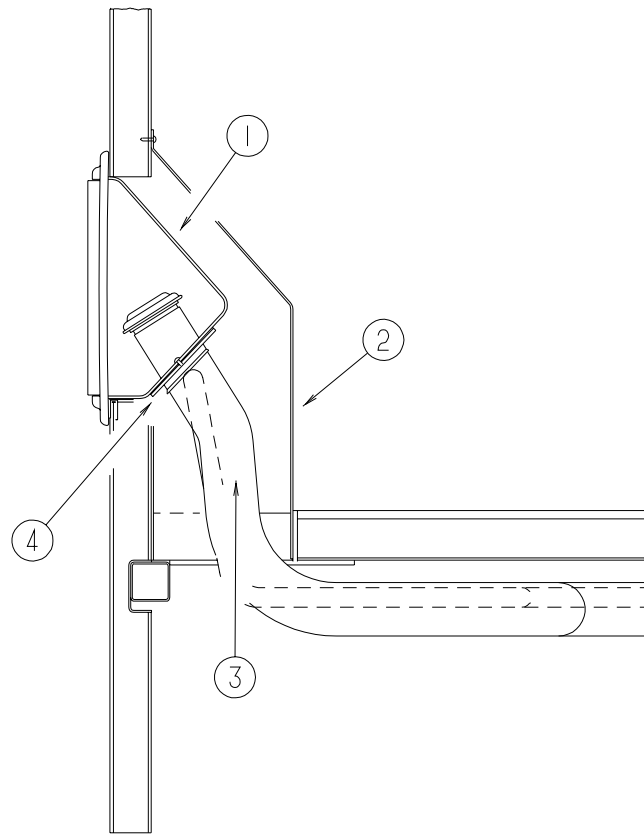


EXHAUST SYSTEM COMPONENTS

KEY	PART NUMBER	U/M	DESCRIPTION
1	111478-04-000	EA	EXHAUST PIPE - DOUBLE WALL STAINLESS STEEL - 63.9"
	094918-06-000	EA	CLAMP - EXHAUST - 3" - HEAVY DUTY
2	098762-18-000	EA	PIPE - EXHAUST - STRAIGHT - 3"
			FROM: 00-00-00 THRU: 12-30-98
3	091182-13-000	EA	SHIELD - HEAT

CHASSIS GROUP (CONTINUED)

FUEL SYSTEM COMPONENTS



KEY	PART NUMBER	U/M	DESCRIPTION
1	095854-01-04A	EA	SHROUD - FUEL FILL - BRIGHT WHITE
2	078040-06-000	EA	SHROUD - FUEL FILL - UPPER
3	127628-01-000	EA	NECK - FUEL FILL - UNLEADED
	083610-02-000	EA	CLAMP - WIRE - DUAL - UNEQUAL DIAMETERS - 3/4" & 2"
	083610-03-000	EA	CLAMP - DUAL WIRE
4	078200-01-000	EA	GASKET - FUEL FILL - 3.5"OD X 2"ID

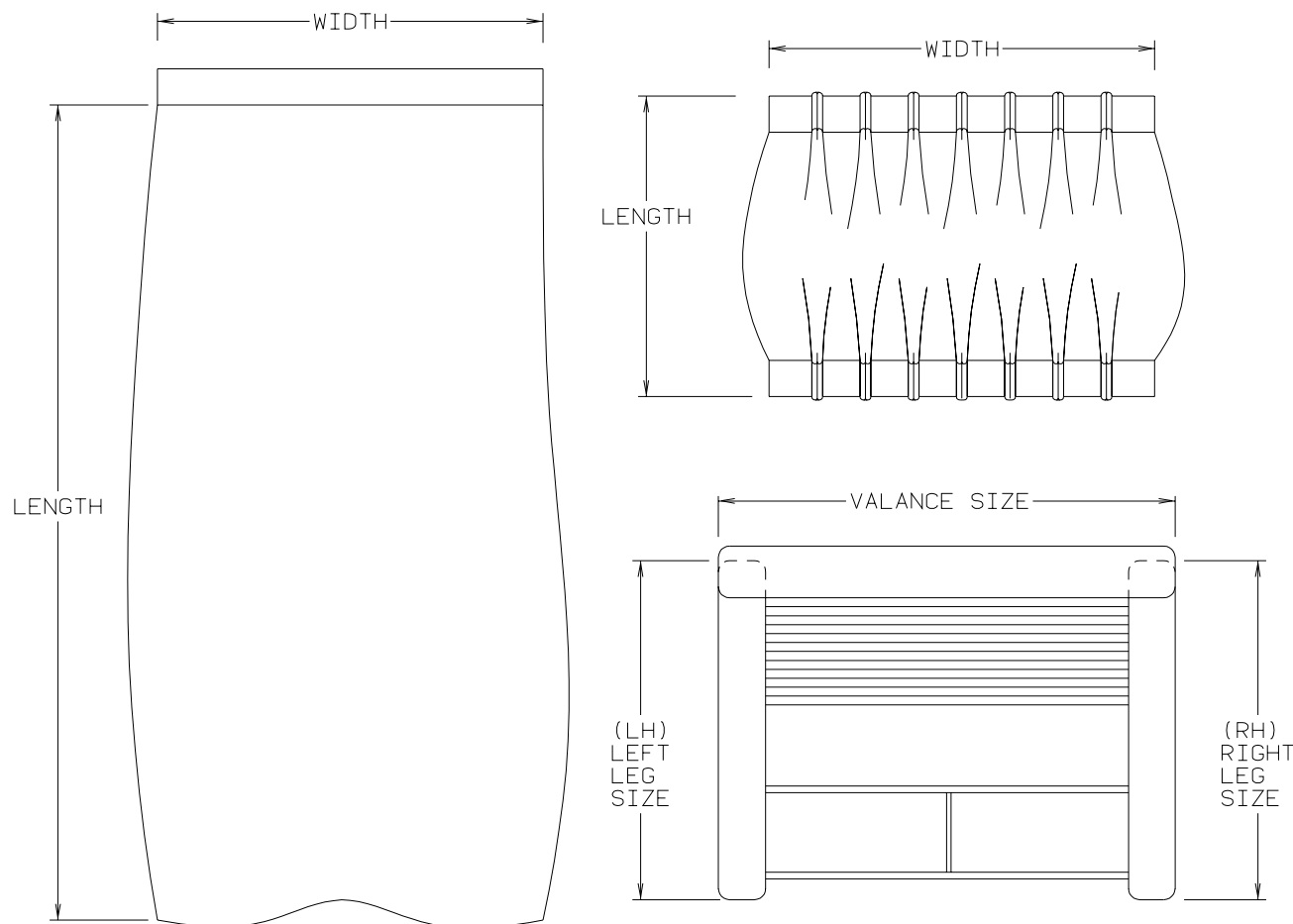
KEY	PART NUMBER	U/M	DESCRIPTION
5	128139-03-000	FT	HOSE - FUEL - LOW PERMEABILITY - 1/4" DIAMETER
	062401-06-000	EA	CLAMP - HOSE - WORMGEAR - .22" - .62" ID
6	010497-04-000	EA	CLAMP - CLOSED - 1.62" ID
7	125187-02-000	FT	HOSE - FUEL - LOW PERM - 12.7 ID
8	125187-01-000	FT	HOSE - FUEL - LOW PERM - 11.1 ID
	084884-01-000	EA	PLUG - BRASS - 3/8"

CURTAIN & CUSHION GROUP

NOTICE

IN ORDER TO ASSIST OUR PARTS SALES DEPT. IN PROVIDING INTERIOR SOFTWARE ITEMS, PLEASE INCLUDE THE SERIAL NUMBER AND THE COLOR CODE NUMBER FROM THE VEHICLE CERTIFICATION LABEL WHEN ORDERING. THIS LABEL IS LOCATED ON THE LEFT SIDEWALL AT THE END OF THE DASH (A-BODY), OR ON THE DRIVER'S DOOR LATCH PLATE (C-BODY).

AN EXAMPLE OF A COLOR CODE NUMBER IS B07, WHICH DESIGNATES AN OVERALL COLOR SCHEME OF A PARTICULAR UNIT. THE COLOR LISTED AFTER THE ITEM DESCRIPTION ON THE MICROFICHE, INDICATES THE OVERALL UNIT COLOR. ORDER THE ITEM YOU DESIRE ACCORDING TO UNIT COLOR CODE.



NOTE: USE THIS ILLUSTRATION WHEN DETERMINING LENGTH AND WIDTH MEASUREMENTS FOR CURTAINS. YOU WILL NOTE THE WIDTH MEASUREMENT IS TAKEN ON THE TOP OF THE CURTAIN WITH THE CURTAIN FULLY EXTENDED. THE LENGTH MEASUREMENT IS TAKEN FROM TOP TO BOTTOM. LEFT AND RIGHT WINDOW LEGS ARE DETERMINED WHEN FACING THE WINDOW.

CURTAIN & CUSHION GROUP (CONTINUED)

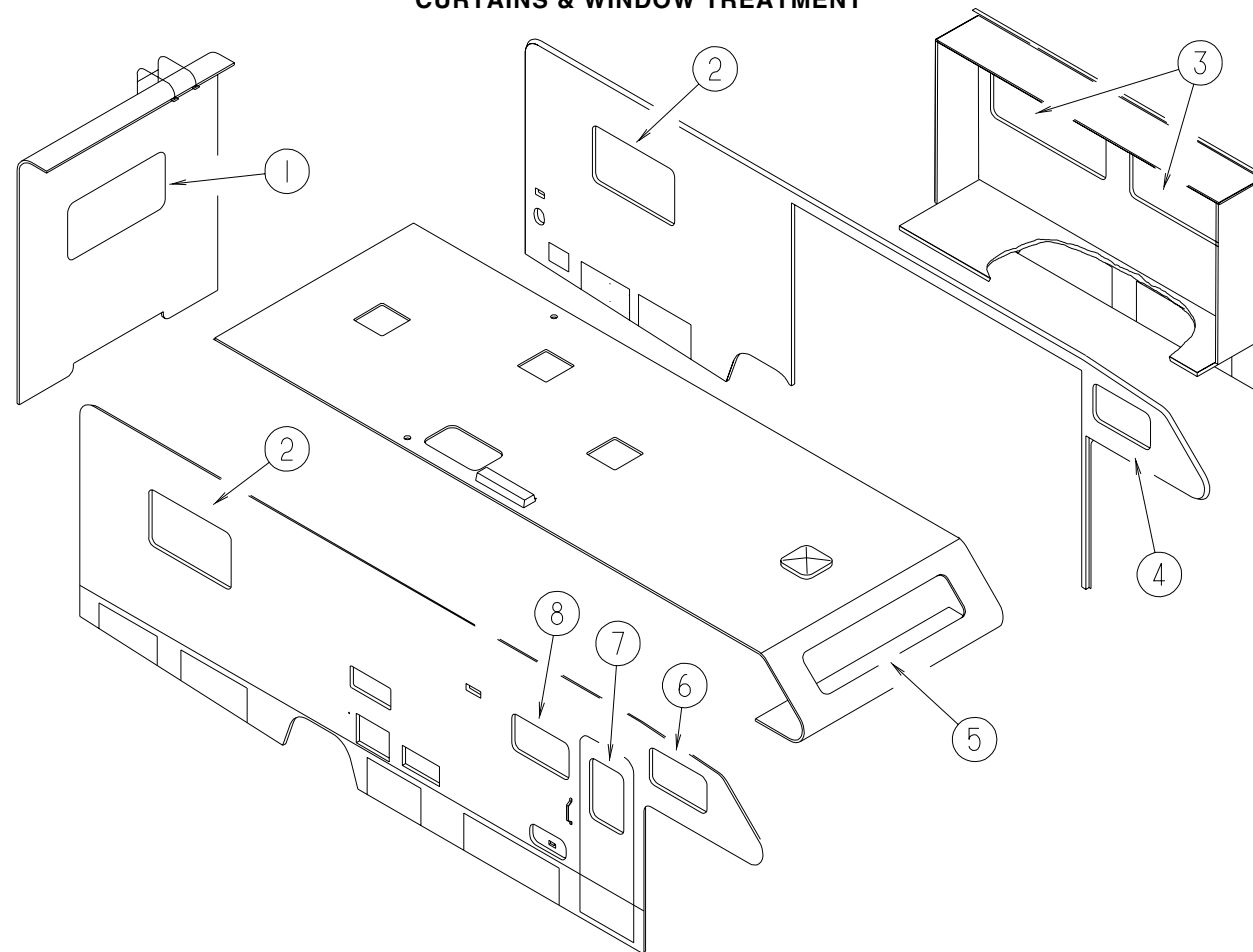
FABRICS

Color Codes	K04	K05	K06
	SANDPIPER	HORIZON	RIVERWALK
BUCKET SEATS	108446-U1-000 108446-57-000	108446-F7-000 108446-F4-000	108446-S6-000 126883-05-000
DINETTE CUSHIONS	108446-R8-000	108446-U5-000	126883-04-000
DINETTE PADS	108446-U1-000	108446-F7-000	108446-S6-000
SOFA	108446-R8-000	108446-U5-000	126883-04-000
SWIVEL CHAIR	108446-57-000	108446-F4-000	126883-05-000
LOUNGE/DINETTE VALANCE/LEG	108446-57-000	108446-F4-000	126883-05-000
LOUNGE/DINETTE OVERLAYS	108446-R8-000	108446-U5-000	126883-04-000
BEDROOM VALANCE/LEG	105745-G2-000	105745-65-000	105745-G6-000
BEDROOM OVERLAYS	105745-A1-000	105745-64-000	105745-B5-000
BEDSPREAD	105745-G2-000	105745-65-000	105745-G6-000
PILLOW SHAMS	105745-G2-000 105745-A1-000	105745-65-000 105745-64-000	105745-G6-000 105745-B5-000
ENTRANCE DOOR VALANCE	108446-57-000	108446-F4-000	126883-05-000
BUNK CUSHIONS	108446-57-000	108446-F4-000	126883-05-000
DIVIDER CURTAIN	105745-A1-000 105745-G2-000	105745-64-000 105745-65-000	105745-B5-000 105745-G6-000
WRAP AROUND	105745-A1-000	105745-64-000	105745-B5-000
BUNK CURTAINS	105745-G2-000	105745-65-000	105745-G6-000
BUNK/PRIVACY CURTAINS	105745-A1-000	105745-64-000	105745-B5-000
DRAPERY LINING	087272-03-000	087272-03-000	087272-03-000
TIRE COVER	103907-01-01A	103907-01-01A	103907-01-01A
HEADLINER	103907-01-06A	103907-01-06A	103907-01-06A
CEILING FROM: 00-00-00 THRU: 02-07-99	113979-01-01A	113979-01-01A	113979-01-01A
CEILING FROM: 02-08-99 THRU: 99-99-99	113979-09-01A	113979-09-01A	113979-09-01A

NOTE: FABRIC LISTED FIRST IN A BLOCK, IS THE LARGEST QUANTITY OF FABRIC USED

CURTAIN & CUSHION GROUP (CONTINUED)

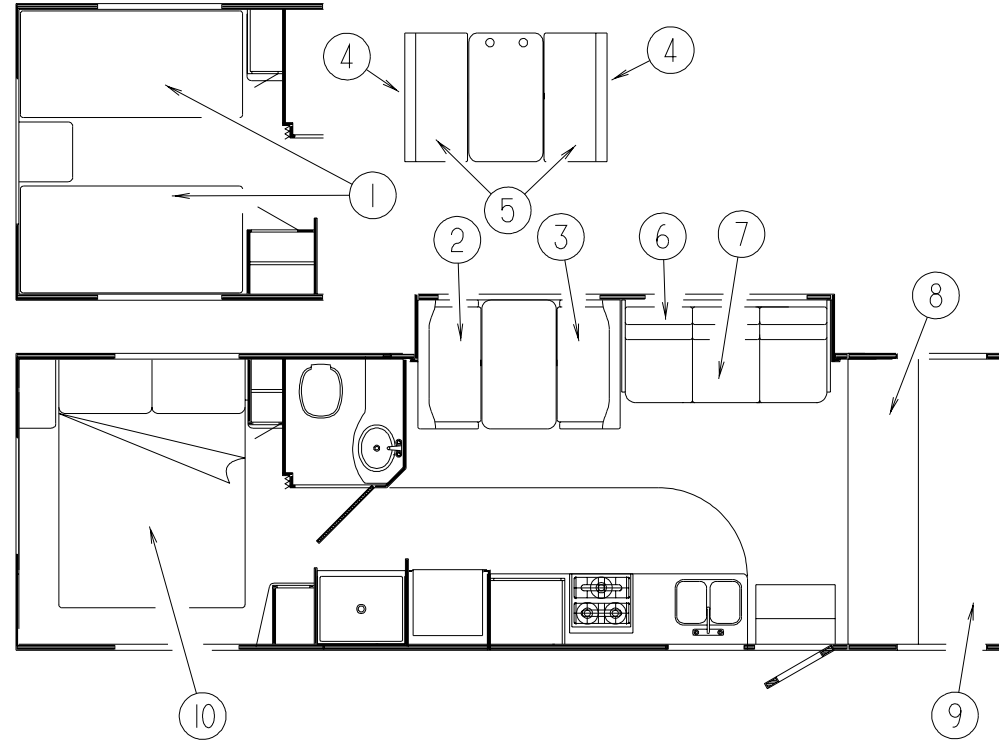
CURTAINS & WINDOW TREATMENT



KEY	PART NUMBER	U/M	DESCRIPTION
1	119263-28-J02	EA	VALANCE - STARBUCK II - 53" (K04)
1	119263-28-J03	EA	VALANCE - STARBUCK II - 53" (K05)
1	119263-28-K06	EA	VALANCE - STARBUCK II - 53" (K06)
1	111910-62-K58	EA	BLIND - DAY/NIGHTER - 49" X 27" (K04, K06)
1	111910-62-K22	EA	BLIND - DAY/NIGHTER - 49" X 27" (K05)
1	109041-54-02A	EA	BLIND - MINI - 49" X 27" (K04, K06)
1	109041-54-01A	EA	BLIND - MINI - 49" X 27" (K05)
1	127017-07-K04	EA	LEG - RIGHT - 25" (K04)
1	127017-07-J44	EA	LEG - RIGHT - 25" (K05)
1	127017-07-J31	EA	LEG - RIGHT - 25" (K06)
1	127017-08-K04	EA	LEG - LEFT - 25" (K04)
1	127017-08-J44	EA	LEG - LEFT - 25" (K05)
1	127017-08-J31	EA	LEG - LEFT - 25" (K06)
2	119263-32-J02	EA	VALANCE - STARBUCK II - 45" (K04)
2	119263-32-J03	EA	VALANCE - STARBUCK II - 45" (K05)
2	119263-32-K06	EA	VALANCE - STARBUCK II - 45" (K06)
2	111910-53-K15	EA	BLIND - DAY/NIGHTER - 42" X 28.5" (K04, K06)
2	111910-53-K05	EA	BLIND - DAY/NIGHTER - 42" X 28.5" (K05)
2	109041-33-02A	EA	BLIND - MINI - 42" X 28" (K04, K06)
2	109041-33-01A	EA	BLIND - MINI - 42" X 28" (K05)
2	127017-07-K04	EA	LEG - RIGHT - 25" (K04)
2	127017-07-J44	EA	LEG - RIGHT - 25" (K05)
2	127017-07-J31	EA	LEG - RIGHT - 25" (K06)
2	127017-08-K04	EA	LEG - LEFT - 25" (K04)
2	127017-08-J44	EA	LEG - LEFT - 25" (K05)
2	127017-08-J31	EA	LEG - LEFT - 25" (K06)
3	119263-21-K01	EA	VALANCE - STARBUCK - 62.5" (K04)
3	119263-21-K02	EA	VALANCE - STARBUCK - 62.5" (K05)

KEY	PART NUMBER	U/M	DESCRIPTION
3	119263-21-K06	EA	VALANCE - STARBUCK - 62.5" (K06)
3	111910-55-K28	EA	BLIND - DAY/NIGHTER - 59" X 26.5" (K04, K06)
3	111910-55-K05	EA	BLIND - DAY/NIGHTER - 59" X 26.5" (K05)
3	109041-22-02A	EA	BLIND - MINI - 59" X 27.5" (K04, K06)
3	109041-22-01A	EA	BLIND - MINI - 59" X 27.5" (K05)
3	127017-43-J02	EA	LEG - RIGHT - 23.5" (K04)
3	127017-43-J03	EA	LEG - RIGHT - 23.5" (K05)
3	127017-43-K06	EA	LEG - RIGHT - 23.5" (K06)
3	127017-44-J02	EA	LEG - LEFT - 23.5" (K04)
3	127017-44-J03	EA	LEG - LEFT - 23.5" (K05)
3	127017-44-K06	EA	LEG - LEFT - 23.5" (K06)
4	101034-52-J02	EA	CURTAIN - LEFT HAND - 19" X 34" (K04)
4	101034-52-J03	EA	CURTAIN - LEFT HAND - 19" X 34" (K05)
4	101034-52-J11	EA	CURTAIN - LEFT HAND - 19" X 34" (K06)
5	101034-33-J02	EA	CURTAIN - RIGHT HAND - 21" X 60" (K04)
5	101034-33-E21	EA	CURTAIN - RIGHT HAND - 21" X 60" (K05)
5	101034-33-J11	EA	CURTAIN - RIGHT HAND - 21" X 60" (K06)
5	101034-34-J02	EA	CURTAIN - LEFT HAND - 21" X 60" (K04)
5	101034-34-E21	EA	CURTAIN - LEFT HAND - 21" X 60" (K05)
5	101034-34-J11	EA	CURTAIN - LEFT HAND - 21" X 60" (K06)
6	101034-51-J02	EA	CURTAIN - RIGHT HAND - 19" X 34" (K04)
6	101034-51-J03	EA	CURTAIN - RIGHT HAND - 19" X 34" (K05)
6	101034-51-J11	EA	CURTAIN - RIGHT HAND - 19" X 34" (K06)
7	119263-40-K01	EA	VALANCE - STARBUCK II - FLAT - 34.25" (K04)
7	119263-40-K02	EA	VALANCE - STARBUCK II - FLAT - 34.25" (K05)
7	119263-40-K06	EA	VALANCE - STARBUCK II - FLAT - 34.25" (K06)
7	084755-57-E07	EA	SHADE - PULL - 27.25"
8	109041-44-02A	EA	BLIND - MINI - 30.5" X 18" (K04, K06)
8	109041-44-01A	EA	BLIND - MINI - 30.5" X 18" (K05)

CURTAIN & CUSHION GROUP (CONTINUED)



TWIN BEDSPREAD & MATTRESS

KEY	PART NUMBER	U/M	DESCRIPTION
1	123471-21-J02	EA	BEDSPREAD/THROW - 36" X 75" (K04)
1	123471-21-J03	EA	BEDSPREAD/THROW - 36" X 75" (K05)
1	123471-21-K06	EA	BEDSPREAD/THROW - 36" X 75" (K06)
	104176-08-J02	EA	PILLOW SHAM - 33" (K04)
	104176-08-J03	EA	PILLOW SHAM - 33" (K05)
	104176-08-K06	EA	PILLOW SHAM - 33" (K06)
	101123-29-000	EA	MATTRESS - FOAM - 35" X 74"
	P01123-29-000	EA	COVER - MATTRESS - 35" X 74"

DINETTE CUSHIONS - BENCH SEATS

KEY	PART NUMBER	U/M	DESCRIPTION
2	129913-02-J02	EA	CUSHION-FABRIC CVRD W/FRAMING-13.5"X42"X5"-LT FWD FACING (K04)
2	129913-02-K02	EA	CUSHION-FABRIC CVRD W/FRAMING-13.5"X42"X5"-LT FWD FACING (K05)
2	129913-02-K06	EA	CUSHION-FABRIC CVRD W/FRAMING-13.5"X42"X5"-LT FWD FACING (K06)
3	129913-01-J02	EA	CUSHION-FABRIC CVRD W/FRAMING-13.5"X42"X5"-RT REAR FACING (K04)
3	129913-01-K02	EA	CUSHION-FABRIC CVRD W/FRAMING-13.5"X42"X5"-RT REAR FACING (K05)
3	129913-01-K06	EA	CUSHION-FABRIC CVRD W/FRAMING-13.5"X42"X5"-RT REAR FACING (K06)

DINETTE CUSHIONS - STANDARD SEATS

KEY	PART NUMBER	U/M	DESCRIPTION
4	111897-21-K01	EA	CUSHION - BACK - 12.5" X 42" X 5" (K04)
4	111897-21-K02	EA	CUSHION - BACK - 12.5" X 42" X 5" (K05)
4	111897-21-K06	EA	CUSHION - BACK - 12.5" X 42" X 5" (K06)
	P11897-21-K01	EA	COVER - BACK - 12.5" X 42" X 5" (K04)
	P11897-21-K02	EA	COVER - BACK - 12.5" X 42" X 5" (K05)
	P11897-21-K06	EA	COVER - BACK - 12.5" X 42" X 5" (K06)
5	105603-23-J02	EA	CUSHION - SEAT BOTTOM - 21" X 42" X 5" (K04)
5	105603-23-K02	EA	CUSHION - SEAT BOTTOM - 21" X 42" X 5" (K05)
5	105603-23-K06	EA	CUSHION - SEAT BOTTOM - 21" X 42" X 5" (K06)
	P05603-23-J02	EA	COVER - SEAT BOTTOM - 21" X 42" X 5" (K04)
	P05603-23-K02	EA	COVER - SEAT BOTTOM - 21" X 42" X 5" (K05)
	P05603-23-K06	EA	COVER - SEAT BOTTOM - 21" X 42" X 5" (K06)

DRIVERS SIDE COUCH

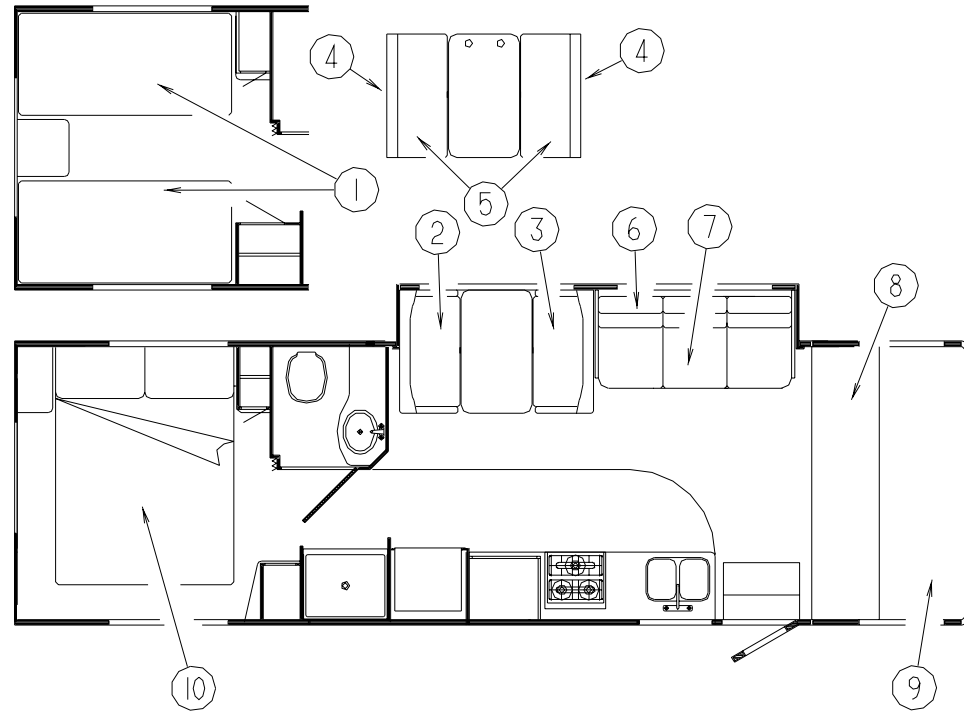
KEY	PART NUMBER	U/M	DESCRIPTION
6	111319-03-K01	EA	BACK - SOFA/BED - W/FRAME - 66.5" (K04)
6	111319-03-K02	EA	BACK - SOFA/BED - W/FRAME - 66.5" (K05)
6	111319-03-K06	EA	BACK - SOFA/BED - W/FRAME - 66.5" (K06)
	P11319-03-J02	EA	COVER - BACK - SOFA/BED - 66.5" (K04)
	P11319-03-K02	EA	COVER - BACK - SOFA/BED - 66.5" (K05)
	P11319-03-K06	EA	COVER - BACK - SOFA/BED - 66.5" (K06)
	101085-09-000	EA	FRAME - BACK - SOFA/BED - 66.5" X 16"
	114763-09-000	EA	FRAME - JACKKNIFE FRAME - W/8" LEGS
7	100032-37-J02	EA	SEAT - SOFA/BED W/FRAME - 66.5" (K04)
7	100032-37-J47	EA	SEAT - SOFA/BED W/FRAME - 66.5" (K05)
7	100032-37-K06	EA	SEAT - SOFA/BED W/FRAME - 66.5" (K06)
	P00032-37-J02	EA	COVER - SEAT - SOFA/BED - 66.5" (K04)
	P00032-37-J47	EA	COVER - SEAT - SOFA/BED - 66.5" (K05)
	P00032-37-K06	EA	COVER - SEAT - SOFA/BED - 66.5" (K06)
	101085-01-000	EA	FRAME - SEAT - SOFA/BED - 66.5"
	101085-03-000	EA	FRAME - BASE - SOFA/BED - 66.5"

NOTE: COUCH FRONT AND SIDE PANELS ARE FOUND IN LOUNGE GROUP

BUNK CUSHIONS

KEY	PART NUMBER	U/M	DESCRIPTION
8	105573-10-K04	EA	CUSHION - OVERHEAD BUNK/REAR - 27" X 23" X 80" X 5"
8	105573-10-K05	EA	CUSHION - OVERHEAD BUNK/REAR - 27" X 23" X 80" X 5"
8	105573-10-K06	EA	CUSHION - OVERHEAD BUNK/REAR - 27" X 23" X 80" X 5"
	P05573-10-K04	EA	COVER - CUSHION/OVERHEAD BUNK/REAR - 27" X 23" X 80" X 5"
	P05573-10-K05	EA	COVER - CUSHION/OVERHEAD BUNK/REAR - 27" X 23" X 80" X 5"
	P05573-10-K06	EA	COVER - CUSHION/OVERHEAD BUNK/REAR - 27" X 23" X 80" X 5"
9	105573-09-E22	EA	CUSHION - OVERHEAD BUNK/FRONT - 32.5" X 80" X 5" (K04)
9	105573-09-J03	EA	CUSHION - OVERHEAD BUNK/FRONT - 32.5" X 80" X 5" (K05)
9	105573-09-K06	EA	CUSHION - OVERHEAD BUNK/FRONT - 32.5" X 80" X 5" (K06)
	P05573-09-E22	EA	COVER - CUSHION/OVERHEAD BUNK/FRONT - 32.5" X 80" X 5" (K04)
	P05573-09-J03	EA	COVER - CUSHION/OVERHEAD BUNK/FRONT - 32.5" X 80" X 5" (K05)
	P05573-09-K06	EA	COVER - CUSHION/OVERHEAD BUNK/FRONT - 32.5" X 80" X 5" (K06)
	094658-02-G04	EA	OAK HANDLE - WATERFORD OAK

CURTAIN & CUSHION GROUP (CONTINUED)



CURTAIN & CUSHION GROUP (CONTINUED)

ASSIST HANDLE & SEATBELTS

KEY	PART NUMBER	U/M	DESCRIPTION
	007021-01-000	EA	SEAT BELT - 2" X 90" - BLACK
	057759-01-000	EA	WASHER BRACKET - SEAT BELT - 4" DIAMETER
	069178-02-000	EA	BRACKET - MOUNTING/ASSIST HANDLE - GRAY
	000C16-07-16B	EA	BOLT - CARRIAGE - ASSIST HANDLE - 7/16" - 14 X 1"
	000D20-07-00B	EA	NUT - ACORN - ASSIST HANDLE - 7/16 - 14
	053552-02-AA8	EA	HANDLE - ASSIST - INTERIOR/ENTRY DOOR - VINYL/OFF WHITE
	057534-06-000	EA	TIEBACK/TIEDOWN - VINYL - 6" BEIGE

PRIVACY CURTAINS & TIEBACKS

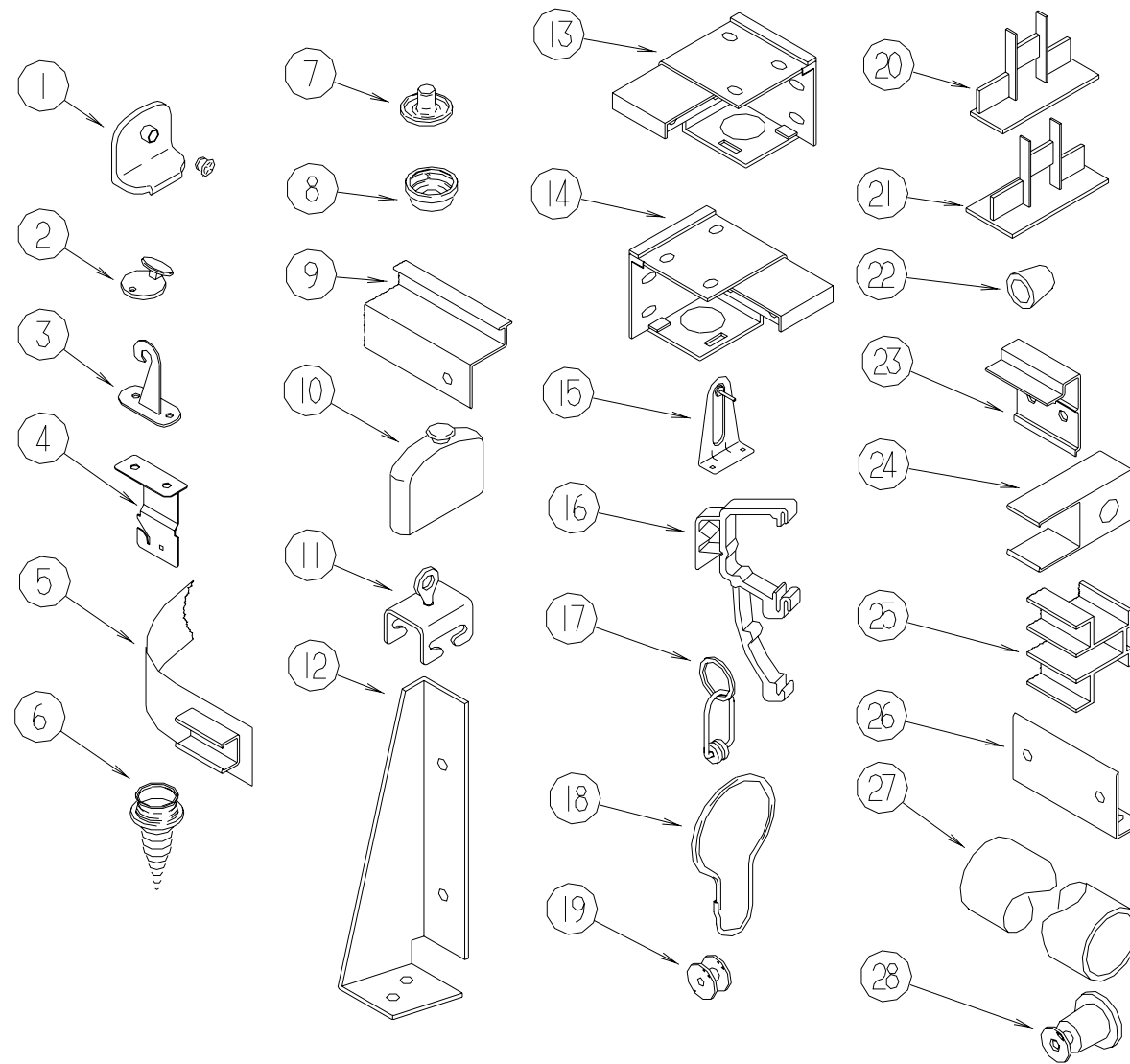
KEY	PART NUMBER	U/M	DESCRIPTION
	076892-23-J02	EA	CURTAIN - 44" X 80" (K04)
	076892-23-J03	EA	CURTAIN - 44" X 80" (K05)
	076892-23-J04	EA	CURTAIN - 44" X 80" (K06)
	101668-39-G01	EA	CURTAIN - RIGHT HAND - 35" X 50" (K04)
	101668-39-J03	EA	CURTAIN - RIGHT HAND - 35" X 50" (K05)
	101668-39-J04	EA	CURTAIN - RIGHT HAND - 35" X 50" (K06)
	101668-40-G01	EA	CURTAIN - LEFT HAND - 35" X 50" (K04)
	101668-40-J03	EA	CURTAIN - LEFT HAND - 35" X 50" (K05)
	101668-40-J04	EA	CURTAIN - LEFT HAND - 35" X 50" (K06)
	073260-23-G01	EA	TIEBACK - CURTAIN - 3" X 18" (K04)
	073260-23-F15	EA	TIEBACK - CURTAIN - 3" X 18" (K05)
	073260-23-J04	EA	TIEBACK - CURTAIN - 3" X 18" (K06)

QUEEN BEDSPREAD & MATTRESS

KEY	PART NUMBER	U/M	DESCRIPTION
10	123471-08-J02	EA	BEDSPREAD/THROW - 60" X 75" (K04)
10	123471-08-J03	EA	BEDSPREAD/THROW - 60" X 75" (K05)
10	123471-08-K48	EA	BEDSPREAD/THROW - 60" X 75" (K06)
	104176-04-J02	EA	PILLOW SHAM - 30" (K04)
	104176-04-J03	EA	PILLOW SHAM - 30" (K05)
	104176-04-K06	EA	PILLOW SHAM - 30" (K06)
	123015-06-000	EA	MATTRESS - INNERSPRING - 60" X 74.5"

CURTAIN & CUSHION GROUP (CONTINUED)

CURTAIN & BLIND HARDWARE

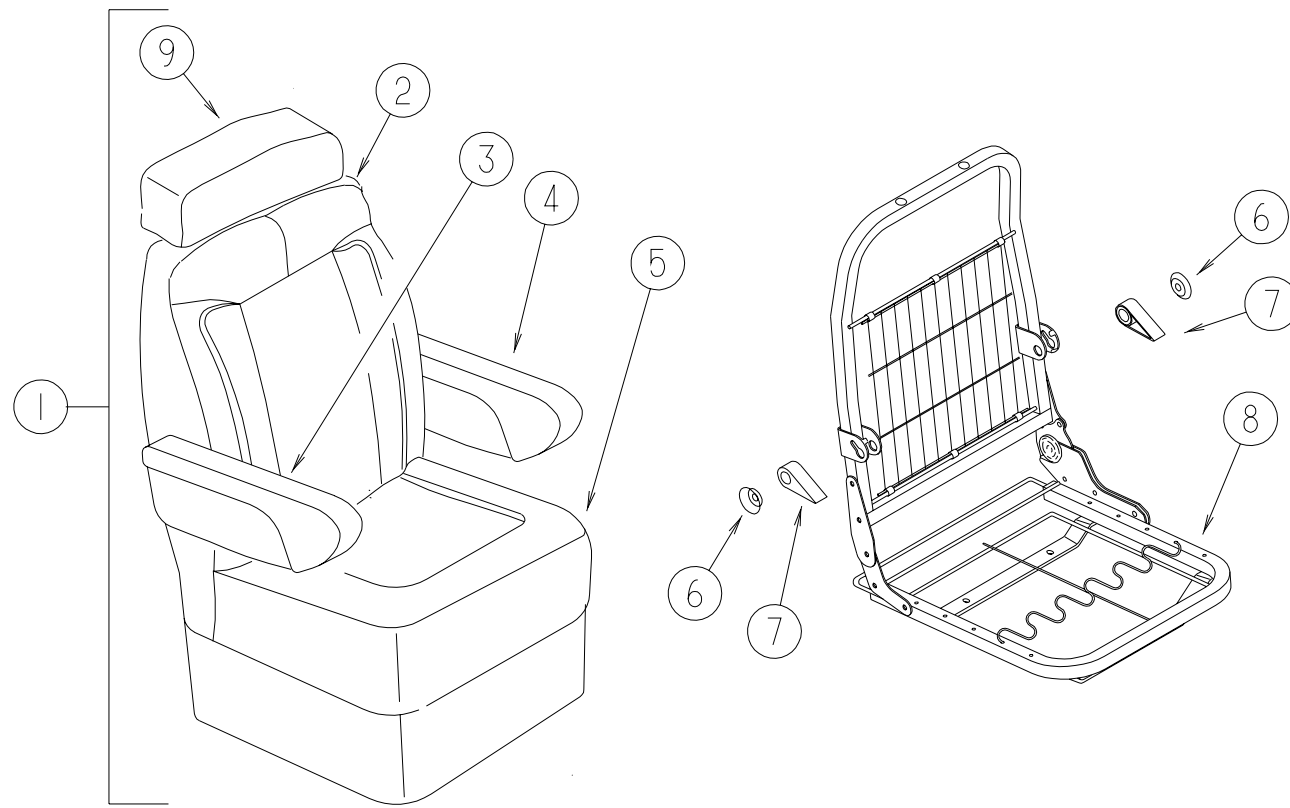


KEY	PART NUMBER	U/M	DESCRIPTION
1	106544-01-000	EA	PULL - SHADE/BRASS
	106544-01-001	EA	SCREW - SHADE/BRASS
2	102555-03-000	EA	CLEAT - BLIND CORD - MILKY WHITE PLASTIC
3	109441-03-000	EA	HOLD DOWN - BLIND (CLOUDY)
	109441-02-000	EA	HOLD DOWN - SPACER
4	084434-01-000	EA	BRACKET - MOUNTING - ROLLER SHADE - 1 3/8"
	096843-01-000	EA	SPRING - REWIND/ROLLER SHADE
	086276-01-000	EA	TAPE - DOUBLE SIDED - 1/2"
5	101031-01-000	YD	TAPE - GLIDE/CURTAIN - 4.25" SPACING
6	029130-01-000	EA	SCREW - SNAP SOCKET - #8 PH X 5/8"
7	029155-01-000	EA	CAP - SNAP - 5/32" OUTSIDE DIAMETER OF PIN
8	029156-01-000	EA	SOCKET - SNAP - 9/16" O.D.
9	105450-08-01A	EA	TRACK - CURTAIN - 38" - OFF WHITE
9	105450-14-01A	EA	TRACK - CURTAIN - 90" - OFF WHITE
10	093475-01-701	EA	CAP-END, WITH INVERTED STUD
11	009702-01-000	EA	END STOP - CURTAIN CARRIER - L ROD
12	076827-02-000	EA	BRACKET - LEG - 2.9" X 1.8" - TRIANGLE
13	083170-01-000	EA	BRACKET - BLIND - LEFT SIDE WHEN FACING WINDOW
14	083170-02-000	EA	BRACKET - BLIND - RIGHT SIDE WHEN FACING WINDOW
15	095591-02-000	EA	BRACKET - BLIND - HOLD DOWN W/PIN - METAL
16	109353-04-000	EA	CLIP - VALANCE SLAT MOUNTING - CLEAR PLASTIC
17	009701-01-000	EA	CARRIER - CURTAIN - L ROD
18	009136-02-000	EA	HANGER - RING - PIN TYPE - CURTAIN - BRASS
19	097592-02-000	EA	SPOOL - CORD - ELEVATED BLIND HOLDUP - LARGE - CLEAR

KEY	PART NUMBER	U/M	DESCRIPTION
20	094907-04-000	EA	END CAP - BOTTOM/PLEATED BLIND (RH & LH)
21	094907-02-000	EA	END CAP - TOP/PLEATED BLIND - PLASTIC - GRAY
22	097564-03-000	EA	HANDLE - KNOB - E-Z LIFT SHADE - TAN
22	097564-04-000	EA	HANDLE - KNOB - E-Z LIFT SHADE - NAVY
22	097564-05-000	EA	HANDLE - KNOB - E-Z LIFT SHADE - TEAL
	000G68-06-12J	EA	SCREW 6-18X.75 POH BRASS
23	097565-01-000	EA	BRACKET - MOUNTING/PLEATED BLIND
24	101033-02-000	EA	END CAP - TRACK/CLEAR
25	101033-04-000	EA	TRACK - WALL - 3'
25	101033-06-000	EA	TRACK - WALL - 6.5'
25	101033-07-000	EA	TRACK - WALL - 2.5'
26	083125-07-000	EA	BRACE - WINDOW MOUNT - 2.5" - OFF WHITE
26	083125-08-000	EA	BRACE - WINDOW MOUNT - 3/4 - OFF WHITE
27	102075-10-01A	EA	ROD - CURTAIN/SHOWER
28	097592-01-000	EA	SPOOL - CORD - ELEVATED BLIND HOLDUP - SMALL - CLEAR
	046867-02-000	EA	WASHER - HANDY BUTTON #3
	046867-03-000	EA	GROMMET - HANDY BUTTON #3
	048394-02-000	YD	VELCRO TAPE - HOOK - ADHESIVE BACK - .75" WIDE - BEIGE
	094896-02-000	EA	GROMMET - CORD/PLEATED BLIND - NYLON - GRAY
	097591-01-000	EA	SPRING - EXTENSION/PLEATED BLIND
	097593-02-000	FT	CORD - BLIND - PLEATED - GRAY
	097593-06-000	FT	CORD - BLIND - PLEATED - PEWTER
	097593-07-000	FT	CORD - BLIND - PLEATED - JADE

CURTAIN & CUSHION GROUP (CONTINUED)

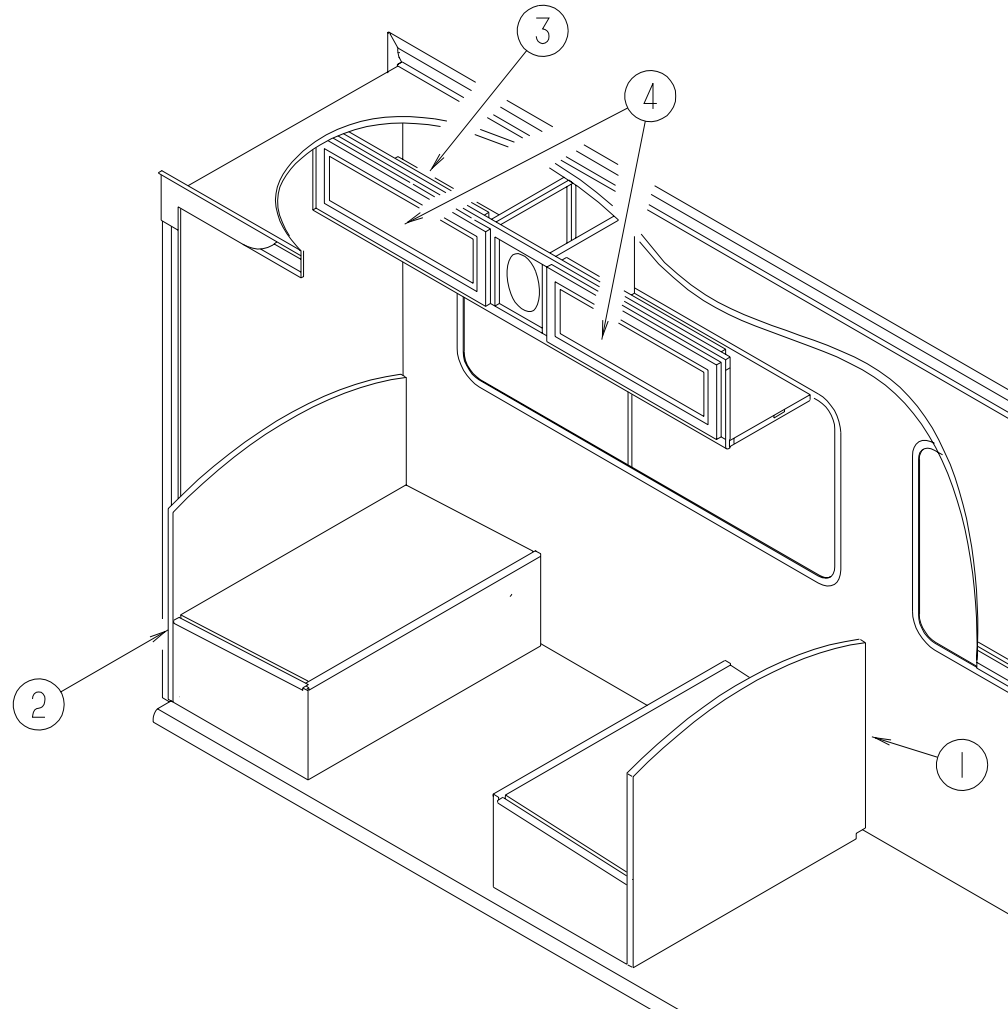
DRIVER & PASSENGER BUCKET SEAT



KEY	PART NUMBER	U/M	DESCRIPTION
1	110148-16-J02	EA	SEAT - BUCKET - W/HEADREST/RIGHT ARMREST - DRIVER (K04)
1	110148-16-K05	EA	SEAT - BUCKET - W/HEADREST/RIGHT ARMREST - DRIVER (K05)
1	110148-16-K06	EA	SEAT - BUCKET - W/HEADREST/RIGHT ARMREST - DRIVER (K06)
1	110148-17-J02	EA	SEAT - BUCKET - W/HEADREST/LEFT ARMREST - PASSENGER (K04)
1	110148-17-K02	EA	SEAT - BUCKET - W/HEADREST/LEFT ARMREST - PASSENGER (K05)
1	110148-17-K06	EA	SEAT - BUCKET - W/HEADREST/LEFT ARMREST - PASSENGER (K06)
2	M05962-55-J02	EA	COVER - BACK (K04)
2	M05962-55-J03	EA	COVER - BACK (K05)
2	M05962-55-K06	EA	COVER - BACK (K06)
3	122780-01-J02	EA	ARMREST - RIGHT HAND (K04)
3	122780-01-H16	EA	ARMREST - RIGHT HAND (K05)
3	122780-01-J06	EA	ARMREST - RIGHT HAND (K06)
	P22780-01-J02	EA	COVER - ARMREST - RIGHT HAND (K04)
	P22780-01-H16	EA	COVER - ARMREST - RIGHT HAND (K05)
	P22780-01-J06	EA	COVER - ARMREST - RIGHT HAND (K06)
	115617-03-000	EA	ARMREST - W/O COVER - RIGHT HAND
4	122780-02-J02	EA	ARMREST - LEFT HAND (K04)
4	122780-02-H16	EA	ARMREST - LEFT HAND (K05)
4	122780-02-J06	EA	ARMREST - LEFT HAND (K06)
	P22780-02-J02	EA	COVER - ARMREST - LEFT HAND (K04)
	P22780-02-H16	EA	COVER - ARMREST - LEFT HAND (K05)
	P22780-02-J06	EA	COVER - ARMREST - LEFT HAND (K06)
	115617-04-000	EA	ARMREST - W/O COVER - LEFT HAND

KEY	PART NUMBER	U/M	DESCRIPTION
5	M05962-56-J02	EA	COVER - SEAT (K04)
5	M05962-56-J03	EA	COVER - SEAT (K05)
5	M05962-56-K06	EA	COVER - SEAT (K06)
6	130802-03-000	EA	LEVER/SCREW
7	130802-01-000	EA	LEVER - LEFT HAND
7	130802-02-000	EA	LEVER - RIGHT HAND
8	125229-06-000	EA	FRAME - SEAT - DRIVER - W/RIGHT ARMREST BRACKET
8	125229-07-000	EA	FRAME - SEAT - PASSENGER - W/LEFT ARMREST BRACKET
	130800-01-000	EA	GUARD - HINGE
	007221-01-000	EA	SPACER - SEAT/ADJUSTER
9	119509-01-J02	EA	HEADREST - BUCKET SEAT (K04)
9	119509-01-H01	EA	HEADREST - BUCKET SEAT (K05)
9	119509-01-J06	EA	HEADREST - BUCKET SEAT (K06)
	P19509-01-J02	EA	COVER - HEADREST (K04)
	P19509-01-H01	EA	COVER - HEADREST (K05)
	P19509-01-J06	EA	COVER - HEADREST (K06)
	113977-12-000	EA	HEADREST INSERT - W/O LOCK
	113977-13-000	EA	HEADREST INSERT - W/LOCK

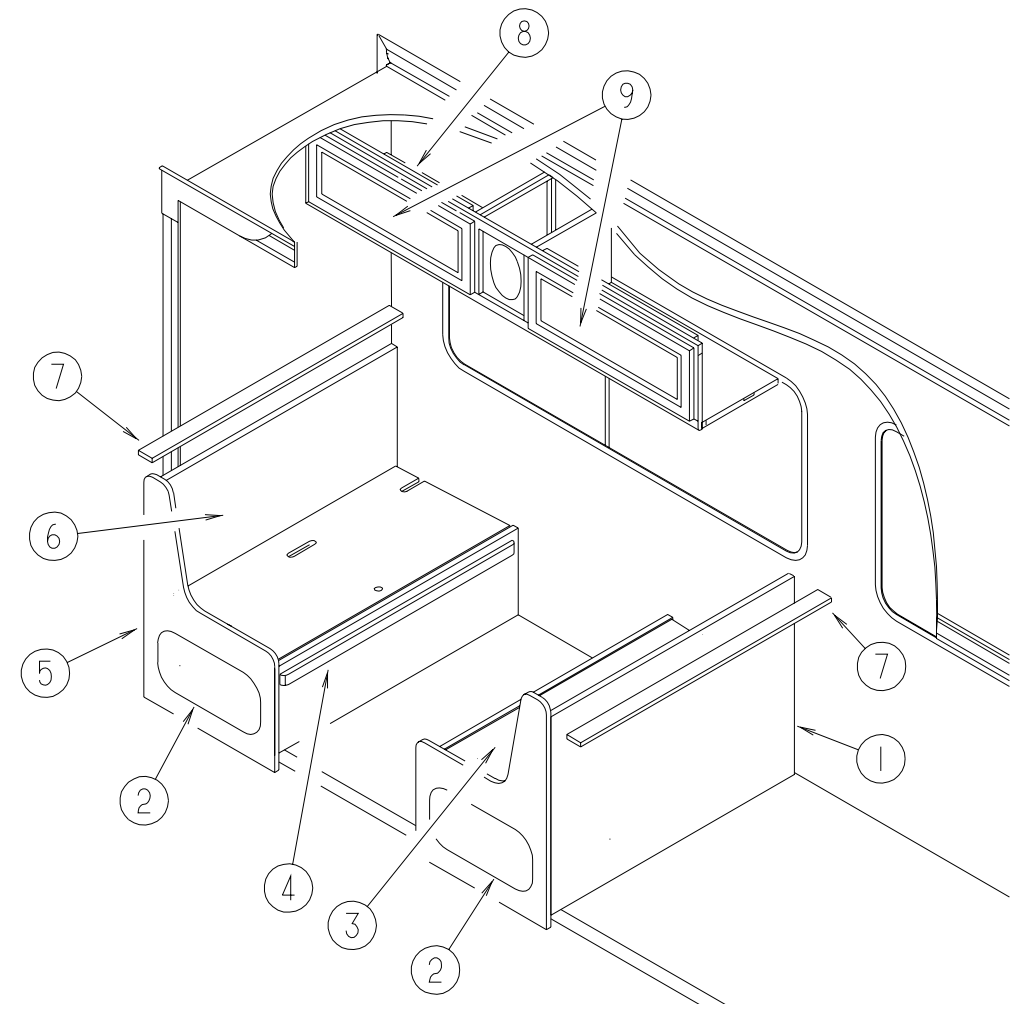
DINETTE GROUP



DINETTE CABINETS - BENCH SEATS

KEY	PART NUMBER	U/M	DESCRIPTION
1	129837-01-000	EA	CABINET - DINETTE - W/O DOORS/HARDWARE
2	129837-02-000	EA	CABINET - DINETTE - W/O DOORS/HARDWARE
3	127841-01-J02	EA	CABINET - OVERHEAD - FRONT/DINETTE - W/O DOORS/HDW (K04)
3	127841-01-J03	EA	CABINET - OVERHEAD - FRONT/DINETTE - W/O DOORS/HDW (K05)
3	127841-01-K03	EA	CABINET - OVERHEAD - FRONT/DINETTE - W/O DOORS/HDW (K06)
4	132141-20-K01	EA	DOOR - RAIL/VENEER - 10.8" X 27.9" - W/O HARDWARE

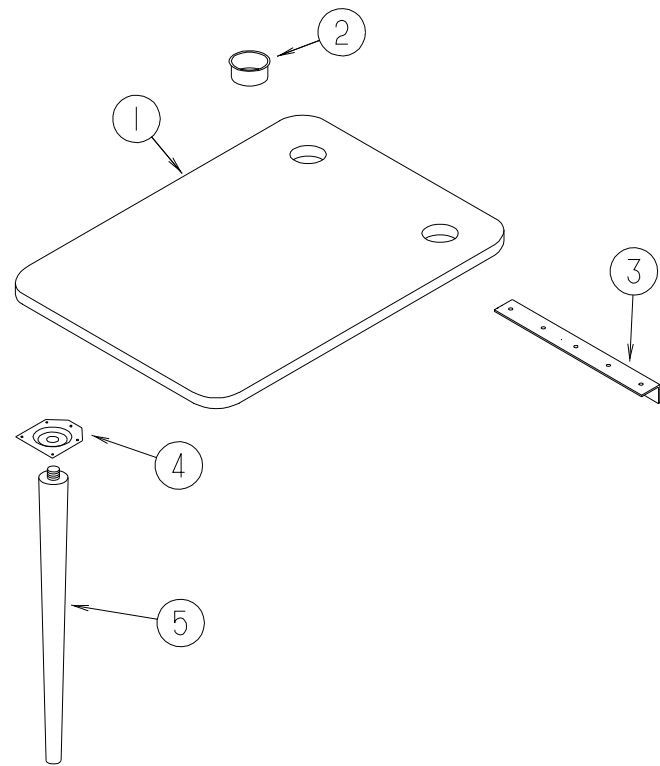
DINETTE GROUP (CONTINUED)



DINETTE CABINETS - STANDARD DINETTE SEATS

KEY	PART NUMBER	U/M	DESCRIPTION
1	M08123-25-K01	EA	CABINET - SEATBACK/RIGHT HAND - W/O HARDWARE
2	131995-G4-K01	EA	DOOR - SOLID PANEL - 10" X 19.1" - W/O HARDWARE
3	M08122-28-K01	EA	CABINET - SEATBASE/RIGHT HAND - W/O DOOR/DRAWER/HDW
4	081295-04-G04	EA	SUPPORT - BED/DINETTE - 40" LONG
5	M08122-29-K01	EA	CABINET - SEATBASE/RIGHT HAND - W/O DOOR/DRAWER/HDW
6	M08123-26-K01	EA	CABINET - SEATBACK/LEFT HAND - W/O HARDWARE
7	111338-11-J02	EA	PAD - DINETTE SEATBACK (K04)
7	111338-11-J03	EA	PAD - DINETTE SEATBACK (K05)
7	111338-11-K03	EA	PAD - DINETTE SEATBACK (K06)
8	127841-01-J02	EA	CABINET - OVERHEAD - FRONT/DINETTE - W/O DOORS/HDW (K04)
8	127841-01-J03	EA	CABINET - OVERHEAD - FRONT/DINETTE - W/O DOORS/HDW (K05)
8	127841-01-K03	EA	CABINET - OVERHEAD - FRONT/DINETTE - W/O DOORS/HDW (K06)
9	132141-20-K01	EA	DOOR - RAIL/VENEER - 10.8" X 27.9" - W/O HARDWARE

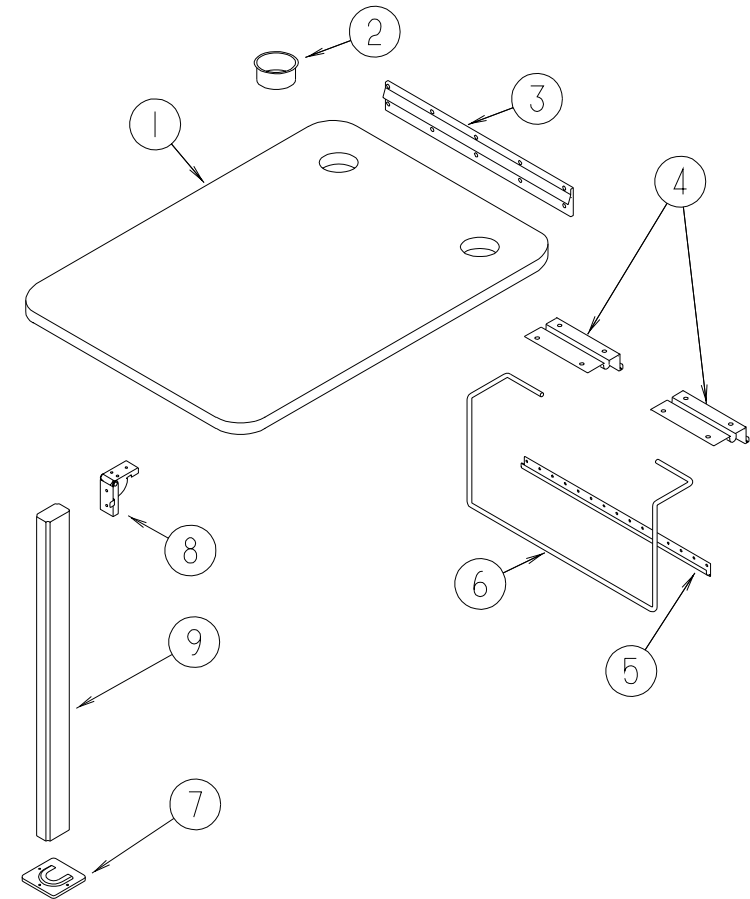
DINETTE GROUP (CONTINUED)



DINETTE TABLE - BENCH SEAT DINETTE

KEY	PART NUMBER	U/M	DESCRIPTION
1	081322-20-J98	EA	TABLE TOP ONLY (K04)
1	081322-20-J37	EA	TABLE TOP ONLY (K05)
1	081322-20-K18	EA	TABLE TOP ONLY (K06)
2	064781-06-000	EA	HOLDER - CUP - TWO STEP - OFF WHITE
3	122021-03-01A	EA	ANGLE - W/HOLES
4	114724-02-000	EA	PLATE - TABLE LEG
5	114724-01-03A	EA	LEG - TABLE/TAPERED - WOOD - WATERFORD OAK

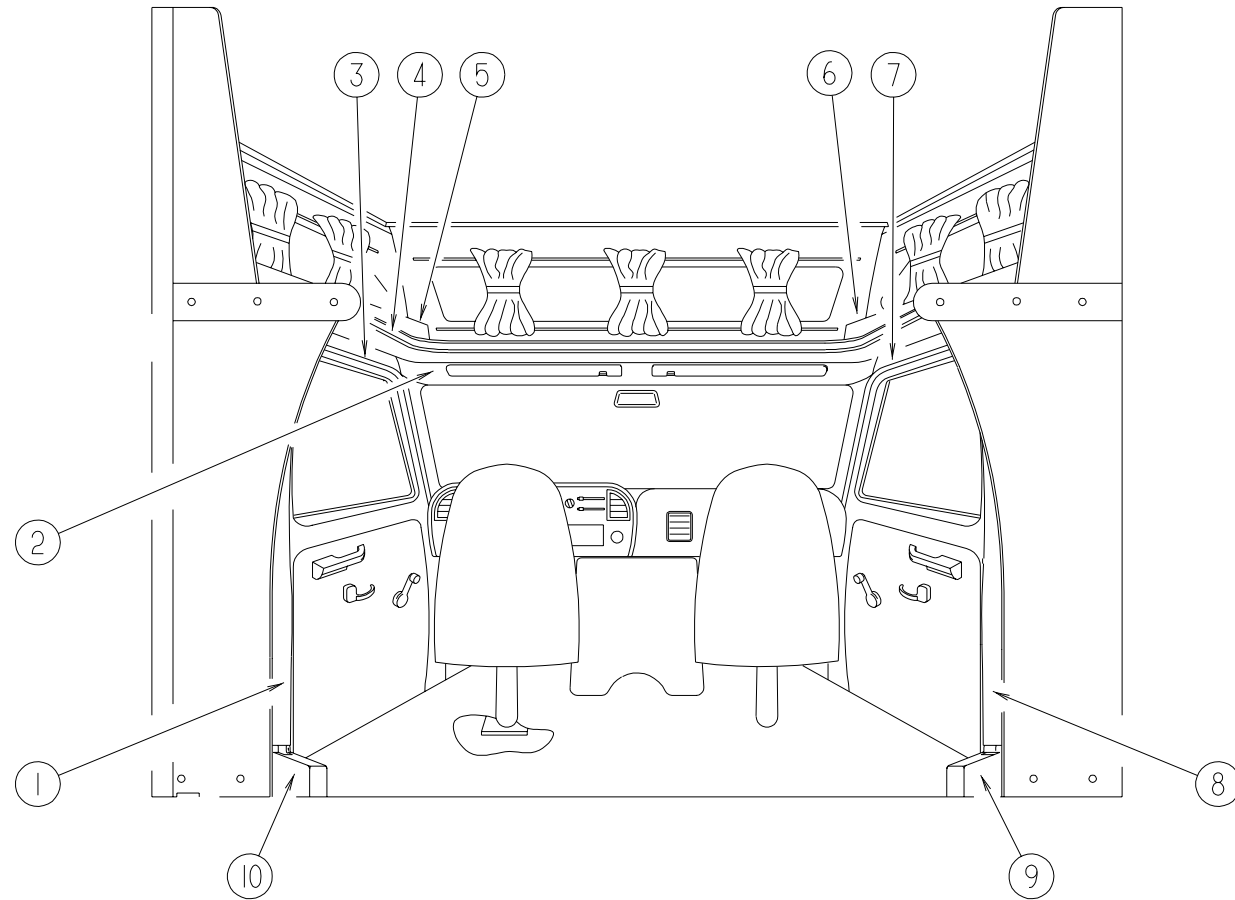
DINETTE GROUP (CONTINUED)



DINETTE TABLE - STANDARD DINETTE SEAT

KEY	PART NUMBER	U/M	DESCRIPTION
1	081322-19-J02	EA	TABLE TOP ONLY (K04)
1	081322-19-K02	EA	TABLE TOP ONLY (K05)
1	081322-19-K03	EA	TABLE TOP ONLY (K06)
2	064781-06-000	EA	HOLDER - CUP - TWO STEP - OFF WHITE
3	053200-12-000	EA	BRACKET - TABLE SUPPORT - UPPER/WALL MOUNTED - 23.50"
4	088410-02-000	EA	BRACKET - LIFT - TABLE MOUNTED
5	024281-14-000	EA	BRACKET/TABLE - LIFT ROD/LOWER WALL MOUNTED - 22.12"
6	024275-12-000	EA	ROD - TABLE LIFT
7	049493-12-000	EA	CATCH - TABLE LEG/FLOOR MOUNTED - OFF WHITE
	049493-11-700	EA	CATCH - TABLE LEG/FLOOR MOUNTED - E COATED
8	093550-01-000	EA	BRACKET - HINGE - MOUNTS TO LEG & TABLE TOP - 1.7" X 2.6"
9	092707-04-05A	EA	LEG - TABLE - W/O HARDWARE - 27" - WATERFORD OAK
	092593-01-05A	EA	CATCH - TABLE LEG - OFF/WHITE

DRIVERS COMPARTMENT GROUP



DRIVERS COMPARTMENT

KEY	PART NUMBER	U/M	DESCRIPTION
1	125031-02-H04	EA	TRIM - CAB - B-PILLAR - DRIVER SIDE
2	106448-01-H04	EA	HEADLINER - W/VINYL
3	106447-04-H04	EA	TRIM - CAB DOOR - UPPER/LEFT HAND
4	119520-01-01A	FT	MOLDING-T - 1" - W/EDGE LIPS (OFF/WHITE-CREAM)
5	109894-01-K01	EA	CABINET - HAMPER - DRIVER/Front (K04)
5	109894-01-H10	EA	CABINET - HAMPER - DRIVER/Front (K05)
5	109894-01-K03	EA	CABINET - HAMPER - DRIVER/Front (K06)
6	109894-03-K01	EA	CABINET - HAMPER - PASSENGER/Front (K04)
6	109894-03-H10	EA	CABINET - HAMPER - PASSENGER/Front (K05)
6	109894-03-K03	EA	CABINET - HAMPER - PASSENGER/Front (K06)
7	106447-03-H04	EA	TRIM - CAB DOOR - UPPER/RIGHT HAND
8	125031-01-H04	EA	TRIM - CAB - B-PILLAR - PASSENGER SIDE
9	106431-01-02A	EA	COVER - SEATBELT RECOIL - PASSENGER SIDE - VW GRAY
10	106431-02-02A	EA	COVER - SEATBELT RECOIL - DRIVER SIDE - VW GRAY
	106025-02-01A	EA	LADDER - BUNK - 52"
	106025-01-700	EA	BRACKET SET-F/BUNK LADDER

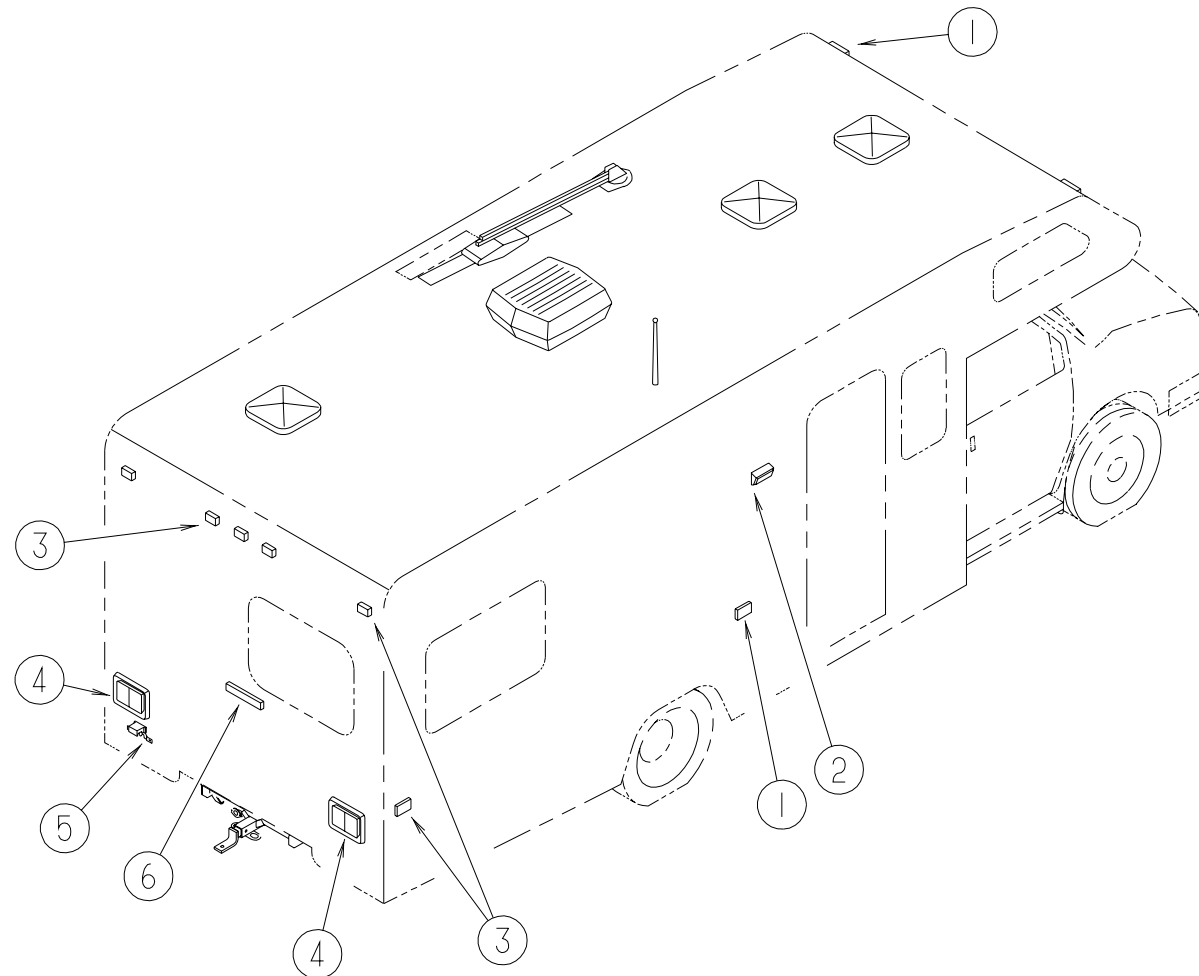
DRIVERS COMPARTMENT GROUP (CONTINUED)

INSTRUMENT CLUSTERS

KEY	PART NUMBER	U/M	DESCRIPTION
	094795-09-000	EA	CLUSTER - INSTRUMENT PANEL - KILOMETERS - GAS/DIESEL-FORD
	100138-01-000	EA	MODULE - DAYTIME/RUNNING LIGHT
	081994-07-000	EA	PLATE - SWITCH - "AUXILARY START"
	108356-07-01A	EA	COVER/ACTUATOR SWITCH - 2 ROWS DIMPLES - AUX START - BLACK
	108357-09-000	EA	SWITCH - ROCKER SPDT - ON/NONE/MOM - 3 TERMINAL
	116220-01-000	EA	APPLIQUE - SWITCH/SLIDEOUT

ELECTRICAL GROUP

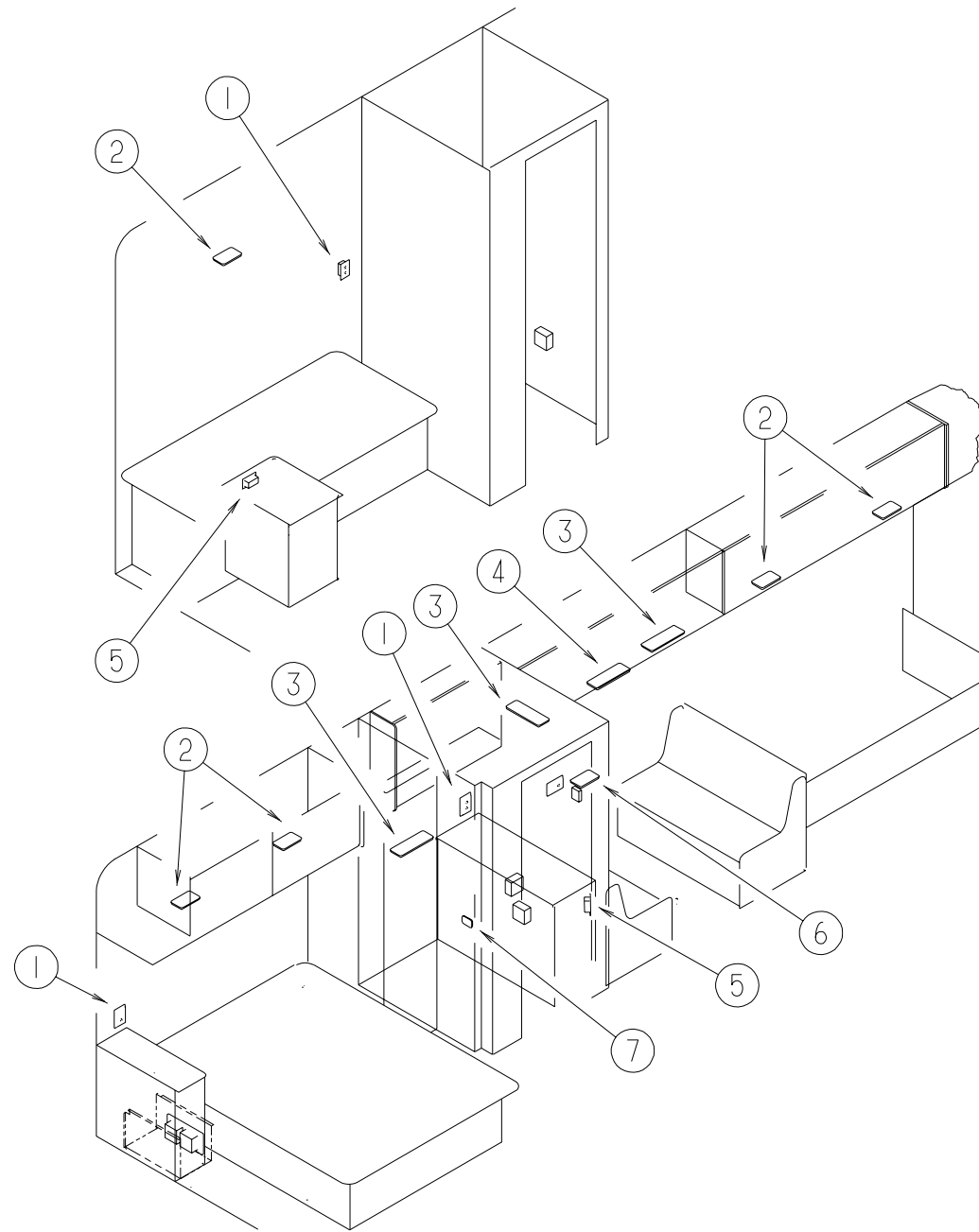
EXTERIOR LIGHTS



KEY	PART NUMBER	U/M	DESCRIPTION	VENDOR NO.	KEY	PART NUMBER	U/M	DESCRIPTION	VENDOR NO.
1	111102-02-000	EA	LENS - AMBER - MARKER LAMP			036196-01-000	EA	BULB - 12V - #194 - .27 AMP - BAYONETTE	
	111102-01-000	EA	BASE - LAMP MARKER			091983-01-000	EA	GASKET - CLEARANCE/SIDEMARKER LIGHT	
	036196-01-000	EA	BULB - 12V - #194 - .27 AMP - BAYONETTE			112823-01-000	EA	SPLICE - REDUCER - 16-14 TO 18-22	
	091983-01-000	EA	GASKET - CLEARANCE/SIDEMARKER LIGHT		4	103355-01-05A	EA	POD - TAIL LIGHT - BRIGHT WHITE	
	112823-01-000	EA	SPLICE - REDUCER - 16-14 TO 18-22						FROM: 00-00-00 THRU: 11-22-98
2	097917-01-06A	EA	LIGHT - PORCH - BRIGHT WHITE		4	103355-02-01A	EA	POD - TAIL LIGHT - BRIGHT WHITE	
	008215-01-000	EA	BULB - 12 VOLT - #1003 - .94 AMP						FROM: 11-23-98 THRU: 99-99-99
	097917-01-700	EA	LENS-LIGHT, CLEAR	30-78-021		081638-01-000	EA	TAIL LIGHT/DOUBLE W/BLACK TRIM - DRIVER/PASSENGER SIDE	
2	008089-02-000	EA	LIGHT - PORCH - RECESSED - CANADIAN			037934-01-000	EA	BULB - 12V - #1156 - 2.1 AMP CLEAR GLASS	
	008214-01-000	EA	BULB - 12 VOLT - #67 - .59 AMP			037935-01-000	EA	BULB - 12V - #1157 OR #2057 - 2.1 AMP - CLEAR GLASS	
	091981-01-000	EA	GASKET - PORCH LIGHT			081638-01-700	EA	LENS-TAILLIGHT, RED	30-84-010
	008089-01-700	EA	LENS-LIGHT, RECESSED, PORCH	DECO		081638-01-701	EA	LENS-TAILLIGHT, W/BACKUP	30-84-700
3	111102-03-000	EA	LENS - RED - MARKER LAMP		5	066432-02-000	EA	LIGHT - LICENSE - BLACK	
	111102-01-000	EA	BASE - LAMP MARKER			066432-03-000	EA	BRACKET - LICENSE PLATE	
					6	121950-01-000	EA	LIGHT - BRAKE - CENTER MOUNT	

ELECTRICAL GROUP (CONTINUED)

LIGHTS, SWITCHES & RECEPTACLES - DRIVER SIDE - QUEEN & TWIN BED

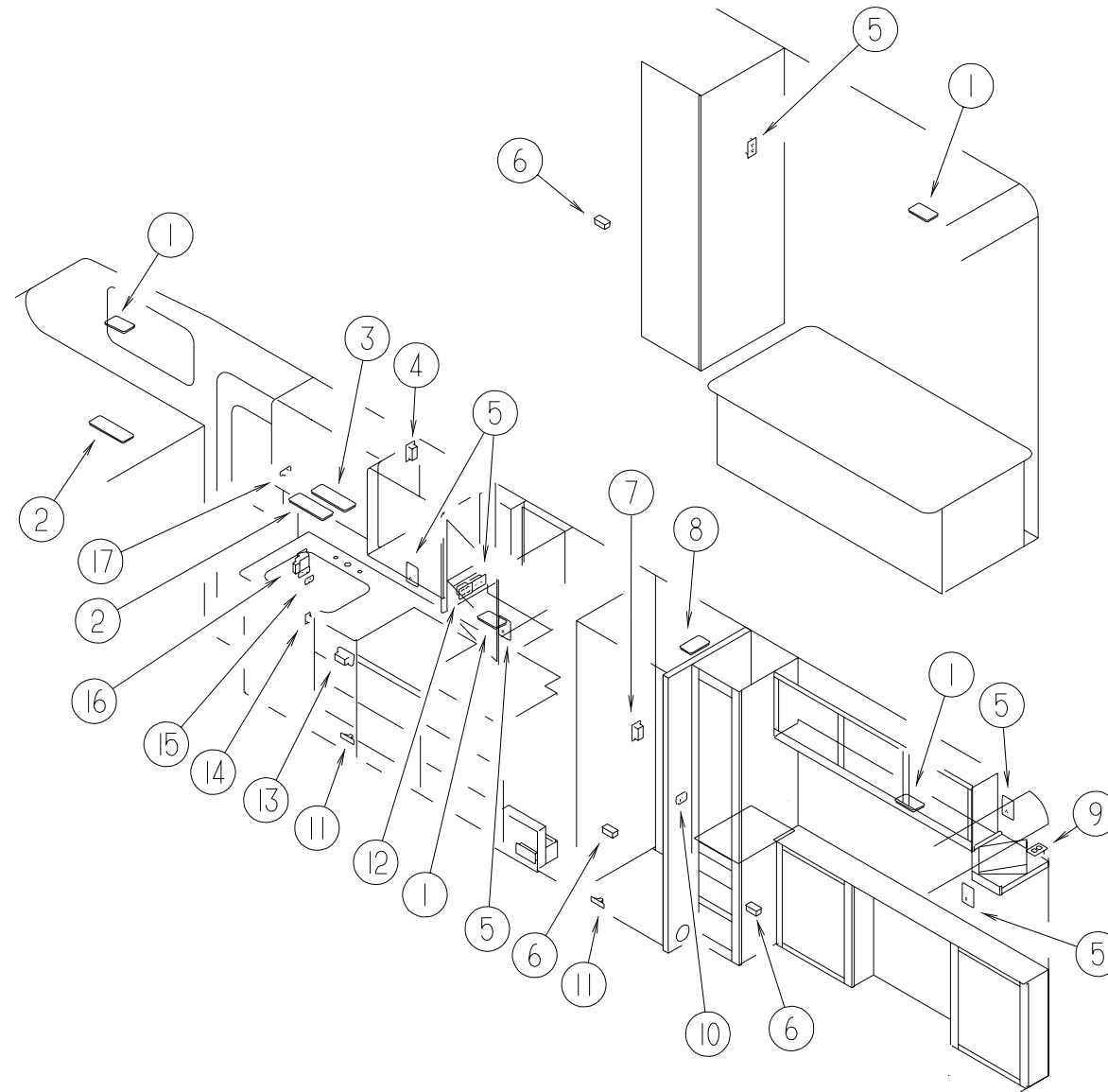


KEY	PART NUMBER	U/M	DESCRIPTION	VENDOR NO.
1	058708-02-000	EA	RECEPTACLE - ELECTRIC - DOUBLE - IVORY	
	102568-01-GB1	EA	SPACER - RECEPTACLE - BETWEEN SIDEWALL & PLATE - WOOD	
2	098024-05-02A	EA	LIGHT - DOME - 1 BULB - SKYLITE - WHITE	
	008218-01-000	EA	BULB - DOME LIGHT - 12 VOLT - NO. 1141	
	098024-01-701	EA	LENS - OPTI CLEAR - SKYLITE	809902
3	098024-03-02A	EA	LIGHT - DOME - 2 BULB - WHITE	
	008218-01-000	EA	BULB - DOME LIGHT - 12 VOLT - NO. 1141	
	098024-01-700	EA	LENS-LIGHT	807877

KEY	PART NUMBER	U/M	DESCRIPTION	VENDOR NO.
4	098024-06-02A	EA	LIGHT - DOME - 2 BULB - SKYLITE	
	008218-01-000	EA	BULB - DOME LIGHT - 12 VOLT - NO. 1141	
	098024-01-701	EA	LENS - OPTI CLEAR - SKYLITE	809902
5	058708-01-000	EA	RECEPTACLE - ELECTRIC - DOUBLE - BROWN	
6	098024-01-03A	EA	LIGHT - DOME - 1 BULB - WHITE	
7	079364-01-000	EA	SWITCH - ON/OFF ROCKER - 2 TERMINAL - BROWN	
	095188-01-01A	EA	SPACER - SWITCH - 2.3" X 3.4" - PLASTIC - DARK BROWN	
7	098351-02-01A	EA	PLATE - SWITCH - 2 GANG POLISHED BRASS	

ELECTRICAL GROUP (CONTINUED)

LIGHTS, SWITCHES & RECEPTACLES - PASSENGER SIDE - QUEEN & TWIN BED



KEY	PART NUMBER	U/M	DESCRIPTION	VENDOR NO.	KEY	PART NUMBER	U/M	DESCRIPTION
1	098024-05-02A	EA	LIGHT - DOME - 1 BULB - SKYLITE - WHITE		11	061424-01-000	EA	LIGHT - AISLE - 12 VOLT - RECTANGULAR
	008218-01-000	EA	BULB - DOME LIGHT - 12 VOLT - NO. 1141			008103-01-000	EA	BULB - DASH/AISLE LIGHT - #53 - 12 VOLT - .12 AMP
	098024-01-701	EA	LENS - OPTI CLEAR - SKYLITE	809902	12	086777-02-000	EA	WALLPLATE - TV CABLE - W/ANTENNA SWITCH
2	098024-03-02A	EA	LIGHT - DOME - 2 BULB - WHITE		12	086777-06-000	EA	WALLPLATE - TV CABLE - ANTENNA/1 OUTPUT - BROWN
	008218-01-000	EA	BULB - DOME LIGHT - 12 VOLT - NO. 1141		13	112822-01-01A	EA	RECEPTACLE - DUPLEX - IVORY
	098024-01-700	EA	LENS-LIGHT	807877		112824-01-03A	EA	COVER - RECEPTACLE - EXTERIOR DUPLEX
3	098024-06-02A	EA	LIGHT - DOME - 2 BULB - SKYLITE		14	098351-07-01A	EA	PLATE - SWITCH - GENERATOR - POLISHED BRASS
	008218-01-000	EA	BULB - DOME LIGHT - 12 VOLT - NO. 1141		14	108357-06-000	EA	SWITCH - ROCKER DPDT - MOM/OFF/MOM - 6 TERMINAL
	098024-01-701	EA	LENS - OPTI CLEAR - SKYLITE	809902	14	108356-11-01A	EA	COVER-ACTUATOR SWITCH - 3 GROOVES - AUX BATT - BLACK
4	058708-05-000	EA	RECEPTACLE - SINGLE - BROWN		15	079364-01-000	EA	SWITCH - ON/OFF ROCKER - 2 TERMINAL - BROWN
5	058708-02-000	EA	RECEPTACLE - ELECTRIC - DOUBLE - IVORY			079364-03-000	EA	SWITCH - ON/OFF ROCKER - 3 TERMINAL - BROWN
	102568-01-GB1	EA	SPACER - RECEPTACLE - BETWEEN SIDEWALL & PLATE - WOOD			098351-03-01A	EA	PLATE - SWITCH - 3 GANG POLISHED BRASS
6	058707-02-000	EA	RECEPTACLE - BLANK JUNCTION BOX		16	079364-01-000	EA	SWITCH - ON/OFF ROCKER - 2 TERMINAL - BROWN
7	058707-01-000	EA	RECEPTACLE - ELECTRIC - SINGLE - BROWN			098351-10-01A	EA	PLATE - SWITCH - 1 GANG W/LABEL
8	121935-01-01A	EA	LIGHT - DOME - SHOWER		16	084076-02-000	EA	RECEPTACLE - GFI - 15 AMP/125 VOLT - BROWN
9	076319-09-000	EA	WALLPLATE - CABLE RECEPTACLE - TV - SINGLE - BROWN			084077-02-000	EA	PLATE - COVER - RECEPTACLE - GFI - BROWN
10	079364-01-000	EA	SWITCH - ON/OFF ROCKER - 2 TERMINAL - BROWN		17	108357-06-000	EA	SWITCH - ROCKER DPDT - MOM/OFF/MOM - 6 TERMINAL
	079364-03-000	EA	SWITCH - ON/OFF ROCKER - 3 TERMINAL - BROWN			108356-02-01A	EA	COVER/ACTUATOR SWITCH - 2 ROWS DIMPLES- CONTURA II - BLACK
	098351-02-01A	EA	PLATE - SWITCH - 2 GANG POLISHED BRASS					

ELECTRICAL GROUP (CONTINUED)**FUSES & CIRCUIT BREAKERS**

KEY	PART NUMBER	U/M	DESCRIPTION
	008235-01-000	EA	FUSE - 15 AMP/12VOLT - AUTOMOTIVE
	062901-02-000	EA	FUSE - 05 AMPS - AUTOMOTIVE
	062901-05-000	EA	FUSE - 15 AMPS - AUTOMOTIVE
	100341-01-000	EA	FUSE HOLDER - IN LINE TYPE
	083209-02-000	EA	CIRCUIT BREAKER - 15/15 AMP - 120 VOLT
	083209-03-000	EA	CIRCUIT BREAKER - 15/20 AMP - 120 VOLT
	083209-04-000	EA	CIRCUIT BREAKER - 30 AMP - 120 VOLT
	083209-06-000	EA	CIRCUIT BREAKER - 30/15 AMP - 120 VOLT
	093654-01-000	EA	CIRCUIT BREAKER - 6 AMP - 12 VOLT
	093654-03-000	EA	CIRCUIT BREAKER - 20 AMP - 12 VOLT
	093655-01-000	EA	CIRCUIT BREAKER - 25 AMP - 12 VOLT
	093655-02-000	EA	CIRCUIT BREAKER - 30 AMP - 12 VOLT

ELECTRIC BOXES, COVERS & POWER CORDS

KEY	PART NUMBER	U/M	DESCRIPTION
	008052-01-000	EA	CORD - POWER - 10/3 WIRE - 30 AMP - 25' - CANADIAN
	008054-01-000	EA	CORD - POWER - 10/3 WIRE - 30 AMP - 25'
	008289-01-000	EA	BOX - ELECTRIC/STEEL - 1/2" & 3/4" KNOCKOUTS - 4" X 4"
	008289-02-000	EA	BOX - ELECTRIC/STEEL - 1/2" & 3/4" KNOCKOUTS - 4" X 4"-CAN
	091910-01-000	EA	BOX - ELECTRIC - 3.8" X 3.5" X 1.8" - PLASTIC
	091910-02-000	EA	BOX - ELECTRIC - 2.2" X 3.5" X 1.8" - PLASTIC
	107165-01-01A	EA	BOX - CIRCUIT BREAKER - 14.6" X 4" - PLASTIC
	008294-01-000	EA	COVER - ELECTRICAL BOX - BLANK/STEEL - 4" X 4" - GRAY
	008294-02-000	EA	COVER - ELECTRICAL BOX - BLANK STEEL - 4" X 4" - CANADIAN
	069238-01-000	EA	COVER - ELECTRICAL BOX - W/HOLE - 4" X 4" - GRAY USED WITH 30 AMP RECEPTACLE

CONDUIT

KEY	PART NUMBER	U/M	DESCRIPTION
	041953-01-000	FT	CONDUIT - CONVOLUTE SLIT - .5" ID - POLYETHYLENE
	041953-03-000	FT	CONDUIT - CONVOLUTE SLIT - 1" ID (CLOTHES ROD COVER)
	041953-05-000	FT	CONDUIT - CONVOLUTE SOLID - .62" ID - POLYETHYLENE
	041953-06-000	FT	CONDUIT - CONVOLUTE SLIT - .375" ID - POLYETHYLENE
	041953-07-000	FT	CONDUIT - CONVOLUTE SLIT - .25" ID - POLYETHYLENE
	041953-08-000	FT	CONDUIT - CONVOLUTE SLIT - 1.50" ID - POLYETHYLENE
	041953-09-000	FT	CONDUIT - CONVOLUTE SLIT - .50" ID - NYLON
	041953-10-000	FT	CONDUIT - CONVOLUTE SLIT - .75" ID - NYLON
	041953-11-000	FT	CONDUIT - CONVOLUTE SLIT - 1.06" ID - NYLON
	041953-12-000	FT	CONDUIT - CONVOLUTE SOLID - 1.1" ID - NYLON
	041953-13-000	FT	CONDUIT - CONVOLUTE SLIT - 1.25

ELECTRICAL GROUP (CONTINUED)**POWER CONVERTER & INVERTER**

KEY	PART NUMBER	U/M	DESCRIPTION
	083208-02-000	EA	CONVERTER - POWER - 45A - 120/12V
	099048-03-000	EA	INVERTER - 130 WATT
	113132-01-000	EA	LOAD CENTER - 120/240 VOLT - 60 AMP

ELECTRICAL MISCELLANEOUS

KEY	PART NUMBER	U/M	DESCRIPTION
	008188-01-000	EA	SOLENOID - 3 POST - BATTERY CHANGE OVER
	063910-01-000	EA	HOUSING - RELAY
	063912-02-000	EA	RELAY - CANISTER - SPDT
	086273-01-000	EA	RELAY - BATTERY DISCONNECT

WIRING ASSEMBLIES

KEY	PART NUMBER	U/M	DESCRIPTION
	073328-B4-000	EA	CABLE ASSEMBLY - BATTERY - W/TERMINALS
	096449-01-000	EA	WIRE ASSEMBLY - WATER TANK TO MONITOR PANEL
	106851-01-000	EA	WIRE ASSEMBLY - RUNNING LIGHTS - FUSE
	116675-02-000	FT	WIRE-16 AWG,XLPE-AWM,125 C
	116894-01-000	EA	WIRE ASSEMBLY - SPEED SENSOR EXTENDED
	125853-01-000	EA	WIRE ASSEMBLY - ENTERTAINMENT CENTER
	126591-01-02B	EA	CARRIER - WIRE -SLIDEOUT

ELECTRICAL GROUP (CONTINUED)

CONNECTORS, HOUSINGS, & TERMINALS

KEY	PART NUMBER	U/M	DESCRIPTION
	008311-01-000	EA	CONNECTOR - WIRE NUT - INSULATED - RED
	008313-01-000	EA	CONNECTOR - WIRE NUT - INSULATED - YELLOW
	008314-01-000	EA	CONNECTOR - WIRE NUT - INSULATED - GRAY
	008355-01-000	EA	CONNECTOR - CABLE CLAMPING - 3/4"
	008356-01-000	EA	CONNECTOR - PLASTIC - 3/8" AVG
	008356-02-000	EA	CONNECTOR - PLASTIC - 21/32
	041480-01-000	EA	CONNECTOR - STRAIGHT - 1/2" FLEX CONDUIT
	058028-01-000	EA	CONNECTOR - ELECTRICAL PIGTAIL - NYLON - CLEAR
	088475-01-000	EA	PIN - CONNECTOR - 14-20 AWG
	088475-02-000	EA	PIN - CONNECTOR - 10-12 AWG
	098265-02-000	EA	PIN - CONNECTOR - WEATHERPACK
	088476-02-000	EA	SOCKET - CONNECTOR - 12-10 GA - PRE-TIN
	098261-02-000	EA	SOCKET - CONNECTOR - WEATHERPACK - 14-18 AWG
	098262-01-000	EA	SEAL - CONNECTOR - WEATHERPACK
	008326-01-000	EA	TERMINAL - RING - 16/14 WIRE - 3/8" STUD
	008328-01-000	EA	TERMINAL - RING - 12/10 WIRE - #10 STUD FIT
	008331-01-000	EA	TERMINAL - RING - TONGUE - #4 WIRE - 3/8" STUD - COPPER
	008348-01-000	EA	TERMINAL - RING - 3/8" STUD 2 GA. WIRE
	035416-04-000	EA	TERMINAL - RING - #10 STUD FIT - INSULATED BARREL #16/14
	102777-02-000	EA	TERMINAL - RING - #6 STUD - 10 AWG
	047443-01-000	EA	TERMINAL - .250 RECEPTACLE FIT - INSULATED - 16/14 AWG
	047443-02-000	EA	TERMINAL - .250 RECEPTACLE FIT - INSULATED - 12/10 AWG
	088476-01-000	EA	TERMINAL - ELECTRICAL
	125324-01-000	EA	TERMINAL - MALE - METRI-PACK - 150
	088473-01-000	EA	HOUSING - PIN - 12 CAVITY (3 ROWS OF 4)
	088473-02-000	EA	HOUSING - PIN - 15 CAVITY (3 ROWS OF 5)
	088473-03-000	EA	HOUSING - PIN - 9 CAVITY (3 ROWS OF 3)
	088473-06-000	EA	HOUSING - PIN - 6 CAVITY (2 ROWS OF 3)
	088473-08-000	EA	HOUSING - PIN - 4 CAVITY - IN-LINE
	088473-09-000	EA	HOUSING - PIN - 3 CAVITY - IN-LINE
	088473-10-000	EA	HOUSING - PIN - 2 CAVITY - IN LINE
	101751-02-000	EA	HOUSING - 1 PIN - WEATHERPACK
	088474-01-000	EA	HOUSING - SOCKET - 12 CAVITY
	088474-02-000	EA	HOUSING - SOCKET - 15 CAVITY
	088474-03-000	EA	HOUSING - SOCKET - 9 CAVITY
	088474-06-000	EA	HOUSING - SOCKET - 6 CAVITY
	088474-07-000	EA	HOUSING - SOCKET - 5 CAVITY
	088474-08-000	EA	HOUSING - SOCKET - 4 CAVITY
	088474-09-000	EA	HOUSING - SOCKET - 3 CAVITY
	088474-10-000	EA	HOUSING - SOCKET - 2 CAVITY
	119223-01-000	EA	HOUSING - 6 POSITION - MALE - WEATHERPACK
	125323-02-000	EA	HOUSING - 8 POSITION - MALE
	077479-01-000	EA	BOOT - BATTERY TERMINAL - DOUBLE CABLE
	077479-02-000	EA	BOOT - BATTERY TERMINAL - SINGLE CABLE
	080015-02-000	EA	RECEPTACLE - FLAG - .185 - 16/14 GAUGE
	080015-03-000	EA	RECEPTACLE - FLAG - .250 - 14/16 GAUGE
	087949-01-000	EA	BUSS BAR - 2 POSITION - .6" X 1.5"
	125323-03-000	EA	LOCK - SECONDARY 8 POSITION
	125325-01-000	EA	SEAL - CAVITY
	007942-01-000	EA	TAB - WIRE 10 TO 14 AWG
	007956-05-000	EA	INSULATOR - SHRINK - .25 ID X 1.50

EXTERIOR BODY GROUP

LADDER

KEY	PART NUMBER	U/M	DESCRIPTION
	129639-01-01A	EA	LADDER - BRUSHED ALUMINUM
	131256-01-01A	EA	PLATE - LADDER
			FROM: 09-28-98 THRU: 99-99-99
	129375-01-000	EA	SEAL/FOAM - LADDER BRACKET

EXTERIOR MIRRORS - PLATE MOUNT - VELVAC

KEY	PART NUMBER	U/M	DESCRIPTION	VENDOR NO.
	120269-03-02A	EA	MIRROR - EXTERIOR - PASSENGER - 102"	
	120269-04-02A	EA	MIRROR - EXTERIOR - DRIVER - 102"	
	120269-01-700	EA	GLASS KIT W/BEZEL RH/LH	709407-8

RUNNING BOARDS

KEY	PART NUMBER	U/M	DESCRIPTION	VENDOR NO.
	072884-27-000	EA	RUNNING BOARD SET - 39" - FORD - ALUMINUM	
	072884-27-700	EA	BRACKET SET 12" 92	RB2BRK/M
	072884-27-701	EA	RUNNING BOARD-FORD 39",RT<	
	072884-27-702	FT	TREAD TAPE	RB9202
	072884-27-703	EA	MUD FLAP W/HOLES, 1EA=PAIR	99171
	072884-27-704	EA	CAP-ENDS, 1EA=PAIR	99148

FIBERGLASS, STYROFOAM, PLYWOOD & CHANNEL

KEY	PART NUMBER	U/M	DESCRIPTION
	000870-08-000	SF	STYROFOAM - 3/4" X 48" X 96" PLANED EXPANDED BEAD BOARD
	002726-01-001	EA	GARNISH - U-CHANNEL - 1.38" X 19' - SERRATED
	002754-01-001	EA	ANGLE - EXTRUDED - .75" X .75" X 16' - MILL ALUMINUM
	068716-01-001	EA	BRACE - 90 DEGREE L-ANGLE - 16'
	076054-AC-000	EA	FIBERGLASS SHEET - 20" X 99.8" - OFF WHITE
	076054-P9-000	EA	FIBERGLASS SHEET - 37.4" X 99.3" - BRIGHT WHITE
	076054-U4-000	EA	FIBERGLASS SHEET - 101" X 104" - BRIGHT WHITE
	076054-U6-000	EA	FIBERGLASS SHEET - 102" X 361" - BRIGHT WHITE
	076054-U8-000	EA	FIBERGLASS SHEET - 100" X 105" - BRIGHT WHITE
	076054-X9-000	EA	FIBERGLASS SHEET - 22.1" X 70.6" - BRIGHT WHITE
	077517-62-000	EA	FIBERGLASS SHEET/SIDEWALL - 48" X 96" - BRIGHT WHITE
	089297-01-000	SF	PLYWOOD - LUAN - OVERLAY GRADE - 48" X 96"
	089297-02-000	SF	PLYWOOD - LUAN - OVERLAY GRADE - 48" X 108"
	100619-01-000	BF	FOAM - EXPANDED POLYSTYRENE - 1.34" X 48" X 96"
	100619-02-000	BF	FOAM - EXPANDED POLYSTYRENE - 1.5" X 48" X 96"
	100619-04-000	BF	FOAM - EXPANDED POLYSTYRENE - .5" X 48" X 96"
	100619-05-000	BF	FOAM - EXPANDED POLYSTYRENE - .75" X 48" X 96"-1.5 DENSITY
	100619-16-000	BF	FOAM - EXPANDED POLYSTYRENE - .75" X 48" X 96"-2.0 DENSITY
	116942-03-700	EA	ALUM-.019 X 40.5" X 156" PART (ROOF - FLOOR)

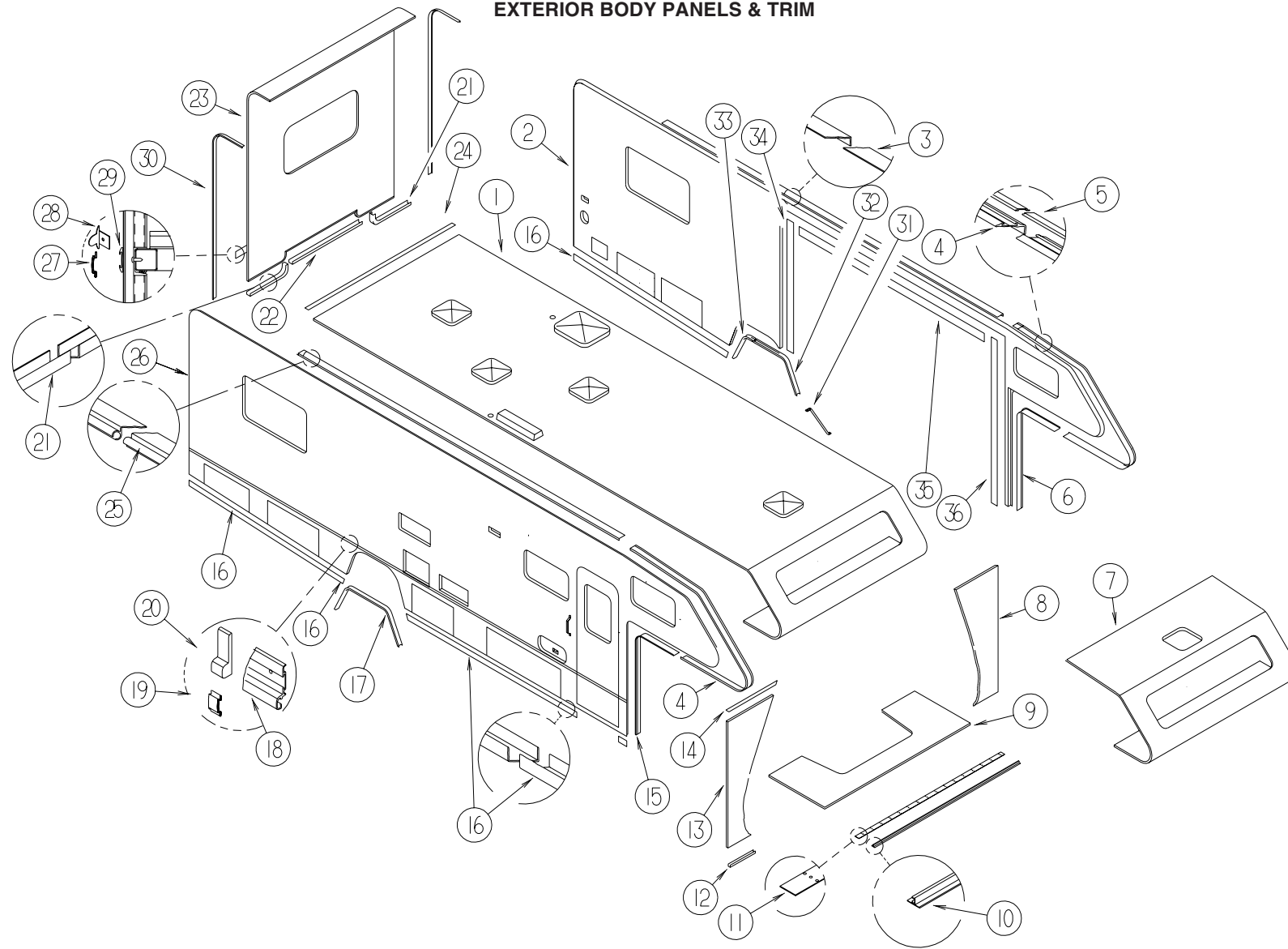
AWNING

KEY	PART NUMBER	U/M	DESCRIPTION
	113874-06-02A	EA	AWNING - W/O HDW 16' (POLAR NAVY TEAL) VINYL
	117058-01-01A	FT	TAPE - LOOP - 3/4" WIDE - ADHESIVE BACKED
	122977-10-01A	EA	AWNING - SLIDEOUT COVER - 143" - BRIGHT WHITE
*	113874-01-02A	EA	HARDWARE KIT - AWNING - W/O STANDOFF BRACKET-BRIGHT WHITE

*COMPONENT PARTS FOUND IN SERVICE PARTS LIBRARY

EXTERIOR BODY GROUP (CONTINUED)

EXTERIOR BODY PANELS & TRIM

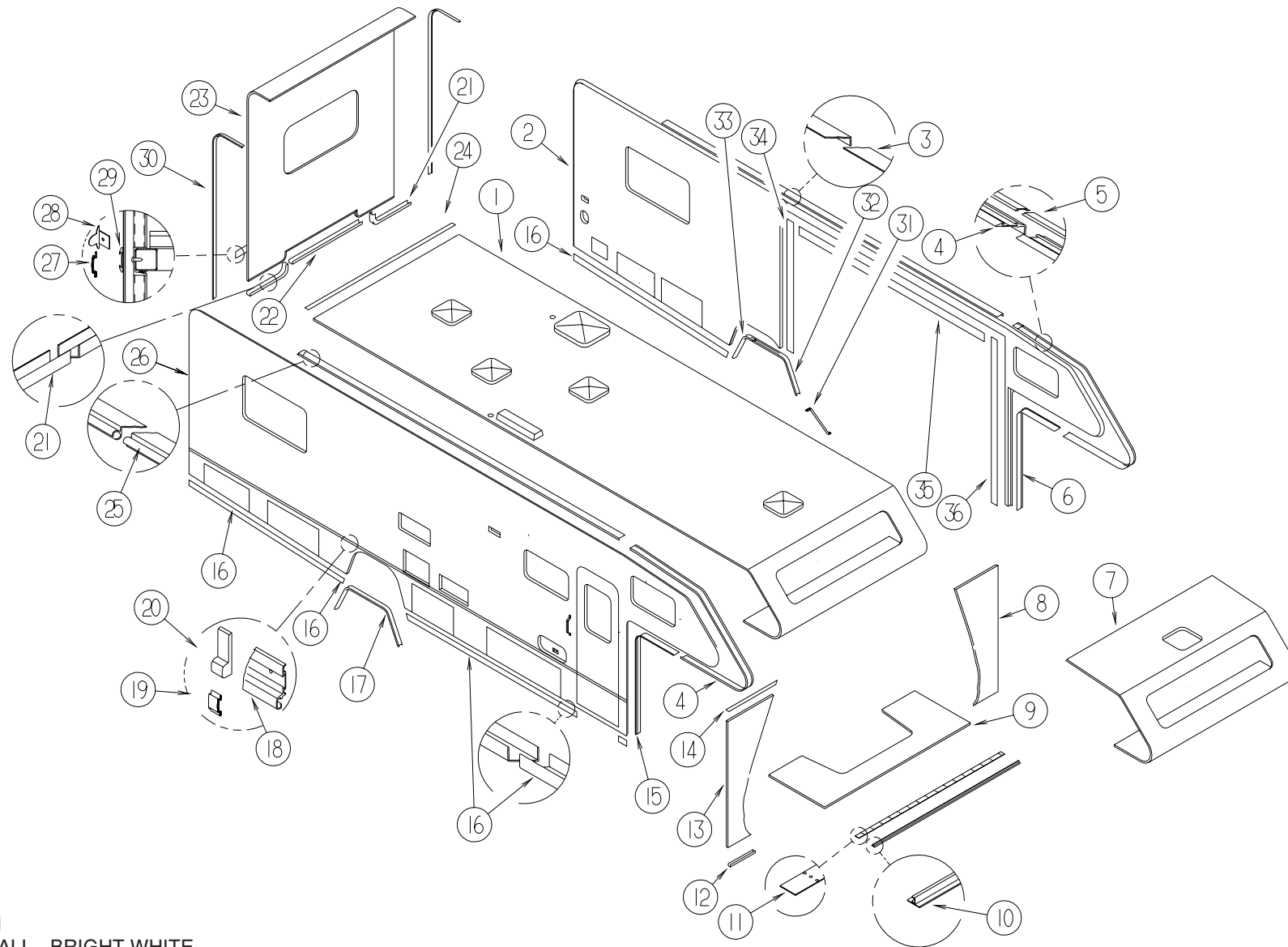


KEY	PART NUMBER	U/M	DESCRIPTION
1	M08777-09-K01	EA	ROOF - W/O LIGHTS/VENTS - W/WIRING - F/QUEEN BED
1	M08777-10-K01	EA	ROOF - W/O LIGHTS/VENTS - W/WIRING - F/TWIN BED
2	M09306-02-K01	EA	SIDEWALL - DRIVER - W/O WINDOWS/TRIMS
2	M09306-02-K02	EA	SIDEWALL - DRIVER - W/O WINDOWS/TRIMS
2	M09306-02-K03	EA	SIDEWALL - DRIVER - W/O WINDOWS/TRIMS
3	100483-04-01A	EA	TRIM - CONTOUR - BRIGHT WHITE
3	100483-01-01A	EA	TRIM - CONTOUR - BRIGHT WHITE
4	096854-06-02A	EA	TRIM - CONTOUR - BRIGHT WHITE - 130"
5	105312-01-07A	FT	INSERT - FEATURE STRIP - VINYL - BRIGHT WHITE
6	104479-06-02A	EA	TRIM - CONTOUR/FRONT - BRIGHT WHITE - LEFT HAND
7	M76177-01-700	EA	ROOF SECTION, FRONT 8' X 8'
8	125088-07-J01	EA	WINGWALL - DRIVER
9	P25129-01-J01	EA	SLEEPERBOARD
10	100086-01-01A	EA	TRIM - SLEEPERBOARD/ROOF/LOWER - BRIGHT WHITE - 96.5"
11	100085-05-01A	EA	TRIM/STRAP - SLEEPERBOARD - OFF/WHITE - 92.9"
12	079203-10-000	EA	TRIM-WINGWALL 15.8" BRIGHT WHITE
13	125088-03-J01	EA	WINGWALL - PASSENGER
14	022992-14-000	EA	MOLDING - REVERSE COVE - T-SHAPED - BRIGHT WHITE
15	104479-05-02A	EA	TRIM - CONTOUR/FRONT - BRIGHT WHITE - RIGHT HAND
16	127820-33-01A	EA	TRIM - SIDEWALL/LOWER - 76.2" - BRIGHT WHITE
17	127848-01-01A	EA	TRIM - WHEELWELL - BRIGHT WHITE
18	128129-02-01A	EA	STRIP/FEATURE - HINGE - 143.7" - BRIGHT WHITE
19	105312-01-07A	EA	INSERT - FEATURE STRIP - VINYL - BRIGHT WHITE

KEY	PART NUMBER	U/M	DESCRIPTION
20	127910-01-01A	EA	TRIM/SIDEWALL - RIGHT HAND - BRIGHT WHITE
20	127910-02-01A	EA	TRIM/SIDEWALL - LEFT HAND - BRIGHT WHITE
21	103334-03-02A	EA	TRIM - BACKWALL - LOWER/DRIVER/PASSENGER - 25.6" - BRIGHT WHITE
22	103335-02-02A	EA	TRIM - BACKWALL - LOWER/CENTER - 46.3" - BRIGHT WHITE
23	M08778-06-K01	EA	BACKWALL - W/O WINDOW/TRIM - F/CENTER QUEEN BED
23	M08778-06-K02	EA	BACKWALL - W/O WINDOW/TRIM - F/CENTER QUEEN BED
23	M08778-06-K03	EA	BACKWALL - W/O WINDOW/TRIM - F/CENTER QUEEN BED
23	M08778-08-K01	EA	BACKWALL - W/O WINDOW/TRIM - F/TWIN BED
23	M08778-08-K02	EA	BACKWALL - W/O WINDOW/TRIM - F/TWIN BED
23	M08778-08-K03	EA	BACKWALL - W/O WINDOW/TRIM - F/TWIN BED
24	108688-01-03A	EA	STRIP - FEATURE - W/O INSERT/END CAPS - 15' - BRIGHT WHITE
25	100483-04-01A	EA	TRIM - CONTOUR - BRIGHT WHITE
25	100483-01-01A	EA	TRIM - CONTOUR - BRIGHT WHITE
26	M09306-04-K01	EA	SIDEWALL - PASSENGER - W/O WINDOWS/TRIMS
26	M09306-04-K02	EA	SIDEWALL - PASSENGER - W/O WINDOWS/TRIMS
26	M09306-04-K03	EA	SIDEWALL - PASSENGER - W/O WINDOWS/TRIMS
27	105312-01-07A	FT	INSERT - FEATURE STRIP - VINYL - BRIGHT WHITE
28	108651-01-01A	EA	END CAP - FEATURE STRIP
29	108688-01-03A	EA	STRIP - FEATURE - W/O INSERT/END CAPS - 15' - BRIGHT WHITE
30	096854-05-02A	EA	TRIM - CONTOUR - 114" - BRIGHT WHITE
31	147811-01-02B	EA	TUBE/SUPPORT - FLOOR TO VALANCE PANEL - E-COATED
32	127852-01-J01	EA	TRIM - WHEELWELL - SLIDE OUT/REAR - BRIGHT WHITE
33	127815-01-01A	EA	TRIM/WHEELWELL - REAR DRVR/REAR SECTION (LARGER) - BRT WHT

EXTERIOR BODY GROUP (CONTINUED)

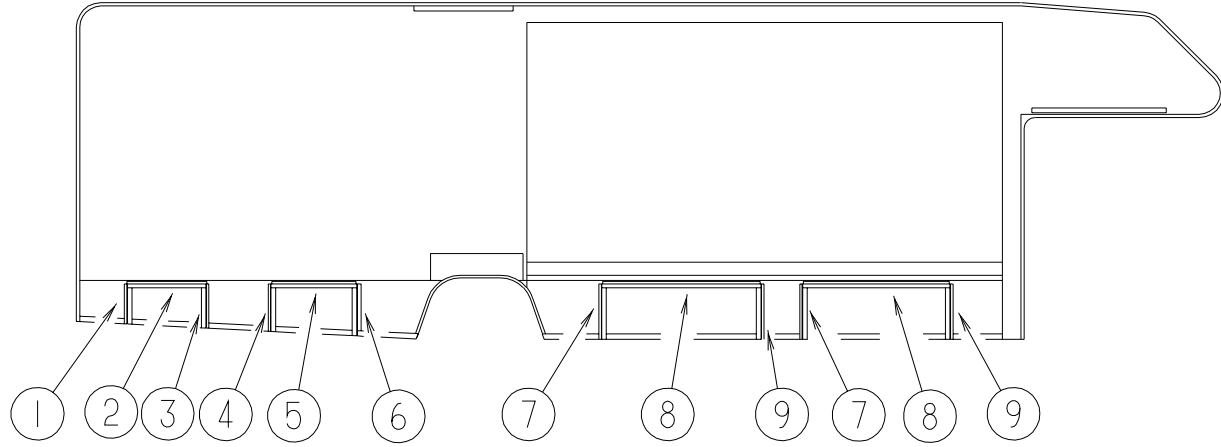
EXTERIOR BODY PANELS & TRIM (CONTINUED)



KEY	PART NUMBER	U/M	DESCRIPTION
34	127763-01-01A	EA	TRIM - SIDEWALL - BRIGHT WHITE
34	115886-02-03A	EA	RETAINER - SIDEWALL - BRIGHT WHITE - 73.5"
35	115863-20-01A	EA	TRIM - SIDEWALL - BRIGHT WHITE
35	115886-08-01A	EA	RETAINER - SIDEWALL - BRIGHT WHITE - 142.9"
36	115863-19-01A	EA	TRIM - SIDEWALL - BRIGHT WHITE
36	115886-02-03A	EA	RETAINER - SIDEWALL - BRIGHT WHITE - 73.5"
36	115886-07-01A	EA	RETAINER - SIDEWALL - BRIGHT WHITE - 15.4"

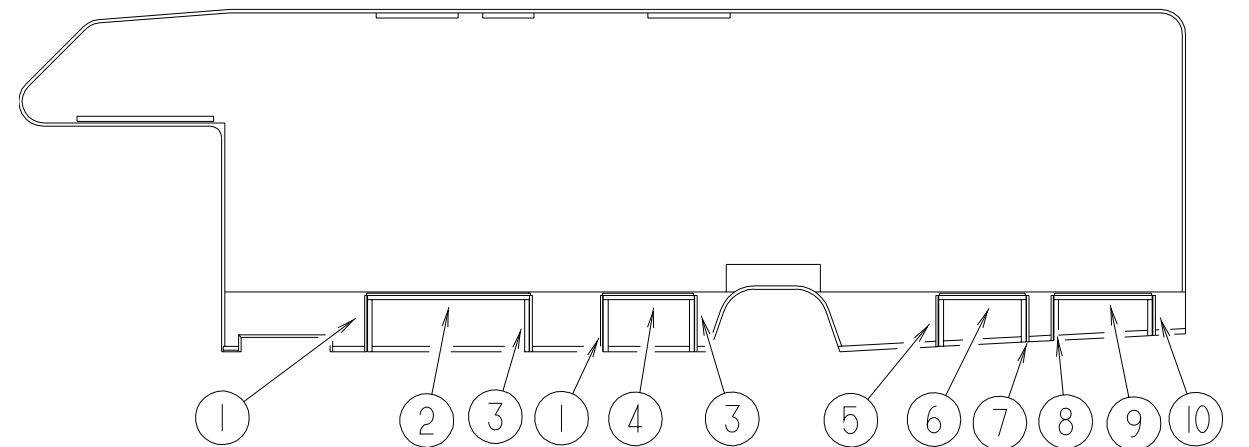
EXTERIOR BODY GROUP (CONTINUED)

EXTERIOR STORAGE DOOR TRIM



DRIVER SIDE

KEY	PART NUMBER	U/M	DESCRIPTION
1	128425-09-01A	EA	JAMB - DOOR - STORAGE/RIGHT HAND - BRIGHT WHITE
2	128427-05-01A	EA	JAMB - DOOR/STORAGE/TOP - BRIGHT WHITE
3	128425-10-01A	EA	JAMB - DOOR - STORAGE/LEFT HAND - BRIGHT WHITE
4	128425-07-01A	EA	JAMB - DOOR - STORAGE/RIGHT HAND - BRIGHT WHITE
5	128427-03-01A	EA	JAMB - DOOR/STORAGE/TOP - BRIGHT WHITE
6	128425-08-01A	EA	JAMB - DOOR - STORAGE/LEFT HAND - BRIGHT WHITE
7	128425-01-01A	EA	JAMB - DOOR - STORAGE/RIGHT HAND - BRIGHT WHITE
8	128427-01-01A	EA	JAMB - DOOR/STORAGE/TOP - BRIGHT WHITE
9	128425-02-01A	EA	JAMB - DOOR - STORAGE/LEFT HAND - BRIGHT WHITE

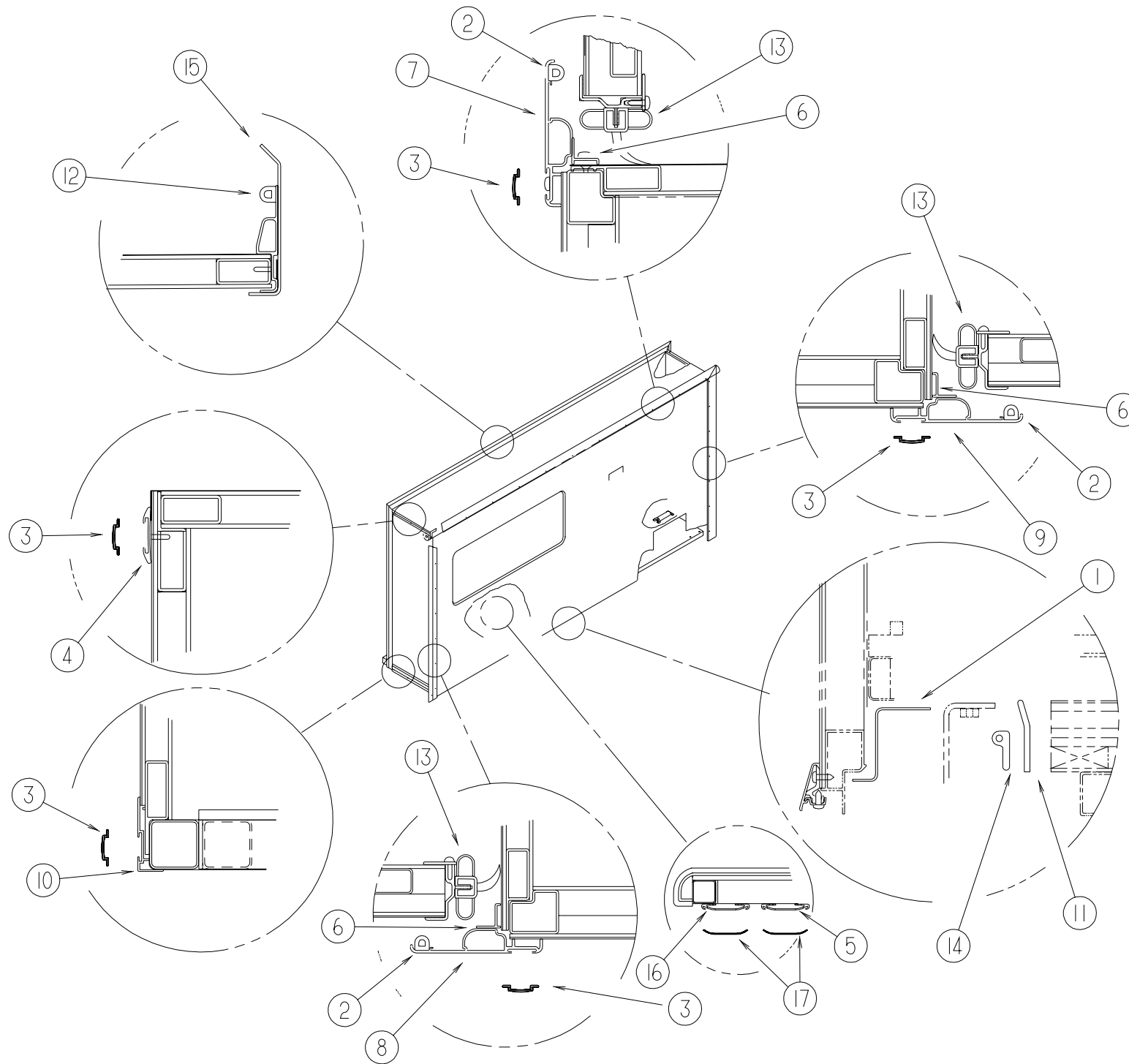


PASSENGER SIDE

KEY	PART NUMBER	U/M	DESCRIPTION
1	128425-01-01A	EA	JAMB - DOOR - STORAGE/RIGHT HAND - BRIGHT WHITE
2	128427-01-01A	EA	JAMB - DOOR/STORAGE/TOP - BRIGHT WHITE
3	128425-02-01A	EA	JAMB - DOOR - STORAGE/LEFT HAND - BRIGHT WHITE
4	128427-02-01A	EA	JAMB - DOOR/STORAGE/TOP - BRIGHT WHITE
5	128425-03-01A	EA	JAMB - DOOR - STORAGE/RIGHT HAND - BRIGHT WHITE
6	128427-03-01A	EA	JAMB - DOOR/STORAGE/TOP - BRIGHT WHITE
7	128425-04-01A	EA	JAMB - DOOR - STORAGE/LEFT HAND - BRIGHT WHITE
8	128425-05-01A	EA	JAMB - DOOR - STORAGE/RIGHT HAND - BRIGHT WHITE
9	128427-04-01A	EA	JAMB - DOOR/STORAGE/TOP - BRIGHT WHITE
10	128425-06-01A	EA	JAMB - DOOR - STORAGE/LEFT HAND - BRIGHT WHITE

EXTERIOR BODY GROUP (CONTINUED)

SLIDEOUT SUPPORTS, SEALS & TRIMS

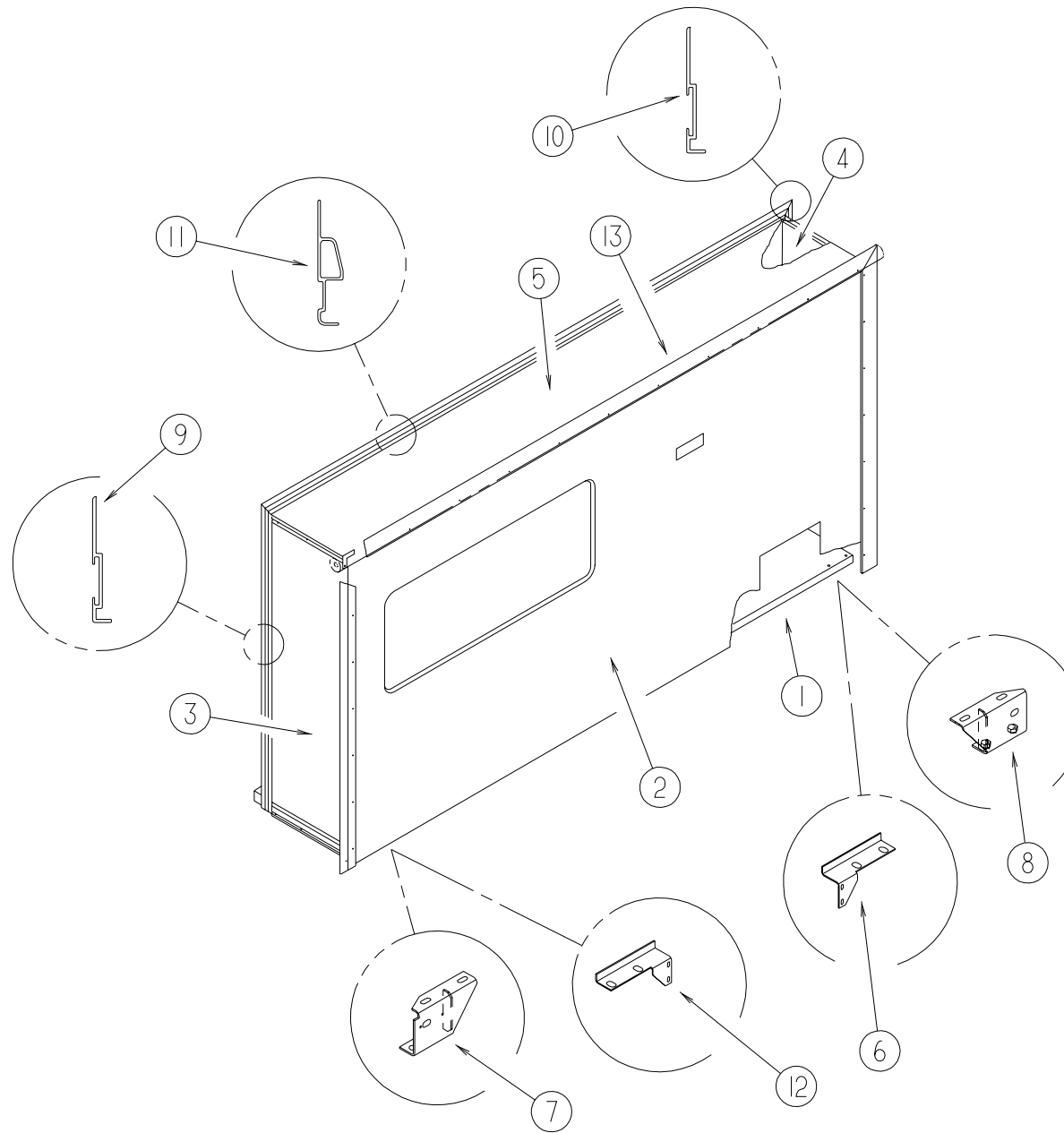


KEY	PART NUMBER	U/M	DESCRIPTION
1	128621-02-01A	EA	ZEE-SLIDEOUT, W/HOLES, MILL
2	099418-01-000	FT	SEAL - D-SECTION/ADHESIVE BACK - .44" X .44"- BLK RUBBER
3	105312-01-07A	FT	INSERT - VINYL FEATURE STRIP - BRIGHT WHITE
4	108688-01-03A	EA	STRIP - FEATURE - 15'
5	115325-06-02A	EA	RAIL - FLOOR/SLIDEOUT ROOM - BLACK - 19.6" LONG
6	116933-15-01A	EA	TRIM - SEAL/FLOOR EDGE - 166.7" - BRIGHT WHITE
7	119992-12-01A	EA	TRIM - SEAL/FLOOR EDGE - 77.9" - BRIGHT WHITE
	117058-01-01A	FT	TAPE - LOOP - 3/4" WIDE - ADHESIVE BACKED
8	119992-13-01A	EA	TRIM - SEAL - W/MITERED ENDS - BRIGHT WHITE
9	119992-14-01A	EA	TRIM - SEAL - W/MITERED ENDS - BRIGHT WHITE
10	125051-01-01A	EA	STRIP - FEATURE - LOWER - BRIGHT WHITE

KEY	PART NUMBER	U/M	DESCRIPTION
11	115075-02-000	FT	SEAL - WIPE - .25" X 3.15"
	089275-02-000	FT	STRIP - 3/4" X 84" BLACK POLYETHYLENE
12	112091-01-000	FT	SEAL-D - NEOPRENE - TRUNK
13	115076-01-000	FT	SEAL - SLIDEOUT
14	121283-01-000	FT	SEAL - P SHAPED
15	125466-03-01A	EA	SUPPORT - ROOF - INTERIOR - OFF WHITE
16	115325-03-02A	EA	RAIL - FLOOR/SLIDEOUT ROOM - BLACK - 64.5" LONG
16	115325-09-01A	EA	RAIL - FLOOR/SLIDEOUT ROOM - BLACK - 247" LONG
			FROM: 00-00-00 THRU: 10-21-98
17	115661-01-000	FT	POLYETHYLENE - HIGH DENSITY - 1/16" X 3'

EXTERIOR BODY GROUP (CONTINUED)

SLIDEOUT PANELS & INNER TRIM SEALS

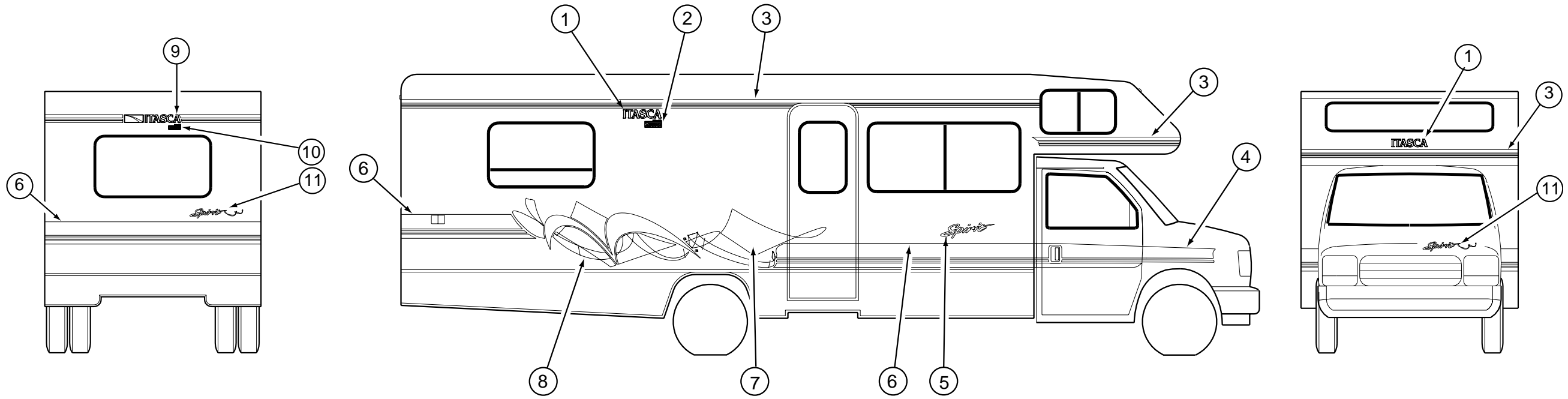


KEY	PART NUMBER	U/M	DESCRIPTION
1	104692-01-000	FT	SEAL - FOAM/ADHESIVE BACK - .75"THICK X .75"WIDE X 25'
2	115264-08-K01	EA	PANEL - SLIDEOUT/OUTER
2	115264-08-K02	EA	PANEL - SLIDEOUT/OUTER
2	115264-08-K03	EA	PANEL - SLIDEOUT/OUTER
3	121401-01-K38	EA	PANEL - SLIDEOUT/FRONT (K01)
3	121401-01-J30	EA	PANEL - SLIDEOUT/FRONT (K02)
3	121401-01-K03	EA	PANEL - SLIDEOUT/FRONT (K03)
4	121402-02-K38	EA	PANEL - SLIDEOUT/REAR (K01)
4	121402-02-J30	EA	PANEL - SLIDEOUT/REAR (K02)
4	121402-02-K03	EA	PANEL - SLIDEOUT/REAR (K03)

KEY	PART NUMBER	U/M	DESCRIPTION
5	128654-01-K01	EA	ROOF - SLIDEOUT - W/O LIGHTS/VENTS - W/WIRING
6	127828-01-02B	EA	BRACKET - OUTER FRONT/SLIDEOUT - E-COATED
7	127030-03-02B	EA	BRACKET - INNER REAR/SLIDEOUT - E-COATED
8	127030-04-02B	EA	BRACKET - INNER FRONT/SLIDEOUT - E-COATED
9	117004-01-01A	EA	TRIM - SEAL/INNER VERTICAL-W/MITERED ENDS-73.5" OFF WHITE
10	117004-02-01A	EA	TRIM-SEAL/INNER HORIZONTAL W/MITERED ENDS-73.5"-OFF WHITE
11	117004-09-01A	EA	TRIM - SEAL/INNER VERTICAL-W/MITERED ENDS-141.7" OFF WHITE
12	127828-02-02B	EA	BRACKET - OUTER FRONT/SLIDEOUT - E-COATED
13	117058-01-01A	FT	TAPE - LOOP - 3/4" WIDE - ADHESIVE BACKED

EXTERIOR BODY GROUP (CONTINUED)

DECALS, STRIPES & PAINT



KEY	PART NUMBER	U/M	DESCRIPTION
1	124811-01-07A	EA	DECAL - LOGO - ITASCA
2	122770-01-11A	EA	DECAL - "BUILT PROUDLY BY WINNEBAGO INDUSTRIES"
3	094443-56-01A	FT	FILM - MULTISTRIPE - 3.5"
4	128434-01-01A	EA	DECAL - CAB DOOR - RIGHT HAND
4	128434-02-01A	EA	DECAL - CAB DOOR - LEFT HAND
5	115130-02-04A	EA	DECAL - LOGO - SPIRIT - LARGE
6	094443-57-01A	FT	FILM - MULTISTRIPE - 9.7"
7	128431-01-01A	EA	DECAL - GEOMETRIX - #1 - RIGHT HAND
7	128431-02-01A	EA	DECAL - GEOMETRIX - #1 - LEFT HAND
8	128433-01-01A	EA	DECAL - GEOMETRIX - #2 - RIGHT HAND
8	128433-02-01A	EA	DECAL - GEOMETRIX - #2 - LEFT HAND
9	124806-01-06A	EA	DECAL - LOGO - ITASCA W/ICON
10	122770-02-14A	EA	DECAL - "BUILT PROUDLY BY WINNEBAGO INDUSTRIES"
11	128435-01-01A	EA	DECAL - HOOD/BACKWALL - SPIRIT W/RIBBON
	099399-23-701	EA	PAINT - BRT/WHT .3 OZ PEN RAABE
	099399-23-700	EA	PAINT-SPRAY-BRT WHITE ENAMEL

DUPONT PAINT COLOR CODES

BRIGHT WHITE

DUPONT B8951U

DUPONT GRAPHICS COLOR CODES

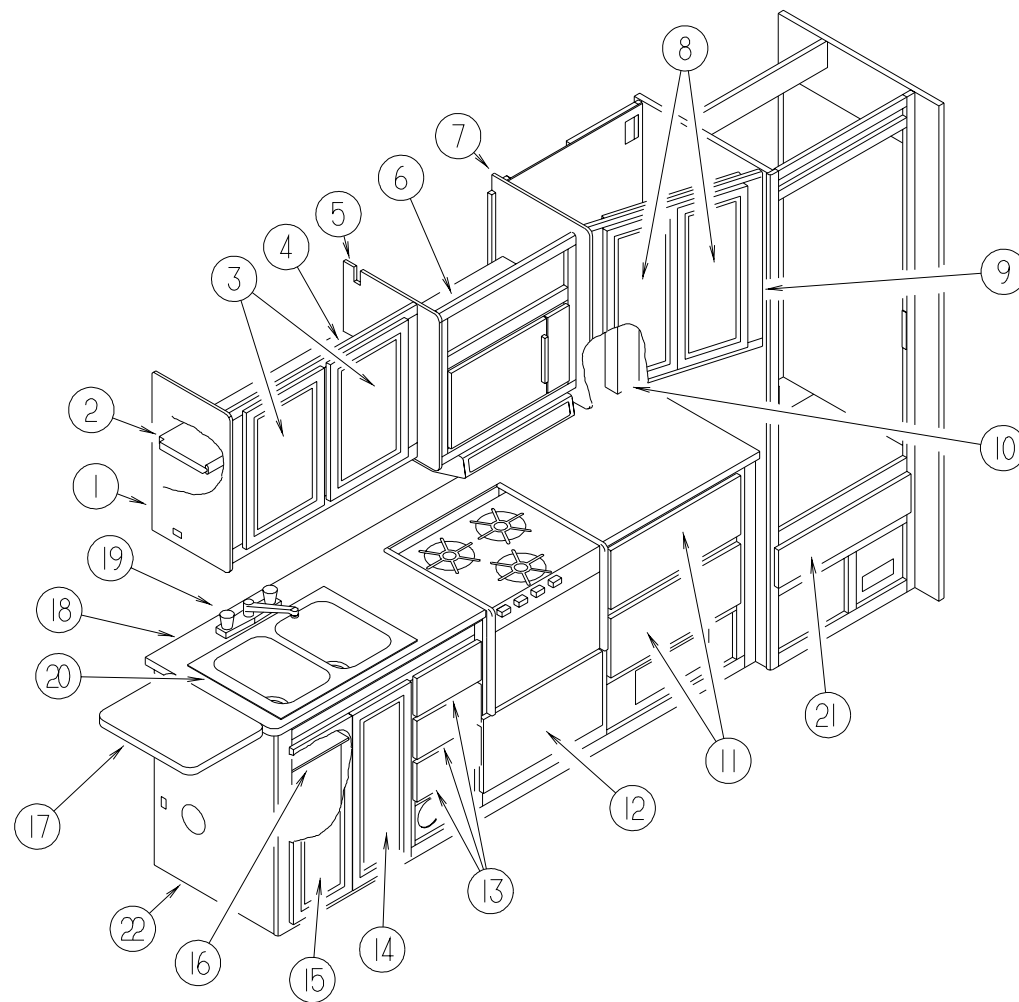
PINE NEEDLE GREEN METALLIC
 SAHARA GRAY METALLIC
 SILVER PLUM METALLIC
 TEAL PEARL

FILM #6039
 FILM #2031
 FILM #2482
 FILM #2592

DUPONT GM130
 DUPONT LM137
 DUPONT MM003
 DUPONT GM046

GALLEY GROUP

GALLEY CABINETS & FIXTURES



KEY	PART NUMBER	U/M	DESCRIPTION
1	109908-83-K04	EA	END CAP - OVERHEAD CABINET
2	128057-11-J03	EA	SHELF - W/PLASTIC EDGE MOLDING
3	132141-02-K01	EA	DOOR - RAIL/VENEER - 14.3" X 21.8" - W/O HARDWARE
4	128057-02-K01	EA	CABINET - OVERHEAD/GALLEY - W/O DOORS/HARDWARE
5	109908-52-H04	EA	END CAP - OVERHEAD CABINET
6	128618-04-K01	EA	CABINET - MICROWAVE - W/O DOORS/HARDWARE
7	109908-89-K01	EA	END CAP - OVERHEAD CABINET
8	132141-05-K01	EA	DOOR - RAIL/VENEER - 12" X 25.9" - W/O HARDWARE
9	128058-03-K01	EA	CABINET - OVERHEAD/GALLEY - W/O DOORS/HARDWARE
9	128058-04-K01	EA	CABINET - OVERHEAD/GALLEY - W/O DOORS/HARDWARE - TV/VCR
10	128112-01-K04	EA	CABINET - PIPE COVER - W/O DOORS/HARDWARE
10	128112-01-K05	EA	CABINET - PIPE COVER - W/O DOORS/HARDWARE
10	128112-01-K06	EA	CABINET - PIPE COVER - W/O DOORS/HARDWARE
11	M09316-42-J03	EA	DRAWER - OGEE EDGE - 22.9"W X 15.7"D - W/O SLIDES/HARDWARE
12	M09316-27-J01	EA	DRAWER - OGEE EDGE - 19.8"W X 15.7"D - W/O SLIDES/HARDWARE
13	M09316-25-J03	EA	DRAWER - OGEE EDGE - 9.9"W X 15.7"D - W/O SLIDES/HARDWARE
14	131995-P1-K01	EA	DOOR - ARCHED - 10.8" X 27.9" - W/O HARDWARE
15	131995-P2-K01	EA	DOOR - ARCHED - 10.8" X 27.9" - W/O HARDWARE
16	128127-12-J03	EA	SHELF - W/PLASTIC EDGE MOLDING

KEY	PART NUMBER	U/M	DESCRIPTION
17	129503-01-K04	EA	EXTENSION - GALLEY - W/O HARDWARE
17	129503-01-K05	EA	EXTENSION - GALLEY - W/O HARDWARE
17	129503-01-K06	EA	EXTENSION - GALLEY - W/O HARDWARE
18	128127-17-K04	EA	COUNTERTOP - GALLEY CABINET
18	128127-17-K05	EA	COUNTERTOP - GALLEY CABINET
18	128127-17-K06	EA	COUNTERTOP - GALLEY CABINET
19	104114-02-01A	EA	FAUCET - GALLEY - SINGLE CONTROL
20	104113-01-000	EA	SINK - DOUBLE - STAINLESS STEEL
	066437-02-000	EA	STRAINER - W/BASKET - SINK
	103610-03-H24	EA	COVER - SINK - 15.2" X 11" - LAMINATED BOTH SIDES (K04)
	103610-03-K02	EA	COVER - SINK - 15.2" X 11" - LAMINATED BOTH SIDES (K05)
	103610-03-H07	EA	COVER - SINK - 15.2" X 11" - LAMINATED BOTH SIDES (K06)
21	M09316-33-J03	EA	DRAWER - OGEE EDGE - 22.5"W X 13.9"D - W/O SLIDES/HARDWARE
	090329-01-000	FT	SEAL/T - REFRIGERATOR CABINET
22	128127-02-K04	EA	CABINET - GALLEY - W/COUNTERTOP - W/O DOORS/DWRS/HDW
22	128127-02-K05	EA	CABINET - GALLEY - W/COUNTERTOP - W/O DOORS/DWRS/HDW
22	128127-02-K06	EA	CABINET - GALLEY - W/COUNTERTOP - W/O DOORS/DWRS/HDW

GALLEY GROUP (CONTINUED)

MICROWAVE OVEN

KEY	PART NUMBER	U/M DESCRIPTION	VENDOR NO.
	128527-03-000	EA OVEN - MICROWAVE - .9 CUBIC FEET FROM: 00-00-00 THRU: 11-22-98	
	128527-01-000	EA OVEN - MICROWAVE - .9 CU FT - NON CONVECTION FROM: 11-23-98 THRU: 04-13-99	
	128642-01-000	EA TRIM KIT W/VENT - MICROWAVE - .9 CU FT - SAMSUNG FROM: 11-23-98 THRU: 04-13-99	
	128527-03-000	EA OVEN - MICROWAVE - .9 CUBIC FEET FROM: 04-14-99 THRU: 99-99-99	
	128527-01-700	EA TRIM RING-F/.9 CU.FT. MICRO	MC-5471-EA
	098916-24-02B	EA BRACE - MICROWAVE CABINET - LEFT HAND	
	098916-25-02B	EA BRACE - MICROWAVE CABINET - RIGHT HAND	
	094750-10-000	EA BRACKET - MICROWAVE - 89 DEGREE	

MONITOR PANEL - LVS

KEY	PART NUMBER	U/M DESCRIPTION
*	102765-04-01A	EA PANEL - MONITOR - 2 TANK/WATER HEATER - ADJUSTABLE

***COMPONENT PARTS FOUND IN SERVICE PARTS LIBRARY**

RANGE W/OVEN - MAGIC CHEF - MODEL CLY1631BDL

KEY	PART NUMBER	U/M DESCRIPTION
*	112881-02-02A	EA RANGE - 16" - 3 BURNER
	105458-03-000	EA BRACKET - STOVE TIEDOWN - RIGHT HAND
	105458-04-000	EA BRACKET - STOVE TIEDOWN - LEFT HAND

***COMPONENT PARTS FOUND IN SERVICE PARTS LIBRARY**

GALLEY GROUP (CONTINUED)

RANGE HOOD W/O MONITOR PANEL - U.S. - MODEL TCS-5008-NADL

KEY	PART NUMBER	U/M DESCRIPTION
*	100258-16-03A	EA HOOD - RANGE - W/O MONITOR PANEL - W/O HOUR METER & SWITCH

***COMPONENT PARTS FOUND IN SERVICE PARTS LIBRARY**

RANGE HOOD W/O MONITOR PANEL - CANADIAN - MODEL TCS-5008-NACL

KEY	PART NUMBER	U/M DESCRIPTION
*	100258-17-03A	EA HOOD - RANGE - W/O MONITOR PANEL - W/O HOUR METER & SWITCH
	100258-10-01A	EA GAUGE - HOUR METER W/SWITCH - SCREW ON STYLE

***COMPONENT PARTS FOUND IN SERVICE PARTS LIBRARY**

RANGE HOOD W/O MONITOR PANEL - U.S. W/GENERATOR - MODEL TPS-5009-SADLG

KEY	PART NUMBER	U/M DESCRIPTION
*	100258-18-03A	EA HOOD - RANGE - W/O MONITOR PANEL-W/HOUR METER/SWITCH - US
	100258-10-01A	EA GAUGE - HOUR METER W/SWITCH - SCREW ON STYLE

***COMPONENT PARTS FOUND IN SERVICE PARTS LIBRARY**

NORCOLD REFRIGERATOR SMALL DOUBLE DOOR - MODEL 9162 R

KEY	PART NUMBER	U/M DESCRIPTION
*	121568-03-01A	EA REFRIGERATOR - SMALL DBL DOOR/BLK-52.8"HX23.5"WX24"D-2-WAY
	054450-01-000	EA LEVEL - REFRIGERATOR
	065225-02-000	EA PLATE - TIEDOWN - REFRIGERATOR
	093646-01-000	EA BRACKET - TIEDOWN/REFRIGERATOR - RIGHT HAND
	093646-02-000	EA BRACKET - TIEDOWN/REFRIGERATOR - LEFT HAND
	116751-02-01A	EA TRAY - REFRIGERATOR - BLACK

***COMPONENT PARTS FOUND IN SERVICE PARTS LIBRARY**

GENERATOR GROUP

4.0 KW ONAN GENERATOR

KEY	PART NUMBER	U/M	DESCRIPTION
	109982-03-000	EA	GENERATOR - 4.0 MICROLITE
	007125-03-000	EA	CLAMP - MUFFLER - 1.5" DIAMETER
	007131-01-000	EA	HANGER - TAILPIPE - 6 SLOTS
	105958-08-000	EA	PIPE - GENERATOR EXHAUST - 1.5" OD X 3.1" X 19.7"
	007067-01-000	SF	INSULATION - FIBERGLASS - 1" THICK X 4' - INCREMENTS/4 SF

3.6 KW ONAN GENERATOR

KEY	PART NUMBER	U/M	DESCRIPTION
	109982-04-000	EA	GENERATOR - 3.6 MICROLITE
	007125-03-000	EA	CLAMP - MUFFLER - 1.5" DIAMETER
	007131-01-000	EA	HANGER - TAILPIPE - 6 SLOTS
	105958-08-000	EA	PIPE - GENERATOR EXHAUST - 1.5" OD X 3.1" X 19.7"
	007067-01-000	SF	INSULATION - FIBERGLASS - 1" THICK X 4' - INCREMENTS/4 SF

NOTE: ADDITIONAL GENERATOR COMPONENTS ARE FOUND IN THE CHASSIS GROUP

HEATING & AIR CONDITIONING GROUP

A/C-14,800 BTU - COLEMAN - MODEL 8335-896

KEY	PART NUMBER	U/M	DESCRIPTION
*	131188-01-01A	EA	A/C - ROOF - 14,800 MACH 15 - WHITE
	092633-02-02A	EA	COVER - BLANK - ROOF A/C - 5.1" X 5.1"

***COMPONENT PARTS FOUND IN SERVICE PARTS LIBRARY**

CEILING A/C - COLEMAN - 8330-713

KEY	PART NUMBER	U/M	DESCRIPTION
*	131183-01-01A	EA	CEILING ASSEMBLY - A/C COOL - WHITE

***COMPONENT PARTS FOUND IN SERVICE PARTS LIBRARY**

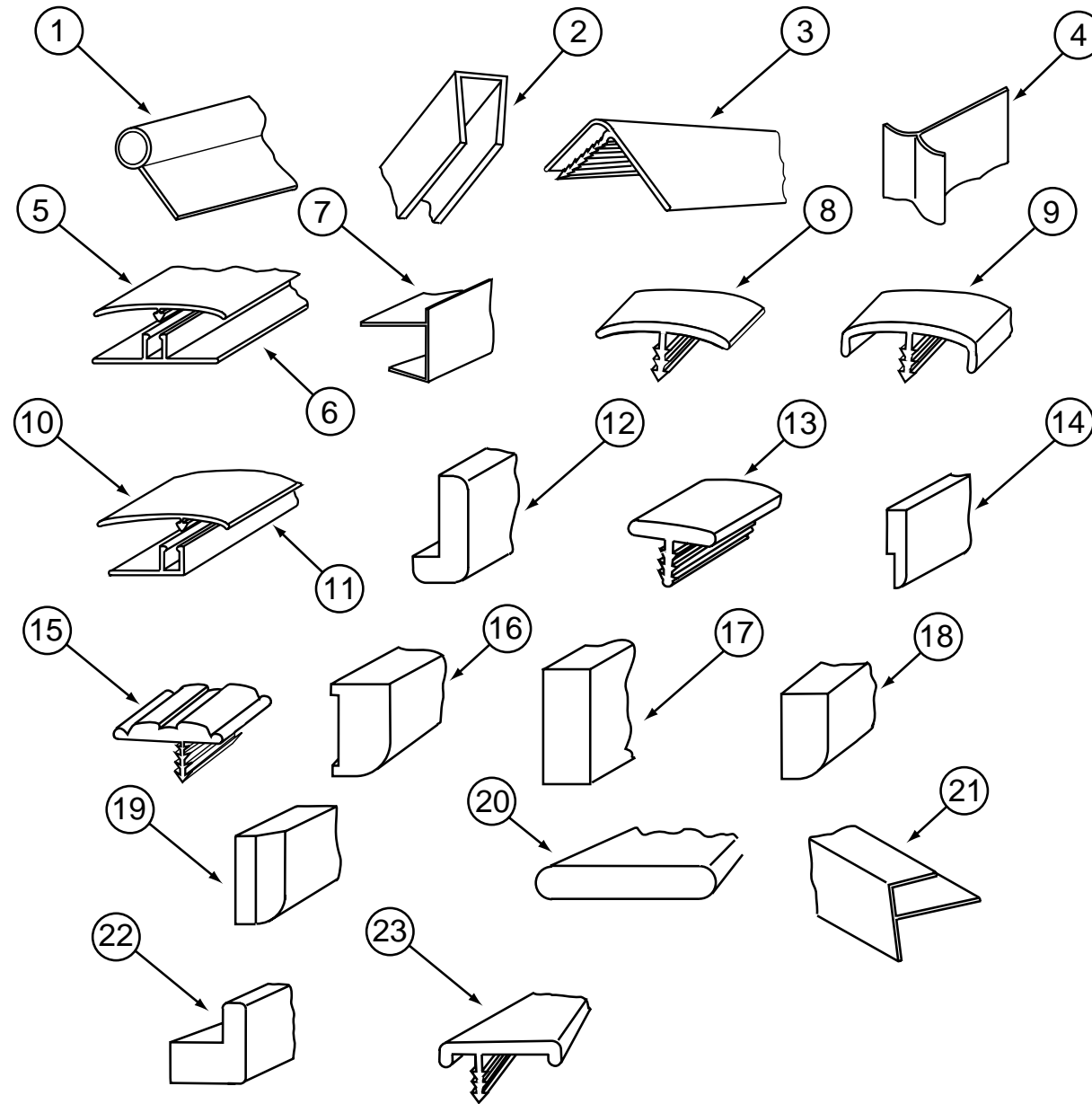
FURNACE - 30,000 BTU - SUBURBAN - MODEL SF-30 2273

KEY	PART NUMBER	U/M	DESCRIPTION
*	098668-20-000	EA	FURNACE - 30,000 BTU
	009200-01-000	EA	TAPE - FURNACE - 1 1/2"
	089367-01-000	EA	TEE - 4" OD - 7" LONG - METAL
	098668-23-000	EA	DOOR - ACCESS - FURNACE - BRIGHT WHITE
	115764-01-01A	EA	THERMOSTAT - FURNACE
	009198-01-000	FT	DUCT - HEAT - FLEXIBLE - 4" ID X 25'
	069636-02-000	EA	CONNECTOR - DUCT - 4" ID
	056464-10-000	EA	REGISTER W/O DAMPER - 4" DIAMETER - PLASTIC - BEIGE
	093614-01-02A	EA	GRILLE - RETURN AIR - 15.6" X 7.6" - BEIGE

***COMPONENT PARTS FOUND IN SERVICE PARTS LIBRARY**

INTERIOR FINISH GROUP

MOLDINGS & TRIMS

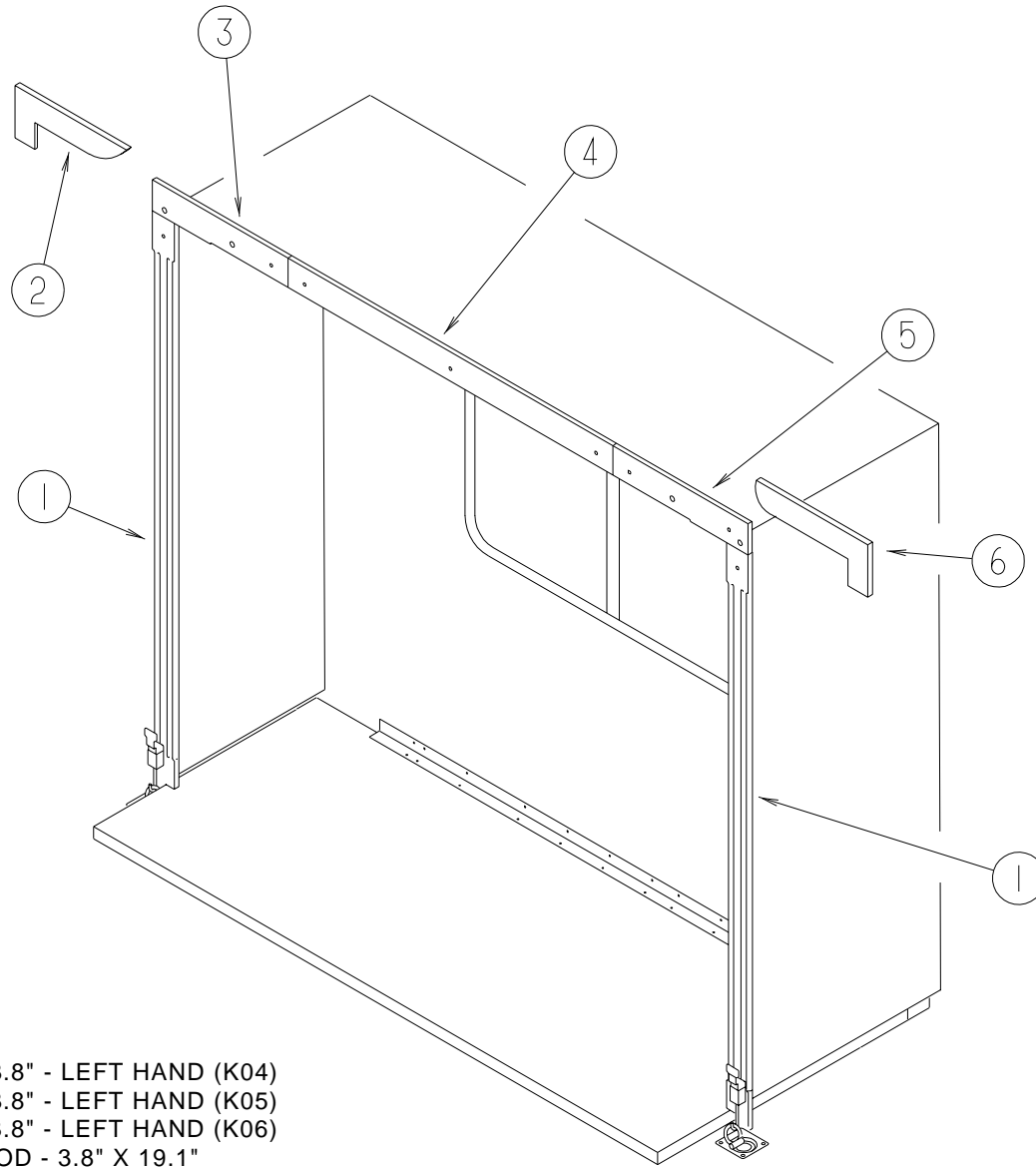


KEY	PART NUMBER	U/M	DESCRIPTION
1	009767-12-000	FT	WELTING - SIDEWALL/CEILING/CABINET - OFF/WHT
1	009767-15-000	FT	WELTING - WATERFORD OAK
2	009778-11-000	FT	U-CHANNEL - 1" - IVORY
2	009778-30-000	FT	U-CHANNEL - 1" - VILLAGE OAK
2	070504-21-000	FT	U-CHANNEL - PLASTIC - .8" X 84" - COUNTRY FOREST
2	070504-36-000	FT	U-CHANNEL - PLASTIC - .13" X 72" - WATERFORD OAK
2	070504-37-000	FT	U-CHANNEL - PLASTIC - .9" X 84" - WATERFORD OAK
2	070504-18-000	FT	U-CHANNEL - PLASTIC - .13" X 84" - IVORY
3	009809-23-000	EA	MOLDING - CORNER - OUTSIDE - 1" X 84" - MODERN IVORY
3	009809-28-000	EA	MOLDING - CORNER - OUTSIDE - 1" X 84" - WATERFORD OAK
3	009809-24-000	EA	MOLDING - CORNER - OUTSIDE - 1" X 84" - THOR PECAN
4	022992-11-000	FT	MOLDING - REVERSE COVE - T-SHAPED VINYL - IVORY
5	086229-15-000	EA	BATTEN - 1" X 96" - MODERN IVORY
5	086229-20-000	EA	BATTEN - 1" X 96" - BEIGE
6	086229-01-000	EA	RETAINER - BATTEN - .75" X 92.3" - ANY COLOR
7	103186-01-05A	FT	MOLDING - PLASTIC - 3/8" U-CHANNEL 3/4" FACE-WATERFORD OAK
7	103186-02-05A	FT	MOLDING - PLASTIC - 1" U-CHANNEL 1 3/8" FACE-WATERFORD OAK
8	009815-09-000	FT	MOLDING-T - .75" IVORY
8	105709-01-000	FT	MOLDING-T - 1" - MODERN IVORY
9	083620-09-000	FT	MOLDING-T - END CAP EDGE - W/EDGE LIP - .75"-MODERN IVORY
9	083620-12-000	FT	MOLDING-T - END CAP EDGE - W/EDGE LIP - .75"-WATERFORD OAK

KEY	PART NUMBER	U/M	DESCRIPTION
9	104676-02-04A	FT	MOLDING-T - 1/2" - WATERFORD OAK
10	086229-12-000	EA	BATTEN - 1.5" OFFSET X 97.01" IVORY
11	086229-11-000	EA	RETAINER - OFFSET - 97.01"
12	077840-01-G01	EA	MOLDING - CAP - WALL - 8' - WATERFORD OAK
13	104676-01-01A	FT	MOLDING-T - 5/16" RIGID GOLD
14	105004-01-05A	EA	MOLDING - VINYL WRAPPED - 1" X 96" - WATERFORD OAK
15	109736-02-01A	FT	T-MOLDING - 1" - NATURAL OAK/BRASS
16	117268-D2-134	EA	MOLDING - VINYL WRAPPED - .7" X 1.6" X 84" - WATERFORD OAK
16	117268-F2-134	EA	MOLDING - VINYL WRAPPED - .7" X 2.7" X 84" - WATERFORD OAK
17	117267-D2-438	EA	LUMBER - VINYL WRAPPED - .7" X 1.5" X 96" - WATERFORD OAK
17	117267-E2-438	EA	LUMBER - VINYL WRAPPED - .7" X 2" X 96" - WATERFORD OAK
17	117267-R2-438	EA	LUMBER - VINYL WRAPPED - .7" X 3" X 96" - WATERFORD OAK
17	117267-J2-438	EA	LUMBER - VINYL WRAPPED - .7" X 5.5" X 96" - WATERFORD OAK
17	117267-F2-438	EA	LUMBER - VINYL WRAPPED - .7" X 2.5" X 96" - WATERFORD OAK
18	100818-01-05A	EA	MOLDING/VINYL WRAP - 1.6" X .4" X 7' - WATERFORD OAK
19	100659-01-G09	EA	MOLDING/TRIM - VINYL FLOOR
20	120492-01-01A	FT	STRIP - TRIM - IVORY
21	009812-29-000	EA	MOLDING - CORNER - 1/2" W/1/4" CHAN X 84" - WATERFORD OAK
21	009812-24-000	EA	MOLDING - CORNER - 1/2" W/1/4" CHAN X 108" - IVORY PLASTIC
22	100819-01-05A	EA	MOLDING/VINYL WRAP - L-SHAPED-1.5" X 1.5" X 7'-WATERFD OAK
23	119520-01-01A	FT	MOLDING-T - 1" - W/EDGE LIPS (OFF/WHITE-CREAM)

INTERIOR FINISH GROUP (CONTINUED)

SLIDEOUT ROOM MOLDINGS & TRIMS



KEY	PART NUMBER	U/M	DESCRIPTION
1	116951-01-G35	EA	MOLDING - WOOD - 3" X 70.5"
2	115811-20-J02	EA	OVERLAY - NOVEAU - 7.5" X 23.8" - LEFT HAND (K04)
2	115811-20-J03	EA	OVERLAY - NOVEAU - 7.5" X 23.8" - LEFT HAND (K05)
2	115811-20-K03	EA	OVERLAY - NOVEAU - 7.5" X 23.8" - LEFT HAND (K06)
3	116968-02-G35	EA	TRIM - END/RIGHT HAND - WOOD - 3.8" X 19.1"
4	116967-05-J01	EA	TRIM - CENTER - WOOD - 3.8" X 103.4"
5	116968-01-G35	EA	TRIM - END/LEFT HAND - WOOD - 3.8" X 19.1"
6	115811-19-J02	EA	OVERLAY - NOVEAU - 7.5" X 23.8" - RIGHT HAND (K04)
6	115811-19-J03	EA	OVERLAY - NOVEAU - 7.5" X 23.8" - RIGHT HAND (K05)
6	115811-19-K03	EA	OVERLAY - NOVEAU - 7.5" X 23.8" - RIGHT HAND (K06)

INTERIOR FINISH GROUP (CONTINUED)

EDGE BAND MOLDING

KEY	PART NUMBER	U/M DESCRIPTION
	076325-47-000	FT MOLDING - EDGE BAND - 1 5/16" X .030 - SAND (K04)
	076325-39-000	FT MOLDING - EDGE BAND - 1 5/16" X .030 - ALMOND (K05, K06)
	076325-44-000	FT MOLDING - EDGE BAND - .875" X .024" - SAND (K04)
	076325-40-000	FT MOLDING - EDGE BAND - .875" X .024" - ALMOND (K05, K06)
	076325-73-000	FT MOLDING - EDGE BAND - .93" X .024" - OFF WHITE
	076325-68-000	FT MOLDING - EDGE BAND - 1 5/16" X .038 - WATERFORD OAK
	076325-67-000	FT MOLDING - EDGE BAND - .93" X .024" - WATERFORD OAK

BATT STRIPS

KEY	PART NUMBER	U/M DESCRIPTION
	088263-F5-000	EA BATT STRIP - DECORATIVE - FLAGSTAFF SAND - 8' (K04)
	088263-E6-000	EA BATT STRIP - DECORATIVE - MONTANA FROST - 8' (K05)
	088263-F4-000	EA BATT STRIP - DECORATIVE - TRAVIS MERCURY - 8' (K06)
	085284-F1-000	FT BATT TAPE - ADHESIVE BACKED - DECORATIVE/FLAGSTAFF SAND (K04)
	085284-E0-000	FT BATT TAPE - ADHESIVE BACKED - MONTANA FROST (K05)
	085284-E9-000	FT BATT TAPE - ADHESIVE BACKED - DECORATIVE/TRAVIS MERCURY (K06)
	088263-E3-000	EA BATT STRIP - DECORATIVE - PEBBLE EMBOSSED/ANTIQUE - 8'
	085284-D6-000	FT BATT TAPE - ADHESIVE BACKED - DECORATIVE-EMBOSSED ANTIQUE
	088263-F9-000	EA BATT STRIP - CEILING - IMPACT PEARL - 9'
	085284-F6-000	FT BATT TAPE - ADHESIVE BACKED-IMPACT PEARL-W/FLEECE EMBOSSED
	069733-83-000	EA BATT STRIP - WOODGRAINED/WATERFORD OAK - 8'
	085284-B5-000	FT BATT TAPE - ADHESIVE BACKED - WOODGRAINED - WATERFORD OAK

PANELING & PARTICLE BOARD

KEY	PART NUMBER	U/M DESCRIPTION
	088272-H5-000	SF PANELING - FLAGSTAFF - 4' X 7' (K04)
	088272-G4-000	SF PANELING - MONTANA FROST - 4' X 7' (K05)
	088272-H4-000	SF PANELING - TRAVIS - 4' X 7'(28 SQ.FT.) (K06)
	088272-G1-000	SF PANELING - PEBBLE EMBOSSED - ANTIQUE WHITE - 4' X 7'
	074497-28-000	SF PANELING - WATERFORD OAK - 4' X 8'
	074497-41-000	SF PANELING - CEILING - IMPACT PEARL - EMBOSSED - 4' X 9'
	000885-76-000	SF PARTICLE BOARD-3/8" X 48" X 96"-WATERFORD OAK/VINYL 1 SIDE
	000885-77-000	SF PARTICLE BOARD-3/8" X 48" X 96"-WATERFORD OAK/VINYL 2 SIDE
	000885-78-000	SF PARTICLE BOARD-1/2" X 48" X 96"-WATERFORD OAK/VINYL 2 SIDE
	000885-79-000	SF PARTICLE BOARD-3/4" X 48" X 96"-WATERFORD OAK/VINYL 2 SIDE
	126339-01-000	SF BOARD - WHEAT - 60" X 72"
	057882-04-700	EA TAMBOUR - 48" X 48" SHEET - UNFINISHED

WALLPAPER BORDER

KEY	PART NUMBER	U/M DESCRIPTION
	122481-05-000	FT WALLPAPER - 6" BORDER - MERCURY (K04) FROM: 00-00-00 THRU: 09-20-98
	122481-14-000	FT WALLPAPER - 5.1" BORDER (K04) FROM: 09-21-98 THRU: 99-99-99
	122481-04-000	FT WALLPAPER - 6" BORDER (K05)
	122481-19-000	FT WALLPAPER - 6.8" BORDER (K06)

INTERIOR FINISH GROUP (CONTINUED)

PLASTIC LAMINATES

KEY	PART NUMBER	U/M DESCRIPTION
	074498-54-000	SF LAMINATE - PLASTIC - SAND SPEKTRUM - 5' X 8' (K04)
	074498-80-000	SF LAMINATE - PLASTIC - WHITE TUNDRA - 5' X 8' (K05)
	074498-71-000	SF LAMINATE - PLASTIC - NEUTRAL SANTOS - 5'X 8' (K06)
	074498-40-000	SF LAMINATE - PLASTIC - OFF WHITE - 5' X 8'
	074498-77-000	SF LAMINATE - PLASTIC - ART CABIN (WATERFORD OAK) - 4' X 8'

CARPETING & FLOOR MATS

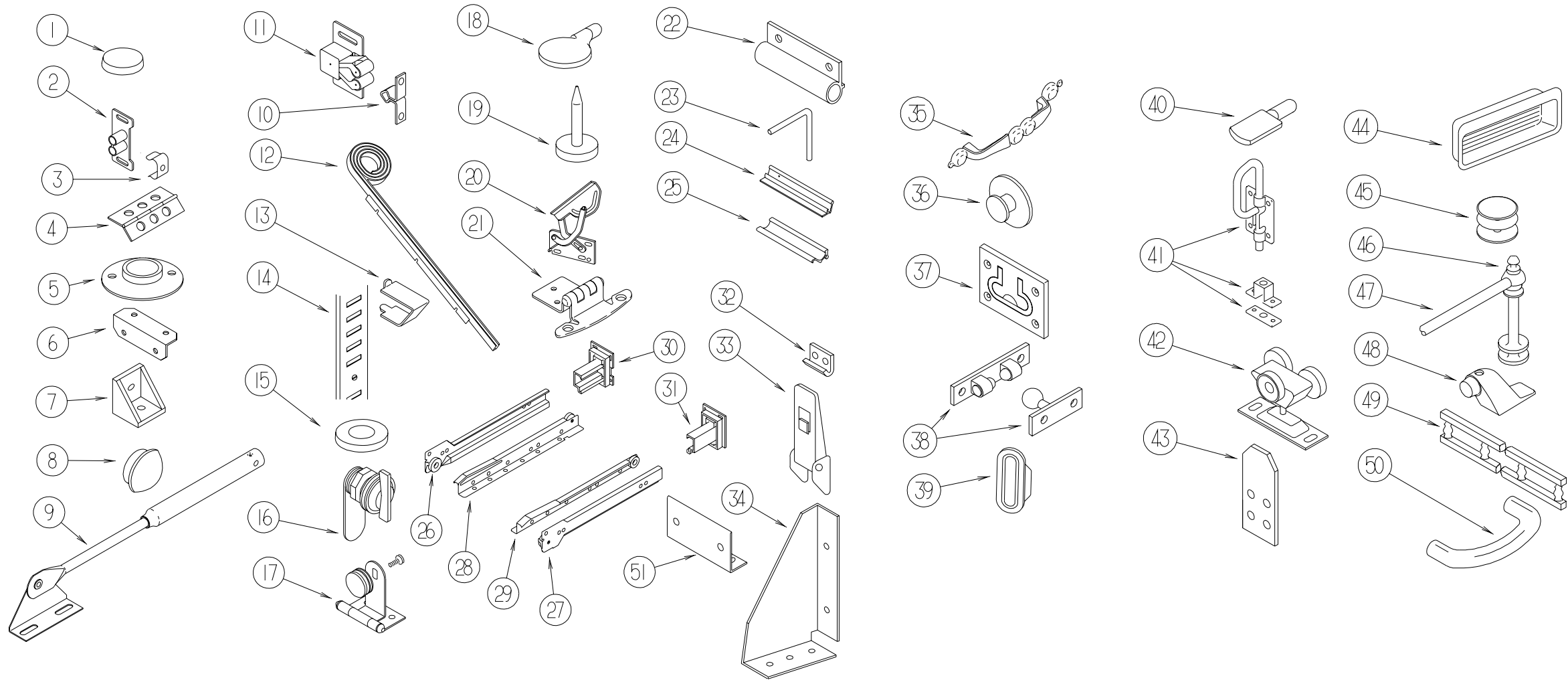
KEY	PART NUMBER	U/M DESCRIPTION
	096060-95-000	SY CARPET - DOESKIN - INCREMENTS OF 4 SQ YDS (K04)
	096060-97-000	SY CARPET - LAPIS - INCREMENTS OF 4 SQ YDS (K05)
	096060-99-000	SY CARPET - PARCHMENT - INCREMENTS OF 4 SY (K06)
	093486-01-000	SY CARPET - COMPARTMENT - 72" WIDE - DARK GRAY
	042720-20-000	SY VINYL - FLOOR COVERING - 7.5' WIDE - CALAY
	091261-01-000	FT SLIPNOT - ANTISLIP - 1' WIDE
	096764-02-000	FT SLIPNOT - ANTISLIP - 1" WIDE (100' ROLLS)
	122755-05-01A	EA TILE - RUBBER/ENTRANCE DOOR - 11.2" X 26.9"
	125780-03-000	EA MAT - FLOOR - FRONT PASSENGER - "I" - FORD
	125780-04-000	EA MAT - FLOOR - FRONT DRIVER - "I" - FORD

SMOKE DETECTOR, CO DETECTOR & FIRE EXTINGUISHER

KEY	PART NUMBER	U/M DESCRIPTION	VENDOR NO.
	094499-03-000	EA EXTINGUISHER/FIRE - DRY - 10B:C - W/O BRACKET	
	094499-04-000	EA BRACKET - FIRE EXTINGUISHER	
	094499-02-000	EA EXTINGUISHER/FIRE - DRY - 1A10BC - CANADIAN	
	094499-01-700	EA BRACKET MTG. W/PLAS. STRAP	294039
	094499-01-701	EA STRAP ONLY (METAL)	320351
	072852-01-000	EA DETECTOR - SMOKE - W/9 VOLT BATTERY - US	
	125136-01-000	EA CO DETECTOR - GAS - ROUND W/2 SCREWS - 9 VOLT	

INTERIOR FINISH GROUP (CONTINUED)

CABINET & TABLE HARDWARE

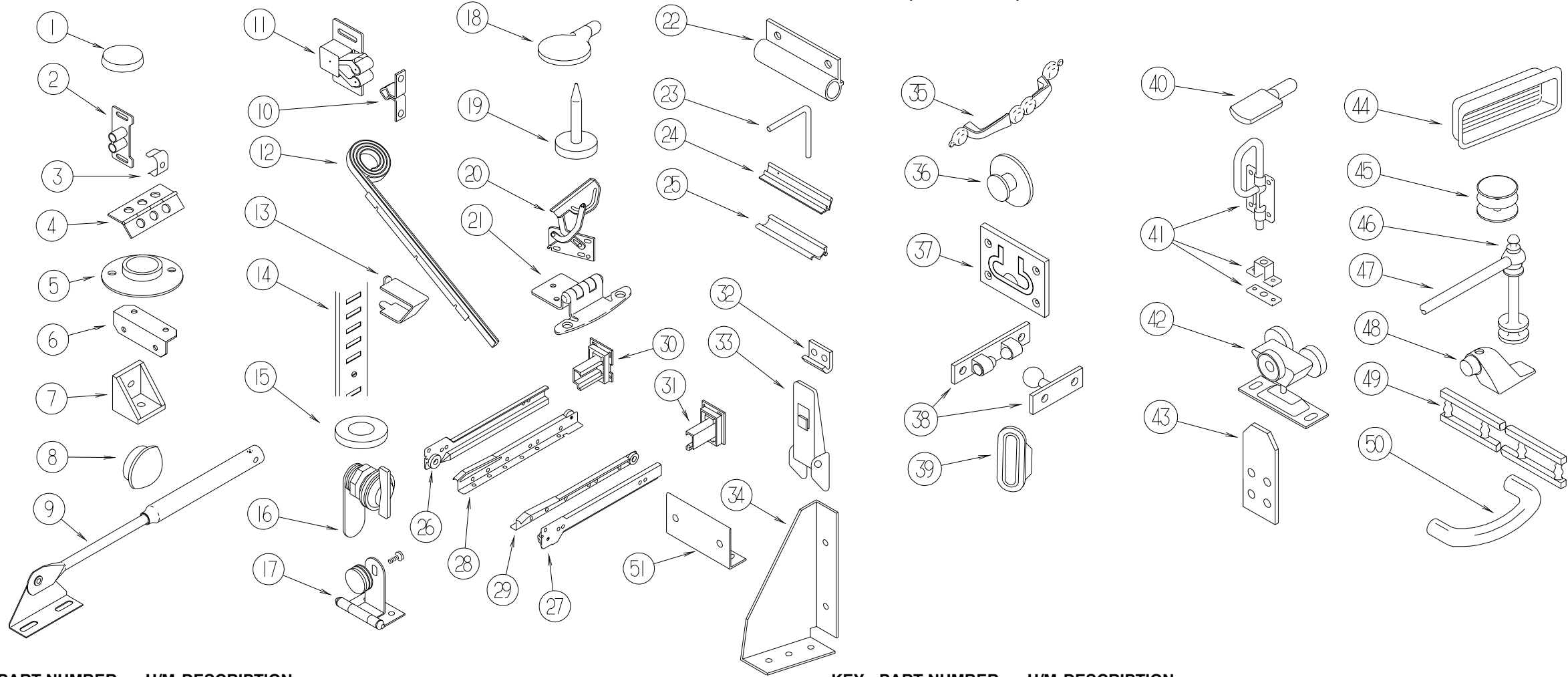


KEY	PART NUMBER	U/M	DESCRIPTION
1	004354-01-000	EA	BUMPER - RUBBER - .5" DIA - BROWN
2	009021-01-000	EA	CATCH - GRILLE - NYLON
3	009021-02-000	EA	STRIKE - SPRING STEEL
4	009059-01-000	EA	HINGE - DOOR - 2" X 1.4" - BRASS
4	009059-02-000	EA	HINGE - DOOR - 2" X 2.7" - BRASS
4	041389-35-000	EA	HINGE - PIANO - OFF WHITE - 31"
5	009112-01-000	EA	FLANGE - PLASTIC - 1" CLOTHES ROD - OFF WHITE
6	016604-01-000	EA	BRACE - CABINET - ANGLE - 2.5" - UNPAINTED METAL
6	016604-05-000	EA	BRACE - CABINET - ANGLE - 2.5" - OFF WHITE METAL
7	065740-01-000	EA	BRACE - CABINET/CORNER - PLASTIC
8	074045-01-000	EA	PLUG - OAK - 1/2" DIAMETER
9	074493-02-000	EA	SUPPORT - PISTON SPRING - CABINET DOOR
10	093586-05-000	EA	STRIKE - SPRING STEEL
11	093586-06-000	EA	CATCH - SPRING - ROLLER

KEY	PART NUMBER	U/M	DESCRIPTION
12	097141-02-700	EA	KIT - TRACK - TAMBOUR DOOR - W/ONE RT & ONE LEFT TRACK
13	098979-01-000	EA	CLIP - ADJUSTABLE SHELF
14	098980-06-000	EA	PILASTER - ADJUSTABLE SHELF - 24"
15	100707-01-000	EA	SPACER - GLASS DOOR - .8" DIA - .3" HOLE - PLASTIC
16	100710-01-01A	EA	LOCK - GLASS DOOR/TWIST TYPE - BRASS
17	100711-01-01A	EA	HINGE - GLASS DOOR
18	101766-01-000	EA	PIN - SUPPORT/GLASS DOOR
19	102194-01-000	EA	GUIDE - PLASTIC
20	108126-01-000	EA	TRAY HINGE SET (QTY. 2 PER SET)
21	108138-01-000	EA	HINGE - CABINET DOOR - BURNISHED BRASS
	000G13-06-08G	EA	SCREW - 6-20 X .50 PFH - ANTIQUE BRASS
22	108486-01-01A	EA	BRACKET - PROP ROD/OVERHEAD - BLACK
23	108487-02-01A	EA	SUPPORT - PROP ROD/OVERHEAD - BLACK
24	110107-01-04A	EA	PULL - DOOR - TERRATONE
25	110108-01-04A	EA	LATCH - DOOR - TERRATONE

INTERIOR FINISH GROUP (CONTINUED)

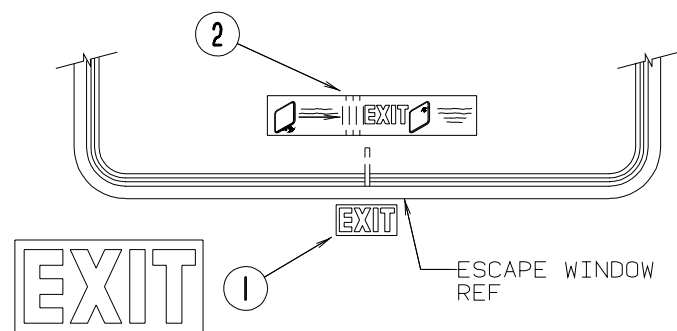
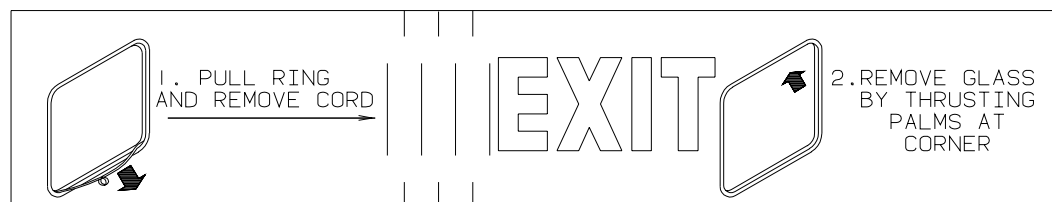
CABINET & TABLE HARDWARE (CONTINUED)



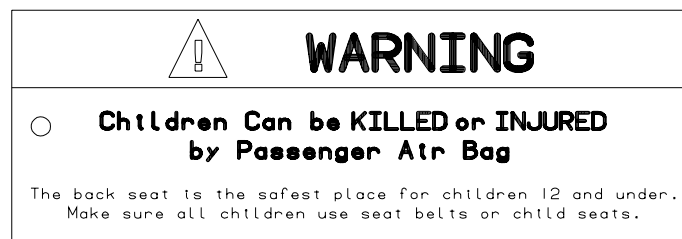
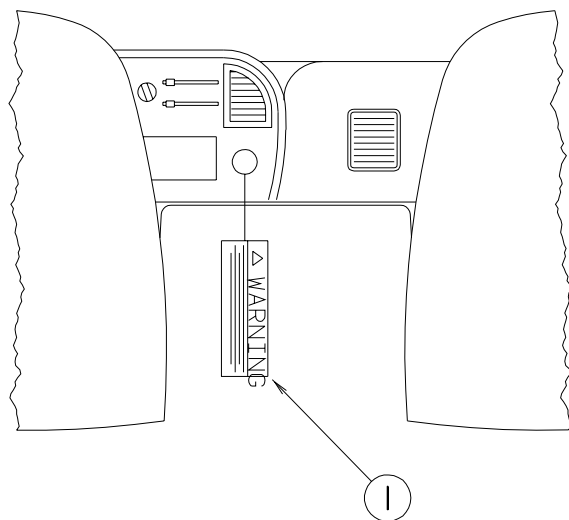
KEY	PART NUMBER	U/M	DESCRIPTION
26	128810-01-01A	EA	SLIDE - DRAWER - 12" - LEFT CABINET
26	128810-05-01A	EA	SLIDE - DRAWER - 14" - LEFT CABINET
26	128810-09-01A	EA	SLIDE - DRAWER - 16" - LEFT CABINET
26	128810-13-01A	EA	SLIDE - DRAWER - 18" - LEFT CABINET
26	128810-17-01A	EA	SLIDE - DRAWER - 20" - LEFT CABINET
26	128810-21-01A	EA	SLIDE - DRAWER - 22" - LEFT CABINET
26	128810-25-01A	EA	SLIDE - DRAWER - 24" - LEFT CABINET
27	128810-02-01A	EA	SLIDE - DRAWER - 12" - RIGHT CABINET
27	128810-06-01A	EA	SLIDE - DRAWER - 14" - RIGHT CABINET
27	128810-10-01A	EA	SLIDE - DRAWER - 16" - RIGHT CABINET
27	128810-14-01A	EA	SLIDE - DRAWER - 18" - RIGHT CABINET
27	128810-18-01A	EA	SLIDE - DRAWER - 20" - RIGHT CABINET
27	128810-22-01A	EA	SLIDE - DRAWER - 22" - RIGHT CABINET
27	128810-26-01A	EA	SLIDE - DRAWER - 24" - RIGHT CABINET
28	128810-03-01A	EA	SLIDE - DRAWER - 12" - LEFT DRAWER
28	128810-07-01A	EA	SLIDE - DRAWER - 14" - LEFT DRAWER
28	128810-11-01A	EA	SLIDE - DRAWER - 16" - LEFT DRAWER
28	128810-15-01A	EA	SLIDE - DRAWER - 18" - LEFT DRAWER
28	128810-19-01A	EA	SLIDE - DRAWER - 20" - LEFT DRAWER
28	128810-23-01A	EA	SLIDE - DRAWER - 22" - LEFT DRAWER
28	128810-27-01A	EA	SLIDE - DRAWER - 24" - LEFT DRAWER
29	128810-04-01A	EA	SLIDE - DRAWER - 12" - RIGHT DRAWER
29	128810-08-01A	EA	SLIDE - DRAWER - 14" - RIGHT DRAWER
29	128810-12-01A	EA	SLIDE - DRAWER - 16" - RIGHT DRAWER
29	128810-16-01A	EA	SLIDE - DRAWER - 18" - RIGHT DRAWER
29	128810-20-01A	EA	SLIDE - DRAWER - 20" - RIGHT DRAWER
29	128810-24-01A	EA	SLIDE - DRAWER - 22" - RIGHT DRAWER
29	128810-28-01A	EA	SLIDE - DRAWER - 24" - RIGHT DRAWER

KEY	PART NUMBER	U/M	DESCRIPTION
30	128811-01-01A	EA	BACKSOCKET - ADJUSTABLE - LEFT
31	128811-02-01A	EA	BACKSOCKET - ADJUSTABLE RIGHT
32	116975-02-01A	EA	KEEPER/STRIKE - BLACK - NEW STYLE
33	116975-01-01A	EA	LATCH - W/O STRIKE - BLACK - NEW STYLE
34	116978-01-03B	EA	GUSSET - SLIDEOUT ROOM - OFF/WHITE
35	121891-01-01A	EA	PULL - CABINET - BRASS
36	125221-01-01A	EA	PULL - MIRROR - W/ROUND HANDLE
37	072871-01-000	EA	PULL - FLUSH - CHROME
38	084451-01-000	EA	CATCH - BRASS
39	098410-01-01A	EA	PULL - FINGER - OVAL - BRASS
40	101766-01-000	EA	PIN - SUPPORT/GLASS DOOR
41	103256-01-000	EA	LATCH - SLIDE
42	103874-01-000	EA	HANGER - SLIDING DOOR
43	112053-01-01A	EA	STOP - DRAWER - BLACK
44	124311-01-01A	EA	HANDLE - RECESSED - BRASS
45	081114-02-000	EA	CAP - INSERT - ROUND 1" DIAMETER - WHITE
46	084070-03-000	EA	POST - END - 2.4" - BRASS
47	084071-12-000	EA	ROD - BRASS - 4.08" LONG
47	084071-19-000	EA	ROD - BRASS - 7.09" LONG
47	084071-24-000	EA	ROD - BRASS - 3.8" LONG
48	103257-01-000	EA	STOP - DOOR
49	075249-01-000	EA	RAILING - OAK - 72" UNFINISHED
50	131964-01-01A	EA	PULL - CABINET - POLISHED BRASS
	079921-01-000	EA	ROLLER - NYLON - W/STEEL SHAFT - BARBED
	113236-01-01A	EA	BRACKET - CLOTHES - ROD
	023320-01-000	EA	PAD - FELT 3/8" DIAMETER
	042438-01-000	EA	DOWEL - WOOD - CLOTHES ROD - 1" DIAMETER X 4'
	042438-02-000	EA	DOWEL - WOOD - 2" X 2"
	059783-01-000	FT	ROD - CLOTHES - SLOTTED ALUMINUM - 7'

LABELS GROUP



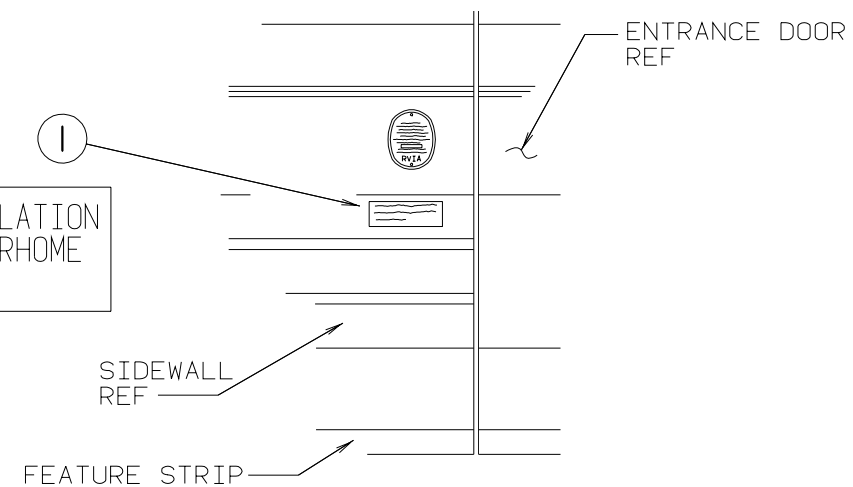
KEY	PART NUMBER	U/M	DESCRIPTION
1	039290-01-000	EA	LABEL - WARNING - EXIT
2	107571-01-000	EA	LABEL - EXIT/ESCAPE WINDOW



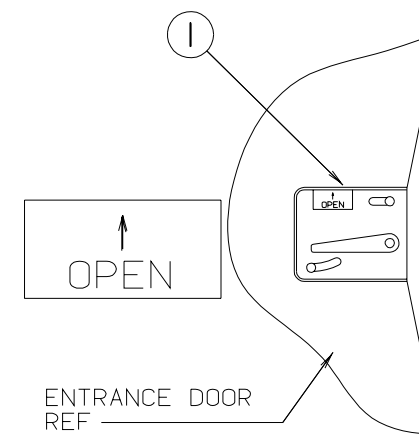
KEY	PART NUMBER	U/M	DESCRIPTION
1	126612-01-000	EA	LABEL - HANG TAG - AIR BAG - DASH

LABELS GROUP (CONTINUED)

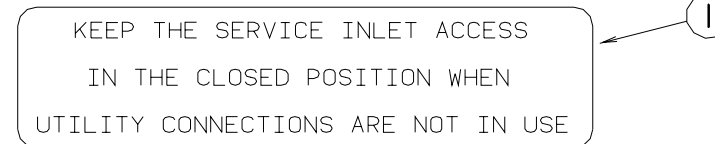
FOR AWNING INSTALLATION CONTACT YOUR MOTORHOME DEALERSHIP



KEY	PART NUMBER	U/M	DESCRIPTION
1	099509-01-000	EA	LABEL - AWNING INSTALLATION

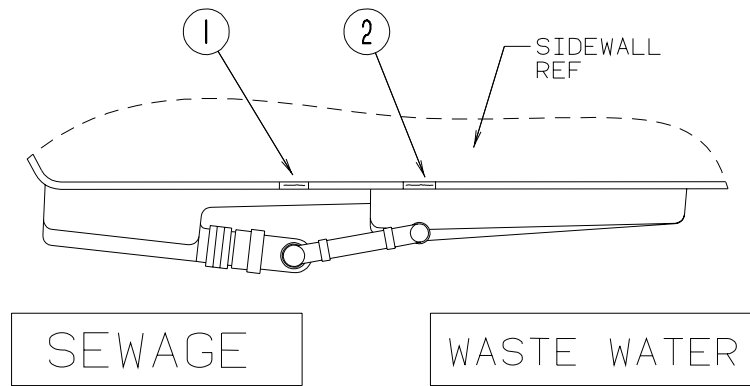


KEY	PART NUMBER	U/M	DESCRIPTION
1	040944-01-000	EA	LABEL - ENTRANCE DOOR - "OPEN"

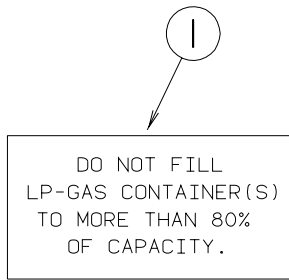


KEY	PART NUMBER	U/M	DESCRIPTION
1	123562-01-000	EA	LABEL-SERVICE/UTILITY ACCESS

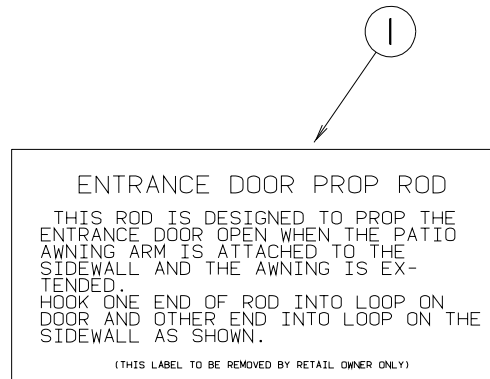
LABELS GROUP (CONTINUED)



KEY	PART NUMBER	U/M	DESCRIPTION
1	006187-01-000	EA	LABEL - SEWAGE
2	006188-01-000	EA	LABEL - WASTE WATER

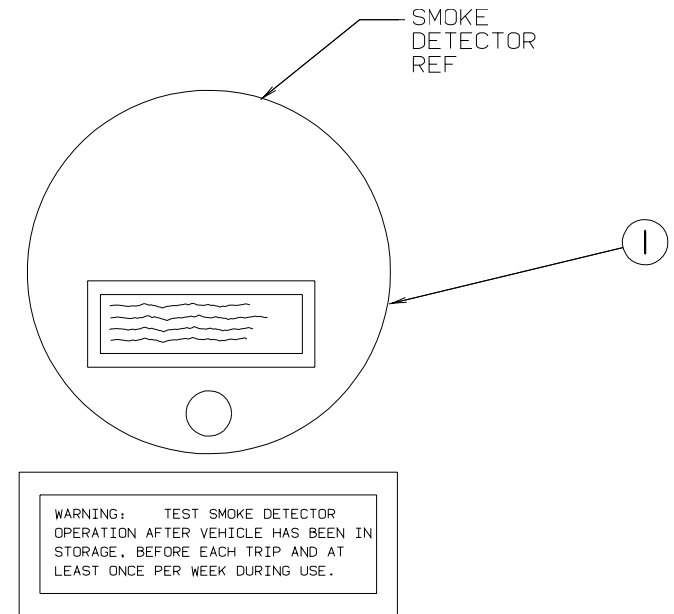


KEY	PART NUMBER	U/M	DESCRIPTION
1	079965-01-000	EA	LABEL - LPG - 80% CAPACITY

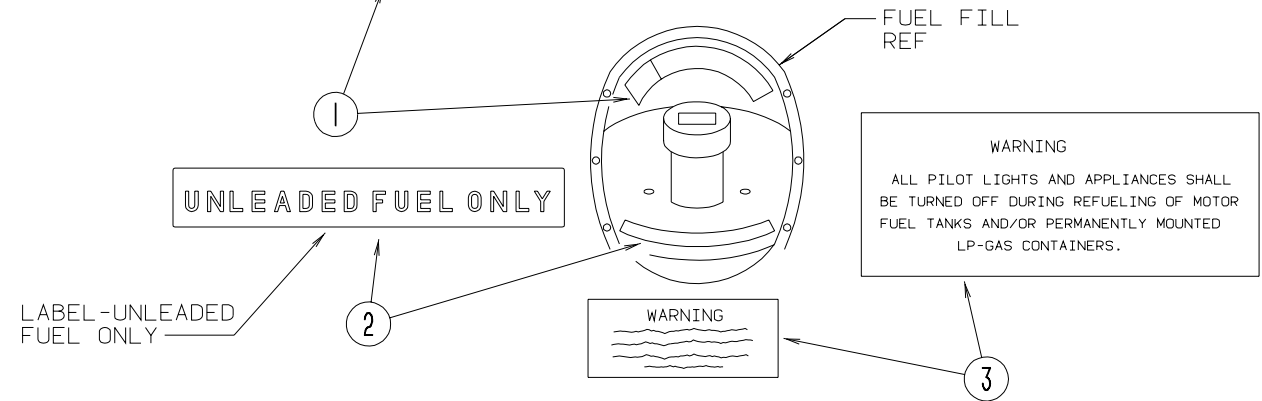
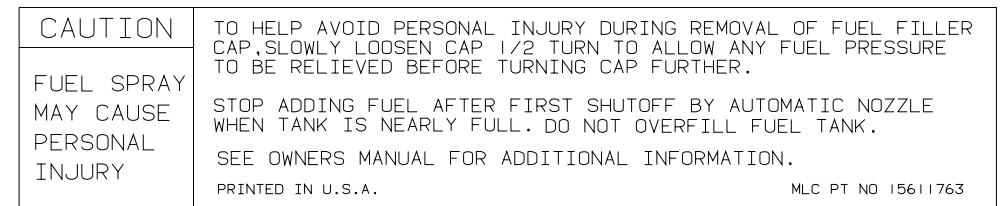


KEY	PART NUMBER	U/M	DESCRIPTION
1	128658-01-000	EA	LABEL - PROP ROD - ENTRY DOOR

LABELS GROUP (CONTINUED)

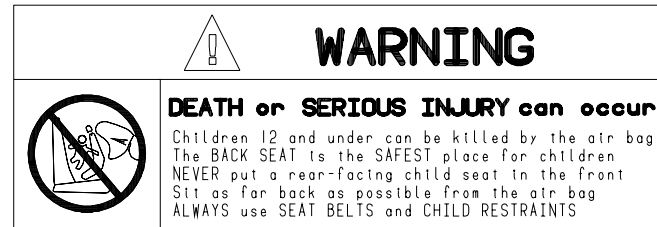


KEY	PART NUMBER	U/M	DESCRIPTION
1	077956-01-000	EA	LABEL - WARNING - SMOKE DETECTOR

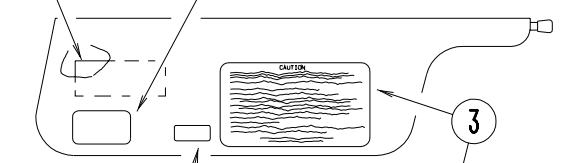


KEY	PART NUMBER	U/M	DESCRIPTION
1	087207-05-000	EA	LABEL - FUEL CAP REMOVAL
2	062043-01-000	EA	LABEL - FUEL - UNLEADED
3	124519-01-01A	EA	LABEL - WARNING/REFUELING - BLACK ON CLEAR
3	124519-02-01A	EA	LABEL - WARNING/REFUELING - CSA

LABELS GROUP (CONTINUED)



4
1
WARNING: CONTAINS "CFC" A SUBSTANCE WHICH HARMS PUBLIC HEALTH AND ENVIRONMENT BY DESTROYING OZONE IN THE UPPER ATMOSPHERE.



CAUTION

THIS MOTOR HOME HAS BEEN DESIGNED, MANUFACTURED AND TESTED WITH CONCERN FOR THE PROTECTION OF IT'S OCCUPANTS. WE RECOMMEND YOU PERFORM THE FOLLOWING INSPECTIONS FOR YOUR SAFETY AND THE SAFETY OF YOUR PASSENGERS BEFORE STARTING YOUR VEHICLE.

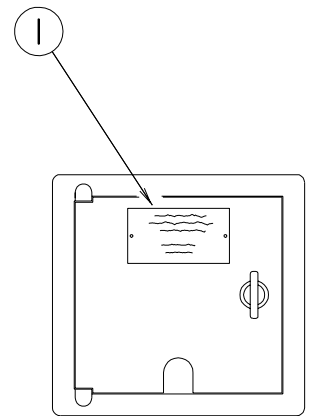
1. LP GAS SYSTEM- TURN OFF AT TANK FOR TRAVELING. TEST FOR LEAKS UPON ARRIVAL AT DESTINATION. BEFORE LIGHTING PILOTS.
2. WHEELS- INSPECT FOR DAMAGE AND CHECK LUG NUTS FOR TIGHTNESS.
3. TIRES- INSPECT FOR WEAR AND DAMAGE AND CHECK FOR RECOMMENDED AIR PRESSURE.
4. LIGHTING- TEST FOR PROPER OPERATION OF ALL INTERIOR AND EXTERIOR LIGHTS INCLUDING DASH LIGHTS, HEADLIGHTS, TAIL LIGHTS, BRAKE LIGHTS, CLEARANCE LIGHTS AND TURN SIGNALS.
5. EXITS- INSPECT RELEASE MECHANISM ON EMERGENCY EXIT WINDOW. TEST BOTH LOCKS ON MAIN ENTRANCE DOOR FOR EASE OF OPERATION AND INSTRUCT PASSENGERS HOW TO USE BOTH MEANS OF EXIT.
6. SEAT BELTS- DIRECT PASSENGERS TO DESIGNATED SEATS AND REQUIRE USE OF SEAT BELTS.
7. APPLIANCES- TURN OFF AND LATCH OR LOCK DOORS WHERE PROVIDED.
8. LOOSE PARCELS- STORE SECURELY.
9. UTILITY SUPPLY LINES- DISCONNECT ALL ELECTRIC, SEWER AND WATER LINES AND SECURE PROPERLY.
10. ENTRANCE DOOR STEP- PLACE IN RETRACTED POSITION FOR TRAVELING.

READ YOUR MOTOR HOME AND CHASSIS OWNER'S MANUAL FOR FURTHER PRECAUTIONS

WARNING

THIS VEHICLE, LIKE OTHER VEHICLES, MAY CONTAIN SMALL AMOUNTS OF ONE OR MORE SUBSTANCES WHICH ARE LISTED BY THE STATE OF CALIFORNIA FOR CAUSING CANCER OR REPRODUCTIVE TOXICITY.

KEY	PART NUMBER	U/M	DESCRIPTION
1	111802-01-000	EA	LABEL - CFC WARNING
2	099689-01-000	EA	LABEL - WARNING - CANCER/TOXICITY
3	056259-01-000	EA	LABEL - SAFETY CHECK LIST
4	126611-01-000	EA	LABEL - AIR BAG - VISOR



THIS CONNECTION IS FOR
110-125 VOLT AC, 60HZ(CYCLES)
30 AMP. MAX SERVICE.

DO NOT CONNECT TO
HIGHER VOLTAGE

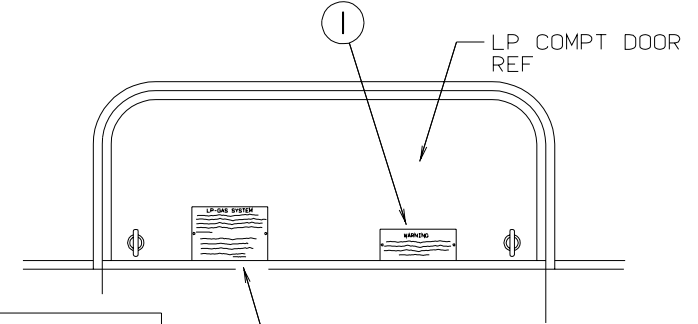
DOOR ASM-
POWER CORD
REF

KEY	PART NUMBER	U/M	DESCRIPTION
1	125306-01-01A	EA	LABEL - ELECTRICAL ENTRANCE - 110 VOLT - 30 AMP

LABELS GROUP (CONTINUED)

WARNING

ALL PILOT LIGHTS AND APPLIANCES SHALL BE TURNED OFF DURING REFUELING OF MOTOR FUEL TANKS AND/OR PERMANENTLY MOUNTED LP-GAS CONTAINERS.

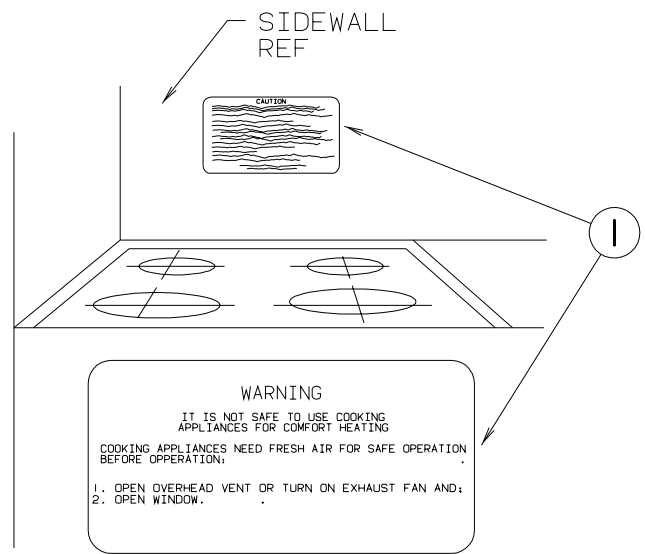


LP-GAS SYSTEM

THIS GAS PIPING SYSTEM IS DESIGNED FOR USE OF LIQUIFIED PETROLEUM GAS ONLY. DO NOT CONNECT NATURAL GAS TO THIS SYSTEM.

SECURELY CAP INLET(S) WHEN NOT CONNECTED FOR USE. AFTER TURNING ON GAS, EXCEPT AFTER NORMAL CONTAINER REPLACEMENT, TEST GAS PIPING AND CONNECTIONS TO APPLIANCE FOR LEAKAGE WITH SOAPY WATER OR BUBBLE SOLUTION. DO NOT USE PRODUCTS THAT CONTAIN AMMONIA OR CHLORINE.
P.N. 54531

KEY	PART NUMBER	U/M	DESCRIPTION
1	023769-01-000	EA	LABEL - WARNING - LPG - CANADIAN
2	124520-01-01A	EA	LABEL - LP GAS ONLY - BLACK ON CLEAR



WARNING

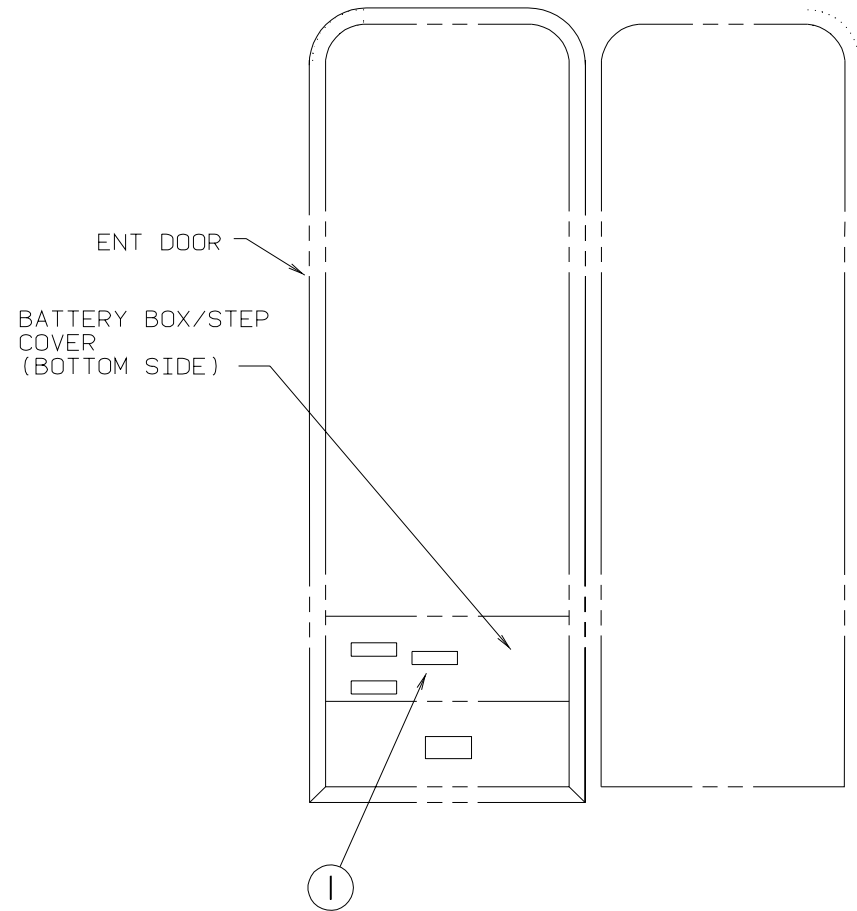
IT IS NOT SAFE TO USE COOKING APPLIANCES FOR COMFORT HEATING

COOKING APPLIANCES NEED FRESH AIR FOR SAFE OPERATION BEFORE OPERATION:

1. OPEN OVERHEAD VENT OR TURN ON EXHAUST FAN AND;
2. OPEN WINDOW.

KEY	PART NUMBER	U/M	DESCRIPTION
1	050222-01-000	EA	LABEL - STOVE VENT - CANADIAN
1	050225-01-000	EA	LABEL - STOVE VENT - US

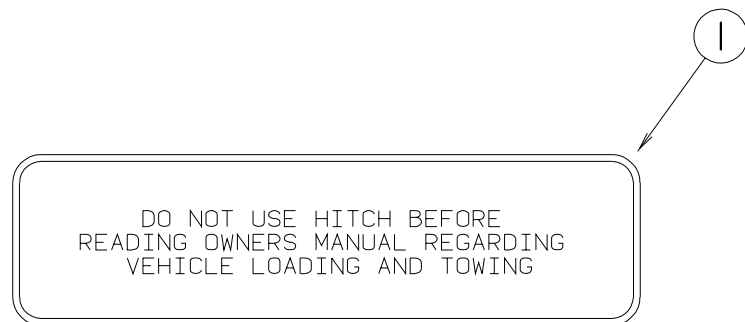
LABELS GROUP (CONTINUED)



WARNING: DISCONNECT BATTERIES BEFORE CONNECTING EXTERNAL CHARGING EQUIPMENT.

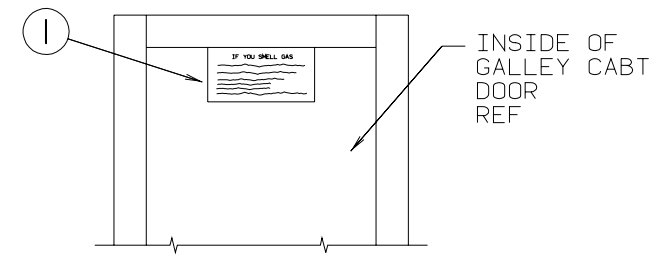
AVERTISSEMENT: DEBRANCHER LES BATTERIES AVANT DE BRANCHER TOUT EQUIPEMENT DE CHARGE EXTERIEUR.

KEY	PART NUMBER	U/M	DESCRIPTION
1	065748-01-000	EA	LABEL - CAUTION - BATTERY CHARGING



KEY	PART NUMBER	U/M	DESCRIPTION
1	111104-01-000	EA	LABEL - HITCH - READ MANUAL - WHITE
1	111104-02-000	EA	LABEL - HITCH - READ MANUAL - BLACK

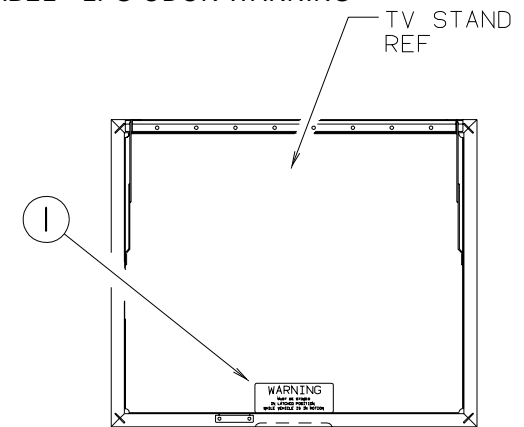
LABELS GROUP (CONTINUED)



IF YOU SMELL GAS

1. EXTINGUISH ANY OPEN FLAME, PILOT LIGHTS AND ALL SMOKING MATERIALS.
2. SHUT OFF THE GAS SUPPLY AT THE TANK VALVE(OR GAS SUPPLY CONNECTION.
3. OPEN DOORS AND OTHER VENTILATING OPENINGS.
4. DO NOT TOUCH ELECTRICAL SWITCHES.
5. LEAVE THE AREA UNTIL ODOR CLEARS.
6. HAVE THE GAS SYSTEM CHECKED AND LEAKAGE SOURCE CORRECTED BEFORE USING AGAIN.

KEY	PART NUMBER	U/M	DESCRIPTION
1	073998-01-000	EA	LABEL - LPG ODOR WARNING



WARNING

MUST BE STOWED IN LATCHED POSITION WHILE VEHICLE IS IN MOTION

KEY	PART NUMBER	U/M	DESCRIPTION
1	079966-01-000	EA	LABEL - WARNING - STOWED - MOTION

WARNING

ROOF SURFACE MAY BE SLIPPERY ESPECIALLY WHERE MOISTURE IS PRESENT SLIPPING MAY RESULT IN PERSONAL INJURY.

128218-01

KEY	PART NUMBER	U/M	DESCRIPTION
1	128218-01-01A	EA	LABEL - WARNING - SLIPPERY ROOF

LABELS GROUP (CONTINUED)

AIR CONDITIONING CIRCUIT.
THIS CONNECTION IS FOR
AIR CONDITIONERS RATED 110-
125 VOLT AC, 60 HZ, 16
AMPERES MAXIMUM. DO NOT
EXCEED CIRCUIT RATING.



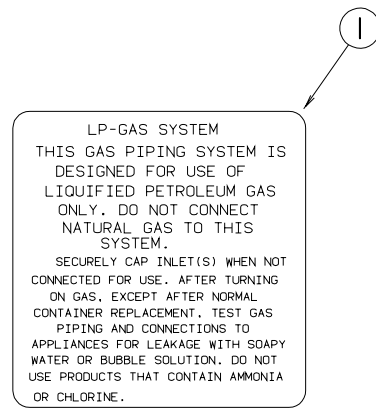
KEY	PART NUMBER	U/M	DESCRIPTION
1	091243-01-000	EA	LABEL - A/C COVER "AIR CONDITIONING CIRCUIT ETC."



KEY	PART NUMBER	U/M	DESCRIPTION
1	087236-01-000	EA	LABEL - CABLE - INPUT



KEY	PART NUMBER	U/M	DESCRIPTION
1	087236-02-000	EA	LABEL - TV OUTLET



KEY	PART NUMBER	U/M	DESCRIPTION
1	124520-01-01A	EA	LABEL - LP GAS ONLY - BLACK ON CLEAR

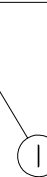
LABELS GROUP (CONTINUED)

GRAY HOLDING TANK

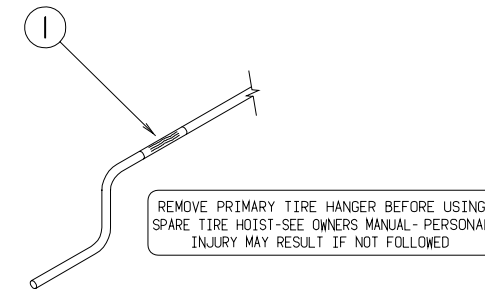


KEY	PART NUMBER	U/M	DESCRIPTION
1	126247-05-000	EA	LABEL - GRAY HOLDING TANK

BLACK HOLDING TANK



KEY	PART NUMBER	U/M	DESCRIPTION
1	126247-06-000	EA	LABEL - HOLDING TANK - BLACK



KEY	PART NUMBER	U/M	DESCRIPTION
1	126024-01-01A	EA	LABEL - TIRE HANGER REMOVAL

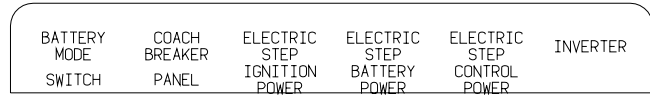
LABELS GROUP (CONTINUED)

WARNING! UNDERSTAND OPERATOR'S MANUAL BEFORE USING. KEEP PEOPLE AND OBSTRUCTIONS CLEAR OF SLIDEOUT ROOM WHEN OPERATING TO AVOID INJURY AND/OR PROPERTY DAMAGE.

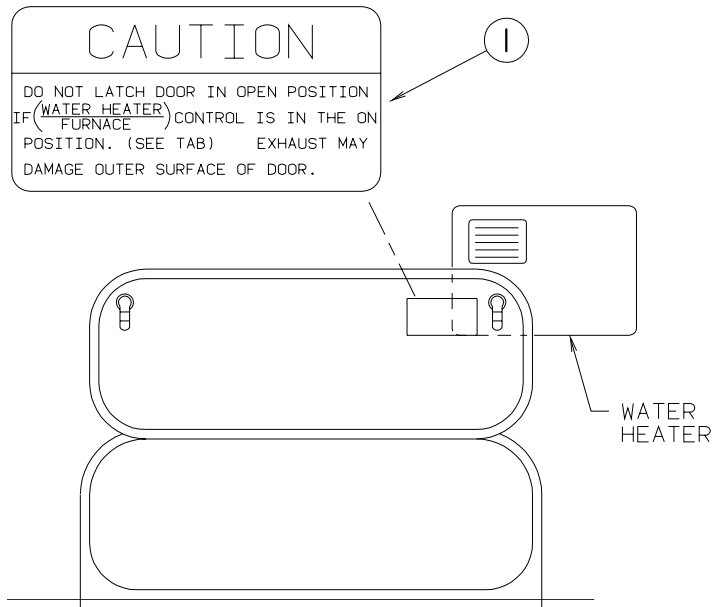
KEY	PART NUMBER	U/M	DESCRIPTION
1	116549-01-000	EA	LABEL - WARNING - SLIDEOUT



KEY	PART NUMBER	U/M	DESCRIPTION
1	093236-15-000	EA	LABEL - CIRCUIT BREAKER

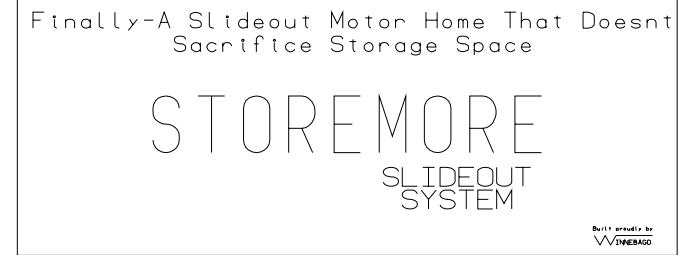


KEY	PART NUMBER	U/M	DESCRIPTION
1	093236-08-000	EA	LABEL - CIRCUIT BREAKER

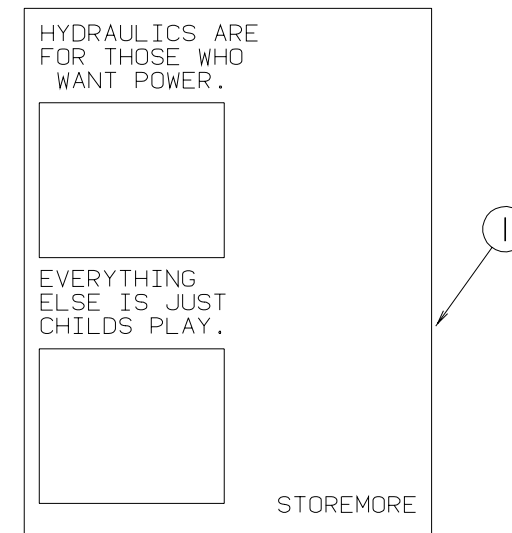


KEY	PART NUMBER	U/M	DESCRIPTION
1	113402-01-000	EA	LABEL - CAUTION - WATER HEATER EXHAUST
1	113402-03-000	EA	LABEL - CAUTION - FURNACE EXHAUST

LABELS GROUP (CONTINUED)



KEY	PART NUMBER	U/M	DESCRIPTION
1	131274-01-000	EA	STICKER - WINDOW - STATIC CLING - SLIDEOUT



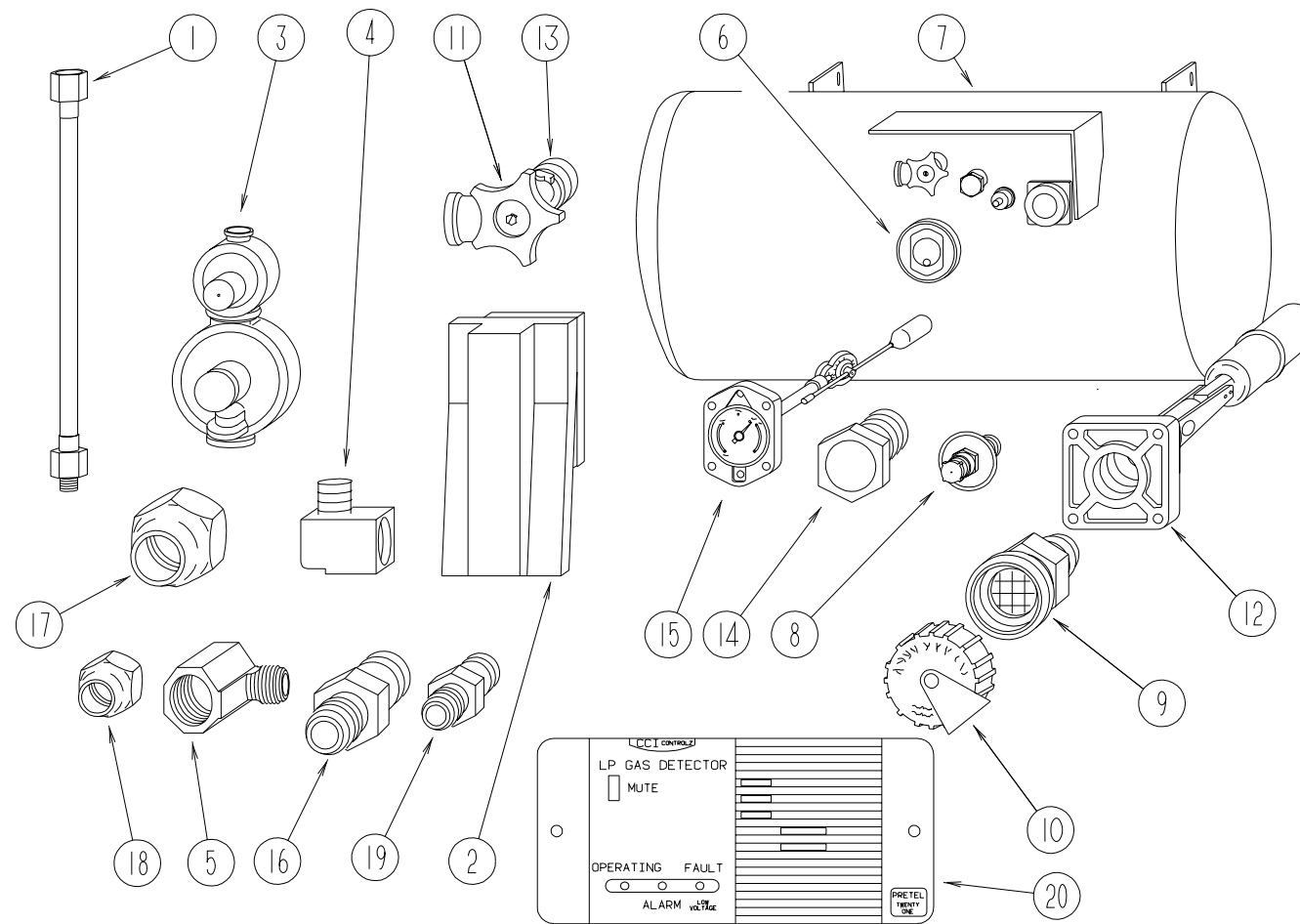
KEY	PART NUMBER	U/M	DESCRIPTION
1	131274-03-000	EA	STICKER - WINDOW - STATIC CLING - SLIDEOUT



KEY	PART NUMBER	U/M	DESCRIPTION
1	131274-04-000	EA	STICKER - WINDOW - STATIC CLING - SLIDEOUT

LP GROUP

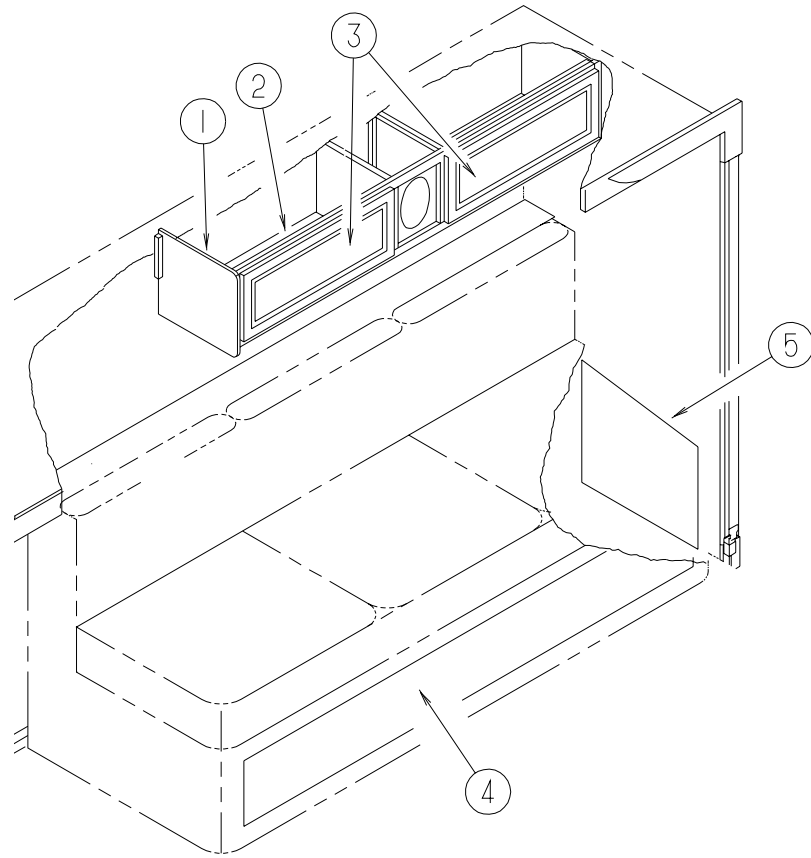
LP SYSTEM



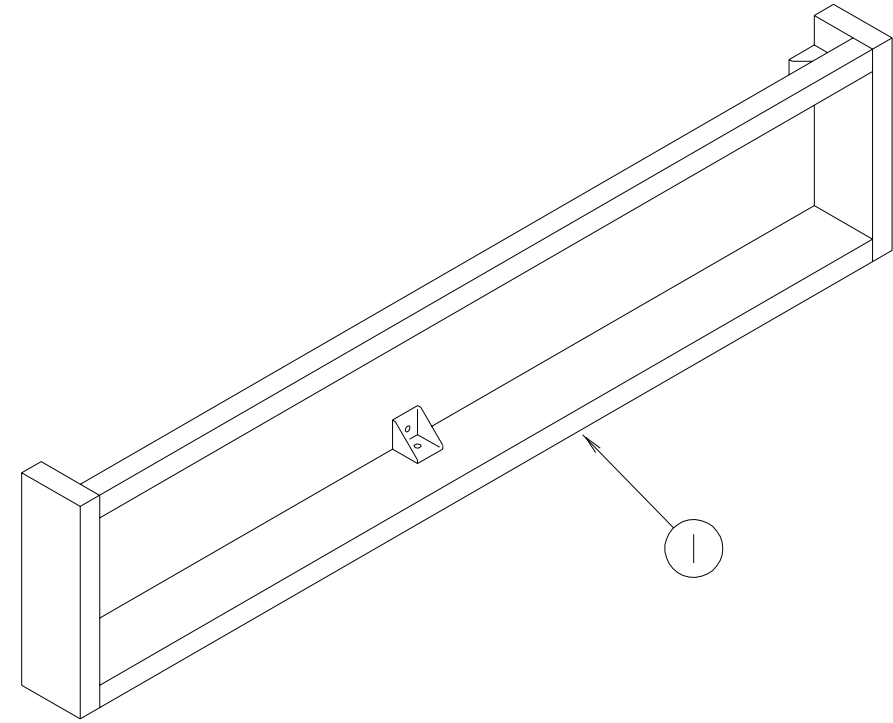
KEY	PART NUMBER	U/M	DESCRIPTION	VENDOR NO.
1	045703-05-000	EA	HOSE - LP - 3/8"ID X 28" - 3/8"MPT X 1/2"F SWIVEL - U.S.	
1	045703-06-000	EA	HOSE - LP - 3/8"ID X 28" - 3/8"MPT X 1/2"F SWIVEL - CANADA	
2	105658-01-000	EA	COMPARTMENT - LP REGULATOR	
3	106150-01-000	EA	REGULATOR - TWO STAGE -W/90 DEGREE ELBOW & 3/8" FPT OUTLET	
3	106150-02-000	EA	REGULATOR - TWO STAGE - 1/4" FPT INLET/3/8" FPT OUTLET	
4	010252-01-000	EA	ELBOW - BRASS - 90 DEGREE - 3/8"F X 1/2"MPT	
5	024250-01-000	EA	ADAPTER - BRASS - 3/8"F X 1/2"FPT	
6	040440-02-000	EA	TRANSMITTER - DIAL - 0-90 OHM -2 TERMINAL (POWER & GROUND)	
7	097821-03-000	EA	TANK - LP - 60 LB - 14" X 30"	
8	040421-01-700	EA	VALVE-LIQUID LEVEL, 20%	G-1013
9	040421-01-701	EA	VALVE-FILL-SHORT, LP	7547B
10	040421-01-702	EA	CAP-FILL VALVE, PLASTIC	G-1014-A

KEY	PART NUMBER	U/M	DESCRIPTION	VENDOR NO.
11	040421-01-708	EA	HANDWHEEL-SERVICE VALVE	G-1015-A
12	040421-01-711	EA	VALVE-80% FILL W/AUTO STOP	LLL/TL3
13	040421-01-712	EA	VALVE,SERV. W/O VAPOR RELIEF	29000853
14	040421-01-713	EA	VALVE-RELIEF 1" W/SPRING 7"	29000587
15	074142-01-700	EA	FLOAT ASM.SCREW ON F/13"TANK	13C-SCR
	074142-01-701	EA	FLOAT ASM.(SIGHT GAUGE) BOLT	13C-BLT
16	065318-02-000	EA	ELBOW - 90 DEGREE - 3/8" MPT TO 3/8" FPT	
17	010377-02-000	EA	NUT - BRASS - 3/8" FLARE - FORGED	
18	010380-02-000	EA	NUT - BRASS - 1/2" FLARE - FORGED	
19	010326-01-000	EA	ADAPTER - FLARE - W/CONE GASKET - 3/8"FEMALE X 1/2"MALE	
20	103613-03-000	EA	DETECTOR - LP GAS - W/O SHUT-OFF VALVE	
	010323-01-000	EA	ADAPTER - BRASS - 3/8"F X 1/2"MPT	
	010329-01-000	EA	ADAPTER - BRASS - 1/2"F X 1/2"MPT	

LOUNGE GROUP



LOUNGE GROUP (CONTINUED)



DRIVER SIDE CABINETS

KEY	PART NUMBER	U/M	DESCRIPTION
1	109908-A5-K19	EA	END CAP - OVERHEAD CABINET
2	127857-01-K01	EA	CABINET - OVERHEAD/FRONT - W/O DOORS/HARDWARE (K04)
2	127857-01-K02	EA	CABINET - OVERHEAD/FRONT - W/O DOORS/HARDWARE (K05)
2	127857-01-K03	EA	CABINET - OVERHEAD/FRONT - W/O DOORS/HARDWARE (K06)
3	132141-20-K01	EA	DOOR - RAIL/VENEER - 10.8" X 27.9" - W/O HARDWARE
4	M08107-23-J02	EA	PANEL - FRONT KICK - SOFA/BED - FABRIC COVERED (K04)
4	M08107-23-K02	EA	PANEL - FRONT KICK - SOFA/BED - FABRIC COVERED (K05)
4	M08107-23-K03	EA	PANEL - FRONT KICK - SOFA/BED - FABRIC COVERED (K06)
4	127821-11-J02	EA	PANEL - DOOR - SOFA/BED - FABRIC COVERED (K04)
4	127821-11-K02	EA	PANEL - DOOR - SOFA/BED - FABRIC COVERED (K05)
4	127821-11-K03	EA	PANEL - DOOR - SOFA/BED - FABRIC COVERED (K06)
5	M02634-25-J02	EA	SKIRT - SOFA/BED (K04)
5	M02634-25-K02	EA	SKIRT - SOFA/BED (K05)
5	M02634-25-K03	EA	SKIRT - SOFA/BED (K06)

PASSENGER SIDE OVERHEAD CABINET

KEY	PART NUMBER	U/M	DESCRIPTION
1	112964-02-F01	EA	CABINET - OVERHEAD/ENTRY DOOR - W/O DOORS/HARDWARE
	065740-01-000	EA	BRACE - CABINET/CORNER - PLASTIC

LID-ENTRANCE DOOR CABINET

KEY	PART NUMBER	U/M	DESCRIPTION
	P14437-02-000	EA	CABINET - LID ENTRANCE DOOR - W/O CARPET
	122755-05-01A	EA	TILE - RUBBER/ENTRANCE DOOR - 11.2" X 26.9"
	101222-01-02A	EA	BRACKET - CATCH - LID - OFF WHITE
	116975-01-01A	EA	LATCH - W/O STRIKE - BLACK - NEW STYLE

SEALANTS & FASTENERS GROUP

ADHESIVES AND SEALERS

KEY	PART NUMBER	U/M	DESCRIPTION
	004006-05-700	EA	ADHESIVE-NAT. STARCH (5 GAL) 0802
	102352-01-000	EA	SEALER - PUMPABLE - TUBE - BLACK
	102352-02-000	EA	SEALER - PUMPABLE - TUBE - BLACK
	106206-01-000	EA	SEALER - PUMPABLE - TUBE - BLACK - MANUS
	087211-01-000	GL	PROMOTER - ADHESIVE
	076322-01-000	FT	TAPE - DOUBLE COATED/ADHESIVE BACK - .025"THK X .75"W X 18'
	076322-05-000	FT	TAPE - DOUBLE COATED/ADHESIVE BACK - .045"THK X .75"W X 9'
	076322-07-000	FT	TAPE - DOUBLE COATED/ADHESIVE BACK - .045"THK X .50"W X 9'
	004363-01-000	FT	TAPE - ADHESIVE FOAM/1 SIDE - 3/16" X 1/2" X 50' - GRAY
	120534-01-01A	EA	TAPE - SCOTCH - 3M - 1/2" FINE LINE
	123816-01-000	FT	TAPE - DOUBLE SIDED - 1"
	123816-03-000	FT	TAPE - DOUBLE SIDED - 1/2" X 3/4" - THICK
	069640-09-000	FT	SEALER - TAPE - .032"THICK X 2.50"WIDE X 80' - GREY
	069640-18-000	FT	SEALER - TAPE - .50"THICK X 1/8"WIDE X 60' - BRIGHT WHITE
	069640-19-000	FT	SEALER - TAPE - .75"THICK X 1/8"WIDE X 60' - BRIGHT WHITE
	069640-21-000	FT	SEALER - TAPE - 1/2" THICK X 1/16" WIDE X 100' - BRT WHT
	069640-22-000	FT	SEALER - TAPE - 1/4" THICK X 1/32" WIDE - BRIGHT WHITE
	069640-23-000	FT	SEALER - TAPE - 1/16" X 3/4" X 100' - BRIGHT WHITE
	091255-02-000	FT	SEAL - ADHESIVE BACKED/FOAM - .18" THICK X 1.5" WIDE
	104692-01-000	FT	SEAL - ADHESIVE BACKED FOAM-.75"THICK X .75"WIDE X 25'
	069640-01-000	FT	SEALER - RIBBON - 1/4" DIAMETER X 30' - BLACK
	072889-09-000	EA	SEALANT - URETHANE - BLACK - TUBE FROM: 00-00-00 THRU: 09-06-98
	072889-18-000	EA	SEALANT - URETHANE - (FOIL) BLACK - 20 OZ FROM: 09-07-98 THRU: 99-99-99
	072889-10-000	EA	SEALANT - URETHANE - BRIGHT WHITE - TUBE FROM: 00-00-00 THRU: 09-06-98
	072889-12-000	EA	SEALANT - URETHANE - BRIGHT WHITE - TUBE FROM: 00-00-00 THRU: 09-06-98
	072889-20-000	EA	SEALANT - URETHANE - (FOIL) BRIGHT WHITE - 10 OUNCE FROM: 09-07-98 THRU: 99-99-99
	072889-19-000	EA	SEALANT - URETHANE - (FOIL) BLACK - 10 OZ
	072889-11-000	EA	SEALANT - URETHANE - GRAY - TUBE
	053766-02-000	EA	BEDDING COMPOUND - TUBE - WHITE
	053766-06-000	EA	BEDDING COMPOUND - TUBE - CLEAR
	120074-02-01A	EA	SEALANT - SILICONE - OFF WHITE
	131264-01-01A	EA	SILICONE - W/O NOZZLE - BLACK
	131264-01-02A	EA	SILICONE - W/O NOZZLE - CLEAR
	131264-03-01A	EA	SILICONE - SELF LEVELING - W/O NOZZLE - BRIGHT WHITE
	900390-03-000	EA	NOZZLE - SILICONE TUBE

SEALANTS & FASTENERS GROUP (CONTINUED)

WASHERS

KEY	PART NUMBER	U/M	DESCRIPTION
	000E11-08-00B	EA	WASHER - LOCKING - 1/2 MED SPLIT - ZINC
	000E13-17-00B	EA	WASHER - FLAT - 3/8" AR - ZINC
	000E13-18-00B	EA	WASHER - FLAT - 3/8 WIDE - ZINC
	000E13-20-00B	EA	WASHER - FLAT - 7/16 WIDE - ZINC
	000E13-21-00B	EA	WASHER - FLAT - 1/2 NARROW - ZINC

BOLTS

KEY	PART NUMBER	U/M	DESCRIPTION
	000C12-05-16B	EA	BOLT - HEX - 5/16-18 X 1 - GRADE #5 - ZINC
	000C12-06-44B	EA	BOLT - HEX - 3/8-16 X 2 3/4 - ZINC 5
	000C12-06-16B	EA	BOLT - HEX - 3/8-16 X 1" - GRADE #5 - ZINC
	000C12-08-24B	EA	BOLT - HEX - 1/2-13 X 1.5" - GRADE #3 - ZINC
	000C13-07-48B	EA	BOLT - HEX - 7/16-20 X 3" - GRADE #5 - ZINC
	000C18-05-40A	EA	BOLT - ELEVATOR - 5/16-18 X 2.50 - PL
	000C18-06-56A	EA	BOLT - ELEVATOR - 3/8-16 X 3 1/2 - GRADE 5
	000C26-04-14B	EA	BOLT - HEX - SERRATED FLANGE - 1/4-20 X 7/8 - ZINC
	000C26-05-16B	EA	BOLT - HEX - SERRATED FLANGE - 5/16-18 X 1 - ZINC
	000C26-05-12B	EA	BOLT - HEX - SERRATED FLANGE - 5/16-18 X 3/4 - ZINC
	000C26-06-12B	EA	BOLT - HEX - SERRATED FLANGE - 3/8-16 X 3/4 - ZINC
	000C26-06-28B	EA	BOLT - HEX - SERRATED FLANGE - 3/8-16 X 1 3/4 - ZINC
	000C26-06-16B	EA	BOLT - HEX - SERRATED FLANGE - 3/8-16 X 1 - ZINC
	000C26-08-24B	EA	BOLT - HEX - SERRATED FLANGE - 1/2-13 X 1 1/2 - ZINC
	106956-03-000	EA	BOLT - HEX TAP - 1/2-12NC X 3 - GRADE 5 - FULL THREAD/ZINC
	051387-06-000	EA	BOLT - CARRIAGE W/O HOLE - 5/16-18 X 9.5 - ZINC
	106166-01-000	EA	BOLT/COLLARED HANGER - 8-32 X 1"

SEALANTS & FASTENERS GROUP (CONTINUED)**CLAMPS AND TIES**

KEY	PART NUMBER	U/M	DESCRIPTION
	010497-01-000	EA	CLAMP - CLOSED - 5/8" ID
	010497-03-000	EA	CLAMP - CLOSED - 1" ID - CUSHIONED
	010497-04-000	EA	CLAMP - CLOSED - 1.62" ID
	010499-01-000	EA	CLAMP - CLOSED - 3/8" ID
	062401-01-000	EA	CLAMP - HOSE - WORMGEAR - .25" - 1"
	062401-03-000	EA	CLAMP - HOSE - WORMGEAR - .22"- 1"
	062401-05-000	EA	CLAMP - HOSE - WORMGEAR - 2" TO 3" ID
	062401-06-000	EA	CLAMP - HOSE - WORMGEAR - .22" - .62" ID
	062401-11-000	EA	CLAMP - HOSE - WORMGEAR - 3.50" - 4.50"
	007161-01-000	EA	CLAMP - HOSE - SPRING TYPE - 1/2"
	075148-02-000	EA	CLAMP - GROUNDING - BRONZE SCREWS
	083610-02-000	EA	CLAMP - WIRE - DUAL - UNEQUAL DIAMETERS - 3/4" & 2"
	010495-01-000	EA	CLAMP - CABLE - 9/16"
	085774-01-000	FT	FASTENER - DUAL LOCK - 1" WIDE - ADHESIVE BACK - BLACK
	085774-02-000	FT	FASTENER - DUAL HOOK - 1" WIDE - ADHESIVE BACK - BLACK
	088792-04-000	YD	VELCRO TAPE - LOOP - 5/8" - NON-ADHESIVE BACK - WHITE
	088792-02-000	YD	VELCRO TAPE - LOOP - ADHESIVE BACKED - .75" WIDE - BEIGE
	088792-05-000	YD	VELCRO TAPE - LOOP - 5/8" - NON-ADHESIVE BACKED - WHITE
	110943-02-000	FT	FELTSTRIP - 3/8" - ADHESIVE BACK - WHITE
	091952-01-000	EA	CLIP - GRIPPER - 1"
	008343-02-000	EA	TIE - WIRE - 14"
	108046-02-000	EA	CABLE TIE - SCREW MOUNT 15"
	056134-02-000	EA	HOLDER - RING - 1.8" DIAMETER - METAL
	080734-02-000	EA	CLIP - WIRE NYLON
	081211-05-000	EA	PLUG - PLASTIC - .188 DIAMETER - NATURAL

SEALANTS & FASTENERS GROUP (CONTINUED)**GROMMETS**

KEY	PART NUMBER	U/M	DESCRIPTION
	016188-03-000	EA	GROMMET - L/P LINE - 3/8" HOLE X 2 1/2" LONG - RUBBER
	016188-04-000	EA	GROMMET - GAS LINE - 1/2" HOLE X 2 1/2" LONG - RUBBER
	023942-01-000	EA	GROMMET - RUBBER - 2" OD
	071015-11-000	EA	GROMMET - 1.00 ID - FITS .12 MATERIAL
	071015-26-000	EA	GROMMET - RUBBER - 1.5" ID X 2.1" OD W/.06" GROOVE-BLACK

NUTS AND RIVETS

KEY	PART NUMBER	U/M	DESCRIPTION
	000D29-09-00B	EA	NUT - HEX - SELF LOCKING - 9/16-12 - ZINC
	000D34-06-00B	EA	NUT - HEX - LOCKING - 3/8-16 GRADE C - ZINC
	000D39-04-00B	EA	NUT - HEX - LOCKING W/SERRATED FLANGE - 1/4-20 - ZINC
	000D39-05-00B	EA	NUT - HEX - LOCKING W/SERRATED FLANGE - 5/16-18 - ZINC
	000D39-06-00B	EA	NUT - HEX - LOCKING W/SERRATED FLANGE - 3/8-18 - ZINC
	000D39-07-00B	EA	NUT - HEX - LOCKING W/SERRATED FLANGE - 7/16-14 - ZINC
	000D39-08-00B	EA	NUT - HEX - LOCKING W/SERRATED FLANGE - 1/2-13 - ZINC
	000D44-07-00B	EA	NUT - HEX - LOCKING W/SERRATED FLANGE - 7/16-20 - ZINC
	000D65-08-00B	EA	NUT - HEX - LOCKING W/SERRATED FLANGE - 8-32 - ZINC
	040921-01-000	EA	NUT - SPEED - U TYPE - #10-24 - BLACK
	044364-02-000	EA	NUT - SPEED - FLAT - ROUND
	000H16-04-06R	EA	RIVET - POP ALUMINUM - 1/8 X .313 - .375
	118626-01-01A	EA	RIVET-POP-AL 3/16X.08-.375 - *ADS66ABS,BLK

SEALANTS & FASTENERS GROUP (CONTINUED)

SCREWS

KEY	PART NUMBER	U/M	DESCRIPTION
	0G1108-12-170	EA	SCREW - 8-18 X .75 PPH - BRIGHT WHITE
	0G3908-08-170	EA	SCREW - SF/DR - 8-18 X .50 PPH - BRIGHT WHITE
	0G3908-12-250	EA	SCREW - SF/DR - 8-18 X .75 PPH - DARK GRAY
	0G3908-24-170	EA	SCREW - SF/DR - 8-18 X 1.50 PPH - BRIGHT WHITE
	0G3910-12-170	EA	SCREW - SF/DR - 10-16 X .75 PPH - BRIGHT WHITE
	0G5508-16-250	EA	SCREW - SF/DR - 8-18 X 1.00 PWH - VW DARK GRAY
	0G6008-16-170	EA	SCREW - SF/DR - 8-18 X 1.00 POH - BRIGHT WHITE
	000G39-06-16T	EA	SCREW - SF/DR - 6-20 X 1 PPH - BLACK
	000G39-06-10T	EA	SCREW - SF/DR - 6-20 X 5/8 PPH - BLACK
	000G39-06-10T	EA	SCREW - SF/DR - 6-20 X 5/8 PPH - BLACK
	000G39-08-08B	EA	SCREW - SF/DR - 8-18 X 1/2 PPH - ZINC
	000G39-08-16R	EA	SCREW - SF/DR - 8-18 X 1 PPH - BEIGE
	000G39-08-16B	EA	SCREW - SF/DR - 8-18 X 1 PPH - ZINC
	000G39-08-12T	EA	SCREW - SF/DR - 8-18 X 3/4 PPH - BLACK
	000G39-08-12B	EA	SCREW - SF/DR - 8-18 X 3/4 PPH - ZINC
	000G39-08-08T	EA	SCREW - SF/DR - 8-18 X 1/2 PPH - BLACK
	000G39-08-08S	EA	SCREW - SF/DR - 8-18 X 1/2 PPH - OFF WHITE
	000G39-10-12B	EA	SCREW - SF/DR - 10-16 X 3/4 PPH - ZINC
	000G39-10-10B	EA	SCREW - SF/DR - 10-16 X 5/8 - ZINC
	000G39-10-32B	EA	SCREW - SF/DR - 10-16 X 2 - PPH - ZINC
	000G39-10-209	EA	SCREW - SF/DR - 10-16 X 1 1/4 PPH - FLUOROCARBON SILVER
	000G39-10-129	EA	SCREW - SF/DR - 10-16 X 3/4 PPH - FLUOROCARBON SILVER
	000G39-10-12D	EA	SCREW - SF/DR - 10-16 X 3/4 PPH - BLACK
	000G42-04-16B	EA	SCREW - SF/DR - 1/4-14 X 1 HWH - ZINC
	054434-02-000	EA	SCREW - SF/DR - 10-16 X 2 - ZINC
	086256-01-000	EA	SCREW - SF/DR - 8 X 3/4 HWH
	0G6710-08-170	EA	SCREW - 10-12 X 1/2 PPH - BRIGHT WHITE
	0G6710-12-170	EA	SCREW - 10-12 X .75 PPH - BRIGHT WHITE
	000G11-06-10J	EA	SCREW - 6-20 X 5/8 PPH - BRASS
	000G11-06-10B	EA	SCREW - 6-20 X 5/8 PPH - ZINC
	000G11-06-18B	EA	SCREW - 6-20 X 1 1/8 PPH - ZINC
	000G11-07-08B	EA	SCREW - 7-19 X 1/2 PPH - ZINC
	000G11-08-08T	EA	SCREW - 8-18 X 1/2 PPH - FLUOROCARBON COATING
	000G11-08-08B	EA	SCREW - 8-18 X 1/2 PPH - ZINC
	000G11-08-20B	EA	SCREW - 8-18 X 1 1/4 PPH - ZINC
	000G11-08-16S	EA	SCREW - 8-18 X 1 PPH - OFF WHITE
	000G11-08-16B	EA	SCREW - 8-18 X 1 PPH - ZINC
	000G11-08-12T	EA	SCREW - 8-18 X 3/4 PPH - BLACK
	000G11-08-12P	EA	SCREW - 8-18 X 3/4 PPH - DARK BROWN
	000G11-08-12B	EA	SCREW - 8-18 X 3/4 PPH - ZINC
	000G11-10-16B	EA	SCREW - 10-16 X 1 PPH - ZINC
	000G11-10-12D	EA	SCREW - 10-16 X 3/4 PPH - BLACK
	000G12-08-12S	EA	SCREW - 8-18 X 3/4 POH - OFF WHITE
	000G13-05-10B	EA	SCREW - 5-12 X 5/8 PFH - ZINC
	000G13-06-08B	EA	SCREW - 6-20 X 1/2 PFH - ZINC
	000G13-06-06B	EA	SCREW - 6-20 X 3/8 PFH ZINC
	000G13-06-24J	EA	SCREW - 6-20 X 1 1/2 PFH - BRASS
	000G13-06-16J	EA	SCREW - 6-20 X 1 PFH - BRASS
	000G13-06-10G	EA	SCREW - 6-20 X 5/8 PFH - ANTIQUE BRASS
	000G13-06-08G	EA	SCREW - 6-20 X .50 PFH - ANTIQUE BRASS
	000G13-07-12B	EA	SCREW - 7-19 X 3/4 PFH - ZINC
	000G13-08-16B	EA	SCREW - 8-18 X 1 PFH - ZINC
	000G32-10-06B	EA	SCREW - 10-32 X 3/8 PPH - ZINC
	000G54-04-20B	EA	SCREW - 1/4-20 X 1.25 PTH - TYPE 23 - ZINC PLATED
	000G60-10-28T	EA	SCREW - SF/DR - 10-16 X 1 3/4 - BLACK

SEALANTS & FASTENERS GROUP (CONTINUED)

SCREWS (CONTINUED)

KEY	PART NUMBER	U/M	DESCRIPTION
	000G67-10-08B	EA	SCREW - 10-12 X 1/2 PPH - ZINC
	000G67-10-12P	EA	SCREW - 10-12 X 3/4 PPH - DARK BROWN
	000G67-10-12B	EA	SCREW - 10-12 X 3/4 PPH - ZINC
	000G67-10-10S	EA	SCREW - 10-12 X 5/8 PPH - OFF WHITE
	000G67-10-10D	EA	SCREW - 10-12 X 5/8 PPH - BLACK - TYPE A
	000G67-10-10B	EA	SCREW - 10-12 X 5/8 PPH - ZINC - TYPE A
	000G67-10-08S	EA	SCREW - 10-12 X 1/2 PPH - OFF WHITE
	000G67-10-08R	EA	SCREW - 10-12 X 1/2 PPH - BEIGE - TYPE A
	000G68-06-10G	EA	SCREW - 6-18 X 5/8 POH - ANTIQUE BRASS
	000G68-10-20I	EA	SCREW - 10-12 X 1 1/4 POH - BLACK
	049465-01-000	EA	SCREW - 10-16 PTH W/WASHER - DARK BROWN
	049465-03-000	EA	SCREW - 10-16 X 1 POH W/WASHER - OFF WHITE
	049465-17-000	EA	SCREW - 10-16 X 1 POH W/WASHER - BRIGHT WHITE
	049465-22-000	EA	SCREW - 10-16 X 1 1/2 POH W/WASHER - SABLE
	076790-01-000	EA	SCREW - 6-20 X 1 1/4 PPH - BLACK
	087721-01-000	EA	SCREW - FLAT HEAD - TAPPING - 1/4" X 1 1/4" LONG - ZINC
	000G18-08-22B	EA	SCREW - MACHINE - 8-32 X 1 3/8 PPH - ZINC
	000G19-10-12F	EA	SCREW - MACHINE - 10-32 X 3/4 PPH - STAINLESS STEEL
	000G46-08-24T	EA	SCREW - MACHINE - 8-32 X 1 1/2 PFH - BLACK
	000G50-04-12B	EA	SCREW - MACHINE - 1/4-20 X 3/4 PPH - ZINC
	000G52-08-18B	EA	SCREW - MACHINE - 8-32 X 1 1/8 PTH - ZINC
	075908-01-000	EA	SCREW - MACHINE - 10-32 X .56 PTH - EXTERNAL TOOTH - ZINC
	057671-01-000	EA	COVER - SCREW - #8 - PLASTIC - OFF WHITE
	057671-15-000	EA	COVER - SCREW - BRIGHT WHITE

WATER & SEWAGE GROUP**FRESH WATER TANK**

KEY	PART NUMBER	U/M	DESCRIPTION
	064214-20-000	EA	TANK - WATER - 31 GALLON - W/FITTINGS
	064214-01-000	EA	TANK - WATER - 31 GAL - W/O FITTINGS - 24" X 12.75" X 30"
	039861-01-000	EA	SENDING UNIT - W/SCREW - WASHER - WELL NUT/TERMINAL RING
	042989-03-000	EA	FITTING - SPINWELD - 1 1/4"NPT - PLASTIC
	042989-04-000	EA	FITTING - SPINWELD - 3/8"FPT - WHITE PLASTIC
	042989-05-000	EA	FITTING - SPINWELD - 1/2"FPT - PLASTIC
	049032-01-000	EA	PATCH - SPINWELD - 3/8" - PLASTIC
	074462-02-000	FT	TUBING - VINYL - 3/8 ID X 20' - CLEAR
	079381-01-000	FT	TUBING - RIBBED FLEXIBLE - WATER FILL - 1.4" I.D.
	077954-02-000	EA	FILTER - WATER TANK - W/SCREEN IN TANK
	010224-01-000	EA	ADAPTER - HOSE TO PIPE - 3/8 MPT X 3/8 BARB - PLASTIC
	044927-01-000	EA	ADAPTER - HOSE TO PIPE-1 1/4 MPTX1 1/4 BARB-BLACK PLASTIC
	114430-03-000	EA	ADAPTER - 1/2"P X 1/2"MPT

WATER SYSTEM

KEY	PART NUMBER	U/M	DESCRIPTION
	112176-01-000	FT	TUBING - VINYL - REINFORCED - 1/2" ID
	074462-02-000	FT	TUBING - VINYL - 3/8 ID X 20' - CLEAR
	124188-01-000	FT	TUBING - PEX - 1/2" ID X 20' - BLUE(COLD)
	124188-02-000	FT	TUBING - PEX - 1/2" ID X 20' - RED(HOT)
	079381-01-000	FT	TUBING - RIBBED FLEXIBLE - WATER FILL - 1.4" I.D.
	114428-01-000	EA	TEE - 1/2"P X 1/2"P X 1/2"P
	114429-01-000	EA	ELBOW - 1/2"P X 1/2"P
	114429-02-000	EA	ELBOW - 1/2"P X 1/2"MPT
	114429-03-000	EA	ELBOW - SWIVEL - 1/2"P X 1/2"FPT
	123150-01-000	EA	ELBOW - 1/2 FPT X 1/2 BARB - SWIVEL
	114430-02-000	EA	ADAPTER - SWIVEL - 1/2"P X 1/2"FPT
	114430-03-000	EA	ADAPTER - 1/2"P X 1/2"MPT
	114430-06-000	EA	ADAPTER - 1/2"P X 3/8"FPT
	010224-01-000	EA	ADAPTER - HOSE TO PIPE - 3/8 MPT X 3/8 BARB - PLASTIC
	123152-01-000	EA	ADAPTER - 1/2 FPT X 1/2 BARB - SWIVEL
	044927-01-000	EA	ADAPTER - HOSE TO PIPE-1 1/4 MPTX1 1/4 BARB-BLACK PLASTIC
	114431-01-000	EA	VALVE - 180 DEGREE/CENTER DRAIN - 1/2"P - THREE WAY
	114431-02-000	EA	VALVE - WATER BYPASS - 1/2"P - THREE WAY (WATER HEATER)
	114431-04-000	EA	VALVE - "INLINE SHUT-OFF" - 1/2"P
	110915-01-01A	EA	FILL - CITY WATER - CHROME
	113697-01-000	EA	CAP - 3/8 FTG

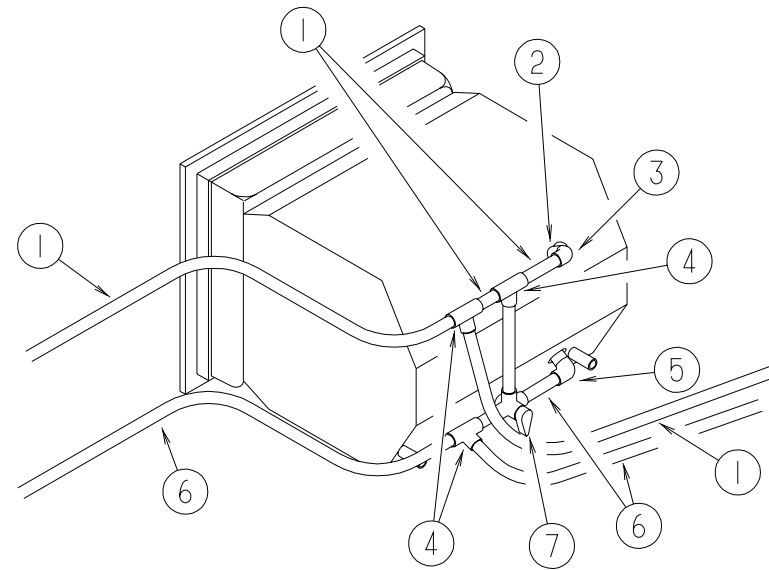
WATER & SEWAGE GROUP (CONTINUED)**EXTERIOR SHOWER**

KEY	PART NUMBER	U/M	DESCRIPTION
	131383-01-02A	EA	SHOWER HEAD - W/HOSE & BRACKET - 60" - WHITE
	131383-02-02A	EA	SHOWER HEAD - W/HOSE & BRACKET - 60" - CSA - WHITE
	131383-03-02A	EA	BRACKET - SHOWER HEAD - WHITE
	075241-06-000	EA	FAUCET - SHOWER CONTROL - BRIGHT WHITE
	114293-01-01A	EA	PAN - DRIP - EXTERIOR - OFF WHITE
	114293-01-02A	EA	PAN - DRIP - EXTERIOR - BRIGHT WHITE
	081994-02-000	EA	PLATE - SWITCH - EXTERIOR SHOWER
	108356-02-01A	EA	COVER/ACTUATOR SWITCH - 2 ROWS DIMPLES- CONTURA II - BLACK
	108357-08-000	EA	SWITCH - ROCKER DPDT - ON/NONE/ON - 6 TERMINAL
	114428-01-000	EA	TEE - 1/2"P X 1/2"P X 1/2"P
	114428-03-000	EA	TEE - 1/2"P X 1/2"P X 1/2"MPT
	114429-01-000	EA	ELBOW - 1/2"P X 1/2"P
	114429-03-000	EA	ELBOW - SWIVEL - 1/2"P X 1/2"FPT
	114430-03-000	EA	ADAPTER - 1/2"P X 1/2"MPT
	123152-01-000	EA	ADAPTER - 1/2 FPT X 1/2 BARB - SWIVEL
	114431-04-000	EA	VALVE - "INLINE SHUT-OFF" - 1/2"P
	124188-01-000	FT	TUBING - PEX - 1/2" ID X 20' - BLUE(COLD)
	124188-02-000	FT	TUBING - PEX - 1/2" ID X 20' - RED(HOT)

FROM: 00-00-00 THRU: 11-15-98

FROM: 11-16-98 THRU: 99-99-99

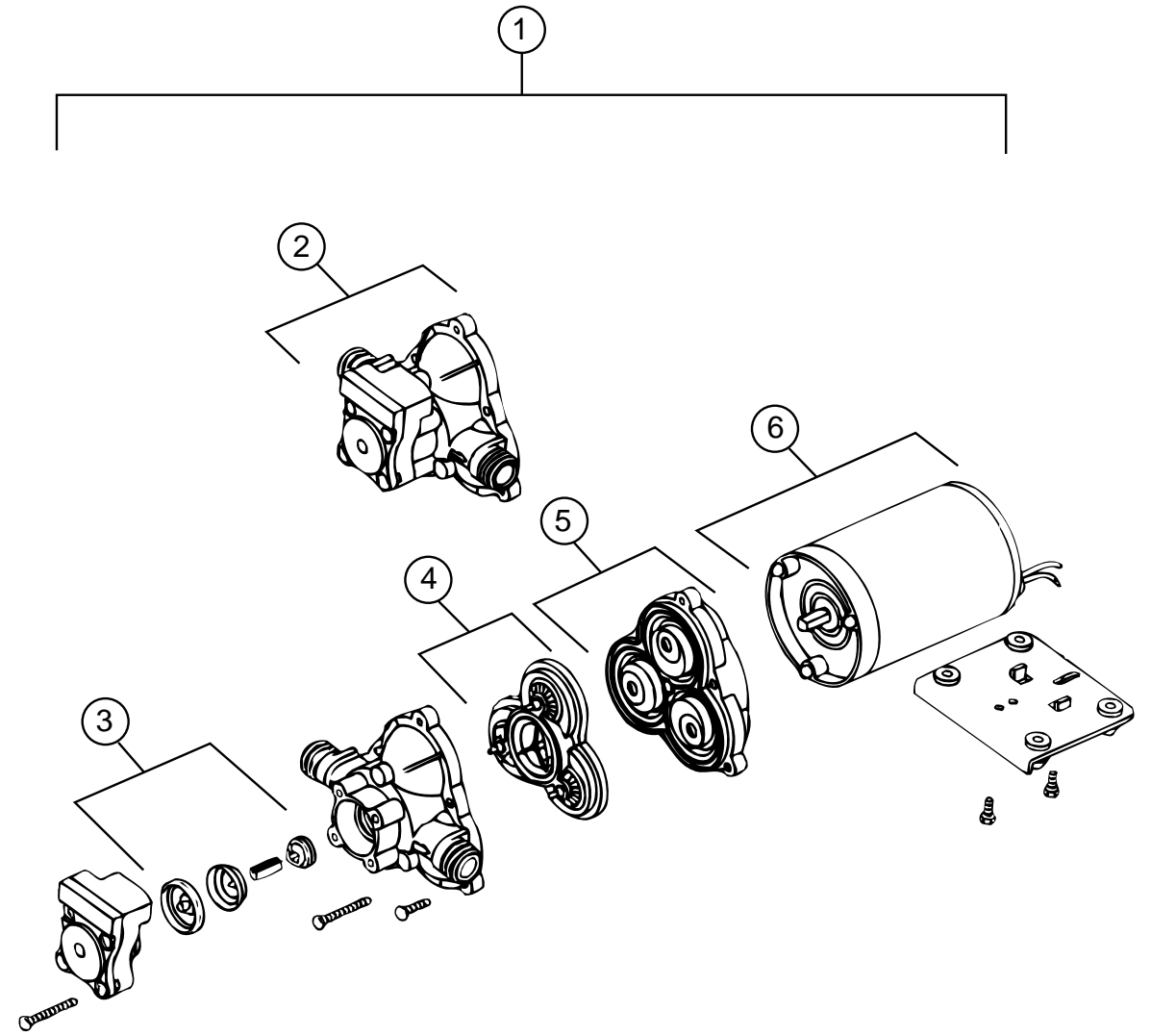
WATER & SEWAGE GROUP (CONTINUED)



WATER HEATER W/BYPASS

KEY	PART NUMBER	U/M	DESCRIPTION
1	124188-02-000	FT	TUBING - PEX - 1/2" ID X 20' - RED(HOT)
2	110438-02-000	EA	VALVE - CHECK - BRASS - 1/2 MPT X 1/2 MPT
3	114429-03-000	EA	ELBOW - SWIVEL - 1/2"P X 1/2"FPT
4	114428-01-000	EA	TEE - 1/2"P X 1/2"P X 1/2"P
5	114429-02-000	EA	ELBOW - 1/2"P X 1/2"MPT
6	124188-01-000	FT	TUBING - PEX - 1/2" ID X 20' - BLUE(COLD)
7	114431-02-000	EA	VALVE - WATER BYPASS - 1/2"P - THREE WAY (WATER HEATER)

WATER & SEWAGE GROUP (CONTINUED)



WATER PUMP - SHURFLO

KEY	PART NUMBER	U/M	DESCRIPTION	VENDOR NO.
1	098607-01-000	EA	PUMP - WATER - W/.5" MPT FITTING - FLOW 2.8 GPM	
2	098607-01-706	EA	HOUSING, W/SWITCH ONLY	94-231-20
3	098607-01-705	EA	VALVE-CHECK, KIT	94-237-00
4	098607-01-703	EA	VALVE KIT	94-232-00
5	098607-01-702	EA	DIAPHRAGM/DRIVE ASSEMBLY KIT	94-238-04
6	098607-01-707	EA	MOTOR W/BASEPLATE	11-148-04

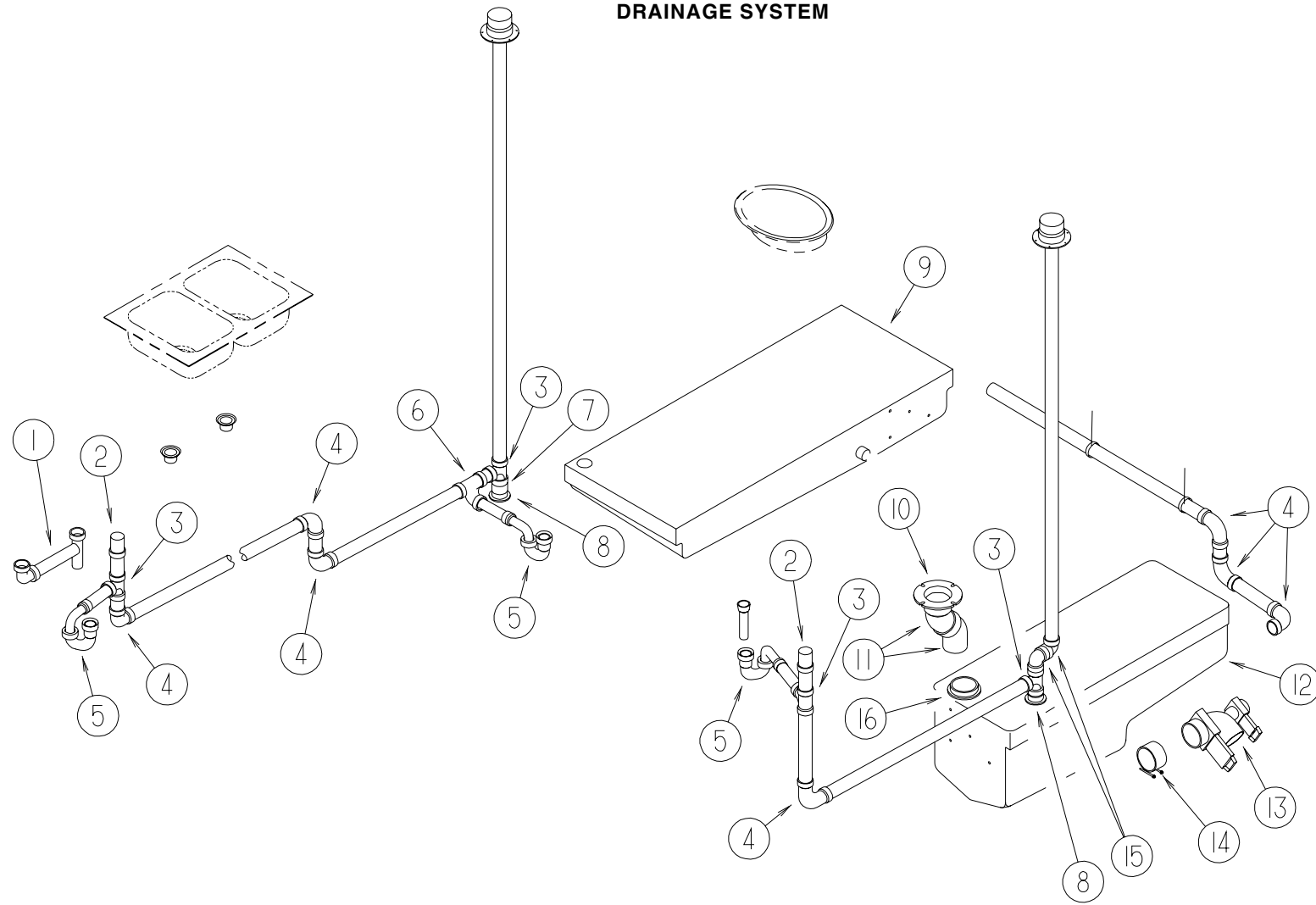
WATER HEATER W/O MOTOR AID - ATWOOD G6A-8E

KEY	PART NUMBER	U/M	DESCRIPTION
*	051391-03-000	EA	WATER HEATER G6A-8E - ELECTRONIC IGNITION
	097967-01-000	EA	SWITCH - WATER HEATER - REMOTE W/LIGHT

***COMPONENT PARTS FOUND IN SERVICE PARTS LIBRARY**

WATER & SEWAGE GROUP (CONTINUED)

DRAINAGE SYSTEM

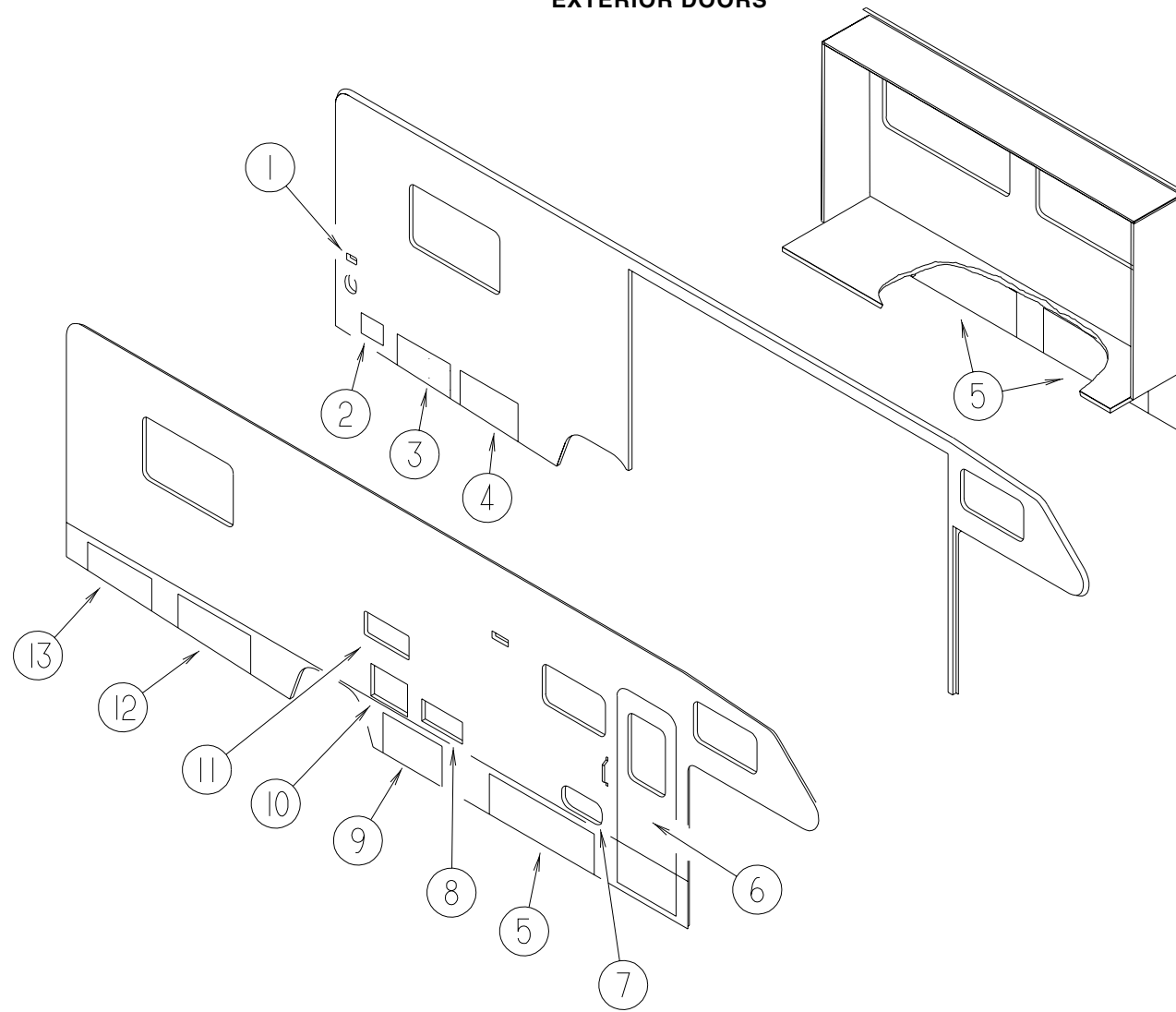


KEY	PART NUMBER	U/M	DESCRIPTION
1	011091-02-000	EA	WASTE - CONTINUOUS - DOUBLE SINK
2	079968-01-000	EA	VENT - MECHANICAL/TRAP ARM - ANTI-SIPHON-2" X 7.3" PLASTIC
3	010071-01-000	EA	TEE - SANITARY - 1 1/2" HUB X HUB X HUB - PLASTIC
4	010008-01-000	EA	ELBOW - 90 DEGREE - 1 1/2" HUB X HUB - PLASTIC
5	107538-01-000	EA	P TRAP - PLASTIC - 1 1/4" W/EXTENSION ARM
	109571-01-000	EA	ADAPTER - P TRAP - 1 1/2"P X 1 1/4"MPT
5	011071-01-000	EA	P-TRAP - PLASTIC - 1 1/2" - CSA
6	031365-02-000	EA	TEE - PLASTIC - 1 1/2" EXTRA LONG TURN
7	010115-01-000	EA	COUPLING - 1 1/2" HUB X HUB - PLASTIC
8	061607-01-000	EA	GROMMET - HOLDING TANK - 1 1/2" NPS
9	127519-01-700	EA	TANK-HOLDING 34 GAL-1.5"ADAP PARTS SALES
10	063641-01-000	EA	FLANGE - CLOSET - 4" X 3"

KEY	PART NUMBER	U/M	DESCRIPTION	VENDOR NO.
11	010061-01-000	EA	ELBOW - 45 DEGREE ST - 3" SPIGOT & HUB - PLASTIC	
12	127489-01-000	EA	TANK - HOLDING - 34 GALLON - W/O FITTINGS	
13	070916-01-000	EA	VALVE - DUAL DUMP - W/CAP - 3" X 1 1/2"	
	070916-01-700	EA	VALVE ONLY (WASTE) 3"	T1003BU
	070916-01-701	EA	VALVE ONLY (WASTE) 1 1/2"	T1001BU
	010201-01-000	EA	HOSE - SEWER - 3" ID X 8'	
	062416-01-000	EA	ADAPTER - SEWER HOSE TO 3" PIPE	
14	078406-01-000	EA	COUPLER - RUBBER - W/CLAMPS - 3" X 3"	
15	010006-01-000	EA	ELBOW - 45 DEGREE - 1 1/2" HUB X HUB - PLASTIC	
16	061607-02-000	EA	GROMMET - HOLDING TANK - 3" NPS	

WINDOW, VENT & EXTERIOR DOOR GROUP

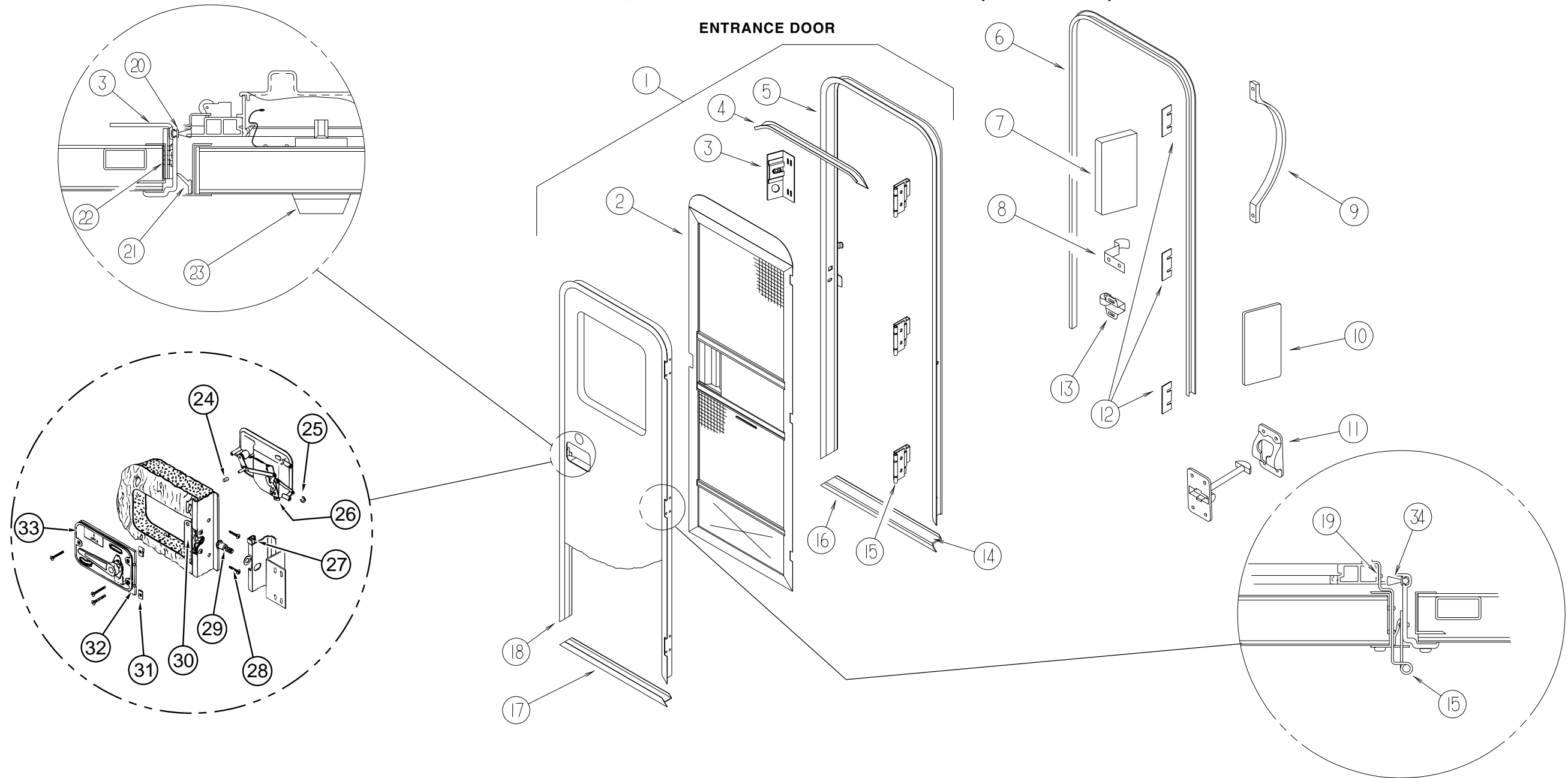
EXTERIOR DOORS



KEY	PART NUMBER	U/M	DESCRIPTION
1	081240-16-000	EA	DOOR - WATER FILL - LOCKABLE W/O LOCK - 4" X 4 5/8" - QUEEN BED FROM: 00-00-00 THRU: 09-12-98
1	081240-20-000	EA	FILL - WATER - LOCKABLE - BRIGHT WHITE - QUEEN BED FROM: 09-13-98 THRU: 99-99-99
2	088794-06-000	EA	DOOR - POWER CORD W/HATCH - BRIGHT WHITE - 9.2" X 11"
3	127826-04-J01	EA	VALANCE/DOOR - DRIVER W/O HDW - 14.3" X 22.4" X 11.7"
4	127826-03-J01	EA	VALANCE/DOOR - DRIVER W/O HDW - 14.4" X 24.6" X 13.2"
5	127795-01-J01	EA	VALANCE/DOOR - W/O HARDWARE - 46.4" X 15.4"
6	115108-01-K01	EA	DOOR - ENTRY - W/SCREEN DOOR - W/O WINDOW (K04)
6	115108-01-K02	EA	DOOR - ENTRY - W/SCREEN DOOR - W/O WINDOW (K05)
6	115108-01-K06	EA	DOOR - ENTRY - W/SCREEN DOOR - W/O WINDOW (K06)
6	115108-05-K01	EA	DOOR - ENTRY - W/SCREEN DOOR - W/O WINDOW - ELECTRIC STEP (K04)
6	115108-05-J47	EA	DOOR - ENTRY - W/SCREEN DOOR - W/O WINDOW - ELECTRIC STEP (K05)
6	115108-05-K06	EA	DOOR - ENTRY - W/SCREEN DOOR - W/O WINDOW - ELECTRIC STEP (K06)

KEY	PART NUMBER	U/M	DESCRIPTION	VENDOR NO.
8	098668-23-000	EA	DOOR - ACCESS - FURNACE - BRIGHT WHITE	
7	126945-01-J22	EA	DOOR/STORAGE - W/O HARDWARE - 18" X 8.3"	
8	098668-23-000	EA	DOOR - ACCESS - FURNACE - BRIGHT WHITE	
9	127795-02-J01	EA	VALANCE/DOOR - W/O HARDWARE - 25.6" X 15.4"	
10	052009-06-000	EA	DOOR - WATER HEATER - BRIGHT WHITE - 18" X 14.6"	
	116424-01-000	EA	PROTECTOR - LATCH - WATER HEATER	
11	084103-08-000	EA	DOOR - VENT/REFRIGERATOR - W/O JAMB - BRIGHT WHITE	
	084104-08-000	EA	JAMB - VENT DOOR/REFRIGERATOR - BRIGHT WHITE	
	084104-01-700	EA	LOCK-MALE, FASTENER	201-721-010
	084104-01-701	EA	LOCK-FEMALE, FASTENER	201-802-010
12	127826-01-J01	EA	VALANCE/DOOR - PASSENGER W/O HDW - 13.9" X 24.6" X 12.6"	
13	127826-02-J01	EA	VALANCE/DOOR - PASSENGER W/O HDW - 12.1" X 27.8" X 10.7"	

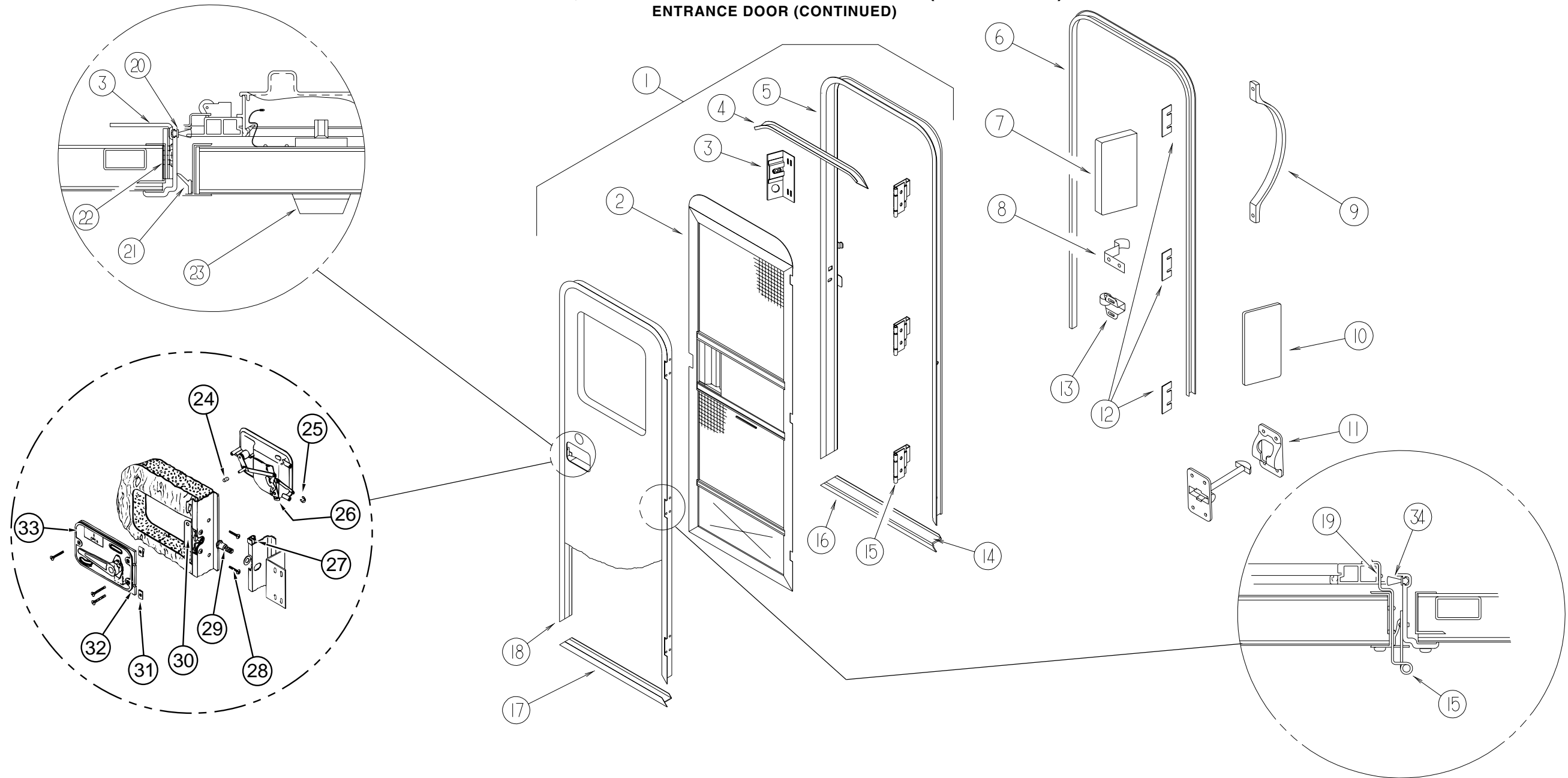
WINDOW, VENT & EXTERIOR DOOR GROUP (CONTINUED)



KEY	PART NUMBER	U/M DESCRIPTION
1	115108-01-K01	EA DOOR - ENTRY - W/SCREEN DOOR - W/O WINDOW (K04)
1	115108-01-K02	EA DOOR - ENTRY - W/SCREEN DOOR - W/O WINDOW (K05)
1	115108-01-K06	EA DOOR - ENTRY - W/SCREEN DOOR - W/O WINDOW (K06)
1	115108-05-K01	EA DOOR - ENTRY - W/SCREEN DOOR - W/O WINDOW - ELECTRIC STEP (K04)
1	115108-05-J47	EA DOOR - ENTRY - W/SCREEN DOOR - W/O WINDOW - ELECTRIC STEP (K05)
1	115108-05-K06	EA DOOR - ENTRY - W/SCREEN DOOR - W/O WINDOW - ELECTRIC STEP (K06)
2	121899-03-GB1	EA DOOR - SCREEN - W/O HARDWARE
3	041546-07-000	EA BRACKET - DOOR ANGLE - OFF WHITE
4	044582-44-000	EA CAP - DRIP - JAMB - BRIGHT WHITE
5	121898-03-01A	EA JAMB - ENTRY DOOR
5	121898-04-01A	EA JAMB - ENTRY DOOR - BRIGHT WHITE - ELECTRIC STEP
6	115222-04-01A	EA GARNISH - ENTRY DOOR - RADIUS
7	077461-03-000	EA COVER - STRIKE - ENTRY DOOR - 6.5" X 2.5" - WHITE PLASTICKEY

KEY	PART NUMBER	U/M DESCRIPTION
8	100412-01-000	EA CATCH - SCREEN DOOR
9	009126-03-000	EA HANDLE - ASSIST - BLACK TEXTURED
10	076725-02-000	EA COVER - HINGE - ENTRY DOOR - 6" X 3.2" - OFF WHITE
11	104099-01-04A	EA CATCH - DOOR HOLDER - STRIKE - BRIGHT WHITE
11	104099-02-04A	EA CATCH - DOOR HOLDER - RETAINER - BRIGHT WHITE
12	102248-01-000	EA SHIM - DOOR
13	109403-01-000	EA CATCH - SINGLE ROLLER - SCREEN DOOR
14	038327-01-000	EA TAPE - ANTI SLIP - 2" X 60'
15	106719-01-05A	EA HINGE - ENTRY DOOR - BRIGHT WHITE
	116111-02-01A	EA SCREW - TAPTITE - 1/4-20 X 3/8 PPH - ZINC
16	051049-01-000	EA JAMB - BOTTOM - ENTRY DOOR - 25.9" - UNPAINTED
17	121893-01-01A	EA FRAME - ENTRY DOOR/BOTTOM - BRIGHT WHITE

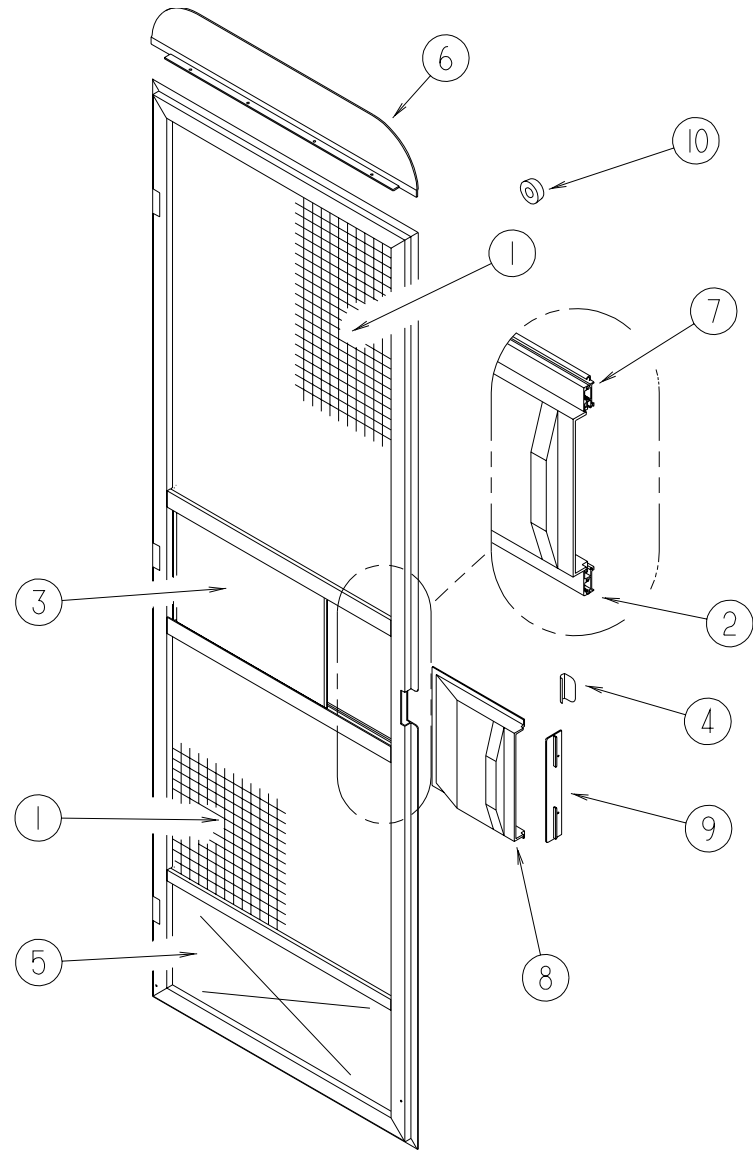
WINDOW, VENT & EXTERIOR DOOR GROUP (CONTINUED)
ENTRANCE DOOR (CONTINUED)



KEY	PART NUMBER	U/M DESCRIPTION	VENDOR NO.
18	121894-07-01A	EA FRAME - ENTRY DOOR - BRIGHT WHITE	
	098173-01-04A	EA STIFFENER - ENTRY DOOR - SUPPORTS LATCH/STRIKE - UNPAINTED	
	122241-01-01A	EA BUMPER - FOAM RUBBER W/ADH BACK - .5" X .5" X .25" - BLACK	
19	100128-02-000	EA SEAL - FOAM - ADHESIVE BACK - .37" WIDE X .37" THICK	
20	118929-01-01A	FT SEAL - PILE - PUSH ON	
21	075671-04-000	FT SEAL - SPONGE - LAZY T - W/ADHESIVE STRIP - .5" WIDE	
22	104692-01-000	FT SEAL - FOAM/ADHESIVE BACK - .75"THICK X .75"WIDE X 25'	
23	101145-01-06A	EA DEADBOLT - ENTRY DOOR W/O SECURITY BOLT W/2 KEYS - BLACK	
	095229-01-700	EA KEY-BLANK, DEADBOLT	81205-03
	101145-01-701	EA CYLINDER-LOCK ASM., W/KEY	81306-03
	101147-01-000	EA BOLT - SECURITY - 4.12"	
24	039984-01-000	EA CAP - ROUND - VINYL - .28" ID X .62" - BLACK	
25	036618-02-000	EA E-RING - EXTERNAL - 3/16" SHAFT DIAMETER - LYNOR DOOR LOCK	

KEY	PART NUMBER	U/M DESCRIPTION	VENDOR NO.
26	045017-13-000	EA LATCH - ENTRY DOOR - BLACK TEXTURED	
	045017-11-701	EA KEY - BLANK (F1 SERIES) "K-104" - DOOR LOCK (TM 200 - 250)	
	045017-11-703	EA CYLINDER-LOCK ASM. W/KEYS	81266-09
27	064075-07-000	FT SEAL - BULB - W/WIRED U CHANNEL - .3" X .5" CHANNEL - BLK	
28	000G54-04-20B	EA SCREW - 1/4-20 X 1 1/4 PTH TYP 23	
29	039539-01-000	EA STRIKE - LOCK - ENTRY DOOR - ROUND W/THREADED WASHER	
	039715-01-000	EA NUT-SERT - 1/4" DIAMETER - 20 THREADS	
30	039540-01-000	EA LATCH MECHANISM - HOOK - ENTRY DOOR - INTERIOR	
	086285-05-000	EA SPACER - NYLON - .7" X .56"	
31	040921-01-000	EA NUT-SPEED-U TYPE 10-24 BLACK	
32	096810-01-01A	EA PLATE - LATCH - ENTRY DOOR - BLACK	
33	039979-06-000	EA COVER - LATCH PLATE - RIGHT HAND - BLACK TEXTURED	
34	118929-01-01A	FT SEAL - PILE - PUSH ON	
	130444-01-01A	EA CAP - KEY IDENTIFIER - GRAY	

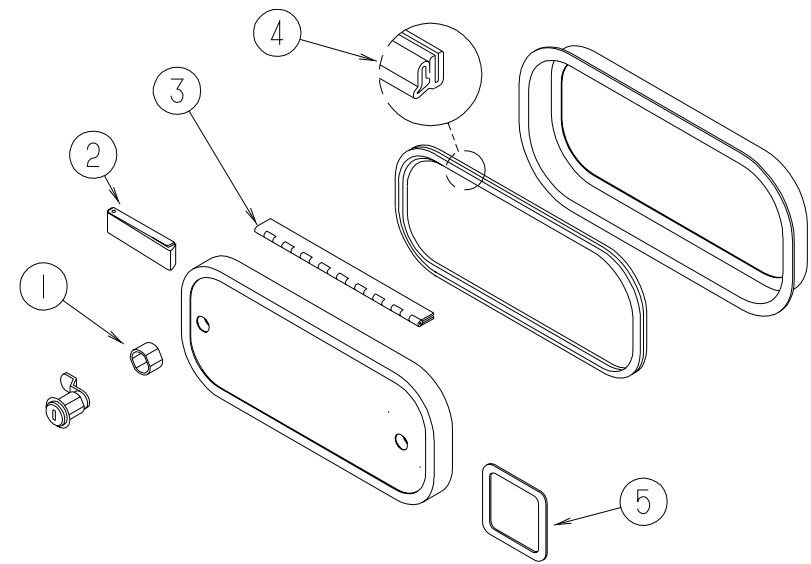
WINDOW, VENT & EXTERIOR DOOR GROUP (CONTINUED)



SCREEN DOOR COMPONENTS

KEY	PART NUMBER	U/M	DESCRIPTION
	121899-03-GB1	EA	DOOR - SCREEN - W/O HARDWARE
1	002293-02-000	SF	SCREENING - WINDOW/DOOR - 26" - CHARCOAL
2	002294-01-000	FT	SPLINE - SCREENING - .135" X .138"
3	016454-01-000	EA	INSERT - CENTER - LEATHER GRAIN ALUMINUM - UNPAINTED
	001014-01-013	EA	INSERT - CENTER - 10.25" X 16.31" - UNPAINTED
4	050712-06-000	EA	HANDLE - SCREEN DOOR - BRIGHT WHITE
5	078552-03-000	EA	KICK PANEL - SCREEN DOOR - LOWER INSERT - UNPAINTED
6	078595-01-000	EA	TOP PLATE - SCREEN DOOR - CURVED TOP - 4.7" X 25.35"
7	078777-08-000	FT	CHANNEL - SLIDER
8	079086-03-000	EA	SLIDER - SCREEN DOOR - BRIGHT WHITE
9	079087-03-000	EA	STRIKE - SLIDER - SCREEN DOOR - BRIGHT WHITE
10	120863-06-000	EA	BUMPER - RUBBER - 3/4" X 3/8"

WINDOW, VENT & EXTERIOR DOOR GROUP (CONTINUED)

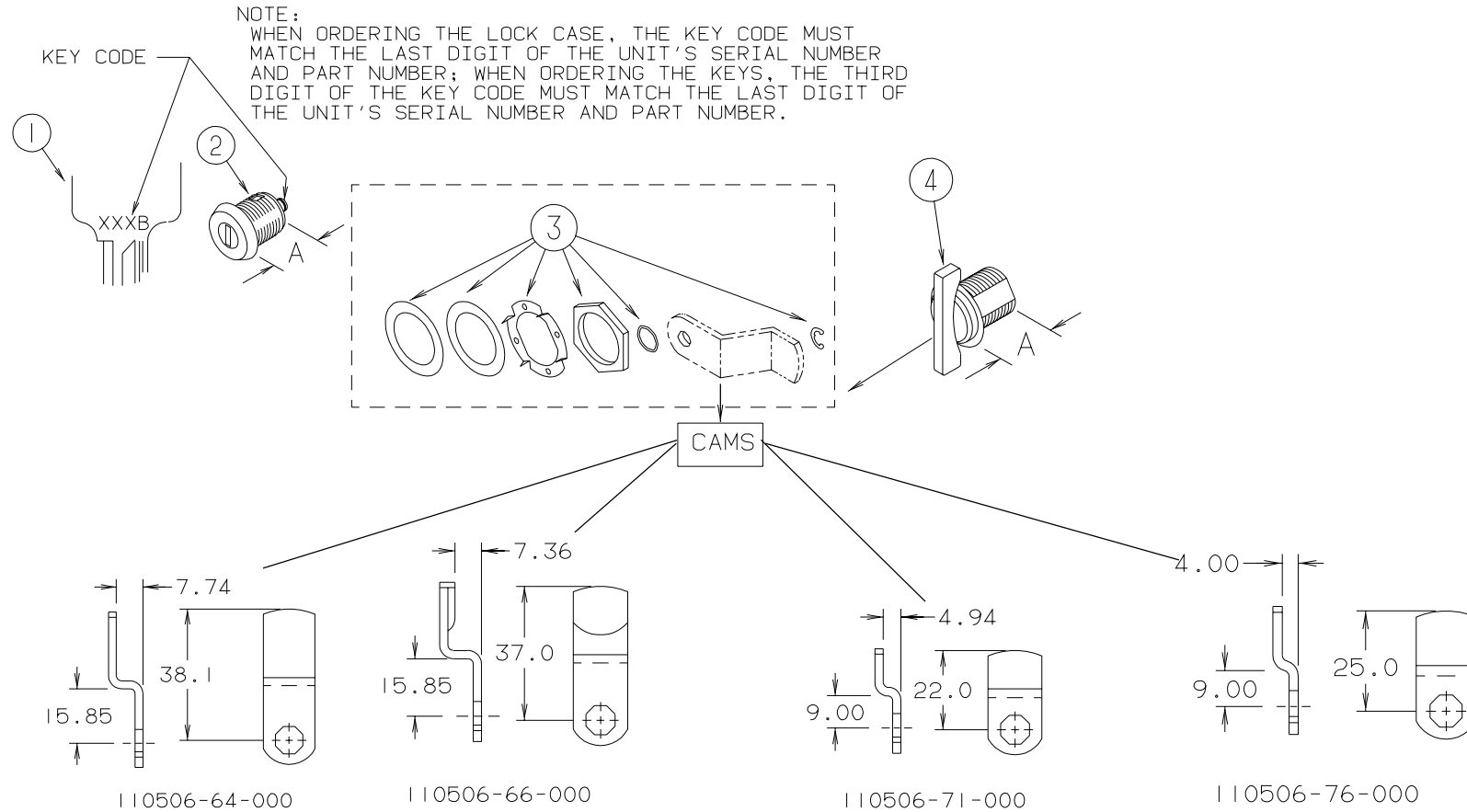


EXTERIOR DOOR COMPONENTS

KEY	PART NUMBER	U/M	DESCRIPTION
1	107997-51-001	EA	SPACER - DOOR LOCK - .6" DEEP
	107997-51-002	EA	EXTRUDED - SPACER - 16'
2	102768-01-000	EA	HOLDER - COMPARTMENT/ENTRY DOOR - METAL - MILL FINISH
3	081801-V3-000	EA	HINGE - ALUMINUM - 2" X 96" - BRIGHT WHITE
	081801-02-000	EA	HINGE - DOOR - PIANO - 2" X 8'
4	064075-07-000	FT	SEAL - BULB - W/WIRED U CHANNEL - .3" X .5" CHANNEL - BLK
5	098338-01-000	EA	GASKET - LOCK POCKET
	098408-01-000	FT	SEAL - SPONGE RUBBER - CLOSED CELL
	104692-01-000	FT	SEAL - FOAM/ADHESIVE BACK - .75"THICK X .75"WIDE X 25'
	091876-01-000	EA	RETAINER - DOOR - 1.9" X .8" - METAL
	106850-02-000	FT	SEAL-E - SPONGE RUBBER - .43" X .75"
	121264-01-01A	EA	BRACKET - F/PROP ROD - BRIGHT WHITE
	089329-02-000	EA	CLIP - SPRING
	101667-05-000	EA	PROP ROD

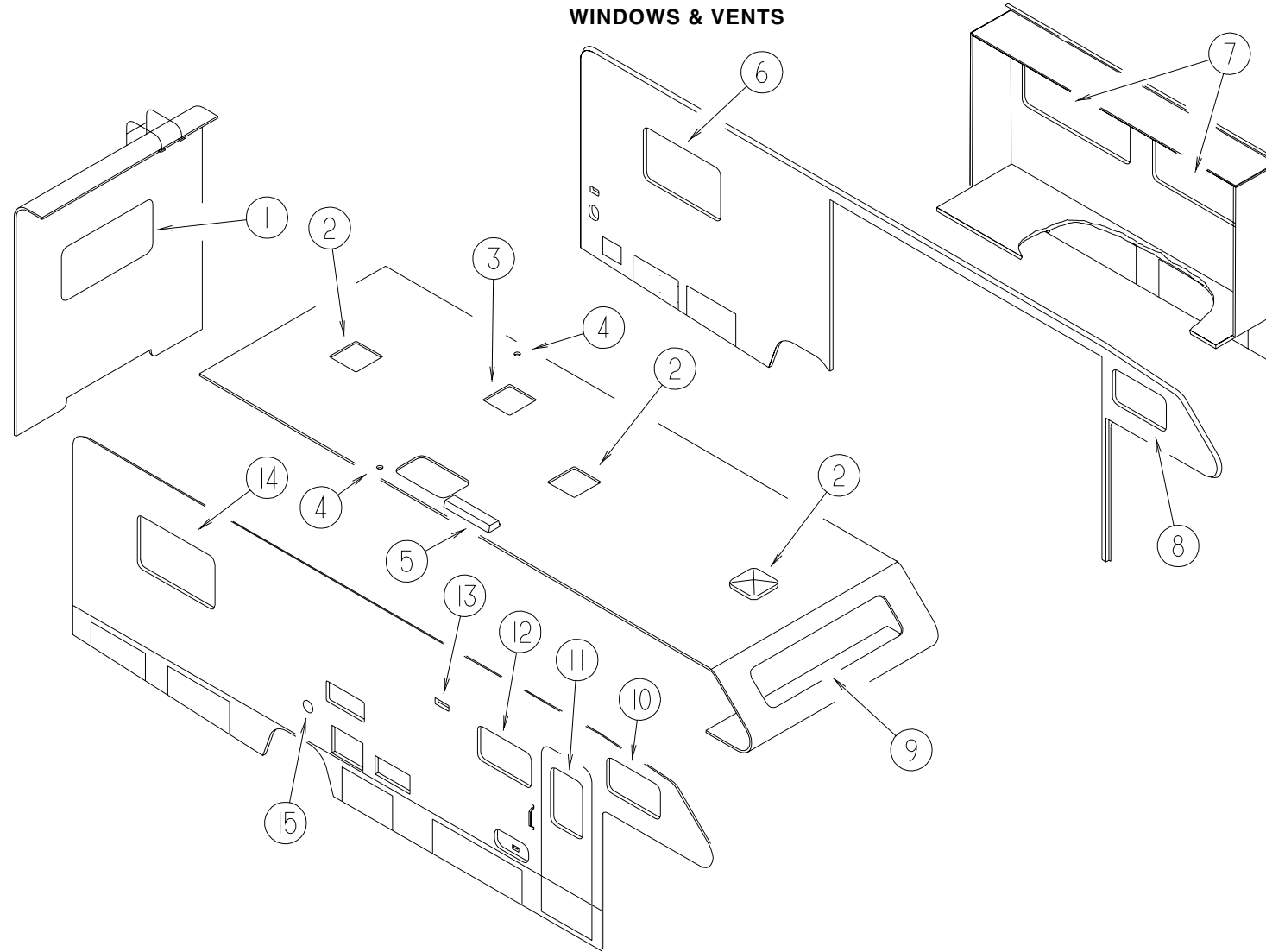
WINDOW, VENT & EXTERIOR DOOR GROUP (CONTINUED)

BRIGGS & STRATTON LOCKS & COMPONENTS



KEY	PART NUMBER	U/M	DESCRIPTION	VENDOR NO.	KEY	PART NUMBER	U/M	DESCRIPTION	VENDOR NO.
1	110506-59-000	EA	KEYS - SET OF TWO	596720	1	110506-59-006	EA	KEYS - SET OF TWO	596726
2	110506-52-000	EA	CASE/CYLINDER - LOCKING W/O CAM - .65"	702370	2	110506-52-006	EA	CASE/CYLINDER - LOCKING W/O CAM - .65"	702370
2	110506-54-000	EA	CASE/CYLINDER - LOCKING W/O CAM OR KEY - 1 1/4"	703170	2	110506-54-006	EA	CASE/CYLINDER - LOCKING W/O CAM OR KEY - 1 1/4"	703170
1	110506-59-001	EA	KEYS - SET OF TWO	596721	1	110506-59-007	EA	KEYS - SET OF TWO	596727
2	110506-52-001	EA	CASE/CYLINDER - LOCKING W/O CAM - .65"	702370	2	110506-52-007	EA	CASE/CYLINDER - LOCKING W/O CAM - .65"	702370
2	110506-54-001	EA	CASE/CYLINDER - LOCKING W/O CAM OR KEY - 1 1/4"	703170	2	110506-54-007	EA	CASE/CYLINDER - LOCKING W/O CAM OR KEY - 1 1/4"	703170
1	110506-59-002	EA	KEYS - SET OF TWO	596722	1	110506-59-008	EA	KEYS - SET OF TWO	596728
2	110506-52-002	EA	CASE/CYLINDER - LOCKING W/O CAM - .65"	702370	2	110506-52-008	EA	CASE/CYLINDER - LOCKING W/O CAM - .65"	702370
2	110506-54-002	EA	CASE/CYLINDER - LOCKING W/O CAM OR KEY - 1 1/4"	703170	2	110506-54-008	EA	CASE/CYLINDER - LOCKING W/O CAM OR KEY - 1 1/4"	703170
1	110506-59-003	EA	KEYS - SET OF TWO	596723	1	110506-59-009	EA	KEYS - SET OF TWO	596729
2	110506-52-003	EA	CASE/CYLINDER - LOCKING W/O CAM - .65"	702370	2	110506-52-009	EA	CASE/CYLINDER - LOCKING W/O CAM - .65"	702370
2	110506-54-003	EA	CASE/CYLINDER - LOCKING W/O CAM OR KEY - 1 1/4"	703170	2	110506-54-009	EA	CASE/CYLINDER - LOCKING W/O CAM OR KEY - 1 1/4"	703170
1	110506-59-004	EA	KEYS - SET OF TWO	596724	3	110506-40-700	EA	HARDWARE KIT	
2	110506-52-004	EA	CASE/CYLINDER - LOCKING W/O CAM - .65"	702370	4	110506-55-000	EA	CASE/CYLINDER - TWIST LOCK W/O CAM - 1 1/4"	
2	110506-54-004	EA	CASE/CYLINDER - LOCKING W/O CAM OR KEY - 1 1/4"	703170		110506-64-000	EA	CAM - LATCHING - DOG LEGGED 1.8" LONG	
1	110506-59-005	EA	KEYS - SET OF TWO	596725		110506-66-000	EA	CAM - LATCHING - DOG LEGGED 1.5" LONG	
2	110506-52-005	EA	CASE/CYLINDER - LOCKING W/O CAM - .65"	702370		110506-71-000	EA	CAM - LATCHING - DOG LEGGED .86" LONG	
2	110506-54-005	EA	CASE/CYLINDER - LOCKING W/O CAM OR KEY - 1 1/4"	703170		110506-76-000	EA	CAM - LOCK	
						110506-59-701	EA	KEY BLANK (GOLD)	

WINDOW, VENT & EXTERIOR DOOR GROUP (CONTINUED)



KEY	PART NUMBER	U/M	DESCRIPTION
1*	078528-07-F15	EA	WINDOW - ESCAPE W/O INSIDE TRIM - CLEAR - 24.5" X 48.5"
	074816-11-000	EA	RETAINER - TRIM - ESCAPE WINDOW - OFF WHITE
1*	113502-01-01A	EA	WINDOW - REAR/CENTER ESCAPE - THERMO - 24.8" X 48.7"
2*	122882-01-01A	EA	VENT - ROOF - NONPOWERED - W/O INSIDE GARNISH
3*	122882-02-01A	EA	VENT - ROOF - W/FAN - W/O INSIDE GARNISH - UL
3*	122882-03-01A	EA	VENT - ROOF - W/FAN - W/O INSIDE GARNISH - CSA
4	083558-03-000	EA	VENT - PLUMBING - ROOF PIPE COVERED - OFF WHITE
5	084073-07-000	EA	VENT - ROOF/REFRIGERATOR - BRIGHT WHITE - NORCOLD
	084073-04-000	EA	BASE - ROOF VENT/REFRIGERATOR - BLACK - NORCOLD
6*	098647-30-01A	EA	WINDOW - DRVR HORIZ SLIDER W/TRIM - CLEAR - 24.2" X 41"
6*	129929-06-01A	EA	WINDOW - TORQUE - THERMO - 24.4" X 41.2"
7*	098647-47-01A	EA	WINDOW - DRIVER HORIZ SLIDER W/TRIM - TINTED-23.6" X 57.5"
7*	112795-54-01A	EA	WINDOW - DRIVER HORIZONTAL SLIDER - THERMO - 23.9" X 57.8"
8*	098647-32-01A	EA	WINDOW - DRVR HORIZ SLIDER W/TRIM - CLEAR - 15.7" X 28.5"
8*	112795-20-01A	EA	WINDOW - DRIVER HORIZONTAL SLIDER - THERMO - 16" X 28.7"

*COMPONENT PARTS FOUND IN SERVICE PARTS LIBRARY

KEY	PART NUMBER	U/M	DESCRIPTION
9*	103313-03-F15	EA	WINDOW - PICTURE - 16.2" X 71" (INSIDE FRAME #117054)
	117054-01-01A	EA	RETAINER - TRIM - WHITE
9*	115630-01-01A	EA	WINDOW - STATIONARY/THERMOPANE - 17.2" X 72"
10*	098647-31-01A	EA	WINDOW - PASS HORIZ SLIDER W/TRIM - CLEAR - 15.7" X 28.5"
10*	112795-19-01A	EA	WINDOW - PASSENGER HORIZ SLIDER - THERMO - 15.7" X 28.5"
11*	117053-04-FB1	EA	WINDOW - PICTURE - CLEAR - 17" X 26.4" - W/O RETAINER
	117054-02-02A	EA	RETAINER - TRIM - BRIGHT WHITE
11*	113733-01-01A	EA	WINDOW - STATIONARY THERMOPANE - 26.4"H X 17"W
12*	098647-49-01A	EA	WINDOW - PASS HORIZ SLIDER W/TRIM - CLEAR - 15" X 23.7"
12*	112795-61-01A	EA	WINDOW - PASSENGER HORIZ SLIDER - THERMO - 15.2"X24"
13	084878-09-000	EA	VENT - EXHAUST/RANGE HOOD - OFF WHITE
	084616-07-000	EA	SHROUD - EXHAUST VENT/RANGE HOOD - BRIGHT WHITE
14*	098647-29-01A	EA	WINDOW - PASS HORIZ SLIDER W/TRIM - CLEAR - 24.2" X 41"
14*	129929-06-01A	EA	WINDOW - TORQUE - THERMO - 24.4" X 41.2"
15	111222-01-02A	EA	COVER - VENT - SIDE - BRIGHT WHITE

*COMPONENT PARTS FOUND IN SERVICE PARTS LIBRARY