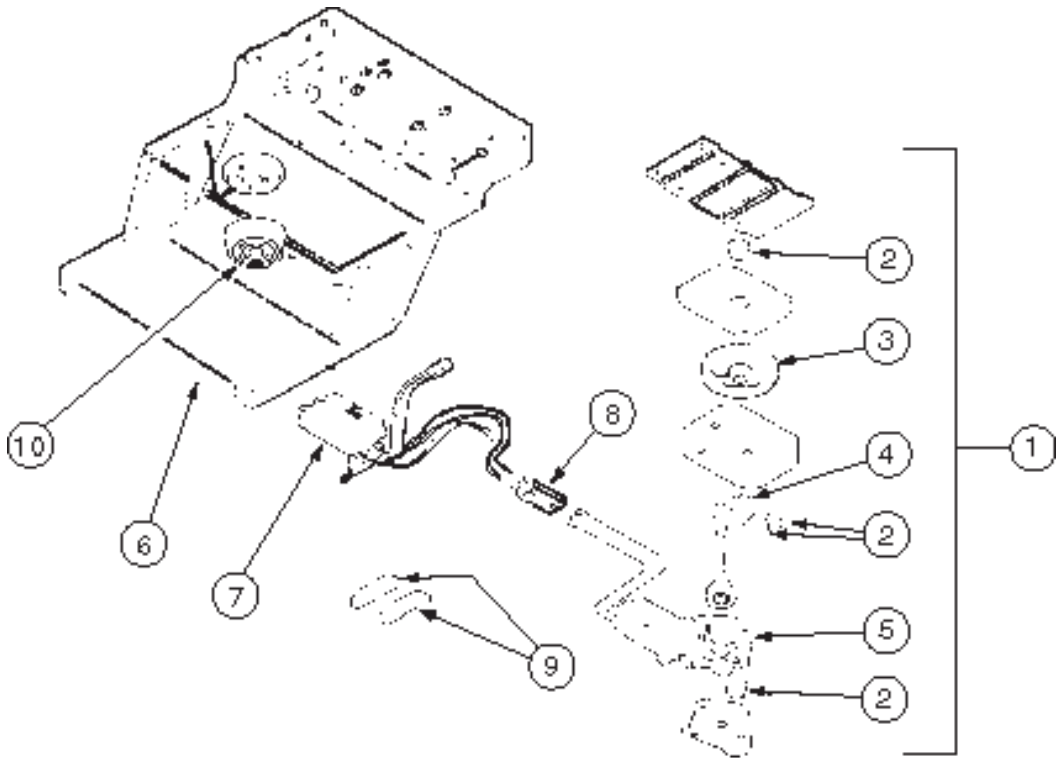
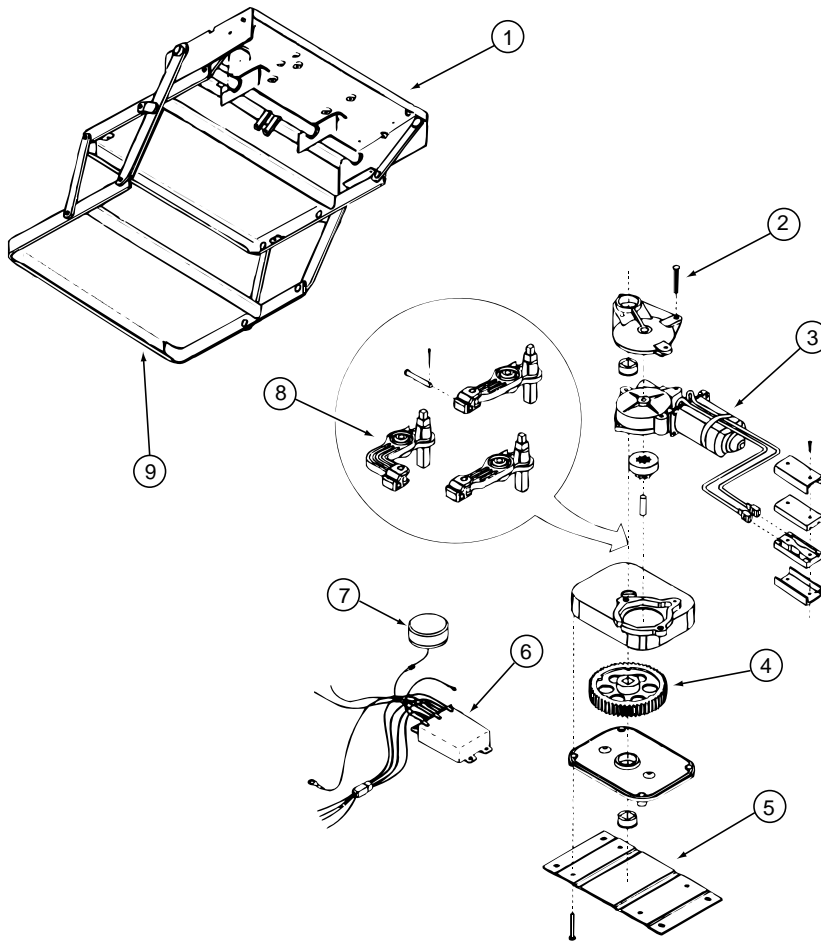


**KWIKEE
MODEL 3200 SERIES**



KEY	PART NUMBER	U/M	DESCRIPTION	VENDOR NO.
1	094707-01-01A	EA	STEP ASSEMBLY W/O SWITCH	
2	094707-02-703	EA	BEARINGS & PINS	909530
3	094707-02-702	EA	GEAR KIT - W/ BEARINGS & PIN-CASE	909525
4	094707-02-701	EA	LINKAGE ASSEMBLY - W/ BEARINGS & PINS	909523
5	094707-02-700	EA	MOTOR ASSEMBLY - W/ BEARINGS & PINS	909520
6	094707-01-702	EA	FRAME W/DOUBLE STEP	908032
7	094707-02-705	EA	CONTROL UNIT - WHITE	909513
8	094707-02-704	EA	CONNECTOR - MOTOR ASSEMBLY - W/ PLATES	909537
10	088746-01-705	EA	LIGHT - UNDER STEP	9004
	088733-01-700	EA	BULB	9004
	094707-02-707	EA	TREAD - NON SKID - BLACK - 6"X21"	909333
	094707-02-708	EA	TREAD - NON-SKID - YELLOW	909331

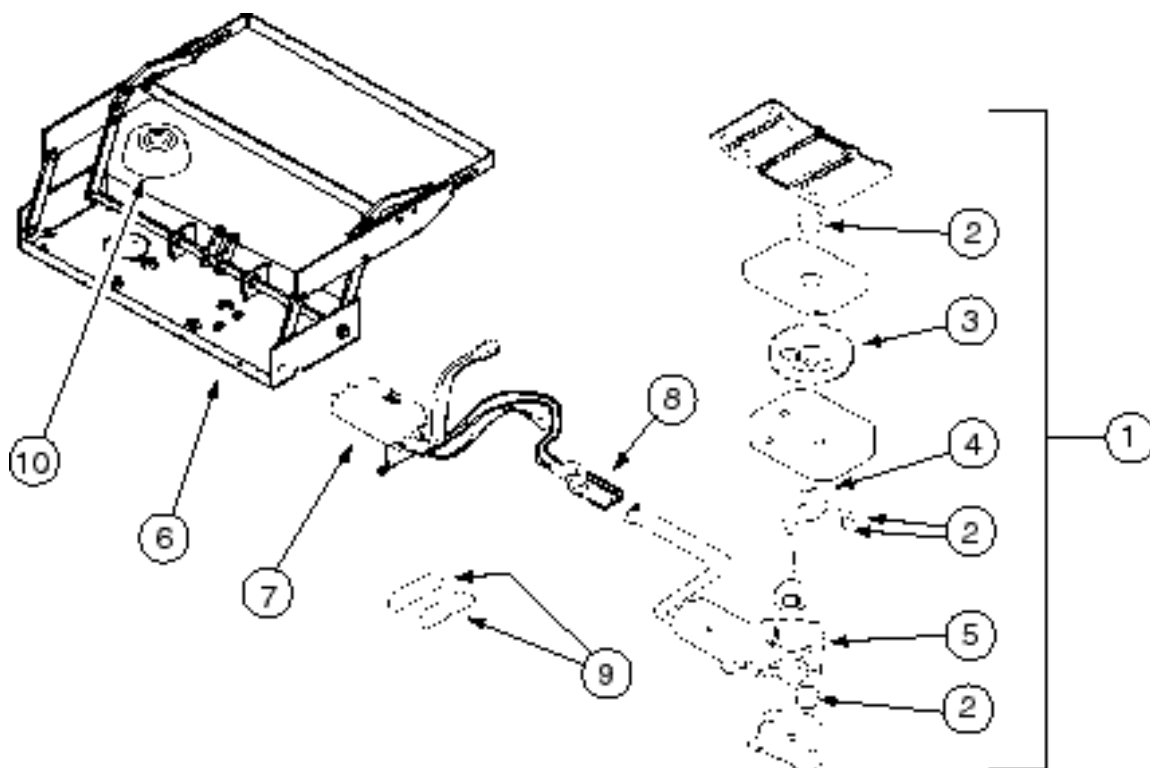
ELECTRIC STEP (CONTINUED)



KWIKEE MODEL 903206000

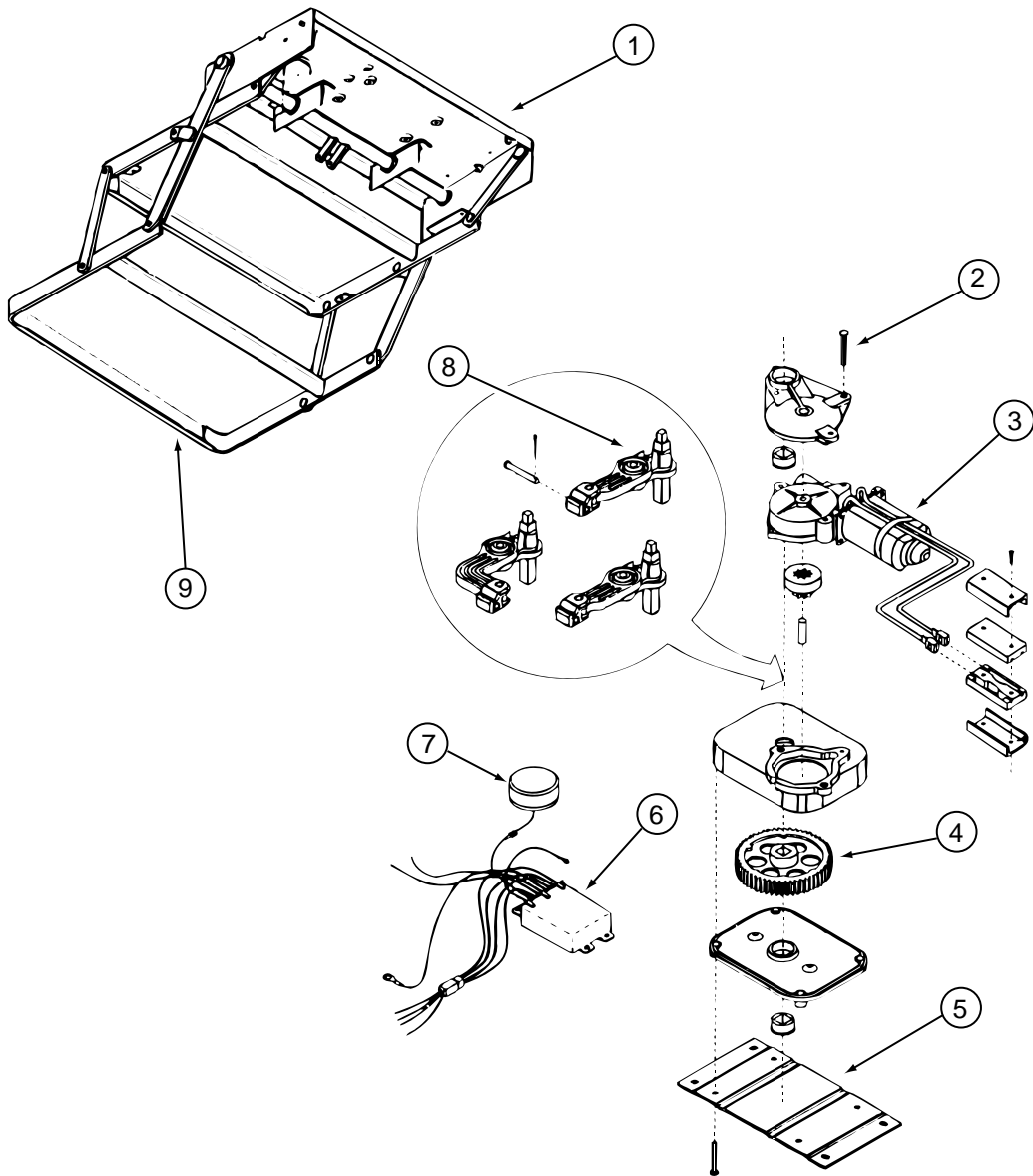
KEY	PART NUMBER	U/M	DESCRIPTION	VENDOR NO.
	094707-03-01A	EA	STEP ASM-ELECTRIC,DOUBLE BLK	
1	094707-01-702	EA	FRAME W/DBL STEP,3200 SERIES	908032
2	094707-02-703	EA	BEARING & PINS	909530
3	094707-02-700	EA	MOTOR ASM.,W/BEARINGS & PINS	909520
4	094707-02-702	EA	GEAR KIT(GEAR-BEARING-PINS)	909525
5	094707-02-704	EA	CONNECTOR-MOTOR ASM.W/PLATES	909537
6	094707-03-700	EA	KIT CONTROL/SWITCH-RETROFIT	909506005
7	088733-01-700	EA	BULB	9004
7	088746-01-705	EA	LIGHT-UNDER STEP	9004
8	094707-02-701	EA	LINKAGE ASM. W/BEARINGS-PINS	909534
9	094707-02-707	EA	TREAD - NON-SKID - BLACK	909333
	094707-02-706	EA	GEAR BOX ASM. W/O MOTOR	9524
	094707-02-708	EA	TREAD - NON-SKID - YELLOW	909331
	094707-03-701	EA	PLUG - 4-WAY - PACKARD	909306

**KWIKEE
MODEL 2800 SERIES**



KEY	PART NUMBER	U/M	DESCRIPTION	VENDOR NO.
1	094708-01-01A	EA	STEP - ENTRY DOOR - ELECTRIC - SINGLE - W/O DOOR SWITCH	
2	094707-02-703	EA	BEARINGS & PINS	909530
3	094707-02-702	EA	GEAR KIT - W/ BEARINGS & PIN-CASE	909525
4	094708-03-700	EA	LINKAGE ASSEMBLY - SERIES 28	909533
5	094707-02-700	EA	MOTOR ASSEMBLY - W/ BEARINGS & PINS	909520
6	088746-01-709	EA	FRAME W/SINGLE STEP - SERIES 2800	908028
7	094707-02-705	EA	CONTROL UNIT - WHITE	909513
8	094707-02-704	EA	CONNECTOR - MOTOR ASSEMBLY - W/ PLATES	909537
10	088746-01-705	EA	LIGHT - UNDER STEP	9004
	088733-01-700	EA	BULB	9004
	094707-02-707	EA	TREAD - NON SKID - BLACK - 6"X21"	909333
	094707-02-708	EA	TREAD - NON-SKID - YELLOW	909331

ELECTRIC STEP (CONTINUED)



KWIKEE MODEL 902806000

KEY	PART NUMBER	U/M	DESCRIPTION	VENDOR NO.
	094708-03-01A	EA	STEP ASM-ELECTRIC,SINGLE BLK	
1	088746-01-709	EA	FRAME W/SGL STEP,2800 SERIES	908028
2	094707-02-703	EA	BEARING & PINS	909530
3	094707-02-700	EA	MOTOR ASM.,W/BEARINGS & PINS	909520
4	094707-02-702	EA	GEAR KIT(GEAR-BEARING-PINS)	909525
5	094707-02-704	EA	CONNECTOR-MOTOR ASM.W/PLATES	909537
6	094707-03-700	EA	KIT CONTROL/SWITCH-RETROFIT	909506005
7	088733-01-700	EA	BULB	9004
7	088746-01-705	EA	LIGHT-UNDER STEP	9004
9	094707-02-707	EA	TREAD - NON-SKID - BLACK	909333
	094707-03-701	EA	PLUG - 4-WAY - PACKARD	