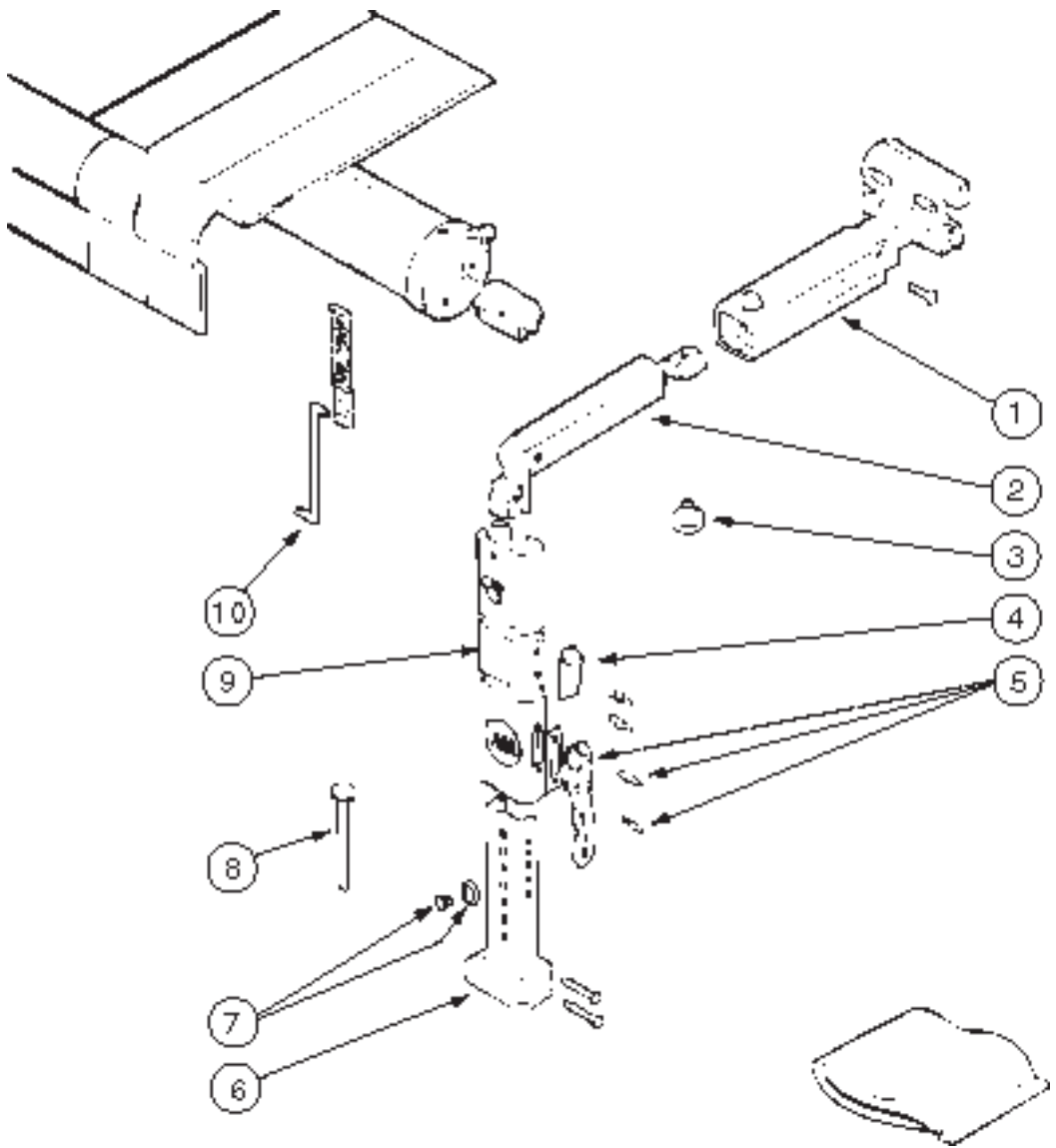


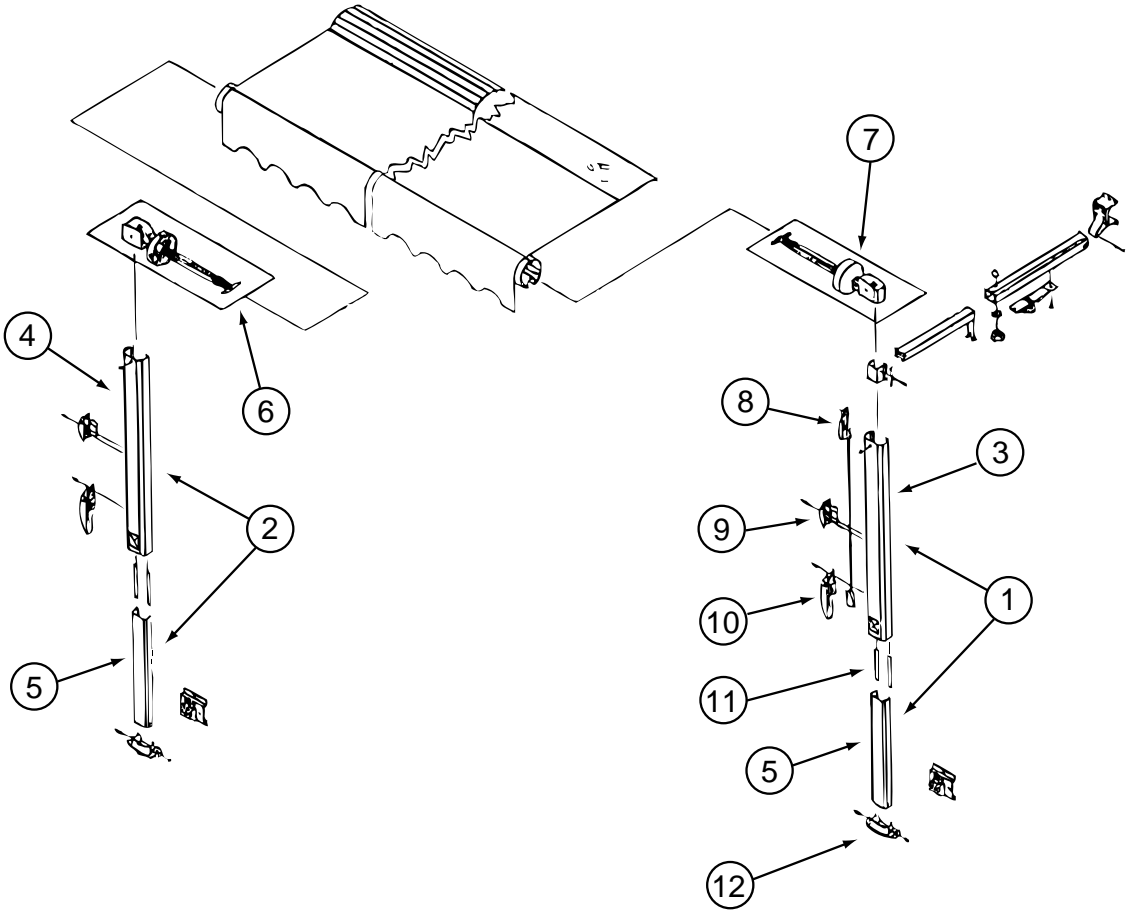
**DOMETIC A & E
MODEL 8500 SERIES**



KEY	PART NUMBER	U/M	DESCRIPTION	VENDOR NO.
	113874-01-02A	EA	HARDWARE KIT - AWNING- W/O STANDOFF BRACKET - BRIGHT WHITE	
1	113874-01-714	EA	RAFTER - MAIN RH/LH - BRIGHT WHITE	830295.536F
2	113874-01-715	EA	RAFTER - SECONDARY - BRIGHT WHITE	830463.511F
3	113874-01-702	EA	KNOB - ADJUSTING	3105421.014
4	113874-01-706	EA	LOCK - TRAVEL	830587.001
5	113874-01-707	EA	HANDLE - LIFT W/RIVETS	830644
6	113874-01-712	EA	FOOT - PATIO	730366-001
7	113874-01-710	EA	PLUG-STOP KIT	830456
8	113874-01-709	EA	NAIL-SPIKE, 8"	113006
9	113874-01-716	EA	ARM - MAIN SUPPORT - BRIGHT WHITE	3104502.293/F
10	113874-01-703	EA	ROD-CENTER PULL W/ACCESSORY	830152.102

AWNING - HARDWARE KIT

CFC 475501WHT-MW



KEY	PART NUMBER	U/M	DESCRIPTION	VENDOR NO.
	130483-01-01A	EA	AWNING-HARDWARE KIT, BRIGHT WHITE	
1	130483-01-700	EA	HARDWARE SET/FRONT 1/2 (WW)	R00415-101-55
2	130483-01-701	EA	HARDWARE SET/REAR 1/2 (WW)	R00416-101-55
3	130483-01-702	EA	ARM/UPPER - FRONT - UNI (WW)	R00410-101-55
4	130483-01-703	EA	ARM/UPPER - REAR - UNI (WW)	R00411-101-55
5	130483-01-704	EA	ARM/LOWER - RT/LT - UNI (WW)	R00412-101-55
6	130483-01-705	EA	SPRINGS/ REAR - (WW)	R012408WHT
7	130483-01-706	EA	SPRINGS/FRONT - (WW)	R012407WHT
8	130483-01-707	EA	LOCK/REMOTE - UNIVERSAL	R00631W
9	130483-01-708	EA	LOCK/TRAVEL	901017W
10	130483-01-709	EA	HANDLE	901015W
11	130483-01-710	EA	GLIDE - PLASTIC	041178-001
12	130483-01-711	EA	FOOT/CARPORT	901020W
13	130483-01-712	EA	STANDOFF/TOP BRACKET (WW)	249153WHT