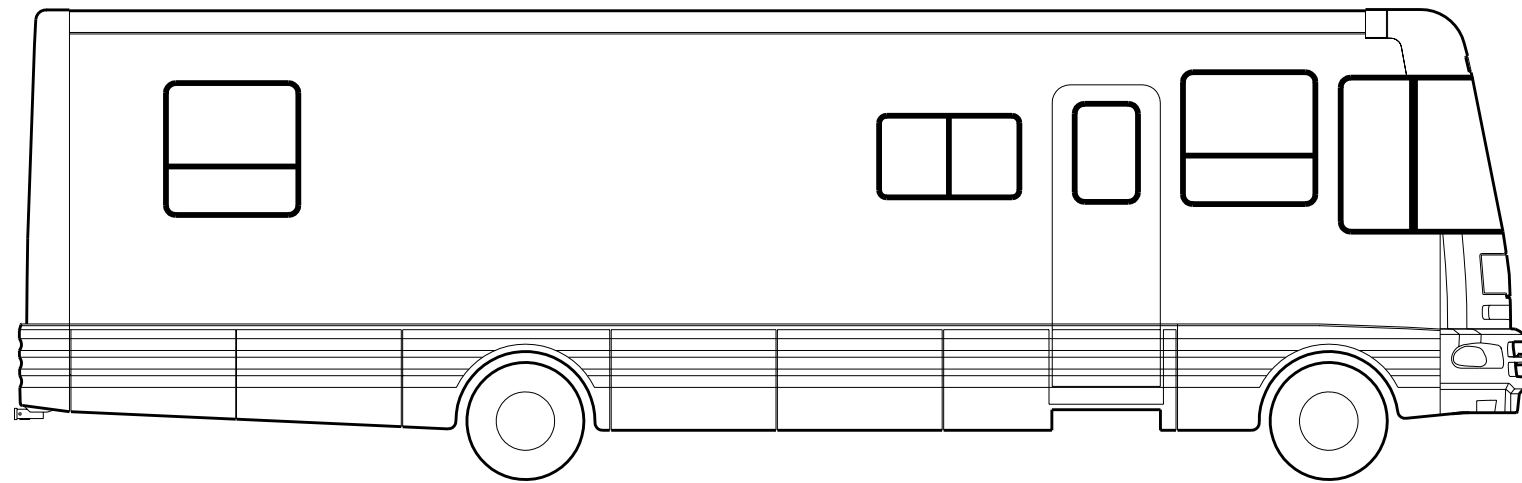


1999 WL35C



MYSTIC OAK

K36 MERCURY

K38 BLOCK PARTY

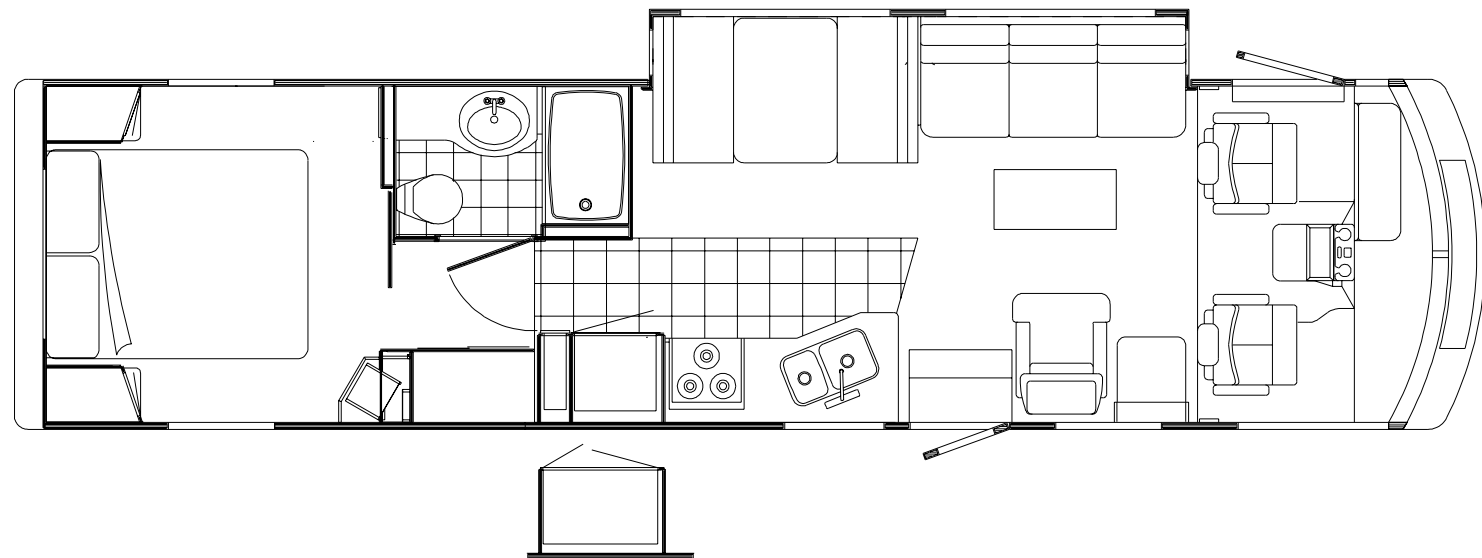
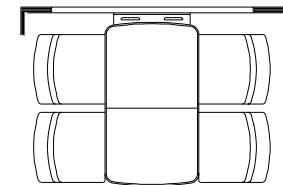
K40 PEWTER

SALEM CHERRY

K37 MERCURY

K39 BLOCK PARTY

K41 PEWTER



ACCESSORIES GROUP

OPERATORS MANUAL

KEY	PART NUMBER	U/M	DESCRIPTION
	054185-J2-000	EA	MANUAL - OPERATOR 99 CHIEFTAIN - L SERIES
	129079-01-01A	EA	CASE - VINYL/BLACK-EXPANDABLE ACCORDION SIDES-7"WX9"HX14"L
	129079-02-01A	EA	CASE - VINYL - OWNER MANUAL - 8.5" X 9" X 14" - BLACK
	129750-01-000	DW	TOP LEVEL-L,1999

AUDIO VIDEO GROUP

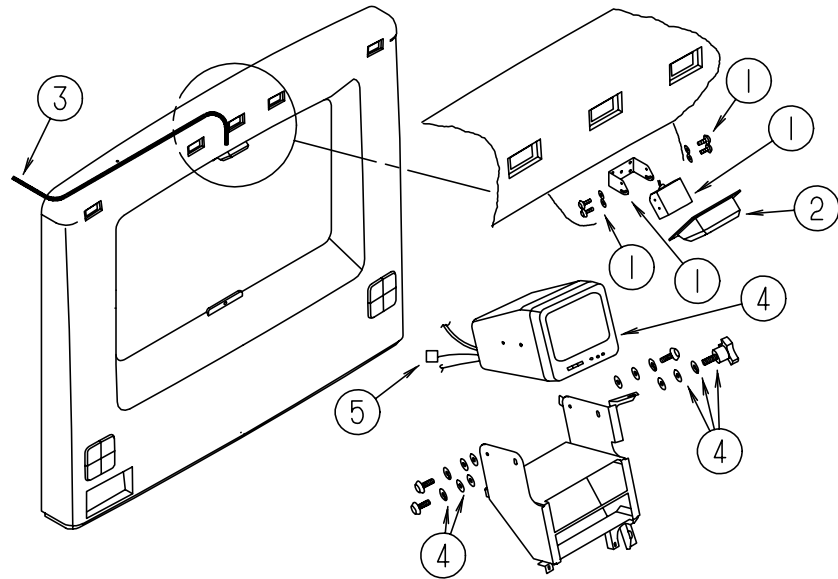
RADIO SYSTEM COMPONENTS

KEY	PART NUMBER	U/M	DESCRIPTION	VENDOR NO.
	077069-02-000	EA	CABLE - ANTENNA/EXTENSION - RADIO - 96"	
	089340-02-000	EA	GRILLE - SPEAKER - 6.5" SQUARE	
	089340-03-000	EA	SPACER - SPEAKER GRILLE	
	090944-01-000	EA	ANTENNA - RADIO - 16" RUBBER	
	094097-01-000	EA	SPEAKER - RADIO/TV - W/O GRILLE - 5.25" DIAMETER	
	108847-01-000	EA	BRACKET - ANTENNA GROUND	
	109889-04-000	EA	EXTENDER - ANTENNA SHAFT - 3"	
	110469-01-000	EA	SPEAKER - 4" X 6" OVAL - COAXIAL	
	110470-01-01A	EA	GRILLE - 4" X 6" OVAL - BLACK	
	115916-01-01B	EA	BRACKET - ANTENNA MOUNT	
	123256-01-000	EA	ANTENNA - CB - W/O CABLE	
	123256-02-000	EA	CABLE - CB - COAX	
	124843-05-000	EA	WIRE ASSEMBLY - SPEAKER/ADAPTER	
	124881-01-000	EA	AMPLIFIER - AUDIO	
	124882-01-000	EA	WIRE ASSEMBLY - AMPLIFIER	
	128074-02-000	EA	FILTER - NOISE - 12 VOLT D.C. W/PLUGS	
	124883-02-000	EA	SPEAKER - CUBE - W/BRACKET	
	124884-01-000	EA	SPEAKER - 6" X 9" - SUB-WOOFER	
	124885-01-000	EA	GRILLE - SPEAKER - 6" X 9" - SUB-WOOFER	
	125322-02-000	EA	RADIO - AM/FM STEREO - CASSETTE - AUDIOVOX	
	126958-01-000	EA	RADIO - WALL MOUNT - AM/FM CASSETTE - AUDIOVOX	
	127264-01-000	EA	RADIO - AM/FM STEREO - CASSETTE - PANASONIC	
	127264-01-700	EA	TRIM RING	YFC054C044ZB
	127264-01-701	EA	KNOB - VOLUME	YFE074C045ZA
	127264-01-702	EA	KNOB - FADER	YEFE074C026
	127264-01-703	EA	FACTORY HARNESS	YAJ024C048ZB
	127515-04-000	EA	CHANGER - COMPACT DISC	
	127515-05-000	EA	CHANGER - CONTROL/FM MODULATOR	
	127516-03-000	EA	RADIO - AM/FM STEREO - CD PLAYER - PANASONIC	
	127516-03-700	EA	REMOTE CONTROL	YEP0FX3300

TELEPHONE SYSTEM

KEY	PART NUMBER	U/M	DESCRIPTION
	093253-01-01A	EA	PLATE - WALL - TELEPHONE - BEIGE
	130686-01-01A	EA	PLATE - WALL - TELEPHONE/COAX

AUDIO VIDEO GROUP (CONTINUED)



REAR VIEW MONITOR & SHROUDS

KEY	PART NUMBER	U/M	DESCRIPTION	VENDOR NO.
1	093040-09-000	EA	CAMERA - REAR VIEW - W/BRACKET - SONY	
2	125258-01-01A	EA	SHROUD - CAMERA - OUTER	
3	093041-01-000	EA	CABLE - MONITOR/CAMERA - INTERNAL USE - 65.6'	
4	093040-10-000	EA	MONITOR - 7" REAR VIEW - W/BRACKET - SONY	
	093040-10-700	EA	LENS-MONITOR, REAR VIEW F/7"	3-708-537-01
5	093040-06-000	EA	WIRE ASM-MONITOR- F/NON-PREWIRED AFTER MARKET INSTALLATION	

AUDIO VIDEO GROUP (CONTINUED)

TV ANTENNA & SATELLITE

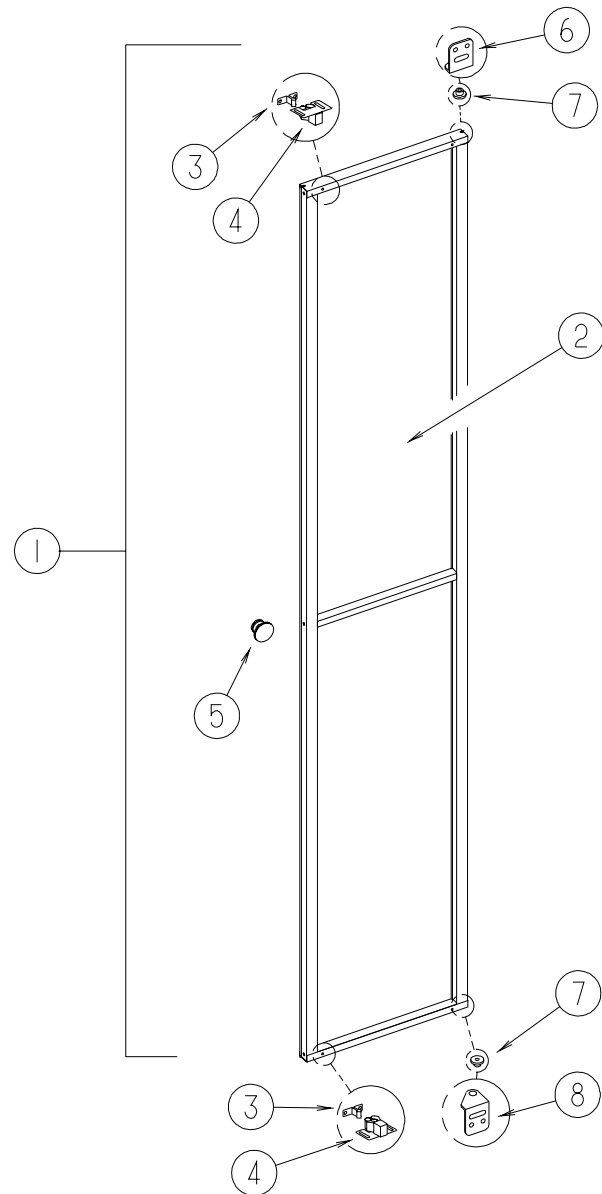
KEY	PART NUMBER	U/M	DESCRIPTION
	076319-08-000	EA	WALLPLATE - CABLE RECEPTACLE - TV - SINGLE - IVORY
	076319-09-000	EA	WALLPLATE - CABLE RECEPTACLE - TV - SINGLE - BROWN
	076319-03-000	FT	CABLE - COAXIAL - 75 OHM
	076319-12-000	EA	CONNECTOR - COAXIAL - ONE PIECE
*	076319-23-000	EA	ANTENNA - TV ROOF MOUNT - 44.5" MAST
*	076319-25-000	EA	KIT - HARDWARE INTERIOR
*	120233-04-000	EA	ANTENNA - SATELLITE - W/DIGITAL SENSOR/READ OUT DISPLAY

***COMPONENT PARTS FOUND IN SERVICE PARTS LIBRARY**

TV & VCR SYSTEMS

KEY	PART NUMBER	U/M	DESCRIPTION	VENDOR NO.
	086231-08-000	EA	TV - 13" COLOR - DC - AUDIOVOX	
	086231-08-700	EA	REMOTE-UNIVERSAL	8822325
	086231-08-701	EA	ADAPTER - WIRE	0891436
	082134-01-000	EA	ADAPTER - TV - CABLE TO CABLE	
	082136-01-000	EA	NUT - HEX JAM - 3/8-32	
	086756-01-000	EA	SPLITTER - TV - 2 WAY	
	086757-03-000	EA	CONTROL CENTER - SWITCH - VCR/TV	
			FROM: 00-00-00 THRU: 11-08-98	
	086757-04-000	EA	CONTROL CENTER - SWITCHING - 5 INPUTS	
			FROM: 11-09-98 THRU: 99-99-99	
	086777-01-000	EA	WALLPLATE - TV CABLE - W/ANTENNA SWITCH - IVORY	
	086777-02-000	EA	WALLPLATE - TV CABLE - W/ANTENNA SWITCH - BROWN	
	086777-05-000	EA	WALLPLATE - ANTENNA 1 OUTPUT - IVORY	
	086777-06-000	EA	WALLPLATE - TV CABLE - ANTENNA BOOSTER/1 OUTPUT - BROWN	
	093214-01-02A	EA	GRILLE - SPEAKER - 4" BROWN	
	098819-01-000	EA	SPEAKER - 4" - 2 WATT - 8 OHM	
	114870-02-000	EA	PLUG - .14" AUDIO W/LEADS	
	115540-01-000	EA	AMPLIFIER - TV SPEAKERS	
	115466-06-02B	EA	STRAP - TIEDOWN - E-COATED	
	115466-20-02B	EA	STRAP - TIEDOWN/TV - E-COATED	
	115539-01-000	EA	RELAY - RADIO/TV SPEAKER - SWITCH	
	126696-02-000	EA	TV - 19" COLOR W/1/8" JACK - UL/CSA	
	126696-01-700	EA	REMOTE	226725
	126697-03-000	EA	VCR-VHS - CABLE READY - W/REMOTE	
	126697-02-700	EA	REMOTE	238513
	132567-01-02B	EA	BRACKET - TV TIEDOWN - E-COATED	

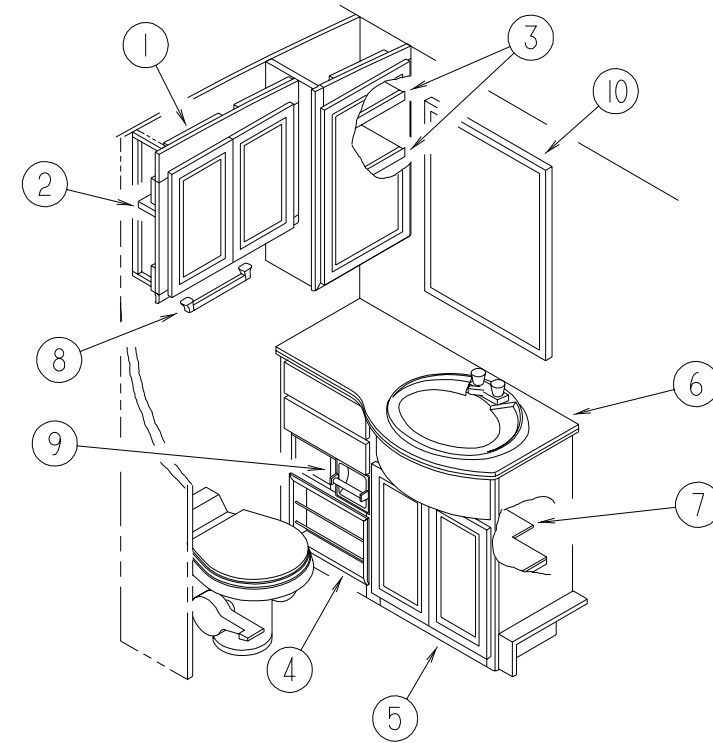
BATH GROUP



MIRRORED WARDROBE DOOR

KEY	PART NUMBER	U/M	DESCRIPTION
1	127466-09-K36	EA	DOOR - MIRRORED - LH
1	127466-10-K36	EA	DOOR - MIRRORED - RH
2	058331-H9-000	EA	MIRROR - SAFETY GLASS - 15.6" X 64.5"
3	093586-04-000	EA	STRIKE - SPRING STEEL - 1.14"
4	093586-03-000	EA	CATCH - SPRING ROLLER - .377"
	000G11-07-08B	EA	SCREW - 7-19 X 1/2 PPH - ZINC
5	125221-01-01A	EA	PULL - MIRROR - W/ROUND HANDLE
6	128695-01-04B	EA	BRACKET - MIRRORED DOOR - BLACK
7	128832-01-000	EA	WASHER - SHOULDER - NYLON
8	128695-02-04B	EA	BRACKET - MIRRORED DOOR - BLACK

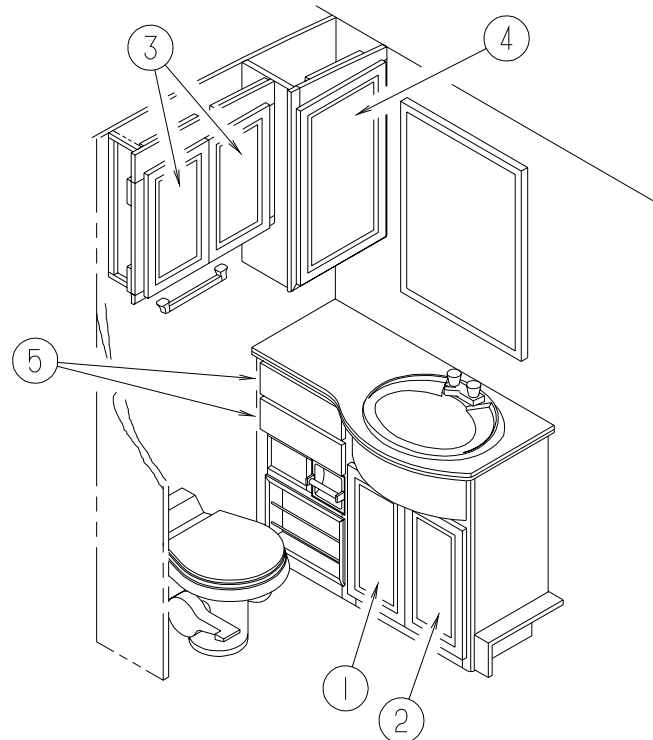
BATH GROUP (CONTINUED)



LAVATORY CABINETS

KEY	PART NUMBER	U/M	DESCRIPTION
1	130853-01-K36	EA	CABINET - LINEN - W/O DOORS/DRAWERS/HDW - MYSTIC OAK
1	130853-01-K37	EA	CABINET - LINEN - W/O DOORS/DRAWERS/HDW - SALEM CHERRY
2	130853-12-K36	EA	SHELF - W/PLASTIC EDGE TRIM - MYSTIC OAK
2	130853-12-K37	EA	SHELF - W/PLASTIC EDGE TRIM - SALEM CHERRY
3	130853-13-K36	EA	SHELF - W/PLASTIC EDGE TRIM - MYSTIC OAK
3	130853-13-K37	EA	SHELF - W/PLASTIC EDGE TRIM - SALEM CHERRY
4	097208-12-K36	EA	MAGAZINE RACK - OAK - MYSTIC OAK
4	097208-12-K37	EA	MAGAZINE RACK - SALEM CHERRY
5	130743-01-K36	EA	CABINET - LAVATORY - W/COUNTERTOP - W/O DOOR/DRAWER/HDW (K36)
5	130743-01-K37	EA	CABINET - LAVATORY - W/COUNTERTOP - W/O DOOR/DRAWER/HDW (K37)
5	130743-01-K38	EA	CABINET - LAVATORY - W/COUNTERTOP - W/O DOOR/DRAWER/HDW (K38, K40)
5	130743-01-K39	EA	CABINET - LAVATORY - W/COUNTERTOP - W/O DOOR/DRAWER/HDW (K39, K41)
6	130743-18-K36	EA	COUNTERTOP - LAVATORY CABINET (K36, K37)
6	130743-18-K38	EA	COUNTERTOP - LAVATORY CABINET (K38, K39, K40, K41)
7	130743-12-K36	EA	SHELF - W/PLASTIC EDGE MOLDING - MYSTIC OAK
7	130743-12-K37	EA	SHELF - W/PLASTIC EDGE MOLDING - SALEM CHERRY
8	075453-02-000	EA	BAR - TOWEL - 18" BRASS
9	085278-01-000	EA	HOLDER - TOILET PAPER - RECESSED - BRASS
10	093606-29-000	EA	MIRROR - BEVELED PANEL - 23.6" X 31.4"

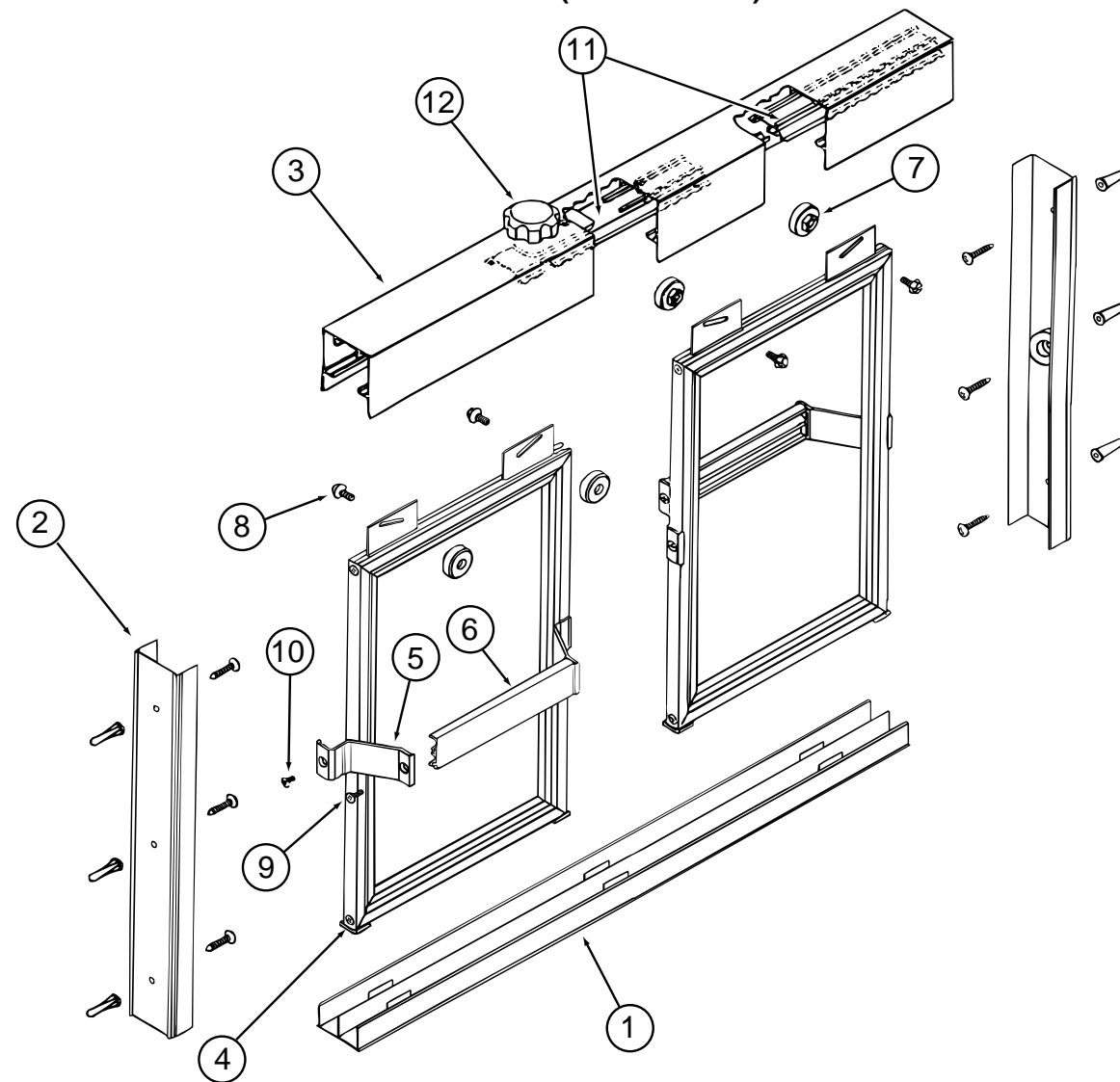
BATH GROUP (CONTINUED)



LAVATORY DOORS & DRAWERS

KEY	PART NUMBER	U/M	DESCRIPTION
1	131995-34-K36	EA	DOOR - SOLID PANEL - 10.6" X 19.8" - W/O HDW - MYSTIC OAK
1	131995-34-K37	EA	DOOR - SOLID PANEL - 10.6" X 19.8" - W/O HDW - SALEM CHERRY
2	131995-36-K36	EA	DOOR - SOLID PANEL - 10.6" X 19.8" - W/O HDW - MYSTIC OAK
2	131995-36-K37	EA	DOOR - SOLID PANEL - 10.6" X 19.8" - W/O HDW - SALEM CHERRY
3	131995-53-K36	EA	DOOR - SOLID PANEL - 11.2" X 19.6" - W/O HDW - MYSTIC OAK
3	131995-53-K37	EA	DOOR - SOLID PANEL - 11.2" X 19.6" - W/O HDW - SALEM CHERRY
4	131995-D4-K36	EA	DOOR - SOLID PANEL - 15.7" X 27.9" - W/O HDW - MYSTIC OAK
4	131995-D4-K37	EA	DOOR - SOLID PANEL - 15.7" X 27.9" - W/O HDW - SALEM CHERRY
5	M09316-52-K36	EA	DRAWER - OGEE EDGE - 11.5"W X 11.8"D - W/O SLIDES/HDW - MYSTIC OAK
5	M09316-52-K37	EA	DRAWER - OGEE EDGE - 11.5"W X 11.8"D - W/O SLIDES/HDW - SALEM CHERRY

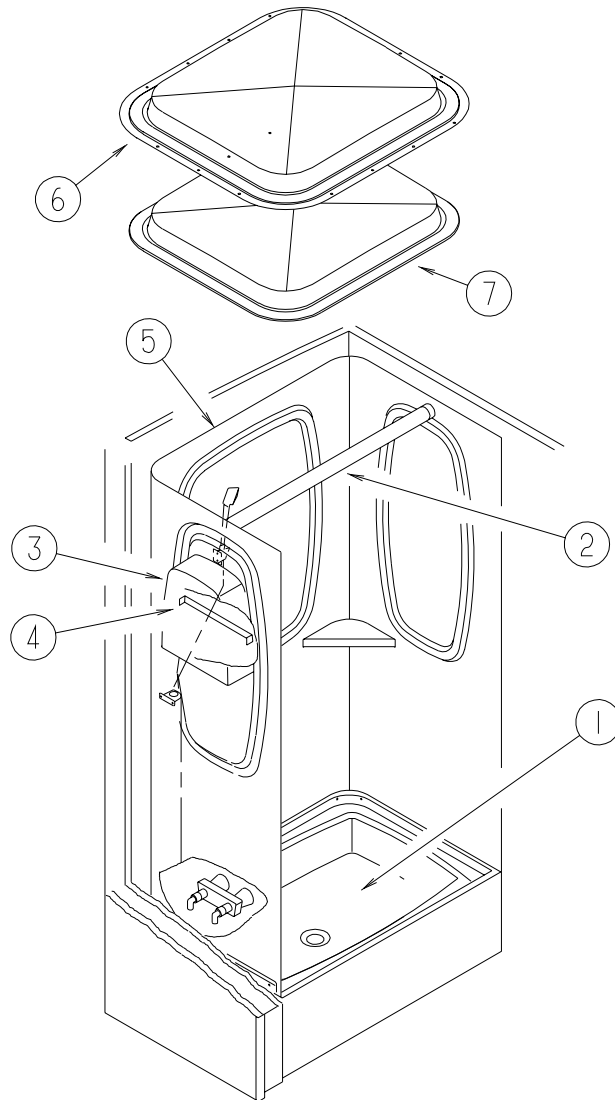
BATH GROUP (CONTINUED)



SHOWER DOOR

KEY	PART NUMBER	U/M	DESCRIPTION	VENDOR NO.
	115011-02-01A	EA	SHOWER DOOR - BYPASS W/41" LOWER TRACK	
1	115011-01-709	EA	TRACK - BOTTOM - 50"	90
2	115011-01-713	EA	JAMB - WALL SHOWER DOOR	126
3	115011-01-700	EA	HEADER - W/O ANTI JUMP GUARD	120G
4	115011-01-701	EA	GUIDE - NYLON (W-TRACK)	1104
5	115011-01-702	EA	BRACKET - TOWEL BAR	135
6	115011-01-703	EA	BAR - TOWEL	136
7	115011-01-704	EA	ROLLERS	PN193
8	115011-01-705	EA	SCREW - ROLLER (HEX HEAD)	832HEX
	115011-01-706	FT	GLAZING VINYL	C 169
9	115011-01-707	EA	SCREW F/TOWEL BAR	612F
10	115011-01-708	EA	SCREW F/TOWEL BAR BRKTS	638F
11	115011-01-710	EA	GUARD - ANTI JUMP	130
12	115011-01-711	EA	KNOB - TENSION (HEADER W/BOLT)	1420K-1420S
	115011-01-712	EA	BOLT - TENSION (HEADER)	1420S

BATH GROUP (CONTINUED)



SHOWER

KEY	PART NUMBER	U/M	DESCRIPTION
1	M02630-34-GV0	EA	SHOWER PAN - W/SPRING LOADED DRAIN PLUNGER
1	M02630-27-F11	EA	SHOWER PAN - W/STRAINER/TAILPIECE
2	102075-18-01A	EA	ROD - CURTAIN- SHOWER - OFF/WHITE
3	104462-02-01A	EA	CADDY - SHOWER - OFF WHITE
4	113646-01-01A	EA	RETAINER - SHELF/SHOWER
5	115612-01-01A	EA	SURROUND - SHOWER - OFF WHITE
6	114496-01-02A	EA	PANEL - SKYLIGHT - OUTER - 22" X 37"
7	122191-01-02A	EA	PANEL - SKYLIGHT - INNER W/LIGHT CUTOUT - 20.7" X 35.4"

BATH GROUP (CONTINUED)

BATH PRIVACY DOOR

KEY	PART NUMBER	U/M	DESCRIPTION
	111155-03-01A	EA	LOCK - PRIVACY/LOCKING - POLISHED BRASS
	128967-14-K36	EA	DOOR - BATH - MYSTIC OAK
	128967-14-K37	EA	DOOR - BATH - SALEM CHERRY
	128967-51-K36	EA	RACK - TOWEL/BATH DOOR - MYSTIC OAK
	128967-51-K81	EA	RACK - TOWEL/BATH DOOR - SALEM CHERRY
	100357-01-000	EA	ROD - F/TOWEL BAR - BRASS
	128967-52-K36	EA	MOLDING - VINYL WRAPPED - MYSTIC OAK
	128967-52-K81	EA	MOLDING - VINYL WRAPPED - SALEM CHERRY
	128967-53-K36	EA	MOLDING - VINYL WRAPPED - MYSTIC OAK
	128967-53-K81	EA	MOLDING - VINYL WRAPPED - SALEM CHERRY

BATH DRAINAGE

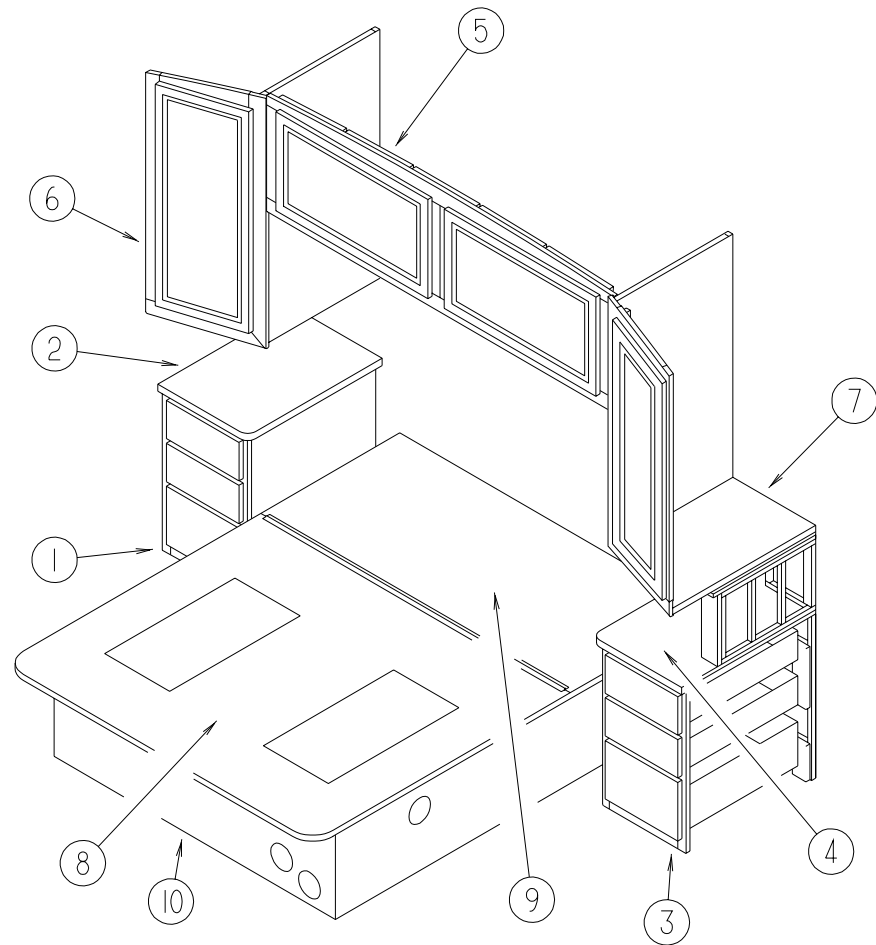
KEY	PART NUMBER	U/M	DESCRIPTION
*	085330-06-000	EA	TOILET - STANDARD CHINA W/SPRAYER - BONE
	105218-01-01A	EA	SPACER - FAUCET/LAVATORY SINK - 2" X 5.9" - ABS PLASTIC
	105921-01-01A	EA	SINK - LAVATORY - LARGE/OVAL - 17" X 20" PLASTIC/OFF WHITE
	106116-01-01A	EA	STRAINER - SINK-W/STOPPER/TAILPIECE/GASKET & NUT - PLASTIC

*COMPONENT PARTS FOUND IN SERVICE PARTS LIBRARY

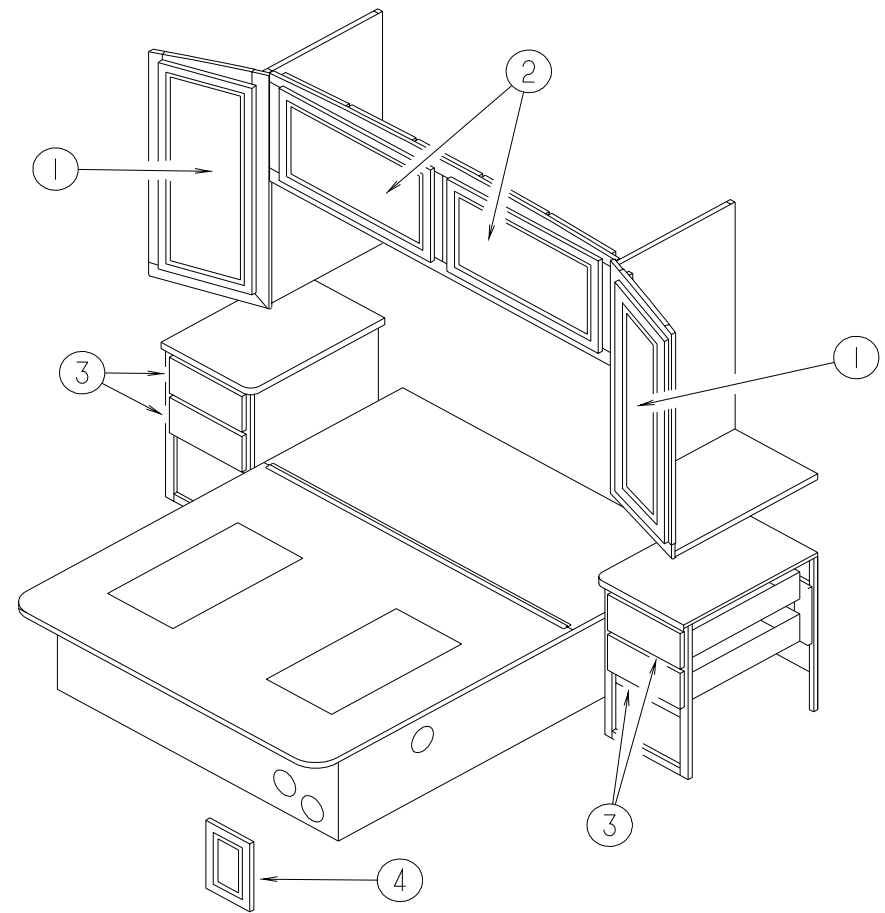
BATH WATER SYSTEM

KEY	PART NUMBER	U/M	DESCRIPTION	VENDOR NO.
	075240-05-000	EA	FAUCET - LAVATORY - BRASS	
	075242-03-000	EA	FAUCET - TUB/SHOWER - BRASS	
	075606-01-000	EA	PANEL - PLASTIC - FAUCET BACK - 5" X 9"	
	131383-01-01A	EA	SHOWER HEAD - W/HOSE & BRACKET - 60" - IVORY	
	131383-02-01A	EA	SHOWER HEAD - W/HOSE & BRACKET - 60" - CSA- IVORY	
	103092-01-700	EA	BRACKET-F/SHOWER HEAD, CLEAR	2328028
	011048-03-700	EA	BRACKET - SHOWER HEAD/IVORY	2328029-1
	103092-01-702	EA	SEALS-SPRAY HEAD	24466

BEDROOM GROUP



BEDROOM GROUP (CONTINUED)



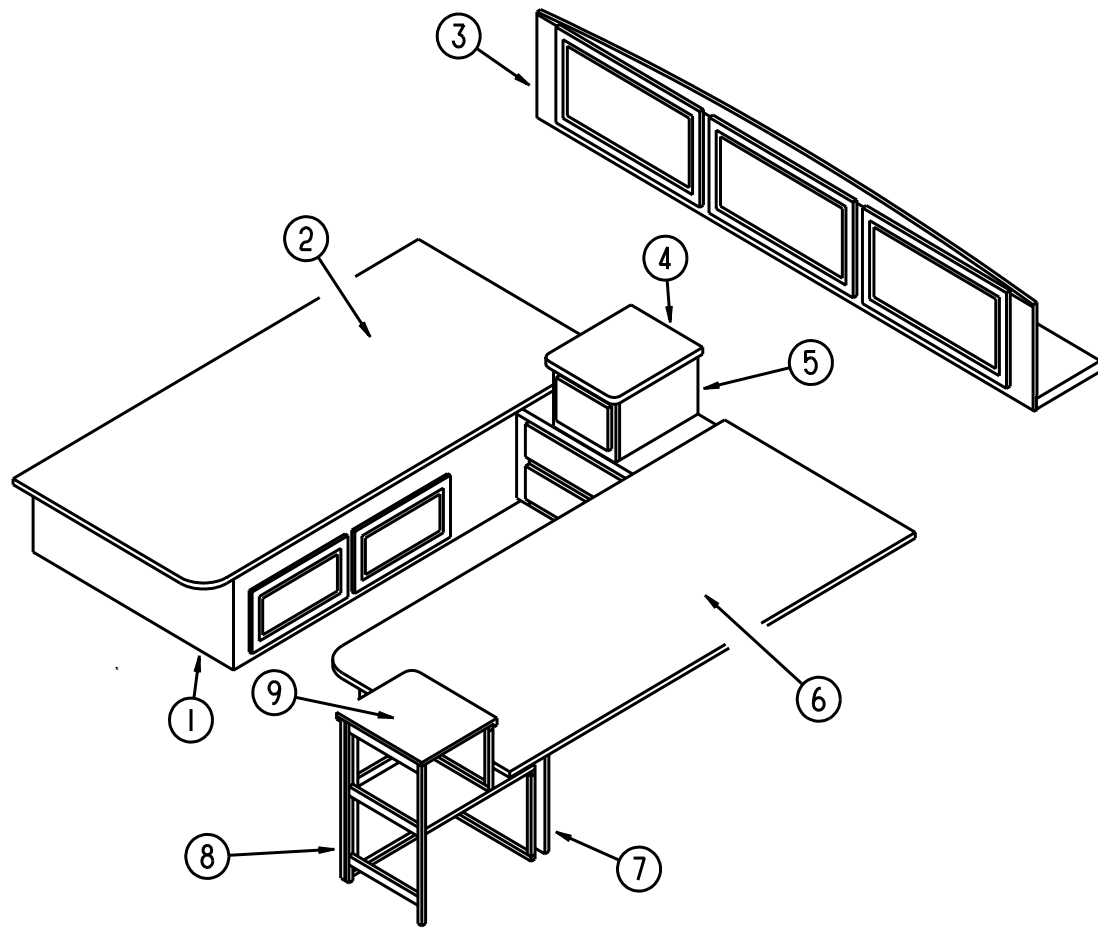
QUEEN BEDROOM CABINETS

KEY	PART NUMBER	U/M	DESCRIPTION
1	129251-07-K36	EA	CABINET - NIGHTSTAND/RH - W/COUNTERTOP - W/O DRS/DWRS/HDW
1	129251-07-K37	EA	CABINET - NIGHTSTAND/RH - W/COUNTERTOP - W/O DRS/DWRS/HDW
1	129251-07-K38	EA	CABINET - NIGHTSTAND/RH - W/COUNTERTOP - W/O DRS/DWRS/HDW
1	129251-07-K39	EA	CABINET - NIGHTSTAND/RH - W/COUNTERTOP - W/O DRS/DWRS/HDW
1	129251-07-K40	EA	CABINET - NIGHTSTAND/RH - W/COUNTERTOP - W/O DRS/DWRS/HDW
1	129251-07-K41	EA	CABINET - NIGHTSTAND/RH - W/COUNTERTOP - W/O DRS/DWRS/HDW
2	129251-19-K28	EA	COUNTERTOP - NIGHTSTAND (K36, K37)
2	129251-19-K32	EA	COUNTERTOP - NIGHTSTAND (K38, K39, K40, K41)
3	131068-01-K36	EA	CABINET - NIGHTSTAND/LH - W/COUNTERTOP - W/O DRS/DWRS/HDW (K36)
3	131068-01-K37	EA	CABINET - NIGHTSTAND/LH - W/COUNTERTOP - W/O DRS/DWRS/HDW (K37)
3	131068-01-K38	EA	CABINET - NIGHTSTAND/LH - W/COUNTERTOP - W/O DRS/DWRS/HDW (K38, K40)
3	131068-01-K39	EA	CABINET - NIGHTSTAND/LH - W/COUNTERTOP - W/O DRS/DWRS/HDW (K39, K41)
4	131068-11-K36	EA	COUNTERTOP - NIGHTSTAND/LEFT HAND (K36, K37)
4	131068-11-K38	EA	COUNTERTOP - NIGHTSTAND/LEFT HAND (K38, K39, K40, K41)
5	106523-01-J90	EA	CABINET - OVERHEAD/REAR - W/O DOORS/HDW - MYSTIC OAK
5	106523-01-J30	EA	CABINET - OVERHEAD/REAR - W/O DOORS/HDW - SALEM CHERRY
6	116142-01-J90	EA	CABINET - SHIRT CLOSET/RIGHT HAND - W/O DOORS/HDW - MYSTIC OAK
6	116142-01-J30	EA	CABINET - SHIRT CLOSET/RIGHT HAND - W/O DOORS/HDW - SALEM CHERRY
7	116142-02-J90	EA	CABINET - SHIRT CLOSET/LEFT HAND - W/O DOORS/HDW - MYSTIC OAK
7	116142-02-J30	EA	CABINET - SHIRT CLOSET/LEFT HAND - W/O DOORS/HDW - SALEM CHERRY
8	N/A	EA	QUEEN BED TOP
9	N/A	EA	QUEEN BED TOP
10	P30676-01-K36	EA	CABINET - BASE/QUEEN BED - W/O DOORS/DRAWERS/HARDWARE MYSTIC OAK
10	P30676-01-K37	EA	CABINET - BASE/QUEEN BED - W/O DOORS/DRAWERS/HARDWARE SALEM CHERRY

QUEEN BEDROOM DOORS & DRAWERS

KEY	PART NUMBER	U/M	DESCRIPTION
1	131995-B6-K36	EA	DOOR - SOLID PANEL - 14.3" X 36.3" - W/O HDW - MYSTIC OAK
1	131995-B6-K37	EA	DOOR - SOLID PANEL - 14.3" X 36.3" - W/O HDW - SALEM CHERRY
2	131995-D4-K36	EA	DOOR - SOLID PANEL - 15.7" X 27.9" - W/O HDW - MYSTIC OAK
2	131995-D4-K37	EA	DOOR - SOLID PANEL - 15.7" X 27.9" - W/O HDW - SALEM CHERRY
3	M09316-14-K36	EA	DRAWER - OGEE EDGE - 10.7"W X 19.7"D - W/O SLIDES/HDW - MYSTIC OAK
3	M09316-14-K37	EA	DRAWER - OGEE EDGE - 10.7"W X 19.7"D - W/O SLIDES/HDW - SALEM CHERRY
4	131995-L5-K36	EA	DOOR - SOLID PANEL - 17.9" X 14.3" - W/O HARDWARE - MYSTIC OAK
4	131995-L5-K37	EA	DOOR - SOLID PANEL - 17.9" X 14.3" - W/O HARDWARE - SALEM CHERRY

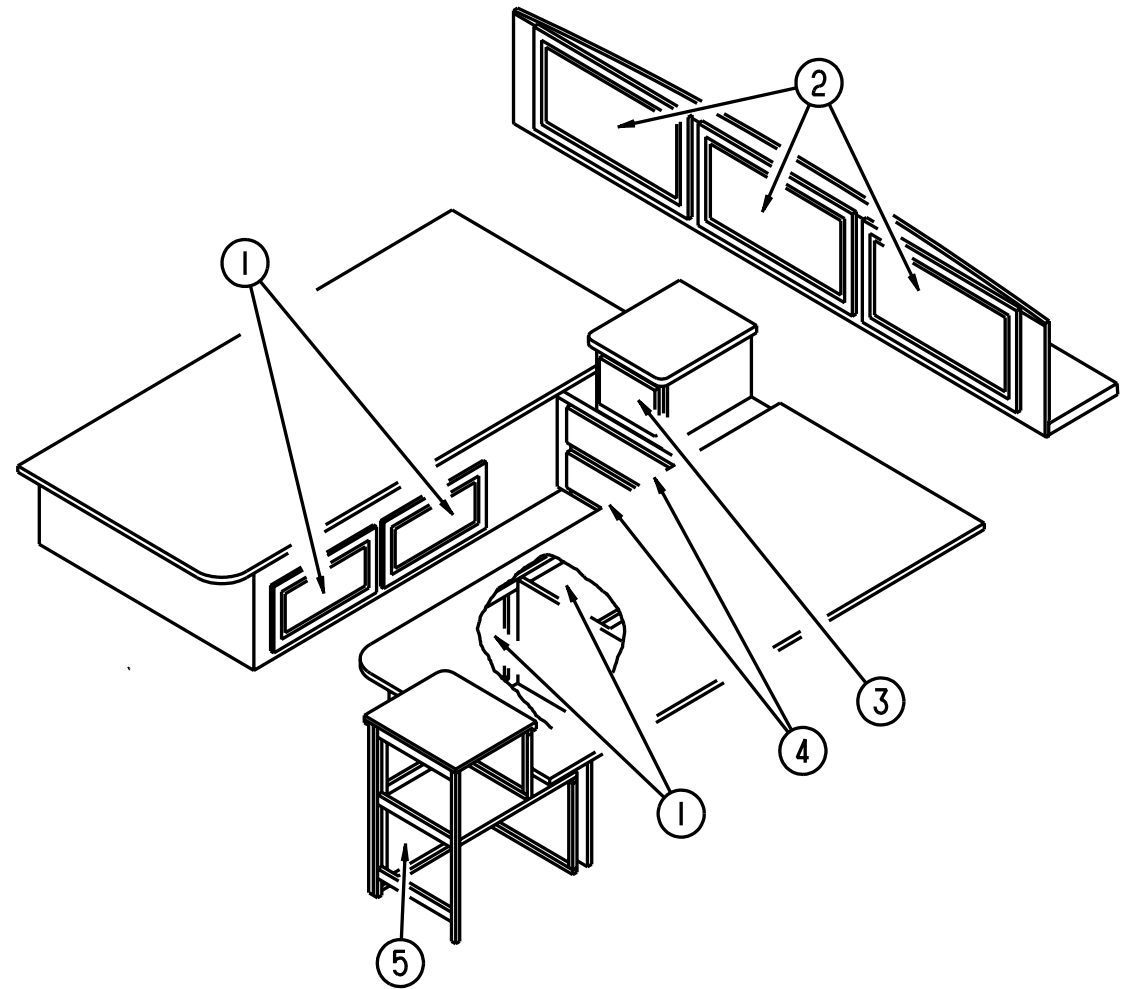
BEDROOM GROUP (CONTINUED)



TWIN BEDROOM CABINETS

KEY	PART NUMBER	U/M	DESCRIPTION
1	P31241-01-K36	EA	CABINET/BASE - TWIN BED/RIGHT HAND - W/O DOOR/DRAWER/HDW MYSTIC OAK
1	P31241-01-K37	EA	CABINET/BASE - TWIN BED/RIGHT HAND - W/O DOOR/DRAWER/HDW SALEM CHERRY
2	M06960-10-000	EA	CABINET - TOP/TWIN BED/RIGHT HAND - W/O HARDWARE
3	116187-02-J90	EA	CABINET - OVERHEAD/REAR - W/O DOORS/HARDWARE - F/TWN BED MYSTIC OAK
3	116187-02-J30	EA	CABINET - OVERHEAD/REAR - W/O DOORS/HARDWARE - F/TWN BED SALEM CHERRY
4	127655-11-J61	EA	COUNTERTOP - NIGHTSTAND (K36, K37)
4	127655-11-J62	EA	COUNTERTOP - NIGHTSTAND (K38, K39, K40, K41)
5	127655-01-K36	EA	CABINET/NIGHTSTAND - W/COUNTERTOP - W/O DOORS/DRAWERS/HDW (K36)
5	127655-01-K37	EA	CABINET/NIGHTSTAND - W/COUNTERTOP - W/O DOORS/DRAWERS/HDW (K37)
5	127655-01-K38	EA	CABINET/NIGHTSTAND - W/COUNTERTOP - W/O DOORS/DRAWERS/HDW (K38,K40)
5	127655-01-K39	EA	CABINET/NIGHTSTAND - W/COUNTERTOP - W/O DOORS/DRAWERS/HDW (K39,K41)
6	M06960-11-000	EA	CABINET - TOP/TWIN BED/LEFT HAND - W/O HARDWARE
7	P31241-02-K36	EA	CABINET/BASE - TWIN BED/LH - W/O DOOR/DRAWER/HDW - MYSTIC OAK
7	P31241-02-K37	EA	CABINET/BASE - TWIN BED/LH - W/O DOOR/DRAWER/HDW - SALEM CHERRY
8	131724-01-K36	EA	CABINET - NIGHTSTAND/LH - W/COUNTERTOP - W/O DRS/DWRS/HDW (K36)
8	131724-01-K37	EA	CABINET - NIGHTSTAND/LH - W/COUNTERTOP - W/O DRS/DWRS/HDW (K37)
8	131724-01-K38	EA	CABINET - NIGHTSTAND/LH - W/COUNTERTOP - W/O DRS/DWRS/HDW (K38,K40)
8	131724-01-K39	EA	CABINET - NIGHTSTAND/LH - W/COUNTERTOP - W/O DRS/DWRS/HDW (K39,K41)
9	131724-11-K36	EA	COUNTERTOP - NIGHTSTAND/LEFT HAND (K36, K37)
9	131724-11-K38	EA	COUNTERTOP - NIGHTSTAND/LEFT HAND (K38, K39, K40, K41)

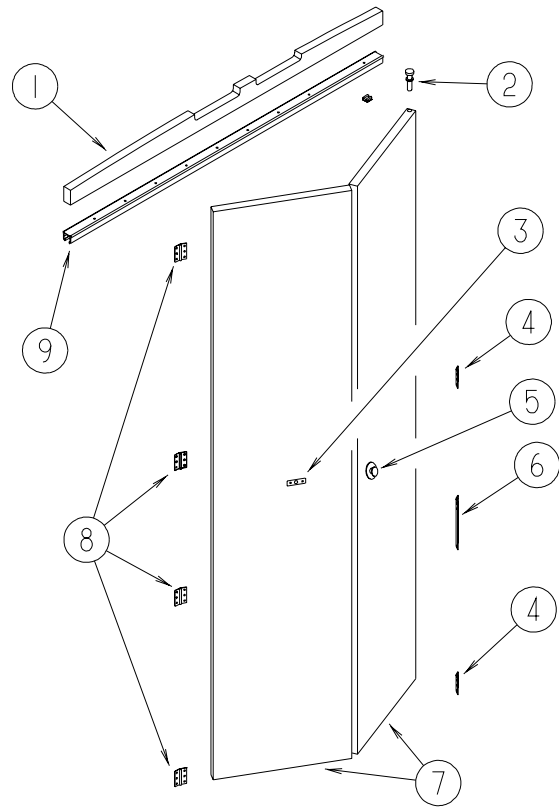
BEDROOM GROUP (CONTINUED)



TWIN BEDROOM DOORS & DRAWERS

KEY	PART NUMBER	U/M	DESCRIPTION
1	131995-89-K36	EA	DOOR - SOLID PANEL - 13.4" X 21.8" - W/O HARDWARE - MYSTIC OAK
1	131995-89-K37	EA	DOOR - SOLID PANEL - 13.4" X 21.8" - W/O HARDWARE - SALEM CHERRY
2	131995-D4-K36	EA	DOOR - SOLID PANEL - 15.7" X 27.9" - W/O HARDWARE - MYSTIC OAK
2	131995-D4-K37	EA	DOOR - SOLID PANEL - 15.7" X 27.9" - W/O HARDWARE - SALEM CHERRY
3	M05971-HW-J90	EA	DRAWER - OGEE EDGE - 8.2"W X 13.8"D - W/O SLIDES/HARDWARE - MYSTIC OAK
3	M05971-HW-K37	EA	DRAWER - OGEE EDGE - 8.2"W X 13.8"D - W/O SLIDES/HARDWARE SALEM CHERRY
4	M05971-HR-J90	EA	DRAWER - OGEE EDGE - 20.1"W X 13.8"D - W/O SLIDES/HARDWARE - MYSTIC OAK
4	M05971-HR-J30	EA	DRAWER - OGEE EDGE - 20.1"W X 13.8"D - W/O SLIDES/HARDWARE SALEM CHERRY
5	131995-L4-K36	EA	DOOR - SOLID PANEL - 17.9" X 14.3" - W/O HARDWARE - MYSTIC OAK
5	131995-L4-K37	EA	DOOR - SOLID PANEL - 17.9" X 14.3" - W/O HARDWARE - SALEM CHERRY

BEDROOM GROUP (CONTINUED)



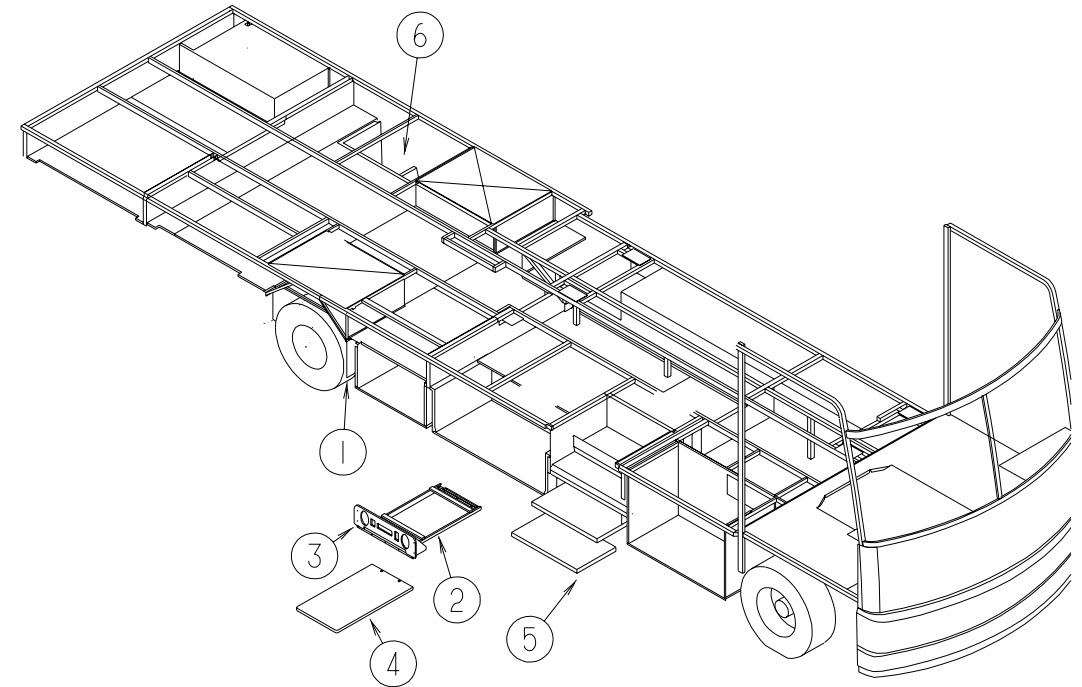
BEDROOM BIFOLD DOOR

KEY	PART NUMBER	U/M	DESCRIPTION
1	103908-51-K29	EA	HEADER - DOOR - MYSTIC OAK
1	103908-51-K37	EA	HEADER - DOOR - SALEM CHERRY
2	092652-01-000	EA	GUIDE WHEEL/DOOR - TOP MOUNT
3	084451-02-000	EA	CATCH & LATCH - 1.9" - BRASS
4	009059-01-000	EA	HINGE - DOOR - 2" X 1.4" - BRASS
5	117978-01-01A	EA	KNOB - DOOR - BRIGHT BRASS
6	102920-01-01A	EA	HINGE/SPRING LOADED - BRASS
7	M03866-05-K29	EA	DOOR - BIFOLD - W/O HARDWARE - MYSTIC OAK
7	M03866-05-K37	EA	DOOR - BIFOLD - W/O HARDWARE - SALEM CHERRY
8	009059-02-000	EA	HINGE - DOOR - 2" X 2.7" - BRASS
9	093170-12-01A	EA	HEADER - BATH DOOR - 46"

TV SHELF

KEY	PART NUMBER	U/M	DESCRIPTION
	126418-01-K29	EA	SHELF- TV - MYSTIC OAK
	126418-01-K37	EA	SHELF - TV - SALEM CHERRY

CHASSIS GROUP

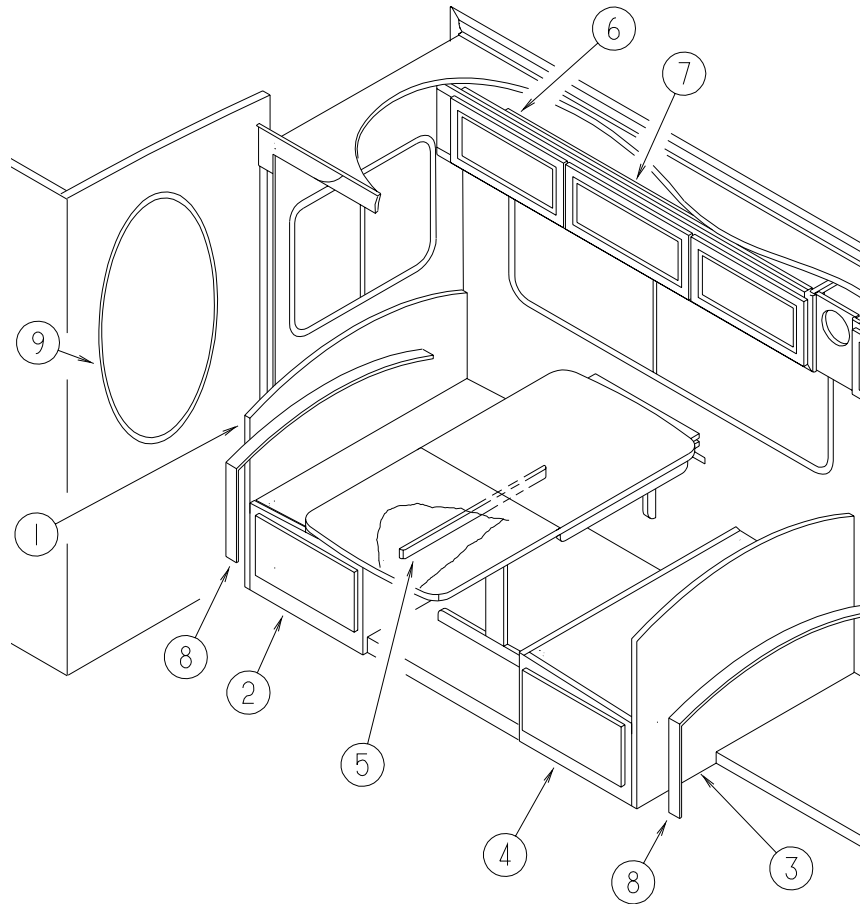


EXTERIOR STORAGE COMPARTMENTS

KEY	PART NUMBER	U/M	DESCRIPTION
1	020167-05-000	EA	DIRT GUARD - STEEL - 14.9" LONG
2	126119-05-02B	EA	FRAME - ENTERTAINMENT CENTER - E-COATED
3	126123-02-K36	EA	PLATE-RADIO MOUNTING
4	126125-01-J60	EA	TABLE - ENTERTAINMENT CENTER
5*	094707-01-01A	EA	STEP - DOUBLE - ELECTRIC - KWIKEE
5*	094707-03-01A	EA	STEP - ELECTRIC DOUBLE - W/BLACK CONTROL BOX
5	116995-01-000	EA	SWITCH/MAGNET - ELECTRIC STEP - WHITE/WHITE - OPEN CIRCUIT
5	116995-02-000	EA	SWITCH/MAGNET - ELECTRIC STEP - BLACK/WHITE-CLOSED CIRCUIT
6	126419-02-J60	EA	COMPARTMENT - DRAINAGE
6	M08628-01-H17	EA	HATCH W/FOAM INSERT
6	121175-02-01A	EA	LATCH - SWELL
6	126419-01-J60	EA	COMPARTMENT - DRAINAGE

*COMPONENT PARTS FOUND IN SERVICE PARTS LIBRARY

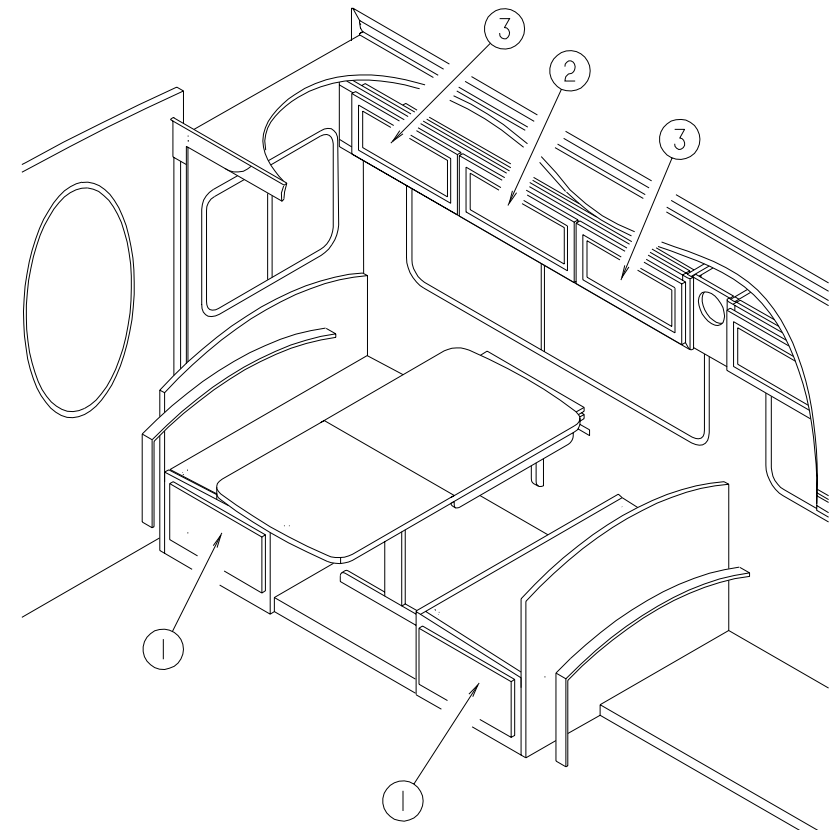
DINETTE GROUP



DINETTE CABINETS & PADS

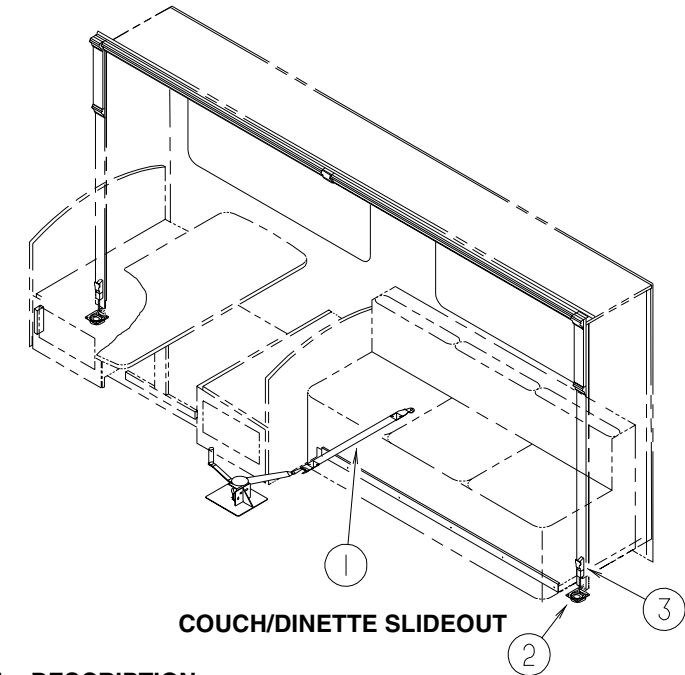
KEY	PART NUMBER	U/M	DESCRIPTION
1	M08755-03-K36	EA	CABINET - SEATBACK - RH - MYSTIC OAK
1	M08755-03-K37	EA	CABINET - SEATBACK - RH - SALEM CHERRY
2	M08756-05-K36	EA	CABINET - SEATBASE - RH - W/O DOOR/DRAWER/HDW - MYSTIC OAK
2	M08756-05-K37	EA	CABINET - SEATBASE - RH - W/O DOOR/DRAWER/HDW - SALEM CHERRY
3	M08755-04-K36	EA	CABINET - SEATBACK - LH - MYSTIC OAK
3	M08755-04-K37	EA	CABINET - SEATBACK - LH - SALEM CHERRY
4	M08756-06-K36	EA	CABINET - SEATBASE - LH - W/O DOOR/DRAWER/HDW - MYSTIC OAK
4	M08756-06-K37	EA	CABINET - SEATBASE - LH - W/O DOOR/DRAWER/HDW - SALEM CHERRY
5	081295-01-H37	EA	SUPPORT - BED/DINETTE - 28" LONG - MYSTIC OAK
5	081295-01-G01	EA	SUPPORT - BED/DINETTE - 28" LONG - SALEM CHERRY
	126908-01-J60	EA	GUIDE - DRAWER (WOOD) - 19.5"W X 34.9"D
	122021-01-02A	EA	ANGLE - W/HOLES - 8.6" LONG - OFF WHITE
6	126310-01-K29	EA	CABINET - OVERHEAD/DINETTE - W/O DOORS/HDW - MYSTIC OAK
6	126310-01-K37	EA	CABINET - OVERHEAD/DINETTE - W/O DOORS/HDW - SALEM CHERRY
7	126310-02-K29	EA	CABINET - OVERHEAD/DINETTE - W/O DOORS/HDW - MYSTIC OAK
7	126310-02-K37	EA	CABINET - OVERHEAD/DINETTE - W/O DOORS/HDW - SALEM CHERRY
8	104787-16-J31	EA	PAD - DINETTE SEATBACK (K36, K37)
8	104787-16-K38	EA	PAD - DINETTE SEATBACK (K38, K39)
8	104787-16-K40	EA	PAD - DINETTE SEATBACK (K40, K41)
9	131494-02-01A	EA	MIRROR - BEVELED - 24" X 40" - OVAL

DINETTE GROUP (CONTINUED)



DINETTE CABINET DOORS & DRAWERS

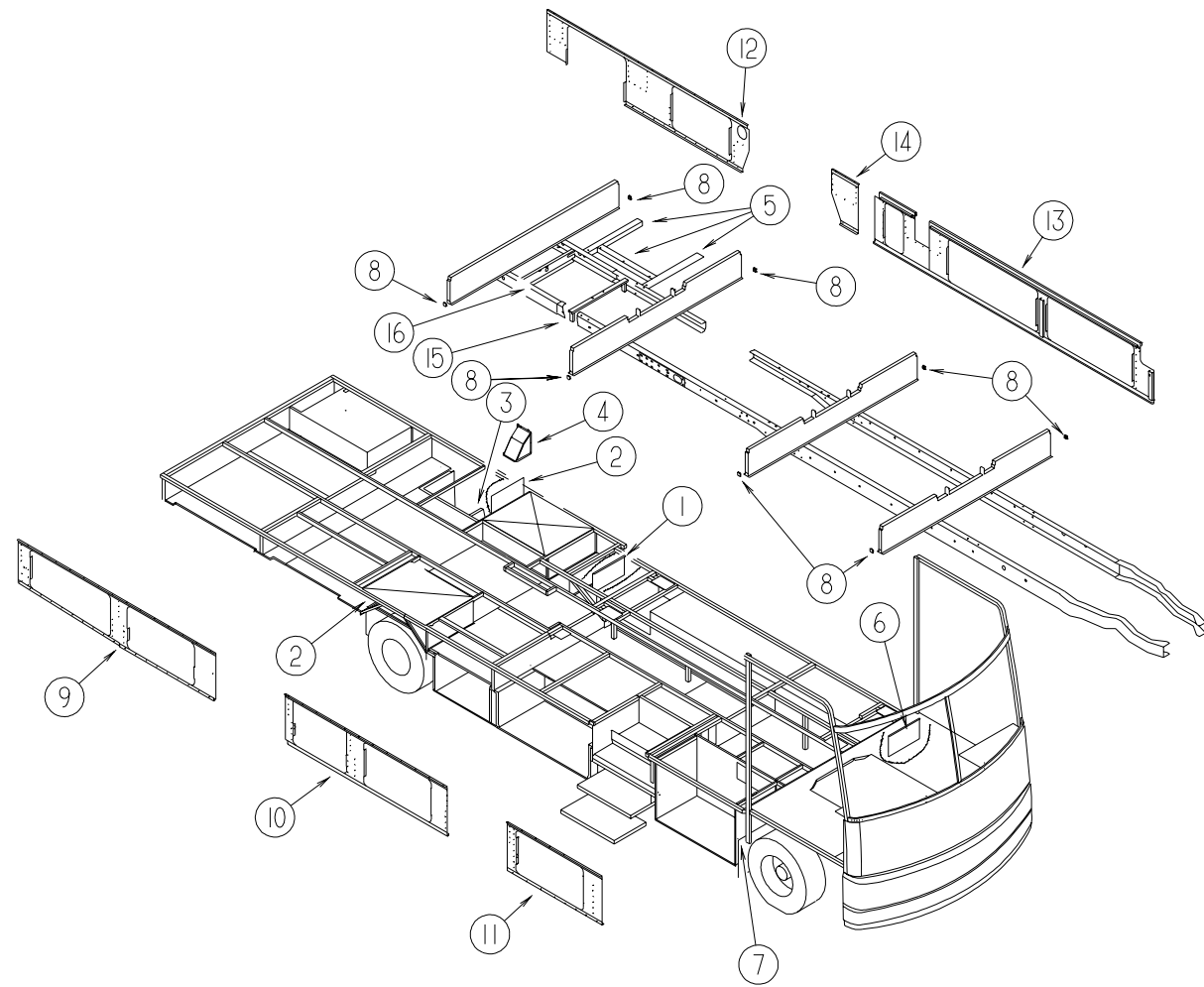
KEY	PART NUMBER	U/M	DESCRIPTION
1	P27054-01-J90	EA	DRAWER - OGEE EDGE - 11.8"W X 33.4"D - W/O SLIDES/HDW - MYSTIC OAK
1	P27054-01-J30	EA	DRAWER - OGEE EDGE - 11.8"W X 33.4"D - W/O SLIDES/HDW - SALEM CHERRY
1	127051-01-J90	EA	CATCH - WOOD - DRAWERS - MYSTIC OAK
1	127051-01-J30	EA	CATCH - WOOD - DRAWERS - SALEM CHERRY
2	131995-44-K36	EA	DOOR - SOLID PANEL - 10.8" X 23.8" - W/O HDW - MYSTIC OAK
2	131995-44-K37	EA	DOOR - SOLID PANEL - 10.8" X 23.8" - W/O HDW - SALEM CHERRY
3	131995-41-K36	EA	DOOR - SOLID PANEL - 10.8" X 21.8" - W/O HDW - MYSTIC OAK
3	131995-41-K37	EA	DOOR - SOLID PANEL - 10.8" X 21.8" - W/O HDW - SALEM CHERRY



COUCH/DINETTE SLIDEOUT

KEY	PART NUMBER	U/M	DESCRIPTION
1	116101-02-F31	EA	STRAP - WINCH - 34" CENTER BRACKET/STRAP END
2	116736-01-01A	EA	TIEDOWN - DROP/D - ZINC
3	116737-01-01A	EA	LATCH - DRAW - ADJUSTABLE - ZINC

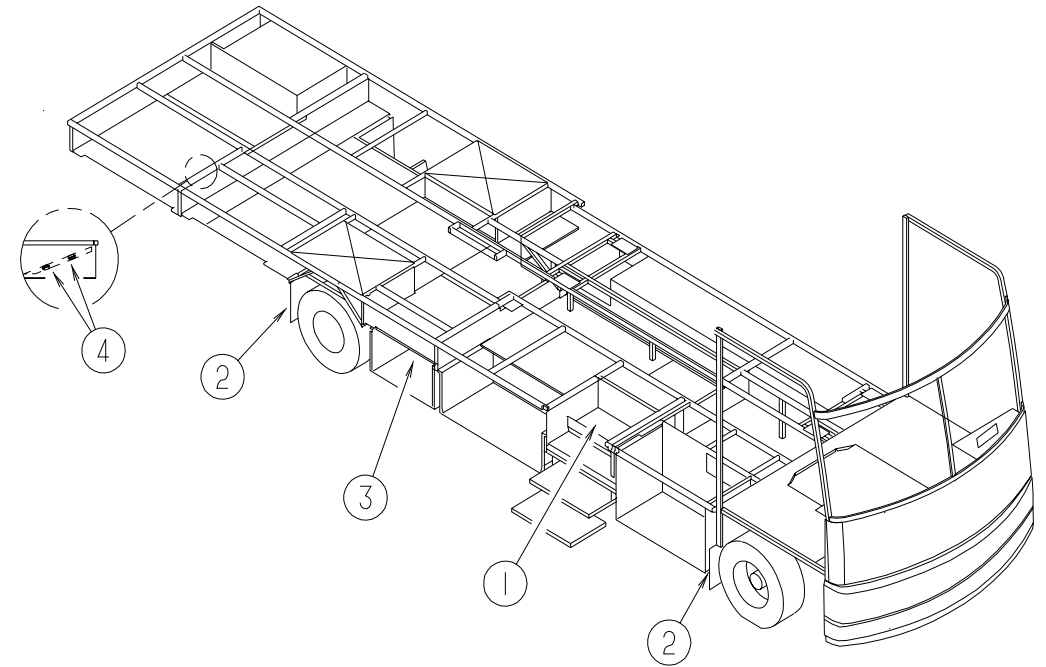
CHASSIS GROUP (CONTINUED)



CHASSIS FRAME

KEY	PART NUMBER	U/M	DESCRIPTION
1	020167-05-000	EA	DIRT GUARD - STEEL - 14.9" LONG
2	020167-08-000	EA	DIRT GUARD - STEEL - 13.6" LONG
3	107944-06-000	EA	PLATE-COVER
4	116374-04-02B	EA	PANEL - FUEL FILL - E-COATED
5	104803-01-000	EA	ANGLE - FORMED W/SLOTS
6	020167-02-000	EA	DIRT GUARD - STEEL - 11" LONG
7	020167-03-000	EA	DIRT GUARD - STEEL - 11" LONG
8	119845-01-01A	EA	PLUG - PLASTIC - BLACK - 1 1/2" SQUARE
9	129896-14-K36	EA	SEAL PLANE ASM - GM/FORD
10	129896-15-K36	EA	SEAL PLANE ASM - GM
10	129897-14-K36	EA	SEAL PLANE ASM - FORD
11	129896-16-K36	EA	SEAL PLANE ASM - GM
11	129897-15-K36	EA	SEAL PLANE ASM - FORD
12	129896-17-K36	EA	SEAL PLANE ASM - GM
12	129897-16-K36	EA	SEAL PLANE ASM - FORD
13	129896-18-K36	EA	SEAL PLANE ASM - GM
13	129897-17-K36	EA	SEAL PLANE ASM - FORD
14	129896-19-K36	EA	SEAL PLANE ASM - GM
14	129897-18-K36	EA	SEAL PLANE ASM - FORD
15	093362-06-000	EA	CHANNEL - TIRE HOIST - FORD
16	129006-01-02B	EA	SUPPORT/FRAME - TIRE CARRIER HANDLE - FORD

CHASSIS GROUP (CONTINUED)



PANEL & TRIM COMPONENTS

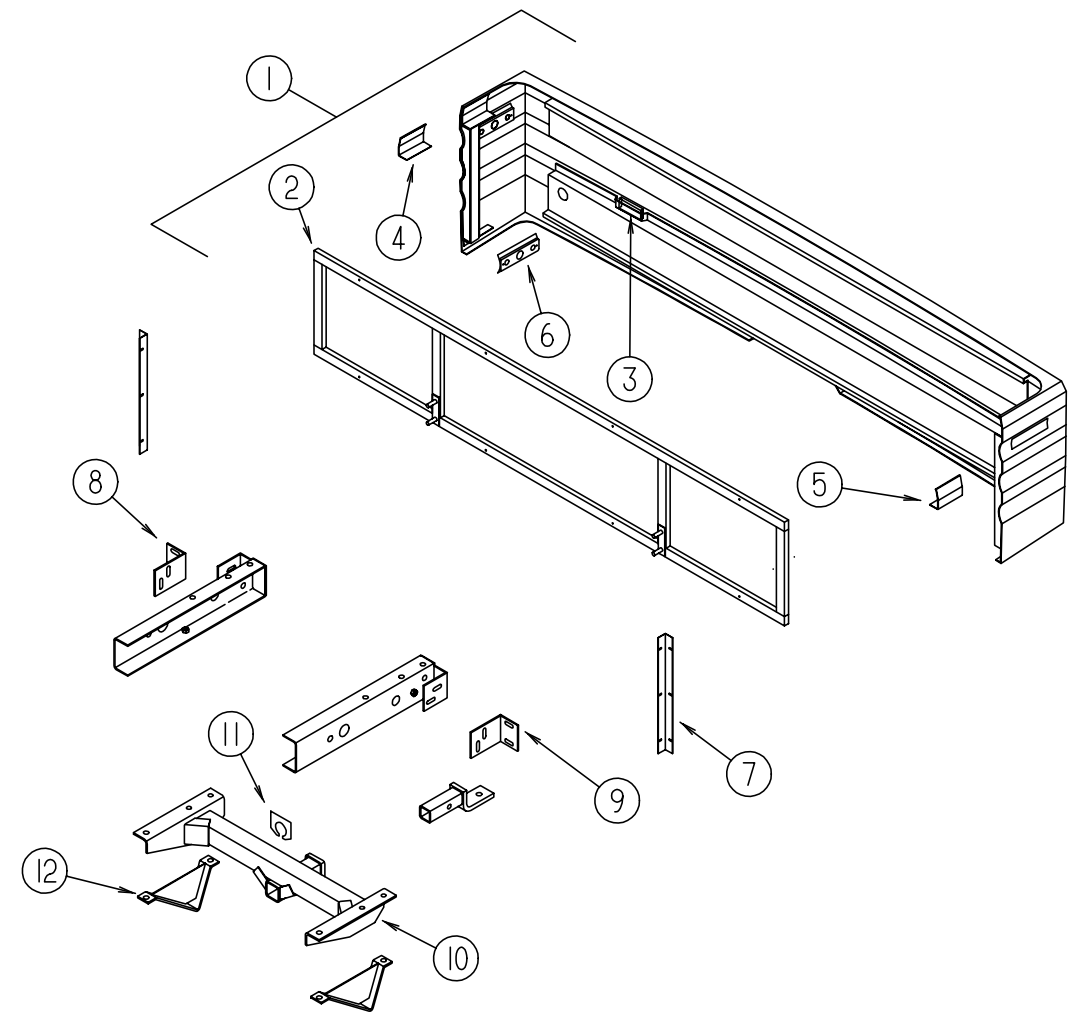
KEY	PART NUMBER	U/M	DESCRIPTION
1	065450-05-000	EA	TIEDOWN - BATTERY - 8.4" TUBE
2	017516-01-000	EA	MUD FLAP - 14" X 18" - BLACK
3	064219-01-000	EA	RETAINER - CHECK STRAP
4	113380-06-01A	EA	PANEL - COVER SEAL

CHASSIS GROUP (CONTINUED)

DRIVETRAIN

KEY	PART NUMBER	U/M	DESCRIPTION
	074833-01-000	EA	SPACER - BEARING - DRIVESHAFT - 2" X 8" X .5" STEEL
	074833-04-000	EA	SPACER - BEARING - DRIVESHAFT - 8" X 2" STEEL
	075302-16-000	EA	DRIVESHAFT ASSEMBLY - YOKE/YOKE/BEARING - 46.72" - GM DIESEL EXPORT
	083415-01-000	EA	SHIELD - HEAT - DRIVESHAFT BEARING - 4" X 5.5" - STEEL - GM DIESEL
	088498-01-000	EA	UNION - INVERTED FLARE - BRASS - 3/16
	115043-03-000	EA	BUSHING - DRIVESHAFT
	128531-02-000	EA	DRIVESHAFT - BALANCED - CHEVY - P12 - 219" (L34, L35)
	128531-03-000	EA	DRIVESHAFT - BALANCED - CHEVY - P12 - 233" (L36)
	129580-01-000	EA	DRIVESHAFT - BALANCED - F53 - 216" (L33)
	129580-02-000	EA	DRIVESHAFT - BALANCED - F53 - 242" (L34, L35)

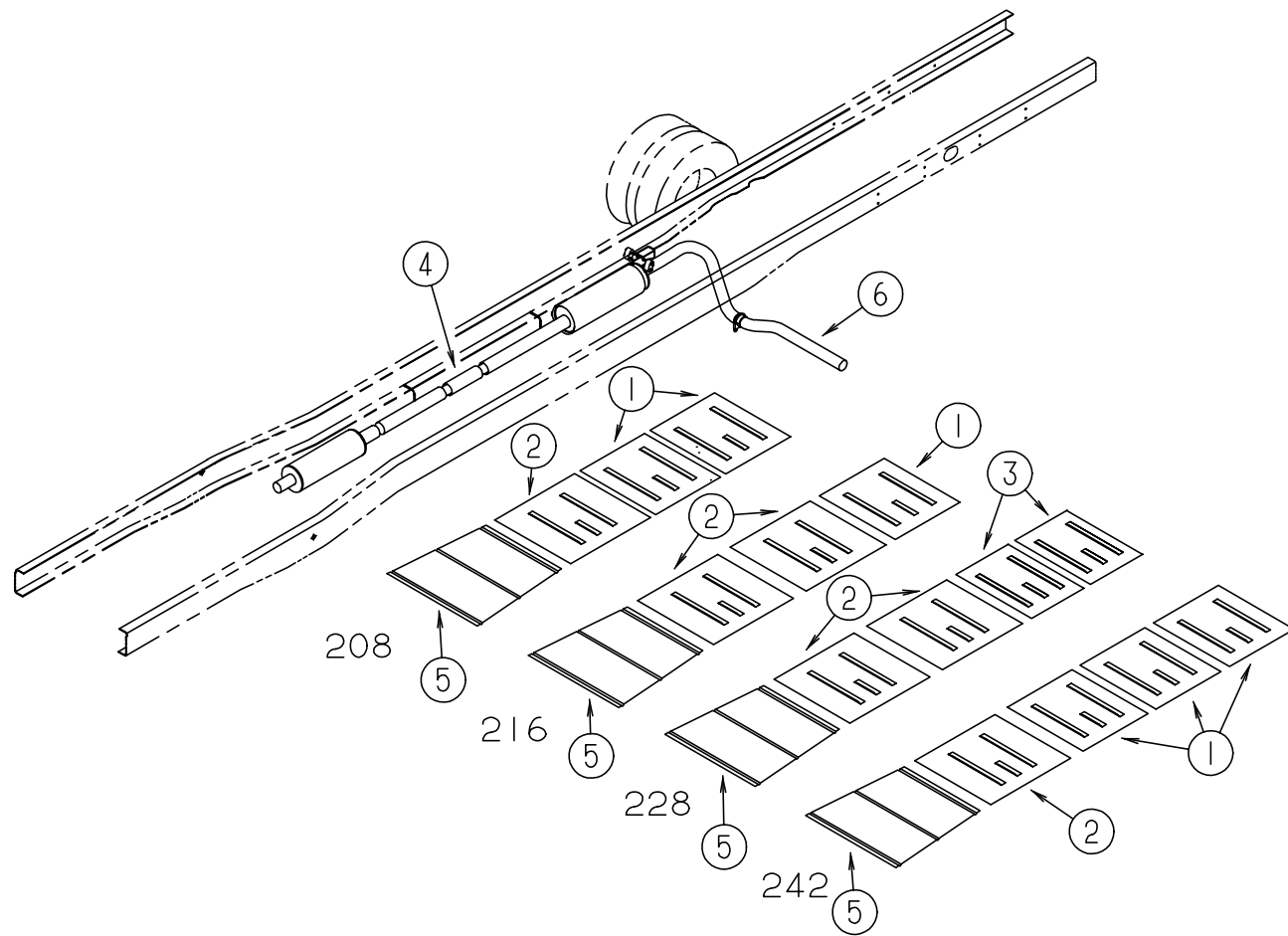
CHASSIS GROUP (CONTINUED)



REAR BUMPER & TRAILER HITCH

KEY	PART NUMBER	U/M	DESCRIPTION
1	M08673-03-J60	EA	BUMPER - REAR - FORD & STD GM CHASSIS
2	118833-01-02B	EA	FRAME - BUMPER/REAR
3	104319-51-007	EA	FRAME/GRILLE - EXTRUDED
4	124837-01-01A	EA	SUPPORT - BUMPER - REAR/PASSENGER
5	124837-02-01A	EA	SUPPORT - BUMPER - REAR/DRIVER
1	M08673-04-J60	EA	BUMPER - REAR - F/HEAVY DUTY GM CHASSIS
2	118833-02-02B	EA	FRAME - BUMPER/REAR
3	104319-51-007	EA	FRAME/GRILLE - EXTRUDED
4	124837-03-01A	EA	SUPPORT - BUMPER - REAR/PASSENGER
5	124837-04-01A	EA	SUPPORT - BUMPER - REAR/DRIVER
6	125541-01-01A	EA	POCKET - LIGHT - SIDE MARKER
7	113041-07-02B	EA	ANGLE - BUMPER MOUNT/REAR - DRIVER/PASSENGER - E-COATED
7	113041-03-02B	EA	ANGLE - MOUNT/BUMPER - GM
8	107524-01-000	EA	ANGLE - BUMPER - INNER/RIGHT HAND
9	107524-02-000	EA	ANGLE - BUMPER - INNER/LEFT HAND
9	107524-01-000	EA	ANGLE - BUMPER - INNER/RIGHT HAND FROM: 00-00-00 THRU: 10-28-98
10	130339-02-000	EA	HITCH RECEIVER - BOLT ON CLASS III FROM: 10-29-98 THRU: 99-99-99
11	113588-02-01B	EA	BRACKET - CONNECTOR - TRAILER W/O LIP FROM: 00-00-00 THRU: 05-10-98
11	113588-01-01B	EA	BRACKET - CONNECTOR - TRAILER W/LIP - HEAVY DUTY GM CHASSIS FROM: 00-00-00 THRU: 05-10-98
12	111742-01-000	EA	PLATE - SKID
	113589-01-000	EA	CONNECTOR - PLUG - TRAILER
	113589-02-000	EA	CONNECTOR - SOCKET - TRAILER

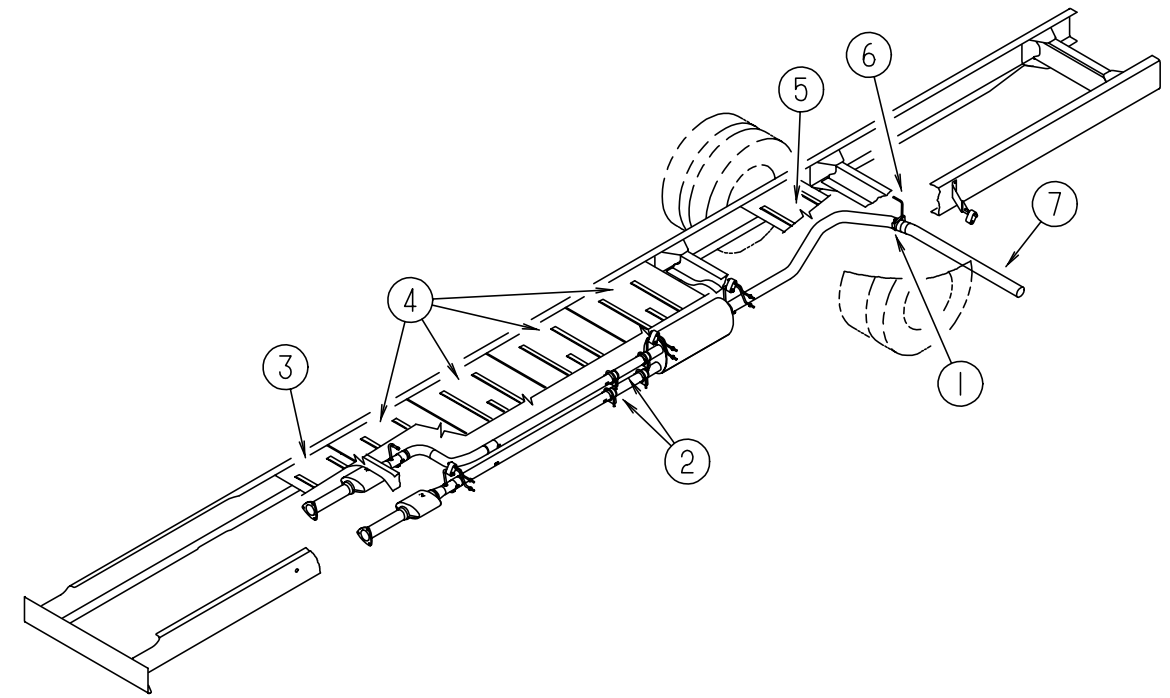
CHASSIS GROUP (CONTINUED)



FORD EXHAUST SYSTEM

KEY	PART NUMBER	U/M	DESCRIPTION
	094918-06-000	EA	CLAMP - EXHAUST - 3" - HEAVY DUTY
1	101544-02-000	EA	SHIELD - HEAT/EXHAUST - 30" X 29.1"
2	101544-06-000	EA	SHIELD - HEAT/EXHAUST - 33.9" X 29.1"
3	101544-10-000	EA	SHIELD - HEAT/EXHAUST - 19.7" X 29.1" - FORD
4	112012-04-000	EA	PIPE - EXHAUST - 76.2" DIAMETER (208"-216"WHEELBASE 33' CHASSIS)
4	112012-03-000	EA	PIPE - EXHAUST - 3" DIAMETER (228" WHEELBASE 34' & 35' CHASSIS)
4	112012-05-000	EA	PIPE - EXHAUST - 76.2" DIAMETER (228"-242"WHEELBASE 36' CHASSIS)
5	128756-01-02B	EA	SHIELD - HEAT EXHAUST - E-COATED
6	NA	EA	PIPE - EXH - CHASSIS PROVIDED (216'-228" WHEELBASE 33'/34'/35' CHASSIS)
6	129726-01-000	EA	PIPE - EXHAUST - FORD (228"-242"WHEELBASE 36' CHASSIS)

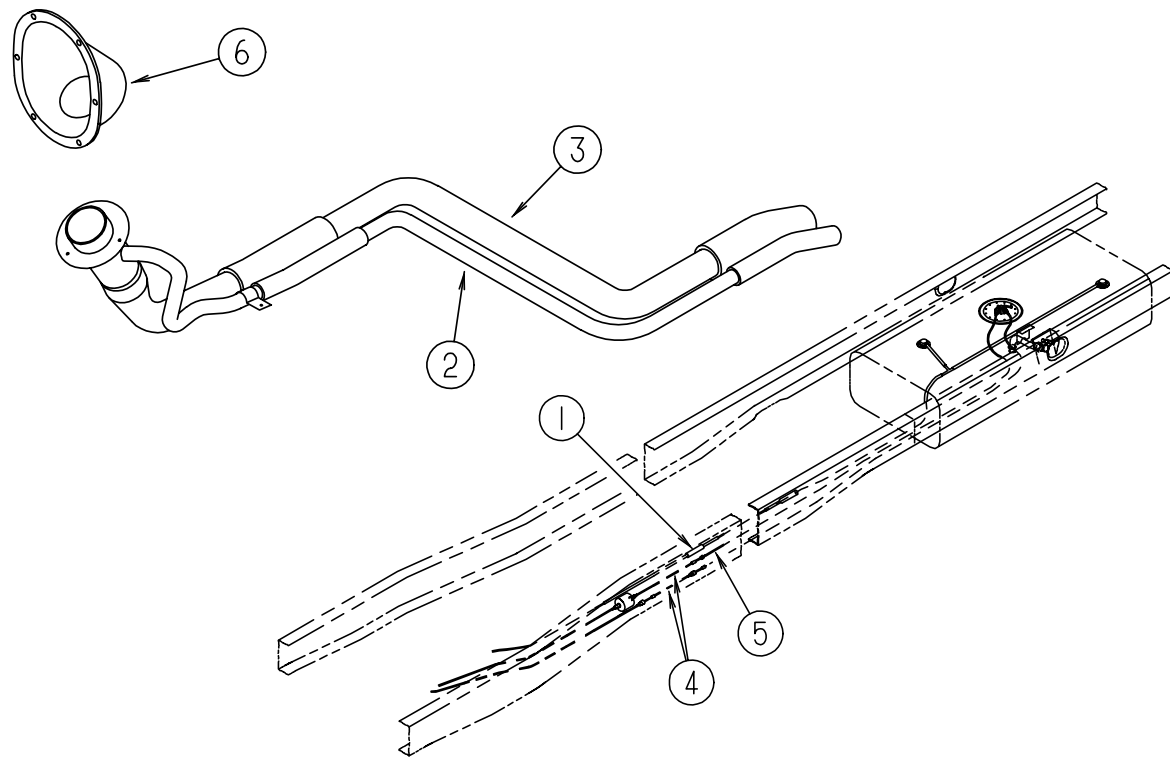
CHASSIS GROUP (CONTINUED)



CHEVY EXHAUST SYSTEM

KEY	PART NUMBER	U/M	DESCRIPTION
	007125-07-000	EA	CLAMP - MUFFLER - 2.5" DIAMETER
1	094918-01-000	EA	CLAMP - EXHAUST - 3" - GUILLOTINE STYLE
2	098762-21-000	EA	PIPE - EXHAUST - STRAIGHT - 2.5" - 219" WHEELBASE (L34/L35)
2	098762-22-000	EA	PIPE - EXHAUST - STRAIGHT - 2.5" - 233" WHEELBASE (L36)
3	101544-01-000	EA	SHIELD - HEAT/EXHAUST - 19.7" X 29.1"
4	101544-02-000	EA	SHIELD - HEAT/EXHAUST - 30" X 29.1"
5	101544-01-000	EA	SHIELD - HEAT/EXHAUST - 19.7" X 29.1"
6	122392-06-02B	EA	HANGER - TAILPIPE - E-COATED
7	128754-01-000	EA	PIPE - EXHAUST - TAIL

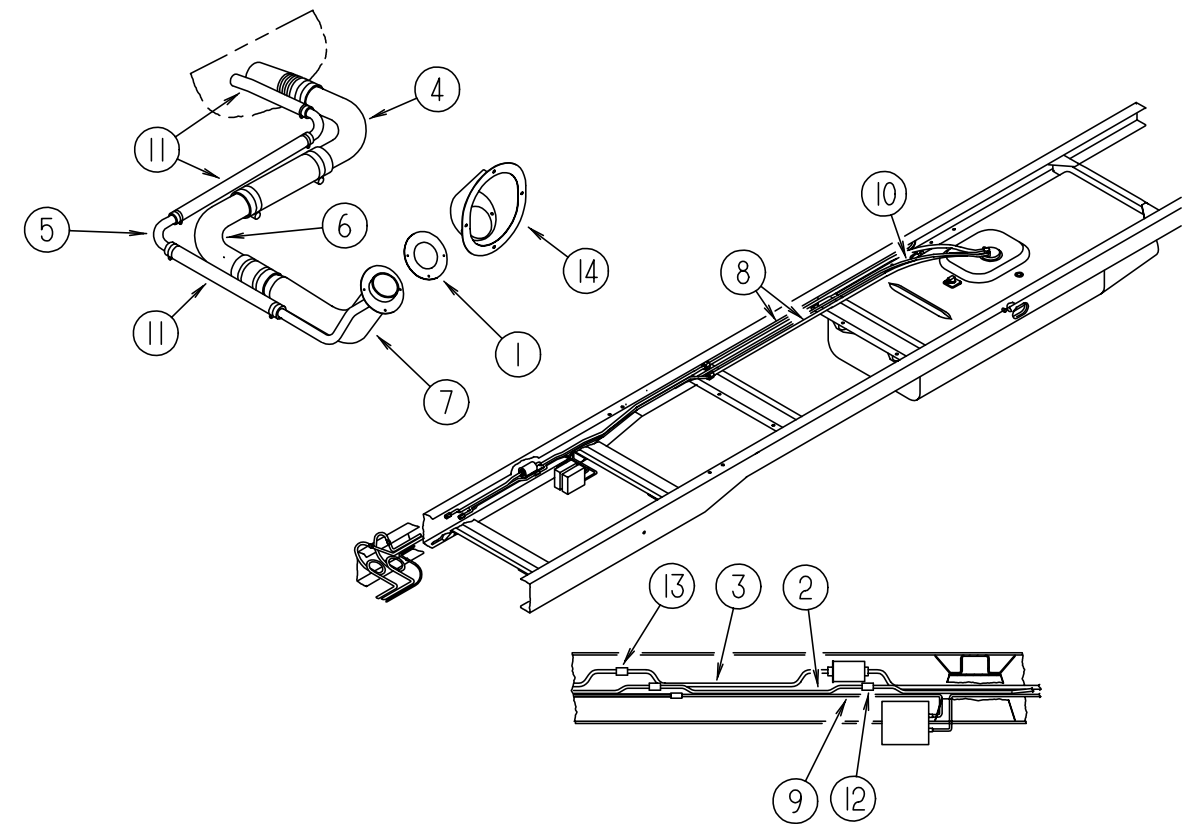
CHASSIS GROUP (CONTINUED)



FORD FUEL SYSTEM

KEY	PART NUMBER	U/M	DESCRIPTION
	044317-01-000	FT	HOSE - FUEL - 3/8" ID
1	128139-02-000	FT	HOSE - FUEL - LOW PERMEABILITY - 5/8" DIAMETER
2	129320-03-000	EA	PIPE - VENT - FILL (L36WL)
2	129320-05-000	EA	PIPE - VENT - FILL (L35)
2	129320-09-000	EA	PIPE - VENT - FILL (L33/L34)
3	129321-03-000	EA	TUBE - FUEL INLET (L36WL)
3	129321-05-000	EA	TUBE - FUEL INLET (L35)
3	129321-09-000	EA	TUBE - FUEL INLET (L33/L34)
4	129494-01-000	EA	FUEL LINE - 5/16" X 9.3" - FORD CHASSIS
4	129494-02-000	EA	FUEL LINE - 5/15" X 34.9" - FORD CHASSIS
4	129494-03-000	EA	FUEL LINE - 5/16" X 21.2" - FORD CHASSIS
5	129505-01-000	EA	TUBE - STEEL - 5/8" X 7.5"
5	129505-02-000	EA	TUBE - STEEL - 5/8" X 13.5"
5	129505-03-000	EA	TUBE - STEEL - 5/8" X 19.5"
6	128299-01-01A	EA	SHROUD - FUEL FILL
	007063-01-000	FT	HOSE - FUEL - 1/4" ID X 1/2" OD
	092889-40-000	EA	FUEL LINE - SUPPLY - GENERATOR - 1/4" X 75.4" - STEEL
	092889-21-000	EA	FUEL LINE - SUPPLY - GENERATOR - 1/4" X 52.7" - STEEL
	084884-01-000	EA	PLUG - BRASS - 3/8"

CHASSIS GROUP (CONTINUED)

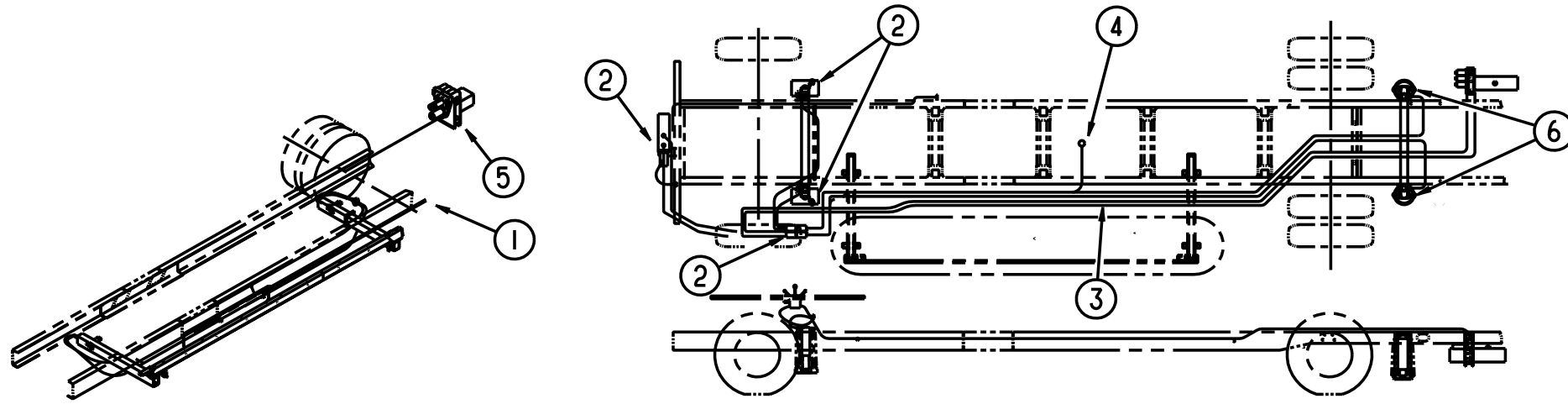


CHEVY FUEL SYSTEM

KEY	PART NUMBER	U/M	DESCRIPTION
1	078200-01-000	EA	GASKET - FUEL FILL - 3.5" OD X 2" ID
	044317-01-000	FT	HOSE - FUEL - 3/8" ID
2	098758-01-000	EA	FUEL LINE - RETURN - 5/16" STEEL X 14" LONG W/14MM NUTS
2	098758-07-000	EA	FUEL LINE - RETURN - 5/16" STEEL X 10" LONG W/14MM NUTS
3	098759-01-000	EA	FUEL LINE - SUPPLY - 3/8" STEEL X 14" LONG W/16MM NUTS
3	098759-07-000	EA	FUEL LINE - SUPPLY - 3/8" STEEL X 10" LONG W/16MM NUTS
4	098803-01-000	EA	PIPE - FUEL FILL - 90 DEGREE BEND - 13.2" - 1 3/4" OD (L33 EUROPE ONLY)
4	124327-04-000	EA	TUBE - FUEL INLET (L34)
4	124327-06-000	EA	TUBE - FUEL INLET (L36)
4	124327-07-000	EA	TUBE - FUEL INLET (L35)
5	098806-01-000	EA	PIPE - FILL VENT - 90 DEGREE BEND - .635 OD - STEEL (L33 EUROPE ONLY)
5	128524-01-000	EA	PIPE - VENT - FUEL FILL (L34)
5	128524-02-000	EA	PIPE - VENT - FUEL FILL (L36)
5	128524-03-000	EA	PIPE - VENT - FUEL FILL (L35)
6	098807-01-000	EA	PIPE - FUEL FILL - 90 DEGREE BEND - 6.6" - 1 3/4" OD (L33 EUROPE ONLY)
7	127301-03-000	EA	NECK - FUEL FILL - GAS
7	127301-04-000	EA	NECK - FUEL FILL - DIESEL
8	127391-01-000	EA	FUEL LINE - DOUBLE (3/8" FEED/5/16" RETURN) 70" - GM CHASSIS
9	127392-01-000	EA	HOSE - VAPOR/EMISSION - 5/16" X 32.5" W/ENDS - GM CHASSIS
9	127392-02-000	EA	HOSE - EVAPORATOR TO EMISSIONS CANISTER
10	127393-01-000	EA	HOSE - FUEL VAPOR/EMISSION - 64" - GM CHASSIS
	128139-01-000	FT	HOSE - FUEL - LOW PERMEABILITY
11	128139-02-000	FT	HOSE - FUEL - LOW PERMEABILITY - 5/8" DIAMETER
	128139-03-000	FT	HOSE - FUEL - LOW PERMEABILITY - 1/4" DIAMETER
12	098779-01-000	EA	COUPLER - FUEL LINE (STRETCHED 208"-216" WHEELBASE CHASSIS ONLY)
13	098779-02-000	EA	COUPLER - FUEL LINE (STRETCHED 208"-216" WHEELBASE CHASSIS ONLY)
14	128299-01-01A	EA	SHROUD - FUEL FILL - UNFINISHED (CHASSIS SUPPLIED)
	068382-06-000	EA	BUSHING - BRASS - 3/8 MPT X 1/8 FPT
	114254-01-000	EA	ADAPTER - 1/4 BARB X 1/8 MPT
	092889-40-000	EA	FUEL LINE - SUPPLY - GENERATOR - 1/4" X 75.4" - STEEL
	092889-33-000	EA	FUEL LINE - SUPPLY - GENERATOR - 1/4" X 70.7" - STEEL

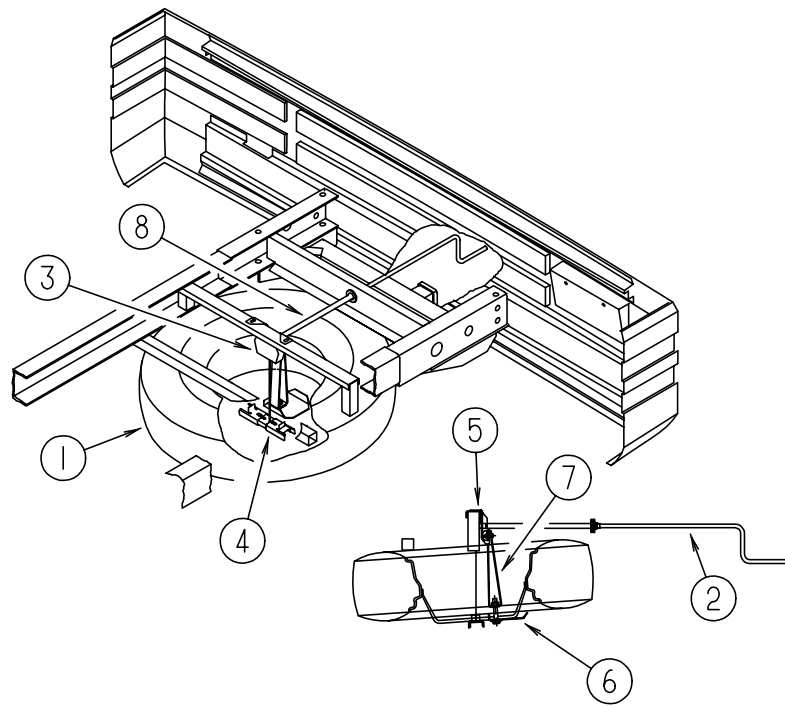
CHASSIS GROUP (CONTINUED)

HWH HYDRAULIC LEVELING SYSTEMS



KEY	PART NUMBER	U/M	DESCRIPTION	VENDOR NO.	KEY	PART NUMBER	U/M	DESCRIPTION	VENDOR NO.
1	100536-40-000	EA	HOSE KIT - SLIDEOUT/DOUBLE		100532-01-713	EA	PUMP-RESERVOIR ASM.-MONARCH	RAP90014	
	100536-09-701	EA	HOSE-HYDRAULIC-60"	RAP4073	100532-03-715	EA	CAP-BREATHER W/DIPSTICK	RAP7876	
	100536-14-700	EA	HOSE-HYDRAULIC-288"	RAP4063	100532-03-722	EA	O-RING KIT	R7430	
	100536-14-702	EA	HOSE-HYDRAULIC-264"	RAP6216	100532-03-723	EA	O-RING/SEAL KIT	RAP9171	
	100536-30-700	EA	HOSE - HYDRAULIC - 72"	RAP4159	100532-08-702	EA	VALVE,BI-AXIS - FORD	RAP9589	
	123264-01-000	EA	TEE - UNION - 1/4" X 1/4" X 1/4"		100532-08-703	EA	PANEL ASM.-200 BI-AXIS SYS.	RAP9755	
2	100532-48-000	EA	LEVELING SYSTEM - HYDRAULIC W/O REAR JACKS -F/2 ROOM SLIDE - GM		100532-08-705	EA	KNOB-3/4" BLACK, SET OF FOUR	RAP1379	
			FROM: 00-00-00 THRU: 08-05-98		100532-08-706	EA	KNOB-1 3/16" BLACK	RAP9734	
2	100532-53-000	EA	LEVELING SYSTEM - HYDRAULIC F/2 SLIDEOUT SYSTEM - FORD		100532-08-707	EA	BEZEL W/GASKET, F/SYSTEM 200	RAP9592	
			FROM: 00-00-00 THRU: 08-03-98		100532-09-704	EA	VALVE-PRESSURE SOLENOID	RAP0642	
	100532-01-713	EA	PUMP-RESERVOIR ASM.-MONARCH	RAP90014	100532-09-710	EA	SOLENOID-INTERMITENT DUTY	RAP0533	
	100532-03-710	EA	SENSING UNIT 21' MTA	RAP6798	100532-12-706	EA	SWITCH - WARNING/MAGNETIC	RAP1008 / RAP90496	
	100532-03-715	EA	CAP-BREATHER W/DIPSTICK	RAP7876	100532-12-707	EA	SPRING KIT	R3847	
	100532-03-722	EA	O-RING KIT	R7430	100532-31-701	EA	CHECK VALVE & KIT	RAP10021	
	100532-03-723	EA	O-RING/SEAL KIT	RAP9171	100532-31-702	EA	O-RING/SEAL KIT - MANIFOLD	RAP90127	
	100532-08-702	EA	VALVE,BI-AXIS - FORD	RAP9589	100532-32-703	EA	BUZZER - JACK WARNING	RAP90403	
	100532-08-703	EA	PANEL ASM.-200 BI-AXIS SYS.	RAP9755	100532-45-700	EA	CYLINDER W/O FOOT - 6K X 13"	RAP90490	
	100532-08-705	EA	KNOB-3/4" BLACK, SET OF FOUR	RAP1379	100532-47-701	EA	VALVE - BI-AXIS - W/O LEVERS	RAP0367	
	100532-08-706	EA	KNOB-1 3/16" BLACK	RAP9734	100532-48-700	EA	JACK - 6K X 13" - GM	RAP90492	
	100532-08-707	EA	BEZEL W/GASKET, F/SYSTEM 200	RAP9592	100532-51-700	EA	JACK - 6K STRAIGHT ACTING - FORD	RAP90502	
	100532-09-701	EA	CONTROL BOX ASM - FORD.	RAP0984	100532-48-701	EA	MANIFOLD - ROOM EXT - 2 ROOM	RAP90035	
	100532-09-704	EA	VALVE-PRESSURE SOLENOID	RAP0642	100532-48-702	EA	PUMP/RESERVOIR/MANIFOLD ASM.	RAP15305	
	100532-09-710	EA	SOLENOID-INTERMITENT DUTY	RAP0533	100532-53-700	EA	CYLINDER ASM. - 9K	RAP90491	
	100532-12-706	EA	SWITCH - WARNING/MAGNETIC	RAP1008 / RAP90496	3	100536-28-000	EA	HOSE KIT - LEVELING JACKS	
	100532-12-707	EA	SPRING KIT	R3847	100536-09-701	EA	HOSE-HYDRAULIC-60"	RAP4073	
	100532-31-701	EA	CHECK VALVE & KIT	RAP10021	100536-25-700	EA	HOSE-HYDRAULIC-306"	RAP4904	
	100532-31-702	EA	O-RING/SEAL KIT - MANIFOLD	RAP90127	100536-25-701	EA	HOSE-HYDRAULIC-312"	RAP5216	
	100532-32-703	EA	BUZZER - JACK WARNING	RAP90403	100536-37-702	EA	HOSE - HYDRAULIC - 110"	RAP90348	
	100532-45-700	EA	CYLINDER W/O FOOT - 6K X 13"	RAP90490	100536-39-700	EA	HOSE - HYDRAULIC - 384"	RAP4164	
	100532-47-701	EA	VALVE - BI-AXIS - W/O LEVERS	RAP0367	107890-01-000	EA	ELBOW - STEEL - 90 D - 1/4 X 37 D - FLARE		
	100532-48-700	EA	JACK - 6K X 13" - GM	RAP90492	4	117183-01-02B	EA	COVER - SENSOR - LEVELING	
	100532-51-700	EA	JACK - 6K STRAIGHT ACTING - FORD	RAP90502	5	121195-01-02B	EA	BRACKET - PUMP	
	100532-48-701	EA	MANIFOLD - ROOM EXT - 2 ROOM	RAP90035	6	128571-01-000	EA	JACK ASSEMBLY - REAR LEVELING - W/CROSSMEMBER - MANUAL - GM	
	100532-48-702	EA	PUMP/RESERVOIR/MANIFOLD ASM.	RAP15305	6	128571-03-000	EA	JACK ASSEMBLY - REAR LEVELING - W/CROSSMEMBER - MANUAL - FORD	
	100532-53-700	EA	CYLINDER ASM. - 9K	RAP90491	100532-12-706	EA	SWITCH - WARNING/MAGNETIC	RAP1008 / RAP90496	
2	131306-05-000	EA	LEVELING SYSTEM - OPERATES SLIDEOUT ROOM W/O JACKS DOWN - GM		100532-12-707	EA	SPRING KIT	R3847	
			FROM: 08-06-98 THRU: 99-99-99		100532-53-700	EA	CYLINDER ASM. - 9K	RAP90491	
2	131306-06-000	EA	LEVELING SYSTEM - OPERATES SLIDEOUT ROOM W/O JACKS DOWN - FORD						
			FROM: 08-04-98 THRU: 99-99-99						

CHASSIS GROUP (CONTINUED)



TIRE, MOUNT & HOIST

KEY	PART NUMBER	U/M DESCRIPTION
	080208-04-000	EA LUG WRENCH - 1 3/16" - OSHKOSH/SPARTAN - GM
	080208-05-000	EA BAR - LEVERAGE - LUG WRENCH - .75"DIA. - OSHKOSH/SPARTAN - GM
1	102340-04-000	EA TIRE - 245/70R X 19.5F - GOODYEAR - FORD
1	118814-04-700	EA WHEEL/TAKE OFF (19.5X6.75RW) 8 BOLT ACCURIDE F53 - FORD
2	093376-02-000	EA HANDLE - CRANK - TIRE HOIST
	114376-01-000	EA PIN - DRIVE - .156 X .750 - TYPE E - TIRE HOIST
3	093267-03-000	EA HOIST - SPARE TIRE - 100 LB
4	105499-01-000	EA BRACKET - TIRE HOIST
5	124751-01-02B	EA HANGER - SPARE TIRE - E-COATED
6	129085-01-02B	EA PLATE - SUPPORT - SPARE TIRE
7	129086-01-02B	EA SUPPORT - SPARE TIRE
8	093375-01-000	EA EXTENSION - TIRE HOIST - L35
8	093375-06-000	EA EXTENSION - TIRE HOIST - L33/L34/L36

CHASSIS GROUP (CONTINUED)

CHEVY WHEEL LINERS

KEY	PART NUMBER	U/M DESCRIPTION	VENDOR NO.
	077030-04-000	EA EXTENSION - VALVE STEM - .75" - GM	
	095012-07-000	EA STABILIZER - VALVE EXTENSION - GM	
	095012-09-000	EA EXTENSION - VALVE STEM - 7.7" - GM	
	110435-12-000	EA LINER - WHEEL - SET/4 - 19.5" - GM	
	110435-05-700	EA CAP-CENTER, POP-OUT - GM	V22510-POC
	110435-05-711	EA COVER - LUG NUT - GM	V22506-LNC
	110435-05-712	EA TOOL INSTALLATION - GM	V22506-TOL
	110435-12-700	EA WHEEL LINER - FRONT WHEEL - GM	V19580-FWC
	110435-12-701	EA WHEEL LINER - REAR WHEEL - GM	V19580-RWC
	110435-12-702	EA JAM NUT - 20MM - GM	V19580-JNT

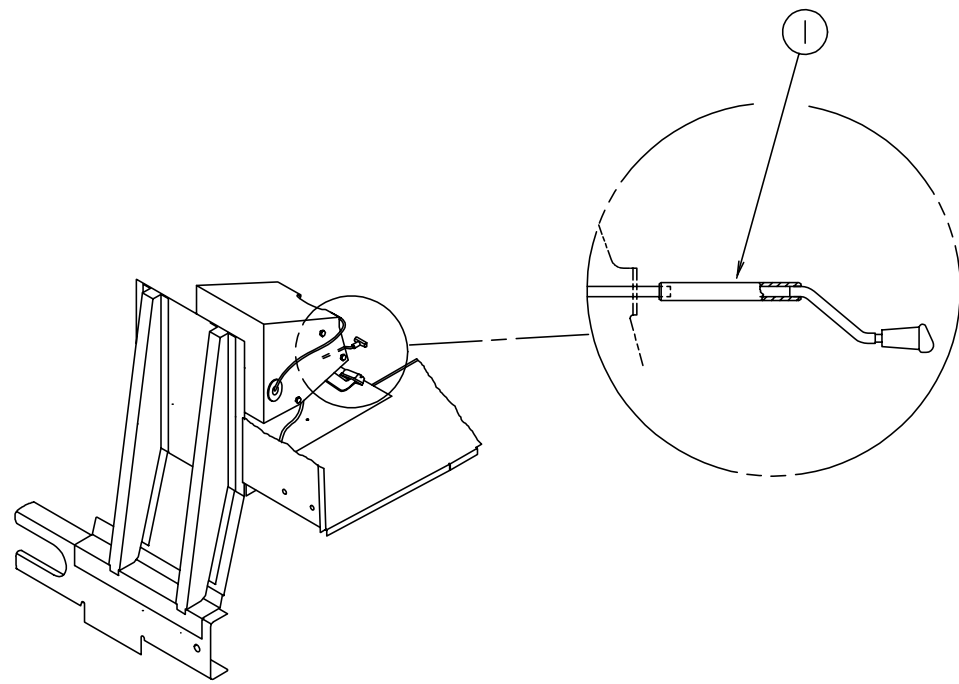
FORD WHEEL LINERS

KEY	PART NUMBER	U/M DESCRIPTION	VENDOR NO.
	077030-05-000	EA EXTENSION - VALVE STEM - 95 DEGREE - FORD	
	077030-06-000	EA EXTENSION - VALVE STEM - 45 DEGREE - FORD	
	095012-07-000	EA STABILIZER - VALVE EXTENSION - FORD	
	095012-10-000	EA EXTENSION - VALVE STEM - 8.5" - FORD	
	110435-15-000	EA LINER - WHEEL SET/4 - 19.5" - FORD	
	110435-10-705	EA TOOL - INSTALLATION - FORD	V195P7-TOL
	110435-15-700	EA LINER - WHEEL - FRONT - FORD	V195F9-FWC
	110435-15-701	EA LINER - WHEEL - REAR - FORD	V195F9-RWC
	110435-15-702	EA COVER LUG NUT/JAMB NUT - 14M - FORD	V195F9-EJN
	110435-04-705	EA DECAL-CTR HUB 2 3/4" DIAMOND 2 3/4 DECAL DIAMON	

CHEVY EXPORT WHEEL LINERS

KEY	PART NUMBER	U/M DESCRIPTION	VENDOR NO.
	077030-02-000	EA EXTENSION - VALVE STEM - 1.25" - GM EXPORT	
	077030-06-000	EA EXTENSION - VALVE STEM - 45 DEGREE - GM EXPORT	
	095012-07-000	EA STABILIZER - VALVE EXTENSION - GM EXPORT	
	095012-10-000	EA EXTENSION - VALVE STEM - 8.5" - GM EXPORT	
	110435-10-000	EA LINER - WHEEL - SET 4 - 19.5" - GM EXPORT	
	110435-10-700	EA LINER - WHEEL - FRONT - 1 PC - GM EXPORT	V195P7-FWC
	110435-10-701	EA LINER - WHEEL - REAR - 1 PC - GM EXPORT	V195P7-RWC
	110435-10-702	EA JAMB NUT - ENCLOSED/LNC - GM EXPORT	V195P7-EJN
	110435-10-703	EA STUD - PLASTIC - GM EXPORT	V195P7-PST
	110435-10-704	EA JAMB NUT - PLASTIC/LNC - GM EXPORT	V195P7-PJN
	110435-10-705	EA TOOL - INSTALLATION - GM EXPORT	V195P7-TOL

CHASSIS GROUP (CONTINUED)



FORD BRAKE HANDLE PIN

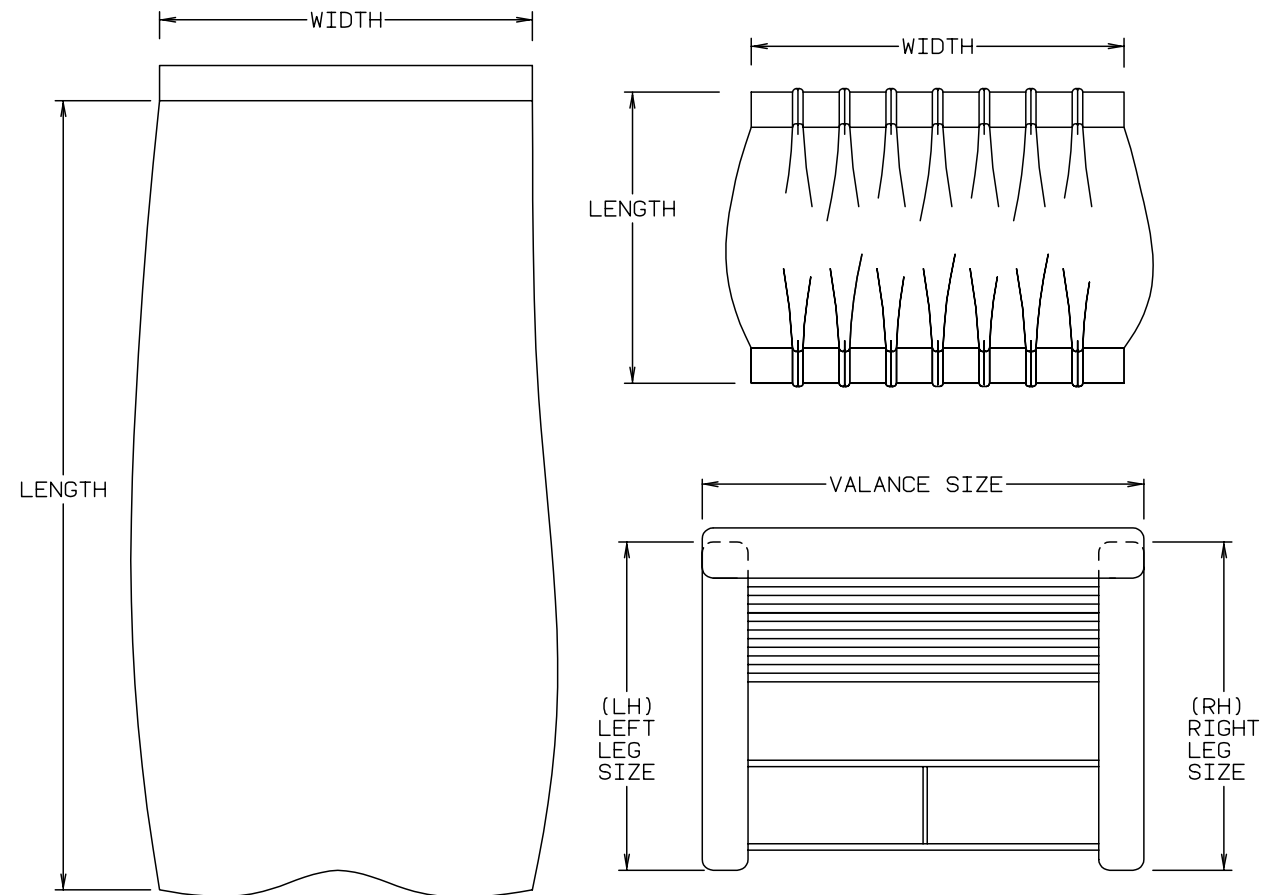
KEY	PART NUMBER	U/M	DESCRIPTION
1	113007-01-000	EA	PIN - SPRING - .375 X 3"

CURTAIN & CUSHION GROUP

NOTICE

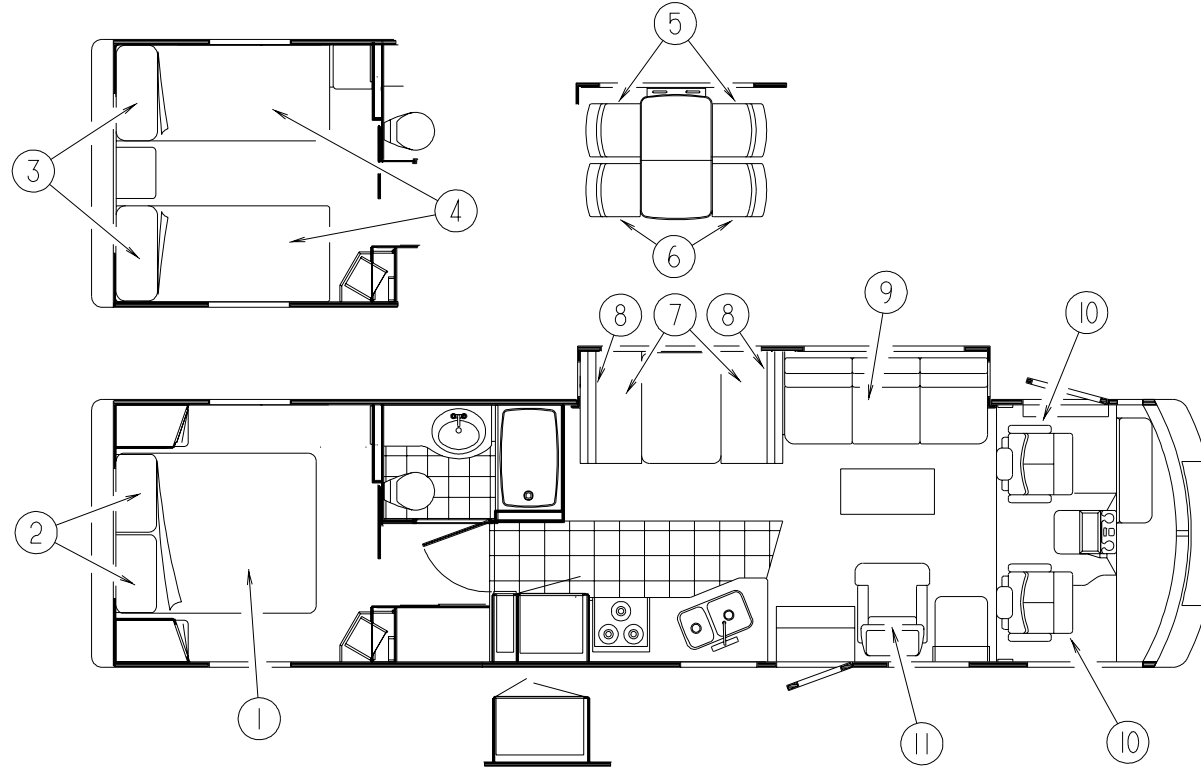
IN ORDER TO ASSIST OUR PARTS SALES DEPT. IN PROVIDING INTERIOR SOFTWARE ITEMS, PLEASE INCLUDE THE SERIAL NUMBER AND THE COLOR CODE NUMBER FROM THE VEHICLE CERTIFICATION LABEL WHEN ORDERING. THIS LABEL IS LOCATED ON THE LEFT SIDEWALL AT THE END OF THE DASH (A-BODY), OR ON THE DRIVER'S DOOR LATCH PLATE (C-BODY).

AN EXAMPLE OF A COLOR CODE NUMBER IS B07, WHICH DESIGNATES AN OVERALL COLOR SCHEME OF A PARTICULAR UNIT. THE COLOR LISTED AFTER THE ITEM DESCRIPTION ON THE MICROFICHE, INDICATES THE OVERALL UNIT COLOR. ORDER THE ITEM YOU DESIRE ACCORDING TO UNIT COLOR CODE. IF ALL COLORS USE THE SAME ITEM NO COLOR CODE WILL BE NOTED.



NOTE: USE THIS ILLUSTRATION WHEN DETERMINING LENGTH AND WIDTH MEASUREMENTS FOR CURTAINS. YOU WILL NOTE THE WIDTH MEASUREMENT IS TAKEN ON THE TOP OF THE CURTAIN WITH THE CURTAIN FULLY EXTENDED. THE LENGTH MEASUREMENT IS TAKEN FROM TOP TO BOTTOM. LEFT AND RIGHT WINDOW LEGS ARE DETERMINED WHEN FACING THE WINDOW.

CURTAIN & CUSHION GROUP (CONTINUED)



QUEEN MATTRESS, PILLOWS & BEDSPREADS

KEY	PART NUMBER	U/M	DESCRIPTION
1	123015-07-000	EA	MATTRESS - INNERSPRING - 60" X 79.5"
1	119141-26-K36	EA	BEDSPREAD/THROW - 60" X 80" (K36, K37)
1	119141-26-K38	EA	BEDSPREAD/THROW - 60" X 80" (K38, K39)
1	119141-27-K40	EA	BEDSPREAD/THROW - 60" X 80" (K40, K41)
2	119249-01-000	EA	PILLOW - 20" X 33" - QUEEN
	106728-09-K36	EA	PILLOW - 9" X 20" (K36, K37)
	106728-09-K38	EA	PILLOW - 9" X 20" (K38, K39)
	106728-10-K40	EA	PILLOW - 9" X 20" (K40, K41)

TWIN MATTRESS, PILLOWS & BEDSPREADS

KEY	PART NUMBER	U/M	DESCRIPTION
3	119249-02-000	EA	PILLOW - 22" X 37" - KING/TWIN
4	123015-11-000	EA	MATTRESS - INNERSPRING - 39" X 79.5"
4	119141-25-K36	EA	BEDSPREAD/THROW - 39" X 80" (K36, K37)
4	119141-25-K38	EA	BEDSPREAD/THROW - 39" X 80" (K38, K39)
4	119141-24-K40	EA	BEDSPREAD/THROW - 39" X 80" (K40, K41)
	106728-09-K36	EA	PILLOW - 9" X 20" (K36, K37)
	106728-09-K38	EA	PILLOW - 9" X 20" (K38, K39)
	106728-10-K40	EA	PILLOW - 9" X 20" (K40, K41)

DINETTE CHAIRS

KEY	PART NUMBER	U/M	DESCRIPTION
5	126637-02-000	EA	CHAIR - DINETTE (K36, K37)
5	126637-17-000	EA	CHAIR - DINETTE (K38, K39)
5	126637-01-000	EA	CHAIR - DINETTE (K40, K41)
	129529-02-000	EA	STRAP - RETAINER - CHAIR
	129491-01-000	EA	CATCH - SNAP HOOK - 1"
	127156-02-01A	EA	RETAINER - STRAP - CHAIR
	127832-01-01A	EA	BELT - CHAIR RETAINER

FOLDING CHAIRS

KEY	PART NUMBER	U/M	DESCRIPTION
6	101604-01-04A	EA	CHAIR - FOLDING/DINETTE - LINEN FABRIC - SOLAR MAPLE
6	101604-01-02A	EA	CHAIR - FOLDING/DINETTE - LINEN FABRIC - CHERRY

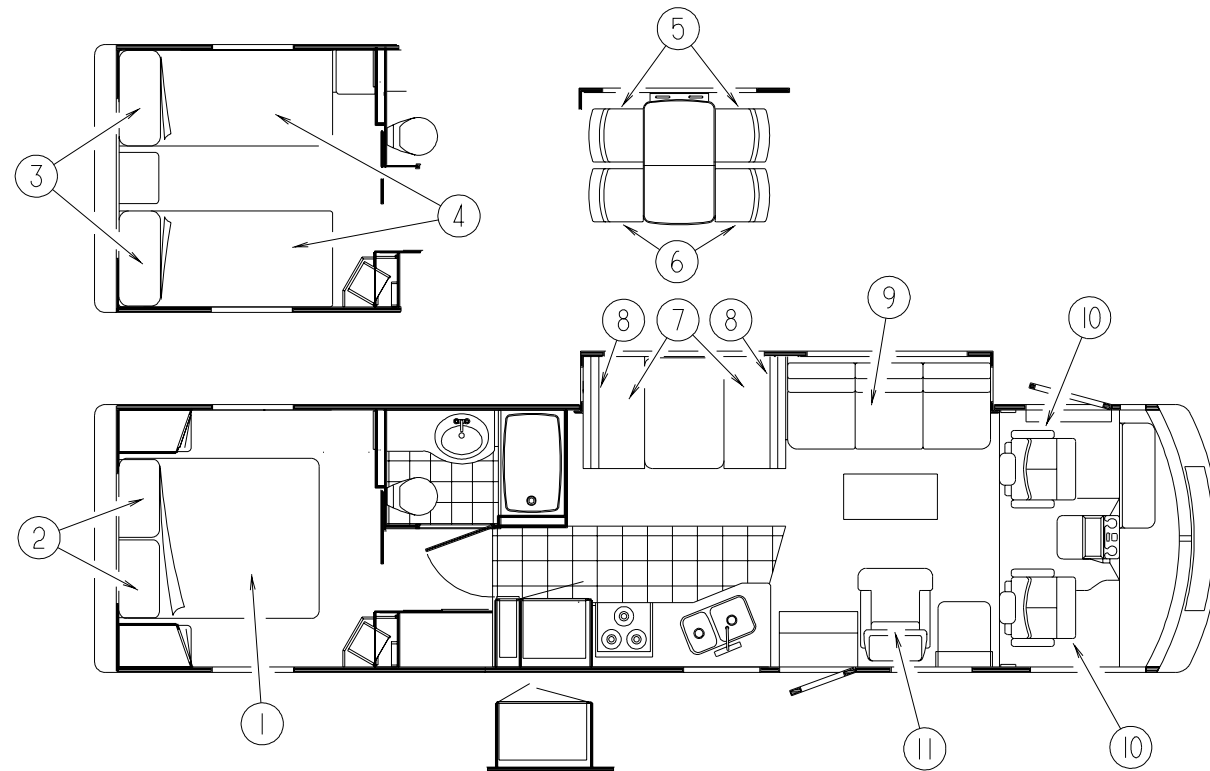
DINETTE CUSHIONS

KEY	PART NUMBER	U/M	DESCRIPTION
7	105603-22-J31	EA	CUSHION - SEAT - 23" X 42" X 4" (K36, K37)
7	105603-22-K38	EA	CUSHION - SEAT - 23" X 42" X 4" (K38, K39)
7	105603-22-K40	EA	CUSHION - SEAT - 23" X 42" X 4" (K40, K41)
	P05603-22-J31	EA	COVER - SEAT - 23" X 42" X 4" (K36, K37)
	P05603-22-K38	EA	COVER - SEAT - 23" X 42" X 4" (K38, K39)
	P05603-22-K40	EA	COVER - SEAT - 23" X 42" X 4" (K40, K41)
8	111897-16-J31	EA	CUSHION - BACK - 13.5" X 42" X 4" (K36, K37)
8	111897-16-K38	EA	CUSHION - BACK - 13.5" X 42" X 4" (K38, K39)
8	111897-16-K40	EA	CUSHION - BACK - 13.5" X 42" X 4" (K40, K41)
	P11897-16-J31	EA	COVER - BACK - 13.5" X 42" X 4" (K36, K37)
	P11897-16-K38	EA	COVER - BACK - 13.5" X 42" X 4" (K38, K39)
	P11897-16-K40	EA	COVER - BACK - 13.5" X 42" X 4" (K40, K41)

COUCH

KEY	PART NUMBER	U/M	DESCRIPTION
9	125676-18-000	EA	SOFA (K36, K37)
9	125676-19-000	EA	SOFA (K38, K39)
9	125676-20-000	EA	SOFA (K40, K41)
	116104-03-02B	EA	BRACKET - ZEE W/HOLES
	124656-97-000	EA	LOCK - NON-SLIDE - CANADIAN
	124656-96-000	EA	LOCK - SLIDE
	111637-13-K36	EA	PILLOW - 14" X 14" (K36, K37)
	111637-13-K38	EA	PILLOW - 14" X 14" (K38, K39)
	111637-21-K40	EA	PILLOW - 14" X 14" (K40, K41)

CURTAIN & CUSHION GROUP (CONTINUED)



COUCH FABRIC COVERED COFFEE TABLE

KEY	PART NUMBER	U/M	DESCRIPTION
	116957-01-K29	EA	TABLE - FOLDING/COFFEE - COMPLETE - MYSTIC OAK
	116957-01-G39	EA	TABLE - FOLDING/COFFEE - COMPLETE - SALEM CHERRY
	116957-11-F31	EA	BRACE - FOLDING TABLE - LOUNGE/SOFA - MYSTIC OAK
	116957-11-G39	EA	BRACE - FOLDING TABLE - LOUNGE/SOFA - SALEM CHERRY
	116957-12-G38	EA	TABLE TOP - FOLDING (NEW STYLE TABLE) - MYSTIC OAK
	116957-12-G39	EA	TABLE TOP - FOLDING (NEW STYLE TABLE) - SALEM CHERRY
	116957-15-F31	EA	LEG - FOR NEW STYLE TABLE - MYSTIC OAK
	116957-15-G39	EA	LEG - FOR NEW STYLE TABLE - SALEM CHERRY

BUCKET SEATS

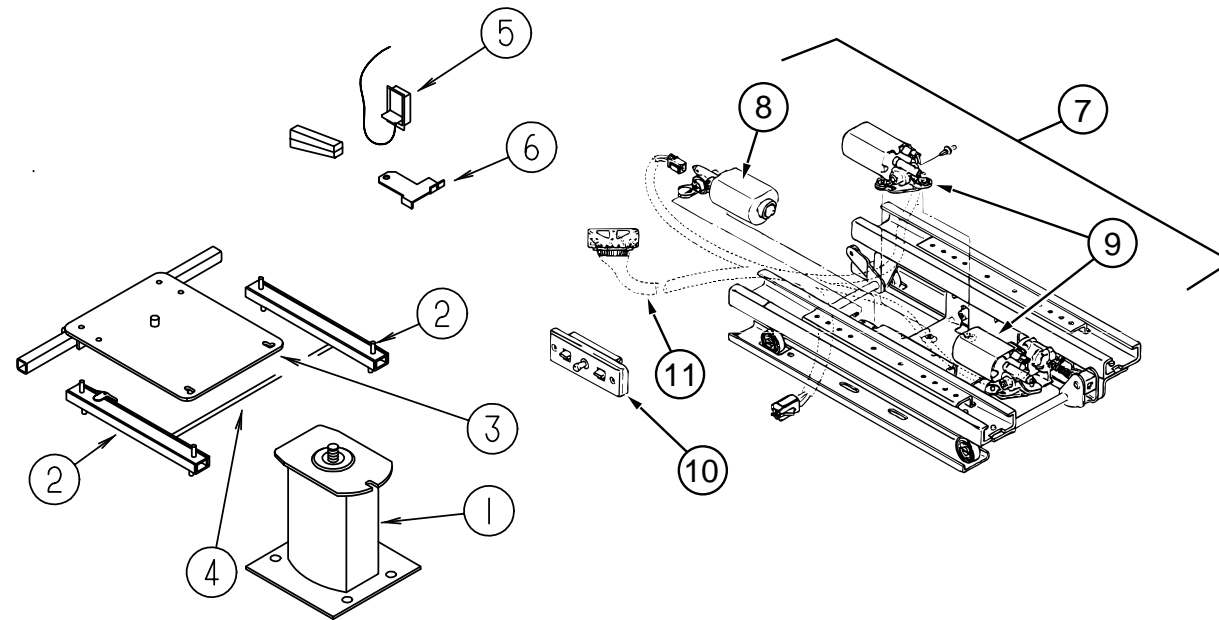
KEY	PART NUMBER	U/M	DESCRIPTION
10	129492-02-000	EA	BUCKET SEAT (K36, K37)
10	129492-11-000	EA	BUCKET SEAT (K38, K39)
10	129492-01-000	EA	BUCKET SEAT (K40, K41)
10	129492-08-000	EA	BUCKET SEAT - LEATHER

LOUNGE CHAIR

KEY	PART NUMBER	U/M	DESCRIPTION
11	128891-02-000	EA	CHAIR - RECLINER (K36, K37)
11	128891-09-000	EA	CHAIR - RECLINER (K38, K39)
11	128891-01-000	EA	CHAIR - RECLINER (K40, K41)

CURTAIN & CUSHION GROUP (CONTINUED)

BUCKET SEAT & LOUNGE CHAIR PEDESTALS

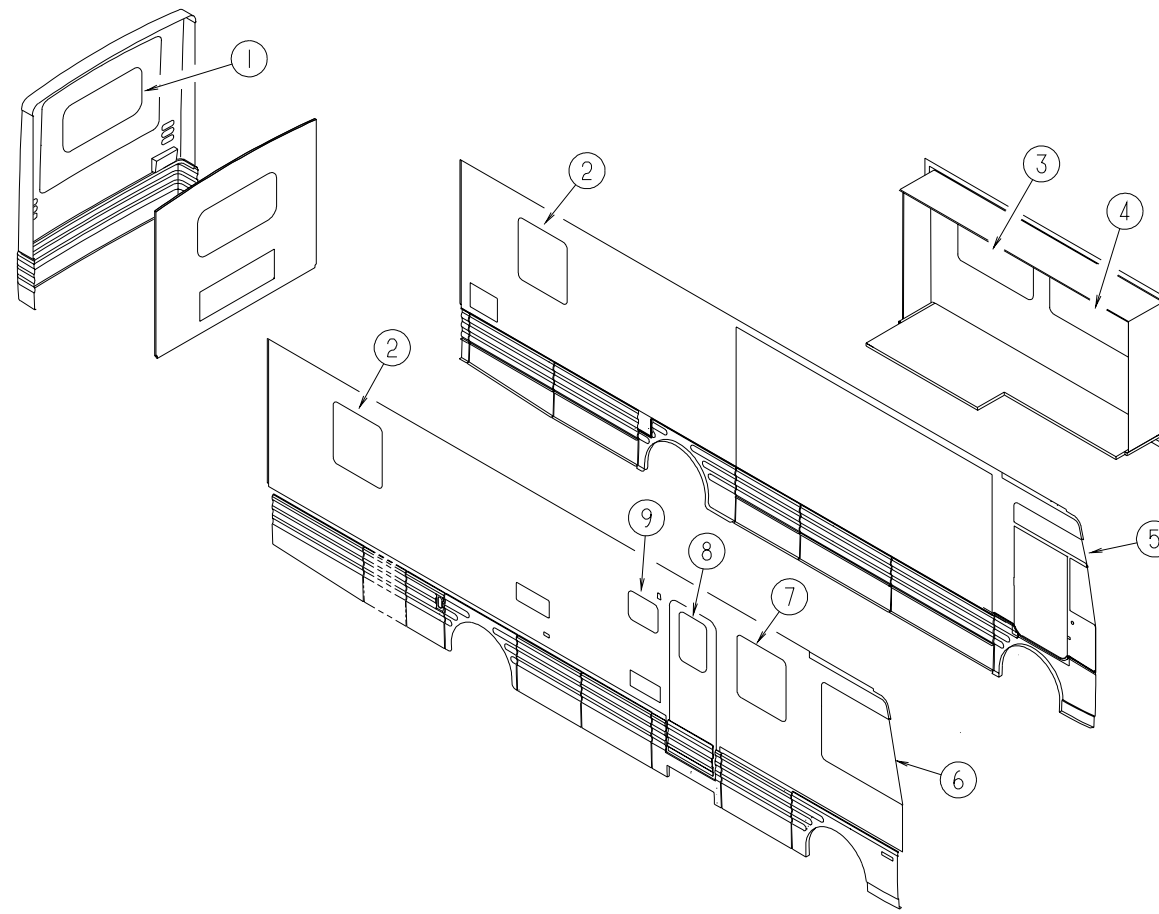


KEY	PART NUMBER	U/M	DESCRIPTION	VENDOR NO.
1	107921-01-000	EA	PEDESTAL/FLOOR MOUNTED - W/9.75" EXTENSION - BUCKET SEAT	
1	107921-14-000	EA	PEDESTAL - SEAT W/5.75" EXTENSION - F/MANUAL SEAT - BUCKET SEAT	
1	107921-07-000	EA	PEDESTAL BASE - LOUNGE CHAIR	
	108445-02-000	EA	PLATE/FLOOR MOUNTED - PEDESTAL SEAT - LOUNGE CHAIR	
	007221-01-000	EA	SPACER - SEAT/ADJUSTER - LOUNGE CHAIR	
2	119952-04-000	EA	SLIDE/SEAT - HEAVY DUTY LOCKING - 4 STUDS - BUCKET & LOUNGE SEAT	
	119952-02-000	EA	SLIDE/SEAT - HEAVY DUTY NON LOCKING - LOUNGE CHAIR	
3	107921-05-000	EA	PLATE - TOP - W/SEAT BELT BAR - BUCKET SEAT	
	107921-06-000	EA	BEARING KIT - PEDESTAL - BUCKET & LOUNGE SEAT	
3	107921-18-000	EA	PLATE - TOP - POWER - 6-WAY - BUCKET SEAT	
3	107921-08-000	EA	PLATE - TOP PEDESTAL - W/O SEAT BELT BAR - LOUNGE CHAIR	
4	119952-07-000	EA	WIRE - LATCH RELEASE/ROTARY - BUCKET SEAT	
5	108049-04-000	EA	CABLE - W/SWITCHES - W/26" MINI LEVER ACTION - BUCKET & LOUNGE SEAT	
	108049-02-000	EA	CLIP - CABLE/PEDESTAL - BUCKET & LOUNGE SEAT	

KEY	PART NUMBER	U/M	DESCRIPTION	VENDOR NO.
6	117125-01-02B	EA	BRACKET - CABLE MOUNT - ADJUSTER W/LOCK - BUCKET & LOUNGE SEAT	
7	081373-03-000	EA	SEAT - POWER 6 WAY - BUCKET SEAT	
	081373-01-700	EA	BRACKET-L - CONTROL SWITCH	H-171
8	081373-02-703	EA	MOTOR PKG. ADJ. HORIZONTAL	22063237 & H-195
9	081373-02-704	EA	MOTOR PKG. ADJ. VERTICAL	22063238 & H-196
10	081373-03-700	EA	SWITCH ASM F/BRN-GRAY (FLAT)	22138182 & H-441
11	081373-03-701	EA	WIRE HARNESS ASM. - LT. SIDE	6000
11	081373-03-702	EA	WIRE HARNESS ASM. - RT. SIDE	6001
	127159-02-02B	EA	BRACKET - SEAT RELEASE - DUAL REMOTE	
	130184-01-01A	EA	PROTECTOR - SEAT - CLEAR - BUCKET SEAT	
	130184-01-02A	EA	PROTECTOR - SEAT - TITANIUM - BUCKET SEAT	
	130184-01-03A	EA	PROTECTOR - SEAT - ANTELOPE - BUCKET SEAT	

CURTAIN & CUSHION GROUP (CONTINUED)

WINDOW TREATMENT



KEY	PART NUMBER	U/M	DESCRIPTION
1	119299-13-J11	EA	VALANCE - WHITNEY - 53" (K36, K37)
1	119299-13-K38	EA	VALANCE - WHITNEY - 53" (K38, K39)
1	119299-13-K40	EA	VALANCE - WHITNEY - 53" (K40, K41)
1	127017-07-J31	EA	LEG - RIGHT - 25" (K36, K37)
1	127017-07-K38	EA	LEG - RIGHT - 25" (K38, K39)
1	127017-07-K40	EA	LEG - RIGHT - 25" (K40, K41)
1	127017-08-J31	EA	LEG - LEFT - 25" (K36, K37)
1	127017-08-K38	EA	LEG - LEFT - 25" (K38, K39)
1	127017-08-K40	EA	LEG - LEFT - 25" (K40, K41)
1	111910-62-K36	EA	BLIND - DAY/NIGHTER - 49" X 27" (K36, K37)
1	111910-62-K37	EA	BLIND - DAY/NIGHTER - 49" X 27" (K38, K39)
1	111910-62-K41	EA	BLIND - DAY/NIGHTER - 49" X 27" (K40, K41)
2	119299-08-K36	EA	VALANCE - WHITNEY - 34" (K36, K37)
2	119299-08-K38	EA	VALANCE - WHITNEY - 34" (K38, K39)
2	119299-08-K40	EA	VALANCE - WHITNEY - 34" (K40, K41)
2	127017-09-J31	EA	LEG - RIGHT - 34" (K36, K37)
2	127017-09-K38	EA	LEG - RIGHT - 34" (K38, K39)
2	127017-09-K40	EA	LEG - RIGHT - 34" (K40, K41)
2	127017-10-J31	EA	LEG - LEFT - 34" (K36, K37)
2	127017-10-K38	EA	LEG - LEFT - 34" (K38, K39)
2	127017-10-K40	EA	LEG - LEFT - 34" (K40, K41)
2	111910-58-K36	EA	BLIND - DAY/NIGHTER - 31" X 37" (K36, K37)
2	111910-58-K37	EA	BLIND - DAY/NIGHTER - 31" X 37" (K38, K39)
2	111910-58-K40	EA	BLIND - DAY/NIGHTER - 31" X 37" (K40, K41)

KEY	PART NUMBER	U/M	DESCRIPTION
3	127329-08-K36	EA	VALANCE - ABBEY - 62.5" (K36, K37)
3	127329-08-K38	EA	VALANCE - ABBEY - 62.5" (K38, K39)
3	127329-08-K40	EA	VALANCE - ABBEY - 62.5" (K40, K41)
3	127017-41-K36	EA	LEG - RIGHT - 23.5" (K36, K37)
3	127017-43-K38	EA	LEG - RIGHT - 23.5" (K38, K39)
3	127017-41-K40	EA	LEG - RIGHT - 23.5" (K40, K41)
3	127017-42-K36	EA	LEG - LEFT - 23.5" (K36, K37)
3	127017-44-K38	EA	LEG - LEFT - 23.5" (K38, K39)
3	127017-42-K40	EA	LEG - LEFT - 23.5" (K40, K41)
3	111910-55-K36	EA	BLIND - DAY/NIGHTER - 59" X 26.5" (K36, K37)
3	111910-55-K37	EA	BLIND - DAY/NIGHTER - 59" X 26.5" (K38, K39)
3	111910-55-K40	EA	BLIND - DAY/NIGHTER - 59" X 26.5" (K40, K41)
4	127329-08-K36	EA	VALANCE - ABBEY - 62.5" (K36, K37)
4	127329-16-K36	EA	VALANCE - ABBEY - 62.5" (K36, K37)
4	127329-08-K38	EA	VALANCE - ABBEY - 62.5" (K38, K39)
4	127329-16-K38	EA	VALANCE - ABBEY - 62.5" (K38, K39)
4	127329-08-K40	EA	VALANCE - ABBEY - 62.5" (K40, K41)
4	127329-16-K40	EA	VALANCE - ABBEY - 62.5" (K40, K41)

FROM: 00-00-00 THRU: 08-09-98

FROM: 08-10-98 THRU: 99-99-99

FROM: 00-00-00 THRU: 08-09-98

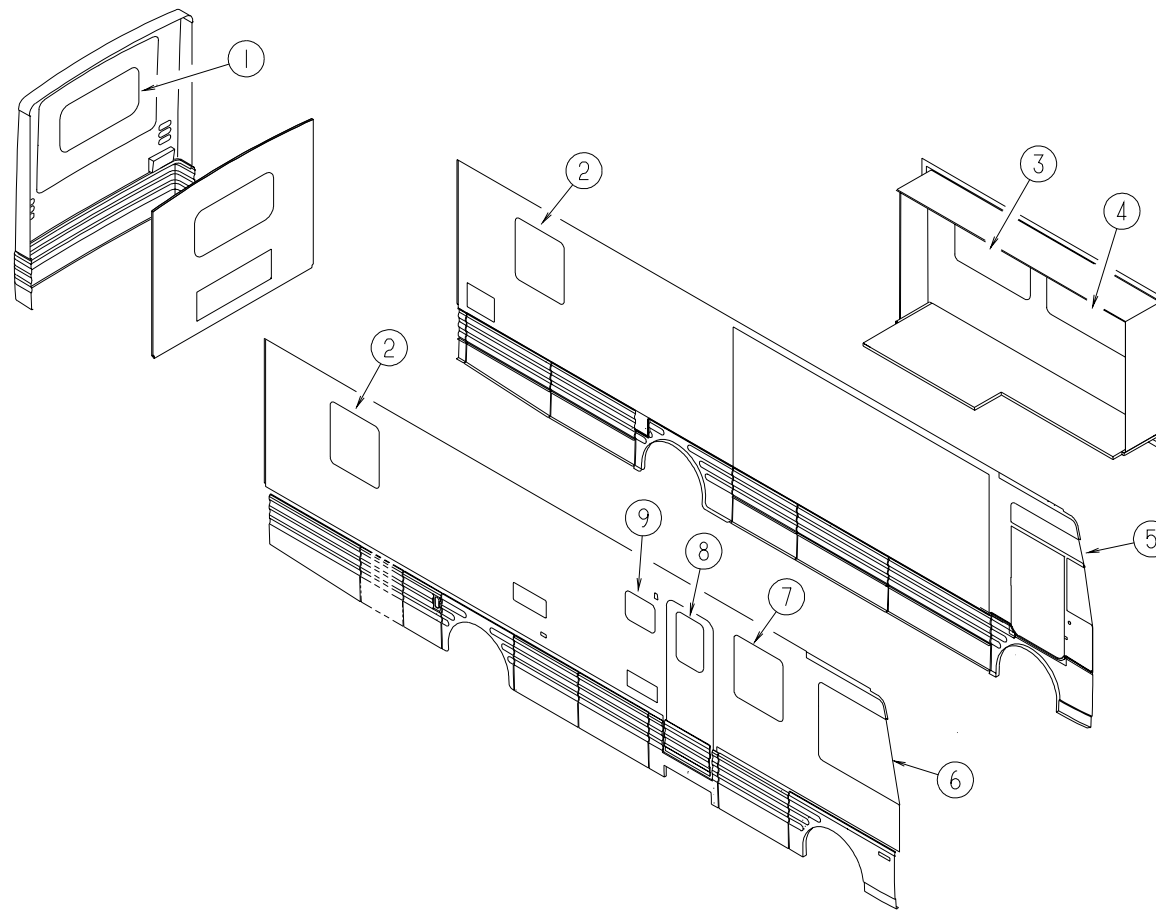
FROM: 08-10-98 THRU: 99-99-99

FROM: 00-00-00 THRU: 08-09-98

FROM: 08-10-98 THRU: 99-99-99

CURTAIN & CUSHION GROUP (CONTINUED)

WINDOW TREATMENT (CONTINUED)

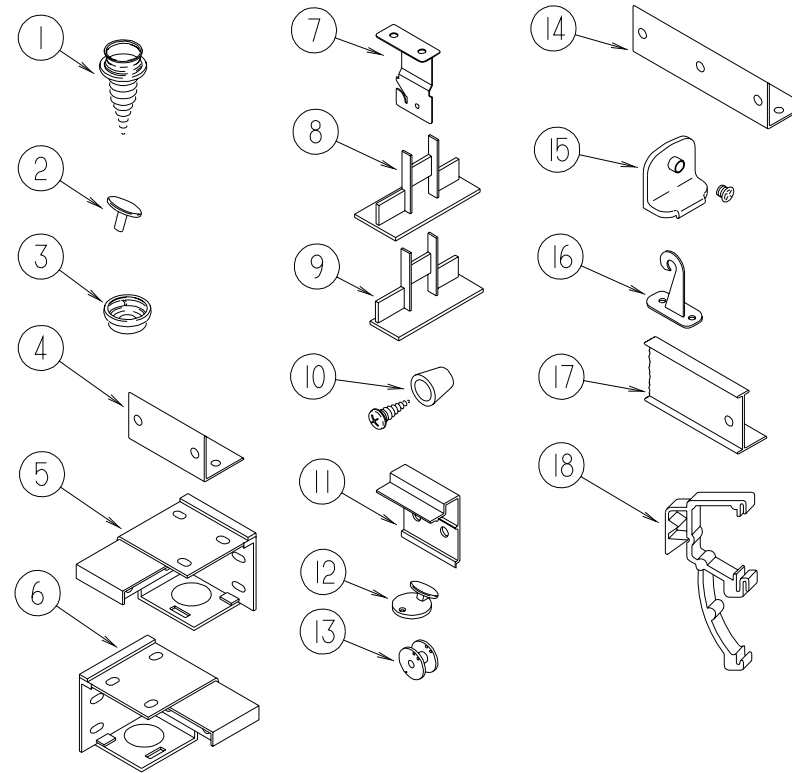


KEY	PART NUMBER	U/M	DESCRIPTION
4	127017-41-K36	EA	LEG - RIGHT - 23.5" (K36, K37)
4	127017-43-K38	EA	LEG - RIGHT - 23.5" (K38, K39)
4	127017-41-K40	EA	LEG - RIGHT - 23.5" (K40, K41)
4	127017-42-K36	EA	LEG - LEFT - 23.5" (K36, K37)
4	127017-44-K38	EA	LEG - LEFT - 23.5" (K38, K39)
4	127017-42-K40	EA	LEG - LEFT - 23.5" (K40, K41)
4	111910-55-K36	EA	BLIND - DAY/NIGHTER - 59" X 26.5" (K36, K37)
4	111910-55-K37	EA	BLIND - DAY/NIGHTER - 59" X 26.5" (K38, K39)
4	111910-55-K40	EA	BLIND - DAY/NIGHTER - 59" X 26.5" (K40, K41)
5	093487-17-01A	EA	CURTAIN - WRAPAROUND/PRIVACY/PLEATED - DRVR -38.25" X 108"
6	093487-16-01A	EA	CURTAIN - WRAPAROUND/PRIVACY/PLEATED - PASS -38.25" X 108"
	126841-03-000	EA	SHADE - PULL - CHARCOAL MESH - 40.3" X 60"
7	127329-12-K36	EA	VALANCE - ABBEY - 34.5" (K36, K37)
			FROM: 00-00-00 THRU: 08-09-98
7	127329-22-K36	EA	VALANCE - ABBEY - 34.5" (K36, K37)
			FROM: 08-10-98 THRU: 99-99-99
7	127329-12-K38	EA	VALANCE - ABBEY - 34.5" (K38, K39)
			FROM: 00-00-00 THRU: 08-09-98
7	127329-22-K38	EA	VALANCE - ABBEY - 34.5" (K38, K39)
			FROM: 08-10-98 THRU: 99-99-99
7	127329-12-K40	EA	VALANCE - ABBEY - 34.5" (K40, K41)
			FROM: 00-00-00 THRU: 08-09-98
7	127329-22-K40	EA	VALANCE - ABBEY - 34.5" (K40, K41)
			FROM: 08-10-98 THRU: 99-99-99

KEY	PART NUMBER	U/M	DESCRIPTION
7	127017-01-K36	EA	LEG - RIGHT - 25" (K36, K37)
7	127017-11-K38	EA	LEG - RIGHT - 25" (K38, K39)
7	127017-01-K40	EA	LEG - RIGHT - 25" (K40, K41)
7	127017-02-K36	EA	LEG - LEFT - 25" (K36, K37)
7	127017-12-K38	EA	LEG - LEFT - 25" (K38, K39)
7	127017-02-K40	EA	LEG - LEFT - 25" (K40, K41)
7	111910-59-K36	EA	BLIND - DAY/NIGHTER - 31" X 28.5" (K36, K37)
7	111910-59-K37	EA	BLIND - DAY/NIGHTER - 31" X 28.5" (K38, K39)
7	111910-59-K40	EA	BLIND - DAY/NIGHTER - 31" X 28.5" (K40, K41)
8	120820-18-J31	EA	VALANCE - 14.5" X 31.5" - W/CLOCK CUTOUT (K36, K37)
8	120820-18-K38	EA	VALANCE - 14.5" X 31.5" - W/CLOCK CUTOUT (K38, K39)
8	120820-18-K40	EA	VALANCE - 14.5" X 31.5" - W/CLOCK CUTOUT (K40, K41)
8	084755-57-E07	EA	SHADE - PULL - 27.25"
9	111861-12-01A	EA	BLIND - MICRO MINI - 30.5" X 17.5" - ALABASTER PEARL

CURTAIN & CUSHION GROUP (CONTINUED)

CURTAIN HARDWARE



KEY	PART NUMBER	U/M	DESCRIPTION
1	029130-01-000	EA	SCREW - SNAP SOCKET - #8 PH X 5/8"
2	029155-01-000	EA	CAP - SNAP - 5/32" O.D. OF PIN
3	029156-01-000	EA	SOCKET - SNAP - 9/16" O.D.
	046867-01-000	EA	GROMMET - BRASS - 7/16" ID X 1" OD
	046867-02-000	EA	WASHER - HANDY BUTTON #3
	046867-03-000	EA	GROMMET - HANDY BUTTON #3
	048394-02-000	YD	VELCRO TAPE - HOOK - ADHESIVE BACK - .75" WIDE - BEIGE
4	083125-08-000	EA	BRACE - WINDOW MOUNT - 3/4 - OFF WHITE
5	083170-01-000	EA	BRACKET - BLIND - LEFT SIDE WHEN FACING WINDOW
6	083170-02-000	EA	BRACKET - BLIND - RIGHT SIDE WHEN FACING WINDOW
7	084434-01-000	EA	BRACKET - MOUNTING - ROLLER SHADE - 1 3/8"
	086276-01-000	EA	TAPE - DOUBLE SIDED - 1/2"
	094896-02-000	EA	GROMMET - CORD/PLEATED BLIND - NYLON - GRAY
8	094907-02-000	EA	END CAP - TOP/PLEATED BLIND - PLASTIC - GRAY
9	094907-04-000	EA	END CAP - BOTTOM/PLEATED BLIND (RH & LH)
	096843-01-000	EA	SPRING - REWIND/ROLLER SHADE
10	097564-03-000	EA	HANDLE - KNOB - E-Z LIFT SHADE - TAN
10	097564-06-000	EA	HANDLE - KNOB - E-Z LIFT SHADE - ALABASTER
10	097564-07-000	EA	HANDLE - KNOB - E-Z LIFT SHADE - SILVER

KEY	PART NUMBER	U/M	DESCRIPTION
11	097565-01-000	EA	BRACKET - MOUNTING/PLEATED BLIND
	097591-01-000	EA	SPRING - EXTENSION/PLEATED BLIND
12	102555-03-000	EA	CLEAT - BLIND CORD - MILKY WHITE PLASTIC
13	097592-01-000	EA	SPOOL - CORD - ELEVATED BLIND HOLDUP - SMALL - CLEAR
	097592-02-000	EA	SPOOL - CORD - ELEVATED BLIND HOLDUP - LARGE - CLEAR
	097593-02-000	FT	CORD - BLIND - PLEATED - GRAY
	097593-06-000	FT	CORD - BLIND - PLEATED - PEWTER
	097593-10-000	FT	CORD - BLIND - PLEATED - VANILLA
14	105648-01-02A	EA	BRACE - VALANCE - OFF/WHITE - 14"
15	106544-01-000	EA	PULL - SHADE/BRASS
15	106544-01-001	EA	SCREW - SHADE/BRASS
16	109441-03-000	EA	HOLD DOWN - BLIND (CLOUDY)
17	126456-03-01A	EA	TRACK - CURTAIN - RIGHT HAND - OFF WHITE (CHIEFTAIN) FROM: 00-00-00 THRU: 10-31-98
17	126456-03-02A	EA	TRACK - CURTAIN - RIGHT HAND - ANTELOPE (CHIEFTAIN) FROM: 11-01-98 THRU: 99-99-99
17	126456-04-01A	EA	TRACK - CURTAIN - LEFT HAND - OFF WHITE (CHIEFTAIN) FROM: 00-00-00 THRU: 10-31-98
17	126456-04-02A	EA	TRACK - CURTAIN - LEFT HAND - ANTELOPE (CHIEFTAIN) FROM: 11-01-98 THRU: 99-99-99
18	109353-04-000	EA	CLIP - VALANCE SLAT MOUNTING - CLEAR PLASTIC

CURTAIN & CUSHION GROUP (CONTINUED)

SEATBELTS, ASSIST HANDLES, TIEDOWNS, BUTTONS & TRIMS

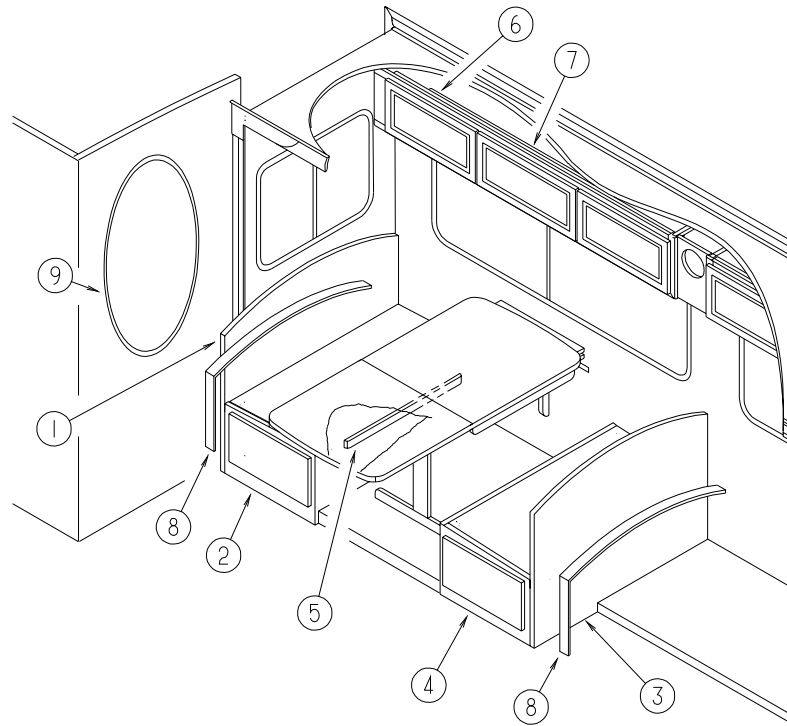
KEY	PART NUMBER	U/M	DESCRIPTION
	000C16-07-16B	EA	BOLT - CARRIAGE - ASSIST HANDLE - 7/16" - 14 X 1"
	000D20-07-00B	EA	NUT - ACORN - ASSIST HANDLE - 7/16 - 14
	007021-01-000	EA	SEAT BELT - 2" X 90" - BLACK
	053552-02-K01	EA	HANDLE - ASSIST - INTERIOR/ENTRY DOOR - VINYL/OFF WHITE
	056271-01-000	EA	SEAT BELT - 2" X 102" - BLACK
	057759-01-000	EA	WASHER - FLAT F/SEAT BELT - 4" DIAMETER
	069178-02-000	EA	BRACKET - MOUNTING/ASSIST HANDLE - GRAY
	084415-88-000	YD	TRIM - BRAID - AMBER W/FRINGE (K36, K37)
	084415-98-000	YD	TRIM - BRAID - MINK (K38, K39)
	084415-82-000	YD	TRIM - BRAID - ZEPHYR (K40, K41)

CURTAIN & CUSHION GROUP (CONTINUED)

FABRICS

1999 CHIEFTAIN	K36/K37 Mercury	K38/K39 Block Party	K40/K41 Pewter
Bucket Seat	108446-77-000	108446-S6-000	108446-G3-000
Dinette	108446-R9-000	126883-20-000	126883-19-000
Folding Chair	108446-R9-000	126883-18-000	108446-G3-000
Sofa	108446-R9-000	126883-20-000	126883-19-000
TT Chair	108446-S0-000	126883-18-000	108446-G3-000
Lounge Window	108446-R9-000	126883-20-000	126883-19-000
Lounge Window Welt	108446-S0-000	126883-18-000	108446-G3-000
Lounge Window Leg	108446-R9-000	126883-18-000	126883-19-000
Day/Nighter Blind	094911-30 Linen Beige	094911-30 Linen Beige	094911-30 Linen Beige
	094911-50 Wht. Deco	094911-50 Wht. Deco	094911-50 Wht. Deco
Galley Micro Blind	Alab. Pearl	Alab. Pearl	Alab. Pearl
Dinette Pad	108446-S0-000	126883-18-000	108446-G3-000
Lounge Pillow	108446-S0-000	126883-18-000	126883-19-000
Lounge Pillow Fringe	084415-88-000	084415-98-000	084415-82-000
Bedroom Window	105745-G6-000	105745-K7-000	105745-K5-000
	105745-B5-000	105745-K4-000	105745-E3-000
Bedroom Window Legs	105745-G6-000	105745-K7-000	105745-K5-000
Bedsread	105745-G6-000	105745-K7-000	105745-E3-000
Bedsread Welt	105745-B5-000	105745-K4-000	105745-K5-000
Lounge Ovhd Inserts	108446-S0-000	126883-18-000	108446-G3-000
Map Pockets	108446-77-000	108446-S6-000	108446-G3-000
Sunvisor Vinyl	123298-02-04A	123298-02-04A	123298-02-04A
Headboard	105745-G6-000	105745-K7-000	105745-E3-000
Headboard Welt	105745-B5-000	105745-K4-000	105745-K5-000
Bedroom Ovhd Inserts	105745-B5-000	105745-K4-000	105745-K5-000
Bedroom Pillows	105745-B5-000	105745-K4-000	105745-K5-000
Ceiling Fabric	113979-01-01A	113979-01-01A	113979-01-01A

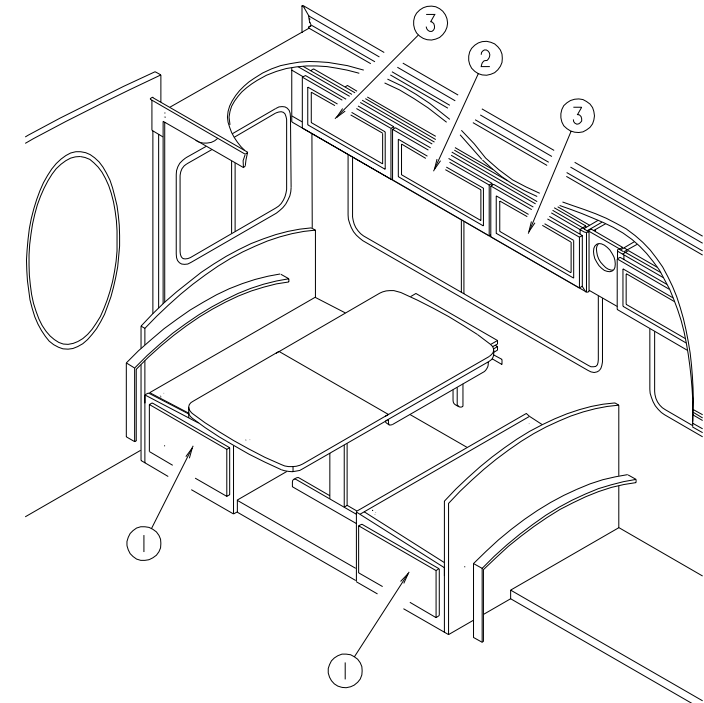
DINETTE GROUP



DINETTE CABINETS & PADS

KEY	PART NUMBER	U/M	DESCRIPTION
1	M08755-03-K36	EA	CABINET - SEATBACK - RH - MYSTIC OAK
1	M08755-03-K37	EA	CABINET - SEATBACK - RH - SALEM CHERRY
2	M08756-05-K36	EA	CABINET - SEATBASE - RH - W/O DOOR/DRAWER/HDW - MYSTIC OAK
2	M08756-05-K37	EA	CABINET - SEATBASE - RH - W/O DOOR/DRAWER/HDW - SALEM CHERRY
3	M08755-04-K36	EA	CABINET - SEATBACK - LH - MYSTIC OAK
3	M08755-04-K37	EA	CABINET - SEATBACK - LH - SALEM CHERRY
4	M08756-06-K36	EA	CABINET - SEATBASE - LH - W/O DOOR/DRAWER/HDW - MYSTIC OAK
4	M08756-06-K37	EA	CABINET - SEATBASE - LH - W/O DOOR/DRAWER/HDW - SALEM CHERRY
5	081295-01-H37	EA	SUPPORT - BED/DINETTE - 28" LONG - MYSTIC OAK
5	081295-01-G01	EA	SUPPORT - BED/DINETTE - 28" LONG - SALEM CHERRY
	126908-01-J60	EA	GUIDE - DRAWER (WOOD) - 19.5"W X 34.9"D
	122021-01-02A	EA	ANGLE - W/HOLES - 8.6" LONG - OFF WHITE
6	126310-01-K29	EA	CABINET - OVERHEAD/DINETTE - W/O DOORS/HDW - MYSTIC OAK
6	126310-01-K37	EA	CABINET - OVERHEAD/DINETTE - W/O DOORS/HDW - SALEM CHERRY
7	126310-02-K29	EA	CABINET - OVERHEAD/DINETTE - W/O DOORS/HDW - MYSTIC OAK
7	126310-02-K37	EA	CABINET - OVERHEAD/DINETTE - W/O DOORS/HDW - SALEM CHERRY
8	104787-16-J31	EA	PAD - DINETTE SEATBACK (K36, K37)
8	104787-16-K38	EA	PAD - DINETTE SEATBACK (K38, K39)
8	104787-16-K40	EA	PAD - DINETTE SEATBACK (K40, K41)
9	131494-02-01A	EA	MIRROR - BEVELED - 24" X 40" - OVAL

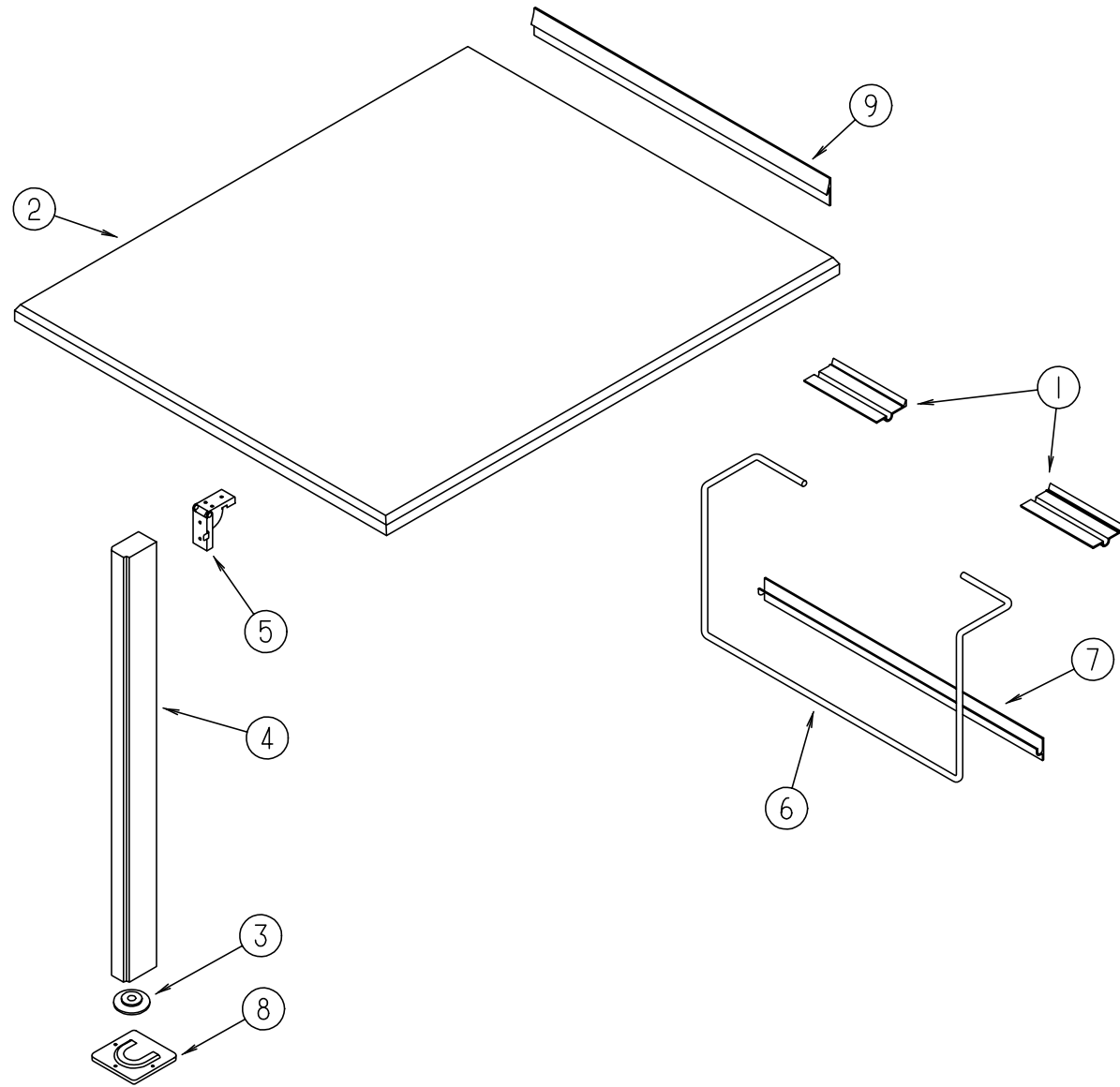
DINETTE GROUP (CONTINUED)



DINETTE CABINET DOORS & DRAWERS

KEY	PART NUMBER	U/M	DESCRIPTION
1	P27054-01-J90	EA	DRAWER - OGEE EDGE - 11.8"W X 33.4"D - W/O SLIDES/HDW - MYSTIC OAK
1	P27054-01-J30	EA	DRAWER - OGEE EDGE - 11.8"W X 33.4"D - W/O SLIDES/HDW - SALEM CHERRY
1	127051-01-J90	EA	CATCH - WOOD - DRAWERS - MYSTIC OAK
1	127051-01-J30	EA	CATCH - WOOD - DRAWERS - SALEM CHERRY
2	131995-44-K36	EA	DOOR - SOLID PANEL - 10.8" X 23.8" - W/O HDW - MYSTIC OAK
2	131995-44-K37	EA	DOOR - SOLID PANEL - 10.8" X 23.8" - W/O HDW - SALEM CHERRY
3	131995-41-K36	EA	DOOR - SOLID PANEL - 10.8" X 21.8" - W/O HDW - MYSTIC OAK
3	131995-41-K37	EA	DOOR - SOLID PANEL - 10.8" X 21.8" - W/O HDW - SALEM CHERRY

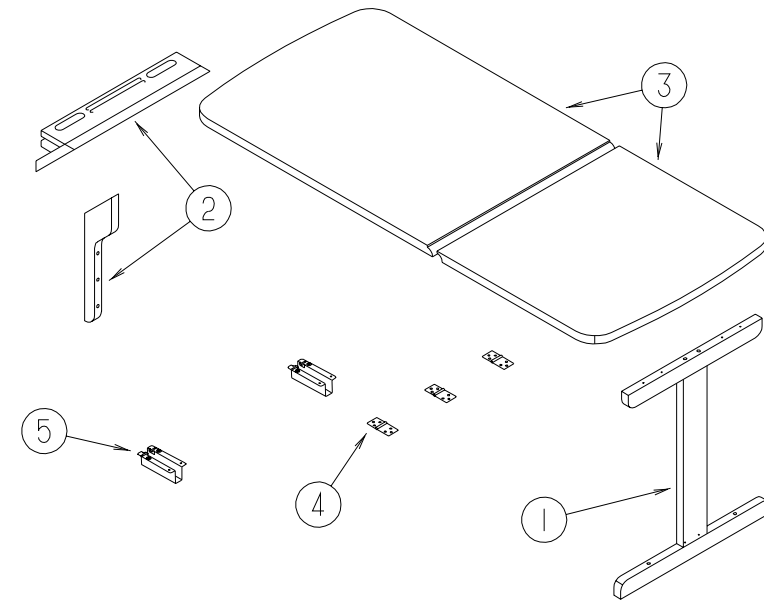
DINETTE GROUP (CONTINUED)



DINETTE TABLE

KEY	PART NUMBER	U/M	DESCRIPTION
1	088410-02-000	EA	BRACKET - LIFT - TABLE MOUNTED
2	127121-20-J26	EA	TABLE TOP ONLY (K36)
2	127121-20-K37	EA	TABLE TOP ONLY (K37)
2	127121-20-K32	EA	TABLE TOP ONLY (K38, K39, K40, K41)
3	092593-01-05A	EA	CATCH - TABLE LEG - OFF/WHITE
4	092707-04-03A	EA	LEG - TABLE - W/O HDW - 27" - PICKLED ASH - MYSTIC OAK
4	092707-04-04A	EA	LEG - TABLE - W/O HDW - 27" - CHERRY - SALEM CHERRY
5	093550-01-000	EA	BRACKET - HINGE - MOUNTS TO LEG & TABLE TOP - 1.7" X 2.6"
6	024275-12-000	EA	ROD - TABLE LIFT
7	024281-14-000	EA	BRACKET/TABLE - LIFT ROD/LOWER WALL MOUNTED - 22.12"
8	049493-12-000	EA	CATCH - TABLE LEG/FLOOR MOUNTED - OFF WHITE
8	049493-11-700	EA	CATCH-TABLE LEG,E-COAT
9	053200-12-000	EA	BRACKET - TABLE SUPPORT - UPPER/WALL MOUNTED - 23.50"

DINETTE GROUP (CONTINUED)

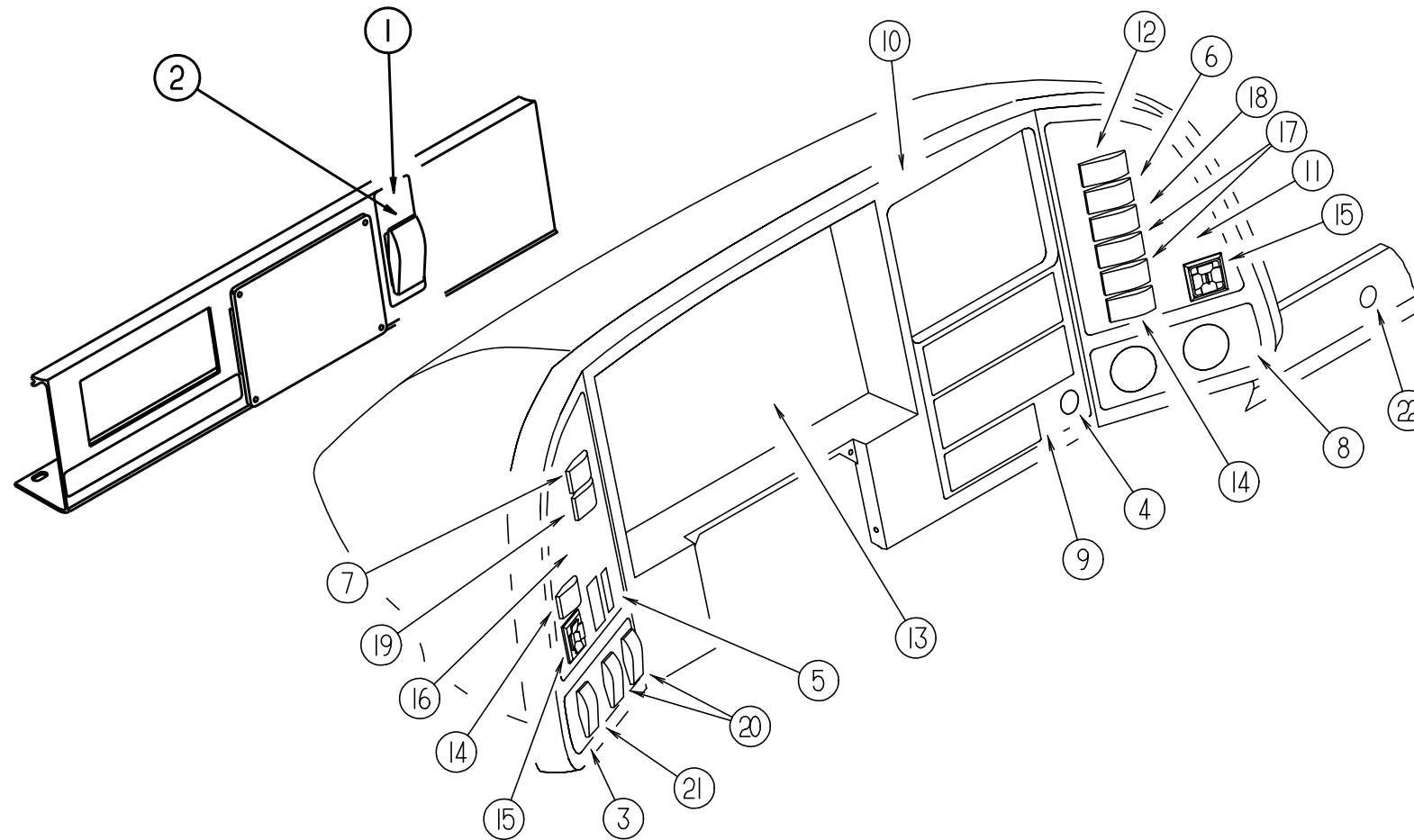


PULL OUT TABLE

KEY	PART NUMBER	U/M	DESCRIPTION
1	120898-24-H17	EA	LEG - W/O HARDWARE - MYSTIC OAK
1	120898-24-K37	EA	LEG - W/O HARDWARE - SALEM CHERRY
2	120898-25-K29	EA	MOUNT - WALL - DROP LEAF TABLE - MYSTIC OAK
2	120898-25-H10	EA	MOUNT - WALL - DROP LEAF TABLE - SALEM CHERRY
3	120898-28-K31	EA	TABLE TOP ONLY - MYSTIC OAK
3	120898-28-K37	EA	TABLE TOP ONLY - SALEM CHERRY
4	120972-01-01A	EA	HINGE - TABLE/DROP LEAF
5	120973-01-000	EA	SUPPORT - TABLE/DROP LEAF - PAIR

DRIVERS COMPARTMENT GROUP

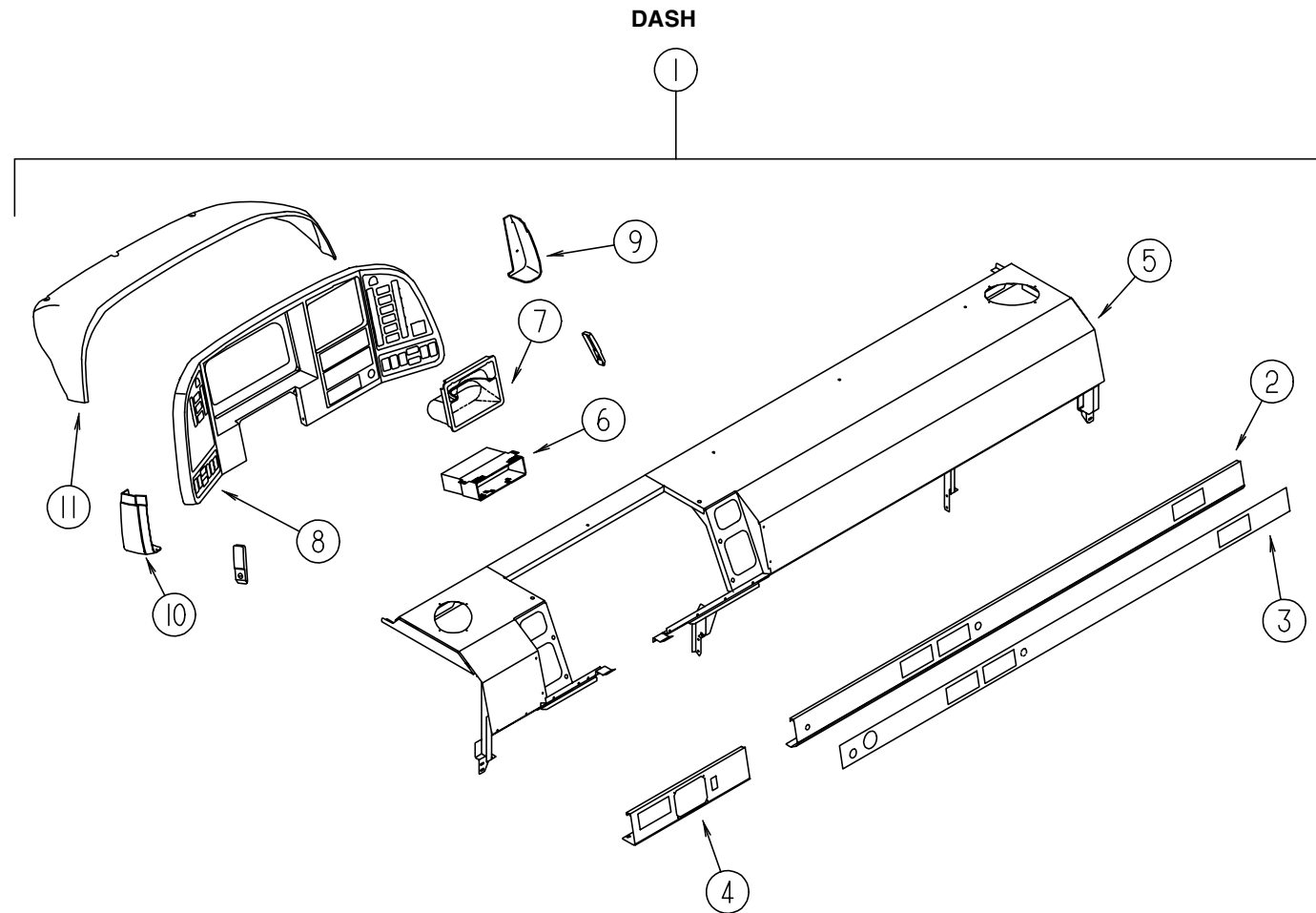
DASH, GUAGES & SWITCHES



KEY	PART NUMBER	U/M	DESCRIPTION
1	116220-01-000	EA	APPLIQUE - SWITCH/SLIDEOUT
2	108357-06-000	EA	SWITCH - ROCKER DPDT - MOM/OFF/MOM - 6 TERMINAL
2	108356-02-01A	EA	COVER/ACTUATOR SWITCH - 2 ROWS DIMPLES- CONTURA II - BLACK
3	110420-04-01A	EA	APPLIQUE - BEZEL - LOWER/LEFT - WITHOUT PARK AND LEVEL - GM/FORD
3	110420-24-01A	EA	APPLIQUE - BEZEL - LOWER/LEFT - FREIGHTLINER
4	089294-01-000	EA	LIGHTER - CIGARETTE - W/SOCKET & WIRE
5	NA	EA	NUT - HEADLAMP KNOB - BLACK - FORD CHASSIS SUPPLIED
5	NA	EA	KNOB - HEADLAMP - W/SHAFT - FORD CHASSIS SUPPLIED
6	108357-06-000	EA	SWITCH - ROCKER DPDT - MOM/OFF/MOM - 6 TERMINAL
6	108356-01-01A	EA	COVER/ACTUATOR SWITCH - 3 GROOVES - CONTURA III - BLACK
7	108357-09-000	EA	SWITCH - ROCKER SPDT - ON/NONE/MOM - 3 TERMINAL
7	108356-01-01A	EA	COVER/ACTUATOR SWITCH - 3 GROOVES - CONTURA III - BLACK
8	110420-30-01A	EA	APPLIQUE - BEZEL - LOWER/RIGHT
9	110420-07-01A	EA	APPLIQUE - BEZEL - CENTER
10	110420-08-01A	EA	APPLIQUE - BEZEL - UPPER CENTER
11	110420-26-01A	EA	APPLIQUE - BEZEL - RIGHT POWER MIRROR - BLACK
11	110420-23-01A	EA	APPLIQUE - BEZEL - RIGHT HAND
12	108357-08-000	EA	SWITCH - ROCKER DPDT - ON/NONE/ON - 6 TERMINAL
12	108356-01-01A	EA	COVER/ACTUATOR SWITCH - 3 GROOVES - CONTURA III - BLACK
13	NA	EA	CLUSTER - INSTRUMENT PANEL
14	108357-14-000	EA	SWITCH - ROCKER SPDT W/LIGHT - ON/NONE/OFF - 4 TERMINAL
14	108356-03-01A	EA	COVER/ACTUATOR SWITCH -3 GROOVES W/LIGHT-CONTURA III-BLACK

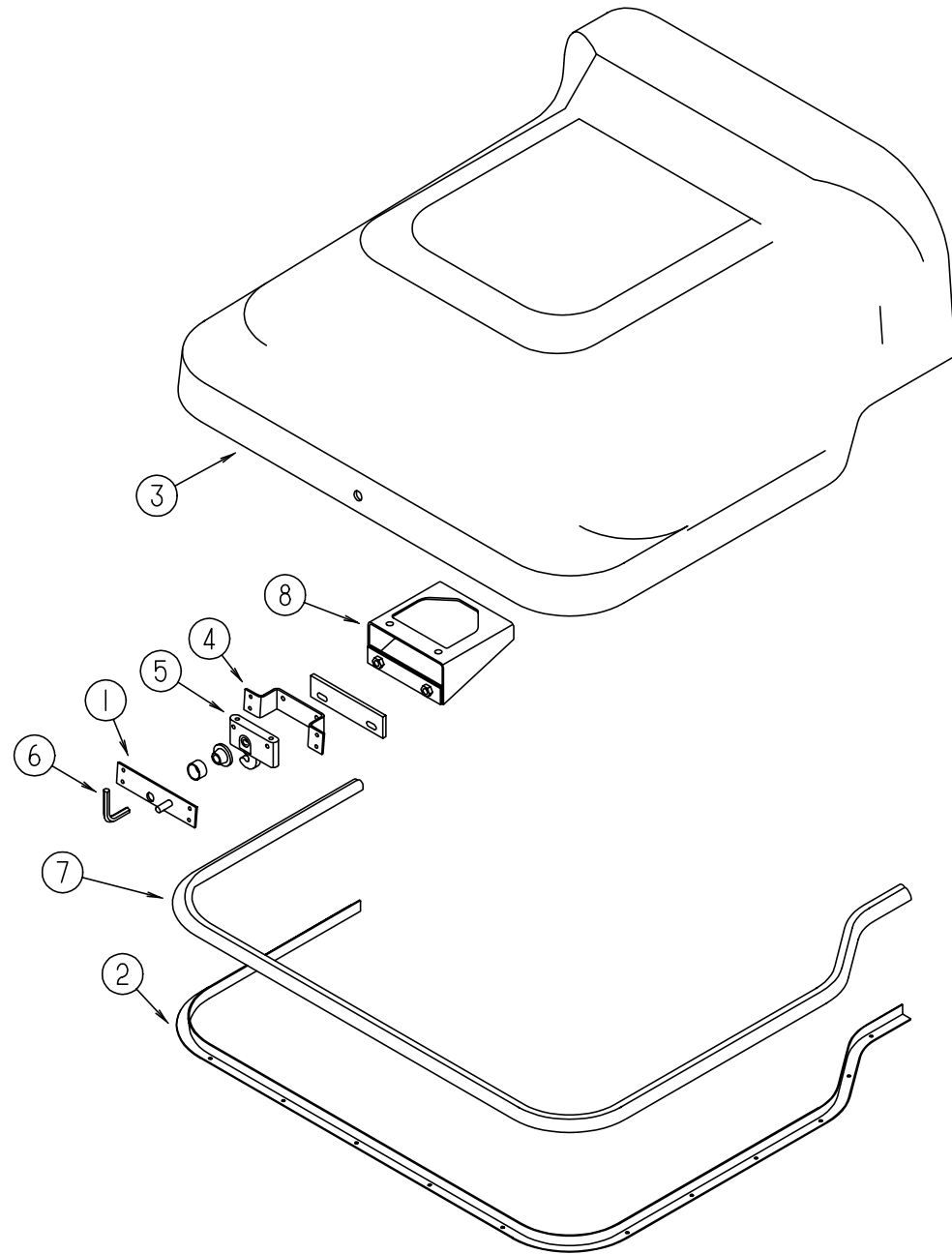
KEY	PART NUMBER	U/M	DESCRIPTION
15	088246-01-000	EA	SWITCH - REMOTE - EXTERIOR - SQUARE PUSH
16	110420-19-01A	EA	APPLIQUE - BEZEL - LEFT HAND - GM
16	110420-25-01A	EA	APPLIQUE - BEZEL - LEFT HAND - BLACK - FORD
16	110420-20-01A	EA	APPLIQUE - BEZEL - LEFT HAND - POWER MIRROR - GM
16	110420-21-01A	EA	APPLIQUE - BEZEL - LEFT HAND - FREIGHTLINER
17	108357-03-000	EA	SWITCH - ROCKER SPDT - ON/OFF/ON - 3 TERMINAL
17	108356-01-01A	EA	COVER/ACTUATOR SWITCH - 3 GROOVES - CONTURA III - BLACK
17	096241-03-000	EA	SWITCH-BLANK
18	108357-10-000	EA	SWITCH - ROCKER SPDT - W/LIGHT - MOM/NONE/MOM - 5 TERMINAL
18	108356-03-01A	EA	COVER/ACTUATOR SWITCH -3 GROOVES W/LIGHT-CONTURA III-BLACK
19	108357-01-000	EA	SWITCH - ROCKER SPST - ON/OFF - 2 TERMINAL
19	108356-01-01A	EA	COVER/ACTUATOR SWITCH - 3 GROOVES - CONTURA III - BLACK
20	108357-07-000	EA	SWITCH - ROCKER SPDT - MOM/OFF/MOM - 3 TERMINAL - FORD/GM
20	108356-01-02A	EA	COVER/ACTUATOR SWITCH - 3 GROOVES - CONTURA III - BLACK - FORD/GM
21	108357-05-000	EA	SWITCH - ROCKER SPDT - ON/NONE/ON - 3 TERMINAL - GM
21	108357-07-000	EA	SWITCH - ROCKER SPDT - MOM/OFF/MOM - 3 TERMINAL - FORD
21	108357-01-000	EA	SWITCH - ROCKER SPST - ON/OFF - 2 TERMINAL - FREIGHTLINER
21	108356-01-01A	EA	COVER/ACTUATOR SWITCH - 3 GROOVES - CONTURA III - BLACK
22	111414-01-000	EA	RECEPTACLE - 12V - W/O BIMETAL
	077031-03-000	EA	FILM - WHITE - .75" X 1"
	103603-01-000	EA	BULB - 12V - #74 - .12A WEDGE - GE 22-25 - USED IN DASH

DRIVERS COMPARTMENT GROUP (CONTINUED)



KEY	PART NUMBER	U/M	DESCRIPTION	KEY	PART NUMBER	U/M	DESCRIPTION
1	126154-16-J30	EA	DASH - W/VINYL - F/LEVELING JACKS/SLIDE OUT - HDGM - ANTELOPE	8	108954-04-01A	EA	BEZEL - INSTRUMENT PANEL - HDGM
1	126154-16-J60	EA	DASH - W/VINYL - F/LEVELING JACKS/SLIDE OUT - HDGM - TITANIUM	8	108954-07-01A	EA	BEZEL - INSTRUMENT PANEL - FORD
1	126154-28-J30	EA	DASH - W/VINYL - F/LEVELING JACKS/SLIDE OUT - FORD - ANTELOPE	8	108954-08-01A	EA	BEZEL - INSTRUMENT PANEL - FREIGHTLINER
1	126154-28-J60	EA	DASH - W/VINYL - F/LEVELING JACKS/SLIDE OUT - FORD - TITANIUM	8	108954-06-01A	EA	BEZEL - INSTRUMENT PANEL - GM DIESEL
1	126154-15-J30	EA	DASH - W/VINYL - F/LEVELING JACKS/SLIDE OUT - FREIGHTLINER - ANTELOPE	9	129924-02-J30	EA	POD - INSTRUMENT PANEL/LOWER - ANTELOPE - HDGM/FORD
1	126154-15-J60	EA	DASH - W/VINYL - F/LEVELING JACKS/SLIDE OUT - FREIGHTLINER - TITANIUM	9	129924-02-J60	EA	POD - INSTRUMENT PANEL/LOWER - TITANIUM - HDGM/FORD
1	126154-20-J30	EA	DASH - W/VINYL - F/LEVELING JACKS/SLIDEOUT - GM DIESEL - ANTELOPE	9	129925-03-K36	EA	POD - INSTRUMENT PANEL - LOWER - ANTELOPE - GM DIESEL/FREIGHTLINER
1	126154-20-J60	EA	DASH - W/VINYL - F/LEVELING JACKS/SLIDEOUT - GM DIESEL - TITANIUM	9	129925-03-K66	EA	POD - INSTRUMENT PANEL - LOWER - TITANIUM - GM DIESEL/FREIGHTLINER
	106569-11-01A	EA	VINYL - LAMINATE - ALLANTE ANTELOPE - 1/4" X 21" X 100"	10	126483-04-J30	EA	POD - INSTRUMENT PANEL - LOWER/DRIVER - HDGM - ANTELOPE
	106569-11-02A	EA	VINYL - LAMINATE - TITANIUM - 1/4" X 21" X 100"	10	126483-04-J60	EA	POD - INSTRUMENT PANEL - LOWER/DRIVER - HDGM - TITANIUM
2	126044-04-01A	EA	TRIM - DASH - LOWER/PASSENGER - ANTELOPE - HDGM	10	129924-04-J30	EA	POD - INSTRUMENT PANEL/LOWER - ANTELOPE - FORD
2	126044-04-02A	EA	TRIM - DASH - LOWER/PASSENGER - TITANIUM - HDGM	10	129924-04-J60	EA	POD - INSTRUMENT PANEL/LOWER - TITANIUM - FORD
2	126044-02-01A	EA	TRIM - DASH - LOWER/PASSENGER - ANTELOPE - FORD	10	129925-06-K36	EA	POD - INSTRUMENT PANEL/LOWER - GM DIESEL - ANTELOPE
2	126044-02-02A	EA	TRIM - DASH - LOWER/PASSENGER - TITANIUM - FORD	10	129925-06-K66	EA	POD - INSTRUMENT PANEL/LOWER - GM DIESEL - TITANIUM
2	126044-01-01A	EA	TRIM - DASH - LOWER/PASSENGER - ANTELOPE - GM DIESEL	10	129925-04-K36	EA	POD - INSTRUMENT PANEL/LOWER - FREIGHTLINER - ANTELOPE
2	126044-01-02A	EA	TRIM - DASH - LOWER/PASSENGER - TITANIUM - GM DIESEL	10	129925-04-K66	EA	POD - INSTRUMENT PANEL/LOWER - FREIGHTLINER - TITANIUM
3	126044-03-01A	EA	TRIM - DASH - LOWER/PASSENGER - ANTELOPE - FREIGHTLINER	11	126485-05-K36	EA	POD - INSTRUMENT PANEL - HDGM - ANTELOPE
3	126044-03-02A	EA	TRIM - DASH - LOWER/PASSENGER - TITANIUM - FREIGHTLINER	11	126485-05-K66	EA	POD - INSTRUMENT PANEL - HDGM - TITANIUM
4	126045-12-01A	EA	TRIM - DASH - LOWER/DRIVER - ANTELOPE - HDGM	11	126485-06-K36	EA	POD - INSTRUMENT PANEL - HDGM - W/DELUXE SOUND FEATURE - ANTELOPE
4	126045-12-02A	EA	TRIM - DASH - LOWER/DRIVER - TITANIUM - HDGM	11	126485-06-K66	EA	POD - INSTRUMENT PANEL - HDGM - W/DELUXE SOUND FEATURE - TITANIUM
4	126045-16-01A	EA	TRIM - LOWER DASH - DRIVER - ANTELOPE - FORD		126485-04-01A	EA	POD - INSTRUMENT PANEL - ANTELOPE
4	126045-16-02A	EA	TRIM - LOWER DASH - DRIVER - TITANIUM - FORD		126485-04-02A	EA	POD - INSTRUMENT PANEL - TITANIUM
4	126045-10-01A	EA	TRIM - LOWER DASH - DRIVER - ANTELOPE - GM DIESEL/FREIGHTLINER	11	130236-02-J30	EA	POD - INSTRUMENT PANEL - ANTELOPE - FORD
4	126045-10-02A	EA	TRIM - LOWER DASH - DRIVER - TITANIUM - GM DIESEL/FREIGHTLINER	11	130236-02-J60	EA	POD - INSTRUMENT PANEL - TITANIUM - FORD
5	126053-03-02B	EA	DASH - HDGM		130326-01-01A	EA	POD - INSTRUMENT PANEL - LOWER - ANTELOPE
5	126053-05-02B	EA	DASH - E-COATED - FORD		130326-01-02A	EA	POD - INSTRUMENT PANEL - LOWER - TITANIUM
5	126053-02-02B	EA	DASH - FREIGHTLINER	11	125445-04-K36	EA	POD - INSTRUMENT PANEL - GM DIESEL/FREIGHTLINER - ANTELOPE
5	126053-04-02B	EA	DASH - E-COATED - GM DIESEL	11	125445-04-K66	EA	POD - INSTRUMENT PANEL - GM DIESEL/FREIGHTLINER - TITANIUM
6	096776-02-000	EA	BOX - CASSETTE - 4 TAPE HOLDER		125445-03-01A	EA	POD - INSTRUMENT PANEL - ANTELOPE
6	096776-03-000	EA	BOX - CD'S - BOX HOLDS 4 - RADIO W/CD FEATURE		125445-03-02A	EA	POD - INSTRUMENT PANEL - TITANIUM
7	111350-01-01A	EA	POCKET - INSTRUMENT PANEL - UPPER - BLACK		110530-01-000	FT	SEAL - SPONGE - .31" X .62"

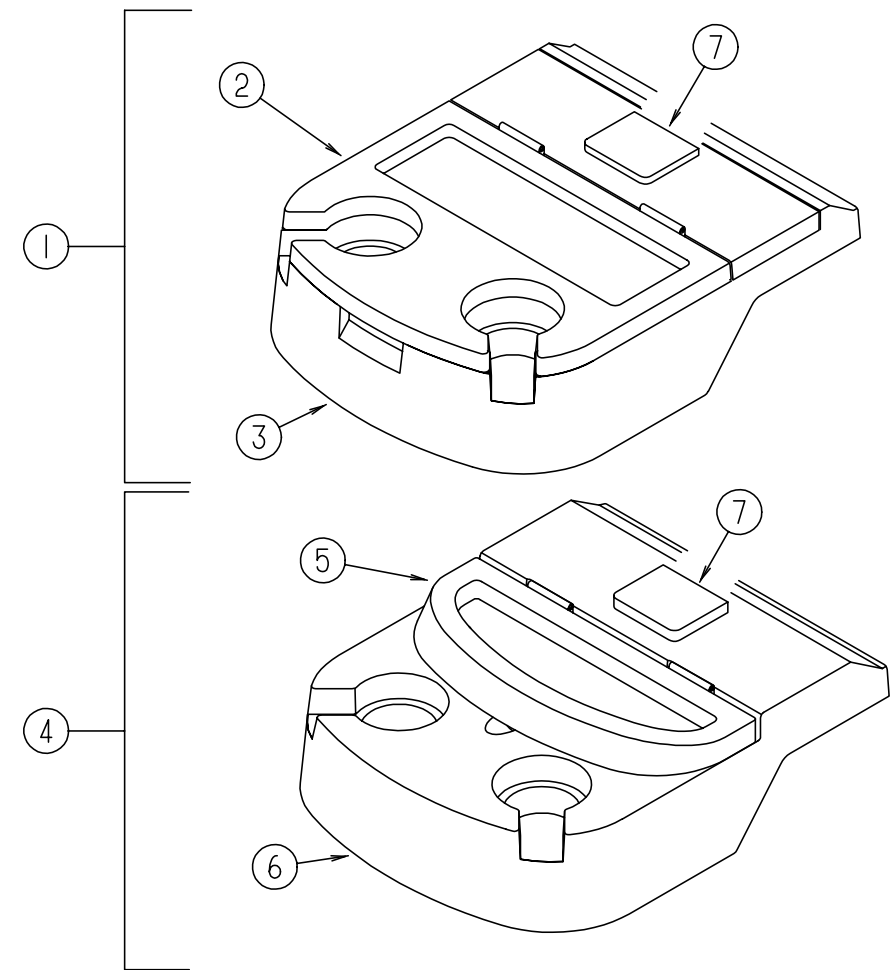
DRIVERS COMPARTMENT GROUP (CONTINUED)



MOTOR COVER

KEY	PART NUMBER	U/M	DESCRIPTION
1	115852-01-02B	EA	STRIKE - LATCH - MOTOR COVER - E-COATED - FORD/GM DIESEL
2	115860-02-01A	EA	TRIM - MOTOR COVER - HDGM
2	115860-03-01A	EA	TRIM - MOTOR COVER - FORD FROM: 00-00-00 THRU: 05-01-99
2	115860-05-01A	EA	TRIM - MOTOR COVER - FORD FROM: 05-02-99 THRU: 99-99-99
2	115860-01-01A	EA	TRIM - MOTOR COVER - GM DIESEL
3	129099-01-01A	EA	COVER - MOTOR - W/O CARPET - HDGM
3	115840-03-01A	EA	COVER - MOTOR - W/O CARPET - FORD FROM: 00-00-00 THRU: 05-05-99
3	129099-03-01A	EA	COVER - MOTOR - W/O CARPET - FORD FROM: 05-06-99 THRU: 99-99-99
3	115840-01-01A	EA	COVER - MOTOR - W/O CARPET - GM DIESEL
4	115850-03-02B	EA	RETAINER - LATCH - MOTOR COVER - RH - E-COATED
5	116581-01-000	EA	LATCH - MOTOR COVER
6	116833-01-02B	EA	WRENCH - HEX MOTOR COVER - E-COATED
7	039623-01-000	FT	SEAL - MOTOR COVER - RUBBER BULB TYPE
8	129394-01-02B	EA	BRACKET - SUPPORT - STRIKE - E-COATED - HDGM

DRIVERS COMPARTMENT GROUP (CONTINUED)

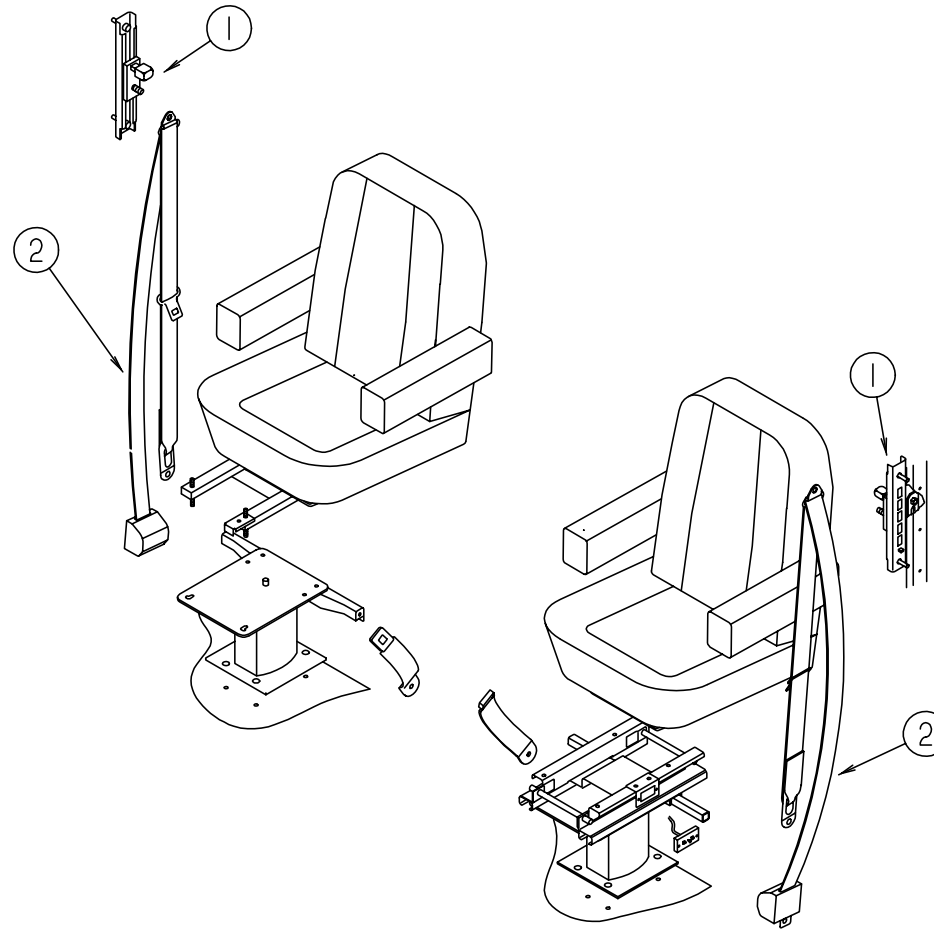


BEVERAGE TRAY

KEY	PART NUMBER	U/M	DESCRIPTION
1	126008-01-J30	EA	TRAY - BEVERAGE - W/DOOR - SALEM CHERRY ONLY
2	126011-01-J30	EA	LID - BEVERAGE TRAY - SALEM CHERRY ONLY
3	126009-02-J30	EA	TRAY ASM-BEVERAGE - FOR SALEM CHERRY ONLY
3	126009-01-01A	EA	TRAY - BEVERAGE - ANTELOPE - FOR SALEM CHERRY ONLY
4	126008-02-J30	EA	TRAY - BEVERAGE - W/DOOR - ANTELOPE
5	128113-01-J30	EA	LID - BEVERAGE TRAY - ANTELOPE
6	128114-01-01A	EA	TRAY - BEVERAGE - ANTELOPE
7	118719-01-01A	EA	ASHTRAY - TOP MOUNT - BLACK PLASTIC
7	126010-01-01A	EA	SPACER - BEVERAGE TRAY - GM DIESEL - ANTELOPE

DRIVERS COMPARTMENT GROUP (CONTINUED)

CAB SEAT BELT

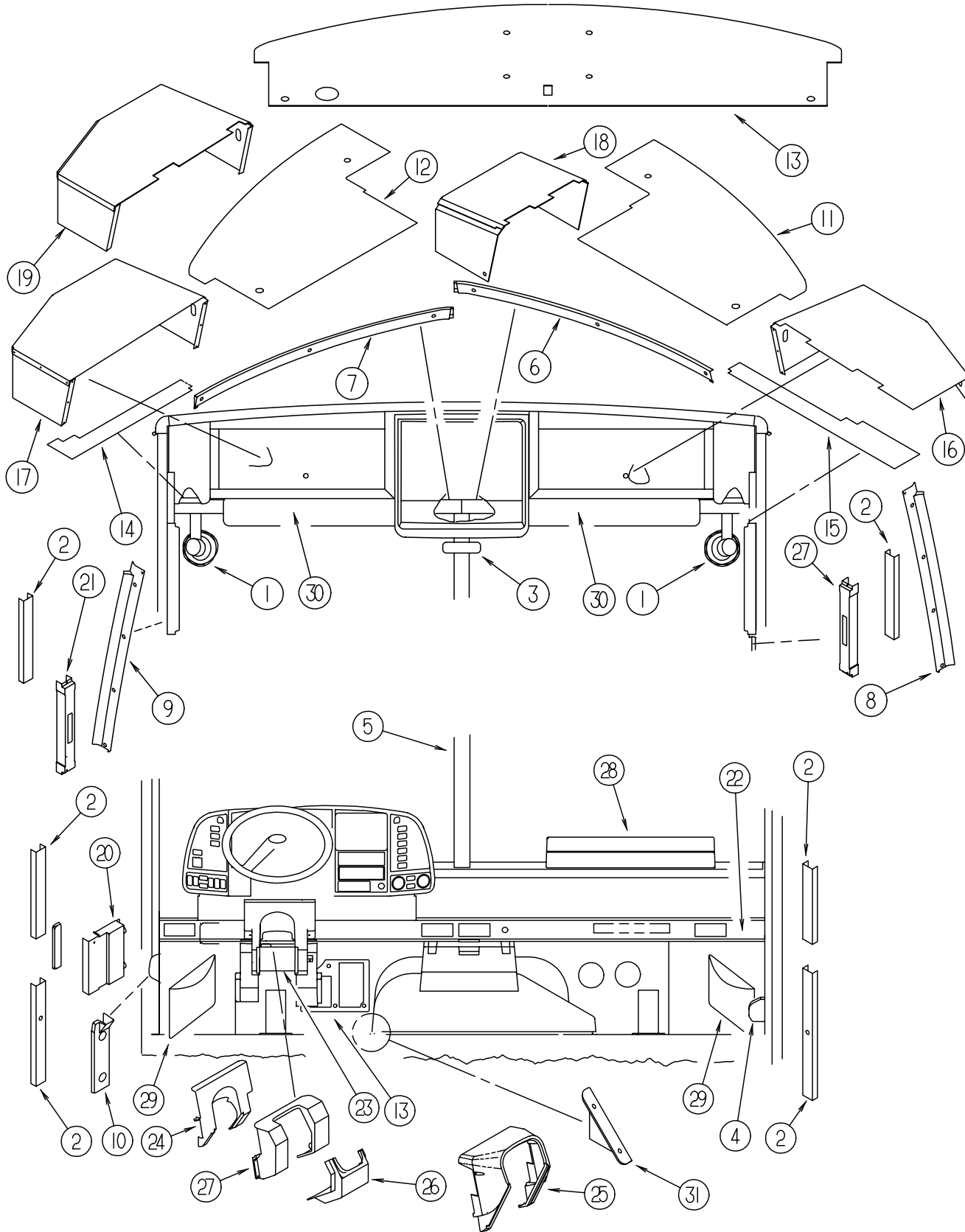


KEY	PART NUMBER	U/M	DESCRIPTION
1	127598-01-01A	EA	ADJUSTER - SEATBELT - D-LOOP - ADJUSTER
	127598-02-000	EA	NUT - HEX FLANGE - M10 X 1.5 - CLASS 10
	128444-01-000	EA	WASHER - SPRING - CONICAL

KEY	PART NUMBER	U/M	DESCRIPTION	VENDOR NO.
2	091990-05-01A	EA	SEAT BELT/SHOULDER HARNESS - DRIVER/PASSENGER - BLACK	
	091990-05-700	EA	SLEEVE/BUCKLE COVER-PLASTIC	209S-2
	091990-05-701	EA	CAP/COVER - BOLT HOLE COVER	209SC-02
	091990-05-702	EA	SLEEVE/RETRACTABLE COVER	309C-02
	091990-05-703	EA	EXTENDER 12"	I-1442-02

DRIVERS COMPARTMENT GROUP (CONTINUED)

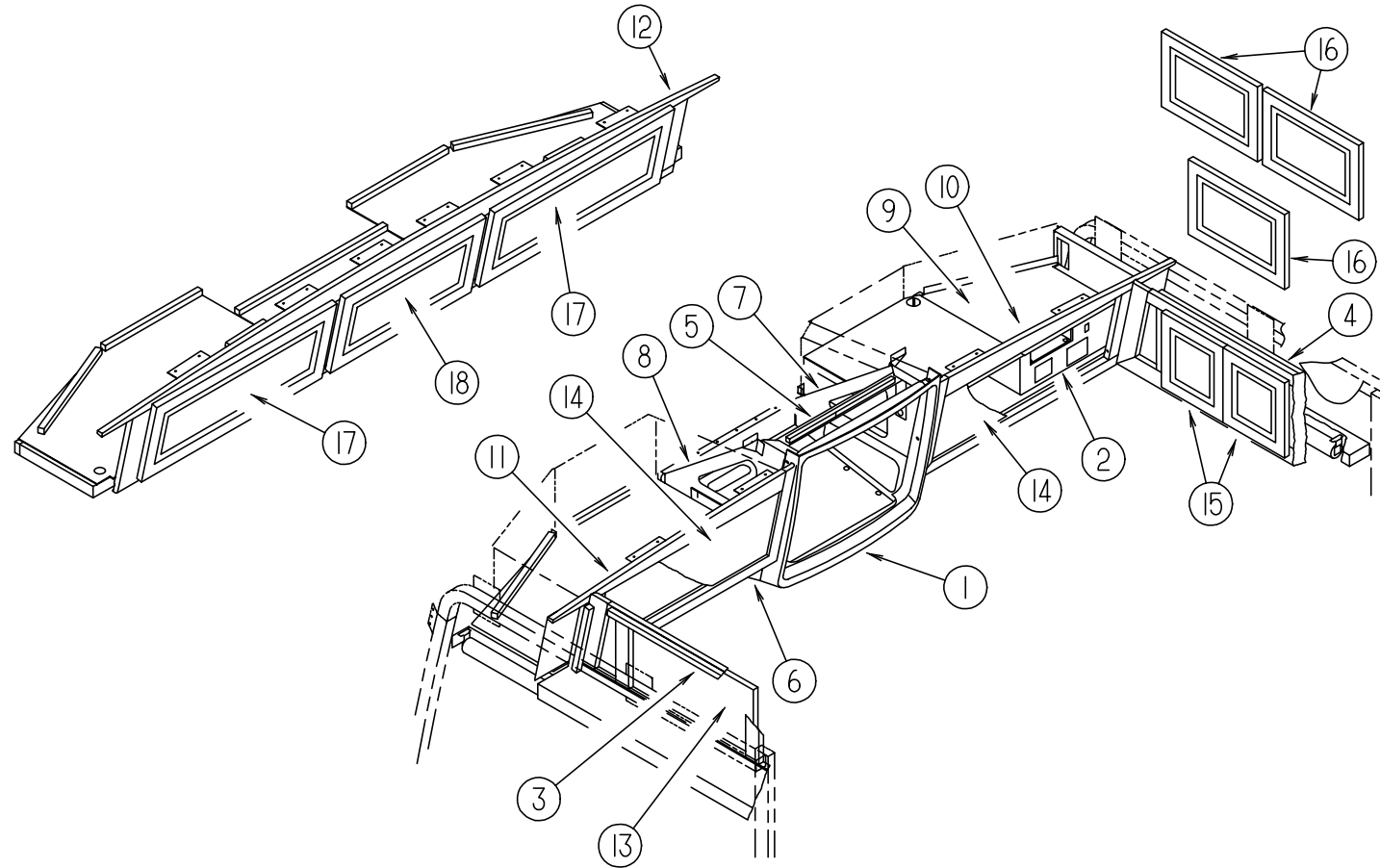
INTERIOR CAB



KEY	PART NUMBER	U/M	DESCRIPTION
1	122856-01-01A	EA	FAN-DEFROSTER-2 SPEED W/SWIVEL BASE/NON-OSCILLATING-CHROME
2	024700-51-000	EA	COVER - ROLL BAR
3	040714-01-000	EA	MIRROR - REAR VIEW/ARM MOUNT & SET SCREW
3	067490-01-000	EA	BUTTON - MIRROR/REAR VIEW
4	103961-03-01A	EA	COVER - BRACKET - SEATBELT/OFF WHITE
5	118452-04-01A	EA	TRIM - WINDSHIELD - CENTER - ANTELOPE
5	118452-03-02A	EA	TRIM - WINDSHIELD - CENTER - TITANIUM
6	118453-03-01A	EA	TRIM - WINDSHIELD - INNER/TOP/PASSENGER - ANTELOPE
6	118453-05-02A	EA	TRIM - WINDSHIELD - INNER/TOP/PASSENGER - TITANIUM
7	118453-04-01A	EA	TRIM - WINDSHIELD - INNER/TOP/DRIVER - ANTELOPE
7	118453-06-02A	EA	TRIM - WINDSHIELD - INNER/TOP/DRIVER - TITANIUM
8	125508-01-01A	EA	TRIM - A-PILLAR - INTERIOR - ANTELOPE
8	123045-11-02A	EA	BACKING - SCREW - ANTELOPE
8	125444-01-02A	EA	TRIM - A-PILLAR - INTERIOR - TITANIUM
8	123045-11-03A	EA	BACKING - SCREW - TITANIUM
9	125508-02-01A	EA	TRIM - A-PILLAR - INTERIOR - ANTELOPE
9	123045-11-02A	EA	BACKING - SCREW - ANTELOPE
9	125444-02-02A	EA	TRIM - A-PILLAR - INTERIOR - TITANIUM
9	123045-11-03A	EA	BACKING - SCREW - TITANIUM
10	125900-01-01A	EA	PANEL - TOEKICK - LEFT HAND - ANTELOPE
10	125900-01-02A	EA	PANEL - TOEKICK - LEFT HAND - TITANIUM
11	126440-01-J20	EA	PANEL - OVERHEAD/FRONT BOTTOM - RIGHT HAND - W/TV - ANTELOPE
11	126440-01-J52	EA	PANEL - OVERHEAD/FRONT BOTTOM - RIGHT HAND - W/TV - TITANIUM
12	126440-02-J20	EA	PANEL - OVERHEAD/FRONT BOTTOM - LEFT HAND - W/TV - ANTELOPE
12	126440-02-J52	EA	PANEL - OVERHEAD/FRONT BOTTOM - LEFT HAND - W/TV - TITANIUM
13	126440-09-K36	EA	PANEL - OVERHEAD/FRONT BOTTOM - W/O TV - ANTELOPE
13	126440-09-K66	EA	PANEL - OVERHEAD/FRONT BOTTOM - W/O TV - TITANIUM
14	126443-04-J22	EA	PANEL - OVERHEAD/FRONT - LEFT HAND - 5.8" X 38.4" - ANTELOPE
14	126443-02-J52	EA	PANEL - OVERHEAD/FRONT - LEFT HAND - 5.8" X 27.6" - TITANIUM
15	126443-06-J30	EA	PANEL - OVERHEAD/FRONT - RIGHT HAND - 5.8" X 50.6" - ANTELOPE
15	126443-01-J60	EA	PANEL - OVERHEAD/FRONT - RIGHT HAND - 5.8" X 39.2" - TITANIUM
16	126457-01-J20	EA	PANEL - CLOSEOUT - OVERHEAD/FRONT - UPPER/LOWER RIGHT HAND - W/TV
17	126457-02-J20	EA	PANEL - CLOSEOUT - OVERHEAD/FRONT - UPPER/LOWER LEFT HAND
18	126457-04-K36	EA	PANEL ASM-CLOSEOUT,OVHD,FRT - W/O TV
19	126457-05-K36	EA	PANEL ASM-CLOSEOUT,OVHD,FRT - W/O TV
20	126701-01-03A	EA	COVER - ASSIST HANDLE - OFF WHITE
21	127721-01-01A	EA	COVER - SLIDE - OFF WHITE
21	127798-01-01A	EA	COVER - SLIDE - INNER - BLACK - 1.5" X 11.4"
22	127488-01-03A	EA	APPLIQUE - LOWER DASH - CHIEFTAIN
22	127488-01-04A	EA	APPLIQUE - LOWER DASH - SUNFLYER
23	110002-04-000	EA	PATCH - COLUMN - L-SERIES - 9" X 10" - HDGM/FREIGHTLINER - ANTELOPE
23	110002-05-000	EA	PATCH - COLUMN - L-SERIES - 9" X 10" - HDGM/FREIGHTLINER - TITANIUM
23	103498-09-000	EA	BOOT - STEERING COLUMN - W/1/2 CIRCLE - GM DIESEL
24	125796-02-J30	EA	COVER - STEERING COLUMN - GM/FREIGHTLINER - ANTELOPE
24	125796-02-J60	EA	COVER - STEERING COLUMN - GM/FREIGHTLINER - TITANIUM
25	127362-01-01A	EA	COVER - STEERING COLUMN - HDGM - ANTELOPE
25	127362-01-02A	EA	COVER - STEERING COLUMN - HDGM - TITANIUM
26	125795-01-01A	EA	COVER - STEERING COLUMN - LOWER - FORD
27	130259-02-J30	EA	COVER - STEERING COLUMN - FORD - ANTELOPE
27	130259-02-J60	EA	COVER - STEERING COLUMN - FORD - TITANIUM
28	127495-01-J30	EA	TABLE/COMPLETE WORK STATION - ANTELOPE
28	127495-01-J60	EA	TABLE/COMPLETE WORK STATION - TITANIUM
28	127597-01-000	EA	SLIDE - WORK STATION - DASH
29	086120-01-H34	EA	PAD - MAP POCKET - 12" X 16" (K36, K37, K70, K71)
29	086120-01-J24	EA	PAD - MAP POCKET - 12" X 16" (K38, K39)
29	086120-01-J30	EA	PAD - MAP POCKET - 12" X 16" (K40, K41)
29	086120-01-J60	EA	PAD - MAP POCKET - 12" X 16" (K66, K67)
29	086120-01-J60	EA	PAD - MAP POCKET - 12" X 16" (K68, K69)
29	086120-01-J30	EA	PAD - MAP POCKET - 12" X 16" (K40, K41)
30	123298-02-04A	EA	SUNVISOR - 10.5" X 28.5" - ANTELOPE
30	123298-02-05A	EA	SUNVISOR - 10.5" X 28.5" - TITANIUM
31	131861-01-01A	EA	COVER - CAB FLOOR/LEFT HAND - ANTELOPE - FORD
31	131861-01-02A	EA	COVER - CAB FLOOR/LEFT HAND - TITANIUM - FORD

DRIVERS COMPARTMENT GROUP (CONTINUED)

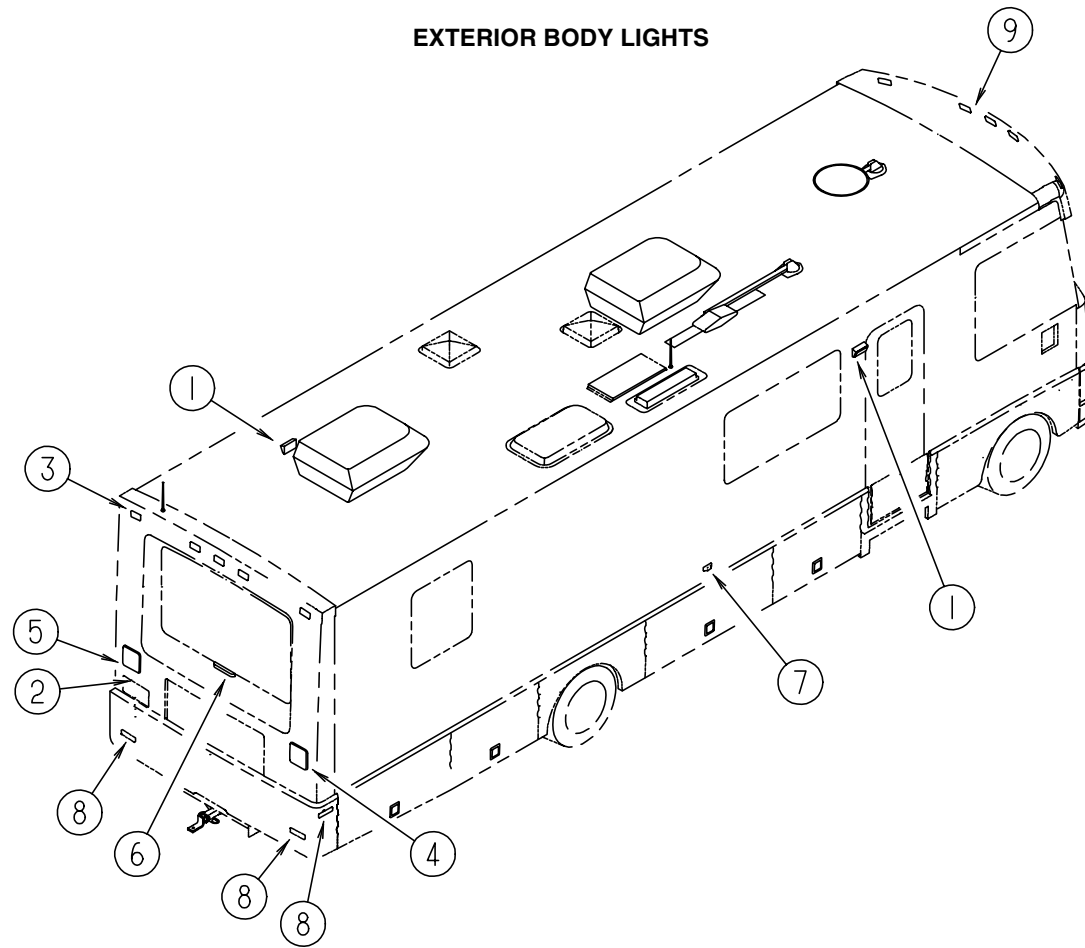
OVERHEAD STORAGE & TV CABINETS



KEY	PART NUMBER	U/M	DESCRIPTION	KEY	PART NUMBER	U/M	DESCRIPTION
1	125977-01-02A	EA	COVER - TV - OVERHEAD/FRONT - ANTELOPE	5	114706-04-02B	EA	SUPPORT - SHELF/TV
2	126601-03-J20	EA	PANEL/SHELF - VINYL COVERED - W/NOTCH/ANTENNA CUTOUT FROM: 00-00-00 THRU: 11-08-98	6	126006-02-J20	EA	COVER - TV - OVERHEAD/BOTTOM
2	126601-07-J20	EA	PANEL/SHELF-VINYL COVERED-W/NOTCH/INVERTER/ANTENNA CUTOUT FROM: 00-00-00 THRU: 11-08-98	7	126081-03-02B	EA	BRACKET/SUPPORT - TV - 10 DEGREE - E-COATED
2	131807-02-K28	EA	PANEL/SHELF - VINYL COVERED - W/NOTCH/ANTENNA CUTOUT FROM: 11-09-98 THRU: 99-99-99	8	126081-04-02B	EA	BRACKET/SUPPORT - TV - 10 DEGREE - E-COATED
2	131807-03-K28	EA	PANEL/SHELF - VINYL COVERED - W/NOTCH/ANTENNA CUTOUT - W/INVERTER FROM: 11-09-98 THRU: 99-99-99	9	126275-03-02B	EA	SHELF - OVERHEAD FRONT - E-COATED
3	126301-02-J90	EA	CABINET - OVERHEAD/FRONT/LEFT HAND - W/O DOORS/HARDWARE MYSTIC OAK	10	130768-01-K36	EA	CABINET - OVERHEAD/FRONT - W/O DOORS/HDW - W/TV - MYSTIC OAK
3	126301-02-J30	EA	CABINET - OVERHEAD/FRONT/LEFT HAND - W/O DOORS/HARDWARE SALEM CHERRY	10	130768-01-K37	EA	CABINET - OVERHEAD/FRONT - W/O DOORS/HDW - W/TV - SALEM CHERRY
4	126530-02-J90	EA	CABINET - OVERHEAD/FRONT/RH - W/O DOORS/HARDWARE (WFL33/WFL34) MYSTIC OAK	11	130768-02-K36	EA	CABINET - OVERHEAD/FRONT - W/O DOORS/HDW - W/TV - MYSTIC OAK
4	126530-02-J30	EA	CABINET - OVERHEAD/FRONT/RH - W/O DOORS/HARDWARE (WFL33/WFL34) SALEM CHERRY	11	130768-02-K37	EA	CABINET - OVERHEAD/FRONT - W/O DOORS/HDW - W/TV - SALEM CHERRY
4	126358-02-J90	EA	CABINET - OVERHEAD/FRONT/RH - W/O DOORS/HARDWARE (WFL35) MYSTIC OAK	106699-01-01A		EA	BRACKET - OVERHEAD CABINET/TV
4	126358-02-J30	EA	CABINET - OVERHEAD/FRONT/RH - W/O DOORS/HARDWARE (WFL35) SALEM CHERRY	12	130768-04-K36	EA	CABINET - OVERHEAD/FRONT - W/O DOORS/HDW - W/O TV - MYSTIC OAK
4	126535-02-J90	EA	CABINET - OVERHEAD/FRONT/RH - W/O DOORS/HARDWARE (WF/KL36) MYSTIC OAK	12	130768-04-K37	EA	CABINET - OVERHEAD/FRONT - W/O DOORS/HDW - W/O TV - SALEM CHERRY
4	126535-02-J30	EA	CABINET - OVERHEAD/FRONT/RH - W/O DOORS/HARDWARE (WF/KL36) SALEM CHERRY	13	131995-29-K36	EA	DOOR - SOLID PANEL - 10" X 29.5" - W/O HDW - MYSTIC OAK
				13	131995-29-K37	EA	DOOR - SOLID PANEL - 10" X 29.5" - W/O HDW - SALEM CHERRY
				14	131995-S6-K36	EA	DOOR - SOLID PANEL - 11.4" X 28.1" - W/O HDW - MYSTIC OAK
				14	131995-S6-K37	EA	DOOR - SOLID PANEL - 11.4" X 28.1" - W/O HDW - SALEM CHERRY
				15	131995-23-K36	EA	DOOR - SOLID PANEL - 10" X 19.1" - W/O HDW (WFL33/WFL34) - MYSTIC OAK
				15	131995-23-K37	EA	DOOR - SOLID PANEL - 10" X 19.1" - W/O HDW (WFL33/WFL34) - SALEM CHERRY
				16	131995-29-K36	EA	DOOR - SOLID PANEL - 10" X 29.5" - W/O HDW (WFL35/WF/KL36) - MYSTIC OAK
				16	131995-29-K37	EA	DOOR - SOLID PANEL - 10" X 29.5" - W/O HDW (WFL35/WF/KL36) - SALEM CHERRY
				17	131995-62-K36	EA	DOOR - SOLID PANEL - 11.4" X 28.1" - W/O HDW - MYSTIC OAK
				17	131995-62-K37	EA	DOOR - SOLID PANEL - 11.4" X 28.1" - W/O HDW - SALEM CHERRY
				18	131995-59-K36	EA	DOOR - SOLID PANEL - 11.4" X 21.8" - W/O HDW - MYSTIC OAK
				18	131995-59-K37	EA	DOOR - SOLID PANEL - 11.4" X 21.8" - W/O HDW - SALEM CHERRY

ELECTRICAL GROUP

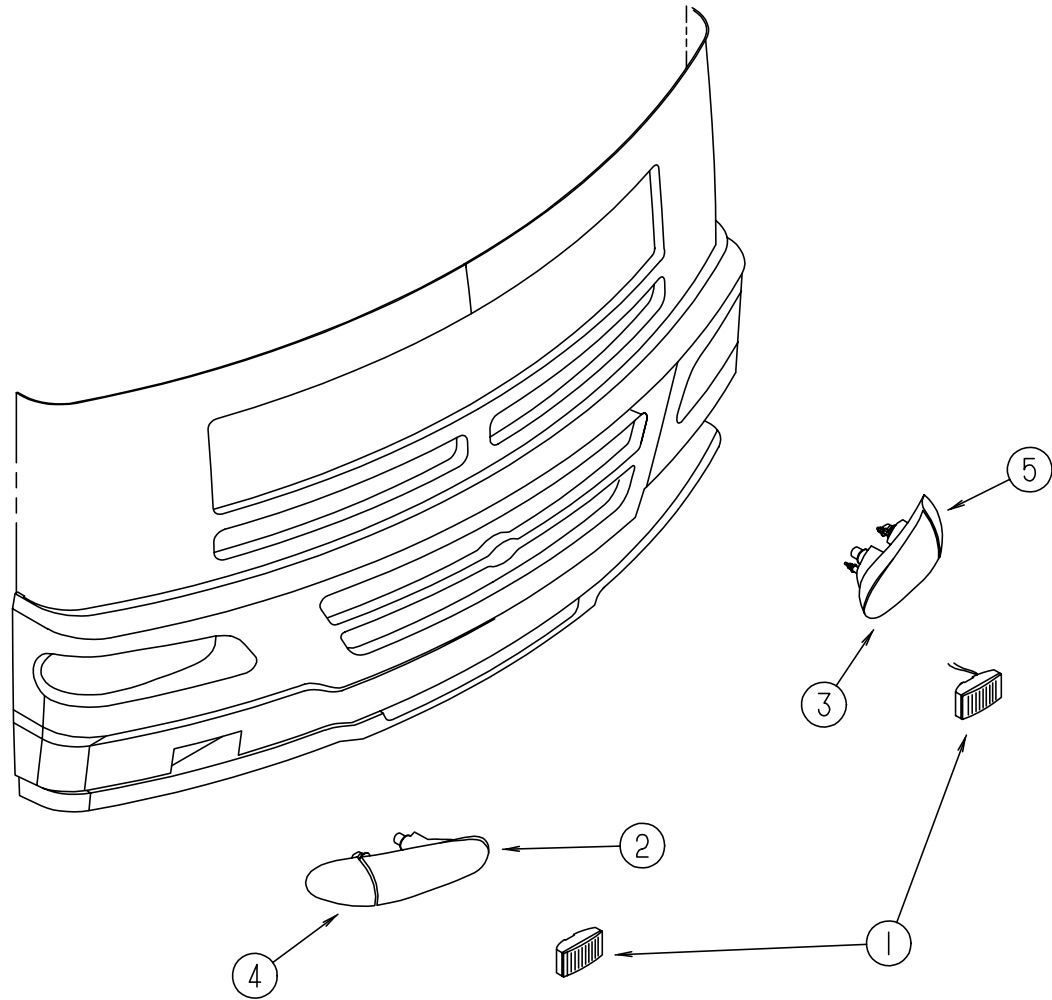
EXTERIOR BODY LIGHTS



KEY	PART NUMBER	U/M	DESCRIPTION	VENDOR NO.
1	097917-01-06A	EA	LIGHT - PORCH - BRIGHT WHITE	
1	008215-01-000	EA	BULB - 12 VOLT - #1003 - .94 AMP	
1	097917-01-700	EA	LENS-LIGHT, CLEAR	30-78-021
1	008089-02-000	EA	LIGHT - PORCH - RECESSED - CANADIAN	
1	008089-01-700	EA	LENS-LIGHT, RECESSED, PORCH	DECO
1	008214-01-000	EA	BULB - 12 VOLT - #67 - .59 AMP	
2	087201-01-000	EA	LIGHT - HALF ROUND - 1" X 1.7" - PLASTIC - BLACK	
3	102520-02-000	EA	LIGHT - CLEARANCE - W/O SOCKET/HOUSING - RED	
3	036196-01-000	EA	BULB - 12V - #194 - .27 AMP - BAYONETTE	
3	067789-02-000	EA	SOCKET - LAMP	
3	102540-01-000	EA	SEAL - SCREW - ROUND - RUBBER	
3	102541-01-000	EA	GASKET - CLEARANCE LIGHT	
3	102582-01-000	EA	BRACKET - LIGHT - CLEARANCE - L-SHAPED METAL - 2.2" X 4.7"	
4	117831-01-000	EA	LAMP - STOP/TURN/TAIL/BACKUP	
4	119157-01-000	EA	SOCKET - SINGLE CONTACT	
4	119158-01-000	EA	SOCKET - DOUBLE CONTACT	
4	037934-01-000	EA	BULB - 12V - #1156 - 2.1 AMP CLEAR GLASS	
4	037935-01-000	EA	BULB - 12V - #1157 OR #2057 - 2.1 AMP - CLEAR GLASS	

KEY	PART NUMBER	U/M	DESCRIPTION
5	117831-02-000	EA	LAMP - STOP/TURN/TAIL/BACKUP
5	119157-01-000	EA	SOCKET - SINGLE CONTACT
5	119158-01-000	EA	SOCKET - DOUBLE CONTACT
5	037934-01-000	EA	BULB - 12V - #1156 - 2.1 AMP CLEAR GLASS
5	037935-01-000	EA	BULB - 12V - #1157 OR #2057 - 2.1 AMP - CLEAR GLASS
6	121950-01-000	EA	LIGHT - BRAKE - CENTER MOUNT
6	067789-02-000	EA	SOCKET - LAMP
6	036196-01-000	EA	BULB - 12V - #194 - .27 AMP - BAYONETTE
7	111102-01-000	EA	BASE - LAMP MARKER
7	111102-02-000	EA	LENS - AMBER - MARKER LAMP
7	036196-01-000	EA	BULB - 12V - #194 - .27 AMP - BAYONETTE
8	117826-01-000	EA	SIDE MARKER LAMP ASSEMBLY - RED
8	117826-03-000	EA	GASKET - MARKER LIGHT
8	036196-01-000	EA	BULB - 12V - #194 - .27 AMP - BAYONETTE
8	067789-02-000	EA	SOCKET - LAMP
9	102520-01-000	EA	LIGHT - CLEARANCE - W/O SOCKET/HOUSING - AMBER
9	102541-01-000	EA	GASKET - CLEARANCE LIGHT
9	036196-01-000	EA	BULB - 12V - #194 - .27 AMP - BAYONETTE
9	067789-02-000	EA	SOCKET - LAMP

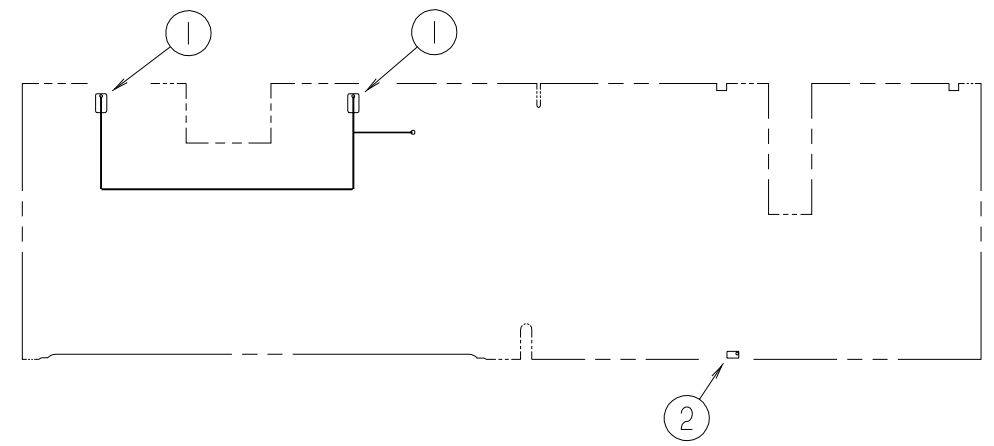
ELECTRICAL GROUP (CONTINUED)



EXTERIOR FRONT END LIGHTS

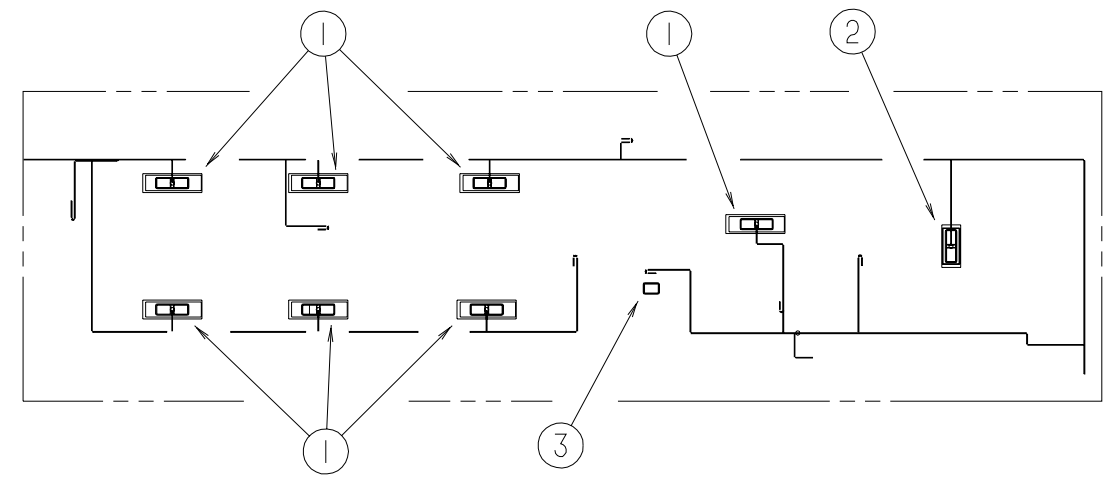
KEY	PART NUMBER	U/M	DESCRIPTION
1	124215-01-000	EA	FOG LIGHT - RECTANGULAR/CLEAR LENS
2	126200-01-000	EA	HEADLAMP - PASSENGER W/BULB
2	088758-01-000	EA	HOUSING - HEADLAMP - CONNECTOR TERMINAL W/3 WIRES
2	067789-02-000	EA	SOCKET - LAMP
2	124163-01-000	EA	CLIP - FORD E9DZ-13N129A
3	126200-02-000	EA	HEADLAMP - DRIVER
3	088758-01-000	EA	HOUSING - HEADLAMP - CONNECTOR TERMINAL W/3 WIRES
3	067789-02-000	EA	SOCKET - LAMP
3	124163-01-000	EA	CLIP - FORD E9DZ-13N129A
4	126201-01-000	EA	LAMP - PASSENGER SIDE MARKER - AMBER
5	126201-02-000	EA	LAMP - DRIVER SIDE MARKER - AMBER

ELECTRICAL GROUP (CONTINUED)



COMPARTMENT INTERIOR LIGHTS

KEY	PART NUMBER	U/M	DESCRIPTION	VENDOR NO.
1	098024-01-03A	EA	LIGHT - DOME - 1 BULB - WHITE	
1	008218-01-000	EA	BULB - 12 VOLT - #1141 - 1.44 AMP	
1	098024-01-700	EA	LENS-LIGHT	807877
2	086280-01-000	EA	LIGHT - SURFACE MOUNT - 12 VOLT	
2	086280-01-700	EA	BULB,12V	ARP1089

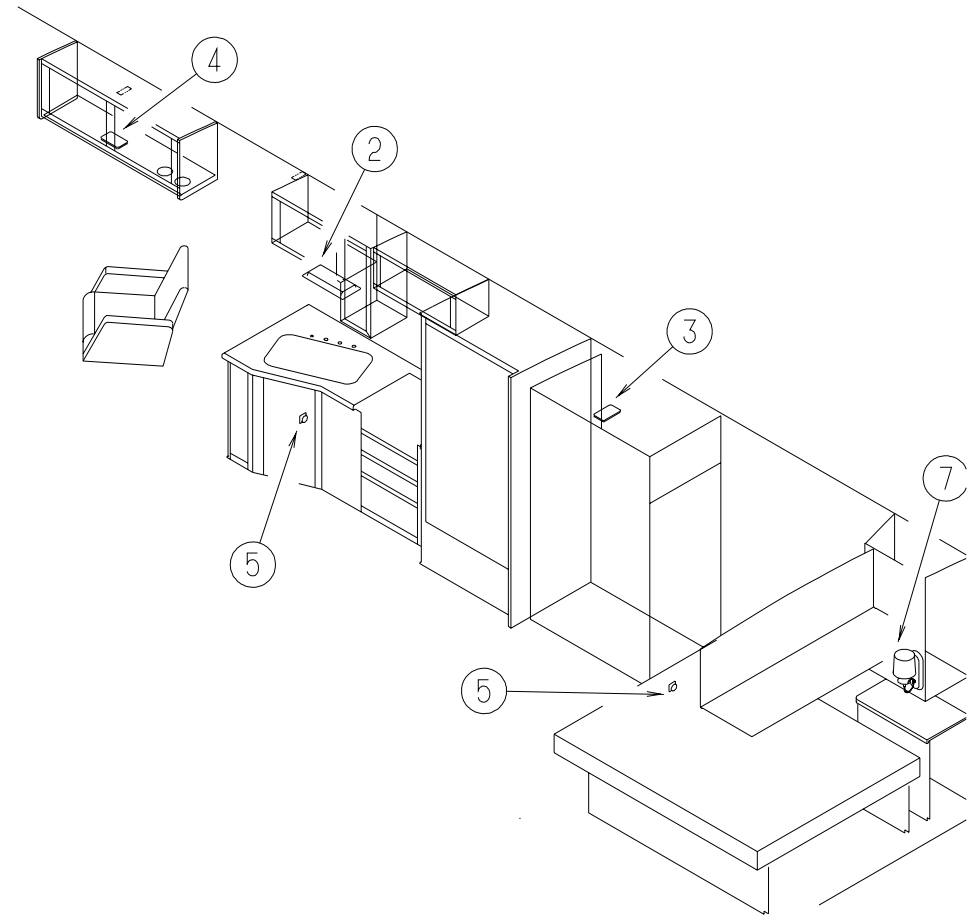
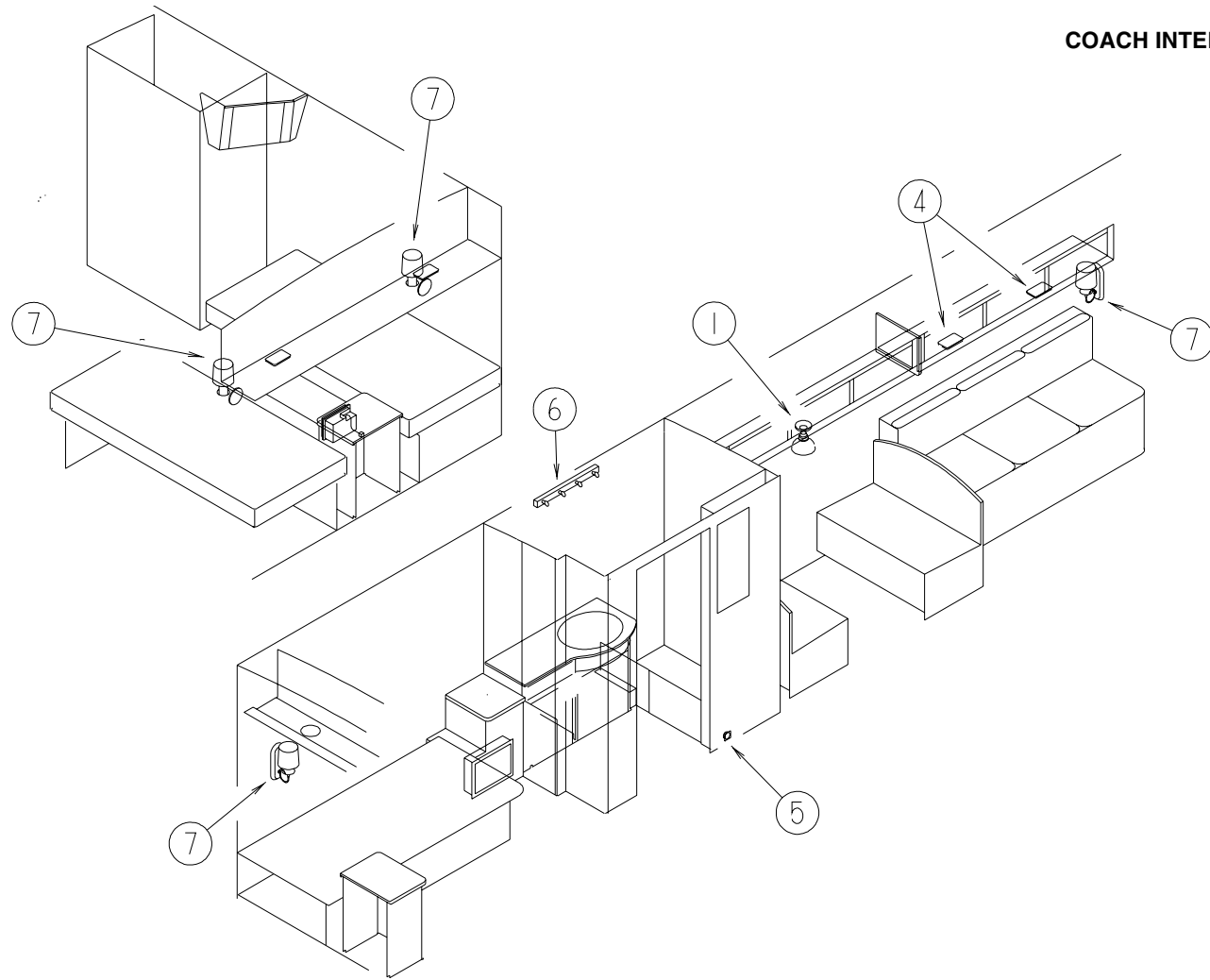


CEILING INTERIOR LIGHTS

KEY	PART NUMBER	U/M	DESCRIPTION	VENDOR NO.
1	098024-03-02A	EA	LIGHT - DOME - 2 BULB - WHITE	
1	008218-01-000	EA	BULB - 12 VOLT - #1141 - 1.44 AMP	
1	098024-01-700	EA	LENS-LIGHT	807877
1	091937-04-000	EA	LIGHT - FLUORESCENT - 12V/30 WATT - 20.8" LONG - THIN LITE	
2	098024-03-02A	EA	LIGHT - DOME - 2 BULB - WHITE	
2	008218-01-000	EA	BULB - 12 VOLT - #1141 - 1.44 AMP	
2	098024-01-700	EA	LENS-LIGHT	807877
2	091937-05-000	EA	LIGHT - FLUORESCENT - 12V/16 WATT - 15" LONG - THIN LITE	
2	091937-05-701	EA	LENS - LIGHT - FLUORESCENT	
3	121935-01-01A	EA	LIGHT - DOME - SHOWER	

ELECTRICAL GROUP (CONTINUED)

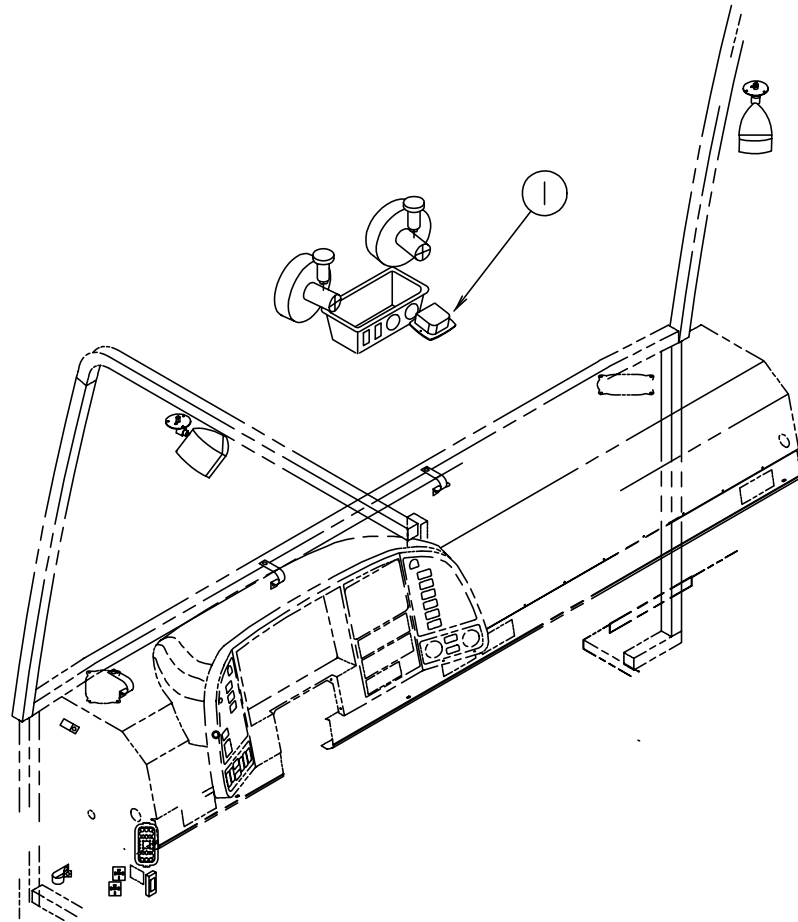
COACH INTERIOR LIGHTS



KEY	PART NUMBER	U/M	DESCRIPTION	VENDOR NO.
1	119252-01-01A	EA	SHADE - LAMP - GLASS SWIRL - CLEAR	
1	127050-01-01A	EA	LIGHT - CEILING - SINGLE	
2	091937-05-000	EA	LIGHT - FLUORESCENT - 12V/16 WATT - 15" LONG - THIN LITE	
2	091937-05-701	EA	LENS - LIGHT - FLUORESCENT	D-732
3	098024-01-03A	EA	LIGHT - DOME - 1 BULB - WHITE	
3	008218-01-000	EA	BULB - 12 VOLT - #1141 - 1.44 AMP	
3	098024-01-700	EA	LENS-LIGHT	807877
4	098024-05-02A	EA	LIGHT - DOME - 1 BULB - SKYLITE - WHITE	
4	008218-01-000	EA	BULB - 12 VOLT - #1141 - 1.44 AMP	
4	098024-01-701	EA	LENS - OPTI CLEAR - SKYLITE	809902

KEY	PART NUMBER	U/M	DESCRIPTION	VENDOR NO.
5	108354-01-01A	EA	LIGHT - COURTESY	
5	108354-01-700	EA	BULB - COURTESY LIGHT	395-B
6	110235-02-01A	EA	LIGHT - MAKE UP - 4 BULB PANLESS - 12 VOLT	
6	081633-01-700	EA	BULB-LIGHT, MAKE-UP	RP1041
7	067479-01-000	EA	BULB - 12 VOLT - #1076 - 1.80 AMP	
7	119257-04-01A	EA	SHADE - LAMP - LINEN WHITE	
7	119258-05-01A	EA	LAMP - WALL	
7	119258-01-700	EA	FINIAL (PYRAMID)	12-0322

ELECTRICAL GROUP (CONTINUED)



CAB INTERIOR LIGHT

KEY	PART NUMBER	U/M DESCRIPTION
1	112643-01-000	EA LIGHT - SINGLE - SWIVEL
1	112642-01-06A	EA TRIM RING-SINGLE LIGHT - BLACK

ELECTRICAL GROUP (CONTINUED)

CIRCUIT BREAKERS & FUSES

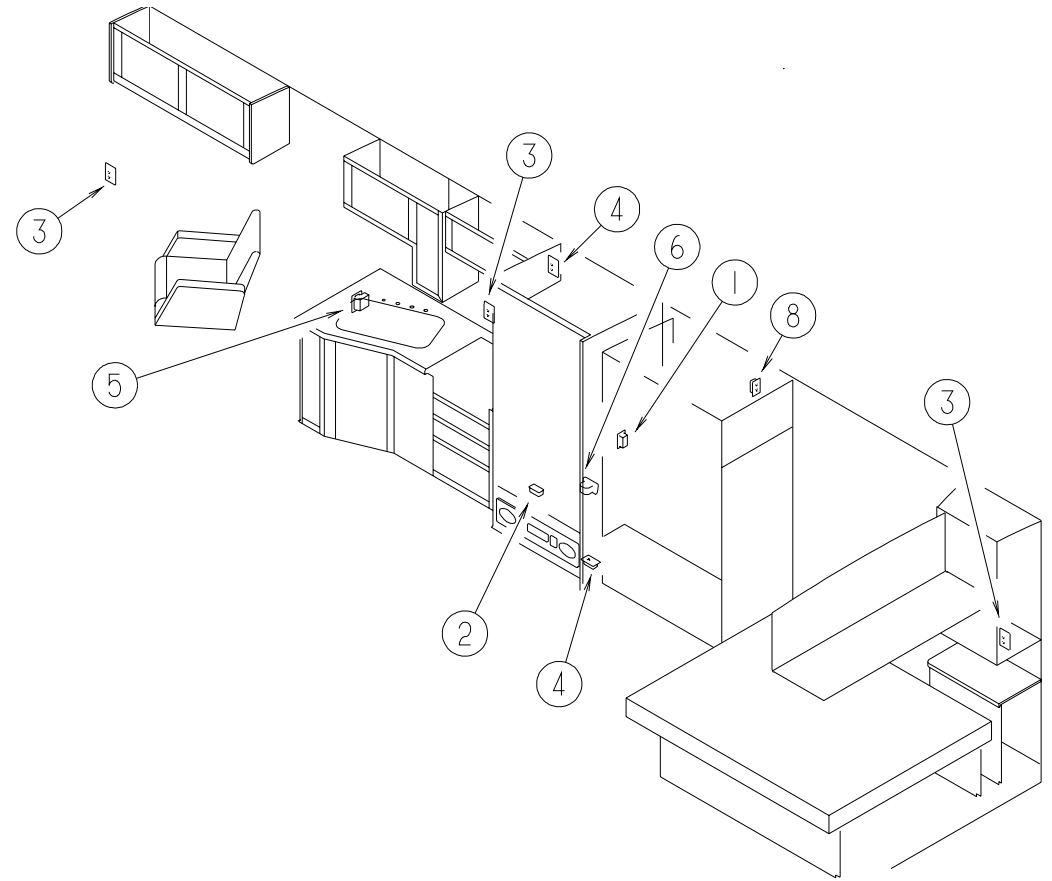
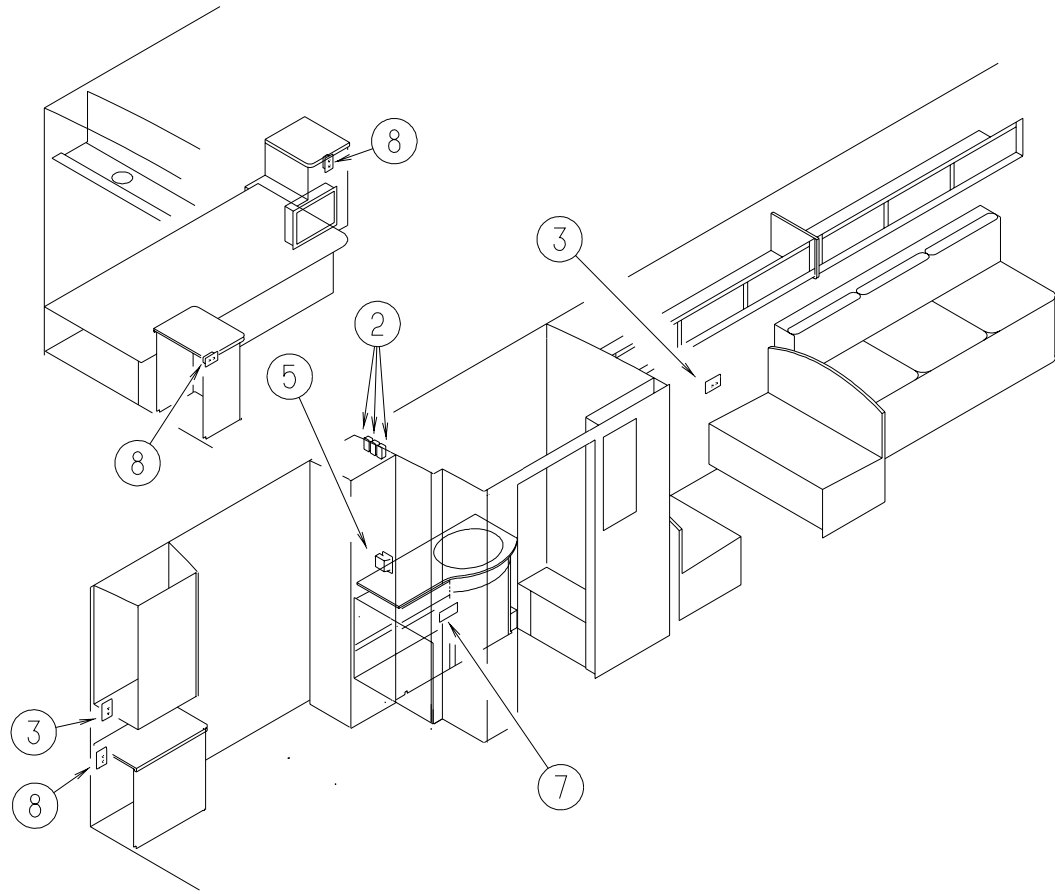
KEY	PART NUMBER	U/M DESCRIPTION
	062037-01-000	EA HOUSING - AUTO FUSE - NATURAL
	062037-02-000	EA HOUSING - AUTO FUSE - GREEN
	062037-03-000	EA HOUSING - AUTO FUSE - BLACK
	062037-04-000	EA HOUSING - AUTO FUSE - BLUE
	062037-05-000	EA HOUSING - AUTO FUSE - GRAY
	062037-06-000	EA HOUSING - AUTO FUSE - BROWN
	062037-07-000	EA HOUSING - AUTO FUSE - RED
	062901-02-000	EA FUSE - 05 AMPS - AUTOMOTIVE
	062901-05-000	EA FUSE - 15 AMPS - AUTOMOTIVE
	083209-01-000	EA CIRCUIT BREAKER - 15 AMP - 120 VOLT - CANADIAN
	083209-02-000	EA CIRCUIT BREAKER - 15/15 AMP - 120 VOLT
	083209-03-000	EA CIRCUIT BREAKER - 15/20 AMP - 120 VOLT
	083209-04-000	EA CIRCUIT BREAKER - 30 AMP - 120 VOLT
	083209-05-000	EA CIRCUIT BREAKER - 20AMP - 120VOLT
	083209-06-000	EA CIRCUIT BREAKER - 30/15 AMP - 120VOLT
	083209-07-000	EA CIRCUIT BREAKER - 20/20AMP - 120VOLT
	083209-10-000	EA CIRCUIT BREAKER - 20/30 AMP - 120 VOLT
	083209-11-000	EA CIRCUIT BREAKER - 20/15 AMP - 120 VOLT
	093654-01-000	EA CIRCUIT BREAKER - 6 AMP - 12 VOLT
	093654-02-000	EA CIRCUIT BREAKER - 15 AMP - 12 VOLT
	093654-03-000	EA CIRCUIT BREAKER - 20 AMP - 12 VOLT
	093655-01-000	EA CIRCUIT BREAKER - 25 AMP - 12 VOLT
	093655-02-000	EA CIRCUIT BREAKER - 30 AMP - 12 VOLT
	093655-03-000	EA CIRCUIT BREAKER - 40 AMP - 12 VOLT
	093674-01-000	EA PLATE - CIRCUIT BREAKER - HOUSE - 8.4" X 4.1" - STEEL
	097611-01-000	EA CIRCUIT BREAKER - 10 AMP - 12 VOLT
	108669-01-000	EA HOUSING - AUTO FUSE HOLDER
	108916-01-000	EA CIRCUIT BREAKER - 50 AMP - 12 VOLT - 2 POLE
	113482-01-000	EA CIRCUIT BREAKER - 55AMP
	122811-01-000	EA CIRCUIT BREAKER - 20/50/50/20
	125986-04-000	EA FUSE - 10 AMP - AUTO - MINI BLADE

CONVERTERS, LOAD CENTER & INVERTER

KEY	PART NUMBER	U/M DESCRIPTION	VENDOR NO.
	099048-03-000	EA INVERTER - 130 WATT	
	106071-04-000	EA SWITCH - AUTOMATIC TRANSFER W/CONNECTION LUGS	
	106071-03-700	EA CIRCUIT BOARD/TIME DELAY SW	TD0001
	108915-02-000	EA LOAD CENTER - 120/240 VOLT - 100 AMP	
			FROM: 00-00-00 THRU: 04-04-99
	108915-03-000	EA LOAD CENTER - 120/240 - 100 AMP	
			FROM: 04-05-99 THRU: 99-99-99
	113132-01-000	EA LOAD CENTER - 120/240 VOLT - 60 AMP	
	123058-01-000	EA CONVERTER - 55 AMP - ELECTRONIC - 4 1/8"H X 7"W X 12 3/8"L	
	123058-02-000	EA CONVERTER - 45 AMP - ELECTRONIC - 4 1/8"H X 7"W X 12 3/8"L	
	127002-01-000	EA MODULE/CIRCUIT BOARD - ENERGY MANAGEMENT SYSTEM CONTROL	
	127002-02-000	EA PANEL/MONITOR - ENERGY MANAGEMENT SYSTEM	

ELECTRICAL GROUP (CONTINUED)

RECEPTACLES

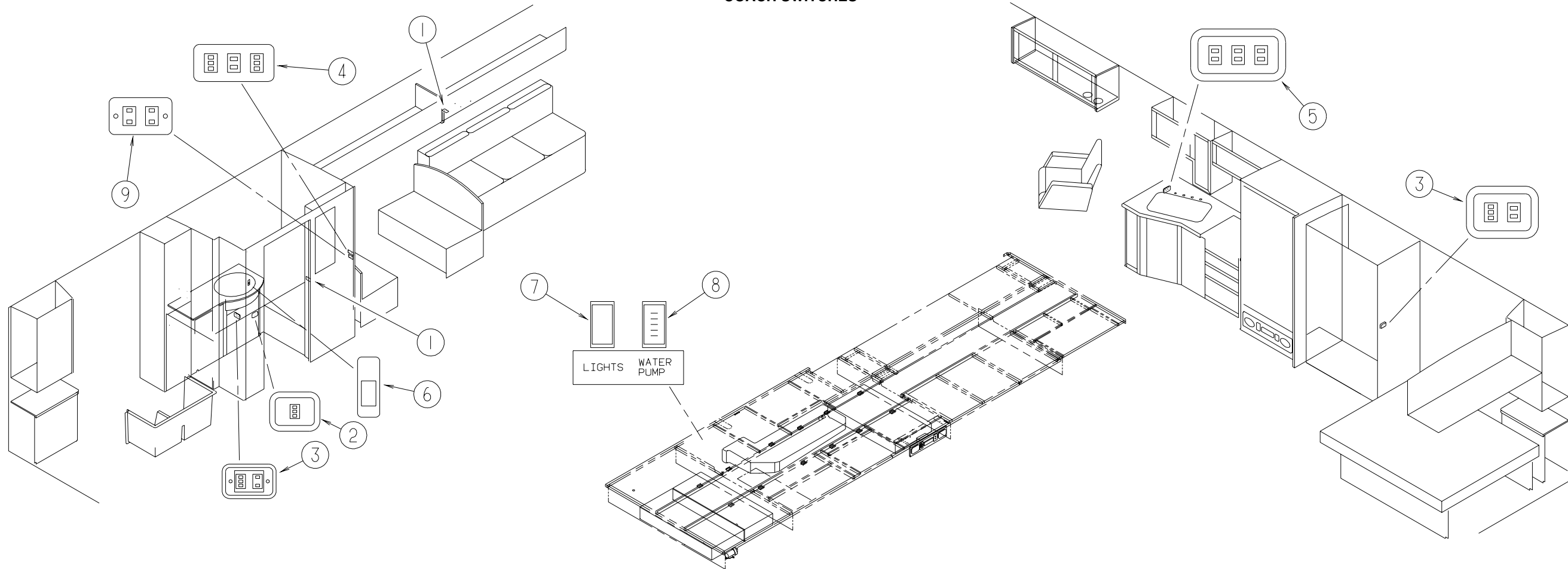


KEY	PART NUMBER	U/M	DESCRIPTION
1	058707-01-000	EA	RECEPTACLE - ELECTRIC - SINGLE - BROWN
2	058707-02-000	EA	RECEPTACLE - BLANK - JUNCTION BOX
3	058708-01-000	EA	RECEPTACLE - ELECTRIC - DOUBLE - BROWN
3	058708-02-000	EA	RECEPTACLE - ELECTRIC - DOUBLE - IVORY
3	102568-01-J70	EA	SPACER - RECEPTACLE - BETWEEN SIDEWALL & PLATE - MYSTIC OAK
3	102568-01-E41	EA	SPACER - RECEPTACLE - BETWEEN SIDEWALL & PLATE - SALEM CHERRY
4	058708-05-000	EA	RECEPTACLE - ELECTRIC - SINGLE - BROWN
4	102568-01-J70	EA	SPACER - RECEPTACLE - BETWEEN SIDEWALL & PLATE - MYSTIC OAK
4	102568-01-E41	EA	SPACER - RECEPTACLE - BETWEEN SIDEWALL & PLATE - SALEM CHERRY

KEY	PART NUMBER	U/M	DESCRIPTION
5	084076-01-000	EA	RECEPTACLE - GFI - 15 AMP - 125 VOLT - IVORY
5	084076-02-000	EA	RECEPTACLE - GFI - 15 AMP/125 VOLT - BROWN
6	112822-01-01A	EA	RECEPTACLE - DUPLEX - IVORY
6	112824-01-03A	EA	COVER - EXTERIOR DUPLEX RECEPTACLE - WHITE PLASTIC FROM: 00-00-00 THRU: 11-15-98
6	131826-01-01A	EA	RECEPTACLE - EXTERIOR - W/COVER/GASKET - WHITE FROM: 00-00-00 THRU: 11-15-98 FROM: 11-16-98 THRU: 99-99-99
7	115930-01-000	EA	INLET - 30 AMP - 120 VOLT - EXTERIOR
7	115930-02-000	EA	INLET - 50 AMP - 240 VOLT - EXTERIOR
8	058708-01-000	EA	RECEPTACLE - ELECTRIC - DOUBLE - BROWN

ELECTRICAL GROUP (CONTINUED)

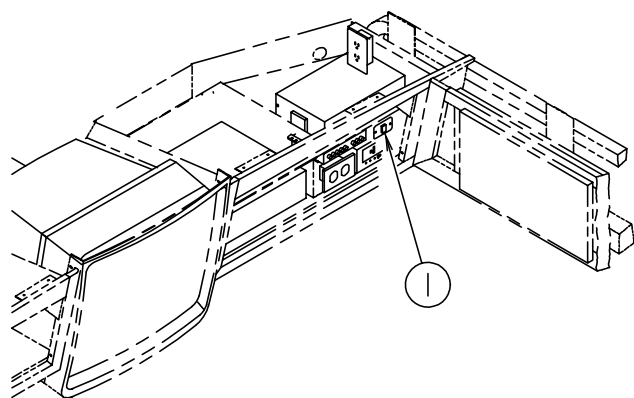
COACH SWITCHES



KEY	PART NUMBER	U/M	DESCRIPTION
1	098351-01-01A	EA	PLATE/SWITCH - 1 GANG - POLISHED BRASS - W/O LABEL
1	079364-01-000	EA	SWITCH - ON/OFF ROCKER - 2 TERMINAL - BROWN
2	098351-01-01A	EA	PLATE/SWITCH - 1 GANG - POLISHED BRASS - W/O LABEL
2	079364-01-000	EA	SWITCH - ON/OFF ROCKER - 2 TERMINAL - BROWN
2	095188-01-01A	EA	SPACER - SWITCH - 2.3" X 3.4" - PLASTIC - DARK BROWN
3	098351-02-01A	EA	PLATE/SWITCH - 2 GANG - POLISHED BRASS - W/O LABEL
3	079364-01-000	EA	SWITCH - ON/OFF ROCKER - 2 TERMINAL - BROWN
3	079364-03-000	EA	SWITCH - ON/OFF ROCKER - 3 TERMINAL - BROWN
3	095188-01-01A	EA	SPACER - SWITCH - 2.3" X 3.4" - PLASTIC - DARK BROWN
4	098351-03-01A	EA	PLATE/SWITCH - 3 GANG - POLISHED BRASS - W/O LABEL
4	079364-01-000	EA	SWITCH - ON/OFF ROCKER - 2 TERMINAL - BROWN

KEY	PART NUMBER	U/M	DESCRIPTION
5	098351-05-01A	EA	PLATE/SWITCH - 3 GANG - POLISHED BRASS-PORCH/CEILING/STEP
5	079364-01-000	EA	SWITCH - ON/OFF ROCKER - 2 TERMINAL - BROWN
5	095188-02-01A	EA	SPACER - SWITCH - 2.3" X 4.1" - PLASTIC - DARK BROWN
6	081994-09-000	EA	PLATE - SWITCH - F/SLIDEOUT
6	081994-08-000	EA	PLATE - SWITCH - F/SLIDEOUT
6	108357-06-000	EA	SWITCH - ROCKER DPDT - MOM/OFF/MOM - 6 TERMINAL
6	108356-02-01A	EA	COVER/ACTUATOR SWITCH - 2 ROWS DIMPLES- CONTURA II - BLACK
7	108357-01-000	EA	SWITCH - ROCKER SPST - ON/OFF - 2 TERMINAL
7	108356-02-01A	EA	COVER/ACTUATOR SWITCH - 2 ROWS DIMPLES- CONTURA II - BLACK
8	108357-08-000	EA	SWITCH - ROCKER DPDT - ON/NONE/ON - 6 TERMINAL
8	108356-02-01A	EA	COVER/ACTUATOR SWITCH - 2 ROWS DIMPLES- CONTURA II - BLACK
9	098351-02-01A	EA	PLATE/SWITCH - 2 GANG - POLISHED BRASS - W/O LABEL
9	079364-01-000	EA	SWITCH - ON/OFF ROCKER - 2 TERMINAL - BROWN

ELECTRICAL GROUP (CONTINUED)



FRONT END SWITCHES

KEY	PART NUMBER	U/M DESCRIPTION
1	098351-09-01A	EA PLATE - SWITCH - SPEAKER SELECT - POLISHED BRASS
1	079364-01-000	EA SWITCH - ON/OFF ROCKER - 2 TERMINAL - BROWN

DASH SWITCHES

KEY	PART NUMBER	U/M DESCRIPTION
	108355-01-000	EA HOUSING - SWITCH
	108356-01-01A	EA COVER/ACTUATOR SWITCH - 3 GROOVES - CONTURA III - BLACK
	108356-02-01A	EA COVER/ACTUATOR SWITCH - 2 ROWS DIMPLES- CONTURA II - BLACK
	108356-03-01A	EA COVER/ACTUATOR SWITCH -3 GROOVES W/LENS-CONTURA III-BLACK
	108356-04-01A	EA COVER/ACTUATOR SWITCH - 2 ROWS DIMPLES W/LENS-CONTURA-BLK
	108356-05-01A	EA COVER/ACTUATOR SWITCH - 3 GROOVES W/LENS - GEN SET - CONTURA III
	108356-06-01A	EA COVER/ACTUATOR SWITCH - 3 GROOVES - AUX START - CONTURA III - BLK
	108356-07-01A	EA COVER/ACTUATOR SWITCH - 2 ROWS DIMPLES - AUX START - BLACK
	108356-08-01A	EA COVER/ACTUATOR SWITCH - 2 ROW DIMPLES W/LENS - REAR - BLACK
	108356-09-01A	EA COVER/ACTUATOR SWITCH - 2 ROWS DIMPLES W/LENS - WASH/BLACK
	108356-10-01A	EA COVER/ACTUATOR SWITCH - 2 ROWS DIMPLES W/LENS-SHOWER DRAIN
	108356-11-01A	EA COVER/ACTUATOR SWITCH - 3 GROOVES - AUX BATT - BLACK
	108357-01-000	EA SWITCH - ROCKER SPST - ON/OFF - 2 TERMINAL
	108357-02-000	EA SWITCH - ROCKER SPST - ON/MOM - 2 TERMINAL
	108357-03-000	EA SWITCH - ROCKER SPDT - ON/OFF/ON - 3 TERMINAL
	108357-04-000	EA SWITCH - ROCKER SPDT - MOM/OFF/ON - 3 TERMINAL
	108357-05-000	EA SWITCH - ROCKER SPDT - ON/NONE/ON - 3 TERMINAL
	108357-06-000	EA SWITCH - ROCKER DPDT - MOM/OFF/MOM - 6 TERMINAL
	108357-07-000	EA SWITCH - ROCKER SPDT - MOM/OFF/MOM - 3 TERMINAL
	108357-08-000	EA SWITCH - ROCKER DPDT - ON/NONE/ON - 6 TERMINAL
	108357-09-000	EA SWITCH - ROCKER SPDT - ON/NONE/MOM - 3 TERMINAL
	108357-10-000	EA SWITCH - ROCKER SPDT W/LIGHT - MOM/NONE/MOM - 5 TERMINAL
	108357-12-000	EA SWITCH - ROCKER DPST W/LIGHT - MOM/NONE/OFF - 7 TERMINAL
	108357-13-000	EA SWITCH - ROCKER DPDT W/LIGHT - MOM/ON-OFF/OFF - 7 TERMINAL
	108357-14-000	EA SWITCH - ROCKER SPDT W/LIGHT - ON/NONE/OFF - 4 TERMINAL
	088246-01-000	EA SWITCH - REMOTE - EXTERIOR - SQUARE PUSH
	096241-03-000	EA SWITCH - BLANK
	096241-08-000	EA SWITCH - BLANK

ELECTRICAL GROUP (CONTINUED)

ELECTRIC BOXES & CORDS

KEY	PART NUMBER	U/M DESCRIPTION
	008052-01-000	EA CORD - POWER - 10/3 WIRE - 30 AMP - 25' - CANADIAN
	008054-01-000	EA CORD - POWER - 10/3 WIRE - 30 AMP - 25'
	008054-02-000	EA CORD - POWER - 10/3 WIRE - 30 AMP 33'
	008289-01-000	EA BOX - ELECTRIC/STEEL - 1/2" & 3/4" KNOCKOUTS - 4" X 4"
	008289-02-000	EA BOX - ELECTRIC/STEEL - 1/2" & 3/4" KNOCKOUTS - 4" X 4"-CAN
	008294-01-000	EA COVER - ELECTRICAL BOX - BLANK/STEEL - 4" X 4" - GRAY
	008294-02-000	EA COVER - ELECTRICAL BOX - BLANK STEEL - 4" X 4" - CANADIAN
	091910-01-000	EA BOX - ELECTRIC - 3.8" X 3.5" X 1.8" - PLASTIC
	091910-02-000	EA BOX - ELECTRIC - 2.2" X 3.5" X 1.8" - PLASTIC
	092492-08-000	EA SEAL - ELECTRIC BOX - 8" X 15" SQ
	092492-11-000	EA SEAL - ELECTRIC BOX - 7" X 18.4" SQ
	098196-01-000	EA LATCH - 1/4 TURN - T-BAR
	108934-01-000	EA POWER CORD - 36'/50 AMP - 4 WIRE
	109925-03-000	EA DOOR - ELECTRICAL BOX - OSHKOSH - 13.7"
	109925-04-000	EA DOOR - ELECTRICAL BOX - GM/FORD
	113096-01-000	EA CORD - POWER - 50 AMP - 4 WIRE - 36' - CSA
	118905-02-02B	EA DOOR - ELECTRIC - 6.1" X 11.1" - CHEVY/FORD
	121470-01-000	EA CORD/EXTENSION - 6 FOOT - 16-2 WIRE

WIRE ASSEMBLIES

KEY	PART NUMBER	U/M DESCRIPTION
	P27264-02-000	EA WIRE ASSEMBLY - RADIO AM/FM CASSETTE
	P27516-04-000	EA WIRE ASSEMBLY - RADIO AM/FM CD
	073328-B4-000	EA CABLE ASSEMBLY - BATTERY - W/TERMINALS
	081059-02-000	EA WIRE ASSEMBLY - 9PIN - F/RADIO - GM DIESEL ONLY
	090986-01-000	EA WIRE ASSEMBLY - ELECTRIC STEP
		FROM: 00-00-00 THRU: 02-07-99
	090986-02-000	EA WIRE ASSEMBLY - ELECTRIC STEP
		FROM: 02-08-99 THRU: 99-99-99
	096449-01-000	EA WIRE ASSEMBLY - WATER TANK TO MONITOR PANEL
	096449-02-000	EA WIRE ASSEMBLY - WATER TANK TO MONITOR PANEL
	096717-03-000	EA WIRE ASSEMBLY - REAR MONITOR - AFTER MARKET INSTALLATION
		FROM: 00-00-00 THRU: 10-29-98
	096717-04-000	EA WIRE ASSEMBLY - REAR MONITOR - UPPER
		FROM: 10-30-98 THRU: 99-99-99
	097618-01-000	EA WIRE ASSEMBLY - MONITOR PANEL- W/3 WIRES & ORANGE RESISTOR
	100677-01-000	EA WIRE ASSEMBLY - RADIO - GM DIESEL ONLY
	108029-01-000	EA WIRE ASSEMBLY - POWER DRIVER SEAT
	112593-01-000	FT CABLE - 3 WIRE - 16A - FLEX RUBBER - EUROPEAN
	112593-02-000	FT CABLE - 3 WIRE - 25A - FLEX RUBBER - EUROPEAN
	113134-03-000	EA WIRE ASSEMBLY - WIPER/WASHER - GM DIESEL
	113452-01-000	FT SEAL/TRIM - FRONT - VINYL W/WIRE CARRIER - .020"
	113639-01-000	FT CABLE - 3/0 AWG STRANDED - RED
	113639-02-000	FT CABLE - 3/0 AWG STRANDED - BLACK
	116687-02-000	FT WIRE - 6 AWG
	120233-05-000	EA WIRE - 30" W/DIGITAL SENSOR CONNECTOR/STRIPED LEAD
	124336-03-000	EA WIRE ASSEMBLY - REAR STEREO
	124336-09-000	EA WIRE ASSEMBLY - REAR STEREO
	124882-01-000	EA WIRE ASSEMBLY - AMPLIFIER
	126591-01-02B	EA CARRIER - WIRE - SLIDEOUT (L35)
	127002-03-000	EA WIRE ASSEMBLY - ENERGY MANAGEMENT SYSTEM
	127516-04-000	EA WIRE ASSEMBLY - RADIO AM/FM CD
	131386-01-000	EA WIRE ASSEMBLY - F/SLIDEOUT CONTROL (L33/L36)
	131386-02-000	EA WIRE ASSEMBLY - F/SLIDEOUT CONTROL (L34/L35)

ELECTRICAL GROUP (CONTINUED)

CONNECTORS & CONDUIT

KEY	PART NUMBER	U/M	DESCRIPTION
	007942-01-000	EA	TAB - WIRE 10 TO 14 AWG
	007949-01-000	EA	TAB-HOUSING, 1 POSITION]
	007954-01-000	EA	RECEPTACLE - HOUSING - 6 POSITION
	007956-05-000	EA	INSULATOR - SHRINK - .25 ID X 1.50
	008311-01-000	EA	CONNECTOR - WIRE NUT - INSULATED - RED
	008312-01-000	EA	CONNECTOR - WIRE NUT - INSULATED - BLUE
	008313-01-000	EA	CONNECTOR - WIRE NUT - INSULATED - YELLOW
	008314-01-000	EA	CONNECTOR - WIRE NUT - INSULATED - GRAY
	008326-01-000	EA	TERMINAL - RING - 16/14 WIRE - 3/8" STUD
	008328-01-000	EA	TERMINAL - RING - 12/10 WIRE - #10 STUD FIT
	008331-01-000	EA	TERMINAL - RING - TONGUE - #4 WIRE - 3/8" STUD - COPPER
	008348-01-000	EA	TERMINAL - RING - 3/8" STUD 2 GA. WIRE
	008355-01-000	EA	CONNECTOR - CABLE CLAMPING - 3/4"
	008356-01-000	EA	CONNECTOR - PLASTIC - 3/8" AVG
	008356-02-000	EA	CONNECTOR - PLASTIC - 21/32
	008394-01-000	FT	CONDUIT - FLEXIBLE - 1/2"
	035416-04-000	EA	TERMINAL - RING - #10 STUD FIT - INSULATED BARREL #16/14
	041953-01-000	FT	CONDUIT - CONVOLUTE SLIT - .5" ID - POLYETHYLENE
	041953-03-000	FT	CONDUIT - CONVOLUTE SLIT - 1" ID (CLOTHES ROD COVER)
	041953-05-000	FT	CONDUIT - CONVOLUTE SOLID - .62" ID - POLYETHYLENE
	041953-06-000	FT	CONDUIT - CONVOLUTE SLIT - .375" ID - POLYETHYLENE
	041953-07-000	FT	CONDUIT - CONVOLUTE SLIT - .25" ID - POLYETHYLENE
	041953-08-000	FT	CONDUIT - CONVOLUTE SLIT - 1.50" ID - POLYETHYLENE
	041953-09-000	FT	CONDUIT - CONVOLUTE SLIT - .50" ID - NYLON
	041953-10-000	FT	CONDUIT - CONVOLUTE SLIT - .75" ID - NYLON
	041953-11-000	FT	CONDUIT - CONVOLUTE SLIT - 1.06" ID - NYLON
	041953-12-000	FT	CONDUIT - CONVOLUTE SOLID - 1.1" ID - NYLON
	047443-01-000	EA	TERMINAL - .250 RECEPTACLE FIT - INSULATED - 16/14 AWG
	047443-02-000	EA	TERMINAL - .250 RECEPTACLE FIT - INSULATED - 12/10 AWG
	058028-01-000	EA	CONNECTOR - ELECTRICAL PIGTAIL - NYLON - CLEAR
	062036-01-000	EA	TERMINAL - PACK - CON - 12/10 AWG
	062036-02-000	EA	TERMINAL - PACK - CON - 16/14 AWG
	077479-01-000	EA	BOOT - BATTERY TERMINAL - DOUBLE CABLE
	077479-02-000	EA	BOOT - BATTERY TERMINAL - SINGLE CABLE
	080015-02-000	EA	RECEPTACLE - FLAG - .185 - 16/14 GAUGE
	082109-01-000	EA	HOUSING - CONNECTOR - PACKARD
	082741-01-000	EA	CONNECTOR BODY - 2 CNCT MALE - SERV ELEC 2P-FYL
	087225-01-000	FT	SLEEVING - 1/2" - TYPE H
	087225-02-000	FT	SLEEVING - 5/8" - TYPE H
	087949-01-000	EA	BUSS BAR - 2 POSITION - .6" X 1.5"
	087949-02-000	EA	BUSS BAR - 3 POSITION - .6" X 2.4"
	087949-03-000	EA	BUSS BAR - 4 POSITION
	088267-01-000	EA	TERMINAL - FEMALE - 1/4
	088473-01-000	EA	HOUSING - PIN - 12 CAVITY (3 ROWS OF 4)
	088473-02-000	EA	HOUSING - PIN - 15 CAVITY (3 ROWS OF 5)
	088473-03-000	EA	HOUSING - PIN - 9 CAVITY (3 ROWS OF 3)
	088473-04-000	EA	HOUSING - PIN - 8 CAVITY IN-LINE
	088473-05-000	EA	HOUSING - PIN - 6 CAVITY
	088473-06-000	EA	HOUSING - PIN - 6 CAVITY (2 ROWS OF 3)
	088473-07-000	EA	HOUSING - PIN - 5 CAVITY
	088473-08-000	EA	HOUSING - PIN - 4 CAVITY - IN-LINE
	088473-09-000	EA	HOUSING - PIN - 3 CAVITY - IN-LINE
	088473-10-000	EA	HOUSING - PIN - 2 CAVITY - IN LINE
	088474-01-000	EA	HOUSING - SOCKET - 12 CAVITY
	088474-02-000	EA	HOUSING - SOCKET - 15 CAVITY
	088474-03-000	EA	HOUSING - SOCKET - 9 CAVITY
	088474-06-000	EA	HOUSING - SOCKET - 6 CAVITY
	088474-07-000	EA	HOUSING - SOCKET - 5 CAVITY
	088474-08-000	EA	HOUSING - SOCKET - 4 CAVITY
	088474-09-000	EA	HOUSING - ELECTRICAL - 3 TERMINAL
	088474-10-000	EA	HOUSING - SOCKET - 2 CAVITY
	088475-01-000	EA	PIN - CONNECTOR - 14-20 AWG
	088475-02-000	EA	PIN - CONNECTOR - 10 - 12 AWG

ELECTRICAL GROUP (CONTINUED)

CONNECTORS & CONDUIT (CONTINUED)

KEY	PART NUMBER	U/M	DESCRIPTION
	088476-01-000	EA	TERMINAL - ELECTRICAL
	088476-02-000	EA	SOCKET - CONNECTOR - 12-10 GA - PRE-TIN
	092786-03-000	EA	BUSS BAR - 6.9" LONG
	098260-01-000	EA	TERMINAL - MALE - 56 SERIES
	098261-02-000	EA	SOCKET - CONNECTOR - WEATHERPACK - 14-18 AWG
	098262-01-000	EA	SEAL - CONNECTOR - WEATHERPACK
	098262-05-000	EA	SEAL - CAVITY
	098262-06-000	EA	SEAL - CONNECTOR - M/P - 10 GAUGE
	098264-01-000	EA	HOUSING - 2 PIN - WEATHERPACK
	098264-02-000	EA	HOUSING - 2 PIN - WEATHERPACK
	098265-02-000	EA	PIN - CONNECTOR - WEATHERPACK
	100690-01-000	EA	HOUSING - 5 POSITION - MALE - WEATHERPACK
	100690-02-000	EA	HOUSING - 5 POSITION - FEMALE - WEATHERPACK
	101571-01-000	EA	HOUSING - 2 POSITION - MALE
	101751-01-000	EA	HOUSING - 1 PIN - WEATHER PACK
	102777-02-000	EA	TERMINAL - RING - #6 STUD - 10 AWG
	103608-01-000	EA	SOCKET - WEDGE BASE W/LEADS
	104100-01-000	EA	HOUSING - 1 POSITION - 75 AMPS
	104100-03-000	EA	TERMINAL - 75 AMP
	106006-01-000	EA	HOUSING - 1 POSITION - FEMALE
	106007-01-000	EA	TERMINAL - FEMALE - 14-16 AWG
	106655-01-000	EA	TERMINAL - FUSE BLOCK - 14-16 AWG
	110178-01-000	EA	HOUSING - WIPER MOTOR
	112823-01-000	EA	SPLICE - REDUCER - 16-14 TO 18-22
	113131-01-000	EA	HOUSING - 3 PIN
	113135-01-000	EA	TERMINAL - FEMALE - M/P - 14-16 - F/SEALED TERMINAL
	113135-02-000	EA	TERMINAL - FEMALE - M/P - 280 - 10-12
	113306-01-000	EA	TERMINAL - FEMALE - M/P - 14-16 - F/NON-SEALED TERMINAL
	113306-02-000	EA	TERMINAL - FEMALE - M/P - 10-12 - 480
	113307-01-000	EA	TERMINAL - FEMALE - M/P - 16-20
	113308-01-000	EA	TERMINAL - FEMALE - M/P - 14-16 - 280
	113468-01-000	EA	HOUSING - 2 POSITION - FEMALE
	115931-01-000	EA	COVER - CONNECTOR - 30 AMP W/LOCK RING
	115931-02-000	EA	COVER - CONNECTOR - 50 AMP W/LOCKING RING
	115932-01-000	EA	CONNECTOR - FEMALE - 30 AMP - 120 VOLT
	115932-02-000	EA	CONNECTOR - FEMALE - 50 AMP - 240 VOLT
	116811-01-000	EA	TERMINAL - .110 RECEPTACLE - 16-14 AWG
	118571-01-000	EA	CONNECTOR - 3-WAY - MALE/SEALED
	118571-02-000	EA	CONNECTOR - 3-WAY - FEMALE/SEALED
	118571-03-000	EA	BRACKET - MOUNTING
	118571-04-000	EA	GASKET
	118571-05-000	EA	LOCK - SECONDARY - FEMALE
	118571-06-000	EA	LOCK - SECONDARY - MALE
	118597-01-000	EA	TERMINAL - MALE - M/P - 480 - 14-16
	118599-01-000	EA	TERMINAL - MALE - M/P - 280 - 14-16
	119248-02-000	EA	HOUSING - 7 POSITION - FEMALE
	125323-01-000	EA	HOUSING - 10 POSITION - MALE
	125323-02-000	EA	HOUSING - 8 POSITION - MALE
	125323-03-000	EA	LOCK - SECONDARY 8 POSITION
	125323-04-000	EA	LOCK - SECONDARY 10 POSITION
	125324-01-000	EA	TERMINAL - MALE - METRI-PACK - 150
	125325-01-000	EA	SEAL - CAVITY
	126403-02-000	EA	CONNECTOR - 3 CIRCUIT
	129233-01-000	EA	HOUSING - 2-POSITION/FEMALE - 280-SERIES
	129233-02-000	EA	HOUSING - 2-POSITION/FEMALE - 280-SERIES
	129234-01-000	EA	HOUSING - 6-POSITION/FEMALE - 280-SERIES
	129234-02-000	EA	HOUSING - 6-POSITION/FEMALE - 280-SERIES
	129234-03-000	EA	LOCK - SECONDARY - 6-POSITION
	129235-01-000	EA	HOUSING - 2-POSITION/FEMALE - 630-SERIES
	129235-02-000	EA	LOCK - SECONDARY - 2-POSITION
	129236-01-000	EA	TERMINAL - FEMALE - M/P - 630 - 10-12

ELECTRICAL GROUP (CONTINUED)**SOLAR PANEL**

KEY	PART NUMBER	U/M DESCRIPTION	VENDOR NO.
	115504-01-000	EA PANEL - SOLAR 10 WATT	
	115504-01-700	EA PLUG & CABLE, 10 WATT PANEL	600-016
	115505-01-000	EA LIGHT - MONITOR/SOLAR PANEL - RED LED INDICATOR	

BATTERY BOOT & STUD

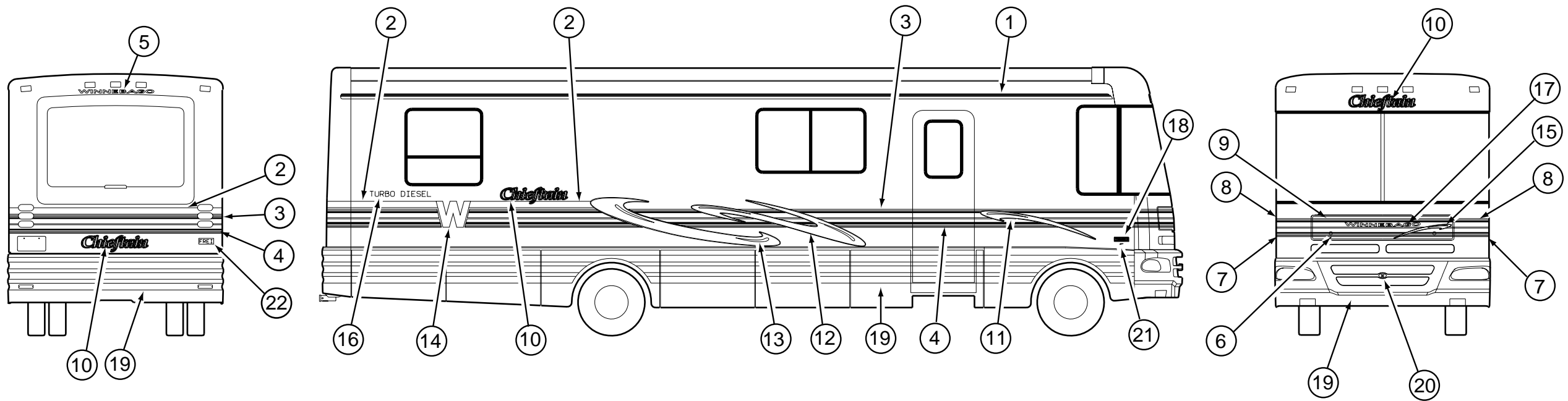
KEY	PART NUMBER	U/M DESCRIPTION
	077479-01-000	EA BOOT - BATTERY TERMINAL - DOUBLE CABLE
	077479-02-000	EA BOOT - BATTERY TERMINAL - SINGLE CABLE
	086233-01-000	EA STUD - ISOLATED - 3/8" X 7/8" LONG

ELECTRICAL GROUP (CONTINUED)**SOLENOID & RELAYS**

KEY	PART NUMBER	U/M DESCRIPTION
	008188-01-000	EA SOLENOID - 3 POST - BATTERY CHANGE OVER
	063910-01-000	EA HOUSING - RELAY
	063912-02-000	EA RELAY - CANISTER - SPDT
	086273-01-000	EA RELAY - BATTERY DISCONNECT

EXTERIOR BODY GROUP

DECALS, MULTISTRIPES & PAINT



KEY	PART NUMBER	U/M	DESCRIPTION
1	094423-08-02A	FT	FILM - OVERLAY - MULTISTRIFE - 2.4"
2	093681-48-02A	FT	FILM - 3"
3	094433-09-02A	FT	FILM - OVERLAY - 4"
4	118710-02-02A	FT	FILM - MULTISTRIFE - OVERLAY - 4"
5	120702-02-02A	EA	DECAL - LOGO - "WINNEBAGO"
6	120697-01-02A	EA	DECAL - HOOD - LOWER
7	120699-01-02A	EA	DECAL - CORNER - LOWER/RIGHT HAND
7	120699-02-02A	EA	DECAL - CORNER - LOWER/LEFT HAND
8	120698-01-02A	EA	DECAL - CORNER - UPPER/RIGHT HAND
8	120698-02-02A	EA	DECAL - CORNER - UPPER/LEFT HAND
9	120696-01-02A	EA	DECAL - HOOD - UPPER
10	120701-01-02A	EA	DECAL - LOGO - "CHIEFTAIN"
11	120693-01-02A	EA	DECAL - SWIRL - FRONT/RIGHT HAND
11	120693-02-02A	EA	DECAL - SWIRL - FRONT/LEFT HAND
12	120694-01-02A	EA	DECAL - SWIRL - CENTER/RIGHT HAND
12	120694-02-02A	EA	DECAL - SWIRL - CENTER/LEFT HAND
13	120695-01-02A	EA	DECAL - SWIRL - REAR/RIGHT HAND
13	120695-02-02A	EA	DECAL - SWIRL - REAR/LEFT HAND
14	120700-01-02A	EA	DECAL - LOGO - "W"
15	121125-01-02A	EA	DECAL - SWIRL - HOOD
16	111318-03-08A	EA	DECAL - TURBO - DIESEL
17	121510-01-01A	EA	DECAL - LOGO - WINNEBAGO - SWEEP
18	122312-02-01A	EA	DECAL - VORTEC 7400 FUEL INJECTED
18	129922-01-01A	EA	EMBLEM - TRITON V10
19	NA	EA	PAINT - PLATINUM METALLIC
19	NA	EA	PAINT - PLUM METALLIC
20	120875-01-01A	EA	DECAL - LOGO - GRILLE/DOMED
20	120994-01-01A	EA	BEZEL - DOMED GRILLE LOGO
21	131432-01-01A	EA	DECAL - LOGO - DOMED
22	NA	EA	PLATE - FREIGHTLINER, LARGE - CHASSIS SUPPLIED
	093681-40-01A	FT	FILM - 2" - FLAT BLACK
	041561-03-000	EA	PAINT - 16 OUNCE SPRAY - OFF WHITE
	099399-23-700	EA	PAINT-SPRAY-BRT WHITE ENAMEL

VENDOR NO.

DUPONT # F2529U
DUPONT # F4593U

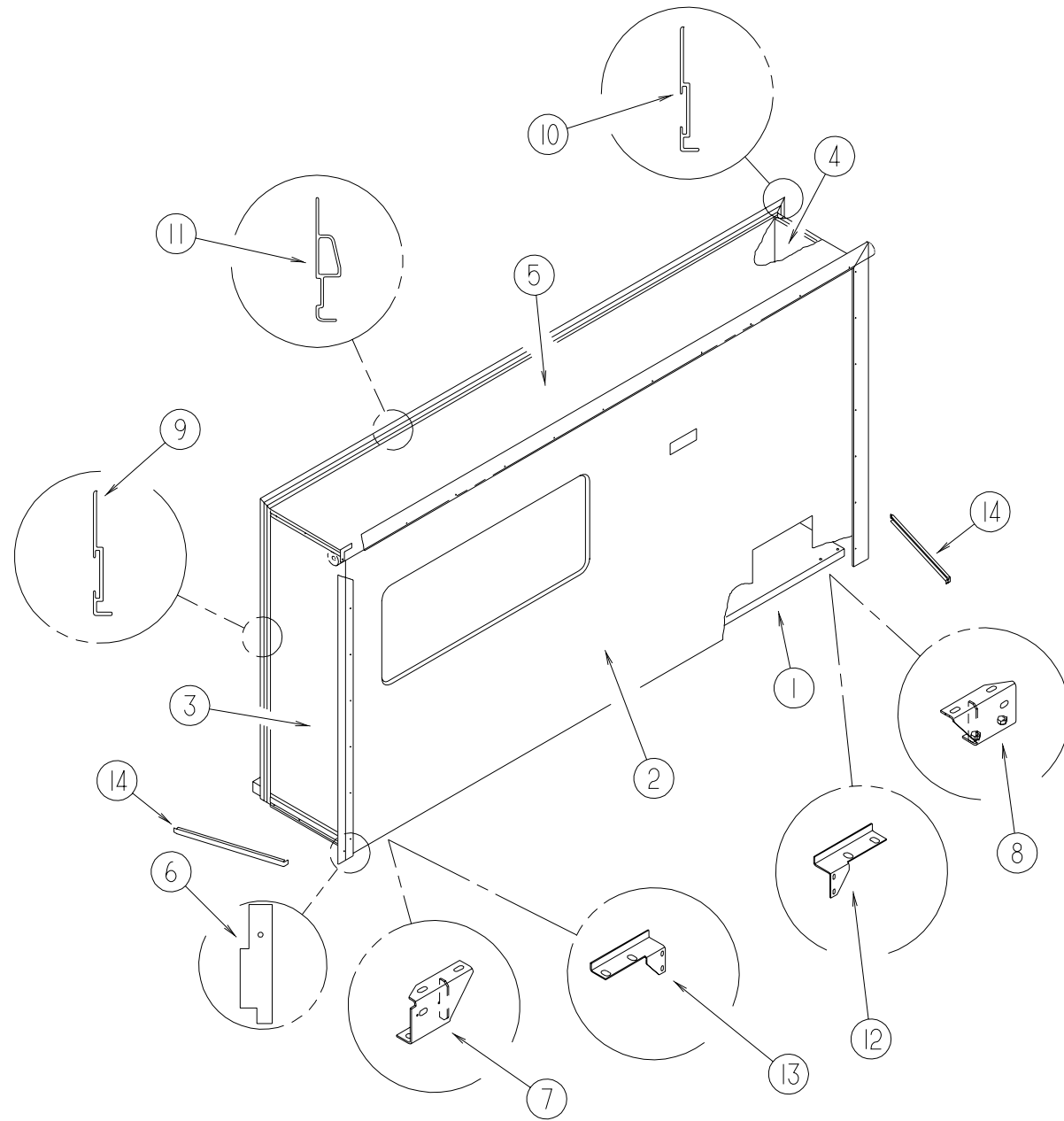
DUPONT PAINT COLOR CODES

STEAM BLUE METALLIC
BERRYWOOD METALLIC
FIRETHORN METALLIC
SUNSET METALLIC

DUPONT # BM520
DUPONT # RM055
DUPONT # RM348
DUPONT # YM430

DUPONT # B8951U

EXTERIOR BODY GROUP (CONTINUED)
COUCH/DINETTE SLIDEOUT PANELS & INNER TRIM SEAL

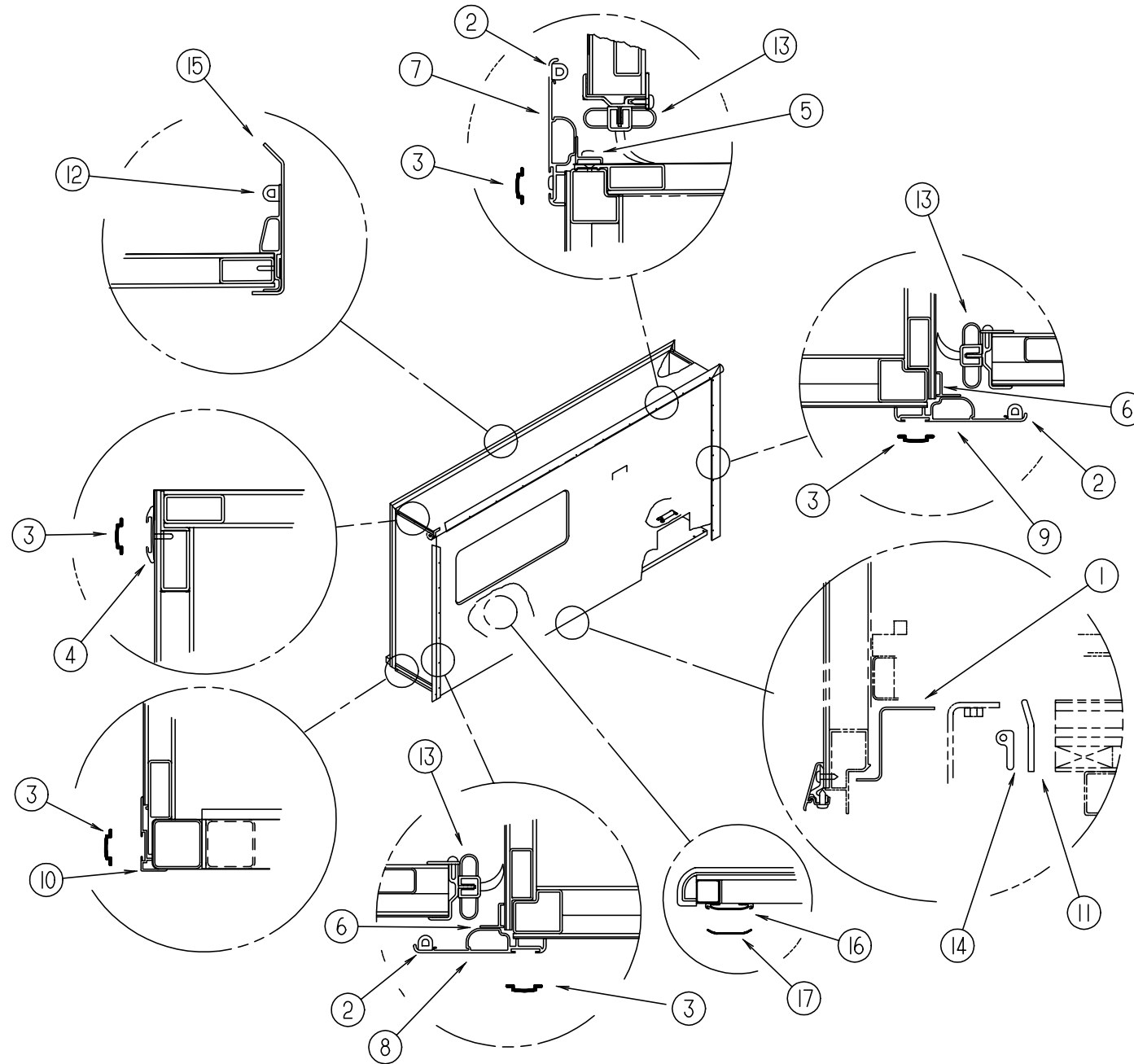


KEY	PART NUMBER	U/M	DESCRIPTION
1	126572-05-K36	EA	FLOOR ASM-SLIDEOUT - W/DINETTE
1	126572-06-K36	EA	FLOOR ASM-SLIDEOUT - W/PULLOUT TABLE & CHAIRS
2	119783-19-K36	EA	PANEL - SLIDEOUT/OUTER (K36, K37)
2	119783-19-K39	EA	PANEL - SLIDEOUT/OUTER (K38, K39)
2	119783-19-K40	EA	PANEL - SLIDEOUT/OUTER (K40, K41)
3	126569-02-K36	EA	PANEL - SLIDEOUT/FRONT (K36, K37)
3	126569-02-K38	EA	PANEL - SLIDEOUT/FRONT (K38, K39)
3	126569-02-K40	EA	PANEL - SLIDEOUT/FRONT (K40, K41)
4	126570-02-K36	EA	PANEL - SLIDEOUT/REAR (K36, K37)
4	126570-02-K38	EA	PANEL - SLIDEOUT/REAR (K38, K39)
4	126570-02-K40	EA	PANEL - SLIDEOUT/REAR (K40, K41)

KEY	PART NUMBER	U/M	DESCRIPTION
5	P26571-01-K36	EA	ROOF - F/SLIDEOUT - W/O LIGHTS/VENTS - W/WIRING
6	126546-01-02A	EA	COVER - END/SIDEWALL SLIDEOUT - BRIGHT WHITE
7	127030-01-02B	EA	BRACKET - INNER REAR/SLIDEOUT - E-COATED
8	127030-02-02B	EA	BRACKET - INNER FRONT/SLIDEOUT - E-COATED
9	117004-01-01A	EA	TRIM - SEAL/INNER VERTICAL-W/MITERED ENDS-73.5" OFF WHITE
10	117004-02-01A	EA	TRIM - SEAL/INNER HORIZONTAL W/MITERED ENDS-73.5" OFF WHITE
11	117004-03-01A	EA	TRIM - SEAL/INNER - OFF WHITE
12	128386-01-02B	EA	BRACKET - SLIDEOUT COMPARTMENT - E-COATED - RIGHT HAND
13	125888-02-02B	EA	BRACKET - SLIDEOUT COMPARTMENT - E-COATED - LEFT HAND
14	126497-02-02B	EA	SUPPORT - VALANCE

EXTERIOR BODY GROUP (CONTINUED)

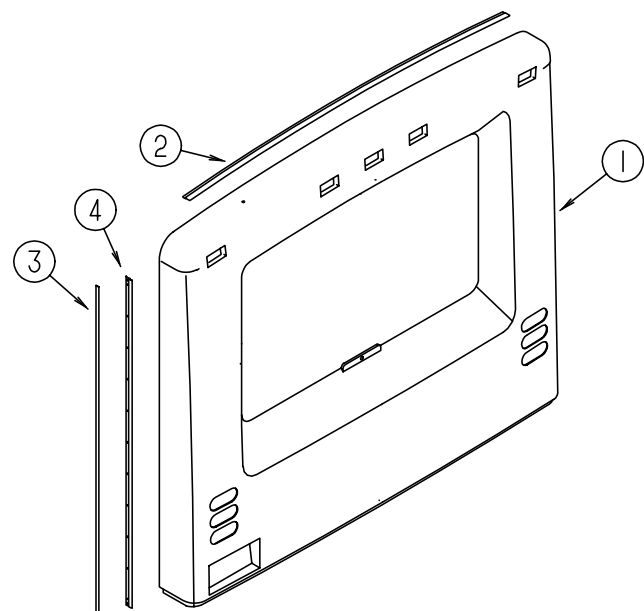
COUCH/DINETTE SLIDEOUT SUPPORTS, SEALS & TRIMS



KEY	PART NUMBER	U/M DESCRIPTION
1	128621-07-01A	EA ZEE-SLIDEOUT,W/HOLES,MILL
2	099418-01-000	FT SEAL - D-SECTION/ADHESIVE BACK - .44" X .44"- BLK RUBBER
3	105312-01-07A	FT INSERT - VINYL FEATURE STRIP - BRIGHT WHITE
4	108688-01-03A	EA STRIP - FEATURE - 15'
5	116933-07-01A	EA TRIM - SEAL/FLOOR EDGE - 142" - BRIGHT WHITE
6	116933-09-01A	EA TRIM - SEAL/FLOOR EDGE - 73.1" - BRIGHT WHITE
7	119992-01-02A	EA TRIM - SEAL - W/MITERED ENDS - BRIGHT WHITE
8	119992-09-01A	EA TRIM - SEAL - W/MITERED ENDS - 75.7" - BRIGHT WHITE
9	119992-10-01A	EA TRIM - SEAL - W/MITERED ENDS - 75.7" - BRIGHT WHITE
10	125051-01-01A	EA STRIP - FEATURE - LOWER - BRIGHT WHITE

KEY	PART NUMBER	U/M DESCRIPTION
11	089275-02-000	FT STRIP - 3/4" X 84" BLACK POLYETHYLENE
11	115075-02-000	FT SEAL - WIPE - .25" X 3.15"
12	112091-01-000	FT SEAL-D - NEOPRENE - TRUNK
13	115076-01-000	FT SEAL - SLIDEOUT
14	121283-01-000	FT SEAL - P SHAPED
15	125466-01-01A	EA SUPPORT - ROOF - INTERIOR - OFF WHITE
16	115325-03-02A	EA RAIL - FLOOR/SLIDEOUT ROOM - BLACK - 64.5" LONG
16	115325-06-02A	EA RAIL - FLOOR/SLIDEOUT ROOM - BLACK - 19.6" LONG
17	115661-01-000	FT POLYETHYLENE - HIGH DENSITY - 1/16" X 3'

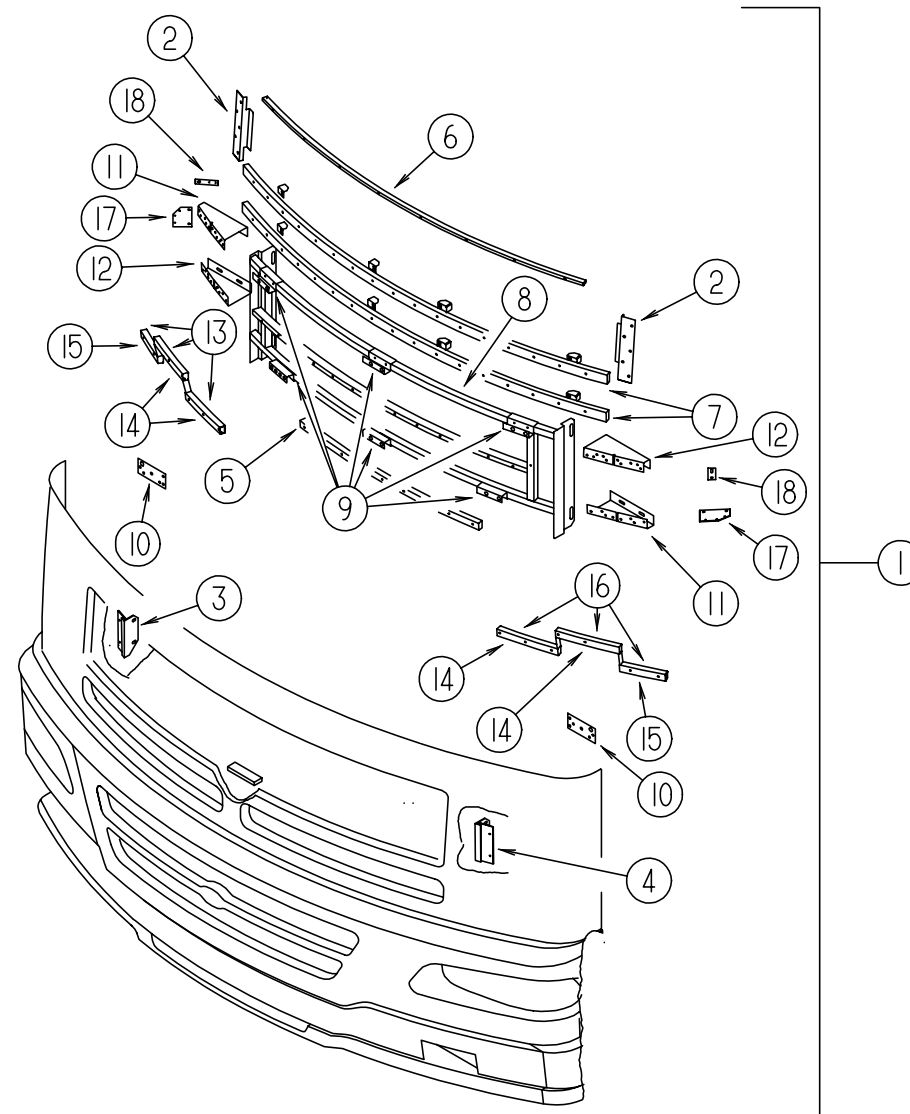
EXTERIOR BODY GROUP (CONTINUED)



REAR PANELS & TRIMS

KEY	PART NUMBER	U/M	DESCRIPTION
1	129820-02-K36	EA	PANEL - REAR CAP - W/O DOOR
	125259-01-01A	EA	SHROUD - CAMERA - INNER
2	083805-23-000	EA	TRIM - CAP - ROOF - 92"
3	091985-01-07A	FT	MOLDING - TRIM - BRIGHT WHITE
4	092041-04-01A	EA	TRIM - REAR - CAP TO SIDEWALL

EXTERIOR BODY GROUP (CONTINUED)

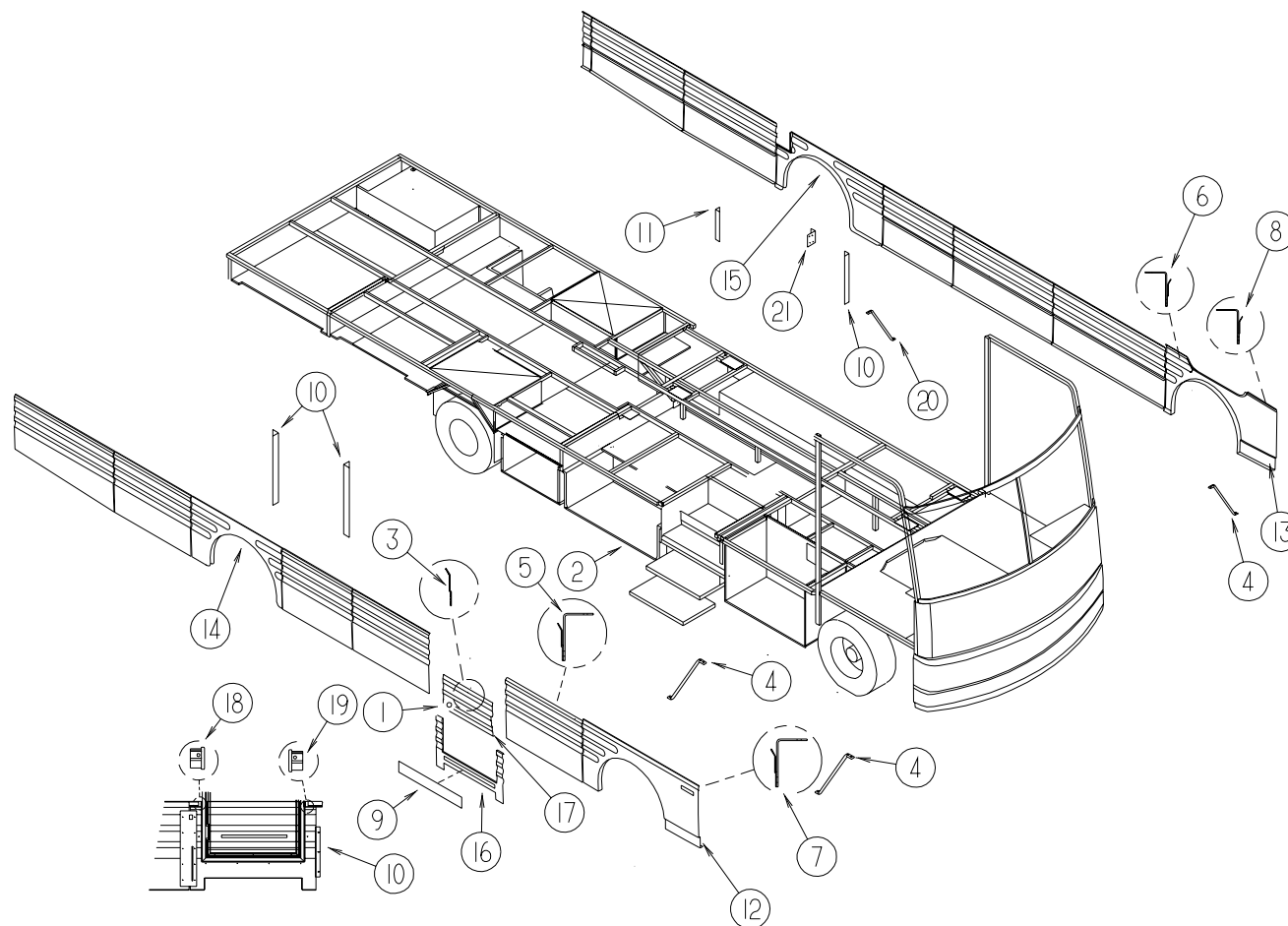


LOWER FRONT PANEL

KEY	PART NUMBER	U/M	DESCRIPTION
1	125440-04-J30	EA	PANEL - FRONT/LOWER - W/O HOOD - W/HARDWARE - HDGM
1	125440-02-J30	EA	PANEL - FRONT/LOWER - W/O HOOD - W/HARDWARE - FORD/GM DIESEL
1	125440-06-J30	EA	PANEL - FRONT/LOWER - W/O HOOD - W/HARDWARE - FREIGHTLINER
2	113495-03-02B	EA	SUPPORT - HINGE - RIGHT HAND/LEFT HAND - E-COATED
3	118595-01-03A	EA	SUPPORT - HINGE LINK - PASSENGER - BRIGHT WHITE
4	118595-02-03A	EA	SUPPORT - HINGE LINK - DRIVER - BRIGHT WHITE
5	125709-03-01A	EA	TUBE - GRILLE - LOWER - BLACK
6	125846-02-J20	EA	SUPPORT - WIPER
7	126331-01-01A	EA	TUBE - GRILLE - HORIZONTAL
8	126332-01-01A	EA	TUBE - GRILLE - HORIZONTAL - BLACK
9	126335-01-02B	EA	BRACKET - GRILLE SUPPORT - E/COATED
10	126370-01-02B	EA	PLATE - FOG LAMP - DRIVER/PASSENGER SIDE
11	126491-01-02B	EA	SUPPORT - HEADLAMP - RIGHT HAND - E-COATED
12	126491-02-02B	EA	SUPPORT - HEADLAMP - LEFT HAND - E-COATED
13	126547-01-J30	EA	SUPPORT - FRONT OUTER - PASSENGER
14	125709-04-01A	EA	TUBE-GRILLE,LOWER MILL
15	125709-05-01A	EA	TUBE-GRILLE,LOWER MILL
16	126547-02-J30	EA	SUPPORT - FRONT OUTER - DRIVER
17	127415-01-02B	EA	SUPPORT - PARKLAMP - LOWER - DRIVER/PASSENGER SIDE
18	127835-01-02B	EA	STRAP - PARKLAMP - DRIVER/PASSENGER SIDE

EXTERIOR BODY GROUP (CONTINUED)

DOOR & COMPARTMENT VALANCE PANELS & TRIM

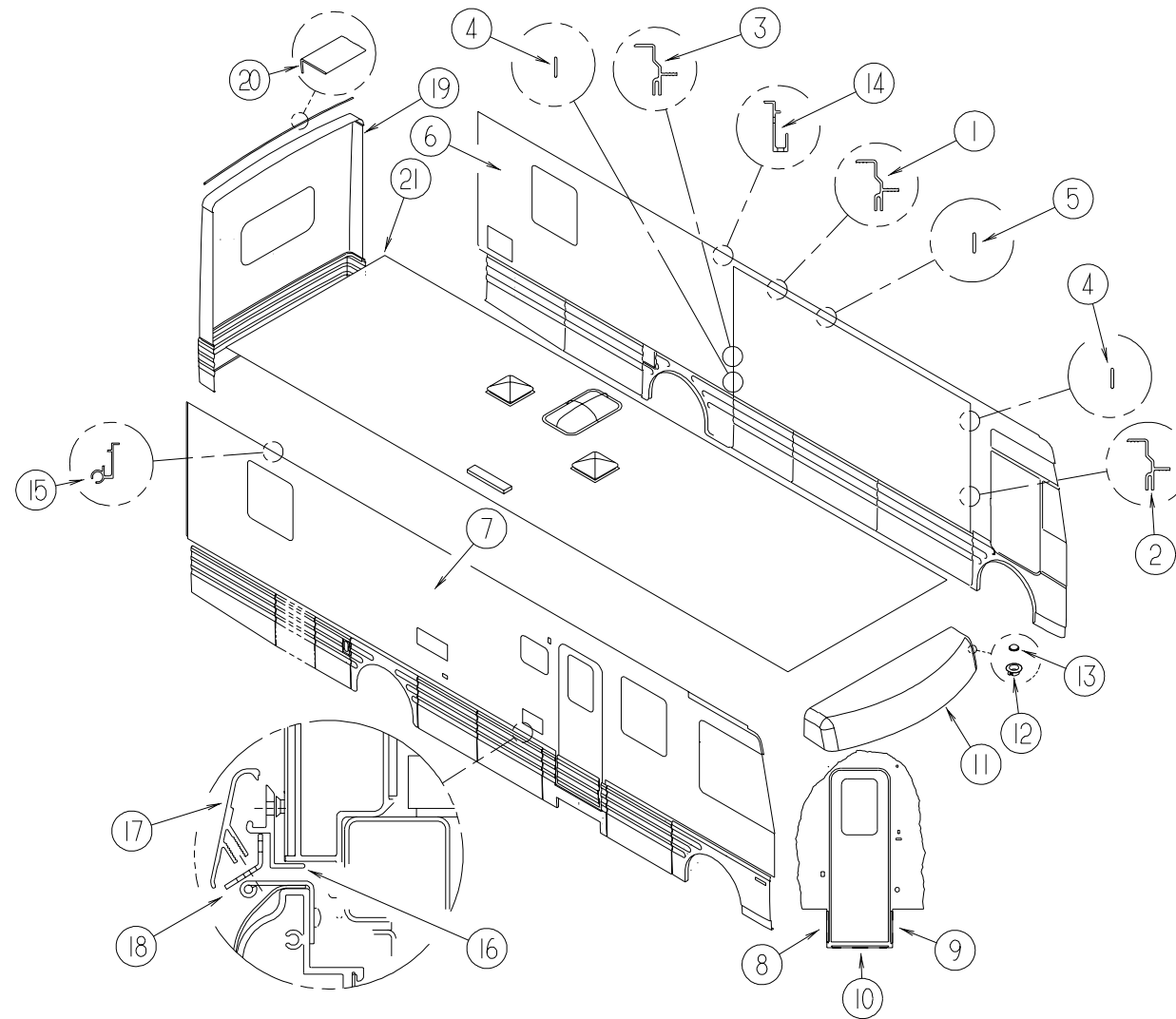


KEY	PART NUMBER	U/M	DESCRIPTION
1	069726-02-000	EA	BUMPER - .88" OD X .40" THICK - BLACK
2	099069-01-000	FT	SEAL - RUBBER - CLOSED SPONGE - .5" WIDE X .12" THICK -BLK
3	106105-03-000	EA	CLIP - VALANCE/RETAINING
4	107865-22-000	EA	ROD - SUPPORT - VALANCE PANEL - 23"
5	108455-24-000	EA	ANGLE - VALANCE/TRIM
			FROM: 03-04-99 THRU: 99-99-99
	106105-06-000	EA	CLIP - VALANCE/RETAINING
6	108455-11-000	EA	ANGLE - VALANCE/TRIM
			FROM: 00-00-00 THRU: 03-03-99
	106105-13-000	EA	CLIP - VALANCE/RETAINING
6	108455-17-000	EA	ANGLE - VALANCE/TRIM
			FROM: 03-04-99 THRU: 99-99-99
6	106105-05-000	EA	CLIP - VALANCE/RETAINING
7	108455-14-000	EA	ANGLE - VALANCE/TRIM
			FROM: 00-00-00 THRU: 03-03-99
7	108455-22-000	EA	ANGLE - VALANCE/TRIM
			FROM: 03-04-99 THRU: 99-99-99
7	127373-01-01B	EA	CLIP - TRIM - MILL
8	108455-05-000	EA	ANGLE - VALANCE/TRIM
			FROM: 00-00-00 THRU: 03-03-99
	106105-05-000	EA	CLIP - VALANCE/RETAINING
8	108455-23-000	EA	ANGLE - VALANCE/TRIM
			FROM: 03-04-99 THRU: 99-99-99
8	127373-02-01B	EA	CLIP - TRIM - MILL

KEY	PART NUMBER	U/M	DESCRIPTION
9	109506-01-000	EA	FILM - URETHANE - PROTECTANT - 4.25" X 26.75"
10	113041-03-02B	EA	ANGLE - BUMPER MOUNT
11	113041-07-02B	EA	ANGLE - BUMPER MOUNT
12	125553-07-K36	EA	PANEL - WHEEL LIP - FRONT/PASSENGER - GM
12	126062-12-K36	EA	VALANCE/WHEEL LIP - FRONT - PASSENGER - FORD
13	125553-02-J30	EA	PANEL - WHEEL LIP - FRONT/DRIVER - GM
13	126062-02-J30	EA	VALANCE/WHEEL LIP - FRONT - DRIVER - FORD
14	126061-20-K36	EA	VALANCE/WHEEL LIP - REAR - PASSENGER - GM
14	126061-19-K36	EA	VALANCE/WHEEL LIP - REAR - PASSENGER - FORD
15	126061-18-K36	EA	VALANCE/WHEEL LIP - REAR - DRIVER - GM
15	126061-17-K36	EA	VALANCE/WHEEL LIP - REAR - DRIVER - FORD
16	126063-06-K36	EA	VALANCE/PANEL - ENTRY DOOR OPENING - 42.6" - W/O HARDWARE - GM
16	126063-05-K36	EA	VALANCE/PANEL - ENTRY DOOR OPENING - 42.6" - W/O HARDWARE - FORD
17	126159-01-J60	EA	PANEL - VALANCE - ENTRY DOOR
18	126775-01-01A	EA	END CAP - VALANCE - RIGHT HAND/LOWER
19	126775-02-01A	EA	END CAP - VALANCE - LEFT HAND/LOWER
20	107865-02-000	EA	ROD - SUPPORT - VALANCE PANEL - 13.2"
21	119568-01-01A	EA	STANDOFF - VALANCE PANEL - BLACK

EXTERIOR BODY GROUP (CONTINUED)

BODY PANELS & TRIMS



KEY	PART NUMBER	U/M	DESCRIPTION
1	115863-03-03A	EA	TRIM - SIDEWALL/SLIDEOUT - TOP - 159.4" - BRT WHT
2	115863-13-01A	EA	TRIM - SIDEWALL/INNER RT SIDE W/MITERED ENDS-75.4" BRT WHT
3	115863-14-01A	EA	TRIM - SIDEWALL/INNER LT SIDE W/MITERED ENDS-75.4" BRTWHT
4	115886-02-03A	EA	RETAINER - SIDEWALL - BRIGHT WHITE 73.5"
5	115886-01-03A	EA	RETAINER - SIDEWALL - BRIGHT WHITE - 159.4"
6	131020-01-K36	EA	SIDEWALL - DRIVER - W/O WINDOWS/TRIMS (K36, K37)
6	131020-01-K38	EA	SIDEWALL - DRIVER - W/O WINDOWS/TRIMS (K38, K39)
6	131020-01-K40	EA	SIDEWALL - DRIVER - W/O WINDOWS/TRIMS (K40, K41)
7	131021-01-K36	EA	SIDEWALL - PASSENGER - W/O WINDOWS/TRIMS (K36, K37)
7	131021-01-K38	EA	SIDEWALL - PASSENGER - W/O WINDOWS/TRIMS (K38, K39)
7	131021-01-K40	EA	SIDEWALL - PASSENGER - W/O WINDOWS/TRIMS (K40, K41)
8	121091-01-02A	EA	ANGLE-DOOR,ENTRANCE B/WHITE
9	121091-02-03A	EA	ANGLE-DOOR,ENTRANCE B/WHITE
10	121091-13-01A	EA	ANGLE-DOOR,ENTRANCE B/WHITE
11	125052-02-J20	EA	CAP - ROOF - W/O LIGHTS/WIRING

KEY	PART NUMBER	U/M	DESCRIPTION
12	118383-01-04A	EA	RETAINER - SCREW
13	118383-04-04A	EA	CAP - RETAINER/SCREW
14	120091-02-02A	EA	TRIM - ROOF
15	120092-01-02A	EA	RAIL - AWNING - BRIGHT WHITE
15	131483-01-01A	EA	RAIL - AWNING - BRIGHT WHITE
16	123880-01-01A	EA	TRIM - VALANCE/RETAINER - E-COATED
16	123880-02-01A	EA	TRIM - VALANCE/RETAINER - E-COATED
16	125285-51-001	EA	EXTRUDED - LOWER SIDEWALL - 12'
17	123993-01-03A	EA	TRIM - COVER
18	124046-02-02B	EA	BRACKET - ANCHOR - E-COATED
19	125383-01-J31	EA	BACKWALL - W/O WINDOW/TRIM (K36, K37)
19	125383-01-K38	EA	BACKWALL - W/O WINDOW/TRIM (K38, K39)
19	125383-01-K40	EA	BACKWALL - W/O WINDOW/TRIM (K40, K41)
20	114248-02-01A	EA	ANGLE - PLASTIC - 96.6"
21	131022-01-K36	EA	ROOF - W/O LIGHTS/VENTS - W/WIRING
	090340-02-000	FT	SEAL - FOAM - CLOSED CELL - 3/8" X 1/2" X 50'

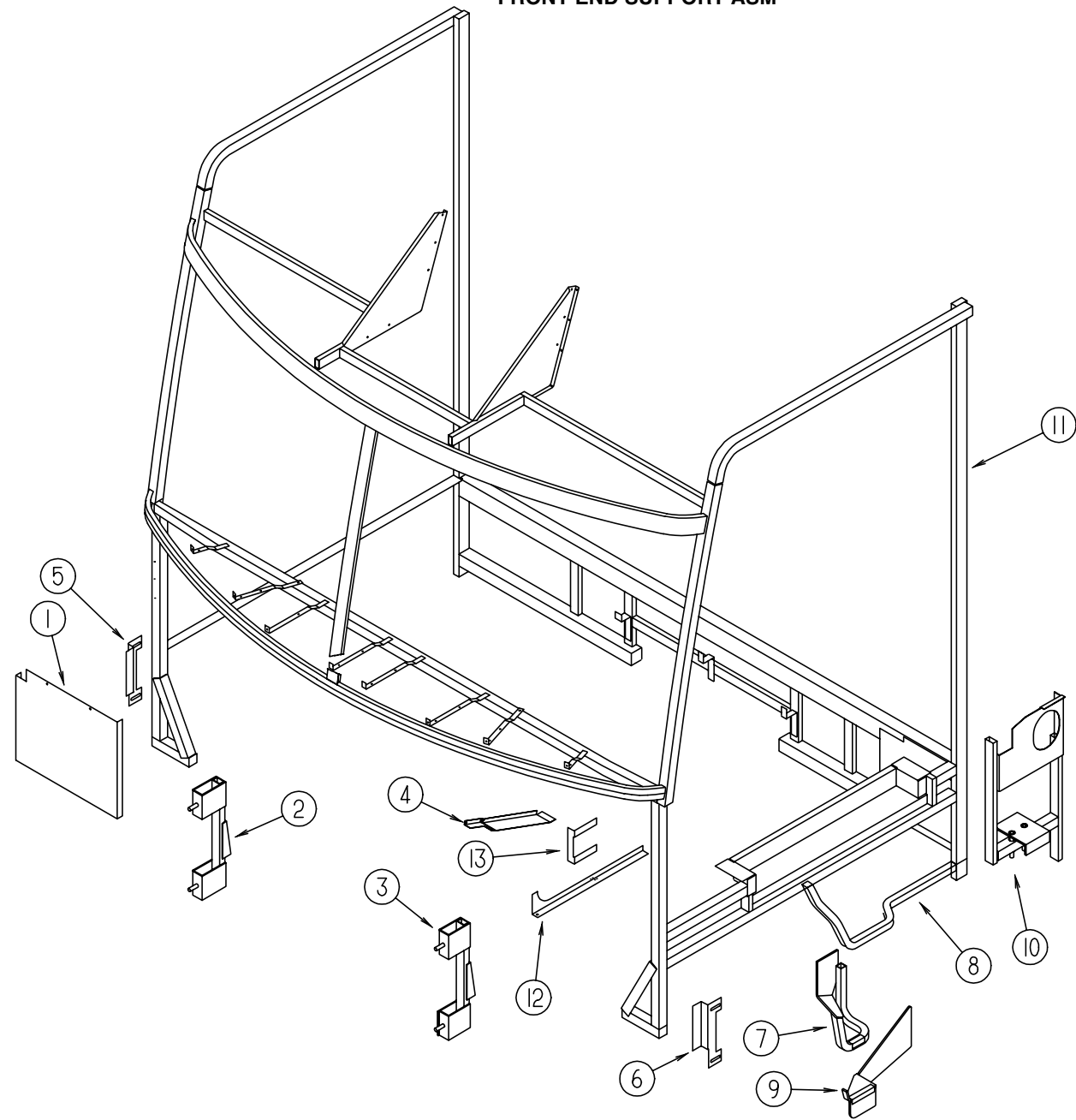
FROM: 00-00-00 THRU: 10-25-98

FROM: 00-00-00 THRU: 10-25-98

FROM: 10-26-98 THRU: 99-99-99

EXTERIOR BODY GROUP (CONTINUED)

FRONT END SUPPORT ASM

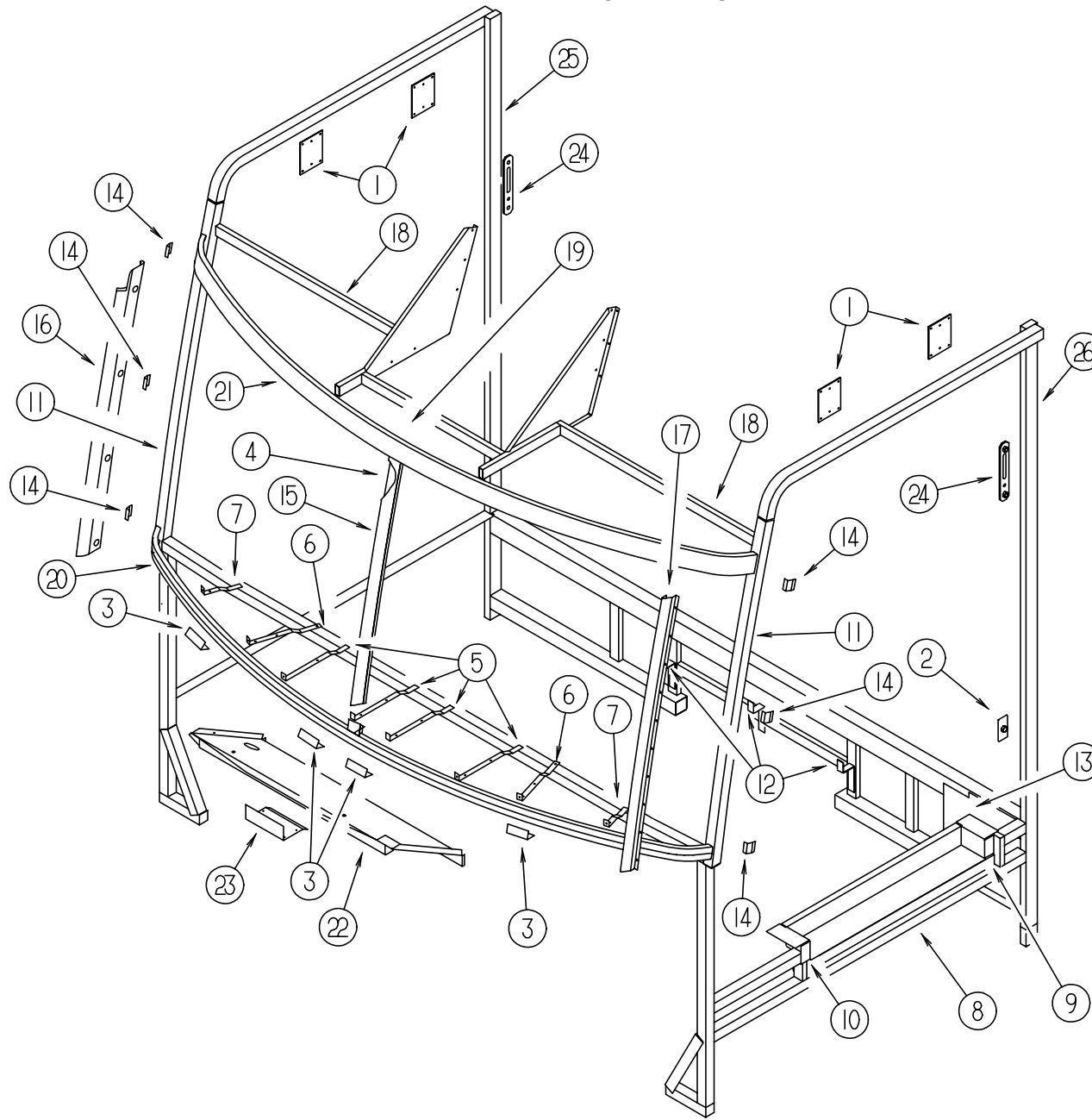


KEY	PART NUMBER	U/M	DESCRIPTION
1	104147-14-000	EA	SHIELD/SPLASH - HEADLIGHT - HDGM/FORD/FREIGHTLINER
1	121962-02-02B	EA	SHIELD ASM - SPLASH - HDLGT - E-CT - GM DIESEL
2	124762-13-02B	EA	SUPPORT - FRONT - W/O WASHER BOTTLE - HDGM
2	119892-17-02B	EA	SUPPORT - FRONT - W/O WASHER BOTTLE - FORD
2	119892-13-02B	EA	SUPPORT - FRONT - FORD
			FROM: 00-00-00 THRU: 01-29-99
2	119892-15-01B	EA	SUPPORT - FRONT - W/O WASHER BOTTLE - FREIGHTLINER
2	119892-17-02B	EA	SUPPORT - FRONT - W/O WASHER BOTTLE - GM DIESEL
3	124762-14-02B	EA	SUPPORT - FRONT - W/WASHER BOTTLE - HDGM
3	119892-12-02B	EA	SUPPORT - FRONT - W/WASHER BOTTLE - FORD
			FROM: 00-00-00 THRU: 01-29-99
3	119892-14-02B	EA	SUPPORT - FRONT - FORD
			FROM: 01-30-99 THRU: 99-99-99
3	119892-16-02B	EA	SUPPORT - FRONT - W/WASHER BOTTLE - FREIGHTLINER
3	119892-12-02B	EA	SUPPORT - FRONT - W/WASHER BOTTLE - GM DIESEL
4	125061-01-02B	EA	PANEL - TOE KICK - E-COATED - HDGM

KEY	PART NUMBER	U/M	DESCRIPTION
5	128019-01-02B	EA	SUPPORT - FRONT END/REAR
6	128019-02-02B	EA	SUPPORT - FRONT END/REAR
7	128075-01-04B	EA	STEP - UPPER - DRIVER DOOR - BLACK - HDGM
8	063977-14-000	EA	STEP/DRIVER DOOR - ARM STYLE - LEFT HAND - GM DIESEL
9	128255-01-04B	EA	STEP - DRIVER DOOR - BLACK - FORD
10	124762-18-02B	EA	SUPPORT - DRIVER STEP - E-COATED - FREIGHTLINER
11	124764-15-02B	EA	FRONT END - TV/DRIVER/DOOR - L-SERIES - HDGM
11	124764-03-02B	EA	FRONT END - TV/DRIVER DOOR - L-SERIES - FORD
			FROM: 00-00-00 THRU: 01-29-99
11	124764-07-02B	EA	FRONT END - TV/DRIVER DOOR - L-SERIES - FORD
			FROM: 01-30-99 THRU: 99-99-99
11	124764-11-02B	EA	FRONT END - TV/DRIVER DOOR - L-SERIES - FREIGHTLINER
11	124764-03-02B	EA	FRONT END - TV/DRIVER DOOR - L-SERIES - GM DIESEL
12	131859-01-02B	EA	BRACKET - SEAL - TRANSITION/LEFT HAND - E-COATED - FORD
			FROM: 01-30-99 THRU: 99-99-99
13	131860-01-02B	EA	BRACKET - SEAL - TRANSITION/LEFT HAND - E-COATED - FORD
			FROM: 01-30-99 THRU: 99-99-99

EXTERIOR BODY GROUP (CONTINUED)

FRONT END ASM

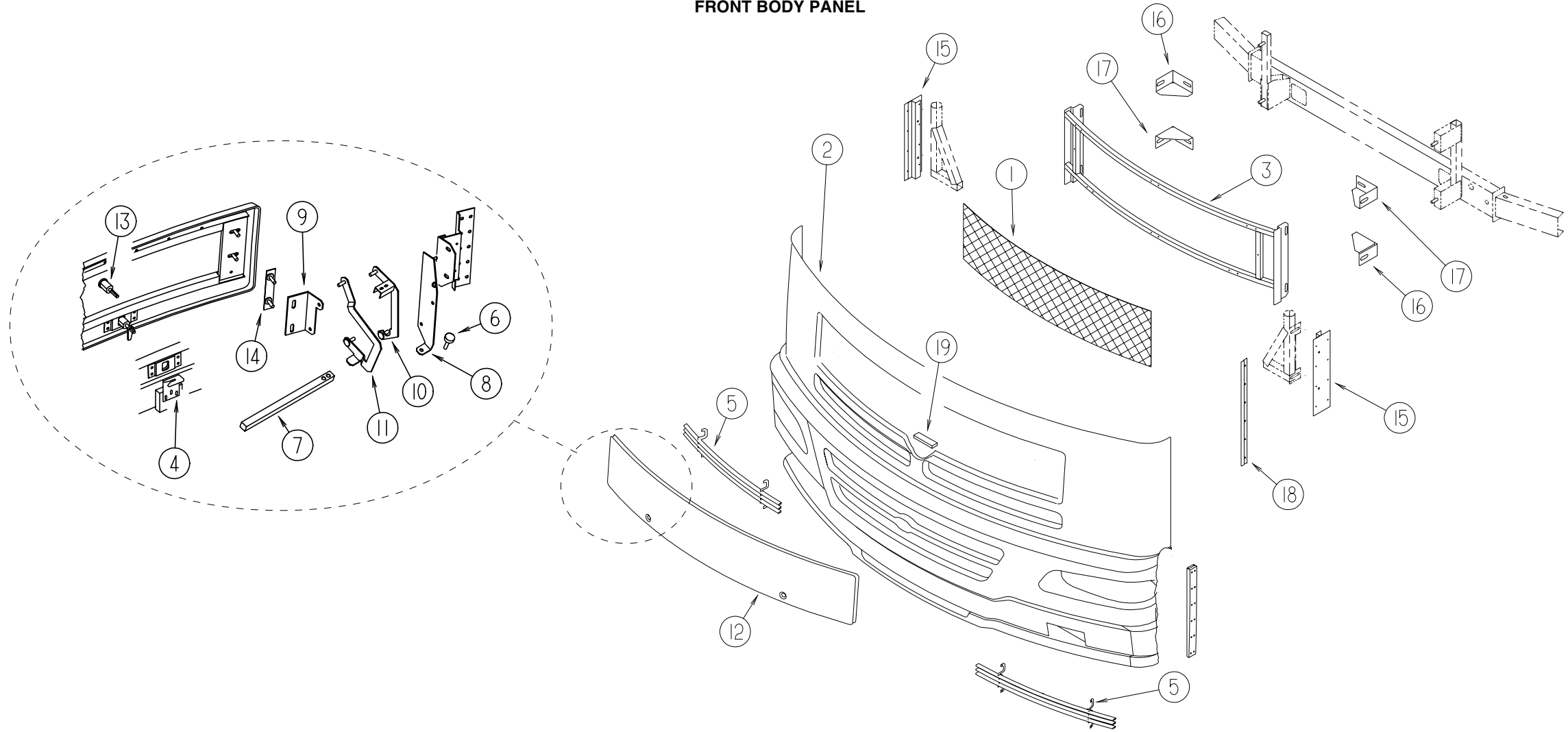


KEY	PART NUMBER	U/M	DESCRIPTION
1	104409-01-000	EA	PLATE-MOUNT,SIDEWALL
2	070579-06-000	EA	PLATE - ANCHOR - W/7/16" WELD NUT - 1.5" X 3.3"
2	070579-07-000	EA	PLATE - ANCHOR - W/O WELD NUT - 1.5" X 3.3"
3	076364-57-000	EA	ANGLE - FORMED
4	078249-17-000	EA	TUBE - SWEEP - CAB FRAME
5	104797-03-000	EA	BRACKET-DEFROSTER
6	104797-04-000	EA	BRACKET-DEFROSTER
7	104797-05-000	EA	BRACKET-DEFROSTER
8	106746-02-000	EA	PANEL - STEPWELL
9	106747-03-000	EA	PANEL - STEPWELL - RIGHT HAND END
10	106747-04-000	EA	PANEL - STEPWELL - LEFT HAND END
11	117273-01-01A	EA	TUBE - SUPPORT - A-PILLAR
12	117287-01-01B	EA	BRACKET - MOUNT - CABLE
13	118592-01-01B	EA	SHIELD - SPLASH - MILL

KEY	PART NUMBER	U/M	DESCRIPTION
14	120363-01-01B	EA	BRACKET - WINDSHIELD
15	120840-07-01B	EA	STRAP-W/HOLES,MILL
16	121269-05-01B	EA	FRAME - WINDSHIELD - A-PILLAR - MILL
17	121269-06-01B	EA	FRAME - WINDSHIELD - A-PILLAR - MILL
18	124764-51-01B	EA	HEADER - F/TV - MILL
19	124904-03-01B	EA	HEADER - WINDSHIELD - CENTER
20	124974-01-01B	EA	SUPPORT-WINDSHIELD,LOWER,MLL
21	124975-01-01B	EA	SUPPORT-WINDSHIELD,UPPER,MLL
22	125836-02-01B	EA	ZEE-WIPER MOTOR,MILL
23	125837-02-01B	EA	BRACE-WIPER MOTOR,MILL
24	127461-02-01B	EA	PLATE - ANCHOR - SEAT BELT
25	127874-01-01B	EA	TUBE-B PILLAR,MILL
26	127874-01-01B	EA	TUBE-B PILLAR,MILL - HDGM/FORD/GM DIESEL
26	127874-02-01B	EA	TUBE-B PILLAR,MILL - FREIGHTLINER

EXTERIOR BODY GROUP (CONTINUED)

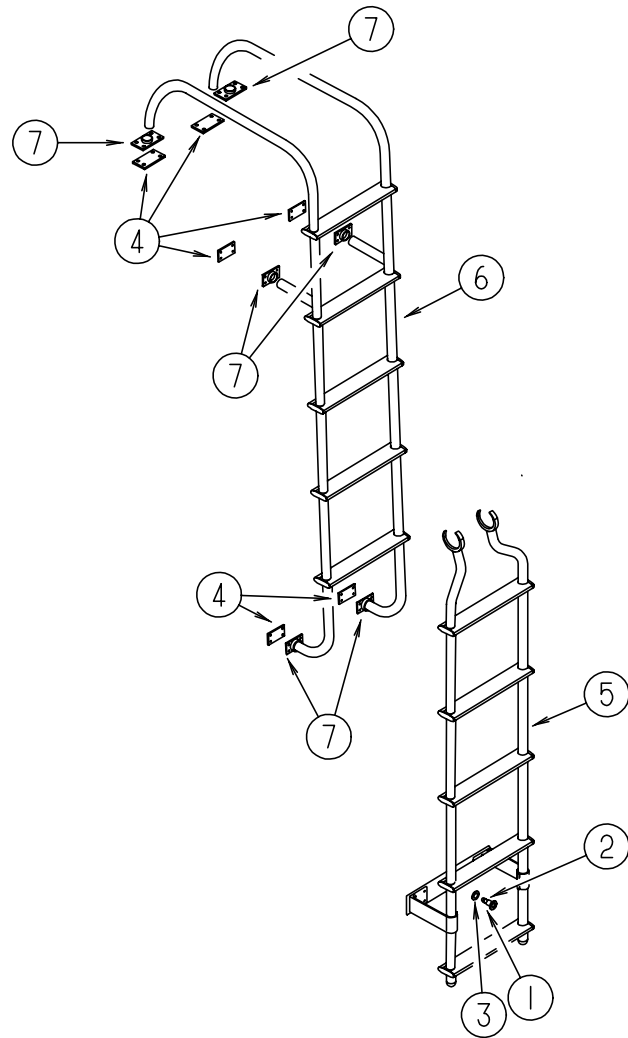
FRONT BODY PANEL



KEY	PART NUMBER	U/M	DESCRIPTION
1	115924-14-02A	EA	WIRE MESH - F/GRILLE - FLAT BLACK - HDGM/FORD/GMDIESEL
2	125440-04-J30	EA	PANEL - FRONT/LOWER - W/O HOOD - W/HARDWARE - HDGM
2	125440-02-J30	EA	PANEL - FRONT/LOWER - W/O HOOD - W/HARDWARE - FORD/GM DIESEL
2	125440-06-J30	EA	PANEL - FRONT/LOWER - W/O HOOD - W/HARDWARE - FREIGHTLINER
3	126334-01-J30	EA	GRILLE - LOWER
4	126352-01-02B	EA	LATCH - HOOD - FRONT END
5	126503-01-J30	EA	GRILLE - UPPER
6	058786-01-000	EA	BOLT - ADJUSTING HOOD - W/BLACK PAD
7	105096-10-000	EA	TUBE - HOOD HINGE TIMING W/WELDNUTS - CHEVY
8	109926-11-000	EA	BRACKET - LINK - HINGE/RIGHT HAND
8	109926-12-000	EA	BRACKET - LINK - HINGE/LEFT HAND
9	109927-05-000	EA	ANGLE - LINK - HOOD/PASSENGER
9	109927-06-000	EA	ANGLE - LINK - HOOD/DRIVER
10	126353-03-02B	EA	LINK - HINGE - UPPER/PASSENGER - E-COATED
10	126353-04-02B	EA	LINK - HINGE - UPPER/DRIVER - E-COATED

KEY	PART NUMBER	U/M	DESCRIPTION
11	126356-02-02B	EA	LINK - HINGE - LOWER - HOOD/PASSENGER - E-COATED
11	126356-04-02B	EA	LINK - HINGE - LOWER/HOOD - DRIVER - E-COATED
12	126536-01-J30	EA	PANEL - HOOD
13	102330-02-000	EA	LATCH - VISE ACTION/KEY OPERATED
13	102328-01-000	EA	KEY - BARREL - NICKEL PLATED
14	106730-10-000	EA	PLATE - STUD - F/HOOD
15	128018-01-02B	EA	BRACKET - FRONT - RIGHT HAND/LEFT HAND - E-COAT
16	128455-03-02B	EA	BRACKET - BUMPER - RIGHT HAND UPPER/LEFT HAND LOWER
17	128455-04-02B	EA	BRACKET - BUMPER - LEFT HAND UPPER/RIGHT HAND LOWER
18	125818-02-01A	EA	TRIM - PANEL - FIBERGLASS - BRIGHT WHITE
18	091985-01-07A	FT	MOLDING - TRIM - BRIGHT WHITE
19	099418-01-000	FT	SEAL - D-SECTION/ADHESIVE BACK - .44" X .44" - BLK RUBBER

EXTERIOR BODY GROUP (CONTINUED)



LADDER

KEY	PART NUMBER	U/M DESCRIPTION
1	081055-01-000	EA SPRING GRIP - INTERNAL TOOTH - LADDER
2	081056-01-000	EA PIN - QUICK RELEASE - SINGLE ACTION - LADDER
3	128197-01-01A	EA WASHER - NEOPRENE - 1.1" X .62"
4	129375-01-000	EA SEAL/FOAM - LADDER BRACKET
4	129375-02-000	EA SEAL - LADDER BRACKET
5	130163-02-01A	EA LADDER - LOWER - ANODIZED ALUMINUM
6	130164-02-01A	EA LADDER - UPPER - ANODIZED ALUMINUM
7	131256-01-01A	EA PLATE - LADDER

EXTERIOR MIRRORS

KEY	PART NUMBER	U/M DESCRIPTION	VENDOR NO.
	106015-14-01A	EA MIRROR - EXTERIOR ADJUSTABLE GLASS - PASSENGER	
	106015-15-01A	EA MIRROR - EXTERIOR ADJUSTABLE GLASS - DRIVER	
	106015-12-01A	EA MIRROR - EXTERIOR REMOTE/HEAT - PASSENGER	
	106015-13-01A	EA MIRROR - EXTERIOR REMOTE/HEAT - DRIVER	
	106015-12-700	EA MIRROR-FLAT - W/W/O HEAT	709448
	106015-12-701	EA MIRROR-CONVEX - W/W/O HEAT	709449
	106015-12-702	EA SCREW CAP - (BAG OF 4)	748329

EXTERIOR BODY GROUP (CONTINUED)

EXTERIOR SKIN, STYROFOAM & BRACES

KEY	PART NUMBER	U/M DESCRIPTION
	002726-01-001	EA GARNISH - U-CHANNEL - 1.38" X 19' - SERRATED
	002766-01-001	EA ANGLE - EXTRUDED - 1" X 1.5" X 17'
	068716-01-001	EA BRACE - 90 DEGREE L-ANGLE - 16'
	076054-U4-000	EA FIBERGLASS SHEET - 101" X 104" - BRIGHT WHITE
	076054-X6-000	EA FIBERGLASS SHEET - 23" X 33" - BRIGHT WHITE
	083574-06-000	SF STYROFOAM - .75 X 4' X 9' - INCREMENTS OF 14 SF
	089297-01-000	SF PLYWOOD - LUAN - OVERLAY GRADE - 48" X 96"
	100619-01-000	BF FOAM - EXPANDED POLYSTYRENE - 1.34" X 48" X 96"
	100619-02-000	BF FOAM - EXPANDED POLYSTYRENE - 1.5" X 48" X 96"
	100619-05-000	BF FOAM - EXPANDED POLYSTYRENE - .75" X 48" X 96"-1.5 DENSITY
	100619-10-000	BF FOAM - EXPANDED POLYSTYRENE - 1.5" X 48" X 96"
	100619-11-000	BF FOAM - EXPANDED POLYSTYRENE - 2" X 48" X 96"
	100619-13-000	BF FOAM - EXPANDED POLYSTYRENE - .34" X 34.65" X 96"
	100619-16-000	BF FOAM - EXPANDED POLYSTYRENE - .75" X 48" X 96"-2.0 DENSITY
	100619-21-000	BF FOAM - EXPANDED POLYSTYRENE - 48" X 143" X .75"
	100619-22-000	BF FOAM - EXPANDED POLYSTYRENE - 48" X 120" X 1.34"
	105077-08-000	EA FOAM - PLUG - ROOF CAP
	108535-05-702	EA FRP FLAT 108" X 396" BRT WHT PARTS DEPT
	120107-01-000	EA FOAM - ROOF COVE - 2.8" X 96" LONG
	120107-02-000	EA FOAM - PLUG - ROOF TUBE - 2.2" X 2.9" X 1.8" LONG
	120107-03-000	EA FOAM - PLUG - SIDEWALL TUBE - 1.2" X 2.1" X 1.8" LONG
	120107-04-000	EA FOAM - ROOF COVE
	120107-05-000	EA FOAM - PLUG - ROOF TUBE
	128782-02-01A	EA FIBERGLASS SHEET - 79" X 456"/HIGH GLOSS - BRIGHT WHITE
	128782-03-01A	EA FIBERGLASS SHEET - 27.4" X 70.8"/HIGH GLOSS - BRIGHT WHITE

AWNINGS

FROM: 00-00-00 THRU: 03-07-99, THEN FROM: 06-14-99 THRU: 99-99-99

KEY	PART NUMBER	U/M DESCRIPTION
	117058-01-01A	FT TAPE - LOOP - 3/4" WIDE - ADHESIVE BACKED
	122977-08-01A	EA AWNING - SLIDEOUT COVER - 24" ROOM EXTENSION - BRIGHT WHITE
	122977-07-01A	EA AWNING - SLIDEOUT COVER - 147" - BRIGHT WHITE
	122977-06-01A	EA AWNING - SLIDEOUT COVER - 160.24" - BRIGHT WHITE
	122977-05-01A	EA AWNING - SLIDEOUT COVER - 90" - BRIGHT WHITE
*	113874-01-02A	EA HARDWARE KIT - AWNING - W/O STANDOFF BRACKET-BRIGHT WHITE
	113874-06-14A	EA AWNING - W/O HARDWARE - 16' (POLAR BLUE) METAL - L33 & L35U
	113874-06-18A	EA AWNING - W/O HARDWARE - 16' (AMETHYST) METAL - L33 & L35U
	113874-07-14A	EA AWNING - W/O HARDWARE - 18' - (POLAR BLUE) METAL - L34 & L35C
	113874-07-18A	EA AWNING - W/O HARDWARE - 18' (AMETHYST) METAL - L34 & L35C
	113874-08-14A	EA AWNING - W/O HARDWARE - 19' - (POLAR BLUE) METAL - L36
	113874-08-18A	EA AWNING - W/O HARDWARE - 19' (AMETHYST) METAL - L36
	113874-11-01A	EA AWNING - LAG SCREW - 1/4" X 1" STAINLESS STEEL
	113874-12-01A	EA SCREW/LAG - AWING - 1/4" X 2 3/4" STAINLESS STEEL
	127647-01-01A	EA ROD/AWNING GUARD - ENTRY DOOR
	133088-01-02A	EA BRACKET - AWNING - BRIGHT WHITE

***COMPONENT PARTS FOUND IN SERVICE PARTS LIBRARY**

FROM: 03-08-99 THRU: 06-13-99

KEY	PART NUMBER	U/M DESCRIPTION
	117058-01-01A	FT TAPE - LOOP - 3/4" WIDE - ADHESIVE BACKED
	122977-08-01A	EA AWNING - SLIDEOUT COVER - 24" ROOM EXTENSION - BRIGHT WHITE
	122977-07-01A	EA AWNING - SLIDEOUT COVER - 147" - BRIGHT WHITE
	122977-06-01A	EA AWNING - SLIDEOUT COVER - 160.24" - BRIGHT WHITE
	122977-05-01A	EA AWNING - SLIDEOUT COVER - 90" - BRIGHT WHITE
	132715-01-01A	EA HARDWARE KIT - 2 STEP AWNING - BRIGHT WHITE
	132715-02-01A	EA AWNING - 2 STEP W/O HDW - 16' W/METAL WRAP - AMETHYST
	132715-03-01A	EA AWNING - 2 STEP W/O HDW - 18' W/METAL WRAP - AMETHYST
	132715-04-01A	EA AWNING - 2 STEP W/O HDW - 19' W/METAL WRAP - AMETHYST
	127647-01-01A	EA ROD/AWNING GUARD - ENTRY DOOR
	130320-01-02A	EA BRACKET - AWNING - F/A&E INSTALLATION - BRIGHT WHITE

GALLEY GROUP

APPLIANCES & TIEDOWNS

KEY	PART NUMBER	U/M	DESCRIPTION
*	100258-40-01A	EA	HOOD - RANGE 22" - W/MONITOR PANEL - BLACK TEXTURED (L33 & L34)
*	100258-41-01A	EA	HOOD - RANGE 22" - W/MONITOR PANEL - BLACK TEXTURED - CSA (L33 & L34)
	127426-01-01A	EA	SPACER - HOOD - 3.9" DEEP X 21.9" WIDE X 4.9" (L33 & L34)
	102482-11-J60	EA	FRAME - MICROWAVE (L33 & L34)
	121850-04-02B	EA	STRAP - TIEDOWN - MICROWAVE - E-COATED (L33 & L34)
	122753-02-000	EA	OVEN - MICROWAVE - .9 CU. FT - CONVECTION - SHARP - UL(US) (L33 & L34)
	122753-06-000	EA	OVEN - MICROWAVE - .9 CU FT - CONVECTION - CSA (L33 & L34)
	119267-04-01A	EA	OVEN - MICROWAVE - W/HOOD (L35 & L36)
	119267-05-000	EA	FILTER - HOOD - CHARCOAL (L35 & L36)
	121148-05-01A	EA	PANEL - MONITOR - 2 TANK LOW (KL36L DIESEL GENERATOR ONLY)
	121148-06-01A	EA	PANEL - MONITOR - 2 PANEL/2TANK (L35 & L36)
	130036-02-000	EA	FILTER/CHARCOAL - MICROWAVE - GE #C08-4030 (L35 & L36)
	130036-03-01A	EA	MICROWAVE OVEN - W/HOOD - CANADIAN (L35 & L36)
	129552-02-02B	EA	BRACKET - MICROWAVE - E-COATED (L36)
	107109-21-04B	EA	BRACKET - TIEDOWN (RANGE W/OVEN)
	107109-22-04B	EA	BRACKET - TIEDOWN (RANGE W/OVEN)
*	126023-01-01A	EA	RANGE - W/OVEN 22" - 3 BURNER/BLACK GLASS DOOR
*	126023-02-01A	EA	RANGE - W/OVEN - 22" - 3 BURNER/TEXTURED TOP - BLACK
	106936-21-04B	EA	BRACKET - STOVE TIEDOWN - BLACK (RANGE TOP)
	106936-22-04B	EA	BRACKET - STOVE TIEDOWN - BLACK (RANGE TOP)
	106936-35-04B	EA	BRACKET - TIEDOWN - STOVE FRONT (FL35U RANGE TOP)
	106936-36-04B	EA	BRACKET - TIEDOWN - STOVE REAR (FL35U RANGE TOP)
*	114030-02-01A	EA	RANGE - 3 BURNER TOP - W/O OVEN - BLACK - UL
*	114030-03-01A	EA	RANGE - 3 BURNER TOP - W/O OVEN - BLACK - CSA
	065225-02-000	EA	PLATE - TIEDOWN - REFRIGERATOR
	065225-01-000	EA	PLATE - TIEDOWN - REFRIGERATOR (4 DOOR REFRIGERATOR)
	090195-08-000	EA	BAFFLE - REFRIGERATOR - LOWER
	093369-03-000	EA	STRAP - REFRIGERATOR
	093646-01-000	EA	BRACKET - TIEDOWN/REFRIGERATOR - RIGHT HAND
	093646-02-000	EA	BRACKET - TIEDOWN/REFRIGERATOR - LEFT HAND
	103251-07-01A	EA	INSERT - ACRYLIC/BLACK - 21.6" X 14.5"
	103251-09-01A	EA	INSERT - ACRYLIC/BLACK - 21.6" X 38.6"
	103251-10-01A	EA	INSERT - ACRYLIC/BLACK - 16.2" X 18.4" (4 DOOR REFRIGERATOR)
	103251-11-01A	EA	INSERT - ACRYLIC/BLACK - 16.2" X 41.2" (4 DOOR REFRIGERATOR)
	116751-02-01A	EA	TRAY - REFRIGERATOR - BLACK
	116751-05-01A	EA	TRAY - REFRIGERATOR - BLACK (L33B ONLY)
	116751-09-01A	EA	TRAY - REFRIGERATOR - BLACK - CSA
	116751-12-01A	EA	TRAY - REFRIGERATOR - BLACK - CSA (L33B ONLY)
	118871-05-01A	EA	TRAY - REFRIGERATOR - SIDE/SIDE - BLACK (4 DOOR REFER)
	118871-03-01A	EA	TRAY - REFRIGERATOR - SIDE/SIDE - BLACK (4 DOOR REFER) (L36 ONLY)
	118871-09-01A	EA	TRAY - REFRIGERATOR - SIDE/SIDE - BLACK (4 DOOR REFER) - CSA
	118871-11-01A	EA	TRAY - REFRIGERATOR - SIDE/SIDE - BLACK (4 DOOR REFER) (L36 ONLY) - CSA
*	120075-07-01A	EA	REFRIGERATOR - LARGE DOUBLE DOOR/RIGHT HAND - BLACK 2-WAY
*	120075-09-01A	EA	REFRIGERATOR - LARGE DBL DOOR RH - W/ICE MAKER-BLACK 2-WAY
*	125242-01-01A	EA	REFRIGERATOR - 4 DOOR W/ICE MAKER
	129655-01-01A	EA	REFRIGERATOR - SMALL DOUBLE DOOR - 3 WAY - GERMANY
	054450-01-000	EA	LEVEL - REFRIGERATOR
	124649-02-01A	EA	COFFEEMAKER - BLACK/10 CUP/DEEP BREW - UL
	124649-03-01A	EA	COFFEEMAKER - BLACK/10 CUP/24 HOUR PROGRAM/DEEP BREW - CSA
	108464-03-J31	EA	COVER - SINK - 15" X 11" - LAMINATED BOTH SIDES (K36, K37)
	108464-03-J74	EA	COVER - SINK - 15" X 11" - LAMINATED BOTH SIDES (K38, K39, K40, K41)
	108464-04-J31	EA	COVER - SINK - 15" X 15" - LAMINATED BOTH SIDES (K36, K37)
	108464-04-J23	EA	COVER - SINK - 15" X 15" - LAMINATED BOTH SIDES (K38, K39, K40, K41)
	M05904-03-J61	EA	COVER - STOVE - W/SOLID COUNTERTOP (K36, K37)
	M05904-03-J62	EA	COVER - STOVE - W/SOLID COUNTERTOP (K38, K39, K40, K41)
	126022-01-01A	EA	COVER - RANGE - BI-FOLD - 16" & 22" - BLACK TEXTURED

*COMPONENT PARTS FOUND IN SERVICE PARTS LIBRARY

GALLEY GROUP (CONTINUED)

APPLIANCES & TIEDOWNS (CONTINUED)

KEY	PART NUMBER	U/M	DESCRIPTION
	130815-01-01A	EA	COVER - SINK - LARGE - JAMAICAN SAND - 1/4"
	130815-02-01A	EA	COVER - SINK - SMALL - JAMAICAN SAND - 1/4"
	130816-01-01A	EA	COVER - RANGE - JAMAICAN SAND - 1/4" X 5.4" X 24.3"
	130816-02-01A	EA	COVER - RANGE - JAMAICAN SAND - 1/4" X 11.7" X 24.3"

WATER SYSTEM COMPONENTS

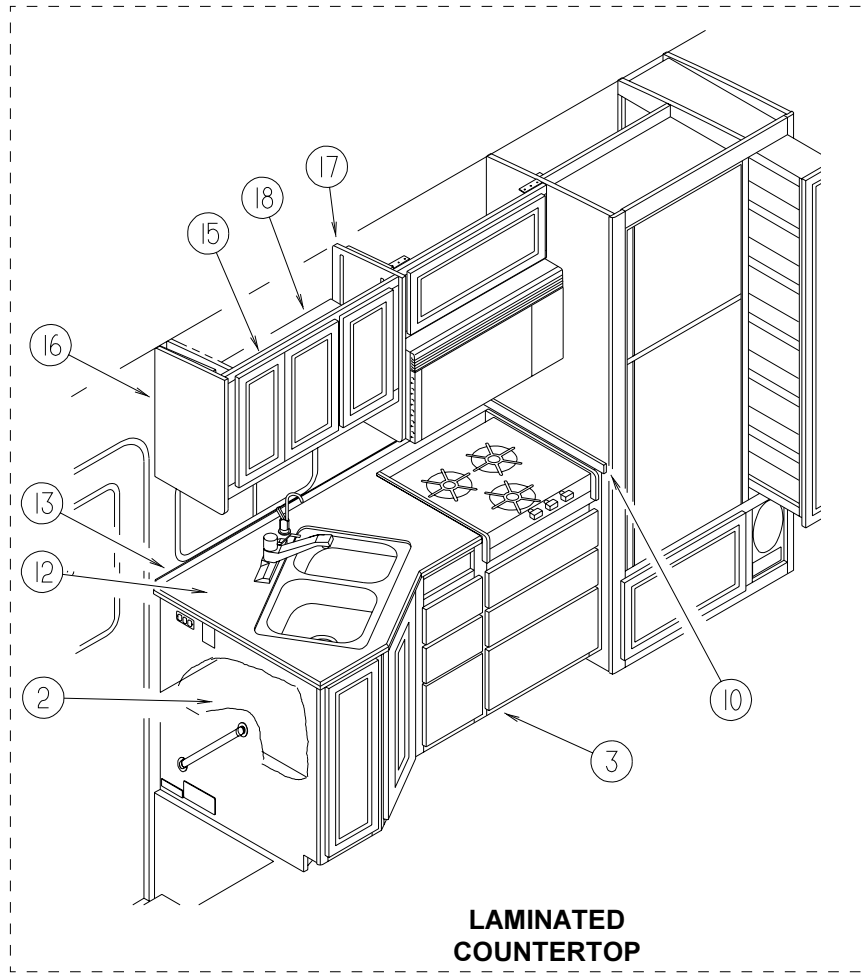
KEY	PART NUMBER	U/M	DESCRIPTION	VENDOR NO.
	103635-01-000	EA	FAUCET - SINGLE CONTROL DRINKING	
	103635-01-700	EA	FITTING KIT, FAUCET REPAIR	3071-70
	103635-01-701	EA	TUBING-PLASTIC	3019-20
	104114-02-01A	EA	FAUCET - GALLEY - SINGLE CONTROL	

DRAINAGE SYSTEM COMPONENTS

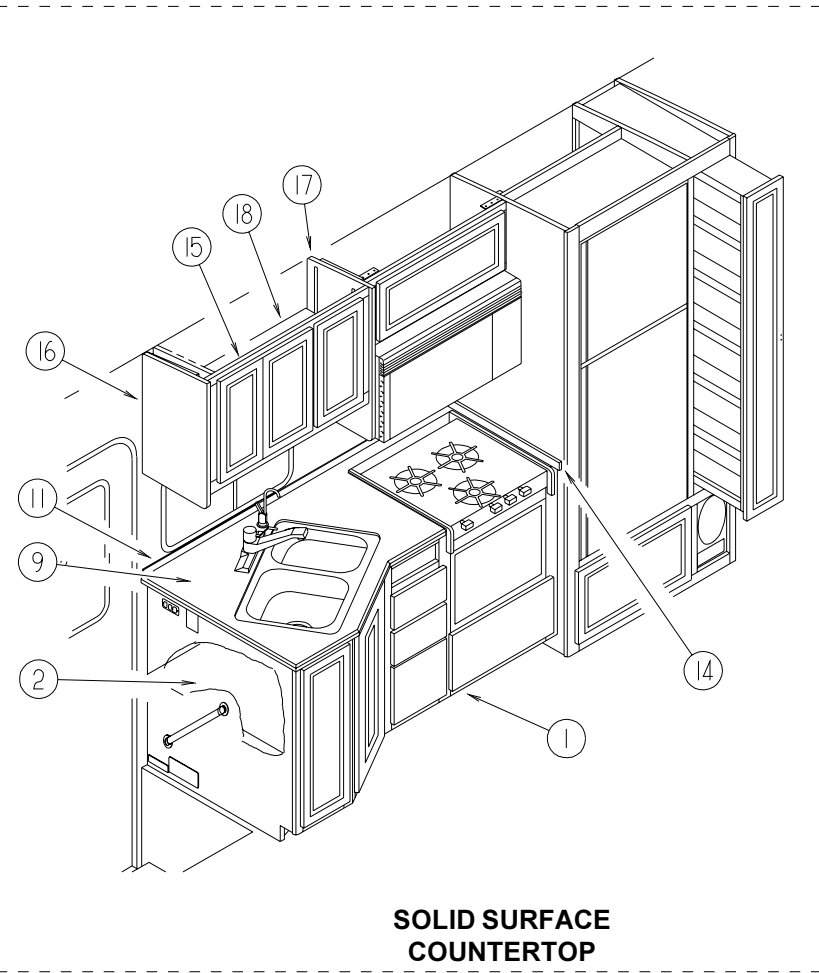
KEY	PART NUMBER	U/M	DESCRIPTION
	092303-01-000	EA	STRAINER - SINK
	110654-01-000	EA	SINK - STAINLESS STEEL/DOUBLE BASIN (1 LG-1 SM BASIN)

GALLEY GROUP (CONTINUED)

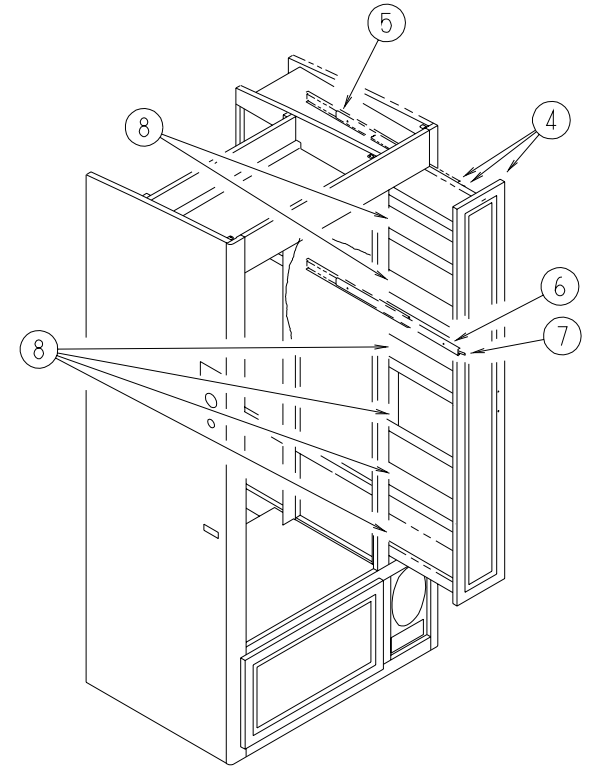
CABINETS



**LAMINATED
COUNTERTOP**



**SOLID SURFACE
COUNTERTOP**

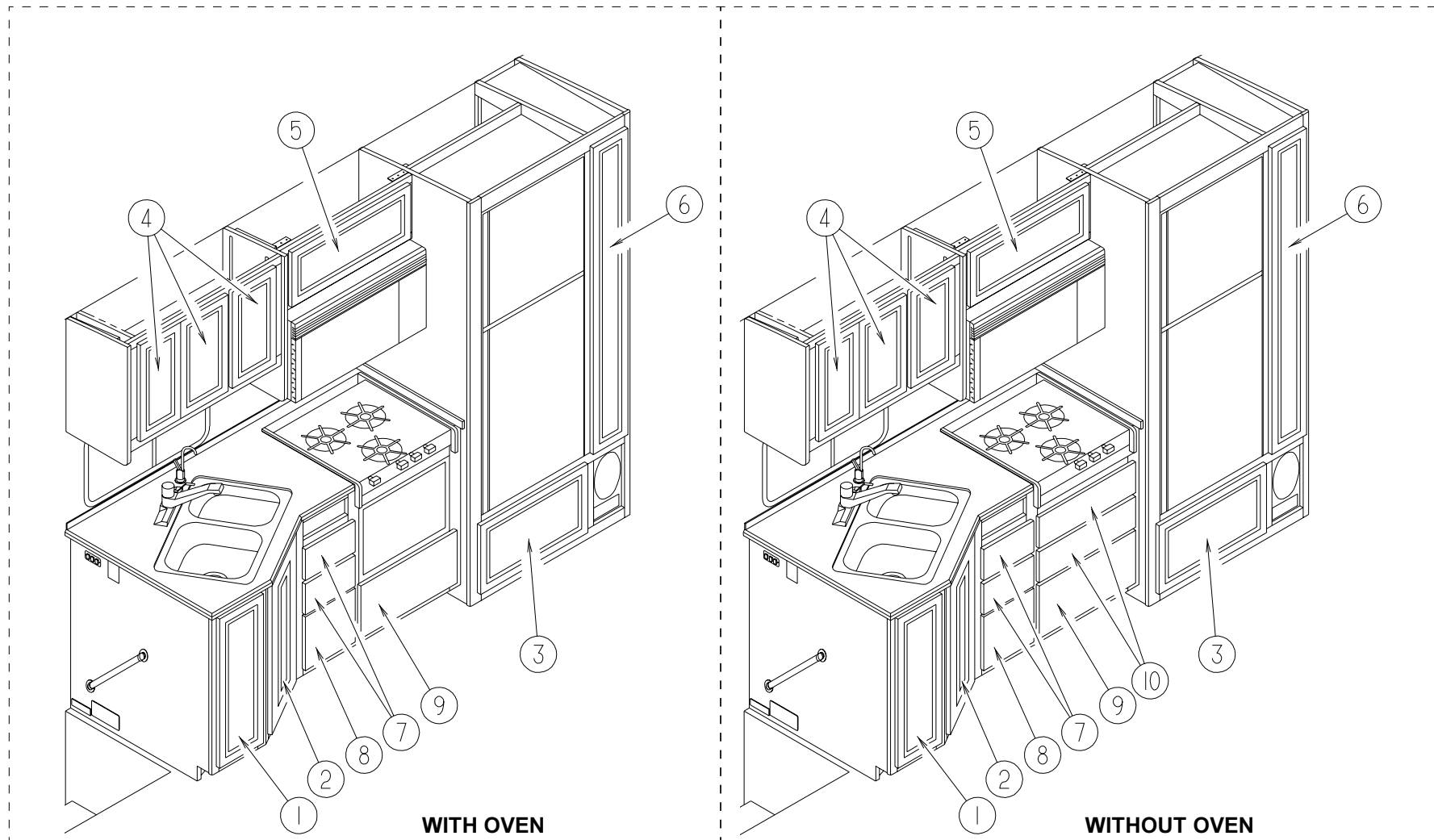


KEY	PART NUMBER	U/M	DESCRIPTION
1	131113-02-K36	EA	CABINET - GALLEY - W/CNTRTP - W/O DOOR/DRAWER/HDW - MYSTIC OAK
1	131113-02-K37	EA	CABINET - GALLEY - W/CNTRTP - W/O DOOR/DRAWER/HDW - SALEM CHERRY
1	131113-04-K36	EA	CABINET - GALLEY - W/CNTRTP - W/O DOOR/DRAWER/HDW - MYSTIC OAK
1	131113-04-K37	EA	CABINET - GALLEY - W/CNTRTP - W/O DOOR/DRAWER/HDW - SALEM CHERRY
2	131113-17-K36	EA	SHELF - W/PLASTIC EDGE MOLDING - MYSTIC OAK
2	131113-17-K37	EA	SHELF - W/PLASTIC EDGE MOLDING - SALEM CHERRY
3	131113-01-K36	EA	CABINET - GALLEY - W/CNTRTP - W/O DOOR/DRAWER/HDW - MYSTIC OAK
3	131113-01-K37	EA	CABINET - GALLEY - W/CNTRTP - W/O DOOR/DRAWER/HDW - SALEM CHERRY
3	131113-03-K36	EA	CABINET - GALLEY - W/CNTRTP - W/O DOOR/DRAWER/HDW - MYSTIC OAK
3	131113-03-K37	EA	CABINET - GALLEY - W/CNTRTP - W/O DOOR/DRAWER/HDW - SALEM CHERRY
4	122325-01-J90	EA	CABINET - PANTRY/RIGHT HAND SLIDING - W/O SLIDES/HDW - MYSTIC OAK
4	122325-01-H57	EA	CABINET - PANTRY/RIGHT HAND SLIDING - W/O SLIDES/HDW - SALEM CHERRY
5	122360-02-000	EA	SLIDE - PANTRY - W/O LOCK - RIGHT/LEFT HAND
6	122360-03-000	EA	SLIDE - PANTRY - W/LOCK - RIGHT HAND (FACING PANEL)
7	123673-01-01A	EA	KNOB - PANTRY SLIDE
8	122325-11-J90	EA	SHELF - W/PLASTIC EDGE MOLDING - MYSTIC OAK
8	122325-11-H57	EA	SHELF - W/PLASTIC EDGE MOLDING - SALEM CHERRY
9	090329-01-000	FT	SEAL/T - REFRIGERATOR CABINET
9	130812-03-01A	EA	COUNTERTOP - JAMAICAN SAND - 1/4" VENDURA

KEY	PART NUMBER	U/M	DESCRIPTION
10	131113-21-K28	EA	COUNTERTOP - GALLEY CABINET (K36, K37)
10	131113-21-K38	EA	COUNTERTOP - GALLEY CABINET (K38, K39, K40, K41)
11	130813-05-01A	EA	BACKSPLASH - COUNTERTOP - JAMAICAN SAND - 1/2" VENDURA
12	131113-20-K36	EA	COUNTERTOP - GALLEY CABINET (K36)
12	131113-20-K37	EA	COUNTERTOP - GALLEY CABINET (K37)
12	131113-20-K38	EA	COUNTERTOP - GALLEY CABINET (K38, K40)
12	131113-20-K39	EA	COUNTERTOP - GALLEY CABINET (K39, K41)
13	131113-32-K28	EA	TRIM - W/LAMINATE (K36, K37)
13	131113-32-K38	EA	TRIM - W/LAMINATE (K38, K39, K40, K41)
14	130813-04-01A	EA	BACKSPLASH - COUNTERTOP - JAMAICAN SAND - 1/2"X1.65"X21.1"
15	130749-01-K36	EA	CABINET - OVERHEAD/GALLEY - W/O DOORS/HDW - MYSTIC OAK
15	130749-01-K37	EA	CABINET - OVERHEAD/GALLEY - W/O DOORS/HDW - SALEM CHERRY
16	103128-44-K36	EA	END CAP - OVERHEAD CABINET - LEFT HAND - MYSTIC OAK
16	103128-44-K37	EA	END CAP - OVERHEAD CABINET - LEFT HAND - SALEM CHERRY
17	103128-45-K36	EA	END CAP - OVERHEAD CABINET - LEFT HAND - MYSTIC OAK
17	103128-45-K37	EA	END CAP - OVERHEAD CABINET - LEFT HAND - SALEM CHERRY
18	130749-11-K36	EA	SHELF - W/PLASTIC EDGE MOLDING - MYSTIC OAK
18	130749-11-K37	EA	SHELF - W/PLASTIC EDGE MOLDING - SALEM CHERRY

GALLEY GROUP (CONTINUED)

DOORS & DRAWERS



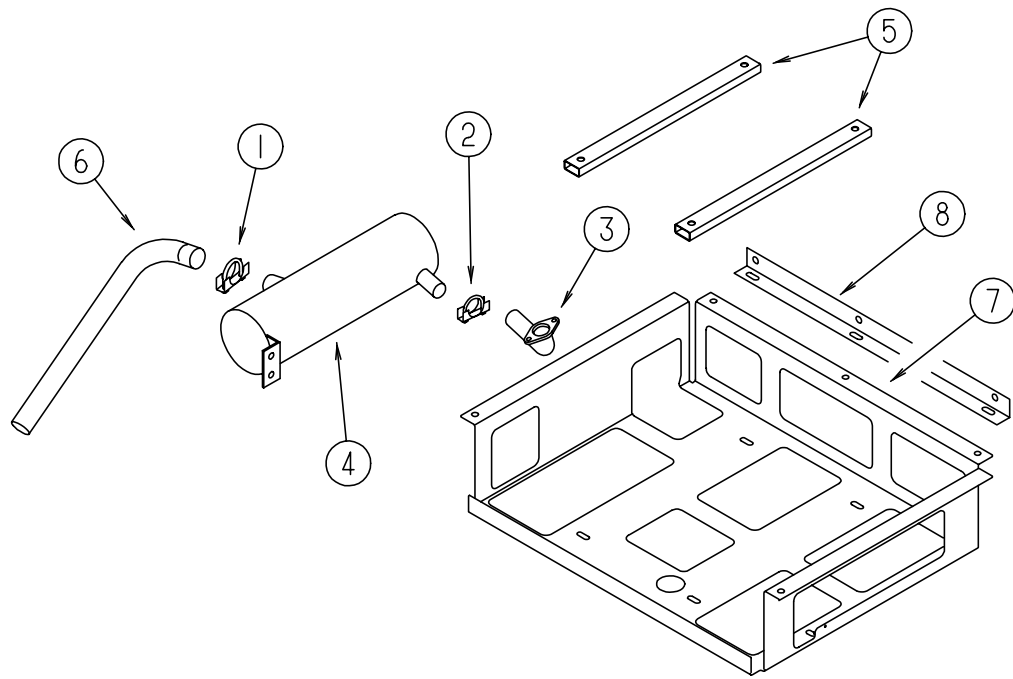
MYSTIC OAK

SALEM CHERRY

KEY	PART NUMBER	U/M	DESCRIPTION
1	131995-28-K36	EA	DOOR - SOLID PANEL - 10" X 29.5" - W/O HDW - MYSTIC OAK
2	131995-C6-K36	EA	DOOR - SOLID PANEL - 15.5" X 29.5" - W/O HDW - MYSTIC OAK
3	131995-L7-K36	EA	DOOR - SOLID PANEL - 9.8" X 12" - W/O HDW - MYSTIC OAK
4	131995-23-K36	EA	DOOR - SOLID PANEL - 10" X 19.1" - W/O HDW - MYSTIC OAK
5	131995-47-K36	EA	DOOR - SOLID PANEL - 10.8" X 27.9" - W/O HDW - MYSTIC OAK
6	131995-J3-K29	EA	DOOR - SOLID PANEL - 8" X 60.7" - W/O HARDWARE - MYSTIC OAK
7	M09316-03-K36	EA	DRAWER - OGEE EDGE - 9.2"W X 17.7"D - W/O SLIDES/HDW - MYSTIC OAK
8	M09316-56-K36	EA	DRAWER - OGEE EDGE - 9.2"W X 21.6"D - W/O SLIDES/HDW - MYSTIC OAK
9	M09316-54-K36	EA	DRAWER - OGEE EDGE - 9.9"W X 21.6"D - W/O SLIDES/HDW - MYSTIC OAK
10	M09316-55-K36	EA	DRAWER - OGEE EDGE - 22.8"W X 21.6"D - W/O SLIDES/HDW - MYSTIC OAK

KEY	PART NUMBER	U/M	DESCRIPTION
1	131995-28-K37	EA	DOOR - SOLID PANEL - 10" X 29.5" - W/O HDW - SALEM CHERRY
2	131995-C6-K37	EA	DOOR - SOLID PANEL - 15.5" X 29.5" - W/O HDW - SALEM CHERRY
3	131995-L7-K37	EA	DOOR - SOLID PANEL - 9.8" X 12" - W/O HDW - SALEM CHERRY
4	131995-23-K37	EA	DOOR - SOLID PANEL - 10" X 19.1" - W/O HDW - SALEM CHERRY
5	131995-47-K37	EA	DOOR - SOLID PANEL - 10.8" X 27.9" - W/O HDW - SALEM CHERRY
6	131995-J3-K81	EA	DOOR - SOLID PANEL - 8" X 60.7" - W/O HARDWARE - SALEM CHERRY
7	M09316-03-K37	EA	DRAWER - OGEE EDGE - 9.2"W X 17.7"D - W/O SLIDES/HDW - SALEM CHERRY
8	M09316-56-K37	EA	DRAWER - OGEE EDGE - 9.2"W X 21.6"D - W/O SLIDES/HDW - SALEM CHERRY
9	M09316-54-K37	EA	DRAWER - OGEE EDGE - 9.9"W X 21.6"D - W/O SLIDES/HDW - SALEM CHERRY
10	M09316-55-K37	EA	DRAWER - OGEE EDGE - 22.8"W X 21.6"D - W/O SLIDES/HDW - SALEM CHERRY

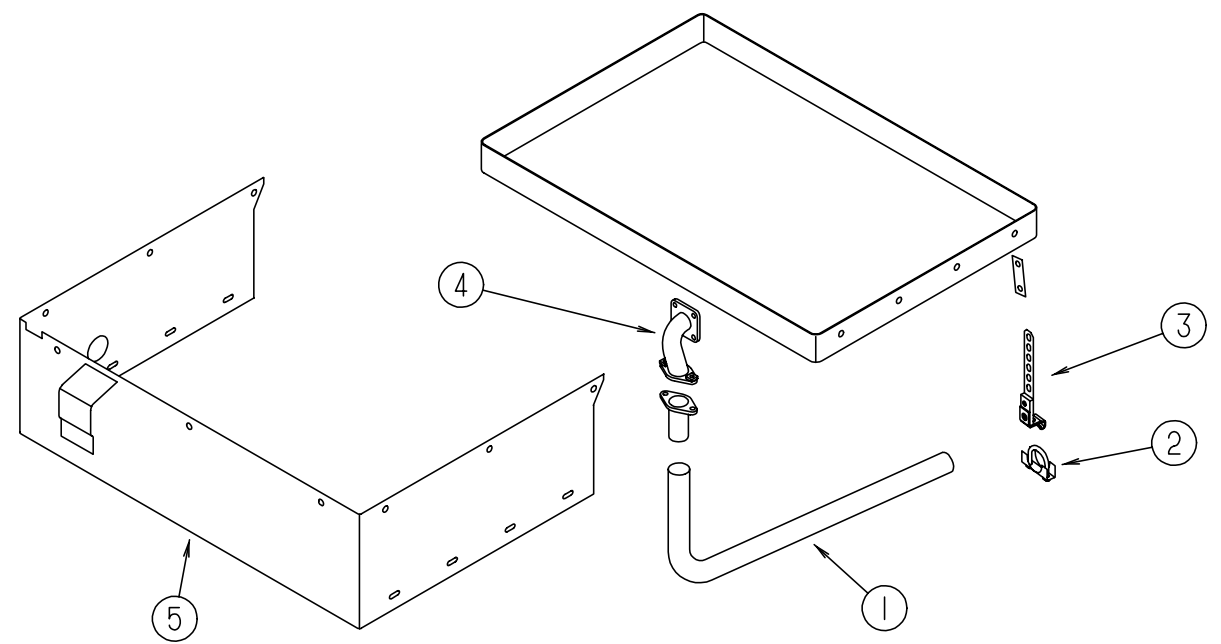
GENERATOR GROUP



EMERALD GENERATOR SYSTEM

KEY	PART NUMBER	U/M	DESCRIPTION
	112365-04-000	EA	BREAKER - 20 AMP
1	007125-03-000	EA	CLAMP - MUFFLER - 1.5" DIAMETER
2	007125-04-000	EA	CLAMP - MUFFLER - 1.12" DIAMETER
3	079654-05-000	EA	PIPE - EXHAUST - ANGLED W/FLANGE - 2" ID
4	082272-01-000	EA	MUFFLER - GENERATOR - NELSON #20892-A
5	094059-01-000	EA	SPACER - GENERATOR - ONAN
	109303-01-000	EA	GENERATOR - 5 KW - EMERALD PLUS
6	105958-14-000	EA	PIPE - EXHAUST - 1.4" INLET X 1.5" O.D. - 4.9" X 18.1"
7	127008-02-02B	EA	TRAY - GENERATOR - 16.2" X 20.8" X 6.9" - W/ANGLE & NUTS
	112365-03-000	EA	BREAKER - 30 AMP GENERATOR
8	104644-01-000	EA	ANGLE - FORMED - GENERATOR

GENERATOR GROUP (CONTINUED)

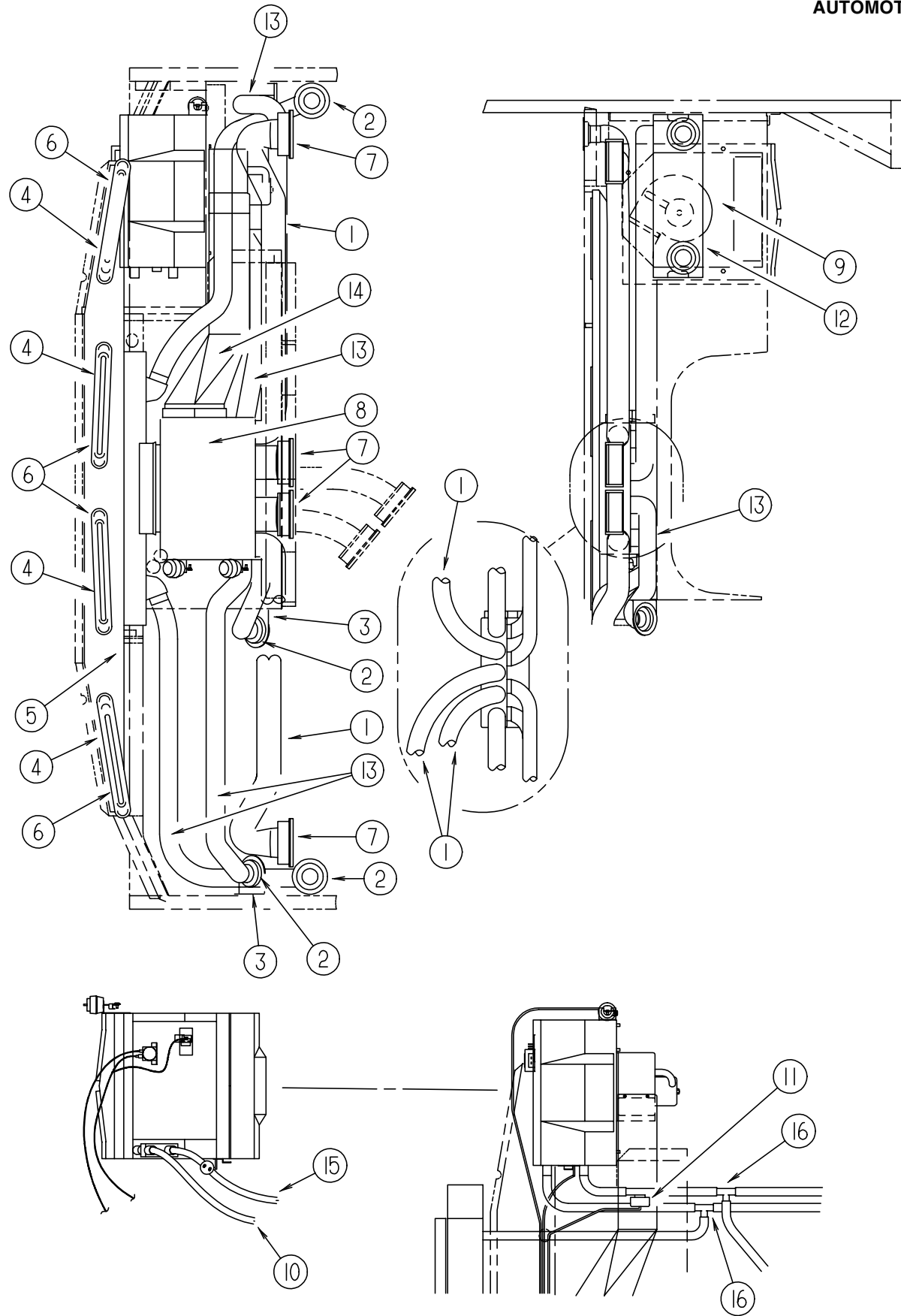


MARQUIS GENERATOR SYSTEM

KEY	PART NUMBER	U/M	DESCRIPTION
1	105958-15-000	EA	PIPE - GENERATOR EXHAUST - 1.5" OD X 9.8" X 24" - HDGM CHASSIS
1	105958-17-000	EA	PIPE - GENERATOR EXHAUST - 1.5" OD X 4.9" X 24" - FORD CHASSIS
	112365-04-000	EA	BREAKER - 20 AMP
2	007125-03-000	EA	CLAMP - MUFFLER - 1.5" DIAMETER
3	007131-01-000	EA	HANGER - TAILPIPE - 6 SLOTS
	105559-03-000	EA	GENERATOR - 7 KW MARQUIS 30/30
4	106235-01-000	EA	ADAPTOR - GENERATOR EXHAUST
	112365-03-000	EA	BREAKER - 30 AMP GENERATOR
	065820-09-000	EA	HOSE - HIGH PRESSURE - 28" (OPTIONAL 39R)
5	116358-02-02B	EA	PANEL - GENERATOR - E-COAT
5	128084-01-02B	EA	PANEL - GENERATOR - E-COAT

HEATING & AIR CONDITIONING GROUP

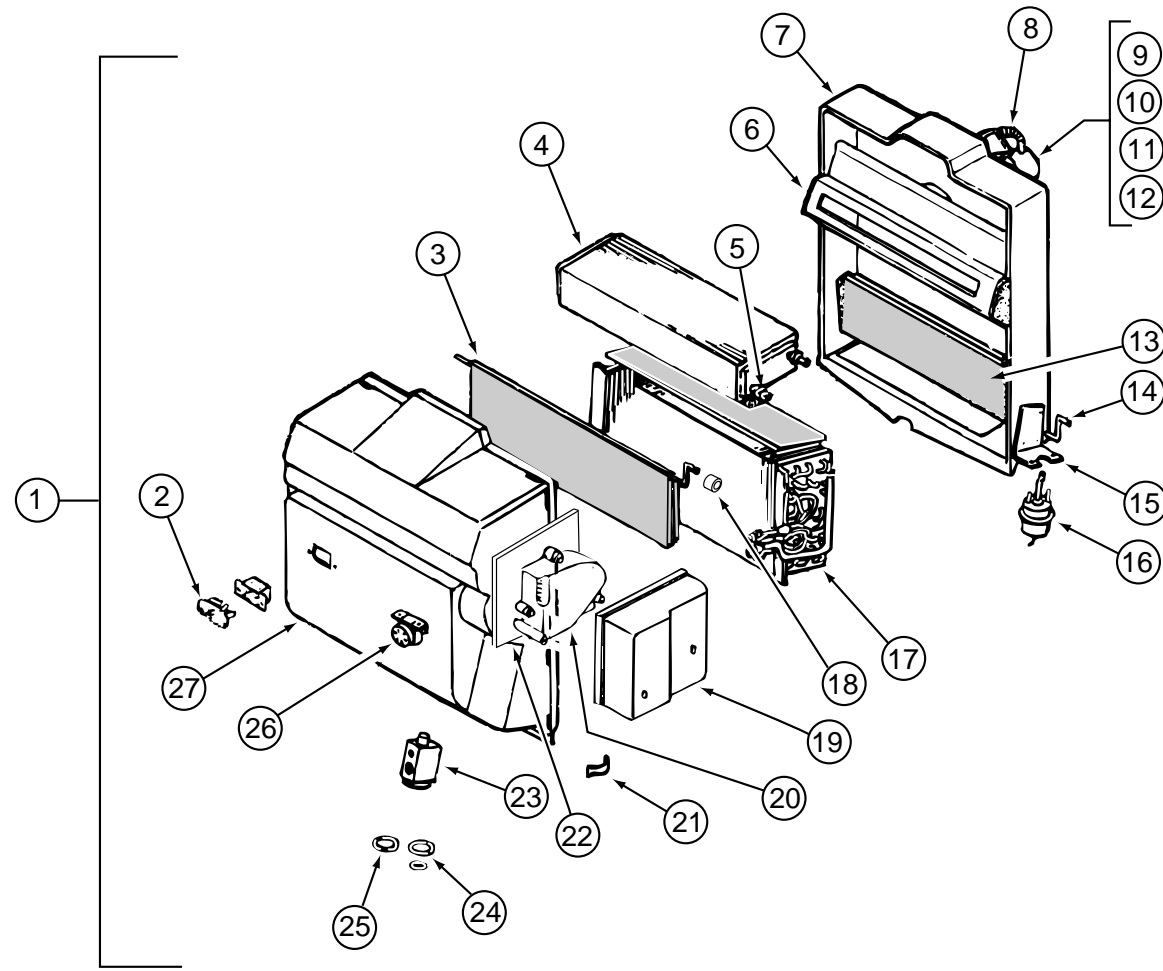
AUTOMOTIVE HEATER & A/C



KEY	PART NUMBER	U/M	DESCRIPTION	VENDOR NO.
	007108-01-000	FT	HOSE - HEATER - 5/8" ID - HI-TEMP - FORD	
1	007281-01-000	EA	HOSE - FLEXIBLE PVC - 2.5" ID X 50'	
2	024990-05-000	EA	OUTLET - DEFROSTER - 4" DIAMETER W/SWIVEL DEFLECTORS	
3	056402-05-000	EA	BRACKET - HEATER VENT - ROUND W/BEND - BLACK	
4	077075-01-000	EA	GASKET - INSTRUMENT PANEL/DEFROSTER PLENUM - .6" X 10.2"	
5	103017-03-000	EA	PLENUM - DEFROSTER	
6	103558-01-10A	EA	VENT - DEFROSTER - 2" X 14.4" X 1.4" - ANTELOPE	
			FROM: 00-00-00 THRU: 11-08-98	
6	103558-04-03A	EA	VENT - DEFROSTER - ANTELOPE	
			FROM: 11-09-98 THRU: 99-99-99	
7	103796-01-01A	EA	LOUVER - A/C-ADJUSTABLE - 2.2" X 5.4" F/2.5" HOSE - BLACK	
8	103930-39-000	EA	CONTROL/PLENUM - ROTARY	
9	103930-30-000	EA	EVAPORATOR/HEATER - CHEVY - SERVO MOTOR CONTROLLED	
			98 HDGM/GM DIESEL	
9	103930-43-000	EA	EVAPORATOR/HEATER ASSEMBLY - NON-CHARGED - FORD/99 HDGM	
9	103930-32-000	EA	EVAPORATOR/HEATER- FRTLINER/SPARTAN-SERVO MOTOR CONTROLLED	
			FREIGHTLINER	
10	103930-29-000	EA	HOSE KIT - #10 F/GM L-29 & L-65 CHASSIS - 98 HDGM/GM DIESEL	
	103930-17-702	EA	O'RING #10	045-0127
	103930-29-701	EA	O'RING F/LOW PRESSURE SWITCH	045-0483
10	103930-46-000	EA	HOSE - EVAPORATOR/COMPRESSOR - EXP. BLOCK TO COMPRESSOR	
			99 HDGM	
	103930-17-702	EA	O'RING #10	045-0127
	103930-29-701	EA	O'RING F/LOW PRESSURE SWITCH	045-0483
10	103930-47-000	EA	HOSE - EVAPORATOR/DRYER - EXP. VALVE TO REC. DRIER - 99 HDGM	
	113245-01-710	EA	O'RING, #12	045-0128
10	103930-45-000	EA	HOSE - EVAPORATOR/COMPRESSOR - FORD	
10	103930-16-000	EA	HOSE KIT - #12 PRE-CHARGED R134A - 389" - FREIGHTLINER	
	103930-07-704	EA	FITTING-QUICK CONNECT, #8	050-0081
	103930-13-702	EA	VALVE-SERVICE, W/O COMP.	050-0152
	103930-16-700	EA	HOSE ASM #12 SPARTON	085-0120
	103930-17-702	EA	O'RING #10	045-0127
	113245-01-710	EA	O'RING, #12	045-0128
11	103930-23-000	EA	VALVE - WATER - 2 PORT	
12	095757-05-K36	EA	COVER - HEATER (K36, K37)	
12	095757-05-K38	EA	COVER - HEATER (K38, K39)	
12	095757-05-J30	EA	COVER - HEATER (K40, K41)	
12	077539-01-000	EA	BRACKET - MOUNTING/DASH PANEL - L/SHAPED - 2.5"X1"X1.5"	
13	007076-01-000	EA	HOSE - FLEXIBLE PVC - 2" ID - INCREMENTS OF 50'	
14	103016-03-000	EA	PLENUM - TRANSITION	
15	103930-44-000	EA	HOSE - EVAPORATOR/DRYER - #6 - FORD	
	113245-01-710	EA	O'RING, #12	045-0128
	103930-45-000	EA	HOSE - EVAPORATOR/COMPRESSOR - FORD	
	103930-17-702	EA	O'RING #10	045-0127
16	076776-01-000	EA	TEE - BEADED - 5/8" X 5/8" X 5/8"	
	103930-42-000	EA	DRYER/HOSE KIT - PRECHARGED R134A - 98 HDGM	
	072342-10-701	EA	RECEIVER DRIER	054-0015
	072342-10-702	EA	FITTING-QUICK CONNECT#4 MALE	050-0148
	103930-12-709	EA	FITTING-QUICK CONNECT	050-0120
	110279-02-702	EA	O'RING #12	045-0125
	113245-01-711	EA	O'RING #6	045-0129
	103930-48-000	EA	DRYER/HOSE KIT - 99 HDGM	
	072342-12-703	EA	RECEIVER DRIER	054-0001
	103930-48-700	EA	HOSE #6 W/FITTINGS	085-0487
	103930-48-701	EA	HOSE #6 - W#6 FITTINGS	085-0497
	113245-01-710	EA	O'RING, #12	045-0128
	114802-01-000	EA	PUMP - VACUUM - 12V 16"HG (FOR AC CONTROLS ON DASH) - FREIGHTLINER	
	103930-37-000	EA	MANUAL - OWNERS - HEATER/A/C	

HEATING & AIR CONDITIONING GROUP (CONTINUED)

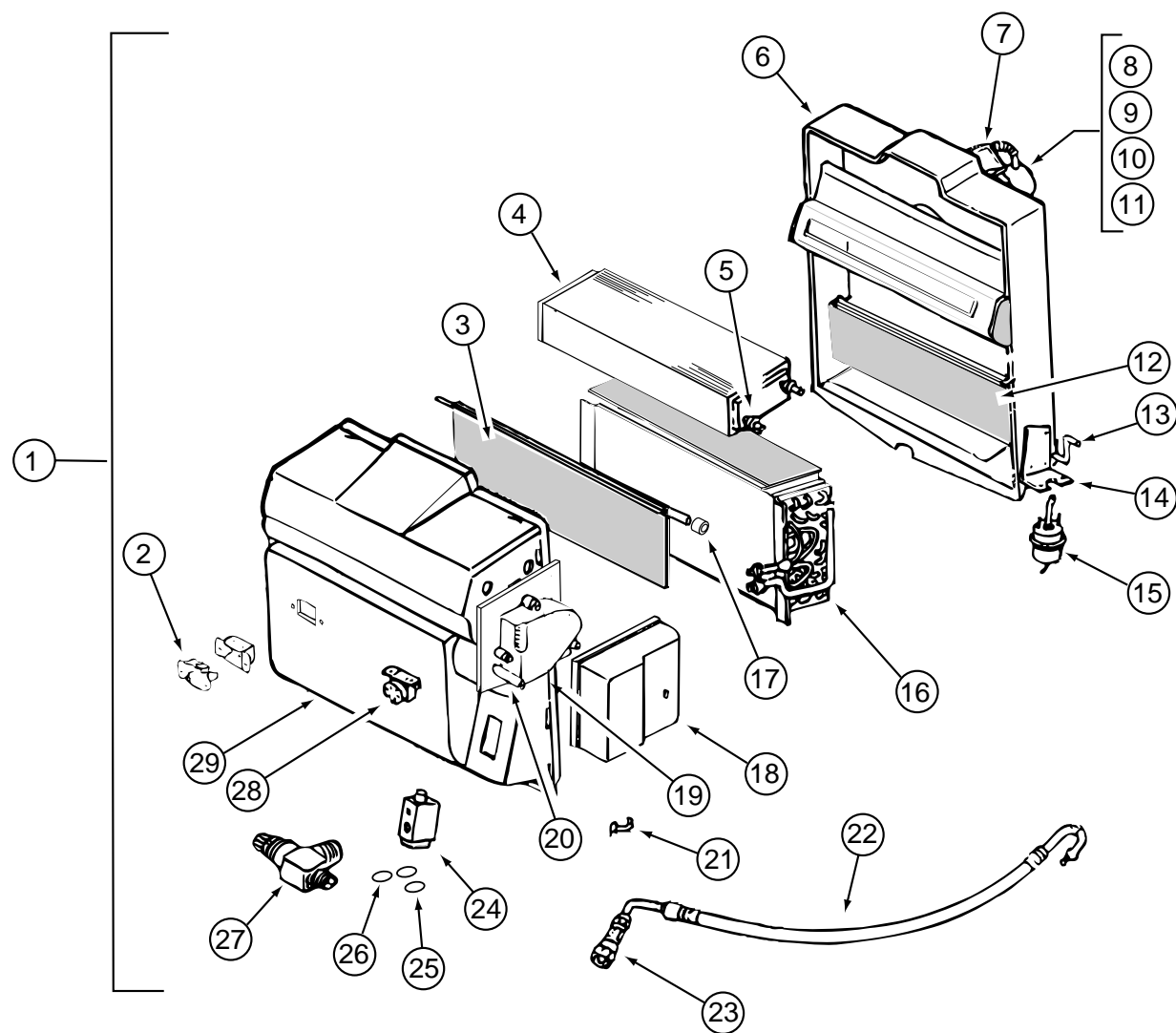
FORD & 1999 HDGM EVAPORATOR & HEATER



KEY	PART NUMBER	U/M DESCRIPTION	VENDOR NO.	KEY	PART NUMBER	U/M DESCRIPTION	VENDOR NO.
1	103930-43-000	EA EVAPORATOR/HEATER ASSEMBLY - NON-CHARGED		15	103930-01-708	EA BRACKET-VACUUM MOTOR	070-0113
	094831-01-709	EA CLAMP-ROD 3/16"	022-0025	16	103930-02-708	EA MOTOR-VACUUM SERVO, A/C	030-0025
2	103930-01-710	EA RESISTOR-FUSED, A/C	035-0006	17	103930-01-704	EA COIL-EVAPORATOR	041-0017
3	103930-43-700	EA DOOR - BLEND AIR	071-0568	18	103930-30-702	EA BUSHING - BLEND AIR DOOR	062-0168
4	103930-01-703	EA CORE-HEATER	042-0010	19	103930-30-704	EA COVER - SERVO	062-0545
5	110279-01-712	EA FITTING-HEATER	050-0076	20	103930-30-703	EA MOTOR - SERVO	030-0104
6	103930-30-707	EA DIVIDER ASM.	086-0061	21	103930-20-706	EA CLIP-RETAINER - CASE ATTACH	022-0057
7	103930-20-711	EA CASE-BACK, SUB-ASSEMBLY	062-0147	22	103930-30-701	EA PLATE - MOTOR MOUNT	062-0544
8	110279-01-703	EA HOSE-VENT F/BLOWER MOTOR	051-0034	23	103930-20-700	EA VALVE-EXPANSION-BLOCK, 2 TON	034-0032
9	103930-20-707	EA HOUSING-BLOWER	062-0145	24	103930-17-702	EA O'RING #10	045-0127
10	103930-30-706	EA MOTOR-BLOWER PM147 W/ADAPTER	030-0109	25	113245-01-707	EA O'RING #8	045-0126
11	103930-01-717	EA WHEEL-BLOWER, CLOCKWISE	062-0010	26	103930-01-711	EA THERMOSTAT	033-0003
12	103930-20-708	EA CLIP-MOTOR SHAFT	022-0001	27	103930-30-700	EA CASE - FRONT	062-0542
13	103930-20-705	EA PANEL-DOOR, RECIRCULATING	071-0213		103930-02-714	EA CLAMP-CLUTCH, BARREL	022-0006
14	103930-20-704	EA ROD - DOOR - RECIRCULATING	073-0018		113245-01-718	EA HOSE - DRAIN/1/2" X 6"	051-0002

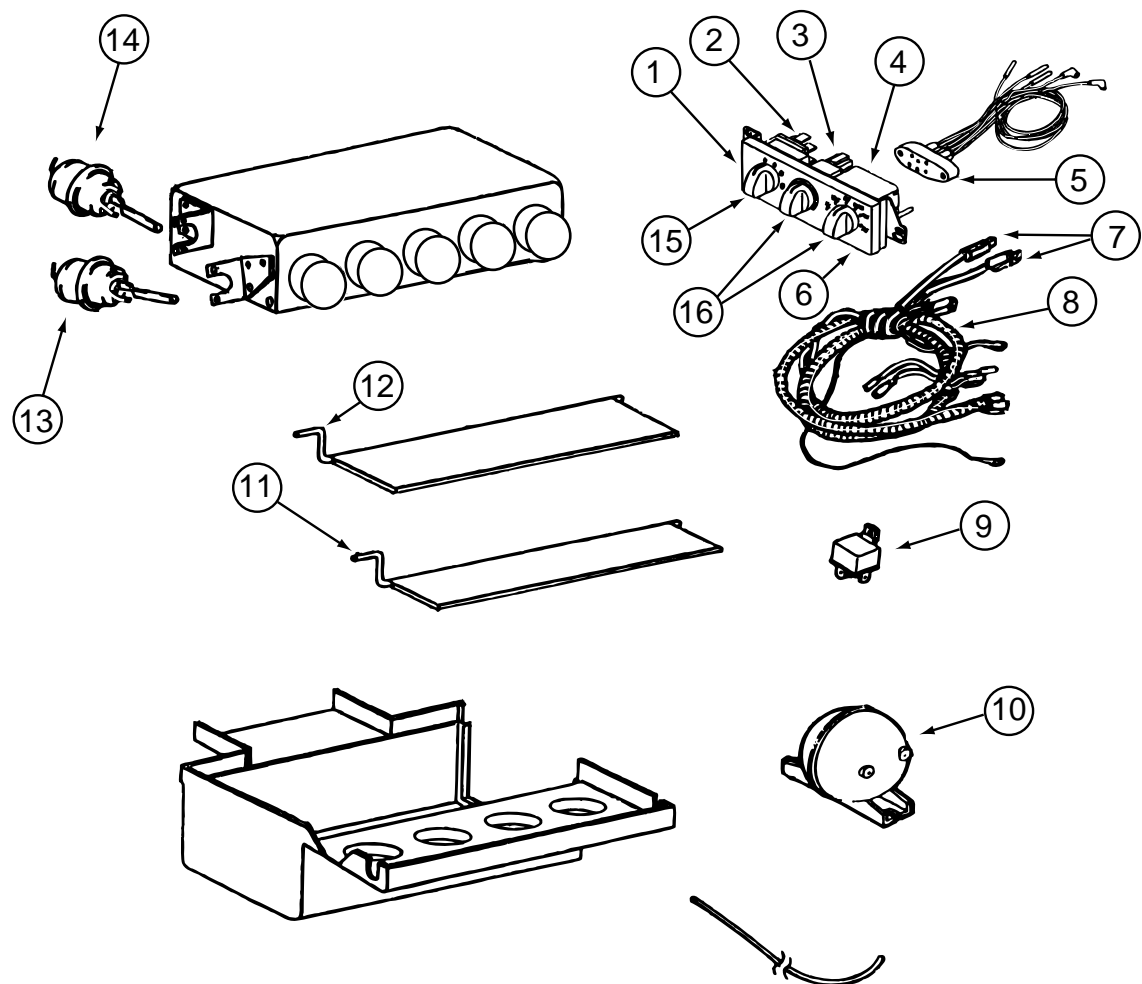
HEATING & AIR CONDITIONING GROUP (CONTINUED)

SCS EVAPORATOR/ HEATER (CHEVY)



KEY	PART NUMBER	U/M	DESCRIPTION	VENDOR NO.	KEY	PART NUMBER	U/M	DESCRIPTION	VENDOR NO.
1	103930-30-000	EA	EVAPORATOR/HEATER - CHEVY - SERVO MOTOR CONTROLLED		23	103930-12-709	EA	FITTING - QUICK CONNECT	050-0120
2	103930-01-710	EA	RESISTOR - FUSED - A/C	035-0006	24	103930-20-700	EA	VALVE - EXPANSION - BLOCK - 2 TON	034-0032
3	103930-30-705	EA	DOOR - BLEND AIR	071-0568	25	103930-17-702	EA	O'RING #10	045-0127
4	103930-01-703	EA	CORE - HEATER	042-0010	26	113245-01-707	EA	O'RING #8	045-0126
5	110279-01-712	EA	FITTING - HEATER	050-0076	27	103930-20-709	EA	VALVE - SERVICE	050-0159
6	103930-20-711	EA	CASE - BACK - SUB-ASSEMBLY	062-0147	28	103930-01-711	EA	THERMOSTAT	033-0003
7	110279-01-703	EA	HOSE - VENT F/BLOWER MOTOR	051-0034	29	103930-30-700	EA	CASE - FRONT	062-0542
8	103930-20-707	EA	HOUSING - BLOWER	062-0145		103930-23-000	EA	VALVE - WATER - 2 PORT	
9	103930-30-706	EA	MOTOR - BLOWER PM147 W/ADAPTER	030-0109		007076-01-000	EA	HOSE - FLEXIBLE PVC - 2" ID - INCREMENTS OF 50'	
10	103930-01-717	EA	WHEEL - BLOWER - CLOCKWISE	062-0010		007281-01-000	EA	HOSE - FLEXIBLE PVC - 2.5" ID X 50'	
11	103930-20-708	EA	CLIP - MOTOR SHAFT	022-0001		103930-46-000	EA	HOSE - EVAPORATER/COMPRESSOR - EXP. BLOCK TO COMPRESSOR	
12	103930-20-705	EA	PANEL - DOOR - RECIRCULATING	071-0213		103930-47-000	EA	HOSE - EVAPORATOR/DRYER - EXP. VALVE TO REC. DRIER	
13	103930-20-704	EA	ROD - DOOR - RECIRCULATING	073-0018		113245-01-710	EA	O'RING, #12	045-0128
14	103930-01-708	EA	BRACKET-VACUUM MOTOR	070-0113		024990-05-000	EA	OUTLET - DEFROSTER - 4" DIAMETER W/SWIVEL DEFLECTORS	
15	103930-01-709	EA	MOTOR - VACUUM	030-0025		077075-01-000	EA	GASKET - INSTRUMENT PANEL TO DEFROSTER PLENUM - .6"X10.2"	
16	103930-01-704	EA	COIL - EVAPORATOR	041-0017		103016-03-000	EA	PLENUM - TRANSITION	
17	103930-30-702	EA	BUSHING - BLEND AIR DOOR	062-0168		103017-03-000	EA	PLENUM - DEFROSTER	
18	103930-30-704	EA	COVER - SERVO	062-0545		103558-01-11A	EA	VENT - DEFROSTER - 2" X 14.4" X 1.4" - TITANIUM	
19	103930-30-703	EA	MOTOR - SERVO	030-0104					FROM: 00-00-00 THRU: 11-08-98
20	103930-30-701	EA	PLATE - MOTOR MOUNT	062-0544		103558-04-04A	EA	VENT - DEFROSTER - TITANIUM ABS PLASTIC	
21	103930-20-706	EA	CLIP - RETAINER - CASE ATTACH	022-0057					FROM: 11-09-98 THRU: 99-99-99
22	103930-25-700	EA	HOSE ASM #6 EVAPORATOR/DRIER	085-0350		103796-01-01A	EA	LOUVER - A/C-ADJUSTABLE - 2.2" X 5.4" F/2.5" HOSE - BLACK	

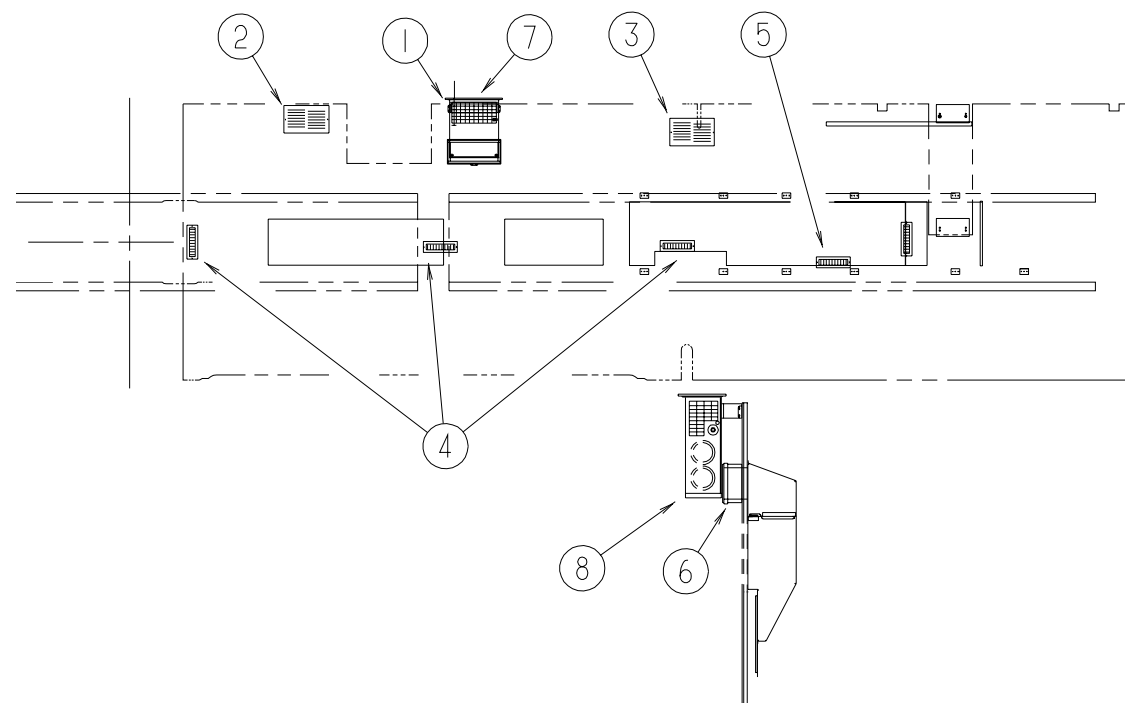
HEATING & AIR CONDITIONING GROUP (CONTINUED)



AUTO A/C CONTROL PLENUM - ROTARY

KEY	PART NUMBER	U/M	DESCRIPTION	VENDOR NO.
	103930-39-000	EA	CONTROL/PLENUM - ROTARY	
1	103930-33-702	EA	CONTROL PANEL	083-0169
2	103930-33-707	EA	SWITCH - BLOWER	032-00066
3	103930-33-708	EA	SWITCH - POTENTIOMETER	032-0184
4	103930-33-709	EA	SWITCH - VACUUM	032-0183
5	103930-33-703	EA	VACUUM HARNESS	036-0466
6	103930-33-710	EA	DECAL F/CONTROL HEAD	058-0102
7	103930-33-705	EA	LIGHT BULBS	035-0030
8	103930-33-711	EA	WIRE HARNESS - MAIN	036-0496
9	103930-02-707	EA	RELAY - BOSCH W/RESISTER	031-0001
10	103930-02-710	EA	CANISTER - VACUUM	054-0002
11	103930-39-700	EA	ROD - DOOR - AC/HEAT	073-067
12	103930-39-701	EA	ROD - DOOR - AC/DEFROST	073-0069
13	103930-02-708	EA	MOTOR - VACUUM SERVO - A/C	030-0025
14	103930-33-701	EA	MOTOR - VACUUM - 3 STAGE	030-0105
15	103930-33-712	EA	KNOB - BLOWER	062-00539
16	103930-33-713	EA	KNOB	062-00540
	103930-39-704	EA	SPRING	022-0119

HEATING & AIR CONDITIONING GROUP (CONTINUED)



FURNACE SYSTEM

KEY	PART NUMBER	U/M	DESCRIPTION
1*	098668-22-000	EA	FURNACE - 40,000 BTU
2	093614-03-02A	EA	GRILL - RETURN AIR
3	093614-09-01A	EA	GRILL - RETURN AIR
4	094600-05-01A	EA	REGISTER W/O DAMPER-3.6" X 11.3" FACE/2.1" X 9.9" RO-BEIGE
5	094600-06-01A	EA	REGISTER W/DAMPER-3.6" X 11.3" FACE/2.1" X 9.9" RO-BEIGE
6	098668-14-000	EA	GASKET - FIBERGLASS - .5" X 18" X 18"
7	098668-23-000	EA	DOOR - ACCESS - FURNACE
8	098668-26-000	EA	BOTTOM DUCT KIT - 40,000 BTU

***COMPONENT PARTS FOUND IN SERVICE PARTS LIBRARY**

HEATING & AIR CONDITIONING GROUP (CONTINUED)

REAR HEATER SYSTEM

KEY	PART NUMBER	U/M	DESCRIPTION	VENDOR NO.
	129205-01-000	EA	HEATER - REAR	
	129205-01-700	EA	SEAL - CORE TUBE	HV218421
	129205-01-701	EA	CORE - HEATER	HV218426
	129205-01-702	EA	BLOWER ASSEMBLY	HV218419
	129205-01-703	EA	WIRE HARNESS	HV218420
	129205-01-704	EA	RESISTOR	HV218125

HEATING & AIR CONDITIONING GROUP (CONTINUED)

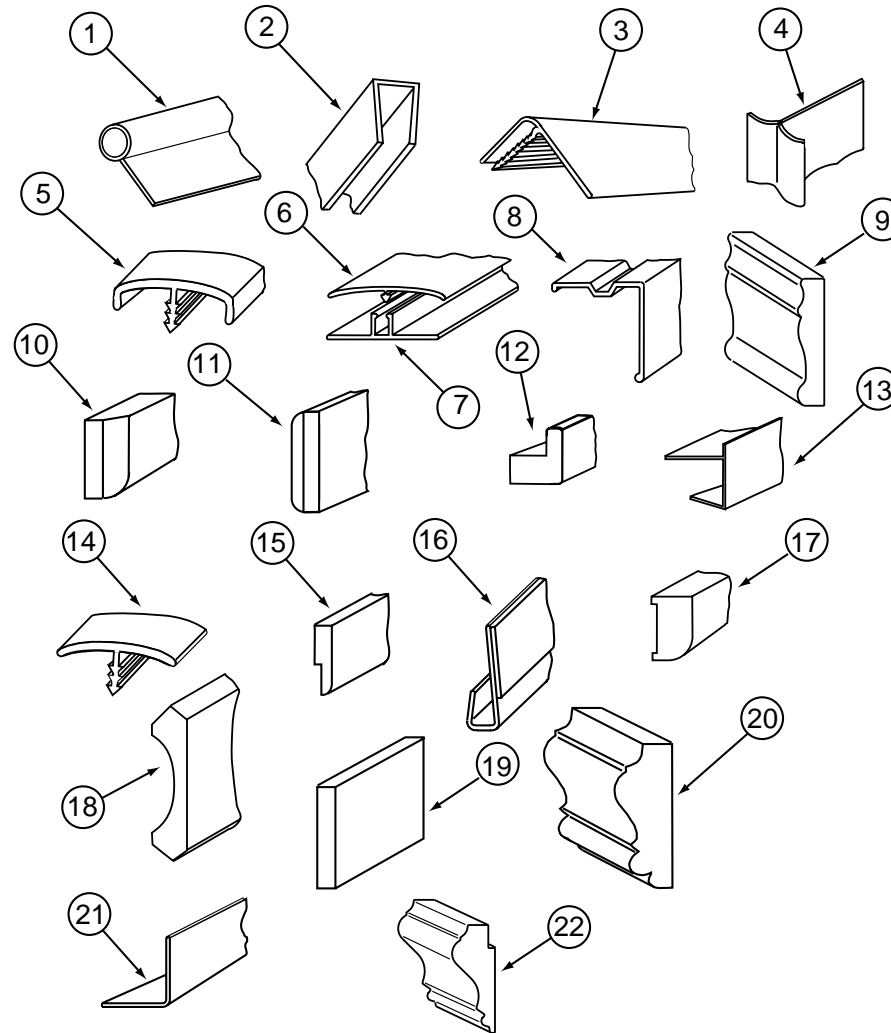
ROOF A/C SYSTEM

KEY	PART NUMBER	U/M	DESCRIPTION
	117238-01-01A	EA	THERMOSTAT - A/C - FURNACE
	117238-02-01A	EA	THERMOSTAT - A/C ONLY
	120134-01-02A	EA	REGISTER - 4" TO 5" DIAMETER W/DAMPER
*	131184-01-01A	EA	CEILING ASSEMBLY - A/C DUCTED - WHITE
	131184-02-01A	EA	BOARD - DIVIDER - SILVER
*	131186-01-01A	EA	A/C - ROOF MACH 1 POWERSAVER - WHITE
*	131187-01-01A	EA	A/C - ROOF MACH 3 POWER SAVER - WHITE
	130671-01-01A	EA	A/C ROOF - 13,500 BTU - 220 VOLT - WHITE - EXPORT
*	130671-02-01A	EA	CEILING ASSEMBLY - A/C DUCTED - WHITE - EXPORT
	130671-04-01A	EA	THERMOSTAT - A/C AND FURNACE - EXPORT

*COMPONENT PARTS FOUND IN SERVICE PARTS LIBRARY

INTERIOR FINISH GROUP

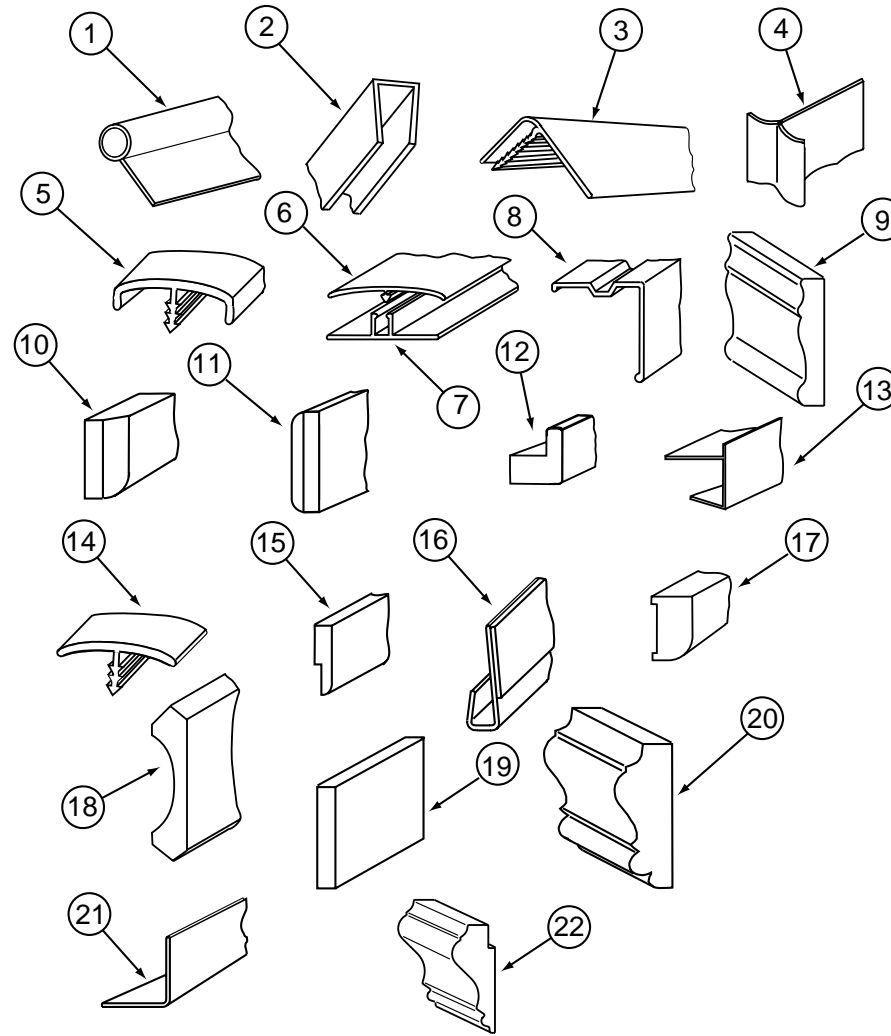
MOLDINGS, BATT STRIPES & TRIMS



KEY	PART NUMBER	U/M	DESCRIPTION	KEY	PART NUMBER	U/M	DESCRIPTION
1	009767-12-000	FT	WELTING - SIDEWALL/CEILING/CABINET - OFF/WHT	5	083620-10-000	FT	MOLDING-T - END CAP EDGE - W/EDGE LIPS - .75"-PICKLED ASH - MYSTIC OAK
1	009767-13-000	FT	WELTING - PICKLED ASH - MYSTIC OAK	5	083620-11-000	FT	MOLDING-T - END CAP EDGE - W/EDGE LIPS - .75"-CHERRY - SALEM CHERRY
1	009767-14-000	FT	WELTING - CHERRY - SALEM CHERRY		085284-D6-000	FT	BATT TAPE - ADHESIVE BACKED - DECORATIVE-EMBOSSSED ANTIQUE
2	009778-16-000	FT	U-CHANNEL - 1" - PICKLED ASH - MYSTIC OAK		085284-E9-000	FT	BATT TAPE - ADHESIVE BACKED - DECORATIVE/TRAVIS MERCURY (K36, K37)
2	009778-18-000	FT	U-CHANNEL - 1" - CHERRY-CHERRY - SALEM CHERRY		085284-F1-000	FT	BATT TAPE - ADHESIVE BACKED - DECORATIVE/FLAGSTAFF SAND (K38, K39)
2	070504-18-000	FT	U-CHANNEL - PLASTIC - .13" X 84" - IVORY		085284-F8-000	FT	BATT TAPE - ADHESIVE BACKED - UPBEAT/TWILIGHT (K40, K41)
2	070504-28-000	FT	U-CHANNEL - PLASTIC - .13" X 84" - PICKLED ASH - MYSTIC OAK		085284-96-000	FT	BATT TAPE - ADHESIVE BACKED - WOODGRAINED/PICKLED ASH - MYSTIC OAK
2	070504-30-000	FT	U-CHANNEL - PLASTIC - .65" X 84" - CHERRY - SALEM CHERRY		085284-97-000	FT	BATT TAPE - ADHESIVE BACKED - WOODGRAINED/SALEM CHERRY
2	070504-29-000	FT	U-CHANNEL - PLASTIC - .81" X 84" - PICKLED ASH - MYSTIC OAK	6	086229-15-000	EA	BATTEN - 1" X 96" - MODERN IVORY
2	070504-31-000	FT	U-CHANNEL - PLASTIC - .81" X 84" - CHERRY - SALEM CHERRY	6	086229-19-000	EA	BATTEN - 1" X 98.43" - OFF WHITE
2	070504-41-000	FT	U-CHANNEL - PLASTIC - .13" X 84" - SOLAR MAPLE	6	086229-20-000	EA	BATTEN - 1" X 96" - BEIGE
2	070504-42-000	FT	U-CHANNEL - PLASTIC - .13" X 84" - BEIGE ILLUSION	7	086229-01-000	EA	RETAINER-BATTEN, CEILING - .75" WIDE - 7.6' LONG
2	070504-43-000	FT	U-CHANNEL - PLASTIC - .9" X 96" - BEIGE ILLUSION		088263-E3-000	EA	BATT STRIP - DECORATIVE - PEBBLE EMBOSSSED/ANTIQUE - 8'
3	009809-26-000	EA	MOLDING - CORNER - OUTSIDE - 1" X 84" - PICKLED ASH - MYSTIC OAK		088263-F4-000	EA	BATT STRIP - DECORATIVE - TRAVIS MERCURY - 8' (K36, K37)
3	009809-27-000	EA	MOLDING - CORNER - OUTSIDE - 1" X 84" - CHERRY - SALEM CHERRY		088263-F5-000	EA	BATT STRIP - DECORATIVE - FLAGSTAFF SAND - 8' (K38, K39)
3	009812-27-000	EA	MOLDING - CORNER - 1/2" W/1/4" CHAN X 84" - PICKLED ASH - MYSTIC OAK		088623-G0-000	EA	BATT STRIP - DECORATIVE - UPBEAT/TWILIGHT - 8' LONG (K40, K41)
3	009812-26-000	EA	MOLDING - CORNER - 1/2" W/1/4" CHAN X 84" - CHERRY - SALEM CHERRY	8	093873-01-01A	EA	TRIM - CARPET - L-ANGLE 1.1" X 1.3" X 12' - GRAY VINYL
4	022992-11-000	FT	MOLDING - REVERSE COVE - T-SHAPED VINYL - IVORY	9	100182-01-K36	EA	TRIM - RAIL - MYSTIC OAK
	076325-39-000	FT	MOLDING - EDGE BAND - 1 5/16" X .030" - ALMOND	9	100182-01-K37	EA	TRIM - RAIL - SALEM CHERRY
	076325-76-000	FT	MOLDING - EDGE BAND - 1 5/16" X .030" - WASHED MAPLE	10	100659-01-J90	EA	MOLDING/TRIM - VINYL FLOOR - MYSTIC OAK
	076325-51-000	FT	MOLDING - EDGE BAND - .93" X .024" - PICKLED ASH - MYSTIC OAK	10	100659-01-E74	EA	MOLDING/TRIM - VINYL FLOOR - SALEM CHERRY
	076325-40-000	FT	MOLDING - EDGE BAND - .93" X .024" - ALMOND - EXT ENTERTAINMENT	11	100818-01-03A	EA	MOLDING - VINYL WRAPPED - 1.6" X .4" X 84" - PICKLED ASH - MYSTIC OAK
	079653-19-000	EA	BATT STRIP - KERFED - PICKLED ASH - 8' - MYSTIC OAK	11	100818-01-04A	EA	MOLDING - VINYL WRAPPED - 1.6" X .4" X 84" - SALEM CHERRY
	079653-20-000	EA	BATT STRIP - CHERRY/CHERRY - 8' - SALEM CHERRY				

INTERIOR FINISH GROUP

MOLDINGS, BATT STRIPES & TRIMS (CONTINUED)



KEY	PART NUMBER	U/M	DESCRIPTION
12	100819-01-03A	EA	MOLDING - VINYL WRAPPED - 1.5" X 1.5" X 84" - MYSTIC OAK
12	100819-01-04A	EA	MOLDING - VINYL WRAPPED - 1.5" X 1.5" X 84" - SALEM CHERRY
13	103186-02-07A	FT	MOLDING - PLASTIC/1" U-CHANNEL W/1 3/8" FACE - BEIGE ILLUS
13	103186-01-03A	FT	MOLDING - PLASTIC/3/8" U-CHANNEL W/3/4" FACE - PICKLED ASH - MYSTIC OAK
13	103186-01-04A	FT	MOLDING - PLASTIC/3/8" U-CHANNEL W/3/4" FACE - CHERRY - SALEM CHERRY
13	103186-02-03A	FT	MOLDING - PLASTIC/1" U-CHANNEL W/1 3/8" FACE - PICKLED ASH - MYSTIC OAK
13	103186-02-04A	FT	MOLDING - PLASTIC/1" U-CHANNEL W/1 3/8" FACE - CHERRY - SALEM CHERRY
14	104676-02-02A	FT	MOLDING-T - 1/2" - PICKLED ASH - MYSTIC OAK
14	104676-02-03A	FT	MOLDING-T - 1/2" - CHERRY - SALEM CHERRY
14	105709-01-000	FT	MOLDING-T - 1" - MODERN IVORY
15	105004-01-04A	EA	MOLDING - VINYL WRAPPED - 1" X 96" - PICKLED ASH - MYSTIC OAK
15	105004-01-03A	EA	MOLDING - VINYL WRAPPED - 1" X 96" - SALEM CHERRY
16	109332-02-02A	FT	TRIM-J - W/O ADHESIVE - PICKLED ASH - MYSTIC OAK
16	109332-02-03A	FT	TRIM-J - W/O ADHESIVE - SALEM CHERRY
16	109332-02-01A	FT	TRIM-J - W/O ADHESIVE - BRASS
17	111135-D2-134	EA	MOLDING - VINYL WRAPPED - .7" X 1.6" X 7' - PICKLED ASH - MYSTIC OAK
17	111136-D2-134	EA	MOLDING - VINYL WRAPPED - .7" X 1.6" X 7' - CHERRY - SALEM CHERRY
17	111135-F2-134	EA	MOLDING - VINYL WRAPPED - .7" X 2.6" X 7' - PICKLED ASH - MYSTIC OAK
17	111136-F2-134	EA	MOLDING - VINYL WRAPPED - .7" X 2.6" X 7' - CHERRY - SALEM CHERRY
17	111135-F2-438	EA	MOLDING - VINYL WRAPPED - .7" X 2.5" X 8' - PICKLED ASH - MYSTIC OAK
17	111136-F2-438	EA	MOLDING - VINYL WRAPPED - .7" X 2.5" X 8' - CHERRY - SALEM CHERRY

KEY	PART NUMBER	U/M	DESCRIPTION
18	113794-01-03A	FT	MOLDING - CROWN - MYSTIC OAK
18	113794-01-02A	FT	MOLDING - CROWN - SALEM CHERRY
19	116951-05-J90	EA	MOLDING - WOOD - 3.5" X 75.7" - MYSTIC OAK
19	116951-05-J30	EA	MOLDING - WOOD - 3.5" X 75.7" - SALEM CHERRY
19	116951-06-J90	EA	MOLDING - WOOD - 3.5" X 52" - MYSTIC OAK
19	116951-06-J30	EA	MOLDING - WOOD - 3.5" X 52" - SALEM CHERRY
19	116951-10-J90	EA	MOLDING - WOOD - 3.5" X 49.8" - MYSTIC OAK
19	116951-10-J30	EA	MOLDING - WOOD - 3.5" X 49.8" - SALEM CHERRY
20	131923-01-01A	FT	MOLDING - CROWN - ASH
20	131923-01-02A	FT	MOLDING - CROWN - CHERRY
20	131923-03-01A	FT	MOLDING - CROWN - DIVIDER - ASH
20	131923-03-02A	FT	MOLDING - CROWN - DIVIDER - CHERRY
21	130262-01-000	EA	PROTECTOR - CORNER SAVER - .7" X .7"
22	131923-02-01A	FT	MOLDING - PICTURE - ASH
22	131923-02-02A	FT	MOLDING - PICTURE - CHERRY

INTERIOR FINISH GROUP (CONTINUED)

PANELING, LAMINATES & PLASTICS

KEY	PART NUMBER	U/M	DESCRIPTION
	000846-01-000	SF	PLYWOOD - 5/16" X 48" X 96" - CD GRADE
	000846-02-000	SF	PLYWOOD/UNDERLAYMENT - 5/16" X 48" X 96"
	000885-66-000	SF	PARTICLE BOARD-1/2" X 60" X 96"-PICKLED ASH-2 SIDED VINYL - MYSTIC OAK
	000885-67-000	SF	PARTICLE BOARD - 3/4" X 60" X 96"-PICKLED ASH-2 SIDE VINYL - MYSTIC OAK
	000885-68-000	SF	PARTICLE BOARD - 3/8" X 48" X 96"-PICKLED ASH-2 SIDE VINYL - MYSTIC OAK
	000885-72-000	SF	PARTICLE BOARD - 1/2" X 48" X 96" - CHERRY/VINYL 2 SIDED - SALEM CHERRY
	000885-73-000	SF	PARTICLE BOARD - 3/4" X 48" X 96" - CHERRY/VINYL 2 SIDED - SALEM CHERRY
	000885-74-000	SF	PARTICLE BOARD - 3/8"X 48"X 96" - CHERRY/VINYL 2 SIDED - SALEM CHERRY
	057882-04-700	EA	DOOR-TAMBOUR 4'X4' PC WINONA PART SALES
	074497-22-000	SF	PANELING - PICKLED ASH - 1/8" X 48" X 96" - MYSTIC OAK
	074497-23-000	SF	PANELING - CHERRY - 1/8" X 48" X 96" - SALEM CHERRY
	074498-40-000	SF	LAMINATE - PLASTIC - OFF WHITE - 5' X 8' (EXT ENTERTAINMENT TABLE)
	074498-57-000	SF	LAMINATE - PLASTIC - PICKLED ASH - 5' X 8' - MYSTIC OAK
	074498-71-000	SF	LAMINATE - PLASTIC - NEUTRAL SANTOS - 5'X 8' (K36, K37)
	074498-58-000	SF	LAMINATE - PLASTIC - CHERRY - 5' X 8' - SALEM CHERRY
	074498-81-000	SF	LAMINATE - PLASTIC - ALMOND JAGUARD - 5' X 8' (K38, K39, K40, K41)
	088272-G1-000	SF	PANELING - PEBBLE EMBOSSED - ANTIQUE WHITE - 4' X 7'
	088272-H4-000	SF	PANELING - TRAVIS - 4' X 7'(28 SQ.FT.) (K36, K37)
	088272-H5-000	SF	PANELING - FLAGSTAFF - 4' X 7' (K38, K39)
	088272-H8-000	SF	PANELING - UPBEAT/TWILIGHT (K40, K41)
	111133-A2-438	EA	LUMBER - VINYL WRAPPED - .7" X .7" X 96" - PICKLED ASH - MYSTIC OAK
	111133-D2-438	EA	LUMBER - VINYL WRAPPED - .27" X 1.5" X 96" - PICKLED ASH - MYSTIC OAK
	111133-E2-438	EA	LUMBER - VINYL WRAPPED - .7" X 2" X 96" - PICKLED ASH - MYSTIC OAK
	111133-G2-438	EA	LUMBER - VINYL WRAPPED - .7" X 3" X 96" - PICKLED ASH - MYSTIC OAK
	111133-H2-134	EA	LUMBER - VINYL WRAPPED - .7" X 3.5" X 84" - PICKLED ASH - MYSTIC OAK
	111133-J2-438	EA	LUMBER - VINYL WRAPPED - .7" X 5.5" X 96" - PICKLED ASH - MYSTIC OAK
	111134-A2-438	EA	LUMBER - VINYL WRAPPED - .7" X .7" X 96" - CHERRY - SALEM CHERRY
	111134-D2-438	EA	LUMBER - VINYL WRAPPED - .27" X 1.5" X 96" - CHERRY - SALEM CHERRY
	111134-E2-438	EA	LUMBER - VINYL WRAPPED - .7" X 2" X 96" - CHERRY - SALEM CHERRY
	111134-G2-438	EA	LUMBER - VINYL WRAPPED - .7" X 3" X 96" - CHERRY - SALEM CHERRY
	111134-H2-134	EA	LUMBER - VINYL WRAPPED - .7" X 3.5" X 84" - CHERRY - SALEM CHERRY
	111134-J2-438	EA	LUMBER - VINYL WRAPPED - .7" X 5.5" X 96" - CHERRY - SALEM CHERRY
	122481-05-000	FT	WALLPAPER - 6" BORDER - MERCURY (K36, K37)
	122481-17-000	FT	WALLPAPER - 6.8" BORDER (K40, K41)
	122481-21-000	FT	WALLPAPER - 6.8" BORDER (K38, K39)
	126339-01-000	SF	BOARD - WHEAT - 60" X 72"

INTERIOR FINISH GROUP (CONTINUED)

CLOCK, FIRE EXTINGUISHER , DETECTOR PICTURES & HANDRAIL

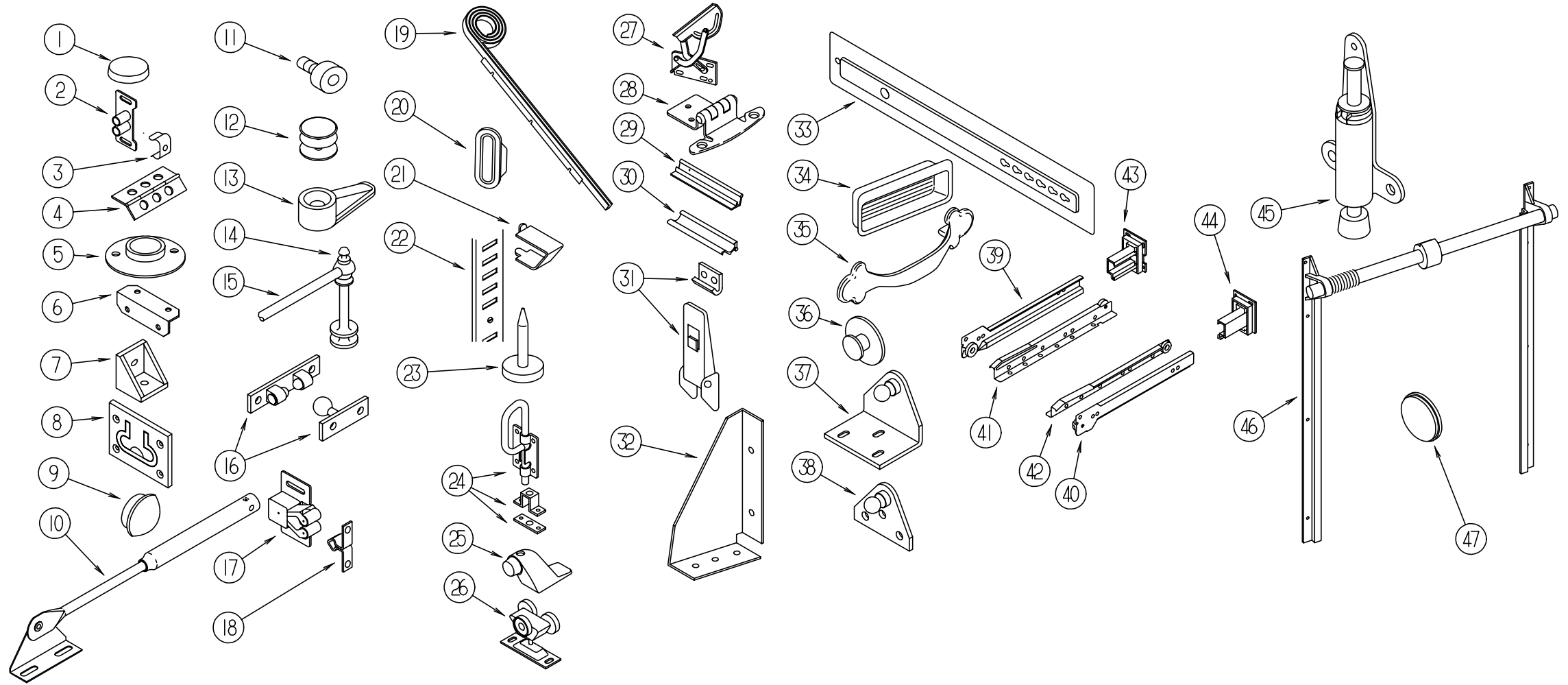
KEY	PART NUMBER	U/M	DESCRIPTION	VENDOR NO.
	072852-01-000	EA	DETECTOR - SMOKE - W/9 VOLT BATTERY - US	
	072852-02-000	EA	DETECTOR - SMOKE - W/9 VOLT BATTERY - CANADIAN	
	094499-03-000	EA	EXTINGUISHER/FIRE - DRY - 10B:C - W/O BRACKET	
	094499-04-000	EA	BRACKET - FIRE EXTINGUISHER	
	094499-02-000	EA	EXTINGUISHER/FIRE - DRY - 1A10BC - CANADIAN	
	094499-01-700	EA	BRACKET MTG. W/PLAS. STRAP	294039
	100793-02-01A	EA	CLOCK - WALL - QUARTZ/11" - BRASS	
	125136-01-000	EA	CO DETECTOR - GAS - ROUND W/2 SCREWS - 9 VOLT	
	130120-01-01A	EA	BRACKET - MOUNTING/MIRROR	
	P02786-03-K29	EA	HANDRAIL ONLY - W/O BRACKETS - MYSTIC OAK	
	P02786-03-E41	EA	HANDRAIL ONLY - W/O BRACKETS - SALEM CHERRY	
	P02786-03-J94	EA	HANDRAIL ONLY - W/O BRACKETS - WATERFORD OAK	
	P02786-03-J70	EA	HANDRAIL ONLY - W/O BRACKETS - WASHED MAPLE	
	099682-01-01A	EA	BRACKET - MOUNTING/HAND RAIL - ROUND BASE	
	108808-03-01A	EA	HANDRAIL - ENTRANCE - 26"H X 20.7"L - OFF WHITE	
	131332-01-01A	EA	HOLDER - CUP - HORIZONTAL	
	131333-01-01A	EA	HOLDER - CUP - VERTICAL DROP/FLUSH MOUNT - BLACK	
	131493-01-01A	EA	PICTURE - 10" X 16" - BOTANICA	

FLOOR COVERINGS & MATS

KEY	PART NUMBER	U/M	DESCRIPTION	VENDOR NO.
	042720-24-000	SY	VINYL - FLOOR COVERING - 12' WIDE - TRADITIONS SOLARIAN	
	091261-01-000	FT	SLIPNOT - ANTISLIP - 1' WIDE	
	093486-01-000	SY	CARPET - COMPARTMENT - 72" WIDE - DARK GRAY	
	096060-A1-000	SY	CARPET - ARTIC GRAY - INCREMENTS OF 4 SQ YDS (K36, K37)	
	096060-E0-000	SY	CARPET - BAMBOO - INCREMENTS OF 4 SY (K38, K39)	
	096060-C4-000	SY	CARPET - NIGHT NAVY - INCREMENTS OF 4 SY (K40, K41)	
	096764-02-000	FT	SLIPNOT - ANTISLIP - 1" WIDE (100' ROLLS)	
	108152-01-000	EA	MAT - FLOOR - PASSENGER	
	108152-02-000	EA	MAT - FLOOR - DRIVER - GM DIESEL	
	108152-03-000	EA	MAT - FLOOR - DRIVER - HDGM/FORD/FREIGHTLINER	
	122755-02-01A	EA	TILE - RUBBER/ENTRANCE DOOR - 18.5" X 29.3"	
			FROM: 00-00-00 THRU: 09-03-98	
	122755-06-01A	EA	TILE - RUBBER/ENTRANCE DOOR - 11.2" X 29.1"	
			FROM: 09-04-98 THRU: 99-99-99	
	122755-04-01A	EA	TILE - RUBBER/ENTRANCE DOOR - 17.7" X 28.5"	
	124253-01-02A	EA	VINYL - FLOOR PLANK - 3" X 12" - MAPLE	
			MYSTIC OAK/WATERFORD OAK/WASHED MAPLE	
	124253-01-01A	EA	VINYL - FLOOR PLANK - 3" X 12" - CHERRY - SALEM CHERRY	
	124253-01-700	EA	NO-RINSE CLEANER	3523 2-1B
	124253-01-701	EA	POLISH MATTE SATIN	35202-1F

INTERIOR FINISH GROUP (CONTINUED)

CABINET HARDWARE

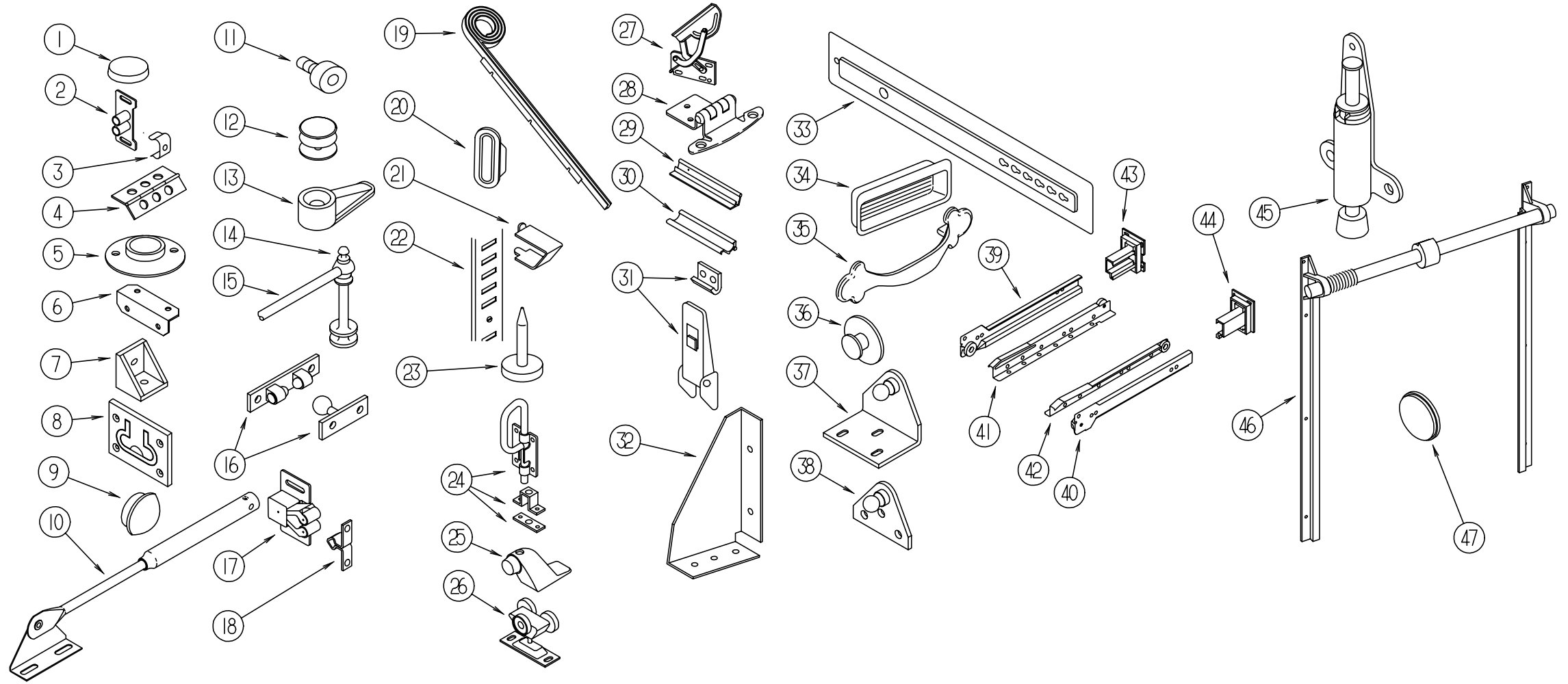


KEY	PART NUMBER	U/M	DESCRIPTION
1	004354-01-000	EA	BUMPER - RUBBER - .5" DIA - BROWN
2	009021-01-000	EA	CATCH - GRILLE - NYLON
3	009021-02-000	EA	STRIKE - SPRING STEEL
4	009059-01-000	EA	HINGE - DOOR - 2" X 1.4" - BRASS
4	009059-02-000	EA	HINGE - DOOR - 2" X 2.7" - BRASS
4	041389-18-000	EA	HINGE - PIANO - 1 1/2" X 19" - OFF WHITE
4	041389-25-000	EA	HINGE - PIANO - 1 1/2" X 55"
5	009112-01-000	EA	FLANGE - PLASTIC - 1" CLOTHES ROD - OFF WHITE
6	016604-01-000	EA	BRACE - CABINET - ANGLE - 2.5" - UNPAINTED METAL
6	016604-05-000	EA	BRACE - CABINET - ANGLE - 2.5" - OFF WHITE METAL
	042438-01-000	EA	DOWEL - WOOD - CLOTHES ROD - 1" DIAMETER X 4'
	042438-06-000	EA	DOWEL - WOOD - 1.5" X 26" - OAK
7	065740-01-000	EA	BRACE - CABINET/CORNER - PLASTIC
8	072871-01-000	EA	PULL - FLUSH - CHROME
9	074045-01-000	EA	PLUG - OAK - 1/2" DIAMETER - WATERFORD OAK
9	074045-08-000	EA	PLUG - OAK - 1/2" DIAMETER - SALEM CHERRY
9	074045-10-000	EA	PLUG - OAK - 1/2" DIAMETER - SOLAR MAPLE
9	074045-12-000	EA	PLUG - OAK - 3/8" - WASHED MAPLE
9	083166-01-03A	EA	PLUG - 3/8" DIAMETER - WATERFORD OAK
10	074493-02-000	EA	SUPPORT - PISTON SPRING - CABINET DOOR - 26 LBS
10	074493-04-000	EA	SUPPORT - PISTON SPRING - CABINET DOOR - 32 LBS
11	079921-01-000	EA	ROLLER - NYLON - W/STEEL SHAFT - BARBED
12	081114-02-000	EA	CAP - INSERT - ROUND - 1" DIAMETER - WHITE PLASTIC
13	083204-03-000	EA	BUTTON - RETAINING MIRROR 5/16" TIP
14	084070-03-000	EA	POST - END - 2.4" - BRASS
15	084071-05-000	EA	ROD - BRASS - 15"
15	084071-19-000	EA	ROD - BRASS - 7.1"
15	084071-20-000	EA	ROD - BRASS - 9.8"

KEY	PART NUMBER	U/M	DESCRIPTION
15	084071-22-000	EA	ROD - BRASS - 15.3"
15	084071-23-000	EA	ROD - BRASS - 13.12"
15	084071-24-000	EA	ROD - BRASS - 3.8"
15	084071-27-000	EA	ROD - BRASS - 2.7"
16	084451-01-000	EA	CATCH & LATCH - 1.7" - BRASS
16	084451-02-000	EA	CATCH & LATCH - 1.9" - BRASS
17	093586-03-000	EA	CATCH - SPRING ROLLER
17	093586-06-000	EA	CATCH - SPRING ROLLER
18	093586-04-000	EA	STRIKE - SPRING STEEL
18	093586-05-000	EA	STRIKE - SPRING STEEL
19	097141-01-000	EA	TRACK - SPIRAL - TAMBOUR DOOR - 24"
19	097141-02-700	EA	KIT - TRACK - TAMBOUR DOOR - W/ONE RT & ONE LEFT TRACK
20	098410-01-01A	EA	PULL-FINGER, OVAL - BRASS
21	098979-01-000	EA	CLIP - ADJUSTABLE SHELF
22	098980-01-000	EA	PILASTER - ADJUSTABLE SHELF - 18"
22	098980-02-000	EA	PILASTER - ADJUSTABLE SHELF - 12"
22	098980-03-000	EA	PILASTER - ADJUSTABLE SHELF - 9"
22	098980-04-000	EA	PILASTER - ADJUSTABLE SHELF - 48"
22	098980-06-000	EA	PILASTER - ADJUSTABLE SHELF - 24"
23	102194-01-000	EA	GUIDE - PLASTIC
24	103256-01-000	EA	LATCH - SLIDE
25	103257-01-000	EA	STOP - DOOR
26	103874-01-000	EA	HANGER-SLIDING DOOR
27	108126-01-000	EA	TRAY HINGE SET (QTY. 2 PER SET)
28	108138-01-000	EA	HINGE - CABINET DOOR - BURNISHED BRASS
29	110107-01-04A	EA	PULL - DOOR - TERRATONE
30	110108-01-04A	EA	LATCH - DOOR - TERRATONE
31	116975-01-01A	EA	LATCH - W/O STRIKE - BLACK - NEW STYLE

INTERIOR FINISH GROUP (CONTINUED)

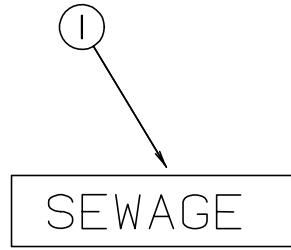
CABINET HARDWARE (CONTINUED)



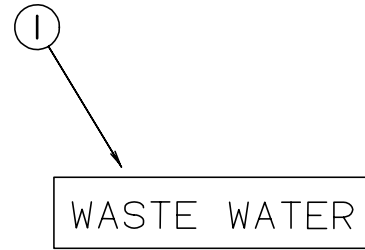
KEY	PART NUMBER	U/M	DESCRIPTION
32	116978-01-03B	EA	GUSSET - SLIDEOUT ROOM - OFF/WHITE
34	124311-01-01A	EA	HANDLE - RECESSED - BRASS
35	125165-01-01A	EA	PULL - CABINET - ANTIQUE BRASS
36	125221-01-01A	EA	PULL - MIRROR - W/ROUND HANDLE
37	126263-06-02B	EA	BRACKET - GAS SPRING - E-COATED
38	126263-08-02B	EA	BRACKET - GAS SPRING - LOWER - E-COATED
	107796-06-000	EA	SPRING/GAS - 12" COMPRESSED/20" EXTENDED - 120 LB.
	126259-01-000	EA	STUD - BALL - GAS SHOCK MOUNTING
39	128810-01-01A	EA	SLIDE - DRAWER - 12" - LEFT CABINET
39	128810-05-01A	EA	SLIDE - DRAWER - 14" - LEFT CABINET
39	128810-09-01A	EA	SLIDE - DRAWER - 16" - LEFT CABINET
39	128810-13-01A	EA	SLIDE - DRAWER - 18" - LEFT CABINET
39	128810-17-01A	EA	SLIDE - DRAWER - 20" - LEFT CABINET
39	128810-21-01A	EA	SLIDE - DRAWER - 22" - LEFT CABINET
39	128810-25-01A	EA	SLIDE - DRAWER - 24" - LEFT CABINET
40	128810-02-01A	EA	SLIDE - DRAWER - 12" - RIGHT CABINET
40	128810-06-01A	EA	SLIDE - DRAWER - 14" - RIGHT CABINET
40	128810-10-01A	EA	SLIDE - DRAWER - 16" - RIGHT CABINET
40	128810-14-01A	EA	SLIDE - DRAWER - 18" - RIGHT CABINET
40	128810-18-01A	EA	SLIDE - DRAWER - 20" - RIGHT CABINET
40	128810-22-01A	EA	SLIDE - DRAWER - 22" - RIGHT CABINET
40	128810-26-01A	EA	SLIDE - DRAWER - 24" - RIGHT CABINET

KEY	PART NUMBER	U/M	DESCRIPTION
41	128810-03-01A	EA	SLIDE - DRAWER - 12" - LEFT DRAWER
41	128810-07-01A	EA	SLIDE - DRAWER - 14" - LEFT DRAWER
41	128810-11-01A	EA	SLIDE - DRAWER - 16" - LEFT DRAWER
41	128810-15-01A	EA	SLIDE - DRAWER - 18" - LEFT DRAWER
41	128810-19-01A	EA	SLIDE - DRAWER - 20" - LEFT DRAWER
41	128810-23-01A	EA	SLIDE - DRAWER - 22" - LEFT DRAWER
41	128810-27-01A	EA	SLIDE - DRAWER - 24" - LEFT DRAWER
42	128810-04-01A	EA	SLIDE - DRAWER - 12" - RIGHT DRAWER
42	128810-08-01A	EA	SLIDE - DRAWER - 14" - RIGHT DRAWER
42	128810-12-01A	EA	SLIDE - DRAWER - 16" - RIGHT DRAWER
42	128810-16-01A	EA	SLIDE - DRAWER - 18" - RIGHT DRAWER
42	128810-20-01A	EA	SLIDE - DRAWER - 20" - RIGHT DRAWER
42	128810-24-01A	EA	SLIDE - DRAWER - 22" - RIGHT DRAWER
42	128810-28-01A	EA	SLIDE - DRAWER - 24" - RIGHT DRAWER
43	128811-01-01A	EA	BACKSOCKET - ADJUSTABLE - LEFT
44	128811-02-01A	EA	BACKSOCKET - ADJUSTABLE - RIGHT
45	129562-01-000	EA	STOP - DOOR - FOOT OPERATED
46	130787-02-000	EA	TRACK - TAMBOUR DOOR/SPRING
47	120760-01-000	EA	BUMPER - RUBBER - CLEAR

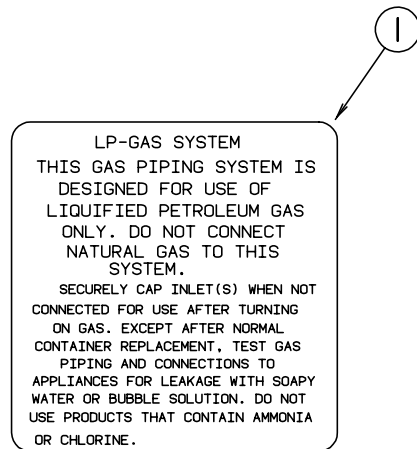
LABELS GROUP



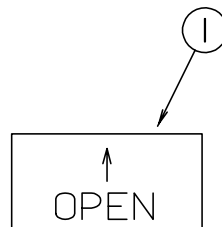
KEY	PART NUMBER	U/M	DESCRIPTION
1	006187-01-000	EA	LABEL - SEWAGE



KEY	PART NUMBER	U/M	DESCRIPTION
1	006188-01-000	EA	LABEL - WASTE WATER

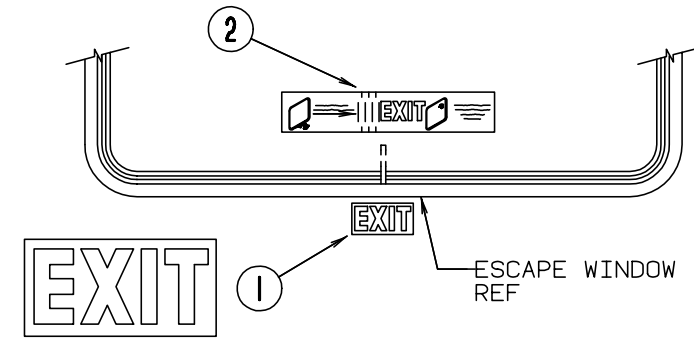
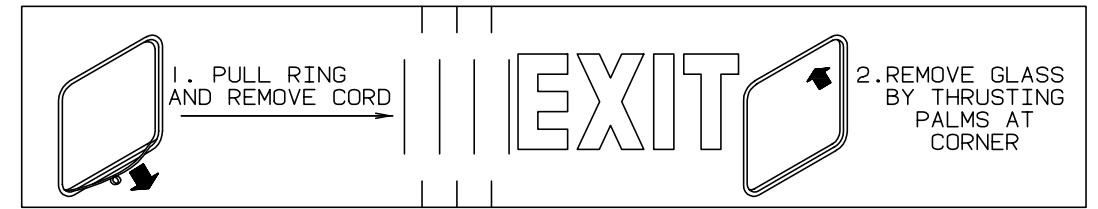


KEY	PART NUMBER	U/M	DESCRIPTION
1	023769-01-000	EA	LABEL - WARNING - LPG - CANADIAN

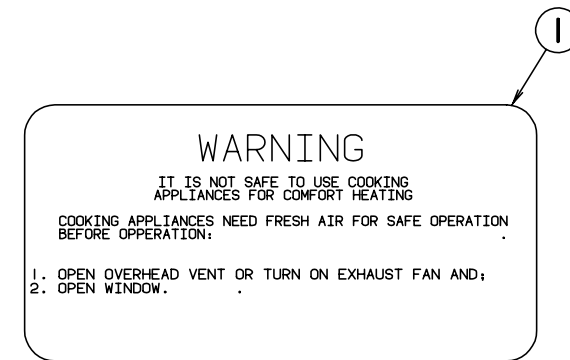


KEY	PART NUMBER	U/M	DESCRIPTION
1	040944-01-000	EA	LABEL - ENTRANCE DOOR - "OPEN"

LABELS GROUP (CONTINUED)



KEY	PART NUMBER	U/M	DESCRIPTION
1	039290-01-000	EA	LABEL - WARNING - EXIT
2	107571-01-000	EA	LABEL - EXIT/ESCAPE WINDOW



KEY	PART NUMBER	U/M	DESCRIPTION
1	050222-01-000	EA	LABEL - STOVE VENT - CANADIAN
1	050225-01-000	EA	LABEL - WARNING - STOVE VENT - US

LABELS GROUP (CONTINUED)

CAUTION

THIS MOTOR HOME HAS BEEN DESIGNED, MANUFACTURED AND TESTED WITH CONCERN FOR THE PROTECTION OF IT'S OCCUPANTS. WE RECOMMEND YOU PERFORM THE FOLLOWING INSPECTIONS FOR YOUR SAFETY AND THE SAFETY OF YOUR PASSENGERS BEFORE STARTING YOUR VEHICLE.

1. LP GAS SYSTEM- TURN OFF AT TANK FOR TRAVELING. TEST FOR LEAKS UPON ARRIVAL AT DESTINATION. BEFORE LIGHTING PILOTS.
2. WHEELS- INSPECT FOR DAMAGE AND CHECK LUG NUTS FOR TIGHTNESS.
3. TIRES- INSPECT FOR WEAR AND DAMAGE AND CHECK FOR RECOMMENDED AIR PRESSURE.
4. LIGHTING- TEST FOR PROPER OPERATION OF ALL INTERIOR AND EXTERIOR LIGHTS INCLUDING DASH LIGHTS, HEADLIGHTS, TAIL LIGHTS, BRAKE LIGHTS, CLEARANCE LIGHTS AND TURN SIGNALS.
5. EXITS- INSPECT RELEASE MECHANISM ON EMERGENCY EXIT WINDOW, TEST BOTH LOCKS ON MAIN ENTRANCE DOOR FOR EASE OF OPERATION AND INSTRUCT PASSENGERS HOW TO USE BOTH MEANS OF EXIT.
6. SEAT BELTS- DIRECT PASSENGERS TO DESIGNATED SEATS AND REQUIRE USE OF SEAT BELTS.
7. APPLIANCES- TURN OFF AND LATCH OR LOCK DOORS WHERE PROVIDED.
8. LOOSE PARCELS- STORE SECURELY.
9. UTILITY SUPPLY LINES- DISCONNECT ALL ELECTRIC, SEWER AND WATER LINES AND SECURE PROPERLY.
10. ENTRANCE DOOR STEP- PLACE IN RETRACTED POSITION FOR TRAVELING.

READ YOUR MOTOR HOME AND CHASSIS OWNER'S MANUAL FOR FURTHER PRECAUTIONS

KEY PART NUMBER U/M DESCRIPTION
 1 056259-01-000 EA LABEL - SAFETY CHECK LIST

UNLEADED FUEL ONLY

KEY PART NUMBER U/M DESCRIPTION
 1 062043-01-000 EA LABEL - FUEL - UNLEADED
 1 098641-01-000 EA LABEL - FUEL - UNLEADED - DASH

WARNING: DISCONNECT BATTERIES BEFORE CONNECTING EXTERNAL CHARGING EQUIPMENT.

KEY PART NUMBER U/M DESCRIPTION
 1 065748-01-000 EA LABEL - CAUTION - BATTERY CHARGING

AVERTISSEMENT : DEBRANCHER LES BATTERIES AVANT DE BRANCHER TOUT EQUIPEMENT DE CHARGE EXTERIEUR.

KEY PART NUMBER U/M DESCRIPTION
 1 065748-02-000 EA LABEL - WARNING - BATTERY/FRENCH

LABELS GROUP (CONTINUED)

IF YOU SMELL GAS

1. EXTINGUISH ANY OPEN FLAME, PILOT LIGHTS AND ALL SMOKING MATERIALS.
2. DO NOT TOUCH ELECTRICAL SWITCHES.
3. SHUT OFF THE GAS SUPPLY AT THE TANK VALVE(S) OR GAS SUPPLY CONNECTION.
4. OPEN DOORS AND OTHER VENTILATING OPENINGS.
5. LEAVE THE AREA UNTIL ODOR CLEARS.
6. HAVE THE GAS SYSTEM CHECKED AND LEAKAGE SOURCE CORRECTED BEFORE USING AGAIN.

KEY PART NUMBER U/M DESCRIPTION
 1 073998-01-000 EA LABEL - LPG ODOR WARNING

WARNING: TEST SMOKE DETECTOR OPERATION AFTER VEHICLE HAS BEEN IN STORAGE, BEFORE EACH TRIP AND AT LEAST ONCE PER WEEK DURING USE.

KEY PART NUMBER U/M DESCRIPTION
 1 077956-01-000 EA LABEL - WARNING - SMOKE DETECTOR

DO NOT FILL LP-GAS CONTAINER(S) TO MORE THAN 80% OF CAPACITY.

KEY PART NUMBER U/M DESCRIPTION
 1 079965-01-000 EA LABEL - LPG - 80% CAPACITY

ENGINE
ON
HEATER
OFF

KEY PART NUMBER U/M DESCRIPTION
 1 083588-02-000 EA LABEL - ON/OFF - ENGINE HEATER

CAUTION	TO HELP AVOID PERSONAL INJURY DURING REMOVAL OF FUEL FILLER CAP, SLOWLY LOOSEN CAP 1/2 TURN TO ALLOW ANY FUEL PRESSURE TO BE RELIEVED BEFORE TURNING CAP FURTHER.
FUEL SPRAY MAY CAUSE PERSONAL INJURY	STOP ADDING FUEL AFTER FIRST SHUTOFF BY AUTOMATIC NOZZLE WHEN TANK IS NEARLY FULL. DO NOT OVERFILL FUEL TANK. SEE OWNERS MANUAL FOR ADDITIONAL INFORMATION.
	PRINTED IN U.S.A. WLC PT NO 15611763

KEY PART NUMBER U/M DESCRIPTION
 1 087207-05-000 EA LABEL - FUEL CAP REMOVAL

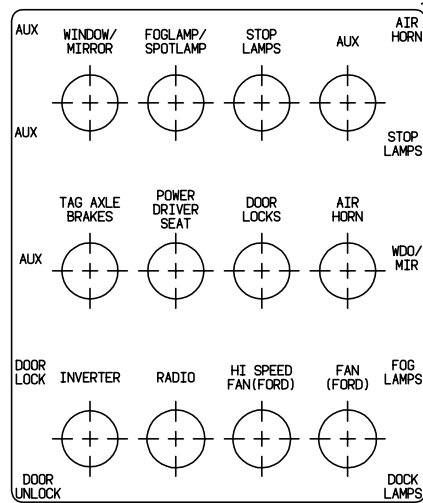
LABELS GROUP (CONTINUED)



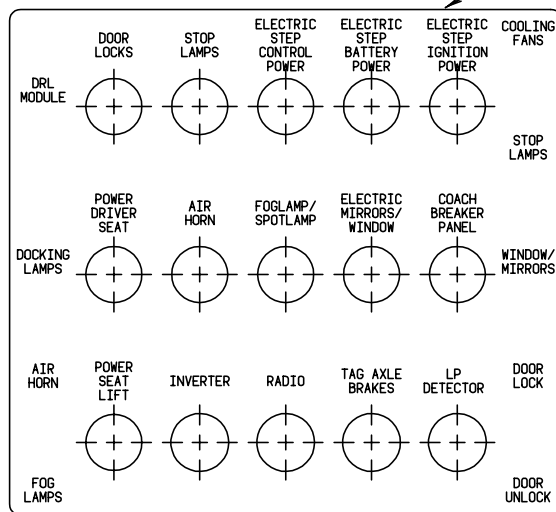
KEY	PART NUMBER	U/M	DESCRIPTION
1	087236-01-000	EA	LABEL - CABLE - INPUT



KEY	PART NUMBER	U/M	DESCRIPTION
1	087236-02-000	EA	LABEL - TV OUTLET

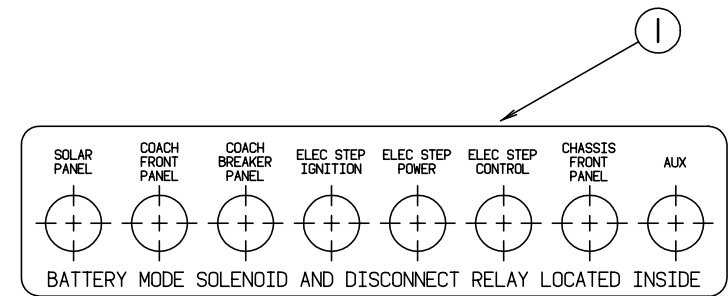


KEY	PART NUMBER	U/M	DESCRIPTION
1	092547-06-000	EA	LABEL - CIRCUIT BREAKER

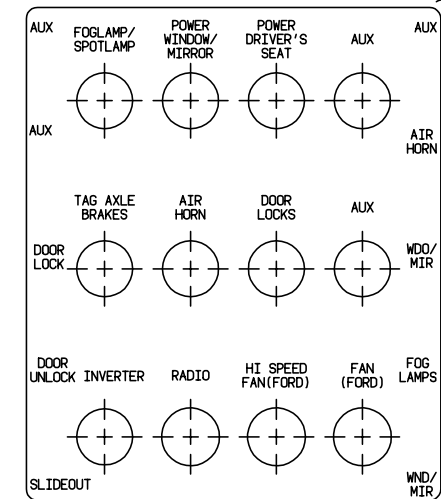


KEY	PART NUMBER	U/M	DESCRIPTION
1	093236-12-000	EA	LABEL - CIRCUIT BREAKER

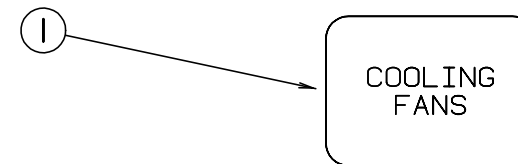
LABELS GROUP (CONTINUED)



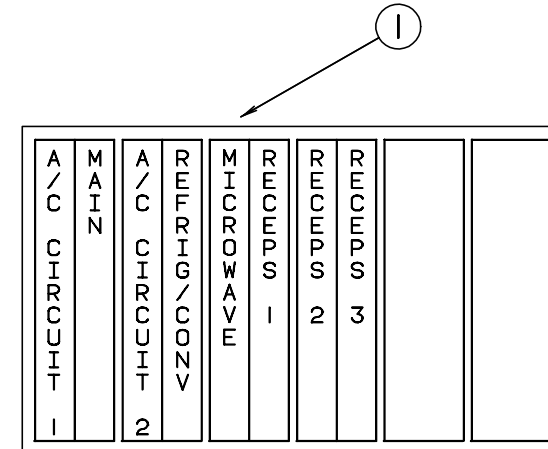
KEY	PART NUMBER	U/M	DESCRIPTION
1	093236-13-000	EA	LABEL - CIRCUIT BREAKER



KEY	PART NUMBER	U/M	DESCRIPTION
1	093236-16-000	EA	LABEL - CIRCUIT BREAKER

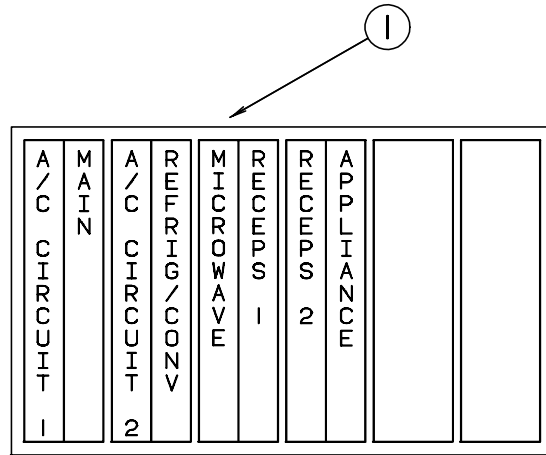


KEY	PART NUMBER	U/M	DESCRIPTION
1	093237-10-000	EA	LABEL - CIRCUIT BREAKER - FRONT - COOLING FANS

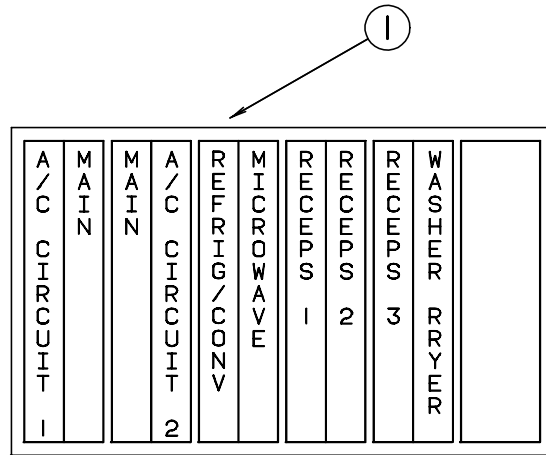


KEY	PART NUMBER	U/M	DESCRIPTION
1	095721-27-000	EA	LABEL - CONTROL CENTER - 30 AMP

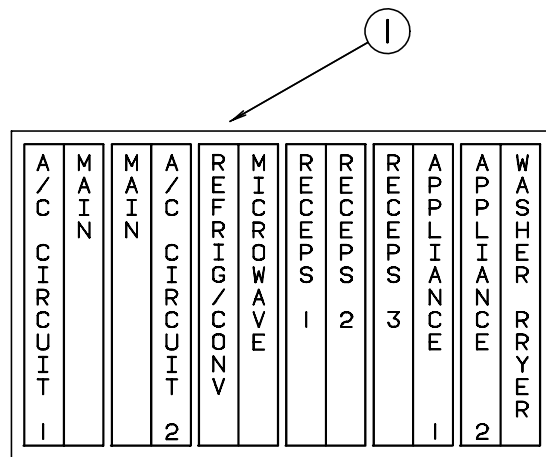
LABELS GROUP (CONTINUED)



KEY PART NUMBER U/M DESCRIPTION
 1 095721-28-000 EA LABEL - CONTROL CENTER - 30 AMP - CANADIAN

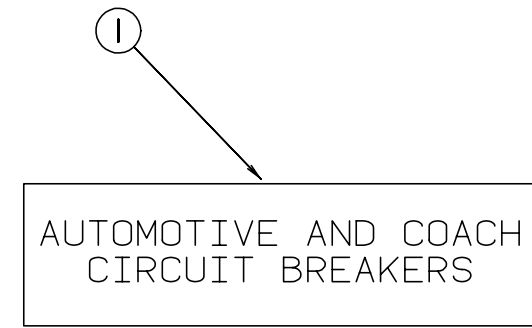


KEY PART NUMBER U/M DESCRIPTION
 1 095721-29-000 EA LABEL - CONTROL CENTER - 50 AMP

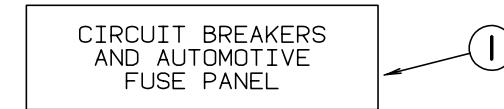


KEY PART NUMBER U/M DESCRIPTION
 1 095721-30-000 EA LABEL - CONTROL CENTER - 50 AMP - CANADIAN

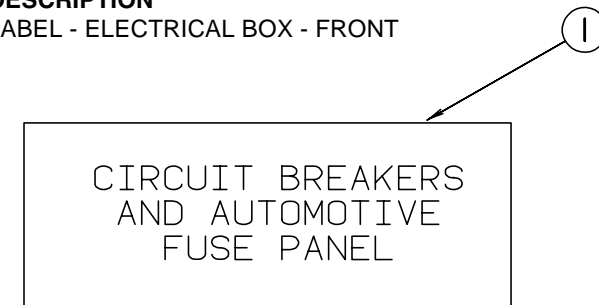
LABELS GROUP (CONTINUED)



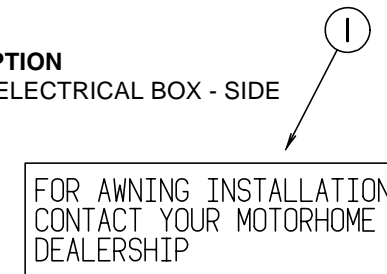
KEY PART NUMBER U/M DESCRIPTION
 1 098379-01-000 EA LABEL - FRONT BOX - CIRCUIT BREAKER



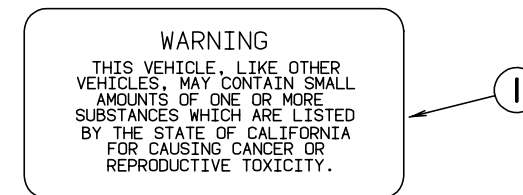
KEY PART NUMBER U/M DESCRIPTION
 1 098379-03-000 EA LABEL - ELECTRICAL BOX - FRONT



KEY PART NUMBER U/M DESCRIPTION
 1 098379-04-000 EA LABEL - ELECTRICAL BOX - SIDE

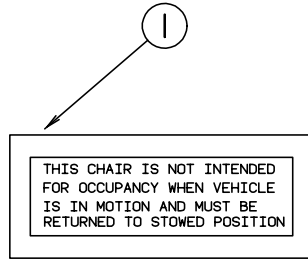


KEY PART NUMBER U/M DESCRIPTION
 1 099509-01-000 EA LABEL - AWNING INSTALLATION

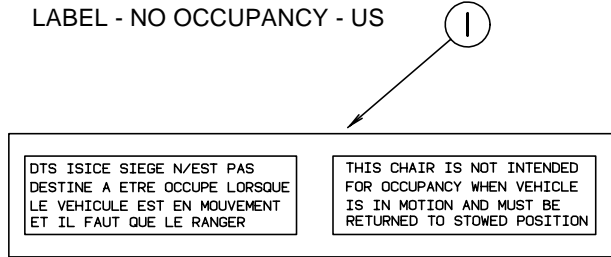


KEY PART NUMBER U/M DESCRIPTION
 1 099689-01-000 EA LABEL - WARNING - CANCER/TOXICITY

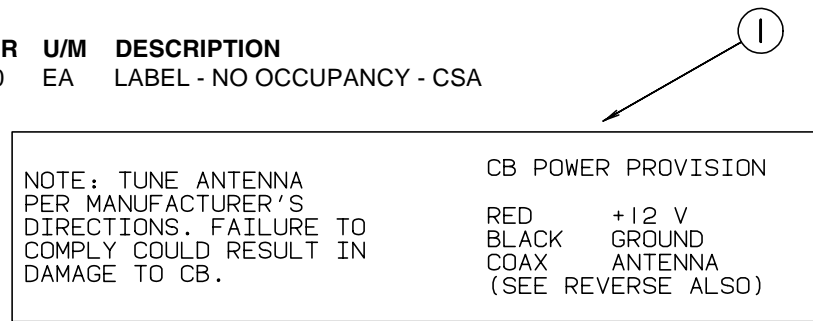
LABELS GROUP (CONTINUED)



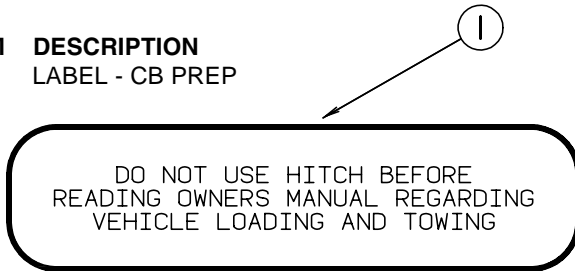
KEY	PART NUMBER	U/M	DESCRIPTION
1	102267-01-000	EA	LABEL - NO OCCUPANCY - US



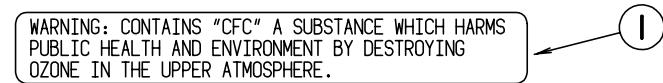
KEY	PART NUMBER	U/M	DESCRIPTION
1	102267-02-000	EA	LABEL - NO OCCUPANCY - CSA



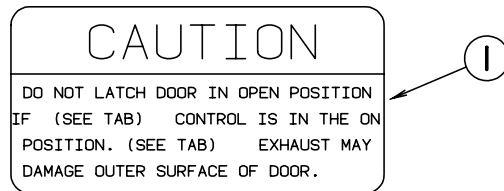
KEY	PART NUMBER	U/M	DESCRIPTION
1	104678-01-000	EA	LABEL - CB PREP



KEY	PART NUMBER	U/M	DESCRIPTION
1	111104-02-000	EA	LABEL - HITCH - READ MANUAL - BLACK

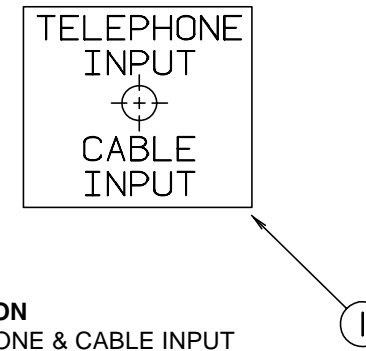


KEY	PART NUMBER	U/M	DESCRIPTION
1	111802-01-000	EA	LABEL - CFC WARNING

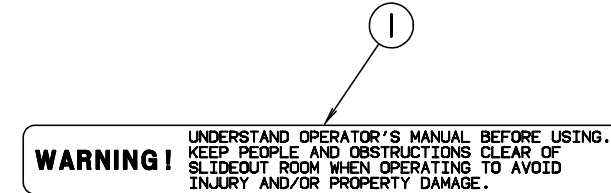


KEY	PART NUMBER	U/M	DESCRIPTION
1	113402-02-000	EA	LABEL - CAUTION - FURNACE EXHAUST

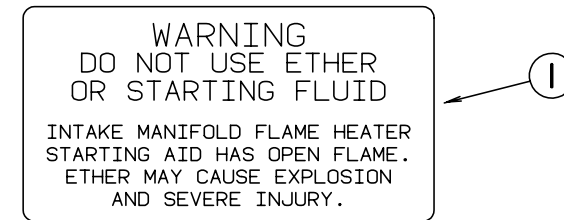
LABELS GROUP (CONTINUED)



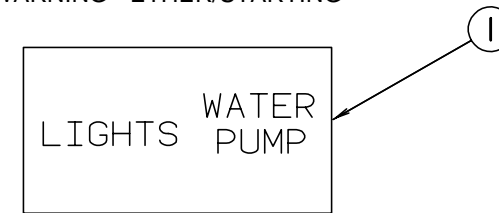
KEY	PART NUMBER	U/M	DESCRIPTION
1	114866-02-000	EA	LABEL - PHONE & CABLE INPUT
1	114866-03-000	EA	LABEL - PHONE & CABLE INPUT



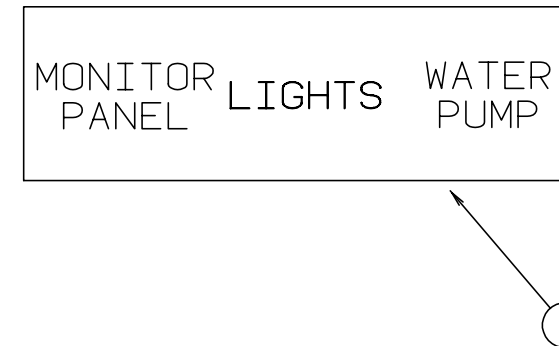
KEY	PART NUMBER	U/M	DESCRIPTION
1	116549-01-000	EA	LABEL - WARNING - SLIDEOUT



KEY	PART NUMBER	U/M	DESCRIPTION
1	116756-01-000	EA	LABEL - WARNING - ETHER/STARTING

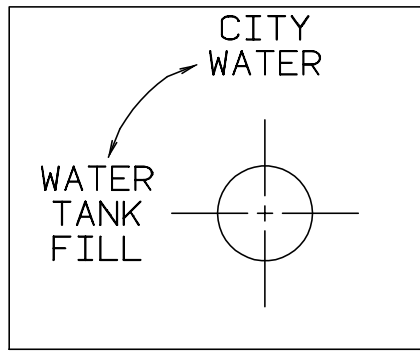


KEY	PART NUMBER	U/M	DESCRIPTION
1	117628-02-000	EA	LABEL - SWITCH - WATER PUMP/LIGHTS
1	130170-02-000	EA	LABEL - SWITCH PANEL

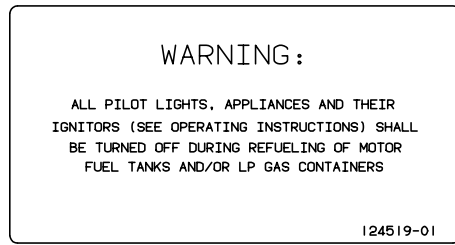


KEY	PART NUMBER	U/M	DESCRIPTION
1	117628-03-000	EA	LABEL - SWITCH - MONITOR/LIGHTS/PUMP
1	130170-01-000	EA	LABEL - SWITCH PANEL

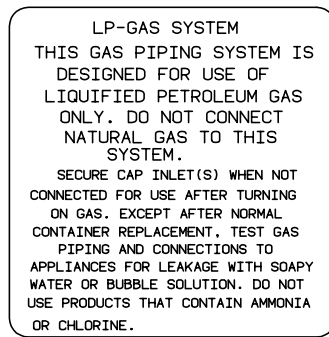
LABELS GROUP (CONTINUED)



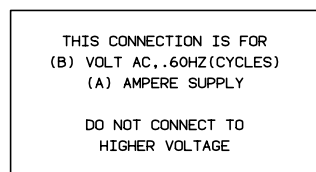
KEY	PART NUMBER	U/M	DESCRIPTION
1	117629-02-000	EA	LABEL - WATER PUMP/FILL
1	117629-03-000	EA	LABEL - WATER PUMP/FILL



KEY	PART NUMBER	U/M	DESCRIPTION
1	124519-01-02A	EA	LABEL - WARNING/REFUELING
1	124519-02-02A	EA	LABEL - WARNING/REFUELING - CSA

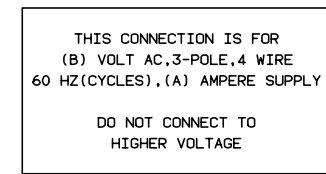


KEY	PART NUMBER	U/M	DESCRIPTION
1	124520-01-02A	EA	LABEL - LP GAS ONLY

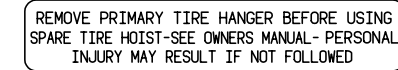


KEY	PART NUMBER	U/M	DESCRIPTION
1	125306-01-01A	EA	LABEL - ELECTRICAL ENTRANCE - 110VOLT 30AMP

LABELS GROUP (CONTINUED)



KEY	PART NUMBER	U/M	DESCRIPTION
1	125306-04-01A	EA	LABEL - ELECTRICAL ENTRANCE - 120 VOLT 240 AMP



KEY	PART NUMBER	U/M	DESCRIPTION
1	126024-01-01A	EA	LABEL - TIRE HANGER REMOVAL



KEY	PART NUMBER	U/M	DESCRIPTION
1	126247-01-000	EA	LABEL - GRAY HOLDING TANK
1	126247-05-000	EA	LABEL - GRAY HOLDING TANK



KEY	PART NUMBER	U/M	DESCRIPTION
1	126247-02-000	EA	LABEL - BLACK HOLDING TANK
1	126247-06-000	EA	LABEL - HOLDING TANK - BLANK

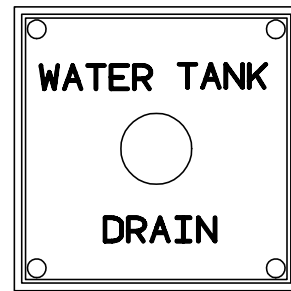


KEY	PART NUMBER	U/M	DESCRIPTION
1	126248-03-000	EA	LABEL - EXTERIOR SHOWER

LABELS GROUP (CONTINUED)



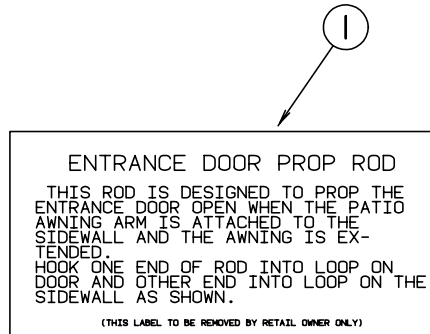
KEY	PART NUMBER	U/M	DESCRIPTION
1	126249-01-000	EA	LABEL - CITY WATER FILL
1	126249-03-000	EA	LABEL - CITY WATER FILL



KEY	PART NUMBER	U/M	DESCRIPTION
1	127170-01-000	EA	LABEL - WATER TANK DRAIN

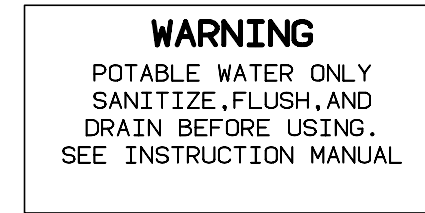


KEY	PART NUMBER	U/M	DESCRIPTION
1	128218-01-01A	EA	LABEL - WARNING - SLIPPERY ROOF

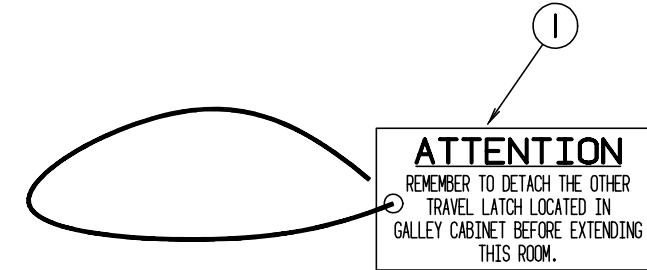


KEY	PART NUMBER	U/M	DESCRIPTION
1	128658-01-000	EA	LABEL - PROP ROD - ENTRY DOOR

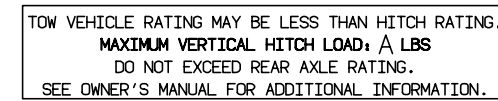
LABELS GROUP (CONTINUED)



KEY	PART NUMBER	U/M	DESCRIPTION
1	128725-01-02A	EA	LABEL - POTABLE WATER ONLY



KEY	PART NUMBER	U/M	DESCRIPTION
1	129033-01-000	EA	LABEL - HANG TAG - TRAVEL LATCH - 1.5" X 3"



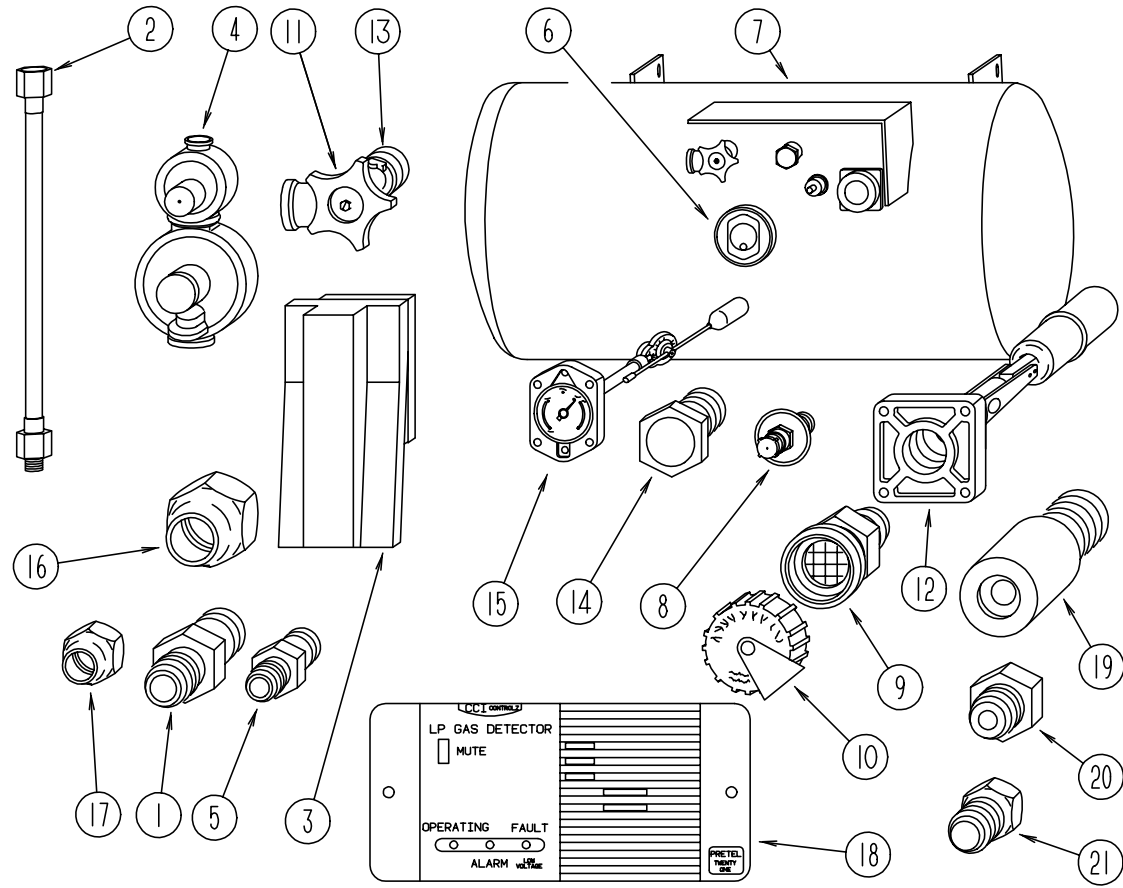
KEY	PART NUMBER	U/M	DESCRIPTION
1	129669-01-01A	EA	LABEL - HITCH/VEHICLE RATE - 350 - WHITE ON CLEAR
1	129669-02-01A	EA	LABEL - HITCH/VEHICLE RATE - 500 - WHITE ON CLEAR
1	129669-02-02A	EA	LABEL - HITCH/VEHICLE RATE - 500 - BLACK ON CLEAR

MISCELLANEOUS LABELS

KEY	PART NUMBER	U/M	DESCRIPTION
	093236-19-000	EA	LABEL - CIRCUIT BREAKER
	116273-01-000	EA	LABEL - WARNING - GENERATOR
	123562-01-000	EA	LABEL - SERVICE/UTILITY ACCESS
	125697-07-000	EA	LABEL - CAUTION - FLUSHING SYSTEM
	130168-01-000	EA	LABEL - WASTE TANK FLUSH
	131274-03-000	EA	STICKER - WINDOW - STATIC CLING - SLIDEOUT
	131274-04-000	EA	STICKER - WINDOW - STATIC CLING - SLIDEOUT
	131775-03-000	EA	LABEL - TIRE PRESSURE - BROWN/BLACK

LP GROUP

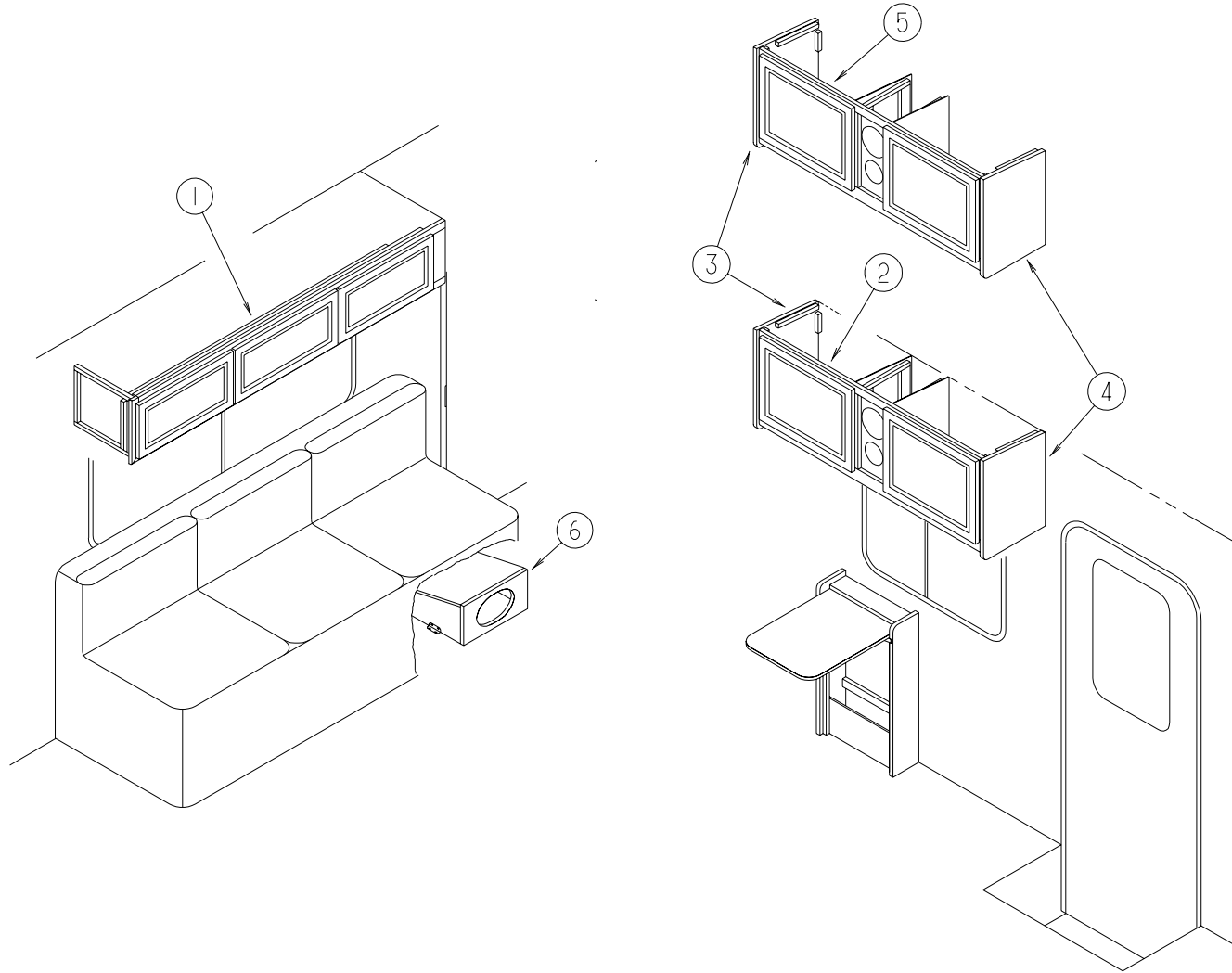
LP TANK & COMPONENTS



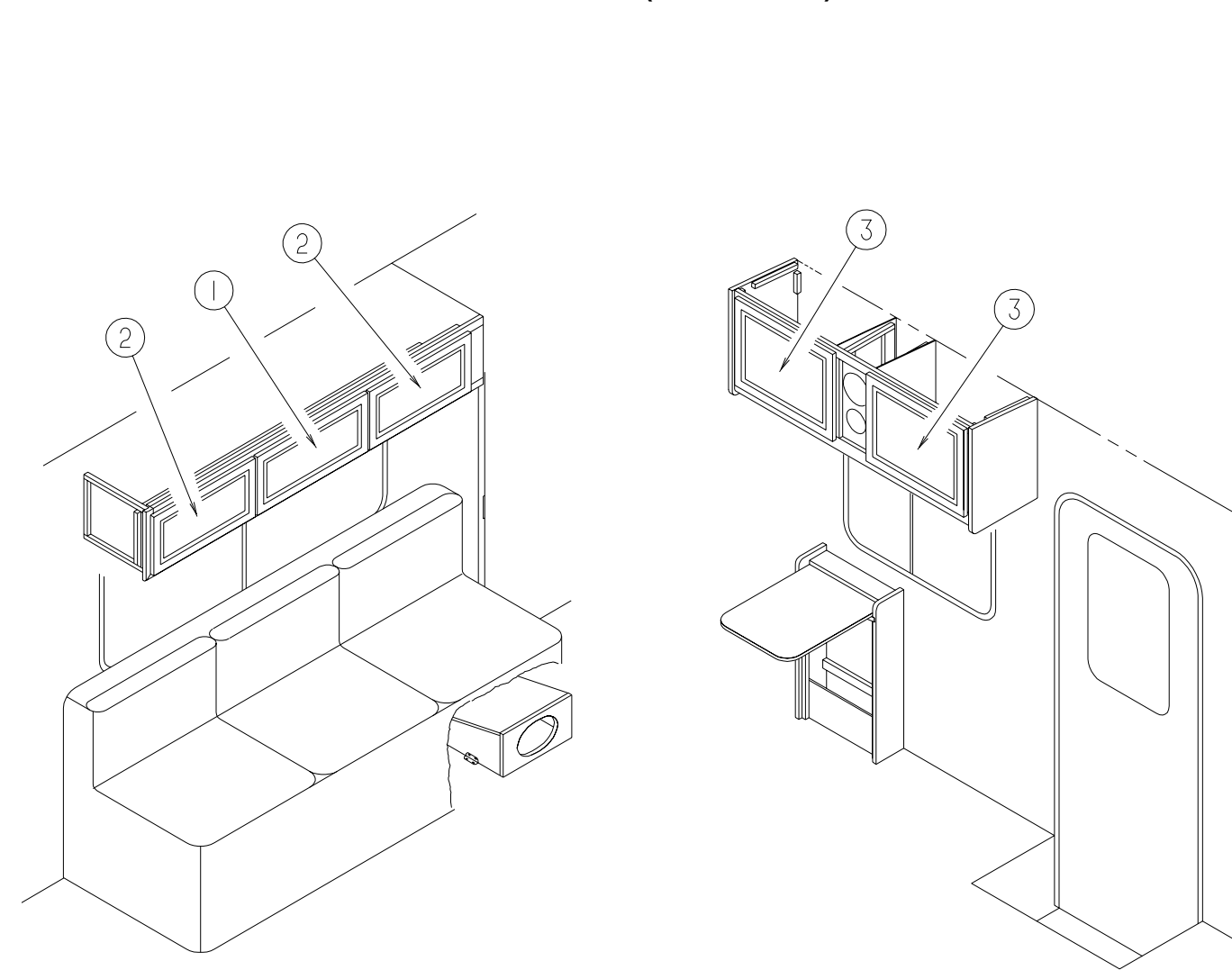
KEY	PART NUMBER	U/M	DESCRIPTION
1	010329-01-000	EA	ADAPTER - BRASS - 1/2"F X 1/2"MPT
2	045703-01-000	EA	HOSE - LP - 3/8"ID X 24" - 3/8"MPT X 1/2"F SWIVEL - U.S.
2	045703-02-000	EA	HOSE - LP - 3/8"ID X 24" - 3/8"MPT X 1/2"F SWIVEL - CANADA
2	045703-05-000	EA	HOSE - LP - 3/8"ID X 28" - 3/8"MPT X 1/2"F
2	045703-06-000	EA	HOSE - LP - 3/8"ID X 28" - 3/8"MPT X 1/2"F
2	045703-11-000	EA	HOSE - LP - 3/8"ID X 36" - 3/8"MPT X 3/8"F
2	045703-13-000	EA	HOSE - LP - 3/8"ID X 120" - 3/8"F SWIVEL X 1/2"F SWIVEL US
2	045703-14-000	EA	HOSE - LP - 3/8"ID X 157.5" - 1/2"F SWIVEL X 1/2"F SWIVEL
2	045703-15-000	EA	HOSE - LP - 3/8"ID X 142" - 1/2F SWIVEL X 3/8F
2	045703-16-000	EA	HOSE - LP - 3/8ID X 109" - 1/2" F SWIV FLR
3	105658-01-000	EA	COMPARTMENT - LP REGULATOR
4	106150-01-000	EA	REGULATOR - TWO STAGE -W/90 DEGREE ELBOW & 3/8" FPT OUTLET
5	010323-01-000	EA	ADAPTER - BRASS - 3/8"F X 1/2"MPT
6	040440-02-000	EA	TRANSMITTER - DIAL - 0-90 OHM -2 TERMINAL (POWER & GROUND)
7	088253-03-000	EA	TANK - LP - 100 LB - 16"DIAMETER X 36" LONG - SPL (L33, L34)
7	088253-05-000	EA	TANK - LP - 130 LB - LIQUID DRAW (LP GENERATORS ONLY)
7	088253-06-000	EA	TANK - LP - 130 LB (L36)
7	088253-09-000	EA	TANK - LP - 100 LB - 14"DIAMETER X 47" LONG - SPL (L35)

KEY	PART NUMBER	U/M	DESCRIPTION	VENDOR NO.
8	040421-01-700	EA	VALVE-LIQUID LEVEL, 20%	G-1013
9	040421-01-701	EA	VALVE-FILL-SHORT, LP	7547B
10	040421-01-702	EA	CAP-FILL VALVE, PLASTIC	G-1014-A
11	040421-01-708	EA	HANDWHEEL-SERVICE VALVE	G-1015-A
12	040421-01-711	EA	VALVE-80% FILL W/AUTO STOP	LLL/TL3
13	040421-01-710	EA	VALVE-SERVICE, LIQUID	910145
13	040421-01-712	EA	VALVE,SERV. W/O VAPOR RELIEF	29000853
14	040421-01-713	EA	VALVE-RELIEF 1" W/SPRING 7"	29000587
15	040421-01-707	EA	FLOAT ASM.(SIGHT GAUGE) 14"	14C
15	088253-01-700	EA	GAUGE-FLOAT ASSEMBLY, L.P.	16C
16	010377-02-000	EA	NUT - BRASS - 3/8" FLARE - FORGED	
17	010380-02-000	EA	NUT - BRASS - 1/2" FLARE - FORGED	
18	103613-03-000	EA	DETECTOR - LP GAS - W/O SHUT-OFF VALVE	
19	106846-01-000	EA	VALVE - RELIEF	
20	106871-01-000	EA	BUSHING - 1/2 X 1/4 - BLACK	
	010252-01-000	EA	ELBOW - BRASS - 90 DEGREE - 3/8"F X 1/2"MPT	
	010265-01-000	EA	ELBOW - BRASS - 90 DEGREE - 3/8"F X 1/2"FPT	
21	024250-01-000	EA	ADAPTER - BRASS - 3/8"F X 1/2"FPT	

LOUNGE GROUP



LOUNGE GROUP (CONTINUED)



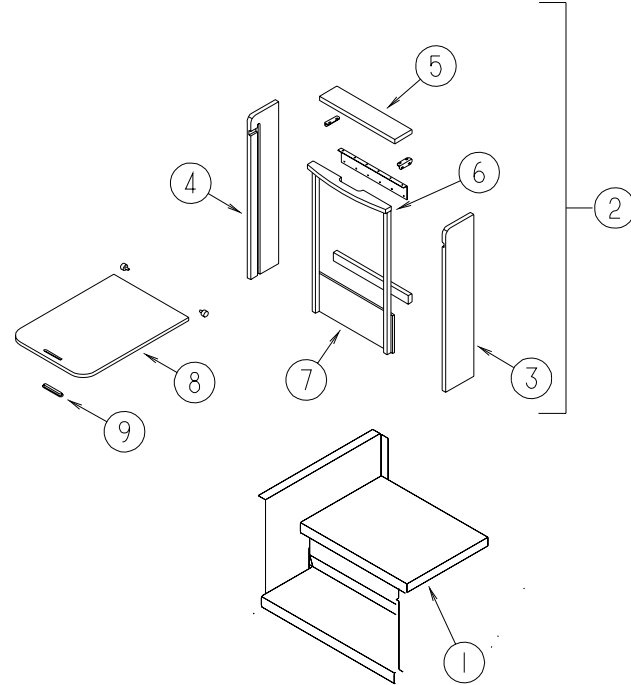
LOUNGE CABINETS

KEY	PART NUMBER	U/M	DESCRIPTION
1	126433-03-K36	EA	CABINET - OVHD/SOFA - W/O DOORS/DRAWERS/HDW - MYSTIC OAK
1	126433-03-K37	EA	CABINET - OVHD/SOFA - W/O DOORS/DRAWERS/HDW - SALEM CHERRY
2	130700-01-K36	EA	CABINET - OVHD/FRONT - RIGHT HAND - W/O DOORS/HDW - MYSTIC OAK
2	130700-01-K37	EA	CABINET - OVHD/FRONT - RIGHT HAND - W/O DOORS/HDW - SALEM CHERRY
3	103128-01-J90	EA	END CAP - OVHD CABINET - RIGHT HAND - MYSTIC OAK
3	103128-01-J30	EA	END CAP - OVHD CABINET - RIGHT HAND - SALEM CHERRY
4	103128-39-K29	EA	END CAP - OVHD CABINET - LEFT HAND - MYSTIC OAK
4	103128-39-K37	EA	END CAP - OVHD CABINET - LEFT HAND - SALEM CHERRY
5	130700-02-K36	EA	CABINET - OVHD/FRONT - RIGHT HAND - W/O DOORS/HDW - MYSTIC OAK
5	130700-02-K37	EA	CABINET - OVHD/FRONT - RIGHT HAND - W/O DOORS/HDW - SALEM CHERRY
6	129642-01-000	EA	CABINET - SPEAKER - W/O DOORS/HDW

LOUNGE DOORS & DRAWERS

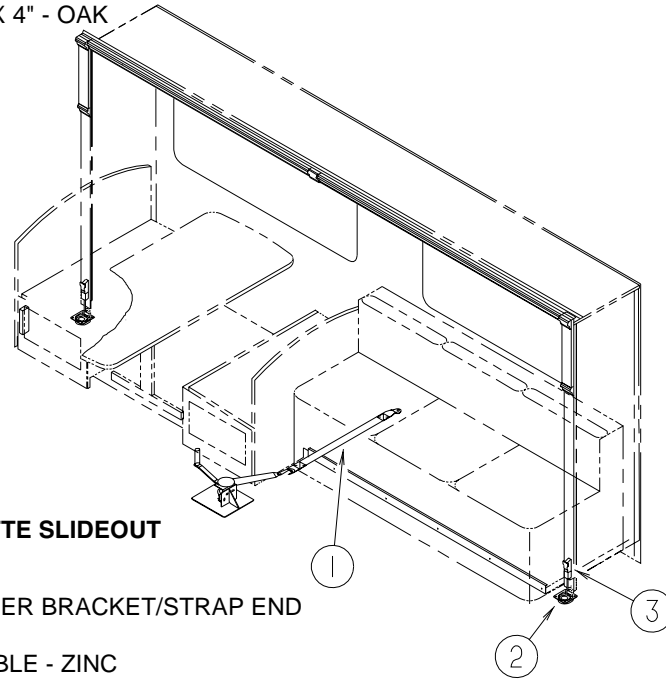
KEY	PART NUMBER	U/M	DESCRIPTION
1	131995-44-K36	EA	DOOR - SOLID PANEL - 10.8" X 23.8" - W/O HDW - MYSTIC OAK
1	131995-44-K37	EA	DOOR - SOLID PANEL - 10.8" X 23.8" - W/O HDW - SALEM CHERRY
2	131995-41-K36	EA	DOOR - SOLID PANEL - 10.8" X 21.8" - W/O HDW - MYSTIC OAK
2	131995-41-K37	EA	DOOR - SOLID PANEL - 10.8" X 21.8" - W/O HDW - SALEM CHERRY
3	131995-D1-K36	EA	DOOR - SOLID PANEL - 15.7" X 20.4" - W/O HDW - MYSTIC OAK
3	131995-D1-K37	EA	DOOR - SOLID PANEL - 15.7" X 20.4" - W/O HDW - SALEM CHERRY

LOUNGE GROUP (CONTINUED)



LOUNGE TABLE AND STEP LID

KEY	PART NUMBER	U/M	DESCRIPTION
1	120234-03-H13	EA	LID - ENTRY STEP
1	101222-01-04A	EA	BRACKET - CATCH - LID - E-COATED
1	064075-07-000	FT	SEAL - BULB - W/WIRED U CHANNEL - .3" X .5" CHANNEL-BLACK
2	119559-03-K36	EA	CABINET - W/PULLOUT TABLE - MYSTIC OAK
2	119559-03-K37	EA	CABINET - W/PULLOUT TABLE - SALEM CHERRY
3	119559-11-K29	EA	CABINET/RIGHT SIDE - F/PULLOUT TABLE - 5.7" X 28.7" - MYSTIC OAK
3	119559-11-K37	EA	CABINET/RIGHT SIDE - F/PULLOUT TABLE - 5.7" X 28.7" - SALEM CHERRY
4	119559-12-K29	EA	CABINET/LEFT SIDE - F/PULLOUT TABLE - 5.7" X 28.7" - MYSTIC OAK
4	119559-12-K37	EA	CABINET/LEFT SIDE - F/PULLOUT TABLE - 5.7" X 28.7" - SALEM CHERRY
5	119559-22-K36	EA	TOP - F/CABINET/PULLOUT TABLE - MYSTIC OAK
5	119559-22-K37	EA	TOP - F/CABINET/PULLOUT TABLE - SALEM CHERRY
6	119559-23-K36	EA	SHELF - W/PLASTIC EDGE TRIM - MYSTIC OAK
6	119559-23-K37	EA	SHELF - W/PLASTIC EDGE TRIM - SALEM CHERRY
7	119559-24-K36	EA	PANEL - LOWER/FRONT - MYSTIC OAK
7	119559-24-K37	EA	PANEL - LOWER/FRONT - SALEM CHERRY
8	119559-25-K36	EA	TABLE TOP - PULLOUT - MYSTIC OAK
8	119559-25-K37	EA	TABLE TOP - PULLOUT - SALEM CHERRY
9	080736-01-000	EA	PULL - RECESSED - 1.25 X 4" - OAK



COUCH/DINETTE SLIDEOUT

KEY	PART NUMBER	U/M	DESCRIPTION
1	116101-02-F31	EA	STRAP - WINCH - 34" CENTER BRACKET/STRAP END
2	116736-01-01A	EA	TIEDOWN - DROP/D - ZINC
3	116737-01-01A	EA	LATCH - DRAW - ADJUSTABLE - ZINC

SEALANTS & FASTENERS GROUP

SEALANTS & ADHESIVES

KEY	PART NUMBER	U/M	DESCRIPTION	VENDOR NO.
	004006-05-700	EA	ADHESIVE-NAT. STARCH (5 GAL)	0802
	004363-01-000	FT	TAPE - ADHESIVE FOAM/1 SIDE - 3/16" X 1/2" X 50' - GRAY	
	053766-02-000	EA	BEDDING COMPOUND - TUBE - WHITE	
	067788-01-000	EA	ADHESIVE - SPRAY - 3M - 19.5 AEROSOL CAN	
	069640-01-000	FT	SEALER - RIBBON - 1/4" DIAMETER X 30' - BLACK	
	069640-03-000	FT	SEALER - TAPE - .13"THICK X .75"WIDE X 60' - BLACK	
	069640-09-000	FT	SEALER - TAPE - .032"THICK X 2.50"WIDE X 80' - GRAY	
	069640-15-000	FT	SEALER - TAPE - .06"THICK X .38"WIDE X 80' - GRAY	
	069640-18-000	FT	SEALER - TAPE - .50"THICK X 1/8"WIDE X 60' - BRIGHT WHITE	
	069640-19-000	FT	SEALER - TAPE - .75"THICK X 1/8"WIDE X 60' - BRIGHT WHITE	
	069640-20-000	FT	SEALER - TAPE - 1/2" X 1/8" X 60' - BLACK	
	069640-21-000	FT	SEALER - TAPE - .50" THICK X 1/16" X 100FT - BRIGHT WHITE	
	069640-23-000	FT	SEALER - TAPE - 1/16" X 3/4" X 100' - BRIGHT WHITE	
	072889-09-000	EA	SEALANT - URETHANE - BLACK (TUBE)	
	072889-10-000	EA	SEALANT - URETHANE (HV) - BRIGHT WHITE	
	072889-11-000	EA	SEALANT - URETHANE - (TUBE) - GRAY	
	072889-12-000	EA	SEALANT - URETHANE (LV) BRIGHT WHITE	
	072889-17-000	EA	SEALANT - URETHANE	
	072889-18-000	EA	SEALANT - URETHANE - BLACK (FOIL)	
	072889-19-000	EA	SEALANT - URETHANE - (FOIL) - BLACK - 10 OUNCE	
	072889-20-000	EA	SEALANT - URETHANE - (FOIL) - BRIGHT WHITE - 10 OUNCE	
	072889-21-000	EA	SEALANT - URETHANE - (FOIL) - BRIGHT WHITE - 20 OUNCE	
	076322-01-000	FT	TAPE - DOUBLE COATED/ADHESIVE BACK - .025"THK X .75"W X 18'	
	076322-02-000	FT	TAPE - DOUBLE COATED/ADHESIVE BACK - .045"THK X 1"W X 108'	
	076322-03-000	FT	TAPE - DOUBLE COATED/ADHESIVE BACK - .045"THK X .50"W X 9'	
	076322-05-000	FT	TAPE - DOUBLE COATED/ADHESIVE BACK - .045"THK X .75"W X 9'	
	076322-07-000	FT	TAPE - DOUBLE COATED/ADHESIVE BACK - .045"THK X .50"W X 9'	
	076322-12-000	FT	TAPE - DOUBLE COATED/ADHESIVE BACK - .45"THK X .25"W X 9'	
	087211-01-000	GL	PROMOTER - ADHESIVE	
	088479-01-000	EA	TAPE - ALUMINUM - 3"	
	091255-02-000	FT	SEAL - ADHESIVE BACKED/FOAM - .18" THICK X 1.5" WIDE	
	091255-03-000	FT	SEAL - FOAM, 1/4 X 3/16 ROLL	
	102352-01-000	EA	SEALER - PUMPABLE - BLACK	
	102352-02-000	EA	SEALER - PUMPABLE - CLEAR	
	104692-01-000	FT	SEAL - FOAM/ADHESIVE BACK - .75"THICK X .75"WIDE X 25'	
	104692-03-000	FT	SEAL - FOAM/ADHESIVE BACK - 1"THICK X 1.25"WIDE X 15'	
	106206-01-000	EA	SEALER - PUMPABLE - MANUS 30A - BLACK	
	108716-03-000	EA	SILICONE - TUBE - BRIGHT WHITE/SELF LEVELING - W/O NOZZLE	
	112864-01-000	FT	SEAL - FOAM/BUTYL COVERED - 3/8"	
	112901-02-000	EA	ADHESIVE - PLEXUS - 50ML	
	118085-02-01A	FT	TAPE - FOIL - 1"	
	120074-02-01A	EA	SEALANT - SILICONE - OFF WHITE	
	120534-01-01A	EA	TAPE - SCOTCH - 3M - 1/2" FINE LINE	
	123244-01-000	FT	TAPE - DOUBLE SIDED FOAM - 5/64" THICK X .75" WIDE	
	123244-02-000	FT	TAPE - DOUBLE SIDED FOAM - 5/64" THICK X .50" WIDE	
	123816-01-000	FT	TAPE - DOUBLE SIDED - 1"	
	123816-02-000	FT	TAPE - DOUBLE SIDED - 1/2" X 1 1/3" THICK	
	123816-03-000	FT	TAPE - DOUBLE SIDED - 1/2" X 3/4" - THICK	
	131264-01-01A	EA	SILICONE - W/O NOZZLE - BLACK	
	131264-01-02A	EA	SILICONE - W/O NOZZLE - CLEAR	
	131264-03-01A	EA	SILICONE - SELF LEVELING - W/O NOZZLE - BRIGHT WHITE	
	131384-01-000	EA	ADHESIVE - JET - WELD	
	900390-01-000	EA	TIP - 2 1/2" X 1/8" ORIFICE	
	900390-03-000	EA	NOZZLE - SILICONE TUBE	

SEALANTS & FASTENERS GROUP (CONTINUED)

BOLTS, NUTS & WASHERS

KEY	PART NUMBER	U/M	DESCRIPTION
	000C12-05-16B	EA	BOLT - HEX - 5/16-18 X 1 - ZINC 5
	000C12-05-12B	EA	BOLT - HEX - 5/16-18 X 3/4 - ZINC 5
	000C12-06-20B	EA	BOLT - HEX - 3/8 - 16 X 1 1/4 - ZINC #5
	000C12-06-16B	EA	BOLT - HEX - 3/8-16 X 1 LG - ZINC 5
	000C12-08-28B	EA	BOLT - HEX - 1/2-13 X 1 3/4 - ZINC 5
	000C12-08-24B	EA	BOLT - HEX - 1/2-13 X 1.50 - ZINC 5
	000C12-08-16B	EA	BOLT - HEX - 1/2-13 X 1.OO - GD5 - ZINC
	000C12-10-24B	EA	BOLT - HEX - 5/8-11 X 1.50 - ZINC 5
	000C13-07-48B	EA	BOLT - HEX - 7/16-20 X 3 - ZINC 5
	000C14-07-28B	EA	BOLT - HEX - 7/16-14 X 1.75 - GRADE 8 ZINC
	000C26-04-14B	EA	BOLT - HEX - SERRATED FLANGE - 1/4-20 X 7/8 - ZINC
	000C26-04-10B	EA	BOLT - HEX - SERRATED FLANGE - 1/4-20 X 5/8 - ZINC
	000C26-04-18B	EA	BOLT - HEX - SERRATED FLANGE - 1/4-20 X 1 1/8 - ZINC
	000C26-05-20B	EA	BOLT - HEX - SERRATED FLANGE - 5/16-18 X 1 1/4 - ZINC
	000C26-05-16B	EA	BOLT - HEX - SERRATED FLANGE - 5/16-18 X 1 - ZINC
	000C26-05-12B	EA	BOLT - HEX - SERRATED FLANGE - 5/16-18 X 3/4 - ZINC
	000C26-06-40B	EA	BOLT - HEX - SERRATED FLANGE - 3/8-16 X 1 3/4 - ZINC
	000C26-06-28B	EA	BOLT - HEX - SERRATED FLANGE - 3/8-16 X 1 3/4 - ZINC
	000C26-06-16B	EA	BOLT - HEX - SERRATED FLANGE - 3/8-16 X 1 - ZINC
	000C26-06-12B	EA	BOLT - HEX - SERRATED FLANGE - 3/8-16 X 3/4 - ZINC
	000C26-08-24B	EA	BOLT - HEX - SERRATED FLANGE - 1/2-13 X 1 1/2 ZINC
	000D24-10-00B	EA	NUT - HEX - SELF LOCKING - 10-32 ZINC
	000D29-05-00B	EA	NUT - HEX - LOCKING W/SERRATED FLANGE-NYLON WASHER INSERT
	000D34-04-00B	EA	NUT - HEX - LOCKING - 1/4-20 ZINC
	000D34-06-00B	EA	NUT - HEX - LOCKING - 3/8-16 GRADE C - ZINC-PREVAILING
	000D39-04-00B	EA	NUT - HEX - LOCKING W/SERRATED FLANGE - 1/4-20 - ZINC
	000D39-05-00B	EA	NUT - HEX - LOCKING W/SERRATED FLANGE - 5/16-18 - ZINC
	000D39-06-00B	EA	NUT - HEX - LOCKING W/SERRATED FLANGE - 3/8-18 - ZINC
	000D39-07-00B	EA	NUT - HEX - SERRATED FLANGE - LOCKING - 7/16 - 14 - ZINC
	000D39-08-00B	EA	NUT - HEX - LOCKING W/SERRATED FLANGE - 1/2-13 - ZINC
	000D44-04-00B	EA	NUT - HEX - LOCKING W/SERRATED FLANGE - 1/4-28 ZINC
	000D44-07-00B	EA	NUT - HEX - LOCKING W/SERRATED FLANGE - 7/16-20 - ZINC
	000D46-04-00A	EA	NUT - HEX - WELD - 1/4-20 - PLAIN

SEALANTS & FASTENERS GROUP (CONTINUED)

BOLTS, NUTS & WASHERS (CONTINUED)

KEY	PART NUMBER	U/M	DESCRIPTION
	000D65-08-00B	EA	NUT - HEX/SERRATED FLANGE - 8-32 ZINC
	000D73-07-00C	EA	NUT - HEX FLANGE - 7/16-14 - GRADE G
	000D73-08-00C	EA	NUT - HEX FLANGE - 1/2-13
	000D76-06-00B	EA	NUT - HEX FLANGE - 3/8-16
	000E11-07-00B	EA	WASHER - LOCKING - 7/16 MED SPLIT - ZINC
	000E13-14-00B	EA	WASHER - FLAT - 1/4 WIDE - ZINC
	000E13-18-00B	EA	WASHER - FLAT - 3/8 WIDE - ZINC
	000E13-20-00B	EA	WASHER - FLAT - 7/16 WIDE - ZINC
	000E13-22-00B	EA	WASHER - FLAT - 1/2 WIDE - ZINC
	000E13-26-00B	EA	WASHER - FLAT - 5/8 WIDE - ZINC
	000E14-10-00B	EA	WASHER - LOCKING - #10 EXTERNAL TOOTH - ZINC
	000G45-04-24B	EA	BOLT - LAG - 1/4-9 X 1 1/2 - ZINC
	000G45-04-24F	EA	BOLT - LAG - 1/4 #9 X 1 1/2SS
	005081-01-000	EA	NUT - SPEED - C-TYPE - #8 SCREW
	040921-04-000	EA	NUT - SPEED - U TYPE - 8-.59" LENGTH X .44" WIDTH
	040921-09-000	EA	NUT - SPEED - U TYPE - 8
	044364-02-000	EA	NUT - SPEED - FLAT - ROUND
	051387-06-000	EA	BOLT - CARRIAGE W/O HOLE - 5/16-18 X 9.5 - ZINC
	058716-02-000	EA	WASHER - FLAT NYLON
	077071-01-000	EA	WASHER - FENDER - 3/16"ID X 1" OD
	083163-06-000	EA	PUSHNUT - FLAT TYPE 3/8 STUD - FORD ONLY
	087234-01-000	EA	NUT - JACK - 1/4 X 20 THD - MOLLY
	088787-12-000	EA	STUD - WELD - 1/4 - 20 X 1.0 LG - MN
	091274-03-000	EA	BOLT-J - 3/8-16 X 12.0
	106166-01-000	EA	BOLT/COLLARED HANGER - 8-32 X 1"
	106648-01-000	EA	CAP - STUD - .120 TO .130 DIAMETER
	106956-03-000	EA	BOLT - HEX TAP - 1/2-12NC X 3 - GRADE 5 - FULL THREAD/ZINC
	106956-08-000	EA	BOLT - HEX TAP - 1/2-13NC X 4 - GRADE 5 - FULL THREAD/ZINC
	107397-01-000	EA	WASHER - FENDER - .25" ID X 1" OD
	108067-03-000	EA	STUD - WELD - 1/4 - 20 X 1/2 CD
	120506-01-01A	EA	RIVET - PLASTIC - 3/16 DIAMETER

SEALANTS & FASTENERS GROUP (CONTINUED)

SCREWS

KEY	PART NUMBER	U/M	DESCRIPTION
	0G1108-12-170	EA	SCREW - 8-18 X .75 PPH - BRIGHT WHITE
	0G1208-12-170	EA	SCREW - 8-18 X .75 POH - BRIGHT WHITE
	0G3908-08-170	EA	SCREW - SF/DR - 8-18 X .50 PPH - BRIGHT WHITE
	0G3908-20-170	EA	SCREW - SF/DR - 8-18 X 1.25 PPH - BRIGHT WHITE
	0G3908-24-170	EA	SCREW - SF/DR - 8-18 X 1.50 PPH - BRIGHT WHITE
	0G3910-10-160	EA	SCREW - SF/DR - 10-16 X .62 PPH - BRIGHT WHITE
	0G3910-12-260	EA	SCREW - SF/DR - 10-16 X .75 PPH - ALLANTE ANTELOPE
	0G3910-12-170	EA	SCREW - SF/DR - 10-16 X .75 PPH - BRIGHT WHITE
	0G5508-12-170	EA	SCREW - SF/DR - 8-18 X .75 PWH - BRIGHT WHITE
	0G5508-12-260	EA	SCREW - SF/DR - 8-18 X .75 PWH - ALLANTE ANTELOPE
	0G5508-16-260	EA	SCREW - SF/DR - 8-18 X 1.00 PWH ZINC - INTERIOR ANTELOPE
	0G6710-08-170	EA	SCREW - 10-12 X 1/2 PPH - BRIGHT WHITE
	0G6710-12-170	EA	SCREW - 10-12X.75 PPH - BRIGHT WHITE
	0G6710-16-230	EA	SCREW - 10-12 X 1 PPH
	000G11-05-08B	EA	SCREW - 5-20 X .50 PPH - ZINC
	000G11-06-10B	EA	SCREW - 6-20 X 5/8 PPH - ZINC
	000G11-06-08B	EA	SCREW - 6-20 X 1/2 PPH - ZINC
	000G11-06-06B	EA	SCREW - 6-20 X 3/8 PPH - ZINC
	000G11-06-12B	EA	SCREW - 6-20 X 3/4" PPH - ZINC
	000G11-06-10J	EA	SCREW - 6-20 X 5/8 PPH - BRASS
	000G11-07-08B	EA	SCREW - 7-19 X 1/2 PPH - ZINC
	000G11-08-06B	EA	SCREW - 8-18 X 3/8 PPH ZINC
	000G11-08-06J	EA	SCREW - 8-18 X 3/8 PPH BRASS
	000G11-08-12D	EA	SCREW - 8-18 X 3/4 PPH - BLACK
	000G11-08-12B	EA	SCREW - 8-18 X 3/4 PPH - ZINC
	000G11-08-12T	EA	SCREW - 8-18 X .75 PPH - BLACK
	000G11-08-08T	EA	SCREW - 8-18 X 1/2 PPH - FLUOROCARBON COATING
	000G11-08-08B	EA	SCREW - 8-18 X 1/2 PPH - ZINC
	000G11-08-20B	EA	SCREW - 8-18 X 1 1/4 PPH - ZINC
	000G11-08-16S	EA	SCREW - 8-18 X 1 PPH - OFF WHITE
	000G11-08-16B	EA	SCREW - 8-18 X 1 PPH - ZINC
	000G11-08-12P	EA	SCREW - 8-18 X 3/4 PPH - DARK BROWN
	000G11-10-16B	EA	SCREW - 10-16 X 1 PPH - ZINC
	000G11-10-12S	EA	SCREW - 10-16 X 3/4 PPH - OFF WHITE
	000G11-10-12D	EA	SCREW - 10-16 X 3/4 PPH - BLACK
	000G13-06-08B	EA	SCREW - 6-20 X .50 PFH - ZINC
	000G12-06-08T	EA	SCREW - 6-20 X 1/2 POH - BLACK
	000G13-06-16E	EA	SCREW - 6-20 X 1 PFH - CHROME
	000G13-06-16J	EA	SCREW - 6-20 X 1 PFH - BRASS
	000G13-06-10G	EA	SCREW - 6-20 X 5/8 PFH - ANTIQUE BRASS
	000G13-06-08G	EA	SCREW - 6-20 X .50 PFH - ANTIQUE BRASS
	000G13-06-24J	EA	SCREW - 6-20 X 1 1/2 PFH - BRASS
	000G13-07-089	EA	SCREW - 7-19 X 1.2 PPH - SILVER
	000G13-07-12B	EA	SCREW - 7-19 X 3/4 PFH - ZINC
	000G13-08-109	EA	SCREW - 8-18 X 5/8 PFH
	000G18-08-16B	EA	SCREW - MACHINE - 8 X 32 X 1 - PPH ZINC
	000G18-08-22B	EA	SCREW - MACHINE - 8-32 X 1 3/8 PPH - ZINC
	000G19-10-20B	EA	SCREW - MACHINE - 10-32 X 1 1/2 PPH - ZINC
	000G19-10-12F	EA	SCREW - MACHINE - 10-32 X 3/4 PPH - STAINLESS STEEL
	000G19-10-08B	EA	SCREW - MACHINE - 10-32 X 1/2 PPH - ZINC
	000G19-10-10B	EA	SCREW - MACHINE - 10-32 X 5/8 PPH - ZINC
	000G34-05-12B	EA	SCREW - HEX HEAD TAPPING - 5/16 X 3/4 LONG
	000G37-08-12B	EA	SCREW - 8-18 X 3/4 PPH
	000G38-04-16D	EA	SCREW - MACHINE - 1/4-20 X 1 PFN - BLACK
	000G39-06-10T	EA	SCREW - SF/DR - 6-20 X 5/8 PPH - BLACK
	000G39-06-08B	EA	SCREW - SF/DR - 6-18 X 1/2 - ZINC
	000G39-06-16T	EA	SCREW - SF/DR - 6-20 X 1 PPH - BLACK
	000G39-08-16R	EA	SCREW - SF/DR - 8-18 X 1 PPH - BEIGE
	000G39-08-16B	EA	SCREW - SF/DR - 8-18 X 1 PPH - ZINC
	000G39-08-12T	EA	SCREW - SF/DR - 8-18 X 3/4 PPH - BLACK
	000G39-08-12B	EA	SCREW - SF/DR - 8-18 X 3/4 PPH - ZINC
	000G39-08-08T	EA	SCREW - SF/DR - 8-18 X 1/2 PPH - BLACK

SEALANTS & FASTENERS GROUP (CONTINUED)

SCREWS (CONTINUED)

KEY	PART NUMBER	U/M	DESCRIPTION
	000G39-08-08S	EA	SCREW - SF/DR - 8-18 X 1/2 PPH - OFF WHITE
	000G39-08-08B	EA	SCREW - SF/DR - 8-18 X 1/2 PPH - ZINC
	000G39-08-06B	EA	SCREW - SF/DR - 8-18 X 3/8 PPH - ZINC
	000G39-08-32B	EA	SCREW - SF/DR - 8-18 X 2 PPH - ZINC
	000G39-08-24B	EA	SCREW - SF/DR - 8-18 X 1 1/2 PPH - ZINC
	000G39-08-24S	EA	SCREW - SF/DR - 8-18 X 1.50 PPH OFF WHITE
	000G39-08-16T	EA	SCREW - SF/DR - 6-20 X 1 PPH - BLACK
	000G39-08-24T	EA	SCREW - SF/DR - 8-18 X 1.50 PPH BLACK
	000G39-10-088	EA	SCREW - SF/DR - 10-16 X .50 PPH - FLEX FLUOROCARBON
	000G39-10-08B	EA	SCREW - SF/DR - 10-16 X 1/2 PPH - ZINC
	000G39-10-48T	EA	SCREW - SF/DR - 10-16 X 3.00 PPH - BLACK
	000G39-10-209	EA	SCREW - SF/DR - 10-16 X 1 1/4 PPH - FLUOROCARBON SILVER
	000G39-10-20B	EA	SCREW - SF/DR - 10-16 X 1 1/4 PPH - ZINC
	000G39-10-129	EA	SCREW - SF/DR - 10-16 X 3/4 PPH - FLUOROCARBON SILVER
	000G39-10-12D	EA	SCREW - SF/DR - 10-16 X 3/4 PPH - BLACK
	000G39-10-12B	EA	SCREW - SF/DR - 10-16 X 3/4 PPH - ZINC
	000G39-10-10B	EA	SCREW - SF/DR - 10-16 X 5/8 - ZINC
	000G39-10-32B	EA	SCREW - SF/DR - 10- 6 X 2.00 PPH - ZINC
	000G42-04-12B	EA	SCREW - SF/DR - 1/4-14 X 3/4 HWH - ZINC
	000G50-04-12B	EA	SCREW - MACHINE - 1/4-20 X 3/4 PPH - ZINC
	000G51-08-08B	EA	SCREW - 8-18 X 1/2 PTH - ZINC
	000G52-08-18B	EA	SCREW - MACHINE - 8-32 X 1 1/8 PTH - ZINC
	000G54-04-20B	EA	SCREW - 1/4-20 X 1.25 PTH - TYPE 23 - ZINC PLATED
	000G55-08-12S	EA	SCREW - SF/DR - 8-18 X 3/4 PWH - OFF WHITE
	000G56-12-48B	EA	SCREW - WOOD - 12 - 11 X 3 POH - SPECIAL HARDENED
	000G57-05-16J	EA	SCREW - 5-20 X 1 PFH - BRASS
	000G67-08-32B	EA	SCREW - 8-15 X 2 PPH - ZINC
	000G67-10-10B	EA	SCREW - 10-12 X 5/8 PPH - ZINC - TYPE A
	000G67-10-10S	EA	SCREW - 10-12 X 5/8 PPH - OFF WHITE
	000G67-10-08B	EA	SCREW - 10-12 X 1/2 PPH - ZINC
	000G67-10-08R	EA	SCREW - 10-12 X 1/2 PPH - BEIGE - TYPE A
	000G67-10-16B	EA	SCREW - 10-12 X 1 PPH - ZINC
	000G67-10-36T	EA	SCREW - 10-12 X 2 1/4 - PPH - BLACK
	000G60-10-20B	EA	SCREW - SF/DR - 10-16 X 1 1/4 POH - ZINC
	000G67-10-24B	EA	SCREW - 10-12 X 1.50 PPH - ZINC
	000G67-10-20D	EA	SCREW - 10-12 X 1.25 PPH - BLACK
	000G67-10-120	EA	SCREW - 10-12 X 3/4 PPH - TAN
	000G67-10-12B	EA	SCREW - 10-12 X 3/4 PPH - ZINC
	000G67-10-10P	EA	SCREW - 10-12X.62 PPH - DARK BROWN
	000G67-10-10D	EA	SCREW - 10-12 X 5/8 PPH - BLACK - TYPE A
	000G67-10-16B	EA	SCREW - 10-12 X 1 PPH - ZINC
	000G67-10-32B	EA	SCREW - 10-12 X 2 PPH - ZINC
	000G68-06-10G	EA	SCREW - 6-18 X 5/8 POH - ANTIQUE BRASS
	000G68-10-20I	EA	SCREW - 10-12 X 1 1/4 POH - BLACK
	049465-01-000	EA	SCREW - 10-16 W/WASHER PTH - DARK BROWN
	049465-17-000	EA	SCREW - 10-16 X 1 POH W/WASHER - BRIGHT WHITE
	049465-22-000	EA	SCREW - 10-16 X 1 1/2 POH W/WASHER - SABLE
	057671-01-000	EA	COVER - SCREW - #8 - PLASTIC - OFF WHITE
	057671-15-000	EA	COVER - SCREW - BRIGHT WHITE
	075908-01-000	EA	SCREW - MACHINE - 10-32 X .56 PTH - EXTERNAL TOOTH - ZINC
	076790-01-000	EA	SCREW - 6-20 X 1 1/4 PPH - BLACK
	076790-05-000	EA	SCREW - 6-20 X 1/2 PPH BLACK - THREADCUTTING - WOOD
	083554-01-000	EA	SCREW - DRYWALL - 8 X 1.25
	083554-04-000	EA	SCREW - DRYWALL - 8 X 2.50
	086256-01-000	EA	SCREW - SF/DR - 8 X 3/4 HWH LONG
	097974-01-000	EA	SCREW - PARTICLE BOARD - 7-9 X 3/4 PPH
	101618-01-000	EA	SCREW - 1/4-20 X 3/4 HEX - TAPPING - STALGARD TYPE F
	112782-08-01A	EA	SCREW - MOUNTING/PLATE - ZINC

SEALANTS & FASTENERS GROUP (CONTINUED)

CLAMPS, CLIPS & GROMMETS

KEY	PART NUMBER	U/M	DESCRIPTION
	000F10-04-16B	EA	PIN - COTTER - 1/8" X 1" - ZINC
	000F10-06-32B	EA	PIN - COTTER - 3/16" X 2" - ZINC
	000H14-04-04A	EA	RIVET - MANDREL BLIND - 1/8 X .400
	000H14-06-14R	EA	RIVET - MANDREL BLIND - 3/16"
	000H16-04-06R	EA	RIVET - POP ALUMINUM - 1/8 X .313 - .375
	000H16-06-10R	EA	RIVET - POP ALUMINUM - 3/16 X .501-.625
	007161-01-000	EA	CLAMP - HOSE - SPRING TYPE - 1/2"
	008386-01-000	EA	GROMMET - SNAP - 3/8"
	010495-01-000	EA	CLAMP - CABLE - 9/16"
	010495-02-000	EA	CLAMP - CABLE - 3/8
	010497-01-000	EA	CLAMP - CLOSED - 5/8" ID
	010497-03-000	EA	CLAMP - CLOSED - 1" ID - CUSHIONED
	010497-04-000	EA	CLAMP - CLOSED - 1.62" ID
	010497-05-000	EA	CLAMP - CLOSED - 1/2 ID
	010497-07-000	EA	CLAMP - CLOSED - 3/8 ID
	010499-01-000	EA	CLAMP - CLOSED - 3/8 ID
	016188-03-000	EA	GROMMET - L/P LINE - 3/8" HOLE X 2 1/2" LONG - RUBBER
	016188-04-000	EA	GROMMET-GASLINE, .50,2.5 LONG
	016188-05-000	EA	GROMMET - L/P LINE - 3/8" HOLE X 1 1/4" LONG - RUBBER
	023942-01-000	EA	GROMMET - RUBBER - 2" OD
	061420-10-000	EA	PLUG/PLASTIC - 1.50" DIAMETER - BLACK
	062401-01-000	EA	CLAMP - HOSE - WORMGEAR - .25" - 1"
	062401-02-000	EA	CLAMP - HOSE - WORMGEAR - 1.56" - 2.5"
	062401-03-000	EA	CLAMP - HOSE - WORMGEAR - .22"- 1"
	062401-04-000	EA	CLAMP - HOSE - WORMGEAR - .69" - 1.25"
	062401-05-000	EA	CLAMP - HOSE - WORMGEAR - 2" TO 3" ID
	062401-06-000	EA	CLAMP - HOSE - WORMGEAR - .22" - .62" ID
	062401-11-000	EA	CLAMP - HOSE - WORMGEAR - 3.50" - 4.50"
	071015-11-000	EA	GROMMET - 1.00 ID - FITS .12 MATERIAL
	071015-21-000	EA	GROMMET - RUBBER - 1/2 ID X 1.06 OD - W/.19 GROOVE - BLACK
	071015-29-000	EA	GROMMET - RUBBER - .25 ID X 1.25 OD W/.12 GROOVE - BLK
	075148-02-000	EA	CLAMP - GROUNDING - BRONZE SCREWS
	080734-02-000	EA	CLIP - WIRE NYLON
	083609-01-000	EA	CLAMP - WIRE - DUAL - EQUAL DIAMETERS - 5/8"
	083610-01-000	EA	CLAMP - WIRE - DUAL - UNEQUAL DIAMETERS - 3/4" & 1 1/4"
	083610-02-000	EA	CLAMP - WIRE - DUAL - UNEQUAL DIAMETERS - 3/4" & 2"
	088756-01-000	EA	GROMMET - WEB - 1 1/8 " I.D.
	091952-01-000	EA	CLIP - GRIPPER - 1"
	094362-02-000	EA	CLIP - CHRISTMAS TREE - FLAT HEAD - .5" X .95"
	114208-05-000	EA	GROMMET - EDGE LINER - FITS 2"
	129962-01-01A	EA	CLIP - U-TYPE - BLACK

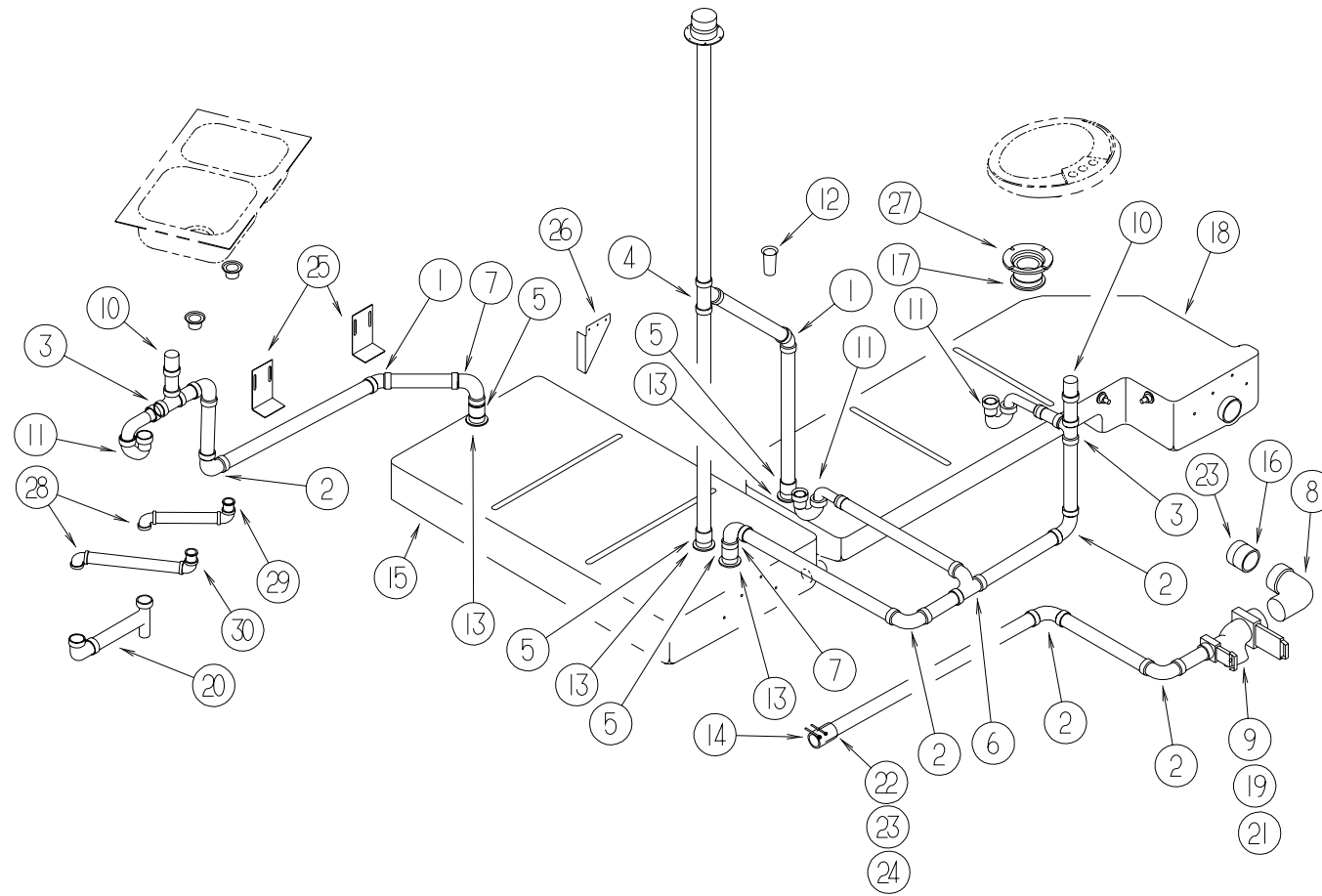
SEALANTS & FASTENERS GROUP (CONTINUED)

MISCELLANEOUS FASTENERS

KEY	PART NUMBER	U/M	DESCRIPTION
	008343-01-000	EA	TIE - WIRE - 6"
	008343-02-000	EA	TIE - WIRE - 14"
	008343-03-000	EA	TIE - WIRE - 7 1/2" - BLACK
	029096-03-000	YD	VELCRO TAPE - HOOK - 1" WIDE - BLACK
	029094-04-000	YD	VELCRO TAPE - LOOP - 1" WIDE - BLACK
	029094-06-000	YD	VELCRO TAPE - LOOP - 2" WIDE - BLACK
	061420-05-000	EA	PLUG/PLASTIC - 1.8" DIAMETER
	061420-09-000	EA	PLUG/PLASTIC - 1.00" - DIAMETER
	081211-03-000	EA	PLUG - PLASTIC - .50 DIAMETER - BLACK
	081211-04-000	EA	PLUG - PLASTIC - .46" DIAMETER - BLACK
	085774-01-000	FT	FASTENER - DUAL LOCK - 1" WIDE - ADHESIVE BACK - BLACK
	085774-02-000	FT	FASTENER - DUAL HOOK - 1" WIDE - ADHESIVE BACK - BLACK
	085774-03-000	FT	FASTENER - DUAL HOOK - 1/2" WIDE - ADHESIVE BACK - BLACK
	088792-02-000	YD	VELCRO TAPE - LOOP - 3/4" - ADHESIVE BACKED - BEIGE
	088792-05-000	YD	VELCRO TAPE - LOOP - 5/8" - NON-ADHESIVE BACKED - WHITE
	099856-11-000	EA	STRAP - TIEDOWN - 78.6"
	108046-01-000	EA	CABLE TIE - SCREW MOUNT 8"
	108046-02-000	EA	CABLE TIE - SCREW MOUNT 15"
	110943-02-000	FT	FELTSTRIP - 3/8" - ADHESIVE BACK - WHITE

WATER & SEWAGE GROUP

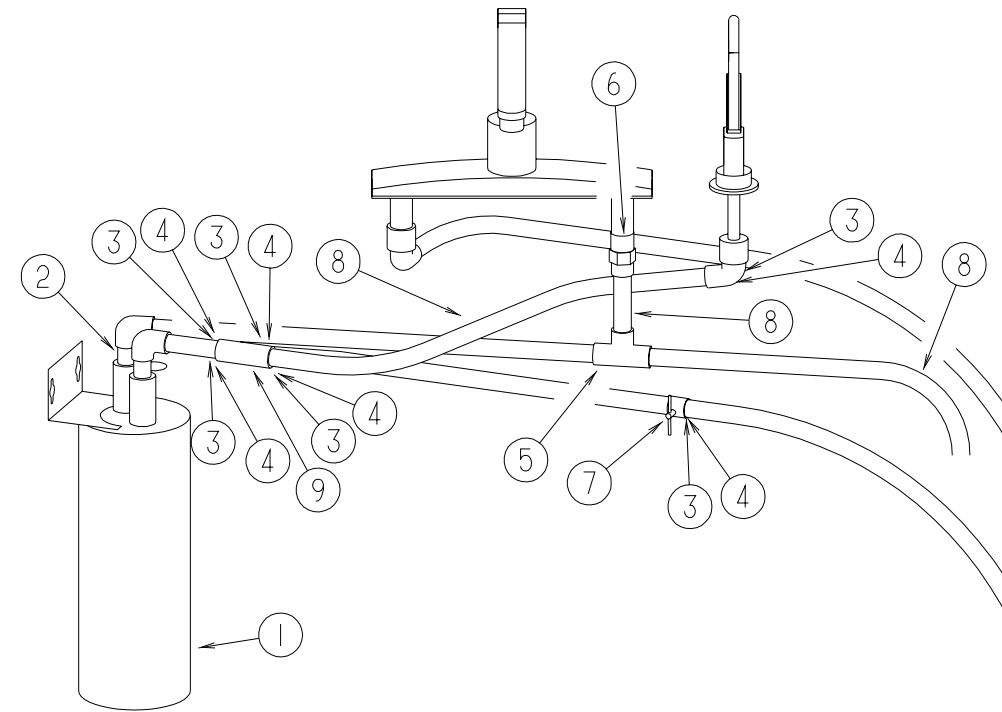
DRAINAGE SYSTEM



KEY	PART NUMBER	U/M	DESCRIPTION	VENDOR NO.
1	010006-01-000	EA	ELBOW - 45 DEGREE - 1 1/2" HUB X HUB - PLASTIC	
2	010008-01-000	EA	ELBOW - 90 DEGREE - 1 1/2" HUB X HUB - PLASTIC	
3	010071-01-000	EA	TEE - SANITARY - 1 1/2" HUB X HUB X HUB - PLASTIC	
4	010073-01-000	EA	WYE - 45 DEGREE - 1 1/2" HUB X HUB X HUB - PLASTIC	
5	010115-01-000	EA	COUPLING - 1 1/2" HUB X HUB - PLASTIC	
6	031365-02-000	EA	TEE - PLASTIC - 1 1/2" EXTENSION LG TURN	
7	034250-01-000	EA	ELBOW - 90 DEGREE - LONG TURN - 1 1/2" HUB X HUB - ABS	
8	041956-01-000	EA	ELBOW - 3" STREET - 90 DEGREE PLASTIC	
9	070916-01-000	EA	VALVE - DUAL DUMP - W/CAP - 3" X 1 1/2"	
9	070916-01-700	EA	VALVE ONLY (WASTE) 3"	T1003BU
9	070916-01-701	EA	VALVE ONLY (WASTE) 1 1/2"	T1001BU
10	079968-01-000	EA	VENT - MECHANICAL/TRAP ARM - ANTI-SIPHON-2" X 7.3" PLASTIC	
11	107538-01-000	EA	P TRAP - PLASTIC - 1 1/4" W/EXTENSION ARM	
11	109571-01-000	EA	ADAPTER - P TRAP - 1 1/2" P X 1 1/4" MPT	
11	011071-01-000	EA	P-TRAP - PLASTIC - 1 1/2" - CSA	
12	120981-01-01A	EA	DRAIN - BATH/SHOWER W/SPRING LOADED PLUNGER - BRASS	
12	127440-02-01A	EA	WASHER - RUBBER - 1.8" X .1"	
12	130403-01-000	EA	NUT - SLIP - W/WINGS 1 1/2"	
12	066729-01-000	EA	STRAINER - TUB/SHOWER W/PLUG - CHROME	
	010166-01-000	EA	PLUG - THREADED - 1 1/4" DIAMETER - PLASTIC - BLACK	
13	061607-01-000	EA	GROMMET - HOLDING TANK - 1 1/2" NPS	

KEY	PART NUMBER	U/M	DESCRIPTION	VENDOR NO.
14	102024-01-000	EA	NIPPLE - PLASTIC - 1.5" X 2.62" TOE	
15	129965-01-000	EA	TANK - HOLDING - 54 GALLON - W/O FITTINGS	
15	129965-03-000	EA	TANK - HOLDING - 54 GALLON - W/FITTINGS	
16	010129-03-000	EA	NIPPLE - PLASTIC - 3" X 3" TOE	
17	061607-02-000	EA	GROMMET - HOLDING TANK - 3" NPS	
18	123055-01-700	EA	TANK-HOLDING 40 GAL-3"NIPPLE PARTS SALES	
18	125697-02-000	EA	NOZZLE - WELD-A-FLUSH	
19	010201-01-000	EA	HOSE - SEWER - 3" ID X 8'	
20	011091-02-000	EA	WASTE - CONTINUOUS - DOUBLE SINK	
21	062416-01-000	EA	ADAPTER - SEWER HOSE TO 3" PIPE	
22	062422-01-000	EA	ADAPTER - OFFSET REDUCER - 3" X 1 1/2" - PLASTIC	
23	078406-01-000	EA	COUPLER - RUBBER - W/CLAMPS - 3" X 3"	
24	089355-01-000	EA	COUPLER - RUBBER - 1 1/2" X 1 1/2"	
25	094756-03-D18	EA	BRACKET - ANGLE - W/HOLES	
26	112628-06-02B	EA	BRACKET - TIE DOWN - WATER TANK	
27	116644-01-000	EA	FLANGE - CLOSET - 4" X 3"	
28	125569-01-000	EA	ELBOW - 1 1/2" X 90 DEGREE - DOUBLE SLIP	
29	126588-01-000	EA	ARM - WASTE - 1 1/2" X 9 1/2" - FEMALE	
30	126588-02-000	EA	ARM - WASTE - 1 1/2" X 20" - FEMALE	

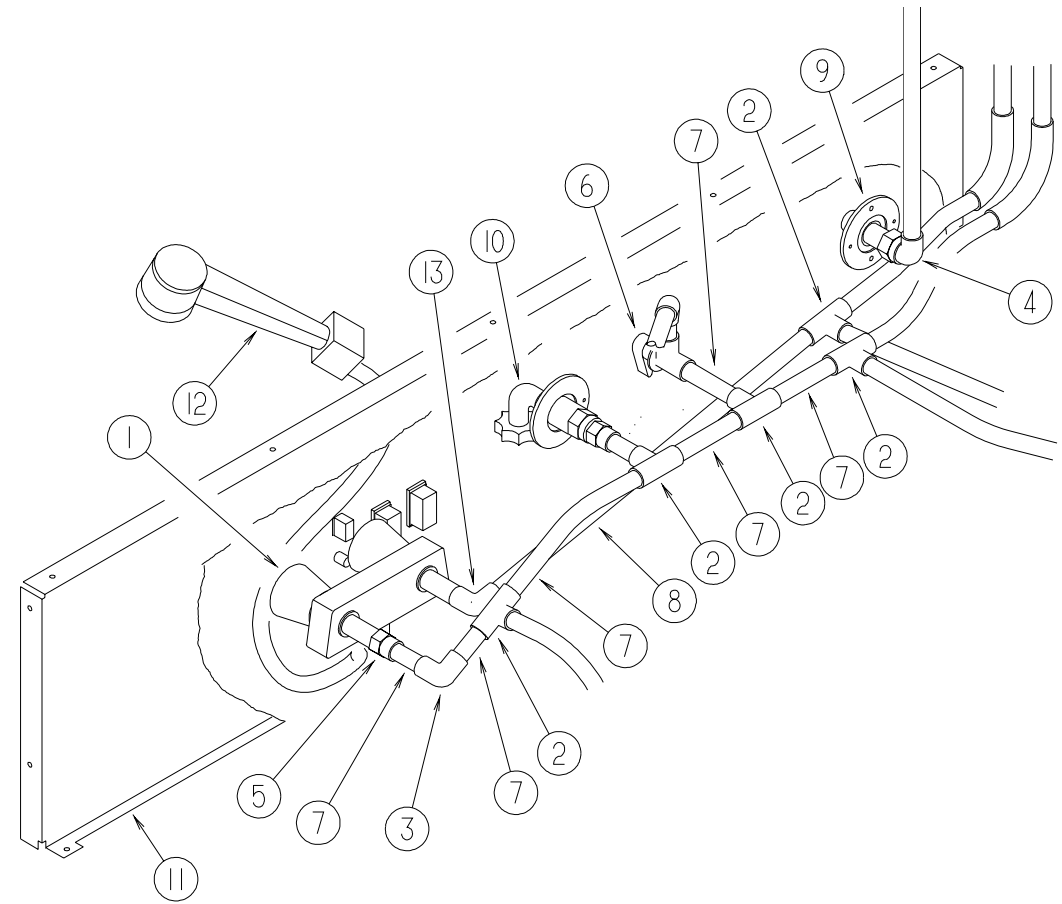
WATER & SEWAGE GROUP (CONTINUED)



WATER PURIFICATION

KEY	PART NUMBER	U/M	DESCRIPTION	VENDOR NO.
1	701069-01-000	EA	WATER PURIFICATION SYSTEM	
1	701069-03-700	EA	CARTRIDGE REPLACEMENT	9592-06
2	103798-01-000	EA	CONNECTOR - 1/4 OD X 3/8 MPT	
3	111888-01-000	EA	FERRULE - PLASTIC - .250 ID X .375 OD	
4	111888-02-000	EA	INSERT - BRASS - 1/4 COMP	
5	114428-01-000	EA	TEE - 1/2"P X 1/2"P X 1/2"P	
6	114430-02-000	EA	ADAPTER - SWIVEL - 1/2"P X 1/2"FPT	
7	120868-01-000	EA	VALVE - NEEDLE - 1/4" COMPRESSION X 1/4" COMPRESSION	
8	124188-01-000	FT	TUBING - PEX - 1/2" ID X 20' - BLUE(COLD)	
9	118423-01-000	EA	FITTING - BRASS-TEE - 1/4C X 1/4C X 1/4C	

WATER & SEWAGE GROUP (CONTINUED)

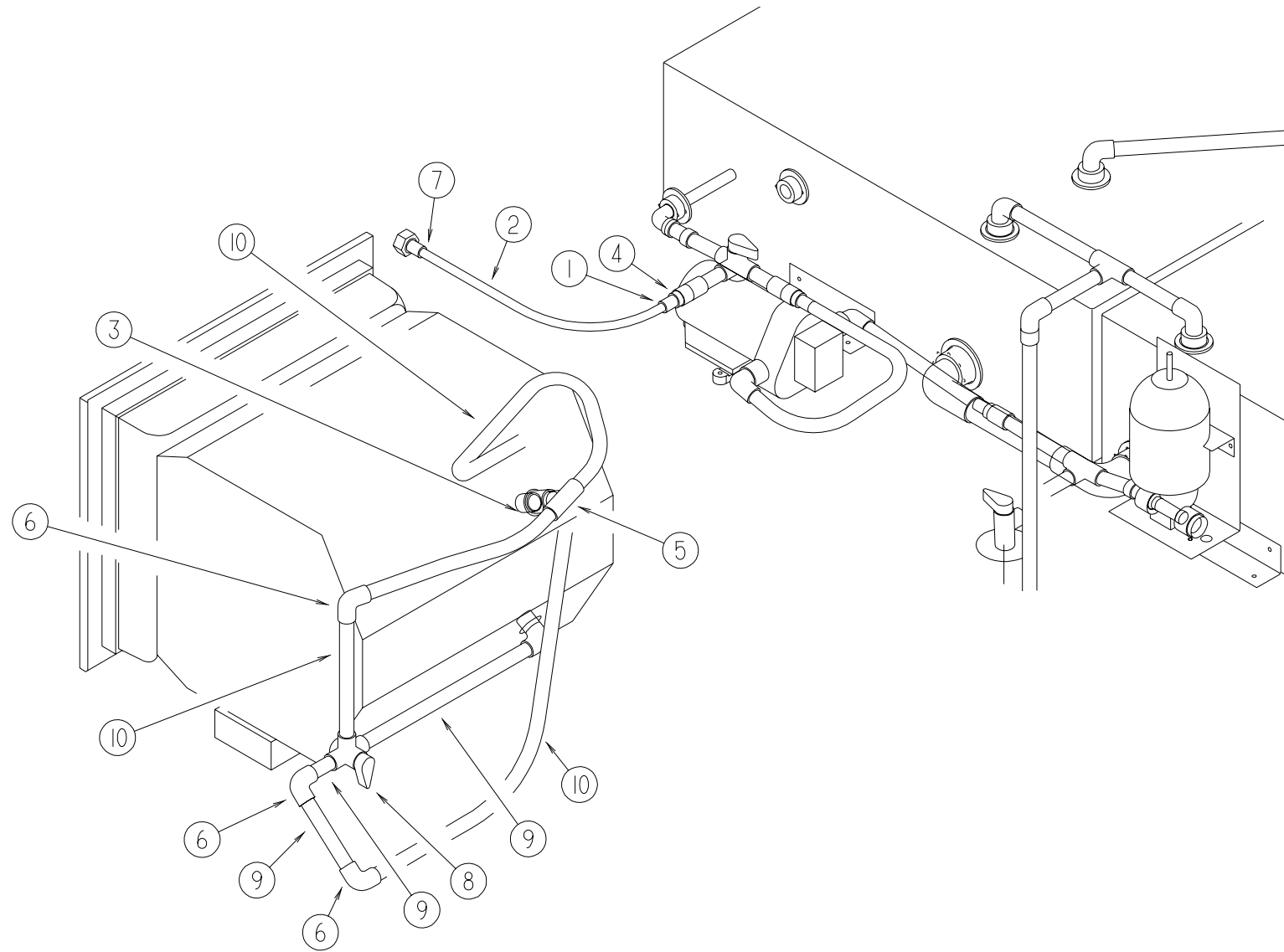


EXTERIOR WASH STATION

KEY	PART NUMBER	U/M	DESCRIPTION
1	075241-06-000	EA	FAUCET/SHOWER - BRIGHT WHITE - 1/2"MPT X 1.9" INLET PIPES
2	114428-01-000	EA	TEE - 1/2"P X 1/2"P X 1/2"P
3	114429-01-000	EA	ELBOW - 1/2"P X 1/2"P
4	114429-02-000	EA	ELBOW - 1/2"P X 1/2"MPT
5	114430-02-000	EA	ADAPTER - SWIVEL - 1/2"P X 1/2"FPT
6	114431-03-000	EA	VALVE - 90 DEGREE DRAIN - 1/2"P
7	124188-01-000	FT	TUBING - PEX - 1/2" ID X 20' - BLUE(COLD)
8	124188-02-000	FT	TUBING - PEX - 1/2" ID X 20' - RED(HOT)
9	125697-05-000	EA	INLET - WATER - FLUSHING SYSTEM
10	126398-01-000	EA	ELBOW - ENTRY HOSE - 90 DEGREE
11	129215-02-12B	EA	PANEL - SERVICE CENTER - BRIGHT WHITE
12	131383-01-02A	EA	SHOWER HEAD - W/60" HOSE & BRACKET - WHITE
12	131383-02-02A	EA	SHOWER HEAD - W/60" HOSE & BRACKET - CSA - WHITE
13	114429-03-000	EA	ELBOW - SWIVEL - 1/2"P X 1/2"FPT

WATER & SEWAGE GROUP (CONTINUED)

WATER HEATER BY-PASS VALVE

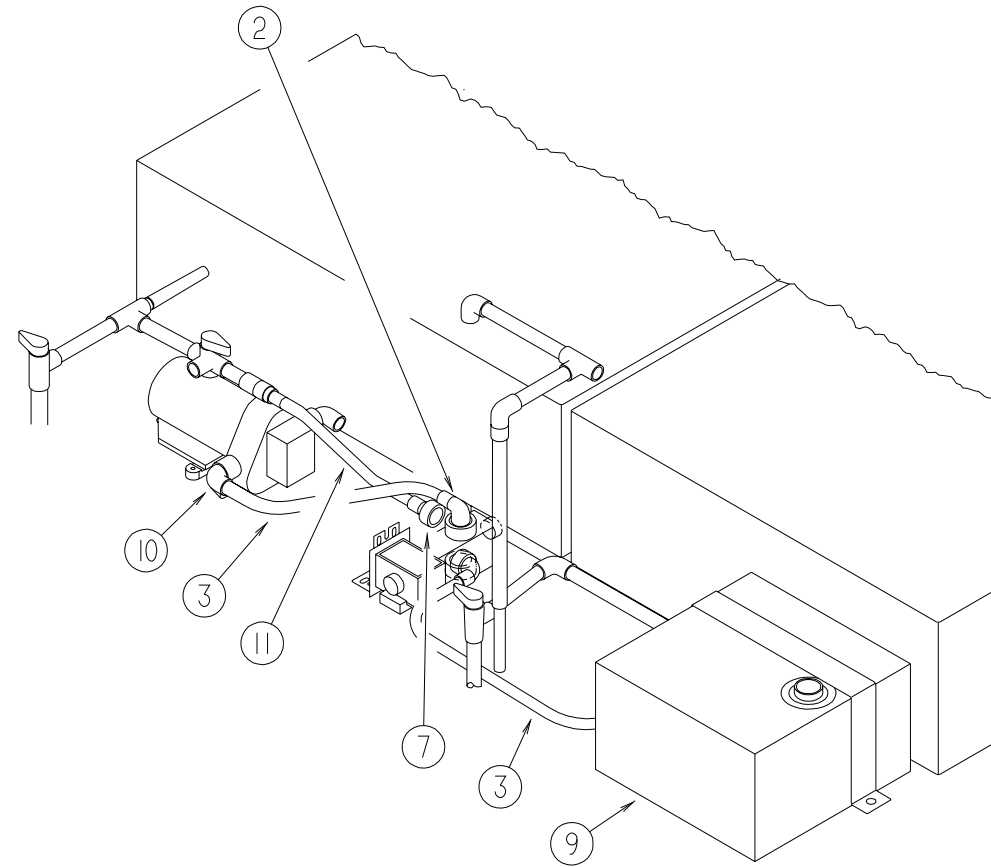
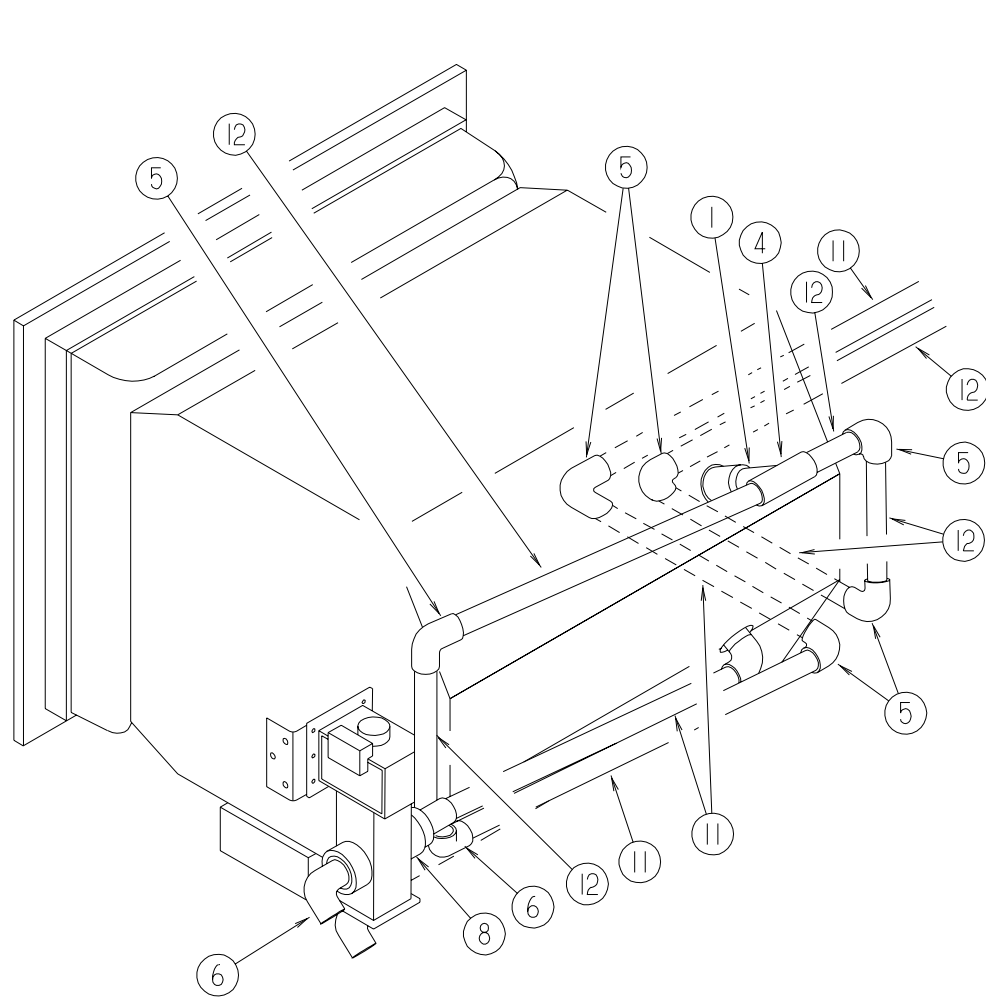


KEY	PART NUMBER	U/M	DESCRIPTION
1	010224-01-000	EA	ADAPTER - HOSE TO PIPE - 3/8 MPT X 3/8 BARB - PLASTIC
2	074462-02-000	FT	TUBING - VINYL - 3/8 ID X 20' - CLEAR
3	110438-02-000	EA	VALVE - CHECK - BRASS - 1/2 MPT X 1/2 MPT
4	113697-01-000	EA	CAP - 3/8 FTG
5	114428-02-000	EA	TEE - SWIVEL - 1/2"P X 1/2"P X 1/2"FPT

KEY	PART NUMBER	U/M	DESCRIPTION
6	114429-01-000	EA	ELBOW - 1/2"P X 1/2"P
7	114430-06-000	EA	ADAPTER - 1/2"P X 3/8"FPT
8	114431-02-000	EA	VALVE - WATER BYPASS - 1/2"P - THREE WAY (WATER HEATER)
9	124188-01-000	FT	TUBING - PEX - 1/2" ID X 20' - BLUE(COLD)
10	124188-02-000	FT	TUBING - PEX - 1/2" ID X 20' - RED(HOT)

WATER & SEWAGE GROUP (CONTINUED)

WATER HEATER WINTERIZING KIT



KEY	PART NUMBER	U/M	DESCRIPTION
1	110438-02-000	EA	VALVE - CHECK - BRASS - 1/2 MPT X 1/2 MPT
2	111223-03-000	EA	ELBOW - 3/4" MPT X 1/2" BARB - PLASTIC
3	112176-01-000	FT	TUBING - VINYL - REINFORCED - 1/2" ID
4	114428-02-000	EA	TEE - SWIVEL - 1/2"P X 1/2"P X 1/2"FPT
5	114429-01-000	EA	ELBOW - 1/2"P X 1/2"P
6	114429-02-000	EA	ELBOW - 1/2"P X 1/2"MPT
7	114430-03-000	EA	ADAPTER - 1/2"P X 1/2"MPT
8	114430-08-000	EA	ADAPTER - 1/2P X 3/4MPT

KEY	PART NUMBER	U/M	DESCRIPTION
9	118569-01-000	EA	WINTERIZATION SYSTEM
	118569-01-700	EA	VALVE/SOLENOID-ELECT CONTROL
	118569-01-701	EA	SWITCH - ELECTRIC
	118569-01-702	EA	PLATE - SWITCH
	118569-01-703	EA	TANK - 2 GALLON
	118569-01-704	EA	PLUG - 3/4 MPT
	118569-01-705	EA	PLUG - 1/2 MPT
	118569-01-706	EA	SCREEN - WHITE
10	123150-01-000	EA	ELBOW - 1/2 FPT X 1/2 BARB - SWIVEL
11	124188-01-000	FT	TUBING - PEX - 1/2" ID X 20' - BLUE(COLD)
12	124188-02-000	FT	TUBING - PEX - 1/2" ID X 20' - RED(HOT)

WATER & SEWAGE GROUP (CONTINUED)

WATER SYSTEM

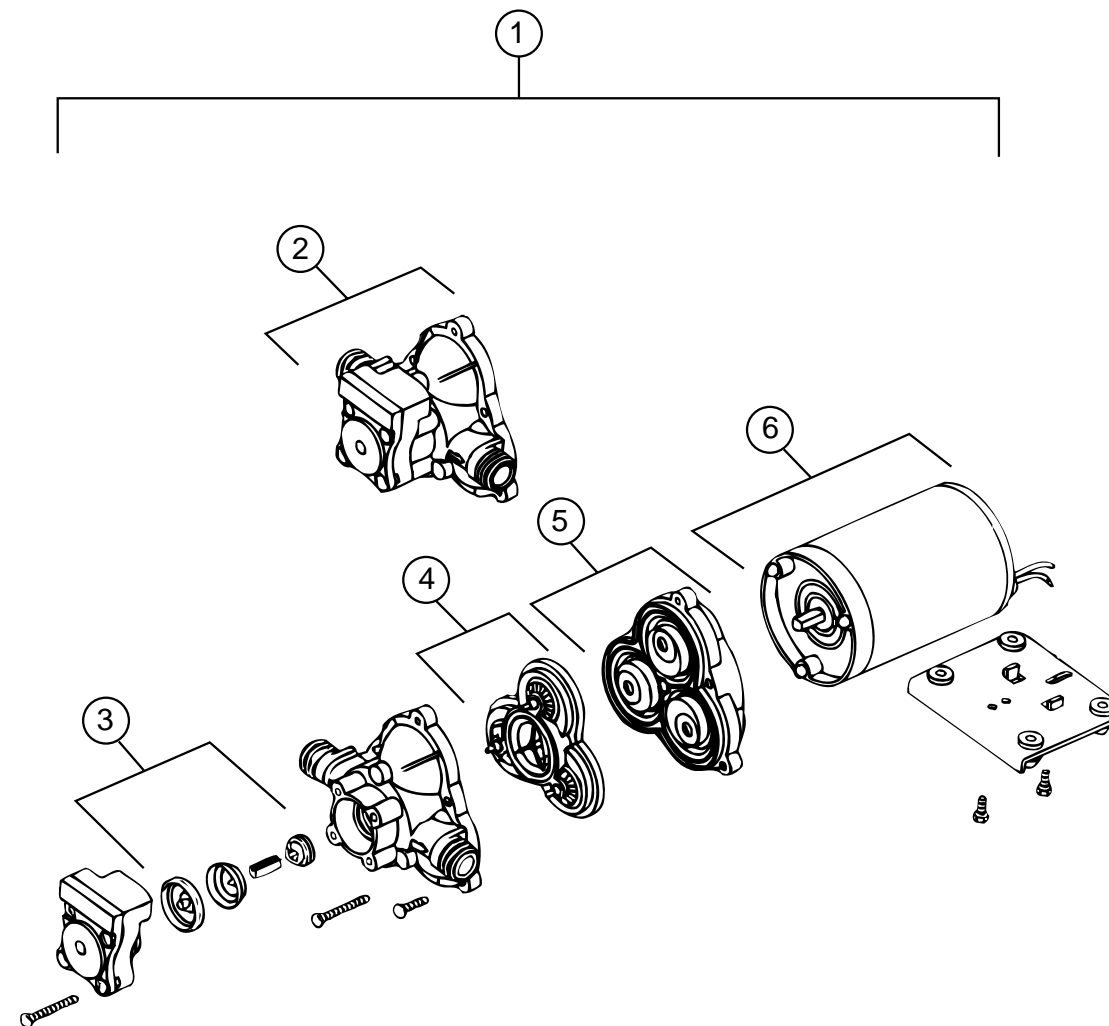
KEY	PART NUMBER	U/M	DESCRIPTION
	010166-01-000	EA	PLUG - THREADED - 1 1/4" DIAMETER - PLASTIC - BLACK
	010219-01-000	EA	ELBOW - 1 1/4 MPT X 1 1/4 BARB - WATER FILL - PLASTIC
	010224-01-000	EA	ADAPTER - HOSE TO PIPE - 3/8 MPT X 3/8 BARB - PLASTIC
	010230-06-000	EA	FILL - CITY WATER - W/CHECK VALVE - MPT
	035539-01-000	EA	ELBOW - PLASTIC - 3/8 MPT X 3/8 BARB
	039800-04-000	FT	TUBING - POLYBUTYL - 1/4"OD
	039808-03-000	EA	ELBOW - 1/2" MPT X 1/2" MPT - PLASTIC
	039861-01-000	EA	SENDING UNIT - W/SCREW - WASHER - WELL NUT/TERMINAL RING
	042989-03-000	EA	FITTING - SPINWELD - 1 1/4"NPT - PLASTIC
	042989-05-000	EA	FITTING - SPINWELD - 1/2"FPT - PLASTIC
	049032-01-000	EA	PATCH - SPINWELD - 3/8" - PLASTIC
	044927-01-000	EA	ADAPTER - HOSE TO PIPE-1 1/4 MPTX1 1/4 BARB-BLACK PLASTIC
	062421-03-000	EA	VALVE - 1.5 HUB X HUB - REMOTE
	062421-04-000	EA	CABLE - VALVE - REMOTE W/HANDLE
	074462-02-000	FT	TUBING - VINYL - 3/8 ID X 20' - CLEAR
	077954-02-000	EA	FILTER - WATER TANK - W/SCREEN IN TANK
	079381-01-000	FT	TUBING - RIBBED FLEXIBLE - WATER FILL - 1.4" X 10"
	081240-20-000	EA	FILL - WATER - LOCKABLE - BRIGHT WHITE
	101814-01-000	EA	COUPLING - FEMALE - 1/2" X 1/2" FPT - GRAY
	103798-01-000	EA	CONNECTOR - 1/4 OD X 3/8 MPT
	110438-02-000	EA	VALVE - CHECK - BRASS - 1/2 MPT X 1/2 MPT
	111223-03-000	EA	ELBOW - 3/4" MPT X 1/2" BARB - PLASTIC
	111223-04-000	EA	ELBOW - 1/2" MPT X 1/2" BARB - PLASTIC
	111888-01-000	EA	FERRULE - PLASTIC - .250 ID X .375 OD
	111888-02-000	EA	INSERT - BRASS - 1/4 COMP
	112176-01-000	FT	TUBING - VINYL - REINFORCED - 1/2" ID
	112961-01-02B	EA	SUPPORT - WATER TANK - E-COATED
	113697-01-000	EA	CAP - 3/8 FTG
	114428-01-000	EA	TEE - 1/2"P X 1/2"P X 1/2"P
	114428-02-000	EA	TEE - SWIVEL - 1/2"P X 1/2"P X 1/2"FPT
	114428-03-000	EA	TEE - 1/2"P X 1/2"P X 1/2"MPT
	114429-01-000	EA	ELBOW - 1/2"P X 1/2"P
	114429-02-000	EA	ELBOW - 1/2"P X 1/2"MPT
	114429-03-000	EA	ELBOW - SWIVEL - 1/2"P X 1/2"FPT
	114429-04-000	EA	ELBOW - 1/2"P X 3/8"MPT
	114429-05-000	EA	ELBOW - 1/2"P X 3/4"MPT
	114430-02-000	EA	ADAPTER - SWIVEL - 1/2"P X 1/2"FPT
	114430-03-000	EA	ADAPTER - 1/2"P X 1/2"MPT
	114430-06-000	EA	ADAPTER - 1/2"P X 3/8"FPT
	114430-08-000	EA	ADAPTER - 1/2P X 3/4MPT
	114431-01-000	EA	VALVE - 180 DEGREE/CENTER DRAIN - 1/2"P - THREE WAY
	114431-02-000	EA	VALVE - WATER BYPASS - 1/2"P - THREE WAY (WATER HEATER)
	114431-03-000	EA	VALVE - 90 DEGREE DRAIN - 1/2"P
	118423-01-000	EA	FITTING - BRASS-TEE - 1/4C X 1/4C X 1/4C
	118809-01-000	EA	ADAPTER - PLASTIC - 1/2 MPT X 3/8 BARB
	118809-02-000	EA	ADAPTER - 1/2" MPT X 1/2" BARB - PLASTIC
	120868-01-000	EA	VALVE - NEEDLE - 1/4" COMPRESSION X 1/4" COMPRESSION
	123150-01-000	EA	ELBOW - 1/2 FPT X 1/2 BARB - SWIVEL
	123152-01-000	EA	ADAPTER - 1/2 FPT X 1/2 BARB - SWIVEL
	124184-01-000	EA	SUPPORT - WATER LINE - BEND
	124188-01-000	FT	TUBING - PEX - 1/2" ID X 20' - BLUE(COLD)
	124188-02-000	FT	TUBING - PEX - 1/2" ID X 20' - RED(HOT)
	126398-01-000	EA	ELBOW - ENTRY HOSE - 90 DEGREE
	132148-01-000	EA	CONNECTOR = 1/2 X 1/2 MPT - BRASS

WATER HEATER

KEY	PART NUMBER	U/M	DESCRIPTION
*	051391-03-000	EA	WATER HEATER G6A-8E ELECTRONIC IGNITION

*COMPONENT PARTS FOUND IN SERVICE PARTS LIBRARY

WATER & SEWAGE GROUP (CONTINUED)



SHURFLO WATER PUMP

KEY	PART NUMBER	U/M	DESCRIPTION	VENDOR NO.
1	098607-01-000	EA	PUMP - WATER - W/.5" MPT FITTING - FLOW 2.8 GPM	
2	098607-01-706	EA	HOUSING, W/SWITCH ONLY	94-231-20
3	098607-01-705	EA	VALVE- CHECK, KIT	94-237-00
4	098607-01-703	EA	VALVE KIT	94-232-00
5	098607-01-702	EA	DIAPHRAGM/DRIVE ASSEMBLY KIT	94-238-04
6	098607-01-707	EA	MOTOR W/BASEPLATE	11-148-04

FLUSHING SYSTEM

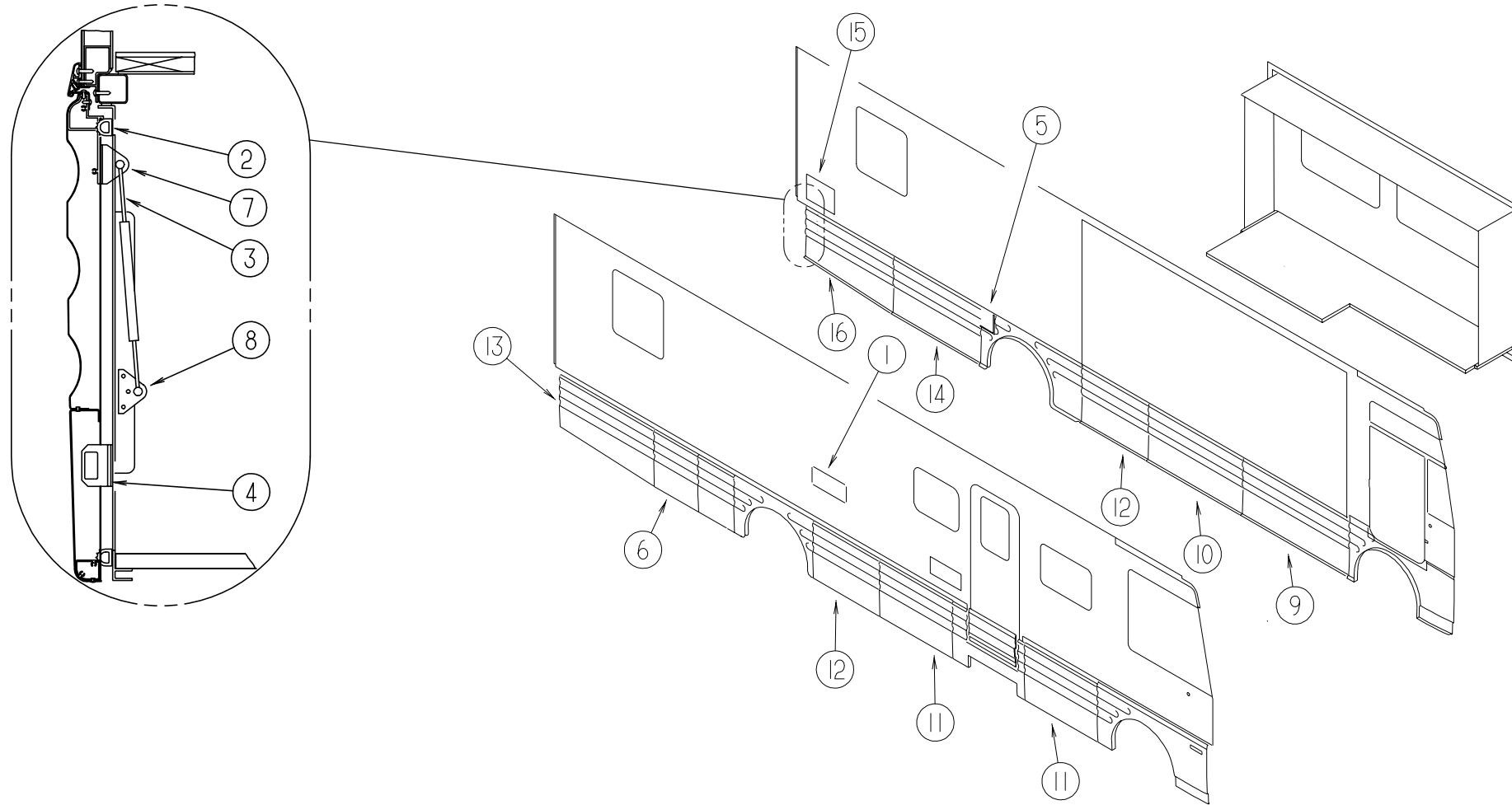
KEY	PART NUMBER	U/M	DESCRIPTION
	125697-02-000	EA	NOZZLE - WELD-A-FLUSH
	125697-03-000	EA	CHECK VALVE - FLUSHING SYSTEM
	125697-04-000	EA	BREAKER - VACUUM - FLUSHING SYSTEM
	125697-05-000	EA	INLET - WATER - FLUSHING SYSTEM
	125697-06-000	EA	INSTRUCTIONS - USER - FLUSHING SYSTEM

FRESH WATER TANKS

KEY	PART NUMBER	U/M	DESCRIPTION
	117005-03-000	EA	TANK - WATER - 50 GALLON - W/FITTINGS
	117005-01-000	EA	TANK - WATER - 50 GALLON - W/O FITTINGS
	128015-02-000	EA	TANK - WATER - 45 GALLON - W/FITTINGS
	128015-01-000	EA	TANK - WATER - 45 GALLON - W/O FITTINGS

WINDOW, VENT & EXTERIOR DOOR GROUP

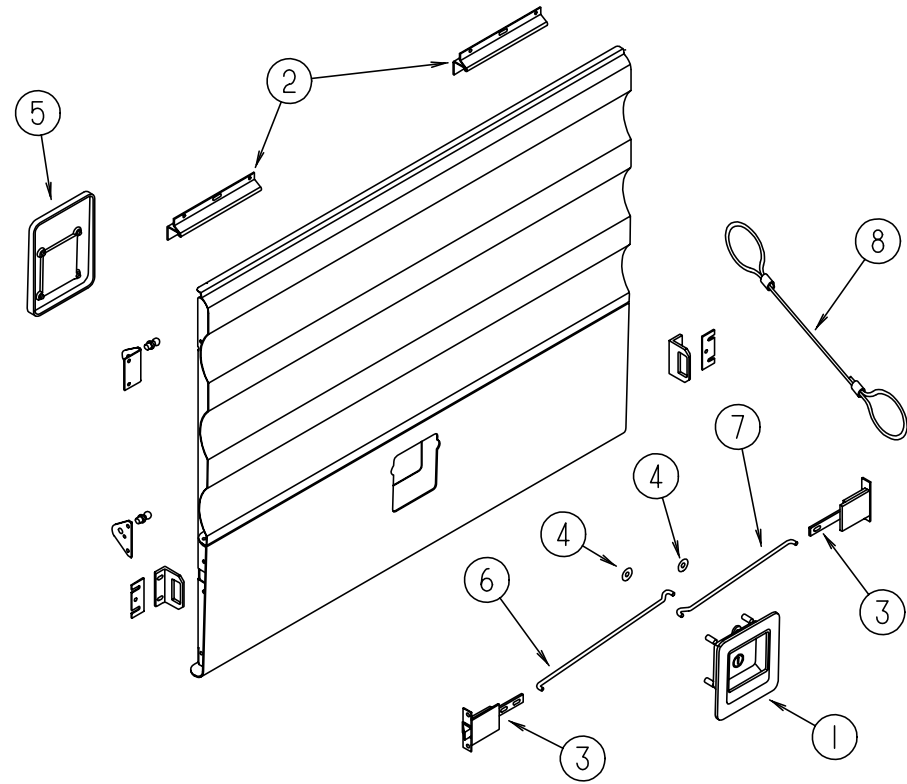
COMPARTMENT DOORS, SEALS & STRIKES



KEY	PART NUMBER	U/M	DESCRIPTION	VENDOR NO.
1	084103-08-000	EA	DOOR - VENT/REFRIGERATOR - W/O JAMB - BRIGHT WHITE	
1	084104-01-700	EA	LOCK-MALE, FASTENER	201-721-010
1	084104-01-701	EA	LOCK-FEMALE, FASTENER	201-802-010
1	084104-08-000	EA	JAMB - VENT DOOR/REFRIGERATOR - BRIGHT WHITE	
2	107721-08-000	FT	SEAL - ACCESS DOOR	
3	107796-24-000	EA	SPRING/GAS - 11.3" COMPRESSED/18.5" EXTENDED - 60 LB. - GM	
3	107796-23-000	EA	SPRING/GAS - 11.3" COMPRESSED/18.5" EXTENDED - 45 LB. - FORD	
4	123783-01-01A	EA	STRIKER - DOOR - MILL	
			FROM: 00-00-00 THRU: 12-06-98	
4	130053-01-01A	EA	STRIKER - LUGGAGE DOOR	
			FROM: 12-07-98 THRU: 99-99-99	
4	130053-02-01A	EA	STRIKER - LUGGAGE DOOR - BLACK	
			FROM: 12-07-98 THRU: 99-99-99	
5	126060-02-K36	EA	DOOR - FUEL FILL - W/O LOCK	
5	125419-01-01A	EA	HINGE - SINGLE PIVOT	
5	130005-01-000	EA	LOCK - W/O CYLINDER & KEYS - W/CAM - F/KEY ONE SYSTEM	
6	126065-28-K36	EA	VALANCE/DOOR - W/O LATCH/HINGE - GM	
6	126065-29-K36	EA	VALANCE/DOOR - W/O LATCH/HINGE - FORD	
6	125517-05-000	EA	ROD - LATCH - 8.95"	
6	125517-06-000	EA	ROD - LATCH - 7.14"	
7	126263-05-02B	EA	BRACKET - GAS SPRING - UPPER - E-COATED	
8	126263-08-02B	EA	BRACKET - GAS SPRING - LOWER - E-COATED	
9	129759-07-K36	EA	VALANCE/DOOR - W/O PADDLE LATCH/HINGE - 63" X 29.5" - GM	
9	129759-04-K36	EA	VALANCE/DOOR - W/O PADDLE LATCH/HINGE - 63" X 25" - FORD	
9	125517-09-000	EA	ROD - LATCH - 27.43"	
9	125517-10-000	EA	ROD - LATCH - 25.61"	

KEY	PART NUMBER	U/M	DESCRIPTION	VENDOR NO.
10	129759-08-K36	EA	VALANCE/DOOR - W/O PADDLE LATCH/HINGE - 55.9" X 29.5" - GM	
10	129759-01-K36	EA	VALANCE/DOOR - W/O PADDLE LATCH/HINGE - 55.9" X 25" - FORD	
10	125517-01-000	EA	ROD - LATCH - 23.89"	
10	125517-02-000	EA	ROD - LATCH - 22.08"	
11	129759-09-K36	EA	VALANCE/DOOR - W/O PADDLE LATCH/HINGE - 43.1" X 29.5" - GM	
11	129759-02-K36	EA	VALANCE/DOOR - W/O PADDLE LATCH/HINGE - 43.1" X 25" - FORD	
11	125517-03-000	EA	ROD - LATCH - 17.50"	
11	125517-04-000	EA	ROD - LATCH - 15.69"	
12	129759-03-K36	EA	VALANCE/DOOR - W/O PADDLE LATCH/HINGE - 39.4" X 25" - FORD	
12	129759-10-K36	EA	VALANCE/DOOR - W/O PADDLE LATCH/HINGE - 39.4" X 29.5" - GM	
12	125517-07-000	EA	ROD - LATCH - 15.63"	
12	125517-08-000	EA	ROD - LATCH - 13.82"	
13	129759-11-K36	EA	VALANCE/DOOR - W/O PADDLE LATCH/HINGE - 26.6" X 55.9" X 29.5" - GM	
13	129759-06-K36	EA	VALANCE/DOOR - W/O PADDLE LATCH/HINGE - 22" X 55.9" X 25" - FORD	
13	125517-01-000	EA	ROD - LATCH - 23.89"	
13	125517-02-000	EA	ROD - LATCH - 22.08"	
14	129759-13-K36	EA	VALANCE/DOOR - W/O PADDLE LATCH/HINGE - 51.9" X 29.5" - GM	
14	129759-12-K36	EA	VALANCE/DOOR - W/O PADDLE LATCH/HINGE - 51.9" X 25" - FORD	
14	125517-11-000	EA	ROD - LATCH - 21.88"	
14	125517-12-000	EA	ROD - LATCH - 20.07"	
15	116424-01-000	EA	PROTECTOR - LATCH - WATER HEATER	
15	052009-06-000	EA	DOOR - WATER HEATER - BRIGHT WHITE - 18" X 14.6"	
16	129759-20-K36	EA	PANEL/VALANCE - W/O HARDWARE - GM	
16	129759-19-K36	EA	PANEL/VALANCE - W/O HARDWARE - FORD	
16	125517-11-000	EA	ROD - LATCH - 21.88"	
16	125517-12-000	EA	ROD - LATCH - 20.07"	
	117593-02-K36	EA	DOOR - REAR CAP	

WINDOW, VENT & EXTERIOR DOOR GROUP (CONTINUED)



COMPARTMENT DOORS

KEY	PART NUMBER	U/M	DESCRIPTION
1	129675-01-01A	EA	LATCH - LOCKING PADDLE - BLACK
1	129675-01-02A	EA	LATCH - PADDLE - BRIGHT WHITE
1	112949-02-05A	EA	LATCH - PADDLE NON-LOCKING - BLACK
	129686-01-000	EA	CYLINDER - LOCK ASSEMBLY - COMPARTMENT/DRIVER DOOR
	129686-02-000	EA	CYLINDER - LOCK ASSEMBLY - COMPARTMENT/DRIVER DOOR
	129686-03-000	EA	CYLINDER - LOCK ASSEMBLY - COMPARTMENT/DRIVER DOOR
	129686-04-000	EA	CYLINDER - LOCK ASSEMBLY - COMPARTMENT/DRIVER DOOR
	129686-05-000	EA	CYLINDER - LOCK ASSEMBLY - COMPARTMENT/DRIVER DOOR
	129686-06-000	EA	CYLINDER - LOCK ASSEMBLY - COMPARTMENT/DRIVER DOOR
	129686-07-000	EA	CYLINDER - LOCK ASSEMBLY - COMPARTMENT/DRIVER DOOR
	129686-08-000	EA	CYLINDER - LOCK ASSEMBLY - COMPARTMENT/DRIVER DOOR
	129686-09-000	EA	CYLINDER - LOCK ASSEMBLY - COMPARTMENT/DRIVER DOOR
	129686-10-000	EA	CYLINDER - LOCK ASSEMBLY - COMPARTMENT/DRIVER DOOR
2	121677-01-01A	EA	HINGE - SINGLE PIVOT
3	121947-01-01A	EA	BOLT - SLIDE W/PLASTIC PLUNGER
4	124304-01-000	EA	CLIP - ROUND PUSH ON
5	125257-01-01A	EA	COVER - LATCH/VALANCE DOOR
6	125517-01-000	EA	ROD - LATCH - 23.89"
6	125517-02-000	EA	ROD - LATCH - 22.08"
6	125517-04-000	EA	ROD - LATCH - 15.69"
6	125517-05-000	EA	ROD - LATCH - 8.95"
6	125517-06-000	EA	ROD - LATCH - 7.14"
6	125517-08-000	EA	ROD - LATCH - 13.82"
6	125517-10-000	EA	ROD - LATCH - 25.61"
6	125517-12-000	EA	ROD - LATCH - 20.07"
7	125517-01-000	EA	ROD - LATCH - 23.89"
7	125517-02-000	EA	ROD - LATCH - 22.08"
7	125517-03-000	EA	ROD - LATCH - 17.50"
7	125517-05-000	EA	ROD - LATCH - 8.95"
7	125517-06-000	EA	ROD - LATCH - 7.14"
7	125517-07-000	EA	ROD - LATCH - 15.63"
7	125517-09-000	EA	ROD - LATCH - 27.43"
7	125517-11-000	EA	ROD - LATCH - 21.88"
8	076767-01-000	EA	CABLE - STEEL - 12"

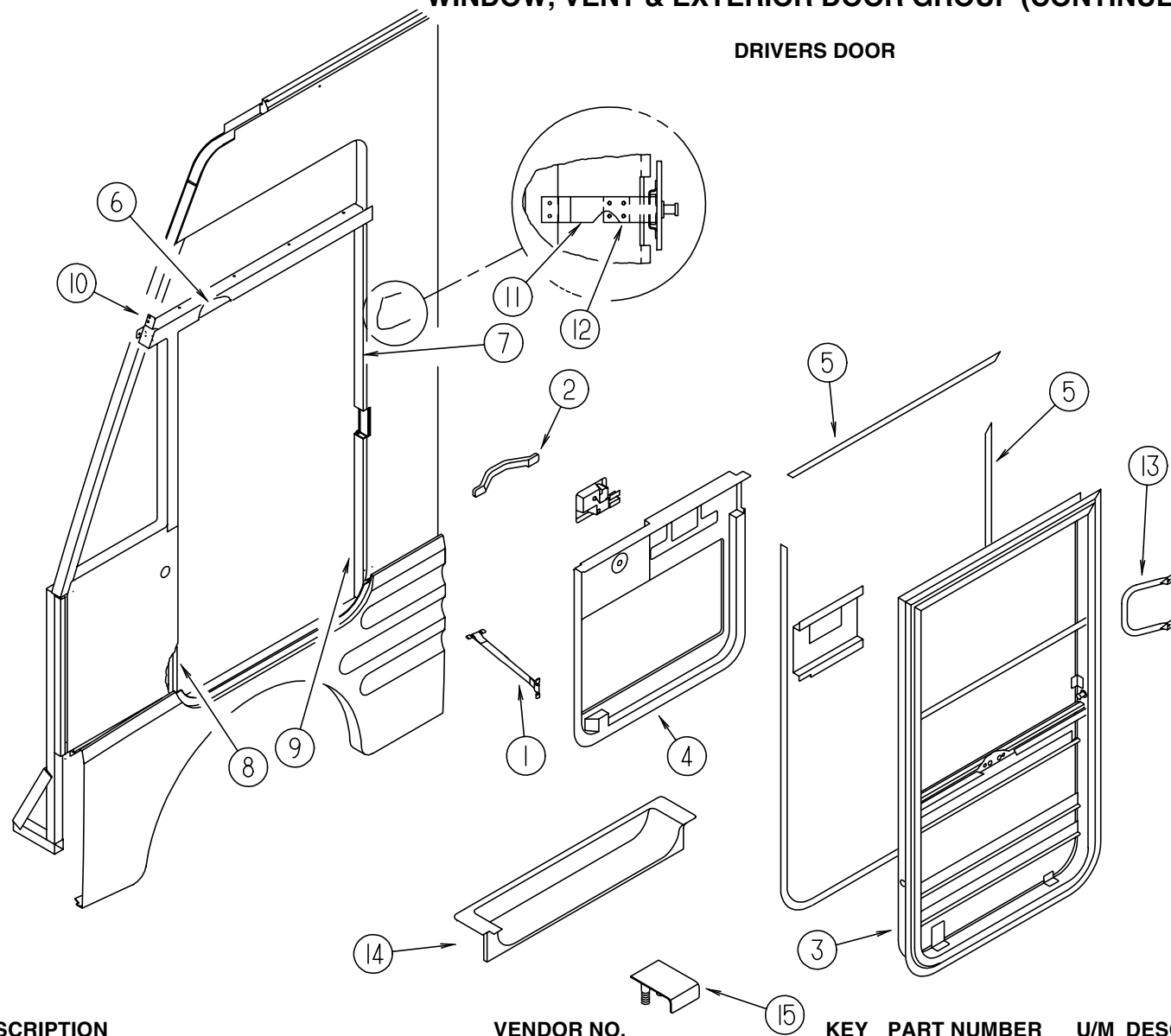
WINDOW, VENT & EXTERIOR DOOR GROUP (CONTINUED)

KEYS FOR ONE KEY SYSTEM

KEY	PART NUMBER	U/M	DESCRIPTION
	129676-01-000	EA	KEY - T/M 14472-07-1431
	129676-02-000	EA	KEY - T/M 14472-0701432
	129676-03-000	EA	KEY - T/M 14472-07-1443
	129676-04-000	EA	KEY - T/M 14472-07-1434
	129676-05-000	EA	KEY - T/M 14472-07-1435
	129676-06-000	EA	KEY - T/M 14472-07-1436
	129676-07-000	EA	KEY - T/M 14472-07-1437
	129676-08-000	EA	KEY - T/M 14472-07-1438
	129676-09-000	EA	KEY - T/M 14472-07-1439
	129676-10-000	EA	KEY - T/M 14472-07-1440
	129685-01-701	EA	KEY - BLANK

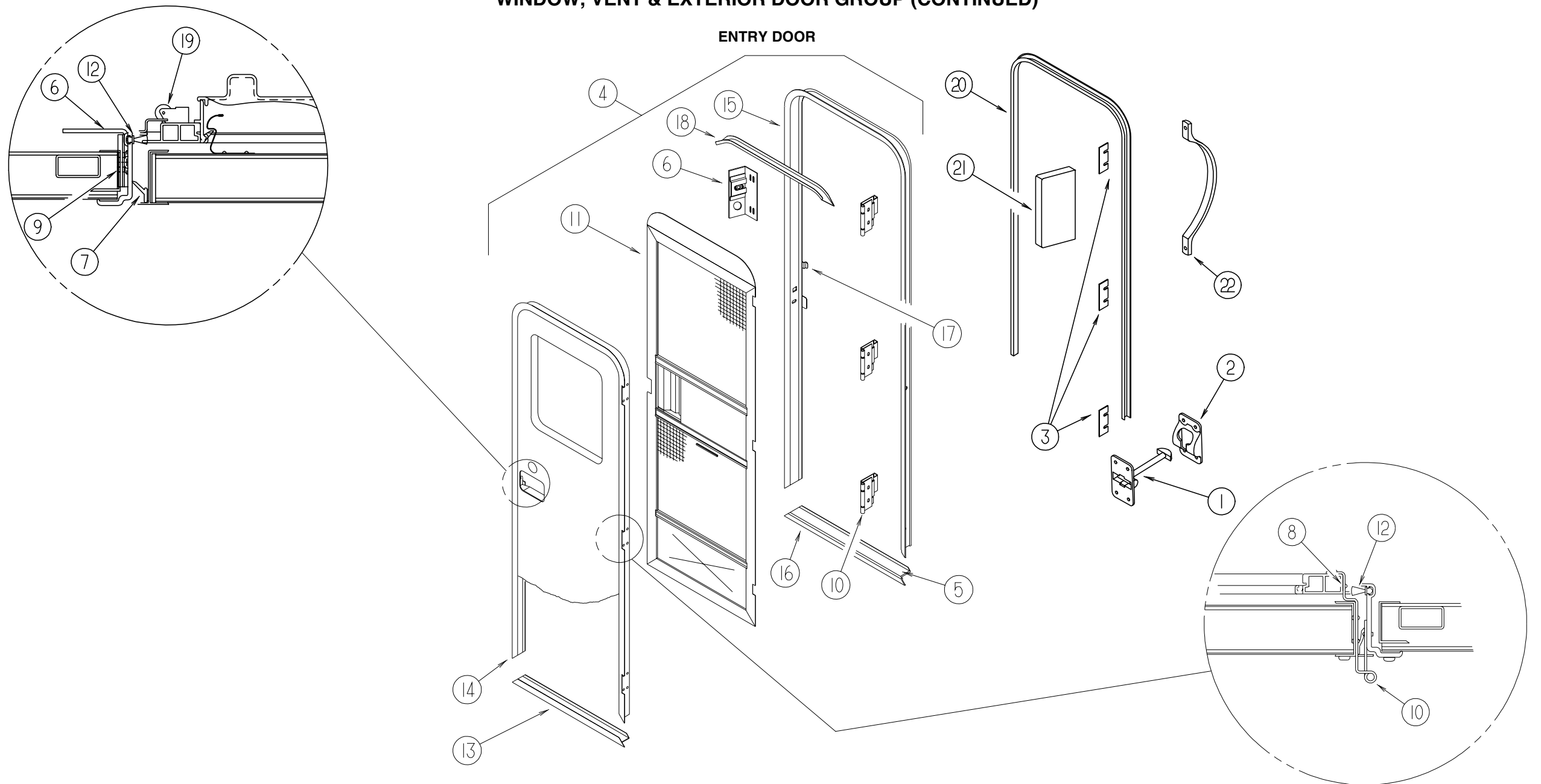
WINDOW, VENT & EXTERIOR DOOR GROUP (CONTINUED)

DRIVERS DOOR



KEY	PART NUMBER	U/M	DESCRIPTION	VENDOR NO.	KEY	PART NUMBER	U/M	DESCRIPTION	VENDOR NO.
1	109378-01-000	EA	STRAP - CHECK - DRIVER DOOR - 12.8"		125581-04-708	EA	CHANNEL - STATIONARY GLASS	V156-61	
2	110604-01-01A	EA	HANDLE - ASSIST - DRIVER DOOR - 10.8" LONG - BLACK		125581-04-709	EA	REGULATOR - MANUAL	410-080389	
3	125581-05-01A	EA	DOOR - DRIVER - NON-POWER		125581-04-710	FT	VINYL - GLAZING	132-041484	
	106469-01-702	EA	SEAL-DOOR, (FRAME) EA=1	122-040984	125581-04-711	EA	CHANNEL-GLASS - LIFT BRKT	N135-66	
	106469-01-705	FT	CHANNEL-RUN, SLIDING	122-010850	125581-05-700	EA	INNER SILL - BLACK	V130-64L	
	106469-01-709	FT	WEATHERSTRIP FUZZY	171-040630	125581-05-702	EA	HANDLE - REGULATOR	182-041785	
	106469-01-723	EA	SEAL-BULB ASM. (JAMB)	171-040985	4	125899-03-02A	EA	PANEL - CAB DOOR - INNER/DRIVER - ANTELOPE	
	106469-04-703	EA	BOLT-STRIKER, W/WASHER	248-041152	4	125899-03-01A	EA	PANEL - CAB DOOR - INNER/DRIVER - TITANIUM	
	106469-04-704	EA	NUT ASSEMBLY-CAGED W/STRIKER	248-041151	5	109235-01-01A	FT	COVER - SCREW - MAT BLACK	
	106469-04-705	EA	ROD-LATCH, HORIZONTAL	203-041139	5	109235-01-05A	FT	COVER - SCREW - BRIGHT WHITE	
	106469-04-711	EA	ROD-LOCK, HORIZONTAL	203-041137	6	125725-01-01A	EA	FRAME - DOOR - 33.5" - BLACK	
	106469-04-712	EA	HANDLE/DOOR-INNER W/HARDWARE	248-041402	7	125725-03-01A	EA	FRAME - DOOR - BLACK	
	106469-04-713	EA	ROD-CLIP, LH	248-041154	8	125725-07-01A	EA	FRAME - DOOR - BLACK	
	106469-04-714	EA	ROD-CLIP, RH	248-041153	9	125725-08-01A	EA	FRAME - DOOR - BLACK	
	106469-05-702	EA	HINGE - 42"	211-041194	10	125804-02-02B	EA	ANGLE - DOOR SUPPORT - E-COATED (WINNEBAGO 10 DEGREE FRONT))	
	106469-05-706	EA	LATCH-ROTARY, W/LINKAGE	248-041150	11	126506-01-02B	EA	BRACKET - STRIKE - DRIVER DOOR - E-COATED	
	125581-03-700	FT	MULLION RAIL- BLACK	V123-84	12	126534-01-02B	EA	SPACER - STRIKE - DRIVER DOOR - E-COATED	
	125581-03-703	FT	WEATHERSTRIP - BELTING	132-041069	13	108832-02-01A	EA	HANDLE - ASSIST - DOOR/DRIVER	
	125581-03-704	EA	PADDLE - W/O LOCK/RH - KEY 1	248-041524	14	102569-02-000	EA	MAT - ANTI SLIP - LOWER	
	125581-04-700	EA	ROD - LATCH/VERTICAL ADJUST.	203-041767	14	107818-05-03A	EA	TRIM - STEP/DRIVER DOOR - ANTELOPE	
	125581-04-701	EA	ROD - LOCK/VERTICAL ADJUST.	203-041768					FROM: 00-00-00 THRU: 12-06-98
	125581-04-703	EA	FRAME - MOUNTING - BLACK	V180-35L	14	131849-04-03A	EA	TRIM - STEP/DRIVER DOOR - ANTELOPE	
	125581-04-704	EA	GLASS - ROLL-UP	106-041821					FROM: 12-07-98 THRU: 99-99-99
	125581-04-705	EA	GLASS - STATIONARY	106-041547	15	110063-01-000	EA	PLATE - STEP (FREIGHTLINER)	
	125581-04-706	EA	FRAME - DOOR - SUB-ASSEMBLY	V180-94L	15	102569-03-000	EA	MAT - ANTI SLIP - 3.93" X 5.90" (FREIGHTLINER)	
	125581-04-707	EA	CHANNEL - ROLL UP GLASS	V156-60					

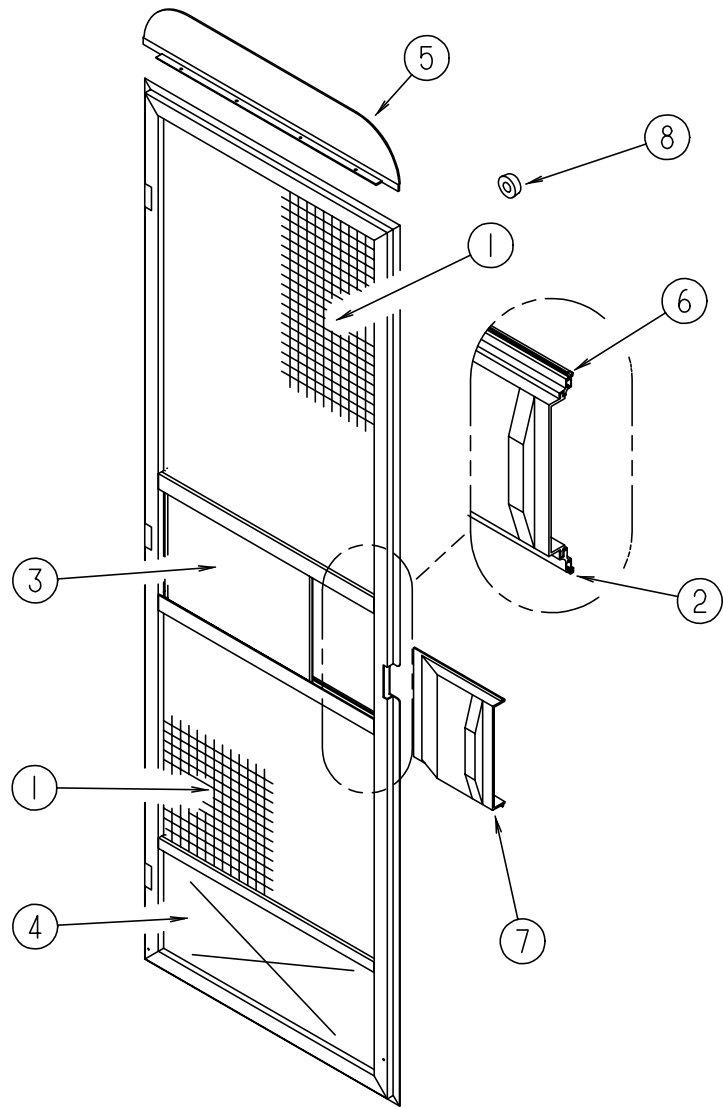
WINDOW, VENT & EXTERIOR DOOR GROUP (CONTINUED)



KEY	PART NUMBER	U/M	DESCRIPTION
1	104099-01-04A	EA	CATCH - DOOR HOLDER - STRIKE - BRIGHT WHITE
1	104099-03-04A	EA	CATCH - DOOR HOLDER - STRIKE 6" (L36)
2	104099-02-04A	EA	CATCH - DOOR HOLDER - RETAINER - BRIGHT WHITE
3	102248-01-000	EA	SHIM - DOOR
4	115108-16-K36	EA	DOOR - ENTRY - W/SCREEN DOOR - W/O WINDOW (K36, K37)
4	115108-16-K38	EA	DOOR - ENTRY - W/SCREEN DOOR - W/O WINDOW (K38, K39)
4	115108-16-K40	EA	DOOR - ENTRY - W/SCREEN DOOR - W/O WINDOW (K40, K41)
4	115108-16-K66	EA	DOOR - ENTRY - W/SCREEN DOOR - W/O WINDOW (K66, K67)
4	115108-16-K82	EA	DOOR - ENTRY - W/SCREEN DOOR - W/O WINDOW (K68, K69)
4	115108-16-K28	EA	DOOR - ENTRY - W/SCREEN DOOR - W/O WINDOW (K70, K71)
5	038327-01-000	EA	TAPE - ANTI-SLIP - 2" X 60'
	039715-01-000	EA	NUT-SERT - 1/4" DIAMETER - 20 THREADS
6	041546-08-000	EA	BRACKET - DOOR ANGLE O/W
7	075671-04-000	FT	SEAL - SPONGE - LAZY T - W/ADHESIVE STRIP - .5" WIDE
8	100128-02-000	FT	SEAL - FOAM/ADHESIVE BACK - .37" WIDE X .37" THICK

KEY	PART NUMBER	U/M	DESCRIPTION
9	104692-01-000	FT	SEAL - FOAM/ADHESIVE BACK - .75"THICK X .75"WIDE X 25'
10	106719-01-05A	EA	HINGE - ENTRY DOOR - BRIGHT WHITE
	116111-02-01A	EA	SCREW - TAPTITE - 1/4-20 X 3/8 PPH - ZINC
11	117077-03-K80	EA	DOOR - SCREEN - W/O HARDWARE
12	118929-01-01A	FT	SEAL - PILE - PUSH ON
13	121893-03-01A	EA	FRAME - DOOR/ENTRANCE
14	121894-15-01A	EA	FRAME - ENTRY DOOR
15	121898-13-01A	EA	JAMB - ENTRY DOOR - BRIGHT WHITE
16	051049-05-000	EA	JAMB/DOOR - LOWER - ENTRANCE DOOR
17	118170-01-01A	EA	CATCH - RETAINER - DOOR
18	044582-50-000	EA	CAP - DRIP JAMB MITERED
19	109403-01-000	EA	CATCH - SINGLE ROLLER - SCREEN DOOR
20	115222-12-02A	EA	GARNISH - RADIUS - ENTRY DOOR
21	077461-03-000	EA	COVER - STRIKE - ENTRY DOOR - 6.5" X 2.5" - WHITE PLASTIC
22	115102-02-000	EA	HANDLE - ASSIST

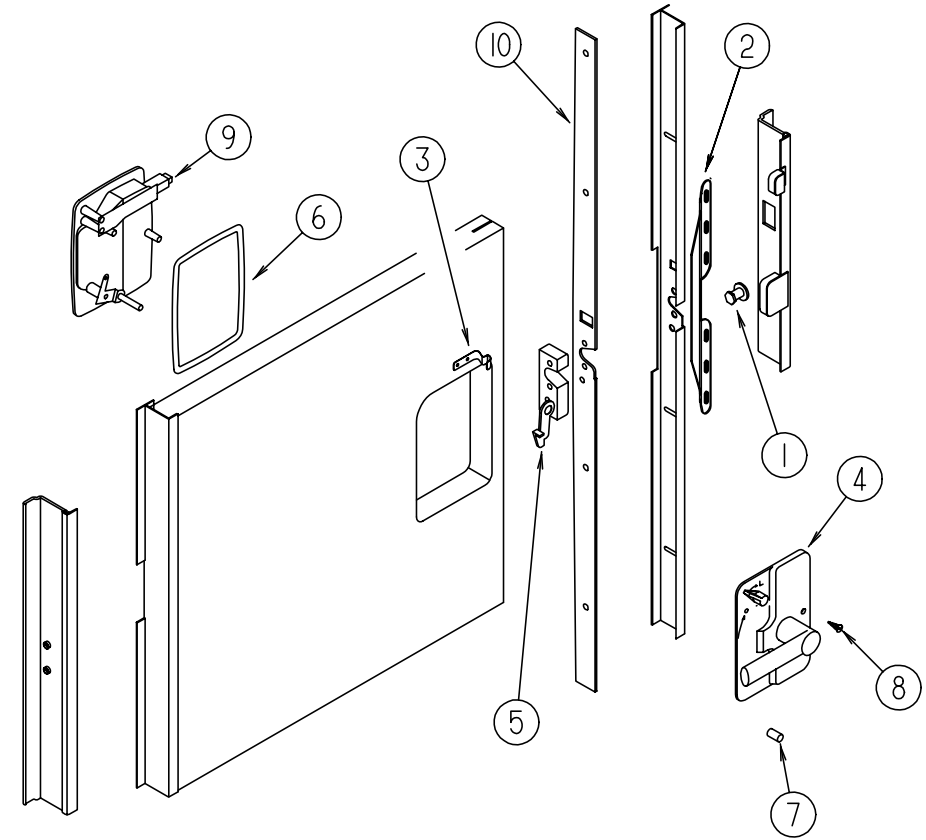
WINDOW, VENT & EXTERIOR DOOR GROUP (CONTINUED)



SCREEN DOOR COMPONENTS

KEY	PART NUMBER	U/M	DESCRIPTION
1	002293-02-000	SF	SCREENING - WINDOW/DOOR - 26" - CHARCOAL
2	002294-01-000	FT	SPLINE - SCREENING - .135" X .138"
3	016454-17-000	EA	INSERT - SCREEN DOOR - CTR - MILL
4	078552-09-000	EA	INSERT - SCREEN DOOR - LOWER
5	078595-03-000	EA	PLATE - SCREEN DOOR
6	078777-08-000	FT	CHANNEL - SLIDER
7	079086-03-000	EA	SLIDER - SCREEN DOOR - BRIGHT WHITE
8	120863-06-000	EA	BUMPER - RUBBER - 3/4" X 3/8"

WINDOW, VENT & EXTERIOR DOOR GROUP (CONTINUED)



ENTRY DOOR LATCH

KEY	PART NUMBER	U/M	DESCRIPTION
1	092927-03-000	EA	STRIKER - ROUND - JAMB MOUNTED
2	098173-01-04A	EA	STIFFENER - ENTRY DOOR - SUPPORTS LATCH/STRIKE/UNPAINTED
3	100412-01-000	EA	CATCH - SCREEN DOOR
4	112782-02-01A	EA	LATCH - INTERIOR PLATE
5	112782-03-01A	EA	LATCH - SINGLE ROTOR
6	112782-04-01A	EA	GASKET
7	112782-05-01A	EA	CAP - VINYL - RED
8	112782-08-01A	EA	SCREW - F/MOUNTING PLATE - ZINC
9	112782-07-01A	EA	LATCH - EXTERIOR - W/O MAIN CYLINDER W/DEADBOLT LOCK/KEY
	129685-01-000	EA	CYLINDER - LOCK ASSEMBLY - ENTRANCE DOOR (J)
	129685-02-000	EA	CYLINDER - LOCK ASSEMBLY - ENTRANCE DOOR (J)
	129685-03-000	EA	CYLINDER - LOCK ASSEMBLY - ENTRANCE DOOR (J)
	129685-04-000	EA	CYLINDER - LOCK ASSEMBLY - ENTRANCE DOOR (J)
	129685-05-000	EA	CYLINDER - LOCK ASSEMBLY - ENTRANCE DOOR (J)
	129685-06-000	EA	CYLINDER - LOCK ASSEMBLY - ENTRANCE DOOR (J)
	129685-07-000	EA	CYLINDER - LOCK ASSEMBLY - ENTRANCE DOOR (J)
	129685-08-000	EA	CYLINDER - LOCK ASSEMBLY - ENTRANCE DOOR (J)
	129685-09-000	EA	CYLINDER - LOCK ASSEMBLY - ENTRANCE DOOR (J)
	129685-10-000	EA	CYLINDER - LOCK ASSEMBLY - ENTRANCE DOOR (J)
10	121334-03-01A	EA	STIFFENER - DOOR - MILL

WINDOW, VENT & EXTERIOR DOOR GROUP (CONTINUED)

NON POWERED ROOF VENTS

KEY	PART NUMBER	U/M	DESCRIPTION
*	122882-01-01A	EA	VENT - ROOF - NONPOWERED - W/O INSIDE GARNISH
	122882-07-01A	EA	GARNISH - ROOF VENT - 2.5" TO 4"

***COMPONENT PARTS FOUND IN SERVICE PARTS LIBRARY**

POWERED VENT

KEY	PART NUMBER	U/M	DESCRIPTION
*	122882-02-01A	EA	VENT - ROOF - W/FAN - W/O INSIDE GARNISH - UL
*	122882-03-01A	EA	VENT - ROOF - W/FAN - W/O INSIDE GARNISH - CSA
	122882-07-01A	EA	GARNISH - ROOF VENT - 2.5" TO 4"

***COMPONENT PARTS FOUND IN SERVICE PARTS LIBRARY**

EXHAUST VENT

KEY	PART NUMBER	U/M	DESCRIPTION
*	123780-03-01A	EA	VENT - ROOF - 3" TO 4" - W/FAN/POWER LIFT - W/O THERMOSTAT

***COMPONENT PARTS FOUND IN SERVICE PARTS LIBRARY**

WINDOW, VENT & EXTERIOR DOOR GROUP (CONTINUED)

PLUMBING & REFRIGERATOR ROOF VENTS

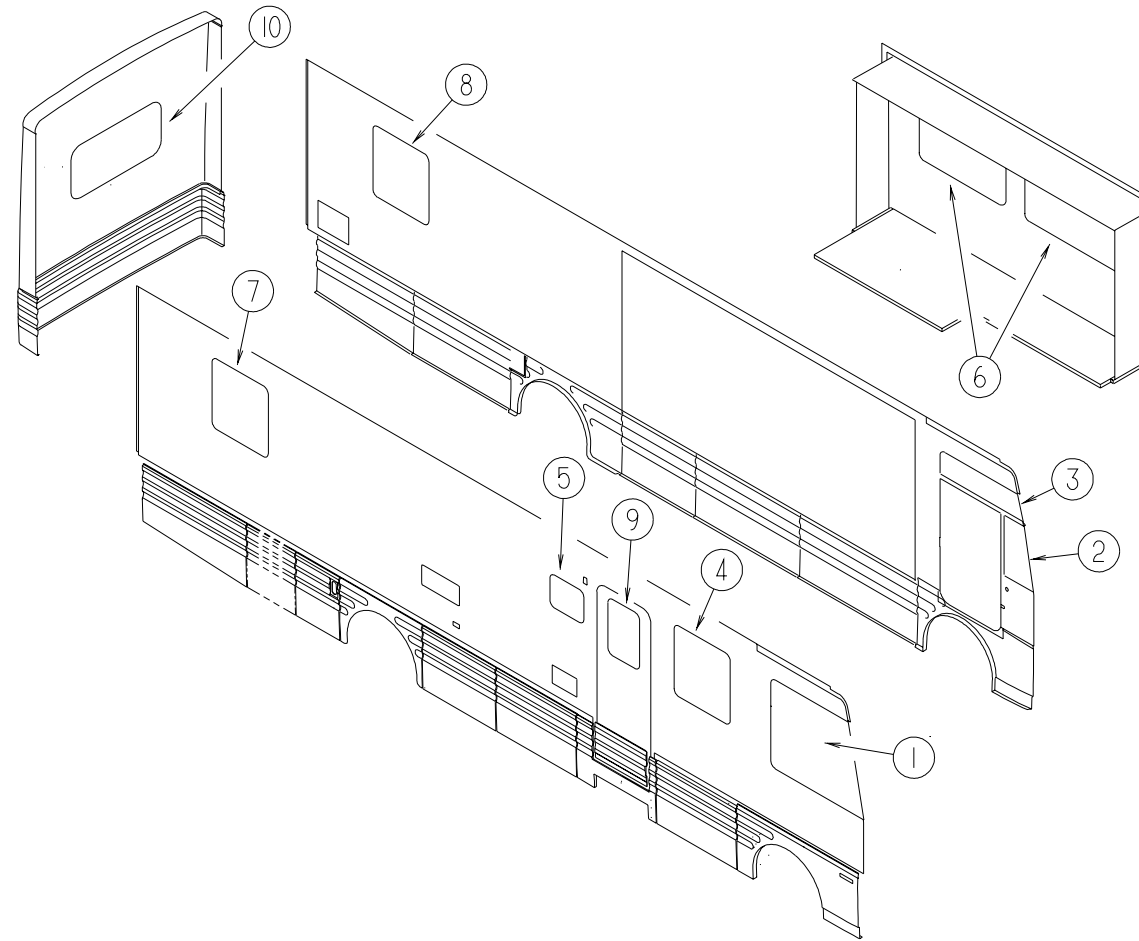
KEY	PART NUMBER	U/M	DESCRIPTION
	083558-06-000	EA	VENT - ROOF PLUMBING PIPE - COVERED
	084073-04-000	EA	BASE - ROOF VENT/REFRIGERATOR - BLACK - NORCOLD
	084073-07-000	EA	VENT - ROOF/REFRIGERATOR - BRIGHT WHITE - NORCOLD
	118369-01-02A	EA	CAP - REFRIGERATOR ROOF VENT - SIDE/SIDE - BRIGHT WHITE (EXPORT)
	118369-02-02A	EA	BASE - REFRIGERATOR ROOF VENT - SISE/SIDE - BRIGHT WHITE (EXPORT)

RANGE HOOD VENT

KEY	PART NUMBER	U/M	DESCRIPTION	VENDOR NO.
	092731-02-000	EA	DUCT - EXTENSION	
	092698-02-05A	EA	VENT - W/DOOR - BRIGHT WHITE	
	092698-02-700	EA	FASTENER - PUSH	VB430
	092698-02-701	EA	CLAMP-CONDUIT	VB334
	092698-03-06A	EA	VENT - W/DOOR AND SOLENOID - W/QUIET DIESEL	GENERATOR ONLY
	092698-03-706	EA	SOLENOID	VB0530-01

WINDOW, VENT & EXTERIOR DOOR GROUP (CONTINUED)

WINDOWS



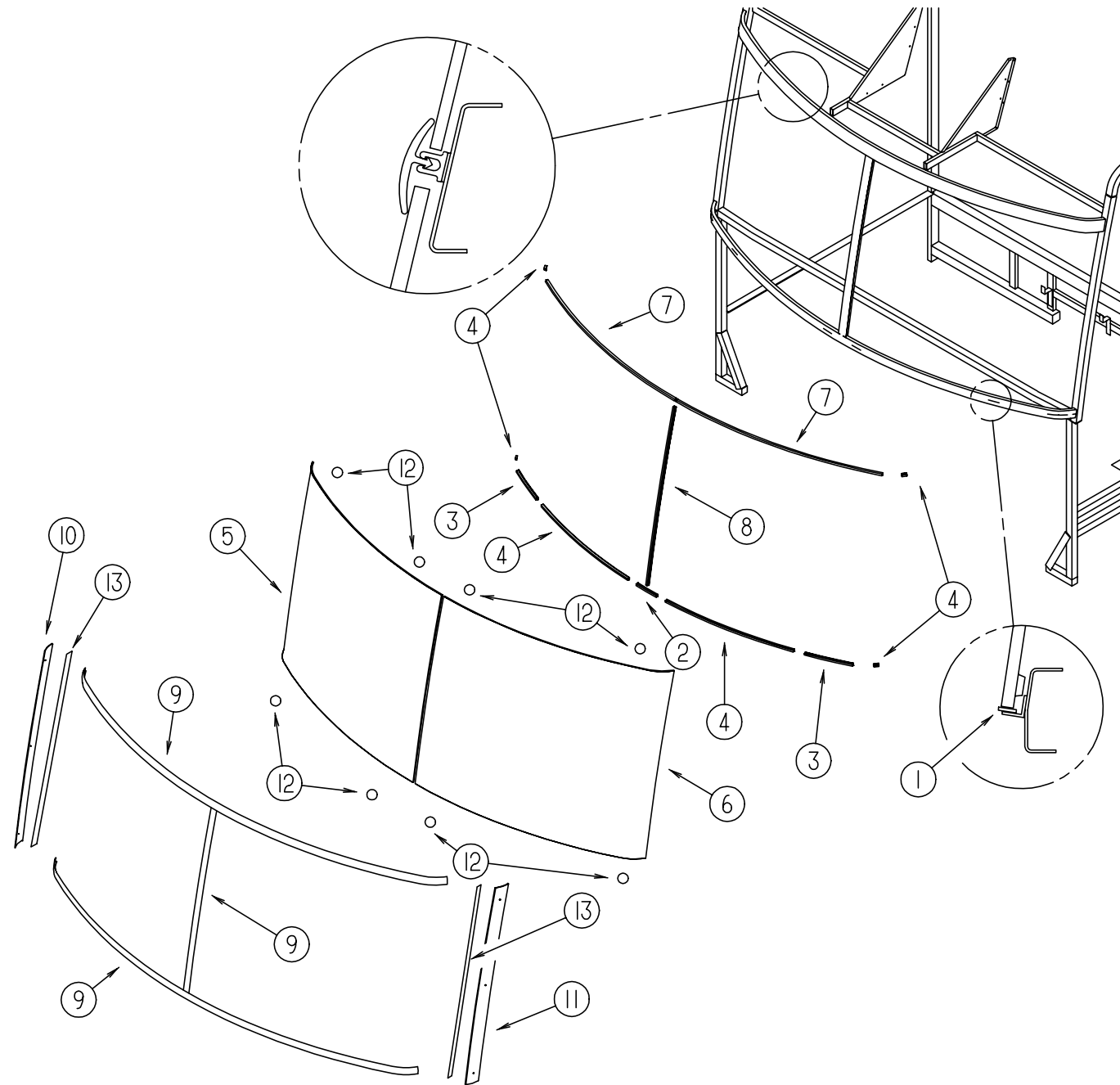
KEY	PART NUMBER	U/M	DESCRIPTION
1*	125583-01-01A	EA	WINDOW - PASS CAB-3 GLASS THERMO- 42.9"T X 51.2"B X 42.6"H
1*	125582-01-01A	EA	WINDOW - CAB - PASSENGER
2*	125585-01-01A	EA	WINDOW - FRONT SLANT - THERMO
2*	125584-01-01A	EA	WINDOW - FRONT SLANT - LEFT HAND
3*	125600-01-01A	EA	WINDOW - VISTA - THERMOPANE
3*	125586-01-01A	EA	WINDOW - VISTA
4*	112795-18-01A	EA	WINDOW - DRIVER HORIZONTAL SLIDER - THERMO - 26.4" X 30"
4*	098647-25-01A	EA	WINDOW - DRIVER HORIZ SLIDER W/TRIM-TINTED - 26.1" X 29.6"
5*	112795-19-01A	EA	WINDOW - DRIVER HORIZONTAL SLIDER - THERMO - 15.7" X 28.5"
5*	098647-33-01A	EA	WINDOW - DRIVER HORIZ SLIDER W/TRIM-TINTED - 15.7" X 28.5"
6*	112795-54-01A	EA	WINDOW - DRIVER HORIZONTAL SLIDER - THERMO - 23.9" X 57.8"
6*	098647-47-01A	EA	WINDOW - DRIVER HORIZ SLIDER W/TRIM-TINTED - 23.6" X 57.5"

KEY	PART NUMBER	U/M	DESCRIPTION
7*	129929-01-01A	EA	WINDOW - TORQUE - THERMO - 33.2" X 30.2"
7*	112463-03-01A	EA	WINDOW - TIPOUT/ESCAPE W/RETAINER TRIM - 33.3" X 30.2"
8*	129929-01-01A	EA	WINDOW - TORQUE - THERMO - 33.2" X 30.2"
8*	112463-03-01A	EA	WINDOW - TIPOUT W/RETAINER TRIM - 33.3" X 30.2"
9*	117053-02-F36	EA	WINDOW - PICTURE - 60% TINTING - 17" X 26.4"
9	002181-25-000	EA	GLASS - PICTURE - 25.7" X 16.4"
9	087561-01-000	FT	SEAL - GLASS - EXTERIOR - .5" WIDE - VINYL BLACK
9	117054-02-02A	EA	RETAINER - TRIM - BRIGHT WHITE
9*	113733-01-01A	EA	WINDOW - STATIONARY THERMOPANE - 26.4" X 17"
10*	113502-01-01A	EA	WINDOW - REAR/CENTER ESCAPE - THERMO - 24.8" X 48.7"
10*	078528-06-E10	EA	WINDOW - ESCAPE - W/O RETAINER/TRIM - 48.5" X 24.5"

***COMPONENT PARTS FOUND IN SERVICE PARTS LIBRARY**

WINDSHIELD & WIPER GROUP

WINDSHIELD, TRIM & MOLDINGS

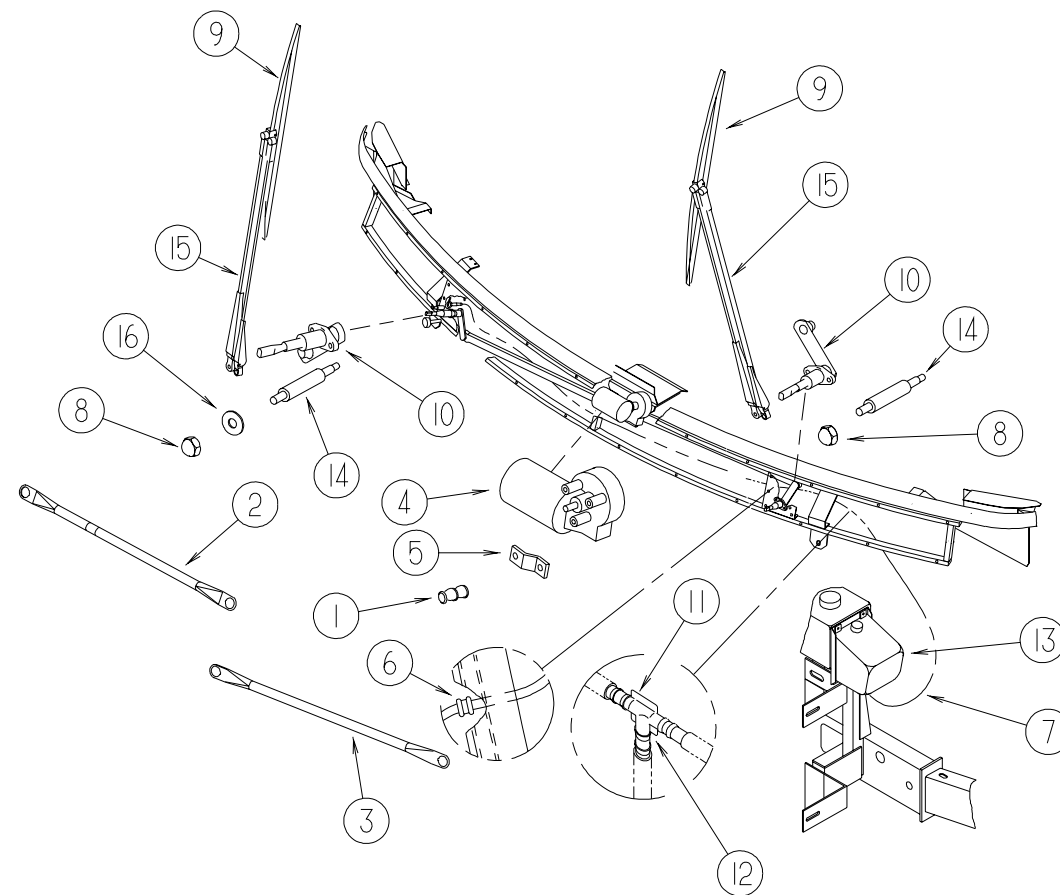


KEY	PART NUMBER	U/M	DESCRIPTION
1	002328-02-000	EA	BLOCK - WINDSHIELD - .062" X .5" X .98"
2	117335-04-000	EA	REVEAL CARRIER - 5.5"
2	132375-01-000	EA	CARRIER - REVEAL - WINDSHIELD
3	117335-05-000	EA	REVEAL CARRIER - 10"
3	132375-02-000	EA	CARRIER-REVEAL,WINDSHIELD
4	117335-06-000	EA	REVEAL CARRIER - 29.8"
5	124328-01-000	EA	WINDSHIELD - PASSENGER - 52" X 41" (CURVED) (10 DEG FRONT/WINNEBAGO)
			FROM: 11-10-97 THRU: 02-21-99
			FROM: 02-22-99 THRU: 99-99-99
			FROM: 11-10-97 THRU: 02-21-99
			FROM: 02-22-99 THRU: 99-99-99

KEY	PART NUMBER	U/M	DESCRIPTION
6	124328-02-000	EA	WINDSHIELD - DRIVER - 52" X 41" (CURVED) (10 DEG FRONT/WINNEBAGO)
7	127862-01-000	EA	CARRIER - REVEAL - WINDSHIELD - 47.2"
8	127862-09-000	EA	CARRIER - REVEAL - WINDSHIELD - 38.6" (10 DEG FRONT/WINNEBAGO)
9	120533-01-000	FT	MOLDING - REVEAL - WINDSHIELD
10	125384-01-02A	EA	TRIM - WINDSHIELD - A-PILLAR - PASS - BLK (10 DEG FRONT/WINNEBAGO)
10	125384-01-01A	EA	TRIM - WINDSHIELD - A-PILLAR - PASS - MILL (10 DEG FRONT/WINNEBAGO)
11	125384-02-02A	EA	TRIM - WINDSHIELD - A-PILLAR - DR - BLK (10 DEG FRONT/WINNEBAGO)
11	125384-02-01A	EA	TRIM - WINDSHIELD - A-PILLAR - DR - MILL (10 DEG FRONT/WINNEBAGO)
12	081914-01-000	EA	BUMPER - RUBBER - ROUND - .43" DIAMETER
13	099418-01-000	FT	SEAL - D-SECTION/ADHESIVE BACK - .44" X .44"- BLK RUBBER

WINDSHIELD & WIPER GROUP (CONTINUED)

WIPER & WASHER



KEY	PART NUMBER	U/M	DESCRIPTION	VENDOR NO.
1	067188-01-000	EA	STUD - CRANK - WIPER MOTOR	
	117322-01-000	EA	SCREW - 1/4-28 UNFINISHED - 2A - TORX	
2	117770-01-000	EA	LINK - CONNECTING - 24" - CLOSED GROMMET/OPEN GROMMET	
3	117770-02-000	EA	LINK - CONNECTING - 24" - CLOSED GROMMET/CLOSED GROMMET	
4	104346-04-000	EA	WIPER MOTOR - "COAST TO PARK" W/BKR - W/GRN/RED/WHITE WIRE - GM	
4	104346-05-000	EA	WIPER MOTOR - W/INTERNAL BREAKER - DYNAMIC PARK - FORD/FRTLINER	
	091206-04-000	EA	MODULE/WIPER CONTROL KIT - DYNAMIC PARK - FREIGHTLINER	
	091206-02-700	EA	KNOB - INNER - FREIGHTLINER	66C-00019
	091206-02-701	EA	KNOB - OUTER - FREIGHTLINER	66C-00020
	091206-04-700	EA	SWITCH ASSEM. ONLY - FREIGHTLINER	250-6623
	102362-03-700	EA	MODULE-WIPER CONT., DYNAMIC - FREIGHTLINER	66D-00093
5	104347-04-000	EA	ARM - DRIVE - WIPER MOTOR	
6	061603-01-000	EA	GROMMET - SNAP - 3/16"ID - 3/8" HOLE - PLASTIC BLACK	
7	045794-01-000	FT	HOSE - WASHER - WINDSHIELD - 5/32" ID - BLACK	

KEY	PART NUMBER	U/M	DESCRIPTION	VENDOR NO.
8	077049-02-000	EA	NUT - ACORN - 10-32 BLACK/ANODIZED	
9	095964-01-000	EA	BLADE - WINDSHIELD WIPER - 24"	
	095964-01-700	EA	BLADE-REFILL 24" EA= 1 PAIR	12360
10	096505-09-000	EA	SHAFT/PIVOT - WINDSHIELD WIPER	
	096505-02-700	EA	DRIVER-KNURLED,(HD) BRL .687	NT721017
	096505-02-701	EA	NUT-HEX (HD) W/.687 BARREL	NT721021
	096505-02-702	EA	CAP-RUBBER (HD) BARREL .687	CP721084
	096505-02-703	EA	CAP-NUT(ACORN) HD W/.687 BRL	51065-40-NT27WC
11	110605-01-000	EA	TEE - PLASTIC - BARBED - 1/8" X 1/8" X 3/16"	
12	117765-03-000	EA	CONNECTOR - 5/32" - WINDSHIELD WASHER	
13	117766-02-000	EA	RESERVOIR/PUMP - WINDSHIELD WASHER	
14	117768-01-000	EA	SHAFT - ADAPTER - PANTOGRAPH ARM	
15	117769-01-000	EA	ARM - WIPER - PANTOGRAPH - 28"	
16	110742-02-000	EA	GASKET - NEOPRENE - WIPER ADAPTER SHAFT - .5" ID X .9" OD	
	096931-01-700	EA	HOSE-WIPER	XTU-66-0001