

1999 WCG35C

K28 **SUNFLOWERS (TAUPE)**
(WATERFORD OAK)

K29 **SUNFLOWERS (TAUPE)**
(MYSTIC OAK)

K30 **VINTAGE GROVE (PLUM)**
(WATERFORD OAK)

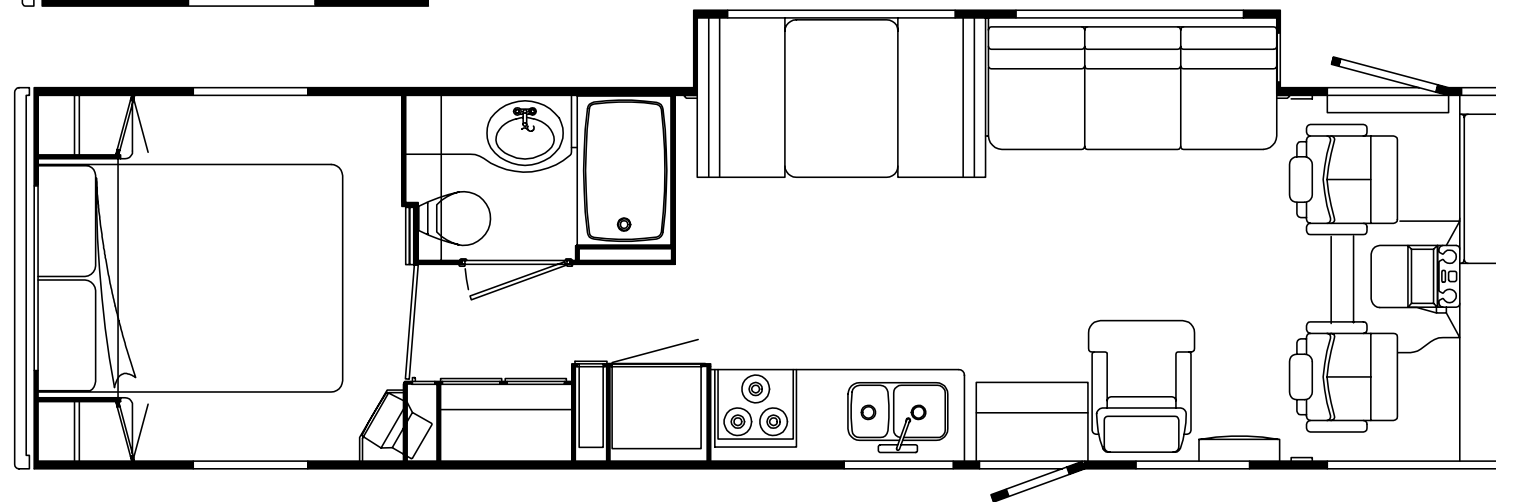
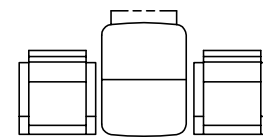
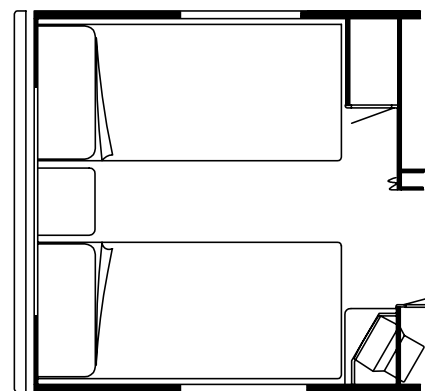
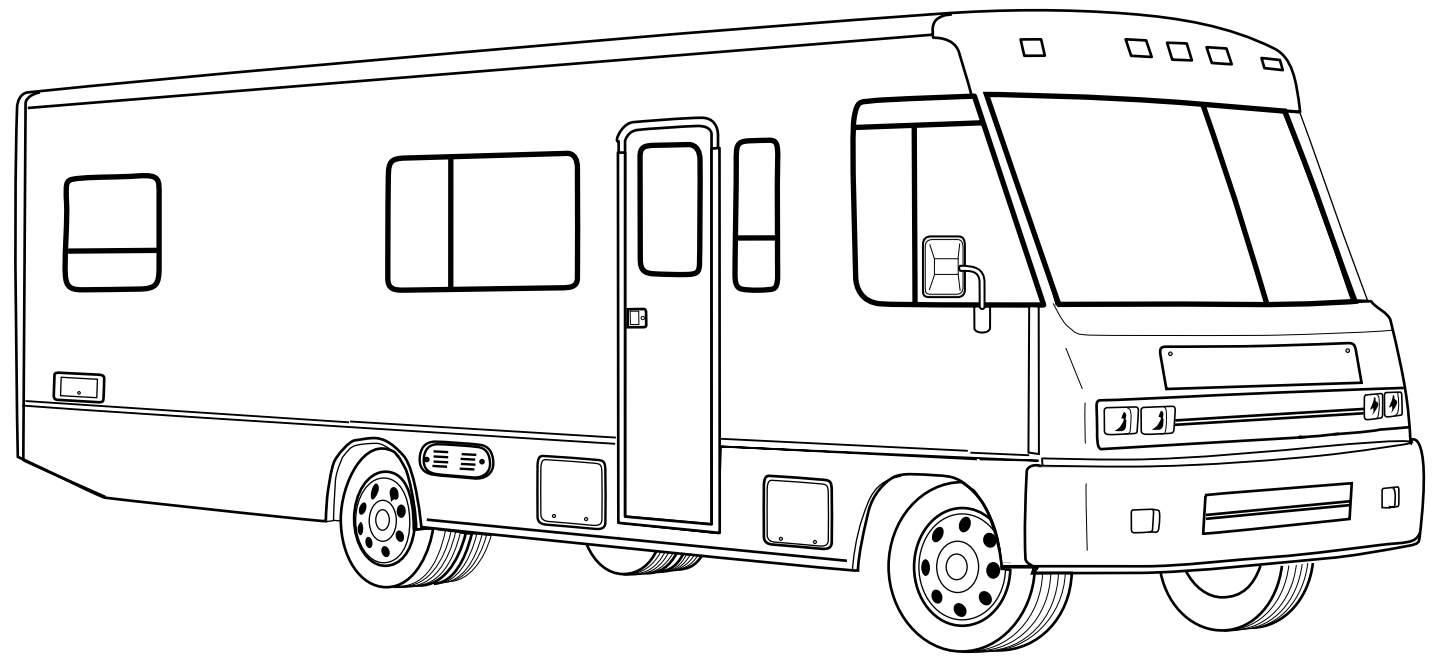
K31 **VINTAGE GROVE (PLUM)**
(MYSTIC OAK)

K32 **JUNIPER (TEAL)**
(WATERFORD OAK)

K33 **JUNIPER (TEAL)**
(MYSTIC OAK)

K34 **CHAMELEON (BLUE)**
(WATERFORD OAK)

K35 **CHAMELEON (BLUE)**
(MYSTIC OAK)



ACCESSORIES GROUP

OPERATOR MANUAL

| KEY | PART NUMBER | U/M DESCRIPTION |
|-----|---------------|---|
| | 054185-K5-000 | EA MANUAL - OPERATOR 99 ADVENTURER |
| | 129079-01-01A | EA CASE - VINYL/BLACK-EXPANDABLE ACCORDION SIDES-7"WX9"HX14"L |
| | 129543-01-000 | EA TOP LEVEL - G,1999 |

AUDIO VIDEO GROUP

RADIO SYSTEMS & ANTENNA

| KEY | PART NUMBER | U/M DESCRIPTION | VENDOR NO. |
|-----|---------------|--|--------------|
| | 127516-03-000 | EA RADIO - AM/FM STEREO - CD PLAYER - PANASONIC - CQ-DP930 | |
| | 127264-01-000 | EA RADIO - AM/FM STEREO - CASSETTE - PANASONIC - CQ-R111U | |
| | 127264-01-700 | EA TRIM RING | YFC054C044ZB |
| | 127264-01-701 | EA KNOB - VOLUME | YFE074C045ZA |
| | 127264-01-702 | EA KNOB - FADER | YEFE074C026 |
| | 127264-01-703 | EA FACTORY HARNESS | YAJ024C048ZB |
| | 124881-01-000 | EA AMPLIFIER - AUDIO | |
| | 110469-01-000 | EA SPEAKER - 4" X 6" OVAL - COAXIAL | |
| | 110470-01-01A | EA GRILLE - 4" X 6" OVAL - BLACK | |
| | 094097-01-000 | EA SPEAKER - RADIO/TV - W/O GRILLE - 5.25" DIAMETER | |
| | 077069-02-000 | EA CABLE - ANTENNA/EXTENSION - RADIO - 96" | |
| | 123256-01-000 | EA ANTENNA - CB - W/O CABLE | |
| | 123256-02-000 | EA CABLE - CB - COAX | |
| | 090944-01-000 | EA ANTENNA - RADIO - 16" RUBBER | |
| | 108847-01-000 | EA BRACKET - ANTENNA GROUND | |
| | 115916-01-01B | EA BRACKET - ANTENNA MOUNT | |
| | 109889-04-000 | EA EXTENDER - ANTENNA SHAFT - 3" | |

DELUXE SOUND SYSTEM

| KEY | PART NUMBER | U/M DESCRIPTION |
|-----|---------------|--|
| | 124883-02-000 | EA SPEAKER - CUBE - W/BRACKET |
| | 124884-01-000 | EA SPEAKER - 6" X 9" - SUB-WOOFER |
| | 124885-01-000 | EA GRILLE - SPEAKER - 6" X 9" - SUB-WOOFER |
| | 124881-01-000 | EA AMPLIFIER - AUDIO |

REAR MONITOR SYSTEM

| KEY | PART NUMBER | U/M DESCRIPTION | VENDOR NO. |
|-----|---------------|---|--------------|
| | 093040-09-000 | EA CAMERA - REAR VIEW - W/BRACKET - SONY | |
| | 093040-10-000 | EA MONITOR - 7" REAR VIEW - W/BRACKET - SONY | |
| | 093040-10-700 | EA LENS - MONITOR - REAR VIEW F/7" | 3-708-537-01 |
| | 096717-03-000 | EA WIRE ASSEMBLY - REAR MONITOR - AFTER MARKET INSTALLATION | |
| | 108885-02-000 | EA WIRE - REAR MONITOR(W/3 PIN HOUSING F/FUSE BLOCK) CHEVY | |
| | 093041-01-000 | EA CABLE - MONITOR/CAMERA - INTERNAL USE - 65.6' | |
| | 093041-02-000 | EA CABLE - MONITOR/CAMERA - EXTERNAL USE - 59.1' | |

PATIO ENTERTAINMENT CENTER

| KEY | PART NUMBER | U/M DESCRIPTION |
|-----|---------------|--|
| | 110469-01-000 | EA SPEAKER - OVAL - 4" X 6" - BLACK |
| | 110470-01-01A | EA GRILLE - SPEAKER - OVAL - 4" X 6" - BLACK |
| | 077069-02-000 | EA CABLE - ANTENNA - RADIO - EXTENSION 96" |
| | 125322-02-000 | EA RADIO - AM/FM STEREO - CASSETTE - AUDIOVOX - MS-306 |
| | 090944-01-000 | EA ANTENNA - RADIO - 16" RUBBER |
| | 108847-01-000 | EA BRACKET - ANTENNA GROUND |
| | 109889-04-000 | EA ANTENNA - 3" SHAFT EXTENDER - MAGNADYNE RV71EX3 |

TELEPHONE

| KEY | PART NUMBER | U/M DESCRIPTION |
|-----|---------------|--|
| | 093253-01-01A | EA PLATE - WALL - TELEPHONE - BEIGE |
| | 130686-01-01A | EA PLATE - WALL - TELEPHONE/COAX - WHITE |

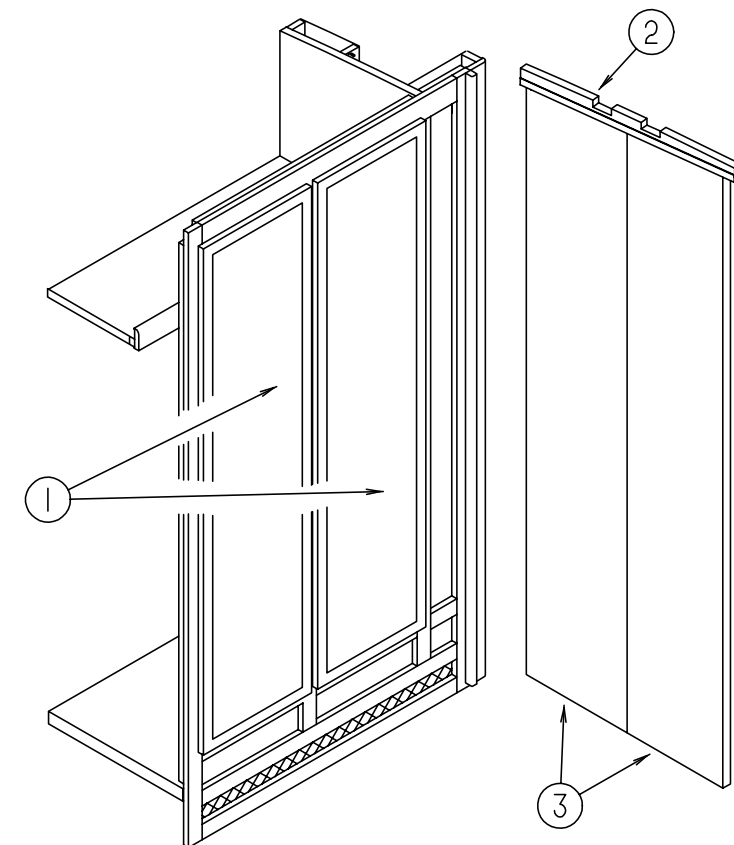
AUDIO VIDEO GROUP (CONTINUED)

TV & VCR SYSTEMS

| KEY | PART NUMBER | U/M | DESCRIPTION | VENDOR NO. |
|-----|---------------|-----|--|------------|
| * | 076319-23-000 | EA | ANTENNA - TV - ROOF MOUNT - 44.5" MAST | |
| * | 120233-01-000 | EA | ANTENNA - SATELLITE (DISH & HDW) W/O RECEIVER - MANUAL FROM: 00-00-00 THRU: 07-15-98 | |
| * | 120233-04-000 | EA | ANTENNA - SATELLITE - W/DIGITAL SENSOR/READ OUT DISPLAY FROM: 07-16-98 THRU: 99-99-99 | |
| | 086231-08-000 | EA | TV - 13" COLOR - DC - AUDIOVOX | |
| | 086231-08-700 | EA | REMOTE - UNIVERSAL | 8822325 |
| | 126696-02-000 | EA | TV - 19" COLOR W/1/8" JACK - UL/CSA | |
| | 126696-01-700 | EA | REMOTE | 226725 |
| | 126697-02-000 | EA | VCR-VHS - CABLE READY - W/REMOTE | |
| | 126697-02-700 | EA | REMOTE | 238513 |
| | 086757-03-000 | EA | CONTROL CENTER - SWITCH - VCR/TV FROM: 00-00-00 THRU: 11-08-98 | |
| | 086757-04-000 | EA | CONTROL CENTER - SWITCHING - 5 INPUTS FROM: 11-09-98 THRU: 99-99-99 | |
| | 115466-06-02B | EA | TIEDOWN STRAP - TV - E-COATED STEEL FROM: 00-00-00 THRU: 10-20-98 | |
| | 115466-20-02B | EA | TIEDOWN STRAP - TV - E-COATED STEEL FROM: 10-21-98 THRU: 99-99-99 | |
| | 086777-02-000 | EA | WALLPLATE - TV CABLE - W/ANTENNA SWITCH - BROWN | |
| | 086777-06-000 | EA | WALLPLATE - TV CABLE - ANTENNA BOOSTER/1 OUTPUT - BROWN | |
| | 086756-01-000 | EA | SPLITTER - TV - 2 WAY | |
| | 076319-09-000 | EA | WALLPLATE - CABLE RECEPTACLE - TV - SINGLE - BROWN | |
| | 076319-08-000 | EA | WALLPLATE - CABLE RECEPTACLE - TV - SINGLE - IVORY | |
| | 076319-03-000 | FT | CABLE - COAXIAL - 75 OHM | |
| | 076319-12-000 | EA | CONNECTOR - COAXIAL - ONE PIECE | |
| | 086231-08-701 | EA | ADAPTER - WIRE | 0891436 |
| | 082134-01-000 | EA | ADAPTER - TV - CABLE TO CABLE | |
| | 098819-01-000 | EA | SPEAKER - 4" - 2 WATT - 8 OHM | |
| | 082136-01-000 | EA | NUT - HEX JAM - 3/8-32 | |
| | 114870-02-000 | EA | PLUG - .14" AUDIO W/LEADS | |
| * | 076319-25-000 | EA | KIT - HARDWARE INTERIOR | |

*COMPONENT PARTS FOUND IN SERVICE PARTS LIBRARY

BATH GROUP

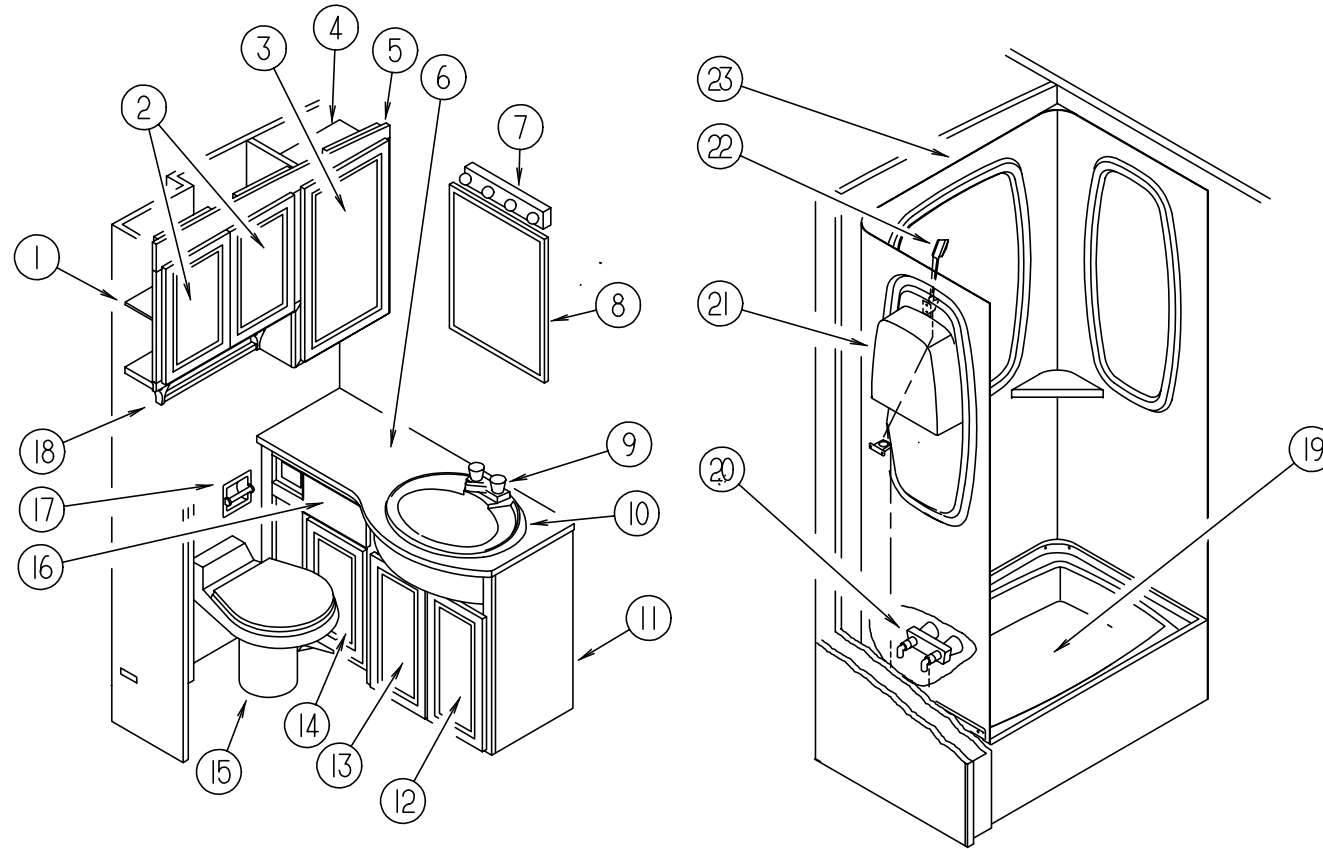


WARDROBE CABINET & FOLDING DOOR

| KEY | PART NUMBER | U/M | DESCRIPTION |
|-----|---------------|-----|---|
| 1 | 131995-J3-K28 | EA | DOOR - RAIL/SOLID PANEL - 8" X 60.7" - W/O HARDWARE (WATERFORD OAK) |
| 1 | 131995-J3-K29 | EA | DOOR - RAIL/SOLID PANEL - 8" X 60.7" - W/O HARDWARE (MYSTIC OAK) |
| 2 | 103908-51-J22 | EA | HEADER - DOOR (WATERFORD OAK) |
| 2 | 103908-51-K29 | EA | HEADER - DOOR (MYSTIC OAK) |
| | 093170-12-01A | EA | HEADER/TRACK - DOOR - OFF WHITE |
| 3 | M03866-05-J22 | EA | DOOR - BIFOLD - W/O HARDWARE (WATERFORD OAK) |
| 3 | M03866-05-K29 | EA | DOOR - BIFOLD - W/O HARDWARE (MYSTIC OAK) |
| | 092652-01-000 | EA | GUIDE WHEEL - DOOR - TOP MOUNT |
| | 102920-01-01A | EA | HINGE - DOOR - SPRING LOADED/ BRASS |
| | 117978-01-01A | EA | KNOB - DOOR - BRIGHT BRASS |
| | 104314-10-01A | EA | MESH-GRILLE BLACK |

BATH GROUP (CONTINUED)

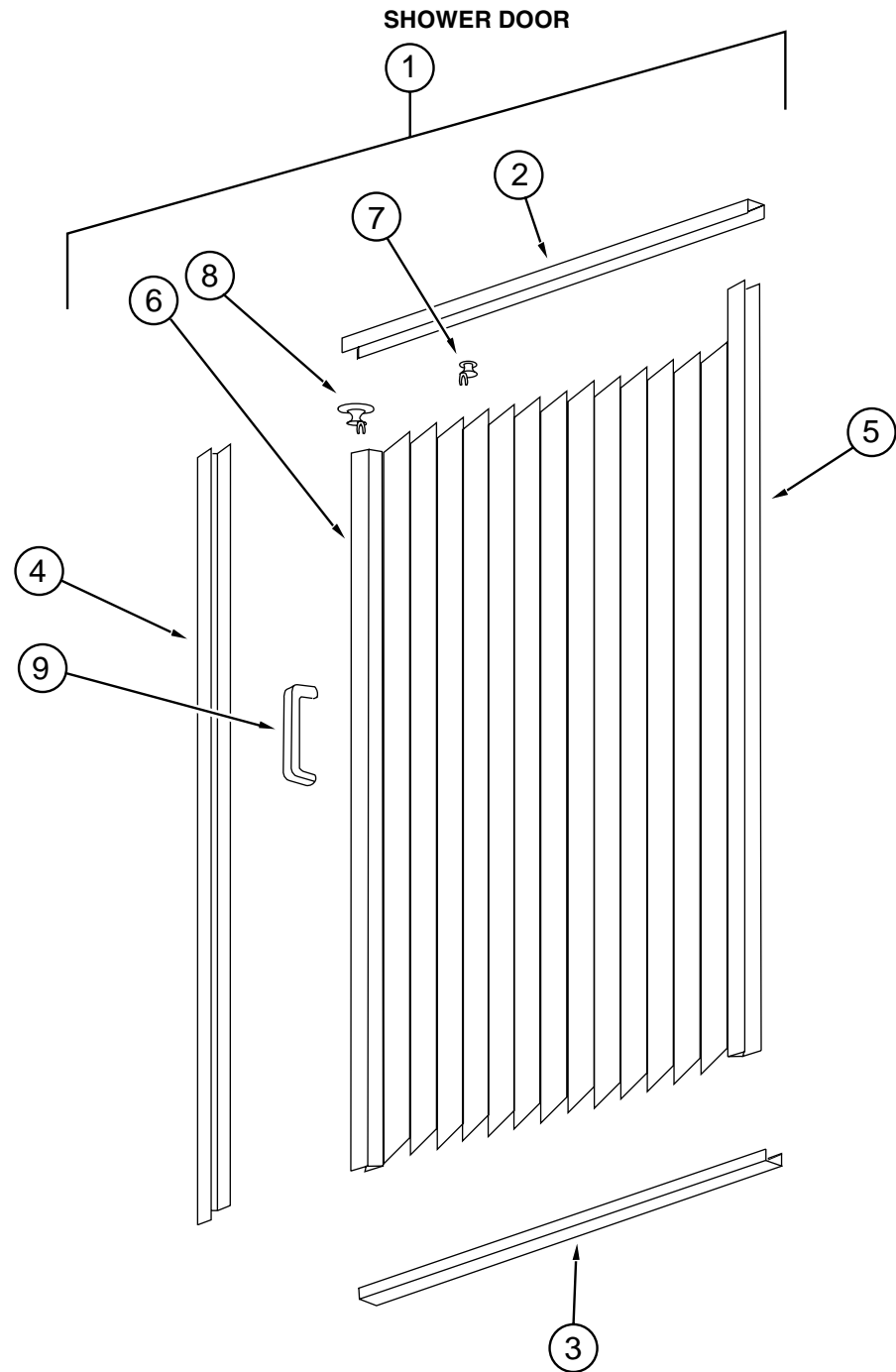
BATH CABINETS, PRIVACY DOOR & SHOWER COMPONENTS



| KEY | PART NUMBER | U/M DESCRIPTION | KEY | PART NUMBER | U/M DESCRIPTION | VENDOR NO. |
|-----|---------------|---|-----|---------------|---|------------|
| 1 | 126307-14-J22 | EA SHELF - W/PLASTIC EDGE MOLDING (WATERFORD OAK) | 13 | 131995-31-K28 | EA DOOR - RAIL/SOLID PANEL - 10.2" X 21.4" - W/O HDW (WATERFORD OAK) | |
| 1 | 126307-14-K29 | EA SHELF - W/PLASTIC EDGE MOLDING (MYSTIC OAK) | 13 | 131995-31-K29 | EA DOOR - RAIL/SOLID PANEL - 10.2" X 21.4" - W/O HDW (MYSTIC OAK) | |
| 2 | 131995-65-K28 | EA DOOR - RAIL/SOLID PANEL - 12" X 18.7" - W/O HDW (WATERFORD OAK) | 14 | 125162-04-K32 | EA CABINET - HAMPER - W/O HDW (WATERFORD OAK) | |
| 2 | 131995-65-K29 | EA DOOR - RAIL/SOLID PANEL - 12" X 18.7" - W/O HDW (MYSTIC OAK) | 14 | 125162-04-K29 | EA CABINET - HAMPER - W/O HDW (MYSTIC OAK) | |
| 3 | 131995-D4-K28 | EA DOOR - RAIL/SOLID PANEL - 15.7" X 27.9" - W/O HDW (WATERFORD OAK) | 15* | 085330-06-000 | EA TOILET - STANDARD CHINA W/SPRAYER - BONE | |
| 3 | 131995-D4-K29 | EA DOOR - RAIL/SOLID PANEL - 15.7" X 27.9" - W/O HDW (MYSTIC OAK) | 16 | M05971-CM-K59 | EA DRAWER - OGEE EDGE - 9.4"W X 11.8"D - W/O SLIDES/HDW (WATERFORD OAK) | |
| 4 | 126307-15-J22 | EA SHELF - W/PLASTIC EDGE MOLDING (WATERFORD OAK) | 16 | M05971-CM-K29 | EA DRAWER - OGEE EDGE - 9.4"W X 11.8"D - W/O SLIDES/HDW (MYSTIC OAK) | |
| 4 | 126307-15-K29 | EA SHELF - W/PLASTIC EDGE MOLDING (MYSTIC OAK) | 17 | 075452-02-000 | EA HOLDER - TOILET TISSUE - BRASS | |
| 5 | 126307-01-K32 | EA CABINET - MEDICINE - W/O DOORS/HDW (WATERFORD OAK) | 18 | 075453-02-000 | EA BAR - TOWEL - 18" BRASS | |
| 5 | 126307-01-K29 | EA CABINET - MEDICINE - W/O DOORS/HDW (MYSTIC OAK) | 19 | M02630-34-GV0 | EA SHOWER PAN - W/SPRING LOADED DRAIN PLUNGER | |
| 6 | 126309-16-J26 | EA CTRTP - LAVATORY (K28, K29, K30, K31, K34, K35) | 20 | 075242-04-000 | EA FAUCET - TUB/SHOWER - BONE | |
| 6 | 126309-16-K32 | EA CTRTP - LAVATORY (K32, K33) | 21 | 104462-02-01A | EA CADDY - SHOWER - OFF WHITE | |
| 7 | 110235-02-01A | EA LIGHT - MAKE UP - 4 BULB PANLESS | 22 | 131383-01-01A | EA SHOWER HEAD - W/60" HOSE & BRACKET - IVORY (US) | |
| 8 | 058331-51-000 | EA MIRROR - SAFETY GLASS - 25.9" X 40" | 22 | 131383-02-01A | EA SHOWER HEAD - W/60" HOSE & BRACKET - CSA - IVORY | |
| 9 | 075240-06-000 | EA FAUCET - LAVATORY - BONE | 23 | 115612-01-01A | EA SURROUND - SHOWER - OFF WHITE | |
| 9 | 075240-05-000 | EA FAUCET - LAVATORY - BRASS | | 075606-01-000 | EA PANEL - FAUCET BACK - SHOWER - 5" X 9" - PLASTIC | |
| | 105218-01-01A | EA SPACER - FAUCET/LAVATORY SINK - 2" X 5.9" - ABS PLASTIC | | 103092-01-702 | EA SEALS - SPRAY HEAD | 24466 |
| | 091253-01-000 | EA GASKET - FAUCET - LAVATORY/GALLEY | | 103092-01-700 | EA BRACKET - F/SHOWER HEAD - CLEAR | 2328028 |
| 10 | 105921-01-01A | EA SINK - LAVATORY - LARGE OVAL - 17" X 20" PLASTIC/OFF WHITE | | 011048-03-700 | EA BRACKET - SHOWER HEAD/IVORY | 2328029-I |
| | 106116-01-01A | EA STRAINER - SINK - W/STOPPER/TAILPIECE/GASKET & NUT - PLASTIC | | 121449-33-J22 | EA DOOR - BATH (WATERFORD OAK) | |
| 11 | 126309-01-J26 | EA CABINET - LAVATORY - W/CTRTP - W/O DOORS/DRAWERS/HDW (K28, K30, K34) | | 121449-33-K29 | EA DOOR - BATH (MYSTIC OAK) | |
| 11 | 126309-01-K29 | EA CABINET - LAVATORY - W/CTRTP - W/O DOORS/DRAWERS/HDW (K29, K31, K35) | | 111155-03-01A | EA LOCK - PRIVACY/LOCKING - POLISHED BRASS | |
| 11 | 126309-01-K32 | EA CABINET - LAVATORY - W/CTRTP - W/O DOORS/DRAWERS/HDW (K32) | | 121449-12-G04 | EA RACK - TOWEL - BATH DOOR (WATERFORD OAK) | |
| 11 | 126309-01-K33 | EA CABINET - LAVATORY - W/CTRTP - W/O DOORS/DRAWERS/HDW (K33) | | 121449-12-G27 | EA RACK - TOWEL - BATH DOOR (MYSTIC OAK) | |
| 11 | 126309-12-J22 | EA SHELF - W/PLASTIC EDGE TRIM (WATERFORD OAK) | | 100357-01-000 | EA ROD - F/TOWEL BAR - BRASS | |
| 11 | 126309-12-K29 | EA SHELF - W/PLASTIC EDGE TRIM (MYSTIC OAK) | | 102920-01-01A | EA HINGE/SPRING LOADED - BRASS | |
| 12 | 131995-33-K28 | EA DOOR - RAIL/SOLID PANEL - 10.2" X 21.4" - W/O HDW (WATERFORD OAK) | | 117431-03-01A | EA DOOR - SHOWER - PLEATED FABRIC | |
| 12 | 131995-33-K29 | EA DOOR - RAIL/SOLID PANEL - 10.2" X 21.4" - W/O HDW (MYSTIC OAK) | | 057671-01-000 | EA COVER - SCREW - #8 - PLASTIC - OFF WHITE | |

*COMPONENT PARTS FOUND IN SERVICE PARTS LIBRARY

BATH GROUP (CONTINUED)

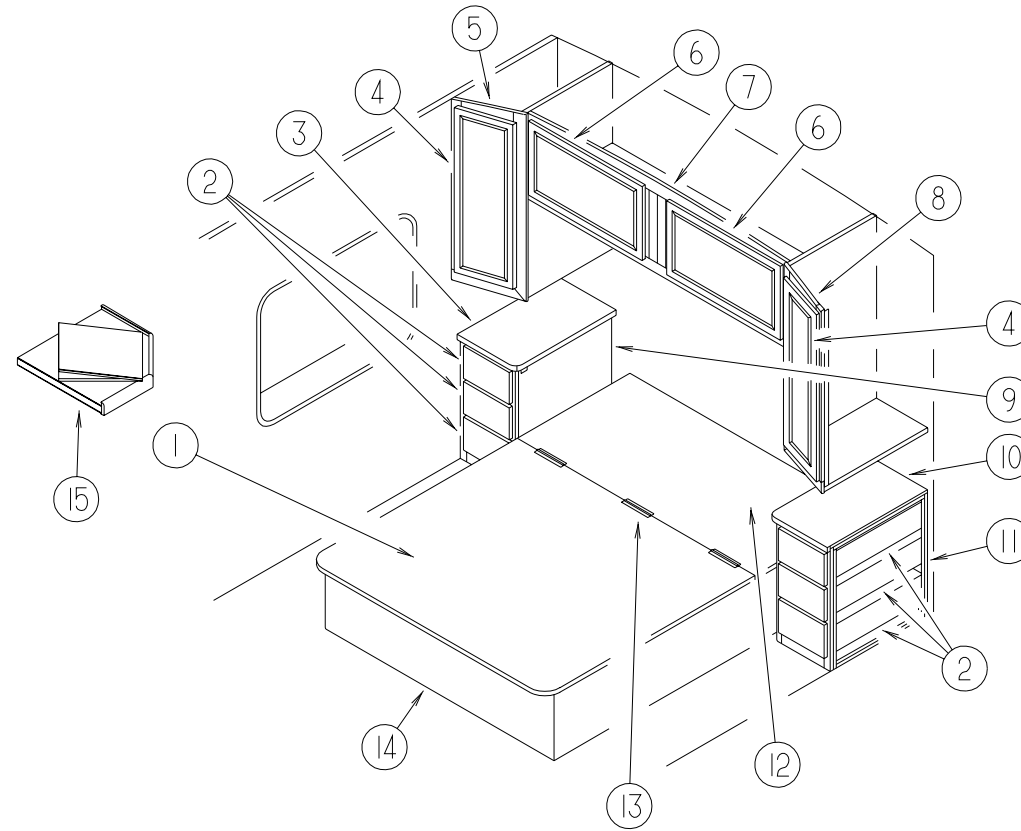


| KEY | PART NUMBER | U/M DESCRIPTION |
|-----|---------------|---|
| 1 | 117431-03-01A | EA DOOR - SHOWER - PLEATED FABRIC |
| 2 | 117431-01-700 | EA TRACK - TOP - ALUM. IVORY INSERT - 48" |
| 3 | 117431-01-701 | EA TRACK - BOTTOM - 48 " |
| 4 | 117431-01-702 | EA RAIL - SIDE - 67" |
| 5 | 117431-01-703 | EA RAIL - STATIONARY - 67" |
| 6 | 117431-01-704 | EA RAIL - LEAD - 67" - W/LATCH |

| KEY | PART NUMBER | U/M DESCRIPTION |
|-----|---------------|----------------------------------|
| 7 | 117431-01-705 | EA GLIDE - IVORY - TRAVELER |
| 8 | 117431-01-706 | EA GLIDE - IVORY LEAD - TRAVELER |
| 9 | 117431-01-708 | EA HANDLES & SCREWS |
| | 117431-01-707 | EA CATCH - BATH DOOR |
| | 117431-03-700 | EA STRAP - VINYL SHOWER |

BEDROOM GROUP

QUEEN BEDROOM

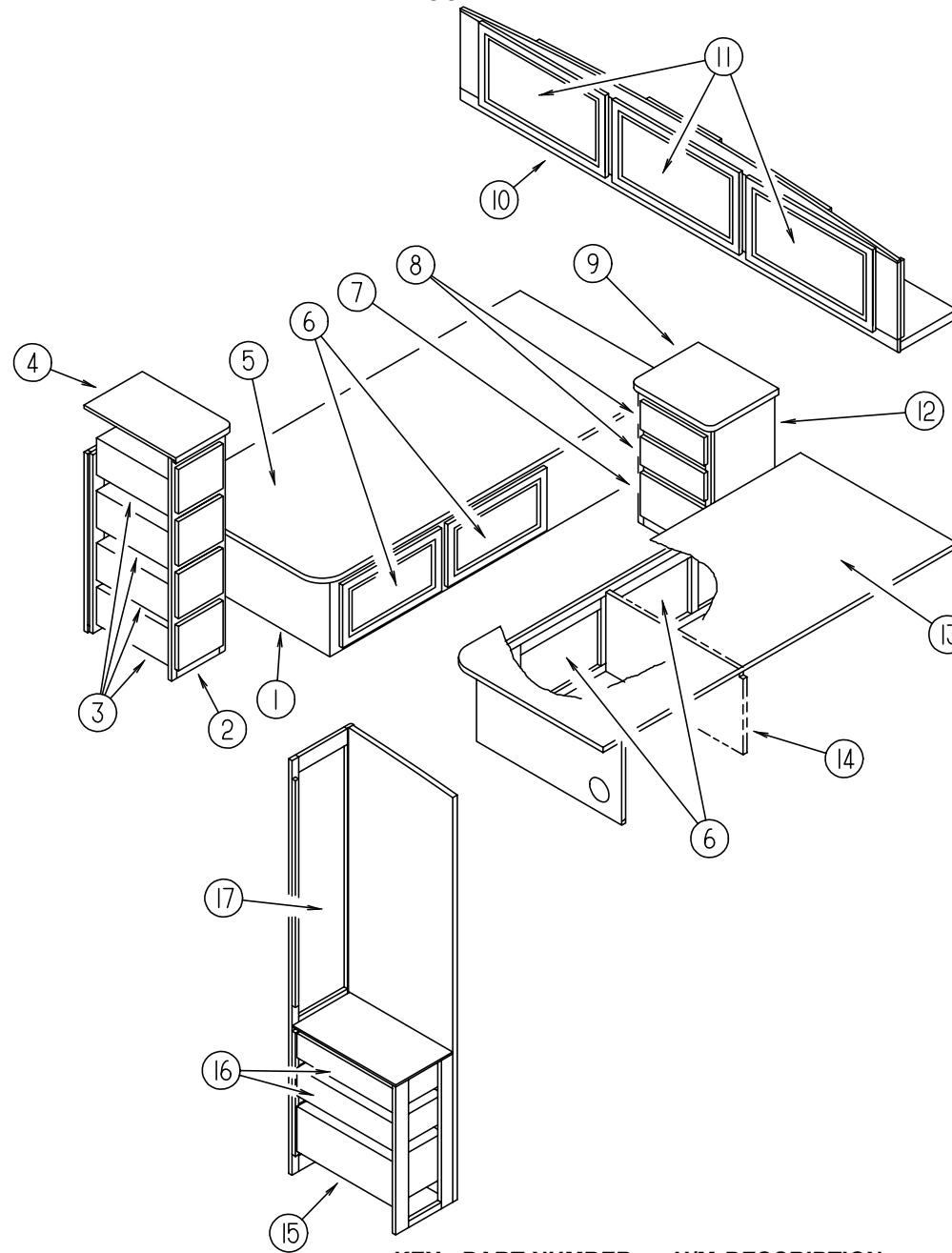


| KEY | PART NUMBER | U/M | DESCRIPTION |
|-----|---------------|-----|--|
| 1 | M07571-03-J22 | EA | TOP - QUEEN BED - W/O HDW |
| 2 | M09316-14-K28 | EA | DRAWER - OGEE - 10.7"W X 19.7"D - W/O SLIDES/HDW (WATERFORD OAK) |
| 2 | M09316-14-K29 | EA | DRAWER - OGEE - 10.7"W X 19.7"D - W/O SLIDES/HDW (MYSTIC OAK) |
| 3 | 129251-19-K28 | EA | CTRTP - NIGHTSTAND (K28, K29, K30, K31, K34, K35) |
| 3 | 129251-19-K32 | EA | CTRTP - NIGHTSTAND (K32, K33) |
| 4 | 132006-02-K28 | EA | DOOR - MIRROR/MITERED RAIL - 14.3" X 36.4" - W/O HDW (WATERFORD OAK) |
| 4 | 132006-02-K29 | EA | DOOR - MIRROR/MITERED RAIL - 14.3" X 36.4" - W/O HDW (MYSTIC OAK) |
| 5 | 116142-01-G35 | EA | CABINET - SHIRT CLOSET - RH - W/O DOOR/HDW (WATERFORD OAK) |
| 5 | 116142-01-J90 | EA | CABINET - SHIRT CLOSET - RH - W/O DOOR/HDW (MYSTIC OAK) |
| 6 | 131995-D4-K28 | EA | DOOR - RAIL/SOLID PANEL - 15.7" X 27.9" - W/O HDW (WATERFORD OAK) |
| 6 | 131995-D4-K29 | EA | DOOR - RAIL/SOLID PANEL - 15.7" X 27.9" - W/O HDW (MYSTIC OAK) |
| 7 | 106523-01-G09 | EA | CABINET - OVERHEAD REAR - W/O DOORS/HDW (WATERFORD OAK) |
| 7 | 106523-01-J90 | EA | CABINET - OVERHEAD REAR - W/O DOORS/HDW (MYSTIC OAK) |
| 8 | 116142-02-J22 | EA | CABINET - SHIRT CLOSET - LH - W/O DOOR/HDW (WATERFORD OAK) |
| 8 | 116142-02-J90 | EA | CABINET - SHIRT CLOSET - LH - W/O DOOR/HDW (MYSTIC OAK) |
| 9 | 129251-07-K28 | EA | CABINET/NIGHTSTAND/RH - W/CTRTP - W/O DRAWERS/ HDW (K28, K30, K34) |
| 9 | 129251-07-K29 | EA | CABINET/NIGHTSTAND/RH - W/CTRTP - W/O DRAWERS/ HDW (K29, K31, K35) |
| 9 | 129251-07-K32 | EA | CABINET/NIGHTSTAND/RH - W/CTRTP - W/O DRAWERS/ HDW (K32) |
| 9 | 129251-07-K33 | EA | CABINET/NIGHTSTAND/RH - W/CTRTP - W/O DRAWERS/ HDW (K33) |

| KEY | PART NUMBER | U/M | DESCRIPTION |
|-----|---------------|-----|--|
| 10 | 129251-20-K28 | EA | CTRTP - NIGHTSTAND (K28, K29, K30, K31, K34, K35) |
| 10 | 129251-20-K29 | EA | CTRTP - NIGHTSTAND (K32, K33) |
| 11 | 129251-08-K28 | EA | CABINET/NIGHTSTAND/LH - W/CTRTP - W/O DRAWERS/ HDW (K28, K30, K34) |
| 11 | 129251-08-K29 | EA | CABINET/NIGHTSTAND/LH - W/CTRTP - W/O DRAWERS/ HDW (K29, K31, K35) |
| 11 | 129251-08-K32 | EA | CABINET/NIGHTSTAND/LH - W/CTRTP - W/O DRAWERS/ HDW (K32) |
| 11 | 129251-08-K33 | EA | CABINET/NIGHTSTAND/LH - W/CTRTP - W/O DRAWERS/ HDW (K33) |
| 12 | M07571-03-J22 | EA | TOP - QUEEN BED - W/O HDW |
| 13 | 041389-25-000 | EA | HINGE - PIANO - 1.50" X 55" |
| 14 | P26437-03-K32 | EA | CABINET - BASE/QUEEN BED (WATERFORD OAK) |
| 14 | P26437-03-K29 | EA | CABINET - BASE/QUEEN BED (MYSTIC OAK) |
| 15 | 126418-01-J22 | EA | SHELF - T.V. (WATERFORD OAK) |
| 15 | 126418-01-K29 | EA | SHELF - T.V. (MYSTIC OAK) |
| | 107796-06-000 | EA | SPRING/GAS - 12" COMPRESSED/20" EXTENDED - 120 LB. |
| | 126263-06-02B | EA | BRACKET - GAS SPRING - E-COATED (UPPER) |
| | 126263-08-02B | EA | BRACKET - GAS SPRING - LOWER - E-COATED |
| | 097872-04-000 | EA | DOWEL - WOOD - 1" DIAMETER X 1.38" LONG |
| | 091952-01-000 | EA | CLIP - GRIPPER - 1" |

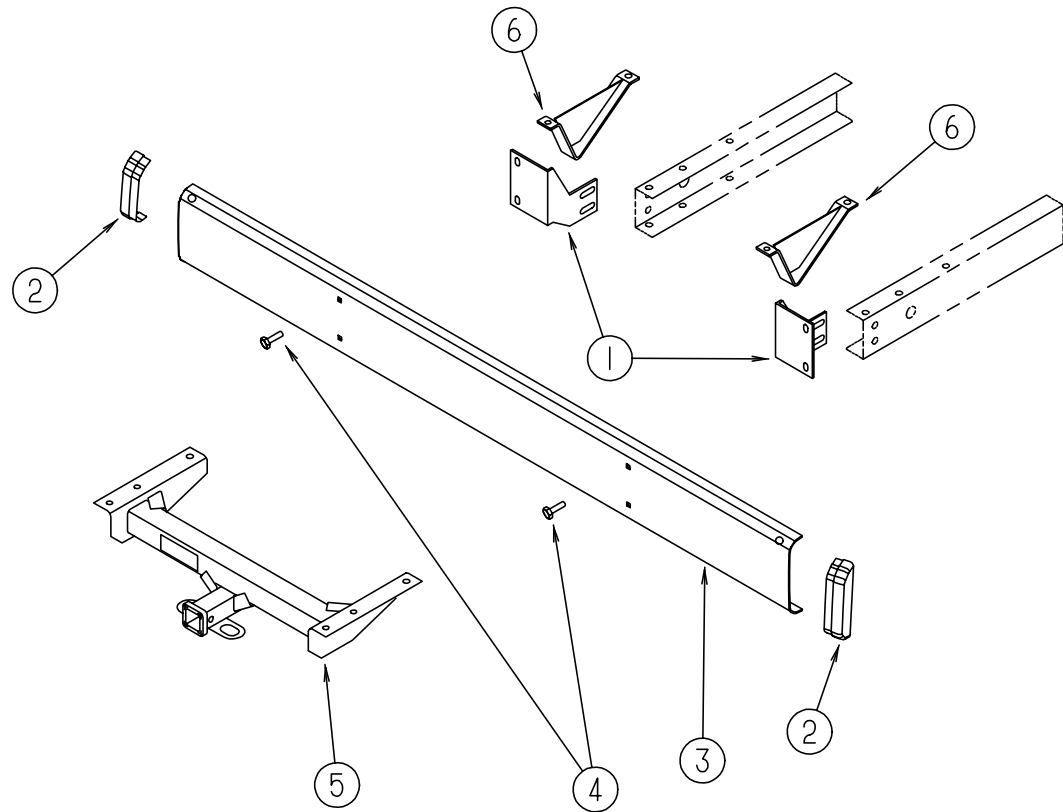
BEDROOM GROUP (CONTINUED)

TWIN BEDROOM



| KEY | PART NUMBER | U/M DESCRIPTION | KEY | PART NUMBER | U/M DESCRIPTION |
|-----|---------------|--|-----|---------------|--|
| 1 | P26436-01-J22 | EA CABINET - BASE/TWIN BED - RH - W/O DOORS/HDW (WATERFORD OAK) | 10 | 116187-01-K16 | EA CABINET - OVHD/REAR - W/O DOORS/HDW - F/TWIN BED (WATERFORD OAK) |
| 1 | P26436-01-K29 | EA CABINET - BASE/TWIN BED - RH - W/O DOORS/HDW (MYSTIC OAK) | 10 | 116187-01-K29 | EA CABINET - OVHD/REAR - W/O DOORS/HDW - F/TWIN BED (MYSTIC OAK) |
| 2 | 126434-01-J26 | EA CABINET - DRESSER/RH TWIN - W/CTRTP - W/O DRAWERS/HDW (K28, K30, K34) | 11 | 131995-D4-K28 | EA DOOR - RAIL/SOLID PANEL - 15.7" X 27.9" - W/O HDW (WATERFORD OAK) |
| 2 | 126434-01-K29 | EA CABINET - DRESSER/RH TWIN - W/CTRTP - W/O DRAWERS/HDW (K29, K31, K35) | 11 | 131995-D4-K29 | EA DOOR - RAIL/SOLID PANEL - 15.7" X 27.9" - W/O HDW (MYSTIC OAK) |
| 2 | 126434-01-K32 | EA CABINET - DRESSER/RH TWIN - W/CTRTP - W/O DRAWERS/HDW (K32) | 12 | 104507-01-K28 | EA CABINET/NIGHTSTAND - W/CTRTP - W/O DRAWERS/HDW (K28, K30, K34) |
| 2 | 126434-01-K33 | EA CABINET - DRESSER/RH TWIN - W/CTRTP - W/O DRAWERS/HDW (K33) | 12 | 104507-01-K29 | EA CABINET/NIGHTSTAND - W/CTRTP - W/O DRAWERS/HDW (K29, K31, K35) |
| 3 | M05971-71-H33 | EA DRAWER - OGEE - 8"W X 17.7"D - W/O SLIDES/HDW (WATERFORD OAK) | 12 | 104507-01-K18 | EA CABINET/NIGHTSTAND - W/CTRTP - W/O DRAWERS/HDW (K32) |
| 3 | M05971-71-K29 | EA DRAWER - OGEE - 8"W X 17.7"D - W/O SLIDES/HDW (MYSTIC OAK) | 12 | 104507-01-K33 | EA CABINET/NIGHTSTAND - W/CTRTP - W/O DRAWERS/HDW (K33) |
| 4 | 126434-11-J26 | EA CTRTP - DRESSER (K28, K29, K30, K31, K34, K35) | 13 | M08754-01-000 | EA TOP - TWIN BED/LH - W/O HDW |
| 4 | 126434-11-J23 | EA CTRTP - DRESSER (K32, K33) | 14 | P26435-02-K28 | EA CABINET - BASE/TWIN BED - LH - W/O DOORS/HDW (WATERFORD OAK) |
| 5 | M08754-02-000 | EA TOP - TWIN BED/RH - W/O HDW | 14 | P26435-02-K29 | EA CABINET - BASE/TWIN BED - LH - W/O DOORS/HDW (MYSTIC OAK) |
| 6 | 131995-68-K28 | EA DOOR - RAIL/SOLID PANEL - 12" X 21.8" - W/O HDW (WATERFORD OAK) | 15 | M05971-W5-K28 | EA DRAWER - OGEE - 9.6"W X 21.6"D - W/O SLIDES/HDW (WATERFORD OAK) |
| 6 | 131995-68-K29 | EA DOOR - RAIL/SOLID PANEL - 12" X 21.8" - W/O HDW (MYSTIC OAK) | 15 | M05971-W5-K29 | EA DRAWER - OGEE - 9.6"W X 21.6"D - W/O SLIDES/HDW (MYSTIC OAK) |
| 7 | M05971-73-K28 | EA DRAWER - OGEE - 12.2"W X 11.8"D - W/O SLIDES/HDW (WATERFORD OAK) | 16 | M05971-58-K28 | EA DRAWER - OGEE - 9.6"W X 21.6"D - W/O SLIDES/HDW (WATERFORD OAK) |
| 7 | M05971-73-K29 | EA DRAWER - OGEE - 12.2"W X 11.8"D - W/O SLIDES/HDW (MYSTIC OAK) | 16 | M05971-58-K29 | EA DRAWER - OGEE - 9.6"W X 21.6"D - W/O SLIDES/HDW (MYSTIC OAK) |
| 8 | M05971-65-K28 | EA DRAWER - OGEE - 12.2"W X 11.8"D - W/O SLIDES/HDW (WATERFORD OAK) | 17 | 131995-77-K28 | EA DOOR - RAIL/SOLID PANEL - 12" X 47.9" - W/O HDW (WATERFORD OAK) |
| 8 | M05971-65-K29 | EA DRAWER - OGEE - 12.2"W X 11.8"D - W/O SLIDES/HDW (MYSTIC OAK) | 17 | 131995-77-K29 | EA DOOR - RAIL/SOLID PANEL - 12" X 47.9" - W/O HDW (MYSTIC OAK) |
| 9 | 104507-11-F12 | EA CTRTP - NIGHTSTAND (K28, K29, K30, K31, K34, K35) | | 096764-02-000 | FT SLIPNOT - ANTISLIP - 1" WIDE (100' ROLLS) |
| 9 | 104507-11-J23 | EA CTRTP - NIGHTSTAND (K32, K33) | | | |

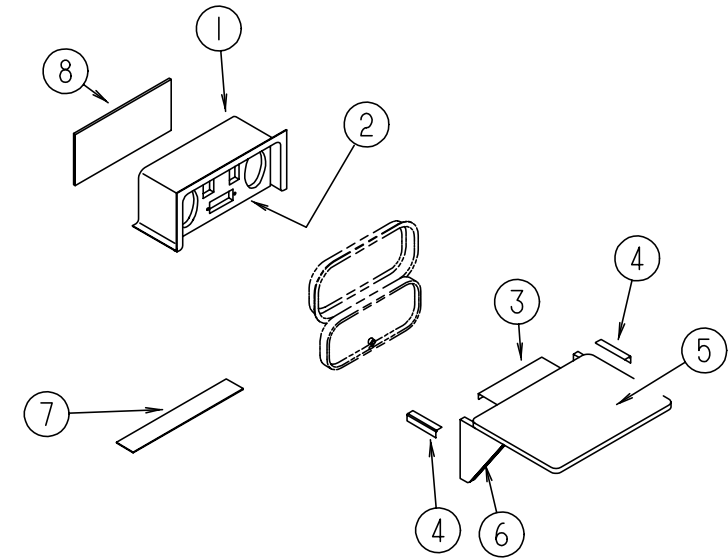
CHASSIS GROUP



REAR BUMPER & COMPONENTS

| KEY | PART NUMBER | U/M | DESCRIPTION |
|-----|---------------|-----|---|
| 1 | 104418-07-000 | EA | ANGLE - BUMPER REAR SUPPORT |
| 2 | 103228-01-05A | EA | END CAP - REAR BUMPER - DRIVER/ PASSENGER SIDE |
| 3 | 103099-10-02A | EA | BUMPER - REAR - 98" - BRIGHT WHITE |
| 4 | 102333-01-05A | EA | BOLT - CARRIAGE - 7/16 - 14 STAINLESS STEEL CAP |
| 5 | 130339-02-000 | EA | HITCH RECEIVER - BOLT ON CLASS III |
| 6 | 111742-01-000 | EA | PLATE - SKID |
| | 113589-01-000 | EA | CONNECTOR - PLUG - TRAILER |
| | 113589-02-000 | EA | CONNECTOR - SOCKET - TRAILER |
| | 113588-01-01B | EA | BRACKET - CONNECTOR - TRAILER W/LIP |

CHASSIS GROUP (CONTINUED)

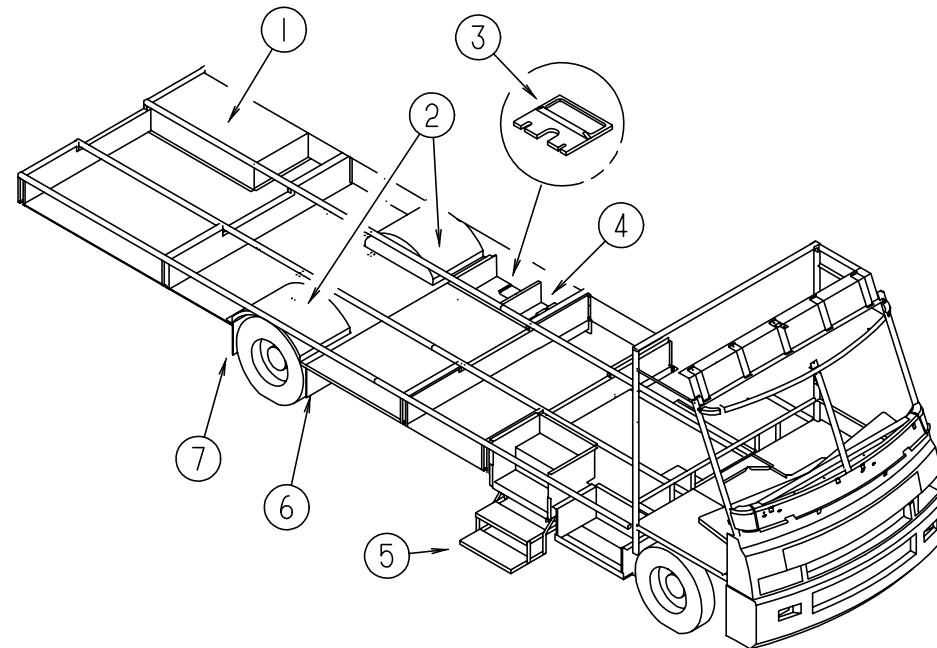


COMPARTMENT (ENTERTAINMENT CENTER)

| KEY | PART NUMBER | U/M | DESCRIPTION |
|-----|---------------|-----|---|
| 1 | 124696-01-01A | EA | BOX - ENTERTAINMENT CENTER - EXTERIOR |
| 2 | 127409-02-J01 | EA | PLATE - RADIO MOUNTING |
| | | | FROM: 00-00-00 THRU: 06-13-99 |
| 2 | 127409-02-L15 | EA | PLATE - RADIO MOUNTING |
| | | | FROM: 06-14-99 THRU: 99-99-99 |
| 3 | 105377-01-04A | EA | BRACKET - TABLE HANGER - BRIGHT WHITE |
| 4 | 105376-01-03A | EA | HINGE - CONTINUOUS - 2" X 5.5" - BRIGHT WHITE |
| 5 | 105230-11-J01 | EA | SHELF - EXTERIOR ENTERTAINMENT CENTER |
| 6 | 105230-12-J01 | EA | SUPPORT - EXTERIOR SHELF |
| 7 | 104898-01-02A | EA | PLATE - PLASTIC BOTTOM - BRIGHT WHITE |
| 8 | 104898-02-02A | EA | PLATE - PLASTIC BACK - BRIGHT WHITE |

CHASSIS GROUP (CONTINUED)

COMPARTMENTS & TRAYS

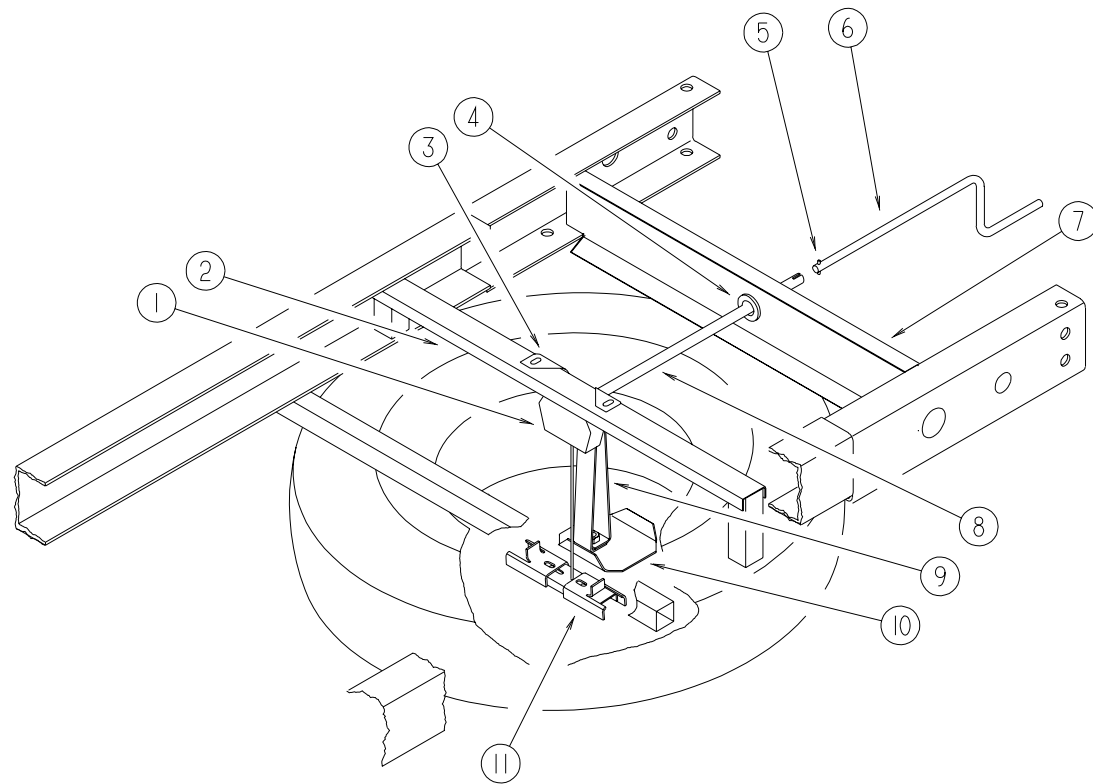


| KEY | PART NUMBER | U/M | DESCRIPTION |
|-----|---------------|-----|-----------------------------------|
| 1 | 104803-01-000 | EA | ANGLE - FORMED - W/SLOTS |
| 2 | 055374-01-000 | EA | WHEELWELL - PLASTIC |
| 3 | M08628-01-H17 | EA | HATCH W/FOAM INSERT |
| | 121175-02-01A | EA | LATCH - SWELL |
| 4 | M08627-06-K28 | EA | COMPARTMENT - ELECTRICAL/DRAINAGE |
| 5* | 094707-01-01A | EA | STEP - DOUBLE - ELECTRIC - KWIKEE |
| | | | FROM: 00-00-00 THRU: 01-13-99 |
| 5* | 094707-03-01A | EA | STEP - DOUBLE - ELECTRIC - KWIKEE |
| | | | FROM: 01-14-99 THRU: 99-99-99 |
| | 116995-01-000 | EA | SWITCH/MAGNET - ELECTRIC STEP |
| | | | FROM: 00-00-00 THRU: 01-13-99 |
| | 116995-02-000 | EA | SWITCH/MAGNET - ELECTRIC STEP |
| | | | FROM: 01-14-99 THRU: 99-99-99 |
| | 120234-03-H13 | EA | LID - ENTRY STEP |
| | 101222-01-04A | EA | BRACKET - CATCH - LID - E-COATED |

| KEY | PART NUMBER | U/M | DESCRIPTION |
|-----|---------------|-----|--|
| 6 | 020167-08-000 | EA | DIRT GUARD - STEEL - 13.6" LONG |
| 7 | 017516-01-000 | EA | FLAP - MUD - 14" X 18" - BLACK |
| 7 | 020167-03-000 | EA | DIRT GUARD - STEEL - 11" LONG |
| | 065450-05-000 | EA | TIEDOWN - BATTERY - 8.4" TUBE |
| | 123361-01-000 | EA | DUCT - AIR INTAKE |
| | 120867-01-02B | EA | MOUNT - LP TANK |
| | 119845-01-01A | EA | PLUG - PLASTIC - BLACK - 1 1/2" SQUARE |

*COMPONENT PARTS FOUND IN SERVICE PARTS LIBRARY

CHASSIS GROUP (CONTINUED)



SPARE TIRE & HOIST

| KEY | PART NUMBER | U/M DESCRIPTION |
|-----|---------------|--|
| 1 | 093267-03-000 | EA HOIST - SPARE TIRE - 100# |
| 2 | 093362-06-000 | EA CHANNEL - TIRE HOIST |
| 3 | 124751-01-02B | EA HANGER - SPARE TIRE - E-COATED |
| 4 | 071015-11-000 | EA GROMMET - 1" ID |
| 5 | 114376-01-000 | EA PIN - DRIVE - .156 X .750 - TYPE E - TIRE HOIST |
| 6 | 093376-02-000 | EA HANDLE - CRANK - TIRE HOIST |
| 7 | 129006-01-02B | EA SUPPORT/FRAME - TIRE CARRIER HANDLE (FORD) |
| 7 | 129006-02-02B | EA SUPPORT/FRAME - TIRE CARRIER HANDLE (CHEVY) |
| 8 | 093375-06-000 | EA EXTENSION - TIRE HOIST |
| 9 | 129086-01-02B | EA SUPPORT - SPARE TIRE |
| 10 | 129085-01-02B | EA PLATE - SUPPORT - SPARE TIRE |
| 11 | 105499-01-000 | EA BRACKET - TIRE HOIST |
| | 077030-02-000 | EA EXTENSION - VALVE STEM - 1.25" |
| | 077030-05-000 | EA EXTENSION - VALVE STEM - 95 DEGREE |
| | 077030-06-000 | EA EXTENSION - VALVE STEM - 45 DEGREE |
| | 095012-10-000 | EA EXTENSION - VALVE STEM - 8.5" |

CHASSIS GROUP (CONTINUED)

FORD TIRE & WHEEL

| KEY | PART NUMBER | U/M DESCRIPTION |
|-----|---------------|---|
| | 051377-04-000 | EA VALVE STEM .5" X 2" |
| | 102340-04-000 | EA TIRE - 245/70R X 19.5F - GOODYEAR |
| | 118814-04-700 | EA WHEEL/TAKE OFF (19.5X6.75RW) 8 BOLT ACCURIDE F53 |

CHEVY TIRE & WHEEL

| KEY | PART NUMBER | U/M DESCRIPTION |
|-----|---------------|---|
| | 051377-01-000 | EA VALVE STEM |
| | 064963-01-000 | EA WHEEL - STEEL - 19.5" X 6" - GM 14005758 |
| | 091673-01-000 | EA TIRE - 225/70 R19.5 LRF - MICHELIN XZA |
| | 080208-06-000 | EA LUG WRENCH - 1" X 1.06" W/DEEP SOCKET ENDS |
| | 080208-02-000 | EA BAR - LEVERAGE - LUG WRENCH |

CHEVY DRIVESHAFT

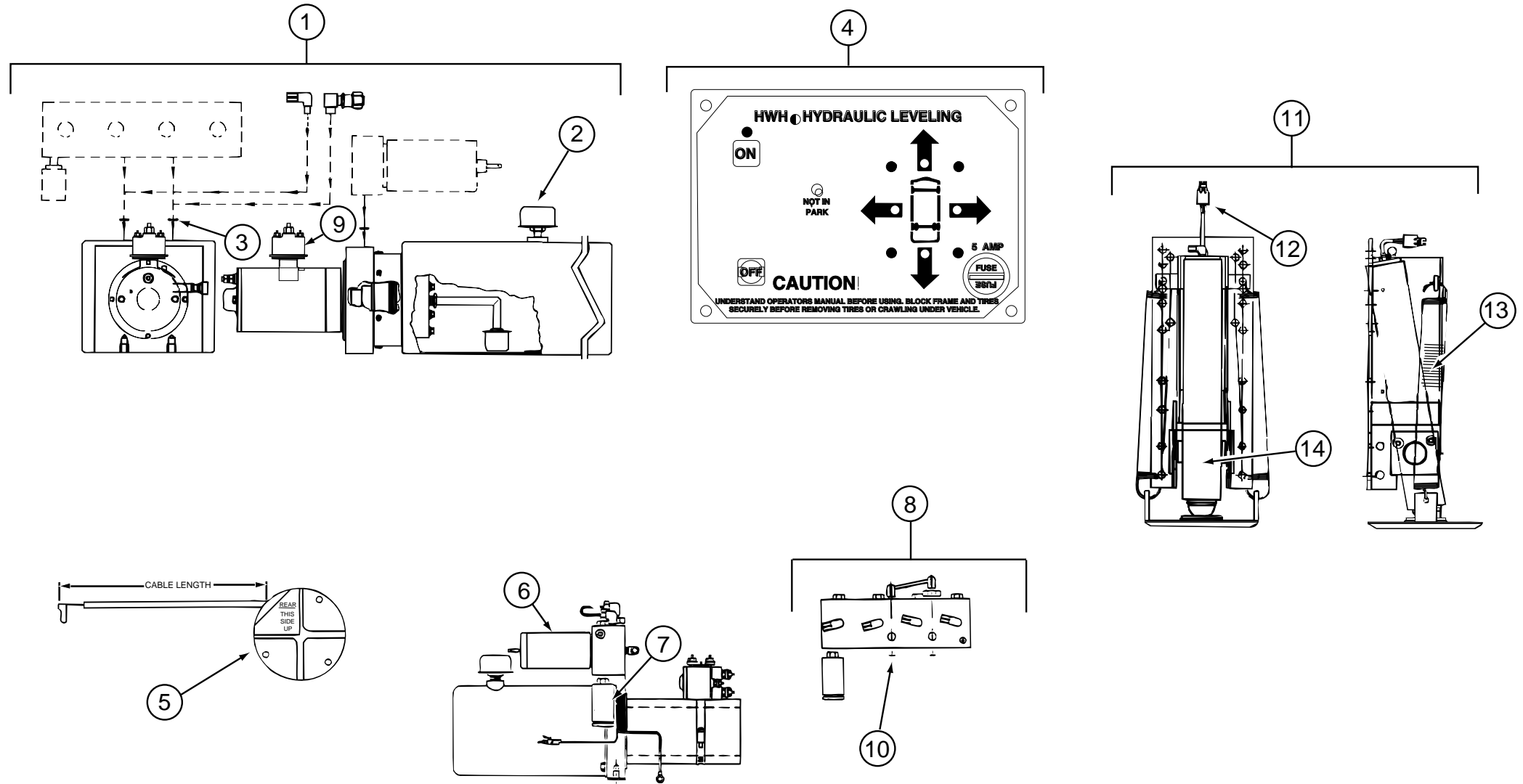
| KEY | PART NUMBER | U/M DESCRIPTION |
|-----|---------------|---|
| | 088498-02-000 | EA UNION - INVERTED FLARE - BRASS - 1/4 |
| | 088498-01-000 | EA UNION - INVERTED FLARE - BRASS - 3/16 - BRAKE LINE |
| | 074833-01-000 | EA SPACER - BEARING - DRIVESHAFT - 2" X 8" X .5" THICK |
| | 074833-04-000 | EA SPACER - BEARING - DRIVESHAFT - 2" X 8" X .25" STEEL |
| | 075302-16-000 | EA DRIVESHAFT ASSEMBLY - YOKE/YOKE/BEARING - 46.72" |
| | 083415-01-000 | EA SHIELD - HEAT - DRIVESHAFT BEARING - 4" X 5.5" - STEEL |
| | 085771-03-000 | EA NUT - HEX - FLARE TORQUE - GRADE G - DRIVESHAFT |
| | 129580-02-000 | EA DRIVESHAFT - BALANCED - F53 - 242" |
| | 115043-03-000 | EA BUSHING - DRIVESHAFT |

HYDRAULIC SLIDEOUT

| KEY | PART NUMBER | U/M DESCRIPTION | VENDOR NO. |
|-----|---------------|---|------------|
| | 125687-01-000 | EA SLIDEOUT - HYDRAULIC | |
| | 125687-01-700 | EA CYLINDER - 21" STROKE | RAP90512 |
| | 125687-01-701 | EA HOSE - HYDRAULIC - 120" | RAP90428 |
| | 125687-01-702 | EA CYLINDER - SYNCHRONIZING | RAP90471 |
| | 115767-02-000 | EA WINCH - SLIDEOUT | |
| | 116082-03-02B | EA BRACKET - WINCH | |
| | 121177-01-02B | EA BRACKET - PASS REAR LEVEL JACK (STRAIGHT)/SLIDEOUT RM SYST | |
| | 121177-02-02B | EA BRACKET - DRIVER REAR LEVEL JACK (STRAIGHT)/SLIDEOUT RM SYST | |
| | 125888-01-02B | EA BRACKET - SLIDEOUT COMPARTMENT - E-COATED - RIGHT HAND | |
| | 125888-02-02B | EA BRACKET - SLIDEOUT COMPARTMENT - E-COATED - LEFT HAND | |
| | 128386-01-02B | EA BRACKET - SLIDEOUT/COMPARTMENT - E-COATED | |

CHASSIS GROUP (CONTINUED)

HWH LEVELING SYSTEM - W/SLIDEOUT OPTION - CHEVY



| KEY | PART NUMBER | U/M | DESCRIPTION | VENDOR NO. |
|-----|---------------|-----|---|--------------------|
| | 131306-01-000 | EA | LEVELING SYSTEM - F/SLIDEOUT ROOM W/OUT JACKS DOWN SYSTEM | |
| 1 | 100532-01-713 | EA | PUMP-RESERVOIR ASM.-MONARCH | RAP90014 |
| 2 | 100532-03-715 | EA | CAP-BREATHER W/DIPSTICK | RAP7876 |
| 3 | 100532-03-723 | EA | O-RING/SEAL KIT | RAP9171 |
| 4 | 100532-08-703 | EA | PANEL ASM.-200 BI-AXIS SYS. | RAP9755 |
| 5 | 100532-12-703 | EA | SENSING UINT BI-AXIS-27' | RAP6800 |
| 6 | 100532-09-704 | EA | VALVE-PRESSURE SOLENOID | RAP0642 |
| 7 | 100532-31-701 | EA | CHECK VALVE & KIT | RAP10021 |
| 8 | 100532-16-701 | EA | MANIFOLD ASM. F/SLIDE OUT | RAP1716 |
| 9 | 100532-09-710 | EA | SOLENOID-INTERMITTENT DUTY | RAP0533 |
| 10 | 100532-31-702 | EA | O-RING/SEAL KIT - MANIFOLD | RAP90127 |
| 11 | 100532-18-700 | EA | JACK - 9K STRAIGHT ACTING | RAP90177 |
| 12 | 100532-12-706 | EA | SWITCH - WARNING/MAGNETIC | RAP1008 / RAP90496 |
| 13 | 100532-12-707 | EA | SPRING KIT | R3847 |

| KEY | PART NUMBER | U/M | DESCRIPTION | VENDOR NO. |
|-----|---------------|-----|--|------------|
| 14 | 100532-32-702 | EA | CYLINDER ONLY F/9000 LB JACK | RAP1927 |
| | 100532-03-722 | EA | O-RING KIT | R7430 |
| | 100532-08-702 | EA | VALVE,BI-AXIS | RAP9589 |
| | 100532-32-703 | EA | BUZZER - JACK WARNING | RAP90403 |
| | 100532-45-700 | EA | CYLINDER W/O FOOT - 6K X 13" | RAP90490 |
| | 100532-47-701 | EA | VALVE - BI-AXIS - W/O LEVERS | RAP0367 |
| | 117183-01-02B | EA | COVER - SENSOR - LEVELING | |
| | 117837-02-01B | EA | SUPPORT-LEVELING,CNTRL,MILL | |
| | 123264-01-000 | EA | TEE - UNION - 1/4" X 1/4" X 1/4" | |
| | 120916-01-02B | EA | BRACKET - PUMP - LEVELING SYSTEM | |
| | 126311-01-02B | EA | BRACKET - LEVELING JACK - PASSENGER SIDE REAR | |
| | 121177-02-02B | EA | BRACKET - DRVR REAR LEVEL JACK (STRAIGHT)/SLIDEOUT RM SYST | |
| | 121651-01-02B | EA | CROSSMEMBER - REAR JACK MOUNTING | |

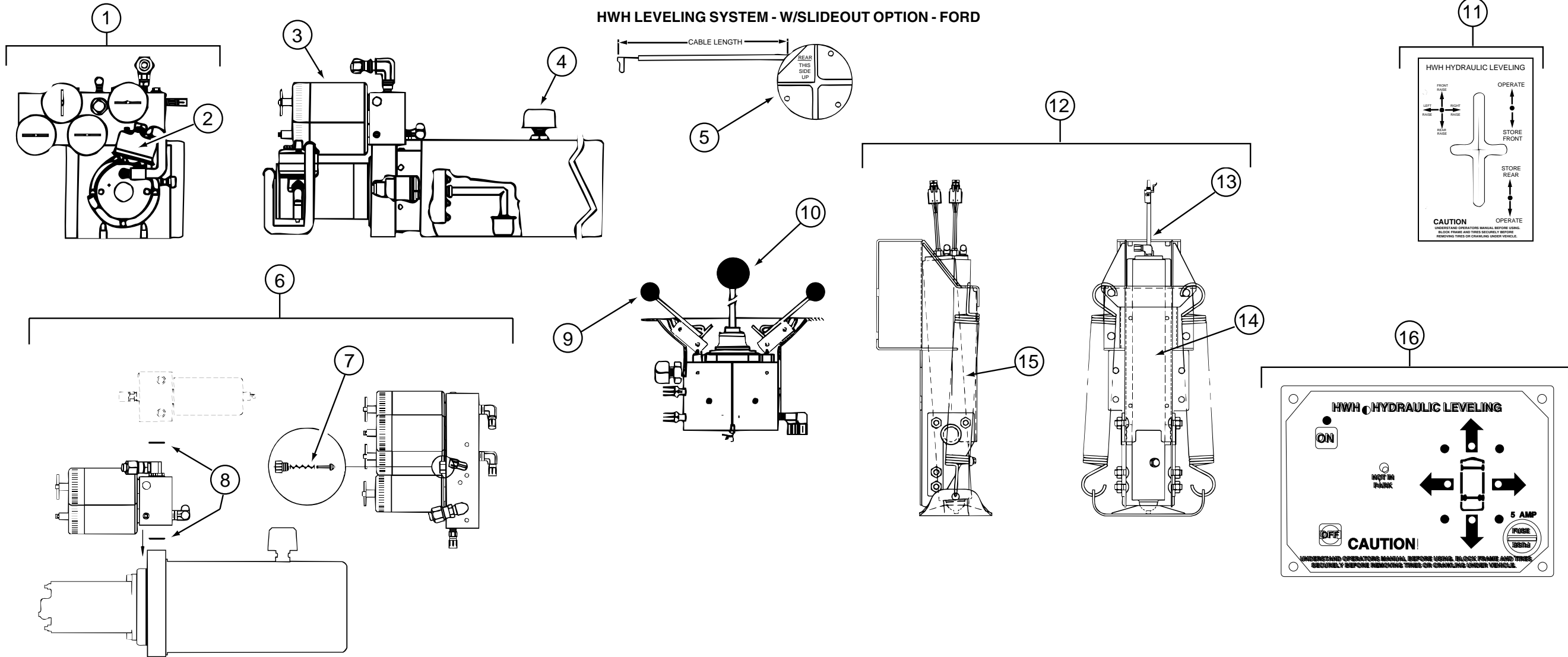
FROM: 00-00-00 THRU: 02-08-99

HOSE KIT - LEVELING SYSTEM/JACKS

| KEY | PART NUMBER | U/M | DESCRIPTION | VENDOR NO. |
|-----|---------------|-----|----------------------------------|------------|
| | 100536-10-000 | EA | HOSE KIT - LEVELING SYSTEM/JACKS | |
| | 100536-09-700 | EA | HOSE-HYDRAULIC-324" | AP2464 |
| | 100536-09-701 | EA | HOSE-HYDRAULIC-60" | RAP4073 |
| | 100536-09-702 | EA | HOSE-HYDRAULIC-354" | RAP4311 |
| | 100536-10-700 | EA | HOSE-HYDRAULIC-84" | RAP1412 |
| | 100536-10-701 | EA | HOSE-HYDRAULIC-116" | RAP90349 |

CHASSIS GROUP (CONTINUED)

HWH LEVELING SYSTEM - W/SLIDEOUT OPTION - FORD



| KEY | PART NUMBER | U/M | DESCRIPTION | VENDOR NO. |
|-----|---------------|-----|---|--------------------|
| | 131306-02-000 | EA | LEVELING SYSTEM - OPERATES SLIDEOUT ROOM W/OUT JACKS DOWN | |
| 1 | 100532-16-701 | EA | MANIFOLD ASM. F/SLIDE OUT | RAP1716 |
| 2 | 100532-09-710 | EA | SOLENOID-INTERMITTENT DUTY | RAP0533 |
| 3 | 100532-09-704 | EA | VALVE-PRESSURE SOLENOID | RAP0642 |
| 4 | 100532-03-715 | EA | CAP-BREATHER W/DIPSTICK | RAP7876 |
| 5 | 100532-12-703 | EA | SENSING UINT BI-AXIS-27' | RAP6800 |
| 6 | 100532-01-713 | EA | PUMP-RESERVOIR ASM.-MONARCH | RAP90014 |
| 7 | 100532-31-701 | EA | CHECK VALVE & KIT | RAP10021 |
| 8 | 100532-31-702 | EA | O-RING/SEAL KIT - MANIFOLD | RAP90127 |
| 9 | 100532-08-705 | EA | KNOB-3/4" BLACK, SET OF FOUR | RAP1379 |
| 10 | 100532-08-706 | EA | KNOB-1 3/16" BLACK | RAP9734 |
| 11 | 100532-08-707 | EA | BEZEL W/GASKET, F/SYSTEM 200 | RAP9592 |
| 12 | 100532-51-700 | EA | JACK - 6K STRAIGHT ACTING | RAP90502 |
| 13 | 100532-12-706 | EA | SWITCH - WARNING/MAGNETIC | RAP1008 / RAP90496 |
| 14 | 100532-53-700 | EA | CYLINDER ASM. - 9K | RAP90491 |
| 15 | 100532-12-707 | EA | SPRING KIT | R3847 |
| 16 | 100532-08-703 | EA | PANEL ASM.-200 BI-AXIS SYS. | RAP9755 |

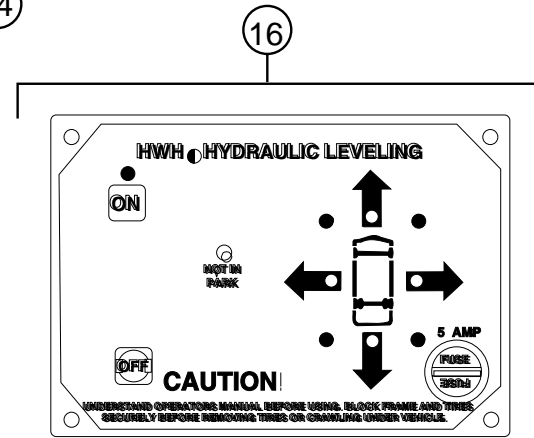
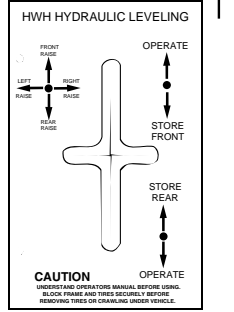
| KEY | PART NUMBER | U/M | DESCRIPTION | VENDOR NO. |
|-----|---------------|-----|----------------------------------|------------|
| | 100532-03-722 | EA | O-RING KIT | R7430 |
| | 100532-03-723 | EA | O-RING/SEAL KIT | RAP9171 |
| | 100532-08-702 | EA | VALVE, BI-AXIS | RAP9589 |
| | 100532-32-703 | EA | BUZZER - JACK WARNING | RAP90403 |
| | 100532-45-700 | EA | CYLINDER W/O FOOT - 6K X 13" | RAP90490 |
| | 100532-47-701 | EA | VALVE - BI-AXIS - W/O LEVERS | RAP0367 |
| | 123264-01-000 | EA | TEE - UNION - 1/4" X 1/4" X 1/4" | |
| | 117183-01-02B | EA | COVER - SENSOR - LEVELING | |
| | 117837-02-01B | EA | SUPPORT-LEVELING,CNTRL,MILL | |

FROM: 00-00-00 THRU: 02-08-99

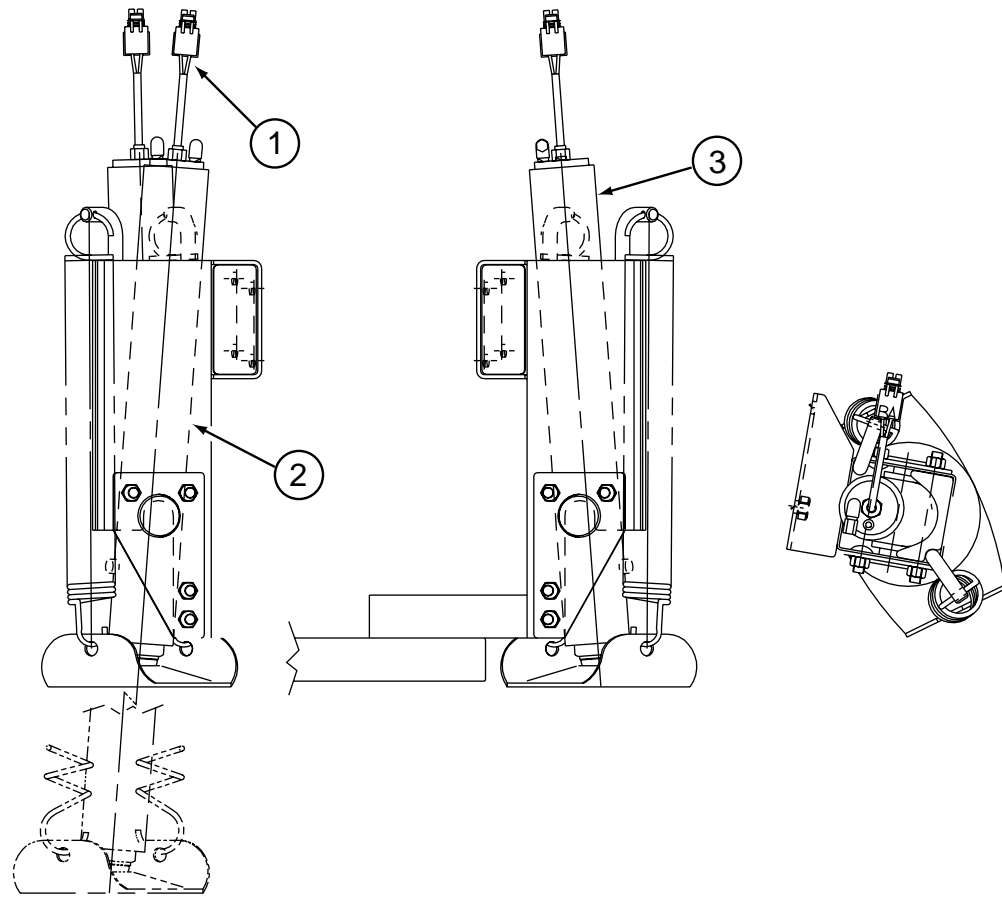
FROM: 01-18-99 THRU: 99-99-99

HOSE KIT - LEVELING SYSTEM/JACKS

| KEY | PART NUMBER | U/M | DESCRIPTION | VENDOR NO. |
|-----|---------------|-----|----------------------------------|------------|
| | 100536-10-000 | EA | HOSE KIT - LEVELING SYSTEM/JACKS | |
| | 100536-09-700 | EA | HOSE-HYDRAULIC-324" | AP2464 |
| | 100536-09-701 | EA | HOSE-HYDRAULIC-60" | RAP4073 |
| | 100536-09-702 | EA | HOSE-HYDRAULIC-354" | RAP4311 |
| | 100536-10-700 | EA | HOSE-HYDRAULIC-84" | RAP1412 |
| | 100536-10-701 | EA | HOSE-HYDRAULIC-116" | RAP90349 |



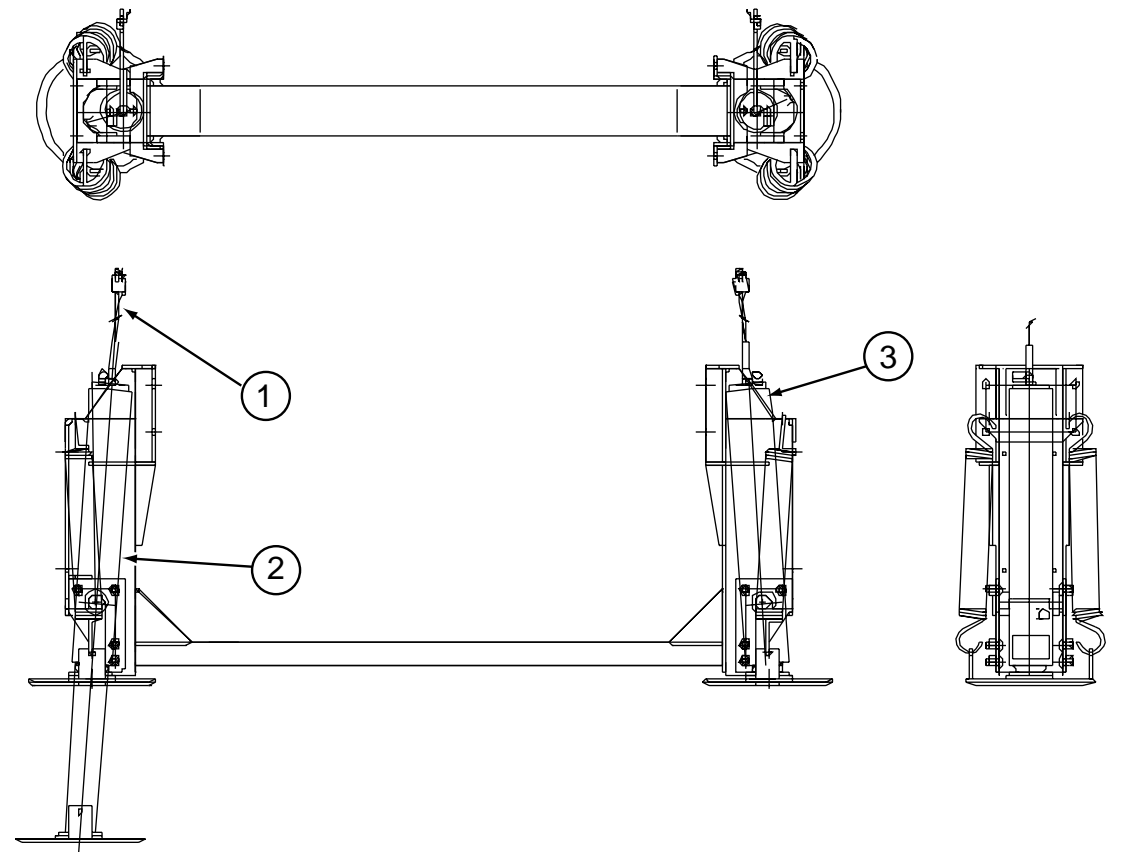
CHASSIS GROUP (CONTINUED)



HWH LEVELING SYSTEM FRONT JACKS - W/SLIDEOUT OPTION - CHEVY

| KEY | PART NUMBER | U/M | DESCRIPTION | VENDOR NO. |
|-----|---------------|-----|--|--------------------|
| | 128285-01-000 | EA | JACK/CROSSMEMBER ASSEMBLY - FRONT - CHEVY THIS ASSEMBLY CONSISTS OF 2 FRONT JACKS AND A CROSSMEMBER | |
| 1 | 100532-12-706 | EA | SWITCH - WARNING/MAGNETIC | RAP1008 / RAP90496 |
| 2 | 100532-12-707 | EA | SPRING KIT | R3847 |
| 3 | 100532-45-700 | EA | CYLINDER W/O FOOT - 6K X 13" | RAP90490 |

CHASSIS GROUP (CONTINUED)

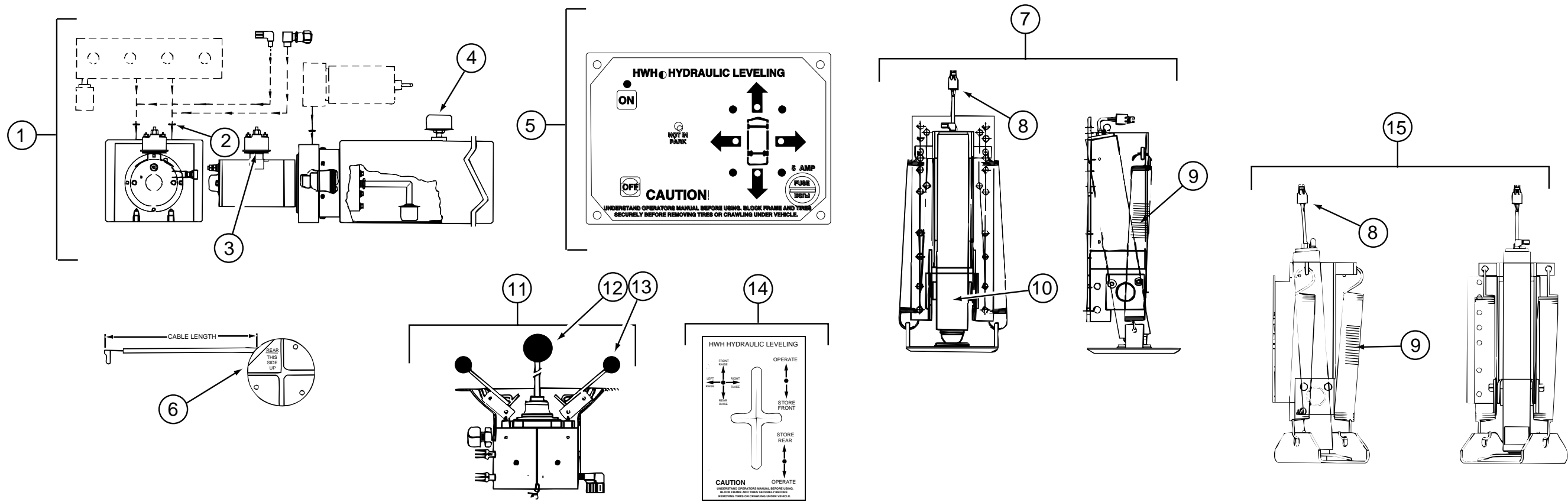


HWH LEVELING SYSTEM REAR JACKS - W/SLIDEOUT OPTION - FORD

| KEY | PART NUMBER | U/M | DESCRIPTION | VENDOR NO. |
|-----|---------------|-----|--|--------------------|
| | 128571-03-000 | EA | JACK ASSEMBLY - REAR LEVELING - W/CROSSMEMBER - MANUAL | |
| 1 | 100532-12-706 | EA | SWITCH - WARNING/MAGNETIC | RAP1008 / RAP90496 |
| 2 | 100532-12-707 | EA | SPRING KIT | R3847 |
| 3 | 100532-53-700 | EA | CYLINDER ASM. - 9K | RAP90491 |

CHASSIS GROUP (CONTINUED)

HWH HYDRAULIC LEVELING SYSTEM (WITHOUT SLIDEOUT OPTION) (CHEVY)

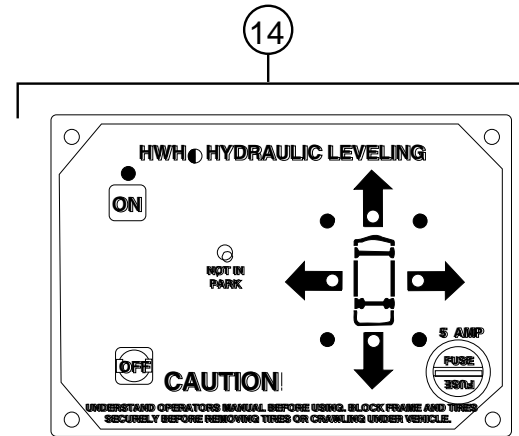
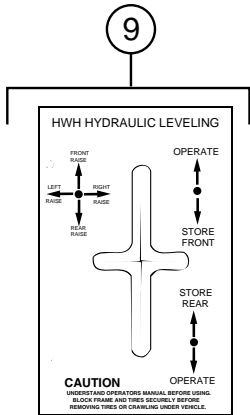
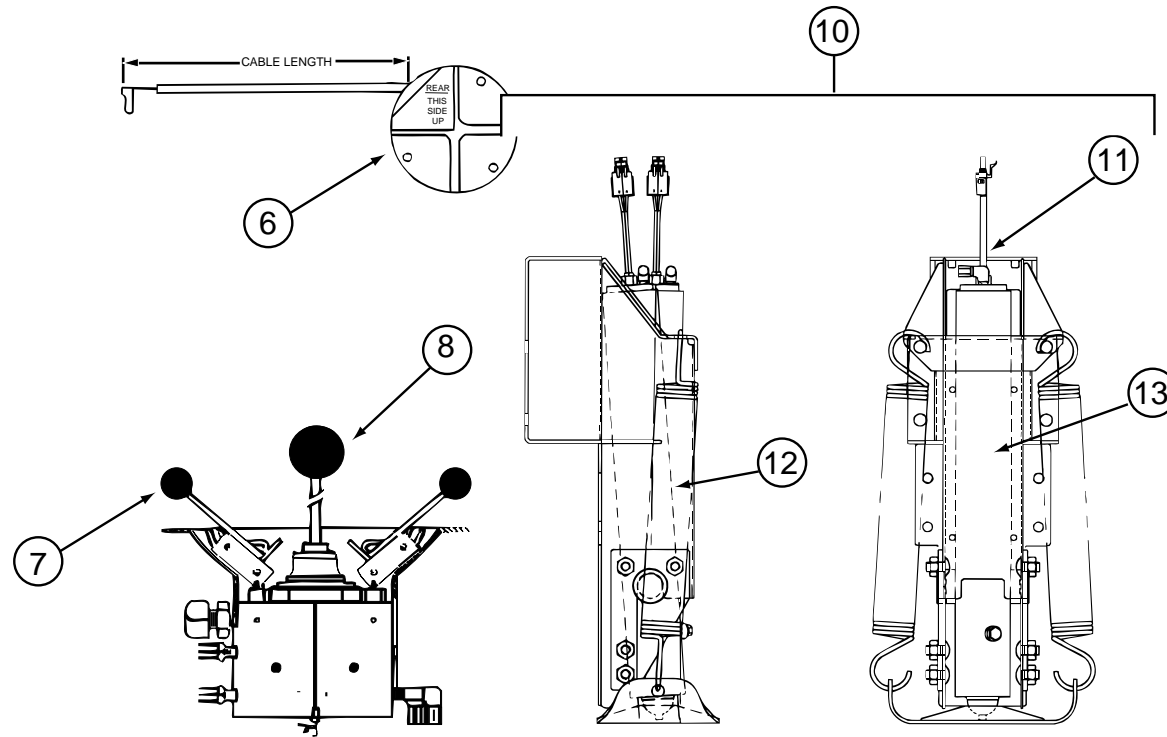
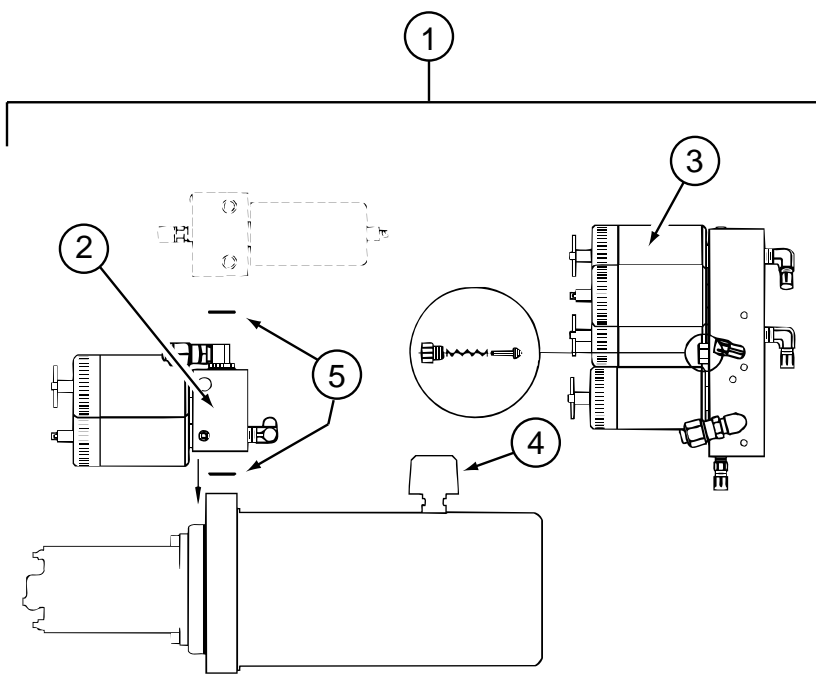


| KEY | PART NUMBER | U/M | DESCRIPTION | VENDOR NO. |
|-----|---------------|-----|---------------------------------|------------|
| | 100532-42-000 | EA | LEVELING SYSTEM - HYDRAULIC | |
| 1 | 100532-01-713 | EA | PUMP - RESERVOIR ASM. - MONARCH | RAP90014 |
| 2 | 100532-03-723 | EA | O-RING - SEAL KIT | RAP9171 |
| 3 | 100532-09-710 | EA | SOLENOID - INTERMITTENT DUTY | RAP0533 |
| 4 | 100532-03-715 | EA | CAP - BREATHER W/DIPSTICK | RAP7876 |
| 5 | 100532-08-703 | EA | PANEL ASM. - 200 BI-AXIS SYS. | RAP9755 |
| 6 | 100532-03-710 | EA | SENSING UNIT 21' MTA | RAP6798 |
| 7 | 100532-18-700 | EA | JACK - 9K STRAIGHT ACTING | RAP90177 |
| 8 | 100532-12-706 | EA | SWITCH - WARNING - MAGNETIC | RAP1008 |
| 9 | 100532-12-707 | EA | SPRING KIT | R3847 |
| 10 | 100532-32-702 | EA | CYLINDER ONLY F/9000 LB JACK | RAP1927 |
| 11 | 100532-08-702 | EA | VALVE - BI-AXIS | RAP9589 |
| 12 | 100532-08-705 | EA | KNOB - 3/4" BLACK - SET OF FOUR | RAP1379 |
| 13 | 100532-08-706 | EA | KNOB - 1 3/16" BLACK | RAP9734 |
| 14 | 100532-08-707 | EA | BEZEL W/GASKET - F/SYSTEM 200 | RAP9592 |

| KEY | PART NUMBER | U/M | DESCRIPTION | VENDOR NO. |
|-----|---------------|-----|---|-----------------|
| 15 | 100532-42-700 | EA | JACK - DRIVERS - 6K | RAP90245 |
| 15 | 100532-42-701 | EA | JACK - PASSENGER - 6K | RAP90246 |
| | 100532-08-700 | EA | POWER UNIT ASM. | AP10470 |
| | 100532-32-701 | EA | BUZZER - JACK DOWN WARNING | RAP0325 |
| | 100536-10-000 | EA | HOSE KIT - LEVELING SYSTEM/JACKS | |
| | 100536-09-700 | EA | HOSE-HYDRAULIC-324" | AP2464 |
| | 100536-09-701 | EA | HOSE - HYDRAULIC - 60" | RAP4073 |
| | 100536-09-702 | EA | HOSE-HYDRAULIC-354" | RAP4311 |
| | 100536-10-700 | EA | HOSE - HYDRAULIC - 84" | RAP1412 |
| | 100536-10-701 | EA | HOSE-HYDRAULIC-1/4" X 116" | RAP90349/AP5384 |
| | 107890-01-000 | EA | ELBOW - STEEL - 90 D - 1/4 X 37 D - FLARE | |
| | 117183-01-02B | EA | COVER - SENSOR - LEVELING | |
| | 120916-01-02B | EA | BRACKET - PUMP - LEVELING SYSTEM | |
| | 121177-01-02B | EA | BRACKET - PASS REAR LEVEL JACK (STRAIGHT) | |
| | 121177-02-02B | EA | BRACKET - DRVR REAR LEVEL JACK (STRAIGHT) | |
| | 128285-01-000 | EA | JACK/CROSSMEMBER ASSEMBLY - FRONT - CHEVY | |

CHASSIS GROUP (CONTINUED)

HWH HYDRAULIC LEVELING SYSTEM (WITHOUT SLIDEOUT OPTION) (FORD)

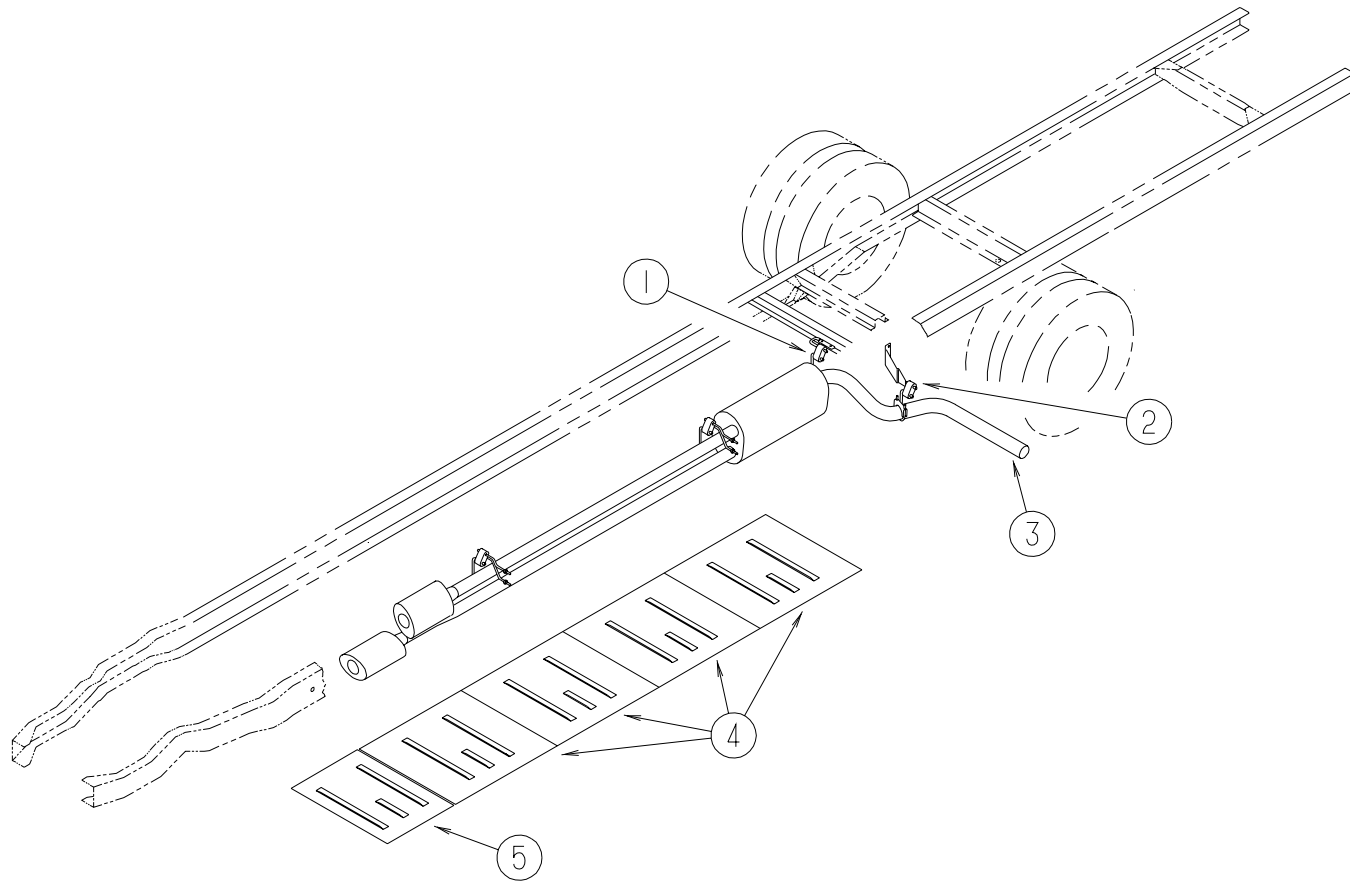


| KEY | PART NUMBER | U/M | DESCRIPTION |
|-----|---------------|-----|---------------------------------|
| | 100532-51-000 | EA | LEVELING SYSTEM - HYDRAULIC |
| 1 | 100532-01-713 | EA | PUMP - RESERVOIR ASM. - MONARCH |
| 2 | 100532-09-710 | EA | SOLENOID - INTERMITTENT DUTY |
| 3 | 100532-08-702 | EA | VALVE - BI-AXIS |
| 4 | 100532-03-715 | EA | CAP - BREATHER W/DIPSTICK |
| 5 | 100532-03-723 | EA | O-RING/SEAL KIT |
| 6 | 100532-03-710 | EA | SENSING UNIT 21' MTA |
| 7 | 100532-08-705 | EA | KNOB - 3/4" BLACK - SET OF FOUR |
| 8 | 100532-08-706 | EA | KNOB - 1 3/16" BLACK |
| 9 | 100532-08-707 | EA | BEZEL W/GASKET - F/SYSTEM 200 |
| 10 | 100532-51-700 | EA | JACK - 6K STRAIGHT ACTING |
| 11 | 100532-12-706 | EA | SWITCH - WARNING/MAGNETIC |
| 12 | 100532-12-707 | EA | SPRING KIT |
| 13 | 100532-53-700 | EA | CYLINDER ASM. - 9K |
| 14 | 100532-08-703 | EA | PANEL ASM. - 200 BI-AXIS SYS. |

| VENDOR NO. |
|--------------------|
| RAP90014 |
| RAP0533 |
| RAP9589 |
| RAP7876 |
| RAP9171 |
| RAP6798 |
| RAP1379 |
| RAP9734 |
| RAP9592 |
| RAP90502 |
| RAP1008 / RAP90496 |
| R3847 |
| RAP90491 |
| RAP9755 |

| KEY | PART NUMBER | U/M | DESCRIPTION | VENDOR NO. |
|-----|---------------|-----|--|--------------------|
| | 100532-32-703 | EA | BUZZER - JACK WARNING | RAP90403 |
| | 100532-45-700 | EA | CYLINDER W/O FOOT - 6K X 13" | RAP90490 |
| | 100532-47-701 | EA | VALVE - BI-AXIS - W/O LEVERS | RAP0367 |
| | 100536-10-000 | EA | HOSE KIT - LEVELING SYSTEM/JACKS | |
| | 100536-09-700 | EA | HOSE-HYDRAULIC-324" | AP2464 |
| | 100536-09-701 | EA | HOSE - HYDRAULIC - 60" | RAP4073 |
| | 100536-09-702 | EA | HOSE-HYDRAULIC-354" | RAP4311 |
| | 100536-10-700 | EA | HOSE - HYDRAULIC - 84" | RAP1412 |
| | 100536-10-701 | EA | HOSE-HYDRAULIC-1/4" X 116" | RAP90349/AP5384 |
| | 107890-01-000 | EA | ELBOW - STEEL - 90 D - 1/4 X 37 D - | FLARE |
| | 117183-01-02B | EA | COVER - SENSOR - LEVELING | |
| | 128571-03-000 | EA | JACK ASSEMBLY - REAR LEVELING - W/CROSSMEMBER - MANUAL | |
| | 100532-12-706 | EA | SWITCH - WARNING/MAGNETIC | RAP1008 / RAP90496 |
| | 100532-12-707 | EA | SPRING KIT | R3847 |
| | 100532-53-700 | EA | CYLINDER ASM. - 9K | RAP90491 |

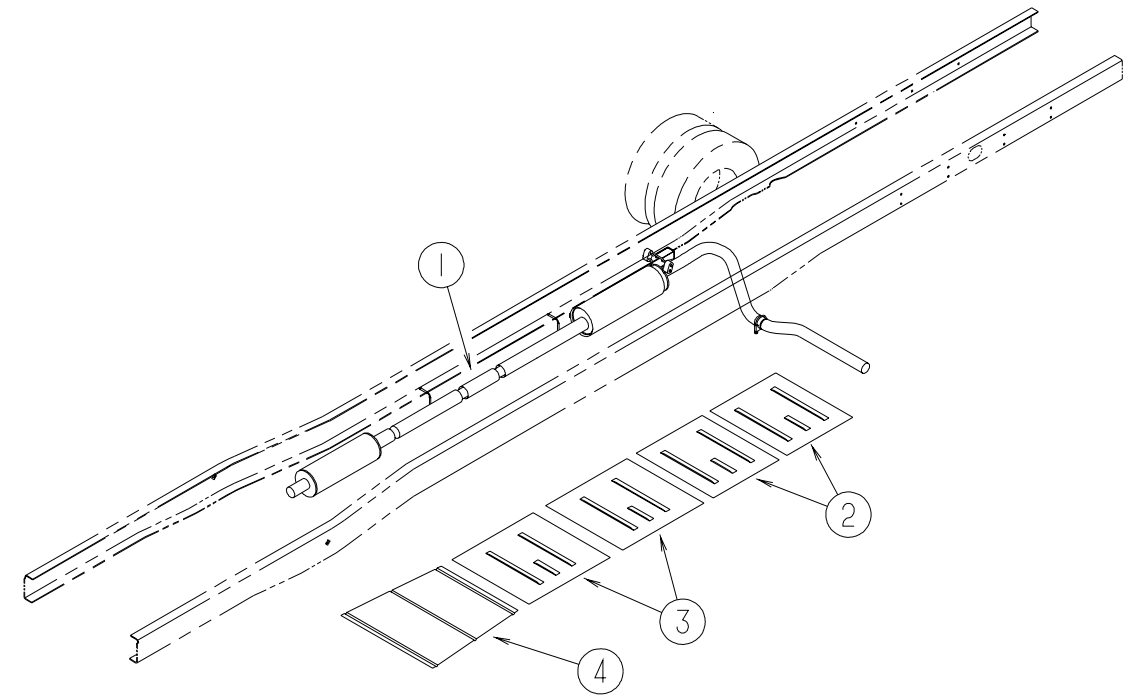
CHASSIS GROUP (CONTINUED)



EXHAUST SYSTEM (CHEVY)

| KEY | PART NUMBER | U/M | DESCRIPTION |
|-----|---------------|-----|---|
| 1 | 122392-01-02B | EA | HANGER - TAILPIPE |
| 2 | 122392-03-02B | EA | HANGER - TAILPIPE - REAR |
| 3 | 122529-02-000 | EA | PIPE - EXHAUST |
| 4 | 101544-02-000 | EA | SHIELD - HEAT/EXHAUST - 30" X 29.1" |
| 5 | 101544-01-000 | EA | SHIELD - HEAT/EXHAUST - 19.7" X 29.1" |
| | 094918-01-000 | EA | CLAMP - EXHAUST - 3" - GUILLOTINE STYLE |

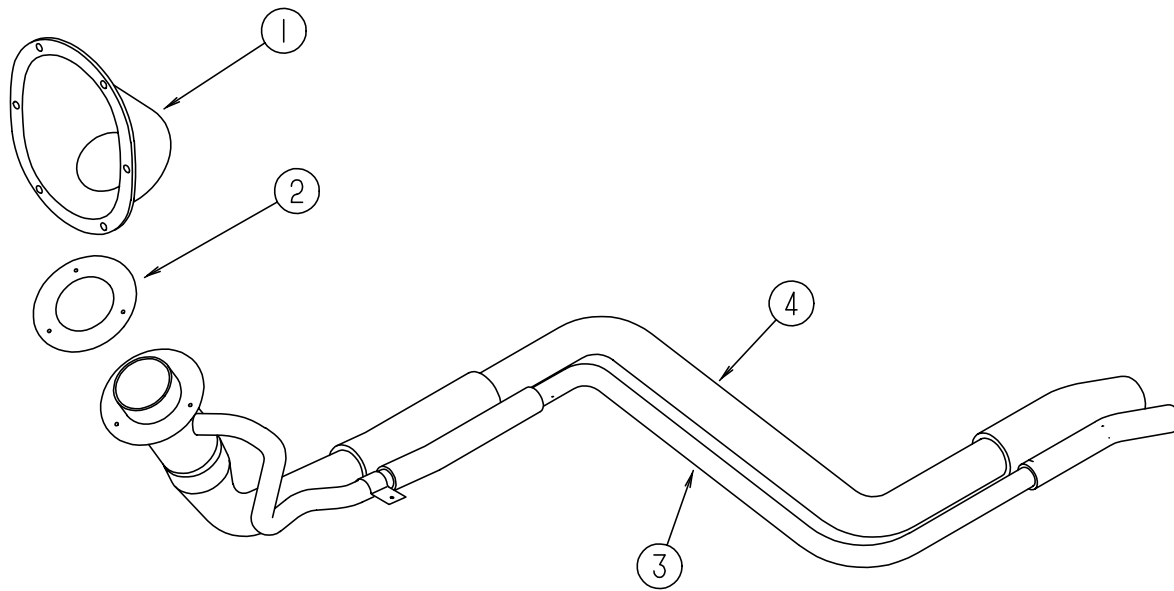
CHASSIS GROUP (CONTINUED)



EXHAUST SYSTEM (FORD)

| KEY | PART NUMBER | U/M | DESCRIPTION |
|-----|---------------|-----|--|
| 1 | 112012-03-000 | EA | PIPE - EXHAUST - 3" DIAMETER - FORD CHASSIS |
| | 094918-06-000 | EA | CLAMP - EXHAUST - 3" - HEAVY DUTY |
| 2 | 101544-10-000 | EA | SHIELD - HEAT/EXHAUST - 19.7" X 29.1" - FORD |
| 3 | 101544-06-000 | EA | SHIELD - HEAT/EXHAUST - 33.9" X 29.1" |
| 4 | 128756-01-02B | EA | SHIELD - HEAT EXHAUST - E-COATED |

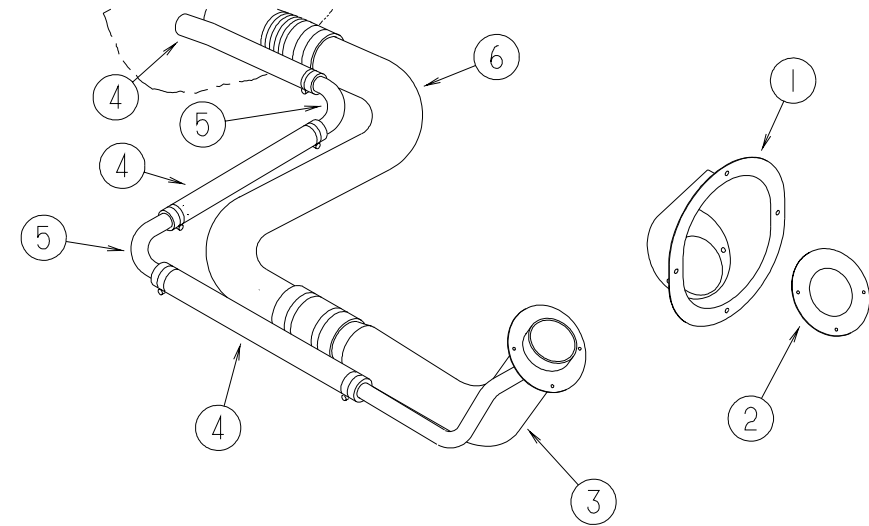
CHASSIS GROUP (CONTINUED)



FUEL SYSTEM (FORD)

| KEY | PART NUMBER | U/M | DESCRIPTION |
|-----|---------------|-----|--|
| 1 | 127291-02-01A | EA | SHROUD - FUEL FILL - BRIGHT WHITE |
| 2 | 078200-01-000 | EA | GASKET - FUEL FILL - 3.5"OD X 2"ID |
| 3 | 129320-10-000 | EA | PIPE - FILL VENT |
| 4 | 129321-10-000 | EA | TUBE - FUEL INLET |
| | 007063-01-000 | FT | HOSE - FUEL - 1/4"ID X 1/2"OD |
| | 128139-03-000 | FT | HOSE - FUEL - LOW PERMEABILITY - 1/4" DIAMETER FROM: 00-00-00 THRU: 01-25-99 FROM: 01-26-99 THRU: 99-99-99 |
| | 129494-03-000 | EA | FUEL LINE - 5/16" X 21.2" - FORD CHASSIS |
| | 129505-03-000 | EA | TUBE - STEEL - 5/8" X 19.5" |
| | 088497-02-000 | EA | NUT - INVERTED FLARE - 1/4" |
| | 092889-32-000 | EA | FUEL LINE - SUPPLY - GENERATOR - 1/4" X 90.9" - STEEL |

CHASSIS GROUP (CONTINUED)



FUEL SYSTEM (CHEVY)

| KEY | PART NUMBER | U/M | DESCRIPTION |
|-----|---------------|-----|--|
| 1 | 127291-01-01A | EA | SHROUD - FUEL FILL - BRIGHT WHITE |
| 2 | 078200-01-000 | EA | GASKET - FUEL FILL - 3.5"OD X 2"ID |
| 3 | 127301-03-000 | EA | NECK - FUEL FILL |
| 4 | 128139-02-000 | FT | HOSE - FUEL - LOW PERMEABILITY - 5/8" DIAMETER |
| 5 | 098806-01-000 | EA | PIPE - FILL VENT - 90 DEGREE BEND - .625" OD - STEEL |
| 6 | 124327-05-000 | EA | TUBE - FUEL INLET |
| | 007063-01-000 | FT | HOSE - FUEL - 1/4"ID X 1/2"OD |
| | 128139-03-000 | FT | HOSE - FUEL - LOW PERMEABILITY - 1/4" DIAMETER FROM: 00-00-00 THRU: 01-25-99 FROM: 01-26-99 THRU: 99-99-99 |
| | 024138-01-000 | FT | HOSE - FUEL - 5/16" ID |
| | 127392-02-000 | EA | HOSE - EVAPORATOR TO EMISSIONS CANISTER |
| | 098779-02-000 | EA | COUPLER - FUEL LINE - 1.2" LONG X 16MM THREAD |
| | 088497-02-000 | EA | NUT - INVERTED FLARE - 1/4" |
| | 098758-01-000 | EA | FUEL RETURN LINE - 5/16" STEEL X 14" LONG W/14MM NUTS |
| | 098759-01-000 | EA | FUEL SUPPLY LINE - 3/8" STEEL X 14" LONG W/16MM NUTS |
| | 098759-05-000 | EA | FUEL SUPPLY LINE - 3/8" STEEL X 30" LONG W/16MM NUTS |

CHASSIS GROUP (CONTINUED)

WHEEL LINERS, (FORD 19.5")

| KEY | PART NUMBER | U/M DESCRIPTION | VENDOR NO. |
|-----|---------------|--|------------|
| | 077030-05-000 | EA EXTENSION - VALVE STEM - 95 DEGREE FROM: 00-00-00 THRU: 11-23-98 | |
| | 077030-04-000 | EA EXTENSION - VALVE STEM - .75" FROM: 11-24-98 THRU: 99-99-99 | |
| | 077030-06-000 | EA EXTENSION - VALVE STEM - 45 DEGREE | |
| | 095012-07-000 | EA STABILIZER - VALVE EXTENSION | |
| | 095012-10-000 | EA EXTENSION - VALVE STEM - 8.5" FROM: 00-00-00 THRU: 11-23-98 | |
| | 095012-09-000 | EA EXTENSION - VALVE STEM - 7.7" FROM: 11-24-98 THRU: 99-99-99 | |
| | 110435-15-000 | EA LINER - WHEEL SET/4 - 19.5" | |
| | 110435-10-705 | EA TOOL - INSTALLATION | V195P7-TOL |
| | 110435-15-700 | EA LINER - WHEEL - FRONT | V195F9-FWC |
| | 110435-15-701 | EA LINER - WHEEL - REAR | V195F9-RWC |
| | 110435-15-702 | EA COVER LUG NUT/JAMB NUT - 14M | V195F9-EJN |

WHEEL COVERS, DICOR (FORD 19.5")

| KEY | PART NUMBER | U/M DESCRIPTION | VENDOR NO. |
|-----|---------------|------------------------------------|------------|
| | 109443-07-000 | EA WHEEL COVER - 4/SET - 19.5" | |
| | 109443-01-703 | EA CAP-CENTER, HUB - DICOR | SHAU95-CAP |
| | 109443-07-700 | EA COVER - WHEEL - 8 LUG | SHAF95-COV |
| | 109443-07-701 | EA BRACKET SET - FRONT | SHAF95-FBS |
| | 109443-07-702 | EA BRACKET SET - REAR | SHAF95-RBS |
| | 098532-01-700 | EA COVER-LUG NUT (CHROME) SHAU-LNC | |

CHASSIS GROUP (CONTINUED)

WHEEL LINERS (CHEVY)

| KEY | PART NUMBER | U/M DESCRIPTION | VENDOR NO. |
|-----|---------------|-----------------------------------|------------|
| | 110435-10-000 | EA LINER - WHEEL - SET 4 - 19.5" | |
| | 110435-10-700 | EA LINER - WHEEL - FRONT - 1 PC | V195P7-FWC |
| | 110435-10-701 | EA LINER - WHEEL - REAR - 1 PC | V195P7-RWC |
| | 110435-10-702 | EA COVER-LUG NUT W/STEEL JAMB NUT | V195P7-EJN |
| | 110435-10-703 | EA STUD - PLASTIC | V195P7-PST |
| | 110435-10-704 | EA COVER-LUG NUT W/PLASTIC JAMB | V195P7-PJN |
| | 110435-10-705 | EA TOOL - INSTALLATION | V195P7-TOL |

WHEEL COVERS, DICOR (CHEVY)

| KEY | PART NUMBER | U/M DESCRIPTION | VENDOR NO. |
|-----|---------------|-----------------------------------|------------|
| | 109443-06-000 | EA WHEEL - COVER - 4/SET - 19.5" | |
| | 109443-01-700 | EA COVER - WHEEL 19.5 FRT/RR EA=1 | SHAG95 |
| | 109443-01-701 | EA BRACKET - RETENTION FRONT | SHAG95-FBS |
| | 109443-01-703 | EA CAP - CENTER - HUB - DICOR | SHAU95-CAP |
| | 109443-01-704 | EA CLIP - RETAINER | V160GM-PNT |
| | 109443-06-701 | EA BRACKET - RETENTION REAR | SHG795-RBS |

SHOCK ABSORBER (CHEVY) (FROM: 00-00-00 THRU: 04-04-99)

| KEY | PART NUMBER | U/M DESCRIPTION | VENDOR NO. |
|-----|---------------|---|------------|
| | 122756-02-000 | EA SHOCK AND STABILIZER (BLUE BOOT) KIT - FRONT END P30 CHASS | |
| | 122756-02-700 | EA BRACKET ASM - DRIVER SIDE | T818L |
| | 122756-02-701 | EA BRACKET ASM - PASSENGER SIDE | T818R |
| | 122756-02-704 | EA BOLT PACKAGE -BOLTS/NUTS ETC | T818B |
| | 122756-02-705 | EA SHOCK | T818SH |
| | 122756-02-706 | EA STUD - SHOCK MOUNTING | T818S |
| | 122756-02-707 | EA DAMPNER - STEERING | T818SD |
| | 122756-02-708 | EA BOOT - DAMPNER | T818SDB |
| | 122756-02-709 | EA BUSHING PKG-STEERING DAMPNER | T818SDBSH |
| | 122756-02-710 | EA BOLT PKG - STEERING DAMPNER | T818SBS |

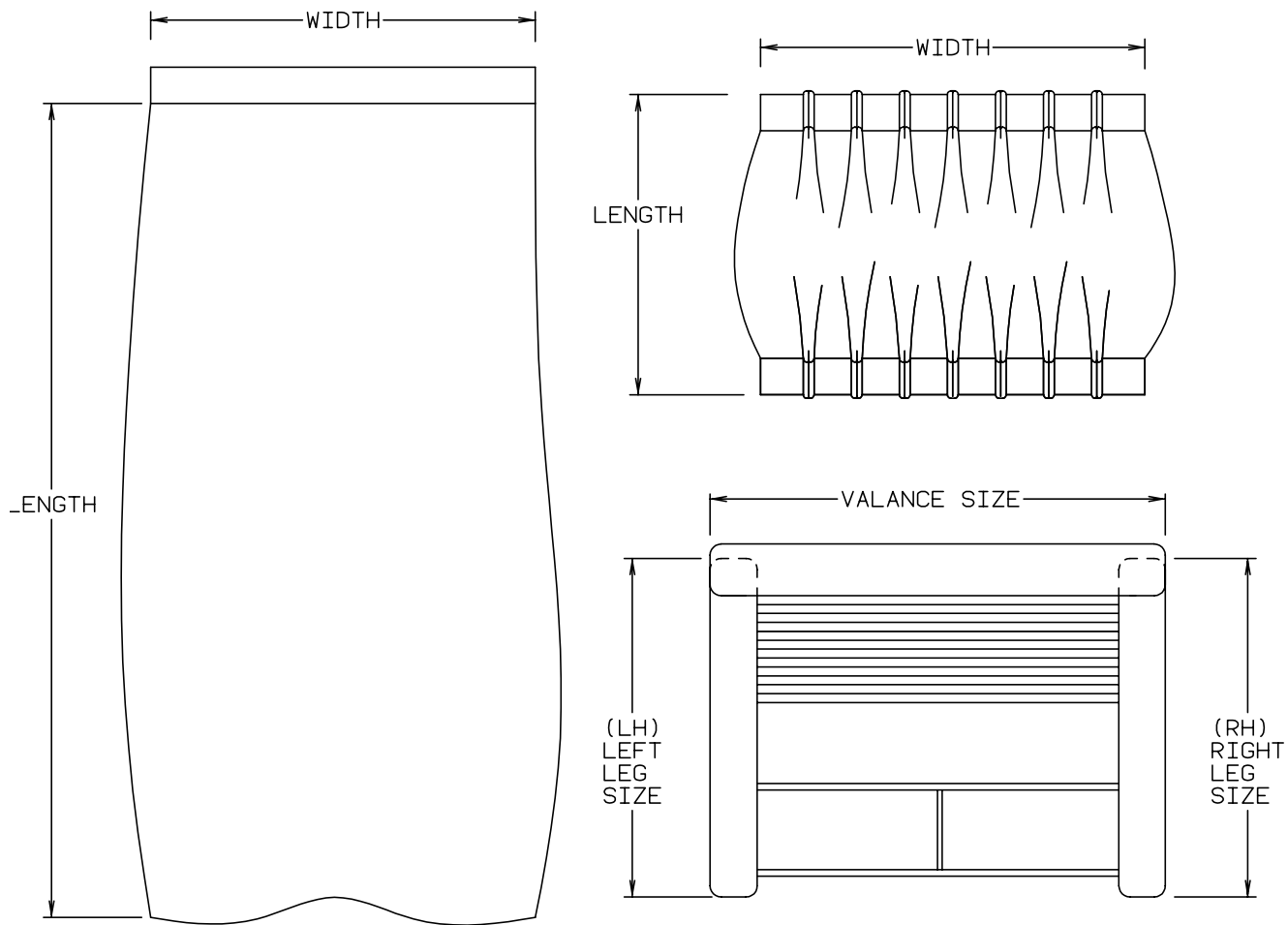
SHOCK ABSORBER (CHEVY) (FROM: 04-05-99 THRU: 99-99-99)

| KEY | PART NUMBER | U/M DESCRIPTION | VENDOR NO. |
|-----|---------------|--|------------|
| | 122756-03-000 | EA SHOCK & STABILIZER KIT (YELLOW SHOCK) | |
| | 122756-02-706 | EA STUD - SHOCK MOUNTING | T818S |
| | 122756-02-707 | EA DAMPNER - STEERING | T818SD |
| | 122756-02-708 | EA BOOT - DAMPNER | T818SDB |
| | 122756-02-709 | EA BUSHING PKG-STEERING DAMPNER | T818SDBSH |
| | 122756-02-710 | EA BOLT PKG - STEERING DAMPNER | T818SBS |
| | 122756-03-700 | EA BRACKET ASM-DRIVER SIDE | T818L-3 |
| | 122756-03-701 | EA BRACKET ASM-PASSENGER SIDE | T818R-3 |
| | 122756-03-702 | EA SHOCK | 557003 |

CURTAIN & CUSHION GROUP

NOTICE

IN ORDER TO ASSIST OUR PARTS SALES DEPT. IN PROVIDING INTERIOR SOFTGOODS ITEMS, PLEASE INCLUDE THE SERIAL NUMBER AND THE COLOR CODE NUMBER FROM THE VEHICLE CERTIFICATION LABEL WHEN ORDERING. THIS LABEL IS LOCATED ON THE LEFT SIDEWALL AT THE END OF THE DASH (A-BODY), OR ON THE DRIVER'S DOOR LATCH PLATE (C-BODY). AN EXAMPLE OF A COLOR CODE NUMBER IS B07, WHICH DESIGNATES AN OVERALL COLOR SCHEME OF A PARTICULAR UNIT. THE COLOR LISTED AFTER THE ITEM DESCRIPTION ON THE MICROFICHE, INDICATES THE OVERALL UNIT COLOR. ORDER THE ITEM YOU DESIRE ACCORDING TO UNIT COLOR CODE.



NOTE: USE THIS ILLUSTRATION WHEN DETERMINING LENGTH AND WIDTH MEASUREMENTS FOR CURTAINS. YOU WILL NOTE THE WIDTH MEASUREMENT IS TAKEN ON THE TOP OF THE CURTAIN WITH THE CURTAIN FULLY EXTENDED. THE LENGTH MEASUREMENT IS TAKEN FROM TOP TO BOTTOM. LEFT AND RIGHT WINDOW LEGS ARE DETERMINED WHEN FACING THE WINDOW.

CURTAIN & CUSHION GROUP (CONTINUED)

| ADVENTURER FABRICS | | | | |
|--|---|---|---|--|
| COLOR CODES | K28, K29 | K30, K31 | K32, K33 | K34, K35 |
| MARKETING COLORS | SUNFLOWERS (TAUPE) | VINTAGE GROVE (PLUM) | JUNIPER (TEAL) | CHAMELEON (BLUE) |
| MAIN PLAIN ACCENT PATTERN ACCENT | 126883-07-000 108446-W7-000 108446-W7-000 | 126883-12-000 126883-14-000 126883-14-000 | 126883-10-000 108446-C5-000 126883-11-000 | 108446-M8-000 108446-G3-000 108446-G3-000 |
| BUCKET SEAT WELTING | 108446-W7-000 079349-04-J21 | 126883-14-000 079349-04-K30 | 108446-C5-000 079349-04-GC1 | 108446-G3-000 079349-04-J10 |
| DINETTE | 126883-07-000 | 126883-12-000 | 126883-10-000 | 108446-M8-000 |
| DINETTE PAD | 108446-W7-000 | 126883-14-000 | 108446-C5-000 | 108446-G3-000 |
| SOFA | 126883-07-000 | 126883-12-000 | 126883-10-000 | 108446-M8-000 |
| RECLINER CHAIR | 108446-W7-000 | 126883-14-000 | 126883-11-000 | 108446-G3-000 |
| LOUNGE WINDOW VALANCE | 126883-07-000 108446-W7-000 | 126883-12-000 126883-14-000 | 126883-10-000 126883-11-000 | 108446-M8-000 108446-G3-000 |
| LOUNGE WINDOW LEGS | 108446-W7-000 | 126883-14-000 | 126883-11-000 | 108446-G3-000 |
| BEDSPREAD MAIN BEDSPREAD ACCENT BEDSPREADTRIM FRINGE CORD | 105745-G6-000 105745-B5-000 084415-95-000 | 105745-H3-000 105745-J8-000 084415-83-000 | 105745-G8-000 105745-45-000 084415-91-000 | 105745-E9-000 105745-E3-000 084415-88-000 084415-87-000 |
| BEDROOM WINDOW VALANCE | 105745-G6-000 | 105745-H3-000 | 105745-G8-000 | 105745-E9-000 |
| BEDROOM WINDOW LEGS | 105745-G6-000 | 105745-H3-000 | 105745-G8-000 | 105745-E9-000 |
| LOUNGE PILLOW | 108446-W7-000 | 126883-14-000 | 126883-11-000 | 108446-G3-000 |
| MAP POCKETS | 108446-W7-000 | 126883-14-000 | 108446-C5-000 | 108446-G3-000 |
| FRONT WRAP AROUND | 072333-85-000 | 072333-85-000 | 072333-85-000 | 072333-85-000 |
| CEILING FROM: 00-00-00 THRU: 10-16-98 FROM: 10-17-98 THRU: 99-99-99 | 113979-01-01A 113979-09-01A | 113979-01-01A 113979-09-01A | 113979-01-01A 113979-09-01A | 113979-01-01A 113979-09-01A |

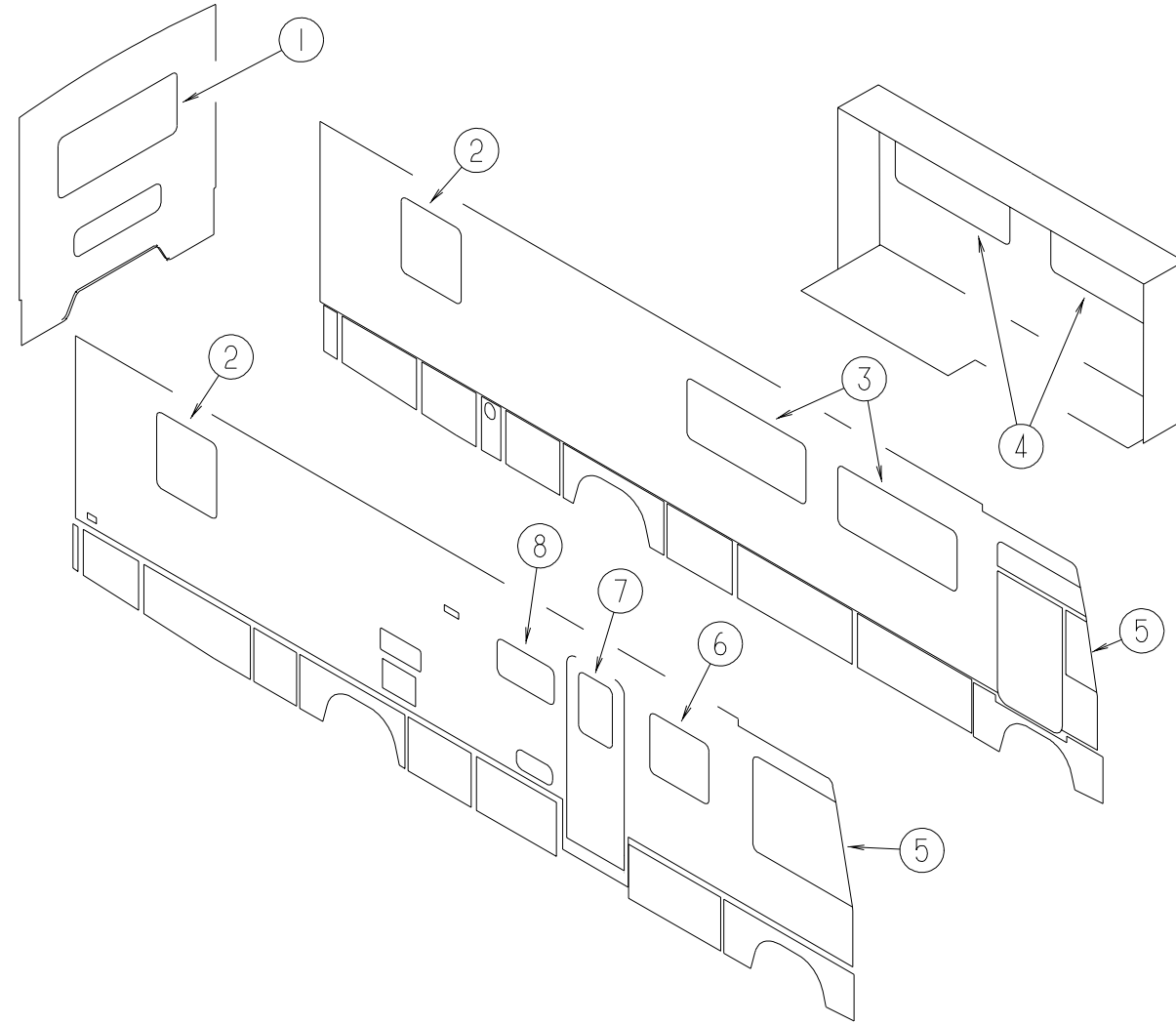
NOTE: THE FABRIC LISTED FIRST, IN A BLOCK, IS THE LARGEST QUANTITY OF FABRIC USED

ASSIST HANDLE & BUTTONS

| KEY | PART NUMBER | U/M | DESCRIPTION |
|-----|---------------|-----|---|
| | 070578-02-J22 | EA | BUTTON - #30 - VINYL |
| | 079349-08-J28 | YD | WELT - VINYL |
| | 079349-04-J21 | YD | WELT - NARROW |
| | 057759-01-000 | EA | WASHER BRACKET - SEAT BELT - 4" DIAMETER |
| | 007021-01-000 | EA | SEAT BELT - 2" X 90" - BLACK |
| | 056271-01-000 | EA | BELT - SEAT - 2" X 102" - BLACK |
| | 000C16-07-16B | EA | BOLT - CARRIAGE - ASSIST HANDLE - 7/16" - 14 X 1" |
| | 000D20-07-00B | EA | NUT - ACORN - ASSIST HANDLE - 7/16 - 14 |
| | 053552-02-AA8 | EA | HANDLE - ASSIST - INTERIOR/ENTRY DOOR - VINYL/OFF WHITE |
| | 069178-02-000 | EA | BRACKET - MOUNTING/ASSIST HANDLE - GRAY |
| | 057534-03-000 | EA | TIEBACK - PLASTIC - 7.50" - CLEAR |

CURTAIN & CUSHION GROUP (CONTINUED)

CURTAINS & WINDOW TREATMENT

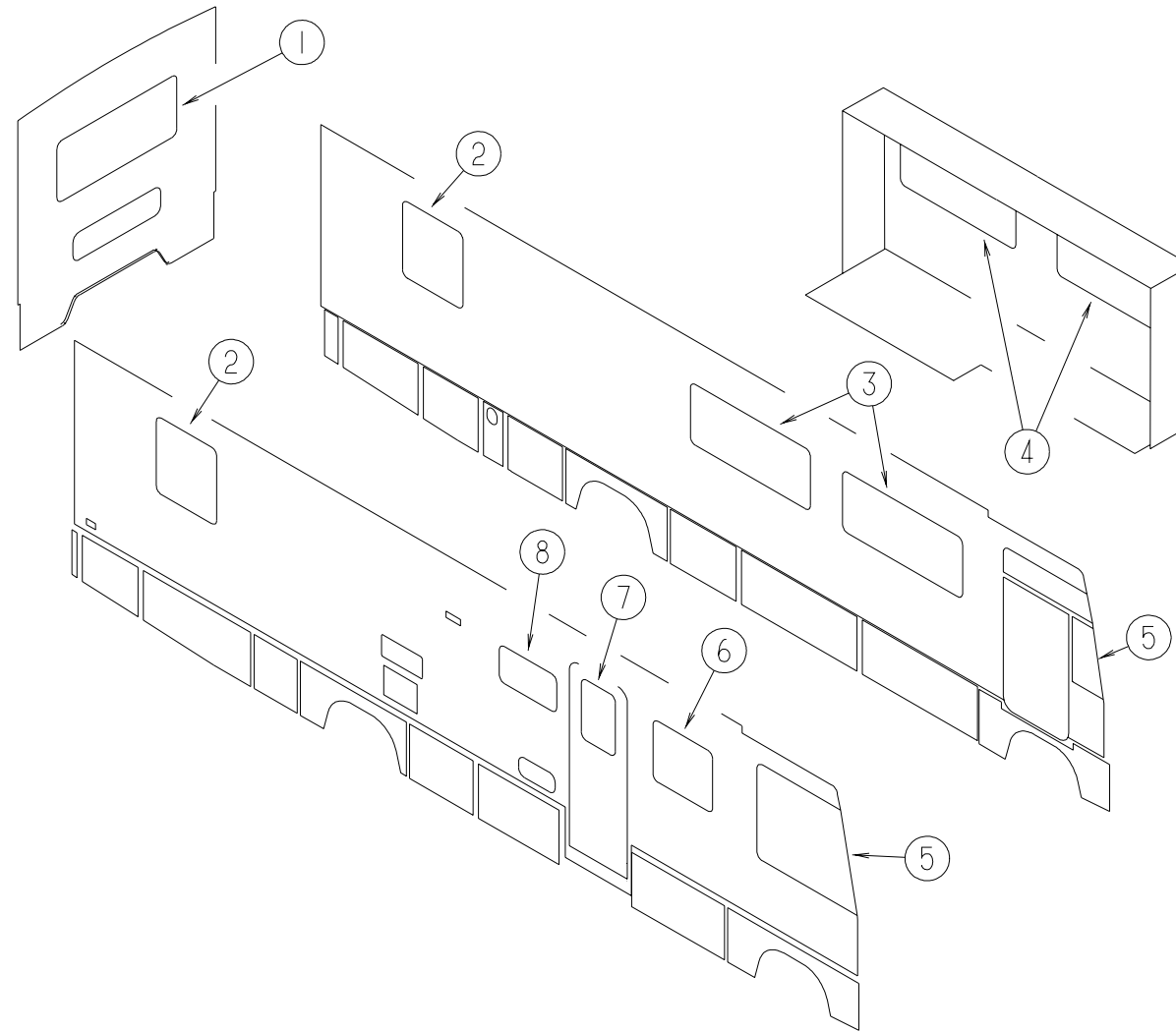


| KEY | PART NUMBER | U/M | DESCRIPTION KEY |
|-----|---------------|-----|--|
| 1 | 119299-01-J11 | EA | VALANCE - WHITNEY - 53" (K28, K29) |
| 1 | 119299-01-K30 | EA | VALANCE - WHITNEY - 53" (K30, K31) |
| 1 | 119299-01-K32 | EA | VALANCE - WHITNEY - 53" (K32, K33) |
| 1 | 119299-01-J30 | EA | VALANCE - WHITNEY - 53" (K34, K35) |
| 1 | 127017-07-J31 | EA | LEG - RIGHT - 25" (K28, K29) |
| 1 | 127017-07-J26 | EA | LEG - RIGHT - 25" (K30, K31) |
| 1 | 127017-07-J32 | EA | LEG - RIGHT - 25" (K32, K33) |
| 1 | 127017-07-J30 | EA | LEG - RIGHT - 25" (K34, K35) |
| 1 | 127017-08-J31 | EA | LEG - LEFT - 25" (K28, K29) |
| 1 | 127017-08-J26 | EA | LEG - LEFT - 25" (K30, K31) |
| 1 | 127017-08-J32 | EA | LEG - LEFT - 25" (K32, K33) |
| 1 | 127017-08-J30 | EA | LEG - LEFT - 25" (K34, K35) |
| 1 | 111910-62-K28 | EA | BLIND - DAY/NIGHTER - 49" X 27" (K28, K29, K30, K31) |
| 1 | 111910-62-K32 | EA | BLIND - DAY/NIGHTER - 49" X 27" (K32, K33) |
| 1 | 111910-62-K34 | EA | BLIND - DAY/NIGHTER - 49" X 27" (K34, K35) |
| 2 | 119299-18-K28 | EA | VALANCE - WHITNEY - 34" (K28, K29) |
| 2 | 119299-18-K30 | EA | VALANCE - WHITNEY - 34" (K30, K31) |
| 2 | 119299-18-K32 | EA | VALANCE - WHITNEY - 34" (K32, K33) |
| 2 | 119299-18-K34 | EA | VALANCE - WHITNEY - 34" (K34, K35) |

| KEY | PART NUMBER | U/M | DESCRIPTION KEY |
|-----|---------------|-----|--|
| 2 | 127017-09-J31 | EA | LEG - RIGHT - 34" (K28, K29) |
| 2 | 127017-09-J26 | EA | LEG - RIGHT - 34" (K30, K31) |
| 2 | 127017-09-J32 | EA | LEG - RIGHT - 34" (K32, K33) |
| 2 | 127017-09-J30 | EA | LEG - RIGHT - 34" (K34, K35) |
| 2 | 127017-10-J31 | EA | LEG - LEFT - 34" (K28, K29) |
| 2 | 127017-10-J26 | EA | LEG - LEFT - 34" (K30, K31) |
| 2 | 127017-10-J32 | EA | LEG - LEFT - 34" (K32, K33) |
| 2 | 127017-10-J30 | EA | LEG - LEFT - 34" (K34, K35) |
| 2 | 111910-58-K48 | EA | BLIND - DAY/NIGHTER - 31" X 37" (K28, K29, K30, K31) |
| 2 | 111910-58-K32 | EA | BLIND - DAY/NIGHTER - 31" X 37" (K32, K33) |
| 2 | 111910-58-K34 | EA | BLIND - DAY/NIGHTER - 31" X 37" (K34, K35) |
| 3 | 121410-45-K28 | EA | VALANCE - MODERATE - 64.5" (K28, K29) |
| 3 | 121410-45-K30 | EA | VALANCE - MODERATE - 64.5" (K30, K31) |
| 3 | 121410-45-K32 | EA | VALANCE - MODERATE - 64.5" (K32, K33) |
| 3 | 121410-45-K34 | EA | VALANCE - MODERATE - 64.5" (K34, K35) |
| 3 | 127017-11-K28 | EA | LEG - RIGHT - 25" (K28, K29) |
| 3 | 127017-11-K30 | EA | LEG - RIGHT - 25" (K30, K31) |
| 3 | 127017-11-K32 | EA | LEG - RIGHT - 25" (K32, K33) |
| 3 | 127017-11-J10 | EA | LEG - RIGHT - 25" (K34, K35) |
| 3 | 127017-12-K28 | EA | LEG - LEFT - 25" (K28, K29) |
| 3 | 127017-12-K30 | EA | LEG - LEFT - 25" (K30, K31) |
| 3 | 127017-12-K32 | EA | LEG - LEFT - 25" (K32, K33) |
| 3 | 127017-12-J10 | EA | LEG - LEFT - 25" (K34, K35) |
| 3 | 111910-57-K58 | EA | BLIND - DAY/NIGHTER - 61" X 28.5" (K28, K29, K30, K31) |
| 3 | 111910-57-K32 | EA | BLIND - DAY/NIGHTER - 61" X 28.5" (K32, K33) |
| 3 | 111910-57-K34 | EA | BLIND - DAY/NIGHTER - 61" X 28.5" (K34, K35) |

CURTAIN & CUSHION GROUP (CONTINUED)

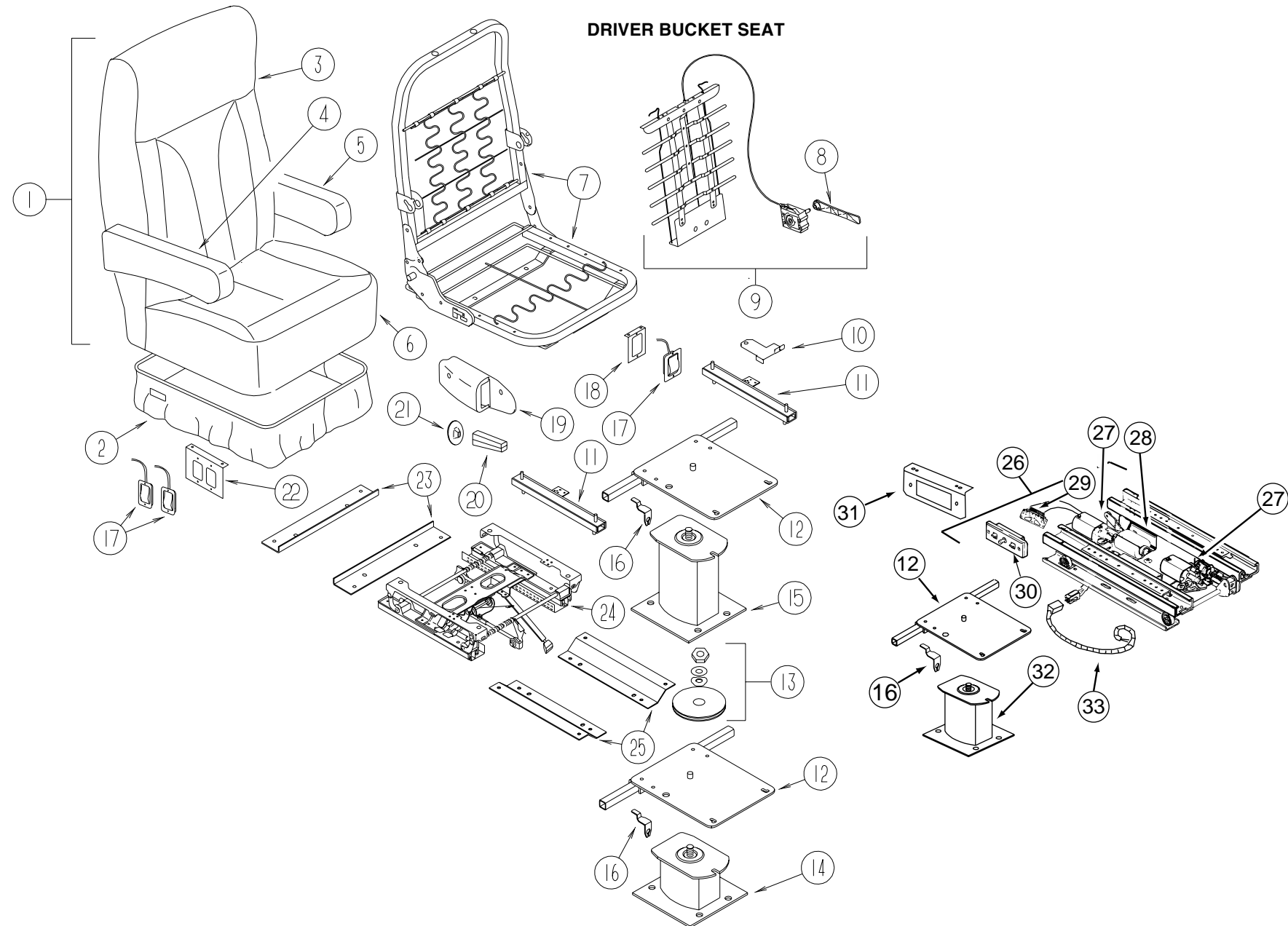
CURTAINS & WINDOW TREATMENT (CONTINUED)



| KEY | PART NUMBER | U/M | DESCRIPTION KEY |
|-----|---------------|-----|--|
| 4 | 121410-49-K28 | EA | VALANCE - MODERATE - 62.5" (K28, K29) |
| 4 | 121410-49-K30 | EA | VALANCE - MODERATE - 62.5" (K30, K31) |
| 4 | 121410-49-K32 | EA | VALANCE - MODERATE - 62.5" (K32, K33) |
| 4 | 121410-49-K34 | EA | VALANCE - MODERATE - 62.5" (K34, K35) |
| 4 | 123917-43-K28 | EA | LEG - RIGHT - 23.5" (K28, K29) |
| 4 | 123917-43-K30 | EA | LEG - RIGHT - 23.5" (K30, K31) |
| 4 | 123917-43-K32 | EA | LEG - RIGHT - 23.5" (K32, K33) |
| 4 | 123917-43-K34 | EA | LEG - RIGHT - 23.5" (K34, K35) |
| 4 | 123917-44-K28 | EA | LEG - LEFT - 23.5" (K28, K29) |
| 4 | 123917-44-K30 | EA | LEG - LEFT - 23.5" (K30, K31) |
| 4 | 123917-44-K32 | EA | LEG - LEFT - 23.5" (K32, K33) |
| 4 | 123917-44-K34 | EA | LEG - LEFT - 23.5" (K34, K35) |
| 4 | 111910-57-K58 | EA | BLIND - DAY/NIGHTER - 61" X 28.5" (K28, K29, K30, K31) |
| 4 | 111910-57-K32 | EA | BLIND - DAY/NIGHTER - 61" X 28.5" (K32, K33) |
| 4 | 111910-57-K34 | EA | BLIND - DAY/NIGHTER - 61" X 28.5" (K34, K35) |
| 5 | 101668-67-J22 | EA | CURTAIN - RIGHT HAND/LEFT HAND - 42" X 106" |
| 5 | 073260-42-C18 | EA | TIEBACK - 6" X 18" |
| 5 | 126841-03-000 | EA | SHADE - PULL - CHARCOAL MESH - 40.3" X 60" |
| 6 | 121410-99-K28 | EA | VALANCE - MODERATE - 34" (K28, K29) |
| 6 | 121410-99-K30 | EA | VALANCE - MODERATE - 34" (K30, K31) |
| 6 | 121410-99-K32 | EA | VALANCE - MODERATE - 34" (K32, K33) |
| 6 | 121410-99-K34 | EA | VALANCE - MODERATE - 34" (K34, K35) |
| 6 | 127017-11-K28 | EA | LEG - RIGHT - 25" (K28, K29) |
| 6 | 127017-11-K30 | EA | LEG - RIGHT - 25" (K30, K31) |
| 6 | 127017-11-K32 | EA | LEG - RIGHT - 25" (K32, K33) |

| KEY | PART NUMBER | U/M | DESCRIPTION KEY |
|-----|---------------|-----|---|
| 6 | 127017-11-J10 | EA | LEG - RIGHT - 25" (K34, K35) |
| 6 | 127017-12-K28 | EA | LEG - LEFT - 25" (K28, K29) |
| 6 | 127017-12-K30 | EA | LEG - LEFT - 25" (K30, K31) |
| 6 | 127017-12-K32 | EA | LEG - LEFT - 25" (K32, K33) |
| 6 | 127017-12-J10 | EA | LEG - LEFT - 25" (K34, K35) |
| 6 | 111910-59-K66 | EA | BLIND - DAY/NIGHTER - 31" X 28.5" (K28, K29, K30, K31) |
| 6 | 111910-59-K32 | EA | BLIND - DAY/NIGHTER - 31" X 28.5" (K32, K33) |
| 6 | 111910-59-K34 | EA | BLIND - DAY/NIGHTER - 31" X 28.5" (K34, K35) |
| 7 | 120820-43-K28 | EA | VALANCE - 15" X 36" - W/CLOCK (K28, K29) |
| 7 | 120820-43-K30 | EA | VALANCE - 15" X 36" - W/CLOCK (K30, K31) |
| 7 | 120820-43-K32 | EA | VALANCE - 15" X 36" - W/CLOCK (K32, K33) |
| 7 | 120820-43-K34 | EA | VALANCE - 15" X 36" - W/CLOCK (K34, K35) |
| 7 | 084755-57-E07 | EA | SHADE - PULL - 27.25" |
| 8 | 109041-58-02A | EA | BLIND - MINI - 30.5" X 17" (K28, K29) |
| 8 | 109041-58-01A | EA | BLIND - MINI - 30.5" X 17" (K30, K31, K32, K33, K34, K35) |
| 8 | 109353-10-02A | EA | BLIND - SLAT - 30.5" - BEIGE (K28, K29) |
| 8 | 109353-10-01A | EA | BLIND - SLAT - 30.5" - PURE SILVER (K30, K31, K32, K33, K34, K35) |

CURTAIN & CUSHION GROUP (CONTINUED)

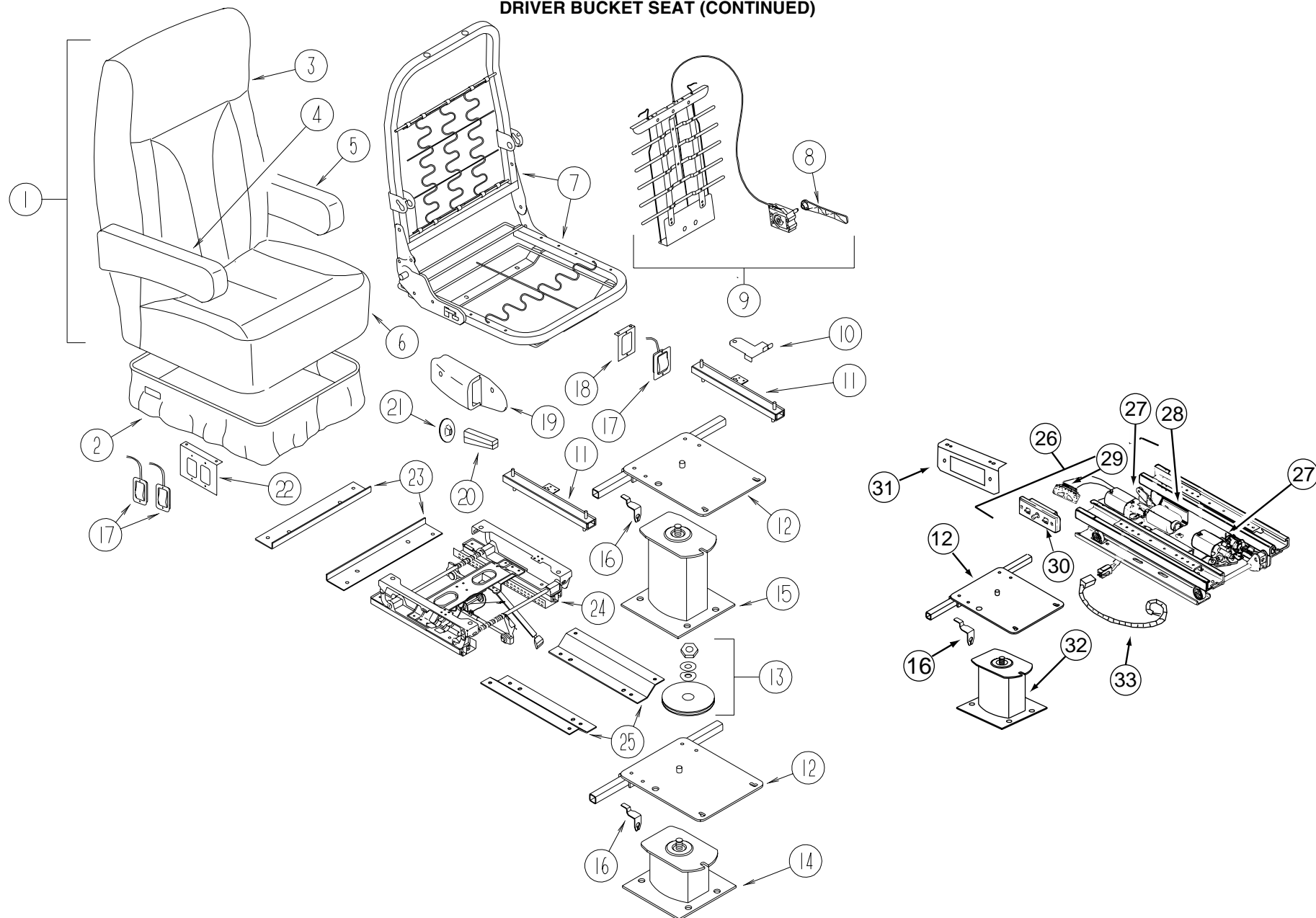


| KEY | PART NUMBER | U/M | DESCRIPTION |
|-----|---------------|-----|---|
| 1 | 129664-06-K28 | EA | SEAT - BUCKET - DRIVERS WIDE W/LUMBAR SUPPORT (K28, K29) |
| 1 | 129664-06-K30 | EA | SEAT - BUCKET - DRIVERS WIDE W/LUMBAR SUPPORT (K30, K31) |
| 1 | 129664-06-K32 | EA | SEAT - BUCKET - DRIVERS WIDE W/LUMBAR SUPPORT (K32, K33) |
| 1 | 129664-06-K34 | EA | SEAT - BUCKET - DRIVERS WIDE W/LUMBAR SUPPORT (K34, K35) |
| 1 | 129664-04-K28 | EA | SEAT - BUCKET - W/LUMBAR SUPPORT (LEATHER) |
| 2 | 071126-68-K28 | EA | SKIRT - WIDE - 10.5" OPEN CORNER (STANDARD OR ELECTRIC SEAT) (K28, K29) |
| 2 | 071126-68-K30 | EA | SKIRT - WIDE - 10.5" OPEN CORNER (STANDARD OR ELECTRIC SEAT) (K30, K31) |
| 2 | 071126-68-K18 | EA | SKIRT - WIDE - 10.5" OPEN CORNER (STANDARD OR ELECTRIC SEAT) (K32, K33) |
| 2 | 071126-68-K34 | EA | SKIRT - WIDE - 10.5" OPEN CORNER (STANDARD OR ELECTRIC SEAT) (K34, K35) |
| 2 | 071126-70-K28 | EA | SKIRT - WIDE - 10.5" OPEN CORNER (STANDARD OR ELECTRIC SEAT) (LEATHER) |
| 2 | 071126-69-K28 | EA | SKIRT - SINGLE - 10.5" - 6-WAY MANUAL (K28, K29) |
| 2 | 071126-69-K30 | EA | SKIRT - SINGLE - 10.5" - 6-WAY MANUAL (K30, K31) |
| 2 | 071126-69-K32 | EA | SKIRT - SINGLE - 10.5" - 6-WAY MANUAL (K32, K33) |
| 2 | 071126-69-K34 | EA | SKIRT - SINGLE - 10.5" - 6-WAY MANUAL (K34, K35) |
| 2 | 071126-71-K28 | EA | SKIRT - SINGLE - 10.5" - 6-WAY MANUAL (LEATHER) |
| 3 | M05962-84-K28 | EA | COVER - BACK (K28, K29) |
| 3 | M05962-84-K30 | EA | COVER - BACK (K30, K31) |
| 3 | M05962-84-K32 | EA | COVER - BACK (K32, K33) |
| 3 | M05962-84-K34 | EA | COVER - BACK (K34, K35) |
| 3 | M05962-86-K28 | EA | COVER - BACK - WIDE - BUCKET (LEATHER) |

| KEY | PART NUMBER | U/M | DESCRIPTION |
|-----|---------------|-----|---|
| 4 | 129666-01-K28 | EA | ARMREST - RIGHT HAND (K28, K29) |
| 4 | 129666-01-K30 | EA | ARMREST - RIGHT HAND (K30, K31) |
| 4 | 129666-01-K18 | EA | ARMREST - RIGHT HAND (K32, K33) |
| 4 | 129666-01-K34 | EA | ARMREST - RIGHT HAND (K34, K35) |
| 4 | 129666-03-K28 | EA | ARMREST - RIGHT HAND (LEATHER) |
| 4 | P29666-01-K28 | EA | COVER - ARMREST - RIGHT HAND (K28, K29) |
| 4 | P29666-01-K30 | EA | COVER - ARMREST - RIGHT HAND (K30, K31) |
| 4 | P29666-01-K18 | EA | COVER - ARMREST - RIGHT HAND (K32, K33) |
| 4 | P29666-01-K34 | EA | COVER - ARMREST - RIGHT HAND (K34, K35) |
| 4 | P29666-03-K28 | EA | COVER - ARMREST - RIGHT HAND (LEATHER) |
| 5 | 129666-02-K28 | EA | ARMREST - LEFT HAND (K28, K29) |
| 5 | 129666-02-K30 | EA | ARMREST - LEFT HAND (K30, K31) |
| 5 | 129666-02-K32 | EA | ARMREST - LEFT HAND (K32, K33) |
| 5 | 129666-02-K34 | EA | ARMREST - LEFT HAND (K34, K35) |
| 5 | 129666-04-K28 | EA | ARMREST - LEFT HAND (LEATHER) |
| 5 | P29666-02-K28 | EA | COVER - ARMREST - LEFT HAND (K28, K29) |
| 5 | P29666-02-K30 | EA | COVER - ARMREST - LEFT HAND (K30, K31) |
| 5 | P29666-02-K32 | EA | COVER - ARMREST - LEFT HAND (K32, K33) |
| 5 | P29666-02-K34 | EA | COVER - ARMREST - LEFT HAND (K34, K35) |
| 5 | P29666-04-K28 | EA | COVER - ARMREST - LEFT HAND (LEATHER) |

CURTAIN & CUSHION GROUP (CONTINUED)

DRIVER BUCKET SEAT (CONTINUED)

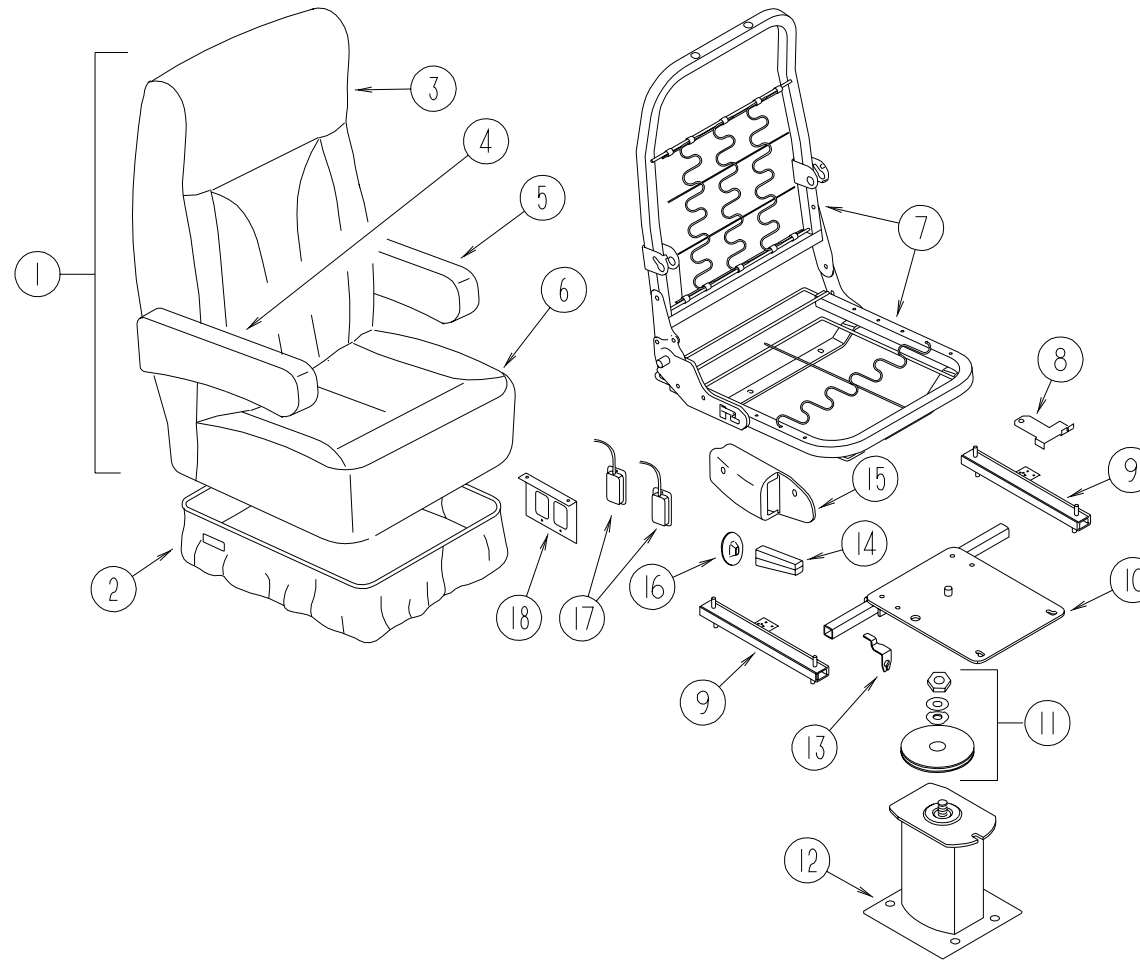


| KEY | PART NUMBER | U/M | DESCRIPTION |
|-----|---------------|-----|--|
| 6 | M05962-85-K28 | EA | COVER - SEAT (K28, K29) |
| 6 | M05962-85-K30 | EA | COVER - SEAT (K30, K31) |
| 6 | M05962-85-K32 | EA | COVER - SEAT (K32, K33) |
| 6 | M05962-85-K34 | EA | COVER - SEAT (K34, K35) |
| 6 | M05962-87-K28 | EA | COVER - SEAT (LEATHER) |
| 7 | 122695-04-01B | EA | FRAME - SEAT & HIGH BACK |
| 8 | 122611-02-701 | EA | LUMBAR - LEVER |
| 9 | 122611-02-000 | EA | LUMBAR - W/LEVER |
| 10 | 117125-01-02B | EA | BRACKET - CABLE MOUNT - ADJUSTER W/ LOCK |
| 11 | 119952-04-000 | EA | SLIDE/SEAT - HEAVY DUTY LOCKING - 4 STUDS |
| | 119952-07-000 | EA | WIRE - LATCH RELEASE/ ROTARY |
| 12 | 107921-05-000 | EA | PLATE TOP - W/ SEAT BELT BAR |
| 13 | 107921-06-000 | EA | BEARING KIT - PEDESTAL |
| 14 | 107921-07-000 | EA | PEDESTAL/FLOOR MOUNTED - 4.5" |
| 15 | 107921-01-000 | EA | PEDESTAL/FLOOR MOUNTED - W/9.75" EXTENSION |
| 16 | 108049-02-000 | EA | CLIP - CABLE/ PEDESTAL |

| KEY | PART NUMBER | U/M | DESCRIPTION | VENDOR NO. |
|-----|---------------|-----|---|------------------|
| 17 | 108049-04-000 | EA | CABLE - W/SWITCHES - W/26" MINI LEVER ACTION (6-WAY MANUAL) | |
| 18 | 127159-01-02B | EA | BRACKET - SEAT RELEASE - SINGLE REMOTE (6-WAY MANUAL) | |
| 19 | 080730-09-000 | EA | SHIELD - RECLINER HANDLE | |
| 20 | 080730-08-000 | EA | HANDLE - RECLINER | |
| 21 | 080730-11-000 | EA | SHIELD - RUBBER BOOT | |
| 22 | 127159-02-02B | EA | BRACKET - SEAT RELEASE - DUAL REMOTE | |
| 23 | 116215-02-000 | EA | BRACKET - UPPER MOUNT - 6-WAY MANUAL SEAT | |
| | 007221-01-000 | EA | SPACER - SEAT/ ADJUSTER | |
| 24 | 116215-01-000 | EA | ADJUSTING MECHANISM/6-WAY MANUAL SEAT - DRIVER | |
| 25 | 116215-03-000 | EA | BRACKET - LOWER MOUNT - 6-WAY MANUAL SEAT | |
| 26 | 081373-03-000 | EA | SEAT - POWER 6 WAY | |
| 27 | 081373-02-703 | EA | MOTOR PKG. ADJ. VERTICAL LIFT | 22063238 & H-196 |
| 28 | 081373-02-704 | EA | MOTOR PKG. ADJ. HORIZONTAL | 22063237 & H-195 |
| 29 | 081373-03-701 | EA | WIRE HARNESS ASM. - LEFT. SIDE | |
| 30 | 081373-03-700 | EA | SWITCH POWER | |
| 31 | 128699-01-02B | EA | BRACKET - SEAT SWITCH - E-COATED | |
| 32 | 107921-14-000 | EA | PEDESTAL/FLOOR MOUNTED - W/5.75" EXTENSION | |
| 33 | 131279-01-000 | EA | WIRE ASSEMBLY - DRIVER SEAT (DASH TO SEAT) | |

CURTAIN & CUSHION GROUP (CONTINUED)

PASSENGER BUCKET SEAT (STANDARD)

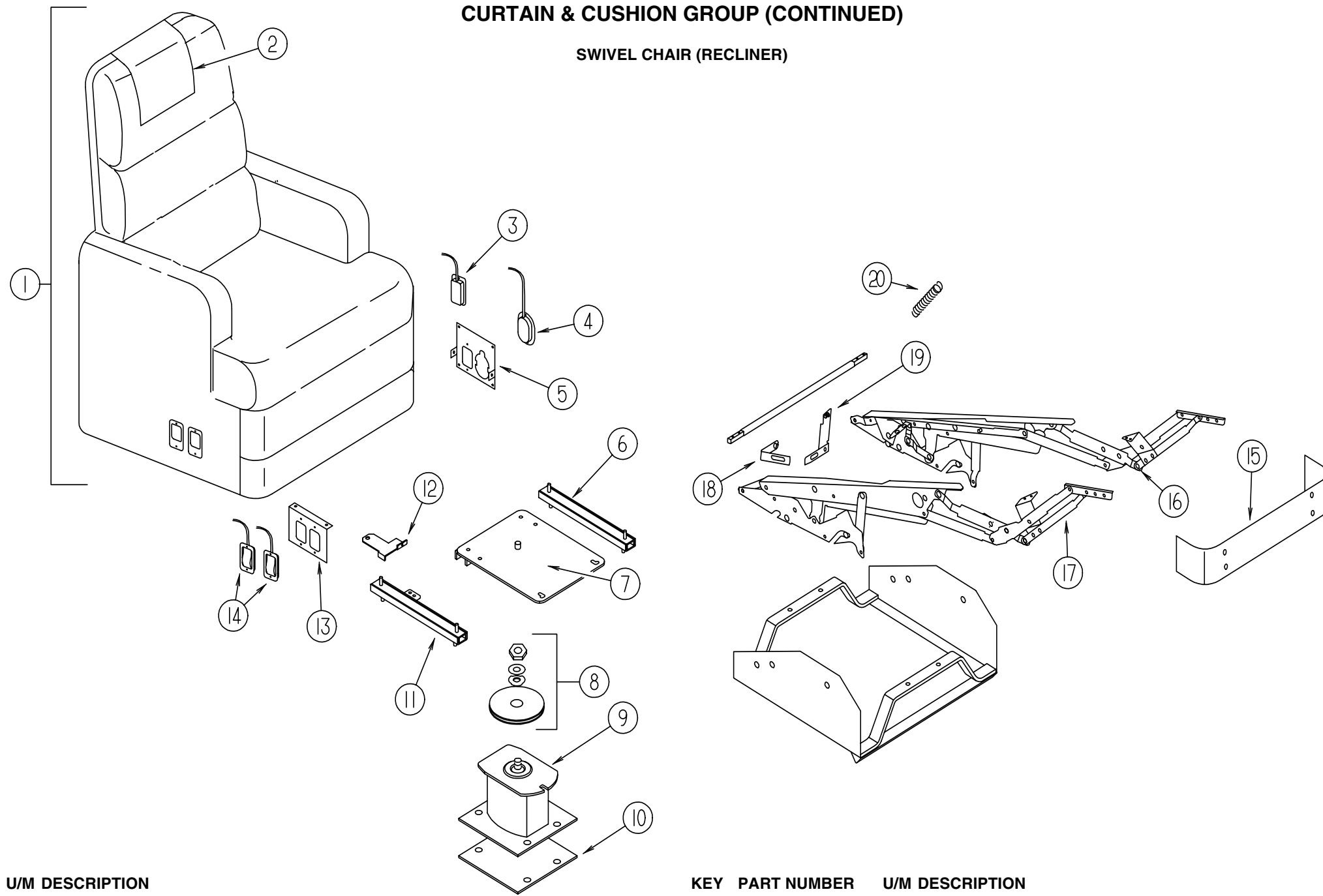


| KEY | PART NUMBER | U/M DESCRIPTION |
|-----|---------------|--|
| 1 | 129664-03-K28 | EA SEAT - BUCKET - PASSENGER (K28, K29) |
| 1 | 129664-03-K30 | EA SEAT - BUCKET - PASSENGER (K30, K31) |
| 1 | 129664-03-K32 | EA SEAT - BUCKET - PASSENGER (K32, K33) |
| 1 | 129664-03-K34 | EA SEAT - BUCKET - PASSENGER (K34, K35) |
| 1 | 129664-05-K28 | EA SEAT - BUCKET - PASSENGER (LEATHER) |
| 2 | 071126-68-K28 | EA SKIRT - WIDE - 10.5" OPEN CORNER (K28, K29) |
| 2 | 071126-68-K30 | EA SKIRT - WIDE - 10.5" OPEN CORNER (K30, K31) |
| 2 | 071126-68-K18 | EA SKIRT - WIDE - 10.5" OPEN CORNER (K32, K33) |
| 2 | 071126-68-K34 | EA SKIRT - WIDE - 10.5" OPEN CORNER (K34, K35) |
| 2 | 071126-70-K28 | EA SKIRT - WIDE - 10.5" OPEN CORNER (LEATHER) |
| 3 | M05962-84-K28 | EA COVER - BACK (K28, K29) |
| 3 | M05962-84-K30 | EA COVER - BACK (K30, K31) |
| 3 | M05962-84-K32 | EA COVER - BACK (K32, K33) |
| 3 | M05962-84-K34 | EA COVER - BACK (K34, K35) |
| 3 | M05962-86-K28 | EA COVER - BACK - WIDE - BUCKET (LEATHER) |
| 4 | 129666-01-K28 | EA ARMREST - RIGHT HAND (K28, K29) |
| 4 | 129666-01-K30 | EA ARMREST - RIGHT HAND (K30, K31) |
| 4 | 129666-01-K18 | EA ARMREST - RIGHT HAND (K32, K33) |
| 4 | 129666-01-K34 | EA ARMREST - RIGHT HAND (K34, K35) |
| 4 | 129666-03-K28 | EA ARMREST - RIGHT HAND (LEATHER) |
| 4 | P29666-01-K28 | EA COVER - ARMREST - RIGHT HAND (K28, K29) |
| 4 | P29666-01-K30 | EA COVER - ARMREST - RIGHT HAND (K30, K31) |
| 4 | P29666-01-K18 | EA COVER - ARMREST - RIGHT HAND (K32, K33) |
| 4 | P29666-01-K34 | EA COVER - ARMREST - RIGHT HAND (K34, K35) |
| 4 | P29666-03-K28 | EA COVER - ARMREST - RIGHT HAND (LEATHER) |

| KEY | PART NUMBER | U/M DESCRIPTION |
|-----|---------------|---|
| 5 | 129666-02-K28 | EA ARMREST - LEFT HAND (K28, K29) |
| 5 | 129666-02-K30 | EA ARMREST - LEFT HAND (K30, K31) |
| 5 | 129666-02-K32 | EA ARMREST - LEFT HAND (K32, K33) |
| 5 | 129666-02-K34 | EA ARMREST - LEFT HAND (K34, K35) |
| 5 | 129666-04-K28 | EA ARMREST - LEFT HAND (LEATHER) |
| 5 | P29666-02-K28 | EA COVER - ARMREST - LEFT HAND (K28, K29) |
| 5 | P29666-02-K30 | EA COVER - ARMREST - LEFT HAND (K30, K31) |
| 5 | P29666-02-K32 | EA COVER - ARMREST - LEFT HAND (K32, K33) |
| 5 | P29666-02-K34 | EA COVER - ARMREST - LEFT HAND (K34, K35) |
| 5 | P29666-04-K28 | EA COVER - ARMREST - LEFT HAND (LEATHER) |
| 6 | M05962-85-K28 | EA COVER - SEAT (K28, K29) |
| 6 | M05962-85-K30 | EA COVER - SEAT (K30, K31) |
| 6 | M05962-85-K32 | EA COVER - SEAT (K32, K33) |
| 6 | M05962-85-K34 | EA COVER - SEAT (K34, K35) |
| 6 | M05962-87-K28 | EA COVER - SEAT (LEATHER) |
| 7 | 122695-04-01B | EA FRAME - SEAT & HIGH BACK |
| 8 | 117125-01-02B | EA BRACKET - CABLE MOUNT - ADJUSTER W/ LOCK |
| 9 | 119952-04-000 | EA SLIDE/SEAT - HEAVY DUTY LOCKING - 4 STUDS |
| | 119952-07-000 | EA WIRE - LATCH RELEASE/ ROTARY |
| 10 | 107921-05-000 | EA PLATE TOP - W/ SEAT BELT BAR |
| 11 | 107921-06-000 | EA BEARING KIT - PEDESTAL |
| 12 | 107921-01-000 | EA PEDESTAL FLOOR MOUNTED - W/9.75" EXTENSION |
| 13 | 108049-02-000 | EA CLIP - CABLE/ PEDESTAL |
| 14 | 080730-08-000 | EA HANDLE - RECLINER |
| 15 | 080730-09-000 | EA SHIELD - RECLINER HANDLE |
| 16 | 080730-11-000 | EA SHIELD - RUBBER BOOT |
| 17 | 108049-04-000 | EA CABLE - W/SWITCHES - W/26" MINI LEVER ACTION |
| 18 | 127159-02-02B | EA BRACKET - SEAT RELEASE - DUAL REMOTE |

CURTAIN & CUSHION GROUP (CONTINUED)

SWIVEL CHAIR (RECLINER)

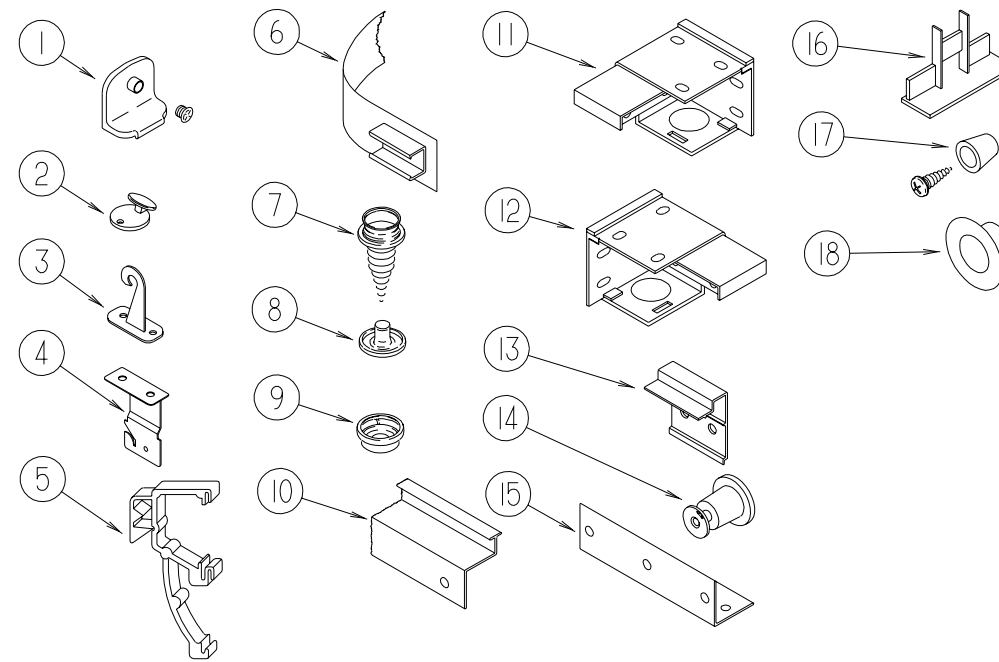


| KEY | PART NUMBER | U/M | DESCRIPTION |
|-----|---------------|-----|--|
| 1 | 130566-01-K28 | EA | CHAIR - INCLINER - W/FOOTREST (K28, K29) |
| 1 | 130566-01-K30 | EA | CHAIR - INCLINER - W/FOOTREST (K30, K31) |
| 1 | 130566-01-K32 | EA | CHAIR - INCLINER - W/FOOTREST (K32, K33) |
| 1 | 130566-01-K34 | EA | CHAIR - INCLINER - W/FOOTREST (K34, K35) |
| 1 | P30566-01-K28 | EA | COVER - CHAIR - INCLINER/W/FOOTREST (K28, K29) |
| 1 | P30566-01-K30 | EA | COVER - CHAIR - INCLINER/W/FOOTREST (K30, K31) |
| 1 | P30566-01-K32 | EA | COVER - CHAIR - INCLINER/W/FOOTREST (K32, K33) |
| 1 | P30566-01-K34 | EA | COVER - CHAIR - INCLINER/W/FOOTREST (K34, K35) |
| 2 | 130690-01-K28 | EA | COVER - HEADREST (K28, K29) |
| 2 | 130690-01-K30 | EA | COVER - HEADREST (K30, K31) |
| 2 | 130690-01-K32 | EA | COVER - HEADREST (K32, K33) |
| 2 | 130690-01-K34 | EA | COVER - HEADREST (K34, K35) |
| | 130691-01-K28 | EA | COVER - ARM CAPS - UNIVERSAL (K28, K29) |
| | 130691-01-K30 | EA | COVER - ARM CAPS - UNIVERSAL (K30, K31) |
| | 130691-01-K32 | EA | COVER - ARM CAPS - UNIVERSAL (K32, K33) |
| | 130691-01-K34 | EA | COVER - ARM CAPS - UNIVERSAL (K34, K35) |
| 3 | 108049-05-000 | EA | FRAME - CABLE - REMOTE RECLINE - W/MINI LEVER ACTION |
| 4 | 129148-11-000 | EA | INCLINER - HANDLE & CABLE |
| 5 | 129164-01-02B | EA | BRACKET - SEAT RELEASE - REMOTE |

| KEY | PART NUMBER | U/M | DESCRIPTION |
|-----|---------------|-----|--|
| 6 | 119952-01-000 | EA | SLIDE - SEAT - HEAVY DUTY NONLOCKING |
| | 007221-01-000 | EA | SPACER - SEAT/ ADJUSTER |
| 7 | 107921-08-000 | EA | TOP PLATE - PEDESTAL - W/O SEATBELT BAR |
| 8 | 107921-06-000 | EA | BEARING KIT - PEDESTAL |
| 9 | 107921-14-000 | EA | PEDESTAL/FLOOR MOUNTED - W/5.75" EXTENSION - MANUAL SEAT |
| | | | FROM: 00-00-00 THRU: 08-02-98 |
| 9 | 107921-07-000 | EA | PEDESTAL BASE |
| | | | FROM: 08-03-98 THRU: 99-99-99 |
| 10 | 108445-02-000 | EA | PLATE/FLOOR MOUNTED - PEDESTAL SEAT |
| 11 | 119952-03-000 | EA | SLIDE - SEAT - HEAVY DUTY LOCKING |
| 12 | 117125-01-02B | EA | BRACKET - CABLE MOUNT - ADJUSTER W/ LOCK |
| 13 | 129162-01-02B | EA | BRACKET - SEAT RELEASE - REMOTE |
| 14 | 108049-04-000 | EA | CABLE - W/SWITCHES - W/26" MINI LEVER ACTION |
| | 108049-02-000 | EA | CLIP - CABLE/ PEDESTAL |
| 15 | 119901-06-000 | EA | FOOT REST - RECLINER |
| 16 | 129148-01-000 | EA | INCLINER - LEFT |
| 17 | 129148-02-000 | EA | INCLINER - RIGHT |
| | 129148-09-000 | EA | INCLINER - CLIP/HAIRPIN - 1 7/16 X .07 |
| 18 | 129148-08-000 | EA | INCLINER - CLIP F/CABLE |
| 19 | 129148-07-000 | EA | INCLINER/BRACKET - F/INCLINE RELEASE CABLE |
| 20 | 129148-03-000 | EA | SPRING - INCLINER |

CURTAIN & CUSHION GROUP (CONTINUED)

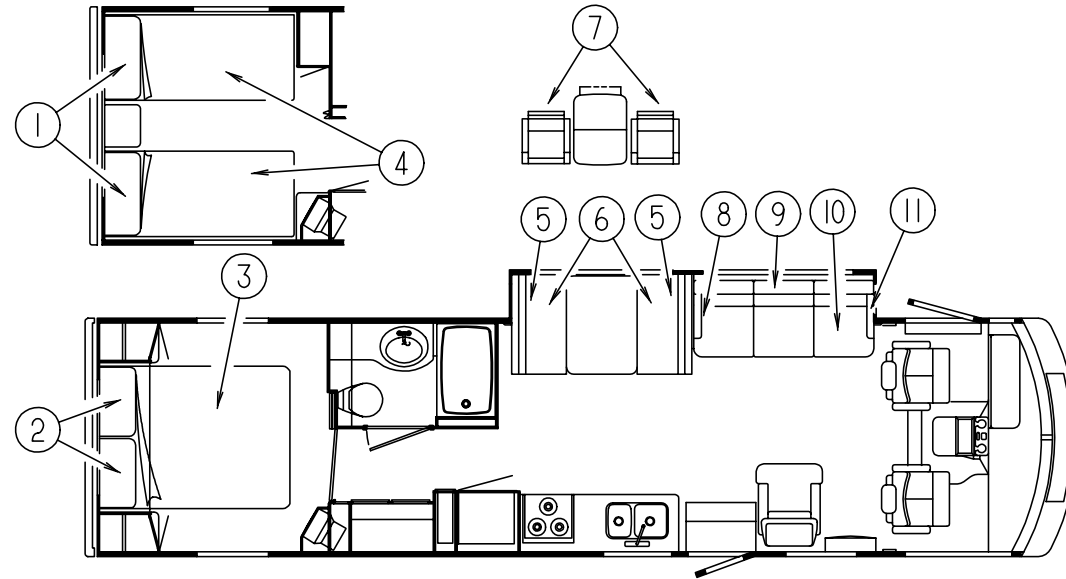
CURTAIN & BLIND HARDWARE



| KEY | PART NUMBER | U/M | DESCRIPTION |
|-----|---------------|-----|---|
| 1 | 106544-01-000 | EA | PULL - SHADE/BRASS |
| | 106544-01-001 | EA | SCREW - SHADE/BRASS |
| 2 | 102555-03-000 | EA | CLEAT - BLIND CORD - MILKY WHITE |
| 3 | 109441-03-000 | EA | HOLD DOWN - BLIND (CLOUDY) |
| 4 | 084434-01-000 | EA | BRACKET - MOUNTING - ROLLER SHADE - 1 3/8" |
| 5 | 109353-04-000 | EA | CLIP - VALANCE SLAT MOUNTING - CLEAR PLASTIC |
| 6 | 101031-01-000 | YD | TAPE - GLIDE/CURTAIN - 4.25" SPACING |
| 7 | 029130-01-000 | EA | SCREW - SNAP SOCKET - #8 PH X 5/8" |
| 8 | 029155-01-000 | EA | CAP - SNAP - 5/32" OUTSIDE DIAMETER OF PIN |
| 9 | 029156-01-000 | EA | SOCKET - SNAP - 9/16" O.D. |
| 10 | 127254-03-02A | EA | TRACK - CURTAIN/RIGHT HAND - ANTELOPE |
| 10 | 127254-04-02A | EA | TRACK - CURTAIN/LEFT HAND - ANTELOPE |
| 11 | 083170-02-000 | EA | BRACKET - BLIND - RIGHT SIDE WHEN FACING WINDOW |
| 12 | 083170-01-000 | EA | BRACKET - BLIND - LEFT SIDE WHEN FACING WINDOW |
| 13 | 097565-01-000 | EA | BRACKET - MOUNTING/PLEATED BLIND |

| KEY | PART NUMBER | U/M | DESCRIPTION |
|-----|---------------|-----|--|
| 14 | 097592-02-000 | EA | SPOOL - CORD - ELEVATED BLIND HOLDUP - LARGE - CLEAR |
| 15 | 105648-01-02A | EA | BRACE - VALANCE - OFF/WHITE - 14" |
| 16 | 094907-02-000 | EA | END CAP - TOP/PLEATED BLIND - PLASTIC - GRAY |
| 17 | 097564-03-000 | EA | HANDLE - KNOB - E-Z LIFT SHADE - TAN |
| 18 | 046867-03-000 | EA | GROMMET - HANDY BUTTON #3 |
| | 048394-02-000 | YD | VELCRO TAPE - HOOK - ADHESIVE BACK - .75" WIDE - BEIGE |
| | 086276-01-000 | EA | TAPE - DOUBLE SIDED - 1/2" |
| | 094896-02-000 | EA | GROMMET - CORD/PLEATED BLIND - NYLON - GRAY |
| | 094907-04-000 | EA | HARDWARE - END CAP BOTTOM - PULL TYPE (RH & LH) |
| | 095567-01-000 | EA | TACK - STRIP - .5" X 625' ROLL |
| | 096843-01-000 | EA | SPRING - REWIND/ROLLER SHADE |
| | 097591-01-000 | EA | SPRING - EXTENSION/PLEATED BLIND |
| | 097593-02-000 | FT | CORD - BLIND - PLEATED - GRAY |
| | 083125-08-000 | EA | BRACE - WINDOW MOUNT - 3/4 - OFF WHITE |
| | 046867-02-000 | EA | WASHER - HANDY BUTTON #3 |

CURTAIN & CUSHION GROUP (CONTINUED)



QUEEN & TWIN BED

| KEY | PART NUMBER | U/M | DESCRIPTION |
|-----|---------------|-----|--|
| 1 | 119249-02-000 | EA | PILLOW - 22" X 37" - TWIN |
| 2 | 119249-01-000 | EA | PILLOW - 20" X 33" - QUEEN |
| 3 | 119141-18-J31 | EA | BEDSPREAD/THROW - 60" X 80" (K28, K29) |
| 3 | 119141-18-K30 | EA | BEDSPREAD/THROW - 60" X 80" (K30, K31) |
| 3 | 119141-26-K32 | EA | BEDSPREAD/THROW - 60" X 80" (K32, K33) |
| 3 | 119141-14-K34 | EA | BEDSPREAD/THROW - 60" X 80" (K34, K35) |
| 3 | 123015-07-000 | EA | MATTRESS - INNERSPRING - 60" X 79.5" |
| 4 | 119141-16-K28 | EA | BEDSPREAD/THROW - 36" X 80" (K28, K29) |
| 4 | 119141-16-K30 | EA | BEDSPREAD/THROW - 36" X 80" (K30, K31) |
| 4 | 119141-22-K33 | EA | BEDSPREAD/THROW - 36" X 80" (K32, K33) |
| 4 | 119141-16-K34 | EA | BEDSPREAD/THROW - 36" X 80" (K34, K35) |
| 4 | 123015-04-000 | EA | MATTRESS - INNERSPRING - 36" X 79.5" |
| | 111862-09-K28 | EA | PILLOW - 15" X 15" (K28, K29) |
| | 111862-09-K30 | EA | PILLOW - 15" X 15" (K30, K31) |
| | 111862-09-K32 | EA | PILLOW - 15" X 15" (K32, K33) |
| | 111862-09-K34 | EA | PILLOW - 15" X 15" (K34, K35) |

DINETTE CUSHIONS

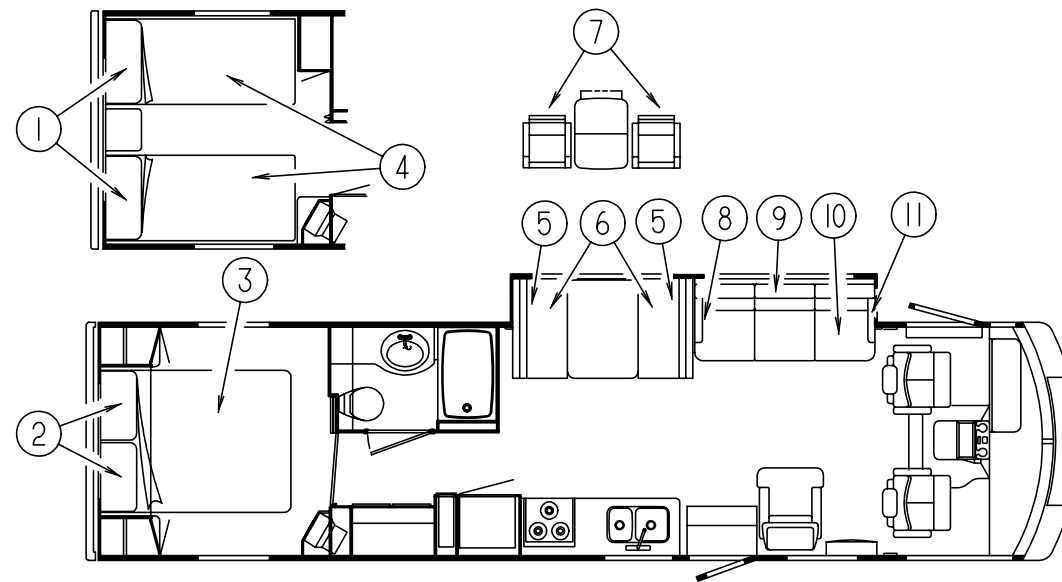
| KEY | PART NUMBER | U/M | DESCRIPTION |
|-----|---------------|-----|--|
| 5 | 111880-05-K28 | EA | CUSHION - BACK - 13.5" X 42" X 5" (K28, K29) |
| 5 | 111880-05-K30 | EA | CUSHION - BACK - 13.5" X 42" X 5" (K30, K31) |
| 5 | 111880-05-K32 | EA | CUSHION - BACK - 13.5" X 42" X 5" (K32, K33) |
| 5 | 111897-05-J10 | EA | CUSHION - BACK - 13.5" X 42" X 5" (K34, K35) |
| 5 | P11880-05-K28 | EA | COVER - BACK - 13.5" X 42" X 5" (K28, K29) |
| 5 | P11880-05-K30 | EA | COVER - BACK - 13.5" X 42" X 5" (K30, K31) |
| 5 | P11880-05-K32 | EA | COVER - BACK - 13.5" X 42" X 5" (K32, K33) |
| 5 | P11897-05-J10 | EA | COVER - BACK - 13.5" X 42" X 5" (K34, K35) |
| 6 | 105603-15-K28 | EA | CUSHION - SEAT - 23" X 42" X 5" (K28, K29) |
| 6 | 105603-15-K30 | EA | CUSHION - SEAT - 23" X 42" X 5" (K30, K31) |
| 6 | 105603-15-K32 | EA | CUSHION - SEAT - 23" X 42" X 5" (K32, K33) |
| 6 | 105603-15-H10 | EA | CUSHION - SEAT - 23" X 42" X 5" (K34, K35) |
| 6 | P05603-15-K28 | EA | COVER - SEAT - 23" X 42" X 5" (K28, K29) |
| 6 | P05603-15-K30 | EA | COVER - SEAT - 23" X 42" X 5" (K30, K31) |
| 6 | P05603-15-K32 | EA | COVER - SEAT - 23" X 42" X 5" (K32, K33) |
| 6 | P05603-15-H10 | EA | COVER - SEAT - 23" X 42" X 5" (K34, K35) |
| | 078155-01-000 | EA | STRAP - SNAP - BACK CUSHION |

DINETTE OPTION

| KEY | PART NUMBER | U/M | DESCRIPTION |
|-----|---------------|-----|---|
| 7 | 101604-01-03A | EA | CHAIR - FOLDING/DINETTE - LINEN FABRIC - WATERFORD OAK |
| 7 | 101604-01-04A | EA | CHAIR - FOLDING/DINETTE - LINEN FABRIC - SOLAR MAPLE (MYSTIC OAK) |
| 7 | 126637-11-000 | EA | CHAIR - DINETTE - SUNSHOWER (K28, K29) |
| 7 | 126637-15-000 | EA | CHAIR - DINETTE - VINTAGE GROVE (K30, K31) |
| 7 | 126637-16-000 | EA | CHAIR - DINETTE - JUNIPER (K32, K33) |
| 7 | 126637-01-000 | EA | CHAIR - DINETTE - CHAMELEON (K34, K35) |
| | 129529-02-000 | EA | STRAP - RETAINER - CHAIR |
| | 129491-01-000 | EA | CATCH - SNAP HOOK - 1" |

CURTAIN & CUSHION GROUP (CONTINUED)

SOFA BED

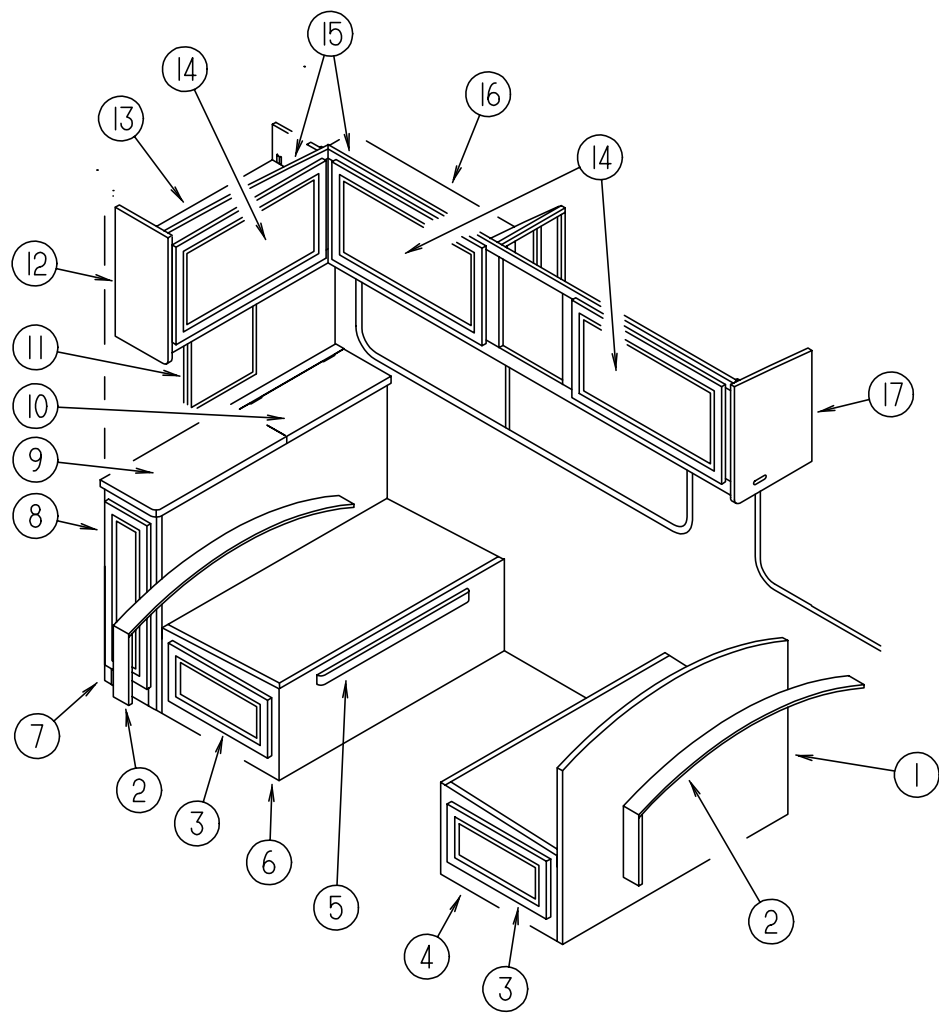


| KEY | PART NUMBER | U/M | DESCRIPTION |
|-----|---------------|-----|--|
| 8 | 127840-01-K28 | EA | PANEL - RIGHT END - SOFA/BED - FABRIC COVERED (K28, K29) |
| 8 | 127840-01-K30 | EA | PANEL - RIGHT END - SOFA/BED - FABRIC COVERED (K30, K31) |
| 8 | 127840-01-K32 | EA | PANEL - RIGHT END - SOFA/BED - FABRIC COVERED (K32, K33) |
| 8 | 127840-01-J10 | EA | PANEL - RIGHT END - SOFA/BED - FABRIC COVERED (K34, K35) |
| 8 | 130718-01-K28 | EA | ARMREST - REMOVABLE/ RIGHT HAND (K28, K29) |
| 8 | 130718-01-K30 | EA | ARMREST - REMOVABLE/ RIGHT HAND (K30, K31) |
| 8 | 130718-01-K32 | EA | ARMREST - REMOVABLE/ RIGHT HAND (K32, K33) |
| 8 | 130718-01-K34 | EA | ARMREST - REMOVABLE/ RIGHT HAND (K34, K35) |
| 8 | P30718-01-K28 | EA | COVER - ARMREST - REMOVEABLE/ RIGHT (K28, K29) |
| 8 | P30718-01-K30 | EA | COVER - ARMREST - REMOVEABLE/ RIGHT (K30, K31) |
| 8 | P30718-01-K32 | EA | COVER - ARMREST - REMOVEABLE/ RIGHT (K32, K33) |
| 8 | P30718-01-K34 | EA | COVER - ARMREST - REMOVEABLE/ RIGHT (K34, K35) |
| 9 | 130573-01-K28 | EA | SOFA/BED - BACK - 74" (K28, K29) |
| 9 | 130573-01-K30 | EA | SOFA/BED - BACK - 74" (K30, K31) |
| 9 | 130573-01-K32 | EA | SOFA/BED - BACK - 74" (K32, K33) |
| 9 | 130573-01-K34 | EA | SOFA/BED - BACK - 74" (K34, K35) |
| 9 | P30573-01-K28 | EA | COVER - BACK - SOFA/BED - 74" (K28, K29) |
| 9 | P30573-01-K30 | EA | COVER - BACK - SOFA/BED - 74" (K30, K31) |
| 9 | P30573-01-K32 | EA | COVER - BACK - SOFA/BED - 74" (K32, K33) |
| 9 | P30573-01-K34 | EA | COVER - BACK - SOFA/BED - 74" (K34, K35) |
| 10 | 130573-02-K28 | EA | SOFA/BED - SEAT - 74" (K28, K29) |
| 10 | 130573-02-K30 | EA | SOFA/BED - SEAT - 74" (K30, K31) |
| 10 | 130573-02-K32 | EA | SOFA/BED - SEAT - 74" (K32, K33) |
| 10 | 130573-02-K34 | EA | SOFA/BED - SEAT - 74" (K34, K35) |
| 10 | P30573-02-K28 | EA | COVER - SEAT - SOFA/BED - 74" (K28, K29) |
| 10 | P30573-02-K30 | EA | COVER - SEAT - SOFA/BED - 74" (K30, K31) |
| 10 | P30573-02-K32 | EA | COVER - SEAT - SOFA/BED - 74" (K32, K33) |
| 10 | P30573-02-K34 | EA | COVER - SEAT - SOFA/BED - 74" (K34, K35) |

| KEY | PART NUMBER | U/M | DESCRIPTION |
|-----|---------------|-----|---|
| 11 | 127840-02-K28 | EA | PANEL - LEFT END - SOFA/BED - FABRIC COVERED (K28, K29) |
| 11 | 127840-02-K30 | EA | PANEL - LEFT END - SOFA/BED - FABRIC COVERED (K30, K31) |
| 11 | 127840-02-K32 | EA | PANEL - LEFT END - SOFA/BED - FABRIC COVERED (K32, K33) |
| 11 | 127840-02-J10 | EA | PANEL - LEFT END - SOFA/BED - FABRIC COVERED (K34, K35) |
| 11 | 130718-02-K28 | EA | ARMREST - REMOVABLE/LEFT HAND (K28, K29) |
| 11 | 130718-02-K30 | EA | ARMREST - REMOVABLE/LEFT HAND (K30, K31) |
| 11 | 130718-02-K32 | EA | ARMREST - REMOVABLE/LEFT HAND (K32, K33) |
| 11 | 130718-02-K34 | EA | ARMREST - REMOVABLE/LEFT HAND (K34, K35) |
| 11 | P30718-02-K28 | EA | COVER - ARMREST - LEFT (K28, K29) |
| 11 | P30718-02-K30 | EA | COVER - ARMREST - LEFT (K30, K31) |
| 11 | P30718-02-K32 | EA | COVER - ARMREST - LEFT (K32, K33) |
| 11 | P30718-02-K34 | EA | COVER - ARMREST - LEFT (K34, K35) |
| | 127335-08-000 | EA | BRACKET - REMOVABLE ARM/COUCH |
| | 127335-09-000 | EA | BRACKET - REMOVABLE ARM/CUSHION |
| | 116104-03-02B | EA | BRACKET - ZEE W/HOLES - 5.9" |
| | 116104-04-02B | EA | BRACKET - ZEE W/HOLES - 3.2" |
| | 120992-07-K28 | EA | PANEL - FRONT KICK - SOFA/BED - FABRIC COVERED (K28, K29) |
| | 120992-07-K30 | EA | PANEL - FRONT KICK - SOFA/BED - FABRIC COVERED (K30, K31) |
| | 120992-07-K32 | EA | PANEL - FRONT KICK - SOFA/BED - FABRIC COVERED (K32, K33) |
| | 120992-07-K34 | EA | PANEL - FRONT KICK - SOFA/BED - FABRIC COVERED (K34, K35) |
| | 121906-01-02B | EA | BRACKET - KICKBOARD - E-COATED |
| | 111637-02-K28 | EA | PILLOW - 21" X 21" (K28, K29) |
| | 111637-02-K30 | EA | PILLOW - 21" X 21" (K30, K31) |
| | 111637-02-K32 | EA | PILLOW - 21" X 21" (K32, K33) |
| | 111637-02-K34 | EA | PILLOW - 21" X 21" (K34, K35) |
| | 127335-12-000 | EA | FRAME-10" LEG |

DINETTE GROUP

DINETTE WITH OVERHEAD CABINETS

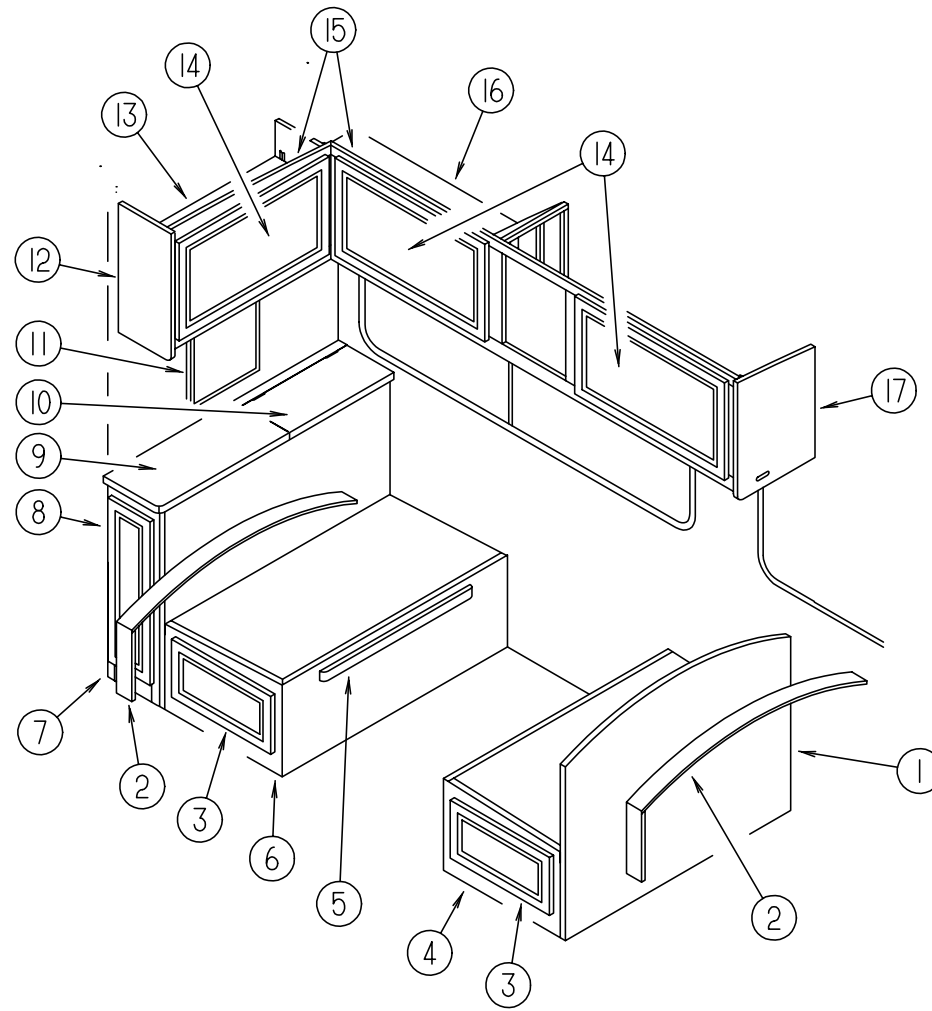


| KEY | PART NUMBER | U/M DESCRIPTION |
|-----|---------------|--|
| 1 | M07514-01-H17 | EA CABINET - SEATBACK - RH (WATERFORD OAK) |
| 1 | M07514-01-K29 | EA CABINET - SEATBACK - RH (MYSTIC OAK) |
| 2 | 104787-08-J21 | EA PAD - DINETTE SEATBACK (K28, K29) |
| 2 | 104787-08-K30 | EA PAD - DINETTE SEATBACK (K30, K31) |
| 2 | 104787-08-F11 | EA PAD - DINETTE SEATBACK (K32, K33) |
| 2 | 104787-08-H50 | EA PAD - DINETTE SEATBACK (K34, K35) |
| 3 | M05971-35-K28 | EA DRAWER - OGEE - 16.9" X 21.6"D - W/O SLIDES/HDW (WATERFORD OAK) |
| 3 | M05971-35-K29 | EA DRAWER - OGEE - 16.9" X 21.6"D - W/O SLIDES/HDW (MYSTIC OAK) |
| 4 | M07515-01-G15 | EA CABINET - SEATBASE/RH - W/O DRAWER/HDW (WATERFORD OAK) |
| 4 | M07515-01-K29 | EA CABINET - SEATBASE/RH - W/O DRAWER/HDW (MYSTIC OAK) |
| 5 | 081295-01-G01 | EA SUPPORT - BED/DINETTE - 28" LONG (WATERFORD OAK) |
| 5 | 081295-01-H37 | EA SUPPORT - BED/DINETTE - 28" LONG (MYSTIC OAK) |
| 6 | M07515-02-G15 | EA CABINET - SEATBASE/LH - W/O DRAWER/HDW (WATERFORD OAK) |
| 6 | M07515-02-K29 | EA CABINET - SEATBASE/LH - W/O DRAWER/HDW (MYSTIC OAK) |

| KEY | PART NUMBER | U/M DESCRIPTION |
|-----|---------------|---|
| 7 | 126625-01-J26 | EA CABINET - STORAGE - W/CTRTP - W/O DOORS/HDW (K28, K30, K34) |
| 7 | 126625-01-K29 | EA CABINET - STORAGE - W/CTRTP - W/O DOORS/HDW (K29, K31, K35) |
| 7 | 126625-01-K29 | EA CABINET - STORAGE - W/CTRTP - W/O DOORS/HDW (K32) |
| 7 | 126625-01-K33 | EA CABINET - STORAGE - W/CTRTP - W/O DOORS/HDW (K33) |
| 7 | 122325-05-K32 | EA CABINET - PANTRY/LH SLIDING - W/O SLIDES/HDW (WATERFORD OAK) |
| 7 | 122325-05-K29 | EA CABINET - PANTRY/LH SLIDING - W/O SLIDES/HDW (MYSTIC OAK) |
| | 122325-14-J22 | EA SHELF - W/EDGE MOLDING (WATERFORD OAK) |
| | 122325-14-K29 | EA SHELF - W/EDGE MOLDING (MYSTIC OAK) |
| | 122360-02-000 | EA SLIDE - PANTRY - W/O LOCK - RIGHT/LH |
| | 122360-03-000 | EA SLIDE - PANTRY - W/LOCK - RH |
| | 123673-01-01A | EA KNOB - PANTRY SLIDE |
| 8 | 131995-M2-K28 | EA DOOR - RAIL/SOLID PANEL - 7.9" X 26.3" - W/O HDW (WATERFORD OAK) |
| 8 | 131995-M2-K29 | EA DOOR - RAIL/SOLID PANEL - 7.9" X 26.3" - W/O HDW (MYSTIC OAK) |

DINETTE GROUP

DINETTE WITH OVERHEAD CABINETS (CONTINUED)

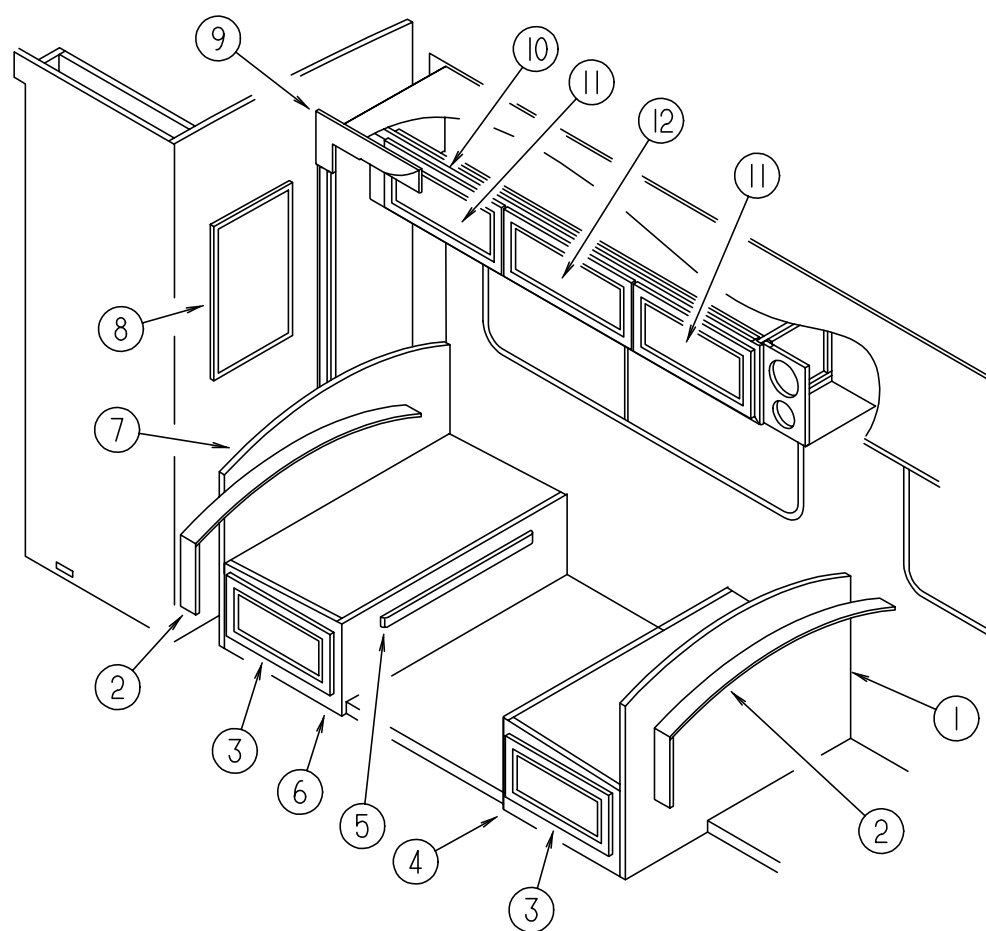


| KEY | PART NUMBER | U/M DESCRIPTION |
|-----|---------------|---|
| 9 | 126625-14-J26 | EA CTRTP - STORAGE CABINET (K28, K29, K30, K31, K34, K35) |
| 9 | 126625-14-J23 | EA CTRTP - STORAGE CABINET (K32, K33) |
| 10 | 126625-15-J26 | EA DOOR - STORAGE CABINET - 8.7" X 19.4" - W/O HDW (K28, K29, K30, K31, K34, K35) |
| 10 | 126625-15-J23 | EA DOOR - STORAGE CABINET - 8.7" X 19.4" - W/O HDW (K32, K33) |
| 11 | 131494-01-01A | EA MIRROR - BEVELED - 24" X 36" |
| 12 | 103128-20-J22 | EA END CAP - OVHD CABINET - LH (WATERFORD OAK) |
| 12 | 103128-20-K29 | EA END CAP - OVHD CABINET - LH (MYSTIC OAK) |
| 13 | 130695-14-K32 | EA SHELF - W/PLASTIC EDGE TRIM (WATERFORD OAK) |
| 13 | 130695-14-K29 | EA SHELF - W/PLASTIC EDGE TRIM (MYSTIC OAK) |
| 14 | 131995-D4-K28 | EA DOOR - RAIL/SOLID PANEL - 15.7" X 27.9" - W/O HDW (WATERFORD OAK) |
| 14 | 131995-D4-K29 | EA DOOR - RAIL/SOLID PANEL - 15.7" X 27.9" - W/O HDW (MYSTIC OAK) |
| 15 | 130695-01-K28 | EA CABINET - OVHD/DINETTE/LH - W/O DOORS/HDW (WATERFORD OAK) |
| 15 | 130695-01-K29 | EA CABINET - OVHD/DINETTE/LH - W/O DOORS/HDW (MYSTIC OAK) |
| 15 | 130695-01-K30 | EA CABINET - OVHD/DINETTE/LH - W/O DOORS/HDW (WATERFORD OAK) |
| 15 | 130695-01-K31 | EA CABINET - OVHD/DINETTE/LH - W/O DOORS/HDW (MYSTIC OAK) |
| 15 | 130695-01-K32 | EA CABINET - OVHD/DINETTE/LH - W/O DOORS/HDW (WATERFORD OAK) |
| 15 | 130695-01-K33 | EA CABINET - OVHD/DINETTE/LH - W/O DOORS/HDW (MYSTIC OAK) |
| 15 | 130695-01-K34 | EA CABINET - OVHD/DINETTE/LH - W/O DOORS/HDW (WATERFORD OAK) |
| 15 | 130695-01-K35 | EA CABINET - OVHD/DINETTE/LH - W/O DOORS/HDW (MYSTIC OAK) |

| KEY | PART NUMBER | U/M DESCRIPTION |
|-----|---------------|--|
| 15 | 130695-02-K28 | EA CABINET - OVHD/DINETTE/LH - W/O DOORS/HDW (F/SND SYS) (WATERFORD OAK) |
| 15 | 130695-02-K29 | EA CABINET - OVHD/DINETTE/LH - W/O DOORS/HDW (F/SND SYS) (MYSTIC OAK) |
| 15 | 130695-02-K30 | EA CABINET - OVHD/DINETTE/LH - W/O DOORS/HDW (F/SND SYS) (WATERFORD OAK) |
| 15 | 130695-02-K31 | EA CABINET - OVHD/DINETTE/LH - W/O DOORS/HDW (F/SND SYS) (MYSTIC OAK) |
| 15 | 130695-02-K32 | EA CABINET - OVHD/DINETTE/LH - W/O DOORS/HDW (F/SND SYS) (WATERFORD OAK) |
| 15 | 130695-02-K33 | EA CABINET - OVHD/DINETTE/LH - W/O DOORS/HDW (F/SND SYS) (MYSTIC OAK) |
| 15 | 130695-02-K34 | EA CABINET - OVHD/DINETTE/LH - W/O DOORS/HDW (F/SND SYS) (WATERFORD OAK) |
| 15 | 130695-02-K35 | EA CABINET - OVHD/DINETTE/LH - W/O DOORS/HDW (F/SND SYS) (MYSTIC OAK) |
| 16 | 130695-15-K32 | EA SHELF - W/PLASTIC EDGE TRIM (WATERFORD OAK) |
| 16 | 130695-15-K29 | EA SHELF - W/PLASTIC EDGE TRIM (MYSTIC OAK) |
| 17 | 103128-16-H13 | EA END CAP - OVHD CABINET - RH (WATERFORD OAK) |
| 17 | 103128-16-K29 | EA END CAP - OVHD CABINET - RH (MYSTIC OAK) |
| | 122021-01-02A | EA ANGLE - W/HOLES - 8.6" LONG - OFF WHITE |
| | 122021-02-02A | EA ANGLE - W/HOLES - 13.7" LONG - OFF WHITE |

DINETTE GROUP (CONTINUED)

DINETTE (SLIDOUT OPTION)

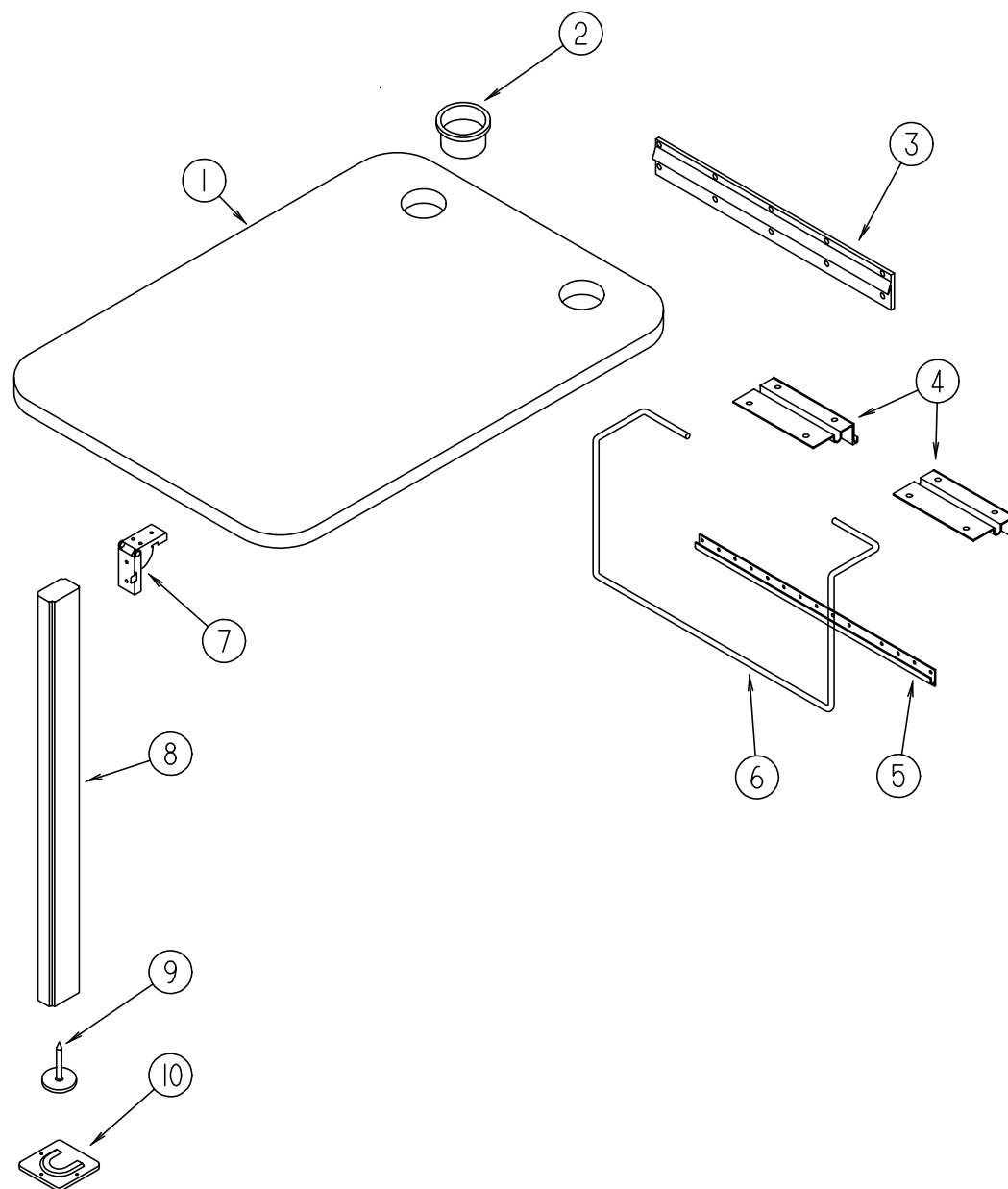


| KEY | PART NUMBER | U/M | DESCRIPTION |
|-----|---------------|-----|---|
| 1 | M08755-01-J22 | EA | CABINET - SEATBACK - RH (WATERFORD OAK) |
| 1 | M08755-01-K29 | EA | CABINET - SEATBACK - RH (MYSTIC OAK) |
| 2 | 104787-08-J21 | EA | PAD - DINETTE SEATBACK (K28, K29) |
| 2 | 104787-08-K30 | EA | PAD - DINETTE SEATBACK (K30, K31) |
| 2 | 104787-08-F11 | EA | PAD - DINETTE SEATBACK (K32, K33) |
| 2 | 104787-08-H50 | EA | PAD - DINETTE SEATBACK (K34, K35) |
| 3 | M05971-35-K28 | EA | DRAWER - OGEE - 16.9" X 21.6"D - W/O SLIDES/HDW (WATERFORD OAK) |
| 3 | M05971-35-K29 | EA | DRAWER - OGEE - 16.9" X 21.6"D - W/O SLIDES/HDW (MYSTIC OAK) |
| 4 | M08756-01-J22 | EA | CABINET - SEATBASE - RH - W/O DRAWER/HDW (WATERFORD OAK) |
| 4 | M08756-01-K29 | EA | CABINET - SEATBASE - RH - W/O DRAWER/HDW (MYSTIC OAK) |
| 5 | 081295-01-G01 | EA | SUPPORT - BED/DINETTE - 28" LONG (WATERFORD OAK) |
| 5 | 081295-01-H37 | EA | SUPPORT - BED/DINETTE - 28" LONG (MYSTIC OAK) |
| 6 | M08756-02-J22 | EA | CABINET - SEATBASE - LH - W/O DRAWER/HDW (WATERFORD OAK) |
| 6 | M08756-02-K29 | EA | CABINET - SEATBASE - LH - W/O DRAWER/HDW (MYSTIC OAK) |

| KEY | PART NUMBER | U/M | DESCRIPTION |
|-----|---------------|-----|--|
| 7 | M08755-02-J22 | EA | CABINET - SEATBACK - LH (WATERFORD OAK) |
| 7 | M08755-02-K29 | EA | CABINET - SEATBACK - LH (MYSTIC OAK) |
| 8 | 131494-01-01A | EA | MIRROR - BEVELED - 24" X 36" |
| 9 | 115811-20-K28 | EA | OVERLAY - NOVEAU - 7.5" X 23.75" - LH (K28, K29) |
| 9 | 115811-20-K30 | EA | OVERLAY - NOVEAU - 7.5" X 23.75" - LH (K30, K31) |
| 9 | 115811-20-K32 | EA | OVERLAY - NOVEAU - 7.5" X 23.75" - LH (K32, K33) |
| 9 | 115811-20-K34 | EA | OVERLAY - NOVEAU - 7.5" X 23.75" - LH (K34, K35) |
| 10 | 126310-01-J22 | EA | CABINET - OVHD/DINETTE - W/O DOORS/HDW (WATERFORD OAK) |
| 10 | 126310-01-K29 | EA | CABINET - OVHD/DINETTE - W/O DOORS/HDW (MYSTIC OAK) |
| 10 | 126310-02-J22 | EA | CABINET - OVHD/DINETTE - W/O DOORS/HDW (W/SND SYS) (WATERFORD OAK) |
| 10 | 126310-02-K29 | EA | CABINET - OVHD/DINETTE - W/O DOORS/HDW (W/SND SYS) (MYSTIC OAK) |
| 11 | 131995-41-K28 | EA | DOOR - RAIL/SOLID PANEL - 10.8" X 21.8" - W/O HDW (WATERFORD OAK) |
| 11 | 131995-41-K29 | EA | DOOR - RAIL/SOLID PANEL - 10.8" X 21.8" - W/O HDW (MYSTIC OAK) |
| 12 | 131995-44-K28 | EA | DOOR - RAIL/SOLID PANEL - 10.8" X 23.8" - W/O HDW (WATERFORD OAK) |
| 12 | 131995-44-K29 | EA | DOOR - RAIL/SOLID PANEL - 10.8" X 23.8" - W/O HDW (MYSTIC OAK) |

DINETTE GROUP (CONTINUED)

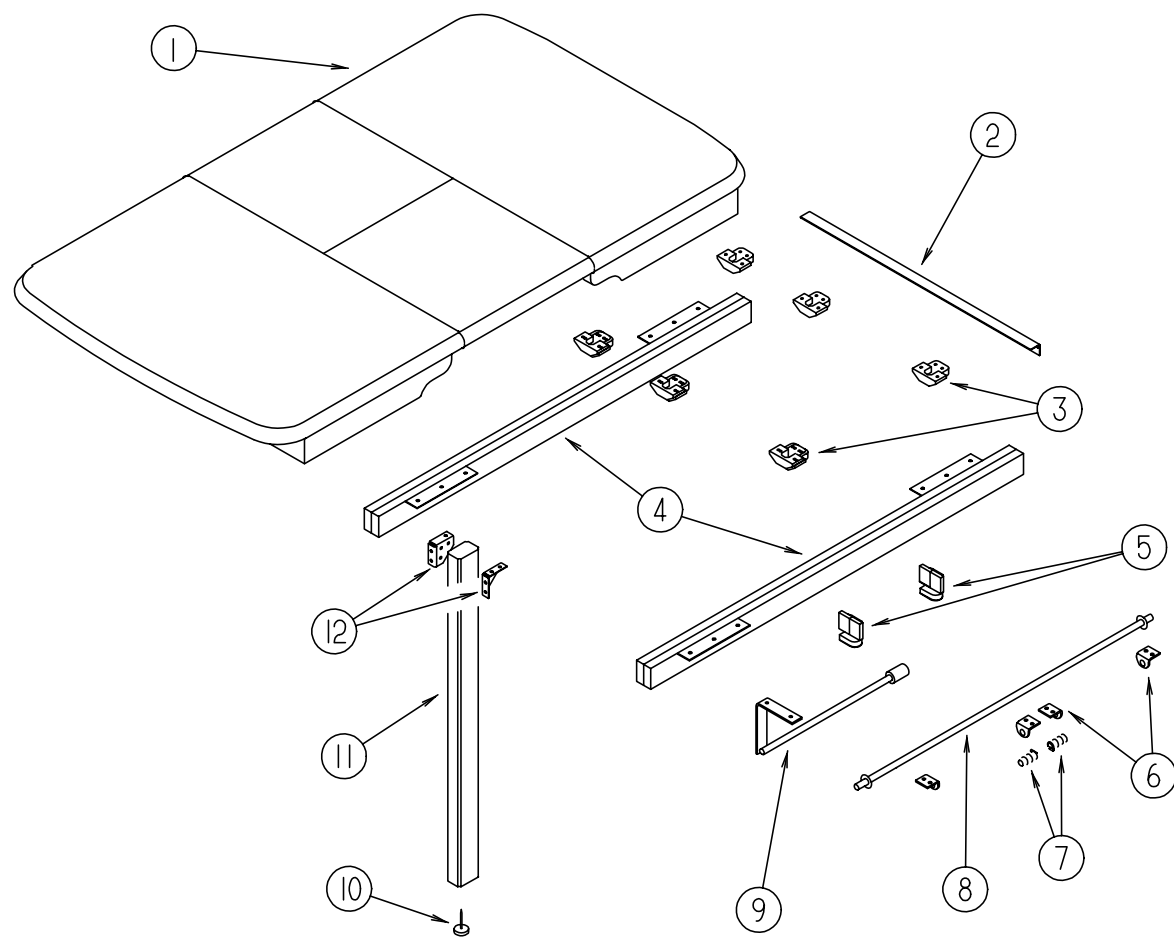
DINETTE TABLE ASM.



| KEY | PART NUMBER | U/M DESCRIPTION |
|-----|---------------|--|
| 1 | 127121-20-J26 | EA TABLE TOP ONLY (K28, K29, K30, K31, K34, K35) |
| 1 | 127121-20-K32 | EA TABLE TOP ONLY (K32, K33) |
| 2 | 064781-06-000 | EA HOLDER - CUP TWO STEP - OFF WHITE |
| 3 | 053200-12-000 | EA BRACKET - TABLE SUPPORT - UPPER WALL MOUNTED 23.50" |
| 4 | 088410-02-000 | EA BRACKET - LIFT - TABLE MOUNTED |
| 5 | 024281-14-000 | EA BRACKET - LIFT ROD LOWER WALL MOUNTED - 22.12" |
| 6 | 024275-12-000 | EA ROD - TABLE LIFT |

| KEY | PART NUMBER | U/M DESCRIPTION |
|-----|---------------|--|
| 7 | 093550-01-000 | EA BRACKET - HINGE - MOUNTS TO LEG & TABLE TOP - 1.7" X 2.6" |
| 8 | 092707-04-05A | EA LEG - TABLE - W/O HARDWARE - 27" - WATERFORD OAK |
| 8 | 092707-04-03A | EA LEG - TABLE - W/O HARDWARE - 27" - PICKLED ASH |
| 9 | 092593-01-05A | EA CATCH - TABLE LEG - OFF/WHITE |
| 10 | 049493-12-000 | EA CATCH - TABLE LEG - FLOOR MOUNTED - OFF WHITE |
| 10 | 049493-11-700 | EA CATCH - TABLE LEG - E-COAT |
| | 004354-01-000 | EA BUMPER - RUBBER - .5" DIA - BROWN |

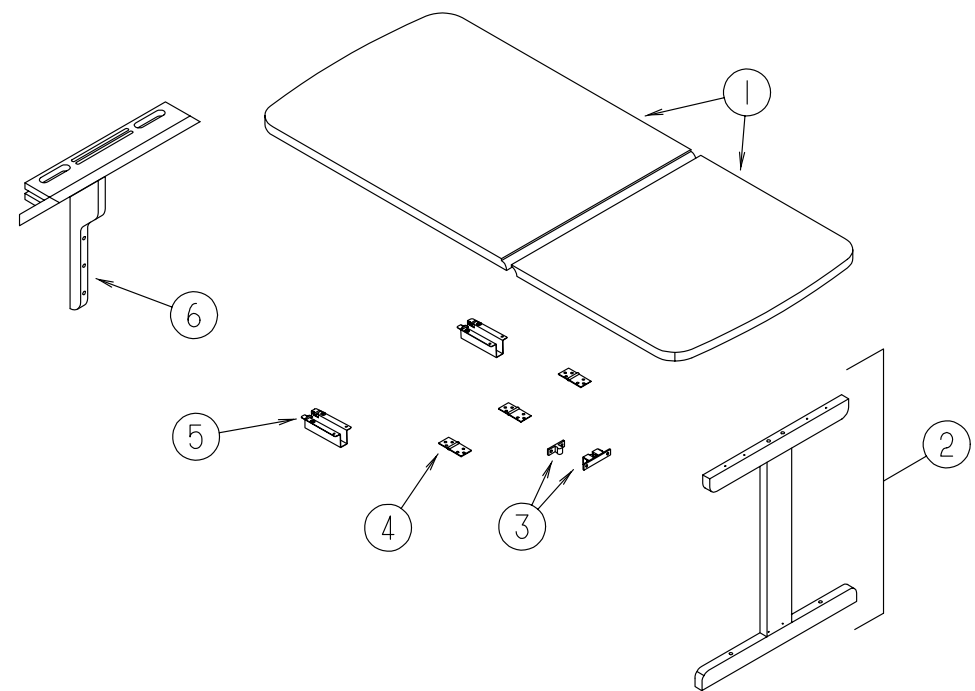
DINETTE GROUP (CONTINUED)



DINETTE TABLE ASM. W/ DROP LEAF

| KEY | PART NUMBER | U/M | DESCRIPTION |
|-----|---------------|-----|---|
| | P18322-03-K30 | EA | TABLE - PULLOUT/SELF STORING - W/O HARDWARE (K28, K30, K34) |
| | P18322-03-K29 | EA | TABLE - PULLOUT/SELF STORING - W/O HARDWARE (K29, K31, K35) |
| | P18322-03-K32 | EA | TABLE - PULLOUT/SELF STORING - W/O HARDWARE (K32) |
| | P18322-03-K33 | EA | TABLE - PULLOUT/SELF STORING - W/O HARDWARE (K33) |
| 1 | 118322-20-J91 | EA | TABLE TOP ONLY (K28, K29, K30, K31, K34, K35) |
| 1 | 118322-20-K32 | EA | TABLE TOP ONLY (K32, K33) |
| 2 | 041389-18-000 | EA | HINGE - PIANO - 1 1/2" X 19" - OFF WHITE |
| 3 | 009050-02-000 | EA | LEVELER - TABLE TOP - MALE END W/4 SCREWS - PLASTIC |
| 3 | 009050-03-000 | EA | LEVELER - TABLE TOP - FEMALE END W/2 SCREWS - PLASTIC |
| 4 | 110749-01-000 | EA | SLIDE/EXTENSION - 19 3/4" TO 33 1/4" |
| 5 | 108663-01-000 | EA | HINGE - LEAF - FOLDING |
| 6 | 108874-01-000 | EA | BRACKET - HINGE - TABLE LEAF |
| 7 | 108664-01-000 | EA | SPRING - COMPRESSION - .51" X 1.96" |
| 8 | 108932-01-000 | EA | ROD - PIVOT |
| 9 | 108905-01-000 | EA | SUPPORT - TABLE LEAF |
| 10 | 102194-01-000 | EA | GUIDE - PLASTIC |
| 11 | 092707-07-05A | EA | LEG - TABLE - W/O HARDWARE - 27.8" - WATERFORD OAK |
| 11 | 092707-07-02A | EA | LEG - TABLE - W/O HARDWARE - 27.8" - PICKLED ASH |
| 12 | 102810-01-04A | EA | BRACE - TABLE LEG - BLACK |
| 12 | 102810-01-03A | EA | BRACE - TABLE LEG - MILL |

DINETTE GROUP (CONTINUED)

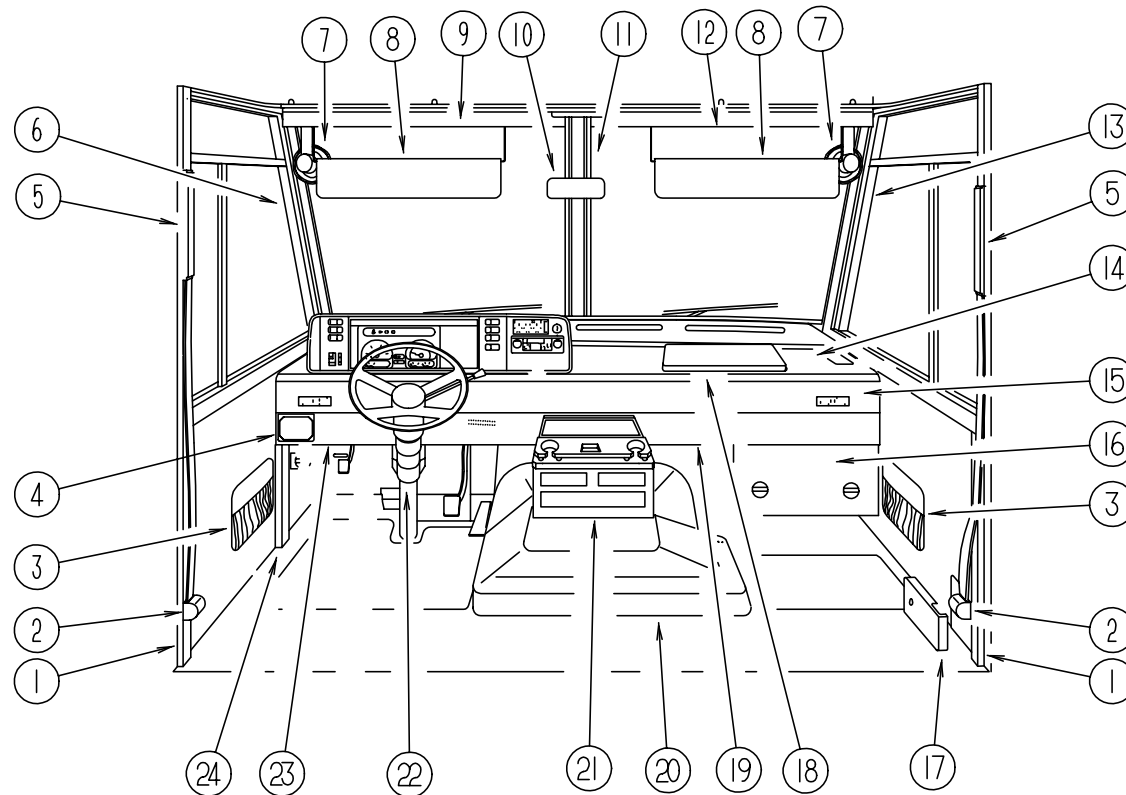


DINETTE TABLE ASM. W/ DROP LEAF

| KEY | PART NUMBER | U/M | DESCRIPTION |
|-----|---------------|-----|--|
| 1 | 120898-28-K28 | EA | TABLE TOP ONLY (WATERFORD OAK) |
| 1 | 120898-28-K29 | EA | TABLE TOP ONLY (MYSTIC OAK) |
| 2 | 120898-24-H17 | EA | LEG - W/O HARDWARE (WATERFORD OAK) |
| 2 | 120898-24-K29 | EA | LEG - W/O HARDWARE (MYSTIC OAK) |
| 3 | 084451-01-000 | EA | CATCH - BRASS |
| 4 | 120972-01-01A | EA | HINGE - TABLE/DROP LEAF |
| 5 | 120973-01-000 | EA | SUPPORT - TABLE/DROP LEAF - PAIR |
| 6 | 120898-25-H07 | EA | MOUNT - WALL - DROP LEAF TABLE (WATERFORD OAK) |
| 6 | 120898-25-K29 | EA | MOUNT - WALL - DROP LEAF TABLE (MYSTIC OAK) |

DRIVERS COMPARTMENT GROUP

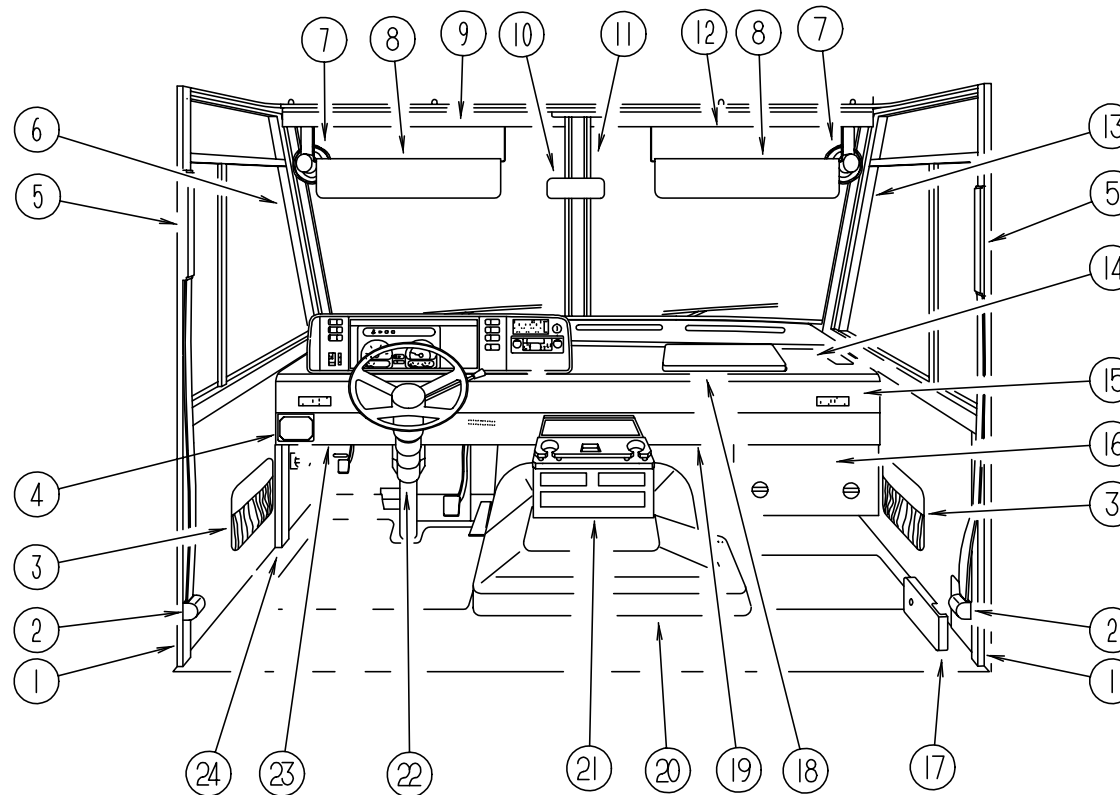
LOWER DRIVER COMPARTMENT



| KEY | PART NUMBER | U/M | DESCRIPTION | VENDOR NO. | KEY | PART NUMBER | U/M | DESCRIPTION |
|-----|---------------|-----|--|------------|-----|---------------|-----|--|
| 1 | 024700-51-000 | EA | COVER - ROLL BAR - 88" - OFF WHITE | | 6 | 125508-02-01A | EA | TRIM - A-PILLAR - INTERIOR - ANTELOPE |
| | 126701-01-03A | EA | COVER - ASSIST HANDLE - OFF WHITE | | 6 | 123045-11-02A | EA | BACKING - SCREW - ANTELOPE |
| 2 | 091990-05-01A | EA | SEAT BELT/SHOULDER HARNESS - DR/PASSENGER - BLACK | | 7 | 122856-01-01A | EA | FAN- DEFROSTER-2 SPEED W/SWIVEL BASE/NON-OSCILATING-CHROME |
| | 127598-01-01A | EA | ADJUSTER - SEATBELT - D-LOOP - ADJUSTER | | 8 | 123298-02-04A | EA | SUNVISOR - 10.5" X 28.5" |
| | 127598-02-000 | EA | NUT - HEX FLANGE - M10 X 1.5 - CLASS 10 | | 9 | 118453-04-01A | EA | TRIM - WINDSHIELD - INNER/TOP/DR |
| | 128444-01-000 | EA | WASHER - SPRING - CONICAL | | 10 | 040714-01-000 | EA | MIRROR - REAR VIEW/ARM MOUNT & SET SCREW |
| | 091990-05-700 | EA | SLEEVE/BUCKLE COVER - PLASTIC | 209S-2 | 10 | 067490-01-000 | EA | BUTTON - MIRROR/REAR VIEW |
| | 091990-05-701 | EA | CAP/COVER - BOLT HOLE COVER | 209SC-02 | 11 | 118452-04-01A | EA | TRIM - WINDSHIELD - CENTER |
| | 091990-05-702 | EA | SLEEVE/RETRACTABLE COVER | 309C-02 | 12 | 118453-03-01A | EA | TRIM - WINDSHIELD - INNER/TOP/PASSENGER |
| | 091990-01-701 | EA | EXTENDER 9" FOR A8408 3 PT | I-1331-02 | 13 | 125508-01-01A | EA | TRIM - A-PILLAR - INTERIOR - ANTELOPE |
| 3 | 086120-01-J21 | EA | PAD - MAP POCKET - 12" X 16" (K28, K29) | | 13 | 123045-11-02A | EA | BACKING - SCREW - ANTELOPE |
| 3 | 086120-01-K30 | EA | PAD - MAP POCKET - 12" X 16" (K30, K31) | | 14 | P30276-01-000 | EA | DASH - W/O VINYL - E-COATED (FORD) (W/ DR DOR) |
| 3 | 086120-01-G30 | EA | PAD - MAP POCKET - 12" X 16" (K32, K33) | | 14 | P30276-02-000 | EA | DASH - W/O VINYL - E-COATED (FORD) (W/O DR DOR) |
| 3 | 086120-01-J30 | EA | PAD - MAP POCKET - 12" X 16" (K34, K35) | | 14 | P30276-05-000 | EA | DASH - W/O VINYL - E-COATED (CHEVEY) (W/ DR DOR) |
| 4 | 112236-02-J22 | EA | BEZEL - F/SLIDEOUT ROOM CONTROL | | 14 | P30276-06-000 | EA | DASH - W/O VINYL - E-COATED (CHEVEY) (W/O DR DOR) |
| 4 | 116220-01-000 | EA | APPLIQUE - SWITCH/SLIDEOUT | | 14 | 106569-11-01A | EA | VINYL - LAMINATE - ALLANTE ANTELOPE - 1/4" X 21" X 100" |
| 4 | 108357-06-000 | EA | SWITCH - ROCKER DPDT - MOM/OFF/MOM - 6 TERMINAL | | 15 | 104354-09-08A | EA | APPLIQUE - LWR DASH (ADVENTURER) |
| 4 | 108356-02-01A | EA | COVER/ACTUATOR SWITCH - 2 ROWS DIMPLES- CONTURA II - BLACK | | | | | |
| 4 | 081994-09-000 | EA | PLATE - SWITCH - F/SLIDEOUT | | | | | |
| 5 | 127798-01-01A | EA | COVER - SLIDE - INNER - BLACK - 1.5" X 11.4" | | | | | |
| 5 | 127721-01-01A | EA | COVER - SLIDE - OFF WHITE | | | | | |

DRIVERS COMPARTMENT GROUP

LOWER DRIVER COMPARTMENT (CONTINUED)

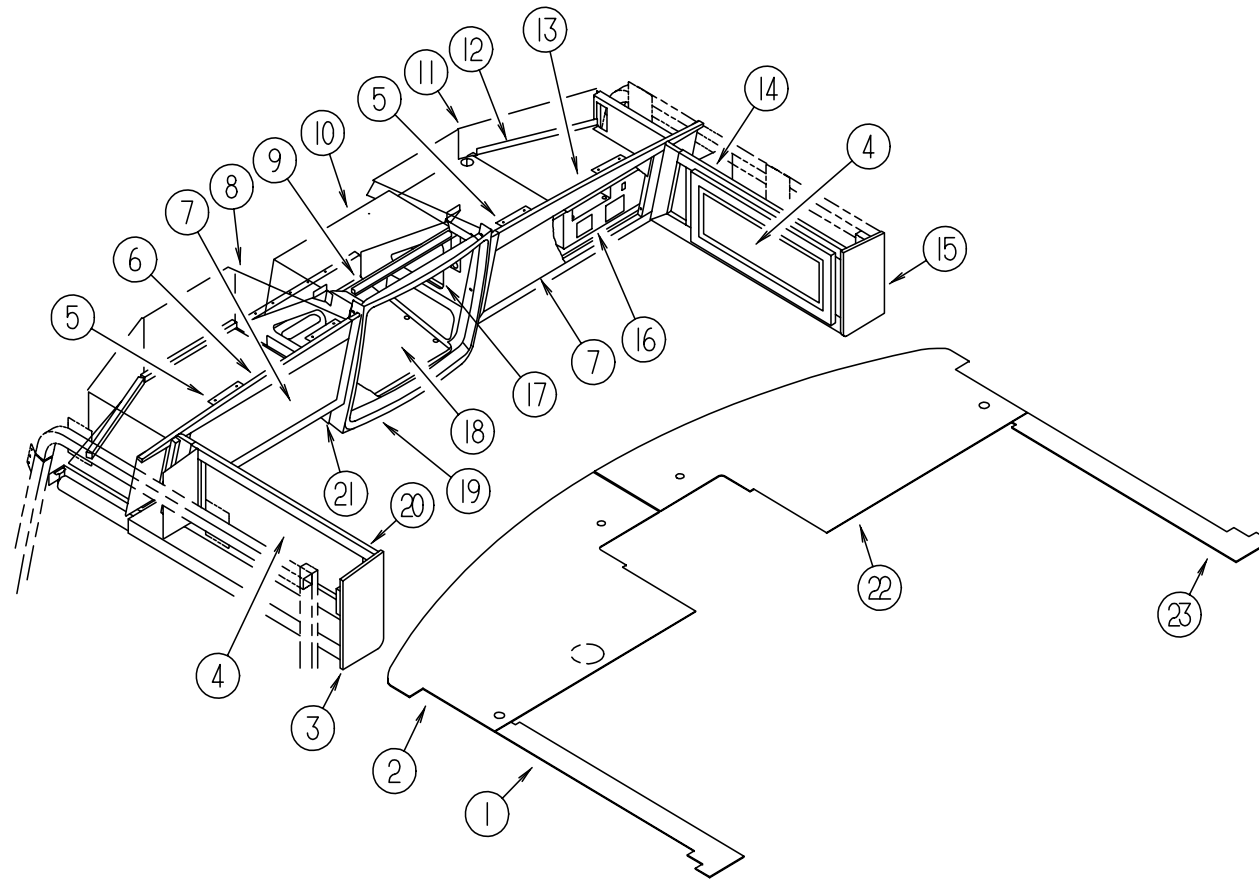


| KEY | PART NUMBER | U/M | DESCRIPTION |
|-----|---------------|-----|---|
| 16 | 095757-05-G16 | EA | COVER - HEATER (K28, K29) |
| 16 | 095757-05-K30 | EA | COVER - HEATER (K30, K31) |
| 16 | 095757-05-J17 | EA | COVER - HEATER (K32, K33) |
| 16 | 095757-05-J51 | EA | COVER - HEATER (K34, K35) |
| 17 | 103961-03-01A | EA | COVER - BRACKET - SEATBELT/OFF WHITE |
| 18 | 127692-01-J20 | EA | TABLE - DASH |
| 18 | 127597-01-000 | EA | SLIDE - WORK STATION - DASH |
| 19 | 114620-05-04A | EA | TRIM - LWR DASH - GM - 96" - ANTELOPE - W/ELEC MIRRORS - W/O DR DOR |
| 19 | 114620-08-02A | EA | TRIM - LWR DASH - GM - 96" - ANTELOPE - W/O ELEC MIRRORS - W/O DR DOR |
| 19 | 114620-09-02A | EA | TRIM - LWR DASH - GM - 96" - ANTELOPE - W/ELEC MIRRORS - W/DRDOR |
| 19 | 114620-11-02A | EA | TRIM - LWR DASH - GM - 96" - ANTELOPE - W/O ELEC MIRRORS - W/DRDOR |
| 19 | 111528-07-04A | EA | TRIM - LWR DASH - PASSENGER - FORD - ANTELOPE |
| 20 | 115840-03-01A | EA | COVER - MOTOR - W/O CARPET - FORD FROM: 00-00-00 THRU: 05-05-99 |
| 20 | 129099-03-01A | EA | COVER - MOTOR - W/O CARPET - FORD FROM: 05-06-99 THRU: 99-99-99 |
| 20 | 115840-02-01A | EA | COVER - MOTOR - W/O CARPET (CHEVY) |

| KEY | PART NUMBER | U/M | DESCRIPTION |
|-----|---------------|-----|---|
| 21 | 126680-01-H17 | EA | TRAY - BEV - W/SHELF/CUPHOLDERS - W/O DRAWER (FORD) (WATERFORD OAK) |
| 21 | 126680-01-K29 | EA | TRAY - BEV - W/SHELF/CUPHOLDERS - W/O DRAWER (FORD) (MYSTIC OAK) |
| 21 | 126680-02-H17 | EA | TRAY - BEV - W/SHELF/CUPHOLDERS - W/O DRAWER (CHEVY) (WATERFORD OAK) |
| 21 | 126680-02-K29 | EA | TRAY - BEV - W/SHELF/CUPHOLDERS - W/O DRAWER (CHEVY) (MYSTIC OAK) |
| | 130111-01-01A | EA | COVER - STEERING COLUMN - BLACK (FORD) - UPPER FROM: 00-00-00 THRU: 01-17-99 |
| | 131804-01-01A | EA | COVER - STEERING COLUMN - BLACK (FORD) - UPPER & SIDES FROM: 02-04-99 THRU: 99-99-99 |
| | 125655-03-01A | EA | TRIM - STEERING COLUMN - RH (FORD) FROM: 00-00-00 THRU: 02-03-99 |
| | 125655-04-01A | EA | TRIM - STEERING COLUMN - LH (FORD) FROM: 00-00-00 THRU: 02-03-99 |
| | 125795-01-01A | EA | COVER - STEERING COLUMN - LWR - BLACK (FORD) FROM: 02-04-99 THRU: 99-99-99 |
| 22 | 103498-09-000 | EA | BOOT - STEERING COLUMN - W/1/2 CIRCLE (CHEVY) |
| 23 | 111528-04-04A | EA | TRIM - LWR DASH - DR - FORD - ANTELOPE |
| 24 | 127901-02-01A | EA | PANEL - TOEKICK - LH - ANTELOPE (W/DR DOR) |
| 24 | 127901-01-01A | EA | PANEL - TOEKICK - LH - ANTELOPE (W/O DR DOR) |

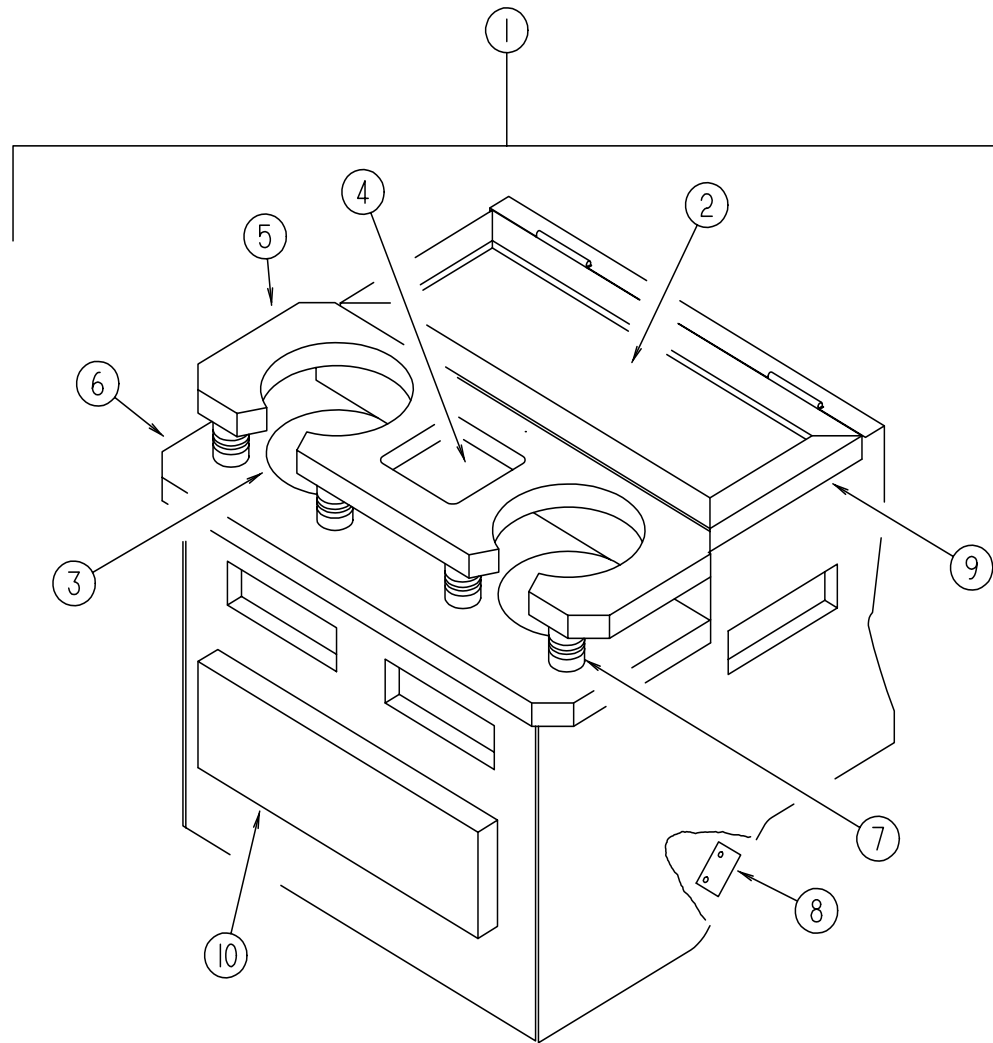
DRIVERS COMPARTMENT GROUP (CONTINUED)

OVERHEAD CABINETS (DRIVER COMPARTMENT)



| KEY | PART NUMBER | U/M | DESCRIPTION | KEY | PART NUMBER | U/M | DESCRIPTION |
|-----|---------------|-----|---|-----|---------------|-----|--|
| 1 | 126443-04-K28 | EA | PANEL - OVHD/FRONT - LH - 5.8" X 38.4" | 16 | 126601-03-J20 | EA | PANEL/SHELF - VINYL COVERED - W/NOTCH/ANTENNA CUTOUT FROM: 00-00-00 THRU: 11-08-98 |
| 2 | 126440-02-J20 | EA | PANEL - OVHD/FRONT BOTTOM - LH | 16 | 131807-02-K28 | EA | PANEL/SHELF - VINYL COVERED - W/NOTCH/ANTENNA CUTOUT FROM: 11-09-98 THRU: 99-99-99 |
| 3 | 103128-18-J20 | EA | END CAP - OVHD CABINET - LH (WATERFORD OAK) | 16 | 126601-01-J20 | EA | PANEL/SHELF - VINYL COVERED - W/ANTENNA CUTOUT FROM: 00-00-00 THRU: 11-08-98 |
| 3 | 103128-18-J90 | EA | END CAP - OVHD CABINET - LH (MYSTIC OAK) | 16 | 131807-01-K28 | EA | PANEL/SHELF - VINYL COVERED - W/ANTENNA CUTOUT FROM: 11-09-98 THRU: 99-99-99 |
| 4 | 131995-29-K28 | EA | DOOR - RAIL/SOLID PANEL - 10" X 29.5" - W/O HDW (WATERFORD OAK) | 16 | 126601-07-J20 | EA | PANEL/SHELF-VINYL COVERED - W/NOTCH/INVERTER/ANTENNA CUTOUT FROM: 00-00-00 THRU: 11-08-98 |
| 4 | 131995-29-K29 | EA | DOOR - RAIL/SOLID PANEL - 10" X 29.5" - W/O HDW (MYSTIC OAK) | 16 | 131807-03-K28 | EA | PANEL/SHELF - VINYL COVERED - W/NOTCH/ANTENNA CUTOUT FROM: 11-09-98 THRU: 99-99-99 |
| 5 | 106699-01-01A | EA | BRACKET - OVHD CABINET/TV | 17 | 126081-03-02B | EA | BRACKET/SUPPORT - TV - 10 DEGREE - E-COATED (RIGHT) |
| 6 | 130768-02-K66 | EA | CABINET - OVHD/FRONT - W/O DOOR/HDW (WATERFORD OAK) | 18 | 126081-04-02B | EA | BRACKET/SUPPORT - TV - 10 DEGREE - E-COATED (LEFT) |
| 6 | 130768-02-K29 | EA | CABINET - OVHD/FRONT - W/O DOOR/HDW (MYSTIC OAK) | 18 | 091261-01-000 | FT | SLIPNOT - ANTISLIP - 1" WIDE |
| 7 | 131995-S6-K28 | EA | DOOR - RAIL/SOLID PANEL - 11.4" X 28.1" - W/O HDW (WATERFORD OAK) | 19 | 100708-16-000 | EA | DOOR - GLASS - CABINET - 15.5" X 15.7" - W/O HDW |
| 7 | 131995-S6-K29 | EA | DOOR - RAIL/SOLID PANEL - 11.4" X 28.1" - W/O HDW (MYSTIC OAK) | 19 | 125977-01-02A | EA | COVER - TV - OVHD/FRONT - ANTELOPE |
| 7 | 100708-20-000 | EA | DOOR - GLASS - TV CABINET - 8.6" X 26.1" | 19 | 126602-02-J22 | EA | COVER - OVHD FRONT - W/O TV OPTION |
| 8 | 126457-02-J20 | EA | PANEL - CLOSEOUT - OVHD FRONT - UPPER/LOWER LH | 20 | 126301-02-J22 | EA | CABINET - OVHD/FRONT LH - W/O DOORS/HDW (WATERFORD OAK) |
| 9 | 114706-04-02B | EA | SUPPORT - SHELF/TV | 20 | 126301-02-J90 | EA | CABINET - OVHD/FRONT LH - W/O DOORS/HDW (MYSTIC OAK) |
| 10 | 126854-01-J20 | EA | PANEL - HEADLINER/TV/TOP | 21 | 126006-02-J20 | EA | COVER - TV - OVHD/BOTTOM |
| 11 | 126457-01-J20 | EA | PANEL - CLOSEOUT - OVHD FRONT - UPPER/LOWER RH | 22 | 126440-01-J20 | EA | PANEL - OVHD/FRONT BOTTOM/RH |
| 12 | 126275-01-02B | EA | SHELF - OVHD/FRONT - E-COATED FROM: 00-00-00 THRU: 11-08-98 | 23 | 126443-03-J24 | EA | PANEL - OVHD/FRONT - RH - 5.8" X 39. |
| 12 | 126275-03-02B | EA | SHELF - OVHD FRONT - E-COATED FROM: 11-09-98 THRU: 99-99-99 | | | | |
| 13 | 130768-01-K66 | EA | CABINET - OVHD/FRONT - W/O DOOR/HDW (WATERFORD OAK) | | | | |
| 13 | 130768-01-K36 | EA | CABINET - OVHD/FRONT - W/O DOOR/HDW (MYSTIC OAK) | | | | |
| 14 | 126358-02-K28 | EA | CABINET - OVHD/FRONT/RH - W/O DOOR/HDW (WATERFORD OAK) | | | | |
| 14 | 126358-02-J90 | EA | CABINET - OVHD/FRONT/RH - W/O DOORS/HDW (MYSTIC OAK) | | | | |
| 15 | 103128-17-J20 | EA | END CAP - OVHD CABINET - RH (WATERFORD OAK) | | | | |
| 15 | 103128-17-J90 | EA | END CAP - OVHD CABINET - RH (MYSTIC OAK) | | | | |

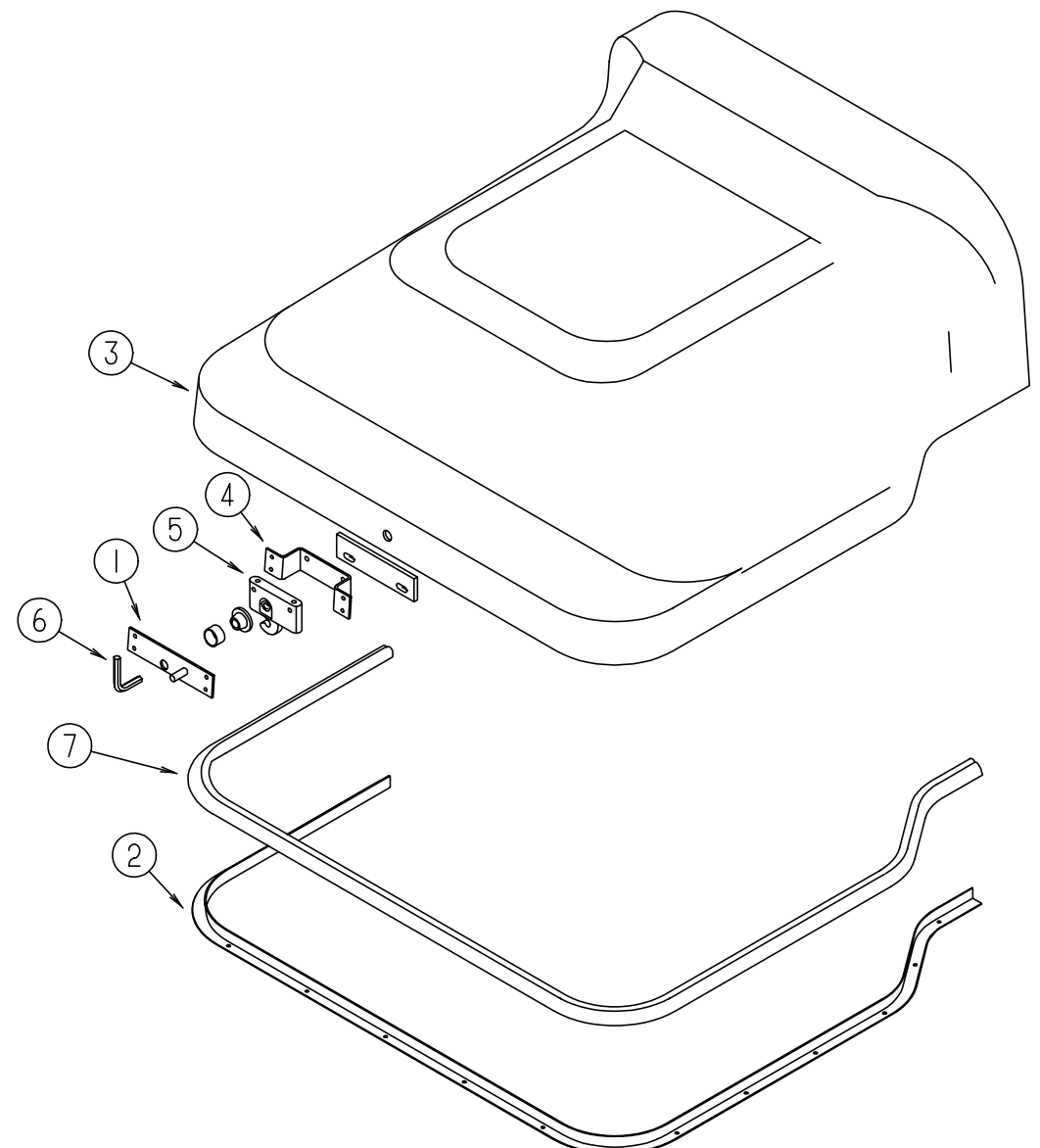
DRIVERS COMPARTMENT GROUP (CONTINUED)



BEVERAGE TRAY, DRIVER COMPARTMENT

| KEY | PART NUMBER | U/M | DESCRIPTION |
|-----|---------------|-----|--|
| 1 | 126680-01-H17 | EA | TRAY - BEV - W/SHELF/CUPHOLDERS - W/O DRAWER (FORD) (WATERFORD OAK) |
| 1 | 126680-01-K29 | EA | TRAY - BEV - W/SHELF/CUPHOLDERS - W/O DRAWER (FORD) (MYSTIC OAK) |
| 1 | 126680-02-H17 | EA | TRAY - BEV - W/SHELF/CUPHOLDERS - W/O DRAWER (CHEVY) (WATERFORD OAK) |
| 1 | 126680-02-K29 | EA | TRAY - BEV - W/SHELF/CUPHOLDERS - W/O DRAWER (CHEVY) (MYSTIC OAK) |
| 2 | 122717-06-01A | FT | PAD - NON SKID - PSA - 6.5" X 13.8" |
| 3 | 122717-01-01A | EA | PAD - NON SKID - 4" DIAMETER ROUND |
| 4 | 122717-02-01A | EA | PAD - NON SKID - 4" X 4" |
| 5 | 126680-15-H17 | EA | SHELF/CUPHOLDER |
| 6 | 126680-14-H17 | EA | SHELF/CUPHOLDER - W/PADS |
| 7 | 097872-08-000 | EA | DOWEL - WOOD - 1" DIAMETER X 1.38" LONG (WATERFORD OAK) |
| 7 | 097872-12-000 | EA | DOWEL - WOOD - 1" DIAMETER X 1.38" LONG (MYSTIC OAK) |
| 8 | 122832-01-02B | EA | BRACKET - MOUNTING - BEV TRAY |
| | 122772-02-02B | EA | BRACKET - MOUNTING - BEV TRAY(W/ STUD BOLTS) |
| 9 | 126680-16-H17 | EA | LID - BEV TRAY (WATERFORD OAK) |
| 9 | 126680-16-K29 | EA | LID - BEV TRAY (MYSTIC OAK) |
| 10 | M05971-AZ-H33 | EA | DRAWER - OGEE - 9.9"W X 11.8"D - W/O SLIDES/HDW (WATERFORD OAK) |
| 10 | M05971-AZ-K29 | EA | DRAWER - OGEE - 9.9"W X 11.8"D - W/O SLIDES/HDW (MYSTIC OAK) |
| | 100128-02-000 | FT | SEAL - FOAM - ADHESIVE BACK - .37" WIDE X .37" THICK |

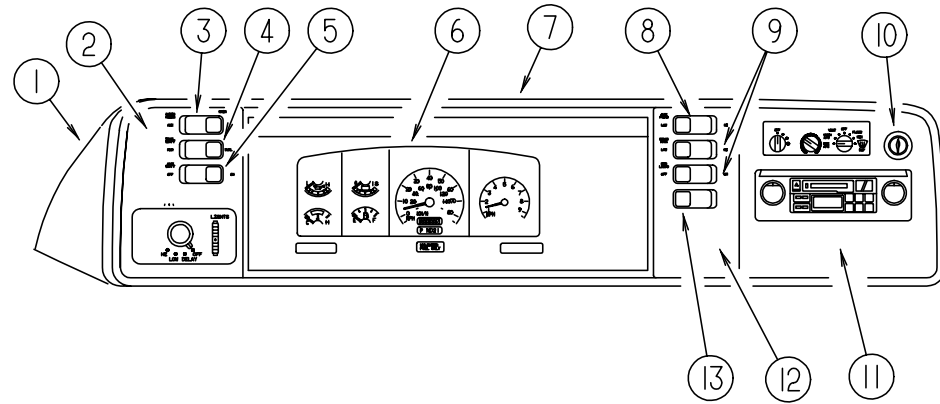
DRIVERS COMPARTMENT GROUP (CONTINUED)



MOTOR COVER

| KEY | PART NUMBER | U/M | DESCRIPTION |
|-----|---------------|-----|--|
| 1 | 115852-01-02B | EA | STRIKE - LATCH - MOTOR COVER - E-COATED |
| 2 | 115860-01-01A | EA | TRIM - MOTOR COVER - CHEVY |
| 2 | 115860-03-01A | EA | TRIM - MOTOR COVER - FORD |
| | | | FROM: 00-00-00 THRU: 05-05-99 |
| 2 | 115860-05-01A | EA | TRIM - MOTOR COVER - FORD |
| | | | FROM: 05-06-99 THRU: 99-99-99 |
| 3 | 115840-03-01A | EA | COVER - MOTOR - W/O CARPET - FORD |
| | | | FROM: 00-00-00 THRU: 05-05-99 |
| 3 | 129099-03-01A | EA | COVER - MOTOR - W/O CARPET - FORD |
| | | | FROM: 05-06-99 THRU: 99-99-99 |
| 3 | 115840-02-01A | EA | COVER - MOTOR - W/O CARPET - CHEVY |
| 4 | 115850-03-02B | EA | RETAINER - LATCH - MOTOR COVER - RIGHT HAND - E-COAT |
| 5 | 116581-01-000 | EA | LATCH - MOTOR COVER |
| 6 | 116833-01-02B | EA | WRENCH - HEX MOTOR COVER - E-COATED |
| 7 | 039623-01-000 | EA | SEAL - MOTOR COVER - RUBBER BULB TYPE |

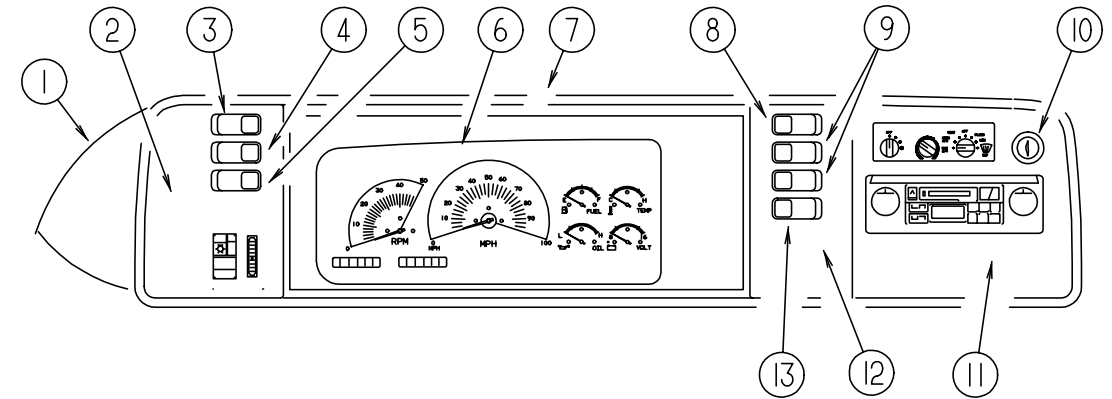
DRIVERS COMPARTMENT GROUP (CONTINUED)



DASH, GAUGES & SWITCHES (FORD)

| KEY | PART NUMBER | U/M | DESCRIPTION |
|-----|---------------|-----|--|
| 1 | 125677-02-J20 | EA | POD - INSTRUMENT PANEL FROM: 00-00-00 THRU: 02-03-99 |
| 1 | 125677-04-K28 | EA | POD - INSTRUMENT PANEL FROM: 02-04-99 THRU: 99-99-99 |
| 2 | 104056-39-01A | EA | APPLIQUE - BEZEL - DRIVER DRESS UP |
| 3 | 108357-08-000 | EA | SWITCH - ROCKER DPDT - ON/NONE/ON - 6 TERMINAL |
| 3 | 108356-02-01A | EA | COVER/ACTUATOR SWITCH - 2 ROWS DIMPLES- CONTURA II - BLACK |
| 4 | 108357-09-000 | EA | SWITCH - ROCKER SPDT - ON/NONE/MOM - 3 TERMINAL |
| 4 | 108356-02-01A | EA | COVER/ACTUATOR SWITCH - 2 ROWS DIMPLES- CONTURA II - BLACK |
| 5 | 108357-06-000 | EA | SWITCH - ROCKER DPDT - MOM/OFF/MOM - 6 TERMINAL |
| 5 | 108356-02-01A | EA | COVER/ACTUATOR SWITCH - 2 ROWS DIMPLES- CONTURA II - BLACK |
| 6 | N/A | EA | CLUSTER - INSTRUMENT PANEL - KILOMETERS |
| 6 | N/A | EA | CLUSTER - INSTRUMENT PANEL - K/M - GAS - CANADIAN |
| 7 | 103662-12-01A | EA | BEZEL - INSTRUMENT PANEL - FORD FROM: 00-00-00 THRU: 02-03-99 |
| 7 | 103662-14-01A | EA | BEZEL - INSTRUMENT PANEL - FORD FROM: 02-04-99 THRU: 99-99-99 |
| 8 | 108357-10-000 | EA | SWITCH - ROCKER SPDT W/LIGHT - MOM/NONE/MOM - 5 TERMINAL |
| 8 | 108356-04-01A | EA | COVER/ACTUATOR SWITCH - 2 ROWS DIMPLES W/LENS-CONTURAIIBLK |
| 9 | 108357-03-000 | EA | SWITCH - ROCKER SPDT - ON/OFF/ON - 3 TERMINAL |
| 9 | 108356-02-01A | EA | COVER/ACTUATOR SWITCH - 2 ROWS DIMPLES- CONTURA II - BLACK |
| | 096241-03-000 | EA | SWITCH - BLANK |
| | 077942-01-000 | EA | SWITCH - DUMMY - BLACK |
| 10 | 089294-01-000 | EA | LIGHTER - CIGARETTE - W/SOCKET & WIRE |
| 11 | 104056-06-01A | EA | APPLIQUE - BEZEL - PASSENGER BLACK |
| 12 | 104056-21-01A | EA | APPLIQUE - BEZEL - PASSENGER DRESS UP |
| 12 | 104056-08-01A | EA | APPLIQUE - BEZEL - PASSENGER - 6 SWITCH (W/FOG LAMPS) |
| 13 | 108357-01-000 | EA | SWITCH - ROCKER SPST - ON/OFF - 2 TERMINAL |
| 13 | 108356-02-01A | EA | COVER/ACTUATOR SWITCH - 2 ROWS DIMPLES- CONTURA II - BLACK |
| | 077031-03-000 | EA | FILM - WHITE - .75" X 1" |
| | 129644-01-000 | EA | CABLE/INDICATOR - TRANSMISSION - 46.7" EYE/EYE |

DRIVERS COMPARTMENT GROUP (CONTINUED)

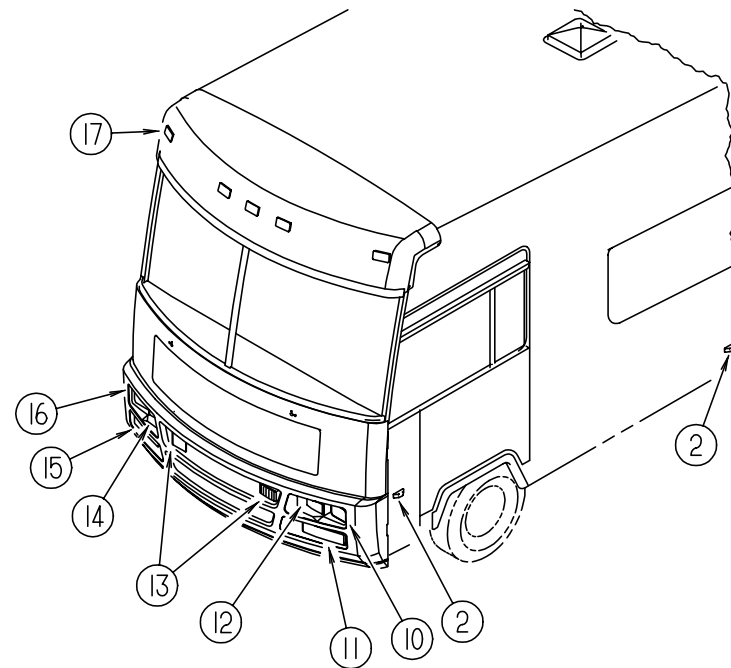
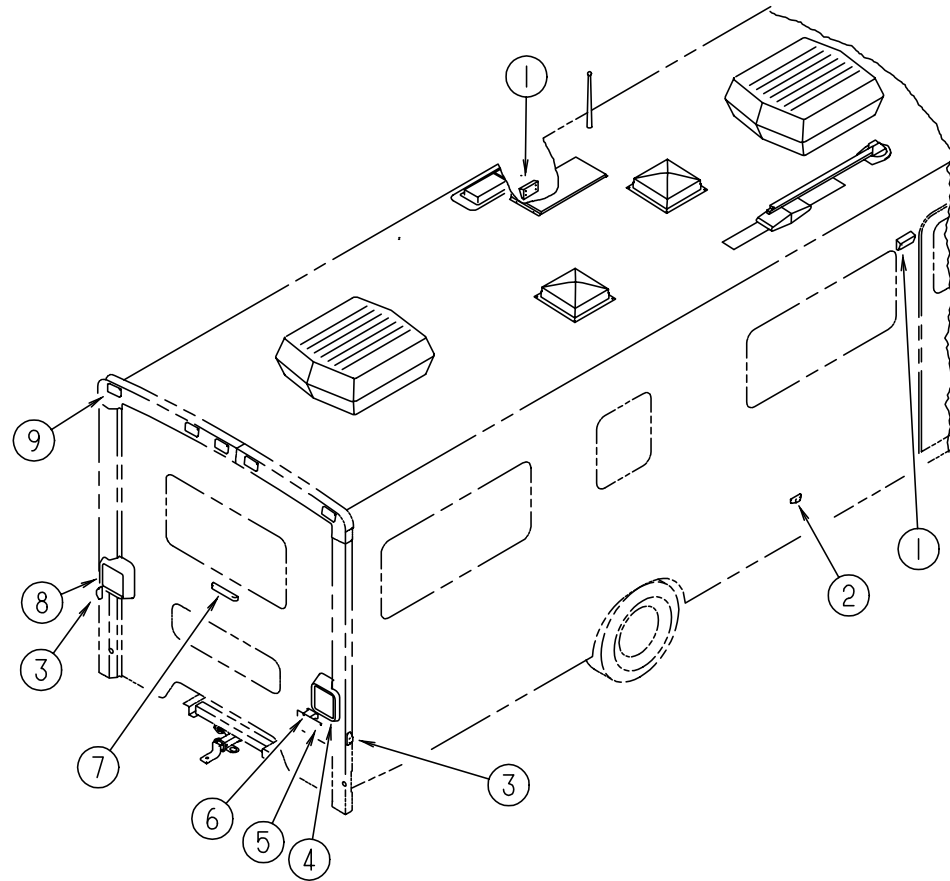


DASH, GAUGES & SWITCHES (CHEVY)

| KEY | PART NUMBER | U/M | DESCRIPTION |
|-----|---------------|-----|--|
| 1 | 125677-02-J20 | EA | POD - INSTRUMENT PANEL |
| 2 | 104056-37-01A | EA | APPLIQUE - BEZEL - DRIVER - BLACK |
| 3 | 108357-08-000 | EA | SWITCH - ROCKER DPDT - ON/NONE/ON - 6 TERMINAL |
| 3 | 108356-02-01A | EA | COVER/ACTUATOR SWITCH - 2 ROWS DIMPLES- CONTURA II - BLACK |
| 4 | 108357-09-000 | EA | SWITCH - ROCKER SPDT - ON/NONE/MOM - 3 TERMINAL |
| 4 | 108356-02-01A | EA | COVER/ACTUATOR SWITCH - 2 ROWS DIMPLES- CONTURA II - BLACK |
| 5 | 108357-06-000 | EA | SWITCH - ROCKER DPDT - MOM/OFF/MOM - 6 TERMINAL |
| 5 | 108356-02-01A | EA | COVER/ACTUATOR SWITCH - 2 ROWS DIMPLES- CONTURA II - BLACK |
| 6 | N/A | EA | CLUSTER - INSTRUMENT PANEL - KILOMETERS |
| 7 | 103662-08-01A | EA | BEZEL - INSTRUMENT PANEL |
| 8 | 108357-10-000 | EA | SWITCH - ROCKER SPDT W/LIGHT - MOM/NONE/MOM - 5 TERMINAL |
| 8 | 108356-04-01A | EA | COVER/ACTUATOR SWITCH-2 ROWS DIMPLES W/LENS-CONTURAIIBLK |
| 9 | 108357-03-000 | EA | SWITCH - ROCKER SPDT - ON/OFF/ON - 3 TERMINAL |
| 9 | 108356-02-01A | EA | COVER/ACTUATOR SWITCH - 2 ROWS DIMPLES- CONTURA II - BLACK |
| | 096241-03-000 | EA | SWITCH - BLANK |
| | 077942-01-000 | EA | SWITCH - DUMMY - BLACK |
| 10 | 089294-01-000 | EA | LIGHTER - CIGARETTE - W/SOCKET & WIRE |
| 11 | 104056-06-01A | EA | APPLIQUE - BEZEL - PASSENGER DRESS UP |
| 12 | 104056-21-01A | EA | APPLIQUE - BEZEL - PASSENGER DRESS UP |
| 12 | 104056-08-01A | EA | APPLIQUE - BEZEL - PASSENGER - 6 SWITCH (W/FOG LAMPS) |
| 13 | 108357-01-000 | EA | SWITCH - ROCKER SPST - ON/OFF - 2 TERMINAL |
| 13 | 108356-02-01A | EA | COVER/ACTUATOR SWITCH - 2 ROWS DIMPLES- CONTURA II - BLACK |
| | 077031-03-000 | EA | FILM - WHITE - .75" X 1" |

ELECTRICAL GROUP

EXTERIOR LIGHTS

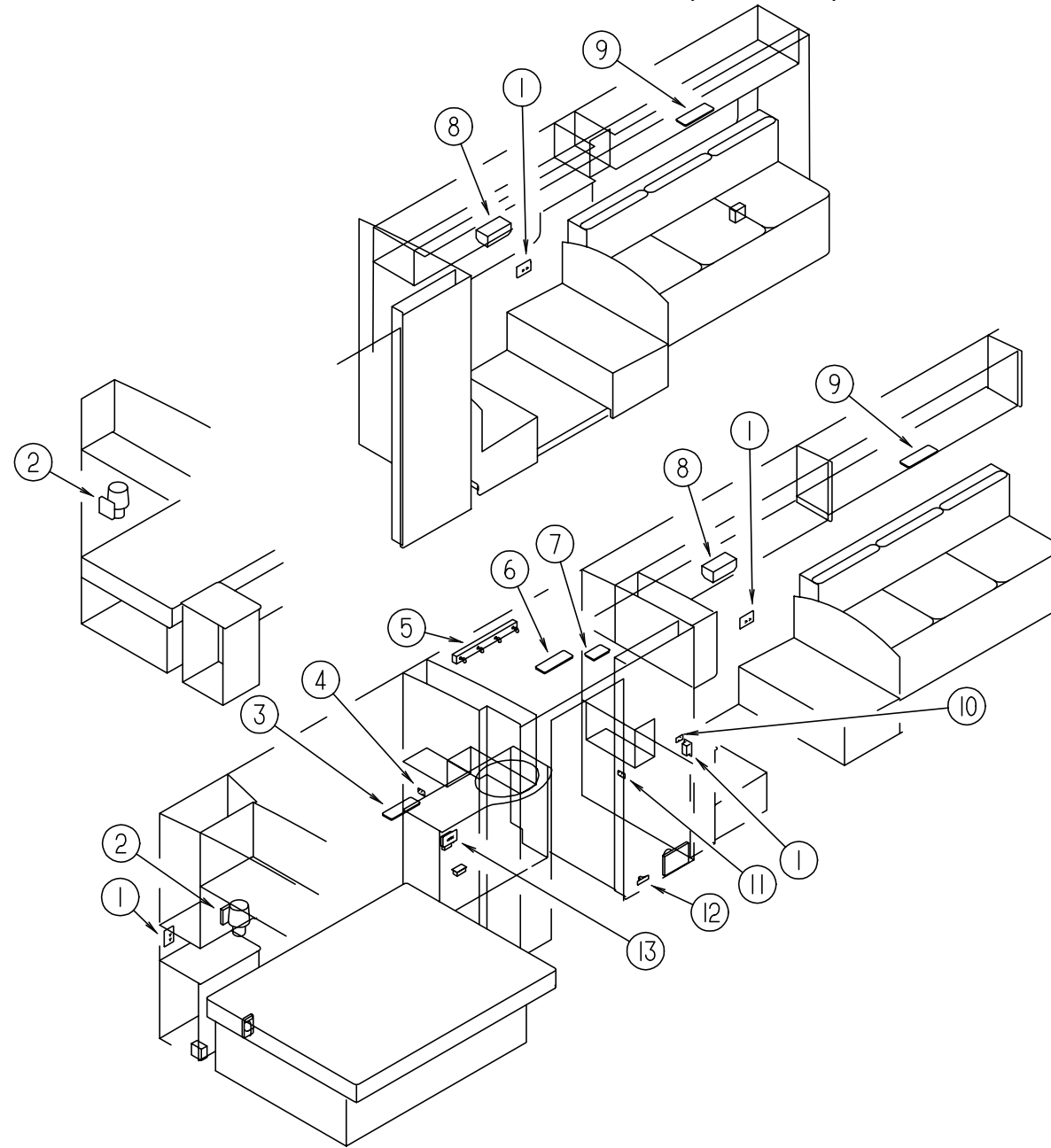


| KEY | PART NUMBER | U/M | DESCRIPTION |
|-----|---------------|-----|---|
| 1 | 097917-01-06A | EA | LIGHT - PORCH - BRIGHT WHITE |
| 1 | 008215-01-000 | EA | BULB - 12 VOLT - #1003 - .94 AMP |
| 1 | 097917-01-700 | EA | LENS - LIGHT - CLEAR |
| 1 | 008089-02-000 | EA | LIGHT - PORCH - RECESSED - CANADIAN |
| 1 | 008089-01-700 | EA | LENS - LIGHT - RECESSED - PORCH - DECO |
| 1 | 008214-01-000 | EA | BULB - 12 VOLT - #67 - .59 AMP |
| 2 | 111102-02-000 | EA | LENS - AMBER - MARKER LAMP |
| 2 | 111102-01-000 | EA | BASE - LAMP MARKER |
| 2 | 036196-01-000 | EA | BULB - 12 VOLT - #194 - .27 AMP - BAYONETTE |
| 3 | 111102-03-000 | EA | LENS - RED - MARKER LAMP |
| 3 | 111102-01-000 | EA | BASE - LAMP MARKER |
| 3 | 036196-01-000 | EA | BULB - 12 VOLT - #194 - .27 AMP - BAYONETTE |
| 4 | 117831-01-000 | EA | LAMP - STOP/TURN/TAIL/BACKUP |
| 4 | 119157-01-000 | EA | SOCKET - SINGLE CONTACT |
| 4 | 119158-01-000 | EA | SOCKET - DOUBLE CONTACT |
| 4 | 037935-01-000 | EA | BULB - 12V - #1157 OR #2057 - 2.1 AMP - CLEAR GLASS |
| 4 | 037934-01-000 | EA | BULB - 12V - #1156 - 2.1 AMP CLEAR GLASS |
| 5 | 066432-03-000 | EA | BRACKET - LICENSE PLATE |
| 6 | 066432-02-000 | EA | LIGHT - LICENSE - BLACK |
| 7 | 121950-01-000 | EA | LIGHT - BRAKE - CENTER MOUNT |
| 8 | 117831-02-000 | EA | LAMP - STOP/TURN/TAIL/BACKUP |

| KEY | PART NUMBER | U/M | DESCRIPTION |
|-----|---------------|-----|---|
| 8 | 119157-01-000 | EA | SOCKET - SINGLE CONTACT |
| 8 | 119158-01-000 | EA | SOCKET - DOUBLE CONTACT |
| 8 | 037935-01-000 | EA | BULB - 12V - #1157 OR #2057 - 2.1 AMP - CLEAR GLASS |
| 8 | 037934-01-000 | EA | BULB - 12V - #1156 - 2.1 AMP CLEAR GLASS |
| 9 | 127536-01-000 | EA | LIGHT - CLEARANCE - RED |
| 9 | 127536-02-000 | EA | SOCKET - LIGHT - 194 WEDGE |
| 9 | 036196-01-000 | EA | BULB - 12 VOLT - #194 - .27 AMP - BAYONETTE |
| 10 | 049186-04-000 | EA | HEADLAMP - DRIVER - HIGH/LOW - HALOGEN |
| 11 | 113294-04-000 | EA | LAMP - PARK/TURN - AMBER - LEFT HAND |
| 12 | 049188-04-000 | EA | HEADLAMP - DRIVER - HIGH BEAM/HALOGEN |
| 13 | 124215-01-000 | EA | FOG LIGHT - RECTANGULAR/CLEAR LENS |
| 13 | 125787-03-J30 | EA | SUPPORT - FOG LIGHT |
| 14 | 049187-04-000 | EA | HEADLAMP - PASSENGER - HIGH BEAM - HALOGEN |
| 15 | 113294-03-000 | EA | LAMP - PARK/TURN - AMBER - RIGHT HAND |
| 16 | 049185-04-000 | EA | HEADLAMP - PASSENGER - HIGH/LOW - HALOGEN |
| | 049359-01-000 | EA | SPRING - RETAINER - HEADLAMP |
| | 110750-01-000 | EA | SCREW - HEADLAMP ADJUSTING |
| | 106687-02-000 | EA | SOCKET - LIGHT - 3-WIRE |
| 17 | 102520-01-000 | EA | LIGHT - CLEARANCE - W/O SOCKET/HOUSING - AMBER |
| 17 | 102540-01-000 | EA | SEAL - SCREW - ROUND - RUBBER |
| 17 | 102541-01-000 | EA | GASKET - CLEARANCE LIGHT |
| 17 | 067789-02-000 | EA | SOCKET - LAMP |

ELECTRICAL GROUP (CONTINUED)

LIGHTS, RECEPTACLES, & SWITCHES (DRIVER SIDE)

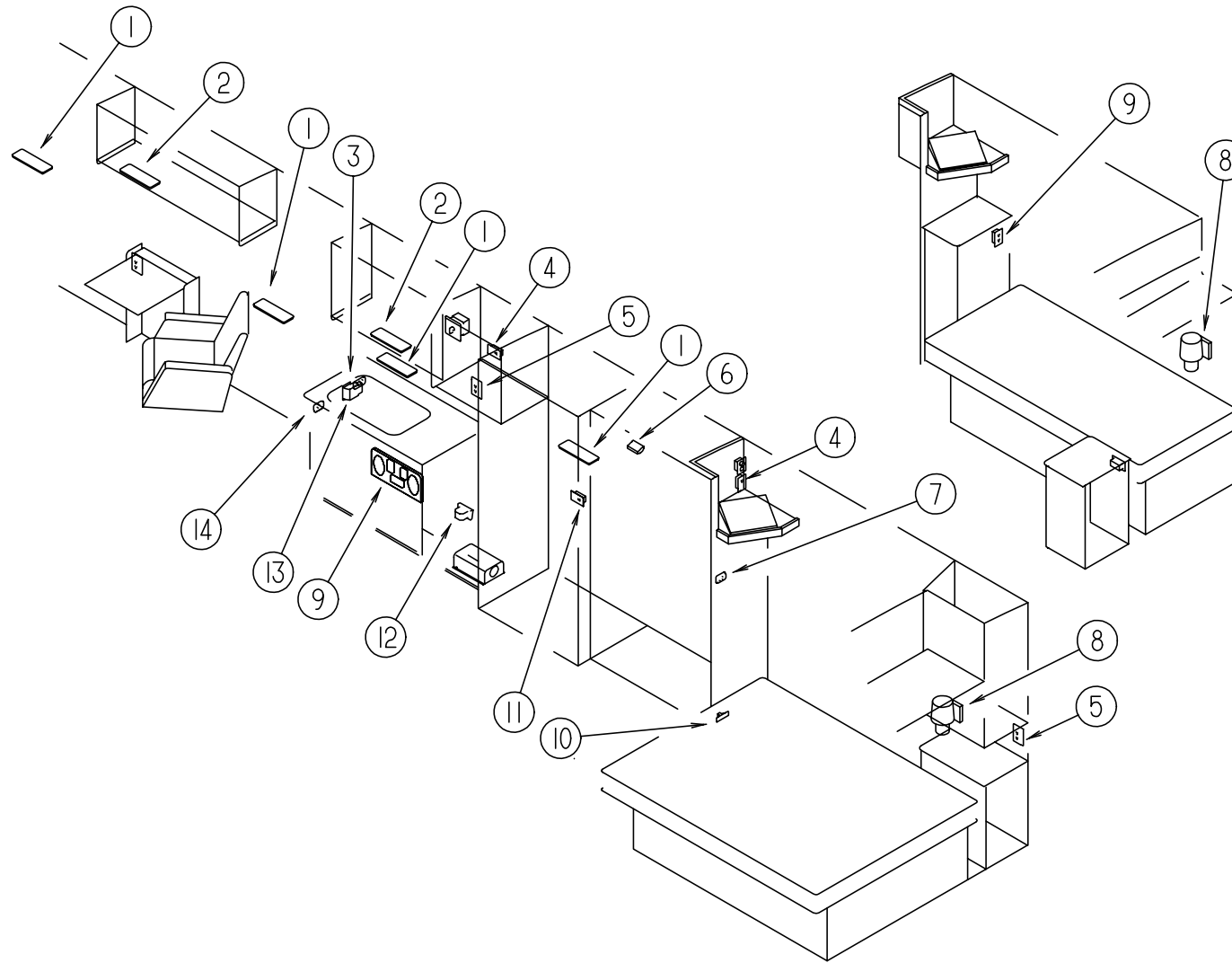


| KEY | PART NUMBER | U/M | DESCRIPTION | VENDOR NO. |
|-----|---------------|-----|---|------------|
| 1 | 058708-02-000 | EA | RECEPTACLE - ELECTRIC - DOUBLE - IVORY | |
| 1 | 102568-01-GB1 | EA | SPACER - RECEPTACLE - BETWEEN SIDEWALL & PLATE - WOOD (OAK) | |
| 2 | 065202-24-000 | EA | LAMP - WALL/BRASS - W/O SHADE | |
| 2 | 119257-01-01A | EA | SHADE - LAMP - POTPOUM | |
| 2 | 067479-01-000 | EA | BULB - 12 VOLT - #1076 - 1.80 AMP | |
| 3 | 098024-03-02A | EA | LIGHT - DOME - 2 BULB - WHITE | |
| 3 | 008218-01-000 | EA | BULB - DOME LIGHT - 12 VOLT - 1141 | |
| 3 | 098024-01-700 | EA | LENS-LIGHT | 807877 |
| 4 | 079364-01-000 | EA | SWITCH - ON/OFF ROCKER - 2 TERMINAL - BROWN | |
| 4 | 079364-03-000 | EA | SWITCH - ON/OFF ROCKER - 3 TERMINAL - BROWN | |
| 4 | 098351-02-01A | EA | PLATE - SWITCH - 2 GANG POLISHED BRASS | |
| 4 | 095188-01-01A | EA | SPACER - SWITCH - 2.3" X 3.4" - PLASTIC - DARK BROWN | |
| 5 | 110235-02-01A | EA | LIGHT - MAKE UP - 4 BULB PANLESS | |
| 5 | 081633-01-700 | EA | BULB - LIGHT - MAKE-UP | RP1041 |

| KEY | PART NUMBER | U/M | DESCRIPTION | VENDOR NO. |
|-----|---------------|-----|--|------------|
| 6 | 098024-03-02A | EA | LIGHT - DOME - 2 BULB - WHITE | |
| 6 | 008218-01-000 | EA | BULB - DOME LIGHT - 12 VOLT - 1141 | |
| 6 | 098024-01-700 | EA | LENS-LIGHT | 807877 |
| 7 | 121935-01-01A | EA | LIGHT - DOME - SHOWER | |
| 8 | 093575-06-01A | EA | LIGHT - CEILING - FLUTED | |
| 9 | 098024-06-02A | EA | LIGHT - DOME - 2 BULB - SKYLITE | |
| 9 | 008218-01-000 | EA | BULB - DOME LIGHT - 12 VOLT - 1141 | |
| 9 | 098024-01-701 | EA | LENS - OPTI CLEAR - SKYLITE | 809902 |
| 10 | 079364-01-000 | EA | SWITCH - ON/OFF ROCKER - 2 TERMINAL - BROWN | |
| 10 | 098351-01-01A | EA | PLATE - SWITCH - 1 GANG POLISHED BRASS | |
| 11 | 079364-01-000 | EA | SWITCH - ON/OFF ROCKER - 2 TERMINAL - BROWN | |
| 11 | 098351-02-01A | EA | PLATE - SWITCH - 2 GANG POLISHED BRASS | |
| 12 | 061424-01-000 | EA | LIGHT - AISLE - 12 VOLT - RECTANGULAR | |
| 12 | 008103-01-000 | EA | BULB - DASH/AISLE LIGHT - #53 - 12 VOLT - .12 AMP | |
| 13 | 084076-02-000 | EA | RECEPTACLE - GFI - 15 AMP/125 VOLT - BROWN | |
| | 112642-01-06A | EA | TRIM RING - SINGLE LIGHT - BLACK (DRIVER COMPARTMENT OVERHEAD) | |
| | 112643-01-000 | EA | LIGHT - SINGLE - SWIVEL (DRIVER COMPARTMENT OVERHEAD) | |

ELECTRICAL GROUP (CONTINUED)

LIGHTS, RECEPTACLES, & SWITCHES (PASSENGER SIDE)



| KEY | PART NUMBER | U/M | DESCRIPTION | VENDOR NO. |
|-----|---------------|-----|---|------------|
| 1 | 098024-03-02A | EA | LIGHT - DOME - 2 BULB - WHITE | |
| 1 | 008218-01-000 | EA | BULB - DOME LIGHT - 12 VOLT - 1141 | |
| 1 | 098024-01-700 | EA | LENS-LIGHT | 807877 |
| 2 | 098024-06-02A | EA | LIGHT - DOME - 2 BULB - SKYLITE | |
| 2 | 008218-01-000 | EA | BULB - DOME LIGHT - 12 VOLT - NO. 1141 | |
| 2 | 098024-01-701 | EA | LENS - OPTI CLEAR - SKYLITE | 809902 |
| 3 | 079364-01-000 | EA | SWITCH - ON/OFF ROCKER - 2 TERMINAL - BROWN | |
| 3 | 095188-02-01A | EA | SPACER - SWITCH - 2.3" X 4.1" - PLASTIC - DARK BROWN | |
| 3 | 098351-05-01A | EA | PLATE - SWITCH - 3 GANG POLISHED BRASS | |
| 4 | 058708-05-000 | EA | RECEPTACLE - ELECTRIC - SINGLE - BROWN | |
| 5 | 058708-02-000 | EA | RECEPTACLE - ELECTRIC - DOUBLE - IVORY | |
| 5 | 102568-01-GB1 | EA | SPACER - RECEPTACLE - BETWEEN SIDEWALL & PLATE - WOOD (OAK) | |
| 6 | 087694-01-000 | EA | LIGHT - WARDROBE/CLOSET - W/SWITCH | |
| 7 | 079364-01-000 | EA | SWITCH - ON/OFF ROCKER - 2 TERMINAL - BROWN | |
| 7 | 079364-03-000 | EA | SWITCH - ON/OFF ROCKER - 3 TERMINAL - BROWN | |

| KEY | PART NUMBER | U/M | DESCRIPTION |
|-----|---------------|-----|--|
| 7 | 098351-02-01A | EA | PLATE - SWITCH - 2 GANG POLISHED BRASS |
| 7 | 095188-01-01A | EA | SPACER - SWITCH - 2.3" X 3.4" - PLASTIC - DARK BROWN |
| 8 | 065202-24-000 | EA | LAMP - WALL/BRASS - W/O SHADE |
| 8 | 119257-01-01A | EA | SHADE - LAMP - POTPOUM |
| 8 | 067479-01-000 | EA | BULB - 12 VOLT - #1076 - 1.80 AMP |
| 9 | 058708-01-000 | EA | RECEPTACLE - ELECTRIC - DOUBLE - BROWN |
| 10 | 061424-01-000 | EA | LIGHT - AISLE - 12 VOLT - RECTANGULAR |
| 10 | 008103-01-000 | EA | BULB - DASH/AISLE LIGHT - #53 - 12 VOLT - .12 AMP |
| 11 | 058707-01-000 | EA | RECEPTACLE - ELECTRIC - SINGLE - BROWN |
| 12 | 112822-01-01A | EA | RECEPTACLE - DUPLEX - IVORY |
| 13 | 084076-02-000 | EA | RECEPTACLE - GFI - 15 AMP/125 VOLT - BROWN |
| 14 | 079364-03-000 | EA | SWITCH - ON/OFF ROCKER - 3 TERMINAL - BROWN |
| 14 | 098351-01-01A | EA | PLATE - SWITCH - 1 GANG POLISHED BRASS |
| 14 | 095188-01-01A | EA | SPACER - SWITCH - 2.3" X 3.4" - PLASTIC - DARK BROWN |

ELECTRICAL GROUP (CONTINUED)**ELECTRICAL SWITCHES**

| KEY | PART NUMBER | U/M | DESCRIPTION |
|-----|---------------|-----|--|
| | 079364-01-000 | EA | SWITCH - ON/OFF ROCKER - 2 TERMINAL - BROWN |
| | 079364-02-000 | EA | SWITCH - ON/OFF ROCKER - 3 TERMINAL - BLACK |
| | 079364-03-000 | EA | SWITCH - ON/OFF ROCKER - 3 TERMINAL - BROWN |
| | 095188-01-01A | EA | SPACER - SWITCH - 2.3" X 3.4" - PLASTIC - DARK BROWN |
| | 095188-02-01A | EA | SPACER - SWITCH - 2.3" X 4.1" - PLASTIC - DARK BROWN |
| | 098351-01-01A | EA | PLATE/SWITCH - 1 GANG - POLISHED BRASS - W/O LABEL |
| | 098351-02-01A | EA | PLATE/SWITCH - 2 GANG - POLISHED BRASS - W/O LABEL |
| | 098351-05-01A | EA | PLATE/SWITCH - 3 GANG - POLISHED BRASS-PORCH/CEILING/STEP |
| | 098351-16-01A | EA | PLATE - SWITCH - 1 GANG W/LABEL |
| | 108355-01-000 | EA | HOUSING - SWITCH |
| | 108356-02-01A | EA | COVER/ACTUATOR SWITCH - 2 ROWS DIMPLES- CONTURA II - BLACK |
| | 108356-04-01A | EA | COVER/ACTUATOR SWITCH - 2 ROWS DIMPLES W/LENS-CONTURA-BLK |
| | 108357-01-000 | EA | SWITCH - ROCKER SPST - ON/OFF - 2 TERMINAL |
| | 108357-06-000 | EA | SWITCH - ROCKER DPDT - MOM/OFF/MOM - 6 TERMINAL |
| | 108357-08-000 | EA | SWITCH - ROCKER DPDT - ON/NONE/ON - 6 TERMINAL |

CIRCUIT BREAKERS & FUSES

| KEY | PART NUMBER | U/M | DESCRIPTION |
|-----|---------------|-----|---|
| | 062037-01-000 | EA | HOUSING - AUTO FUSE - NATURAL |
| | 062037-02-000 | EA | HOUSING - AUTO FUSE - GREEN |
| | 062037-03-000 | EA | HOUSING - AUTO FUSE - BLACK |
| | 062037-04-000 | EA | HOUSING - AUTO FUSE - BLUE |
| | 062037-05-000 | EA | HOUSING - AUTO FUSE - GRAY |
| | 062037-06-000 | EA | HOUSING - AUTO FUSE - BROWN |
| | 062037-07-000 | EA | HOUSING - AUTO FUSE - RED |
| | 062901-02-000 | EA | FUSE - 05 AMPS - AUTOMOTIVE |
| | 062901-05-000 | EA | FUSE - 15 AMPS - AUTOMOTIVE |
| | 062901-06-000 | EA | FUSE - 20 AMPS - AUTOMOTIVE |
| | 062901-07-000 | EA | FUSE - 25 AMPS - AUTOMOTIVE |
| | 062901-08-000 | EA | FUSE - 30 AMPS - AUTOMOTIVE |
| | 083209-01-000 | EA | CIRCUIT BREAKER - 15 AMP - 120 VOLT - CANADIAN |
| | 083209-02-000 | EA | CIRCUIT BREAKER - 15/15 AMP - 120 VOLT |
| | 083209-03-000 | EA | CIRCUIT BREAKER - 15/20 AMP - 120 VOLT |
| | 083209-04-000 | EA | CIRCUIT BREAKER - 30 AMP - 120 VOLT |
| | 083209-10-000 | EA | CIRCUIT BREAKER - 20/30 AMP - 120 VOLT |
| | 093654-01-000 | EA | CIRCUIT BREAKER - 6 AMP - 12 VOLT |
| | 093654-02-000 | EA | CIRCUIT BREAKER - 15 AMP - 12 VOLT |
| | 093655-03-000 | EA | CIRCUIT BREAKER - 40 AMP - 12 VOLT |
| | 093674-01-000 | EA | PLATE - CIRCUIT BREAKER - HOUSE - 8.4" X 4.1" - STEEL |
| | 097611-01-000 | EA | CIRCUIT BREAKER - 10 AMP - 12 VOLT |
| | 106656-01-000 | EA | FUSE BLOCK - 4 CAVITY - AUTOFUSE |
| | 108669-01-000 | EA | HOUSING - AUTO FUSE HOLDER |
| | 108916-01-000 | EA | CIRCUIT BREAKER - 50 AMP - 12 VOLT - 2 POLE |
| | 122811-01-000 | EA | CIRCUIT BREAKER - 20/50/50/20 |

ELECTRICAL BOXES & CORDS

| KEY | PART NUMBER | U/M | DESCRIPTION |
|-----|---------------|-----|--|
| | 008052-01-000 | EA | CORD - POWER - 10/3 WIRE - 30 AMP - 25' - CANADIAN |
| | 008054-01-000 | EA | CORD - POWER - 10/3 WIRE - 30 AMP - 25' |
| | 008289-01-000 | EA | BOX - ELECTRIC/STEEL - 1/2" & 3/4" KNOCKOUTS - 4" X 4" |
| | 008289-02-000 | EA | BOX - ELECTRIC/STEEL - 1/2" & 3/4" KNOCKOUTS - 4" X 4"-CAN |
| | 008294-01-000 | EA | COVER - ELECTRICAL BOX - BLANK/STEEL - 4" X 4" - GRAY |
| | 008294-02-000 | EA | COVER - ELECTRICAL BOX - BLANK STEEL - 4" X 4" - CANADIAN |
| | 091910-01-000 | EA | BOX - ELECTRIC - 3.8" X 3.5" X 1.8" - PLASTIC |
| | 091910-02-000 | EA | BOX - ELECTRIC - 2.2" X 3.5" X 1.8" - PLASTIC |
| | 108934-01-000 | EA | POWER CORD - 36/50 AMP - 4 WIRE |
| | 111509-01-000 | EA | BOX - ELECTRICAL - E-COATED |
| | 111510-01-000 | EA | DOOR/ACCESS PANEL - ELECTRICAL BOX - 8.1" X 11.7" |
| | 113096-01-000 | EA | CORD - POWER - 50 AMP - 4 WIRE - 36' - CSA |

ELECTRICAL GROUP (CONTINUED)**WIRE ASSEMBLIES**

| KEY | PART NUMBER | U/M | DESCRIPTION |
|-----|---------------|-----|--|
| | P03784-18-000 | EA | WIRE ASSEMBLY - HEADLAMP - GM - G SERIES |
| | 073328-B4-000 | EA | CABLE ASSEMBLY - BATTERY - W/TERMINALS |
| | 090986-01-000 | EA | WIRE ASSEMBLY - ELECTRIC STEP |
| | | | FROM: 00-00-00 THRU: 02-07-99 |
| | 090986-02-000 | EA | WIRE ASSEMBLY - ELECTRIC STEP |
| | | | FROM: 02-08-99 THRU: 99-99-99 |
| | 096449-01-000 | EA | WIRE ASSEMBLY - WATER TANK TO MONITOR PANEL |
| | 111915-01-000 | EA | WIRE ASSEMBLY - DAYTIME RUNNING LAMPS - FUSED - GM |
| | 113134-03-000 | EA | WIRE ASSEMBLY - WIPER/WASHER |
| | 113452-01-000 | FT | SEAL/TRIM - FRONT - VINYL W/WIRE CARRIER |
| | 113452-02-000 | FT | SEAL-TRIM |
| | 116675-02-000 | FT | WIRE-16 AWG,XLPE-AWM,125 C |
| | 120233-05-000 | EA | WIRE - 30" W/DIGITAL SENSOR CONNECTOR/STRIPED LEAD |
| | 124843-05-000 | EA | WIRE ASSEMBLY - SPEAKER/ADAPTER |
| | 124882-02-000 | EA | WIRE ASSEMBLY - AMPLIFIER |
| | 126392-01-000 | EA | WIRE ASSEMBLY - REMOTE MIRRORS |
| | 127002-03-000 | EA | WIRE ASSEMBLY - ENERGY MANAGEMENT SYSTEM |
| | 131279-01-000 | EA | WIRE ASSEMBLY - DRIVER SEAT |

ROCKER SWITCHES (DASH)

| KEY | PART NUMBER | U/M | DESCRIPTION |
|-----|---------------|-----|---|
| | 108357-03-000 | EA | SWITCH - ROCKER - SPDT ON/ OFF/ ON 3 TERM. CARLING - V6D1000B-0 |
| | 108356-02-01A | EA | SWITCH COVER W/ 2 DIMPLES - CARLING - CCAZC00 |
| | 108357-08-000 | EA | SWITCH - ROCKER DPDT - ON/NONE/ON - 6 TERMINAL |
| | 108356-02-01A | EA | SWITCH COVER W/ 2 DIMPLES - CARLING - CCAZC00 |
| | 108357-06-000 | EA | SWITCH - ROCKER - DPDT MOM/ OFF/ MOM 6 TERM. CARLING - VLD1000B-0 |
| | 108356-02-01A | EA | SWITCH COVER W/ 2 DIMPLES - CARLING - CCAZC00 |
| | 108357-09-000 | EA | SWITCH - ROCKER - SPDT ON/ NONE/ MOM 3 TERM. CARLING - V5D1000B-0 |
| | 108356-02-01A | EA | SWITCH COVER W/ 2 DIMPLES - CARLING - CCAZC00 |
| | 108357-10-000 | EA | SWITCH - ROCKER - SPDT MOM/ ON LIGHTED-5 TERM (3 SWITCH/ 2 LIGHT) |
| | 108356-04-01A | EA | SWITCH COVER W/ DIMPLES - LIGHTED - CARLING - VVAGC00 |
| | 096241-03-000 | EA | SWITCH - BLANK |
| | 077942-01-000 | EA | SWITCH - DUMMY - BLACK |

RECEPTACLES

| KEY | PART NUMBER | U/M | DESCRIPTION |
|-----|---------------|-----|---|
| | 058707-01-000 | EA | RECEPTACLE - ELECTRIC - SINGLE - BROWN |
| | 058707-02-000 | EA | RECEPTACLE - BLANK - JUNCTION BOX |
| | 058708-01-000 | EA | RECEPTACLE - ELECTRIC - DOUBLE - BROWN |
| | 058708-02-000 | EA | RECEPTACLE - ELECTRIC - DOUBLE - IVORY |
| | 058708-05-000 | EA | RECEPTACLE - ELECTRIC - SINGLE - BROWN |
| | 084076-02-000 | EA | RECEPTACLE - GFI - 15 AMP/125 VOLT - BROWN |
| | 102568-01-GB1 | EA | SPACER - RECEPTACLE - BETWEEN SIDEWALL & PLATE - WOOD |
| | 112824-01-03A | EA | COVER - EXTERIOR DUPLEX RECEPTACLE - WHITE PLASTIC |
| | 115930-02-000 | EA | INLET - 50 AMP - 240 VOLT - EXTERIOR |
| | 112822-01-01A | EA | RECEPTACLE - DUPLEX - IVORY |
| | | | FROM: 00-00-00 THRU: 11-15-98 |
| | 131826-01-01A | EA | RECEPTACLE - EXTERIOR/W/COVER & GASKET - WHITE |
| | | | FROM: 11-16-98 THRU: 99-99-99 |

ELECTRICAL GROUP (CONTINUED)

ELECTRICAL CONNECTORS & CONDUIT

| KEY | PART NUMBER | U/M | DESCRIPTION |
|-----|---------------|-----|--|
| | 007954-01-000 | EA | RECEPTACLE - HOUSING - 6 POSITION |
| | 007956-05-000 | EA | INSULATOR - SHRINK - .25 ID X 1.50 |
| | 008311-01-000 | EA | CONNECTOR - WIRE NUT - INSULATED - RED |
| | 008312-01-000 | EA | CONNECTOR - WIRE NUT - INSULATED - BLUE |
| | 008313-01-000 | EA | CONNECTOR - WIRE NUT - INSULATED - YELLOW |
| | 008314-01-000 | EA | CONNECTOR - WIRE NUT - INSULATED - GRAY |
| | 008326-01-000 | EA | TERMINAL - RING - 16/14 WIRE - 3/8" STUD |
| | 008328-01-000 | EA | TERMINAL - RING - 12/10 WIRE - #10 STUD FIT |
| | 008348-01-000 | EA | TERMINAL - RING - 3/8" STUD 2 GA. WIRE |
| | 008355-01-000 | EA | CONNECTOR - CABLE CLAMPING - 3/4" |
| | 008356-01-000 | EA | CONNECTOR - PLASTIC - 3/8" AVG |
| | 008356-02-000 | EA | CONNECTOR - PLASTIC - 21/32 |
| | 008394-01-000 | FT | CONDUIT - FLEXIBLE - 1/2" |
| | 008398-01-000 | EA | CONNECTOR - 1/2" X 90 DEGREE - FLEX CONDUIT - UL & CSA |
| | 035416-04-000 | EA | TERMINAL - RING - #10 STUD FIT - INSULATED BARREL #16/14 |
| | 041480-01-000 | EA | CONNECTOR - STRAIGHT - 1/2" FLEX CONDUIT |
| | 041953-01-000 | FT | CONDUIT - CONVOLUTE SLIT - .5" ID - POLYETHELENE |
| | 041953-03-000 | FT | CONDUIT - CONVOLUTE SLIT - 1" ID (CLOTHES ROD COVER) |
| | 041953-05-000 | FT | CONDUIT - CONVOLUTE SOLID - .62" ID - POLYETHELENE |
| | 041953-06-000 | FT | CONDUIT - CONVOLUTE SLIT - .375" ID - POLYETHELENE |
| | 041953-07-000 | FT | CONDUIT - CONVOLUTE SLIT - .25" ID - POLYETHELENE |
| | 041953-08-000 | FT | CONDUIT - CONVOLUTE SLIT - 1.50" ID - POLYETHELENE |
| | 041953-09-000 | FT | CONDUIT - CONVOLUTE SLIT - .50" ID - NYLON |
| | 041953-10-000 | FT | CONDUIT - CONVOLUTE SLIT - .75" ID - NYLON |
| | 041953-11-000 | FT | CONDUIT - CONVOLUTE SLIT - 1.06" ID - NYLON |
| | 041953-12-000 | FT | CONDUIT - CONVOLUTE SOLID - 1.1" ID - NYLON |
| | 047443-01-000 | EA | TERMINAL - .250 RECEPTACLE FIT - INSULATED - 16/14 AWG |
| | 047443-02-000 | EA | TERMINAL - .250 RECEPTACLE FIT - INSULATED - 12/10 AWG |
| | 058028-01-000 | EA | CONNECTOR - ELECTRICAL PIGTAIL - NYLON - CLEAR |
| | 062036-01-000 | EA | TERMINAL - PACK - CON - 12/10 AWG |
| | 062036-02-000 | EA | TERMINAL - PACK - CON - 16/14 AWG |
| | 077479-01-000 | EA | BOOT - BATTERY TERMINAL - DOUBLE CABLE |
| | 077479-02-000 | EA | BOOT - BATTERY TERMINAL - SINGLE CABLE |
| | 080015-02-000 | EA | RECEPTACLE - FLAG - .185 - 16/14 GAUGE |
| | 085724-01-000 | EA | SOCKET - DOUBLE CONTACT - TAILLIGHT |
| | 087225-01-000 | FT | SLEEVEING - 1/2" - TYPE H |
| | 087225-02-000 | FT | SLEEVEING - 5/8" - TYPE H |
| | 088267-01-000 | EA | TERMINAL - FEMALE - 1/4 |
| | 088473-01-000 | EA | HOUSING - PIN - 12 CAVITY (3 ROWS OF 4) |
| | 088473-02-000 | EA | HOUSING - PIN - 15 CAVITY (3 ROWS OF 5) |
| | 088473-03-000 | EA | HOUSING - PIN - 9 CAVITY (3 ROWS OF 3) |
| | 088473-04-000 | EA | HOUSING - PIN - 8 CAVITY IN-LINE |
| | 088473-06-000 | EA | HOUSING - PIN - 6 CAVITY (2 ROWS OF 3) |
| | 088473-08-000 | EA | HOUSING - PIN - 4 CAVITY - IN-LINE |
| | 088473-09-000 | EA | HOUSING - PIN - 3 CAVITY - IN-LINE |
| | 088473-10-000 | EA | HOUSING - PIN - 2 CAVITY - IN LINE |
| | 088474-01-000 | EA | HOUSING - SOCKET - 12 CAVITY |
| | 088474-02-000 | EA | HOUSING - SOCKET - 15 CAVITY |
| | 088474-03-000 | EA | HOUSING - SOCKET - 9 CAVITY |
| | 088474-04-000 | EA | HOUSING - SOCKET - 8 CAVITY |
| | 088474-06-000 | EA | HOUSING - SOCKET - 6 CAVITY |
| | 088474-07-000 | EA | HOUSING - SOCKET - 5 CAVITY |
| | 088474-08-000 | EA | HOUSING - SOCKET - 4 CAVITY |
| | 088474-09-000 | EA | HOUSING - ELECTRICAL - 3 TERMINAL |
| | 088474-10-000 | EA | HOUSING - SOCKET - 2 CAVITY |
| | 088475-01-000 | EA | PIN - CONNECTOR - 14-20 AWG |
| | 088475-02-000 | EA | PIN - CONNECTOR - 10 - 12 AWG |
| | 088476-01-000 | EA | TERMINAL - ELECTRICAL |

ELECTRICAL GROUP (CONTINUED)

ELECTRICAL CONNECTORS & CONDUIT (CONTINUED)

| KEY | PART NUMBER | U/M | DESCRIPTION |
|-----|---------------|-----|---|
| | 088476-02-000 | EA | SOCKET - CONNECTOR - 12-10 GA - PRE-TIN |
| | 092786-02-000 | EA | BUSS BAR - 3.3" LONG |
| | 092786-03-000 | EA | BUSS BAR - 6.9" LONG |
| | 098260-01-000 | EA | TERMINAL - MALE - 56 SERIES |
| | 098261-02-000 | EA | SOCKET - CONNECTOR - WEATHERPACK - 14-18 AWG |
| | 098262-01-000 | EA | SEAL - CONNECTOR - WEATHERPACK |
| | 098264-01-000 | EA | HOUSING - 2 PIN - WEATHERPACK |
| | 101571-01-000 | EA | HOUSING - 2 POSITION - MALE |
| | 103608-01-000 | EA | SOCKET - WEDGE BASE W/LEADS |
| | 103987-02-000 | EA | SEAL - SOLENOID ACCESS |
| | 104016-01-000 | EA | WIRE ASSEMBLY - AUXILIARY FANS |
| | 104100-01-000 | EA | HOUSING - 1 POSITION - 75 AMPS |
| | 104100-03-000 | EA | TERMINAL - 75 AMP |
| | 106006-01-000 | EA | HOUSING - 1 POSITION - FEMALE |
| | 106007-01-000 | EA | TERMINAL - FEMALE - 14-16 AWG |
| | 106655-01-000 | EA | TERMINAL - FUSE BLOCK - 14-16 AWG |
| | 106655-02-000 | EA | TERMINAL - FUSE BLOCK - 10-12 AWG |
| | 110178-01-000 | EA | HOUSING - WIPER MOTOR |
| | 112823-01-000 | EA | SPLICE - REDUCER - 16-14 TO 18-22 |
| | 113131-01-000 | EA | HOUSING - 3 PIN |
| | 113135-01-000 | EA | TERMINAL - FEMALE - M/P - 14-16 - F/SEALED TERMINAL |
| | 113306-01-000 | EA | TERMINAL - FEMALE - M/P - 14-16 - F/NON-SEALED TERMINAL |
| | 113307-01-000 | EA | TERMINAL - FEMALE - M/P - 16-20 |
| | 113468-01-000 | EA | HOUSING - 2 POSITION - FEMALE |
| | 115556-01-000 | EA | HOUSING - 3 POSITION - FEMALE |
| | 115556-02-000 | EA | HOUSING - 2 POSITION - FEMALE |
| | 115931-02-000 | EA | COVER - CONNECTOR - 50 AMP W/LOCKING RING |
| | 115932-02-000 | EA | CONNECTOR - FEMALE - 50 AMP - 240 VOLT |
| | 116811-01-000 | EA | TERMINAL - .110 RECEPTACLE - 16-14 AWG |
| | 119248-02-000 | EA | HOUSING - 7 POSITION - FEMALE |
| | 125323-02-000 | EA | HOUSING - 8 POSITION - MALE |
| | 125324-01-000 | EA | TERMINAL - MALE - METRI-PACK - 150 |
| | 125325-01-000 | EA | SEAL - CAVITY |

ELECTRICAL MISCELLANEOUS

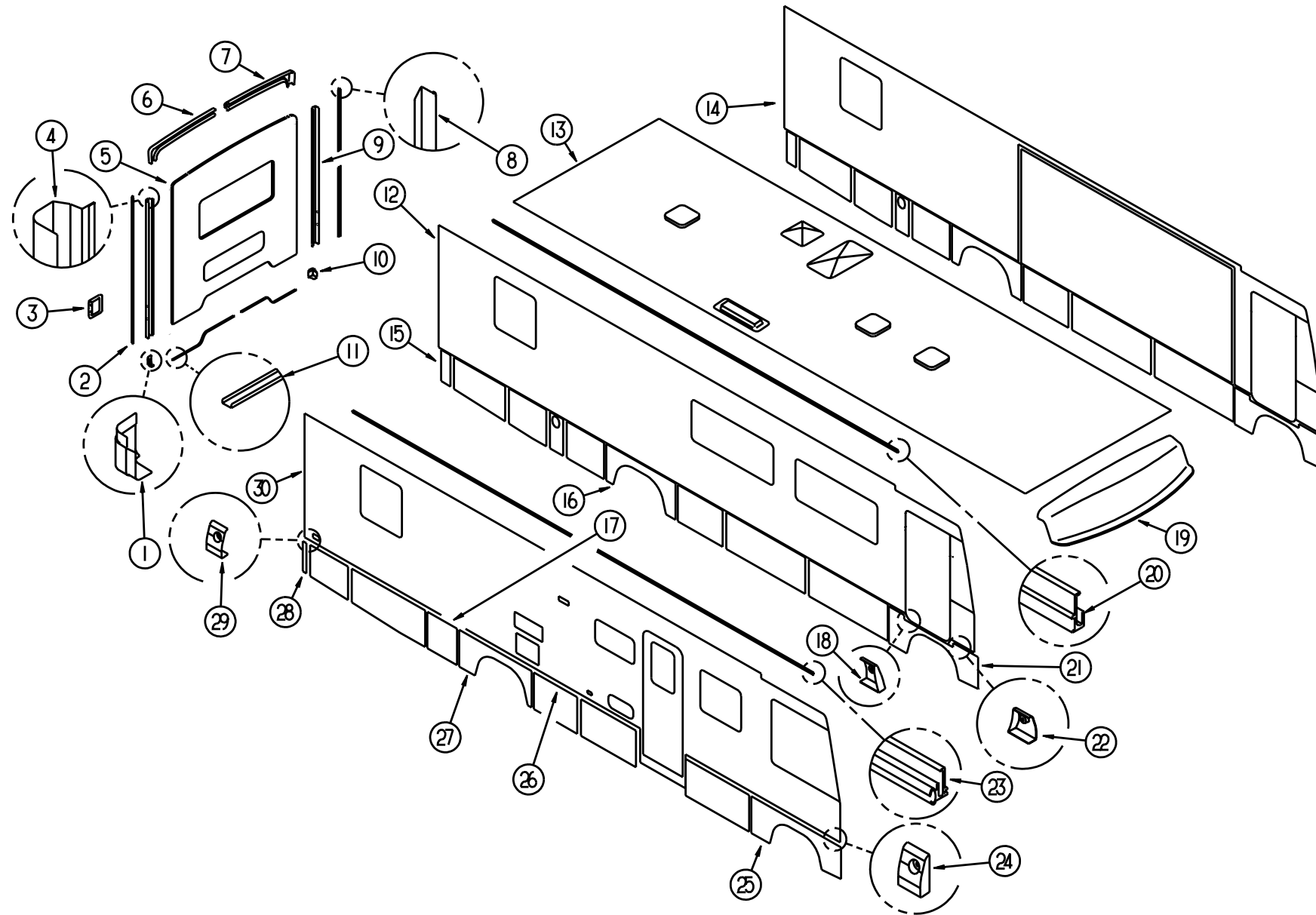
| KEY | PART NUMBER | U/M | DESCRIPTION | VENDOR NO. |
|-----|---------------|-----|---|------------|
| | 007093-01-000 | EA | SIGNAL FLASHER | |
| | 008188-01-000 | EA | SOLENOID - 3 POST - BATTERY CHANGE OVER | |
| | 063910-01-000 | EA | HOUSING - RELAY | |
| | 063912-02-000 | EA | RELAY - CANISTER - SPDT | |
| | 086233-01-000 | EA | STUD - ISOLATED - 3/8" X 7/8" LONG | |
| | 086273-01-000 | EA | RELAY - BATTERY DISCONNECT | |
| | 115504-01-700 | EA | PLUG & CABLE, 10 WATT PANEL | 600-016 |
| | 115504-01-000 | EA | PANEL - SOLAR 10 WATT | |
| | 115505-01-000 | EA | LIGHT - MONITOR/SOLAR PANEL - RED LED INDICATOR | |

CONVERTER & LOAD CENTER

| KEY | PART NUMBER | U/M | DESCRIPTION | VENDOR NO. |
|-----|---------------|-----|--|------------|
| | 099048-03-000 | EA | INVERTER - 130 WATT | |
| | 106071-03-700 | EA | CIRCUIT BOARD/TIME DELAY SW | TD0001 |
| | 106071-04-000 | EA | SWITCH - AUTOMATIC TRANSFER W/CONNECTION LUGS | |
| | 108915-02-000 | EA | LOAD CENTER - 120/240 VOLT - 100 AMP | |
| | | | FROM: 00-00-00 THRU: 04-04-99 | |
| | 108915-03-000 | EA | LOAD CENTER - 120/240 - 100 AMP | |
| | | | FROM: 04-05-99 THRU: 99-99-99 | |
| | 113132-01-000 | EA | LOAD CENTER - 120/240 VOLT - 60 AMP | |
| | 123058-02-000 | EA | CONVERTER - 45 AMP - ELECTRONIC - 4 1/8"H X 7"W X 12 3/8"L | |
| | 127002-01-000 | EA | MODULE/CIRCUIT BOARD - ENERGY MANAGEMENT SYSTEM CONTROL | |
| | 127002-02-000 | EA | PANEL/MONITOR - ENERGY MANAGEMENT SYSTEM | |

EXTERIOR BODY GROUP

EXTERIOR BODY PANELS & TRIM

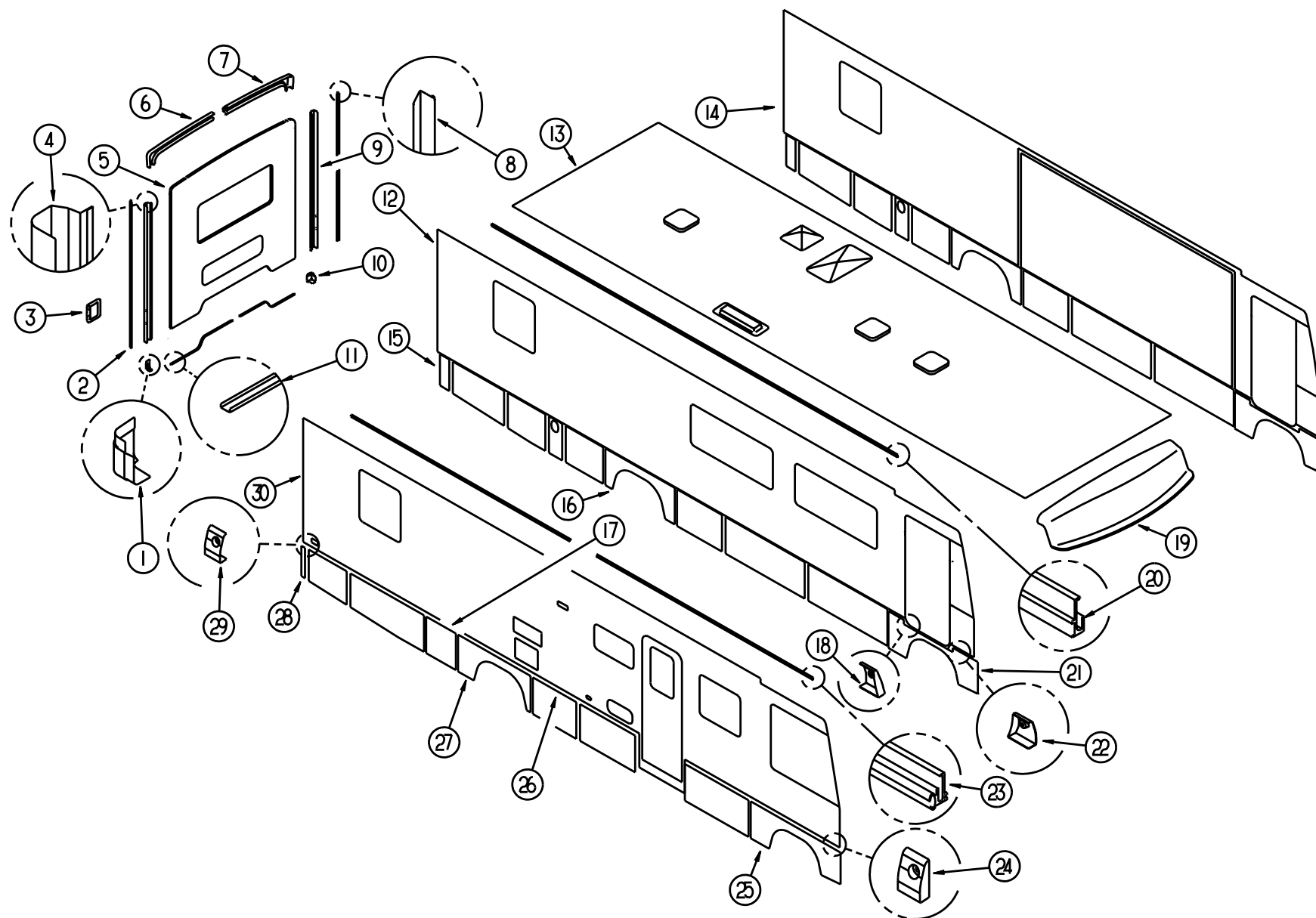


| KEY | PART NUMBER | U/M DESCRIPTION |
|-----|---------------|---|
| 1 | 125873-01-01A | EA END CAP - LOWER BACKWALL TRIM - PASSENGER - BLACK |
| 2 | 120548-01-02A | EA TRIM-J - BACKWALL - PASSENGER/NOTCHED |
| 3 | 126210-01-J20 | EA TRIM - TAILLIGHT/DRIVER/PASSENGER - BRIGHT WHITE |
| 4 | 126096-01-12B | EA TRIM - BACKWALL/PASSENGER SIDE - BRIGHT WHITE |
| 5 | M08153-15-K28 | EA BACKWALL - W/O WINDOW/TRIM - F/TWIN BED (K28, K29, K34, K35) |
| 5 | M08153-15-K30 | EA BACKWALL - W/O WINDOW/TRIM - F/TWIN BED (K30, K31) |
| 5 | M08153-15-K32 | EA BACKWALL - W/O WINDOW/TRIM - F/TWIN BED (K32, K33) |
| 5 | M08153-14-K28 | EA BACKWALL - W/O WINDOW/TRIM - QUEEN BED (K28, K29, K34, K35) |
| 5 | M08153-14-K30 | EA BACKWALL - W/O WINDOW/TRIM - QUEEN BED (K30, K31) |
| 5 | M08153-14-K32 | EA BACKWALL - W/O WINDOW/TRIM - QUEEN BED (K32, K33) |
| 6 | 125690-01-01A | EA TRIM - BACKWALL - TOP/PASSENGER SIDE |
| 7 | 125689-01-01A | EA TRIM - BACKWALL - TOP/DRIVER SIDE |
| 8 | 120548-02-02A | EA TRIM-J - BACKWALL - DRIVER/NOTCHED |
| 9 | 126096-02-12B | EA TRIM - BACKWALL/DRIVER SIDE - BRIGHT WHITE |

| KEY | PART NUMBER | U/M DESCRIPTION |
|-----|---------------|--|
| 10 | 125873-02-01A | EA END CAP - LOWER BACKWALL TRIM - DRIVER - BLACK |
| 11 | 050406-25-000 | EA TRIM - BACKWALL - LOWER |
| 12 | 130331-01-K28 | EA SIDEWALL - W/O WINDOWS/TRIM (K28, K29, K34, K35) |
| 12 | 130331-01-K30 | EA SIDEWALL - W/O WINDOWS/TRIM (K30, K31) |
| 12 | 130331-01-K32 | EA SIDEWALL - W/O WINDOWS/TRIM (K32, K33) |
| 13 | 130362-01-K32 | EA ROOF - W/O LIGHTS/VENTS - W/WIRING |
| 14 | 130045-01-K28 | EA SIDEWALL - DRIVER - W/O WINDOWS/TRIMS - F/SLIDEOUT (K28, K29, K34, K35) |
| 14 | 130045-01-K30 | EA SIDEWALL - DRIVER - W/O WINDOWS/TRIMS - F/SLIDEOUT (K30, K31) |
| 14 | 130045-01-K32 | EA SIDEWALL - DRIVER - W/O WINDOWS/TRIMS - F/SLIDEOUT (K32, K33) |
| 15 | 122732-26-JA1 | EA VALANCE/PANEL - REAR DRIVER - W/O HARDWARE - 4.9" |
| 16 | 129421-10-K32 | EA PANEL/WHEEL LIP - REAR (CHEVY) |
| 16 | 129421-09-K32 | EA PANEL/WHEEL LIP - REAR (FORD) |

EXTERIOR BODY GROUP

EXTERIOR BODY PANELS & TRIM (CONTINUED)

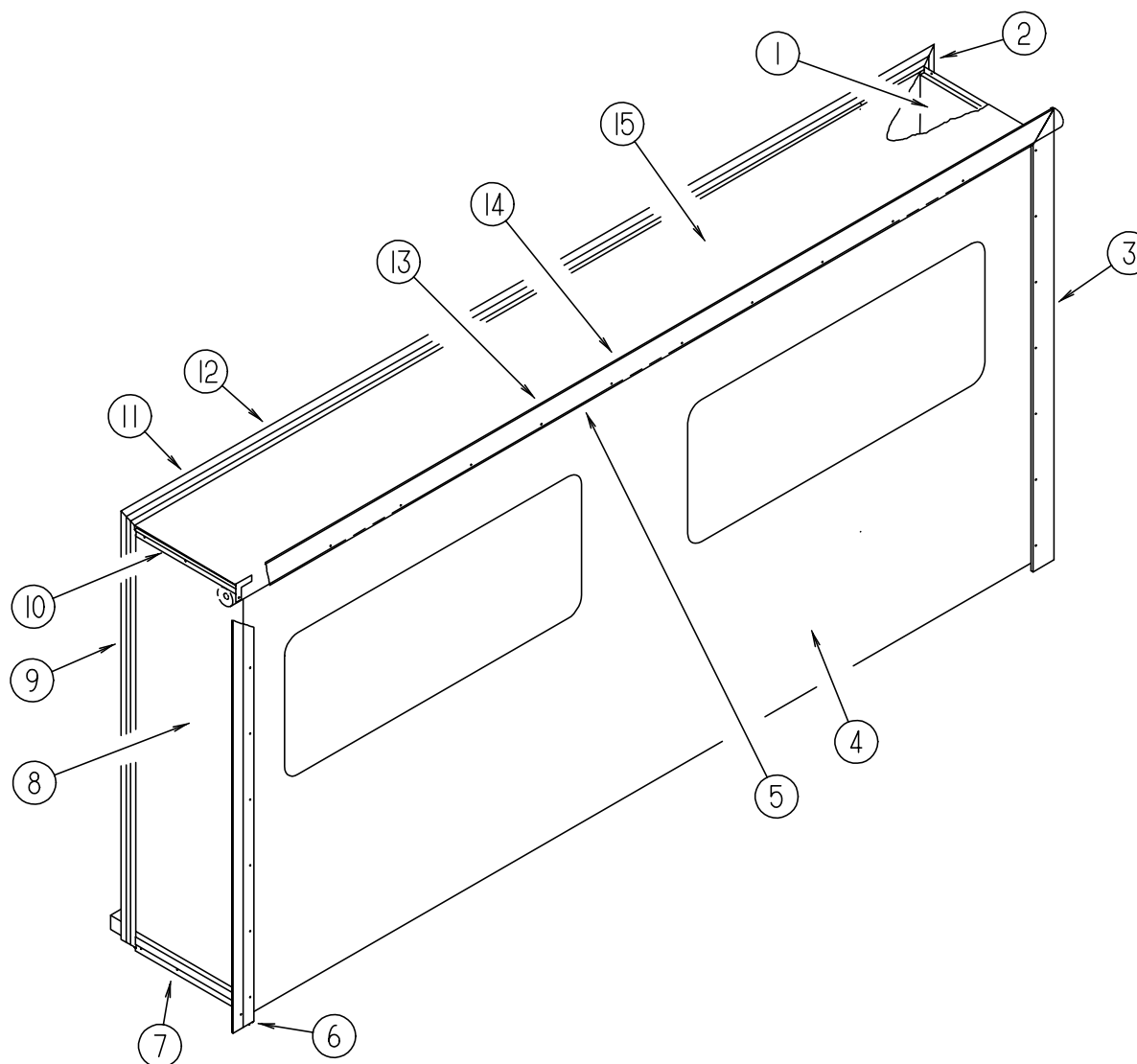


| KEY | PART NUMBER | U/M DESCRIPTION |
|-----|---------------|---|
| 17 | 122776-35-K32 | EA VALANCE/PANEL - W/O HARDWARE - 33.4"W X 24"H |
| 18 | 124178-04-01A | EA CAP - TRIM/DRIVER DOOR |
| 19 | 125052-02-J20 | EA CAP - ROOF - W/O LIGHTS/WIRING |
| 20 | 120091-02-02A | EA TRIM - ROOF |
| 20 | 131483-01-01A | EA RAIL - AWNING - BRIGHT WHITE |
| | | FROM: 00-00-00 THRU: 10-26-98 |
| | | FROM: 10-27-98 THRU: 99-99-99 |
| 21 | 129422-06-K28 | EA PANEL - WHEEL LIP - FRONT/DRIVER - W/DRIVER DOOR |
| 21 | 129422-07-K28 | EA PANEL - WHEEL LIP - FRONT/DRIVER |
| | 129854-05-01A | EA SUPPORT - WHEEL LIP - 7.9" - MILL |
| 22 | 124178-03-01A | EA CAP - TRIM/DRIVER DOOR |
| 23 | 120092-01-02A | EA RAIL - AWNING - BRIGHT WHITE |
| | | FROM: 00-00-00 THRU: 10-26-98 |
| 23 | 131483-01-01A | EA RAIL - AWNING - BRIGHT WHITE |
| | | FROM: 10-27-98 THRU: 99-99-99 |

| KEY | PART NUMBER | U/M DESCRIPTION |
|-----|---------------|---|
| 24 | 124132-01-01A | EA CAP - SIDEWALL TRIM - RIGHT HAND - 1.4" - BRIGHT WHITE |
| 25 | 129422-01-K28 | EA PANEL/WHEEL LIP - FRONT/PASSENGER |
| | | FROM: 00-00-00 THRU: 07-05-98 |
| 25 | 129422-13-K28 | EA PANEL/WHEEL LIP - FRONT/PASSENGER |
| | | FROM: 07-06-98 THRU: 99-99-99 |
| 26 | 124176-01-01A | EA TRIM - SIDEWALL - BRIGHT WHITE - 16' |
| 26 | 105312-01-03A | FT INSERT - VINYL FEATURE STRIP - GRAY METALLIC |
| 27 | 129421-12-K32 | EA PANEL/WHEEL LIP - REAR (CHEVY) |
| 27 | 129421-11-K32 | EA PANEL/WHEEL LIP - REAR (FORD) |
| 28 | 122732-25-JA1 | EA VALANCE/PANEL - REAR PASSENGER - W/O HARDWARE - 4.9" |
| 29 | 124132-02-01A | EA CAP - SIDEWALL TRIM - LEFT HAND - 1.4" - BRIGHT WHITE |
| 30 | 130148-01-K28 | EA SIDEWALL - PASSENGER - W/O WINDOWS/TRIM (K28, K29, K34, K35) |
| 30 | 130148-01-K30 | EA SIDEWALL - PASSENGER - W/O WINDOWS/TRIM (K30, K31) |
| 30 | 130148-01-K32 | EA SIDEWALL - PASSENGER - W/O WINDOWS/TRIM (K32, K33) |

EXTERIOR BODY GROUP (CONTINUED)

EXTERIOR SLIDEOUT PANELS & TRIMS

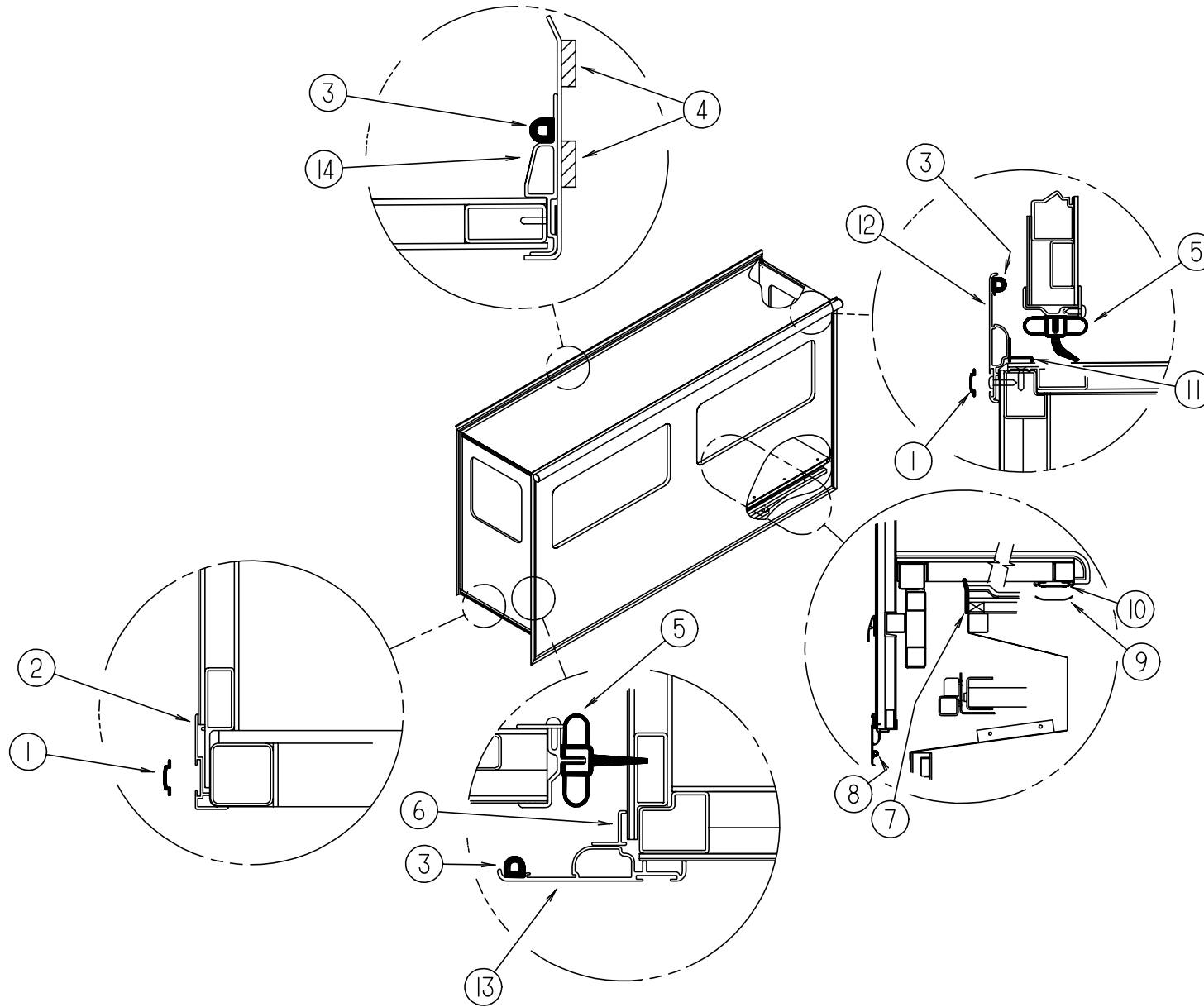


| KEY | PART NUMBER | U/M | DESCRIPTION |
|-----|---------------|-----|---|
| 1 | 126570-01-J24 | EA | PANEL - SLIDEOUT - REAR (K28, K29, K34, K35) |
| 1 | 126570-01-K30 | EA | PANEL - SLIDEOUT - REAR (K30, K31) |
| 1 | 126570-01-K33 | EA | PANEL - SLIDEOUT - REAR (K32, K33) |
| 2 | 117004-02-03A | EA | TRIM - SEAL/INNER HORIZONTAL W/MITERED ENDS-73.5 - BRIGHT WHITE |
| 3 | 119992-12-01A | EA | TRIM - SEAL - W/MITERED ENDS - BRIGHT WHITE |
| 3 | 105312-01-07A | FT | INSERT - VINYL FEATURE STRIP - BRIGHT WHITE |
| 3 | 116933-15-01A | EA | TRIM - SEAL/FLOOR EDGE - 166.7" - BRIGHT WHITE |
| 4 | 119783-18-K28 | EA | PANEL - SLIDEOUT - OUTER (K28, K29, K34, K35) |
| 4 | 119783-18-K30 | EA | PANEL - SLIDEOUT - OUTER (K30, K31) |
| 4 | 119783-18-K32 | EA | PANEL - SLIDEOUT - OUTER (K32, K33) |
| 5 | 122977-06-01A | EA | AWNING - SLIDEOUT W/COVER - 160.24" - BRIGHT WHITE |
| | 127647-01-01A | EA | ROD/AWNING GUARD - ENTRANCE DOOR |
| 6 | 119992-11-01A | EA | TRIM - SEAL - W/MITERED ENDS - BRIGHT WHITE |
| 6 | 105312-01-07A | FT | INSERT - VINYL FEATURE STRIP - BRIGHT WHITE |
| 6 | 116933-15-01A | EA | TRIM - SEAL/FLOOR EDGE - 166.7" - BRIGHT WHITE |

| KEY | PART NUMBER | U/M | DESCRIPTION |
|-----|---------------|-----|--|
| 7 | 125051-01-01A | EA | STRIP - FEATURE - LOWER - BRIGHT WHITE |
| 7 | 105312-01-03A | FT | INSERT - VINYL FEATURE STRIP - GRAY METALLIC |
| 8 | 126569-01-J24 | EA | PANEL - SLIDEOUT - FRONT (K28, K29, K34, K35) |
| 8 | 126569-01-K30 | EA | PANEL - SLIDEOUT - FRONT (K30, K31) |
| 8 | 126569-01-K33 | EA | PANEL - SLIDEOUT - FRONT (K32, K33) |
| 9 | 117004-01-03A | EA | TRIM - SEAL/INNER VERTICAL - W/MITERED ENDS-73.5" BRIGHT WHITE (FRONT) |
| 10 | 108688-01-03A | EA | STRIP - FEATURE - 15' |
| 10 | 105312-01-03A | FT | INSERT - VINYL FEATURE STRIP - GRAY METALLIC |
| 11 | 117004-03-03A | EA | TRIM - SEAL/INNER - BRIGHT WHITE (TOP) |
| 12 | 125466-01-01A | EA | SUPPORT - ROOF - INTERIOR - OFF WHITE |
| 13 | 119992-01-02A | EA | TRIM - SEAL - W/MITERED ENDS - BRIGHT WHITE |
| 13 | 105312-01-07A | FT | INSERT - VINYL FEATURE STRIP - BRIGHT WHITE |
| 14 | 117058-01-01A | FT | TAPE - LOOP - 3/4" WIDE - ADHESIVE BACKED |
| 15 | 126571-01-J22 | EA | ROOF - F/SLIDEOUT - W/O LIGHTS/VENTS - W/WIRING |

EXTERIOR BODY GROUP (CONTINUED)

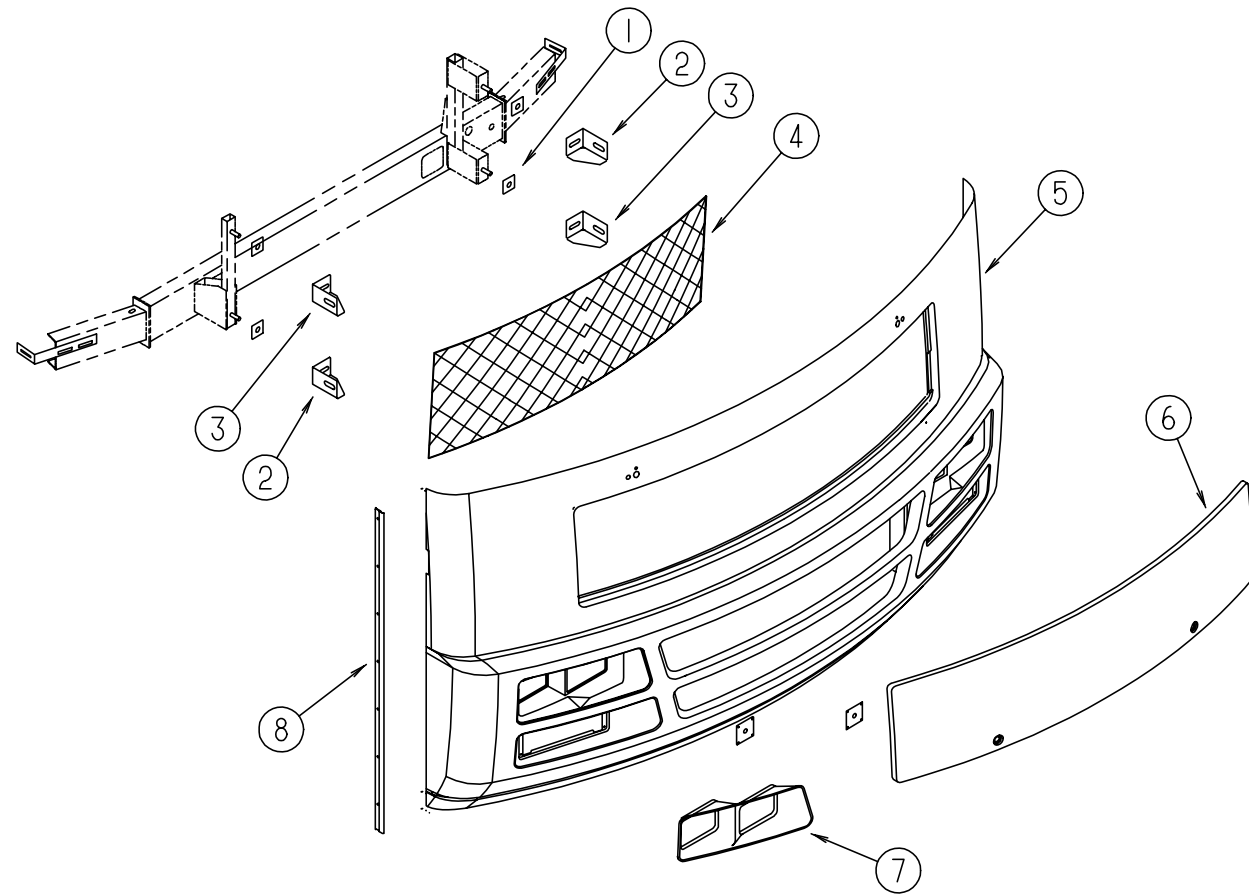
EXTERIOR SLIDEOUT HARDWARE



| KEY | PART NUMBER | U/M DESCRIPTION |
|-----|---------------|---|
| 1 | 105312-01-03A | FT INSERT - VINYL FEATURE STRIP - GRAY METALLIC |
| 2 | 108688-01-03A | EA STRIP - FEATURE - 15' |
| 3 | 112091-01-000 | FT SEAL-D - NEOPRENE |
| 4 | 100128-02-000 | FT SEAL - FOAM/ADHESIVE BACK - .37" WIDE X .37" THICK |
| 5 | 115076-01-000 | FT SEAL - SLIDEOUT |
| 6 | 116933-15-01A | EA TRIM - SEAL/FLOOR EDGE - 166.7" - BRIGHT WHITE |
| 7 | 115075-02-000 | FT SEAL - WIPE - .25" X 3.15" |
| | 089275-02-000 | FT STRIP - 3/4" X 84" BLACK POLYETHELENE |

| KEY | PART NUMBER | U/M DESCRIPTION |
|-----|---------------|---|
| 8 | 121283-01-000 | FT SEAL - P SHAPED |
| 9 | 115661-01-000 | FT POLYETHYLENE - HIGH DENSITY - 1/16" X 3' |
| 10 | 115325-10-01A | EA RAIL - FLOOR/SLIDEOUT ROOM - BLACK |
| 11 | 116933-15-01A | EA TRIM - SEAL/FLOOR EDGE - 166.7" - BRIGHT WHITE |
| 12 | 119992-12-01A | EA TRIM - SEAL - W/MITERED ENDS - BRIGHT WHITE |
| 13 | 119992-11-01A | EA TRIM - SEAL - W/MITERED ENDS - BRIGHT WHITE |
| 14 | 117004-03-03A | EA TRIM - SEAL/INNER - BRIGHT WHITE (TOP) |
| | 117004-01-03A | EA TRIM - SEAL/INNER VERTICAL - W/MITERED ENDS-73.5"- BRT WHITE (FRONT) |
| | 117004-02-03A | EA TRIM - SEAL/INNER HORIZONTAL W/MITERED ENDS-73.5 - BRT WHITE |

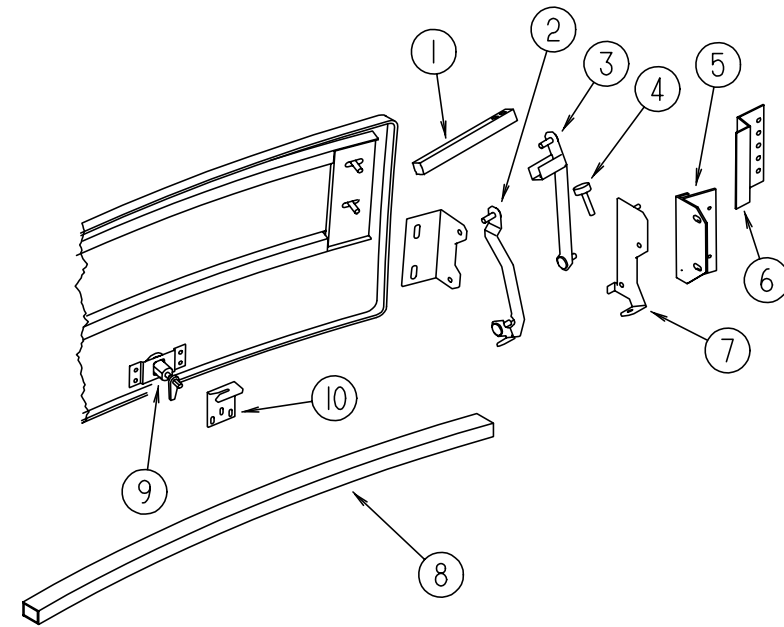
EXTERIOR BODY GROUP (CONTINUED)



FRONT END ASM

| KEY | PART NUMBER | U/M | DESCRIPTION |
|-----|---------------|-----|--|
| 1 | 116617-02-02B | EA | SPACER - BUMPER |
| 2 | 128455-02-02B | EA | BRACKET - BUMPER |
| 3 | 128455-01-02B | EA | BRACKET - BUMPER |
| 4 | 115924-18-02A | EA | WIRE MESH - F/GRILLE - FLAT BLACK |
| 5 | 126251-06-J22 | EA | PANEL - FRONT/LOWER - W/O NOTCH |
| 6 | 127075-01-J22 | EA | HOOD - FRONT - W/O HARDWARE |
| 7 | 126252-01-01A | EA | BEZEL - HEADLAMP - PASSENGER |
| | 126252-02-01A | EA | BEZEL - HEADLAMP - DRIVER |
| 8 | 123680-05-01A | EA | TRIM - FIBERGLASS PANEL - BRIGHT WHITE |
| | 106730-10-000 | EA | PLATE - STUD - F/HOOD |

EXTERIOR BODY GROUP (CONTINUED)

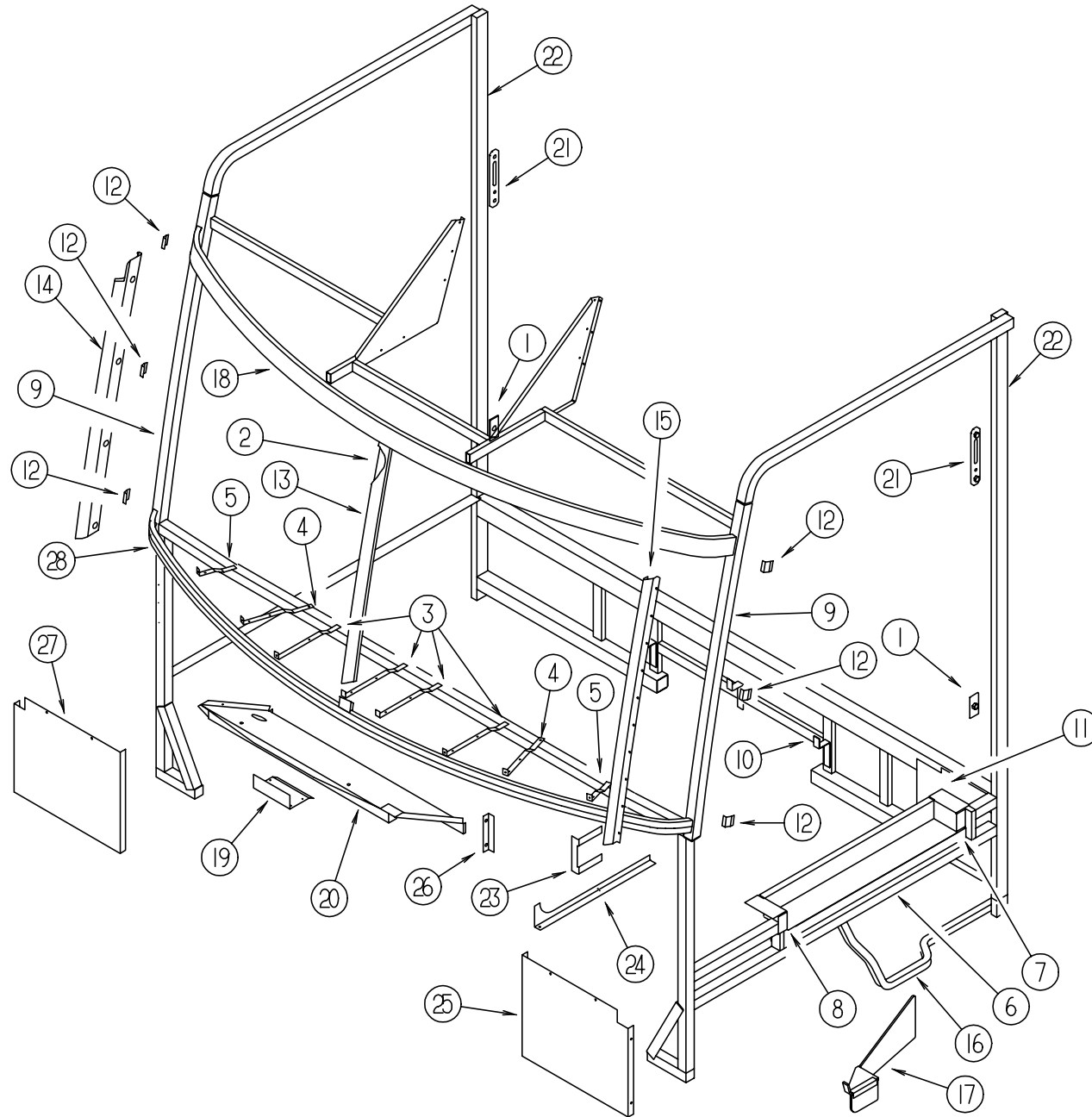


HOOD HARDWARE

| KEY | PART NUMBER | U/M | DESCRIPTION |
|-----|---------------|-----|---|
| 1 | 105096-10-000 | EA | TUBE - HOOD HINGE TIMING W/WELDNUTS |
| 2 | 127180-03-02B | EA | LINK - HINGE/HOOD - LOWER/RIGHT HAND |
| | 127180-04-02B | EA | LINK - HINGE/HOOD - LOWER/LEFT HAND |
| 3 | 127182-01-02B | EA | LINK - HINGE/HOOD - UPPER/RIGHT HAND |
| | 127182-02-02B | EA | LINK - HINGE/HOOD - UPPER/LEFT HAND |
| 4 | 058786-01-000 | EA | BOLT - ADJUSTING HOOD - W/BLACK PAD |
| 5 | 118595-01-03A | EA | SUPPORT - HINGE LINK - PASSENGER - BRIGHT WHITE |
| | 118595-02-03A | EA | SUPPORT - HINGE LINK - DRIVER - BRIGHT WHITE |
| 6 | 113495-03-02B | EA | SUPPORT - HINGE - RIGHT HAND/LEFT HAND - E-COATED |
| 7 | 127181-03-02B | EA | BRACKET - LINK/HINGE - HOOD/RIGHT HAND |
| | 127181-04-02B | EA | BRACKET - LINK/HINGE - HOOD/LEFT HAND |
| 8 | 126331-01-01A | EA | TUBE - GRILLE - HORIZONTAL |
| 9 | 102330-02-000 | EA | LATCH - VISE ACTION/KEY OPERATED |
| 10 | 126352-01-02B | EA | LATCH - HOOD - FRONT END |
| | 102328-01-000 | EA | KEY - BARREL - NICKEL PLATED |

EXTERIOR BODY GROUP (CONTINUED)

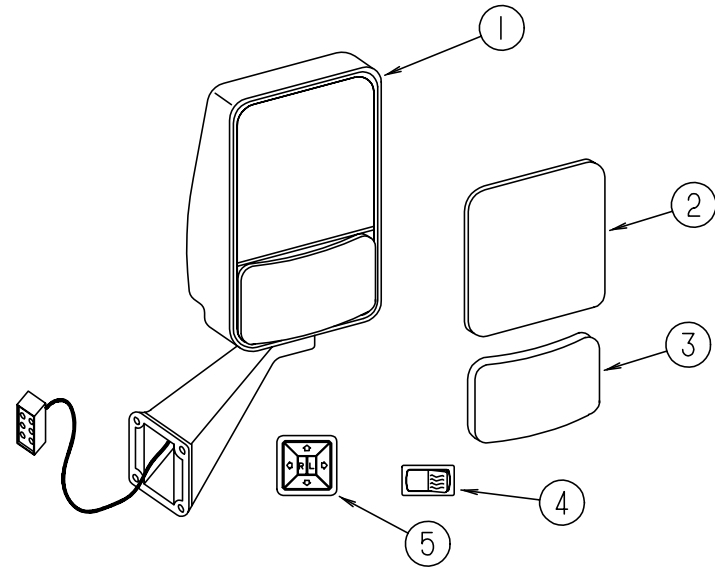
FRONT END ASM.



| KEY | PART NUMBER | U/M DESCRIPTION |
|-----|---------------|--|
| 1 | 070579-06-000 | EA PLATE - ANCHOR - W/7/16" WELD NUT - 1.5" X 3.3" |
| 1 | 070579-07-000 | EA PLATE - ANCHOR - W/O WELD NUT - 1.5" X 3.3" |
| 2 | 078249-17-000 | EA TUBE - SWEPT - CAB FRAME |
| 3 | 104797-03-000 | EA BRACKET - DEFROSTER |
| 4 | 104797-04-000 | EA BRACKET - DEFROSTER |
| 5 | 104797-05-000 | EA BRACKET - DEFROSTER |
| 6 | 106746-02-000 | EA PANEL - STEPWELL |
| 7 | 106747-03-000 | EA PANEL - STEPWELL - RIGHT HAND END |
| 8 | 106747-04-000 | EA PANEL - STEPWELL - LEFT HAND END |
| 9 | 117273-01-01A | EA TUBE - SUPPORT - A-PILLAR |
| 10 | 117287-01-01B | EA BRACKET - MOUNT - CABLE |
| 11 | 118592-01-01B | EA SHIELD - SPLASH - RIGHT HAND |
| 12 | 120363-01-01B | EA BRACKET - WINDSHIELD |
| 13 | 120840-07-01B | EA STRAP - W/HOLES - MILL |
| 14 | 121269-05-01B | EA FRAME - WINDSHIELD - A-PILLAR - MILL |

| KEY | PART NUMBER | U/M DESCRIPTION |
|-----|---------------|---|
| 15 | 121269-06-01B | EA FRAME - WINDSHIELD - A-PILLAR - MILL |
| 16 | 063977-14-000 | EA STEP - DRIVER DOOR - LEFT HAND |
| 17 | 128255-01-04B | EA STEP - DRIVER DOOR - BLACK |
| 18 | 124975-01-01B | EA SUPPORT - WINDSHIELD - UPPER - MLL |
| 19 | 125836-02-01B | EA ZEE-WIPER MOTOR - MILL |
| 20 | 125837-02-01B | EA BRACE - WIPER MOTOR - MILL |
| 21 | 127461-02-01B | EA PLATE - ANCHOR - SEAT BELT |
| 22 | 127874-01-01B | EA TUBE-B PILLAR - MILL |
| 23 | 097123-01-000 | EA MOUNT - AIR INTAKE - FORD |
| 24 | 099102-01-000 | EA BRACKET - LINKAGE - THROTTLE |
| 25 | 104147-14-000 | EA SHIELD/SPLASH - HEADLIGHT |
| 26 | 123262-02-02B | EA BRACKET ASM - FUSE PANEL - E-CT |
| 27 | 121962-02-02B | EA SHIELD/SPLASH - HEADLIGHT |
| 28 | 124974-01-01B | EA SUPPORT - WINDSHIELD, LOWER - MLL |
| | 124904-03-01B | EA HEADER - WINDSHIELD - CENTER |

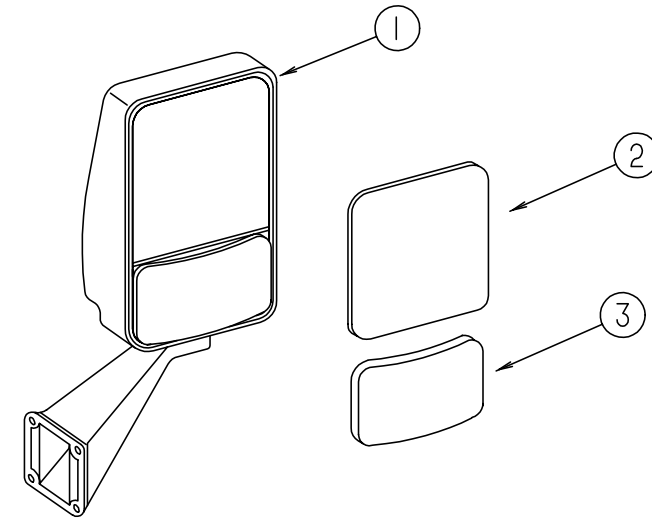
EXTERIOR BODY GROUP (CONTINUED)



EXTERIOR MIRROR OPTION (REMOTE & HEAT)

| KEY | PART NUMBER | U/M | DESCRIPTION | VENDOR NO. |
|-----|---------------|-----|---|------------|
| 1 | 106015-12-01A | EA | MIRROR - EXTERIOR REMOTE/HEAT - PASSENGER | |
| 1 | 106015-13-01A | EA | MIRROR - EXTERIOR REMOTE/HEAT - DRIVER | |
| 2 | 106015-12-700 | EA | MIRROR - FLAT - W/W/O HEAT | 709448 |
| 3 | 106015-12-701 | EA | MIRROR - CONVEX - W/W/O HEAT | 709449 |
| 4 | 087695-02-000 | EA | SWITCH - HEATER - EXTERIOR MIRROR | |
| 5 | 088246-01-000 | EA | SWITCH - REMOTE - EXTERIOR - SQUARE PUSH | |
| | 119774-09-700 | EA | PLATE - INNER SUPPORT - MIRROR HEAD - PASSENGER | 709418-7RH |
| | 119774-09-701 | EA | PLATE - INNER SUPPORT - MIRROR HEAD - DRIVER | 709419-7LH |
| | 106015-12-702 | EA | SCREW CAP - (BAG OF 4) | 748329 |
| | 087695-03-000 | EA | CONNECTOR - ASSEMBLY | |

EXTERIOR BODY GROUP (CONTINUED)

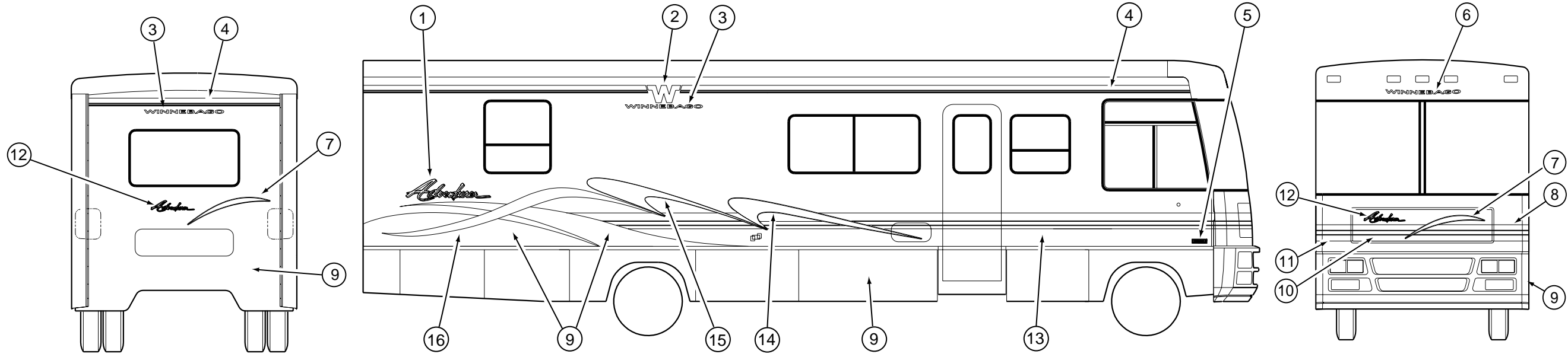


EXTERIOR MIRROR (ADJUSTABLE)

| KEY | PART NUMBER | U/M | DESCRIPTION | VENDOR NO. |
|-----|---------------|-----|---|------------|
| 1 | 106015-14-01A | EA | MIRROR - EXTERIOR ADJUSTABLE GLASS - PASSENGER | |
| 1 | 106015-15-01A | EA | MIRROR - EXTERIOR ADJUSTABLE GLASS - DRIVER | |
| 2 | 106015-12-700 | EA | MIRROR-FLAT - W/W/O HEAT | 709448 |
| 3 | 106015-12-701 | EA | MIRROR-CONVEX - W/W/O HEAT | 709449 |
| | 119774-09-700 | EA | PLATE - INNER SUPPORT - MIRROR HEAD - PASSENGER | 709418-7RH |
| | 119774-09-701 | EA | PLATE - INNER SUPPORT - MIRROR HEAD - DRIVER | 709419-7LH |
| | 106015-12-702 | EA | SCREW CAP - (BAG OF 4) | 748329 |

EXTERIOR BODY GROUP (CONTINUED)

DECALS, FILM STRIPES & PAINT



| KEY | PART NUMBER | U/M | DESCRIPTION |
|-----|---------------|-----|--|
| 1 | 130201-01-01A | EA | DECAL - ADVENTURER - 39.1" |
| 2 | 121743-03-01A | EA | DECAL - LOGO "W" |
| 3 | 120702-03-11A | EA | DECAL - LOGO - WINNEBAGO/SMALL |
| 4 | 094443-61-01A | FT | FILM - MULTISTRIPE - 3.5" |
| 5 | 129922-01-01A | EA | EMBLEM - TRITON V10 |
| 5 | 122312-02-01A | EA | DECAL - VORTEC 7400 FUEL INJECTED |
| 6 | 125597-01-02A | EA | DECAL - LOGO - WINNEBAGO/SWEEP #8 |
| 7 | 130195-01-01A | EA | DECAL - SLASH - LARGE |
| 8 | 130197-02-01A | EA | DECAL - CORNER/LEFT HAND |
| 9 | N/A | | PAINT - CHARCOAL MET - DUPONT F8403U |
| 9 | N/A | | PAINT - LT. SILVER MET - DUPONT F2573U |
| 10 | 130194-01-01A | EA | DECAL - HOOD |
| 11 | 130197-01-01A | EA | DECAL - CORNER/RIGHT HAND |
| 12 | 130201-02-01A | EA | DECAL - LOGO - ADVENTURER/SMALL |
| 13 | 094443-62-01A | FT | FILM - MULTISTRIPE - 7.2" |
| 14 | 130198-01-01A | EA | DECAL - RIBBON - FRONT/RIGHT HAND |
| 14 | 130198-02-01A | EA | DECAL - RIBBON - FRONT/LEFT HAND |
| 15 | 130199-01-01A | EA | DECAL - RIBBON - MIDDLE/RIGHT HAND |
| 15 | 130199-02-01A | EA | DECAL - RIBBON - MIDDLE/LEFT HAND |
| 16 | 130200-01-01A | EA | DECAL - RIBBON - REAR/RIGHT HAND |
| 16 | 130200-02-01A | EA | DECAL - RIBBON - REAR/LEFT HAND |
| | 041561-03-000 | EA | PAINT - 16 OUNCE SPRAY - OFF WHITE |
| | 093681-40-01A | FT | FILM - 2" - FLAT BLACK |
| | 004308-01-000 | EA | PAINT - BLACK SPRAY |

DUPONT PAINT COLOR CODES

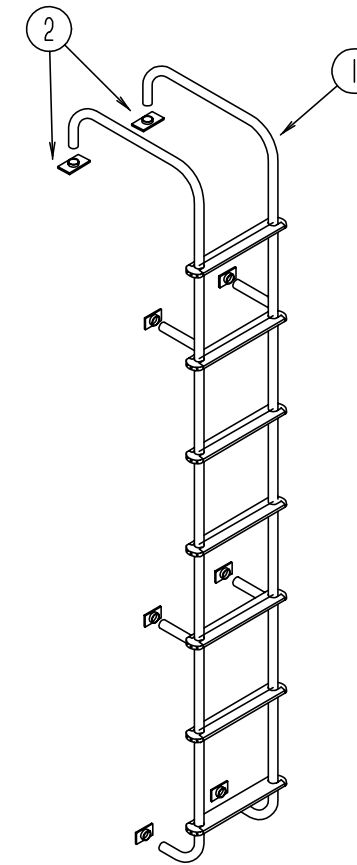
| | | |
|--------------------------|------------|---------------|
| OFF WHITE | (INTERIOR) | DUPONT L8723 |
| CHARCOAL METALLIC | (EXTERIOR) | DUPONT F8403U |
| LIGHT SILVER METALLIC | (EXTERIOR) | DUPONT F2573U |
| BRIGHT WHITE | (EXTERIOR) | DUPONT B8951U |
| MED. DK. ROYAL BLUE MET. | (FILM) | DUPONT BM447 |
| LIGHT CHARCOAL METALLIC | (FILM) | DUPONT MM474 |
| BERRYWOOD METALLIC | (FILM) | DUPONT RM055 |

EXTERIOR BODY GROUP (CONTINUED)

STYROFOAM & FIBERGLASS SHEETING

| KEY | PART NUMBER | U/M | DESCRIPTION |
|-----|---------------|-----|--|
| | 000846-01-000 | SF | PLYWOOD - 5/16" X 48" X 96" - CD GRADE |
| | 000846-02-000 | SF | PLYWOOD/UNDERLAYMENT - 5/16" X 48" X 96" |
| | 002726-01-001 | EA | GARNISH - U-CHANNEL - 1.38" X 19' - SERRATED |
| | 002766-01-001 | EA | ANGLE - EXTRUDED - 1" X 1.5" X 17' |
| | 033381-17-001 | FT | STEEL - TUBE - 16 GAUGE 1.5" X 1.5" X 16' |
| | 068716-01-001 | EA | BRACE - 90 DEGREE L-ANGLE - 16' |
| | 076054-U4-000 | EA | FIBERGLASS SHEET - 101" X 104" - BRIGHT WHITE |
| | 076054-U8-000 | EA | FIBERGLASS SHEET - 100" X 105" - BRIGHT WHITE |
| | 076054-W3-000 | EA | FIBERGLASS SHEET - 79" X 361.3" - BRIGHT WHITE |
| | 076054-W6-000 | EA | FIBERGLASS SHEET - 79" X 367" - BRIGHT WHITE |
| | 108535-05-702 | EA | FIBERGLASS SHEET - FLAT - 110" X 398" BRIGHT WHITE - ROOF |
| | 077517-62-000 | EA | FIBERGLASS SHEET/SIDEWALL - 48" X 96" - BRIGHT WHITE |
| | 089297-01-000 | SF | PLYWOOD - LUAN - OVERLAY GRADE - 48" X 96" |
| | 089297-02-000 | SF | PLYWOOD - LUAN - OVERLAY GRADE - 48" X 108" |
| | 100619-01-000 | BF | FOAM - EXPANDED POLYSTYRENE - 1.34" X 48" X 96" |
| | 100619-02-000 | BF | FOAM - EXPANDED POLYSTYRENE - 1.5" X 48" X 96" |
| | 100619-04-000 | BF | FOAM - EXPANDED POLYSTYRENE - .5" X 48" X 96" |
| | 100619-05-000 | BF | FOAM - EXPANDED POLYSTYRENE - .75" X 48" X 96"-1.5 DENSITY |
| | 100619-11-000 | BF | FOAM - EXPANDED POLYSTYRENE - 2" X 48" X 96" |
| | 100619-13-000 | BF | FOAM - EXPANDED POLYSTYRENE - .34" X 34.65" X 96" |
| | 100619-16-000 | BF | FOAM - EXPANDED POLYSTYRENE - .75" X 48" X 96"-2.0 DENSITY |
| | 100619-22-000 | BF | FOAM - EXPANDED POLYSTYRENE - 48" X 120" X 1.34" |
| | 105077-08-000 | EA | FOAM - PLUG - ROOF CAP |
| | 120107-01-000 | EA | FOAM - COVE - ROOF - 2.8" X 96" LONG |
| | 120107-02-000 | EA | FOAM - PLUG - ROOF TUBE - 2.2" X 2.9" X 1.8" LONG |
| | 120107-03-000 | EA | FOAM - PLUG - SIDEWALL TUBE - 1.2" X 2.1" X 1.8" LONG |
| | 125838-01-002 | EA | ACRYLIC SHEET - .125 X 1.8" X 2" |

EXTERIOR BODY GROUP (CONTINUED)



LADDER

| KEY | PART NUMBER | U/M | DESCRIPTION |
|-----|---------------|-----|------------------------------|
| 1 | 129639-02-01A | EA | LADDER - BRUSHED ALUMINUM |
| 2 | 131256-01-01A | EA | PLATE - LADDER |
| | 129375-01-000 | EA | SEAL/FOAM - LADDER BRACKET |
| | 038327-01-000 | FT | TAPE - ANTI SLIP - 2" X 60FT |

EXTERIOR BODY GROUP (CONTINUED)

**AWNINGS
FROM: 00-00-00 THRU: 03-14-99**

| KEY | PART NUMBER | U/M DESCRIPTION |
|-----|---------------|--|
| | 113874-11-01A | EA SCREW/LAG - AWNING - 1/4" X 1" STAINLESS STEEL |
| | 113874-12-01A | EA SCREW/LAG - AWNING - 1/4" X 2 3/4" STAINLESS STEEL |
| | 113874-06-19A | EA AWNING - W/O HARDWARE - 16' - VINYL (BLACK & GRAY) |
| | | FROM: 00-00-00 THRU: 10-03-98 |
| | 113874-06-25A | EA AWNING - W/O HARDWARE - 16' (BLACK/GRAY) METAL |
| | | FROM: 10-04-98 THRU: 03-14-99 |
| * | 113874-01-02A | EA HARDWARE KIT - AWNING - W/O STANDOFF BRACKET-BRIGHT WHITE |
| | 111037-01-01A | EA SPACER - AWNING - UPPER - BLACK |
| | 130320-01-02A | EA BRACKET - AWNING - F/A&E INSTALLATION - BRIGHT WHITE |
| | 119496-01-02A | EA SPACER/ZEE - AWNING |

FROM: 03-15-99 THRU: 06-13-99

| KEY | PART NUMBER | U/M DESCRIPTION |
|-----|---------------|--|
| | 113874-11-01A | EA SCREW/LAG - AWNING - 1/4" X 1" STAINLESS STEEL |
| | 113874-12-01A | EA SCREW/LAG - AWNING - 1/4" X 2 3/4" STAINLESS STEEL |
| | 132715-02-04A | EA AWNING - 2 STEP W/O HDW - 16' W/METAL WRAP - BLACK & GRAY |
| | 132715-01-01A | EA HARDWARE KIT - 2 STEP AWNING - BRIGHT WHITE |
| | 133088-01-02A | EA BRACKET - AWNING - BRIGHT WHITE |

FROM: 06-14-99 THRU: 99-99-99

| KEY | PART NUMBER | U/M DESCRIPTION |
|-----|---------------|--|
| | 113874-11-01A | EA SCREW/LAG - AWNING - 1/4" X 1" STAINLESS STEEL |
| | 113874-12-01A | EA SCREW/LAG - AWNING - 1/4" X 2 3/4" STAINLESS STEEL |
| | 113874-06-25A | EA AWNING - 16' BLACK/GRAY VINYL - BRT/WHT METAL WRAP |
| * | 113874-01-02A | EA HARDWARE KIT - AWNING - W/O STANDOFF BRACKET-BRIGHT WHITE |
| | 130320-01-02A | EA BRACKET - AWNING - F/A&E INSTALLATION - BRIGHT WHITE |

*COMPONENT PARTS FOUND IN SERVICE PARTS LIBRARY

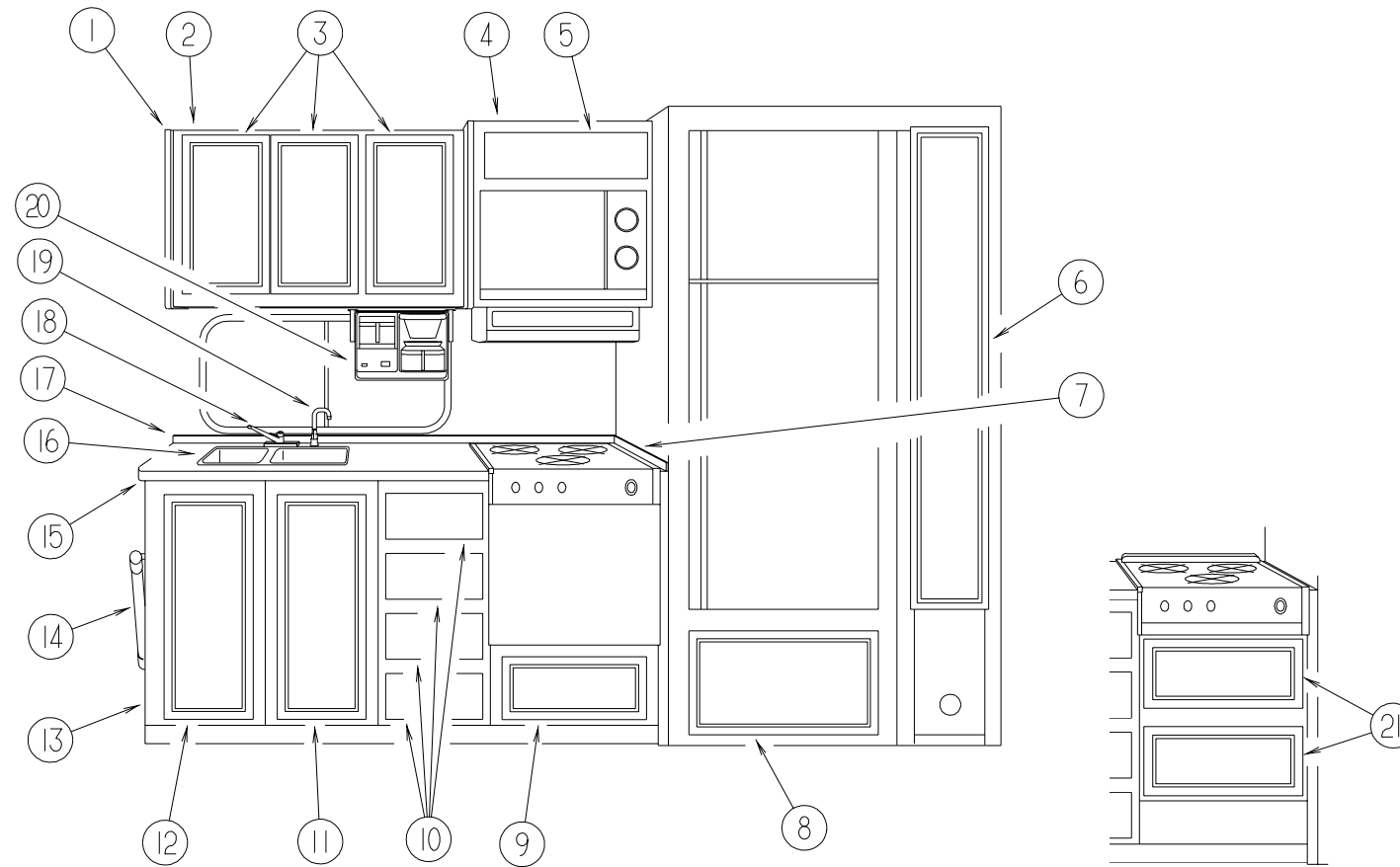
EXTERIOR BODY GROUP (CONTINUED)

EXTERIOR BODY HARDWARE

| KEY | PART NUMBER | U/M DESCRIPTION |
|-----|---------------|---|
| | 120524-01-02B | EA U-CHANNEL - E-COATED |
| | 114248-02-01A | EA ANGLE - PLASTIC - 96.6" |
| | 099069-01-000 | FT SEAL - RUBBER - CLOSED SPONGE - .5" WIDE X .12" THICK -BLK |
| | 107865-01-000 | EA ROD - SUPPORT - VALANCE PANEL - 14.3" |
| | 107865-05-000 | EA ROD - SUPPORT - VALANCE PANEL - 9" |
| | 118383-01-04A | EA RETAINER - SCREW |
| | 118383-04-04A | EA CAP - RETAINER/SCREW |
| | 119568-01-01A | EA STANDOFF - VALANCE PANEL - BLACK |
| | 121117-01-02B | EA ANGLE - W/HOLES - E-COATED |
| | 124299-51-001 | EA EXTRUDED - RETAINER - TRIM - 144" |

GALLEY GROUP

GALLEY CABINETS AND SMALL APPLIANCES

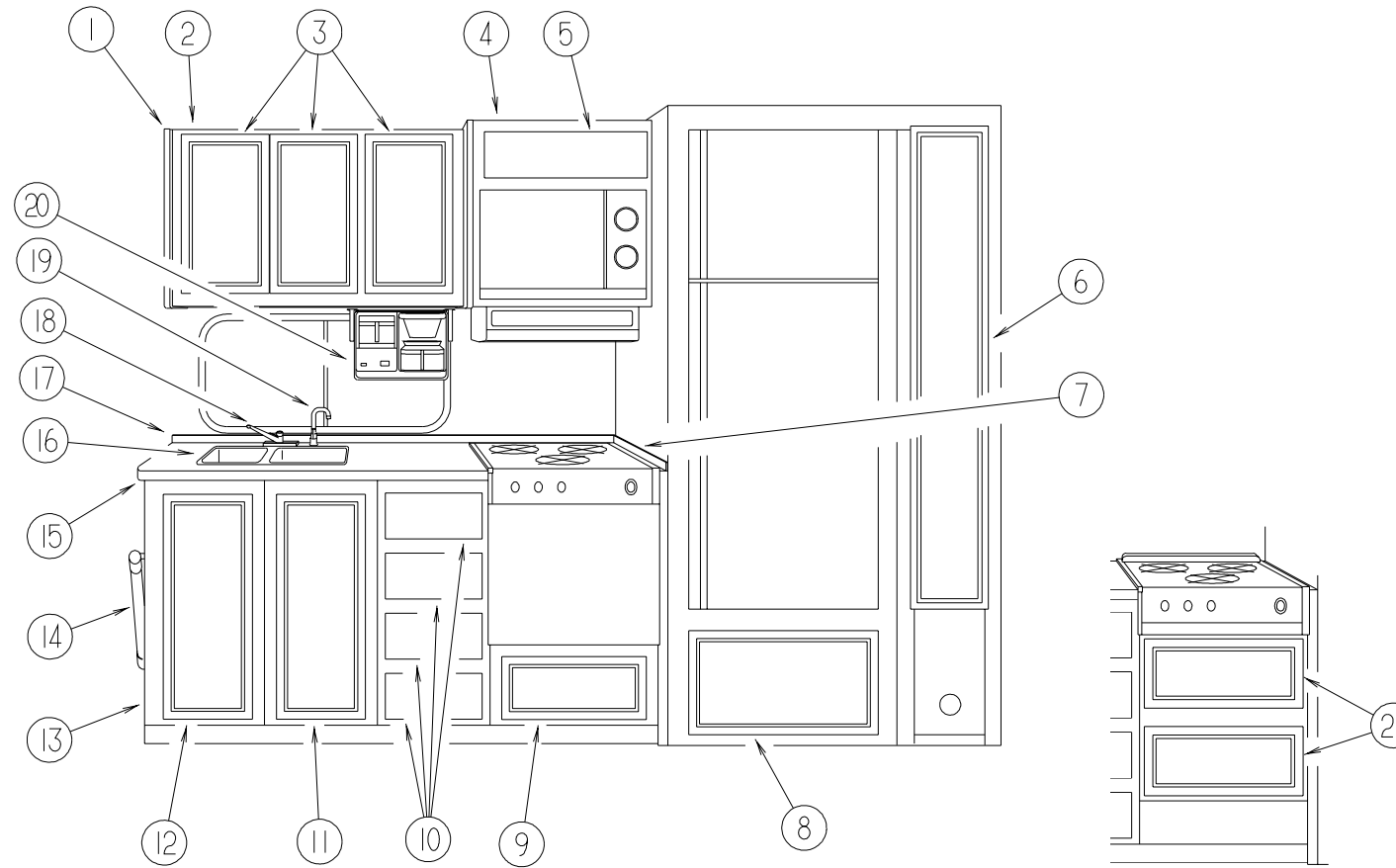


| KEY | PART NUMBER | U/M DESCRIPTION |
|-----|---------------|---|
| 1 | 081319-20-G15 | EA END CAP - OVHD CABINET (WATERFORD OAK) |
| 1 | 081319-20-K29 | EA END CAP - OVHD CABINET (MYSTIC OAK) |
| 2 | P22393-01-H17 | EA CABINET - OVHD/GALLEY - W/O DORS/HDW (WATERFORD OAK) |
| 2 | P22393-01-K29 | EA CABINET - OVHD/GALLEY - W/O DORS/HDW (MYSTIC OAK) |
| 2 | 122393-11-H17 | EA SHELF/LARGE - W/PLASTIC EDGE MOLDING (WATERFORD OAK) |
| 2 | 122393-11-K29 | EA SHELF/LARGE - W/PLASTIC EDGE MOLDING (MYSTIC OAK) |
| 2 | 122393-12-H17 | EA SHELF/SMALL - W/PLASTIC EDGE MOLDING (WATERFORD OAK) |
| 2 | 122393-12-K29 | EA SHELF/SMALL - W/PLASTIC EDGE MOLDING (MYSTIC OAK) |
| 3 | 131995-68-K28 | EA DOR - RAIL/SOLID PANEL - 12" X 21.8" - W/O HDW (WATERFORD OAK) |
| 3 | 131995-68-K29 | EA DOR - RAIL/SOLID PANEL - 12" X 21.8" - W/O HDW (MYSTIC OAK) |
| 4 | 126057-02-K28 | EA CABINET - OVHD/MICROWAVE - W/O DOR/HDW (WATERFORD OAK) |
| 4 | 126057-02-K29 | EA CABINET - OVHD/MICROWAVE - W/O DOR/HDW (MYSTIC OAK) |
| 5 | 100708-05-000 | EA DOR - GLASS - CABINET - 8.5" X 23.4" - W/O HDW |
| 6 | 122325-01-J22 | EA CABINET - PANTRY/RH SLIDING - W/O SLIDES/HDW (WATERFORD OAK) |
| 6 | 122325-01-J90 | EA CABINET - PANTRY/RH SLIDING - W/O SLIDES/HDW (MYSTIC OAK) |
| 6 | 131995-J3-K28 | EA DOR - RAIL/SOLID PANEL - 8" X 60.7" - W/O HDW (WATERFORD OAK) |
| 6 | 131995-J3-K29 | EA DOR - RAIL/SOLID PANEL - 8" X 60.7" - W/O HDW (MYSTIC OAK) |

| KEY | PART NUMBER | U/M DESCRIPTION |
|-----|---------------|---|
| 6 | 122325-11-H17 | EA SHELF - W/EDGE MOLDING (WATERFORD OAK) |
| 6 | 122325-11-J90 | EA SHELF - W/EDGE MOLDING (MYSTIC OAK) |
| | 122360-02-000 | EA SLIDE - PANTRY - W/O LOCK - RIGHT/LH |
| | 122360-03-000 | EA SLIDE - PANTRY - W/LOCK - RH |
| | 123673-01-01A | EA KNOB - PANTRY SLIDE |
| 7 | 129908-18-K28 | EA BACKSPLASH - GALLEY CTRTP (K28, K29, K30, K31, K34, K35) |
| 7 | 129908-18-K33 | EA BACKSPLASH - GALLEY CTRTP (K32, K33) |
| 8 | 131995-M1-K28 | EA DOR - RAIL/SOLID PANEL - 23.2" X 13.8" - W/O HDW (WATERFORD OAK) |
| 8 | 131995-M1-K29 | EA DOR - RAIL/SOLID PANEL - 23.2" X 13.8" - W/O HDW (MYSTIC OAK) |
| 9 | M09316-19-K28 | EA DRWR - OGEE - 19.7"W X 15.7"D - W/O SLIDES/HDW (WATERFORD OAK) |
| 9 | M09316-19-K29 | EA DRWR - OGEE - 19.7"W X 15.7"D - W/O SLIDES/HDW (MYSTIC OAK) |
| 10 | M09316-03-K28 | EA DRWR - OGEE - 9.2"W X 17.7"D - W/O SLIDES/HDW (WATERFORD OAK) |
| 10 | M09316-03-K29 | EA DRWR - OGEE - 9.2"W X 17.7"D - W/O SLIDES/HDW (MYSTIC OAK) |
| 11 | 131995-93-K28 | EA DOR - RAIL/SOLID PANEL - 13.6" X 27.1" - W/O HDW (WATERFORD OAK) |
| 11 | 131995-93-K29 | EA DOR - RAIL/SOLID PANEL - 13.6" X 27.1" - W/O HDW (MYSTIC OAK) |
| 12 | 131995-91-K28 | EA DOR - RAIL/SOLID PANEL - 13.6" X 27.1" - W/O HDW (WATERFORD OAK) |
| 12 | 131995-91-K29 | EA DOR - RAIL/SOLID PANEL - 13.6" X 27.1" - W/O HDW (MYSTIC OAK) |

GALLEY GROUP

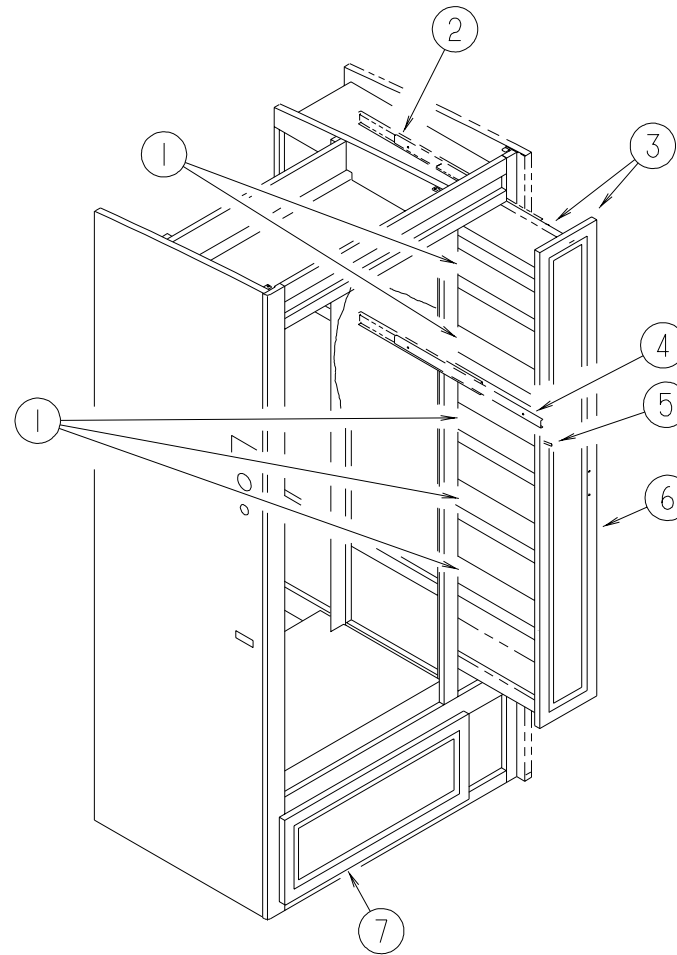
GALLEY CABINETS AND SMALL APPLIANCES (CONTINUED)



| KEY | PART NUMBER | U/M | DESCRIPTION | VENDOR NO. | KEY | PART NUMBER | U/M | DESCRIPTION | VENDOR NO. |
|-----|---------------|-----|---|------------|-----|---------------|-----|--|------------|
| 13 | 129908-01-K28 | EA | CABINET - W/CTRTP - W/O DORS/DRWRS/HDW (RANGE & OVEN) (K28, K30, K34) | | 17 | 129908-16-K28 | EA | BACKSPLASH - GALLEY CTRTP (K28, K29, K30, K31, K34, K35) | |
| 13 | 129908-01-K29 | EA | CABINET - W/CTRTP - W/O DORS/DRWRS/HDW (RANGE & OVEN) (K29, K31, K35) | | 17 | 129908-16-K33 | EA | BACKSPLASH - GALLEY CTRTP (K32, K33) | |
| 13 | 129908-01-K32 | EA | CABINET - W/CTRTP - W/O DORS/DRWRS/HDW (RANGE & OVEN) (K32) | | 18 | 104114-02-01A | EA | FAUCET - SINGLE CONTROL | |
| 13 | 129908-01-K33 | EA | CABINET - W/CTRTP - W/O DORS/DRWRS/HDW (RANGE & OVEN) (K33) | | 19 | 103635-01-000 | EA | FAUCET - SINGLE CONTROL DRINKING | |
| 13 | 129908-02-K28 | EA | CABINET - W/CTRTP - W/O DORS/DRWRS/HDW (RANGE TOP) (K28, K30, K34) | | | 103635-01-700 | EA | FITTING KIT, FAUCET REPAIR | 3071-70 |
| 13 | 129908-02-K29 | EA | CABINET - W/CTRTP - W/O DORS/DRWRS/HDW (RANGE TOP) (K29, K31, K35) | | | 103635-01-701 | EA | TUBING - PLASTIC | 3019-20 |
| 13 | 129908-02-K29 | EA | CABINET - W/CTRTP - W/O DORS/DRWRS/HDW (RANGE TOP) (K29, K31, K35) | | 20 | 126019-01-01A | EA | COFFEEMAKER - OPTIMA - W/BRACKETS - BLACK & DECKER | |
| 13 | 129908-02-K33 | EA | CABINET - W/CTRTP - W/O DORS/DRWRS/HDW (RANGE TOP) (K33) | | 20 | 126019-01-700 | EA | GLASS CARAFE | 172547-00 |
| 14 | P02786-01-J22 | EA | HANDRAIL - ENTRY DOR - W/O BRACKET (WATERFORD OAK) | | 20 | 126019-01-701 | EA | RESERVOIR - WATER | 172554 |
| 14 | P02786-01-K29 | EA | HANDRAIL - ENTRY DOR - W/O BRACKET (MYSTIC OAK) | | 20 | 126019-01-702 | EA | BASKET - FILTER | 172553-00 |
| 14 | 099682-01-01A | EA | BRACKET - MOUNTING/HAND RAIL - ROUND BASE | | 20 | 126019-01-703 | EA | HDW - MOUNTING | 172174-00 |
| 15 | 129908-12-K28 | EA | CTRTP - GALLEY CABINET (K28, K29, K30, K31, K34, K35) | | 21 | M09316-11-K28 | EA | DRWR - OGEE - 19.7"W X 15.7"D - W/O SLIDES/HDW (WATERFORD OAK) | |
| 15 | 129908-12-K33 | EA | CTRTP - GALLEY CABINET (K32, K33) | | 21 | M09316-11-K29 | EA | DRWR - OGEE - 19.7"W X 15.7"D - W/O SLIDES/HDW (MYSTIC OAK) | |
| 16 | 110654-01-000 | EA | SINK - STAINLESS STEEL/DOUBLE BASIN (1 LG-1 SM BASIN) | | | 090329-01-000 | FT | SEAL/T - REFRIGERATOR CABINET | |
| | 092303-01-000 | EA | STRAINER - SINK | | | | | | |
| | 108464-04-J31 | EA | COVER - SINK - 15" X 15" - LAMINATE BOTH SIDES (K28, K29, K30, K31, K34, K35) | | | | | | |
| | 108464-04-J23 | EA | COVER - SINK - 15" X 15" - LAMINATE BOTH SIDES (K32, K33) | | | | | | |
| | 108464-03-J31 | EA | COVER - SINK - 15" X 11" - LAMINATE BOTH SIDES (K28, K29, K30, K31, K34, K35) | | | | | | |
| | 108464-03-J74 | EA | COVER - SINK - 15" X 11" - LAMINATE BOTH SIDES (K32, K33) | | | | | | |

GALLEY GROUP (CONTINUED)

REFRIGERATOR & PANTRY CABINET



| KEY | PART NUMBER | U/M DESCRIPTION | KEY | PART NUMBER | U/M DESCRIPTION |
|-----|---------------|---|-----|---------------|---|
| 1 | 122325-11-J90 | EA SHELF - W/EDGE MOLDING (MYSTIC OAK) | 5 | 123673-01-01A | EA KNOB - PANTRY SLIDE |
| 1 | 122325-11-H17 | EA SHELF - W/EDGE MOLDING (WATERFORD OAK) | 6 | 131995-J3-K29 | EA DOOR - RAIL/SOLID PANEL - 8" X 60.7" - W/O HDW (MYSTIC OAK) |
| 2 | 122360-03-000 | EA SLIDE - PANTRY - W/LOCK - RIGHT HAND | 6 | 131995-J3-K28 | EA DOOR - RAIL/SOLID PANEL - 8" X 60.7" - W/O HDW (WATERFORD OAK) |
| 3 | 122325-01-J90 | EA CABINET - PANTRY/RIGHT HAND SLIDING - W/O SLIDES/HDW (MYSTIC OAK) | 7 | 131995-M1-K29 | EA DOOR - RAIL/SOLID PANEL - 12.6" X 6" - W/O HDW (MYSTIC OAK) |
| 3 | 122325-01-J22 | EA CABINET - PANTRY/RIGHT HAND SLIDING - W/O SLIDES/HDW (WATERFORD OAK) | 7 | 131995-M1-K28 | EA DOOR - RAIL/SOLID PANEL - 12.6" X 6.1" - W/O HDW (WATERFORD OAK) |
| 4 | 122360-02-000 | EA SLIDE - PANTRY - W/O LOCK - RIGHT/LEFT HAND | | | |

GALLEY GROUP (CONTINUED)

APPLIANCES

| KEY | PART NUMBER | U/M | DESCRIPTION | VENDOR NO. |
|-----|---------------|-----|---|-------------|
| * | 126023-01-01A | EA | RANGE - W/OVEN - 22" - 3 BURNER/BLACK GLASS DOOR | |
| * | 126023-02-01A | EA | RANGE - W/OVEN - 22" - 3 BURNER/TEXTURED TOP - BLACK | |
| * | 114030-02-01A | EA | RANGE - 3 BURNER TOP - W/O OVEN - BLACK - UL | |
| * | 114030-03-01A | EA | RANGE - 3 BURNER TOP - W/O OVEN - BLACK - CSA | |
| | M05904-03-J61 | EA | COVER - STOVE - W/SOLID COUNTERTOP (K28, K29, K30, K31, K34, K35) | |
| | M05904-03-J62 | EA | COVER - STOVE - W/SOLID COUNTERTOP (K32, K33) | |
| | 126022-01-01A | EA | COVER - RANGE - BI-FOLD - 16" & 22" - BLACK TEXTURED | |
| | 126022-01-700 | EA | BUMPER - RANGE BIFOLD COVER | 8003P007-60 |
| | 107109-33-04B | EA | BRACKET - TIEDOWN | |
| | 107109-35-04B | EA | BRACKET - TIEDOWN | |
| * | 121569-01-01A | EA | REFRIGERATOR - LARGE DOUBLE DOOR/2-WAY | |
| | | | FROM: 00-00-00 THRU: 07-19-98 | |
| * | 121569-03-01A | EA | REFRIGERATOR - LARGE DOUBLE DOOR/LEFT HAND - 2-WAY - BLACK | |
| | | | FROM: 07-20-98 THRU: 99-99-99 | |
| * | 120075-09-01A | EA | REFRIGERATOR - LARGE DBL DOOR RH - W/ICE MAKER-BLACK 2-WAY | |
| * | 118367-01-01A | EA | REFRIGERATOR - SIDE BY SIDE DOOR - 2 WAY | |
| | 122753-06-000 | EA | OVEN - MICROWAVE - .9 CU FT - CONVECTION - CSA | |
| | 122546-12-02B | EA | SUPPORT - MICROWAVE - BOTTOM E-C - W/NOTCH | |
| | 122546-13-02B | EA | SUPPORT - MICROWAVE - BOTTOM E-C - W/O NOTCH | |
| | 122753-05-000 | EA | OVEN - MICROWAVE - 1 CU. FT. NON CONVECTION - SHARP - UL (US) | |
| | 122753-02-000 | EA | OVEN - MICROWAVE - .9 CU. FT - CONVECTION - SHARP - UL (US) | |
| | 122546-02-02B | EA | SUPPORT - MICROWAVE BOTTOM - E-COATED - W/O NOTCH | |
| | 122546-06-02B | EA | SUPPORT - MICROWAVE BOTTOM - E-COATED - W/NOTCH | |
| | 102482-09-H56 | EA | FRAME - MICROWAVE | |
| | 121850-04-02B | EA | STRAP - TIEDOWN - MICROWAVE - E-COATED | |
| | 116751-02-01A | EA | TRAY - REFRIGERATOR - BLACK (US) | |
| | 116751-09-01A | EA | TRAY - REFRIGERATOR - BLACK (CSA) | |
| | | | FROM: 00-00-00 THRU: 02-07-99 | |
| | 116751-12-01A | EA | TRAY - REFRIGERATOR (CSA) | |
| | | | FROM: 02-08-99 THRU: 99-99-99 | |
| | 065225-02-000 | EA | PLATE - TIEDOWN - REFRIGERATOR | |
| | 054450-01-000 | EA | LEVEL - REFRIGERATOR | |
| | 090195-08-000 | EA | BAFFLE - REFRIGERATOR - LOWER | |
| | 093369-03-000 | EA | STRAP - REFRIGERATOR | |
| | 093646-01-000 | EA | BRACKET - TIEDOWN/REFRIGERATOR - RIGHT HAND | |
| | 093646-02-000 | EA | BRACKET - TIEDOWN/REFRIGERATOR - LEFT HAND | |

***COMPONENT PARTS FOUND IN SERVICE PARTS LIBRARY**

RANGE HOODS & MONITOR PANEL

| KEY | PART NUMBER | U/M | DESCRIPTION | VENDOR NO. |
|-----|---------------|-----|--|------------|
| * | 100258-18-03A | EA | HOOD - RANGE - W/O MONITOR PANEL - W/HOUR METER/SWITCH - US | |
| * | 100258-17-04A | EA | HOOD - RANGE - W/O MONITOR PANEL - W/O HOUR METER/SWITCH - CSA | |
| * | 102765-04-01A | EA | PANEL - MONITOR - 2 HOLDING TANKS - ADJUSTABLE | |
| | 100258-10-01A | EA | GAUGE - HOUR METER W/SWITCH - SCREW ON STYLE (OPTION) 150 | |
| | 100258-10-701 | EA | GAUGE - HOUR METER - CLIP ON (OPTION) | L0775-00 |
| | 096983-01-702 | EA | SWITCH - MOM/OFF/MOM/3 TERM (OPTION) | L0112-00 |

***COMPONENT PARTS FOUND IN SERVICE PARTS LIBRARY**

GENERATOR GROUP

ONAN GENERATOR, 5.0 KW EMERALD PLUS

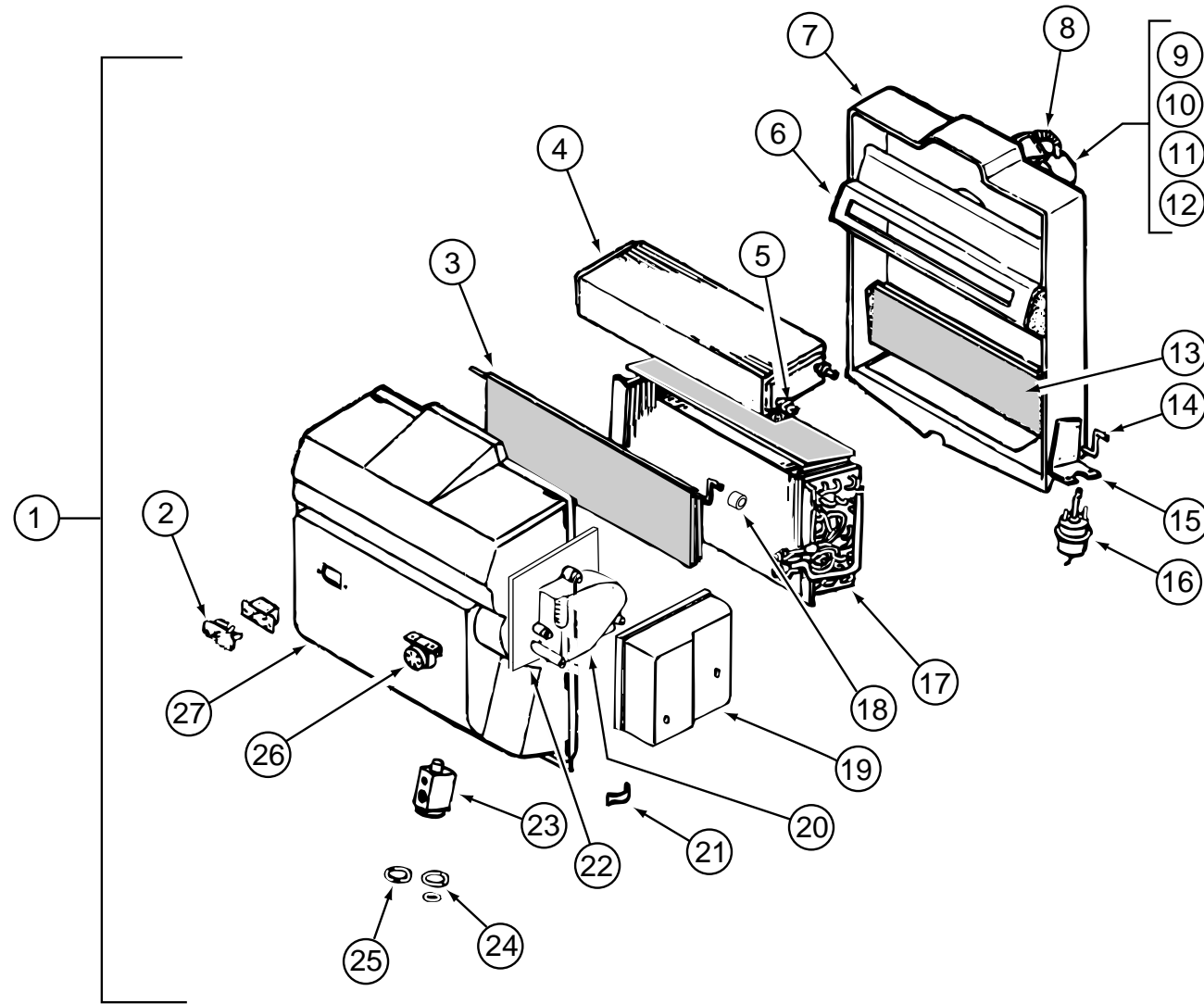
| KEY | PART NUMBER | U/M | DESCRIPTION |
|-----|---------------|-----|---|
| | 109303-01-000 | EA | GENERATOR - 5 KW - EMERALD PLUS |
| | 007125-03-000 | EA | CLAMP - MUFFLER - 1.50" DIAMETER |
| | 007125-04-000 | EA | CLAMP - MUFFLER - 1.1" DIA |
| | 007131-01-000 | EA | HANGER - TAILPIPE - 6 SLOTS |
| | 079654-05-000 | EA | PIPE - EXHAUST - ANGLED - W/FLANGE - 2" ID - ONAN# 154-2539 |
| | 081364-03-000 | EA | MUFFLER - GENERATOR - ONAN |
| | 094059-01-000 | EA | SPACER - GENERATOR - ONAN |
| | 106602-01-000 | EA | PIPE - EXHAUST - GENERATOR - 1.5" DIA |
| | 106607-01-000 | EA | ANGLE - SUPPORT - EXHAUST |
| | 127008-02-02B | EA | TRAY - GENERATOR - 16.2" X 20.8" X 6.9" - W/ANGLE & NUTS |

ONAN GENERATOR, 6.5 KW EMERALD PLUS (NHE-FA/26100G)

| KEY | PART NUMBER | U/M | DESCRIPTION |
|-----|---------------|-----|---|
| | 100975-01-000 | EA | GENERATOR - 6.5 KW EMERALD PLUS |
| | 106602-01-000 | EA | PIPE - EXHAUST - GENERATOR - 1.5" DIA |
| | 106607-01-000 | EA | ANGLE - SUPPORT - EXHAUST |
| | 007125-03-000 | EA | CLAMP - MUFFLER - 1.5" DIA |
| | 007125-04-000 | EA | CLAMP - MUFFLER - 1.1" DIA |
| | 007131-01-000 | EA | HANGER - TAILPIPE - 6 SLOTS |
| | 079654-05-000 | EA | PIPE - EXHAUST - ANGLED - W/FLANGE - 2" ID - ONAN# 154-2539 |
| | 081364-03-000 | EA | MUFFLER - GENERATOR - ONAN |
| | 094059-01-000 | EA | SPACER - GENERATOR - ONAN |
| | 127008-02-02B | EA | TRAY - GENERATOR - 16.2" X 20.8" X 6.9" - W/ANGLE & NUTS |

NOTE: ADDITIONAL GENERATOR COMPONENTS ARE FOUND IN THE CHASSIS GROUP

HEATING & AIR CONDITIONING GROUP
AUTOMOTIVE AIR CONDITIONING (NON-CHARGED)(FORD)

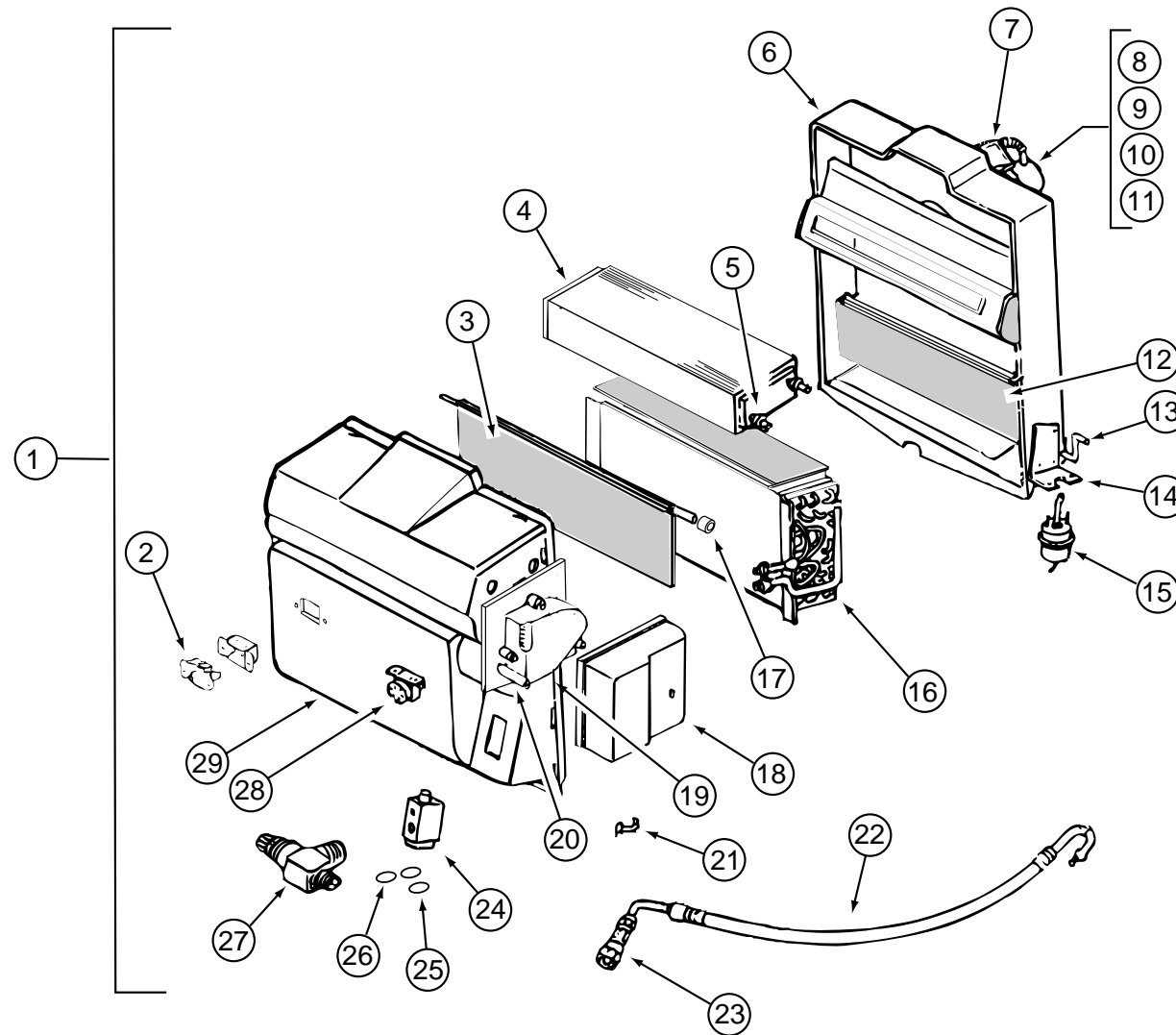


| KEY | PART NUMBER | U/M DESCRIPTION | VENDOR NO. |
|-----|---------------|---|------------|
| 1 | 103930-43-000 | EA EVAPORATOR/HEATER ASSEMBLY - NON-CHARGED | |
| 2 | 103930-01-710 | EA RESISTOR-FUSED, A/C | 035-0006 |
| 3 | 103930-43-700 | EA DOOR - AIR BLEND | 071-0568 |
| 4 | 103930-01-703 | EA CORE-HEATER | 042-0010 |
| 5 | 110279-01-712 | EA FITTING-HEATER | 050-0076 |
| 6 | 103930-30-707 | EA DIVIDER ASM. | 086-0061 |
| 7 | 103930-20-711 | EA CASE-BACK, SUB-ASSEMBLY | 062-0147 |
| 8 | 110279-01-703 | EA HOSE-VENT F/BLOWER MOTOR | 051-0034 |
| 9 | 103930-20-707 | EA HOUSING-BLOWER | 062-0145 |
| 10 | 103930-30-706 | EA MOTOR-BLOWER PM147 W/ADAPTER | 030-0109 |
| 11 | 103930-01-717 | EA WHEEL-BLOWER, CLOCKWISE | 062-0010 |
| 12 | 103930-20-708 | EA CLIP-MOTOR SHAFT | 022-0001 |
| 13 | 103930-20-705 | EA PANEL-DOOR, RECIRCULATING | 071-0213 |
| 14 | 103930-20-704 | EA ROD-DOOR-RECIRCULATING | 073-0018 |
| 15 | 103930-01-708 | EA BRACKET-VACUUM MOTOR | 070-0113 |
| 16 | 103930-02-708 | EA MOTOR-VACUUM SERVO, A/C | 030-0025 |
| 17 | 103930-01-704 | EA COIL-EVAPORATOR | 041-0017 |
| 18 | 103930-30-702 | EA BUSHING - BLEND AIR DOOR | 062-0168 |
| 19 | 103930-30-704 | EA COVER - SERVO | 062-0545 |
| 20 | 103930-30-703 | EA MOTOR - SERVO | 030-0104 |
| 21 | 103930-20-706 | EA CLIP-RETAINER - CASE ATTACH | 022-0057 |
| 22 | 103930-30-701 | EA PLATE - MOTOR MOUNT | 062-0544 |
| 23 | 103930-20-700 | EA VALVE-EXPANSION-BLOCK, 2 TON | 034-0032 |

| KEY | PART NUMBER | U/M DESCRIPTION | VENDOR NO. |
|-----|---------------|--|------------|
| 24 | 103930-17-702 | EA O'RING #10 | 045-0127 |
| 25 | 113245-01-707 | EA O'RING #8 | 045-0126 |
| 26 | 103930-01-711 | EA THERMOSTAT | 033-0003 |
| 27 | 103930-30-700 | EA CASE - FRONT | 062-0542 |
| | 103930-02-714 | EA CLAMP-CLUTCH, BARREL | 022-0006 |
| | 094831-01-709 | EA CLAMP-ROD 3/16" | 022-0025 |
| | 113245-01-718 | EA HOSE - DRAIN/1/2" X 6" | 051-0002 |
| | 103930-23-000 | EA VALVE - WATER - 2 PORT | |
| | 007076-01-000 | EA HOSE - FLEXIBLE PVC - 2" ID - INCREMENTS OF 50' | |
| | 007281-01-000 | EA HOSE - FLEXIBLE PVC - 2.5" ID X 50' | |
| | 103930-45-000 | EA HOSE - EVAPORATER/COMPRESSOR - EXP. BLOCK TO COMPRESSOR | |
| | 103930-47-000 | EA HOSE - EVAPORATOR/DRYER - EXP. VALVE TO REC. DRIER | |
| | 113245-01-710 | EA O'RING, #12 | 045-0128 |
| | 024990-05-000 | EA OUTLET - DEFROSTER - 4" DIAMETER W/SWIVEL DEFLECTORS | |
| | 077075-01-000 | EA GASKET - INSTRUMENT PANEL TO DEFROSTER PLENUM - .6"X10.2" | |
| | 103016-03-000 | EA PLENUM - TRANSITION | |
| | 103017-03-000 | EA PLENUM - DEFROSTER | |
| | 103558-01-10A | EA VENT - DEFROSTER - 2" X 14.4" X 1.4" - ANTELOPE | |
| | | FROM: 00-00-00 THRU: 11-08-98 | |
| | 103558-04-03A | EA VENT - DEFROSTER - ANTELOPE | |
| | | FROM: 11-09-98 THRU: 99-99-99 | |
| | 103796-01-01A | EA LOUVER - A/C-ADJUSTABLE - 2.2" X 5.4" F/2.5" HOSE - BLACK | |

HEATING & AIR CONDITIONING GROUP (CONTINUED)

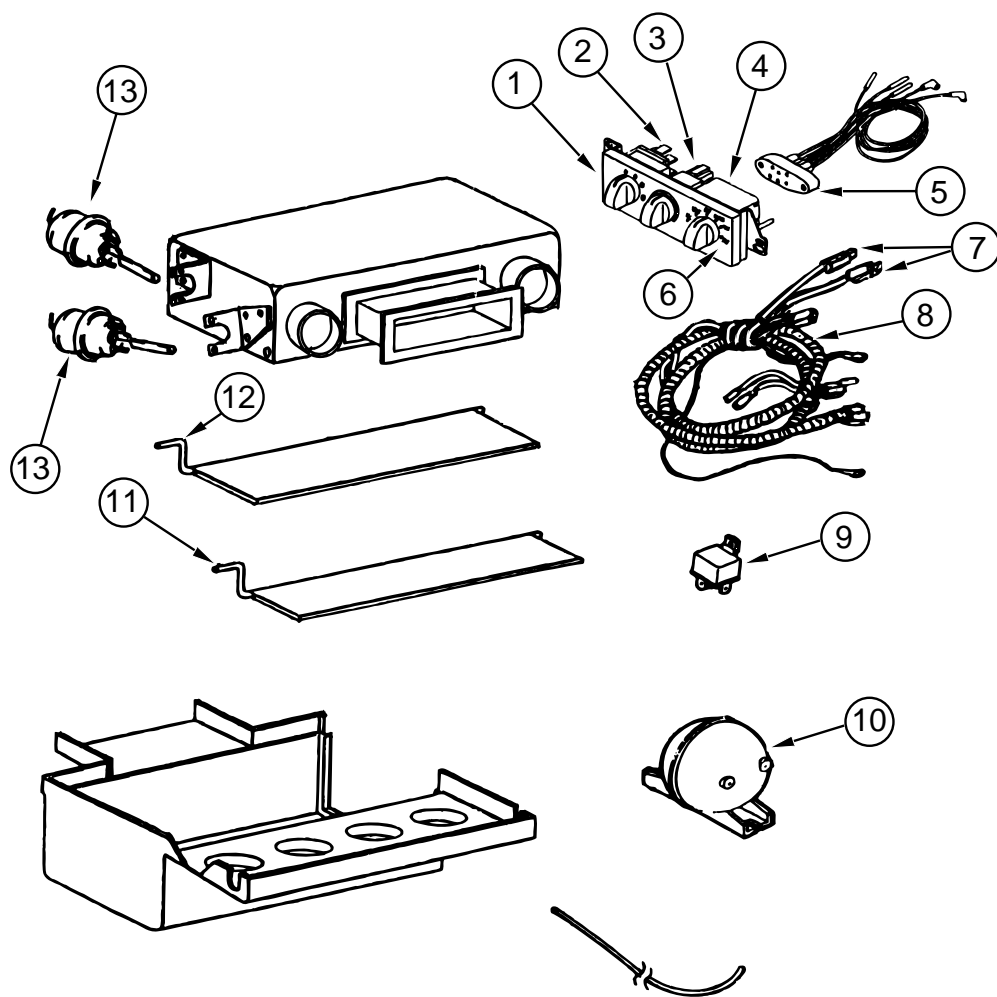
SCS EVAPORATOR/ HEATER (CHEVY)



| KEY | PART NUMBER | U/M DESCRIPTION | VENDOR NO. | KEY | PART NUMBER | U/M DESCRIPTION | VENDOR NO. |
|-----|---------------|---|------------|-----|---------------|--|-------------------------------|
| 1 | 103930-30-000 | EA EVAPORATOR/HEATER - CHEVY - SERVO MOTOR CONTROLLED | | 21 | 103930-20-706 | EA CLIP - RETAINER - CASE ATTACH | 022-0057 |
| 2 | 103930-01-710 | EA RESISTOR - FUSED - A/C | 035-0006 | 22 | 103930-25-700 | EA HOSE ASM #6 EVAPORATOR/DRIER | 085-0350 |
| 3 | 103930-30-705 | EA DOOR - BLEND AIR | 071-0568 | 23 | 103930-12-709 | EA FITTING - QUICK CONNECT | 050-0120 |
| 4 | 103930-01-703 | EA CORE - HEATER | 042-0010 | 24 | 103930-20-700 | EA VALVE - EXPANSION - BLOCK - 2 TON | 034-0032 |
| 5 | 110279-01-712 | EA FITTING - HEATER | 050-0076 | 25 | 103930-17-702 | EA O'RING #10 | 045-0127 |
| 6 | 103930-20-711 | EA CASE - BACK - SUB-ASSEMBLY | 062-0147 | 25 | 103930-17-702 | EA O'RING #10 | 045-0127 |
| 7 | 110279-01-703 | EA HOSE - VENT F/BLOWER MOTOR | 051-0034 | 27 | 103930-20-709 | EA VALVE - SERVICE | 050-0159 |
| 8 | 103930-20-707 | EA HOUSING - BLOWER | 062-0145 | 28 | 103930-01-711 | EA THERMOSTAT | 033-0003 |
| 9 | 103930-30-706 | EA MOTOR - BLOWER PM147 W/ADAPTER | 030-0109 | 29 | 103930-30-700 | EA CASE - FRONT | 062-0542 |
| 10 | 103930-01-717 | EA WHEEL - BLOWER - CLOCKWISE | 062-0010 | | 103930-23-000 | EA VALVE - WATER - 2 PORT | |
| 11 | 103930-20-708 | EA CLIP - MOTOR SHAFT | 022-0001 | | 007076-01-000 | EA HOSE - FLEXIBLE PVC - 2" ID - INCREMENTS OF 50' | |
| 12 | 103930-20-705 | EA PANEL - DOOR - RECIRCULATING | 071-0213 | | 007281-01-000 | EA HOSE - FLEXIBLE PVC - 2.5" ID X 50' | |
| 13 | 103930-20-704 | EA ROD - DOOR - RECIRCULATING | 073-0018 | | 103930-46-000 | EA HOSE - EVAPORATER/COMPRESSOR - EXP. BLOCK TO COMPRESSOR | |
| 14 | 103930-01-708 | EA BRACKET-VACUUM MOTOR | 070-0113 | | 103930-47-000 | EA HOSE - EVAPORATOR/DRYER - EXP. VALVE TO REC. DRIER | |
| 15 | 103930-01-709 | EA MOTOR - VACUUM | 030-0025 | | 113245-01-710 | EA O'RING, #12 | 045-0128 |
| 16 | 103930-01-704 | EA COIL - EVAPORATOR | 041-0017 | | 024990-05-000 | EA OUTLET - DEFROSTER - 4" DIAMETER W/SWIVEL DEFLECTORS | |
| 17 | 103930-30-702 | EA BUSHING - BLEND AIR DOOR | 062-0168 | | 077075-01-000 | EA GASKET - INSTRUMENT PANEL TO DEFROSTER PLENUM - .6"X10.2" | |
| 18 | 103930-30-704 | EA COVER - SERVO | 062-0545 | | 103016-03-000 | EA PLENUM - TRANSITION | |
| 19 | 103930-30-703 | EA MOTOR - SERVO | 030-0104 | | 103017-03-000 | EA PLENUM - DEFROSTER | |
| 20 | 103930-30-701 | EA PLATE - MOTOR MOUNT | 062-0544 | | 103558-01-10A | EA VENT - DEFROSTER - 2" X 14.4" X 1.4" - ANTELOPE | |
| | | | | | | | FROM: 00-00-00 THRU: 11-08-98 |
| | | | | | 103558-04-03A | EA VENT - DEFROSTER - ANTELOPE | |
| | | | | | | | FROM: 11-09-98 THRU: 99-99-99 |
| | | | | | 103796-01-01A | EA LOUVER - A/C-ADJUSTABLE - 2.2" X 5.4" F/2.5" HOSE - BLACK | |

HEATING & AIR CONDITIONING GROUP (CONTINUED)

SCS CONTROL/ PLENUM



| KEY | PART NUMBER | U/M DESCRIPTION | VENDOR NO. |
|-----|---------------|--|------------|
| | 103930-39-000 | EA CONTROL/PLENUM - ROTARY (CHEVY) | |
| | 103930-40-000 | EA CONTROL/PLENUM - ROTARY CONTROL HEAD (FORD) | |
| 1 | 103930-33-702 | EA CONTROL PANEL | 083-0169 |
| 2 | 103930-33-707 | EA SWITCH - BLOWER | 032-0186 |
| 3 | 103930-33-708 | EA SWITCH - POTENTIOMETER | 032-0184 |
| 4 | 103930-33-709 | EA SWITCH - VACUUM | 032-0183 |
| 5 | 103930-33-703 | EA VACUUM HARNESS | 036-0465 |
| 6 | 103930-33-710 | EA DECAL F CONTROL HEAD | 058-0102 |
| 7 | 103930-33-705 | EA LIGHT BULBS | 035-0030 |
| 8 | 103930-33-711 | EA WIRE HARNESS MAIN | 036-0466 |

| KEY | PART NUMBER | U/M DESCRIPTION | VENDOR NO. |
|-----|---------------|------------------------------|------------|
| 9 | 103930-02-707 | EA RELAY-BOSCH W/RESISTER | 031-0001 |
| 10 | 103930-02-710 | EA CANISTER-VACUUM | 054-0002 |
| 11 | 103930-39-700 | EA ROD - DOOR - AC/HEAT | 073-067 |
| 12 | 103930-39-701 | EA ROD - DOOR AC/DEFROST | 073-0069 |
| 13 | 103930-02-708 | EA MOTOR - VACUUM SERVO, A/C | 030-0025 |
| | 103930-33-701 | EA MOTOR - VACUUM, 3 STAGE | 030-0105 |
| | 103930-33-712 | EA KNOB - BLOWER | 062-0539 |
| | 103930-33-713 | EA KNOB | 062-0540 |
| | 103930-39-704 | EA SPRING | 022-0119 |

HEATING & AIR CONDITIONING GROUP (CONTINUED)

FURNACE

| KEY | PART NUMBER | U/M | DESCRIPTION |
|-----|---------------|-----|--|
| * | 098668-22-000 | EA | FURNACE - 40,000 BTU |
| | 009200-01-000 | EA | TAPE - FURNACE - 1 1/2" |
| | 094600-05-01A | EA | REGISTER W/O DAMPER - 3.6" X 11.3" FACE/2.1" X 9.9" RO - BEIGE |
| | 094600-06-01A | EA | REGISTER W/DAMPER - 3.6" X 11.3" FACE/2.1" X 9.9" RO - BEIGE |
| | 098668-14-000 | EA | GASKET - FIBERGLASS - .5" X 18" X 18" |
| | 098668-16-000 | EA | VENT - INTAKE |
| | 115764-01-01A | EA | THERMOSTAT - FURNACE |

*COMPONENT PARTS FOUND IN SERVICE PARTS LIBRARY

AUTOMOTIVE REAR HEATER SYSTEM

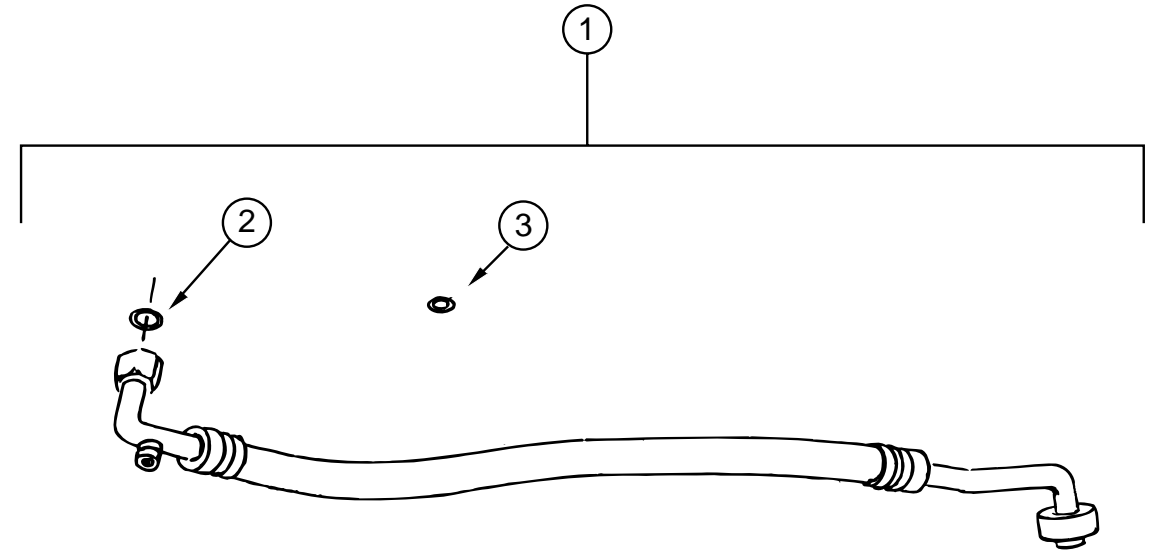
| KEY | PART NUMBER | U/M | DESCRIPTION | VENDOR NO. |
|-----|---------------|-----|---|------------|
| | 009198-01-000 | FT | DUCT - HEAT - FLEXIBLE - 4" ID X 25' | |
| | 069636-02-000 | EA | CONNECTOR - DUCT - 4" ID | |
| | 118761-01-000 | EA | REDUCER - 4"-2" - GALVANIZED | |
| | 056464-10-000 | EA | REGISTER W/O DAMPER - 4" DIAMETER - PLASTIC - BEIGE | |
| | 079059-01-000 | EA | HOSE - 90 DEGREE - 5/8"ID X 4" X 36" | |
| | 084405-01-000 | EA | HEATER - REAR/DUCTED - W/MOTOR AID | |
| | 084405-01-700 | EA | CORE - HEATER | FT200229 |
| | 084405-01-701 | EA | FAN BLADES | HV029931 |
| | 084405-01-702 | EA | MOTOR ASSEMBLY - 12 VOLT | RV010348 |
| | 061673-01-000 | EA | BRACKET - MOTOR AID TUBES - 4" X 1.5" - STEEL | |

A/C - ROOF & CEILING ASSEMBLY

| KEY | PART NUMBER | U/M | DESCRIPTION |
|-----|---------------|-----|--|
| * | 126859-01-01A | EA | A/C - ROOF MACH 1 POWERSAVER FROM: 00-00-00 THRU: 07-05-98 |
| * | 131186-01-01A | EA | A/C - ROOF MACH 1 POWERSAVER - WHITE FROM: 07-06-98 THRU: 99-99-99 |
| * | 126860-01-01A | EA | A/C - ROOF MACH 3 POWERSAVER FROM: 00-00-00 THRU: 07-05-98 |
| * | 131187-01-01A | EA | A/C - ROOF MACH 3 POWER SAVER - WHITE FROM: 07-06-98 THRU: 99-99-99 |
| * | 108892-01-01A | EA | CEILING ASSEMBLY - A/C DUCTED FROM: 00-00-00 THRU: 07-05-98 |
| * | 131184-01-01A | EA | CEILING ASSEMBLY - A/C DUCTED - WHITE FROM: 07-06-98 THRU: 99-99-99 |
| | 102289-01-000 | EA | SPRING - SCREW - ROOF A/C GASKET |
| | 117238-01-01A | EA | THERMOSTAT - A/C - FURNACE |
| | 117238-02-01A | EA | THERMOSTAT - A/C ONLY |
| | 120134-01-02A | EA | REGISTER - 4".5" DIAMETER W/DAMPER |

*COMPONENT PARTS FOUND IN SERVICE PARTS LIBRARY

HEATING & AIR CONDITIONING GROUP (CONTINUED)

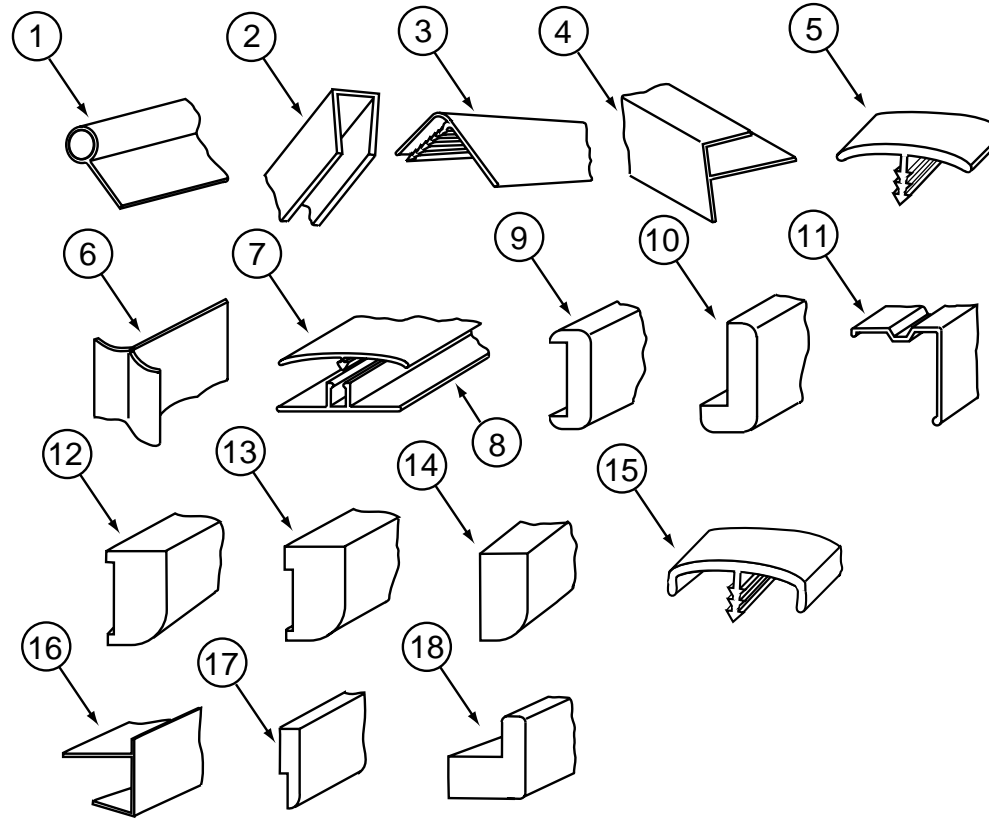


CHEVY HOSE KIT - VORTEC GAS OR DIESEL OPTION

| KEY | PART NUMBER | U/M | DESCRIPTION | VENDOR NO. |
|-----|---------------|-----|---|------------|
| 1 | 103930-29-000 | EA | HOSE KIT - #10 W/GM L-29 & L-65 CHASSIS | |
| 2 | 103930-17-702 | EA | O'RING #10 | 045-0127 |
| 3 | 103930-29-701 | EA | GASKET-GMLP SW 1996 | 045-0483 |

INTERIOR FINISH GROUP

INTERIOR TRIM & MOLDINGS



WATERFORD OAK

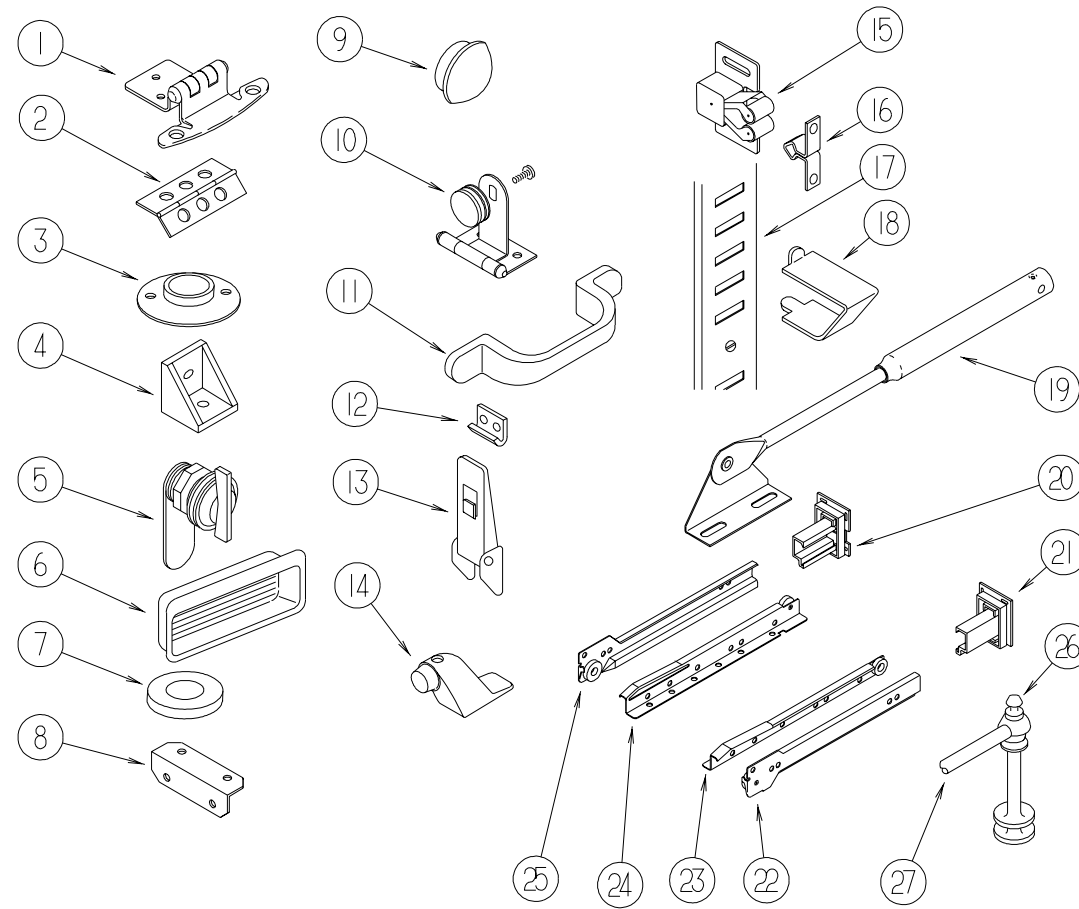
MYSTIC OAK

| KEY | PART NUMBER | U/M DESCRIPTION |
|-----|---------------|--|
| 1 | 009767-12-000 | FT WELTING - SIDEWALL/CEILING/CABINET - OFF/WHT |
| 2 | 009778-21-000 | FT U-CHANNEL - 1" - WATERFORD OAK |
| 2 | 070504-36-000 | FT U-CHANNEL - PLASTIC - .13" X 72" - WATERFORD OAK |
| 2 | 070504-37-000 | FT U-CHANNEL - PLASTIC - .87" X 84" - WATERFORD OAK |
| 3 | 009809-28-000 | EA MOLDING - CORNER - OUTSIDE - 1" X 84" - WATERFORD OAK |
| 4 | 009812-29-000 | EA MOLDING - PLASTIC - 1/2" O/S CORNER - WATERFORD OAK |
| 5 | 105709-01-000 | FT MOLDING-T - 1" - MODERN IVORY |
| 6 | 022992-11-000 | FT MOLDING - REVERSE COVE - T-SHAPED VINYL - IVORY |
| 7 | 086229-15-000 | EA BATTEN - 1" X 96" - MODERN IVORY |
| 7 | 086229-20-000 | EA BATTEN - 1" X 96" - BEIGE |
| 8 | 086229-14-000 | EA RETAINER - .75" X 98.43" - ANY COLOR |
| 9 | 078323-06-G15 | EA MOLDING - CAP - WALL - 78" |
| 10 | 077840-01-G01 | EA MOLDING - CAP/WALL - 8' WATERFORD OAK |
| 11 | 093873-01-01A | EA TRIM - CARPET - L-ANGLE 1.1" X 1.3" X 12' - GRAY VINYL |
| 13 | 117268-D2-134 | EA MOLDING - VINYL WRAPPED - .7" X 1.6" X 84" - WATERFORD OAK |
| 13 | 117268-F2-438 | EA MOLDING - VINYL WRAPPED - .7" X 2.6" X 96" - WATERFORD OAK |
| 13 | 117268-F2-134 | EA MOLDING - VINYL WRAPPED - .7" X 2.7" X 84" - WATERFORD OAK |
| 14 | 100818-01-05A | EA MOLDING - VINYL WRAPPED - 1.65" X .4" X 84"-WATERFORD OAK |
| 15 | 083620-12-000 | FT MOLDING-T - END CAP EDGE - W/EDGE LIP - .75"-WATERFORD OAK |
| 15 | 104676-02-04A | FT MOLDING-T - 1/2" - WATERFORD OAK |
| 16 | 103186-01-05A | FT MOLDING - PLASTIC - 3/8" U-CHANNEL 3/4" FACE-WATERFORD OAK |
| 16 | 103186-02-05A | FT MOLDING - PLASTIC/1" U-CHANNEL W/1 3/8" FACE-WATERFORD OAK |
| 17 | 105004-01-05A | EA MOLDING - VINYL WRAPPED - 1" X 96" - WATERFORD OAK |
| 18 | 100819-01-05A | EA MOLDING - VINYL WRAPPED - L-SHAPED - 1.5" X 1.5" X 84" |
| | 076325-39-000 | FT MOLDING - EDGE BAND - 1 5/16" X .030" - ALMOND |
| | 076325-67-000 | FT MOLDING - EDGE BAND - .93" X .024" - WATERFORD OAK |
| | 076325-73-000 | FT MOLDING - EDGE BAND - .93" X .024" (EXTERIOR ENTERTAINMENT) |

| KEY | PART NUMBER | U/M DESCRIPTION |
|-----|---------------|--|
| 1 | 009767-12-000 | FT WELTING - SIDEWALL/CEILING/CABINET - OFF/WHT |
| 2 | 009778-16-000 | FT U-CHANNEL - 1" - PICKLED ASH |
| 2 | 070504-18-000 | FT U-CHANNEL - PLASTIC - .13" X 84" - IVORY |
| 2 | 070504-28-000 | FT U-CHANNEL - PLASTIC - .13" X 84" - PICKLED ASH |
| 2 | 070504-29-000 | FT U-CHANNEL - PLASTIC - .9" X 96" - PICKLED ASH |
| 3 | 009809-23-000 | EA MOLDING - CORNER - OUTSIDE - 1" X 84" - MODERN IVORY |
| 3 | 009809-26-000 | EA MOLDING - CORNER - OUTSIDE - 1" X 84" - PICKLED ASH |
| 4 | 009812-27-000 | EA MOLDING - CORNER - 1/2" W/1/4" CHAN X 84" - PICKLED ASH |
| 5 | 105709-01-000 | FT MOLDING-T - 1" - MODERN IVORY |
| 6 | 022992-11-000 | FT MOLDING - REVERSE COVE - T-SHAPED VINYL - IVORY |
| 7 | 086229-15-000 | EA BATTEN - 1" X 96" - MODERN IVORY |
| 7 | 086229-20-000 | EA BATTEN - 1" X 96" - BEIGE |
| 8 | 086229-14-000 | EA RETAINER - .75" X 98.43" - ANY COLOR |
| 9 | 078323-06-K29 | EA MOLDING - CAP/WALL - 6.6' |
| 10 | 077840-01-K29 | EA MOLDING - CAP/WALL - 8' |
| 11 | 093873-01-01A | EA TRIM - CARPET - L-ANGLE 1.1" X 1.3" X 12' - GRAY VINYL |
| 12 | 111135-D2-134 | EA MOLDING - VINYL WRAPPED - .7" X 1.6" X 7' - PICKLED ASH |
| 12 | 111135-F2-438 | EA MOLDING - VINYL WRAPPED - .7" X 2.5" X 8' - PICKLED ASH |
| 12 | 111135-F2-134 | EA MOLDING - VINYL WRAPPED - .7" X 2.6" X 7' - PICKLED ASH |
| 14 | 100818-01-03A | EA MOLDING - VINYL WRAPPED - 1.6" X .4" X 84" - PICKLED ASH |
| 15 | 083620-10-000 | FT MOLDING-T - END CAP EDGE - W/EDGE LIPS - .75"-PICKLED ASH |
| 15 | 104676-02-02A | FT MOLDING-T - 1/2" - PICKLED ASH |
| 16 | 103186-01-03A | FT MOLDING - PLASTIC/3/8" U-CHANNEL W/3/4" FACE - PICKLED ASH |
| 16 | 103186-01-07A | FT MOLDING - PLASTIC/3/8" U-CHANNEL W/3/4" FACE - BEIGE ILLUS |
| 16 | 103186-02-07A | FT MOLDING - PLASTIC/1" U-CHANNEL W/1 3/8" FACE - BEIGE ILLUS |
| 17 | 105004-01-04A | EA MOLDING - VINYL WRAPPED - 1" X 96" - PICKLED ASH |
| 18 | 100819-01-03A | EA MOLDING - VINYL WRAPPED - L-SHAPED-1.5"X1.5"X84"-PCKLD ASH |
| | 076325-73-000 | FT MOLDING - EDGE BAND - .93" X .024" - OFF WHITE (EXTERIOR ENTERTAINMENT) |
| | 076325-39-000 | FT MOLDING - EDGE BAND - 1 5/16" X .030" - ALMOND |
| | 076325-40-000 | FT MOLDING - EDGE BAND - .93" X .024" - ALMOND |
| | 076325-51-000 | FT MOLDING - EDGE BAND - .93" X .024" - PICKLED ASH |

INTERIOR FINISH GROUP (CONTINUED)

CABINET HARDWARE

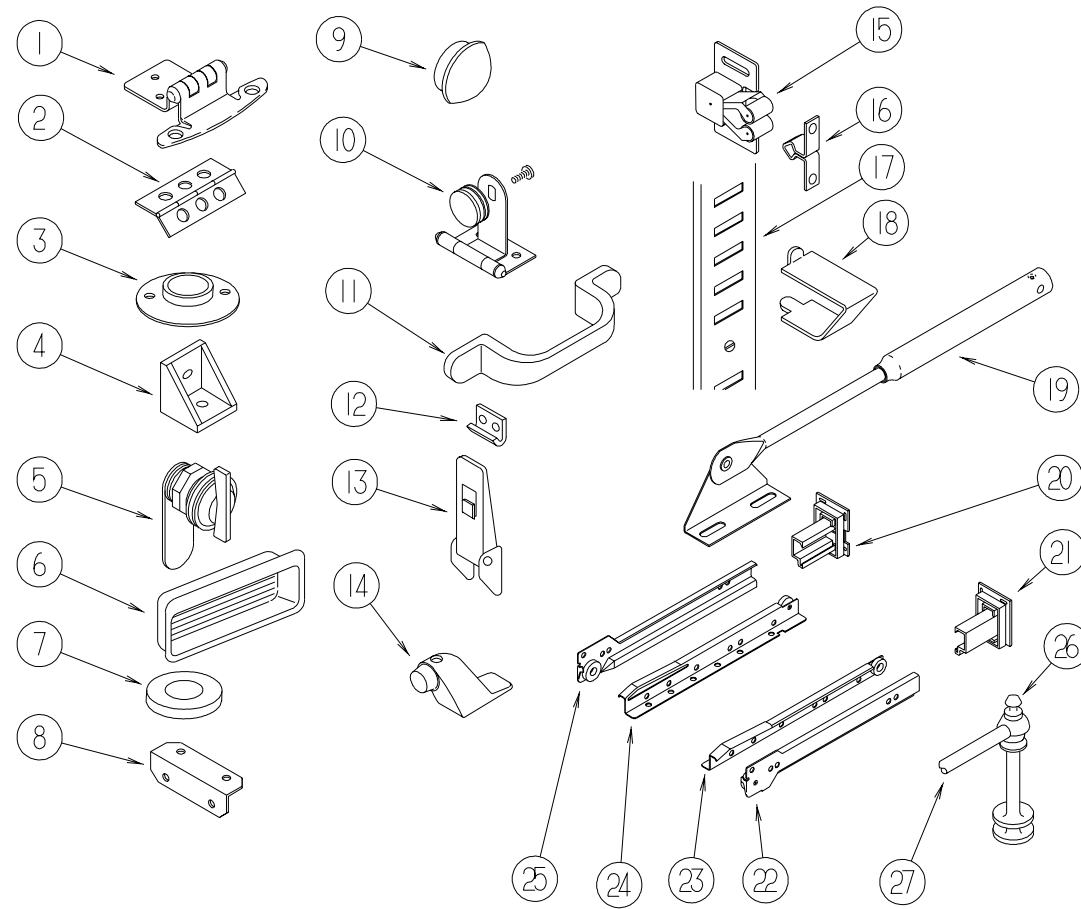


| KEY | PART NUMBER | U/M | DESCRIPTION |
|-----|---------------|-----|--|
| 1 | 108138-01-000 | EA | HINGE - CABINET DOOR - BURNISHED BRASS |
| 2 | 009059-01-000 | EA | HINGE - DOOR - 2" X 1.4" - BRASS |
| 2 | 009059-02-000 | EA | HINGE - DOOR - 2" X 2.7" - BRASS |
| 3 | 009112-01-000 | EA | FLANGE - PLASTIC - 1" CLOTHES ROD - OFF WHITE |
| 4 | 065740-01-000 | EA | BRACE - CABINET/CORNER - PLASTIC |
| 5 | 100710-01-01A | EA | LOCK - GLASS DOOR/TWIST TYPE - BRASS |
| 6 | 124311-01-01A | EA | HANDLE - RECESSED - BRASS |
| 7 | 100707-01-000 | EA | SPACER - GLASS DOOR - .8" DIA - .3" HOLE - PLASTIC |
| 8 | 016604-01-000 | EA | BRACE - CABINET - ANGLE - 2.5" - UNPAINTED METAL |
| 8 | 016604-05-000 | EA | BRACE - CABINET - ANGLE - 2.5" - OFF WHITE METAL |
| 9 | 074045-01-000 | EA | PLUG - OAK - 1/2" DIAMETER (OAK) |
| 10 | 100711-01-01A | EA | HINGE - GLASS DOOR |
| 11 | 117801-01-01A | EA | PULL - CABINET - BRASS |
| | | | FROM: 00-00-00 THRU: 06-06-99 |
| 11 | 131963-01-01A | EA | PULL - CABINET - POLISHED BRASS |
| | | | FROM: 06-07-99 THRU: 99-99-99 |
| 12 | 116975-02-01A | EA | KEEPER/STRIKE - BLACK - NEW STYLE |

| KEY | PART NUMBER | U/M | DESCRIPTION |
|-----|---------------|-----|---|
| 13 | 116975-01-01A | EA | LATCH - W/O STRIKE - BLACK - NEW STYLE |
| 14 | 103257-01-000 | EA | STOP - DOOR |
| 15 | 093586-03-000 | EA | CATCH - SPRING ROLLER - .377" |
| 15 | 093586-06-000 | EA | CATCH - SPRING ROLLER - .236" |
| 16 | 093586-04-000 | EA | STRIKE - SPRING STEEL - 1.14" |
| 16 | 093586-05-000 | EA | STRIKE - SPRING STEEL - .943" |
| 17 | 098980-03-000 | EA | PILASTER - ADJUSTABLE SHELF - 9" |
| 17 | 098980-02-000 | EA | PILASTER - ADJUSTABLE SHELF - 12" |
| 17 | 098980-01-000 | EA | PILASTER - ADJUSTABLE SHELF - 18" |
| 17 | 098980-04-000 | EA | PILASTER - ADJUSTABLE SHELF - 48" |
| 18 | 098979-01-000 | EA | CLIP - ADJUSTABLE SHELF |
| 19 | 074493-02-000 | EA | SUPPORT - PISTON SPRING - CABINET DOOR - 26 LBS |
| 19 | 074493-04-000 | EA | SUPPORT - PISTON SPRING - CABINET DOOR - 32 LBS |
| 20 | 128811-01-01A | EA | BACKSOCKET - ADJUSTABLE - LEFT |
| 21 | 128811-02-01A | EA | BACKSOCKET - ADJUSTABLE - RIGHT |

INTERIOR FINISH GROUP (CONTINUED)

CABINET HARDWARE (CONTINUED)



| KEY | PART NUMBER | U/M | DESCRIPTION |
|-----|---------------|-----|--------------------------------------|
| 22 | 128810-02-01A | EA | SLIDE - DRAWER - 12" - RIGHT CABINET |
| 22 | 128810-06-01A | EA | SLIDE - DRAWER - 14" - RIGHT CABINET |
| 22 | 128810-10-01A | EA | SLIDE - DRAWER - 16" - RIGHT CABINET |
| 22 | 128810-14-01A | EA | SLIDE - DRAWER - 18" - RIGHT CABINET |
| 22 | 128810-18-01A | EA | SLIDE - DRAWER - 20" - RIGHT CABINET |
| 22 | 128810-22-01A | EA | SLIDE - DRAWER - 22" - RIGHT CABINET |
| 23 | 128810-04-01A | EA | SLIDE - DRAWER - 12" - RIGHT DRAWER |
| 23 | 128810-08-01A | EA | SLIDE - DRAWER - 14" - RIGHT DRAWER |
| 23 | 128810-12-01A | EA | SLIDE - DRAWER - 16" - RIGHT DRAWER |
| 23 | 128810-16-01A | EA | SLIDE - DRAWER - 18" - RIGHT DRAWER |
| 23 | 128810-20-01A | EA | SLIDE - DRAWER - 20" - RIGHT DRAWER |
| 23 | 128810-24-01A | EA | SLIDE - DRAWER - 22" - RIGHT DRAWER |
| 24 | 128810-03-01A | EA | SLIDE - DRAWER - 12" - LEFT DRAWER |
| 24 | 128810-07-01A | EA | SLIDE - DRAWER - 14" - LEFT DRAWER |
| 24 | 128810-11-01A | EA | SLIDE - DRAWER - 16" - LEFT DRAWER |
| 24 | 128810-15-01A | EA | SLIDE - DRAWER - 18" - LEFT DRAWER |
| 24 | 128810-19-01A | EA | SLIDE - DRAWER - 20" - LEFT DRAWER |
| 24 | 128810-23-01A | EA | SLIDE - DRAWER - 22" - LEFT DRAWER |

| KEY | PART NUMBER | U/M | DESCRIPTION |
|-----|---------------|-----|---|
| 25 | 128810-01-01A | EA | SLIDE - DRAWER - 12" - LEFT CABINET |
| 25 | 128810-05-01A | EA | SLIDE - DRAWER - 14" - LEFT CABINET |
| 25 | 128810-09-01A | EA | SLIDE - DRAWER - 16" - LEFT CABINET |
| 25 | 128810-13-01A | EA | SLIDE - DRAWER - 18" - LEFT CABINET |
| 25 | 128810-17-01A | EA | SLIDE - DRAWER - 20" - LEFT CABINET |
| 25 | 128810-21-01A | EA | SLIDE - DRAWER - 22" - LEFT CABINET |
| 26 | 084070-03-000 | EA | POST - END - 2.4" - SHINY BRASS |
| 27 | 084071-24-000 | EA | ROD - BRASS - 3.8" |
| 27 | 084071-27-000 | EA | ROD - BRASS - 2.7" |
| | 083204-03-000 | EA | BUTTON - RETAINING MIRROR 5/16" TIP |
| | 041389-18-000 | EA | HINGE - PIANO - 1.50" X 19" - OFF WHITE |
| | 041389-25-000 | EA | HINGE - PIANO - 1.50" X 55" |
| | 041389-35-000 | EA | HINGE - PIANO - OFF WHITE - 31" |
| | 042438-01-000 | EA | DOWEL - WOOD - CLOTHES ROD - 1" DIAMETER X 4' |
| | 042438-06-000 | EA | DOWEL - WOOD - 1.5" X 26" - OAK |
| | 023320-01-000 | EA | PAD - FELT 3/8" DIAMETER |
| | 004354-01-000 | EA | BUMPER - RUBBER - .5" DIA - BROWN |

INTERIOR FINISH GROUP (CONTINUED)

PANELING & PLASTIC LAMINATE (WATERFORD OAK)

| KEY | PART NUMBER | U/M DESCRIPTION |
|-----|---------------|--|
| | 000846-01-000 | SF PLYWOOD - 5/16" X 48" X 96" - CD GRADE |
| | 000846-02-000 | SF PLYWOOD/UNDERLAYMENT - 5/16" X 48" X 96" |
| | 000885-76-000 | SF PARTICLE BOARD - 3/8" X 48" X 96" - WATERFORD OAK - VINYL 1 SIDE |
| | 000885-77-000 | SF PARTICLE BOARD - 3/8" X 48" X 96" - WATERFORD OAK - VINYL 2 SIDE |
| | 000885-79-000 | SF PARTICLE BOARD - 3/4" X 48" X 96" - WATERFORD OAK - VINYL 2 SIDE |
| | 074497-28-000 | SF PANELING - WATERFORD OAK - 4' X 8' |
| | 074498-40-000 | SF LAMINATE - PLASTIC - OFF WHITE - 5' X 8' (EXTERIOR ENTERTAINMENT) |
| | 074498-71-000 | SF LAMINATE - PLASTIC - NEUTRAL SANTOS - 5'X 8' (K28, K30, K34) |
| | 074498-81-000 | SF LAMINATE - PLASTIC - ALMOND JAGUARD - 5' X 8' (K32) |
| | 074498-77-000 | SF LAMINATE - PLASTIC - ART CABIN (WATERFORD OAK) 4' X 8' (PULL OUT TABLE) |
| | 080215-10-000 | SF PANELING - 2 SIDED - WATERFORD - .2" X 4' X 8' |
| | 088272-G1-000 | SF PANELING - PEBBLE EMBOSSED - ANTIQUE WHITE - 4' X 7' (BATH) |
| | 088272-H2-000 | SF PANELING - TUSCAN MINK - 48" X 84" (K28, K34) |
| | 088272-H6-000 | SF PANELING - ARTESIA SPRING - 48" X 96"(K30) |
| | 088272-H8-000 | SF PANELING - UPBEAT/TWILIGHT(K32) |
| | 117267-D2-438 | EA LUMBER - VINYL WRAPPED - .7" X 1.5" X 96" - WATERFORD OAK |
| | 117267-E2-438 | EA LUMBER - VINYL WRAPPED - .7" X 2" X 96" - WATERFORD OAK |
| | 117267-F2-438 | EA LUMBER - VINYL WRAPPED - .7"X 2.5" X 96" - WATERFORD OAK |
| | 117267-J2-438 | EA LUMBER - VINYL WRAPPED - .7" X 5.5" X 96"- WATERFORD OAK |
| | 117267-R2-438 | EA LUMBER - VINYL WRAPPED - .7" X 3" X 96" - WATERFORD OAK |
| | 122481-19-000 | FT WALLPAPER - 6.8" BORDER (K28) |
| | 122481-16-000 | FT WALLPAPER - 6.8" BORDER (K30) |
| | 122481-15-000 | FT WALLPAPER - 6.9" BORDER (K32) |
| | 122481-18-000 | FT WALLPAPER - 6.5" BORDER (K34) |
| | 126339-01-000 | SF BOARD - WHEAT - 60" X 72" |

FIRE EXTINGUISHER, DETECTORS & WALL CLOCK

| KEY | PART NUMBER | U/M DESCRIPTION | VENDOR NO. |
|-----|---------------|---|------------|
| | 072852-01-000 | EA DETECTOR - SMOKE - W/9 VOLT BATTERY - US | |
| | 072852-02-000 | EA DETECTOR - SMOKE - W/9 VOLT BATTERY - CANADIAN | |
| | 094499-03-000 | EA EXTINGUISHER/FIRE - DRY - 10B:C - W/O BRACKET | |
| | 094499-02-000 | EA EXTINGUISHER/FIRE - DRY - 1A10BC - CANADIAN | |
| | 094499-01-700 | EA BRACKET MTG. W/PLAS. STRAP | 294039 |
| | 094499-04-000 | EA BRACKET - FIRE EXTINGUISHER (STAINLESS STEEL) | |
| | 125136-01-000 | EA CO DETECTOR - GAS - ROUND W/2 SCREWS - 9 VOLT | |
| | 118081-02-01A | EA CLOCK - WALL - ROUND 8" - BRASS | |

INTERIOR FINISH GROUP (CONTINUED)

PANELING & PLASTIC LAMINATE (MYSTIC OAK)

| KEY | PART NUMBER | U/M DESCRIPTION |
|-----|---------------|--|
| | 000885-67-000 | SF PARTICLE BOARD - 3/4" X 60" X 96" - PICKLED ASH - 2 SIDE VINYL |
| | 000885-68-000 | SF PARTICLE BOARD - 3/8" X 48" X 96" - PICKLED ASH - 2 SIDE VINYL |
| | 074497-22-000 | SF PANELING - PICKLED ASH - 1/8" X 48" X 96" |
| | 074498-40-000 | SF LAMINATE - PLASTIC - OFF WHITE - 5' X 8' (EXTERIOR ENTERTAINMENT) |
| | 074498-57-000 | SF LAMINATE - PLASTIC - PICKLED ASH - 5' X 8' (PULL OUT TABLE) |
| | 074498-71-000 | SF LAMINATE - PLASTIC - NEUTRAL SANTOS - 5'X 8' (K29, K31, K35) |
| | 074498-81-000 | SF LAMINATE - PLASTIC - ALMOND JAGUARD - 5' X 8' (K33) |
| | 088272-G1-000 | SF PANELING - PEBBLE EMBOSSED - ANTIQUE WHITE - 4' X 7' (BATH) |
| | 088272-H2-000 | SF PANELING - TUSCAN MINK - 48" X 84" (K29, K35) |
| | 088272-H6-000 | SF PANELING - ARTESIA SPRING - 48" X 96"(K31) |
| | 088272-H8-000 | SF PANELING - UPBEAT/TWILIGHT(K33) |
| | 111133-A2-438 | EA LUMBER - VINYL WRAPPED - .7" X .7" X 96" - PICKLED ASH |
| | 111133-D2-438 | EA LUMBER - VINYL WRAPPED - .27" X 1.5" X 96" - PICKLED ASH |
| | 111133-E2-438 | EA LUMBER - VINYL WRAPPED - .7" X 2" X 96" - PICKLED ASH |
| | 111133-G2-438 | EA LUMBER - VINYL WRAPPED - .7" X 3" X 96" - PICKLED ASH |
| | 111133-J2-438 | EA LUMBER - VINYL WRAPPED - .7" X 5.5" X 96" - PICKLED ASH |
| | 122481-19-000 | FT WALLPAPER - 6.8" BORDER (K29) |
| | 122481-16-000 | FT WALLPAPER - 6.8" BORDER (K31) |
| | 122481-15-000 | FT WALLPAPER - 6.9" BORDER (K33) |
| | 122481-18-000 | FT WALLPAPER - 6.5" BORDER (K35) |
| | 126339-01-000 | SF BOARD - WHEAT - 60" X 72" |

BATT STRIPS & BATT TAPE

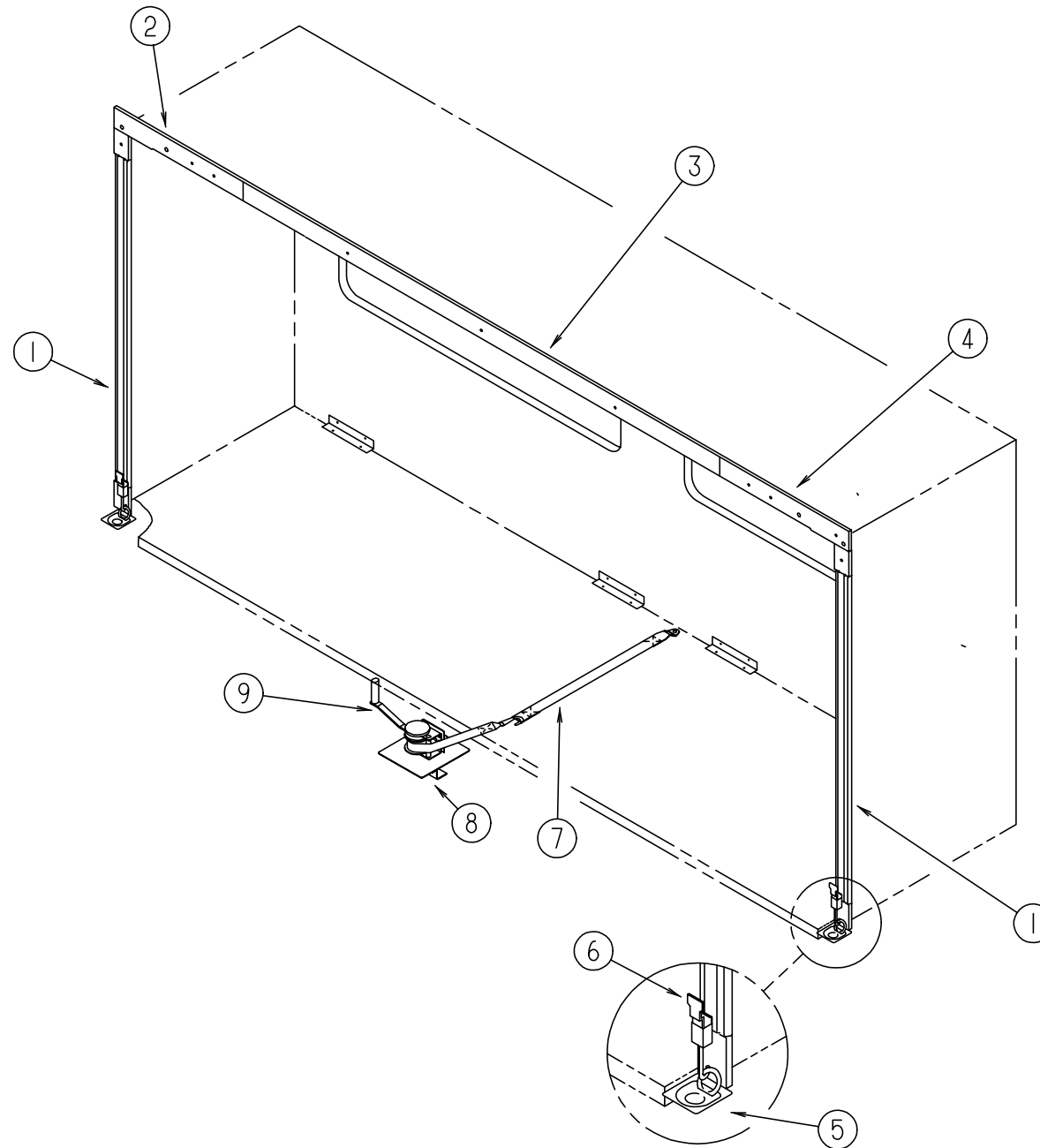
| KEY | PART NUMBER | U/M DESCRIPTION |
|-----|---------------|---|
| | 085284-E7-000 | FT BATT TAPE - ADHESIVE BACKED - DECORATIVE/TUSCAN MINK (K28, K29, K34, 35) |
| | 085284-F2-000 | FT BATT TAPE - ADHESIVE BACKED - ARTESIA/SPRING (K30, K31) |
| | 085284-F8-000 | FT BATT TAPE - ADHESIVE BACKED - UPBEAT/TWILIGHT (K32, K33) |
| | 085284-D6-000 | FT BATT TAPE - DECORATIVE - PEBBLE EMBOSSED/ANTIQU - 8' (BATH) |
| | 085284-B5-000 | FT BATT TAPE - ADHESIVE BACKED - WOODGRAINED - WATERFORD OAK |
| | 085284-96-000 | FT BATT TAPE - ADHESIVE BACKED - WOODGRAINED/PICKLED ASH (MYSTIC OAK) |
| | 069733-83-000 | EA BATT STRIP - WOODGRAINED - WATERFORD OAK - 8' |
| | 069733-81-000 | EA BATT STRIP - WOODGRAINED/PICKLED ASH - 8' (MYSTIC OAK) |
| | 088263-E4-000 | EA BATT STRIP - DECORATIVE - PEBBLE EMBOSSED/ANTIQU - 8' (BATH) |
| | 088263-F2-000 | EA BATT STRIP - DECORATIVE - TUSCAN MINK - 8' LENGTHS (K28, K29, K34, K35) |
| | 088263-F6-000 | EA BATT STRIP - DECORATIVE - ARTESIA/SPRING - 96"LENGTHS (K30, K31) |
| | 088263-G0-000 | EA BATT STRIP - DECORATIVE - UPBEAT/TWILIGHT - 8' LONG (K32, K33) |

FLOOR COVERINGS

| KEY | PART NUMBER | U/M DESCRIPTION |
|-----|---------------|---|
| | 42720-25-000 | SY VINYL - FLOOR COVERING - 14' WIDE - MODULATION (BATH, GALLEY) |
| | 093486-01-000 | SY CARPET - COMPARTMENT - 72" WIDE - DARK GRAY (STORAGE COMPARTMENTS) |
| | 096060-99-000 | SY CARPET - PARCHMENT (K28, K29) |
| | 096060-D9-000 | SY CARPET - HEATHER (K30, K31) |
| | 096060-A2-000 | SY CARPET - NEW MEADOW (K32, K33) |
| | 096060-97-000 | SY CARPET - LAPIS (K34, K35) |
| | 091261-01-000 | FT SLIPNOT - ANTISLIP - 1' WIDE |
| | 096764-02-000 | FT SLIPNOT - ANTISLIP - 1" WIDE (100' ROLLS) |
| | 105924-01-K28 | EA MAT - FLOOR - 18" X 27" (K28, K29) |
| | 105924-01-K30 | EA MAT - FLOOR - 18" X 27" (K30, K31) |
| | 105924-01-K32 | EA MAT - FLOOR - 18" X 27" (K32, K33) |
| | 105924-01-J51 | EA MAT - FLOOR - 18" X 27" (K34, K35) |
| | 122755-02-01A | EA FLOORING/RUBBER - ENTRANCE DOOR - 18.5" X 29.3" |
| | 122755-04-01A | EA FLOORING/RUBBER - ENTRANCE DOOR - 17.7" X 28.5" |

INTERIOR FINISH GROUP (CONTINUED)

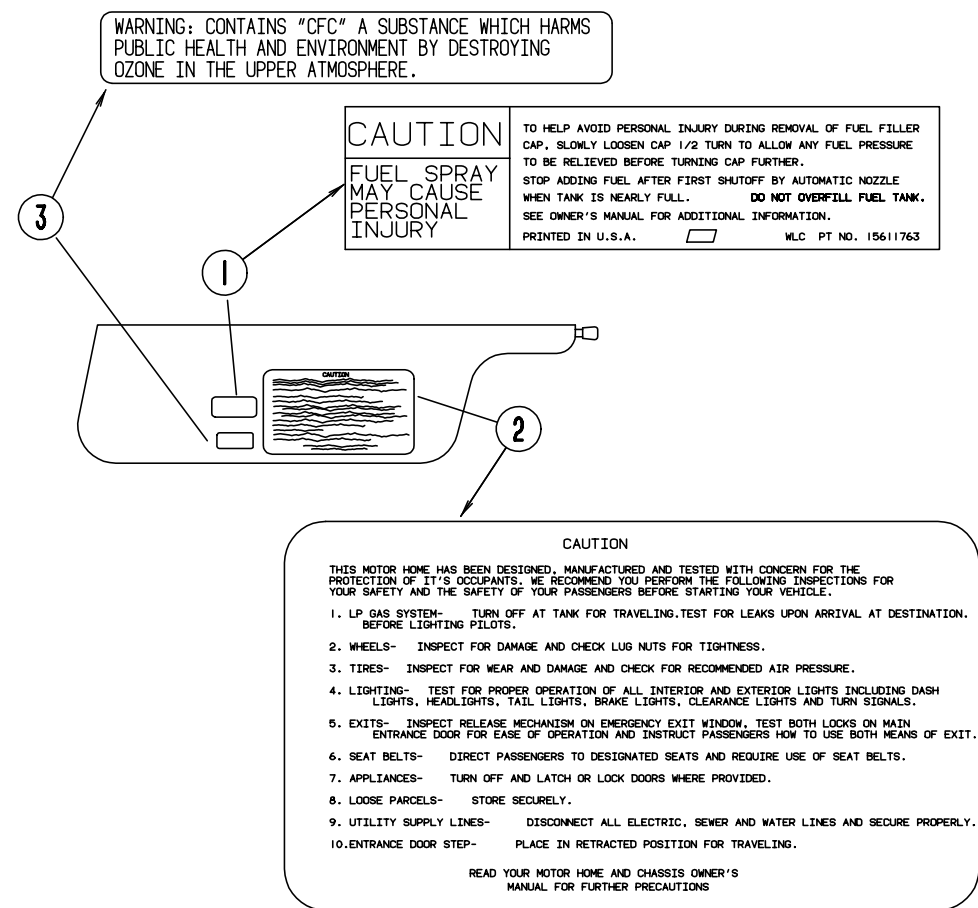
SLIDEOUT HARDWARE & MOLDINGS



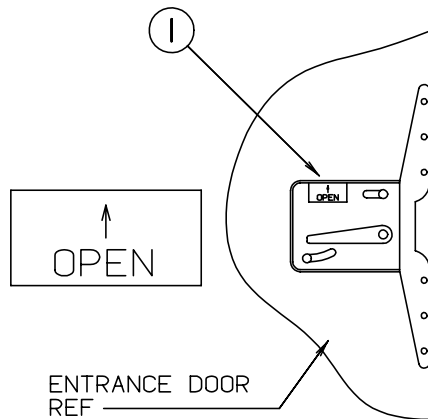
| KEY | PART NUMBER | U/M DESCRIPTION |
|-----|---------------|---|
| 1 | 116951-01-G35 | EA MOLDING - WOOD - 3" X 70.5" (WATERFORD OAK) |
| 1 | 116951-01-K29 | EA MOLDING - WOOD - 3" X 70.5" (MYSTIC OAK) |
| 2 | 116968-01-G35 | EA TRIM - END/LEFT HAND - WOOD - 3.8" X 19.1" (WATERFORD OAK) |
| 2 | 116968-01-K29 | EA TRIM - END/LEFT HAND - WOOD - 3.8" X 19.1" (MYSTIC OAK) |
| 3 | 116967-01-G35 | EA TRIM - CENTER - WOOD - 3.8" X 120" (WATERFORD OAK) |
| 3 | 116967-01-K29 | EA TRIM - CENTER - WOOD - 3.8" X 120" (MYSTIC OAK) |

| KEY | PART NUMBER | U/M DESCRIPTION |
|-----|---------------|--|
| 4 | 116968-02-G35 | EA TRIM - END/RIGHT HAND - WOOD - 3.8" X 19.1" (WATERFORD OAK) |
| 4 | 116968-02-K29 | EA TRIM - END/RIGHT HAND - WOOD - 3.8" X 19.1" (MYSTIC OAK) |
| 5 | 116736-01-01A | EA TIEDOWN - DROP/D - ZINC |
| 6 | 116737-01-01A | EA LATCH - DRAW - ADJUSTABLE - ZINC |
| 7 | 116101-02-F31 | EA STRAP - WINCH |
| 8 | 116082-03-02B | EA BRACKET - WINCH |
| 9 | 115767-02-000 | EA WINCH - SLIDEOUT |

LABELS GROUP

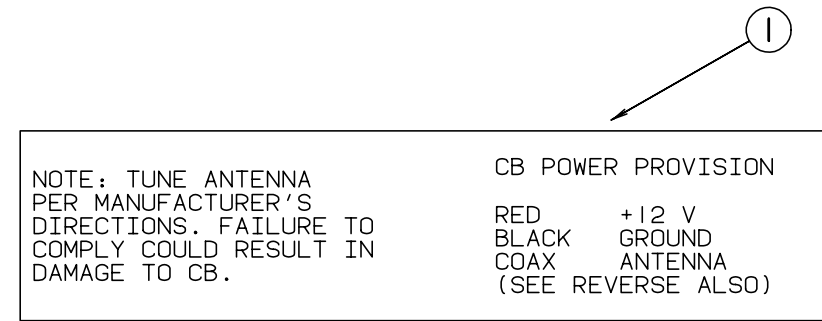


| KEY | PART NUMBER | U/M DESCRIPTION |
|-----|---------------|------------------------------|
| 1 | 087207-05-000 | EA LABEL - FUEL CAP REMOVAL |
| 2 | 056259-01-000 | EA LABEL - SAFETY CHECK LIST |
| 3 | 111802-01-000 | EA LABEL - CFC WARNING |

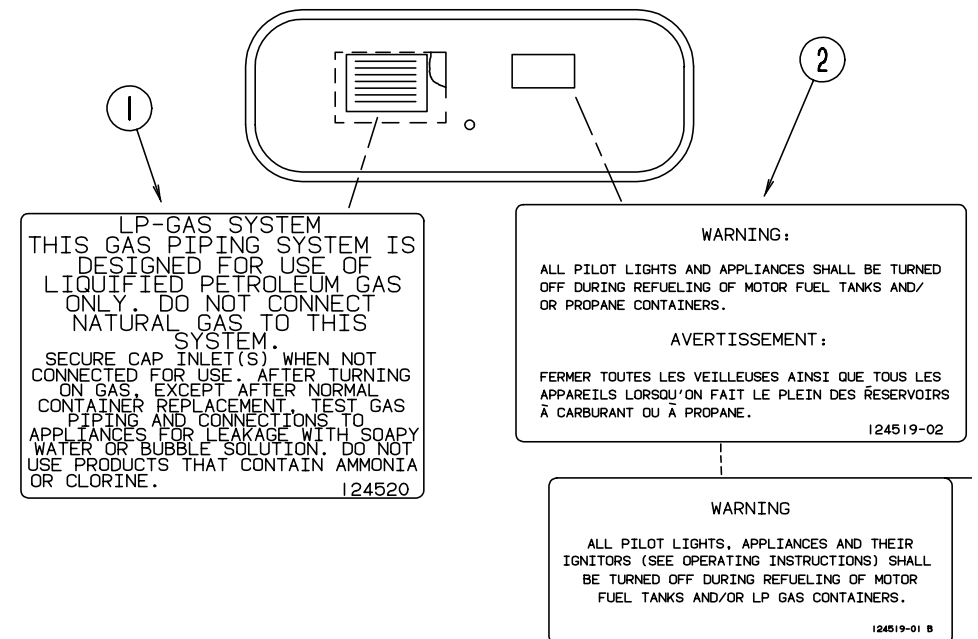


| KEY | PART NUMBER | U/M DESCRIPTION |
|-----|---------------|-----------------------------------|
| 1 | 040944-01-000 | EA LABEL - ENTRANCE DOOR - "OPEN" |

LABELS GROUP (CONTINUED)

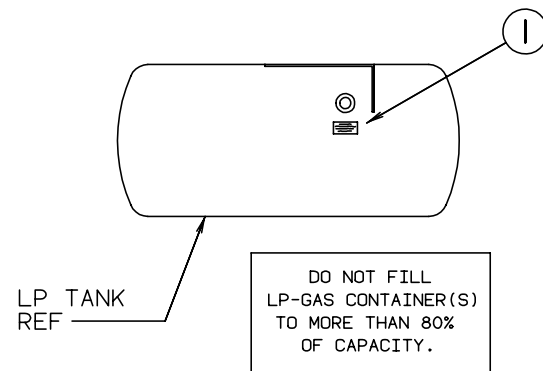


| KEY | PART NUMBER | U/M DESCRIPTION |
|-----|---------------|--------------------|
| 1 | 104678-01-000 | EA LABEL - CB PREP |

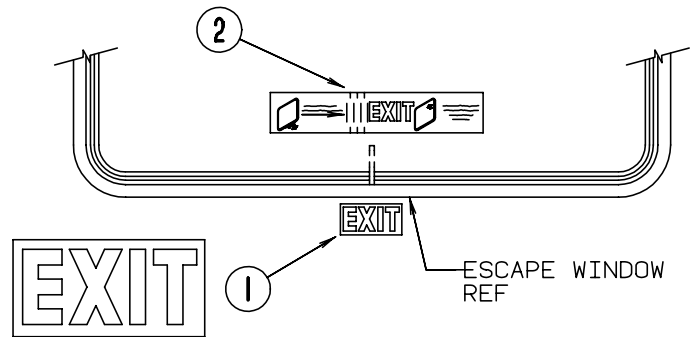
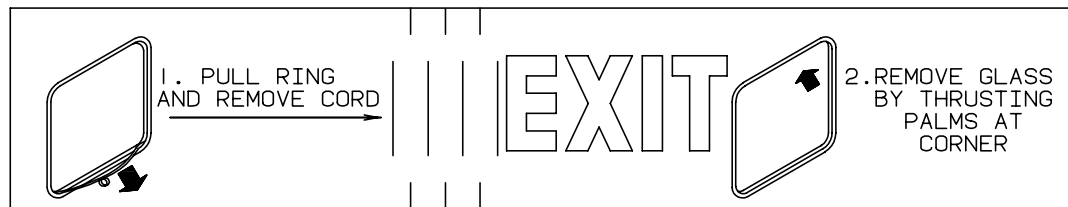


| KEY | PART NUMBER | U/M DESCRIPTION |
|-----|---------------|-------------------------------------|
| 1 | 124520-01-02A | EA LABEL - LP GAS ONLY |
| 2 | 023769-01-000 | EA LABEL - WARNING - LPG - CANADIAN |
| 2 | 124519-01-02A | EA LABEL - WARNING/REFUELING |
| 2 | 124519-02-02A | EA LABEL - WARNING/REFUELING - CSA |

LABELS GROUP (CONTINUED)



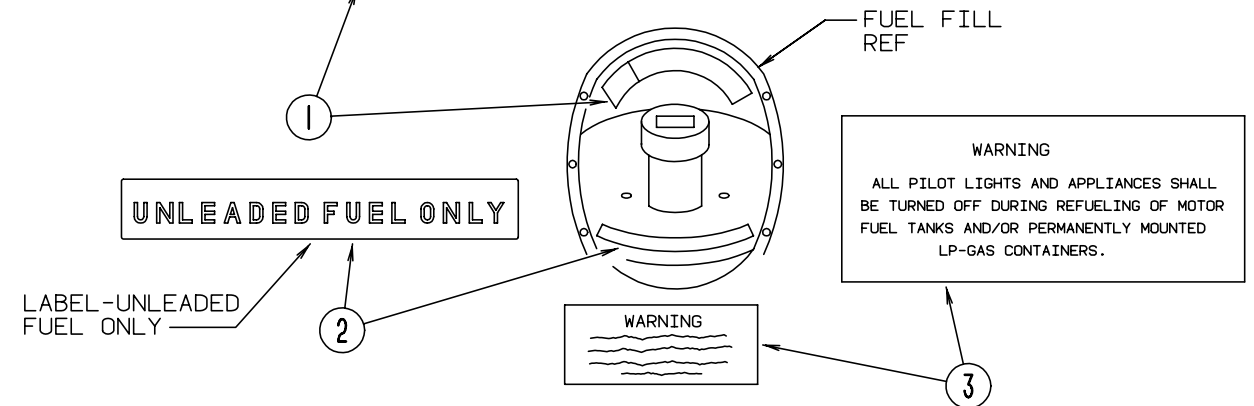
| KEY | PART NUMBER | U/M DESCRIPTION |
|-----|---------------|-------------------------------|
| 1 | 079965-01-000 | EA LABEL - LPG - 80% CAPACITY |



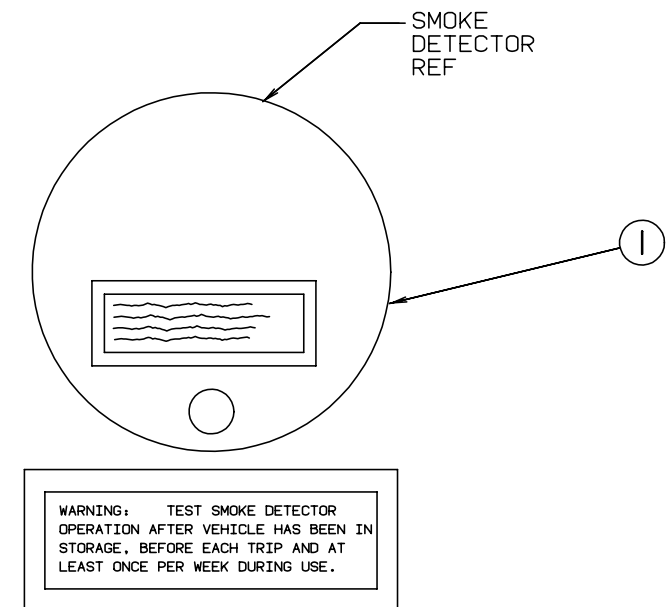
| KEY | PART NUMBER | U/M DESCRIPTION |
|-----|---------------|-------------------------------|
| 1 | 107571-01-000 | EA LABEL - EXIT/ESCAPE WINDOW |
| 2 | 039290-01-000 | EA LABEL - EXIT WARNING |

LABELS GROUP (CONTINUED)

| | |
|---|---|
| CAUTION | TO HELP AVOID PERSONAL INJURY DURING REMOVAL OF FUEL FILLER CAP, SLOWLY LOOSEN CAP 1/2 TURN TO ALLOW ANY FUEL PRESSURE TO BE RELIEVED BEFORE TURNING CAP FURTHER. |
| FUEL SPRAY MAY CAUSE PERSONAL INJURY | STOP ADDING FUEL AFTER FIRST SHUTOFF BY AUTOMATIC NOZZLE WHEN TANK IS NEARLY FULL. DO NOT OVERFILL FUEL TANK. SEE OWNERS MANUAL FOR ADDITIONAL INFORMATION. |
| | PRINTED IN U.S.A. MLC PT NO 15611763 |

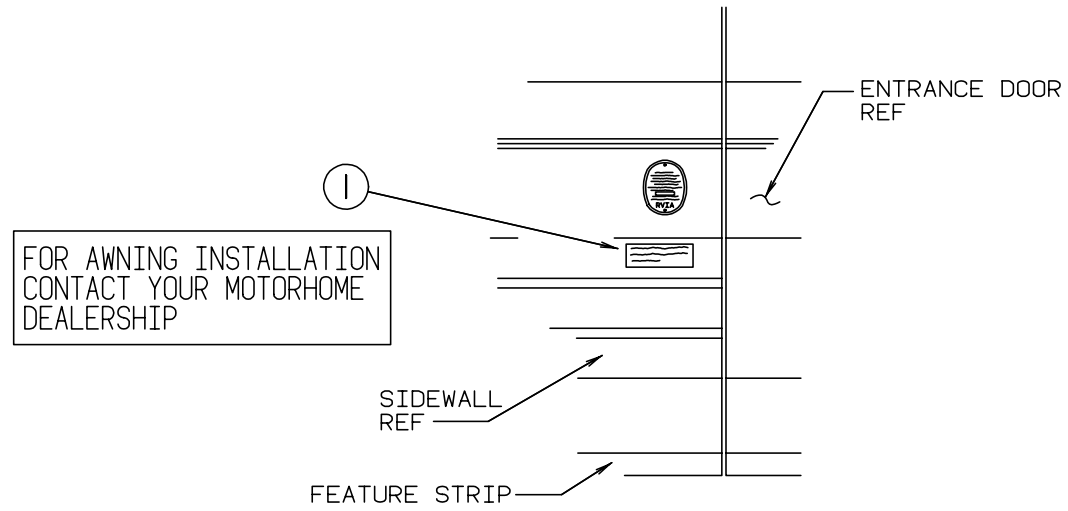


| KEY | PART NUMBER | U/M DESCRIPTION |
|-----|---------------|------------------------------------|
| 1 | 087207-05-000 | EA LABEL - FUEL CAP REMOVAL |
| 2 | 062043-01-000 | EA LABEL - FUEL - UNLEADED |
| 3 | 124519-01-02A | EA LABEL - WARNING/REFUELING |
| 3 | 124519-02-02A | EA LABEL - WARNING/REFUELING - CSA |



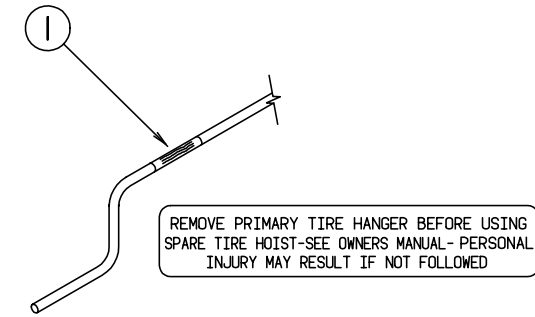
| KEY | PART NUMBER | U/M DESCRIPTION |
|-----|---------------|-------------------------------------|
| 1 | 077956-01-000 | EA LABEL - WARNING - SMOKE DETECTOR |

LABELS GROUP (CONTINUED)

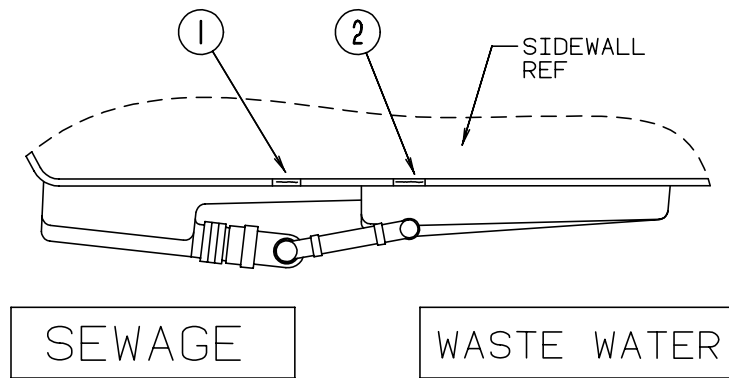


| KEY | PART NUMBER | U/M DESCRIPTION |
|-----|---------------|--------------------------------|
| 1 | 099509-01-000 | EA LABEL - AWNING INSTALLATION |

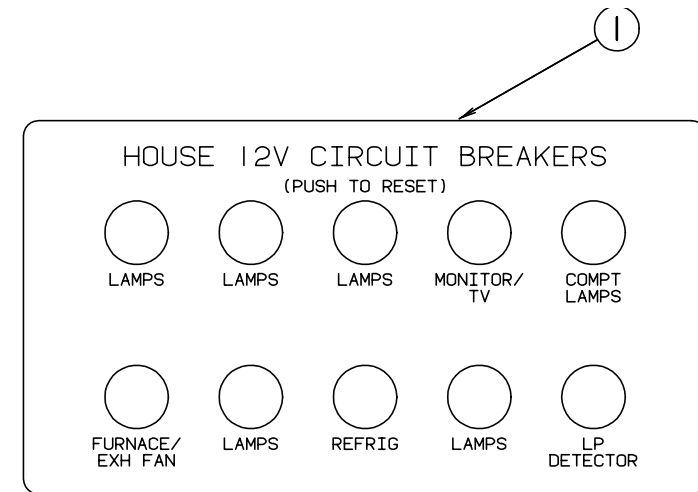
LABELS GROUP (CONTINUED)



| KEY | PART NUMBER | U/M DESCRIPTION |
|-----|---------------|--------------------------------|
| 1 | 126024-01-01A | EA LABEL - TIRE HANGER REMOVAL |

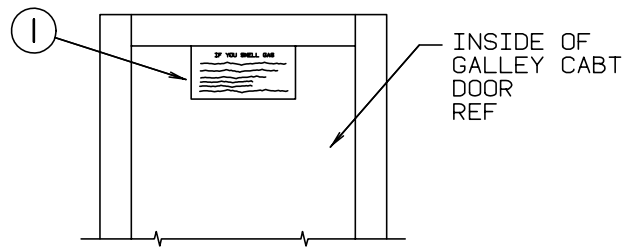


| KEY | PART NUMBER | U/M DESCRIPTION |
|-----|---------------|------------------------|
| 1 | 006187-01-000 | EA LABEL - SEWAGE |
| 2 | 006188-01-000 | EA LABEL - WASTE WATER |



| KEY | PART NUMBER | U/M DESCRIPTION |
|-----|---------------|--------------------------|
| 1 | 092547-06-000 | EA LABEL-CIRCUIT BREAKER |

LABELS GROUP (CONTINUED)



IF YOU SMELL GAS

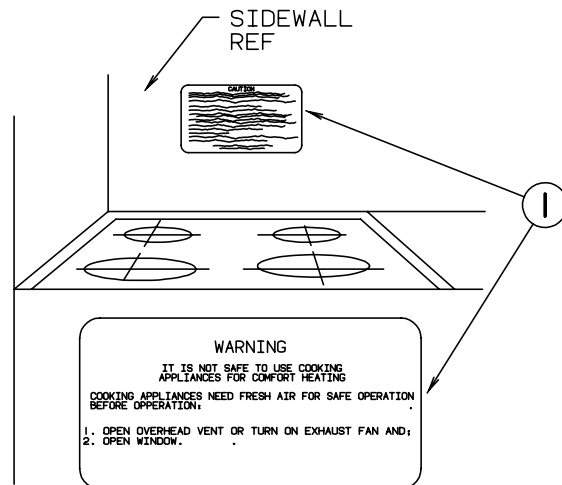
1. EXTINGUISH ANY OPEN FLAME, PILOT LIGHTS AND ALL SMOKING MATERIALS.
2. SHUT OFF THE GAS SUPPLY AT THE TANK VALVE(OR GAS SUPPLY CONNECTION.
3. OPEN DOORS AND OTHER VENTILATING OPENINGS.
4. DO NOT TOUCH ELECTRICAL SWITCHES.
5. LEAVE THE AREA UNTIL ODOR CLEARS.
6. HAVE THE GAS SYSTEM CHECKED AND LEAKAGE SOURCE CORRECTED BEFORE USING AGAIN.

| KEY | PART NUMBER | U/M DESCRIPTION |
|-----|---------------|-------------------------------------|
| 1 | 073998-01-000 | EA LABEL - LPG ODOR WARNING |
| | 023769-01-000 | EA LABEL - WARNING - LPG - CANADIAN |

LABELS GROUP (CONTINUED)

MISCELLANEOUS LABELS

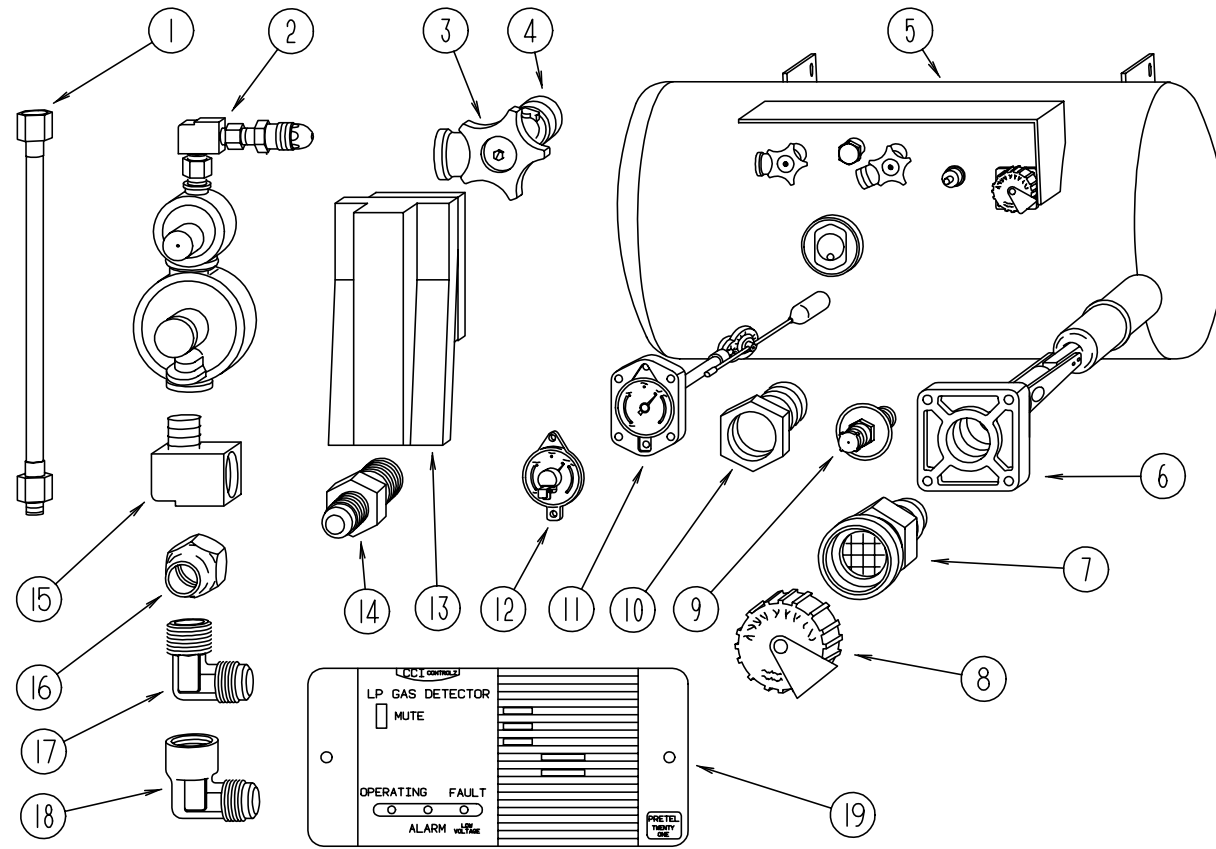
| KEY | PART NUMBER | U/M DESCRIPTION |
|-----|---------------|--|
| | 065748-01-000 | EA LABEL - CAUTION - BATTERY CHARGING |
| | 065748-02-000 | EA LABEL - WARNING - BATTERY/FRENCH |
| | 087236-01-000 | EA LABEL - CABLE - INPUT |
| | 087236-02-000 | EA LABEL - TV OUTLET |
| | 095721-27-000 | EA LABEL - CONTROL CENTER - 30 AMP |
| | 095721-28-000 | EA LABEL - CONTROL CENTER - 30 AMP - CANADIAN |
| | 095721-29-000 | EA LABEL - CONTROL CENTER - 50 AMP |
| | 095721-30-000 | EA LABEL - CONTROL CENTER - 50 AMP - CANADIAN |
| | 098379-04-000 | EA LABEL - ELECTRICAL BOX - SIDE |
| | 098641-01-000 | EA LABEL - FUEL - UNLEADED - DASH |
| | 102267-01-000 | EA LABEL - NO OCCUPANCY - US |
| | 102267-02-000 | EA LABEL - NO OCCUPANCY - CSA |
| | 111537-07-000 | EA LABEL - FUSES |
| | 113402-01-000 | EA LABEL - CAUTION - WATER HEATER EXHAUST |
| | 117629-03-000 | EA LABEL - WATER PUMP/FILL - BLACK LETTERS |
| | 123562-01-000 | EA LABEL - SERVICE/UTILITY ACCESS |
| | 125306-01-01A | EA LABEL - ELECTRICAL ENTRANCE - 110 VOLT - 30 AMP |
| | 126247-05-000 | EA LABEL - GRAY HOLDING TANK |
| | 126247-06-000 | EA LABEL - HOLDING TANK - BLANK |
| | 126248-03-000 | EA LABEL - EXTERIOR SHOWER |
| | 126249-03-000 | EA LABEL - CITY WATER FILL |
| | 128218-01-01A | EA LABEL - WARNING - SLIPPERY ROOF |
| | 128725-01-02A | EA LABEL - POTABLE WATER ONLY |
| | 129669-01-01A | EA LABEL - HITCH/VEHICLE RATE - 350 - WHITE ON CLEAR |
| | 130170-02-000 | EA LABEL - SWITCH PANEL |
| | 131341-01-000 | EA LABEL - STOW OBJECTS - US |
| | 131341-02-000 | EA LABEL - STOW OBJECTS - CANADIAN |
| | 131274-01-000 | EA STICKER - WINDOW - STATIC CLING - SLIDEOUT FROM: 00-00-00 THRU: 02-24-99 |
| | 131274-03-000 | EA STICKER - WINDOW - STATIC CLING - SLIDEOUT FROM: 02-25-99 THRU: 99-99-99 |
| | 131274-02-000 | EA STICKER - WINDOW - STATIC CLING - SLIDEOUT FROM: 00-00-00 THRU: 02-24-99 |
| | 131274-04-000 | EA STICKER - WINDOW - STATIC CLING - SLIDEOUT FROM: 02-25-99 THRU: 99-99-99 |



| KEY | PART NUMBER | U/M DESCRIPTION |
|-----|---------------|---------------------------------------|
| 1 | 050225-01-000 | EA LABEL - WARNING - STOVE VENT - US |
| 1 | 050222-01-000 | EA LABEL - WARNING - STOVE VENT - CSA |

LP GROUP

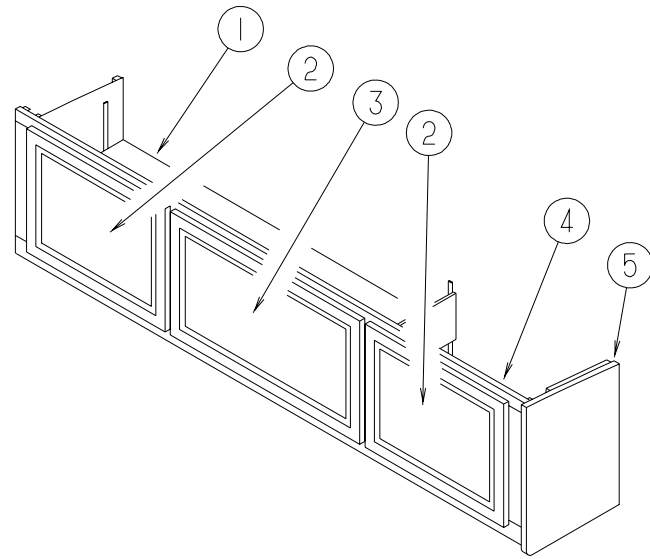
LP TANK & COMPONENTS



| KEY | PART NUMBER | U/M | DESCRIPTION | VENDOR NO. |
|-----|---------------|-----|--|------------|
| 1 | 045703-01-000 | EA | HOSE - LP - 3/8"ID X 24" - 3/8"MPT X 1/2"F SWIVEL - U.S. | |
| 1 | 045703-02-000 | EA | HOSE - LP - 3/8"ID X 24" - 3/8"MPT X 1/2"F SWIVEL - CANADA | |
| 1 | 045703-11-000 | EA | HOSE - LP - 3/8"ID X 36" - 3/8"MPT X 3/8"F SWIVEL - UL/CSA | |
| 2 | 106150-01-000 | EA | REGULATOR - TWO STAGE | |
| 3 | 040421-01-708 | EA | HANDWHEEL - SERVICE VALVE | G-1015-A |
| 4 | 040421-01-712 | EA | VALVE - SERV. W/O VAPOR RELIEF | 29000853 |
| 5 | 088253-09-000 | EA | TANK - LP - 100 LB - 14" DIAMETER X 47" LONG | |
| 6 | 040421-01-711 | EA | VALVE - 80% FILL W/AUTO STOP | LLL/TL3 |
| 7 | 040421-01-701 | EA | VALVE - FILL - SHORT, LP | 7547B |
| 8 | 040421-01-702 | EA | CAP - FILL VALVE - PLASTIC | G-1014-A |
| 9 | 040421-01-700 | EA | VALVE - LIQUID LEVEL - 20% | G-1013 |
| 10 | 040421-01-713 | EA | VALVE - RELIEF 1" W/SPRING 7" | 29000587 |

| KEY | PART NUMBER | U/M | DESCRIPTION | VENDOR NO. |
|-----|---------------|-----|---|------------|
| 11 | 040421-01-707 | EA | FLOAT ASM.(SIGHT GAUGE) 14" | 14C |
| 12 | 040440-02-000 | EA | TRANSMITTER - DIAL - 0-90 OHM - 2 TERMINAL (POWER & GROUND) | |
| 13 | 105658-01-000 | EA | COMPARTMENT - LP REGULATOR | |
| 14 | 010326-01-000 | EA | ADAPTER - FLARE - W/CONE GASKET - 3/8"FEMALE X 1/2"MALE | |
| 14 | 010329-01-000 | EA | ADAPTER - BRASS - 1/2" F X 1/2" MPT | |
| 14 | 010323-01-000 | EA | ADAPTER - BRASS - 3/8"F X 1/2"MPT | |
| 15 | 065318-02-000 | EA | ELBOW - 90 DEGREE - 3/8" MPT TO 3/8" FPT | |
| 16 | 010377-02-000 | EA | NUT - BRASS - 3/8" FLARE - FORGED | |
| 16 | 010380-02-000 | EA | NUT - BRASS - 1/2" FLARE - FORGED | |
| 17 | 010252-01-000 | EA | ELBOW - BRASS - 90 DEGREE - 3/8"F X 1/2"MPT | |
| 18 | 010265-01-000 | EA | ELBOW - BRASS - 90 DEGREE - 3/8"F X 1/2"FPT | |
| 19 | 103613-03-000 | EA | DETECTOR - LP GAS - W/O SHUT-OFF VALVE | |

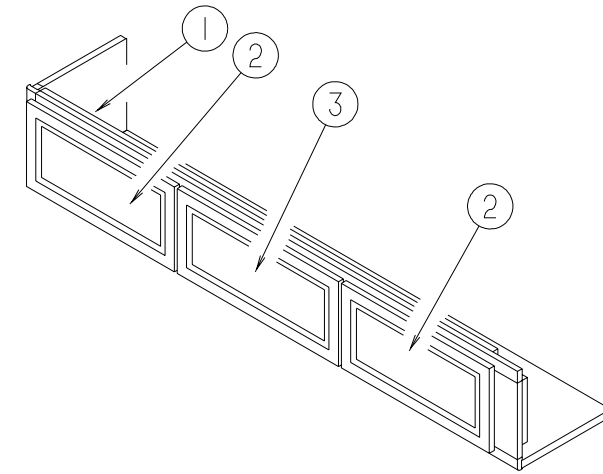
LOUNGE GROUP



LOUNGE OVHD CABINET (DRIVER SIDE)

| KEY | PART NUMBER | U/M | DESCRIPTION |
|-----|---------------|-----|---|
| 1 | 126244-11-K32 | EA | SHELF - W/PLASTIC EDGE TRIM (WATERFORD OAK) |
| 1 | 126244-11-K29 | EA | SHELF - W/PLASTIC EDGE TRIM (MYSTIC OAK) |
| 2 | 131995-D1-K28 | EA | DOOR - RAIL/SOLID PANEL - 15.7" X 20.4" - W/O HDW |
| 2 | 131995-D1-K29 | EA | DOOR - RAIL/SOLID PANEL - 15.7" X 20.4" - W/O HDW |
| 3 | 131995-D4-K28 | EA | DOOR - RAIL/SOLID PANEL - 15.7" X 27.9" - W/O HDW |
| 3 | 131995-D4-K29 | EA | DOOR - RAIL/SOLID PANEL - 15.7" X 27.9" - W/O HDW |
| 4 | 126244-01-J22 | EA | CABINET - OVHD/FRONT - LH - W/O DOORS/HDW (WATERFORD OAK) |
| 4 | 126244-01-K29 | EA | CABINET - OVHD/FRONT - LH - W/O DOORS/HDW (MYSTIC OAK) |
| 5 | 103128-01-G09 | EA | END CAP - OVHD CABINET - RH (WATERFORD OAK) |
| 5 | 103128-01-J90 | EA | END CAP - OVHD CABINET - RH (MYSTIC OAK) |
| | P27942-01-000 | EA | CABINET - COVER - WATER FILL |

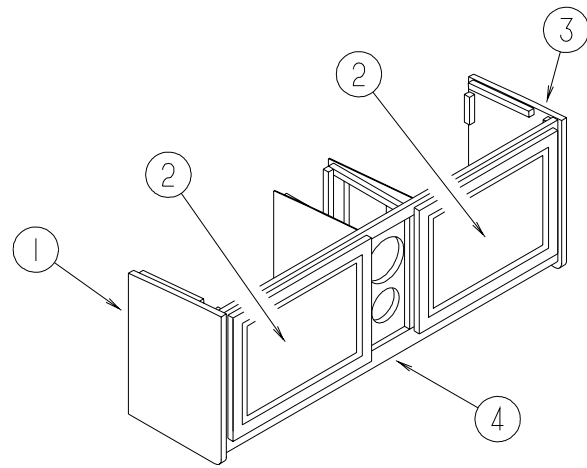
LOUNGE GROUP (CONTINUED)



LOUNGE OVHD CABINET (DRIVER SIDE SLIDEOUT)

| KEY | PART NUMBER | U/M | DESCRIPTION |
|-----|---------------|-----|---|
| 1 | 126433-01-J22 | EA | CABINET - OVHD/COUCH - W/O DOORS/HDW (WATERFORD OAK) |
| 1 | 126433-01-K29 | EA | CABINET - OVHD/COUCH - W/O DOORS/HDW (MYSTIC OAK) |
| 2 | 131995-41-K28 | EA | DOOR - RAIL/SOLID PANEL - 10.8" X 21.8" - W/O HDW (WATERFORD OAK) |
| 2 | 131995-41-K29 | EA | DOOR - RAIL/SOLID PANEL - 10.8" X 21.8" - W/O HDW (MYSTIC OAK) |
| 3 | 131995-44-K28 | EA | DOOR - RAIL/SOLID PANEL - 10.8" X 23.8" - W/O HDW (WATERFORD OAK) |
| 3 | 131995-44-K29 | EA | DOOR - RAIL/SOLID PANEL - 10.8" X 23.8" - W/O HDW (MYSTIC OAK) |

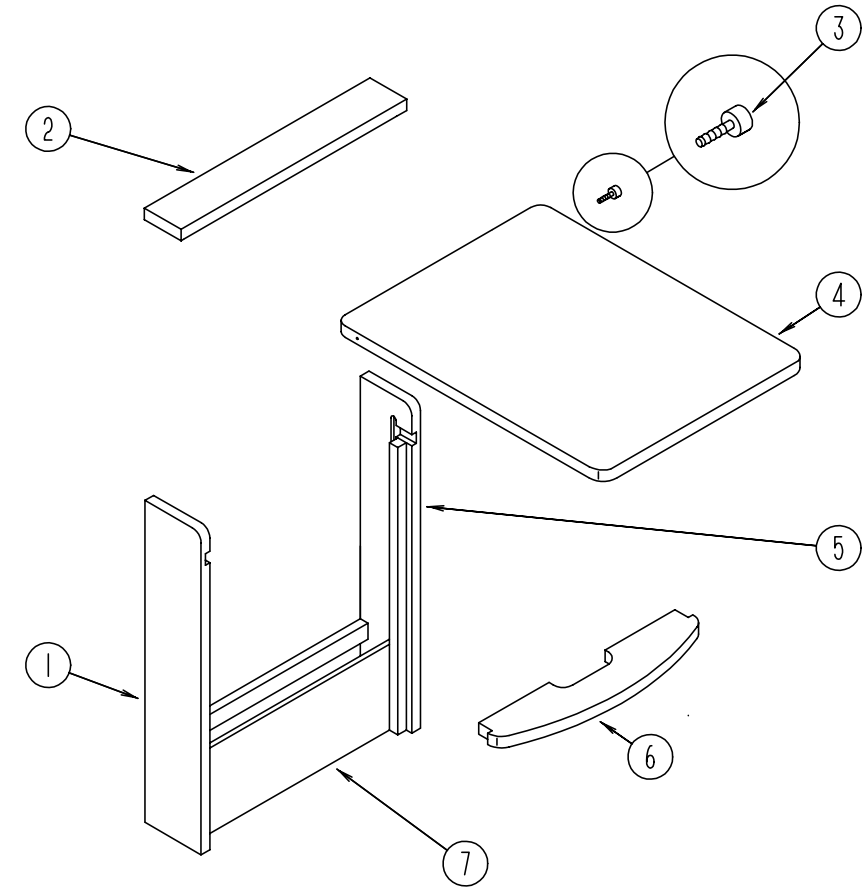
LOUNGE GROUP (CONTINUED)



LOUNGE OVHD CABINET (PASSENGER SIDE)

| KEY | PART NUMBER | U/M DESCRIPTION |
|-----|---------------|---|
| 1 | 103128-02-J94 | EA END CAP - OVHD CABINET - LH (WATERFORD OAK) FROM: 00-00-00 THRU: 11-01-98 |
| 1 | 103128-39-G09 | EA END CAP - OVHD CABINET - LH (WATERFORD OAK) FROM: 11-02-98 THRU: 99-99-99 |
| 1 | 103128-02-J90 | EA END CAP - OVHD CABINET - LH (MYSTIC OAK) FROM: 00-00-00 THRU: 11-01-98 |
| 1 | 103128-39-K29 | EA END CAP - OVHD CABINET - LH (MYSTIC OAK) FROM: 11-02-98 THRU: 99-99-99 |
| 2 | 131995-D1-K28 | EA DOOR - RAIL/SOLID PANEL - 15.7" X 20.4" - W/O HDW (WATERFORD OAK) |
| 2 | 131995-D1-K29 | EA DOOR - RAIL/SOLID PANEL - 15.7" X 20.4" - W/O HDW (MYSTIC OAK) |
| 3 | 103128-01-G09 | EA END CAP - OVHD CABINET - RH (WATERFORD OAK) |
| 3 | 103128-01-J90 | EA END CAP - OVHD CABINET - RH (MYSTIC OAK) |
| 4 | 130700-01-K28 | EA CABINET - OVHD/FRONT - RH - W/O DOORS/HDW (K28) |
| 4 | 130700-01-K29 | EA CABINET - OVHD/FRONT - RH - W/O DOORS/HDW (K29) |
| 4 | 130700-01-K30 | EA CABINET - OVHD/FRONT - RH - W/O DOORS/HDW (K30) |
| 4 | 130700-01-K31 | EA CABINET - OVHD/FRONT - RH - W/O DOORS/HDW (K31) |
| 4 | 130700-01-K32 | EA CABINET - OVHD/FRONT - RH - W/O DOORS/HDW (K32) |
| 4 | 130700-01-K33 | EA CABINET - OVHD/FRONT - RH - W/O DOORS/HDW (K33) |
| 4 | 130700-01-K34 | EA CABINET - OVHD/FRONT - RH - W/O DOORS/HDW (K34) |
| 4 | 130700-01-K40 | EA CABINET - OVHD/FRONT - RH - W/O DOORS/HDW (K35) |
| 4 | 130700-02-K28 | EA CABINET - OVHD/FRONT - RH - W/O DOORS/HDW (F/SOUND SYSTEM) (K28) |
| 4 | 130700-02-K29 | EA CABINET - OVHD/FRONT - RH - W/O DOORS/HDW (F/SOUND SYSTEM) (K29) |
| 4 | 130700-02-K30 | EA CABINET - OVHD/FRONT - RH - W/O DOORS/HDW (F/SOUND SYSTEM) (K30) |
| 4 | 130700-02-K31 | EA CABINET - OVHD/FRONT - RH - W/O DOORS/HDW (F/SOUND SYSTEM) (K31) |
| 4 | 130700-02-K32 | EA CABINET - OVHD/FRONT - RH - W/O DOORS/HDW (F/SOUND SYSTEM) (K32) |
| 4 | 130700-02-K33 | EA CABINET - OVHD/FRONT - RH - W/O DOORS/HDW (F/SOUND SYSTEM) (K33) |
| 4 | 130700-02-K34 | EA CABINET - OVHD/FRONT - RH - W/O DOORS/HDW (F/SOUND SYSTEM) (K34) |
| 4 | 130700-02-K40 | EA CABINET - OVHD/FRONT - RH - W/O DOORS/HDW (F/SOUND SYSTEM) (K35) |

LOUNGE GROUP (CONTINUED)



PULLOUT TABLE

| KEY | PART NUMBER | U/M DESCRIPTION |
|-----|---------------|--|
| | P19559-03-J22 | EA CABINET - W/PULLOUT TABLE (WATERFORD OAK) |
| | P19559-03-K29 | EA CABINET - W/PULLOUT TABLE (MYSTIC OAK) |
| 1 | 119559-12-G35 | EA CABINET/LEFT SIDE - F/PULLOUT TABLE - 5.7" X 28.7" (WATERFORD OAK) |
| 1 | 119559-12-K29 | EA CABINET/LEFT SIDE - F/PULLOUT TABLE - 5.7" X 28.7" (MYSTIC OAK) |
| 2 | 119559-22-J22 | EA TOP - F/CABINET/PULLOUT TABLE (WATERFORD OAK) |
| 2 | 119559-22-K36 | EA TOP - F/CABINET/PULLOUT TABLE (MYSTIC OAK) |
| 3 | 079921-01-000 | EA NYLON ROLLER W/ SHAFT |
| 4 | 119559-25-J22 | EA TABLE TOP - PULLOUT (WATERFORD OAK) |
| 4 | 119559-25-K29 | EA TABLE TOP - PULLOUT (MYSTIC OAK) |
| 5 | 119559-11-G35 | EA CABINET/RIGHT SIDE - F/PULLOUT TABLE - 5.7" X 28.7" (WATERFORD OAK) |
| 5 | 119559-11-K29 | EA CABINET/RIGHT SIDE - F/PULLOUT TABLE - 5.7" X 28.7" (MYSTIC OAK) |
| 6 | 119559-23-J22 | EA SHELF - W/PLASTIC EDGE TRIM (WATERFORD OAK) |
| 6 | 119559-23-K36 | EA SHELF - W/PLASTIC EDGE TRIM (MYSTIC OAK) |
| 7 | 119559-24-J22 | EA PANEL - LOWER/FRONT (WATERFORD OAK) |
| 7 | 119559-24-K36 | EA PANEL - LOWER/FRONT (MYSTIC OAK) |
| | 080736-01-000 | EA PULL - RECESSED - 1.25" X 4" - OAK |
| | 120234-03-H13 | EA LID - ENTRY STEP |
| | 101222-01-04A | EA BRACKET - CATCH - LID - E-COATED |

SEALANTS & FASTENERS GROUP

ADHESIVE AND TAPE SEALERS

| KEY | PART NUMBER | U/M | DESCRIPTION | VENDOR NO. |
|-----|---------------|-----|--|------------|
| | 004006-05-700 | EA | ADHESIVE-NAT. STARCH (5 GAL) | 0802 |
| | 004020-01-000 | QT | ADHESIVE - ABS CEMENT - QUART | |
| | 004363-01-000 | FT | TAPE - ADHESIVE FOAM/1 SIDE - 3/16" X 1/2" X 50' - GRAY | |
| | 034552-02-000 | EA | SILICONE - TUBE - 300 ML - W/O NOZZLE - CLEAR ALSO ORDER P.N.#900390-03-000 NOZZLE SEPARATELY | |
| | 039518-01-000 | EA | SILICONE - TUBE - 300 ML - BLACK - W/O NOZZLE ALSO ORDER P.N.#900390-03-000 NOZZLE SEPARATELY | |
| | 053766-02-000 | EA | BEDDING COMPOUND - TUBE - WHITE | |
| | 067788-01-000 | EA | ADHESIVE - SPRAY - 3M - 19.5 AEROSOL CAN | |
| | 069640-01-000 | FT | SEALER - RIBBON - 1/4" DIAMETER X 30' | |
| | 069640-02-000 | FT | SEALER - TAPE - 1/8"THICK X .50"WIDE X 60' | |
| | 069640-03-000 | FT | SEALER - TAPE - 1/8"THICK X .75"WIDE X 60' - BLACK | |
| | 069640-09-000 | FT | SEALER - TAPE - 1/32"THICK X 2.50"WIDE X 80' - GREY | |
| | 069640-14-000 | FT | SEALER - TAPE - 1/16"THICK X 1"WIDE X 100' | |
| | 069640-17-000 | FT | SEALER - TAPE - 1/32" THICK X 1"WIDE X 90' | |
| | 069640-18-000 | FT | SEALER - TAPE - 1/2"THICK X 1/8"WIDE X 60' - BRT/WHITE | |
| | 069640-19-000 | FT | SEALER - TAPE - 3/4" X 1/8" X 60' - BRIGHT WHITE | |
| | 069640-21-000 | FT | SEALER - TAPE - 1/2" X 1/16" X 100' - BRIGHT WHITE | |
| | 072889-01-000 | EA | SEALANT - URETHANE - BLACK - 1/10 | |
| | 072889-09-000 | EA | SEALANT - URETHANE - BLACK (TUBE) | |
| | 072889-10-000 | EA | SEALANT - URETHANE (HV) - BRIGHT WHITE | |
| | 072889-11-000 | EA | SEALANT - URETHANE - (TUBE) - GRAY | |
| | 072889-12-000 | EA | SEALANT - URETHANE (LV) BRIGHT WHITE | |
| | 076322-01-000 | FT | TAPE - DOUBLE COATED/ADHESIVE BACK - .025"THK X .75"W X 18' | |
| | 076322-02-000 | FT | TAPE - DOUBLE COATED/ADHESIVE BACK - .045"THK X 1"W X 108' | |
| | 076322-05-000 | FT | TAPE - DOUBLE COATED/ADHESIVE BACK - .045"THK X .75"W X 9' | |
| | 076322-07-000 | FT | TAPE - DOUBLE COATED/ADHESIVE BACK - .045"THK X .50"W X 9' | |
| | 087211-01-000 | GL | PROMOTER - ADHESIVE | |
| | 088479-01-000 | EA | TAPE - ALUMINUM - 3" | |
| | 091255-02-000 | FT | SEAL - ADHESIVE BACKED/FOAM - .18" THICK X 1.5" WIDE | |
| | 102352-01-000 | EA | SEALER - PUMPABLE - BLACK | |
| | 102352-02-000 | EA | SEALER - PUMPABLE - CLEAR | |
| | 106206-01-000 | EA | SEALER - PUMPABLE - MANUS 30A - BLACK | |
| | 107828-01-000 | EA | SEALANT - SB - 190 EVERSEAL | |
| | 108716-03-000 | EA | SILICONE - TUBE - BRIGHT WHITE/SELF LEVELING - W/O NOZZLE | |
| | 110274-01-000 | FT | TAPE - DOUBLE SIDED FOAM - .45" X 1" | |
| | 112864-01-000 | FT | SEAL - FOAM/BUTYL COVERED - 3/8" | |
| | 112901-02-000 | EA | ADHESIVE - PLEXUS - 50ML | |
| | 118085-02-01A | FT | TAPE - FOIL - 1" | |
| | 120074-02-01A | EA | SEALANT - SILICONE - OFF WHITE | |
| | 120534-01-01A | EA | TAPE - SCOTCH - 3M - 1/2" FINE LINE | |
| | 123244-01-000 | FT | TAPE - DOUBLE SIDED FOAM 5/64" THICK X .75" WIDE | |
| | 123816-01-000 | FT | TAPE - DOUBLE SIDED - 1" | |
| | 123816-02-000 | FT | TAPE - DOUBLE SIDED - 1/2" X 35 MIL THICK | |
| | 123816-03-000 | FT | TAPE - DOUBLE SIDED - 1/2" X 20 MIL THICK | |
| | 900390-01-000 | EA | TIP - 2 1/2" X 1/8" ORIFICE | |
| | 900390-03-000 | EA | NOZZLE - SILICONE TUBE | |

SEALANTS & FASTENERS GROUP (CONTINUED)

BOLTS, NUTS & WASHERS

| KEY | PART NUMBER | U/M | DESCRIPTION |
|-----|---------------|-----|--|
| | 000C12-05-16B | EA | BOLT - HEX - 5/16-18 X 1 - ZINC 5 |
| | 000C12-05-12B | EA | BOLT - HEX - 5/16-18 X 3/4 - ZINC 5 |
| | 000C12-06-16B | EA | BOLT - HEX - 3/8-16 X 1 LG - ZINC 5 |
| | 000C12-08-24B | EA | BOLT - HEX - 1/2-13 X 1.50 - ZINC 5 |
| | 000C12-08-16B | EA | BOLT - HEX - 1/2-13 X 1.00 - GD5 - ZINC |
| | 000C12-10-24B | EA | BOLT - HEX - 5/8-11 X 1.50 - ZINC 5 |
| | 000C13-07-48B | EA | BOLT - HEX - 7/16-20 X 3 - ZINC 5 |
| | 000C26-04-14B | EA | BOLT - HEX - SERRATED FLANGE - 1/4-20 X 7/8 - ZINC |
| | 000C26-04-10B | EA | BOLT - HEX - SERRATED FLANGE - 1/4-20 X 5/8 - ZINC |
| | 000C26-04-18B | EA | BOLT - HEX - SERRATED FLANGE - 1/4-20 X 1 1/8 - ZINC |
| | 000C26-05-16B | EA | BOLT - HEX - SERRATED FLANGE - 5/16-18 X 1 - ZINC |
| | 000C26-05-12B | EA | BOLT - HEX - SERRATED FLANGE - 5/16-18 X 3/4 - ZINC |
| | 000C26-06-12B | EA | BOLT - HEX - SERRATED FLANGE - 3/8-16 X 3/4 - ZINC |
| | 000C26-06-16B | EA | BOLT - HEX - SERRATED FLANGE - 3/8-16 X 1 - ZINC |
| | 000C26-08-24B | EA | BOLT - HEX - SERRATED FLANGE - 1/2-13 X 1.5 ZINC |
| | 000G45-04-24B | EA | BOLT - LAG - 1/4-9 X 1.50 ZINC |
| | 051387-06-000 | EA | BOLT - CARRIAGE W/O HOLE - 5/16-18 X 9.5 - ZINC |
| | 102333-01-06A | EA | BOLT - CARRIAGE - 7/16-14 STAINLESS STEEL CAP |
| | 091274-03-000 | EA | BOLT-J - 3/8-16 X 12.0 |
| | 106166-01-000 | EA | BOLT/COLLARED HANGER - 8-32 X 1" |
| | 106956-03-000 | EA | BOLT - HEX TAP - 1/2-12NC X 3 - GRADE 5 - FULL THREAD/ZINC |
| | 000D29-05-00B | EA | NUT - 5/16 - 18 UNC - SF/LOCKING - NYLON WASHER INSERT |
| | 000D24-10-00B | EA | NUT - HEX - SELF LOCKING - 10-32 ZINC |
| | 000D34-04-00B | EA | NUT - HEX - LOCKING - 1/4-20 ZINC |
| | 000D34-06-00B | EA | NUT - HEX - LOCKING - 3/8 - 16 GRADE C - ZINC-PREVAILING T |
| | 000D39-04-00B | EA | NUT - HEX - LOCKING W/SERRATED FLANGE - 1/4-20 - ZINC |
| | 000D39-05-00B | EA | NUT - HEX - LOCKING W/SERRATED FLANGE - 5/16-18 - ZINC |
| | 000D39-06-00B | EA | NUT - HEX - LOCKING W/SERRATED FLANGE - 3/8-18 - ZINC |
| | 000D39-07-00B | EA | NUT - HEX - LOCKING W/SERRATED FLANGE - 7/16-14 - ZINC |
| | 000D39-08-00B | EA | NUT - HEX - LOCKING W/SERRATED FLANGE - 1/2-13 - ZINC |
| | 000D44-07-00B | EA | NUT - HEX - SERRATED FLANGE/LOCKING - 7/16-20 - ZINC |
| | 000D46-04-00A | EA | NUT - HEX - WELD - 1/4 - 20 - PLAIN |
| | 040921-01-000 | EA | NUT - SPEED - U TYPE - 10-24 BLACK |
| | 040921-04-000 | EA | NUT - SPEED - U TYPE - # 8 - .59" LENGTH X .44" WIDTH |
| | 040921-05-000 | EA | NUT - SPEED - U-TYPE #8 - .67" X .44" WIDE |
| | 040921-09-000 | EA | NUT - SPEED - U TYPE - # 8 |
| | 044364-01-000 | EA | NUT - SPEED - FLAT - RECTANGULAR - SELF LOCKING/ONE PIECE |
| | 044364-02-000 | EA | NUT - SPEED - FLAT - ROUND |
| | 000D76-06-00B | EA | NUT - HEX FLANGE - 3/8-16 |
| | 063253-07-000 | EA | NUT - J - #8A - .120 - .130 PNL THK |
| | 083163-06-000 | EA | PUSHNUT - FLAT TYPE 3/8 STUD - FORD ONLY |
| | 000E11-08-00B | EA | WASHER - LOCKING - 1/2 MED SPLIT - ZINC |
| | 000E13-14-00B | EA | WASHER - FLAT - 1/4 WIDE - ZINC |
| | 000E13-18-00B | EA | WASHER - FLAT - 3/8 WIDE - ZINC |
| | 000E13-20-00B | EA | WASHER - FLAT - 7/16 WIDE - ZINC |
| | 000E13-21-00B | EA | WASHER - FLAT - W/2 NAR - ZINC |
| | 000E13-22-00B | EA | WASHER - FLAT - 1/2 WIDE - ZINC |
| | 000E13-26-00B | EA | WASHER - FLAT - 5/8 WIDE - ZINC |
| | 058716-02-000 | EA | WASHER - FLAT NYLON |
| | 107397-01-000 | EA | WASHER - FENDER - .25" ID X 1" OD |
| | 110794-01-000 | EA | WASHER - FLAT - 1" ID X 1 3/4" OD |
| | 088787-12-000 | EA | STUD - WELD - 1/4 - 20 X 1.0 LG - MN |
| | 108067-03-000 | EA | STUD - WELD - 1/4 - 20 X 1/2 CD |

SEALANTS & FASTENERS GROUP (CONTINUED)

SCREWS

| KEY | PART NUMBER | U/M DESCRIPTION |
|-----|---------------|--|
| | 0G3908-08-170 | EA SCREW - SF/DR - 8-18 X .50 PPH - BRIGHT WHITE |
| | 0G3908-20-170 | EA SCREW - SF/DR - 8-18 X 1.25 PPH - BRIGHT WHITE |
| | 0G3908-24-170 | EA SCREW - SF/DR - 8-18 X 1.50 PPH - BRIGHT WHITE |
| | 0G5508-12-260 | EA SCREW - SF/DR - 8-18 X .75 PWH - ALLANTE ANTELOPE |
| | 000G11-05-08B | EA SCREW - 5-20 X .50 PPH - ZINC |
| | 000G11-06-10J | EA SCREW - 6-20 X 5/8 PPH - BRASS |
| | 000G11-06-08B | EA SCREW - 6-20 X .50 PPH - ZINC |
| | 000G11-06-06B | EA SCREW - 6-20 X 3/8 PPH - ZINC |
| | 000G11-07-08B | EA SCREW - 7-19 X .50 PPH - ZINC |
| | 000G11-08-08T | EA SCREW - 8-18 X 1/5 PPH - FLUOROCARBON COATING |
| | 000G11-08-08B | EA SCREW - 8-18 X .50 PPH - ZINC |
| | 000G11-08-06B | EA SCREW - 8-18 X 3/8 PPH - ZINC |
| | 000G11-08-20B | EA SCREW - 8-18 X 1.25 PPH - ZINC |
| | 000G11-08-16S | EA SCREW - 8-18 X 1 PPH - OFF WHITE |
| | 000G11-08-12T | EA SCREW - 8-18 X .75 PPH - BLACK |
| | 000G11-08-12P | EA SCREW - 8-18 X .75 PPH - DARK BROWN |
| | 000G11-08-12D | EA SCREW - 8-18 X .75 PPH - BLACK |
| | 000G11-08-12B | EA SCREW - 8-18 X .75 PPH - ZINC |
| | 000G11-10-12D | EA SCREW - 10-16 X .75 PPH - BLACK |
| | 000G11-10-40B | EA SCREW - 10-16 X 2 1/2 PPH CAD - 34927-01-000 |
| | 000G11-10-16B | EA SCREW - 10-16 X 1 PPH - ZINC |
| | 000G11-10-12S | EA SCREW - 10-16 X .75 PPH - OFF WHITE |
| | 000G12-06-08T | EA SCREW - 6-20 X 1/2 POH - BLACK |
| | 000G13-06-24J | EA SCREW - 6-20 X 1.50 PFH - BRASS |
| | 000G13-06-16J | EA SCREW - 6-20 X 1 PFH - BRASS |
| | 000G13-06-10G | EA SCREW - 6-20 X 5/8 PFH - ANTIQUE BRASS |
| | 000G13-06-08B | EA SCREW - 6-20 X .50 PFH - ZINC |
| | 000G13-07-12B | EA SCREW - 7-19 X .75 PFH - ZINC |
| | 000G18-08-22B | EA SCREW - MACHINE - 8-32 X 1 3/8 PPH - ZINC |
| | 000G19-10-12F | EA SCREW - MACHINE - 10-32 X .75 - PPH - STAINLESS STEEL |
| | 000G19-10-08B | EA SCREW - MACHINE - 10-32 X .50 - PPH - ZINC |
| | 000G19-10-20B | EA SCREW - MACHINE - 10-32 X 1.25 PPH - ZINC |
| | 000G32-10-06B | EA SCREW - 10-32 X 3/8 PPH - ZINC |
| | 000G37-08-089 | EA SCREW - 8 X 18 X 1/2 PPH |
| | 000G39-06-08B | EA SCREW - SF/DR - 6-18 X .50 - ZINC |
| | 000G39-06-16T | EA SCREW - SF/DR - 6-20 X 1 PPH - BLACK |
| | 000G39-06-10T | EA SCREW - SF/DR - 6-20 X 5/8 PPH - BLACK |
| | 000G39-08-08B | EA SCREW - SF/DR - 8-18 X 1.50 PPH - ZINC |
| | 000G39-08-06B | EA SCREW - SF/DR - 8-18 X 3/8 PPH - ZINC |
| | 000G39-08-24S | EA SCREW - SF/DR - 8-18 X 1.50 - OFF WHITE |
| | 000G39-08-24B | EA SCREW - SF/DR - 8-18 X 1 1/2 PPH - ZINC |
| | 000G39-08-16T | EA SCREW - SF/DR - 6-20 X 1 PPH - BLACK |
| | 000G39-08-16R | EA SCREW - SF/DR - 8-18 X 1 PPH - BEIGE |
| | 000G39-08-16B | EA SCREW - SF/DR - 8-18 X 1 PPH - ZINC |
| | 000G39-08-12T | EA SCREW - SF/DR - 8-18 X .75 PPH - BLACK |
| | 000G39-08-12B | EA SCREW - SF/DR - 8-18 X .75 PPH - ZINC |
| | 000G39-08-08T | EA SCREW - SF/DR - 8-18 X 1/2 PPH - BLACK |
| | 000G39-08-08S | EA SCREW - SF/DR - 8-18 X .50 PPH - OFF WHITE |
| | 000G39-10-10B | EA SCREW - SF/DR - 10-16 X .625 - ZINC |
| | 000G39-10-088 | EA SCREW - SF/DR - 10-16 X 1/2 PPH - FLEX FLUOROCARBON |
| | 000G39-10-08B | EA SCREW - SF/DR - 10-16 X .50 PPH - ZINC |
| | 000G39-10-48B | EA SCREW - SF/DR - 10-16 X 3 - PPH - ZINC |
| | 000G39-10-32B | EA SCREW - SF/DR - 10-16 X 2 - PPH - ZINC |
| | 000G39-10-209 | EA SCREW - SF/DR - 10-16 X 1 1/4 PPH - FLUOROCARBON SILVER |
| | 000G39-10-20B | EA SCREW - SF/DR - 10-16 X 1.25 PPH - ZINC |
| | 000G39-10-129 | EA SCREW - SF/DR - 10-16 X .75 PPH - FLUOROCARBON SILVER |
| | 000G39-10-12R | EA SCREW - SF/DR - 10-16 X .75 PPH - BEIGE |
| | 000G39-10-12D | EA SCREW - SF/DR - 10-16 X .75 PPH - BLACK |
| | 000G39-10-12B | EA SCREW - SF/DR - 10-16 X .75 PPH - ZINC |

SEALANTS & FASTENERS GROUP (CONTINUED)

SCREWS (CONTINUED)

| KEY | PART NUMBER | U/M DESCRIPTION |
|-----|---------------|--|
| | 000G39-12-12E | EA SCREW - SF/DR - 12-14 X .75 PPH - CHROME |
| | 000G42-04-12B | EA SCREW - SF/DR - 1/4-14 X .75 HWH - ZINC |
| | 000G43-06-24B | EA SCREW - MACHINE - 6-32 X 1.50 - ZINC |
| | 000G46-08-24T | EA SCREW - MACHINE - 8-32 X 1.50 PFH - BLACK |
| | 000G50-04-12B | EA SCREW - MACHINE - 1/4-20 X .75 PPH - ZINC |
| | 000G50-04-08B | EA SCREW - MACHINE - 1/4-20 X .50 PTH - ZINC |
| | 000G52-08-18B | EA SCREW - MACHINE - 8-32 X 1 1/8 PTH - ZINC |
| | 000G54-04-20B | EA SCREW - 1/4-20 X 1.25 PTH - TYPE 23 - ZINC PLATED |
| | 000G55-08-16S | EA SCREW - SF/DR - 8-18 X 1.00 - PWH - OFF WHITE |
| | 000G55-08-12S | EA SCREW - SF/DR - 8-18 X .75 PWH - OFF WHITE |
| | 000G57-05-16J | EA SCREW - 5-20 X 1 PFH - BRASS |
| | 000G60-10-28T | EA SCREW - SF/DR - 10-16 X 1.75 - BLACK |
| | 000G60-10-209 | EA SCREW - SF/DR - 10-16 X 1.25 POH |
| | 000G60-10-20B | EA SCREW - SF/DR - 10-16 X 1.25 POH - ZINC |
| | 000G67-08-32B | EA SCREW - 8-15 X 2 PPH - ZINC |
| | 000G67-10-10D | EA SCREW - 10-12 X 5/8 PPH - BLACK - TYPE A |
| | 000G67-10-10B | EA SCREW - 10-12 X 5/8 PPH - ZINC - TYPE A |
| | 000G67-10-08B | EA SCREW - 10-12 X .50 PPH - ZINC |
| | 000G67-10-120 | EA SCREW - 10-12 X .75 PPH - TAN |
| | 000G67-10-12P | EA SCREW - 10-12 X .75 - PPH - DARK BROWN |
| | 000G67-10-12B | EA SCREW - 10-12 X .75 PPH - ZINC |
| | 000G67-10-10S | EA SCREW - 10-12 X 5/8 PPH - OFF WHITE |
| | 000G67-10-48B | EA SCREW - 10-12 X 3 PPH - ZINC |
| | 000G67-10-36T | EA SCREW - 10-12 X 2.25 PPH - BLACK |
| | 000G67-10-24B | EA SCREW - 10-12 X 1.25 PPH - ZINC |
| | 000G67-10-16B | EA SCREW - 10-12 X 1 PPH - ZINC |
| | 000G67-10-120 | EA SCREW - 10-12 X .75 PPH - TAN |
| | 000G68-06-12S | EA SCREW - 6-18 X 3/4 POH |
| | 000G68-06-10G | EA SCREW - 6-18 X 5/8 POH - ANTIQUE BRASS |
| | 049465-01-000 | EA SCREW - 10-16 W/WASHER PTH - DARK BROWN |
| | 049465-03-000 | EA SCREW - 10-16 X 1 POH W/WASHER - OFF WHITE |
| | 054434-03-000 | EA SCREW - SF/DR - 10-16 X 2 - PWH - ZINC - W/O WINGS |
| | 057671-01-000 | EA COVER - SCREW - #8 - PLASTIC - OFF WHITE |
| | 057671-03-000 | EA COVER - SCREW - #8 - WILLOW |
| | 057671-15-000 | EA COVER - SCREW - BRIGHT WHITE |
| | 075908-01-000 | EA SCREW - MACHINE - 10-32 X .56 PTH - EXTERNAL TOOTH - ZINC |
| | 076790-01-000 | EA SCREW - 6-20 X 1 1/4 PPH - BLACK |
| | 083554-01-000 | EA SCREW - DRYWALL - 8 X 1.25 |
| | 083554-04-000 | EA SCREW - DRYWALL - 8 X 2.50 |
| | 086256-01-000 | EA SCREW - SF/DR - 8 X 3/4 HWH LONG |
| | 097974-01-000 | EA SCREW - PARTICLE BOARD - 7-9 X 3/4 PPH |
| | 101618-01-000 | EA SCREW - 1/4-20 X 3/4 HEX - TAPPING - STALGARD TYPE F |
| | 106477-01-000 | EA SCREW - 14 - 10 X 3.00 - PFH |

SEALANTS & FASTENERS GROUP (CONTINUED)

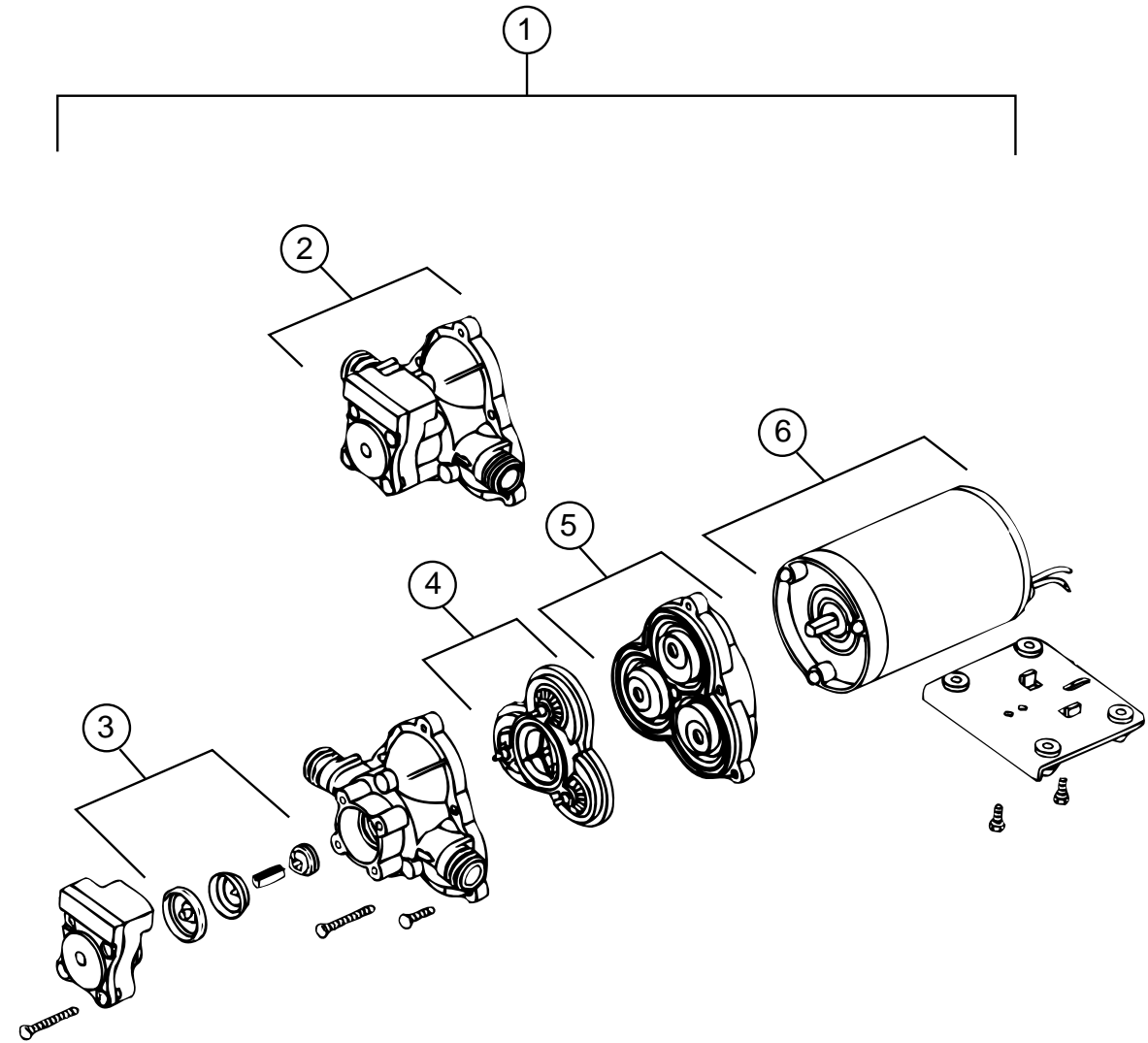
CLAMPS, CLIPS, & GROMMETS

| KEY | PART NUMBER | U/M DESCRIPTION |
|-----|---------------|---|
| | 000F10-04-16B | EA PIN - COTTER - 1/8" X 1" - ZINC |
| | 000F10-06-32B | EA PIN - COTTER - 3/16" X 2" - ZINC |
| | 000H14-04-04A | EA RIVET - MANDREL BLIND - 1/8 X .400 |
| | 000H14-06-14R | EA RIVET - MANDREL BLIND - 3/16" |
| | 000H16-04-06R | EA RIVET - POP ALUMINUM - 1/8" X .313 - .375 |
| | 000H16-06-10R | EA RIVET - POP ALUMINUM - 3/16 X .501-.625 |
| | 007161-01-000 | EA CLAMP - HOSE - SPRING TYPE - 1/2" |
| | 010495-01-000 | EA CLAMP - CABLE - 9/16" |
| | 010497-01-000 | EA CLAMP - CLOSED - 5/8" ID |
| | 010497-03-000 | EA CLAMP - CLOSED - 1" ID - CUSHIONED |
| | 010497-04-000 | EA CLAMP - CLOSED - 1.62" ID |
| | 010499-01-000 | EA CLAMP - CLOSED - 3/8" ID |
| | 062401-01-000 | EA CLAMP - HOSE - WORMGEAR - .25" - 1" |
| | 062401-02-000 | EA CLAMP - HOSE - WORMGEAR - 1.56" - 2.5" |
| | 062401-04-000 | EA CLAMP - HOSE - WORMGEAR - .69" - 1.25" |
| | 062401-06-000 | EA CLAMP - HOSE - WORMGEAR - .22" - .62" ID |
| | 083609-01-000 | EA CLAMP - WIRE - DUAL - EQUAL DIAMETERS - 5/8" |
| | 083610-01-000 | EA CLAMP - WIRE - DUAL - UNEQUAL DIAMETERS - 3/4" & 1 1/4" |
| | 083610-02-000 | EA CLAMP - WIRE - DUAL - UNEQUAL DIAMETERS |
| | 016188-05-000 | EA GROMMET - L/P LINE - 3/8" HOLE X 1 1/4" LONG - RUBBER |
| | 023942-01-000 | EA GROMMET - RUBBER - 2" OD |
| | 071015-11-000 | EA GROMMET - 1.00 ID - FITS .12 MATERIAL |
| | 008380-01-000 | EA GROMMET - RUBBER - 5/8" HOLE X 1 1/2" DIAMETER - BLACK |
| | 071015-29-000 | EA GROMMET - RUBBER - 1/4 ID X 1 1/4 OD W .12 GROOVE - BLK |
| | 071015-30-000 | EA GROMMET - RUBBER - .31" ID X .81" OD W/.12" GROOVE - BLK |
| | 088756-01-000 | EA GROMMET - WEB - 1 1/8" I.D. |
| | 091952-01-000 | EA CLIP - GRIPPER - 1" |
| | 094362-02-000 | EA CLIP - XMAS TREE - BINDER HEAD - .9" LONG |

MISCELLANEOUS FASTENERS

| KEY | PART NUMBER | U/M DESCRIPTION |
|-----|---------------|---|
| | 008343-01-000 | EA TIE - WIRE - 6" |
| | 008343-02-000 | EA TIE - WIRE - 14" |
| | 029094-04-000 | YD VELCRO TAPE - LOOP - 1" WIDE - BLACK |
| | 029096-03-000 | YD VELCRO TAPE - HOOK - 1" WIDE - BLACK |
| | 081211-04-000 | EA PLUG - PLASTIC - .46" DIAMETER - BLACK |
| | 081211-05-000 | EA PLUG - PLASTIC - .188 DIAMETER - NATURAL |
| | 085774-01-000 | FT FASTENER - DUAL HOOK - 1" WIDE - ADHESIVE BACK - BLACK |
| | 085774-02-000 | FT FASTENER - DUAL HOOK - 1" WIDE - ADHESIVE BACK - BLACK |
| | 086285-01-000 | EA SPACER - NYLON - .5" OD X .257" ID |
| | 088792-02-000 | YD VELCRO TAPE - LOOP - .75" - ADHESIVE BACKED - BEIGE |
| | 108046-02-000 | EA CABLE TIE - SCREW MOUNT 15" |
| | 110943-02-000 | FT FELTSTRIP - 3/8" - ADHESIVE BACK - WHITE |
| | 115361-01-01A | EA PLUG - PLASTIC |
| | 123816-04-000 | FT TAPE - DOUBLE SIDED - 6" |

WATER & SEWAGE GROUP



WATER PUMP (SHURFLO)

| KEY | PART NUMBER | U/M DESCRIPTION | VENDOR NO. |
|-----|---------------|--|------------|
| 1 | 098607-01-000 | EA PUMP - WATER - W/.5" MPT FITTING - FLOW 2.8 GPM | |
| 2 | 098607-01-706 | EA HOUSING - W/SWITCH ONLY | 94-231-20 |
| 3 | 098607-01-705 | EA VALVE - CHECK - KIT | 94-237-00 |
| 4 | 098607-01-703 | EA VALVE KIT | 94-232-00 |
| 5 | 098607-01-702 | EA DIAPHRAGM/DRIVE ASSEMBLY KIT | 94-238-04 |
| 6 | 098607-01-707 | EA MOTOR W/BASEPLATE | 11-148-04 |

WATER & SEWAGE GROUP (CONTINUED)

FRESH WATER TANK

| KEY | PART NUMBER | U/M | DESCRIPTION |
|-----|---------------|-----|--|
| | 123243-01-000 | EA | TANK - ACCUMULATOR, 24 OZ |
| | 118645-01-000 | EA | TANK - WATER - 17 GALLON - W/O FITTINGS |
| | 118645-03-000 | EA | TANK - WATER - 17 GALLON - W/FITTINGS |
| | 128015-01-000 | EA | TANK - WATER - 45 GALLON - W/O FITTINGS |
| | 128015-04-000 | EA | TANK - WATER - 44 GALLON - W/FITTINGS |
| | | | FROM: 00-00-00 THRU: 07-22-98 |
| | 128015-03-000 | EA | TANK - WATER - 44 GALLON - W/FITTINGS |
| | | | FROM: 07-23-98 THRU: 99-99-99 |
| | 042989-03-000 | EA | FITTING - WATER TANK - SPINWELD - 1 1/4"NPT - PLASTIC |
| | 042989-05-000 | EA | FITTING - SPINWELD - 1/2" FPT - PLASTIC |
| | 049032-01-000 | EA | PATCH - SPINWELD - 3/8" - PLASTIC |
| | 039861-01-000 | EA | SENDING UNIT - W/SCREW - WASHER - WELL NUT & TERMINAL RING |
| | 091208-01-000 | EA | WASHER - RUBBER - .06" X .75" X .5" |
| | 077954-02-000 | EA | FILTER - WATER TANK - SCREEN IN TANK |
| | 112628-01-02A | EA | BRACKET - TIEDOWN - WATER TANK - E-COATED |

WATER SYSTEM COMPONENTS (FLAIR - IT)

| KEY | PART NUMBER | U/M | DESCRIPTION |
|-----|---------------|-----|-------------------------------------|
| | 114427-01-000 | EA | CAP - 1/2P |
| | 114427-02-000 | EA | PLUG - 1/2P |
| | 114427-03-000 | EA | NUT - 1/2"Q |
| | 114428-01-000 | EA | TEE - 1/2P X 1/2P X 1/2P |
| | 114428-02-000 | EA | TEE - SWIVEL - 1/2P X 1/2P X 1/2FPT |
| | 114428-03-000 | EA | TEE - 1/2P X 1/2P X 1/2MPT |
| | 114428-04-000 | EA | TEE - 1/2P X 1/2P X 1/8FPT |
| | 114429-01-000 | EA | ELBOW - 1/2P X 1/2P |
| | 114429-02-000 | EA | ELBOW - 1/2P X 1/2MPT |
| | 114429-03-000 | EA | ELBOW - SWIVEL - 1/2P X 1/2FPT |
| | 114429-04-000 | EA | ELBOW - 1/2P X 3/8MPT |
| | 114429-05-000 | EA | ELBOW - 1/2P X 3/4MPT |
| | 114429-06-000 | EA | ELBOW - SWIVEL - 1/2P X 3/4FPT |
| | 114429-07-000 | EA | ELBOW - 1/2P X 1/2FPT DROPEAR |
| | 114430-01-000 | EA | ADAPTER - 1/2P X 1/2P - 02840 |
| | 114430-02-000 | EA | ADAPTER - SWIVEL - 1/2P X 1/2FPT |
| | 114430-03-000 | EA | ADAPTER - 1/2P X 1/2MPT |
| | 114430-04-000 | EA | ADAPTER - 1/2P X 3/8MPT |
| | 114430-06-000 | EA | ADAPTER - 1/2P X 3/8FPT |
| | 114430-08-000 | EA | ADAPTER - 1/2P X 3/4MPT |
| | 114431-01-000 | EA | VALVE - LINE DRAIN 1/2P |
| | 114431-02-000 | EA | VALVE - 1/2P - BYPASS |
| | 114431-03-000 | EA | VALVE - 1/2P X 1/2P |
| | 114431-04-000 | EA | VALVE - STOP - 1/2P X 1/2P |
| | 114431-05-000 | EA | VALVE - NEEDLE - COMP 1/8MPTX1/4 |
| | 114431-06-000 | EA | VALVE - 3/8P X 3/8P |
| | 114431-07-000 | EA | VALVE - 3/8P THREE - WAY |
| | 114431-08-000 | EA | STRAIGHT STOP VALVE - 3/8P X 3/8P |

WATER & SEWAGE GROUP (CONTINUED)

WATER SYSTEM COMPONENTS

| KEY | PART NUMBER | U/M | DESCRIPTION | VENDOR NO. |
|-----|---------------|-----|---|------------|
| * | 051393-01-000 | EA | WATER HEATER - GH6-8E - ELECTRONIC IGNITION W/MOTOR AID | |
| | 701069-01-000 | EA | WATER PURIFICATION SYSTEM | |
| | 701069-03-700 | EA | CARTRIDGE - WATER FILTER - AC - EVERPURE | 9592-06 |
| | 044927-01-000 | EA | ADAPTER - HOSE TO PIPE - 1 1/4 MPTX1 1/4 BARB - BLACK PLASTIC | |
| | 010224-01-000 | EA | ADAPTER - HOSE TO PIPE - 3/8" MPT X 3/8" BARB - PLASTIC | |
| | 118809-02-000 | EA | ADAPTER - 1/2" MPT X 1/2" BARB - PLASTIC | |
| | 123152-01-000 | EA | ADAPTER - 1/2" FPT X 1/2" BARB - SWIVEL | |
| | 010230-06-000 | EA | FILL - CITY WATER - W/CHECK VALVE - MPT | |
| | 124188-01-000 | FT | TUBING - PEX - 1/2" ID X 20' - BLUE (COLD) | |
| | 124188-02-000 | FT | TUBING - PEX - 1/2" ID X 20' - RED (HOT) | |
| | 074462-02-000 | FT | TUBING - VINYL - 3/8 ID X 20' - CLEAR | |
| | 112176-01-000 | FT | TUBING - VINYL - REINFORCED - 1/2" ID | |
| | 079381-01-000 | FT | TUBING - RIBBED FLEXIBLE - WATER FILL - 1.4" X 10" | |
| | 035539-01-000 | EA | ELBOW - PLASTIC - 3/8 MPT X 3/8 BARB | |
| | 111223-03-000 | EA | ELBOW - 3/4" MPT X 1/2" BARB - PLASTIC | |
| | 010219-01-000 | EA | ELBOW - 1 1/4" MPT X 1 1/4" BARB - WATER FILL - PLASTIC | |
| | 126398-01-000 | EA | ELBOW - ENTRY HOSE - 90 DEGREE | |
| | 123150-01-000 | EA | ELBOW - 1/2" FPT X 1/2" BARB - SWIVEL | |
| | 110438-02-000 | EA | VALVE - CHECK - BRASS - 1/2" MPT X 1/2" MPT | |
| | 132148-01-000 | EA | CONNECTOR - 1/2" X 1/2" MPT - BRASS | |
| | 103798-01-000 | EA | CONNECTOR - 1/4 OD X 3/8 MPT | |
| | 113697-01-000 | EA | CAP - 3/8" FTG | |

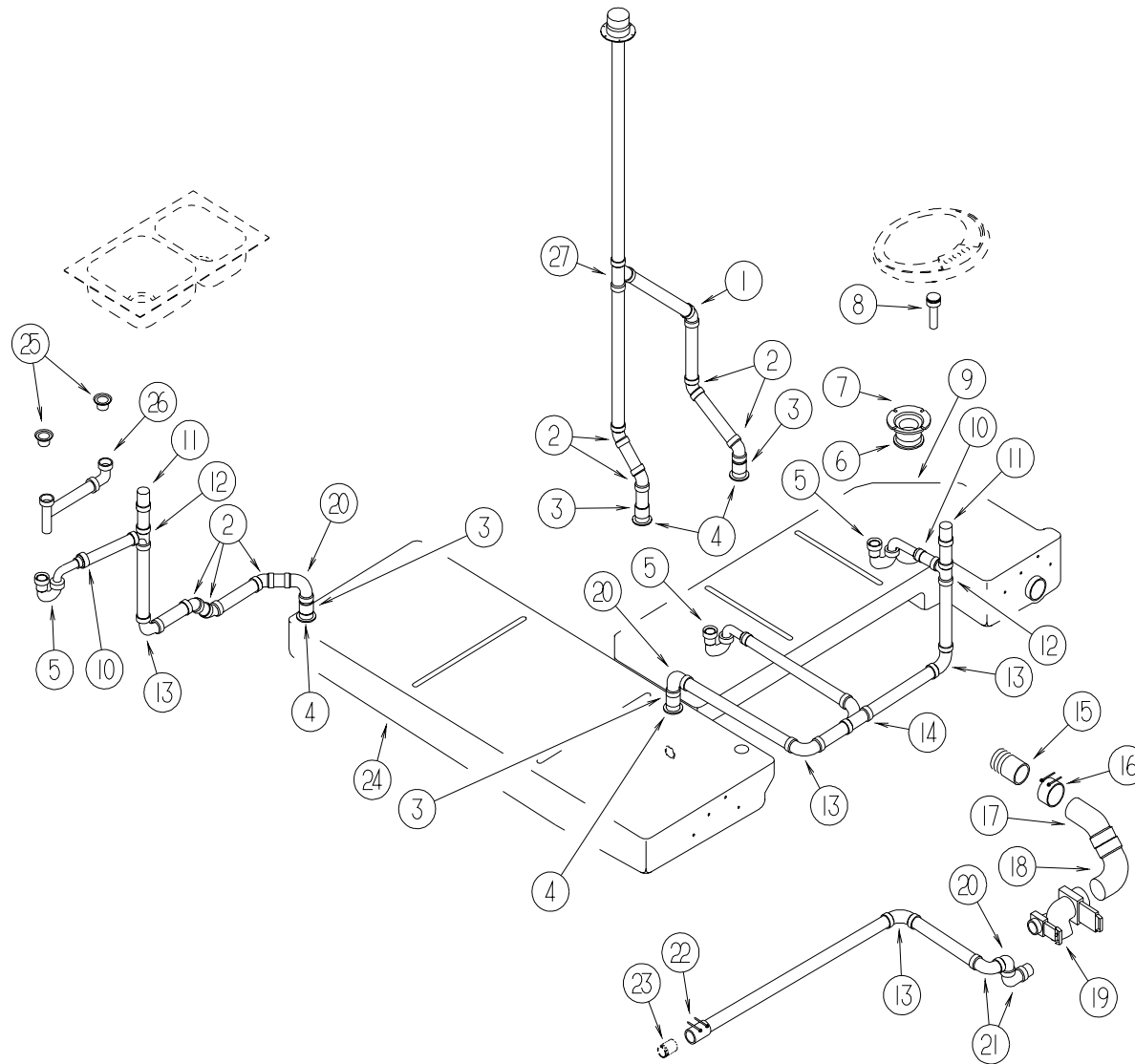
***COMPONENT PARTS FOUND IN SERVICE PARTS LIBRARY**

EXTERIOR SHOWER COMPONENTS

| KEY | PART NUMBER | U/M | DESCRIPTION |
|-----|---------------|-----|--|
| | 131383-01-02A | EA | SHOWER HEAD - W/HOSE & BRACKET - 60" - WHITE |
| | 131383-02-02A | EA | SHOWER HEAD - W/HOSE & BRACKET - 60" - CSA - WHITE |
| | 108356-02-01A | EA | COVER/ACTUATOR SWITCH - 2 ROWS DIMPLES- CONTURA II - BLACK |
| | 108357-01-000 | EA | SWITCH - ROCKER SPST - ON/OFF - 2 TERMINAL |
| | 108357-08-000 | EA | SWITCH - ROCKER DPDT - ON/NONE/ON - 6 TERMINAL |
| | 131383-03-02A | EA | BRACKET - SHOWER HEAD - WHITE |
| | 075241-06-000 | EA | FAUCET - SHOWER CONTROL - BRIGHT WHITE |

WATER & SEWAGE GROUP (CONTINUED)

DRAINAGE SYSTEM

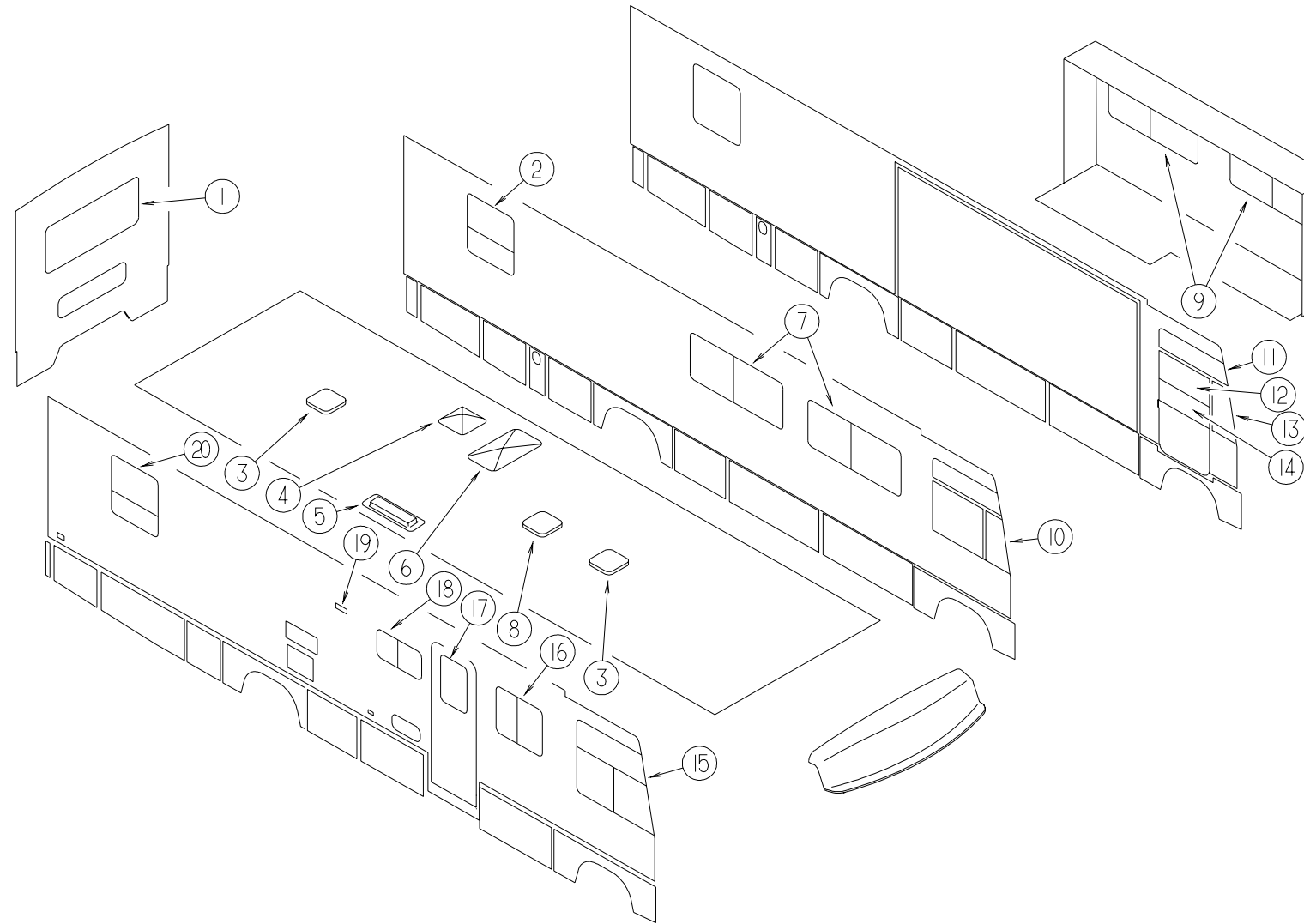


| KEY | PART NUMBER | U/M | DESCRIPTION |
|-----|---------------|-----|--|
| 1 | 010051-01-000 | EA | ELBOW - 45 DEGREE - 1 1/2" SPIGOT & HUB - PLASTIC |
| 2 | 010006-01-000 | EA | ELBOW - 45 DEGREE - 1/8 BEND - 1 1/2" HUB X HUB |
| 3 | 010115-01-000 | EA | COUPLING - 1 1/2" HUB X HUB - PLASTIC |
| 4 | 061607-01-000 | EA | GROMMET - HOLDING TANK - 1 1/2" NPS |
| 5 | 107538-01-000 | EA | P-TRAP - 1 1/4 - PLASTIC (US) |
| 5 | 011071-01-000 | EA | P-TRAP - 1 1/2 - PLASTIC (CSA) |
| 6 | 061607-02-000 | EA | GROMMET - HOLDING TANK - 3" NPS |
| 7 | 116644-01-000 | EA | FLANGE - CLOSET - 4" X 3" - SEALAND 345892 |
| 8 | 096927-01-701 | EA | TAILPIECE - BATH SINK |
| 9 | 123055-01-700 | EA | TANK - HOLDING 40 GAL - 3" NIPPLE PARTS SALES |
| 10 | 109571-01-000 | EA | ADAPTER - P-TRAP - 1 1/2" P X 1 1/4" MPT |
| 11 | 079968-01-000 | EA | VENT - MECHANICAL TRAP ARM - ANTI-SIPHON - 2" DIA X 7.3" |
| 12 | 010071-01-000 | EA | TEE - SANITARY - 1 1/2" HUB X HUB X HUB |
| 13 | 010008-01-000 | EA | ELBOW - 90 DEGREE - 1/4 BEND - 1 1/2" HUB X HUB |
| 14 | 031365-02-000 | EA | TEE - PLASTIC - 1 1/2" EXT LG TURN |
| 15 | 010129-03-000 | EA | NIPPLE - PLASTIC - 3" X 3" TOE |
| 16 | 078406-01-000 | EA | COUPLER - RUBBER - W/ CLAMPS - 3" X 3" |
| 17 | 010061-01-000 | EA | ELBOW - 45 DEGREE ST - 3" SPIGOT/HUB - PLASTIC |
| 18 | 041056-01-000 | EA | ELBOW - STREET - 1/4" BEND - 3" X 90° XLT |

| KEY | PART NUMBER | U/M | DESCRIPTION |
|-----|---------------|-----|--|
| 19 | 070916-01-000 | EA | VALVE ASM - DUAL DUMP - W/CAP - 3" X 1 1/2" |
| | 070916-01-700 | EA | VALVE ONLY - 3" |
| | 070916-01-701 | EA | VALVE ONLY - 1 1/2" |
| | 062415-01-000 | EA | SEWER CAP - 3" |
| 20 | 034250-01-000 | EA | ELBOW - 90 DEGREE - LONG TURN - 1/4 BEND - 1 1/2" HUB X HUB |
| 21 | 033761-01-000 | EA | ELBOW - 90 DEGREE STREET - 1/4 BEND - 1 1/2" S X H - PLASTIC |
| 22 | 089355-01-000 | EA | COUPLER - RUBBER - 1 1/2" X 1 1/2" |
| 23 | 102024-01-000 | EA | NIPPLE - PLASTIC - 1.5" X 2.62" TOE |
| 24 | 127961-01-700 | EA | TANK - HOLDING 54 GAL-1.5"ADAP PARTS SALES |
| 25 | 092303-01-000 | EA | STRAINER - SINK |
| 26 | 011091-02-000 | EA | CONTINUOUS WASTE - DOUBLE SINK - 1 1/4" (US) |
| 26 | 011091-03-000 | EA | CONTINUOUS WASTE - DOUBLE SINK - 1 1/4" (CSA) |
| 27 | 010073-01-000 | EA | WYE - 45 DEGREE - 1 1/2" HUB X HUB X HUB - PLASTIC - BLACK |
| | 011069-04-000 | EA | TAILPIECE - 1 1/2 X 1 1/4 X 8 - BRASS (SHOWER PAN) |
| | 011069-02-000 | EA | TAILPIECE - TUB/ SHOWER - 1 1/2" X 1 1/4" X 4" - BRASS (CSA) |
| | 066436-01-000 | EA | NUT - SLIP - TAILPIECE - 1.5" |
| | 130403-01-000 | EA | NUT - SLIP - W/WINGS 1 1/2" |
| | 010201-01-000 | EA | HOSE - SEWER - 3" ID X 8' |
| | 062416-01-000 | EA | ADAPTER - SEWER HOSE TO 3" PIPE |

WINDOW, VENT & EXTERIOR DOOR GROUP

WINDOWS & VENTS



| KEY | PART NUMBER | U/M | DESCRIPTION |
|-----|---------------|-----|--|
| 1* | 078528-06-E10 | EA | WINDOW - ESCAPE W/O RETAINER/ TRIM 48.5" X 24.5" |
| 1* | 113502-01-01A | EA | WINDOW - REAR ESCAPE THERMO - 24.8" X 48.7" |
| 2* | 112463-03-01A | EA | WINDOW - TIPOUT W/ RETAINER RING - 33.3" X 30.2" |
| 2* | 129929-01-01A | EA | WINDOW - TORQUE - THERMO - 33.2" X 30.2" |
| 3* | 122882-01-01A | EA | VENT - ROOF - NONPOWERED |
| 3 | 122882-07-01A | EA | VENT - ROOF - GARNISH 63.5-104.6 |
| 4* | 122882-02-01A | EA | VENT - ROOF - POWERED |
| 4* | 122882-03-01A | EA | VENT - ROOF - POWERED CSA |
| 4 | 122882-07-01A | EA | VENT - ROOF - GARNISH 63.5-104.6 |
| 5 | 084073-04-000 | EA | BASE - ROOF VENT - REFRIGERATOR |
| 5 | 084073-07-000 | EA | VENT - ROOF - REFRIGERATOR - BRIGHT WHITE - NORCOLD |
| 5 | 118369-01-02A | EA | CAP - REFRIGERATOR ROOF VENT - SIDE/SIDE - BRIGHT WHITE |
| 5 | 118369-02-02A | EA | BASE - REFRIGERATOR ROOF VENT - SIDE/SIDE - BRIGHT WHITE |
| 6 | 114496-01-02A | EA | PANEL - SKYLIGHT - OUTER - 22" X 37" |
| 6 | 122191-01-02A | EA | PANEL - SKYLIGHT - INNER W/LIGHT CUTOUT - 20.7" X 35.4" |
| 7* | 098647-22-01A | EA | WINDOW - DRIVER HORIZONTAL SLIDER - 26.1" X 59.7" |
| 7* | 112795-15-01A | EA | WINDOW - DRIVERS HORIZONTAL SLIDER THERMO 26.4" X 60" |
| | 083558-03-000 | EA | VENT - PLUMBING PIPE ROOF - W/ COVER - OFF WHITE |
| 8* | 123780-03-01A | EA | VENTILATOR - ROOF 78-100 MM - WHITE |
| 9* | 098647-47-01A | EA | WINDOW - DRIVER HORIZ SLIDER W/TRIM - TINTED - 23.6" X 57.5" |
| 9* | 112795-54-01A | EA | WINDOW - DRIVER HORIZONTAL SLIDER - THERMO - 23.9" X 57.8" |

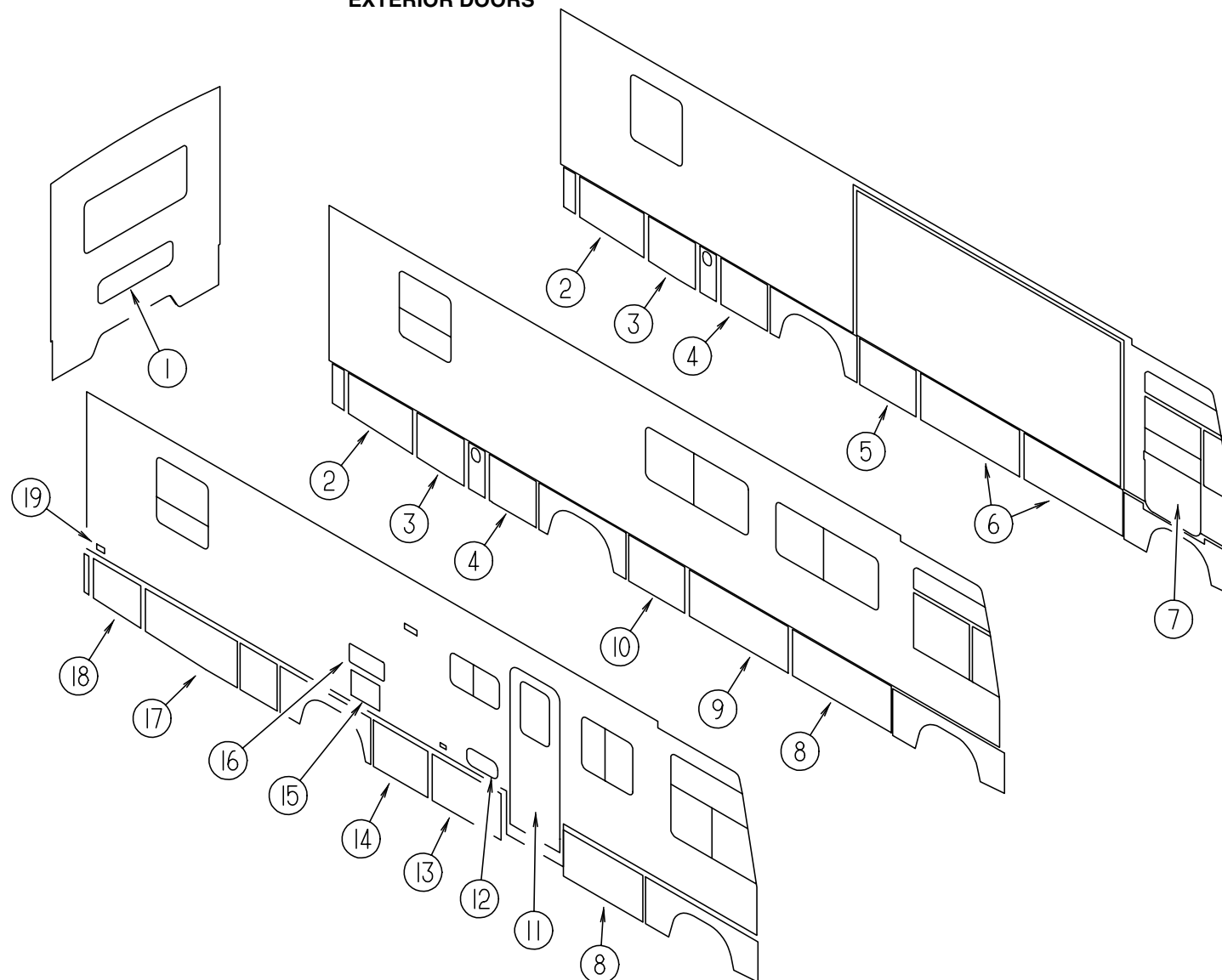
*COMPONENT PARTS FOUND IN SERVICE PARTS LIBRARY

| KEY | PART NUMBER | U/M | DESCRIPTION | VENDOR NO. |
|-----|---------------|-----|---|------------|
| 10* | 125582-02-01A | EA | WINDOW - CAB - DRIVER | |
| 10* | 125583-02-01A | EA | WINDOW - DRIVER CAB-3 GLASS THERMO - 42.9"T X 51.2"B X 42.6"H | |
| 11* | 125586-01-01A | EA | WINDOW - VISTA | |
| 11* | 125600-01-01A | EA | WINDOW - VISTA - THERMOPANE | |
| 12 | 125581-04-705 | EA | GLASS - STATIONARY | 106-041547 |
| 13* | 125584-01-01A | EA | WINDOW - FRONT SLANT - LEFT HAND | |
| 13* | 125585-01-01A | EA | WINDOW - FRONT SLANT - THERMO | |
| 14 | 125581-04-704 | EA | GLASS - ROLL-UP | 106-041821 |
| 15* | 125582-01-01A | EA | WINDOW - CAB - PASSENGER | |
| 15* | 125583-01-01A | EA | WINDOW - PASS CAB-3 GLASS THERMO - 42.9"T X 51.2"B X 42.6"H | |
| 16* | 098647-25-01A | EA | WINDOW - PASS HORIZ SLIDER W/TRIM - TINTED - 26.1" X 29.6" | |
| 16* | 112795-18-01A | EA | WINDOW - PASSENGER HORIZONTAL SLIDER THERMO - 26.4" X 30" | |
| 17* | 117053-02-F36 | EA | WINDOW - PICTURE - 17" X 26.4" | |
| 17* | 113733-01-01A | EA | WINDOW - STATIONARY THERMOPANE - 17" X 26.4"H | |
| 18* | 098647-33-01A | EA | WINDOW - PASS HORIZ SLIDER W/TRIM - TINTED - 15.7" X 28.5" | |
| 18* | 112795-19-01A | EA | WINDOW - PASSENGER HORIZONTAL SLIDER THERMO - 16" X 28.7" | |
| 19 | 084616-07-000 | EA | SHROUD - EXHAUST VENT/RANGE HOOD - BRIGHT WHITE | |
| 19 | 084878-09-000 | EA | VENT - EXHAUST/RANGE HOOD - OFF WHITE | |
| 20* | 112463-03-01A | EA | WINDOW - TIPOUT W/ RETAINER TRIM - 33.3" X 30.2" | |
| 20* | 129929-01-01A | EA | WINDOW - TORQUE - THERMO - 33.2" X 30.2" | |

*COMPONENT PARTS FOUND IN SERVICE PARTS LIBRARY

WINDOW, VENT & EXTERIOR DOOR GROUP (CONTINUED)

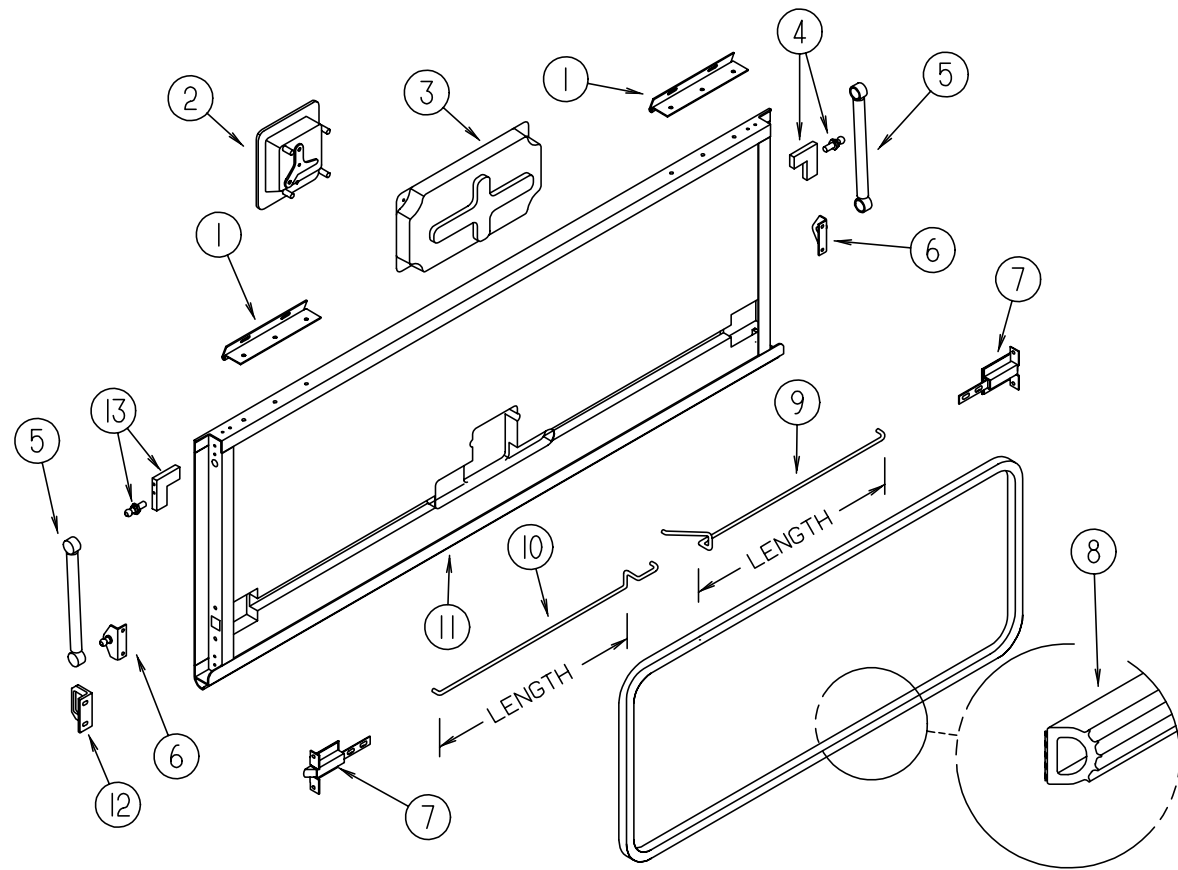
EXTERIOR DOORS



| KEY | PART NUMBER | U/M | DESCRIPTION |
|-----|---------------|-----|--|
| 1 | 126944-02-J22 | EA | DOOR/STORAGE - W/O HARDWARE - 43.5" X 11.7" FROM: 00-00-00 THRU: 07-05-98 |
| 1 | 126944-05-K28 | EA | DOOR/STORAGE - W/O HARDWARE - 43.5" X 11.7" FROM: 07-06-98 THRU: 99-99-99 |
| 2 | 122391-85-K32 | EA | VALANCE/DOOR-DRIVER W/O PADDLE LATCH 22.7" X 39.8" X 20.7" |
| 3 | 122391-83-K32 | EA | VALANCE/DOOR-DRIVER W/O PADDLE LATCH 23.7" X 49.6" X 22.8" |
| 4 | 122239-A8-K32 | EA | VALANCE/DOOR - W/O PADDLE LATCH/HINGE - 23.7" X 31.4" |
| 5 | 122239-A0-K28 | EA | VALANCE/DOOR - W/O PADDLE LATCH/HINGE - 23.7" X 35.1" |
| 6 | 122239-97-K28 | EA | VALANCE/DOOR - W/O PADDLE LATCH/HINGE - 23.7" X 60" |
| 7 | 125581-05-01A | EA | DOOR - DRIVER - NON-POWER |
| 8 | 122239-99-K28 | EA | VALANCE/DOOR - W/O PADDLE LATCH/HINGE - 23.7" X 48.7" |
| 9 | 122239-A6-K32 | EA | VALANCE/DOOR - W/O PADDLE LATCH/HINGE - 23.7" X 77.5" |
| 10 | 122239-A2-K28 | EA | VALANCE/DOOR - W/O PADDLE LATCH/HINGE - 23.7" X 29.2" |
| 11 | 115108-16-K28 | EA | DOOR - ENTRY W/SCREEN DOOR - W/O WINDOW (K28, K29, K34, K35) |
| 11 | 115108-16-K30 | EA | DOOR - ENTRY W/SCREEN DOOR - W/O WINDOW (K30, K31) |
| 11 | 115108-16-K32 | EA | DOOR - ENTRY W/SCREEN DOOR - W/O WINDOW (K32, K33) |

| KEY | PART NUMBER | U/M | DESCRIPTION | VENDOR NO. |
|-----|---------------|-----|---|-------------|
| 12 | 126945-01-J22 | EA | DOOR/STORAGE - W/O HARDWARE - 18" X 8.3" FROM: 00-00-00 THRU: 07-05-98 | |
| 12 | 126945-08-K28 | EA | DOOR/STORAGE - W/O HARDWARE - 18" X 8.3" FROM: 07-06-98 THRU: 99-99-99 | |
| 13 | 122239-95-K30 | EA | VALANCE/DOOR - W/O PADDLE LATCH/HINGE - 23.7" X 42.5" | |
| 14 | 122239-A7-K32 | EA | VALANCE/DOOR - W/O PADDLE LATCH/HINGE - 23.7" X 34.1" | |
| 15 | 052009-06-000 | EA | DOOR - WATER HEATER - BRIGHT WHITE - 18" X 14.6" | |
| 15 | 116424-01-000 | EA | PROTECTOR - LATCH - WATER HEATER | |
| 16 | 084103-08-000 | EA | DOOR - VENT/REFRIGERATOR - W/O JAMB - BRIGHT WHITE | |
| 16 | 084104-01-700 | EA | LOCK - MALE - FASTENER | 201-721-010 |
| 16 | 084104-01-701 | EA | LOCK - FEMALE - FASTENER | 201-802-010 |
| 16 | 084104-08-000 | EA | JAMB - VENT DOOR/REFRIGERATOR - BRIGHT WHITE | |
| 16 | 125481-01-02A | EA | DOOR - REFRIGERATOR VENT (SIDE BY SIDE) | |
| 17 | 122391-84-K32 | EA | VALANCE/DOOR-PASS W/O PADDLE LATCH 23.7" X 33.4" X 22.3" | |
| 18 | 122391-86-K32 | EA | VALANCE/DOOR-PASS W/O PADDLE LATCH 22.2" X 33.4" X 20.5" | |
| 19 | 081240-20-000 | EA | DOOR - WATER FILL - W/O LOCK - BRIGHT WHITE | |

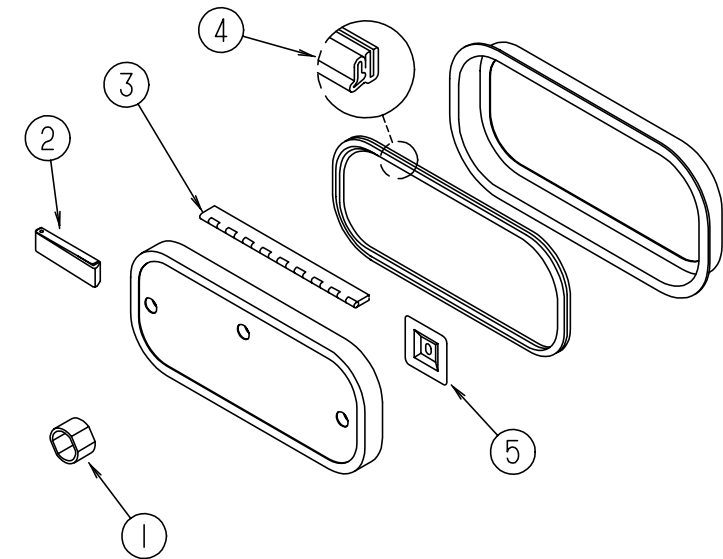
WINDOW, VENT & EXTERIOR DOOR GROUP (CONTINUED)



EXTERIOR COMPARTMENT DOORS & COMPONENTS

| KEY | PART NUMBER | U/M DESCRIPTION |
|-----|---------------|--|
| 1 | 121755-01-04A | EA HINGE - 6.00 INCH |
| 2 | 112949-02-05A | EA LATCH - PADDLE NON-LOCKING - BLACK |
| 2 | P29686-01-700 | EA LATCH/PADDLE - F/COMP DOORS W/CYLINDER |
| 3 | 122277-02-01A | EA COVER - LATCH - BLACK |
| 4 | 123892-12-02B | EA CORNER STABILIZER W/BALL STUD - LH - E-COATED |
| 5 | 107796-20-000 | EA SPRING/GAS - 7" COMPRESSED/10" EXTENDED - 60 LB |
| 6 | 126263-02-02B | EA BRACKET - GAS SPRING |
| 7 | 121947-01-01A | EA BOLT - SLIDE W/PLASTIC PLUNGER |
| 8 | 107721-07-000 | FT SEAL - ACCESS DOOR |
| 9 | 122269-29-000 | EA ROD - LATCH - 2.08" |
| 9 | 122269-33-000 | EA ROD - LATCH - 9.24" |
| 9 | 122269-17-000 | EA ROD - LATCH - 11.57" |
| 9 | 122269-52-000 | EA ROD - LATCH - 13.54" |
| 9 | 122269-19-000 | EA ROD - LATCH - 14.22" |
| 9 | 122269-30-000 | EA ROD - LATCH - 14.03" |
| 9 | 122269-53-000 | EA ROD - LATCH - 24.98" |
| 10 | 122268-29-000 | EA ROD - LATCH - 2.08" |
| 10 | 122268-33-000 | EA ROD - LATCH - 9.24" |
| 10 | 122268-17-000 | EA ROD - LATCH - 11.57" |
| 10 | 122268-52-000 | EA ROD - LATCH - 13.54" |
| 10 | 122268-19-000 | EA ROD - LATCH - 14.22" |
| 10 | 122268-30-000 | EA ROD - LATCH - 14.03" |
| 10 | 122268-53-000 | EA ROD - LATCH - 24.98" |
| 11 | 122613-55-007 | EA EXTRUDED - ROCKER PANEL - 192" - BLACK |
| | 122612-55-007 | EA U CHANNEL - EXTRUSION - BLACK |
| | 122614-55-007 | EA EXTRUDED - H CHANNEL - 191" - BLACK |
| 12 | 123783-01-01A | EA STRIKER - DOOR - MILL |
| | | FROM: 00-00-00 THRU: 12-13-98 |
| 12 | 130053-01-01A | EA STRIKER - LUGGAGE DOOR |
| | | FROM: 12-14-98 THRU: 99-99-99 |
| 13 | 123892-10-02B | EA CORNER STABILIZER W/BALL STUD - RH - E-COATED |

WINDOW, VENT & EXTERIOR DOOR GROUP (CONTINUED)



EXTERIOR DOORS & COMPONENTS

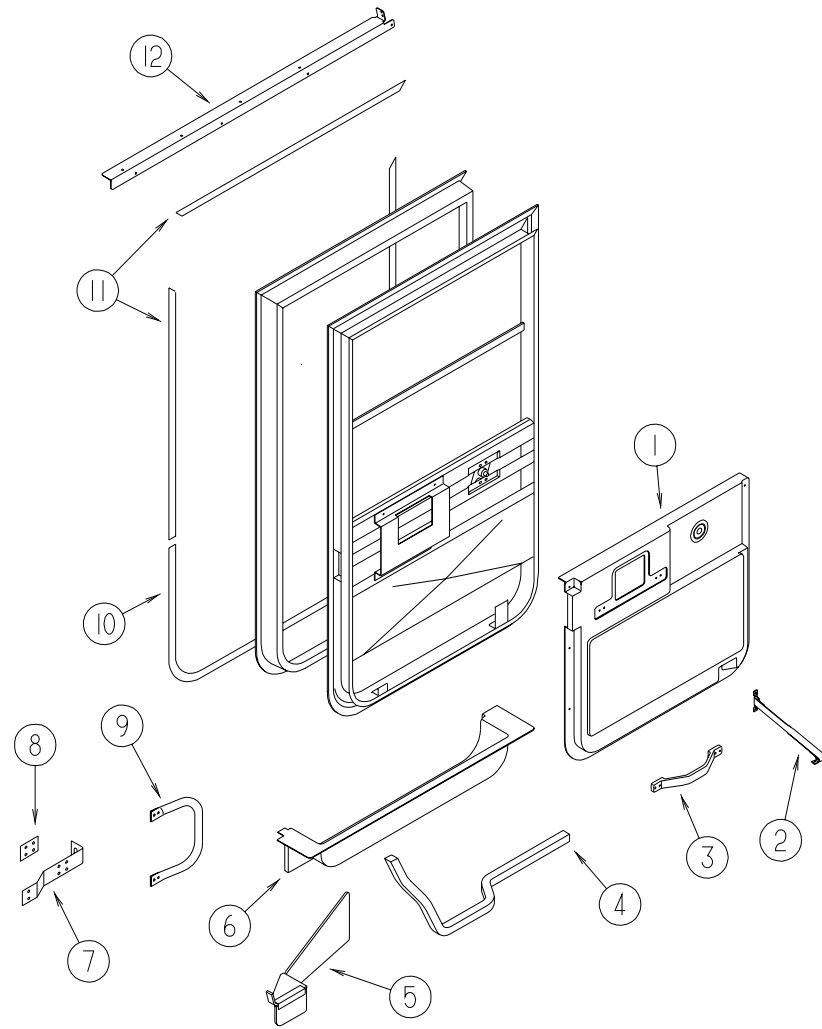
| KEY | PART NUMBER | U/M DESCRIPTION |
|-----|---------------|---|
| 1 | 107997-51-001 | EA SPACER - DOOR LOCK - .6" DEEP |
| | 107997-51-002 | EA EXTRUDED - SPACER - 16' |
| 2 | 102768-01-000 | EA HOLDER - COMPARTMENT/ ENTRY DOOR - METAL - MILL FINISH |
| 3 | 081801-V3-000 | EA HINGE - ALUMINUM - 2" X 8' - BRIGHT WHITE |
| 4 | 106850-02-000 | FT SEAL-E - SPONGE RUBBER - .43" X .75" |
| 5 | 097111-01-04A | EA POCKET - LOCK - VALANCE |

COMPARTMENT & DRIVER DOOR KEYS

| KEY | PART NUMBER | U/M DESCRIPTION |
|-----|---------------|----------------------------|
| | 129676-01-000 | EA KEY - T/M 14472-07-1431 |
| | 129676-02-000 | EA KEY - T/M 14472-07-1432 |
| | 129676-03-000 | EA KEY - T/M 14472-07-1443 |
| | 129676-04-000 | EA KEY - T/M 14472-07-1434 |
| | 129676-05-000 | EA KEY - T/M 14472-07-1435 |
| | 129676-06-000 | EA KEY - T/M 14472-07-1436 |
| | 129676-07-000 | EA KEY - T/M 14472-07-1437 |
| | 129676-08-000 | EA KEY - T/M 14472-07-1438 |
| | 129676-09-000 | EA KEY - T/M 14472-07-1439 |
| | 129676-10-000 | EA KEY - T/M 14472-07-1440 |

WINDOW, VENT & EXTERIOR DOOR GROUP (CONTINUED)

DRIVER DOOR INTERIOR COMPONENTS

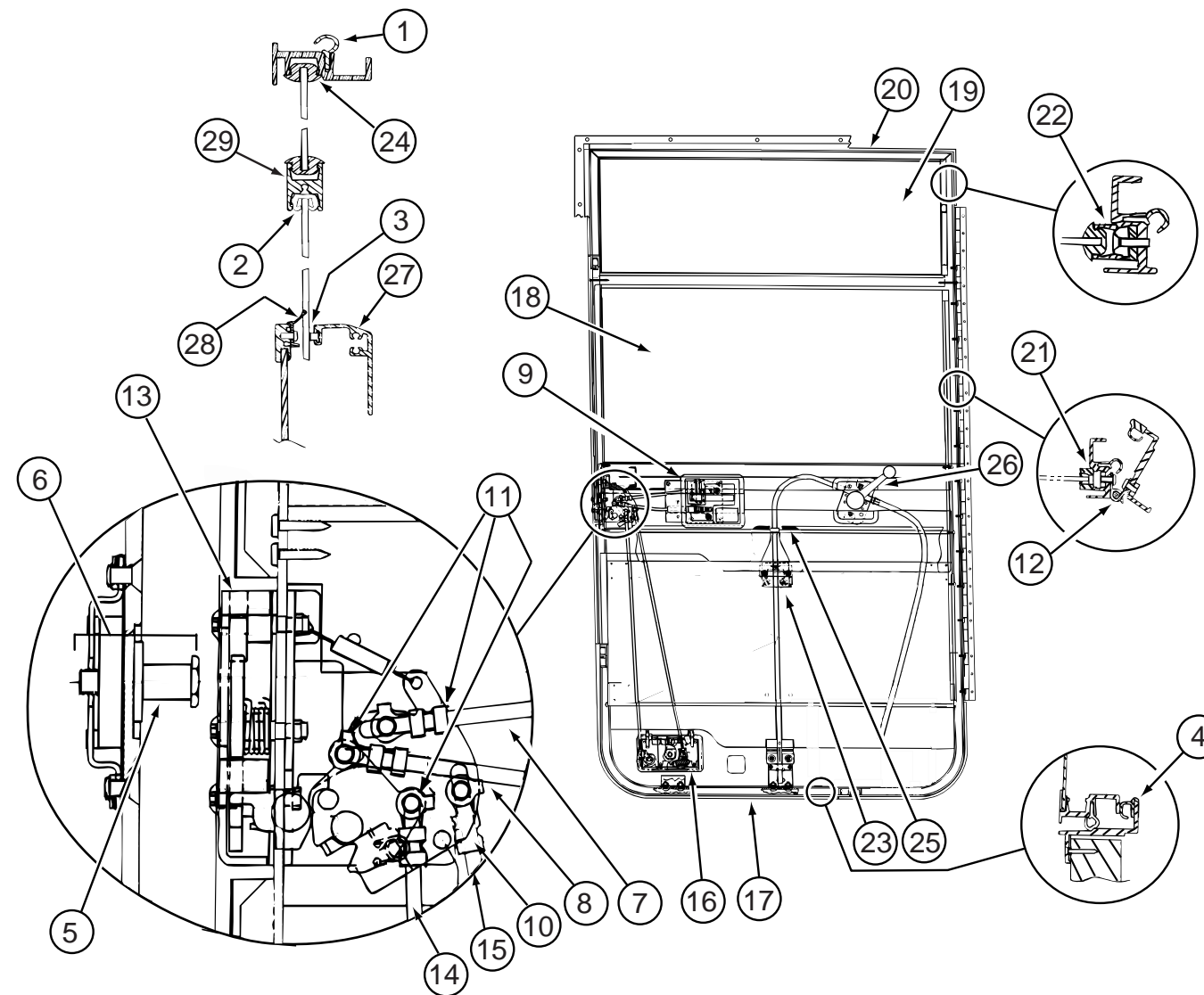


| KEY | PART NUMBER | U/M | DESCRIPTION |
|-----|---------------|-----|--|
| 1 | 125899-03-02A | EA | PANEL - CAB DOOR - INNER/DRIVER - ANTELOPE |
| 2 | 109378-01-000 | EA | STRAP - CHECK - DRIVER DOOR - 12.8" |
| 3 | 110604-01-01A | EA | HANDLE - ASSIST - DRIVER DOOR - 10.8" LONG - BLACK |
| 4 | 063977-14-000 | EA | STEP - DRIVER DOOR - LEFT HAND |
| 5 | 128255-01-04B | EA | STEP - DRIVER DOOR - BLACK |
| 6 | 107818-03-03A | EA | TRIM - STEP - DRIVERS DOOR - ANTELOPE |
| | 102569-02-000 | EA | MAT - ANTI SLIP - LOWER |
| 7 | 126506-01-02B | EA | BRACKET - STRIKE - DRIVER DOOR - E-COATED |
| 8 | 126534-01-02B | EA | SPACER - STRIKE - DRIVER DOOR - E-COATED |

| KEY | PART NUMBER | U/M | DESCRIPTION |
|-----|---------------|-----|--|
| 9 | 108832-02-01A | EA | HANDLE - ASSIST - DRIVER DOOR |
| | 126701-01-03A | EA | COVER - ASSIST HANDLE - OFF WHITE |
| 10 | 109235-01-05A | FT | COVER - SCREW - BRIGHT WHITE |
| 11 | 109235-01-01A | FT | COVER - SCREW - MAT BLACK |
| 12 | 125804-02-02B | EA | ANGLE - DOOR SUPPORT - E-COATED |
| | 125725-01-01A | EA | FRAME - DRIVER DOOR - 33.5" - BLACK |
| | 125725-03-01A | EA | FRAME - DRIVER DOOR - 27.8" - BLACK |
| | 125725-07-01A | EA | FRAME - DRIVER DOOR - 53.26" - BLACK |
| | 125725-08-01A | EA | FRAME - DRIVER DOOR - 21.38" - BLACK |
| | P01713-01-000 | EA | SWITCH - PUSH BUTTON - IN DOOR JAMB - METAL CHROME |

WINDOW, VENT & EXTERIOR DOOR GROUP (CONTINUED)

DRIVER DOOR



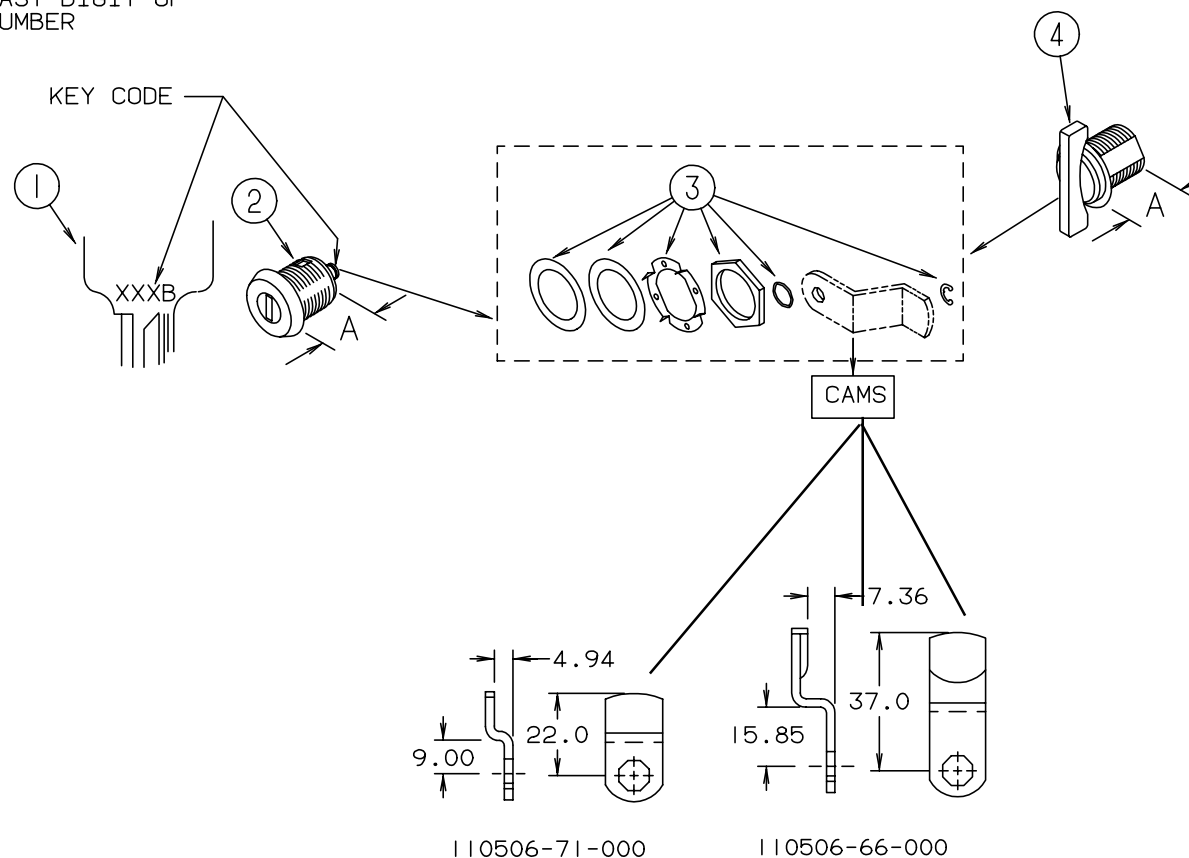
| KEY | PART NUMBER | U/M DESCRIPTION | VENDOR NO. | KEY | PART NUMBER | U/M DESCRIPTION | VENDOR NO. |
|-----|---------------|--|------------|-----|---------------|---|--------------------|
| | 125581-05-01A | EA DOOR - DRIVER - NON-POWER WINDOW/LOCK | | | | | |
| 1 | 106469-01-702 | EA DOOR SEAL | 122-040984 | 14 | 125581-04-700 | EA ROD - LATCH/VERTICAL ADJUST. | 203041767 |
| 2 | 106469-01-705 | FT CHANNEL - RUN - SLIDING | 122-010850 | 15 | 125581-04-701 | EA ROD - LOCK/VERTICAL ADJUST. | 203-041768 |
| 3 | 106469-01-709 | FT WEATHERSTRIP - FUZZY | 171-040630 | 16 | 125581-03-704 | EA PADDLE - W/O LOCK/RH - KEY 1 | TRI/MARK #14312-02 |
| 4 | 106469-01-723 | EA SEAL - BULB ASM. (JAMB) | 171-040985 | 17 | 125581-04-703 | EA FRAME - MOUNTING - BLACK | V180-35L |
| 5 | 106469-04-703 | EA BOLT - STRIKER (W/ WASHER) | 248-041152 | 18 | 125581-04-704 | EA GLASS - ROLL-UP | 106-041821 |
| 6 | 106469-04-704 | EA NUT ASSEMBLY - CAGED - W/STRIKER | 248-041151 | 19 | 125581-04-705 | EA GLASS - STATIONARY | 106-041547 |
| 7 | 106469-04-705 | EA LATCH ROD - HORIZONTAL | 203-041139 | 20 | 125581-04-706 | EA FRAME - DOOR - SUB-ASSEMBLY | V180-94L |
| 8 | 106469-04-711 | EA LOCK ROD - HORIZONTAL | 203-041137 | 21 | 125581-04-707 | EA CHANNEL - ROLL UP GLASS | V156-60 |
| 9 | 106469-04-712 | EA HANDLE/DOOR - INNER W/HARDWARE | 248-041402 | 22 | 125581-04-708 | EA CHANNEL - STATIONARY GLASS | V156-61 |
| 10 | 106469-04-713 | EA ROD CLIP L.H. | 248-041154 | 23 | 125581-04-709 | EA REGULATOR - MANUAL | 410-08389 |
| 11 | 106469-04-714 | EA ROD CLIP R.H. | 248-041153 | 24 | 125581-04-710 | EA VINYL - GLAZING | 132-041484 |
| 12 | 106469-05-702 | EA HINGE - 42" | 211-041194 | 25 | 125581-04-711 | EA CHANNEL- GLASS | N135-66 |
| 13 | 106469-05-706 | EA LATCH - ROTARY - W/LINKAGE | 248-041150 | 26 | 125581-05-702 | EA HANDLE - REGULATOR | 182-041785 |
| | 125581-07-703 | EA BRACKET-ALUMINUM "L" (INSIDE) | N135-55 | | | CONTACT WINNEBAGO PART SALES FOR THIS COMPONENT | |
| | 125581-07-704 | EA BRACKET - STRAP/JAMB & DOOR | 248-080394 | | 106469-04-716 | EA LEVER - LOCKING - BLACK | 80978-00 |
| | 125581-07-705 | EA BRACKET (L) F/SEAL PROTECT | 490201 | 28 | 125581-03-703 | EA WEATHERSTRIP - BELTING | 410-08389 |
| | | | | 29 | 125581-03-700 | EA MULLION RAIL - BLACK | V123-84 |
| | | | | | 125581-05-700 | EA INNER SILL - BLACK | V130-64L |

WINDOW, VENT & EXTERIOR DOOR GROUP (CONTINUED)

NOTE:

WHEN ORDERING THE LOCK CASE, THE KEY CODE MUST MATCH THE LAST DIGIT OF THE VEHICLE'S SERIAL NUMBER AND PART NUMBER; WHEN ORDERING THE KEYS, THE THIRD DIGIT OF THE KEY CODE MUST MATCH THE LAST DIGIT OF THE VEHICLE'S SERIAL NUMBER AND PART NUMBER

BRIGGS & STRATTON LOCKS & COMPONENTS

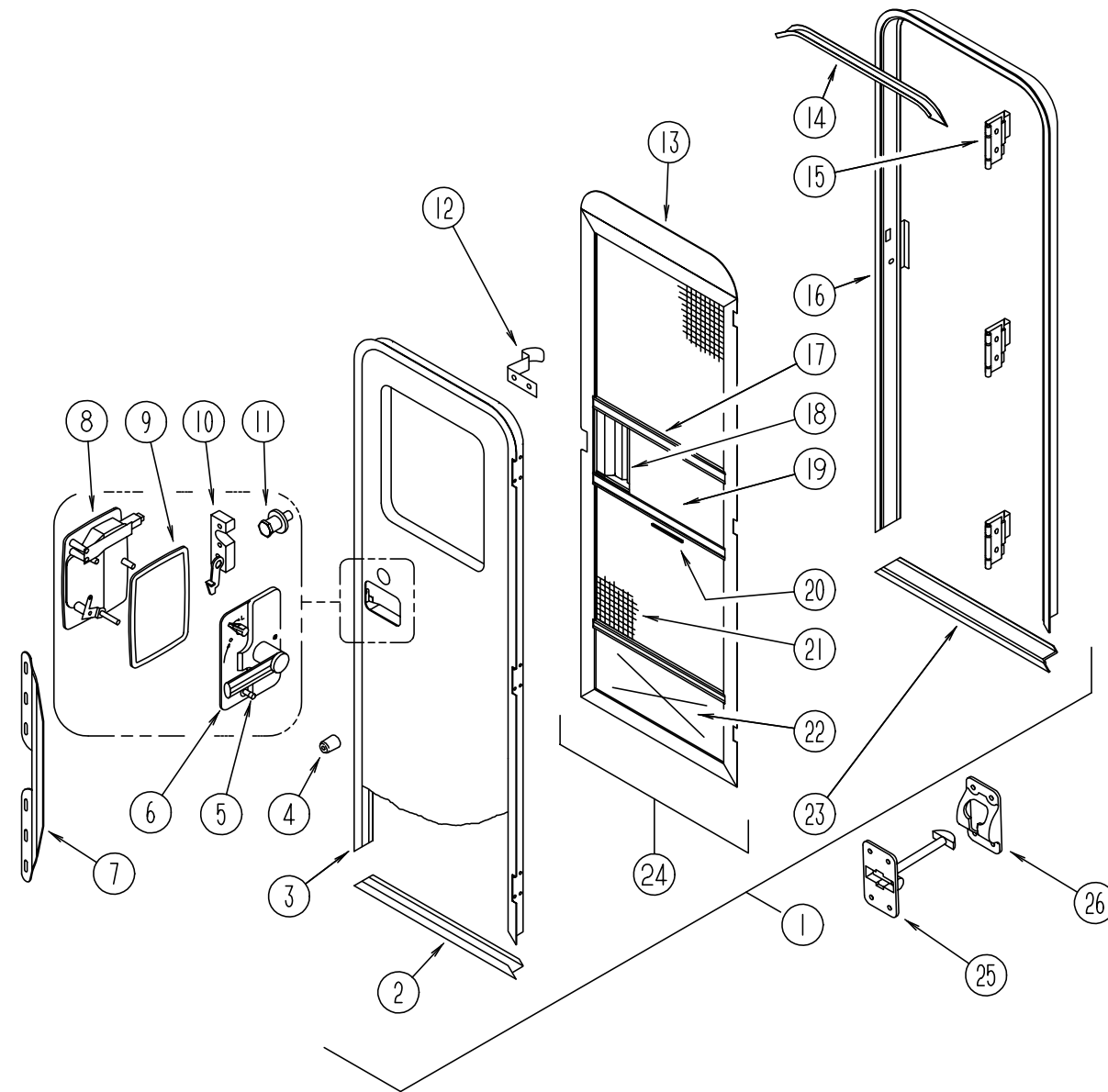


| KEY | PART NUMBER | U/M | DESCRIPTION | VENDOR NO. |
|-----|---------------|-----|------------------------|------------|
| 1 | 110506-59-000 | EA | KEYS - SET OF TWO | 596720 |
| 2 | 110506-52-000 | EA | CASE - LOCK - A= .65" | 702370 |
| 2 | 110506-53-000 | EA | CASE - LOCK - A= 1" | 702380 |
| 2 | 110506-54-000 | EA | CASE - LOCK - A= 1.25" | 703170 |
| 1 | 110506-59-001 | EA | KEYS - SET OF TWO | 596721 |
| 2 | 110506-52-001 | EA | CASE - LOCK - A= .65" | 702371 |
| 2 | 110506-53-001 | EA | CASE - LOCK - A= 1" | 702381 |
| 2 | 110506-54-001 | EA | CASE - LOCK - A= 1.25" | 703171 |
| 1 | 110506-59-002 | EA | KEYS - SET OF TWO | 596722 |
| 2 | 110506-52-002 | EA | CASE - LOCK - A= .65" | 702372 |
| 2 | 110506-53-002 | EA | CASE - LOCK - A= 1" | 702382 |
| 2 | 110506-54-002 | EA | CASE - LOCK - A= 1.25" | 703172 |
| 1 | 110506-59-003 | EA | KEYS - SET OF TWO | 596723 |
| 2 | 110506-52-003 | EA | CASE - LOCK - A= .65" | 702373 |
| 2 | 110506-53-003 | EA | CASE - LOCK - A= 1" | 702383 |
| 2 | 110506-54-003 | EA | CASE - LOCK - A= 1.25" | 703173 |
| 1 | 110506-59-004 | EA | KEYS - SET OF TWO | 596724 |
| 2 | 110506-52-004 | EA | CASE - LOCK - A= .65" | 702374 |
| 2 | 110506-53-004 | EA | CASE - LOCK - A= 1" | 702384 |
| 2 | 110506-54-004 | EA | CASE - LOCK - A= 1.25" | 703174 |
| 1 | 110506-59-005 | EA | KEYS - SET OF TWO | 596725 |
| 2 | 110506-52-005 | EA | CASE - LOCK - A= .65" | 702375 |
| 2 | 110506-53-005 | EA | CASE - LOCK - A= 1" | 702385 |
| 2 | 110506-54-005 | EA | CASE - LOCK - A= 1.25" | 703175 |

| KEY | PART NUMBER | U/M | DESCRIPTION | VENDOR NO. |
|-----|---------------|-----|------------------------------|------------|
| 1 | 110506-59-006 | EA | KEYS - SET OF TWO | 596726 |
| 2 | 110506-52-006 | EA | CASE - LOCK - A= .65" | 702376 |
| 2 | 110506-53-006 | EA | CASE - LOCK - A= 1" | 702386 |
| 2 | 110506-54-006 | EA | CASE - LOCK - A= 1.25" | 703176 |
| 1 | 110506-59-007 | EA | KEYS - SET OF TWO | 596727 |
| 2 | 110506-52-007 | EA | CASE - LOCK - A= .65" | 702377 |
| 2 | 110506-53-007 | EA | CASE - LOCK - A= 1" | 702387 |
| 2 | 110506-54-007 | EA | CASE - LOCK - A= 1.25" | 703177 |
| 1 | 110506-59-008 | EA | KEYS - SET OF TWO | 596728 |
| 2 | 110506-52-008 | EA | CASE - LOCK - A= .65" | 702378 |
| 2 | 110506-53-008 | EA | CASE - LOCK - A= 1" | 702388 |
| 2 | 110506-54-008 | EA | CASE - LOCK - A= 1.25" | 703178 |
| 1 | 110506-59-009 | EA | KEYS - SET OF TWO | 596729 |
| 2 | 110506-52-009 | EA | CASE - LOCK - A= .65" | 702379 |
| 2 | 110506-53-009 | EA | CASE - LOCK - A= 1" | 702389 |
| 2 | 110506-54-009 | EA | CASE - LOCK - A= 1.25" | 703179 |
| 3 | 110506-40-700 | EA | HARDWARE KIT | |
| 4 | 110506-50-000 | EA | CASE - TWIST LOCK - A= .65" | 596952 |
| 4 | 110506-51-000 | EA | CASE - TWIST LOCK - A= 1" | 596669 |
| 4 | 110506-55-000 | EA | CASE - TWIST LOCK - A= 1.25" | 597312AA1 |
| | 110506-40-000 | EA | CLIP-E - LOCK ASM. | 93981 |
| | 110506-64-000 | EA | CAM - LOCK | 322280 |
| | 110506-68-000 | EA | CAM - LOCK | 322284 |
| | 110506-71-000 | EA | CAM - LOCK | 322287 |
| | 110506-59-701 | EA | KEY BLANK - GOLD | |
| | 130444-01-01A | EA | CAP - KEY IDENTIFIER - GRAY | |

WINDOW, VENT & EXTERIOR DOOR GROUP (CONTINUED)

ENTRY DOOR W/O WINDOW

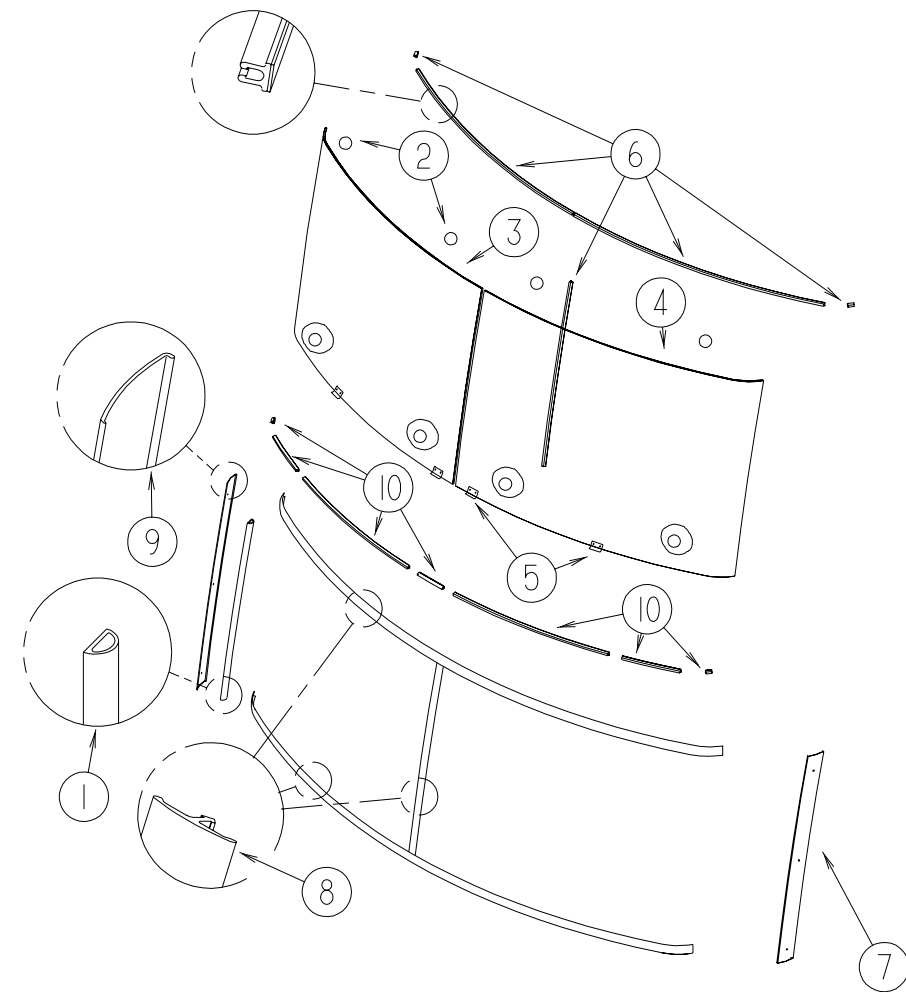
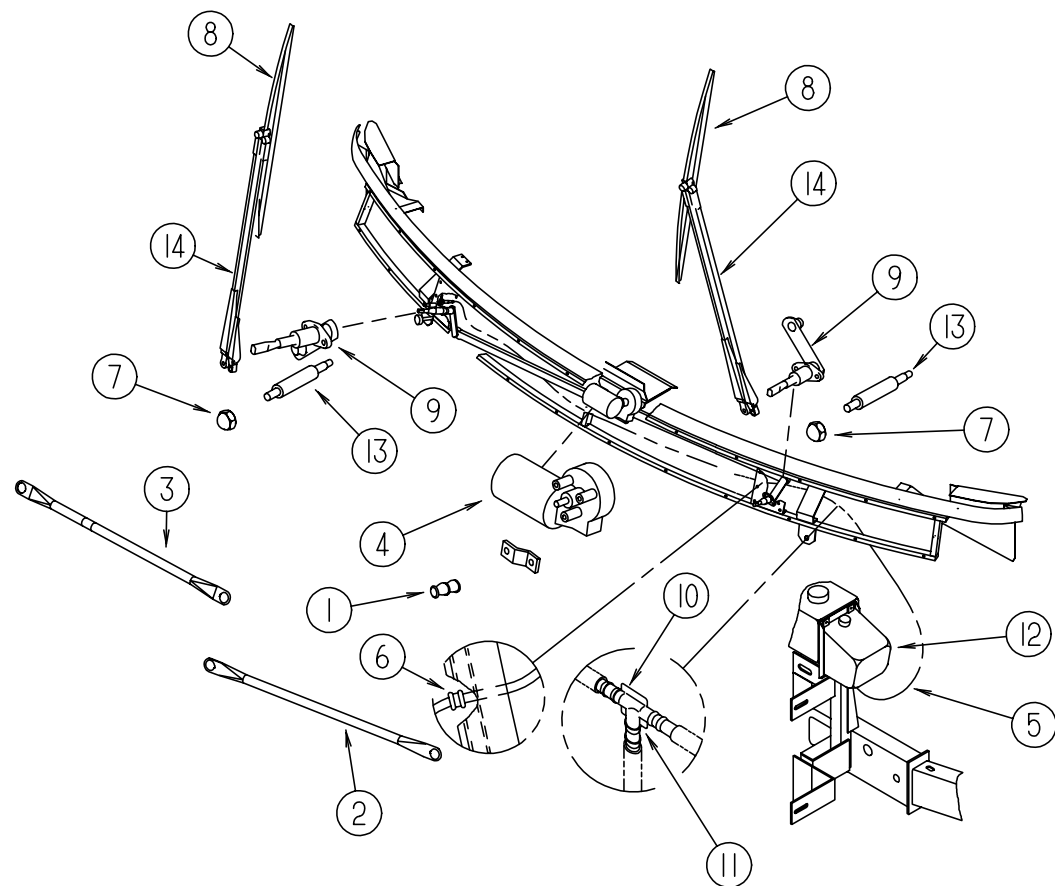


| KEY | PART NUMBER | U/M | DESCRIPTION |
|-----|---------------|-----|--|
| 1 | 115108-16-K28 | EA | DOOR - ENTRY W/SCREEN DOOR - W/O WINDOW (K28, K29, K34, K35) |
| 1 | 115108-16-K30 | EA | DOOR - ENTRY W/SCREEN DOOR - W/O WINDOW (K30, K31) |
| 1 | 115108-16-K32 | EA | DOOR - ENTRY W/SCREEN DOOR - W/O WINDOW (K32, K33) |
| 2 | 121893-03-02A | EA | FRAME - ENTRY DOOR/LOWER - BRIGHT WHITE |
| 3 | 121894-15-01A | EA | FRAME - ENTRY DOOR - BRIGHT WHITE |
| 4 | 120863-02-000 | EA | BUMPER - RUBBER - 1" DIAMETER X 1.50" |
| 5 | 112782-05-01A | EA | CAP - VINYL - RED |
| 6 | 112782-02-01A | EA | LATCH - INTERIOR PLATE |
| 7 | 098173-01-04A | EA | STIFFENER - ENTRY DOOR - SUPPORTS LATCH/ STRIKE AREA - UNPAINTED |
| 8 | 112782-07-01A | EA | LATCH - EXTERIOR - W/O MAIN CYLINDER W/DEADBOLT LOCK/KEY |
| 9 | 112782-04-01A | EA | GASKET |
| 10 | 112782-03-01A | EA | LATCH - SINGLE ROTOR |
| 11 | 092927-03-000 | EA | STRIKER - ROUND - JAMB MOUNTED |
| | 077461-03-000 | EA | COVER - STRIKE - ENTRY DOOR - 6.5" X 2.5" - WHITE PLASTIC |
| | 039715-01-000 | EA | NUT-SERT - 1/4" DIAMETER - 20 THREADS (ENTRANCE DOOR HINGE) |
| | 041546-08-000 | EA | BRACKET - DOOR ANGLE - OFF WHITE |
| | 075671-04-000 | FT | SEAL - SPONGE - LAZY T SHAPE - W/ ADHESIVE STRIP - .5" WIDE |
| 12 | 100412-01-000 | EA | CATCH - SCREEN DOOR |
| 13 | 078595-03-000 | EA | PLATE - SCREEN DOOR |
| 14 | 044582-50-000 | EA | CAP - DRIP JAMB MITERED |

| KEY | PART NUMBER | U/M | DESCRIPTION |
|-----|---------------|-----|--|
| 15 | 106719-01-05A | EA | HINGE - ENTRANCE DOOR - BRIGHT WHITE |
| | 076725-02-000 | EA | COVER - HINGE - ENTRY DOOR - 6" X 3.2" - OFF WHITE |
| | 102248-01-000 | EA | SHIM - DOOR |
| | 116111-02-01A | EA | SCREW - TAPTITE - 1/4-20 X 3/8 PPH - ZINC |
| | 118929-01-01A | FT | SEAL - PILE - PUSH ON |
| 16 | 121898-13-01A | EA | JAMB - DOOR - ENTRANCE |
| 17 | 078777-08-000 | FT | CHANNEL SLIDER |
| 18 | 079086-03-000 | EA | SLIDER - SCREEN DOOR - BRIGHT WHITE |
| 19 | 016454-17-000 | EA | INSERT-SCREEN DOOR - CTR - MILL |
| 20 | 002294-01-000 | FT | SPLINE - SCREENING - .135" X .138" |
| 21 | 002293-02-000 | SF | SCREEN - 26" - CHARCOAL |
| | 075673-05-000 | FT | SEAL - PILE - ADHESIVE BACK - BLACK |
| 22 | 078552-09-000 | EA | INSERT - SCREEN DOOR - LOWER |
| 23 | 051049-05-000 | EA | JAMB/DOOR - LOWER - ENTRANCE DOOR |
| 24 | 117077-03-K80 | EA | DOOR - SCREEN |
| 25 | 104099-01-04A | EA | CATCH - DOOR HOLDER - STRIKE - BRIGHT WHITE |
| 26 | 104099-02-04A | EA | CATCH - DOOR HOLDER - RETAINER - BRIGHT WHITE |
| | 115222-12-02A | EA | GARNISH - RADIUS - ENTRY DOOR |
| | 009126-03-000 | EA | HANDLE - ASSIST - BLACK TEXTURED |
| | 120863-06-000 | EA | BUMPER - RUBBER - 3/4" X 3/8" |

WINDSHIELD & WIPER GROUP

WINDSHIELD & WIPER GROUP (CONTINUED)



WINDSHIELD WIPER ASM

WINDSHIELD MOLDINGS & GLASS

| KEY | PART NUMBER | U/M DESCRIPTION | VENDOR NO. |
|-----|---------------|---|-----------------|
| 1 | 067188-01-000 | EA STUD - CRANK - WIPER MOTOR | |
| | 117322-01-000 | EA SCREW - 1/4-28 UNFINISHED - 2A - TORX | |
| 2 | 117770-01-000 | EA LINK - CONNECTING - PASSENGER - 24" | |
| 3 | 117770-02-000 | EA LINK - CONNECTING - DRIVER - 24" | |
| 4 | 104346-04-000 | EA MOTOR - WIPER W/INTERNAL BREAKER (GM) | |
| 4 | 104346-05-000 | EA MOTOR - WIPER W/INTERNAL BREAKER - DYNAMIC PARK (FORD) | |
| | 104347-04-000 | EA ARM - DRIVE - WIPER MOTOR | |
| 5 | 045794-01-000 | FT HOSE - WASHER - WINDSHIELD - 5/32" ID - BLACK | |
| 6 | 061603-01-000 | EA GROMMET - SNAP - 3/16"ID - 3/8" HOLE - PLASTIC BLACK | |
| 7 | 077049-02-000 | EA NUT - ACORN - 10-32 BLACK/ANODIZED | |
| 8 | 095964-01-000 | EA BLADE - WINDSHIELD WIPER - 24" | |
| | 095964-01-700 | EA BLADE - REFILL24" EA = 1 PAIR | 12360 |
| 9 | 096505-09-000 | EA SHAFT/PIVOT - WINDSHIELD WIPER | |
| | 096505-02-700 | EA DRIVER - KNURLED,(HD) BRL .687 | NT721017 |
| | 096505-02-701 | EA NUT - HEX (HD) W/.687 BARREL | NT721021 |
| | 096505-02-702 | EA CAP - RUBBER (HD) BARREL .687 | CP721084 |
| | 096505-02-703 | EA CAP - NUT(ACORN) HD W/.687 BRL | 51065-40-NT27WC |
| 10 | 110605-01-000 | EA TEE - PLASTIC - BARBED - 1/8" X 1/8" X 3/16" | |
| 11 | 117765-03-000 | EA CONNECTOR - 5/32" - WINDSHIELD WASHER | |
| 12 | 117766-02-000 | EA RESERVOIR/PUMP - WINDSHIELD WASHER | |
| 13 | 117768-01-000 | EA SHAFT - ADAPTER - PANTOGRAPH ARM | |
| 14 | 117769-01-000 | EA ARM - WIPER - PANTOGRAPH - 28" | |

| KEY | PART NUMBER | U/M DESCRIPTION |
|-----|---------------|---|
| 1 | 099418-01-000 | FT SEAL - D-SECTION/ADHESIVE BACK - .44" X .44"- BLK RUBBER |
| 2 | 081914-01-000 | EA BUMPER - RUBBER - ROUND - .43" DIAMETER |
| 3 | 124328-01-000 | EA WINDSHIELD - PASSENGER - 52" X 41" (CURVED) |
| 4 | 124328-02-000 | EA WINDSHIELD - DRIVERS - 52" X 41" (CURVED) |
| 5 | 002328-02-000 | EA BLOCK - WINDSHIELD - .062" X .5" X .98" |
| 6 | 127862-01-000 | EA CARRIER - REVEAL - WINDSHIELD - 47.2" |
| 7 | 125384-02-02A | EA TRIM - WINDSHIELD - A-PILLAR - DRIVER - BLACK |
| 7 | 125384-02-01A | EA TRIM - WINDSHIELD - A-PILLAR - DRIVER - MILL |
| 8 | 120533-01-000 | FT MOLDING - REVEAL - WINDSHIELD |
| 9 | 125384-01-02A | EA TRIM - WINDSHIELD - A-PILLAR - PASSENGER - BLACK |
| 9 | 125384-01-01A | EA TRIM - WINDSHIELD - A-PILLAR - PASSENGER - MILL |
| 10 | 117335-01-000 | EA CARRIER/REVEAL - 94.6" W/ADHESIVE BACKING |