

1999 WFG33B

K28 **SUNFLOWERS (TAUPE)**
(WATERFORD OAK)

K29 **SUNFLOWERS (TAUPE)**
(MYSTIC OAK)

K30 **VINTAGE GROVE (PLUM)**
(WATERFORD OAK)

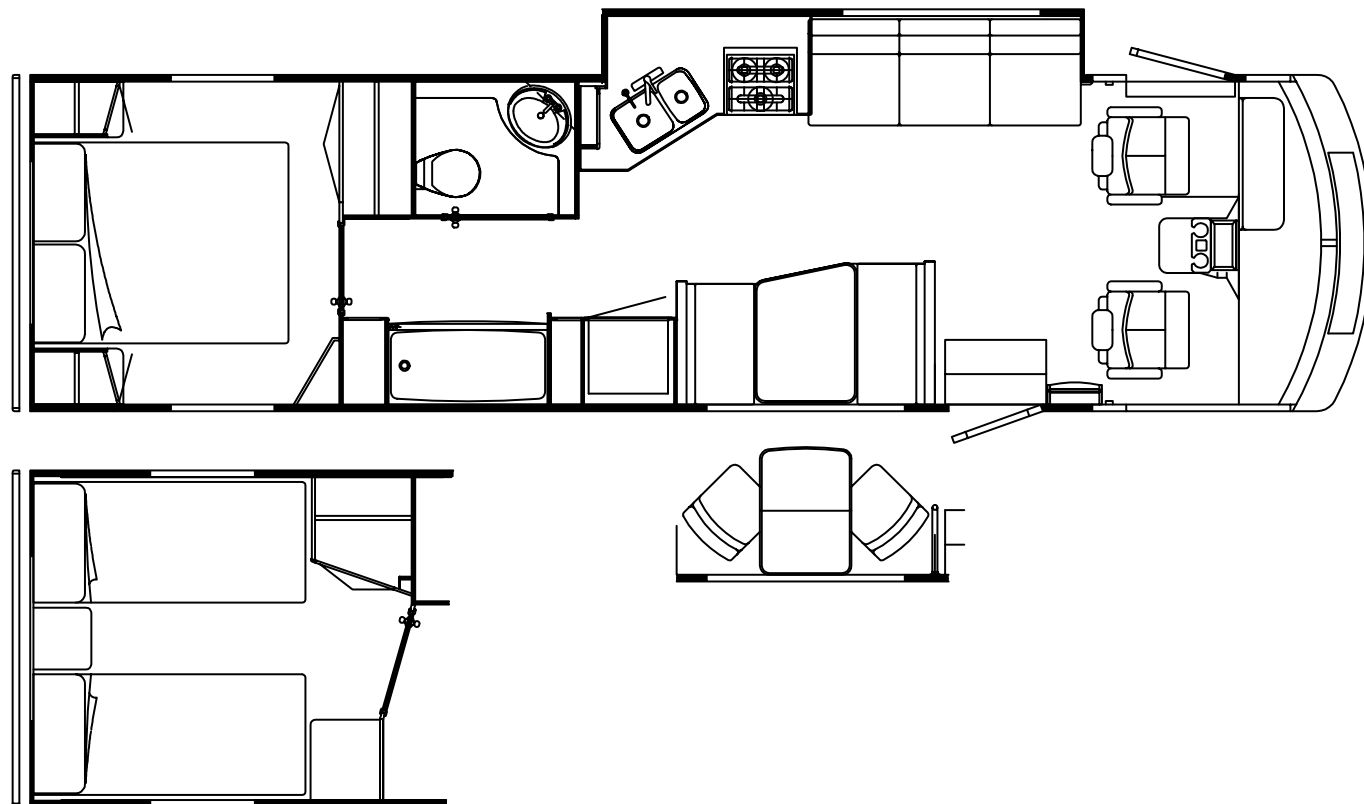
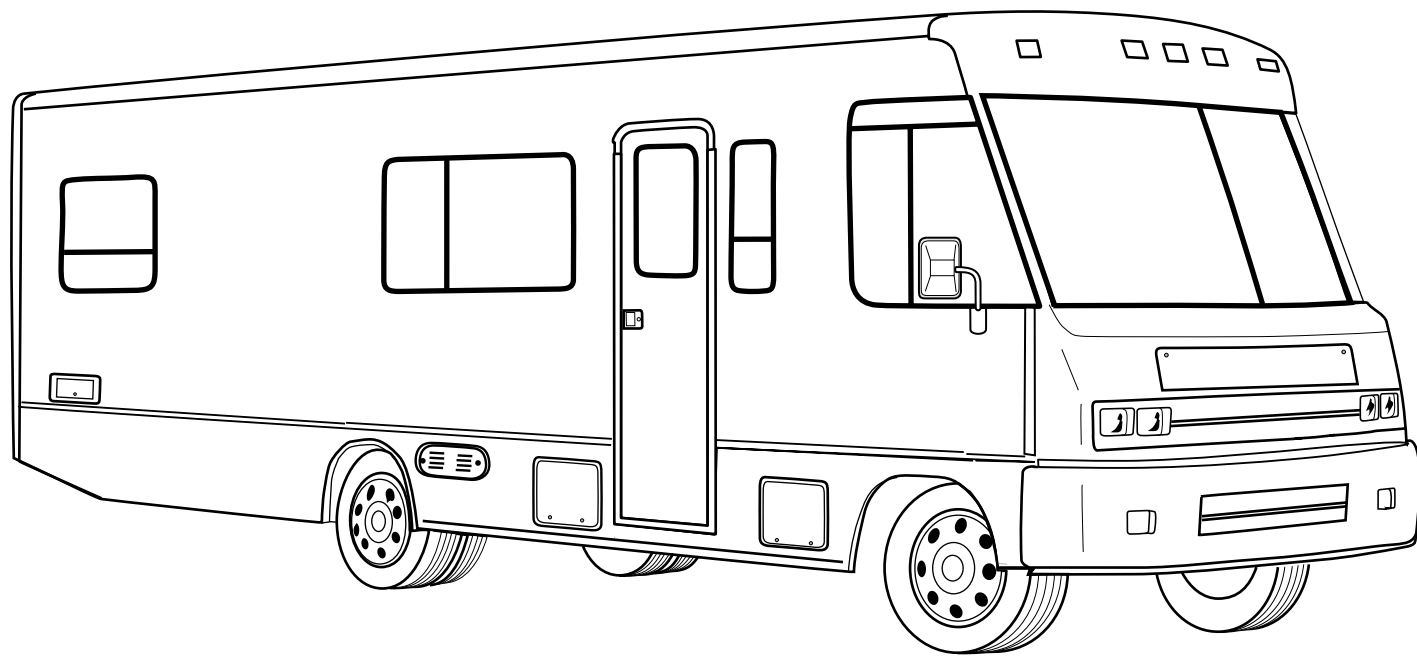
K31 **VINTAGE GROVE (PLUM)**
(MYSTIC OAK)

K32 **JUNIPER (TEAL)**
(WATERFORD OAK)

K33 **JUNIPER (TEAL)**
(MYSTIC OAK)

K34 **CHAMELEON (BLUE)**
(WATERFORD OAK)

K35 **CHAMELEON (BLUE)**



ACCESSORIES GROUP

OPERATOR MANUAL

KEY	PART NUMBER	U/M DESCRIPTION
	054185-K5-000	EA MANUAL - OPERATOR 99 ADVENTURER
	129079-01-01A	EA CASE - VINYL/BLACK-EXPANDABLE ACCORDION SIDES-7"WX9"HX14"L
	129543-01-000	EA TOP LEVEL - G,1999

AUDIO VIDEO GROUP

RADIO SYSTEMS & ANTENNA

KEY	PART NUMBER	U/M DESCRIPTION	VENDOR NO.
	127516-03-000	EA RADIO - AM/FM STEREO - CD PLAYER - PANASONIC	- CQ-DP930
	127264-01-000	EA RADIO - AM/FM STEREO - CASSETTE - PANASONIC	- CQ-R111U
	127264-01-700	EA TRIM RING	YFC054C044ZB
	127264-01-701	EA KNOB - VOLUME	YFE074C045ZA
	127264-01-702	EA KNOB - FADER	YEFE074C026
	127264-01-703	EA FACTORY HARNESS	YAJ024C048ZB
	124881-01-000	EA AMPLIFIER - AUDIO	
	110469-01-000	EA SPEAKER - 4" X 6" OVAL - COAXIAL	
	110470-01-01A	EA GRILLE - 4" X 6" OVAL - BLACK	
	094097-01-000	EA SPEAKER - RADIO/TV - W/O GRILLE - 5.25" DIAMETER	
	077069-02-000	EA CABLE - ANTENNA/EXTENSION - RADIO - 96"	
	123256-01-000	EA ANTENNA - CB - W/O CABLE	
	123256-02-000	EA CABLE - CB - COAX	
	090944-01-000	EA ANTENNA - RADIO - 16" RUBBER	
	108847-01-000	EA BRACKET - ANTENNA GROUND	
	115916-01-01B	EA BRACKET - ANTENNA MOUNT	
	109889-04-000	EA EXTENDER - ANTENNA SHAFT - 3"	

DELUXE SOUND SYSTEM

KEY	PART NUMBER	U/M DESCRIPTION
	124883-02-000	EA SPEAKER - CUBE - W/BRACKET
	124884-01-000	EA SPEAKER - 6" X 9" - SUB-WOOFER
	124885-01-000	EA GRILLE - SPEAKER - 6" X 9" - SUB-WOOFER
	124881-01-000	EA AMPLIFIER - AUDIO

REAR MONITOR SYSTEM

KEY	PART NUMBER	U/M DESCRIPTION	VENDOR NO.
	093040-09-000	EA CAMERA - REAR VIEW - W/BRACKET - SONY	
	093040-10-000	EA MONITOR - 7" REAR VIEW - W/BRACKET - SONY	
	093040-10-700	EA LENS - MONITOR - REAR VIEW F/7"	3-708-537-01
	096717-03-000	EA WIRE ASSEMBLY - REAR MONITOR - AFTER MARKET INSTALLATION	
	108885-02-000	EA WIRE - REAR MONITOR(W/3 PIN HOUSING F/FUSE BLOCK) CHEVY	
	093041-01-000	EA CABLE - MONITOR/CAMERA - INTERNAL USE - 65.6'	
	093041-02-000	EA CABLE - MONITOR/CAMERA - EXTERNAL USE - 59.1'	

PATIO ENTERTAINMENT CENTER

KEY	PART NUMBER	U/M DESCRIPTION
	110469-01-000	EA SPEAKER - OVAL - 4" X 6" - BLACK
	110470-01-01A	EA GRILLE - SPEAKER - OVAL - 4" X 6" - BLACK
	077069-02-000	EA CABLE - ANTENNA - RADIO - EXTENSION 96"
	125322-02-000	EA RADIO - AM/FM STEREO - CASSETTE - AUDIOVOX - MS-306
	090944-01-000	EA ANTENNA - RADIO - 16" RUBBER
	108847-01-000	EA BRACKET - ANTENNA GROUND
	109889-04-000	EA ANTENNA - 3" SHAFT EXTENDER - MAGNADYNE RV71EX3

TELEPHONE

KEY	PART NUMBER	U/M DESCRIPTION
	093253-01-01A	EA PLATE - WALL - TELEPHONE - BEIGE
	130686-01-01A	EA PLATE - WALL - TELEPHONE/COAX - WHITE

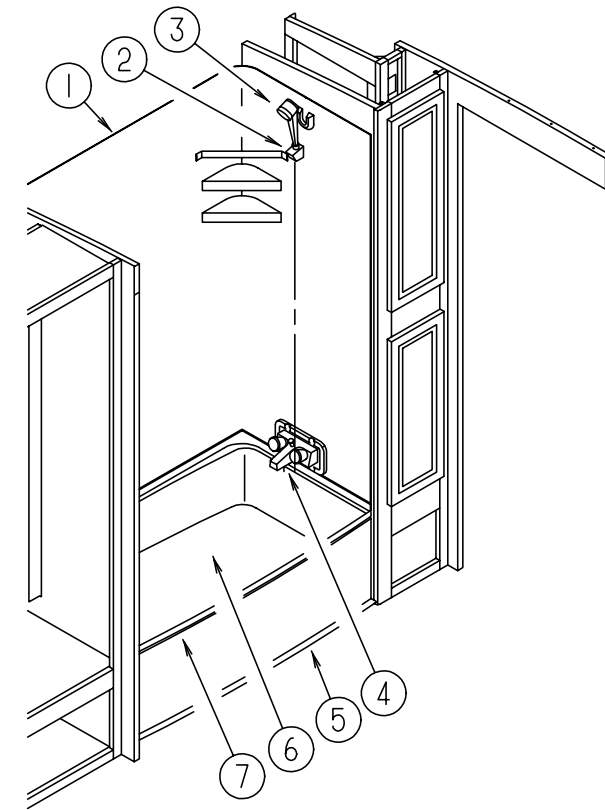
AUDIO VIDEO GROUP (CONTINUED)

TV & VCR SYSTEMS

KEY	PART NUMBER	U/M DESCRIPTION	VENDOR NO.
*	076319-23-000	EA ANTENNA - TV - ROOF MOUNT - 44.5" MAST	
*	120233-01-000	EA ANTENNA - SATELLITE (DISH & HDW) W/O RECEIVER - MANUAL FROM: 00-00-00 THRU: 07-15-98	
*	120233-04-000	EA ANTENNA - SATELLITE - W/DIGITAL SENSOR/READ OUT DISPLAY FROM: 07-16-98 THRU: 99-99-99	
	086231-08-000	EA TV - 13" COLOR - DC - AUDIOVOX	
	086231-08-700	EA REMOTE - UNIVERSAL	8822325
	126696-02-000	EA TV - 19" COLOR W/1/8" JACK - UL/CSA	
	126696-01-700	EA REMOTE	226725
	126697-02-000	EA VCR-VHS - CABLE READY - W/REMOTE	
	126697-02-700	EA REMOTE	238513
	086757-03-000	EA CONTROL CENTER - SWITCH - VCR/TV FROM: 00-00-00 THRU: 11-08-98	
	086757-04-000	EA CONTROL CENTER - SWITCHING - 5 INPUTS FROM: 11-09-98 THRU: 99-99-99	
	115466-06-02B	EA TIEDOWN STRAP - TV - E-COATED STEEL FROM: 00-00-00 THRU: 10-20-98	
	115466-20-02B	EA TIEDOWN STRAP - TV - E-COATED STEEL FROM: 10-21-98 THRU: 99-99-99	
	086777-02-000	EA WALLPLATE - TV CABLE - W/ANTENNA SWITCH - BROWN	
	086777-06-000	EA WALLPLATE - TV CABLE - ANTENNA BOOSTER/1 OUTPUT - BROWN	
	086756-01-000	EA SPLITTER - TV - 2 WAY	
	076319-09-000	EA WALLPLATE - CABLE RECEPTACLE - TV - SINGLE - BROWN	
	076319-08-000	EA WALLPLATE - CABLE RECEPTACLE - TV - SINGLE - IVORY	
	076319-03-000	FT CABLE - COAXIAL - 75 OHM	
	076319-12-000	EA CONNECTOR - COAXIAL - ONE PIECE	
	086231-08-701	EA ADAPTER - WIRE	0891436
	082134-01-000	EA ADAPTER - TV - CABLE TO CABLE	
	098819-01-000	EA SPEAKER - 4" - 2 WATT - 8 OHM	
	082136-01-000	EA NUT - HEX JAM - 3/8-32	
	114870-02-000	EA PLUG - .14" AUDIO W/LEADS	

*COMPONENT PARTS FOUND IN SERVICE PARTS LIBRARY

BATH GROUP

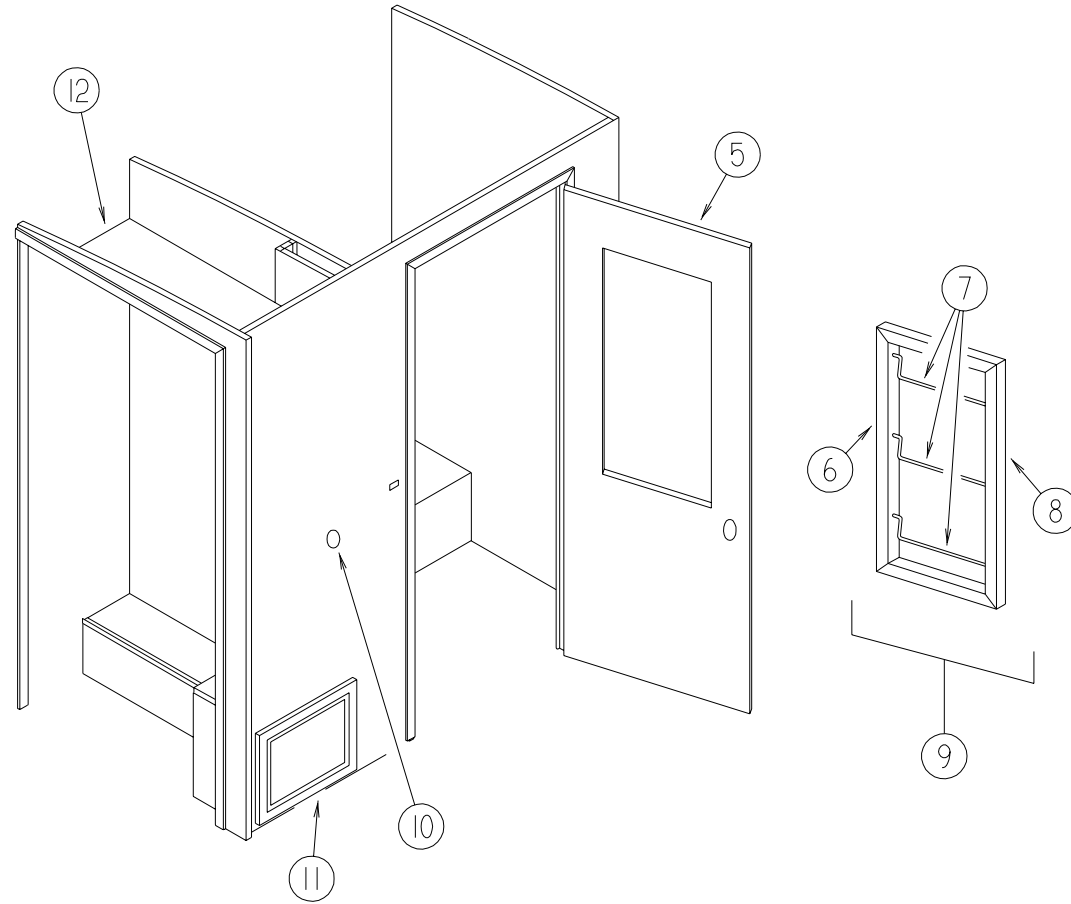
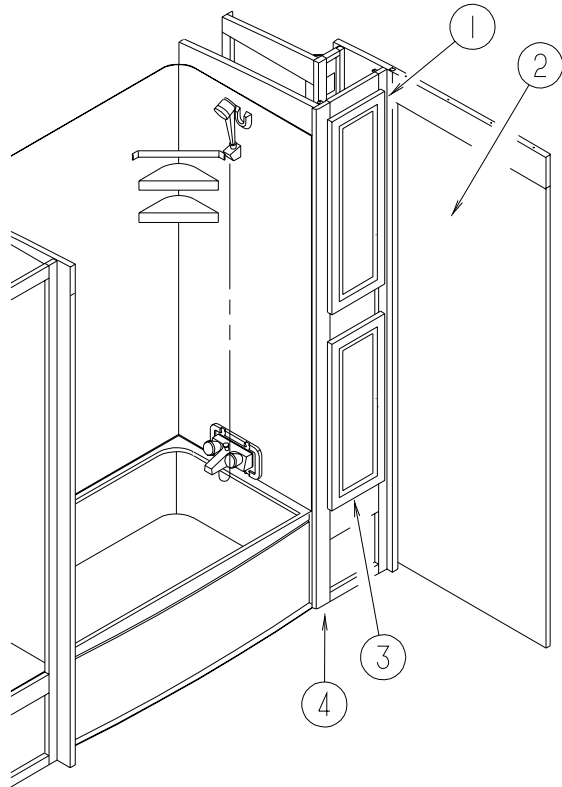


SHOWER CABINET

KEY	PART NUMBER	U/M DESCRIPTION	VENDOR NO.
1	110541-01-01A	EA SURROUND - SHOWER/TUB W/MOLDED ROD BRACKETS	
2	011048-03-700	EA BRACKET - F/SHOWER HEAD	2328029-I
3	131383-01-01A	EA SHOWER HEAD - W/HOSE & BRACKET - 60" - IVORY	
3	131383-02-01A	EA SHOWER HEAD - W/HOSE & BRACKET - 60" - CSA- IVORY	
	103092-01-702	EA SEALS - SPRAY HEAD	24466
4	075242-04-000	EA FAUCET - TUB/SHOWER - BONE	
	075606-01-000	EA PANEL - PLASTIC - FAUCET BACK - 5" X 9"	
5	111035-01-01A	EA PANEL - FILLER - TUB/SHOWER	
6	M02630-33-GV0	EA SHOWER PAN - W/SPRING LOADED DRAIN PLUNGER	
6	M02630-25-E37	EA SHOWER PAN - W/STRAINER/TAIPIECE - CSA	
7	115793-01-01A	EA ANGLE - PLASTIC	
	115011-01-01A	EA SHOWER DOOR - BYPASS W/50" LOWER TRACK	

BATH GROUP (CONTINUED)

LINEN & BATH CABINETS (QUEEN BED)

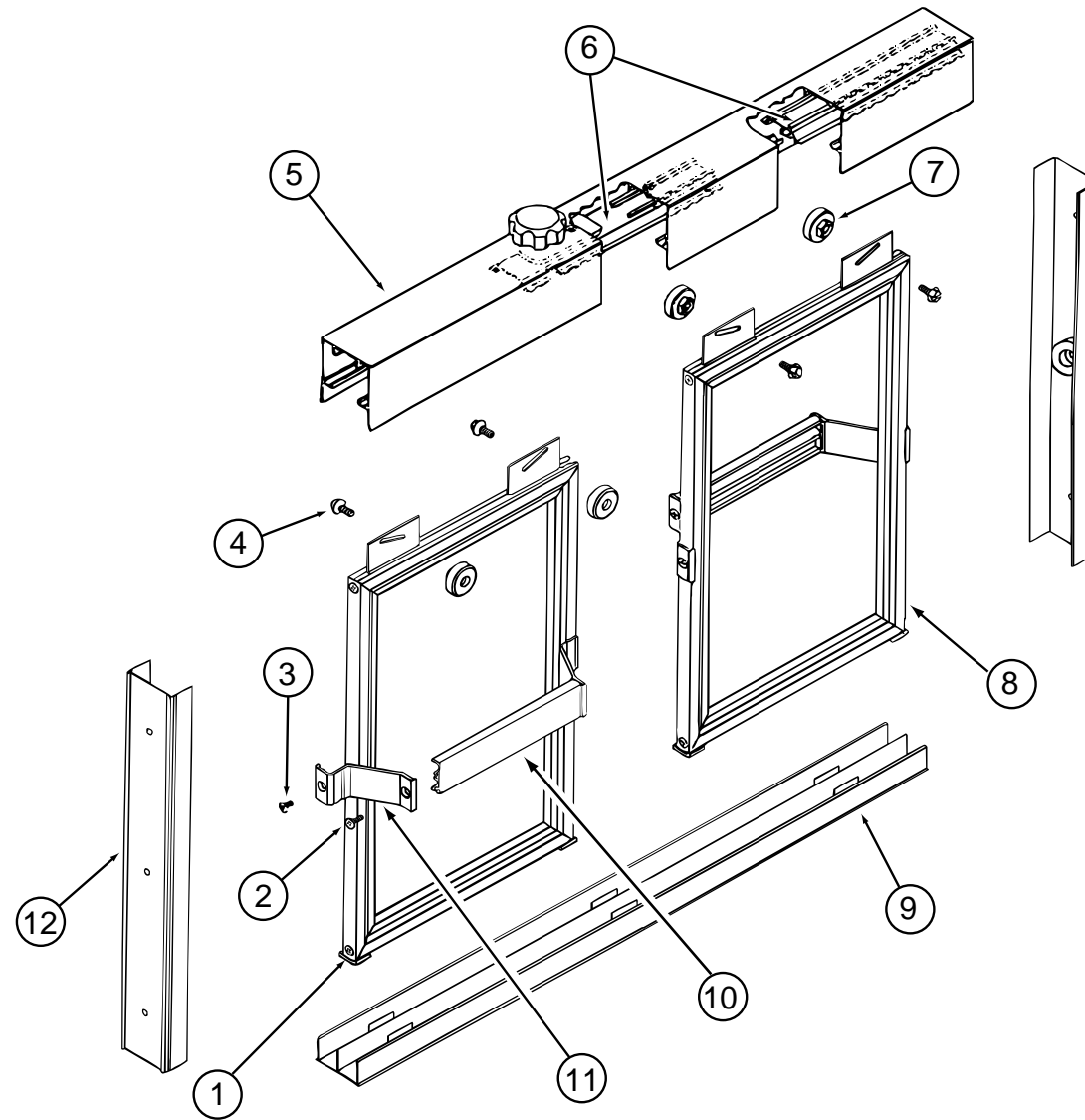


KEY	PART NUMBER	U/M	DESCRIPTION
1	M05992-M2-K28	EA	DOOR - STRAIGHT CORNER 10" X 25.2" - W/O HDW (WATERFORD OAK)
1	M05992-M2-K29	EA	DOOR - STRAIGHT CORNER 10" X 25.2" - W/O HDW (MYSTIC OAK)
2	128967-13-K66	EA	DOOR - BATH (QUEEN BED) (WATERFORD OAK)
2	128967-13-K36	EA	DOOR - BATH (QUEEN BED) (MYSTIC OAK)
	129562-01-000	EA	STOP - DOOR - FOOT OPERATED
3	M05992-05-J20	EA	DOOR - STRAIGHT CORNER 10" X 19.1" - W/O HDW (WATERFORD OAK)
3	M05992-05-K29	EA	DOOR - STRAIGHT CORNER 10" X 19.1" - W/O HDW (MYSTIC OAK)
4	129509-01-K28	EA	CABINET - LINEN - W/O DOORS/HARDWARE (K28, K34)
4	129509-01-K29	EA	CABINET - LINEN - W/O DOORS/HARDWARE (K29, K35)
4	129509-01-K30	EA	CABINET - LINEN - W/O DOORS/HARDWARE (K30)
4	129509-01-K31	EA	CABINET - LINEN - W/O DOORS/HARDWARE (K31)
4	129509-01-K32	EA	CABINET - LINEN - W/O DOORS/HARDWARE (K32)
4	129509-01-K33	EA	CABINET - LINEN - W/O DOORS/HARDWARE (K33)
5	128967-18-K66	EA	DOOR - BATH (WATERFORD OAK)
5	128967-18-K36	EA	DOOR - BATH (MYSTIC OAK)
	102920-01-01A	EA	HINGE/SPRING LOADED - BRASS
	110496-01-01A	EA	HINGE - BRASS
	111155-03-01A	EA	LOCK - PRIVACY/LOCKING - POLISHED BRASS

KEY	PART NUMBER	U/M	DESCRIPTION
6	128967-52-J01	EA	MOLDING/SIDE RAIL - TOWEL BAR RACK - LEFT SIDE (WATERFORD OAK)
6	128967-52-J01	EA	MOLDING/SIDE RAIL - TOWEL BAR RACK - LEFT SIDE (MYSTIC OAK)
7	100357-01-000	EA	ROD - F/TOWEL BAR - BRASS
8	128967-53-J01	EA	MOLDING/SIDE RAIL - TOWEL BAR RACK - RIGHT SIDE (WATERFORD OAK)
8	128967-53-J01	EA	MOLDING/SIDE RAIL - TOWEL BAR RACK - RIGHT SIDE (MYSTIC OAK)
9	128967-51-J01	EA	RACK - TOWEL/BATH DOOR (WATERFORD OAK)
9	128967-51-J01	EA	RACK - TOWEL/BATH DOOR (MYSTIC OAK)
10	120760-01-000	EA	BUMPER - RUBBER - CLEAR
11	M05992-30-K28	EA	DOOR - STRAIGHT CORNER 14.3" X 17.9" - W/O HDW (WATERFORD OAK)
11	M05992-30-K29	EA	DOOR - STRAIGHT CORNER 14.3" X 17.9" - W/O HDW (MYSTIC OAK)
12	129510-12-K70	EA	SHELF - W/PLASTIC EDGE TRIM (K28, K34)
12	129510-12-K29	EA	SHELF - W/PLASTIC EDGE TRIM (K29, K35)
12	129510-12-K68	EA	SHELF - W/PLASTIC EDGE TRIM (K30)
12	129510-12-K31	EA	SHELF - W/PLASTIC EDGE TRIM (K31)
12	129510-12-K32	EA	SHELF - W/PLASTIC EDGE TRIM (K32)
12	129510-12-K33	EA	SHELF - W/PLASTIC EDGE TRIM (K33)

BATH GROUP (CONTINUED)

SHOWER DOOR



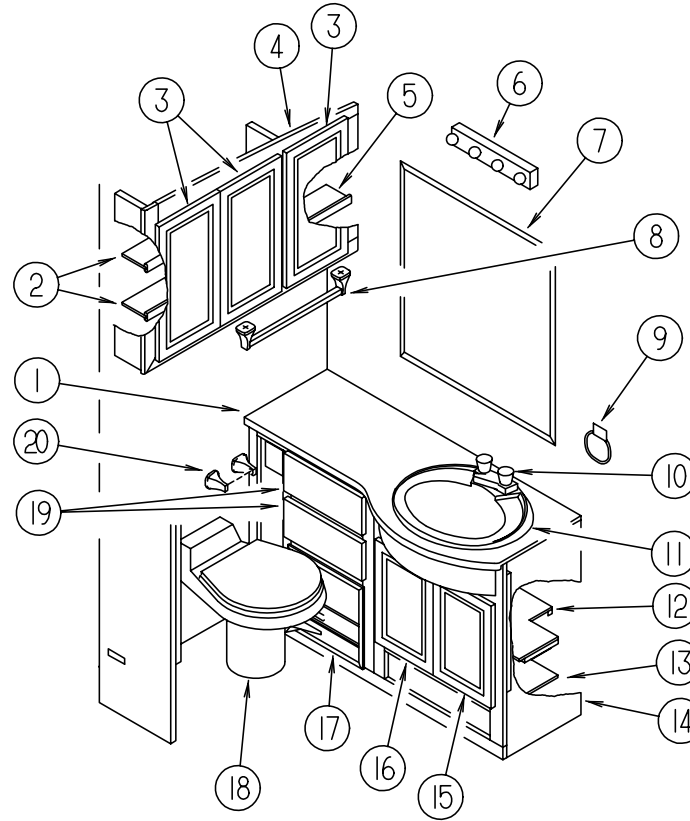
KEY	PART NUMBER	U/M	DESCRIPTION
	115011-01-01A	EA	SHOWER DOOR - BYPASS W/50" LOWER TRACK
1	115011-01-701	EA	GUIDE - NYLON (W-TRACK)
2	115011-01-707	EA	SCREW F/TOWEL BAR
3	115011-01-708	EA	SCREW F/TOWEL BAR BRKTS
4	115011-01-705	EA	SCREW - ROLLER (HEX HEAD)
5	115011-01-700	EA	HEADER - W/O ANTI JUMP GUARD
6	115011-01-710	EA	GUARD - ANTI JUMP
7	115011-01-704	EA	ROLLERS

VENDOR NO.
1104
612F
638F
832HEX
120G
130
PN193

KEY	PART NUMBER	U/M	DESCRIPTION	VENDOR NO.
8	115011-01-706	FT	GLAZING VINYL	C 169
9	115011-01-709	EA	TRACK - BOTTOM - 50"	90
10	115011-01-703	EA	BAR - TOWEL	136
11	115011-01-702	EA	BRACKET - TOWEL BAR	135
12	115011-01-713	EA	JAMB - WALL SHOWER DOOR	126
	115011-01-711	EA	KNOB - TENSION (HEADER W/BOLT)	1420K-1420S
	115011-01-712	EA	BOLT - TENSION (HEADER)	1420S

BATH GROUP (CONTINUED)

BATH CABINETS & COMPONENTS

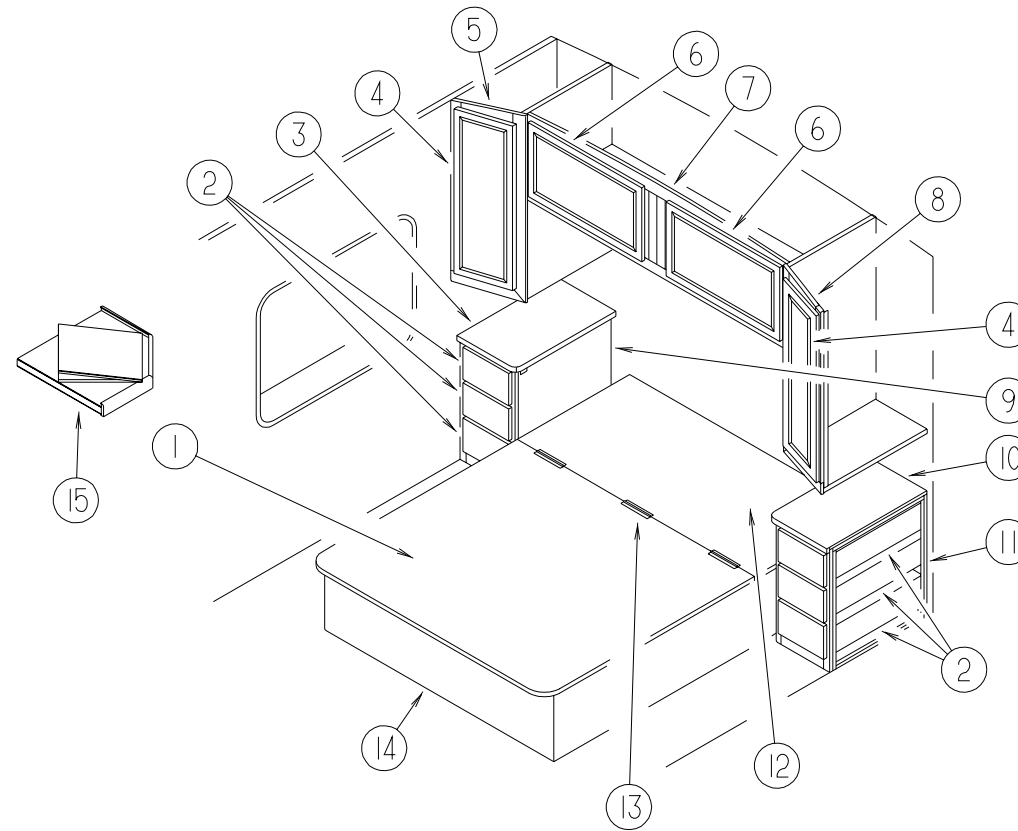


KEY	PART NUMBER	U/M	DESCRIPTION	KEY	PART NUMBER	U/M	DESCRIPTION	
1	128234-14-J26	EA	COUNTERTOP - LAVATORY (K28, K29, K30, K31, K34, K35)	13	128234-13-K29	EA	SHELF - W/PLASTIC EDGE TRIM (MYSTIC OAK)	
1	128234-14-J23	EA	COUNTERTOP - LAVATORY (K32, K33)	13	128234-13-J22	EA	SHELF - W/PLASTIC EDGE TRIM (WATERFORD OAK)	
2	126980-11-K29	EA	SHELF - W/PLASTIC EDGE TRIM (MYSTIC OAK)	14	128234-03-K30	EA	CAB - LAVATORY - W/COUNTERTOP - W/O DOORS/DRAWERS/HDW (K28,K30, K34)	
2	126980-11-J94	EA	SHELF - W/PLASTIC EDGE TRIM (WATERFORD OAK)	14	128234-03-K29	EA	CAB - LAVATORY - W/COUNTERTOP - W/O DOORS/DRAWERS/HDW (K29, K31,K35)	
3	M05992-E0-K29	EA	DOOR - STRAIGHT CORNER 11.4" X 21.8" - W/O HDW (MYSTIC OAK)	14	128234-03-K32	EA	CAB - LAVATORY - W/COUNTERTOP - W/O DOORS/DRAWERS/HDW (K32)	
3	M05992-E0-K28	EA	DOOR - STRAIGHT CORNER 11.4" X 21.8" - W/O HDW (WATERFORD OAK)	14	128234-03-K33	EA	CAB - LAVATORY - W/COUNTERTOP - W/O DOORS/DRAWERS/HDW (K33)	
4	126980-01-J90	EA	CABINET - OVERHEAD/BATH - W/O DOORS/HARDWARE (MYSTIC OAK)	15	M05992-AH-K29	EA	DOOR - STRAIGHT CORNER 10.8" X 16.5" - W/O HDW (MYSTIC OAK)	
4	126980-01-J94	EA	CABINET - OVERHEAD/BATH - W/O DOORS/HARDWARE (WATERFORD OAK)	15	M05992-AH-K28	EA	DOOR - STRAIGHT CORNER 10.8" X 16.5" - W/O HDW (WATERFORD OAK)	
5	126980-12-K29	EA	SHELF - W/PLASTIC EDGE MOLDING (MYSTIC OAK)	16	M05992-Z5-K29	EA	DOOR - STRAIGHT CORNER 10.8" X 21.8" - W/O HDW (MYSTIC OAK)	
5	126980-12-J94	EA	SHELF - W/PLASTIC EDGE MOLDING (WATERFORD OAK)	16	M05992-Z5-K28	EA	DOOR - STRAIGHT CORNER 10.8" X 21.8" - W/O HDW (WATERFORD OAK)	
6	110235-02-01A	EA	LIGHT - MAKE UP - 4 BULB PANLESS	17	097208-07-K29	EA	MAGAZINE RACK (MYSTIC OAK)	
7	058331-51-000	EA	MIRROR - SAFETY GLASS - 25.9" X 40"				FROM: 00-00-00 THRU: 04-01-99	
8	075453-02-000	EA	BAR - TOWEL - 18" BRASS	131096-02-K29	EA	WALL POCKET - MAGAZINE RACK (MYSTIC OAK)	FROM: 04-02-99 THRU: 99-99-99	
9	075454-02-000	EA	RING - TOWEL - W/MOUNTING HARDWARE - BRASS				FROM: 00-00-00 THRU: 12-13-98	
	132046-01-01A	EA	RING - TOWEL - BRASS/METAL	17	097208-07-J22	EA	MAGAZINE RACK (WATERFORD OAK)	FROM: 00-00-00 THRU: 04-01-99
			FROM: 12-14-98 THRU: 99-99-99				FROM: 04-02-99 THRU: 99-99-99	
10	075240-06-000	EA	FAUCET - LAVATORY - BONE	131096-02-K16	EA	WALL POCKET - MAGAZINE RACK (WATERFORD OAK)	FROM: 00-00-00 THRU: 04-01-99	
	105218-01-01A	EA	SPACER - FAUCET/LAVATORY SINK - 2" X 5.9" - ABS PLASTIC				FROM: 04-02-99 THRU: 99-99-99	
11	105921-01-01A	EA	SINK - LAVATORY - LARGE/OVAL - 17" X 20" PLASTIC/OFF WHITE	18*	085330-06-000	EA	TOILET - STANDARD CHINA W/SPRAYER - BONE	
	106116-01-01A	EA	STRAINER - SINK - W/STOPPER/TAILPIECE/GASKET & NUT - PLASTIC	19	M05971-65-K29	EA	DRAWER - OGEE EDGE - 12.2"W X 11.8"D - W/O SLIDES/HDW (MYSTIC OAK)	
12	128234-12-K29	EA	SHELF - W/PLASTIC EDGE TRIM (MYSTIC OAK)	19	M05971-65-K28	EA	DRAWER - OGEE EDGE - 12.2"W X 11.8"D - W/O SLIDES/HDW (WATERFORD OAK)	
12	128234-12-J22	EA	SHELF - W/PLASTIC EDGE TRIM (WATERFORD OAK)	20	075452-02-000	EA	HOLDER - TOILET TISSUE - BRASS	

*COMPONENT PARTS FOUND IN SERVICE PARTS LIBRARY

BEDROOM GROUP

QUEEN BEDROOM CABINETS

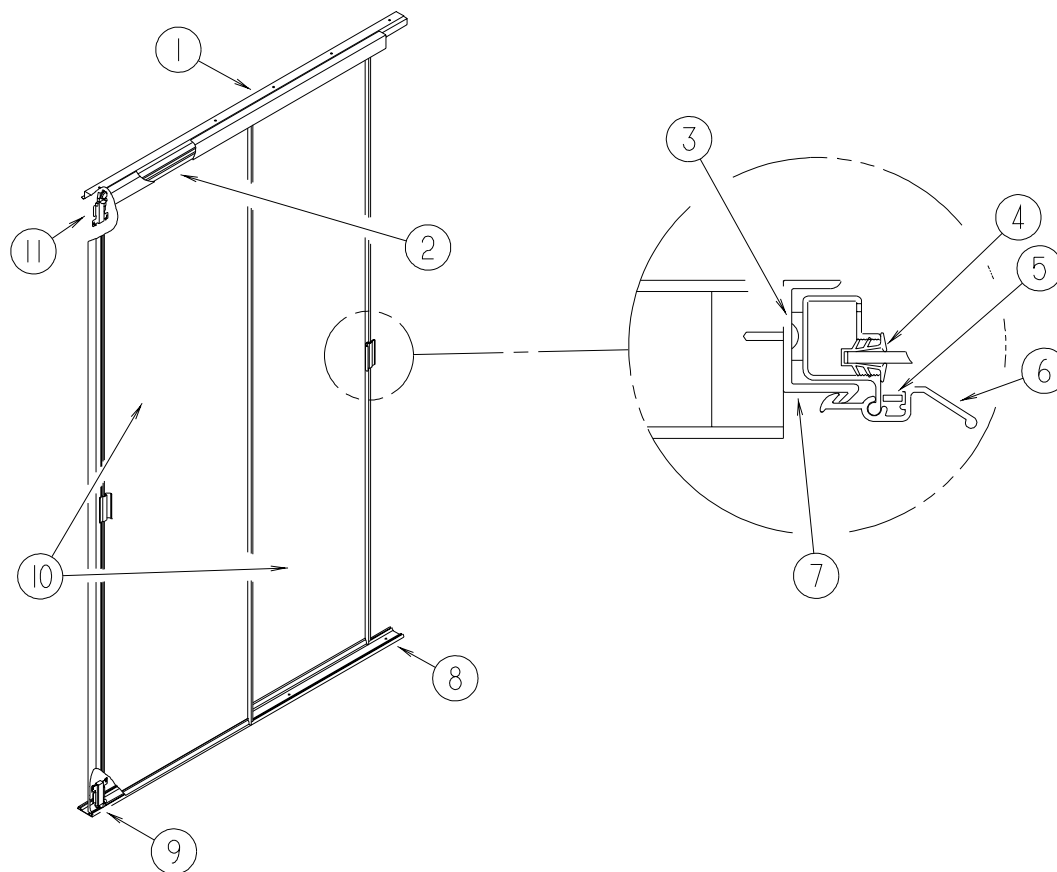


KEY	PART NUMBER	U/M	DESCRIPTION
1	M08093-05-K28	EA	TOP - QUEEN BED - W/O HARDWARE
2	M09316-14-K29	EA	DRAWER 10.7"W X 19.7"D - W/O SLIDES/HARDWARE (MYSTIC OAK)
2	M09316-14-K28	EA	DRAWER 10.7"W X 19.7"D - W/O SLIDES/HDW (WATERFORD OAK)
3	129251-19-K28	EA	COUNTERTOP - NIGHTSTAND (K28, K29, K30, K31, K34, K35)
3	129251-19-K32	EA	COUNTERTOP - NIGHTSTAND (K32, K33)
4	M06803-R5-K29	EA	DOOR - MIRROR/MTRD CRNR 14.3" X 36.4" - W/O HDW (MYSTIC OAK)
4	M06803-R5-K28	EA	DOOR - MIRROR/MTRD CRNR 14.3" X 36.4" - W/O HDW (WATERFORD OAK)
5	116142-01-J90	EA	CABINET - SHIRT CLOSET/RIGHT HAND - W/O DOOR/HDW (MYSTIC OAK)
5	116142-01-G35	EA	CABINET - SHIRT CLOSET/RIGHT HAND - W/O DOOR/HDW (WATERFORD OAK)
6	M05992-48-K29	EA	DOOR - STRAIGHT CORNER 15.7" X 27.9" - W/O HDW (MYSTIC OAK)
6	M05992-48-J20	EA	DOOR - STRAIGHT CORNER 15.7" X 27.9" - W/O HDW (WATERFORD OAK)
7	106523-01-J90	EA	CABINET - OVERHEAD REAR - W/O DOORS/HARDWARE (MYSTIC OAK)
7	106523-01-G09	EA	CABINET - OVERHEAD REAR - W/O DOORS/HARDWARE (WATERFORD OAK)
8	116142-02-J90	EA	CABINET - SHIRT CLOSET/LEFT HAND - W/O DOOR/HDW (MYSTIC OAK)
8	116142-02-J22	EA	CABINET - SHIRT CLOSET/LEFT HAND - W/O DOOR/HDW (WATERFORD OAK)
9	129251-07-K28	EA	CABINET - NIGHTSTAND/RH - W/CTRTP -W/O DRAWERS/ HDW (K28, K30, K34)
9	129251-07-K29	EA	CABINET - NIGHTSTAND/RH - W/CTRTP -W/O DRAWERS/ HDW (K29, K31, K35)
9	129251-07-K32	EA	CABINET - NIGHTSTAND/RH - W/CTRTP -W/O DRAWERS/ HDW (K32)
9	129251-07-K33	EA	CABINET - NIGHTSTAND/RH - W/CTRTP -W/O DRAWERS/ HDW (K33)

KEY	PART NUMBER	U/M	DESCRIPTION
10	129251-20-K28	EA	COUNTERTOP - NIGHTSTAND (K28, K29, K30, K31, K34, K35)
10	129251-20-K32	EA	COUNTERTOP - NIGHTSTAND (K32, K33)
11	129251-08-K28	EA	CABINET - NIGHTSTAND/LH - W/CTRTP -W/O DRAWERS/ HDW (K28, K30, K34)
11	129251-08-K29	EA	CABINET - NIGHTSTAND/LH - W/CTRTP -W/O DRAWERS/ HDW (K29, K31, K35)
11	129251-08-K32	EA	CABINET - NIGHTSTAND/LH - W/COUNTERTOP -W/O DRAWERS/ HDW (K32)
11	129251-08-K33	EA	CABINET - NIGHTSTAND/LH - W/COUNTERTOP -W/O DRAWERS/ HDW (K33)
12	M08093-06-000	EA	TOP - QUEEN BED - W/O HARDWARE
13	041389-25-000	EA	HINGE - PIANO - 1.50" X 55"
14	P29654-02-K29	EA	CABINET - BASE - QUEEN BED (MYSTIC OAK)
14	P29654-02-K28	EA	CABINET - BASE - QUEEN BED (WATERFORD OAK)
15	127486-02-J94	EA	SHELF - TV - W/BRASS POST ENDS & RODS (MYSTIC OAK)
15	127486-02-J94	EA	SHELF - TV - W/BRASS POST ENDS & RODS (WATERFORD OAK)
	107796-06-000	EA	SPRING/GAS - 12" COMPRESSED/20" EXTENDED - 120 LB.
	126263-06-02B	EA	BRACKET - GAS SPRING - E-COATED (UPPER)
	126263-08-02B	EA	BRACKET - GAS SPRING - LOWER - E-COATED
	097872-04-000	EA	DOWEL - WOOD - 1" DIAMETER X 1.38" LONG
	091952-01-000	EA	CLIP - GRIPPER - 1"

BEDROOM GROUP (CONTINUED)

QUEEN BED WARDROBE DOOR

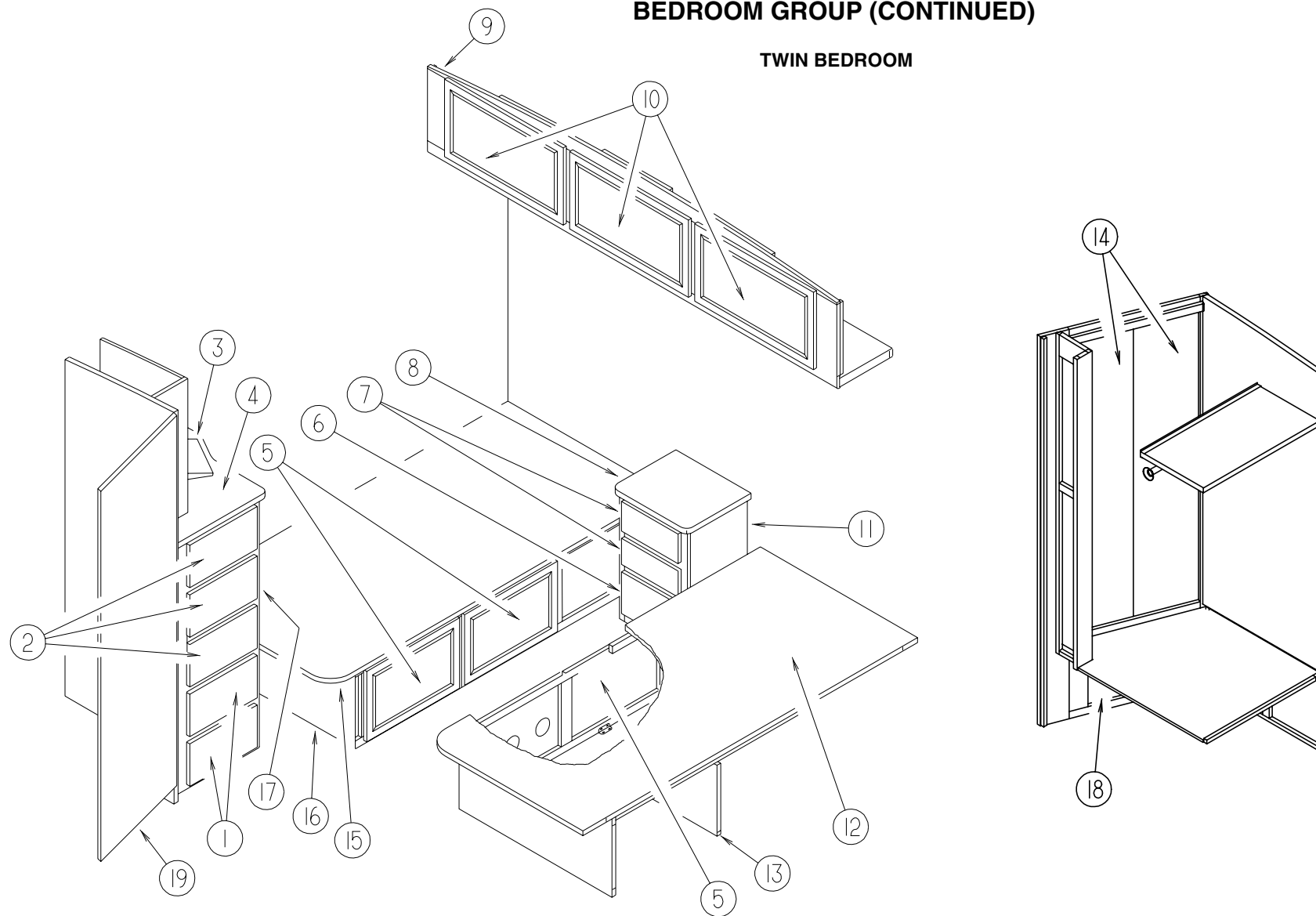


KEY	PART NUMBER	U/M	DESCRIPTION
1	114106-16-01A	EA	TRACK - DOOR - SLIDING - UPPER, TERRA
2	114107-12-01A	EA	RAIL - DOOR - SLIDING TERRATONE
3	123655-01-000	FT	SEAL - CLOSED CELL/FOAM
4	111575-01-01A	FT	CHANNEL - GLAZING - SWING DOOR
5	115541-01-000	EA	SPRING - DOOR - SLIDING

KEY	PART NUMBER	U/M	DESCRIPTION
6	128587-01-01A	EA	LATCH - WARDROBE DOOR - W/O SPRING FROM: 00-00-00 THRU: 02-07-99
6	132038-01-01A	EA	LATCH - DOOR/WARDROBE - TERRATONE FROM: 02-08-99 THRU: 99-99-99
7	115538-03-01A	EA	JAMB - DOOR - WARDROBE/MIRRORED
8	114105-16-01A	EA	TRACK - LOWER SLIDING DOOR - 36.6"
9	107391-01-000	EA	GUIDE - BOTTOM - BY-PASS (4 USED PER DOOR)
10	114149-17-J22	EA	DOOR - MIRRORED/WARDROBE
11	107390-01-000	EA	CORNER HANGER (SINGLE ROLLER W/BRACKET) (SOLD AS 1 EACH)

BEDROOM GROUP (CONTINUED)

TWIN BEDROOM

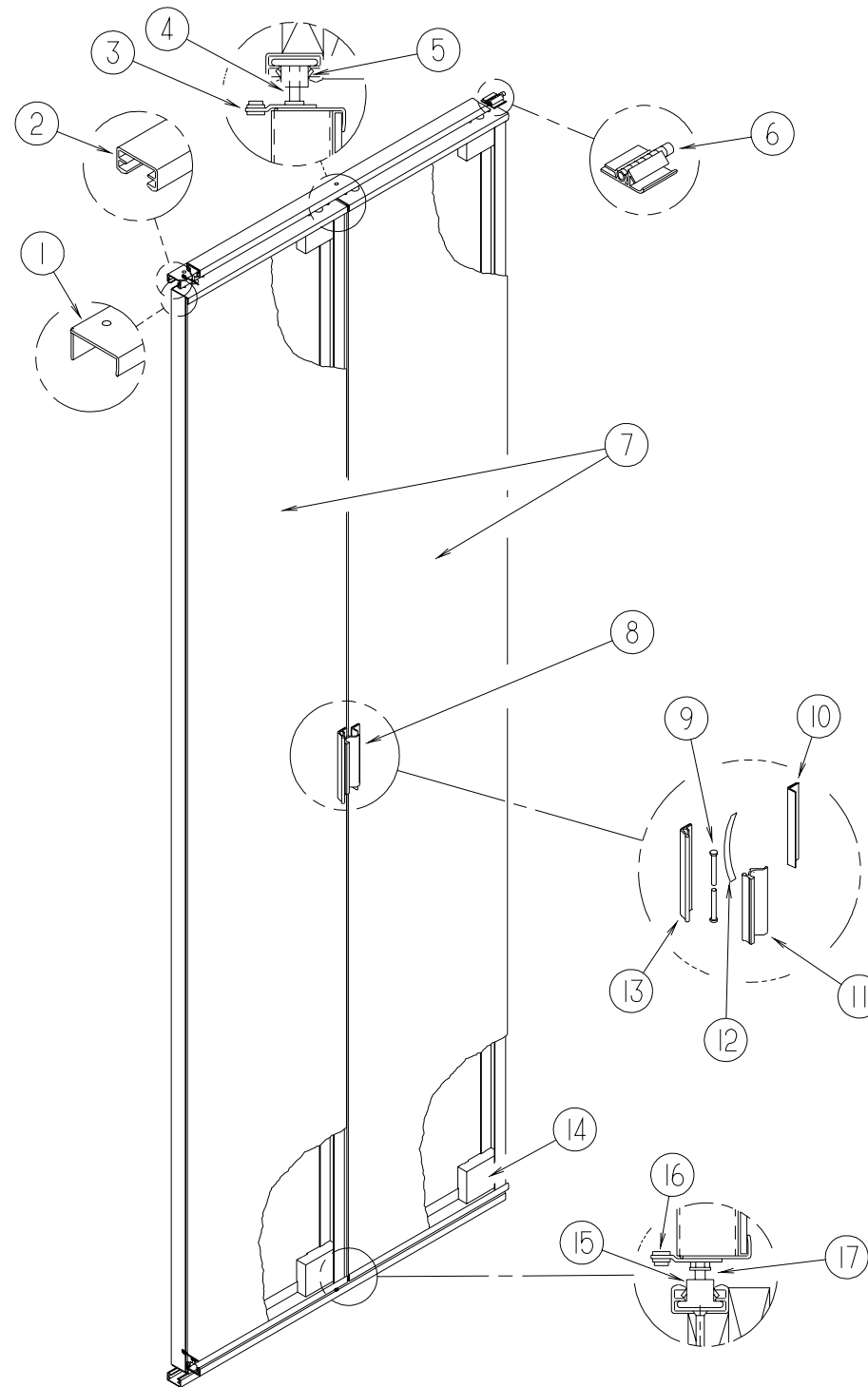


KEY	PART NUMBER	U/M	DESCRIPTION
1	M05971-HJ-K29	EA	DRAWER 14.8"W X 13.8"D - W/O SLIDES/HARDWARE (MYSTIC OAK)
1	M05971-HJ-K28	EA	DRAWER 14.8"W X 13.8"D - W/O SLIDES/HARDWARE (WATERFORD OAK)
2	M05971-HK-K29	EA	DRAWER 14.8"W X 15.8"D - W/O SLIDES/HARDWARE (MYSTIC OAK)
2	M05971-HK-K28	EA	DRAWER 14.8"W X 15.8"D - W/O SLIDES/HARDWARE (WATERFORD OAK)
3	127631-12-J94	EA	SHELF - W/WEDGE (WATERFORD OAK)
3	127631-12-J90	EA	SHELF - W/WEDGE (MYSTIC OAK)
4	127631-15-J61	EA	CTRTP- CHEST DRAWERS - TWIN - RIGHT HAND (K28, K29, K30, K31, K34, K35)
4	127631-15-J62	EA	CTRTP - CHEST DRAWERS - TWIN - RIGHT HAND (K32, K33)
5	M05992-14-K29	EA	DOOR - STRAIGHT CORNER- 12" X 21.8" - W/O HDW (MYSTIC OAK)
5	M05992-14-J20	EA	DOOR - STRAIGHT CORNER 12" X 21.8" - W/O HDW (WATERFORD OAK)
6	M09316-12-K29	EA	DRAWER 13.5"W X 11.8"D - W/O SLIDES/HARDWARE (MYSTIC OAK)
6	M09316-12-K28	EA	DRAWER 13.5"W X 11.8"D - W/O SLIDES/HARDWARE (WATERFORD OAK)
7	M09316-13-K29	EA	DRAWER 13.5"W X 11.8"D - W/O SLIDES/HARDWARE (MYSTIC OAK)
7	M09316-13-K28	EA	DRAWER 13.5"W X 11.8"D - W/O SLIDES/HARDWARE (WATERFORD OAK)
8	129653-11-K28	EA	COUNTERTOP - NIGHTSTAND (K28, K29, K30, K31, K34, K35)
8	104507-11-K32	EA	COUNTERTOP - NIGHTSTAND (K32, K33)
9	116187-01-K29	EA	CABINET - OVHD/REAR - W/O DOORS/HDW - F/TWIN BED (MYSTIC OAK)
9	116187-01-K16	EA	CABINET - OVHD/REAR - W/O DOORS/HDW - F/TWIN BED (WATERFORD OAK)
10	M05992-48-K29	EA	DOOR - STRAIGHT CORNER 15.7" X 27.9" - W/O HDW (MYSTIC OAK)
10	M05992-48-J20	EA	DOOR - STRAIGHT CORNER 15.7" X 27.9" - W/O HDW (WATERFORD OAK)

KEY	PART NUMBER	U/M	DESCRIPTION
11	129653-01-K28	EA	CABINET - NIGHTSTAND - W/COUNTERTOP - W/O DRAWERS/HDW (K28, K30, K34)
11	129653-01-K29	EA	CABINET - NIGHTSTAND - W/COUNTERTOP - W/O DRAWERS/HDW (K29, K31, K35)
11	129653-01-K32	EA	CABINET - NIGHTSTAND - W/COUNTERTOP - W/O DRAWERS/HDW (K32)
11	129653-01-K33	EA	CABINET - NIGHTSTAND - W/COUNTERTOP - W/O DRAWERS/HDW (K33)
12	M08754-01-000	EA	TOP - TWIN BED/LEFT HAND - W/O HARDWARE
13	P26435-02-K29	EA	CABINET - BASE/TWIN BED - LEFT HAND - W/O DOORS/HDW (MYSTIC OAK)
13	P26435-02-K28	EA	CABINET - BASE/TWIN BED - LEFT HAND - W/O DOORS/HDW (WATERFORD OAK)
14	113970-07-J60	EA	DOOR - BIFOLD/MIRRORED
15	M08754-02-000	EA	TOP - TWIN BED/RIGHT HAND - W/O HARDWARE
16	P26436-01-K29	EA	CABINET - BASE/TWIN BED - RIGHT HAND - W/O DOORS/HDW (MYSTIC OAK)
16	P26436-01-J22	EA	CABINET - BASE/TWIN BED - RIGHT HAND - W/O DOORS/HDW(WATERFORD OAK)
17	127631-01-J26	EA	DRAWERS - TWIN BED/RH - W/CTRTP - W/O DRAWERS/HDW (K28, K30, K34)
17	127631-01-K36	EA	DRAWERS - TWIN BED/RH - W/CTRTP - W/O DRAWERS/HDW (K29, K31, K35)
17	127631-01-K32	EA	DRAWERS - TWIN BED/RH - W/CTRTP - W/O DRAWERS/HDW (K32)
17	127631-01-K38	EA	DRAWERS - TWIN BED/RH - W/CTRTP - W/O DRAWERS/HDW (K33)
18	M05992-L2-K29	EA	DOOR - STRAIGHT CORNER 14.3" X 17.9" - W/O HDW (MYSTIC OAK)
18	M05992-L2-J20	EA	DOOR - STRAIGHT CORNER 14.3" X 17.9" - W/O HDW (WATERFORD OAK)
19	128967-19-K66	EA	DOOR - BATH (WATERFORD OAK)
19	128967-19-K36	EA	DOOR - BATH (MYSTIC OAK)

BEDROOM GROUP (CONTINUED)

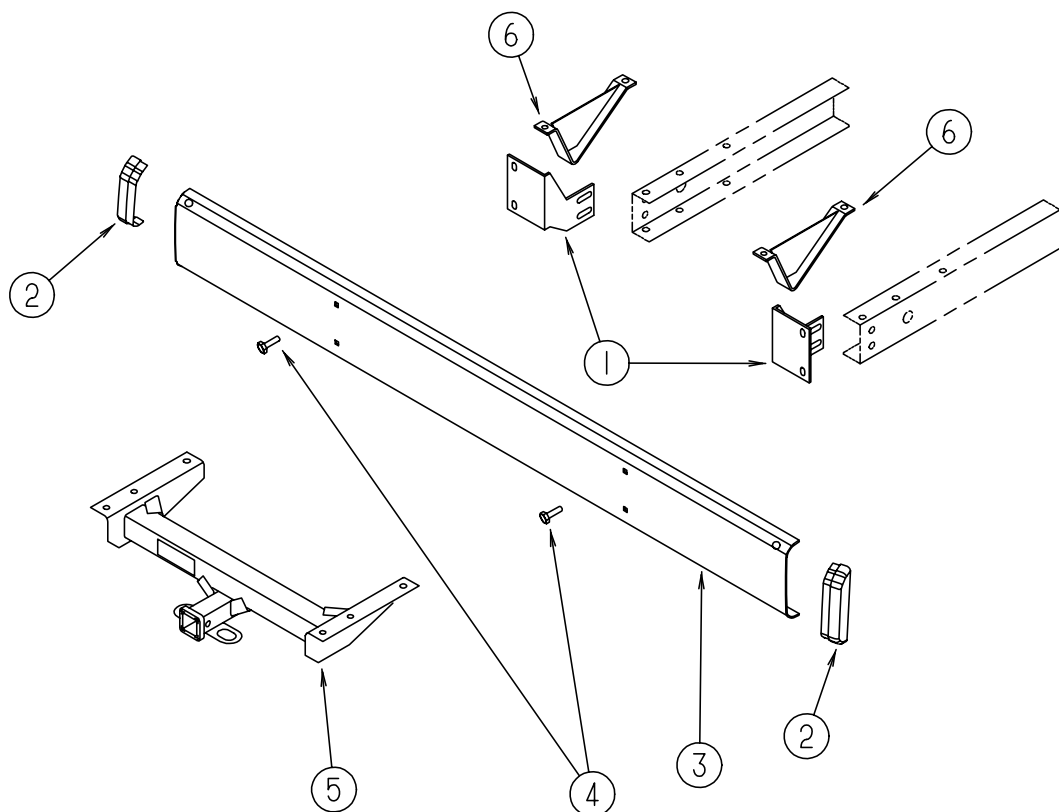
TWIN BED WARDROBE DOOR



KEY	PART NUMBER	U/M	DESCRIPTION
	113970-07-J60	EA	DOOR - BIFOLD/MIRRORED
1	113975-07-01A	EA	RAIL - DOOR - BIFOLD - TERRATONE
2	113974-08-01A	EA	TRACK - DOOR - BIFOLD - TERRATONE
3	110246-01-01A	EA	HINGE - DOOR
4	114135-01-000	EA	PIVOT - TOP
5	114137-01-000	EA	WHEEL - GUIDE
6	114783-01-000	EA	SPRING - DOOR - SNUGGER
7	058331-H2-000	EA	MIRROR - SAFETY GLASS - 11.6" X 57.9"
8	110106-01-HQ0	EA	LATCH ASSEMBLY COMPLETE

KEY	PART NUMBER	U/M	DESCRIPTION
9	113007-03-000	EA	PIN - SPRING - .188" X .50"
10	110346-01-04A	EA	ANGLE - CATCH - TERRATONE
11	110108-01-04A	EA	LATCH - DOOR - TERRATONE
12	111564-01-000	EA	SPRING - LATCH - FLAT
13	110107-01-04A	EA	PULL - DOOR - TERRATONE
14	110245-01-01A	EA	CORNER CONNECTOR - F/BI-FOLD DOOR
15	114136-01-000	EA	BRACKET - PIVOT - TRACK
16	110246-01-01A	EA	HINGE - DOOR
17	114135-02-000	EA	PIVOT - BOTTOM

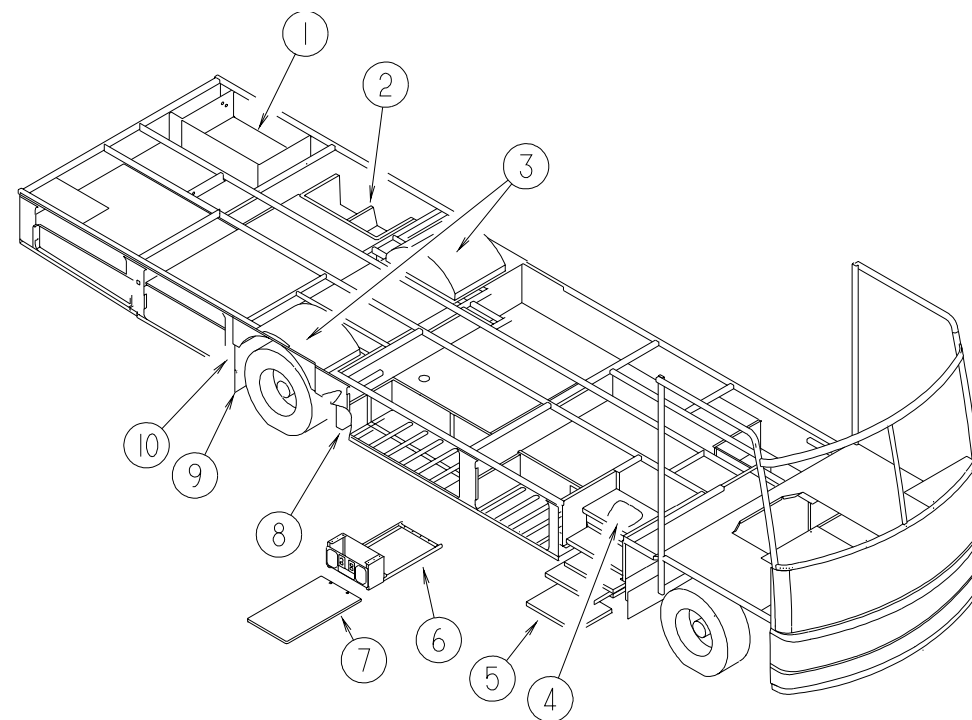
CHASSIS GROUP



REAR BUMPER & COMPONENTS

KEY	PART NUMBER	U/M	DESCRIPTION
1	104418-07-000	EA	ANGLE - BUMPER REAR SUPPORT
2	103228-01-05A	EA	END CAP - REAR BUMPER - DRIVER/ PASSENGER SIDE
3	103099-10-02A	EA	BUMPER - REAR - BRIGHT WHITE
4	102333-01-05A	EA	BOLT - CARRIAGE - 7/16 - 14 STAINLESS STEEL CAP
5	130339-02-000	EA	HITCH RECEIVER - BOLT ON CLASS III
6	111742-01-000	EA	PLATE - SKID
	113589-01-000	EA	CONNECTOR - PLUG - TRAILER
	113589-02-000	EA	CONNECTOR - SOCKET - TRAILER
	113588-01-01B	EA	BRACKET - CONNECTOR - TRAILER W/LIP

CHASSIS GROUP (CONTINUED)

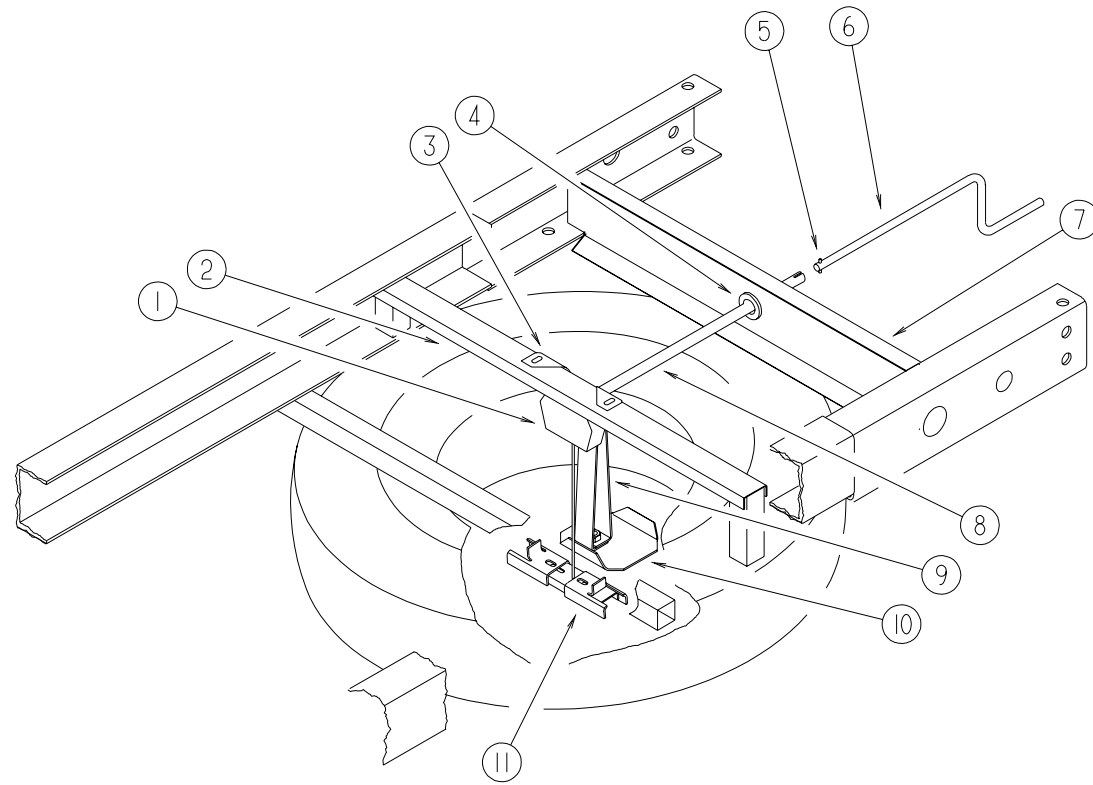


COMPARTMENTS & TRAYS

KEY	PART NUMBER	U/M	DESCRIPTION
1	104803-01-000	EA	ANGLE - FORMED W/SLOTS
2	126419-01-J60	EA	COMPARTMENT - DRAINAGE
2	M08628-01-H17	EA	HATCH W/FOAM INSERT
	121175-02-01A	EA	LATCH - SWELL
3	055374-01-000	EA	WHEELWELL - PLASTIC
			FROM: 00-00-00 THRU: 01-05-99
3	131365-01-000	EA	WHEELWELL - PLASTIC
			FROM: 01-06-99 THRU: 99-99-99
4	120234-03-H13	EA	LID - ENTRY STEP
4	101222-01-04A	EA	BRACKET - CATCH - LID - E-COATED
5*	094707-01-01A	EA	STEP - DOUBLE - ELECTRIC - KWIKEE
			FROM: 00-00-00 THRU: 01-13-99
5*	094707-03-01A	EA	STEP - DOUBLE - ELECTRIC - KWIKEE
			FROM: 01-14-99 THRU: 99-99-99
	116995-01-000	EA	SWITCH/MAGNET - ELECTRIC STEP
			FROM: 00-00-00 THRU: 01-13-99
	116995-02-000	EA	SWITCH/MAGNET - ELECTRIC STEP
			FROM: 01-14-99 THRU: 99-99-99
6	126119-02-02B	EA	FRAME - ENTERTAINMENT CENTER - E-COATED
7	126125-01-K30	EA	TABLE - ENTERTAINMENT CENTER
8	020167-03-000	EA	DIRT GUARD - STEEL - 11" LONG
9	017516-01-000	EA	FLAP - MUD - 14" X 18" - BLACK
10	020167-08-000	EA	DIRT GUARD - STEEL - 13.6" LONG
	065450-05-000	EA	TIEDOWN - BATTERY - 8.4" TUBE
	126123-01-K30	EA	PLATE - RADIO MOUNTING
	119845-01-01A	EA	PLUG - PLASTIC - BLACK - 1 1/2" SQUARE

*COMPONENT PARTS FOUND IN SERVICE PARTS LIBRARY

CHASSIS GROUP (CONTINUED)



SPARE TIRE & HOIST

KEY	PART NUMBER	U/M DESCRIPTION
1	093267-03-000	EA HOIST - SPARE TIRE - 100#
2	093362-06-000	EA CHANNEL - TIRE HOIST
3	124751-01-02B	EA HANGER - SPARE TIRE - E-COATED
4	071015-11-000	EA GROMMET - 1" ID
5	114376-01-000	EA PIN - DRIVE - .156 X .750 - TYPE E - TIRE HOIST
6	093376-02-000	EA HANDLE - CRANK - TIRE HOIST
7	129006-01-02B	EA SUPPORT/FRAME - TIRE CARRIER HANDLE (FORD)
7	129006-02-02B	EA SUPPORT/FRAME - TIRE CARRIER HANDLE (CHEVY)
8	093375-06-000	EA EXTENSION - TIRE HOIST
9	129086-01-02B	EA SUPPORT - SPARE TIRE
10	129085-01-02B	EA PLATE - SUPPORT - SPARE TIRE
11	105499-01-000	EA BRACKET - TIRE HOIST
	077030-02-000	EA EXTENSION - VALVE STEM - 1.25"
	077030-05-000	EA EXTENSION - VALVE STEM - 95 DEGREE
	077030-06-000	EA EXTENSION - VALVE STEM - 45 DEGREE
	095012-10-000	EA EXTENSION - VALVE STEM - 8.5"

CHASSIS GROUP (CONTINUED)

FORD TIRE & WHEEL

KEY	PART NUMBER	U/M DESCRIPTION
	051377-04-000	EA VALVE STEM .5" X 2"
	102340-04-000	EA TIRE - 245/70R X 19.5F - GOODYEAR
	118814-04-700	EA WHEEL/TAKE OFF (19.5X6.75RW) 8 BOLT ACCURIDE F53

CHEVY TIRE & WHEEL

KEY	PART NUMBER	U/M DESCRIPTION
	051377-01-000	EA VALVE STEM
	064963-01-000	EA WHEEL - STEEL - 19.5" X 6" - GM 14005758
	091673-01-000	EA TIRE - 225/70 R19.5 LRF - MICHELIN XZA
	080208-06-000	EA LUG WRENCH - 1" X 1.06" W/DEEP SOCKET ENDS
	080208-02-000	EA BAR - LEVERAGE - LUG WRENCH

CHEVY DRIVESHAFT

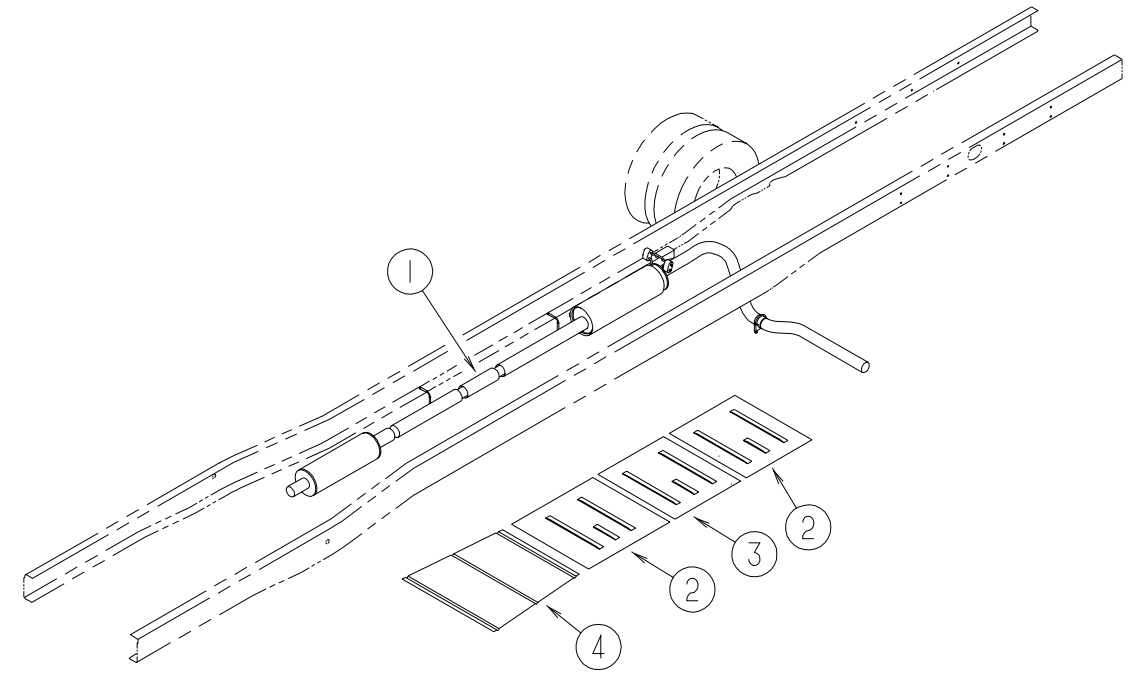
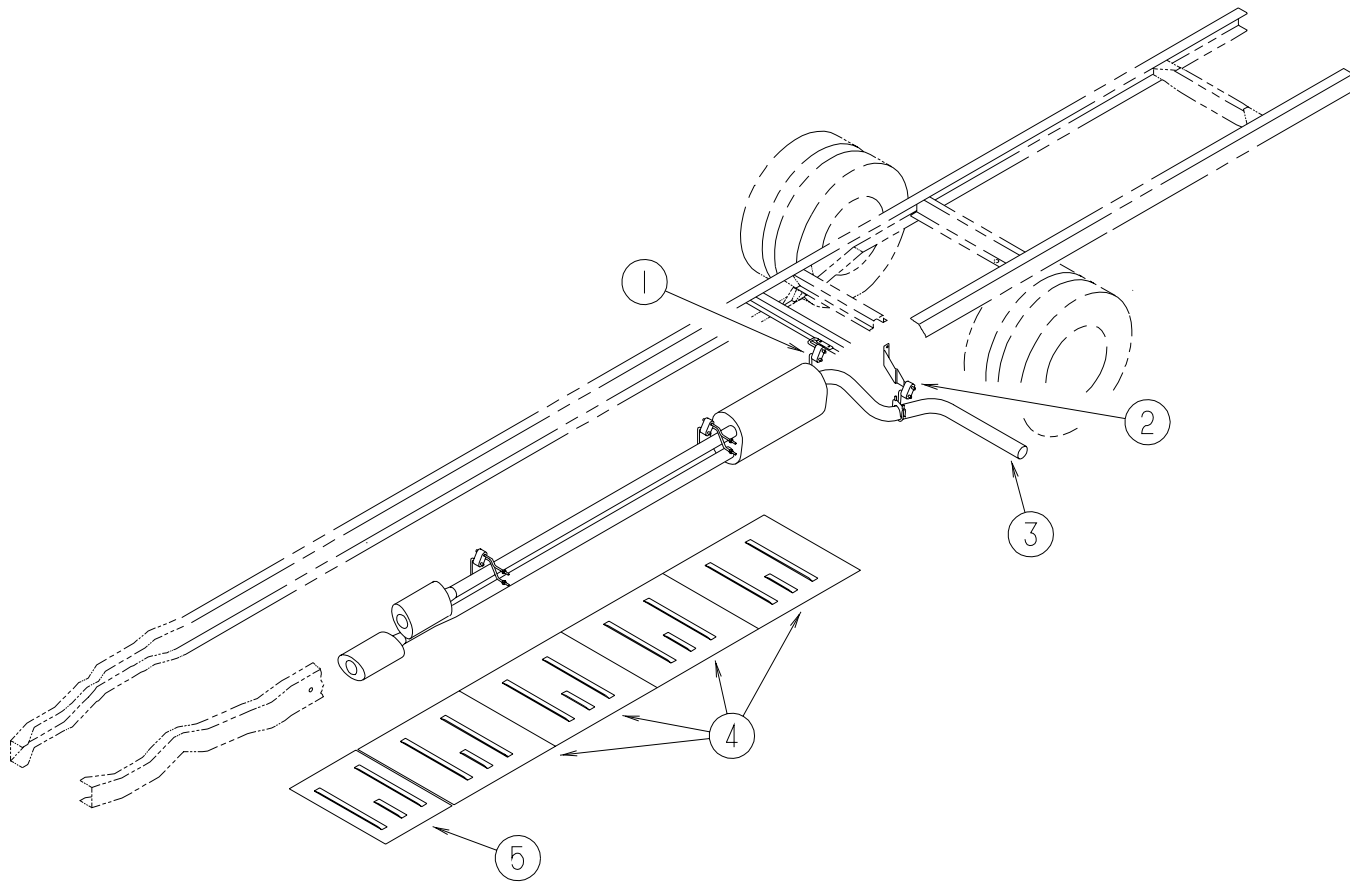
KEY	PART NUMBER	U/M DESCRIPTION
	075302-29-000	EA DRIVESHAFT ASSEMBLY - 3 PIECES BALANCED - CHEVY 216" FROM: 00-00-00 THRU: 10-02-98
	M75302-17-000	EA DRIVESHAFT - YOKE/BEARING/SPLINE
	M75302-31-000	EA DRIVESHAFT - SPLINE/YOKE/YOKE
	M75302-28-000	EA DRIVESHAFT ASM-YOKE/YOKE/BRG - *TAKEOFF
	075302-16-000	EA DRIVESHAFT ASSEMBLY - YOKE/YOKE/BEARING - 46.72"
	083415-01-000	EA SHIELD - HEAT - DRIVESHAFT BEARING - 4" X 5.5" - STEEL
	129580-01-000	EA DRIVESHAFT - BALANCED - F53 - 216"
	074833-04-000	EA SPACER - BEARING - DRIVESHAFT - 8" X 2" STEEL
	P29577-04-000	EA DRIVESHAFT ASM-FLG/BRG/YOKE - *99 F53 208

HYDRAULIC SLIDEOUT

KEY	PART NUMBER	U/M DESCRIPTION	VENDOR NO.
	125687-01-000	EA SLIDEOUT - HYDRAULIC	
	125687-01-700	EA CYLINDER - 21" STROKE	RAP90512
	125687-01-701	EA HOSE - HYDRAULIC - 120"	RAP90428
	125687-01-702	EA CYLINDER - SYCRONIZING	RAP90471
	115767-02-000	EA WINCH - SLIDEOUT	
	116082-03-02B	EA BRACKET - WINCH	
	121177-01-02B	EA BRACKET - PASS REAR LEVEL JACK (STRAIGHT)/SLIDEOUT RM SYST	
	121177-02-02B	EA BRACKET - DRIVER REAR LEVEL JACK (STRAIGHT)/SLIDEOUT RM SYST	

CHASSIS GROUP (CONTINUED)

CHASSIS GROUP (CONTINUED)



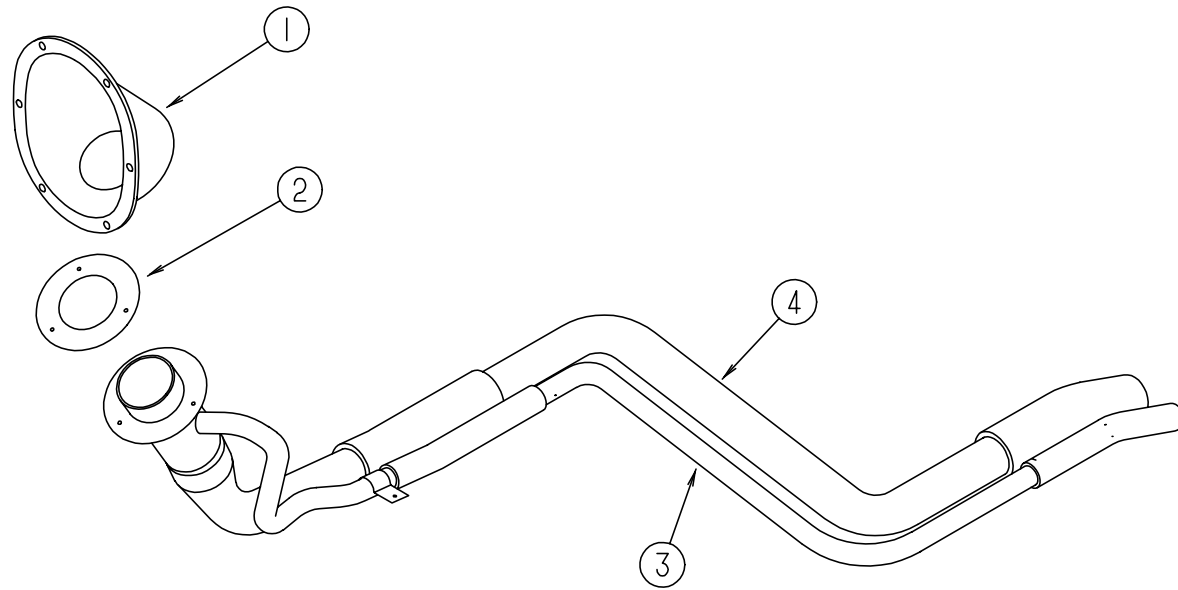
EXHAUST SYSTEM (CHEVY)

EXHAUST SYSTEM (FORD)

KEY	PART NUMBER	U/M	DESCRIPTION
1	122392-01-02B	EA	HANGER - TAILPIPE
2	122392-03-02B	EA	HANGER - TAILPIPE - REAR
3	122529-02-000	EA	PIPE - EXHAUST
4	101544-02-000	EA	SHIELD - HEAT/EXHAUST - 30" X 29.1"
5	101544-01-000	EA	SHIELD - HEAT/EXHAUST - 19.7" X 29.1"
	094918-01-000	EA	CLAMP - EXHAUST - 3" - GUILLOTINE STYLE

KEY	PART NUMBER	U/M	DESCRIPTION
1	112012-04-000	EA	PIPE - EXHAUST - 3" DIAMETER
2	101544-06-000	EA	SHIELD - HEAT/EXHAUST - 33.9" X 29.1"
3	101544-02-000	EA	SHIELD - HEAT/EXHAUST - 30" X 29.1"
4	128756-01-02B	EA	SHIELD - HEAT EXHAUST - E-COATED

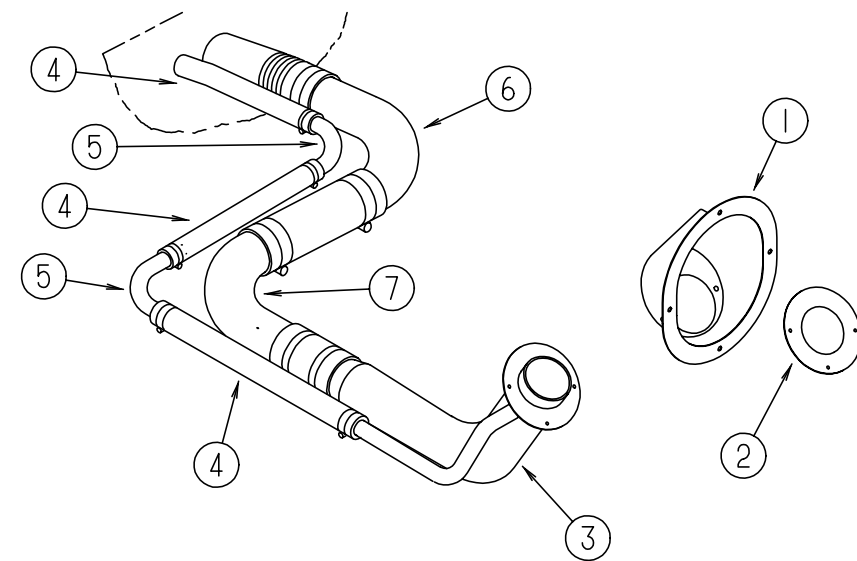
CHASSIS GROUP (CONTINUED)



FUEL SYSTEM (FORD)

KEY	PART NUMBER	U/M	DESCRIPTION
1	127291-02-01A	EA	SHROUD - FUEL FILL - BRIGHT WHITE
2	078200-01-000	EA	GASKET - FUEL FILL - 3.5"OD X 2"ID
3	129320-01-000	EA	PIPE - FILL VENT
4	129321-01-000	EA	TUBE - FUEL INLET
	007063-01-000	FT	HOSE - FUEL - 1/4"ID X 1/2"OD
			FROM: 00-00-00 THRU: 01-25-99
	128139-03-000	FT	HOSE - FUEL - LOW PERMEABILITY - 1/4" DIAMETER
			FROM: 01-26-99 THRU: 99-99-99
	129494-01-000	EA	FUEL LINE - 5/16" X 9.3" - FORD CHASSIS
	129505-01-000	EA	TUBE - STEEL - 5/8" X 7.5"
	092889-17-000	EA	FUEL LINE - SUPPLY - GENERATOR - 1/4" X 85.4" - STEEL

CHASSIS GROUP (CONTINUED)



FUEL SYSTEM (CHEVY)

KEY	PART NUMBER	U/M	DESCRIPTION
1	127291-01-01A	EA	SHROUD - FUEL FILL - BRIGHT WHITE
2	078200-01-000	EA	GASKET - FUEL FILL - 3.5"OD X 2"ID
3	127301-03-000	EA	NECK - FUEL FILL
4	128139-02-000	FT	HOSE - FUEL - LOW PERMEABILITY - 5/8" DIAMETER
5	098806-01-000	EA	PIPE - FILL VENT - 90 DEGREE BEND - .625" OD - STEEL
6	098807-01-000	EA	PIPE - FUEL FILL - 90 DEGREE BEND - 6.6" - 1 3/4" OD
7	098803-01-000	EA	PIPE - FUEL FILL - 90 DEGREE BEND - 13.2" - 1 3/4" OD
	007063-01-000	FT	HOSE - FUEL - 1/4"ID X 1/2"OD
			FROM: 00-00-00 THRU: 01-25-99
	128139-03-000	FT	HOSE - FUEL - LOW PERMEABILITY - 1/4" DIAMETER
			FROM: 01-26-99 THRU: 99-99-99
	007063-01-000	FT	HOSE - FUEL - 1/4"ID X 1/2"OD
	084884-01-000	EA	PLUG - BRASS - 3/8
	068382-06-000	EA	BUSHING - BRASS - 3/8 MPT X 1/8 FPT
	114254-01-000	EA	ADAPTER - 1/4 BARB X 1/8 MPT

CHASSIS GROUP (CONTINUED)

WHEEL LINERS (FORD)

KEY	PART NUMBER	U/M DESCRIPTION	VENDOR NO.
	077030-05-000	EA EXTENSION - VALVE STEM - 95 DEGREE FROM: 00-00-00 THRU: 11-23-98	
	077030-04-000	EA EXTENSION - VALVE STEM - .75" FROM: 11-24-98 THRU: 99-99-99	
	077030-06-000	EA EXTENSION - VALVE STEM - 45 DEGREE	
	095012-07-000	EA STABILIZER - VALVE EXTENSION	
	095012-10-000	EA EXTENSION - VALVE STEM - 8.5" FROM: 00-00-00 THRU: 11-23-98	
	095012-09-000	EA EXTENSION - VALVE STEM - 7.7" FROM: 11-24-98 THRU: 99-99-99	
	110435-15-000	EA LINER - WHEEL SET/4 - 19.5"	
	110435-10-705	EA TOOL - INSTALLATION	V195P7-TOL
	110435-15-700	EA LINER - WHEEL - FRONT	V195F9-FWC
	110435-15-701	EA LINER - WHEEL - REAR	V195F9-RWC
	110435-15-702	EA COVER LUG NUT/JAMB NUT - 14M	V195F9-EJN

WHEEL COVERS DICOR (FORD 19.5")

KEY	PART NUMBER	U/M DESCRIPTION	VENDOR NO.
	109443-07-000	EA WHEEL COVER - 4/SET - 19.5"	
	109443-01-703	EA CAP-CENTER, HUB - DICOR	SHAU95-CAP
	109443-07-700	EA COVER - WHEEL - 8 LUG	SHAF95-COV
	109443-07-701	EA BRACKET SET - FRONT	SHAF95-FBS
	109443-07-702	EA BRACKET SET - REAR	SHAF95-RBS
	098532-01-700	EA COVER-LUG NUT (CHROME) SHAU-LNC	

CHASSIS GROUP (CONTINUED)

WHEEL LINERS (CHEVY)

KEY	PART NUMBER	U/M DESCRIPTION	VENDOR NO.
	110435-10-000	EA LINER - WHEEL - SET 4 - 19.5"	
	110435-10-700	EA LINER - WHEEL - FRONT - 1 PC	V195P7-FWC
	110435-10-701	EA LINER - WHEEL - REAR - 1 PC	V195P7-RWC
	110435-10-702	EA COVER-LUG NUT W/STEEL JAMB NUT	V195P7-EJN
	110435-10-703	EA STUD - PLASTIC	V195P7-PST
	110435-10-704	EA COVER-LUG NUT W/PLASTIC JAMB	V195P7-PJN
	110435-10-705	EA TOOL - INSTALLATION	V195P7-TOL

WHEEL COVERS DICOR (CHEVY)

KEY	PART NUMBER	U/M DESCRIPTION	VENDOR NO.
	109443-06-000	EA WHEEL - COVER - 4/SET - 19.5"	
	109443-01-700	EA COVER - WHEEL 19.5 FRT/RR EA=1	SHAG95
	109443-01-701	EA BRACKET - RETENTION FRONT	SHAG95-FBS
	109443-01-703	EA CAP - CENTER - HUB - DICOR	SHAU95-CAP
	109443-01-704	EA CLIP - RETAINER	V160GM-PNT
	109443-06-701	EA BRACKET - RETENTION REAR	SHG795-RBS

SHOCK ABSORBER (CHEVY)

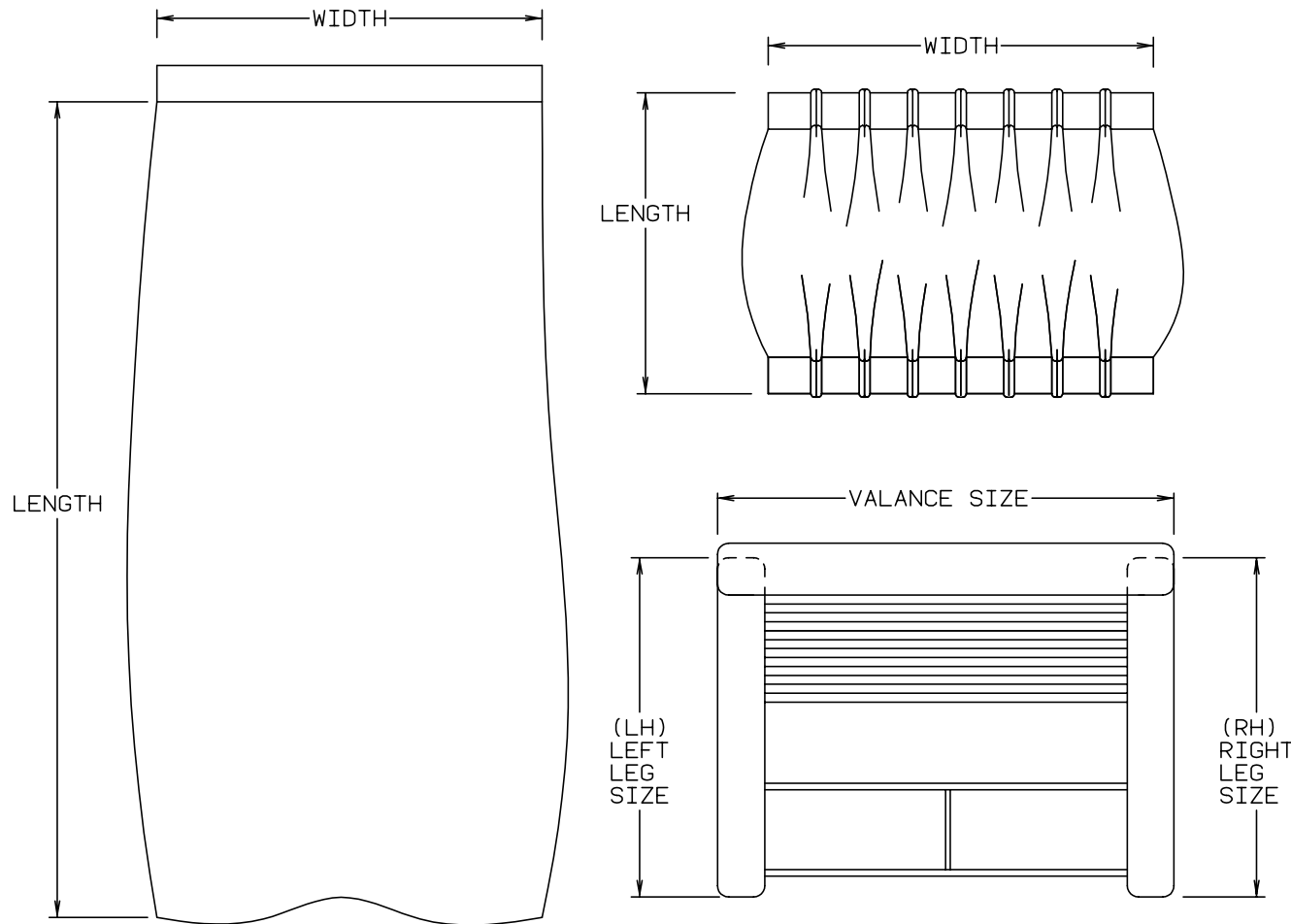
KEY	PART NUMBER	U/M DESCRIPTION	VENDOR NO.
	122756-02-000	EA SHOCK AND STABILIZER (BLUE BOOT) KIT - FRONT END P30 CHASS	
	122756-02-700	EA BRACKET ASM - DRIVER SIDE	T818L
	122756-02-701	EA BRACKET ASM - PASSENGER SIDE	T818R
	122756-02-704	EA BOLT PACKAGE -BOLTS/NUTS ETC	T818B
	122756-02-705	EA SHOCK	T818SH
	122756-02-706	EA STUD - SHOCK MOUNTING	T818S
	122756-02-707	EA DAMPNER - STEERING	T818SD
	122756-02-708	EA BOOT - DAMPNER	T818SDB
	122756-02-709	EA BUSHING PKG-STEERING DAMPNER	T818SDBSH
	122756-02-710	EA BOLT PKG - STEERING DAMPNER	T818SBS

CURTAIN & CUSHION GROUP

NOTICE

IN ORDER TO ASSIST OUR PARTS SALES DEPT. IN PROVIDING INTERIOR SOFTGOODS ITEMS, PLEASE INCLUDE THE SERIAL NUMBER AND THE COLOR CODE NUMBER FROM THE VEHICLE CERTIFICATION LABEL WHEN ORDERING. THIS LABEL IS LOCATED ON THE LEFT SIDEWALL AT THE END OF THE DASH (A-BODY), OR ON THE DRIVER'S DOOR LATCH PLATE (C-BODY).

AN EXAMPLE OF A COLOR CODE NUMBER IS B07, WHICH DESIGNATES AN OVERALL COLOR SCHEME OF A PARTICULAR UNIT. THE COLOR LISTED AFTER THE ITEM DESCRIPTION ON THE MICROFICHE, INDICATES THE OVERALL UNIT COLOR. ORDER THE ITEM YOU DESIRE ACCORDING TO UNIT COLOR CODE.



NOTE: USE THIS ILLUSTRATION WHEN DETERMINING LENGTH AND WIDTH MEASUREMENTS FOR CURTAINS. YOU WILL NOTE THE WIDTH MEASUREMENT IS TAKEN ON THE TOP OF THE CURTAIN WITH THE CURTAIN FULLY EXTENDED. THE LENGTH MEASUREMENT IS TAKEN FROM TOP TO BOTTOM. LEFT AND RIGHT WINDOW LEGS ARE DETERMINED WHEN FACING THE WINDOW.

CURTAIN & CUSHION GROUP (CONTINUED)

ADVENTURER FABRICS				
COLOR CODES	K28, K29	K30, K31	K32, K33	K34, K35
MARKETING COLORS	SUNFLOWERS (TAUPE)	VINTAGE GROVE (PLUM)	JUNIPER (TEAL)	CHAMELEON (BLUE)
MAIN PLAIN ACCENT PATTERN ACCENT	126883-07-000 108446-W7-000 108446-W7-000	126883-12-000 126883-14-000 126883-14-000	126883-10-000 108446-C5-000 126883-11-000	108446-M8-000 108446-G3-000 108446-G3-000
BUCKET SEAT WELTING	108446-W7-000 079349-04-J21	126883-14-000 079349-04-K30	108446-C5-000 079349-04-GC1	108446-G3-000 079349-04-J10
DINETTE	126883-07-000	126883-12-000	126883-10-000	108446-M8-000
DINETTE PAD	108446-W7-000	126883-14-000	108446-C5-000	108446-G3-000
SOFA	126883-07-000	126883-12-000	126883-10-000	108446-M8-000
RECLINER CHAIR	108446-W7-000	126883-14-000	126883-11-000	108446-G3-000
LOUNGE WINDOW VALANCE	126883-07-000 108446-W7-000	126883-12-000 126883-14-000	126883-10-000 126883-11-000	108446-M8-000 108446-G3-000
LOUNGE WINDOW LEGS	108446-W7-000	126883-14-000	126883-11-000	108446-G3-000
BEDSPREAD MAIN BEDSPREAD ACCENT BEDSPREADTRIM FRINGE CORD	105745-G6-000 105745-B5-000 084415-95-000	105745-H3-000 105745-J8-000 084415-83-000	105745-G8-000 105745-45-000 084415-91-000	105745-E9-000 105745-E3-000 084415-88-000 084415-87-000
BEDROOM WINDOW VALANCE	105745-G6-000	105745-H3-000	105745-G8-000	105745-E9-000
BEDROOM WINDOW LEGS	105745-G6-000	105745-H3-000	105745-G8-000	105745-E9-000
LOUNGE PILLOW	108446-W7-000	126883-14-000	126883-11-000	108446-G3-000
MAP POCKETS	108446-W7-000	126883-14-000	108446-C5-000	108446-G3-000
FRONT WRAP AROUND	072333-85-000	072333-85-000	072333-85-000	072333-85-000
CEILING FROM: 00-00-00 THRU: 10-16-98 FROM: 10-17-98 THRU: 99-99-99	113979-01-01A 113979-09-01A	113979-01-01A 113979-09-01A	113979-01-01A 113979-09-01A	113979-01-01A 113979-09-01A

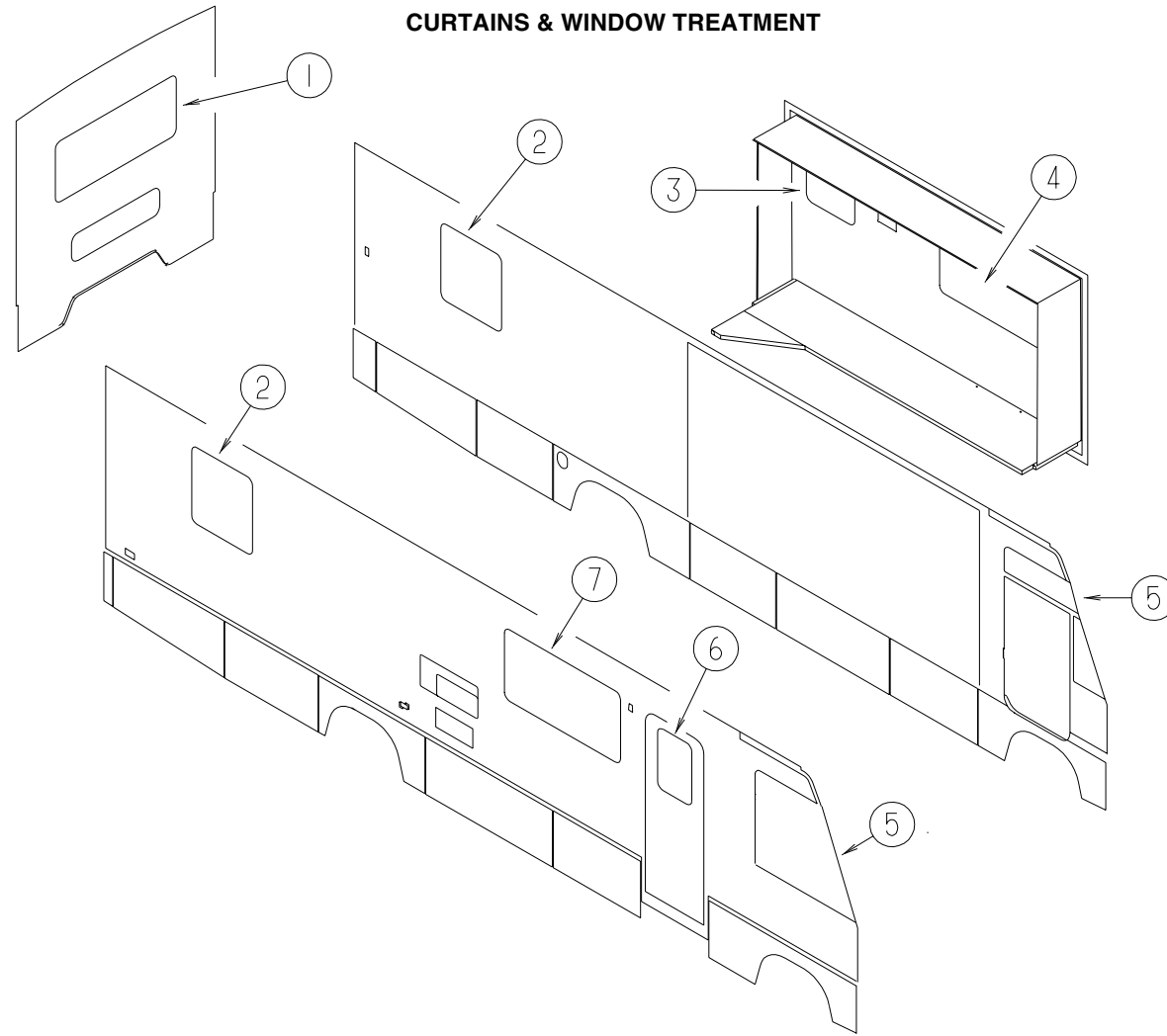
NOTE: THE FABRIC LISTED FIRST, IN A BLOCK, IS THE LARGEST QUANTITY OF FABRIC USED

ASSIST HANDLE & BUTTONS

KEY	PART NUMBER	U/M	DESCRIPTION
	070578-02-J22	EA	BUTTON - #30 - VINYL
	079349-08-J28	YD	WELT - VINYL
	079349-04-J21	YD	WELT - NARROW
	057759-01-000	EA	WASHER BRACKET - SEAT BELT - 4" DIAMETER
	007021-01-000	EA	SEAT BELT - 2" X 90" - BLACK
	056271-01-000	EA	BELT - SEAT - 2" X 102" - BLACK
	000C16-07-16B	EA	BOLT - CARRIAGE - ASSIST HANDLE - 7/16" - 14 X 1"
	000D20-07-00B	EA	NUT - ACORN - ASSIST HANDLE - 7/16 - 14
	053552-02-AA8	EA	HANDLE - ASSIST - INTERIOR/ENTRY DOOR - VINYL/OFF WHITE

CURTAIN & CUSHION GROUP (CONTINUED)

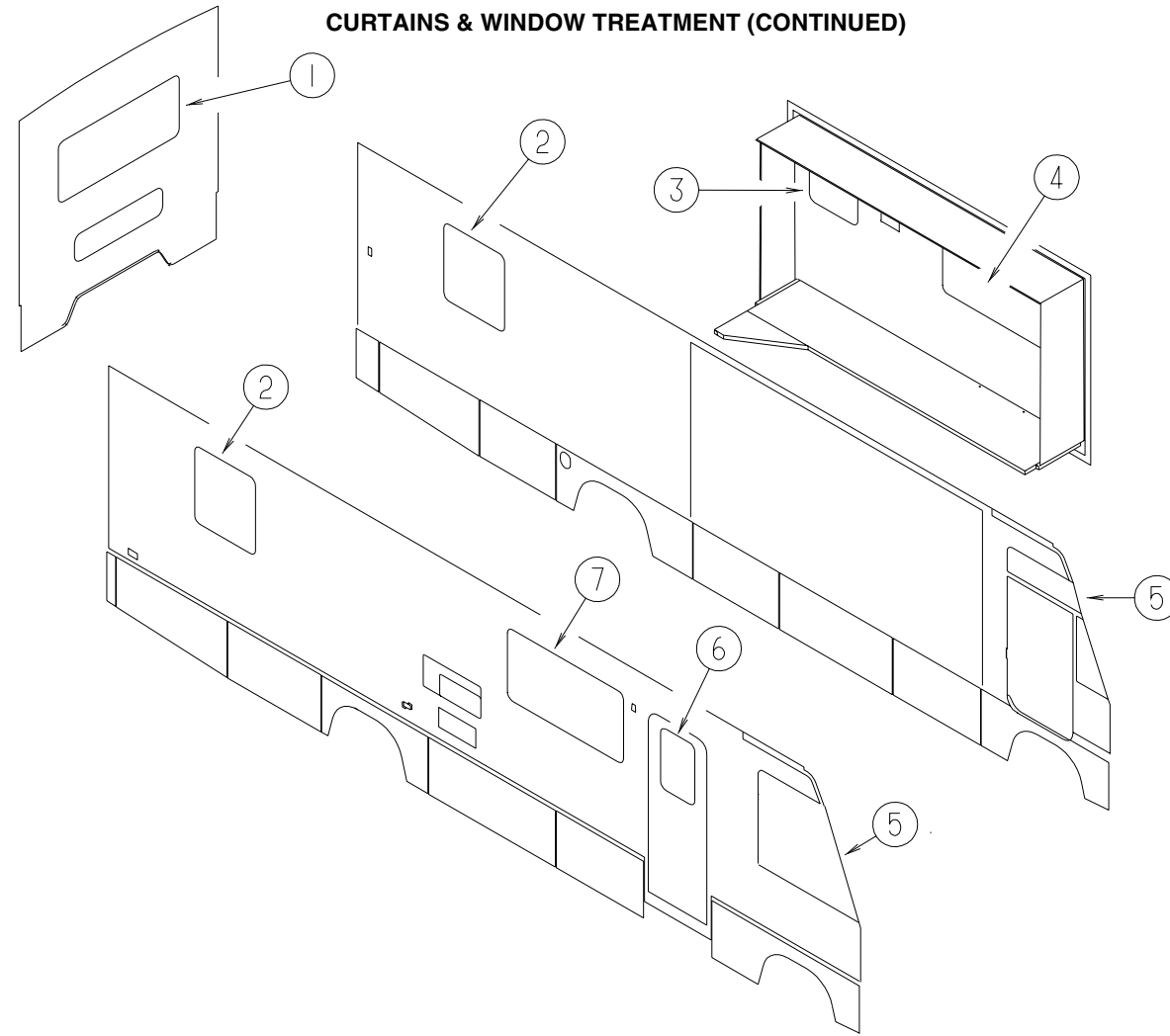
CURTAINS & WINDOW TREATMENT



KEY	PART NUMBER	U/M	DESCRIPTION
1	119299-01-J11	EA	VALANCE - WHITNEY - 53" (K28, K29)
1	119299-01-K30	EA	VALANCE - WHITNEY - 53" (K30, K31)
1	119299-01-K32	EA	VALANCE - WHITNEY - 53" (K32, K33)
1	119299-01-J30	EA	VALANCE - WHITNEY - 53" (K34, K35)
1	127017-07-J31	EA	LEG - RIGHT - 25" (K28, K29)
1	127017-07-J26	EA	LEG - RIGHT - 25" (K30, K31)
1	127017-07-J32	EA	LEG - RIGHT - 25" (K32, K33)
1	127017-07-J30	EA	LEG - RIGHT - 25" (K34, K35)
1	127017-08-J31	EA	LEG - LEFT - 25" (K28, K29)
1	127017-08-J26	EA	LEG - LEFT - 25" (K30, K31)
1	127017-08-J32	EA	LEG - LEFT - 25" (K32, K33)
1	127017-08-J30	EA	LEG - LEFT - 25" (K34, K35)
1	111910-62-K28	EA	BLIND - DAY/NIGHTER - 49" X 27" (K28, K29, K30, K31)
1	111910-62-K32	EA	BLIND - DAY/NIGHTER - 49" X 27" (K32, K33)
1	111910-62-K34	EA	BLIND - DAY/NIGHTER - 49" X 27" (K34, K35)
2	119299-18-K28	EA	VALANCE - WHITNEY - 34" (K28, K29)
2	119299-18-K30	EA	VALANCE - WHITNEY - 34" (K30, K31)
2	119299-18-K32	EA	VALANCE - WHITNEY - 34" (K32, K33)
2	119299-18-K34	EA	VALANCE - WHITNEY - 34" (K34, K35)
2	127017-09-J31	EA	LEG - RIGHT - 34" (K28, K29)
2	127017-09-J26	EA	LEG - RIGHT - 34" (K30, K31)
2	127017-09-J32	EA	LEG - RIGHT - 34" (K32, K33)
2	127017-09-J30	EA	LEG - RIGHT - 34" (K34, K35)
2	127017-10-J31	EA	LEG - LEFT - 34" (K28, K29)
2	127017-10-J26	EA	LEG - LEFT - 34" (K30, K31)
2	127017-10-J32	EA	LEG - LEFT - 34" (K32, K33)
2	127017-10-J30	EA	LEG - LEFT - 34" (K34, K35)

KEY	PART NUMBER	U/M	DESCRIPTION
2	111910-58-K48	EA	BLIND - DAY/NIGHTER - 31" X 37" (K28, K29, K30, K31)
2	111910-58-K32	EA	BLIND - DAY/NIGHTER - 31" X 37" (K32, K33)
2	111910-58-K34	EA	BLIND - DAY/NIGHTER - 31" X 37" (K34, K35)
3	1109041-57-02A	EA	BLIND - MINI - 26" X 17" (K28, K29)
3	1109041-57-01A	EA	BLIND - MINI - 26" X 17" (K30, K31, K32, K33, K34, K35)
3	109353-10-02A	EA	BLIND - SLAT - 30.5" - BEIGE (K28, K29)
3	109353-10-01A	EA	BLIND - SLAT - 30.5" - PURE SILVER (K30, K31, K32, K33, K34, K35)
4	121410-45-K28	EA	VALANCE - MODERATE - 64.5" (K28, K29)
4	121410-45-K30	EA	VALANCE - MODERATE - 64.5" (K30, K31)
4	121410-45-K32	EA	VALANCE - MODERATE - 64.5" (K32, K33)
4	121410-45-K34	EA	VALANCE - MODERATE - 64.5" (K34, K35)
4	123917-43-K28	EA	LEG - RIGHT - 23.5" (K28, K29)
4	123917-43-K30	EA	LEG - RIGHT - 23.5" (K30, K31)
4	123917-43-K32	EA	LEG - RIGHT - 23.5" (K32, K33)
4	123917-43-K34	EA	LEG - RIGHT - 23.5" (K34, K35)
4	123917-44-K28	EA	LEG - LEFT - 23.5" (K28, K29)
4	123917-44-K30	EA	LEG - LEFT - 23.5" (K30, K31)
4	123917-44-K32	EA	LEG - LEFT - 23.5" (K32, K33)
4	123917-44-K34	EA	LEG - LEFT - 23.5" (K34, K35)
4	111910-57-K58	EA	BLIND - DAY/NIGHTER - 61" X 28.5" (K28, K29, K30, K31)
4	111910-57-K32	EA	BLIND - DAY/NIGHTER - 61" X 28.5" (K32, K33)
4	111910-57-K34	EA	BLIND - DAY/NIGHTER - 61" X 28.5" (K34, K35)

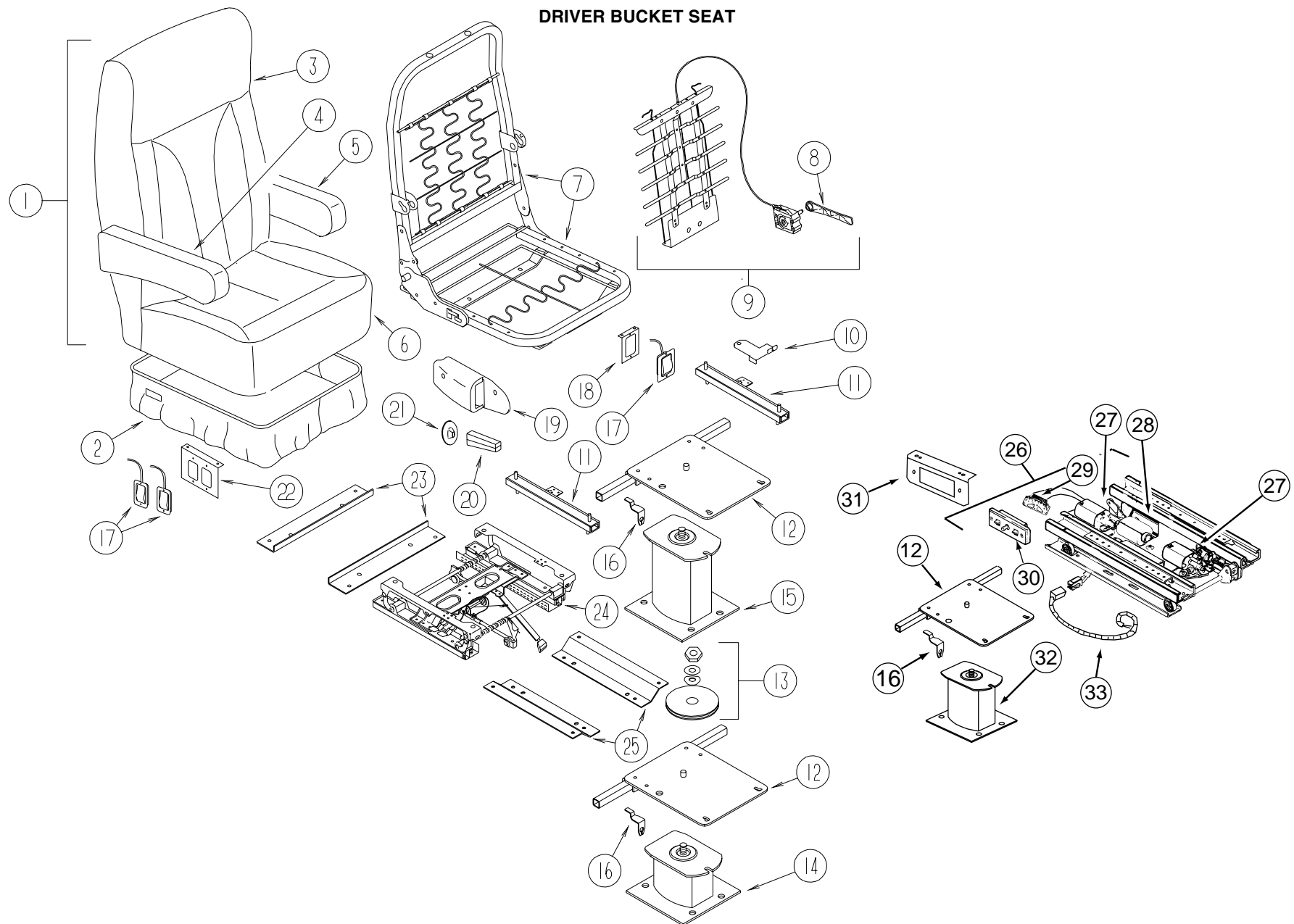
CURTAIN & CUSHION GROUP (CONTINUED)



KEY	PART NUMBER	U/M	DESCRIPTION
5	101668-67-J22	EA	CURTAIN - RIGHT HAND/LEFT HAND - 42" X 106"
5	073260-42-C18	EA	TIEBACK - 6" X 18"
5	126841-03-000	EA	SHADE - PULL - CHARCOAL MESH - 40.3" X 60"
6	120820-40-K28	EA	VALANCE - 15" - W/CLOCK CUTOUT (K28, K29)
6	120820-39-K30	EA	VALANCE - 15" - W/CLOCK CUTOUT (K30, K31)
6	120820-39-K32	EA	VALANCE - 15" - W/CLOCK CUTOUT (K32, K33)
6	120820-39-K34	EA	VALANCE - 15" - W/CLOCK CUTOUT (K34, K35)
6	084755-57-E07	EA	SHADE - PULL - 27.25"
7	121410-45-K28	EA	VALANCE - MODERATE - 64.5" (K28, K29)
7	121410-45-K30	EA	VALANCE - MODERATE - 64.5" (K30, K31)
7	121410-45-K32	EA	VALANCE - MODERATE - 64.5" (K32, K33)
7	121410-45-K34	EA	VALANCE - MODERATE - 64.5" (K34, K35)
7	121410-A1-K28	EA	VALANCE - MODERATE - 64.5" (W/ OVERHEAD TV) (K28, K29)
7	121410-A1-K30	EA	VALANCE - MODERATE - 64.5" (W/ OVERHEAD TV) (K30, K31)
7	121410-A1-K32	EA	VALANCE - MODERATE - 64.5" (W/ OVERHEAD TV) (K32, K33)
7	121410-A1-K34	EA	VALANCE - MODERATE - 64.5" (W/ OVERHEAD TV) (K34, K35)
7	123917-43-K28	EA	LEG - RIGHT - 23.5" (K28, K29)
7	123917-43-K30	EA	LEG - RIGHT - 23.5" (K30, K31)
7	123917-43-K32	EA	LEG - RIGHT - 23.5" (K32, K33)
7	123917-43-K34	EA	LEG - RIGHT - 23.5" (K34, K35)

KEY	PART NUMBER	U/M	DESCRIPTION
7	123910-43-K28	EA	LEG - RIGHT - 23.5" (W/ OVERHEAD TV) (K28, K29)
7	123910-43-K30	EA	LEG - RIGHT - 23.5" (W/ OVERHEAD TV) (K30, K31)
7	123910-43-K32	EA	LEG - RIGHT - 23.5" (W/ OVERHEAD TV) (K32, K33)
7	123910-43-K40	EA	LEG - RIGHT - 23.5" (W/ OVERHEAD TV) (K34, K35)
7	123917-44-K28	EA	LEG - LEFT - 23.5" (K28, K29)
7	123917-44-K30	EA	LEG - LEFT - 23.5" (K30, K31)
7	123917-44-K32	EA	LEG - LEFT - 23.5" (K32, K33)
7	123917-44-K34	EA	LEG - LEFT - 23.5" (K34, K35)
7	123910-44-K28	EA	LEG - LEFT - 23.5" (W/ OVERHEAD TV) (K28, K29)
7	123910-44-K30	EA	LEG - LEFT - 23.5" (W/ OVERHEAD TV) (K30, K31)
7	123910-44-K32	EA	LEG - LEFT - 23.5" (W/ OVERHEAD TV) (K32, K33)
7	123910-44-K40	EA	LEG - LEFT - 23.5" (W/ OVERHEAD TV) (K34, K35)
7	111910-57-K58	EA	BLIND - DAY/NIGHTER - 61" X 28.5" (K28, K29, K30, K31)
7	111910-57-K32	EA	BLIND - DAY/NIGHTER - 61" X 28.5" (K32, K33)
7	111910-57-K34	EA	BLIND - DAY/NIGHTER - 61" X 28.5" (K34, K35)
7	111910-67-K36	EA	BLIND - DAY/NIGHTER - 61" X 33" (W/ OVERHEAD TV) (K28, K29, K30, K31)
7	111910-57-K32	EA	BLIND - DAY/NIGHTER - 61" X 33" (W/ OVERHEAD TV) (K32, K33)
7	111910-57-K34	EA	BLIND - DAY/NIGHTER - 61" X 33" (W/ OVERHEAD TV) (K34, K35)

CURTAIN & CUSHION GROUP (CONTINUED)

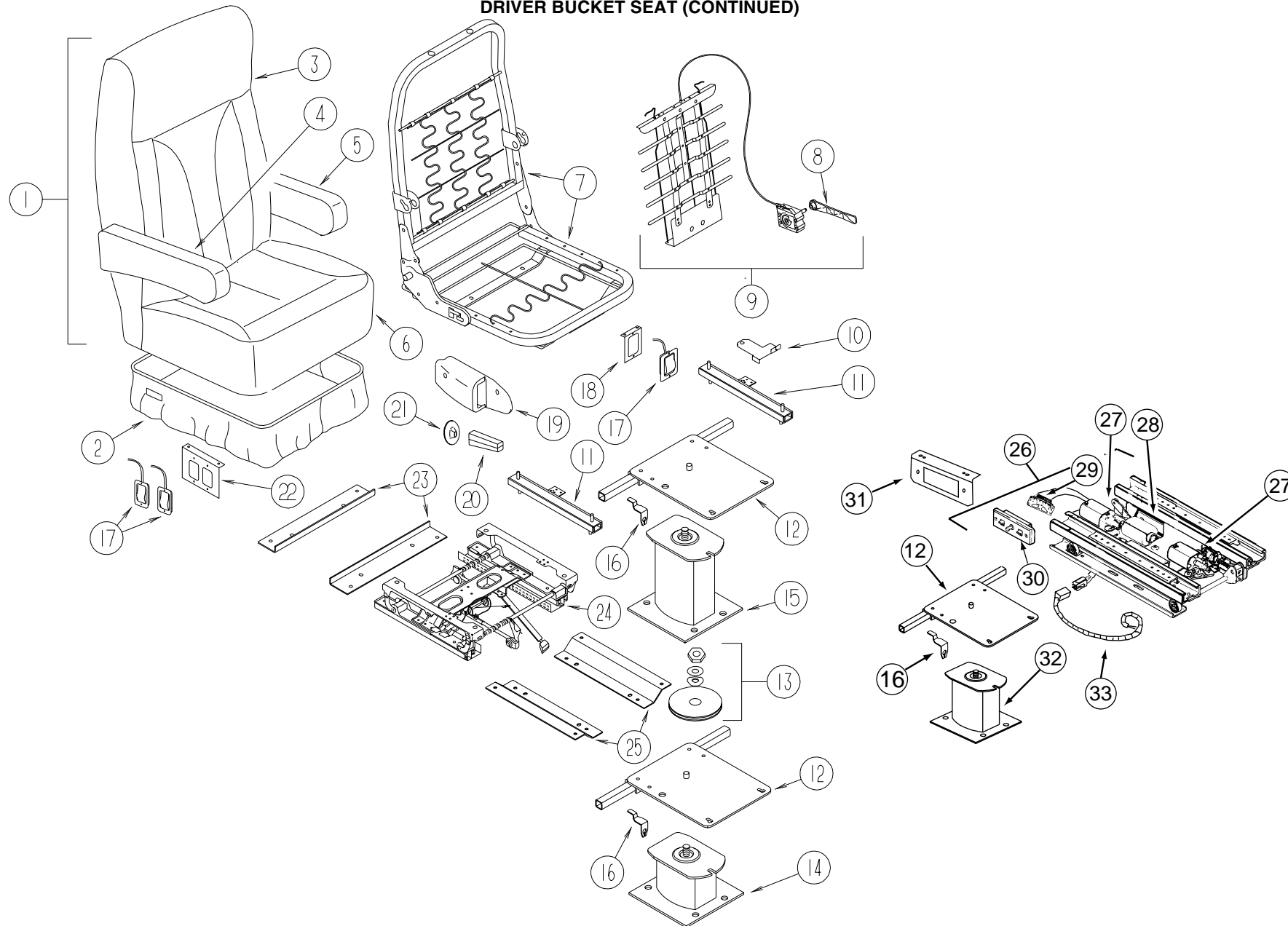


KEY	PART NUMBER	U/M	DESCRIPTION
1	129664-06-K28	EA	SEAT - BUCKET - DRIVERS WIDE W/LUMBAR SUPPORT (K28, K29)
1	129664-06-K30	EA	SEAT - BUCKET - DRIVERS WIDE W/LUMBAR SUPPORT (K30, K31)
1	129664-06-K32	EA	SEAT - BUCKET - DRIVERS WIDE W/LUMBAR SUPPORT (K32, K33)
1	129664-06-K34	EA	SEAT - BUCKET - DRIVERS WIDE W/LUMBAR SUPPORT (K34, K35)
1	129664-04-K28	EA	SEAT - BUCKET - W/LUMBAR SUPPORT (LEATHER)
2	071126-68-K28	EA	SKIRT - WIDE - 10.5" OPEN CORNER (STANDARD OR ELEC SEAT) (K28, K29)
2	071126-68-K30	EA	SKIRT - WIDE - 10.5" OPEN CORNER (STANDARD OR ELEC SEAT) (K30, K31)
2	071126-68-K18	EA	SKIRT - WIDE - 10.5" OPEN CORNER (STANDARD OR ELEC SEAT) (K32, K33)
2	071126-68-K34	EA	SKIRT - WIDE - 10.5" OPEN CORNER (STANDARD OR ELEC SEAT) (K34, K35)
2	071126-70-K28	EA	SKIRT - WIDE - 10.5" OPEN CORNER (STANDARD OR ELEC SEAT) (LEATHER)
2	071126-69-K28	EA	SKIRT - SINGLE - 10.5" - 6-WAY MANUAL (K28, K29)
2	071126-69-K30	EA	SKIRT - SINGLE - 10.5" - 6-WAY MANUAL (K30, K31)
2	071126-69-K32	EA	SKIRT - SINGLE - 10.5" - 6-WAY MANUAL (K32, K33)
2	071126-69-K34	EA	SKIRT - SINGLE - 10.5" - 6-WAY MANUAL (K34, K35)
2	071126-71-K28	EA	SKIRT - SINGLE - 10.5" - 6-WAY MANUAL (LEATHER)
3	M05962-84-K28	EA	COVER - BACK (K28, K29)
3	M05962-84-K30	EA	COVER - BACK (K30, K31)
3	M05962-84-K32	EA	COVER - BACK (K32, K33)
3	M05962-84-K34	EA	COVER - BACK (K34, K35)
3	M05962-86-K28	EA	COVER - BACK - WIDE - BUCKET (LEATHER)

KEY	PART NUMBER	U/M	DESCRIPTION
4	129666-01-K28	EA	ARMREST - RIGHT HAND (K28, K29)
4	129666-01-K30	EA	ARMREST - RIGHT HAND (K30, K31)
4	129666-01-K18	EA	ARMREST - RIGHT HAND (K32, K33)
4	129666-01-K34	EA	ARMREST - RIGHT HAND (K34, K35)
4	129666-03-K28	EA	ARMREST - RIGHT HAND (LEATHER)
4	P29666-01-K28	EA	COVER - ARMREST - RIGHT HAND (K28, K29)
4	P29666-01-K30	EA	COVER - ARMREST - RIGHT HAND (K30, K31)
4	P29666-01-K18	EA	COVER - ARMREST - RIGHT HAND (K32, K33)
4	P29666-01-K34	EA	COVER - ARMREST - RIGHT HAND (K34, K35)
4	P29666-03-K28	EA	COVER - ARMREST - RIGHT HAND (LEATHER)
5	129666-02-K28	EA	ARMREST - LEFT HAND (K28, K29)
5	129666-02-K30	EA	ARMREST - LEFT HAND (K30, K31)
5	129666-02-K32	EA	ARMREST - LEFT HAND (K32, K33)
5	129666-02-K34	EA	ARMREST - LEFT HAND (K34, K35)
5	129666-04-K28	EA	ARMREST - LEFT HAND (LEATHER)
5	P29666-02-K28	EA	COVER - ARMREST - LEFT HAND (K28, K29)
5	P29666-02-K30	EA	COVER - ARMREST - LEFT HAND (K30, K31)
5	P29666-02-K32	EA	COVER - ARMREST - LEFT HAND (K32, K33)
5	P29666-02-K34	EA	COVER - ARMREST - LEFT HAND (K34, K35)
5	P29666-04-K28	EA	COVER - ARMREST - LEFT HAND (LEATHER)

CURTAIN & CUSHION GROUP (CONTINUED)

DRIVER BUCKET SEAT (CONTINUED)

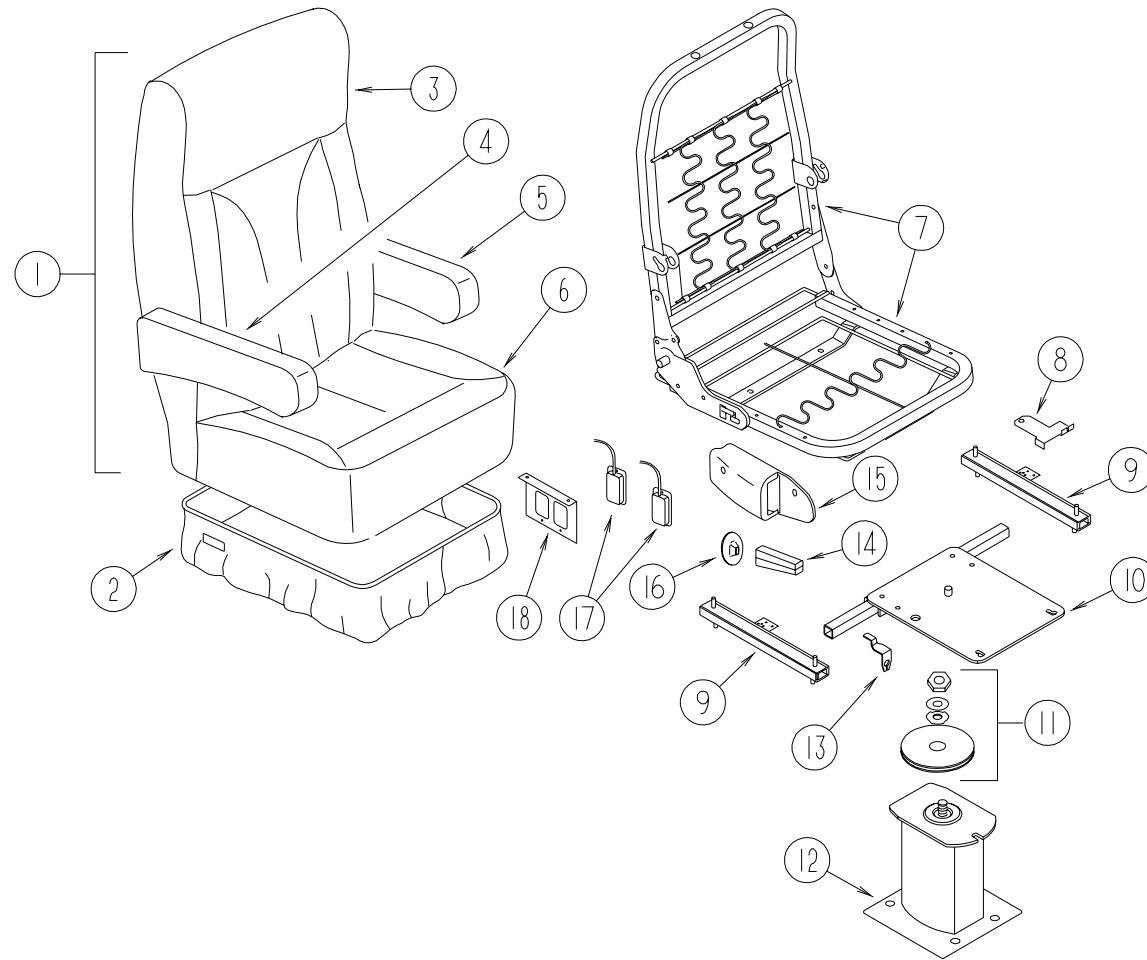


KEY	PART NUMBER	U/M	DESCRIPTION
6	M05962-85-K28	EA	COVER - SEAT (K28, K29)
6	M05962-85-K30	EA	COVER - SEAT (K30, K31)
6	M05962-85-K32	EA	COVER - SEAT (K32, K33)
6	M05962-85-K34	EA	COVER - SEAT (K34, K35)
6	M05962-87-K28	EA	COVER - SEAT (LEATHER)
7	122695-04-01B	EA	FRAME - SEAT & HIGH BACK
8	122611-02-701	EA	LUMBAR - LEVER
9	122611-02-000	EA	LUMBAR - W/LEVER
10	117125-01-02B	EA	BRACKET - CABLE MOUNT - ADJUSTER W/ LOCK
11	119952-04-000	EA	SLIDE/SEAT - HEAVY DUTY LOCKING - 4 STUDS
	119952-07-000	EA	WIRE - LATCH RELEASE/ ROTARY
12	107921-05-000	EA	PLATE TOP - W/ SEAT BELT BAR
13	107921-06-000	EA	BEARING KIT - PEDESTAL
14	107921-07-000	EA	PEDESTAL/FLOOR MOUNTED - 4.5"
15	107921-01-000	EA	PEDESTAL/FLOOR MOUNTED - W/9.75" EXTENSION
16	108049-02-000	EA	CLIP - CABLE/ PEDESTAL
17	108049-04-000	EA	CABLE - W/SWITCHES - W/26" MINI LEVER ACTION (6-WAY MANUAL)

KEY	PART NUMBER	U/M	DESCRIPTION	VENDOR NO.
18	127159-01-02B	EA	BRACKET - SEAT RELEASE - SINGLE REMOTE (6-WAY MANUAL)	
19	080730-09-000	EA	SHIELD - RECLINER HANDLE	
20	080730-08-000	EA	HANDLE - RECLINER	
21	080730-11-000	EA	SHIELD - RUBBER BOOT	
22	127159-02-02B	EA	BRACKET - SEAT RELEASE - DUAL REMOTE	
23	116215-02-000	EA	BRACKET - UPPER MOUNT - 6-WAY MANUAL SEAT	
	007221-01-000	EA	SPACER - SEAT/ ADJUSTER	
24	116215-01-000	EA	ADJUSTING MECHANISM/6-WAY MANUAL SEAT - DRIVER	
25	116215-03-000	EA	BRACKET - LOWER MOUNT - 6-WAY MANUAL SEAT	
26	081373-03-000	EA	SEAT - POWER 6 WAY	
27	081373-02-703	EA	MOTOR PKG. ADJ. VERTICAL LIFT	22063238 & H-196
28	081373-02-704	EA	MOTOR PKG. ADJ. HORIZONTAL	22063237 & H-195
29	081373-03-701	EA	WIRE HARNESS ASM. - LEFT. SIDE	
30	081373-03-700	EA	SWITCH POWER	
31	128699-01-02B	EA	BRACKET - SEAT SWITCH - E-COATED	
32	107921-14-000	EA	PEDESTAL/FLOOR MOUNTED - W/5.75" EXTENSION	
33	131279-01-000	EA	WIRE ASSEMBLY - DRIVER SEAT (DASH TO SEAT)	

CURTAIN & CUSHION GROUP (CONTINUED)

PASSENGER BUCKET SEAT (STANDARD)

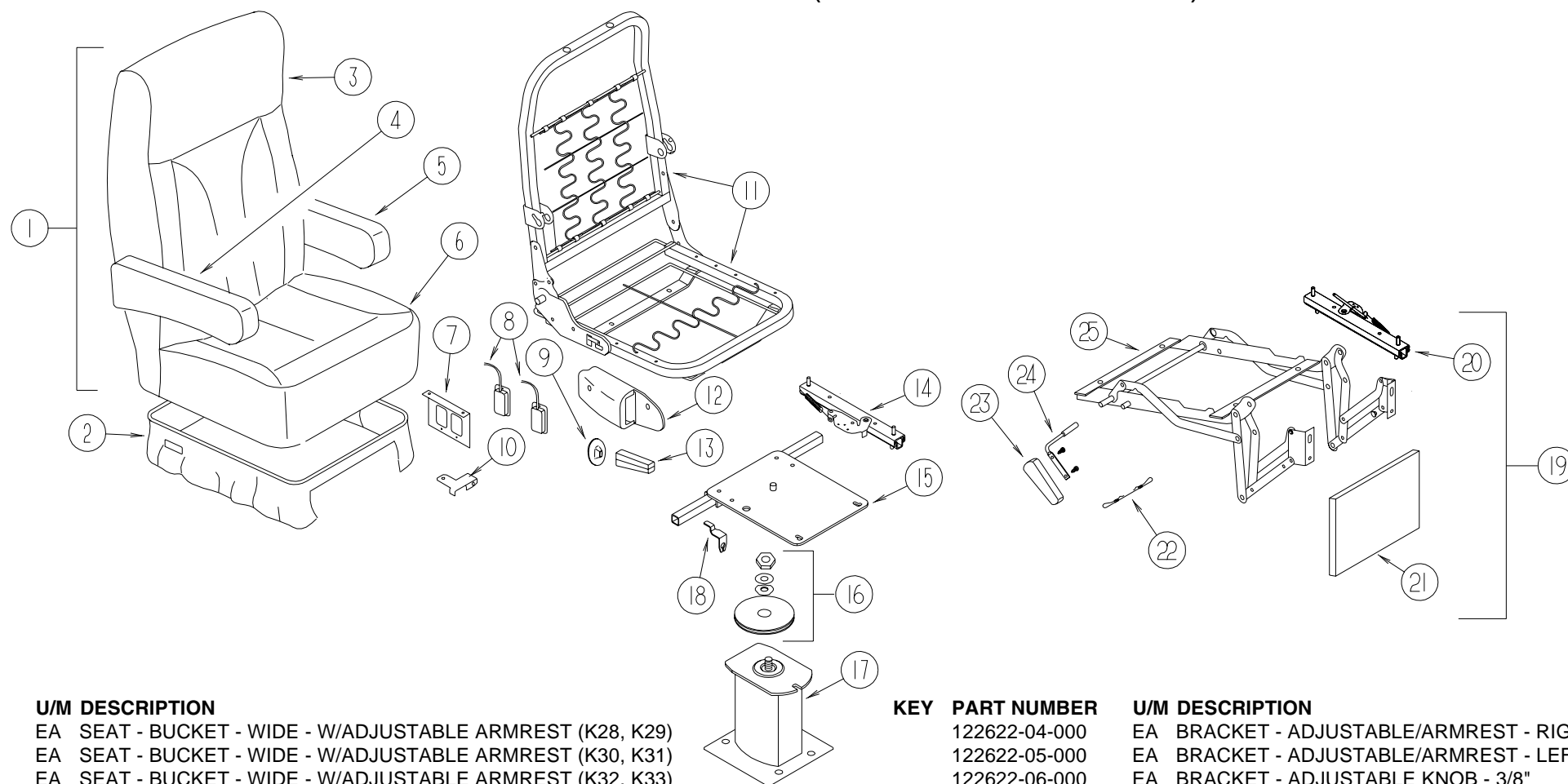


KEY	PART NUMBER	U/M	DESCRIPTION
1	129664-03-K28	EA	SEAT - BUCKET - PASSENGER (K28, K29)
1	129664-03-K30	EA	SEAT - BUCKET - PASSENGER (K30, K31)
1	129664-03-K32	EA	SEAT - BUCKET - PASSENGER (K32, K33)
1	129664-03-K34	EA	SEAT - BUCKET - PASSENGER (K34, K35)
1	129664-05-K28	EA	SEAT - BUCKET - PASSENGER (LEATHER)
2	071126-68-K28	EA	SKIRT - WIDE - 10.5" OPEN CORNER (K28, K29)
2	071126-68-K30	EA	SKIRT - WIDE - 10.5" OPEN CORNER (K30, K31)
2	071126-68-K18	EA	SKIRT - WIDE - 10.5" OPEN CORNER (K32, K33)
2	071126-68-K34	EA	SKIRT - WIDE - 10.5" OPEN CORNER (K34, K35)
2	071126-70-K28	EA	SKIRT - WIDE - 10.5" OPEN CORNER (LEATHER)
3	M05962-84-K28	EA	COVER - BACK (K28, K29)
3	M05962-84-K30	EA	COVER - BACK (K30, K31)
3	M05962-84-K32	EA	COVER - BACK (K32, K33)
3	M05962-84-K34	EA	COVER - BACK (K34, K35)
3	M05962-86-K28	EA	COVER - BACK - WIDE - BUCKET (LEATHER)
4	129666-01-K28	EA	ARMREST - RIGHT HAND (K28, K29)
4	129666-01-K30	EA	ARMREST - RIGHT HAND (K30, K31)
4	129666-01-K18	EA	ARMREST - RIGHT HAND (K32, K33)
4	129666-01-K34	EA	ARMREST - RIGHT HAND (K34, K35)
4	129666-03-K28	EA	ARMREST - RIGHT HAND (LEATHER)
4	P29666-01-K28	EA	COVER - ARMREST - RIGHT HAND (K28, K29)
4	P29666-01-K30	EA	COVER - ARMREST - RIGHT HAND (K30, K31)
4	P29666-01-K18	EA	COVER - ARMREST - RIGHT HAND (K32, K33)
4	P29666-01-K34	EA	COVER - ARMREST - RIGHT HAND (K34, K35)
4	P29666-03-K28	EA	COVER - ARMREST - RIGHT HAND (LEATHER)
5	129666-02-K28	EA	ARMREST - LEFT HAND (K28, K29)
5	129666-02-K30	EA	ARMREST - LEFT HAND (K30, K31)

KEY	PART NUMBER	U/M	DESCRIPTION
5	129666-02-K32	EA	ARMREST - LEFT HAND (K32, K33)
5	129666-02-K34	EA	ARMREST - LEFT HAND (K34, K35)
5	129666-04-K28	EA	ARMREST - LEFT HAND (LEATHER)
5	P29666-02-K28	EA	COVER - ARMREST - LEFT HAND (K28, K29)
5	P29666-02-K30	EA	COVER - ARMREST - LEFT HAND (K30, K31)
5	P29666-02-K32	EA	COVER - ARMREST - LEFT HAND (K32, K33)
5	P29666-02-K34	EA	COVER - ARMREST - LEFT HAND (K34, K35)
5	P29666-04-K28	EA	COVER - ARMREST - LEFT HAND (LEATHER)
6	M05962-85-K28	EA	COVER - SEAT (K28, K29)
6	M05962-85-K30	EA	COVER - SEAT (K30, K31)
6	M05962-85-K32	EA	COVER - SEAT (K32, K33)
6	M05962-85-K34	EA	COVER - SEAT (K34, K35)
6	M05962-87-K28	EA	COVER - SEAT (LEATHER)
7	122695-04-01B	EA	FRAME - SEAT & HIGH BACK
8	117125-01-02B	EA	BRACKET - CABLE MOUNT - ADJUSTER W/ LOCK
9	119952-04-000	EA	SLIDE/SEAT - HEAVY DUTY LOCKING - 4 STUDS
	119952-07-000	EA	WIRE - LATCH RELEASE/ ROTARY
10	107921-05-000	EA	PLATE TOP - W/ SEAT BELT BAR
11	107921-06-000	EA	BEARING KIT - PEDESTAL
12	107921-01-000	EA	PEDESTAL FLOOR MOUNTED - W/9.75" EXTENSION
13	108049-02-000	EA	CLIP - CABLE/ PEDESTAL
14	080730-08-000	EA	HANDLE - RECLINER
15	080730-09-000	EA	SHIELD - RECLINER HANDLE
16	080730-11-000	EA	SHIELD - RUBBER BOOT
17	108049-04-000	EA	CABLE - W/SWITCHES - W/26" MINI LEVER ACTION
18	127159-02-02B	EA	BRACKET - SEAT RELEASE - DUAL REMOTE

CURTAIN & CUSHION GROUP (CONTINUED)

PASSENGER BUCKET SEAT (ADJUSTABLE ARMREST & FOOTREST)

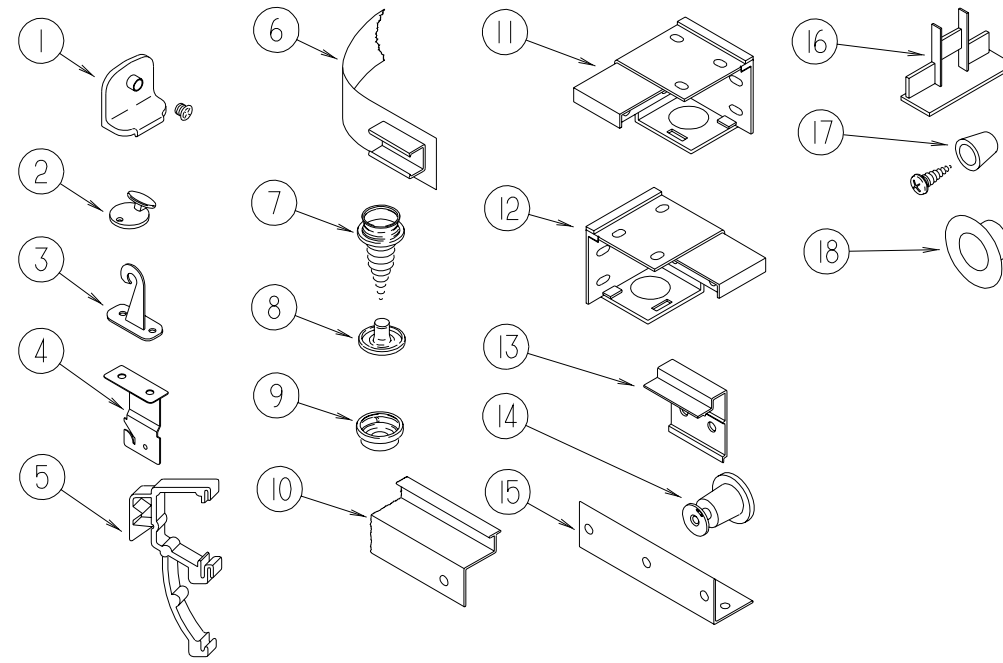


KEY	PART NUMBER	U/M	DESCRIPTION
1	129664-08-K28	EA	SEAT - BUCKET - WIDE - W/ADJUSTABLE ARMREST (K28, K29)
1	129664-08-K30	EA	SEAT - BUCKET - WIDE - W/ADJUSTABLE ARMREST (K30, K31)
1	129664-08-K32	EA	SEAT - BUCKET - WIDE - W/ADJUSTABLE ARMREST (K32, K33)
1	129664-08-K34	EA	SEAT - BUCKET - WIDE - W/ADJUSTABLE ARMREST (K34, K35)
1	129664-09-K28	EA	SEAT - BUCKET - WIDE - W/ADJUSTABLE ARMREST (LEATHER)
2	071126-72-K28	EA	SKIRT - 10.5" (FOOTREST) (K28, K29)
2	071126-72-K30	EA	SKIRT - 10.5" (FOOTREST) (K30, K31)
2	071126-72-K32	EA	SKIRT - 10.5" (FOOTREST) (K32, K33)
2	071126-72-K34	EA	SKIRT - 10.5" (FOOTREST) (K34, K35)
2	071126-73-K28	EA	SKIRT - 10.5" (FOOTREST) (LEATHER)
3	M05962-84-K28	EA	COVER - BACK (K28, K29)
3	M05962-84-K30	EA	COVER - BACK (K30, K31)
3	M05962-84-K32	EA	COVER - BACK (K32, K33)
3	M05962-84-K34	EA	COVER - BACK (K34, K35)
3	M05962-86-K28	EA	COVER - BACK - WIDE - BUCKET (LEATHER)
4	129716-01-K28	EA	ARMREST - RIGHT HAND/ADJUSTABLE (K28, K29)
4	129716-01-K30	EA	ARMREST - RIGHT HAND/ADJUSTABLE (K30, K31)
4	129716-01-K32	EA	ARMREST - RIGHT HAND/ADJUSTABLE (K32, K33)
4	129716-01-K34	EA	ARMREST - RIGHT HAND/ADJUSTABLE (K34, K35)
4	129716-05-K28	EA	ARMREST - RIGHT HAND/ADJUSTABLE (LEATHER)
4	P29716-01-K28	EA	ARMREST - RIGHT HAND/ADJUSTABLE (K28, K29)
4	P29716-01-K30	EA	ARMREST - RIGHT HAND/ADJUSTABLE (K30, K31)
4	P29716-01-K32	EA	ARMREST - RIGHT HAND/ADJUSTABLE (K32, K33)
4	P29716-01-K34	EA	ARMREST - RIGHT HAND/ADJUSTABLE (K34, K35)
4	P29716-05-K28	EA	ARMREST - RIGHT HAND/ADJUSTABLE (LEATHER)
5	129716-02-K28	EA	ARMREST - LEFT HAND/ADJUSTABLE (K28, K29)
5	129716-02-K30	EA	ARMREST - LEFT HAND/ADJUSTABLE (K30, K31)
5	129716-02-K32	EA	ARMREST - LEFT HAND/ADJUSTABLE (K32, K33)
5	129716-02-K34	EA	ARMREST - LEFT HAND/ADJUSTABLE (K34, K35)
5	129716-06-K28	EA	ARMREST - LEFT HAND/ADJUSTABLE (LEATHER)
5	P29716-02-K28	EA	ARMREST - LEFT HAND/ADJUSTABLE (K28, K29)
5	P29716-02-K30	EA	ARMREST - LEFT HAND/ADJUSTABLE (K30, K31)
5	P29716-02-K32	EA	ARMREST - LEFT HAND/ADJUSTABLE (K32, K33)
5	P29716-02-K34	EA	ARMREST - LEFT HAND/ADJUSTABLE (K34, K35)
5	P29716-06-K28	EA	ARMREST - LEFT HAND/ADJUSTABLE (LEATHER)

KEY	PART NUMBER	U/M	DESCRIPTION
	122622-04-000	EA	BRACKET - ADJUSTABLE/ARMREST - RIGHT HAND
	122622-05-000	EA	BRACKET - ADJUSTABLE/ARMREST - LEFT HAND
	122622-06-000	EA	BRACKET - ADJUSTABLE KNOB - 3/8"
6	M05962-85-K28	EA	COVER - SEAT (K28, K29)
6	M05962-85-K30	EA	COVER - SEAT (K30, K31)
6	M05962-85-K32	EA	COVER - SEAT (K32, K33)
6	M05962-85-K34	EA	COVER - SEAT (K34, K35)
6	M05962-87-K28	EA	COVER - SEAT (LEATHER)
7	127159-02-02B	EA	BRACKET - SEAT RELEASE - DUAL REMOTE
8	108049-04-000	EA	CABLE - W/SWITCHES - W/26" MINI LEVER ACTION
9	080730-11-000	EA	SHIELD - RUBBER BOOT
10	117125-01-02B	EA	BRACKET - CABLE MOUNT - ADJUSTER W/ LOCK
11	122695-04-01B	EA	FRAME - SEAT & HIGH BACK
12	080730-09-000	EA	SHIELD - RECLINER HANDLE
13	080730-08-000	EA	HANDLE - RECLINER
14	119952-04-000	EA	SLIDE/SEAT - HEAVY DUTY LOCKING - 4 STUDS
15	107921-05-000	EA	PLATE TOP - W/ SEAT BELT BAR
16	107921-06-000	EA	BEARING KIT - PEDESTAL
17	107921-01-000	EA	PEDESTAL FLOOR MOUNTED - W/9.75" EXTENSION
18	108049-02-000	EA	CLIP - CABLE/ PEDESTAL
19	131613-01-K28	EA	FOOTREST - PASSENGER BUCKET SEAT (K28, K29)
19	131613-01-K30	EA	FOOTREST - PASSENGER BUCKET SEAT (K30, K31)
19	131613-01-K32	EA	FOOTREST - PASSENGER BUCKET SEAT (K32, K33)
19	131613-01-K34	EA	FOOTREST - PASSENGER BUCKET SEAT (K34, K35)
19	131613-02-K28	EA	FOOTREST - PASSENGER BUCKET SEAT (LEATHER)
20	131566-04-000	EA	SLIDE - DOUBLE LOCKING
21	131613-99-000	EA	FOOTREST/WOOD - W/T-NUTS
22	131566-06-000	EA	WIRE - LATCH/RELEASE - 5"
23	131566-03-000	EA	WOOD HANDLE
24	131566-02-000	EA	ROD/LEVER - FOOTREST EXTENSION
25	131566-01-000	EA	FOOTREST - MECHANICAL
	131566-05-000	EA	WASHER - SLIDE SPACER
	007221-01-000	EA	SPACER - SEAT/ADJUSTER

CURTAIN & CUSHION GROUP (CONTINUED)

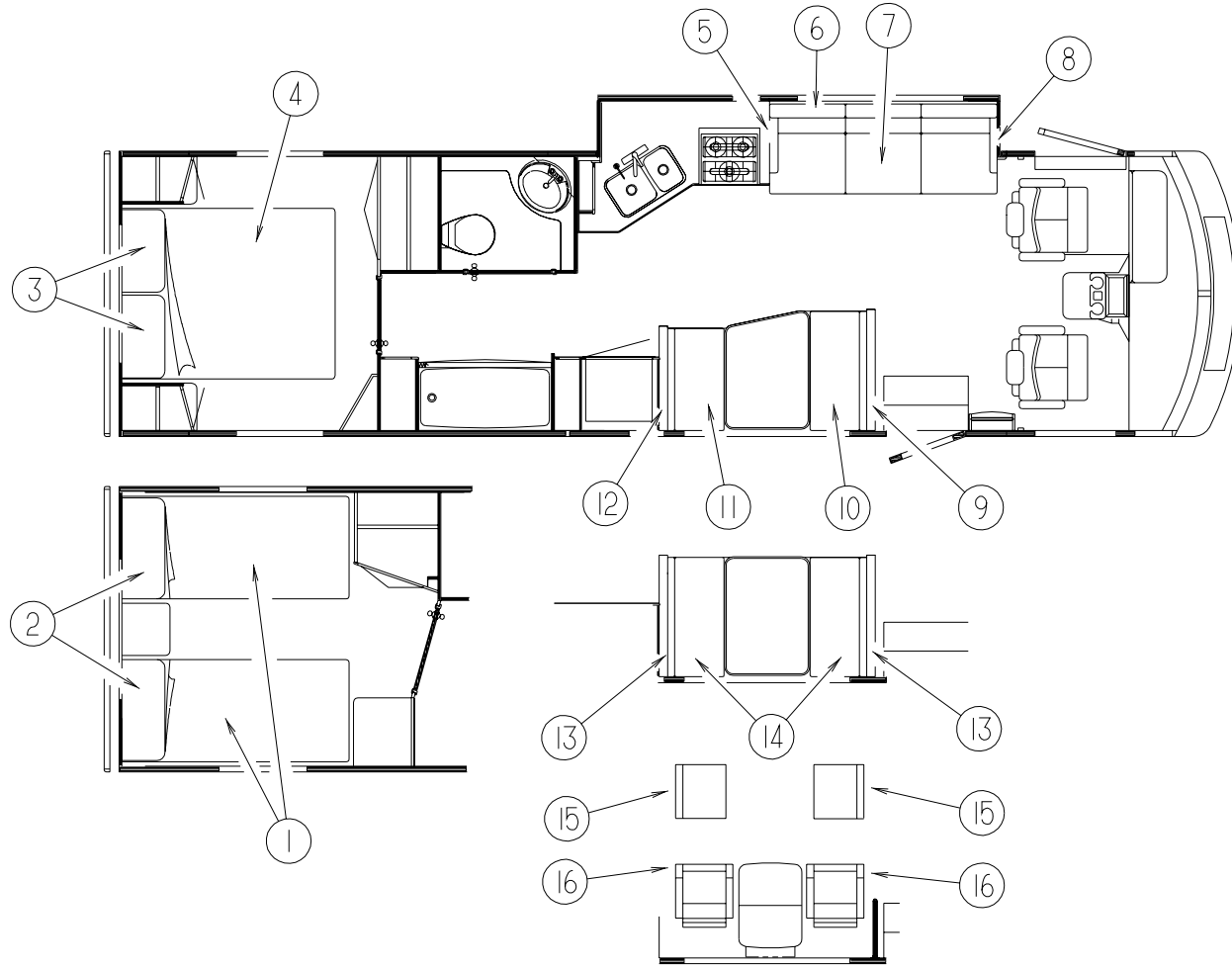
CURTAIN & BLIND HARDWARE



KEY	PART NUMBER	U/M	DESCRIPTION
1	106544-01-000	EA	PULL - SHADE/BRASS
	106544-01-001	EA	SCREW - SHADE/BRASS
2	102555-03-000	EA	CLEAT - BLIND CORD - MILKY WHITE
3	109441-03-000	EA	HOLD DOWN - BLIND (CLOUDY)
4	084434-01-000	EA	BRACKET - MOUNTING - ROLLER SHADE - 1 3/8"
5	109353-04-000	EA	CLIP - VALANCE SLAT MOUNTING - CLEAR PLASTIC
6	101031-01-000	YD	TAPE - GLIDE/CURTAIN - 4.25" SPACING
7	029130-01-000	EA	SCREW - SNAP SOCKET - #8 PH X 5/8"
8	029155-01-000	EA	CAP - SNAP - 5/32" OUTSIDE DIAMETER OF PIN
9	029156-01-000	EA	SOCKET - SNAP - 9/16" O.D.
10	127254-03-02A	EA	TRACK - CURTAIN/RIGHT HAND - ANTELOPE
10	127254-04-02A	EA	TRACK - CURTAIN/LEFT HAND - ANTELOPE
11	083170-02-000	EA	BRACKET - BLIND - RIGHT SIDE WHEN FACING WINDOW
12	083170-01-000	EA	BRACKET - BLIND - LEFT SIDE WHEN FACING WINDOW
13	097565-01-000	EA	BRACKET - MOUNTING/PLEATED BLIND

KEY	PART NUMBER	U/M	DESCRIPTION
14	097592-02-000	EA	SPOOL - CORD - ELEVATED BLIND HOLDUP - LARGE - CLEAR
15	105648-01-02A	EA	BRACE - VALANCE - OFF/WHITE - 14"
16	094907-02-000	EA	END CAP - TOP/PLEATED BLIND - PLASTIC - GRAY
17	097564-03-000	EA	HANDLE - KNOB - E-Z LIFT SHADE - TAN
18	046867-03-000	EA	GROMMET - HANDY BUTTON #3
	048394-02-000	YD	VELCRO TAPE - HOOK - ADHESIVE BACK - .75" WIDE - BEIGE
	086276-01-000	EA	TAPE - DOUBLE SIDED - 1/2"
	094896-02-000	EA	GROMMET - CORD/PLEATED BLIND - NYLON - GRAY
	094907-04-000	EA	HARDWARE - END CAP BOTTOM - PULL TYPE (RH & LH)
	095567-01-000	EA	TACK - STRIP - .5" X 625' ROLL
	096843-01-000	EA	SPRING - REWIND/ROLLER SHADE
	097591-01-000	EA	SPRING - EXTENSION/PLEATED BLIND
	097593-02-000	FT	CORD - BLIND - PLEATED - GRAY
	083125-08-000	EA	BRACE - WINDOW MOUNT - 3/4 - OFF WHITE
	046867-02-000	EA	WASHER - HANDY BUTTON #3

CURTAIN & CUSHION GROUP (CONTINUED)



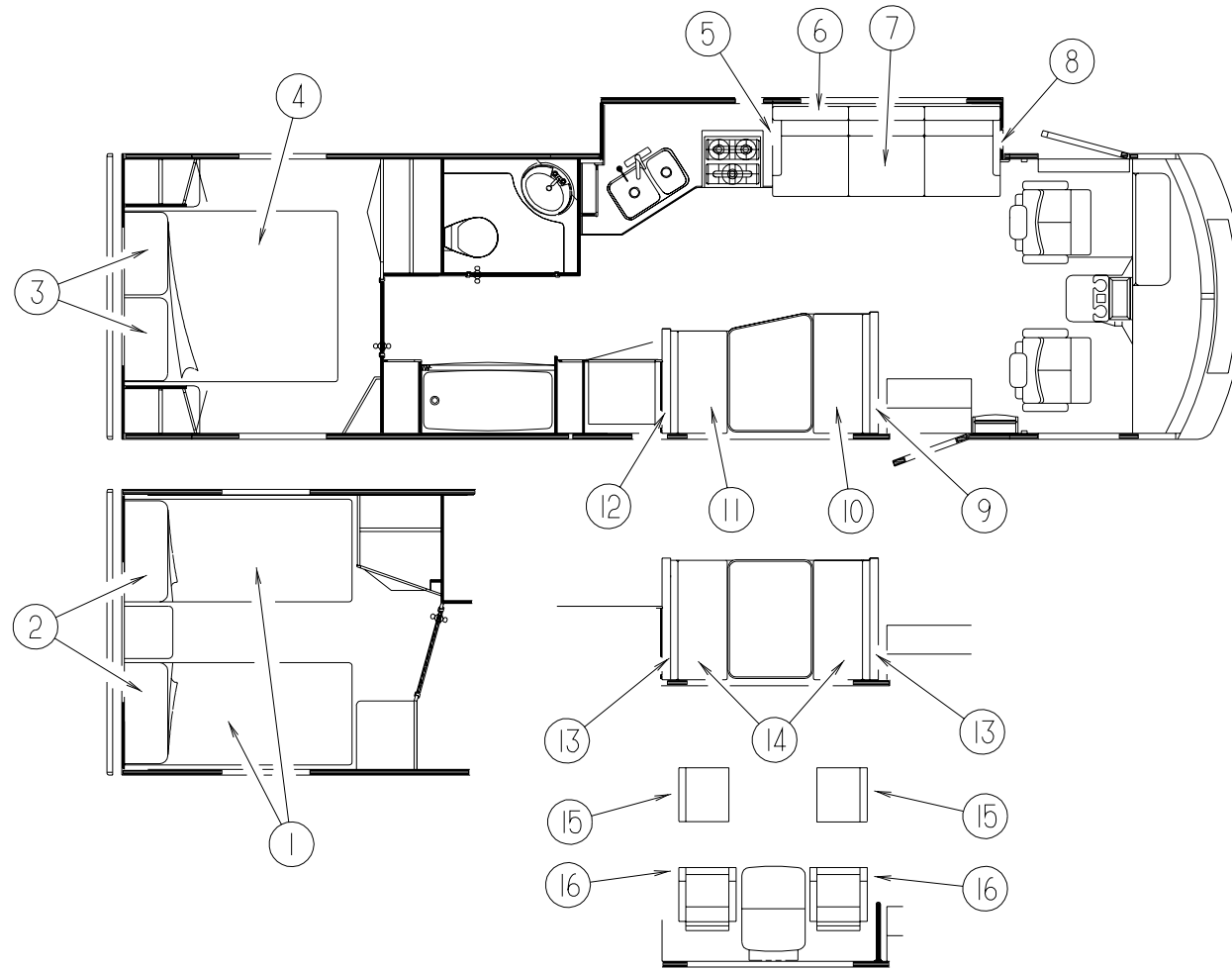
QUEEN & TWIN BED

KEY	PART NUMBER	U/M DESCRIPTION
1	119141-16-K28	EA BEDSPREAD/THROW - 36" X 80" (K28, K29)
1	119141-16-K30	EA BEDSPREAD/THROW - 36" X 80" (K30, K31)
1	119141-22-K33	EA BEDSPREAD/THROW - 36" X 80" (K32, K33)
1	119141-16-K34	EA BEDSPREAD/THROW - 36" X 80" (K34, K35)
1	123015-04-000	EA MATTRESS - INNERSPRING - 36" X 79.5"
2	119249-02-000	EA PILLOW - 22" X 37" - TWIN
3	119249-01-000	EA PILLOW - 20" X 33" - QUEEN
4	119141-14-J31	EA BEDSPREAD/THROW - 60" X 75" (K28, K29)
4	119141-14-K30	EA BEDSPREAD/THROW - 60" X 75" (K30, K31)
4	119141-21-K32	EA BEDSPREAD/THROW - 60" X 75" (K32, K33)
4	119141-14-K34	EA BEDSPREAD/THROW - 60" X 75" (K34, K35)
4	123015-06-000	EA MATTRESS - INNERSPRING - 60" X 74.5"
	111862-09-K28	EA PILLOW - 15" X 15" (K28, K29)
	111862-09-K30	EA PILLOW - 15" X 15" (K30, K31)
	111862-09-K32	EA PILLOW - 15" X 15" (K32, K33)
	111862-09-K34	EA PILLOW - 15" X 15" (K34, K35)

SOFA BED

KEY	PART NUMBER	U/M DESCRIPTION
5	127840-01-K28	EA PANEL - RIGHT END - SOFA/BED - FABRIC COVERED (K28, K29)
5	127840-01-K30	EA PANEL - RIGHT END - SOFA/BED - FABRIC COVERED (K30, K31)
5	127840-01-K32	EA PANEL - RIGHT END - SOFA/BED - FABRIC COVERED (K32, K33)
5	127840-01-J10	EA PANEL - RIGHT END - SOFA/BED - FABRIC COVERED (K34, K35)
5	130718-01-K28	EA ARMREST - REMOVABLE/ RIGHT HAND (K28, K29)
5	130718-01-K30	EA ARMREST - REMOVABLE/ RIGHT HAND (K30, K31)
5	130718-01-K32	EA ARMREST - REMOVABLE/ RIGHT HAND (K32, K33)
5	130718-01-K34	EA ARMREST - REMOVABLE/ RIGHT HAND (K34, K35)
5	P30718-01-K28	EA COVER - ARMREST - REMOVEABLE/ RIGHT (K28, K29)
5	P30718-01-K30	EA COVER - ARMREST - REMOVEABLE/ RIGHT (K30, K31)
5	P30718-01-K32	EA COVER - ARMREST - REMOVEABLE/ RIGHT (K32, K33)
5	P30718-01-K34	EA COVER - ARMREST - REMOVEABLE/ RIGHT (K34, K35)
6	130573-01-K28	EA SOFA/BED - BACK - 74" (K28, K29)
6	130573-01-K30	EA SOFA/BED - BACK - 74" (K30, K31)
6	130573-01-K32	EA SOFA/BED - BACK - 74" (K32, K33)
6	130573-01-K34	EA SOFA/BED - BACK - 74" (K34, K35)
6	P30573-01-K28	EA COVER - BACK - SOFA/BED - 74" (K28, K29)
6	P30573-01-K30	EA COVER - BACK - SOFA/BED - 74" (K30, K31)
6	P30573-01-K32	EA COVER - BACK - SOFA/BED - 74" (K32, K33)
6	P30573-01-K34	EA COVER - BACK - SOFA/BED - 74" (K34, K35)
7	130573-02-K28	EA SOFA/BED - SEAT - 74" (K28, K29)
7	130573-02-K30	EA SOFA/BED - SEAT - 74" (K30, K31)
7	130573-02-K32	EA SOFA/BED - SEAT - 74" (K32, K33)
7	130573-02-K34	EA SOFA/BED - SEAT - 74" (K34, K35)
7	P30573-02-K28	EA COVER - SEAT - SOFA/BED - 74" (K28, K29)
7	P30573-02-K30	EA COVER - SEAT - SOFA/BED - 74" (K30, K31)
7	P30573-02-K32	EA COVER - SEAT - SOFA/BED - 74" (K32, K33)
7	P30573-02-K34	EA COVER - SEAT - SOFA/BED - 74" (K34, K35)
8	127840-02-K28	EA PANEL - LEFT END - SOFA/BED - FABRIC COVERED (K28, K29)
8	127840-02-K30	EA PANEL - LEFT END - SOFA/BED - FABRIC COVERED (K30, K31)
8	127840-02-J32	EA PANEL - LEFT END - SOFA/BED - FABRIC COVERED (K32, K33)
8	127840-02-J34	EA PANEL - LEFT END - SOFA/BED - FABRIC COVERED (K34, K35)
8	130718-02-K28	EA ARMREST - REMOVABLE/LEFT HAND (K28, K29)
8	130718-02-K30	EA ARMREST - REMOVABLE/LEFT HAND (K30, K31)
8	130718-02-K32	EA ARMREST - REMOVABLE/LEFT HAND (K32, K33)
8	130718-02-J34	EA ARMREST - REMOVABLE/LEFT HAND (K34, K35)
8	P30718-02-K28	EA COVER - ARMREST - LEFT (K28, K29)
8	P30718-02-K30	EA COVER - ARMREST - LEFT (K30, K31)
8	P30718-02-K32	EA COVER - ARMREST - LEFT (K32, K33)
8	P30718-02-J34	EA COVER - ARMREST - LEFT (K34, K35)
	127335-08-000	EA BRACKET - REMOVABLE ARM/COUCH
	127335-09-000	EA BRACKET - REMOVABLE ARM/CUSHION
	116104-03-02B	EA BRACKET - ZEE W/HOLES - 5.9"
	116104-04-02B	EA BRACKET - ZEE W/HOLES - 3.2"
	120992-07-K28	EA PANEL - FRONT KICK - SOFA/BED - FABRIC COVERED (K28, K29)
	120992-07-K30	EA PANEL - FRONT KICK - SOFA/BED - FABRIC COVERED (K30, K31)
	120992-07-K32	EA PANEL - FRONT KICK - SOFA/BED - FABRIC COVERED (K32, K33)
	120992-07-J34	EA PANEL - FRONT KICK - SOFA/BED - FABRIC COVERED (K34, K35)
	121906-01-02B	EA BRACKET - KICKBOARD - E-COATED
	111637-02-K28	EA PILLOW - 21" X 21" (K28, K29)
	111637-02-K30	EA PILLOW - 21" X 21" (K30, K31)
	111637-02-K32	EA PILLOW - 21" X 21" (K32, K33)
	111637-02-K34	EA PILLOW - 21" X 21" (K34, K35)
	127335-12-000	EA FRAME-10" LEG

CURTAIN & CUSHION GROUP (CONTINUED)



DINETTE CUSHIONS (FROM: 00-00-00 THRU: 07-19-98)

KEY	PART NUMBER	U/M DESCRIPTION
9	111880-05-K28	EA CUSHION - BACK - 13.5" X 42" X 5" (K28, K29)
9	111880-05-K30	EA CUSHION - BACK - 13.5" X 42" X 5" (K30, K31)
9	111880-05-K32	EA CUSHION - BACK - 13.5" X 42" X 5" (K32, K33)
9	P11880-05-K28	EA COVER - BACK - 13.5" X 42" X 5" (K28, K29)
9	P11880-05-K30	EA COVER - BACK - 13.5" X 42" X 5" (K30, K31)
9	P11880-05-K32	EA COVER - BACK - 13.5" X 42" X 5" (K32, K33)
10	105603-15-K28	EA CUSHION - SEAT - 23" X 42" X 5" (K28, K29)
10	105603-15-K30	EA CUSHION - SEAT - 23" X 42" X 5" (K30, K31)
10	105603-15-K32	EA CUSHION - SEAT - 23" X 42" X 5" (K32, K33)
10	P05603-15-K28	EA COVER - SEAT - 23" X 42" X 5" (K28, K29)
10	P05603-15-K30	EA COVER - SEAT - 23" X 42" X 5" (K30, K31)
10	P05603-15-K32	EA COVER - SEAT - 23" X 42" X 5" (K32, K33)
11	105603-01-K28	EA CUSHION - SEAT - 23" X 36" X 5" (K28, K29)
11	105603-01-K30	EA CUSHION - SEAT - 23" X 36" X 5" (K30, K31)
11	105603-01-K32	EA CUSHION - SEAT - 23" X 36" X 5" (K32, K33)
11	P05603-01-K28	EA COVER - SEAT - 23" X 36" X 5" (K28, K29)
11	P05603-01-K30	EA COVER - SEAT - 23" X 36" X 5" (K30, K31)
11	P05603-01-K32	EA COVER - SEAT - 23" X 36" X 5" (K32, K33)
12	111880-09-K28	EA CUSHION - BACK - 13.5" X 36" X 5" (K28, K29)
12	111880-09-K30	EA CUSHION - BACK - 13.5" X 36" X 5" (K30, K31)
12	111880-09-K32	EA CUSHION - BACK - 13.5" X 36" X 5" (K32, K33)
12	P11880-09-K28	EA COVER - BACK - 13.5" X 36" X 5" (K28, K29)
12	P11880-09-K30	EA COVER - BACK - 13.5" X 36" X 5" (K30, K31)
12	P11880-09-K32	EA COVER - BACK - 13.5" X 36" X 5" (K32, K33)
	078155-01-000	EA STRAP - SNAP - BACK CUSHION

DINETTE CUSHIONS (FROM: 07-20-98 THRU: 99-99-99)

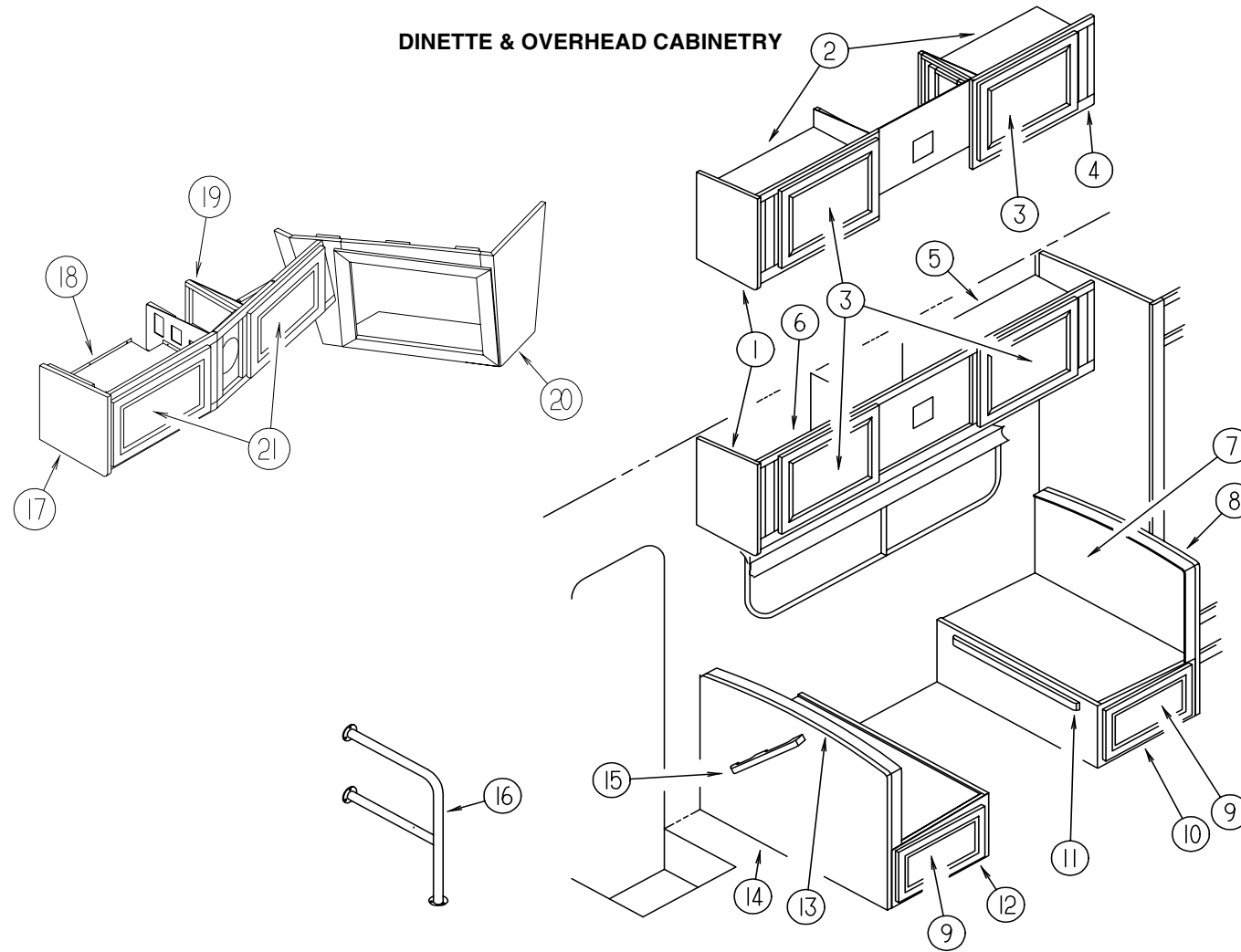
KEY	PART NUMBER	U/M DESCRIPTION
13	111880-01-K28	EA CUSHION - BACK - 13.5" X 38" X 5" (K28, K29)
13	111880-01-K30	EA CUSHION - BACK - 13.5" X 38" X 5" (K30, K31)
13	111880-01-K32	EA CUSHION - BACK - 13.5" X 38" X 5" (K32, K33)
13	111897-04-K34	EA CUSHION - BACK - 13.5" X 38" X 5" (K34, K35)
13	P11880-01-K28	EA COVER - BACK - 13.5" X 38" X 5" (K28, K29)
13	P11880-01-K30	EA COVER - BACK - 13.5" X 38" X 5" (K30, K31)
13	P11880-01-K32	EA COVER - BACK - 13.5" X 38" X 5" (K32, K33)
13	P11897-04-K34	EA COVER - BACK - 13.5" X 38" X 5" (K34, K35)
14	088927-87-K28	EA CUSHION - SEAT - 23" X 38" X 5" (K28, K29)
14	088927-87-K30	EA CUSHION - SEAT - 23" X 38" X 5" (K30, K31)
14	088927-87-K32	EA CUSHION - SEAT - 23" X 38" X 5" (K32, K33)
14	088927-87-H10	EA CUSHION - SEAT - 23" X 38" X 5" (K34, K35)
14	M88927-87-K28	EA COVER - SEAT - 23" X 38" X 5" (K28, K29)
14	M88927-87-K30	EA COVER - SEAT - 23" X 38" X 5" (K30, K31)
14	M88927-87-K32	EA COVER - SEAT - 23" X 38" X 5" (K32, K33)
14	M88927-87-H10	EA COVER - SEAT - 23" X 38" X 5" (K34, K35)
	078155-01-000	EA STRAP - SNAP - BACK CUSHION

DINETTE OPTION

KEY	PART NUMBER	U/M DESCRIPTION
15	101604-01-03A	EA CHAIR - FOLDING/DINETTE - LINEN FABRIC - WATERFORD OAK
15	101604-01-04A	EA CHAIR - FOLDING/DINETTE - LINEN FABRIC - SOLAR MAPLE (MYSTIC OAK)
16	126637-11-000	EA CHAIR - DINETTE - SUNSHOWER (K28, K29)
16	126637-15-000	EA CHAIR - DINETTE - VINTAGE GROVE (K30, K31)
16	126637-16-000	EA CHAIR - DINETTE - JUNIPER (K32, K33)
16	126637-01-000	EA CHAIR - DINETTE - CHAMELEON (K34, K35)
	129529-02-000	EA STRAP - RETAINER - CHAIR
	129491-01-000	EA CATCH - SNAP HOOK - 1"

DINETTE GROUP

DINETTE & OVERHEAD CABINETRY

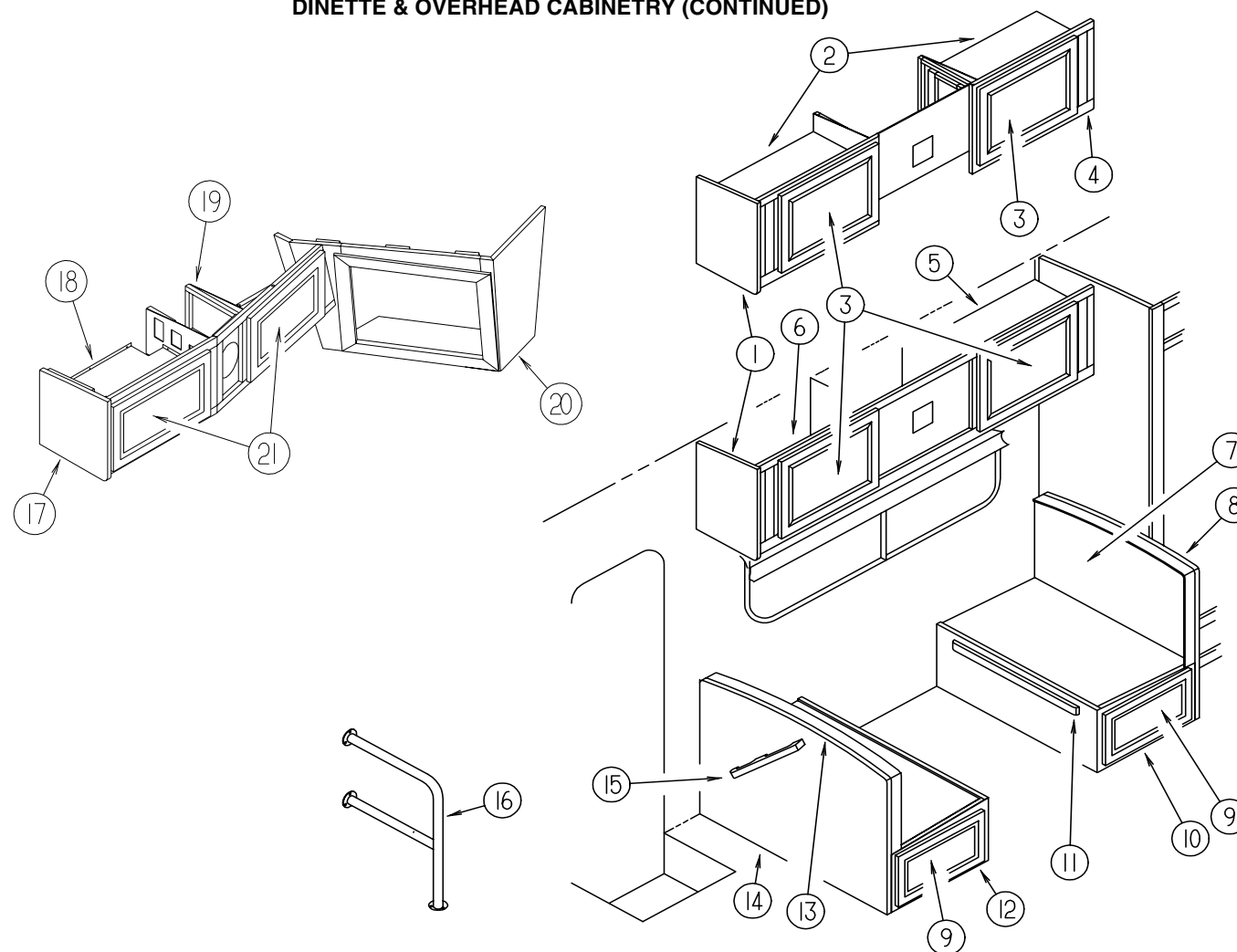


KEY	PART NUMBER	U/M	DESCRIPTION
1	103128-02-J90	EA	END CAP - OVERHEAD CABINET - LEFT HAND (MYSTIC OAK)
1	103128-02-J94	EA	END CAP - OVERHEAD CABINET - LEFT HAND (WATERFORD OAK)
2	117579-13-K29	EA	SHELF - W/PLASTIC EDGE TRIM (MYSTIC OAK)
2	117579-13-G09	EA	SHELF - W/PLASTIC EDGE TRIM (WATERFORD OAK)
3	M05992-48-K29	EA	DOOR - STRAIGHT CORNER/OGEE EDGE - 15.7" X 27.9" - (MYSTIC OAK)
3	M05992-48-J20	EA	DOOR - STRAIGHT CORNER/OGEE EDGE - 15.7" X 27.9" - (WATERFORD OAK)
4	117579-55-K28	EA	CABINET - OVERHEAD/DINETTE - F/COFFEEMAKER
4	117579-55-K29	EA	CABINET - OVERHEAD/DINETTE - F/COFFEEMAKER
4	117579-55-K30	EA	CABINET - OVERHEAD/DINETTE - F/COFFEEMAKER
4	117579-55-K31	EA	CABINET - OVERHEAD/DINETTE - F/COFFEEMAKER
4	117579-55-K32	EA	CABINET - OVERHEAD/DINETTE - F/COFFEEMAKER
4	117579-55-K33	EA	CABINET - OVERHEAD/DINETTE - F/COFFEEMAKER
4	117579-55-K34	EA	CABINET - OVERHEAD/DINETTE - F/COFFEEMAKER
4	117579-55-K35	EA	CABINET - OVERHEAD/DINETTE - F/COFFEEMAKER
4	117579-52-K28	EA	CABINET - OVERHEAD/DINETTE - (F/SOUND SYS. & COFFEEMAKER
4	117579-52-K29	EA	CABINET - OVERHEAD/DINETTE - (F/SOUND SYS. & COFFEEMAKER
4	117579-52-K30	EA	CABINET - OVERHEAD/DINETTE - (F/SOUND SYS. & COFFEEMAKER
4	117579-52-K31	EA	CABINET - OVERHEAD/DINETTE - (F/SOUND SYS. & COFFEEMAKER
4	117579-52-K32	EA	CABINET - OVERHEAD/DINETTE - (F/SOUND SYS. & COFFEEMAKER
4	117579-52-K33	EA	CABINET - OVERHEAD/DINETTE - (F/SOUND SYS. & COFFEEMAKER
4	117579-52-K34	EA	CABINET - OVERHEAD/DINETTE - (F/SOUND SYS. & COFFEEMAKER
4	117579-52-K35	EA	CABINET - OVERHEAD/DINETTE - (F/SOUND SYS. & COFFEEMAKER
5	128056-12-K29	EA	SHELF - W/PLASTIC EDGE TRIM (MYSTIC OAK)
5	128056-12-J22	EA	SHELF - W/PLASTIC EDGE TRIM (WATERFORD OAK)

KEY	PART NUMBER	U/M	DESCRIPTION
6	128056-02-K28	EA	CABINET - OVERHEAD/DINETTE
6	128056-02-K29	EA	CABINET - OVERHEAD/DINETTE
6	128056-02-K30	EA	CABINET - OVERHEAD/DINETTE
6	128056-02-K31	EA	CABINET - OVERHEAD/DINETTE
6	128056-02-K32	EA	CABINET - OVERHEAD/DINETTE
6	128056-02-K33	EA	CABINET - OVERHEAD/DINETTE
6	128056-02-K34	EA	CABINET - OVERHEAD/DINETTE
6	128056-02-K35	EA	CABINET - OVERHEAD/DINETTE
7	M07514-14-K29	EA	CABINET - SEATBACK - RIGHT HAND (MYSTIC OAK) FROM: 00-00-00 THRU: 07-19-98
7	M07514-17-K29	EA	CABINET - SEATBACK - RIGHT HAND (MYSTIC OAK) FROM: 07-20-98 THRU: 99-99-99
7	M07514-14-J22	EA	CABINET - SEATBACK - RIGHT HAND (WATERFORD OAK) FROM: 00-00-00 THRU: 07-19-98
7	M07514-17-K30	EA	CABINET - SEATBACK - RIGHT HAND (WATERFORD OAK) FROM: 07-20-98 THRU: 99-99-99
8	104787-08-J21	EA	PAD - DINETTE SEATBACK (K28, K29) FROM: 00-00-00 THRU: 07-19-98
8	104787-04-K28	EA	PAD - DINETTE SEATBACK (K28, K29) FROM: 07-20-98 THRU: 99-99-99
8	104787-08-K30	EA	PAD - DINETTE SEATBACK (K30, K31) FROM: 00-00-00 THRU: 07-19-98
8	104787-04-K30	EA	PAD - DINETTE SEATBACK (K30, K31) FROM: 07-20-98 THRU: 99-99-99
8	104787-08-F11	EA	PAD - DINETTE SEATBACK (K32, K33) FROM: 00-00-00 THRU: 07-19-98
8	104787-04-K32	EA	PAD - DINETTE SEATBACK (K32, K33) FROM: 07-20-98 THRU: 99-99-99
8	104787-04-H10	EA	PAD - DINETTE SEATBACK (K34, K35)

DINETTE GROUP (CONTINUED)

DINETTE & OVERHEAD CABINETS (CONTINUED)

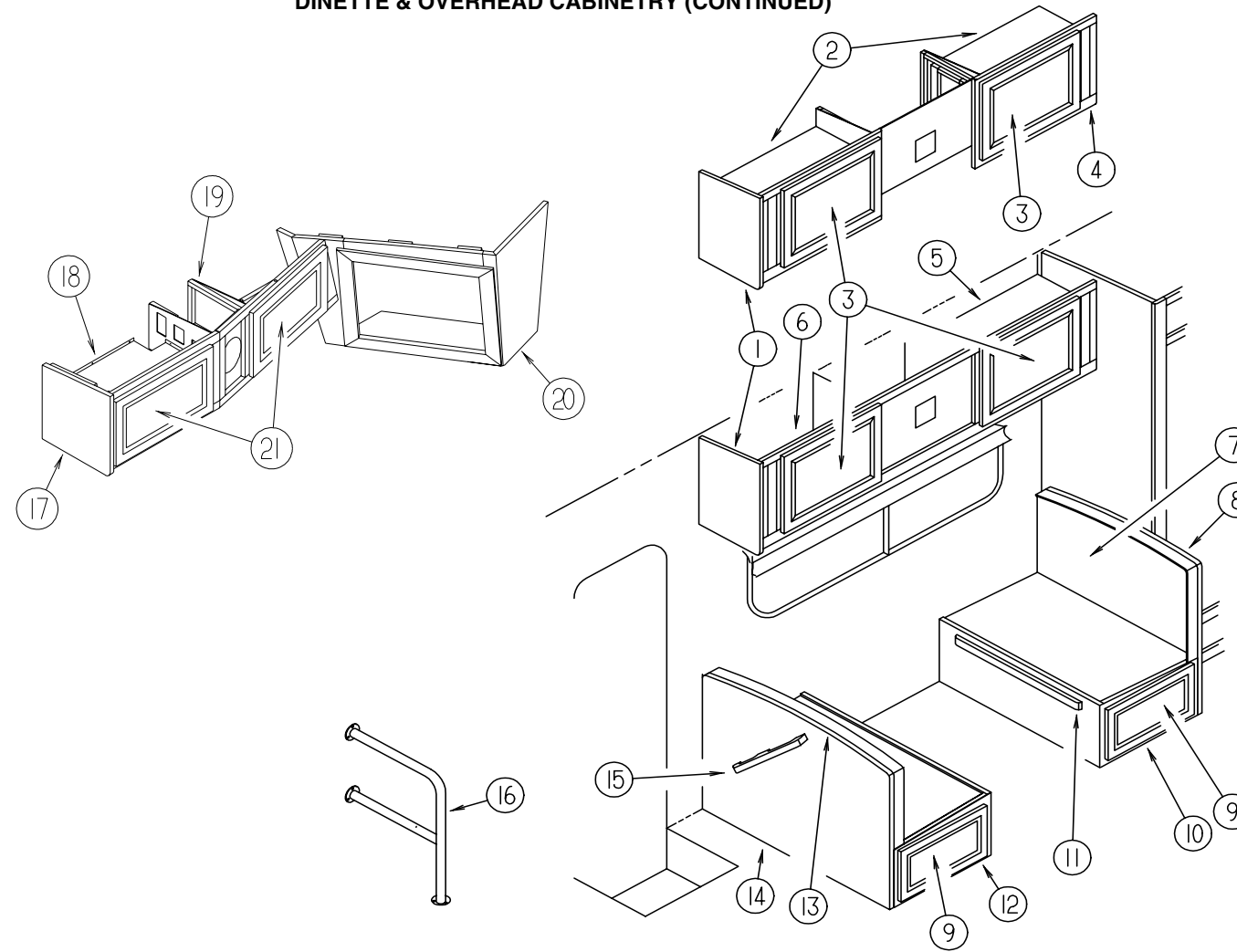


KEY	PART NUMBER	U/M DESCRIPTION
9	P27054-01-K29	EA DRAWER - OGEE EDGE - 11.8"W X 33.4"D - (MYSTIC OAK)
9	P27054-01-K28	EA DRAWER - OGEE EDGE - 11.8"W X 33.4"D - (WATERFORD OAK)
	126908-01-J60	EA GUIDE - DRAWER (WOOD) - 19.5"W X 34.9"D
10	M07515-14-K29	EA CABINET - SEATBOTTOM/RIGHT HAND - (MYSTIC OAK) FROM: 00-00-00 THRU: 07-19-98
10	M07515-20-K29	EA CABINET - SEATBASE/RIGHT HAND - (MYSTIC OAK) FROM: 07-20-98 THRU: 99-99-99
10	M07515-14-K30	EA CABINET - SEATBASE/RIGHT HAND - (WATERFORD OAK) FROM: 00-00-00 THRU: 07-19-98
10	M07515-20-K30	EA CABINET - SEATBASE/RIGHT HAND - (WATERFORD OAK) FROM: 07-20-98 THRU: 99-99-99
11	081295-01-G01	EA SUPPORT - BED/DINETTE - 28" LONG
12	M07515-15-K29	EA CABINET - SEATBASE/LEFT HAND - (MYSTIC OAK) FROM: 00-00-00 THRU: 07-19-98
12	M07515-21-K29	EA CABINET - SEATBASE/LEFT HAND - (MYSTIC OAK) FROM: 07-20-98 THRU: 99-99-99
12	M07515-15-K30	EA CABINET - SEATBASE/LEFT HAND - (WATERFORD OAK) FROM: 00-00-00 THRU: 07-19-98
12	M07515-21-K30	EA CABINET - SEATBASE/LEFT HAND - (WATERFORD OAK) FROM: 07-20-98 THRU: 99-99-99

KEY	PART NUMBER	U/M DESCRIPTION
13	104787-17-K28	EA PAD - DINETTE SEATBACK (K28, K29) FROM: 00-00-00 THRU: 07-19-98
13	104787-04-K28	EA PAD - DINETTE SEATBACK (K28, K29) FROM: 07-20-98 THRU: 99-99-99
13	104787-17-K30	EA PAD - DINETTE SEATBACK (K30, K31) FROM: 00-00-00 THRU: 07-19-98
13	104787-04-K30	EA PAD - DINETTE SEATBACK (K30, K31) FROM: 07-20-98 THRU: 99-99-99
13	104787-17-K32	EA PAD - DINETTE SEATBACK (K32, K33) FROM: 00-00-00 THRU: 07-19-98
13	104787-04-K32	EA PAD - DINETTE SEATBACK (K32, K33) FROM: 07-20-98 THRU: 99-99-99
13	104787-04-H10	EA PAD - DINETTE SEATBACK (K34, K35)
14	M07514-15-K29	EA CABINET - SEATBACK - LEFT HAND (MYSTIC OAK) FROM: 00-00-00 THRU: 07-19-98
14	M07514-16-K29	EA CABINET - SEATBACK - LEFT HAND (MYSTIC OAK) FROM: 07-20-98 THRU: 99-99-99
14	M07514-15-J22	EA CABINET - SEATBACK - LEFT HAND (WATERFORD OAK) FROM: 00-00-00 THRU: 07-19-98
14	M07514-16-K30	EA CABINET - SEATBACK - LEFT HAND (WATERFORD OAK) FROM: 07-20-98 THRU: 99-99-99
	122021-01-02A	EA ANGLE - W/HOLES - 8.6" LONG - OFF WHITE
	122021-02-02A	EA ANGLE - W/HOLES - 13.7" LONG - OFF WHITE
	122021-03-01A	EA ANGLE - W/HOLES

DINETTE GROUP (CONTINUED)

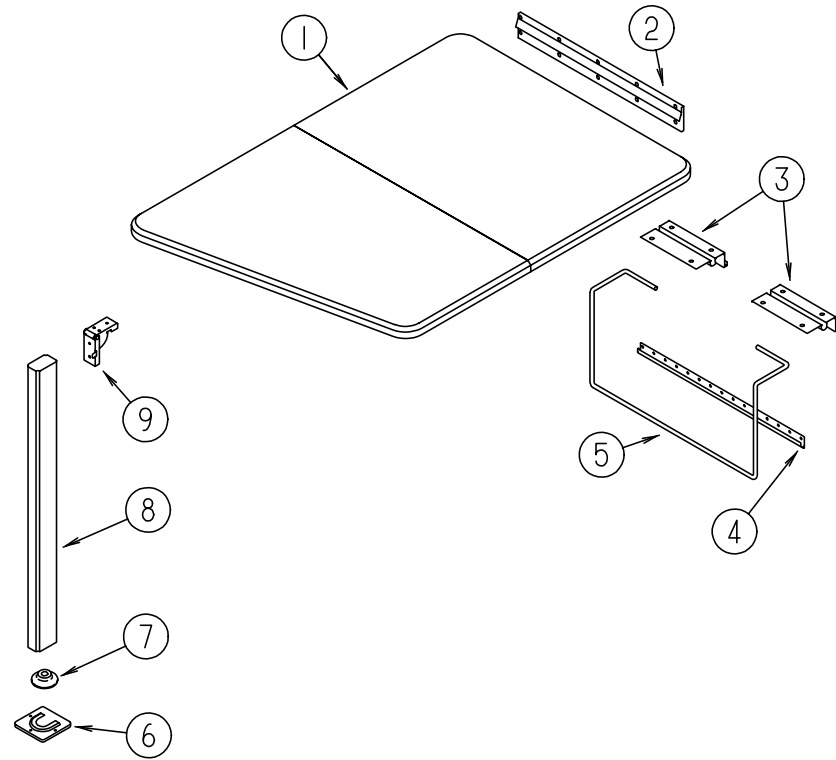
DINETTE & OVERHEAD CABINETS (CONTINUED)



KEY	PART NUMBER	U/M	DESCRIPTION
15	P02786-03-J62	EA	HANDRAIL ONLY - W/O BRACKETS (MYSTIC OAK)
15	P02786-03-J94	EA	HANDRAIL ONLY - W/O BRACKETS (WATERFORD OAK)
	099682-01-01A	EA	BRACKET - MOUNTING/HAND RAIL - ROUND BASE
16	108808-03-01A	EA	HANDRAIL - ENTRANCE - 26"H X 20.7"L - OFF WHITE
17	103128-46-K36	EA	END CAP - OVERHEAD CABINET - LEFT HAND (MYSTIC OAK)
17	103128-46-K66	EA	END CAP - OVERHEAD CABINET - LEFT HAND (WATERFORD OAK)
18	131339-01-02B	EA	SHELF - SUPPORT - E-COATED
19	131312-03-K28	EA	CABINET - OVERHEAD/DINETTE
19	131312-03-K29	EA	CABINET - OVERHEAD/DINETTE
19	131312-03-K30	EA	CABINET - OVERHEAD/DINETTE
19	131312-03-K31	EA	CABINET - OVERHEAD/DINETTE
19	131312-03-K32	EA	CABINET - OVERHEAD/DINETTE
19	131312-03-K33	EA	CABINET - OVERHEAD/DINETTE
19	131312-03-K34	EA	CABINET - OVERHEAD/DINETTE
19	131312-03-K35	EA	CABINET - OVERHEAD/DINETTE

KEY	PART NUMBER	U/M	DESCRIPTION
19	131312-01-K28	EA	CABINET - OVERHEAD/DINETTE - (F/SOUND SYS. & COFFEEMAKER)
19	131312-01-K29	EA	CABINET - OVERHEAD/DINETTE - (F/SOUND SYS. & COFFEEMAKER)
19	131312-01-K30	EA	CABINET - OVERHEAD/DINETTE - (F/SOUND SYS. & COFFEEMAKER)
19	131312-01-K31	EA	CABINET - OVERHEAD/DINETTE - (F/SOUND SYS. & COFFEEMAKER)
19	131312-01-K32	EA	CABINET - OVERHEAD/DINETTE - (F/SOUND SYS. & COFFEEMAKER)
19	131312-01-K33	EA	CABINET - OVERHEAD/DINETTE - (F/SOUND SYS. & COFFEEMAKER)
19	131312-01-K34	EA	CABINET - OVERHEAD/DINETTE - (F/SOUND SYS. & COFFEEMAKER)
19	131312-01-K35	EA	CABINET - OVERHEAD/DINETTE - (F/SOUND SYS. & COFFEEMAKER)
20	131313-01-K29	EA	CABINET - OVERHEAD/TV/DINETTE/RIGHT HAND (MYSTIC OAK)
20	131313-01-K28	EA	CABINET - OVERHEAD/TV/DINETTE/RIGHT HAND (WATERFORD OAK)
21	131995-53-K29	EA	DOOR - SOLID PANEL - 11.2" X 19.6" - W/O HARDWARE (MYSTIC OAK)
21	131995-53-K28	EA	DOOR - SOLID PANEL - 11.2" X 19.6" - W/O HARDWARE (WATERFORD OAK)
	131336-01-02B	EA	SHELF - SUPPORT - TV - E-COATED
	131379-01-K36	EA	TRIM - TV (MYSTIC OAK)
	131379-01-K28	EA	TRIM - TV (WATERFORD OAK)

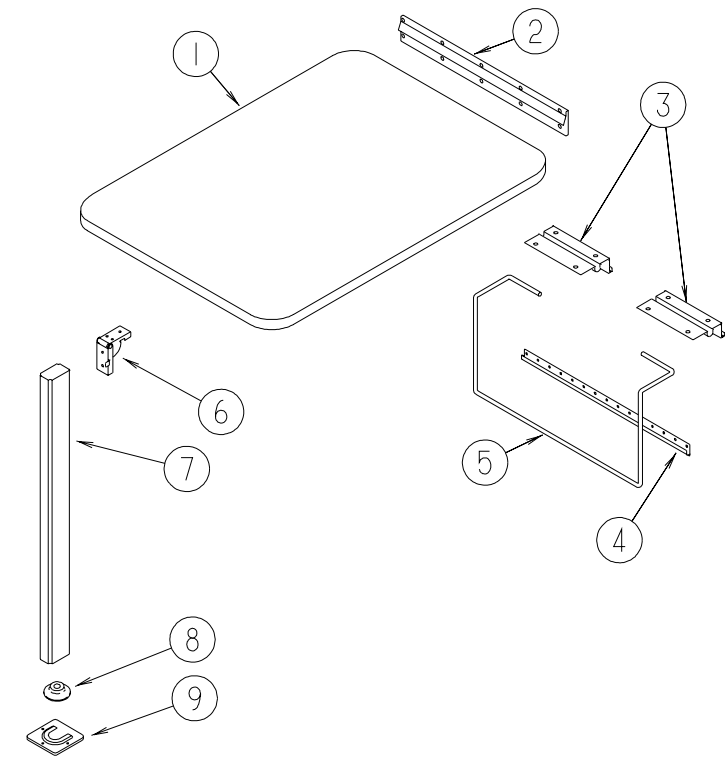
DINETTE GROUP (CONTINUED)



DINETTE TABLE

KEY	PART NUMBER	U/M	DESCRIPTION
1	127121-11-J91	EA	TABLE TOP ONLY (K28, K29, K30, K31, K34, K35)
1	127121-11-J92	EA	TABLE TOP ONLY (K32, K33)
2	053200-12-000	EA	BRACKET - TABLE SUPPORT - UPPER/WALL MOUNTED - 23.50"
3	088410-02-000	EA	BRACKET - LIFT - TABLE MOUNTED
4	024281-14-000	EA	BRACKET/TABLE - LIFT ROD/LOWER WALL MOUNTED - 22.12"
5	024275-12-000	EA	ROD - TABLE LIFT
6	049493-12-000	EA	CATCH - TABLE LEG/FLOOR MOUNTED - OFF WHITE
6	049493-11-700	EA	CATCH - TABLE LEG - E-COAT
7	092593-01-05A	EA	CATCH - TABLE LEG - OFF/WHITE
8	092707-04-05A	EA	LEG - TABLE - W/O HARDWARE - 27" - WATERFORD OAK
8	092707-04-03A	EA	LEG - TABLE - W/O HARDWARE - 27" - PICKLED ASH (MYSTIC OAK)
9	093550-01-000	EA	BRACKET - HINGE - MOUNTS TO LEG & TABLE TOP - 1.7" X 2.6"

DINETTE GROUP (CONTINUED)

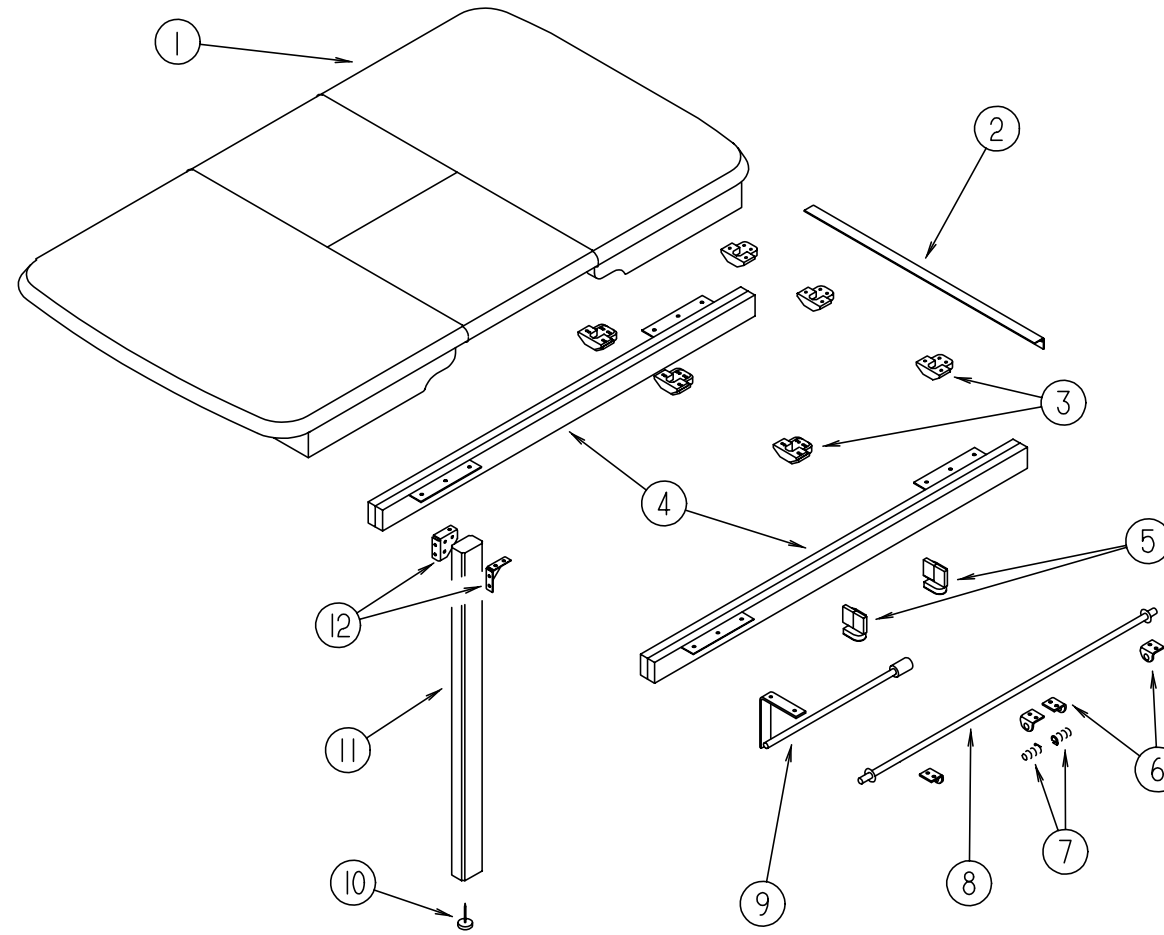


DINETTE TABLE

KEY	PART NUMBER	U/M	DESCRIPTION
1	088913-13-K68	EA	TOP - DINETTE TABLE (K28, K29, K30, K31, K34, K35)
1	088913-13-K38	EA	TOP - DINETTE TABLE (K32, K33)
2	053200-12-000	EA	BRACKET - TABLE SUPPORT - UPPER WALL MOUNTED 23.50"
3	088410-02-000	EA	BRACKET - LIFT - TABLE MOUNTED
4	024281-14-000	EA	BRACKET - LIFT ROD LOWER WALL MOUNTED - 22.12"
5	024275-12-000	EA	ROD - TABLE LIFT
6	093550-01-000	EA	BRACKET - HINGE - MOUNTS TO LEG & TABLE TOP - 1.7" X 2.6"
7	092707-04-05A	EA	LEG - TABLE - W/O HARDWARE - 27" - WATERFORD OAK
7	092707-04-03A	EA	LEG - TABLE - W/O HARDWARE - 27" - PICKLED ASH (MYSTIC OAK)
8	092593-01-05A	EA	CATCH - TABLE LEG - OFF/WHITE
9	049493-12-000	EA	CATCH - TABLE LEG - FLOOR MOUNTED - OFF WHITE
9	049493-11-700	EA	CATCH - TABLE LEG - FLOOR MOUNTED - E-COAT
9	004354-01-000	EA	BUMPER - RUBBER - .5" DIA - BROWN

DINETTE GROUP (CONTINUED)

DINETTE TABLE ASM. W/ DROP LEAF

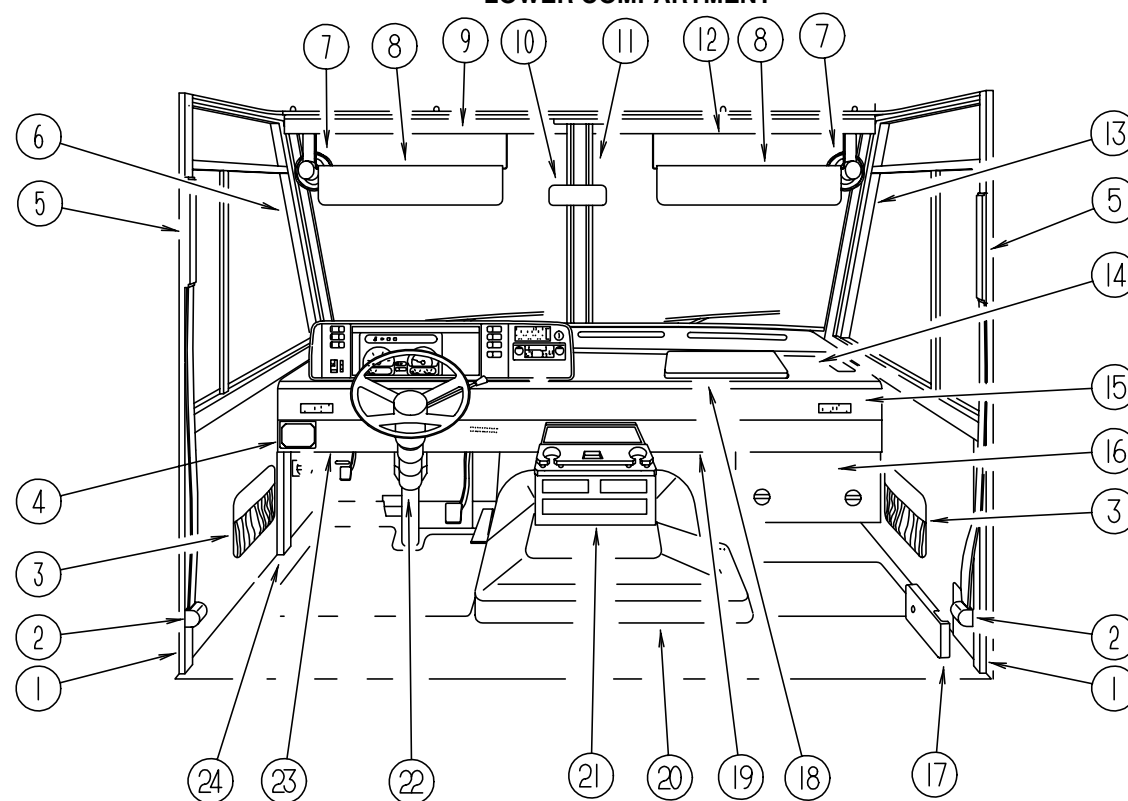


KEY	PART NUMBER	U/M DESCRIPTION
	P18322-03-K30	EA TABLE - PULLOUT/SELF STORING - W/O HARDWARE (K28, K30, K34)
	P18322-03-K29	EA TABLE - PULLOUT/SELF STORING - W/O HARDWARE (K29, K31, K35)
	P18322-03-K32	EA TABLE - PULLOUT/SELF STORING - W/O HARDWARE (K32)
	P18322-03-K33	EA TABLE - PULLOUT/SELF STORING - W/O HARDWARE (K33)
1	118322-20-K32	EA TABLE TOP ONLY - W/O HARDWARE (K32, K33)
1	118322-20-J91	EA TABLE TOP ONLY - W/O HARDWARE (K28, K29, K30, K31, K34, K35)
2	041389-18-000	EA HINGE - PIANO - 1 1/2" X 19" - OFF WHITE
3	009050-02-000	EA LEVELER - TABLE TOP - MALE END W/4 SCREWS - PLASTIC
3	009050-03-000	EA LEVELER - TABLE TOP - FEMALE END W/2 SCREWS - PLASTIC
4	110749-01-000	EA SLIDE/EXTENSION - 19 3/4" TO 33 1/4"

KEY	PART NUMBER	U/M DESCRIPTION
5	108663-01-000	EA HINGE - LEAF - FOLDING
6	108874-01-000	EA BRACKET - HINGE - TABLE LEAF
7	108664-01-000	EA SPRING - COMPRESSION - .51" X 1.96"
8	108932-01-000	EA ROD - PIVOT
9	108905-01-000	EA SUPPORT - TABLE LEAF
10	102194-01-000	EA GUIDE - PLASTIC
11	092707-07-05A	EA LEG - TABLE - W/O HARDWARE - 27.8" - WATERFORD OAK
11	092707-07-02A	EA LEG - TABLE - W/O HARDWARE - 27.8" - PICKLED ASH (MYSTIC OAK)
12	102810-01-04A	EA BRACE - TABLE LEG - BLACK
12	102810-01-03A	EA BRACE - TABLE LEG - MILL

DRIVERS COMPARTMENT GROUP

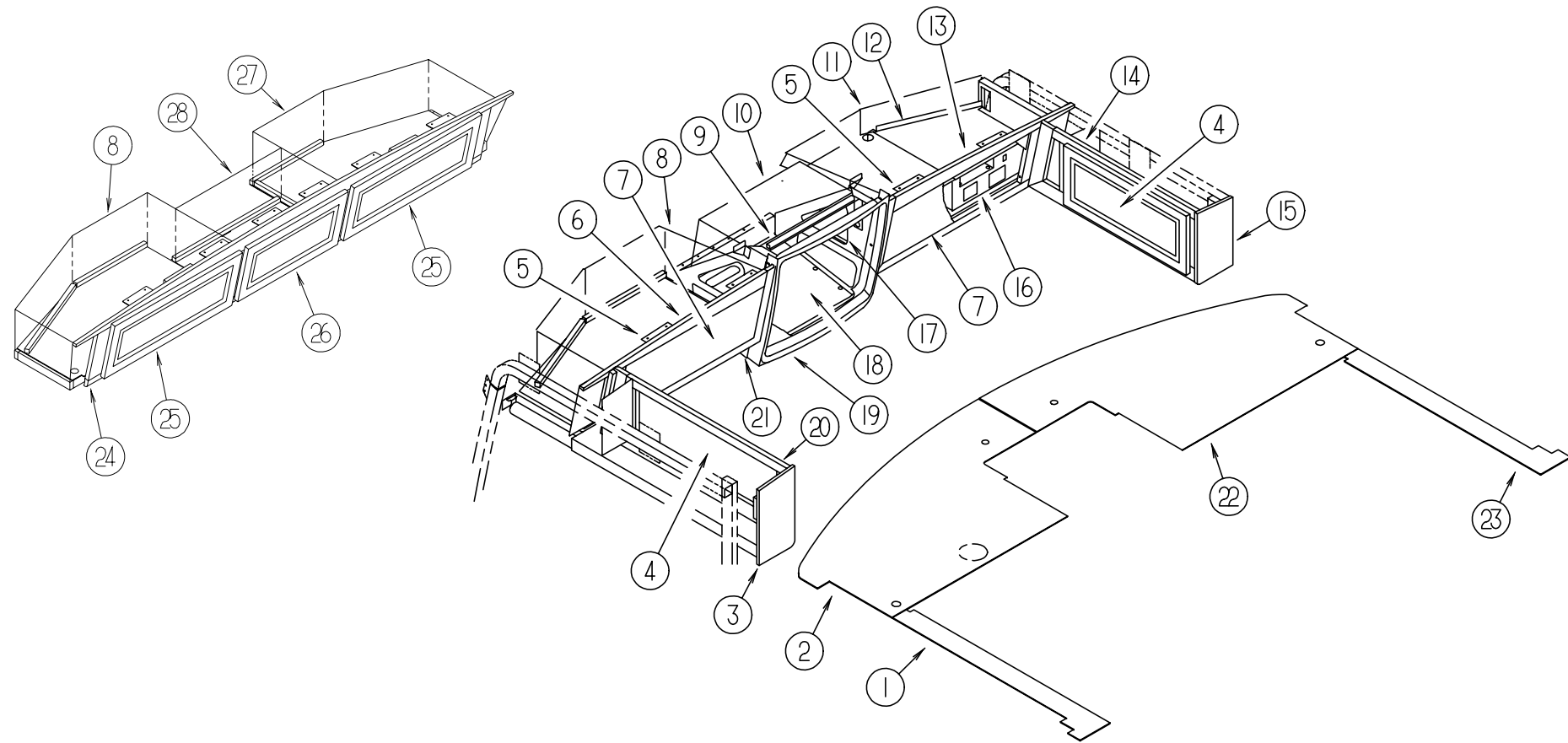
LOWER COMPARTMENT



KEY	PART NUMBER	U/M	DESCRIPTION	KEY	PART NUMBER	U/M	DESCRIPTION
1	024700-51-000	EA	COVER - ROLL BAR - 88" - OFF WHITE	16	095757-05-G16	EA	COVER - HEATER (K28, K29)
	126701-01-03A	EA	COVER - ASSIST HANDLE - OFF WHITE	16	095757-05-K30	EA	COVER - HEATER (K30, K31)
2	091990-05-01A	EA	SEAT BELT/SHOULDER HARNESS - DR/PASSENGER - BLACK	16	095757-05-J17	EA	COVER - HEATER (K32, K33)
	127598-01-01A	EA	ADJUSTER - SEATBELT - D-LOOP - ADJUSTER	16	095757-05-J51	EA	COVER - HEATER (K34, K35)
	127598-02-000	EA	NUT - HEX FLANGE - M10 X 1.5 - CLASS 10	17	103961-03-01A	EA	COVER - BRACKET - SEATBELT/OFF WHITE
	128444-01-000	EA	WASHER - SPRING - CONICAL	18	127692-01-J20	EA	TABLE - DASH
3	086120-01-J21	EA	PAD - MAP POCKET - 12" X 16" (K28, K29)	18	127597-01-000	EA	SLIDE - WORK STATION - DASH
3	086120-01-K30	EA	PAD - MAP POCKET - 12" X 16" (K30, K31)	19	114620-05-04A	EA	TRIM - LOWER DASH - GM - 96" - W/ELECTRIC MIRRORS - W/O DR DOOR
3	086120-01-G30	EA	PAD - MAP POCKET - 12" X 16" (K32, K33)	19	114620-08-02A	EA	TRIM - LOWER DASH - GM - 96" - W/O ELECTRIC MIRRORS - W/O DR DOOR
3	086120-01-J30	EA	PAD - MAP POCKET - 12" X 16" (K34, K35)	19	114620-09-02A	EA	TRIM - LOWER DASH - GM - 96" - W/ELECTRIC MIRRORS - W/DR DOOR
4	112236-02-J22	EA	BEZEL - F/SLIDEOUT ROOM CONTROL	19	114620-11-02A	EA	TRIM - LOWER DASH - GM - 96" - W/O ELECTRIC MIRRORS - W/DR DOOR
4	116220-01-000	EA	APPLIQUE - SWITCH/SLIDEOUT	19	111528-07-04A	EA	TRIM - LOWER DASH - PASSENGER - FORD - ANTELOPE
4	108357-06-000	EA	SWITCH - ROCKER DPDT - MOM/OFF/MOM - 6 TERMINAL	20	115840-03-01A	EA	COVER - MOTOR - W/O CARPET - FORD
4	108356-02-01A	EA	COVER/ACTUATOR SWITCH - 2 ROWS DIMPLES- CONTURA II - BLACK				FROM: 00-00-00 THRU: 05-05-99
4	081994-09-000	EA	PLATE - SWITCH - F/SLIDEOUT	20	129099-03-01A	EA	COVER - MOTOR - W/O CARPET - FORD
5	127798-01-01A	EA	COVER - SLIDE - INNER - BLACK - 1.5" X 11.4"				FROM: 05-06-99 THRU: 99-99-99
5	127721-01-01A	EA	COVER - SLIDE - OFF WHITE	20	115840-02-01A	EA	COVER - MOTOR - W/O CARPET (CHEVY)
6	125508-02-01A	EA	TRIM - A-PILLAR - INTERIOR - ANTELOPE	21	126680-01-H17	EA	TRAY - BEVERAGE - W/SHELF/CUPHOLDERS - FORD (WATERFORD OAK)
6	123045-11-02A	EA	BACKING - SCREW - ANTELOPE	21	126680-01-K29	EA	TRAY - BEV - W/SHELF/CUPHOLDERS - W/O DRAWER (FORD) (MYSTIC OAK)
7	122856-01-01A	EA	FAN- DEFROSTER-2 SPEED W/SWIVEL BASE/NON-OSCILATING-CHROME	21	126680-02-H17	EA	TRAY - BEV - W/SHELF/CUPHLDERS - W/O DRAWER (CHEVY) (WATERFORD OAK)
8	123298-02-04A	EA	SUNVISOR - 10.5" X 28.5"	21	126680-02-K29	EA	TRAY - BEV - W/SHELF/CUPHOLDERS - W/O DRAWER (CHEVY) (MYSTIC OAK)
9	118453-04-01A	EA	TRIM - WINDSHIELD - INNER/TOP/DR		130111-01-01A	EA	COVER - STEERING COLUMN - BLACK (FORD) - UPPER
10	040714-01-000	EA	MIRROR - REAR VIEW/ARM MOUNT & SET SCREW				FROM: 00-00-00 THRU: 01-17-99
10	067490-01-000	EA	BUTTON - MIRROR/REAR VIEW	131804-01-01A	EA	COVER - STEERING COLUMN - BLACK (FORD) - UPPER & SIDES	
11	118452-04-01A	EA	TRIM - WINDSHIELD - CENTER				FROM: 02-04-99 THRU: 99-99-99
12	118453-03-01A	EA	TRIM - WINDSHIELD - INNER/TOP/PASSENGER	125655-03-01A	EA	TRIM - STEERING COLUMN - RIGHT HAND (FORD)	
13	125508-01-01A	EA	TRIM - A-PILLAR - INTERIOR - ANTELOPE				FROM: 00-00-00 THRU: 02-03-99
13	123045-11-02A	EA	BACKING - SCREW - ANTELOPE	125655-04-01A	EA	TRIM - STEERING COLUMN - LEFT HAND (FORD)	
14	P30276-01-000	EA	DASH - W/O VINYL - E-COATED (FORD) (W/ DR DOOR)				FROM: 00-00-00 THRU: 02-03-99
14	P30276-02-000	EA	DASH - W/O VINYL - E-COATED (FORD) (W/O DR DOOR)	125795-01-01A	EA	COVER - STEERING COLUMN - LOWER - BLACK (FORD)	
14	P30276-05-000	EA	DASH - W/O VINYL - E-COATED (CHEVEY) (W/ DR DOOR)				FROM: 02-04-99 THRU: 99-99-99
14	P30276-06-000	EA	DASH - W/O VINYL - E-COATED (CHEVEY) (W/O DR DOOR)	22	103498-09-000	EA	BOOT - STEERING COLUMN - W/1/2 CIRCLE (CHEVY)
14	106569-11-01A	EA	VINYL - LAMINATE - ALLANTE ANTELOPE - 1/4" X 21" X 100"	23	111528-04-04A	EA	TRIM - LOWER DASH - DR - FORD - ANTELOPE
15	104354-09-08A	EA	APPLIQUE - LOWER DASH (ADVENTURER)	24	127901-02-01A	EA	PANEL - TOEKICK - LEFT HAND - ANTELOPE (W/DR DOOR)
				24	127901-01-01A	EA	PANEL - TOEKICK - LEFT HAND - ANTELOPE (W/O DR DOOR)

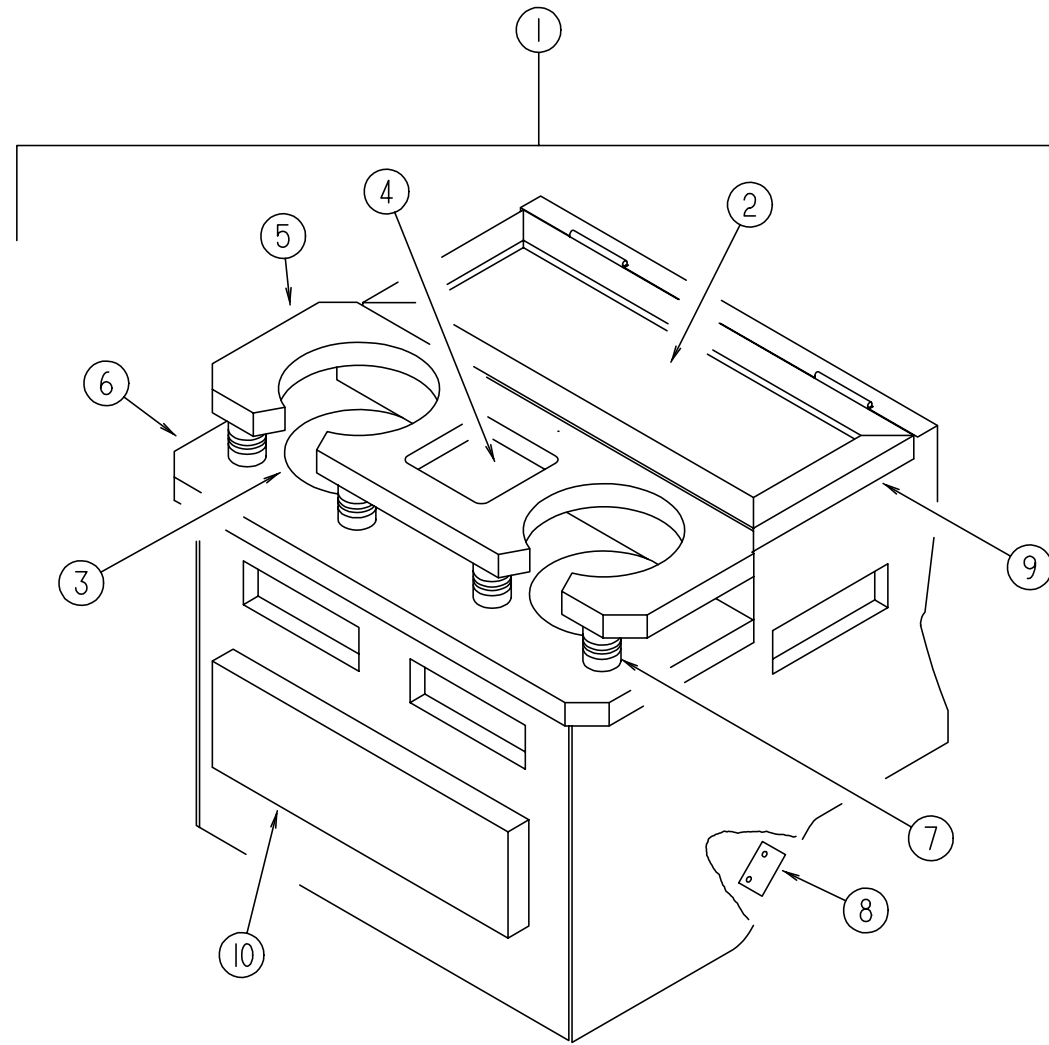
DRIVERS COMPARTMENT GROUP (CONTINUED)

OVERHEAD CABINETS



KEY	PART NUMBER	U/M DESCRIPTION	KEY	PART NUMBER	U/M DESCRIPTION
1	126443-04-K28	EA PANEL - OVERHEAD/FRONT - LEFT HAND - 5.8" X 38.4"	16	126601-03-J20	EA PANEL/SHELF - VINYL COVERED - W/NOTCH/ANTENNA CUTOUT FROM: 00-00-00 THRU: 11-08-98
2	126440-02-J20	EA PANEL - OVERHEAD/FRONT BOTTOM - LEFT HAND	16	131807-02-K28	EA PANEL/SHELF - VINYL COVERED - W/NOTCH/ANTENNA CUTOUT FROM: 11-09-98 THRU: 99-99-99
3	103128-18-J20	EA END CAP - OVERHEAD CABINET - LEFT HAND (WATERFORD OAK)	16	126601-01-J20	EA PANEL/SHELF - VINYL COVERED - W/ANTENNA CUTOUT FROM: 00-00-00 THRU: 11-08-98
3	103128-18-J90	EA END CAP - OVERHEAD CABINET - LEFT HAND (MYSTIC OAK)	16	131807-01-K28	EA PANEL/SHELF - VINYL COVERED - W/ANTENNA CUTOUT FROM: 11-09-98 THRU: 99-99-99
4	M05992-L9-J22	EA DOOR - STRT CORNER/OGEE EDGE - 10" X 29.5" - W/O HDW (WATERFORD OAK)	16	126601-07-J20	EA PANEL/SHELF-VINYL COVERED - W/NOTCH/INVERTER/ANTENNA CUTOUT FROM: 00-00-00 THRU: 11-08-98
4	M05992-L9-K29	EA DOOR - STRT CORNER/OGEE EDGE - 10" X 29.5" - W/O HDW (MYSTIC OAK)	16	131807-03-K28	EA PANEL/SHELF - VINYL COVERED - W/NOTCH/ANTENNA CUTOUT FROM: 11-09-98 THRU: 99-99-99
5	106699-01-01A	EA BRACKET - OVERHEAD CABINET/TV	17	126081-03-02B	EA BRACKET/SUPPORT - TV - 10 DEGREE - E-COATED (RIGHT)
6	130768-02-K66	EA CABINET - OVERHEAD/FRONT - W/O DOOR/HDW (WATERFORD OAK)		126081-04-02B	EA BRACKET/SUPPORT - TV - 10 DEGREE - E-COATED (LEFT)
6	130768-02-K29	EA CABINET - OVERHEAD/FRONT - W/O DOOR/HDW (MYSTIC OAK)	18	091261-01-000	FT SLIPNOT - ANTISLIP - 1" WIDE
7	M05992-AW-K28	EA DOOR - STRT CORNER/OGEE EDGE - 11.4" X 28.1" - W/O HDW (WATERFORD OAK)	19	100708-16-000	EA DOOR - GLASS - CABINET - 15.5" X 15.7" - W/O HDW
7	M05992-AW-K29	EA DOOR - STRT CORNER/OGEE EDGE - 11.4" X 28.1" - W/O HDW (MYSTIC OAK)	19	125977-01-02A	EA COVER - TV - OVERHEAD/FRONT - ANTELOPE
7	100708-20-000	EA DOOR - GLASS - TV CABINET - 8.6" X 26.1"	19	126602-02-J22	EA COVER - OVERHEAD FRONT - W/O TV OPTION
8	126457-02-J20	EA PANEL - CLOSEOUT - OVERHEAD FRONT - UPPER/LOWER LEFT HAND	20	126301-02-J22	EA CABINET - OVERHEAD/FRONT LEFT HAND - W/O DOORS/HDW (WATERFORD OAK)
9	114706-04-02B	EA SUPPORT - SHELF/TV	20	126301-02-J90	EA CABINET - OVERHEAD/FRONT LEFT HAND - W/O DOORS/HDW (MYSTIC OAK)
10	126854-01-J20	EA PANEL - HEADLINER/TV/TOP	21	126006-02-J20	EA COVER - TV - OVERHEAD/BOTTOM
11	126457-01-J20	EA PANEL - CLOSEOUT - OVERHEAD FRONT - UPPER/LOWER RIGHT HAND	22	126440-01-J20	EA PANEL - OVERHEAD/FRONT BOTTOM/RIGHT HAND
12	126275-01-02B	EA SHELF - OVERHEAD/FRONT - E-COATED FROM: 00-00-00 THRU: 11-08-98	23	126443-03-J24	EA PANEL - OVERHEAD/FRONT - RIGHT HAND - 5.8" X 39.
12	126275-03-02B	EA SHELF - OVERHEAD FRONT - E-COATED FROM: 11-09-98 THRU: 99-99-99	23	126443-06-K28	EA PANEL - OVERHEAD/FRONT - RIGHT HAND - 5.8" X 50.6" (W/O FRONT OVHD TV)
13	130768-01-K66	EA CABINET - OVERHEAD/FRONT - W/O DOOR/HDW (WATERFORD OAK)	24	130768-04-K36	EA CABINET - OVERHEAD/FRONT - W/O DOORS/HDW (MYSTIC OAK)
13	130768-01-K36	EA CABINET - OVERHEAD/FRONT - W/O DOOR/HDW (MYSTIC OAK)	24	130768-04-K66	EA CABINET - OVERHEAD/FRONT - W/O DOORS/HDW (WATERFORD OAK)
14	126358-02-K28	EA CABINET - OVERHEAD/FRONT/RIGHT HAND - W/O DOOR/HDW (WATERFORD OAK)	25	M05992-50-K36	EA DOOR - STRT CORNER/OGEE EDGE - 11.4" X 28.1" - W/O HDW (MYSTIC OAK)
14	126358-02-J90	EA CABINET - OVERHEAD/FRONT/RIGHT HAND - W/O DOORS/HDW (MYSTIC OAK)	25	M05992-50-J20	EA DOOR - STRT CORNER/OGEE EDGE - 11.4" X 28.1" - W/O HDW (WATERFORD OAK)
15	103128-17-J20	EA END CAP - OVERHEAD CABINET - RIGHT HAND (WATERFORD OAK)	26	131995-59-K29	EA DOOR - SOLID PANEL - 11.4" X 21.8" - W/O HDW (MYSTIC OAK)
15	103128-17-J90	EA END CAP - OVERHEAD CABINET - RIGHT HAND (MYSTIC OAK)	26	131995-59-K28	EA DOOR - SOLID PANEL - 11.4" X 21.8" - W/O HDW (WATERFORD OAK)
			27	126457-05-K36	EA PANEL - CLOSEOUT - OVERHEAD FRONT - PASSENGER
			28	126457-04-K36	EA PANEL - CLOSEOUT - OVERHEAD FRONT - CENTER

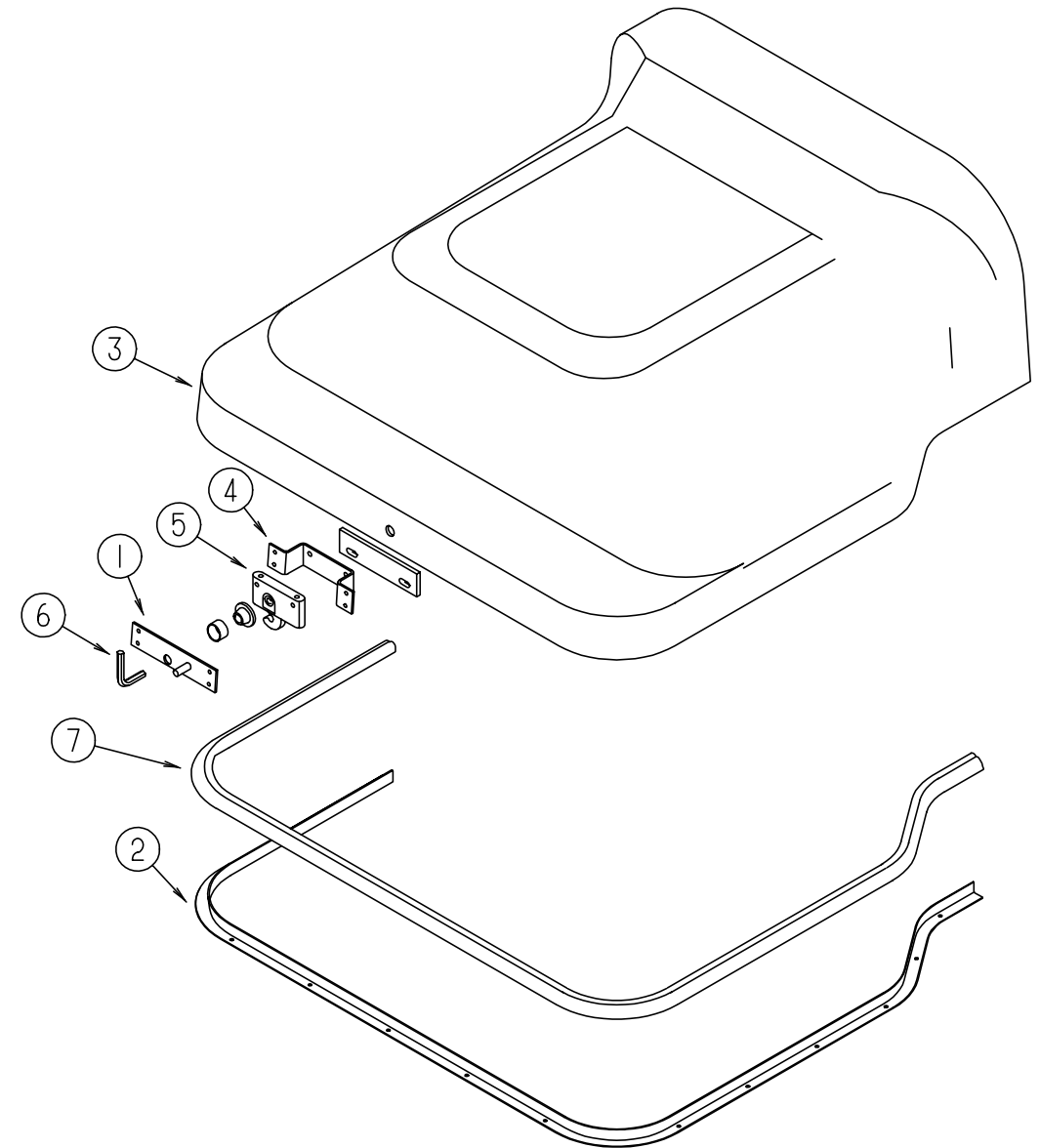
DRIVERS COMPARTMENT GROUP (CONTINUED)



BEVERAGE TRAY

KEY	PART NUMBER	U/M	DESCRIPTION
1	126680-01-H17	EA	TRAY - BEV - W/SHELF/CUPHOLDERS - W/O DRAWER (FORD) (WATERFORD OAK)
1	126680-01-K29	EA	TRAY - BEV - W/SHELF/CUPHOLDERS - W/O DRAWER (FORD) (MYSTIC OAK)
1	126680-02-H17	EA	TRAY - BEV - W/SHELF/CUPHOLDERS - W/O DRAWER (CHEVY) (WATERFORD OAK)
1	126680-02-K29	EA	TRAY - BEV - W/SHELF/CUPHOLDERS - W/O DRAWER (CHEVY) (MYSTIC OAK)
2	122717-06-01A	FT	PAD - NON SKID - PSA - 6.5" X 13.8"
3	122717-01-01A	EA	PAD - NON SKID - 4" DIAMETER ROUND
4	122717-02-01A	EA	PAD - NON SKID - 4" X 4"
5	126680-15-H17	EA	SHELF/CUPHOLDER
6	126680-14-H17	EA	SHELF/CUPHOLDER - W/PADS
7	097872-08-000	EA	DOWEL - WOOD - 1" DIAMETER X 1.38" LONG (WATERFORD OAK)
7	097872-12-000	EA	DOWEL - WOOD - 1" DIAMETER X 1.38" LONG (MYSTIC OAK)
8	122832-01-02B	EA	BRACKET - MOUNTING - BEVERAGE TRAY
	122772-02-02B	EA	BRACKET - MOUNTING - BEVERAGE TRAY(W/ STUD BOLTS)
9	126680-16-H17	EA	LID - BEVERAGE TRAY (WATERFORD OAK)
9	126680-16-K29	EA	LID - BEVERAGE TRAY (MYSTIC OAK)
10	M05971-AZ-H33	EA	DRAWER - OGEE EDGE - 9.9"W X 11.8"D - W/O SLIDES/HDW (WATERFORD OAK)
10	M05971-AZ-K29	EA	DRAWER - OGEE EDGE - 9.9"W X 11.8"D - W/O SLIDES/HARDWARE (MYSTIC OAK)
	100128-02-000	FT	SEAL - FOAM - ADHESIVE BACK - .37" WIDE X .37" THICK

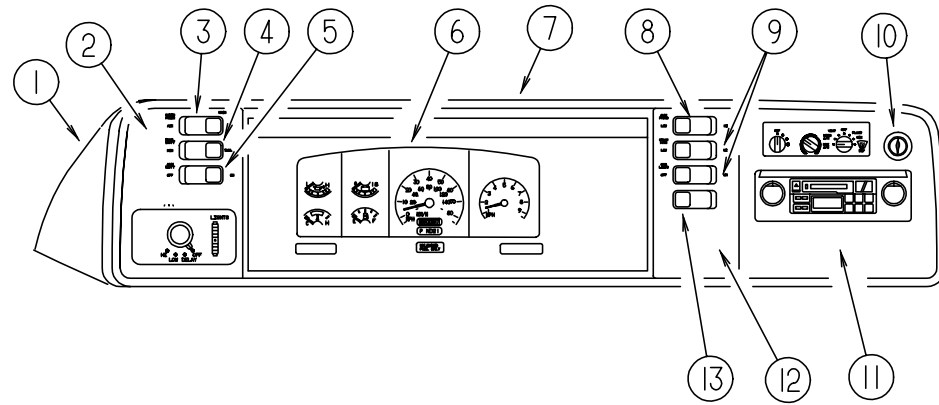
DRIVERS COMPARTMENT GROUP (CONTINUED)



MOTOR COVER

KEY	PART NUMBER	U/M	DESCRIPTION
1	115852-01-02B	EA	STRIKE - LATCH - MOTOR COVER - E-COATED
2	115860-01-01A	EA	TRIM - MOTOR COVER - CHEVY
2	115860-03-01A	EA	TRIM - MOTOR COVER - FORD
			FROM: 00-00-00 THRU: 05-05-99
2	115860-05-01A	EA	TRIM - MOTOR COVER - FORD
			FROM: 05-06-99 THRU: 99-99-99
3	115840-03-01A	EA	COVER - MOTOR - W/O CARPET - FORD
			FROM: 00-00-00 THRU: 05-05-99
3	129099-03-01A	EA	COVER - MOTOR - W/O CARPET - FORD
			FROM: 05-06-99 THRU: 99-99-99
3	115840-02-01A	EA	COVER - MOTOR - W/O CARPET - CHEVY
4	115850-03-02B	EA	RETAINER - LATCH - MOTOR COVER - RIGHT HAND - E-COAT
5	116581-01-000	EA	LATCH - MOTOR COVER
6	116833-01-02B	EA	WRENCH - HEX MOTOR COVER - E-COATED
7	039623-01-000	EA	SEAL - MOTOR COVER - RUBBER BULB TYPE

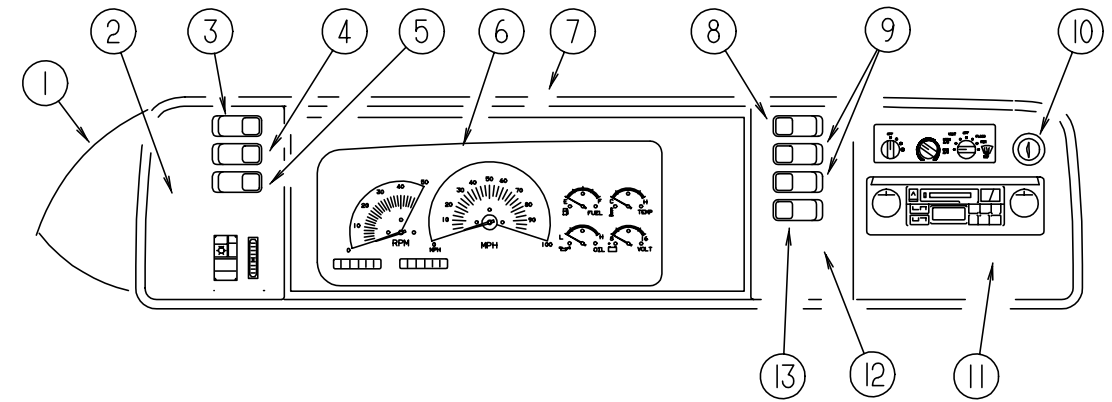
DRIVERS COMPARTMENT GROUP (CONTINUED)



DASH, GAUGES & SWITCHES (FORD)

KEY	PART NUMBER	U/M	DESCRIPTION
1	125677-02-J20	EA	POD - INSTRUMENT PANEL FROM: 00-00-00 THRU: 02-03-99
1	125677-04-K28	EA	POD - INSTRUMENT PANEL FROM: 02-04-99 THRU: 99-99-99
2	104056-39-01A	EA	APPLIQUE - BEZEL - DRIVER DRESS UP
3	108357-08-000	EA	SWITCH - ROCKER DPDT - ON/NONE/ON - 6 TERMINAL
3	108356-02-01A	EA	COVER/ACTUATOR SWITCH - 2 ROWS DIMPLES- CONTURA II - BLACK
4	108357-09-000	EA	SWITCH - ROCKER SPDT - ON/NONE/MOM - 3 TERMINAL
4	108356-02-01A	EA	COVER/ACTUATOR SWITCH - 2 ROWS DIMPLES- CONTURA II - BLACK
5	108357-06-000	EA	SWITCH - ROCKER DPDT - MOM/OFF/MOM - 6 TERMINAL
5	108356-02-01A	EA	COVER/ACTUATOR SWITCH - 2 ROWS DIMPLES- CONTURA II - BLACK
6	N/A	EA	CLUSTER - INSTRUMENT PANEL - KILOMETERS
6	N/A	EA	CLUSTER - INSTRUMENT PANEL - K/M - GAS - CANADIAN
7	103662-12-01A	EA	BEZEL - INSTRUMENT PANEL - FORD FROM: 00-00-00 THRU: 02-03-99
7	103662-14-01A	EA	BEZEL - INSTRUMENT PANEL - FORD FROM: 02-04-99 THRU: 99-99-99
8	108357-10-000	EA	SWITCH - ROCKER SPDT W/LIGHT - MOM/NONE/MOM - 5 TERMINAL
8	108356-04-01A	EA	COVER/ACTUATOR SWITCH - 2 ROWS DIMPLES W/LENS-CONTURAIIBLK
9	108357-03-000	EA	SWITCH - ROCKER SPDT - ON/OFF/ON - 3 TERMINAL
9	108356-02-01A	EA	COVER/ACTUATOR SWITCH - 2 ROWS DIMPLES- CONTURA II - BLACK
	096241-03-000	EA	SWITCH - BLANK
	077942-01-000	EA	SWITCH - DUMMY - BLACK
10	089294-01-000	EA	LIGHTER - CIGARETTE - W/SOCKET & WIRE
11	104056-06-01A	EA	APPLIQUE - BEZEL - PASSENGER BLACK
12	104056-21-01A	EA	APPLIQUE - BEZEL - PASSENGER DRESS UP
12	104056-08-01A	EA	APPLIQUE - BEZEL - PASSENGER - 6 SWITCH (W/FOG LAMPS)
13	108357-01-000	EA	SWITCH - ROCKER SPST - ON/OFF - 2 TERMINAL
13	108356-02-01A	EA	COVER/ACTUATOR SWITCH - 2 ROWS DIMPLES- CONTURA II - BLACK
	077031-03-000	EA	FILM - WHITE - .75" X 1"
	129644-01-000	EA	CABLE/INDICATOR - TRANSMISSION - 46.7" EYE/EYE

DRIVERS COMPARTMENT GROUP (CONTINUED)

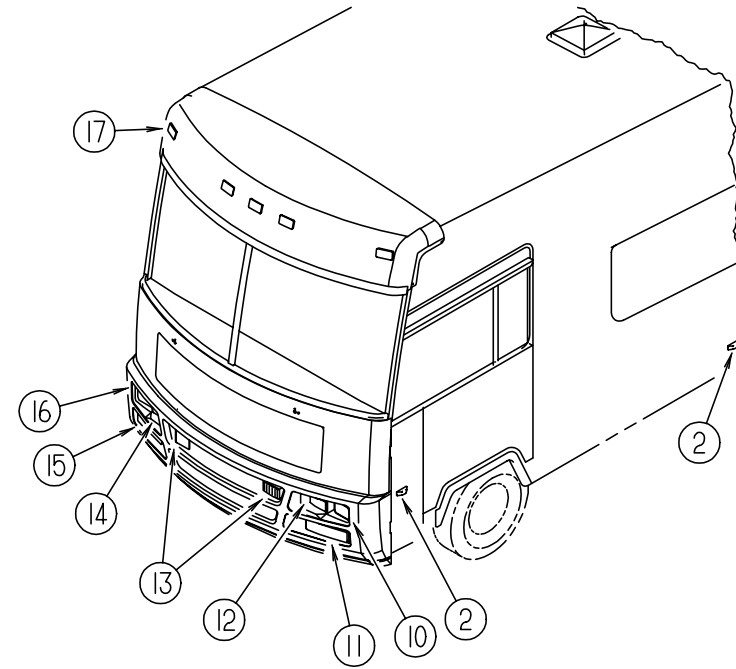
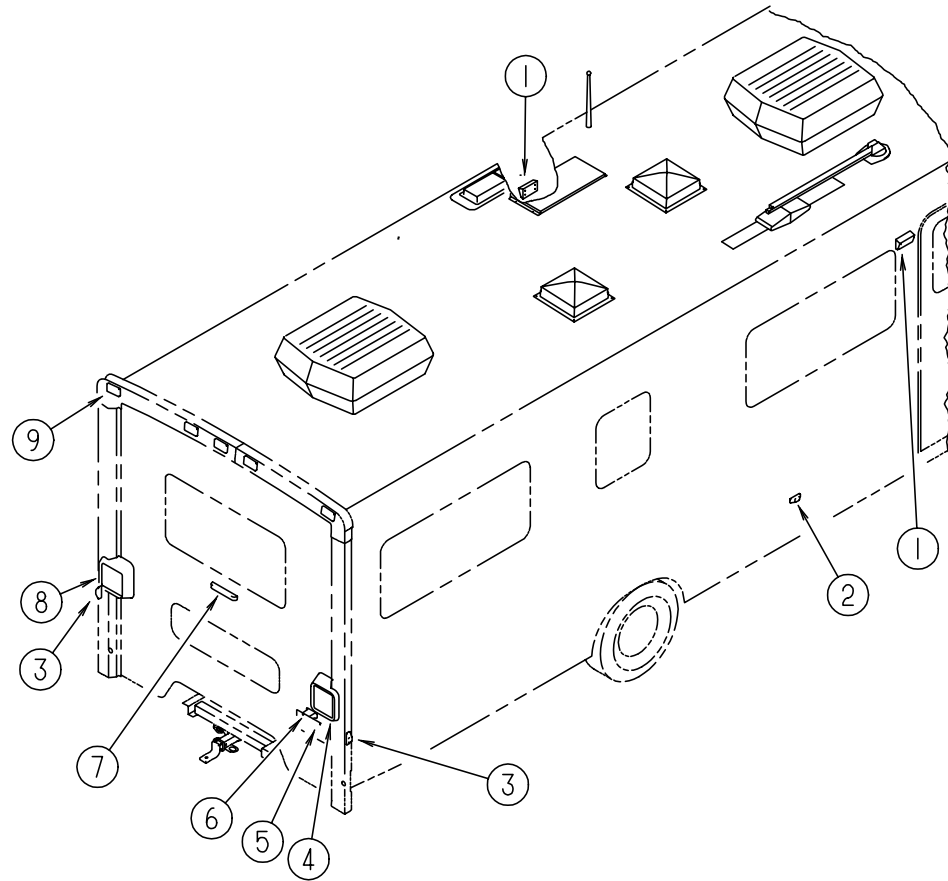


DASH, GAUGES & SWITCHES (CHEVY)

KEY	PART NUMBER	U/M	DESCRIPTION
1	125677-02-J20	EA	POD - INSTRUMENT PANEL
2	104056-37-01A	EA	APPLIQUE - BEZEL - DRIVER - BLACK
3	108357-08-000	EA	SWITCH - ROCKER DPDT - ON/NONE/ON - 6 TERMINAL
3	108356-02-01A	EA	COVER/ACTUATOR SWITCH - 2 ROWS DIMPLES- CONTURA II - BLACK
4	108357-09-000	EA	SWITCH - ROCKER SPDT - ON/NONE/MOM - 3 TERMINAL
4	108356-02-01A	EA	COVER/ACTUATOR SWITCH - 2 ROWS DIMPLES- CONTURA II - BLACK
5	108357-06-000	EA	SWITCH - ROCKER DPDT - MOM/OFF/MOM - 6 TERMINAL
5	108356-02-01A	EA	COVER/ACTUATOR SWITCH - 2 ROWS DIMPLES- CONTURA II - BLACK
6	N/A	EA	CLUSTER - INSTRUMENT PANEL - KILOMETERS
7	103662-08-01A	EA	BEZEL - INSTRUMENT PANEL
8	108357-10-000	EA	SWITCH - ROCKER SPDT W/LIGHT - MOM/NONE/MOM - 5 TERMINAL
8	108356-04-01A	EA	COVER/ACTUATOR SWITCH-2 ROWS DIMPLES W/LENS-CONTURAIIBLK
9	108357-03-000	EA	SWITCH - ROCKER SPDT - ON/OFF/ON - 3 TERMINAL
9	108356-02-01A	EA	COVER/ACTUATOR SWITCH - 2 ROWS DIMPLES- CONTURA II - BLACK
	096241-03-000	EA	SWITCH - BLANK
	077942-01-000	EA	SWITCH - DUMMY - BLACK
10	089294-01-000	EA	LIGHTER - CIGARETTE - W/SOCKET & WIRE
11	104056-06-01A	EA	APPLIQUE - BEZEL - PASSENGER DRESS UP
12	104056-21-01A	EA	APPLIQUE - BEZEL - PASSENGER DRESS UP
12	104056-08-01A	EA	APPLIQUE - BEZEL - PASSENGER - 6 SWITCH (W/FOG LAMPS)
13	108357-01-000	EA	SWITCH - ROCKER SPST - ON/OFF - 2 TERMINAL
13	108356-02-01A	EA	COVER/ACTUATOR SWITCH - 2 ROWS DIMPLES- CONTURA II - BLACK
	077031-03-000	EA	FILM - WHITE - .75" X 1"

ELECTRICAL GROUP

EXTERIOR LIGHTS

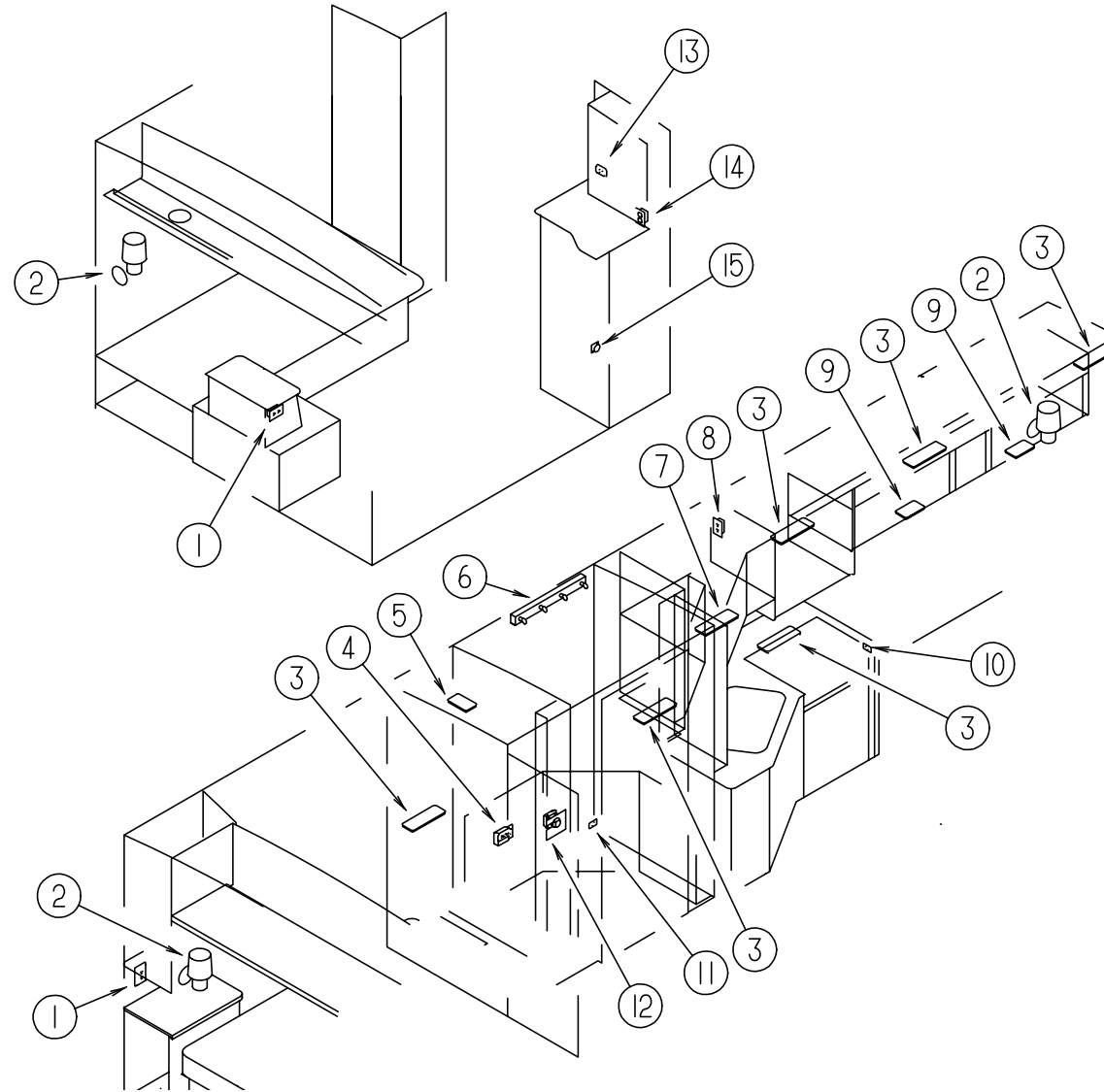


KEY	PART NUMBER	U/M	DESCRIPTION
1	097917-01-06A	EA	LIGHT - PORCH - BRIGHT WHITE
1	008215-01-000	EA	BULB - 12 VOLT - #1003 - .94 AMP
1	097917-01-700	EA	LENS - LIGHT - CLEAR
1	008089-02-000	EA	LIGHT - PORCH - RECESSED - CANADIAN
1	008089-01-700	EA	LENS - LIGHT - RECESSED - PORCH - DECO
1	008214-01-000	EA	BULB - 12 VOLT - #67 - .59 AMP
2	111102-02-000	EA	LENS - AMBER - MARKER LAMP
2	111102-01-000	EA	BASE - LAMP MARKER
2	036196-01-000	EA	BULB - 12 VOLT - #194 - .27 AMP - BAYONETTE
3	111102-03-000	EA	LENS - RED - MARKER LAMP
3	111102-01-000	EA	BASE - LAMP MARKER
3	036196-01-000	EA	BULB - 12 VOLT - #194 - .27 AMP - BAYONETTE
4	117831-01-000	EA	LAMP - STOP/TURN/TAIL/BACKUP
4	119157-01-000	EA	SOCKET - SINGLE CONTACT
4	119158-01-000	EA	SOCKET - DOUBLE CONTACT
4	037935-01-000	EA	BULB - 12V - #1157 OR #2057 - 2.1 AMP - CLEAR GLASS
4	037934-01-000	EA	BULB - 12V - #1156 - 2.1 AMP CLEAR GLASS
5	066432-03-000	EA	BRACKET - LICENSE PLATE
6	066432-02-000	EA	LIGHT - LICENSE - BLACK
7	121950-01-000	EA	LIGHT - BRAKE - CENTER MOUNT

KEY	PART NUMBER	U/M	DESCRIPTION
8	117831-02-000	EA	LAMP - STOP/TURN/TAIL/BACKUP
8	119157-01-000	EA	SOCKET - SINGLE CONTACT
8	119158-01-000	EA	SOCKET - DOUBLE CONTACT
8	037935-01-000	EA	BULB - 12V - #1157 OR #2057 - 2.1 AMP - CLEAR GLASS
8	037934-01-000	EA	BULB - 12V - #1156 - 2.1 AMP CLEAR GLASS
9	127536-01-000	EA	LIGHT - CLEARANCE - RED
9	127536-02-000	EA	SOCKET - LIGHT - 194 WEDGE
9	036196-01-000	EA	BULB - 12 VOLT - #194 - .27 AMP - BAYONETTE
10	049186-04-000	EA	HEADLAMP - DRIVER - HIGH/LOW - HALOGEN
11	113294-04-000	EA	LAMP - PARK/TURN - AMBER - LEFT HAND
12	049188-04-000	EA	HEADLAMP - DRIVER - HIGH BEAM/HALOGEN
13	124215-01-000	EA	FOG LIGHT - RECTANGULAR/CLEAR LENS
13	125787-03-J30	EA	SUPPORT - FOG LIGHT
14	049187-04-000	EA	HEADLAMP - PASSENGER - HIGH BEAM - HALOGEN
15	113294-03-000	EA	LAMP - PARK/TURN - AMBER - RIGHT HAND
16	049185-04-000	EA	HEADLAMP - PASSENGER - HIGH/LOW - HALOGEN
	049359-01-000	EA	SPRING - RETAINER - HEADLAMP
	110750-01-000	EA	SCREW - HEADLAMP ADJUSTING
	106687-02-000	EA	SOCKET - LIGHT - 3-WIRE
17	102520-01-000	EA	LIGHT - CLEARANCE - W/O SOCKET/HOUSING - AMBER
17	102540-01-000	EA	SEAL - SCREW - ROUND - RUBBER
17	102541-01-000	EA	GASKET - CLEARANCE LIGHT
17	067789-02-000	EA	SOCKET - LAMP

ELECTRICAL GROUP (CONTINUED)

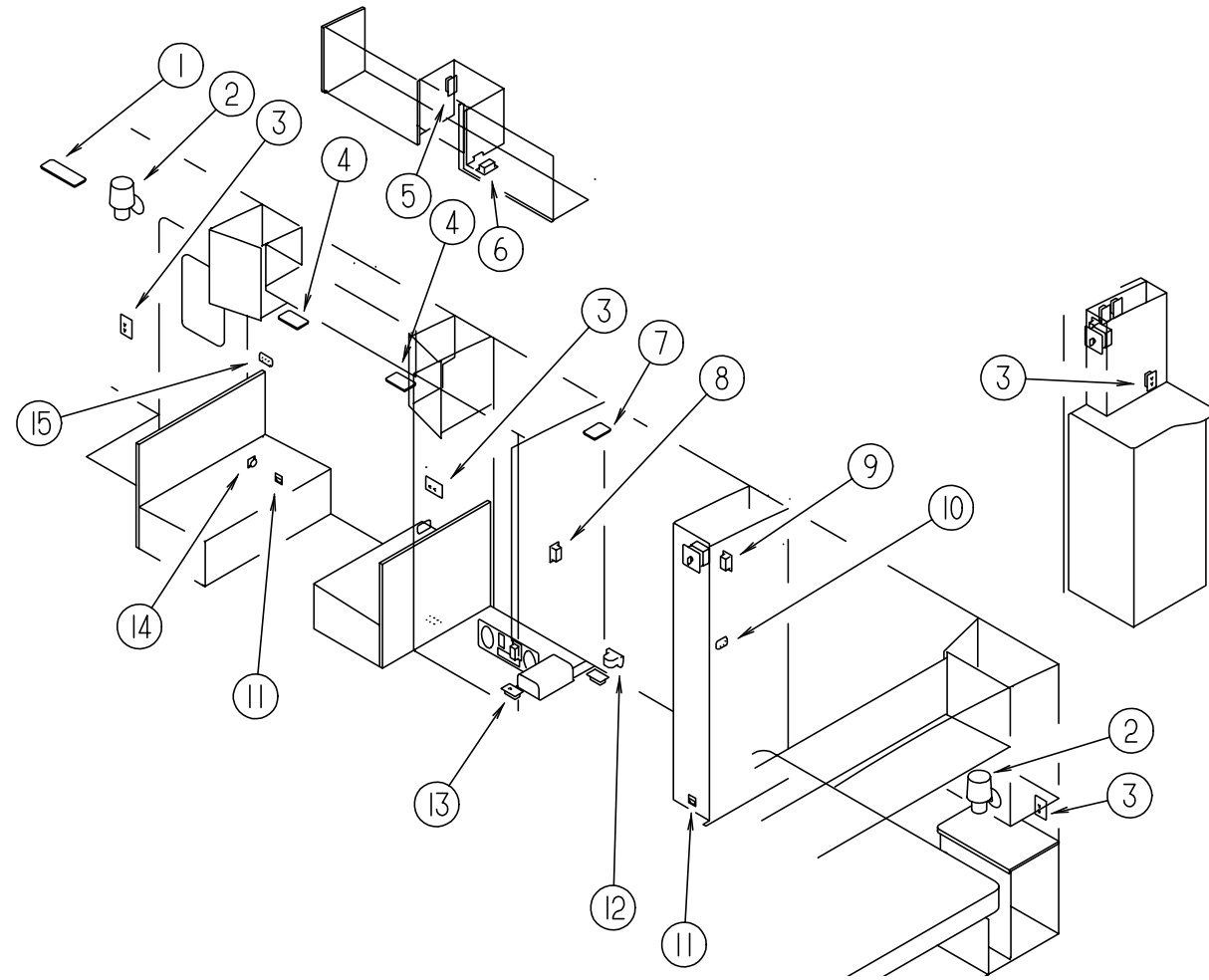
LIGHTS, RECEPTACLES, & SWITCHES (DRIVER SIDE)



KEY	PART NUMBER	U/M	DESCRIPTION	VENDOR NO.	KEY	PART NUMBER	U/M	DESCRIPTION	VENDOR NO.
1	058708-02-000	EA	RECEPTACLE - ELECTRIC - DOUBLE - IVORY		9	098024-05-02A	EA	LIGHT - DOME - 1 BULB - SKYLITE - WHITE	
1	102568-01-GB1	EA	SPACER - RECEPTACLE - BETWEEN SIDEWALL & PLATE - WOOD		9	008218-01-000	EA	BULB - 12 VOLT - #1141 - 1.44AMP	
2	065202-24-000	EA	LAMP - WALL/BRASS - W/O SHADE		9	098024-01-701	EA	LENS - OPTI CLEAR - SKYLITE	809902
2	119257-01-01A	EA	SHADE - LAMP - POTPOUM		10	079364-03-000	EA	SWITCH - ON/OFF ROCKER - 3 TERMINAL - BROWN	
2	067479-01-000	EA	BULB - 12 VOLT - #1076 - 1.80 AMP		10	098351-01-01A	EA	PLATE - SWITCH - 1 GANG POLISHED BRASS	
3	098024-03-02A	EA	LIGHT - DOME - 2 BULB - WHITE		10	095188-01-01A	EA	SPACER - SWITCH - 2.3" X 3.4" - PLASTIC - DARK BROWN	
3	008218-01-000	EA	BULB - DOME LIGHT - 12 VOLT - 1141		10	095188-01-01A	EA	SPACER - SWITCH - 2.3" X 3.4" - PLASTIC - DARK BROWN	
3	098024-01-700	EA	LENS-LIGHT	807877	11	079364-01-000	EA	SWITCH - ON/OFF ROCKER - 2 TERMINAL - BROWN	
4	084076-02-000	EA	RECEPTACLE - GFI - 15 AMP/125 VOLT - BROWN		11	098351-01-01A	EA	PLATE - SWITCH - 1 GANG POLISHED BRASS	
5	098024-01-03A	EA	LIGHT - DOME - 1 BULB - WHITE		11	095188-01-01A	EA	SPACER - SWITCH - 2.3" X 3.4" - PLASTIC - DARK BROWN	
5	008218-01-000	EA	BULB - 12 VOLT - #1141 - 1.44AMP		12	115930-01-000	EA	INLET - 30 AMP - 120 VOLT - EXTERIOR	
5	098024-01-700	EA	LENS - LIGHT	807877	12	115930-02-000	EA	INLET - 50 AMP - 240 VOLT - EXTERIOR	
6	110235-02-01A	EA	LIGHT - MAKE UP - 4 BULB PANLESS		13	079364-01-000	EA	SWITCH - ON/OFF ROCKER - 2 TERMINAL - BROWN	
6	081633-01-700	EA	BULB - LIGHT - MAKE-UP	RP1041	13	079364-03-000	EA	SWITCH - ON/OFF ROCKER - 3 TERMINAL - BROWN	
7	098024-06-02A	EA	LIGHT - DOME - 2 BULB - SKYLITE		13	098351-02-01A	EA	PLATE - SWITCH - 2 GANG POLISHED BRASS	
7	008218-01-000	EA	BULB - DOME LIGHT - 12 VOLT - 1141		13	095188-01-01A	EA	SPACER - SWITCH - 2.3" X 3.4" - PLASTIC - DARK BROWN	
7	098024-01-701	EA	LENS - OPTI CLEAR - SKYLITE	809902	14	058708-01-000	EA	RECEPTACLE - ELECTRIC - DOUBLE - BROWN	
8	058708-05-000	EA	RECEPTACLE - ELECTRIC - SINGLE - BROWN		15	108354-01-01A	EA	LIGHT - COURTESY	
					15	108354-01-700	EA	BULB - COURTESY LIGHT	395-B

ELECTRICAL GROUP (CONTINUED)

LIGHTS, RECEPTACLES, & SWITCHES (PASSENGER SIDE)



KEY	PART NUMBER	U/M	DESCRIPTION	VENDOR NO.	KEY	PART NUMBER	U/M	DESCRIPTION	VENDOR NO.
1	098024-03-02A	EA	LIGHT - DOME - 2 BULB - WHITE		7	121935-01-01A	EA	LIGHT - DOME - SHOWER	
1	008218-01-000	EA	BULB - DOME LIGHT - 12 VOLT - 1141		8	058707-01-000	EA	RECEPTACLE - ELECTRIC - SINGLE - BROWN	
1	098024-01-700	EA	LENS-LIGHT	807877	9	058708-05-000	EA	RECEPTACLE - ELECTRIC - SINGLE - BROWN	
2	065202-24-000	EA	LAMP - WALL/BRASS - W/O SHADE		10	079364-01-000	EA	SWITCH - ON/OFF ROCKER - 2 TERMINAL - BROWN	
2	119257-01-01A	EA	SHADE - LAMP - POTPOUM		10	079364-03-000	EA	SWITCH - ON/OFF ROCKER - 3 TERMINAL - BROWN	
2	067479-01-000	EA	BULB - 12 VOLT - #1076 - 1.80 AMP		10	098351-02-01A	EA	PLATE - SWITCH - 2 GANG POLISHED BRASS	
3	058708-02-000	EA	RECEPTACLE - ELECTRIC - DOUBLE - IVORY		10	095188-01-01A	EA	SPACER - SWITCH - 2.3" X 3.4" - PLASTIC - DARK BROWN	
3	102568-01-GB1	EA	SPACER - RECEPTACLE - BETWEEN SIDEWALL & PLATE - WOOD		11	108354-01-700	EA	BULB - COURTESY LIGHT	395-B
4	098024-05-02A	EA	LIGHT - DOME - 1 BULB - SKYLITE - WHITE		12	112822-01-01A	EA	RECEPTACLE - DUPLEX - IVORY	
4	008218-01-000	EA	BULB - 12 VOLT - #1141 - 1.44AMP		13	058707-01-000	EA	RECEPTACLE - ELECTRIC - SINGLE - BROWN	
4	098024-01-701	EA	LENS - OPTI CLEAR - SKYLITE	809902	14	061424-01-000	EA	LIGHT - AISLE - 12 VOLT - RECTANGULAR	
5	058707-01-000	EA	RECEPTACLE - ELECTRIC - SINGLE - BROWN		15	079364-01-000	EA	SWITCH - ON/OFF ROCKER - 2 TERMINAL - BROWN	
6	058708-01-000	EA	RECEPTACLE - ELECTRIC - DOUBLE - BROWN		15	095188-02-01A	EA	SPACER - SWITCH - 2.3" X 4.1" - PLASTIC - DARK BROWN	
					15	098351-05-01A	EA	PLATE - SWITCH - 3 GANG POLISHED BRASS	

ELECTRICAL GROUP (CONTINUED)**ELECTRICAL SWITCHES**

KEY	PART NUMBER	U/M	DESCRIPTION
	079364-01-000	EA	SWITCH - ON/OFF ROCKER - 2 TERMINAL - BROWN
	079364-02-000	EA	SWITCH - ON/OFF ROCKER - 3 TERMINAL - BLACK
	079364-03-000	EA	SWITCH - ON/OFF ROCKER - 3 TERMINAL - BROWN
	095188-01-01A	EA	SPACER - SWITCH - 2.3" X 3.4" - PLASTIC - DARK BROWN
	095188-02-01A	EA	SPACER - SWITCH - 2.3" X 4.1" - PLASTIC - DARK BROWN
	098351-01-01A	EA	PLATE/SWITCH - 1 GANG - POLISHED BRASS - W/O LABEL
	098351-02-01A	EA	PLATE/SWITCH - 2 GANG - POLISHED BRASS - W/O LABEL
	098351-05-01A	EA	PLATE/SWITCH - 3 GANG - POLISHED BRASS-PORCH/CEILING/STEP
	098351-16-01A	EA	PLATE - SWITCH - 1 GANG W/LABEL
	108355-01-000	EA	HOUSING - SWITCH
	108356-02-01A	EA	COVER/ACTUATOR SWITCH - 2 ROWS DIMPLES- CONTURA II - BLACK
	108356-04-01A	EA	COVER/ACTUATOR SWITCH - 2 ROWS DIMPLES W/LENS-CONTURA-BLK
	108357-01-000	EA	SWITCH - ROCKER SPST - ON/OFF - 2 TERMINAL
	108357-06-000	EA	SWITCH - ROCKER DPDT - MOM/OFF/MOM - 6 TERMINAL
	108357-08-000	EA	SWITCH - ROCKER DPDT - ON/NONE/ON - 6 TERMINAL

CIRCUIT BREAKERS & FUSES

KEY	PART NUMBER	U/M	DESCRIPTION
	062037-01-000	EA	HOUSING - AUTO FUSE - NATURAL
	062037-02-000	EA	HOUSING - AUTO FUSE - GREEN
	062037-03-000	EA	HOUSING - AUTO FUSE - BLACK
	062037-04-000	EA	HOUSING - AUTO FUSE - BLUE
	062037-05-000	EA	HOUSING - AUTO FUSE - GRAY
	062037-06-000	EA	HOUSING - AUTO FUSE - BROWN
	062037-07-000	EA	HOUSING - AUTO FUSE - RED
	062901-02-000	EA	FUSE - 05 AMPS - AUTOMOTIVE
	062901-05-000	EA	FUSE - 15 AMPS - AUTOMOTIVE
	062901-06-000	EA	FUSE - 20 AMPS - AUTOMOTIVE
	062901-07-000	EA	FUSE - 25 AMPS - AUTOMOTIVE
	062901-08-000	EA	FUSE - 30 AMPS - AUTOMOTIVE
	083209-01-000	EA	CIRCUIT BREAKER - 15 AMP - 120 VOLT - CANADIAN
	083209-02-000	EA	CIRCUIT BREAKER - 15/15 AMP - 120 VOLT
	083209-03-000	EA	CIRCUIT BREAKER - 15/20 AMP - 120 VOLT
	083209-04-000	EA	CIRCUIT BREAKER - 30 AMP - 120 VOLT
	083209-10-000	EA	CIRCUIT BREAKER - 20/30 AMP - 120 VOLT
	093654-01-000	EA	CIRCUIT BREAKER - 6 AMP - 12 VOLT
	093654-02-000	EA	CIRCUIT BREAKER - 15 AMP - 12 VOLT
	093655-03-000	EA	CIRCUIT BREAKER - 40 AMP - 12 VOLT
	093674-01-000	EA	PLATE - CIRCUIT BREAKER - HOUSE - 8.4" X 4.1" - STEEL
	097611-01-000	EA	CIRCUIT BREAKER - 10 AMP - 12 VOLT
	106656-01-000	EA	FUSE BLOCK - 4 CAVITY - AUTOFUSE
	108669-01-000	EA	HOUSING - AUTO FUSE HOLDER
	108916-01-000	EA	CIRCUIT BREAKER - 50 AMP - 12 VOLT - 2 POLE
	122811-01-000	EA	CIRCUIT BREAKER - 20/50/50/20

ELECTRICAL BOXES & CORDS

KEY	PART NUMBER	U/M	DESCRIPTION
	008052-01-000	EA	CORD - POWER - 10/3 WIRE - 30 AMP - 25' - CANADIAN
	008054-01-000	EA	CORD - POWER - 10/3 WIRE - 30 AMP - 25'
	008289-01-000	EA	BOX - ELECTRIC/STEEL - 1/2" & 3/4" KNOCKOUTS - 4" X 4"
	008289-02-000	EA	BOX - ELECTRIC/STEEL - 1/2" & 3/4" KNOCKOUTS - 4" X 4"-CAN
	008294-01-000	EA	COVER - ELECTRICAL BOX - BLANK/STEEL - 4" X 4" - GRAY
	008294-02-000	EA	COVER - ELECTRICAL BOX - BLANK STEEL - 4" X 4" - CANADIAN
	091910-01-000	EA	BOX - ELECTRIC - 3.8" X 3.5" X 1.8" - PLASTIC
	091910-02-000	EA	BOX - ELECTRIC - 2.2" X 3.5" X 1.8" - PLASTIC
	108934-01-000	EA	POWER CORD - 36'/50 AMP - 4 WIRE
	111509-01-000	EA	BOX - ELECTRICAL - E-COATED
	111510-01-000	EA	DOOR/ACCESS PANEL - ELECTRICAL BOX
	113096-01-000	EA	CORD - POWER - 50 AMP - 4 WIRE - 36' - CSA

ELECTRICAL GROUP (CONTINUED)**WIRE ASSEMBLIES**

KEY	PART NUMBER	U/M	DESCRIPTION
	P03784-18-000	EA	WIRE ASSEMBLY - HEADLAMP - GM - G SERIES
	073328-B4-000	EA	CABLE ASSEMBLY - BATTERY - W/TERMINALS
	090986-01-000	EA	WIRE ASSEMBLY - ELECTRIC STEP
			FROM: 00-00-00 THRU: 02-07-99
	090986-02-000	EA	WIRE ASSEMBLY - ELECTRIC STEP
			FROM: 02-08-99 THRU: 99-99-99
	096449-01-000	EA	WIRE ASSEMBLY - WATER TANK TO MONITOR PANEL
	111915-01-000	EA	WIRE ASSEMBLY - DAYTIME RUNNING LAMPS - FUSED - GM
	113134-03-000	EA	WIRE ASSEMBLY - WIPER/WASHER
	113452-01-000	FT	SEAL/TRIM - FRONT - VINYL W/WIRE CARRIER
	113452-02-000	FT	SEAL-TRIM
	116675-02-000	FT	WIRE-16 AWG,XLPE-AWM,125 C
	120233-05-000	EA	WIRE - 30" W/DIGITAL SENSOR CONNECTOR/STRIPED LEAD
	124843-05-000	EA	WIRE ASSEMBLY - SPEAKER/ADAPTER
	124882-02-000	EA	WIRE ASSEMBLY - AMPLIFIER
	126392-01-000	EA	WIRE ASSEMBLY - REMOTE MIRRORS
	127002-03-000	EA	WIRE ASSEMBLY - ENERGY MANAGEMENT SYSTEM
	131279-01-000	EA	WIRE ASSEMBLY - DRIVER SEAT

ROCKER SWITCHES (DASH)

KEY	PART NUMBER	U/M	DESCRIPTION
	108357-03-000	EA	SWITCH - ROCKER - SPDT ON/ OFF/ ON 3 TERM. CARLING - V6D1000B-0
	108356-02-01A	EA	SWITCH COVER W/ 2 DIMPLES - CARLING - CCAZC00
	108357-08-000	EA	SWITCH - ROCKER DPDT - ON/NONE/ON - 6 TERMINAL
	108356-02-01A	EA	SWITCH COVER W/ 2 DIMPLES - CARLING - CCAZC00
	108357-06-000	EA	SWITCH - ROCKER - DPDT MOM/ OFF/ MOM 6 TERM. CARLING - VLD1000B-0
	108356-02-01A	EA	SWITCH COVER W/ 2 DIMPLES - CARLING - CCAZC00
	108357-09-000	EA	SWITCH - ROCKER - SPDT ON/ NONE/ MOM 3 TERM. CARLING - V5D1000B-0
	108356-02-01A	EA	SWITCH COVER W/ 2 DIMPLES - CARLING - CCAZC00
	108357-10-000	EA	SWITCH - ROCKER - SPDT MOM/ ON LIGHTED-5 TERM (3 SWITCH/ 2 LIGHT)
	108356-04-01A	EA	SWITCH COVER W/ DIMPLES - LIGHTED - CARLING - VVAGC00
	096241-03-000	EA	SWITCH - BLANK
	077942-01-000	EA	SWITCH - DUMMY - BLACK

RECEPTACLES

KEY	PART NUMBER	U/M	DESCRIPTION
	058707-01-000	EA	RECEPTACLE - ELECTRIC - SINGLE - BROWN
	058707-02-000	EA	RECEPTACLE - BLANK - JUNCTION BOX
	058708-01-000	EA	RECEPTACLE - ELECTRIC - DOUBLE - BROWN
	058708-02-000	EA	RECEPTACLE - ELECTRIC - DOUBLE - IVORY
	058708-05-000	EA	RECEPTACLE - ELECTRIC - SINGLE - BROWN
	084076-02-000	EA	RECEPTACLE - GFI - 15 AMP/125 VOLT - BROWN
	102568-01-GB1	EA	SPACER - RECEPTACLE - BETWEEN SIDEWALL & PLATE - WOOD
	112824-01-03A	EA	COVER - EXTERIOR DUPLEX RECEPTACLE - WHITE PLASTIC
	115930-02-000	EA	INLET - 50 AMP - 240 VOLT - EXTERIOR
	112822-01-01A	EA	RECEPTACLE - DUPLEX - IVORY
			FROM: 00-00-00 THRU: 11-15-98
	131826-01-01A	EA	RECEPTACLE - EXTERIOR/W/COVER & GASKET - WHITE
			FROM: 11-16-98 THRU: 99-99-99

ELECTRICAL GROUP (CONTINUED)**ELECTRICAL CONNECTORS & CONDUIT**

KEY	PART NUMBER	U/M	DESCRIPTION
	007954-01-000	EA	RECEPTACLE - HOUSING - 6 POSITION
	007956-05-000	EA	INSULATOR - SHRINK - .25 ID X 1.50
	008311-01-000	EA	CONNECTOR - WIRE NUT - INSULATED - RED
	008312-01-000	EA	CONNECTOR - WIRE NUT - INSULATED - BLUE
	008313-01-000	EA	CONNECTOR - WIRE NUT - INSULATED - YELLOW
	008314-01-000	EA	CONNECTOR - WIRE NUT - INSULATED - GRAY
	008326-01-000	EA	TERMINAL - RING - 16/14 WIRE - 3/8" STUD
	008328-01-000	EA	TERMINAL - RING - 12/10 WIRE - #10 STUD FIT
	008348-01-000	EA	TERMINAL - RING - 3/8" STUD 2 GA. WIRE
	008355-01-000	EA	CONNECTOR - CABLE CLAMPING - 3/4"
	008356-01-000	EA	CONNECTOR - PLASTIC - 3/8" AVG
	008356-02-000	EA	CONNECTOR - PLASTIC - 21/32
	008394-01-000	FT	CONDUIT - FLEXIBLE - 1/2"
	008398-01-000	EA	CONNECTOR - 1/2" X 90 DEGREE - FLEX CONDUIT - UL & CSA
	035416-04-000	EA	TERMINAL - RING - #10 STUD FIT - INSULATED BARREL #16/14
	041480-01-000	EA	CONNECTOR - STRAIGHT - 1/2" FLEX CONDUIT
	041953-01-000	FT	CONDUIT - CONVOLUTE SLIT - .5" ID - POLYETHELENE
	041953-03-000	FT	CONDUIT - CONVOLUTE SLIT - 1" ID (CLOTHES ROD COVER)
	041953-05-000	FT	CONDUIT - CONVOLUTE SOLID - .62" ID - POLYETHELENE
	041953-06-000	FT	CONDUIT - CONVOLUTE SLIT - .375" ID - POLYETHELENE
	041953-07-000	FT	CONDUIT - CONVOLUTE SLIT - .25" ID - POLYETHELENE
	041953-08-000	FT	CONDUIT - CONVOLUTE SLIT - 1.50" ID - POLYETHELENE
	041953-09-000	FT	CONDUIT - CONVOLUTE SLIT - .50" ID - NYLON
	041953-10-000	FT	CONDUIT - CONVOLUTE SLIT - .75" ID - NYLON
	041953-11-000	FT	CONDUIT - CONVOLUTE SLIT - 1.06" ID - NYLON
	041953-12-000	FT	CONDUIT - CONVOLUTE SOLID - 1.1" ID - NYLON
	047443-01-000	EA	TERMINAL - .250 RECEPTACLE FIT - INSULATED - 16/14 AWG
	047443-02-000	EA	TERMINAL - .250 RECEPTACLE FIT - INSULATED - 12/10 AWG
	058028-01-000	EA	CONNECTOR - ELECTRICAL PIGTAIL - NYLON - CLEAR
	062036-01-000	EA	TERMINAL - PACK - CON - 12/10 AWG
	062036-02-000	EA	TERMINAL - PACK - CON - 16/14 AWG
	077479-01-000	EA	BOOT - BATTERY TERMINAL - DOUBLE CABLE
	077479-02-000	EA	BOOT - BATTERY TERMINAL - SINGLE CABLE
	080015-02-000	EA	RECEPTACLE - FLAG - .185 - 16/14 GAUGE
	085724-01-000	EA	SOCKET - DOUBLE CONTACT - TAILLIGHT
	087225-01-000	FT	SLEEVING - 1/2" - TYPE H
	087225-02-000	FT	SLEEVING - 5/8" - TYPE H
	088267-01-000	EA	TERMINAL - FEMALE - 1/4
	088473-01-000	EA	HOUSING - PIN - 12 CAVITY (3 ROWS OF 4)
	088473-02-000	EA	HOUSING - PIN - 15 CAVITY (3 ROWS OF 5)
	088473-03-000	EA	HOUSING - PIN - 9 CAVITY (3 ROWS OF 3)
	088473-04-000	EA	HOUSING - PIN - 8 CAVITY IN-LINE
	088473-06-000	EA	HOUSING - PIN - 6 CAVITY (2 ROWS OF 3)
	088473-08-000	EA	HOUSING - PIN - 4 CAVITY - IN-LINE
	088473-09-000	EA	HOUSING - PIN - 3 CAVITY - IN-LINE
	088473-10-000	EA	HOUSING - PIN - 2 CAVITY - IN LINE
	088474-01-000	EA	HOUSING - SOCKET - 12 CAVITY
	088474-02-000	EA	HOUSING - SOCKET - 15 CAVITY
	088474-03-000	EA	HOUSING - SOCKET - 9 CAVITY
	088474-04-000	EA	HOUSING - SOCKET - 8 CAVITY
	088474-06-000	EA	HOUSING - SOCKET - 6 CAVITY
	088474-07-000	EA	HOUSING - SOCKET - 5 CAVITY
	088474-08-000	EA	HOUSING - SOCKET - 4 CAVITY
	088474-09-000	EA	HOUSING - ELECTRICAL - 3 TERMINAL
	088474-10-000	EA	HOUSING - SOCKET - 2 CAVITY
	088475-01-000	EA	PIN - CONNECTOR - 14-20 AWG
	088475-02-000	EA	PIN - CONNECTOR - 10 - 12 AWG
	088476-01-000	EA	TERMINAL - ELECTRICAL

ELECTRICAL GROUP (CONTINUED)**ELECTRICAL CONNECTORS & CONDUIT (CONTINUED)**

KEY	PART NUMBER	U/M	DESCRIPTION
	088476-02-000	EA	SOCKET - CONNECTOR - 12-10 GA - PRE-TIN
	092786-02-000	EA	BUSS BAR - 3.3" LONG
	092786-03-000	EA	BUSS BAR - 6.9" LONG
	098260-01-000	EA	TERMINAL - MALE - 56 SERIES
	098261-02-000	EA	SOCKET - CONNECTOR - WEATHERPACK - 14-18 AWG
	098262-01-000	EA	SEAL - CONNECTOR - WEATHERPACK
	098264-01-000	EA	HOUSING - 2 PIN - WEATHERPACK
	101571-01-000	EA	HOUSING - 2 POSITION - MALE
	103608-01-000	EA	SOCKET - WEDGE BASE W/LEADS
	103987-02-000	EA	SEAL - SOLENOID ACCESS
	104016-01-000	EA	WIRE ASSEMBLY - AUXILIARY FANS
	104100-01-000	EA	HOUSING - 1 POSITION - 75 AMPS
	104100-03-000	EA	TERMINAL - 75 AMP
	106006-01-000	EA	HOUSING - 1 POSITION - FEMALE
	106007-01-000	EA	TERMINAL - FEMALE - 14-16 AWG
	106655-01-000	EA	TERMINAL - FUSE BLOCK - 14-16 AWG
	106655-02-000	EA	TERMINAL - FUSE BLOCK - 10-12 AWG
	110178-01-000	EA	HOUSING - WIPER MOTOR
	112823-01-000	EA	SPLICE - REDUCER - 16-14 TO 18-22
	113131-01-000	EA	HOUSING - 3 PIN
	113135-01-000	EA	TERMINAL - FEMALE - M/P - 14-16 - F/SEALED TERMINAL
	113306-01-000	EA	TERMINAL - FEMALE - M/P - 14-16 - F/NON-SEALED TERMINAL
	113307-01-000	EA	TERMINAL - FEMALE - M/P - 16-20
	113468-01-000	EA	HOUSING - 2 POSITION - FEMALE
	115556-01-000	EA	HOUSING - 3 POSITION - FEMALE
	115556-02-000	EA	HOUSING - 2 POSITION - FEMALE
	115931-02-000	EA	COVER - CONNECTOR - 50 AMP W/LOCKING RING
	115932-02-000	EA	CONNECTOR - FEMALE - 50 AMP - 240 VOLT
	116811-01-000	EA	TERMINAL - .110 RECEPTACLE - 16-14 AWG
	119248-02-000	EA	HOUSING - 7 POSITION - FEMALE
	125323-02-000	EA	HOUSING - 8 POSITION - MALE
	125324-01-000	EA	TERMINAL - MALE - METRI-PACK - 150
	125325-01-000	EA	SEAL - CAVITY

ELECTRICAL MISCELLANEOUS

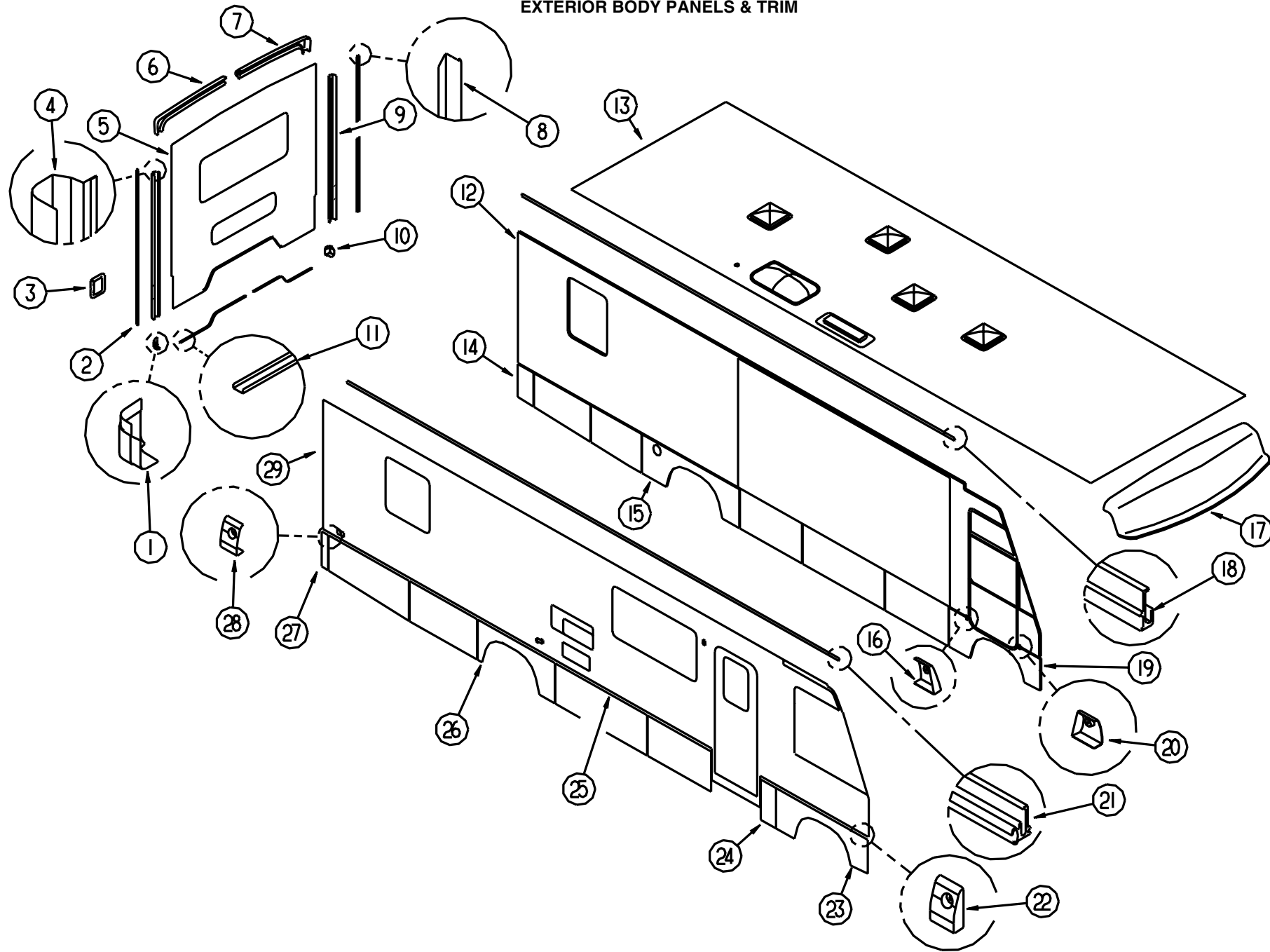
KEY	PART NUMBER	U/M	DESCRIPTION
	007093-01-000	EA	SIGNAL FLASHER
	008188-01-000	EA	SOLENOID - 3 POST - BATTERY CHANGE OVER
	063910-01-000	EA	HOUSING - RELAY
	063912-02-000	EA	RELAY - CANISTER - SPDT
	086233-01-000	EA	STUD - ISOLATED - 3/8" X 7/8" LONG
	086273-01-000	EA	RELAY - BATTERY DISCONNECT
	115504-01-700	EA	PLUG & CABLE, 10 WATT PANEL 600-016
	115504-01-000	EA	PANEL - SOLAR 10 WATT
	115505-01-000	EA	LIGHT - MONITOR/SOLAR PANEL - RED LED INDICATOR

CONVERTER & LOAD CENTER

KEY	PART NUMBER	U/M	DESCRIPTION	VENDOR NO.
	099048-03-000	EA	INVERTER - 130 WATT	
	106071-03-700	EA	CIRCUIT BOARD/TIME DELAY SW	TD0001
	106071-03-000	EA	SWITCH - AUTOMATIC TRANSFER - 50 AMP F/30AMP E.M.S.	
			FROM: 00-00-00 THRU: 03-14-99	
	106071-04-000	EA	SWITCH - AUTOMATIC TRANSFER W/CONNECTION LUGS	
			FROM: 03-15-99 THRU: 99-99-99	
	108915-02-000	EA	LOAD CENTER - 120/240 VOLT - 100 AMP	
			FROM: 00-00-00 THRU: 04-04-99	
	108915-03-000	EA	LOAD CENTER - 120/240 - 100 AMP	
			FROM: 04-05-99 THRU: 99-99-99	
	113132-01-000	EA	LOAD CENTER - 120/240 VOLT - 60 AMP	
	123058-02-000	EA	CONVERTER - 45 AMP - ELECTRONIC - 4 1/8"H X 7"W X 12 3/8"L	
	127002-01-000	EA	MODULE/CIRCUIT BOARD - ENERGY MANAGEMENT SYSTEM CONTROL	
	127002-02-000	EA	PANEL/MONITOR - ENERGY MANAGEMENT SYSTEM	

EXTERIOR BODY GROUP

EXTERIOR BODY PANELS & TRIM



KEY	PART NUMBER	U/M DESCRIPTION
1	125873-01-01A	EA END CAP - LOWER BACKWALL TRIM - PASSENGER - BLACK
2	120548-01-02A	EA TRIM-J - BACKWALL - PASSENGER/NOTCHED
3	126210-01-J20	EA TRIM - TAILLIGHT/DRIVER/PASSENGER - BRIGHT WHITE
4	126096-01-12B	EA TRIM - BACKWALL/PASSENGER SIDE - BRIGHT WHITE
5	M08153-14-K28	EA BACKWALL - W/O WINDOW/TRIM (K28, K29, K34, K35)
5	M08153-14-K30	EA BACKWALL - W/O WINDOW/TRIM (K30, K31)
5	M08153-14-K32	EA BACKWALL - W/O WINDOW/TRIM (K32, K33)
6	125690-01-01A	EA TRIM - BACKWALL - TOP/PASSENGER SIDE
7	125689-01-01A	EA TRIM - BACKWALL - TOP/DRIVER SIDE
8	120548-02-02A	EA TRIM-J - BACKWALL - DRIVER/NOTCHED
9	126096-02-12B	EA TRIM - BACKWALL/DRIVER SIDE - BRIGHT WHITE
10	125873-02-01A	EA END CAP - LOWER BACKWALL TRIM - DRIVER - BLACK

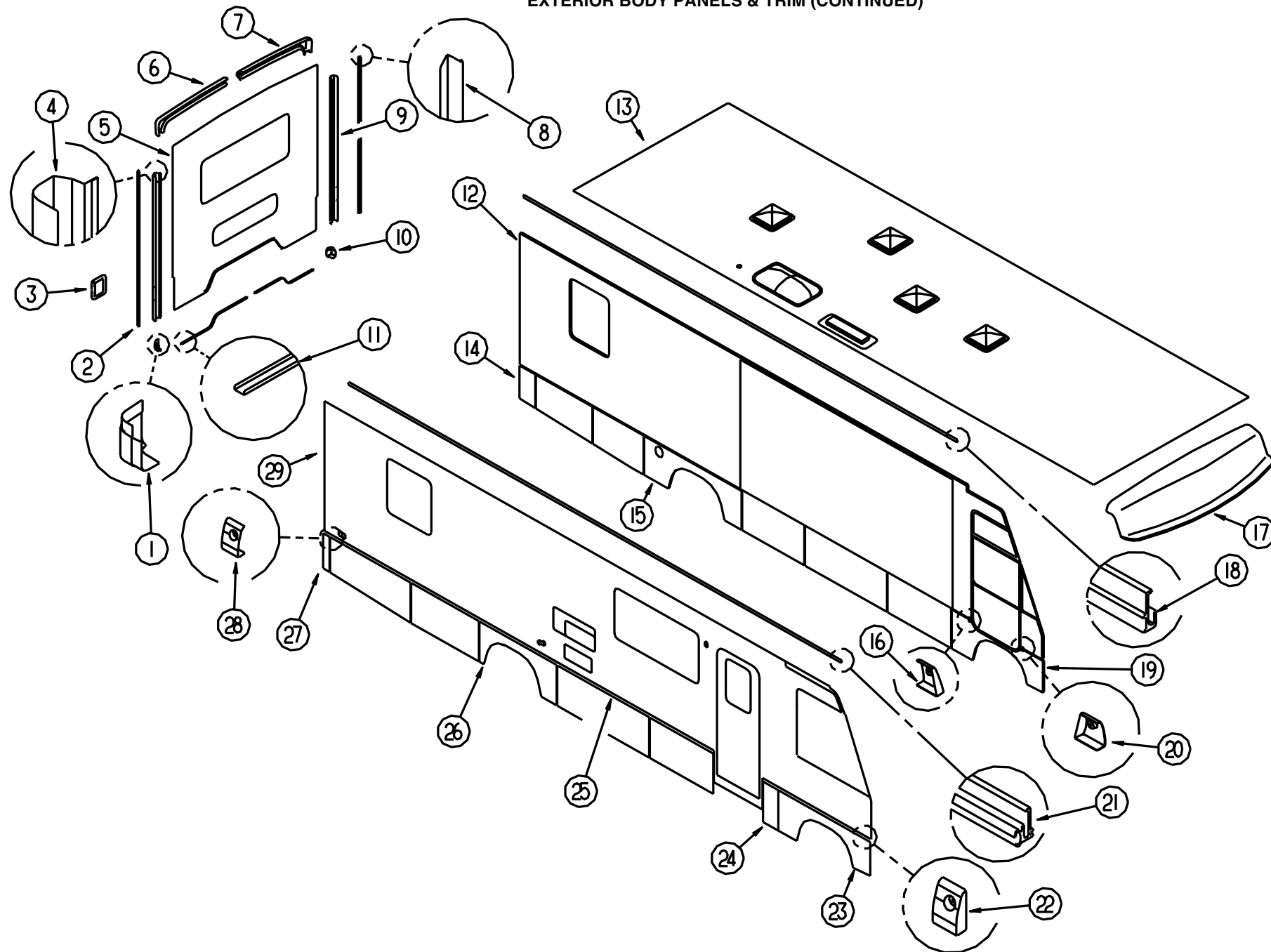
KEY	PART NUMBER	U/M DESCRIPTION
11	050406-25-000	EA TRIM - BACKWALL - LOWER
12	130321-03-K28	EA SIDEWALL - DRIVER - W/O WINDOWS/TRIM (K28, K29, K34, K35)
12	130321-03-K30	EA SIDEWALL - DRIVER - W/O WINDOWS/TRIM (K30, K31)
12	130321-03-K32	EA SIDEWALL - DRIVER - W/O WINDOWS/TRIM (K32, K33)
13	130362-03-K28	EA ROOF - W/O LIGHTS/VENTS - W/WIRING
14	122732-32-JA1	EA VALANCE/PANEL - REAR DRIVER - W/O HARDWARE - 11.2"
15	129421-07-K30	EA PANEL/WHEEL LIP - REAR/DRIVER
16	124178-04-01A	EA CAP - TRIM/DRIVER DOOR
17	125052-02-J20	EA CAP - ROOF - W/O LIGHTS/WIRING
18	120091-02-02A	EA TRIM - ROOF
18	131483-01-01A	EA RAIL - AWNING - BRIGHT WHITE

FROM: 00-00-00 THRU: 10-26-98

FROM: 10-27-98 THRU: 99-99-99

EXTERIOR BODY GROUP

EXTERIOR BODY PANELS & TRIM (CONTINUED)

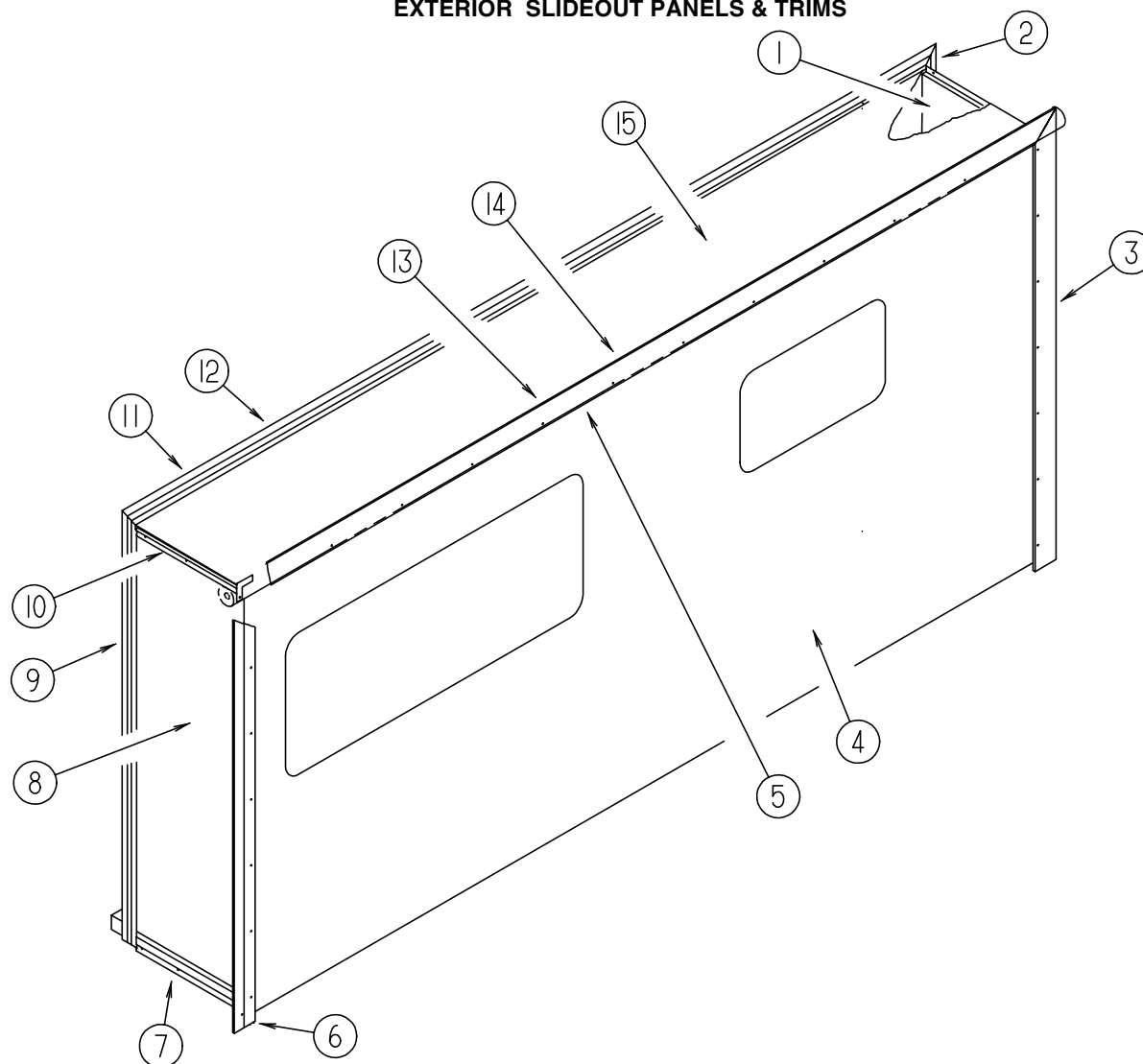


KEY	PART NUMBER	U/M	DESCRIPTION
19	129422-06-K28	EA	WHEEL LIP - FRONT/DRIVER - W/DRIVER DOOR
19	129422-07-K28	EA	PANEL/WHEEL LIP - FRONT/DRIVER - W/O DRIVER DOOR
	129854-03-01A	EA	SUPPORT - WHEEL LIP - 7.9" - MILL - W/DRIVER DOOR
	129854-11-01A	EA	SUPPORT - WHEEL LIP - MILL - W/O DRIVER DOOR
20	124178-03-01A	EA	CAP - TRIM/DRIVER DOOR
21	120092-01-02A	EA	RAIL - AWNING - BRIGHT WHITE
21	131483-01-01A	EA	RAIL - AWNING - BRIGHT WHITE
			FROM: 00-00-00 THRU: 10-26-98
			FROM: 10-27-98 THRU: 99-99-99
22	124132-01-01A	EA	CAP - SIDEWALL TRIM - RIGHT HAND - 1.4" - BRIGHT WHITE
23	129422-01-K28	EA	PANEL/WHEEL LIP - FRONT/PASSENGER
24	122776-31-K30	EA	VALANCE/PANEL - W/O HARDWARE - 13"

KEY	PART NUMBER	U/M	DESCRIPTION
25	124176-01-01A	EA	TRIM - SIDEWALL - BRIGHT WHITE - 16'
25	105312-01-03A	FT	INSERT - VINYL FEATURE STRIP - GRAY METALLIC
26	129421-08-K30	EA	WHEEL LIP - REAR - PASSENGER
27	122732-31-JA1	EA	VALANCE/PANEL - REAR PASSENGER - W/O HARDWARE - 4.4"
28	124132-02-01A	EA	CAP - SIDEWALL TRIM - LEFT HAND - 1.4" - BRIGHT WHITE
29	129176-03-K28	EA	SIDEWALL - PASSENGER - W/O WINDOWS/TRIM (K28, K29, K34, K35)
29	129176-03-K30	EA	SIDEWALL - PASSENGER - W/O WINDOWS/TRIM (K30, K31)
29	129176-03-K32	EA	SIDEWALL - PASSENGER - W/O WINDOWS/TRIM (K32, K33)

EXTERIOR BODY GROUP (CONTINUED)

EXTERIOR SLIDEOUT PANELS & TRIMS

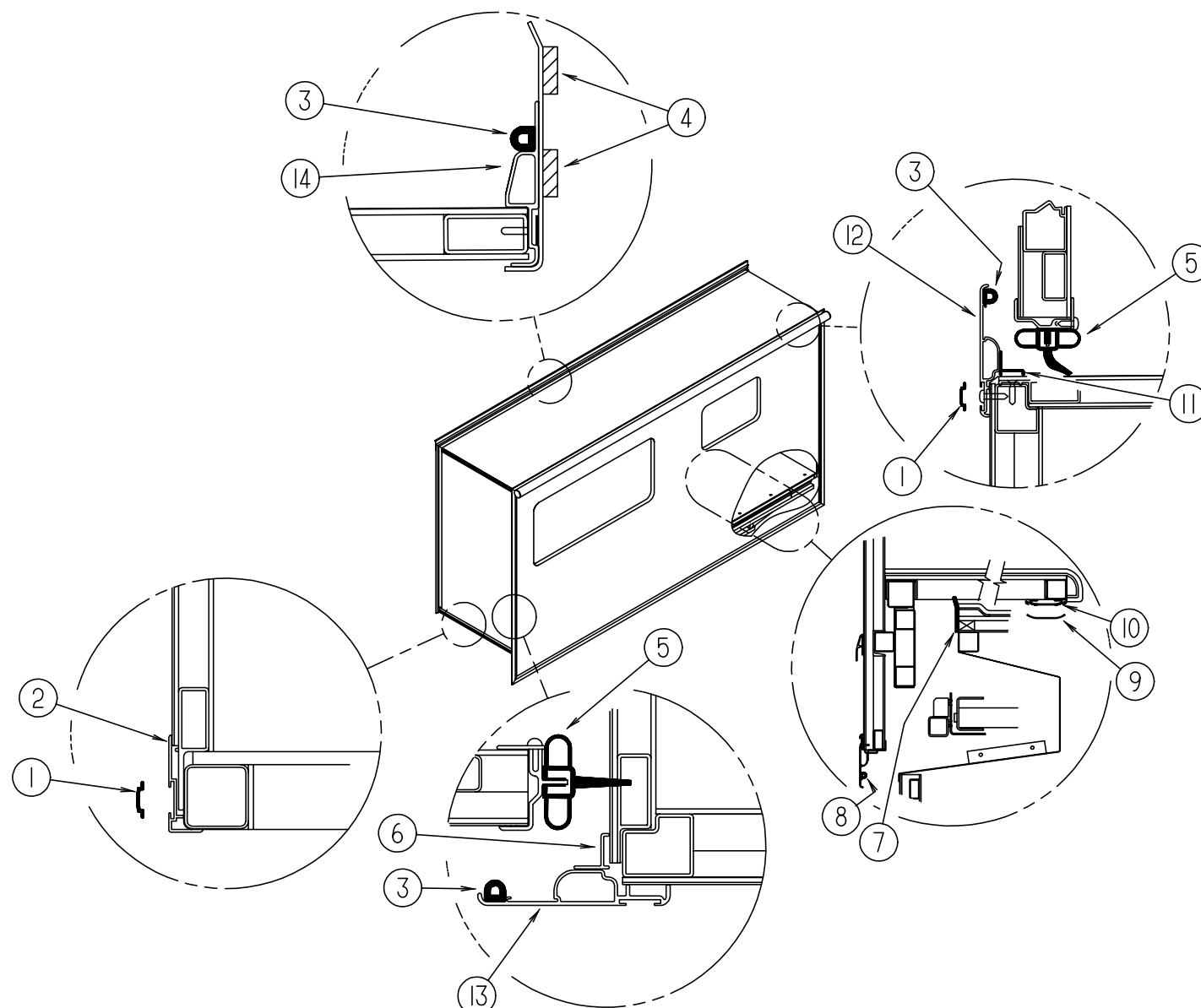


KEY	PART NUMBER	U/M DESCRIPTION
1	121402-02-J62	EA PANEL - SLIDEOUT - REAR (K28, K29, K34, K35)
1	121402-02-J61	EA PANEL - SLIDEOUT - REAR (K30, K31)
1	121402-02-K03	EA PANEL - SLIDEOUT - REAR (K32, K33)
2	117004-02-03A	EA TRIM - SEAL/INNER HORIZONTAL W/MITERED ENDS-73.5 - BRIGHT WHITE
3	119992-12-01A	EA TRIM - SEAL - W/MITERED ENDS - BRIGHT WHITE
3	105312-01-07A	FT INSERT - VINYL FEATURE STRIP - BRIGHT WHITE
3	116933-09-01A	EA TRIM - SEAL
4	119783-16-K28	EA PANEL - SLIDEOUT - OUTER (K28, K29, K34, K35)
4	119783-16-K30	EA PANEL - SLIDEOUT - OUTER (K30, K31)
4	119783-16-K32	EA PANEL - SLIDEOUT - OUTER (K32, K33)
5	122977-07-01A	EA AWNING - SLIDEOUT COVER - 147" - BRIGHT WHITE
	127647-01-01A	EA ROD/AWNING GUARD - ENTRANCE DOOR
6	119992-11-01A	EA TRIM - SEAL - W/MITERED ENDS - BRIGHT WHITE
6	105312-01-07A	FT INSERT - VINYL FEATURE STRIP - BRIGHT WHITE
6	116933-09-01A	EA TRIM - SEAL

KEY	PART NUMBER	U/M DESCRIPTION
7	125051-01-01A	EA STRIP - FEATURE - LOWER - BRIGHT WHITE
7	105312-01-03A	FT INSERT - VINYL FEATURE STRIP - GRAY METALLIC
8	121401-01-J62	EA PANEL - SLIDEOUT - FRONT (K28, K29, K34, K35)
8	121401-01-J61	EA PANEL - SLIDEOUT - FRONT (K30, K31)
8	121401-01-K03	EA PANEL - SLIDEOUT - FRONT (K32, K33)
9	117004-01-03A	EA TRIM - SEAL/INNER VERTICAL - W/MITERED ENDS-73.5" BRIGHT WHITE
10	108688-01-03A	EA STRIP - FEATURE - 15'
10	105312-01-03A	FT INSERT - VINYL FEATURE STRIP - GRAY METALLIC
11	117004-08-03A	EA TRIM - SEAL/INNER TOP W/MITERED ENDS - 145" - BRIGHT WHITE
12	126050-02-J60	EA SUPPORT - ROOF - INTERIOR - OFF WHITE
13	119992-07-02A	EA TRIM - SEAL/ROOF EDGE W/MITERED ENDS - 147" - BRIGHT WHITE
13	105312-01-07A	FT INSERT - VINYL FEATURE STRIP - BRIGHT WHITE
13	116933-09-01A	EA TRIM - SEAL
14	117058-01-01A	FT TAPE - LOOP - 3/4" WIDE - ADHESIVE BACKED
15	126221-01-J22	EA ROOF - F/SLIDEOUT - W/O LIGHTS/VENTS - W/WIRING
	P26222-01-J60	EA FLOOR ASM - SLIDEOUT

EXTERIOR BODY GROUP (CONTINUED)

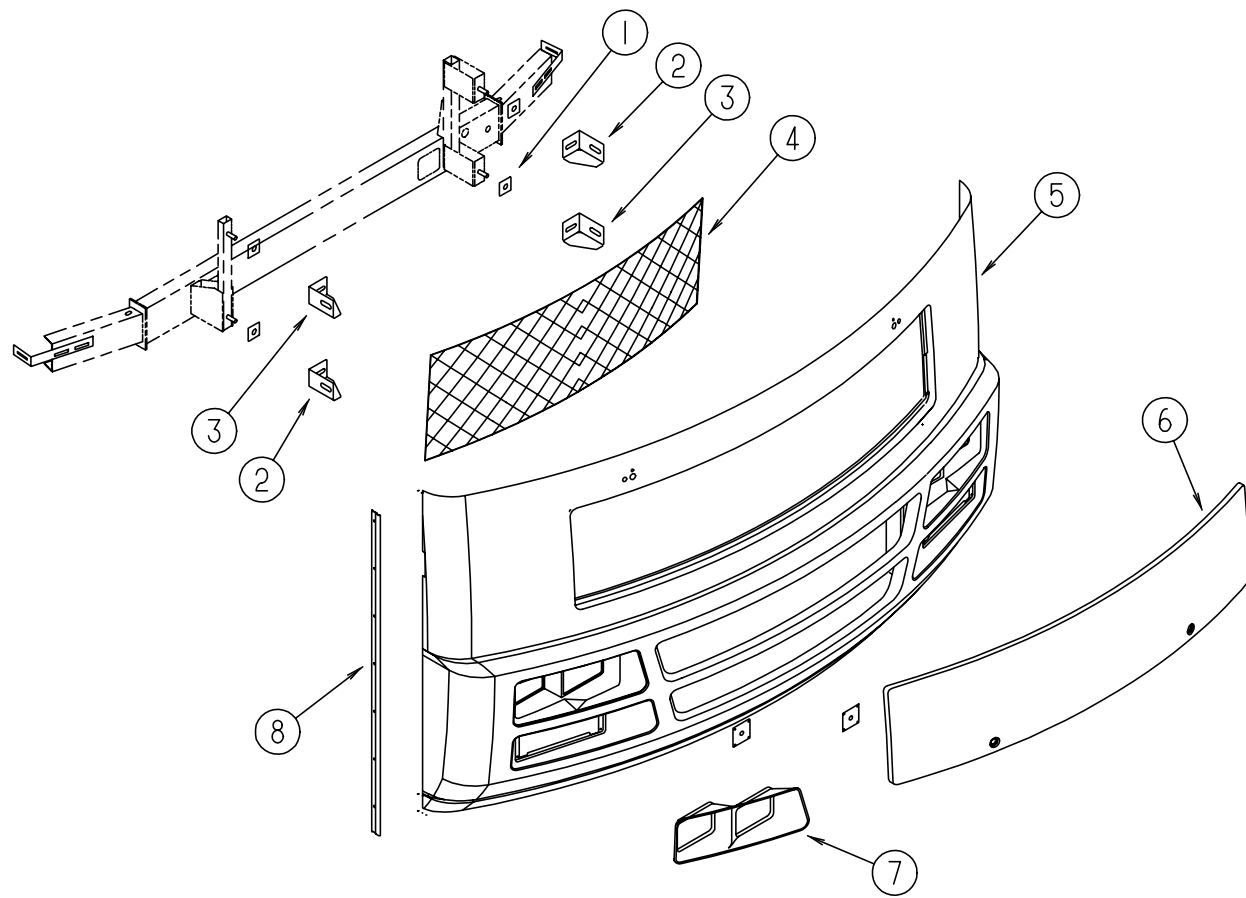
EXTERIOR SLIDEOUT HARDWARE



KEY	PART NUMBER	U/M	DESCRIPTION
1	105312-01-03A	FT	INSERT - VINYL FEATURE STRIP - GRAY METALLIC
2	108688-01-03A	EA	STRIP - FEATURE - 15'
3	112091-01-000	FT	SEAL-D - NEOPRENE
4	100128-02-000	FT	SEAL - FOAM/ADHESIVE BACK - .37" WIDE X .37" THICK
5	115076-01-000	FT	SEAL - SLIDEOUT
6	116933-15-01A	EA	TRIM - SEAL/FLOOR EDGE - 166.7" - BRIGHT WHITE
7	115075-02-000	FT	SEAL - WIPE - .25" X 3.15"
	089275-02-000	FT	STRIP - 3/4" X 84" BLACK POLYETHELENE
8	121283-01-000	FT	SEAL - P SHAPED
9	115661-01-000	FT	POLYETHYLENE - HIGH DENSITY - 1/16" X 3'

KEY	PART NUMBER	U/M	DESCRIPTION
10	115325-04-02A	EA	RAIL - FLOOR/SLIDEOUT ROOM - BLACK
11	116933-09-01A	EA	TRIM - SEAL
12	119992-12-01A	EA	TRIM - SEAL - W/MITERED ENDS - BRIGHT WHITE
13	119992-11-01A	EA	TRIM - SEAL - W/MITERED ENDS - BRIGHT WHITE
14	117004-08-01A	EA	TRIM - SEAL/INNER TOP W/MITERED ENDS - 145" - OFF WHITE
	117004-01-01A	EA	TRIM - SEAL/INNER LEFT SIDE - W/MITERED ENDS-73.5" OFF WHITE (FORWARD)
	117004-02-01A	EA	TRIM - SEAL/INNER RIGHT SIDE - W/MITERED ENDS-73.5"OFF WHITE

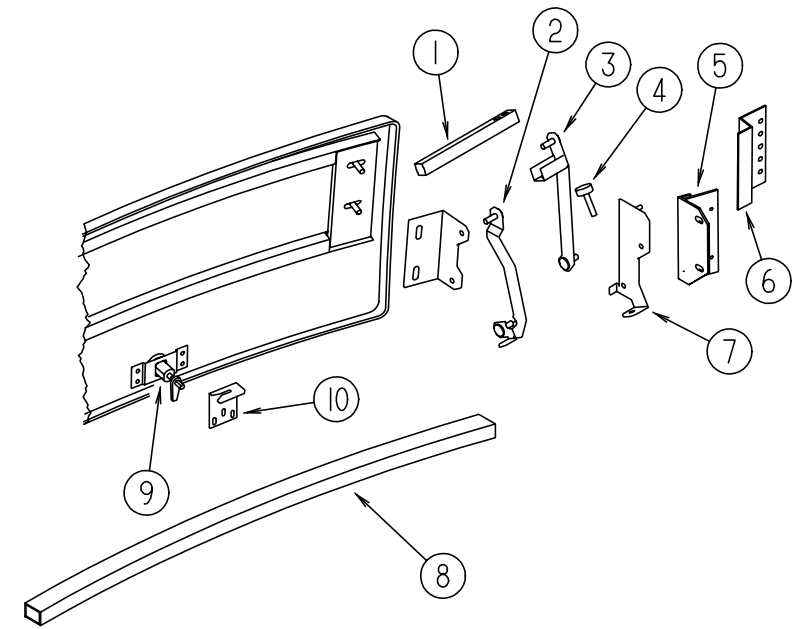
EXTERIOR BODY GROUP (CONTINUED)



FRONT PANEL AND HOOD ASM

KEY	PART NUMBER	U/M	DESCRIPTION
1	116617-02-02B	EA	SPACER - BUMPER
2	128455-02-02B	EA	BRACKET - BUMPER
3	128455-01-02B	EA	BRACKET - BUMPER
4	115924-18-02A	EA	WIRE MESH - F/GRILLE - FLAT BLACK
5	126251-06-J22	EA	PANEL - FRONT/LOWER - W/O NOTCH
6	127075-01-J22	EA	HOOD - FRONT - W/O HARDWARE
7	126252-01-01A	EA	BEZEL - HEADLAMP - PASSENGER
	126252-02-01A	EA	BEZEL - HEADLAMP - DRIVER
8	123680-05-01A	EA	TRIM - FIBERGLASS PANEL - BRIGHT WHITE
	106730-10-000	EA	PLATE - STUD - F/HOOD

EXTERIOR BODY GROUP (CONTINUED)

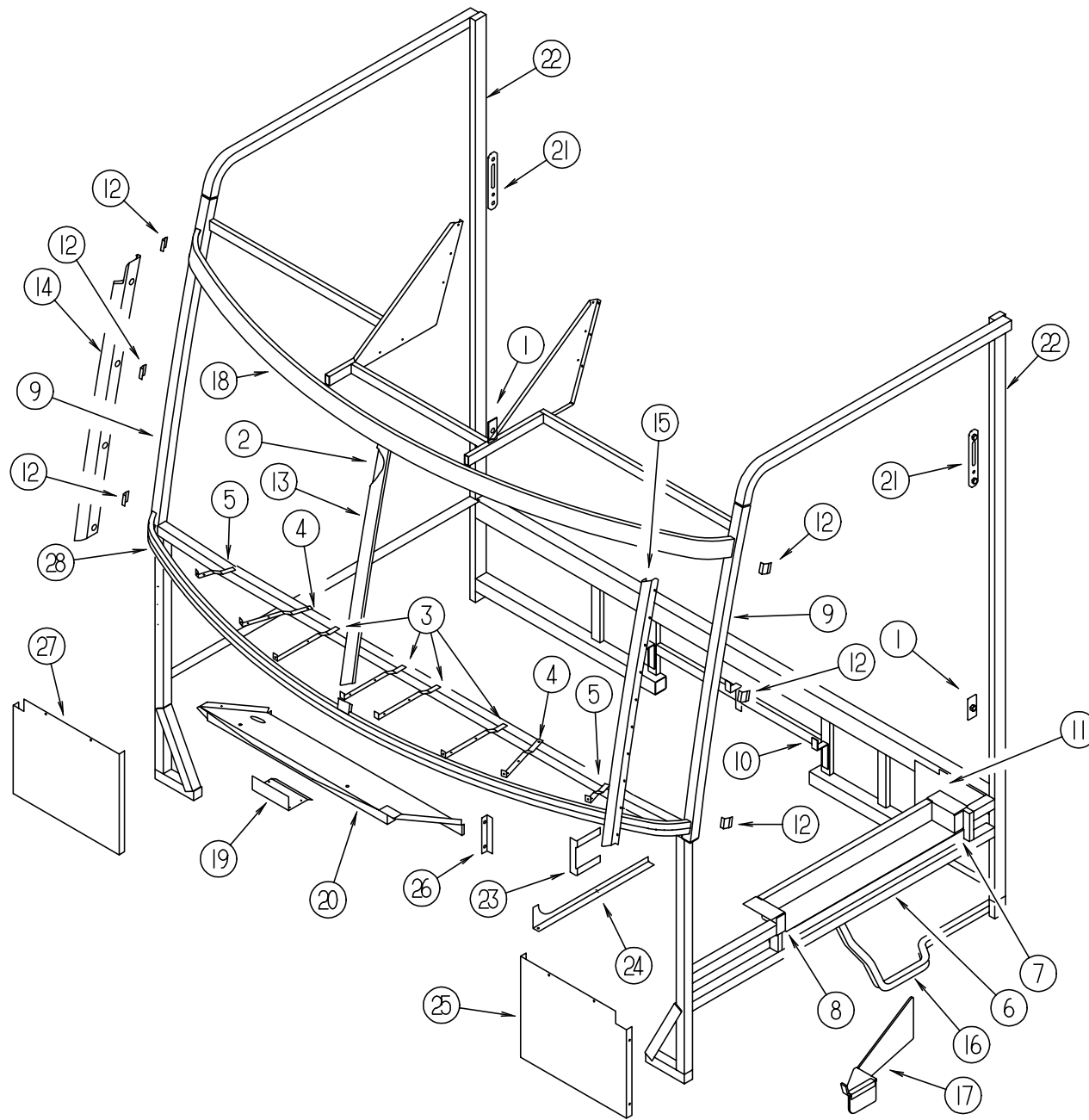


HOOD HARDWARE

KEY	PART NUMBER	U/M	DESCRIPTION
1	105096-10-000	EA	TUBE - HOOD HINGE TIMING W/WELDNUTS
2	127180-03-02B	EA	LINK - HINGE/HOOD - LOWER/RIGHT HAND
	127180-04-02B	EA	LINK - HINGE/HOOD - LOWER/LEFT HAND
3	127182-01-02B	EA	LINK - HINGE/HOOD - UPPER/RIGHT HAND
	127182-02-02B	EA	LINK - HINGE/HOOD - UPPER/LEFT HAND
4	058786-01-000	EA	BOLT - ADJUSTING HOOD - W/BLACK PAD
5	118595-01-03A	EA	SUPPORT - HINGE LINK - PASSENGER - BRIGHT WHITE
	118595-02-03A	EA	SUPPORT - HINGE LINK - DRIVER - BRIGHT WHITE
6	113495-03-02B	EA	SUPPORT - HINGE - RIGHT HAND/LEFT HAND - E-COATED
7	127181-03-02B	EA	BRACKET - LINK/HINGE - HOOD/RIGHT HAND
	127181-04-02B	EA	BRACKET - LINK/HINGE - HOOD/LEFT HAND
8	126331-01-01A	EA	TUBE - GRILLE - HORIZONTAL
9	102330-02-000	EA	LATCH - VISE ACTION/KEY OPERATED
10	126352-01-02B	EA	LATCH - HOOD - FRONT END
	102328-01-000	EA	KEY - BARREL - NICKEL PLATED

EXTERIOR BODY GROUP (CONTINUED)

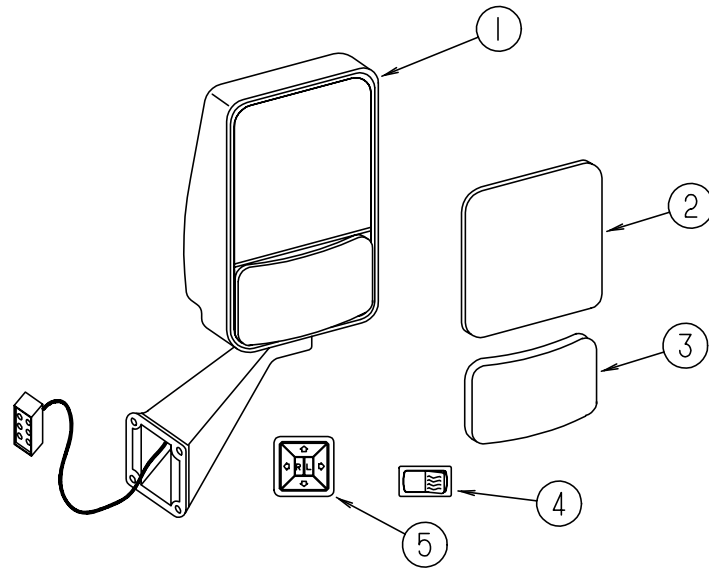
FRONT END ASM.



KEY	PART NUMBER	U/M	DESCRIPTION
1	070579-06-000	EA	PLATE - ANCHOR - W/7/16" WELD NUT - 1.5" X 3.3"
1	070579-07-000	EA	PLATE - ANCHOR - W/O WELD NUT - 1.5" X 3.3"
2	078249-17-000	EA	TUBE - SWEPT - CAB FRAME
3	104797-03-000	EA	BRACKET - DEFROSTER
4	104797-04-000	EA	BRACKET - DEFROSTER
5	104797-05-000	EA	BRACKET - DEFROSTER
6	106746-02-000	EA	PANEL - STEPWELL
7	106747-03-000	EA	PANEL - STEPWELL - RIGHT HAND END
8	106747-04-000	EA	PANEL - STEPWELL - LEFT HAND END
9	117273-01-01A	EA	TUBE - SUPPORT - A-PILLAR
10	117287-01-01B	EA	BRACKET - MOUNT - CABLE
11	118592-01-01B	EA	SHIELD - SPLASH - RIGHT HAND
12	120363-01-01B	EA	BRACKET - WINDSHIELD
13	120840-07-01B	EA	STRAP - W/HOLES - MILL
14	121269-05-01B	EA	FRAME - WINDSHIELD - A-PILLAR - MILL

KEY	PART NUMBER	U/M	DESCRIPTION
15	121269-06-01B	EA	FRAME - WINDSHIELD - A-PILLAR - MILL
16	063977-14-000	EA	STEP - DRIVER DOOR - LEFT HAND
17	128255-01-04B	EA	STEP - DRIVER DOOR - BLACK
18	124975-01-01B	EA	SUPPORT - WINDSHIELD - UPPER - MLL
19	125836-02-01B	EA	ZEE-WIPER MOTOR - MILL
20	125837-02-01B	EA	BRACE - WIPER MOTOR - MILL
21	127461-02-01B	EA	PLATE - ANCHOR - SEAT BELT
22	127874-01-01B	EA	TUBE-B PILLAR - MILL
23	097123-01-000	EA	MOUNT - AIR INTAKE - FORD
24	099102-01-000	EA	BRACKET - LINKAGE - THROTTLE
25	104147-14-000	EA	SHIELD/SPLASH - HEADLIGHT
26	123262-02-02B	EA	BRACKET ASM - FUSE PANEL - E-CT
27	121962-02-02B	EA	SHIELD/SPLASH - HEADLIGHT
28	124974-01-01B	EA	SUPPORT - WINDSHIELD, LOWER - MLL
	124904-03-01B	EA	HEADER - WINDSHIELD - CENTER

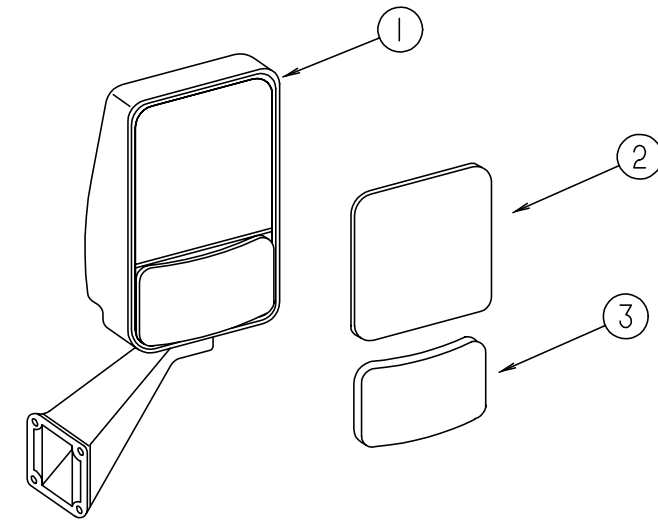
EXTERIOR BODY GROUP (CONTINUED)



EXTERIOR MIRROR OPTION (REMOTE & HEAT)

KEY	PART NUMBER	U/M	DESCRIPTION	VENDOR NO.
1	106015-12-01A	EA	MIRROR - EXTERIOR REMOTE/HEAT - PASSENGER	
1	106015-13-01A	EA	MIRROR - EXTERIOR REMOTE/HEAT - DRIVER	
2	106015-12-700	EA	MIRROR - FLAT - W/W/O HEAT	709448
3	106015-12-701	EA	MIRROR - CONVEX - W/W/O HEAT	709449
4	087695-02-000	EA	SWITCH - HEATER - EXTERIOR MIRROR	
5	088246-01-000	EA	SWITCH - REMOTE - EXTERIOR - SQUARE PUSH	
	119774-09-700	EA	PLATE - INNER SUPPORT - MIRROR HEAD - PASSENGER	709418-7RH
	119774-09-701	EA	PLATE - INNER SUPPORT - MIRROR HEAD - DRIVER	709419-7LH
	106015-12-702	EA	SCREW CAP - (BAG OF 4)	748329
	087695-03-000	EA	CONNECTOR - ASSEMBLY	

EXTERIOR BODY GROUP (CONTINUED)

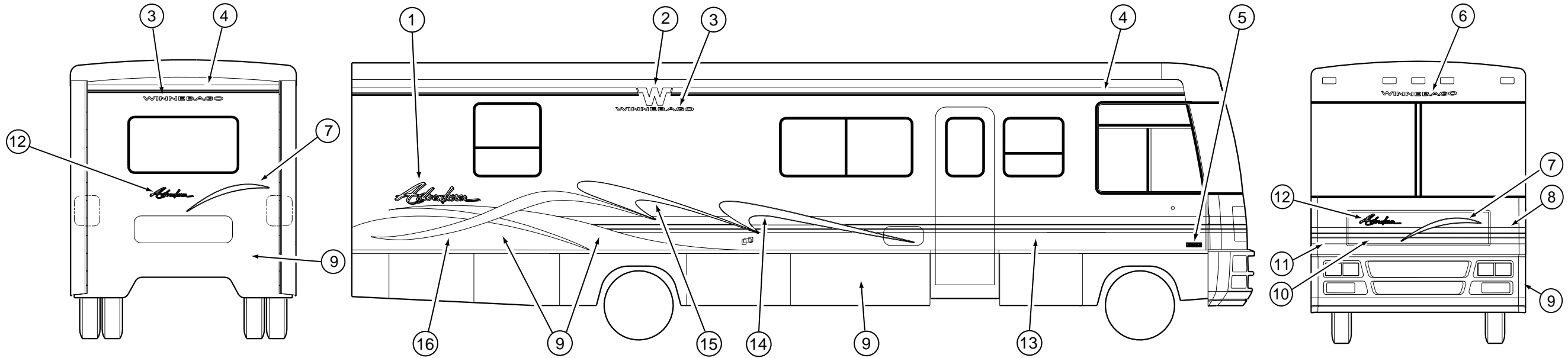


EXTERIOR MIRROR (ADJUSTABLE)

KEY	PART NUMBER	U/M	DESCRIPTION	VENDOR NO.
1	106015-14-01A	EA	MIRROR - EXTERIOR ADJUSTABLE GLASS - PASSENGER	
1	106015-15-01A	EA	MIRROR - EXTERIOR ADJUSTABLE GLASS - DRIVER	
2	106015-12-700	EA	MIRROR-FLAT - W/W/O HEAT	709448
3	106015-12-701	EA	MIRROR-CONVEX - W/W/O HEAT	709449
	119774-09-700	EA	PLATE - INNER SUPPORT - MIRROR HEAD - PASSENGER	709418-7RH
	119774-09-701	EA	PLATE - INNER SUPPORT - MIRROR HEAD - DRIVER	709419-7LH
	106015-12-702	EA	SCREW CAP - (BAG OF 4)	748329

EXTERIOR BODY GROUP (CONTINUED)

DECALS, FILM STRIPES & PAINT



KEY	PART NUMBER	U/M	DESCRIPTION
1	130201-01-01A	EA	DECAL - LOGO - ADVENTURER/LEFT HAND
2	121743-03-01A	EA	DECAL - LOGO "W"
3	120702-03-11A	EA	DECAL - LOGO - WINNEBAGO/SMALL
4	094443-61-01A	FT	FILM - MULTISTRIPE - 3.5"
5	129922-01-01A	EA	EMBLEM - TRITON V10
5	122312-02-01A	EA	DECAL - VORTEC 7400 FUEL INJECTED
6	125597-01-02A	EA	DECAL - LOGO - WINNEBAGO/SWEEP #8
7	130195-01-01A	EA	DECAL - SLASH - LARGE
8	130197-02-01A	EA	DECAL - CORNER/LEFT HAND
9	N/A		PAINT - CHARCOAL MET - DUPONT F8403U
9	N/A		PAINT - LT. SILVER MET - DUPONT F2573U
10	130194-01-01A	EA	DECAL - HOOD
11	130197-01-01A	EA	DECAL - CORNER/RIGHT HAND
12	130201-02-01A	EA	DECAL - LOGO - ADVENTURER/SMALL
13	094443-62-01A	FT	FILM - MULTISTRIPE - 7.2"
14	130198-01-01A	EA	DECAL - RIBBON - FRONT/RIGHT HAND
14	130198-02-01A	EA	DECAL - RIBBON - FRONT/LEFT HAND
15	130199-01-01A	EA	DECAL - RIBBON - MIDDLE/RIGHT HAND
15	130199-02-01A	EA	DECAL - RIBBON - MIDDLE/LEFT HAND
16	130200-01-01A	EA	DECAL - RIBBON - REAR/RIGHT HAND
16	130200-02-01A	EA	DECAL - RIBBON - REAR/LEFT HAND
	041561-03-000	EA	PAINT - 16 OUNCE SPRAY - OFF WHITE
	093681-40-01A	FT	FILM - 2" - FLAT BLACK
	004308-01-000	EA	PAINT - BLACK SPRAY

DUPONT PAINT COLOR CODES

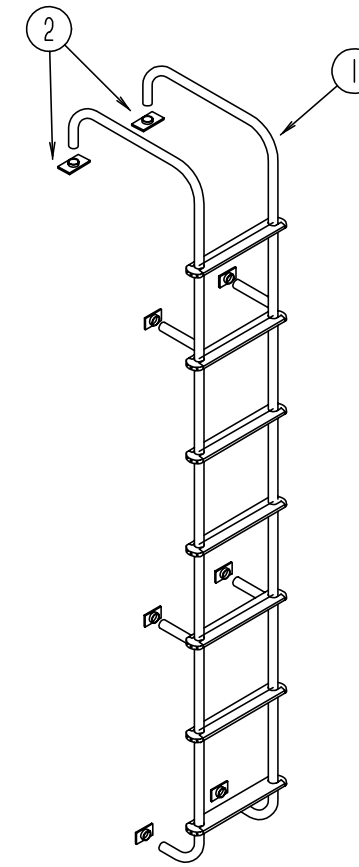
OFF WHITE	(INTERIOR)	DUPONT L8723
CHARCOAL METALLIC	(EXTERIOR)	DUPONT F8403U
LIGHT SILVER METALLIC	(EXTERIOR)	DUPONT F2573U
BRIGHT WHITE	(EXTERIOR)	DUPONT B8951U
MED. DK. ROYAL BLUE MET.	(FILM)	DUPONT BM447
LIGHT CHARCOAL METALLIC	(FILM)	DUPONT MM474
BERRYWOOD METALLIC	(FILM)	DUPONT RM055

EXTERIOR BODY GROUP (CONTINUED)

STYROFOAM & FIBERGLASS SHEETING

KEY	PART NUMBER	U/M	DESCRIPTION
	000846-01-000	SF	PLYWOOD - 5/16" X 48" X 96" - CD GRADE
	000846-02-000	SF	PLYWOOD/UNDERLAYMENT - 5/16" X 48" X 96"
	002726-01-001	EA	GARNISH - U-CHANNEL - 1.38" X 19' - SERRATED
	002766-01-001	EA	ANGLE - EXTRUDED - 1" X 1.5" X 17'
	033381-17-001	FT	STEEL - TUBE - 16 GAUGE 1.5" X 1.5" X 16'
	068716-01-001	EA	BRACE - 90 DEGREE L-ANGLE - 16'
	076054-U4-000	EA	FIBERGLASS SHEET - 101" X 104" - BRIGHT WHITE
	076054-U8-000	EA	FIBERGLASS SHEET - 100" X 105" - BRIGHT WHITE
	076054-W3-000	EA	FIBERGLASS SHEET - 79" X 361.3" - BRIGHT WHITE
	076054-W6-000	EA	FIBERGLASS SHEET - 79" X 367" - BRIGHT WHITE
	108535-05-702	EA	FIBERGLASS SHEET - FLAT - 110" X 398" BRIGHT WHITE - ROOF
	077517-62-000	EA	FIBERGLASS SHEET/SIDEWALL - 48" X 96" - BRIGHT WHITE
	089297-01-000	SF	PLYWOOD - LUAN - OVERLAY GRADE - 48" X 96"
	089297-02-000	SF	PLYWOOD - LUAN - OVERLAY GRADE - 48" X 108"
	100619-01-000	BF	FOAM - EXPANDED POLYSTYRENE - 1.34" X 48" X 96"
	100619-02-000	BF	FOAM - EXPANDED POLYSTYRENE - 1.5" X 48" X 96"
	100619-04-000	BF	FOAM - EXPANDED POLYSTYRENE - .5" X 48" X 96"
	100619-05-000	BF	FOAM - EXPANDED POLYSTYRENE - .75" X 48" X 96"-1.5 DENSITY
	100619-11-000	BF	FOAM - EXPANDED POLYSTYRENE - 2" X 48" X 96"
	100619-13-000	BF	FOAM - EXPANDED POLYSTYRENE - .34" X 34.65" X 96"
	100619-16-000	BF	FOAM - EXPANDED POLYSTYRENE - .75" X 48" X 96"-2.0 DENSITY
	100619-22-000	BF	FOAM - EXPANDED POLYSTYRENE - 48" X 120" X 1.34"
	105077-08-000	EA	FOAM - PLUG - ROOF CAP
	120107-01-000	EA	FOAM - COVE - ROOF - 2.8" X 96" LONG
	120107-02-000	EA	FOAM - PLUG - ROOF TUBE - 2.2" X 2.9" X 1.8" LONG
	120107-03-000	EA	FOAM - PLUG - SIDEWALL TUBE - 1.2" X 2.1" X 1.8" LONG
	125838-01-002	EA	ACRYLIC SHEET - .125 X 1.8" X 2"

EXTERIOR BODY GROUP (CONTINUED)



LADDER

KEY	PART NUMBER	U/M	DESCRIPTION
1	129639-02-01A	EA	LADDER - BRUSHED ALUMINUM
2	131256-01-01A	EA	PLATE - LADDER
	129375-01-000	EA	SEAL/FOAM - LADDER BRACKET
	038327-01-000	FT	TAPE - ANTI SLIP - 2" X 60FT

EXTERIOR BODY GROUP (CONTINUED)

**AWNINGS
FROM: 00-00-00 THRU: 03-14-99**

KEY	PART NUMBER	U/M DESCRIPTION
	113874-11-01A	EA SCREW/LAG - AWNING - 1/4" X 1" STAINLESS STEEL
	113874-12-01A	EA SCREW/LAG - AWNING - 1/4" X 2 3/4" STAINLESS STEEL
	113874-06-19A	EA AWNING - W/O HARDWARE - 16' - VINYL (BLACK & GRAY)
		FROM: 00-00-00 THRU: 10-03-98
	113874-06-25A	EA AWNING - W/O HARDWARE - 16' (BLACK/GRAY) METAL
		FROM: 10-04-98 THRU: 03-14-99
*	113874-01-02A	EA HARDWARE KIT - AWNING - W/O STANDOFF BRACKET-BRIGHT WHITE
	111037-01-01A	EA SPACER - AWNING - UPPER - BLACK
	130320-01-02A	EA BRACKET - AWNING - F/A&E INSTALLATION - BRIGHT WHITE
	119496-01-02A	EA SPACER/ZEE - AWNING

FROM: 03-15-99 THRU: 06-13-99

KEY	PART NUMBER	U/M DESCRIPTION
	113874-11-01A	EA SCREW/LAG - AWNING - 1/4" X 1" STAINLESS STEEL
	113874-12-01A	EA SCREW/LAG - AWNING - 1/4" X 2 3/4" STAINLESS STEEL
	132715-02-04A	EA AWNING - 2 STEP W/O HDW - 16' W/METAL WRAP - BLACK & GRAY
	132715-01-01A	EA HARDWARE KIT - 2 STEP AWNING - BRIGHT WHITE
	133088-01-02A	EA BRACKET - AWNING - BRIGHT WHITE

FROM: 06-14-99 THRU: 99-99-99

KEY	PART NUMBER	U/M DESCRIPTION
	113874-11-01A	EA SCREW/LAG - AWNING - 1/4" X 1" STAINLESS STEEL
	113874-12-01A	EA SCREW/LAG - AWNING - 1/4" X 2 3/4" STAINLESS STEEL
	113874-06-25A	EA AWNING - 16' BLACK/GRAY VINYL - BRT/WHT METAL WRAP
*	113874-01-02A	EA HARDWARE KIT - AWNING - W/O STANDOFF BRACKET-BRIGHT WHITE
	130320-01-02A	EA BRACKET - AWNING - F/A&E INSTALLATION - BRIGHT WHITE

*COMPONENT PARTS FOUND IN SERVICE PARTS LIBRARY

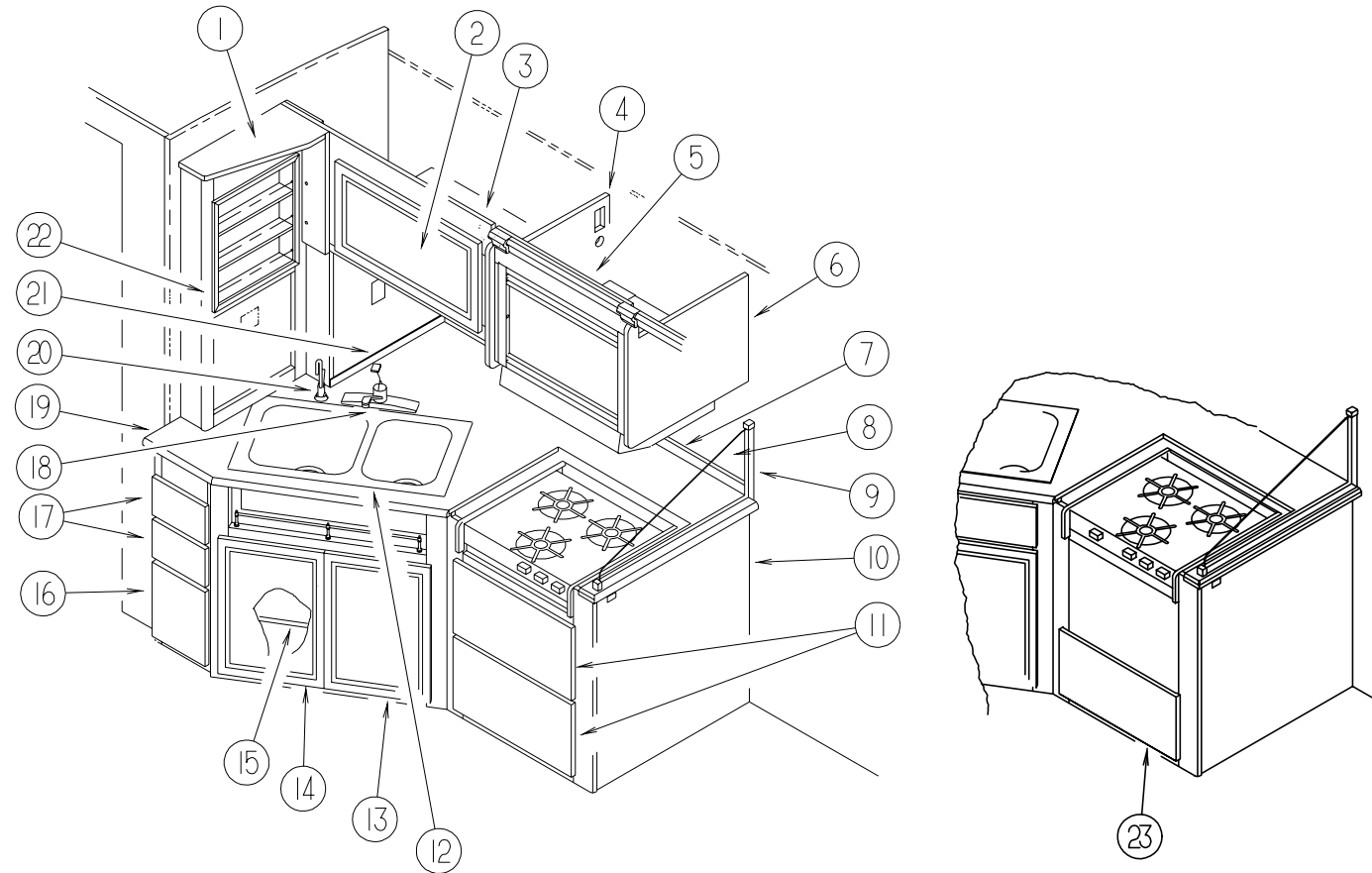
EXTERIOR BODY GROUP (CONTINUED)

EXTERIOR BODY HARDWARE

KEY	PART NUMBER	U/M DESCRIPTION
	120524-01-02B	EA U-CHANNEL - E-COATED
	114248-02-01A	EA ANGLE - PLASTIC - 96.6"
	099069-01-000	FT SEAL - RUBBER - CLOSED SPONGE - .5" WIDE X .12" THICK -BLK
	107865-01-000	EA ROD - SUPPORT - VALANCE PANEL - 14.3"
	107865-05-000	EA ROD - SUPPORT - VALANCE PANEL - 9"
	118383-01-04A	EA RETAINER - SCREW
	118383-04-04A	EA CAP - RETAINER/SCREW
	119568-01-01A	EA STANDOFF - VALANCE PANEL - BLACK
	121117-01-02B	EA ANGLE - W/HOLES - E-COATED
	124299-51-001	EA EXTRUDED - RETAINER - TRIM - 144"

GALLEY GROUP

GALLEY CABINETS

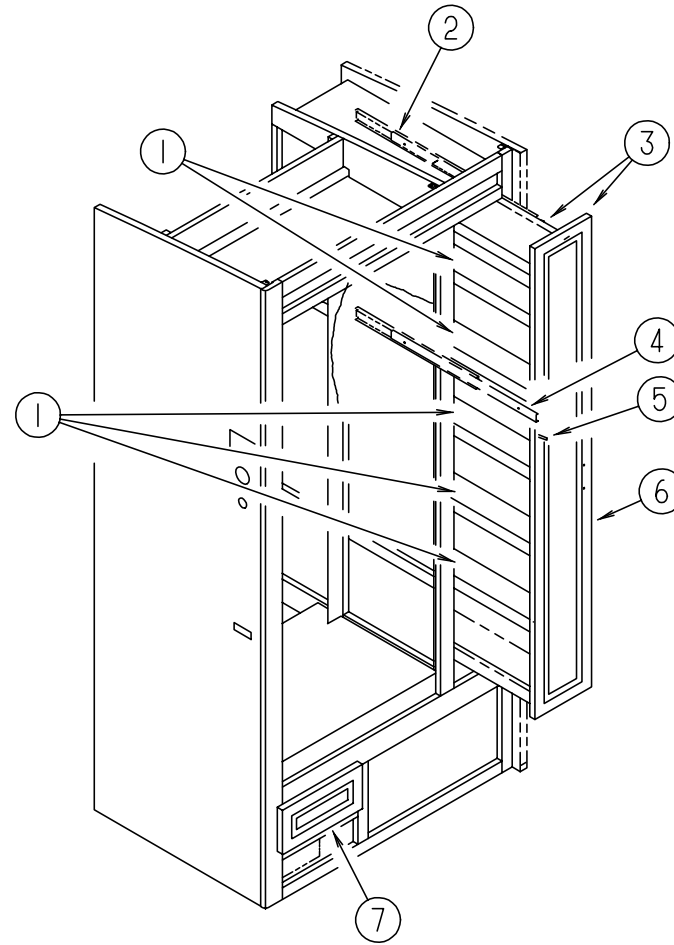


KEY	PART NUMBER	U/M	DESCRIPTION
1	128226-01-K29	EA	CABINET - SPICE RACK - W/O HARDWARE (MYSTIC OAK)
1	128226-01-J22	EA	CABINET - SPICE RACK - W/O HARDWARE (WATERFORD OAK)
2	M05992-89-K29	EA	DOOR - STRAIGHT CRNR/OGEE EDGE - W/O HDW (MYSTIC OAK)
2	M05992-89-K30	EA	DOOR - STRAIGHT CRNR/OGEE EDGE - W/O HDW (WATERFORD OAK)
3	128227-01-K29	EA	CABINET - OVERHEAD/W/O DOORS/HARDWARE (MYSTIC OAK)
3	128227-01-J22	EA	CABINET - OVERHEAD/W/O DOORS/HARDWARE (WATERFORD OAK)
4	103128-41-J90	EA	END CAP - OVERHEAD CABINET (MYSTIC OAK)
4	103128-41-J94	EA	END CAP - OVERHEAD CABINET (WATERFORD OAK)
5	P26479-02-K29	EA	CABINET - OVERHEAD/MICROWAVE - W/O DOOR/HARDWARE (MYSTIC OAK)
5	P26479-02-J22	EA	CABINET - OVERHEAD/MICROWAVE - W/O DOOR/HDW (WATERFORD OAK)
6	103128-40-J90	EA	END CAP - OVERHEAD CABINET (MYSTIC OAK)
6	103128-40-J94	EA	END CAP - OVERHEAD CABINET (WATERFORD OAK)
7	130105-19-K30	EA	BACKSPLASH - COUNTERTOP (K28, K29, K30, K31, K34, K35)
7	130105-19-K32	EA	BACKSPLASH - COUNTERTOP (K32, K33)
8	127117-01-01A	EA	GLASS - STATIONARY - SPLASHGUARD
9	126875-01-K29	EA	TRIM/GALLEY CABINET - F/SPLASHGUARD (MYSTIC OAK)
9	126875-01-J94	EA	TRIM/GALLEY CABINET - F/SPLASHGUARD (WATERFORD OAK)
10	130105-01-K30	EA	CABINET - W/CTRTP - W/O DOORS/DRAWERS/HDW (OVEN) (K28, K30, K34)
10	130105-01-K29	EA	CABINET - W/CTRTP - W/O DOORS/DRAWERS/HDW (OVEN) (K29, K31, K35)
10	130105-01-K32	EA	CABINET - W/CTRTP - W/O DOORS/DRAWERS/HDW (OVEN)(K32)
10	130105-01-K33	EA	CABINET - W/CTRTP - W/O DOORS/DRAWERS/HDW (OVEN) (K33)
10	130105-02-K30	EA	CABINET - W/CTRTP - W/O DOORS/DRAWERS/HDW (RANGE) (K28, K30, K34)
10	130105-02-K29	EA	CABINET - W/CTRTP - W/O DOORS/DRAWERS/HDW (RANGE) (K29, K31, K35)
10	130105-02-K32	EA	CABINET - W/CTRTP - W/O DOORS/DRAWERS/HDW (RANGE) (K32)
10	130105-02-K33	EA	CABINET - W/CTRTP - W/O DOORS/DRAWERS/HDW (RANGE) (K33)
11	M09316-23-K29	EA	DRAWER - OGEE EDGE - 19.7"W X 23.6"D - W/O SLIDES/HDW (MYSTIC OAK)
11	M09316-23-K30	EA	DRAWER - OGEE EDGE - 19.7"W X 23.6"D - W/O SLIDES/HDW (WATERFORD OAK)

KEY	PART NUMBER	U/M	DESCRIPTION	VENDOR NO.
12	110654-01-000	EA	SINK - STAINLESS STEEL/DOUBLE BASIN (1 LG-1 SM BASIN)	
	092303-01-000	EA	STRAINER - SINK	
	108464-04-J31	EA	COVER - SINK - 15" X 15" - LAMINATE BOTH SIDES (K28, K29, K30, K31, K34, K35)	
	108464-04-J23	EA	COVER - SINK - 15" X 15" - LAMINATE BOTH SIDES (K32, K33)	
	108464-03-J31	EA	COVER - SINK - 15" X 11" - LAMINATE BOTH SIDES (K28, K29, K30, K31, K34, K35)	
	108464-03-J74	EA	COVER - SINK - 15" X 11" - LAMINATE BOTH SIDES (K32, K33)	
13	M05992-37-K29	EA	DOOR - STRAIGHT CRNR/OGEE EDGE - 14.3" X 21.8" -W/O HDW (MYSTIC OAK)	
13	M05992-37-K30	EA	DOOR - STRAIGHT CRNR/OGEE EDGE - 14.3" X 21.8" -W/O HDW (WATERFORD OAK)	
14	M05992-39-K29	EA	DOOR - STRAIGHT CRNR/OGEE EDGE - 14.3" X 21.8" -W/O HDW (MYSTIC OAK)	
14	M05992-39-K30	EA	DOOR - STRAIGHT CRNR/OGEE EDGE - 14.3" X 21.8" -W/O HDW (WATERFORD OAK)	
15	130105-15-K29	EA	SHELF - W/PLASTIC EDGE TRIM (MYSTIC OAK)	
15	130105-15-K30	EA	SHELF - W/PLASTIC EDGE TRIM (WATERFORD OAK)	
16	M05992-N0-K29	EA	DOOR - STRAIGHT CRNR/OGEE EDGE - 9.8" X 12" - W/O HDW (MYSTIC OAK)	
16	M05992-N0-K28	EA	DOOR - STRAIGHT CRNR/OGEE EDGE - 9.8" X 12" - W/O HDW (WATERFORD OAK)	
17	M09316-21-K29	EA	DRAWER - OGEE EDGE - 7.6"W X 21.6"D - W/O SLIDES/HDW (MYSTIC OAK)	
17	M09316-21-K30	EA	DRAWER - OGEE EDGE - 7.6"W X 21.6"D - W/O SLIDES/HDW (WATERFORD OAK)	
18	104114-02-01A	EA	FAUCET - SINGLE CONTROL	
19	130105-18-K30	EA	COUNTERTOP - CABINET (K28, K30, K34)	
19	130105-18-K29	EA	COUNTERTOP - CABINET (K29, K31, K35)	
19	130105-18-K32	EA	COUNTERTOP - CABINET (K32)	
19	130105-18-K33	EA	COUNTERTOP - CABINET (K33)	
20	103635-01-000	EA	FAUCET - SINGLE CONTROL DRINKING	
	103635-01-700	EA	FITTING KIT - FAUCET REPAIR	3071-70
	103635-01-701	EA	TUBING - PLASTIC	3019-20
21	130105-20-K30	EA	BACKSPLASH - COUNTERTOP (K28, K29, K30, K31, K34, K35)	
21	130105-20-K32	EA	BACKSPLASH - COUNTERTOP (K32, K33)	
22	126847-01-J90	EA	SPICE RACK (MYSTIC OAK)	
22	126847-01-J94	EA	SPICE RACK (WATERFORD OAK)	
23	M09316-22-K29	EA	DRAWER - OGEE EDGE - 19.8"W X 23.6"D - W/O SLIDES/HDW (MYSTIC OAK)	
23	M09316-22-K30	EA	DRAWER - OGEE EDGE - 19.8"W X 23.6"D - W/O SLIDES/HDW (WATERFORD OAK)	

GALLEY GROUP (CONTINUED)

REFRIGERATOR & PANTRY CABINET



KEY	PART NUMBER	U/M	DESCRIPTION
1	122325-11-K29	EA	SHELF - W/EDGE MOLDING (MYSTIC OAK)
1	122325-11-H17	EA	SHELF - W/EDGE MOLDING (WATERFORD OAK)
2	122360-03-000	EA	SLIDE - PANTRY - W/LOCK - RH
3	122325-01-J90	EA	CABINET - PANTRY/RH SLIDING - W/O SLIDES/HDW (MYSTICOAK)
3	122325-01-J22	EA	CABINET - PANTRY/RH SLIDING - W/O SLIDES/HDW (WATERFORD OAK)

KEY	PART NUMBER	U/M	DESCRIPTION
4	122360-02-000	EA	SLIDE - PANTRY - W/O LOCK - RH/LH
5	123673-01-01A	EA	KNOB - PANTRY SLIDE
6	M05992-K0-K29	EA	DOOR - STRAIGHT CRNR/OGEE EDGE - 8.5" X 60.7" - W/O HDW (MYSTIC OAK)
6	M05992-K0-K28	EA	DOOR - STRAIGHT CRNR/OGEE EDGE - 8.5" X 60.7" - W/O HDW (WATERFORD OAK)
7	M05992-Y0-K29	EA	DOOR - STRAIGHT CRNR/OGEE EDGE - 12.6" X 6.1" - W/O HDW (MYSTIC OAK)
7	M05992-Y0-K28	EA	DOOR - STRAIGHT CRNR/OGEE EDGE - 12.6" X 6.1" - W/O HDW (WATERFORD OAK)

GALLEY GROUP (CONTINUED)

MICROWAVE OVEN & GALLEY APPLIANCES

KEY	PART NUMBER	U/M	DESCRIPTION	VENDOR NO.
*	126023-01-01A	EA	RANGE - W/OVEN - 22" - 3 BURNER/BLACK GLASS DOOR	
*	126023-02-01A	EA	RANGE - W/OVEN - 22" - 3 BURNER/TEXTURED TOP - BLACK	
*	114030-02-01A	EA	RANGE - 3 BURNER TOP - W/O OVEN - BLACK - UL	
	M05904-03-J61	EA	COVER - STOVE - W/SOLID COUNTERTOP	
	126022-01-01A	EA	COVER - RANGE - BI-FOLD - 16" & 22" - BLACK TEXTURED	
	126022-01-700	EA	BUMPER - RANGE BIFOLD COVER	8003P007-60
	107109-21-04B	EA	BRACKET - TIEDOWN	
	107109-22-04B	EA	BRACKET - TIEDOWN	
*	121569-01-01A	EA	REFRIGERATOR - LARGE DOUBLE DOOR/2-WAY FROM: 00-00-00 THRU: 07-19-98	
*	121569-03-01A	EA	REFRIGERATOR - LARGE DOUBLE DOOR/LEFT HAND - 2-WAY - BLACK FROM: 07-20-98 THRU: 99-99-99	
*	120075-09-01A	EA	REFRIGERATOR - LARGE DBL DOOR RH - W/ICE MAKER-BLACK 2-WAY	
*	118367-01-01A	EA	REFRIGERATOR - SIDE BY SIDE DOOR - 2 WAY	
	122753-06-000	EA	OVEN - MICROWAVE - .9 CU FT - CONVECTION - CSA	
	122753-05-000	EA	OVEN - MICROWAVE - 1 CU. FT. NON CONVECTION - SHARP - UL(US)	
	102482-11-J60	EA	FRAME - MICROWAVE	
	121850-04-02B	EA	STRAP - TIEDOWN - MICROWAVE - E-COATED	
	122546-03-02B	EA	SUPPORT - MICROWAVE BOTTOM - E-COATED (US)	
	122546-05-02B	EA	SUPPORT - MICROWAVE BOTTOM - E-COATED (US)	
	122546-14-02B	EA	SUPPORT - MICROWAVE BOTTOM - E-COATED (CSA)	
	122546-15-02B	EA	SUPPORT - MICROWAVE BOTTOM - E-COATED (CSA)	
	116751-02-01A	EA	TRAY - REFRIGERATOR - BLACK (US)	
	116751-09-01A	EA	TRAY - REFRIGERATOR - BLACK (CSA) FROM: 00-00-00 THRU: 02-07-99	
	116751-12-01A	EA	TRAY - REFRIGERATOR (CSA) FROM: 02-08-99 THRU: 99-99-99	
	065225-02-000	EA	PLATE - TIEDOWN - REFRIGERATOR	
	054450-01-000	EA	LEVEL - REFRIGERATOR	
	090195-08-000	EA	BAFFLE - REFRIGERATOR - LOWER	
	093369-03-000	EA	STRAP - REFRIGERATOR	
	093646-01-000	EA	BRACKET - TIEDOWN/REFRIGERATOR - RIGHT HAND	
	093646-02-000	EA	BRACKET - TIEDOWN/REFRIGERATOR - LEFT HAND	

RANGE HOODS & MONITOR PANEL

KEY	PART NUMBER	U/M	DESCRIPTION	VENDOR NO.
*	100258-18-03A	EA	HOOD - RANGE - W/O MONITOR PANEL - W/HOUR METER/SWITCH - US	
*	100258-17-04A	EA	HOOD - RANGE - W/O MONITOR PANEL - W/O HOUR METER/SWITCH - CSA	
*	102765-04-01A	EA	PANEL - MONITOR - 2 HOLDING TANKS - ADJUSTABLE	
	100258-10-01A	EA	GAUGE - HOUR METER W/SWITCH - SCREW ON STYLE (OPTION) 150	
	100258-10-701	EA	GAUGE - HOUR METER - CLIP ON (OPTION)	L0775-00
	096983-01-702	EA	SWITCH - MOM/OFF/MOM/3 TERM (OPTION)	L0112-00

*COMPONENT PARTS FOUND IN SERVICE PARTS LIBRARY

GENERATOR GROUP

ONAN GENERATOR, 5.0 KW EMERALD PLUS

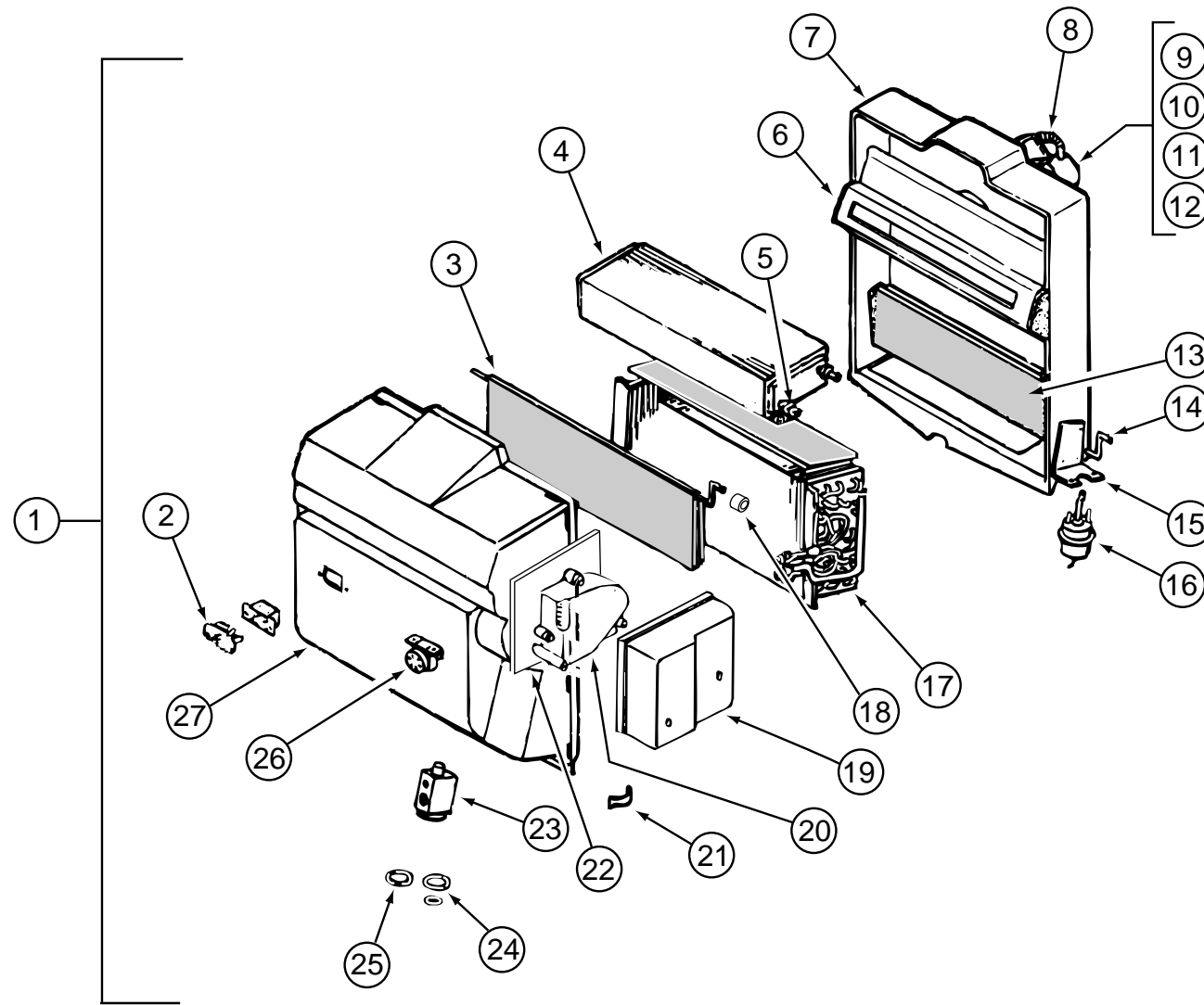
KEY	PART NUMBER	U/M	DESCRIPTION
	109303-01-000	EA	GENERATOR - 5 KW - EMERALD PLUS
	007125-03-000	EA	CLAMP - MUFFLER - 1.50" DIAMETER
	007125-04-000	EA	CLAMP - MUFFLER - 1.12" DIAMETER
	079654-05-000	EA	PIPE - EXHAUST - ANGLED W/FLANGE - 2" ID
	105958-17-000	EA	PIPE - GENERATOR EXHAUST - 1.5" OD X 4.9" X 24"
	082272-01-000	EA	MUFFLER - GENERATOR - NELSON #20892-A
	094059-01-000	EA	SPACER - GENERATOR - ONAN
	094657-02-000	EA	TRAY - GENERATOR - 22.5" X 30.4" X 6.9" - W/ANGLE & NUTS FROM: 00-00-00 THRU: 01-28-98
	127008-02-02B	EA	TRAY - GENERATOR - 16.2" X 20.8" X 6.9" - W/ANGLE & NUTS FROM: 01-29-98 THRU: 99-99-99

ONAN GENERATOR, 6.5 KW EMERALD PLUS (NHE-FA/26100G)

KEY	PART NUMBER	U/M	DESCRIPTION
	100975-01-000	EA	GENERATOR - 6.5 KW EMERALD PLUS
	007125-03-000	EA	CLAMP - MUFFLER - 1.5" DIA
	007125-04-000	EA	CLAMP - MUFFLER - 1.12" DIA
	079654-05-000	EA	PIPE - EXHAUST - ANGLED - W/FLANGE - 2" ID - ONAN# 154-2539
	105958-17-000	EA	PIPE - GENERATOR EXHAUST - 1.5" OD X 4.9" X 24"
	082272-01-000	EA	MUFFLER - GENERATOR - NELSON #20892-A
	094059-01-000	EA	SPACER - GENERATOR - ONAN
	094657-02-000	EA	TRAY - GENERATOR - 16.2" X 20.8" X 6.9" - W/ANGLE & NUTS FROM: 00-00-00 THRU: 01-28-98
	127008-02-02B	EA	TRAY - GENERATOR - 16.2" X 20.8" X 6.9" FROM: 01-29-98 THRU: 99-99-99
	007067-01-000	SF	INSULATION - FIBERGLASS - 1" THICK X 4'-INCREMENTS 4 SF

NOTE: ADDITIONAL GENERATOR COMPONENTS ARE FOUND IN THE CHASSIS GROUP

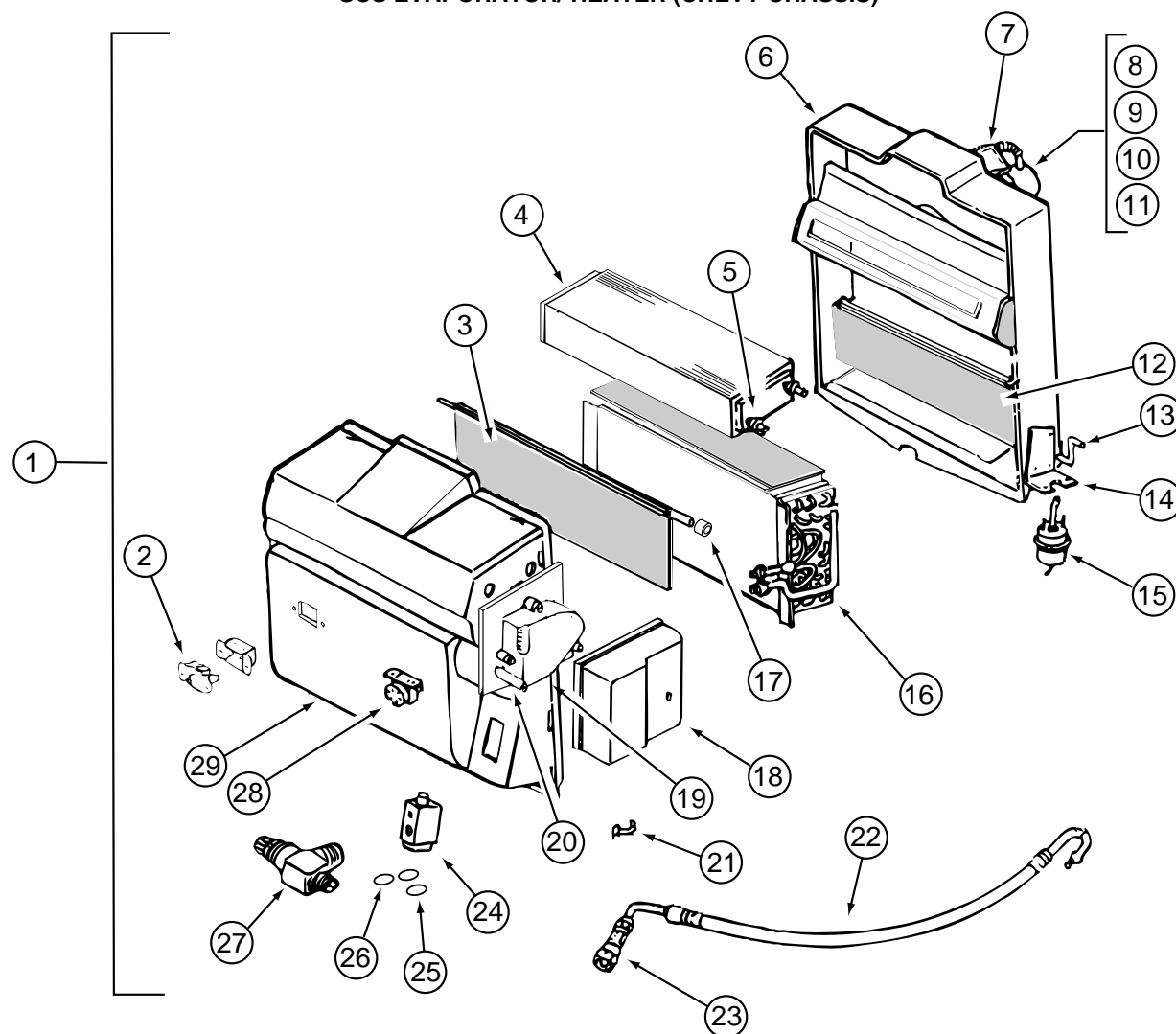
HEATING & AIR CONDITIONING GROUP
AUTOMOTIVE AIR CONDITIONING (NON-CHARGED)(FORD)



KEY	PART NUMBER	U/M DESCRIPTION	VENDOR NO.	KEY	PART NUMBER	U/M DESCRIPTION	VENDOR NO.
1	103930-43-000	EA EVAPORATOR/HEATER ASSEMBLY - NON-CHARGED		24	103930-17-702	EA O'RING #10	045-0127
2	103930-01-710	EA RESISTOR-FUSED, A/C	035-0006	25	113245-01-707	EA O'RING #8	045-0126
3	103930-43-700	EA DOOR - AIR BLEND	071-0568	26	103930-01-711	EA THERMOSTAT	033-0003
4	103930-01-703	EA CORE-HEATER	042-0010	27	103930-30-700	EA CASE - FRONT	062-0542
5	110279-01-712	EA FITTING-HEATER	050-0076		103930-02-714	EA CLAMP-CLUTCH, BARREL	022-0006
6	103930-30-707	EA DIVIDER ASM.	086-0061		094831-01-709	EA CLAMP-ROD 3/16"	022-0025
7	103930-20-711	EA CASE-BACK, SUB-ASSEMBLY	062-0147		113245-01-718	EA HOSE - DRAIN/1/2" X 6"	051-0002
8	110279-01-703	EA HOSE-VENT F/BLOWER MOTOR	051-0034		103930-23-000	EA VALVE - WATER - 2 PORT	
9	103930-20-707	EA HOUSING-BLOWER	062-0145		007076-01-000	EA HOSE - FLEXIBLE PVC - 2" ID - INCREMENTS OF 50'	
10	103930-30-706	EA MOTOR-BLOWER PM147 W/ADAPTER	030-0109		007281-01-000	EA HOSE - FLEXIBLE PVC - 2.5" ID X 50'	
11	103930-01-717	EA WHEEL-BLOWER, CLOCKWISE	062-0010		103930-45-000	EA HOSE - EVAPORATER/COMPRESSOR - EXP. BLOCK TO COMPRESSOR	
12	103930-20-708	EA CLIP-MOTOR SHAFT	022-0001		103930-47-000	EA HOSE - EVAPORATOR/DRYER - EXP. VALVE TO REC. DRIER	
13	103930-20-705	EA PANEL-DOOR, RECIRCULATING	071-0213		113245-01-710	EA O'RING, #12	045-0128
14	103930-20-704	EA ROD-DOOR-RECIRCULATING	073-0018		024990-05-000	EA OUTLET - DEFROSTER - 4" DIAMETER W/SWIVEL DEFLECTORS	
15	103930-01-708	EA BRACKET-VACUUM MOTOR	070-0113		077075-01-000	EA GASKET - INSTRUMENT PANEL TO DEFROSTER PLENUM - .6"X10.2"	
16	103930-02-708	EA MOTOR-VACUUM SERVO, A/C	030-0025		103016-03-000	EA PLENUM - TRANSITION	
17	103930-01-704	EA COIL-EVAPORATOR	041-0017		103017-03-000	EA PLENUM - DEFROSTER	
18	103930-30-702	EA BUSHING - BLEND AIR DOOR	062-0168		103558-01-10A	EA VENT - DEFROSTER - 2" X 14.4" X 1.4" - ANTELOPE	
19	103930-30-704	EA COVER - SERVO	062-0545				FROM: 00-00-00 THRU: 11-08-98
20	103930-30-703	EA MOTOR - SERVO	030-0104		103558-04-03A	EA VENT - DEFROSTER - ANTELOPE	
21	103930-20-706	EA CLIP-RETAINER - CASE ATTACH	022-0057				FROM: 11-09-98 THRU: 99-99-99
22	103930-30-701	EA PLATE - MOTOR MOUNT	062-0544		103796-01-01A	EA LOUVER - A/C-ADJUSTABLE - 2.2" X 5.4" F/2.5" HOSE - BLACK	
23	103930-20-700	EA VALVE-EXPANSION-BLOCK, 2 TON	034-0032				

HEATING & AIR CONDITIONING GROUP (CONTINUED)

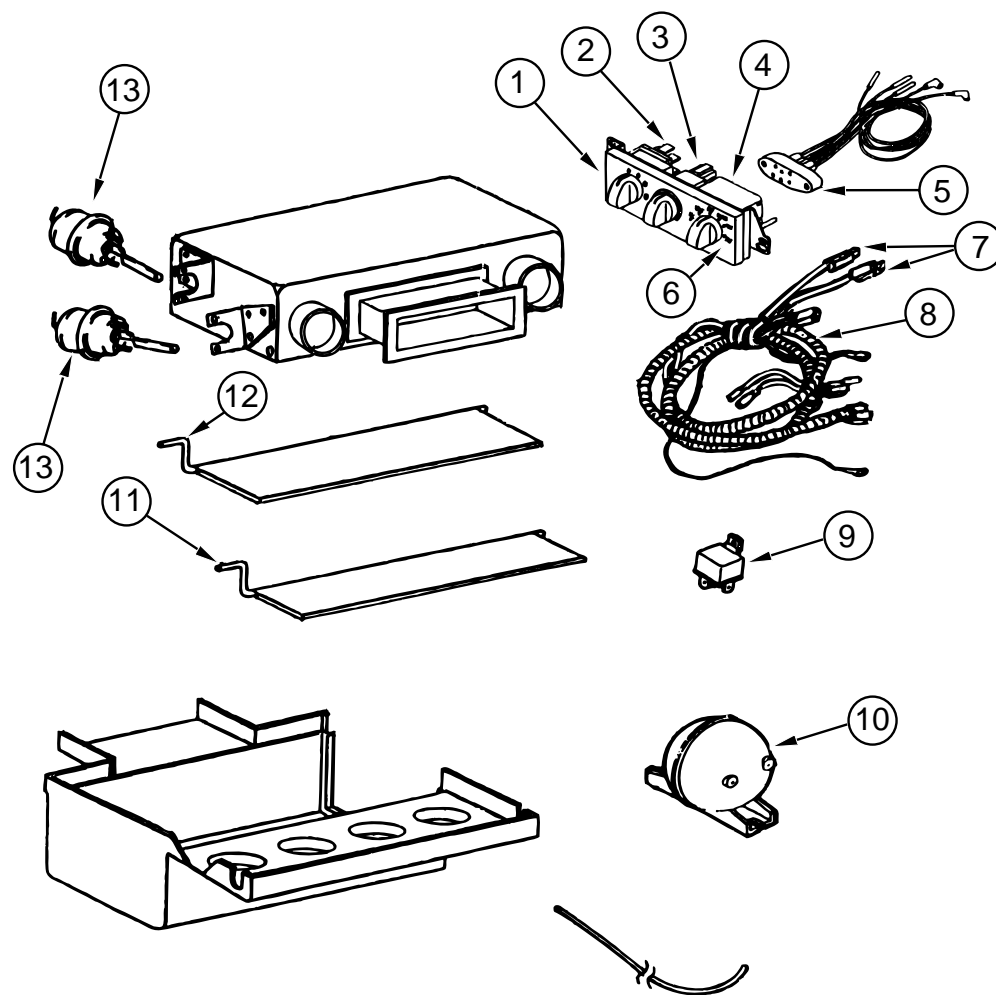
SCS EVAPORATOR/ HEATER (CHEVY CHASSIS)



KEY	PART NUMBER	U/M	DESCRIPTION	VENDOR NO.	KEY	PART NUMBER	U/M	DESCRIPTION	VENDOR NO.
1	103930-30-000	EA	EVAPORATOR/HEATER - CHEVY - SERVO MOTOR CONTROLLED		23	103930-12-709	EA	FITTING - QUICK CONNECT	050-0120
2	103930-01-710	EA	RESISTOR - FUSED - A/C	035-0006	24	103930-20-700	EA	VALVE - EXPANSION - BLOCK - 2 TON	034-0032
3	103930-30-705	EA	DOOR - BLEND AIR	071-0568	25	103930-17-702	EA	O'RING #10	045-0127
4	103930-01-703	EA	CORE - HEATER	042-0010	26	113245-01-707	EA	O'RING #8	045-0126
5	110279-01-712	EA	FITTING - HEATER	050-0076	27	103930-20-709	EA	VALVE - SERVICE	050-0159
6	103930-20-711	EA	CASE - BACK - SUB-ASSEMBLY	062-0147	28	103930-01-711	EA	THERMOSTAT	033-0003
7	110279-01-703	EA	HOSE - VENT F/BLOWER MOTOR	051-0034	29	103930-30-700	EA	CASE - FRONT	062-0542
8	103930-20-707	EA	HOUSING - BLOWER	062-0145		103930-23-000	EA	VALVE - WATER - 2 PORT	
9	103930-30-706	EA	MOTOR - BLOWER PM147 W/ADAPTER	030-0109		007076-01-000	EA	HOSE - FLEXIBLE PVC - 2" ID - INCREMENTS OF 50'	
10	103930-01-717	EA	WHEEL - BLOWER - CLOCKWISE	062-0010		007281-01-000	EA	HOSE - FLEXIBLE PVC - 2.5" ID X 50'	
11	103930-20-708	EA	CLIP - MOTOR SHAFT	022-0001		103930-46-000	EA	HOSE - EVAPORATER/COMPRESSOR - EXP. BLOCK TO COMPRESSOR	
12	103930-20-705	EA	PANEL - DOOR - RECIRCULATING	071-0213		103930-47-000	EA	HOSE - EVAPORATOR/DRYER - EXP. VALVE TO REC. DRIER	
13	103930-20-704	EA	ROD - DOOR - RECIRCULATING	073-0018		113245-01-710	EA	O'RING, #12	045-0128
14	103930-01-708	EA	BRACKET-VACUUM MOTOR	070-0113		024990-05-000	EA	OUTLET - DEFROSTER - 4" DIAMETER W/SWIVEL DEFLECTORS	
15	103930-01-709	EA	MOTOR - VACUUM	030-0025		077075-01-000	EA	GASKET - INSTRUMENT PANEL TO DEFROSTER PLENUM - .6"X10.2"	
16	103930-01-704	EA	COIL - EVAPORATOR	041-0017		103016-03-000	EA	PLENUM - TRANSITION	
17	103930-30-702	EA	BUSHING - BLEND AIR DOOR	062-0168		103017-03-000	EA	PLENUM - DEFROSTER	
18	103930-30-704	EA	COVER - SERVO	062-0545		103558-01-11A	EA	VENT - DEFROSTER - 2" X 14.4" X 1.4" - TITANIUM	
19	103930-30-703	EA	MOTOR - SERVO	030-0104		103558-04-04A	EA	VENT - DEFROSTER - TITANIUM	FROM: 00-00-00 THRU: 11-08-98
20	103930-30-701	EA	PLATE - MOTOR MOUNT	062-0544					FROM: 11-09-98 THRU: 99-99-99
21	103930-20-706	EA	CLIP - RETAINER - CASE ATTACH	022-0057		103796-01-01A	EA	LOUVER - A/C-ADJUSTABLE - 2.2" X 5.4" F/2.5" HOSE - BLACK	
22	103930-25-700	EA	HOSE ASM #6 EVAPORATOR/DRIER	085-0350					

HEATING & AIR CONDITIONING GROUP (CONTINUED)

SCS CONTROL/ PLENUM



KEY	PART NUMBER	U/M DESCRIPTION	VENDOR NO.
	103930-39-000	EA CONTROL/PLENUM - ROTARY (CHEVY)	
	103930-40-000	EA CONTROL/PLENUM - ROTARY CONTROL HEAD (FORD)	
1	103930-33-702	EA CONTROL PANEL	083-0169
2	103930-33-707	EA SWITCH - BLOWER	032-0186
3	103930-33-708	EA SWITCH - POTENTIOMETER	032-0184
4	103930-33-709	EA SWITCH - VACUUM	032-0183
5	103930-33-703	EA VACUUM HARNESS	036-0465
6	103930-33-710	EA DECAL F CONTROL HEAD	058-0102
7	103930-33-705	EA LIGHT BULBS	035-0030

KEY	PART NUMBER	U/M DESCRIPTION	VENDOR NO.
8	103930-33-711	EA WIRE HARNESS MAIN	036-0466
9	103930-02-707	EA RELAY-BOSCH W/RESISTER	031-0001
10	103930-02-710	EA CANISTER-VACUUM	054-0002
11	103930-39-700	EA ROD - DOOR - AC/HEAT	073-067
12	103930-39-701	EA ROD - DOOR AC/DEFROST	073-0069
13	103930-02-708	EA MOTOR - VACUUM SERVO, A/C	030-0025
	103930-33-701	EA MOTOR - VACUUM, 3 STAGE	030-0105
	103930-33-712	EA KNOB - BLOWER	062-0539
	103930-33-713	EA KNOB	062-0540
	103930-39-704	EA SPRING	022-0119

HEATING & AIR CONDITIONING GROUP (CONTINUED)

FURNACE

KEY	PART NUMBER	U/M	DESCRIPTION
*	098668-22-000	EA	FURNACE - 40,000 BTU
	009200-01-000	EA	TAPE - FURNACE - 1 1/2"
	089367-02-000	EA	TEE - 4" X 2" X 4"
	094600-05-01A	EA	REGISTER W/O DAMPER - 3.6" X 11.3" FACE/2.1" X 9.9" RO - BEIGE
	093614-04-02A	EA	GRILLE - RETURN AIR - 15.9" X 9.9"
	098668-14-000	EA	GASKET - FIBERGLASS - .5" X 18" X 18"
	098668-16-000	EA	VENT - INTAKE
	115764-01-01A	EA	THERMOSTAT - FURNACE

AUTOMOTIVE REAR HEATER SYSTEM

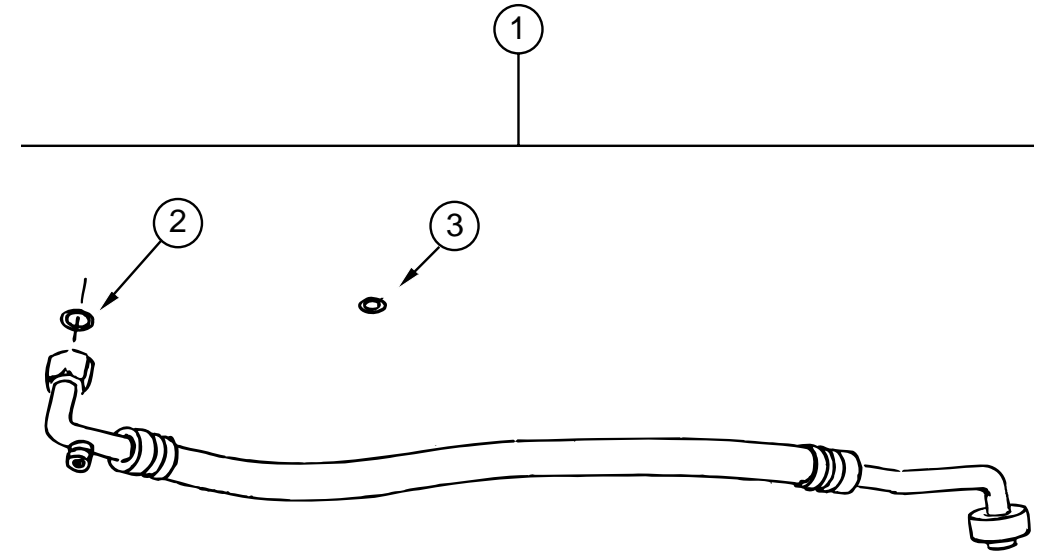
KEY	PART NUMBER	U/M	DESCRIPTION	VENDOR NO.
	009198-01-000	FT	DUCT - HEAT - FLEXIBLE - 4" ID X 25'	
	056464-10-000	EA	REGISTER - 4" DIAMETER - PLASTIC - W/O DAMPER - BEIGE	
	079059-01-000	EA	HOSE - 90 DEGREE - 5/8" ID X 4" X 36"	
	084405-01-000	EA	HEATER - REAR/DUCTED - W/MOTOR AID	
	084405-01-700	EA	CORE - HEATER	FT200229
	084405-01-701	EA	FAN BLADES	HV029931
	084405-01-702	EA	MOTOR ASSEMBLY - 12 VOLT	RV010348
	061673-01-000	EA	BRACKET - MOTOR AID TUBES - 4" X 1.5" - STEEL	

A/C - ROOF & CEILING ASSEMBLY

KEY	PART NUMBER	U/M	DESCRIPTION
*	126859-01-01A	EA	A/C - ROOF MACH 1 POWERSAVER FROM: 00-00-00 THRU: 07-05-98
*	131186-01-01A	EA	A/C - ROOF MACH 1 POWERSAVER - WHITE FROM: 07-06-98 THRU: 99-99-99
*	126860-01-01A	EA	A/C - ROOF MACH 3 POWERSAVER FROM: 00-00-00 THRU: 07-05-98
*	131187-01-01A	EA	A/C - ROOF MACH 3 POWER SAVER - WHITE FROM: 07-06-98 THRU: 99-99-99
*	108892-01-01A	EA	CEILING ASSEMBLY - A/C DUCTED
	102289-01-000	EA	SPRING - SCREW - ROOF A/C GASKET
	117238-01-01A	EA	THERMOSTAT - A/C - FURNACE
	117238-02-01A	EA	THERMOSTAT - A/C ONLY
	120134-01-02A	EA	REGISTER - 4".5" DIAMETER W/DAMPER

*COMPONENT PARTS FOUND IN SERVICE PARTS LIBRARY

HEATING & AIR CONDITIONING GROUP (CONTINUED)

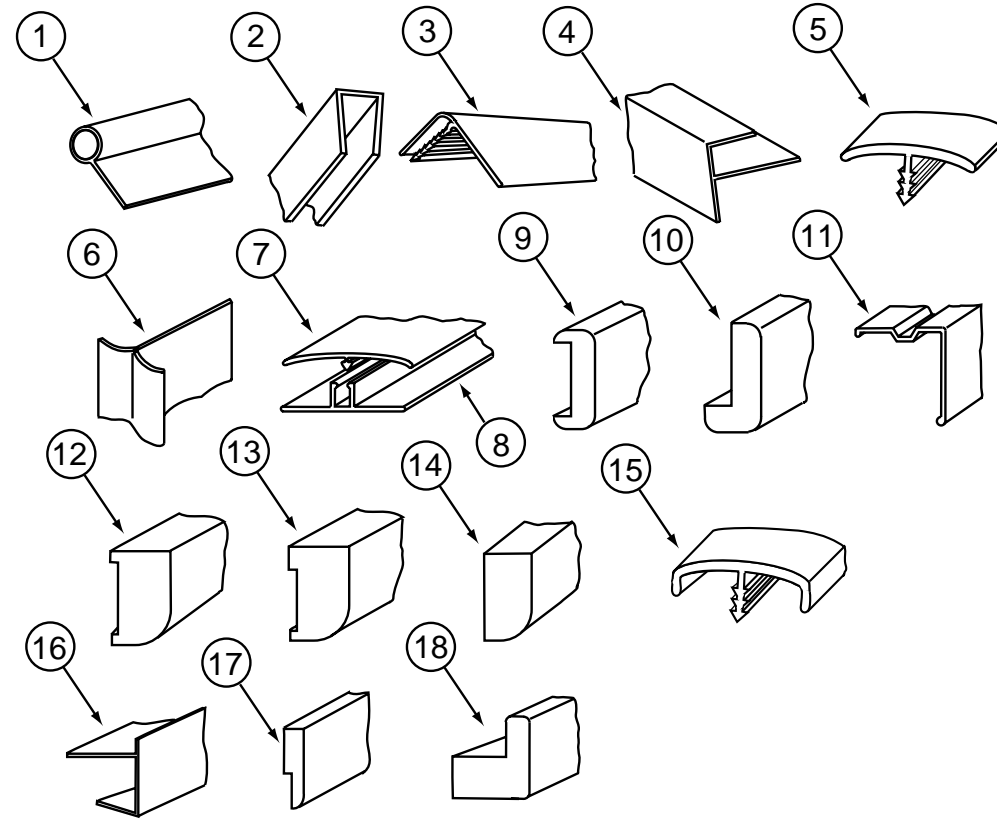


CHEVY HOSE KIT - VORTEC GAS OR DIESEL OPTION

KEY	PART NUMBER	U/M	DESCRIPTION	VENDOR NO.
1	103930-29-000	EA	HOSE KIT - #10 W/GM L-29 & L-65 CHASSIS	
2	103930-17-702	EA	O'RING #10	045-0127
3	103930-29-701	EA	GASKET-GMLP SW 1996	045-0483

INTERIOR FINISH GROUP

INTERIOR TRIM & MOLDINGS



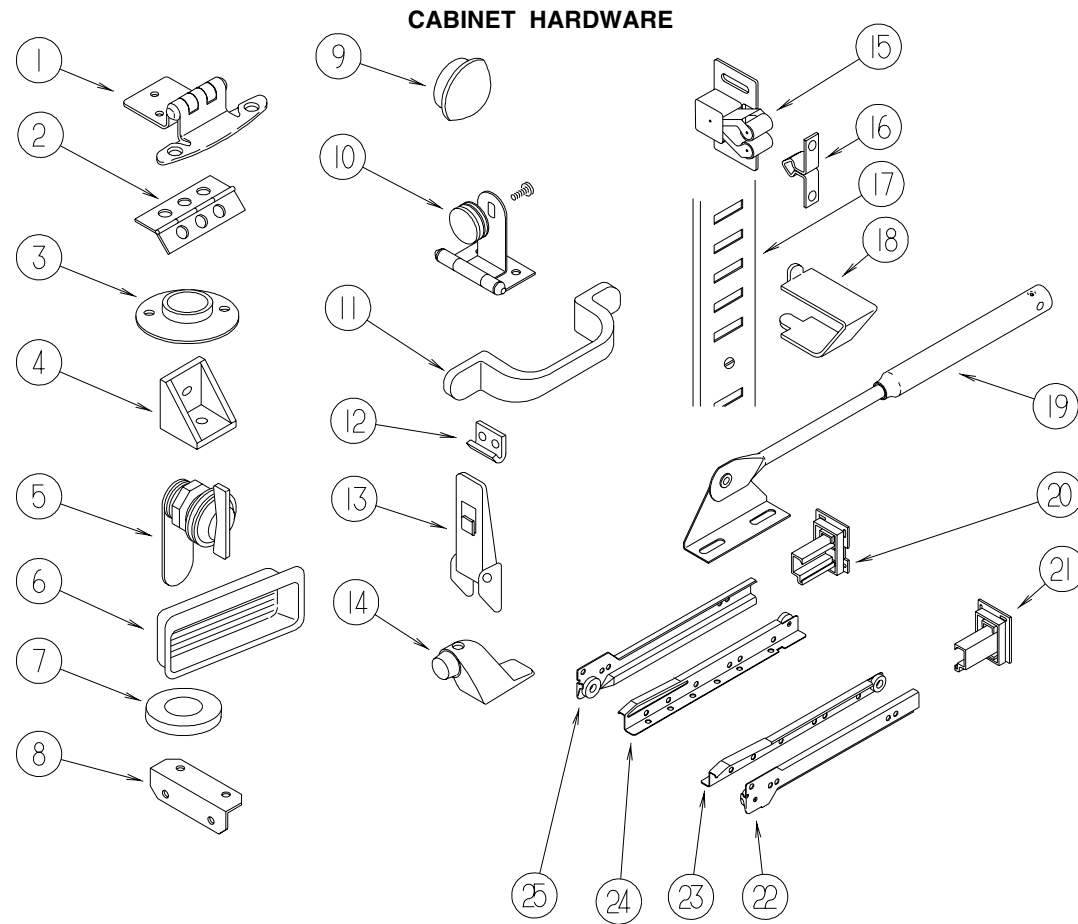
WATERFORD OAK

MYSTIC OAK

KEY	PART NUMBER	U/M	DESCRIPTION
1	009767-12-000	FT	WELTING - SIDEWALL/CEILING/CABINET - OFF/WHT
2	009778-21-000	FT	U-CHANNEL - 1" - WATERFORD OAK
2	070504-36-000	FT	U-CHANNEL - PLASTIC - .13" X 72" - WATERFORD OAK
2	070504-37-000	FT	U-CHANNEL - PLASTIC - .87" X 84" - WATERFORD OAK
3	009809-23-000	EA	MOLDING - CORNER - OUTSIDE - 1" X 84" - MODERN IVORY
3	009809-28-000	EA	MOLDING - CORNER - OUTSIDE - 1" X 84" - WATERFORD OAK
4	009812-29-000	EA	MOLDING - PLASTIC - 1/2" O/S CORNER - WATERFORD OAK
5	105709-01-000	FT	MOLDING-T - 1" - MODERN IVORY
6	022992-11-000	FT	MOLDING - REVERSE COVE - T-SHAPED VINYL - IVORY
7	086229-15-000	EA	BATTEN - 1" X 96" - MODERN IVORY
7	086229-20-000	EA	BATTEN - 1" X 96" - BEIGE
8	086229-01-000	EA	RETAINER - BATTEN - .75" WIDE - 7.6'
9	078323-06-G15	EA	MOLDING - CAP - WALL - 78"
10	077840-01-G01	EA	MOLDING - CAP/WALL - 8' WATERFORD OAK
11	093873-01-01A	EA	TRIM - CARPET - L-ANGLE 1.1" X 1.3" X 12' - GRAY VINYL
13	117268-D2-134	EA	MOLDING - VINYL WRAPPED - .7" X 1.6" X 84" - WATERFORD OAK
13	117268-F2-438	EA	MOLDING - VINYL WRAPPED - .7" X 2.6" X 96" - WATERFORD OAK
13	117268-F2-134	EA	MOLDING - VINYL WRAPPED - .7" X 2.7" X 84" - WATERFORD OAK
14	100818-01-05A	EA	MOLDING - VINYL WRAPPED - 1.65" X .4" X 84"-WATERFORD OAK
15	083620-12-000	FT	MOLDING-T - END CAP EDGE - W/EDGE LIP - .75"-WATERFORD OAK
15	104676-02-04A	FT	MOLDING-T - 1/2" - WATERFORD OAK
16	103186-01-05A	FT	MOLDING - PLASTIC - 3/8" U-CHANNEL 3/4" FACE-WATERFORD OAK
16	103186-02-05A	FT	MOLDING - PLASTIC/1" U-CHANNEL W/1 3/8" FACE-WATERFORD OAK
17	105004-01-05A	EA	MOLDING - VINYL WRAPPED - 1" X 96" - WATERFORD OAK
18	100819-01-05A	EA	MOLDING - VINYL WRAPPED - L-SHAPED - 1.5" X 1.5" X 84"
	076325-39-000	FT	MOLDING - EDGE BAND - 1 5/16" X .030" - ALMOND
	076325-67-000	FT	MOLDING - EDGE BAND - .93" X .024" - WATERFORD OAK
	076325-73-000	FT	MOLDING - EDGE BAND - .93" X .024" (EXTERIOR ENTERTAINMENT)

KEY	PART NUMBER	U/M	DESCRIPTION
1	009767-12-000	FT	WELTING - SIDEWALL/CEILING/CABINET - OFF/WHT
2	009778-16-000	FT	U-CHANNEL - 1" - PICKLED ASH
2	070504-18-000	FT	U-CHANNEL - PLASTIC - .13" X 84" - IVORY
2	070504-28-000	FT	U-CHANNEL - PLASTIC - .13" X 84" - PICKLED ASH
2	070504-29-000	FT	U-CHANNEL - PLASTIC - .9" X 96" - PICKLED ASH
3	009809-23-000	EA	MOLDING - CORNER - OUTSIDE - 1" X 84" - MODERN IVORY
3	009809-26-000	EA	MOLDING - CORNER - OUTSIDE - 1" X 84" - PICKLED ASH
4	009812-27-000	EA	MOLDING - CORNER - 1/2" W/1/4" CHAN X 84" - PICKLED ASH
5	105709-01-000	FT	MOLDING-T - 1" - MODERN IVORY
6	022992-11-000	FT	MOLDING - REVERSE COVE - T-SHAPED VINYL - IVORY
7	086229-15-000	EA	BATTEN - 1" X 96" - MODERN IVORY
7	086229-20-000	EA	BATTEN - 1" X 96" - BEIGE
8	086229-01-000	EA	RETAINER - BATTEN - .75" WIDE - 7.6'
9	078323-06-K29	EA	MOLDING - CAP/WALL - 6.6'
10	077840-01-K29	EA	MOLDING - CAP/WALL - 8'
11	093873-01-01A	EA	TRIM - CARPET - L-ANGLE 1.1" X 1.3" X 12' - GRAY VINYL
12	111135-D2-134	EA	MOLDING - VINYL WRAPPED - .7" X 1.6" X 7' - PICKLED ASH
12	111135-F2-438	EA	MOLDING - VINYL WRAPPED - .7" X 2.5" X 8' - PICKLED ASH
12	111135-F2-134	EA	MOLDING - VINYL WRAPPED - .7" X 2.6" X 7' - PICKLED ASH
14	100818-01-03A	EA	MOLDING - VINYL WRAPPED - 1.6" X .4" X 84" - PICKLED ASH
15	083620-10-000	FT	MOLDING-T - END CAP EDGE - W/EDGE LIPS - .75"-PICKLED ASH
15	104676-02-02A	FT	MOLDING-T - 1/2" - PICKLED ASH
16	103186-01-03A	FT	MOLDING - PLASTIC/3/8" U-CHANNEL W/3/4" FACE - PICKLED ASH
16	103186-01-07A	FT	MOLDING - PLASTIC/3/8" U-CHANNEL W/3/4" FACE - BEIGE ILLUS
16	103186-02-07A	FT	MOLDING - PLASTIC/1" U-CHANNEL W/1 3/8" FACE - BEIGE ILLUS
17	105004-01-04A	EA	MOLDING - VINYL WRAPPED - 1" X 96" - PICKLED ASH
18	100819-01-03A	EA	MOLDING - VINYL WRAPPED - L-SHAPED-1.5"X1.5"X84"-PCKLD ASH
	076325-73-000	FT	MOLDING - EDGE BAND - .93" X .024" - OFF WHITE (EXTERIOR ENTERTAINMENT)
	076325-39-000	FT	MOLDING - EDGE BAND - 1 5/16" X .030" - ALMOND
	076325-51-000	FT	MOLDING - EDGE BAND - .93" X .024" - PICKLED ASH

INTERIOR FINISH GROUP (CONTINUED)



KEY	PART NUMBER	U/M	DESCRIPTION
1	108138-01-000	EA	HINGE - CABINET DOOR - BURNISHED BRASS
2	009059-02-000	EA	HINGE - DOOR - 2" X 2.7" - BRASS
3	009112-01-000	EA	FLANGE - PLASTIC - 1" CLOTHES ROD - OFF WHITE
4	065740-01-000	EA	BRACE - CABINET/CORNER - PLASTIC
5	100710-01-01A	EA	LOCK - GLASS DOOR/TWIST TYPE - BRASS
6	124311-01-01A	EA	HANDLE - RECESSED - BRASS
7	100707-01-000	EA	SPACER - GLASS DOOR - .8" DIA - .3" HOLE - PLASTIC
8	016604-01-000	EA	BRACE - CABINET - ANGLE - 2.5" - UNPAINTED METAL
8	016604-05-000	EA	BRACE - CABINET - ANGLE - 2.5" - OFF WHITE METAL
9	074045-12-000	EA	PLUG - OAK - 3/8" - WASHED MAPLE
10	100711-01-01A	EA	HINGE - GLASS DOOR
11	117801-01-01A	EA	PULL - CABINET - BRASS
11	131963-01-01A	EA	PULL - CABINET - POLISHED BRASS
			FROM: 00-00-00 THRU: 06-06-99
			FROM: 06-07-99 THRU: 99-99-99
12	116975-02-01A	EA	KEEPER/STRIKE - BLACK - NEW STYLE
13	116975-01-01A	EA	LATCH - W/O STRIKE - BLACK - NEW STYLE
14	103257-01-000	EA	STOP - DOOR
15	093586-06-000	EA	CATCH - SPRING - ROLLER - .236"
16	093586-05-000	EA	STRIKE - SPRING STEEL
17	098980-02-000	EA	PILASTER - ADJUSTABLE SHELF - 12"
17	098980-03-000	EA	PILASTER - ADJUSTABLE SHELF - 9"
17	098980-04-000	EA	PILASTER - ADJUSTABLE SHELF - 48"
18	098979-01-000	EA	CLIP - ADJUSTABLE SHELF
19	074493-02-000	EA	SUPPORT - PISTON SPRING - CABINET DOOR - 26 LBS
19	074493-04-000	EA	SUPPORT - PISTON SPRING - CABINET DOOR - 32 LBS
20	128811-01-01A	EA	BACKSOCKET - ADJUSTABLE - LEFT
21	128811-02-01A	EA	BACKSOCKET - ADJUSTABLE - RIGHT

KEY	PART NUMBER	U/M	DESCRIPTION
22	128810-02-01A	EA	SLIDE - DRAWER - 12" - RIGHT CABINET
22	128810-06-01A	EA	SLIDE - DRAWER - 14" - RIGHT CABINET
22	128810-10-01A	EA	SLIDE - DRAWER - 16" - RIGHT CABINET
22	128810-14-01A	EA	SLIDE - DRAWER - 18" - RIGHT CABINET
22	128810-18-01A	EA	SLIDE - DRAWER - 20" - RIGHT CABINET
22	128810-22-01A	EA	SLIDE - DRAWER - 22" - RIGHT CABINET
23	128810-04-01A	EA	SLIDE - DRAWER - 12" - RIGHT DRAWER
23	128810-08-01A	EA	SLIDE - DRAWER - 14" - RIGHT DRAWER
23	128810-12-01A	EA	SLIDE - DRAWER - 16" - RIGHT DRAWER
23	128810-16-01A	EA	SLIDE - DRAWER - 18" - RIGHT DRAWER
23	128810-20-01A	EA	SLIDE - DRAWER - 20" - RIGHT DRAWER
23	128810-24-01A	EA	SLIDE - DRAWER - 22" - RIGHT DRAWER
24	128810-03-01A	EA	SLIDE - DRAWER - 12" - LEFT DRAWER
24	128810-07-01A	EA	SLIDE - DRAWER - 14" - LEFT DRAWER
24	128810-11-01A	EA	SLIDE - DRAWER - 16" - LEFT DRAWER
24	128810-15-01A	EA	SLIDE - DRAWER - 18" - LEFT DRAWER
24	128810-19-01A	EA	SLIDE - DRAWER - 20" - LEFT DRAWER
24	128810-23-01A	EA	SLIDE - DRAWER - 22" - LEFT DRAWER
25	128810-01-01A	EA	SLIDE - DRAWER - 12" - LEFT CABINET
25	128810-05-01A	EA	SLIDE - DRAWER - 14" - LEFT CABINET
25	128810-09-01A	EA	SLIDE - DRAWER - 16" - LEFT CABINET
25	128810-13-01A	EA	SLIDE - DRAWER - 18" - LEFT CABINET
25	128810-17-01A	EA	SLIDE - DRAWER - 20" - LEFT CABINET
25	128810-21-01A	EA	SLIDE - DRAWER - 22" - LEFT CABINET
	083204-03-000	EA	BUTTON - RETAINING MIRROR 5/16" TIP
	041389-18-000	EA	HINGE - PIANO - 1.50" X 19" - OFF WHITE
	041389-25-000	EA	HINGE - PIANO - 1.50" X 55"
	041389-35-000	EA	HINGE - PIANO - OFF WHITE - 31"
	042438-01-000	EA	DOWEL - WOOD - CLOTHES ROD - 1" DIAMETER X 4'
	042438-06-000	EA	DOWEL - WOOD - 1.5" X 26" - OAK
	023320-01-000	EA	PAD - FELT 3/8" DIAMETER
	004354-01-000	EA	BUMPER - RUBBER - .5" DIA - BROWN

INTERIOR FINISH GROUP (CONTINUED)

PANELING & PLASTIC LAMINATE (WATERFORD OAK)

KEY	PART NUMBER	U/M	DESCRIPTION
	000885-76-000	SF	PARTICLE BOARD - 3/8" X 48" X 96" - WATERFORD OAK - VINYL 1 SIDE
	000885-77-000	SF	PARTICLE BOARD - 3/8" X 48" X 96" - WATERFORD OAK - VINYL 2 SIDE
	000885-79-000	SF	PARTICLE BOARD - 3/4" X 48" X 96" - WATERFORD OAK - VINYL 2 SIDE
	074497-28-000	SF	PANELING - WATERFORD OAK - 4' X 8'
	074498-40-000	SF	LAMINATE - PLASTIC - OFF WHITE - 5' X 8' (EXTERIOR ENTERTAINMENT)
	074498-71-000	SF	LAMINATE - PLASTIC - NEUTRAL SANTOS - 5'X 8' (K28, K30, K34)
	074498-81-000	SF	LAMINATE - PLASTIC - ALMOND JAGUARD - 5' X 8' (K32)
	074498-77-000	SF	LAMINATE - PLASTIC - ART CABIN (WATERFORD OAK) 4' X 8' (PULL OUT TABLE)
	080215-10-000	SF	PANELING - 2 SIDED - WATERFORD - .2" X 4' X 8'
	088272-G1-000	SF	PANELING - PEBBLE EMBOSSED - ANTIQUE WHITE - 4' X 7' (BATH)
	088272-H2-000	SF	PANELING - TUSCAN MINK - 48" X 84" (K28, K34)
	088272-H6-000	SF	PANELING - ARTESIA SPRING - 48" X 96"(K30)
	088272-H8-000	SF	PANELING - UPBEAT/TWILIGHT(K32)
	117267-D2-438	EA	LUMBER - VINYL WRAPPED - .7" X 1.5" X 96" - WATERFORD OAK
	117267-E2-438	EA	LUMBER - VINYL WRAPPED - .7" X 2" X 96" - WATERFORD OAK
	117267-F2-438	EA	LUMBER - VINYL WRAPPED - .7"X 2.5" X 96" - WATERFORD OAK
	117267-J2-438	EA	LUMBER - VINYL WRAPPED - .7" X 5.5" X 96"- WATERFORD OAK
	117267-R2-438	EA	LUMBER - VINYL WRAPPED - .7" X 3" X 96" - WATERFORD OAK
	122481-19-000	FT	WALLPAPER - 6.8" BORDER (K28)
	122481-16-000	FT	WALLPAPER - 6.8" BORDER (K30)
	122481-15-000	FT	WALLPAPER - 6.9" BORDER (K32)
	122481-18-000	FT	WALLPAPER - 6.5" BORDER (K34)
	126339-01-000	SF	BOARD - WHEAT - 60" X 72"

FIRE EXTINGUISHER, DETECTORS & WALL CLOCK

KEY	PART NUMBER	U/M	DESCRIPTION	VENDOR NO.
	072852-01-000	EA	DETECTOR - SMOKE - W/9 VOLT BATTERY - US	
	072852-02-000	EA	DETECTOR - SMOKE - W/9 VOLT BATTERY - CANADIAN	
	094499-03-000	EA	EXTINGUISHER/FIRE - DRY - 10B:C - W/O BRACKET	
	094499-02-000	EA	EXTINGUISHER/FIRE - DRY - 1A10BC - CANADIAN	
	094499-01-700	EA	BRACKET MTG. W/PLAS. STRAP	294039
	094499-04-000	EA	BRACKET - FIRE EXTINGUISHER (STAINLESS STEEL)	
	125136-01-000	EA	CO DETECTOR - GAS - ROUND W/2 SCREWS - 9 VOLT	
	118081-02-01A	EA	CLOCK - WALL - ROUND 8" - BRASS	
	131493-02-01A	EA	PICTURE - 13" X 15" - HOMESTEAD	

INTERIOR FINISH GROUP (CONTINUED)

PANELING & PLASTIC LAMINATE (MYSTIC OAK)

KEY	PART NUMBER	U/M	DESCRIPTION
	000885-67-000	SF	PARTICLE BOARD - 3/4" X 60" X 96" - PICKLED ASH - 2 SIDE VINYL
	000885-68-000	SF	PARTICLE BOARD - 3/8" X 48" X 96" - PICKLED ASH - 2 SIDE VINYL
	074497-22-000	SF	PANELING - PICKLED ASH - 1/8" X 48" X 96"
	074498-40-000	SF	LAMINATE - PLASTIC - OFF WHITE - 5' X 8' (EXTERIOR ENTERTAINMENT)
	074498-57-000	SF	LAMINATE - PLASTIC - PICKLED ASH - 5' X 8' (PULL OUT TABLE)
	074498-71-000	SF	LAMINATE - PLASTIC - NEUTRAL SANTOS - 5'X 8' (K29, K31, K35)
	074498-81-000	SF	LAMINATE - PLASTIC - ALMOND JAGUARD - 5' X 8' (K33)
	088272-G1-000	SF	PANELING - PEBBLE EMBOSSED - ANTIQUE WHITE - 4' X 7' (BATH)
	088272-H2-000	SF	PANELING - TUSCAN MINK - 48" X 84" (K29, K35)
	088272-H6-000	SF	PANELING - ARTESIA SPRING - 48" X 96"(K31)
	088272-H8-000	SF	PANELING - UPBEAT/TWILIGHT(K33)
	111133-A2-438	EA	LUMBER - VINYL WRAPPED - .7" X .7" X 96" - PICKLED ASH
	111133-D2-438	EA	LUMBER - VINYL WRAPPED - .27" X 1.5" X 96" - PICKLED ASH
	111133-E2-438	EA	LUMBER - VINYL WRAPPED - .7" X 2" X 96" - PICKLED ASH
	111133-G2-438	EA	LUMBER - VINYL WRAPPED - .7" X 3" X 96" - PICKLED ASH
	111133-J2-438	EA	LUMBER - VINYL WRAPPED - .7" X 5.5" X 96" - PICKLED ASH
	122481-19-000	FT	WALLPAPER - 6.8" BORDER (K29)
	122481-16-000	FT	WALLPAPER - 6.8" BORDER (K31)
	122481-15-000	FT	WALLPAPER - 6.9" BORDER (K33)
	122481-18-000	FT	WALLPAPER - 6.5" BORDER (K35)
	126339-01-000	SF	BOARD - WHEAT - 60" X 72"

BATT STRIPS & BATT TAPE

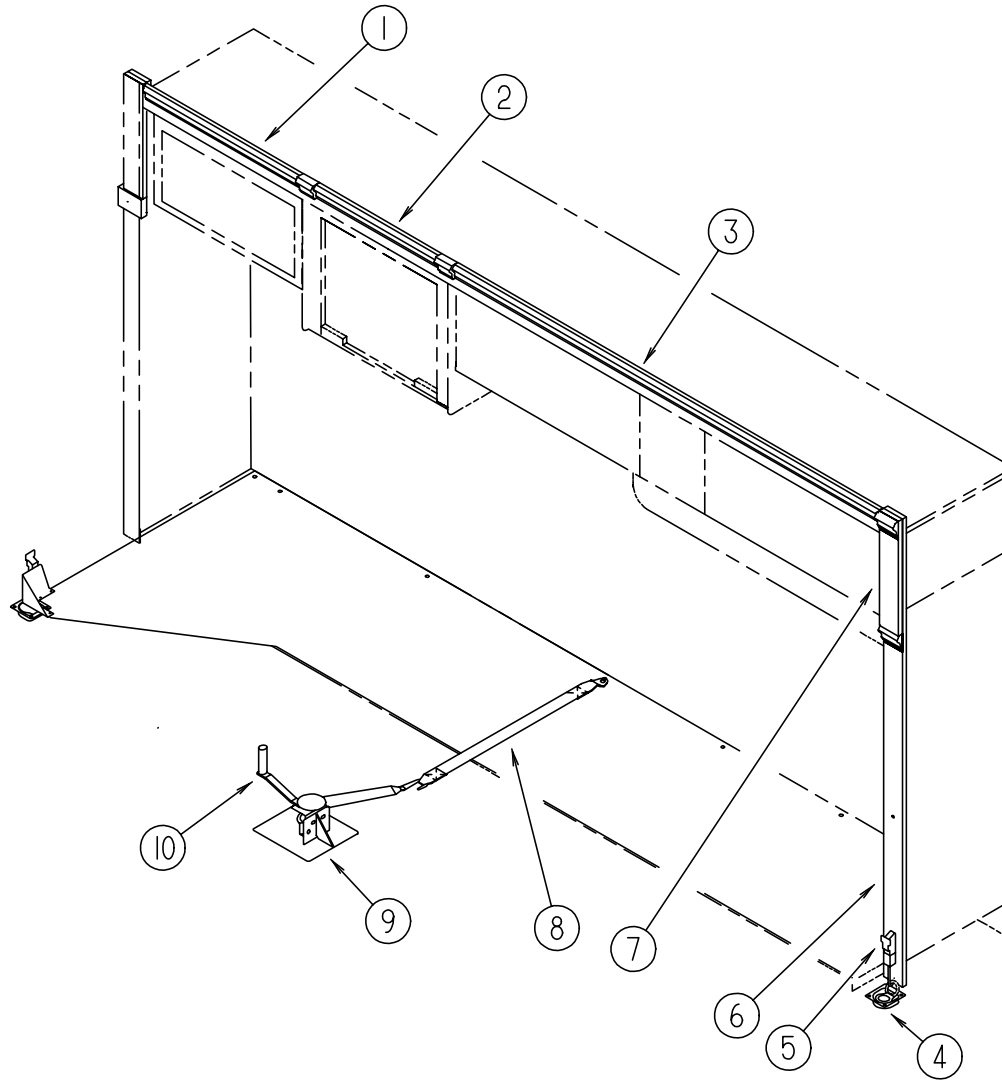
KEY	PART NUMBER	U/M	DESCRIPTION
	085284-E7-000	FT	BATT TAPE - ADHESIVE - DECORATIVE/TUSCAN MINK (K28, K29, K34, K35)
	085284-F2-000	FT	BATT TAPE - ADHESIVE - ARTESIA/SPRING (K30, K31)
	085284-F8-000	FT	BATT TAPE - ADHESIVE - UPBEAT/TWILIGHT (K32, K33)
	085284-D6-000	FT	BATT TAPE - DECORATIVE - PEBBLE EMBOSSED/ANTIQU - 8' (BATH)
	085284-B5-000	FT	BATT TAPE - ADHESIVE - WOODGRAINED - WATERFORD OAK
	085284-96-000	FT	BATT TAPE - ADHESIVE - WOODGRAINED/PICKLED ASH (MYSTIC OAK)
	069733-83-000	EA	BATT STRIP - WOODGRAINED - WATERFORD OAK - 8'
	069733-81-000	EA	BATT STRIP - WOODGRAINED/PICKLED ASH - 8' (MYSTIC OAK)
	088263-E4-000	EA	BATT STRIP - DECORATIVE - PEBBLE EMBOSSED/ANTIQU - 8' (BATH)
	088263-F2-000	EA	BATT STRIP - DECORATIVE - TUSCAN MINK - 8' LENGTHS (K28, K29, K34, K35)
	088263-F6-000	EA	BATT STRIP - DECORATIVE - ARTESIA/SPRING - 96"LENGTHS (K30, K31)
	088263-G0-000	EA	BATT STRIP - DECORATIVE - UPBEAT/TWILIGHT - 8' LONG (K32, K33)

FLOOR COVERINGS

KEY	PART NUMBER	U/M	DESCRIPTION
	42720-25-000	SY	VINYL - FLOOR COVERING - 14' WIDE - MODULATION (BATH, GALLEY)
	093486-01-000	SY	CARPET - COMPARTMENT - 72" WIDE - DARK GRAY (STORAGE COMPARTMENTS)
	096060-99-000	SY	CARPET - PARCHMENT (K28, K29)
	096060-D9-000	SY	CARPET - HEATHER (K30, K31)
	096060-A2-000	SY	CARPET - NEW MEADOW (K32, K33)
	096060-97-000	SY	CARPET - LAPIS (K34, K35)
	091261-01-000	FT	SLIPNOT - ANTISLIP - 1' WIDE
	096764-02-000	FT	SLIPNOT - ANTISLIP - 1" WIDE (100' ROLLS)
	105924-01-K28	EA	MAT - FLOOR - 18" X 27" (K28, K29)
	105924-01-K30	EA	MAT - FLOOR - 18" X 27" (K30, K31)
	105924-01-K32	EA	MAT - FLOOR - 18" X 27" (K32, K33)
	105924-01-J51	EA	MAT - FLOOR - 18" X 27" (K34, K35)
	122755-02-01A	EA	FLOORING/RUBBER - ENTRANCE DOOR - 18.5" X 29.3"
	122755-04-01A	EA	FLOORING/RUBBER - ENTRANCE DOOR - 17.7" X 28.5"

INTERIOR FINISH GROUP (CONTINUED)

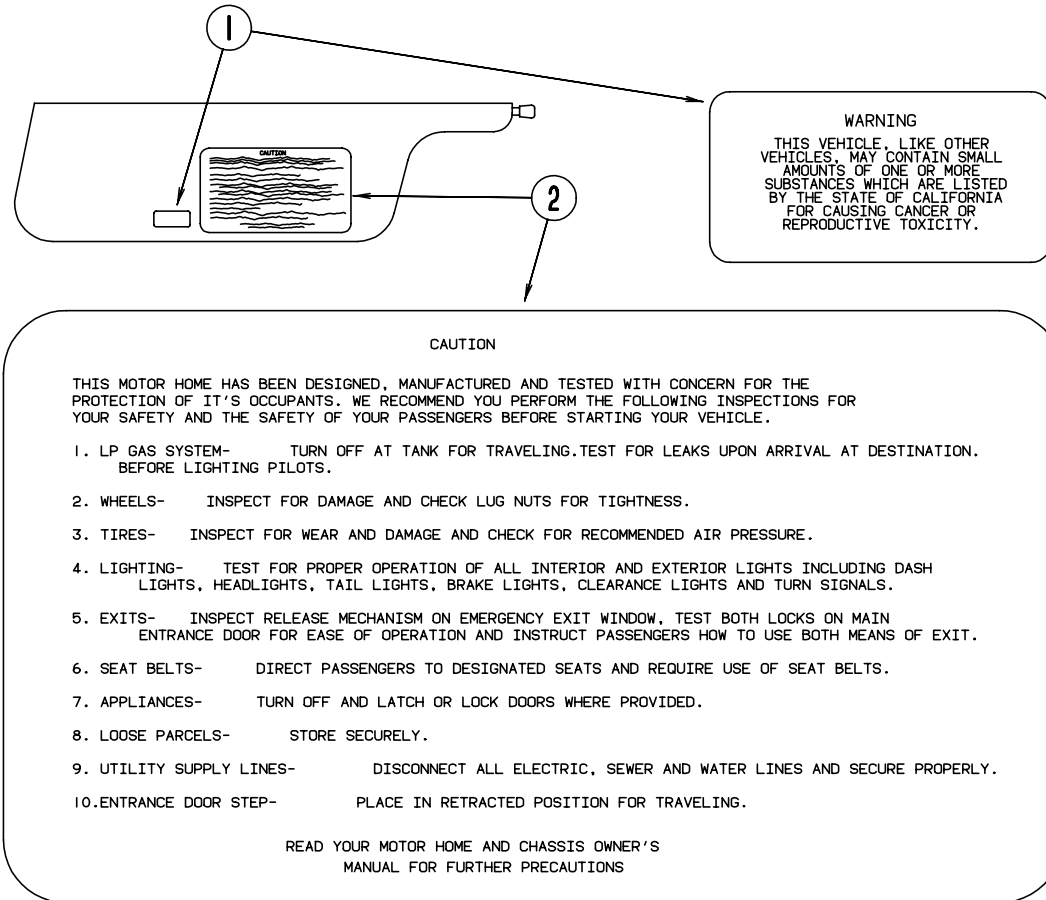
SLIDEOUT HARDWARE & MOLDINGS



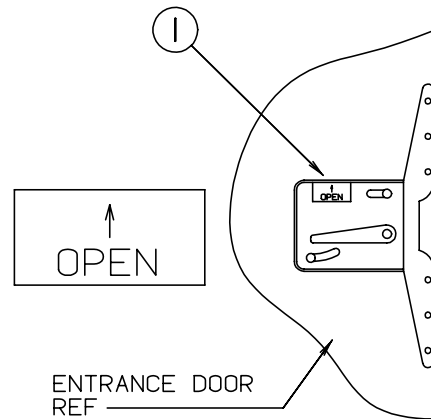
KEY	PART NUMBER	U/M	DESCRIPTION
1	128432-03-K29	EA	MOLDING - CROWN - 29.2" (MYSTIC OAK)
1	128432-03-J22	EA	MOLDING - CROWN - 29.2" (WATERFORD OAK)
2	128432-02-K29	EA	MOLDING - CROWN - 23.3" (MYSTIC OAK)
2	128432-02-J22	EA	MOLDING - CROWN - 23.3" (WATERFORD OAK)
3	128432-01-K29	EA	MOLDING - CROWN - 79.1" (MYSTIC OAK)
3	128432-01-J22	EA	MOLDING - CROWN - 79.1" (WATERFORD OAK)
4	116736-01-01A	EA	TIEDOWN - DROP/D - ZINC
4	116736-01-04B	EA	TIEDOWN - DROP/D - BLACK

KEY	PART NUMBER	U/M	DESCRIPTION
5	116737-01-01A	EA	LATCH - DRAW - ADJUSTABLE - ZINC
6	116951-05-K29	EA	MOLDING - WOOD - 3.5" X 75.7" (MYSTIC OAK)
6	116951-05-J94	EA	MOLDING - WOOD - 3.5" X 75.7" (WATERFORD OAK)
7	116951-09-K29	EA	MOLDING - WOOD - 3.5" X 18.5" (MYSTIC OAK)
7	116951-09-J22	EA	MOLDING - WOOD - 3.5" X 18.5" (WATERFORD OAK)
8	116101-02-F31	EA	STRAP - WINCH - 34" CENTER BRACKET/STRAP END
9	116082-03-02B	EA	BRACKET - WINCH
10	115767-02-000	EA	WINCH - SLIDEOUT
	130262-01-000	EA	PROTECTOR - CORNER SAVER - .7" X .7"

LABELS GROUP

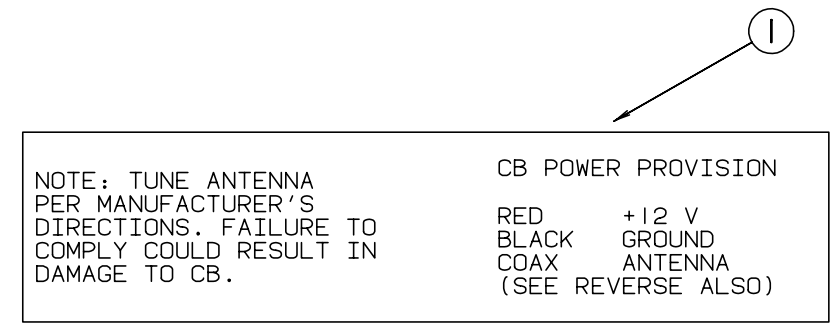


KEY	PART NUMBER	U/M DESCRIPTION
1	099689-01-000	EA LABEL - WARNING - CANCER/TOXICITY
2	056259-01-000	EA LABEL - SAFETY CHECK LIST
	111802-01-000	EA LABEL - CFC WARNING

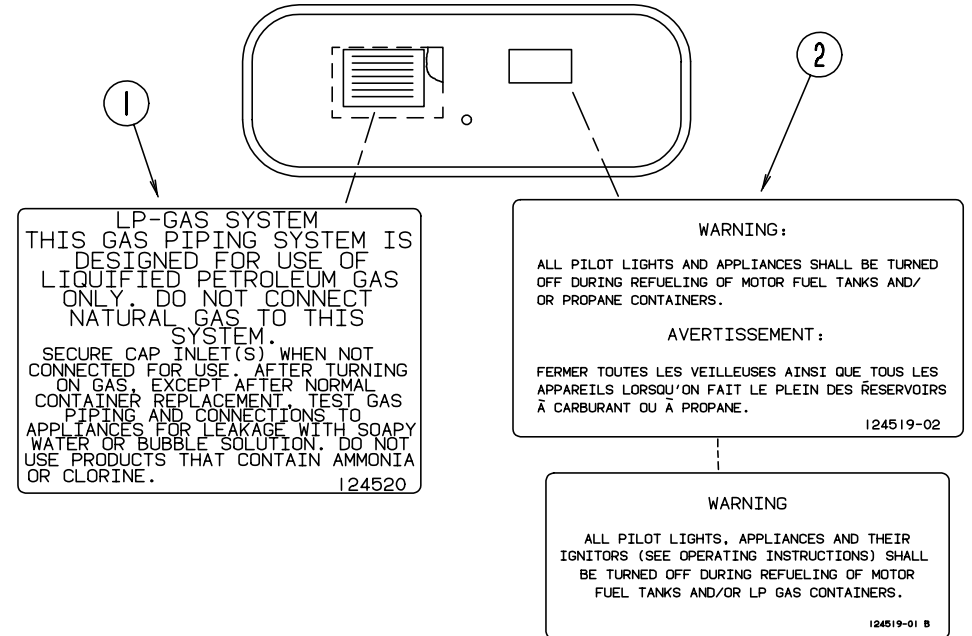


KEY	PART NUMBER	U/M DESCRIPTION
1	040944-01-000	EA LABEL - ENTRANCE DOOR - "OPEN"

LABELS GROUP (CONTINUED)

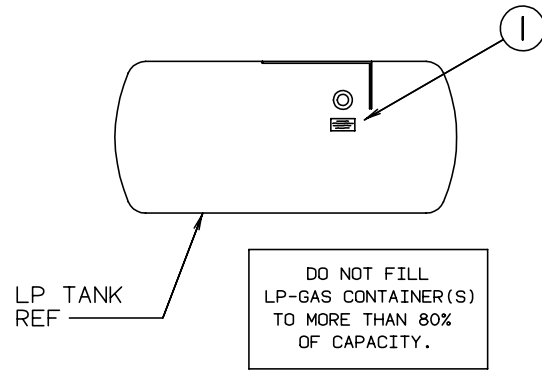


KEY	PART NUMBER	U/M DESCRIPTION
1	104678-01-000	EA LABEL - CB PREP



KEY	PART NUMBER	U/M DESCRIPTION
1	124520-01-02A	EA LABEL - LP GAS ONLY
	023769-01-000	EA LABEL - WARNING - LPG - CANADIAN
2	124519-01-02A	EA LABEL - WARNING/REFUELING
2	124519-02-02A	EA LABEL - WARNING/REFUELING - CSA

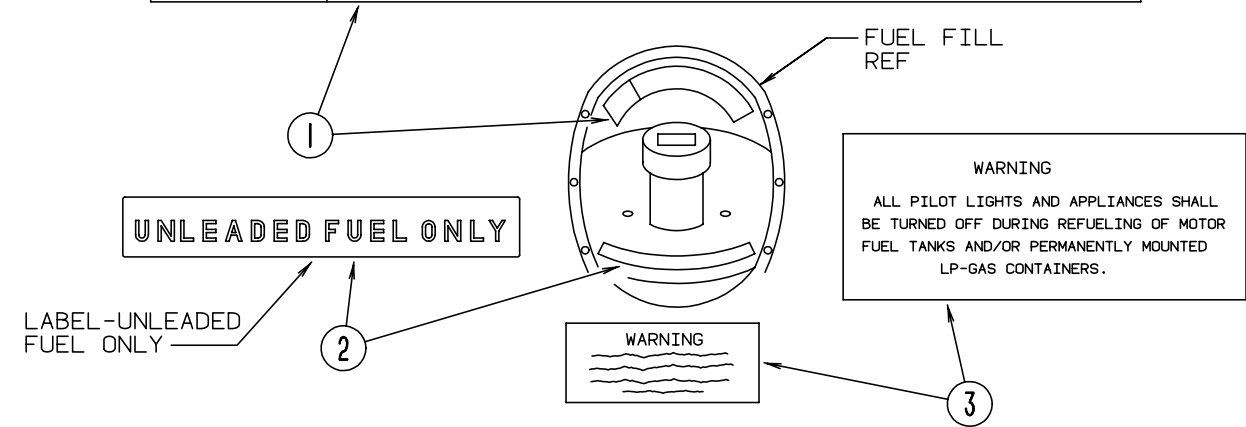
LABELS GROUP (CONTINUED)



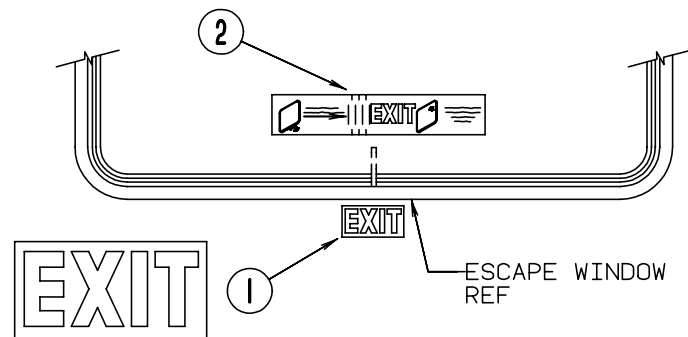
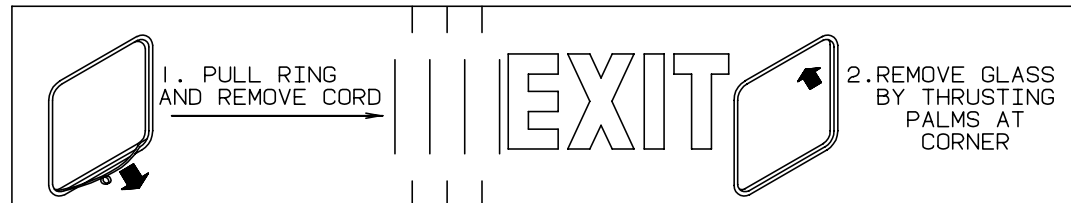
KEY	PART NUMBER	U/M DESCRIPTION
1	079965-01-000	EA LABEL - LPG - 80% CAPACITY

LABELS GROUP (CONTINUED)

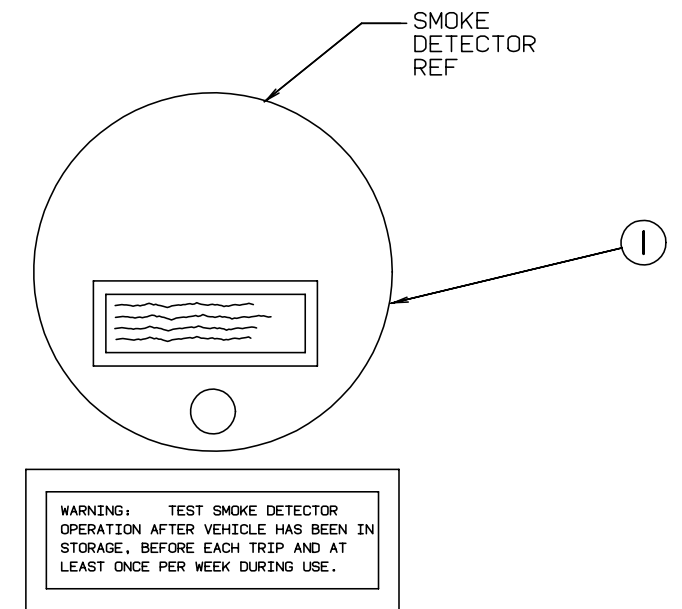
CAUTION	TO HELP AVOID PERSONAL INJURY DURING REMOVAL OF FUEL FILLER CAP, SLOWLY LOOSEN CAP 1/2 TURN TO ALLOW ANY FUEL PRESSURE TO BE RELIEVED BEFORE TURNING CAP FURTHER.
FUEL SPRAY MAY CAUSE PERSONAL INJURY	STOP ADDING FUEL AFTER FIRST SHUTOFF BY AUTOMATIC NOZZLE WHEN TANK IS NEARLY FULL. DO NOT OVERFILL FUEL TANK. SEE OWNERS MANUAL FOR ADDITIONAL INFORMATION.
	PRINTED IN U.S.A. MLC PT NO 15611763



KEY	PART NUMBER	U/M DESCRIPTION
1	087207-05-000	EA LABEL - FUEL CAP REMOVAL
2	062043-01-000	EA LABEL - FUEL - UNLEADED
3	124519-01-02A	EA LABEL - WARNING/REFUELING
3	124519-02-02A	EA LABEL - WARNING/REFUELING - CSA

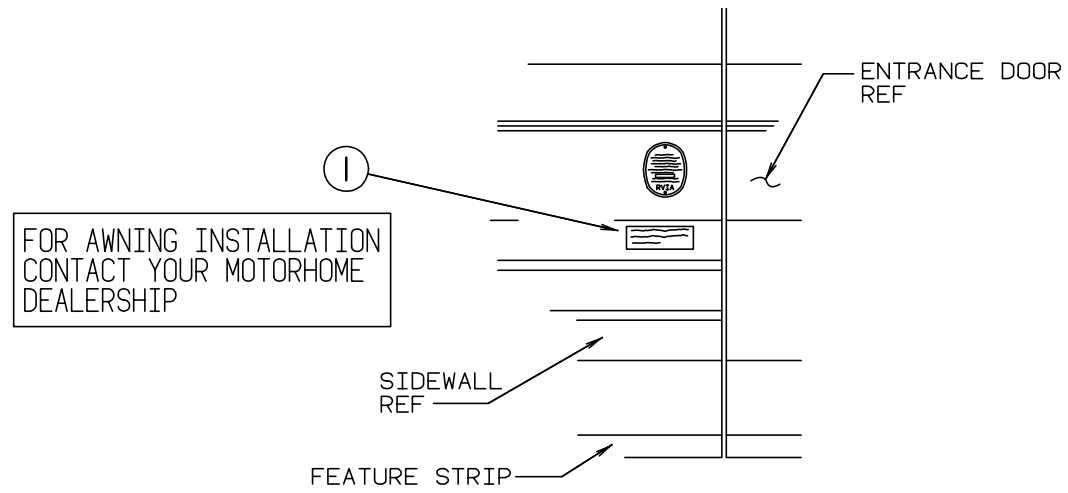


KEY	PART NUMBER	U/M DESCRIPTION
1	107571-01-000	EA LABEL - EXIT/ESCAPE WINDOW
2	039290-01-000	EA LABEL - EXIT WARNING

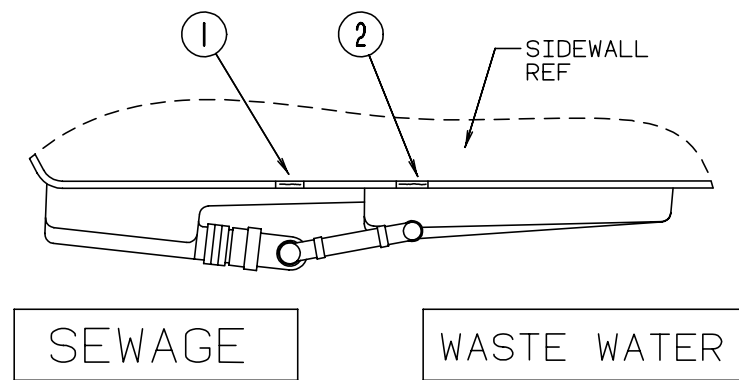


KEY	PART NUMBER	U/M DESCRIPTION
1	077956-01-000	EA LABEL - WARNING - SMOKE DETECTOR

LABELS GROUP (CONTINUED)

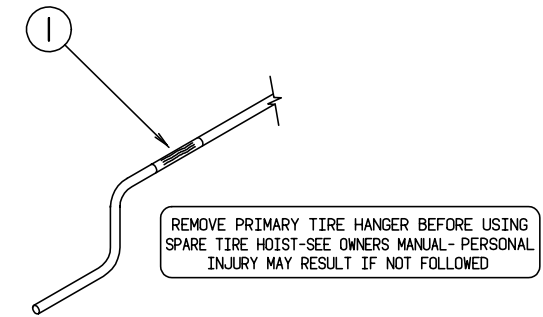


KEY	PART NUMBER	U/M DESCRIPTION
1	099509-01-000	EA LABEL - AWNING INSTALLATION

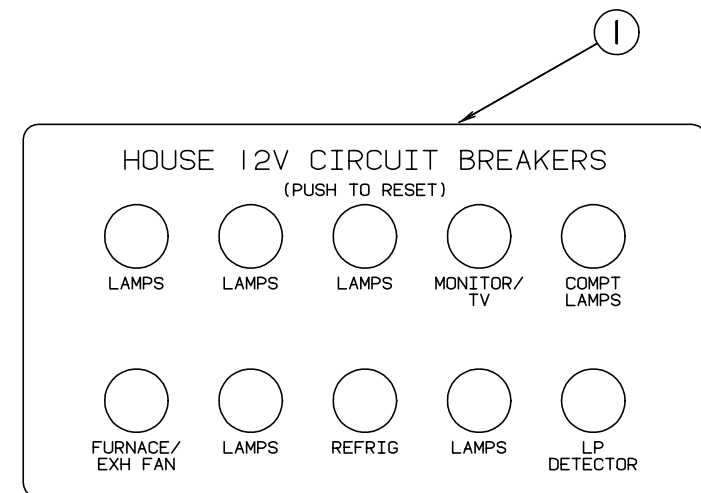


KEY	PART NUMBER	U/M DESCRIPTION
1	006187-01-000	EA LABEL - SEWAGE
2	006188-01-000	EA LABEL - WASTE WATER

LABELS GROUP (CONTINUED)

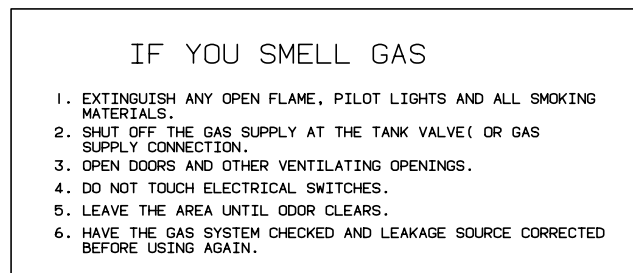
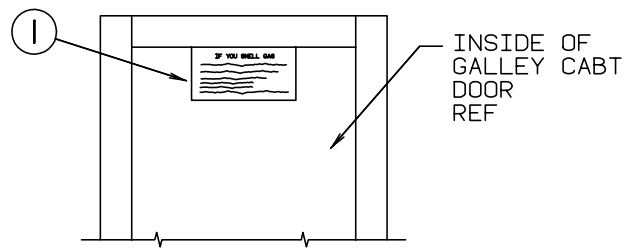


KEY	PART NUMBER	U/M DESCRIPTION
1	126024-01-01A	EA LABEL - TIRE HANGER REMOVAL



KEY	PART NUMBER	U/M DESCRIPTION
1	092547-06-000	EA LABEL-CIRCUIT BREAKER

LABELS GROUP (CONTINUED)

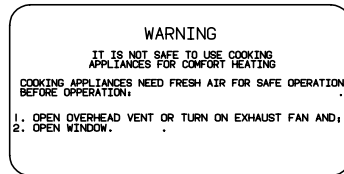
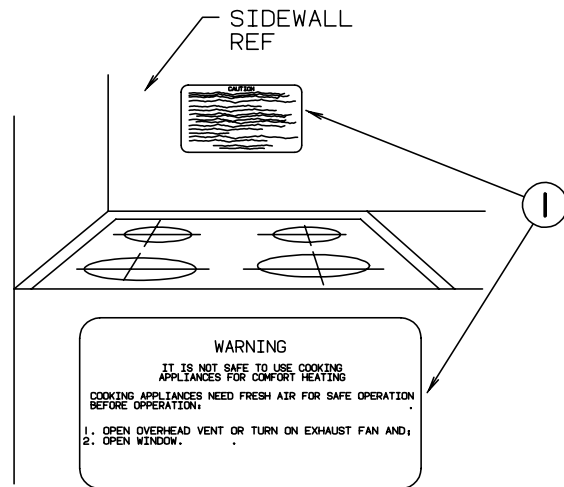


KEY	PART NUMBER	U/M DESCRIPTION
1	073998-01-000	EA LABEL - LPG ODOR WARNING
	023769-01-000	EA LABEL - WARNING - LPG - CANADIAN

LABELS GROUP (CONTINUED)

MISCELLANEOUS LABELS

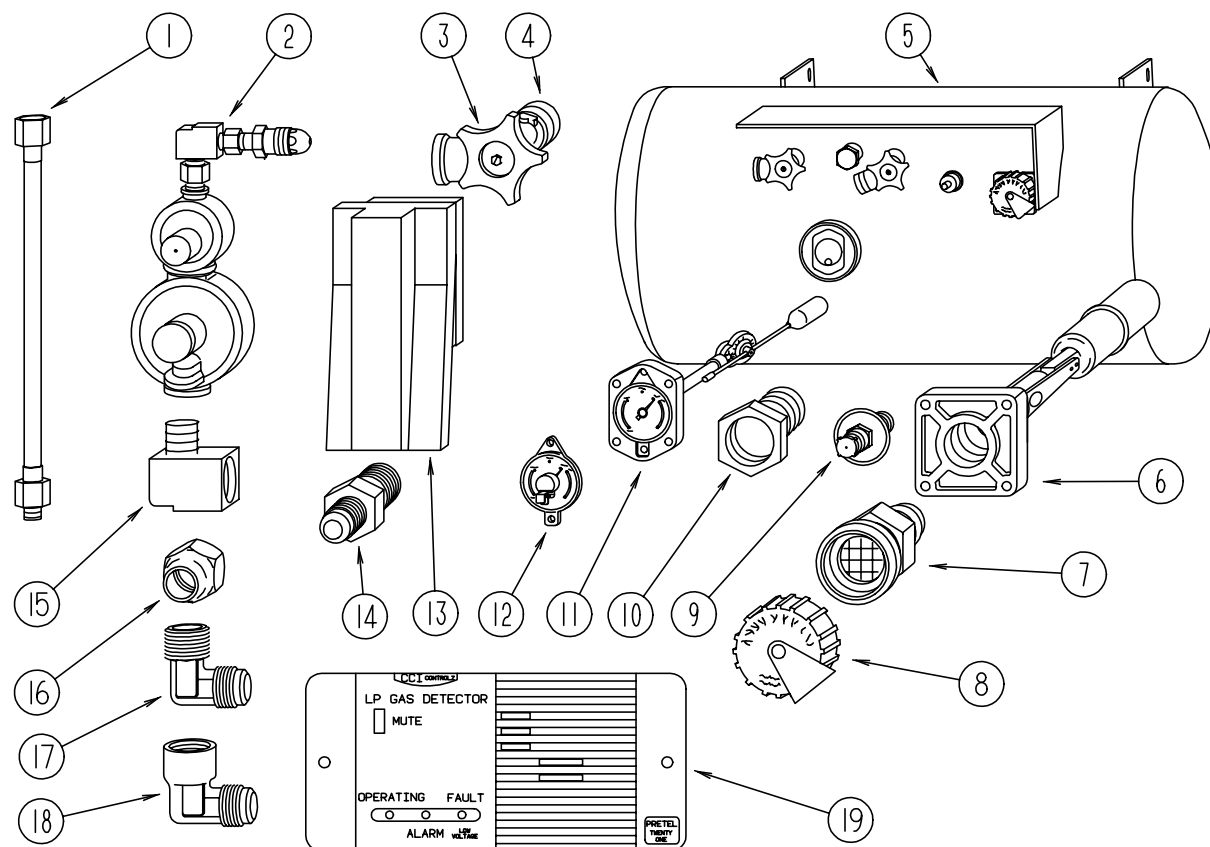
KEY	PART NUMBER	U/M DESCRIPTION
	065748-01-000	EA LABEL - CAUTION - BATTERY CHARGING
	065748-02-000	EA LABEL - WARNING - BATTERY/FRENCH
	087236-01-000	EA LABEL - CABLE - INPUT
	087236-02-000	EA LABEL - TV OUTLET
	093236-13-000	EA LABEL - CIRCUIT BREAKER
	095721-27-000	EA LABEL - CONTROL CENTER - 30 AMP
	095721-28-000	EA LABEL - CONTROL CENTER - 30 AMP - CANADIAN
	095721-29-000	EA LABEL - CONTROL CENTER - 50 AMP
	095721-30-000	EA LABEL - CONTROL CENTER - 50 AMP - CANADIAN
	098379-04-000	EA LABEL - ELECTRICAL BOX - SIDE
	098641-01-000	EA LABEL - FUEL - UNLEADED - DASH
	102267-01-000	EA LABEL - NO OCCUPANCY - US
	102267-02-000	EA LABEL - NO OCCUPANCY - CSA
	107571-01-000	EA LABEL - EXIT/ESCAPE WINDOW
	111537-05-000	EA LABEL - SLIDEOUT CONTROL
	111537-07-000	EA LABEL - FUSES
	113402-01-000	EA LABEL - CAUTION - WATER HEATER EXHAUST
	116549-01-000	EA LABEL - WARNING - SLIDEOUT
	117629-03-000	EA LABEL - WATER PUMP/FILL - BLACK LETTERS
	125306-01-01A	EA LABEL - ELECTRICAL ENTRANCE - 110 VOLT - 30 AMP
	125306-04-01A	EA LABEL - ELECTRICAL ENTRANCE - 120 VOLT - 240 AMP
	126247-05-000	EA LABEL - GRAY HOLDING TANK
	126247-06-000	EA LABEL - HOLDING TANK - BLANK
	126248-03-000	EA LABEL - EXTERIOR SHOWER
	126249-03-000	EA LABEL - CITY WATER FILL
	128218-01-01A	EA LABEL - WARNING - SLIPPERY ROOF
	128725-01-02A	EA LABEL - POTABLE WATER ONLY
	129033-01-000	EA LABEL - HANG TAG - TRAVEL LATCH - 1.5" X 3"
	129669-01-01A	EA LABEL - HITCH/VEHICLE RATE - 350 - WHITE ON CLEAR
	130170-02-000	EA LABEL - SWITCH PANEL
	131341-01-000	EA LABEL - STOW OBJECTS - US
	131341-02-000	EA LABEL - STOW OBJECTS - CANADIAN



KEY	PART NUMBER	U/M DESCRIPTION
1	050225-01-000	EA LABEL - WARNING - STOVE VENT - US
1	050222-01-000	EA LABEL - WARNING - STOVE VENT - CSA

LP GROUP

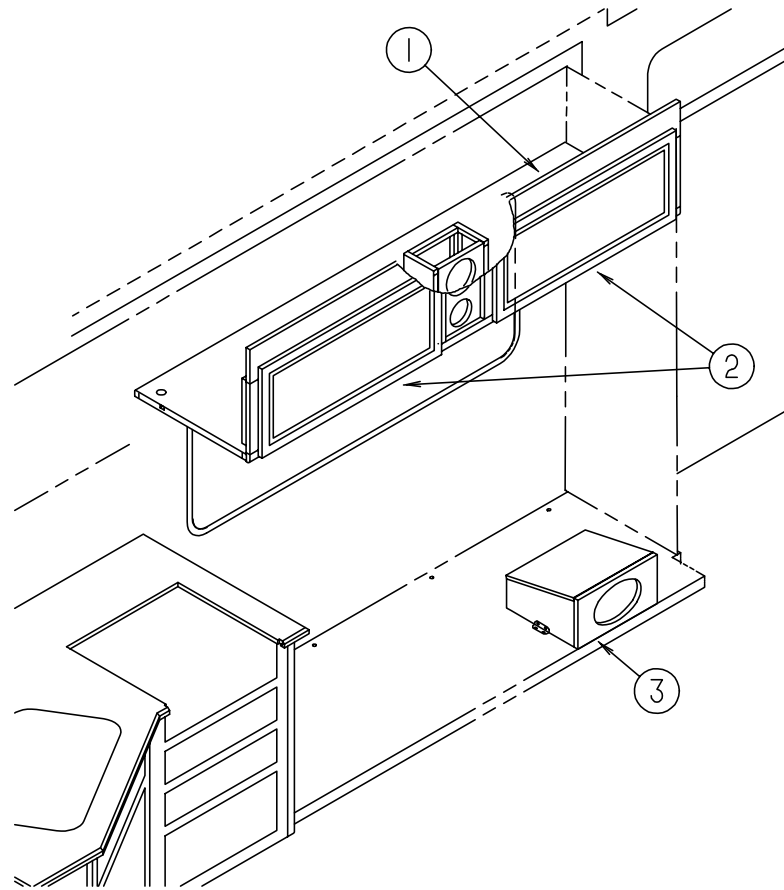
LP TANK & COMPONENTS



KEY	PART NUMBER	U/M	DESCRIPTION	VENDOR NO.
1	045703-01-000	EA	HOSE - LP - 3/8"ID X 24" - 3/8"MPT X 1/2"F SWIVEL - U.S.	
1	045703-02-000	EA	HOSE - LP - 3/8"ID X 24" - 3/8"MPT X 1/2"F SWIVEL - CANADA	
1	045703-15-000	EA	HOSE - LP - 3/8"ID X 142" - 1/2F SWIVEL X 3/8F	
1	045703-14-000	EA	HOSE - LP - 3/8"ID X 157.5" - 1/2"F SWIVEL X 1/2"F SWIVEL	
1	045703-13-000	EA	HOSE - LP - 3/8"ID X 120" - 3/8"F SWIVEL X 1/2"F SWIVEL US	
2	106150-01-000	EA	REGULATOR - TWO STAGE -W/90 DEGREE ELBOW & 3/8" FPT OUTLET	
3	040421-01-708	EA	HANDWHEEL - SERVICE VALVE	G-1015-A
4	040421-01-712	EA	VALVE - SERV. W/O VAPOR RELIEF	29000853
5	088253-03-000	EA	TANK - LP - 100 LB - 16"DIAMETER X 36" LONG - SPL	
6	040421-01-711	EA	VALVE - 80% FILL W/AUTO STOP	LLL/TL3
7	040421-01-701	EA	VALVE - FILL - SHORT, LP	7547B
8	040421-01-702	EA	CAP - FILL VALVE - PLASTIC	G-1014-A

KEY	PART NUMBER	U/M	DESCRIPTION	VENDOR NO.
9	040421-01-700	EA	VALVE - LIQUID LEVEL - 20%	G-1013
10	040421-01-713	EA	VALVE - RELIEF 1" W/SPRING 7"	29000587
11	088253-01-700	EA	GAUGE - FLOAT ASSEMBLY - L.P.	16C
12	040440-02-000	EA	TRANSMITTER - DIAL - 0-90 OHM - 2 TERMINAL (POWER & GROUND)	
13	105658-01-000	EA	COMPARTMENT - LP REGULATOR	
14	010329-01-000	EA	ADAPTER - BRASS - 1/2" F X 1/2" MPT	
14	010323-01-000	EA	ADAPTER - BRASS - 3/8"F X 1/2"MPT	
15	065318-02-000	EA	ELBOW - 90 DEGREE - 3/8" MPT TO 3/8" FPT	
16	010377-02-000	EA	NUT - BRASS - 3/8" FLARE - FORGED	
16	010380-02-000	EA	NUT - BRASS - 1/2" FLARE - FORGED	
17	010252-01-000	EA	ELBOW - BRASS - 90 DEGREE - 3/8"F X 1/2"MPT	
18	010265-01-000	EA	ELBOW - BRASS - 90 DEGREE - 3/8"F X 1/2"FPT	
19	103613-03-000	EA	DETECTOR - LP GAS - W/O SHUT-OFF VALVE	

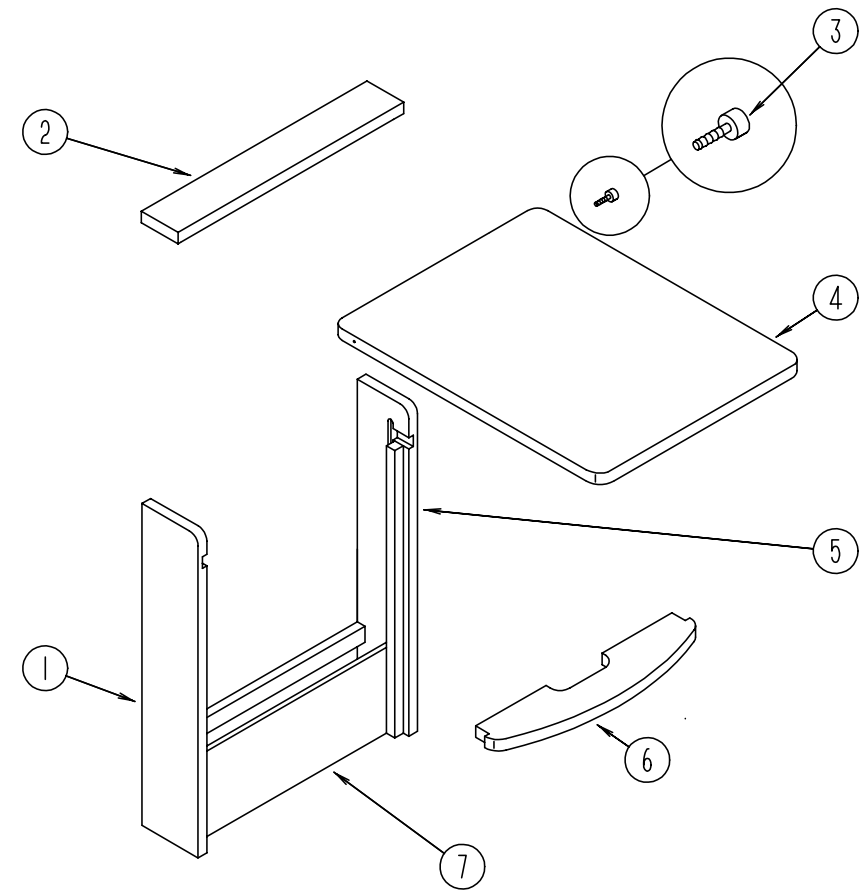
LOUNGE GROUP



LOUNGE OVERHEAD CABINET (DRIVER SIDE)

KEY	PART NUMBER	U/M	DESCRIPTION
1	128328-01-K28	EA	CABINET - OVERHEAD - FRONT/LEFT HAND - W/O DOORS/HARDWARE
1	128328-01-K29	EA	CABINET - OVERHEAD - FRONT/LEFT HAND - W/O DOORS/HARDWARE
1	128328-01-K30	EA	CABINET - OVERHEAD - FRONT/LEFT HAND - W/O DOORS/HARDWARE
1	128328-01-K31	EA	CABINET - OVERHEAD - FRONT/LEFT HAND - W/O DOORS/HARDWARE
1	128328-01-K32	EA	CABINET - OVERHEAD - FRONT/LEFT HAND - W/O DOORS/HARDWARE
1	128328-01-K33	EA	CABINET - OVERHEAD - FRONT/LEFT HAND - W/O DOORS/HARDWARE
1	128328-01-K34	EA	CABINET - OVERHEAD - FRONT/LEFT HAND - W/O DOORS/HARDWARE
1	128328-01-K35	EA	CABINET - OVERHEAD - FRONT/LEFT HAND - W/O DOORS/HARDWARE
2	M05992-58-K22	EA	DOOR - STRAIGHT CORNER/OGEE EDGE - 14.3" X 33.4" - W/O HARDWARE (WATERFORD OAK)
2	M05992-58-K29	EA	DOOR - STRAIGHT CORNER/OGEE EDGE - 14.3" X 33.4" - W/O HARDWARE (MYSTIC OAK)
3	129642-01-000	EA	CABINET - SPEAKER

LOUNGE GROUP (CONTINUED)



PULLOUT TABLE

KEY	PART NUMBER	U/M	DESCRIPTION
	P19559-02-J22	EA	CABINET - W/PULLOUT TABLE (WATERFORD OAK)
	P19559-02-K29	EA	CABINET - W/PULLOUT TABLE (MYSTIC OAK)
1	119559-12-G35	EA	CABINET/LEFT SIDE - F/PULLOUT TABLE - 5.7" X 28.7" (WATERFORD OAK)
1	119559-12-K29	EA	CABINET/LEFT SIDE - F/PULLOUT TABLE - 5.7" X 28.7" (MYSTIC OAK)
2	119559-18-J22	EA	TOP - F/CABINET/PULLOUT TABLE (WATERFORD OAK)
2	119559-18-K29	EA	TOP - F/CABINET/PULLOUT TABLE (MYSTIC OAK)
3	079921-01-000	EA	NYLON ROLLER W/ SHAFT
4	119559-21-J22	EA	TABLE TOP ONLY (WATERFORD OAK)
4	119559-21-K29	EA	TABLE TOP ONLY (MYSTIC OAK)
5	119559-11-G35	EA	CABINET/RIGHT SIDE - F/PULLOUT TABLE - 5.7" X 28.7" (WATERFORD OAK)
5	119559-11-K29	EA	CABINET/RIGHT SIDE - F/PULLOUT TABLE - 5.7" X 28.7" (MYSTIC OAK)
6	119559-19-J22	EA	SHELF - SUPPORT/PULLOUT TABLE (WATERFORD OAK)
6	119559-19-K29	EA	SHELF - SUPPORT/PULLOUT TABLE (MYSTIC OAK)
7	119559-20-J22	EA	PANEL - KICK - PULLOUT TABLE (WATERFORD OAK)
7	119559-20-K29	EA	PANEL - KICK - PULLOUT TABLE (MYSTIC OAK)
	080736-01-000	EA	PULL - RECESSED - 1.25" X 4" - OAK

SEALANTS & FASTENERS GROUP

ADHESIVE AND TAPE SEALERS

KEY	PART NUMBER	U/M	DESCRIPTION	VENDOR NO.
	004006-05-700	EA	ADHESIVE-NAT. STARCH (5 GAL)	0802
	004020-01-000	QT	ADHESIVE - ABS CEMENT - QUART	
	004363-01-000	FT	TAPE - ADHESIVE FOAM/1 SIDE - 3/16" X 1/2" X 50' - GRAY	
	034552-02-000	EA	SILICONE - TUBE - 300 ML - W/O NOZZLE - CLEAR ALSO ORDER P.N.#900390-03-000 NOZZLE SEPARATELY	
	039518-01-000	EA	SILICONE - TUBE - 300 ML - BLACK - W/O NOZZLE ALSO ORDER P.N.#900390-03-000 NOZZLE SEPARATELY	
	053766-02-000	EA	BEDDING COMPOUND - TUBE - WHITE	
	067788-01-000	EA	ADHESIVE - SPRAY - 3M - 19.5 AEROSOL CAN	
	069640-01-000	FT	SEALER - RIBBON - 1/4" DIAMETER X 30'	
	069640-02-000	FT	SEALER - TAPE - 1/8"THICK X .50"WIDE X 60'	
	069640-03-000	FT	SEALER - TAPE - 1/8"THICK X .75"WIDE X 60' - BLACK	
	069640-09-000	FT	SEALER - TAPE - 1/32"THICK X 2.50"WIDE X 80' - GREY	
	069640-14-000	FT	SEALER - TAPE - 1/16"THICK X 1"WIDE X 100'	
	069640-17-000	FT	SEALER - TAPE - 1/32" THICK X 1"WIDE X 90'	
	069640-18-000	FT	SEALER - TAPE - 1/2"THICK X 1/8"WIDE X 60' - BRT/WHITE	
	069640-19-000	FT	SEALER - TAPE - 3/4" X 1/8" X 60' - BRIGHT WHITE	
	069640-21-000	FT	SEALER - TAPE - 1/2" X 1/16" X 100' - BRIGHT WHITE	
	072889-01-000	EA	SEALANT - URETHANE - BLACK - 1/10	
	072889-09-000	EA	SEALANT - URETHANE - BLACK (TUBE)	
	072889-10-000	EA	SEALANT - URETHANE (HV) - BRIGHT WHITE	
	072889-11-000	EA	SEALANT - URETHANE - (TUBE) - GRAY	
	072889-12-000	EA	SEALANT - URETHANE (LV) BRIGHT WHITE	
	076322-01-000	FT	TAPE - DOUBLE COATED/ADHESIVE BACK - .025"THK X .75"W X 18'	
	076322-02-000	FT	TAPE - DOUBLE COATED/ADHESIVE BACK - .045"THK X 1"W X 108'	
	076322-05-000	FT	TAPE - DOUBLE COATED/ADHESIVE BACK - .045"THK X .75"W X 9'	
	076322-07-000	FT	TAPE - DOUBLE COATED/ADHESIVE BACK - .045"THK X .50"W X 9'	
	087211-01-000	GL	PROMOTER - ADHESIVE	
	088479-01-000	EA	TAPE - ALUMINUM - 3"	
	091255-02-000	FT	SEAL - ADHESIVE BACKED/FOAM - .18" THICK X 1.5" WIDE	
	102352-01-000	EA	SEALER - PUMPABLE - BLACK	
	102352-02-000	EA	SEALER - PUMPABLE - CLEAR	
	106206-01-000	EA	SEALER - PUMPABLE - MANUS 30A - BLACK	
	107828-01-000	EA	SEALANT - SB - 190 EVERSEAL	
	108716-03-000	EA	SILICONE - TUBE - BRIGHT WHITE/SELF LEVELING - W/O NOZZLE	
	110274-01-000	FT	TAPE - DOUBLE SIDED FOAM - .45" X 1"	
	112864-01-000	FT	SEAL - FOAM/BUTYL COVERED - 3/8"	
	112901-02-000	EA	ADHESIVE - PLEXUS - 50ML	
	118085-02-01A	FT	TAPE - FOIL - 1"	
	120074-02-01A	EA	SEALANT - SILICONE - OFF WHITE	
	120534-01-01A	EA	TAPE - SCOTCH - 3M - 1/2" FINE LINE	
	123244-01-000	FT	TAPE - DOUBLE SIDED FOAM 5/64" THICK X .75" WIDE	
	123816-01-000	FT	TAPE - DOUBLE SIDED - 1"	
	123816-02-000	FT	TAPE - DOUBLE SIDED - 1/2" X 35 MIL THICK	
	123816-03-000	FT	TAPE - DOUBLE SIDED - 1/2" X 20 MIL THICK	
	900390-01-000	EA	TIP - 2 1/2" X 1/8" ORIFICE	
	900390-03-000	EA	NOZZLE - SILICONE TUBE	

SEALANTS & FASTENERS GROUP (CONTINUED)

BOLTS, NUTS & WASHERS

KEY	PART NUMBER	U/M	DESCRIPTION
	000C12-05-16B	EA	BOLT - HEX - 5/16-18 X 1 - ZINC 5
	000C12-05-12B	EA	BOLT - HEX - 5/16-18 X 3/4 - ZINC 5
	000C12-06-16B	EA	BOLT - HEX - 3/8-16 X 1 LG - ZINC 5
	000C12-08-24B	EA	BOLT - HEX - 1/2-13 X 1.50 - ZINC 5
	000C12-08-16B	EA	BOLT - HEX - 1/2-13 X 1.00 - GD5 - ZINC
	000C12-10-24B	EA	BOLT - HEX - 5/8-11 X 1.50 - ZINC 5
	000C13-07-48B	EA	BOLT - HEX - 7/16-20 X 3 - ZINC 5
	000C26-04-14B	EA	BOLT - HEX - SERRATED FLANGE - 1/4-20 X 7/8 - ZINC
	000C26-04-10B	EA	BOLT - HEX - SERRATED FLANGE - 1/4-20 X 5/8 - ZINC
	000C26-04-18B	EA	BOLT - HEX - SERRATED FLANGE - 1/4-20 X 1 1/8 - ZINC
	000C26-05-16B	EA	BOLT - HEX - SERRATED FLANGE - 5/16-18 X 1 - ZINC
	000C26-05-12B	EA	BOLT - HEX - SERRATED FLANGE - 5/16-18 X 3/4 - ZINC
	000C26-06-12B	EA	BOLT - HEX - SERRATED FLANGE - 3/8-16 X 3/4 - ZINC
	000C26-06-16B	EA	BOLT - HEX - SERRATED FLANGE - 3/8-16 X 1 - ZINC
	000C26-08-24B	EA	BOLT - HEX - SERRATED FLANGE - 1/2-13 X 1.5 ZINC
	000G45-04-24B	EA	BOLT - LAG - 1/4-9 X 1.50 ZINC
	051387-06-000	EA	BOLT - CARRIAGE W/O HOLE - 5/16-18 X 9.5 - ZINC
	102333-01-06A	EA	BOLT - CARRIAGE - 7/16-14 STAINLESS STEEL CAP
	091274-03-000	EA	BOLT-J - 3/8-16 X 12.0
	106166-01-000	EA	BOLT/COLLARED HANGER - 8-32 X 1"
	106956-03-000	EA	BOLT - HEX TAP - 1/2-12NC X 3 - GRADE 5 - FULL THREAD/ZINC
	000D29-05-00B	EA	NUT - 5/16 - 18 UNC - SF/LOCKING - NYLON WASHER INSERT
	000D24-10-00B	EA	NUT - HEX - SELF LOCKING - 10-32 ZINC
	000D34-04-00B	EA	NUT - HEX - LOCKING - 1/4-20 ZINC
	000D34-06-00B	EA	NUT - HEX - LOCKING - 3/8 - 16 GRADE C - ZINC-PREVAILING T
	000D39-04-00B	EA	NUT - HEX - LOCKING W/SERRATED FLANGE - 1/4-20 - ZINC
	000D39-05-00B	EA	NUT - HEX - LOCKING W/SERRATED FLANGE - 5/16-18 - ZINC
	000D39-06-00B	EA	NUT - HEX - LOCKING W/SERRATED FLANGE - 3/8-18 - ZINC
	000D39-07-00B	EA	NUT - HEX - LOCKING W/SERRATED FLANGE - 7/16-14 - ZINC
	000D39-08-00B	EA	NUT - HEX - LOCKING W/SERRATED FLANGE - 1/2-13 - ZINC
	000D44-07-00B	EA	NUT - HEX - SERRATED FLANGE/LOCKING - 7/16-20 - ZINC
	000D46-04-00A	EA	NUT - HEX - WELD - 1/4 - 20 - PLAIN
	040921-01-000	EA	NUT - SPEED - U TYPE - 10-24 BLACK
	040921-04-000	EA	NUT - SPEED - U TYPE - # 8 - .59" LENGTH X .44" WIDTH
	040921-05-000	EA	NUT - SPEED - U-TYPE #8 - .67" X .44" WIDE
	040921-09-000	EA	NUT - SPEED - U TYPE - # 8
	044364-01-000	EA	NUT - SPEED - FLAT - RECTANGULAR - SELF LOCKING/ONE PIECE
	044364-02-000	EA	NUT - SPEED - FLAT - ROUND
	000D76-06-00B	EA	NUT - HEX FLANGE - 3/8-16
	063253-07-000	EA	NUT - J - #8A - .120 - .130 PNL THK
	083163-06-000	EA	PUSHNUT - FLAT TYPE 3/8 STUD - FORD ONLY
	000E11-08-00B	EA	WASHER - LOCKING - 1/2 MED SPLIT - ZINC
	000E13-14-00B	EA	WASHER - FLAT - 1/4 WIDE - ZINC
	000E13-18-00B	EA	WASHER - FLAT - 3/8 WIDE - ZINC
	000E13-20-00B	EA	WASHER - FLAT - 7/16 WIDE - ZINC
	000E13-21-00B	EA	WASHER - FLAT - W/2 NAR - ZINC
	000E13-22-00B	EA	WASHER - FLAT - 1/2 WIDE - ZINC
	000E13-26-00B	EA	WASHER - FLAT - 5/8 WIDE - ZINC
	058716-02-000	EA	WASHER - FLAT NYLON
	107397-01-000	EA	WASHER - FENDER - .25" ID X 1" OD
	110794-01-000	EA	WASHER - FLAT - 1" ID X 1 3/4" OD
	088787-12-000	EA	STUD - WELD - 1/4 - 20 X 1.0 LG - MN
	108067-03-000	EA	STUD - WELD - 1/4 - 20 X 1/2 CD

SEALANTS & FASTENERS GROUP (CONTINUED)

SCREWS

KEY	PART NUMBER	U/M	DESCRIPTION
	0G3908-08-170	EA	SCREW - SF/DR - 8-18 X .50 PPH - BRIGHT WHITE
	0G3908-20-170	EA	SCREW - SF/DR - 8-18 X 1.25 PPH - BRIGHT WHITE
	0G3908-24-170	EA	SCREW - SF/DR - 8-18 X 1.50 PPH - BRIGHT WHITE
	0G5508-12-260	EA	SCREW - SF/DR - 8-18 X .75 PWH - ALLANTE ANTELOPE
	000G11-05-08B	EA	SCREW - 5-20 X .50 PPH - ZINC
	000G11-06-10J	EA	SCREW - 6-20 X 5/8 PPH - BRASS
	000G11-06-08B	EA	SCREW - 6-20 X .50 PPH - ZINC
	000G11-06-06B	EA	SCREW - 6-20 X 3/8 PPH - ZINC
	000G11-07-08B	EA	SCREW - 7-19 X .50 PPH - ZINC
	000G11-08-08T	EA	SCREW - 8-18 X 1/5 PPH - FLUOROCARBON COATING
	000G11-08-08B	EA	SCREW - 8-18 X .50 PPH - ZINC
	000G11-08-06B	EA	SCREW - 8-18 X 3/8 PPH - ZINC
	000G11-08-20B	EA	SCREW - 8-18 X 1.25 PPH - ZINC
	000G11-08-16S	EA	SCREW - 8-18 X 1 PPH - OFF WHITE
	000G11-08-12T	EA	SCREW - 8-18 X .75 PPH - BLACK
	000G11-08-12P	EA	SCREW - 8-18 X .75 PPH - DARK BROWN
	000G11-08-12D	EA	SCREW - 8-18 X .75 PPH - BLACK
	000G11-08-12B	EA	SCREW - 8-18 X .75 PPH - ZINC
	000G11-10-12D	EA	SCREW - 10-16 X .75 PPH - BLACK
	000G11-10-40B	EA	SCREW - 10-16 X 2 1/2 PPH CAD - 34927-01-000
	000G11-10-16B	EA	SCREW - 10-16 X 1 PPH - ZINC
	000G11-10-12S	EA	SCREW - 10-16 X .75 PPH - OFF WHITE
	000G12-06-08T	EA	SCREW - 6-20 X 1/2 POH - BLACK
	000G13-06-24J	EA	SCREW - 6-20 X 1.50 PFH - BRASS
	000G13-06-16J	EA	SCREW - 6-20 X 1 PFH - BRASS
	000G13-06-10G	EA	SCREW - 6-20 X 5/8 PFH - ANTIQUE BRASS
	000G13-06-08B	EA	SCREW - 6-20 X .50 PFH - ZINC
	000G13-07-12B	EA	SCREW - 7-19 X .75 PFH - ZINC
	000G18-08-22B	EA	SCREW - MACHINE - 8-32 X 1 3/8 PPH - ZINC
	000G19-10-12F	EA	SCREW - MACHINE - 10-32 X .75 - PPH - STAINLESS STEEL
	000G19-10-08B	EA	SCREW - MACHINE - 10-32 X .50 - PPH - ZINC
	000G19-10-20B	EA	SCREW - MACHINE - 10-32 X 1.25 PPH - ZINC
	000G32-10-06B	EA	SCREW - 10-32 X 3/8 PPH - ZINC
	000G37-08-089	EA	SCREW - 8 X 18 X 1/2 PPH
	000G39-06-08B	EA	SCREW - SF/DR - 6-18 X .50 - ZINC
	000G39-06-16T	EA	SCREW - SF/DR - 6-20 X 1 PPH - BLACK
	000G39-06-10T	EA	SCREW - SF/DR - 6-20 X 5/8 PPH - BLACK
	000G39-08-08B	EA	SCREW - SF/DR - 8-18 X 1.50 PPH - ZINC
	000G39-08-06B	EA	SCREW - SF/DR - 8-18 X 3/8 PPH - ZINC
	000G39-08-24S	EA	SCREW - SF/DR - 8-18 X 1.50 - OFF WHITE
	000G39-08-24B	EA	SCREW - SF/DR - 8-18 X 1 1/2 PPH - ZINC
	000G39-08-16T	EA	SCREW - SF/DR - 6-20 X 1 PPH - BLACK
	000G39-08-16R	EA	SCREW - SF/DR - 8-18 X 1 PPH - BEIGE
	000G39-08-16B	EA	SCREW - SF/DR - 8-18 X 1 PPH - ZINC
	000G39-08-12T	EA	SCREW - SF/DR - 8-18 X .75 PPH - BLACK
	000G39-08-12B	EA	SCREW - SF/DR - 8-18 X .75 PPH - ZINC
	000G39-08-08T	EA	SCREW - SF/DR - 8-18 X 1/2 PPH - BLACK
	000G39-08-08S	EA	SCREW - SF/DR - 8-18 X .50 PPH - OFF WHITE
	000G39-10-10B	EA	SCREW - SF/DR - 10-16 X .625 - ZINC
	000G39-10-088	EA	SCREW - SF/DR - 10-16 X 1/2 PPH - FLEX FLUOROCARBON
	000G39-10-08B	EA	SCREW - SF/DR - 10-16 X .50 PPH - ZINC
	000G39-10-48B	EA	SCREW - SF/DR - 10-16 X 3 - PPH - ZINC
	000G39-10-32B	EA	SCREW - SF/DR - 10-16 X 2 - PPH - ZINC
	000G39-10-209	EA	SCREW - SF/DR - 10-16 X 1 1/4 PPH - FLUOROCARBON SILVER
	000G39-10-20B	EA	SCREW - SF/DR - 10-16 X 1.25 PPH - ZINC
	000G39-10-129	EA	SCREW - SF/DR - 10-16 X .75 PPH - FLUOROCARBON SILVER
	000G39-10-12R	EA	SCREW - SF/DR - 10-16 X .75 PPH - BEIGE
	000G39-10-12D	EA	SCREW - SF/DR - 10-16 X .75 PPH - BLACK
	000G39-10-12B	EA	SCREW - SF/DR - 10-16 X .75 PPH - ZINC

SEALANTS & FASTENERS GROUP (CONTINUED)

SCREWS (CONTINUED)

KEY	PART NUMBER	U/M	DESCRIPTION
	000G39-12-12E	EA	SCREW - SF/DR - 12-14 X .75 PPH - CHROME
	000G42-04-12B	EA	SCREW - SF/DR - 1/4-14 X .75 HWH - ZINC
	000G43-06-24B	EA	SCREW - MACHINE - 6-32 X 1.50 - ZINC
	000G46-08-24T	EA	SCREW - MACHINE - 8-32 X 1.50 PFH - BLACK
	000G50-04-12B	EA	SCREW - MACHINE - 1/4-20 X .75 PPH - ZINC
	000G50-04-08B	EA	SCREW - MACHINE - 1/4-20 X .50 PTH - ZINC
	000G52-08-18B	EA	SCREW - MACHINE - 8-32 X 1 1/8 PTH - ZINC
	000G54-04-20B	EA	SCREW - 1/4-20 X 1.25 PTH - TYPE 23 - ZINC PLATED
	000G55-08-16S	EA	SCREW - SF/DR - 8-18 X 1.00 - PWH - OFF WHITE
	000G55-08-12S	EA	SCREW - SF/DR - 8-18 X .75 PWH - OFF WHITE
	000G57-05-16J	EA	SCREW - 5-20 X 1 PFH - BRASS
	000G60-10-28T	EA	SCREW - SF/DR - 10-16 X 1.75 - BLACK
	000G60-10-209	EA	SCREW - SF/DR - 10-16 X 1.25 POH
	000G60-10-20B	EA	SCREW - SF/DR - 10-16 X 1.25 POH - ZINC
	000G67-08-32B	EA	SCREW - 8-15 X 2 PPH - ZINC
	000G67-10-10D	EA	SCREW - 10-12 X 5/8 PPH - BLACK - TYPE A
	000G67-10-10B	EA	SCREW - 10-12 X 5/8 PPH - ZINC - TYPE A
	000G67-10-08B	EA	SCREW - 10-12 X .50 PPH - ZINC
	000G67-10-120	EA	SCREW - 10-12 X .75 PPH - TAN
	000G67-10-12P	EA	SCREW - 10-12 X .75 - PPH - DARK BROWN
	000G67-10-12B	EA	SCREW - 10-12 X .75 PPH - ZINC
	000G67-10-10S	EA	SCREW - 10-12 X 5/8 PPH - OFF WHITE
	000G67-10-48B	EA	SCREW - 10-12 X 3 PPH - ZINC
	000G67-10-36T	EA	SCREW - 10-12 X 2.25 PPH - BLACK
	000G67-10-24B	EA	SCREW - 10-12 X 1.25 PPH - ZINC
	000G67-10-16B	EA	SCREW - 10-12 X 1 PPH - ZINC
	000G67-10-120	EA	SCREW - 10-12 X .75 PPH - TAN
	000G68-06-12S	EA	SCREW - 6-18 X 3/4 POH
	000G68-06-10G	EA	SCREW - 6-18 X 5/8 POH - ANTIQUE BRASS
	049465-01-000	EA	SCREW - 10-16 W/WASHER PTH - DARK BROWN
	049465-03-000	EA	SCREW - 10-16 X 1 POH W/WASHER - OFF WHITE
	054434-03-000	EA	SCREW - SF/DR - 10-16 X 2 - PWH - ZINC - W/O WINGS
	057671-01-000	EA	COVER - SCREW - #8 - PLASTIC - OFF WHITE
	057671-03-000	EA	COVER - SCREW - #8 - WILLOW
	057671-15-000	EA	COVER - SCREW - BRIGHT WHITE
	075908-01-000	EA	SCREW - MACHINE - 10-32 X .56 PTH - EXTERNAL TOOTH - ZINC
	076790-01-000	EA	SCREW - 6-20 X 1 1/4 PPH - BLACK
	083554-01-000	EA	SCREW - DRYWALL - 8 X 1.25
	083554-04-000	EA	SCREW - DRYWALL - 8 X 2.50
	086256-01-000	EA	SCREW - SF/DR - 8 X 3/4 HWH LONG
	097974-01-000	EA	SCREW - PARTICLE BOARD - 7-9 X 3/4 PPH
	101618-01-000	EA	SCREW - 1/4-20 X 3/4 HEX - TAPPING - STALGARD TYPE F
	106477-01-000	EA	SCREW - 14 - 10 X 3.00 - PFH

SEALANTS & FASTENERS GROUP (CONTINUED)

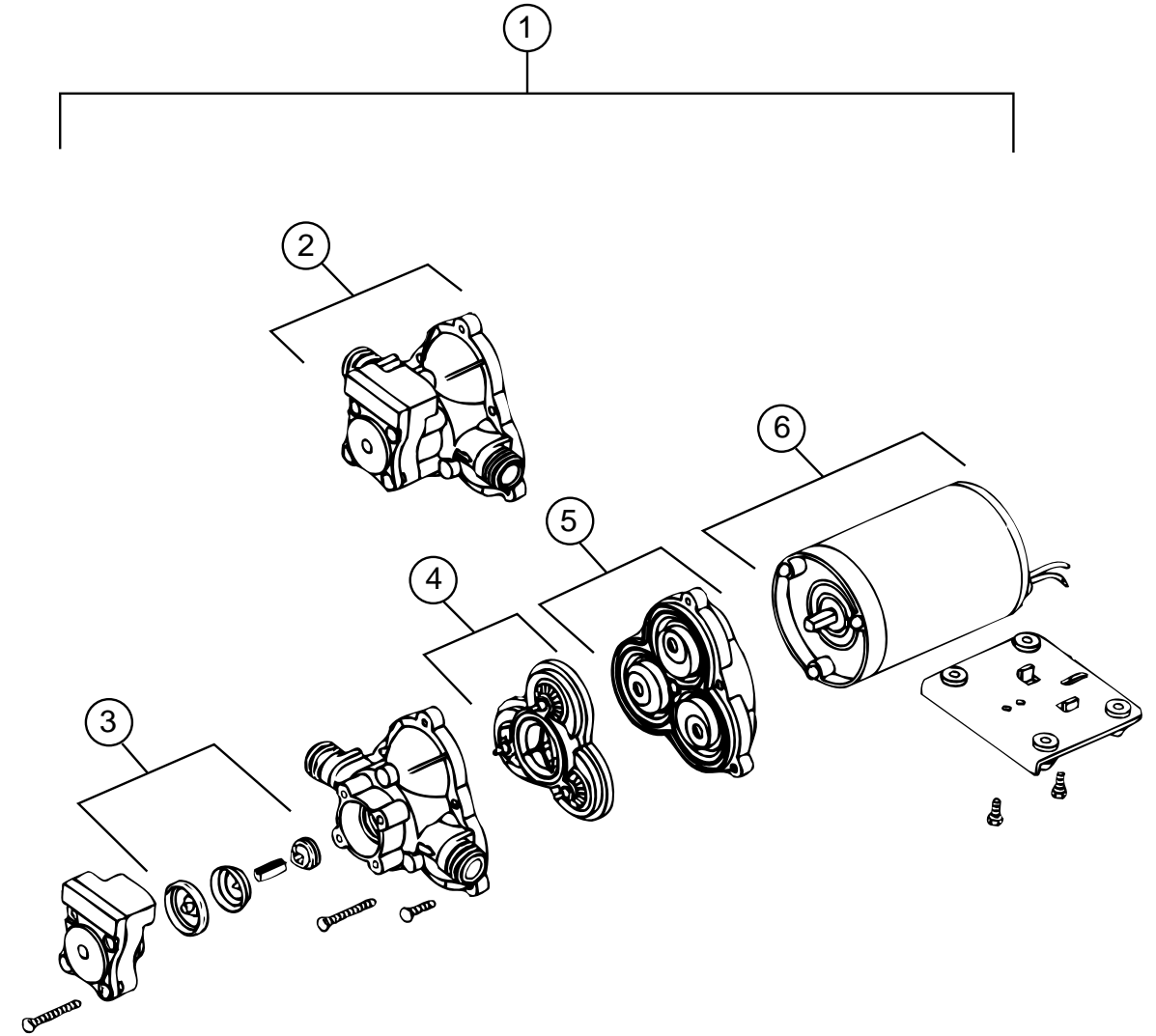
CLAMPS, CLIPS, & GROMMETS

KEY	PART NUMBER	U/M	DESCRIPTION
	000F10-04-16B	EA	PIN - COTTER - 1/8" X 1" - ZINC
	000F10-06-32B	EA	PIN - COTTER - 3/16" X 2" - ZINC
	000H14-04-04A	EA	RIVET - MANDREL BLIND - 1/8 X .400
	000H14-06-14R	EA	RIVET - MANDREL BLIND - 3/16"
	000H16-04-06R	EA	RIVET - POP ALUMINUM - 1/8" X .313 - .375
	000H16-06-10R	EA	RIVET - POP ALUMINUM - 3/16 X .501-.625
	007161-01-000	EA	CLAMP - HOSE - SPRING TYPE - 1/2"
	010495-01-000	EA	CLAMP - CABLE - 9/16"
	010497-01-000	EA	CLAMP - CLOSED - 5/8" ID
	010497-03-000	EA	CLAMP - CLOSED - 1" ID - CUSHIONED
	010497-04-000	EA	CLAMP - CLOSED - 1.62" ID
	010499-01-000	EA	CLAMP - CLOSED - 3/8" ID
	062401-01-000	EA	CLAMP - HOSE - WORMGEAR - .25" - 1"
	062401-02-000	EA	CLAMP - HOSE - WORMGEAR - 1.56" - 2.5"
	062401-04-000	EA	CLAMP - HOSE - WORMGEAR - .69" - 1.25"
	062401-06-000	EA	CLAMP - HOSE - WORMGEAR - .22" - .62" ID
	083609-01-000	EA	CLAMP - WIRE - DUAL - EQUAL DIAMETERS - 5/8"
	083610-01-000	EA	CLAMP - WIRE - DUAL - UNEQUAL DIAMETERS - 3/4" & 1 1/4"
	083610-02-000	EA	CLAMP - WIRE - DUAL - UNEQUAL DIAMETERS
	016188-05-000	EA	GROMMET - L/P LINE - 3/8" HOLE X 1 1/4" LONG - RUBBER
	023942-01-000	EA	GROMMET - RUBBER - 2" OD
	071015-11-000	EA	GROMMET - 1.00 ID - FITS .12 MATERIAL
	008380-01-000	EA	GROMMET - RUBBER - 5/8" HOLE X 1 1/2" DIAMETER - BLACK
	071015-29-000	EA	GROMMET - RUBBER - 1/4 ID X 1 1/4 OD W .12 GROOVE - BLK
	071015-30-000	EA	GROMMET - RUBBER - .31" ID X .81" OD W/.12" GROOVE - BLK
	088756-01-000	EA	GROMMET - WEB - 1 1/8" I.D.
	091952-01-000	EA	CLIP - GRIPPER - 1"
	094362-02-000	EA	CLIP - XMAS TREE - BINDER HEAD - .9" LONG

MISCELLANEOUS FASTENERS

KEY	PART NUMBER	U/M	DESCRIPTION
	008343-01-000	EA	TIE - WIRE - 6"
	008343-02-000	EA	TIE - WIRE - 14"
	029094-04-000	YD	VELCRO TAPE - LOOP - 1" WIDE - BLACK
	029096-03-000	YD	VELCRO TAPE - HOOK - 1" WIDE - BLACK
	081211-04-000	EA	PLUG - PLASTIC - .46" DIAMETER - BLACK
	081211-05-000	EA	PLUG - PLASTIC - .188 DIAMETER - NATURAL
	085774-01-000	FT	FASTENER - DUAL HOOK - 1" WIDE - ADHESIVE BACK - BLACK
	085774-02-000	FT	FASTENER - DUAL HOOK - 1" WIDE - ADHESIVE BACK - BLACK
	086285-01-000	EA	SPACER - NYLON - .5" OD X .257" ID
	088792-02-000	YD	VELCRO TAPE - LOOP - .75" - ADHESIVE BACKED - BEIGE
	108046-02-000	EA	CABLE TIE - SCREW MOUNT 15"
	110943-02-000	FT	FELTSTRIP - 3/8" - ADHESIVE BACK - WHITE
	115361-01-01A	EA	PLUG - PLASTIC
	123816-04-000	FT	TAPE - DOUBLE SIDED - 6"

WATER & SEWAGE GROUP



WATER PUMP (SHURFLO)

KEY	PART NUMBER	U/M	DESCRIPTION	VENDOR NO.
1	098607-01-000	EA	PUMP - WATER - W/.5" MPT FITTING - FLOW 2.8 GPM	
2	098607-01-706	EA	HOUSING - W/SWITCH ONLY	94-231-20
3	098607-01-705	EA	VALVE - CHECK - KIT	94-237-00
4	098607-01-703	EA	VALVE KIT	94-232-00
5	098607-01-702	EA	DIAPHRAGM/DRIVE ASSEMBLY KIT	94-238-04
6	098607-01-707	EA	MOTOR W/BASEPLATE	11-148-04

WATER & SEWAGE GROUP (CONTINUED)

FRESH WATER TANK

KEY	PART NUMBER	U/M	DESCRIPTION
	123243-01-000	EA	TANK - ACCUMULATOR, 24 OZ
	117217-01-000	EA	TANK - FRESH WATER - 30 GALLON - W/O FITTINGS
	117217-08-000	EA	TANK - FRESH WATER - 30 GALLON - W/FITTINGS
	119109-01-000	EA	TANK - WATER - 40 GALLON - W/O FITTINGS
	119109-07-000	EA	TANK - WATER - 40 GALLON - W/FITTINGS
	042989-03-000	EA	FITTING - WATER TANK - SPINWELD - 1 1/4"NPT - PLASTIC
	042989-05-000	EA	FITTING - SPINWELD - 1/2" FPT - PLASTIC
	049032-01-000	EA	PATCH - SPINWELD - 3/8" - PLASTIC
	039861-01-000	EA	SENDING UNIT - W/SCREW - WASHER - WELL NUT & TERMINAL RING
	091208-01-000	EA	WASHER - RUBBER - .06" X .75" X .5"
	077954-02-000	EA	FILTER - WATER TANK - SCREEN IN TANK

WATER SYSTEM COMPONENTS (FLAIR - IT)

KEY	PART NUMBER	U/M	DESCRIPTION
	114427-01-000	EA	CAP - 1/2P - 02860
	114427-02-000	EA	PLUG - 1/2P - 02863
	114427-03-000	EA	NUT - 1/2"Q - #6453
	114428-01-000	EA	TEE - 1/2P X 1/2P X 1/2P - 02820
	114428-02-000	EA	TEE - SWIVEL - 1/2P X 1/2P X 1/2FPT - 02821
	114428-03-000	EA	TEE - 1/2P X 1/2P X 1/2MPT - 02822
	114428-04-000	EA	TEE - 1/2P X 1/2P X 1/8FPT - 02834
	114429-01-000	EA	ELBOW - 1/2P X 1/2P - 02800
	114429-02-000	EA	ELBOW - 1/2P X 1/2MPT - 02803
	114429-03-000	EA	ELBOW - SWIVEL - 1/2P X 1/2FPT - 02816
	114429-04-000	EA	ELBOW - 1/2P X 3/8MPT - 02810
	114429-05-000	EA	ELBOW - 1/2P X 3/4MPT - 02812
	114429-06-000	EA	ELBOW - SWIVEL - 1/2P X 3/4FPT - 02811
	114429-07-000	EA	ELBOW - 1/2P X 1/2FPT DROPEAR - 02801
	114430-01-000	EA	ADAPTER - 1/2P X 1/2P - 02840
	114430-02-000	EA	ADAPTER - SWIVEL - 1/2P X 1/2FPT -02873
	114430-03-000	EA	ADAPTER - 1/2P X 1/2MPT - 02842
	114430-04-000	EA	ADAPTER - 1/2P X 3/8MPT - 02852
	114430-06-000	EA	ADAPTER - 1/2P X 3/8FPT - 02851
	114430-08-000	EA	ADAPTER - 1/2P X 3/4MPT - 02868
	114431-01-000	EA	VALVE - LINE DRAIN 1/2P - 02914
	114431-02-000	EA	VALVE - 1/2P - BYPASS - 02910
	114431-03-000	EA	VALVE - 1/2P X 1/2P - 02884
	114431-04-000	EA	VALVE - STOP - 1/2P X 1/2P - 02880
	114431-05-000	EA	VALVE - NEEDLE - COMP 1/8MPTX1/4 - 64858
	114431-06-000	EA	VALVE - 3/8P X 3/8P - 02882
	114431-07-000	EA	VALVE - 3/8P THREE - WAY - 02900
	114431-08-000	EA	STRAIGHT STOP VALVE - 3/8P X 3/8P - 02879

WATER & SEWAGE GROUP (CONTINUED)

WATER SYSTEM COMPONENTS

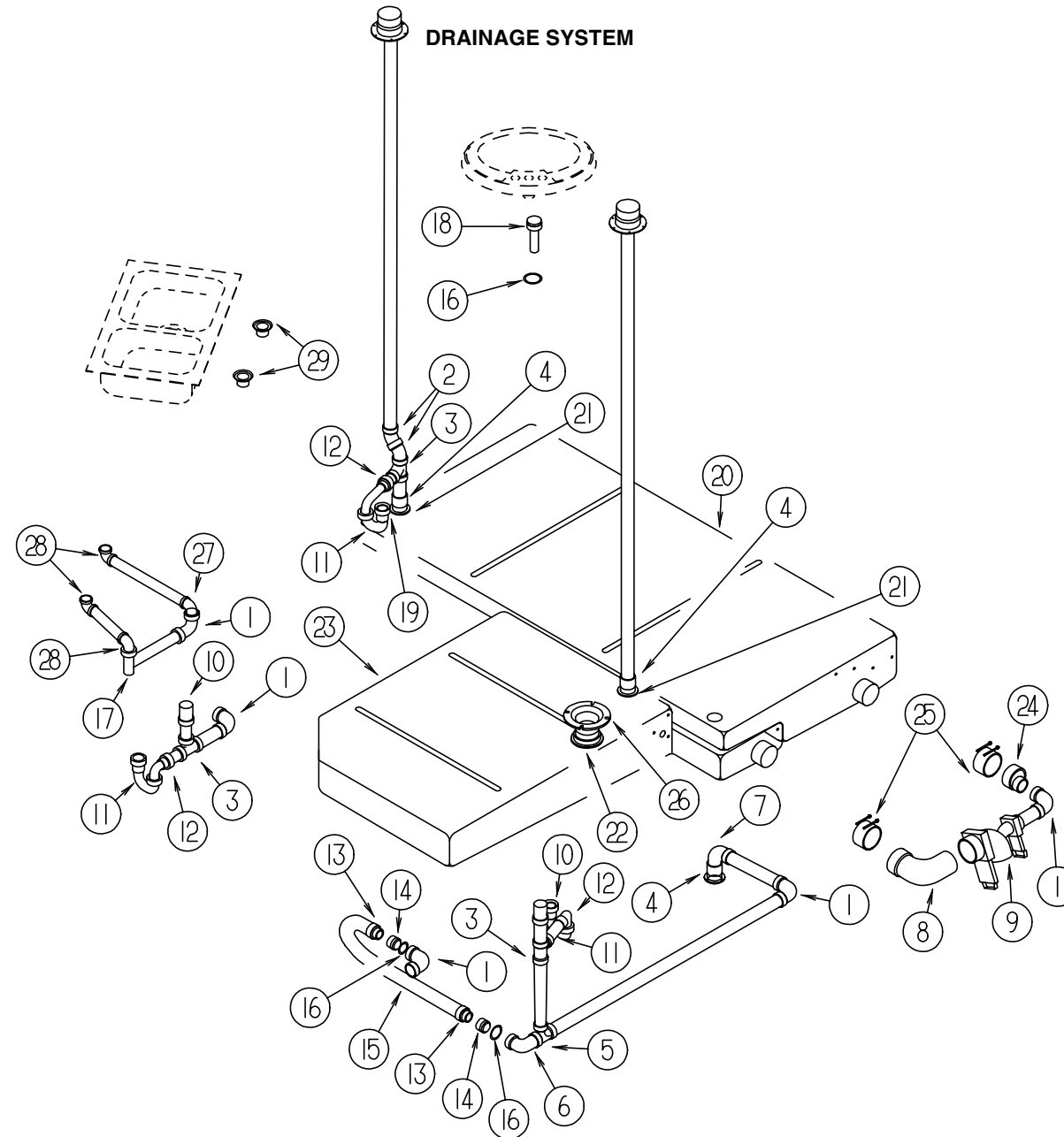
KEY	PART NUMBER	U/M	DESCRIPTION	VENDOR NO.
*	051391-03-000	EA	WATER HEATER G6A-8E - ELECTRONIC IGNITION	
	701069-01-000	EA	WATER PURIFICATION SYSTEM	
	701069-03-700	EA	CARTRIDGE - WATER FILTER - AC - EVERPURE	9592-06
	044927-01-000	EA	ADAPTER - HOSE TO PIPE-1 1/4 MPTX1 1/4 BARB-BLACK PLASTIC	
	010224-01-000	EA	ADAPTER - HOSE TO PIPE - 3/8" MPT X 3/8" BARB - PLASTIC	
	118809-02-000	EA	ADAPTER - 1/2" MPT X 1/2" BARB - PLASTIC	
	123152-01-000	EA	ADAPTER - 1/2" FPT X 1/2" BARB - SWIVEL	
	010230-06-000	EA	FILL - CITY WATER - W/CHECK VALVE - MPT	
	124188-01-000	FT	TUBING - PEX - 1/2" ID X 20' - BLUE (COLD)	
	124188-02-000	FT	TUBING - PEX - 1/2" ID X 20' - RED (HOT)	
	074462-02-000	FT	TUBING - VINYL - 3/8 ID X 20' - CLEAR	
	112176-01-000	FT	TUBING - VINYL - REINFORCED - 1/2" ID	
	079381-01-000	FT	TUBING - RIBBED FLEXIBLE - WATER FILL - 1.4" X 10"	
	010219-01-000	EA	ELBOW - 1 1/4" MPT X 1 1/4" BARB - WATER FILL - PLASTIC	
	126398-01-000	EA	ELBOW - ENTRY HOSE - 90 DEGREE	
	123150-01-000	EA	ELBOW - 1/2" FPT X 1/2" BARB - SWIVEL	
	110438-02-000	EA	VALVE - CHECK - BRASS - 1/2" MPT X 1/2" MPT	
	103798-01-000	EA	CONNECTOR - 1/4 OD X 3/8 MPT	
	113697-01-000	EA	CAP - 3/8" FTG	
	125697-05-000	EA	INLET - WATER - FLUSHING SYSTEM	
	125697-06-000	EA	INSTRUCTIONS - USER - FLUSHING SYSTEM	

***COMPONENT PARTS FOUND IN SERVICE PARTS LIBRARY**

EXTERIOR SHOWER COMPONENTS

KEY	PART NUMBER	U/M	DESCRIPTION
	131383-01-02A	EA	SHOWER HEAD - W/HOSE & BRACKET - 60" - WHITE
	131383-02-02A	EA	SHOWER HEAD - W/HOSE & BRACKET - 60" - CSA - WHITE
	108356-02-01A	EA	COVER/ACTUATOR SWITCH - 2 ROWS DIMPLES- CONTURA II - BLACK
	108357-01-000	EA	SWITCH - ROCKER SPST - ON/OFF - 2 TERMINAL
	108357-08-000	EA	SWITCH - ROCKER DPDT - ON/NONE/ON - 6 TERMINAL
	131383-03-02A	EA	BRACKET - SHOWER HEAD - WHITE
	075241-06-000	EA	FAUCET - SHOWER CONTROL - BRIGHT WHITE

WATER & SEWAGE GROUP (CONTINUED)

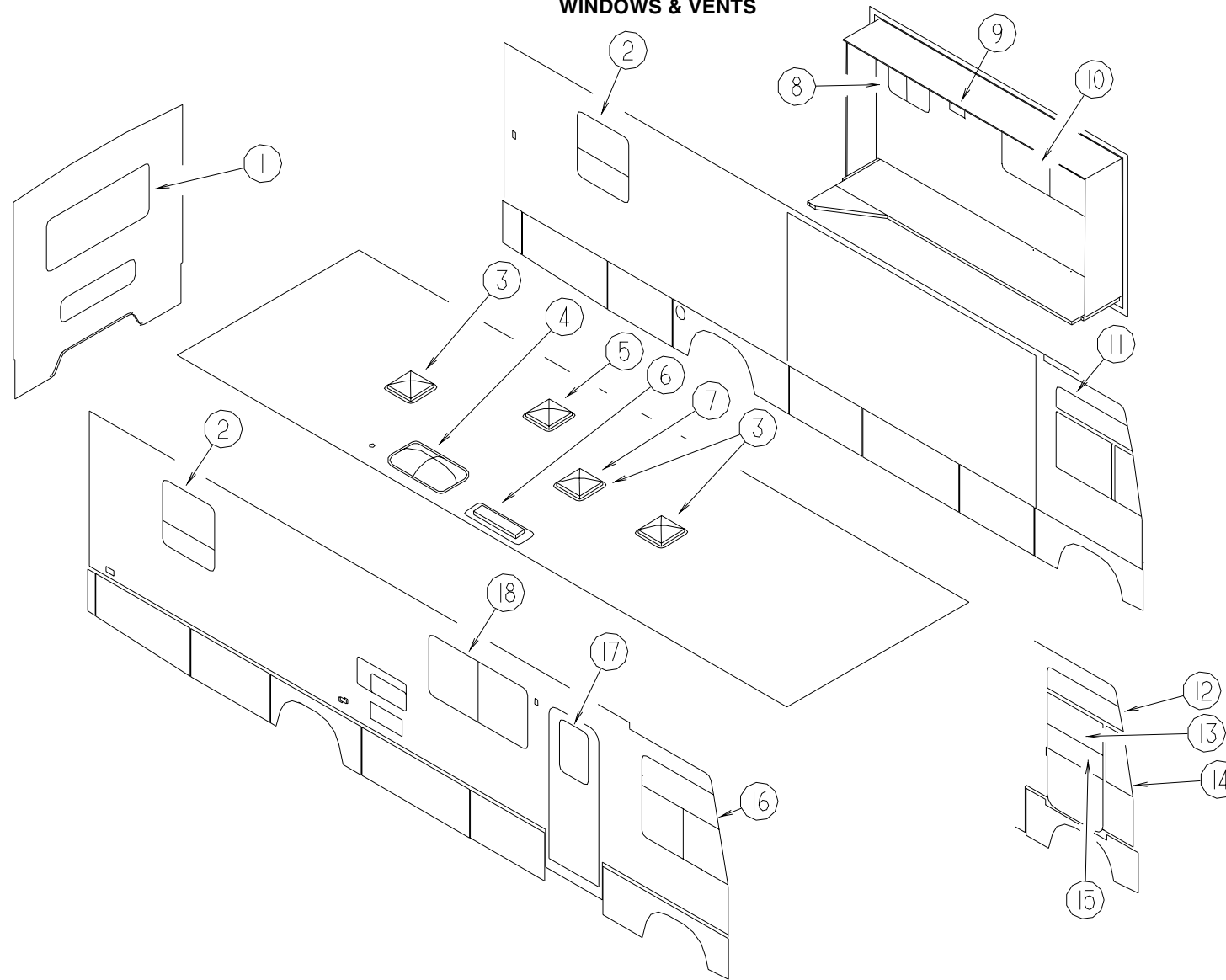


KEY	PART NUMBER	U/M DESCRIPTION	VENDOR NO.
1	010008-01-000	EA ELBOW - 90 DEGREE - 1 1/2" HUB X HUB - PLASTIC	
2	010051-01-000	EA ELBOW - 45 DEGREE - 1 1/2" SPIGOT & HUB - PLASTIC	
3	010071-01-000	EA TEE - SANITARY - 1 1/2 HUB X HUB X HUB - PLASTIC	
4	010115-01-000	EA COUPLING - 1 1/2" HUB X HUB - PLASTIC	
5	031365-02-000	EA TEE - PLASTIC - 1 1/2" EXT LG TURN	
6	033761-01-000	EA ELBOW - TURN - 90 DEGREE 1 1/2" HUB X 1 1/2" SPIGOT	
7	034250-01-000	EA ELBOW - 90 DEGREE - LONG TURN - 1 1/2" HUB X HUB - ABS	
8	041956-01-000	EA ELBOW - STREET - 1/4" BARB X 90 DEGREE X 3 XLT	
9	070916-01-000	EA VALVE - DUAL DUMP - W/CAP - 3" X 1 1/2"	
9	070916-01-700	EA VALVE ONLY (WASTE) 3"	T1003BU
9	070916-01-701	EA VALVE ONLY (WASTE) 1 1/2"	T1001BU
10	079968-01-000	EA VENT - MECHANICAL/TRAP ARM - ANTI-SIPHON-2" X 7.3" PLASTIC	
11	107538-01-000	EA P TRAP - PLASTIC - 1 1/4" W/EXTENSION ARM	
11	011071-01-000	EA P TRAP - PLASTIC - 1 1/2" (CSA)	
12	109571-01-000	EA ADAPTER - P TRAP - 1 1/2"P X 1 1/4"MPT	
13	126424-01-000	EA ADAPTER - 1 1/2" MPT X 1 1/2" HUB	
14	126425-01-000	EA ADAPTER - SWIVEL - 1 1/2 FPT X 1 1/2" HUB	
15	126426-01-000	FT PIPE - 1 1/2" FLEXABLE	
	126427-01-000	EA ADHESIVE - ALL PURPOSE - ABS/PVC	
	126427-02-000	EA PRIMER - CLEANER - FLEX PIPING	

KEY	PART NUMBER	U/M DESCRIPTION
16	127440-02-01A	EA WASHER - RUBBER - 1.8" X .1"
17	011091-02-000	EA WASTE - CONTINUOUS - DOUBLE SINK
17	011091-03-000	EA WASTE - CONTINUOUS - DOUBLE SINK - CSA
18	120981-01-01A	EA DRAIN - TIP TOE - BRASS
	066436-01-000	EA NUT - SLIP - TAILPIECE 1.5"
19	069735-01-000	EA WASHER - STRAINER TO TAILPIECE - PLASTIC - 1.5"
20	125948-01-000	EA TANK - HOLDING - W/O FITTINGS
21	061607-01-000	EA GROMMET - HOLDING TANK - 1 1/2" NPS
22	061607-02-000	EA GROMMET - HOLDING TANK - 3" NPS
23	125947-01-000	EA TANK - HOLDING - W/O FITTINGS
	010201-01-000	EA HOSE - SEWER - 3" ID X 8'
	062416-01-000	EA ADAPTER - SEWER HOSE TO 3" PIPE
24	062422-01-000	EA ADAPTER - OFFSET REDUCER - 3" X 1 1/2" - PLASTIC
25	078406-01-000	EA COUPLER - RUBBER - W/CLAMPS - 3" X 3"
26	116644-01-000	EA FLANGE - CLOSET - 4" X 3"
27	125569-01-000	EA ELBOW - 1 1/2" X 90 DEGREE - DOUBLE SLIP
28	126588-02-000	EA ARM - WASTE - 1 1/2 X 20 - FEMALE
29	092303-01-000	EA STRAINER - SINK
	094756-02-01A	EA BRACKET - L - 6.1" LONG X 3.9" WIDE - STEEL

WINDOW, VENT & EXTERIOR DOOR GROUP

WINDOWS & VENTS



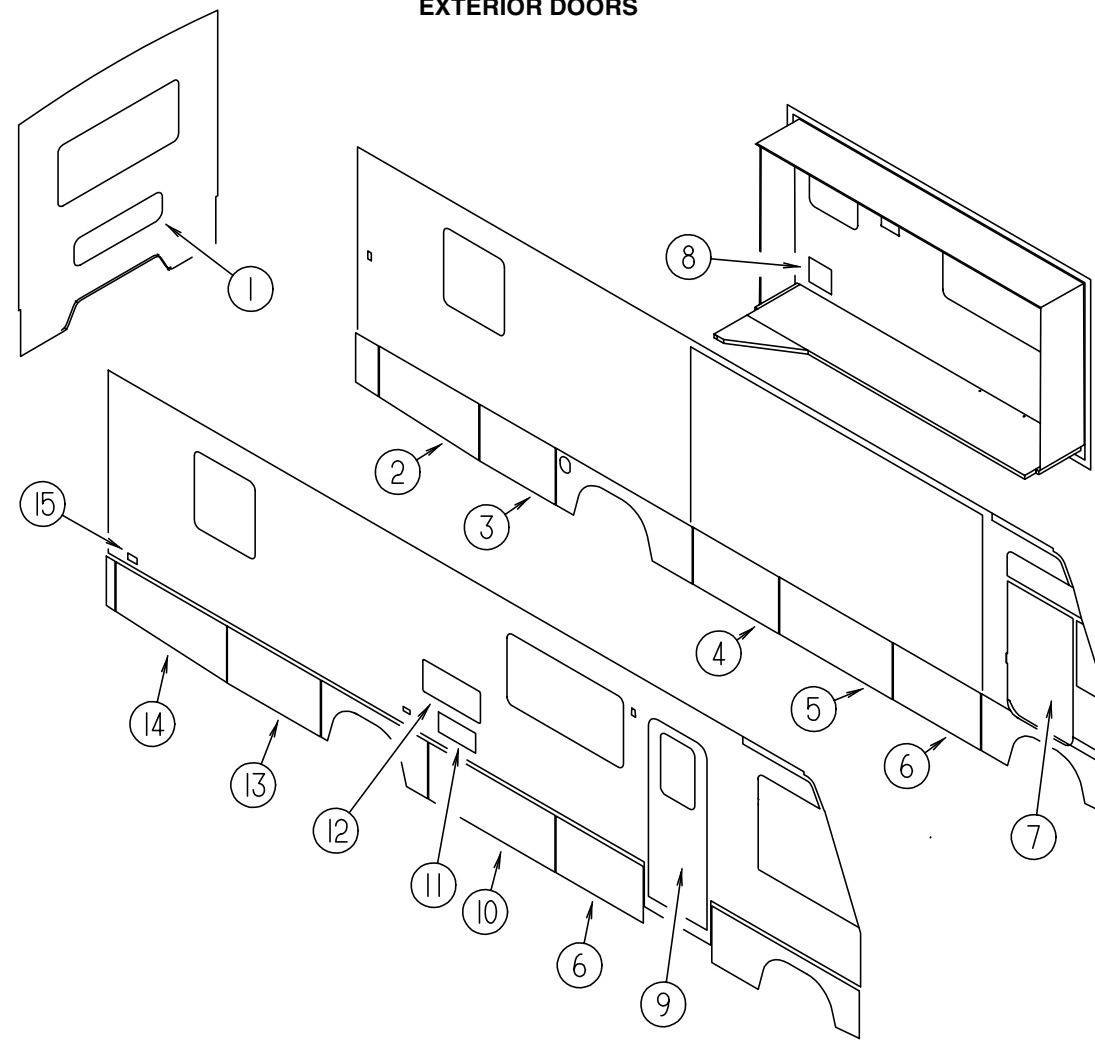
KEY	PART NUMBER	U/M	DESCRIPTION
1*	078528-06-E10	EA	WINDOW - ESCAPE W/O RETAINER TRIM 48.5" X 24.5"
1*	113502-01-01A	EA	WINDOW - REAR ESCAPE THERMO - 24.8" X 48.7"
2*	112463-03-01A	EA	WINDOW - TIPOUT W/ RETAINER RING - 33.3" X 30.2"
2*	129929-01-01A	EA	WINDOW - TORQUE - THERMO - 33.2" X 30.2"
3*	122882-01-01A	EA	VENT - ROOF - NONPOWERED
3	122882-07-01A	EA	VENT - ROOF - GARNISH 63.5-104.6
4	114496-01-02A	EA	PANEL - SKYLIGHT - OUTER - 22" X 37"
4	122191-01-02A	EA	PANEL - SKYLIGHT - INNER W/LIGHT CUTOUT - 20.7" X 35.4"
5*	122882-02-01A	EA	VENT - ROOF - POWERED
5*	122882-03-01A	EA	VENT - ROOF - POWERED CSA
5	122882-07-01A	EA	VENT - ROOF - GARNISH 63.5-104.6
6	084073-04-000	EA	BASE - ROOF VENT - REFRIGERATOR
6	084073-07-000	EA	VENT - ROOF - REFRIGERATOR - BRIGHT WHITE - NORCOLD
6	118369-01-02A	EA	CAP - REFRIGERATOR ROOF VENT - SIDE/SIDE - BRIGHT WHITE
6	118369-02-02A	EA	BASE - REFRIGERATOR ROOF VENT - SIDE/SIDE - BRIGHT WHITE
7*	123780-03-01A	EA	VENT - ROOF - 3" TO 4" - W/FAN/POWER LIFT - W/O THERMOSTAT
8*	098647-07-02A	EA	WINDOW - DR HORIZ SLIDER W/TRIM - TINTED - 15" X 23.7"
8*	112795-56-01A	EA	WINDOW - DRIVER HORIZONTAL SLIDER - THERMO - 15.2" X 24"

KEY	PART NUMBER	U/M	DESCRIPTION	VENDOR NO.
9	084616-07-000	EA	SHROUD - EXHAUST VENT/RANGE HOOD - BRIGHT WHITE	
9	084878-09-000	EA	VENT - EXHAUST/RANGE HOOD - OFF WHITE	
10*	098647-22-01A	EA	WINDOW - DRIVER HORIZONTAL SLIDER - 26.1" X 59.7"	
10*	112795-15-01A	EA	WINDOW - DRIVERS HORIZONTAL SLIDER THERMO 26 3/8" X 60"	
	083558-06-000	EA	VENT - ROOF PLUMBING PIPE - COVERED	
11*	125582-02-01A	EA	WINDOW - CAB - DRIVER	
11*	125583-02-01A	EA	WINDOW - DRIVER CAB-3 GLASS THERMO - 42.9"T X 51.2"B X 42.6"H	
12*	125586-01-01A	EA	WINDOW - VISTA	
12*	125600-01-01A	EA	WINDOW - VISTA - THERMOPANE	
13	125581-04-705	EA	GLASS - STATIONARY	106-041547
14*	125584-01-01A	EA	WINDOW - FRONT SLANT - LEFT HAND	
14*	125585-01-01A	EA	WINDOW - FRONT SLANT - THERMO	
15	125581-04-704	EA	GLASS - ROLL-UP	106-041821
16*	125582-01-01A	EA	WINDOW - CAB - PASSENGER	
16*	125583-01-01A	EA	WINDOW - PASS CAB-3 GLASS THERMO - 42.9"T X 51.2"B X 42.6"H	
17*	117053-02-F36	EA	WINDOW - PICTURE - 17" X 26.4"	
17*	113733-01-01A	EA	WINDOW - STATIONARY THERMOPANE - 17" X 26.4"	
18*	098647-23-01A	EA	WINDOW - PASS HORIZ SLIDER W/TRIM - TINTED - 26.1" X 59.7"	
18*	112795-16-01A	EA	WINDOW - PASSENGER HORIZONTAL SLIDER -THERMO-26.1" X 59.8"	

*COMPONENT PARTS FOUND IN SERVICE PARTS LIBRARY

WINDOW, VENT & EXTERIOR DOOR GROUP (CONTINUED)

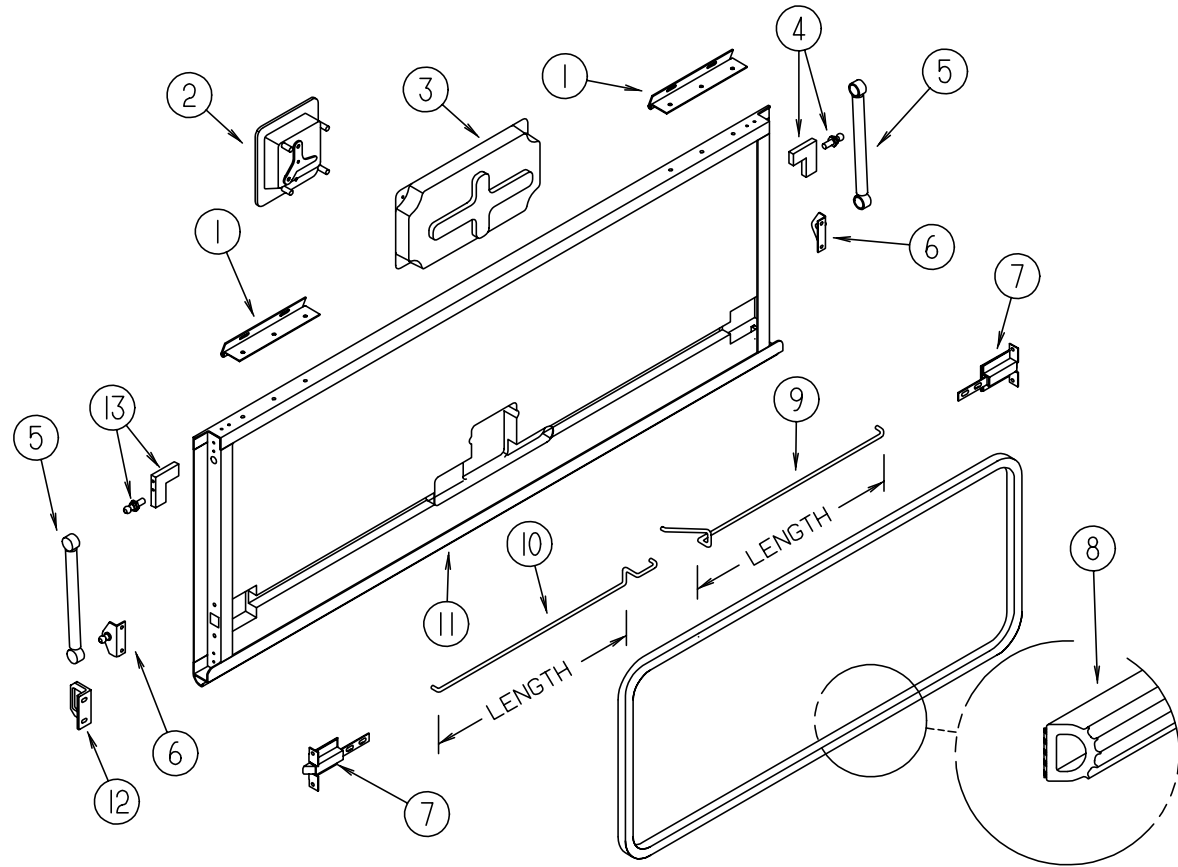
EXTERIOR DOORS



KEY	PART NUMBER	U/M	DESCRIPTION
1	126944-05-K28	EA	DOOR/STORAGE - W/O HARDWARE - 43.5" X 11.7"
2	122391-72-K30	EA	VALANCE/DOOR - DRIVER W/O PADDLE LATCH 23.8" X 49.5" X 20.8"
3	122239-89-K30	EA	VALANCE/DOOR - W/O PADDLE LATCH/HINGE - 23.7" X 37.7"
4	122239-95-K30	EA	VALANCE/DOOR - W/O PADDLE LATCH/HINGE - 23.7" X 42.5"
5	122239-A1-K30	EA	VALANCE/DOOR - W/O PADDLE LATCH/HINGE - 23.7" X 56"
6	122239-92-K28	EA	VALANCE/DOOR - W/O PADDLE LATCH/HINGE - 23.7" X 43.5"
7	125581-05-01A	EA	DOOR - DRIVER - NON-POWER
8	052009-06-000	EA	DOOR - WATER HEATER - BRIGHT WHITE - 18" X 14.6"
8	116424-01-000	EA	PROTECTOR - LATCH - WATER HEATER
9	115108-16-K28	EA	DOOR - ENTRY W/SCREEN DOOR - W/O WINDOW (K28, K29, K34, K35)
9	115108-16-K30	EA	DOOR - ENTRY W/SCREEN DOOR - W/O WINDOW (K30, K31)
9	115108-16-K32	EA	DOOR - ENTRY W/SCREEN DOOR - W/O WINDOW (K32, K33)

KEY	PART NUMBER	U/M	DESCRIPTION	VENDOR NO.
10	122239-94-K30	EA	VALANCE/DOOR - W/O PADDLE LATCH/HINGE - 23.7" X 62.9"	
11	098668-23-000	EA	DOOR - ACCESS - FURNACE - BRIGHT WHITE	
12	084103-08-000	EA	DOOR - REFRIGERATOR - VENTED - W/O JAMB	
12	084104-01-700	EA	LOCK - MALE - FASTENER	201-721-010
12	084104-01-701	EA	LOCK - FEMALE - FASTENER	201-802-010
12	084104-08-000	EA	JAMB - REFRIGERATOR DOOR	
12	125481-01-02A	EA	DOOR - REFRIGERATOR VENT (SIDE BY SIDE)	
13	122239-86-K28	EA	VALANCE/DOOR - W/O PADDLE LATCH/HINGE - 23.7" X 42.5"	
14	122391-71-K30	EA	VALANCE/DOOR - PASS W/O PADDLE LATCH-23.7" X 55" X 20.4"	
15	081240-20-000	EA	DOOR - WATER FILL - W/O LOCK - BRIGHT WHITE	

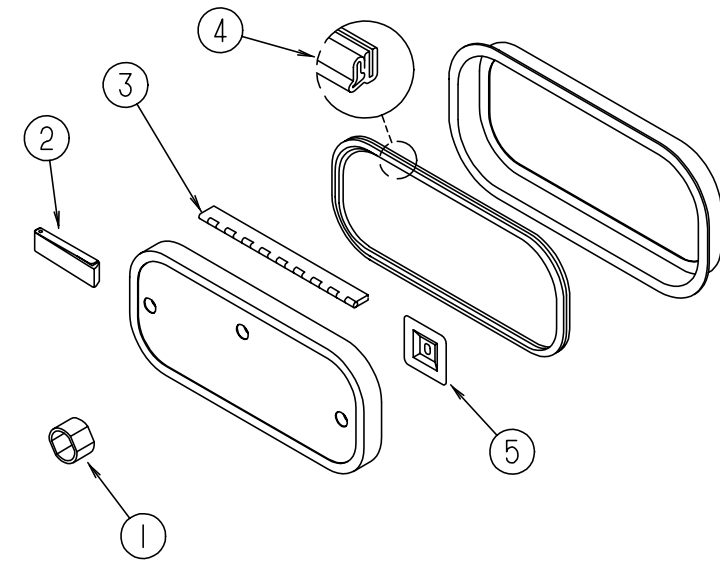
WINDOW, VENT & EXTERIOR DOOR GROUP (CONTINUED)



EXTERIOR DOORS & COMPONENTS

KEY	PART NUMBER	U/M	DESCRIPTION
1	121755-01-04A	EA	HINGE - 6.00 INCH
2	112949-02-05A	EA	LATCH - PADDLE NON-LOCKING - BLACK
2	P29686-01-700	EA	LATCH/PADDLE - F/COMP DOORS W/CYLINDER
3	122277-02-01A	EA	COVER - LATCH - BLACK
4	123892-12-02B	EA	CORNER STABILIZER W/BALL STUD - LEFT HAND - E-COATED
5	107796-20-000	EA	SPRING/GAS - 7" COMPRESSED/10" EXTENDED - 60 LB
6	126263-02-02B	EA	BRACKET - GAS SPRING
7	121947-01-01A	EA	BOLT - SLIDE W/PLASTIC PLUNGER
8	107721-07-000	FT	SEAL - ACCESS DOOR
9	122269-28-000	EA	ROD - LATCH - 20.29"
9	122269-34-000	EA	ROD - LATCH - 23.74"
9	122269-05-000	EA	ROD - LATCH - 11.09"
9	122269-52-000	EA	ROD - LATCH - 13.54"
9	122269-57-000	EA	ROD - LATCH - 19.80"
9	122269-30-000	EA	ROD - LATCH - 14.03"
9	122269-25-000	EA	ROD - LATCH - 17.04"
10	122268-28-000	EA	ROD - LATCH - 20.29"
10	122268-34-000	EA	ROD - LATCH - 23.74"
10	122268-05-000	EA	ROD - LATCH - 11.09"
10	122268-52-000	EA	ROD - LATCH - 13.54"
10	122268-57-000	EA	ROD - LATCH - 19.80"
10	122268-30-000	EA	ROD - LATCH - 14.03"
10	122268-25-000	EA	ROD - LATCH - 17.04"
11	122613-55-007	EA	EXTRUDED - ROCKER PANEL - 192" - BLACK
	122612-55-007	EA	U CHANNEL - EXTRUSION - BLACK
	122614-55-007	EA	EXTRUDED - H CHANNEL - 191" - BLACK
12	123783-01-01A	EA	STRIKER - DOOR - MILL
			FROM: 00-00-00 THRU: 12-13-98
12	130053-01-01A	EA	STRIKER - LUGGAGE DOOR
			FROM: 12-14-98 THRU: 99-99-99
13	123892-10-02B	EA	CORNER STABILIZER W/BALL STUD - RIGHT HAND - E-COATED

WINDOW, VENT & EXTERIOR DOOR GROUP (CONTINUED)



EXTERIOR DOORS & COMPONENTS

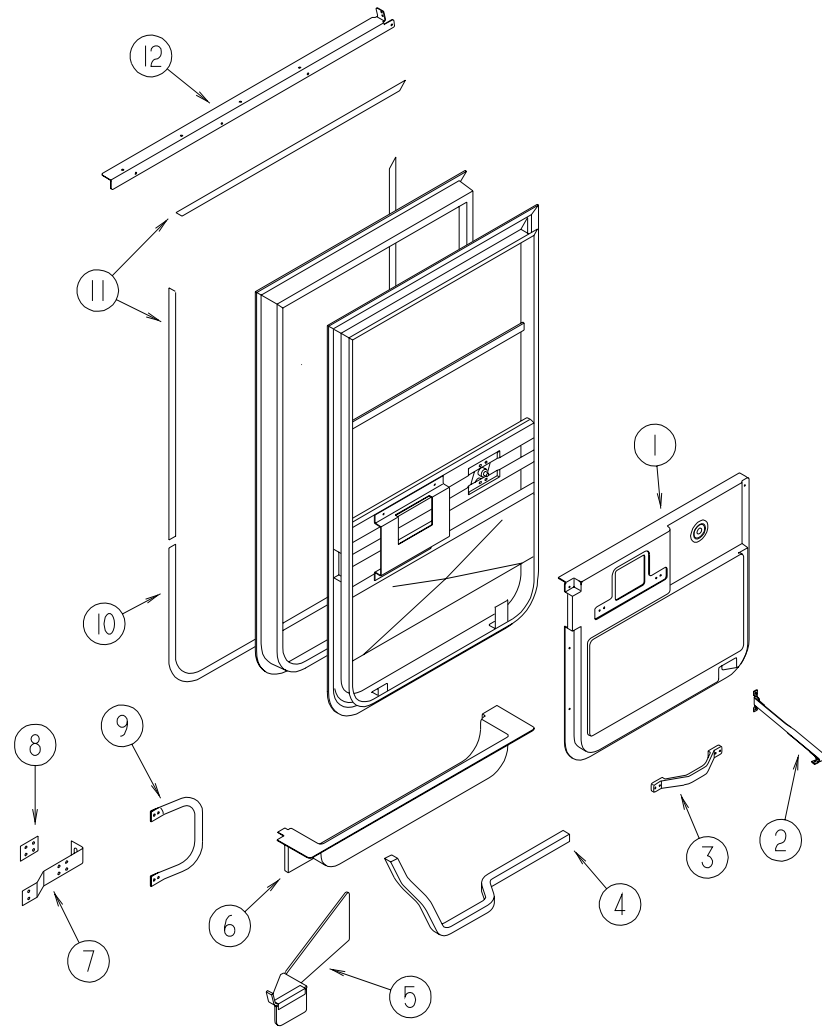
KEY	PART NUMBER	U/M	DESCRIPTION
1	107997-51-001	EA	SPACER - DOOR LOCK - .6" DEEP
	107997-51-002	EA	EXTRUDED - SPACER - 16'
2	102768-01-000	EA	HOLDER - COMPARTMENT/ ENTRY DOOR - METAL - MILL FINISH
3	081801-V3-000	EA	HINGE - ALUMINUM - 2" X 8" - BRIGHT WHITE
4	106850-02-000	FT	SEAL-E - SPONGE RUBBER - .43" X .75"
5	097111-01-04A	EA	POCKET - LOCK - VALANCE

COMPARTMENT & DRIVER DOOR KEYS

KEY	PART NUMBER	U/M	DESCRIPTION
	129676-01-000	EA	KEY - T/M 14472-07-1431
	129676-02-000	EA	KEY - T/M 14472-07-1432
	129676-03-000	EA	KEY - T/M 14472-07-1443
	129676-04-000	EA	KEY - T/M 14472-07-1434
	129676-05-000	EA	KEY - T/M 14472-07-1435
	129676-06-000	EA	KEY - T/M 14472-07-1436
	129676-07-000	EA	KEY - T/M 14472-07-1437
	129676-08-000	EA	KEY - T/M 14472-07-1438
	129676-09-000	EA	KEY - T/M 14472-07-1439
	129676-10-000	EA	KEY - T/M 14472-07-1440

WINDOW, VENT & EXTERIOR DOOR GROUP (CONTINUED)

DRIVER DOOR INTERIOR COMPONENTS

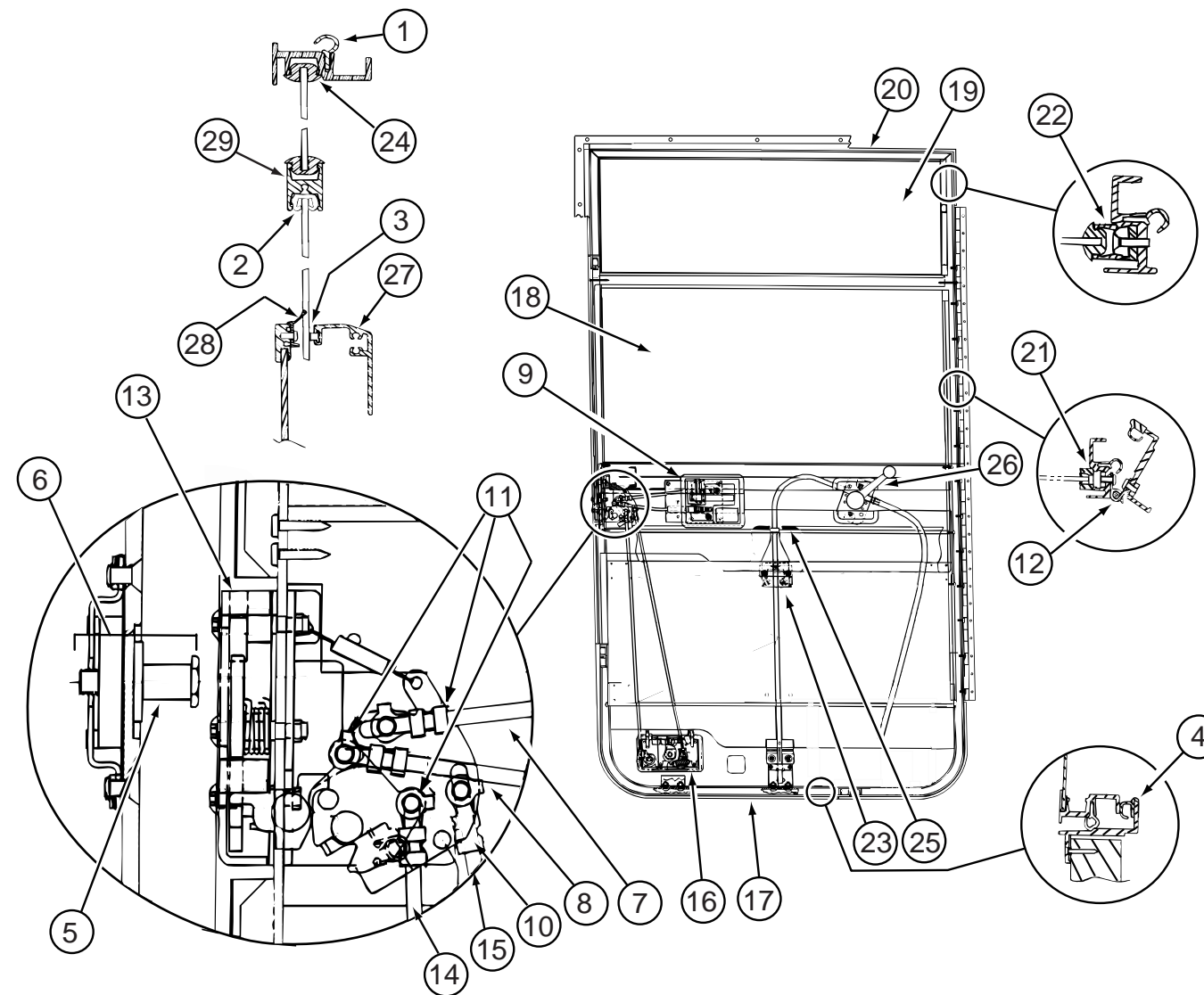


KEY	PART NUMBER	U/M	DESCRIPTION
1	125899-03-02A	EA	PANEL - CAB DOOR - INNER/DRIVER - ANTELOPE
2	109378-01-000	EA	STRAP - CHECK - DRIVER DOOR - 12.8"
3	110604-01-01A	EA	HANDLE - ASSIST - DRIVER DOOR - 10.8" LONG - BLACK
4	063977-14-000	EA	STEP - DRIVER DOOR - LEFT HAND
5	128255-01-04B	EA	STEP - DRIVER DOOR - BLACK
6	107818-03-03A	EA	TRIM - STEP - DRIVERS DOOR - ANTELOPE
	102569-02-000	EA	MAT - ANTI SLIP - LOWER
7	126506-01-02B	EA	BRACKET - STRIKE - DRIVER DOOR - E-COATED
8	126534-01-02B	EA	SPACER - STRIKE - DRIVER DOOR - E-COATED

KEY	PART NUMBER	U/M	DESCRIPTION
9	108832-02-01A	EA	HANDLE - ASSIST - DRIVER DOOR
	126701-01-03A	EA	COVER - ASSIST HANDLE - OFF WHITE
10	109235-01-05A	FT	COVER - SCREW - BRIGHT WHITE
11	109235-01-01A	FT	COVER - SCREW - MAT BLACK
12	125804-02-02B	EA	ANGLE - DOOR SUPPORT - E-COATED
	125725-01-01A	EA	FRAME - DRIVER DOOR - 33.5" - BLACK
	125725-03-01A	EA	FRAME - DRIVER DOOR - 27.8" - BLACK
	125725-07-01A	EA	FRAME - DRIVER DOOR - 53.26" - BLACK
	125725-08-01A	EA	FRAME - DRIVER DOOR - 21.38" - BLACK
	P01713-01-000	EA	SWITCH - PUSH BUTTON - IN DOOR JAMB - METAL CHROME

WINDOW, VENT & EXTERIOR DOOR GROUP (CONTINUED)

DRIVER DOOR

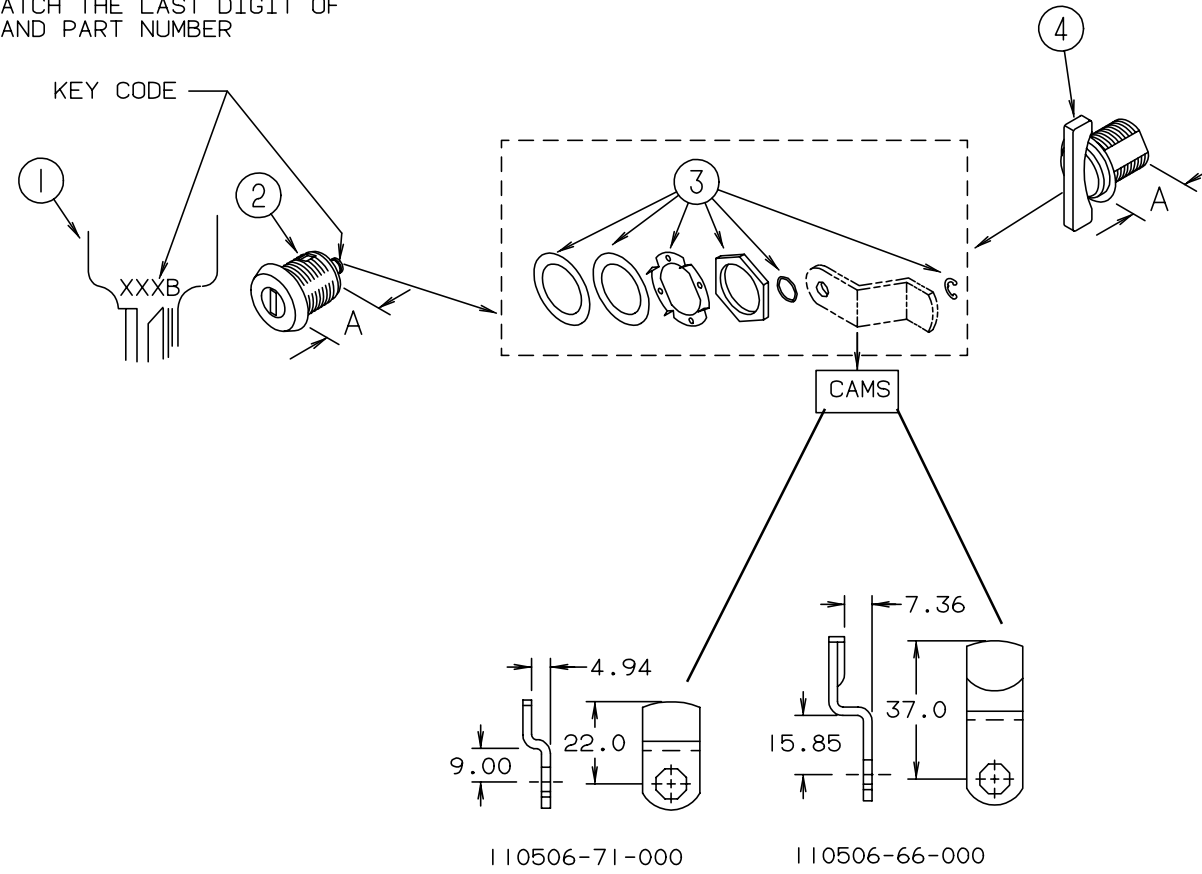


KEY	PART NUMBER	U/M DESCRIPTION	VENDOR NO.	KEY	PART NUMBER	U/M DESCRIPTION	VENDOR NO.
	125581-05-01A	EA DOOR - DRIVER - NON-POWER WINDOW/LOCK		14	125581-04-700	EA ROD - LATCH/VERTICAL ADJUST.	203041767
1	106469-01-702	EA DOOR SEAL	122-040984	15	125581-04-701	EA ROD - LOCK/VERTICAL ADJUST.	203-041768
2	106469-01-705	FT CHANNEL - RUN - SLIDING	122-010850	16	125581-03-704	EA PADDLE - W/O LOCK/RH - KEY 1	TRI/MARK #14312-02
3	106469-01-709	FT WEATHERSTRIP - FUZZY	171-040630	17	125581-04-703	EA FRAME - MOUNTING - BLACK	V180-35L
4	106469-01-723	EA SEAL - BULB ASM. (JAMB)	171-040985	18	125581-04-704	EA GLASS - ROLL-UP	106-041821
5	106469-04-703	EA BOLT - STRIKER (W/ WASHER)	248-041152	19	125581-04-705	EA GLASS - STATIONARY	106-041547
6	106469-04-704	EA NUT ASSEMBLY - CAGED - W/STRIKER	248-041151	20	125581-04-706	EA FRAME - DOOR - SUB-ASSEMBLY	V180-94L
7	106469-04-705	EA LATCH ROD - HORIZONTAL	203-041139	21	125581-04-707	EA CHANNEL - ROLL UP GLASS	V156-60
8	106469-04-711	EA LOCK ROD - HORIZONTAL	203-041137	22	125581-04-708	EA CHANNEL - STATIONARY GLASS	V156-61
9	106469-04-712	EA HANDLE/DOOR - INNER W/HARDWARE	248-041402	23	125581-04-709	EA REGULATOR - MANUAL	410-08389
10	106469-04-713	EA ROD CLIP L.H.	248-041154	24	125581-04-710	EA VINYL - GLAZING	132-041484
11	106469-04-714	EA ROD CLIP R.H.	248-041153	25	125581-04-711	EA CHANNEL- GLASS	N135-66
12	106469-05-702	EA HINGE - 42"	211-041194	26	125581-05-702	EA HANDLE - REGULATOR	182-041785
13	106469-05-706	EA LATCH - ROTARY - W/LINKAGE	248-041150	CONTACT WINNEBAGO PART SALES FOR THIS COMPONENT			
	125581-07-703	EA BRACKET-ALUMINUM "L" (INSIDE)	N135-55		106469-04-716	EA LEVER - LOCKING - BLACK	80978-00
	125581-07-704	EA BRACKET - STRAP/JAMB & DOOR	248-080394	28	125581-03-703	EA WEATHERSTRIP - BELTING	410-08389
	125581-07-705	EA BRACKET (L) F/SEAL PROTECT	490201	29	125581-03-700	EA MULLION RAIL - BLACK	V123-84
					125581-05-700	EA INNER SILL - BLACK	V130-64L

WINDOW, VENT & EXTERIOR DOOR GROUP (CONTINUED)

NOTE:
WHEN ORDERING THE LOCK CASE, THE KEY CODE MUST MATCH THE LAST DIGIT OF THE VEHICLE'S SERIAL NUMBER AND PART NUMBER; WHEN ORDERING THE KEYS, THE THIRD DIGIT OF THE KEY CODE MUST MATCH THE LAST DIGIT OF THE VEHICLE'S SERIAL NUMBER AND PART NUMBER

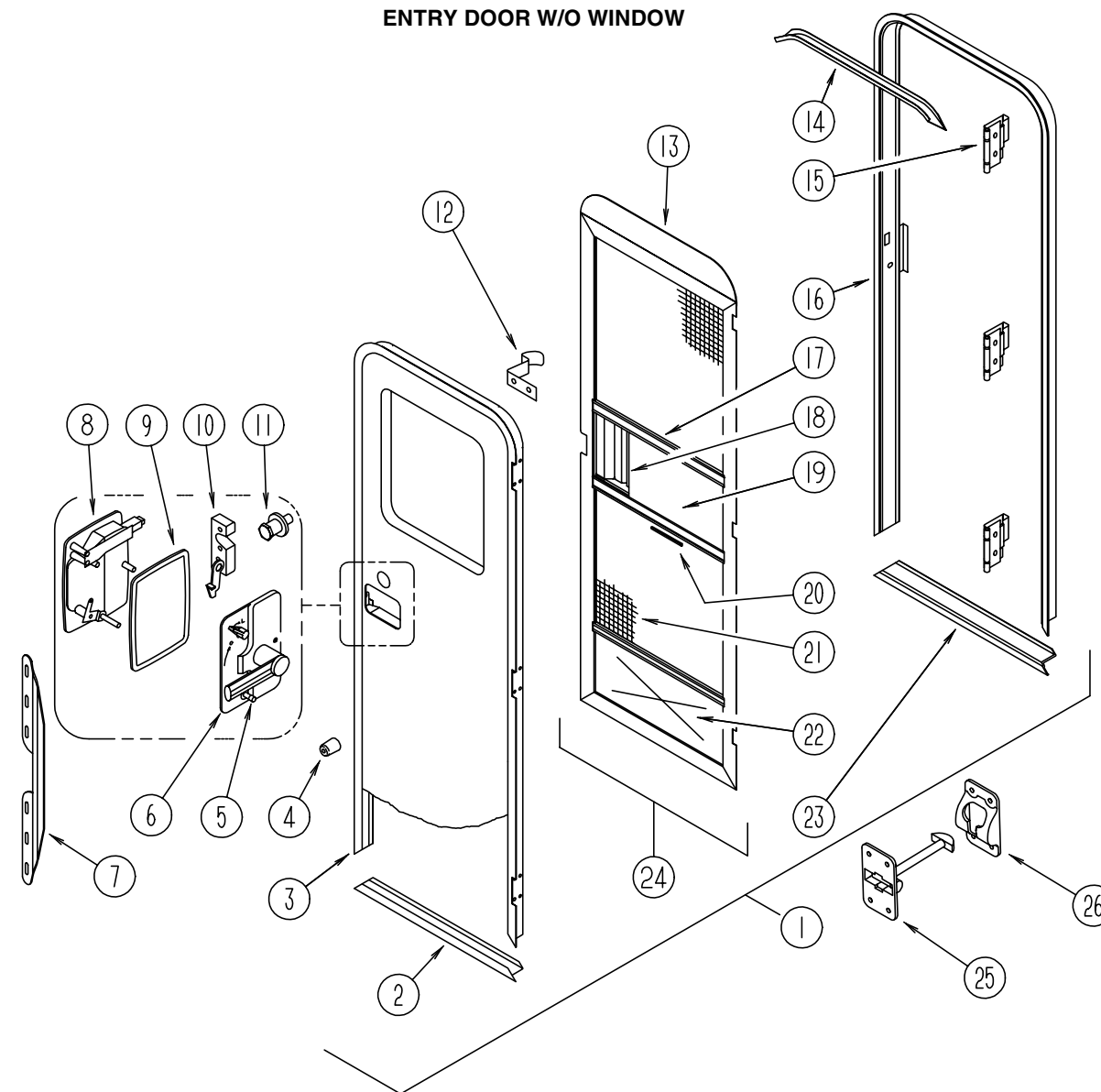
BRIGGS & STRATTON LOCKS & COMPONENTS



KEY	PART NUMBER	U/M	DESCRIPTION	VENDOR NO.	KEY	PART NUMBER	U/M	DESCRIPTION	VENDOR NO.
1	110506-59-000	EA	KEYS - SET OF TWO	596720	1	110506-59-006	EA	KEYS - SET OF TWO	596726
2	110506-52-000	EA	CASE - LOCK - A= .65"	702370	2	110506-52-006	EA	CASE - LOCK - A= .65"	702376
2	110506-53-000	EA	CASE - LOCK - A= 1"	702380	2	110506-53-006	EA	CASE - LOCK - A= 1"	702386
2	110506-54-000	EA	CASE - LOCK - A= 1.25"	703170	2	110506-54-006	EA	CASE - LOCK - A= 1.25"	703176
1	110506-59-001	EA	KEYS - SET OF TWO	596721	1	110506-59-007	EA	KEYS - SET OF TWO	596727
2	110506-52-001	EA	CASE - LOCK - A= .65"	702371	2	110506-52-007	EA	CASE - LOCK - A= .65"	702377
2	110506-53-001	EA	CASE - LOCK - A= 1"	702381	2	110506-53-007	EA	CASE - LOCK - A= 1"	702387
2	110506-54-001	EA	CASE - LOCK - A= 1.25"	703171	2	110506-54-007	EA	CASE - LOCK - A= 1.25"	703177
1	110506-59-002	EA	KEYS - SET OF TWO	596722	1	110506-59-008	EA	KEYS - SET OF TWO	596728
2	110506-52-002	EA	CASE - LOCK - A= .65"	702372	2	110506-52-008	EA	CASE - LOCK - A= .65"	702378
2	110506-53-002	EA	CASE - LOCK - A= 1"	702382	2	110506-53-008	EA	CASE - LOCK - A= 1"	702388
2	110506-54-002	EA	CASE - LOCK - A= 1.25"	703172	2	110506-54-008	EA	CASE - LOCK - A= 1.25"	703178
1	110506-59-003	EA	KEYS - SET OF TWO	596723	1	110506-59-009	EA	KEYS - SET OF TWO	596729
2	110506-52-003	EA	CASE - LOCK - A= .65"	702373	2	110506-52-009	EA	CASE - LOCK - A= .65"	702379
2	110506-53-003	EA	CASE - LOCK - A= 1"	702383	2	110506-53-009	EA	CASE - LOCK - A= 1"	702389
2	110506-54-003	EA	CASE - LOCK - A= 1.25"	703173	2	110506-54-009	EA	CASE - LOCK - A= 1.25"	703179
1	110506-59-004	EA	KEYS - SET OF TWO	596724	3	110506-40-700	EA	HARDWARE KIT	
2	110506-52-004	EA	CASE - LOCK - A= .65"	702374	4	110506-50-000	EA	CASE - TWIST LOCK - A= .65"	596952
2	110506-53-004	EA	CASE - LOCK - A= 1"	702384	4	110506-51-000	EA	CASE - TWIST LOCK - A= 1"	596669
2	110506-54-004	EA	CASE - LOCK - A= 1.25"	703174	4	110506-55-000	EA	CASE - TWIST LOCK - A= 1.25"	597312AA1
1	110506-59-005	EA	KEYS - SET OF TWO	596725		110506-40-000	EA	CLIP-E - LOCK ASM.	93981
2	110506-52-005	EA	CASE - LOCK - A= .65"	702375		110506-64-000	EA	CAM - LOCK	322280
2	110506-53-005	EA	CASE - LOCK - A= 1"	702385		110506-68-000	EA	CAM - LOCK	322284
2	110506-54-005	EA	CASE - LOCK - A= 1.25"	703175		110506-71-000	EA	CAM - LOCK	322287
						110506-59-701	EA	KEY BLANK - GOLD	

WINDOW, VENT & EXTERIOR DOOR GROUP (CONTINUED)

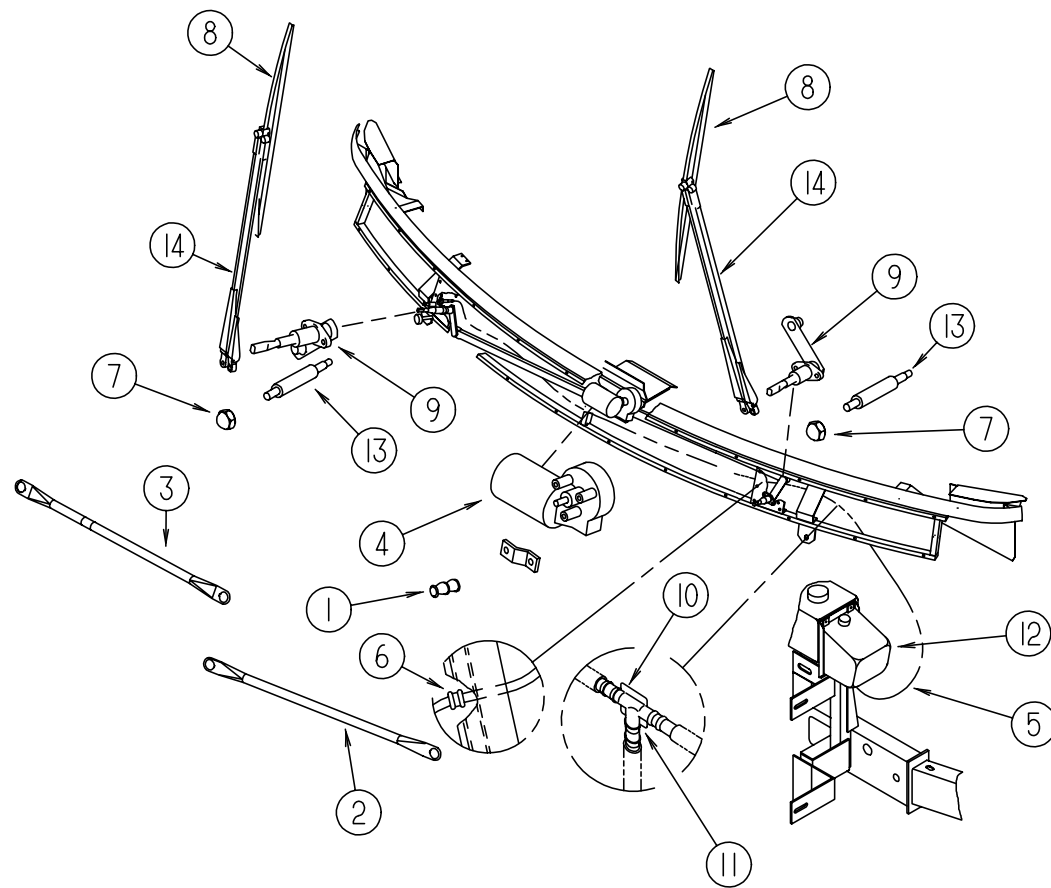
ENTRY DOOR W/O WINDOW



KEY	PART NUMBER	U/M	DESCRIPTION
1	115108-16-K28	EA	DOOR - ENTRY W/SCREEN DOOR - W/O WINDOW (K28, K29, K34, K35)
1	115108-16-K30	EA	DOOR - ENTRY W/SCREEN DOOR - W/O WINDOW (K30, K31)
1	115108-16-K32	EA	DOOR - ENTRY W/SCREEN DOOR - W/O WINDOW (K32, K33)
2	121893-03-02A	EA	FRAME - ENTRY DOOR/LOWER - BRIGHT WHITE
3	121894-15-01A	EA	FRAME - ENTRY DOOR - BRIGHT WHITE
4	120863-02-000	EA	BUMPER - RUBBER - 1" DIAMETER X 1.50"
5	112782-05-01A	EA	CAP - VINYL - RED
6	112782-02-01A	EA	LATCH - INTERIOR PLATE
7	098173-01-04A	EA	STIFFENER - ENTRY DOOR - SUPPORTS LATCH/ STRIKE AREA - UNPAINTED
8	112782-07-01A	EA	LATCH - EXTERIOR - W/O MAIN CYLINDER W/DEADBOLT LOCK/KEY
9	112782-04-01A	EA	GASKET
10	112782-03-01A	EA	LATCH - SINGLE ROTOR
11	092927-03-000	EA	STRIKER - ROUND - JAMB MOUNTED
	077461-03-000	EA	COVER - STRIKE - ENTRY DOOR - 6.5" X 2.5" - WHITE PLASTIC
	039715-01-000	EA	NUT-SERT - 1/4" DIAMETER - 20 THREADS (ENTRANCE DOOR HINGE)
	041546-08-000	EA	BRACKET - DOOR ANGLE - OFF WHITE
	075671-04-000	FT	SEAL - SPONGE - LAZY T SHAPE - W/ ADHESIVE STRIP - .5" WIDE
12	100412-01-000	EA	CATCH - SCREEN DOOR
13	078595-03-000	EA	PLATE - SCREEN DOOR
14	044582-50-000	EA	CAP - DRIP JAMB MITERED

KEY	PART NUMBER	U/M	DESCRIPTION
15	106719-01-05A	EA	HINGE - ENTRANCE DOOR - BRIGHT WHITE
	076725-02-000	EA	COVER - HINGE - ENTRY DOOR - 6" X 3.2" - OFF WHITE
	102248-01-000	EA	SHIM - DOOR
	116111-02-01A	EA	SCREW - TAPTITE - 1/4-20 X 3/8 PPH - ZINC
	118929-01-01A	FT	SEAL - PILE - PUSH ON
16	121898-13-01A	EA	JAMB - DOOR - ENTRANCE
17	078777-08-000	FT	CHANNEL SLIDER
18	079086-03-000	EA	SLIDER - SCREEN DOOR - BRIGHT WHITE
19	016454-17-000	EA	INSERT-SCREEN DOOR - CTR - MILL
20	002294-01-000	FT	SPLINE - SCREENING - .135" X .138"
21	002293-02-000	SF	SCREEN - 26" - CHARCOAL
	075673-05-000	FT	SEAL - PILE - ADHESIVE BACK - BLACK
22	078552-09-000	EA	INSERT - SCREEN DOOR - LOWER
23	051049-05-000	EA	JAMB/DOOR - LOWER - ENTRANCE DOOR
24	117077-03-K80	EA	DOOR - SCREEN
25	104099-01-04A	EA	CATCH - DOOR HOLDER - STRIKE - BRIGHT WHITE
26	104099-02-04A	EA	CATCH - DOOR HOLDER - RETAINER - BRIGHT WHITE
	115222-12-02A	EA	GARNISH - RADIUS - ENTRY DOOR
	009126-03-000	EA	HANDLE - ASSIST - BLACK TEXTURED
	120863-06-000	EA	BUMPER - RUBBER - 3/4" X 3/8"

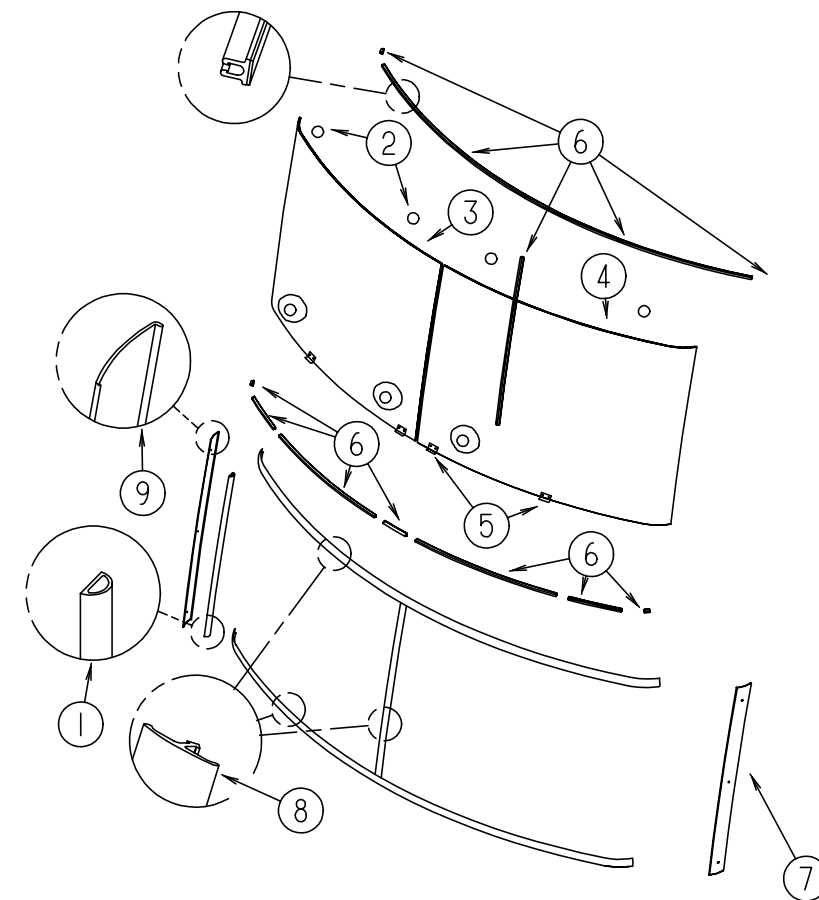
WINDSHIELD & WIPER GROUP



WINDSHIELD WIPER ASM

KEY	PART NUMBER	U/M	DESCRIPTION	VENDOR NO.
1	067188-01-000	EA	STUD - CRANK - WIPER MOTOR	
	117322-01-000	EA	SCREW - 1/4-28 UNFINISHED - 2A - TORX	
2	117770-01-000	EA	LINK - CONNECTING - PASSENGER - 24"	
3	117770-02-000	EA	LINK - CONNECTING - DRIVER - 24"	
4	104346-04-000	EA	MOTOR - WIPER W/INTERNAL BREAKER (GM)	
4	104346-05-000	EA	MOTOR - WIPER W/INTERNAL BREAKER - DYNAMIC PARK (FORD)	
	104347-04-000	EA	ARM - DRIVE - WIPER MOTOR	
5	045794-01-000	FT	HOSE - WASHER - WINDSHIELD - 5/32" ID - BLACK	
6	061603-01-000	EA	GROMMET - SNAP - 3/16"ID - 3/8" HOLE - PLASTIC BLACK	
7	077049-02-000	EA	NUT - ACORN - 10-32 BLACK/ANODIZED	
8	095964-01-000	EA	BLADE - WINDSHIELD WIPER - 24"	
	095964-01-700	EA	BLADE - REFILL 24" EA = 1 PAIR	12360
9	096505-09-000	EA	SHAFT/PIVOT - WINDSHIELD WIPER	
	096505-02-700	EA	DRIVER - KNURLED,(HD) BRL .687	NT721017
	096505-02-701	EA	NUT - HEX (HD) W/.687 BARREL	NT721021
	096505-02-702	EA	CAP - RUBBER (HD) BARREL .687	CP721084
	096505-02-703	EA	CAP - NUT(ACORN) HD W/.687 BRL	51065-40-NT27WC
10	110605-01-000	EA	TEE - PLASTIC - BARBED - 1/8" X 1/8" X 3/16"	
11	117765-03-000	EA	CONNECTOR - 5/32" - WINDSHIELD WASHER	
12	117766-02-000	EA	RESERVOIR/PUMP - WINDSHIELD WASHER	
13	117768-01-000	EA	SHAFT - ADAPTER - PANTOGRAPH ARM	
14	117769-01-000	EA	ARM - WIPER - PANTOGRAPH - 28"	

WINDSHIELD & WIPER GROUP (CONTINUED)



WINDSHIELD MOLDINGS & GLASS

KEY	PART NUMBER	U/M	DESCRIPTION
1	099418-01-000	FT	SEAL - D-SECTION/ADHESIVE BACK - .44" X .44"- BLK RUBBER
2	081914-01-000	EA	BUMPER - RUBBER - ROUND - .43" DIAMETER
3	124328-01-000	EA	WINDSHIELD - PASSENGER - 52" X 41" (CURVED)
4	124328-02-000	EA	WINDSHIELD - DRIVERS - 52" X 41" (CURVED)
5	002328-02-000	EA	BLOCK - WINDSHIELD - .062" X .5" X .98"
6	127862-01-000	EA	CARRIER - REVEAL - WINDSHIELD - 47.2"
7	125384-02-02A	EA	TRIM - WINDSHIELD - A-PILLAR - DRIVER - BLACK
7	125384-02-01A	EA	TRIM - WINDSHIELD - A-PILLAR - DRIVER - MILL
8	120533-01-000	FT	MOLDING - REVEAL - WINDSHIELD
9	125384-01-02A	EA	TRIM - WINDSHIELD - A-PILLAR - PASSENGER - BLACK
9	125384-01-01A	EA	TRIM - WINDSHIELD - A-PILLAR - PASSENGER - MILL
	118586-01-000	FT	MOLDING - REVEAL - WINDSHIELD (CENTER POST)