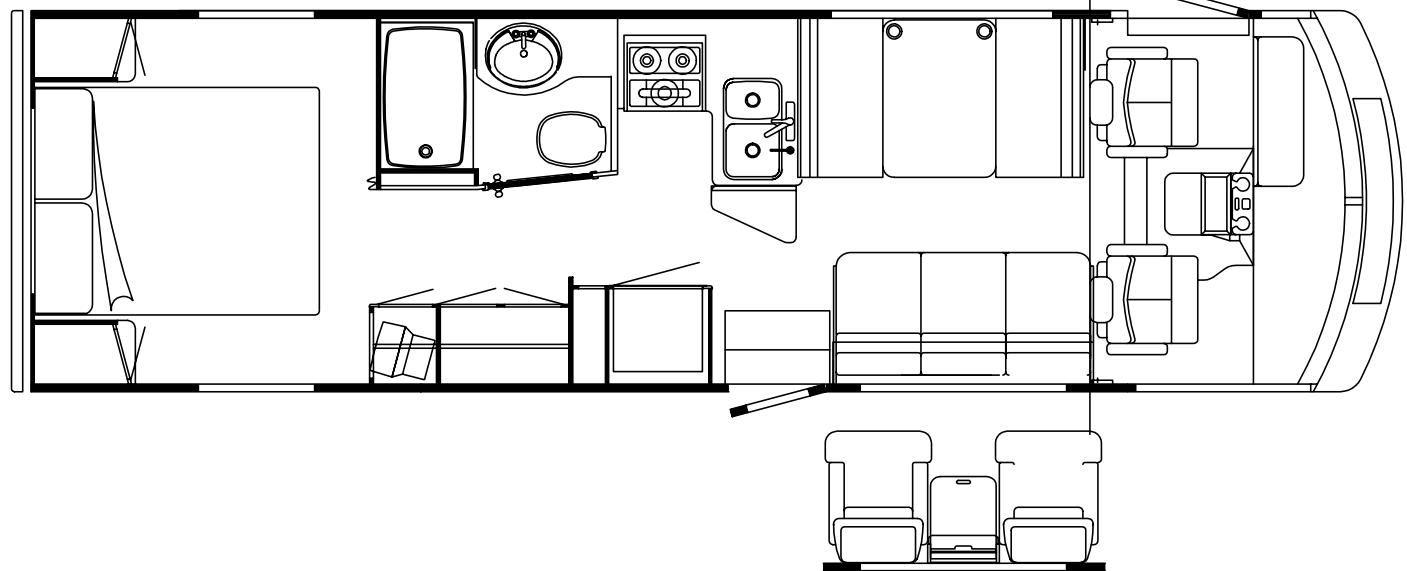
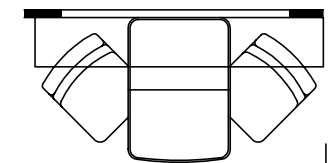
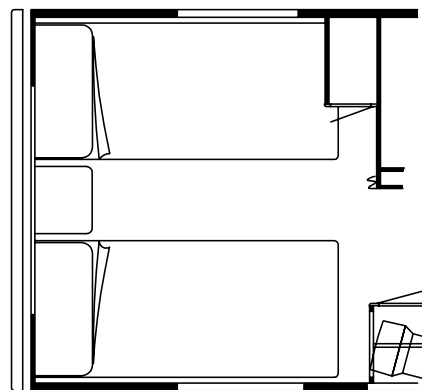
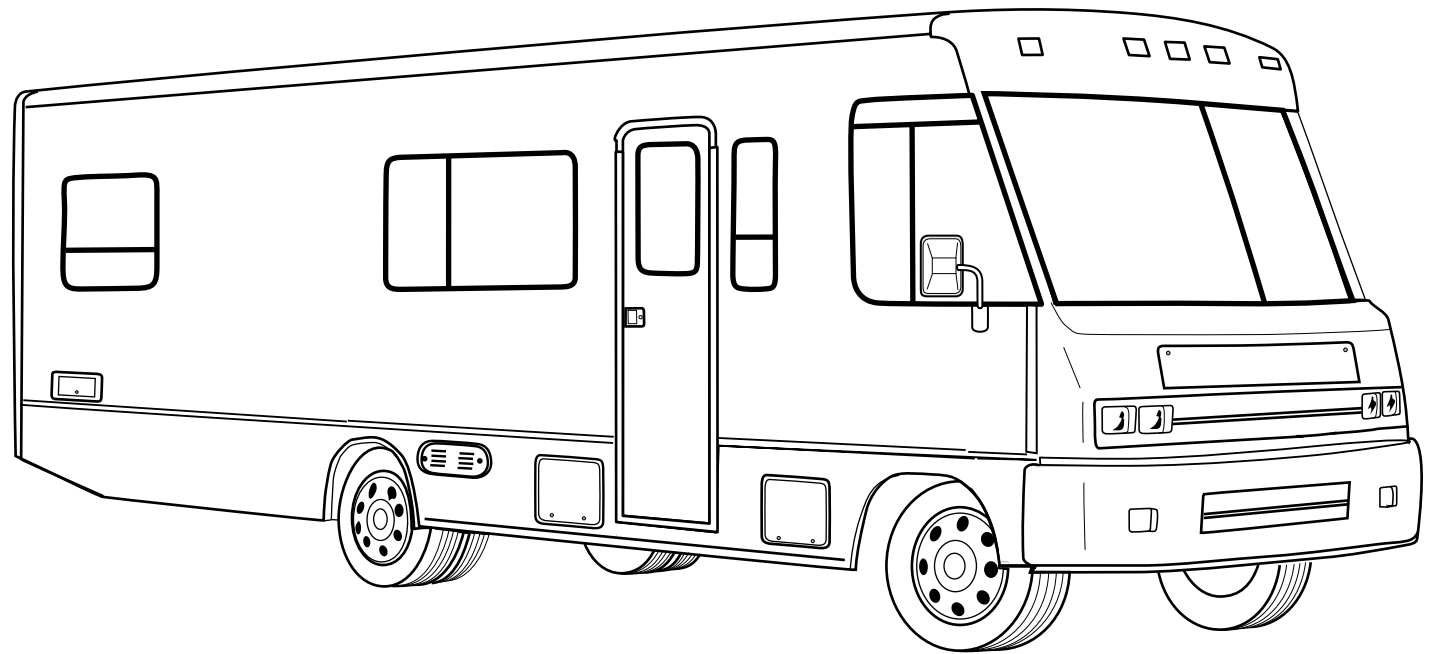


1999 WCG30A

- K28** **SUNFLOWERS (TAUPE)**
(WATERFORD OAK)
- K29** **SUNFLOWERS (TAUPE)**
(MYSTIC OAK)
- K30** **VINTAGE GROVE (PLUM)**
(WATERFORD OAK)
- K31** **VINTAGE GROVE (PLUM)**
(MYSTIC OAK)
- K32** **JUNIPER (TEAL)**
(WATERFORD OAK)
- K33** **JUNIPER (TEAL)**
(MYSTIC OAK)
- K34** **CHAMELEON (BLUE)**
(WATERFORD OAK)
- K35** **CHAMELEON (BLUE)**
(MYSTIC OAK)



ACCESSORIES GROUP

OPERATOR MANUAL

KEY	PART NUMBER	U/M	DESCRIPTION
	054185-K5-000	EA	MANUAL - OPERATOR 99 ADVENTURER
	129079-01-01A	EA	CASE - VINYL/BLACK-EXPANDABLE ACCORDION SIDES-7"WX9"HX14"L
	129543-01-000	EA	TOP LEVEL - G,1999

AUDIO VIDEO GROUP

RADIO SYSTEMS & ANTENNA

KEY	PART NUMBER	U/M	DESCRIPTION	VENDOR NO.
	127516-03-000	EA	RADIO - AM/FM STEREO - CD PLAYER - PANASONIC	- CQ-DP930
	127264-01-000	EA	RADIO - AM/FM STEREO - CASSETTE - PANASONIC	
	127264-01-700	EA	TRIM RING	YFC054C044ZB
	127264-01-701	EA	KNOB - VOLUME	YFE074C045ZA
	127264-01-702	EA	KNOB - FADER	YEFE074C026
	127264-01-703	EA	FACTORY HARNESS	YAJ024C048ZB
	124881-01-000	EA	AMPLIFIER - AUDIO	
	110469-01-000	EA	SPEAKER - 4" X 6" OVAL - COAXIAL	
	110470-01-01A	EA	GRILLE - 4" X 6" OVAL - BLACK	
	094097-01-000	EA	SPEAKER - RADIO/TV - W/O GRILLE - 5.25" DIAMETER	
	077069-02-000	EA	CABLE - ANTENNA/EXTENSION - RADIO - 96"	
	123256-01-000	EA	ANTENNA - CB - W/O CABLE	
	123256-02-000	EA	CABLE - CB - COAX	
	090944-01-000	EA	ANTENNA - RADIO - 16" RUBBER	
	108847-01-000	EA	BRACKET - ANTENNA GROUND	
	115916-01-01B	EA	BRACKET - ANTENNA MOUNT	
	109889-04-000	EA	EXTENDER - ANTENNA SHAFT - 3"	

DELUXE SOUND SYSTEM

KEY	PART NUMBER	U/M	DESCRIPTION
	124883-02-000	EA	SPEAKER - CUBE - W/BRACKET
	124884-01-000	EA	SPEAKER - 6" X 9" - SUB-WOOFER
	124885-01-000	EA	GRILLE - SPEAKER - 6" X 9" - SUB-WOOFER
	124881-01-000	EA	AMPLIFIER - AUDIO

REAR MONITOR SYSTEM

KEY	PART NUMBER	U/M	DESCRIPTION
	093040-09-000	EA	CAMERA - REAR VIEW - W/BRACKET - SONY
	093040-10-000	EA	MONITOR - 7" REAR VIEW - W/BRACKET - SONY
	093040-10-700	EA	LENS-MONITOR, REAR VIEW F/7" 3-708-537-01
	096717-03-000	EA	WIRE ASSEMBLY - REAR MONITOR - AFTER MARKET INSTALLATION
	108885-02-000	EA	WIRE - REAR MONITOR(W/3 PIN HOUSING F/FUSE BLOCK) CHEVY
	093041-01-000	EA	CABLE - MONITOR/CAMERA - INTERNAL USE - 65.6'
	093041-02-000	EA	CABLE - MONITOR/CAMERA - EXTERNAL USE - 59.1'

PATIO ENTERTAINMENT CENTER

KEY	PART NUMBER	U/M	DESCRIPTION
	110469-01-000	EA	SPEAKER - OVAL - 4" X 6" - BLACK
	110470-01-01A	EA	GRILLE - SPEAKER - OVAL - 4" X 6" - BLACK
	077069-02-000	EA	CABLE - ANTENNA - RADIO - EXTENSION 96"
	125322-02-000	EA	RADIO - AM/FM STEREO - CASSETTE - AUDIOVOX
	090944-01-000	EA	ANTENNA - RADIO - 16" RUBBER
	108847-01-000	EA	BRACKET - ANTENNA GROUND
	109889-04-000	EA	ANTENNA - 3" SHAFT EXTENDER - MAGNADYNE RV71EX3

TELEPHONE

KEY	PART NUMBER	U/M	DESCRIPTION
	093253-01-01A	EA	PLATE - WALL - TELEPHONE - BEIGE
	130686-01-01A	EA	PLATE - WALL - TELEPHONE/COAX

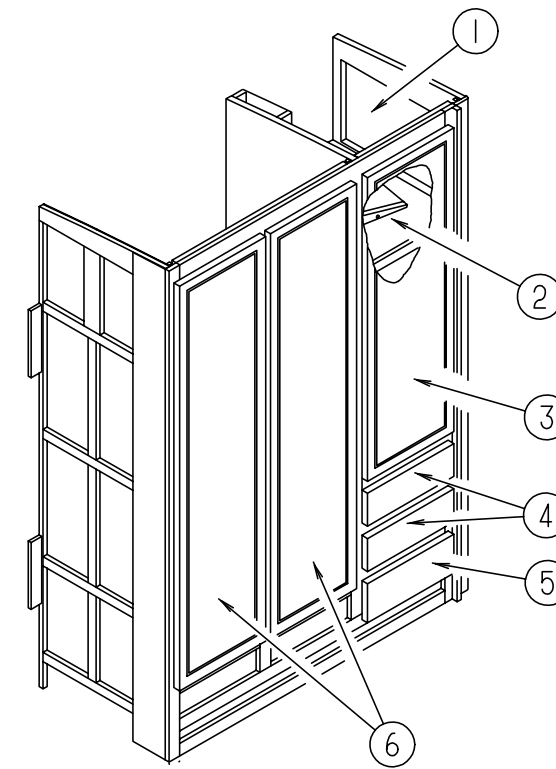
AUDIO VIDEO GROUP (CONTINUED)

TV & VCR SYSTEMS

KEY	PART NUMBER	U/M	DESCRIPTION	VENDOR NO.
*	076319-23-000	EA	ANTENNA - TV - ROOF MOUNT - 44.5" MAST	
*	120233-01-000	EA	ANTENNA - SATELLITE (DISH & HDW) W/O RECEIVER - MANUAL FROM: 00-00-00 THRU: 07-15-98	
*	120233-04-000	EA	ANTENNA - SATELLITE - W/DIGITAL SENSOR/READ OUT DISPLAY FROM: 07-16-98 THRU: 99-99-99	
	086231-08-000	EA	TV - 13" COLOR - DC - AUDIOVOX AVT-1475	
	086231-08-700	EA	REMOTE - UNIVERSAL	8822325
	126696-02-000	EA	TV - 19" COLOR W/1/8" JACK - UL/CSA - GE19GT319M	
	126696-01-700	EA	REMOTE	226725
	126697-02-000	EA	VCR-VHS - CABLE READY - W/REMOTE - GE VG2042	
	126697-02-700	EA	REMOTE	238513
	086757-03-000	EA	CONTROL CENTER - SWITCH - VCR/TV FROM: 00-00-00 THRU: 11-08-98	
	086757-04-000	EA	CONTROL CENTER - SWITCH - 5 INPUTS FROM: 11-09-98 THRU: 99-99-99	
	086777-02-000	EA	WALLPLATE - TV CABLE - W/ANTENNA SWITCH - BROWN	
	086777-06-000	EA	WALLPLATE - TV CABLE - ANTENNA BOOSTER/1 OUTPUT - BROWN	
	086756-01-000	EA	SPLITTER - TV - 2 WAY	
	076319-09-000	EA	WALLPLATE - CABLE RECEPTACLE - TV - SINGLE - BROWN	
	076319-03-000	FT	CABLE - COAXIAL - 75 OHM	
	076319-12-000	EA	CONNECTOR - COAXIAL - ONE PIECE	
	086231-08-701	EA	ADAPTER - WIRE	0891436
	082134-01-000	EA	ADAPTER - TV - CABLE TO CABLE	
	098819-01-000	EA	SPEAKER - 4" - 2 WATT - 8 OHM	
	082136-01-000	EA	NUT - HEX JAM - 3/8-32	
	114870-02-000	EA	PLUG - .14" AUDIO W/LEADS	

*COMPONENT PARTS FOUND IN SERVICE PARTS LIBRARY

BATH GROUP

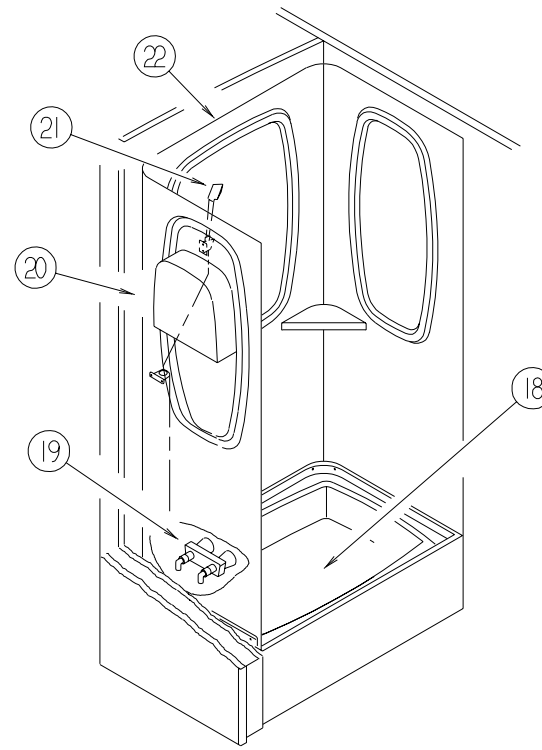
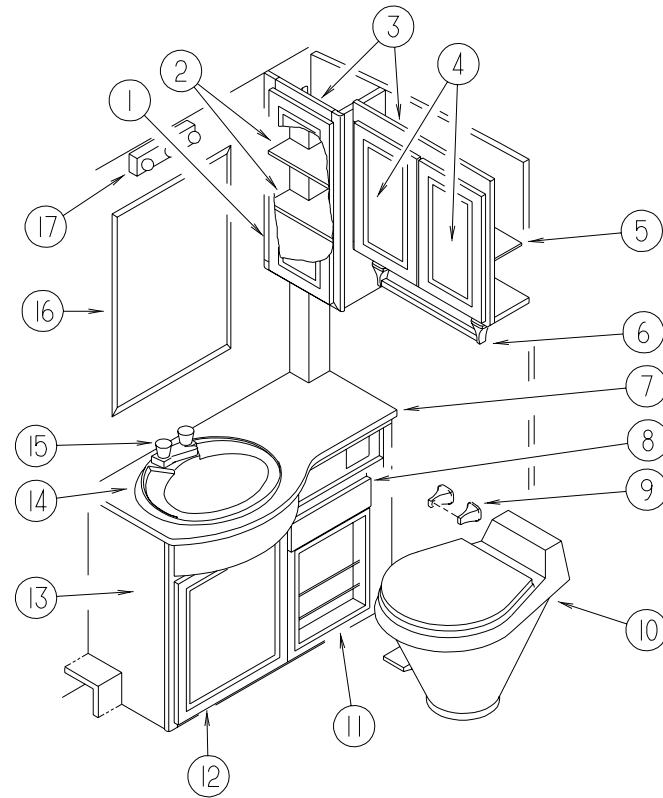


WARDROBE CABINET

KEY	PART NUMBER	U/M	DESCRIPTION
1	M05992-L2-J20	EA	DOOR - STRAIGHT CORNER/OGEE EDGE - 14.3" X 17.9" - W/O HARDWARE (WATERFORD OAK)
1	M05992-L2-K29	EA	DOOR - STRAIGHT CORNER/OGEE EDGE - 14.3" X 17.9" - W/O HDW (MYSTIC OAK)
2	126114-13-J22	EA	WEDGE - W/PLASTIC EDGE MOLDING/TIE DOWN STRAP (WATERFORD OAK)
2	126114-13-K29	EA	WEDGE - W/PLASTIC EDGE MOLDING/TIE DOWN STRAP (MYSTIC OAK)
3	M05992-L3-K28	EA	DOOR - STRAIGHT CORNER/OGEE EDGE - 16.7" X 48" - W/O HARDWARE (WATERFORD OAK)
3	M05992-L3-K29	EA	DOOR - STRAIGHT CORNER/OGEE EDGE - 16.7" X 48" - W/O HDW (MYSTIC OAK)
4	M05971-FA-K28	EA	DRAWER - OGEE EDGE - 14.1"W X 15.7"D - W/O SLIDES/HARDWARE (WATERFORD OAK)
4	M05971-FA-K29	EA	DRAWER - OGEE EDGE - 14.1"W X 15.7"D - W/O SLIDES/HARDWARE (MYSTIC OAK)
5	M05971-FC-K28	EA	DRAWER - OGEE EDGE - 14.1"W X 15.7"D - W/O SLIDES/HARDWARE (WATERFORD OAK)
5	M05971-FC-K29	EA	DRAWER - OGEE EDGE - 14.1"W X 15.7"D - W/O SLIDES/HARDWARE (MYSTIC OAK)
6	M06803-11-G15	EA	DOOR - MIRROR/MTRD CRNR/OGEE EDGE - 16" X 65.3" - W/O HARDWARE (WATERFORD OAK)
6	M06803-11-K29	EA	DOOR - MIRROR/MTRD CRNR/OGEE EDGE - 16" X 65.3" - W/O HDW (MYSTIC OAK)
	042438-01-000	EA	DOWEL - WOOD - CLOTHES ROD - 1" DIAMETER X 4'
	009112-01-000	EA	FLANGE - 1" CLOTHES ROD - OFF WHITE PLASTIC
	041953-12-000	FT	CONDUIT - CONVOLUTE SOLID - 1.1" ID - NYLON

BATH GROUP (CONTINUED)

BATH CABINETS, PRIVACY DOOR & SHOWER COMPONENTS

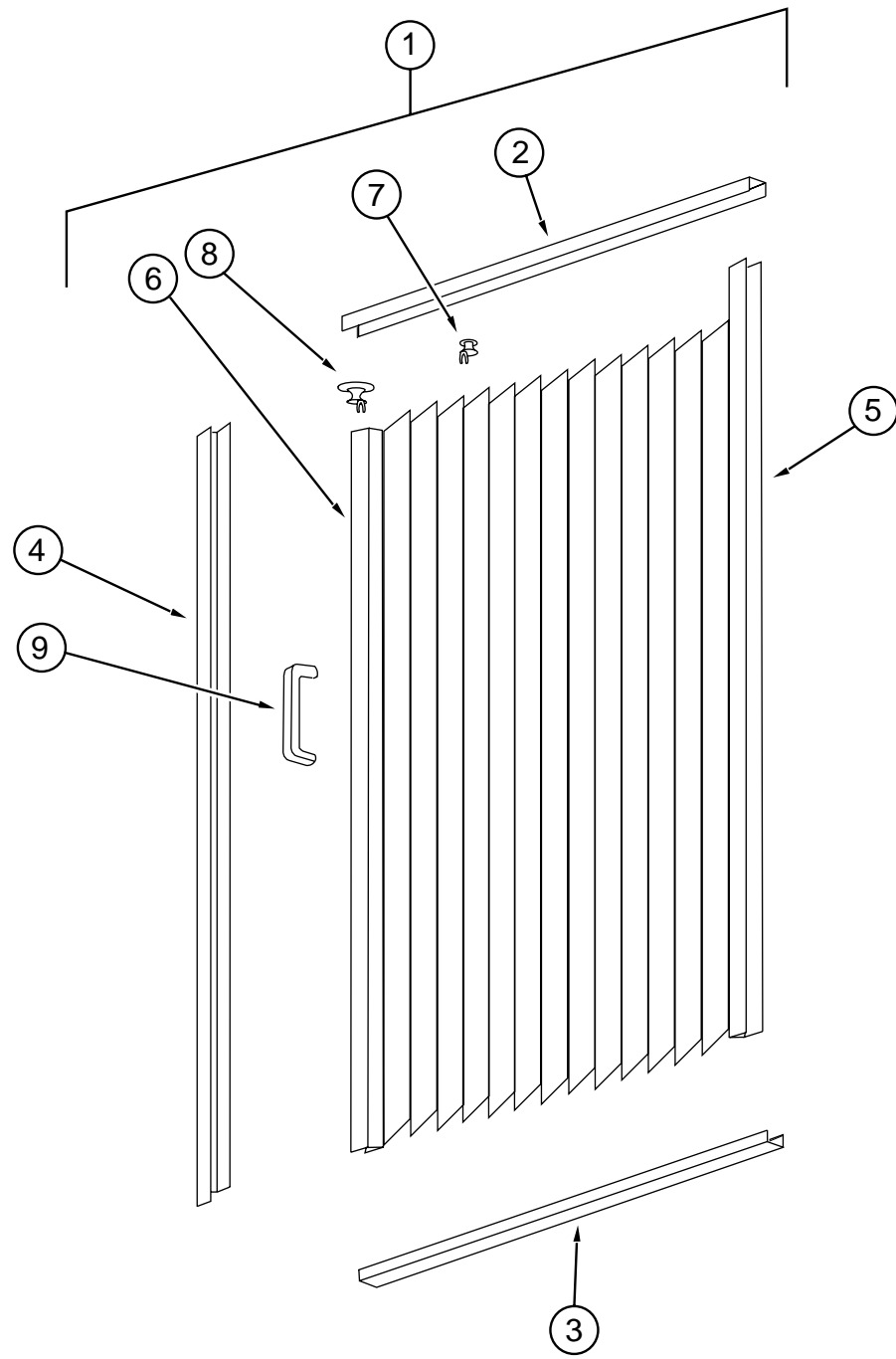


KEY	PART NUMBER	U/M	DESCRIPTION
1	M05992-77-K28	EA	DOOR - STR CORNER/OGEE - 10" X 25.2" - W/O HDW (WATERFORD OAK)
1	M05992-77-K29	EA	DOOR - STR CORNER/OGEE - 10" X 25.2" - W/O HDW (MYSTIC OAK)
2	126111-13-J22	EA	SHELF - W/PLASTIC EDGE TRIM (WATERFORD OAK)
2	126111-13-K29	EA	SHELF - W/PLASTIC EDGE TRIM (MYSTIC OAK)
3	126111-01-J22	EA	CABINET - OVHD/MEDICINE - W/O DOORS/HDW (WATERFORD OAK)
3	126111-01-K29	EA	CABINET - OVHD/MEDICINE - W/O DOORS/HDW (MYSTIC OAK)
4	M05992-G1-K28	EA	DOOR - STR CORNER/OGEE - 11.2" X 19.7" - W/O HDW (WATERFORD OAK)
4	M05992-G1-K29	EA	DOOR - STR CORNER/OGEE - 11.2" X 19.7" - W/O HDW (MYSTIC OAK)
5	126111-14-J22	EA	SHELF - W/PLASTIC EDGE TRIM (WATERFORD OAK)
5	126111-14-K29	EA	SHELF - W/PLASTIC EDGE TRIM (MYSTIC OAK)
6	075453-02-000	EA	BAR - TOWEL - 18" BRASS
7	126112-15-J26	EA	COUNTERTOP - LAVATORY (K28, K29, K30, K31, K34, K35)
7	126112-15-J23	EA	COUNTERTOP - LAVATORY (K32, K33)
8	M05971-EB-J20	EA	DRAWER - OGEE - 12.4"W X 11.8"D - W/O SLIDES/HDW (WATERFORD OAK)
8	M05971-EB-K29	EA	DRAWER - OGEE - 12.4"W X 11.8"D - W/O SLIDES/HDW (MYSTIC OAK)
9	075452-02-000	EA	HOLDER - TOILET TISSUE - BRASS
10*	085330-06-000	EA	TOILET - STANDARD CHINA W/SPRAYER - BONE
11	097208-07-J22	EA	MAGAZINE RACK (WATERFORD OAK)
11	097208-07-K29	EA	MAGAZINE RACK (MYSTIC OAK)
12	M05992-Z4-K28	EA	DOOR - STR CORNER/OGEE - 14.9" X 21.8" - W/O HDW (WATERFORD OAK)
12	M05992-Z4-K29	EA	DOOR - STR CORNER/OGEE - 14.9" X 21.8" - W/O HDW (MYSTIC OAK)

KEY	PART NUMBER	U/M	DESCRIPTION
13	126112-01-K28	EA	CABINET - LAVATORY - W/COUNTERTOP - W/O DOOR/DR/HDW (K28, K30, K34)
13	126112-01-K29	EA	CABINET - LAVATORY - W/COUNTERTOP - W/O DOOR/DR/HDW (K29, K31, K35)
13	126112-01-K32	EA	CABINET - LAVATORY - W/COUNTERTOP - W/O DOOR/DRAWER/HDW (K32)
13	126112-01-K33	EA	CABINET - LAVATORY - W/COUNTERTOP - W/O DOOR/DRAWER/HDW (K33)
13	126112-13-J22	EA	SHELF - W/PLASTIC EDGE TRIM (WATERFORD OAK)
13	126112-13-K29	EA	SHELF - W/PLASTIC EDGE TRIM (MYSTIC OAK)
14	105921-01-01A	EA	SINK - LAVATORY - LARGE/OVAL - 17" X 20" PLASTIC/OFF WHITE
	106116-01-01A	EA	STRAINER - SINK - W/STOPPER/TAILPIECE/GASKET & NUT - PLASTIC
15	075240-06-000	EA	FAUCET - LAVATORY/BONE
15	091253-01-000	EA	GASKET - FAUCET - LAVATORY/GALLEY
15	105218-01-01A	EA	SPACER - FAUCET/LAVATORY SINK - 2" X 5.9" - ABS PLASTIC
16	058331-08-000	EA	MIRROR - SAFETY GLASS - 24" X 30"
17	110235-01-01A	EA	LIGHT - MAKE UP - 3 BULB - 12 VOLT
18	M02630-30-GB1	EA	SHOWER PAN - W/SPRING LOADED DRAIN PLUNGER
19	075242-04-000	EA	FAUCET - TUB/SHOWER - BONE
	075606-01-000	EA	PANEL - PLASTIC - FAUCET BACK - 5" X 9"
20	104462-02-01A	EA	CADDY - SHOWER - OFF WHITE
21	131383-01-01A	EA	SHOWER HEAD - W/60" HOSE & BRACKET - IVORY - US
21	131383-02-01A	EA	SHOWER HEAD - W/60" HOSE & BRACKET - IVORY - CSA
22	115612-02-01A	EA	SURROUND - SHOWER - OFF WHITE
	117431-03-01A	EA	DOOR - SHOWER - PLEATED FABRIC

*COMPONENT PARTS FOUND IN SERVICE PARTS LIBRARY

BATH GROUP (CONTINUED)



SHOWER DOOR

KEY	PART NUMBER	U/M DESCRIPTION
1	117431-03-01A	EA DOOR - SHOWER - PLEATED FABRIC
2	117431-01-700	EA TRACK - TOP - ALUM. IVORY INSERT - 48"
3	117431-01-701	EA TRACK - BOTTOM - 48 "
4	117431-01-702	EA RAIL - SIDE - 67"
5	117431-01-703	EA RAIL - STATIONARY - 67"
6	117431-01-704	EA RAIL - LEAD - 67"
7	117431-01-705	EA GLIDE - IVORY - TRAVELER
8	117431-01-706	EA GLIDE - IVORY LEAD - TRAVELER
9	117431-01-708	EA HANDLES & SCREWS
	117431-01-707	EA LATCH
	117431-03-700	EA STRAP - VINYL SHOWER

BATH GROUP (CONTINUED)

BATH/BEDROOM PRIVACY DOOR

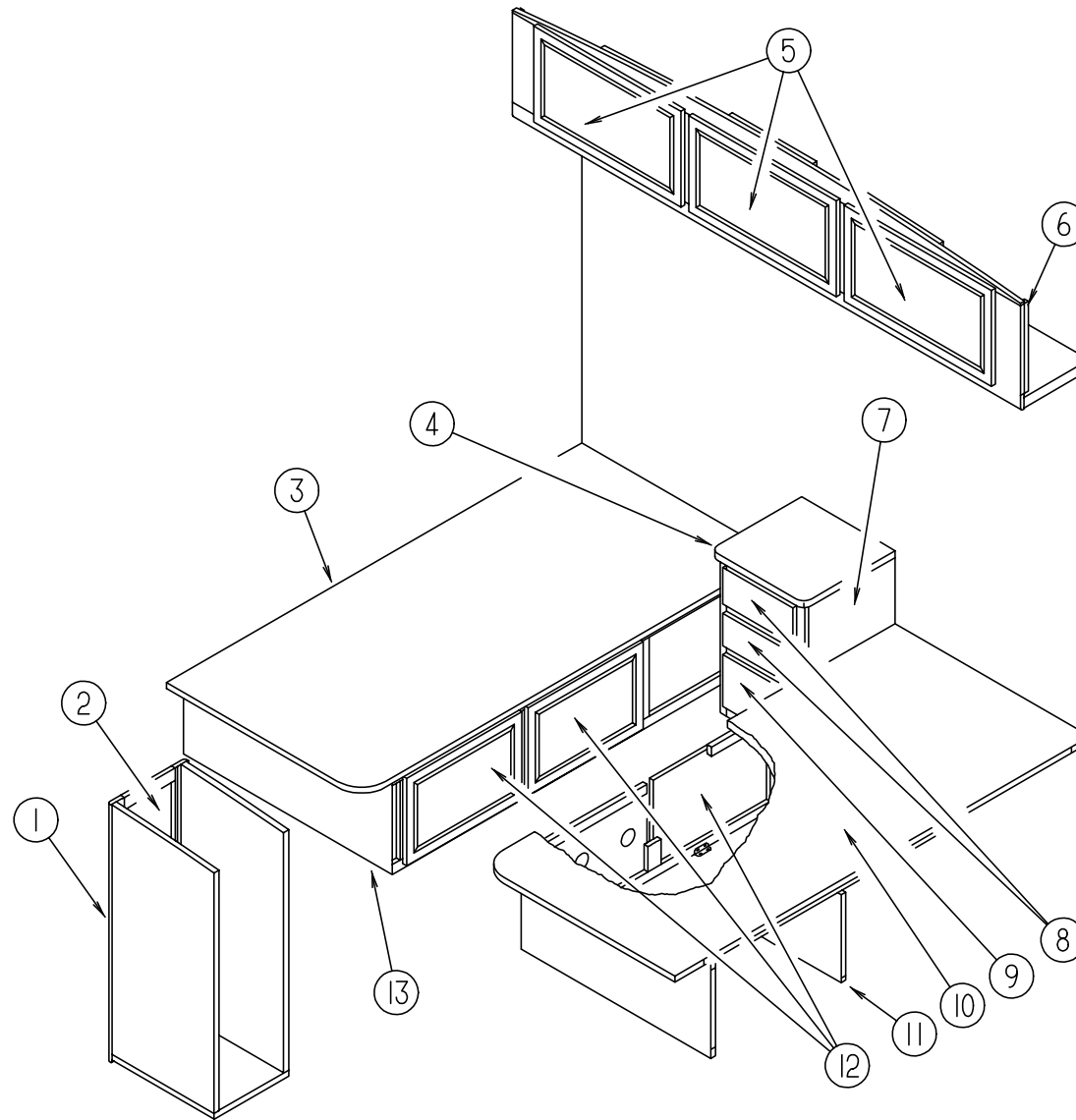
KEY	PART NUMBER	U/M DESCRIPTION
	M87868-39-J22	EA DOOR - BATH - 26.7" X 75.4" (WATERFORD OAK)
	M87868-39-K29	EA DOOR - BATH - 26.7" X 75.4" (MYSTIC OAK)
	102920-01-01A	EA HINGE/SPRING LOADED - BRASS
	110496-01-01A	EA HINGE - BRASS
	124311-01-01A	EA HANDLE - RECESSED - BRASS
	117978-01-01A	EA KNOB - DOOR - BRIGHT BRASS

BATH DOOR

KEY	PART NUMBER	U/M DESCRIPTION
	121449-31-H17	EA DOOR - BATH (WATERFORD OAK)
	121449-31-J90	EA DOOR - BATH (MYSTIC OAK)
	102920-01-01A	EA HINGE/SPRING LOADED - BRASS
	110496-01-01A	EA HINGE - BRASS
	111155-01-01A	EA LOCK - PRIVACY/LOCKING - POLISHED BRASS
		FROM: 00-00-00 THRU: 01-03-99
	111155-03-01A	EA LOCK - PRIVACY/LOCKING - POLISHED BRASS
		FROM: 01-04-99 THRU: 99-99-99
	121449-12-G04	EA RACK - TOWEL - BATH DOOR (WATERFORD OAK)
	121449-12-G27	EA RACK - TOWEL - BATH DOOR (MYSTIC OAK)
	100357-01-000	EA ROD - F/TOWEL BAR - BRASS

BEDROOM GROUP

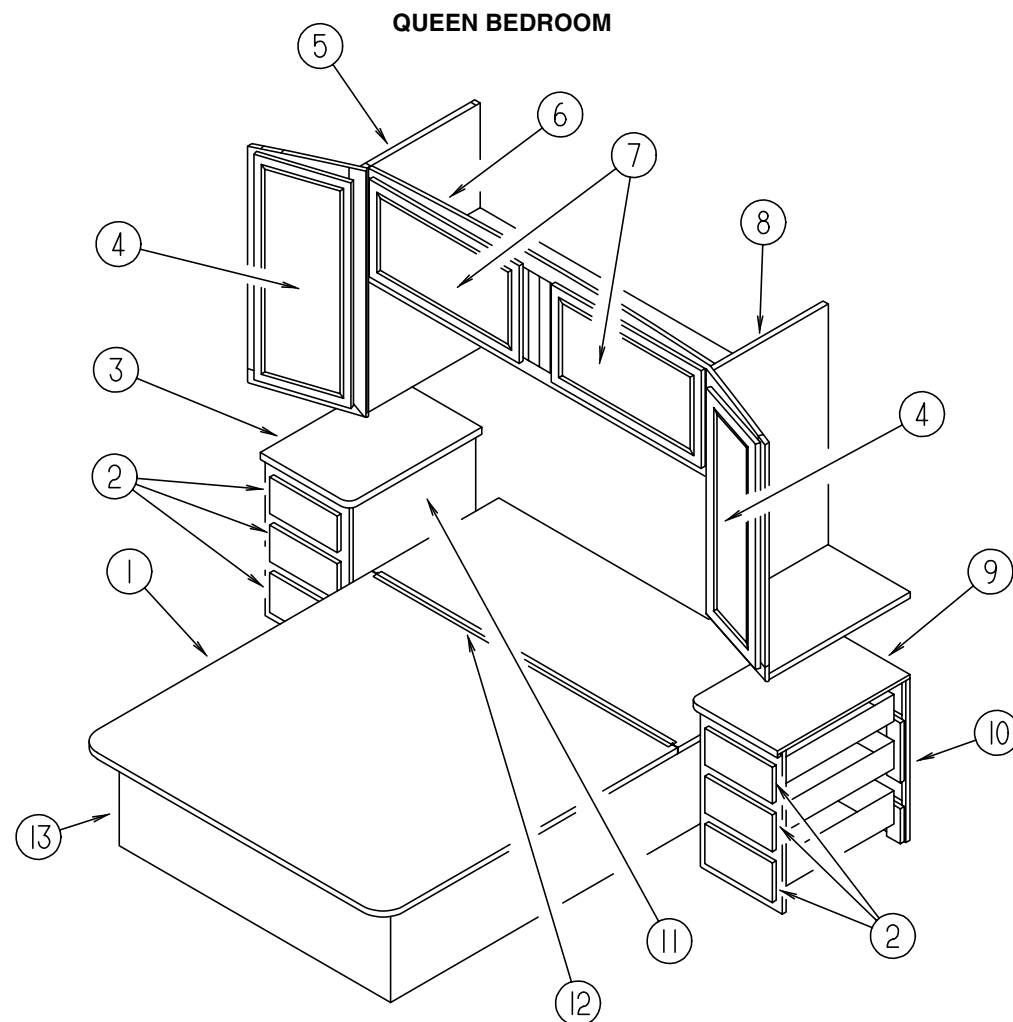
TWIN BEDROOM



KEY	PART NUMBER	U/M	DESCRIPTION
1	126529-01-J22	EA	CABINET - SHIRT CLOSET - W/O DOOR/HDW (WATERFORD OAK)
1	126529-01-K29	EA	CABINET - SHIRT CLOSET - W/O DOOR/HDW (MYSTIC OAK)
2	M05992-47-J20	EA	DOOR - STR CORNER/OGEE - 12" X 40" - W/O HDW (WATERFORD OAK)
2	M05992-47-K29	EA	DOOR - STR CORNER/OGEE - 12" X 40" - W/O HDW (MYSTIC OAK)
3	M08754-02-000	EA	TOP - TWIN BED - PASSENGER SIDE - W/O HDW
4	129653-11-K28	EA	CTRTP - NIGHTSTAND (K28, K29, K30, K31, K34, K35)
4	129653-11-K32	EA	CTRTP - NIGHTSTAND (K32, K33)
5	M05992-48-J20	EA	DOOR - STR CORNER/OGEE - 15.7" X 27.9" - W/O HDW (WATERFORD OAK)
5	M05992-48-K29	EA	DOOR - STR CORNER/OGEE - 15.7" X 27.9" - W/O HDW (MYSTIC OAK)
6	116187-01-K16	EA	CABINET - OVERHEAD/REAR - W/O DOORS/HDW (WATERFORD OAK)
6	116187-01-K29	EA	CABINET - OVERHEAD/REAR - W/O DOORS/HDW (MYSTIC OAK)
7	129653-01-K28	EA	CABINET - NIGHTSTAND - W/CTRTP - W/O DRAWERS/HDW (K28, K30, K34)
7	129653-01-K29	EA	CABINET - NIGHTSTAND - W/CTRTP - W/O DRAWERS/HDW (K29, K31, K35)
7	129653-01-K32	EA	CABINET - NIGHTSTAND - W/CTRTP - W/O DRAWERS/HDW (K32)
7	129653-01-K33	EA	CABINET - NIGHTSTAND - W/CTRTP - W/O DRAWERS/HDW (K33)

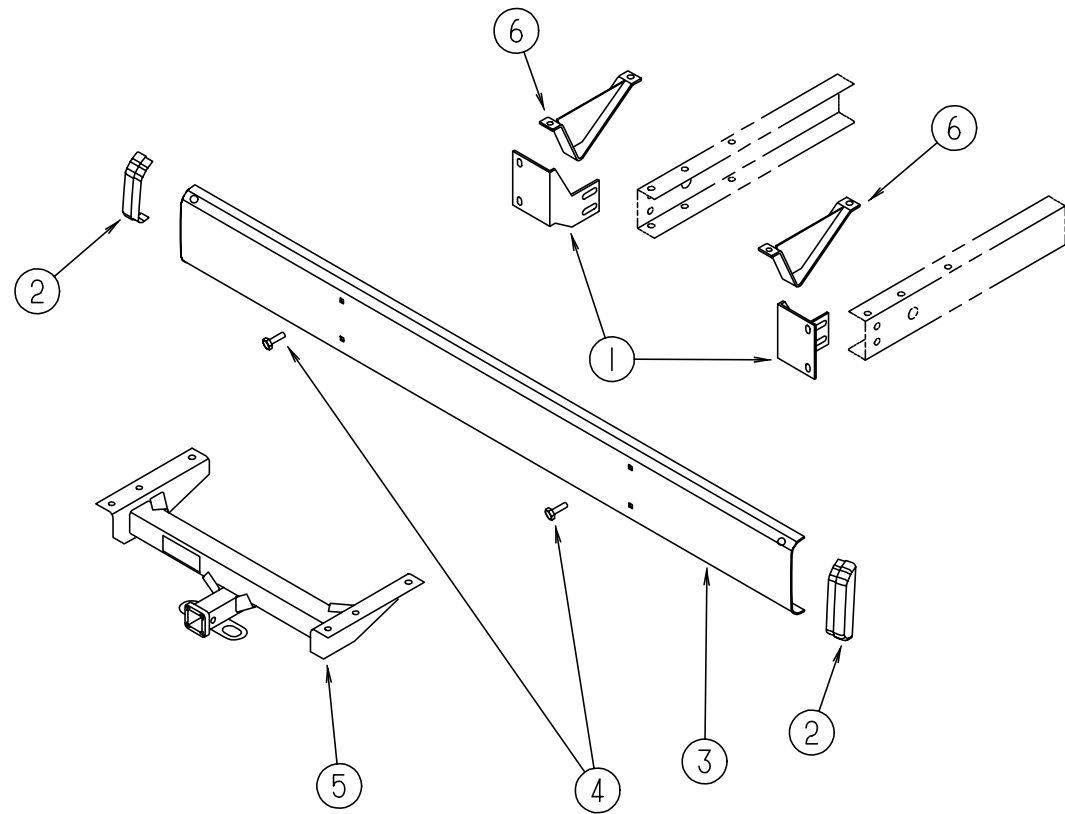
KEY	PART NUMBER	U/M	DESCRIPTION
8	M09316-12-K28	EA	DRAWER - OGEE - 13.5"W X 11.8"D - W/O SLIDES/HDW (WATERFORD OAK)
8	M09316-12-K29	EA	DRAWER - OGEE - 13.5"W X 11.8"D - W/O SLIDES/HDW (MYSTIC OAK)
9	M09316-13-K28	EA	DRAWER - OGEE - 13.5"W X 11.8"D - W/O SLIDES/HDW (WATERFORD OAK)
9	M09316-13-K29	EA	DRAWER - OGEE - 13.5"W X 11.8"D - W/O SLIDES/HDW (MYSTIC OAK)
10	M08754-01-000	EA	TOP - TWIN BED - DRIVER SIDE - W/O HDW
11	P26435-02-K28	EA	CABINET - BASE - TWIN BED/LEFT HAND - W/O DOOR/HDW (WATERFORD OAK)
11	P26435-02-K29	EA	CABINET - BASE - TWIN BED/LEFT HAND - W/O DOOR/HDW (MYSTIC OAK)
12	M05992-BT-K28	EA	DOOR - STR CORNER/OGEE - 12" X 21.8" - W/O HDW (WATERFORD OAK)
12	M05992-BT-K29	EA	DOOR - STR CORNER/OGEE - 12" X 21.8" - W/O HDW (MYSTIC OAK)
13	P26436-01-J22	EA	CABINET - BASE - TWIN BED/RIGHT HAND - W/O DOORS/HDW (WATERFORD OAK)
13	P26436-01-K29	EA	CABINET - BASE - TWIN BED/RIGHT HAND - W/O DOORS/HDW (MYSTIC OAK)
	096764-02-000	FT	SLIPNOT - ANTISLIP, 1' WIDE (100' ROLLS)

BEDROOM GROUP (CONTINUED)

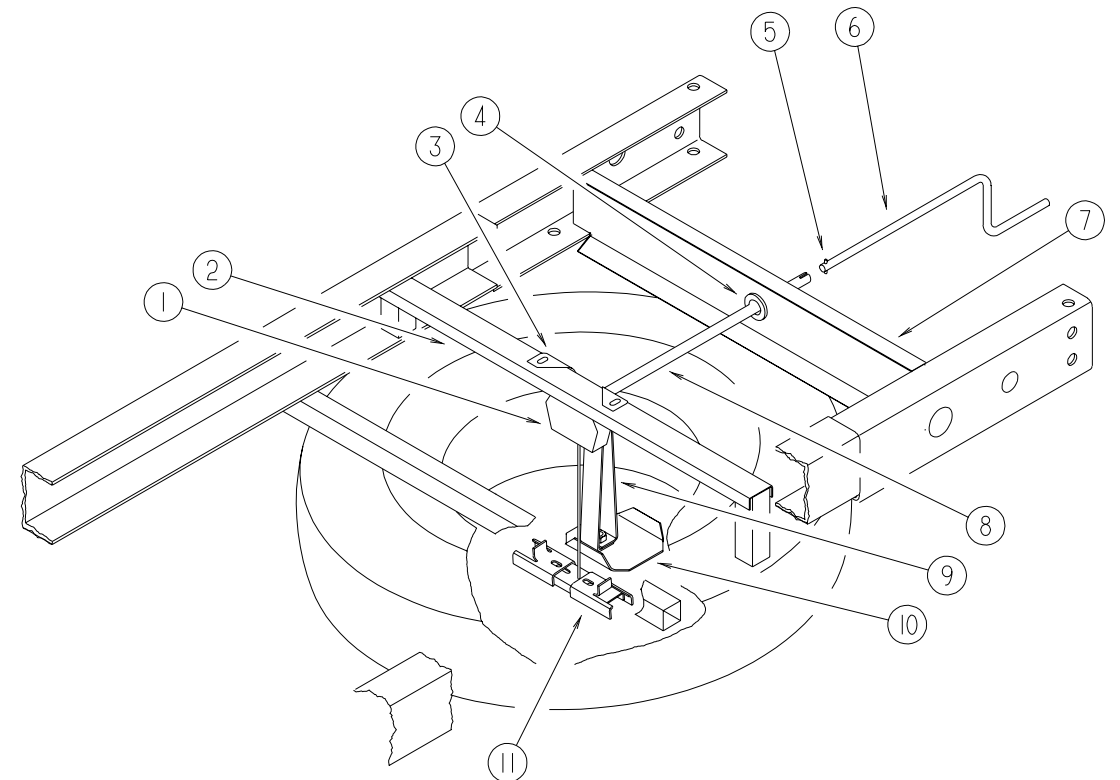


KEY	PART NUMBER	U/M	DESCRIPTION	KEY	PART NUMBER	U/M	DESCRIPTION
1	M08093-05-K28	EA	TOP - QUEEN BED - W/O HDW	10	129251-08-K28	EA	CABINET - NIGHTSTAND/LH - W/CTRTP - W/O DRAWERS/ HDW (K28, K30, K34)
2	M09316-14-K28	EA	DRAWER - OGEE - 10.7"W X 19.7"D - W/O SLIDES/HDW (WATERFORD OAK)	10	129251-08-K29	EA	CABINET - NIGHTSTAND/LH - W/CTRTP - W/O DRAWERS/ HDW (K29, K31, K35)
2	M09316-14-K29	EA	DRAWER - OGEE - 10.7"W X 19.7"D - W/O SLIDES/HDW (MYSTIC OAK)	10	129251-08-K32	EA	CABINET - NIGHTSTAND/LH - W/CTRTP - W/O DRAWERS/ HDW (K32)
3	129251-19-K28	EA	CTRTP - NIGHTSTAND (K28, K29, K30, K31, K34, K35)	10	129251-08-K33	EA	CABINET - NIGHTSTAND/LH - W/CTRTP - W/O DRAWERS/ HDW (K33)
3	129251-19-K32	EA	CTRTP - NIGHTSTAND (K32, K33)	11	129251-07-K28	EA	CABINET - NIGHTSTAND/RH - W/CTRTP - W/O DRAWERS/ HDW (K28, K30, K34)
4	M06803-R5-K28	EA	DOOR - MIRROR/MTRD CRNR/OGEE - 14.3" X 36.4" - W/O HDW (WATERFORD OAK)	11	129251-07-K29	EA	CABINET - NIGHTSTAND/RH - W/CTRTP - W/O DRAWERS/ HDW (K29, K31, K35)
4	M06803-R5-K29	EA	DOOR - MIRROR/MTRD CRNR/OGEE - 14.3" X 36.4" - W/O HDW (MYSTIC OAK)	11	129251-07-K32	EA	CABINET - NIGHTSTAND/RH - W/CTRTP - W/O DRAWERS/ HDW (K32)
5	116142-01-G35	EA	CABINET - SHIRT CLOSET - RIGHT HAND - W/O DOOR/HDW (WATERFORD OAK)	11	129251-07-K33	EA	CABINET - NIGHTSTAND/RH - W/CTRTP - W/O DRAWERS/ HDW (K33)
5	116142-01-K29	EA	CABINET - SHIRT CLOSET - RIGHT HAND - W/O DOOR/HDW (MYSTIC OAK)	12	041389-25-000	EA	HINGE - PIANO - 1.50" X 55"
6	106523-01-G09	EA	CABINET - OVERHEAD REAR - W/O DOORS/HDW (WATERFORD OAK)	13	P29654-01-K28	EA	CABINET - BASE/QUEEN BED (WATERFORD OAK)
6	106523-01-J90	EA	CABINET - OVERHEAD REAR - W/O DOORS/HDW (MYSTIC OAK)	13	P29654-01-K29	EA	CABINET - BASE/QUEEN BED (MYSTIC OAK)
7	M05992-48-K28	EA	DOOR - STRAIGHT CORNER/OGEE - 15.7" X 27.9" - W/O HDW (WATERFORD OAK)		107796-06-000	EA	SPRING/GAS - 12" COMPRESSED/20" EXTENDED - 120 LB.
7	M05992-48-K29	EA	DOOR - STRAIGHT CORNER/OGEE - 15.7" X 27.9" - W/O HDW (MYSTIC OAK)		126263-06-02B	EA	BRACKET - GAS SPRING - E-COATED (UPPER)
8	116142-02-J22	EA	CABINET - SHIRT CLOSET - LEFT HAND - W/O DOOR/HDW (WATERFORD OAK)		126263-08-02B	EA	BRACKET - GAS SPRING - LOWER - E-COATED
8	116142-02-J90	EA	CABINET - SHIRT CLOSET - LEFT HAND - W/O DOOR/HDW (MYSTIC OAK)		097872-04-000	EA	DOWEL - WOOD - 1" DIAMETER X 1.38" LONG
9	129251-20-K28	EA	CTRTP - NIGHTSTAND (K28, K29, K30, K31, K34, K35)		091952-01-000	EA	CLIP - GRIPPER - 1"
9	129251-20-K32	EA	CTRTP - NIGHTSTAND (K32, K33)				

CHASSIS GROUP



CHASSIS GROUP (CONTINUED)



REAR BUMPER & COMPONENTS

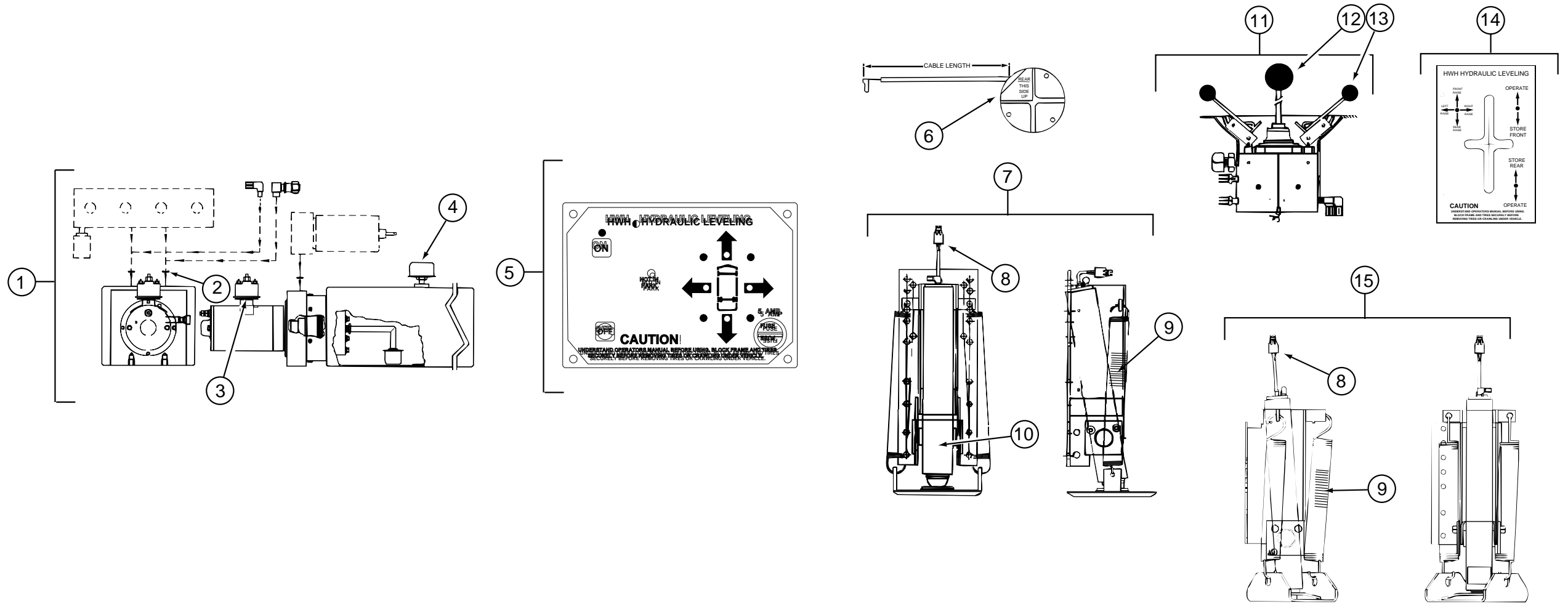
KEY	PART NUMBER	U/M	DESCRIPTION
1	104418-07-000	EA	ANGLE - BUMPER REAR SUPPORT
2	103228-01-05A	EA	END CAP - REAR BUMPER - DRIVER/ PASSENGER SIDE
3	103099-10-02A	EA	BUMPER - REAR - BRIGHT WHITE
4	102333-01-05A	EA	BOLT - CARRIAGE - 7/16 - 14 STAINLESS STEEL CAP
5	130339-02-000	EA	HITCH RECEIVER - BOLT ON CLASS III
6	111742-01-000	EA	PLATE - SKID
	113589-01-000	EA	CONNECTOR - PLUG - TRAILER
	113589-02-000	EA	CONNECTOR - SOCKET - TRAILER
	113588-01-01B	EA	BRACKET - CONNECTOR - TRAILER W/LIP

SPARE TIRE & HOIST

KEY	PART NUMBER	U/M	DESCRIPTION
1	093267-03-000	EA	HOIST - SPARE TIRE - 100#
2	093362-06-000	EA	CHANNEL - TIRE HOIST
3	124751-01-02B	EA	HANGER - SPARE TIRE - E-COATED
4	071015-11-000	EA	GROMMET - 1" ID
5	114376-01-000	EA	PIN - DRIVE - .156 X .750 - TYPE E - TIRE HOIST
6	093376-02-000	EA	HANDLE - CRANK - TIRE HOIST
7	129006-01-02B	EA	SUPPORT/FRAME - TIRE CARRIER HANDLE (FORD)
7	129006-02-02B	EA	SUPPORT/FRAME - TIRE CARRIER HANDLE (CHEVY)
8	093375-05-000	EA	EXTENSION - TIRE HOIST
9	129086-01-02B	EA	SUPPORT - SPARE TIRE
10	129085-01-02B	EA	PLATE - SUPPORT - SPARE TIRE
11	105499-01-000	EA	BRACKET - TIRE HOIST
	077030-02-000	EA	EXTENSION - VALVE STEM - 1.25"
	077030-05-000	EA	EXTENSION - VALVE STEM - 95 DEGREE
	077030-06-000	EA	EXTENSION - VALVE STEM - 45 DEGREE
	095012-10-000	EA	EXTENSION - VALVE STEM - 8.5"

CHASSIS GROUP (CONTINUED)

HWH HYDRAULIC LEVELING SYSTEM (AP15570) (CHEVY)



KEY	PART NUMBER	U/M	DESCRIPTION
	100532-42-000	EA	LEVELING SYSTEM - HYDRAULIC
1	100532-01-713	EA	PUMP - RESERVOIR ASM. - MONARCH
2	100532-03-723	EA	O-RING - SEAL KIT
3	100532-09-710	EA	SOLENOID - INTERMITTENT DUTY
4	100532-03-715	EA	CAP - BREATHER W/DIPSTICK
5	100532-08-703	EA	PANEL ASM. - 200 BI-AXIS SYS.
6	100532-03-710	EA	SENSING UNIT 21' MTA
7	100532-18-700	EA	JACK - 9K STRAIGHT ACTING
8	100532-12-706	EA	SWITCH - WARNING - MAGNETIC
9	100532-12-707	EA	SPRING KIT
10	100532-32-702	EA	CYLINDER ONLY F/9000 LB JACK

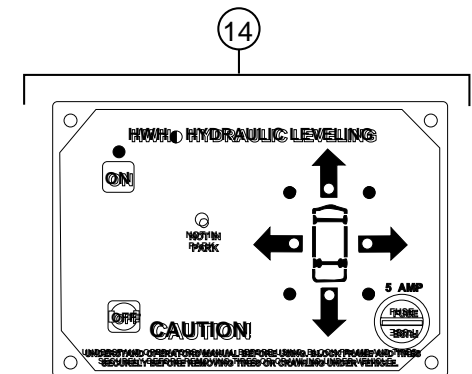
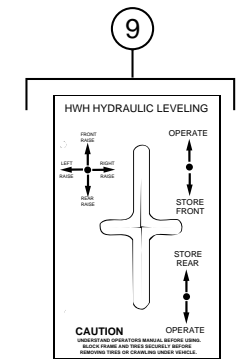
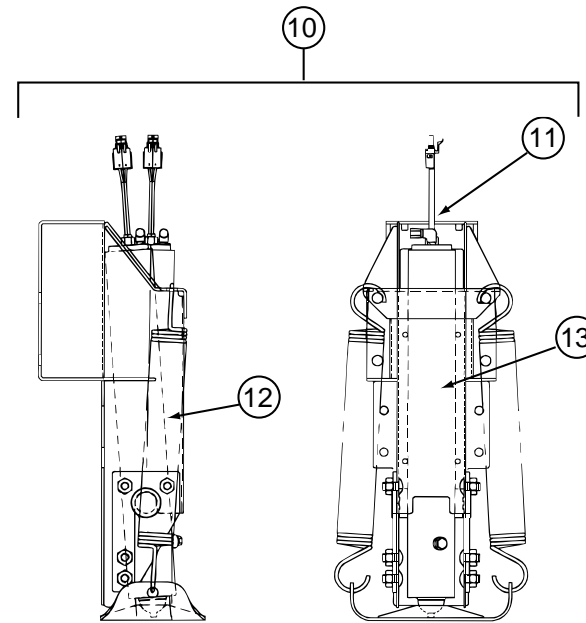
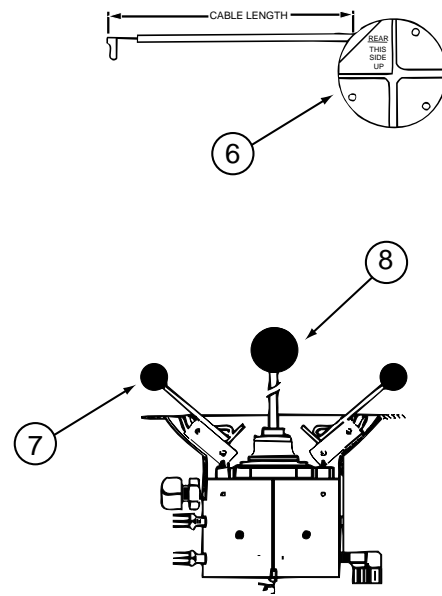
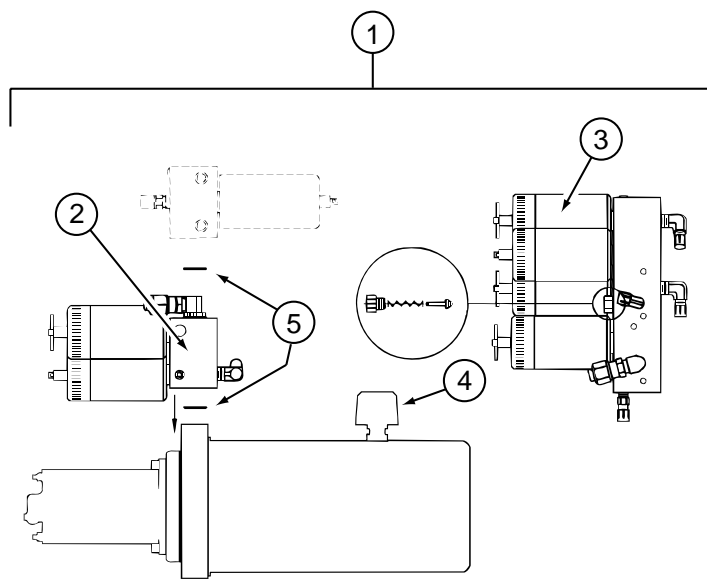
VENDOR NO.
RAP90014
RAP9171
RAP0533
RAP7876
RAP9755
RAP6798
RAP90177
RAP1008
R3847
RAP1927

KEY	PART NUMBER	U/M	DESCRIPTION
11	100532-08-702	EA	VALVE - BI-AXIS
12	100532-08-705	EA	KNOB - 3/4" BLACK - SET OF FOUR
13	100532-08-706	EA	KNOB - 1 3/16" BLACK
14	100532-08-707	EA	BEZEL W/GASKET - F/SYSTEM 200
15	100532-42-700	EA	JACK - DRIVERS - 6K
15	100532-42-701	EA	JACK - PASSENGER - 6K
	100532-08-700	EA	POWER UNIT ASM.
	100532-32-701	EA	BUZZER - JACK DOWN WARNING
	100536-11-000	EA	HOSE KIT - HWH #AP0013
	107890-01-000	EA	ELBOW - STEEL - 90 D - 1/4 X 37 D - FLARE
	117183-01-02B	EA	COVER - SENSOR - LEVELING
	120916-01-02B	EA	BRACKET - PUMP - LEVELING SYSTEM
	121177-01-02B	EA	BRACKET - PASS REAR LEVEL JACK (STRAIGHT)
	121177-02-02B	EA	BRACKET - DRVR REAR LEVEL JACK (STRAIGHT)
	128285-01-000	EA	JACK/CROSSMEMBER ASSEMBLY - FRONT - CHEVY

VENDOR NO.
RAP9589
RAP1379
RAP9734
RAP9592
RAP90245
RAP90246
AP10470
RAP0325

CHASSIS GROUP (CONTINUED)

HWH HYDRAULIC LEVELING SYSTEM (AP15569) (FORD)

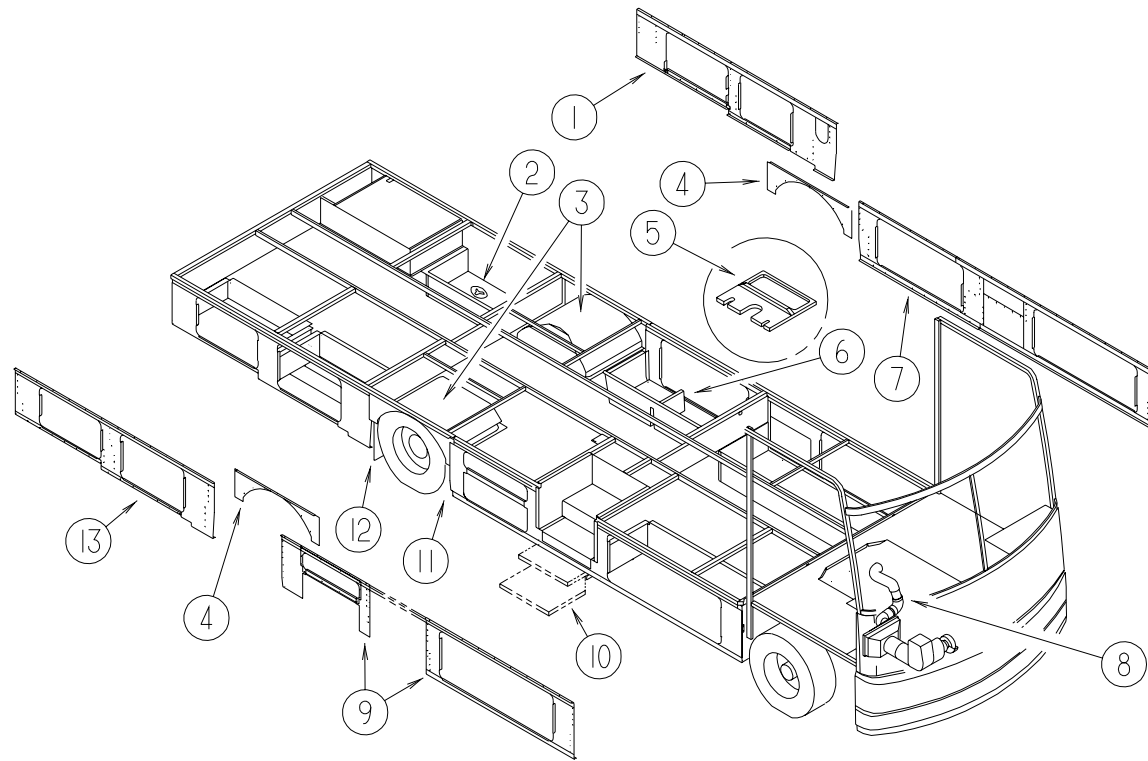


KEY	PART NUMBER	U/M DESCRIPTION
	100532-51-000	EA LEVELING SYSTEM - HYDRAULIC
1	100532-01-713	EA PUMP - RESERVOIR ASM. - MONARCH
2	100532-09-710	EA SOLENOID - INTERMITENT DUTY
3	100532-08-702	EA VALVE - BI-AXIS
4	100532-03-715	EA CAP - BREATHER W/DIPSTICK
5	100532-03-723	EA O-RING/SEAL KIT
6	100532-03-710	EA SENSING UNIT 21' MTA
7	100532-08-705	EA KNOB - 3/4" BLACK - SET OF FOUR
8	100532-08-706	EA KNOB - 1 3/16" BLACK
9	100532-08-707	EA BEZEL W/GASKET - F/SYSTEM 200
10	100532-51-700	EA JACK - 6K STRAIGHT ACTING
11	100532-12-706	EA SWITCH - WARNING/MAGNETIC
12	100532-12-707	EA SPRING KIT
13	100532-53-700	EA CYLINDER ASM. - 9K

VENDOR NO.
RAP90014
RAP0533
RAP9589
RAP7876
RAP9171
RAP6798
RAP1379
RAP9734
RAP9592
RAP90502
RAP1008 / RAP90496
R3847
RAP90491

KEY	PART NUMBER	U/M DESCRIPTION	VENDOR NO.
14	100532-08-703	EA PANEL ASM. - 200 BI-AXIS SYS.	RAP9755
	100532-32-703	EA BUZZER - JACK WARNING	RAP90403
	100532-45-700	EA CYLINDER W/O FOOT - 6K X 13"	RAP90490
	100532-47-701	EA VALVE - BI-AXIS - W/O LEVERS	RAP0367
	100536-11-000	EA HOSE KIT - HWH #AP0013	
	100536-09-701	EA HOSE - HYDRAULIC - 60"	RAP4073
	100536-10-700	EA HOSE - HYDRAULIC - 84"	RAP1412
	100536-14-701	EA HOSE - HYDRAULIC - 108"	RAP4074
	100536-25-701	EA HOSE - HYDRAULIC - 312"	RAP5216
	100536-37-701	EA HOSE - HYDRAULIC - 336"	RAP5561
	107890-01-000	EA ELBOW - STEEL - 90 D - 1/4 X 37 D -	FLARE
	117183-01-02B	EA COVER - SENSOR - LEVELING	
	128571-03-000	EA JACK ASSEMBLY - REAR LEVELING - W/CROSSMEMBER - MANUAL	
	100532-12-706	EA SWITCH - WARNING/MAGNETIC	RAP1008 / RAP90496
	100532-12-707	EA SPRING KIT	R3847
	100532-53-700	EA CYLINDER ASM. - 9K	RAP90491

CHASSIS GROUP (CONTINUED)

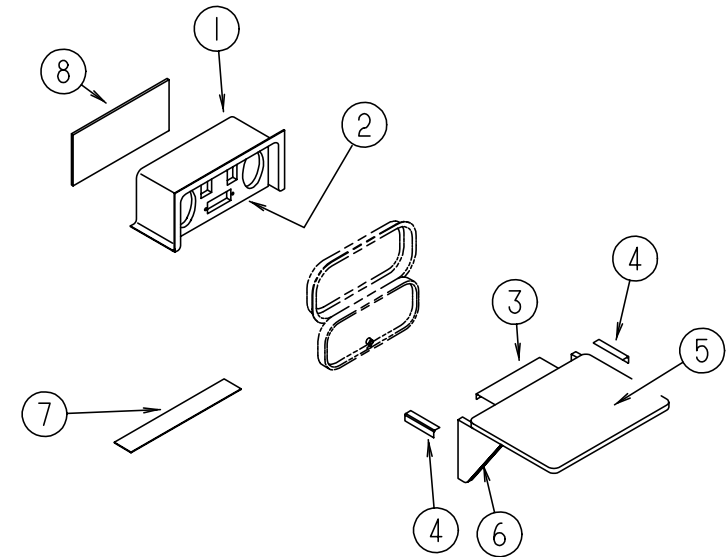


COMPARTMENTS & TRAYS

KEY	PART NUMBER	U/M	DESCRIPTION
1	125954-17-02B	EA	PANEL/SEAL PLANE
2	129015-01-K80	EA	PORT COMPLETE - F/ELECTRICAL/DRAIN
2	121175-02-01A	EA	LATCH - SWELL
3	055374-03-000	EA	WHEELWELL - PLASTIC
4	107576-03-000	EA	PANEL/SEAL PLANE - WHEEL WELL
5	M06991-05-G38	EA	HATCH/COMPARTMENT - W/FOAMED INSULATION
5	121175-01-01A	EA	LATCH - SWELL - BLACK
6	114676-04-G38	EA	COMPARTMENT - STORAGE - 14.4" X 48.9"
7	129608-16-02B	EA	PANEL/SEAL PLANE
8	123361-01-000	EA	DUCT - AIR INTAKE
9	129608-15-02B	EA	PANEL/SEAL PLANE
10*	094707-01-01A	EA	STEP - DOUBLE - ELECTRIC - KWIKEE
			FROM: 00-00-00 THRU: 01-13-99
10*	094707-03-01A	EA	STEP - DOUBLE - ELECTRIC - KWIKEE
			FROM: 01-14-99 THRU: 99-99-99
	116995-01-000	EA	SWITCH/MAGNET - ELECTRIC STEP
			FROM: 00-00-00 THRU: 01-13-99
	116995-02-000	EA	SWITCH/MAGNET - ELECTRIC STEP
			FROM: 01-14-99 THRU: 99-99-99
	104452-03-000	EA	SUPPORT - STEP
11	020167-05-000	EA	DIRT GUARD - STEEL - 14.9" LONG
12	020167-08-000	EA	DIRT GUARD - STEEL - 13.6" LONG
12	017516-01-000	EA	MUD FLAP - 14" X 18" - BLACK
13	125954-15-02B	EA	PANEL/SEAL PLANE
	065450-05-000	EA	TIEDOWN - BATTERY - 8.4" TUBE
	120867-01-02B	EA	MOUNT - LP TANK
	113452-01-000	FT	SEAL/TRIM - FRONT - VINYL W/WIRE CARRIER
	061420-10-000	EA	PLUG/PLASTIC - 1.50" DIAMETER - BLACK
	119845-01-01A	EA	PLUG - PLASTIC - BLACK

*COMPONENT PARTS FOUND IN SERVICE PARTS LIBRARY

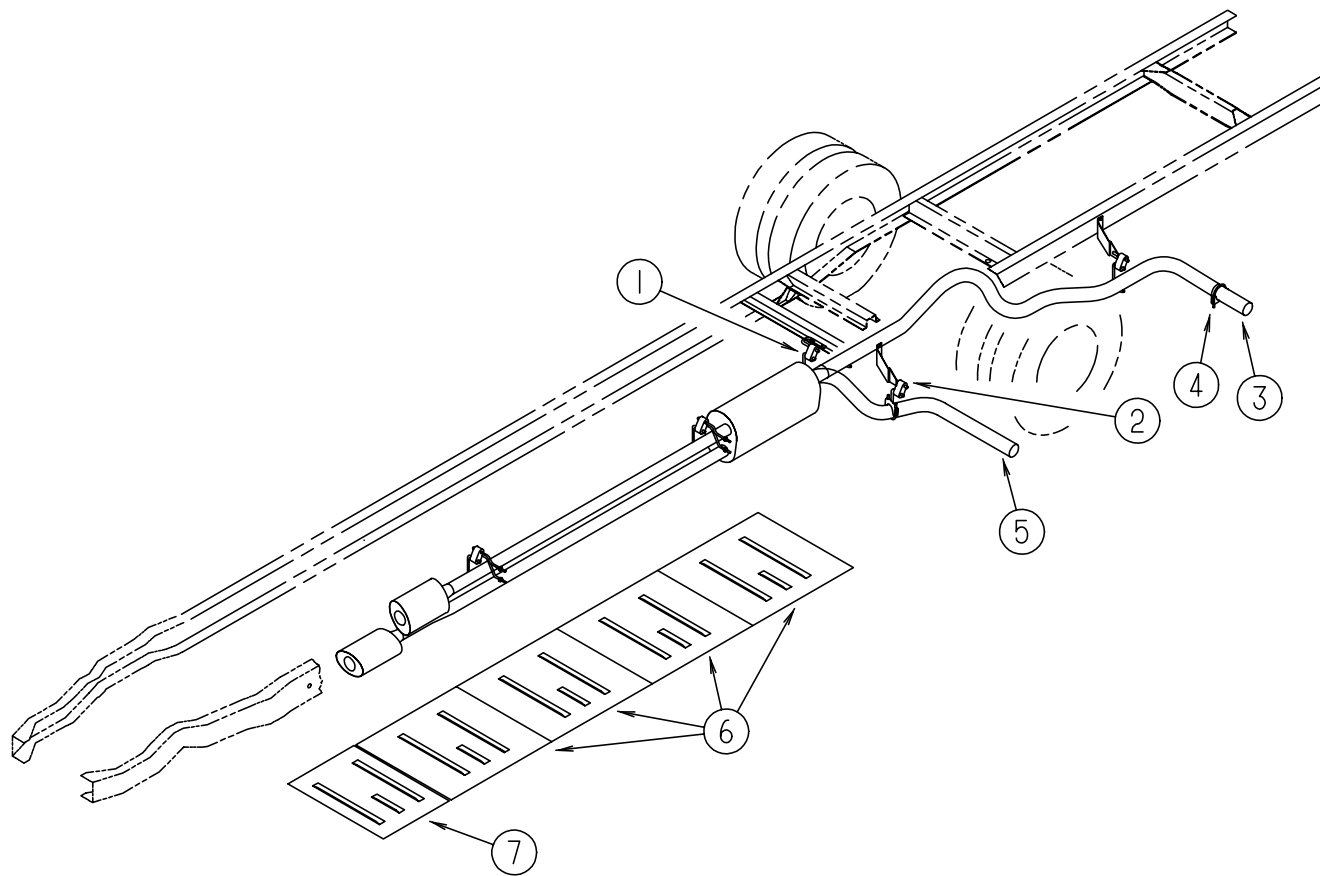
CHASSIS GROUP (CONTINUED)



COMPARTMENT (ENTERTAINMENT CENTER)

KEY	PART NUMBER	U/M	DESCRIPTION
1	124696-01-01A	EA	BOX - ENTERTAINMENT CENTER - EXTERIOR
2	127409-02-J01	EA	PLATE - RADIO MOUNTING
3	105377-01-04A	EA	BRACKET - TABLE HANGER - BRIGHT WHITE
4	105376-01-03A	EA	HINGE - CONTINUOUS - 2" X 5.5" - BRIGHT WHITE
5	105230-11-J01	EA	SHELF - EXTERIOR ENTERTAINMENT CENTER - W/O HARDWARE
6	105230-12-J01	EA	SUPPORT - EXTERIOR SHELF
7	104898-01-02A	EA	PLATE - PLASTIC BOTTOM - BRIGHT WHITE
8	104898-02-02A	EA	PLATE - PLASTIC BACK - BRIGHT WHITE

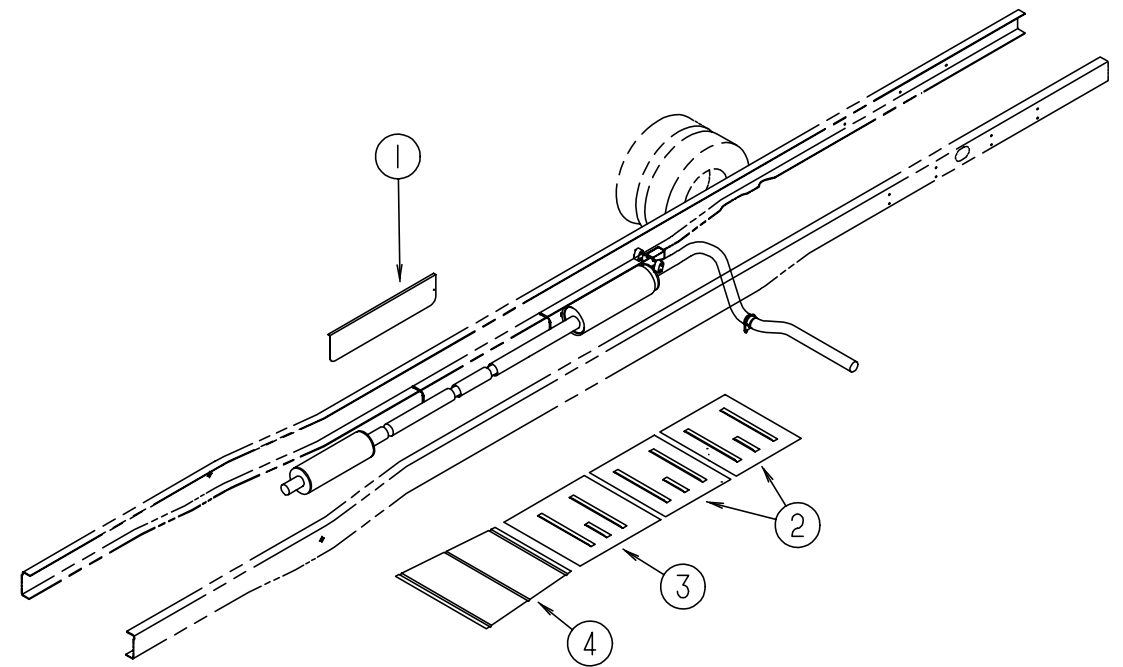
CHASSIS GROUP (CONTINUED)



EXHAUST SYSTEM (CHEVY)

KEY	PART NUMBER	U/M	DESCRIPTION
1	122392-01-02B	EA	HANGER - TAILPIPE
2	122392-03-02B	EA	HANGER - TAILPIPE - REAR
3	098762-11-000	EA	PIPE - EXHAUST - STRAIGHT - 3"
4	094918-01-000	EA	CLAMP - EXHAUST - 3" - GUILLOTINE STYLE
5	122529-02-000	EA	PIPE - EXHAUST
6	101544-02-000	EA	SHIELD - HEAT/EXHAUST - 30" X 29.1"
7	101544-01-000	EA	SHIELD - HEAT/EXHAUST - 19.7" X 29.1"

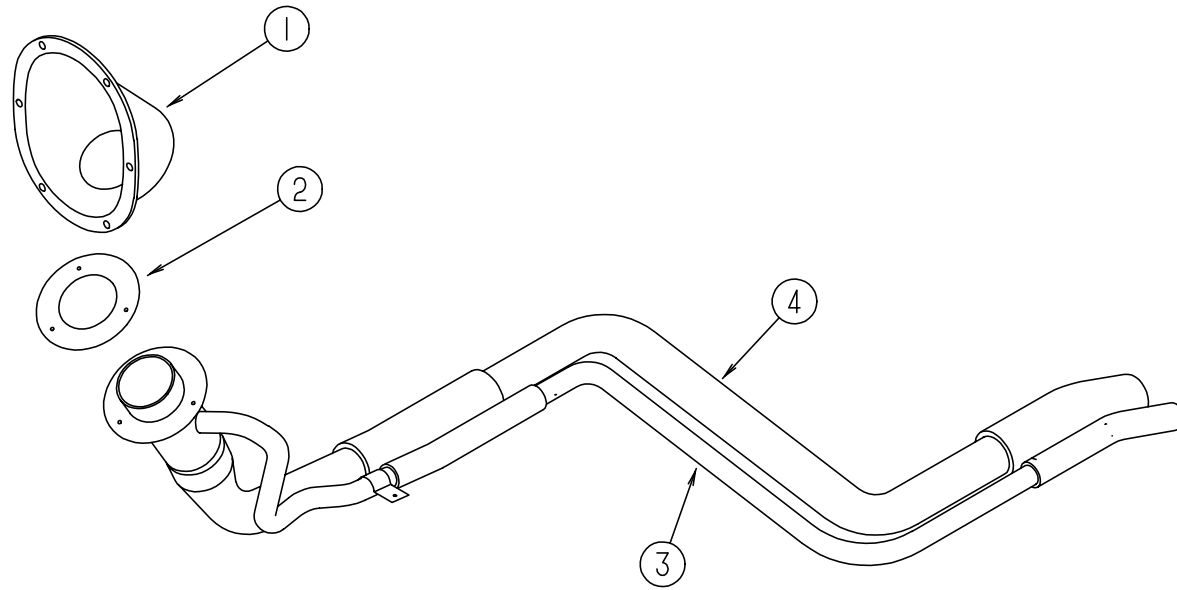
CHASSIS GROUP (CONTINUED)



EXHAUST SYSTEM (FORD)

KEY	PART NUMBER	U/M	DESCRIPTION
1	075307-03-000	EA	SHIELD - HEAT - LP FROM: 00-00-00 THRU: 10-18-98
1	053322-10-000	EA	SHIELD - HEAT - EXHAUST - 48" X 7.5" - STEEL FROM: 10-19-98 THRU: 99-99-99
2	101544-01-000	EA	SHIELD - HEAT/EXHAUST - 19.7" X 29.1"
3	101544-02-000	EA	SHIELD - HEAT/EXHAUST - 30" X 29.1"
4	128756-01-02B	EA	SHIELD - HEAT EXHAUST - E-COATED

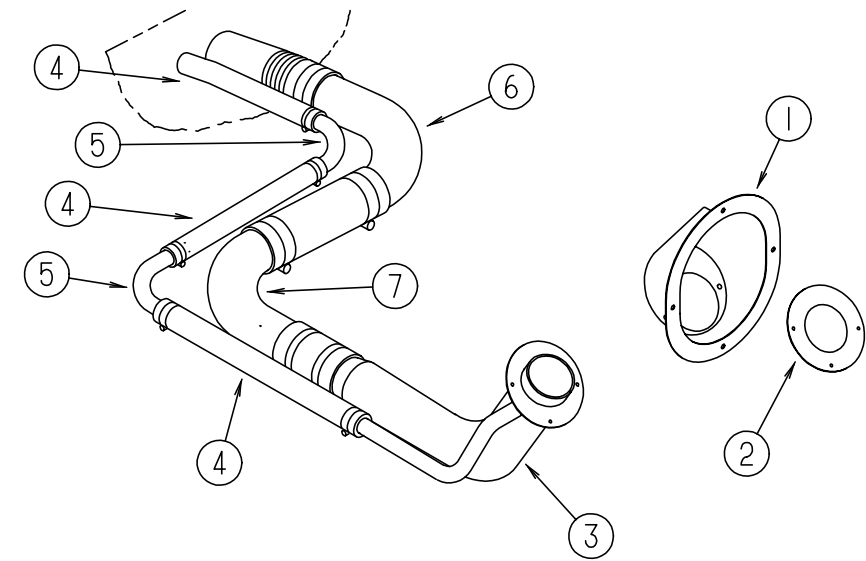
CHASSIS GROUP (CONTINUED)



FUEL SYSTEM (FORD)

KEY	PART NUMBER	U/M	DESCRIPTION
1	127291-02-01A	EA	SHROUD - FUEL FILL - BRIGHT WHITE
2	078200-01-000	EA	GASKET - FUEL FILL - 3.5"OD X 2"ID
3	129320-06-000	EA	PIPE - FILL VENT
4	129321-06-000	EA	TUBE - FUEL INLET
	128139-03-000	FT	HOSE - FUEL - LOW PERMEABILITY - 1/4" DIAMETER
	092889-14-000	EA	FUEL LINE - SUPPLY - GENERATOR - 1/4" X 92.7" - STEEL
			FROM: 00-00-00 THRU: 07-23-98
	092889-41-000	EA	FUEL LINE - SUPPLY - GENERATOR - 1/4" X 54.5" - STEEL
			FROM: 07-24-98 THRU: 99-99-99
	007063-01-000	FT	HOSE - FUEL - 1/4"ID X 1/2"OD

CHASSIS GROUP (CONTINUED)



FUEL SYSTEM (CHEVY)

KEY	PART NUMBER	U/M	DESCRIPTION
1	127291-01-01A	EA	SHROUD - FUEL FILL - BRIGHT WHITE
2	078200-01-000	EA	GASKET - FUEL FILL - 3.5"OD X 2"ID
3	127301-03-000	EA	NECK - FUEL FILL
4	128139-02-000	FT	HOSE - FUEL - LOW PERMEABILITY - 5/8" DIAMETER
5	098806-01-000	EA	PIPE - FILL VENT - 90 DEGREE BEND - .625" OD - STEEL
6	098807-01-000	EA	PIPE - FUEL FILL - 90 DEGREE BEND - 6.6" - 1 3/4" OD
7	098803-01-000	EA	PIPE - FUEL FILL - 90 DEGREE BEND - 13.2" - 1 3/4" OD
	007063-01-000	FT	HOSE - FUEL - 1/4"ID X 1/2"OD
	092889-34-000	EA	FUEL LINE - SUPPLY - GENERATOR - 1/4" X 87.8" - STEEL
	084884-01-000	EA	PLUG - BRASS - 3/8
	068382-06-000	EA	BUSHING - BRASS - 3/8 MPT X 1/8 FPT
	114254-01-000	EA	ADAPTER - 1/4 BARB X 1/8 MPT

CHASSIS GROUP (CONTINUED)

WHEEL LINERS, (FORD 19.5")

KEY	PART NUMBER	U/M DESCRIPTION	VENDOR NO.
	077030-05-000	EA EXTENSION - VALVE STEM - 95 DEGREE FROM: 00-00-00 THRU: 11-23-98	
	077030-04-000	EA EXTENSION - VALVE STEM - .75" FROM: 11-24-98 THRU: 99-99-99	
	077030-06-000	EA EXTENSION - VALVE STEM - 45 DEGREE	
	095012-07-000	EA STABILIZER - VALVE EXTENSION	
	095012-10-000	EA EXTENSION - VALVE STEM - 8.5" FROM: 00-00-00 THRU: 11-23-98	
	095012-09-000	EA EXTENSION - VALVE STEM - 7.7" FROM: 11-24-98 THRU: 99-99-99	
	110435-15-000	EA LINER - WHEEL SET/4 - 19.5"	
	110435-10-705	EA TOOL - INSTALLATION	V195P7-TOL
	110435-15-700	EA LINER - WHEEL - FRONT	V195F9-FWC
	110435-15-701	EA LINER - WHEEL - REAR	V195F9-RWC
	110435-15-702	EA NUT - JAM - ENCLOSED - 14M	V195F9-EJN

WHEEL COVERS, DICOR (FORD 19.5")

KEY	PART NUMBER	U/M DESCRIPTION	VENDOR NO.
	109443-07-000	EA WHEEL COVER - 4/SET - 19.5"	
	109443-01-703	EA CAP-CENTER, HUB - DICOR	SHAU95-CAP
	109443-07-700	EA COVER - WHEEL - 8 LUG	SHAF95-COV
	109443-07-701	EA BRACKET SET - FRONT	SHAF95-FBS
	109443-07-702	EA BRACKET SET - REAR	SHAF95-RBS
	098532-01-700	EA COVER-LUG NUT (CHROME) SHAU-LNC	

FORD TIRE & WHEEL

KEY	PART NUMBER	U/M DESCRIPTION
	051377-04-000	EA VALVE STEM
	102340-04-000	EA TIRE - 245/70R X 19.5F - GOODYEAR
	118814-04-700	EA WHEEL/TAKE OFF (19.5X6.75RW) 8 BOLT ACCURIDE F53

CHASSIS GROUP (CONTINUED)

WHEEL LINERS (CHEVY)

KEY	PART NUMBER	U/M DESCRIPTION	VENDOR NO.
	110435-10-000	EA LINER - WHEEL - SET 4 - 19.5"	
	110435-10-700	EA LINER - WHEEL - FRONT - 1 PC	V195P7-FWC
	110435-10-701	EA LINER - WHEEL - REAR - 1 PC.	V195P7-RWC
	110435-10-702	EA COVER - LUG - NUT/JAMB NUT	V195P7-EJN
	110435-10-703	EA STUD - PLASTIC	V195P7-PST
	110435-10-704	EA JAMB NUT - PLASTIC/LNC	V195P7-PJN
	110435-10-705	EA TOOL - INSTALLATION	V195P7-TOL

WHEEL COVERS, DICOR (CHEVY)

KEY	PART NUMBER	U/M DESCRIPTION	VENDOR NO.
	109443-06-000	EA WHEEL - COVER - 4/SET - 19.5"	
	109443-01-700	EA COVER - WHEEL 19.5 FRT/RR EA=1	SHAG95
	109443-01-701	EA BRACKET - RETENTION FRONT	SHAG95-FBS
	109443-01-703	EA CAP - CENTER - HUB - DICOR	SHAU95-CAP
	109443-01-704	EA CLIP - RETAINER	V160GM-PNT
	109443-06-701	EA BRACKET - RETENTION REAR	SHG795-RBS

SHOCK ABSORBER (CHEVY)

KEY	PART NUMBER	U/M DESCRIPTION	VENDOR NO.
	122756-02-000	EA SHOCK AND STABILIZER (BLUE BOOT) KIT - FRONT END P30 CHASS	
	122756-02-700	EA BRACKET ASM - DRIVER SIDE	T818L
	122756-02-701	EA BRACKET ASM - PASSENGER SIDE	T818R
	122756-02-704	EA BOLT PACKAGE -BOLTS/NUTS ETC	T818B
	122756-02-705	EA SHOCK	T818SH
	122756-02-706	EA STUD - SHOCK MOUNTING	T818S
	122756-02-707	EA DAMPNER - STEERING	T818SD
	122756-02-708	EA BOOT - DAMPNER	T818SDB
	122756-02-709	EA BUSHING PKG-STEERING DAMPNER	T818SDBSH
	122756-02-710	EA BOLT PKG - STEERING DAMPNER	T818SBS

CHEVY TIRE & WHEEL

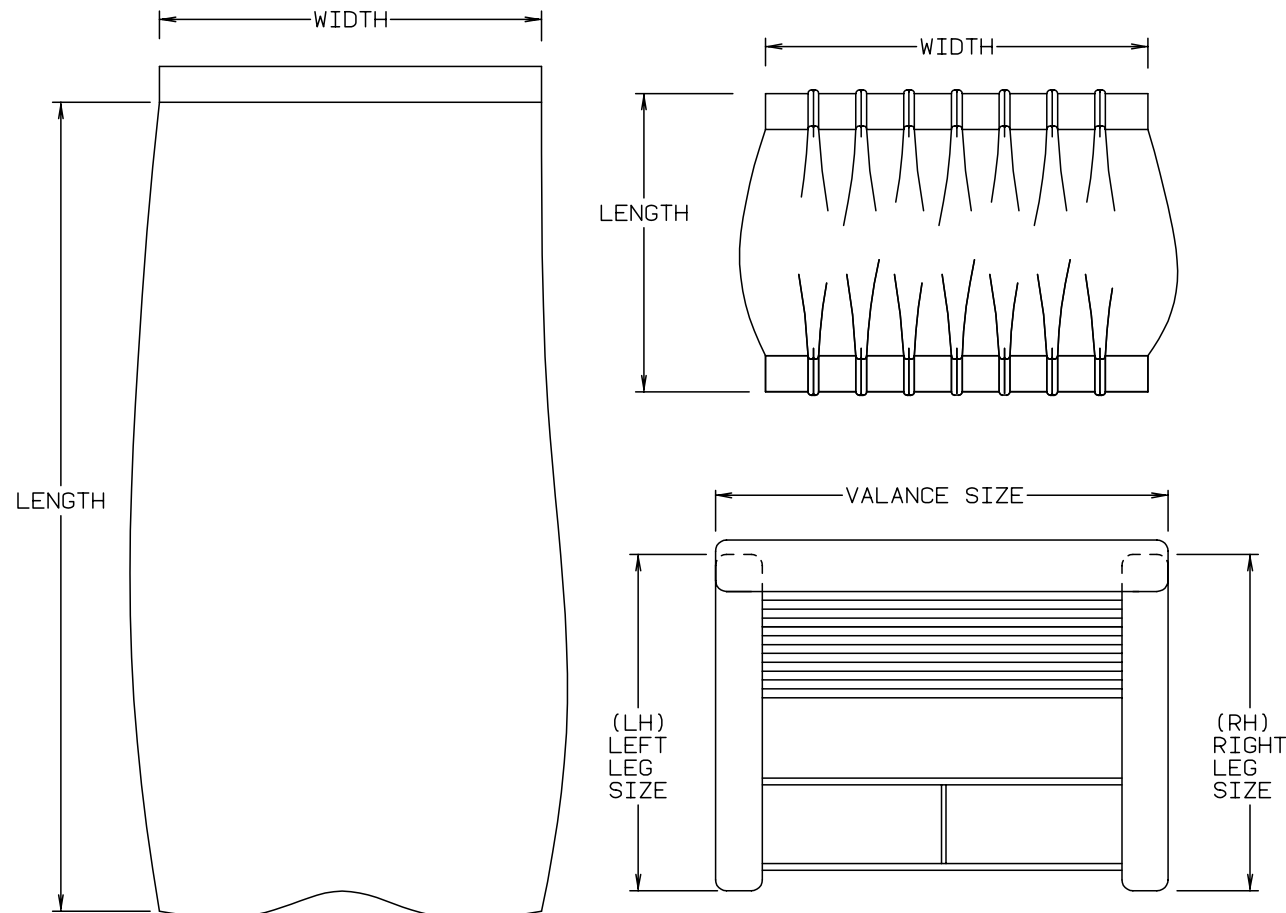
KEY	PART NUMBER	U/M DESCRIPTION
	051377-01-000	EA VALVE STEM
	064963-01-000	EA WHEEL - STEEL - 19.5" X 6" - GM 14005758
	091673-01-000	EA TIRE - 225/70 R19.5 LRF - MICHELIN XZA
	080208-06-000	EA LUG WRENCH - 1" X 1.06" W/DEEP SOCKET ENDS
	080208-02-000	EA BAR - LEVERAGE - LUG WRENCH

CURTAIN & CUSHION GROUP

NOTICE

IN ORDER TO ASSIST OUR PARTS SALES DEPT. IN PROVIDING INTERIOR SOFTGOODS ITEMS, PLEASE INCLUDE THE SERIAL NUMBER AND THE COLOR CODE NUMBER FROM THE VEHICLE CERTIFICATION LABEL WHEN ORDERING. THIS LABEL IS LOCATED ON THE LEFT SIDEWALL AT THE END OF THE DASH (A-BODY), OR ON THE DRIVER'S DOOR LATCH PLATE (C-BODY).

AN EXAMPLE OF A COLOR CODE NUMBER IS B07, WHICH DESIGNATES AN OVERALL COLOR SCHEME OF A PARTICULAR UNIT. THE COLOR LISTED AFTER THE ITEM DESCRIPTION ON THE MICROFICHE, INDICATES THE OVERALL UNIT COLOR. ORDER THE ITEM YOU DESIRE ACCORDING TO UNIT COLOR CODE.



NOTE: USE THIS ILLUSTRATION WHEN DETERMINING LENGTH AND WIDTH MEASUREMENTS FOR CURTAINS. YOU WILL NOTE THE WIDTH MEASUREMENT IS TAKEN ON THE TOP OF THE CURTAIN WITH THE CURTAIN FULLY EXTENDED. THE LENGTH MEASUREMENT IS TAKEN FROM TOP TO BOTTOM. LEFT AND RIGHT WINDOW LEGS ARE DETERMINED WHEN FACING THE WINDOW.

CURTAIN & CUSHION GROUP (CONTINUED)

ADVENTURER FABRICS				
COLOR CODES	K28, K29	K30, K31	K32, K33	K34, K35
MARKETING COLORS	SUNFLOWERS (TAUPE)	VINTAGE GROVE (PLUM)	JUNIPER (TEAL)	CHAMELEON (BLUE)
MAIN PLAIN ACCENT PATTERN ACCENT	126883-07-000 108446-W7-000 108446-W7-000	126883-12-000 126883-14-000 126883-14-000	126883-10-000 108446-C5-000 126883-11-000	108446-M8-000 108446-G3-000 108446-G3-000
BUCKET SEAT WELTING	108446-W7-000 079349-04-J21	126883-14-000 079349-04-K30	108446-C5-000 079349-04-GC1	108446-G3-000 079349-04-J10
DINETTE	126883-07-000	126883-12-000	126883-10-000	108446-M8-000
DINETTE PAD	108446-W7-000	126883-14-000	108446-C5-000	108446-G3-000
SOFA	126883-07-000	126883-12-000	126883-10-000	108446-M8-000
RECLINER CHAIR	108446-W7-000	126883-14-000	126883-11-000	108446-G3-000
LOUNGE WINDOW VALANCE	126883-07-000 108446-W7-000	126883-12-000 126883-14-000	126883-10-000 126883-11-000	108446-M8-000 108446-G3-000
LOUNGE WINDOW LEGS	108446-W7-000	126883-14-000	126883-11-000	108446-G3-000
BEDSPREAD MAIN BEDSPREAD ACCENT BEDSPREADTRIM FRINGE CORD	105745-G6-000 105745-B5-000 084415-95-000	105745-H3-000 105745-J8-000 084415-83-000	105745-G8-000 105745-45-000 084415-91-000	105745-E9-000 105745-E3-000 084415-88-000 084415-87-000
BEDROOM WINDOW VALANCE	105745-G6-000	105745-H3-000	105745-G8-000	105745-E9-000
BEDROOM WINDOW LEGS	105745-G6-000	105745-H3-000	105745-G8-000	105745-E9-000
LOUNGE PILLOW	108446-W7-000	126883-14-000	126883-11-000	108446-G3-000
MAP POCKETS	108446-W7-000	126883-14-000	108446-C5-000	108446-G3-000
FRONT WRAP AROUND	072333-85-000	072333-85-000	072333-85-000	072333-85-000
CEILING FROM: 00-00-00 THRU: 10-16-98 FROM: 10-17-98 THRU: 99-99-99	113979-01-01A 113979-09-01A	113979-01-01A 113979-09-01A	113979-01-01A 113979-09-01A	113979-01-01A 113979-09-01A

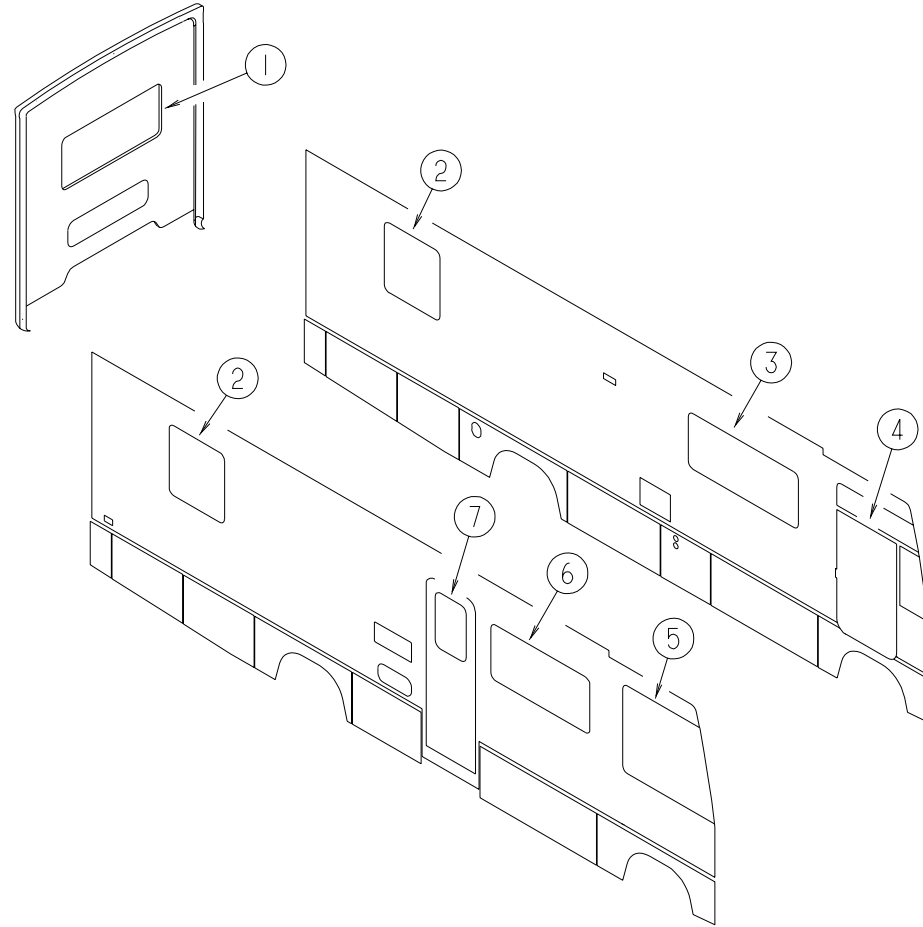
NOTE: THE FABRIC LISTED FIRST, IN A BLOCK, IS THE LARGEST QUANTITY OF FABRIC USED

ASSIST HANDLE, BUTTONS & SEAT BELT

KEY	PART NUMBER	U/M	DESCRIPTION
	070578-02-J22	EA	BUTTON - #30 - VINYL
	079349-08-J28	YD	WELT - VINYL
	057759-01-000	EA	WASHER BRACKET - SEAT BELT - 4" DIAMETER
	007021-01-000	EA	SEAT BELT - 2" X 90" - BLACK
	056271-01-000	EA	BELT - SEAT - 2" X 102" - BLACK
	000C16-07-16B	EA	BOLT - CARRIAGE - ASSIST HANDLE - 7/16" - 14 X 1"
	000D20-07-00B	EA	NUT - ACORN - ASSIST HANDLE - 7/16 - 14
	053552-02-AA8	EA	HANDLE - ASSIST - INTERIOR/ENTRY DOOR - VINYL/OFF WHITE
	069178-02-000	EA	BRACKET - MOUNTING/ASSIST HANDLE - GRAY
	057534-03-000	EA	TIEBACK - PLASTIC - 7.50" - CLEAR

CURTAIN & CUSHION GROUP (CONTINUED)

CURTAINS & WINDOW TREATMENT

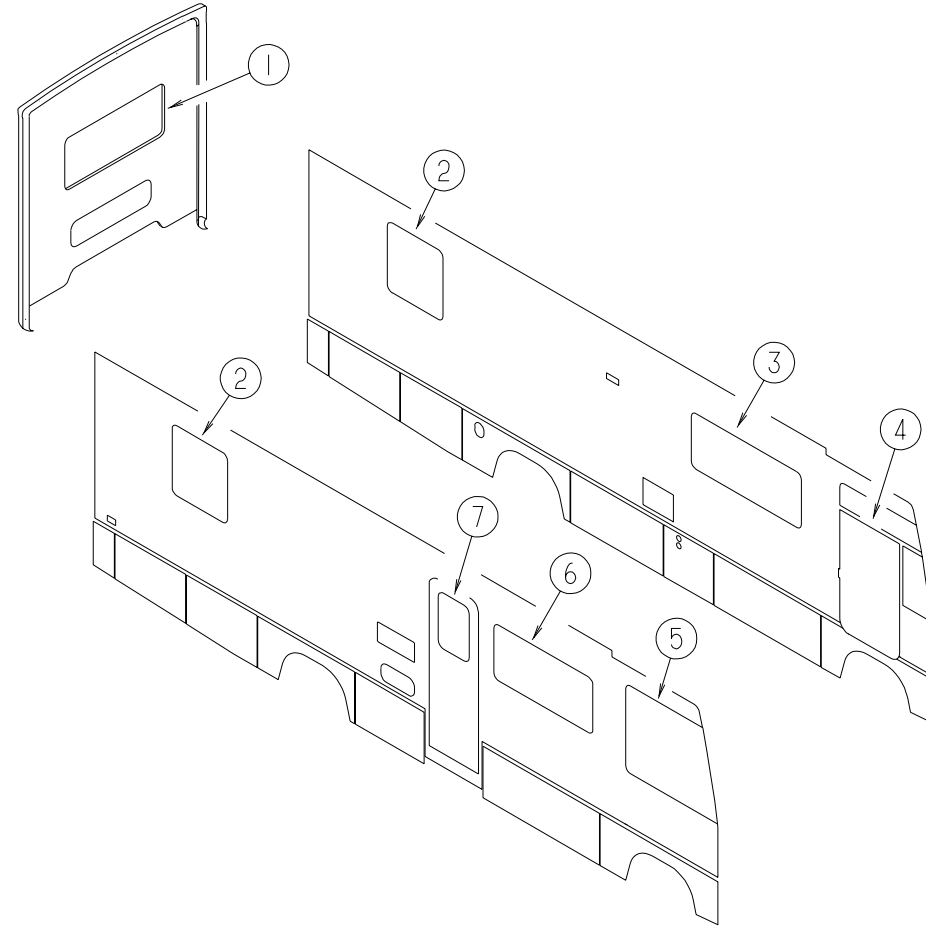


KEY	PART NUMBER	U/M DESCRIPTION
1	119299-01-J11	EA VALANCE - WHITNEY - 53" (QUEEN BED) (K28, K29)
1	119299-01-J26	EA VALANCE - WHITNEY - 53" (QUEEN BED) (K30, K31)
1	119299-01-K32	EA VALANCE - WHITNEY - 53" (QUEEN BED) (K32, K33)
1	119299-01-J30	EA VALANCE - WHITNEY - 53" (QUEEN BED) (K34, K35)
1	119299-07-K28	EA VALANCE - WHITNEY - 65" (TWIN BED) (K28, K29)
1	119299-07-J26	EA VALANCE - WHITNEY - 65" (TWIN BED) (K30, K31)
1	119299-07-K32	EA VALANCE - WHITNEY - 65" (TWIN BED) (K32, K33)
1	119299-07-J30	EA VALANCE - WHITNEY - 65" (TWIN BED) (K34, K35)
1	127017-07-J31	EA LEG - RIGHT - 25" (K28, K29)
1	127017-07-J26	EA LEG - RIGHT - 25" (K30, K31)
1	127017-07-J32	EA LEG - RIGHT - 25" (K32, K33)
1	127017-07-J30	EA LEG - RIGHT - 25" (K34, K35)
1	127017-08-J31	EA LEG - LEFT - 25" (K28, K29)
1	127017-08-J26	EA LEG - LEFT - 25" (K30, K31)
1	127017-08-J32	EA LEG - LEFT - 25" (K32, K33)
1	127017-08-J30	EA LEG - LEFT - 25" (K34, K35)
1	111910-62-K28	EA BLIND - DAY/NIGHTER - 49" X 27" (QUEEN BED) (K28, K29, K30, K31)
1	111910-62-K32	EA BLIND - DAY/NIGHTER - 49" X 27" (QUEEN BED) (K32, K33)
1	111910-62-K34	EA BLIND - DAY/NIGHTER - 49" X 27" (QUEEN BED) (K34, K35)
1	111910-57-K06	EA BLIND - DAY/NIGHTER - 61" X 28.5" (TWIN BED) (K28, K29, K30, K31)
1	111910-57-K32	EA BLIND - DAY/NIGHTER - 61" X 28.5" (TWIN BED) (K32, K33)
1	111910-57-K34	EA BLIND - DAY/NIGHTER - 61" X 28.5" (TWIN BED) (K34, K35)

KEY	PART NUMBER	U/M DESCRIPTION
2	119299-18-K28	EA VALANCE - WHITNEY - 34" (K28, K29)
2	119299-18-K30	EA VALANCE - WHITNEY - 34" (K30, K31)
2	119299-18-K32	EA VALANCE - WHITNEY - 34" (K32, K33)
2	119299-18-K34	EA VALANCE - WHITNEY - 34" (K34, K35)
2	127017-09-J31	EA LEG - RIGHT - 34" (K28, K29)
2	127017-09-J26	EA LEG - RIGHT - 34" (K30, K31)
2	127017-09-J32	EA LEG - RIGHT - 34" (K32, K33)
2	127017-09-J30	EA LEG - RIGHT - 34" (K34, K35)
2	127017-10-J31	EA LEG - LEFT - 34" (K28, K29)
2	127017-10-J26	EA LEG - LEFT - 34" (K30, K31)
2	127017-10-J32	EA LEG - LEFT - 34" (K32, K33)
2	127017-10-J30	EA LEG - LEFT - 34" (K34, K35)
2	111910-58-K48	EA BLIND - DAY/NIGHTER - 31" X 37" (K28, K29, K30, K31)
2	111910-58-K32	EA BLIND - DAY/NIGHTER - 31" X 37" (K32, K33)
2	111910-58-K34	EA BLIND - DAY/NIGHTER - 31" X 37" (K34, K35)

CURTAIN & CUSHION GROUP (CONTINUED)

CURTAINS & WINDOW TREATMENT (CONTINUED)

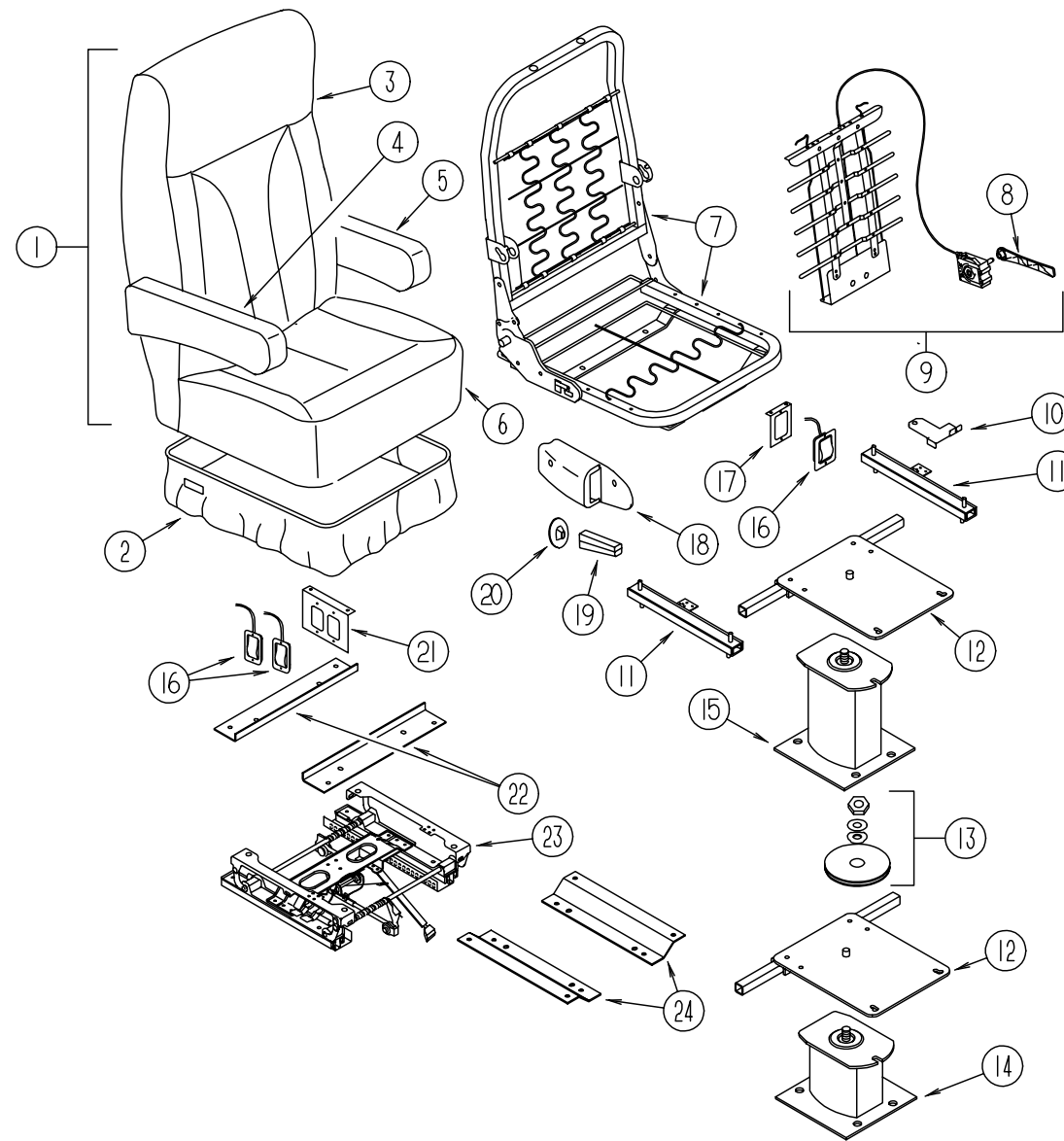


KEY	PART NUMBER	U/M	DESCRIPTION
3	121410-45-K28	EA	VALANCE - MODERATE - 64.5" (K28, K29)
3	121410-45-K30	EA	VALANCE - MODERATE - 64.5" (K30, K31)
3	121410-45-K32	EA	VALANCE - MODERATE - 64.5" (K32, K33)
3	121410-45-K34	EA	VALANCE - MODERATE - 64.5" (K34, K35)
3	127017-11-K28	EA	LEG - RIGHT - 25" (K28, K29)
3	127017-11-K30	EA	LEG - RIGHT - 25" (K30, K31)
3	127017-11-K23	EA	LEG - RIGHT - 25" (K32, K33)
3	127017-11-J10	EA	LEG - RIGHT - 25" (K34, K35)
3	127017-12-K28	EA	LEG - LEFT - 25" (K28, K29)
3	127017-12-K30	EA	LEG - LEFT - 25" (K30, K31)
3	127017-12-K23	EA	LEG - LEFT - 25" (K32, K33)
3	127017-12-J10	EA	LEG - LEFT - 25" (K34, K35)
3	111910-57-K06	EA	BLIND - DAY/NIGHTER - 61" X 28.5" (K28, K29, K30, K31)
3	111910-57-K32	EA	BLIND - DAY/NIGHTER - 61" X 28.5" (K32, K33)
3	111910-57-K34	EA	BLIND - DAY/NIGHTER - 61" X 28.5" (K34, K35)
4	101668-68-J22	EA	CURTAIN - LEFT HAND - 42" X 106"
4	073260-42-C18	EA	TIEBACK - 6" X 18"
4	126841-03-000	EA	SHADE - PULL - CHARCOAL MESH - 40.3" X 60"
5	101668-67-J22	EA	CURTAIN - RIGHT HAND - 42" X 106"
5	073260-42-C18	EA	TIEBACK - 6" X 18"
5	126841-03-000	EA	SHADE - PULL - CHARCOAL MESH - 40.3" X 60"

KEY	PART NUMBER	U/M	DESCRIPTION
6	121410-49-K28	EA	VALANCE - MODERATE - 58.5" (K28, K29)
6	121410-49-K30	EA	VALANCE - MODERATE - 58.5" (K30, K31)
6	121410-49-K32	EA	VALANCE - MODERATE - 58.5" (K32, K33)
6	121410-49-K34	EA	VALANCE - MODERATE - 58.5" (K34, K35)
6	127017-11-K28	EA	LEG - RIGHT - 25" (K28, K29)
6	127017-11-K30	EA	LEG - RIGHT - 25" (K30, K31)
6	127017-11-K23	EA	LEG - RIGHT - 25" (K32, K33)
6	127017-01-J10	EA	LEG - RIGHT - 25" (K34, K35)
6	127017-12-K28	EA	LEG - LEFT - 25" (K28, K29)
6	127017-12-K30	EA	LEG - LEFT - 25" (K30, K31)
6	127017-12-K23	EA	LEG - LEFT - 25" (K32, K33)
6	127017-12-J10	EA	LEG - LEFT - 25" (K34, K35)
6	111910-60-K48	EA	BLIND - DAY/NIGHTER - 55" X 28.5" (K28, K29, K30, K31)
6	111910-60-K32	EA	BLIND - DAY/NIGHTER - 55" X 28.5" (K32, K33)
6	111910-60-K34	EA	BLIND - DAY/NIGHTER - 55" X 28.5" (K34, K35)
7	120820-36-K28	EA	VALANCE - 15" X 33.75" - W/CLOCK CUTOUT (K28, K29)
7	120820-36-K30	EA	VALANCE - 15" X 33.75" - W/CLOCK CUTOUT (K30, K31)
7	120820-36-K32	EA	VALANCE - 15" X 33.75" - W/CLOCK CUTOUT (K32, K33)
7	120820-36-K34	EA	VALANCE - 15" X 33.75" - W/CLOCK CUTOUT (K34, K35)
7	084755-57-E07	EA	SHADE - PULL - 27.25"

CURTAIN & CUSHION GROUP (CONTINUED)

DRIVER BUCKET SEAT

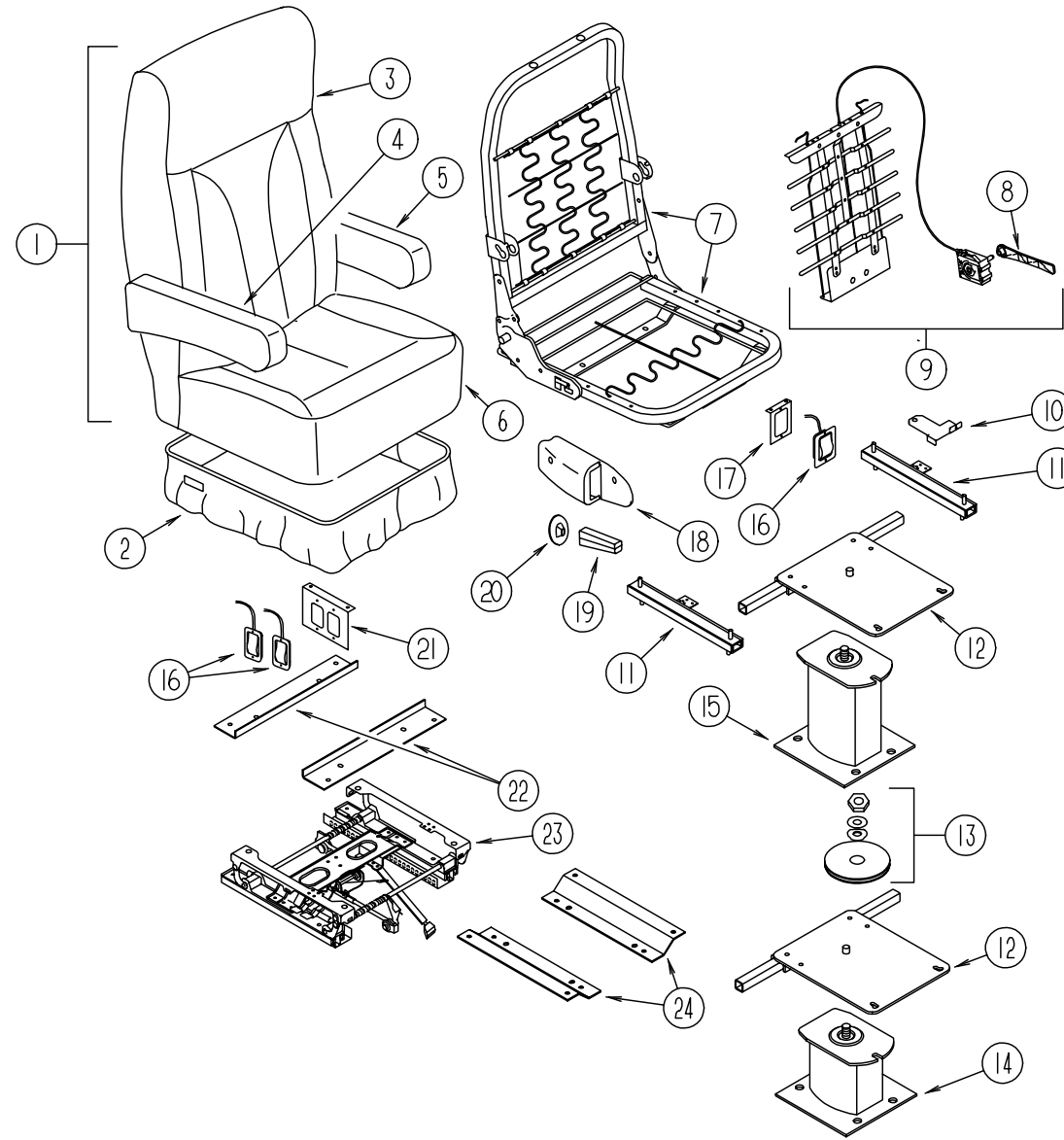


KEY	PART NUMBER	U/M DESCRIPTION
1	129664-06-K28	EA SEAT - BUCKET - DRIVERS WIDE W/LUMBAR SUPPORT (K28, K29)
1	129664-06-K30	EA SEAT - BUCKET - DRIVERS WIDE W/LUMBAR SUPPORT (K30, K31)
1	129664-06-K32	EA SEAT - BUCKET - DRIVERS WIDE W/LUMBAR SUPPORT (K32, K33)
1	129664-06-K34	EA SEAT - BUCKET - DRIVERS WIDE W/LUMBAR SUPPORT (K34, K35)
1	129664-04-K28	EA SEAT - BUCKET - W/LUMBAR SUPPORT (LEATHER)
2	071126-68-K28	EA SKIRT - WIDE - 10.5" OPEN CORNER (K28, K29)
2	071126-68-K30	EA SKIRT - WIDE - 10.5" OPEN CORNER (K30, K31)
2	071126-68-K18	EA SKIRT - WIDE - 10.5" OPEN CORNER (K32, K33)
2	071126-68-K34	EA SKIRT - WIDE - 10.5" OPEN CORNER (K34, K35)
2	071126-70-K28	EA SKIRT - WIDE - 10.5" OPEN CORNER (LEATHER)
2	071126-69-K28	EA SKIRT - SINGLE - 10.5" - 6-WAY MANUAL (K28, K29)
2	071126-69-K30	EA SKIRT - SINGLE - 10.5" - 6-WAY MANUAL (K30, K31)
2	071126-69-K32	EA SKIRT - SINGLE - 10.5" - 6-WAY MANUAL (K32, K33)
2	071126-69-K34	EA SKIRT - SINGLE - 10.5" - 6-WAY MANUAL (K34, K35)
2	071126-71-K28	EA SKIRT - SINGLE - 10.5" - 6-WAY MANUAL (LEATHER)
3	M05962-84-K28	EA COVER - BACK (K28, K29)
3	M05962-84-K30	EA COVER - BACK (K30, K31)
3	M05962-84-K32	EA COVER - BACK (K32, K33)
3	M05962-84-K34	EA COVER - BACK (K34, K35)
3	M05962-86-K28	EA COVER - BACK - WIDE - BUCKET (LEATHER)

KEY	PART NUMBER	U/M DESCRIPTION
4	129666-01-K28	EA ARMREST - RIGHT HAND (K28, K29)
4	129666-01-K30	EA ARMREST - RIGHT HAND (K30, K31)
4	129666-01-K18	EA ARMREST - RIGHT HAND (K32, K33)
4	129666-01-K34	EA ARMREST - RIGHT HAND (K34, K35)
4	129666-03-K28	EA ARMREST - RIGHT HAND (LEATHER)
4	P29666-01-K28	EA COVER - ARMREST - RIGHT HAND (K28, K29)
4	P29666-01-K30	EA COVER - ARMREST - RIGHT HAND (K30, K31)
4	P29666-01-K18	EA COVER - ARMREST - RIGHT HAND (K32, K33)
4	P29666-01-K34	EA COVER - ARMREST - RIGHT HAND (K34, K35)
4	P29666-03-K28	EA COVER - ARMREST - RIGHT HAND (LEATHER)
5	129666-02-K28	EA ARMREST - LEFT HAND (K28, K29)
5	129666-02-K30	EA ARMREST - LEFT HAND (K30, K31)
5	129666-02-K32	EA ARMREST - LEFT HAND (K32, K33)
5	129666-02-K34	EA ARMREST - LEFT HAND (K34, K35)
5	129666-04-K28	EA ARMREST - LEFT HAND (LEATHER)
5	P29666-02-K28	EA COVER - ARMREST - LEFT HAND (K28, K29)
5	P29666-02-K30	EA COVER - ARMREST - LEFT HAND (K30, K31)
5	P29666-02-K32	EA COVER - ARMREST - LEFT HAND (K32, K33)
5	P29666-02-K34	EA COVER - ARMREST - LEFT HAND (K34, K35)
5	P29666-04-K28	EA COVER - ARMREST - LEFT HAND (LEATHER)

CURTAIN & CUSHION GROUP (CONTINUED)

DRIVER BUCKET SEAT (CONTINUED)

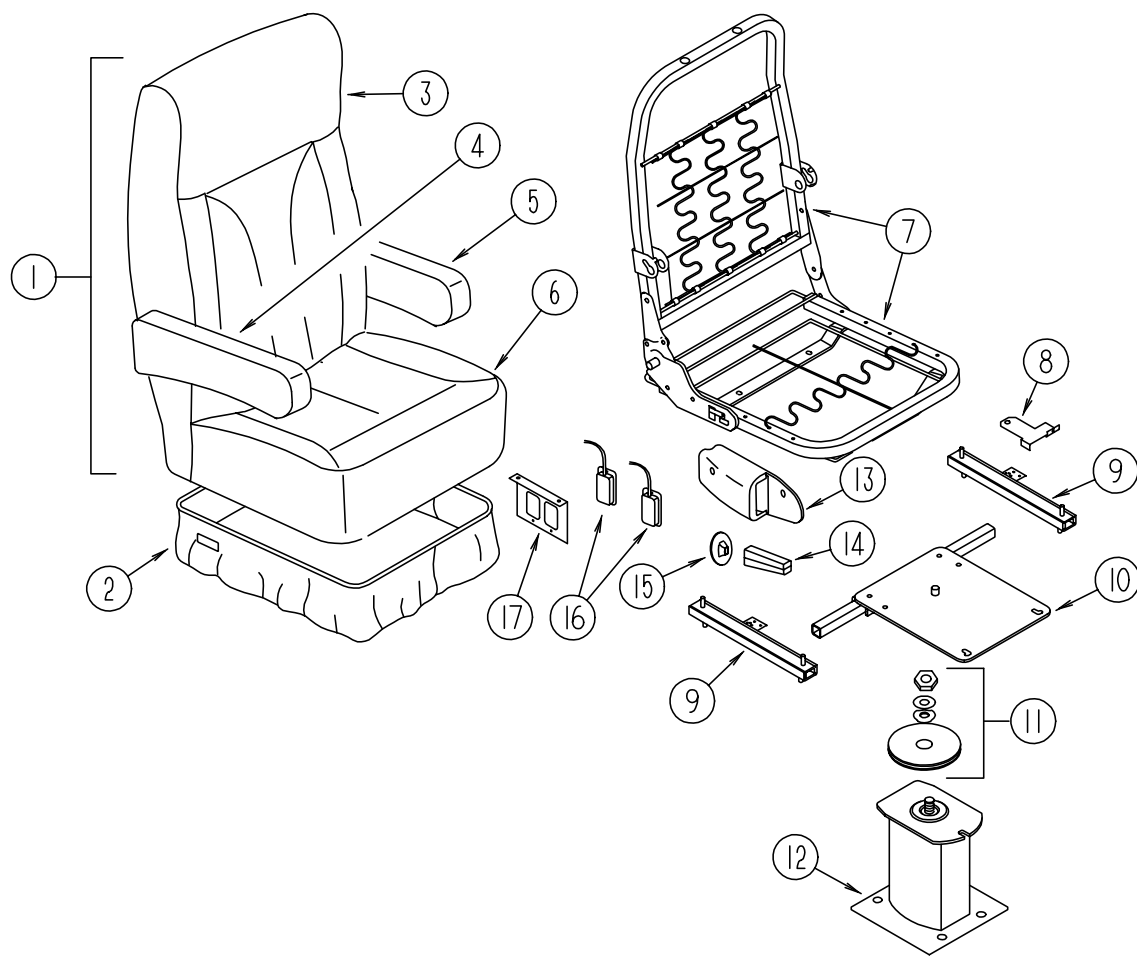


KEY	PART NUMBER	U/M	DESCRIPTION
6	M05962-85-K28	EA	COVER - SEAT (K28, K29)
6	M05962-85-K30	EA	COVER - SEAT (K30, K31)
6	M05962-85-K32	EA	COVER - SEAT (K32, K33)
6	M05962-85-K34	EA	COVER - SEAT (K34, K35)
6	M05962-87-K28	EA	COVER - SEAT (LEATHER)
7	122695-04-01B	EA	FRAME - SEAT & HIGH BACK
8	122611-02-701	EA	LUMBAR - LEVER
9	122611-02-000	EA	LUMBAR - W/LEVER
10	117125-01-02B	EA	BRACKET - CABLE MOUNT - ADJUSTER W/ LOCK
11	119952-04-000	EA	SLIDE/SEAT - HEAVY DUTY LOCKING - 4 STUDS
	119952-07-000	EA	WIRE - LATCH RELEASE/ ROTARY
12	107921-05-000	EA	PLATE TOP - W/ SEAT BELT BAR
13	107921-06-000	EA	BEARING KIT - PEDESTAL
14	107921-14-000	EA	PEDESTAL/FLOOR MOUNTED - W/5.75" EXTENSION - MANUAL SEAT
			FROM: 00-00-00 THRU: 08-02-98
14	107921-07-000	EA	PEDESTAL/FLOOR MOUNTED - 4.5"
			FROM: 08-03-98 THRU: 99-99-99
15	107921-01-000	EA	PEDESTAL FLOOR MOUNTED - W/9.75" EXTENSION

KEY	PART NUMBER	U/M	DESCRIPTION
16	108049-04-000	EA	CABLE - W/SWITCHES - W/26" MINI LEVER ACTION (6-WAY MANUAL)
	108049-02-000	EA	CLIP - CABLE/ PEDESTAL
17	127159-01-02B	EA	BRACKET - SEAT RELEASE - SINGLE REMOTE (6-WAY MANUAL)
18	080730-09-000	EA	SHIELD - RECLINER HANDLE
19	080730-08-000	EA	HANDLE - RECLINER
20	080730-11-000	EA	SHIELD - RUBBER BOOT
21	127159-02-02B	EA	BRACKET - SEAT RELEASE - DUAL REMOTE
22	116215-02-000	EA	BRACKET - UPPER MOUNT - 6-WAY MANUAL SEAT
	007221-01-000	EA	SPACER - SEAT/ ADJUSTER
23	116215-01-000	EA	ADJUSTING MECHANISM/6-WAY MANUAL SEAT - DRIVER
24	116215-03-000	EA	BRACKET - LOWER MOUNT - 6-WAY MANUAL SEAT

CURTAIN & CUSHION GROUP (CONTINUED)

PASSENGER BUCKET SEAT

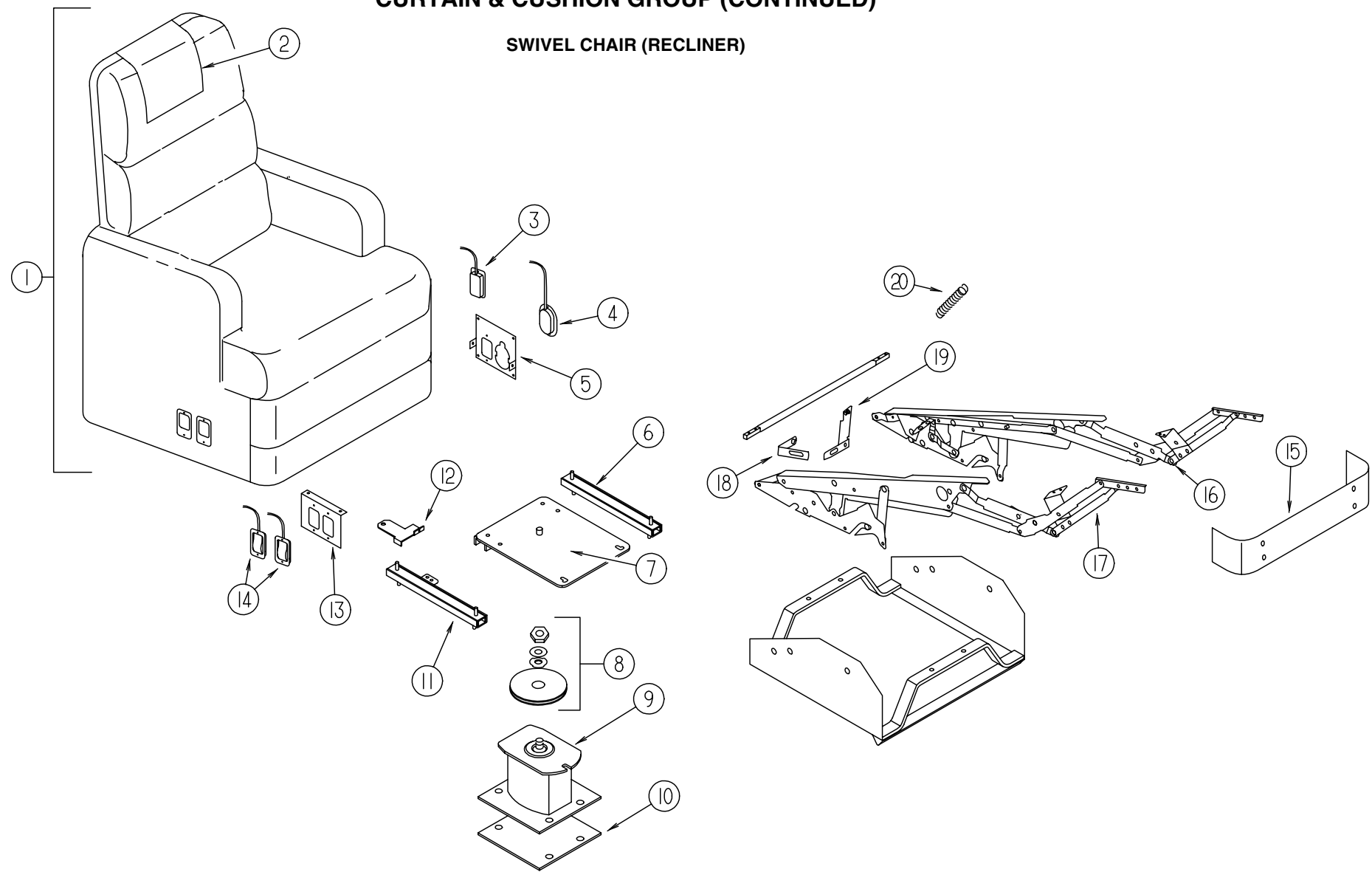


KEY	PART NUMBER	U/M DESCRIPTION
1	129664-03-K28	EA SEAT - BUCKET - WIDE (K28, K29)
1	129664-03-K30	EA SEAT - BUCKET - WIDE (K30, K31)
1	129664-03-K32	EA SEAT - BUCKET - WIDE (K32, K33)
1	129664-03-K34	EA SEAT - BUCKET - WIDE (K34, K35)
1	129664-05-K28	EA SEAT - BUCKET - WIDE (LEATHER)
2	071126-68-K28	EA SKIRT - WIDE - 10.5" OPEN CORNER (K28, K29)
2	071126-68-K30	EA SKIRT - WIDE - 10.5" OPEN CORNER (K30, K31)
2	071126-68-K18	EA SKIRT - WIDE - 10.5" OPEN CORNER (K32, K33)
2	071126-68-K34	EA SKIRT - WIDE - 10.5" OPEN CORNER (K34, K35)
2	071126-70-K28	EA SKIRT - WIDE - 10.5" OPEN CORNER (LEATHER)
3	M05962-84-K28	EA COVER - BACK (K28, K29)
3	M05962-84-K30	EA COVER - BACK (K30, K31)
3	M05962-84-K32	EA COVER - BACK (K32, K33)
3	M05962-84-K34	EA COVER - BACK (K34, K35)
3	M05962-86-K28	EA COVER - BACK - WIDE - BUCKET (LEATHER)
4	129666-01-K28	EA ARMREST - RIGHT HAND (K28, K29)
4	129666-01-K30	EA ARMREST - RIGHT HAND (K30, K31)
4	129666-01-K18	EA ARMREST - RIGHT HAND (K32, K33)
4	129666-01-K34	EA ARMREST - RIGHT HAND (K34, K35)
4	129666-03-K28	EA ARMREST - RIGHT HAND (LEATHER)
4	P29666-01-K28	EA COVER - ARMREST - RIGHT HAND (K28, K29)
4	P29666-01-K30	EA COVER - ARMREST - RIGHT HAND (K30, K31)
4	P29666-01-K18	EA COVER - ARMREST - RIGHT HAND (K32, K33)
4	P29666-01-K34	EA COVER - ARMREST - RIGHT HAND (K34, K35)
4	P29666-03-K28	EA COVER - ARMREST - RIGHT HAND (LEATHER)

KEY	PART NUMBER	U/M DESCRIPTION
5	129666-02-K28	EA ARMREST - LEFT HAND (K28, K29)
5	129666-02-K30	EA ARMREST - LEFT HAND (K30, K31)
5	129666-02-K32	EA ARMREST - LEFT HAND (K32, K33)
5	129666-02-K34	EA ARMREST - LEFT HAND (K34, K35)
5	129666-04-K28	EA ARMREST - LEFT HAND (LEATHER)
5	P29666-02-K28	EA COVER - ARMREST - LEFT HAND (K28, K29)
5	P29666-02-K30	EA COVER - ARMREST - LEFT HAND (K30, K31)
5	P29666-02-K32	EA COVER - ARMREST - LEFT HAND (K32, K33)
5	P29666-02-K34	EA COVER - ARMREST - LEFT HAND (K34, K35)
5	P29666-04-K28	EA COVER - ARMREST - LEFT HAND (LEATHER)
6	M05962-85-K28	EA COVER - SEAT (K28, K29)
6	M05962-85-K30	EA COVER - SEAT (K30, K31)
6	M05962-85-K32	EA COVER - SEAT (K32, K33)
6	M05962-85-K34	EA COVER - SEAT (K34, K35)
6	M05962-87-K28	EA COVER - SEAT (LEATHER)
7	122695-04-01B	EA FRAME - SEAT & HIGH BACK
8	117125-01-02B	EA BRACKET - CABLE MOUNT - ADJUSTER W/ LOCK
9	119952-04-000	EA SLIDE/SEAT - HEAVY DUTY LOCKING - 4 STUDS
9	119952-07-000	EA WIRE - LATCH RELEASE/ ROTARY
10	107921-05-000	EA PLATE TOP - W/ SEAT BELT BAR
11	107921-06-000	EA BEARING KIT - PEDESTAL
12	107921-01-000	EA PEDESTAL FLOOR MOUNTED - W/9.75" EXTENSION
13	080730-09-000	EA SHIELD - RECLINER HANDLE
14	080730-08-000	EA HANDLE - RECLINER
15	080730-11-000	EA SHIELD - RUBBER BOOT
16	108049-04-000	EA CABLE - W/SWITCHES - W/26" MINI LEVER ACTION
17	127159-02-02B	EA BRACKET - SEAT RELEASE - DUAL REMOTE

CURTAIN & CUSHION GROUP (CONTINUED)

SWIVEL CHAIR (RECLINER)

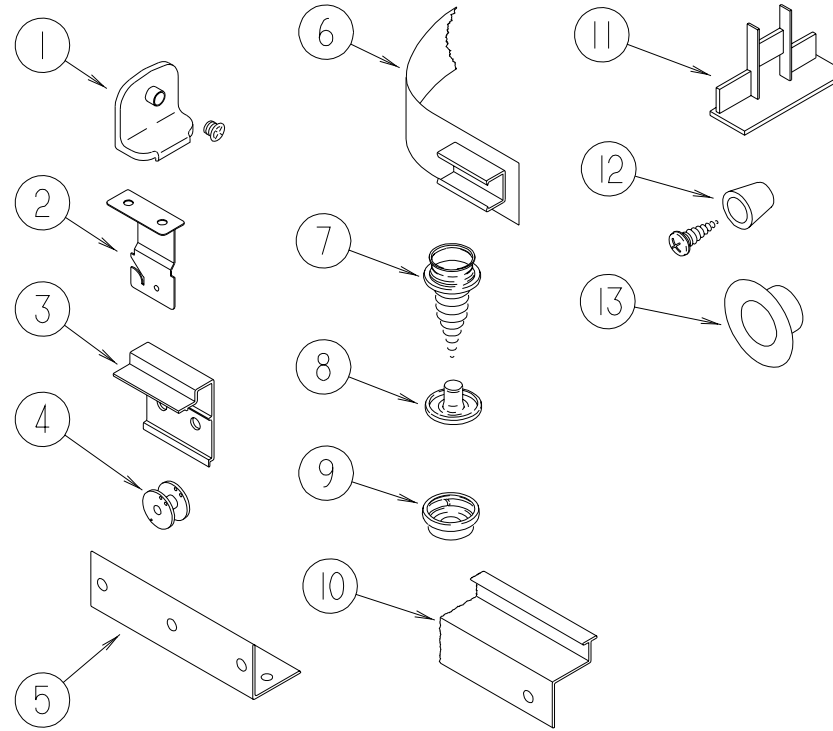


KEY	PART NUMBER	U/M	DESCRIPTION
1	130566-01-K28	EA	CHAIR - INCLINER - W/FOOTREST (K28, K29)
1	130566-01-K30	EA	CHAIR - INCLINER - W/FOOTREST (K30, K31)
1	130566-01-K32	EA	CHAIR - INCLINER - W/FOOTREST (K32, K33)
1	130566-01-K34	EA	CHAIR - INCLINER - W/FOOTREST (K34, K35)
1	P30566-01-K28	EA	COVER - CHAIR - INCLINER/W/FOOTREST (K28, K29)
1	P30566-01-K30	EA	COVER - CHAIR - INCLINER/W/FOOTREST (K30, K31)
1	P30566-01-K32	EA	COVER - CHAIR - INCLINER/W/FOOTREST (K32, K33)
1	P30566-01-K34	EA	COVER - CHAIR - INCLINER/W/FOOTREST (K34, K35)
2	130690-01-K28	EA	COVER - HEADREST (K28, K29)
2	130690-01-K30	EA	COVER - HEADREST (K30, K31)
2	130690-01-K32	EA	COVER - HEADREST (K32, K33)
2	130690-01-K34	EA	COVER - HEADREST (K34, K35)
	130691-01-K28	EA	COVER - ARM CAPS - UNIVERSAL (K28, K29)
	130691-01-K30	EA	COVER - ARM CAPS - UNIVERSAL (K30, K31)
	130691-01-K32	EA	COVER - ARM CAPS - UNIVERSAL (K32, K33)
	130691-01-K34	EA	COVER - ARM CAPS - UNIVERSAL (K34, K35)
3	108049-05-000	EA	FRAME - CABLE - REMOTE RECLINE - W/MINI LEVER ACTION
4	129148-11-000	EA	INCLINER - HANDLE & CABLE
5	129164-01-02B	EA	BRACKET - SEAT RELEASE - REMOTE
6	119952-01-000	EA	SLIDE - SEAT - HEAVY DUTY NONLOCKING
	007221-01-000	EA	SPACER - SEAT/ ADJUSTER

KEY	PART NUMBER	U/M	DESCRIPTION
7	107921-08-000	EA	TOP PLATE - PEDESTAL - W/O SEATBELT BAR
8	107921-06-000	EA	BEARING KIT - PEDESTAL
9	107921-14-000	EA	PEDESTAL/FLOOR MOUNTED - W/5.75" EXTENSION - MANUAL SEAT
			FROM: 00-00-00 THRU: 08-02-98
9	107921-07-000	EA	PEDESTAL/FLOOR MOUNTED - 4.5"
			FROM: 08-03-98 THRU: 99-99-99
10	108445-02-000	EA	PLATE/FLOOR MOUNTED - PEDESTAL SEAT
11	119952-03-000	EA	SLIDE - SEAT - HEAVY DUTY LOCKING
12	117125-01-02B	EA	BRACKET - CABLE MOUNT - ADJUSTER W/ LOCK
13	129162-01-02B	EA	BRACKET - SEAT RELEASE - REMOTE
14	108049-04-000	EA	CABLE - W/SWITCHES - W/26" MINI LEVER ACTION
	108049-02-000	EA	CLIP - CABLE/ PEDESTAL
15	119901-06-000	EA	FOOT REST - RECLINER
16	129148-01-000	EA	INCLINER - LEFT
17	129148-02-000	EA	INCLINER - RIGHT
	129148-09-000	EA	INCLINER - CLIP/HAIRPIN - 1 7/16 X .07
18	129148-08-000	EA	INCLINER - CLIP F/CABLE
19	129148-07-000	EA	INCLINER/BRACKET - F/INCLINE RELEASE CABLE
20	129148-03-000	EA	SPRING - INCLINER

CURTAIN & CUSHION GROUP (CONTINUED)

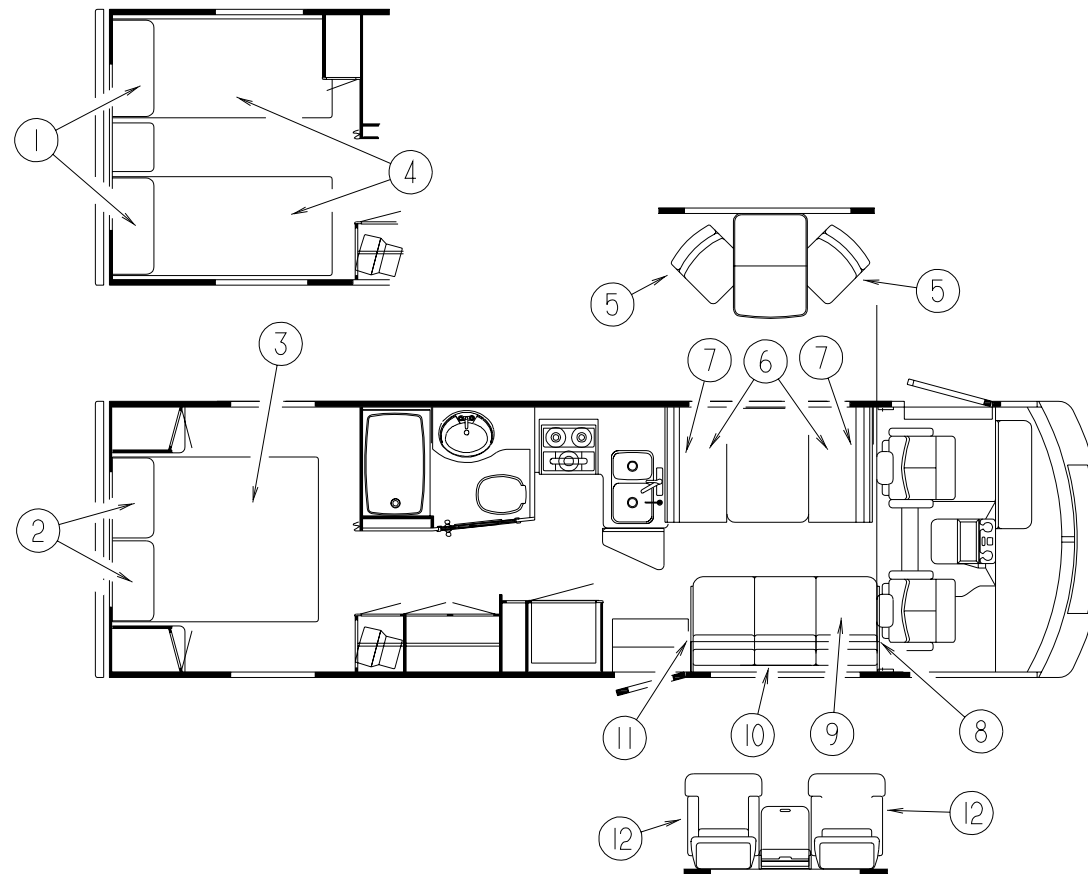
CURTAIN & BLIND HARDWARE



KEY	PART NUMBER	U/M	DESCRIPTION
1	106544-01-000	EA	PULL - SHADE/BRASS
	106544-01-001	EA	SCREW - SHADE/BRASS
2	084434-01-000	EA	BRACKET - MOUNTING - ROLLER SHADE - 1 3/8"
3	097565-01-000	EA	BRACKET - MOUNTING/PLEATED BLIND
4	097592-02-000	EA	SPOOL - CORD - ELEVATED BLIND HOLDUP - LARGE - CLEAR
5	105648-01-02A	EA	BRACE - VALANCE - OFF/WHITE - 14"
6	101031-01-000	YD	TAPE - GLIDE/CURTAIN - 4.25" SPACING
7	029130-01-000	EA	SCREW - SNAP SOCKET - #8 PH X 5/8"
8	029155-01-000	EA	CAP - SNAP - 5/32" OUTSIDE DIAMETER OF PIN
9	029156-01-000	EA	SOCKET - SNAP - 9/16" O.D.
10	127254-03-02A	EA	TRACK - CURTAIN/RIGHT HAND - ANTELOPE
10	127254-04-02A	EA	TRACK - CURTAIN/LEFT HAND - ANTELOPE

KEY	PART NUMBER	U/M	DESCRIPTION
11	094907-02-000	EA	END CAP - TOP/PLEATED BLIND - PLASTIC - GRAY
12	097564-03-000	EA	HANDLE - KNOB - E-Z LIFT SHADE - TAN
13	046867-03-000	EA	GROMMET - HANDY BUTTON #3
	048394-02-000	YD	VELCRO TAPE - HOOK - ADHESIVE BACK - .75" WIDE - BEIGE
	086276-01-000	EA	TAPE - DOUBLE SIDED - 1/2"
	094896-02-000	EA	GROMMET - CORD/PLEATED BLIND - NYLON - GRAY
	094907-04-000	EA	HARDWARE - END CAP BOTTOM - PULL TYPE (RH & LH)
	095567-01-000	EA	TACK - STRIP - .5" X 625' ROLL
	096843-01-000	EA	SPRING - REWIND/ROLLER SHADE
	097591-01-000	EA	SPRING - EXTENSION/PLEATED BLIND
	097593-02-000	FT	CORD - BLIND - PLEATED - GRAY
	083125-08-000	EA	BRACE - WINDOW MOUNT - 3/4 - OFF WHITE
	046867-02-000	EA	WASHER - HANDY BUTTON #3

CURTAIN & CUSHION GROUP (CONTINUED)



QUEEN & TWIN BED

KEY	PART NUMBER	U/M DESCRIPTION
1	119249-02-000	EA PILLOW - 22" X 37" - TWIN
2	119249-01-000	EA PILLOW - 20" X 33" - QUEEN
3	119141-14-J31	EA BEDSPREAD/THROW - 60" X 75" (K28, K29)
3	119141-14-K30	EA BEDSPREAD/THROW - 60" X 75" (K30, K31)
3	119141-21-K32	EA BEDSPREAD/THROW - 60" X 75" (K32, K33)
3	119141-14-K34	EA BEDSPREAD/THROW - 60" X 75" (K34, K35)
3	123015-06-000	EA MATTRESS - INNERSPRING - 60" X 74.5"
4	119141-16-K28	EA BEDSPREAD/THROW - 36" X 80" (K28, K29)
4	119141-16-K30	EA BEDSPREAD/THROW - 36" X 80" (K30, K31)
4	119141-22-K33	EA BEDSPREAD/THROW - 36" X 80" (K32, K33)
4	119141-16-K34	EA BEDSPREAD/THROW - 36" X 80" (K34, K35)
4	123015-04-000	EA MATTRESS - INNERSPRING - 36" X 79.5"
	111862-09-K28	EA PILLOW - 15" X 15" (K28, K29)
	111862-09-K30	EA PILLOW - 15" X 15" (K30, K31)
	111862-09-K32	EA PILLOW - 15" X 15" (K32, K33)
	111862-09-K34	EA PILLOW - 15" X 15" (K34, K35)

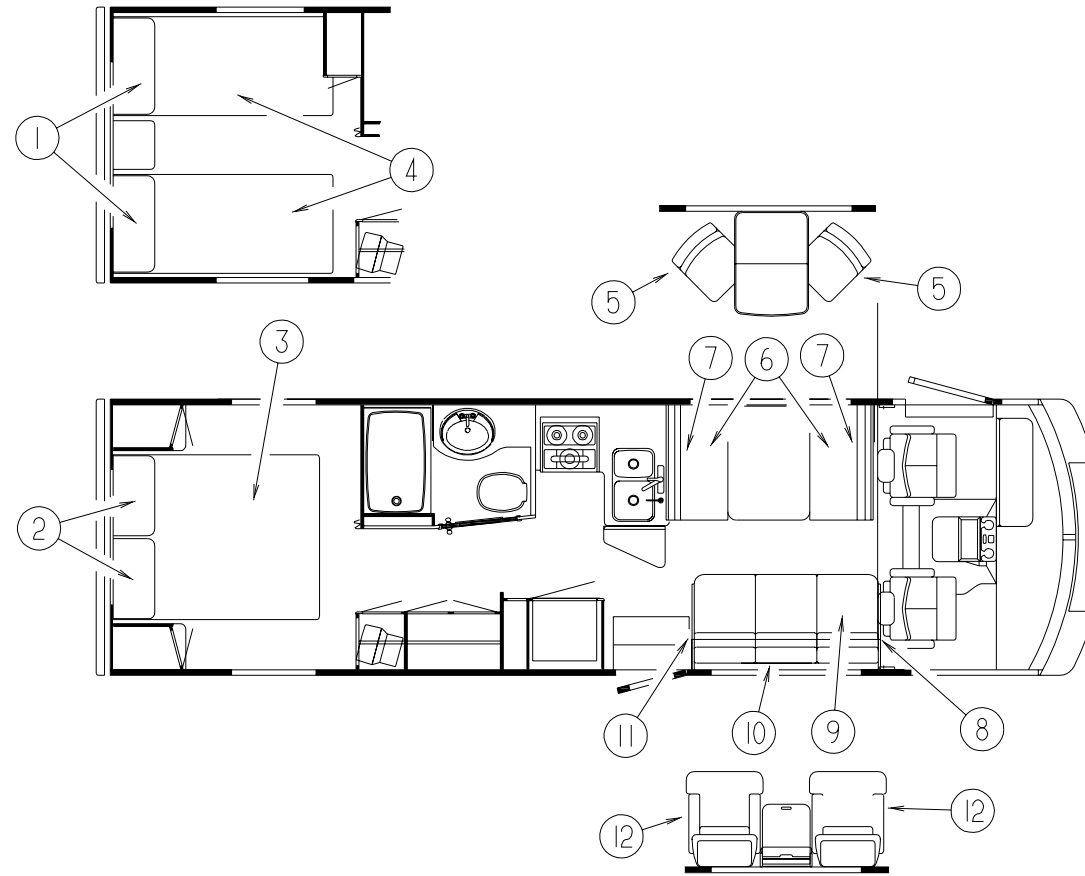
DINETTE OPTION

KEY	PART NUMBER	U/M DESCRIPTION
	101604-01-03A	EA CHAIR - FOLDING/DINETTE - LINEN FABRIC - WATERFORD OAK
5	126637-11-000	EA CHAIR - DINETTE - SUNSHOWER (K28, K29)
5	126637-15-000	EA CHAIR - DINETTE - VINTAGE GROVE (K30, K31)
5	126637-16-000	EA CHAIR - DINETTE - JUNIPER (K32, K33)
5	126637-01-000	EA CHAIR - DINETTE - CHAMELEON (K34, K35)
	129529-02-000	EA STRAP - RETAINER - CHAIR
	129491-01-000	EA CATCH - SNAP HOOK - 1"

DINETTE CUSHIONS

KEY	PART NUMBER	U/M DESCRIPTION
6	105603-15-K28	EA CUSHION - SEAT - 23" X 42" X 5" (K28, K29)
6	105603-15-K30	EA CUSHION - SEAT - 23" X 42" X 5" (K30, K31)
6	105603-15-K32	EA CUSHION - SEAT - 23" X 42" X 5" (K32, K33)
6	105603-15-H10	EA CUSHION - SEAT - 23" X 42" X 5" (K34, K35)
6	P05603-15-K28	EA COVER - SEAT - 23" X 42" X 5" (K28, K29)
6	P05603-15-K30	EA COVER - SEAT - 23" X 42" X 5" (K30, K31)
6	P05603-15-K32	EA COVER - SEAT - 23" X 42" X 5" (K32, K33)
6	P05603-15-H10	EA COVER - SEAT - 23" X 42" X 5" (K34, K35)
7	111880-05-K28	EA CUSHION - BACK - 13.5" X 42" X 5" (K28, K29)
7	111880-05-K30	EA CUSHION - BACK - 13.5" X 42" X 5" (K30, K31)
7	111880-05-K32	EA CUSHION - BACK - 13.5" X 42" X 5" (K32, K33)
7	111897-05-H10	EA CUSHION - BACK - 13.5" X 42" X 5" (K34, K35)
7	P11880-05-K28	EA COVER - BACK - 13.5" X 42" X 5" (K28, K29)
7	P11880-05-K30	EA COVER - BACK - 13.5" X 42" X 5" (K30, K31)
7	P11880-05-K32	EA COVER - BACK - 13.5" X 42" X 5" (K32, K33)
7	P11897-05-H10	EA COVER - BACK - 13.5" X 42" X 5" (K34, K35)
	078155-01-000	EA STRAP - SNAP - BACK CUSHION

CURTAIN & CUSHION GROUP (CONTINUED)



COUCH BED

COUCH BED (CONTINUED)

KEY	PART NUMBER	U/M DESCRIPTION
8	127840-01-K28	EA PANEL - RIGHT END - SOFA/BED - FABRIC COVERED (K28, K29)
8	127840-01-K30	EA PANEL - RIGHT END - SOFA/BED - FABRIC COVERED (K30, K31)
8	127840-01-K32	EA PANEL - RIGHT END - SOFA/BED - FABRIC COVERED (K32, K33)
8	127840-01-J10	EA PANEL - RIGHT END - SOFA/BED - FABRIC COVERED (K34, K35)
8	130718-01-K28	EA ARMREST - REMOVEABLE/ RIGHT HAND (K28, K29)
8	130718-01-K30	EA ARMREST - REMOVEABLE/ RIGHT HAND (K30, K31)
8	130718-01-K32	EA ARMREST - REMOVEABLE/ RIGHT HAND (K32, K33)
8	130718-01-K34	EA ARMREST - REMOVEABLE/ RIGHT HAND (K34, K35)
8	P30718-01-K28	EA COVER - ARMREST - REMOVEABLE/ RIGHT (K28, K29)
8	P30718-01-K30	EA COVER - ARMREST - REMOVEABLE/ RIGHT (K30, K31)
8	P30718-01-K32	EA COVER - ARMREST - REMOVEABLE/ RIGHT (K32, K33)
8	P30718-01-K34	EA COVER - ARMREST - REMOVEABLE/ RIGHT (K34, K35)
9	130573-04-K28	EA BED - COUCH/SEAT - 67.5" (K28, K29)
9	130573-04-K30	EA BED - COUCH/SEAT - 67.5" (K30, K31)
9	130573-04-K32	EA BED - COUCH/SEAT - 67.5" (K32, K33)
9	130573-04-K34	EA BED - COUCH/SEAT - 67.5" (K34, K35)
9	P30573-04-K28	EA COVER - COUCH/SEAT - 67.5" (K28, K29)
9	P30573-04-K30	EA COVER - COUCH/SEAT - 67.5" (K30, K31)
9	P30573-04-K32	EA COVER - COUCH/SEAT - 67.5" (K32, K33)
9	P30573-04-K34	EA COVER - COUCH/SEAT - 67.5" (K34, K35)
10	130573-03-K28	EA BED - COUCH/BACK - 67.5" (K28, K29)
10	130573-03-K30	EA BED - COUCH/BACK - 67.5" (K30, K31)
10	130573-03-K32	EA BED - COUCH/BACK - 67.5" (K32, K33)
10	130573-03-K34	EA BED - COUCH/BACK - 67.5" (K34, K35)
10	P30573-03-K28	EA COVER - COUCH/BACK - 67.5" (K28, K29)
10	P30573-03-K30	EA COVER - COUCH/BACK - 67.5" (K30, K31)
10	P30573-03-K32	EA COVER - COUCH/BACK - 67.5" (K32, K33)
10	P30573-03-K34	EA COVER - COUCH/BACK - 67.5" (K34, K35)

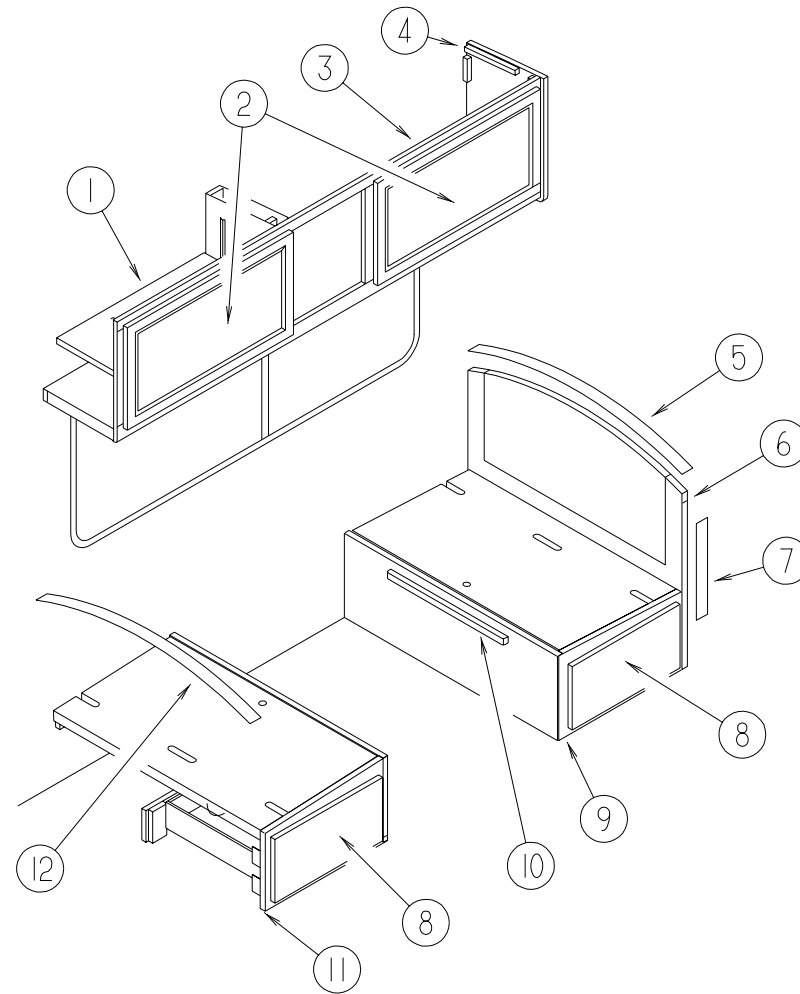
KEY	PART NUMBER	U/M DESCRIPTION
11	127840-02-K28	EA PANEL - LEFT HAND - SOFA/BED - FABRIC COVERED (K28, K29)
11	127840-02-K30	EA PANEL - LEFT HAND - SOFA/BED - FABRIC COVERED (K30, K31)
11	127840-02-K32	EA PANEL - LEFT HAND - SOFA/BED - FABRIC COVERED (K32, K33)
11	127840-02-J10	EA PANEL - LEFT HAND - SOFA/BED - FABRIC COVERED (K34, K35)
11	130718-02-K28	EA ARMREST - REMOVEABLE LEFT HAND (K28, K29)
11	130718-02-K30	EA ARMREST - REMOVEABLE LEFT HAND (K30, K31)
11	130718-02-K32	EA ARMREST - REMOVEABLE LEFT HAND (K32, K33)
11	130718-02-K34	EA ARMREST - REMOVEABLE LEFT HAND (K34, K35)
11	P30718-02-K28	EA COVER - ARMREST - REMOVABLE/LEFT HAND (K28, K29)
11	P30718-02-K30	EA COVER - ARMREST - REMOVABLE/LEFT HAND (K30, K31)
11	P30718-02-K32	EA COVER - ARMREST - REMOVABLE/LEFT HAND (K32, K33)
11	P30718-02-K34	EA COVER - ARMREST - REMOVABLE/LEFT HAND (K34, K35)
	127335-08-000	EA BRACKET - REMOVABLE ARM/COUCH
	127335-09-000	EA BRACKET - REMOVABLE ARM/CUSHION
	116104-03-02B	EA BRACKET - ZEE W/HOLES - 5.9"
	116104-04-02B	EA BRACKET - ZEE W/HOLES - 3.2"
	120992-09-K28	EA PANEL - FRONT KICK - SOFA/BED - FABRIC COVERED (K28, K29)
	120992-09-K30	EA PANEL - FRONT KICK - SOFA/BED - FABRIC COVERED (K30, K31)
	120992-09-K32	EA PANEL - FRONT KICK - SOFA/BED - FABRIC COVERED (K32, K33)
	120992-09-K34	EA PANEL - FRONT KICK - SOFA/BED - FABRIC COVERED (K34, K35)
	121906-01-02B	EA BRACKET - KICKBOARD - E-COATED
	111637-02-K28	EA PILLOW - 21" X 21" (K28, K29)
	111637-02-K30	EA PILLOW - 21" X 21" (K30, K31)
	111637-02-K32	EA PILLOW - 21" X 21" (K32, K33)
	111637-02-K34	EA PILLOW - 21" X 21" (K34, K35)
	127335-12-000	EA FRAME-10" LEG

SWIVEL CHAIR (RECLINER)

KEY	PART NUMBER	U/M DESCRIPTION
12	130566-01-K28	EA CHAIR - INCLINER - W/FOOTREST (K28, K29)
12	130566-01-K30	EA CHAIR - INCLINER - W/FOOTREST (K30, K31)
12	130566-01-K32	EA CHAIR - INCLINER - W/FOOTREST (K32, K33)
12	130566-01-K34	EA CHAIR - INCLINER - W/FOOTREST (K34, K35)

DINETTE GROUP

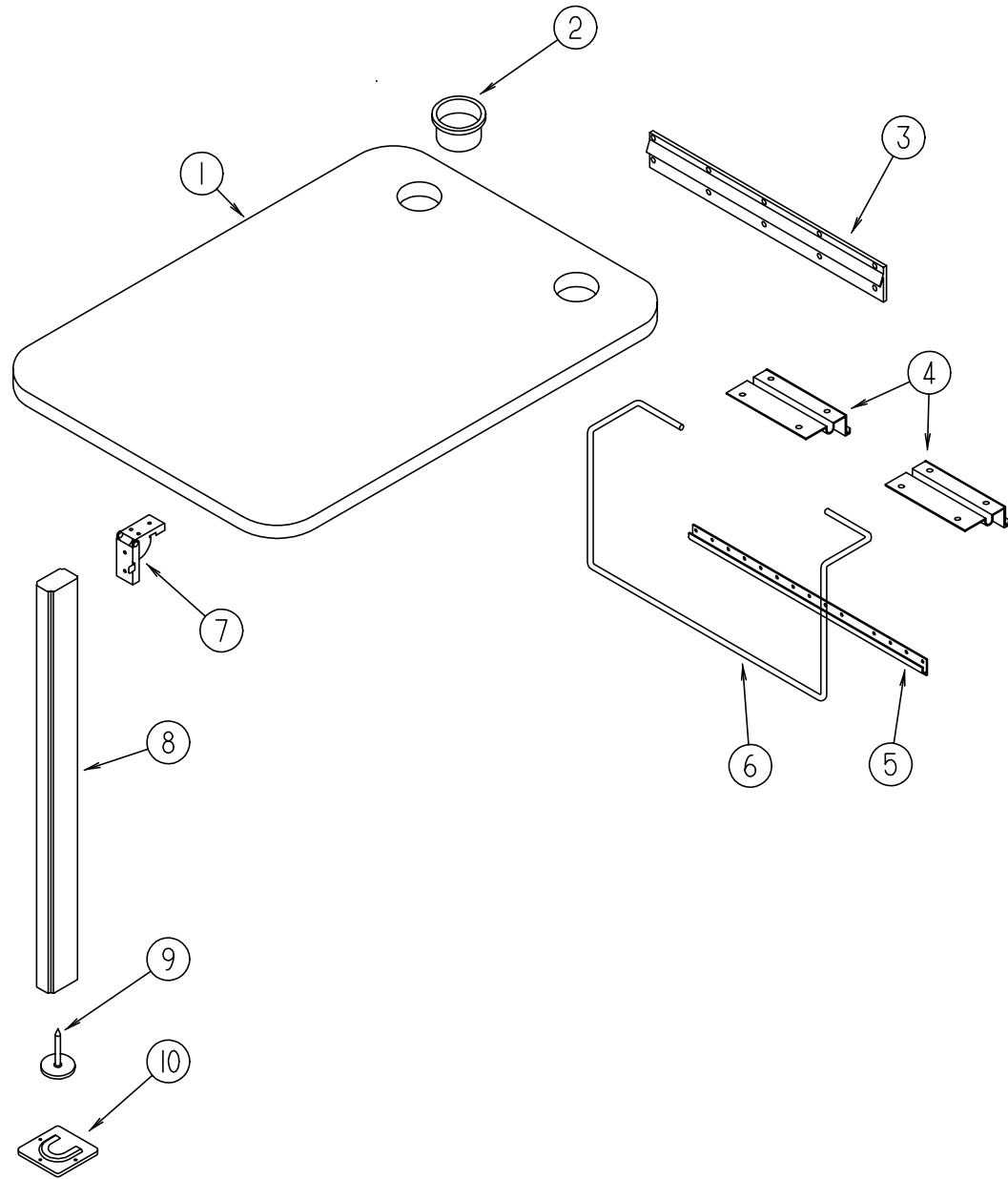
DINETTE CABINETS



KEY	PART NUMBER	U/M	DESCRIPTION
1	128955-13-K28	EA	SHELF - W/PLASTIC EDGE TRIM (WATERFORD OAK)
1	128955-13-K29	EA	SHELF - W/PLASTIC EDGE TRIM (MYSTIC OAK)
2	M05992-48-J20	EA	DOOR - STRAIGHT CORNER/OGEE - 15.7" X 27.9" - W/O HDW (WATERFORD OAK)
2	M05992-48-K29	EA	DOOR - STRAIGHT CORNER/OGEE - 15.7" X 27.9" - W/O HDW (MYSTIC OAK)
3	128955-01-K28	EA	CABINET - OVHD/DINETTE/LH - W/O DOORS/HDW
3	128955-01-K29	EA	CABINET - OVHD/DINETTE/LH - W/O DOORS/HDW
3	128955-01-K30	EA	CABINET - OVHD/DINETTE/LH - W/O DOORS/HDW
3	128955-01-K31	EA	CABINET - OVHD/DINETTE/LH - W/O DOORS/HDW
3	128955-01-K32	EA	CABINET - OVHD/DINETTE/LH - W/O DOORS/HDW
3	128955-01-K33	EA	CABINET - OVHD/DINETTE/LH - W/O DOORS/HDW
3	128955-01-K34	EA	CABINET - OVHD/DINETTE/LH - W/O DOORS/HDW
3	128955-01-K35	EA	CABINET - OVHD/DINETTE/LH - W/O DOORS/HDW
4	103128-01-G09	EA	END CAP - OVHD CABINET - RH (WATERFORD OAK)
4	103128-01-J90	EA	END CAP - OVHD CABINET - RH (MYSTIC OAK)
5	104787-19-K28	EA	PAD - DINETTE (K28, K29)
5	104787-19-K30	EA	PAD - DINETTE (K30, K31)
5	104787-19-K18	EA	PAD - DINETTE (K32, K33)
5	104787-19-K34	EA	PAD - DINETTE (K34, K35)
6	M07514-54-K28	EA	CABINET - SEAT BACK - RH (WATERFORD OAK)
6	M07514-54-K29	EA	CABINET - SEAT BACK - RH (MYSTIC OAK)
6	M07514-55-K28	EA	CABINET - SEAT BACK - RH (SOUND SYSTEM) (WATERFORD OAK)
6	M07514-55-K29	EA	CABINET - SEAT BACK - RH (SOUND SYSTEM) (MYSTIC OAK)

KEY	PART NUMBER	U/M	DESCRIPTION
7	104787-18-K28	EA	PAD - DINETTE (K28, K29)
7	104787-18-K30	EA	PAD - DINETTE (K30, K31)
7	104787-18-K18	EA	PAD - DINETTE (K32, K33)
7	104787-18-K34	EA	PAD - DINETTE (K34, K35)
8	M05971-35-K28	EA	DRAWER - OGEE - 16.9" X 21.6"D - W/O SLIDES/HDW (WATERFORD OAK)
8	M05971-35-K29	EA	DRAWER - OGEE - 16.9" X 21.6"D - W/O SLIDES/HDW (MYSTIC OAK)
9	M07515-54-K28	EA	CABINET - SEATBASE/RH - W/O /DR/HDW (WATERFORD OAK)
9	M07515-54-K29	EA	CABINET - SEATBASE/RH - W/O /DR/HDW (MYSTIC OAK)
9	M07515-55-K28	EA	CABINET - SEATBASE/RH - W/O /DR/HDW (SOUND SYSTEM) (WATERFORD OAK)
9	M07515-55-K29	EA	CABINET - SEATBASE/RH - W/O /DR/HDW (SOUND SYSTEM) (MYSTIC OAK)
10	081295-01-G01	EA	SUPPORT - BED/DINETTE - 28" LONG (WATERFORD OAK)
10	081295-01-H37	EA	SUPPORT - BED/DINETTE - 28" LONG (MYSTIC OAK)
11	M07515-06-J22	EA	CABINET - SEATBASE/LH - W/O /DR/HDW (WATERFORD OAK)
11	M07515-06-K29	EA	CABINET - SEATBASE/LH - W/O /DR/HDW (MYSTIC OAK)
12	104787-08-J21	EA	PAD - DINETTE (K28, K29)
12	104787-08-K30	EA	PAD - DINETTE (K30, K31)
12	104787-08-F11	EA	PAD - DINETTE (K32, K33)
12	104787-08-H50	EA	PAD - DINETTE (K34, K35)
	103256-01-000	EA	LATCH - SLIDE
	122021-02-02A	EA	ANGLE - W/HOLES - 13.7" LONG - OFF WHITE

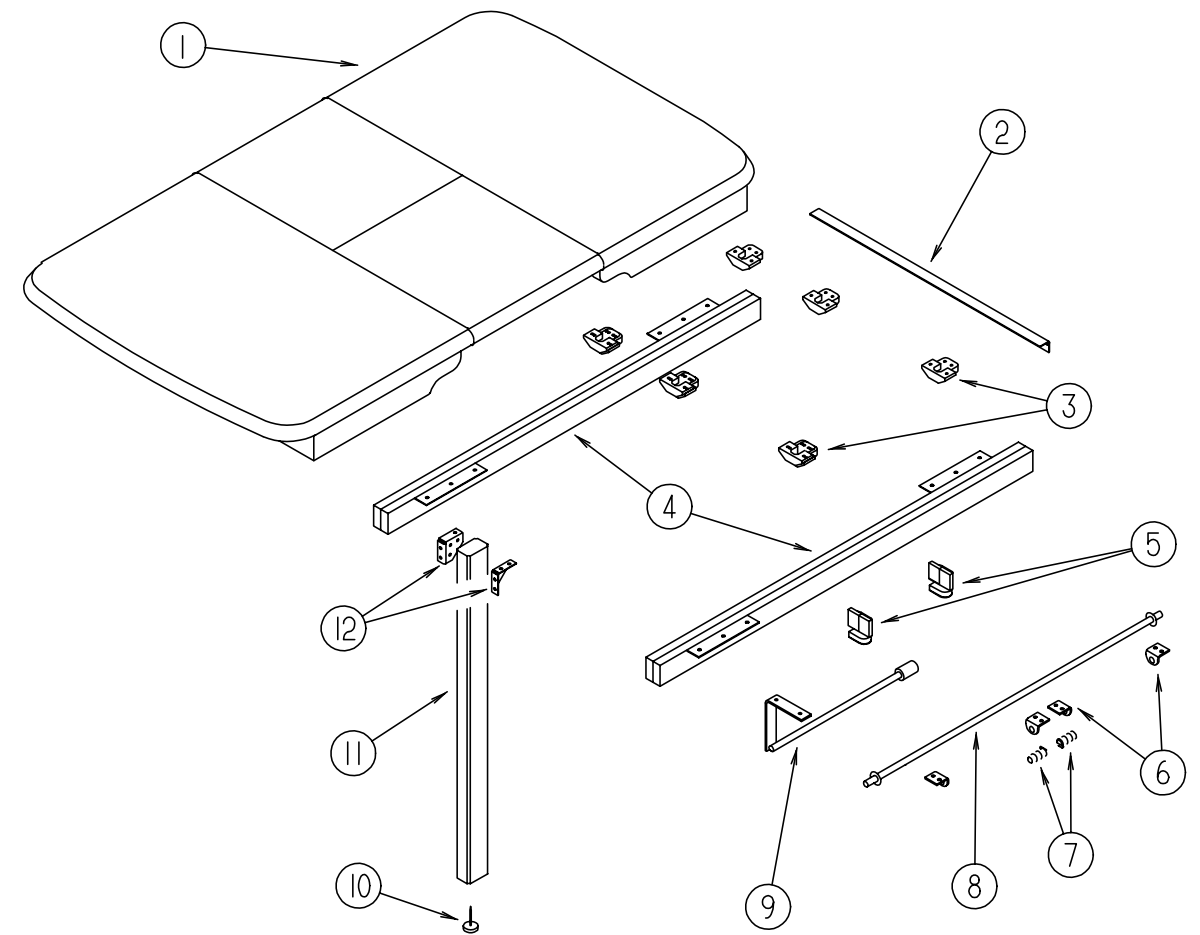
DINETTE GROUP (CONTINUED)



DINETTE TABLE ASM.

KEY	PART NUMBER	U/M DESCRIPTION
1	127121-02-J26	EA TABLE TOP ONLY (K28, K29, K30, K31, K34, K35)
1	127121-02-K32	EA TABLE TOP ONLY (K32, K33)
2	064781-06-000	EA HOLDER - CUP TWO STEP - OFF WHITE
3	053200-12-000	EA BRACKET - TABLE SUPPORT - UPPER WALL MOUNTED 23.50"
4	088410-02-000	EA BRACKET - LIFT - TABLE MOUNTED
5	024281-14-000	EA BRACKET - LIFT ROD LOWER WALL MOUNTED - 22.12"
6	024275-12-000	EA ROD - TABLE LIFT
7	093550-01-000	EA BRACKET - HINGE - MOUNTS TO LEG & TABLE TOP - 1.7" X 2.6"
8	092707-04-05A	EA LEG - TABLE - W/O HARDWARE - 27" - WATERFORD OAK
8	092707-04-03A	EA LEG - TABLE - W/O HARDWARE - 27" - PICKLED ASH
9	092593-01-05A	EA CATCH - TABLE LEG - OFF/WHITE
10	049493-12-000	EA CATCH - TABLE LEG - FLOOR MOUNTED - OFF WHITE
10	049493-11-700	EA CATCH - TABLE LEG - E-COAT
	004354-01-000	EA BUMPER - RUBBER - .5" DIA - BROWN

DINETTE GROUP (CONTINUED)

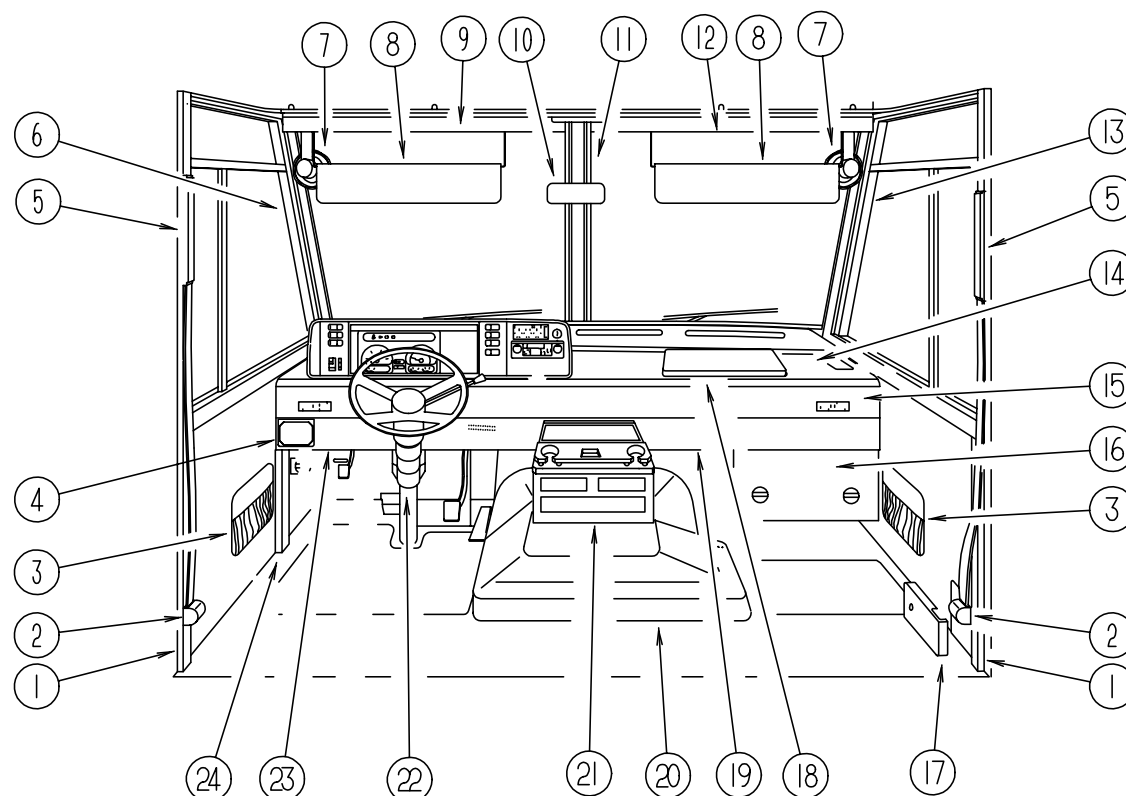


DINETTE TABLE ASM. W/ DROP LEAF

KEY	PART NUMBER	U/M DESCRIPTION
	P18322-03-K30	EA TABLE - PULLOUT/SELF STORING - W/O HARDWARE (K28, K30, K34)
	P18322-03-K29	EA TABLE - PULLOUT/SELF STORING - W/O HARDWARE (K29, K31, K35)
	P18322-03-K32	EA TABLE - PULLOUT/SELF STORING - W/O HARDWARE (K32)
	P18322-03-K33	EA TABLE - PULLOUT/SELF STORING - W/O HARDWARE (K33)
1	118322-20-J91	EA TABLE TOP ONLY (K28, K29, K30, K31, K34, K35)
1	118322-20-K32	EA TABLE TOP ONLY (K32, K33)
2	041389-18-000	EA HINGE - PIANO - 1 1/2" X 19" - OFF WHITE
3	009050-02-000	EA LEVELER - TABLE TOP - MALE END W/4 SCREWS - PLASTIC
3	009050-03-000	EA LEVELER - TABLE TOP - FEMALE END W/2 SCREWS - PLASTIC
4	110749-01-000	EA SLIDE/EXTENSION - 19 3/4" TO 33 1/4"
5	108663-01-000	EA HINGE - LEAF - FOLDING
6	108874-01-000	EA BRACKET - HINGE - TABLE LEAF
7	108664-01-000	EA SPRING - COMPRESSION - .51" X 1.96"
8	108932-01-000	EA ROD - PIVOT
9	108905-01-000	EA SUPPORT - TABLE LEAF
10	102194-01-000	EA GUIDE - PLASTIC
11	092707-07-05A	EA LEG - TABLE - W/O HARDWARE - 27.8" - WATERFORD OAK
11	092707-07-02A	EA LEG - TABLE - W/O HARDWARE - 27.8" - PICKLED ASH
12	102810-01-04A	EA BRACE - TABLE LEG - BLACK
12	102810-01-03A	EA BRACE - TABLE LEG - MILL

DRIVERS COMPARTMENT GROUP

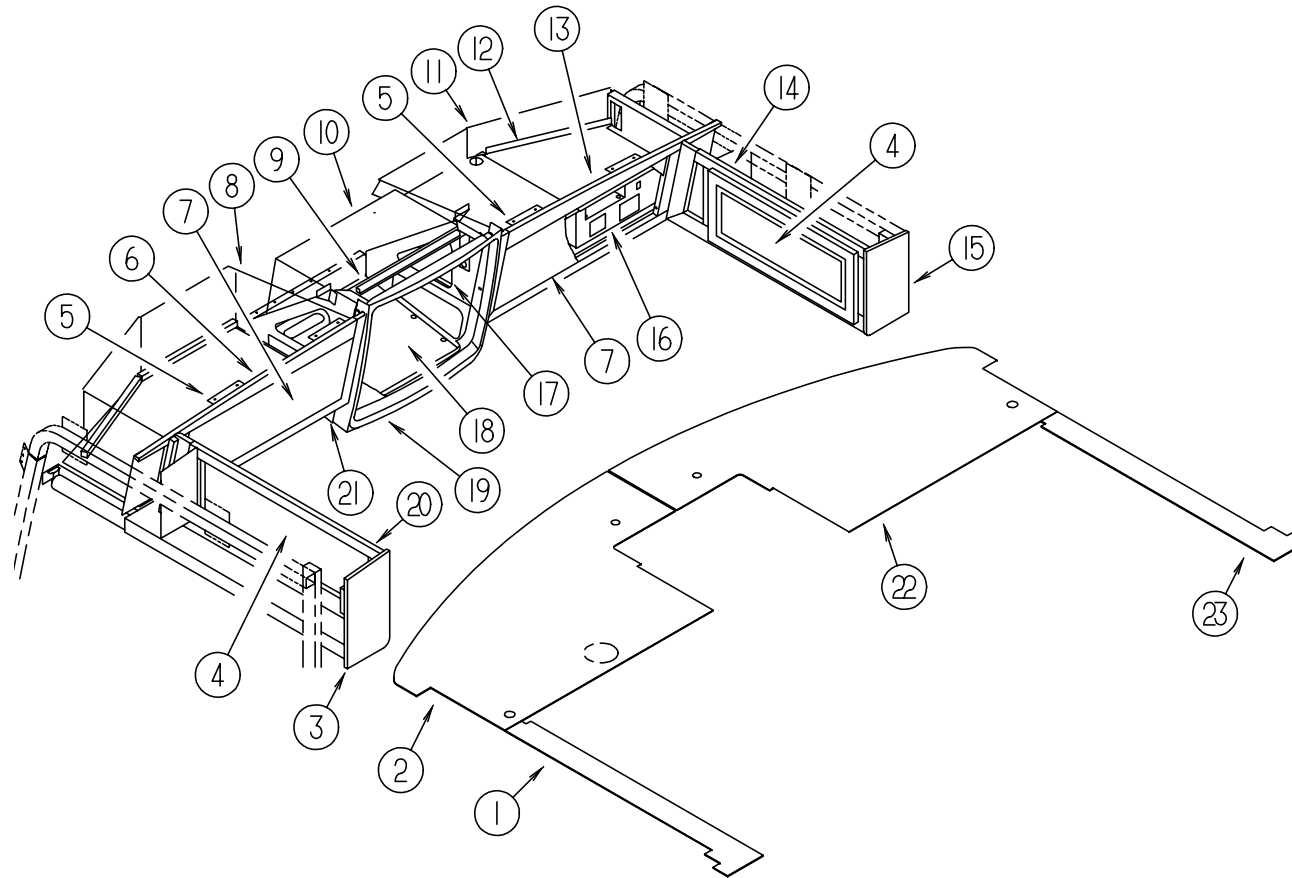
LOWER DRIVER COMPARTMENT



KEY	PART NUMBER	U/M DESCRIPTION	VENDOR NO.	KEY	PART NUMBER	U/M DESCRIPTION
1	024700-51-000	EA COVER - ROLL BAR - 88" - OFF WHITE		16	095757-05-G16	EA COVER - HEATER (K28, K29)
	126701-01-03A	EA COVER - ASSIST HANDLE - OFF WHITE		16	095757-05-K30	EA COVER - HEATER (K30, K31)
2	091990-05-01A	EA SEAT BELT/SHOULDER HARNESS - DRIVER/PASSENGER - BLACK		16	095757-05-J17	EA COVER - HEATER (K32, K33)
	091990-05-700	EA SLEEVE/BUCKLE COVER-PLASTIC	209S-2	16	095757-05-J51	EA COVER - HEATER (K34, K35)
	091990-05-701	EA CAP/COVER - BOLT HOLE COVER	209SC-02	17	103961-03-01A	EA COVER - BRACKET - SEATBELT/OFF WHITE
	091990-05-702	EA SLEEVE/RETRACTABLE COVER	309C-02	18	127692-01-J20	EA TABLE/WORK STATION - COMPLETE
	091990-05-703	EA EXTENDER 12"	I-1442-02	18	127597-01-000	EA SLIDE - WORK STATION - DASH
	127598-01-01A	EA ADJUSTER - SEATBELT - D-LOOP - ADJUSTER		19	114620-05-04A	EA TRIM - LWR DASH - GM - 96" - ANTELOPE - W/ELECTRIC MIRRORS - W/O DR DOR
	127598-02-000	EA NUT - HEX FLANGE - M10 X 1.5 - CLASS 10		19	114620-08-02A	EA TRIM - LWR DASH - GM - 96" - ANTELOPE - W/O ELECTRIC MIRRORS - W/O DR DOR
	128444-01-000	EA WASHER - SPRING - CONICAL		19	114620-09-02A	EA TRIM - LWR DASH - GM - 96" - ANTELOPE - W/ELECTRIC MIRRORS - W/DR DOR
3	086120-01-J21	EA PAD - MAP POCKET - 12" X 16" (K28, K29)		19	114620-11-02A	EA TRIM - LWR DASH - GM - 96" - ANTELOPE - W/O ELECTRIC MIRRORS - W/DR DOR
3	086120-01-K30	EA PAD - MAP POCKET - 12" X 16" (K30, K31)		19	111528-07-04A	EA TRIM - DASH - LWR/PASSENGER - ANTELOPE - FORD
3	086120-01-G30	EA PAD - MAP POCKET - 12" X 16" (K32, K33)		20	115840-03-01A	EA COVER - MOTOR - W/O CARPET - FORD
3	086120-01-J30	EA PAD - MAP POCKET - 12" X 16" (K34, K35)				FROM: 00-00-00 THRU: 05-05-99
4	112236-01-J20	EA BEZEL - LEVELING PANEL		20	129099-03-01A	EA COVER - MOTOR - W/O CARPET - FORD
5	127798-01-01A	EA COVER - SLIDE - INNER - BLACK - 1.5" X 11.4"				FROM: 05-06-99 THRU: 99-99-99
5	127721-01-01A	EA COVER - SLIDE - OFF WHITE		20	115840-02-01A	EA COVER - MOTOR - W/O CARPET (CHEVY)
6	125508-02-01A	EA TRIM - A-PILLAR - INTERIOR - ANTELOPE		21	126680-01-H17	EA TRAY - BEVERAGE - W/SHELF/CUPHOLDERS - W/O DR (FORD) (WATERFORD OAK)
6	123045-11-02A	EA BACKING - SCREW - ANTELOPE		21	126680-01-K29	EA TRAY - BEVERAGE - W/SHELF/CUPHOLDERS - W/O DR (FORD) (MYSTIC OAK)
7	122856-01-01A	EA FAN- DEFROSTER-2 SPEED W/SWIVEL BASE/NON-OSCILATING-CHROME		21	126680-02-H17	EA TRAY - BEVERAGE - W/SHELF/CUPHOLDERS - W/O DR (WATERFORD OAK)
8	123298-02-04A	EA SUNVISOR - 10.5" X 28.5"		21	126680-02-K29	EA TRAY - BEVERAGE - W/SHELF/CUPHOLDERS - W/O DR (CHEVY) (MYSTIC OAK)
9	118453-04-01A	EA TRIM - WINDSHIELD - INNER/TOP/DRIVER		22	130111-01-01A	EA COVER - STEERING COLUMN - BLACK (FORD) - UPPER
10	040714-01-000	EA MIRROR - REAR VIEW/ARM MOUNT & SET SCREW				FROM: 00-00-00 THRU: 01-17-99
10	067490-01-000	EA BUTTON - MIRROR/REAR VIEW		22	131804-01-01A	EA COVER - STEERING COLUMN - BLACK (FORD) - UPPER & SIDES
11	118452-04-01A	EA TRIM - WINDSHIELD - CENTER				FROM: 02-04-99 THRU: 99-99-99
12	118453-03-01A	EA TRIM - WINDSHIELD - INNER/TOP/PASSENGER		22	125655-03-01A	EA TRIM - STEERING COLUMN - RH (FORD)
13	125508-01-01A	EA TRIM - A-PILLAR - INTERIOR - ANTELOPE				FROM: 00-00-00 THRU: 02-03-99
13	123045-11-02A	EA BACKING - SCREW - ANTELOPE		22	125655-04-01A	EA TRIM - STEERING COLUMN - LH (FORD)
14	P30276-01-000	EA DASH - W/O VINYL - E-COATED (FORD) (W/ DRIVER DOOR)				FROM: 00-00-00 THRU: 02-03-99
14	P30276-02-000	EA DASH - W/O VINYL - E-COATED (FORD) (W/O DRIVER DOOR)		22	125795-01-01A	EA COVER - STEERING COLUMN - LWR - BLACK (FORD)
14	P30276-05-000	EA DASH - W/O VINYL - E-COATED (CHEVY) (W/ DRIVER DOOR)				FROM: 02-04-99 THRU: 99-99-99
14	P30276-06-000	EA DASH - W/O VINYL - E-COATED (CHEVY) (W/O DRIVER DOOR)		22	103498-09-000	EA BOOT - STEERING COLUMN - W/1/2 CIRCLE (CHEVY)
14	106569-11-01A	EA VINYL - LAMINATE - ALLANTE ANTELOPE - 1/4" X 21" X 100"		23	111528-04-04A	EA TRIM - DASH - LWR DRIVER (FORD)
15	104354-09-08A	EA APPLIQUE - LWR DASH (ADVENTURER)		24	127901-02-01A	EA PANEL - TOEKICK - LH - ANTELOPE (W/DRIVER DOOR)
				24	127901-01-01A	EA PANEL - TOEKICK - LH - ANTELOPE (W/O DRIVER DOOR)

DRIVERS COMPARTMENT GROUP (CONTINUED)

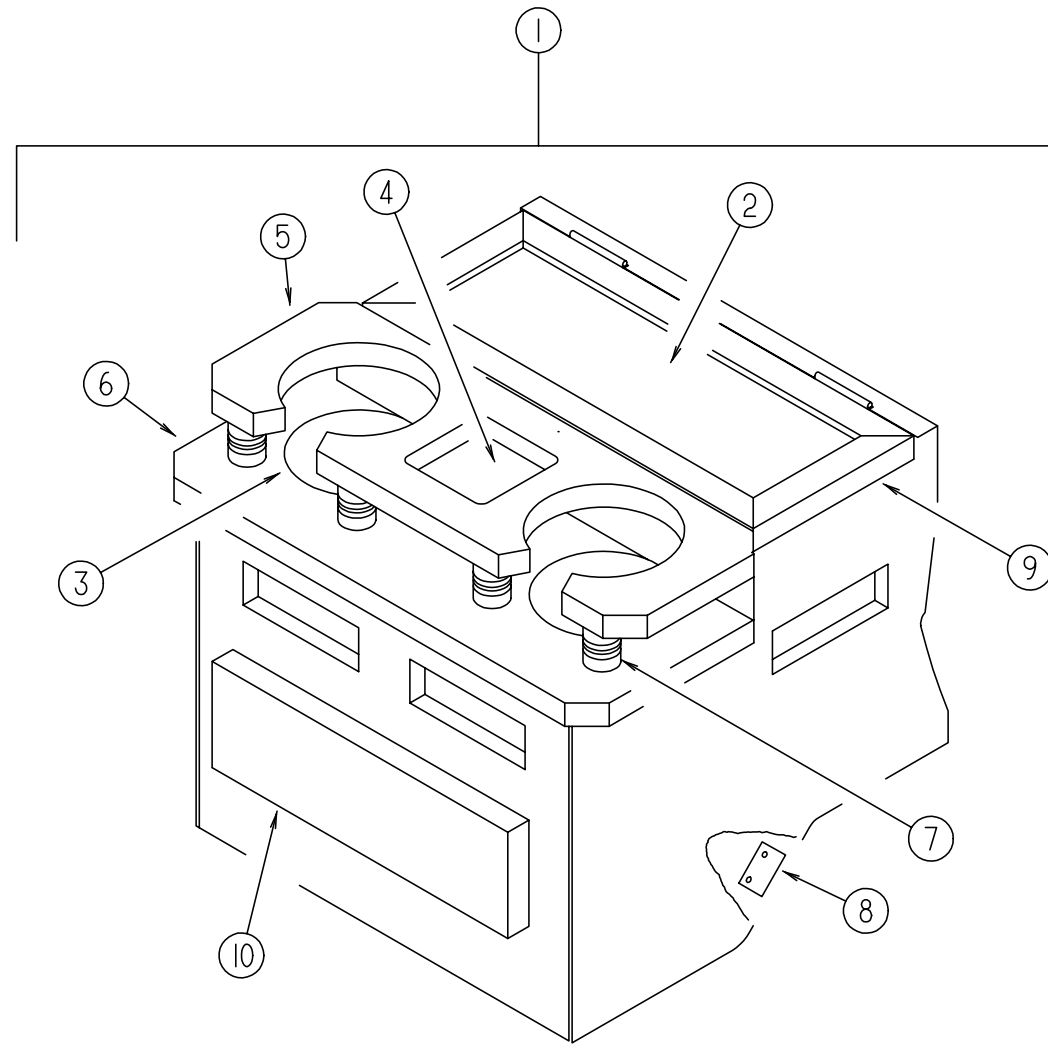
OVERHEAD CABINETS (DRIVER COMPARTMENT)



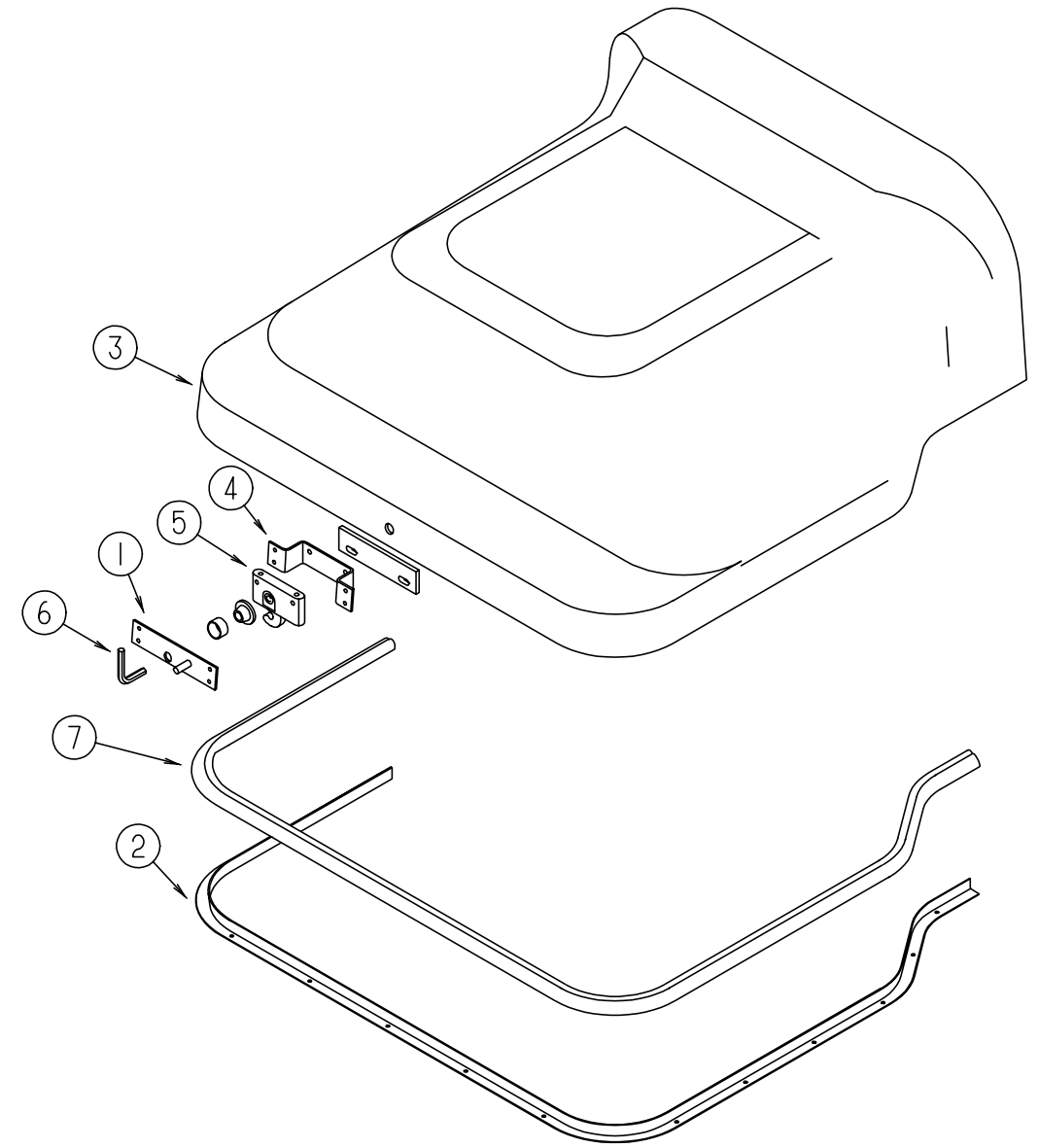
KEY	PART NUMBER	U/M DESCRIPTION	KEY	PART NUMBER	U/M DESCRIPTION
1	126443-04-K28	EA PANEL - OVHD - FRONT/LEFT HAND - 5.8" X 38.4"	15	103128-17-J20	EA END CAP - OVHD CABINET - RIGHT HAND (WATERFORD OAK)
2	126440-02-J20	EA PANEL - OVHD - FRONT/BOTTOM - LEFT HAND	15	103128-17-J90	EA END CAP - OVHD CABINET - RIGHT HAND (MYSTIC OAK)
3	103128-18-J20	EA END CAP - OVHD CABINET - LEFT HAND (WATERFORD OAK)	16	126601-03-J20	EA PANEL - SHELF - VINYL COVERED - W/NOTCH/ANTENNA CUTOUT FROM: 00-00-00 THRU: 11-08-98
3	103128-18-J90	EA END CAP - OVHD CABINET - LEFT HAND (MYSTIC OAK)	16	131807-02-K28	EA PANEL - SHELF - VINYL COVERED - W/NOTCH/ANTENNA CUTOUT FROM: 11-09-98 THRU: 99-99-99
4	M05992-L9-J22	EA DOOR - STRAIGHT CORNER/OGEE - 10" X 29.5" - W/O HDW (WATERFORD OAK)	16	126601-01-J20	EA PANEL/SHELF - VINYL COVERED - W/ANTENNA CUTOUT FROM: 00-00-00 THRU: 11-08-98
4	M05992-L9-K29	EA DOOR - STRAIGHT CORNER/OGEE - 10" X 29.5" - W/O HDW (MYSTIC OAK)	16	131807-01-K28	EA PANEL/SHELF - VINYL COVERED - W/ANTENNA CUTOUT FROM: 11-09-98 THRU: 99-99-99
5	106699-01-01A	EA BRACKET - OVHD CABINET/TV	16	126601-07-J20	EA PANEL - SHELF-VINYL COVERED - W/NOTCH/INVERTER/ANTENNA CUTOUT FROM: 00-00-00 THRU: 11-08-98
6	130768-02-K66	EA CABINET - OVHD - FRONT/LEFT HAND - W/O DOOR/HDW (WATERFORD OAK)	16	131807-03-K28	EA PANEL - SHELF - VINYL COVERED - W/NOTCH/ANTENNA CUTOUT FROM: 11-09-98 THRU: 99-99-99
6	130768-02-K29	EA CABINET - OVHD - FRONT/LEFT HAND - W/O DOOR/HDW (MYSTIC OAK)	17	126081-03-02B	EA BRACKET/SUPPORT - TV - 10 DEGREE - E-COATED (RIGHT)
7	M05992-AW-K28	EA DOOR - STRAIGHT CORNER/OGEE - 11.4" X 28.1" - W/O HDW (WATERFORD OAK)		126081-04-02B	EA BRACKET/SUPPORT - TV - 10 DEGREE - E-COATED (LEFT)
7	M05992-AW-K29	EA DOOR - STRAIGHT CORNER/OGEE - 11.4" X 28.1" - W/O HDW (MYSTIC OAK)	18	091261-01-000	FT SLIPNOT - ANTISLIP - 1" WIDE
7	100708-20-000	EA DOOR - GLASS - TV CABINET - 8.6" X 26.1"		100708-16-000	EA DOOR - GLASS - CABINET - 15.5" X 15.7" - W/O HDW
8	126457-02-J20	EA PANEL - CLOSEOUT - OVHD FRONT - UPPER/LOWER LEFT HAND	19	125977-01-02A	EA COVER - TV - OVHD/Front - ANTELOPE
9	114706-04-02B	EA SUPPORT - SHELF/TV	19	126602-02-J22	EA COVER - OVHD FRONT - W/O TV OPTION
10	126854-01-J20	EA PANEL - HEADLINER/TV/TOP	20	126301-02-J22	EA CABINET - OVHD/Front LEFT HAND - W/O DOORS/HDW (WATERFORD OAK)
11	126457-01-J20	EA PANEL - CLOSEOUT - OVHD FRONT - UPPER/LOWER RIGHT HAND	20	126301-02-J90	EA CABINET - OVHD/Front LEFT HAND - W/O DOORS/HDW (MYSTIC OAK)
12	126275-01-02B	EA SHELF - OVHD/Front - E-COATED FROM: 00-00-00 THRU: 11-08-98	21	126006-02-J20	EA COVER - TV - OVHD/BOTTOM
12	126275-03-02B	EA SHELF - OVHD FRONT - E-COATED FROM: 11-09-98 THRU: 99-99-99	22	126440-01-J20	EA PANEL - OVHD - FRONT/BOTTOM - RIGHT HAND
13	130768-01-K66	EA CABINET - OVHD - FRONT/RIGHT HAND - W/O DOOR/HDW (WATERFORD OAK)	23	126443-03-J24	EA PANEL - OVHD - FRONT/RIGHT HAND - 5.8" X 39.2"
13	130768-01-K36	EA CABINET - OVHD - FRONT/RIGHT HAND - W/O DOOR/HDW (MYSTIC OAK)			
14	126358-02-K28	EA CABINET - OVHD/Front - RIGHT HAND - W/O DOOR/HDW (WATERFORD OAK)			
14	126358-02-K29	EA CABINET - OVHD/Front - RIGHT HAND - W/O DOOR/HDW (MYSTIC OAK)			

DRIVERS COMPARTMENT GROUP (CONTINUED)

DRIVERS COMPARTMENT GROUP (CONTINUED)



BEV TRAY, DRIVER COMPARTMENT

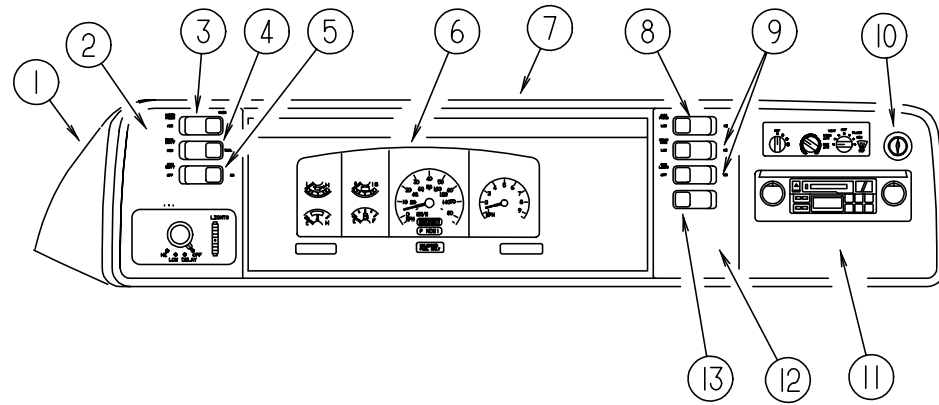


MOTOR COVER

KEY	PART NUMBER	U/M	DESCRIPTION
1	126680-01-H17	EA	TRAY - BEV - W/SHELF/CUPHOLDERS - W/O DRAWER (FORD) (WATERFORD OAK)
1	126680-01-K29	EA	TRAY - BEV - W/SHELF/CUPHOLDERS - W/O DRAWER (FORD) (MYSTIC OAK)
1	126680-02-H17	EA	TRAY - BEV - W/SHELF/CUPHOLDERS - W/O DRAWER (CHEVY) (WATERFORD OAK)
1	126680-02-K29	EA	TRAY - BEV - W/SHELF/CUPHOLDERS - W/O DRAWER (CHEVY) (MYSTIC OAK)
2	122717-06-01A	FT	PAD - NON SKID - PSA - 6.5" X 13.8"
3	122717-01-01A	EA	PAD - NON SKID - 4" DIAMETER ROUND
4	122717-02-01A	EA	PAD - NON SKID - 4" X 4"
5	126680-15-H17	EA	TRAY/CUPHOLDER - TOP
6	126680-14-H17	EA	STRAY/CUPHOLDER - BOTTOM - W/PADS
7	097872-08-000	EA	DOWEL - WOOD - 1" DIAMETER X 1.38" LONG (WATERFORD OAK)
7	097872-12-000	EA	DOWEL - WOOD - 1" DIAMETER X 1.38" LONG (MYSTIC OAK)
8	122832-01-02B	EA	BRACKET - MOUNTING - BEV TRAY
	122772-02-02B	EA	BRACKET - MOUNTING - BEV TRAY(W/ STUD BOLTS)
9	126680-16-H17	EA	LID - BEV TRAY (WATERFORD OAK)
9	126680-16-K29	EA	LID - BEV TRAY (MYSTIC OAK)
10	M05971-AZ-H33	EA	DRAWER - OGEE - 9.9"W X 11.8"D - W/O SLIDES/HDW (WATERFORD OAK)
10	M05971-AZ-K29	EA	DRAWER - OGEE - 9.9"W X 11.8"D - W/O SLIDES/HARDWARE (MYSTIC OAK)
	100128-02-000	FT	SEAL - FOAM - ADHESIVE BACK - .37" WIDE X .37" THICK

KEY	PART NUMBER	U/M	DESCRIPTION
1	115852-01-02B	EA	STRIKE - LATCH - MOTOR COVER - E-COATED
2	115860-01-01A	EA	TRIM - MOTOR COVER - CHEVY
2	115860-03-01A	EA	TRIM - MOTOR COVER - FORD
			FROM: 00-00-00 THRU: 05-05-99
2	115860-05-01A	EA	TRIM - MOTOR COVER - FORD
			FROM: 05-06-99 THRU: 99-99-99
3	115840-03-01A	EA	COVER - MOTOR - W/O CARPET - FORD
			FROM: 00-00-00 THRU: 05-05-99
3	129099-03-01A	EA	COVER - MOTOR - W/O CARPET - FORD
			FROM: 05-06-99 THRU: 99-99-99
3	115840-02-01A	EA	COVER - MOTOR - W/O CARPET - CHEVY
4	115850-03-02B	EA	RETAINER - LATCH - MOTOR COVER - RIGHT HAND - E-COAT
5	116581-01-000	EA	LATCH - MOTOR COVER
6	116833-01-02B	EA	WRENCH - HEX MOTOR COVER - E-COATED
7	039623-01-000	EA	SEAL - MOTOR COVER - RUBBER BULB TYPE

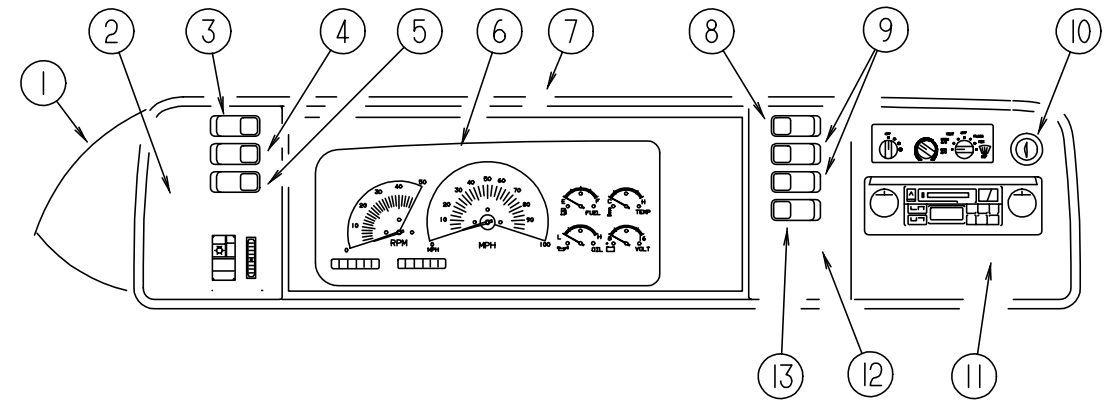
DRIVERS COMPARTMENT GROUP (CONTINUED)



DASH, GAUGES & SWITCHES (FORD)

KEY	PART NUMBER	U/M	DESCRIPTION
1	125677-02-J20	EA	POD - INSTRUMENT PANEL FROM: 00-00-00 THRU: 02-03-99
1	125677-04-K28	EA	POD - INSTRUMENT PANEL FROM: 02-04-99 THRU: 99-99-99
2	104056-39-01A	EA	APPLIQUE - BEZEL - DRIVER - BLACK
3	108357-08-000	EA	SWITCH - ROCKER DPDT - ON/NONE/ON - 6 TERMINAL
3	108356-02-01A	EA	COVER/ACTUATOR SWITCH - 2 ROWS DIMPLES- CONTURA II - BLACK
4	108357-09-000	EA	SWITCH - ROCKER SPDT - ON/NONE/MOM - 3 TERMINAL
4	108356-02-01A	EA	COVER/ACTUATOR SWITCH - 2 ROWS DIMPLES- CONTURA II - BLACK
5	108357-06-000	EA	SWITCH - ROCKER DPDT - MOM/OFF/MOM - 6 TERMINAL
5	108356-02-01A	EA	COVER/ACTUATOR SWITCH - 2 ROWS DIMPLES- CONTURA II - BLACK
6	N/A	EA	CLUSTER - INSTRUMENT PANEL - KILOMETERS
6	N/A	EA	CLUSTER - INSTRUMENT PANEL - K/M - GAS - CANADIAN
7	103662-12-01A	EA	BEZEL - INSTRUMENT PANEL - FORD FROM: 00-00-00 THRU: 02-03-99
7	103662-14-01A	EA	BEZEL - INSTRUMENT PANEL - FORD FROM: 02-04-99 THRU: 99-99-99
8	108357-10-000	EA	SWITCH - ROCKER SPDT W/LIGHT - MOM/NONE/MOM - 5 TERMINAL
8	108356-04-01A	EA	COVER/ACTUATOR SWITCH - 2 ROWS DIMPLES W/LENS-CONTURAIIBLK
9	108357-03-000	EA	SWITCH - ROCKER SPDT - ON/OFF/ON - 3 TERMINAL
9	108356-02-01A	EA	COVER/ACTUATOR SWITCH - 2 ROWS DIMPLES- CONTURA II - BLACK
	096241-03-000	EA	SWITCH - BLANK
	077942-01-000	EA	SWITCH - DUMMY - BLACK
10	089294-01-000	EA	LIGHTER - CIGARETTE - W/SOCKET & WIRE
11	104056-06-01A	EA	APPLIQUE - BEZEL - PASSENGER - BLACK
12	104056-21-01A	EA	APPLIQUE - BEZEL - PASSENGER - BLACK
12	104056-08-01A	EA	APPLIQUE - BEZEL - PASSENGER - 6 SWITCH - BLACK VELVET (W/FOG LAMPS)
13	108357-01-000	EA	SWITCH - ROCKER SPST - ON/OFF - 2 TERMINAL
13	108356-02-01A	EA	COVER/ACTUATOR SWITCH - 2 ROWS DIMPLES- CONTURA II - BLACK
	077031-01-000	EA	FILM - BLACK - .75" X 1"
	077031-03-000	EA	FILM - WHITE - .75" X 1"
	129644-01-000	EA	CABLE/INDICATOR - TRANSMISSION - 46.7" EYE/EYE

DRIVERS COMPARTMENT GROUP (CONTINUED)

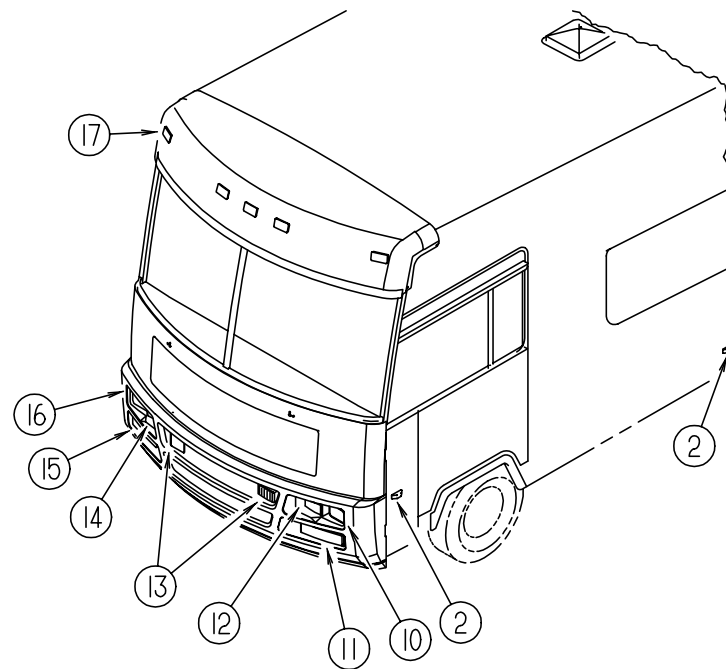
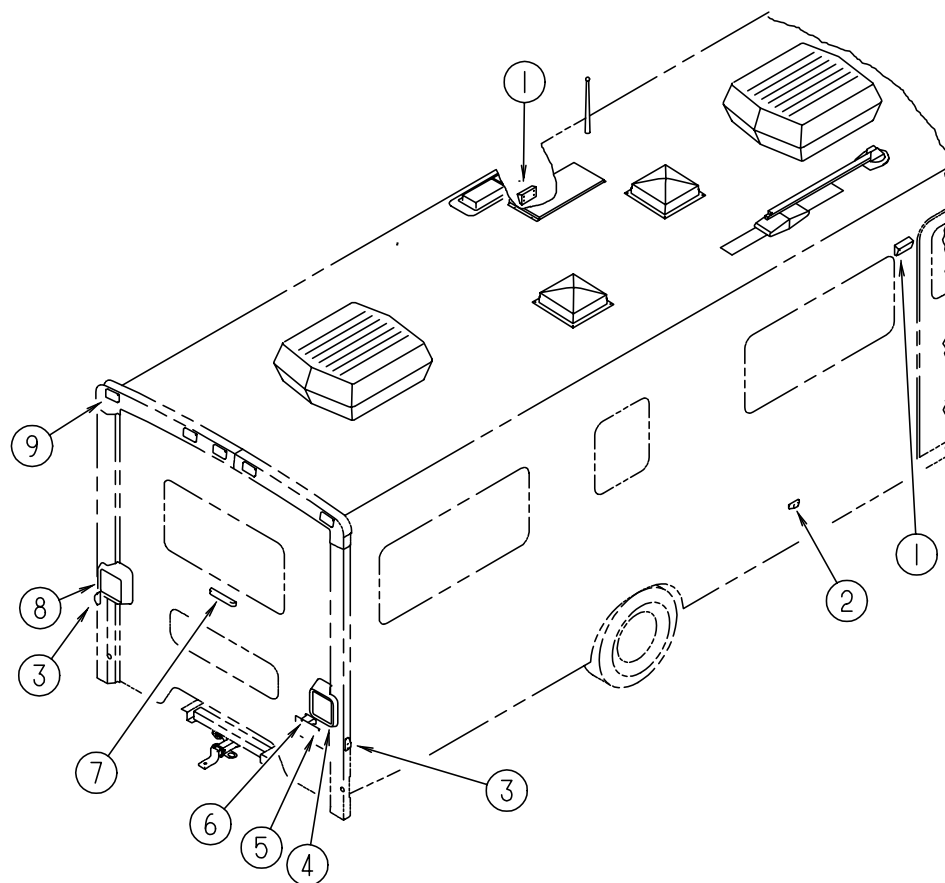


DASH, GAUGES & SWITCHES (CHEVY)

KEY	PART NUMBER	U/M	DESCRIPTION
1	125677-02-J20	EA	POD - INSTRUMENT PANEL
2	104056-37-01A	EA	APPLIQUE - BEZEL - DRIVER - BLACK
3	108357-08-000	EA	SWITCH - ROCKER DPDT - ON/NONE/ON - 6 TERMINAL
3	108356-02-01A	EA	COVER/ACTUATOR SWITCH - 2 ROWS DIMPLES- CONTURA II - BLACK
4	108357-09-000	EA	SWITCH - ROCKER SPDT - ON/NONE/MOM - 3 TERMINAL
4	108356-02-01A	EA	COVER/ACTUATOR SWITCH - 2 ROWS DIMPLES- CONTURA II - BLACK
5	108357-06-000	EA	SWITCH - ROCKER DPDT - MOM/OFF/MOM - 6 TERMINAL
5	108356-02-01A	EA	COVER/ACTUATOR SWITCH - 2 ROWS DIMPLES- CONTURA II - BLACK
6	N/A	EA	CLUSTER - INSTRUMENT PANEL - KILOMETERS
7	103662-08-01A	EA	BEZEL - INSTRUMENT PANEL
8	108357-10-000	EA	SWITCH - ROCKER SPDT W/LIGHT - MOM/NONE/MOM - 5 TERMINAL
8	108356-04-01A	EA	COVER/ACTUATOR SWITCH-2 ROWS DIMPLES W/LENS-CONTURAIIBLK
9	108357-03-000	EA	SWITCH - ROCKER SPDT - ON/OFF/ON - 3 TERMINAL
9	108356-02-01A	EA	COVER/ACTUATOR SWITCH - 2 ROWS DIMPLES- CONTURA II - BLACK
	096241-03-000	EA	SWITCH - BLANK
	077942-01-000	EA	SWITCH - DUMMY - BLACK
10	089294-01-000	EA	LIGHTER - CIGARETTE - W/SOCKET & WIRE
11	104056-06-01A	EA	APPLIQUE - BEZEL - PASSENGER - BLACK
12	104056-21-01A	EA	APPLIQUE - BEZEL - PASSENGER - BLACK
12	104056-08-01A	EA	APPLIQUE - BEZEL - PASSENGER - 6 SWITCH - BLACK VELVET (W/FOG LAMPS)
13	108357-01-000	EA	SWITCH - ROCKER SPST - ON/OFF - 2 TERMINAL
13	108356-02-01A	EA	COVER/ACTUATOR SWITCH - 2 ROWS DIMPLES- CONTURA II - BLACK
	077031-01-000	EA	FILM - BLACK - .75" X 1"
	077031-03-000	EA	FILM - WHITE - .75" X 1"

ELECTRICAL GROUP

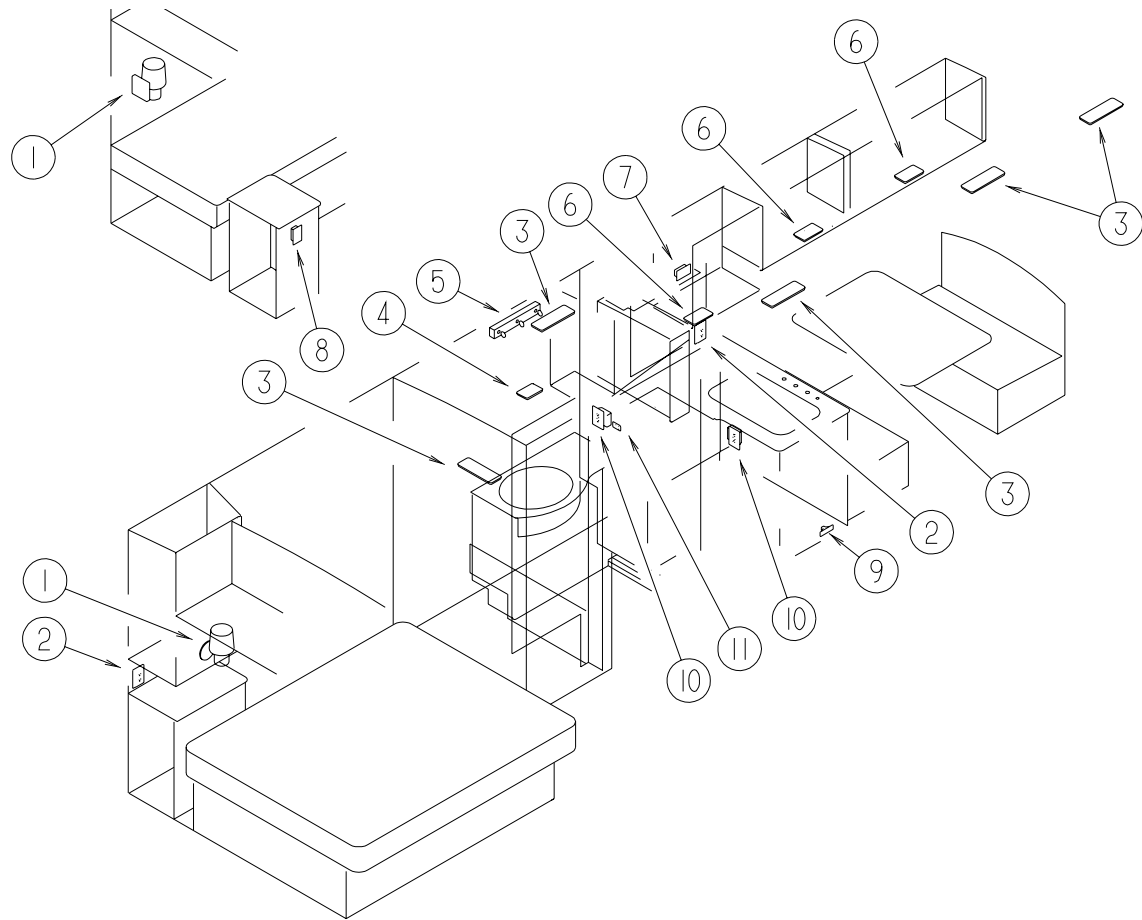
EXTERIOR LIGHTS



KEY	PART NUMBER	U/M	DESCRIPTION
1	097917-01-06A	EA	LIGHT - PORCH - BRIGHT WHITE
1	008215-01-000	EA	BULB - 12 VOLT - #1003 - .94 AMP
1	097917-01-700	EA	LENS - LIGHT - CLEAR
1	008089-02-000	EA	LIGHT - PORCH - RECESSED - CANADIAN
1	008089-01-700	EA	LENS - LIGHT - RECESSED - PORCH - DECO
1	008214-01-000	EA	BULB - 12 VOLT - #67 - .59 AMP
2	111102-02-000	EA	LENS - AMBER - MARKER LAMP
2	111102-01-000	EA	BASE - LAMP MARKER
2	036196-01-000	EA	BULB - 12 VOLT - #194 - .27 AMP - BAYONETTE
3	111102-03-000	EA	LENS - RED - MARKER LAMP
3	111102-01-000	EA	BASE - LAMP MARKER
3	036196-01-000	EA	BULB - 12 VOLT - #194 - .27 AMP - BAYONETTE
4	117831-01-000	EA	LAMP - STOP/TURN/TAILO/BACKUP
4	119157-01-000	EA	SOCKET - SINGLE CONTACT
4	119158-01-000	EA	SOCKET - DOUBLE CONTACT
4	037935-01-000	EA	BULB - 12V - #1157 OR #2057 - 2.1 AMP - CLEAR GLASS
4	037934-01-000	EA	BULB - 12V - #1156 - 2.1 AMP CLEAR GLASS
5	066432-03-000	EA	BRACKET - LICENSE PLATE
6	066432-02-000	EA	LIGHT - LICENSE - BLACK
7	121950-01-000	EA	LIGHT - BRAKE - CENTER MOUNT

KEY	PART NUMBER	U/M	DESCRIPTION
8	117831-02-000	EA	LAMP - STOP/TURN/TAILO/BACKUP
8	119157-01-000	EA	SOCKET - SINGLE CONTACT
8	119158-01-000	EA	SOCKET - DOUBLE CONTACT
8	037935-01-000	EA	BULB - 12V - #1157 OR #2057 - 2.1 AMP - CLEAR GLASS
8	037934-01-000	EA	BULB - 12V - #1156 - 2.1 AMP CLEAR GLASS
9	127536-01-000	EA	LIGHT - CLEARANCE - RED
9	127536-02-000	EA	SOCKET - LIGHT - 194 WEDGE
9	036196-01-000	EA	BULB - 12 VOLT - #194 - .27 AMP - BAYONETTE
10	049186-04-000	EA	HEADLAMP - DRIVER - HIGH/LOW - HALOGEN
11	113294-04-000	EA	LAMP - PARK/TURN - AMBER - LEFT HAND
12	049188-04-000	EA	HEADLAMP - DRIVER - HIGH BEAM - HALOGEN
13	124215-01-000	EA	FOG LIGHT - RECTANGULAR/CLEAR LENS
13	125787-03-J30	EA	SUPPORT ASM-FOG LIGHT
14	049187-04-000	EA	HEADLAMP - PASSENGER - HIGH BEAM - HALOGEN
15	113294-03-000	EA	LAMP - PARK/TURN - AMBER - RIGHT HAND
16	049185-04-000	EA	HEADLAMP - PASSENGER - HIGH/LOW - HALOGEN
	049359-01-000	EA	SPRING - RETAINER - HEADLAMP
	110750-01-000	EA	SCREW - HEADLAMP ADJUSTING
	106687-02-000	EA	SOCKET - LIGHT - 3-WIRE
17	102520-01-000	EA	LIGHT - CLEARANCE - W/O SOCKET/HOUSING - AMBER
17	102540-01-000	EA	SEAL - SCREW - ROUND - RUBBER
17	102541-01-000	EA	GASKET - CLEARANCE LIGHT
17	067789-02-000	EA	SOCKET - LAMP

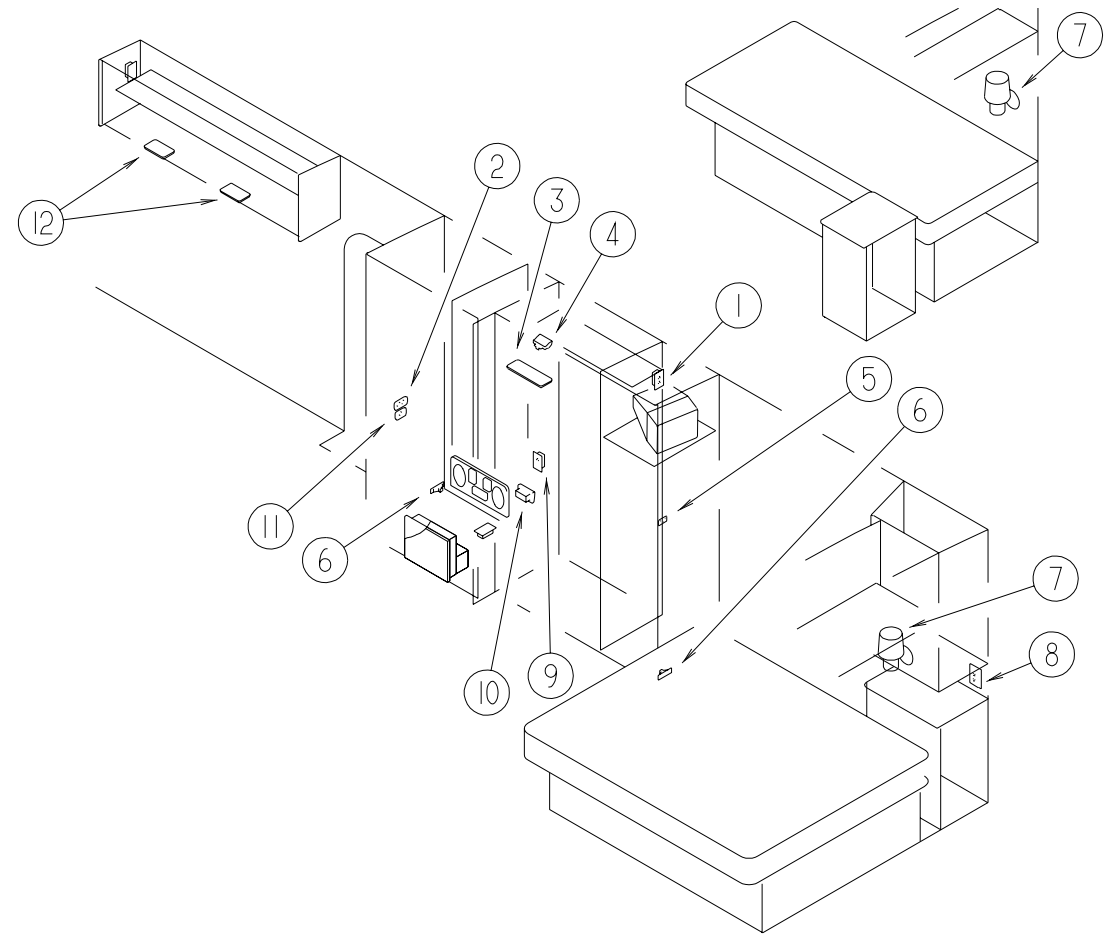
ELECTRICAL GROUP (CONTINUED)



LIGHTS, RECEPTACLES, & SWITCHES (DRIVER SIDE)

KEY	PART NUMBER	U/M	DESCRIPTION	VENDOR NO.
1	065202-24-000	EA	LAMP - WALL/BRASS - W/O SHADE	
1	119257-01-01A	EA	SHADE - LAMP - POTPOUM	
1	067479-01-000	EA	BULB - 12 VOLT - #1076 - 1.80 AMP	
2	058708-02-000	EA	RECEPTACLE - ELECTRIC - DOUBLE - IVORY	
2	102568-01-GB1	EA	SPACER - RECEPTACLE - BETWEEN SIDE & PLATE - WOOD (WATERFORD OAK)	
2	102568-01-K29	EA	SPACER - RECEPTACLE - BETWEEN SIDE & PLATE - WOOD (MYSTIC OAK)	
3	098024-03-02A	EA	LIGHT - DOME - 2 BULB - WHITE	
3	008218-01-000	EA	BULB - DOME LIGHT - 12 VOLT - 1141	
3	098024-01-700	EA	LENS-LIGHT	807877
4	121935-01-01A	EA	LIGHT - DOME - SHOWER	
5	110235-01-01A	EA	LIGHT - MAKE UP - 4 BULB PANLESS	
5	081633-01-700	EA	BULB - LIGHT, MAKE-UP	RP1041
6	098024-05-02A	EA	LIGHT - DOME - 1 BULB - SKYLITE - WHITE	
6	008218-01-000	EA	BULB - DOME LIGHT - 12 VOLT - 1141	
6	098024-01-701	EA	LENS - OPTI CLEAR - SKYLITE	809902
7	058708-05-000	EA	RECEPTACLE - ELECTRIC - SINGLE - BROWN	
8	058708-01-000	EA	RECEPTACLE - ELECTRIC - DOUBLE - BROWN	
9	061424-01-000	EA	LIGHT - AISLE - 12 VOLT - RECTANGULAR	
9	008103-01-000	EA	BULB - DASH/AISLE LIGHT - #53 - 12 VOLT - .12 AMP	
10	084076-02-000	EA	RECEPTACLE - GFI - 15 AMP/125 VOLT - BROWN	
11	079364-01-000	EA	SWITCH - ON/OFF ROCKER - 2 TERMINAL - BROWN	
11	098351-02-01A	EA	PLATE - SWITCH - 2 GANG POLISHED BRASS	
11	095188-01-01A	EA	SPACER - SWITCH - 2.3" X 3.4" - PLASTIC - DARK BROWN	

ELECTRICAL GROUP (CONTINUED)



LIGHTS, RECEPTACLES, & SWITCHES (PASSENGER SIDE)

KEY	PART NUMBER	U/M	DESCRIPTION	VENDOR NO.
1	058708-01-000	EA	RECEPTACLE - ELECTRIC - DOUBLE - BROWN	
2	079364-01-000	EA	SWITCH - ON/OFF ROCKER - 2 TERMINAL - BROWN	
2	095188-02-01A	EA	SPACER - SWITCH - 2.3" X 4.1" - PLASTIC - DARK BROWN	
2	098351-05-01A	EA	PLATE - SWITCH - 3 GANG POLISHED BRASS	
3	098024-03-02A	EA	LIGHT - DOME - 2 BULB - WHITE	
3	008218-01-000	EA	BULB - DOME LIGHT - 12 VOLT - 1141	
3	098024-01-700	EA	LENS-LIGHT	807877
4	087694-01-000	EA	LIGHT - WARDROBE/CLOSET - W/SWITCH	
4	087694-01-700	EA	BULB	GE561
5	079364-01-000	EA	SWITCH - ON/OFF ROCKER - 2 TERMINAL - BROWN	
5	079364-03-000	EA	SWITCH - ON/OFF ROCKER - 3 TERMINAL - BROWN	
5	098351-02-01A	EA	PLATE - SWITCH - 2 GANG POLISHED BRASS	
5	095188-01-01A	EA	SPACER - SWITCH - 2.3" X 3.4" - PLASTIC - DARK BROWN	
6	061424-01-000	EA	LIGHT - AISLE - 12 VOLT - RECTANGULAR	
6	008103-01-000	EA	BULB - DASH/AISLE LIGHT - #53 - 12 VOLT - .12 AMP	
7	065202-24-000	EA	LAMP - WALL/BRASS - W/O SHADE	
7	119257-01-01A	EA	SHADE - LAMP - POTPOUM	
7	067479-01-000	EA	BULB - 12 VOLT - #1076 - 1.80 AMP	
8	058708-02-000	EA	RECEPTACLE - ELECTRIC - DOUBLE - IVORY	
8	102568-01-GB1	EA	SPACER - RECEPTACLE - BETWEEN SIDE & PLATE - WOOD (WATERFORD OAK)	
8	102568-01-K29	EA	SPACER - RECEPTACLE - BETWEEN SIDE & PLATE - WOOD (MYSTIC OAK)	
9	058707-01-000	EA	RECEPTACLE - ELECTRIC - SINGLE - BROWN	
10	112822-01-01A	EA	RECEPTACLE - DUPLEX - IVORY	
11	079364-03-000	EA	SWITCH - ON/OFF ROCKER - 3 TERMINAL - BROWN	
11	098351-01-01A	EA	PLATE - SWITCH - 1 GANG POLISHED BRASS	
11	095188-01-01A	EA	SPACER - SWITCH - 2.3" X 3.4" - PLASTIC - DARK BROWN	
12	098024-06-02A	EA	LIGHT - DOME - 2 BULB - SKYLITE	
12	008218-01-000	EA	BULB - DOME LIGHT - 12 VOLT - NO. 1141	
12	098024-01-701	EA	LENS - OPTI CLEAR - SKYLITE	809902

ELECTRICAL GROUP (CONTINUED)**ELECTRICAL SWITCHES**

KEY	PART NUMBER	U/M	DESCRIPTION
	079364-01-000	EA	SWITCH - ON/OFF ROCKER - 2 TERMINAL - BROWN
	079364-02-000	EA	SWITCH - ON/OFF ROCKER - 3 TERMINAL - BLACK
	079364-03-000	EA	SWITCH - ON/OFF ROCKER - 3 TERMINAL - BROWN
	095188-01-01A	EA	SPACER - SWITCH - 2.3" X 3.4" - PLASTIC - DARK BROWN
	095188-02-01A	EA	SPACER - SWITCH - 2.3" X 4.1" - PLASTIC - DARK BROWN
	098351-01-01A	EA	PLATE/SWITCH - 1 GANG - POLISHED BRASS - W/O LABEL
	098351-02-01A	EA	PLATE/SWITCH - 2 GANG - POLISHED BRASS - W/O LABEL
	098351-05-01A	EA	PLATE/SWITCH - 3 GANG - POLISHED BRASS-PORCH/CEILING/STEP
	098351-16-01A	EA	PLATE - SWITCH - 1 GANG W/LABEL
	108355-01-000	EA	HOUSING - SWITCH
	108356-02-01A	EA	COVER/ACTUATOR SWITCH - 2 ROWS DIMPLES- CONTURA II - BLACK
	108356-04-01A	EA	COVER/ACTUATOR SWITCH - 2 ROWS DIMPLES W/LENS-CONTURA-BLK
	108357-01-000	EA	SWITCH - ROCKER SPST - ON/OFF - 2 TERMINAL
	108357-06-000	EA	SWITCH - ROCKER DPDT - MOM/OFF/MOM - 6 TERMINAL
	108357-08-000	EA	SWITCH - ROCKER DPDT - ON/NONE/ON - 6 TERMINAL

CIRCUIT BREAKERS & FUSES

KEY	PART NUMBER	U/M	DESCRIPTION
	062037-01-000	EA	HOUSING - AUTO FUSE - NATURAL
	062037-02-000	EA	HOUSING - AUTO FUSE - GREEN
	062037-03-000	EA	HOUSING - AUTO FUSE - BLACK
	062037-04-000	EA	HOUSING - AUTO FUSE - BLUE
	062037-05-000	EA	HOUSING - AUTO FUSE - GRAY
	062037-06-000	EA	HOUSING - AUTO FUSE - BROWN
	062037-07-000	EA	HOUSING - AUTO FUSE - RED
	062901-02-000	EA	FUSE - 05 AMPS - AUTOMOTIVE
	062901-05-000	EA	FUSE - 15 AMPS - AUTOMOTIVE
	062901-06-000	EA	FUSE - 20 AMPS - AUTOMOTIVE
	062901-07-000	EA	FUSE - 25 AMPS - AUTOMOTIVE
	062901-08-000	EA	FUSE - 30 AMPS - AUTOMOTIVE
	083209-02-000	EA	CIRCUIT BREAKER - 15/15 AMP - 120 VOLT
	083209-03-000	EA	CIRCUIT BREAKER - 15/20 AMP - 120 VOLT
	083209-04-000	EA	CIRCUIT BREAKER - 30 AMP - 120 VOLT
	083209-06-000	EA	CIRCUIT BREAKER - 30/15 AMP - 120 VOLT
	083209-07-000	EA	CIRCUIT BREAKER - 20/20 AMP - 120 VOLT
	093655-03-000	EA	CIRCUIT BREAKER - 40 AMP - 12 VOLT
	097611-01-000	EA	CIRCUIT BREAKER - 10 AMP - 12 VOLT
	106656-01-000	EA	FUSE BLOCK - 4 CAVITY - AUTOFUSE
	108669-01-000	EA	HOUSING - AUTO FUSE HOLDER

ELECTRICAL BOXES & CORDS

KEY	PART NUMBER	U/M	DESCRIPTION
	008052-01-000	EA	CORD - POWER - 10/3 WIRE - 30 AMP - 25' - CANADIAN
	008054-01-000	EA	CORD - POWER - 10/3 WIRE - 30 AMP - 25'
	008289-01-000	EA	BOX - ELECTRIC/STEEL - 1/2" & 3/4" KNOCKOUTS - 4" X 4"
	008289-02-000	EA	BOX - ELECTRIC/STEEL - 1/2" & 3/4" KNOCKOUTS - 4" X 4"-CAN
	008294-01-000	EA	COVER - ELECTRICAL BOX - BLANK/STEEL - 4" X 4" - GRAY
	008294-02-000	EA	COVER - ELECTRICAL BOX - BLANK STEEL - 4" X 4" - CANADIAN
	091910-01-000	EA	BOX - ELECTRIC - 3.8" X 3.5" X 1.8" - PLASTIC
	091910-02-000	EA	BOX - ELECTRIC - 2.2" X 3.5" X 1.8" - PLASTIC
	111509-01-000	EA	BOX - ELECTRICAL - E-COATED
	111510-01-000	EA	DOOR/ACCESS PANEL - ELECTRICAL BOX

CONVERTER & LOAD CENTER

KEY	PART NUMBER	U/M	DESCRIPTION
	099048-03-000	EA	INVERTER - 130 WATT
	083208-02-000	EA	CONTROL CENTER - 45 AMP - 120/12V - W/O BREAKERS
	106071-01-000	EA	SWITCH - AUTOMATIC TRANSFER - 30 AMP - MAGNETEK
	113132-01-000	EA	LOAD CENTER - 120/240 VOLT - 60 AMP

ELECTRICAL GROUP (CONTINUED)**WIRE ASSEMBLIES**

KEY	PART NUMBER	U/M	DESCRIPTION
	073328-B4-000	EA	CABLE ASSEMBLY - BATTERY - W/TERMINALS
	090986-01-000	EA	WIRE ASSEMBLY - ELECTRIC STEP
	096449-01-000	EA	WIRE ASSEMBLY - WATER TANK TO MONITOR PANEL
	096717-03-000	EA	WIRE ASSEMBLY - REAR MONITOR - AFTER MARKET INSTALLATION
	097618-01-000	EA	WIRE ASSEMBLY - MONITOR PANEL- W/3 WIRES & ORANGE RESISTOR
	108303-01-000	EA	WIRE ASSEMBLY - REAR AUTO HEATER
	108304-01-000	EA	WIRE ASSEMBLY - INSTRUMENT PANEL - AUXILIARY FANS FROM: 00-00-00 THRU: 03-14-99
	110256-01-000	EA	WIRE ASSEMBLY - INSTRUMENT PANEL - GENERATOR FROM: 00-00-00 THRU: 03-14-99
	111915-01-000	EA	WIRE ASSEMBLY - INSTRUMENT PANEL - GENERATOR FROM: 00-00-00 THRU: 03-14-99
	113134-03-000	EA	WIRE ASSEMBLY - DAYTIME RUNNING LAMPS - FUSED - GM
	113452-01-000	EA	WIRE ASSEMBLY - WIPER/WASHER
	120233-05-000	FT	SEAL/TRIM - FRONT - VINYL W/WIRE CARRIER
	124096-01-000	EA	WIRE - 30" W/DIGITAL SENSOR CONNECTOR/STRIPED LEAD
	124111-01-000	EA	WIRE - INSTRUMENT PANEL - FOG LAMPS FROM: 00-00-00 THRU: 03-14-99
	124843-05-000	EA	WIRE ASSEMBLY - FOG LAMPS
	124882-02-000	EA	WIRE ASSEMBLY - SPEAKER/ADAPTER
	125898-08-000	EA	WIRE ASSEMBLY - AMPLIFIER
	126392-01-000	EA	WIRE - SPEAKER - DELUXE EXTERIOR
		EA	WIRE ASSEMBLY - REMOTE MIRRORS

ROCKER SWITCHES (DASH)

KEY	PART NUMBER	U/M	DESCRIPTION
	108357-03-000	EA	SWITCH - ROCKER - SPDT ON/ OFF/ ON 3 TERM. CARLING - V6D1000B-0
	108356-02-01A	EA	SWITCH COVER W/ 2 DIMPLES - CARLING - CCAZC00
	108357-08-000	EA	SWITCH - ROCKER DPDT - ON/NONE/ON - 6 TERMINAL
	108356-02-01A	EA	SWITCH COVER W/ 2 DIMPLES - CARLING - CCAZC00
	108357-06-000	EA	SWITCH - ROCKER - DPDT MOM/ OFF/ MOM 6 TERM. CARLING - VLD1000B-0
	108356-02-01A	EA	SWITCH COVER W/ 2 DIMPLES - CARLING - CCAZC00
	108357-09-000	EA	SWITCH - ROCKER - SPDT ON/ NONE/ MOM 3 TERM. CARLING - V5D1000B-0
	108356-02-01A	EA	SWITCH COVER W/ 2 DIMPLES - CARLING - CCAZC00
	108357-10-000	EA	SWITCH - ROCKER - SPDT MOM/ ON LIGHTED-5 TERM (3 SWITCH/ 2 LIGHT)
	108356-04-01A	EA	SWITCH COVER W/ DIMPLES - LIGHTED - CARLING - VVAGC00
	096241-03-000	EA	SWITCH - BLANK
	077942-01-000	EA	SWITCH - DUMMY - BLACK

BULB & SOCKET, 12 VOLT (DASH)

KEY	PART NUMBER	U/M	DESCRIPTION
	103603-01-000	EA	BULB - 12 VOLT - #74 - .12A WEDGE - GE 22-25 USED IN DASH
	103608-01-000	EA	SOCKET - WEDGE BASE W/LEADS

RECEPTACLES

KEY	PART NUMBER	U/M	DESCRIPTION
	058707-01-000	EA	RECEPTACLE - ELECTRIC - SINGLE - BROWN
	058707-02-000	EA	RECEPTACLE - BLANK - JUNCTION BOX
	058708-01-000	EA	RECEPTACLE - ELECTRIC - DOUBLE - BROWN
	058708-02-000	EA	RECEPTACLE - ELECTRIC - DOUBLE - IVORY
	058708-05-000	EA	RECEPTACLE - ELECTRIC - SINGLE - BROWN
	084076-02-000	EA	RECEPTACLE - GFI - 15 AMP/125 VOLT - BROWN
	102568-01-GB1	EA	SPACER - RECEPTACLE - WOOD (WATERFORD OAK)
	102568-01-K29	EA	SPACER - RECEPTACLE - WOOD (MYSTIC OAK)
	112824-01-03A	EA	COVER - EXTERIOR DUPLEX RECEPTACLE - WHITE PLASTIC
	115930-02-000	EA	INLET - 50 AMP - 240 VOLT - EXTERIOR
	112822-01-01A	EA	RECEPTACLE - DUPLEX - IVORY
	131826-01-01A	EA	RECEPTACLE - EXTERIOR/W/COVER & GASKET - WHITE FROM: 00-00-00 THRU: 11-15-98 FROM: 11-16-98 THRU: 99-99-99

ELECTRICAL GROUP (CONTINUED)

ELECTRICAL CONNECTORS & CONDUIT

KEY	PART NUMBER	U/M	DESCRIPTION
	007954-01-000	EA	RECEPTACLE - HOUSING - 6 POSITION
	007956-05-000	EA	INSULATOR - SHRINK - .25 ID X 1.50
	008311-01-000	EA	CONNECTOR - WIRE NUT - INSULATED - RED
	008312-01-000	EA	CONNECTOR - WIRE NUT - INSULATED - BLUE
	008313-01-000	EA	CONNECTOR - WIRE NUT - INSULATED - YELLOW
	008314-01-000	EA	CONNECTOR - WIRE NUT - INSULATED - GRAY
	008326-01-000	EA	TERMINAL - RING - 16/14 WIRE - 3/8" STUD
	008328-01-000	EA	TERMINAL - RING - 12/10 WIRE - #10 STUD FIT
	008348-01-000	EA	TERMINAL - RING - 3/8" STUD 2 GA. WIRE
	008355-01-000	EA	CONNECTOR - CABLE CLAMPING - 3/4"
	008356-01-000	EA	CONNECTOR - PLASTIC - 3/8" AVG
	008356-02-000	EA	CONNECTOR - PLASTIC - 21/32
	008394-01-000	FT	CONDUIT - FLEXIBLE - 1/2"
	008398-01-000	EA	CONNECTOR - 1/2" X 90 DEGREE - FLEX CONDUIT - UL & CSA
	035416-04-000	EA	TERMINAL - RING - #10 STUD FIT - INSULATED BARREL #16/14
	041480-01-000	EA	CONNECTOR - STRAIGHT - 1/2" FLEX CONDUIT
	041953-01-000	FT	CONDUIT - CONVOLUTE SLIT - .5" ID - POLYETHELENE
	041953-01-000	FT	CONDUIT - CONVOLUTE SLIT - .5" ID - POLYETHELENE
	041953-03-000	FT	CONDUIT - CONVOLUTE SLIT - 1" ID (CLOTHES ROD COVER)
	041953-05-000	FT	CONDUIT - CONVOLUTE SOLID - .62" ID - POLYETHELENE
	041953-06-000	FT	CONDUIT - CONVOLUTE SLIT - .375" ID - POLYETHELENE
	041953-07-000	FT	CONDUIT - CONVOLUTE SLIT - .25" ID - POLYETHELENE
	041953-08-000	FT	CONDUIT - CONVOLUTE SLIT - 1.50" ID - POLYETHELENE
	041953-09-000	FT	CONDUIT - CONVOLUTE SLIT - .50" ID - NYLON
	041953-10-000	FT	CONDUIT - CONVOLUTE SLIT - .75" ID - NYLON
	041953-11-000	FT	CONDUIT - CONVOLUTE SLIT - 1.06" ID - NYLON
	041953-12-000	FT	CONDUIT - CONVOLUTE SOLID - 1.1" ID - NYLON
	047443-01-000	EA	TERMINAL - .250 RECEPTACLE FIT - INSULATED - 16/14 AWG
	047443-02-000	EA	TERMINAL - .250 RECEPTACLE FIT - INSULATED - 12/10 AWG
	058028-01-000	EA	CONNECTOR - ELECTRICAL PIGTAIL - NYLON - CLEAR
	062036-01-000	EA	TERMINAL - PACK - CON - 12/10 AWG
	062036-02-000	EA	TERMINAL - PACK - CON - 16/14 AWG
	077479-01-000	EA	BOOT - BATTERY TERMINAL - DOUBLE CABLE
	077479-02-000	EA	BOOT - BATTERY TERMINAL - SINGLE CABLE
	080015-02-000	EA	RECEPTACLE - FLAG - .185 - 16/14 GAUGE
	085724-01-000	EA	SOCKET - DOUBLE CONTACT - TAILLIGHT
	087225-01-000	FT	SLEEVING - 1/2" - TYPE H
	087225-02-000	FT	SLEEVING - 5/8" - TYPE H
	088267-01-000	EA	TERMINAL - FEMALE - 1/4
	088473-01-000	EA	HOUSING - PIN - 12 CAVITY (3 ROWS OF 4)
	088473-02-000	EA	HOUSING - PIN - 15 CAVITY (3 ROWS OF 5)
	088473-03-000	EA	HOUSING - PIN - 9 CAVITY (3 ROWS OF 3)
	088473-04-000	EA	HOUSING - PIN - 8 CAVITY IN-LINE
	088473-06-000	EA	HOUSING - PIN - 6 CAVITY (2 ROWS OF 3)
	088473-08-000	EA	HOUSING - PIN - 4 CAVITY - IN-LINE
	088473-09-000	EA	HOUSING - PIN - 3 CAVITY - IN-LINE
	088473-10-000	EA	HOUSING - PIN - 2 CAVITY - IN LINE
	088474-01-000	EA	HOUSING - SOCKET - 12 CAVITY
	088474-02-000	EA	HOUSING - SOCKET - 15 CAVITY
	088474-03-000	EA	HOUSING - SOCKET - 9 CAVITY
	088474-04-000	EA	HOUSING - SOCKET - 8 CAVITY
	088474-06-000	EA	HOUSING - SOCKET - 6 CAVITY
	088474-07-000	EA	HOUSING - SOCKET - 5 CAVITY
	088474-08-000	EA	HOUSING - SOCKET - 4 CAVITY
	088474-09-000	EA	HOUSING - ELECTRICAL - 3 TERMINAL
	088474-10-000	EA	HOUSING - SOCKET - 2 CAVITY
	088475-01-000	EA	PIN - CONNECTOR - 14-20 AWG
	088475-02-000	EA	PIN - CONNECTOR - 10 - 12 AWG
	088476-01-000	EA	TERMINAL - ELECTRICAL

ELECTRICAL GROUP (CONTINUED)

ELECTRICAL CONNECTORS & CONDUIT (CONTINUED)

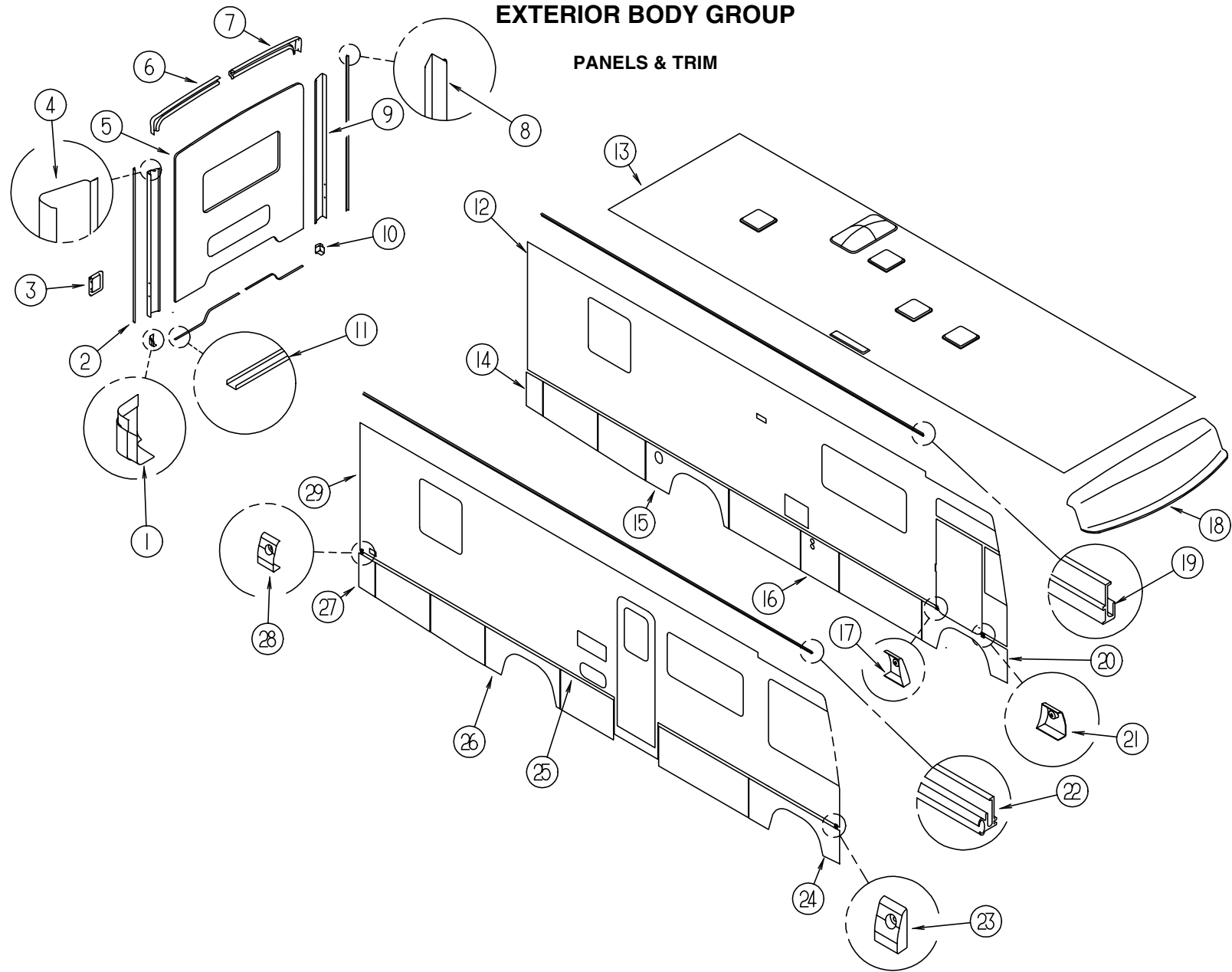
KEY	PART NUMBER	U/M	DESCRIPTION
	088476-02-000	EA	SOCKET - CONNECTOR - 12-10 GA - PRE-TIN
	092786-02-000	EA	BUSS BAR - 3.3" LONG
	092786-03-000	EA	BUSS BAR - 6.9" LONG
	098260-01-000	EA	TERMINAL - MALE - 56 SERIES
	098261-02-000	EA	SOCKET - CONNECTOR - WEATHERPACK - 14-18 AWG
	098262-01-000	EA	SEAL - CONNECTOR - WEATHERPACK
	098264-01-000	EA	HOUSING - 2 PIN - WEATHERPACK
	101571-01-000	EA	HOUSING - 2 POSITION - MALE
	103608-01-000	EA	SOCKET - WEDGE BASE W/LEADS
	103987-02-000	EA	SEAL - SOLENOID ACCESS
	104016-01-000	EA	WIRE ASSEMBLY - AUXILIARY FANS
	104100-01-000	EA	HOUSING - 1 POSITION - 75 AMPS
	104100-03-000	EA	TERMINAL - 75 AMP
	106006-01-000	EA	HOUSING - 1 POSITION - FEMALE
	106007-01-000	EA	TERMINAL - FEMALE - 14-16 AWG
	106655-01-000	EA	TERMINAL - FUSE BLOCK - 14-16 AWG
	106655-02-000	EA	TERMINAL - FUSE BLOCK - 10-12 AWG
	110178-01-000	EA	HOUSING - WIPER MOTOR
	112823-01-000	EA	SPLICE - REDUCER - 16-14 TO 18-22
	113131-01-000	EA	HOUSING - 3 PIN
	113135-01-000	EA	TERMINAL - FEMALE - M/P - 14-16 - F/SEALED TERMINAL
	113306-01-000	EA	TERMINAL - FEMALE - M/P - 14-16 - F/NON-SEALED TERMINAL
	113307-01-000	EA	TERMINAL - FEMALE - M/P - 16-20
	113468-01-000	EA	HOUSING - 2 POSITION - FEMALE
	115556-01-000	EA	HOUSING - 3 POSITION - FEMALE
	115556-02-000	EA	HOUSING - 2 POSITION - FEMALE
	115931-02-000	EA	COVER - CONNECTOR - 50 AMP W/LOCKING RING
	115932-02-000	EA	CONNECTOR - FEMALE - 50 AMP - 240 VOLT
	116811-01-000	EA	TERMINAL - .110 RECEPTACLE - 16-14 AWG
	119248-02-000	EA	HOUSING - 7 POSITION - FEMALE
	125323-02-000	EA	HOUSING - 8 POSITION - MALE
	125324-01-000	EA	TERMINAL - MALE - METRI-PACK - 150
	125325-01-000	EA	SEAL - CAVITY

ELECTRICAL MISCELLANEOUS

KEY	PART NUMBER	U/M	DESCRIPTION	VENDOR NO.
	007093-01-000	EA	SIGNAL FLASHER	
	008188-01-000	EA	SOLENOID - 3 POST - BATTERY CHANGE OVER	
	063910-01-000	EA	HOUSING - RELAY	
	063912-02-000	EA	RELAY - CANISTER - SPDT	
	086233-01-000	EA	STUD - ISOLATED - 3/8" X 7/8" LONG	
	086273-01-000	EA	RELAY - BATTERY DISCONNECT	
	115504-01-000	EA	PANEL - SOLAR 10 WATT	
	115504-01-700	EA	PLUG & CABLE - 10 WATT PANEL	600-016
	115505-01-000	EA	LIGHT - MONITOR/SOLAR PANEL - RED LED INDICATOR	

EXTERIOR BODY GROUP

PANELS & TRIM

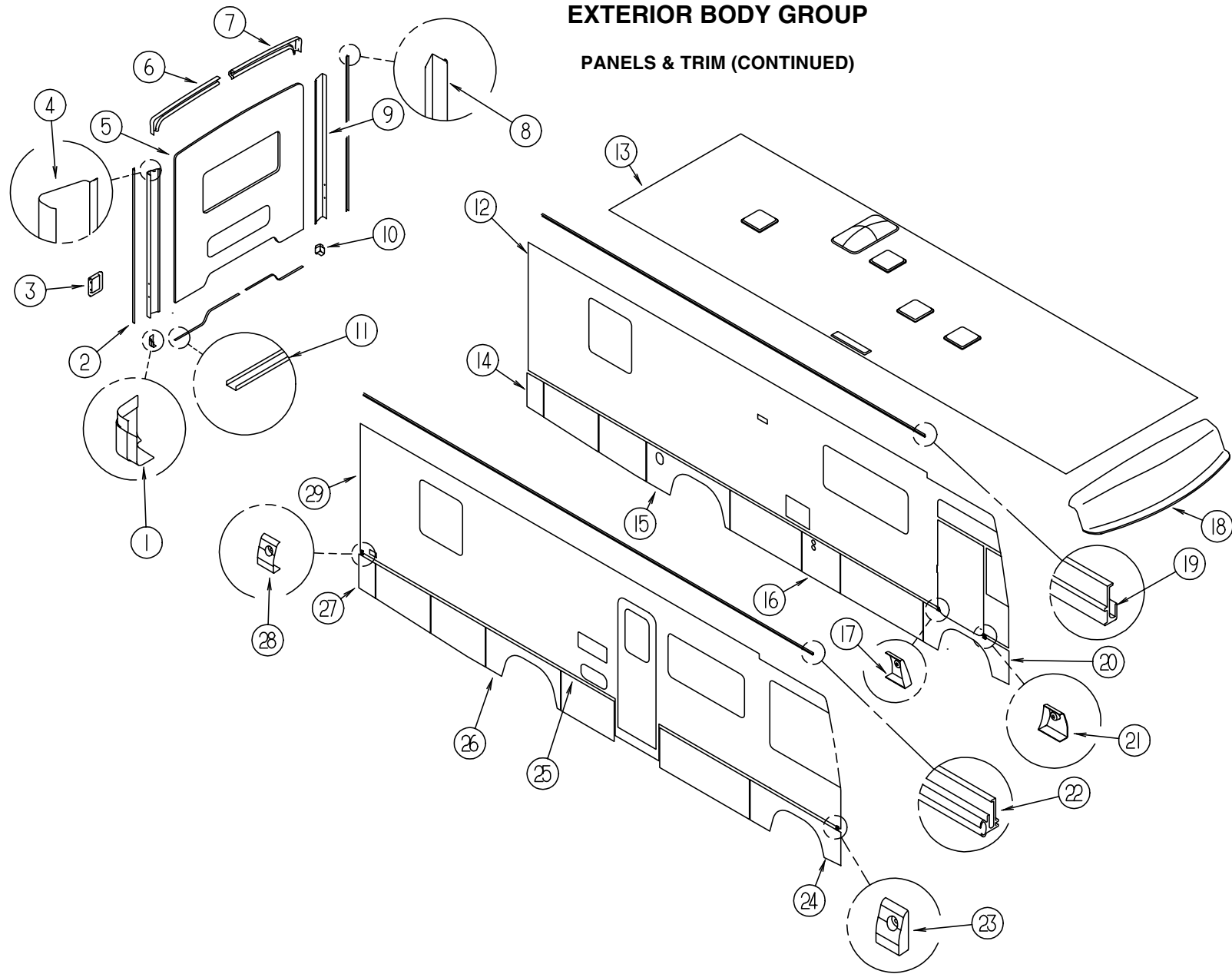


KEY	PART NUMBER	U/M	DESCRIPTION
1	125873-01-01A	EA	END CAP - LOWER BACKWALL TRIM - PASSENGER - BLACK
2	120548-01-02A	EA	TRIM-J - BACKWALL - PASSENGER/NOTCHED
3	126210-01-J20	EA	TRIM - TAILLIGHT/DRIVER/PASSENGER - BRIGHT WHITE
4	126096-01-12B	EA	TRIM - BACKWALL/PASSENGER SIDE - BRIGHT WHITE
5	M08153-15-K28	EA	BACKWALL - W/O WINDOW/TRIM - F/TWIN BED (K28, K29, K34, K35)
5	M08153-15-K30	EA	BACKWALL - W/O WINDOW/TRIM - F/TWIN BED (K30, K31)
5	M08153-15-K32	EA	BACKWALL - W/O WINDOW/TRIM - F/TWIN BED (K32, K33)
5	M08153-14-K28	EA	BACKWALL - W/O WINDOW/TRIM - QUEEN BED (K28, K29, K34, K35)
5	M08153-14-K30	EA	BACKWALL - W/O WINDOW/TRIM - QUEEN BED (K30, K31)
5	M08153-14-K32	EA	BACKWALL - W/O WINDOW/TRIM - QUEEN BED (K32, K33)
6	125690-01-01A	EA	TRIM - BACKWALL - TOP/PASSENGER SIDE
7	125689-01-01A	EA	TRIM - BACKWALL - TOP/DRIVER SIDE
8	120548-02-02A	EA	TRIM-J - BACKWALL - DRIVER/NOTCHED
9	126096-02-12B	EA	TRIM - BACKWALL/DRIVER SIDE - BRIGHT WHITE
10	125873-02-01A	EA	END CAP - LOWER BACKWALL TRIM - PASSENGER - BLACK

KEY	PART NUMBER	U/M	DESCRIPTION
11	050406-25-000	EA	TRIM - LOWER BACKWALL - DRIVER/PASSENGER
12	129537-01-K28	EA	SIDEWALL - DRIVER - W/O WINDOWS/TRIM (K28, K29, K34, K35)
12	129537-01-K31	EA	SIDEWALL - DRIVER - W/O WINDOWS/TRIM (K30, K31)
12	129537-01-K32	EA	SIDEWALL - DRIVER - W/O WINDOWS/TRIM (K32, K33)
13	131525-01-K28	EA	ROOF - W/O LIGHTS/VENTS - W/WIRING FROM: 00-00-00 THRU: 10-16-98
13	129535-01-K28	EA	ROOF - W/O LIGHTS/VENTS - W/WIRING FROM: 10-17-98 THRU: 99-99-99
14	122732-02-JA1	EA	VALANCE/PANEL - REAR DRIVER - W/O HARDWARE - 11.5"
15	129421-03-K28	EA	PANEL - WHEEL LIP - REAR DRIVER
16	122776-18-JA1	EA	VALANCE/PANEL - W/O HARDWARE - 26.9"
17	124178-04-01A	EA	CAP - TRIM/DRIVER DOOR
18	125052-02-J20	EA	CAP - ROOF - W/O LIGHTS/WIRING
19	120091-02-02A	EA	TRIM - ROOF - 192" - BRIGHT WHITE FROM: 00-00-00 THRU: 10-26-98
19	131483-01-01A	EA	RAIL - AWNING - 192" - BRIGHT WHITE FROM: 10-27-98 THRU: 99-99-99

EXTERIOR BODY GROUP

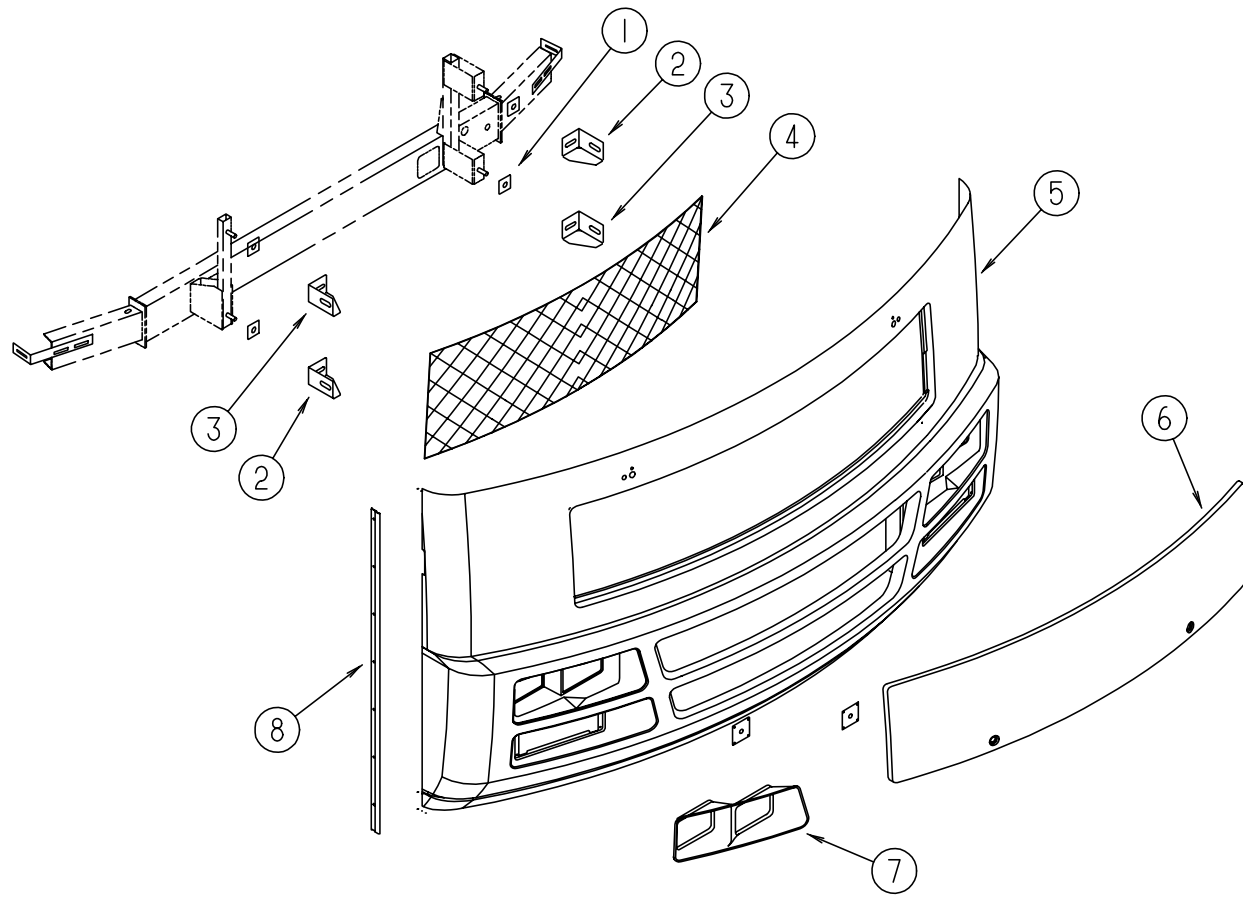
PANELS & TRIM (CONTINUED)



KEY	PART NUMBER	U/M DESCRIPTION
20	129422-02-K28	EA PANEL/WHEEL LIP - FRONT/DRIVER - W/DRIVER DOOR
20	129422-03-K28	EA PANEL/WHEEL LIP - FRONT/DRIVER - W/O DRIVER DOOR
	129854-03-01A	EA SUPPORT - WHEEL LIP - 7.9" - MILL - W/DRIVER DOOR
	129854-11-01A	EA SUPPORT - WHEEL LIP - MILL - W/O DRIVER DOOR
21	124178-03-01A	EA CAP - TRIM/DRIVER DOOR
22	120092-01-02A	EA RAIL - AWNING - 192" - BRIGHT WHITE
		FROM: 00-00-00 THRU: 10-26-98
22	131483-01-01A	EA RAIL - AWNING - 192" - BRIGHT WHITE
		FROM: 10-27-98 THRU: 99-99-99
23	124132-01-01A	EA CAP - SIDEWALL TRIM - RIGHT HAND - 1.4" - BRIGHT WHITE
24	129422-04-K28	EA PANEL/WHEEL LIP - FRONT/PASSENGER
	129854-11-01A	EA SUPPORT - WHEEL LIP - MILL

KEY	PART NUMBER	U/M DESCRIPTION
25	124176-01-01A	EA TRIM - SIDEWALL - BRIGHT WHITE - 16'
25	105312-01-03A	FT INSERT - VINYL FEATURE STRIP - GRAY METALLIC
26	129421-04-K28	EA PANEL/WHEEL LIP - REAR/PASSENGER
27	122732-01-JA1	EA PANEL/VALANCE - REAR PASSENGER - W/O HARDWARE - 11.5"
28	124132-02-01A	EA CAP - SIDEWALL TRIM - LEFT HAND - 1.4" - BRIGHT WHITE
29	129536-01-K28	EA SIDEWALL - PASSENGER - W/O WINDOWS/TRIM (K28, K29, K34, K35)
29	129536-01-K30	EA SIDEWALL - PASSENGER - W/O WINDOWS/TRIM (K30, K31)
29	129536-01-K32	EA SIDEWALL - PASSENGER - W/O WINDOWS/TRIM (K32, K33)

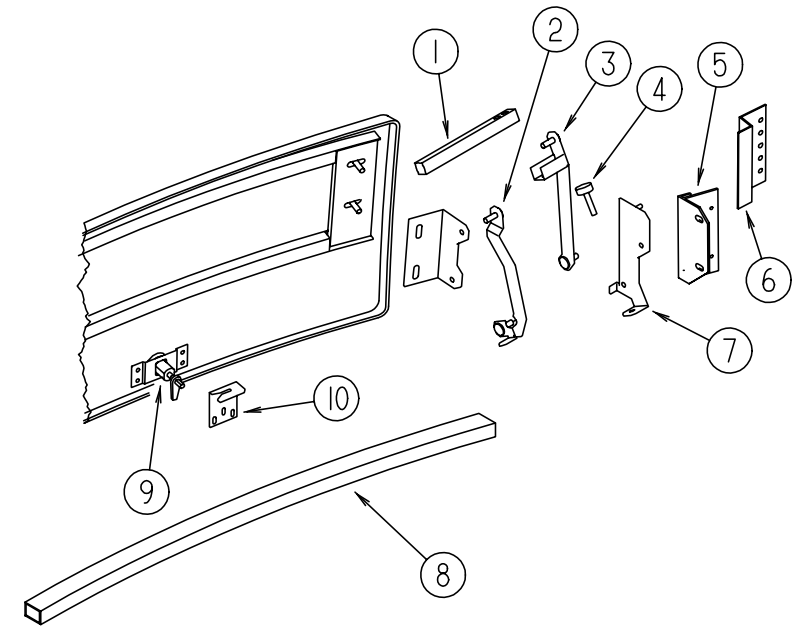
EXTERIOR BODY GROUP (CONTINUED)



FRONT END ASM

KEY	PART NUMBER	U/M	DESCRIPTION
1	116617-02-02B	EA	SPACER - BUMPER
2	128455-02-02B	EA	BRACKET - BUMPER
3	128455-01-02B	EA	BRACKET - BUMPER
4	115924-18-02A	EA	WIRE MESH - F/GRILLE - FLAT BLACK
5	126251-06-J22	EA	PANEL - FRONT/LOWER - W/O NOTCH
6	127075-01-J22	EA	HOOD - FRONT - W/O HARDWARE
7	126252-01-01A	EA	BEZEL - HEADLAMP - PASSENGER
	126252-02-01A	EA	BEZEL - HEADLAMP - DRIVER
8	123680-05-01A	EA	TRIM - FIBERGLASS PANEL - BRIGHT WHITE
	106730-10-000	EA	PLATE - STUD - F/HOOD

EXTERIOR BODY GROUP (CONTINUED)

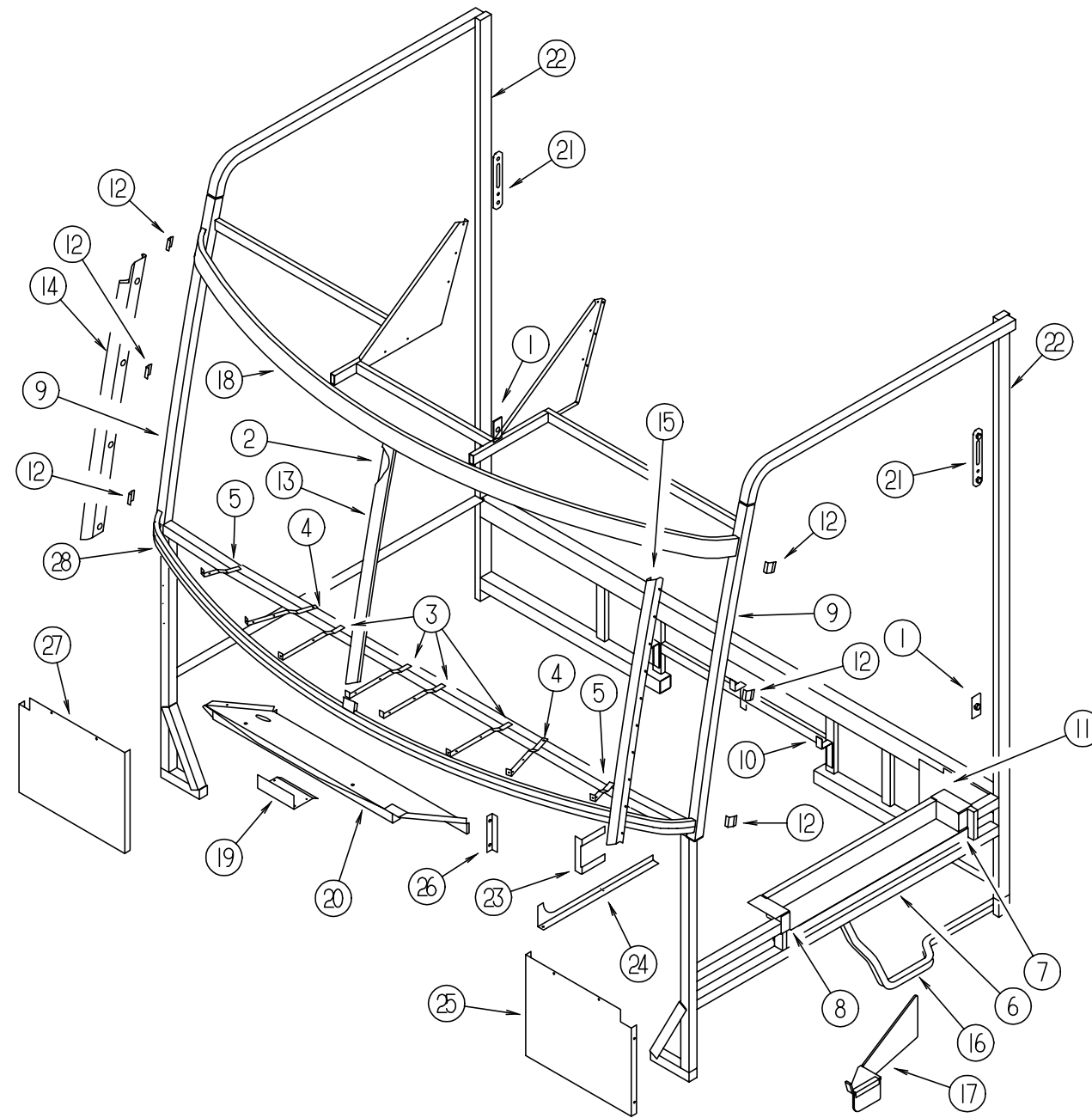


HOOD HARDWARE

KEY	PART NUMBER	U/M	DESCRIPTION
1	105096-10-000	EA	TUBE - HOOD HINGE TIMING W/WELDNUTS
2	127180-03-02B	EA	LINK - HINGE/HOOD - LOWER/RIGHT HAND
	127180-04-02B	EA	LINK - HINGE/HOOD - LOWER/LEFT HAND
3	127182-01-02B	EA	LINK - HINGE/HOOD - UPPER/RIGHT HAND
	127182-02-02B	EA	LINK - HINGE/HOOD - UPPER/LEFT HAND
4	058786-01-000	EA	BOLT - ADJUSTING HOOD - W/BLACK PAD
5	118595-01-03A	EA	SUPPORT - HINGE LINK - PASSENGER - BRIGHT WHITE
	118595-02-03A	EA	SUPPORT - HINGE LINK - DRIVER - BRIGHT WHITE
6	113495-03-02B	EA	SUPPORT - HINGE - RIGHT HAND/LEFT HAND - E-COATED
7	127181-03-02B	EA	BRACKET - LINK/HINGE - HOOD/RIGHT HAND
	127181-04-02B	EA	BRACKET - LINK/HINGE - HOOD/LEFT HAND
8	126331-01-01A	EA	TUBE - GRILLE - HORIZONTAL
9	102330-02-000	EA	LATCH - VISE ACTION/KEY OPERATED
10	126352-01-02B	EA	LATCH - HOOD - FRONT END
	102328-01-000	EA	KEY - BARREL - NICKEL PLATED

EXTERIOR BODY GROUP (CONTINUED)

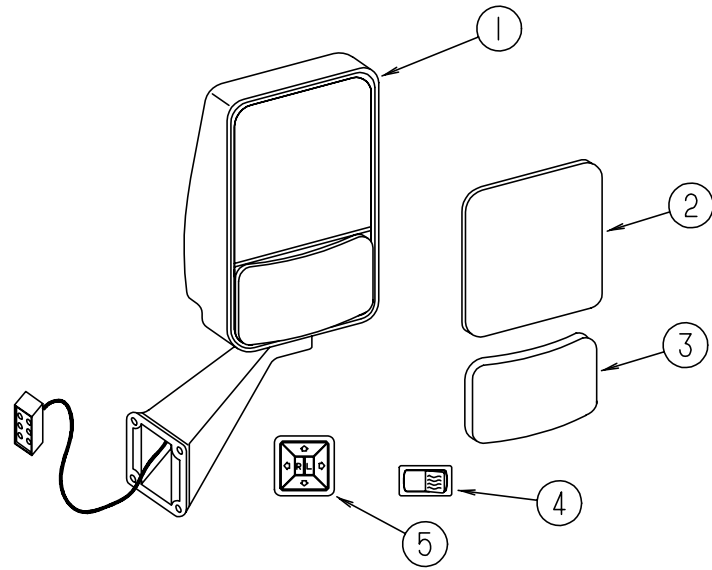
FRONT END FRAME ASM.



KEY	PART NUMBER	U/M	DESCRIPTION
1	070579-06-000	EA	PLATE - ANCHOR - W/7/16" WELD NUT - 1.5" X 3.3"
1	070579-07-000	EA	PLATE - ANCHOR - W/O WELD NUT - 1.5" X 3.3"
2	078249-17-000	EA	TUBE - SWEPT - CAB FRAME
3	104797-03-000	EA	BRACKET - DEFROSTER
4	104797-04-000	EA	BRACKET - DEFROSTER
5	104797-05-000	EA	BRACKET - DEFROSTER
6	106746-02-000	EA	PANEL - STEPWELL
7	106747-03-000	EA	PANEL - STEPWELL - RIGHT HAND END
8	106747-04-000	EA	PANEL - STEPWELL - LEFT HAND END
9	117273-01-01A	EA	TUBE - SUPPORT - A-PILLAR
10	117287-01-01B	EA	BRACKET - MOUNT - CABLE
11	118592-01-01B	EA	SHIELD - SPLASH - RIGHT HAND
12	120363-01-01B	EA	BRACKET - WINDSHIELD
13	120840-07-01B	EA	STRAP - W/HOLES - MILL

KEY	PART NUMBER	U/M	DESCRIPTION
14	121269-05-01B	EA	FRAME - WINDSHIELD - A-PILLAR - MILL
15	121269-06-01B	EA	FRAME - WINDSHIELD - A-PILLAR - MILL
16	063977-14-000	EA	STEP - DRIVER DOOR - LEFT HAND
17	128255-01-04B	EA	STEP - DRIVER DOOR - BLACK
18	124975-01-01B	EA	SUPPORT - WINDSHIELD - UPPER - MLL
19	125836-02-01B	EA	ZEE-WIPER MOTOR - MILL
20	125837-02-01B	EA	BRACE - WIPER MOTOR - MILL
21	127461-02-01B	EA	PLATE - ANCHOR - SEAT BELT
22	127874-01-01B	EA	TUBE-B PILLAR - MILL
23	097123-01-000	EA	MOUNT - AIR INTAKE - FORD
24	099102-01-000	EA	BRACKET - LINKAGE - THROTTLE
25	104147-14-000	EA	SHIELD/SPLASH - HEADLIGHT
26	123262-02-02B	EA	BRACKET ASM - FUSE PANEL - E-CT
27	121962-02-02B	EA	SHIELD/SPLASH - HEADLIGHT
28	124974-01-01B	EA	SUPPORT - WINDSHIELD, LOWER - MLL
	124904-03-01B	EA	HEADER - WINDSHIELD - CENTER

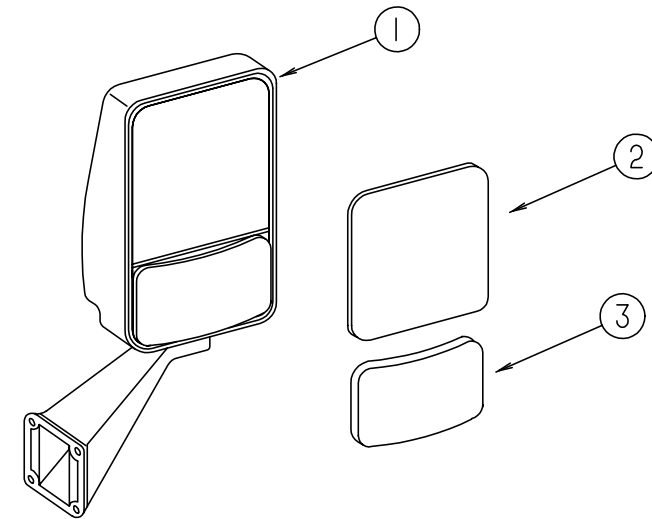
EXTERIOR BODY GROUP (CONTINUED)



EXTERIOR MIRROR OPTION (REMOTE & HEAT)

KEY	PART NUMBER	U/M	DESCRIPTION	VENDOR NO.
1	106015-12-01A	EA	MIRROR - EXTERIOR REMOTE/HEAT - PASSENGER	
1	106015-13-01A	EA	MIRROR - EXTERIOR REMOTE/HEAT - DRIVER	
2	106015-12-700	EA	MIRROR - FLAT - W/W/O HEAT	709448
3	106015-12-701	EA	MIRROR - CONVEX - W/W/O HEAT	709449
4	087695-02-000	EA	SWITCH - HEATER - EXTERIOR MIRROR	
5	088246-01-000	EA	SWITCH - REMOTE - EXTERIOR - SQUARE PUSH	
	106015-12-702	EA	SCREW CAP - (BAG OF 4)	748329
	087695-03-000	EA	CONNECTOR - ASSEMBLY	

EXTERIOR BODY GROUP (CONTINUED)

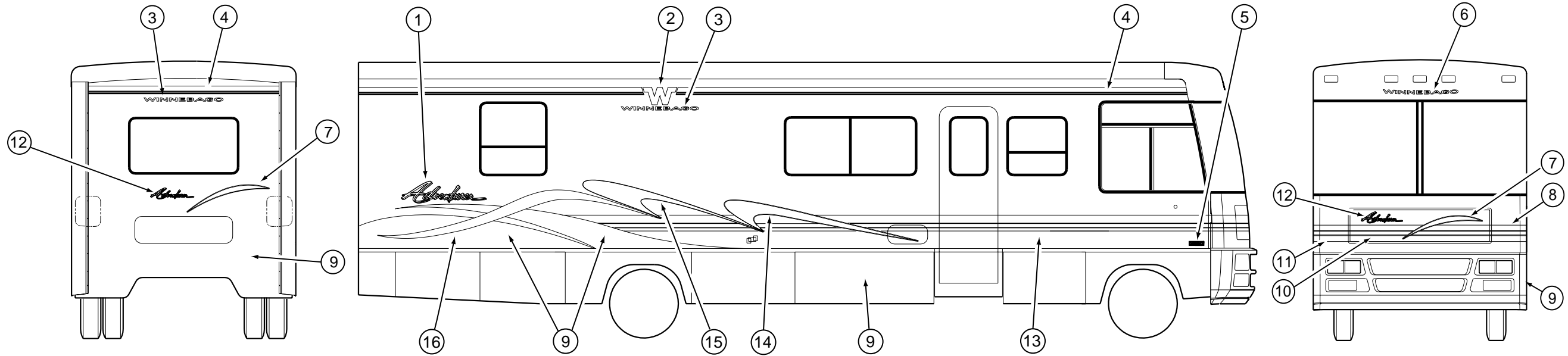


EXTERIOR MIRROR (ADJUSTABLE)

KEY	PART NUMBER	U/M	DESCRIPTION	VENDOR NO.
1	106015-14-01A	EA	MIRROR - EXTERIOR ADJUSTABLE GLASS - PASSENGER	
1	106015-15-01A	EA	MIRROR - EXTERIOR ADJUSTABLE GLASS - DRIVER	
2	106015-12-700	EA	MIRROR-FLAT - W/W/O HEAT	709448
3	106015-12-701	EA	MIRROR-CONVEX - W/W/O HEAT	709449
	106015-12-702	EA	SCREW CAP - (BAG OF 4)	748329

EXTERIOR BODY GROUP (CONTINUED)

DECALS, FILM STRIPES & PAINT



KEY	PART NUMBER	U/M	DESCRIPTION
1	130201-01-01A	EA	DECAL - LOGO - ADVENTURER/LARGE
2	121743-03-01A	EA	DECAL - LOGO "W"
3	120702-03-11A	EA	DECAL - LOGO - WINNEBAGO/SMALL
4	094443-61-01A	FT	FILM - MULTISTRIPE - 3.5"
5	129922-01-01A	EA	EMBLEM - TRITON V10
5	122312-02-01A	EA	DECAL - VORTEC 7400 FUEL INJECTED
6	125597-01-02A	EA	DECAL - LOGO - WINNEBAGO/SWEEP #8
7	130195-01-01A	EA	DECAL - SLASH - LARGE
8	130197-02-01A	EA	DECAL - CORNER/LEFT HAND
9	N/A		PAINT - CHARCOAL MET - DUPONT F8403U
9	N/A		PAINT - LT. SILVER MET - DUPONT F2573U
10	130194-01-01A	EA	DECAL - HOOD
11	130197-01-01A	EA	DECAL - CORNER/RIGHT HAND
12	130201-02-01A	EA	DECAL - LOGO - ADVENTURER/SMALL
13	094443-62-01A	FT	FILM - MULTISTRIPE - 7.2"
14	130198-01-01A	EA	DECAL - RIBBON - FRONT/RIGHT HAND
14	130198-02-01A	EA	DECAL - RIBBON - FRONT/LEFT HAND
15	130199-01-01A	EA	DECAL - RIBBON - MIDDLE/RIGHT HAND
15	130199-02-01A	EA	DECAL - RIBBON - MIDDLE/LEFT HAND
16	130200-01-01A	EA	DECAL - RIBBON - REAR/RIGHT HAND
16	130200-02-01A	EA	DECAL - RIBBON - REAR/LEFT HAND
	041561-03-000	EA	PAINT - 16 OUNCE SPRAY - OFF WHITE
	093681-40-01A	FT	FILM - 2" - FLAT BLACK (DRIVER DOOR)
	099399-23-700	EA	PAINT - SPRAY - BRIGHT WHITE ENAMEL
	004308-01-000	EA	PAINT - BLACK SPRAY

DUPONT PAINT COLOR CODES

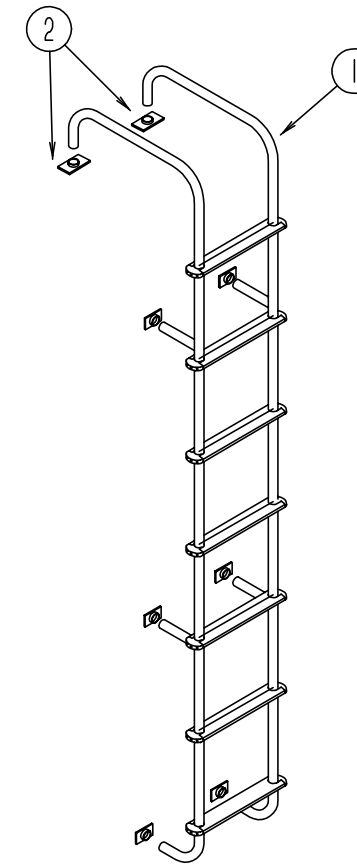
OFF WHITE	(INTERIOR)	DUPONT L8723
CHARCOAL METALLIC	(EXTERIOR)	DUPONT F8403U
LIGHT SILVER METALLIC	(EXTERIOR)	DUPONT F2573U
BRIGHT WHITE	(EXTERIOR)	DUPONT B8951U
MED. DK. ROYAL BLUE MET.	(FILM)	DUPONT BM447
LIGHT CHARCOAL METALLIC	(FILM)	DUPONT MM474
BERRYWOOD METALLIC	(FILM)	DUPONT RM055

EXTERIOR BODY GROUP (CONTINUED)

STYROFOAM & FIBERGLASS SHEETING

KEY	PART NUMBER	U/M	DESCRIPTION
	000846-01-000	SF	PLYWOOD - 5/16" X 48" X 96" - CD GRADE
	000846-02-000	SF	PLYWOOD/UNDERLAYMENT - 5/16" X 48" X 96"
	002726-01-001	EA	GARNISH - U-CHANNEL - 1.38" X 19' - SERRATED
	002766-01-001	EA	ANGLE - EXTRUDED - 1" X 1.5" X 17'
	033381-17-001	FT	STEEL - TUBE - 16 GAUGE 1.5" X 1.5" X 16'
	068716-01-001	EA	BRACE - 90 DEGREE L-ANGLE - 16'
	076054-U4-000	EA	FIBERGLASS SHEET - 101" X 104" - BRIGHT WHITE
	076054-U8-000	EA	FIBERGLASS SHEET - 100" X 105" - BRIGHT WHITE
	076054-W3-000	EA	FIBERGLASS SHEET - 79" X 361.3" - BRIGHT WHITE
	076054-W6-000	EA	FIBERGLASS SHEET - 79" X 367" - BRIGHT WHITE
	108535-05-702	EA	FIBERGLASS SHEET - FLAT - 110" X 398" BRIGHT WHITE - ROOF
	077517-62-000	EA	FIBERGLASS SHEET/SIDEWALL - 48" X 96" - BRIGHT WHITE
	089297-01-000	SF	PLYWOOD - LUAN - OVERLAY GRADE - 48" X 96"
	089297-02-000	SF	PLYWOOD - LUAN - OVERLAY GRADE - 48" X 108"
	100619-01-000	BF	FOAM - EXPANDED POLYSTYRENE - 1.34" X 48" X 96"
	100619-02-000	BF	FOAM - EXPANDED POLYSTYRENE - 1.5" X 48" X 96"
	100619-04-000	BF	FOAM - EXPANDED POLYSTYRENE - .5" X 48" X 96"
	100619-05-000	BF	FOAM - EXPANDED POLYSTYRENE - .75" X 48" X 96"-1.5 DENSITY
	100619-11-000	BF	FOAM - EXPANDED POLYSTYRENE - 2" X 48" X 96"
	100619-13-000	BF	FOAM - EXPANDED POLYSTYRENE - .34" X 34.65" X 96"
	100619-16-000	BF	FOAM - EXPANDED POLYSTYRENE - .75" X 48" X 96"-2.0 DENSITY
	100619-22-000	BF	FOAM - EXPANDED POLYSTYRENE - 48" X 120" X 1.34"
	105077-08-000	EA	FOAM - PLUG - ROOF CAP
	120107-01-000	EA	FOAM - COVE - ROOF - 2.8" X 96" LONG
	120107-02-000	EA	FOAM - PLUG - ROOF TUBE - 2.2" X 2.9" X 1.8" LONG
	120107-03-000	EA	FOAM - PLUG - SIDEWALL TUBE - 1.2" X 2.1" X 1.8" LONG
	125838-01-002	EA	ACRYLIC SHEET - .125 X 1.8" X 2"

EXTERIOR BODY GROUP (CONTINUED)



LADDER

KEY	PART NUMBER	U/M	DESCRIPTION
1	129639-02-01A	EA	LADDER - BRUSHED ALUMINUM
2	131256-01-01A	EA	PLATE - LADDER
	129375-01-000	EA	SEAL/FOAM - LADDER BRACKET
	038327-01-000	FT	TAPE - ANTI SLIP - 2" X 60FT

EXTERIOR BODY GROUP (CONTINUED)

AWNINGS
FROM: 00-00-00 THRU: 03-14-99

KEY	PART NUMBER	U/M DESCRIPTION
	113874-11-01A	EA SCREW/LAG - AWNING - 1/4" X 1" STAINLESS STEEL
	113874-12-01A	EA SCREW/LAG - AWNING - 1/4" X 2 3/4" STAINLESS STEEL
	113874-06-19A	EA AWNING - W/O HARDWARE - 16' - VINYL (BLACK & GRAY)
		FROM: 00-00-00 THRU: 10-03-98
	113874-06-25A	EA AWNING - W/O HARDWARE - 16' (BLACK/GRAY) METAL
		FROM: 10-04-98 THRU: 03-14-99
*	113874-01-02A	EA HARDWARE KIT - AWNING - W/O STANDOFF BRACKET-BRIGHT WHITE
	111037-01-01A	EA SPACER - AWNING - UPPER - BLACK
	130320-01-02A	EA BRACKET - AWNING - F/A&E INSTALLATION - BRIGHT WHITE
	119496-01-02A	EA SPACER/ZEE - AWNING

FROM: 03-15-99 THRU: 06-13-99

KEY	PART NUMBER	U/M DESCRIPTION
	113874-11-01A	EA SCREW/LAG - AWNING - 1/4" X 1" STAINLESS STEEL
	113874-12-01A	EA SCREW/LAG - AWNING - 1/4" X 2 3/4" STAINLESS STEEL
	132715-02-04A	EA AWNING - 2 STEP W/O HDW - 16' W/METAL WRAP - BLACK & GRAY
	132715-01-01A	EA HARDWARE KIT - 2 STEP AWNING - BRIGHT WHITE
	133088-01-02A	EA BRACKET - AWNING - BRIGHT WHITE

FROM: 06-14-99 THRU: 99-99-99

KEY	PART NUMBER	U/M DESCRIPTION
	113874-11-01A	EA SCREW/LAG - AWNING - 1/4" X 1" STAINLESS STEEL
	113874-12-01A	EA SCREW/LAG - AWNING - 1/4" X 2 3/4" STAINLESS STEEL
	113874-06-25A	EA AWNING - 16' BLACK/GRAY VINYL - BRT/WHT METAL WRAP
*	113874-01-02A	EA HARDWARE KIT - AWNING - W/O STANDOFF BRACKET-BRIGHT WHITE
	130320-01-02A	EA BRACKET - AWNING - F/A&E INSTALLATION - BRIGHT WHITE

*COMPONENT PARTS FOUND IN SERVICE PARTS LIBRARY

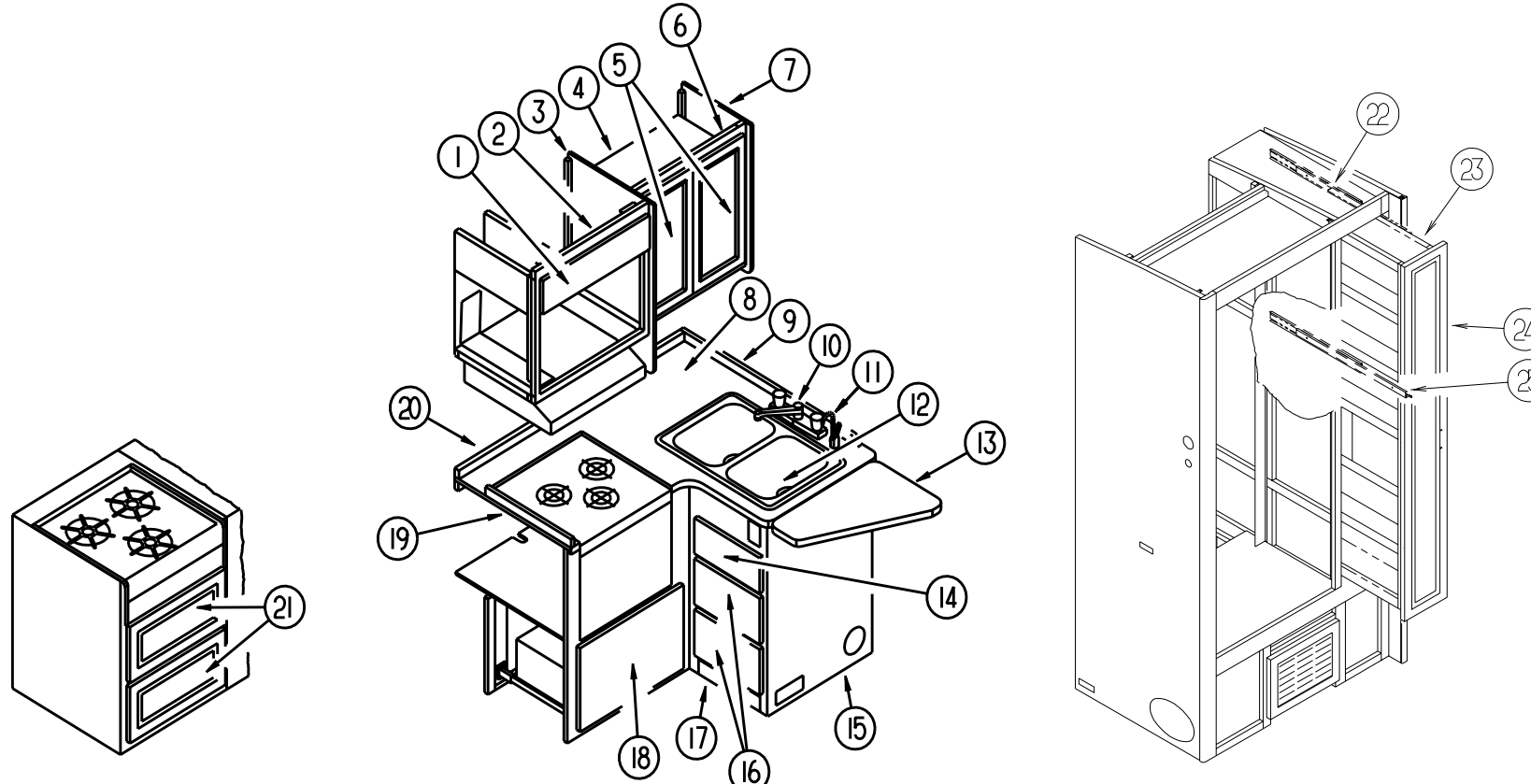
EXTERIOR BODY GROUP (CONTINUED)

EXTERIOR BODY HARDWARE

KEY	PART NUMBER	U/M DESCRIPTION
	120524-01-02B	EA U-CHANNEL - E-COATED
	114248-02-01A	EA ANGLE - PLASTIC - 96.6"
	099069-01-000	FT SEAL - RUBBER - CLOSED SPONGE - .5" WIDE X .12" THICK -BLK
	107865-01-000	EA ROD - SUPPORT - VALANCE PANEL - 14.3"
	107865-05-000	EA ROD - SUPPORT - VALANCE PANEL - 9"
	118383-01-04A	EA RETAINER - SCREW
	118383-04-04A	EA CAP - RETAINER/SCREW
	119568-01-01A	EA STANDOFF - VALANCE PANEL - BLACK
	121117-01-02B	EA ANGLE - W/HOLES - E-COATED
	124299-51-001	EA EXTRUDED - RETAINER - TRIM - 144"

GALLEY GROUP

GALLEY CABINETRY & FIXTURES



KEY	PART NUMBER	U/M	DESCRIPTION	VENDOR NO.	KEY	PART NUMBER	U/M	DESCRIPTION
1	126057-01-K28	EA	CABINET - OVERHEAD/MICROWAVE - W/O DOOR/HDW (US) (WATERFORD OAK)		13	129634-15-K28	EA	EXTENSION/GALLEY W/O HDW (K28, K29, K30, K31, K34, K35)
1	126057-03-K28	EA	CABINET - OVERHEAD/MICROWAVE - W/O DOOR/HDW (CSA) (WATERFORD OAK)		13	129634-15-K33	EA	EXTENSION/GALLEY W/O HDW (K32, K33)
1	126057-01-K29	EA	CABINET - OVERHEAD/MICROWAVE - W/O DOOR/HDW (US)(MYSTIC OAK)		14	M09316-18-K28	EA	DRAWER - OGEE - 13.9"W X 21.6"D - W/O SLIDES/HDW (WATERFORD OAK)
1	126057-03-K29	EA	CABINET - OVERHEAD/MICROWAVE - W/O DOOR/HDW (CSA)(MYSTIC OAK)		14	M09316-18-K29	EA	DRAWER - OGEE - 13.9"W X 21.6"D - W/O SLIDES/HDW (MYSTIC OAK)
2	100708-05-000	EA	DOOR - GLASS - CABINET - 8.5" X 23.4" - W/O HDW		15	129634-01-K28	EA	CABINET - W/CTRTP - W/O DOORS/DRAWERS/HDW (OVEN) (K28, K30, K34)
3	103128-33-J55	EA	END CAP - OVERHEAD/RIGHT HAND (WATERFORD OAK)		15	129634-01-K29	EA	CABINET - W/CTRTP - W/O DOORS/DRAWERS/HDW (OVEN) (K29, K31, K35)
3	103128-33-K29	EA	END CAP - OVERHEAD/RIGHT HAND (MYSTIC OAK)		15	129634-01-K32	EA	CABINET - W/CTRTP - W/O DOORS/DRAWERS/HDW (OVEN) (K32)
4	122174-11-J55	EA	SHELF - W/PLASTIC EDGE TRIM (WATERFORD OAK)		15	129634-01-K33	EA	CABINET - W/CTRTP - W/O DOORS/DRAWERS/HDW (OVEN) (K33)
4	122174-11-K29	EA	SHELF - W/PLASTIC EDGE TRIM (MYSTIC OAK)		15	129634-02-K28	EA	CABINET - W/CTRTP - W/O DOORS/DRAWERS/HDW (RANGE) (K28, K30, K34)
5	M05992-L4-K28	EA	DOOR - STR CORNER/OGEE - 10" X 21.4" - W/O HDW (WATERFORD OAK)		15	129634-02-K29	EA	CABINET - W/CTRTP - W/O DOORS/DRAWERS/HDW (RANGE) (K29, K31, K35)
5	M05992-L4-K29	EA	DOOR - STR CORNER/OGEE - 10" X 21.4" - W/O HDW (MYSTIC OAK)		15	129634-02-K32	EA	CABINET - W/CTRTP - W/O DOORS/DRAWERS/HDW (RANGE) (K32)
6	122174-02-J22	EA	CABINET - OVERHEAD/W/O DOORS/HDW (WATERFORD OAK)		15	129634-02-K33	EA	CABINET - W/CTRTP - W/O DOORS/DRAWERS/HDW (RANGE) (K33)
6	122174-02-K29	EA	CABINET - OVERHEAD/W/O DOORS/HDW (MYSTIC OAK)		16	M09316-17-K28	EA	DRAWER - OGEE - 13.9"W X 21.6"D - W/O SLIDES/HDW (WATERFORD OAK)
7	103128-11-H33	EA	END CAP - OVERHEAD CABINET - RIGHT HAND (WATERFORD OAK)		16	M09316-17-K29	EA	DRAWER - OGEE - 13.9"W X 21.6"D - W/O SLIDES/HDW (MYSTIC OAK)
7	103128-11-K29	EA	END CAP - OVERHEAD CABINET - RIGHT HAND (MYSTIC OAK)		17	129634-13-K28	EA	TOE KICK - GALLEY CABINET FRONT (WATERFORD OAK)
8	129634-18-K28	EA	CTRTP - GALLEY (K28, K29, K30, K31, K34, K35)		17	129634-13-K29	EA	TOE KICK - GALLEY CABINET FRONT (MYSTIC OAK)
8	129634-18-K32	EA	CTRTP - GALLEY (K32, K33)			118200-01-01A	SF	MESH - PLASTIC - 1/2 INCH
9	129634-19-K28	EA	BACKSPLASH - GALLEY CABINET (K28, K29, K30, K31, K34, K35)		18	M09316-16-K28	EA	DRAWER - OGEE - 19.8"W X 11.8"D - W/O SLIDES/HDW (WATERFORD OAK)
9	129634-19-K32	EA	BACKSPLASH - GALLEY CABINET (K32, K33)		18	M09316-16-K29	EA	DRAWER - OGEE - 19.8"W X 11.8"D - W/O SLIDES/HDW (MYSTIC OAK)
10	104114-02-01A	EA	FAUCET - SINGLE CONTROL		19	129634-21-K28	EA	BACKSPLASH - GALLEY/STOVE (K28, K29, K30, K31, K34, K35)
11	103635-01-000	EA	FAUCET - SINGLE CONTROL DRINKING		19	129634-21-K32	EA	BACKSPLASH - GALLEY/STOVE (K32, K33)
	103635-01-700	EA	FITTING KIT, FAUCET REPAIR	3071-70	20	129634-20-K28	EA	BACKSPLASH - GALLEY CABINET (K28, K29, K30, K31, K34, K35)
	103635-01-701	EA	TUBING-PLASTIC	3019-20	20	129634-20-K32	EA	BACKSPLASH - GALLEY CABINET (K32, K33)
	103635-01-702	EA	FAUCET REPAIR KIT	3026-46	21	M09316-15-K28	EA	DRAWER - OGEE - 19.8"W X 17.7"D - W/O SLIDES/HDW (WATERFORD OAK)
12	110654-01-000	EA	SINK - STAINLESS STEEL/DOUBLE BASIN (1 LG-1 SM BASIN)		21	M09316-15-K29	EA	DRAWER - OGEE - 19.8"W X 17.7"D - W/O SLIDES/HDW (MYSTIC OAK)
	092303-01-000	EA	STRAINER - SINK		22	122360-02-000	EA	SLIDE - PANTRY - W/O LOCK - RIGHT/LEFT HAND
	108464-04-J31	EA	COVER - SINK - 15" X 15" - LAMINATE BOTH SIDES (K28, K29, K30, K31, K34, K35)		23	122325-01-J22	EA	CABINET - PANTRY/RIGHT HAND SLIDING - W/O SLIDES/HDW (WATERFORD OAK)
	108464-04-J23	EA	COVER - SINK - 15" X 15" - LAMINATE BOTH SIDES (K32, K33)		23	122325-01-J90	EA	CABINET - PANTRY/RIGHT HAND SLIDING - W/O SLIDES/HDW (MYSTIC OAK)
	108464-03-J31	EA	COVER - SINK - 15" X 11" - LAMINATE BOTH SIDES (K28, K29, K30, K31, K34, K35)		24	M05992-K0-K28	EA	DOOR - STR CORNER/OGEE - 8.5" X 60.7" - W/O HDW (WATERFORD OAK)
	108464-03-J74	EA	COVER - SINK - 15" X 11" - LAMINATE BOTH SIDES (K32, K33)		24	M05992-K0-K29	EA	DOOR - STR CORNER/OGEE - 8.5" X 60.7" - W/O HDW (MYSTIC OAK)
	126019-01-01A	EA	COFFEEMAKER - OPTIMA - W/BRACKETS - BLACK & DECKER		25	122360-03-000	EA	SLIDE - PANTRY - W/LOCK - RIGHT HAND
	126019-01-700	EA	GLASS CARAFE	172547-00		123673-01-01A	EA	KNOB - PANTRY SLIDE
	126019-01-701	EA	RESERVOIR - WATER	172554		090329-01-000	FT	SEAL/T - REFRIGERATOR CABINET
	126019-01-702	EA	BASKET - FILTER	172553-00				
	126019-01-703	EA	HDW - MOUNTING	172174-00				

GALLEY GROUP (CONTINUED)

RANGE, MICROWAVE OVEN & GALLEY HARDWARE

KEY	PART NUMBER	U/M	DESCRIPTION
*	126023-01-01A	EA	RANGE - W/OVEN 22" - 3 BURNER/BLACK GLASS DOOR
*	114030-02-01A	EA	RANGE - 3 BURNER TOP - W/O OVEN - BLACK - UL
	M05904-03-J61	EA	COVER - STOVE - W/SOLID COUNTERTOP (K28, K29, K30, K31, K34, K35)
	M05904-03-J62	EA	COVER - STOVE - W/SOLID COUNTERTOP (K32, K33)
	126022-01-01A	EA	COVER - RANGE - BI-FOLD - 16" & 22" - BLACK TEXTURED
	107109-34-04B	EA	BRACKET - TIEDOWN/BLACK
	107109-36-04B	EA	BRACKET - TIEDOWN/BLACK
*	121569-01-01A	EA	REFRIGERATOR - LARGE DOUBLE DOOR/RH - 2-WAY - 59.9" X 23.5" X 24" FROM: 00-00-00 THRU: 07-19-98
*	121569-03-01A	EA	REFRIGERATOR - LARGE DOUBLE DOOR/RIGHT HAND - 2-WAY - BLACK FROM: 07-20-98 THRU: 99-99-99
	116751-02-01A	EA	TRAY - REFRIGERATOR - BLACK
	065225-02-000	EA	PLATE - TIEDOWN - REFRIGERATOR
	054450-01-000	EA	LEVEL - REFRIGERATOR
	090195-08-000	EA	BAFFLE - REFRIGERATOR - LOWER
	093369-03-000	EA	STRAP - REFRIGERATOR
	093646-01-000	EA	BRACKET - TIEDOWN/REFRIGERATOR - RIGHT HAND
	093646-02-000	EA	BRACKET - TIEDOWN/REFRIGERATOR - LEFT HAND
	122753-02-000	EA	OVEN - MICROWAVE - .9 CU. FT - CONVECTION - SHARP - UL(US)
	122753-06-000	EA	OVEN - MICROWAVE - .9 CU FT - CONVECTION - CSA
	122753-05-000	EA	OVEN - MICROWAVE - 1 CU. FT. 0 NON CONVECTION - SHARP - UL(US)
	102482-09-H56	EA	FRAME - MICROWAVE
	082227-06-000	EA	TRIM - BOTTOM/MICROWAVE - BLACK
	102486-13-01A	EA	TRIM - MICROWAVE - VERTICAL - BLACK
	121850-04-02B	EA	STRAP - TIEDOWN - MICROWAVE - E-COATED
	122546-10-02B	EA	SUPPORT - MICROWAVE BOTTOM - E-COATED
	122546-11-02B	EA	SUPPORT - MICROWAVE BOTTOM - E-COATED

*COMPONENT PARTS FOUND IN SERVICE PARTS LIBRARY

RANGE HOODS & MONITOR PANEL

KEY	PART NUMBER	U/M	DESCRIPTION	VENDOR NO.
*	100258-18-03A	EA	HOOD - RANGE - W/O MONITOR PANEL - W/HOUR METER/SWITCH - US	
*	100258-17-04A	EA	HOOD - RANGE - W/O MONITOR PANEL - W/O HOUR METER/SWITCH - CSA	
*	102765-04-01A	EA	PANEL - MONITOR - 2 HOLDING TANKS - ADJUSTABLE	
	100258-10-01A	EA	GAUGE - HOUR METER W/SWITCH - SCREW ON STYLE (OPTION) 150	
	100258-10-701	EA	GAUGE - HOUR METER - CLIP ON (OPTION)	L0775-00
	096983-01-702	EA	SWITCH - MOM/OFF/MOM/3 TERM (OPTION)	L0112-00

*COMPONENT PARTS FOUND IN SERVICE PARTS LIBRARY

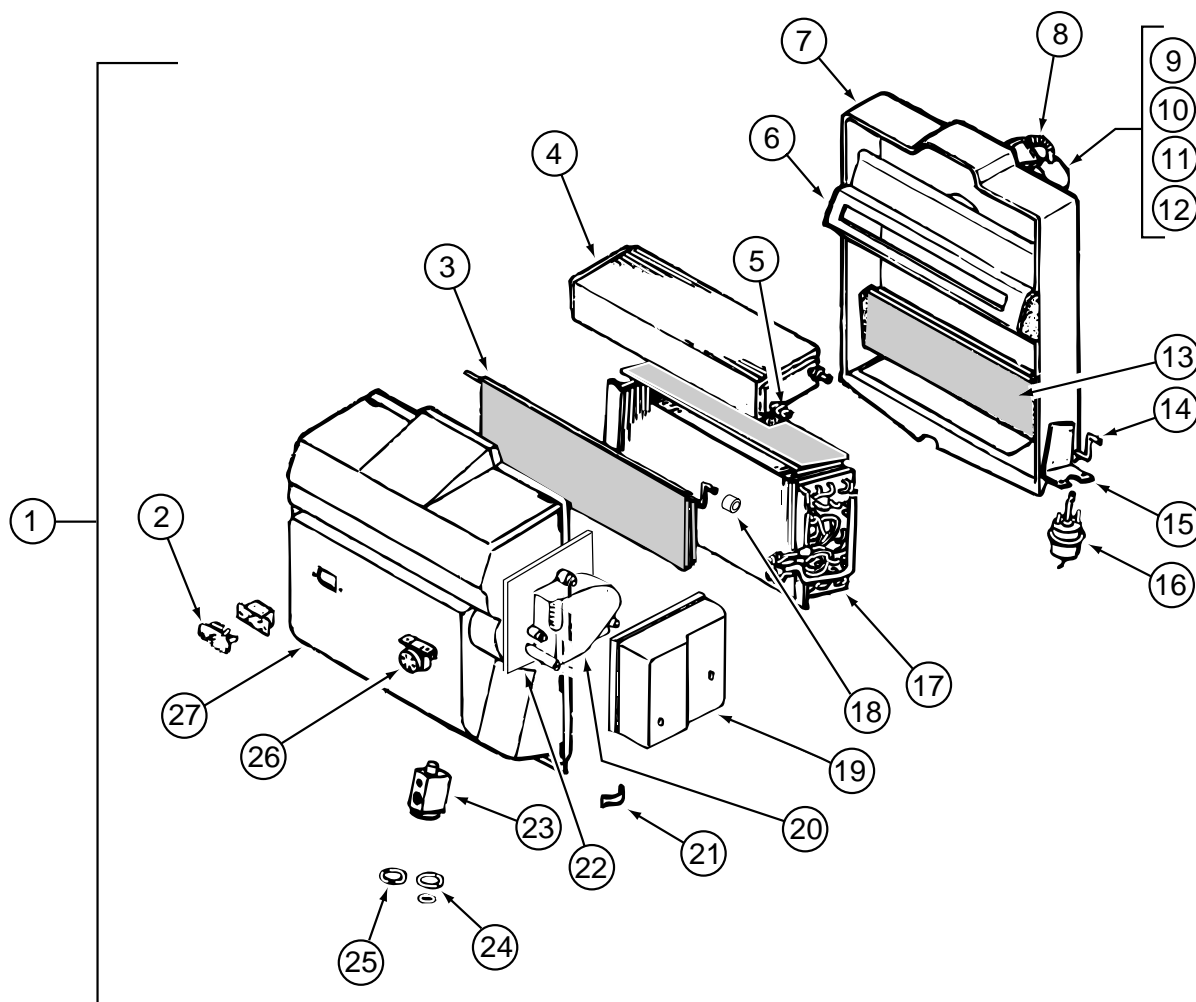
GENERATOR GROUP

ONAN GENERATOR, 4.0 KW MICROLITE

KEY	PART NUMBER	U/M	DESCRIPTION
	109982-03-000	EA	GENERATOR - 4.0 MICROLITE
	007125-04-000	EA	CLAMP - MUFFLER - 1.12" DIAMETER
	105958-09-000	EA	PIPE - GENERATOR EXHAUST - 1.3" OD X 5.9" X 22"
	104644-01-000	EA	ANGLE - FORMED - GENERATOR

NOTE: ADDITIONAL GENERATOR COMPONENTS ARE FOUND IN THE CHASSIS GROUP

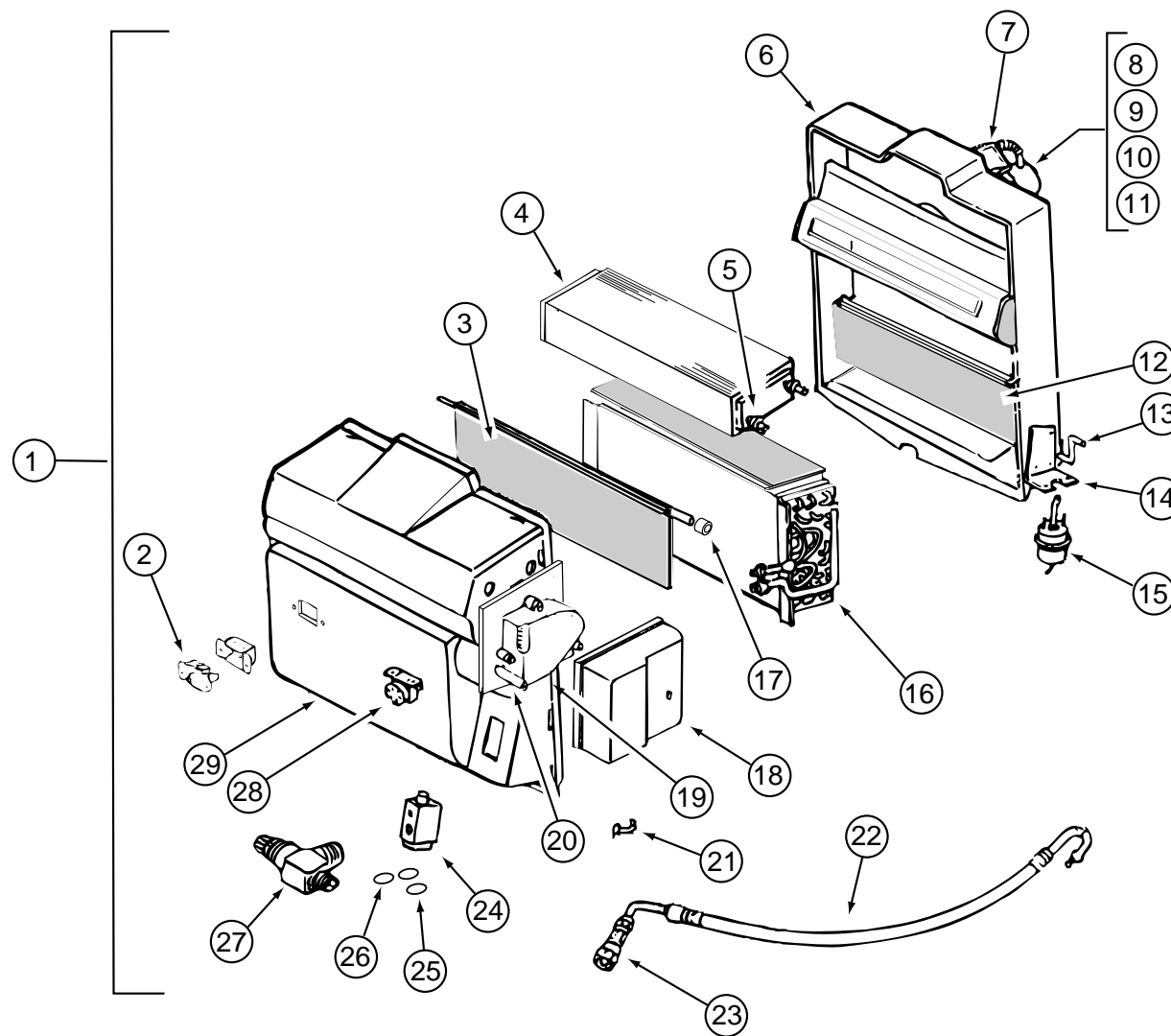
HEATING & AIR CONDITIONING GROUP
AUTOMOTIVE AIR CONDITIONING (NON-CHARGED) (FORD)



KEY	PART NUMBER	U/M DESCRIPTION	VENDOR NO.	KEY	PART NUMBER	U/M DESCRIPTION	VENDOR NO.
1	103930-43-000	EA EVAPORATOR/HEATER ASSEMBLY - NON-CHARGED		24	103930-17-702	EA O'RING #10	045-0127
2	103930-01-710	EA RESISTOR-FUSED, A/C	035-0006	25	113245-01-707	EA O'RING #8	045-0126
3	103930-43-700	EA DOOR - AIR BLEND	071-0568	26	103930-01-711	EA THERMOSTAT	033-0003
4	103930-01-703	EA CORE-HEATER	042-0010	27	103930-30-700	EA CASE - FRONT	062-0542
5	110279-01-712	EA FITTING-HEATER	050-0076		103930-02-714	EA CLAMP-CLUTCH, BARREL	022-0006
6	103930-30-707	EA DIVIDER ASM.	086-0061		094831-01-709	EA CLAMP-ROD 3/16"	022-0025
7	103930-20-711	EA CASE-BACK, SUB-ASSEMBLY	062-0147		113245-01-718	EA HOSE - DRAIN/1/2" X 6"	051-0002
8	110279-01-703	EA HOSE-VENT F/BLOWER MOTOR	051-0034		103930-23-000	EA VALVE - WATER - 2 PORT	
9	103930-20-707	EA HOUSING-BLOWER	062-0145		007076-01-000	EA HOSE - FLEXIBLE PVC - 2" ID - INCREMENTS OF 50'	
10	103930-30-706	EA MOTOR-BLOWER PM147 W/ADAPTER	030-0109		007281-01-000	EA HOSE - FLEXIBLE PVC - 2.5" ID X 50'	
11	103930-01-717	EA WHEEL-BLOWER, CLOCKWISE	062-0010		103930-45-000	EA HOSE - EVAPORATER/COMPRESSOR - EXP. BLOCK TO COMPRESSOR	
12	103930-20-708	EA CLIP-MOTOR SHAFT	022-0001		103930-47-000	EA HOSE - EVAPORATOR/DRYER - EXP. VALVE TO REC. DRIER	
13	103930-20-705	EA PANEL-DOOR, RECIRCULATING	071-0213		113245-01-710	EA O'RING, #12	045-0128
14	103930-20-704	EA ROD-DOOR-RECIRCULATING	073-0018		024990-05-000	EA OUTLET - DEFROSTER - 4" DIAMETER W/SWIVEL DEFLECTORS	
15	103930-01-708	EA BRACKET-VACUUM MOTOR	070-0113		077075-01-000	EA GASKET - INSTRUMENT PANEL TO DEFROSTER PLENUM - .6"X10.2"	
16	103930-02-708	EA MOTOR-VACUUM SERVO, A/C	030-0025		103016-03-000	EA PLENUM - TRANSITION	
17	103930-01-704	EA COIL-EVAPORATOR	041-0017		103017-03-000	EA PLENUM - DEFROSTER	
18	103930-30-702	EA BUSHING - BLEND AIR DOOR	062-0168		103558-01-10A	EA VENT - DEFROSTER - 2" X 14.4" X 1.4" - ANTELOPE	
19	103930-30-704	EA COVER - SERVO	062-0545			FROM: 00-00-00 THRU: 11-08-98	
20	103930-30-703	EA MOTOR - SERVO	030-0104		103558-04-03A	EA VENT - DEFROSTER - 1.4" X 14.4" X 1.1" - ANTELOPE	
21	103930-20-706	EA CLIP-RETAINER - CASE ATTACH	022-0057			FROM: 11-09-98 THRU: 99-99-99	
22	103930-30-701	EA PLATE - MOTOR MOUNT	062-0544		103796-01-01A	EA LOUVER - A/C-ADJUSTABLE - 2.2" X 5.4" F/2.5" HOSE - BLACK	
23	103930-20-700	EA VALVE-EXPANSION-BLOCK, 2 TON	034-0032				

HEATING & AIR CONDITIONING GROUP (CONTINUED)

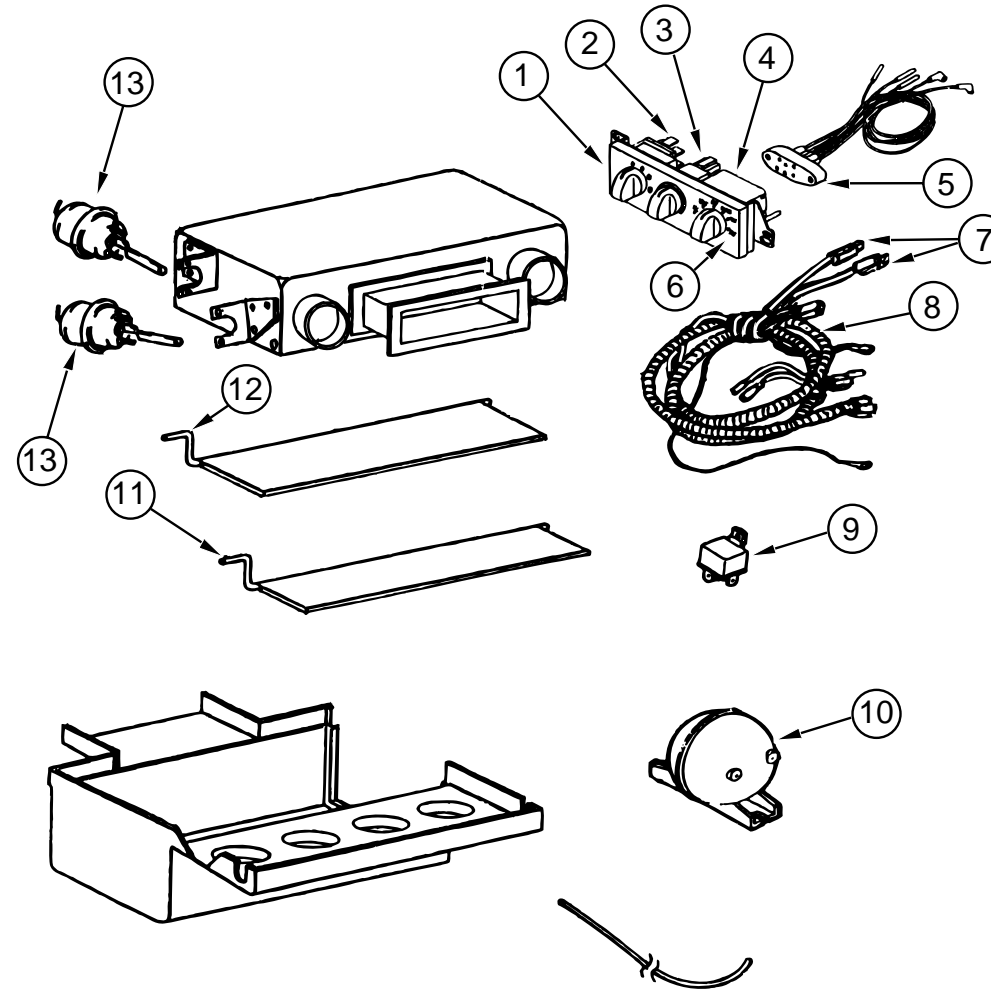
SCS EVAPORATOR/ HEATER (CHEVY)



KEY	PART NUMBER	U/M	DESCRIPTION	VENDOR NO.	KEY	PART NUMBER	U/M	DESCRIPTION	VENDOR NO.
1	103930-30-000	EA	EVAPORATOR/HEATER - CHEVY - SERVO MOTOR CONTROLLED		21	103930-20-706	EA	CLIP - RETAINER - CASE ATTACH	022-0057
2	103930-01-710	EA	RESISTOR - FUSED - A/C	035-0006	22	103930-25-700	EA	HOSE ASM #6 EVAPORATOR/DRIER	085-0350
3	103930-30-705	EA	DOOR - BLEND AIR	071-0568	23	103930-12-709	EA	FITTING - QUICK CONNECT	050-0120
4	103930-01-703	EA	CORE - HEATER	042-0010	24	103930-20-700	EA	VALVE - EXPANSION - BLOCK - 2 TON	034-0032
5	110279-01-712	EA	FITTING - HEATER	050-0076	25	103930-17-702	EA	O'RING #10	045-0127
6	103930-20-711	EA	CASE - BACK - SUB-ASSEMBLY	062-0147	25	103930-17-702	EA	O'RING #10	045-0127
7	110279-01-703	EA	HOSE - VENT F/BLOWER MOTOR	051-0034	27	103930-20-709	EA	VALVE - SERVICE	050-0159
8	103930-20-707	EA	HOUSING - BLOWER	062-0145	28	103930-01-711	EA	THERMOSTAT	033-0003
9	103930-30-706	EA	MOTOR - BLOWER PM147 W/ADAPTER	030-0109	29	103930-30-700	EA	CASE - FRONT	062-0542
10	103930-01-717	EA	WHEEL - BLOWER - CLOCKWISE	062-0010		103930-23-000	EA	VALVE - WATER - 2 PORT	
11	103930-20-708	EA	CLIP - MOTOR SHAFT	022-0001		007076-01-000	EA	HOSE - FLEXIBLE PVC - 2" ID - INCREMENTS OF 50'	
12	103930-20-705	EA	PANEL - DOOR - RECIRCULATING	071-0213		007281-01-000	EA	HOSE - FLEXIBLE PVC - 2.5" ID X 50'	
13	103930-20-704	EA	ROD - DOOR - RECIRCULATING	073-0018		103930-46-000	EA	HOSE - EVAPORATER/COMPRESSOR - EXP. BLOCK TO COMPRESSOR	
14	103930-01-708	EA	BRACKET-VACUUM MOTOR	070-0113		103930-47-000	EA	HOSE - EVAPORATOR/DRIER - EXP. VALVE TO REC. DRIER	
15	103930-01-709	EA	MOTOR - VACUUM	030-0025		113245-01-710	EA	O'RING, #12	045-0128
16	103930-01-704	EA	COIL - EVAPORATOR	041-0017		024990-05-000	EA	OUTLET - DEFROSTER - 4" DIAMETER W/SWIVEL DEFLECTORS	
17	103930-30-702	EA	BUSHING - BLEND AIR DOOR	062-0168		077075-01-000	EA	GASKET - INSTRUMENT PANEL TO DEFROSTER PLENUM - .6"X10.2"	
18	103930-30-704	EA	COVER - SERVO	062-0545		103016-03-000	EA	PLENUM - TRANSITION	
19	103930-30-703	EA	MOTOR - SERVO	030-0104		103017-03-000	EA	PLENUM - DEFROSTER	
20	103930-30-701	EA	PLATE - MOTOR MOUNT	062-0544		103558-01-10A	EA	VENT - DEFROSTER - 2" X 14.4" X 1.4" - ANTELOPE	
									FROM: 00-00-00 THRU: 11-08-98
						103558-04-03A	EA	VENT - DEFROSTER - ANTELOPE	
									FROM: 11-09-98 THRU: 99-99-99
						103796-01-01A	EA	LOUVER - A/C-ADJUSTABLE - 2.2" X 5.4" F/2.5" HOSE - BLACK	

HEATING & AIR CONDITIONING GROUP (CONTINUED)

SCS CONTROL/ PLENUM



KEY	PART NUMBER	U/M DESCRIPTION	VENDOR NO.	KEY	PART NUMBER	U/M DESCRIPTION	VENDOR NO.
	103930-39-000	EA CONTROL/PLENUM - ROTARY (CHEVY)		8	103930-33-711	EA WIRE HARNESS MAIN	036-0466
	103930-40-000	EA CONTROL/PLENUM - ROTARY CONTROL HEAD (FORD)		9	103930-02-707	EA RELAY-BOSCH W/RESISTER	031-0001
1	103930-33-702	EA CONTROL PANEL	083-0169	10	103930-02-710	EA CANISTER-VACUUM	054-0002
2	103930-33-707	EA SWITCH - BLOWER	032-0186	11	103930-39-700	EA ROD - DOOR - AC/HEAT	073-067
3	103930-33-708	EA SWITCH - POTENTIOMETER	032-0184	12	103930-39-701	EA ROD - DOOR AC/DEFROST	073-0069
4	103930-33-709	EA SWITCH - VACUUM	032-0183	13	103930-02-708	EA MOTOR - VACUUM SERVO, A/C	030-0025
5	103930-33-703	EA VACUUM HARNESS	036-0465		103930-33-701	EA MOTOR - VACUUM, 3 STAGE	030-0105
6	103930-33-710	EA DECAL F CONTROL HEAD	058-0102		103930-33-712	EA KNOB - BLOWER	062-0539
7	103930-33-705	EA LIGHT BULBS	035-0030		103930-33-713	EA KNOB	062-0540
					103930-39-704	EA SPRING	022-0119

HEATING & AIR CONDITIONING GROUP (CONTINUED)

FURNACE

KEY	PART NUMBER	U/M	DESCRIPTION
*	098668-21-000	EA	FURNACE - 35000 BTU
	009200-01-000	EA	TAPE - FURNACE - 1 1/2"
	089367-02-000	EA	TEE - 4" X 2" X 4"
	094600-05-01A	EA	REGISTER W/O DAMPER - 3.6" X 11.3" FACE/2.1" X 9.9" RO - BEIGE
	056464-09-000	EA	REGISTER - 4" DIAMETER - PLASTIC - W/DAMPER - BEIGE
	098668-14-000	EA	GASKET - FIBERGLASS - .5" X 18" X 18"
	098668-16-000	EA	VENT - INTAKE
	092777-01-000	EA	ADAPTER - DUCT - 4"
	115764-01-01A	EA	THERMOSTAT - FURNACE

*COMPONENT PARTS FOUND IN SERVICE PARTS LIBRARY

AUTOMOTIVE REAR HEATER SYSTEM

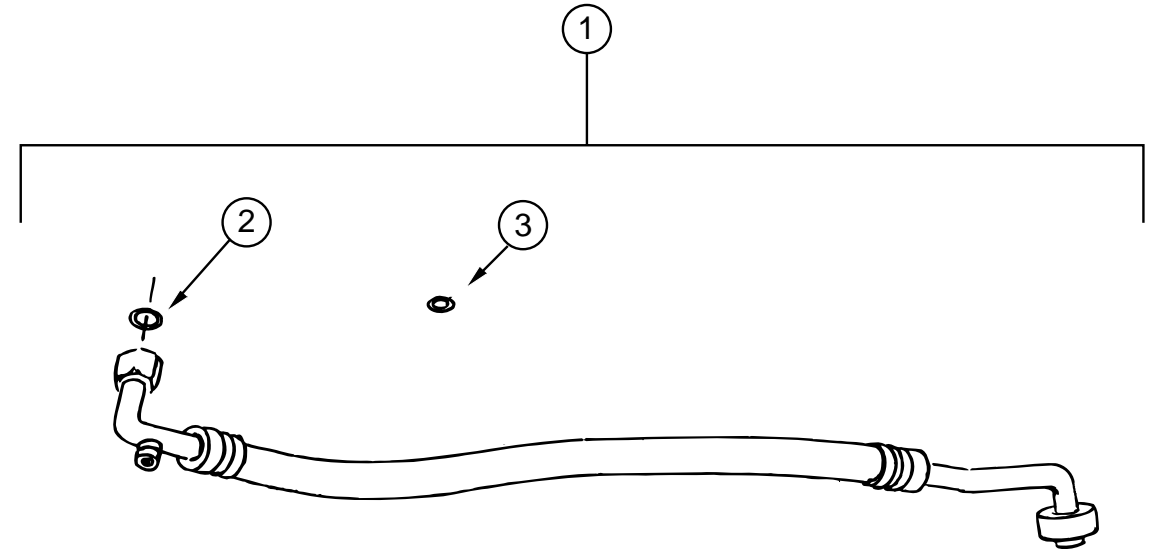
KEY	PART NUMBER	U/M	DESCRIPTION	VENDOR NO.
	009198-01-000	FT	DUCT - HEAT - FLEXIBLE - 4" ID X 25'	
	069636-02-000	EA	CONNECTOR - DUCT - 4" ID	
	056464-10-000	EA	REGISTER - 4" DIAMETER - PLASTIC - W/O DAMPER - BEIGE	
	079059-01-000	EA	HOSE - 90 DEGREE - 5/8"ID X 4" X 36"	
	084405-01-000	EA	HEATER - REAR/DUCTED - W/MOTOR AID	
	084405-01-700	EA	CORE - HEATER	FT200229
	084405-01-701	EA	FAN BLADES	HV029931
	084405-01-702	EA	MOTOR ASSEMBLY - 12 VOLT	RV010348
	061673-01-000	EA	BRACKET - MOTOR AID TUBES - 4" X 1.5" - STEEL	

A/C - ROOF & CEILING ASSEMBLY

KEY	PART NUMBER	U/M	DESCRIPTION
*	131188-01-01A	EA	A/C - ROOF - 14,800 MACH 15 - WHITE
*	131184-01-01A	EA	CEILING ASSEMBLY - A/C DUCTED - WHITE
	102289-01-000	EA	SPRING - SCREW - ROOF A/C GASKET
	117238-01-01A	EA	THERMOSTAT - A/C - FURNACE
	120134-01-02A	EA	REGISTER - 4".5" DIAMETER W/DAMPER

*COMPONENT PARTS FOUND IN SERVICE PARTS LIBRARY

HEATING & AIR CONDITIONING GROUP (CONTINUED)

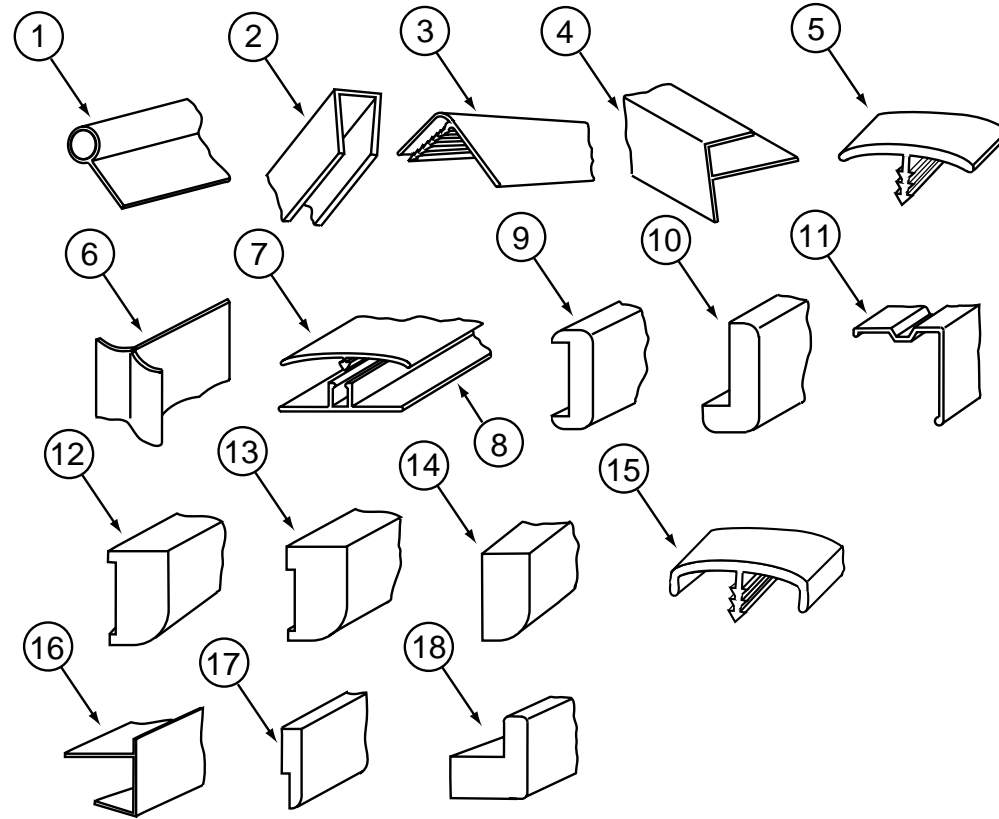


CHEVY HOSE KIT - VORTEC GAS OR DIESEL OPTION

KEY	PART NUMBER	U/M	DESCRIPTION	VENDOR NO.
1	103930-29-000	EA	HOSE KIT - #10 W/GM L-29 & L-65 CHASSIS	
2	103930-17-702	EA	O'RING #10	045-0127
3	103930-29-701	EA	GASKET-GMLP SW 1996	045-0483

INTERIOR FINISH GROUP

INTERIOR TRIM & MOLDINGS



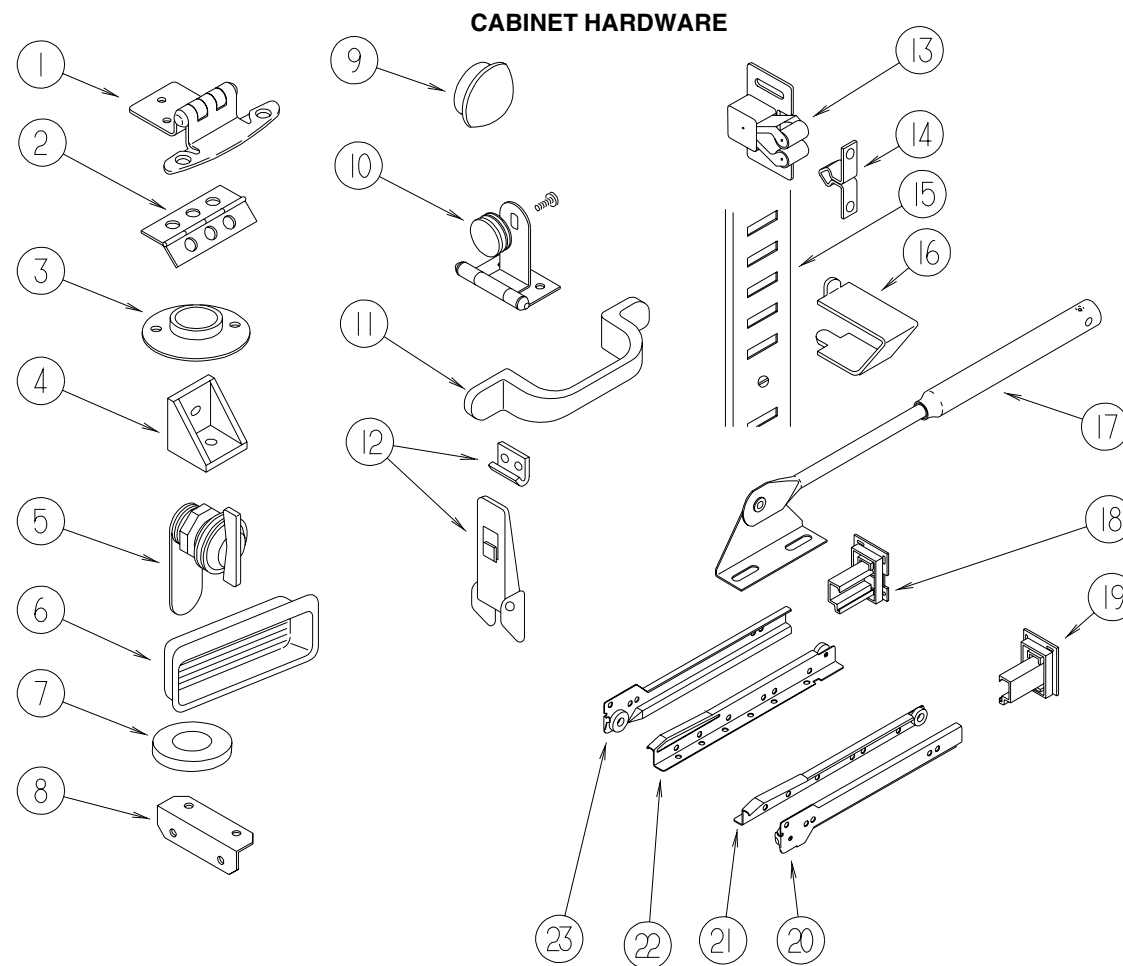
WATERFORD OAK

KEY	PART NUMBER	U/M	DESCRIPTION
1	009767-12-000	FT	WELTING - SIDEWALL/CEILING/CABINET - OFF/WHT
2	009778-21-000	FT	U-CHANNEL - 1" - WATERFORD OAK
2	070504-36-000	FT	U-CHANNEL - PLASTIC - .13" X 72" - WATERFORD OAK
2	070504-37-000	FT	U-CHANNEL - PLASTIC - .87" X 84" - WATERFORD OAK
3	009809-23-000	EA	MOLDING - CORNER - OUTSIDE - 1" X 84" - MODERN IVORY
3	009809-28-000	EA	MOLDING - CORNER - OUTSIDE - 1" X 84" - WATERFORD OAK
4	009812-29-000	EA	MOLDING - PLASTIC - 1/2" O/S CORNER - WATERFORD OAK
5	105709-01-000	FT	MOLDING-T - 1" - MODERN IVORY
6	022992-11-000	FT	MOLDING - REVERSE COVE - T-SHAPED VINYL - IVORY
7	086229-15-000	EA	BATTEN - 1" X 96" - MODERN IVORY
7	086229-20-000	EA	BATTEN - 1" X 96" - BEIGE
8	086229-01-000	EA	RETAINER - BATTEN - .75" WIDE - 7.6'
9	078323-06-G15	EA	MOLDING - CAP/WALL - 79.6" - WATERFORD OAK
10	077840-01-G01	EA	MOLDING - CAP/WALL - 8' WATERFORD OAK
11	093873-01-01A	EA	TRIM - CARPET - L-ANGLE 1.1" X 1.3" X 12' - GRAY VINYL
13	117268-D2-134	EA	MOLDING - VINYL WRAPPED - .7" X 1.6" X 84" - WATERFORD OAK
13	117268-F2-438	EA	MOLDING - VINYL WRAPPED - .7" X 2.6" X 96" - WATERFORD OAK
13	117268-F2-134	EA	MOLDING - VINYL WRAPPED - .7" X 2.7" X 84" - WATERFORD OAK
14	100818-01-05A	EA	MOLDING - VINYL WRAPPED - 1.65" X .4" X 84"-WATERFORD OAK
15	083620-12-000	FT	MOLDING-T - END CAP EDGE - W/EDGE LIP - .75"-WATERFORD OAK
15	104676-02-04A	FT	MOLDING-T - 1/2" - WATERFORD OAK
16	103186-01-05A	FT	MOLDING - PLASTIC - 3/8" U-CHANNEL W/3/4" FACE-WATERFORD OAK
16	103186-02-05A	FT	MOLDING - PLASTIC/1" U-CHANNEL W/1 3/8" FACE-WATERFORD OAK
17	105004-01-05A	EA	MOLDING - VINYL WRAPPED - 1" X 96" - WATERFORD OAK
18	100819-01-05A	EA	MOLDING - VINYL WRAPPED - L-SHAPED - 1.5" X 1.5" X 84"
	076325-39-000	FT	MOLDING - EDGE BAND - 1 5/16" X .030" - ALMOND
	076325-67-000	FT	MOLDING - EDGE BAND - .93" X .024" - WATERFORD OAK
	076325-73-000	FT	MOLDING - EDGE BAND - .93" X .024" - OFF WHITE (EXTERIOR ENTERTAINMENT)

MYSTIC OAK

KEY	PART NUMBER	U/M	DESCRIPTION
1	009767-12-000	FT	WELTING - SIDEWALL/CEILING/CABINET - OFF/WHT
2	009778-16-000	FT	U-CHANNEL - 1" - PICKLED ASH
2	070504-28-000	FT	U-CHANNEL - PLASTIC - .13" X 84" - PICKLED ASH
3	009809-23-000	EA	MOLDING - CORNER - OUTSIDE - 1" X 84" - MODERN IVORY
3	009809-26-000	EA	MOLDING - CORNER - OUTSIDE - 1" X 84" - PICKLED ASH
4	009812-27-000	EA	MOLDING - CORNER - 1/2" W/1/4" CHAN X 84" - PICKLED ASH
5	105709-01-000	FT	MOLDING-T - 1" - MODERN IVORY
6	022992-11-000	FT	MOLDING - REVERSE COVE - T-SHAPED VINYL - IVORY
7	086229-15-000	EA	BATTEN - 1" X 96" - MODERN IVORY
7	086229-20-000	EA	BATTEN - 1" X 96" - BEIGE
8	086229-01-000	EA	RETAINER - BATTEN - .75" WIDE - 7.6'
9	078323-06-K29	EA	MOLDING - CAP/WALL - 79.6" - MYSTIC OAK
10	077840-01-K29	EA	MOLDING - CAP/WALL - 8' - MYSTIC OAK
11	093873-01-01A	EA	TRIM - CARPET - L-ANGLE 1.1" X 1.3" X 12' - GRAY VINYL
12	111135-D2-134	EA	MOLDING - VINYL WRAPPED - .7" X 1.6" X 7' - PICKLED ASH
12	111135-F2-438	EA	MOLDING - VINYL WRAPPED - .7" X 2.5" X 8' - PICKLED ASH
12	111135-F2-134	EA	MOLDING - VINYL WRAPPED - .7" X 2.6" X 7' - PICKLED ASH
14	100818-01-03A	EA	MOLDING - VINYL WRAP - 1.6" X .4" X 84" - PICKLED ASH
15	083620-10-000	FT	MOLDING-T - END CAP EDGE - W/EDGE LIPS - .75"-PICKLED ASH
15	104676-02-02A	FT	MOLDING-T - 1/2" - PICKLED ASH
16	103186-01-03A	FT	MOLDING - PLASTIC/3/8" U-CHANNEL W/3/4" FACE - PICKLED ASH
16	103186-01-07A	FT	MOLDING - PLASTIC/3/8" U-CHANNEL W/3/4" FACE - BEIGE ILLUS
16	103186-02-07A	FT	MOLDING - PLASTIC/1" U-CHANNEL W/1 3/8" FACE - BEIGE ILLUS
17	105004-01-04A	EA	MOLDING - VINYL WRAPPED - 1" X 96" - PICKLED ASH
18	100819-01-03A	EA	MOLDING - VINYL WRAP - L-SHAPED-1.5" X 1.5" X 7-PCKLD ASH
	076325-39-000	FT	MOLDING - EDGE BAND - 1 5/16" X .030" - ALMOND
	076325-51-000	FT	MOLDING - EDGE BAND - .93" X .024" - PICKLED ASH
	076325-73-000	FT	MOLDING - EDGE BAND - .93" X .024" - OFF WHITE (EXTERIOR ENTERTAINMENT)

INTERIOR FINISH GROUP (CONTINUED)



KEY	PART NUMBER	U/M DESCRIPTION
1	108138-01-000	EA HINGE - CABINET DOOR - BURNISHED BRASS
2	009059-01-000	EA HINGE - DOOR - 2" X 1.4" - BRASS
2	009059-02-000	EA HINGE - DOOR - 2" X 2.7" - BRASS
3	009112-01-000	EA FLANGE - PLASTIC - 1" CLOTHES ROD - OFF WHITE
4	065740-01-000	EA BRACE - CABINET/CORNER - PLASTIC
5	100710-01-01A	EA LOCK - GLASS DOOR/TWIST TYPE - BRASS
6	124311-01-01A	EA HANDLE - RECESSED - BRASS
7	100707-01-000	EA SPACER - GLASS DOOR - .8" DIA - .3" HOLE - PLASTIC
8	016604-01-000	EA BRACE - CABINET - ANGLE - 2.5" - UNPAINTED METAL
8	016604-05-000	EA BRACE - CABINET - ANGLE - 2.5" - OFF WHITE METAL
9	074045-01-000	EA PLUG - OAK - 1/2" DIAMETER
10	100711-01-01A	EA HINGE - GLASS DOOR
11	117801-01-01A	EA PULL - CABINET - BRASS
12	116975-01-01A	EA LATCH - W/O STRIKE - BLACK - NEW STYLE
13	093586-06-000	EA CATCH - SPRING - ROLLER
14	093586-05-000	EA STRIKE - SPRING STEEL
15	098980-01-000	EA PILASTER - ADJUSTABLE SHELF - 18"
15	098980-02-000	EA PILASTER - ADJUSTABLE SHELF - 12"
15	098980-03-000	EA PILASTER - ADJUSTABLE SHELF - 9"
15	098980-04-000	EA PILASTER - ADJUSTABLE SHELF - 48"
16	098979-01-000	EA CLIP - ADJUSTABLE SHELF
17	074493-02-000	EA SUPPORT - PISTON SPRING - CABINET DOOR - 26 LBS
17	074493-04-000	EA SUPPORT - PISTON SPRING - CABINET DOOR - 32 LBS
18	128811-01-01A	EA BACKSOCKET - ADJUSTABLE - LEFT
19	128811-02-01A	EA BACKSOCKET - ADJUSTABLE - RIGHT

KEY	PART NUMBER	U/M DESCRIPTION
20	128810-02-01A	EA SLIDE - DRAWER - 12" - RIGHT CABINET
20	128810-10-01A	EA SLIDE - DRAWER - 16" - RIGHT CABINET
20	128810-14-01A	EA SLIDE - DRAWER - 18" - RIGHT CABINET
20	128810-18-01A	EA SLIDE - DRAWER - 20" - RIGHT CABINET
20	128810-22-01A	EA SLIDE - DRAWER - 22" - RIGHT CABINET
21	128810-04-01A	EA SLIDE - DRAWER - 12" - RIGHT DRAWER
21	128810-12-01A	EA SLIDE - DRAWER - 16" - RIGHT DRAWER
21	128810-16-01A	EA SLIDE - DRAWER - 18" - RIGHT DRAWER
21	128810-20-01A	EA SLIDE - DRAWER - 20" - RIGHT DRAWER
21	128810-24-01A	EA SLIDE - DRAWER - 22" - RIGHT DRAWER
22	128810-03-01A	EA SLIDE - DRAWER - 12" - LEFT DRAWER
22	128810-11-01A	EA SLIDE - DRAWER - 16" - LEFT DRAWER
22	128810-15-01A	EA SLIDE - DRAWER - 18" - LEFT DRAWER
22	128810-19-01A	EA SLIDE - DRAWER - 20" - LEFT DRAWER
22	128810-23-01A	EA SLIDE - DRAWER - 22" - LEFT DRAWER
23	128810-01-01A	EA SLIDE - DRAWER - 12" - LEFT CABINET
23	128810-09-01A	EA SLIDE - DRAWER - 16" - LEFT CABINET
23	128810-13-01A	EA SLIDE - DRAWER - 18" - LEFT CABINET
23	128810-17-01A	EA SLIDE - DRAWER - 20" - LEFT CABINET
23	128810-21-01A	EA SLIDE - DRAWER - 22" - LEFT CABINET
	083204-03-000	EA BUTTON - RETAINING MIRROR 5/16" TIP
	041389-18-000	EA HINGE - PIANO - 1.50" X 19" - OFF WHITE
	041389-25-000	EA HINGE - PIANO - 1.50" X 55"
	041389-35-000	EA HINGE - PIANO - OFF WHITE - 31"
	042438-01-000	EA DOWEL - WOOD - CLOTHES ROD - 1" DIAMETER X 4'
	042438-06-000	EA DOWEL - WOOD - 1.5" X 26" - OAK
	023320-01-000	EA PAD - FELT 3/8" DIAMETER
	084071-23-000	EA ROD - BRASS - 13.12" LONG
	004354-01-000	EA BUMPER - RUBBER - .5" DIA - BROWN

INTERIOR FINISH GROUP (CONTINUED)

PANELING & PLASTIC LAMINATE (WATERFORD OAK)

KEY	PART NUMBER	U/M DESCRIPTION
	080215-10-000	SF PANELING - 2 SIDED - WATERFORD - .2" X 4' X 8'
	088272-G1-000	SF PANELING - PEBBLE EMBOSSSED - ANTIQUE WHITE - 4' X 7' (BATH)
	088272-H2-000	SF PANELING - TUSCAN MINK - 48" X 84" (K28, K34)
	088272-H6-000	SF PANELING - ARTESIA SPRING - 48" X 96"(K30)
	088272-H8-000	SF PANELING - UPBEAT/TWILIGHT(K32)
	074497-28-000	SF PANELING - WATERFORD OAK - 4' X 8'
	000885-76-000	SF PARTICLE BOARD - 3/8" X 48" X 96" - WATERFORD OAK - VINYL 1 SIDE
	000885-77-000	SF PARTICLE BOARD - 3/8" X 48" X 96" - WATERFORD OAK - VINYL 2 SIDE
	000885-79-000	SF PARTICLE BOARD - 3/4" X 48" X 96" - WATERFORD OAK - VINYL 2 SIDE
	074498-40-000	SF LAMINATE - PLASTIC - OFF WHITE - 5' X 8' (EXTERIOR ENTERTAINMENT)
	074498-71-000	SF LAMINATE - PLASTIC - NEUTRAL SANTOS - 5'X 8' (K28, K30, K34)
	074498-81-000	SF LAMINATE - PLASTIC - ALMOND JAGUARD - 5' X 8' (K32)
	074498-77-000	SF LAMINATE - PLASTIC - ART CABIN (WATERFORD OAK) 4' X 8' (PULL OUT TABLE)
	117267-D2-438	EA LUMBER - VINYL WRAPPED - .7" X 1.5" X 96" - WATERFORD OAK
	117267-E2-438	EA LUMBER - VINYL WRAPPED - .7" X 2" X 96" - WATERFORD OAK
	117267-F2-438	EA LUMBER - VINYL WRAPPED - .7"X 2.5" X 96" - WATERFORD OAK
	117267-J2-438	EA LUMBER - VINYL WRAPPED - .7" X 5.5" X 96"- WATERFORD OAK
	117267-R2-438	EA LUMBER - VINYL WRAPPED - .7" X 3" X 96" - WATERFORD OAK
	122481-19-000	FT WALLPAPER - 6.8" BORDER (K28)
	122481-16-000	FT WALLPAPER - 6.8" BORDER (K30)
	122481-15-000	FT WALLPAPER - 6.9" BORDER (K32)
	122481-18-000	FT WALLPAPER - 6.5" BORDER (K34)
	126339-01-000	SF BOARD - WHEAT - 60" X 72"

FIRE EXTINGUISHER, DETECTORS & WALL CLOCK

KEY	PART NUMBER	U/M DESCRIPTION	VENDOR NO.
	072852-01-000	EA DETECTOR - SMOKE - W/9 VOLT BATTERY - US	
	072852-02-000	EA DETECTOR - SMOKE - W/9 VOLT BATTERY - CANADIAN	
	094499-03-000	EA EXTINGUISHER/FIRE - DRY - 10B:C - W/O BRACKET(US)	
	094499-02-000	EA EXTINGUISHER/FIRE - DRY - 1A10BC - CANADIAN	
	094499-01-700	EA BRACKET MTG. W/PLAS. STRAP	294039
	094499-01-701	EA STRAP ONLY (METAL)	320351
	094499-04-000	EA BRACKET - FIRE EXTINGUISHER (STAINLESS STEEL)	
	125136-01-000	EA CO DETECTOR - GAS - ROUND W/2 SCREWS - 9 VOLT	
	118081-02-01A	EA CLOCK - WALL - ROUND 8" - BRASS	

INTERIOR FINISH GROUP (CONTINUED)

PANELING & PLASTIC LAMINATE (MYSTIC OAK)

KEY	PART NUMBER	U/M DESCRIPTION
	088272-G1-000	SF PANELING - PEBBLE EMBOSSSED - ANTIQUE WHITE - 4' X 7' (BATH)
	088272-H2-000	SF PANELING - TUSCAN MINK - 48" X 84" (K29, K35)
	088272-H6-000	SF PANELING - ARTESIA SPRING - 48" X 96"(K31)
	088272-H8-000	SF PANELING - UPBEAT/TWILIGHT(K33)
	074497-22-000	SF PANELING - PICKLED ASH - 1/8" X 48" X 96"
	000885-67-000	SF PARTICLE BOARD - 3/4" X 60" X 96" - PICKLED ASH - 2 SIDE VINYL
	000885-68-000	SF PARTICLE BOARD - 3/8" X 48" X 96" - PICKLED ASH - 2 SIDE VINYL
	074498-40-000	SF LAMINATE - PLASTIC - OFF WHITE - 5' X 8' (EXTERIOR ENTERTAINMENT)
	074498-57-000	SF LAMINATE - PLASTIC - PICKLED ASH - 5' X 8' (PULL OUT TABLE)
	074498-71-000	SF LAMINATE - PLASTIC - NEUTRAL SANTOS - 5'X 8' (K29, K31, K35)
	074498-81-000	SF LAMINATE - PLASTIC - ALMOND JAGUARD - 5' X 8' (K33)
	111133-A2-438	EA LUMBER - VINYL WRAPPED - .7" X .7" X 96" - PICKLED ASH
	111133-D2-438	EA LUMBER - VINYL WRAPPED - .27" X 1.5" X 96" - PICKLED ASH
	111133-E2-438	EA LUMBER - VINYL WRAPPED - .7" X 2" X 96" - PICKLED ASH
	111133-G2-438	EA LUMBER - VINYL WRAPPED - .7" X 3" X 96" - PICKLED ASH
	111133-J2-438	EA LUMBER - VINYL WRAPPED - .7" X 5.5" X 96" - PICKLED ASH
	122481-19-000	FT WALLPAPER - 6.8" BORDER (K29)
	122481-16-000	FT WALLPAPER - 6.8" BORDER (K31)
	122481-15-000	FT WALLPAPER - 6.9" BORDER (K33)
	122481-18-000	FT WALLPAPER - 6.5" BORDER (K35)
	126339-01-000	SF BOARD - WHEAT - 60" X 72"

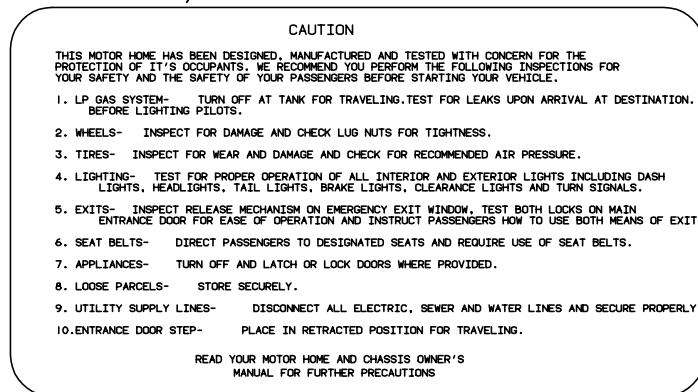
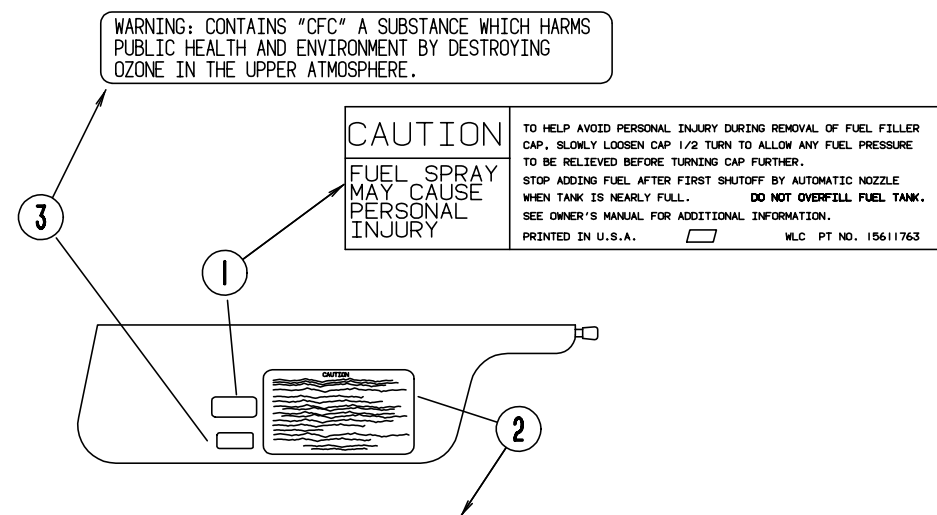
BATT STRIPS & BATT TAPE

KEY	PART NUMBER	U/M DESCRIPTION
	085284-E7-000	FT BATT TAPE - ADHESIVE BACKED - DECORATIVE/TUSCAN MINK (K28,K29,K34,K35)
	085284-F2-000	FT BATT TAPE - ADHESIVE BACKED - ARTESIA/SPRING (K30, K31)
	085284-F8-000	FT BATT TAPE - ADHESIVE BACKED - UPBEAT/TWILIGHT (K32, K33)
	085284-D6-000	FT BATT TAPE - DECORATIVE - PEBBLE EMBOSSSED/ANTIQU - 8' (BATH)
	085284-B5-000	FT BATT TAPE - ADHESIVE BACKED - WOODGRAINED - WATERFORD OAK
	085284-96-000	FT BATT TAPE - ADHESIVE BACKED - WOODGRAINED/PICKLED ASH (MYSTIC OAK)
	069733-83-000	EA BATT STRIP - WOODGRAINED - WATERFORD OAK - 8'
	069733-81-000	EA BATT STRIP - WOODGRAINED/PICKLED ASH - 8' (MYSTIC OAK)
	088263-E4-000	EA BATT STRIP - DECORATIVE - PEBBLE EMBOSSSED/ANTIQU - 8' (BATH)
	088263-F2-000	EA BATT STRIP - DECORATIVE - TUSCAN MINK - 8' LENGTHS (K28, K29, K34, K35)
	088263-F6-000	EA BATT STRIP - DECORATIVE - ARTESIA/SPRING - 96"LENGTHS (K30, K31)
	088263-G0-000	EA BATT STRIP - DECORATIVE - UPBEAT/TWILIGHT - 8' LONG (K32, K33)

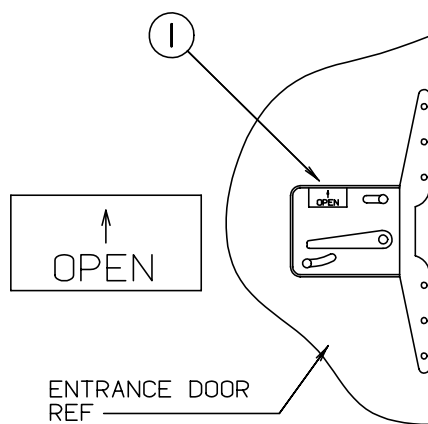
FLOOR COVERINGS

KEY	PART NUMBER	U/M DESCRIPTION
	042720-21-000	SY VINYL - FLOOR COVERING - 7' WIDE - MODULATION (BATH, GALLEY)
	093486-01-000	SY CARPET - COMPARTMENT - 72" WIDE - DARK GRAY (COMPARTMENTS)
	096060-99-000	SY CARPET - PARCHMENT (K28, K29)
	096060-D9-000	SY CARPET - HEATHER (K30, K31)
	096060-A2-000	SY CARPET - NEW MEADOW (K32, K33)
	096060-97-000	SY CARPET - LAPIS (K34, K35)
	091261-01-000	FT SLIPNOT - ANTISLIP - 1' WIDE
	096764-02-000	FT SLIPNOT - ANTISLIP - 1" WIDE (100' ROLLS)
	105924-01-K28	EA MAT - FLOOR - 18" X 27" (K28, K29)
	105924-01-K30	EA MAT - FLOOR - 18" X 27" (K30, K31)
	105924-01-K32	EA MAT - FLOOR - 18" X 27" (K32, K33)
	105924-01-J51	EA MAT - FLOOR - 18" X 27" (K34, K35)
	122755-01-01A	EA TILE - RUBBER/ENTRANCE DOOR - 18.5" X 27.2"
	122755-03-01A	EA TILE - RUBBER/ENTRANCE DOOR - 17.7" X 26.4"

LABELS GROUP

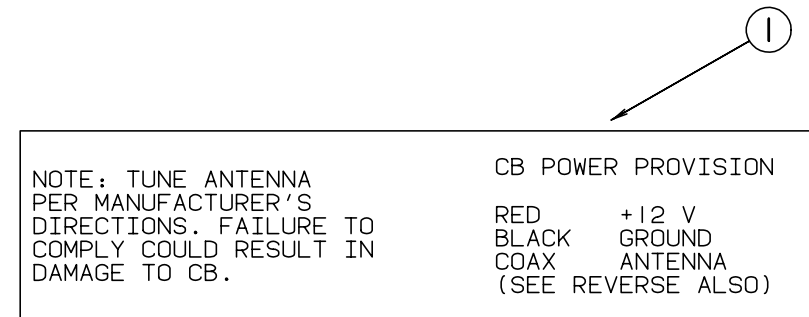


KEY	PART NUMBER	U/M DESCRIPTION
1	087207-05-000	EA LABEL - FUEL CAP REMOVAL
2	056259-01-000	EA LABEL - SAFETY CHECK LIST
3	111802-01-000	EA LABEL - CFC WARNING

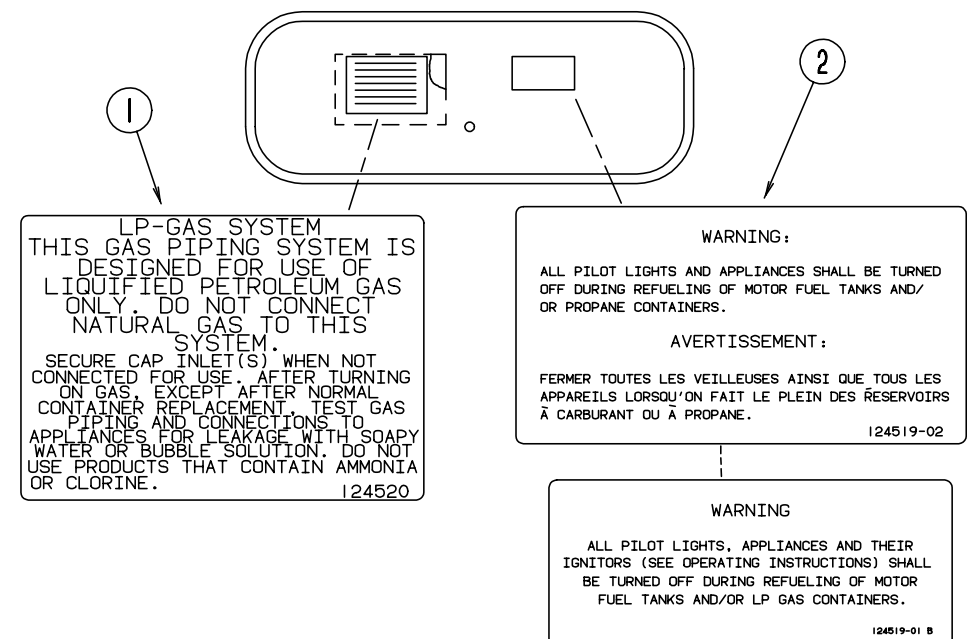


KEY	PART NUMBER	U/M DESCRIPTION
1	040944-01-000	EA LABEL - ENTRANCE DOOR - "OPEN"

LABELS GROUP (CONTINUED)

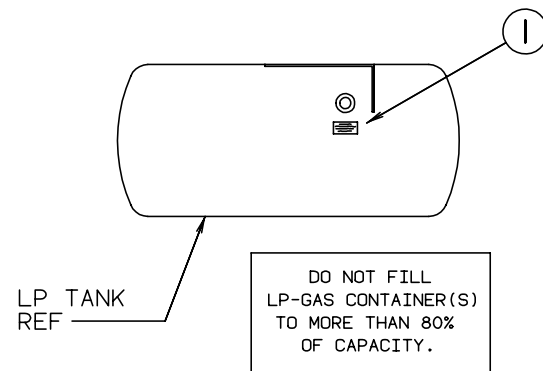


KEY	PART NUMBER	U/M DESCRIPTION
1	104678-01-000	EA LABEL - CB PREP

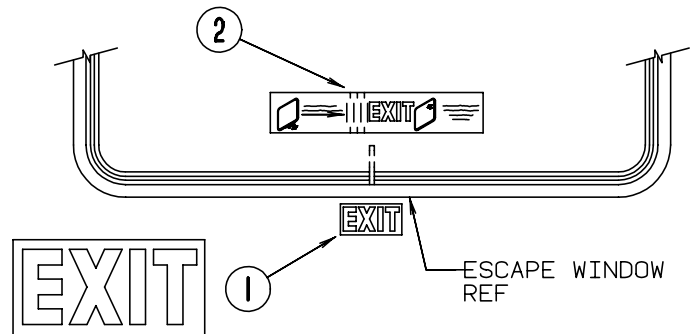


KEY	PART NUMBER	U/M DESCRIPTION
1	124520-01-02A	EA LABEL - LP GAS ONLY
2	023769-01-000	EA LABEL - WARNING - LPG - CANADIAN
2	124519-01-02A	EA LABEL - WARNING/REFUELING
2	124519-02-02A	EA LABEL - WARNING/REFUELING - CSA

LABELS GROUP (CONTINUED)



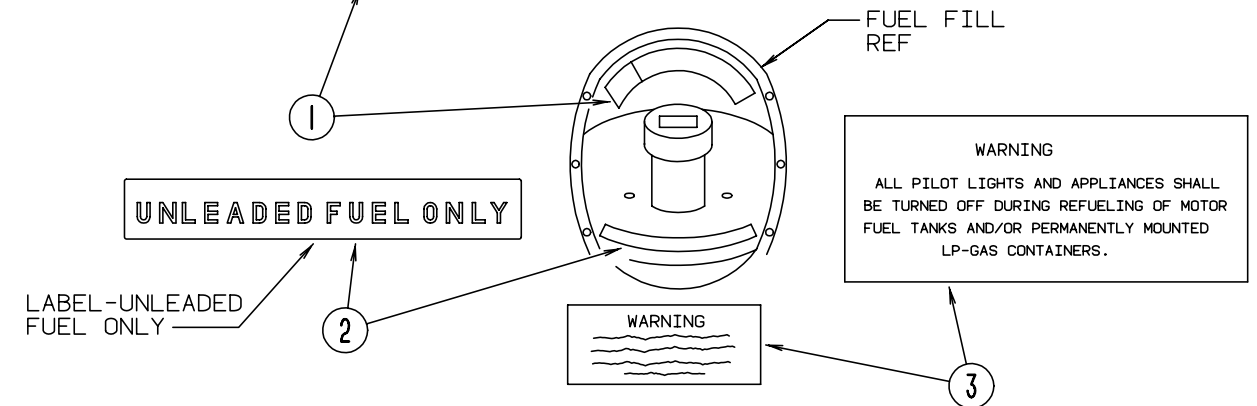
KEY	PART NUMBER	U/M DESCRIPTION
1	079965-01-000	EA LABEL - LPG - 80% CAPACITY



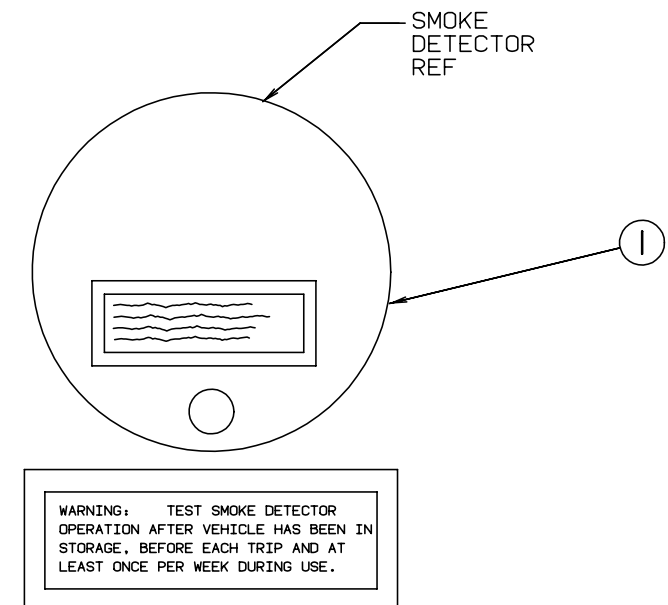
KEY	PART NUMBER	U/M DESCRIPTION
1	107571-01-000	EA LABEL - EXIT/ESCAPE WINDOW
2	039290-01-000	EA LABEL - EXIT WARNING

LABELS GROUP (CONTINUED)

CAUTION	TO HELP AVOID PERSONAL INJURY DURING REMOVAL OF FUEL FILLER CAP, SLOWLY LOOSEN CAP 1/2 TURN TO ALLOW ANY FUEL PRESSURE TO BE RELIEVED BEFORE TURNING CAP FURTHER.
FUEL SPRAY MAY CAUSE PERSONAL INJURY	STOP ADDING FUEL AFTER FIRST SHUTOFF BY AUTOMATIC NOZZLE WHEN TANK IS NEARLY FULL. DO NOT OVERFILL FUEL TANK. SEE OWNERS MANUAL FOR ADDITIONAL INFORMATION.
	PRINTED IN U.S.A. MLC PT NO 15611763

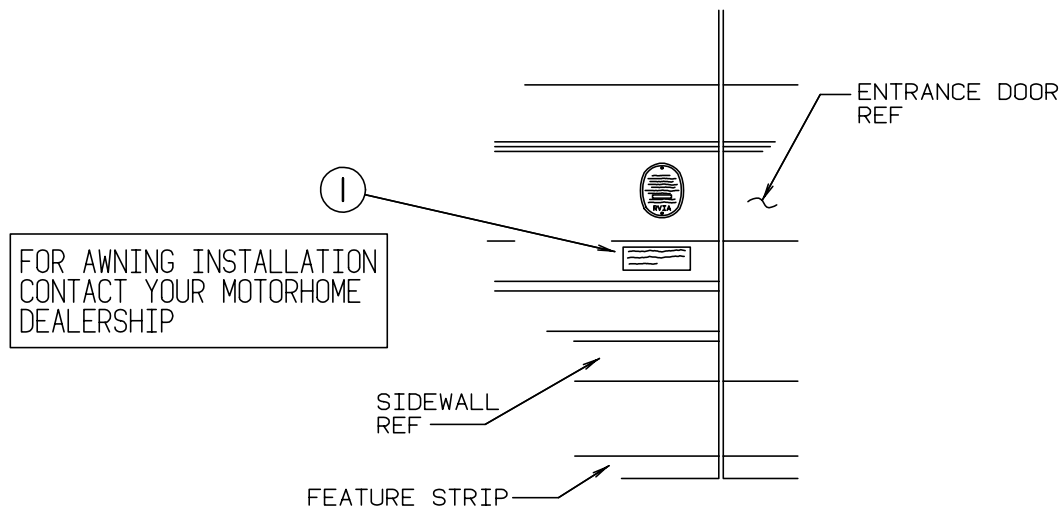


KEY	PART NUMBER	U/M DESCRIPTION
1	087207-05-000	EA LABEL - FUEL CAP REMOVAL
2	062043-01-000	EA LABEL - FUEL - UNLEADED
3	124519-01-02A	EA LABEL - WARNING/REFUELING
3	124519-02-02A	EA LABEL - WARNING/REFUELING - CSA

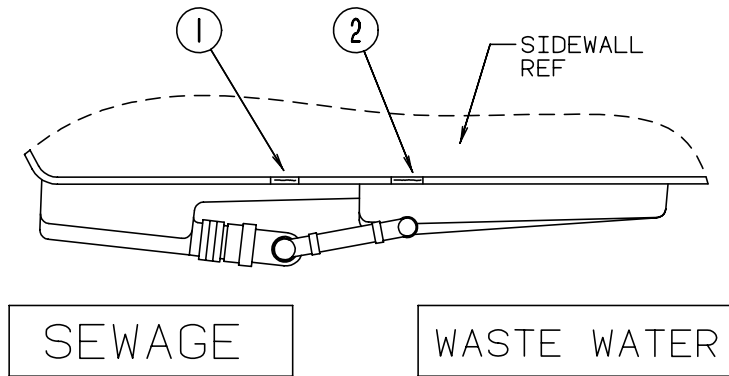


KEY	PART NUMBER	U/M DESCRIPTION
1	077956-01-000	EA LABEL - WARNING - SMOKE DETECTOR

LABELS GROUP (CONTINUED)

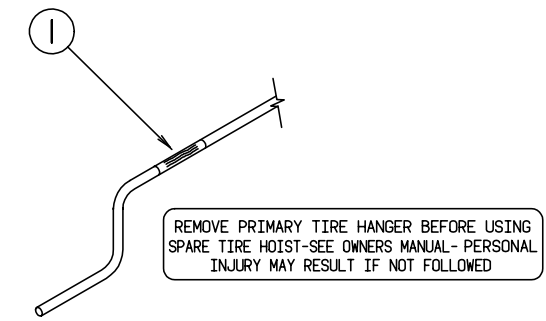


KEY	PART NUMBER	U/M DESCRIPTION
1	099509-01-000	EA LABEL - AWNING INSTALLATION



KEY	PART NUMBER	U/M DESCRIPTION
1	006187-01-000	EA LABEL - SEWAGE
2	006188-01-000	EA LABEL - WASTE WATER

LABELS GROUP (CONTINUED)



KEY	PART NUMBER	U/M DESCRIPTION
1	126024-01-01A	EA LABEL - TIRE HANGER REMOVAL

TOW VEHICLE RATING MAY BE LESS THAN HITCH RATING.
MAXIMUM VERTICAL HITCH LOAD: 4 LBS
 DO NOT EXCEED REAR AXLE RATING.
 SEE OWNER'S MANUAL FOR ADDITIONAL INFORMATION.

KEY	PART NUMBER	U/M DESCRIPTION
1	129669-01-01A	EA LABEL - HITCH/VEHICLE RATE - 350 - WHITE ON CLEAR

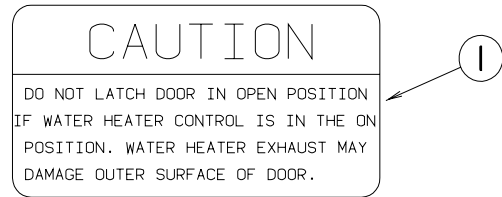
AIR CONDITIONING CIRCUIT.
 THIS CONNECTION IS FOR
 AIR CONDITIONERS RATED 110-
 125 VOLT AC, 60 HZ, 16
 AMPERES MAXIMUM. DO NOT
 EXCEED CIRCUIT RATING.

KEY	PART NUMBER	U/M DESCRIPTION
1	091243-01-000	EA LABEL - A/C COVER "AIR CONDITIONING CIRCUIT ETC."

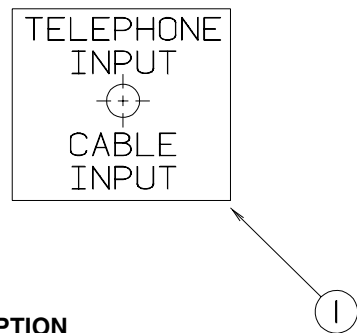
UNLEADED
 FUEL ONLY

KEY	PART NUMBER	U/M DESCRIPTION
1	098641-01-000	EA LABEL - FUEL - UNLEADED - DASH

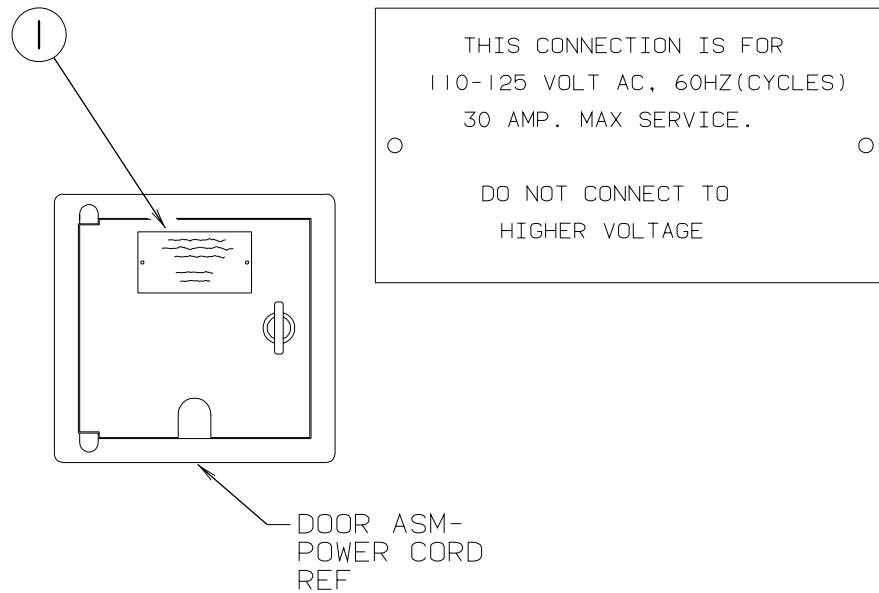
LABELS GROUP (CONTINUED)



KEY	PART NUMBER	U/M DESCRIPTION
1	113402-01-000	EA LABEL - CAUTION - WATER HEATER EXHAUST

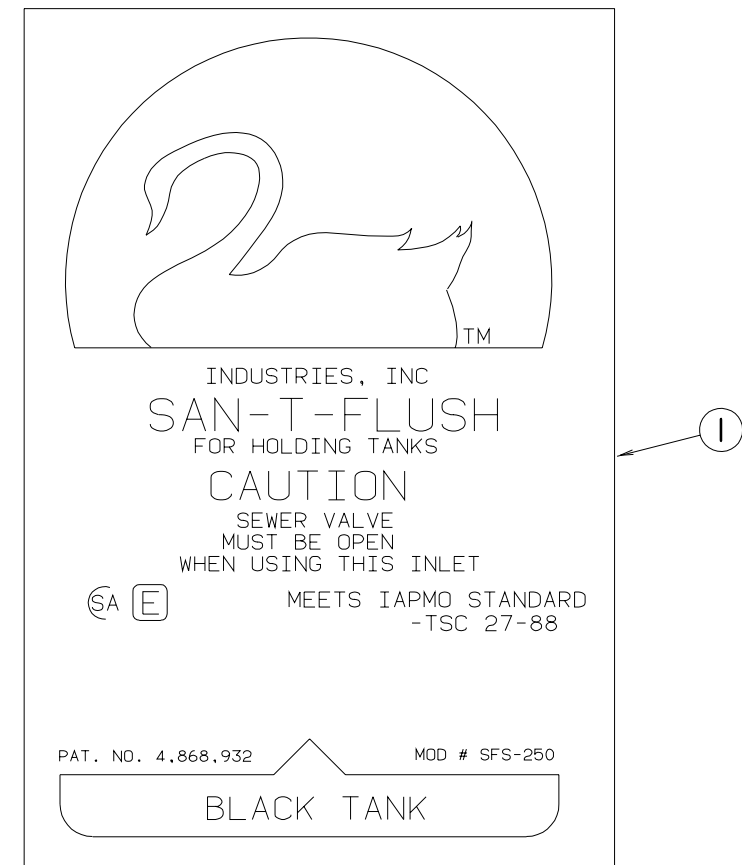


KEY	PART NUMBER	U/M DESCRIPTION
1	114866-02-000	EA LABEL - PHONE & CABLE INPUT (WHITE LETTERING)
1	114866-03-000	EA LABEL - PHONE & CABLE INPUT (BLACK LETTERING)



KEY	PART NUMBER	U/M DESCRIPTION
1	125306-01-01A	EA LABEL - ELECTRICAL ENTRANCE - 110 VOLT - 30 AMP

LABELS GROUP (CONTINUED)



KEY	PART NUMBER	U/M DESCRIPTION
1	125697-07-000	EA LABEL - CAUTION - FLUSHING SYSTEM

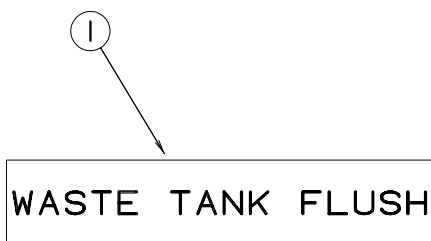


KEY	PART NUMBER	U/M DESCRIPTION
1	126249-03-000	EA LABEL - CITY WATER FILL

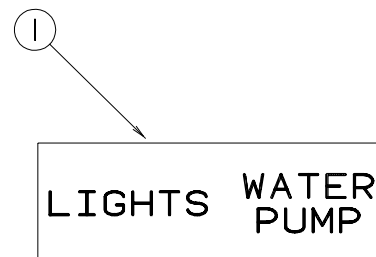


KEY	PART NUMBER	U/M DESCRIPTION
1	128218-01-01A	EA LABEL - WARNING - SLIPPERY ROOF

LABELS GROUP (CONTINUED)



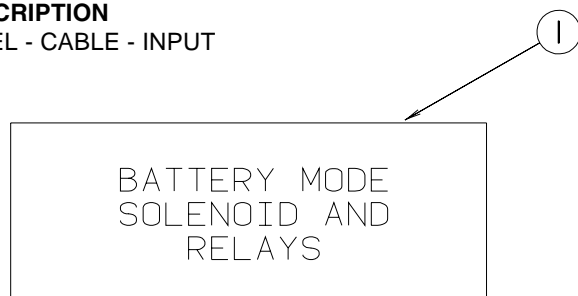
KEY PART NUMBER U/M DESCRIPTION
 1 130168-01-000 EA LABEL - WASTE TANK FLUSH



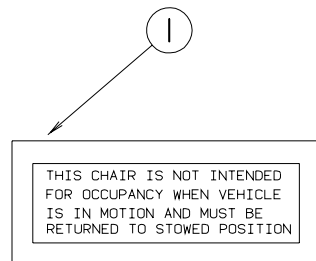
KEY PART NUMBER U/M DESCRIPTION
 1 130170-02-000 EA LABEL - SWITCH PANEL



KEY PART NUMBER U/M DESCRIPTION
 1 087236-01-000 EA LABEL - CABLE - INPUT

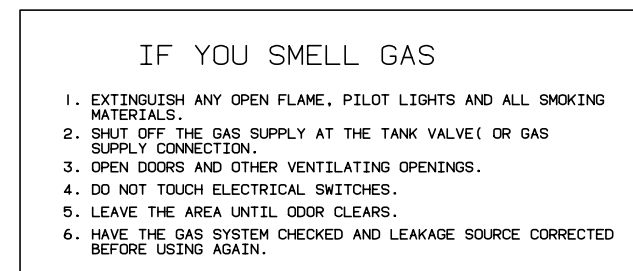
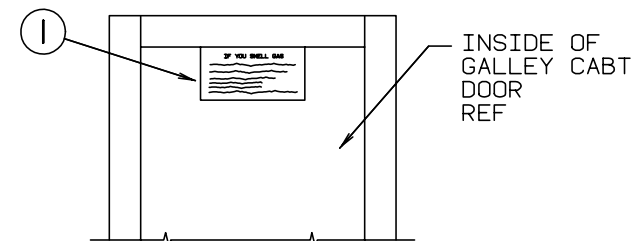


KEY PART NUMBER U/M DESCRIPTION
 1 098379-04-000 EA LABEL - ELECTRICAL BOX - SIDE

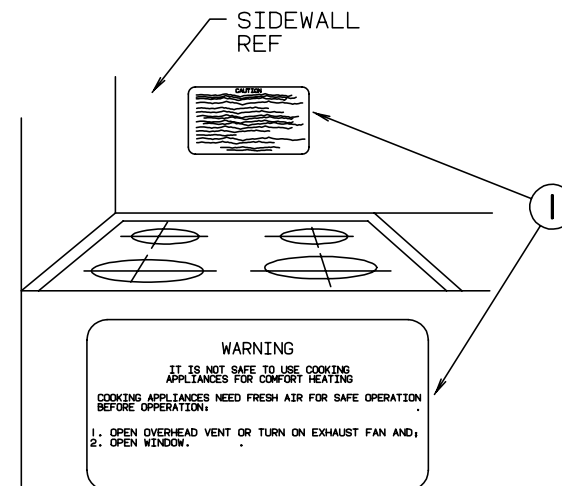


KEY PART NUMBER U/M DESCRIPTION
 1 102267-01-000 EA LABEL - NO OCCUPANCY - US
 1 102267-02-000 EA LABEL - NO OCCUPANCY - CSA

LABELS GROUP (CONTINUED)



KEY PART NUMBER U/M DESCRIPTION
 1 073998-01-000 EA LABEL - LPG ODOR WARNING
 023769-01-000 EA LABEL - WARNING - LPG - CANADIAN



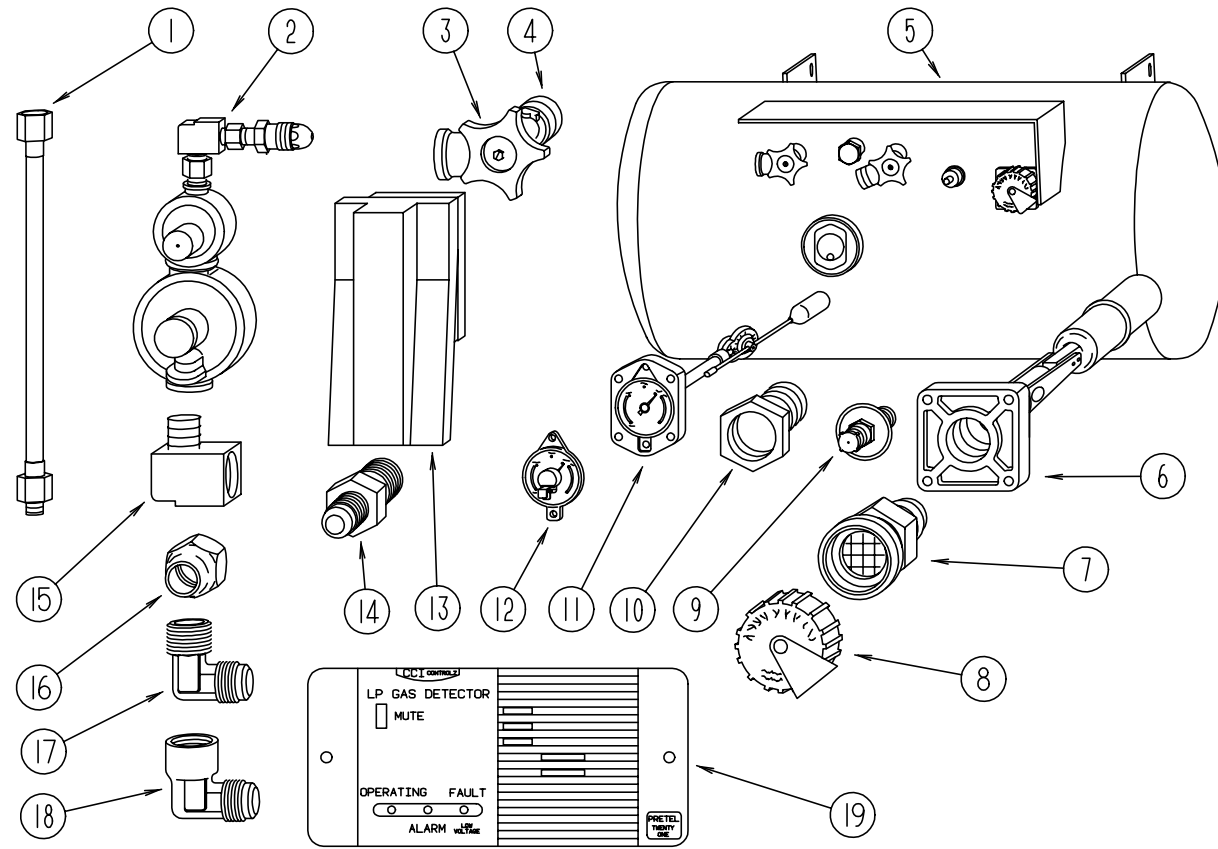
KEY PART NUMBER U/M DESCRIPTION
 1 050225-01-000 EA LABEL - WARNING - STOVE VENT - US
 1 050222-01-000 EA LABEL - WARNING - STOVE VENT - CSA

MISCELLANEOUS LABELS

KEY PART NUMBER U/M DESCRIPTION
 065748-01-000 EA LABEL - CAUTION - BATTERY CHARGING
 065748-02-000 EA LABEL - WARNING - BATTERY/FRENCH
 111537-07-000 EA LABEL - FUSES
 117629-03-000 EA LABEL - WATER PUMP/FILL
 126247-03-000 EA LABEL - GRAY HOLDING TANK
 126247-05-000 EA LABEL - GRAY HOLDING TANK
 126247-06-000 EA LABEL - HOLDING TANK - BLANK
 126248-02-000 EA LABEL - EXTERIOR SHOWER
 126248-03-000 EA LABEL - EXTERIOR SHOWER
 128725-01-02A EA LABEL - POTABLE WATER ONLY

LP GROUP

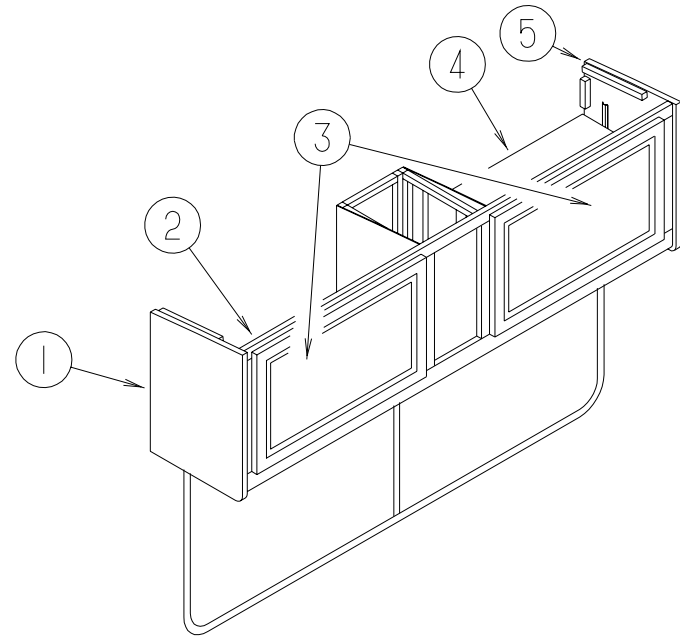
LP TANK & COMPONENTS



KEY	PART NUMBER	U/M	DESCRIPTION	VENDOR NO.
1	045703-01-000	EA	HOSE - LP - 3/8"ID X 24" - 3/8"MPT X 1/2"F SWIVEL - U.S.	
1	045703-02-000	EA	HOSE - LP - 3/8"ID X 24" - 3/8"MPT X 1/2"F SWIVEL - CANADA	
2	106150-01-000	EA	REGULATOR - TWO STAGE -W/90 DEGREE ELBOW & 3/8" FPT OUTLET	
3	040421-01-708	EA	HANDWHEEL - SERVICE VALVE	G-1015-A
4	040421-01-712	EA	VALVE - SERV. W/O VAPOR RELIEF	29000853
5	088253-04-000	EA	TANK - LP - 100 LB - 16" DIAMETER X 36" LONG	
6	040421-01-711	EA	VALVE - 80% FILL W/AUTO STOP	LLL/TL3
7	040421-01-701	EA	VALVE - FILL - SHORT, LP	7547B
8	040421-01-702	EA	CAP - FILL VALVE - PLASTIC	G-1014-A
9	040421-01-700	EA	VALVE - LIQUID LEVEL - 20%	G-1013
10	040421-01-713	EA	VALVE - RELIEF 1" W/SPRING 7"	29000587

KEY	PART NUMBER	U/M	DESCRIPTION	VENDOR NO.
11	088253-01-700	EA	GAUGE - FLOAT ASSEMBLY - L.P.	16C
12	040440-02-000	EA	TRANSMITTER - DIAL - 0-90 OHM -2 TERMINAL (POWER & GROUND)	
13	105658-01-000	EA	COMPARTMENT - LP REGULATOR	
14	010323-01-000	EA	ADAPTER - BRASS - 3/8" F X 1/2" MPT	
14	010329-01-000	EA	ADAPTER - BRASS - 1/2" F X 1/2" MPT	
	010326-01-000	EA	ADAPTER - FLARE - W/CONE GASKET - 3/8"F X 1/2"F	
15	065318-02-000	EA	ELBOW - 90 DEGREE - 3/8" MPT TO 3/8" FPT	
16	010377-02-000	EA	NUT - BRASS - 3/8" FLARE - FORGED	
16	010380-02-000	EA	NUT - BRASS - 1/2" FLARE - FORGED	
17	010252-01-000	EA	ELBOW - BRASS - 90 DEGREE - 3/8"F X 1/2"MPT	
18	010265-01-000	EA	ELBOW - BRASS - 90 DEGREE - 3/8"F X 1/2"FPT	
19	103613-03-000	EA	DETECTOR - LP GAS - W/O SHUT-OFF VALVE	

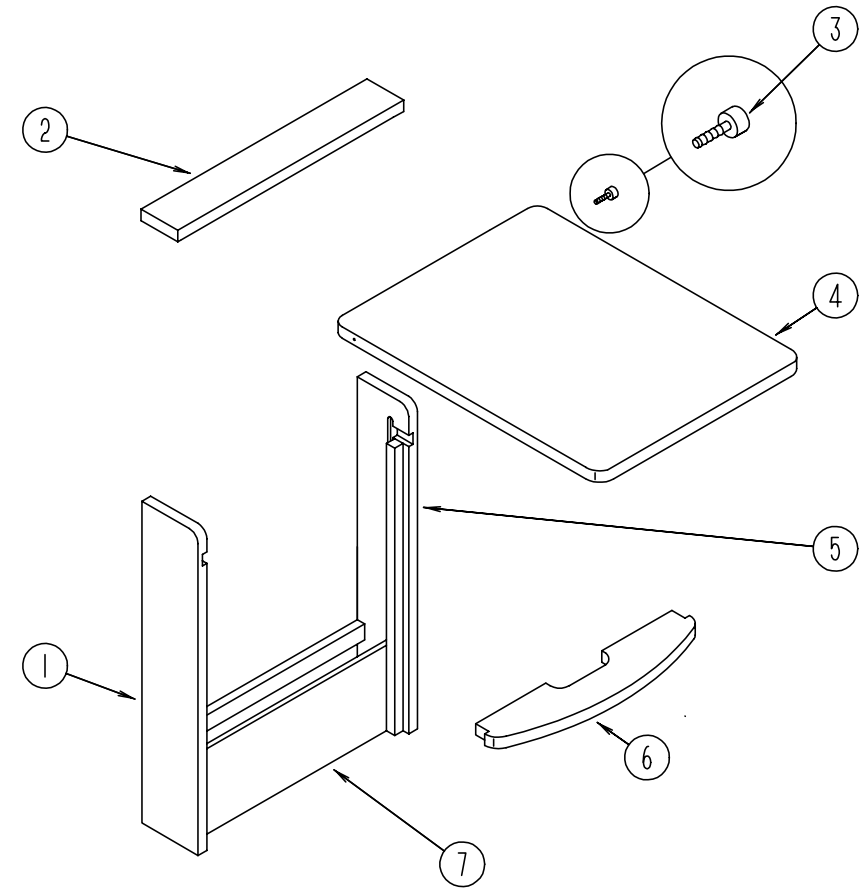
LOUNGE GROUP



LOUNGE OVERHEAD CABINET (PASSENGER SIDE)

KEY	PART NUMBER	U/M DESCRIPTION
1	103128-02-J94	EA END CAP - OVERHEAD CABINET - LEFT HAND (WATERFORD OAK)
1	103128-02-J90	EA END CAP - OVERHEAD CABINET - LEFT HAND (MYSTIC OAK)
2	128956-01-K28	EA CABINET - OVERHEAD/FRONT/RIGHT HAND - W/O DOORS/HARDWARE
2	128956-01-K29	EA CABINET - OVERHEAD/FRONT/RIGHT HAND - W/O DOORS/HARDWARE
2	128956-01-K30	EA CABINET - OVERHEAD/FRONT/RIGHT HAND - W/O DOORS/HARDWARE
2	128956-01-K31	EA CABINET - OVERHEAD/FRONT/RIGHT HAND - W/O DOORS/HARDWARE
2	128956-01-K32	EA CABINET - OVERHEAD/FRONT/RIGHT HAND - W/O DOORS/HARDWARE
2	128956-01-K33	EA CABINET - OVERHEAD/FRONT/RIGHT HAND - W/O DOORS/HARDWARE
2	128956-01-K34	EA CABINET - OVERHEAD/FRONT/RIGHT HAND - W/O DOORS/HARDWARE
2	128956-01-K35	EA CABINET - OVERHEAD/FRONT/RIGHT HAND - W/O DOORS/HARDWARE
3	M05992-80-K28	EA DOOR - STRAIGHT CORNER/OGEE EDGE - 15.3" X 25.6" - W/O HDW (WATERFORD OAK)
3	M05992-80-K29	EA DOOR - STRAIGHT CORNER/OGEE EDGE - 15.3" X 25.6" - W/O HDW (MYSTIC OAK)
4	128956-13-K28	EA SHELF - W/PLASTIC EDGE MOLDING (WATERFORD OAK)
4	128956-13-K29	EA SHELF - W/PLASTIC EDGE MOLDING (MYSTIC OAK)
5	103128-01-G09	EA END CAP - OVERHEAD CABINET - RIGHT HAND (WATERFORD OAK)
5	103128-01-J90	EA END CAP - OVERHEAD CABINET - RIGHT HAND (MYSTIC OAK)

LOUNGE GROUP (CONTINUED)



PULLOUT TABLE

KEY	PART NUMBER	U/M DESCRIPTION
	P19559-02-J22	EA CABINET - W/PULLOUT TABLE (WATERFORD OAK)
	P19559-02-K29	EA CABINET - W/PULLOUT TABLE (MYSTIC OAK)
1	119559-12-G35	EA CABINET/LEFT SIDE - F/PULLOUT TABLE - 5.7" X 28.7" (WATERFORD OAK)
1	119559-12-K29	EA CABINET/LEFT SIDE - F/PULLOUT TABLE - 5.7" X 28.7" (MYSTIC OAK)
2	119559-18-J22	EA TOP - F/CABINET/PULLOUT TABLE (WATERFORD OAK)
2	119559-18-K29	EA TOP - F/CABINET/PULLOUT TABLE (MYSTIC OAK)
3	079921-01-000	EA NYLON ROLLER W/ SHAFT
4	119559-21-J22	EA TABLE TOP ONLY (WATERFORD OAK)
4	119559-21-K29	EA TABLE TOP ONLY (MYSTIC OAK)
5	119559-11-G35	EA CABINET/RIGHT SIDE - F/PULLOUT TABLE - 5.7" X 28.7" (WATERFORD OAK)
5	119559-11-K29	EA CABINET/RIGHT SIDE - F/PULLOUT TABLE - 5.7" X 28.7" (MYSTIC OAK)
6	119559-19-J22	EA SHELF - SUPPORT/PULLOUT TABLE (WATERFORD OAK)
6	119559-19-K29	EA SHELF - SUPPORT/PULLOUT TABLE (MYSTIC OAK)
7	119559-20-J22	EA PANEL - KICK - PULLOUT TABLE (WATERFORD OAK)
7	119559-20-K29	EA PANEL - KICK - PULLOUT TABLE (MYSTIC OAK)
	080736-01-000	EA PULL - RECESSED - 1.25" X 4" - OAK

SEALANTS & FASTENERS GROUP

ADHESIVE AND TAPE SEALERS

KEY	PART NUMBER	U/M	DESCRIPTION
	004006-05-700	EA	ADHESIVE-NAT. STARCH (5 GAL) 0802
	004020-01-000	QT	ADHESIVE - ABS CEMENT - QUART
	004363-01-000	FT	TAPE - ADHESIVE FOAM/1 SIDE - 3/16" X 1/2" X 50' - GRAY
	034552-02-000	EA	SILICONE - TUBE - 300 ML - W/O NOZZLE - CLEAR ALSO ORDER P.N.#900390-03-000 NOZZLE SEPARATELY
	039518-01-000	EA	SILICONE - TUBE - 300 ML - BLACK - W/O NOZZLE ALSO ORDER P.N.#900390-03-000 NOZZLE SEPARATELY
	053766-02-000	EA	BEDDING COMPOUND - TUBE - WHITE
	067788-01-000	EA	ADHESIVE - SPRAY - 3M - 19.5 AEROSOL CAN
	069640-01-000	FT	SEALER - RIBBON - 1/4" DIAMETER X 30'
	069640-02-000	FT	SEALER - TAPE - 1/8"THICK X .50"WIDE X 60'
	069640-03-000	FT	SEALER - TAPE - 1/8"THICK X .75"WIDE X 60' - BLACK
	069640-09-000	FT	SEALER - TAPE - 1/32"THICK X 2.50"WIDE X 80' - GREY
	069640-14-000	FT	SEALER - TAPE - 1/16"THICK X 1"WIDE X 100'
	069640-17-000	FT	SEALER - TAPE - 1/32" THICK X 1"WIDE X 90'
	069640-18-000	FT	SEALER - TAPE - 1/2"THICK X 1/8"WIDE X 60' - BRT/WHITE
	069640-19-000	FT	SEALER - TAPE - 3/4" X 1/8" X 60' - BRIGHT WHITE
	069640-21-000	FT	SEALER - TAPE - 1/2" X 1/16" X 100' - BRIGHT WHITE
	072889-01-000	EA	SEALANT - URETHANE - BLACK - 1/10
	072889-09-000	EA	SEALANT - URETHANE - BLACK (TUBE)
	072889-10-000	EA	SEALANT - URETHANE (HV) - BRIGHT WHITE
	072889-11-000	EA	SEALANT - URETHANE - (TUBE) - GRAY
	072889-12-000	EA	SEALANT - URETHANE (LV) BRIGHT WHITE
	076322-01-000	FT	TAPE - DOUBLE COATED/ADHESIVE BACK - .025"THK X .75"W X 18'
	076322-02-000	FT	TAPE - DOUBLE COATED/ADHESIVE BACK - .045"THK X 1"W X 108'
	076322-05-000	FT	TAPE - DOUBLE COATED/ADHESIVE BACK - .045"THK X .75"W X 9'
	076322-07-000	FT	TAPE - DOUBLE COATED/ADHESIVE BACK - .045"THK X .50"W X 9'
	087211-01-000	GL	PROMOTER - ADHESIVE
	088479-01-000	EA	TAPE - ALUMINUM - 3"
	091255-02-000	FT	SEAL - ADHESIVE BACKED/FOAM - .18" THICK X 1.5" WIDE
	102352-01-000	EA	SEALER - PUMPABLE - BLACK
	102352-02-000	EA	SEALER - PUMPABLE - CLEAR
	106206-01-000	EA	SEALER - PUMPABLE - MANUS 30A - BLACK
	107828-01-000	EA	SEALANT - SB - 190 EVERSEAL
	108716-03-000	EA	SILICONE - TUBE - BRIGHT WHITE/SELF LEVELING - W/O NOZZLE
	110274-01-000	FT	TAPE - DOUBLE SIDED FOAM - .45" X 1"
	112864-01-000	FT	SEAL - FOAM/BUTYL COVERED - 3/8"
	112901-02-000	EA	ADHESIVE - PLEXUS - 50ML
	118085-02-01A	FT	TAPE - FOIL - 1"
	120074-02-01A	EA	SEALANT - SILICONE - OFF WHITE
	120534-01-01A	EA	TAPE - SCOTCH - 3M - 1/2" FINE LINE
	123244-01-000	FT	TAPE - DOUBLE SIDED FOAM 5/64" THICK X .75" WIDE
	123816-01-000	FT	TAPE - DOUBLE SIDED - 1"
	123816-02-000	FT	TAPE - DOUBLE SIDED - 1/2" X 35 MIL THICK
	123816-03-000	FT	TAPE - DOUBLE SIDED - 1/2" X 20 MIL THICK
	900390-01-000	EA	TIP - 2 1/2" X 1/8" ORIFICE
	900390-03-000	EA	NOZZLE - SILICONE TUBE

SEALANTS & FASTENERS GROUP (CONTINUED)

BOLTS, NUTS & WASHERS

KEY	PART NUMBER	U/M	DESCRIPTION
	000C12-05-16B	EA	BOLT - HEX - 5/16-18 X 1 - ZINC 5
	000C12-05-12B	EA	BOLT - HEX - 5/16-18 X 3/4 - ZINC 5
	000C12-06-16B	EA	BOLT - HEX - 3/8-16 X 1 LG - ZINC 5
	000C12-08-24B	EA	BOLT - HEX - 1/2-13 X 1.50 - ZINC 5
	000C12-08-16B	EA	BOLT - HEX - 1/2-13 X 1.00 - GD5 - ZINC
	000C12-10-24B	EA	BOLT - HEX - 5/8-11 X 1.50 - ZINC 5
	000C13-07-48B	EA	BOLT - HEX - 7/16-20 X 3 - ZINC 5
	000C26-04-14B	EA	BOLT - HEX - SERRATED FLANGE - 1/4-20 X 7/8 - ZINC
	000C26-04-10B	EA	BOLT - HEX - SERRATED FLANGE - 1/4-20 X 5/8 - ZINC
	000C26-04-18B	EA	BOLT - HEX - SERRATED FLANGE - 1/4-20 X 1 1/8 - ZINC
	000C26-05-16B	EA	BOLT - HEX - SERRATED FLANGE - 5/16-18 X 1 - ZINC
	000C26-05-12B	EA	BOLT - HEX - SERRATED FLANGE - 5/16-18 X 3/4 - ZINC
	000C26-06-12B	EA	BOLT - HEX - SERRATED FLANGE - 3/8-16 X 3/4 - ZINC
	000C26-06-16B	EA	BOLT - HEX - SERRATED FLANGE - 3/8-16 X 1 - ZINC
	000C26-08-24B	EA	BOLT - HEX - SERRATED FLANGE - 1/2-13 X 1.5 ZINC
	000G45-04-24B	EA	BOLT - LAG - 1/4-9 X 1.50 ZINC
	051387-06-000	EA	BOLT - CARRIAGE W/O HOLE - 5/16-18 X 9.5 - ZINC
	102333-01-06A	EA	BOLT - CARRIAGE - 7/16-14 STAINLESS STEEL CAP
	091274-03-000	EA	BOLT-J - 3/8-16 X 12.0
	106166-01-000	EA	BOLT/COLLARED HANGER - 8-32 X 1"
	106956-03-000	EA	BOLT - HEX TAP - 1/2-12NC X 3 - GRADE 5 - FULL THREAD/ZINC
	000D29-05-00B	EA	NUT - 5/16 - 18 UNC - SF/LOCKING - NYLON WASHER INSERT
	000D24-10-00B	EA	NUT - HEX - SELF LOCKING - 10-32 ZINC
	000D34-04-00B	EA	NUT - HEX - LOCKING - 1/4-20 ZINC
	000D34-06-00B	EA	NUT - HEX - LOCKING - 3/8 - 16 GRADE C - ZINC-PREVAILING T
	000D39-04-00B	EA	NUT - HEX - LOCKING W/SERRATED FLANGE - 1/4-20 - ZINC
	000D39-05-00B	EA	NUT - HEX - LOCKING W/SERRATED FLANGE - 5/16-18 - ZINC
	000D39-06-00B	EA	NUT - HEX - LOCKING W/SERRATED FLANGE - 3/8-18 - ZINC
	000D39-07-00B	EA	NUT - HEX - LOCKING W/SERRATED FLANGE - 7/16-14 - ZINC
	000D39-08-00B	EA	NUT - HEX - LOCKING W/SERRATED FLANGE - 1/2-13 - ZINC
	000D44-07-00B	EA	NUT - HEX - SERRATED FLANGE/LOCKING - 7/16-20 - ZINC
	000D46-04-00A	EA	NUT - HEX - WELD - 1/4 - 20 - PLAIN
	040921-01-000	EA	NUT - SPEED - U TYPE - 10-24 BLACK
	040921-04-000	EA	NUT - SPEED - U TYPE - # 8 - .59" LENGTH X .44" WIDTH
	040921-05-000	EA	NUT - SPEED - U-TYPE #8 - .67" X .44" WIDE
	040921-09-000	EA	NUT - SPEED - U TYPE - # 8
	044364-01-000	EA	NUT - SPEED - FLAT - RECTANGULAR - SELF LOCKING/ONE PIECE
	044364-02-000	EA	NUT - SPEED - FLAT - ROUND
	000D76-06-00B	EA	NUT - HEX FLANGE - 3/8-16
	063253-07-000	EA	NUT - J - #8A - .120 - .130 PNL THK
	083163-06-000	EA	PUSHNUT - FLAT TYPE 3/8 STUD - FORD ONLY
	000E11-08-00B	EA	WASHER - LOCKING - 1/2 MED SPLIT - ZINC
	000E13-14-00B	EA	WASHER - FLAT - 1/4 WIDE - ZINC
	000E13-18-00B	EA	WASHER - FLAT - 3/8 WIDE - ZINC
	000E13-20-00B	EA	WASHER - FLAT - 7/16 WIDE - ZINC
	000E13-21-00B	EA	WASHER - FLAT - W/2 NAR - ZINC
	000E13-22-00B	EA	WASHER - FLAT - 1/2 WIDE - ZINC
	000E13-26-00B	EA	WASHER - FLAT - 5/8 WIDE - ZINC
	058716-02-000	EA	WASHER - FLAT NYLON
	107397-01-000	EA	WASHER - FENDER - .25" ID X 1" OD
	110794-01-000	EA	WASHER - FLAT - 1" ID X 1 3/4' OD
	088787-12-000	EA	STUD - WELD - 1/4 - 20 X 1.0 LG - MN
	108067-03-000	EA	STUD - WELD - 1/4 - 20 X 1/2 CD

SEALANTS & FASTENERS GROUP (CONTINUED)

SCREWS

KEY	PART NUMBER	U/M	DESCRIPTION
	0G3908-08-170	EA	SCREW - SF/DR - 8-18 X .50 PPH - BRIGHT WHITE
	0G3908-20-170	EA	SCREW - SF/DR - 8-18 X 1.25 PPH - BRIGHT WHITE
	0G3908-24-170	EA	SCREW - SF/DR - 8-18 X 1.50 PPH - BRIGHT WHITE
	0G5508-12-260	EA	SCREW - SF/DR - 8-18 X .75 PWH - ALLANTE ANTELOPE
	000G11-05-08B	EA	SCREW - 5-20 X .50 PPH - ZINC
	000G11-06-10J	EA	SCREW - 6-20 X 5/8 PPH - BRASS
	000G11-06-08B	EA	SCREW - 6-20 X .50 PPH - ZINC
	000G11-06-06B	EA	SCREW - 6-20 X 3/8 PPH - ZINC
	000G11-07-08B	EA	SCREW - 7-19 X .50 PPH - ZINC
	000G11-08-08T	EA	SCREW - 8-18 X 1/5 PPH - FLUOROCARBON COATING
	000G11-08-08B	EA	SCREW - 8-18 X .50 PPH - ZINC
	000G11-08-06B	EA	SCREW - 8-18 X 3/8 PPH - ZINC
	000G11-08-20B	EA	SCREW - 8-18 X 1.25 PPH - ZINC
	000G11-08-16S	EA	SCREW - 8-18 X 1 PPH - OFF WHITE
	000G11-08-12T	EA	SCREW - 8-18 X .75 PPH - BLACK
	000G11-08-12P	EA	SCREW - 8-18 X .75 PPH - DARK BROWN
	000G11-08-12P	EA	SCREW - 8-18 X .75 PPH - DARK BROWN
	000G11-08-12D	EA	SCREW - 8-18 X .75 PPH - BLACK
	000G11-08-12B	EA	SCREW - 8-18 X .75 PPH - ZINC
	000G11-10-12D	EA	SCREW - 10-16 X .75 PPH - BLACK
	000G11-10-40B	EA	SCREW - 10-16 X 2 1/2 PPH CAD - 34927-01-000
	000G11-10-16B	EA	SCREW - 10-16 X 1 PPH - ZINC
	000G11-10-12S	EA	SCREW - 10-16 X .75 PPH - OFF WHITE
	000G12-06-08T	EA	SCREW - 6-20 X 1/2 POH - BLACK
	000G13-06-24J	EA	SCREW - 6-20 X 1.50 PFH - BRASS
	000G13-06-16J	EA	SCREW - 6-20 X 1 PFH - BRASS
	000G13-06-10G	EA	SCREW - 6-20 X 5/8 PFH - ANTIQUE BRASS
	000G13-06-08B	EA	SCREW - 6-20 X .50 PFH - ZINC
	000G13-07-12B	EA	SCREW - 7-19 X .75 PFH - ZINC
	000G18-08-22B	EA	SCREW - MACHINE - 8-32 X 1 3/8 PPH - ZINC
	000G19-10-12F	EA	SCREW - MACHINE - 10-32 X .75 - PPH - STAINLESS STEEL
	000G19-10-08B	EA	SCREW - MACHINE - 10-32 X .50 - PPH - ZINC
	000G19-10-20B	EA	SCREW - MACHINE - 10-32 X 1.25 PPH - ZINC
	000G32-10-06B	EA	SCREW - 10-32 X 3/8 PPH - ZINC
	000G37-08-089	EA	SCREW - 8 X 18 X 1/2 PPH
	000G39-06-08B	EA	SCREW - SF/DR - 6-18 X .50 - ZINC
	000G39-06-16T	EA	SCREW - SF/DR - 6-20 X 1 PPH - BLACK
	000G39-06-10T	EA	SCREW - SF/DR - 6-20 X 5/8 PPH - BLACK
	000G39-06-10T	EA	SCREW - SF/DR - 6-20 X 5/8 PPH - BLACK
	000G39-08-08B	EA	SCREW - SF/DR - 8-18 X 1.50 PPH - ZINC
	000G39-08-06B	EA	SCREW - SF/DR - 8-18 X 3/8 PPH - ZINC
	000G39-08-24S	EA	SCREW - SF/DR - 8-18 X 1.50 - OFF WHITE
	000G39-08-24B	EA	SCREW - SF/DR - 8-18 X 1 1/2 PPH - ZINC
	000G39-08-16T	EA	SCREW - SF/DR - 6-20 X 1 PPH - BLACK
	000G39-08-16R	EA	SCREW - SF/DR - 8-18 X 1 PPH - BEIGE
	000G39-08-16B	EA	SCREW - SF/DR - 8-18 X 1 PPH - ZINC
	000G39-08-12T	EA	SCREW - SF/DR - 8-18 X .75 PPH - BLACK
	000G39-08-12B	EA	SCREW - SF/DR - 8-18 X .75 PPH - ZINC
	000G39-08-08T	EA	SCREW - SF/DR - 8-18 X 1/2 PPH - BLACK
	000G39-08-08S	EA	SCREW - SF/DR - 8-18 X .50 PPH - OFF WHITE
	000G39-10-10B	EA	SCREW - SF/DR - 10-16 X .625 - ZINC
	000G39-10-088	EA	SCREW - SF/DR - 10-16 X 1/2 PPH - FLEX FLUOROCARBON
	000G39-10-08B	EA	SCREW - SF/DR - 10-16 X .50 PPH - ZINC
	000G39-10-48B	EA	SCREW - SF/DR - 10-16 X 3 - PPH - ZINC
	000G39-10-32B	EA	SCREW - SF/DR - 10-16 X 2 - PPH - ZINC
	000G39-10-209	EA	SCREW - SF/DR - 10-16 X 1 1/4 PPH - FLUOROCARBON SILVER
	000G39-10-20B	EA	SCREW - SF/DR - 10-16 X 1.25 PPH - ZINC
	000G39-10-129	EA	SCREW - SF/DR - 10-16 X .75 PPH - FLUOROCARBON SILVER
	000G39-10-12R	EA	SCREW - SF/DR - 10-16 X .75 PPH - BEIGE
	000G39-10-12D	EA	SCREW - SF/DR - 10-16 X .75 PPH - BLACK
	000G39-10-12B	EA	SCREW - SF/DR - 10-16 X .75 PPH - ZINC

SEALANTS & FASTENERS GROUP (CONTINUED)

SCREWS (CONTINUED)

KEY	PART NUMBER	U/M	DESCRIPTION
	000G39-12-12E	EA	SCREW - SF/DR - 12-14 X .75 PPH - CHROME
	000G42-04-12B	EA	SCREW - SF/DR - 1/4-14 X .75 HWH - ZINC
	000G43-06-24B	EA	SCREW - MACHINE - 6-32 X 1.50 - ZINC
	000G46-08-24T	EA	SCREW - MACHINE - 8-32 X 1.50 PFH - BLACK
	000G50-04-12B	EA	SCREW - MACHINE - 1/4-20 X .75 PPH - ZINC
	000G50-04-08B	EA	SCREW - MACHINE - 1/4-20 X .50 PTH - ZINC
	000G52-08-18B	EA	SCREW - MACHINE - 8-32 X 1 1/8 PTH - ZINC
	000G54-04-20B	EA	SCREW - 1/4-20 X 1.25 PTH - TYPE 23 - ZINC PLATED
	000G55-08-16S	EA	SCREW - SF/DR - 8-18 X 1.00 - PWH - OFF WHITE
	000G55-08-12S	EA	SCREW - SF/DR - 8-18 X .75 PWH - OFF WHITE
	000G57-05-16J	EA	SCREW - 5-20 X 1 PFH - BRASS
	000G60-10-28T	EA	SCREW - SF/DR - 10-16 X 1.75 - BLACK
	000G60-10-209	EA	SCREW - SF/DR - 10-16 X 1.25 POH
	000G60-10-20B	EA	SCREW - SF/DR - 10-16 X 1.25 POH - ZINC
	000G67-08-32B	EA	SCREW - 8-15 X 2 PPH - ZINC
	000G67-10-10D	EA	SCREW - 10-12 X 5/8 PPH - BLACK - TYPE A
	000G67-10-10B	EA	SCREW - 10-12 X 5/8 PPH - ZINC - TYPE A
	000G67-10-08B	EA	SCREW - 10-12 X .50 PPH - ZINC
	000G67-10-120	EA	SCREW - 10-12 X .75 PPH - TAN
	000G67-10-12P	EA	SCREW - 10-12 X .75 - PPH - DARK BROWN
	000G67-10-12B	EA	SCREW - 10-12 X .75 PPH - ZINC
	000G67-10-10S	EA	SCREW - 10-12 X 5/8 PPH - OFF WHITE
	000G67-10-48B	EA	SCREW - 10-12 X 3 PPH - ZINC
	000G67-10-36T	EA	SCREW - 10-12 X 2.25 PPH - BLACK
	000G67-10-24B	EA	SCREW - 10-12 X 1.25 PPH - ZINC
	000G67-10-16B	EA	SCREW - 10-12 X 1 PPH - ZINC
	000G67-10-120	EA	SCREW - 10-12 X .75 PPH - TAN
	000G68-06-12S	EA	SCREW - 6-18 X 3/4 POH
	000G68-06-10G	EA	SCREW - 6-18 X 5/8 POH - ANTIQUE BRASS
	049465-01-000	EA	SCREW - 10-16 W/WASHER PTH - DARK BROWN
	049465-03-000	EA	SCREW - 10-16 X 1 POH W/WASHER - OFF WHITE
	054434-03-000	EA	SCREW - SF/DR - 10-16 X 2 - PWH - ZINC - W/O WINGS
	057671-01-000	EA	COVER - SCREW - #8 - PLASTIC - OFF WHITE
	057671-03-000	EA	COVER - SCREW - #8 - WILLOW
	057671-15-000	EA	COVER - SCREW - BRIGHT WHITE
	075908-01-000	EA	SCREW - MACHINE - 10-32 X .56 PTH - EXTERNAL TOOTH - ZINC
	076790-01-000	EA	SCREW - 6-20 X 1 1/4 PPH - BLACK
	083554-01-000	EA	SCREW - DRYWALL - 8 X 1.25
	083554-04-000	EA	SCREW - DRYWALL - 8 X 2.50
	086256-01-000	EA	SCREW - SF/DR - 8 X 3/4 HWH LONG
	097974-01-000	EA	SCREW - PARTICLE BOARD - 7-9 X 3/4 PPH
	101618-01-000	EA	SCREW - 1/4-20 X 3/4 HEX - TAPPING - STALGARD TYPE F
	106477-01-000	EA	SCREW - 14 - 10 X 3.00 - PFH

SEALANTS & FASTENERS GROUP (CONTINUED)

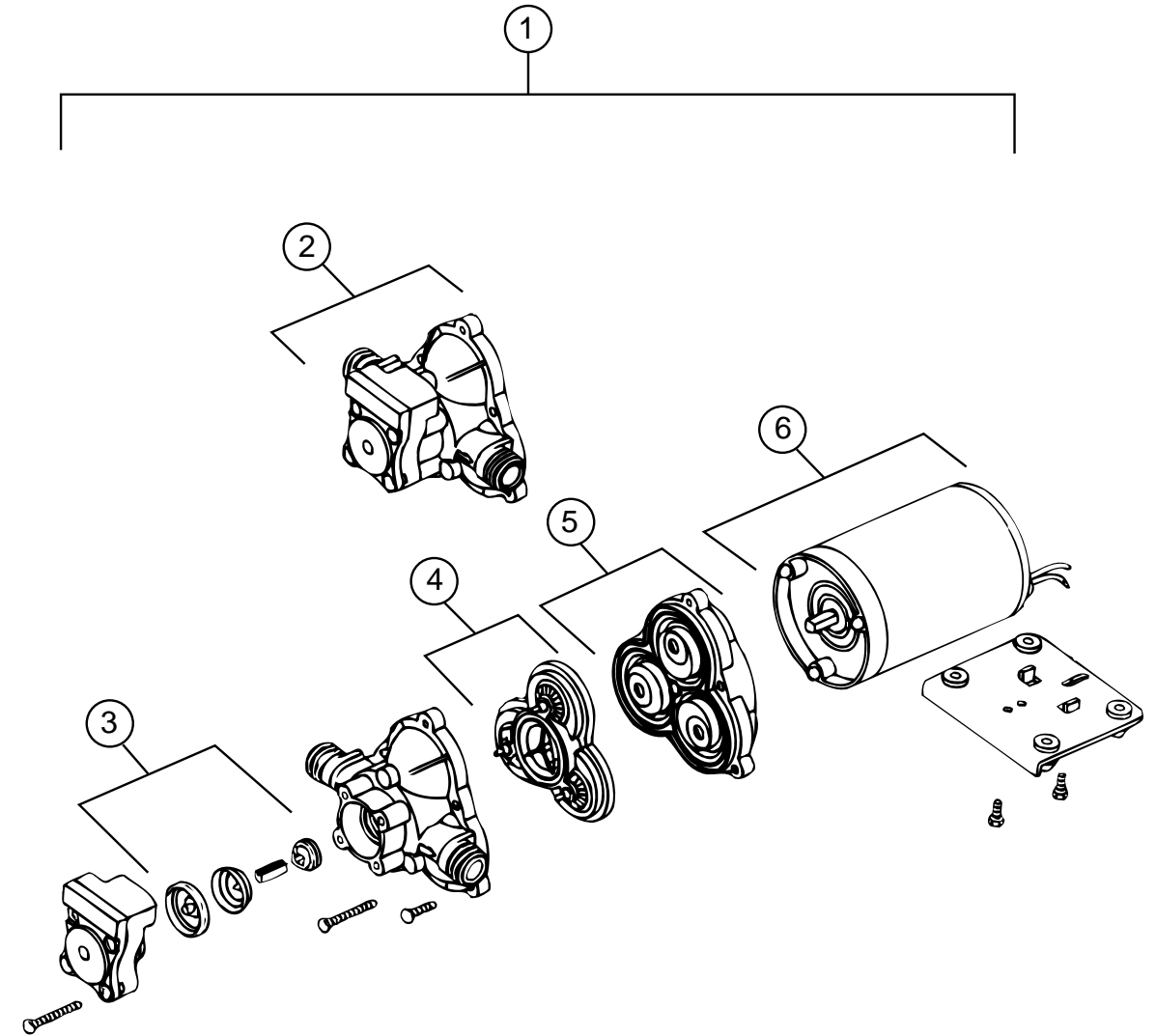
CLAMPS, CLIPS, & GROMMETS

KEY	PART NUMBER	U/M	DESCRIPTION
	000F10-04-16B	EA	PIN - COTTER - 1/8" X 1" - ZINC
	000F10-06-32B	EA	PIN - COTTER - 3/16" X 2" - ZINC
	000H14-04-04A	EA	RIVET - MANDREL BLIND - 1/8 X .400
	000H14-06-14R	EA	RIVET - MANDREL BLIND - 3/16"
	000H16-04-06R	EA	RIVET - POP ALUMINUM - 1/8" X .313 - .375
	000H16-06-10R	EA	RIVET - POP ALUMINUM - 3/16 X .501-.625
	007161-01-000	EA	CLAMP - HOSE - SPRING TYPE - 1/2"
	010495-01-000	EA	CLAMP - CABLE - 9/16"
	010497-01-000	EA	CLAMP - CLOSED - 5/8" ID
	010497-03-000	EA	CLAMP - CLOSED - 1" ID - CUSHIONED
	010497-04-000	EA	CLAMP - CLOSED - 1.62" ID
	010499-01-000	EA	CLAMP - CLOSED - 3/8" ID
	062401-01-000	EA	CLAMP - HOSE - WORMGEAR - .25" - 1"
	062401-02-000	EA	CLAMP - HOSE - WORMGEAR - 1.56" - 2.5"
	062401-04-000	EA	CLAMP - HOSE - WORMGEAR - .69" - 1.25"
	062401-06-000	EA	CLAMP - HOSE - WORMGEAR - .22" - .62" ID
	083609-01-000	EA	CLAMP - WIRE - DUAL - EQUAL DIAMETERS - 5/8"
	083610-01-000	EA	CLAMP - WIRE - DUAL - UNEQUAL DIAMETERS - 3/4" & 1 1/4"
	083610-02-000	EA	CLAMP - WIRE - DUAL - UNEQUAL DIAMETERS
	016188-05-000	EA	GROMMET - L/P LINE - 3/8" HOLE X 1 1/4" LONG - RUBBER
	023942-01-000	EA	GROMMET - RUBBER - 2" OD
	071015-11-000	EA	GROMMET - 1.00 ID - FITS .12 MATERIAL
	008380-01-000	EA	GROMMET - RUBBER - 5/8" HOLE X 1 1/2" DIAMETER - BLACK
	071015-29-000	EA	GROMMET - RUBBER - 1/4 ID X 1 1/4 OD W .12 GROOVE - BLK
	071015-30-000	EA	GROMMET - RUBBER - .31" ID X .81" OD W/.12" GROOVE - BLK
	088756-01-000	EA	GROMMET - WEB - 1 1/8" I.D.
	091952-01-000	EA	CLIP - GRIPPER - 1"
	094362-02-000	EA	CLIP - XMAS TREE - BINDER HEAD - .9" LONG

MISCELLANEOUS FASTENERS

KEY	PART NUMBER	U/M	DESCRIPTION
	008343-01-000	EA	TIE - WIRE - 6"
	008343-02-000	EA	TIE - WIRE - 14"
	029094-04-000	YD	VELCRO TAPE - LOOP - 1" WIDE - BLACK
	029096-03-000	YD	VELCRO TAPE - HOOK - 1" WIDE - BLACK
	081211-04-000	EA	PLUG - PLASTIC - .46" DIAMETER - BLACK
	081211-05-000	EA	PLUG - PLASTIC - .188 DIAMETER - NATURAL
	085774-01-000	FT	FASTENER - DUAL HOOK - 1" WIDE - ADHESIVE BACK - BLACK
	085774-02-000	FT	FASTENER - DUAL HOOK - 1" WIDE - ADHESIVE BACK - BLACK
	086285-01-000	EA	SPACER - NYLON - .5" OD X .257" ID
	088792-02-000	YD	VELCRO TAPE - LOOP - .75" - ADHESIVE BACKED - BEIGE
	108046-02-000	EA	CABLE TIE - SCREW MOUNT 15"
	110943-02-000	FT	FELTSTRIP - 3/8" - ADHESIVE BACK - WHITE
	115361-01-01A	EA	PLUG - PLASTIC
	123816-04-000	FT	TAPE - DOUBLE SIDED - 6"

WATER & SEWAGE GROUP



WATER PUMP (SHURFLO)

KEY	PART NUMBER	U/M	DESCRIPTION	VENDOR NO.
1	098607-01-000	EA	PUMP - WATER - W/.5" MPT FITTING - FLOW 2.8 GPM	
2	098607-01-706	EA	HOUSING - W/SWITCH ONLY	94-231-20
3	098607-01-705	EA	VALVE - CHECK - KIT	94-237-00
4	098607-01-703	EA	VALVE KIT	94-232-00
5	098607-01-702	EA	DIAPHRAGM/DRIVE ASSEMBLY KIT	94-238-04
6	098607-01-707	EA	MOTOR W/BASEPLATE	11-148-04

WATER & SEWAGE GROUP (CONTINUED)**FRESH WATER TANK**

KEY	PART NUMBER	U/M DESCRIPTION
	123243-01-000	EA TANK - ACCUMULATOR, 24 OZ
	117217-01-000	EA TANK - FRESH WATER - 30 GALLON - W/O FITTINGS
	117217-02-000	EA TANK - FRESH WATER - 30 GALLON - W/FITTINGS (CHEVY)
	117217-13-000	EA TANK - FRESH WATER - 30 GALLON - W/FITTINGS (FORD)
	116881-01-000	EA TANK - FRESH WATER - 48 GAL. W/NOTCHED CORNER W/O FITTINGS
	116881-08-000	EA TANK - FRESH WATER - 48 GALLON W/NOTCHED CORNER/FITTINGS (CHEVY)
	116881-15-000	EA TANK - FRESH WATER - 48 GALLON W/NOTCHED CORNER/FITTINGS (FORD)
	042989-03-000	EA FITTING - WATER TANK - SPINWELD - 1 1/4"NPT - PLASTIC
	042989-05-000	EA FITTING - SPINWELD - 1/2" FPT - PLASTIC
	049032-01-000	EA PATCH - SPINWELD - 3/8" - PLASTIC
	039861-01-000	EA SENDING UNIT - W/SCREW - WASHER - WELL NUT & TERMINAL RING
	091208-01-000	EA WASHER - RUBBER - .06" X .75" X .5"
	077954-02-000	EA FILTER - WATER TANK - SCREEN IN TANK

WATER SYSTEM COMPONENTS (FLAIR - IT)

KEY	PART NUMBER	U/M DESCRIPTION
	114427-01-000	EA CAP - 1/2P - 02860
	114427-02-000	EA PLUG - 1/2P - 02863
	114427-03-000	EA NUT - 1/2"Q - #6453
	114428-01-000	EA TEE - 1/2P X 1/2P X 1/2P - 02820
	114428-02-000	EA TEE - SWIVEL - 1/2P X 1/2P X 1/2FPT - 02821
	114428-03-000	EA TEE - 1/2P X 1/2P X 1/2MPT - 02822
	114428-04-000	EA TEE - 1/2P X 1/2P X 1/8FPT - 02834
	114429-01-000	EA ELBOW - 1/2P X 1/2P - 02800
	114429-02-000	EA ELBOW - 1/2P X 1/2MPT - 02803
	114429-03-000	EA ELBOW - SWIVEL - 1/2P X 1/2FPT - 02816
	114429-04-000	EA ELBOW - 1/2P X 3/8MPT - 02810
	114429-05-000	EA ELBOW - 1/2P X 3/4MPT - 02812
	114429-06-000	EA ELBOW - SWIVEL - 1/2P X 3/4FPT - 02811
	114429-07-000	EA ELBOW - 1/2P X 1/2FPT DROPEAR - 02801
	114430-01-000	EA ADAPTER - 1/2P X 1/2P - 02840
	114430-02-000	EA ADAPTER - SWIVEL - 1/2P X 1/2FPT -02873
	114430-03-000	EA ADAPTER - 1/2P X 1/2MPT - 02842
	114430-04-000	EA ADAPTER - 1/2P X 3/8MPT - 02852
	114430-06-000	EA ADAPTER - 1/2P X 3/8FPT - 02851
	114430-08-000	EA ADAPTER - 1/2P X 3/4MPT - 02868
	114431-01-000	EA VALVE - LINE DRAIN 1/2P - 02914
	114431-02-000	EA VALVE - 1/2P - BYPASS - 02910
	114431-03-000	EA VALVE - 1/2P X 1/2P - 02884
	114431-04-000	EA VALVE - STOP - 1/2P X 1/2P - 02880
	114431-05-000	EA VALVE - NEEDLE - COMP 1/8MPTX1/4 - 64858
	114431-06-000	EA VALVE - 3/8P X 3/8P - 02882
	114431-07-000	EA VALVE - 3/8P THREE - WAY - 02900
	114431-08-000	EA STRAIGHT STOP VALVE - 3/8P X 3/8P - 02879

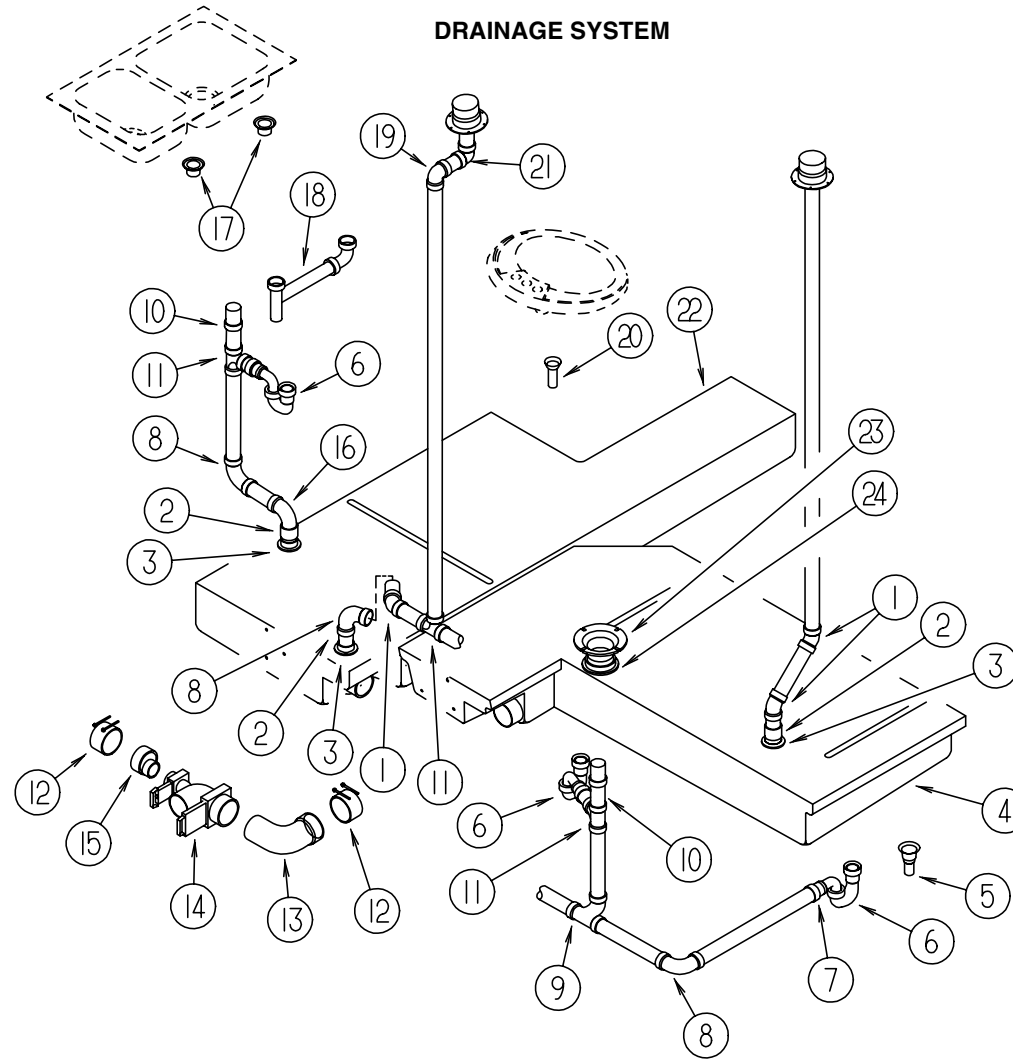
WATER & SEWAGE GROUP (CONTINUED)**WATER SYSTEM COMPONENTS**

KEY	PART NUMBER	U/M DESCRIPTION	VENDOR NO.
*	051393-01-000	EA WATER HEATER - GH6-8E - ELECTRONIC IGNITION W/MOTOR AID	
	701069-01-000	EA WATER PURIFICATION SYSTEM	
	701069-03-700	EA CARTRIDGE - WATER FILTER - AC - EVERPURE	9592-06
	010224-01-000	EA ADAPTER - HOSE TO PIPE - 3/8" MPT X 3/8" BARB - PLASTIC	
	118809-02-000	EA ADAPTER - 1/2" MPT X 1/2" BARB - PLASTIC	
	123152-01-000	EA ADAPTER - 1/2" FPT X 1/2" BARB - SWIVEL	
	010230-06-000	EA FILL - CITY WATER - W/CHECK VALVE - MPT	
	124188-01-000	FT TUBING - PEX - 1/2" ID X 20' - BLUE (COLD)	
	124188-02-000	FT TUBING - PEX - 1/2" ID X 20' - RED (HOT)	
	112176-01-000	FT TUBING - VINYL - REINFORCED - 1/2" ID	
	079381-01-000	FT TUBING - RIBBED FLEXIBLE - WATER FILL - 1.4" X 10"	
	010219-01-000	EA ELBOW - 1 1/4" MPT X 1 1/4" BARB - WATER FILL - PLASTIC	
	114429-02-000	EA ELBOW - 1/2"P X 1/2"MPT	
	123150-01-000	EA ELBOW - 1/2" FPT X 1/2" BARB - SWIVEL	
	110438-02-000	EA VALVE - CHECK - BRASS - 1/2" MPT X 1/2" MPT	
	113697-01-000	EA CAP - 3/8" FTG	
	125697-06-000	EA INSTRUCTIONS - USER - FLUSHING SYSTEM	

COMPONENT PARTS FOUND IN SERVICE PARTS LIBRARY*EXTERIOR SHOWER COMPONENTS**

KEY	PART NUMBER	U/M DESCRIPTION
	131383-01-02A	EA SHOWER HEAD - W/HOSE & BRACKET - 60" - WHITE
	131383-02-02A	EA SHOWER HEAD - W/HOSE & BRACKET - 60" - CSA - WHITE
	108356-02-01A	EA COVER/ACTUATOR SWITCH - 2 ROWS DIMPLES- CONTURA II - BLACK
	108357-01-000	EA SWITCH - ROCKER SPST - ON/OFF - 2 TERMINAL
	108357-08-000	EA SWITCH - ROCKER DPDT - ON/NONE/ON - 6 TERMINAL
	131383-03-02A	EA BRACKET - SHOWER HEAD - WHITE
	075241-06-000	EA FAUCET - SHOWER CONTROL - BRIGHT WHITE

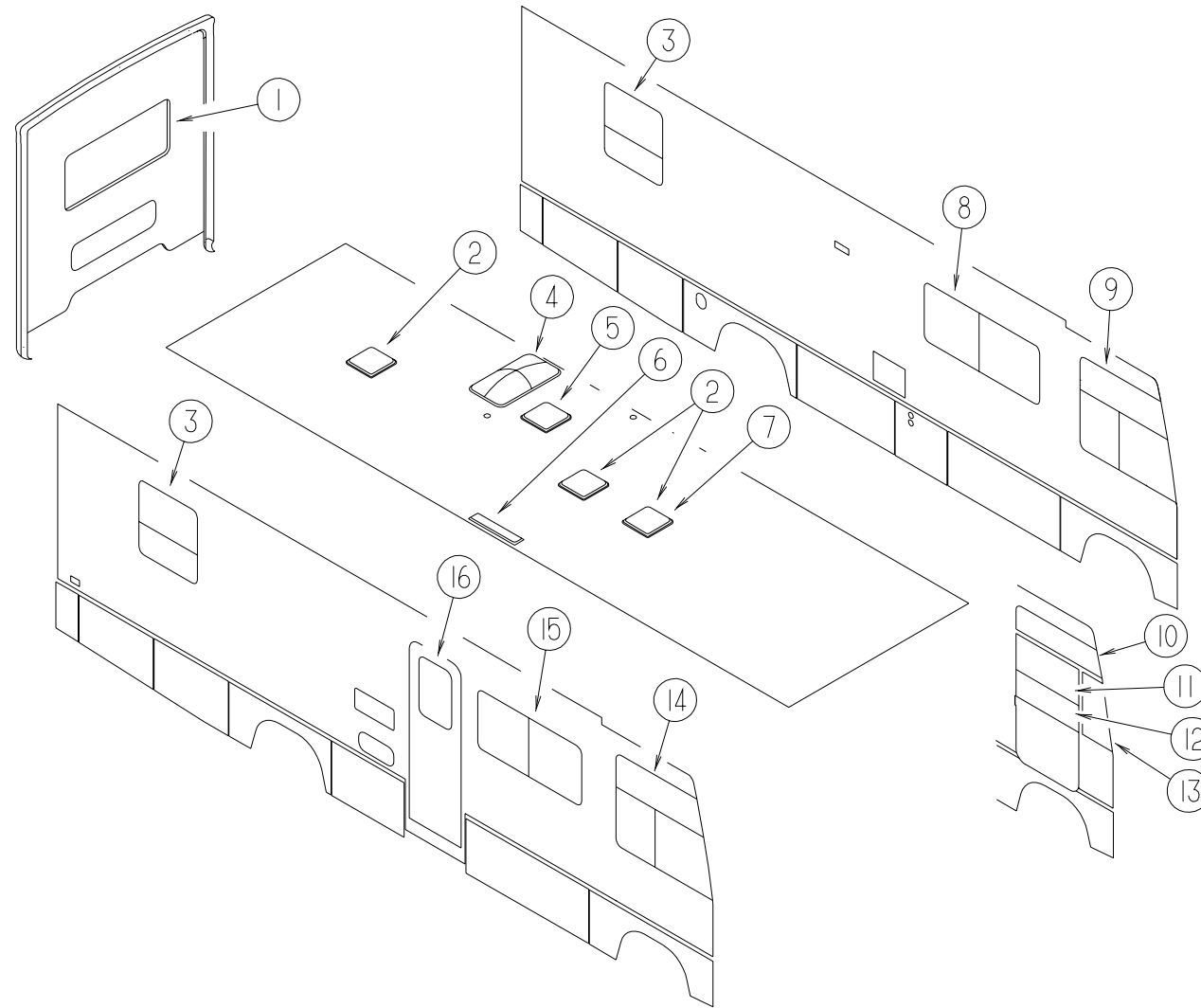
WATER & SEWAGE GROUP (CONTINUED)



KEY	PART NUMBER	U/M DESCRIPTION	VENDOR NO.	KEY	PART NUMBER	U/M DESCRIPTION	VENDOR NO.
1	010006-01-000	EA ELBOW - 45 DEGREE - 1 1/2" HUB X HUB - PLASTIC		010201-01-000	EA HOSE - SEWER - 3" ID X 8'		
2	010115-01-000	EA COUPLING - 1 1/2" HUB X HUB - PLASTIC		062416-01-000	EA ADAPTER - SEWER HOSE TO 3" PIPE		
3	061607-01-000	EA GROMMET - HOLDING TANK - 1 1/2" NPS		062415-01-000	EA CAP - SEWER - 3" DIAMETER		
4	104351-01-000	EA TANK - HOLDING - SEWAGE - 55 GALLON - W/O FITTINGS		062415-01-700	EA STRING - SEWER CAP		V#SV7 STRAP
5	120981-01-01A	EA DRAIN - BATH/SHOWER W/SPRING LOADED PLUNGER - BRASS		15	062422-01-000	EA ADAPTER - OFFSET REDUCER - 3" X 1 1/2" - PLASTIC	
5	127440-02-01A	EA WASHER - RUBBER - 1.8" X .1"		16	033761-01-000	EA ELBOW - TURN - 90 DEGREE 1 1/2" HUB X 1 1/2" SPIGOT	
6	107538-01-000	EA P TRAP - PLASTIC - 1 1/4" W/EXTENSION ARM		17	092303-01-000	EA STRAINER - SINK	
6	011066-03-700	EA P TRAP KIT 1 1/2" X 1 1/2" P TRAP W/1 1/2"-1 1/4" REDUCER - CANADA		18	011091-02-000	EA WASTE - CONTINUOUS - DOUBLE SINK	
7	109571-01-000	EA ADAPTER - P TRAP - 1 1/2"P X 1 1/4"MPT		18	011091-03-000	EA WASTE - CONTINUOUS - DOUBLE SINK - CSA	
8	010008-01-000	EA ELBOW - 90 DEGREE - 1 1/2" HUB X HUB - PLASTIC		19	034250-01-000	EA ELBOW - 90 DEGREE - LONG TURN - 1 1/2" HUB X HUB - ABS	
9	031365-02-000	EA TEE - PLASTIC - 1 1/2" EXT LG TURN		20	106116-01-01A	EA STRAINER - SINK - W/STOPPER/TAIPIECE/GASKET & NUT - PLASTIC	
10	079968-01-000	EA VENT - MECHANICAL/TRAP ARM - ANTI-SIPHON-2" X 7.3" PLASTIC		21	010009-01-000	EA ELBOW - 90 DEGREE - 1/4 BEND - 1 1/2" PLASTIC	
11	010071-01-000	EA TEE - SANITARY - 1 1/2" HUB X HUB X HUB - PLASTIC		22	111229-01-700	EA TANK - HOLDING - 56 GALLON - 3"NIPPLE	
12	078406-01-000	EA COUPLER - RUBBER - W/CLAMPS - 3" X 3"					FROM: 00-00-00 THRU: 08-25-98
13	041956-01-000	EA ELBOW - STREET - 1/4" BARB X 90 DEGREE X 3 XLT		22	131389-01-000	EA TANK - HOLDING - 56 GALLON - W/O FITTINGS	
14	070916-01-000	EA VALVE - DUAL DUMP - W/CAP - 3" X 1 1/2"					FROM: 08-26-98 THRU: 99-99-99
	070916-01-700	EA VALVE ONLY (WASTE) 3"	T1003BU	23	116644-01-000	EA FLANGE - CLOSET - 4" X 3"	
	070916-01-701	EA VALVE ONLY (WASTE) 1 1/2"	T1001BU	24	061607-02-000	EA GROMMET - HOLDING TANK - 3" NPS	
					010129-03-000	EA NIPPLE - PLASTIC - 3" X 3" TOE	
					130403-01-000	EA NUT - SLIP - W/WINGS 1 1/2"	

WINDOW, VENT & EXTERIOR DOOR GROUP

WINDOWS & VENTS



KEY	PART NUMBER	U/M	DESCRIPTION
1*	078528-06-E10	EA	WINDOW - ESCAPE W/O RETAINER/ TRIM 48.5" X 24.5"
1*	113502-01-01A	EA	WINDOW - REAR ESCAPE THERMO - 24.8" X 48.7"
2*	122882-01-01A	EA	VENT - ROOF - NONPOWERED
2	122882-07-01A	EA	VENT - ROOF - GARNISH 63.5-104.6
3*	112463-03-01A	EA	WINDOW - TIPOUT W/ RETAINER RING - 33.3" X 30.2"
3*	129929-01-01A	EA	WINDOW - TORQUE - THERMO - 33.2" X 30.2"
4	114496-01-02A	EA	PANEL - SKYLIGHT - OUTER - 22" X 37"
4	122191-01-02A	EA	PANEL - SKYLIGHT - INNER W/LIGHT CUTOUT - 20.7" X 35.4"
5*	122882-02-01A	EA	VENT - ROOF - POWERED
5*	122882-03-01A	EA	VENT - ROOF - POWERED CSA
5	122882-07-01A	EA	VENT - ROOF - GARNISH 63.5-104.6
6	084073-04-000	EA	BASE - ROOF VENT/REFRIGERATOR - BLACK - NORCOLD
6	084073-07-000	EA	VENT - ROOF/REFRIGERATOR - BRIGHT WHITE - NORCOLD
	083558-03-000	EA	VENT - PLUMBING - ROOF PIPE COVERED - OFF WHITE
7*	123780-03-01A	EA	VENT - ROOF - 3" TO 4" - W/FAN/POWER LIFT - W/O THERMOSTAT
8*	112795-15-01A	EA	WINDOW - DRIVER HORIZONTAL SLIDER - THERMO - 26.4" X 60"
8*	098647-22-01A	EA	WINDOW - DRIVER HORIZONTAL SLIDER W/TRIM - TINTED - 26.1" X 59.7"

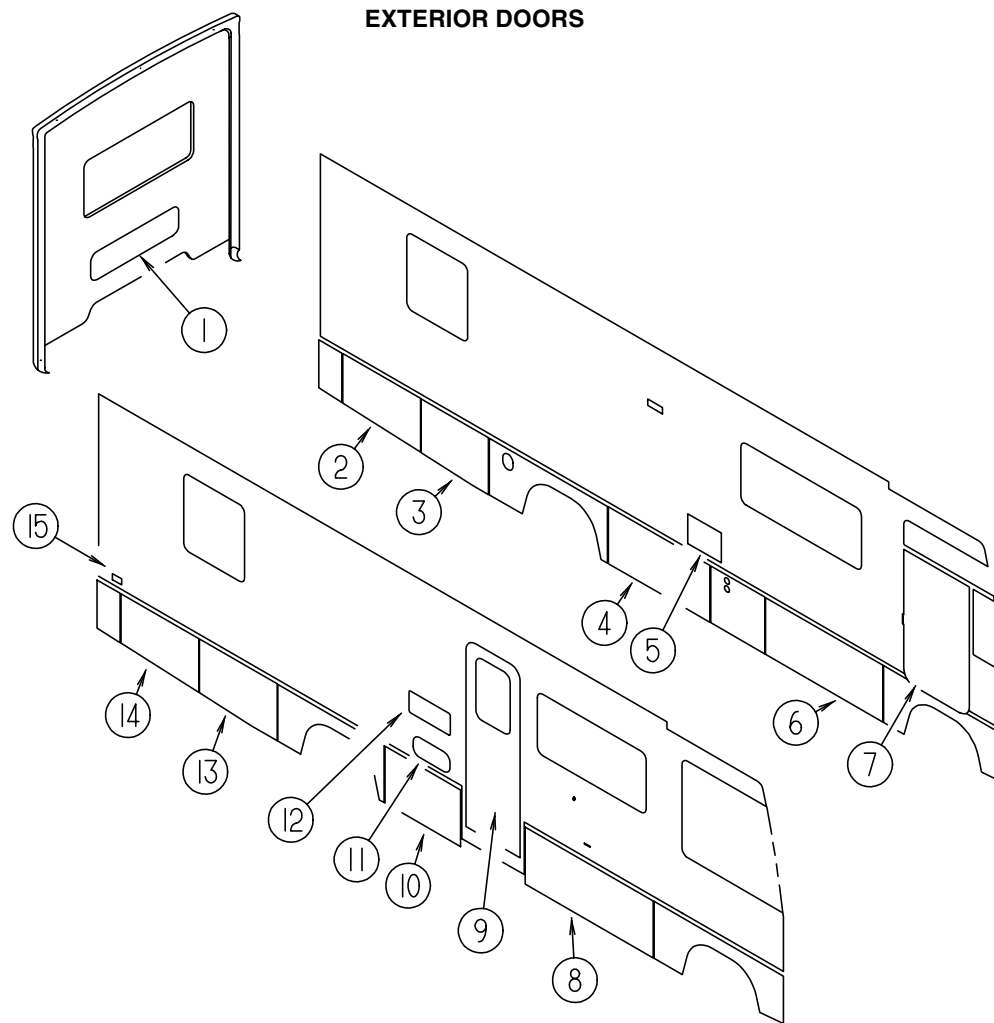
*COMPONENT PARTS FOUND IN SERVICE PARTS LIBRARY

KEY	PART NUMBER	U/M	DESCRIPTION	VENDOR NO.
9*	125582-02-01A	EA	WINDOW - CAB - DRIVER	
9*	125583-02-01A	EA	WINDOW - CAB - DRIVER - 3 GLASS THERMO - 42.9"T X 51.2"B X 42.6"H	
10*	125586-01-01A	EA	WINDOW - VISTA	
10*	125600-01-01A	EA	WINDOW - VISTA - THERMOPANE	
11	125581-04-705	EA	GLASS - STATIONARY	106-041547
12	125581-04-704	EA	GLASS - ROLL-UP	106-041821
13*	125584-01-01A	EA	WINDOW - FRONT SLANT - LEFT HAND	
13*	125585-01-01A	EA	WINDOW - FRONT SLANT - LEFT HAND - THERMO	
14*	125582-01-01A	EA	WINDOW - CAB - PASSENGER	
14*	125583-01-01A	EA	WINDOW - CAB PASSENGER - 3 GLASS THERMO - 42.9"T X 51.2"B X 42.6"H	
15*	098647-24-01A	EA	WINDOW - PASSENGER HORIZ SLIDER W/TRIM - TINTED - 26.1" X 53.8"	
15*	112795-17-01A	EA	WINDOW - PASSENGER HORIZ SLIDER - THERMO - 26.4" X 54"	
16*	117053-02-F36	EA	WINDOW - PICTURE - 60% TINTING - 26.4" X 17"	
16*	113733-01-01A	EA	WINDOW - STATIONARY THERMOPANE - 26.4" X 17"	

*COMPONENT PARTS FOUND IN SERVICE PARTS LIBRARY

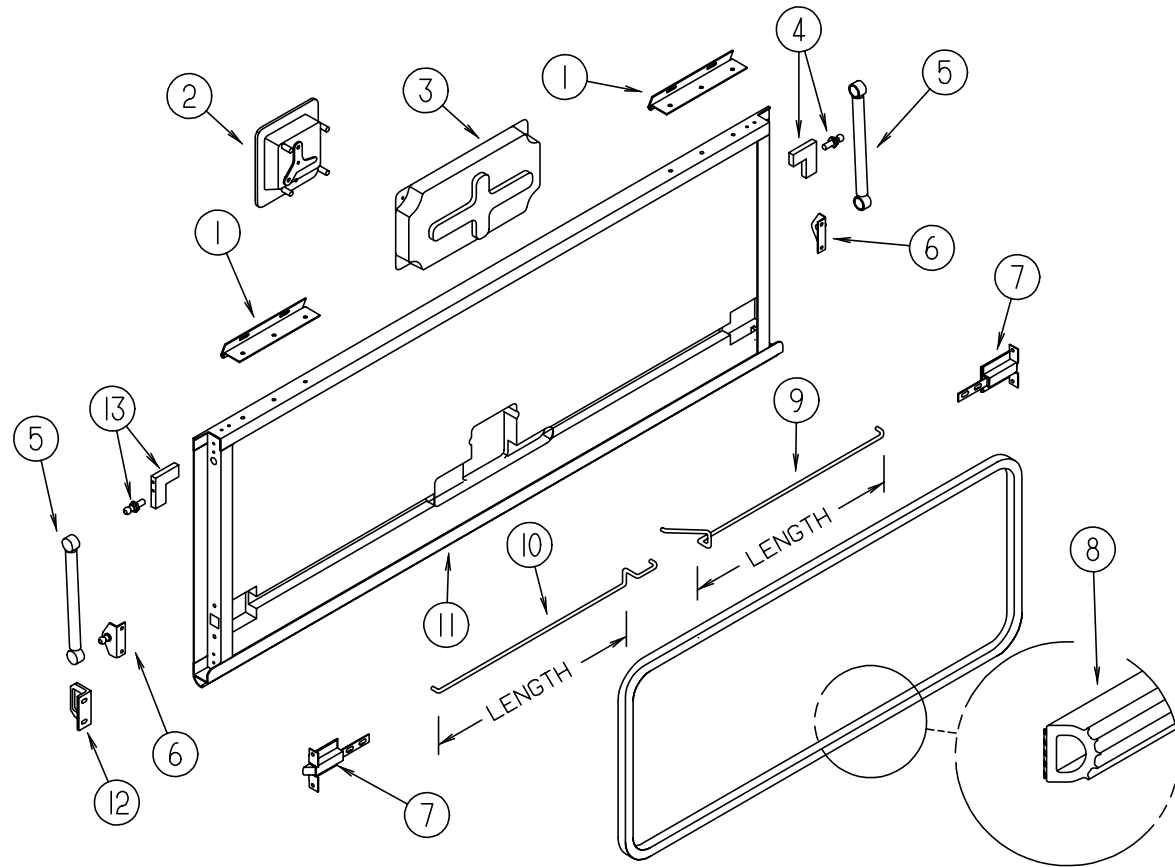
WINDOW, VENT & EXTERIOR DOOR GROUP (CONTINUED)

EXTERIOR DOORS



KEY	PART NUMBER	U/M	DESCRIPTION	KEY	PART NUMBER	U/M	DESCRIPTION	VENDOR NO.
1	126944-02-J22	EA	DOOR/STORAGE - W/O HARDWARE - 43.5" X 11.7" FROM: 00-00-00 THRU: 07-05-98	9	115108-17-K28	EA	DOOR - ENTRY - W/SCREEN DOOR - W/O WINDOW (K28, K29, K34, K35)	
1	126944-05-K28	EA	DOOR/STORAGE - W/O HARDWARE - 43.5" X 11.7" FROM: 07-06-98 THRU: 99-99-99	9	115108-17-K30	EA	DOOR - ENTRY - W/SCREEN DOOR - W/O WINDOW (K30, K31)	
2	122391-68-K28	EA	VALANCE/DOOR - DRIVER W/O PADDLE LATCH - 22.4" X 38.6" X 20.6"	9	115108-17-K32	EA	DOOR - ENTRY - W/SCREEN DOOR - W/O WINDOW (K32, K33)	
3	122391-70-K28	EA	VALANCE/DOOR - DRIVER W/O PADDLE LATCH - 22.4" X 33.4" X 20.6"	10	122239-85-K28	EA	VALANCE/DOOR - W/O PADDLE LATCH/HINGE - 23.7" X 34.1"	
4	122239-99-K28	EA	VALANCE/DOOR - W/O PADDLE LATCH/HINGE - 23.7" X 48.7"	11	126945-08-K28	EA	DOOR/STORAGE - W/O HARDWARE - 18" X 8.3"	
5	052009-06-000	EA	DOOR - WATER HEATER - BRIGHT WHITE - 18" X 14.6"	12	084103-08-000	EA	DOOR - VENT/REFRIGERATOR - W/O JAMB - BRIGHT WHITE	
5	116424-01-000	EA	PROTECTOR - LATCH - WATER HEATER	12	084104-08-000	EA	JAMB - VENT DOOR/REFRIGERATOR - BRIGHT WHITE	
6	122239-98-K28	EA	VALANCE/DOOR - W/O PADDLE LATCH/HINGE - 23.7" X 58.2"	12	084104-01-700	EA	LOCK - MALE - FASTENER	201-721-010
7	125581-05-01A	EA	DOOR - DRIVER - NON-POWER	12	084104-01-701	EA	LOCK - FEMALE - FASTENER	201-802-010
8	122239-90-K28	EA	VALANCE/DOOR - W/O PADDLE LATCH/HINGE - 23.7" X 63.6"	13	122391-67-K28	EA	VALANCE/DOOR - PASSENGER W/O PADDLE LATCH - 23.7" X 38.6" X 22.5"	
				14	122391-69-K28	EA	VALANCE/DOOR - PASSENGER W/O PADDLE LATCH - 22.4" X 38.6" X 20.6"	
				15	081240-20-000	EA	FILL - WATER - LOCKABLE - W/O LOCK - BRIGHT WHITE	

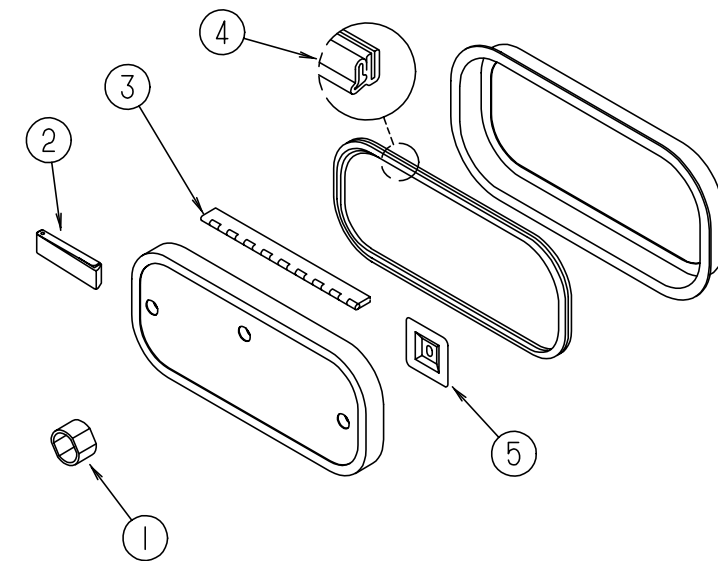
WINDOW, VENT & EXTERIOR DOOR GROUP (CONTINUED)



COMPARTMENT DOORS & COMPONENTS

KEY	PART NUMBER	U/M	DESCRIPTION
1	121755-01-04A	EA	HINGE - 6.00 INCH
2	112949-02-05A	EA	LATCH - PADDLE NON-LOCKING - BLACK
2	P29686-01-700	EA	LATCH/PADDLE - F/COMP DOORS W/CYLINDER
3	122277-02-01A	EA	COVER - LATCH - BLACK
4	123892-12-02B	EA	CORNER STABILIZER W/BALL STUD - LEFT HAND - E-COATED
5	107796-20-000	EA	SPRING/GAS - 7" COMPRESSED/10" EXTENDED - 60 LB
6	126263-02-02B	EA	BRACKET - GAS SPRING
7	121947-01-01A	EA	BOLT - SLIDE W/PLASTIC PLUNGER
8	107721-07-000	FT	SEAL - ACCESS DOOR
9	122269-16-000	EA	ROD - LATCH - 8.96"
9	122269-66-000	EA	ROD - LATCH - 9.32"
9	122269-17-000	EA	ROD - LATCH - 11.57"
9	122269-07-000	EA	ROD - LATCH - 16.63"
9	122269-44-000	EA	ROD - LATCH - 21.39"
9	122269-06-000	EA	ROD - LATCH - 24.07"
10	122268-16-000	EA	ROD - LATCH - 8.96"
10	122268-66-000	EA	ROD - LATCH - 9.32"
10	122268-17-000	EA	ROD - LATCH - 11.57"
10	122268-07-000	EA	ROD - LATCH - 16.63"
10	122268-44-000	EA	ROD - LATCH - 21.39"
10	122268-06-000	EA	ROD - LATCH - 24.07"
11	122613-55-007	EA	EXTRUDED - ROCKER PANEL - 192" - BLACK
	122612-55-007	EA	U CHANNEL - EXTRUSION - BLACK
	122614-55-007	EA	EXTRUDED - H CHANNEL - 191" - BLACK
12	123783-01-01A	EA	STRIKER - DOOR - MILL
			FROM: 00-00-00 THRU: 12-13-98
12	130053-01-01A	EA	STRIKER - LUGGAGE DOOR
			FROM: 12-14-98 THRU: 99-99-99
13	123892-10-02B	EA	CORNER STABILIZER W/BALL STUD - RIGHT HAND - E-COATED

WINDOW, VENT & EXTERIOR DOOR GROUP (CONTINUED)



ENTERTAINMENT CENTER DOOR COMPONENTS

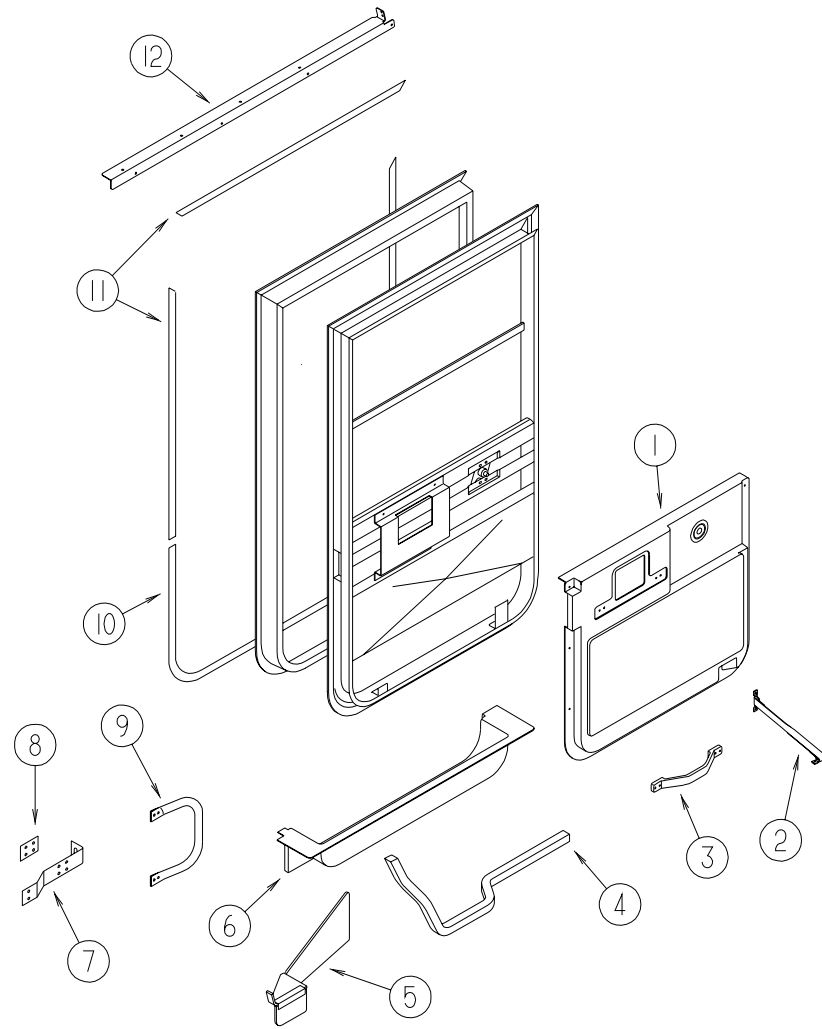
KEY	PART NUMBER	U/M	DESCRIPTION
1	107997-51-001	EA	SPACER - DOOR LOCK - .6" DEEP
	107997-51-002	EA	EXTRUDED - SPACER - 16'
2	102768-01-000	EA	HOLDER - COMPARTMENT/ ENTRY DOOR - METAL - MILL FINISH
3	081801-V3-000	EA	HINGE - ALUMINUM - 2" X 8" - BRIGHT WHITE
4	106850-02-000	FT	SEAL-E - SPONGE RUBBER - .43" X .75"
5	097111-01-04A	EA	POCKET - LOCK - VALANCE

COMPARTMENT & DRIVER DOOR KEYS

KEY	PART NUMBER	U/M	DESCRIPTION
	129676-01-000	EA	KEY - T/M 14472-07-1431
	129676-02-000	EA	KEY - T/M 14472-07-1432
	129676-03-000	EA	KEY - T/M 14472-07-1443
	129676-04-000	EA	KEY - T/M 14472-07-1434
	129676-05-000	EA	KEY - T/M 14472-07-1435
	129676-06-000	EA	KEY - T/M 14472-07-1436
	129676-07-000	EA	KEY - T/M 14472-07-1437
	129676-08-000	EA	KEY - T/M 14472-07-1438
	129676-09-000	EA	KEY - T/M 14472-07-1439
	129676-10-000	EA	KEY - T/M 14472-07-1440

WINDOW, VENT & EXTERIOR DOOR GROUP (CONTINUED)

DRIVER DOOR INTERIOR COMPONENTS

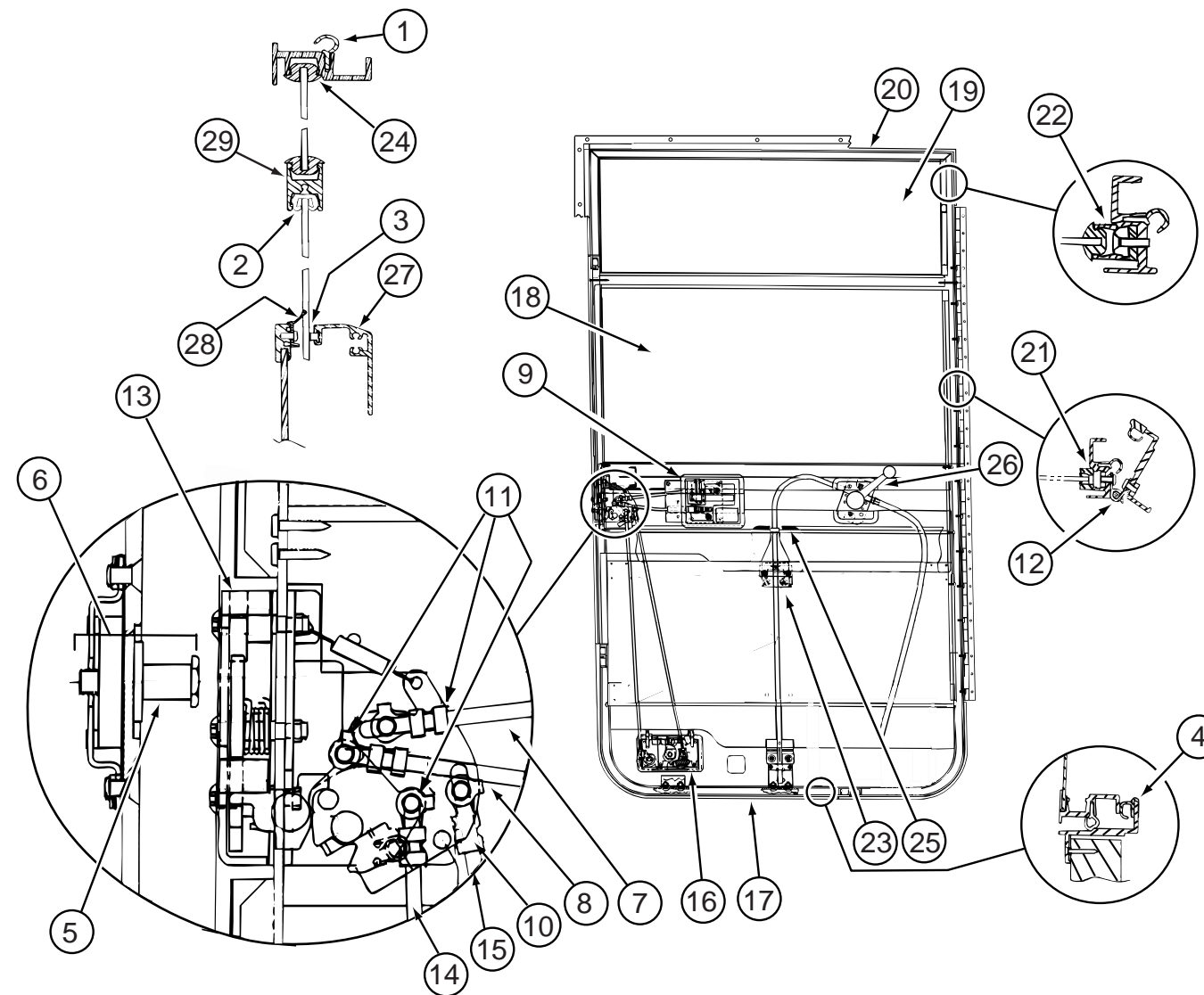


KEY	PART NUMBER	U/M	DESCRIPTION
1	125899-03-02A	EA	PANEL - CAB DOOR - INNER/DRIVER - ANTELOPE
2	109378-01-000	EA	STRAP - CHECK - DRIVER DOOR - 12.8"
3	110604-01-01A	EA	HANDLE - ASSIST - DRIVER DOOR - 10.8" LONG - BLACK
4	063977-14-000	EA	STEP - DRIVER DOOR - LEFT HAND
5	128255-01-04B	EA	STEP - DRIVER DOOR - BLACK
6	107818-03-03A	EA	TRIM - STEP - DRIVERS DOOR - ANTELOPE
	102569-02-000	EA	MAT - ANTI SLIP - LOWER
7	126506-01-02B	EA	BRACKET - STRIKE - DRIVER DOOR - E-COATED
8	126534-01-02B	EA	SPACER - STRIKE - DRIVER DOOR - E-COATED

KEY	PART NUMBER	U/M	DESCRIPTION
9	108832-02-01A	EA	HANDLE - ASSIST - DRIVER DOOR
	126701-01-03A	EA	COVER - ASSIST HANDLE - OFF WHITE
10	109235-01-05A	FT	COVER - SCREW - BRIGHT WHITE
11	109235-01-01A	FT	COVER - SCREW - MAT BLACK
12	125804-02-02B	EA	ANGLE - DOOR SUPPORT - E-COATED
	125725-01-01A	EA	FRAME - DRIVER DOOR - 33.5" - BLACK
	125725-03-01A	EA	FRAME - DRIVER DOOR - 27.8" - BLACK
	125725-07-01A	EA	FRAME - DRIVER DOOR - 53.26" - BLACK
	125725-08-01A	EA	FRAME - DRIVER DOOR - 21.38" - BLACK
	P01713-01-000	EA	SWITCH - PUSH BUTTON - IN DOOR JAMB - METAL CHROME

WINDOW, VENT & EXTERIOR DOOR GROUP (CONTINUED)

DRIVER DOOR

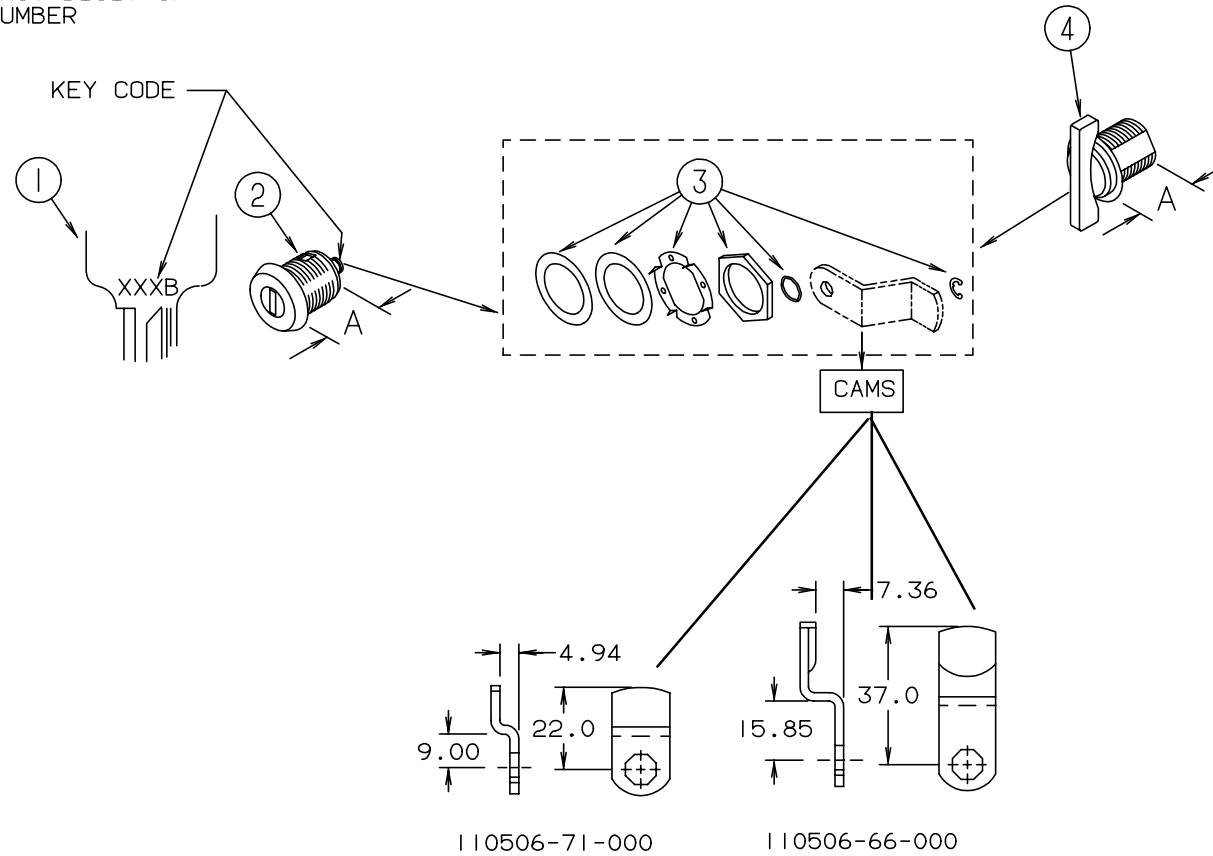


KEY	PART NUMBER	U/M DESCRIPTION	VENDOR NO.	KEY	PART NUMBER	U/M DESCRIPTION	VENDOR NO.
	125581-05-01A	EA DOOR - DRIVER - NON-POWER WINDOW/LOCK		14	125581-04-700	EA ROD - LATCH/VERTICAL ADJUST.	203041767
1	106469-01-702	EA DOOR SEAL	122-040984	15	125581-04-701	EA ROD - LOCK/VERTICAL ADJUST.	203-041768
2	106469-01-705	FT CHANNEL - RUN - SLIDING	122-010850	16	125581-03-704	EA PADDLE - W/O LOCK/RH - KEY 1	TRI/MARK #14312-02
3	106469-01-709	FT WEATHERSTRIP - FUZZY	171-040630	17	125581-04-703	EA FRAME - MOUNTING - BLACK	V180-35L
4	106469-01-723	EA SEAL - BULB ASM. (JAMB)	171-040985	18	125581-04-704	EA GLASS - ROLL-UP	106-041821
5	106469-04-703	EA BOLT - STRIKER (W/ WASHER)	248-041152	19	125581-04-705	EA GLASS - STATIONARY	106-041547
6	106469-04-704	EA NUT ASSEMBLY - CAGED - W/STRIKER	248-041151	20	125581-04-706	EA FRAME - DOOR - SUB-ASSEMBLY	V180-94L
7	106469-04-705	EA LATCH ROD - HORIZONTAL	203-041139	21	125581-04-707	EA CHANNEL - ROLL UP GLASS	V156-60
8	106469-04-711	EA LOCK ROD - HORIZONTAL	203-041137	22	125581-04-708	EA CHANNEL - STATIONARY GLASS	V156-61
9	106469-04-712	EA HANDLE/DOOR - INNER W/HARDWARE	248-041402	23	125581-04-709	EA REGULATOR - MANUAL	410-08389
10	106469-04-713	EA ROD CLIP L.H.	248-041154	24	125581-04-710	EA VINYL - GLAZING	132-041484
11	106469-04-714	EA ROD CLIP R.H.	248-041153	25	125581-04-711	EA CHANNEL- GLASS	N135-66
12	106469-05-702	EA HINGE - 42"	211-041194	26	125581-05-702	EA HANDLE - REGULATOR	182-041785
13	106469-05-706	EA LATCH - ROTARY - W/LINKAGE	248-041150	CONTACT WINNEBAGO PART SALES FOR THIS COMPONENT			
	125581-07-703	EA BRACKET-ALUMINUM "L" (INSIDE)	N135-55		106469-04-716	EA LEVER - LOCKING - BLACK	80978-00
	125581-07-704	EA BRACKET - STRAP/JAMB & DOOR	248-080394	28	125581-03-703	EA WEATHERSTRIP - BELTING	410-08389
	125581-07-705	EA BRACKET (L) F/SEAL PROTECT	490201	29	125581-03-700	EA MULLION RAIL - BLACK	V123-84
					125581-05-700	EA INNER SILL - BLACK	V130-64L

WINDOW, VENT & EXTERIOR DOOR GROUP (CONTINUED)

NOTE:
 WHEN ORDERING THE LOCK CASE, THE KEY CODE MUST MATCH THE LAST DIGIT OF THE VEHICLE'S SERIAL NUMBER AND PART NUMBER; WHEN ORDERING THE KEYS, THE THIRD DIGIT OF THE KEY CODE MUST MATCH THE LAST DIGIT OF THE VEHICLE'S SERIAL NUMBER AND PART NUMBER

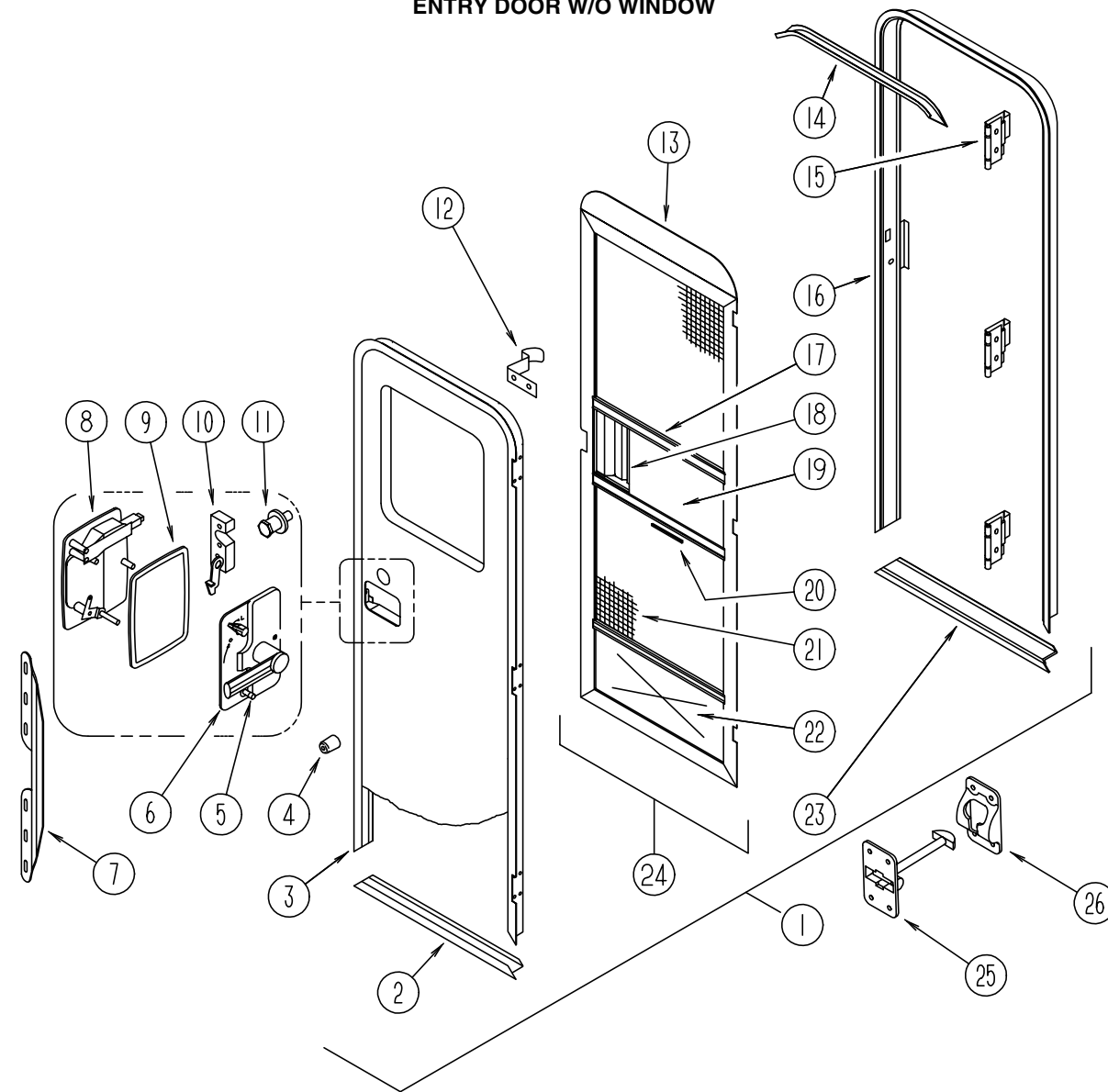
BRIGGS & STRATTON LOCKS & COMPONENTS



KEY	PART NUMBER	U/M	DESCRIPTION	VENDOR NO.	KEY	PART NUMBER	U/M	DESCRIPTION	VENDOR NO.
1	110506-59-000	EA	KEYS - SET OF TWO	596720	1	110506-59-006	EA	KEYS - SET OF TWO	596726
2	110506-52-000	EA	CASE - LOCK - A= .65"	702370	2	110506-52-006	EA	CASE - LOCK - A= .65"	702376
2	110506-53-000	EA	CASE - LOCK - A= 1"	702380	2	110506-53-006	EA	CASE - LOCK - A= 1"	702386
2	110506-54-000	EA	CASE - LOCK - A= 1.25"	703170	2	110506-54-006	EA	CASE - LOCK - A= 1.25"	703176
1	110506-59-001	EA	KEYS - SET OF TWO	596721	1	110506-59-007	EA	KEYS - SET OF TWO	596727
2	110506-52-001	EA	CASE - LOCK - A= .65"	702371	2	110506-52-007	EA	CASE - LOCK - A= .65"	702377
2	110506-53-001	EA	CASE - LOCK - A= 1"	702381	2	110506-53-007	EA	CASE - LOCK - A= 1"	702387
2	110506-54-001	EA	CASE - LOCK - A= 1.25"	703171	2	110506-54-007	EA	CASE - LOCK - A= 1.25"	703177
1	110506-59-002	EA	KEYS - SET OF TWO	596722	1	110506-59-008	EA	KEYS - SET OF TWO	596728
2	110506-52-002	EA	CASE - LOCK - A= .65"	702372	2	110506-52-008	EA	CASE - LOCK - A= .65"	702378
2	110506-53-002	EA	CASE - LOCK - A= 1"	702382	2	110506-53-008	EA	CASE - LOCK - A= 1"	702388
2	110506-54-002	EA	CASE - LOCK - A= 1.25"	703172	2	110506-54-008	EA	CASE - LOCK - A= 1.25"	703178
1	110506-59-003	EA	KEYS - SET OF TWO	596723	1	110506-59-009	EA	KEYS - SET OF TWO	596729
2	110506-52-003	EA	CASE - LOCK - A= .65"	702373	2	110506-52-009	EA	CASE - LOCK - A= .65"	702379
2	110506-53-003	EA	CASE - LOCK - A= 1"	702383	2	110506-53-009	EA	CASE - LOCK - A= 1"	702389
2	110506-54-003	EA	CASE - LOCK - A= 1.25"	703173	2	110506-54-009	EA	CASE - LOCK - A= 1.25"	703179
1	110506-59-004	EA	KEYS - SET OF TWO	596724	3	110506-40-700	EA	HARDWARE KIT	
2	110506-52-004	EA	CASE - LOCK - A= .65"	702374	4	110506-50-000	EA	CASE - TWIST LOCK - A= .65"	596952
2	110506-53-004	EA	CASE - LOCK - A= 1"	702384	4	110506-51-000	EA	CASE - TWIST LOCK - A= 1"	596669
2	110506-54-004	EA	CASE - LOCK - A= 1.25"	703174	4	110506-55-000	EA	CASE - TWIST LOCK - A= 1.25"	597312AA1
1	110506-59-005	EA	KEYS - SET OF TWO	596725		110506-40-000	EA	CLIP-E - LOCK ASM.	93981
2	110506-52-005	EA	CASE - LOCK - A= .65"	702375		110506-64-000	EA	CAM - LOCK	322280
2	110506-53-005	EA	CASE - LOCK - A= 1"	702385		110506-68-000	EA	CAM - LOCK	322284
2	110506-54-005	EA	CASE - LOCK - A= 1.25"	703175		110506-71-000	EA	CAM - LOCK	322287
						110506-59-701	EA	KEY BLANK - GOLD	
						130444-01-01A	EA	CAP - KEY IDENTIFIER - GRAY	

WINDOW, VENT & EXTERIOR DOOR GROUP (CONTINUED)

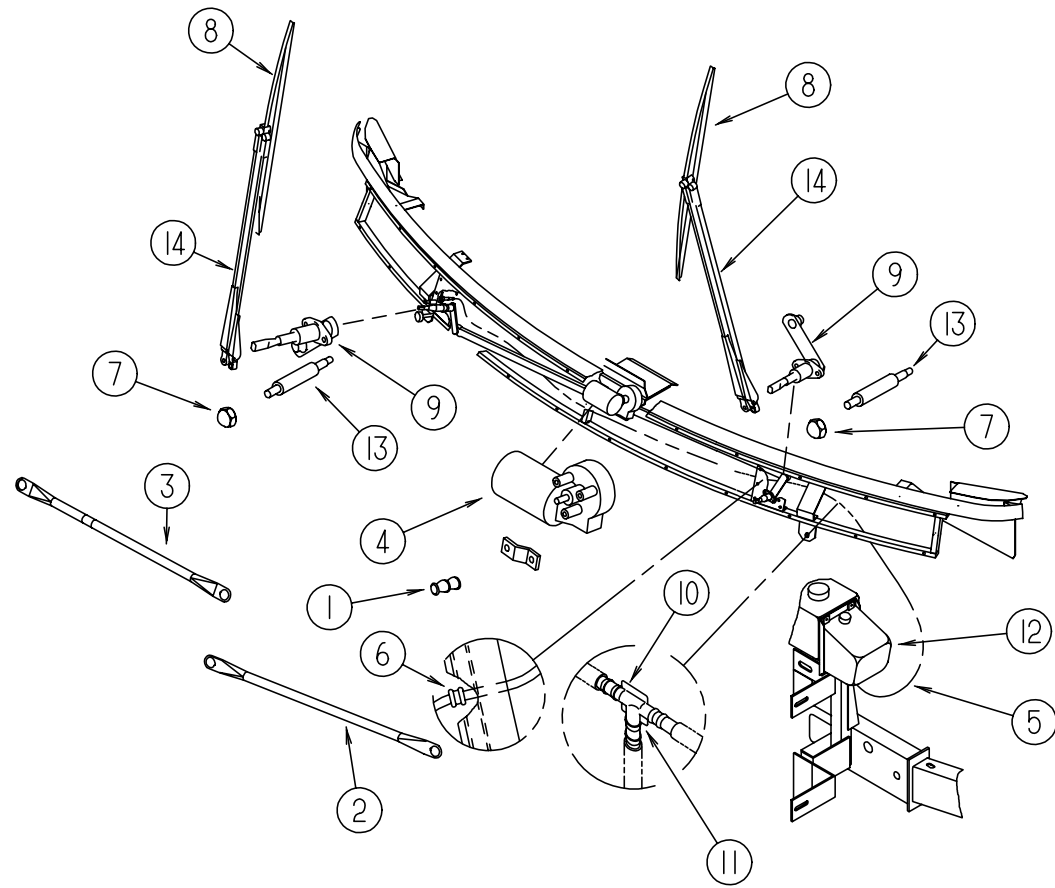
ENTRY DOOR W/O WINDOW



KEY	PART NUMBER	U/M	DESCRIPTION
1	115108-17-K28	EA	DOOR - ENTRY - W/SCREEN DOOR - W/O WINDOW (K28, K29, K34, K35)
1	115108-17-K30	EA	DOOR - ENTRY - W/SCREEN DOOR - W/O WINDOW (K30, K31)
1	115108-17-K32	EA	DOOR - ENTRY - W/SCREEN DOOR - W/O WINDOW (K32, K33)
2	121893-01-01A	EA	FRAME - DOOR - ENTRANCE - BOTTOM - BRIGHT WHITE
3	121894-09-02A	EA	FRAME - DOOR - ENTRANCE
4	120863-02-000	EA	BUMPER - RUBBER - 1" DIAMETER X 1.50"
5	112782-05-01A	EA	CAP - VINYL - RED
6	112782-02-01A	EA	LATCH - INTERIOR PLATE
7	098173-01-04A	EA	STIFFENER - ENTRY DOOR - SUPPORTS LATCH/ STRIKE AREA - UNPAINTED
8	112782-07-01A	EA	LATCH - EXTERIOR - W/O MAIN CYLINDER W/DEADBOLT LOCK/KEY
9	112782-04-01A	EA	GASKET
10	112782-03-01A	EA	LATCH - SINGLE ROTOR
11	092927-03-000	EA	STRIKER - ROUND - JAMB MOUNTED
	077461-03-000	EA	COVER - STRIKE - ENTRY DOOR - 6.5" X 2.5" - WHITE PLASTIC
	039715-01-000	EA	NUT-SERT - 1/4" DIAMETER - 20 THREADS (ENTRANCE DOOR HINGE)
	041546-08-000	EA	BRACKET - DOOR ANGLE - OFF WHITE
	075671-04-000	FT	SEAL - SPONGE - LAZY T SHAPE - W/ ADHESIVE STRIP - .5" WIDE
12	100412-01-000	EA	CATCH - SCREEN DOOR
13	078595-01-000	EA	TOP PLATE - SCREEN DOOR - CURVED TOP - 4.7" X 25.35"
14	044582-44-000	EA	CAP - DRIP - ENTRY DOOR - ALUMINUM - BRIGHT WHITE

KEY	PART NUMBER	U/M	DESCRIPTION
15	106719-01-05A	EA	HINGE - ENTRANCE DOOR - BRIGHT WHITE
	076725-02-000	EA	COVER - HINGE - ENTRY DOOR - 6" X 3.2" - OFF WHITE
	102248-01-000	EA	SHIM - DOOR
	116111-02-01A	EA	SCREW - TAPTITE - 1/4-20 X 3/8 PPH - ZINC
	118929-01-01A	FT	SEAL - PILE - PUSH ON
16	121898-07-02A	EA	JAMB - DOOR - ENTRANCE
17	078777-08-000	FT	CHANNEL SLIDER
18	079086-03-000	EA	SLIDER - SCREEN DOOR - BRIGHT WHITE
19	001014-01-013	EA	INSERT - CENTER - 10.25" X 16.31" - UNPAINTED
20	002294-01-000	FT	SPLINE - SCREENING - .135" X .138"
21	002293-02-000	SF	SCREENING - WINDOW/ DOOR - 26"
	075673-01-000	FT	SEAL - PILE - ADHESIVE BACK - GRAY
22	078552-03-000	EA	KICK PANEL - SCREEN DOOR - LOWER INSERT - UNPAINTED
	078595-01-000	EA	TOP PLATE - SCREEN DOOR - CURVED TOP - 4.7" X 25.35"
23	051049-01-000	EA	JAMB - BOTTOM - ENTRY DOOR - 25.9" - UNPAINTED
24	117077-02-J70	EA	DOOR - SCREEN
25	104099-01-04A	EA	CATCH - DOOR HOLDER - STRIKE - BRIGHT WHITE
26	104099-02-04A	EA	CATCH - DOOR HOLDER - RETAINER - BRIGHT WHITE
	115222-02-01A	EA	GARNISH - RADIUS - ENTRY DOOR
	009126-03-000	EA	HANDLE - ASSIST - BLACK TEXTURED
	120863-06-000	EA	BUMPER - RUBBER - 3/4" X 3/8"

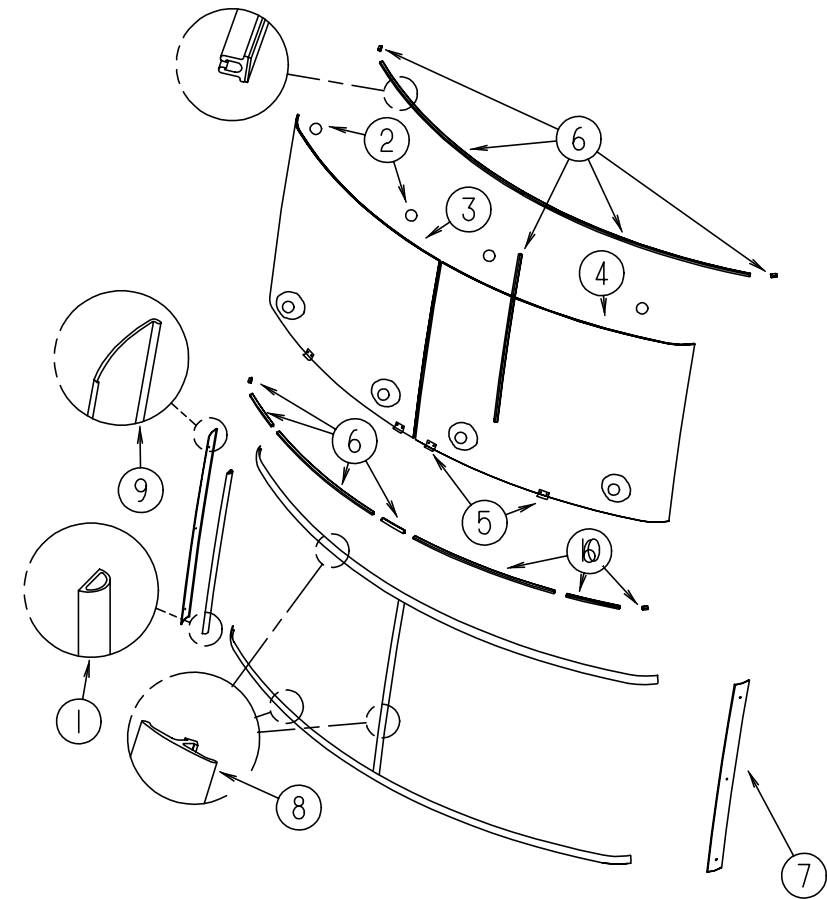
WINDSHIELD & WIPER GROUP



WINDSHIELD WIPER ASM

KEY	PART NUMBER	U/M	DESCRIPTION	VENDOR NO.
1	067188-01-000	EA	STUD - CRANK - WIPER MOTOR	
	117322-01-000	EA	SCREW - 1/4-28 UNFINISHED - 2A - TORX	
2	117770-01-000	EA	LINK - CONNECTING - 24" - CLOSED GROMMET/OPEN GROMMET	
3	117770-02-000	EA	LINK - CONNECTING - 24" - CLOSED GROMMET/CLOSED GROMMET	
4	104346-04-000	EA	MOTOR - WIPER W/INTERNAL BREAKER (GM)	
4	104346-05-000	EA	MOTOR - WIPER W/INTERNAL BREAKER - DYNAMIC PARK (FORD)	
	104347-04-000	EA	ARM - DRIVE - WIPER MOTOR	
5	045794-01-000	FT	HOSE - WASHER - WINDSHIELD - 5/32" ID - BLACK	
6	061603-01-000	EA	GROMMET - SNAP - 3/16"ID - 3/8" HOLE - PLASTIC BLACK	
7	077049-02-000	EA	NUT - ACORN - 10-32 BLA CK/ANODIZED	
8	095964-01-000	EA	BLADE - WINDSHIELD WIPER - 24"	
	095964-01-700	EA	BLADE - REFILL24" EA = 1 PAIR	12360
9	096505-09-000	EA	SHAFT/PIVOT - WINDSHIELD WIPER	
	096505-02-700	EA	DRIVER - KNURLED,(HD) BRL .687	NT721017
	096505-02-701	EA	NUT - HEX (HD) W/.687 BARREL	NT721021
	096505-02-702	EA	CAP - RUBBER (HD) BARREL .687	CP721084
	096505-02-703	EA	CAP - NUT(ACORN) HD W/.687 BRL	51065-40-NT27WC
10	110605-01-000	EA	TEE - PLASTIC - BARBED - 1/8" X 1/8" X 3/16"	
11	117765-03-000	EA	CONNECTOR - 5/32" - WINDSHIELD WASHER	
12	117766-02-000	EA	RESERVOIR/PUMP - WINDSHIELD WASHER	
13	117768-01-000	EA	SHAFT - ADAPTER - PANTOGRAPH ARM	
14	117769-01-000	EA	ARM - WIPER - PANTOGRAPH - 28"	

WINDSHIELD & WIPER GROUP (CONTINUED)



WINDSHIELD MOLDINGS & GLASS

KEY	PART NUMBER	U/M	DESCRIPTION
1	099418-01-000	FT	SEAL - D-SECTION/ADHESIVE BACK - .44" X .44"- BLK RUBBER
2	081914-01-000	EA	BUMPER - RUBBER - ROUND - .43" DIAMETER
3	124328-01-000	EA	WINDSHIELD - PASSENGER - 52" X 41" (CURVED)
4	124328-02-000	EA	WINDSHIELD - DRIVERS - 52" X 41" (CURVED)
5	002328-02-000	EA	BLOCK - WINDSHIELD - .062" X .5" X .98"
6	127862-01-000	EA	CARRIER - REVEAL - WINDSHIELD - 47.2"
7	125384-02-02A	EA	TRIM - WINDSHIELD - A-PILLAR - DRIVER - BLACK
7	125384-02-01A	EA	TRIM - WINDSHIELD - A-PILLAR - DRIVER - MILL
8	120533-01-000	FT	MOLDING - REVEAL - WINDSHIELD
9	125384-01-02A	EA	TRIM - WINDSHIELD - A-PILLAR - PASSENGER - BLACK
9	125384-01-01A	EA	TRIM - WINDSHIELD - A-PILLAR - PASSENGER - MILL
10	117335-01-000	EA	CARRIER/REVEAL - 94.6" W/ADHESIVE BACKING