

**1999**

**WCF31B**

**K16**

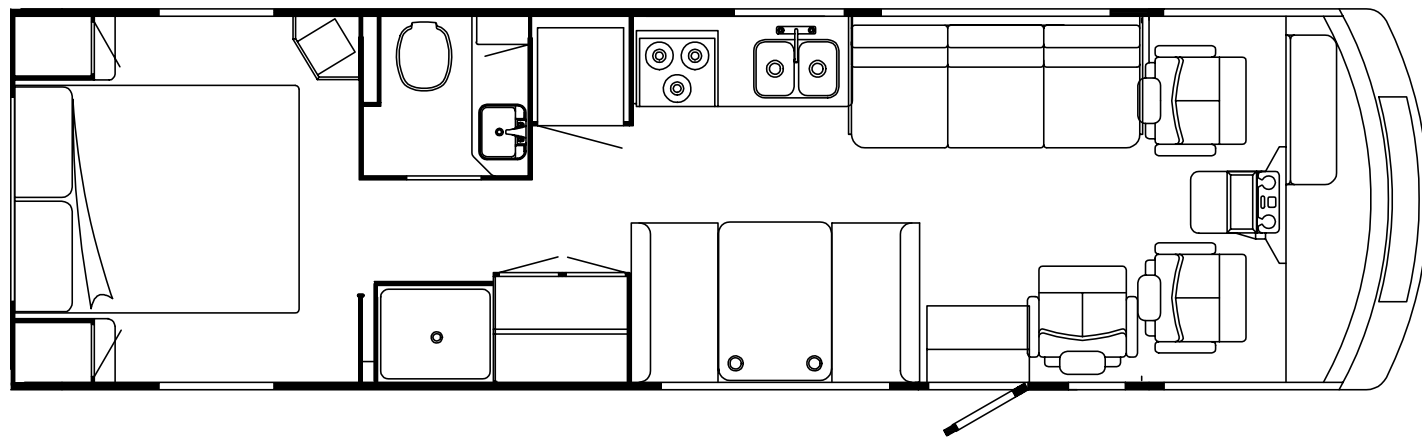
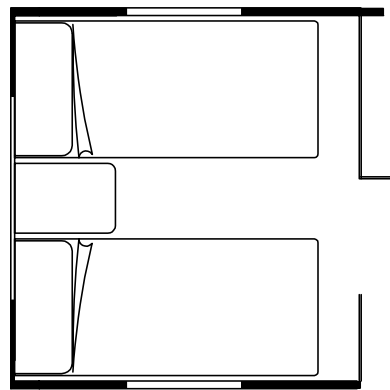
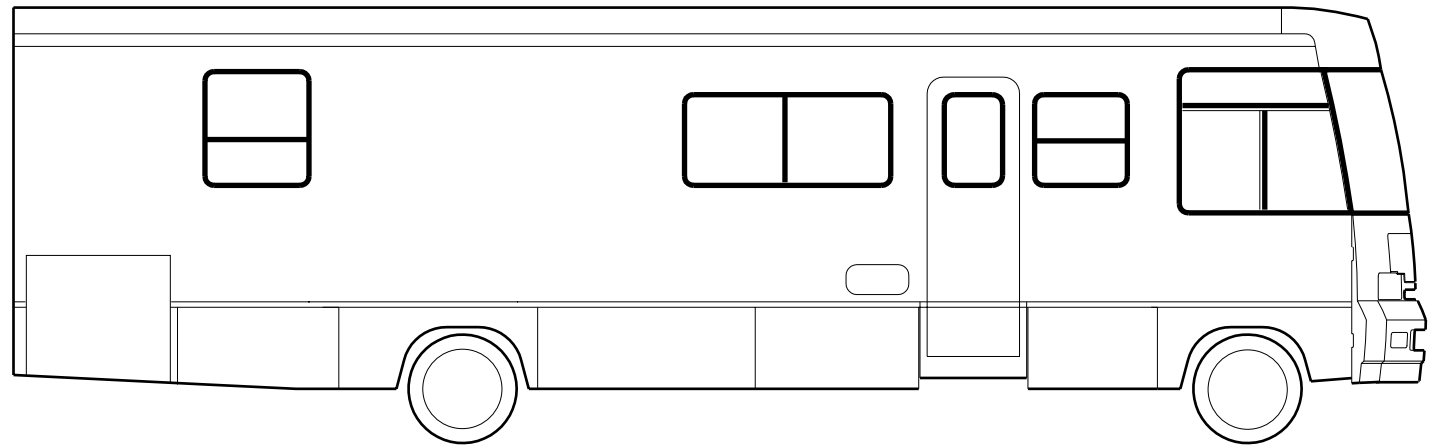
**SANDPIPER (SAND)**

**K17**

**HORIZON (BLUE)**

**K18**

**MEADOWBROOK (GREEN)**



**ACCESSORIES GROUP  
OPERATOR MANUAL**

| KEY | PART NUMBER   | U/M DESCRIPTION   |
|-----|---------------|---|
|     | 054185-K3-000 | EA MANUAL-OPERATOR 99 BRAVE                                   |
|     | 129079-01-01A | EA CASE - VINYL/BLACK-EXPANDABLE ACCORDION SIDES-7"WX9"HX14"L |
|     | 128992-01-000 | DW TOP LEVEL-F, 1999  |

**AUDIO VIDEO GROUP  
PATIO ENTERTAINMENT CENTER**

| KEY | PART NUMBER   | U/M DESCRIPTION                                       |
|-----|---------------|---|
|     | 076319-09-000 | EA WALLPLATE - CABLE RECEPTACLE - TV - SINGLE - BROWN |
|     | 108847-01-000 | EA BRACKET - ANTENNA GROUND                           |
|     | 109889-04-000 | EA EXTENDER - ANTENNA SHAFT - 3"                      |
|     | 110469-01-000 | EA SPEAKER - 4" X 6" OVAL - COAXIAL                   |
|     | 110470-01-01A | EA GRILLE - 4" X 6" OVAL - BLACK                      |
|     | 125322-02-000 | EA RADIO - AM/FM STEREO - CASSETTE - AUDIOVOX         |

**RADIO SYSTEM & ANTENNA**

| KEY | PART NUMBER   | U/M DESCRIPTION  | VENDOR NO. |
|-----|---------------|--|------------|
|     | 127516-03-000 | EA RADIO - AM/FM STEREO - CD PLAYER - PANASONIC  |            |
|     | 127516-03-700 | EA FACE - REMOVABLE  | YEP0FX3300 |
|     | 110267-04-000 | EA RADIO - AM/FM STEREO/CD COMPATIBLE - AUDIOVOX                                       |            |
|     | 077069-02-000 | EA CABLE - ANTENNA/EXTENSION - RADIO - 96"   |            |
|     | 090944-01-000 | EA ANTENNA - RADIO - 16" RUBBER  |            |
|     | 115916-01-01B | EA BRACKET - ANTENNA MOUNT   |            |
|     | 110469-01-000 | EA SPEAKER - 4" X 6" OVAL - COAXIAL  |            |
|     | 110470-01-01A | EA GRILLE - 4" X 6" OVAL - BLACK   |            |
|     | N/A           | EA SPEAKER - 5" X 7" OVAL<br>MUST ORDER P.N.#F2UF-18814-CD FROM YOUR LOCAL FORD DEALER |            |
|     | 111177-01-01A | EA GRILLE - SPEAKER - 6.6" X 8.9" - HOUSING 5" X 7" SPEAKER                            |            |

**TV, VCR & COMPONENTS**

| KEY | PART NUMBER   | U/M DESCRIPTION  | VENDOR NO.                    |
|-----|---------------|--|-------------------------------|
|     | 126696-02-000 | EA TV - 19" COLOR W/1/8" JACK - UL/CSA - GE19GT319M        | FROM: 00-00-00 THRU: 06-09-99 |
|     | 126696-01-700 | EA REMOTE  | 226725/228006                 |
|     | 126696-03-000 | EA TV - 19" - 7/8" JACK - UL/CSA                           | FROM: 06-10-99 THRU: 99-99-99 |
|     | 126697-02-000 | EA VCR-VHS - CABLE READY - W/REMOTE - GE VG2042            | FROM: 00-00-00 THRU: 04-04-99 |
|     | 126697-02-700 | EA REMOTE  | 238513                        |
|     | 126697-03-000 | EA VCR-VHS - CABLE READY - REMOTE - GE V62051              | FROM: 04-05-99 THRU: 99-99-99 |
|     | 086757-03-000 | EA CONTROL CENTER - SWITCH - VCR/TV                        | FROM: 00-00-00 THRU: 11-08-98 |
|     | 086757-04-000 | EA CONTROL CENTER - SWITCH - VCR/TV - 5 INPUTS             | FROM: 11-09-98 THRU: 99-99-99 |
|     | 086777-06-000 | EA WALLPLATE - TV CABLE - ANTENNA BOOSTER/1 OUTPUT - BROWN |                               |
|     | 093901-03-000 | EA PLATE - TV COAX - EXTERIOR - 1.8" X 2.5"                |                               |
|     | 093214-01-02A | EA GRILLE - SPEAKER - 4" BROWN                             |                               |
|     | 098819-01-000 | EA SPEAKER - 4" - 2 WATT - 8 OHM                           |                               |
|     | 076319-08-000 | EA WALLPLATE - CABLE RECEPTACLE - TV - SINGLE - IVORY      |                               |
|     | 086777-02-000 | EA WALLPLATE - TV CABLE - W/ANTENNA SWITCH - BROWN         |                               |
|     | 093901-03-000 | EA PLATE - TV COAX - EXTERIOR - 1.8" X 2.5"                |                               |
|     | 076319-03-000 | FT CABLE - COAXIAL - 75 OHM                                |                               |
|     | 076319-12-000 | EA CONNECTOR - COAXIAL - ONE PIECE                         |                               |
|     | 082134-01-000 | EA ADAPTER - TV - CABLE TO CABLE                           |                               |
|     | 086756-01-000 | EA SPLITTER - TV - 2 WAY                                   |                               |
|     | 082136-01-000 | EA NUT - HEX JAM - 3/8-32                                  |                               |

**REAR MONITOR SYSTEM**

| KEY | PART NUMBER   | U/M DESCRIPTION  |
|-----|---------------|--|
|     | 126838-01-000 | EA MONITOR/CAMERA - REAR VIEW 7"                           |
|     | 126838-01-700 | EA MONITOR - 7" VIDEOMAN                                   |
|     | 126838-01-701 | EA CAMERA VIDEOMAN   |
|     | 126838-03-000 | EA CABLE - MONITOR/CAMERA                                  |
|     | 108885-02-000 | EA WIRE - REAR MONITOR(W/3 PIN HOUSING F/FUSE BLOCK) CHEVY |

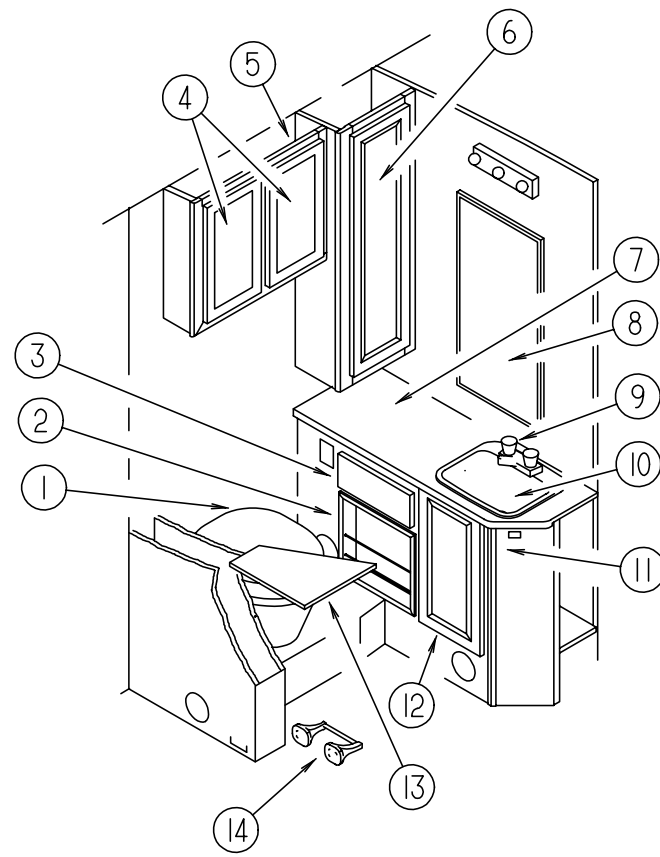
**WINEGARD TV ANTENNA**

| KEY | PART NUMBER   | U/M DESCRIPTION                         |
|-----|---------------|---|
| *   | 076319-23-000 | EA ANTENNA - TV ROOF MOUNT - 44.5" MAST |
| *   | 076319-25-000 | EA KIT - HARDWARE INTERIOR              |

**\*COMPONENT PARTS FOUND IN SERVICE PARTS LIBRARY**

## BATH GROUP

### BATHROOM CABINET & COMPONENTS



| KEY | PART NUMBER   | U/M DESCRIPTION  | VENDOR NO.                    |
|-----|---------------|--|-------------------------------|
| 1*  | 067487-01-000 | EA TOILET - 12.37" - IVORY - HAND FLUSH                            |                               |
| 2   | 097208-07-J22 | EA MAGAZINE RACK   |                               |
|     |               |  | FROM: 00-00-00 THRU: 12-13-98 |
| 2   | 131096-02-K16 | EA WALL POCKET - MAGAZINE RACK                                     |                               |
|     |               |  | FROM: 12-14-98 THRU: 99-99-99 |
| 3   | M05971-EB-J15 | EA DRAWER - OGEE EDGE - 12.4"W X 11.8"D - W/O SLIDES/HARDWARE      |                               |
|     |               |  | FROM: 00-00-00 THRU: 04-08-99 |
| 3   | M09316-47-L15 | EA DRAWER - OGEE EDGE - 12.4"W X 11.8"D - W/O SLIDES/HARDWARE      |                               |
|     |               |  | FROM: 04-09-99 THRU: 99-99-99 |
| 4   | M06803-87-K16 | EA DOOR - MITERED CORNER/OGEE EDGE - 11.2" X 19.7" - W/O HDW       |                               |
| 5   | 111178-01-G09 | EA CABINET - LINEN - W/O DOORS/HARDWARE                            |                               |
|     | 111178-11-G09 | EA SHELF - W/PLASTIC EDGE TRIM                                     |                               |
|     | 111178-12-G09 | EA SHELF - W/PLASTIC EDGE TRIM                                     |                               |
|     | 076767-04-000 | EA CABLE - SUPPORT - 5.9" STAINLESS STEEL                          |                               |
| 6   | M09332-26-K16 | EA DOOR - RAISED MEMBRANE/OGEE EDGE - 11.2" X 36.4" - W/O HDW      |                               |
| 7   | 125777-12-J46 | EA COUNTERTOP - LAVATORY (K16)                                     |                               |
| 7   | 125777-12-K17 | EA COUNTERTOP - LAVATORY (K17)                                     |                               |
| 7   | 125777-12-K18 | EA COUNTERTOP - LAVATORY (K18)                                     |                               |
| 8   | 058331-51-000 | EA MIRROR - SAFETY GLASS - 25.9" X 40"                             |                               |
| 8   | 105004-01-05A | EA MOLDING - VINYL WRAPPED - 1" X 96" - WATERFORD OAK              |                               |
| 9   | 075240-06-000 | EA FAUCET - LAVATORY/BONE  |                               |
|     | 091253-01-000 | EA GASKET - FAUCET - LAVATORY/GALLEY                               |                               |
| 10  | 096927-01-01A | EA SINK - LAVATORY - RECTANGULAR - PLASTIC/BONE                    |                               |
|     | 096927-01-700 | EA SINK STOPPER  | M9801                         |
|     | 096927-01-701 | EA TAILPIECE-DRAIN-LAVATORY  | M9802                         |
| 11  | 125777-01-J46 | EA CABINET - LAVATORY - W/COUNTERTOP - W/O DOORS/DRAWERS/HDW (K16) |                               |
| 11  | 125777-01-K17 | EA CABINET - LAVATORY - W/COUNTERTOP - W/O DOORS/DRAWERS/HDW (K17) |                               |
| 11  | 125777-01-K18 | EA CABINET - LAVATORY - W/COUNTERTOP - W/O DOORS/DRAWERS/HDW (K18) |                               |
| 12  | M05992-AE-K16 | EA DOOR - STRAIGHT CORNER/OGEE EDGE - 11.2" X 19.7" - W/O HDW      |                               |
| 13  | 101859-03-J46 | EA SHELF - W/PLASTIC EDGE MOLDING (K16)                            |                               |
| 13  | 101859-03-K17 | EA SHELF - W/PLASTIC EDGE MOLDING (K17)                            |                               |
| 13  | 101859-03-K18 | EA SHELF - W/PLASTIC EDGE MOLDING (K18)                            |                               |
| 14  | 075452-02-000 | EA HOLDER - TOILET TISSUE - BRASS                                  |                               |
|     | 058331-52-000 | EA MIRROR - SAFETY GLASS - 10.9" X 37.9"                           |                               |
|     | 105004-01-05A | EA MOLDING - VINYL WRAPPED - 1" X 96" - WATERFORD OAK              |                               |
|     | 075453-02-000 | EA BAR - TOWEL - 18" BRASS   |                               |

#### \*COMPONENT PARTS FOUND IN SERVICE PARTS LIBRARY

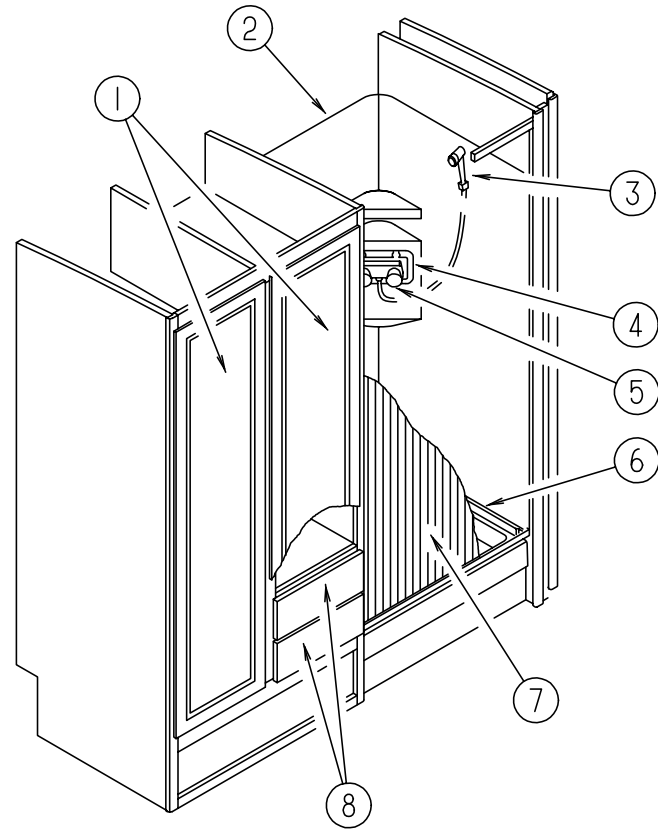
##### BATH DOOR

| KEY | PART NUMBER   | U/M DESCRIPTION                            | VENDOR NO.                    |
|-----|---------------|--|-------------------------------|
|     | 128967-51-J01 | EA RACK - TOWEL/BATH DOOR                  |                               |
|     | 128967-52-J01 | EA MOLDING - VINYL WRAPPED                 |                               |
|     | 128967-53-J01 | EA MOLDING - VINYL WRAPPED                 |                               |
|     | 100357-01-000 | EA ROD - F/TOWEL BAR - BRASS               |                               |
|     | 128967-10-K16 | EA DOOR - BATH - W/O HARDWARE              |                               |
|     | 111155-01-01A | EA LOCK - PRIVACY - POLISHED BRASS         |                               |
|     |               |  | FROM: 00-00-00 THRU: 01-03-99 |
|     | 111155-03-01A | EA LOCK - PRIVACY/LOCKING - POLISHED BRASS |                               |
|     |               |  | FROM: 01-04-99 THRU: 99-99-99 |
|     | 102920-01-01A | EA HINGE/SPRING LOADED - BRASS             |                               |
|     | 110496-01-01A | EA HINGE - BRASS                           |                               |

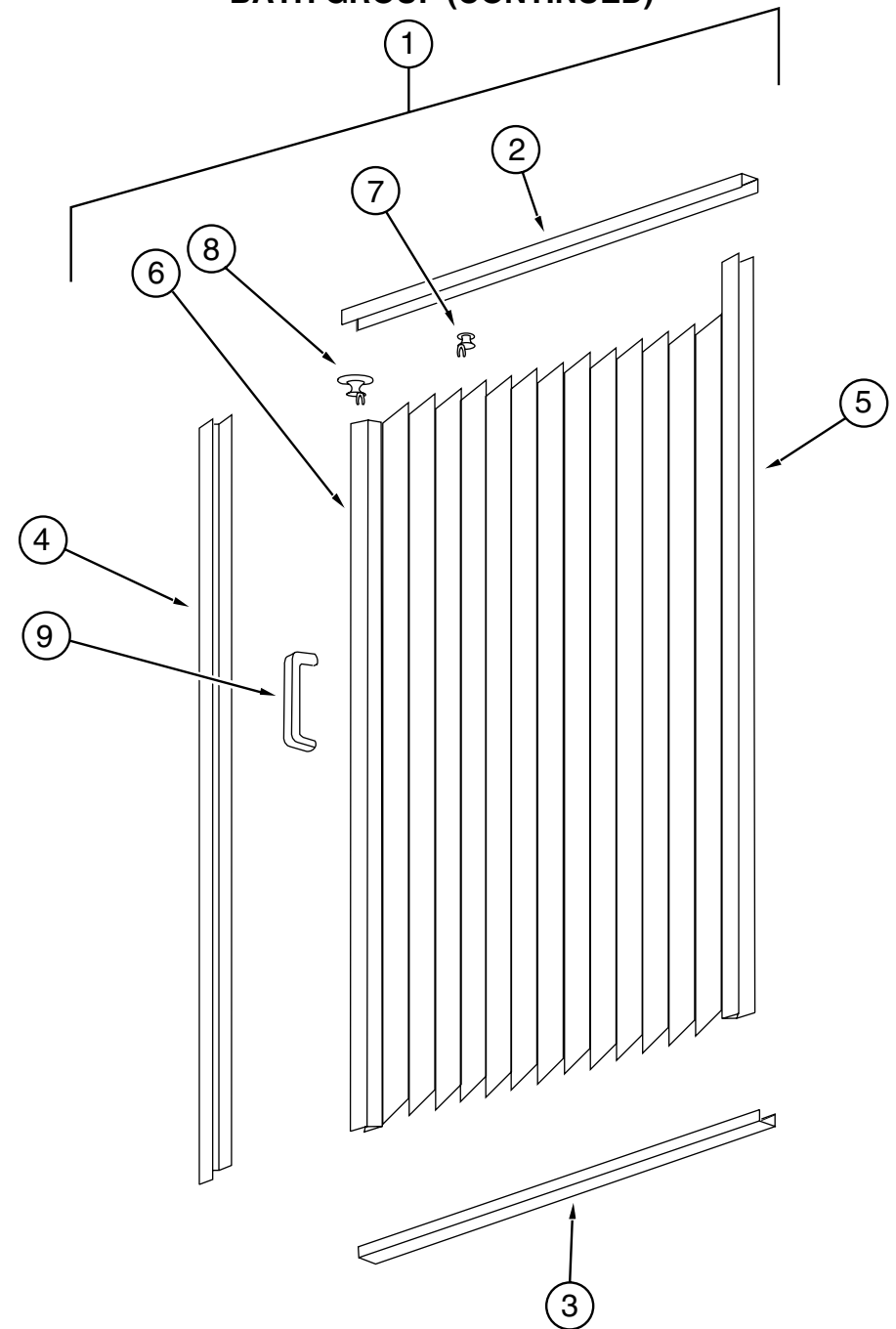
##### SLIDING PRIVACY DOOR

| KEY | PART NUMBER   | U/M DESCRIPTION                  |
|-----|---------------|----------------------------------|
|     | 104013-02-G09 | EA DOOR - SLIDING - W/O HARDWARE |
|     | 103874-01-000 | EA HANGER - SLIDING DOOR         |
|     | 103868-02-01A | EA TRACK-SLIDING DOOR 48.6"      |

**BATH GROUP (CONTINUED)**



**BATH GROUP (CONTINUED)**



**WARDROBE & SHOWER COMPONENTS**

| KEY | PART NUMBER   | U/M DESCRIPTION   | VENDOR NO.                    |
|-----|---------------|---|-------------------------------|
| 1   | M06803-11-J01 | EA DOOR - MIRROR/MTRD CRNR/OGEE EDGE - 16.1" X 65.3"-W//O HDW |                               |
| 2   | 121583-01-01A | EA SURROUND - SHOWER  |                               |
|     | 113714-04-01A | EA RETAINER - SHELF - SHOWER                                  |                               |
|     | 113714-02-01A | EA RETAINER - SHELF   | FROM: 00-00-00 THRU: 08-13-98 |
| 3   | 103092-01-000 | EA SHOWER HEAD - W/60" HOSE & BRACKET - IVORY                 | FROM: 08-14-98 THRU: 99-99-99 |
|     | 103092-01-700 | EA BRACKET-F/SHOWER HEAD, CLEAR                               | 2328028                       |
|     | 011048-03-700 | EA BRACKET - F/SHOWER HEAD                                    | 2328029-I                     |
|     | 103092-01-702 | EA SEALS-SPRAY HEAD   | 24466                         |
| 3   | 131383-01-01A | EA SHOWER HEAD - W/HOSE & BRACKET - 60" - IVORY               | FROM: 07-13-98 THRU: 99-99-99 |
| 3   | 103092-02-000 | EA SHOWER HEAD - W/60" HOSE - CSA                             | FROM: 00-00-00 THRU: 07-12-98 |
|     | 103092-01-700 | EA BRACKET-F/SHOWER HEAD, CLEAR                               | 2328028                       |
|     | 011048-03-700 | EA BRACKET - F/SHOWER HEAD                                    | 2328029-I                     |
|     | 103092-01-702 | EA SEALS-SPRAY HEAD   | 24466                         |
| 3   | 131383-02-01A | EA SHOWER HEAD - W/HOSE & BRACKET - 60" - CSA- IVORY          | FROM: 07-13-98 THRU: 99-99-99 |
|     | 093527-02-000 | EA BRACKET - EXTERIOR SHOWER HEAD/SQUEEGEE                    | FROM: 00-00-00 THRU: 10-27-98 |
|     | 131732-01-12B | EA BRACKET - SQUEEGEE - BRIGHT WHITE                          | FROM: 10-28-98 THRU: 99-99-99 |
| 4   | 075606-01-000 | EA PANEL - PLASTIC - FAUCET BACK - 5" X 9"                    |                               |
| 5   | 075241-05-000 | EA FAUCET/SHOWER - BONE 3/4" MPT X 1.4" LONG INLET PIPES      |                               |
| 6   | M02429-11-000 | EA PAN - SHOWER   | FROM: 00-00-00 THRU: 07-15-98 |
| 6   | M02429-07-000 | EA PAN - SHOWER W/STRAINER                                    | FROM: 07-16-98 THRU: 99-99-99 |
| 7   | 117431-04-01A | EA DOOR - SHOWER - PLEATED FABRIC                             |                               |
| 8   | P11023-03-G09 | EA DRAWER - 14.1"W X 21.6"D - W/O SLIDES/HARDWARE             |                               |

**SHOWER DOOR COMPONENTS**

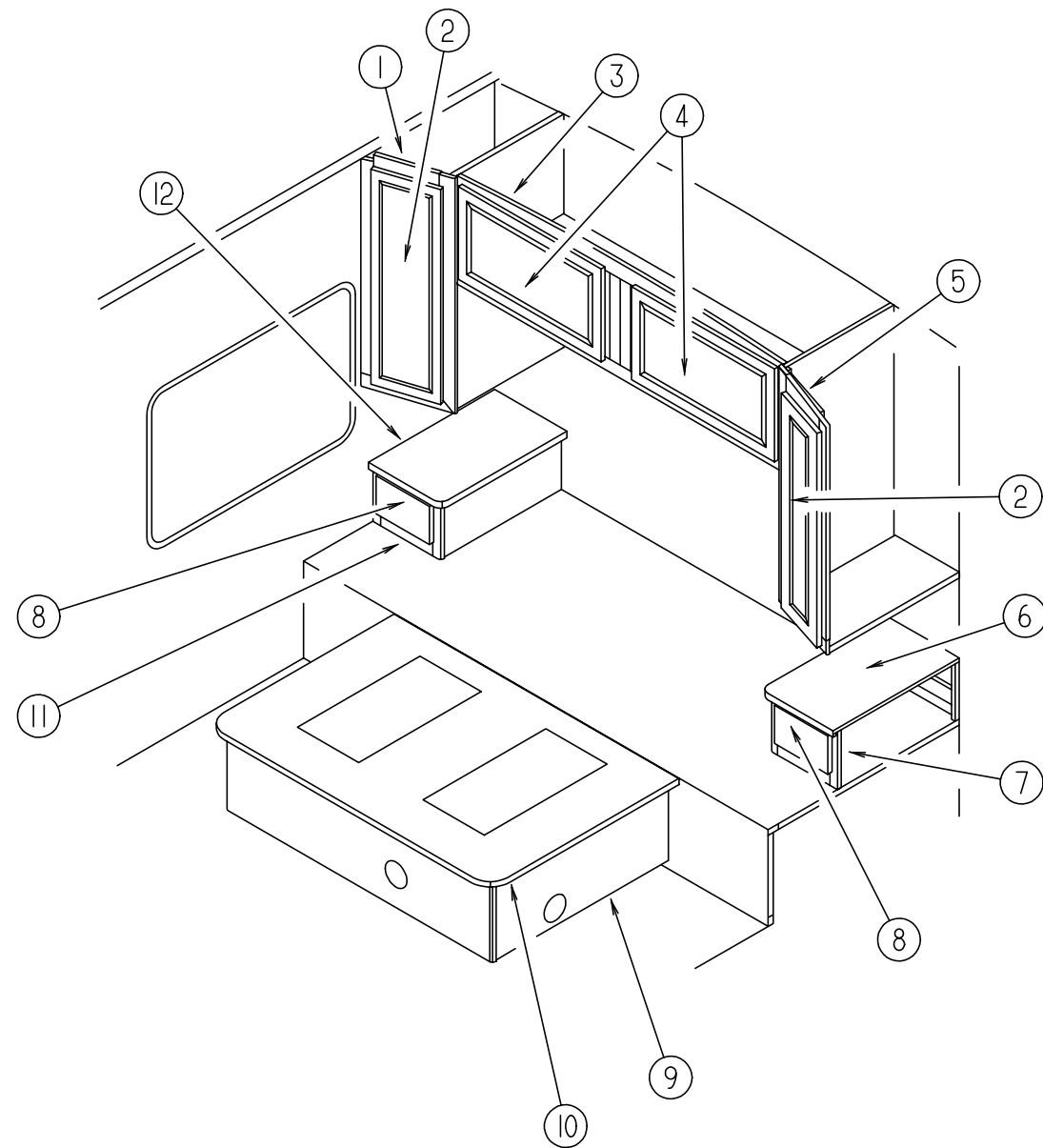
| KEY | PART NUMBER   | U/M DESCRIPTION                     |
|-----|---------------|-------------------------------------|
| 1   | 117431-04-01A | EA DOOR - SHOWER - PLEATED FABRIC   |
| 2   | 117431-01-700 | EA TRACK-TOP, ALUM.IVORY INSERT 48" |
| 3   | 117431-01-701 | EA TRACK-BOTTOM, 48 "               |
| 4   | 117431-01-702 | EA RAIL-SIDE, 67"                   |
| 5   | 117431-01-703 | EA RAIL-STATIONARY, 67"             |
| 6   | 117431-01-704 | EA RAIL-LEAD, 67" - W/LATCH         |
| 7   | 117431-01-705 | EA GLIDE-IVORY, TRAVELER            |
| 8   | 117431-01-706 | EA GLIDE-IVORY LEAD, TRAVELER       |
| 9   | 117431-01-708 | EA HANDLE - W/SCREWS                |
|     | 117431-01-707 | EA CATCH - BATH DOOR                |
|     | 117431-04-700 | EA STRAP-VINYL SHOWER               |

**SHOWER SKYLIGHT**

| KEY | PART NUMBER   | U/M DESCRIPTION                             |
|-----|---------------|---|
|     | 122192-01-02A | EA PANEL - SKYLIGHT - OUTER - 16.4" X 27.8" |
|     | 122193-01-02A | EA PANEL - SKYLIGHT - INNER                 |

# BEDROOM GROUP

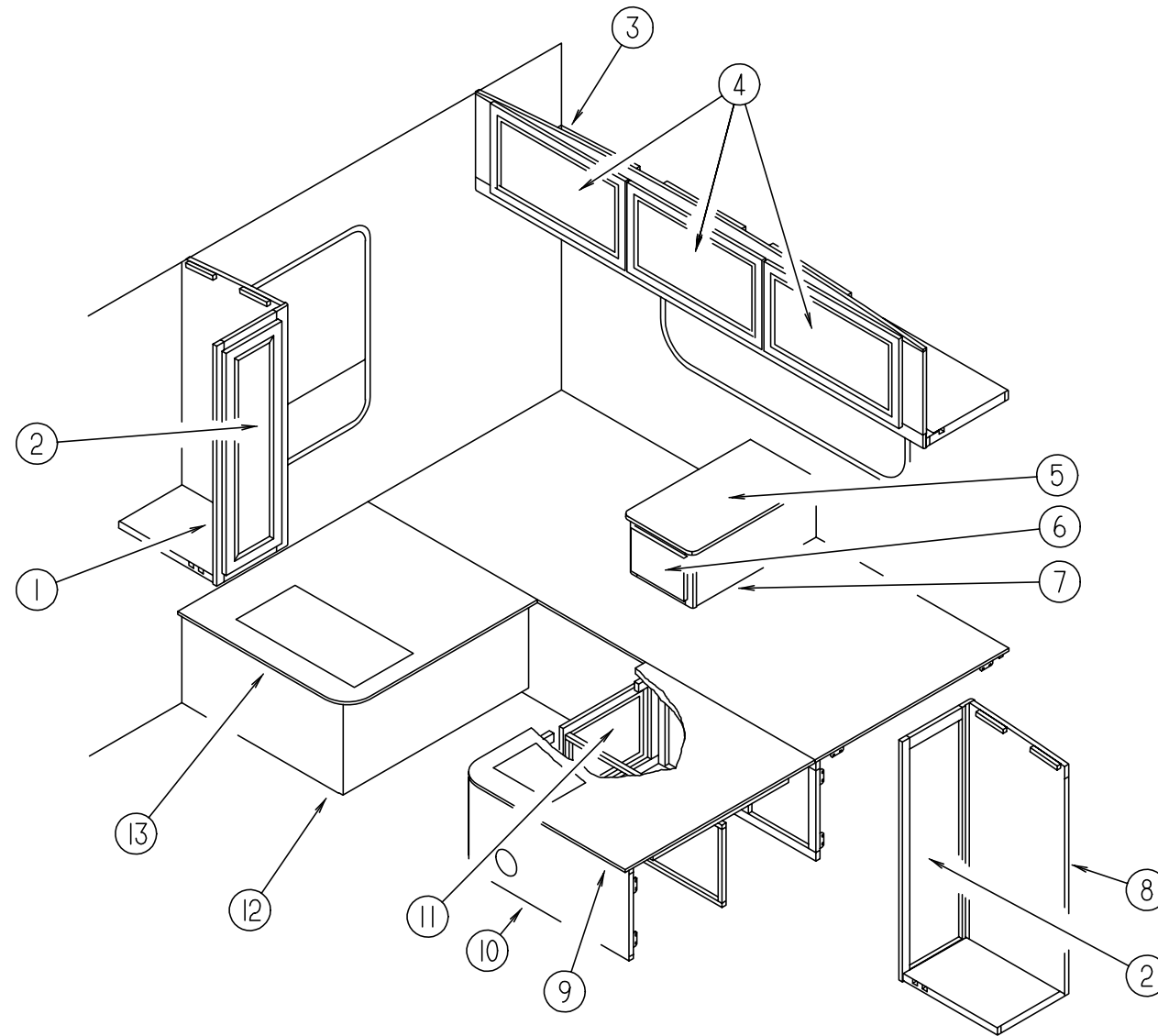
## QUEEN BEDROOM CABINETS



| KEY | PART NUMBER   | U/M DESCRIPTION  |
|-----|---------------|--|
| 1   | 126003-01-J20 | EA CABINET - SHIRT CLOSET/RIGHT HAND - W/O DOORS/HARDWARE        |
|     | 009112-01-000 | EA FLANGE - PLASTIC - 1" CLOTHES ROD - OFF WHITE                 |
|     | 042438-01-000 | EA DOWEL - WOOD - CLOTHES ROD - 1" DIAMETER X 4'                 |
| 2   | M09332-24-K16 | EA DOOR - RAISED MEMBRANE/OGEE EDGE - 14.3" X 36.4" - W/O HDW    |
| 3   | 106523-01-G09 | EA CABINET - OVERHEAD/REAR - W/O DOORS/HARDWARE                  |
| 4   | M09332-05-K01 | EA DOOR - RAISED MEMBRANE/OGEE EDGE - 15.7" X 27.9" - W/O HDW    |
| 5   | 126003-02-J20 | EA CABINET - SHIRT CLOSET/LEFT HAND - W/O DOORS/HARDWARE         |
|     | 009112-01-000 | EA FLANGE - PLASTIC - 1" CLOTHES ROD - OFF WHITE                 |
|     | 042438-01-000 | EA DOWEL - WOOD - CLOTHES ROD - 1" DIAMETER X 4'                 |
| 6   | 125904-12-J46 | EA COUNTERTOP - NIGHTSTAND (K16)                                 |
| 6   | 125904-12-K17 | EA COUNTERTOP - NIGHTSTAND (K17)                                 |
| 6   | 125904-12-K18 | EA COUNTERTOP - NIGHTSTAND (K18)                                 |
| 7   | 125904-02-J46 | EA CABINET - NIGHTSTAND/LH-W/COUNTERTOP-W/O DOORS/DWRS/HDW (K16) |
| 7   | 125904-02-K17 | EA CABINET - NIGHTSTAND/LH-W/COUNTERTOP-W/O DOORS/DWRS/HDW (K17) |
| 7   | 125904-02-K18 | EA CABINET - NIGHTSTAND/LH-W/COUNTERTOP-W/O DOORS/DWRS/HDW (K18) |
| 8   | M05971-L5-J15 | EA DRAWER - OGEE EDGE - 11.5"W X 21.7"D - W/O SLIDES/HARDWARE    |
| 9   | P21862-02-J20 | EA CABINET - BASE - QUEEN BED - W/O DOORS/DRAWERS/HARDWARE       |
| 10  | M05706-17-000 | EA TOP - QUEEN BED - W/O HARDWARE                                |
|     | 096764-02-000 | FT SLIPNOT - ANTISLIP - 1" WIDE (100' ROLLS)                     |
| 11  | 125904-01-J46 | EA CABINET - NIGHTSTAND/RH-W/COUNTERTOP-W/O DOORS/DWRS/HDW (K16) |
| 11  | 125904-01-K17 | EA CABINET - NIGHTSTAND/RH-W/COUNTERTOP-W/O DOORS/DWRS/HDW (K17) |
| 11  | 125904-01-K18 | EA CABINET - NIGHTSTAND/RH-W/COUNTERTOP-W/O DOORS/DWRS/HDW (K18) |
| 12  | 125904-11-J46 | EA COUNTERTOP - NIGHTSTAND (K16)                                 |
| 12  | 125904-11-K17 | EA COUNTERTOP - NIGHTSTAND (K17)                                 |
| 12  | 125904-11-K18 | EA COUNTERTOP - NIGHTSTAND (K18)                                 |

## BEDROOM GROUP (CONTINUED)

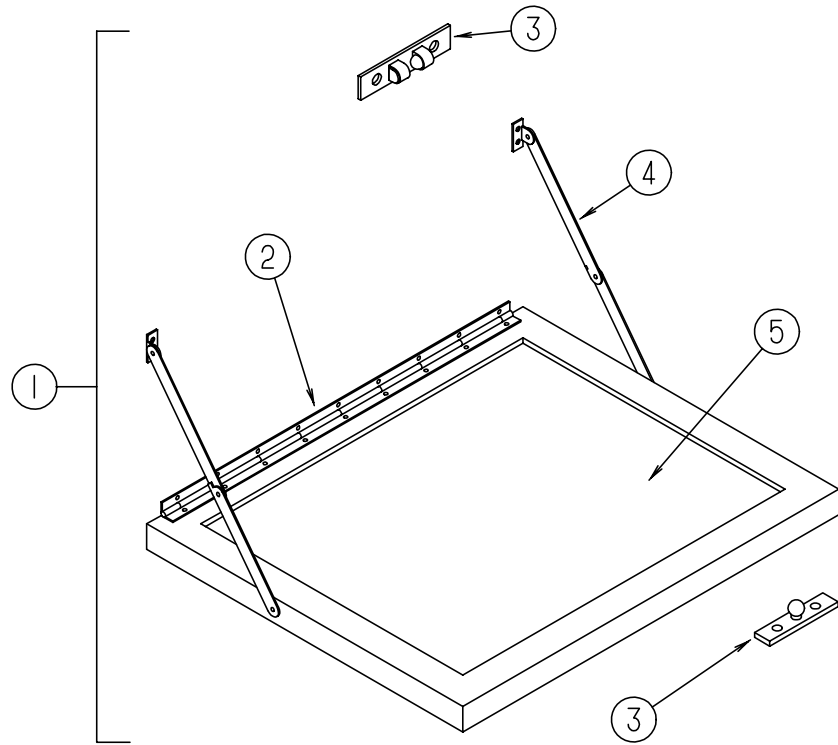
### TWIN BEDROOM CABINETRY



| KEY | PART NUMBER   | U/M DESCRIPTION   |
|-----|---------------|---|
| 1   | 110946-01-K16 | EA CABINET - SHIRT CLOSET/RIGHT HAND - W/O DOORS/HARDWARE     |
|     | 009112-01-000 | EA FLANGE - 1" ROD, CLOTHES - PLASTIC - OFF WHITE             |
|     | 042438-01-000 | EA DOWEL-WOOD, CLOTHES ROD - 1" DIAMETER X 4'                 |
| 2   | M09332-08-K04 | EA DOOR - RAISED MEMBRANE/OGEE EDGE - 12" X 40" - W/O HDW     |
| 3   | 116187-01-K16 | EA CABINET - OVERHEAD/REAR - W/O DOORS/HARDWARE - F/TWIN BED  |
| 4   | M09332-05-K01 | EA DOOR - RAISED MEMBRANE/OGEE EDGE - 15.7" X 27.9" - W/O HDW |
| 5   | 126059-11-J46 | EA COUNTERTOP - NIGHTSTAND (K16)                              |
| 5   | 126059-11-K17 | EA COUNTERTOP - NIGHTSTAND (K17)                              |
| 5   | 126059-11-K18 | EA COUNTERTOP - NIGHTSTAND (K18)                              |
| 6   | M05971-EL-J15 | EA DRAWER - OGEE EDGE - 15.5"W X 23.6"D - W/O SLIDES/HARDWARE |

| KEY | PART NUMBER   | U/M DESCRIPTION   |
|-----|---------------|---|
| 7   | 126059-01-J46 | EA CABINET - NIGHTSTAND/TWNBD-W/COUNTERTOP-W/O DOORS/DWRS/HDW (K16) |
| 7   | 126059-01-K17 | EA CABINET - NIGHTSTAND/TWNBD-W/COUNTERTOP-W/O DOORS/DWRS/HDW (K17) |
| 7   | 126059-01-K18 | EA CABINET - NIGHTSTAND/TWNBD-W/COUNTERTOP-W/O DOORS/DWRS/HDW (K18) |
| 8   | 110947-01-K16 | EA CABINET - SHIRT CLOSET/LEFT HAND - W/O DOORS/HARDWARE            |
|     | 009112-01-000 | EA FLANGE - 1" ROD, CLOTHES - PLASTIC - OFF WHITE                   |
|     | 042438-01-000 | EA DOWEL-WOOD, CLOTHES ROD - 1" DIAMETER X 4'                       |
| 9   | M04170-12-000 | EA TOP - TWIN BED/LEFT HAND - W/O HARDWARE                          |
| 10  | 121859-02-K16 | EA CABINET - BASE/TWIN BED/LEFT HAND - W/O DOORS/DRAWERS/HDW        |
| 11  | M05992-CE-K16 | EA DOOR - STRAIGHT CORNER/OGEE EDGE - 14.3" X 17.9" - W/O HDW       |
| 12  | 121860-01-K16 | EA CABINET - BASE/TWIN BED/RIGHT HAND - W/O DOORS/DRAWERS/HDW       |
| 13  | M04170-13-000 | EA TOP - TWIN BED/RIGHT HAND - W/O HARDWARE                         |
|     | 096764-02-000 | FT SLIPNOT - ANTISLIP - 1" WIDE (100' ROLLS)                        |

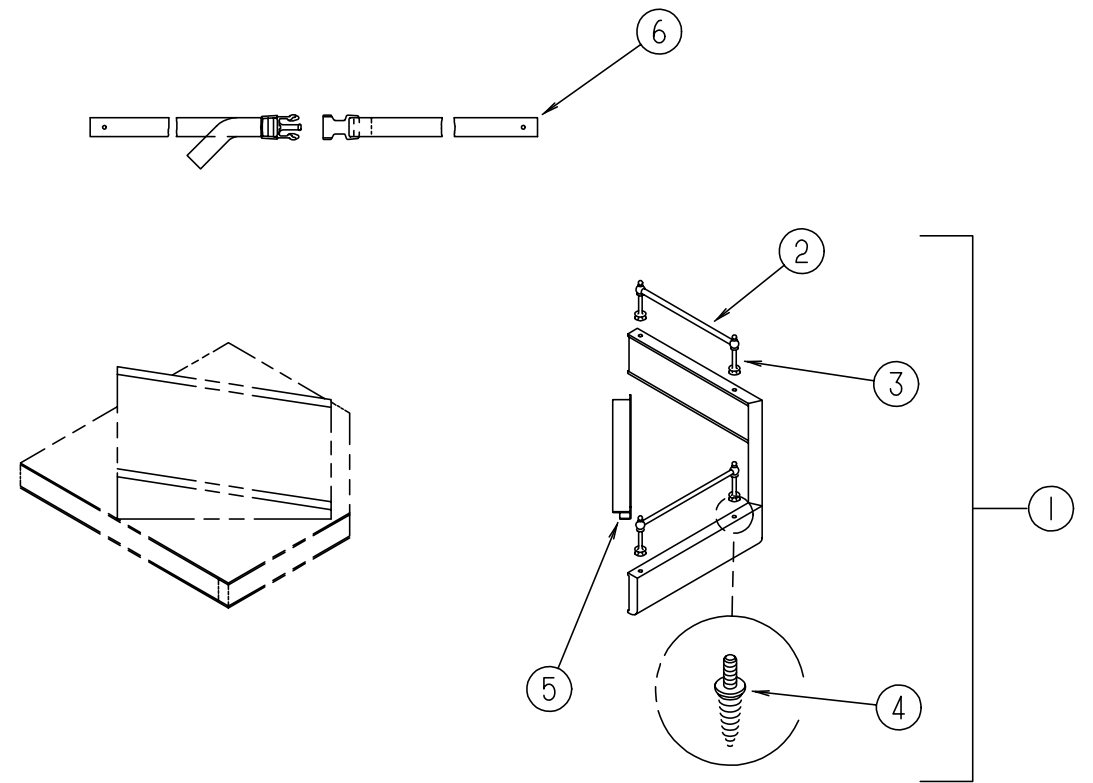
**BEDROOM GROUP (CONTINUED)**



**TV STAND**

| KEY | PART NUMBER   | U/M DESCRIPTION                                     |
|-----|---------------|---|
| 1   | 084357-02-H13 | EA TV STAND   |
| 2   | 084413-01-000 | EA HINGE/CONTINUOUS - ALUMINUM 1" X 72" - W/HOLES   |
| 3   | 084451-01-000 | EA CATCH & LATCH - 1.7" - BRASS                     |
| 4   | 084412-01-000 | EA SUPPORT/HINGE KIT (LEFT & RIGHT HINGES)          |
| 5   | 084356-08-000 | EA INSERT - TV STAND - W/SUPPORT HINGES - OFF WHITE |
| 5   | 058331-14-000 | EA MIRROR - SAFETY GLASS - 14" X 12.7"              |

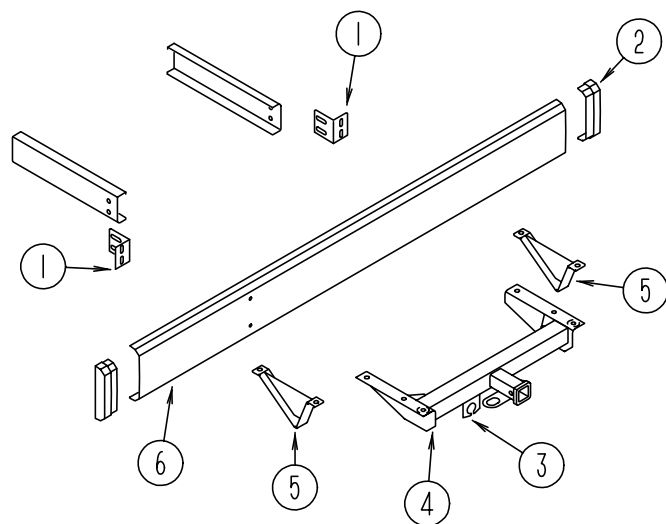
**BEDROOM GROUP (CONTINUED)**



**TV SHELF**

| KEY | PART NUMBER   | U/M DESCRIPTION   |
|-----|---------------|---|
| 1   | 127376-02-J20 | EA CABINET - TV SHELF - LEFT HAND                             |
| 2   | 084071-27-000 | EA ROD - BRASS - 2.7"   |
| 2   | 084071-19-000 | EA ROD - BRASS - 7.1"   |
|     | 084071-23-000 | EA ROD - BRASS - 13.12"                                       |
| 3   | 084070-03-000 | EA POST - END - 2.4" - SHINY BRASS                            |
| 4   | 106166-01-000 | EA BOLT/COLLARED HANGER - 8-32 X 1"                           |
| 5   | 103186-01-05A | FT MOLDING - PLASTIC - 3/8" U-CHANNEL 3/4" FACE-WATERFORD OAK |
| 6   | 099717-02-000 | EA STRAP - TIE DOWN W/29.9" FEMALE STRAP & 14.2" MALE STRAP   |

## CHASSIS GROUP



### REAR BUMPER, TRAILER HITCH & COMPONENTS

| KEY | PART NUMBER   | U/M DESCRIPTION                             |
|-----|---------------|---|
| 1   | 104418-07-000 | EA ANGLE - BUMPER - REAR SUPPORT            |
| 2   | 103228-01-06A | EA END CAP - REAR BUMPER - DRIVER/PASSENGER |
| 3   | 130339-02-000 | EA HITCH RECEIVER - BOLT ON CLASS III       |
| 4   | 113588-02-01B | EA BRACKET - CONNECTOR - TRAILER W/O LIP    |
| 5   | 111742-01-000 | EA PLATE - SKID                             |
| 6   | 103099-10-02A | EA BUMPER - REAR - BRIGHT WHITE             |
|     | 113589-01-000 | EA CONNECTOR - PLUG - TRAILER               |
|     | 113589-02-000 | EA CONNECTOR - SOCKET - TRAILER             |

## CHASSIS GROUP (CONTINUED)

### 19.5" CHEVY STAINLESS STEEL WHEEL LINERS

| KEY | PART NUMBER   | U/M DESCRIPTION  | VENDOR NO. |
|-----|---------------|--|------------|
|     | 110435-10-000 | EA LINER - WHEEL - SET/4 - 19.5"   |            |
|     | 110435-01-711 | EA DECAL-CENTER CAP, 2" 2" DECAL   |            |
|     | 110435-10-700 | EA LINER - WHEEL - FRONT - 1 PC  | V195P7-FWC |
|     | 110435-10-701 | EA LINER - WHEEL - REAR - 1 PC.  | V195P7-RWC |
|     | 110435-10-702 | EA COVER-LUG NUT W/STEEL JN<br>2 USED PER WHEEL  | V195P7-EJN |
|     | 110435-10-703 | EA STUD - PLASTIC<br>ALSO ORDER #11043510704 PLASTIC NUT W/NUT COVER<br>2 USED PER EACH FRONT WHEEL  | V195P7-PST |
|     | 110435-10-704 | EA COVER-LUG NUT W/PLASTIC JN<br>ALSO ORDER #11043510703 PLASTIC STUD<br>2 USED PER EACH FRONT WHEEL | V195P7-PJN |
|     | 110435-10-705 | EA TOOL - INSTALLATION   | V195P7-TOL |

### 19.5" FORD STAINLESS STEEL WHEEL LINERS - 19.5" X 6.0" WHEEL

| KEY | PART NUMBER   | U/M DESCRIPTION                                     | VENDOR NO.  |
|-----|---------------|---|-------------|
|     | 110435-14-000 | EA LINER - WHEEL SET/4 - 19.5"                      |             |
|     | 110435-04-705 | EA DECAL-CTR HUB 2 3/4" DIAMOND 2 3/4 DECAL DIAMOND |             |
|     | 110435-10-705 | EA TOOL - INSTALLATION                              | V195P7-TOL  |
|     | 110435-14-700 | EA LINER - WHEEL - FRONT                            | V195F96-FWC |
|     | 110435-14-701 | EA LINER - WHEEL - REAR                             | V195F96-RWC |
|     | 110435-15-702 | EA COVER LUG NUT/JAMB NUT - 14M                     | V195F9-EJN  |

### 19.5" FORD STAINLESS STEEL WHEEL LINERS - 19.5" X 6.75" WHEEL

| KEY | PART NUMBER   | U/M DESCRIPTION                 | VENDOR NO. |
|-----|---------------|---------------------------------|------------|
|     | 110435-15-000 | EA LINER - WHEEL SET/4 - 19.5"  |            |
|     | 110435-10-705 | EA TOOL - INSTALLATION          | V195P7-TOL |
|     | 110435-15-700 | EA LINER - WHEEL - FRONT        | V195F9-FWC |
|     | 110435-15-701 | EA LINER - WHEEL - REAR         | V195F9-RWC |
|     | 110435-15-702 | EA COVER LUG NUT/JAMB NUT - 14M | V195F9-EJN |

### 19.5" FORD WHEEL COVERS

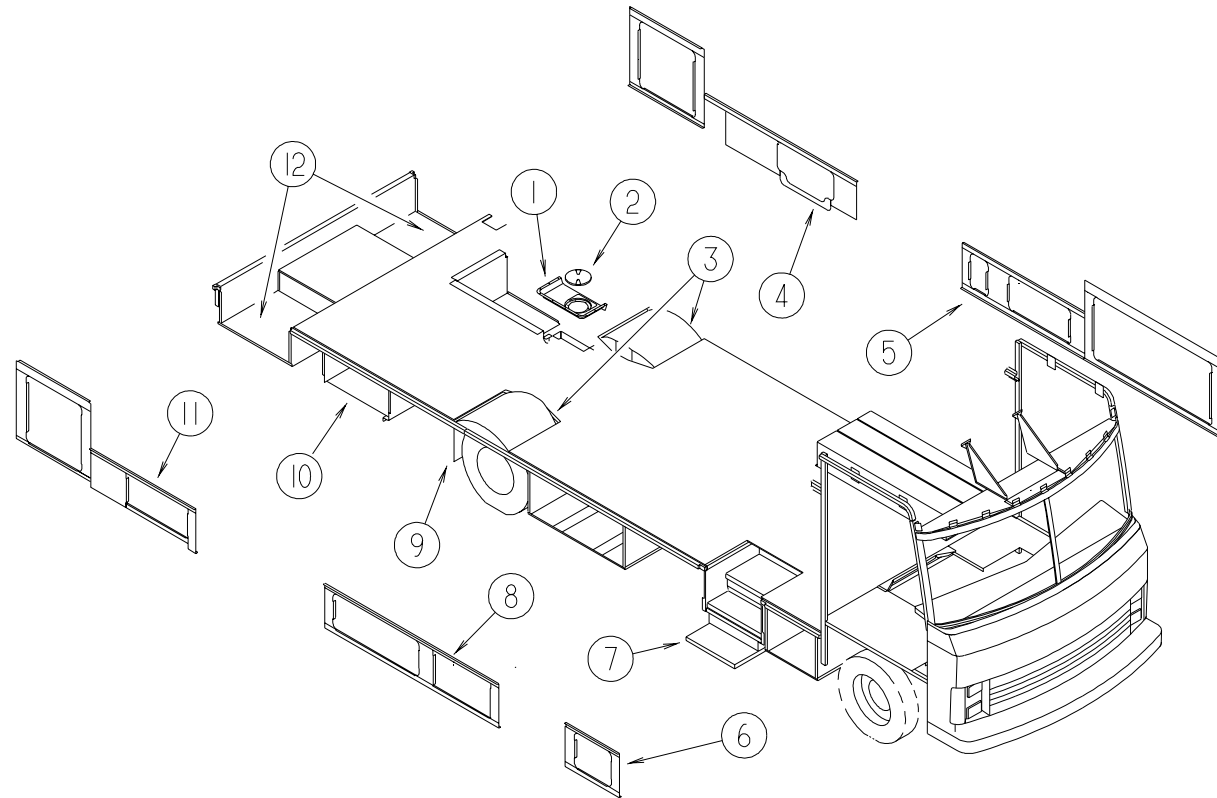
| KEY | PART NUMBER   | U/M DESCRIPTION   | VENDOR NO. |
|-----|---------------|---|------------|
|     | 109443-07-000 | EA WHEEL COVER - 4/SET - 19.5"  |            |
|     | 098532-01-700 | EA COVER-LUG NUT (CHROME)<br>NOTE:THE VENDOR DOES NOT RECOMMEND THIS PART TO BE<br>REPLACED DUE TO POSSIBLE DAMAGE TO THE LINER | SHAU-LNC   |
|     | 109443-01-703 | EA CAP-CENTER, HUB - DICOR  | SHAU95-CAP |
|     | 109443-07-700 | EA COVER/WHEEL-FRONT/REAR 8 LUG   | SHAF95-COV |
|     | 109443-07-701 | EA BRACKET SET - FRONT  | SHAF95-FBS |
|     | 109443-07-702 | EA BRACKET SET - REAR   | SHAF95-RBS |

### 19.5" CHEVY WHEEL COVERS

| KEY | PART NUMBER   | U/M DESCRIPTION                 | VENDOR NO. |
|-----|---------------|---------------------------------|------------|
|     | 109443-06-000 | EA WHEEL COVER - 4/SET - 19.5"  |            |
|     | 109443-01-700 | EA COVER-WHEEL 19.5 FRT/RR EA=1 | SHAG95     |
|     | 109443-01-701 | EA BRACKET-RETENTION FRONT      | SHAG95-FBS |
|     | 109443-01-703 | EA CAP-CENTER, HUB - DICOR      | SHAU95-CAP |
|     | 109443-01-704 | EA CLIP-RETAINER                | V160GM-PNT |
|     | 109443-06-701 | EA BRACKET-RETENTION REAR       | SHG795-RBS |



### CHASSIS GROUP (CONTINUED)

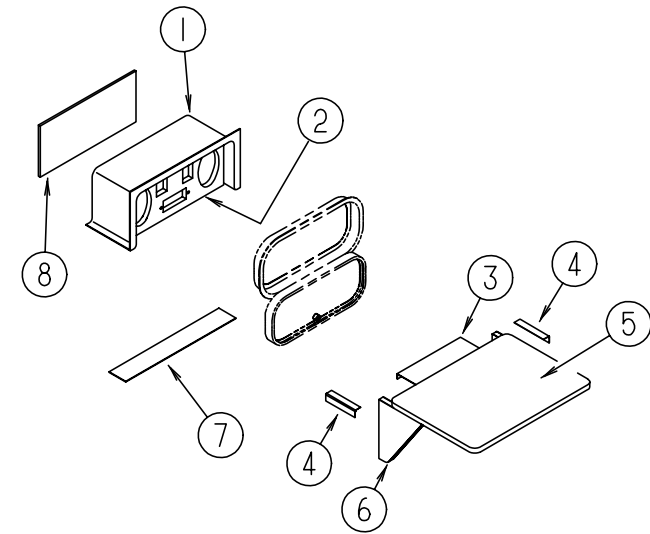


#### STORAGE COMPARTMENTS & WHEELWELLS

| KEY | PART NUMBER   | U/M | DESCRIPTION  | VENDOR NO. |
|-----|---------------|-----|--|------------|
| 1   | 121784-01-01A | EA  | COVER - VALVE - DRAINAGE   |            |
| 2   | 092887-01-000 | EA  | HATCH/PLATE - 8.2" FLANGE/6.5" R.O. - BLACK  |            |
|     | 092887-04-000 | EA  | CHAIN - TWIST CAP - 9"   |            |
| 3   | 125673-01-000 | EA  | WHEELWELL  |            |
| 4   | 128711-14-02B | EA  | PANEL - SEAL/PLANE - E-COATED  |            |
| 5   | 125611-17-02B | EA  | PANEL - SEAL/PLANE - E-COATED  |            |
| 6   | 125611-13-02B | EA  | PANEL - SEAL/PLANE - E-COATED  |            |
| 7*  | 094708-01-01A | EA  | STEP - ENTRY DOOR - ELECTRIC - SINGLE - W/O DOOR SWITCH<br>FROM: 00-00-00 THRU: 01-14-99 |            |
| 7*  | 094708-03-01A | EA  | STEP - ELECTRIC - SINGLE - BLACK CONTROL BOX - KWIKEE<br>FROM: 01-15-99 THRU: 99-99-99   |            |
|     | 065450-05-000 | EA  | TIEDOWN - BATTERY - 8.4" TUBE  |            |
| 8   | 125611-14-02B | EA  | PANEL - SEAL/PLANE - E-COATED  |            |
| 9   | 017516-01-000 | EA  | MUD FLAP - 14" X 18" - BLACK   |            |
| 9   | 020167-10-000 | EA  | DIRT GUARD - STEEL - 22" LONG  |            |
| 10  | 105732-02-000 | EA  | TRAY - GENERATOR   |            |
| 10  | 104644-01-000 | EA  | ANGLE - FORMED - GENERATOR   |            |
| 11  | 125611-15-02B | EA  | PANEL - SEAL/PLANE - E-COATED  |            |
| 12  | 110820-03-000 | EA  | COMPARTMENT - STORAGE  |            |
|     | 061420-01-000 | EA  | PLUG/PLASTIC - 1.75" DIAMETER - BROWN  |            |

\*COMPONENT PARTS FOUND IN SERVICE PARTS LIBRARY

### CHASSIS GROUP (CONTINUED)

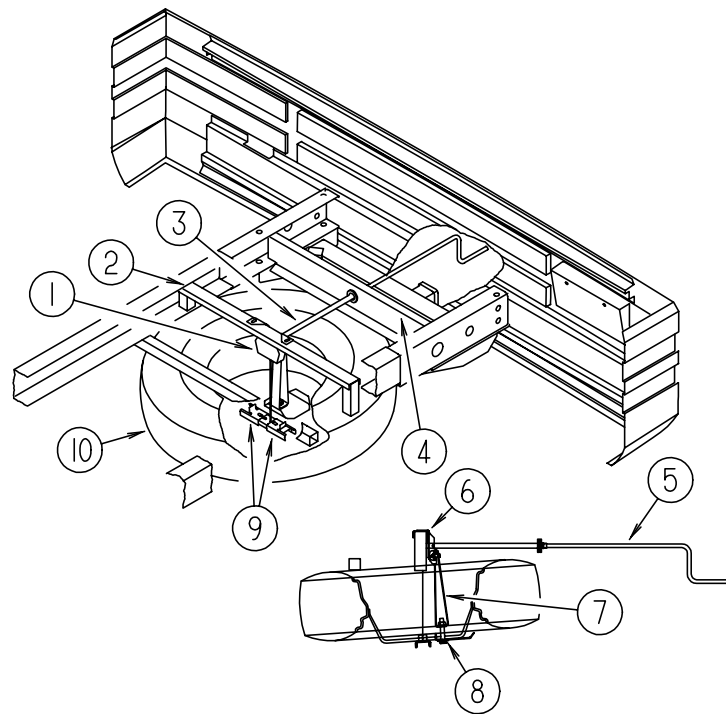


#### PATIO ENTERTAINMENT CENTER

| KEY | PART NUMBER   | U/M | DESCRIPTION  |
|-----|---------------|-----|--|
| 1   | 124696-01-01A | EA  | BOX - ENTERTAINMENT CENTER/EXTERIOR                  |
| 2   | 127409-02-K04 | EA  | PLATE - RADIO MOUNTING                               |
|     |               |     | FROM: 00-00-00 THRU: 06-13-99                        |
| 2   | 127409-02-L15 | EA  | PLATE - RADIO MOUNTING                               |
|     |               |     | FROM: 06-14-99 THRU: 99-99-99                        |
| 3   | 105377-01-04A | EA  | BRACKET - TABLE HANGER - BRIGHT WHITE                |
| 4   | 105376-01-03A | EA  | HINGE - CONTINUOUS - 2" X 5.5" - BRIGHT WHITE        |
| 5   | 105230-11-J01 | EA  | SHELF - EXTERIOR ENTERTAINMENT CENTER - W/O HARDWARE |
| 6   | 105230-12-J01 | EA  | SUPPORT - EXTERIOR SHELF                             |
| 7   | 104898-01-02A | EA  | PLATE - PLASTIC BOTTOM - BRIGHT WHITE                |
| 8   | 104898-02-02A | EA  | PLATE - PLASTIC BACK - BRIGHT WHITE                  |

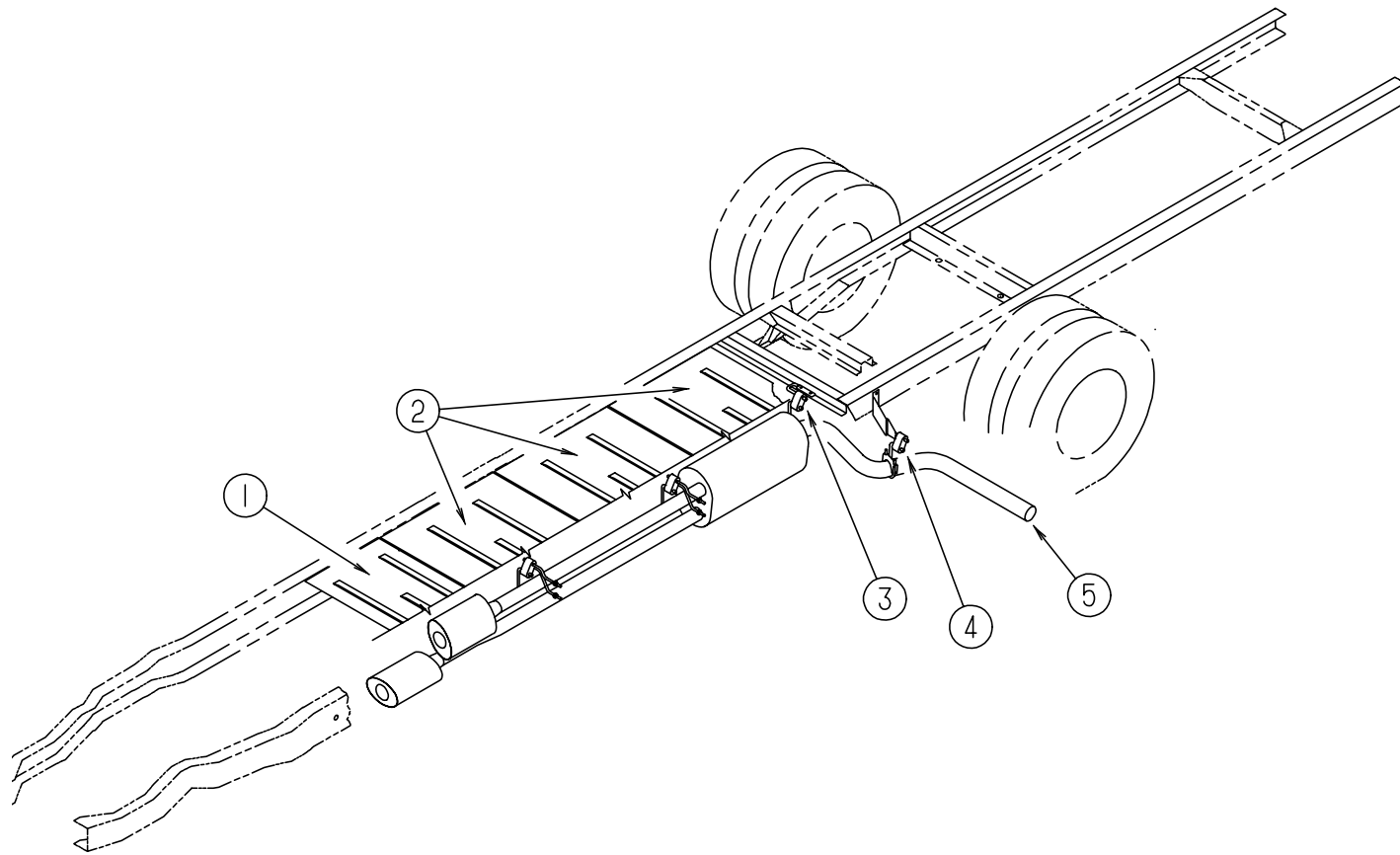
## CHASSIS GROUP (CONTINUED)

### TIRE HOIST



| KEY | PART NUMBER   | U/M | DESCRIPTION   |
|-----|---------------|-----|---|
| 1   | 093267-03-000 | EA  | HOIST - SPARE TIRE - 100 LB   |
| 2   | 093362-06-000 | EA  | CHANNEL - TIRE HOIST  |
| 3   | 093375-05-000 | EA  | EXTENSION - TIRE HOIST  |
| 4   | 129006-01-02B | EA  | SUPPORT/FRAME - TIRE CARRIER HANDLE - FORD                                |
| 4   | 129006-02-02B | EA  | SUPPORT/FRAME - TIRE CARRIER HANDLE - CHEVY                               |
| 5   | 093376-02-000 | EA  | HANDLE - CRANK - TIRE HOIST   |
|     | 114376-01-000 | EA  | PIN - DRIVE - .156 X .750 - TYPE E - TIRE HOIST                           |
| 6   | 124751-01-02B | EA  | HANGER - SPARE TIRE - E-COATED  |
| 7   | 129086-01-02B | EA  | SUPPORT - SPARE TIRE  |
| 8   | 129085-01-02B | EA  | PLATE - SUPPORT - SPARE TIRE  |
| 9   | 105499-01-000 | EA  | BRACKET - TIRE HOIST  |
| 10  | 091673-08-000 | EA  | TIRE - 225/70R19.5" LRF - GENERAL LMT 400 A/S - FORD - 19.5" X 6.0" WHEEL |
| 10  | 102340-04-000 | EA  | TIRE - 245/70R X 19.5F - GOODYEAR - FORD - 19.5" X 6.75" WHEEL            |
| 10  | 091673-01-000 | EA  | TIRE - 225/70 R19.5 LRF - MICHELIN XZA - CHEVY                            |
| 10  | 051377-01-000 | EA  | VALVE STEM - CHEVY  |
| 10  | 118814-03-000 | EA  | WHEEL - STEEL - 19.5 X 6 - GRAY - W/STEM                                  |
| 10  | 118814-04-700 | EA  | WHEEL/TAKE OFF (19.5X6.75RW) 8 BOLT ACCURIDE F53 - FORD                   |
| 10  | 064963-01-000 | EA  | WHEEL - STEEL - 19.5" X 6" - GM 14005758 - CHEVY                          |
|     | 077030-02-000 | EA  | EXTENSION - VALVE STEM - 1.25"  |
|     | 077030-04-000 | EA  | EXTENSION - VALVE STEM - .75"   |
|     | 077030-05-000 | EA  | EXTENSION - VALVE STEM - 95 DEGREE  |
|     | 077030-06-000 | EA  | EXTENSION - VALVE STEM - 45 DEGREE  |
|     | 095012-09-000 | EA  | EXTENSION - VALVE STEM - 7.7"   |
|     | 095012-10-000 | EA  | EXTENSION - VALVE STEM - 8.5"   |
|     | 095012-07-000 | EA  | STABILIZER - VALVE EXTENSION  |

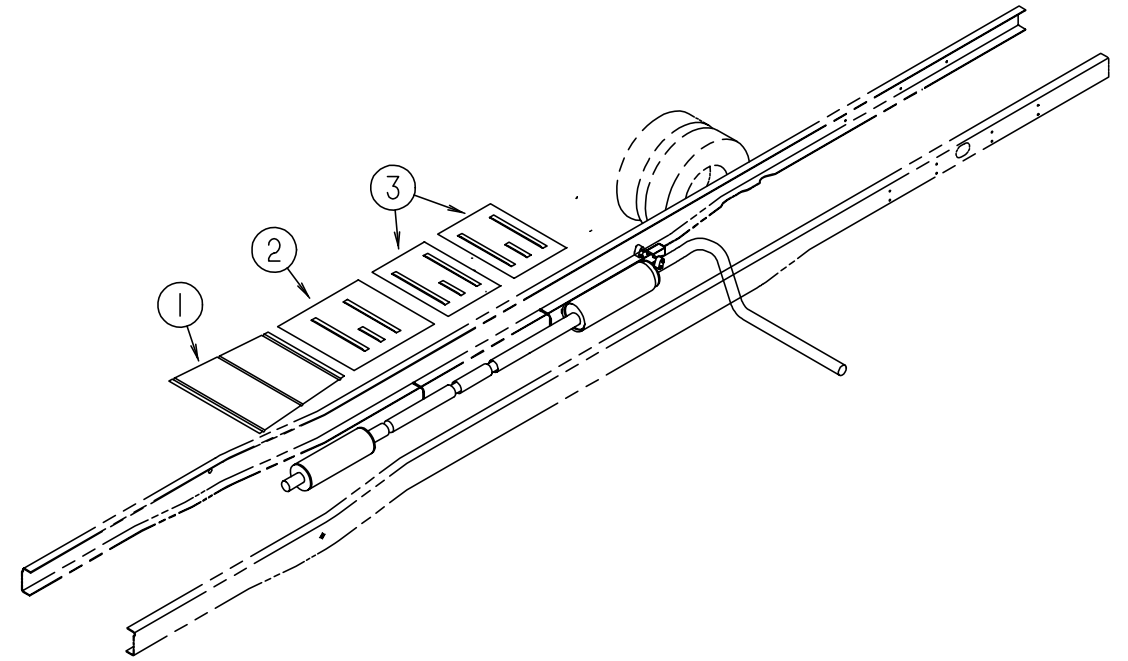
**CHASSIS GROUP (CONTINUED)**



**CHEVY EXHAUST SYSTEM**

| KEY | PART NUMBER   | U/M | DESCRIPTION                             |
|-----|---------------|-----|---|
| 1   | 101544-01-000 | EA  | SHIELD - HEAT/EXHAUST - 19.7" X 29.1"   |
| 2   | 101544-02-000 | EA  | SHIELD - HEAT/EXHAUST - 30" X 29.1"     |
| 3   | 122392-01-02B | EA  | HANGER - TAILPIPE                       |
| 4   | 122392-03-02B | EA  | HANGER - TAILPIPE - REAR                |
| 5   | 122529-02-000 | EA  | PIPE - EXHAUST                          |
|     | 094918-01-000 | EA  | CLAMP - EXHAUST - 3" - GUILLOTINE STYLE |

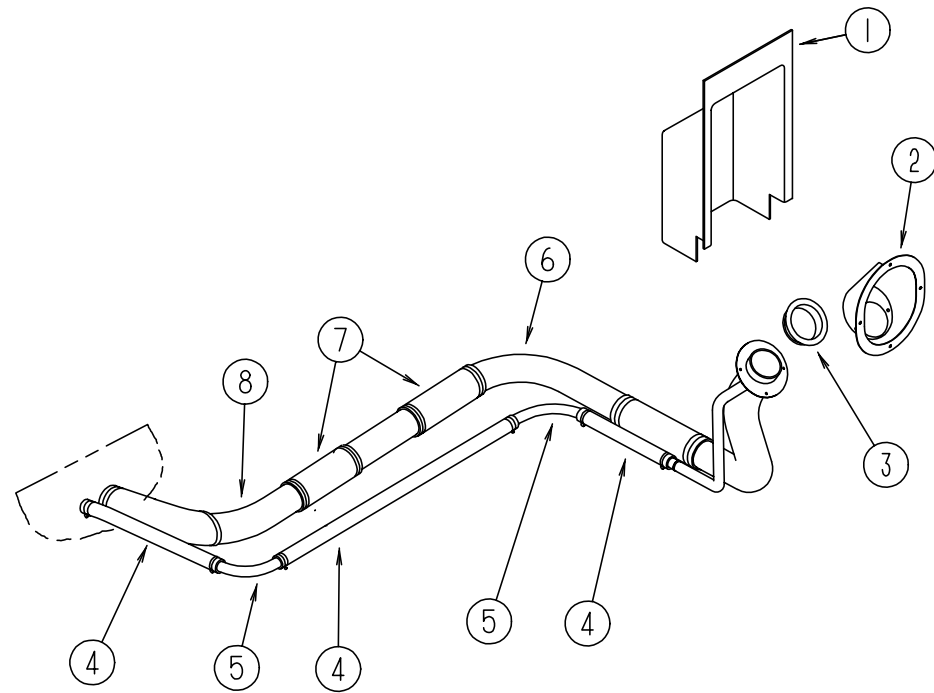
**CHASSIS GROUP (CONTINUED)**



**FORD EXHAUST SYSTEM**

| KEY | PART NUMBER   | U/M | DESCRIPTION                           |
|-----|---------------|-----|---------------------------------------|
| 1   | 128756-01-02B | EA  | SHIELD - HEAT EXHAUST - E-COATED      |
| 2   | 101544-02-000 | EA  | SHIELD - HEAT/EXHAUST - 30" X 29.1"   |
| 3   | 101544-01-000 | EA  | SHIELD - HEAT/EXHAUST - 19.7" X 29.1" |

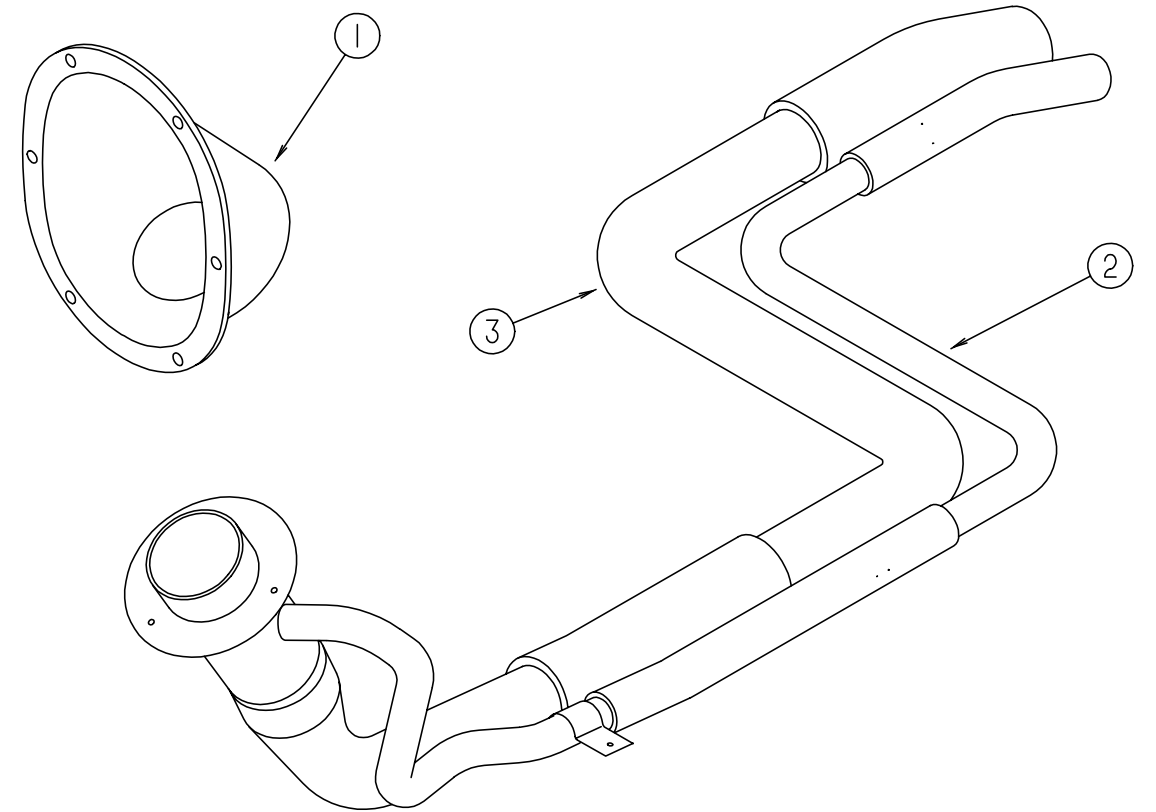
### CHASSIS GROUP (CONTINUED)



#### CHEVY FUEL SYSTEM

| KEY | PART NUMBER   | U/M DESCRIPTION  |
|-----|---------------|--|
| 1   | 072447-04-000 | EA SHROUD - FUEL FILL - UPPER                            |
| 2   | 127291-01-01A | EA SHROUD - FUEL FILL - BRIGHT WHITE                     |
| 3   | 078200-01-000 | EA GASKET - FUEL FILL - 3.5"OD X 2"ID                    |
| 4   | 128139-02-000 | FT HOSE - FUEL - LOW PERMEABILITY - 5/8" DIAMETER        |
| 5   | 098806-01-000 | EA PIPE - FILL VENT - 90 DEGREE BEND - .635 OD - STEEL   |
| 6   | 098803-01-000 | EA PIPE - FUEL FILL - 90 DEGREE BEND - 13.2" - 1 3/4" OD |
| 7   | 128139-01-000 | FT HOSE - FUEL - LOW PERMEABILITY                        |
| 8   | 098803-02-000 | EA PIPE - FUEL FILL                                      |
|     | 084884-01-000 | EA PLUG - BRASS - 3/8"                                   |
|     | 128139-03-000 | FT HOSE - FUEL - LOW PERMEABILITY - 1/4" DIAMETER        |
|     | 068382-06-000 | EA BUSHING - BRASS - 3/8"MPT X 1/8"FPT                   |
|     | 114254-01-000 | EA ADAPTER - 1/4 BARB X 1/8 MPT                          |
|     | 044317-01-000 | FT HOSE - FUEL - 3/8" ID                                 |

### CHASSIS GROUP (CONTINUED)



#### FORD FUEL SYSTEM

| KEY | PART NUMBER   | U/M DESCRIPTION                      |
|-----|---------------|--------------------------------------|
| 1   | 127291-02-01A | EA SHROUD - FUEL FILL - BRIGHT WHITE |
| 2   | 129320-08-000 | EA PIPE - VENT/FILL                  |
| 3   | 129321-08-000 | EA TUBE - FUEL INLET                 |
|     | 007063-01-000 | FT HOSE - FUEL - 1/4"ID X 1/2"OD     |
|     | 084884-01-000 | EA PLUG - BRASS - 3/8"               |

## CHASSIS GROUP (CONTINUED)

### SHOCKS & STABILIZER KIT - FRONT (FROM: 00-00-00 THRU: 04-04-99)

| KEY | PART NUMBER   | U/M DESCRIPTION   | VENDOR NO. |
|-----|---------------|---|------------|
|     | 122756-02-000 | EA SHOCK AND STABILIZER (BLUE BOOT) KIT - FRONT END P30 CHASS<br>NOTE: ORDER 70139029000, FOR AFTER MARKET INSTALLATION |            |
|     | 122756-02-700 | EA BRACKET ASM - DRIVER SIDE  | T818L      |
|     | 122756-02-701 | EA BRACKET ASM - PASSENGER SIDE   | T818R      |
|     | 122756-02-704 | EA BOLT PACKAGE -BOLTS/NUTS ETC   | T818B      |
|     | 122756-02-705 | EA SHOCK  | T818SH     |
|     | 122756-02-706 | EA STUD - SHOCK MOUNTING  | T818S      |
|     | 122756-02-707 | EA DAMPNER - STEERING   | T818SD     |
|     | 122756-02-708 | EA BOOT - DAMPNER   | T818SDB    |
|     | 122756-02-709 | EA BUSHING PKG-STEERING DAMPNER   | T818SDBSH  |
|     | 122756-02-710 | EA BOLT PKG - STEERING DAMPNER  | T818SBS    |

### SHOCKS & STABILIZER KIT - FRONT (FROM: 04-05-99 THRU: 99-99-99)

| KEY | PART NUMBER   | U/M DESCRIPTION                                  | VENDOR NO. |
|-----|---------------|--|------------|
|     | 122756-03-000 | EA SHOCK & STABILIZER KIT (YELLOW SHOCK) - CHEVY |            |
|     | 122756-02-706 | EA STUD - SHOCK MOUNTING                         | T818S      |
|     | 122756-02-707 | EA DAMPNER - STEERING                            | T818SD     |
|     | 122756-02-708 | EA BOOT - DAMPNER                                | T818SDB    |
|     | 122756-02-709 | EA BUSHING PKG-STEERING DAMPNER                  | T818SDBSH  |
|     | 122756-02-710 | EA BOLT PKG - STEERING DAMPNER                   | T818SBS    |
|     | 122756-03-700 | EA BRACKET ASM-DRIVER SIDE                       | T818L-3    |
|     | 122756-03-701 | EA BRACKET ASM-PASSENGER SIDE                    | T818R-3    |
|     | 122756-03-702 | EA SHOCK   | 557003     |

### LUG WRENCH & LEVERAGE BAR

| KEY | PART NUMBER   | U/M DESCRIPTION                                |
|-----|---------------|--|
|     | 080208-02-000 | EA BAR - LEVERAGE - LUG WRENCH - CHEVY/OSHKOSH |
|     | 080208-06-000 | EA LUG WRENCH - 1" X 1.06" W/DEEP SOCKET ENDS  |

### CHASSIS MISCELLANEOUS

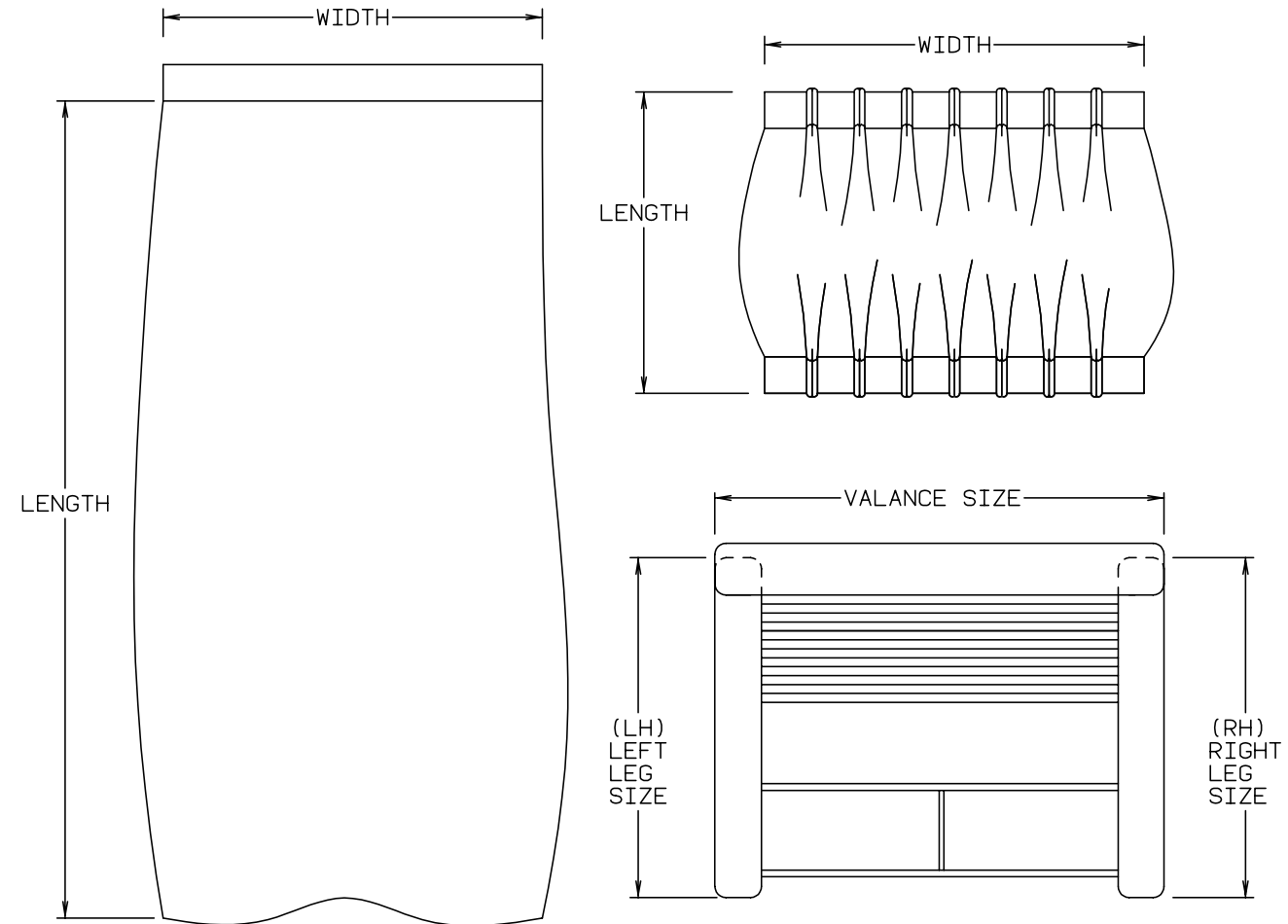
| KEY | PART NUMBER   | U/M DESCRIPTION                                       |
|-----|---------------|---|
|     | 008042-01-000 | FT TUBING - VINYL - .65" ID                           |
|     | 008401-01-000 | EA STRAP - CONDUIT - 3/4" - 1 HOLE - GALVANIZED STEEL |
|     | 075307-03-000 | EA SHIELD - HEAT - LP                                 |
|     | 110444-01-000 | EA SHIELD-GENERATOR                                   |
|     | 113007-01-000 | EA PIN - SPRING - .375 X 3"                           |

## CURTAIN & CUSHION GROUP

### NOTICE

IN ORDER TO ASSIST OUR PARTS SALES DEPT. IN PROVIDING INTERIOR SOFTGOODS ITEMS, PLEASE INCLUDE THE SERIAL NUMBER AND THE COLOR CODE NUMBER FROM THE VEHICLE CERTIFICATION LABEL WHEN ORDERING. THIS LABEL IS LOCATED ON THE LEFT SIDEWALL AT THE END OF THE DASH (A-BODY),OR ON THE DRIVER'S DOOR LATCH PLATE (C-BODY).

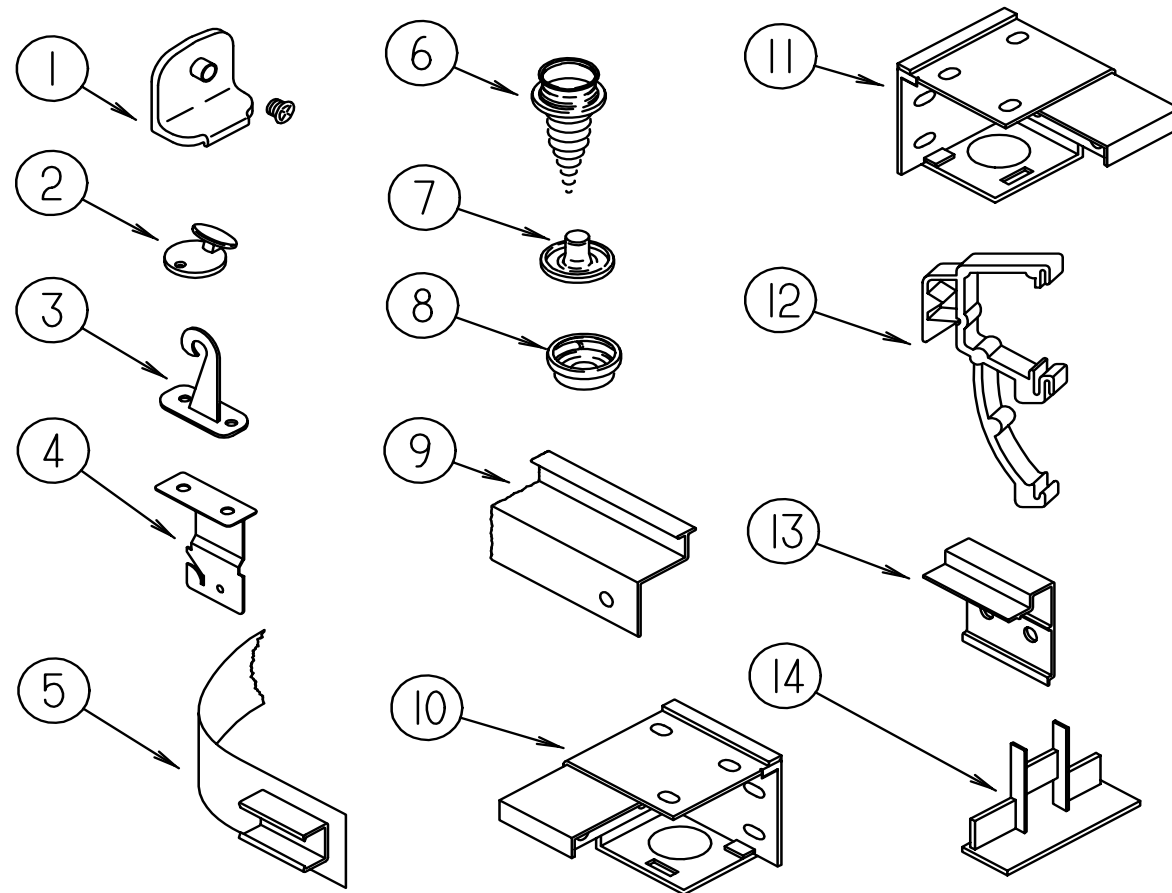
AN EXAMPLE OF A COLOR CODE NUMBER IS B07, WHICH DESIGNATES AN OVERALL COLOR SCHEME OF A PARTICULAR UNIT. THE COLOR LISTED AFTER THE ITEM DESCRIPTION ON THE MICROFICHE, INDICATES THE OVERALL UNIT COLOR. ORDER THE ITEM YOU DESIRE ACCORDING TO UNIT COLOR CODE.



NOTE: USE THIS ILLUSTRATION WHEN DETERMINING LENGTH AND WIDTH MEASUREMENTS FOR CURTAINS. YOU WILL NOTE THE WIDTH MEASUREMENT IS TAKEN ON THE TOP OF THE CURTAIN WITH THE CURTAIN FULLY EXTENDED. THE LENGTH MEASUREMENT IS TAKEN FROM TOP TO BOTTOM. LEFT AND RIGHT WINDOW LEGS ARE DETERMINED WHEN FACING THE WINDOW.

## CURTAIN & CUSHION GROUP (CONTINUED)

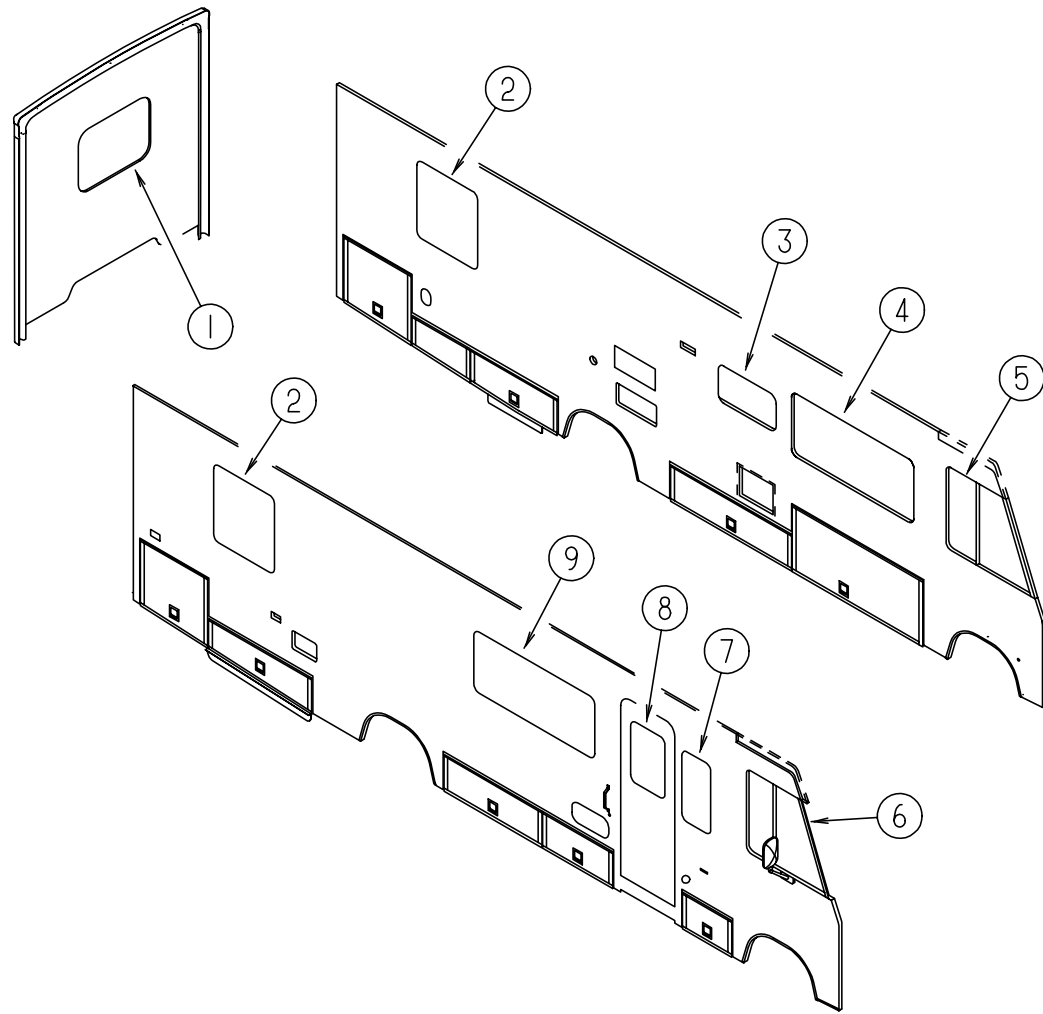
### CURTAIN, BLIND HARDWARE & TRACKS



| KEY | PART NUMBER   | U/M | DESCRIPTION   |
|-----|---------------|-----|---|
| 1   | 106544-01-000 | EA  | PULL - SHADE/BRASS  |
| 1   | 106544-01-001 | EA  | SCREW - SHADE/BRASS   |
| 2   | 102555-03-000 | EA  | CLEAT - BLIND CORD - MILKY WHITE PLASTIC  |
| 3   | 109441-03-000 | EA  | HOLD DOWN - BLIND (CLOUDY)  |
|     | 109441-02-000 | EA  | HOLD DOWN-SPACER  |
| 4   | 084434-01-000 | EA  | BRACKET - MOUNTING - ROLLER SHADE - 1 3/8"                                      |
|     | 096843-01-000 | EA  | SPRING - REWIND/ROLLER SHADE  |
|     | 086276-01-000 | EA  | TAPE - DOUBLE SIDED - 1/2"  |
| 5   | 101031-01-000 | YD  | TAPE - GLIDE/CURTAIN - 4.25" SPACING  |
| 6   | 029130-01-000 | EA  | SCREW - SNAP SOCKET - #8 PH X 5/8"  |
| 7   | 029155-01-000 | EA  | CAP - SNAP - 5/32" OUTSIDE DIAMETER OF PIN                                      |
| 8   | 029156-01-000 | EA  | SOCKET - SNAP - 9/16" O.D.  |
| 9   | 127254-07-02A | EA  | TRACK - CURTAIN - RIGHT HAND - ANTELOPE   |
| 9   | 127254-08-02A | EA  | TRACK - CURTAIN - LEFT HAND - ANTELOPE  |
| 10  | 083170-01-000 | EA  | BRACKET - BLIND - LEFT SIDE WHEN FACING WINDOW                                  |
| 11  | 083170-02-000 | EA  | BRACKET - BLIND - RIGHT SIDE WHEN FACING WINDOW                                 |
| 12  | 109353-04-000 | EA  | CLIP - VALANCE SLAT MOUNTING - CLEAR PLASTIC                                    |
| 13  | 097565-01-000 | EA  | BRACKET - MOUNTING/PLEATED BLIND  |
| 14  | 094907-02-000 | EA  | END CAP - TOP/PLEATED BLIND - PLASTIC - GRAY                                    |
|     | 097592-02-000 | EA  | SPOOL - CORD - ELEVATED BLIND HOLDUP - LARGE - CLEAR                            |
|     | 046867-02-000 | EA  | WASHER - HANDY BUTTON #3  |
|     | 046867-03-000 | EA  | GROMMET - HANDY BUTTON #3   |
|     | 056003-01-000 | EA  | BRACKET - DRAPERY RETAINING - FRONT - METAL                                     |
|     | 056003-02-000 | EA  | BRACKET - DRAPERY RETAINING - REAR - METAL                                      |
|     | 083125-07-000 | EA  | BRACE - COUCH - 2.5" - OFF WHITE<br>USED TO SUPPORT DINETTE PADS & CURTAIN LEGS |
|     | 083125-08-000 | EA  | BRACE - WINDOW MOUNT - 3/4 - OFF WHITE  |
|     | 068716-01-001 | EA  | BRACE - 90 DEGREE L-ANGLE - 16'   |
|     | 094896-02-000 | EA  | GROMMET - CORD/PLEATED BLIND - NYLON - GRAY                                     |
|     | 094907-04-000 | EA  | END CAP - BOTTOM/PLEATED BLIND (RH & LH)  |
|     | 097564-03-000 | EA  | HANDLE - KNOB - E-Z LIFT SHADE - TAN (K16)                                      |
|     | 097564-04-000 | EA  | HANDLE - KNOB - E-Z LIFT SHADE - NAVY (K17)                                     |
|     | 097564-05-000 | EA  | HANDLE - KNOB - E-Z LIFT SHADE - TEAL (K18)                                     |
|     | 097591-01-000 | EA  | SPRING - EXTENSION/PLEATED BLIND  |
|     | 097593-02-000 | FT  | CORD - BLIND - PLEATED - GRAY (K16)   |
|     | 097593-06-000 | FT  | CORD - BLIND - PLEATED - PEWTER (K17)   |
|     | 097593-07-000 | FT  | CORD - BLIND - PLEATED - PALE JADE (K18)  |
|     | 095567-01-000 | EA  | TACK - STRIP - .5" X 625' ROLL  |
|     | 105648-01-02A | EA  | BRACE - VALANCE - OFF/WHITE - 14"   |

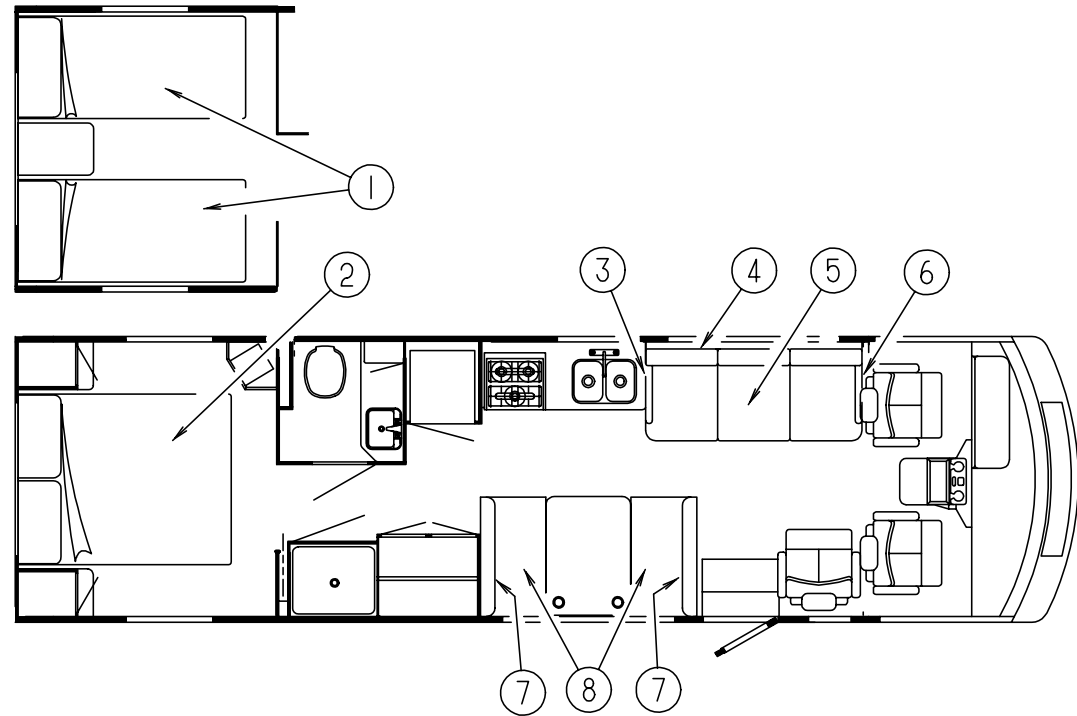
# CURTAIN & CUSHION GROUP (CONTINUED)

## WINDOW TREATMENT



| KEY | PART NUMBER   | U/M DESCRIPTION                                 |
|-----|---------------|---|
| 1   | 118537-09-K16 | EA VALANCE - GALAXY - 52"                       |
| 1   | 118537-09-K17 | EA VALANCE - GALAXY - 52"                       |
| 1   | 118537-09-K18 | EA VALANCE - GALAXY - 52"                       |
| 1   | 112986-14-J02 | EA CURTAIN - 27.5" X 6" (K16)                   |
| 1   | 112986-14-J03 | EA CURTAIN - 27.5" X 6" (K17)                   |
| 1   | 112986-14-K18 | EA CURTAIN - 27.5" X 6" (K18)                   |
| 1   | 111910-62-J04 | EA BLIND - DAY/NIGHTER - 49" X 27" (K16)        |
| 1   | 111910-62-J03 | EA BLIND - DAY/NIGHTER - 49" X 27" (K17)        |
| 1   | 111910-62-J92 | EA BLIND - DAY/NIGHTER - 49" X 27" (K18)        |
| 2   | 118537-34-K16 | EA VALANCE - GALAXY - 34"                       |
| 2   | 118537-34-K17 | EA VALANCE - GALAXY - 34"                       |
| 2   | 118537-34-K18 | EA VALANCE - GALAXY - 34"                       |
| 2   | 112986-13-J46 | EA CURTAIN - 38.5" X 6" (K16)                   |
| 2   | 112986-13-J47 | EA CURTAIN - 38.5" X 6" (K17)                   |
| 2   | 112986-13-K18 | EA CURTAIN - 38.5" X 6" (K18)                   |
| 2   | 111910-58-J38 | EA BLIND - DAY/NIGHTER - 31" X 37" (K16)        |
| 2   | 111910-58-J90 | EA BLIND - DAY/NIGHTER - 31" X 37" (K17)        |
| 2   | 111910-58-J92 | EA BLIND - DAY/NIGHTER - 31" X 37" (K18)        |
| 3   | 109041-58-02A | EA BLIND - MINI - 30.5" X 17" (K16,K18)         |
| 3   | 109041-58-01A | EA BLIND - MINI - 30.5" X 17" (K17)             |
| 4   | 118537-07-K16 | EA VALANCE - GALAXY - 64.5"                     |
| 4   | 118537-07-K17 | EA VALANCE - GALAXY - 64.5"                     |
| 4   | 118537-07-K18 | EA VALANCE - GALAXY - 64.5"                     |
| 4   | 127017-11-J02 | EA LEG - RIGHT - 25" (K16)                      |
| 4   | 127017-11-J03 | EA LEG - RIGHT - 25" (K17)                      |
| 4   | 127017-11-K18 | EA LEG - RIGHT - 25" (K18)                      |
| 4   | 127017-12-J02 | EA LEG - LEFT - 25" (K16)                       |
| 4   | 127017-12-J03 | EA LEG - LEFT - 25" (K17)                       |
| 4   | 127017-12-K18 | EA LEG - LEFT - 25" (K18)                       |
| 4   | 111910-57-J38 | EA BLIND - DAY/NIGHTER - 61" X 28.5" (K16)      |
| 4   | 111910-57-J90 | EA BLIND - DAY/NIGHTER - 61" X 28.5" (K17)      |
| 4   | 111910-57-J92 | EA BLIND - DAY/NIGHTER - 61" X 28.5" (K18)      |
| 5   | 101668-66-J15 | EA CURTAIN - LEFT HAND - 35.5" X 106"           |
| 6   | 101668-65-J15 | EA CURTAIN - RIGHT HAND - 35.5" X 106"          |
|     | 073260-42-D10 | EA TIEBACK - 6" X 18"                           |
| 7   | 118537-35-K16 | EA VALANCE - GALAXY - 17.5"                     |
| 7   | 118537-35-K17 | EA VALANCE - GALAXY - 17.5"                     |
| 7   | 118537-35-K18 | EA VALANCE - GALAXY - 17.5"                     |
| 7   | 111910-54-K16 | EA BLIND - DAY/NIGHTER - 15.5" X 33"            |
| 7   | 111910-54-K17 | EA BLIND - DAY/NIGHTER - 15.5" X 33"            |
| 7   | 111910-54-K18 | EA BLIND - DAY/NIGHTER - 15.5" X 33"            |
| 8   | 118537-37-K16 | EA VALANCE - GALAXY - 12" X 30.8"               |
| 8   | 118537-37-K17 | EA VALANCE - GALAXY - 12" X 30.8"               |
| 8   | 118537-37-K18 | EA VALANCE - GALAXY - 12" X 30.8"               |
| 8   | 084755-57-E07 | EA SHADE - PULL - 27.25"                        |
| 9   | 118537-07-K16 | EA VALANCE - GALAXY - 64.5"                     |
| 9   | 118537-07-K17 | EA VALANCE - GALAXY - 64.5"                     |
| 9   | 118537-07-K18 | EA VALANCE - GALAXY - 64.5"                     |
| 9   | 118537-38-K16 | EA VALANCE - GALAXY - 64.5 - COFFEEMAKER OPTION |
| 9   | 118537-38-K17 | EA VALANCE - GALAXY - 64.5 - COFFEEMAKER OPTION |
| 9   | 118537-38-K18 | EA VALANCE - GALAXY - 64.5 - COFFEEMAKER OPTION |
| 9   | 127017-11-J02 | EA LEG - RIGHT - 25" (K16)                      |
| 9   | 127017-11-J03 | EA LEG - RIGHT - 25" (K17)                      |
| 9   | 127017-11-K18 | EA LEG - RIGHT - 25" (K18)                      |
| 9   | 127017-12-J02 | EA LEG - LEFT - 25" (K16)                       |
| 9   | 127017-12-J03 | EA LEG - LEFT - 25" (K17)                       |
| 9   | 127017-12-K18 | EA LEG - LEFT - 25" (K18)                       |
| 9   | 111910-57-J38 | EA BLIND - DAY/NIGHTER - 61" X 28.5" (K16)      |
| 9   | 111910-57-J90 | EA BLIND - DAY/NIGHTER - 61" X 28.5" (K17)      |
| 9   | 111910-57-J92 | EA BLIND - DAY/NIGHTER - 61" X 28.5" (K18)      |

**CURTAIN & CUSHION GROUP (CONTINUED)**



**SOFA/BED**

| KEY | PART NUMBER   | U/M | DESCRIPTION                            |
|-----|---------------|-----|--|
| 3   | 130708-01-K16 | EA  | ARMREST - REMOVABLE - RIGHT HAND       |
| 3   | 130708-01-K17 | EA  | ARM - REMOVABLE - RIGHT HAND           |
| 3   | 130708-01-K18 | EA  | ARM - REMOVABLE - RIGHT HAND           |
|     | P30708-01-K16 | EA  | COVER - ARMREST/REMOVABLE - RIGHT HAND |
|     | P30708-01-K17 | EA  | COVER - ARMREST/REMOVABLE - RIGHT HAND |
|     | P30708-01-K18 | EA  | COVER - ARMREST/REMOVABLE - RIGHT HAND |
|     | 127335-08-000 | EA  | BRACKET - REMOVABLE ARM/COUCH          |
|     | 127335-09-000 | EA  | BRACKET - REMOVABLE ARM/CUSHION        |
| 4   | 129688-01-K16 | EA  | SOFA - BACK - 74"                      |
| 4   | 129688-01-K17 | EA  | SOFA - BACK - 74"                      |
| 4   | 129688-01-K18 | EA  | SOFA - BACK - 74"                      |
|     | P29688-01-K16 | EA  | COVER - BACK - 74"                     |
|     | P29688-01-K17 | EA  | COVER - BACK - 74"                     |
|     | P29688-01-K18 | EA  | COVER - BACK - 74"                     |
| 5   | 129688-02-K16 | EA  | SOFA - SEAT - 74"                      |
| 5   | 129688-02-K17 | EA  | SOFA - SEAT - 74"                      |
| 5   | 129688-02-K18 | EA  | SOFA - SEAT - 74"                      |
|     | P29688-02-K16 | EA  | COVER - SEAT - 74"                     |
|     | P29688-02-K17 | EA  | COVER - SEAT - 74"                     |
|     | P29688-02-K18 | EA  | COVER - SEAT - 74"                     |
| 6   | 130708-02-K16 | EA  | ARMREST - REMOVABLE - LEFT HAND        |
| 6   | 130708-02-K17 | EA  | ARMREST - REMOVABLE - LEFT HAND        |
| 6   | 130708-02-K18 | EA  | ARMREST - REMOVABLE - LEFT HAND        |
|     | P30708-02-K16 | EA  | COVER - ARMREST/REMOVABLE - LEFT HAND  |
|     | P30708-02-K17 | EA  | COVER - ARMREST/REMOVABLE - LEFT HAND  |
|     | P30708-02-K18 | EA  | COVER - ARMREST/REMOVABLE - LEFT HAND  |
|     | 127335-08-000 | EA  | BRACKET - REMOVABLE ARM/COUCH          |
|     | 127335-09-000 | EA  | BRACKET - REMOVABLE ARM/CUSHION        |
|     | 111637-15-J46 | EA  | PILLOW - 14" X 14" (K16)               |
|     | 111637-15-J47 | EA  | PILLOW - 14" X 14" (K17)               |
|     | 111637-15-K18 | EA  | PILLOW - 14" X 14" (K18)               |

**TWIN MATTRESSES & BEDSPREADS**

| KEY | PART NUMBER   | U/M | DESCRIPTION                          |
|-----|---------------|-----|--------------------------------------|
| 1   | 123015-04-000 | EA  | MATTRESS - INNERSPRING - 36" X 79.5" |
| 1   | 123471-09-J46 | EA  | BEDSPREAD/THROW - 36" X 80" (K16)    |
| 1   | 123471-09-J47 | EA  | BEDSPREAD/THROW - 36" X 80" (K17)    |
| 1   | 123471-09-K18 | EA  | BEDSPREAD/THROW - 36" X 80" (K18)    |
|     | 111863-16-J46 | EA  | PILLOW SHAM - 22" X 37" (K16)        |
|     | 111863-16-J47 | EA  | PILLOW SHAM - 22" X 37" (K17)        |
|     | 111863-16-K18 | EA  | PILLOW SHAM - 22" X 37" (K18)        |

**QUEEN MATTRESS & BEDSPREAD**

| KEY | PART NUMBER   | U/M | DESCRIPTION                          |
|-----|---------------|-----|--------------------------------------|
| 2   | 123015-06-000 | EA  | MATTRESS - INNERSPRING - 60" X 74.5" |
| 2   | 123471-08-J02 | EA  | BEDSPREAD/THROW - 60" X 75" (K16)    |
| 2   | 123471-08-J03 | EA  | BEDSPREAD/THROW - 60" X 75" (K17)    |
| 2   | 123471-08-K18 | EA  | BEDSPREAD/THROW - 60" X 75" (K18)    |
|     | 111863-15-J46 | EA  | PILLOW SHAM - 20" X 33" (K16)        |
|     | 111863-15-J47 | EA  | PILLOW SHAM - 20" X 33" (K17)        |
|     | 111863-15-K18 | EA  | PILLOW SHAM - 20" X 33" (K18)        |

NOTE: COUCH FRONT AND SIDE PANELS ARE FOUND IN THE LOUNGE GROUP

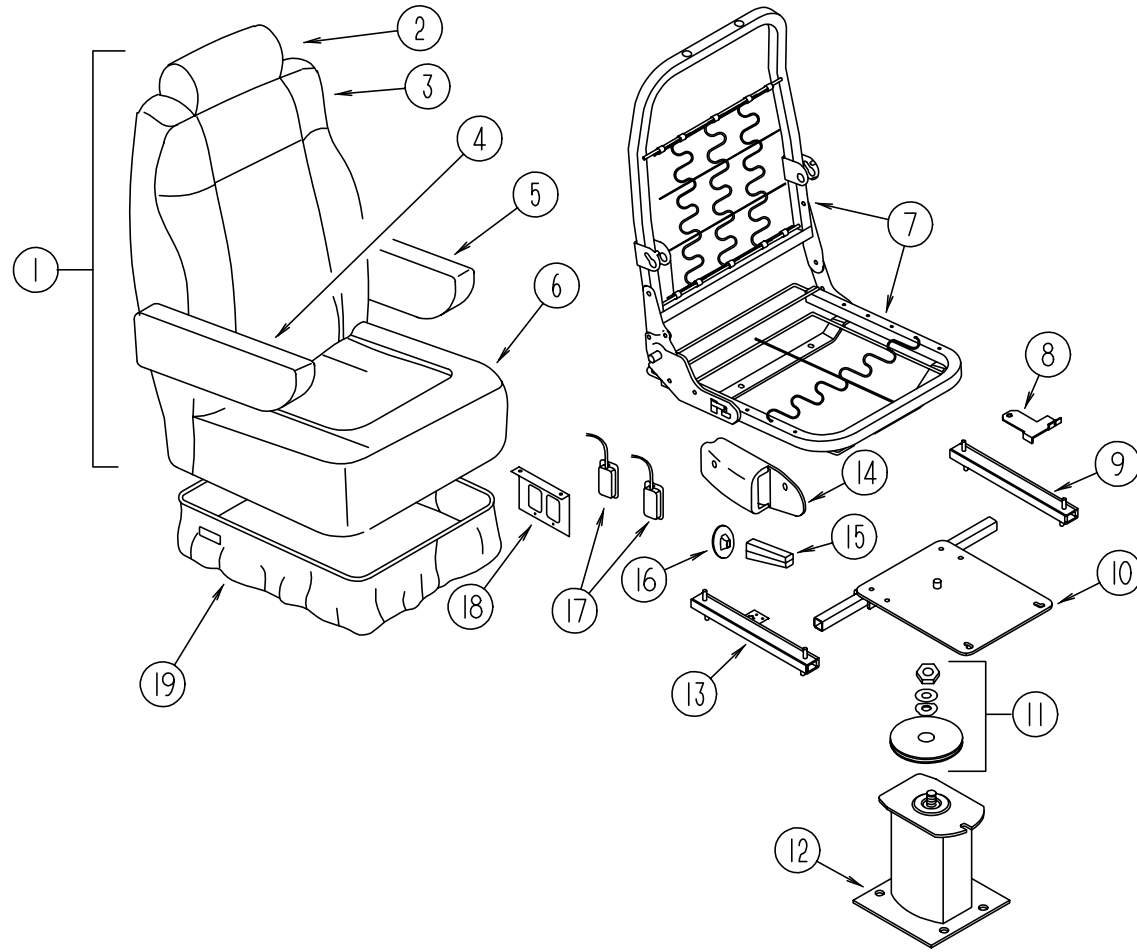
**DINETTE CUSHIONS**

| KEY | PART NUMBER   | U/M | DESCRIPTION                           |
|-----|---------------|-----|---------------------------------------|
| 7   | 111897-05-K16 | EA  | CUSHION - BACK - 13.5" X 42" X 5"     |
| 7   | 111897-05-K17 | EA  | CUSHION - BACK - 13.5" X 42" X 5"     |
| 7   | 111897-05-K18 | EA  | CUSHION - BACK - 13.5" X 42" X 5"     |
|     | P11897-05-K16 | EA  | COVER - BACK - 13.5" X 42" X 5"       |
|     | P11897-05-K17 | EA  | COVER - BACK - 13.5" X 42" X 5"       |
|     | P11897-05-K18 | EA  | COVER - BACK - 13.5" X 42" X 5"       |
| 8   | 105603-15-J02 | EA  | CUSHION - SEAT - 23" X 42" X 5" (K16) |
| 8   | 105603-15-J47 | EA  | CUSHION - SEAT - 23" X 42" X 5" (K17) |
| 8   | 105603-15-K18 | EA  | CUSHION - SEAT - 23" X 42" X 5" (K18) |
|     | P05603-15-J02 | EA  | COVER - SEAT - 23" X 42" X 5" (K16)   |
|     | P05603-15-J47 | EA  | COVER - SEAT - 23" X 42" X 5" (K17)   |
|     | P05603-15-K18 | EA  | COVER - SEAT - 23" X 42" X 5" (K18)   |



## CURTAIN & CUSHION GROUP (CONTINUED)

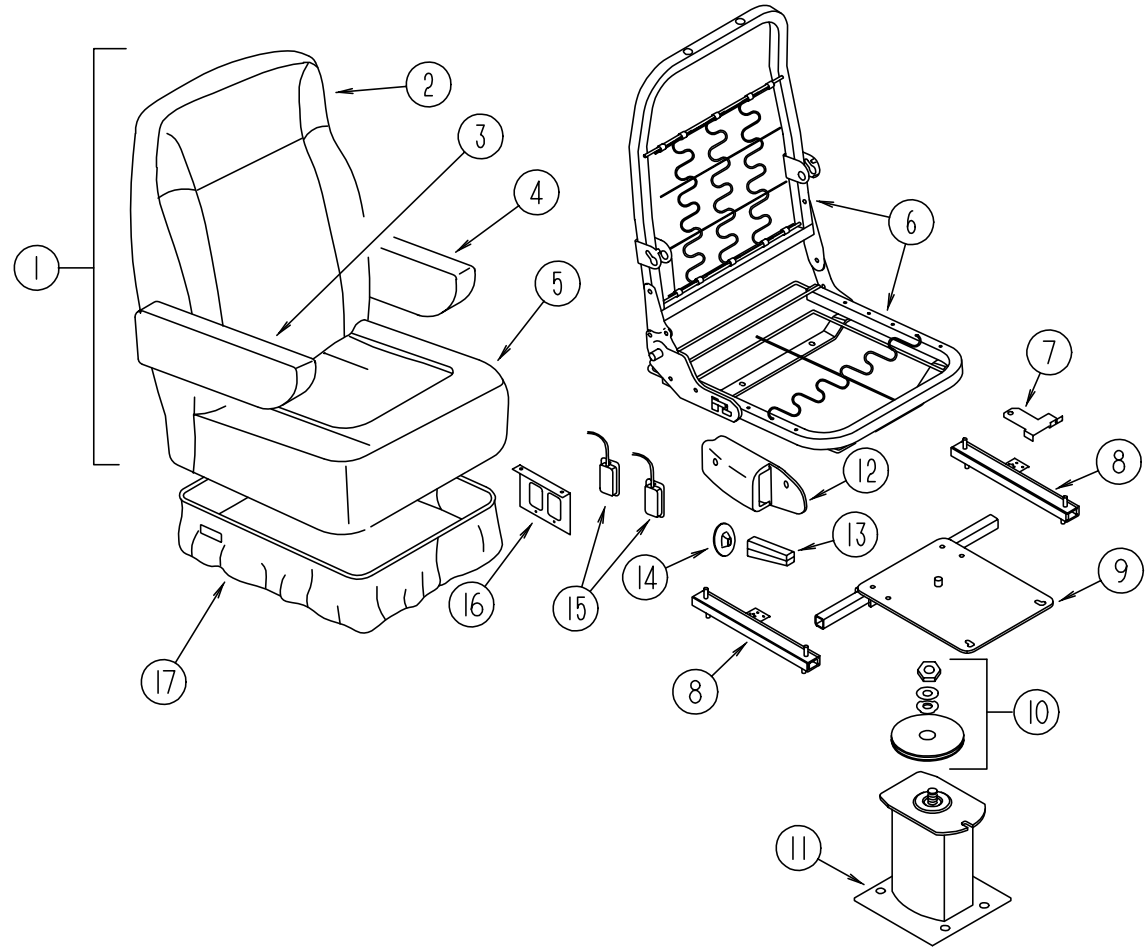
### LOUNGE SWIVEL CHAIR



| KEY | PART NUMBER   | U/M | DESCRIPTION                                  |
|-----|---------------|-----|--|
| 1   | 127540-12-K16 | EA  | SEAT - BUCKET - MANUAL RECLINE - WIDE        |
| 1   | 127540-12-K17 | EA  | SEAT - BUCKET - MANUAL RECLINE - WIDE        |
| 1   | 127540-12-K18 | EA  | SEAT - BUCKET - MANUAL RECLINE - WIDE        |
| 2   | 127601-02-K16 | EA  | HEADREST                                     |
| 2   | 127601-02-K17 | EA  | HEADREST                                     |
| 2   | 127601-02-K18 | EA  | HEADREST                                     |
|     | P27601-02-K16 | EA  | COVER - HEADREST                             |
|     | P27601-02-K17 | EA  | COVER - HEADREST                             |
|     | P27601-02-K18 | EA  | COVER - HEADREST                             |
| 3   | M05962-67-J46 | EA  | COVER - BACK (K16)                           |
| 3   | M05962-67-J47 | EA  | COVER - BACK (K17)                           |
| 3   | M05962-67-K18 | EA  | COVER - BACK (K18)                           |
| 4   | 122780-01-J02 | EA  | ARMREST - RIGHT HAND (K16)                   |
| 4   | 122780-01-H01 | EA  | ARMREST - RIGHT HAND (K17)                   |
| 4   | 122780-01-K18 | EA  | ARMREST - RIGHT HAND (K18)                   |
|     | P22780-01-J02 | EA  | COVER - ARMREST - RIGHT HAND (K16)           |
|     | P22780-01-H01 | EA  | COVER - ARMREST - RIGHT HAND (K17)           |
|     | P22780-01-K18 | EA  | COVER - ARMREST - RIGHT HAND (K18)           |
|     | 115617-03-000 | EA  | ARMREST - W/O COVER - RIGHT HAND             |
| 5   | 122780-02-J02 | EA  | ARMREST - LEFT HAND (K16)                    |
| 5   | 122780-02-H16 | EA  | ARMREST - LEFT HAND (K17)                    |
| 5   | 122780-02-H02 | EA  | ARMREST - LEFT HAND (K18)                    |
|     | P22780-02-J02 | EA  | COVER - ARMREST - LEFT HAND (K16)            |
|     | P22780-02-H16 | EA  | COVER - ARMREST - LEFT HAND (K17)            |
|     | P22780-02-H02 | EA  | COVER - ARMREST - LEFT HAND (K18)            |
|     | 115617-04-000 | EA  | ARMREST - W/O COVER - LEFT HAND              |
| 6   | M05962-68-J46 | EA  | COVER - SEAT (K16)                           |
| 6   | M05962-68-J47 | EA  | COVER - SEAT (K17)                           |
| 6   | M05962-68-K18 | EA  | COVER - SEAT (K18)                           |
| 7   | 122695-01-01B | EA  | FRAME - SEAT/BACK                            |
| 8   | 117125-01-02B | EA  | BRACKET - CABLE MOUNT - ADJUSTER W/LOCK      |
| 9   | 119952-02-000 | EA  | SLIDE/SEAT - HEAVY DUTY NON LOCKING          |
|     | 119952-07-000 | EA  | WIRE - LATCH RELEASE/ROTARY                  |
| 10  | 107921-05-000 | EA  | PLATE - TOP - W/SEAT BELT BAR                |
| 11  | 107921-06-000 | EA  | BEARING KIT - PEDESTAL                       |
| 12  | 107921-01-000 | EA  | PEDESTAL/FLOOR MOUNTED - W/9.75" EXTENSION   |
| 13  | 119952-04-000 | EA  | SLIDE/SEAT - HEAVY DUTY LOCKING - 4 STUDS    |
| 14  | 080730-09-000 | EA  | SHIELD - RECLINER HANDLE                     |
| 15  | 080730-08-000 | EA  | HANDLE - RECLINER                            |
| 16  | 080730-11-000 | EA  | SHIELD - RUBBER BOOT                         |
| 17  | 108049-04-000 | EA  | CABLE - W/SWITCHES - W/26" MINI LEVER ACTION |
|     | 108049-02-000 | EA  | CLIP - CABLE/PEDESTAL                        |
| 18  | 127159-02-02B | EA  | BRACKET - SEAT RELEASE - DUAL REMOTE         |
| 19  | 071126-66-J46 | EA  | SKIRT - BUCKET/LARGE (K16)                   |
| 19  | 071126-66-J47 | EA  | SKIRT - BUCKET/LARGE (K17)                   |
| 19  | 071126-66-K18 | EA  | SKIRT - BUCKET/LARGE (K18)                   |
|     | 108445-02-000 | EA  | PLATE/FLOOR MOUNTED - PEDESTAL SEAT          |

## CURTAIN & CUSHION GROUP (CONTINUED)

### BUCKET SEAT W/O LUMBAR



| KEY | PART NUMBER   | U/M | DESCRIPTION   |
|-----|---------------|-----|---|
| 1   | 129664-01-K16 | EA  | SEAT - BUCKET - WIDE/MANUAL RECLINE                       |
| 1   | 129664-01-K17 | EA  | SEAT - BUCKET - WIDE/MANUAL RECLINE                       |
| 1   | 129664-01-K18 | EA  | SEAT - BUCKET - WIDE/MANUAL RECLINE                       |
| 2   | M05962-80-K16 | EA  | COVER - BACK  |
| 2   | M05962-80-K17 | EA  | COVER - BACK  |
| 2   | M05962-80-K18 | EA  | COVER - BACK  |
| 3   | 129666-01-K16 | EA  | ARMREST - RIGHT HAND                                      |
| 3   | 129666-01-K17 | EA  | ARMREST - RIGHT HAND                                      |
| 3   | 129666-01-K18 | EA  | ARMREST - RIGHT HAND                                      |
|     | P29666-01-K16 | EA  | COVER - ARMREST - RIGHT HAND                              |
|     | P29666-01-K17 | EA  | COVER - ARMREST - RIGHT HAND                              |
|     | P29666-01-K18 | EA  | COVER - ARMREST - RIGHT HAND                              |
| 4   | 129666-02-K16 | EA  | ARMREST - LEFT HAND                                       |
| 4   | 129666-02-K17 | EA  | ARMREST - LEFT HAND                                       |
| 4   | 129666-02-K18 | EA  | ARMREST - LEFT HAND                                       |
|     | P29666-02-K16 | EA  | COVER - ARMREST - LEFT HAND                               |
|     | P29666-02-K17 | EA  | COVER - ARMREST - LEFT HAND                               |
|     | P29666-02-K18 | EA  | COVER - ARMREST - LEFT HAND                               |
| 5   | M05962-81-K16 | EA  | COVER - SEAT  |
| 5   | M05962-81-K17 | EA  | COVER - SEAT  |
| 5   | M05962-81-K18 | EA  | COVER - SEAT  |
| 6   | 122695-01-01B | EA  | FRAME - SEAT/BACK   |
| 7   | 117125-01-02B | EA  | BRACKET - CABLE MOUNT - ADJUSTER W/LOCK                   |
| 8   | 119952-04-000 | EA  | SLIDE/SEAT - HEAVY DUTY LOCKING - 4 STUDS                 |
|     | 119952-07-000 | EA  | WIRE - LATCH RELEASE/ROTARY                               |
| 9   | 107921-05-000 | EA  | PLATE - TOP - W/SEAT BELT BAR                             |
| 10  | 107921-06-000 | EA  | BEARING KIT - PEDESTAL                                    |
| 11  | 107921-01-000 | EA  | PEDESTAL/FLOOR MOUNTED - W/9.75" EXTENSION                |
| 12  | 080730-09-000 | EA  | SHIELD - RECLINER HANDLE                                  |
| 13  | 080730-08-000 | EA  | HANDLE - RECLINER   |
| 14  | 080730-11-000 | EA  | SHIELD - RUBBER BOOT                                      |
| 15  | 108049-04-000 | EA  | CABLE - W/SWITCHES - W/26" MINI LEVER ACTION              |
|     | 108049-02-000 | EA  | CLIP - CABLE/PEDESTAL                                     |
| 16  | 127159-02-02B | EA  | BRACKET - SEAT RELEASE - REMOTE                           |
| 17  | 071126-68-K16 | EA  | SKIRT - WIDE - 10.5" OPEN CORNER (STANDARD & 6-WAY POWER) |
| 17  | 071126-68-K17 | EA  | SKIRT - WIDE - 10.5" OPEN CORNER (STANDARD & 6-WAY POWER) |
| 17  | 071126-68-K18 | EA  | SKIRT - WIDE - 10.5" OPEN CORNER (STANDARD & 6-WAY POWER) |

**CURTAIN & CUSHION GROUP (CONTINUED)**

**BUTTON, TRIM, ASSIST HANDLE & SEAT BELT**

| KEY | PART NUMBER   | U/M | DESCRIPTION   |
|-----|---------------|-----|---|
|     | 070578-02-B10 | EA  | BUTTON - SCREW - STUD - #30 VINYL                       |
|     | 079349-04-J46 | YD  | WELT - NARROW (K16)                                     |
|     | 079349-04-H16 | YD  | WELT- NARROW (K17)                                      |
|     | 079349-04-GC1 | YD  | WELT ASM - NARROW, ACCENT (K18)                         |
|     | 007021-01-000 | EA  | SEAT BELT - 2" X 90" - BLACK                            |
|     | 057759-01-000 | EA  | WASHER - FLAT F/SEAT BELT - 4" DIAMETER                 |
|     | 069178-02-000 | EA  | BRACKET - MOUNTING/ASSIST HANDLE - GRAY                 |
|     | 000C16-07-16B | EA  | BOLT - CARRIAGE - ASSIST HANDLE - 7/16" - 14 X 1"       |
|     | 000D20-07-00B | EA  | NUT - ACORN - ASSIST HANDLE - 7/16 - 14                 |
|     | 053552-02-K01 | EA  | HANDLE - ASSIST - INTERIOR/ENTRY DOOR - VINYL/OFF WHITE |
|     | 057534-01-000 | EA  | TIEBACK/TIEDOWN - 6" CLEAR PLASTIC                      |

**CURTAIN & CUSHION GROUP (CONTINUED)**

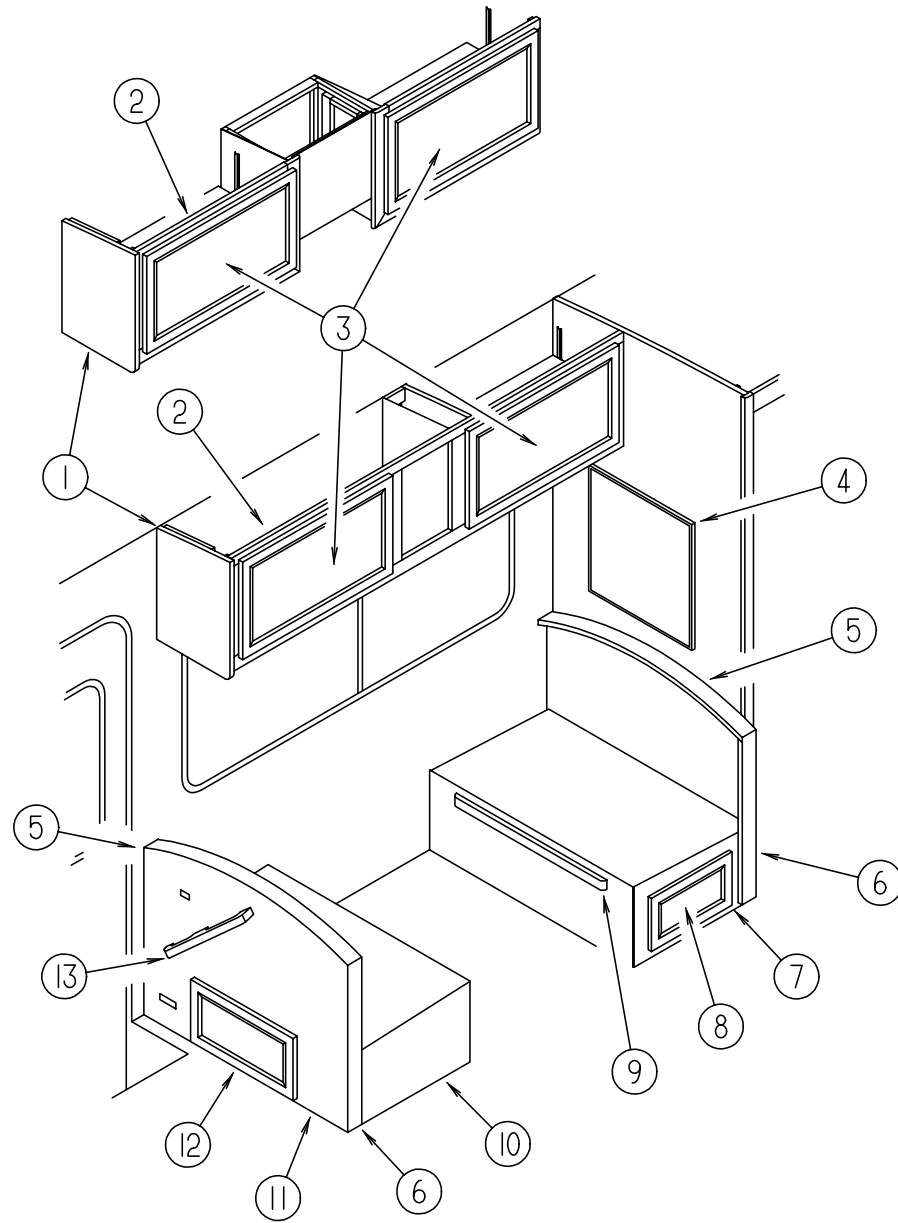
**BRAVE 'SE' FABRIC**

| COLOR CODES   | K16   | K17   | K18   |
|---|---|---|---|
|   | <b>SANDPIPER (TAN)</b>                          | <b>HORIZON (BLUE)</b>                           | <b>MEADOWBROOK (GREEN)</b>                      |
| <b>CEILING MATERIAL FROM: 00-00-00 THRU: 02-07-99</b> | 113979-01-01A                                   | 113979-01-01A                                   | 113979-01-01A                                   |
| <b>CEILING MATERIAL FROM: 02-08-99 THRU: 99-99-99</b> | 113979-09-01A                                   | 113979-09-01A                                   | 113979-09-01A                                   |
| <b>MADRID VINYL</b>                                   | 103907-01-01A                                   | 103907-01-01A                                   | 103907-01-01A                                   |
| <b>ALLANTE ANTELOPE VINYL</b>                         | 103907-01-07A<br>103907-02-07A<br>103907-03-07A | 103907-01-07A<br>103907-02-07A<br>103907-03-07A | 103907-01-07A<br>103907-02-07A<br>103907-03-07A |
| <b>DRAPERY LINING</b>                                 | 087272-03-000                                   | 087272-03-000                                   | 087272-03-000                                   |
| <b>BUCKET SEATS</b>                                   | 108446-57-000<br>108446-U1-000                  | 108446-F4-000<br>108446-F7-000                  | 108446-S7-000<br>108446-C5-000                  |
| <b>DINETTE</b>  | 108446-R8-000                                   | 108446-U5-000                                   | 126883-03-000                                   |
| <b>DINETTE PADS</b>                                   | 108446-U1-000                                   | 108446-F7-000                                   | 108446-C5-000                                   |
| <b>SOFA</b>   | 108446-R8-000                                   | 108446-U5-000                                   | 126883-03-000                                   |
| <b>SOFA PILLOWS</b>                                   | 108446-57-000                                   | 108446-F4-000                                   | 108446-S7-000                                   |
| <b>SWIVEL CHAIR</b>                                   | 108446-57-000<br>108446-U1-000                  | 108446-F4-000<br>108446-F7-000                  | 108446-S7-000<br>108446-C5-000                  |
| <b>LOUNGE WINDOWS</b>                                 | 108446-R8-000<br>108446-57-000                  | 108446-U5-000<br>108446-F4-000                  | 126883-03-000<br>108446-S7-000                  |
| <b>BEDROOM WINDOWS</b>                                | 105745-G2-000<br>105745-A1-000                  | 105745-65-000<br>105745-64-000                  | 105745-G8-000<br>105745-45-000                  |
| <b>BEDSPREAD</b>                                      | 105745-G2-000                                   | 105745-65-000                                   | 105745-G8-000                                   |
| <b>PILLOW SHAMS</b>                                   | 105745-G2-000<br>105745-A1-000                  | 105745-65-000<br>105745-64-000                  | 105745-G8-000<br>105745-45-000                  |
| <b>HEADBOARD</b>                                      | 105745-G2-000<br>105745-A1-000                  | 105745-65-000<br>105745-64-000                  | 105745-G8-000<br>105745-45-000                  |
| <b>BEDROOM PILLOWS</b>                                | 105745-G2-000<br>105745-A1-000                  | 105745-65-000<br>105745-64-000                  | 105745-G8-000<br>105745-45-000                  |
| <b>FRONT WRAP AROUND</b>                              | 072333-82-000                                   | 072333-82-000                                   | 072333-82-000                                   |
| <b>LOUNGE CABINET INSERTS</b>                         | 108446-57-000                                   | 108446-F4-000                                   | 108446-S7-000                                   |
| <b>BEDROOM CABINET INSERTS</b>                        | 105745-A1-000                                   | 105745-64-000                                   | 105745-45-000                                   |
| <b>MAP POCKETS</b>                                    | 108446-U1-000                                   | 108446-F7-000                                   | 108446-C5-000                                   |

**NOTE: FABRIC LISTED FIRST, IN A BLOCK, IS THE LARGEST QUANTITY OF FABRIC USED.**

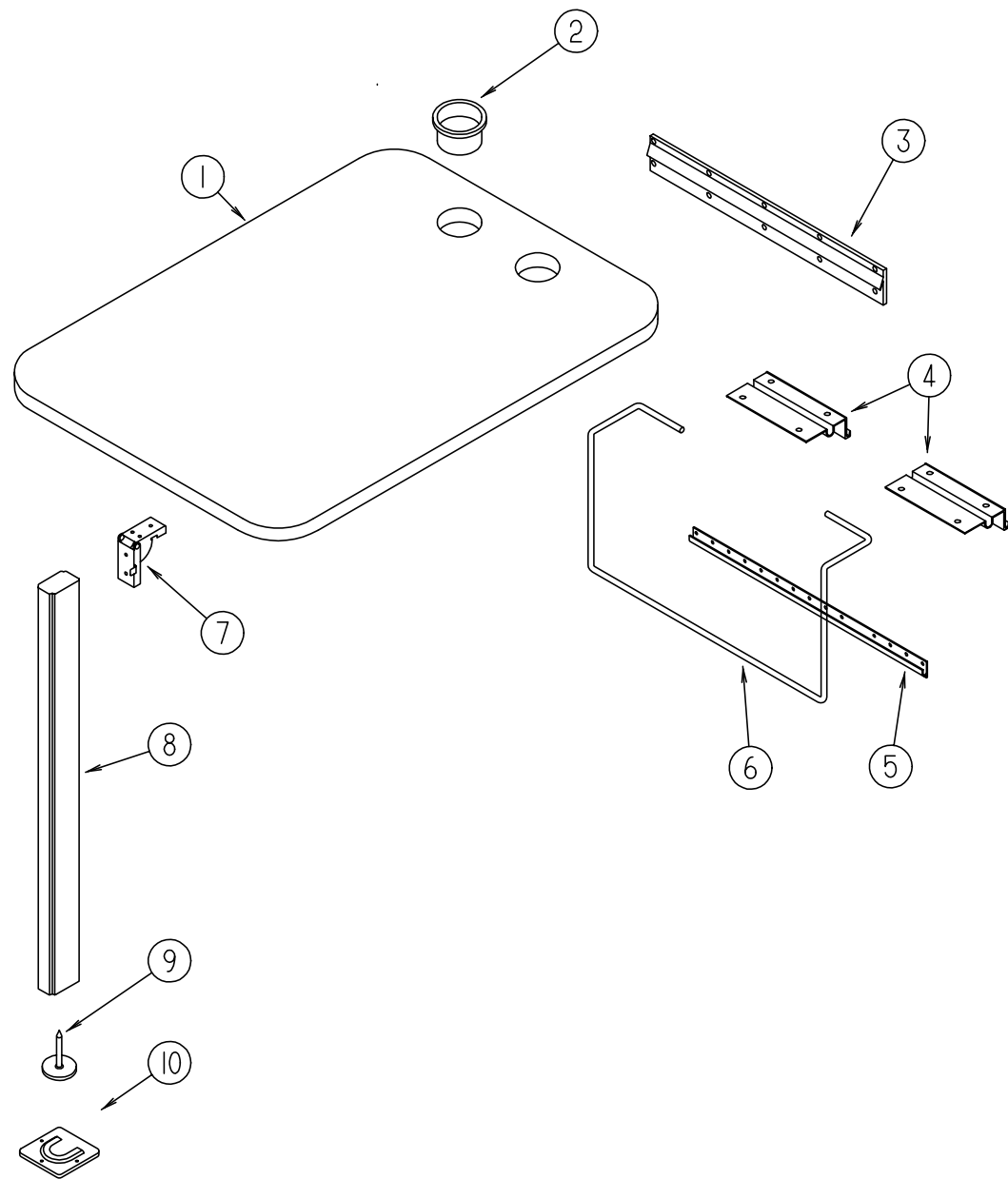
# DINETTE GROUP

## DINETTE CABINERY



| KEY | PART NUMBER   | U/M | DESCRIPTION   |
|-----|---------------|-----|---|
| 1   | 103128-02-J94 | EA  | END CAP - OVERHEAD CABINET - LEFT HAND                                |
| 2   | 117902-10-K16 | EA  | CABINET - OVERHEAD/DINETTE - W/O DOORS/HARDWARE                       |
| 2   | 117902-10-K17 | EA  | CABINET - OVERHEAD/DINETTE - W/O DOORS/HARDWARE                       |
| 2   | 117902-10-K18 | EA  | CABINET - OVERHEAD/DINETTE - W/O DOORS/HARDWARE                       |
|     | 117902-14-G09 | EA  | SHELF - W/PLASTIC EDGE TRIM   |
| 2   | 117579-51-K16 | EA  | CABINET - OVERHEAD/DINETTE - W/O DOORS/HARDWARE<br>COFFEEMAKER OPTION |
| 2   | 117579-51-K17 | EA  | CABINET - OVERHEAD/DINETTE - W/O DOORS/HARDWARE<br>COFFEEMAKER OPTION |
| 2   | 117579-51-K18 | EA  | CABINET - OVERHEAD/DINETTE - W/O DOORS/HARDWARE<br>COFFEEMAKER OPTION |
|     | 117579-13-G09 | EA  | SHELF - W/PLASTIC EDGE TRIM   |
| 3   | M09332-05-K01 | EA  | DOOR - RAISED MEMBRANE/OGEE EDGE - 15.7" X 27.9" - W/O HDW            |
| 4   | 058331-47-000 | EA  | MIRROR - SAFETY GLASS - 22.36" X 15.09"                               |
| 4   | 105004-01-05A | EA  | MOLDING - VINYL WRAPPED - 1" X 96" - WATERFORD OAK                    |
| 5   | 104787-08-J46 | EA  | PAD - DINETTE SEATBACK (K16)  |
| 5   | 104787-08-J47 | EA  | PAD - DINETTE SEATBACK (K17)  |
| 5   | 104787-08-F11 | EA  | PAD - DINETTE SEATBACK (K18)  |
| 6   | M08752-04-J20 | EA  | CABINET - SEATBACK - RIGHT HAND                                       |
| 7   | M08753-04-J20 | EA  | CABINET - SEATBASE - RIGHT HAND - W/O DOOR/DRAWER/HARDWARE            |
| 8   | M05992-M7-J18 | EA  | DOOR - STRAIGHT CORNER/OGEE EDGE - 10" X 19.1" - W/O HDW              |
| 9   | 081295-01-G01 | EA  | SUPPORT - BED/DINETTE - 28" LONG                                      |
| 10  | M08753-05-J20 | EA  | CABINET - SEATBASE - LEFT HAND - W/O DOOR/DRAWER/HARDWARE             |
| 11  | M08752-05-J20 | EA  | CABINET - SEATBACK - LEFT HAND  |
| 12  | M05992-N6-K16 | EA  | DOOR - STRAIGHT CORNER/OGEE EDGE - 9" X 26.5" - W/O HDW               |
| 13  | 091257-10-000 | EA  | HANDLE - ASSIST - WATERFORD OAK                                       |
|     | 122021-01-02A | EA  | ANGLE - W/HOLES - 8.6" LONG - OFF WHITE                               |
|     | 122021-02-02A | EA  | ANGLE - W/HOLES - 13.7" LONG - OFF WHITE                              |
|     | 122021-03-01A | EA  | ANGLE - W/HOLES - 23.5" LONG - OFF WHITE                              |

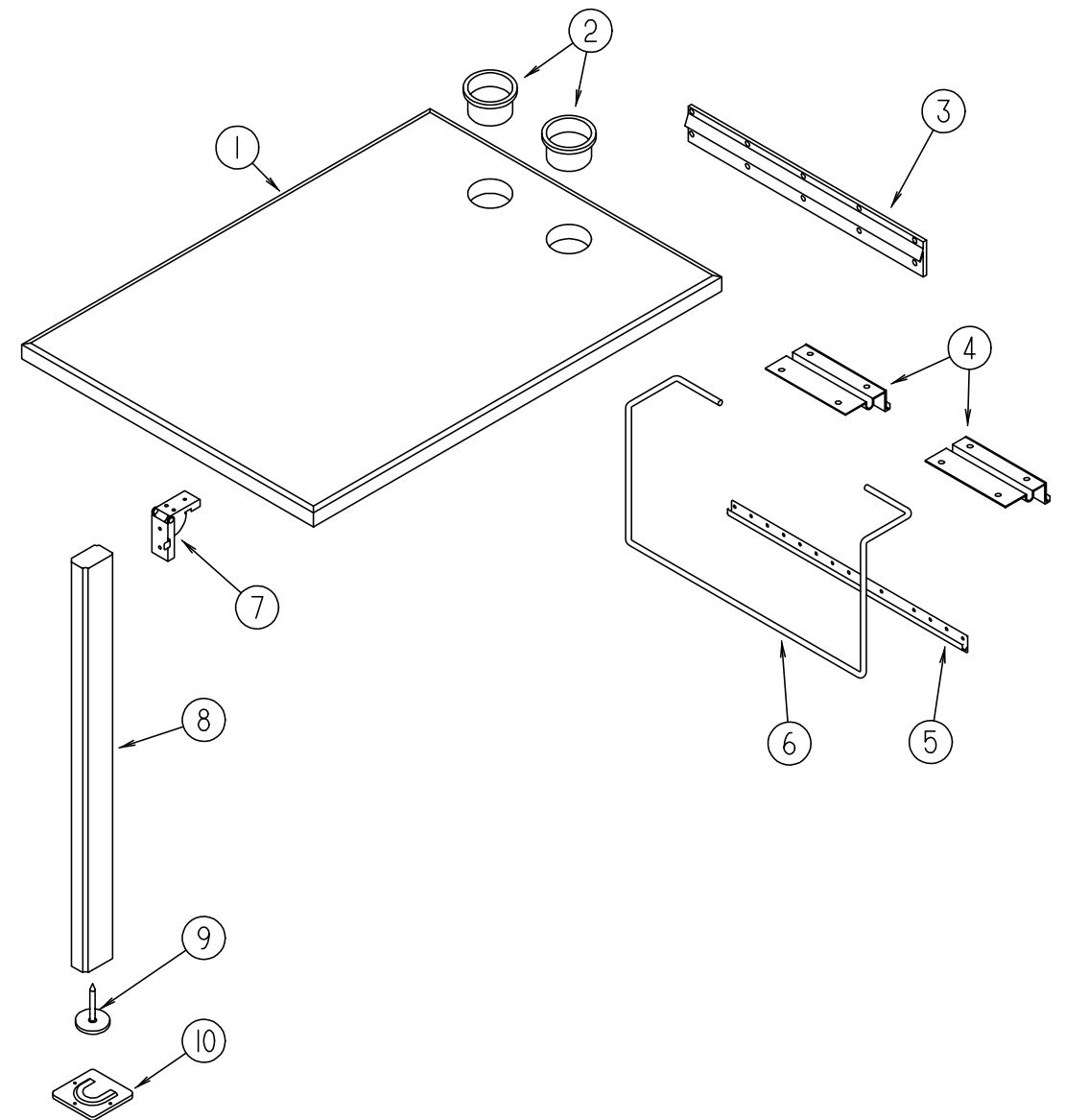
## DINETTE GROUP (CONTINUED)



**DINETTE TABLE (LAMINATE EDGE)**

| KEY | PART NUMBER   | U/M DESCRIPTION  |
|-----|---------------|--|
| 1   | 081322-23-K16 | EA TABLE TOP ONLY  |
| 1   | 081322-23-K17 | EA TABLE TOP ONLY  |
| 1   | 081322-23-K18 | EA TABLE TOP ONLY  |
| 2   | 064781-06-000 | EA HOLDER - CUP - TWO STEP - OFF WHITE                       |
| 3   | 053200-12-000 | EA BRACKET - TABLE SUPPORT - UPPER/WALL MOUNTED - 23.50"     |
| 4   | 088410-02-000 | EA BRACKET - LIFT - TABLE MOUNTED                            |
| 5   | 024281-14-000 | EA BRACKET/TABLE - LIFT ROD/LOWER WALL MOUNTED - 22.12"      |
| 6   | 024275-12-000 | EA ROD - TABLE LIFT  |
| 7   | 093550-01-000 | EA BRACKET - HINGE - MOUNTS TO LEG & TABLE TOP - 1.7" X 2.6" |
| 8   | 092707-04-05A | EA LEG - TABLE - W/O HARDWARE - 27" - WATERFORD OAK          |
| 9   | 092593-01-05A | EA CATCH - TABLE LEG - OFF/WHITE                             |
| 10  | 049493-12-000 | EA CATCH - TABLE LEG/FLOOR MOUNTED - OFF WHITE               |
| 10  | 049493-11-700 | EA CATCH - TABLE LEG/FLOOR MOUNTED - E COATED                |

## DINETTE GROUP (CONTINUED)

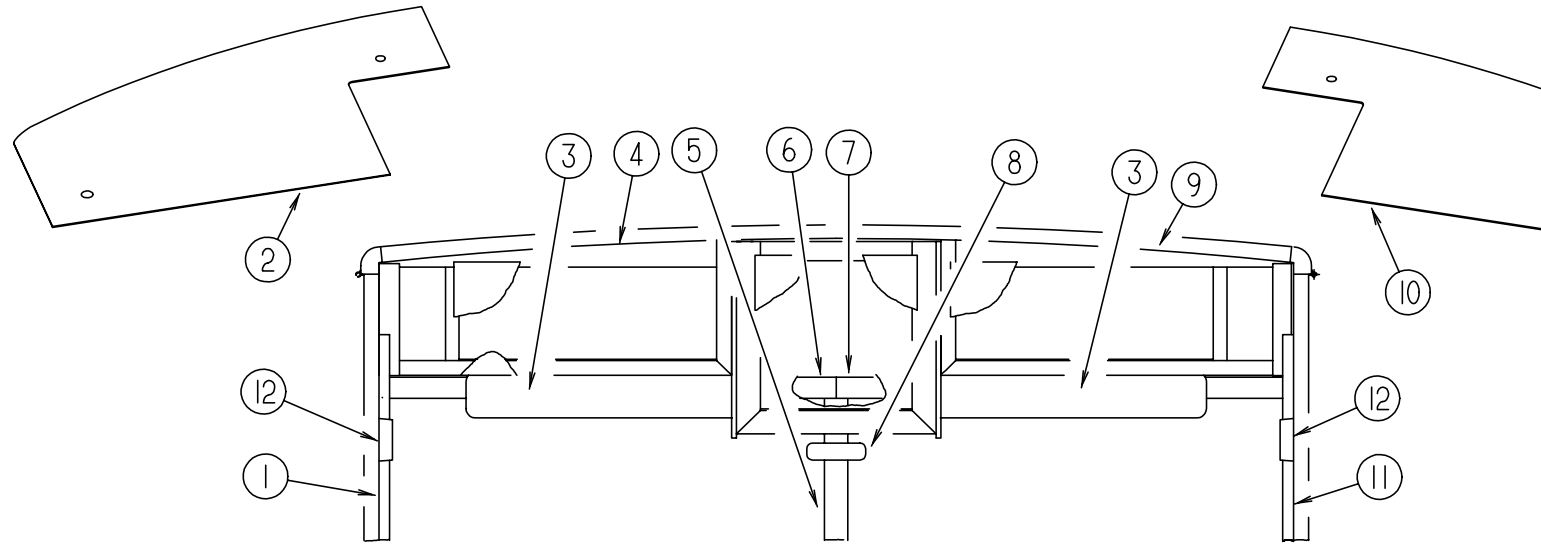


**DINETTE TABLE (WOOD EDGE)**

| KEY | PART NUMBER   | U/M DESCRIPTION  |
|-----|---------------|--|
| 1   | 088913-08-G42 | EA TABLE - DINETTE - W/O HARDWARE (K16)                      |
| 1   | 088913-08-J51 | EA TABLE - DINETTE - W/O HARDWARE (K17)                      |
| 1   | 088913-08-K18 | EA TABLE - DINETTE - W/O HARDWARE (K18)                      |
| 2   | 064781-06-000 | EA HOLDER - CUP - TWO STEP - OFF WHITE                       |
| 3   | 053200-12-000 | EA BRACKET - TABLE SUPPORT - UPPER/WALL MOUNTED - 23.50"     |
| 4   | 088410-02-000 | EA BRACKET - LIFT - TABLE MOUNTED                            |
| 5   | 024281-14-000 | EA BRACKET/TABLE - LIFT ROD/LOWER WALL MOUNTED - 22.12"      |
| 6   | 024275-12-000 | EA ROD - TABLE LIFT  |
| 7   | 093550-01-000 | EA BRACKET - HINGE - MOUNTS TO LEG & TABLE TOP - 1.7" X 2.6" |
| 8   | 092707-04-05A | EA LEG - TABLE - W/O HARDWARE - 27" - WATERFORD OAK          |
| 9   | 092593-01-05A | EA CATCH - TABLE LEG - OFF/WHITE                             |
| 10  | 049493-12-000 | EA CATCH - TABLE LEG/FLOOR MOUNTED - OFF WHITE               |
| 10  | 049493-11-700 | EA CATCH - TABLE LEG/FLOOR MOUNTED - E COATED                |

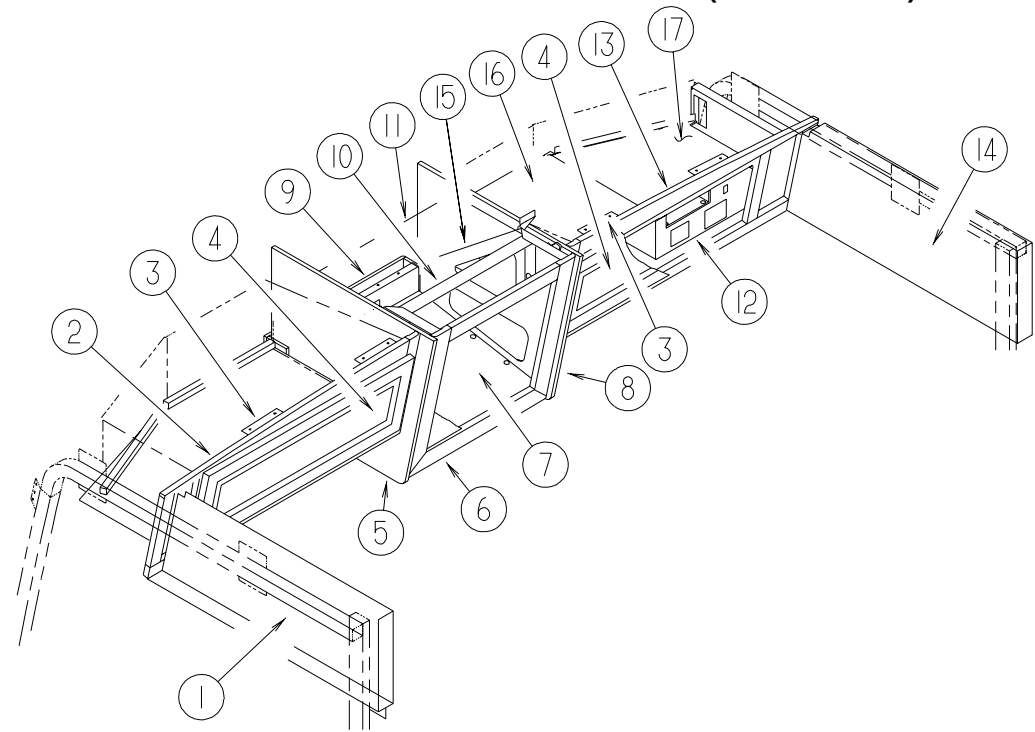
# DRIVERS COMPARTMENT GROUP

## DRIVERS COMPARTMENT - UPPER



| KEY | PART NUMBER   | U/M DESCRIPTION   |
|-----|---------------|---|
| 1   | 125508-04-01A | EA TRIM - A-PILLAR - INTERIOR - ANTELOPE                      |
| 2   | 126440-04-J15 | EA PANEL - OVERHEAD/FRONT - BOTTOM/LEFT HAND                  |
| 3   | 123298-02-04A | EA SUNVISOR - 10.5" X 28.5"                                   |
| 4   | 126457-02-J20 | EA PANEL - CLOSEOUT - OVERHEAD FRONT - UPPER/LOWER LEFT HAND  |
| 5   | 118452-05-01A | EA TRIM - WINDSHIELD - CENTER - ANTELOPE                      |
| 6   | 118453-04-01A | EA TRIM - WINDSHIELD - INNER/TOP/DRIVER                       |
| 7   | 118453-03-01A | EA TRIM - WINDSHIELD - INNER/TOP/PASSENGER                    |
| 8   | 040714-01-000 | EA MIRROR - REAR VIEW/ARM MOUNT & SET SCREW                   |
|     | 067490-01-000 | EA BUTTON - MIRROR/REAR VIEW                                  |
| 9   | 126457-01-J20 | EA PANEL - CLOSEOUT - OVERHEAD FRONT - UPPER/LOWER RIGHT HAND |
| 10  | 126440-03-J15 | EA PANEL - OVERHEAD/FRONT - BOTTOM/RIGHT HAND                 |
| 11  | 125508-03-01A | EA TRIM - A-PILLAR - INTERIOR - ANTELOPE                      |
| 12  | 103961-02-01A | EA COVER - BRACKET - SEAT BELT/LEFT HAND - DRIVER DOOR OPTION |

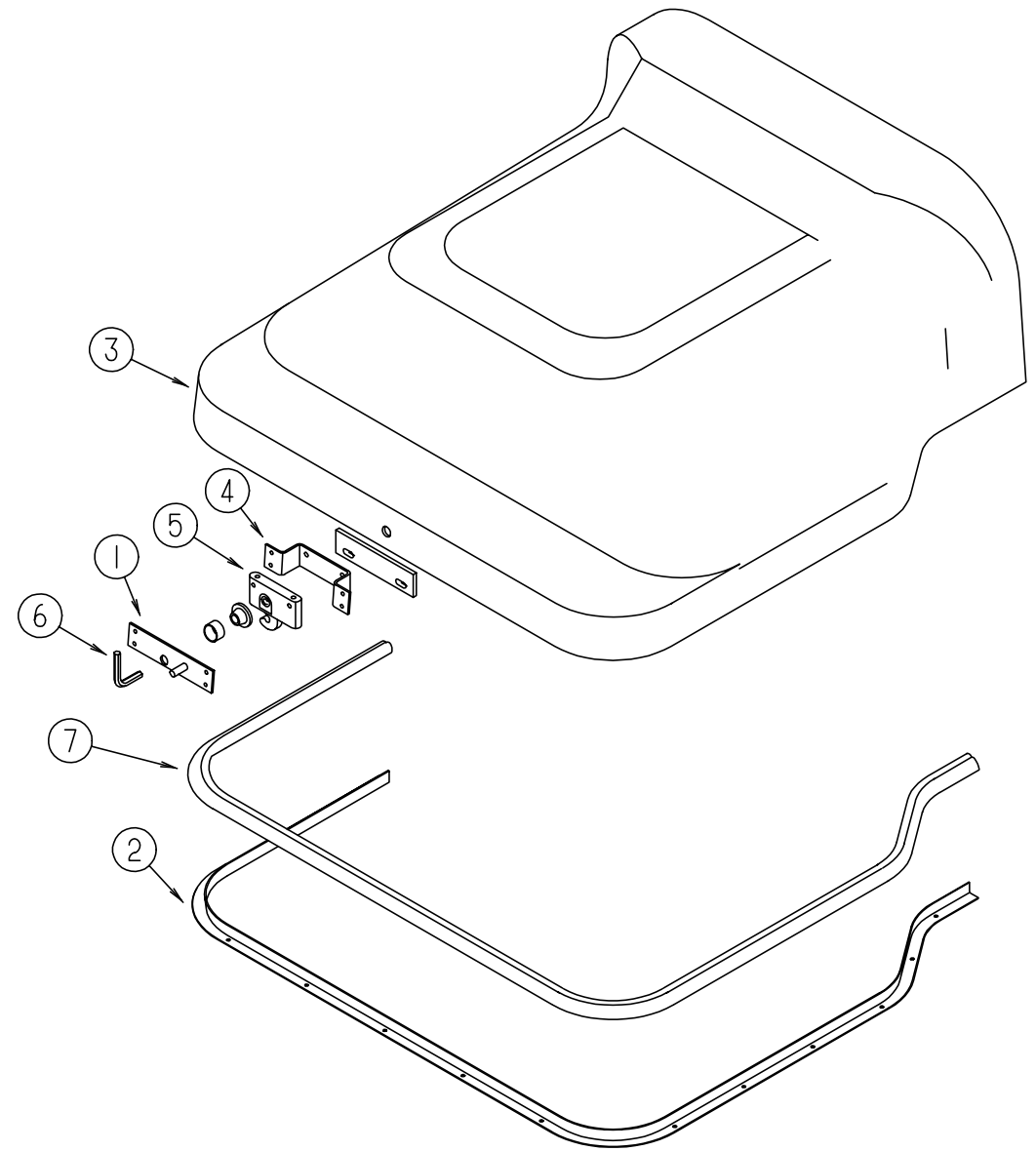
**DRIVERS COMPARTMENT GROUP (CONTINUED)**



**INTERIOR STORAGE AND TV CABINETS**

| KEY | PART NUMBER   | U/M | DESCRIPTION  |
|-----|---------------|-----|--|
| 1   | 126765-02-J15 | EA  | PANEL - OVERHEAD/DRIVER                                    |
| 2   | 126877-02-J15 | EA  | CABINET - OVERHEAD/FRONT - LEFT HAND - W/O DOORS/HARDWARE  |
| 3   | 106699-01-01A | EA  | BRACKET - OVERHEAD CABINET/TV                              |
| 4   | M09332-07-K16 | EA  | DOOR - RAISED MEMBRANE/OGEE EDGE - 10.8" X 27.9" - W/O HDW |
| 5   | 103128-25-J15 | EA  | END CAP - OVERHEAD CABINET - LEFT HAND                     |
| 6   | 126718-01-J15 | EA  | FRAME/FACE - TV CABINET - W/O DOOR/HARDWARE                |
| 6   | 116791-02-J15 | EA  | FRAME/FACE - TV CABINET - F/TV                             |
|     | 091261-01-000 | FT  | SLIPNOT - ANTISLIP - 1' WIDE                               |
| 7   | 100708-16-000 | EA  | DOOR - GLASS - CABINET - 15.5" X 15.7" - W/O HARDWARE      |
| 8   | 103128-26-J15 | EA  | END CAP - OVERHEAD CABINET - RIGHT HAND                    |
| 9   | 126801-01-J15 | EA  | CABINET BOTTOM - VINYL COVERED                             |
| 10  | 114706-04-02B | EA  | SUPPORT - SHELF/TV   |
| 11  | 126854-01-J20 | EA  | PANEL - HEADLINER/TV/TOP                                   |
| 12  | 126601-01-J20 | EA  | PANEL - SHELF - VINYL COVERED - W/O INVERTER CUTOUT        |
|     |               |     | FROM: 00-00-00 THRU: 11-08-98                              |
| 12  | 131807-01-K28 | EA  | PANEL - SHELF - VINYL COVERED - W/O INVERTER CUTOUT        |
|     |               |     | FROM: 11-09-98 THRU: 99-99-99                              |
| 12  | 126601-03-J20 | EA  | PANEL SHELF/VINYL CVRD-W/O INVERTER CUTOUT-W/SWITCH NOTCH  |
|     |               |     | FROM: 00-00-00 THRU: 11-08-98                              |
| 12  | 131807-02-K28 | EA  | PANEL SHELF/VINYL CVRD-W/O INVERTER CUTOUT-W/SWITCH NOTCH  |
|     |               |     | FROM: 11-09-98 THRU: 99-99-99                              |
| 12  | 126601-07-J20 | EA  | PANEL SHELF-VINYL CVRD-W/INVERTER CUTOUT-W/SWITCH NOTCH    |
|     |               |     | FROM: 00-00-00 THRU: 11-08-98                              |
| 12  | 131807-03-K28 | EA  | PANEL SHELF-VINYL CVRD-W/INVERTER CUTOUT-W/SWITCH NOTCH    |
|     |               |     | FROM: 11-09-98 THRU: 99-99-99                              |
| 13  | 126877-01-J15 | EA  | CABINET - OVERHEAD/FRONT - RIGHT HAND - W/O DOORS/HARDWARE |
| 14  | 126765-01-J15 | EA  | PANEL - OVERHEAD/PASSENGER                                 |
| 15  | 126081-03-02B | EA  | BRACKET/SUPPORT - TV - 10 DEGREE - E-COATED                |
|     | 126081-04-02B | EA  | BRACKET/SUPPORT - TV - 10 DEGREE - E-COATED                |
| 16  | 127637-01-02B | EA  | SHELF - OVERHEAD/FRONT/LEFT HAND - E-COATED                |
| 17  | 126275-01-02B | EA  | SHELF - OVERHEAD/FRONT - E-COATED                          |
|     |               |     | FROM: 00-00-00 THRU: 11-08-98                              |
| 17  | 126275-03-02B | EA  | SHELF - OVERHEAD/FRONT - E-COATED                          |
|     |               |     | FROM: 11-09-98 THRU: 99-99-99                              |

**DRIVERS COMPARTMENT GROUP (CONTINUED)**

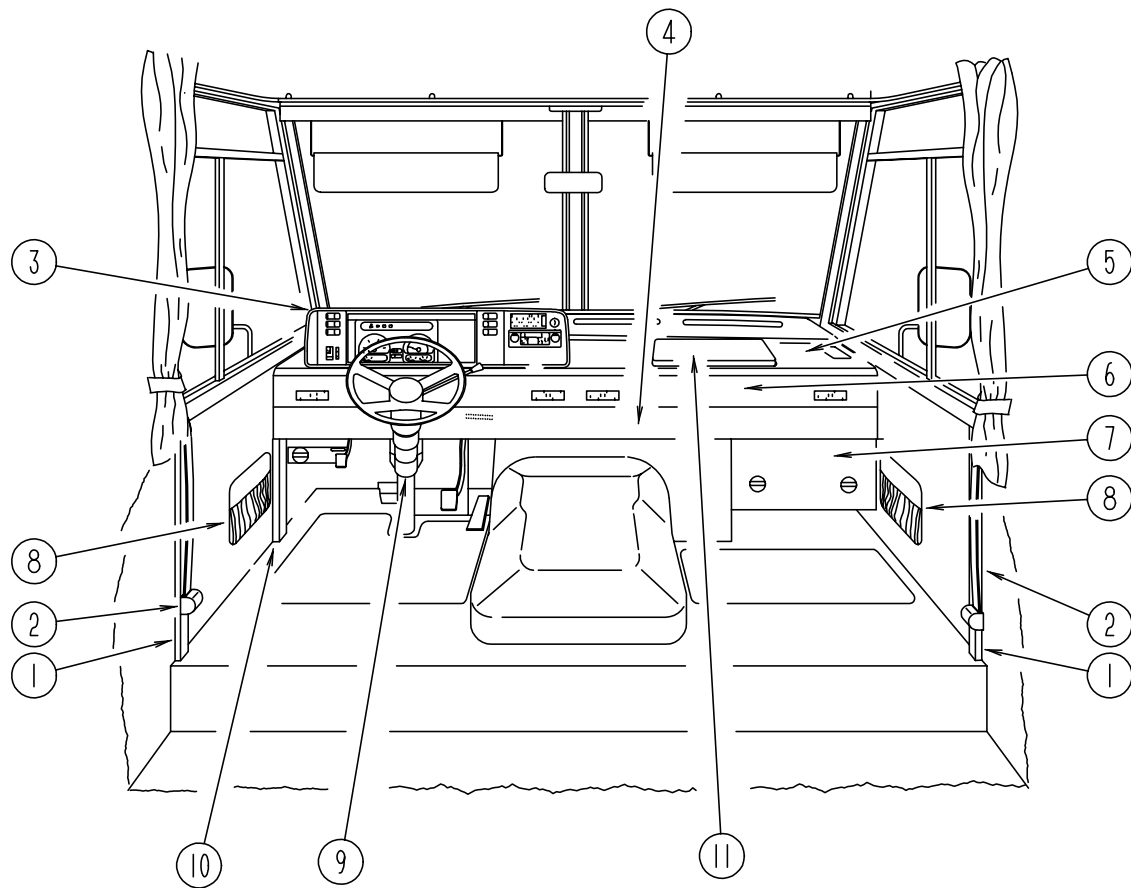


**MOTOR COVER**

| KEY | PART NUMBER   | U/M | DESCRIPTION  |
|-----|---------------|-----|--|
| 1   | 115852-01-02B | EA  | STRIKE - LATCH - MOTOR COVER - E-COATED                |
| 2   | 115860-01-01A | EA  | TRIM - MOTOR COVER - CHEVY                             |
| 2   | 115860-03-01A | EA  | TRIM - MOTOR COVER - FORD                              |
| 3   | 115840-02-01A | EA  | COVER - MOTOR - W/O CARPET - CHEVY                     |
| 3   | 115840-03-01A | EA  | COVER - MOTOR - W/O CARPET - FORD                      |
| 4   | 115850-03-02B | EA  | RETAINER - LATCH - MOTOR COVER - RIGHT HAND - E-COATED |
| 5   | 116581-01-000 | EA  | LATCH - MOTOR COVER                                    |
| 6   | 116833-01-02B | EA  | WRENCH - HEX MOTOR COVER - E-COATED                    |
| 7   | 039623-01-000 | FT  | SEAL - MOTOR COVER - RUBBER BULB TYPE                  |

## DRIVERS COMPARTMENT GROUP (CONTINUED)

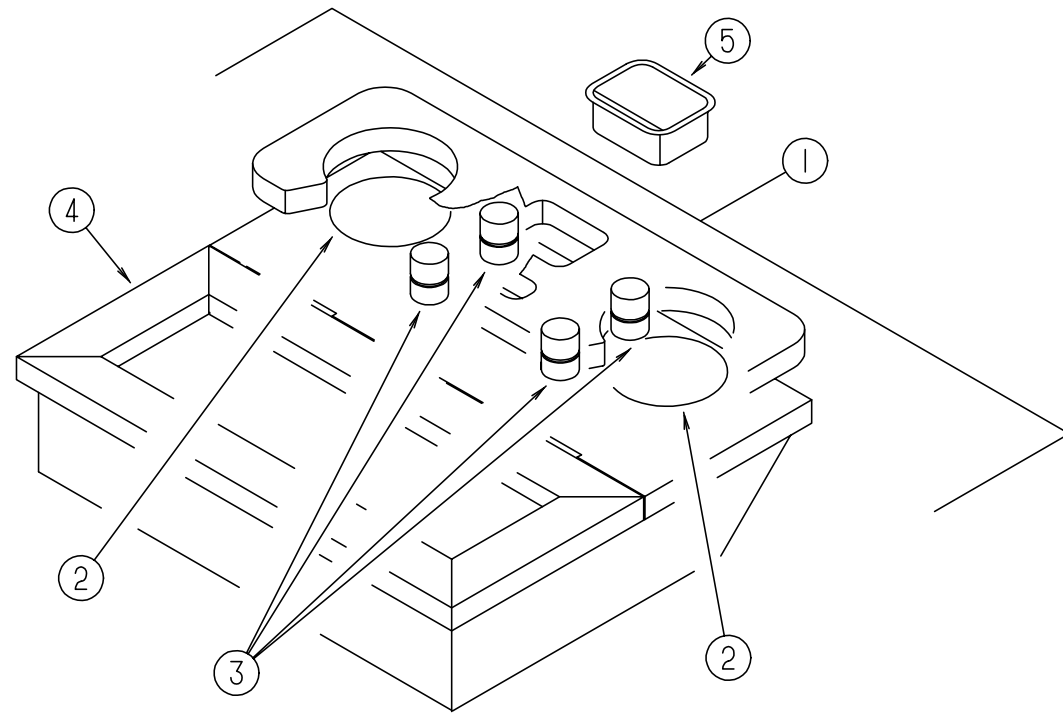
### DRIVERS COMPARTMENT - LOWER



| KEY | PART NUMBER   | U/M DESCRIPTION  | VENDOR NO.                    |
|-----|---------------|--|-------------------------------|
| 1   | 024700-51-000 | EA COVER - ROLL BAR  |                               |
| 2   | 091990-04-01A | EA SEAT BELT/SHOULDER HARNESS - DRIVERS/PASSENGER - BLACK                | I-1331-02                     |
|     | 091990-01-701 | EA EXTENDER 9" FOR A8408 3 PT  | 209S-2                        |
|     | 091990-05-700 | EA SLEEVE/BUCKLE COVER-PLASTIC   | 209SC-02                      |
|     | 091990-05-701 | EA CAP/COVER - BOLT HOLE COVER   | 309C-02                       |
|     | 091990-05-702 | EA SLEEVE/RETRACTABLE COVER  |                               |
|     | 109146-01-000 | EA BOLT - SHOULDER/SEAT BELT   |                               |
|     | 133576-02-01B | EA PLATE - ANCHOR - SEATBELT - LOWER - MILL                              |                               |
| 3   | 125677-02-J20 | EA POD - INSTRUMENT PANEL - FORD   | FROM: 00-00-00 THRU: 02-03-99 |
|     |               |  | FROM: 02-04-99 THRU: 99-99-99 |
| 3   | 125677-04-K28 | EA POD - INSTRUMENT PANEL - ANTELOPE - FORD                              |                               |
|     |               |  | FROM: 02-04-99 THRU: 99-99-99 |
| 3   | 125677-02-J20 | EA POD - INSTRUMENT PANEL - CHEVY  |                               |
| 4   | 114620-12-02A | EA TRIM - LOWER DASH - GM - 96" - ANTELOPE                               |                               |
| 4   | 114620-01-04A | EA TRIM - LOWER DASH - GM - 96" - ANTELOPE - HEATED MIRRORS OPTION       |                               |
| 4   | 111528-04-04A | EA TRIM - LOWER DASH - DRIVER - FD - ANTELOPE                            |                               |
| 4   | 111528-03-05A | EA TRIM - LOWER DASH - PASSENGER - FD - ANTELOPE - HEATED MIRRORS OPTION |                               |
| 4   | 111528-08-02A | EA TRIM - LOWER DASH - PASSENGER - FD - ANTELOPE                         |                               |
| 5   | P30276-02-000 | EA DASH - W/O VINYL - FORD   | FROM: 00-00-00 THRU: 02-03-99 |
|     |               |  | FROM: 02-04-99 THRU: 99-99-99 |
| 5   | P30276-10-000 | EA DASH - COMPLETE - W/O VINYL - FORD                                    |                               |
|     |               |  | FROM: 02-04-99 THRU: 99-99-99 |
| 5   | P30276-06-000 | EA DASH - W/O VINYL - CHEVY  |                               |
|     | 118101-06-02B | EA PANEL - DASH TOP - E-COATED   |                               |
|     | 106569-11-01A | EA VINYL - LAMINATE - ALLANTE ANTELOPE - 1/4" X 21" X 100"               |                               |
|     | 113452-01-000 | FT SEAL/TRIM - FRONT - VINYL W/WIRE CARRIER                              |                               |
| 6   | 126340-01-01A | EA DECAL - LOGO - BRAVE  |                               |
| 7   | 095757-05-J60 | EA COVER - HEATER (K16)  |                               |
| 7   | 095757-05-J51 | EA COVER - HEATER (K17)  |                               |
| 7   | 095757-05-J17 | EA COVER - HEATER (K18)  |                               |
| 8   | 086120-01-J46 | EA PAD - MAP POCKET - 12" X 16" (K16)                                    |                               |
| 8   | 086120-01-H16 | EA PAD - MAP POCKET - 12" X 16" (K17)                                    |                               |
| 8   | 086120-01-G30 | EA PAD - MAP POCKET - 12" X 16" (K18)                                    |                               |
| 9   | 103498-09-000 | EA BOOT - STEERING COLUMN - W/1/2 CIRCLE - CHEVY                         |                               |
|     | 130111-01-01A | EA COVER - STEERING COLUMN - BLACK - FORD                                | FROM: 00-00-00 THRU: 02-03-99 |
|     |               |  | FROM: 02-04-99 THRU: 99-99-99 |
|     | 131804-01-01A | EA COVER - STEERING COLUMN - BLACK - FORD                                |                               |
|     |               |  | FROM: 02-04-99 THRU: 99-99-99 |
|     | 125795-01-01A | EA COVER - STEERING COLUMN - LOWER - FORD                                |                               |
|     |               |  | FROM: 02-04-99 THRU: 99-99-99 |
|     | 125655-03-01A | EA TRIM - STEERING COLUMN - RIGHT HAND/FORD                              |                               |
|     |               |  | FROM: 00-00-00 THRU: 02-03-99 |
|     | 125655-04-01A | EA TRIM - STEERING COLUMN - LEFT HAND/FORD                               |                               |
|     |               |  | FROM: 00-00-00 THRU: 02-03-99 |
| 10  | 127901-01-01A | EA PANEL - TOEKICK/LEFT HAND - ANTELOPE                                  |                               |
| 11  | 127692-01-J20 | EA TABLE - DASH  |                               |
|     | 127597-01-000 | EA SLIDE - WORK STATION - DASH   |                               |



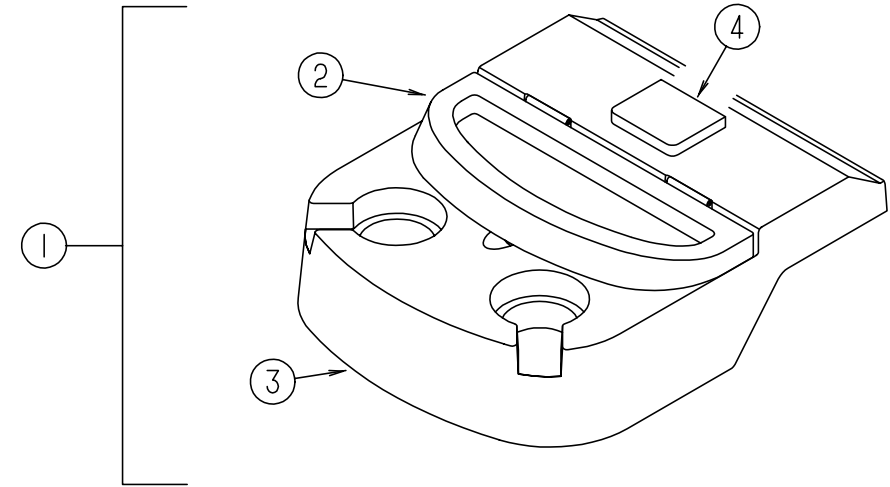
**DRIVERS COMPARTMENT GROUP (CONTINUED)**



**BEVERAGE TRAY (WOOD)**

| KEY | PART NUMBER   | U/M DESCRIPTION  |
|-----|---------------|--|
| 1   | 111618-01-H17 | EA TRAY - BEVERAGE W/COMPARTMENT - W/O CUPHOLDERS          |
| 2   | 122717-01-01A | EA PAD - NON SKID - 4" DIAMETER ROUND                      |
| 3   | 097872-08-000 | EA DOWEL - WOOD - 1" DIAMETER X 1.38" LONG - WATERFORD OAK |
| 3   | 097872-04-000 | EA DOWEL - WOOD - 1" DIAMETER X 1.38" LONG - UNFINISHED    |
| 4   | 111618-13-GB1 | EA LID - BEVERAGE TRAY COMPARTMENT                         |
| 5   | 046886-03-000 | EA ASHTRAY - CHROME W/COVER                                |

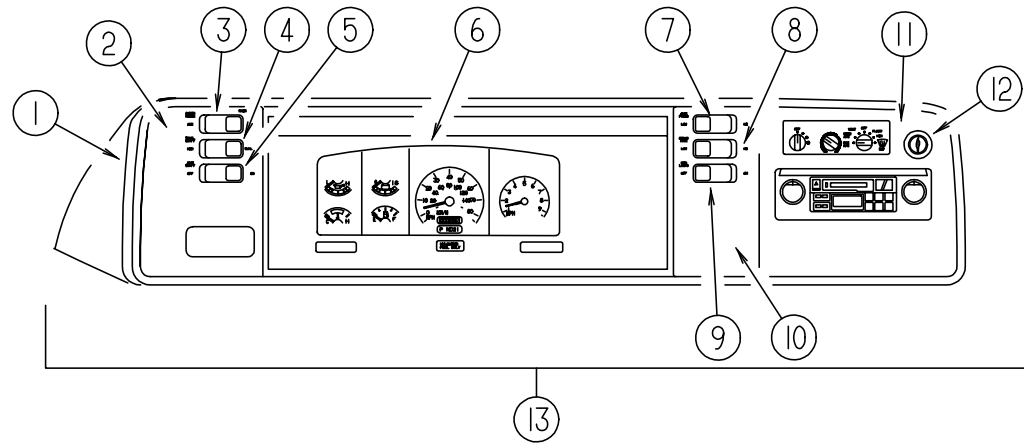
**DRIVERS COMPARTMENT GROUP (CONTINUED)**



**BEVERAGE TRAY (PLASTIC)**

| KEY | PART NUMBER   | U/M DESCRIPTION                        |
|-----|---------------|--|
| 1   | 126008-02-J30 | EA TRAY - BEVERAGE - W/DOOR            |
| 2   | 128113-01-J30 | EA LID - BEVERAGE TRAY                 |
| 3   | 128114-01-01A | EA TRAY - BEVERAGE - ANTELOPE          |
| 4   | 118719-01-01A | EA ASHTRAY - TOP MOUNT - BLACK PLASTIC |
|     | 126010-01-01A | EA SPACER - BEVERAGE TRAY              |
|     | 122772-02-02B | EA BRACKET - MOUNTING - BEVERAGE TRAY  |

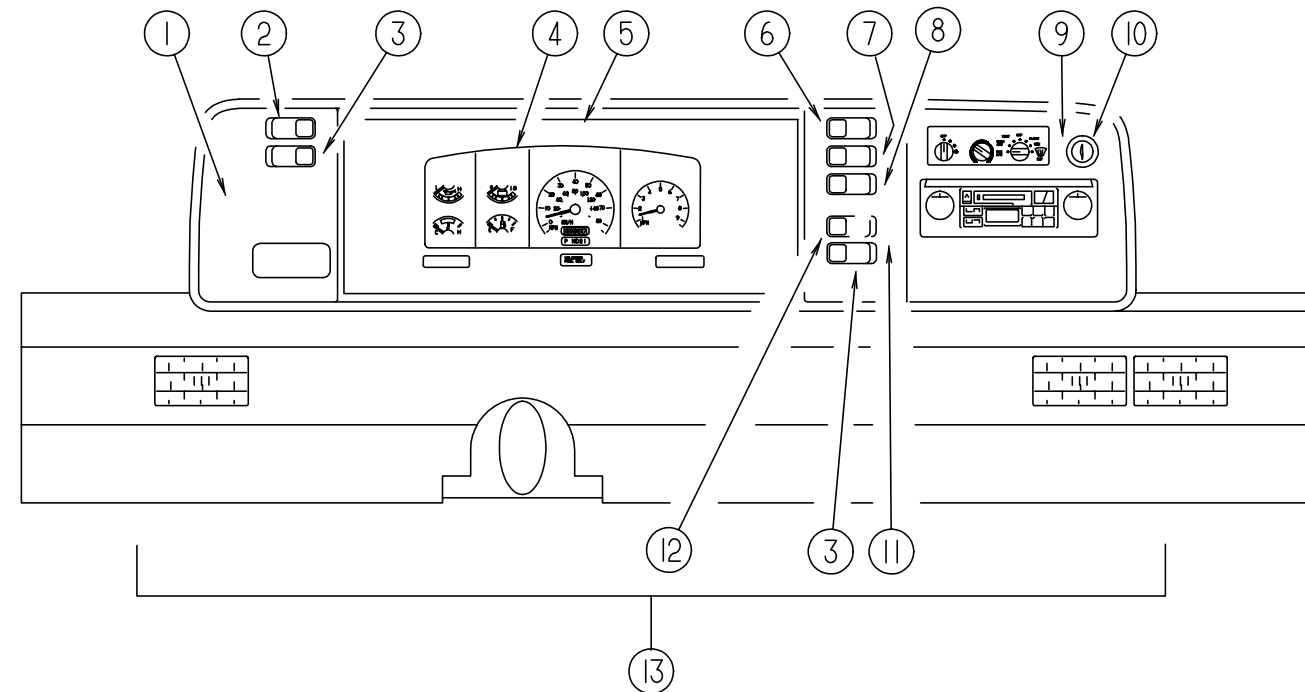
**DRIVERS COMPARTMENT GROUP (CONTINUED)**



**DASH, GAUGES & SWITCHES - FORD (FROM: 00-00-00 THRU: 03-14-99)**

| KEY | PART NUMBER   | U/M | DESCRIPTION   |
|-----|---------------|-----|---|
| 1   | 103662-12-01A | EA  | BEZEL - INSTRUMENT PANEL - 99 HEAVY DUTY FORD<br>FROM: 00-00-00 THRU: 02-03-99                    |
| 1   | 103662-14-01A | EA  | BEZEL - INSTRUMENT PANEL - 99 FORD<br>FROM: 02-04-99 THRU: 99-99-99                               |
| 2   | 104056-39-01A | EA  | APPLIQUE - BEZEL - DRIVER - BLACK   |
| 3   | 108356-02-01A | EA  | COVER/ACTUATOR SWITCH - 2 ROWS DIMPLES- CONTURA II - BLACK  |
| 3   | 108357-05-000 | EA  | SWITCH - ROCKER SPDT - ON/NONE/ON - 3 TERMINAL - RADIO POWER W/O CD                               |
| 3   | 108357-08-000 | EA  | SWITCH - ROCKER DPDT - ON/NONE/ON - 6 TERMINAL - RADIO POWER W/CD                                 |
| 4   | 108356-02-01A | EA  | COVER/ACTUATOR SWITCH - 2 ROWS DIMPLES- CONTURA II - BLACK  |
| 4   | 108357-09-000 | EA  | SWITCH - ROCKER SPDT - ON/NONE/MOM - 3 TERMINAL - AUXILIARY START                                 |
| 5   | 108356-02-01A | EA  | COVER/ACTUATOR SWITCH - 2 ROWS DIMPLES- CONTURA II - BLACK  |
| 5   | 108357-06-000 | EA  | SWITCH - ROCKER DPDT - MOM/OFF/MOM - 6 TERMINAL - AUXILIARY BATTERY                               |
| 6   | N/A           | EA  | CLUSTER - INSTRUMENT PANEL  |
| 7   | 108356-03-01A | EA  | COVER/ACTUATOR SWITCH -3 GROOVES W/LENS-CONTURA III-BLACK<br>FROM: 00-00-00 THRU: 08-03-98        |
| 7   | 108356-04-01A | EA  | COVER/ACTUATOR SWITCH - 2 ROWS DIMPLES W/LENS-CONTURA-BLK<br>FROM: 08-04-98 THRU: 99-99-99        |
| 7   | 108357-01-000 | EA  | SWITCH - ROCKER SPST - ON/OFF - 2 TERMINAL - GENERATOR<br>FROM: 00-00-00 THRU: 07-20-98           |
| 7   | 108357-10-000 | EA  | SWITCH - ROCKER SPDT - W/LIGHT - MOM/NONE/MOM - 5 TERMINAL - GEN<br>FROM: 07-21-98 THRU: 99-99-99 |
| 7   | 096241-03-000 | EA  | SWITCH - BLANK - BLACK  |
| 8   | 108356-02-01A | EA  | COVER/ACTUATOR SWITCH - 2 ROWS DIMPLES- CONTURA II - BLACK  |
| 8   | 108357-03-000 | EA  | SWITCH - ROCKER SPDT - ON/OFF/ON - 3 TERMINAL - REAR HEATER                                       |
| 8   | 096241-03-000 | EA  | SWITCH - BLANK - BLACK  |
| 9   | 096241-03-000 | EA  | SWITCH - BLANK - BLACK  |
| 10  | 104056-21-01A | EA  | APPLIQUE - BEZEL - PASSENGER - BLACK  |
| 11  | 104056-06-01A | EA  | APPLIQUE - BEZEL - PASSENGER - BLACK  |
| 12  | 089294-01-000 | EA  | LIGHTER - CIGARETTE - W/SOCKET & WIRE   |
| 13  | 125677-02-J20 | EA  | POD - INSTRUMENT PANEL<br>FROM: 00-00-00 THRU: 02-03-99   |
| 13  | 125677-04-K28 | EA  | POD - INSTRUMENT PANEL - ANTELOPE<br>FROM: 02-04-99 THRU: 99-99-99                                |
|     | 077031-01-000 | EA  | FILM - BLACK - 1" X 1.75"   |
|     | 077031-03-000 | EA  | FILM - WHITE - .75" X 1"  |
|     | 049176-01-000 | EA  | HEDLOCK II - 3/4 DIAMETER SCREW MOUNT   |
|     | 103603-01-000 | EA  | BULB - 12 VOLT - #74 - .12A WEDGE - GE 22-25 USED IN DASH   |
|     | 129644-01-000 | EA  | CABLE/INDICATOR - TRANSMISSION - 46.7" EYE/EYE<br>FROM: 00-00-00 THRU: 11-24-98                   |

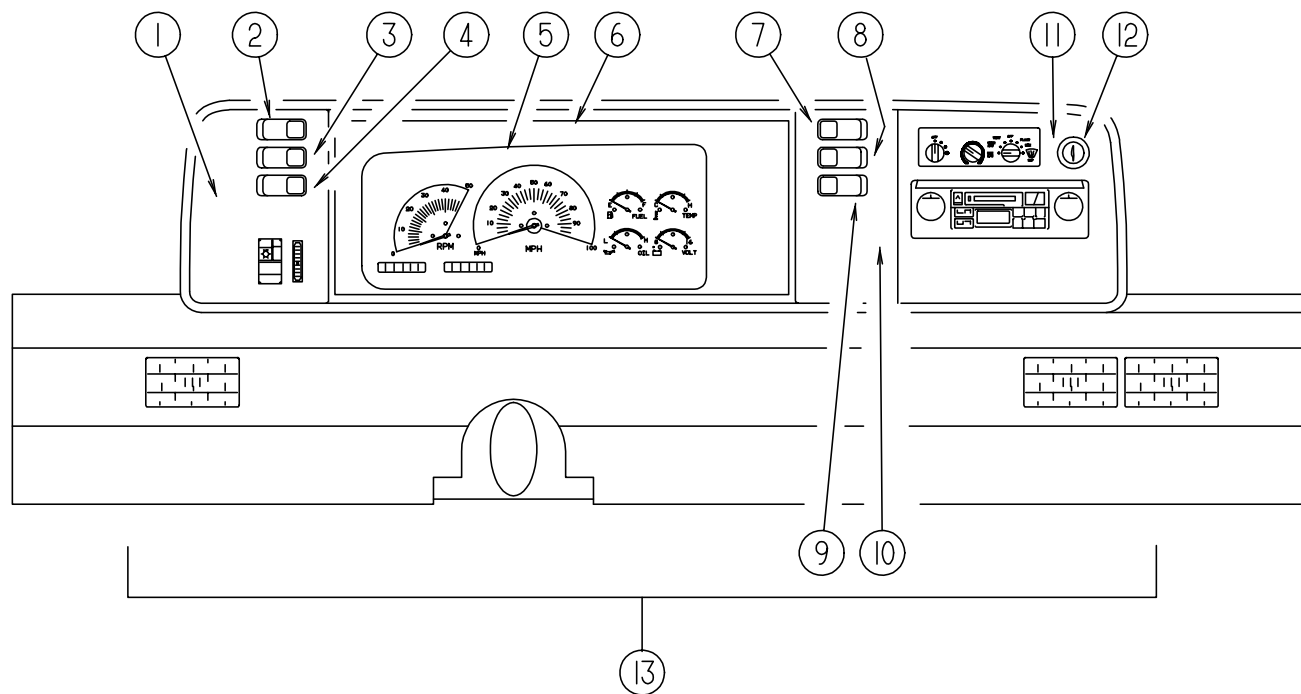
**DRIVERS COMPARTMENT GROUP (CONTINUED)**



**DASH, GAUGES & SWITCHES - FORD (FROM: 03-15-99 THRU: 99-99-99)**

| KEY | PART NUMBER   | U/M | DESCRIPTION   |
|-----|---------------|-----|---|
| 1   | 104056-45-01A | EA  | APPLIQUE - BEZEL - DRIVER - BLACK                                   |
| 2   | 108356-02-01A | EA  | COVER/ACTUATOR SWITCH - 2 ROWS DIMPLES- CONTURA II - BLACK          |
| 2   | 108357-09-000 | EA  | SWITCH - ROCKER SPDT - ON/NONE/MOM - 3 TERMINAL - AUXILIARY START   |
| 3   | 096241-03-000 | EA  | SWITCH - BLANK - BLACK  |
| 4   | N/A           | EA  | CLUSTER - INSTRUMENT PANEL  |
| 5   | 103662-14-01A | EA  | BEZEL - INSTRUMENT PANEL - 99 FORD                                  |
| 6   | 108356-02-01A | EA  | COVER/ACTUATOR SWITCH - 2 ROWS DIMPLES- CONTURA II - BLACK          |
| 6   | 108357-05-000 | EA  | SWITCH - ROCKER SPDT - ON/NONE/ON - 3 TERMINAL - RADIO POWER W/O CD |
| 6   | 108357-08-000 | EA  | SWITCH - ROCKER DPDT - ON/NONE/ON - 6 TERMINAL - RADIO POWER W/CD   |
| 7   | 108356-04-01A | EA  | COVER/ACTUATOR SWITCH - 2 ROWS DIMPLES W/LENS-CONTURA-BLK           |
| 7   | 108357-10-000 | EA  | SWITCH - ROCKER SPDT - W/LIGHT - MOM/NONE/MOM - 5 TERMINAL - GEN    |
| 7   | 096241-03-000 | EA  | SWITCH - BLANK - BLACK  |
| 8   | 108356-02-01A | EA  | COVER/ACTUATOR SWITCH - 2 ROWS DIMPLES- CONTURA II - BLACK          |
| 8   | 108357-03-000 | EA  | SWITCH - ROCKER SPDT - ON/OFF/ON - 3 TERMINAL - REAR HEATER         |
| 8   | 096241-03-000 | EA  | SWITCH - BLANK - BLACK  |
| 9   | 104056-06-01A | EA  | APPLIQUE - BEZEL - PASSENGER - BLACK                                |
| 10  | 089294-01-000 | EA  | LIGHTER - CIGARETTE - W/SOCKET & WIRE                               |
| 11  | 104056-43-01A | EA  | APPLIQUE - BEZEL - PASSENGER - BLACK                                |
| 12  | 108356-02-01A | EA  | COVER/ACTUATOR SWITCH - 2 ROWS DIMPLES- CONTURA II - BLACK          |
| 12  | 108357-06-000 | EA  | SWITCH - ROCKER DPDT - MOM/OFF/MOM - 6 TERMINAL - AUXILIARY BATTERY |
| 13  | 125677-04-K28 | EA  | POD - INSTRUMENT PANEL - ANTELOPE                                   |
|     | 077031-01-000 | EA  | FILM - BLACK - 1" X 1.75"   |
|     | 077031-03-000 | EA  | FILM - WHITE - .75" X 1"  |
|     | 049176-01-000 | EA  | HEDLOCK II - 3/4 DIAMETER SCREW MOUNT                               |
|     | 103603-01-000 | EA  | BULB - 12 VOLT - #74 - .12A WEDGE - GE 22-25 USED IN DASH           |

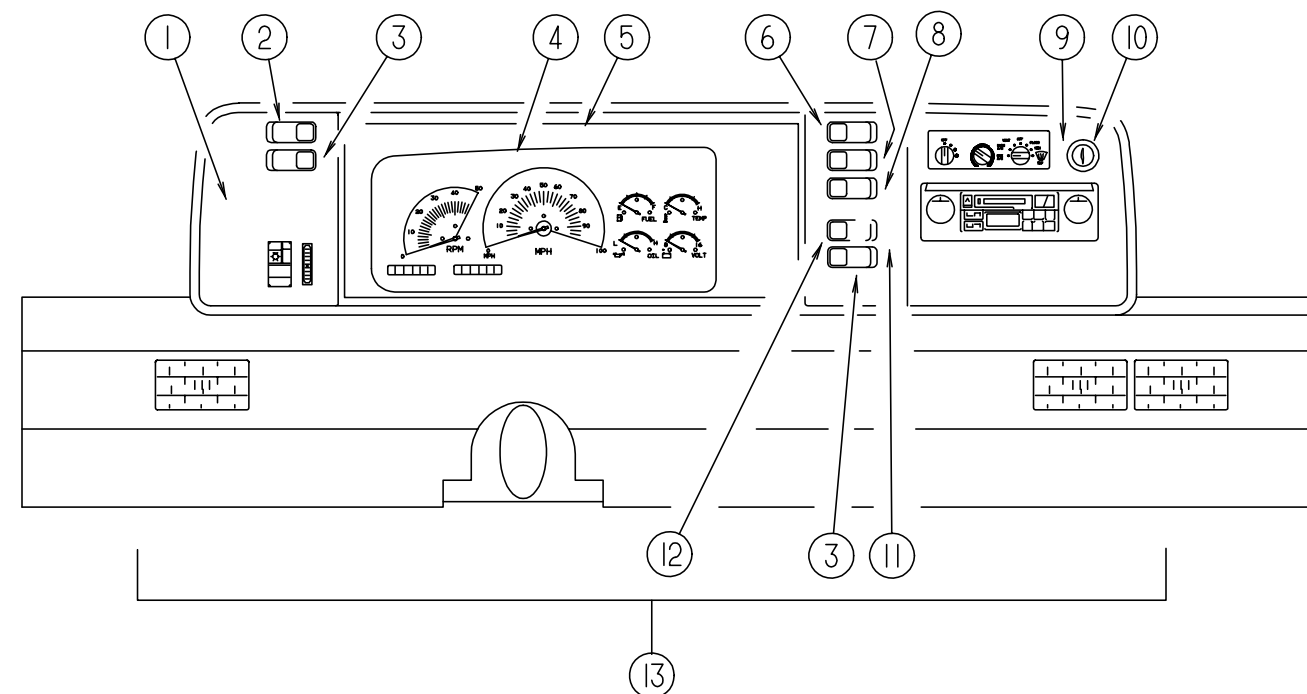
## DRIVERS COMPARTMENT GROUP (CONTINUED)



DASH, GAUGES & SWITCHES - CHEVY (FROM: 00-00-00 THRU: 03-14-99)

| KEY | PART NUMBER   | U/M | DESCRIPTION   |
|-----|---------------|-----|---|
| 1   | 104056-37-01A | EA  | APPLIQUE - BEZEL - DRIVER - BLACK   |
| 2   | 108356-02-01A | EA  | COVER/ACTUATOR SWITCH - 2 ROWS DIMPLES- CONTURA II - BLACK  |
| 2   | 108357-05-000 | EA  | SWITCH - ROCKER SPDT - ON/NONE/ON - 3 TERMINAL - RADIO POWER W/O CD                               |
| 2   | 108357-08-000 | EA  | SWITCH - ROCKER DPDT - ON/NONE/ON - 6 TERMINAL - RADIO POWER W/CD                                 |
| 3   | 108356-02-01A | EA  | COVER/ACTUATOR SWITCH - 2 ROWS DIMPLES- CONTURA II - BLACK  |
| 3   | 108357-09-000 | EA  | SWITCH - ROCKER SPDT - ON/NONE/MOM - 3 TERMINAL - AUXILIARY START                                 |
| 4   | 108356-02-01A | EA  | COVER/ACTUATOR SWITCH - 2 ROWS DIMPLES- CONTURA II - BLACK  |
| 4   | 108357-06-000 | EA  | SWITCH - ROCKER DPDT - MOM/OFF/MOM - 6 TERMINAL - AUXILIARY BATTERY                               |
| 5   | N/A           | EA  | CLUSTER - INSTRUMENT PANEL - K/M - GAS - CANADIAN   |
| 6   | 103662-08-01A | EA  | BEZEL - INSTRUMENT PANEL  |
| 7   | 108356-03-01A | EA  | COVER/ACTUATOR SWITCH -3 GROOVES W/LENS-CONTURA III-BLACK<br>FROM: 00-00-00 THRU: 08-03-98        |
| 7   | 108356-04-01A | EA  | COVER/ACTUATOR SWITCH - 2 ROWS DIMPLES W/LENS-CONTURA-BLK<br>FROM: 08-04-98 THRU: 99-99-99        |
| 7   | 108357-01-000 | EA  | SWITCH - ROCKER SPST - W/LIGHT - ON/OFF - 2 TERMINAL - GEN<br>FROM: 00-00-00 THRU: 07-20-98       |
| 7   | 108357-10-000 | EA  | SWITCH - ROCKER SPDT - W/LIGHT - MOM/NONE/MOM - 5 TERMINAL - GEN<br>FROM: 07-21-98 THRU: 99-99-99 |
| 7   | 096241-03-000 | EA  | SWITCH - BLANK - BLACK  |
| 8   | 108356-02-01A | EA  | COVER/ACTUATOR SWITCH - 2 ROWS DIMPLES- CONTURA II - BLACK  |
| 8   | 108357-03-000 | EA  | SWITCH - ROCKER SPDT - ON/OFF/ON - 3 TERMINAL - REAR HEATER                                       |
| 8   | 096241-03-000 | EA  | SWITCH - BLANK - BLACK  |
| 9   | 096241-03-000 | EA  | SWITCH - BLANK - BLACK  |
| 10  | 104056-21-01A | EA  | APPLIQUE - BEZEL - PASSENGER - BLACK  |
| 11  | 104056-06-01A | EA  | APPLIQUE - BEZEL - PASSENGER - BLACK  |
| 12  | 089294-01-000 | EA  | LIGHTER - CIGARETTE - W/SOCKET & WIRE   |
| 13  | 125677-02-J20 | EA  | POD - INSTRUMENT PANEL  |
|     | 103603-01-000 | EA  | BULB - 12 VOLT - #74 - .12A WEDGE - GE 22-25 USED IN DASH   |
|     | 077031-01-000 | EA  | FILM - BLACK - 1" X 1.75"   |
|     | 077031-03-000 | EA  | FILM - WHITE - .75" X 1"  |
|     | 049176-01-000 | EA  | HEDLOCK II - 3/4 DIAMETER SCREW MOUNT   |

## DRIVERS COMPARTMENT GROUP (CONTINUED)

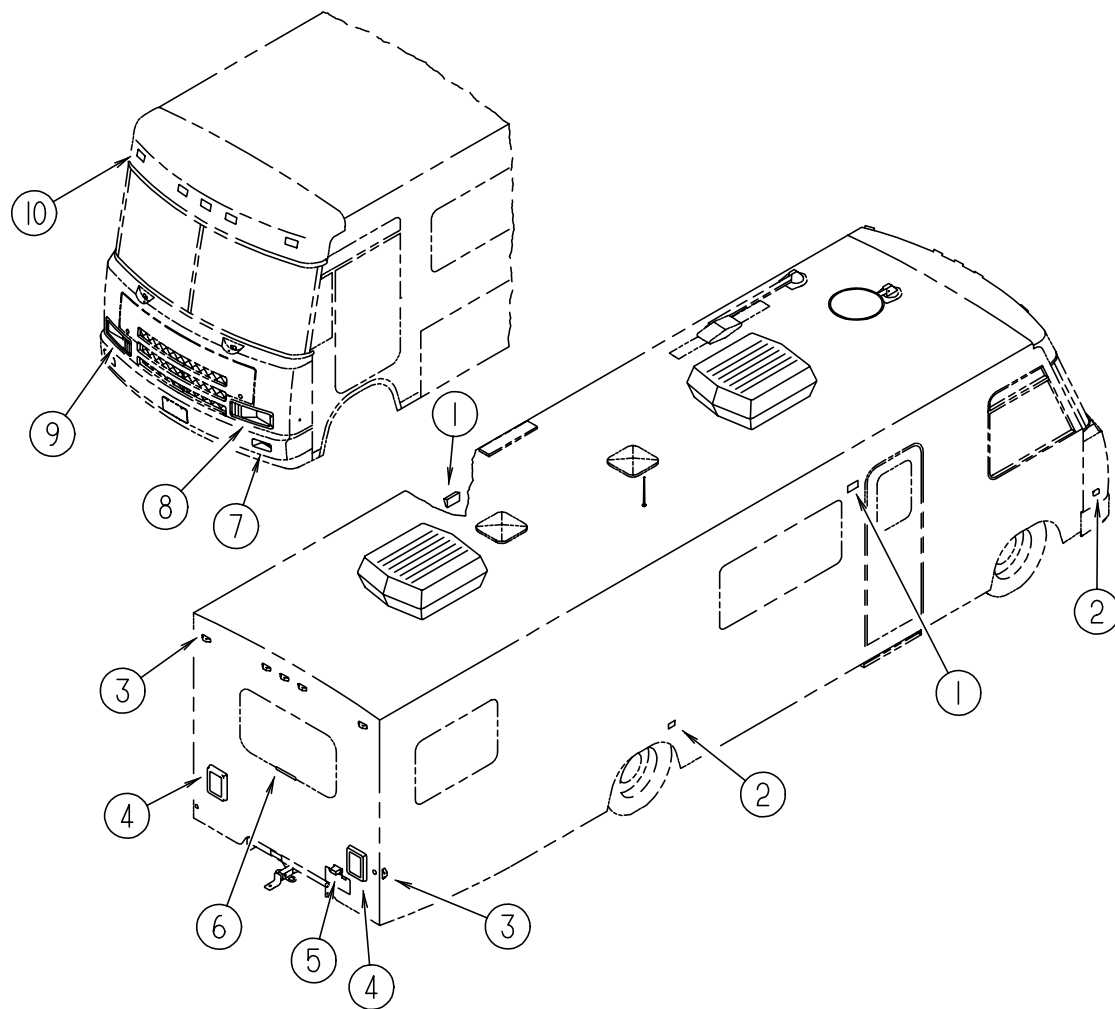


DASH, GAUGES & SWITCHES - CHEVY (FROM: 03-15-99 THRU: 99-99-99)

| KEY | PART NUMBER   | U/M | DESCRIPTION   |
|-----|---------------|-----|---|
| 1   | 104056-44-01A | EA  | APPLIQUE - BEZEL - DRIVER - BLACK                                   |
| 2   | 108356-02-01A | EA  | COVER/ACTUATOR SWITCH - 2 ROWS DIMPLES- CONTURA II - BLACK          |
| 2   | 108357-09-000 | EA  | SWITCH - ROCKER SPDT - ON/NONE/MOM - 3 TERMINAL - AUXILIARY START   |
| 3   | 096241-03-000 | EA  | SWITCH - BLANK - BLACK  |
| 4   | N/A           | EA  | CLUSTER - INSTRUMENT PANEL - K/M - GAS - CANADIAN                   |
| 5   | 103662-08-01A | EA  | BEZEL - INSTRUMENT PANEL  |
| 6   | 108356-02-01A | EA  | COVER/ACTUATOR SWITCH - 2 ROWS DIMPLES- CONTURA II - BLACK          |
| 6   | 108357-05-000 | EA  | SWITCH - ROCKER SPDT - ON/NONE/ON - 3 TERMINAL - RADIO POWER W/O CD |
| 6   | 108357-08-000 | EA  | SWITCH - ROCKER DPDT - ON/NONE/ON - 6 TERMINAL - RADIO POWER W/CD   |
| 7   | 108356-04-01A | EA  | COVER/ACTUATOR SWITCH - 2 ROWS DIMPLES W/LENS-CONTURA-BLK           |
| 7   | 108357-10-000 | EA  | SWITCH - ROCKER SPDT - W/LIGHT - MOM/NONE/MOM - 5 TERMINAL - GEN    |
| 7   | 096241-03-000 | EA  | SWITCH - BLANK - BLACK  |
| 8   | 108356-02-01A | EA  | COVER/ACTUATOR SWITCH - 2 ROWS DIMPLES- CONTURA II - BLACK          |
| 8   | 108357-03-000 | EA  | SWITCH - ROCKER SPDT - ON/OFF/ON - 3 TERMINAL - REAR HEATER         |
| 8   | 096241-03-000 | EA  | SWITCH - BLANK - BLACK  |
| 9   | 104056-06-01A | EA  | APPLIQUE - BEZEL - PASSENGER - BLACK                                |
| 10  | 089294-01-000 | EA  | LIGHTER - CIGARETTE - W/SOCKET & WIRE                               |
| 11  | 104056-43-01A | EA  | APPLIQUE - BEZEL - PASSENGER - BLACK                                |
| 12  | 108356-02-01A | EA  | COVER/ACTUATOR SWITCH - 2 ROWS DIMPLES- CONTURA II - BLACK          |
| 12  | 108357-06-000 | EA  | SWITCH - ROCKER DPDT - MOM/OFF/MOM - 6 TERMINAL - AUXILIARY BATTERY |
| 13  | 125677-02-J20 | EA  | POD - INSTRUMENT PANEL  |
|     | 103603-01-000 | EA  | BULB - 12 VOLT - #74 - .12A WEDGE - GE 22-25 USED IN DASH           |
|     | 077031-01-000 | EA  | FILM - BLACK - 1" X 1.75"   |
|     | 077031-03-000 | EA  | FILM - WHITE - .75" X 1"  |

# ELECTRICAL GROUP

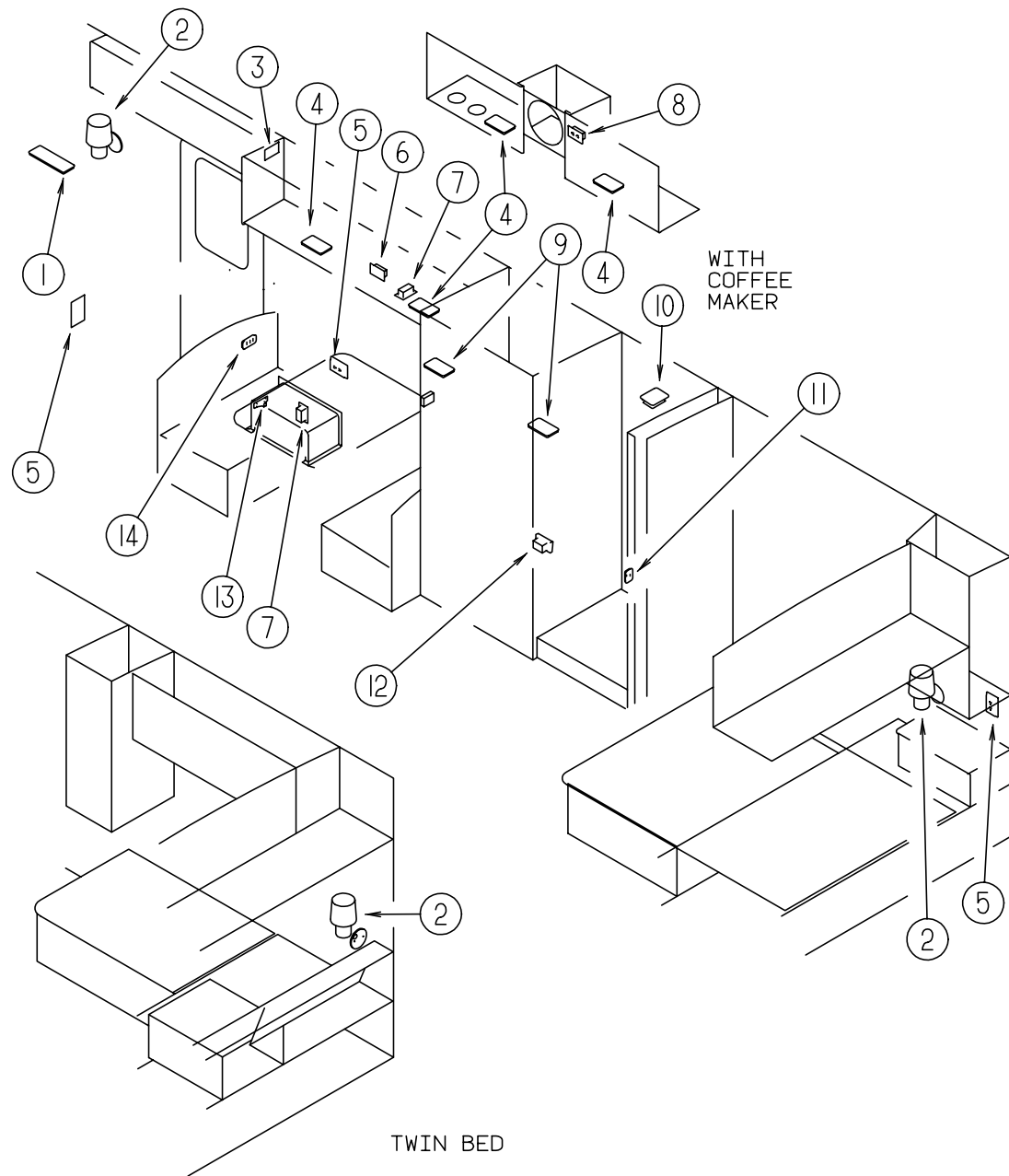
## EXTERIOR LIGHTS



| KEY | PART NUMBER   | U/M DESCRIPTION  | VENDOR NO.                    |
|-----|---------------|--|-------------------------------|
| 1   | 097917-01-06A | EA LIGHT - PORCH - BRIGHT WHITE  |                               |
|     | 008215-01-000 | EA BULB - 12 VOLT - #1003 - .94 AMP  |                               |
|     | 097917-01-700 | EA LENS-LIGHT, CLEAR   | 30-78-021                     |
| 1   | 008089-02-000 | EA LIGHT - PORCH - RECESSED - CANADIAN                                     |                               |
|     | 008089-01-700 | EA LENS-LIGHT, RECESSED, PORCH DECO  |                               |
|     | 008214-01-000 | EA BULB - 12 VOLT - #67 - .59 AMP  |                               |
| 2   | 111102-01-000 | EA BASE - LAMP MARKER  |                               |
| 2   | 111102-02-000 | EA LENS - AMBER - MARKER LAMP  |                               |
|     | 036196-01-000 | EA BULB - 12V - #194 - .27 AMP - BAYONETTE                                 |                               |
| 3   | 111102-01-000 | EA BASE - LAMP MARKER  |                               |
| 3   | 111102-03-000 | EA LENS - RED - MARKER LAMP  |                               |
|     | 036196-01-000 | EA BULB - 12V - #194 - .27 AMP - BAYONETTE                                 |                               |
| 4   | 081638-01-000 | EA TAILLIGHT/DOUBLE W/BLACK TRIM - DRIVER/PASSENGER SIDE                   |                               |
|     | 037934-01-000 | EA BULB - 12V - #1156 - 2.1 AMP CLEAR GLASS<br>BACK UP & TURN SIGNAL BULB  |                               |
|     | 037935-01-000 | EA BULB - 12V - #1157 OR #2057 - 2.1 AMP - CLEAR GLASS<br>BRAKE LIGHT BULB |                               |
|     | 081638-01-700 | EA LENS-TAILLIGHT, RED   | 30-84-010                     |
|     | 081638-01-701 | EA LENS-TAILLIGHT, W/BACKUP  | 30-84-700                     |
|     | 103355-01-05A | EA POD - TAIL LIGHT - BRIGHT WHITE   | FROM: 00-00-00 THRU: 11-22-98 |
|     | 103355-02-01A | EA POD - TAIL LIGHT - BRIGHT WHITE   | FROM: 11-23-98 THRU: 99-99-99 |
| 5   | 066432-02-000 | EA LIGHT - LICENSE - BLACK   |                               |
| 5   | 066432-03-000 | EA BRACKET - LICENSE PLATE   |                               |
| 6   | 121950-01-000 | EA LIGHT - BRAKE - CENTER MOUNT  |                               |
| 7   | 084901-01-000 | EA LAMP - PARK/TURN - GM #916558 (BULB #2057)                              |                               |
| 8   | 049186-04-000 | EA HEADLAMP - DRIVER - HIGH/LOW - HALOGEN                                  |                               |
| 8   | 049188-04-000 | EA HEADLAMP - DRIVER - HIGH BEAM - HALOGEN                                 |                               |
| 8   | 049359-01-000 | EA SPRING - RETAINER - HEADLAMP - GM #496096                               |                               |
| 8   | 110750-01-000 | EA SCREW - HEADLAMP ADJUSTING  |                               |
| 9   | 049185-04-000 | EA HEADLAMP - PASSENGER - HIGH/LOW - HALOGEN                               |                               |
| 9   | 049187-04-000 | EA HEADLAMP - PASSENGER - HIGH BEAM - HALOGEN                              |                               |
| 9   | 049359-01-000 | EA SPRING - RETAINER - HEADLAMP - GM #496096                               |                               |
| 9   | 110750-01-000 | EA SCREW - HEADLAMP ADJUSTING  |                               |
| 10  | 102520-01-000 | EA LIGHT - CLEARANCE - W/O SOCKET/HOUSING - AMBER                          |                               |
| 10  | 067789-02-000 | EA SOCKET - LAMP   |                               |
| 10  | 036196-01-000 | EA BULB - 12V - #194 - .27 AMP - BAYONETTE                                 |                               |
| 10  | 102541-01-000 | EA GASKET - CLEARANCE LIGHT  |                               |

## ELECTRICAL GROUP (CONTINUED)

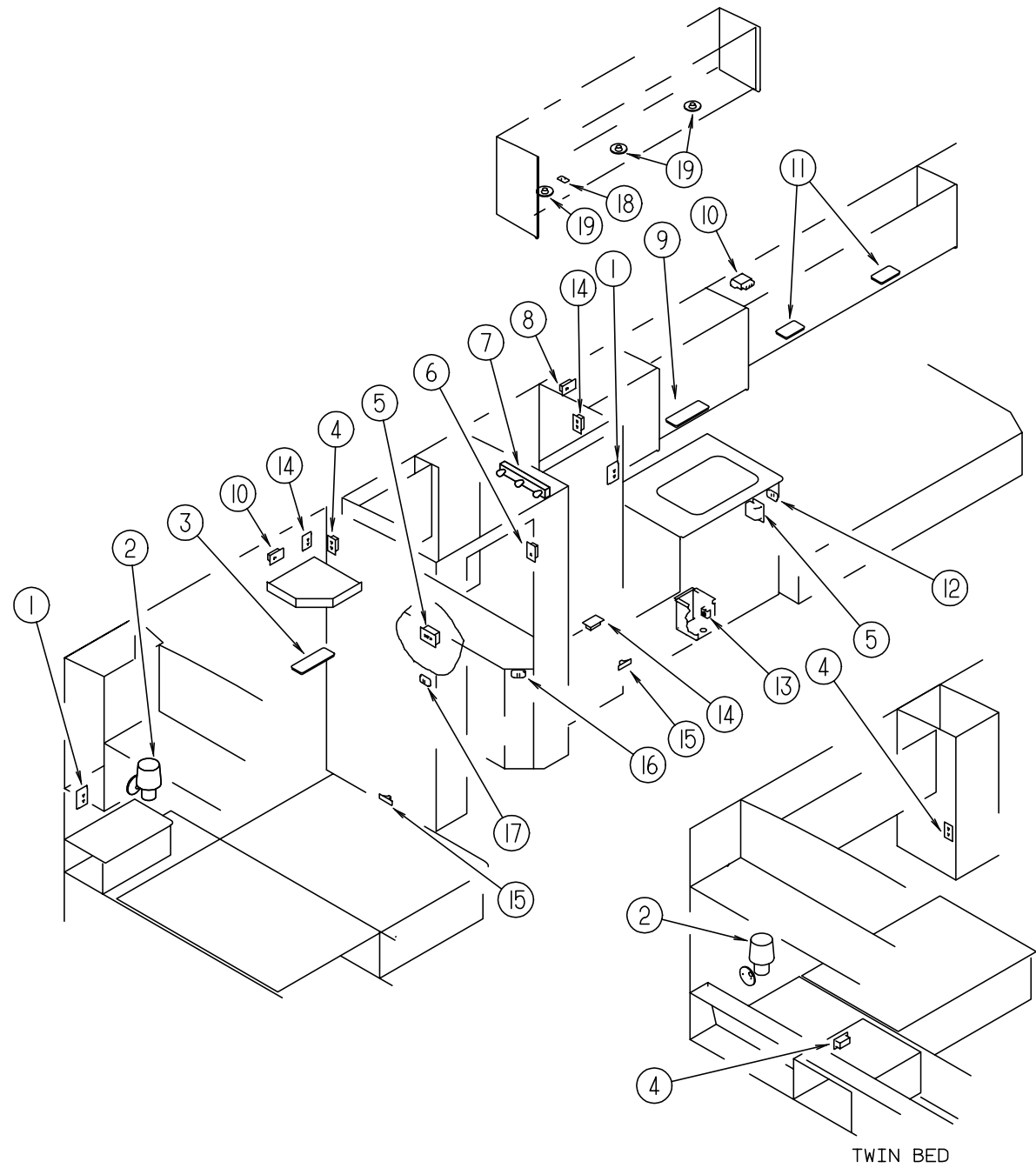
### LIGHTS, SWITCHES, & RECEPTACLES PASSENGERS SIDE



| KEY | PART NUMBER   | U/M | DESCRIPTION   | VENDOR NO.   |
|-----|---------------|-----|---|--|
| 1   | 098024-03-02A | EA  | LIGHT - DOME - 2 BULB - WHITE                                       |  |
|     | 008218-01-000 | EA  | BULB - 12 VOLT - #1141 - 1.44 AMP                                   |  |
|     | 098024-01-700 | EA  | LENS-LIGHT  | 807877   |
| 2   | 119257-03-01A | EA  | SHADE - LAMP - LINEN  |  |
|     | 119258-02-01A | EA  | LAMP - WALL   |  |
|     | 119258-01-700 | EA  | FINIAL (PYRAMID)  | 12-0322  |
| 2   | 067479-01-000 | EA  | BULB - 12 VOLT - #1076 - 1.80 AMP                                   |  |
| 3   | 091927-01-000 | EA  | COVER - RECEPTACLE - DOUBLE - IVORY - W/O ROOF A/C OPTION           |  |
| 4   | 098024-05-02A | EA  | LIGHT - DOME - 1 BULB - SKYLITE - WHITE                             |  |
|     | 008218-01-000 | EA  | BULB - 12 VOLT - #1141 - 1.44 AMP                                   |  |
|     | 098024-01-701 | EA  | LENS - OPTI CLEAR - SKYLITE   | 809902   |
| 5   | 058708-02-000 | EA  | RECEPTACLE - ELECTRIC - DOUBLE - IVORY                              |  |
| 5   | 102568-01-GB1 | EA  | SPACER - RECEPTACLE - BETWEEN SIDEWALL & PLATE - WOOD               |  |
| 6   | 058707-02-000 | EA  | RECEPTACLE - BLANK - JUNCTION BOX                                   |  |
| 7   | 058708-01-000 | EA  | RECEPTACLE - ELECTRIC - DOUBLE - BROWN                              |  |
| 8   | 058708-05-000 | EA  | RECEPTACLE - ELECTRIC - SINGLE - BROWN - COFFEEMAKER                |  |
| 9   | 098024-01-03A | EA  | LIGHT - DOME - 1 BULB - WHITE                                       |  |
|     | 008218-01-000 | EA  | BULB - 12 VOLT - #1141 - 1.44 AMP                                   |  |
|     | 098024-01-700 | EA  | LENS-LIGHT  | 807877   |
| 10  | 121935-01-01A | EA  | LIGHT - DOME - SHOWER   |  |
| 11  | 079364-03-000 | EA  | SWITCH - ON/OFF ROCKER - 3 TERMINAL - BROWN - SHOWER LIGHT          |  |
| 11  | 098351-01-01A | EA  | PLATE/SWITCH - 1 GANG - POLISHED BRASS - W/O LABEL                  |  |
| 12  | 112822-01-01A | EA  | RECEPTACLE - DUPLEX - IVORY   |  |
|     | 131826-01-01A | EA  | RECEPTACLE - EXTERIOR/W/COVER & GASKET - WHITE                      | FROM: 00-00-00 THRU: 11-15-98<br>FROM: 11-16-98 THRU: 99-99-99 |
| 12  | 112824-01-03A | EA  | COVER - EXTERIOR DUPLEX RECEPTACLE - WHITE PLASTIC                  |  |
| 13  | 061424-01-000 | EA  | LIGHT - AISLE - 12 VOLT - RECTANGULAR                               |  |
|     | 008103-01-000 | EA  | BULB - DASH/AISLE LIGHT - #53 - 12 VOLT - .12 AMP                   |  |
| 14  | 095188-02-01A | EA  | SPACER - SWITCH - 2.3" X 4.1" - PLASTIC - DARK BROWN                |  |
| 14  | 098351-05-01A | EA  | PLATE/SWITCH - 3 GANG - POLISHED BRASS-PORCH/CEILING/STEP           |  |
| 14  | 079364-01-000 | EA  | SWITCH - ON/OFF ROCKER - 2 TERMINAL - BROWN - STEP, CEILING & PORCH |  |
|     | LAMP          |     |   |  |
|     | 086280-01-000 | EA  | LIGHT - SURFACE MOUNT - 12 VOLT                                     |  |
|     | 086280-01-700 | EA  | BULB,12V  | ARP1089  |

## ELECTRICAL GROUP (CONTINUED)

### LIGHTS, SWITCHES, & RECEPTACLES DRIVERS SIDE



| KEY | PART NUMBER   | U/M DESCRIPTION   | VENDOR NO. |
|-----|---------------|---|------------|
| 1   | 058708-02-000 | EA RECEPTACLE - ELECTRIC - DOUBLE - IVORY                               |            |
| 1   | 102568-01-GB1 | EA SPACER - RECEPTACLE - BETWEEN SIDEWALL & PLATE - WOOD                |            |
| 2   | 119257-03-01A | EA SHADE - LAMP - LINEN   |            |
| 2   | 119258-02-01A | EA LAMP - WALL  |            |
|     | 119258-01-700 | EA FINIAL (PYRAMID)   | 12-0322    |
| 2   | 067479-01-000 | EA BULB - 12 VOLT - #1076 - 1.80 AMP                                    |            |
| 3   | 098024-03-02A | EA LIGHT - DOME - 2 BULB - WHITE  |            |
|     | 008218-01-000 | EA BULB - 12 VOLT - #1141 - 1.44 AMP                                    |            |
|     | 098024-01-700 | EA LENS-LIGHT   | 807877     |
| 4   | 058708-01-000 | EA RECEPTACLE - ELECTRIC - DOUBLE - BROWN                               |            |
| 5   | 084076-02-000 | EA RECEPTACLE - GFI - 15 AMP/125 VOLT - BROWN                           |            |
| 6   | 058707-01-000 | EA RECEPTACLE - ELECTRIC - SINGLE - BROWN - REFRIGERATOR                |            |
| 7   | 110235-01-01A | EA LIGHT - MAKE UP - 3 BULB - 12 VOLT - COMFORT AND CONVENIENCE PACKAGE |            |
|     | 081633-01-700 | EA BULB-LIGHT, MAKE-UP  | RP1041     |
| 8   | 058708-05-000 | EA RECEPTACLE - ELECTRIC - SINGLE - BROWN - MICROWAVE                   |            |
| 9   | 098024-06-02A | EA LIGHT - DOME - 2 BULB - SKYLITE                                      |            |
|     | 008218-01-000 | EA BULB - 12 VOLT - #1141 - 1.44 AMP                                    |            |
|     | 098024-01-701 | EA LENS - OPTI CLEAR - SKYLITE  | 809902     |
| 10  | 091927-01-000 | EA COVER - RECEPTACLE - DOUBLE - IVORY - W/O ROOF A/C OPTION            |            |
| 11  | 098024-05-02A | EA LIGHT - DOME - 1 BULB - SKYLITE - WHITE                              |            |
|     | 008218-01-000 | EA BULB - 12 VOLT - #1141 - 1.44 AMP                                    |            |
|     | 098024-01-701 | EA LENS - OPTI CLEAR - SKYLITE  | 809902     |
| 12  | 079364-03-000 | EA SWITCH - ON/OFF ROCKER - 3 TERMINAL - BROWN - COURTESY LIGHT         |            |
| 12  | 098351-01-01A | EA PLATE/SWITCH - 1 GANG - POLISHED BRASS - W/O LABEL                   |            |
| 13  | 024924-02-000 | EA RECEPTACLE - POWER CORD - W/PARTIAL PLATE                            |            |
| 14  | 058707-02-000 | EA RECEPTACLE - BLANK - JUNCTION BOX                                    |            |
| 15  | 061424-01-000 | EA LIGHT - AISLE - 12 VOLT - RECTANGULAR                                |            |
|     | 008103-01-000 | EA BULB - DASH/AISLE LIGHT - #53 - 12 VOLT - .12 AMP                    |            |
| 16  | 079364-03-000 | EA SWITCH - ON/OFF ROCKER - 3 TERMINAL - BROWN - WATER PUMP             |            |
| 16  | 079364-01-000 | EA SWITCH - ON/OFF ROCKER - 2 TERMINAL - BROWN - MAKEUP LIGHT           |            |
| 16  | 098351-02-01A | EA PLATE/SWITCH - 2 GANG - POLISHED BRASS - W/O LABEL                   |            |
| 17  | 079364-03-000 | EA SWITCH - ON/OFF ROCKER - 3 TERMINAL - BROWN - COURTESY LIGHT         |            |
| 17  | 079364-01-000 | EA SWITCH - ON/OFF ROCKER - 2 TERMINAL - BROWN - BEDROOM LIGHT          |            |
| 17  | 098351-02-01A | EA PLATE/SWITCH - 2 GANG - POLISHED BRASS - W/O LABEL                   |            |
| 18  | 098351-01-01A | EA PLATE/SWITCH - 1 GANG - POLISHED BRASS - W/O LABEL                   |            |
| 18  | 079364-01-000 | EA SWITCH - ON/OFF ROCKER - 2 TERMINAL - BROWN - HALOGEN LIGHTS         |            |
| 19  | 123775-01-01A | EA LIGHT - HALOGEN - ROUND  |            |
|     | 123775-01-700 | EA BULB - 10 WATT - HALOGEN   | 71-JC10    |
|     | 123775-01-701 | EA BEZEL/LENS - RECESSED LIGHT  |            |
|     | 086280-01-000 | EA LIGHT - SURFACE MOUNT - 12 VOLT                                      |            |
|     | 086280-01-700 | EA BULB, 12V  | ARP1089    |
|     | 098024-01-03A | EA LIGHT - DOME - 1 BULB - WHITE - EXTERIOR STORAGE COMPARTMENTS        |            |
|     | 008218-01-000 | EA BULB - 12 VOLT - #1141 - 1.44 AMP                                    |            |
|     | 098024-01-700 | EA LENS-LIGHT   | 807877     |

**ELECTRICAL GROUP (CONTINUED)****FUSES & FUSE HOUSINGS**

| KEY | PART NUMBER   | U/M DESCRIPTION                      |
|-----|---------------|--------------------------------------|
|     | 062901-02-000 | EA FUSE - 05 AMPS - AUTOMOTIVE       |
|     | 062901-05-000 | EA FUSE - 15 AMPS - AUTOMOTIVE       |
|     | 062901-06-000 | EA FUSE - 20 AMPS - AUTOMOTIVE       |
|     | 062901-07-000 | EA FUSE - 25 AMPS - AUTOMOTIVE       |
|     | 062901-08-000 | EA FUSE - 30 AMPS - AUTOMOTIVE       |
|     | 062037-01-000 | EA HOUSING - AUTO FUSE - NATURAL     |
|     | 062037-02-000 | EA HOUSING - AUTO FUSE - GREEN       |
|     | 062037-03-000 | EA HOUSING - AUTO FUSE - BLACK       |
|     | 062037-04-000 | EA HOUSING - AUTO FUSE - BLUE        |
|     | 062037-05-000 | EA HOUSING - AUTO FUSE - GRAY        |
|     | 062037-06-000 | EA HOUSING - AUTO FUSE - BROWN       |
|     | 062037-07-000 | EA HOUSING - AUTO FUSE - RED         |
|     | 106656-01-000 | EA FUSE BLOCK - 4 CAVITY - AUTO FUSE |
|     | 108669-01-000 | EA HOUSING - AUTO FUSE HOLDER        |

**CIRCUIT BREAKERS**

| KEY | PART NUMBER   | U/M DESCRIPTION                           |
|-----|---------------|---|
|     | 083209-02-000 | EA CIRCUIT BREAKER - 15/15 AMP - 120 VOLT |
|     | 083209-03-000 | EA CIRCUIT BREAKER - 15/20 AMP - 120 VOLT |
|     | 083209-06-000 | EA CIRCUIT BREAKER - 30/15 AMP - 120 VOLT |
|     | 083209-07-000 | EA CIRCUIT BREAKER - 20/20 AMP - 120 VOLT |
|     | 093655-03-000 | EA CIRCUIT BREAKER - 40 AMP - 12 VOLT     |
|     | 097611-01-000 | EA CIRCUIT BREAKER - 10 AMP - 12 VOLT     |

**TERMINALS**

| KEY | PART NUMBER   | U/M DESCRIPTION   |
|-----|---------------|---|
|     | 008326-01-000 | EA TERMINAL - RING - 16/14 WIRE - 3/8" STUD                 |
|     | 008328-01-000 | EA TERMINAL - RING - 12/10 WIRE - #10 STUD FIT              |
|     | 008331-01-000 | EA TERMINAL - RING - TONGUE - #4 WIRE - 3/8" STUD - COPPER  |
|     | 008348-01-000 | EA TERMINAL - RING - 3/8" STUD 2 GA. WIRE                   |
|     | 035416-04-000 | EA TERMINAL - RING - #10 STUD FIT - INSULATED BARREL #16/14 |
|     | 047443-01-000 | EA TERMINAL - .250 RECEPTACLE FIT - INSULATED - 16/14 AWG   |
|     | 047443-02-000 | EA TERMINAL - .250 RECEPTACLE FIT - INSULATED - 12/10 AWG   |
|     | 062036-01-000 | EA TERMINAL - PACK - CON - 12/10 AWG                        |
|     | 062036-02-000 | EA TERMINAL - PACK - CON - 16/14 AWG                        |
|     | 088267-01-000 | EA TERMINAL - FEMALE - 1/4                                  |
|     | 088476-01-000 | EA TERMINAL - ELECTRICAL                                    |
|     | 098260-01-000 | EA TERMINAL - MALE - 56 SERIES                              |
|     | 104100-03-000 | EA TERMINAL - 75 AMP  |
|     | 106007-01-000 | EA TERMINAL - FEMALE - 14-16 AWG                            |
|     | 106655-01-000 | EA TERMINAL - FUSE BLOCK - 14-16 AWG                        |
|     | 106655-02-000 | EA TERMINAL - FUSE BLOCK - 10-12 AWG                        |
|     | 113135-01-000 | EA TERMINAL - FEMALE - M/P - 14-16 - F/SEALED TERMINAL      |
|     | 113306-01-000 | EA TERMINAL - FEMALE - M/P - 14-16 - F/NON-SEALED TERMINAL  |
|     | 113307-01-000 | EA TERMINAL - FEMALE - M/P - 16-20                          |
|     | 125324-01-000 | EA TERMINAL - MALE - METRI-PACK - 150                       |

**ELECTRICAL GROUP (CONTINUED)****ELECTRIC BOXES & COVERS**

| KEY | PART NUMBER   | U/M DESCRIPTION  |
|-----|---------------|--|
|     | 008289-01-000 | EA BOX - ELECTRIC/STEEL - 1/2" & 3/4" KNOCKOUTS - 4" X 4"                          |
|     | 008289-02-000 | EA BOX - ELECTRIC/STEEL - 1/2" & 3/4" KNOCKOUTS - 4" X 4"-CAN                      |
|     | 008294-01-000 | EA COVER - ELECTRICAL BOX - BLANK/STEEL - 4" X 4" - GRAY                           |
|     | 008294-02-000 | EA COVER - ELECTRICAL BOX - BLANK STEEL - 4" X 4" - CANADIAN                       |
|     | 069238-01-000 | EA COVER - ELECTRICAL BOX - W/HOLE - 4" X 4" - GRAY<br>USED WITH 30 AMP RECEPTACLE |
|     | 074890-01-000 | EA BOX - EXTENSION/STEEL - OPEN SIDES - 4" X 4" X 1 1/2"                           |
|     | 074897-01-000 | EA COVER - ELECTRICAL BOX W/HOLES - 4" X 4"  |
|     | 091910-01-000 | EA BOX - ELECTRIC - 3.8" X 3.5" X 1.8" - PLASTIC                                   |
|     | 091910-02-000 | EA BOX - ELECTRIC - 2.2" X 3.5" X 1.8" - PLASTIC                                   |
|     | 111509-01-000 | EA BOX - ELECTRICAL - E-COATED   |
|     | 111510-01-000 | EA DOOR/ACCESS PANEL - ELECTRICAL BOX  |

**HOUSINGS, PINS & SOCKETS**

| KEY | PART NUMBER   | U/M DESCRIPTION   |
|-----|---------------|---|
|     | 088473-01-000 | EA HOUSING - PIN - 12 CAVITY (3 ROWS OF 4)                        |
|     | 088473-02-000 | EA HOUSING - PIN - 15 CAVITY (3 ROWS OF 5)                        |
|     | 088473-03-000 | EA HOUSING - PIN - 9 CAVITY (3 ROWS OF 3)                         |
|     | 088473-06-000 | EA HOUSING - PIN - 6 CAVITY (2 ROWS OF 3)                         |
|     | 088473-08-000 | EA HOUSING - PIN - 4 CAVITY - IN-LINE                             |
|     | 088473-09-000 | EA HOUSING - PIN - 3 CAVITY - IN-LINE                             |
|     | 088473-10-000 | EA HOUSING - PIN - 2 CAVITY - IN LINE                             |
|     | 088474-01-000 | EA HOUSING - SOCKET - 12 CAVITY                                   |
|     | 088474-02-000 | EA HOUSING - SOCKET - 15 CAVITY                                   |
|     | 088474-03-000 | EA HOUSING - SOCKET - 9 CAVITY                                    |
|     | 088474-06-000 | EA HOUSING - SOCKET - 6 CAVITY                                    |
|     | 088474-07-000 | EA HOUSING - SOCKET - 5 CAVITY                                    |
|     | 088474-08-000 | EA HOUSING - SOCKET - 4 CAVITY                                    |
|     | 088474-09-000 | EA HOUSING - ELECTRICAL - 3 TERMINAL                              |
|     | 088474-10-000 | EA HOUSING - SOCKET - 2 CAVITY                                    |
|     | 088475-01-000 | EA PIN - CONNECTOR - 14-20 AWG                                    |
|     | 088475-02-000 | EA PIN - CONNECTOR - 10 - 12 AWG                                  |
|     | 088476-02-000 | EA SOCKET - CONNECTOR - 12-10 GA - PRE-TIN                        |
|     | 101571-01-000 | EA HOUSING - 2 POSITION - MALE                                    |
|     | 103608-01-000 | EA SOCKET - WEDGE BASE W/LEADS                                    |
|     | 104100-01-000 | EA HOUSING - 1 POSITION - 75 AMPS                                 |
|     | 106006-01-000 | EA HOUSING - 1 POSITION - FEMALE                                  |
|     | 110178-01-000 | EA HOUSING - WIPER MOTOR  |
|     | 113131-01-000 | EA HOUSING - 3 PIN  |
|     | 113468-01-000 | EA HOUSING - 2 POSITION - FEMALE<br>USED ON WIPER/WASHER WIRE ASM |
|     | 115556-01-000 | EA HOUSING - 3 POSITION - FEMALE                                  |
|     | 115556-02-000 | EA HOUSING - 2 POSITION - FEMALE                                  |
|     | 119248-02-000 | EA HOUSING - 7 POSITION - FEMALE                                  |
|     | 125323-02-000 | EA HOUSING - 8 POSITION - MALE                                    |
|     | 108355-01-000 | EA HOUSING - SWITCH   |
|     | 007954-01-000 | EA RECEPTACLE - HOUSING - 6 POSITION                              |
|     | 080015-02-000 | EA RECEPTACLE - FLAG - .185 - 16/14 GAUGE                         |

**ELECTRICAL GROUP (CONTINUED)****CONNECTORS**

| KEY | PART NUMBER   | U/M | DESCRIPTION  |
|-----|---------------|-----|--|
|     | 008311-01-000 | EA  | CONNECTOR - WIRE NUT - INSULATED - RED                 |
|     | 008312-01-000 | EA  | CONNECTOR - WIRE NUT - INSULATED - BLUE                |
|     | 008313-01-000 | EA  | CONNECTOR - WIRE NUT - INSULATED - YELLOW              |
|     | 008314-01-000 | EA  | CONNECTOR - WIRE NUT - INSULATED - GRAY                |
|     | 008355-01-000 | EA  | CONNECTOR - CABLE CLAMPING - 3/4"                      |
|     | 008356-01-000 | EA  | CONNECTOR - PLASTIC - 3/8" AVG                         |
|     | 008356-02-000 | EA  | CONNECTOR - PLASTIC - 21/32                            |
|     | 008398-01-000 | EA  | CONNECTOR - 1/2" X 90 DEGREE - FLEX CONDUIT - UL & CSA |
|     | 041480-01-000 | EA  | CONNECTOR - STRAIGHT - 1/2" FLEX CONDUIT               |
|     | 058028-01-000 | EA  | CONNECTOR - ELECTRICAL PIGTAIL - NYLON - CLEAR         |
|     | 112823-01-000 | EA  | SPLICE - REDUCER - 16-14 TO 18-22                      |

**POWER CORDS**

| KEY | PART NUMBER   | U/M | DESCRIPTION  |
|-----|---------------|-----|--|
|     | 008052-01-000 | EA  | CORD - POWER - 10/3 WIRE - 30 AMP - 25' - CANADIAN |
|     | 008054-01-000 | EA  | CORD - POWER - 10/3 WIRE - 30 AMP - 25'            |

**WIRE ASSEMBLIES**

| KEY | PART NUMBER   | U/M | DESCRIPTION  |
|-----|---------------|-----|--|
|     | P03784-01-000 | EA  | WIRE ASSEMBLY - HEADLAMP - GM                      |
|     | 073328-B4-000 | EA  | CABLE ASSEMBLY - BATTERY - W/TERMINALS             |
|     | 081059-02-000 | EA  | WIRE ASSEMBLY - 9PIN - F/RADIO                     |
|     | 090986-01-000 | EA  | WIRE ASSEMBLY - ELECTRIC STEP                      |
|     |               |     | FROM: 00-00-00 THRU: 02-07-99                      |
|     | 090986-02-000 | EA  | WIRE ASSEMBLY - ELECTRIC STEP                      |
|     |               |     | FROM: 02-08-99 THRU: 99-99-99                      |
|     | 096449-01-000 | EA  | WIRE ASSEMBLY - WATER TANK TO MONITOR PANEL        |
|     | 100677-01-000 | EA  | WIRE ASSEMBLY - RADIO                              |
|     | 108303-01-000 | EA  | WIRE ASSEMBLY - REAR AUTO HEATER                   |
|     | 110256-01-000 | EA  | WIRE ASSEMBLY - INSTRUMENT PANEL - GENERATOR       |
|     | 111915-01-000 | EA  | WIRE ASSEMBLY - DAYTIME RUNNING LAMPS - FUSED - GM |
|     | 113134-03-000 | EA  | WIRE ASSEMBLY - WIPER/WASHER                       |
|     | 120233-05-000 | EA  | WIRE - 30" W/DIGITAL SENSOR CONNECTOR/STRIPED LEAD |
|     | 125578-02-000 | EA  | WIRE ASSEMBLY - INSTRUMENT PANEL - RIGHT HAND      |
|     | 125853-01-000 | EA  | WIRE ASSEMBLY - ENTERTAINMENT CENTER               |
|     | 126392-01-000 | EA  | WIRE ASSEMBLY - REMOTE MIRRORS                     |
|     |               |     | FROM: 00-00-00 THRU: 03-14-99                      |
|     | 129436-02-000 | EA  | WIRE ASSEMBLY - INSTRUMENT PANEL/POWER MIRROR      |
|     |               |     | FROM: 03-15-99 THRU: 04-13-99                      |
|     | 129436-03-000 | EA  | WIRE - INSTRUMENT PANEL - F/POWER MIRROR           |
|     |               |     | FROM: 04-14-99 THRU: 99-99-99                      |
|     | 127053-01-000 | EA  | WIRE ASSEMBLY - REAR MONITOR/UPPER                 |

**CONDUIT**

| KEY | PART NUMBER   | U/M | DESCRIPTION  |
|-----|---------------|-----|--|
|     | 008394-01-000 | FT  | CONDUIT - FLEXIBLE - 1/2"                            |
|     | 041953-01-000 | FT  | CONDUIT - CONVOLUTE SLIT - .5" ID - POLYETHELENE     |
|     | 041953-03-000 | FT  | CONDUIT - CONVOLUTE SLIT - 1" ID (CLOTHES ROD COVER) |
|     | 041953-05-000 | FT  | CONDUIT - CONVOLUTE SOLID - .62" ID - POLYETHELENE   |
|     | 041953-06-000 | FT  | CONDUIT - CONVOLUTE SLIT - .375" ID - POLYETHELENE   |
|     | 041953-07-000 | FT  | CONDUIT - CONVOLUTE SLIT - .25" ID - POLYETHELENE    |
|     | 041953-08-000 | FT  | CONDUIT - CONVOLUTE SLIT - 1.50" ID - POLYETHELENE   |
|     | 041953-09-000 | FT  | CONDUIT - CONVOLUTE SLIT - .50" ID - NYLON           |
|     | 041953-10-000 | FT  | CONDUIT - CONVOLUTE SLIT - .75" ID - NYLON           |
|     | 041953-11-000 | FT  | CONDUIT - CONVOLUTE SLIT - 1.06" ID - NYLON          |
|     | 041953-12-000 | FT  | CONDUIT - CONVOLUTE SOLID - 1.1" ID - NYLON          |
|     | 041953-13-000 | FT  | CONDUIT - CONVOLUTE SLIT - 1.25                      |

**ELECTRICAL GROUP (CONTINUED)****CONVERTER & INVERTER**

| KEY | PART NUMBER   | U/M | DESCRIPTION  |
|-----|---------------|-----|--|
|     | 083208-02-000 | EA  | CONTROL CENTER - 45 AMP - 120/12V - W/O BREAKERS           |
|     | 099048-03-000 | EA  | INVERTER - 130 WATT  |
|     | 123058-02-000 | EA  | CONVERTER - 45 AMP - ELECTRONIC - 4 1/8"H X 7"W X 12 3/8"L |

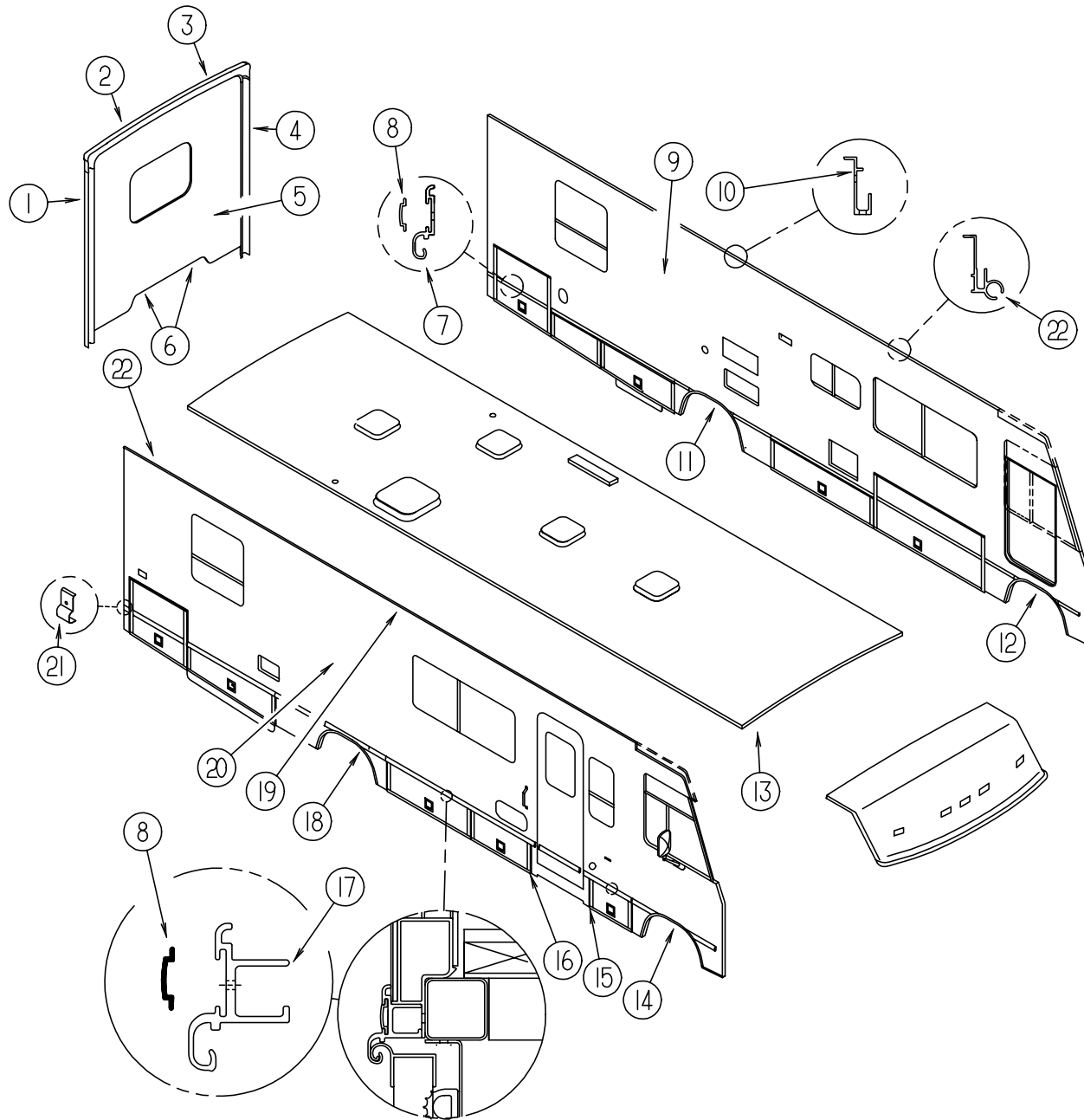
**MISCELLANEOUS ELECTRICAL COMPONENTS**

| KEY | PART NUMBER   | U/M | DESCRIPTION                             |
|-----|---------------|-----|---|
|     | 007093-01-000 | EA  | SIGNAL FLASHER                          |
|     | 007956-05-000 | EA  | INSULATOR - SHRINK - .25 ID X 1.50      |
|     | 008188-01-000 | EA  | SOLENOID - 3 POST - BATTERY CHANGE OVER |
|     | 063910-01-000 | EA  | HOUSING - RELAY                         |
|     | 063912-02-000 | EA  | RELAY - CANISTER - SPDT                 |
|     | 086233-01-000 | EA  | STUD - ISOLATED - 3/8" X 7/8" LONG      |
|     | 086273-01-000 | EA  | RELAY - BATTERY DISCONNECT              |
|     | 103987-02-000 | EA  | SEAL - SOLENOID ACCESS                  |
|     | 125323-03-000 | EA  | LOCK - SECONDARY 8 POSITION             |
|     | 125325-01-000 | EA  | SEAL - CAVITY                           |
|     | 087225-02-000 | FT  | SLEEVING - 5/8" - TYPE H                |
|     | 077479-01-000 | EA  | BOOT - BATTERY TERMINAL - DOUBLE CABLE  |
|     | 077479-02-000 | EA  | BOOT - BATTERY TERMINAL - SINGLE CABLE  |



# EXTERIOR BODY GROUP

## EXTERIOR BODY PANELS AND TRIM

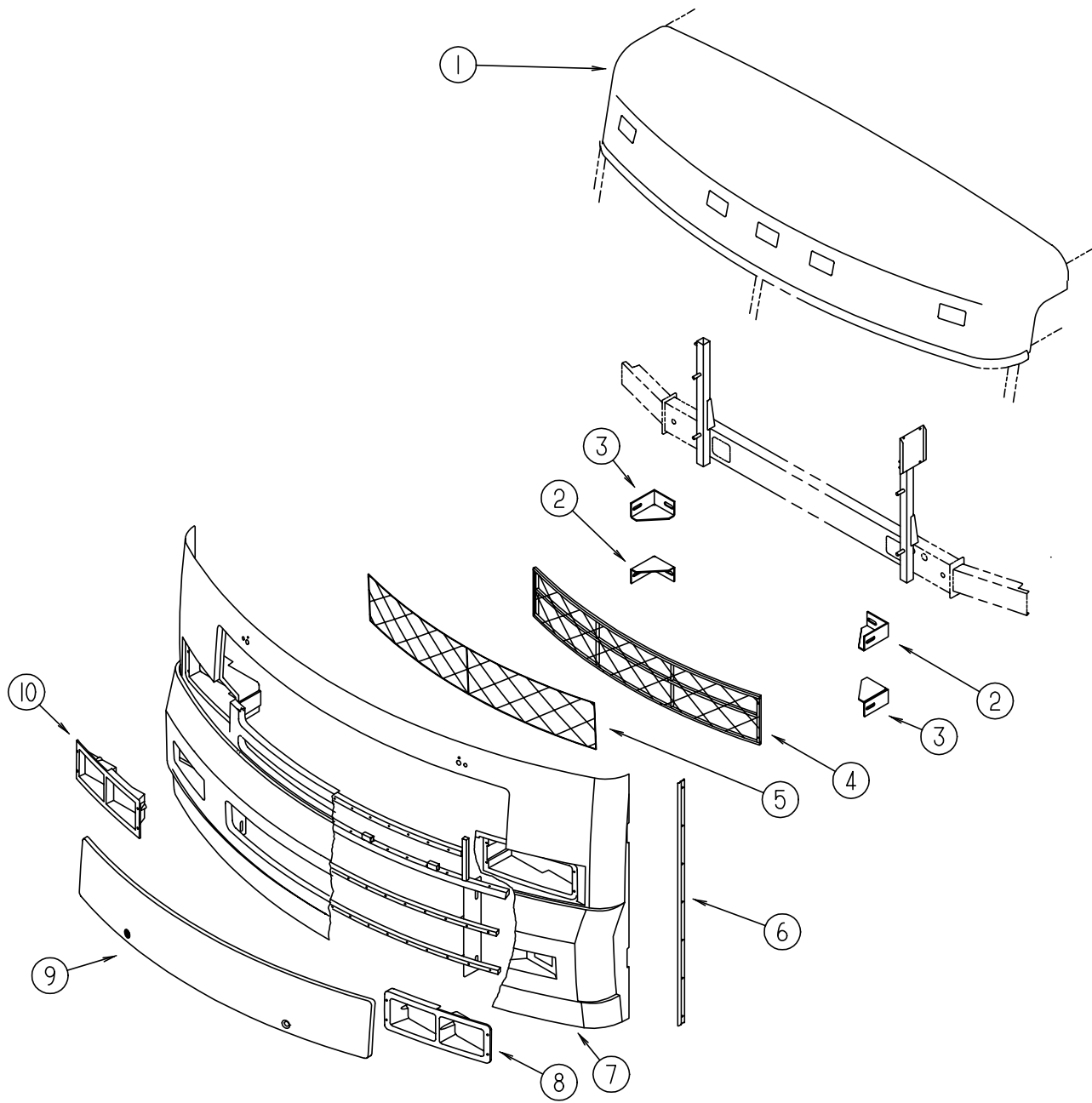


| KEY                           | PART NUMBER   | U/M | DESCRIPTION  |
|-------------------------------|---------------|-----|--|
| 1                             | 114874-01-12B | EA  | TRIM - BACKWALL - PASSENGER SIDE                       |
| 1                             | 120548-03-01A | EA  | TRIM-J - BACKWALL - PASSENGER - NOTCHED - BRIGHT WHITE |
| 2                             | 114872-02-02A | EA  | TRIM - BACKWALL - TOP - PASSENGER SIDE - BRT/WHITE     |
| 3                             | 114873-02-02A | EA  | TRIM - BACKWALL - TOP - DRIVER SIDE - BRIGHT WHITE     |
| 4                             | 114874-02-12B | EA  | TRIM - BACKWALL - DRIVER SIDE                          |
| 4                             | 120548-04-01A | EA  | TRIM-J - BACKWALL - DRIVER - NOTCHED - BRIGHT WHITE    |
| 5                             | M07419-32-K16 | EA  | BACKWALL - W/O WINDOWS/TRIMS                           |
| 5                             | M07419-32-K17 | EA  | BACKWALL - W/O WINDOWS/TRIMS                           |
| 5                             | M07419-32-K18 | EA  | BACKWALL - W/O WINDOWS/TRIMS                           |
|                               | 114248-02-01A | EA  | ANGLE - PLASTIC - 96.6"                                |
| 6                             | 050406-25-000 | EA  | TRIM - LOWER BACKWALL                                  |
| 7                             | 126903-01-01A | EA  | TRIM - SIDEWALL - 60.9" - BRIGHT WHITE                 |
| 8                             | 105312-01-07A | FT  | INSERT - VINYL FEATURE STRIP - BRIGHT WHITE            |
| 9                             | 129201-01-K16 | EA  | SIDEWALL - DRIVER - W/O WINDOWS/TRIMS - W/WIRING       |
| 9                             | 129201-01-K17 | EA  | SIDEWALL - DRIVER - W/O WINDOWS/TRIMS - W/WIRING       |
| 9                             | 129201-01-K18 | EA  | SIDEWALL - DRIVER - W/O WINDOWS/TRIMS - W/WIRING       |
| 10                            | 120091-01-02A | EA  | TRIM - ROOF  |
| FROM: 00-00-00 THRU: 10-25-98 |               |     |  |
| 11                            | 129076-01-K16 | EA  | VALANCE/WHEEL LIP - REAR DRIVER - 58.3"                |
| 12                            | 129075-01-K16 | EA  | VALANCE/WHEEL LIP - FRONT DRIVER                       |
| 13                            | 129126-01-K16 | EA  | ROOF - W/O LIGHTS/VENTS - W/WIRING                     |
| 14                            | 129075-02-K16 | EA  | VALANCE/WHEEL LIP - FRONT PASSENGER                    |
| 15                            | 124501-29-01A | EA  | TRIM - SIDEWALL - NOTCHED/BRIGHT WHITE                 |
| 16                            | 124501-28-01A | EA  | TRIM - SIDEWALL - NOTCHED/BRIGHT WHITE                 |
| 17                            | 126901-21-01A | EA  | TRIM - SIDEWALL - 195" - BRIGHT WHITE                  |
| 18                            | 129076-02-K16 | EA  | VALANCE/WHEEL LIP - REAR PASSENGER - 64.7"             |
| 19                            | 120092-01-02A | EA  | RAIL - AWNING - BRIGHT WHITE                           |
| FROM: 00-00-00 THRU: 10-25-98 |               |     |  |
| 20                            | 129202-01-K16 | EA  | SIDEWALL - PASSENGER - W/O WINDOWS/TRIMS - W/WIRING    |
| 20                            | 129202-01-K17 | EA  | SIDEWALL - PASSENGER - W/O WINDOWS/TRIMS - W/WIRING    |
| 20                            | 129202-01-K18 | EA  | SIDEWALL - PASSENGER - W/O WINDOWS/TRIMS - W/WIRING    |
| 21                            | 127845-05-01A | EA  | CAP - SIDEWALL TRIM - RIGHT HAND - 2.1" - BRIGHT WHITE |
| 21                            | 127845-06-01A | EA  | CAP - SIDEWALL TRIM - LEFT HAND - 2.1" - BRIGHT WHITE  |
| 22                            | 131483-01-01A | EA  | RAIL - AWNING - BRIGHT WHITE                           |
| FROM: 10-26-98 THRU: 99-99-99 |               |     |  |
|                               | 002726-01-001 | EA  | GARNISH - U-CHANNEL - 1.38" X 19' - SERRATED           |
|                               | 068716-01-001 | EA  | BRACE - 90 DEGREE L-ANGLE - 16'                        |
|                               | 069726-02-000 | EA  | BUMPER - .88" OD X .40" THICK - BLACK                  |
|                               | 113041-13-02B | EA  | ANGLE - MOUNT - BUMPER - E-COATED                      |
|                               | 119568-01-01A | EA  | STANDOFF - VALANCE PANEL - BLACK                       |
|                               | 128251-01-02B | EA  | SUPPORT - VALANCE - E-COATED                           |
| FROM: 00-00-00 THRU: 09-04-98 |               |     |  |
|                               | 129854-05-01A | EA  | SUPPORT - WHEEL LIP - 62.4" - MILL                     |
|                               | 107865-01-000 | EA  | ROD - SUPPORT - VALANCE PANEL - 14.3"                  |
|                               | 107865-07-000 | EA  | ROD - SUPPORT - VALANCE PANEL - 14.3"                  |

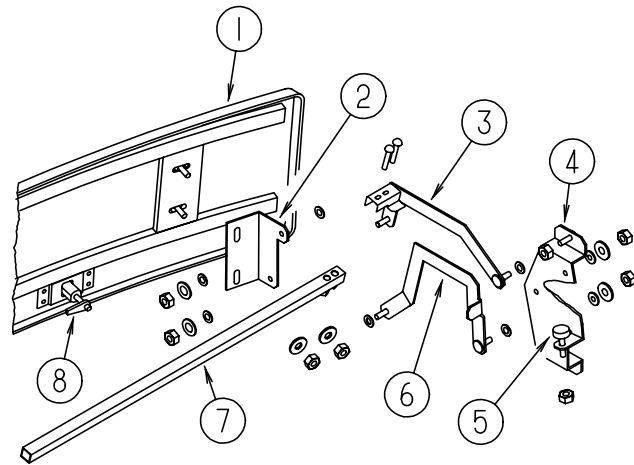
# EXTERIOR BODY GROUP (CONTINUED)

## FRONT END COMPONENTS

| KEY | PART NUMBER   | U/M | DESCRIPTION   |
|-----|---------------|-----|---|
| 1   | 125052-02-J20 | EA  | CAP - ROOF - W/O LIGHTS/WIRING                      |
|     | 118383-01-04A | EA  | RETAINER - SCREW                                    |
|     | 118383-04-04A | EA  | CAP - RETAINER/SCREW                                |
| 2   | 128455-04-02B | EA  | BRACKET - BUMPER - LEFT HAND UPPER/RIGHT HAND LOWER |
| 3   | 128455-03-02B | EA  | BRACKET - BUMPER - RIGHT HAND UPPER/LEFT HAND LOWER |
| 4   | 126953-01-J15 | EA  | GRILLE - W/O MESH                                   |
| 5   | 115924-15-02A | EA  | WIRE MESH - F/GRILLE - FLAT BLACK                   |
| 6   | 123680-05-01A | EA  | TRIM - FIBERGLASS PANEL - BRIGHT WHITE              |
| 7   | 126229-04-J20 | EA  | PANEL - FRONT/LOWER - W/O NOTCH - BRIGHT WHITE      |
|     | 125846-02-J20 | EA  | SUPPORT - WIPER                                     |
|     | 110782-01-000 | EA  | ANGLE - SUPPORT - HEADLAMP                          |
|     | 007157-05-000 | EA  | NUT - WELL  |
| 8   | 126230-02-01A | EA  | BEZEL - HEADLAMP - LEFT HAND                        |
|     | 110690-02-D18 | EA  | PLATE - HEADLAMP - QUAD/LEFT HAND                   |
| 9   | 126956-01-J15 | EA  | HOOD - FRONT  |
| 10  | 126230-01-01A | EA  | BEZEL - HEADLAMP - RIGHT HAND                       |
|     | 110690-01-D18 | EA  | PLATE - HEADLAMP - QUAD/RIGHT HAND                  |



## EXTERIOR BODY GROUP (CONTINUED)



### HOOD & COMPONENTS

| KEY | PART NUMBER   | U/M DESCRIPTION   |
|-----|---------------|---|
| 1   | 126956-01-J15 | EA HOOD - FRONT   |
|     | 106730-10-000 | EA PLATE - STUD - F/HOOD                                    |
| 2   | 126911-01-02B | EA ANGLE - HOOD HINGE - PASSENGER - E-COATED                |
|     | 126911-02-02B | EA ANGLE - HOOD HINGE - DRIVER - E-COATED                   |
| 3   | 125798-03-02B | EA LINK - HOOD HINGE - UPPER PASSENGER                      |
|     | 125798-04-02B | EA LINK - HOOD HINGE - UPPER DRIVER                         |
| 4   | 126867-01-02B | EA BRACKET - LINK - HOOD HINGE - PASSENGER - E-COATED       |
|     | 126867-03-02B | EA BRACKET - LINK - HOOD HINGE - DRIVER - E-COATED          |
| 5   | 058786-01-000 | EA BOLT - ADJUSTING HOOD - W/BLACK PAD                      |
| 6   | 125778-07-02B | EA LINK - HOOD HINGE - LOWER PASSENGER - E-COATED           |
|     | 125778-08-02B | EA LINK - HOOD HINGE - LOWER DRIVER - E-COATED              |
| 7   | 126913-02-02B | EA TUBE - TIMING - HOOD HINGE W/WELD NUT - 53.7" - E-COATED |
| 8   | 102330-02-000 | EA LATCH - VISE ACTION/KEY OPERATED                         |
|     | 102330-04-000 | EA PAWL - LATCH - STRAIGHT - 1.96"                          |
|     | 102328-01-000 | EA KEY - BARREL - NICKEL PLATED                             |
|     | 126352-04-02B | EA LATCH - HOOD - E-COATED                                  |

## EXTERIOR BODY GROUP (CONTINUED)

### FIBERGLASS, STYROFOAM & INSULATION

| KEY | PART NUMBER   | U/M DESCRIPTION   |
|-----|---------------|---|
|     | 076054-U8-000 | EA FIBERGLASS SHEET - 100" X 105" - BRIGHT WHITE              |
|     | 076054-U4-000 | EA FIBERGLASS SHEET - 101" X 104" - BRIGHT WHITE              |
|     | 076054-W6-000 | EA FIBERGLASS SHEET - 79" X 367" - BRIGHT WHITE               |
|     | 077517-62-000 | EA FIBERGLASS SHEET/SIDEWALL - 48" X 96" - BRIGHT WHITE       |
|     | 108535-05-702 | EA FRP FLAT 108" X 396" BRT WHT PARTS DEPT                    |
|     | 100619-01-000 | BF FOAM - EXPANDED POLYSTYRENE - 1.34" X 48" X 96"            |
|     | 100619-04-000 | BF FOAM - EXPANDED POLYSTYRENE - .5" X 48" X 96"              |
|     | 100619-05-000 | BF FOAM - EXPANDED POLYSTYRENE - .75" X 48" X 96"-1.5 DENSITY |
|     | 100619-10-000 | BF FOAM - EXPANDED POLYSTYRENE - 1.5" X 48" X 96"             |
|     | 100619-11-000 | BF FOAM - EXPANDED POLYSTYRENE - 2" X 48" X 96"               |
|     | 100619-16-000 | BF FOAM - EXPANDED POLYSTYRENE - .75" X 48" X 96"-2.0 DENSITY |
|     | 105077-08-000 | EA FOAM - PLUG - ROOF CAP                                     |
|     | 120107-01-000 | EA FOAM - COVE - ROOF - 2.8" X 96" LONG                       |
|     | 120107-02-000 | EA FOAM - PLUG - ROOF TUBE - 2.2" X 2.9" X 1.8" LONG          |
|     | 120107-03-000 | EA FOAM - PLUG - SIDEWALL TUBE - 1.2" X 2.1" X 1.8" LONG      |

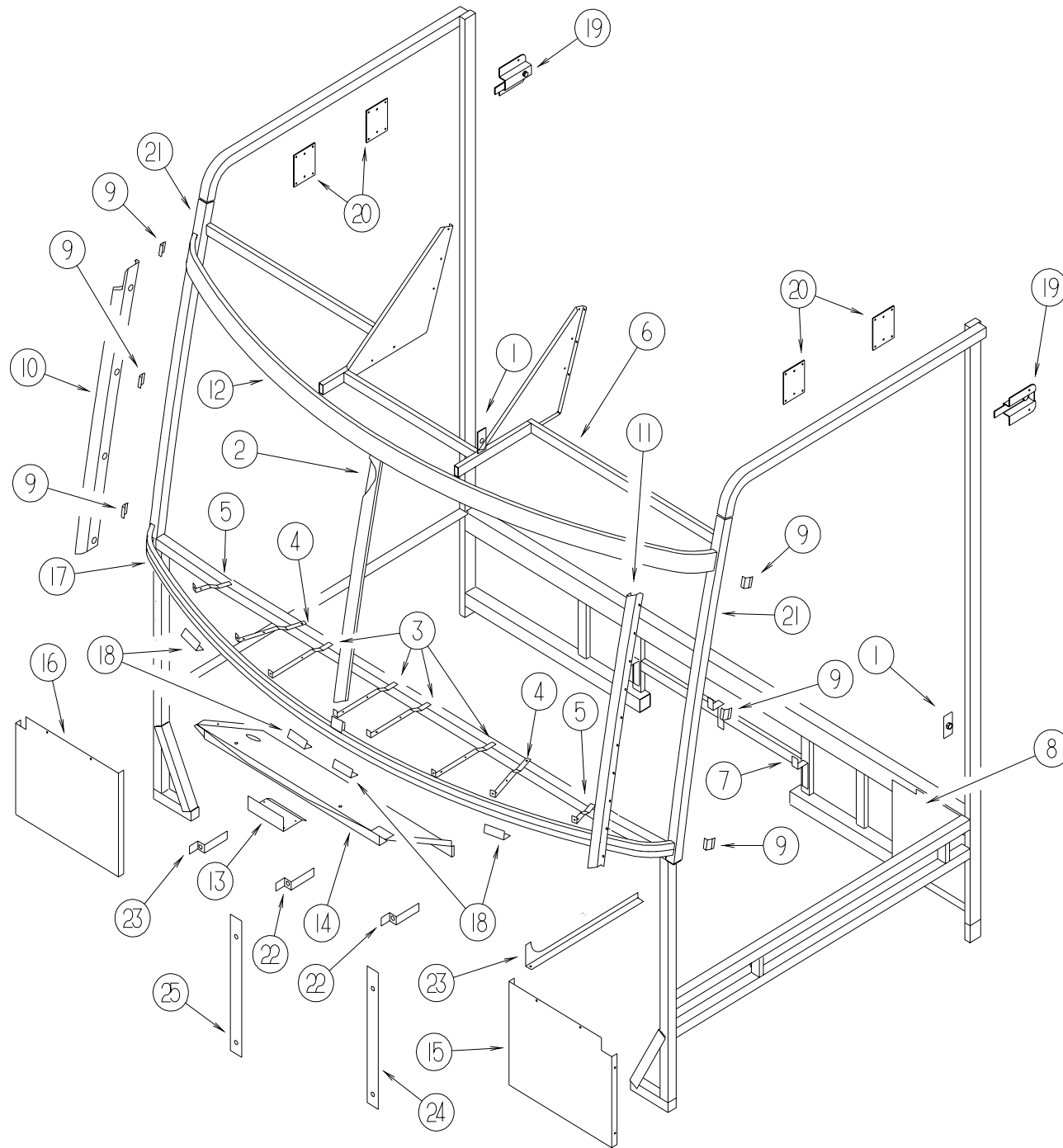
### A & E AWNING & HARDWARE

| KEY | PART NUMBER   | U/M DESCRIPTION   |
|-----|---------------|---|
|     | 113874-06-11A | EA AWNING - W/O HARDWARE - 16' (AMETHYST GREEN) VINYL   |
| *   | 113874-01-02A | EA HARDWARE KIT - AWNING - W/O STANDOFF BRACKET-BRIGHT WHITE  |
|     | 113874-11-01A | EA SCREW/LAG - AWNING - 1/4" X 1" STAINLESS STEEL<br>USED TO MOUNT LOWER ARM BRACKET TO WALL<br>FROM: 07-17-98 THRU: 99-99-99     |
|     | 113874-12-01A | EA SCREW/LAG - AWNING - 1/4" X 2 3/4" STAINLESS STEEL<br>USED TO MOUNT UPPER ARM BRACKET TO WALL<br>FROM: 07-17-98 THRU: 99-99-99 |
|     | 130320-01-02A | EA BRACKET - AWNING - F/A&E INSTALLATION - BRIGHT WHITE   |

\*COMPONENT PARTS FOUND IN SERVICE PARTS LIBRARY

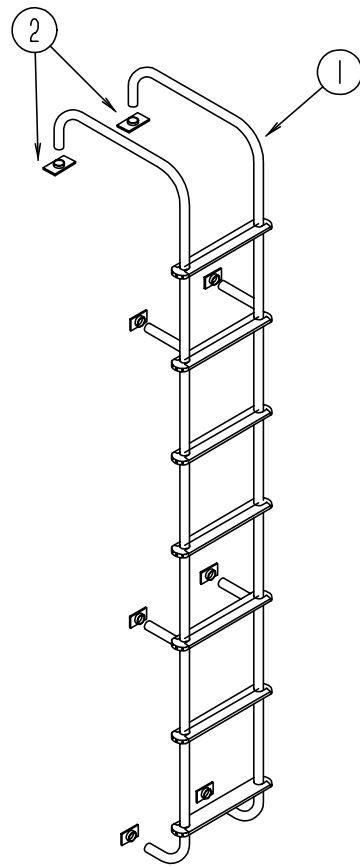
# EXTERIOR BODY GROUP (CONTINUED)

## MISCELLANEOUS FRONT END COMPONENTS



| KEY | PART NUMBER   | U/M | DESCRIPTION                                      |
|-----|---------------|-----|--|
| 1   | 070579-06-000 | EA  | PLATE - ANCHOR - W/7/16" WELD NUT - 1.5" X 3.3"  |
| 1   | 070579-07-000 | EA  | PLATE - ANCHOR - W/O WELD NUT - 1.5" X 3.3"      |
| 2   | 078249-19-000 | EA  | TUBE-SWEPT,FRAME,CAB                             |
| 3   | 104797-03-000 | EA  | BRACKET-DEFROSTER                                |
| 4   | 104797-04-000 | EA  | BRACKET-DEFROSTER                                |
| 5   | 104797-05-000 | EA  | BRACKET-DEFROSTER                                |
| 6   | 124764-51-01B | EA  | HEADER - F/TV - MILL                             |
|     | 124904-03-01B | EA  | HEADER - WINDSHIELD - CENTER                     |
| 7   | 117287-01-01B | EA  | BRACKET - MOUNT - CABLE                          |
| 8   | 118592-01-01B | EA  | SHIELD - SPLASH                                  |
| 9   | 120363-01-01B | EA  | BRACKET - WINDSHIELD                             |
| 10  | 121269-09-01B | EA  | FRAME-WINDSHIELD,A PILLAR,ML                     |
| 11  | 121269-10-01B | EA  | FRAME-WINDSHIELD,A PILLAR,ML                     |
| 12  | 124975-01-01B | EA  | SUPPORT-WINDSHIELD,UPPER,MLL                     |
| 13  | 125836-02-01B | EA  | ZEE-WIPER MOTOR,MILL                             |
| 14  | 125837-02-01B | EA  | BRACE-WIPER MOTOR,MILL                           |
| 15  | 104147-14-000 | EA  | SHIELD/SPLASH - HEADLIGHT                        |
| 16  | 121962-02-02B | EA  | SHIELD/SPLASH - HEADLIGHT - E-COATED             |
| 17  | 124974-01-01B | EA  | SUPPORT-WINDSHIELD,LOWER,MLL                     |
| 18  | 076364-57-000 | EA  | ANGLE - FORMED                                   |
| 19  | 103318-01-000 | EA  | MOUNT ASM-SEATBELT,WALL                          |
| 20  | 104409-01-000 | EA  | PLATE-MOUNT,SIDEWALL                             |
| 21  | 117273-01-01A | EA  | TUBE - SUPPORT - A-PILLAR                        |
| 22  | 117287-01-01B | EA  | BRACKET - MOUNT - CABLE                          |
|     | 129385-01-02B | EA  | BRACKET - SEAL TRANSITION - E-COATED             |
| 23  | 131859-01-02B | EA  | BRACKET - SEAL - TRANSITION/LEFT HAND - E-COATED |
|     |               |     | FROM: 00-00-00 THRU: 07-11-99                    |
|     | 131860-01-02B | EA  | BRACKET - SEAL - TRANSITION/LEFT HAND - E-COATED |
|     |               |     | FROM: 07-12-99 THRU: 99-99-99                    |
|     |               |     | FROM: 07-12-99 THRU: 99-99-99                    |
| 24  | 119892-12-02B | EA  | SUPPORT ASM-FRONT,GM,LH,E-CT                     |
| 24  | 119892-14-02B | EA  | SUPPORT ASM-FRT,FORD,LH,E-CT                     |
| 25  | 119892-17-02B | EA  | SUPPORT ASM-FRONT,GM,RH,E-CT                     |
| 25  | 119892-13-02B | EA  | SUPPORT ASM-FRT,FORD,RH,E-CT                     |
|     | 113452-01-000 | FT  | SEAL/TRIM - FRONT - VINYL W/WIRE CARRIER         |
|     | 130885-14-877 | FT  | STEEL - TUBE - 16 GAUGE 1.5" X 1.5"              |

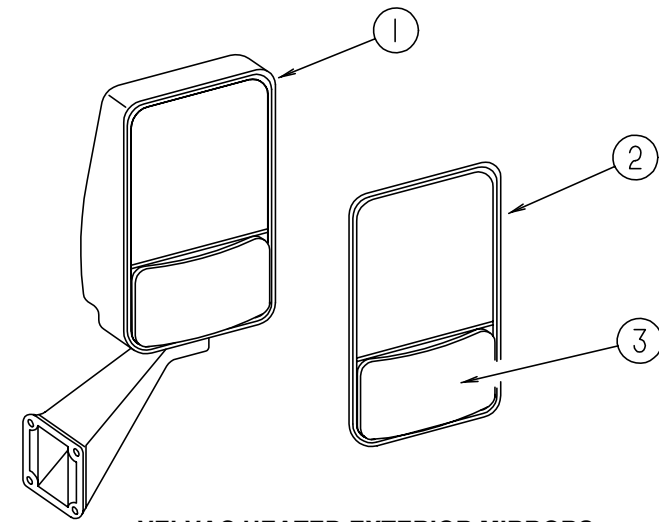
**EXTERIOR BODY GROUP (CONTINUED)**



**LADDER**

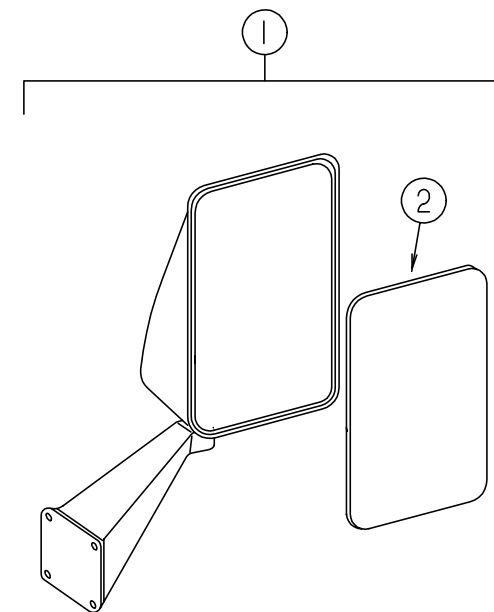
| KEY | PART NUMBER   | U/M DESCRIPTION                |
|-----|---------------|--------------------------------|
| 1   | 129639-03-01A | EA LADDER - BRUSHED ALUMINUM   |
| 2   | 131256-01-01A | EA PLATE - LADDER              |
|     | 129375-01-000 | EA SEAL/FOAM - LADDER BRACKET  |
|     | 038327-01-000 | EA TAPE - ANTI-SLIP - 2" X 60' |

**EXTERIOR BODY GROUP (CONTINUED)**



**VELVAC HEATED EXTERIOR MIRRORS**

| KEY | PART NUMBER   | U/M DESCRIPTION                              | VENDOR NO. |
|-----|---------------|--|------------|
| 1   | 106015-12-01A | EA MIRROR - EXTERIOR REMOTE/HEAT - PASSENGER |            |
|     | 119774-09-700 | EA PLATE-INNER SUPT/MIRROR HEAD              | 709418-7RH |
| 1   | 106015-13-01A | EA MIRROR - EXTERIOR REMOTE/HEAT - DRIVER    |            |
|     | 119774-09-701 | EA PLATE INNER SUPT/MIRROR HEAD              | 709419-7LH |
| 2   | 106015-12-700 | EA MIRROR-FLAT - W/W/O HEAT                  | 709448     |
| 3   | 106015-12-701 | EA MIRROR-CONVEX - W/W/O HEAT                | 709449     |
|     | 106015-12-702 | EA SCREW CAP - (BAG OF 4)                    | 748329     |
|     | 087695-02-000 | EA SWITCH - HEATER - EXTERIOR MIRROR         |            |
|     | 088246-01-000 | EA SWITCH - REMOTE - EXTERIOR - SQUARE PUSH  |            |
|     | 087695-03-000 | EA CONNECTOR - ASSEMBLY                      |            |

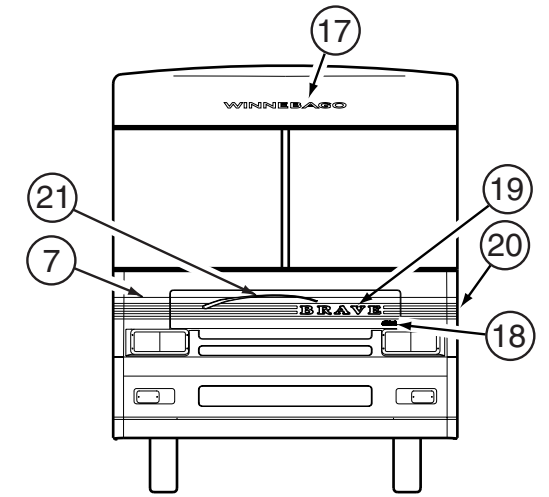
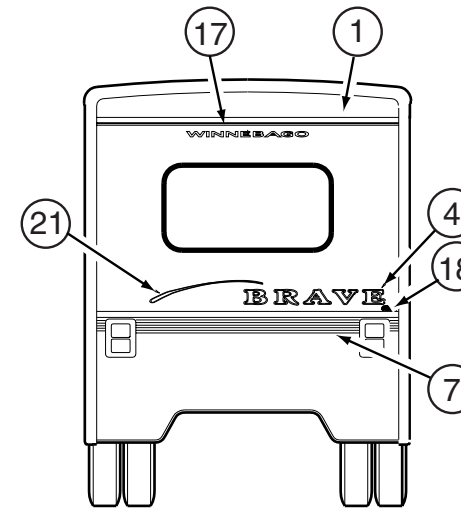
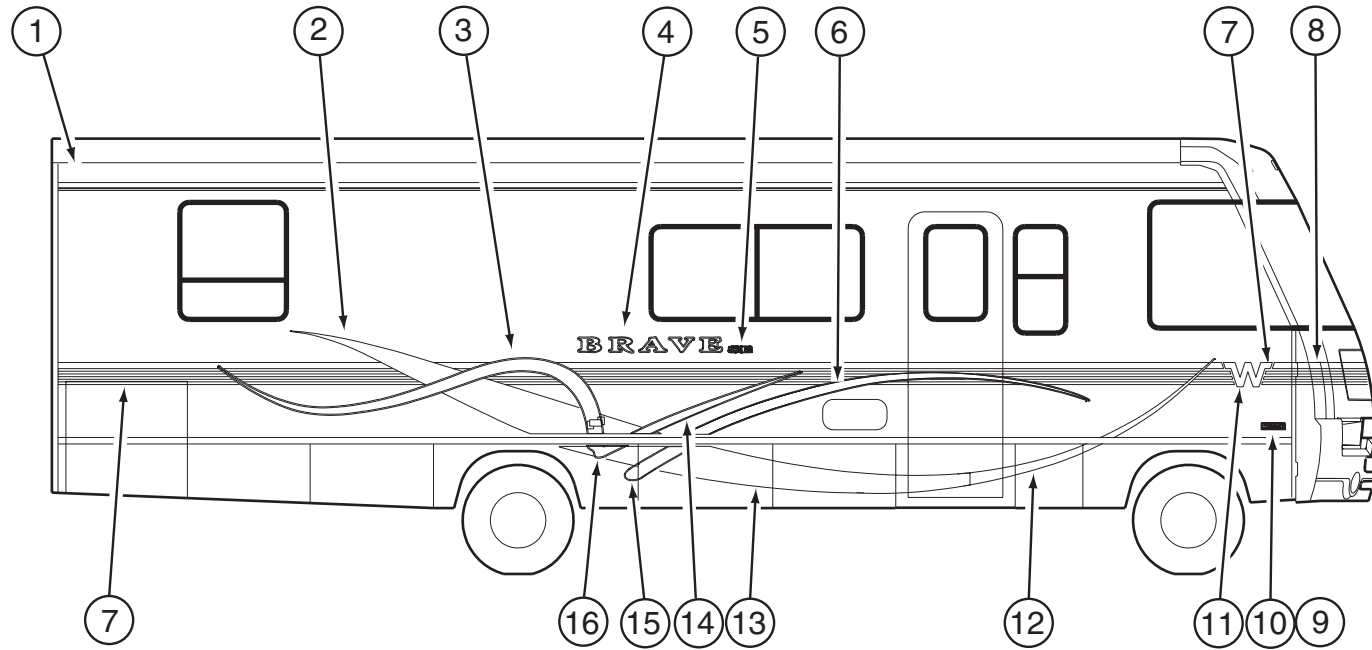


**VELVAC EXTERIOR MIRRORS**

| KEY | PART NUMBER   | U/M DESCRIPTION                                     | VENDOR NO. |
|-----|---------------|---|------------|
| 1   | 123297-01-01A | EA MIRROR - EXTERIOR - ADJUSTABLE GLASS - DRIVER    |            |
| 1   | 123297-02-01A | EA MIRROR - EXTERIOR - ADJUSTABLE GLASS - PASSENGER |            |
| 2   | 106860-02-702 | EA GLASS ONLY FLAT RH/LH STAR                       | 702086-8   |

## EXTERIOR BODY GROUP (CONTINUED)

### DECALS, FILM STRIPES & PAINT



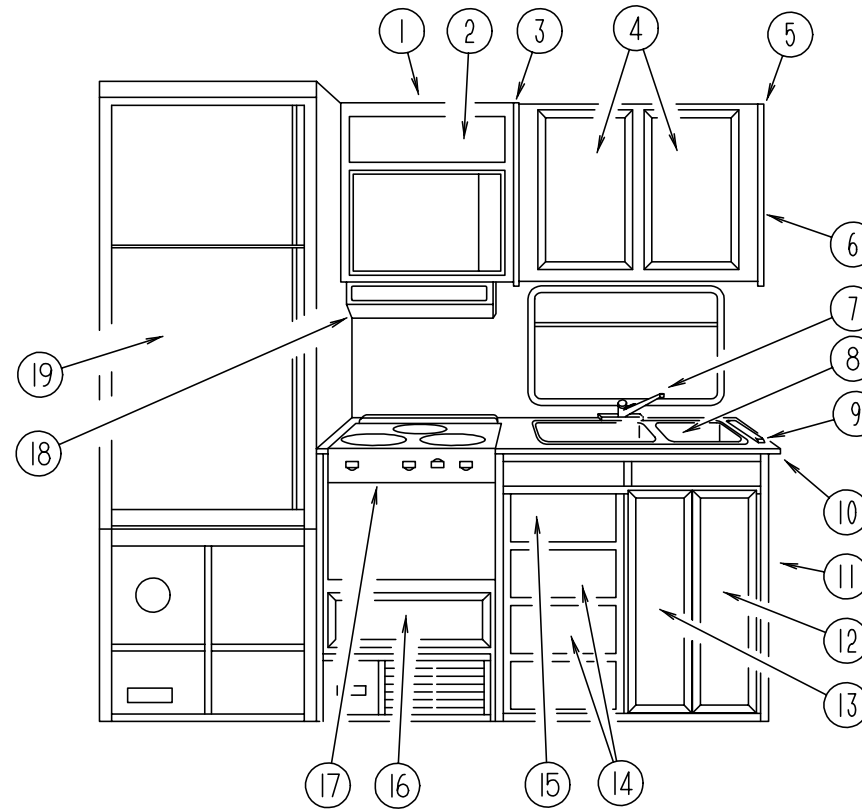
| KEY | PART NUMBER   | U/M | DESCRIPTION  |
|-----|---------------|-----|--|
| 1   | 105781-69-01A | FT  | FILM - MULTISTRIFE - 2.3"                                    |
| 2   | 128024-01-02A | EA  | DECAL - SWEEP - UPPER/RIGHT HAND                             |
|     | 128024-02-02A | EA  | DECAL - SWEEP - UPPER/LEFT HAND                              |
| 3   | 128027-01-02A | EA  | DECAL - SLASH - #1/RIGHT HAND                                |
|     | 128027-02-02A | EA  | DECAL - SLASH - #1/LEFT HAND                                 |
| 4   | 121437-01-04A | EA  | DECAL - LOGO - BRAVE/LARGE                                   |
| 4   | 121437-01-05A | EA  | DECAL - LOGO - BRAVE/LARGE - COMFORT AND CONVENIENCE PACKAGE |
| 5   | 127162-01-02A | EA  | DECAL - SE - LARGE   |
| 5   | 127162-01-03A | EA  | DECAL - SE - LARGE - COMFORT AND CONVENIENCE PACKAGE         |
| 6   | 128031-01-02A | EA  | DECAL - SLASH TIP - #2/RIGHT HAND                            |
|     | 128031-02-02A | EA  | DECAL - SLASH TIP - #2/LEFT HAND                             |
| 7   | 093689-25-02A | FT  | FILM - MULTISTRIFE - 6.3"                                    |
| 8   | 128036-01-02A | EA  | DECAL - CORNER/RIGHT HAND                                    |
| 9   | 122312-02-01A | EA  | DECAL - VORTEC 7400 FUEL INJECTED                            |
| 10  | 129922-01-01A | EA  | EMBLEM - TRITON V10  |
| 11  | 121743-02-03A | EA  | DECAL - LOGO "W"   |
| 12  | 128026-01-02A | EA  | DECAL - SWEEP - #2/RIGHT HAND                                |
|     | 128026-02-02A | EA  | DECAL - SWEEP - #2/LEFT HAND                                 |
| 13  | 128025-01-02A | EA  | DECAL - SWEEP - #1 RIGHT HAND                                |
|     | 128025-02-02A | EA  | DECAL - SWEEP - #1/LEFT HAND                                 |
| 14  | 128029-01-02A | EA  | DECAL - SLASH TIP - #1/RIGHT HAND                            |
|     | 128029-02-02A | EA  | DECAL - SLASH TIP - #1/LEFT HAND                             |
| 15  | 128030-01-02A | EA  | DECAL - SLASH END - #2/RIGHT HAND                            |
|     | 128030-02-02A | EA  | DECAL - SLASH END - #2/LEFT HAND                             |
| 16  | 128028-01-02A | EA  | DECAL - SLASH END - #1/RIGHT HAND                            |
|     | 128028-02-02A | EA  | DECAL - SLASH END - #1/LEFT HAND                             |
| 17  | 120702-02-03A | EA  | DECAL - LOGO,WINNEBAGO                                       |
| 18  | 127162-02-02A | EA  | DECAL - SE - SMALL   |
| 18  | 127162-02-03A | EA  | DECAL - SE - SMALL - COMFORT AND CONVENIENCE PACKAGE         |
| 19  | 121437-02-04A | EA  | DECAL - LOGO - BRAVE/SMALL                                   |
| 19  | 121437-02-05A | EA  | DECAL - LOGO - BRAVE/SMALL - COMFORT AND CONVENIENCE PACKAGE |
| 20  | 128036-02-02A | EA  | DECAL - CORNER/LEFT HAND                                     |
| 21  | 128034-01-02A | EA  | DECAL - SLASH - HOOD   |
|     | 041561-03-000 | EA  | PAINT - 16 OUNCE SPRAY - OFF WHITE                           |

#### DUPONT COLOR CODES

|  |         |
|--|---------|
| BRIGHT WHITE (MAIN BODY COLOR)         | #B8951  |
| LT. SILVER METALLIC (ACCENT COLOR)     | #F2573U |
| TEAL FIREMIST METALLIC (DECAL COLOR)   | #GM016  |
| VIOLET FIREMIST METALLIC (DECAL COLOR) | #F4572  |
| WIN BLUE METALLIC (DECAL COLOR)        | #BM351  |
| AZTEC SILVER METALLIC(DECAL COLOR)     | #F2573  |

## GALLEY GROUP

### GALLEY CABINETRY



| KEY | PART NUMBER   | U/M DESCRIPTION   | KEY | PART NUMBER   | U/M DESCRIPTION   | VENDOR NO.                    |
|-----|---------------|---|-----|---------------|---|-------------------------------|
| 1   | 128620-09-J37 | EA CABINET - MICROWAVE - W/O DOORS/HARDWARE                   | 11  | 129142-01-K16 | EA CABINET/GALLEY - W/COUNTERTOP - W/O DOORS/DRAWERS/HARDWARE |                               |
| 2   | M05992-G3-J15 | EA DOOR - STRAIGHT CORNER/OGEE EDGE - 6.3" X 23.2" - W/O HDW  | 11  | 129142-01-K17 | EA CABINET/GALLEY - W/COUNTERTOP - W/O DOORS/DRAWERS/HARDWARE |                               |
| 3   | 081320-14-G09 | EA END CAP - OVERHEAD CABINET                                 | 11  | 129142-01-K18 | EA CABINET/GALLEY - W/COUNTERTOP - W/O DOORS/DRAWERS/HARDWARE |                               |
| 4   | M09332-01-K16 | EA DOOR - RAISED MEMBRANE/OGEE EDGE - 14.3" X 21.8" - W/O HDW | 11  | 129142-02-K16 | EA CABINET/GALLEY - W/COUNTERTOP - W/O DOORS/DRAWERS/HARDWARE |                               |
| 5   | 121823-01-H13 | EA CABINET - OVERHEAD/GALLEY - W/O DOORS/HARDWARE             |     |               |   |                               |
|     | 121823-11-K16 | EA SHELF - W/PLASTIC EDGE TRIM                                | 11  | 129142-02-K17 | EA CABINET/GALLEY - W/COUNTERTOP - W/O DOORS/DRAWERS/HARDWARE |                               |
| 6   | 081320-17-G09 | EA END CAP - OVERHEAD CABINET                                 |     |               |   |                               |
| 7   | 104114-02-01A | EA FAUCET - GALLEY - SINGLE CONTROL                           | 11  | 129142-02-K18 | EA CABINET/GALLEY - W/COUNTERTOP - W/O DOORS/DRAWERS/HARDWARE |                               |
| 8   | 104113-01-000 | EA SINK - DOUBLE - STAINLESS STEEL                            |     |               |   |                               |
|     | 092303-01-000 | EA STRAINER - SINK  |     | 129142-14-K16 | EA SHELF - W/PLASTIC EDGE TRIM                                |                               |
|     | 103610-03-H24 | EA COVER - SINK - 15.2" X 11" (K16)                           | 12  | M05992-H2-K16 | EA DOOR - STRAIGHT CORNER/OGEE EDGE - 9" X 26.5" - W/O HDW    |                               |
|     | 103610-03-K17 | EA COVER - SINK - 15.2" X 11" (K17)                           | 13  | M05992-H3-K16 | EA DOOR - STRAIGHT CORNER/OGEE EDGE - 9" X 26.5" - W/O HDW    |                               |
|     | 103610-03-K18 | EA COVER - SINK - 15.2" X 11" (K18)                           | 14  | M05971-11-J15 | EA DRAWER - OGEE EDGE - 9.9"W X 17.7"D - W/O SLIDES/HARDWARE  |                               |
| 9   | 098335-18-H13 | EA RAIL - GALLEY - 25" (K16)                                  | 15  | M05971-83-J15 | EA DRAWER - OGEE EDGE - 8.4"W X 7.6"D - W/O SLIDES/HARDWARE   |                               |
| 9   | 098335-18-H33 | EA RAIL - GALLEY - 25" (K17)                                  | 16  | M05971-50-J15 | EA DRAWER - OGEE EDGE - 19.8"W X 17.7"D - W/O SLIDES/HARDWARE |                               |
| 9   | 098335-18-K18 | EA RAIL - GALLEY - 25" (K18)                                  | 17* | 112881-02-03A | EA RANGE-16"-3 BURNER-FRONT HI-OUTPUT BURNER - BLK TOP/DOOR   |                               |
| 9   | 129142-17-K16 | EA BACKSPLASH - GALLEY  | 18* | 100258-16-04A | EA HOOD - RANGE - W/O MONITOR PANEL-W/O HOUR METER/SWITCH-US  |                               |
|     |               | COMFORT AND CONVENIENCE PACKAGE                               | 18* | 100258-17-04A | EA HOOD - RANGE - W/O MONITOR PANEL-W/O HOUR METER/SWITCH-CSA |                               |
| 9   | 129142-17-K17 | EA BACKSPLASH - GALLEY  | 18* | 100258-18-03A | EA HOOD - RANGE - W/O MONITOR PANEL-W/HOUR METER/SWITCH - US  |                               |
|     |               | COMFORT AND CONVENIENCE PACKAGE                               | 19* | 121568-02-01A | EA REFRIGERATOR - SMALL DOUBLE DOOR/LEFT HAND - 2-WAY         |                               |
| 9   | 129142-17-K18 | EA BACKSPLASH - GALLEY  |     |               |   |                               |
|     |               | COMFORT AND CONVENIENCE PACKAGE                               | 19* | 121568-04-01A | EA REFRIGERATOR - SMALL DOUBLE DOOR/LEFT HAND - 2-WAY - BLACK |                               |
| 10  | 129142-15-K16 | EA COUNTERTOP - GALLEY  |     |               |   | FROM: 00-00-00 THRU: 07-19-98 |
| 10  | 129142-15-K17 | EA COUNTERTOP - GALLEY  |     | 054450-01-000 | EA LEVEL - REFRIGERATOR                                       |                               |
| 10  | 129142-15-K18 | EA COUNTERTOP - GALLEY  |     | 065225-02-000 | EA PLATE - TIEDOWN - REFRIGERATOR                             |                               |
| 10  | 129142-16-K16 | EA COUNTERTOP - GALLEY  |     | 093646-03-000 | EA BRACKET - TIEDOWN/RIGHT HAND - REFRIGERATOR                |                               |
|     |               | COMFORT AND CONVENIENCE PACKAGE                               |     | 093646-04-000 | EA BRACKET - TIEDOWN/LEFT HAND - REFRIGERATOR                 |                               |
| 10  | 129142-16-K17 | EA COUNTERTOP - GALLEY  |     | 116751-03-01A | EA TRAY - REFRIGERATOR - BLACK - US                           |                               |
|     |               | COMFORT AND CONVENIENCE PACKAGE                               |     | 116751-10-01A | EA TRAY - REFRIGERATOR - BLACK - CANADIAN                     |                               |
| 10  | 129142-16-K18 | EA COUNTERTOP - GALLEY  |     | 111222-01-02A | EA COVER - VENT/REFRIGERATOR - SIDE - BRIGHT WHITE            |                               |
|     |               | COMFORT AND CONVENIENCE PACKAGE                               |     | 090329-01-000 | FT SEAL/T - REFRIGERATOR CABINET                              |                               |

\*COMPONENT PARTS FOUND IN SERVICE PARTS LIBRARY

## GALLEY GROUP (CONTINUED)

### MICROWAVE OVEN & TRIMS, BRACKETS, AND BRACES

| KEY | PART NUMBER   | U/M DESCRIPTION                                      | VENDOR NO. |
|-----|---------------|--|------------|
|     | 128527-02-000 | EA OVEN - MICROWAVE - 1.2 CU FT - NON CONVECTION     |            |
|     |               | FROM: 00-00-00 THRU: 01-15-99                        |            |
|     | 128527-02-700 | EA TRIM RING-F/1.2 CU.FT. MICRO                      | MC-6471-EA |
|     |               | FROM: 00-00-00 THRU: 01-15-99                        |            |
|     | 128642-02-000 | EA TRIM KIT W/VENT - MICROWAVE - 1.2 CU FT - SAMSUNG |            |
|     |               | FROM: 00-00-00 THRU: 01-15-99                        |            |
|     | 128527-04-000 | EA OVEN - MICROWAVE - 1.2 CU FT                      |            |
|     |               | FROM: 01-16-99 THRU: 99-99-99                        |            |
|     | 098916-22-02B | EA BRACE - MICROWAVE CABINET - LEFT HAND             |            |
|     | 098916-23-02B | EA BRACE - MICROWAVE CABINET - RIGHT HAND            |            |
|     | 094750-10-000 | EA BRACKET - MICROWAVE - 89 DEGREE                   |            |

### COFFEE MAKER

| KEY | PART NUMBER   | U/M DESCRIPTION                                       | VENDOR NO. |
|-----|---------------|---|------------|
|     | 126019-01-01A | EA COFFEEMAKER - OPTIMA - W/BRACKETS - BLACK & DECKER |            |
|     | 126019-01-700 | EA GLASS CARAFE                                       | 172547-00  |
|     | 126019-01-701 | EA RESERVOIR- WATER                                   | 172554     |
|     | 126019-01-702 | EA BASKET - FILTER                                    | 172553-00  |
|     | 126019-01-703 | EA HARDWARE - MOUNTING                                | 172174-00  |

### LVS MONITOR PANEL

| KEY | PART NUMBER   | U/M DESCRIPTION                                   |
|-----|---------------|---|
| *   | 102765-04-01A | EA PANEL - MONITOR - 2 HOLDING TANKS - ADJUSTABLE |

\*COMPONENT PARTS FOUND IN SERVICE PARTS LIBRARY

## GENERATOR GROUP

### 4,000 WATT ONAN EMERALD PLUS

| KEY | PART NUMBER   | U/M DESCRIPTION   |
|-----|---------------|---|
|     | 100974-01-000 | EA GENERATOR - 4 KW EMERALD PLUS - ONAN BGE-FA26100G WITH ONAN GENERATOR TRAY #403-2218 - IF INSTALLING BELOW FLOOR ORDER ONAN TRAY #403-2727 |
|     | 007067-01-000 | SF INSULATION - FIBERGLASS - 1" THICK X 4'-INCREMENTS 4 SF  |
|     | 007125-03-000 | EA CLAMP - MUFFLER - 1.5" DIAMETER  |
|     | 007125-04-000 | EA CLAMP - MUFFLER - 1.12" DIAMETER   |
|     | 079654-05-000 | EA PIPE - EXHAUST - ANGLED W/FLANGE - 2" ID   |
|     | 082272-01-000 | EA MUFFLER - GENERATOR - NELSON #20892-A  |
|     | 094059-01-000 | EA SPACER - GENERATOR - ONAN  |
|     | 105958-03-000 | EA PIPE - GENERATOR EXHAUST - 1.5" OD X 4.4" X 15.7"  |

### 5,000 WATT ONAN EMERALD PLUS

| KEY | PART NUMBER   | U/M DESCRIPTION   |
|-----|---------------|---|
|     | 109303-01-000 | EA GENERATOR - 5 KW - EMERALD PLUS WITH ONAN TRAY #403-2727 |
|     | 007067-01-000 | SF INSULATION - FIBERGLASS - 1" THICK X 4'-INCREMENTS 4 SF  |
|     | 007125-03-000 | EA CLAMP - MUFFLER - 1.5" DIAMETER                          |
|     | 007125-04-000 | EA CLAMP - MUFFLER - 1.12" DIAMETER                         |
|     | 079654-05-000 | EA PIPE - EXHAUST - ANGLED W/FLANGE - 2" ID                 |
|     | 082272-01-000 | EA MUFFLER - GENERATOR - NELSON #20892-A                    |
|     | 094059-01-000 | EA SPACER - GENERATOR - ONAN                                |
|     | 105958-03-000 | EA PIPE - GENERATOR EXHAUST - 1.5" OD X 4.4" X 15.7"        |

### 6,500 WATT ONAN EMERALD PLUS

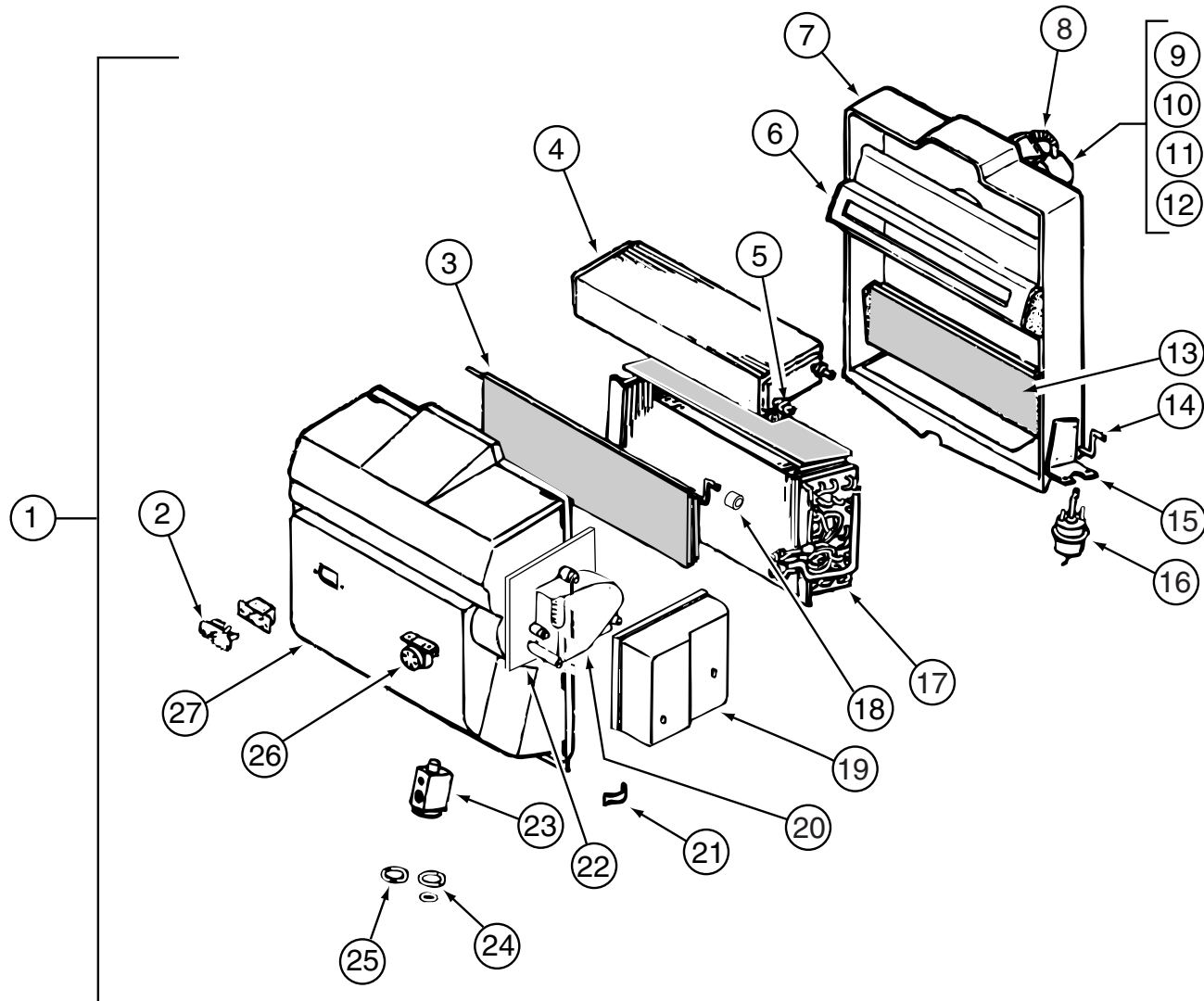
| KEY | PART NUMBER   | U/M DESCRIPTION   |
|-----|---------------|---|
|     | 100975-01-000 | EA GENERATOR - 6.5 KW EMERALD PLUS WITH ONAN TRAY #403-2218 |
|     | 007067-01-000 | SF INSULATION - FIBERGLASS - 1" THICK X 4'-INCREMENTS 4 SF  |
|     | 007125-03-000 | EA CLAMP - MUFFLER - 1.5" DIAMETER                          |
|     | 007125-04-000 | EA CLAMP - MUFFLER - 1.12" DIAMETER                         |
|     | 007131-01-000 | EA HANGER - TAILPIPE - 6 SLOTS                              |
|     | 079654-05-000 | EA PIPE - EXHAUST - ANGLED W/FLANGE - 2" ID                 |
|     | 082272-01-000 | EA MUFFLER - GENERATOR - NELSON #20892-A                    |
|     | 094059-01-000 | EA SPACER - GENERATOR - ONAN                                |
|     | 105958-03-000 | EA PIPE - GENERATOR EXHAUST - 1.5" OD X 4.4" X 15.7"        |

**NOTE: ADDITIONAL GENERATOR COMPONENTS ARE FOUND IN THE CHASSIS GROUP**



# HEATING & AIR CONDITIONING GROUP

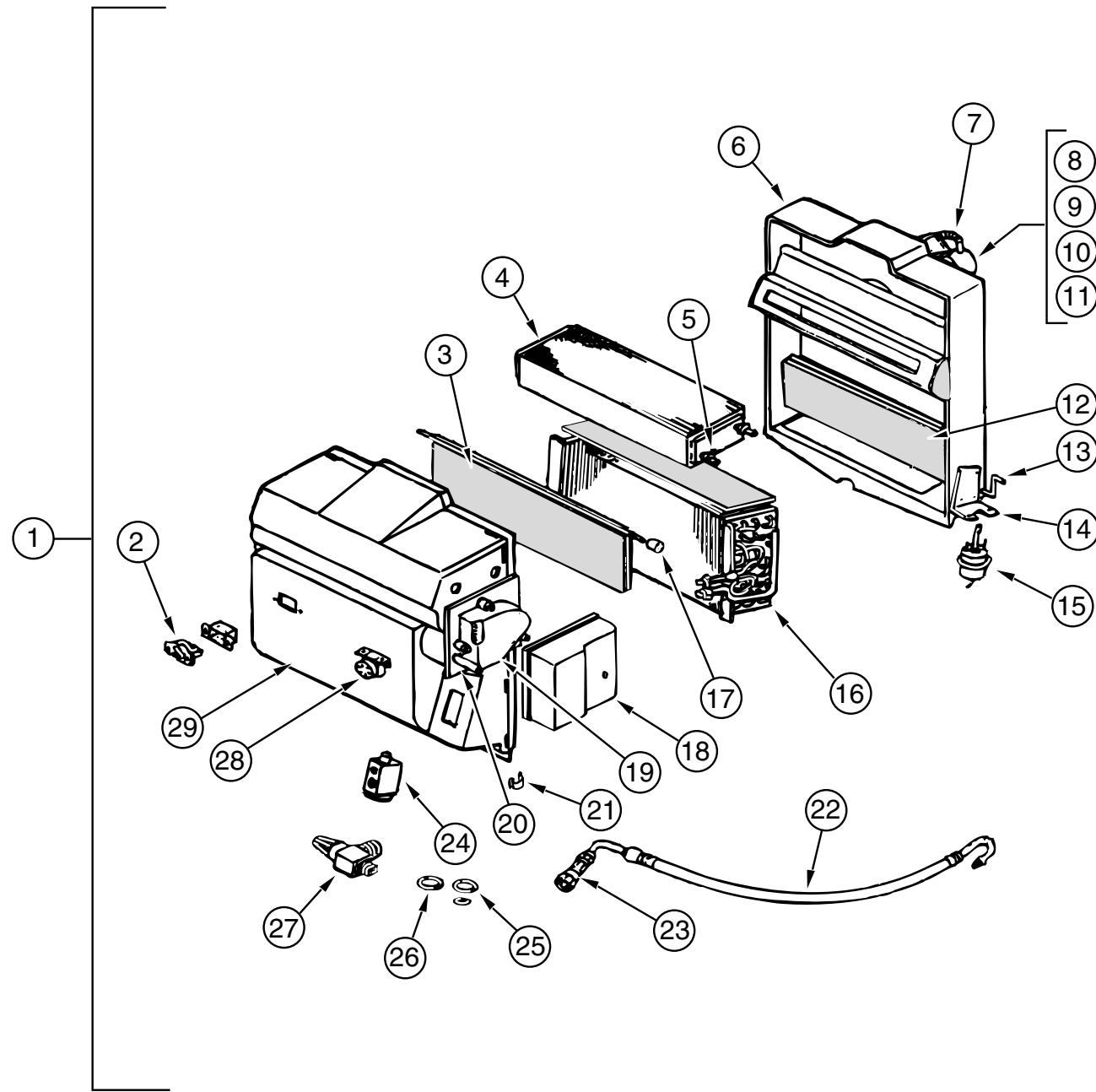
## SCS EVAPORATOR/HEATER ASSEMBLY - FORD AND 1999 CHEVY CHASSIS



| KEY | PART NUMBER   | U/M | DESCRIPTION                              | VENDOR NO. |
|-----|---------------|-----|--|------------|
| 1   | 103930-43-000 | EA  | EVAPORATOR/HEATER ASSEMBLY - NON-CHARGED |            |
| 2   | 103930-01-710 | EA  | RESISTOR-FUSED, A/C                      | 035-0006   |
| 3   | 103930-43-700 | EA  | DOOR - AIR BLEND                         | 071-0568   |
| 4   | 103930-01-703 | EA  | CORE-HEATER                              | 042-0010   |
| 5   | 110279-01-712 | EA  | FITTING-HEATER                           | 050-0076   |
| 6   | 103930-30-707 | EA  | DIVIDER ASM.                             | 086-0061   |
| 7   | 103930-20-711 | EA  | CASE-BACK, SUB-ASSEMBLY                  | 062-0147   |
| 8   | 110279-01-703 | EA  | HOSE-VENT F/BLOWER MOTOR                 | 051-0034   |
| 9   | 103930-20-707 | EA  | HOUSING-BLOWER                           | 062-0145   |
| 10  | 103930-30-706 | EA  | MOTOR-BLOWER PM147 W/ADAPTER             | 030-0109   |
| 11  | 103930-01-717 | EA  | WHEEL-BLOWER, CLOCKWISE                  | 062-0010   |
| 12  | 103930-20-708 | EA  | CLIP-MOTOR SHAFT                         | 022-0001   |
| 13  | 103930-20-705 | EA  | PANEL-DOOR, RECIRCULATING                | 071-0213   |
| 14  | 103930-20-704 | EA  | ROD-DOOR-RECIRCULATING                   | 073-0018   |
| 15  | 103930-01-708 | EA  | BRACKET-VACUUM MOTOR                     | 070-0113   |
| 16  | 103930-02-708 | EA  | MOTOR-VACUUM SERVO, A/C                  | 030-0025   |
| 17  | 103930-01-704 | EA  | COIL-EVAPORATOR                          | 041-0017   |
| 18  | 103930-30-702 | EA  | BUSHING - BLEND AIR DOOR                 | 062-0168   |
| 19  | 103930-30-704 | EA  | COVER - SERVO                            | 062-0545   |
| 20  | 103930-30-703 | EA  | MOTOR - SERVO                            | 030-0104   |
| 21  | 103930-20-706 | EA  | CLIP-RETAINER - CASE ATTACH              | 022-0057   |
| 22  | 103930-30-701 | EA  | PLATE - MOTOR MOUNT                      | 062-0544   |
| 23  | 103930-20-700 | EA  | VALVE-EXPANSION-BLOCK, 2 TON             | 034-0032   |
| 24  | 103930-17-702 | EA  | O-RING #10                               | 045-0127   |
| 25  | 113245-01-707 | EA  | O-RING #8                                | 045-0126   |
| 26  | 103930-01-711 | EA  | THERMOSTAT                               | 033-0003   |
| 27  | 103930-30-700 | EA  | CASE - FRONT                             | 062-0542   |
|     | 103930-02-714 | EA  | CLAMP-CLUTCH, BARREL                     | 022-0006   |
|     | 094831-01-709 | EA  | CLAMP-ROD 3/16"                          | 022-0025   |
|     | 113245-01-718 | EA  | HOSE - DRAIN/1/2" X 6"                   | 051-0002   |

# HEATING & AIR CONDITIONING GROUP (CONTINUED)

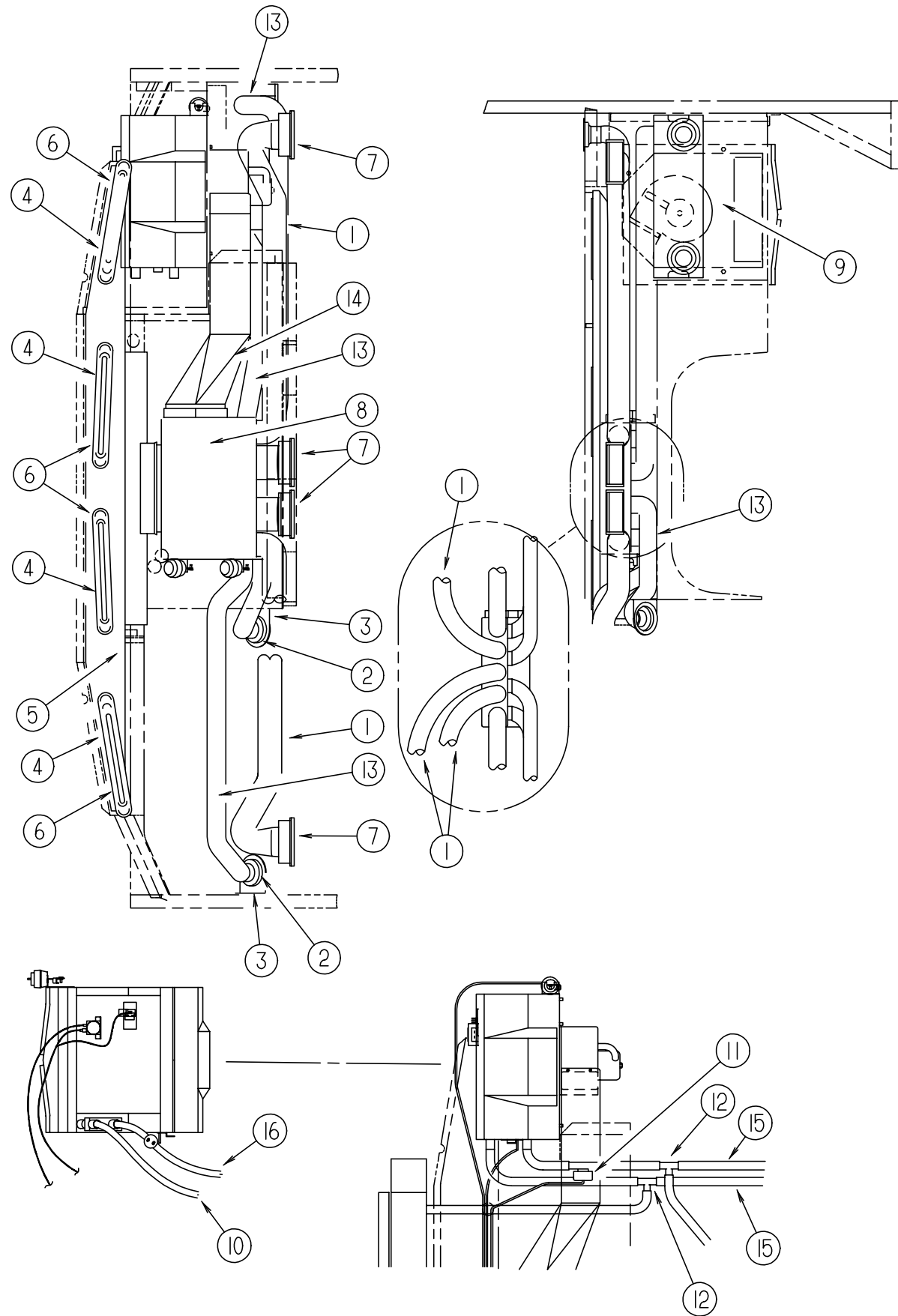
## SCS EVAPORATOR/HEATER ASSEMBLY - 1998 CHEVY CHASSIS



| KEY | PART NUMBER   | U/M DESCRIPTION                                       | VENDOR NO. |
|-----|---------------|---|------------|
| 1   | 103930-30-000 | EA EVAPORATOR/HEATER - CHEVY - SERVO MOTOR CONTROLLED |            |
| 2   | 103930-01-710 | EA RESISTOR-FUSED, A/C                                | 035-0006   |
| 3   | 103930-30-705 | EA DOOR - BLEND AIR                                   | 071-0568   |
| 4   | 103930-01-703 | EA CORE-HEATER  | 042-0010   |
| 5   | 110279-01-712 | EA FITTING-HEATER                                     | 050-0076   |
| 6   | 103930-20-711 | EA CASE-BACK, SUB-ASSEMBLY                            | 062-0147   |
| 7   | 110279-01-703 | EA HOSE-VENT F/BLOWER MOTOR                           | 051-0034   |
| 8   | 103930-20-707 | EA HOUSING-BLOWER                                     | 062-0145   |
| 9   | 103930-30-706 | EA MOTOR-BLOWER PM147 W/ADAPTER                       | 030-0109   |
| 10  | 103930-01-717 | EA WHEEL-BLOWER, CLOCKWISE                            | 062-0010   |
| 11  | 103930-20-708 | EA CLIP-MOTOR SHAFT                                   | 022-0001   |
| 12  | 103930-20-705 | EA PANEL-DOOR, RECIRCULATING                          | 071-0213   |
| 13  | 103930-20-704 | EA ROD-DOOR-RECIRCULATING                             | 073-0018   |
| 14  | 103930-01-708 | EA BRACKET-VACUUM MOTOR                               | 070-0113   |
| 15  | 103930-02-708 | EA MOTOR-VACUUM SERVO, A/C                            | 030-0025   |
| 16  | 103930-01-704 | EA COIL-EVAPORATOR                                    | 041-0017   |
| 17  | 103930-30-702 | EA BUSHING - BLEND AIR DOOR                           | 062-0168   |
| 18  | 103930-30-704 | EA COVER - SERVO                                      | 062-0545   |
| 19  | 103930-30-703 | EA MOTOR - SERVO                                      | 030-0104   |
| 20  | 103930-30-701 | EA PLATE - MOTOR MOUNT                                | 062-0544   |
| 21  | 103930-20-706 | EA CLIP-RETAINER - CASE ATTACH                        | 022-0057   |
| 22  | 103930-25-700 | EA HOSE ASM #6 EVAPORATOR/DRIER                       | 085-0350   |
| 23  | 103930-12-709 | EA FITTING-QUICK CONNECT                              | 050-0120   |
| 24  | 103930-20-700 | EA VALVE-EXPANSION-BLOCK, 2 TON                       | 034-0032   |
| 25  | 103930-17-702 | EA O'RING #10   | 045-0127   |
| 26  | 113245-01-707 | EA O'RING #8  | 045-0126   |
| 27  | 103930-20-709 | EA VALVE-SERVICE                                      | 050-0159   |
| 28  | 103930-01-711 | EA THERMOSTAT   | 033-0003   |
| 29  | 103930-30-700 | EA CASE - FRONT                                       | 062-0542   |

# HEATING & AIR CONDITIONING GROUP (CONTINUED)

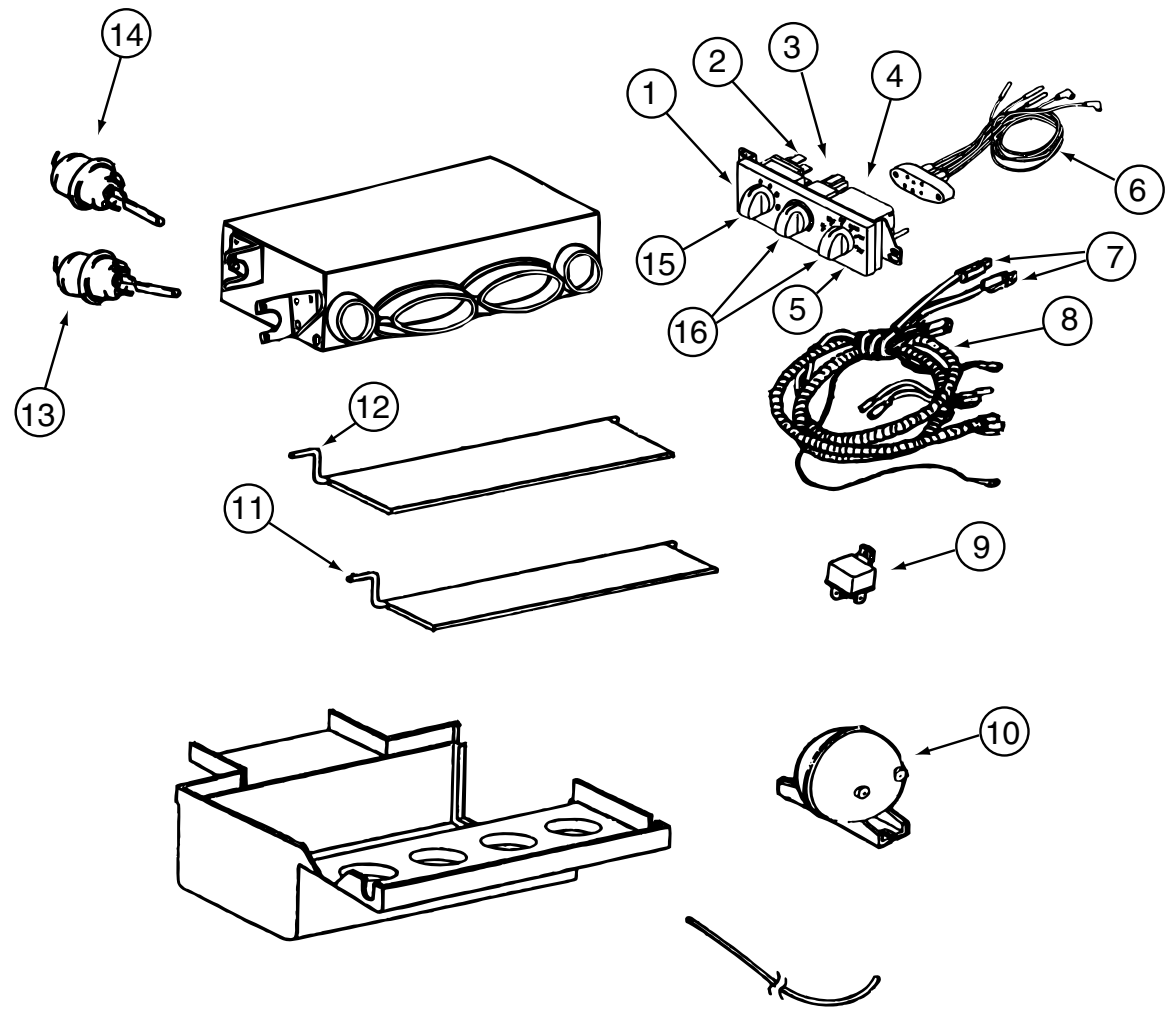
## AUTOMOTIVE HEATER MISCELLANEOUS



| KEY | PART NUMBER   | U/M | DESCRIPTION   | VENDOR NO. |
|-----|---------------|-----|---|------------|
| 1   | 007281-01-000 | EA  | HOSE - FLEXIBLE PVC - 2.5" ID X 50'                       |            |
| 1   | 007281-01-700 | FT  | HOSE-FLEXIBLE PVC, 2 1/2 ID                               |            |
| 2   | 024990-05-000 | EA  | OUTLET - DEFROSTER - 4" DIAMETER W/SWIVEL DEFLECTORS      |            |
| 3   | 056402-05-000 | EA  | BRACKET - HEATER VENT - ROUND W/BEND - BLACK              |            |
| 4   | 077075-01-000 | EA  | GASKET - INSTRUMENT PANEL/DEFROSTER PLENUM - .6" X 10.2"  |            |
| 5   | 103017-03-000 | EA  | PLENUM - DEFROSTER  |            |
| 6   | 103558-01-10A | EA  | VENT - DEFROSTER - 2" X 14.4" X 1.4" - ANTELOPE           |            |
|     |               |     | FROM: 00-00-00 THRU: 11-08-98                             |            |
| 6   | 103558-04-03A | EA  | VENT - DEFROSTER - ANTELOPE                               |            |
|     |               |     | FROM: 11-09-98 THRU: 99-99-99                             |            |
| 7   | 103796-01-01A | EA  | LOUVER - A/C-ADJUSTABLE - 2.2" X 5.4" F/2.5" HOSE - BLACK |            |
| 8   | 103930-39-000 | EA  | CONTROL/PLENUM - ROTARY                                   |            |
| 9   | 103930-30-000 | EA  | EVAPORATOR/HEATER - CHEVY - SERVO MOTOR CONTROLLED        |            |
|     |               |     | 1998 CHEVY CHASSIS  |            |
| 9   | 103930-43-000 | EA  | EVAPORATOR/HEATER ASSEMBLY - NON-CHARGED                  |            |
|     |               |     | FORD AND 1999 CHEVY CHASSIS                               |            |
| 10  | 103930-29-000 | EA  | HOSE KIT - #10 F/GM L-29 & L-65 CHASSIS                   |            |
|     |               |     | 1998 CHEVY CHASSIS  |            |
|     | 103930-17-702 | EA  | O'RING #10  | 045-0127   |
|     | 103930-29-701 | EA  | O'RING F/LOW PRESSURE SWITCH                              | 045-0483   |
| 10  | 103930-46-000 | EA  | HOSE - EVAPORATER/COMPRESSOR - EXP. BLOCK TO COMPRESSOR   |            |
|     |               |     | 1999 CHEVY CHASSIS  |            |
|     | 103930-17-702 | EA  | O'RING #10  | 045-0127   |
|     | 103930-29-701 | EA  | O'RING F/LOW PRESSURE SWITCH                              | 045-0483   |
| 10  | 103930-45-000 | EA  | HOSE - EVAPORATOR/COMPRESSOR - FORD CHASSIS               |            |
|     | 103930-17-702 | EA  | O'RING #10  | 045-0127   |
| 11  | 103930-23-000 | EA  | VALVE - WATER - 2 PORT                                    |            |
| 12  | 076776-01-000 | EA  | TEE - BEADED - 5/8" X 5/8" X 5/8"                         |            |
| 13  | 007076-01-000 | EA  | HOSE - FLEXIBLE PVC - 2" ID - INCREMENTS OF 50'           |            |
| 14  | 103016-03-000 | EA  | PLENUM - TRANSITION                                       |            |
| 15  | 007108-01-000 | FT  | HOSE - HEATER - 5/8" ID - HI-TEMP - FORD                  |            |
| 16  | 103930-47-000 | EA  | HOSE - EVAPORATOR/DRYER - EXP. VALVE TO REC. DRIER        |            |
|     |               |     | 1999 CHEVY CHASSIS  |            |
|     | 113245-01-710 | EA  | O'RING, #12   | 045-0128   |
| 16  | 103930-44-000 | EA  | HOSE - EVAPORATOR/DRYER - #6 - FORD CHASSIS               |            |
|     | 113245-01-710 | EA  | O'RING, #12   | 045-0128   |
|     | 077539-01-000 | EA  | BRACKET - MOUNTING/DASH PANEL - L/SHAPED - 2.5"X1"X1.5"   |            |
|     | 103930-37-000 | EA  | MANUAL - OWNERS - HEATER/A/C                              |            |
|     | 7SB003-97-01A | EA  | SCS/FRIGETTE SERVICE MANUAL AIR CONDITIONING              |            |

# HEATING & AIR CONDITIONING GROUP (CONTINUED)

## SCS CONTROL/PLENUM



| KEY | PART NUMBER   | U/M | DESCRIPTION             | VENDOR NO. |
|-----|---------------|-----|-------------------------|------------|
|     | 103930-39-000 | EA  | CONTROL/PLENUM - ROTARY |            |
| 1   | 103930-33-702 | EA  | CONTROL PANEL           | 083-0169   |
| 2   | 103930-33-707 | EA  | SWITCH - BLOWER         | 032-00066  |
| 3   | 103930-33-708 | EA  | SWITCH - POTENTIOMETER  | 032-0184   |
| 4   | 103930-33-709 | EA  | SWITCH - VACUUM         | 032-0183   |
| 5   | 103930-33-710 | EA  | DECAL F/CONTROL HEAD    | 058-0102   |
| 6   | 103930-33-703 | EA  | VACUUM HARNESS          | 036-0466   |
| 7   | 103930-33-705 | EA  | LIGHT BULBS             | 035-0030   |
| 8   | 103930-33-711 | EA  | WIRE HARNESS - MAIN     | 036-0496   |
| 9   | 103930-02-707 | EA  | RELAY-BOSCH W/RESISTER  | 031-0001   |
| 10  | 103930-02-710 | EA  | CANISTER-VACUUM         | 054-0002   |
| 11  | 103930-39-700 | EA  | ROD - DOOR - AC/HEAT    | 073-067    |
| 12  | 103930-39-701 | EA  | ROD - DOOR - AC/DEFROST | 073-0069   |
| 13  | 103930-02-708 | EA  | MOTOR-VACUUM SERVO, A/C | 030-0025   |
| 14  | 103930-33-701 | EA  | MOTOR - VACUUM, 3 STAGE | 030-0105   |
| 15  | 103930-39-702 | EA  | KNOB - BLOWER           | 062-0539   |
| 16  | 103930-39-703 | EA  | KNOB - TEMPERATURE      | 062-0540   |
|     | 103930-39-704 | EA  | SPRING                  | 022-0119   |

**HEATING & AIR CONDITIONING GROUP (CONTINUED)**

**COLEMAN ROOF A/C & CEILING ASM**

| KEY | PART NUMBER   | U/M | DESCRIPTION   |
|-----|---------------|-----|---|
| *   | 108889-01-05A | EA  | A/C - ROOF - 13,500 TSR<br>FROM: 00-00-00 THRU: 07-05-98                    |
| *   | 131185-01-01A | EA  | A/C ROOF - 13,500 BTU - 220 VOLT - WHITE<br>FROM: 07-06-98 THRU: 99-99-99   |
| *   | 115219-01-03A | EA  | A/C - ROOF - 14,800 MACH 15 - BRIGHT WHITE<br>FROM: 00-00-00 THRU: 07-05-98 |
| *   | 131188-01-01A | EA  | A/C - ROOF - 14,800 MACH 15 - WHITE<br>FROM: 07-06-98 THRU: 99-99-99        |
| *   | 108892-01-01A | EA  | CEILING ASSEMBLY - A/C DUCTED<br>FROM: 00-00-00 THRU: 07-05-98              |
| *   | 131184-01-01A | EA  | CEILING ASSEMBLY - A/C DUCTED - WHITE<br>FROM: 07-06-98 THRU: 99-99-99      |
|     | 117238-01-01A | EA  | THERMOSTAT - A/C - FURNACE  |
|     | 117238-02-01A | EA  | THERMOSTAT - A/C ONLY   |

**\*COMPONENT PARTS FOUND IN SERVICE PARTS LIBRARY**

**ROOF A/C SELECTOR SWITCH, COVERS, AND REGISTER**

| KEY | PART NUMBER   | U/M | DESCRIPTION                                |
|-----|---------------|-----|--|
|     | 073937-03-000 | EA  | SWITCH - ROTARY- AC - SELECTOR - 3 DECK    |
|     | 022756-03-000 | EA  | COVER - A/C - OFF WHITE PLASTIC            |
|     | 121365-01-01A | EA  | COVER - A/C SWITCH - DUAL                  |
|     | 121365-02-01A | EA  | COVER - A/C SWITCH - SINGLE                |
|     | 084077-03-000 | EA  | COVER/BLANK - ROOF A/C 5.2" X 3.5" - IVORY |
|     | 092633-02-02A | EA  | COVER - BLANK - ROOF A/C - 5.1" X 5.1"     |
|     | 120134-01-02A | EA  | REGISTER - 4" TO 5" IN DIAMETER W/DAMPER   |

**HEATING & AIR CONDITIONING GROUP (CONTINUED)**

**35,000 BTU SUBURBAN FURNACE, REGISTERS & WALL THERMOSTAT**

| KEY | PART NUMBER   | U/M | DESCRIPTION  |
|-----|---------------|-----|--|
| *   | 098668-21-000 | EA  | FURNACE - 35,000 BTU                                     |
|     | 098668-23-000 | EA  | DOOR - ACCESS - FURNACE - BRIGHT WHITE                   |
|     | 056464-09-000 | EA  | REGISTER - 4" DIAMETER - PLASTIC - W/DAMPER - BEIGE      |
|     | 056464-10-000 | EA  | REGISTER - 4" DIAMETER - PLASTIC - W/O DAMPER - BEIGE    |
|     | 094600-06-01A | EA  | REGISTER W/DAMPER-3.6" X 11.3" FACE/2.1" X 9.9" RO-BEIGE |
|     | 093614-01-02A | EA  | GRILLE - RETURN AIR - 15.6" X 7.6" - BEIGE               |
|     | 009198-01-000 | FT  | DUCT - HEAT - FLEXIBLE - 4" ID X 25'                     |
|     | 009198-02-000 | FT  | DUCT - FLEXIBLE - 2" ID X 25'                            |
|     | 089367-02-000 | EA  | TEE - 4" X 2" X 4"                                       |
|     | 009200-01-000 | EA  | TAPE - FURNACE - 1 1/2"                                  |
|     | 115764-01-01A | EA  | THERMOSTAT - FURNACE                                     |

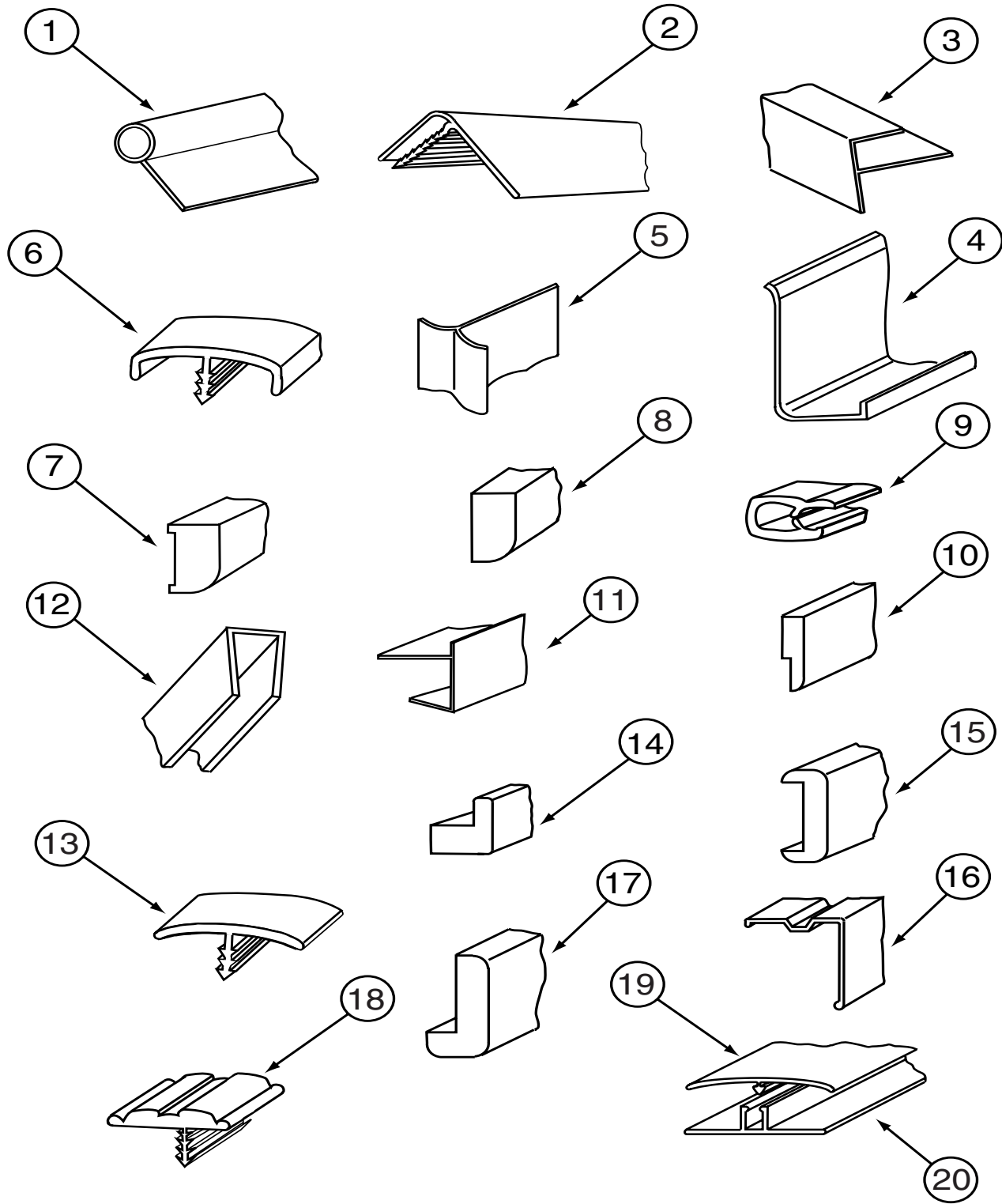
**\*COMPONENT PARTS FOUND IN SERVICE PARTS LIBRARY**

**EVANS REAR HEATER & COMPONENTS**

| KEY | PART NUMBER   | U/M | DESCRIPTION   | VENDOR NO. |
|-----|---------------|-----|---|------------|
|     | 084405-01-000 | EA  | HEATER - REAR/DUCTED - W/MOTOR AID                  |            |
|     | 084405-01-700 | EA  | CORE-HEATER   | FT200229   |
|     | 084405-01-701 | EA  | FAN BLADES  | HV029931   |
|     | 084405-01-702 | EA  | MOTOR ASSEMBLY, 12 VOLT                             | RV010348   |
|     | 009198-01-000 | FT  | DUCT - HEAT - FLEXIBLE - 4" ID X 25'                |            |
|     | 056464-09-000 | EA  | REGISTER - 4" DIAMETER - PLASTIC - W/DAMPER - BEIGE |            |
|     | 061673-01-000 | EA  | BRACKET - MOTOR AID TUBES - 4" X 1.5" - STEEL       |            |
|     | 079059-01-000 | EA  | HOSE - 90 DEGREE - 5/8"ID X 4" X 36"                |            |

# INTERIOR FINISH GROUP

## MOLDINGS & TRIMS



| KEY | PART NUMBER   | U/M DESCRIPTION   |
|-----|---------------|---|
| 1   | 009767-12-000 | FT WELTING - SIDEWALL/CEILING/CABINET - OFF/WHT               |
| 2   | 009809-28-000 | EA MOLDING - CORNER - OUTSIDE - 1" X 84" - WATERFORD OAK      |
| 3   | 009812-29-000 | EA MOLDING - CORNER - 1/2" W/1/4" CHAN X 84" - WATERFORD OAK  |
| 4   | 085746-04-000 | FT TRIM-J - CARPET 1.2" X .5" ANGLE - 12' LONG - OFF WHITE    |
| 5   | 022992-11-000 | FT MOLDING - REVERSE COVE - T-SHAPED VINYL - IVORY            |
| 6   | 083620-12-000 | FT MOLDING-T - END CAP EDGE - W/EDGE LIP - .75"-WATERFORD OAK |
| 7   | 117268-D2-134 | EA MOLDING - VINYL WRAPPED - .7" X 1.6" X 84" - WATERFORD OAK |
| 7   | 117268-F2-134 | EA MOLDING - VINYL WRAPPED - .7" X 2.7" X 84" - WATERFORD OAK |
| 8   | 100818-01-05A | EA MOLDING - VINYL WRAP - 1.6" X .4" X 84" - WATERFORD OAK    |
| 9   | 113452-01-000 | FT SEAL/TRIM - FRONT - VINYL W/WIRE CARRIER                   |
| 10  | 105004-01-05A | EA MOLDING - VINYL WRAPPED - 1" X 96" - WATERFORD OAK         |
| 11  | 103186-01-05A | FT MOLDING - PLASTIC - 3/8" U-CHANNEL 3/4" FACE-WATERFORD OAK |
| 11  | 103186-02-05A | FT MOLDING - PLASTIC - 1" U-CHANNEL 1 3/8" FACE-WATERFORD OAK |
| 12  | 009778-21-000 | FT U-CHANNEL - 1" - WATERFORD OAK                             |
| 12  | 070504-36-000 | FT U-CHANNEL - PLASTIC - .13" X 72" - WATERFORD OAK           |
| 12  | 070504-37-000 | FT U-CHANNEL - PLASTIC - .9" X 84" - WATERFORD OAK            |
| 13  | 105709-01-000 | FT MOLDING-T - 1" - MODERN IVORY                              |
| 14  | 100819-01-05A | EA MOLDING - VINYL WRAP - L-SHAPED - 1.5" X 1.5" X 7' - OAK   |
| 15  | 078323-06-G15 | EA MOLDING - CAP - WALL - 78"                                 |
| 16  | 093873-01-01A | EA TRIM - CARPET - L-ANGLE 1.1" X 1.3" X 12' - GRAY VINYL     |
| 17  | 077840-01-G01 | EA MOLDING - CAP/WALL - 8' WATERFORD OAK                      |
| 17  | 077840-07-K16 | EA MOLDING - WALL CAP - 79.2"                                 |
| 18  | 109736-02-01A | FT T-MOLDING - 1" - NATURAL OAK                               |
| 19  | 086229-20-000 | EA BATTEN - 1" X 96" - BEIGE                                  |
| 20  | 086229-01-000 | EA RETAINER - BATTEN - .75" X 92.3" - ANY COLOR               |
|     | 072368-02-000 | EA TRIM - VINYL - EDGE - BLACK                                |
|     | 117267-D2-438 | EA LUMBER - VINYL WRAPPED - .7" X 1.5" X 96" - WATERFORD OAK  |
|     | 117267-E2-438 | EA LUMBER - VINYL WRAPPED - .7" X 2" X 96" - WATERFORD OAK    |
|     | 117267-F2-438 | EA LUMBER - VINYL WRAPPED - .7" X 2.5" X 96" - WATERFORD OAK  |
|     | 117267-J2-438 | EA LUMBER - VINYL WRAPPED - .7" X 5.5" X 96" - WATERFORD OAK  |
|     | 117267-R2-438 | EA LUMBER - VINYL WRAPPED - .7" X 3" X 96" - WATERFORD OAK    |

**INTERIOR FINISH GROUP (CONTINUED)**

**BATT STRIPS**

| KEY | PART NUMBER   | U/M DESCRIPTION   |
|-----|---------------|---|
|     | 069733-83-000 | EA BATT STRIP - WOODGRAINED/WATERFORD OAK - 8'                    |
|     | 079653-28-000 | EA BATT STRIP - KERFED - WOODGRAINED/WATERFORD OAK - 8'           |
|     | 088263-E3-000 | EA BATT STRIP - DECORATIVE - PEBBLE EMBOSSED/ANTIQUE-8' LONG      |
|     | 088263-F5-000 | EA BATT STRIP - DECORATIVE - FLAGSTAFF SAND - 8' (K16)            |
|     | 088263-E6-000 | EA BATT STRIP - DECORATIVE - MONTANA FROST - 8' (K17)             |
|     | 088263-G0-000 | EA BATT STRIP - DECORATIVE - UPBEAT/TWILIGHT - 8' LONG (K18)      |
|     | 085284-B5-000 | FT BATT TAPE - ADHESIVE BACKED - WOODGRAINED - WATERFORD OAK      |
|     | 085284-D6-000 | FT BATT TAPE - ADHESIVE BACKED -DECORATIVE - EMBOSSED ANTIQUE     |
|     | 085284-F1-000 | FT BATT TAPE - ADHESIVE BACKED - DECORATIVE/FLAGSTAFF SAND (K16)  |
|     | 085284-E0-000 | FT BATT TAPE - ADHESIVE BACKED - DECORATIVE - MONTANA FROST (K17) |
|     | 085284-F8-000 | FT BATT TAPE - ADHESIVE BACKED - UPBEAT/TWILIGHT (K18)            |

**PLASTIC LAMINATE & EDGE BAND**

| KEY | PART NUMBER   | U/M DESCRIPTION   |
|-----|---------------|---|
|     | 074498-54-000 | SF LAMINATE - PLASTIC - SAND SPEKTRUM - 5' X 8' (K16)                                   |
|     | 074498-80-000 | SF LAMINATE - PLASTIC - WHITE TUNDRA - 5' X 8' (K17)                                    |
|     | 074498-81-000 | SF LAMINATE - PLASTIC - ALMOND JAGUARD - 5' X 8' (K18)                                  |
|     | 076325-47-000 | FT MOLDING - EDGE BAND - 1 5/16" X .030 - SAND (K16)                                    |
|     | 076325-39-000 | FT MOLDING - EDGE BAND - 1 5/16" X .030" - ALMOND (K17,K18)                             |
|     | 076325-44-000 | FT MOLDING - EDGE BAND - .875" X .024" - SAND (K16)                                     |
|     | 076325-40-000 | FT MOLDING - EDGE BAND - .875" X .024" - ALMOND (K17,K18)                               |
|     | 074498-77-000 | SF LAMINATE - PLASTIC - ART CABIN - 4' X 8'<br>(PULL OUT TABLE)                         |
|     | 076325-68-000 | FT MOLDING - EDGE BAND - 1 5/16" X .038 - WATERFORD OAK<br>(PULL OUT TABLE)             |
|     | 074498-40-000 | SF LAMINATE - PLASTIC - OFF WHITE - 5' X 8'<br>(PATIO ENTERTAINMENT CENTER TABLE)       |
|     | 076325-73-000 | FT MOLDING - EDGE BAND - .93" X .024" - OFF WHITE<br>(PATIO ENTERTAINMENT CENTER TABLE) |

**WALLPAPER BORDER**

| KEY | PART NUMBER   | U/M DESCRIPTION                      |
|-----|---------------|--------------------------------------|
|     | 122481-14-000 | FT WALLPAPER - 5.1" BORDER (K16)     |
|     | 122481-15-000 | FT WALLPAPER - 6.9" BORDER (K17,K18) |

**INTERIOR FINISH GROUP (CONTINUED)**

**SMOKE DETECTOR, CO DETECTOR, FIRE EXTINGUISHER & CLOCK**

| KEY | PART NUMBER   | U/M DESCRIPTION                                   | VENDOR NO. |
|-----|---------------|---|------------|
|     | 072852-01-000 | EA DETECTOR - SMOKE - W/9 VOLT BATTERY - US       |            |
|     | 072852-02-000 | EA DETECTOR - SMOKE - W/9 VOLT BATTERY - CANADIAN |            |
|     | 094499-03-000 | EA EXTINGUISHER/FIRE - DRY - 10B:C - W/O BRACKET  |            |
|     | 094499-04-000 | EA BRACKET - FIRE EXTINGUISHER                    |            |
|     | 094499-02-000 | EA EXTINGUISHER/FIRE - DRY - 1A10BC - CANADIAN    |            |
|     | 094499-01-700 | EA BRACKET MTG. W/PLAS. STRAP                     | 294039     |
|     | 118081-02-01A | EA CLOCK - WALL - ROUND 8" - BRASS                |            |
|     | 125136-01-000 | EA CO DETECTOR - GAS - ROUND W/2 SCREWS - 9 VOLT  |            |

**ANTISLIP & FLOOR MATS**

| KEY | PART NUMBER   | U/M DESCRIPTION                  |
|-----|---------------|----------------------------------|
|     | 091261-01-000 | FT SLIPNOT - ANTISLIP - 1' WIDE  |
|     | 105924-01-J16 | EA MAT - FLOOR - 18" X 27" (K16) |
|     | 105924-01-J51 | EA MAT - FLOOR - 18" X 27" (K17) |
|     | 105924-01-F11 | EA MAT - FLOOR - 18" X 27" (K18) |

**CARPET, VINYL, & TILE**

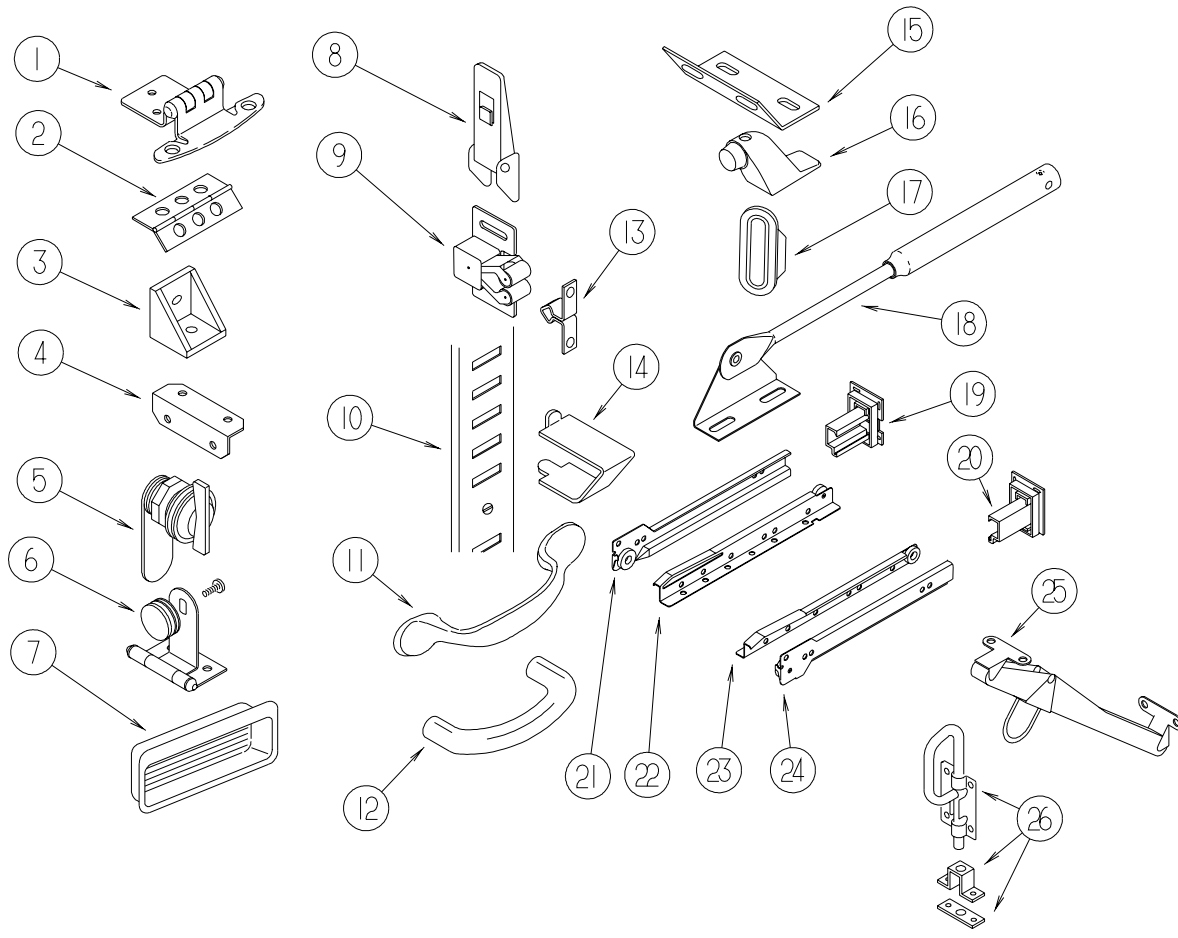
| KEY | PART NUMBER   | U/M DESCRIPTION                                      |
|-----|---------------|--|
|     | 093486-01-000 | SY CARPET - COMPARTMENT - 72" WIDE - DARK GRAY       |
|     | 096060-95-000 | SY CARPET - DOESKIN - INCREMENTS OF 4 SQ YDS (K16)   |
|     | 096060-97-000 | SY CARPET - LAPIS - INCREMENTS OF 4 SY (K17)         |
|     | 096060-A2-000 | SY CARPET - NEW MEADOW - INCREMENTS OF 4 SQ YD (K18) |
|     | 042720-20-000 | SY VINYL - FLOOR COVERING - 7.5' WIDE - CALAY        |
|     | 122755-03-01A | EA TILE - RUBBER/ENTRANCE DOOR - 17.7" X 26.4"       |
|     | 122755-05-01A | EA TILE - RUBBER/ENTRANCE DOOR - 11.2" X 26.9"       |

**PANELING, PLYWOOD, & PARTICLE BOARD**

| KEY | PART NUMBER   | U/M DESCRIPTION   |
|-----|---------------|---|
|     | 074497-28-000 | SF PANELING - WATERFORD OAK - 4' X 8'                         |
|     | 088272-G1-000 | SF PANELING - PEBBLE EMBOSSED - ANTIQUE WHITE - 4' X 7'       |
|     | 088272-H5-000 | SF PANELING - FLAGSTAFF - 4' X 7' (K16)                       |
|     | 088272-G4-000 | SF PANELING - MONTANA FROST - 4' X 7' (K17)                   |
|     | 088272-H8-000 | SF PANELING - UPBEAT/TWILIGHT (K18)                           |
|     | 080215-10-000 | SF PANELING - 2 SIDED - WATERFORD - .2" X 4' X 8'             |
|     | 000846-01-000 | SF PLYWOOD - 5/16" X 48" X 96" - CD GRADE                     |
|     | 000846-02-000 | SF PLYWOOD/UNDERLAYMENT - 5/16" X 48" X 96"                   |
|     | 089297-01-000 | SF PLYWOOD - LUAN - OVERLAY GRADE - 48" X 96"                 |
|     | 089297-02-000 | SF PLYWOOD - LUAN - OVERLAY GRADE - 48" X 108"                |
|     | 126339-01-000 | SF BOARD - WHEAT - 60" X 72"                                  |
|     | 000885-76-000 | SF PARTICLE BOARD-3/8" X 48" X 96"-WATERFORD OAK/VINYL 1 SIDE |
|     | 000885-77-000 | SF PARTICLE BOARD-3/8" X 48" X 96"-WATERFORD OAK/VINYL 2 SIDE |
|     | 000885-79-000 | SF PARTICLE BOARD-3/4" X 48" X 96"-WATERFORD OAK/VINYL 2 SIDE |

# INTERIOR FINISH GROUP (CONTINUED)

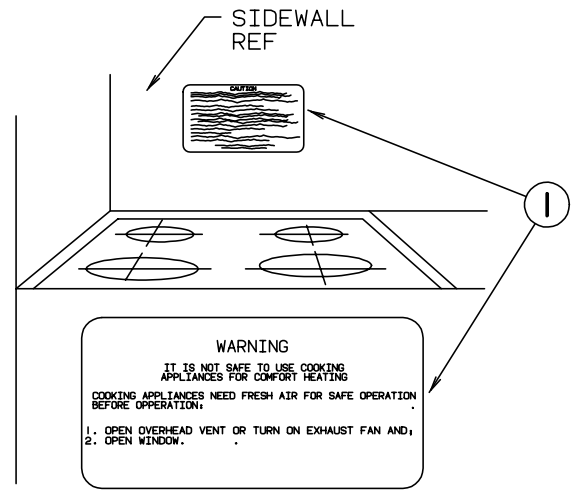
## CABINET HARDWARE



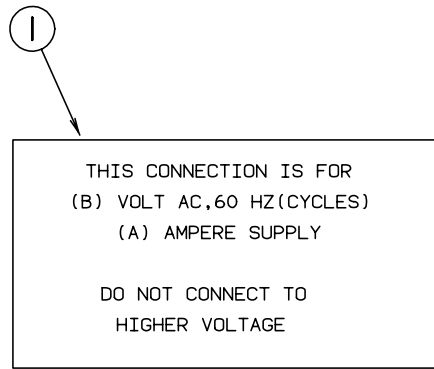
| KEY | PART NUMBER   | U/M | DESCRIPTION   |
|-----|---------------|-----|---|
| 1   | 108138-01-000 | EA  | HINGE - CABINET DOOR - BURNISHED BRASS                    |
| 2   | 009059-01-000 | EA  | HINGE - DOOR - 2" X 1.4" - BRASS                          |
| 3   | 065740-01-000 | EA  | BRACE - CABINET/CORNER - PLASTIC                          |
| 4   | 016604-01-000 | EA  | BRACE - CABINET - ANGLE - 2.5" - UNPAINTED METAL          |
| 4   | 016604-05-000 | EA  | BRACE - CABINET - ANGLE - 2.5" - OFF WHITE METAL          |
| 5   | 100710-01-01A | EA  | LOCK - GLASS DOOR/TWIST TYPE - BRASS                      |
| 6   | 100711-01-01A | EA  | HINGE - GLASS DOOR  |
| 7   | 124311-01-01A | EA  | HANDLE - RECESSED - BRASS                                 |
| 8   | 116975-01-01A | EA  | LATCH - W/O STRIKE - BLACK - NEW STYLE                    |
| 9   | 093586-06-000 | EA  | CATCH - SPRING ROLLER                                     |
| 10  | 098980-01-000 | EA  | PILASTER - ADJUSTABLE SHELF - 18" WOODGRAIN APPEARANCE    |
| 10  | 098980-02-000 | EA  | PILASTER - ADJUSTABLE SHELF - 12" WOODGRAIN APPEARANCE    |
| 10  | 098980-03-000 | EA  | PILASTER - ADJUSTABLE SHELF - 9" WOODGRAIN APPEARANCE     |
| 10  | 098980-04-000 | EA  | PILASTER - ADJUSTABLE SHELF - 48" WOODGRAIN APPEARANCE    |
| 11  | 117801-01-01A | EA  | PULL - CABINET - BRASS                                    |
| 12  | 131964-01-01A | EA  | PULL - CABINET - POLISHED BRASS                           |
|     |               |     | FROM: 00-00-00 THRU: 04-29-99                             |
|     |               |     | FROM: 04-30-99 THRU: 99-99-99                             |
| 13  | 093586-05-000 | EA  | STRIKE - SPRING STEEL                                     |
| 14  | 098979-01-000 | EA  | CLIP - ADJUSTABLE SHELF                                   |
| 15  | 111866-01-02A | EA  | BRACE - SEAT - ANGLE - OFF WHITE                          |
| 16  | 103257-01-000 | EA  | STOP - DOOR   |
| 17  | 098410-01-01A | EA  | PULL - FINGER - OVAL - BRASS                              |
| 18  | 074493-02-000 | EA  | SUPPORT - PISTON SPRING - CABINET DOOR - 26 LBS           |
| 19  | 128811-01-01A | EA  | BACKSOCKET - ADJUSTABLE - LEFT                            |
| 20  | 128811-02-01A | EA  | BACKSOCKET - ADJUSTABLE - RIGHT                           |
| 21  | 128810-01-01A | EA  | SLIDE - DRAWER - 12" - LEFT CABINET                       |
| 21  | 128810-13-01A | EA  | SLIDE - DRAWER - 18" - LEFT CABINET                       |
| 21  | 128810-21-01A | EA  | SLIDE - DRAWER - 22" - LEFT CABINET                       |
| 21  | 128810-25-01A | EA  | SLIDE - DRAWER - 24" - LEFT CABINET                       |
| 22  | 128810-03-01A | EA  | SLIDE - DRAWER - 12" - LEFT DRAWER                        |
| 22  | 128810-15-01A | EA  | SLIDE - DRAWER - 18" - LEFT DRAWER                        |
| 22  | 128810-23-01A | EA  | SLIDE - DRAWER - 22" - LEFT DRAWER                        |
| 22  | 128810-27-01A | EA  | SLIDE - DRAWER - 24" - LEFT DRAWER                        |
| 23  | 128810-04-01A | EA  | SLIDE - DRAWER - 12" - RIGHT DRAWER                       |
| 23  | 128810-16-01A | EA  | SLIDE - DRAWER - 18" - RIGHT DRAWER                       |
| 23  | 128810-24-01A | EA  | SLIDE - DRAWER - 22" - RIGHT DRAWER                       |
| 23  | 128810-28-01A | EA  | SLIDE - DRAWER - 24" - RIGHT DRAWER                       |
| 24  | 128810-02-01A | EA  | SLIDE - DRAWER - 12" - RIGHT CABINET                      |
| 24  | 128810-14-01A | EA  | SLIDE - DRAWER - 18" - RIGHT CABINET                      |
| 24  | 128810-22-01A | EA  | SLIDE - DRAWER - 22" - RIGHT CABINET                      |
| 24  | 128810-26-01A | EA  | SLIDE - DRAWER - 24" - RIGHT CABINET                      |
| 25  | 104181-01-01A | EA  | SUPPORT - LEAF 5.3" EXTENDS TO 7.5" - SAFETY RING - METAL |
| 26  | 103256-01-000 | EA  | LATCH - SLIDE   |
|     | 004354-01-000 | EA  | BUMPER - RUBBER - .5" DIA - BROWN                         |
|     | 120760-01-000 | EA  | BUMPER - RUBBER - CLEAR                                   |
|     | 023320-01-000 | EA  | PAD - FELT 3/8" DIAMETER                                  |



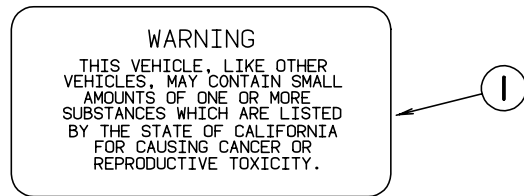
**LABELS GROUP**



| KEY | PART NUMBER   | U/M DESCRIPTION                  |
|-----|---------------|----------------------------------|
| 1   | 050225-01-000 | EA LABEL - STOVE VENT - US       |
| 1   | 050222-01-000 | EA LABEL - STOVE VENT - CANADIAN |



| KEY | PART NUMBER   | U/M DESCRIPTION                                    |
|-----|---------------|--|
| 1   | 125306-01-01A | EA LABEL - ELECTRICAL ENTRANCE - 110 VOLT - 30 AMP |

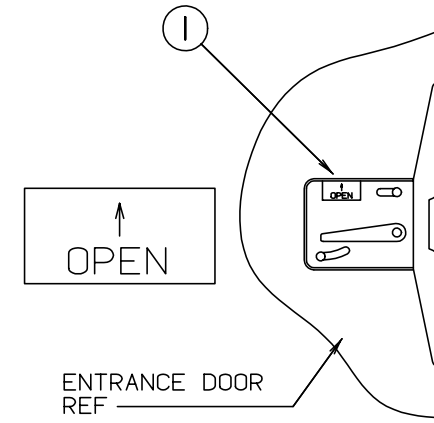


| KEY | PART NUMBER   | U/M DESCRIPTION                                   |
|-----|---------------|---|
| 1   | 099689-01-000 | EA LABEL - WARNING - CANCER/TOXICITY - CALIFORNIA |

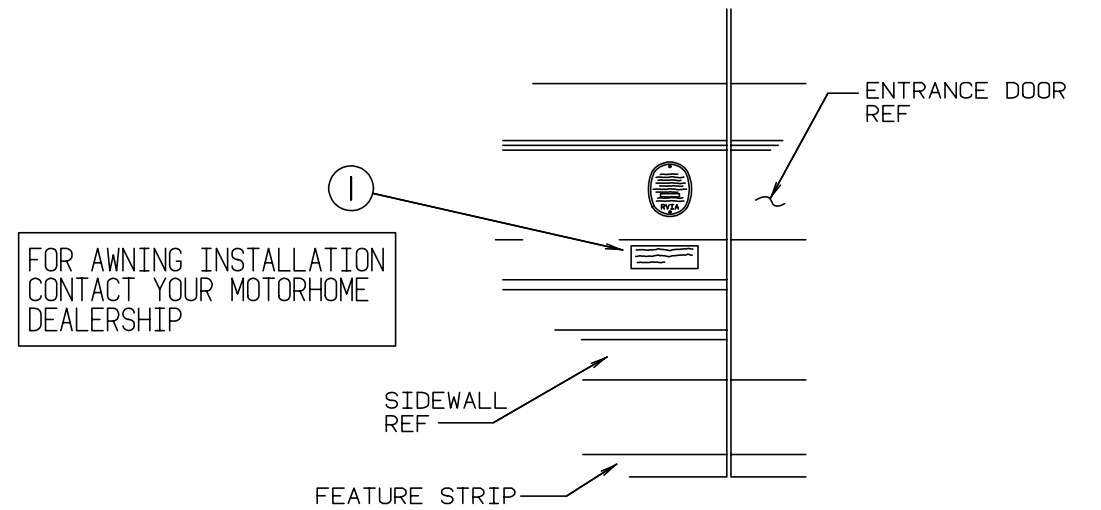


| KEY | PART NUMBER   | U/M DESCRIPTION      |
|-----|---------------|----------------------|
| 1   | 087236-02-000 | EA LABEL - TV OUTLET |

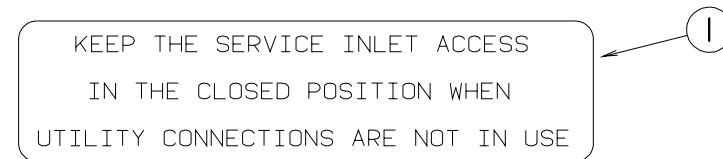
**LABELS GROUP (CONTINUED)**



| KEY | PART NUMBER   | U/M DESCRIPTION                   |
|-----|---------------|-----------------------------------|
| 1   | 040944-01-000 | EA LABEL - ENTRANCE DOOR - "OPEN" |

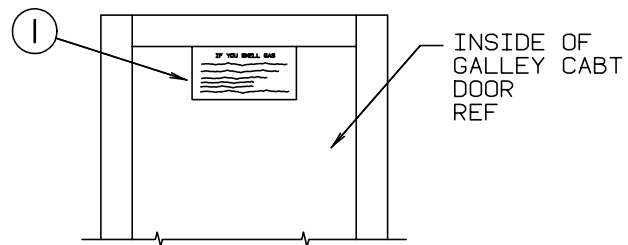


| KEY | PART NUMBER   | U/M DESCRIPTION                |
|-----|---------------|--------------------------------|
| 1   | 099509-01-000 | EA LABEL - AWNING INSTALLATION |



| KEY | PART NUMBER   | U/M DESCRIPTION                   |
|-----|---------------|-----------------------------------|
| 1   | 123562-01-000 | EA LABEL - SERVICE/UTILITY ACCESS |

**LABELS GROUP (CONTINUED)**



**IF YOU SMELL GAS**

1. EXTINGUISH ANY OPEN FLAME, PILOT LIGHTS AND ALL SMOKING MATERIALS.
2. SHUT OFF THE GAS SUPPLY AT THE TANK VALVE( OR GAS SUPPLY CONNECTION.
3. OPEN DOORS AND OTHER VENTILATING OPENINGS.
4. DO NOT TOUCH ELECTRICAL SWITCHES.
5. LEAVE THE AREA UNTIL ODOR CLEARS.
6. HAVE THE GAS SYSTEM CHECKED AND LEAKAGE SOURCE CORRECTED BEFORE USING AGAIN.

| KEY | PART NUMBER   | U/M DESCRIPTION             |
|-----|---------------|-----------------------------|
| 1   | 073998-01-000 | EA LABEL - LPG ODOR WARNING |

**LABELS GROUP (CONTINUED)**

CAUTION

THIS MOTOR HOME HAS BEEN DESIGNED, MANUFACTURED AND TESTED WITH CONCERN FOR THE PROTECTION OF IT'S OCCUPANTS. WE RECOMMEND YOU PERFORM THE FOLLOWING INSPECTIONS FOR YOUR SAFETY AND THE SAFETY OF YOUR PASSENGERS BEFORE STARTING YOUR VEHICLE.

1. LP GAS SYSTEM- TURN OFF AT TANK FOR TRAVELING. TEST FOR LEAKS UPON ARRIVAL AT DESTINATION. BEFORE LIGHTING PILOTS.
2. WHEELS- INSPECT FOR DAMAGE AND CHECK LUG NUTS FOR TIGHTNESS.
3. TIRES- INSPECT FOR WEAR AND DAMAGE AND CHECK FOR RECOMMENDED AIR PRESSURE.
4. LIGHTING- TEST FOR PROPER OPERATION OF ALL INTERIOR AND EXTERIOR LIGHTS INCLUDING DASH LIGHTS, HEADLIGHTS, TAIL LIGHTS, BRAKE LIGHTS, CLEARANCE LIGHTS AND TURN SIGNALS.
5. EXITS- INSPECT RELEASE MECHANISM ON EMERGENCY EXIT WINDOW. TEST BOTH LOCKS ON MAIN ENTRANCE DOOR FOR EASE OF OPERATION AND INSTRUCT PASSENGERS HOW TO USE BOTH MEANS OF EXIT.
6. SEAT BELTS- DIRECT PASSENGERS TO DESIGNATED SEATS AND REQUIRE USE OF SEAT BELTS.
7. APPLIANCES- TURN OFF AND LATCH OR LOCK DOORS WHERE PROVIDED.
8. LOOSE PARCELS- STORE SECURELY.
9. UTILITY SUPPLY LINES- DISCONNECT ALL ELECTRIC, SEWER AND WATER LINES AND SECURE PROPERLY.
10. ENTRANCE DOOR STEP- PLACE IN RETRACTED POSITION FOR TRAVELING.

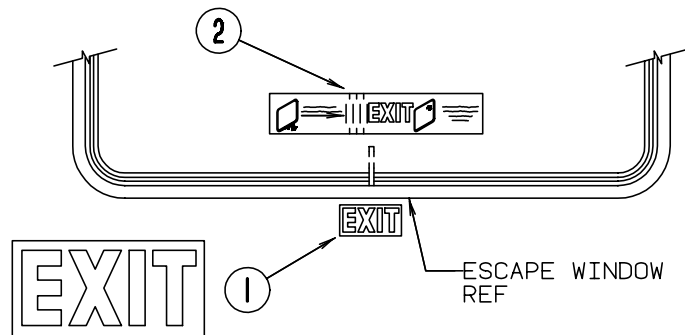
READ YOUR MOTOR HOME AND CHASSIS OWNER'S MANUAL FOR FURTHER PRECAUTIONS

CAUTION

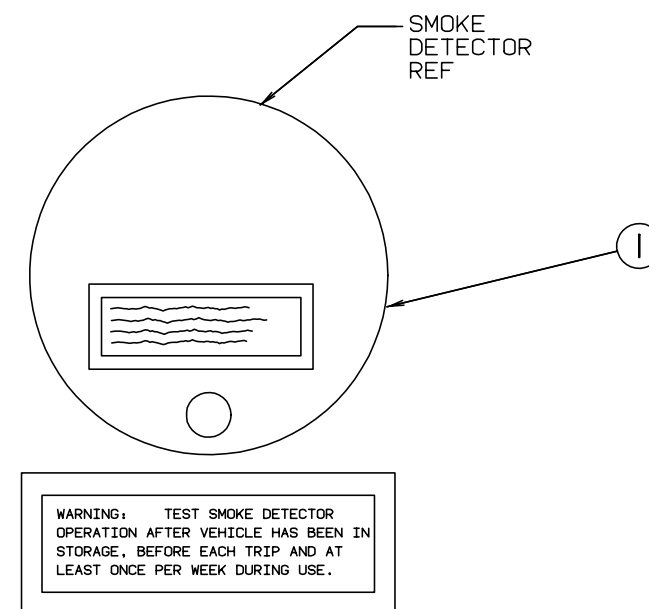
TO HELP AVOID PERSONAL INJURY DURING REMOVAL OF FUEL FILLER CAP. SLOWLY LOOSEN CAP 1/2 TURN TO ALLOW ANY FUEL PRESSURE TO BE RELIEVED BEFORE TURNING CAP FURTHER. STOP ADDING FUEL AFTER FIRST SHUTOFF BY AUTOMATIC NOZZLE WHEN TANK IS NEARLY FULL. **DO NOT OVERFILL FUEL TANK.** SEE OWNER'S MANUAL FOR ADDITIONAL INFORMATION. PRINTED IN U.S.A. WLC PT NO. 15611763

WARNING: CONTAINS "CFC" A SUBSTANCE WHICH HARMS PUBLIC HEALTH AND ENVIRONMENT BY DESTROYING OZONE IN THE UPPER ATMOSPHERE.

| KEY | PART NUMBER   | U/M DESCRIPTION              |
|-----|---------------|------------------------------|
| 1   | 056259-01-000 | EA LABEL - SAFETY CHECK LIST |
| 2   | 087207-05-000 | EA LABEL - FUEL CAP REMOVAL  |
| 3   | 111802-01-000 | EA LABEL - CFC WARNING       |



| KEY | PART NUMBER   | U/M DESCRIPTION               |
|-----|---------------|-------------------------------|
| 1   | 039290-01-000 | EA LABEL - WARNING - EXIT     |
| 2   | 107571-01-000 | EA LABEL - EXIT/ESCAPE WINDOW |



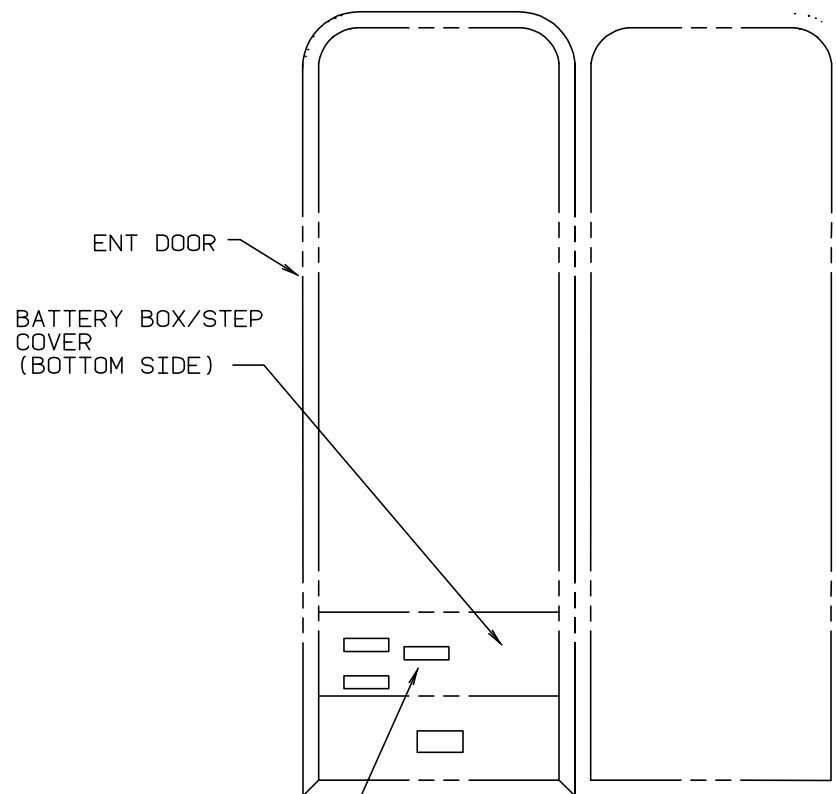
| KEY | PART NUMBER   | U/M DESCRIPTION                     |
|-----|---------------|-------------------------------------|
| 1   | 077956-01-000 | EA LABEL - WARNING - SMOKE DETECTOR |

**LABELS GROUP (CONTINUED)**

AIR CONDITIONING CIRCUIT.  
THIS CONNECTION IS FOR  
AIR CONDITIONERS RATED 110-  
125 VOLT AC, 60 HZ, 16  
AMPERES MAXIMUM. DO NOT  
EXCEED CIRCUIT RATING.



| KEY | PART NUMBER   | U/M DESCRIPTION                                      |
|-----|---------------|--|
| 1   | 091243-01-000 | EA LABEL - A/C COVER "AIR CONDITIONING CIRCUIT ETC." |



WARNING: DISCONNECT BATTERIES BEFORE  
CONNECTING EXTERNAL CHARGING EQUIPMENT.

AVERTISSEMENT: DEBRANCHER LES BATTERIES AVANT  
DE BRANCHER TOUT EQUIPEMENT DE CHARGE EXTERIEUR.

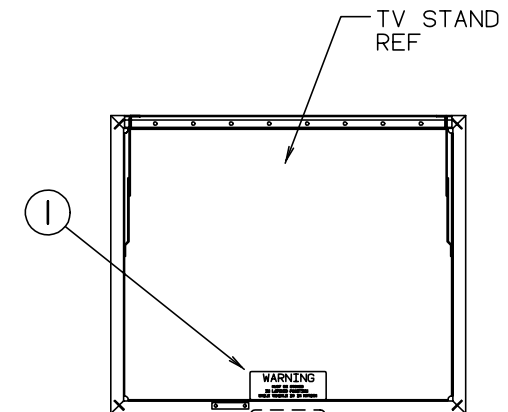
| KEY | PART NUMBER   | U/M DESCRIPTION                       |
|-----|---------------|---------------------------------------|
| 1   | 065748-01-000 | EA LABEL - CAUTION - BATTERY CHARGING |
| 1   | 065748-02-000 | EA LABEL - WARNING - BATTERY/FRENCH   |

**LABELS GROUP (CONTINUED)**

DO NOT USE HITCH BEFORE  
READING OWNERS MANUAL REGARDING  
VEHICLE LOADING AND TOWING



| KEY | PART NUMBER   | U/M DESCRIPTION                        |
|-----|---------------|--|
| 1   | 111104-01-000 | EA LABEL - HITCH - READ MANUAL - WHITE |
| 1   | 111104-02-000 | EA LABEL - HITCH - READ MANUAL - BLACK |



WARNING  
MUST BE STOWED  
IN LATCHED POSITION  
WHILE VEHICLE IS IN MOTION

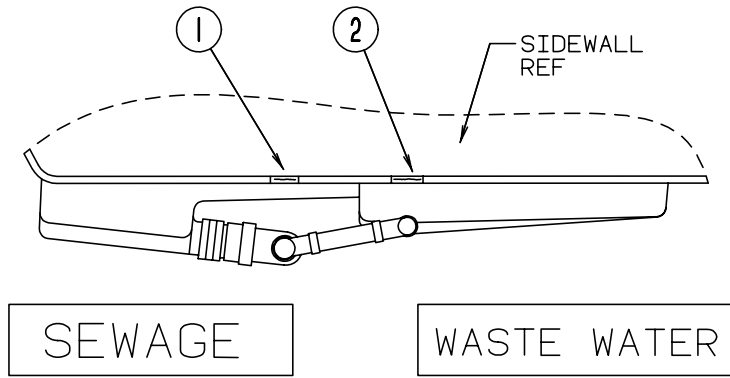
| KEY | PART NUMBER   | U/M DESCRIPTION                      |
|-----|---------------|--------------------------------------|
| 1   | 079966-01-000 | EA LABEL - WARNING - STOWED - MOTION |

TOW VEHICLE RATING MAY BE LESS THAN HITCH RATING.  
MAXIMUM VERTICAL HITCH LOAD: A LBS  
DO NOT EXCEED REAR AXLE RATING.  
SEE OWNER'S MANUAL FOR ADDITIONAL INFORMATION.



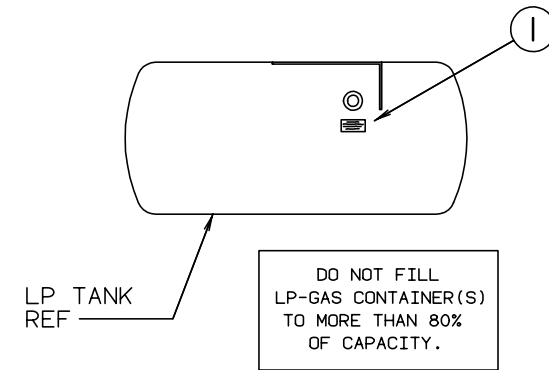
| KEY | PART NUMBER   | U/M DESCRIPTION                                      |
|-----|---------------|--|
| 1   | 129669-01-01A | EA LABEL - HITCH/VEHICLE RATE - 350 - WHITE ON CLEAR |

**LABELS GROUP (CONTINUED)**



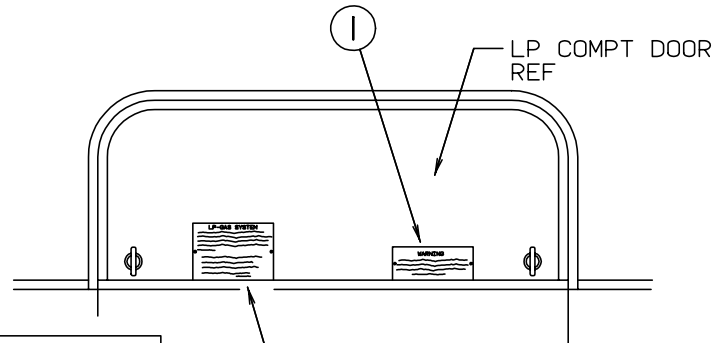
| KEY | PART NUMBER   | U/M DESCRIPTION        |
|-----|---------------|------------------------|
| 1   | 006187-01-000 | EA LABEL - SEWAGE      |
| 2   | 006188-01-000 | EA LABEL - WASTE WATER |

**LABELS GROUP (CONTINUED)**



| KEY | PART NUMBER   | U/M DESCRIPTION               |
|-----|---------------|-------------------------------|
| 1   | 079965-01-000 | EA LABEL - LPG - 80% CAPACITY |

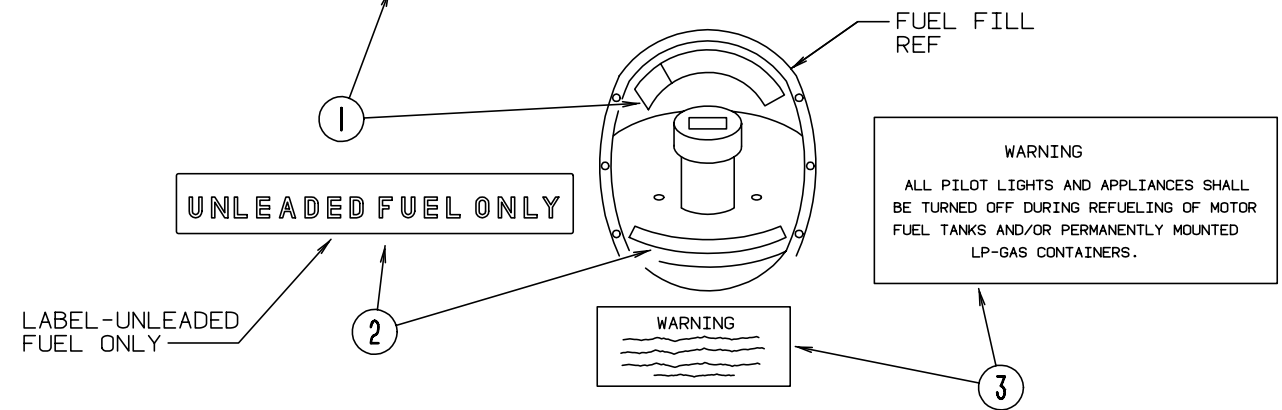
**WARNING**  
ALL PILOT LIGHTS AND APPLIANCES SHALL BE TURNED OFF DURING REFUELING OF MOTOR FUEL TANKS AND/OR PERMANENTLY MOUNTED LP-GAS CONTAINERS.



**LP-GAS SYSTEM**  
THIS GAS PIPING SYSTEM IS DESIGNED FOR USE OF LIQUEFIED PETROLEUM GAS ONLY. DO NOT CONNECT NATURAL GAS TO THIS SYSTEM.  
  
SECURELY CAP INLET(S) WHEN NOT CONNECTED FOR USE. AFTER TURNING ON GAS, EXCEPT AFTER NORMAL CONTAINER REPLACEMENT, TEST GAS PIPING AND CONNECTIONS TO APPLIANCE FOR LEAKAGE WITH SOAPY WATER OR BUBBLE SOLUTION. DO NOT USE PRODUCTS THAT CONTAIN AMMONIA OR CHLORINE.  
P.N. 54531

| KEY | PART NUMBER   | U/M DESCRIPTION                               |
|-----|---------------|---|
| 1   | 124519-01-01A | EA LABEL - WARNING/REFUELING - BLACK ON CLEAR |
| 1   | 124519-02-01A | EA LABEL - WARNING/REFUELING - CSA            |
| 2   | 124520-01-01A | EA LABEL - LP GAS ONLY - BLACK ON CLEAR       |
| 2   | 023769-01-000 | EA LABEL - WARNING - LPG - CANADIAN           |

|   |  |
|---|--|
| <b>CAUTION</b>                              | TO HELP AVOID PERSONAL INJURY DURING REMOVAL OF FUEL FILLER CAP, SLOWLY LOOSEN CAP 1/2 TURN TO ALLOW ANY FUEL PRESSURE TO BE RELIEVED BEFORE TURNING CAP FURTHER.  |
| <b>FUEL SPRAY MAY CAUSE PERSONAL INJURY</b> | STOP ADDING FUEL AFTER FIRST SHUTOFF BY AUTOMATIC NOZZLE WHEN TANK IS NEARLY FULL. DO NOT OVERFILL FUEL TANK. SEE OWNERS MANUAL FOR ADDITIONAL INFORMATION.<br>PRINTED IN U.S.A. <span style="float: right;">MLC PT NO 15611763</span> |

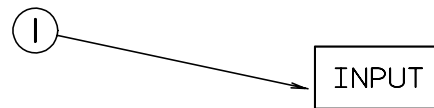


| KEY | PART NUMBER   | U/M DESCRIPTION                               |
|-----|---------------|---|
| 1   | 087207-05-000 | EA LABEL - FUEL CAP REMOVAL                   |
| 2   | 062043-01-000 | EA LABEL - FUEL - UNLEADED                    |
| 3   | 124519-01-01A | EA LABEL - WARNING/REFUELING - BLACK ON CLEAR |
| 3   | 124519-02-01A | EA LABEL - WARNING/REFUELING - CSA            |

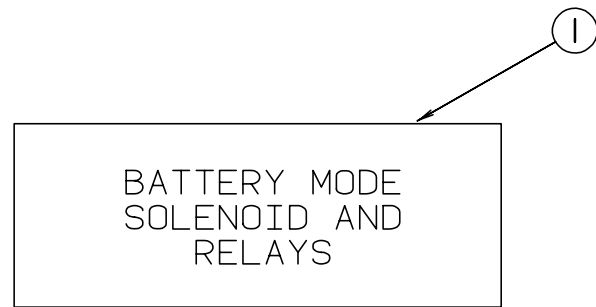
**WARNING**  
ROOF SURFACE MAY BE SLIPPERY ESPECIALLY WHERE MOISTURE IS PRESENT. SLIPPING MAY RESULT IN PERSONAL INJURY.  
128218-01

| KEY | PART NUMBER   | U/M DESCRIPTION                    |
|-----|---------------|------------------------------------|
| 1   | 128218-01-01A | EA LABEL - WARNING - SLIPPERY ROOF |

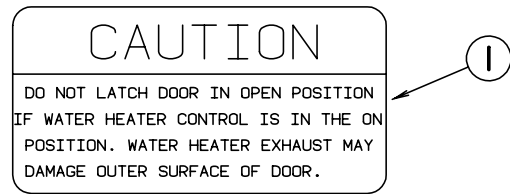
**LABELS GROUP (CONTINUED)**



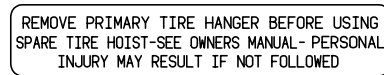
**KEY PART NUMBER U/M DESCRIPTION**  
 1 087236-01-000 EA LABEL - CABLE - INPUT



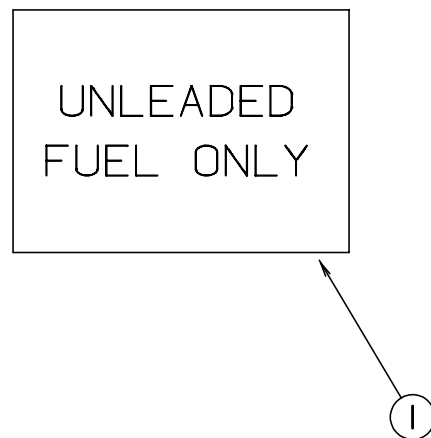
**KEY PART NUMBER U/M DESCRIPTION**  
 1 098379-04-000 EA LABEL - ELECTRICAL BOX - SIDE



**KEY PART NUMBER U/M DESCRIPTION**  
 1 113402-01-000 EA LABEL - CAUTION - WATER HEATER EXHAUST

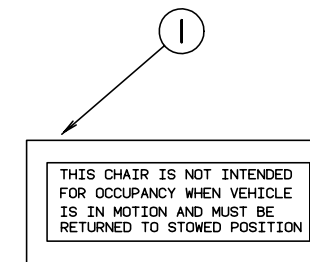


**KEY PART NUMBER U/M DESCRIPTION**  
 1 126024-01-01A EA LABEL - TIRE HANGER REMOVAL

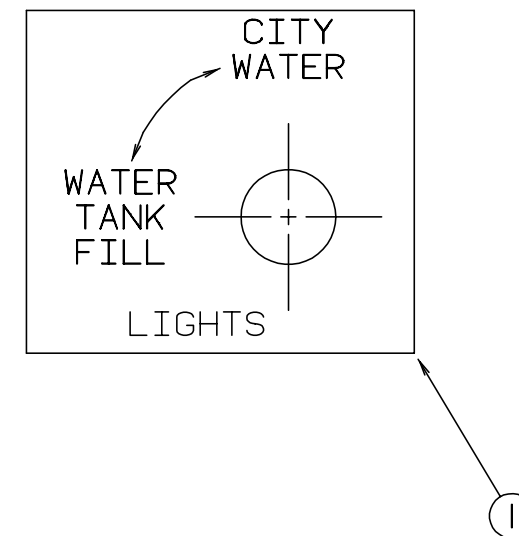


**KEY PART NUMBER U/M DESCRIPTION**  
 1 098641-01-000 EA LABEL - FUEL - UNLEADED - DASH

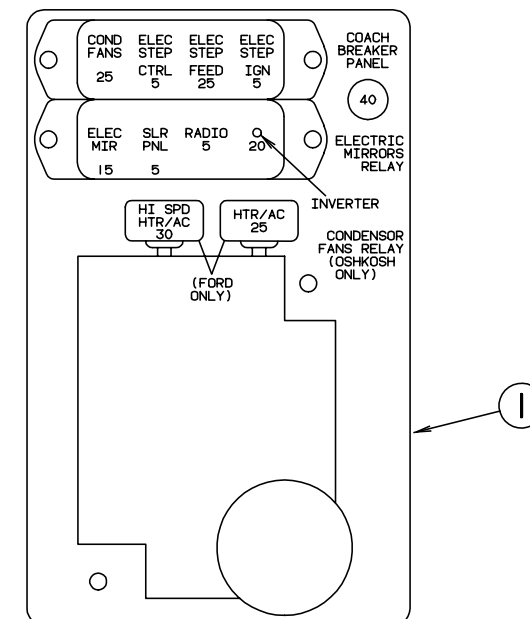
**LABELS GROUP (CONTINUED)**



**KEY PART NUMBER U/M DESCRIPTION**  
 1 102267-01-000 EA LABEL - NO OCCUPANCY - US  
 102267-01-000 EA LABEL - NO OCCUPANCY - CSA

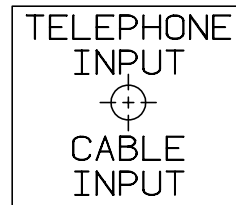


**KEY PART NUMBER U/M DESCRIPTION**  
 1 117629-03-000 EA LABEL - WATER PUMP/FILL

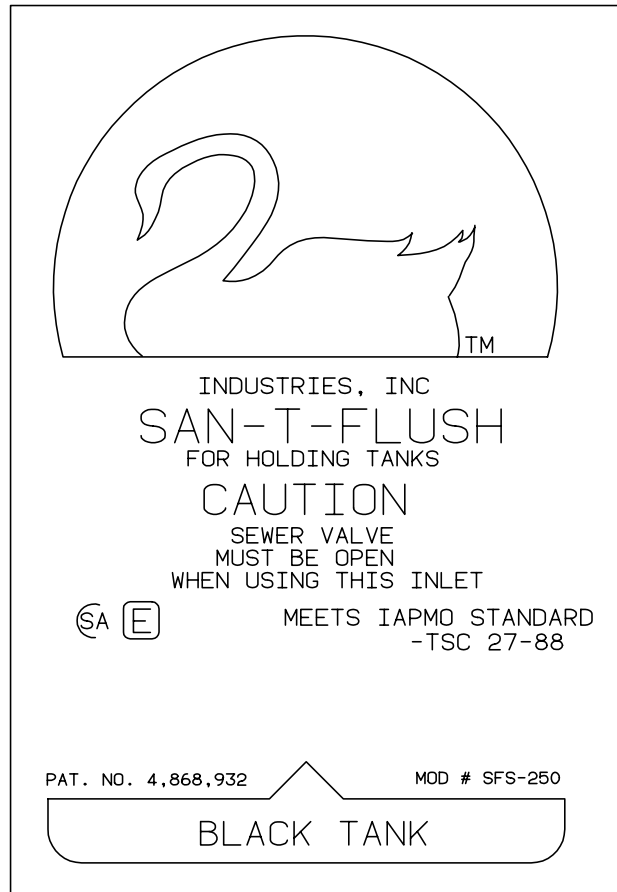


**KEY PART NUMBER U/M DESCRIPTION**  
 1 111537-07-000 EA LABEL - FUSES

**LABELS GROUP (CONTINUED)**



| KEY | PART NUMBER   | U/M DESCRIPTION                |
|-----|---------------|--------------------------------|
| 1   | 114866-03-000 | EA LABEL - PHONE & CABLE INPUT |



| KEY | PART NUMBER   | U/M DESCRIPTION                      |
|-----|---------------|--------------------------------------|
| 1   | 125697-07-000 | EA LABEL - CAUTION - FLUSHING SYSTEM |



| KEY | PART NUMBER   | U/M DESCRIPTION              |
|-----|---------------|------------------------------|
| 1   | 126247-05-000 | EA LABEL - GRAY HOLDING TANK |

**LABELS GROUP (CONTINUED)**



| KEY | PART NUMBER   | U/M DESCRIPTION            |
|-----|---------------|----------------------------|
| 1   | 126249-03-000 | EA LABEL - CITY WATER FILL |



| KEY | PART NUMBER   | U/M DESCRIPTION             |
|-----|---------------|-----------------------------|
| 1   | 130168-01-000 | EA LABEL - WASTE TANK FLUSH |



| KEY | PART NUMBER   | U/M DESCRIPTION       |
|-----|---------------|-----------------------|
| 1   | 130170-02-000 | EA LABEL-PANEL SWITCH |

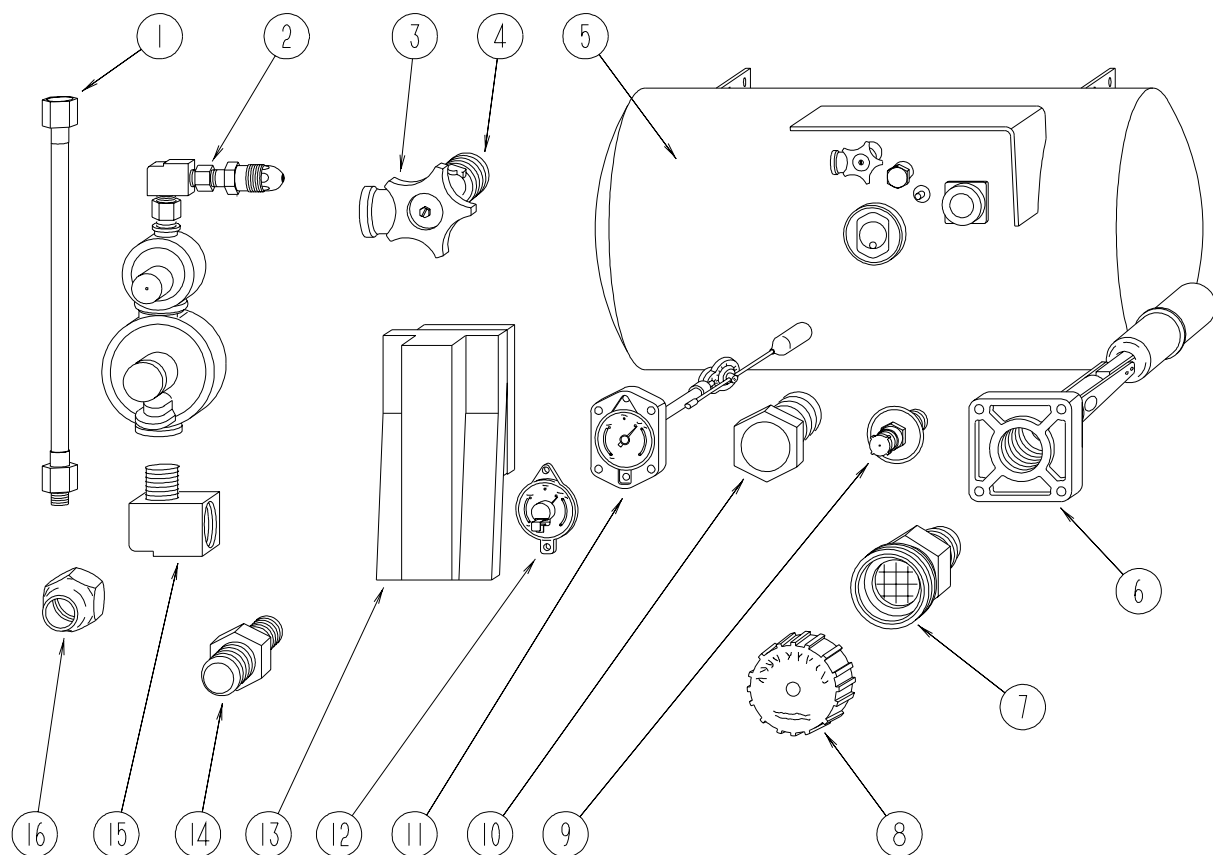


| KEY | PART NUMBER   | U/M DESCRIPTION             |
|-----|---------------|-----------------------------|
| 1   | 126247-06-000 | EA LABEL-HOLDING TANK,BLACK |

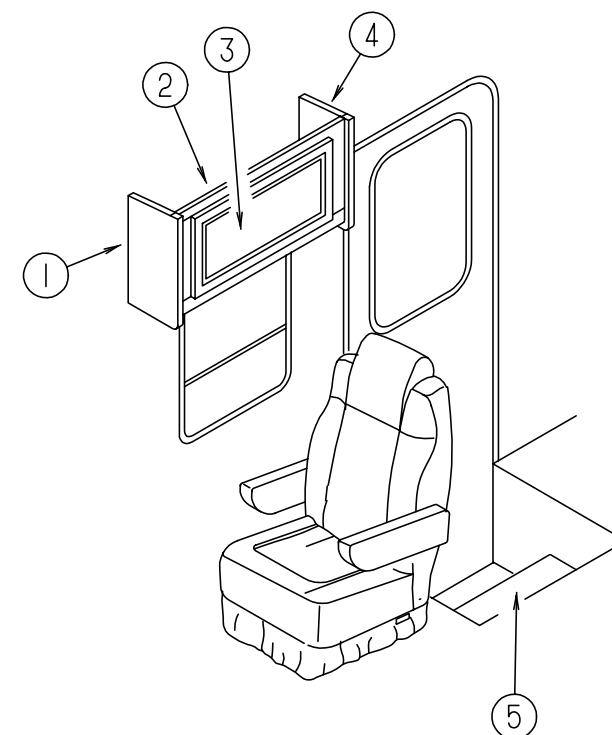


| KEY | PART NUMBER   | U/M DESCRIPTION            |
|-----|---------------|----------------------------|
| 1   | 126248-03-000 | EA LABEL - EXTERIOR SHOWER |

## LP GROUP



## LOUNGE GROUP



### LP TANK & COMPONENTS

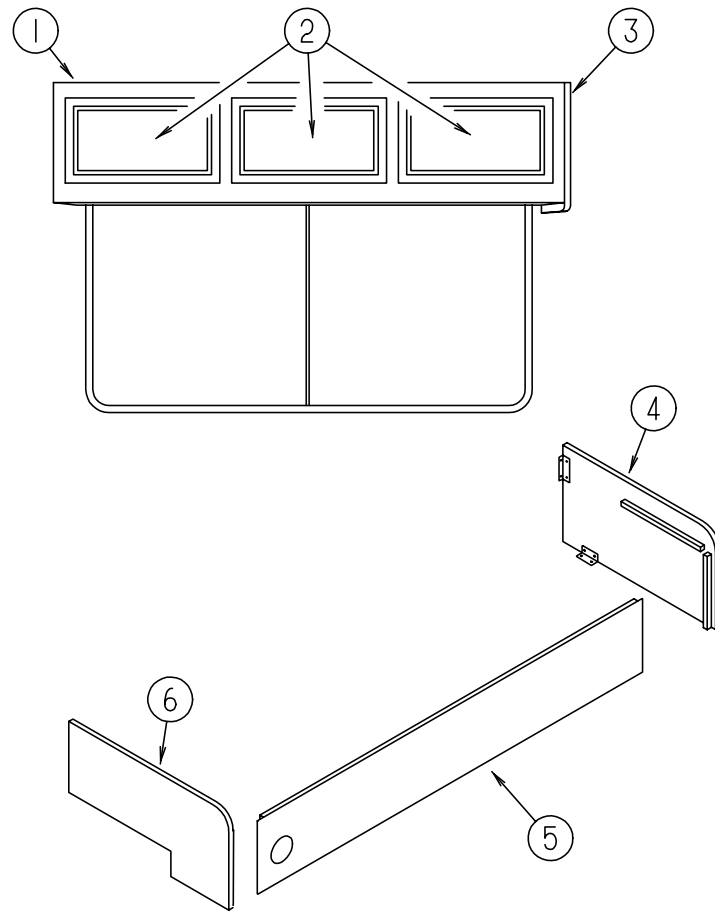
| KEY | PART NUMBER   | U/M | DESCRIPTION  | VENDOR NO. |
|-----|---------------|-----|--|------------|
| 1   | 045703-01-000 | EA  | HOSE - LP - 3/8"ID X 24" - 3/8"MPT X 1/2"F SWIVEL - U.S.   |            |
| 1   | 045703-02-000 | EA  | HOSE - LP - 3/8"ID X 24" - 3/8"MPT X 1/2"F SWIVEL - CANADA |            |
| 1   | 045703-09-000 | EA  | HOSE - LP - 3/8"ID X 24" - 3/8"ID F SWIVEL X 3/8"ID F SWIV |            |
| 2   | 106150-01-000 | EA  | REGULATOR - TWO STAGE -W/90 DEGREE ELBOW & 3/8" FPT OUTLET |            |
| 3   | 040421-01-708 | EA  | HANDWHEEL-SERVICE VALVE                                    | G-1015-A   |
| 4   | 040421-01-712 | EA  | VALVE,SERV. W/O VAPOR RELIEF                               | 29000853   |
| 5   | 088253-01-000 | EA  | TANK - LP - 80 LB - 16" DIAMETER X 30"                     |            |
| 6   | 040421-01-711 | EA  | VALVE-80% FILL W/AUTO STOP                                 | LLL/TL3    |
| 7   | 040421-01-701 | EA  | VALVE-FILL-SHORT, LP                                       | 7547B      |
| 8   | 040421-01-702 | EA  | CAP-FILL VALVE, PLASTIC                                    | G-1014-A   |
| 9   | 040421-01-700 | EA  | VALVE-LIQUID LEVEL, 20%                                    | G-1013     |
| 10  | 040421-01-713 | EA  | VALVE-RELIEF 1" W/SPRING 7"                                | 29000587   |
| 11  | 088253-01-700 | EA  | GAUGE-FLOAT ASSEMBLY, L.P.                                 | 16C        |
| 12  | 040440-02-000 | EA  | TRANSMITTER - DIAL - 0-90 OHM -2 TERMINAL (POWER & GROUND) |            |
| 13  | 105658-01-000 | EA  | COMPARTMENT - LP REGULATOR                                 |            |
| 14  | 010323-01-000 | EA  | ADAPTER - BRASS - 3/8"F X 1/2"MPT                          |            |
| 14  | 010329-01-000 | EA  | ADAPTER - BRASS - 1/2" F X 1/2" MPT                        |            |
| 15  | 065318-02-000 | EA  | ELBOW - 90 DEGREE - 3/8" MPT TO 3/8" FPT                   |            |
| 16  | 010377-02-000 | EA  | NUT - BRASS - 3/8" FLARE - FORGED                          |            |
|     | 008042-01-000 | FT  | TUBING - VINYL - .65" ID                                   |            |
|     | 010252-01-000 | EA  | ELBOW - BRASS - 90 DEGREE - 3/8"F X 1/2"MPT                |            |
|     | 010326-01-000 | EA  | ADAPTER - FLARE - W/CONE GASKET - 3/8"FEMALE X 1/2"MALE    |            |
|     | 103613-03-000 | EA  | DETECTOR - LP GAS - W/O SHUT-OFF VALVE                     |            |

### PASSENGER SIDE LOUNGE

| KEY | PART NUMBER   | U/M | DESCRIPTION   |
|-----|---------------|-----|---|
| 1   | 103128-09-G09 | EA  | END CAP - OVERHEAD CABINET - LEFT HAND                    |
| 2   | 114189-01-J15 | EA  | CABINET - OVERHEAD FRONT PASSENGER - W/O DOORS/HARDWARE   |
| 3   | M09332-25-K16 | EA  | DOOR - RAISED MEMBRANE/OGEE EDGE - 10" X 19.1" - W/O HDW  |
| 4   | 103128-08-G09 | EA  | END CAP - OVERHEAD CABINET - RIGHT HAND                   |
| 5   | 120234-04-H13 | EA  | LID - ENTRY STEP  |
|     | 101222-01-04A | EA  | BRACKET - CATCH - LID - E-COATED                          |
|     | 116975-01-01A | EA  | LATCH - W/O STRIKE - BLACK - NEW STYLE                    |
|     | 116975-02-01A | EA  | KEEPER/STRIKE - BLACK - NEW STYLE                         |
|     | 064075-07-000 | FT  | SEAL - BULB - W/WIRED U CHANNEL - .3" X .5" CHANNEL - BLK |

# LOUNGE GROUP (CONTINUED)

## DRIVER SIDE LOUNGE



| KEY | PART NUMBER   | U/M DESCRIPTION  |
|-----|---------------|--|
| 1   | 103275-04-K16 | EA CABINET - OVERHEAD/FRONT/LEFT HAND - W/O DOORS/HARDWARE                                 |
| 1   | 103275-05-K16 | EA CABINET - OVERHEAD/FRONT/LEFT HAND - W/O DOORS/HARDWARE COMFORT AND CONVENIENCE PACKAGE |
|     | 103275-12-G09 | EA SHELF - W/PLASTIC EDGE TRIM   |
| 2   | M09332-03-K01 | EA DOOR - RAISED MEMBRANE/OGEE EDGE - 15.7" X 20.4" - W/O HDW                              |
| 3   | 103128-01-G09 | EA END CAP - OVERHEAD CABINET - RIGHT HAND   |
| 4   | 127840-06-J98 | EA PANEL - RIGHT END W/CUTOUT - SOFA/BED - FABRIC COVERED (K16)                            |
| 4   | 127840-06-J97 | EA PANEL - RIGHT END W/CUTOUT - SOFA/BED - FABRIC COVERED (K17)                            |
| 4   | 127840-06-K18 | EA PANEL - RIGHT END W/CUTOUT - SOFA/BED - FABRIC COVERED (K18)                            |
| 5   | 120992-08-K16 | EA PANEL - FRONT KICK W/VENT - SOFA/BED - FABRIC COVERED                                   |
| 5   | 120992-08-K17 | EA PANEL - FRONT KICK W/VENT - SOFA/BED - FABRIC COVERED                                   |
| 5   | 120992-08-K18 | EA PANEL - FRONT KICK W/VENT - SOFA/BED - FABRIC COVERED                                   |
|     | 121906-01-02B | EA BRACKET - KICKBOARD - E-COATED  |
| 6   | 127840-02-J98 | EA PANEL - LEFT END - SOFA/BED - FABRIC COVERED (K16)                                      |
| 6   | 127840-02-J98 | EA PANEL - LEFT END - SOFA/BED - FABRIC COVERED (K17)                                      |
| 6   | 122716-13-K18 | EA PANEL - LEFT END - SOFA/BED - FABRIC COVERED (K18)                                      |
|     | 082525-01-000 | EA BRACE - COUCH - FLOOR MOUNT - ANGLE 3" LONG   |
|     | 101926-01-02A | EA BRACKET - ZEE - BLACK   |
|     | 127335-10-000 | EA BRACKET - CANADIAN LATCH  |



## SEALANTS & FASTENERS GROUP

### ADHESIVE

| KEY | PART NUMBER   | U/M DESCRIPTION                             | VENDOR NO. |
|-----|---------------|---|------------|
|     | 004020-01-000 | QT ADHESIVE - ABS CEMENT - QUART            |            |
|     | 081377-01-700 | EA ADHESIVE-CYANOACRYLATE 10 GM             |            |
|     | 087211-01-000 | GL PROMOTER - ADHESIVE                      |            |
|     | 004006-05-700 | EA ADHESIVE-NAT. STARCH (5 GAL)             | 0802       |
|     | 062917-03-000 | EA ADHESIVE - LOCTITE 242                   |            |
|     | 067788-01-000 | EA ADHESIVE - SPRAY - 3M - 19.5 AEROSOL CAN |            |
|     | 112901-02-000 | EA ADHESIVE - PLEXUS - 50ML                 |            |

### TAPES

| KEY | PART NUMBER   | U/M DESCRIPTION   |
|-----|---------------|---|
|     | 004363-01-000 | FT TAPE - ADHESIVE FOAM/1 SIDE - 3/16" X 1/2" X 50' - GRAY    |
|     | 076314-02-000 | FT TAPE - CARPET SEAM - HEAT-BOND - 4" WIDE                   |
|     | 076322-01-000 | FT TAPE - DOUBLE COATED/ADHESIVE BACK - .025"THK X .75"W X18' |
|     | 076322-02-000 | FT TAPE - DOUBLE COATED/ADHESIVE BACK - .045"THK X 1"W X9'    |
|     | 076322-03-000 | FT TAPE - DOUBLE COATED/ADHESIVE BACK - .045"THK X .50"W X9'  |
|     | 076322-05-000 | FT TAPE - DOUBLE COATED/ADHESIVE BACK - .045"THK X .75"W X 9' |
|     | 076322-07-000 | FT TAPE - DOUBLE COATED/ADHESIVE BACK - .045"THK X .50"W X 9' |
|     | 110274-01-000 | FT TAPE - DOUBLE SIDED FOAM - .45" X 1"                       |
|     | 123244-01-000 | FT TAPE - DOUBLE SIDED FOAM - 5/64" THICK X .75" WIDE         |
|     | 123244-02-000 | FT TAPE - DOUBLE SIDED FOAM - 5/64" THICK X .50" WIDE         |
|     | 123816-01-000 | FT TAPE - DOUBLE SIDED - 1"                                   |
|     | 123816-02-000 | FT TAPE - DOUBLE SIDED - 1/2" X 1 1/3" THICK                  |
|     | 123816-03-000 | FT TAPE - DOUBLE SIDED - 1/2" X 3/4" - THICK                  |

### NUTS

| KEY | PART NUMBER   | U/M DESCRIPTION  |
|-----|---------------|--|
|     | 000D24-10-00B | EA NUT - HEX - SELF LOCKING - 10-32 ZINC   |
|     | 000D29-05-00B | EA NUT - HEX - LOCKING W/SERRATED FLANGE-NYLON WASHER INSERT                                     |
|     | 000D34-04-00B | EA NUT - HEX - LOCKING - 1/4-20 ZINC   |
|     | 000D34-06-00B | EA NUT - HEX - LOCKING - 3/8-16 GRADE C - ZINC-PREVAILING  |
|     | 000D39-04-00B | EA NUT - HEX - LOCKING W/SERRATED FLANGE - 1/4-20 - ZINC   |
|     | 000D39-05-00B | EA NUT - HEX - LOCKING W/SERRATED FLANGE - 5/16-18 - ZINC  |
|     | 000D39-06-00B | EA NUT - HEX - LOCKING W/SERRATED FLANGE - 3/8-18 - ZINC   |
|     | 000D39-07-00B | EA NUT - HEX - LOCKING W/SERRATED FLANGE - 7/16-14 - ZINC  |
|     | 000D39-08-00B | EA NUT - HEX - LOCKING W/SERRATED FLANGE - 1/2-13 - ZINC   |
|     | 000D44-04-00B | EA NUT - HEX - LOCKING W/SERRATED FLANGE - 1/4-28 ZINC   |
|     | 000D44-07-00B | EA NUT - HEX - LOCKING W/SERRATED FLANGE - 7/16-20 - ZINC  |
|     | 000D46-04-00A | EA NUT - HEX - WELD - 1/4-20 - PLAIN   |
|     | 000D65-08-00B | EA NUT - HEX/SERRATED FLANGE - 8-32 ZINC   |
|     | 000D76-06-00B | EA NUT - HEX FLANGE - 3/8-16   |
|     | 040921-01-000 | EA NUT - SPEED - U TYPE - 10-24 BLACK  |
|     | 040921-03-000 | EA NUT - SPEED - U TYPE - #10  |
|     | 040921-04-000 | EA NUT - SPEED - U TYPE - 8-.59" LENGTH X .44" WIDTH   |
|     | 040921-09-000 | EA NUT - SPEED - U TYPE - 8  |
|     | 044364-02-000 | EA NUT - SPEED - FLAT - ROUND  |
|     | 083163-06-000 | EA PUSHNUT - FLAT TYPE 3/8 STUD - FORD ONLY<br>TO RETAIN THE AIR BAFFLE ON THE OIL DIPSTICK TUBE |
|     | 104369-01-000 | EA NUT - HEX - HEAVY - 5/8-11 UNC  |

## SEALANTS & FASTENERS GROUP (CONTINUED)

### WASHERS

| KEY | PART NUMBER   | U/M DESCRIPTION                                 |
|-----|---------------|---|
|     | 000E11-07-00B | EA WASHER - LOCKING - 7/16 MED SPLIT - ZINC     |
|     | 000E13-14-00B | EA WASHER - FLAT - 1/4 WIDE - ZINC              |
|     | 000E13-18-00B | EA WASHER - FLAT - 3/8 WIDE - ZINC              |
|     | 000E13-20-00B | EA WASHER - FLAT - 7/16 WIDE - ZINC             |
|     | 000E13-22-00B | EA WASHER - FLAT - 1/2 WIDE - ZINC              |
|     | 000E13-26-00B | EA WASHER - FLAT - 5/8 WIDE - ZINC              |
|     | 000E14-10-00B | EA WASHER - LOCKING - #10 EXTERNAL TOOTH - ZINC |
|     | 044533-01-000 | EA WASHER - PLASTIC - 1 3/8" OD - FOR BUTTONS   |
|     | 058716-02-000 | EA WASHER - FLAT NYLON                          |
|     | 107397-01-000 | EA WASHER - FENDER - .25" ID X 1" OD            |

### CLAMPS

| KEY | PART NUMBER   | U/M DESCRIPTION  |
|-----|---------------|--|
|     | 007161-01-000 | EA CLAMP - HOSE - SPRING TYPE - 1/2"                       |
|     | 010495-01-000 | EA CLAMP - CABLE - 9/16"                                   |
|     | 010497-01-000 | EA CLAMP - CLOSED - 5/8" ID                                |
|     | 010497-03-000 | EA CLAMP - CLOSED - 1" ID - CUSHIONED                      |
|     | 010497-04-000 | EA CLAMP - CLOSED - 1.62" ID                               |
|     | 062401-01-000 | EA CLAMP - HOSE - WORMGEAR - .25" - 1"                     |
|     | 062401-02-000 | EA CLAMP - HOSE - WORMGEAR - 1.56" - 2.5"                  |
|     | 062401-03-000 | EA CLAMP - HOSE - WORMGEAR - .22" - 1"                     |
|     | 062401-04-000 | EA CLAMP - HOSE - WORMGEAR - .69" - 1.25"                  |
|     | 062401-05-000 | EA CLAMP - HOSE - WORMGEAR - 2" TO 3" ID                   |
|     | 062401-06-000 | EA CLAMP - HOSE - WORMGEAR - .22" - .62" ID                |
|     | 062401-11-000 | EA CLAMP - HOSE - WORMGEAR - 3.50" - 4.50"                 |
|     | 075148-02-000 | EA CLAMP - GROUNDING - BRONZE SCREWS                       |
|     | 083609-01-000 | EA CLAMP - WIRE - DUAL - EQUAL DIAMETERS - 5/8"            |
|     | 083610-01-000 | EA CLAMP - WIRE - DUAL - UNEQUAL DIAMETERS - 3/4" & 1 1/4" |

**SEALANTS & FASTENERS GROUP (CONTINUED)**

**SCREWS**

| KEY | PART NUMBER   | U/M DESCRIPTION  |
|-----|---------------|--|
|     | 0G1108-12-170 | EA SCREW - 8-18 X .75 PPH - BRIGHT WHITE                   |
|     | 0G1208-12-170 | EA SCREW - 8-18 X .75 POH - BRIGHT WHITE                   |
|     | 0G3908-08-170 | EA SCREW - SF/DR - 8-18 X .50 PPH - BRIGHT WHITE           |
|     | 0G3908-24-170 | EA SCREW - SF/DR - 8-18 X 1.50 PPH - BRIGHT WHITE          |
|     | 0G3910-12-170 | EA SCREW - SF/DR - 10-16 X .75 PPH - BRIGHT WHITE          |
|     | 0G5508-12-260 | EA SCREW - SF/DR - 8-18 X .75 PWH - ALLANTE ANTELOPE       |
|     | 0G6710-08-170 | EA SCREW - 10-12 X 1/2 PPH - BRIGHT WHITE                  |
|     | 000G11-05-08B | EA SCREW - 5-20 X .50 PPH - ZINC                           |
|     | 000G11-06-08B | EA SCREW - 6-20 X 1/2 PPH - ZINC                           |
|     | 000G11-06-06B | EA SCREW - 6-20 X 3/8 PPH - ZINC                           |
|     | 000G11-06-10J | EA SCREW - 6-20 X 5/8 PPH - BRASS                          |
|     | 000G11-06-10B | EA SCREW - 6-20 X 5/8 PPH - ZINC                           |
|     | 000G11-07-08B | EA SCREW - 7-19 X 1/2 PPH - ZINC                           |
|     | 000G11-08-06B | EA SCREW - 8-18 X 3/8 PPH - ZINC                           |
|     | 000G11-08-12D | EA SCREW - 8-18 X 3/4 PPH - BLACK                          |
|     | 000G11-08-12B | EA SCREW - 8-18 X 3/4 PPH - ZINC                           |
|     | 000G11-08-08T | EA SCREW - 8-18 X 1/2 PPH - FLUOROCARBON COATING           |
|     | 000G11-08-08B | EA SCREW - 8-18 X 1/2 PPH - ZINC                           |
|     | 000G11-08-20B | EA SCREW - 8-18 X 1 1/4 PPH - ZINC                         |
|     | 000G11-08-16S | EA SCREW - 8-18 X 1 PPH - OFF WHITE                        |
|     | 000G11-08-16B | EA SCREW-8-18X1 PPH ZN                                     |
|     | 000G11-08-12T | EA SCREW - 8-18 X 3/4 PPH - BLACK                          |
|     | 000G11-08-12P | EA SCREW - 8-18 X 3/4 PPH - DARK BROWN                     |
|     | 000G11-08-12P | EA SCREW - 8-18 X 3/4 PPH - DARK BROWN                     |
|     | 000G11-10-12S | EA SCREW - 10-16 X 3/4 PPH - OFF WHITE                     |
|     | 000G11-10-12D | EA SCREW - 10-16 X 3/4 PPH - BLACK                         |
|     | 000G11-10-40B | EA SCREW - 10-16 X 2 1/2 PPH CAD - 34927-01-000            |
|     | 000G11-10-24P | EA SCREW - 10-16 X 1 1/2 PPH - DARK BROWN                  |
|     | 000G11-10-16B | EA SCREW - 10-16 X 1 PPH - ZINC                            |
|     | 000G12-06-08T | EA SCREW - 6-20 X 1/2 POH - BLACK                          |
|     | 000G13-06-24J | EA SCREW - 6-20 X 1 1/2 PFH - BRASS                        |
|     | 000G13-06-10G | EA SCREW - 6-20 X 5/8 PFH - ANTIQUE BRASS                  |
|     | 000G13-06-08G | EA SCREW - 6-20 X .50 PFH - ANTIQUE BRASS                  |
|     | 000G13-07-12B | EA SCREW - 7-19 X 3/4 PFH - ZINC                           |
|     | 000G18-08-20B | EA SCREW - MACHINE - 8-32 X 1 1/4 PPH - ZINC               |
|     | 000G18-08-22B | EA SCREW - MACHINE - 8-32 X 1 3/8 PPH - ZINC               |
|     | 000G19-10-20B | EA SCREW - MACHINE - 10-32 X 1 1/2 PPH - ZINC              |
|     | 000G19-10-12F | EA SCREW - MACHINE - 10-32 X 3/4 PPH - STAINLESS STEEL     |
|     | 000G19-10-08B | EA SCREW - MACHINE - 10-32 X 1/2 PPH - ZINC                |
|     | 000G32-10-06B | EA SCREW - 10-32 X 3/8 PPH - ZINC                          |
|     | 000G37-08-089 | EA SCREW - 8 X 18 X 1/2 PPH                                |
|     | 000G39-06-16T | EA SCREW - SF/DR - 6-20 X 1 PPH - BLACK                    |
|     | 000G39-06-10T | EA SCREW - SF/DR - 6-20 X 5/8 PPH - BLACK                  |
|     | 000G39-08-16B | EA SCREW - SF/DR - 8-18 X 1 PPH - ZINC                     |
|     | 000G39-08-12T | EA SCREW - SF/DR - 8-18 X 3/4 PPH - BLACK                  |
|     | 000G39-08-12B | EA SCREW - SF/DR - 8-18 X 3/4 PPH - ZINC                   |
|     | 000G39-08-08T | EA SCREW - SF/DR - 8-18 X 1/2 PPH - BLACK                  |
|     | 000G39-08-08S | EA SCREW - SF/DR - 8-18 X 1/2 PPH - OFF WHITE              |
|     | 000G39-08-08B | EA SCREW - SF/DR - 8-18 X 1/2 PPH - ZINC                   |
|     | 000G39-08-06B | EA SCREW - SF/DR - 8-18 X 3/8 PPH - ZINC                   |
|     | 000G39-08-24B | EA SCREW - SF/DR - 8-18 X 1 1/2 PPH - ZINC                 |
|     | 000G39-08-16T | EA SCREW - SF/DR - 6-20 X 1 PPH - BLACK                    |
|     | 000G39-10-08B | EA SCREW - SF/DR - 10-16 X 1/2 PPH - ZINC                  |
|     | 000G39-10-209 | EA SCREW - SF/DR - 10-16 X 1 1/4 PPH - FLUOROCARBON SILVER |
|     | 000G39-10-20B | EA SCREW - SF/DR - 10-16 X 1 1/4 PPH - ZINC                |
|     | 000G39-10-129 | EA SCREW - SF/DR - 10-16 X 3/4 PPH - FLUOROCARBON SILVER   |
|     | 000G39-10-12D | EA SCREW - SF/DR - 10-16 X 3/4 PPH - BLACK                 |
|     | 000G39-10-12B | EA SCREW - SF/DR - 10-16 X 3/4 PPH - ZINC                  |
|     | 000G39-10-10B | EA SCREW - SF/DR - 10-16 X 5/8 - ZINC                      |
|     | 000G39-10-088 | EA SCREW - SF/DR - 10-16 X 1/2 PPH - FLEX FLUOROCARBON     |

**SEALANTS & FASTENERS GROUP (CONTINUED)**

**SCREWS (CONTINUED)**

| KEY | PART NUMBER   | U/M DESCRIPTION  |
|-----|---------------|--|
|     | 000G42-04-12B | EA SCREW - SF/DR - 1/4-14 X 3/4 HWH - ZINC                   |
|     | 000G46-08-24T | EA SCREW - MACHINE - 8-32 X 1 1/2 PFH - BLACK                |
|     | 000G50-04-12B | EA SCREW - MACHINE - 1/4-20 X 3/4 PPH - ZINC                 |
|     | 000G52-08-18B | EA SCREW - MACHINE - 8-32 X 1 1/8 PTH - ZINC                 |
|     | 000G54-04-20B | EA SCREW - 1/4-20 X 1.25 PTH - TYPE 23 - ZINC PLATED         |
|     | 000G55-08-12S | EA SCREW - SF/DR - 8-18 X 3/4 PWH - OFF WHITE                |
|     | 000G56-12-48B | EA SCREW - WOOD - 12-11 X 3 POH - SPECIAL HARDENED           |
|     | 000G56-12-48B | EA SCREW - WOOD - 12-11 X 3 POH - SPECIAL HARDENED           |
|     | 000G60-10-28T | EA SCREW - SF/DR - 10-16 X 1 3/4 - BLACK                     |
|     | 000G60-10-20B | EA SCREW - SF/DR - 10-16 X 1 1/4 POH - ZINC                  |
|     | 000G67-08-32B | EA SCREW - 8-15 X 2 PPH - ZINC                               |
|     | 000G67-10-12P | EA SCREW - 10-12 X 3/4 PPH - DARK BROWN                      |
|     | 000G67-10-12B | EA SCREW - 10-12 X 3/4 PPH - ZINC                            |
|     | 000G67-10-10S | EA SCREW - 10-12 X 5/8 PPH - OFF WHITE                       |
|     | 000G67-10-10D | EA SCREW - 10-12 X 5/8 PPH - BLACK - TYPE A                  |
|     | 000G67-10-10B | EA SCREW - 10-12 X 5/8 PPH - ZINC - TYPE A                   |
|     | 000G67-10-08S | EA SCREW - 10-12 X 1/2 PPH - OFF WHITE                       |
|     | 000G67-10-08R | EA SCREW - 10-12 X 1/2 PPH - BEIGE - TYPE A                  |
|     | 000G67-10-08B | EA SCREW - 10-12 X 1/2 PPH - ZINC                            |
|     | 000G67-10-24B | EA SCREW - 10-12 X 1.50 PPH - ZINC                           |
|     | 000G67-10-20D | EA SCREW - 10-12 X 1.25 PPH - BLACK                          |
|     | 000G68-06-12S | EA SCREW - 6-18 X 3/4 POH                                    |
|     | 000G68-06-10G | EA SCREW - 6-18 X 5/8 POH - ANTIQUE BRASS                    |
|     | 000G68-10-20I | EA SCREW - 10-12 X 1 1/4 POH - BLACK                         |
|     | 049465-01-000 | EA SCREW - 10-16 W/WASHER PTH - DARK BROWN                   |
|     | 049465-17-000 | EA SCREW - 10-16 X 1 POH W/WASHER - BRIGHT WHITE             |
|     | 054434-02-000 | EA SCREW - SF/DR - 10-16 X 2 - ZINC                          |
|     | 057671-01-000 | EA COVER - SCREW - #8 - PLASTIC - OFF WHITE                  |
|     | 057671-15-000 | EA COVER - SCREW - BRIGHT WHITE                              |
|     | 075908-01-000 | EA SCREW - MACHINE - 10-32 X .56 PTH - EXTERNAL TOOTH - ZINC |
|     | 076790-01-000 | EA SCREW - 6-20 X 1 1/4 PPH - BLACK                          |
|     | 076790-03-000 | EA SCREW - 6-20 X 1 PPH - BLACK                              |
|     | 083554-04-000 | EA SCREW - DRYWALL - 8 X 2.50                                |
|     | 086256-01-000 | EA SCREW - SF/DR - 8 X 3/4 HWH LONG                          |
|     | 097974-01-000 | EA SCREW - PARTICLE BOARD - 7-9 X 3/4 PPH                    |
|     | 101618-01-000 | EA SCREW - 1/4-20 X 3/4 HEX - TAPPING - STALGARD TYPE F      |
|     | 113563-01-01A | EA SCREW - 8 X .62 LONG SHOULDER/WASHER HEAD                 |

**SEALANTS & FASTENERS GROUP (CONTINUED)**

**BOLTS**

| KEY | PART NUMBER   | U/M DESCRIPTION   |
|-----|---------------|---|
|     | 000C12-05-16B | EA BOLT - HEX - 5/16-18 X 1 - ZINC 5                          |
|     | 000C12-06-16B | EA BOLT - HEX - 3/8-16 X 1 LG - ZINC 5                        |
|     | 000C12-08-16B | EA BOLT - HEX - 1/2-13 X 1.00 - GD5 - ZINC                    |
|     | 000C12-10-24B | EA BOLT - HEX - 5/8-11 X 1.50 - ZINC 5                        |
|     | 000C13-07-48B | EA BOLT - HEX - 7/16-20 X 3 - ZINC 5                          |
|     | 000C18-05-40A | EA BOLT - ELEVATOR - 5/16-18 X 2.50 - PL                      |
|     | 000C26-04-18B | EA BOLT - HEX - SERRATED FLANGE - 1/4-20 X 1 1/8 - ZINC       |
|     | 000C26-04-14B | EA BOLT - HEX - SERRATED FLANGE - 1/4-20 X 7/8 - ZINC         |
|     | 000C26-04-10B | EA BOLT - HEX - SERRATED FLANGE - 1/4-20 X 5/8 - ZINC         |
|     | 000C26-05-16B | EA BOLT - HEX - SERRATED FLANGE - 5/16-18 X 1 - ZINC          |
|     | 000C26-05-12B | EA BOLT - HEX - SERRATED FLANGE - 5/16-18 X 3/4 - ZINC        |
|     | 000C26-06-16B | EA BOLT - HEX - SERRATED FLANGE - 3/8-16 X 1 - ZINC           |
|     | 000C26-06-12B | EA BOLT - HEX - SERRATED FLANGE - 3/8-16 X 3/4 - ZINC         |
|     | 000C26-08-24B | EA BOLT - HEX - SERRATED FLANGE - 1/2-13 X 1 1/2 ZINC         |
|     | 000C27-10-32B | EA BOLT - CARRIAGE - 5/8-11 X 2                               |
|     | 051387-06-000 | EA BOLT - CARRIAGE W/O HOLE - 5/16-18 X 9.5 - ZINC            |
|     | 102333-01-06A | EA BOLT - CARRIAGE - 7/16-14 STAINLESS STEEL CAP              |
|     | 106166-01-000 | EA BOLT/COLLARED HANGER - 8-32 X 1"                           |
|     | 106956-08-000 | EA BOLT - HEX TAP - 1/2-13NC X 4 - GRADE 5 - FULL THREAD/ZINC |
|     | 088787-12-000 | EA STUD - WELD - 1/4 - 20 X 1.0 LG - MN                       |
|     | 108067-03-000 | EA STUD - WELD - 1/4 - 20 X 1/2 CD                            |

**SEALERS**

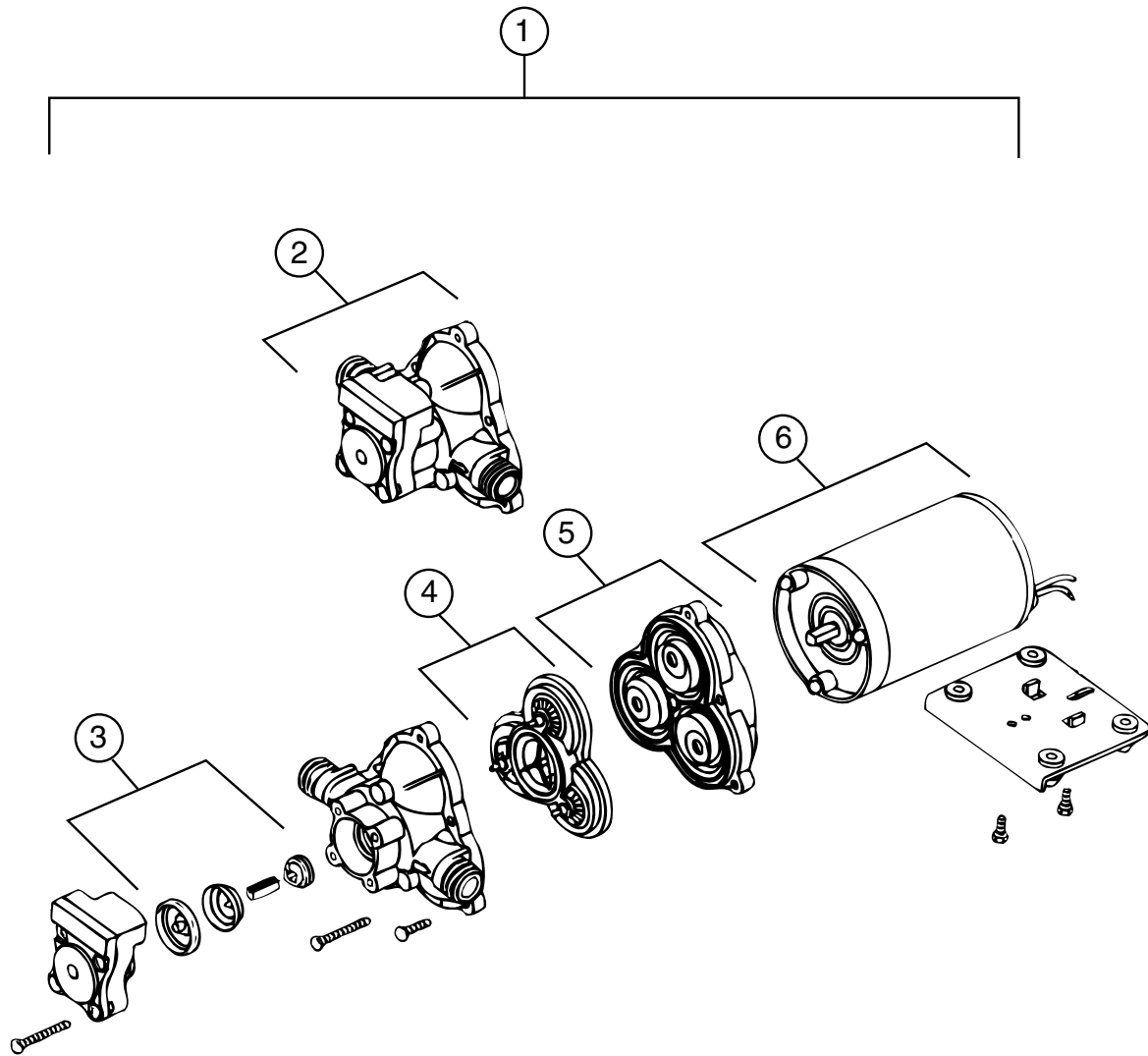
| KEY | PART NUMBER   | U/M DESCRIPTION   |
|-----|---------------|---|
|     | 069640-01-000 | FT SEALER - RIBBON - 1/4" DIAMETER X 30' - BLACK  |
|     | 069640-03-000 | FT SEALER - TAPE - .13"THICK X .75"WIDE X 60' - BLACK   |
|     | 069640-09-000 | FT SEALER - TAPE - .032"THICK X 2.50"WIDE X 80' - GREY  |
|     | 069640-11-000 | FT SEALER - TAPE - .19"THICK X .38"WIDE X 40' - BLACK   |
|     | 069640-15-000 | FT SEALER - TAPE - .06"THICK X .38"WIDE X 80' - GRAY  |
|     | 069640-18-000 | FT SEALER - TAPE - .50"THICK X 1/8"WIDE X 60' - BRIGHT WHITE                                  |
|     | 069640-19-000 | FT SEALER - TAPE - .75"THICK X 1/8"WIDE X 60'- BRIGHT WHITE                                   |
|     | 069640-21-000 | FT SEALER - TAPE - .50" THICK X 1/16" WIDE X 100'- BRIGHT WHT                                 |
|     | 900390-01-000 | EA TIP - 2 1/2" X 1/8" ORIFICE  |
|     | 900390-03-000 | EA NOZZLE - SILICONE TUBE   |
|     | 108716-03-000 | EA SILICONE - TUBE - BRIGHT WHITE/SELF LEVELING - W/O NOZZLE<br>FROM: 00-00-00 THRU: 09-06-98 |
|     | 131264-01-01A | EA SILICONE - W/O NOZZLE - BLACK  |
|     | 131264-01-02A | EA SILICONE - W/O NOZZLE - CLEAR  |
|     | 131264-03-01A | EA SILICONE - SELF LEVELING - W/O NOZZLE - BRIGHT WHITE<br>FROM: 09-07-98 THRU: 99-99-99      |
|     | 053766-02-000 | EA BEDDING COMPOUND - TUBE - WHITE  |
|     | 072889-09-000 | EA SEALANT - URETHANE - BLACK (TUBE)<br>FROM: 00-00-00 THRU: 09-06-98                         |
|     | 072889-10-000 | EA SEALANT - URETHANE (HV) - BRIGHT WHITE<br>FROM: 00-00-00 THRU: 09-06-98                    |
|     | 072889-11-000 | EA SEALANT - URETHANE - (TUBE) - GRAY   |
|     | 072889-12-000 | EA SEALANT - URETHANE (LV) BRIGHT WHITE<br>FROM: 00-00-00 THRU: 09-06-98                      |
|     | 072889-18-000 | EA SEALANT - URETHANE - BLACK (FOIL)<br>FROM: 09-07-98 THRU: 99-99-99                         |
|     | 072889-19-000 | EA SEALANT - URETHANE - (FOIL) - BLACK - 10 OUNCE<br>FROM: 09-07-98 THRU: 99-99-99            |
|     | 072889-20-000 | EA SEALANT - URETHANE - (FOIL) - BRIGHT WHITE - 10 OUNCE<br>FROM: 09-07-98 THRU: 99-99-99     |
|     | 072889-21-000 | EA SEALANT - URETHANE - (FOIL) - BRIGHT WHITE - 20 OUNCE<br>FROM: 09-07-98 THRU: 99-99-99     |
|     | 102352-01-000 | EA SEALER - PUMPABLE - BLACK  |
|     | 102352-02-000 | EA SEALER - PUMPABLE - CLEAR  |
|     | 106206-01-000 | EA SEALER - PUMPABLE - MANUS 30A - BLACK  |
|     | 091255-02-000 | FT SEAL - ADHESIVE BACKED/FOAM - .18" THICK X 1.5" WIDE                                       |
|     | 104692-01-000 | FT SEAL - FOAM/ADHESIVE BACK - .75"THICK X .75"WIDE X 25'                                     |
|     | 112864-01-000 | FT SEAL - FOAM/BUTYL COVERED - 3/8"   |
|     | 110530-01-000 | FT SEAL - SPONGE - .31" X .62"  |

**SEALANTS & FASTENERS GROUP (CONTINUED)**

**RIVETS, GROMMETS AND MISCELLANEOUS FASTENERS**

| KEY | PART NUMBER   | U/M DESCRIPTION  |
|-----|---------------|--|
|     | 120074-02-01A | EA SEALANT - SILICONE - OFF WHITE  |
|     | 000F10-06-32B | EA PIN - COTTER - 3/16" X 2" - ZINC  |
|     | 000H16-04-06R | EA RIVET - POP ALUMINUM - 1/8 X .313 - .375                                      |
|     | 000H16-06-10R | EA RIVET - POP ALUMINUM - 3/16 X .501-.625                                       |
|     | 069592-02-000 | EA RIVET-T - POP - 1/4 X .093 - .156   |
|     | 118626-01-01A | EA RIVET - POP - ALUMINUM 3/16 X .08-.375  |
|     | 118626-02-01A | EA RIVET - POP - ALUMINUM - 3/16 X .500-.750                                     |
|     | 008386-01-000 | EA GROMMET - SNAP - 3/8"   |
|     | 016188-03-000 | EA GROMMET - L/P LINE - 3/8" HOLE X 2 1/2" LONG - RUBBER                         |
|     | 016188-04-000 | EA GROMMET-GASLINE, .50,2.5 LONG   |
|     | 023942-01-000 | EA GROMMET - RUBBER - 2" OD  |
|     | 071015-11-000 | EA GROMMET - 1.00 ID - FITS .12 MATERIAL   |
|     | 071015-30-000 | EA GROMMET - RUBBER - .31" ID X .81" OD W/.12" GROOVE - BLK                      |
|     | 008343-02-000 | EA TIE - WIRE - 14"  |
|     | 108046-02-000 | EA CABLE TIE - SCREW MOUNT 15"   |
|     | 029094-04-000 | YD VELCRO TAPE - LOOP - 1" WIDE - BLACK  |
|     | 029096-03-000 | YD VELCRO TAPE - HOOK - 1" WIDE - BLACK  |
|     | 081211-04-000 | EA PLUG - PLASTIC - .46 DIAMETER - BLACK<br>USED IN HOUSE CIRCUIT BREAKER PANELS |
|     | 081211-05-000 | EA PLUG - PLASTIC - .188 DIAMETER - NATURAL                                      |
|     | 085774-01-000 | FT FASTENER - DUAL LOCK - 1" WIDE - ADHESIVE BACK - BLACK                        |
|     | 085774-02-000 | FT FASTENER - DUAL HOOK - 1" WIDE - ADHESIVE BACK - BLACK                        |
|     | 110943-02-000 | FT FELTSTRIP - 3/8" - ADHESIVE BACK - WHITE                                      |
|     | 080734-02-000 | EA CLIP - WIRE NYLON   |
|     | 094362-02-000 | EA CLIP - XMAS TREE - BINDER HEAD - .9" LONG                                     |

**WATER & SEWAGE GROUP**



**SHURFLO WATER PUMP**

| KEY | PART NUMBER   | U/M DESCRIPTION                                    | VENDOR NO. |
|-----|---------------|--|------------|
| 1   | 098607-01-000 | EA PUMP - WATER - W/.5" MPT FITTING - FLOW 2.8 GPM |            |
| 2   | 098607-01-706 | EA HOUSING, W/SWITCH ONLY                          | 94-231-20  |
| 3   | 098607-01-705 | EA VALVE-CHECK, KIT                                | 94-237-00  |
| 4   | 098607-01-703 | EA VALVE KIT                                       | 94-232-00  |
| 5   | 098607-01-702 | EA DIAPHRAGM/DRIVE ASSEMBLY KIT                    | 94-238-04  |
| 6   | 098607-01-707 | EA MOTOR W/BASEPLATE                               | 11-148-04  |

**WATER TANKS**

| KEY | PART NUMBER   | U/M DESCRIPTION  |
|-----|---------------|--|
|     | 125359-03-000 | EA TANK - WATER - 66 GALLON - W/FITTINGS - QUEEN BED         |
|     | 125359-01-000 | EA TANK - WATER - 66 GALLON - W/O FITTINGS - QUEEN BED       |
|     | 121959-02-000 | EA TANK - WATER - 50 GALLON - W/FITTINGS - TWIN BED          |
|     | 121959-01-000 | EA TANK - WATER - 50 GALLON - W/O FITTINGS - TWIN BED        |
|     | 039861-01-000 | EA SENDING UNIT - W/SCREW - WASHER - WELL NUT/TERMINAL RING  |
|     | 010224-01-000 | EA ADAPTER - HOSE TO PIPE - 3/8 MPT X 3/8 BARB - PLASTIC     |
|     | 042989-03-000 | EA FITTING - SPINWELD - 1 1/4"NPT - PLASTIC                  |
|     | 042989-04-000 | EA FITTING - SPINWELD - 3/8"FPT - WHITE PLASTIC              |
|     | 042989-05-000 | EA FITTING - SPINWELD - 1/2"FPT - PLASTIC                    |
|     | 049032-01-000 | EA PATCH - SPINWELD - 3/8" - PLASTIC                         |
|     | 044927-01-000 | EA ADAPTER - HOSE TO PIPE-1 1/4 MPTX1 1/4 BARB-BLACK PLASTIC |
|     | 074462-02-000 | FT TUBING - VINYL - 3/8 ID X 20' - CLEAR                     |
|     | 077954-02-000 | EA FILTER - WATER TANK - W/SCREEN IN TANK                    |
|     | 079381-01-000 | FT TUBING - RIBBED FLEXIBLE - WATER FILL - 1.4" X 10"        |

**WATER & SEWAGE GROUP (CONTINUED)**

**EXTERIOR SHOWER**

| KEY | PART NUMBER   | U/M DESCRIPTION   | VENDOR NO. |
|-----|---------------|---|------------|
|     | 075241-05-000 | EA FAUCET/SHOWER - BONE 3/4" MPT X 1.4" LONG INLET PIPES<br>FROM: 00-00-00 THRU: 07-12-98 |            |
|     | 075241-06-000 | EA FAUCET - SHOWER CONTROL - BRIGHT WHITE<br>FROM: 07-13-98 THRU: 99-99-99                |            |
|     | 103092-01-000 | EA SHOWER HEAD - W/60" HOSE & BRACKET - IVORY<br>FROM: 00-00-00 THRU: 07-12-98            |            |
|     | 103092-01-700 | EA BRACKET-F/SHOWER HEAD, CLEAR   | 2328028    |
|     | 011048-03-700 | EA BRACKET - F/SHOWER HEAD  | 2328029-I  |
|     | 103092-01-702 | EA SEALS-SPRAY HEAD   | 24466      |
|     | 131383-01-02A | EA SHOWER HEAD - W/HOSE & BRACKET - 60" - WHITE<br>FROM: 07-13-98 THRU: 99-99-99          |            |
|     | 103092-02-000 | EA SHOWER HEAD - W/60" HOSE - CSA<br>FROM: 00-00-00 THRU: 07-12-98                        |            |
|     | 103092-01-700 | EA BRACKET-F/SHOWER HEAD, CLEAR   | 2328028    |
|     | 011048-03-700 | EA BRACKET - F/SHOWER HEAD  | 2328029-I  |
|     | 103092-01-702 | EA SEALS-SPRAY HEAD   | 24466      |
|     | 131383-02-02A | EA SHOWER HEAD - W/HOSE & BRACKET - 60" - CSA - WHITE<br>FROM: 07-13-98 THRU: 99-99-99    |            |
|     | 093527-02-000 | EA BRACKET - EXTERIOR SHOWER HEAD/SQUEEGEE<br>FROM: 00-00-00 THRU: 10-27-98               |            |
|     | 131732-01-12B | EA BRACKET - SQUEEGEE - BRIGHT WHITE<br>FROM: 10-28-98 THRU: 99-99-99                     |            |
|     | 131383-03-02A | EA BRACKET - SHOWER HEAD - WHITE  |            |
|     | 108357-08-000 | EA SWITCH - ROCKER DPDT - ON/NONE/ON - 6 TERMINAL   |            |
|     | 108356-02-01A | EA COVER/ACTUATOR SWITCH - 2 ROWS DIMPLES- CONTURA II - BLACK                             |            |
|     | 114293-01-01A | EA PAN - DRIP - EXTERIOR - OFF WHITE<br>FROM: 00-00-00 THRU: 11-15-98                     |            |
|     | 114293-01-02A | EA PAN - DRIP - EXTERIOR - BRIGHT WHITE<br>FROM: 11-16-98 THRU: 99-99-99                  |            |

**WATER SYSTEM**

| KEY | PART NUMBER   | U/M DESCRIPTION  |
|-----|---------------|--|
|     | 110438-02-000 | EA VALVE - CHECK - BRASS - 1/2 MPT X 1/2 MPT               |
|     | 110915-01-01A | EA FILL - CITY WATER - CHROME                              |
|     | 112176-01-000 | FT TUBING - VINYL - REINFORCED - 1/2" ID                   |
|     | 113697-01-000 | EA CAP - 3/8 FTG   |
|     | 114428-01-000 | EA TEE - 1/2"P X 1/2"P X 1/2"P                             |
|     | 114428-02-000 | EA TEE - SWIVEL - 1/2"P X 1/2"P X 1/2"FPT                  |
|     | 114429-01-000 | EA ELBOW - 1/2"P X 1/2"P                                   |
|     | 114429-02-000 | EA ELBOW - 1/2"P X 1/2"MPT                                 |
|     | 114429-03-000 | EA ELBOW - SWIVEL - 1/2"P X 1/2"FPT                        |
|     | 114429-04-000 | EA ELBOW - 1/2"P X 3/8"MPT                                 |
|     | 114429-08-000 | EA ELBOW - SWIVEL - 1/2"MPT X 1/2"FPT SWIVEL               |
|     | 114430-02-000 | EA ADAPTER - SWIVEL - 1/2"P X 1/2"FPT                      |
|     | 114430-03-000 | EA ADAPTER - 1/2"P X 1/2"MPT                               |
|     | 114430-06-000 | EA ADAPTER - 1/2"P X 3/8"FPT                               |
|     | 114431-01-000 | EA VALVE - 180 DEGREE/CENTER DRAIN - 1/2"P - THREE WAY     |
|     | 114431-02-000 | EA VALVE - WATER BYPASS - 1/2"P - THREE WAY (WATER HEATER) |
|     | 114431-03-000 | EA VALVE - 90 DEGREE DRAIN - 1/2"P                         |
|     | 123150-01-000 | EA ELBOW - 1/2 FPT X 1/2 BARB - SWIVEL                     |
|     | 123152-01-000 | EA ADAPTER - 1/2 FPT X 1/2 BARB - SWIVEL                   |
|     | 124188-01-000 | FT TUBING - PEX - 1/2" ID X 20' - BLUE(COLD)               |
|     | 124188-02-000 | FT TUBING - PEX - 1/2" ID X 20' - RED(HOT)                 |
|     | 124184-01-000 | EA SUPPORT - WATER LINE - BEND                             |

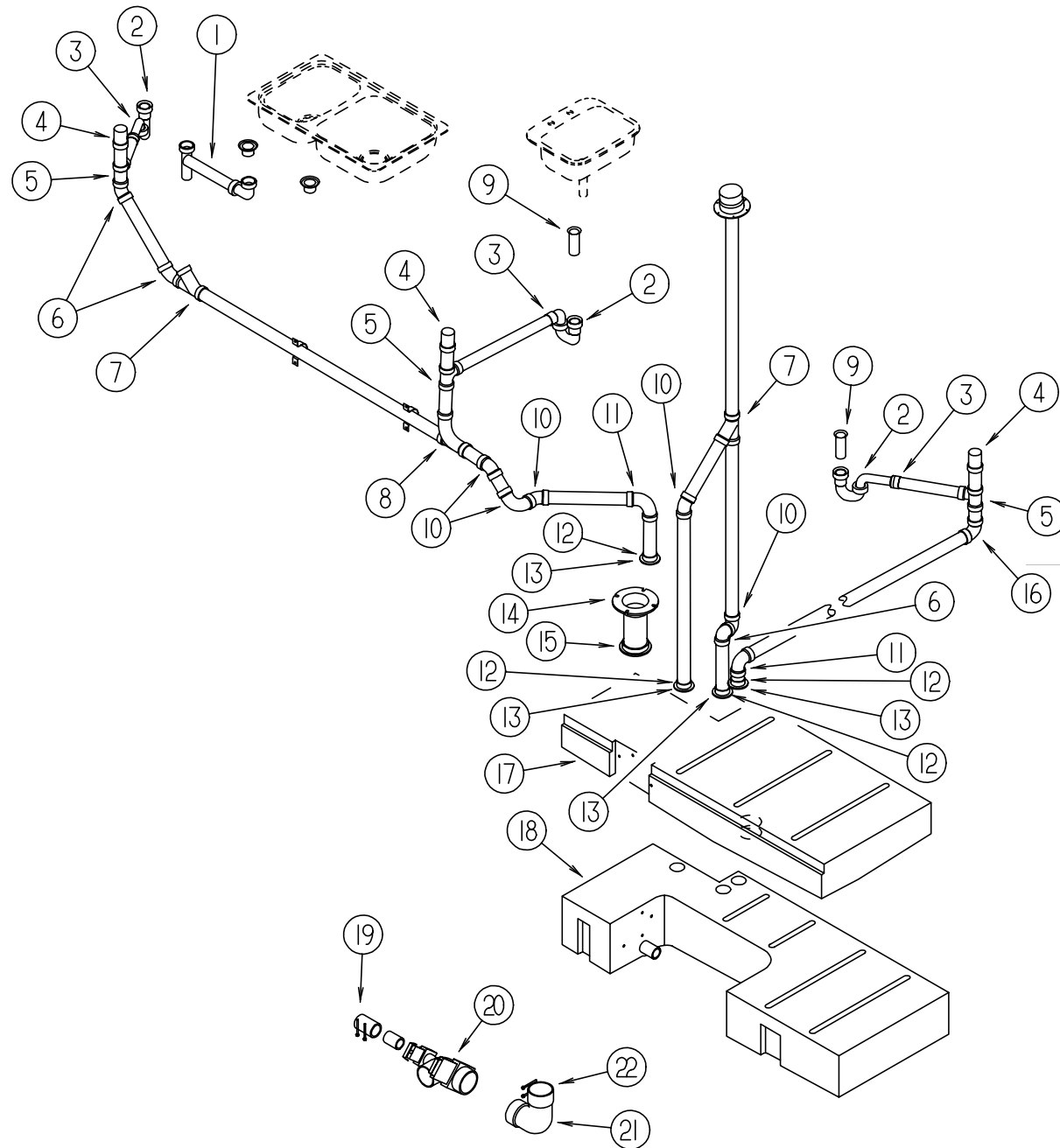
**ATWOOD WATER HEATER W/MOTOR AID (GH6-8E)**

| KEY | PART NUMBER   | U/M DESCRIPTION  |
|-----|---------------|--|
| *   | 051393-01-000 | EA WATER HEATER - GH6-8E - ELECTRONIC IGNITION W/MOTOR AID |

\*COMPONENT PARTS FOUND IN SERVICE PARTS LIBRARY

# WATER & SEWAGE GROUP (CONTINUED)

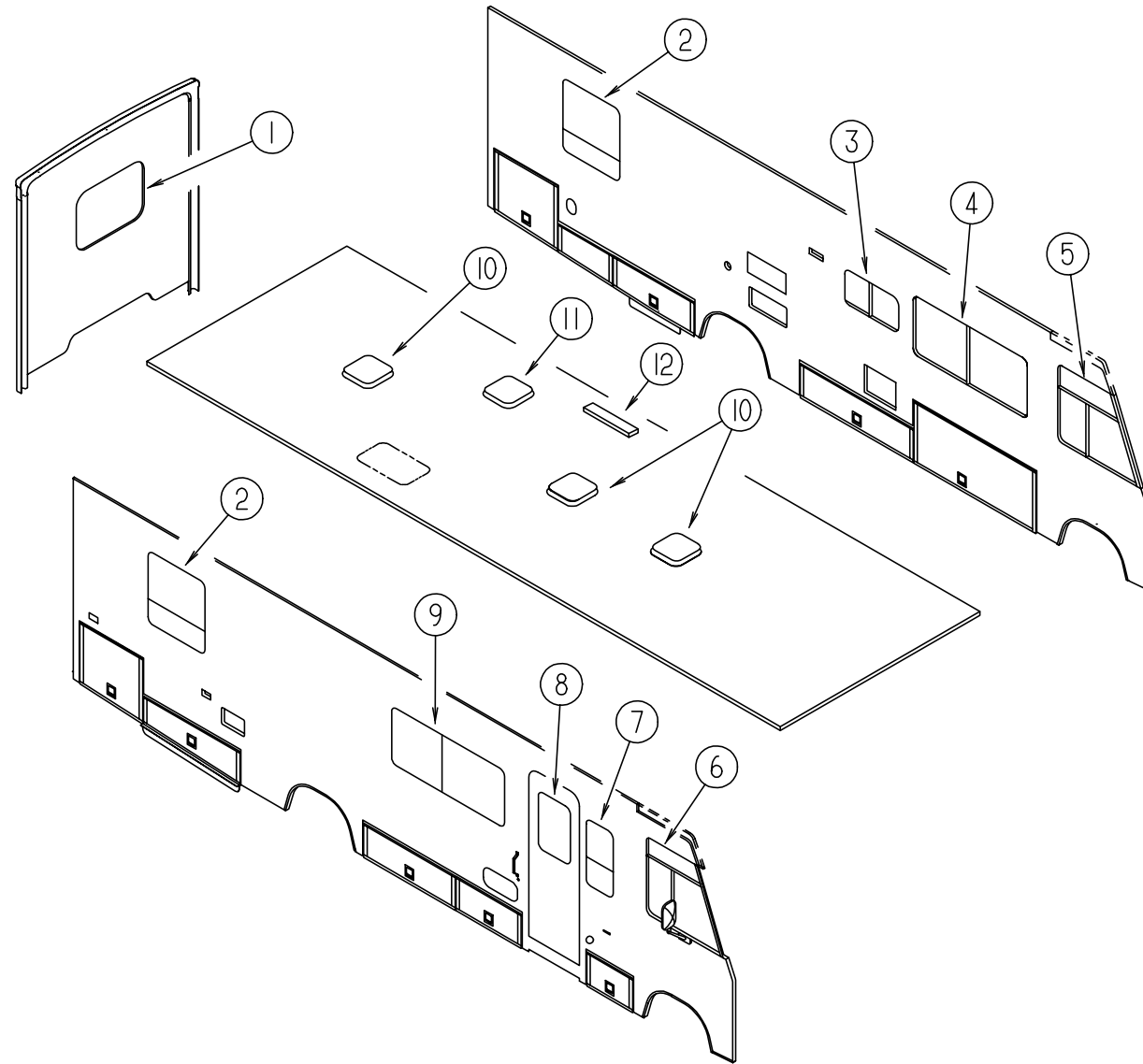
## DRAINAGE SYSTEM



| KEY | PART NUMBER   | U/M | DESCRIPTION  | VENDOR NO. |
|-----|---------------|-----|--|------------|
| 1   | 011091-02-000 | EA  | WASTE - CONTINUOUS - DOUBLE SINK                           |            |
| 1   | 011091-03-000 | EA  | WASTE - CONTINUOUS - DOUBLE SINK - CSA                     |            |
| 2   | 107538-01-000 | EA  | P TRAP - PLASTIC - 1 1/4" W/EXTENSION ARM                  |            |
| 2   | 011071-01-000 | EA  | P-TRAP - PLASTIC - 1 1/2" - CSA                            |            |
| 3   | 109571-01-000 | EA  | ADAPTER - P TRAP - 1 1/2" P X 1 1/4" MPT - US              |            |
| 4   | 079968-01-000 | EA  | VENT - MECHANICAL/TRAP ARM - ANTI-SIPHON-2" X 7.3" PLASTIC |            |
| 5   | 010071-01-000 | EA  | TEE - SANITARY - 1 1/2" HUB X HUB X HUB - PLASTIC          |            |
| 6   | 010051-01-000 | EA  | ELBOW - 45 DEGREE - 1 1/2" SPIGOT & HUB - PLASTIC          |            |
| 7   | 010073-01-000 | EA  | WYE - 45 DEGREE - 1 1/2" HUB X HUB X HUB - PLASTIC         |            |
|     | 010122-01-000 | EA  | BUSHING - REDUCER - 1 1/2 SMTH X 1 1/4 THD - BLACK PLASTIC |            |
|     | 010166-01-000 | EA  | PLUG - THREADED - 1 1/4" DIAMETER - PLASTIC - BLACK        |            |
| 8   | 031365-02-000 | EA  | TEE - PLASTIC - 1 1/2" EXTENSION LG TURN                   |            |
| 9   | 011069-02-000 | EA  | TAILPIECE - TUB/SHOWER - 1 1/2" X 1 1/4" X 4" - BRASS      |            |
|     | 069735-01-000 | EA  | WASHER - STRAINER TO TAILPIECE - PLASTIC - 1.5"            |            |
| 10  | 010006-01-000 | EA  | ELBOW - 45 DEGREE - 1 1/2" HUB X HUB - PLASTIC             |            |
| 11  | 010008-01-000 | EA  | ELBOW - 90 DEGREE - 1 1/2" HUB X HUB - PLASTIC             |            |
| 12  | 010115-01-000 | EA  | COUPLING - 1 1/2" HUB X HUB - PLASTIC                      |            |
| 13  | 061607-01-000 | EA  | GROMMET - HOLDING TANK - 1 1/2" NPS                        |            |
| 14  | 116644-01-000 | EA  | FLANGE - CLOSET - 4" X 3"                                  |            |
| 15  | 061607-02-000 | EA  | GROMMET - HOLDING TANK - 3" NPS                            |            |
| 16  | 033761-01-000 | EA  | ELBOW - TURN - 90 DEGREE 1 1/2" HUB X 1 1/2" SPIGOT        |            |
| 17  | 122006-01-000 | EA  | TANK - HOLDING - 30 GALLON - W/O FITTINGS                  |            |
|     | 039861-01-000 | EA  | SENDING UNIT - W/SCREW - WASHER - WELL NUT/TERMINAL RING   |            |
| 18  | 122027-01-700 | EA  | TANK-HOLDING 34 GAL-1.5"ADAP PARTS SALES                   |            |
|     | 039861-01-000 | EA  | SENDING UNIT - W/SCREW - WASHER - WELL NUT/TERMINAL RING   |            |
| 19  | 089355-01-000 | EA  | COUPLER - RUBBER - 1 1/2" X 1 1/2"                         |            |
| 20  | 070916-01-000 | EA  | VALVE - DUAL DUMP - W/CAP - 3" X 1 1/2"                    |            |
|     | 070916-01-700 | EA  | VALVE ONLY (WASTE) 3"                                      | T1003BU    |
|     | 070916-01-701 | EA  | VALVE ONLY (WASTE) 1 1/2"                                  | T1001BU    |
|     | 010201-01-000 | EA  | HOSE - SEWER - 3" ID X 8'                                  |            |
|     | 062416-01-000 | EA  | ADAPTER - SEWER HOSE TO 3" PIPE                            |            |
| 21  | 031126-01-000 | EA  | ELBOW - 1/4 BEND - 3" X 90" XLT - BLACK PLASTIC            |            |
| 22  | 078406-01-000 | EA  | COUPLER - RUBBER - W/CLAMPS - 3" X 3"                      |            |
|     | 066440-01-000 | EA  | STRAINER - SHOWER DRAIN - W/RUBBER WASHER                  |            |
|     | 130403-01-000 | EA  | NUT - SLIP - W/WINGS 1 1/2"                                |            |
|     | 127440-02-01A | EA  | WASHER - RUBBER - 1.8" X .1"                               |            |

# WINDOW, VENT & EXTERIOR DOOR GROUP

## WINDOWS AND ROOF VENTS



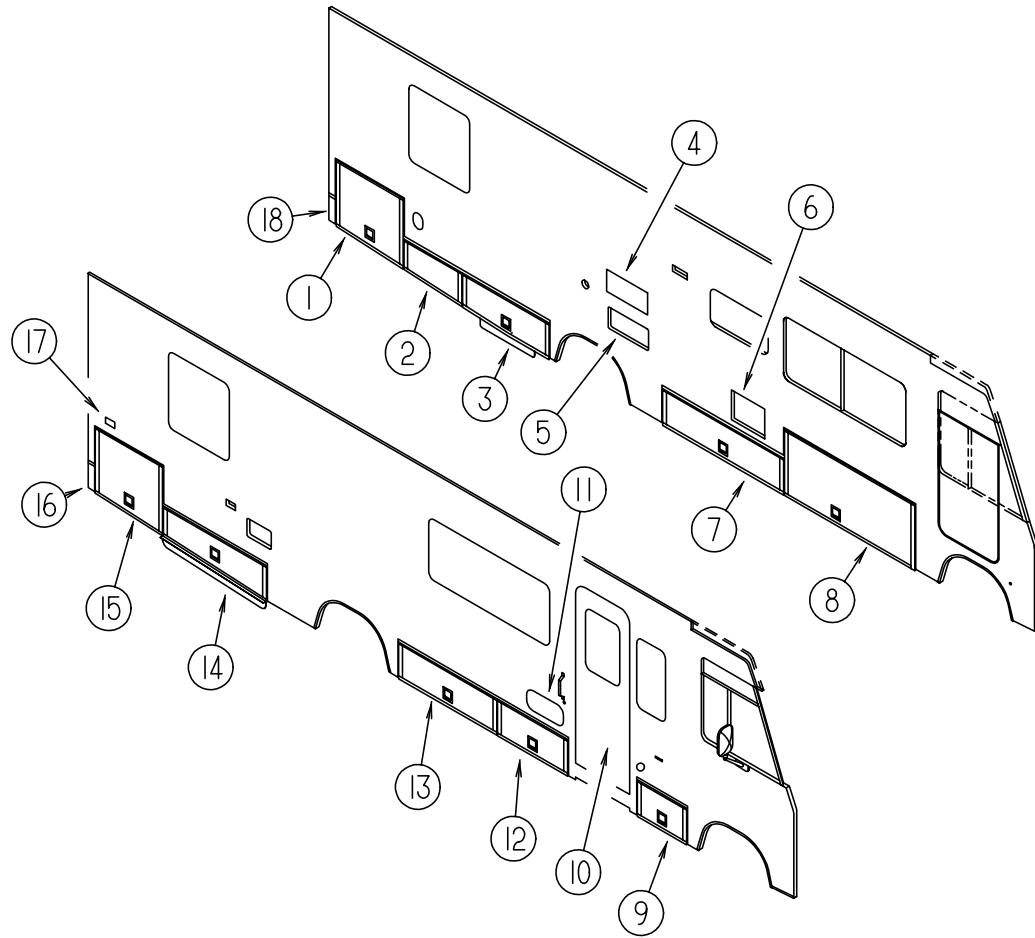
| KEY | PART NUMBER   | U/M | DESCRIPTION  |
|-----|---------------|-----|--|
| 1*  | 078528-06-E10 | EA  | WINDOW - ESCAPE - W/O RETAINER/TRIM - 48.5" X 24.5"        |
| 1*  | 113502-01-01A | EA  | WINDOW - REAR/CENTER ESCAPE - THERMO - 24.8" X 48.7"       |
| 2*  | 112463-03-01A | EA  | WINDOW - TIPOUT W/RETAINER TRIM - 33.3" X 30.2"            |
| 2*  | 129929-01-01A | EA  | WINDOW - TORQUE - THERMO - 33.2" X 30.2"                   |
| 3*  | 098647-34-01A | EA  | WINDOW - DRIVER HORIZ SLIDER W/TRIM-TINTED - 15.7" X 28.5" |
| 3*  | 112795-20-01A | EA  | WINDOW - DRIVER HORIZONTAL SLIDER - THERMO - 16" X 28.7"   |
| 4*  | 098647-22-01A | EA  | WINDOW - DRIVER HORIZ SLIDER W/TRIM-TINTED - 26.1" X 59.7" |
| 4*  | 112795-15-01A | EA  | WINDOW - DRIVER HORIZONTAL SLIDER - THERMO - 26.4" X 60"   |
| 5*  | 125582-08-01A | EA  | WINDOW - CAB - DRIVER                                      |
| 5*  | 125583-08-01A | EA  | WINDOW - DRVR CAB-3 GLASS THERMO-44.2"T X 51.2"B X 37"H    |
| 6*  | 125582-07-01A | EA  | WINDOW - CAB - PASSENGER                                   |
| 6*  | 125583-07-01A | EA  | WINDOW - PASS CAB-3 GLASS THERMO-44.2"T X 51.2"B X 37"H    |
| 7*  | 098644-07-01A | EA  | WINDOW - VERTICAL SLIDER W/TRIM - TINTED - 30.2" X 14.3"   |
| 7*  | 112898-04-01A | EA  | WINDOW - VERTICAL SLIDER - THERMO - 14.5" X 30.2"          |

| KEY | PART NUMBER   | U/M | DESCRIPTION  |
|-----|---------------|-----|--|
| 8*  | 117053-02-F36 | EA  | WINDOW - PICTURE - 60% TINTING - 17" X 26.4"               |
| 8*  | 113733-01-01A | EA  | WINDOW - STATIONARY THERMOPANE - 17" X 26.4"               |
| 9*  | 098647-23-01A | EA  | WINDOW - PASS HORIZ SLIDER W/TRIM - TINTED - 26.1" X 59.7" |
| 9*  | 112795-16-01A | EA  | WINDOW - PASSENGER HORIZONTAL SLIDER -THERMO-26.1" X 59.8" |
| 10* | 122882-01-01A | EA  | VENT - ROOF - NONPOWERED - W/O INSIDE GARNISH              |
| 11* | 122882-02-01A | EA  | VENT - ROOF - W/FAN - W/O INSIDE GARNISH - UL              |
| 11* | 122882-03-01A | EA  | VENT - ROOF - W/FAN - W/O INSIDE GARNISH - CSA             |
| 12  | 084073-04-000 | EA  | BASE - ROOF VENT/REFRIGERATOR - BLACK - NORCOLD            |
| 12  | 084073-07-000 | EA  | VENT - ROOF/REFRIGERATOR - BRIGHT WHITE - NORCOLD          |
|     | 083558-03-000 | EA  | VENT - PLUMBING - ROOF PIPE COVERED - OFF WHITE            |
|     | 084616-07-000 | EA  | SHROUD - EXHAUST VENT/RANGE HOOD - BRIGHT WHITE            |
|     | 084878-09-000 | EA  | VENT - EXHAUST/RANGE HOOD - OFF WHITE                      |
|     | 117046-01-000 | EA  | BUMPER - RUBBER/ROUND END                                  |
|     | 117046-02-000 | EA  | BUMPER - RUBBER/ROUND END - THERMOPANE WINDOW OPTION       |

\*COMPONENT PARTS FOUND IN SERVICE PARTS LIBRARY

# WINDOW, VENT & EXTERIOR DOOR GROUP (CONTINUED)

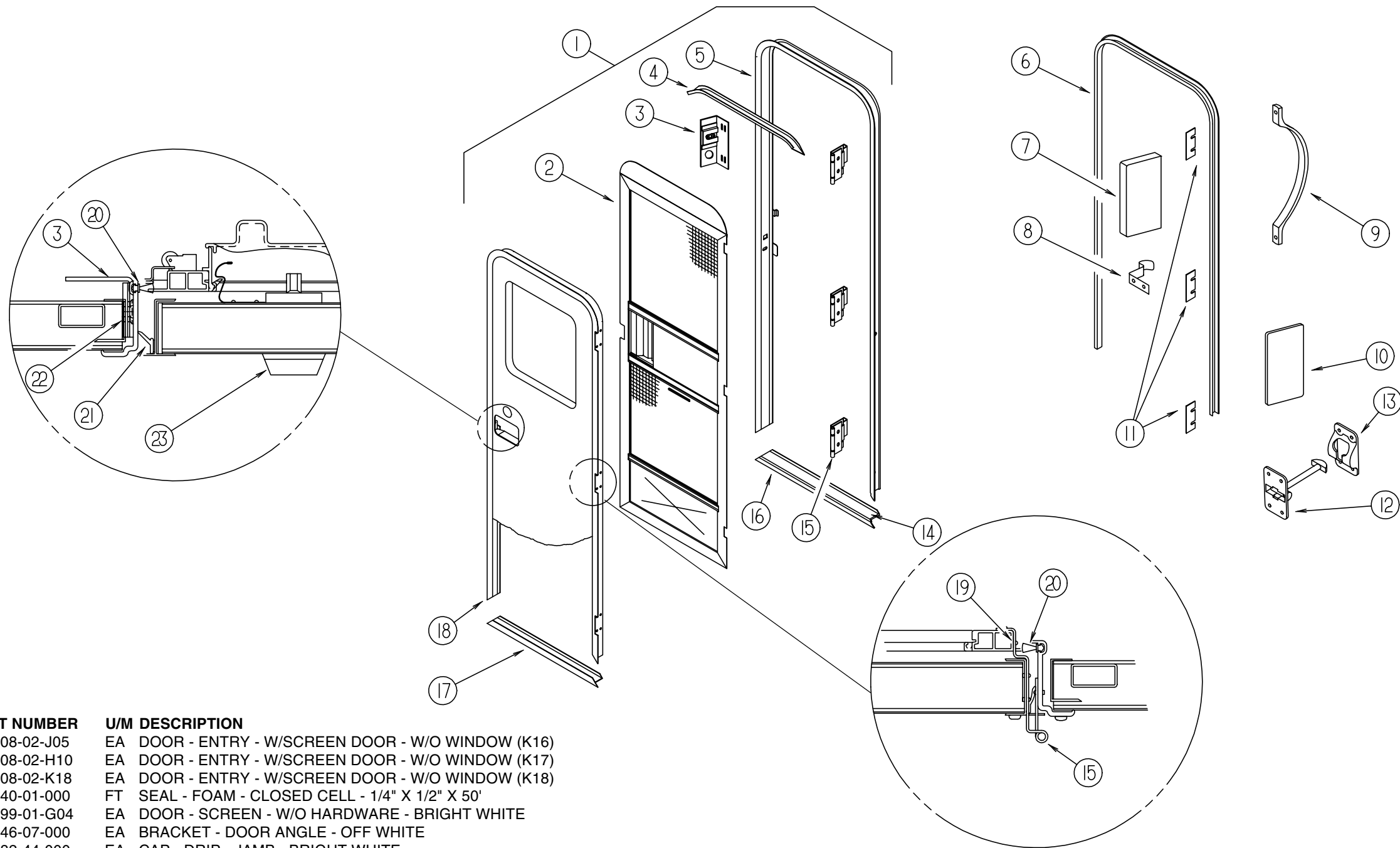
## EXTERIOR DOORS & PANELS



| KEY | PART NUMBER   | U/M DESCRIPTION   | VENDOR NO.                    |
|-----|---------------|---|-------------------------------|
| 1   | 124245-19-J15 | EA VALANCE/DOOR - REAR DRIVER - W/O PADDLE LATCH - 34.2"    |                               |
| 2   | 126645-01-J15 | EA VALANCE/PANEL - REAR DRIVER - W/O HARDWARE - 28.9"       |                               |
| 3   | 126647-02-J15 | EA VALANCE/DOOR - DRIVER W/O LATCH - 18.2" X 40.3" X 17.2"  |                               |
|     | 009426-01-000 | EA HATCH - POWER CORD - WHITE                               |                               |
| 4   | 084103-08-000 | EA DOOR - VENT/REFRIGERATOR - W/O JAMB - BRIGHT WHITE       |                               |
|     | 084104-01-700 | EA LOCK-MALE, FASTENER                                      | 201-721-010                   |
|     | 084104-01-701 | EA LOCK-FEMALE, FASTENER                                    | 201-802-010                   |
| 4   | 084104-08-000 | EA JAMB - VENT DOOR/REFRIGERATOR - BRIGHT WHITE             |                               |
| 5   | 098668-23-000 | EA DOOR - ACCESS - FURNACE - BRIGHT WHITE                   |                               |
| 6   | 052009-06-000 | EA DOOR - WATER HEATER - BRIGHT WHITE - 18" X 14.6"         |                               |
| 7   | 126646-01-J15 | EA VALANCE/DOOR - W/O PADDLE LATCH - 60"                    |                               |
| 8   | 124245-20-J15 | EA VALANCE/DOOR - W/O PADDLE LATCH - 65.7"                  |                               |
| 9   | 126646-02-J15 | EA VALANCE/DOOR - W/O PADDLE LATCH - 24.3"                  |                               |
| 10  | 115108-02-J05 | EA DOOR - ENTRY - W/SCREEN DOOR - W/O WINDOW (K16)          |                               |
| 10  | 115108-02-H10 | EA DOOR - ENTRY - W/SCREEN DOOR - W/O WINDOW (K17)          |                               |
| 10  | 115108-02-K18 | EA DOOR - ENTRY - W/SCREEN DOOR - W/O WINDOW (K18)          |                               |
| 11  | 126945-01-J22 | EA DOOR/STORAGE - W/O HARDWARE - 18" X 8.3"                 |                               |
| 12  | 126646-03-J15 | EA VALANCE/DOOR - W/O PADDLE LATCH - 34.6"                  |                               |
| 13  | 126646-04-J15 | EA VALANCE/DOOR - W/O PADDLE LATCH - 48.6"                  |                               |
| 14  | 126647-01-J15 | EA VALANCE/DOOR - PASS W/O LATCH - 18.2" X 51.2" X 15.6"    |                               |
| 15  | 124245-18-J15 | EA VALANCE/DOOR - REAR PASSENGER - W/O PADDLE LATCH - 34.2" |                               |
| 16  | 126645-07-J15 | EA VALANCE/PANEL - REAR PASSENGER - W/O HARDWARE - 4.4"     |                               |
| 17  | 081240-16-000 | EA DOOR - WATER FILL - LOCKABLE W/O LOCK - 4" X 4 5/8"      |                               |
|     |               |   | FROM: 00-00-00 THRU: 09-12-98 |
| 17  | 081240-20-000 | EA FILL - WATER - LOCKABLE - BRIGHT WHITE                   |                               |
|     |               |   | FROM: 09-13-98 THRU: 99-99-99 |
| 18  | 126645-08-J15 | EA VALANCE/PANEL - REAR DRIVER - W/O HARDWARE - 4.4"        |                               |

# WINDOW, VENT & EXTERIOR DOOR GROUP (CONTINUED)

## ENTRANCE DOOR

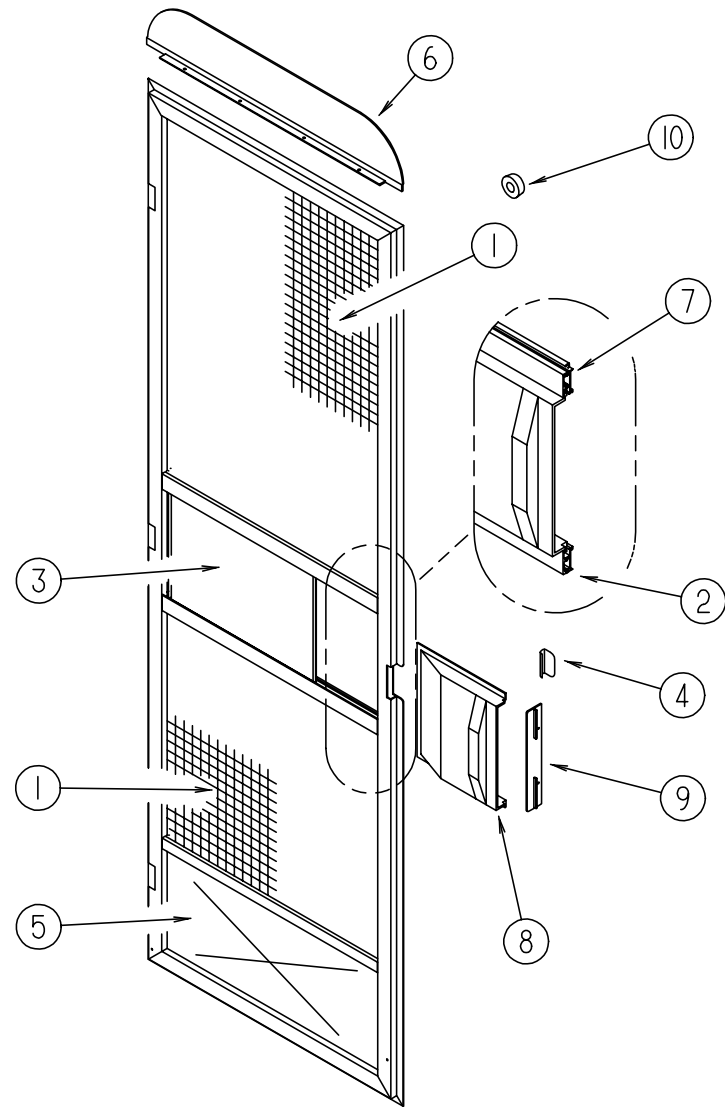


| KEY | PART NUMBER   | U/M DESCRIPTION  |
|-----|---------------|--|
| 1   | 115108-02-J05 | EA DOOR - ENTRY - W/SCREEN DOOR - W/O WINDOW (K16)           |
| 1   | 115108-02-H10 | EA DOOR - ENTRY - W/SCREEN DOOR - W/O WINDOW (K17)           |
| 1   | 115108-02-K18 | EA DOOR - ENTRY - W/SCREEN DOOR - W/O WINDOW (K18)           |
|     | 090340-01-000 | FT SEAL - FOAM - CLOSED CELL - 1/4" X 1/2" X 50'             |
| 2   | 121899-01-G04 | EA DOOR - SCREEN - W/O HARDWARE - BRIGHT WHITE               |
| 3   | 041546-07-000 | EA BRACKET - DOOR ANGLE - OFF WHITE                          |
| 4   | 044582-44-000 | EA CAP - DRIP - JAMB - BRIGHT WHITE                          |
| 5   | 121898-01-01A | EA JAMB - ENTRY DOOR   |
| 6   | 115222-02-01A | EA GARNISH - RADIUS - ENTRY DOOR                             |
| 7   | 077461-03-000 | EA COVER - STRIKE - ENTRY DOOR - 6.5" X 2.5" - WHITE PLASTIC |
| 8   | 100412-01-000 | EA CATCH - SCREEN DOOR                                       |
| 9   | 009126-03-000 | EA HANDLE - ASSIST - BLACK TEXTURED                          |
| 10  | 076725-02-000 | EA COVER - HINGE - ENTRY DOOR - 6" X 3.2" - OFF WHITE        |
| 11  | 102248-01-000 | EA SHIM - DOOR   |
| 12  | 104099-01-04A | EA CATCH - DOOR HOLDER - STRIKE - BRIGHT WHITE               |
| 13  | 104099-02-04A | EA CATCH - DOOR HOLDER - RETAINER - BRIGHT WHITE             |
| 14  | 038327-01-000 | EA TAPE - ANTI-SLIP - 2" X 60'                               |
| 15  | 106719-01-05A | EA HINGE - ENTRY DOOR - BRIGHT WHITE                         |
| 15  | 106719-01-01A | EA HINGE - ENTRANCE DOOR - MILL                              |
|     | 116111-02-01A | EA SCREW - TAPTITE - 1/4-20 X 3/8 PPH - ZINC                 |
|     | 039715-01-000 | EA NUT-SERT - 1/4" DIAMETER - 20 THREADS                     |

| KEY | PART NUMBER   | U/M DESCRIPTION   | VENDOR NO. |
|-----|---------------|---|------------|
| 16  | 051049-01-000 | EA JAMB - BOTTOM - ENTRY DOOR - 25.9" - UNPAINTED           |            |
| 17  | 121893-01-01A | EA FRAME - ENTRY DOOR/BOTTOM - BRIGHT WHITE                 |            |
| 18  | 121894-03-01A | EA FRAME - ENTRY DOOR                                       |            |
|     | 098173-01-04A | EA STIFFENER - ENTRY DOOR - SUPPORTS LATCH/STRIKE/UNPAINTED |            |
| 19  | 100128-02-000 | FT SEAL - FOAM/ADHESIVE BACK - .37" WIDE X .37" THICK       |            |
| 20  | 118929-01-01A | FT SEAL - PILE - PUSH ON                                    |            |
| 21  | 075671-04-000 | FT SEAL - SPONGE - LAZY T - W/ADHESIVE STRIP - .5" WIDE     |            |
| 22  | 104692-01-000 | EA SEAL - FOAM/ADHESIVE BACK - .75"THICK X .75"WIDE X 25'   |            |
| 23  | 101145-01-06A | EA DEADBOLT - ENTRY DOOR W/O SECURITY BOLT W/2 KEYS - BLACK |            |
|     | 101147-01-000 | EA BOLT - SECURITY - 4.12"                                  |            |
|     | 095229-01-700 | EA KEY-BLANK, DEADBOLT                                      | 81205-03   |
|     | 101145-01-701 | EA CYLINDER-LOCK ASM., W/KEY                                | 81306-03   |



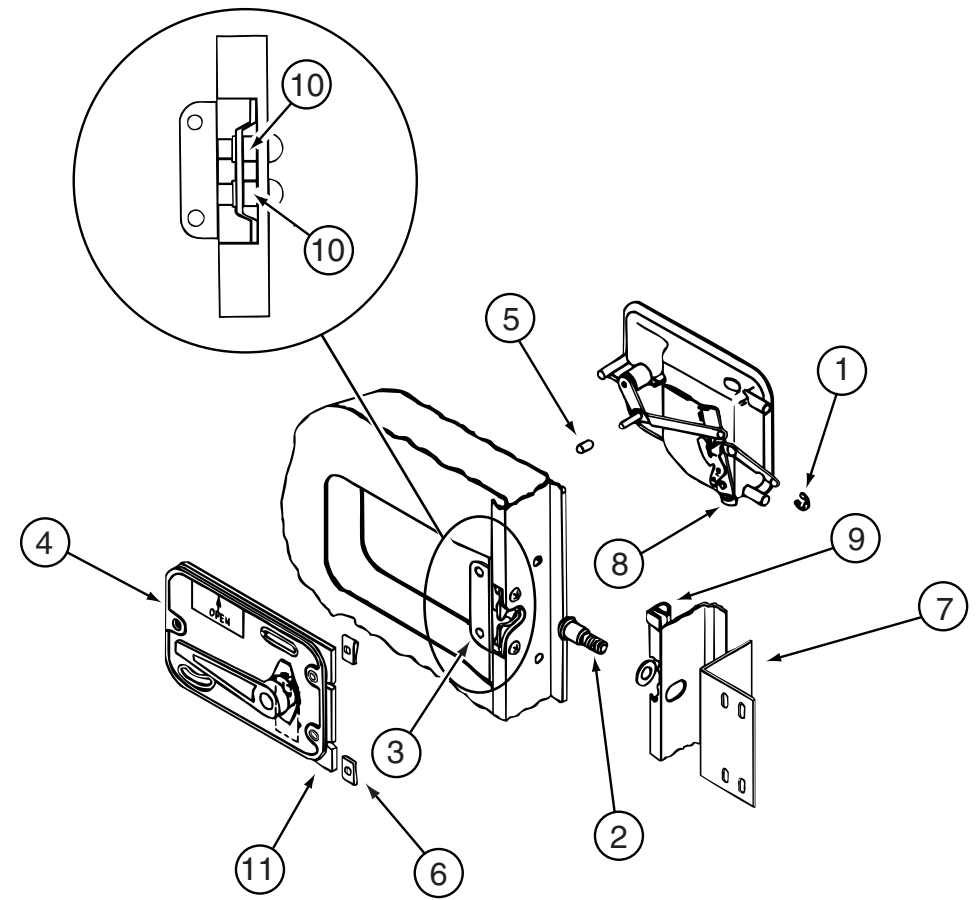
WINDOW, VENT & EXTERIOR DOOR GROUP (CONTINUED)



SCREEN DOOR

| KEY | PART NUMBER   | U/M DESCRIPTION   |
|-----|---------------|---|
|     | 121899-01-G04 | EA DOOR - SCREEN - W/O HARDWARE - BRIGHT WHITE          |
| 1   | 002293-02-000 | SF SCREENING - WINDOW/DOOR - 26" - CHARCOAL             |
| 2   | 002294-01-000 | FT SPLINE - SCREENING - .135" X .138"                   |
| 3   | 016454-01-000 | EA INSERT - CENTER - LEATHER GRAIN ALUMINUM - UNPAINTED |
|     | 001014-01-013 | EA INSERT - CENTER - 10.25" X 16.31" - UNPAINTED        |
| 4   | 050712-06-000 | EA HANDLE - SCREEN DOOR - BRIGHT WHITE                  |
| 5   | 078552-03-000 | EA KICK PANEL - SCREEN DOOR - LOWER INSERT - UNPAINTED  |
| 6   | 078595-01-000 | EA TOP PLATE - SCREEN DOOR - CURVED TOP - 4.7" X 25.35" |
| 7   | 078777-08-000 | FT CHANNEL - SLIDER                                     |
| 8   | 079086-03-000 | EA SLIDER - SCREEN DOOR - BRIGHT WHITE                  |
| 9   | 079087-03-000 | EA STRIKE - SLIDER - SCREEN DOOR - BRIGHT WHITE         |
| 10  | 120863-02-000 | EA BUMPER - RUBBER - 1" DIAMETER X 1.50"                |
|     | 075673-01-000 | FT SEAL - PILE - ADHESIVE BACK - GRAY                   |
|     | 075673-05-000 | FT SEAL - PILE - ADHESIVE BACK - BLACK                  |

WINDOW, VENT & EXTERIOR DOOR GROUP (CONTINUED)

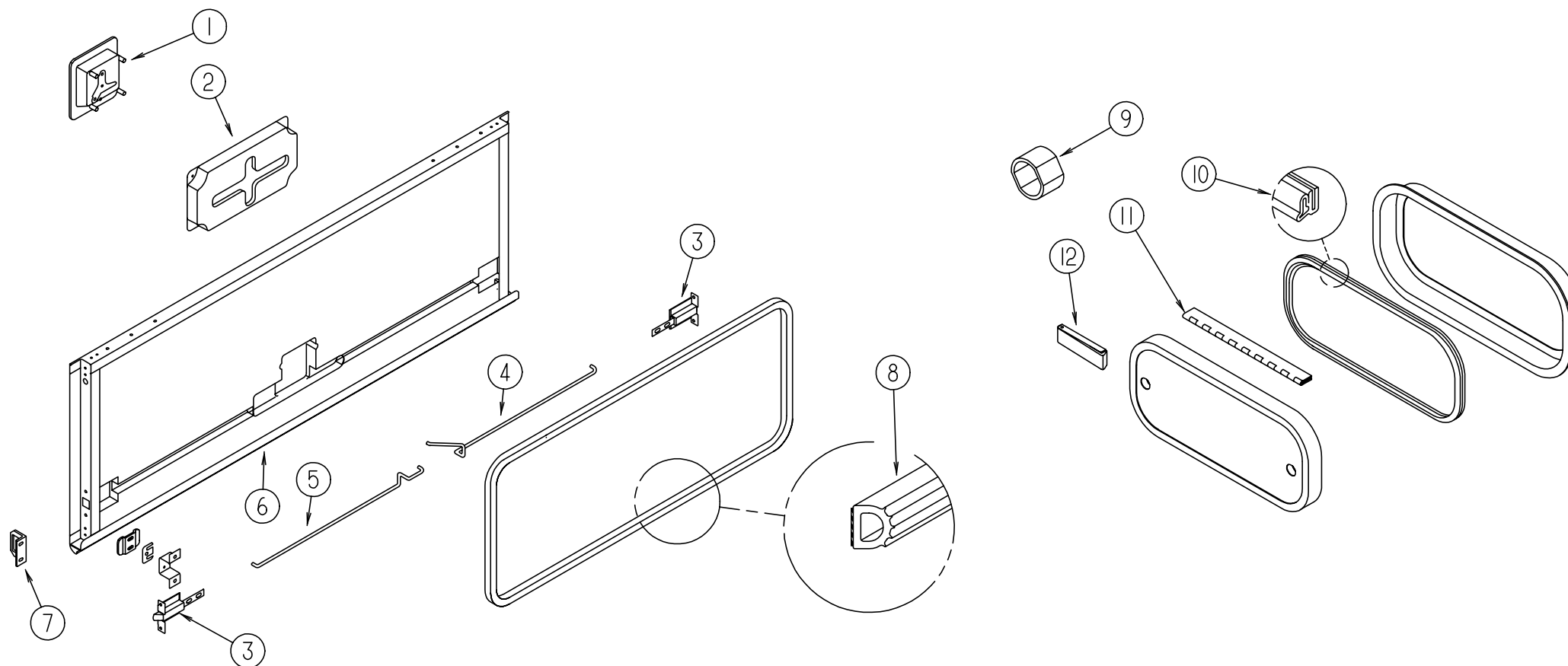


ENTRY DOOR LOCK INSTALLATION

| KEY | PART NUMBER   | U/M DESCRIPTION  | VENDOR NO. |
|-----|---------------|--|------------|
| 1   | 036618-02-000 | EA E-RING - EXTERNAL - 3/16" SHAFT DIAMETER - LYNOR DOOR LOCK  |            |
| 2   | 039539-01-000 | EA STRIKE - LOCK - ENTRY DOOR - ROUND W/THREADED WASHER        |            |
| 3   | 039540-01-000 | EA LATCH MECHANISM - HOOK - ENTRY DOOR - INTERIOR              |            |
| 4   | 039979-06-000 | EA COVER - LATCH PLATE - RIGHT HAND - BLACK TEXTURED           |            |
| 5   | 039984-01-000 | EA CAP - ROUND - VINYL - .28" ID X .62" - BLACK                |            |
| 6   | 040921-01-000 | EA NUT - SPEED - U TYPE - 10-24 BLACK                          |            |
| 7   | 041546-07-000 | EA BRACKET - DOOR ANGLE - OFF WHITE                            |            |
| 8   | 045017-13-000 | EA LATCH - ENTRY DOOR - BLACK TEXTURED                         |            |
|     | 045017-11-703 | EA CYLINDER-LOCK ASM. W/KEYS                                   | 81266-09   |
|     | 045017-11-701 | EA KEY - BLANK (F1 SERIES) "K-104" - DOOR LOCK (TM 200 - 250)  |            |
|     | 130444-01-01A | EA CAP - KEY IDENTIFIER - GRAY                                 |            |
| 9   | 064075-07-000 | FT SEAL - BULB - W/WIRED U CHANNEL - .3" X .5" CHANNEL - BLACK |            |
| 10  | 086285-05-000 | EA SPACER - NYLON - .7" X .56"                                 |            |
| 11  | 096810-01-01A | EA PLATE - LATCH - ENTRY DOOR - BLACK                          |            |

# WINDOW, VENT & EXTERIOR DOOR GROUP (CONTINUED)

## EXTERIOR ACCESS DOOR COMPONENTS



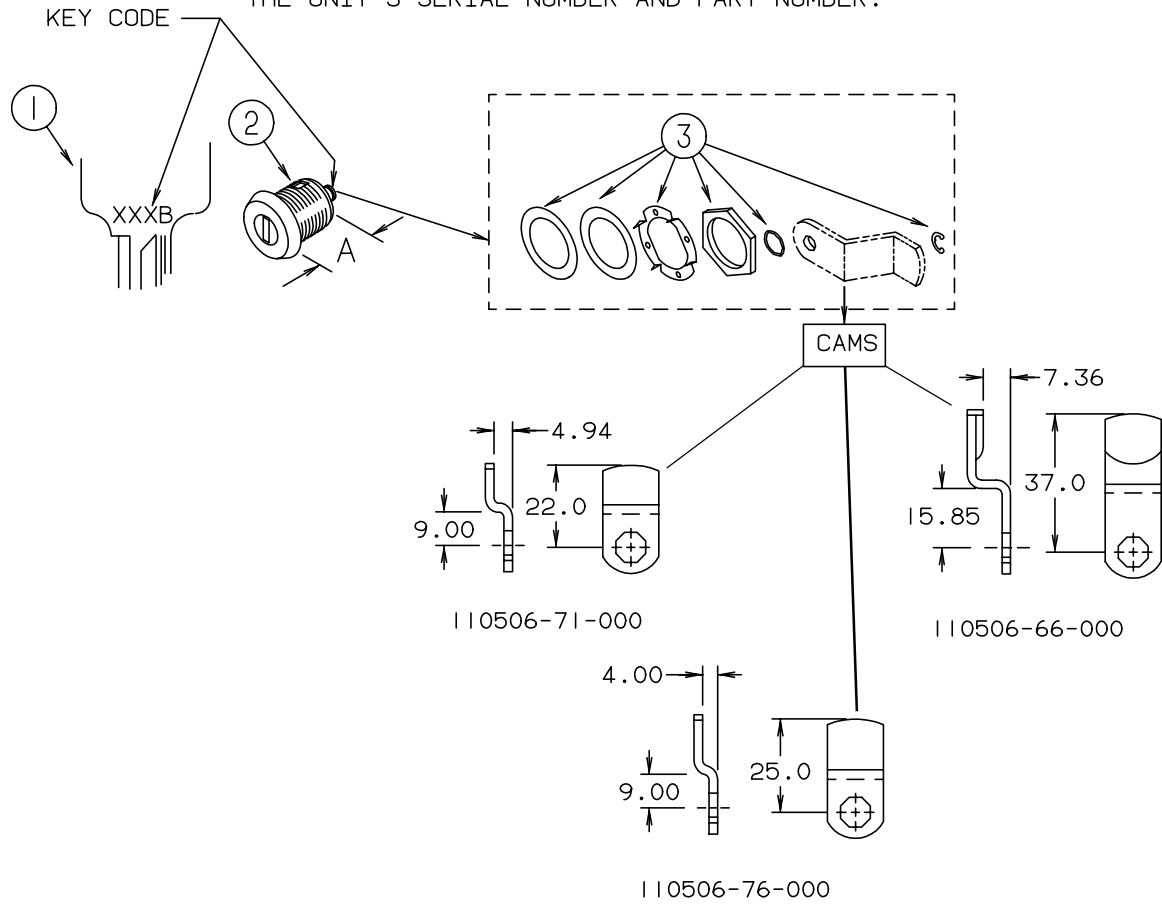
| KEY | PART NUMBER   | U/M DESCRIPTION  |
|-----|---------------|--|
| 1   | 112949-01-03A | EA LATCH - PADDLE W/LOCK - W/O KEY - BRIGHT WHITE        |
|     | 112949-03-000 | EA KEY - TRI-MARK #TM500                                 |
| 1   | 112949-02-04A | EA LATCH - PADDLE NON-LOCKING - BRIGHT WHITE             |
| 2   | 122277-02-01A | EA COVER - LATCH - BLACK                                 |
|     | 123892-10-02B | EA CORNER STABILIZER W/BALL STUD - RIGHT HAND - E-COATED |
|     | 123892-12-02B | EA CORNER STABILIZER W/BALL STUD - LEFT HAND - E-COATED  |
| 3   | 121947-01-01A | EA BOLT - SLIDE W/PLASTIC PLUNGER                        |
| 4   | 122269-07-000 | EA ROD - LATCH - 16.63"                                  |
| 4   | 122269-11-000 | EA ROD - LATCH - 24.71"                                  |
| 4   | 122269-12-000 | EA ROD - LATCH - 22.28"                                  |
| 4   | 122269-13-000 | EA ROD - LATCH - 4.46"                                   |
| 4   | 122269-14-000 | EA ROD - LATCH - 9.63"                                   |
| 4   | 122269-16-000 | EA ROD - LATCH - 8.96"                                   |
| 4   | 122269-26-000 | EA ROD - LATCH - 17.89"                                  |
| 4   | 122269-38-000 | EA ROD - LATCH - 12.41"                                  |
| 5   | 122268-07-000 | EA ROD - LATCH - 16.63"                                  |
| 5   | 122268-11-000 | EA ROD - LATCH - 24.71"                                  |
| 5   | 122268-12-000 | EA ROD - LATCH - 22.28"                                  |
| 5   | 122268-13-000 | EA ROD - LATCH - 4.46"                                   |
| 5   | 122268-14-000 | EA ROD - LATCH - 9.63"                                   |
| 5   | 122268-16-000 | EA ROD - LATCH - 8.96"                                   |
| 5   | 122268-26-000 | EA ROD - LATCH - 17.89"                                  |
| 5   | 122268-38-000 | EA ROD - LATCH - 12.41"                                  |

| KEY | PART NUMBER   | U/M DESCRIPTION   |
|-----|---------------|---|
| 6   | 122613-55-001 | EA ROCKER PANEL/EXTRUSION - 192" - BRIGHT WHITE               |
| 7   | 123783-01-01A | EA STRIKER - DOOR - MILL                                      |
|     |               | FROM: 00-00-00 THRU: 02-01-99                                 |
| 8   | 130053-01-01A | EA STRIKER - LUGGAGE DOOR - FLUSH - BLACK                     |
|     |               | FROM: 02-02-99 THRU: 99-99-99                                 |
| 8   | 130053-02-01A | EA STRIKER - LUGGAGE DOOR - OFF SET - BLACK                   |
|     |               | FROM: 02-02-99 THRU: 99-99-99                                 |
|     | 120494-03-02B | EA SHIM - STRIKER - LUGGAGE DOOR - E-COATED                   |
| 8   | 107721-07-000 | FT SEAL - ACCESS DOOR   |
| 9   | 107997-51-001 | EA SPACER - DOOR LOCK - .6" DEEP                              |
| 9   | 107997-51-002 | EA EXTRUDED - SPACER - 16"                                    |
| 10  | 106850-02-000 | FT SEAL-E - SPONGE RUBBER - .43" X .75"                       |
| 11  | 081801-V3-000 | EA HINGE - ALUMINUM - 2" X 96" - BRIGHT WHITE                 |
| 11  | 115476-11-01A | EA HINGE - CONTINUOUS - W/HOLES - BRIGHT WHITE                |
| 12  | 102768-01-000 | EA HOLDER - COMPARTMENT/ENTRY DOOR - METAL - MILL FINISH      |
|     | 068559-01-001 | EA EXTRUDED - ANGLE - 1" X .9" X 192"                         |
|     | 076767-01-000 | EA CABLE - STEEL - 12"  |
|     | 107865-21-000 | EA ROD - SUPPORT - VALANCE PANEL - 23.3"                      |
|     | 123512-01-02B | EA BRACKET - VALANCE DOOR - E-COATED                          |
|     | 116424-01-000 | EA PROTECTOR - LATCH - WATER HEATER                           |
|     | 119143-02-02A | EA SPACER/CENTER HINGE - COMPARTMENT DOOR - BRIGHT WHITE - 2" |
|     | 120863-01-000 | EA BUMPER - RUBBER - 1 1/4" X 1 1/4"                          |
|     | 120863-05-000 | EA BUMPER - RUBBER - 3/4" X 3/8"                              |
|     | 122614-55-001 | EA H-CHANNEL/EXTRUSION - 192" - BRIGHT WHITE                  |
|     | 122612-55-001 | EA U-CHANNEL/EXTRUSION - 192" - BRIGHT WHITE                  |
|     | 126694-55-001 | EA EXTRUSION - U-CHANNEL/HINGED - 191.7" - BRIGHT WHITE       |
|     | 128298-01-12B | EA CATCH - F/LOCK - COMPARTMENT DOORS                         |

# WINDOW, VENT & EXTERIOR DOOR GROUP (CONTINUED)

## BRIGGS & STRATTON LOCKS & COMPONENTS

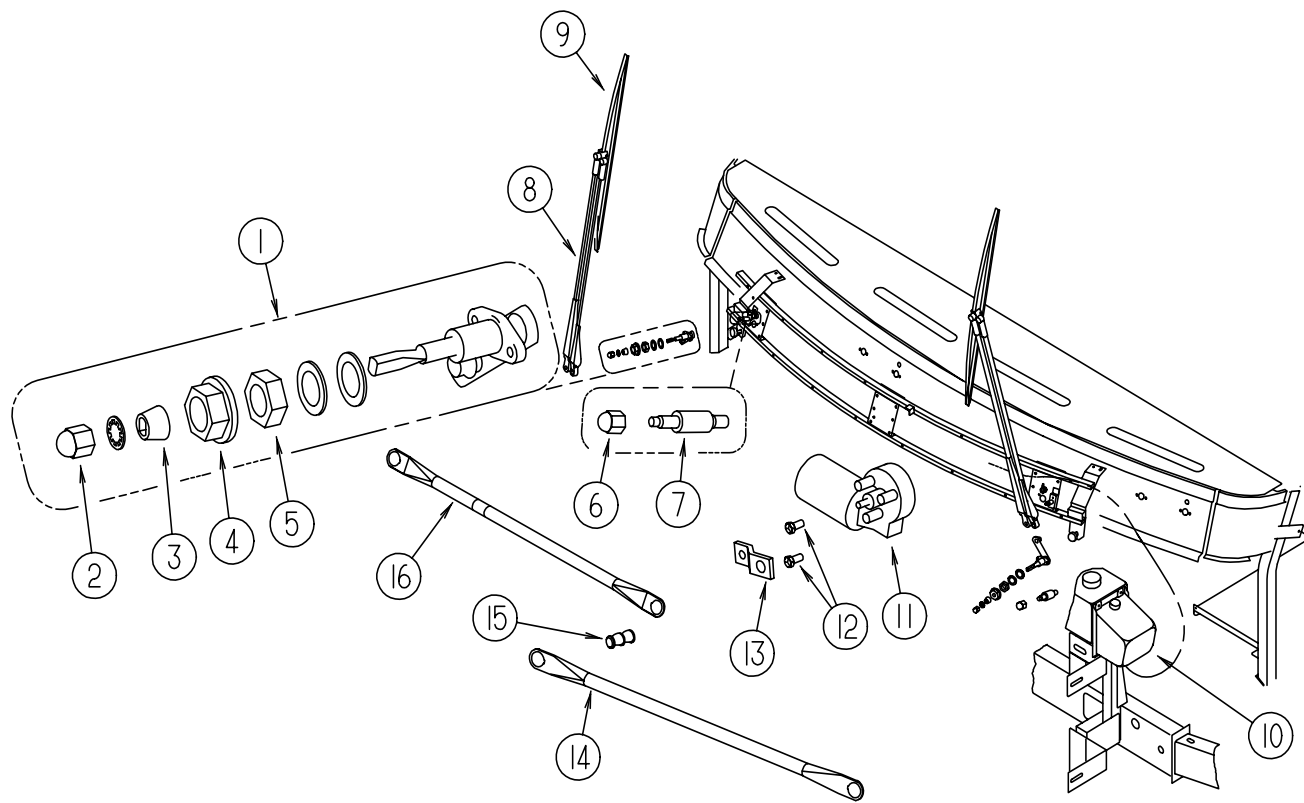
NOTE:  
WHEN ORDERING THE LOCK CASE, THE KEY CODE MUST MATCH THE LAST DIGIT OF THE UNIT'S SERIAL NUMBER AND PART NUMBER; WHEN ORDERING THE KEYS, THE THIRD DIGIT OF THE KEY CODE MUST MATCH THE LAST DIGIT OF THE UNIT'S SERIAL NUMBER AND PART NUMBER.



| KEY | PART NUMBER   | U/M | DESCRIPTION                                     | VENDOR NO. |
|-----|---------------|-----|---|------------|
| 1   | 110506-59-000 | EA  | KEYS - SET OF TWO                               | 596720     |
| 2   | 110506-52-000 | EA  | CASE/CYLINDER - LOCKING W/O CAM - .65"          | 702370     |
| 2   | 110506-54-000 | EA  | CASE/CYLINDER - LOCKING W/O CAM OR KEY - 1 1/4" | 703170     |
| 1   | 110506-59-001 | EA  | KEYS - SET OF TWO                               | 596721     |
| 2   | 110506-52-001 | EA  | CASE/CYLINDER - LOCKING W/O CAM - .65"          | 702371     |
| 2   | 110506-54-001 | EA  | CASE/CYLINDER - LOCKING W/O CAM OR KEY - 1 1/4" | 703171     |
| 1   | 110506-59-002 | EA  | KEYS - SET OF TWO                               | 596722     |
| 2   | 110506-52-002 | EA  | CASE/CYLINDER - LOCKING W/O CAM - .65"          | 702372     |
| 2   | 110506-54-002 | EA  | CASE/CYLINDER - LOCKING W/O CAM OR KEY - 1 1/4" | 703172     |
| 1   | 110506-59-003 | EA  | KEYS - SET OF TWO                               | 596723     |
| 2   | 110506-52-003 | EA  | CASE/CYLINDER - LOCKING W/O CAM - .65"          | 702373     |
| 2   | 110506-54-003 | EA  | CASE/CYLINDER - LOCKING W/O CAM OR KEY - 1 1/4" | 703173     |
| 1   | 110506-59-004 | EA  | KEYS - SET OF TWO                               | 596724     |
| 2   | 110506-52-004 | EA  | CASE/CYLINDER - LOCKING W/O CAM - .65"          | 702374     |
| 2   | 110506-54-004 | EA  | CASE/CYLINDER - LOCKING W/O CAM OR KEY - 1 1/4" | 703174     |
| 1   | 110506-59-005 | EA  | KEYS - SET OF TWO                               | 596725     |
| 2   | 110506-52-005 | EA  | CASE/CYLINDER - LOCKING W/O CAM - .65"          | 702375     |
| 2   | 110506-54-005 | EA  | CASE/CYLINDER - LOCKING W/O CAM OR KEY - 1 1/4" | 703175     |
| 1   | 110506-59-006 | EA  | KEYS - SET OF TWO                               | 596726     |
| 2   | 110506-52-006 | EA  | CASE/CYLINDER - LOCKING W/O CAM - .65"          | 702376     |
| 2   | 110506-54-006 | EA  | CASE/CYLINDER - LOCKING W/O CAM OR KEY - 1 1/4" | 703176     |
| 1   | 110506-59-007 | EA  | KEYS - SET OF TWO                               | 596727     |
| 2   | 110506-52-007 | EA  | CASE/CYLINDER - LOCKING W/O CAM - .65"          | 702377     |
| 2   | 110506-54-007 | EA  | CASE/CYLINDER - LOCKING W/O CAM OR KEY - 1 1/4" | 703177     |
| 1   | 110506-59-008 | EA  | KEYS - SET OF TWO                               | 596728     |
| 2   | 110506-52-008 | EA  | CASE/CYLINDER - LOCKING W/O CAM - .65"          | 702378     |
| 2   | 110506-54-008 | EA  | CASE/CYLINDER - LOCKING W/O CAM OR KEY - 1 1/4" | 703178     |
| 1   | 110506-59-009 | EA  | KEYS - SET OF TWO                               | 596729     |
| 2   | 110506-52-009 | EA  | CASE/CYLINDER - LOCKING W/O CAM - .65"          | 702379     |
| 2   | 110506-54-009 | EA  | CASE/CYLINDER - LOCKING W/O CAM OR KEY - 1 1/4" | 703179     |
| 3   | 110506-40-700 | EA  | HARDWARE PACKAGE-CYLINDER/CASE                  | 596950AAL  |
|     | 110506-59-701 | EA  | KEY BLANK (GOLD)                                | 596728     |

# WINDSHIELD & WIPER GROUP

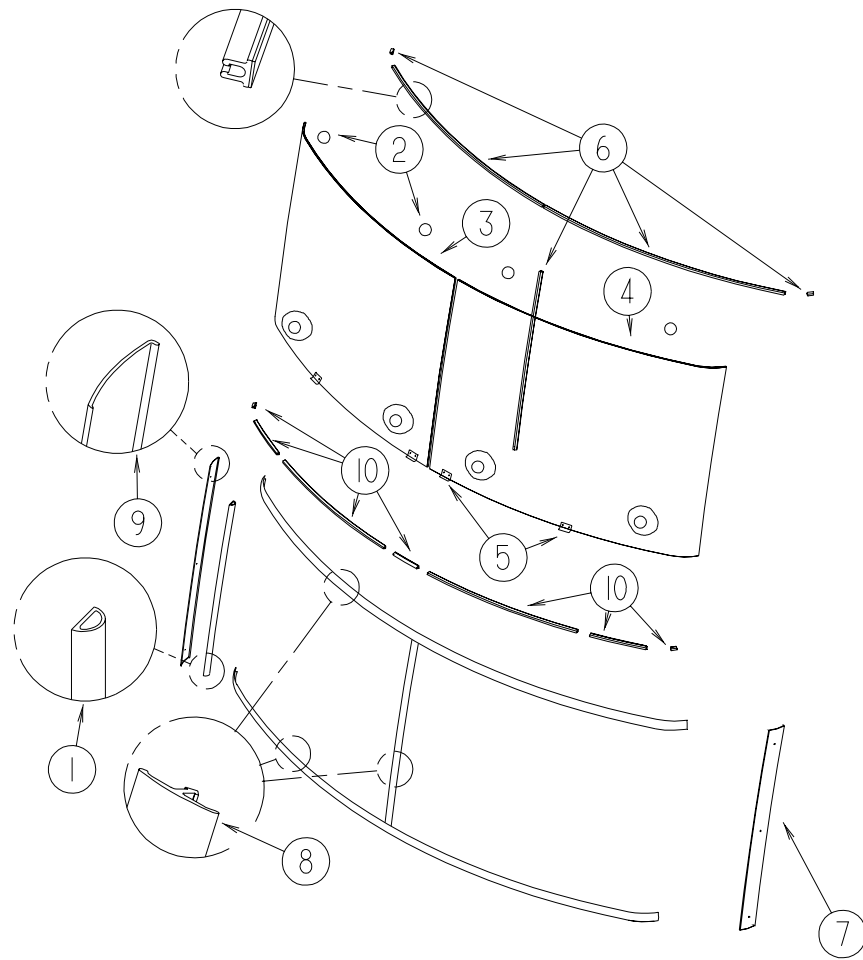
## WIPER & WASHER COMPONENTS



| KEY | PART NUMBER   | U/M | DESCRIPTION  | VENDOR NO.      |
|-----|---------------|-----|--|-----------------|
| 1   | 096505-09-000 | EA  | SHAFT/PIVOT - WINDSHIELD WIPER                                     |                 |
| 2   | 096505-02-703 | EA  | CAP-NUT(ACORN) HD W/.687 BRL                                       | 51065-40-NT27WC |
| 3   | 096505-02-700 | EA  | DRIVER-KNURLED,(HD) BRL .687                                       | NT721017        |
| 4   | 096505-02-702 | EA  | CAP-RUBBER (HD) BARREL .687  | CP721084        |
| 5   | 096505-02-701 | EA  | NUT-HEX (HD) W/.687 BARREL   | NT721021        |
| 6   | 077049-02-000 | EA  | NUT - ACORN - 10-32 BLACK/ANODIZED                                 |                 |
| 7   | 117768-01-000 | EA  | SHAFT - ADAPTER - PANTOGRAPH ARM                                   |                 |
| 8   | 117769-01-000 | EA  | ARM - WIPER - PANTOGRAPH - 28"                                     |                 |
|     | 096931-01-700 | FT  | HOSE-WIPER   | XTU-66-0001     |
|     | 096931-01-701 | EA  | NOZZLE-HARDWARE KIT  |                 |
| 9   | 095964-01-000 | EA  | BLADE - WINDSHIELD WIPER - 24"                                     |                 |
|     | 095964-01-700 | EA  | BLADE-REFILL 24" EA= 1 PAIR  | 12360           |
| 10  | 117766-02-000 | EA  | RESERVOIR/PUMP - WINDSHIELD WASHER                                 |                 |
|     | 045794-01-000 | FT  | HOSE - WASHER - WINDSHIELD - 5/32" ID - BLACK                      |                 |
|     | 110605-01-000 | EA  | TEE - PLASTIC - BARBED - 1/8" X 1/8" X 3/16"                       |                 |
|     | 117765-03-000 | EA  | CONNECTOR - 5/32" - WINDSHIELD WASHER                              |                 |
| 11  | 104346-05-000 | EA  | WIPER MOTOR - W/INTERNAL BREAKER - DYNAMIC PARK - FORD             |                 |
| 11  | 104346-04-000 | EA  | WIPER MOTOR - "COAST TO PARK" W/BKR - W/GRN/RED/WHITE WIRE - CHEVY |                 |
| 12  | 117322-01-000 | EA  | SCREW - 1/4-28 UNFINISHED - 2A - TORX                              |                 |
| 13  | 104347-04-000 | EA  | ARM - DRIVE - WIPER MOTOR  |                 |
| 14  | 117770-01-000 | EA  | LINK - CONNECTING - 24" - CLOSED GROMMET/OPEN GROMMET              |                 |
| 15  | 067188-01-000 | EA  | STUD - CRANK - WIPER MOTOR   |                 |
| 16  | 117770-02-000 | EA  | LINK - CONNECTING - 24" - CLOSED GROMMET/CLOSED GROMMET            |                 |
|     | 061603-01-000 | EA  | GROMMET - SNAP - 3/16"ID - 3/8" HOLE - PLASTIC BLACK               |                 |
|     | 110742-02-000 | EA  | GASKET - NEOPRENE - WIPER ADAPTER SHAFT - .5" X .9" OD             |                 |

# WINDSHIELD & WIPER GROUP (CONTINUED)

## WINDSHIELD MOLDINGS & GLASS



| KEY | PART NUMBER   | U/M | DESCRIPTION  |
|-----|---------------|-----|--|
| 1   | 099418-01-000 | FT  | SEAL - D-SECTION/ADHESIVE BACK - .44" X .44"- BLK RUBBER |
| 2   | 081914-01-000 | EA  | BUMPER - RUBBER - ROUND - .43" DIAMETER                  |
| 3   | 124973-01-000 | EA  | GLASS - WINDSHIELD - RIGHT HAND                          |
| 4   | 124973-02-000 | EA  | GLASS - WINDSHIELD - LEFT HAND                           |
| 5   | 002328-02-000 | EA  | BLOCK - WINDSHIELD - .062" X .5" X .98"                  |
| 6   | 127862-01-000 | EA  | CARRIER - REVEAL - WINDSHIELD - 47.2"                    |
| 7   | 125384-06-02A | EA  | TRIM - WINDSHIELD - A-PILLAR - DRIVER                    |
| 8   | 120533-01-000 | FT  | MOLDING - REVEAL - WINDSHIELD                            |
| 9   | 125384-05-02A | EA  | TRIM - WINDSHIELD - A-PILLAR - PASSENGER                 |
| 10  | 117335-01-000 | EA  | CARRIER/REVEAL - 94.6" W/ADHESIVE BACKING                |