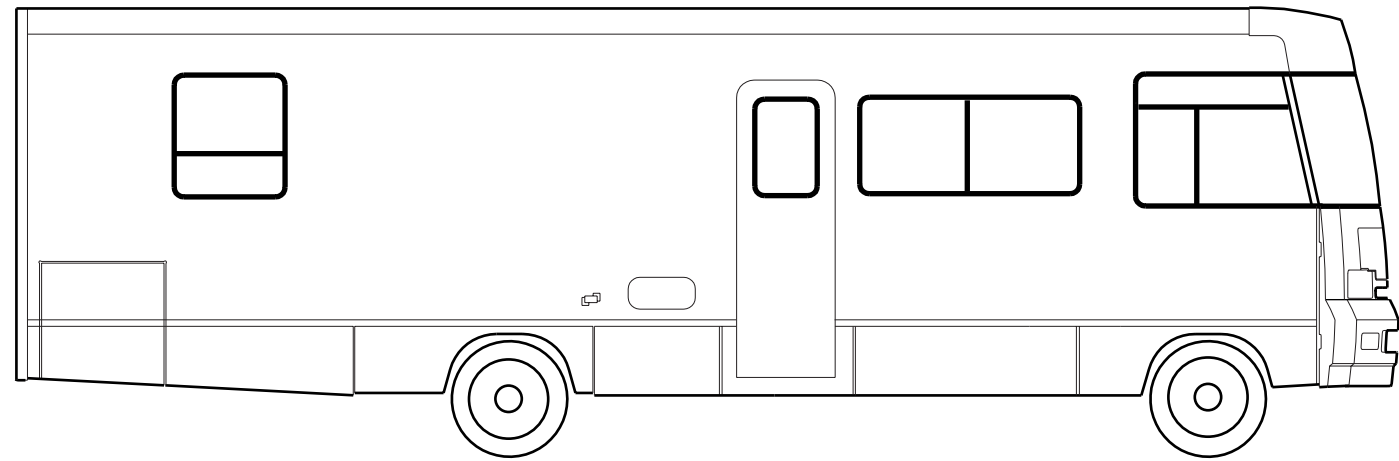


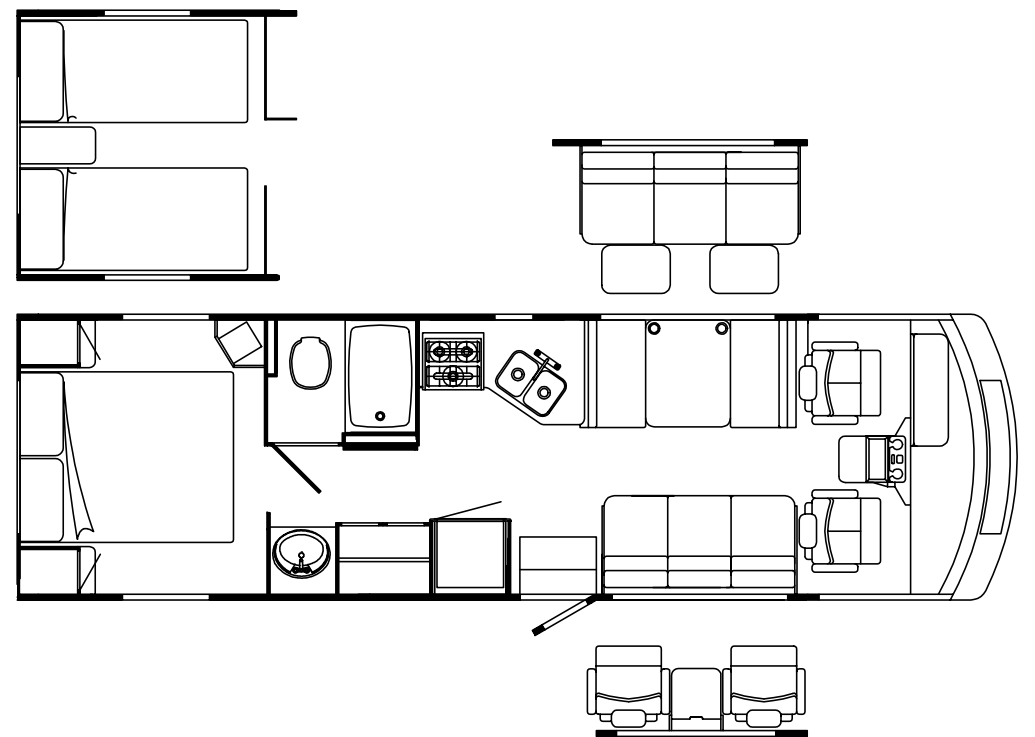
1999
WCF29A



K16
SANDPIPER (TAN)

K17
HORIZON (BLUE)

K18
MEADOWBROOK (GREEN)



ACCESSORIES GROUP

OPERATOR MANUAL

KEY	PART NUMBER	U/M DESCRIPTION
	054185-K3-000	EA MANUAL-OPERATOR 1999 BRAVE - F SERIES
	129079-01-01A	EA CASE - VINYL/BLACK-EXPANDABLE ACCORDION SIDES-7"WX9"HX14"L
	128992-01-000	DW TOP LEVEL-F, 1999

AUDIO VIDEO GROUP

PATIO ENTERTAINMENT CENTER

KEY	PART NUMBER	U/M DESCRIPTION
	076319-09-000	EA WALLPLATE - CABLE RECEPTACLE - TV - SINGLE - BROWN
	108847-01-000	EA BRACKET - ANTENNA GROUND
	109889-04-000	EA EXTENDER - ANTENNA SHAFT - 3"
	110469-01-000	EA SPEAKER - 4" X 6" OVAL - COAXIAL
	110470-01-01A	EA GRILLE - 4" X 6" OVAL - BLACK
	125322-02-000	EA RADIO - AM/FM STEREO - CASSETTE - AUDIOVOX

RADIO SYSTEM & ANTENNA

KEY	PART NUMBER	U/M DESCRIPTION	VENDOR NO.
	127516-03-000	EA RADIO - AM/FM STEREO - CD PLAYER - PANASONIC	
	127516-03-700	EA FACE - REMOVABLE	YEP0FX3300
	110267-04-000	EA RADIO - AM/FM STEREO/CD COMPATIBLE - AUDIOVOX	
	077069-02-000	EA CABLE - ANTENNA/EXTENSION - RADIO - 96"	
	090944-01-000	EA ANTENNA - RADIO - 16" RUBBER	
	115916-01-01B	EA BRACKET - ANTENNA MOUNT	
	110469-01-000	EA SPEAKER - 4" X 6" OVAL - COAXIAL	
	110470-01-01A	EA GRILLE - 4" X 6" OVAL - BLACK	
	N/A	EA SPEAKER - 5" X 7" OVAL MUST ORDER P.N.#F2UF-18814-CD FROM YOUR LOCAL FORD DEALER	
	111177-01-01A	EA GRILLE - SPEAKER - 6.6" X 8.9" - HOUSING 5" X 7" SPEAKER	

TV, VCR & COMPONENTS

KEY	PART NUMBER	U/M DESCRIPTION	VENDOR NO.
	126696-02-000	EA TV - 19" COLOR W/1/8" JACK - UL/CSA - GE19GT319M	FROM: 00-00-00 THRU: 06-09-99 226725/228006
	126696-01-700	EA REMOTE	
	126696-03-000	EA TV - 19" - 7/8" JACK - UL/CSA	FROM: 06-10-99 THRU: 99-99-99
	126697-02-000	EA VCR-VHS - CABLE READY - W/REMOTE - GE VG2042	FROM: 00-00-00 THRU: 04-04-99 238513
	126697-02-700	EA REMOTE	
	126697-03-000	EA VCR-VHS - CABLE READY - REMOTE - GE V62051	FROM: 04-05-99 THRU: 99-99-99
	086757-03-000	EA CONTROL CENTER - SWITCH - VCR/TV	FROM: 00-00-00 THRU: 11-08-98
	086757-04-000	EA CONTROL CENTER - SWITCH - VCR/TV - 5 INPUTS	FROM: 11-09-98 THRU: 99-99-99
	086777-06-000	EA WALLPLATE - TV CABLE - ANTENNA BOOSTER/1 OUTPUT - BROWN	
	093901-03-000	EA PLATE - TV COAX - EXTERIOR - 1.8" X 2.5"	
	093214-01-02A	EA GRILLE - SPEAKER - 4" BROWN	
	098819-01-000	EA SPEAKER - 4" - 2 WATT - 8 OHM	
	076319-09-000	EA WALLPLATE - CABLE RECEPTACLE - TV - SINGLE - BROWN	
	086777-02-000	EA WALLPLATE - TV CABLE - W/ANTENNA SWITCH - BROWN	
	093901-03-000	EA PLATE - TV COAX - EXTERIOR - 1.8" X 2.5"	
	076319-03-000	FT CABLE - COAXIAL - 75 OHM	
	076319-12-000	EA CONNECTOR - COAXIAL - ONE PIECE	
	082134-01-000	EA ADAPTER - TV - CABLE TO CABLE	
	086756-01-000	EA SPLITTER - TV - 2 WAY	
	082136-01-000	EA NUT - HEX JAM - 3/8-32	

AUDIO VIDEO GROUP (CONTINUED)

REAR MONITOR SYSTEM

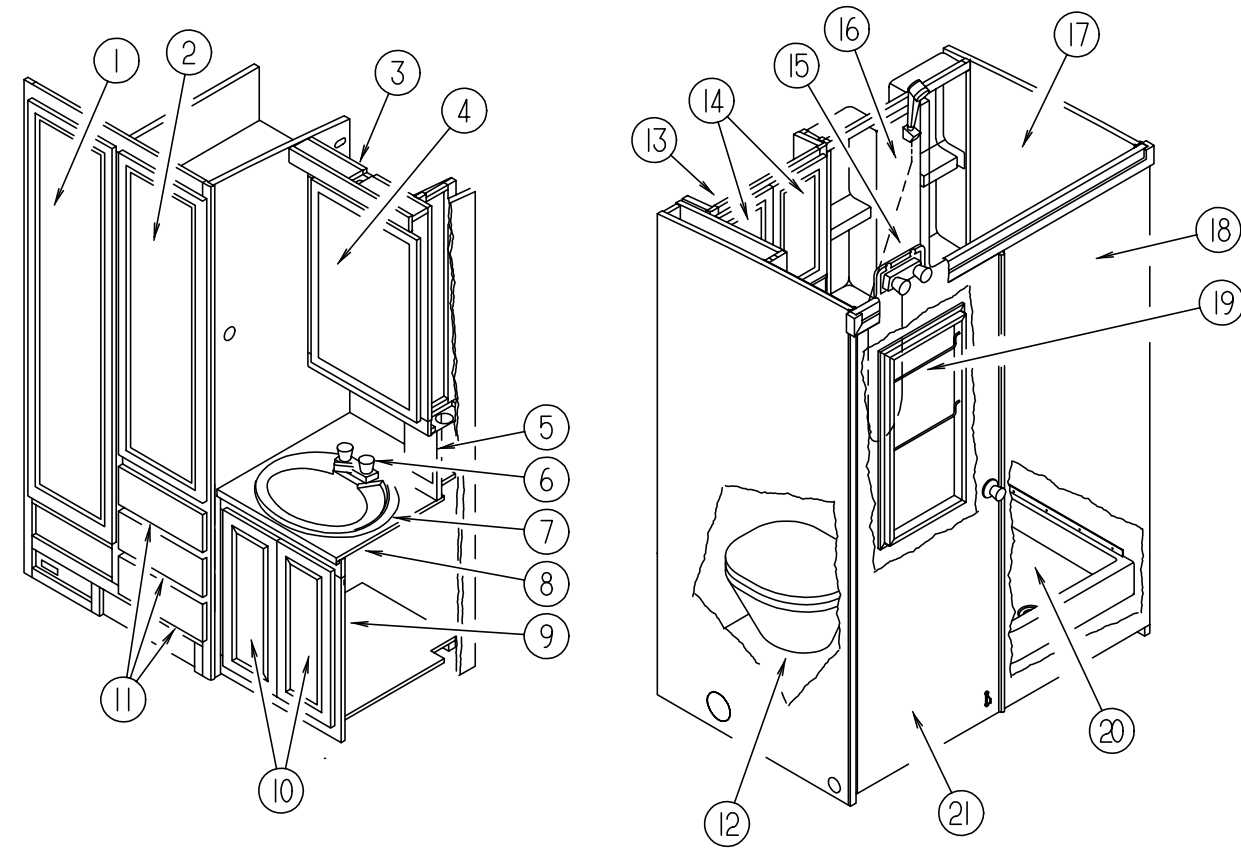
KEY	PART NUMBER	U/M DESCRIPTION
	126838-01-000	EA MONITOR/CAMERA - REAR VIEW 7"
	126838-01-700	EA MONITOR - 7" VIDEOMAN
	126838-01-701	EA CAMERA VIDEOMAN
	126838-03-000	EA CABLE - MONITOR/CAMERA
	108885-02-000	EA WIRE - REAR MONITOR(W/3 PIN HOUSING F/FUSE BLOCK) CHEVY

WINEGARD TV ANTENNA

KEY	PART NUMBER	U/M DESCRIPTION
*	076319-23-000	EA ANTENNA - TV ROOF MOUNT - 44.5" MAST
*	076319-25-000	EA KIT - HARDWARE INTERIOR

*COMPONENT PARTS FOUND IN SERVICE PARTS LIBRARY

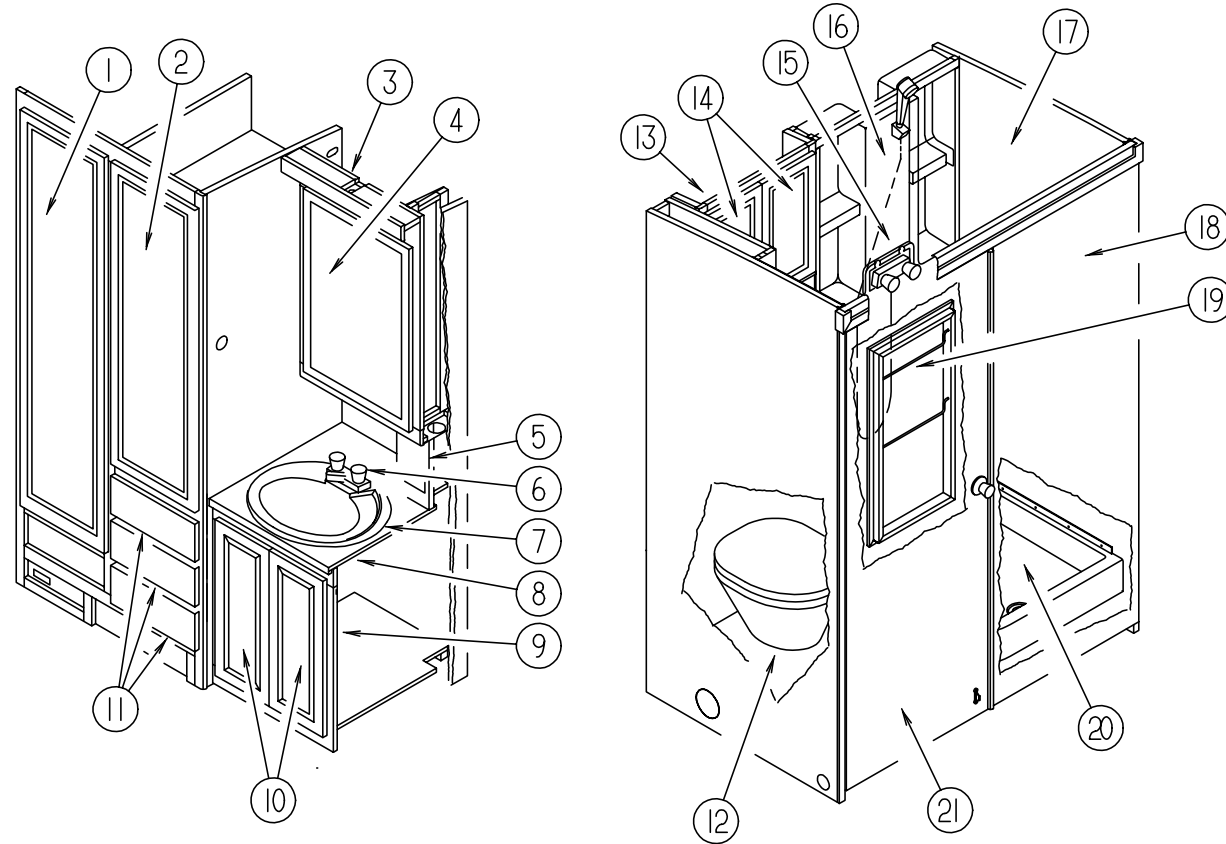
BATH GROUP BATHROOM CABINET & COMPONENTS



KEY	PART NUMBER	U/M DESCRIPTION
1	M06803-11-J01	EA DOOR - MIRROR/MTRD CRNR/OGEE EDGE - 16.1" X 65.3"-W/O HDW
2	M06803-CR-K16	EA DOOR - MITERED CORNER/OGEE EDGE - 16.7" X 48" - W/O HDW
	058331-A3-000	EA MIRROR - SAFETY GLASS - 13.4" X 44.7"
3	127269-01-J15	EA CABINET - OVERHEAD/MEDICINE - W/O DOORS/HARDWARE
	127269-12-J15	EA SHELF - W/PLASTIC EDGE TRIM
3	111086-01-G09	EA CABINET - MEDICINE - W/O DOORS/HARDWARE COMFORT AND CONVENIENCE PACKAGE
4	115237-01-G01	EA DOOR - MIRRORED/MEDICINE CABINET - 19.7" X 29.5" - W/O HDW
	093606-18-000	EA MIRROR - BEVELED PANEL - 19.7" X 29.5"
5	111087-01-K16	EA CABINET - PIPE COVER - W/O DOORS/HARDWARE
	075454-02-000	EA RING - TOWEL - W/MOUNTING HARDWARE - BRASS
6	075240-06-000	EA FAUCET - LAVATORY/BONE
	091253-01-000	EA GASKET - FAUCET - LAVATORY/GALLEY
	105218-01-01A	EA SPACER - FAUCET/LAVATORY SINK - 2" X 5.9" - ABS PLASTIC
7	105921-01-01A	EA SINK - LAVATORY - LARGE/OVAL - 17" X 20" PLASTIC/OFF WHITE
	106116-01-01A	EA STRAINER - SINK-W/STOPPER/TAILPIECE/GASKET & NUT - PLASTIC
8	127328-11-J46	EA COUNTERTOP - LAVATORY (K16)
8	127328-11-K17	EA COUNTERTOP - LAVATORY (K17)
8	127328-11-K18	EA COUNTERTOP - LAVATORY (K18)
9	127328-01-K16	EA CABINET - LAVATORY - W/COUNTERTOP - W/O DOORS/DRAWERS/HDW
9	127328-01-K17	EA CABINET - LAVATORY - W/COUNTERTOP - W/O DOORS/DRAWERS/HDW
9	127328-01-K18	EA CABINET - LAVATORY - W/COUNTERTOP - W/O DOORS/DRAWERS/HDW

BATH GROUP

BATHROOM CABINET & COMPONENTS (CONTINUED)



KEY	PART NUMBER	U/M	DESCRIPTION	VENDOR NO.
10	M05992-H0-J01	EA	DOOR - STRAIGHT CORNER/OGEE EDGE - 10" X 25.2" - W/O HDW	
	M05992-H1-J01	EA	DOOR - STRAIGHT CORNER/OGEE EDGE - 10" X 25.2" - W/O HDW	
11	M05971-KN-J15	EA	DRAWER - OGEE EDGE - 13.8"W X 23.6"D - W/O SLIDES/HARDWARE	
12*	067487-01-000	EA	TOILET - 12.37" - IVORY - HAND FLUSH	
13	111190-01-G09	EA	CABINET - LINEN - W/O DOORS/HARDWARE	
	111190-11-G09	EA	SHELF - W/PLASTIC EDGE TRIM	
14	M09332-25-K16	EA	DOOR - RAISED MEMBRANE/OGEE EDGE - 10" X 19.1" - W/O HDW	
15	075242-04-000	EA	FAUCET - TUB/SHOWER - BONE	
	075606-01-000	EA	PANEL - PLASTIC - FAUCET BACK - 5" X 9"	
16	103092-01-000	EA	SHOWER HEAD - W/60" HOSE - WHITE	
	131383-01-01A	EA	SHOWER HEAD - W/HOSE & BRACKET - 60" - IVORY	FROM: 00-00-00 THRU: 07-12-98
	103092-01-702	EA	SEALS-SPRAY HEAD	24466 FROM: 07-13-98 THRU: 99-99-99 FITS:#103092-01,02,03-000, #10309201700, #011048-01,02,03,05-000, #06748701701 & #08533001706 SPRAY HEADS
16	103092-02-000	EA	SHOWER HEAD - W/60" HOSE - CSA	FROM: 00-00-00 THRU: 07-12-98
	131383-02-01A	EA	SHOWER HEAD - W/HOSE & BRACKET - 60" - CSA- IVORY	FROM: 07-13-98 THRU: 99-99-99
	103092-01-700	EA	BRACKET-F/SHOWER HEAD, CLEAR	2328028
	011048-03-700	EA	BRACKET - F/SHOWER HEAD	2328029-I
17	115612-04-01A	EA	SURROUND - SHOWER - OFF WHITE	
	113714-02-01A	EA	RETAINER - SHELF	
	113714-04-01A	EA	RETAINER - SHELF - SHOWER	FROM: 08-18-98 THRU: 10-11-98 FROM: 10-12-98 THRU: 99-99-99

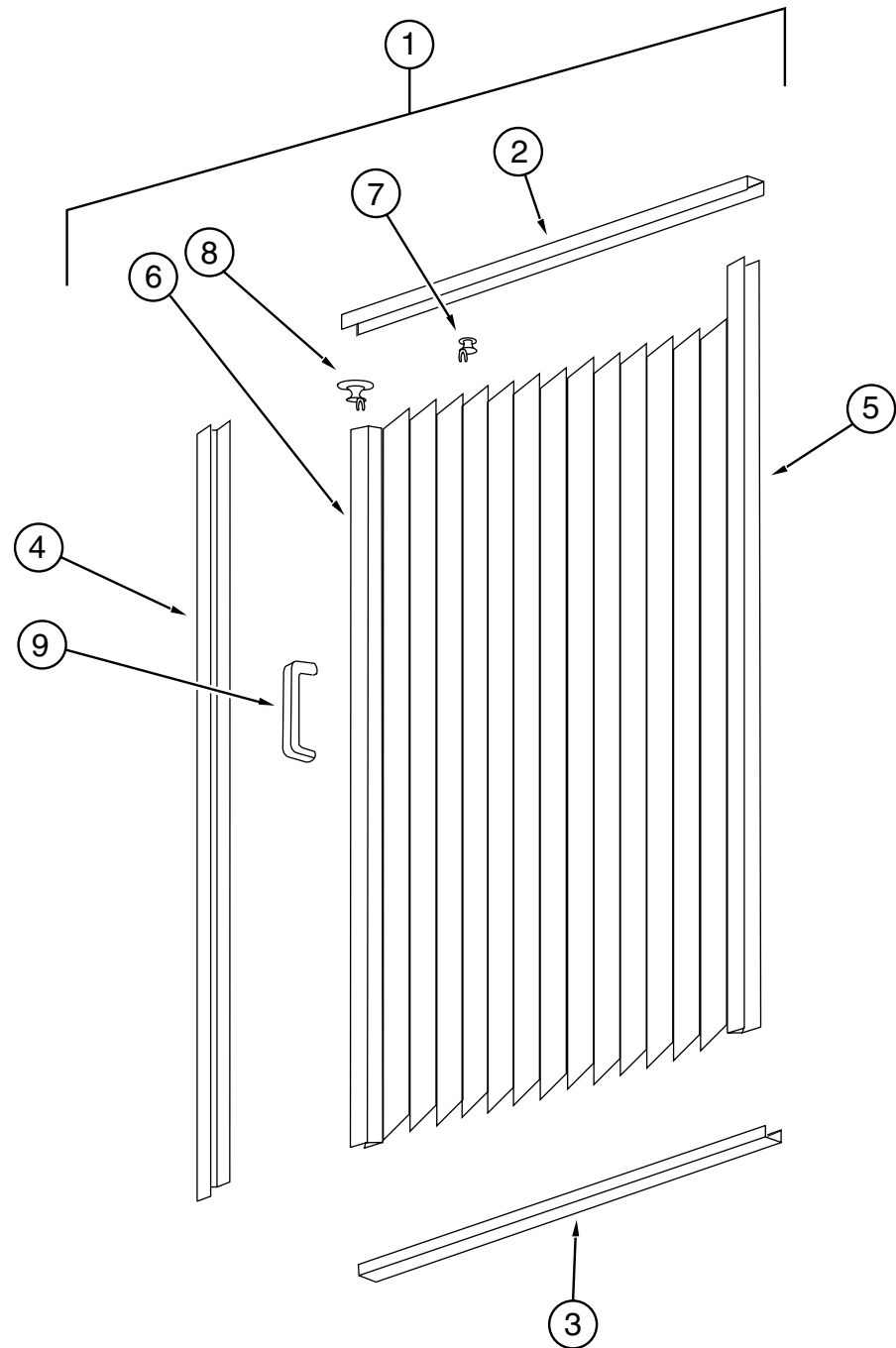
KEY	PART NUMBER	U/M	DESCRIPTION
18	M87868-37-J15	EA	DOOR - BATH - 23.1" X 75.4"
	102920-01-01A	EA	HINGE - SPRING LOADED/BRASS
	110496-01-01A	EA	HINGE - BRASS
	117978-01-01A	EA	KNOB - DOOR - BRIGHT BRASS
	124311-01-01A	EA	HANDLE - RECESSED - BRASS
19	128967-51-J01	EA	RACK - TOWEL/BATH DOOR
	100357-01-000	EA	ROD - F/TOWEL BAR - BRASS
	128967-52-J01	EA	MOLDING - VINYL WRAPPED
	128967-53-J01	EA	MOLDING - VINYL WRAPPED
20	M02630-27-F11	EA	SHOWER PAN - W/STRAINER/TAILPIECE
21	128967-12-K16	EA	DOOR - BATH - W/O HARDWARE
	102920-01-01A	EA	HINGE/SPRING LOADED - BRASS
	110496-01-01A	EA	HINGE - BRASS
	111155-01-01A	EA	LOCK - PRIVACY/LOCKING - POLISHED BRASS
	111155-03-01A	EA	LOCK - PRIVACY/LOCKING - POLISHED BRASS
	075452-02-000	EA	HOLDER - TOILET TISSUE - BRASS
	075453-02-000	EA	BAR - TOWEL - 18" BRASS

SKYLIGHT

KEY	PART NUMBER	U/M	DESCRIPTION
	122192-01-02A	EA	PANEL - SKYLIGHT - OUTER - 16.4" X 27.8" IF NEED 22" X 37" PANEL ORDER #1144960102A
	122193-01-02A	EA	PANEL - SKYLIGHT - INNER

*COMPONENT PARTS FOUND IN SERVICE PARTS LIBRARY

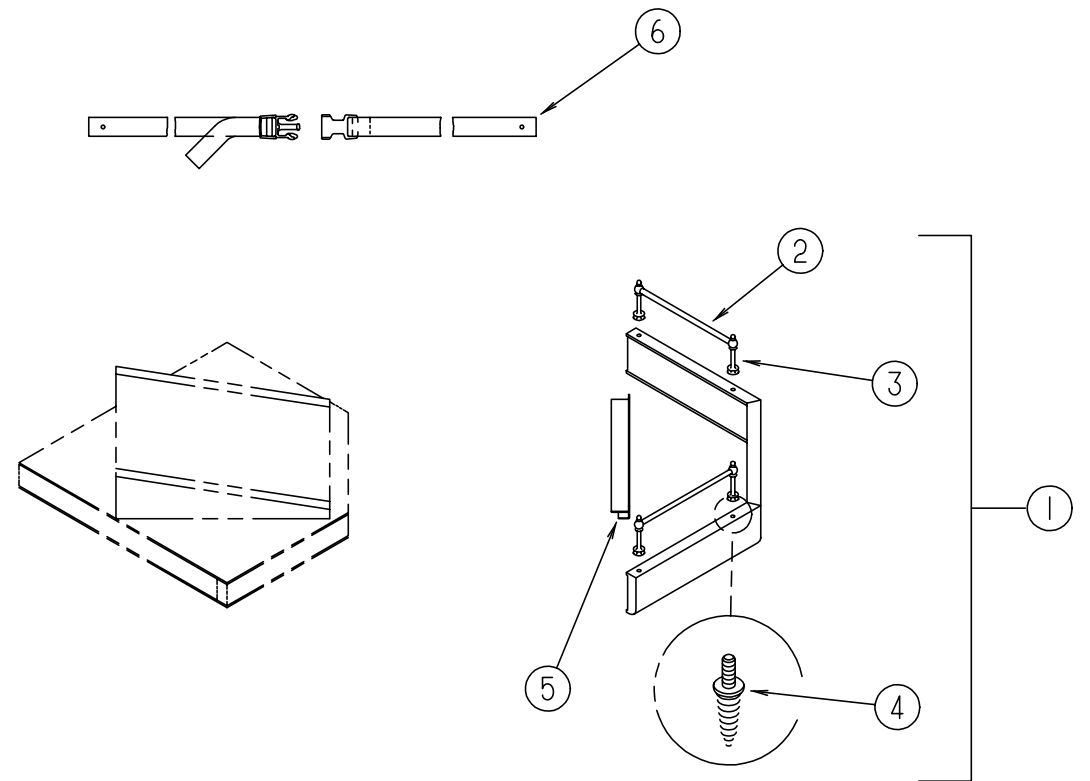
BATH GROUP (CONTINUED)



SHOWER DOOR COMPONENTS

KEY	PART NUMBER	U/M DESCRIPTION
1	117431-03-01A	EA DOOR - SHOWER PLEATED FABRIC
2	117431-01-700	EA TRACK-TOP, ALUM.IVORY INSERT 48"
3	117431-01-701	EA TRACK-BOTTOM, 48 "
4	117431-01-702	EA RAIL-SIDE, 67"
5	117431-01-703	EA RAIL-STATIONARY, 67"
6	117431-01-704	EA RAIL-LEAD, 67" - W/LATCH
7	117431-01-705	EA GLIDE-IVORY, TRAVELER
8	117431-01-706	EA GLIDE-IVORY LEAD, TRAVELER
	117431-01-707	EA CATCH - BATH DOOR
9	117431-01-708	EA HANDLES & SCREWS
	117431-03-700	EA STRAP-VINYL SHOWER

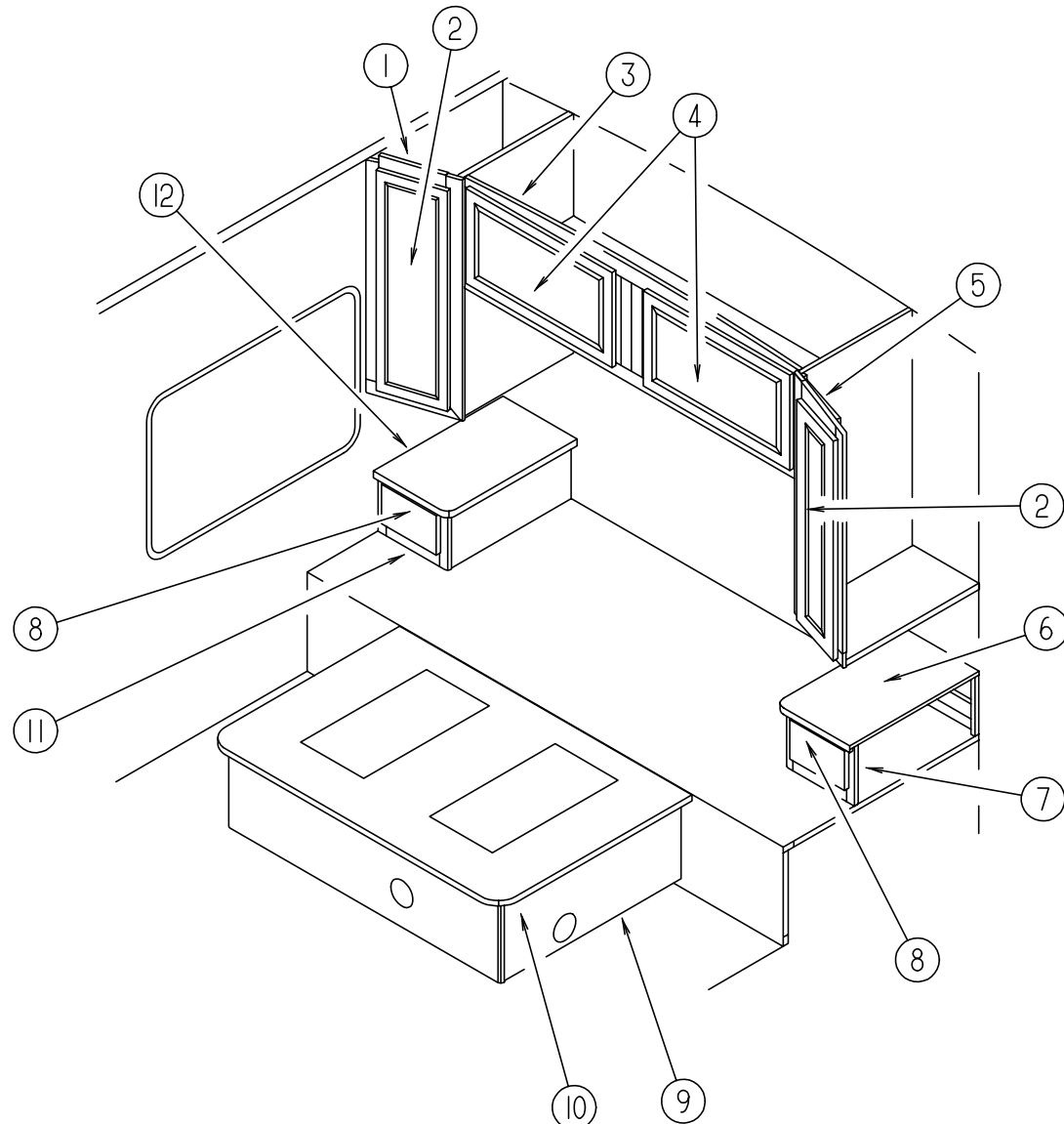
BEDROOM GROUP



QUEEN BED TV SHELF

KEY	PART NUMBER	U/M DESCRIPTION
1	127376-02-J20	EA CABINET - TV SHELF - LEFT HAND
2	084071-19-000	EA ROD - BRASS - 7.1"
2	084071-27-000	EA ROD - BRASS - 2.7"
3	084070-03-000	EA POST - END - 2.4" - SHINY BRASS
4	106166-01-000	EA BOLT/COLLARED HANGER - 8-32 X 1"
5	100818-01-05A	EA MOLDING - VINYL WRAP - 1.6" X .4" X 84" - WATERFORD OAK
6	099717-02-000	EA STRAP - TIE DOWN W/29.9" FEMALE STRAP & 14.2" MALE STRAP

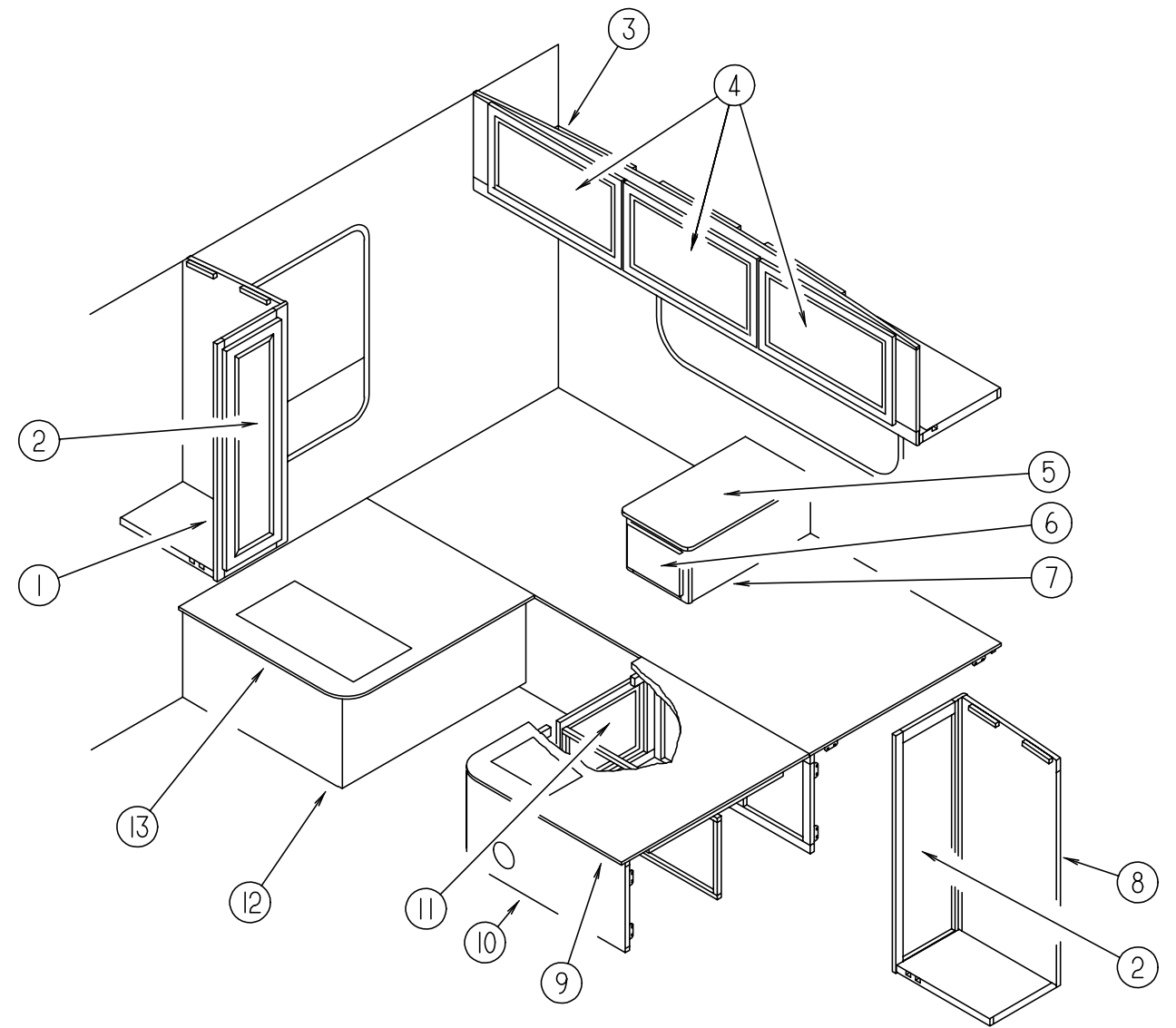
BEDROOM GROUP (CONTINUED)



QUEEN BEDROOM CABINETRY

KEY	PART NUMBER	U/M DESCRIPTION
1	126003-01-J20	EA CABINET - SHIRT CLOSET/RIGHT HAND - W/O DOORS/HARDWARE
	009112-01-000	EA FLANGE - PLASTIC - 1" CLOTHES ROD - OFF WHITE
	042438-01-000	EA DOWEL - WOOD - CLOTHES ROD - 1" DIAMETER X 4'
2	M09332-24-K16	EA DOOR - RAISED MEMBRANE/OGEE EDGE - 14.3" X 36.4" - W/O HDW
3	106523-01-G09	EA CABINET - OVERHEAD/REAR - W/O DOORS/HARDWARE
4	M09332-05-K01	EA DOOR - RAISED MEMBRANE/OGEE EDGE - 15.7" X 27.9" - W/O HDW
5	126003-02-J20	EA CABINET - SHIRT CLOSET/LEFT HAND - W/O DOORS/HARDWARE
	009112-01-000	EA FLANGE - PLASTIC - 1" CLOTHES ROD - OFF WHITE
	042438-01-000	EA DOWEL - WOOD - CLOTHES ROD - 1" DIAMETER X 4'
6	125904-12-J46	EA COUNTERTOP - NIGHTSTAND (K16)
6	125904-12-K17	EA COUNTERTOP - NIGHTSTAND (K17)
6	125904-12-K18	EA COUNTERTOP - NIGHTSTAND (K18)
7	125904-02-J46	EA CABINET - NIGHTSTAND/LH-W/COUNTERTOP-W/O DOORS/DWRS/HDW (K16)
7	125904-02-K17	EA CABINET - NIGHTSTAND/LH-W/COUNTERTOP-W/O DOORS/DWRS/HDW (K17)
7	125904-02-K18	EA CABINET - NIGHTSTAND/LH-W/COUNTERTOP-W/O DOORS/DWRS/HDW (K18)
8	M05971-L5-J15	EA DRAWER - OGEE EDGE - 11.5"W X 21.7"D - W/O SLIDES/HARDWARE
9	P21862-02-J20	EA CABINET - BASE - QUEEN BED - W/O DOORS/DRAWERS/HARDWARE
10	M05706-17-000	EA TOP - QUEEN BED - W/O HARDWARE
11	125904-01-J46	EA CABINET - NIGHTSTAND/RH-W/COUNTERTOP-W/O DOORS/DWRS/HDW (K16)
11	125904-01-K17	EA CABINET - NIGHTSTAND/RH-W/COUNTERTOP-W/O DOORS/DWRS/HDW (K17)
11	125904-01-K18	EA CABINET - NIGHTSTAND/RH-W/COUNTERTOP-W/O DOORS/DWRS/HDW (K18)
12	125904-11-J46	EA COUNTERTOP - NIGHTSTAND (K16)
12	125904-11-K17	EA COUNTERTOP - NIGHTSTAND (K17)
12	125904-11-K18	EA COUNTERTOP - NIGHTSTAND (K18)

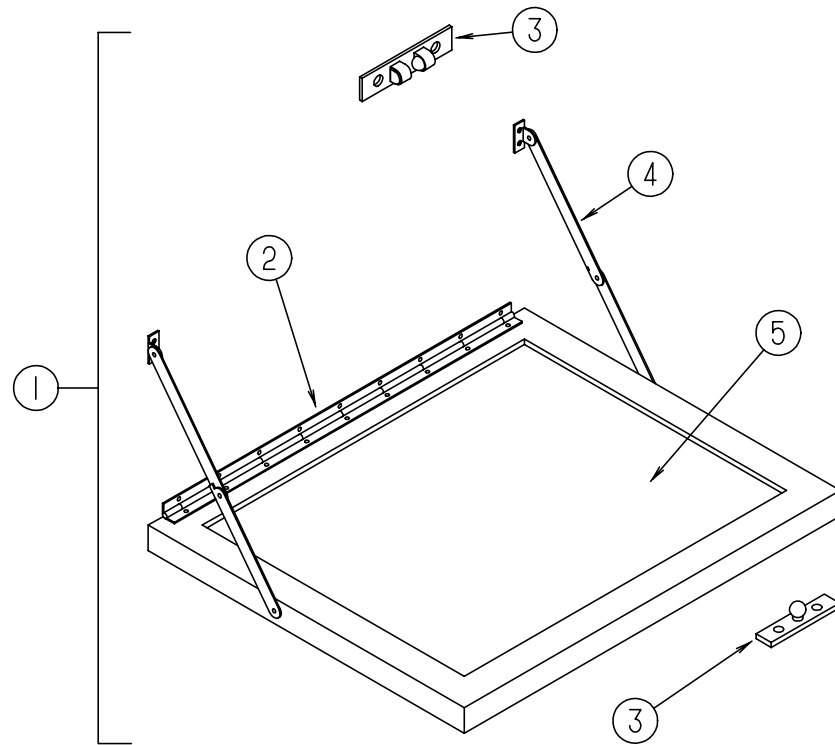
BEDROOM GROUP (CONTINUED)



TWIN BEDROOM CABINETRY

KEY	PART NUMBER	U/M DESCRIPTION
1	110946-01-K16	EA CABINET - SHIRT CLOSET/RIGHT HAND - W/O DOORS/HARDWARE
	009112-01-000	EA FLANGE - 1" ROD, CLOTHES - PLASTIC - OFF WHITE
	042438-01-000	EA DOWEL-WOOD, CLOTHES ROD - 1" DIAMETER X 4'
2	M09332-08-K04	EA DOOR - RAISED MEMBRANE/OGEE EDGE - 12" X 40" - W/O HDW
3	116187-01-K16	EA CABINET - OVERHEAD/REAR - W/O DOORS/HARDWARE - F/TWIN BED
4	M09332-05-K01	EA DOOR - RAISED MEMBRANE/OGEE EDGE - 15.7" X 27.9" - W/O HDW
5	126059-11-J46	EA COUNTERTOP - NIGHTSTAND (K16)
5	126059-11-K17	EA COUNTERTOP - NIGHTSTAND (K17)
5	126059-11-K18	EA COUNTERTOP - NIGHTSTAND (K18)
6	M05971-EL-J15	EA DRAWER - OGEE EDGE - 15.5"W X 23.6"D - W/O SLIDES/HARDWARE
7	126059-01-J46	EA CABINET - NIGHTSTAND/TWNBW-W/COUNTERTOP-W/O DOORS/DWRS/HDW (K16)
7	126059-01-K17	EA CABINET - NIGHTSTAND/TWNBW-W/COUNTERTOP-W/O DOORS/DWRS/HDW (K17)
7	126059-01-K18	EA CABINET - NIGHTSTAND/TWNBW-W/COUNTERTOP-W/O DOORS/DWRS/HDW (K18)
8	110947-01-K16	EA CABINET - SHIRT CLOSET/LEFT HAND - W/O DOORS/HARDWARE
	009112-01-000	EA FLANGE - 1" ROD, CLOTHES - PLASTIC - OFF WHITE
	042438-01-000	EA DOWEL-WOOD, CLOTHES ROD - 1" DIAMETER X 4'
9	M04170-12-000	EA TOP - TWIN BED/LEFT HAND - W/O HARDWARE
10	121859-01-K16	EA CABINET - BASE - TWIN BED/LEFT HAND-W/O DOORS/DRAWERS/HDW
11	M05992-CE-K16	EA DOOR - STRAIGHT CORNER/OGEE EDGE - 14.3" X 17.9" - W/O HDW
12	121860-01-K16	EA CABINET - BASE/TWIN BED/RIGHT HAND - W/O DOORS/DRAWERS/HDW
13	M04170-13-000	EA TOP - TWIN BED/RIGHT HAND - W/O HARDWARE

BEDROOM GROUP (CONTINUED)



TWIN BED TV STAND

KEY	PART NUMBER	U/M DESCRIPTION
1	084357-02-H13	EA TV STAND
2	084413-01-000	EA HINGE/CONTINUOUS - ALUMINUM 1" X 72" - W/HOLES
3	084451-01-000	EA CATCH - BRASS
4	084412-01-000	EA SUPPORT/HINGE KIT (LEFT & RIGHT HINGES)
5	084356-08-000	EA INSERT - TV STAND - W/SUPPORT HINGES - OFF WHITE
5	058331-14-000	EA MIRROR - SAFETY GLASS - 14" X 12.7"

CHASSIS GROUP

SHOCKS & STABILIZER KIT - FRONT (FROM: 00-00-00 THRU: 04-04-99)

KEY	PART NUMBER	U/M DESCRIPTION	VENDOR NO.
	122756-02-000	EA SHOCK AND STABILIZER (BLUE BOOT) KIT - FRONT END P30 CHASS	
		NOTE: ORDER 70139029000, FOR AFTER MARKET INSTALLATION	
	122756-02-700	EA BRACKET ASM - DRIVER SIDE	T818L
	122756-02-701	EA BRACKET ASM - PASSENGER SIDE	T818R
	122756-02-704	EA BOLT PACKAGE - BOLTS/NUTS ETC	T818B
	122756-02-705	EA SHOCK	T818SH
	122756-02-706	EA STUD - SHOCK MOUNTING	T818S
	122756-02-707	EA DAMPNER - STEERING	T818SD
	122756-02-708	EA BOOT - DAMPNER	T818SDB
	122756-02-709	EA BUSHING PKG-STEERING DAMPNER	T818SDBSH
	122756-02-710	EA BOLT PKG - STEERING DAMPNER	T818SBS

SHOCKS & STABILIZER KIT - FRONT (FROM: 04-05-99 THRU: 99-99-99)

KEY	PART NUMBER	U/M DESCRIPTION	VENDOR NO.
	122756-03-000	EA SHOCK & STABILIZER KIT (YELLOW SHOCK) - CHEVY	
	122756-02-706	EA STUD - SHOCK MOUNTING	T818S
	122756-02-707	EA DAMPNER - STEERING	T818SD
	122756-02-708	EA BOOT - DAMPNER	T818SDB
	122756-02-709	EA BUSHING PKG-STEERING DAMPNER	T818SDBSH
	122756-02-710	EA BOLT PKG - STEERING DAMPNER	T818SBS
	122756-03-700	EA BRACKET ASM-DRIVER SIDE	T818L-3
	122756-03-701	EA BRACKET ASM-PASSENGER SIDE	T818R-3
	122756-03-702	EA SHOCK	557003

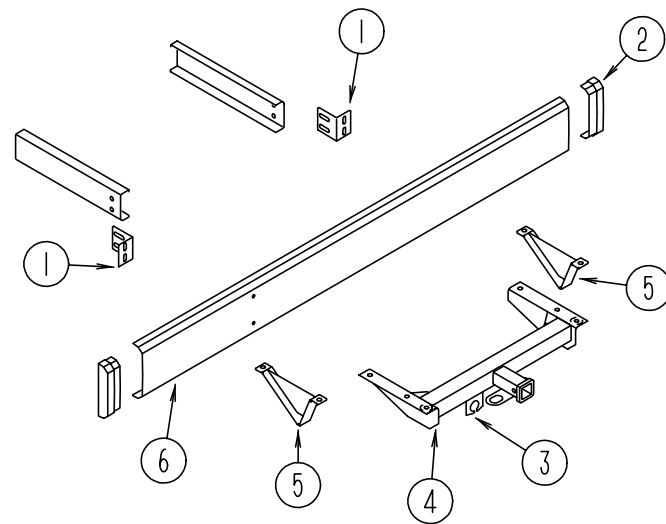
LUG WRENCH & LEVERAGE BAR

KEY	PART NUMBER	U/M DESCRIPTION
	080208-02-000	EA BAR - LEVERAGE - LUG WRENCH
	080208-06-000	EA LUG WRENCH - 1" X 1.06" W/DEEP SOCKET ENDS

CHASSIS MISCELLANEOUS

KEY	PART NUMBER	U/M DESCRIPTION
	008042-01-000	FT TUBING - VINYL - .65" ID
	075307-03-000	EA SHIELD - HEAT - LP
	113007-01-000	EA PIN - SPRING - .375 X 3"
	113452-01-000	FT SEAL/TRIM - FRONT - VINYL W/WIRE CARRIER

CHASSIS GROUP (CONTINUED)



REAR BUMPER, TRAILER HITCH & COMPONENTS

KEY	PART NUMBER	U/M DESCRIPTION
1	104418-07-000	EA ANGLE - BUMPER - REAR SUPPORT
2	103228-01-06A	EA END CAP - REAR BUMPER - DRIVER/PASSENGER
3	113588-02-01B	EA BRACKET - CONNECTOR - TRAILER W/O LIP
4	130339-02-000	EA HITCH RECEIVER - BOLT ON CLASS III
5	111742-01-000	EA PLATE - SKID
6	103099-10-02A	EA BUMPER - REAR - BRIGHT WHITE
	113589-02-000	EA CONNECTOR - SOCKET - TRAILER
	113589-01-000	EA CONNECTOR - PLUG - TRAILER

CHASSIS GROUP (CONTINUED)

19.5" CHEVY STAINLESS STEEL WHEEL LINERS

KEY	PART NUMBER	U/M DESCRIPTION	VENDOR NO.
	110435-10-000	EA LINER - WHEEL - SET/4 - 19.5"	
	110435-01-711	EA DECAL-CENTER CAP, 2" 2" DECAL	
	110435-10-700	EA LINER - WHEEL - FRONT - 1 PC	V195P7-FWC
	110435-10-701	EA LINER - WHEEL - REAR - 1 PC.	V195P7-RWC
	110435-10-702	EA COVER-LUG NUT W/STEEL JN	V195P7-EJN
	110435-10-703	EA STUD - PLASTIC	V195P7-PST
	110435-10-704	EA COVER-LUG NUT W/PLASTIC JN	V195P7-PJN
	110435-10-705	EA TOOL - INSTALLATION	V195P7-TOL

19.5" FORD STAINLESS STEEL WHEEL LINERS

KEY	PART NUMBER	U/M DESCRIPTION	VENDOR NO.
	110435-14-000	EA LINER - WHEEL SET/4 - 19.5"	
	110435-04-705	EA DECAL-CTR HUB 2 3/4" DIAMOND 2 3/4" DECAL DIAMOND	
	110435-10-705	EA TOOL - INSTALLATION	V195P7-TOL
	110435-14-700	EA LINER - WHEEL - FRONT	V195F96-FWC
	110435-14-701	EA LINER - WHEEL - REAR	V195F96-RWC
	110435-15-702	EA NUT - JAM - ENCLOSED - 14M	V195F9-EJN
	095012-07-000	EA STABILIZER - VALVE EXTENSION	

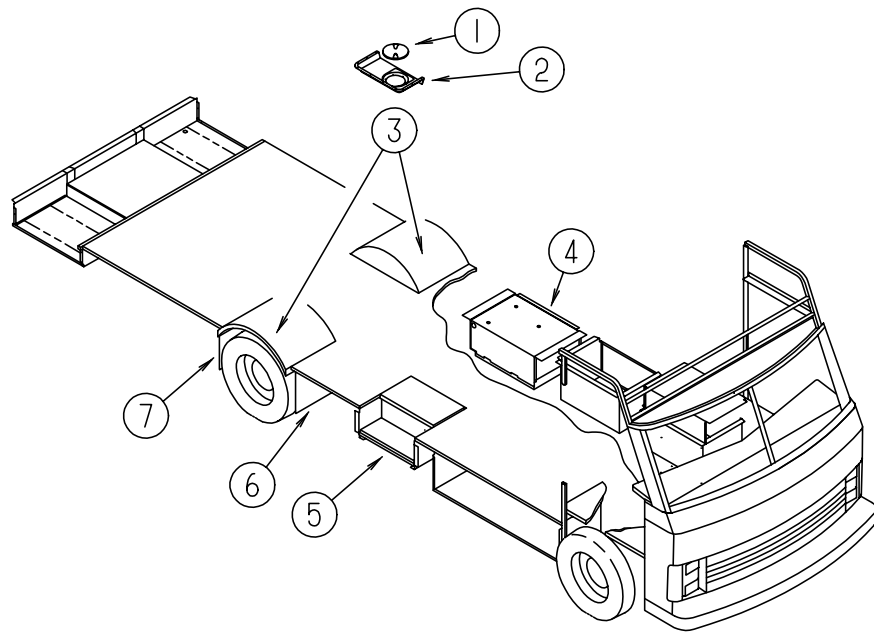
19.5" FORD WHEEL COVERS

KEY	PART NUMBER	U/M DESCRIPTION	VENDOR NO.
	109443-07-000	EA WHEEL COVER - 4/SET - 19.5"	
	098532-01-700	EA COVER-LUG NUT (CHROME)	SHAU-LNC
	109443-01-703	EA CAP-CENTER, HUB - DICOR	SHAU95-CAP
	109443-07-700	EA COVER/WHEEL-FRONT/REAR 8 LUG	SHAF95-COV
	109443-07-701	EA BRACKET SET - FRONT	SHAF95-FBS
	109443-07-702	EA BRACKET SET - REAR	SHAF95-RBS

19.5" CHEVY WHEEL COVERS

KEY	PART NUMBER	U/M DESCRIPTION	VENDOR NO.
	109443-06-000	EA WHEEL COVER - 4/SET - 19.5"	
	109443-01-700	EA COVER-WHEEL 19.5 FRT/RR EA=1	SHAG95
	109443-01-701	EA BRACKET-RETENTION FRONT	SHAG95-FBS
	109443-01-703	EA CAP-CENTER, HUB - DICOR	SHAU95-CAP
	109443-01-704	EA CLIP-RETAINER	V160GM-PNT
	109443-06-701	EA BRACKET-RETENTION REAR	SHG795-RBS

CHASSIS GROUP (CONTINUED)

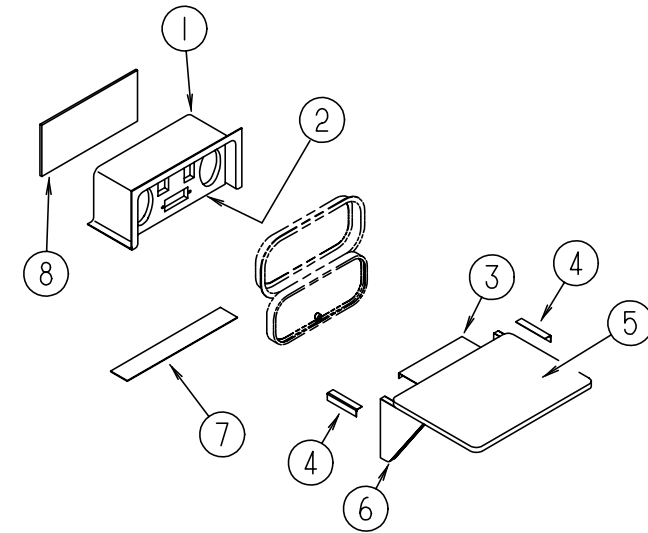


STORAGE COMPARTMENTS & WHEELWELLS

KEY	PART NUMBER	U/M	DESCRIPTION
1	092887-01-000	EA	HATCH/PLATE - 8.2" FLANGE/6.5" R.O. - BLACK
1	092887-04-000	EA	CHAIN - TWIST CAP - 9"
2	121784-01-01A	EA	COVER - VALVE - DRAINAGE
3	125673-01-000	EA	WHEELWELL
4	114070-02-02B	EA	SUPPORT - GENERATOR - LEFT
4	114071-02-02B	EA	SUPPORT - GENERATOR - RIGHT
5*	094708-01-01A	EA	STEP - ENTRY DOOR - ELECTRIC - SINGLE - W/O DOOR SWITCH FROM: 00-00-00 THRU: 01-14-99
5*	094708-03-01A	EA	STEP - ELECTRIC - SINGLE - BLACK CONTROL BOX - KWIKEE FROM: 01-15-99 THRU: 99-99-99
6	020167-10-000	EA	DIRT GUARD - STEEL - 22" LONG
7	017516-01-000	EA	MUD FLAP - 14" X 18" - BLACK
7	020167-04-000	EA	DIRT GUARD - STEEL - 14.9" LONG
	065450-05-000	EA	TIEDOWN - BATTERY - 8.4" TUBE
	061420-01-000	EA	PLUG/PLASTIC - 1.75" DIAMETER - BROWN

*COMPONENT PARTS FOUND IN SERVICE PARTS LIBRARY

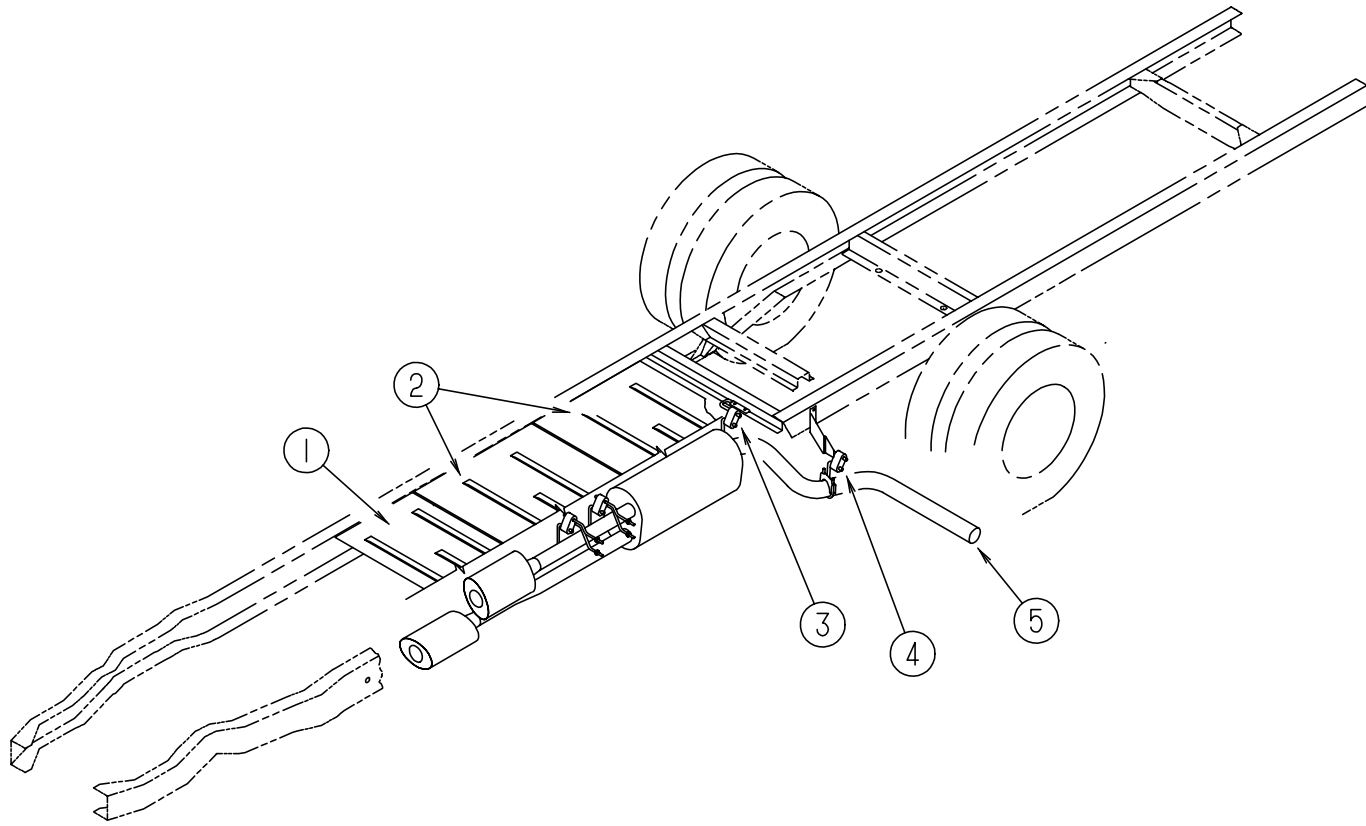
CHASSIS GROUP (CONTINUED)



PATIO ENTERTAINMENT CENTER

KEY	PART NUMBER	U/M	DESCRIPTION
1	124696-01-01A	EA	BOX - ENTERTAINMENT CENTER/EXTERIOR
2	127409-02-K04	EA	PLATE - RADIO MOUNTING FROM: 00-00-00 THRU: 06-13-99
2	127409-02-L15	EA	PLATE - RADIO MOUNTING FROM: 06-14-99 THRU: 99-99-99
3	105377-01-04A	EA	BRACKET - TABLE HANGER - BRIGHT WHITE
4	105376-01-03A	EA	HINGE - CONTINUOUS - 2" X 5.5" - BRIGHT WHITE
5	105230-11-J01	EA	SHELF - EXTERIOR ENTERTAINMENT CENTER - W/O HARDWARE
6	105230-12-J01	EA	SUPPORT - EXTERIOR SHELF
7	104898-01-02A	EA	PLATE - PLASTIC BOTTOM - BRIGHT WHITE
8	104898-02-02A	EA	PLATE - PLASTIC BACK - BRIGHT WHITE

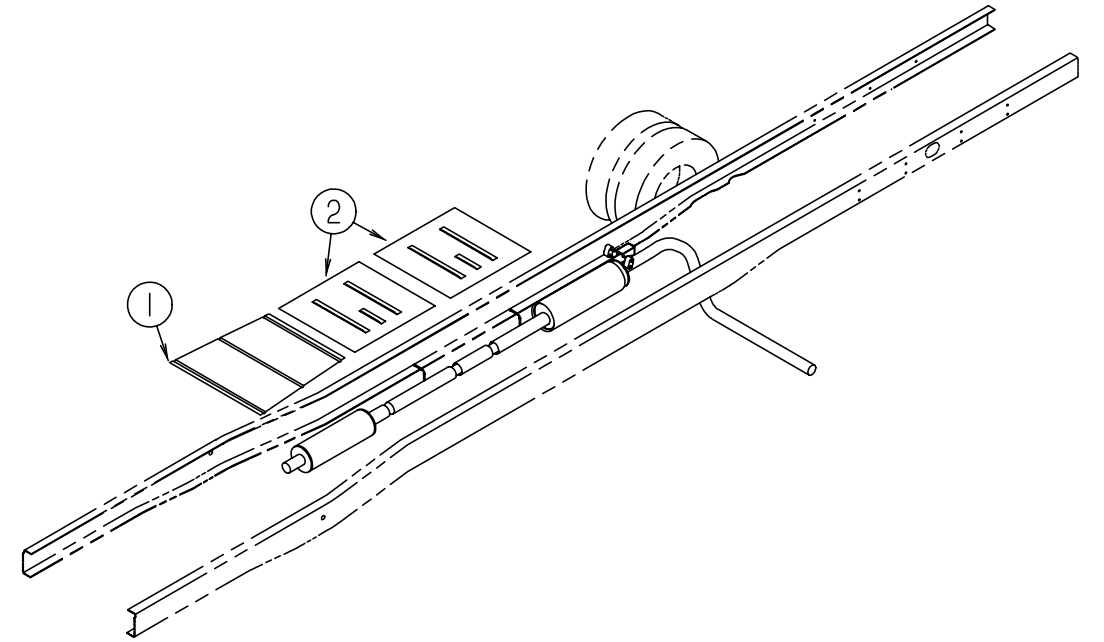
CHASSIS GROUP (CONTINUED)



CHEVY EXHAUST SYSTEM

KEY	PART NUMBER	U/M	DESCRIPTION
1	101544-01-000	EA	SHIELD - HEAT/EXHAUST - 19.7" X 29.1"
2	101544-06-000	EA	SHIELD - HEAT/EXHAUST - 33.9" X 29.1"
3	122392-01-02B	EA	HANGER - TAILPIPE
4	122392-03-02B	EA	HANGER - TAILPIPE - REAR
5	122529-02-000	EA	PIPE - EXHAUST
	094918-01-000	EA	CLAMP - EXHAUST - 3" - GUILLOTINE STYLE

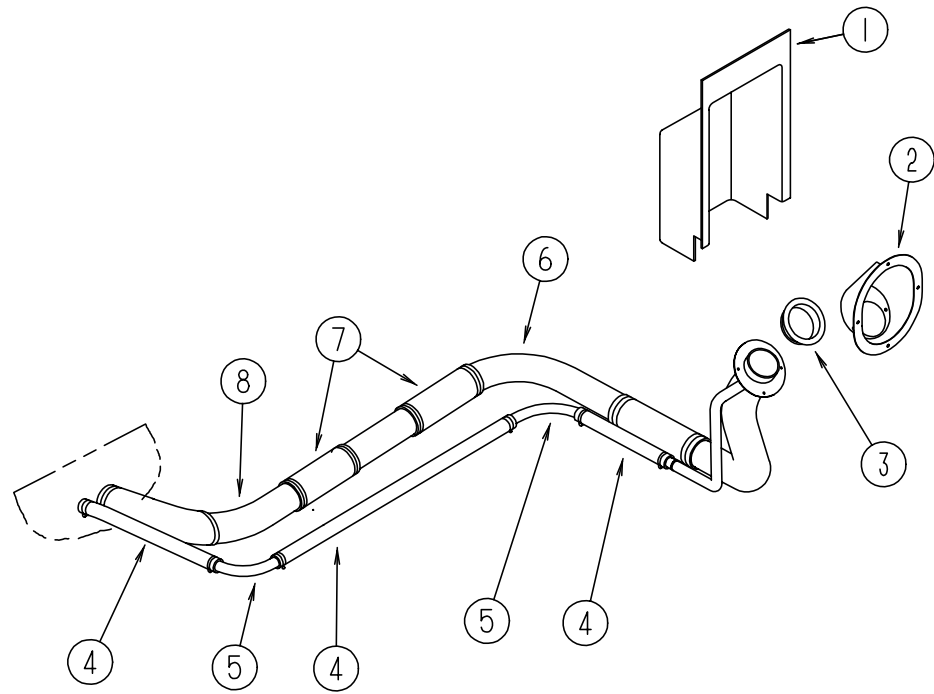
CHASSIS GROUP (CONTINUED)



FORD EXHAUST SYSTEM

KEY	PART NUMBER	U/M	DESCRIPTION
1	128756-01-02B	EA	SHIELD - HEAT EXHAUST - E-COATED
2	101544-02-000	EA	SHIELD - HEAT/EXHAUST - 30" X 29.1"

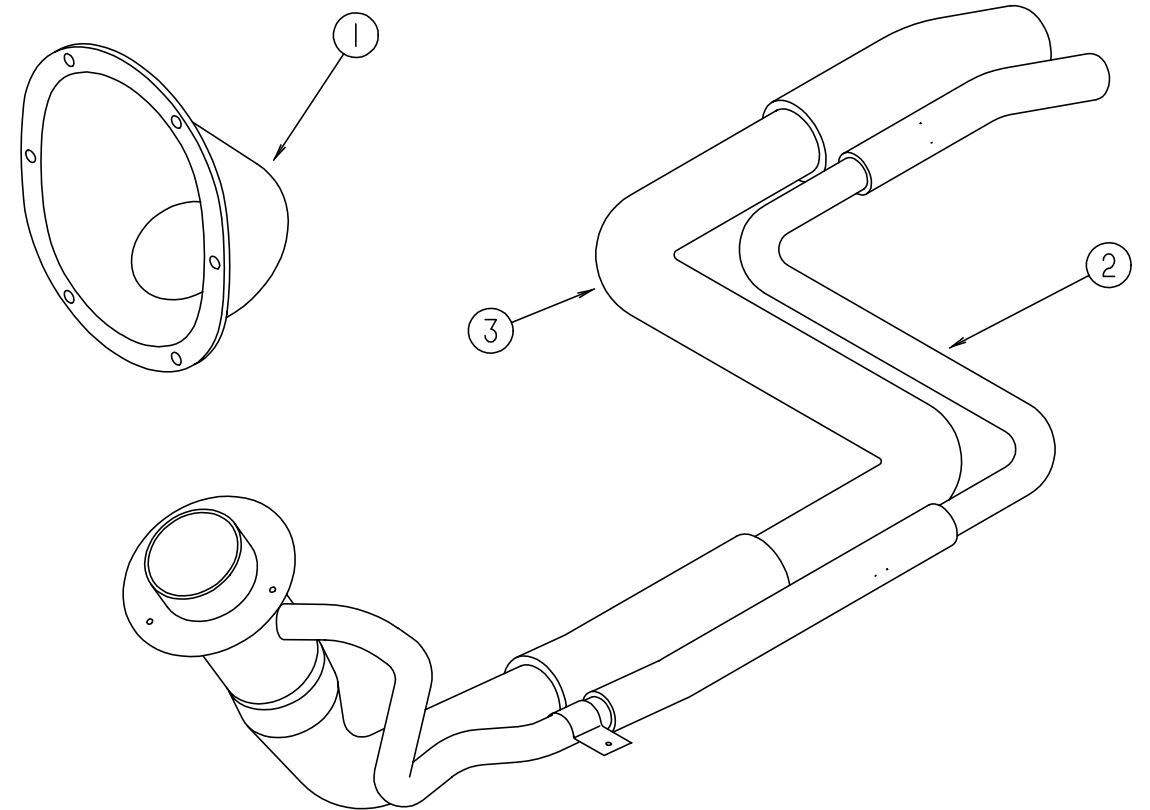
CHASSIS GROUP (CONTINUED)



CHEVY FUEL SYSTEM

KEY	PART NUMBER	U/M DESCRIPTION
1	072447-04-000	EA SHROUD - FUEL FILL - UPPER
2	127291-01-01A	EA SHROUD - FUEL FILL - BRIGHT WHITE
3	078200-01-000	EA GASKET - FUEL FILL - 3.5"OD X 2"ID
4	128139-02-000	FT HOSE - FUEL - LOW PERMEABILITY - 5/8" DIAMETER
5	098806-01-000	EA PIPE - FILL VENT - 90 DEGREE BEND - .635 OD - STEEL
6	098803-01-000	EA PIPE - FUEL FILL - 90 DEGREE BEND - 13.2" - 1 3/4" OD
7	128139-01-000	FT HOSE - FUEL - LOW PERMEABILITY
8	098803-02-000	EA PIPE - FUEL FILL
	084884-01-000	EA PLUG - BRASS - 3/8"
	128139-03-000	FT HOSE - FUEL - LOW PERMEABILITY - 1/4" DIAMETER
	068382-06-000	EA BUSHING - BRASS - 3/8"MPT X 1/8"FPT
	114254-01-000	EA ADAPTER - 1/4 BARB X 1/8 MPT
	044317-01-000	FT HOSE - FUEL - 3/8" ID
	092889-26-000	EA FUEL LINE - SUPPLY - GENERATOR - 1/4" X 108.7" - STEEL

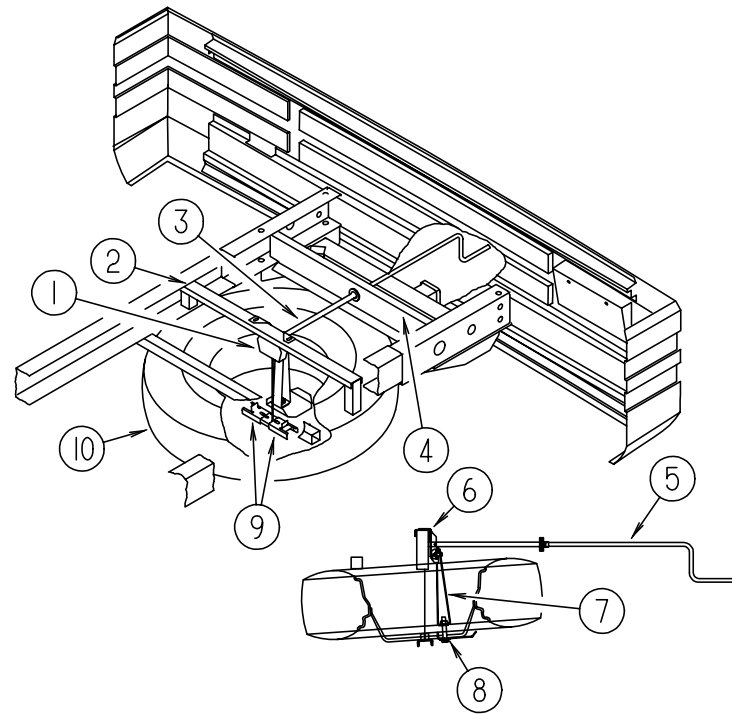
CHASSIS GROUP (CONTINUED)



FORD FUEL SYSTEM

KEY	PART NUMBER	U/M DESCRIPTION
1	127291-02-01A	EA SHROUD - FUEL FILL - BRIGHT WHITE
2	129320-07-000	EA PIPE - VENT/FILL
3	129321-07-000	EA TUBE - FUEL INLET
	007063-01-000	FT HOSE - FUEL - 1/4"ID X 1/2"OD
	084884-01-000	EA PLUG - BRASS - 3/8"

CHASSIS GROUP (CONTINUED)



TIRE HOIST

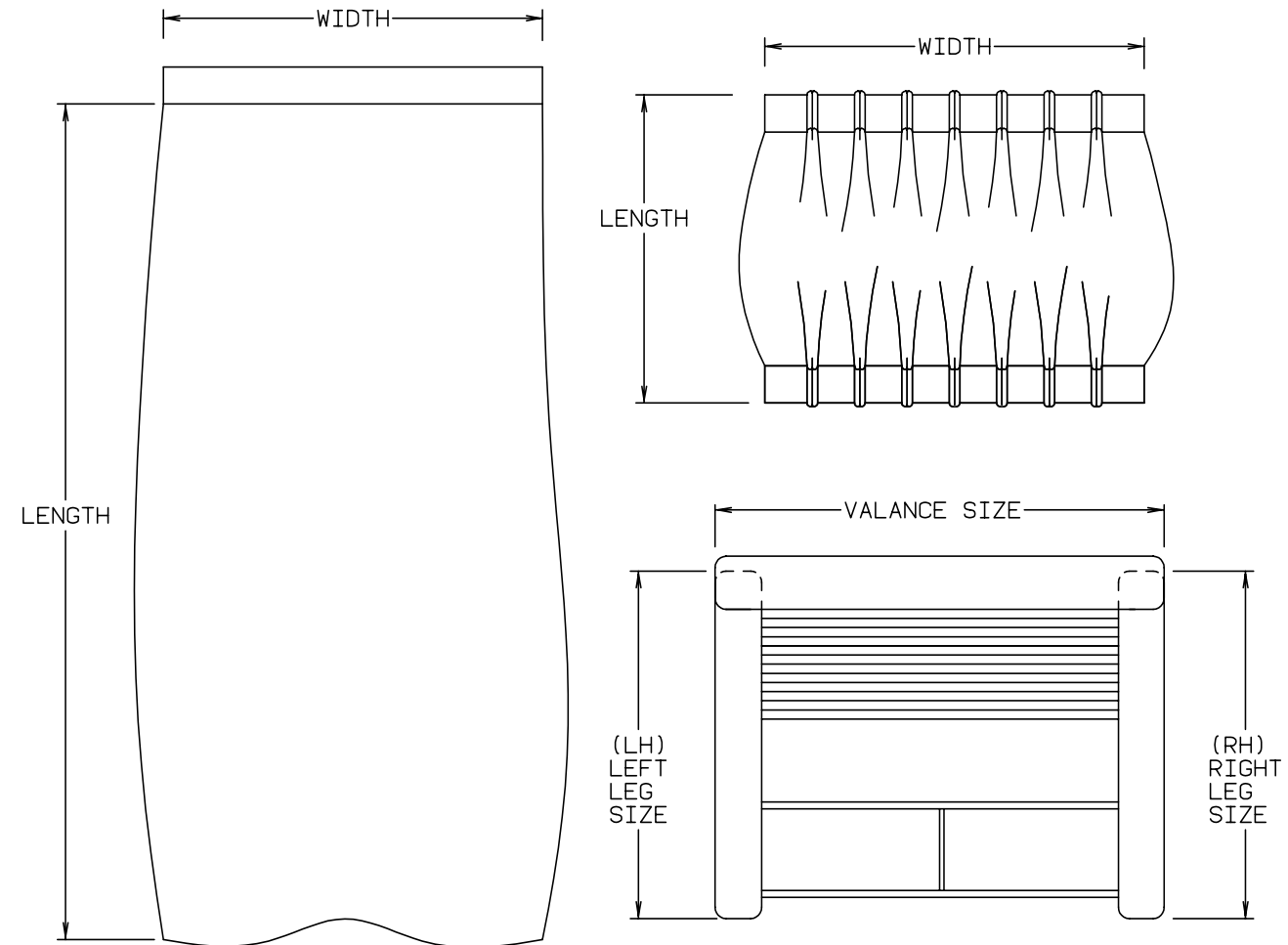
KEY	PART NUMBER	U/M DESCRIPTION
1	093267-03-000	EA HOIST - SPARE TIRE - 100 LB
2	093362-06-000	EA CHANNEL - TIRE HOIST
3	093375-05-000	EA EXTENSION - TIRE HOIST
4	129006-01-02B	EA SUPPORT/FRAME - TIRE CARRIER HANDLE - FORD
4	129006-02-02B	EA SUPPORT/FRAME - TIRE CARRIER HANDLE - CHEVY
5	093376-02-000	EA HANDLE - CRANK - TIRE HOIST
10	114376-01-000	EA PIN - DRIVE - .156 X .750 - TYPE E - TIRE HOIST
6	124751-01-02B	EA HANGER - SPARE TIRE - E-COATED
7	129086-01-02B	EA SUPPORT - SPARE TIRE
8	129085-01-02B	EA PLATE - SUPPORT - SPARE TIRE
9	105499-01-000	EA BRACKET - TIRE HOIST
10	091673-08-000	EA TIRE - 225/70R19.5" LRF - GENERAL LMT 400 A/S
10	091673-01-000	EA TIRE - 225/70 R19.5 LRF - MICHELIN XZA
10	051377-01-000	EA VALVE STEM
10	118814-03-000	EA WHEEL - STEEL - 19.5 X 6 - GRAY - W/STEM
10	064963-01-000	EA WHEEL - STEEL - 19.5" X 6" - GM 14005758
	077030-02-000	EA EXTENSION - VALVE STEM - 1.25"
	077030-04-000	EA EXTENSION - VALVE STEM - .75"
	077030-05-000	EA EXTENSION - VALVE STEM - 95 DEGREE
	077030-06-000	EA EXTENSION - VALVE STEM - 45 DEGREE
	095012-09-000	EA EXTENSION - VALVE STEM - LIVE - 7.7"
	095012-10-000	EA EXTENSION - VALVE STEM - LIVE - 8.5"

CURTAIN & CUSHION GROUP

NOTICE

IN ORDER TO ASSIST OUR PARTS SALES DEPT. IN PROVIDING INTERIOR SOFTGOODS ITEMS, PLEASE INCLUDE THE SERIAL NUMBER AND THE COLOR CODE NUMBER FROM THE VEHICLE CERTIFICATION LABEL WHEN ORDERING. THIS LABEL IS LOCATED ON THE LEFT SIDEWALL AT THE END OF THE DASH (A-BODY), OR ON THE DRIVER'S DOOR LATCH PLATE (C-BODY).

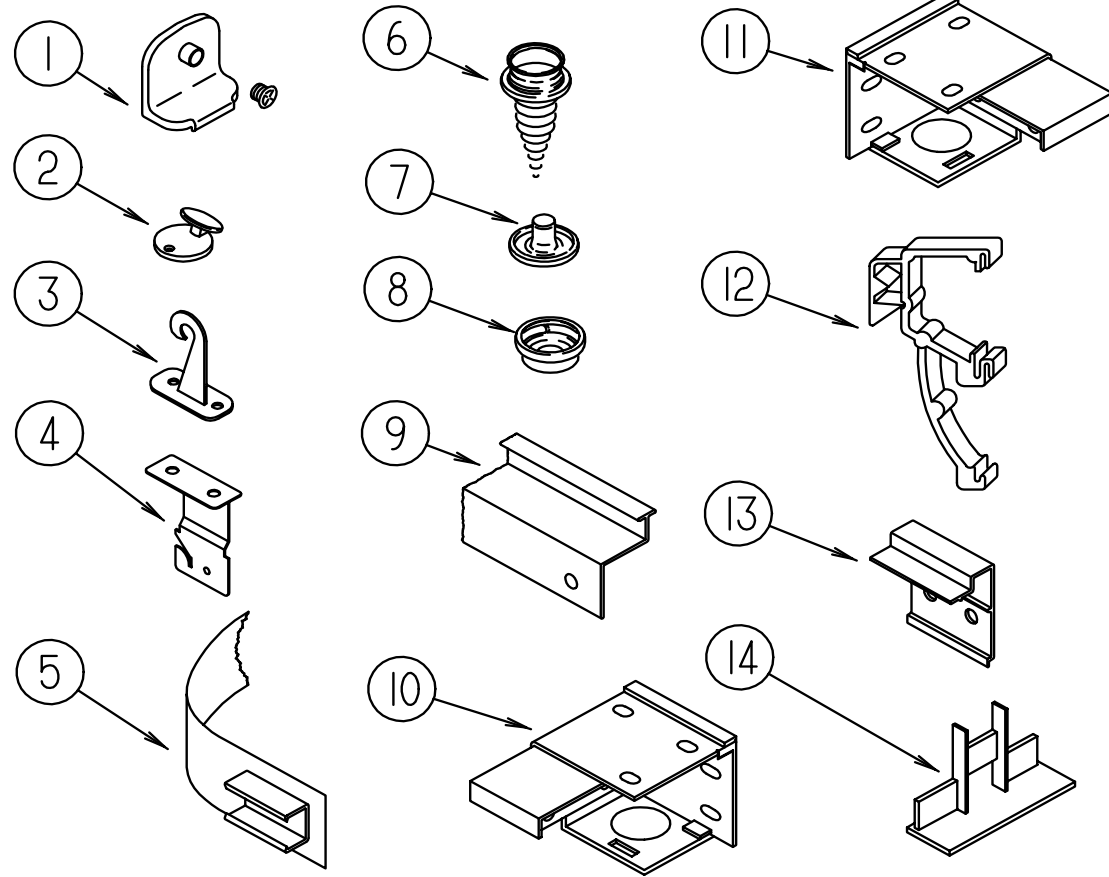
AN EXAMPLE OF A COLOR CODE NUMBER IS K16, WHICH DESIGNATES AN OVERALL COLOR SCHEME OF A PARTICULAR UNIT. THE COLOR LISTED AFTER THE ITEM DESCRIPTION ON THE MICROFICHE, INDICATES THE OVERALL UNIT COLOR. ORDER THE ITEM YOU DESIRE ACCORDING TO UNIT COLOR CODE.



NOTE: USE THIS ILLUSTRATION WHEN DETERMINING LENGTH AND WIDTH MEASUREMENTS FOR CURTAINS. YOU WILL NOTE THE WIDTH MEASUREMENT IS TAKEN ON THE TOP OF THE CURTAIN WITH THE CURTAIN FULLY EXTENDED. THE LENGTH MEASUREMENT IS TAKEN FROM TOP TO BOTTOM. LEFT AND RIGHT WINDOW LEGS ARE DETERMINED WHEN FACING THE WINDOW.

CURTAIN & CUSHION GROUP (CONTINUED)

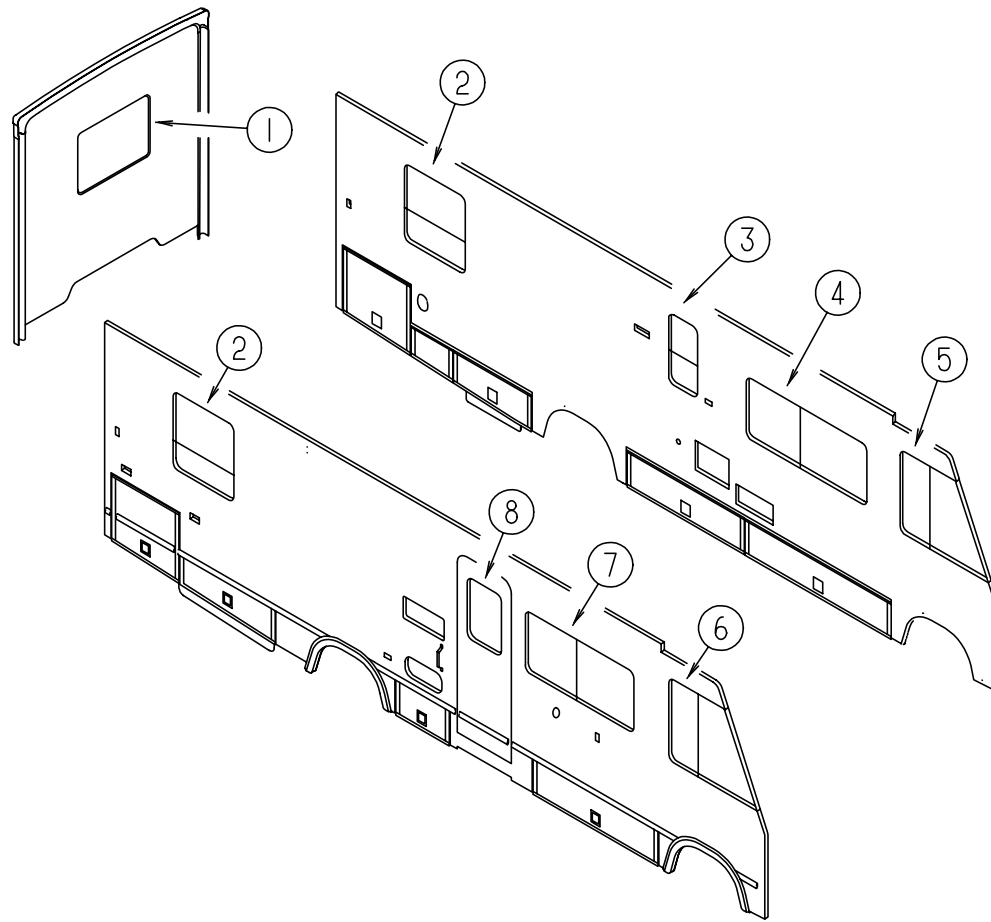
CURTAIN, BLIND HARDWARE & TRACKS



KEY	PART NUMBER	U/M DESCRIPTION
1	106544-01-000	EA PULL - SHADE/BRASS
1	106544-01-001	EA SCREW - SHADE/BRASS
2	102555-03-000	EA CLEAT - BLIND CORD - MILKY WHITE PLASTIC
3	109441-03-000	EA HOLD DOWN - BLIND (CLOUDY)
4	084434-01-000	EA BRACKET - MOUNTING - ROLLER SHADE - 1 3/8"
	096843-01-000	EA SPRING - REWIND/ROLLER SHADE
	086276-01-000	EA TAPE - DOUBLE SIDED - 1/2"
5	101031-01-000	YD TAPE - GLIDE/CURTAIN - 4.25" SPACING
6	029130-01-000	EA SCREW - SNAP SOCKET - #8 PH X 5/8"
7	029155-01-000	EA CAP - SNAP - 5/32" OUTSIDE DIAMETER OF PIN
8	029156-01-000	EA SOCKET - SNAP - 9/16" O.D.
9	127254-07-02A	EA TRACK - CURTAIN - RIGHT HAND - ANTELOPE
9	127254-08-02A	EA TRACK - CURTAIN - LEFT HAND - ANTELOPE
10	083170-01-000	EA BRACKET - BLIND - LEFT SIDE WHEN FACING WINDOW
11	083170-02-000	EA BRACKET - BLIND - RIGHT SIDE WHEN FACING WINDOW
12	109353-04-000	EA CLIP - VALANCE SLAT MOUNTING - CLEAR PLASTIC
13	097565-01-000	EA BRACKET - MOUNTING/PLEATED BLIND
14	094907-02-000	EA END CAP - TOP/PLEATED BLIND - PLASTIC - GRAY
	097592-02-000	EA SPOOL - CORD - ELEVATED BLIND HOLDUP - LARGE - CLEAR
	046867-02-000	EA WASHER - HANDY BUTTON #3
	046867-03-000	EA GROMMET - HANDY BUTTON #3
	056003-01-000	EA BRACKET - DRAPERY RETAINING - FRONT - METAL
	056003-02-000	EA BRACKET - DRAPERY RETAINING - REAR - METAL
	083125-07-000	EA BRACE - COUCH - 2.5"
	095567-01-000	EA TACK - STRIP - .5" X 625' ROLL
	068716-01-001	EA BRACE - 90 DEGREE L-ANGLE - 16'
	094896-02-000	EA GROMMET - CORD/PLEATED BLIND - NYLON - GRAY
	094907-04-000	EA END CAP - BOTTOM/PLEATED BLIND (RH & LH)
	097564-03-000	EA HANDLE - KNOB - E-Z LIFT SHADE - TAN (K16)
	097564-04-000	EA HANDLE - KNOB - E-Z LIFT SHADE - NAVY (K17)
	097564-05-000	EA HANDLE - KNOB - E-Z LIFT SHADE - TEAL (K18)
	097591-01-000	EA SPRING - EXTENSION/PLEATED BLIND
	097593-02-000	FT CORD - BLIND - PLEATED - GRAY (K16)
	097593-06-000	FT CORD - BLIND - PLEATED - PEWTER (K17)
	097593-07-000	FT CORD - BLIND - PLEATED - PALE JADE (K18)
	105648-01-02A	EA BRACE - VALANCE - OFF/WHITE - 14"

CURTAIN & CUSHION GROUP (CONTINUED)

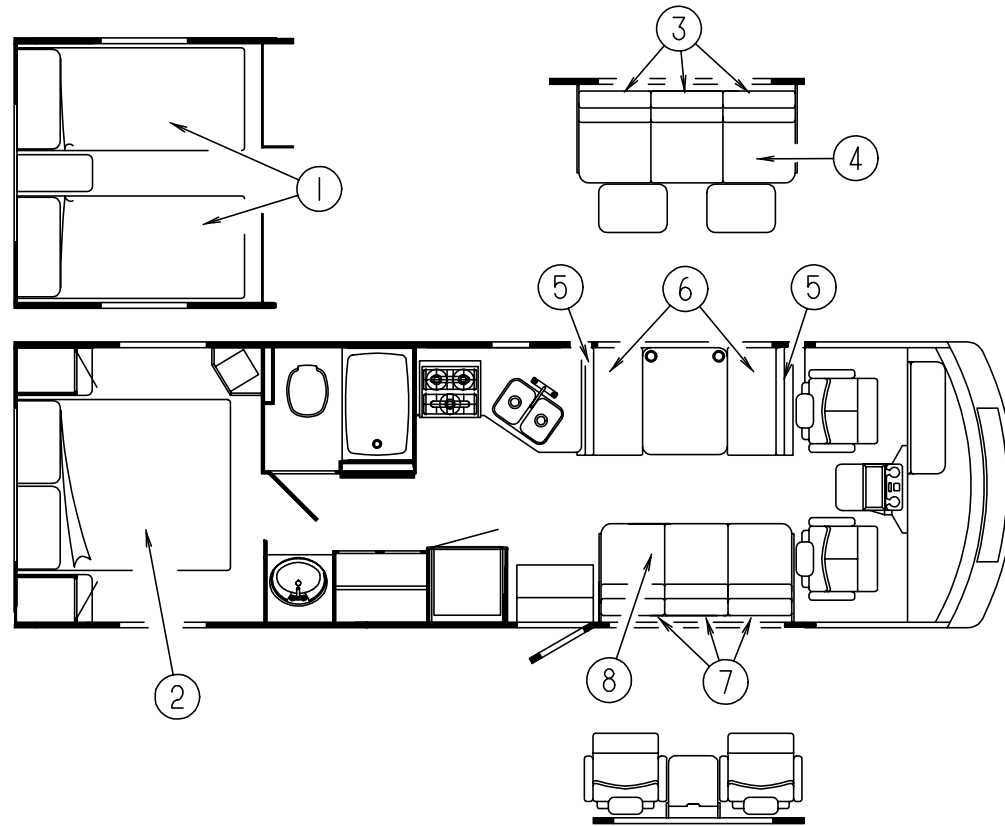
WINDOW TREATMENT



KEY	PART NUMBER	U/M	DESCRIPTION
1	118537-09-K16	EA	VALANCE - GALAXY - 52"
1	118537-09-K17	EA	VALANCE - GALAXY - 52"
1	118537-09-K18	EA	VALANCE - GALAXY - 52"
1	112986-14-J02	EA	CURTAIN - 27.5" X 6" (K16)
1	112986-14-J03	EA	CURTAIN - 27.5" X 6" (K17)
1	112986-14-K18	EA	CURTAIN - 27.5" X 6" (K18)
1	111910-62-J04	EA	BLIND - DAY/NIGHTER - 49" X 27" (K16)
1	111910-62-J03	EA	BLIND - DAY/NIGHTER - 49" X 27" (K17)
1	111910-62-J92	EA	BLIND - DAY/NIGHTER - 49" X 27" (K18)
2	118537-34-K16	EA	VALANCE - GALAXY - 34"
2	118537-34-K17	EA	VALANCE - GALAXY - 34"
2	118537-34-K18	EA	VALANCE - GALAXY - 34"
2	112986-13-J46	EA	CURTAIN - 38.5" X 6" (K16)
2	112986-13-J47	EA	CURTAIN - 38.5" X 6" (K17)
2	112986-13-K18	EA	CURTAIN - 38.5" X 6" (K18)
2	111910-58-J38	EA	BLIND - DAY/NIGHTER - 31" X 37" (K16)
2	111910-58-J90	EA	BLIND - DAY/NIGHTER - 31" X 37" (K17)
2	111910-58-J92	EA	BLIND - DAY/NIGHTER - 31" X 37" (K18)
3	109041-58-02A	EA	BLIND - MINI - 30.5" X 17" (K16,K18)
3	109041-58-01A	EA	BLIND - MINI - 30.5" X 17" (K17)
4	118537-07-K16	EA	VALANCE - GALAXY - 64.5"
4	118537-07-K17	EA	VALANCE - GALAXY - 64.5"
4	118537-07-K18	EA	VALANCE - GALAXY - 64.5"
4	127017-11-J02	EA	LEG - RIGHT - 25" (K16)
4	127017-11-J03	EA	LEG - RIGHT - 25" (K17)
4	127017-11-K18	EA	LEG - RIGHT - 25" (K18)
4	127017-12-J02	EA	LEG - LEFT - 25" (K16)
4	127017-12-J03	EA	LEG - LEFT - 25" (K17)
4	127017-12-K18	EA	LEG - LEFT - 25" (K18)
4	111910-57-J38	EA	BLIND - DAY/NIGHTER - 61" X 28.5" (K16)
4	111910-57-J90	EA	BLIND - DAY/NIGHTER - 61" X 28.5" (K17)
4	111910-57-J92	EA	BLIND - DAY/NIGHTER - 61" X 28.5" (K18)
5	101668-66-J15	EA	CURTAIN - LEFT HAND - 35.5" X 106"
6	101668-65-J15	EA	CURTAIN - RIGHT HAND - 35.5" X 106"
	073260-42-D10	EA	TIEBACK - 6" X 18"
7	118537-32-K16	EA	VALANCE - GALAXY - 58.5"
7	118537-32-K17	EA	VALANCE - GALAXY - 58.5"
7	118537-32-K18	EA	VALANCE - GALAXY - 58.5"
7	127017-11-J02	EA	LEG - RIGHT - 25" (K16)
7	127017-11-J03	EA	LEG - RIGHT - 25" (K17)
7	127017-11-K18	EA	LEG - RIGHT - 25" (K18)
7	127017-12-J02	EA	LEG - LEFT - 25" (K16)
7	127017-12-J03	EA	LEG - LEFT - 25" (K17)
7	127017-12-K18	EA	LEG - LEFT - 25" (K18)
7	111910-60-K16	EA	BLIND - DAY/NIGHTER - 55" X 28.5"
7	111910-60-K17	EA	BLIND - DAY/NIGHTER - 55" X 28.5"
7	111910-60-K18	EA	BLIND - DAY/NIGHTER - 55" X 28.5"
8	118537-33-K16	EA	VALANCE - GALAXY - 30.5"
8	118537-33-K17	EA	VALANCE - GALAXY - 30.5"
8	118537-33-K18	EA	VALANCE - GALAXY - 30.5"
8	084755-57-E07	EA	SHADE - PULL - 27.25"

CURTAIN & CUSHION GROUP (CONTINUED)

TWIN MATTRESSES & BEDSPREADS



KEY	PART NUMBER	U/M DESCRIPTION
1	123015-04-000	EA MATTRESS - INNERSPRING - 36" X 79.5"
1	123471-09-J46	EA BEDSPREAD/THROW - 36" X 80" (K16)
1	123471-09-J47	EA BEDSPREAD/THROW - 36" X 80" (K17)
1	123471-09-K18	EA BEDSPREAD/THROW - 36" X 80" (K18)
	111863-16-J46	EA PILLOW SHAM - 22" X 37" (K16)
	111863-16-J47	EA PILLOW SHAM - 22" X 37" (K17)
	111863-16-K18	EA PILLOW SHAM - 22" X 37" (K18)

QUEEN MATTRESS & BEDSPREAD

KEY	PART NUMBER	U/M DESCRIPTION
2	123015-06-000	EA MATTRESS - INNERSPRING - 60" X 74.5"
2	123471-08-J02	EA BEDSPREAD/THROW - 60" X 75" (K16)
2	123471-08-J03	EA BEDSPREAD/THROW - 60" X 75" (K17)
2	123471-08-K18	EA BEDSPREAD/THROW - 60" X 75" (K18)
	111863-15-J46	EA PILLOW SHAM - 20" X 33" (K16)
	111863-15-J47	EA PILLOW SHAM - 20" X 33" (K17)
	111863-15-K18	EA PILLOW SHAM - 20" X 33" (K18)

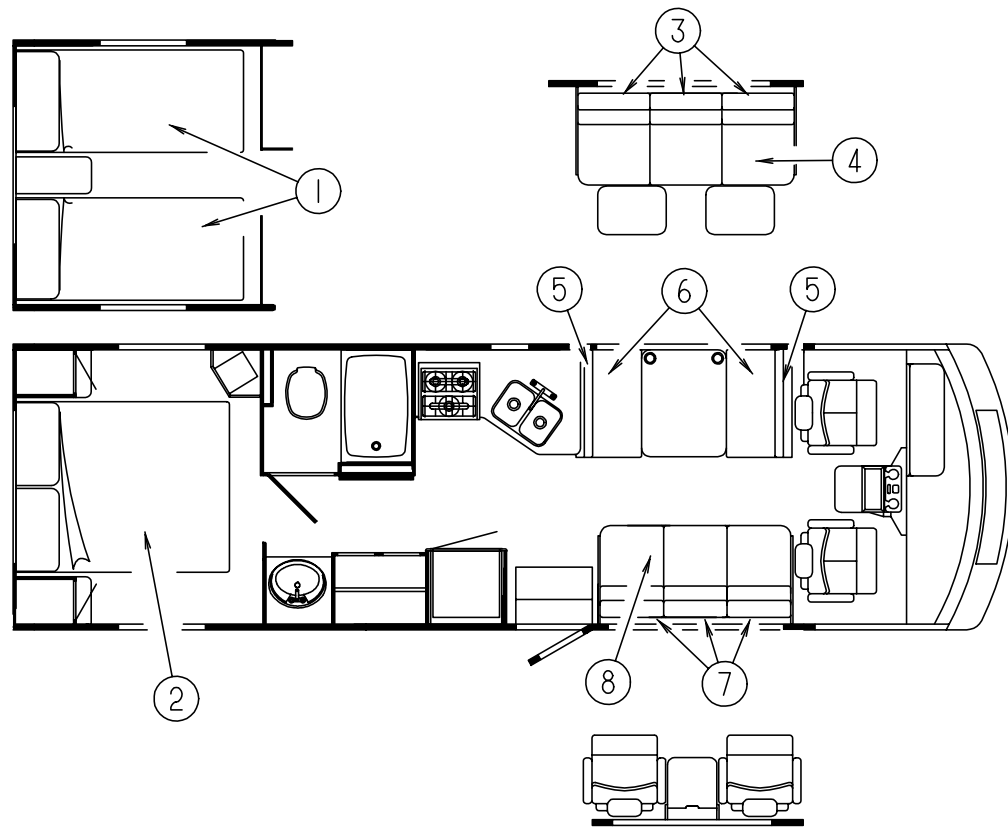
SOFA/BED

KEY	PART NUMBER	U/M DESCRIPTION
3	111319-01-K16	EA BACK - SOFA/BED - W/FRAME - 74"
3	111319-01-K17	EA BACK - SOFA/BED - W/FRAME - 74"
3	111319-01-K18	EA BACK - SOFA/BED - W/FRAME - 74"
	P11319-01-K16	EA COVER - BACK - NO ARMS - 74"
	P11319-01-K17	EA COVER - BACK - NO ARMS - 74"
	P11319-01-K18	EA COVER - BACK - NO ARMS - 74"
4	100032-43-K16	EA SEAT - SOFA/BED - W/FRAME - 74" - W/O ARMS
4	100032-43-K17	EA SEAT - SOFA/BED - W/FRAME - 74" - W/O ARMS
4	100032-43-K18	EA SEAT - SOFA/BED - W/FRAME - 74" - W/O ARMS
	P00032-43-K16	EA COVER - SEAT - SOFA/BED - 74" - W/O ARMS
	P00032-43-K17	EA COVER - SEAT - SOFA/BED - 74" - W/O ARMS
	P00032-43-K18	EA COVER - SEAT - SOFA/BED - 74" - W/O ARMS
	111637-15-J46	EA PILLOW - 14" X 14" (K16)
	111637-15-J47	EA PILLOW - 14" X 14" (K17)
	111637-15-K18	EA PILLOW - 14" X 14" (K18)
	101085-04-000	EA FRAME - SEAT - SOFA/BED - 74.75"
	101085-06-000	EA FRAME - BASE - SOFA/BED - 74.75"
	101085-10-000	EA FRAME - BACK - SOFA/BED - 74.75"

NOTE: COUCH FRONT AND SIDE PANELS ARE FOUND IN THE LOUNGE GROUP

CURTAIN & CUSHION GROUP (CONTINUED)

DINETTE CUSHIONS



KEY	PART NUMBER	U/M DESCRIPTION
5	111897-05-K16	EA CUSHION - BACK - 13.5" X 42" X 5"
5	111897-05-K17	EA CUSHION - BACK - 13.5" X 42" X 5"
5	111897-05-K18	EA CUSHION - BACK - 13.5" X 42" X 5"
	P11897-05-K16	EA COVER - BACK - 13.5" X 42" X 5"
	P11897-05-K17	EA COVER - BACK - 13.5" X 42" X 5"
	P11897-05-K18	EA COVER - BACK - 13.5" X 42" X 5"
6	105603-15-J02	EA CUSHION - SEAT - 23" X 42" X 5" (K16)
6	105603-15-J47	EA CUSHION - SEAT - 23" X 42" X 5" (K17)
6	105603-15-K18	EA CUSHION - SEAT - 23" X 42" X 5" (K18)
	P05603-15-J02	EA COVER - SEAT - 23" X 42" X 5" (K16)
	P05603-15-J47	EA COVER - SEAT - 23" X 42" X 5" (K17)
	P05603-15-K18	EA COVER - SEAT - 23" X 42" X 5" (K18)

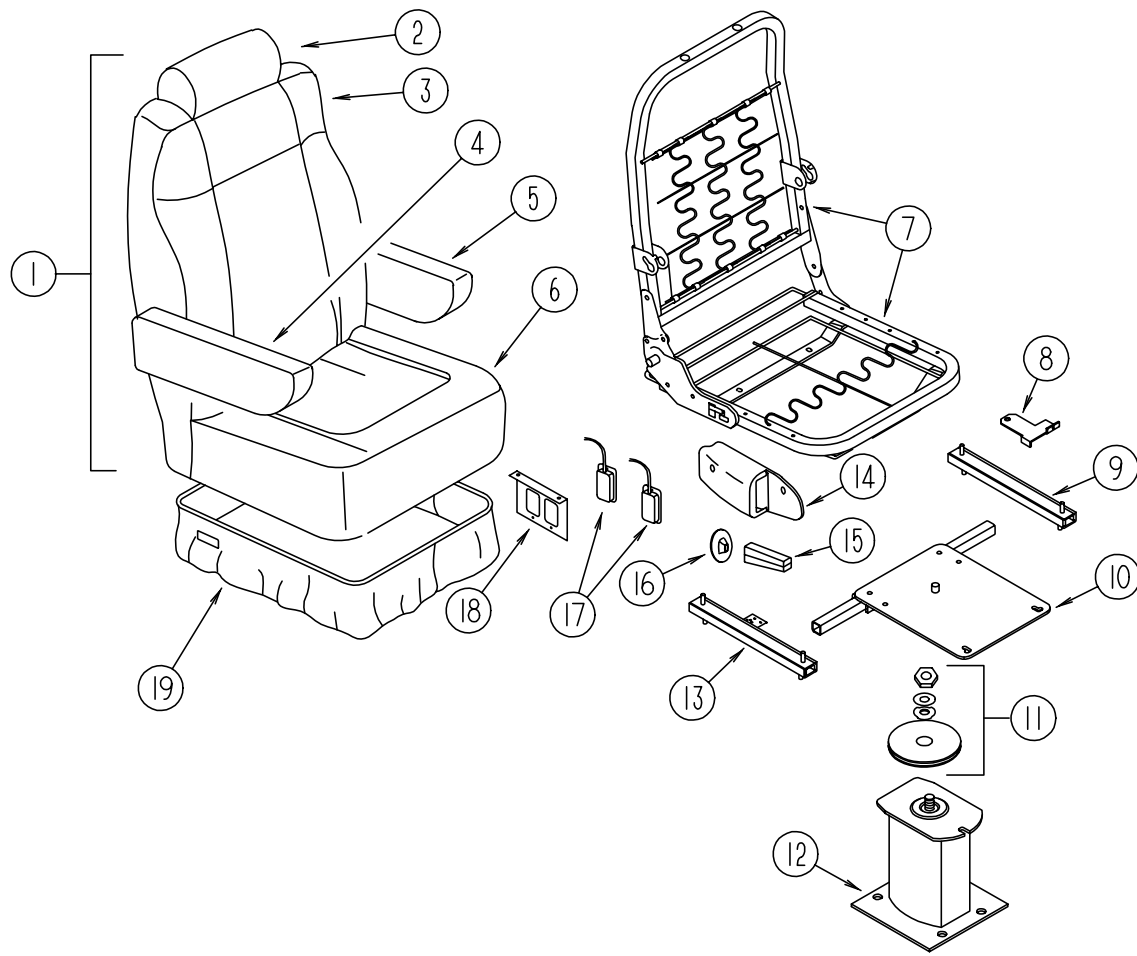
SOFA/BED

KEY	PART NUMBER	U/M DESCRIPTION
7	129688-03-K16	EA SOFA - BACK - 67.5"
7	129688-03-K17	EA SOFA - BACK - 67.5"
7	129688-03-K18	EA SOFA - BACK - 67.5"
	P29688-03-K16	EA COVER - BACK - 67.5"
	P29688-03-K17	EA COVER - BACK - 67.5"
	P29688-03-K18	EA COVER - BACK - 67.5"
8	129688-04-K16	EA SOFA - SEAT - 67.5"
8	129688-04-K17	EA SOFA - SEAT - 67.5"
8	129688-04-K18	EA SOFA - SEAT - 67.5"
	P29688-04-K16	EA COVER - SEAT - 67.5"
	P29688-04-K17	EA COVER - SEAT - 67.5"
	P29688-04-K18	EA COVER - SEAT - 67.5"
	111637-15-J46	EA PILLOW - 14" X 14" (K16)
	111637-15-J47	EA PILLOW - 14" X 14" (K17)
	111637-15-K18	EA PILLOW - 14" X 14" (K18)
	130708-01-K16	EA ARMREST - REMOVABLE - RIGHT HAND
	130708-01-K17	EA ARMREST - REMOVABLE - RIGHT HAND
	130708-01-K18	EA ARMREST - REMOVABLE - RIGHT HAND
	P30708-01-K16	EA COVER - ARMREST/REMOVABLE - RIGHT HAND
	P30708-01-K17	EA COVER - ARMREST/REMOVABLE - RIGHT HAND
	P30708-01-K18	EA COVER - ARMREST/REMOVABLE - RIGHT HAND
	130708-02-K16	EA ARMREST - REMOVABLE - LEFT HAND
	130708-02-K17	EA ARMREST - REMOVABLE - LEFT HAND
	130708-02-K18	EA ARMREST - REMOVABLE - LEFT HAND
	P30708-02-K16	EA COVER - ARMREST/REMOVABLE - LEFT HAND
	P30708-02-K17	EA COVER - ARMREST/REMOVABLE - LEFT HAND
	P30708-02-K18	EA COVER - ARMREST/REMOVABLE - LEFT HAND
	127335-08-000	EA BRACKET - REMOVABLE ARM/COUCH
	127335-09-000	EA BRACKET - REMOVABLE ARM/CUSHION
	112436-02-000	FT TRIM-3/4" TRIM-FLEX
	116104-03-02B	EA BRACKET - ZEE W/HOLES
	127335-12-000	EA FRAME-10" LEG

NOTE: COUCH FRONT AND SIDE PANELS ARE FOUND IN THE LOUNGE GROUP

CURTAIN & CUSHION GROUP (CONTINUED)

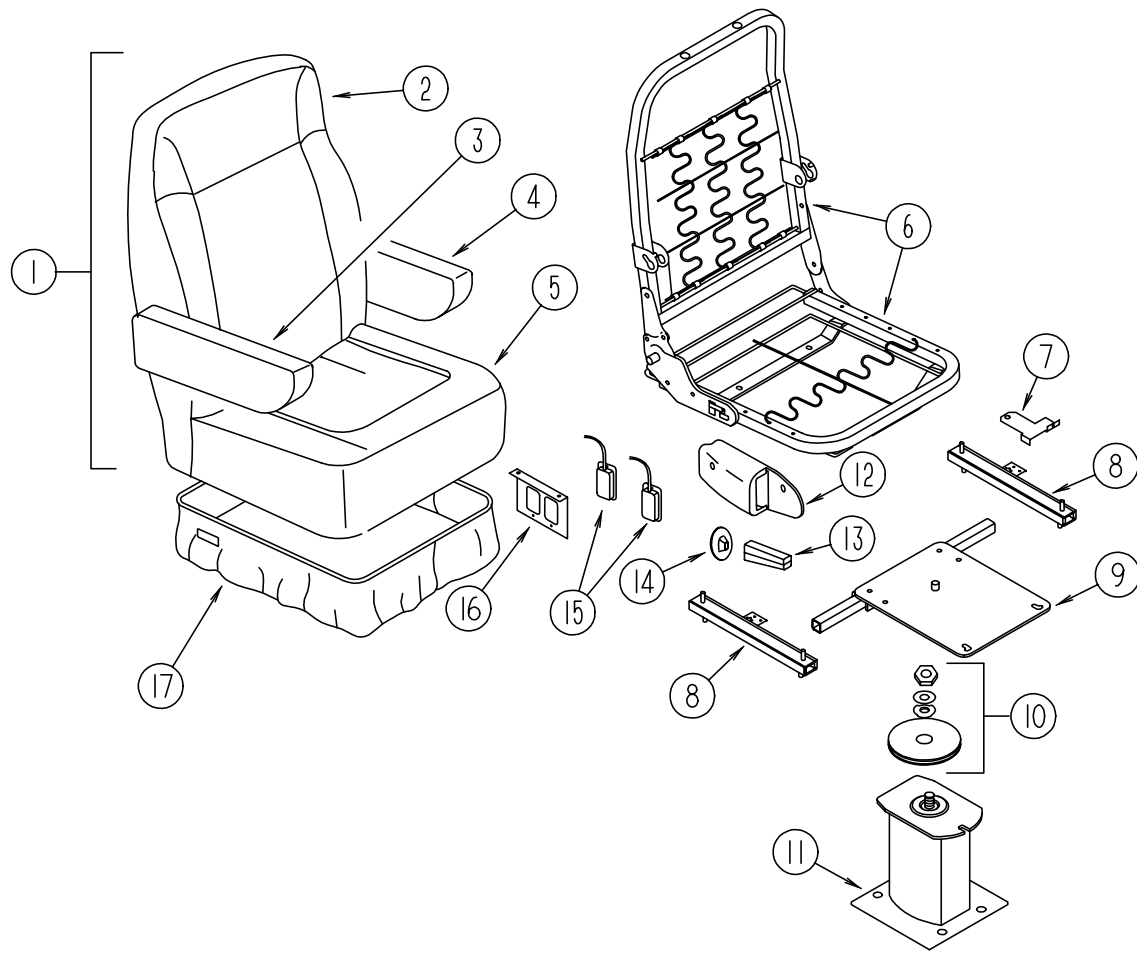
LOUNGE SWIVEL CHAIR



KEY	PART NUMBER	U/M	DESCRIPTION
1	127540-12-K16	EA	SEAT - BUCKET - MANUAL RECLINE - WIDE
1	127540-12-K17	EA	SEAT - BUCKET - MANUAL RECLINE - WIDE
1	127540-12-K18	EA	SEAT - BUCKET - MANUAL RECLINE - WIDE
2	127601-02-K16	EA	HEADREST
2	127601-02-K17	EA	HEADREST
2	127601-02-K18	EA	HEADREST
	P27601-02-K16	EA	COVER - HEADREST
	P27601-02-K17	EA	COVER - HEADREST
	P27601-02-K18	EA	COVER - HEADREST
3	M05962-67-J46	EA	COVER - BACK (K16)
3	M05962-67-J47	EA	COVER - BACK (K17)
3	M05962-67-K18	EA	COVER - BACK (K18)
4	122780-01-J02	EA	ARMREST - RIGHT HAND (K16)
4	122780-01-H01	EA	ARMREST - RIGHT HAND (K17)
4	122780-01-K18	EA	ARMREST - RIGHT HAND (K18)
	P22780-01-J02	EA	COVER - ARMREST - RIGHT HAND (K16)
	P22780-01-H01	EA	COVER - ARMREST - RIGHT HAND (K17)
	P22780-01-K18	EA	COVER - ARMREST - RIGHT HAND (K18)
	115617-03-000	EA	ARMREST - W/O COVER - RIGHT HAND
5	122780-02-J02	EA	ARMREST - LEFT HAND (K16)
5	122780-02-H16	EA	ARMREST - LEFT HAND (K17)
5	122780-02-H02	EA	ARMREST - LEFT HAND (K18)
	P22780-02-J02	EA	COVER - ARMREST - LEFT HAND (K16)
	P22780-02-H16	EA	COVER - ARMREST - LEFT HAND (K17)
	P22780-02-H02	EA	COVER - ARMREST - LEFT HAND (K18)
	115617-04-000	EA	ARMREST - W/O COVER - LEFT HAND
6	M05962-68-J46	EA	COVER - SEAT (K16)
6	M05962-68-J47	EA	COVER - SEAT (K17)
6	M05962-68-K18	EA	COVER - SEAT (K18)
7	122695-01-01B	EA	FRAME - SEAT/BACK
8	117125-01-02B	EA	BRACKET - CABLE MOUNT - ADJUSTER W/LOCK
9	119952-02-000	EA	SLIDE/SEAT - HEAVY DUTY NON LOCKING
	119952-07-000	EA	WIRE - LATCH RELEASE/ROTARY
10	107921-05-000	EA	PLATE - TOP - W/SEAT BELT BAR
11	107921-06-000	EA	BEARING KIT - PEDESTAL
12	107921-01-000	EA	PEDESTAL/FLOOR MOUNTED - W/9.75" EXTENSION
13	119952-04-000	EA	SLIDE/SEAT - HEAVY DUTY LOCKING - 4 STUDS
14	080730-09-000	EA	SHIELD - RECLINER HANDLE
15	080730-08-000	EA	HANDLE - RECLINER
16	080730-11-000	EA	SHIELD - RUBBER BOOT
17	108049-04-000	EA	CABLE - W/SWITCHES - W/26" MINI LEVER ACTION
	108049-02-000	EA	CLIP - CABLE/PEDESTAL
18	127159-02-02B	EA	BRACKET - SEAT RELEASE - DUAL REMOTE
19	071126-66-J46	EA	SKIRT - BUCKET/LARGE (K16)
19	071126-66-J47	EA	SKIRT - BUCKET/LARGE (K17)
19	071126-66-K18	EA	SKIRT - BUCKET/LARGE (K18)
	108445-02-000	EA	PLATE/FLOOR MOUNTED - PEDESTAL SEAT

CURTAIN & CUSHION GROUP (CONTINUED)

BUCKET SEAT W/O LUMBAR



KEY	PART NUMBER	U/M	DESCRIPTION
1	129664-01-K16	EA	SEAT - BUCKET - WIDE/MANUAL RECLINE
1	129664-01-K17	EA	SEAT - BUCKET - WIDE/MANUAL RECLINE
1	129664-01-K18	EA	SEAT - BUCKET - WIDE/MANUAL RECLINE
2	M05962-80-K16	EA	COVER - BACK
2	M05962-80-K17	EA	COVER - BACK
2	M05962-80-K18	EA	COVER - BACK
3	129666-01-K16	EA	ARMREST - RIGHT HAND
3	129666-01-K17	EA	ARMREST - RIGHT HAND
3	129666-01-K18	EA	ARMREST - RIGHT HAND
	P29666-01-K16	EA	COVER - ARMREST - RIGHT HAND
	P29666-01-K17	EA	COVER - ARMREST - RIGHT HAND
	P29666-01-K18	EA	COVER - ARMREST - RIGHT HAND
4	129666-02-K16	EA	ARMREST - LEFT HAND
4	129666-02-K17	EA	ARMREST - LEFT HAND
4	129666-02-K18	EA	ARMREST - LEFT HAND
	P29666-02-K16	EA	COVER - ARMREST - LEFT HAND
	P29666-02-K17	EA	COVER - ARMREST - LEFT HAND
	P29666-02-K18	EA	COVER - ARMREST - LEFT HAND
5	M05962-81-K16	EA	COVER - SEAT
5	M05962-81-K17	EA	COVER - SEAT
5	M05962-81-K18	EA	COVER - SEAT
6	122695-04-01B	EA	FRAME - SEAT/HIGH BACK
7	117125-01-02B	EA	BRACKET - CABLE MOUNT - ADJUSTER W/LOCK
8	119952-04-000	EA	SLIDE/SEAT - HEAVY DUTY LOCKING - 4 STUDS
	119952-07-000	EA	WIRE - LATCH RELEASE/ROTARY
9	107921-05-000	EA	PLATE - TOP - W/SEAT BELT BAR
10	107921-06-000	EA	BEARING KIT - PEDESTAL
11	107921-01-000	EA	PEDESTAL/FLOOR MOUNTED - W/9.75" EXTENSION
12	080730-09-000	EA	SHIELD - RECLINER HANDLE
13	080730-08-000	EA	HANDLE - RECLINER
14	080730-11-000	EA	SHIELD - RUBBER BOOT
15	108049-04-000	EA	CABLE - W/SWITCHES - W/26" MINI LEVER ACTION
	108049-02-000	EA	CLIP - CABLE/PEDESTAL
16	127159-02-02B	EA	BRACKET - SEAT RELEASE - REMOTE
17	071126-68-K16	EA	SKIRT - WIDE - 10.5" OPEN CORNER (STANDARD & 6-WAY POWER)
17	071126-68-K17	EA	SKIRT - WIDE - 10.5" OPEN CORNER (STANDARD & 6-WAY POWER)
17	071126-68-K18	EA	SKIRT - WIDE - 10.5" OPEN CORNER (STANDARD & 6-WAY POWER)

CURTAIN & CUSHION GROUP (CONTINUED)

BUTTON, TRIM, ASSIST HANDLE & SEAT BELT

KEY	PART NUMBER	U/M DESCRIPTION
	079349-04-J46	YD WELT - NARROW (K16)
	079349-04-H16	YD WELT - NARROW (K17)
	079349-04-GC1	YD WELT - NARROW (K18)
	007021-01-000	EA SEAT BELT - 2" X 90" - BLACK
	056271-01-000	EA BELT - SEAT - 2" X 102" - BLACK
	057759-01-000	EA WASHER - FLAT F/SEAT BELT - 4" DIAMETER
	069178-02-000	EA BRACKET - MOUNTING/ASSIST HANDLE - GRAY
	053552-02-K01	EA HANDLE - ASSIST - INTERIOR/ENTRY DOOR - VINYL/OFF WHITE
	057534-01-000	EA TIEBACK/TIEDOWN - 6" CLEAR PLASTIC
	070578-02-B10	EA BUTTON - SCREW - STUD - #30 VINYL
	000C16-07-16B	EA BOLT - CARRIAGE - ASSIST HANDLE - 7/16" - 14 X 1"
	000D20-07-00B	EA NUT - ACORN - ASSIST HANDLE - 7/16 - 14

CURTAIN & CUSHION GROUP (CONTINUED)

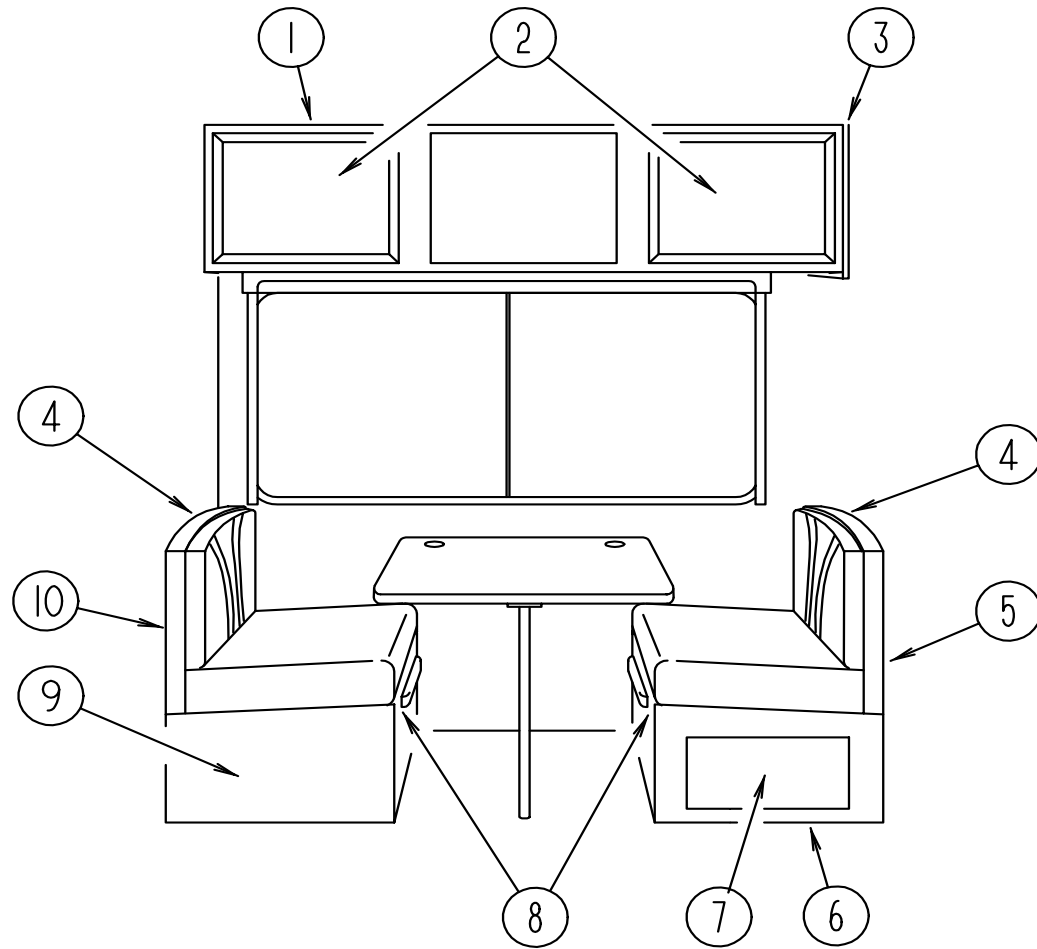
BRAVE 'SE' FABRIC

COLOR CODES	K16	K17	K18
	SANDPIPER (TAN)	HORIZON (BLUE)	MEADOWBROOK (GREEN)
CEILING MATERIAL FROM: 00-00-00 THRU: 02-07-99	113979-01-01A	113979-01-01A	113979-01-01A
CEILING MATERIAL FROM: 02-08-99 THRU: 99-99-99	113979-09-01A	113979-09-01A	113979-09-01A
MADRID VINYL	103907-01-01A	103907-01-01A	103907-01-01A
ALLANTE ANTELOPE VINYL	103907-01-07A 103907-02-07A 103907-03-07A	103907-01-07A 103907-02-07A 103907-03-07A	103907-01-07A 103907-02-07A 103907-03-07A
DRAPERY LINING	087272-03-000	087272-03-000	087272-03-000
BUCKET SEATS	108446-57-000 108446-U1-000	108446-F4-000 108446-F7-000	108446-S7-000 108446-C5-000
DINETTE	108446-R8-000	108446-U5-000	126883-03-000
DINETTE PADS	108446-U1-000	108446-F7-000	108446-C5-000
SOFA	108446-R8-000	108446-U5-000	126883-03-000
SOFA PILLOWS	108446-57-000	108446-F4-000	108446-S7-000
SWIVEL CHAIR	108446-57-000 108446-U1-000	108446-F4-000 108446-F7-000	108446-S7-000 108446-C5-000
LOUNGE WINDOWS	108446-R8-000 108446-57-000	108446-U5-000 108446-F4-000	126883-03-000 108446-S7-000
BEDROOM WINDOWS	105745-G2-000 105745-A1-000	105745-65-000 105745-64-000	105745-G8-000 105745-45-000
BEDSPREAD	105745-G2-000	105745-65-000	105745-G8-000
PILLOW SHAMS	105745-G2-000 105745-A1-000	105745-65-000 105745-64-000	105745-G8-000 105745-45-000
HEADBOARD	105745-G2-000 105745-A1-000	105745-65-000 105745-64-000	105745-G8-000 105745-45-000
BEDROOM PILLOWS	105745-G2-000 105745-A1-000	105745-65-000 105745-64-000	105745-G8-000 105745-45-000
FRONT WRAP AROUND	072333-82-000	072333-82-000	072333-82-000
LOUNGE CABINET INSERTS	108446-57-000	108446-F4-000	108446-S7-000
BEDROOM CABINET INSERTS	105745-A1-000	105745-64-000	105745-45-000
MAP POCKETS	108446-U1-000	108446-F7-000	108446-C5-000

NOTE: FABRIC LISTED FIRST, IN A BLOCK, IS THE LARGEST QUANTITY OF FABRIC USED.

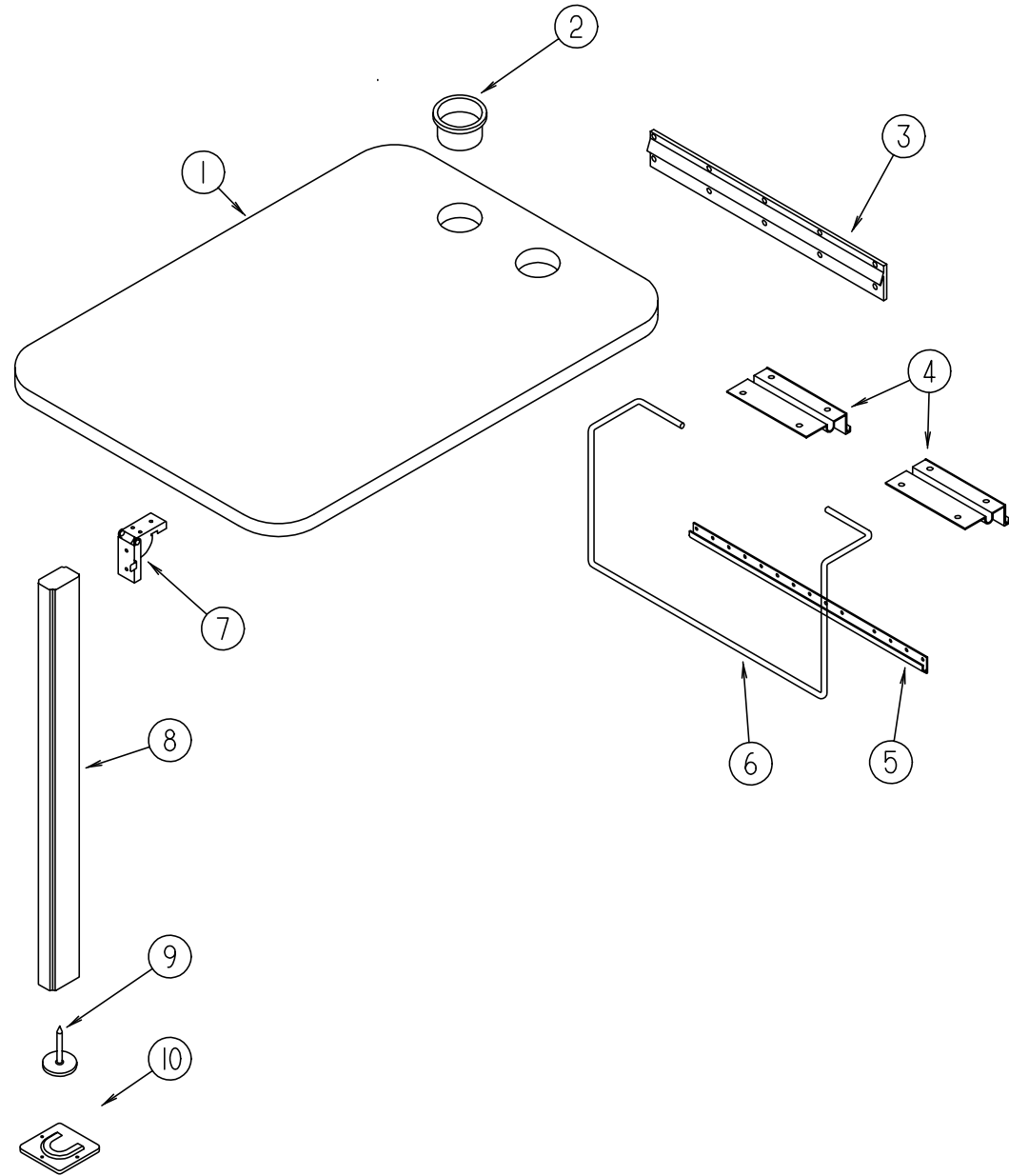
DINETTE GROUP

DINETTE CABINERY



KEY	PART NUMBER	U/M DESCRIPTION
1	113880-02-J46	EA CABINET - OVERHEAD DINETTE - W/O DOORS/HARDWARE (K16)
1	113880-02-J47	EA CABINET - OVERHEAD DINETTE - W/O DOORS/HARDWARE (K17)
1	113880-02-K18	EA CABINET - OVERHEAD DINETTE - W/O DOORS/HARDWARE (K18)
2	M09332-05-K01	EA DOOR - RAISED MEMBRANE/OGEE EDGE - 15.7" X 27.9" - W/O HDW
3	103128-01-G09	EA END CAP - OVERHEAD CABINET - RIGHT HAND
4	111338-06-K16	EA PAD - DINETTE SEATBACK
4	111338-06-K17	EA PAD - DINETTE SEATBACK
4	111338-06-K18	EA PAD - DINETTE SEATBACK
5	M08123-04-G04	EA CABINET - SEATBACK - RIGHT HAND
6	M08122-10-H07	EA CABINET - SEATBASE - RIGHT HAND - W/O DOOR/DRAWER/HDW
7	M05992-M7-J18	EA DOOR - STRAIGHT CORNER/OGEE EDGE - 10" X 19.1" - W/O HDW
8	081295-01-G01	EA SUPPORT - BED/DINETTE - 28" LONG
9	M08122-26-K16	EA CABINET - SEATBASE - LEFT HAND - W/O DOOR/DRAWER/HDW
10	M08123-24-K16	EA CABINET - SEATBACK - LEFT HAND
	122021-01-02A	EA ANGLE - W/HOLES - 8.6" LONG - OFF WHITE

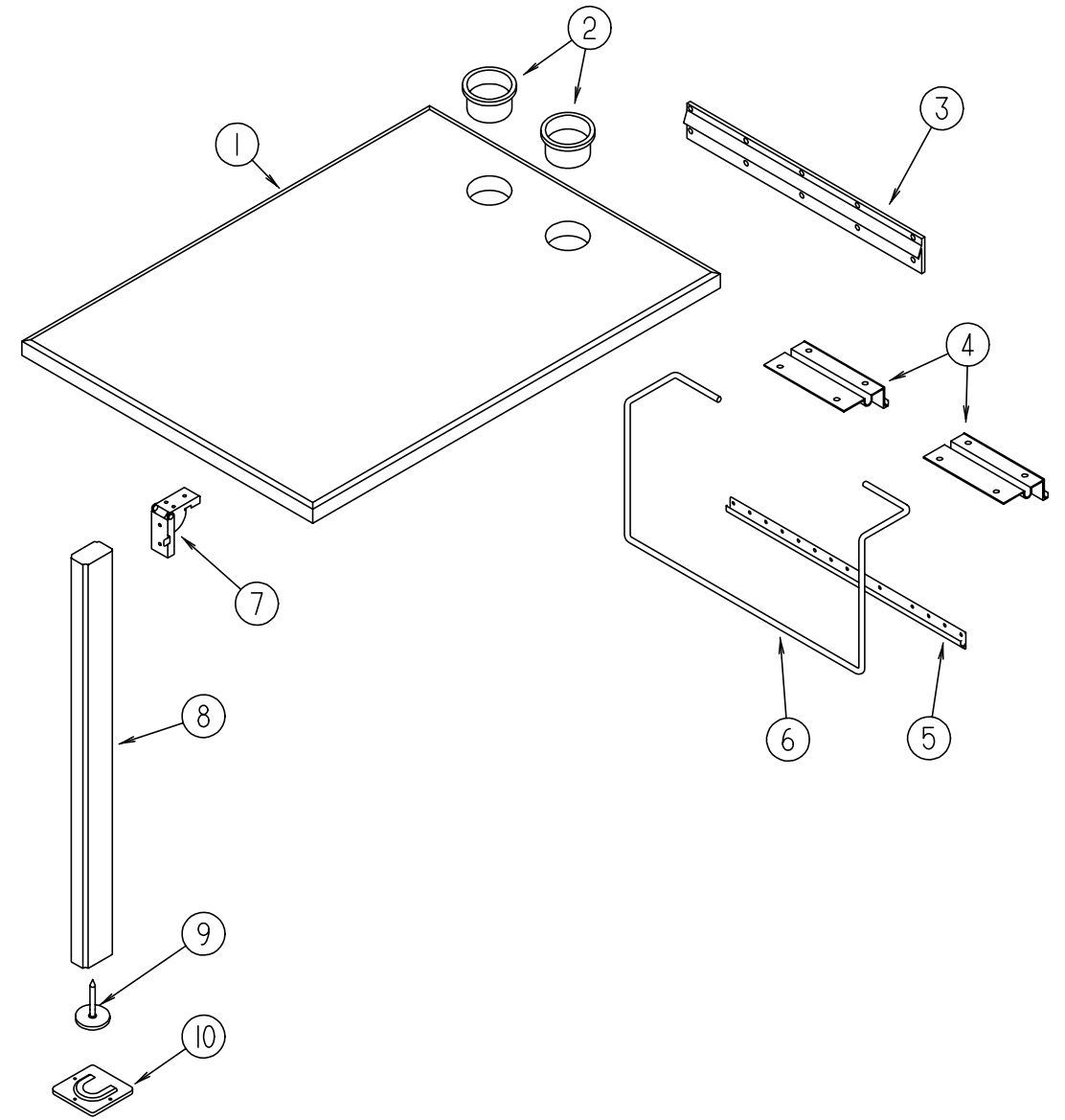
DINETTE GROUP (CONTINUED)



DINETTE TABLE (LAMINATE EDGE)

KEY	PART NUMBER	U/M DESCRIPTION
1	081322-23-K16	EA TABLE TOP ONLY
1	081322-23-K17	EA TABLE TOP ONLY
1	081322-23-K18	EA TABLE TOP ONLY
2	064781-06-000	EA HOLDER - CUP - TWO STEP - OFF WHITE
3	053200-12-000	EA BRACKET - TABLE SUPPORT - UPPER/WALL MOUNTED - 23.50"
4	088410-02-000	EA BRACKET - LIFT - TABLE MOUNTED
5	024281-14-000	EA BRACKET/TABLE - LIFT ROD/LOWER WALL MOUNTED - 22.12"
6	024275-12-000	EA ROD - TABLE LIFT
7	093550-01-000	EA BRACKET - HINGE - MOUNTS TO LEG & TABLE TOP - 1.7" X 2.6"
8	092707-04-05A	EA LEG - TABLE - W/O HARDWARE - 27" - WATERFORD OAK
9	092593-01-05A	EA CATCH - TABLE LEG - OFF/WHITE
10	049493-12-000	EA CATCH - TABLE LEG/FLOOR MOUNTED - OFF WHITE
10	049493-11-700	EA CATCH-TABLE LEG,E-COAT

DINETTE GROUP (CONTINUED)

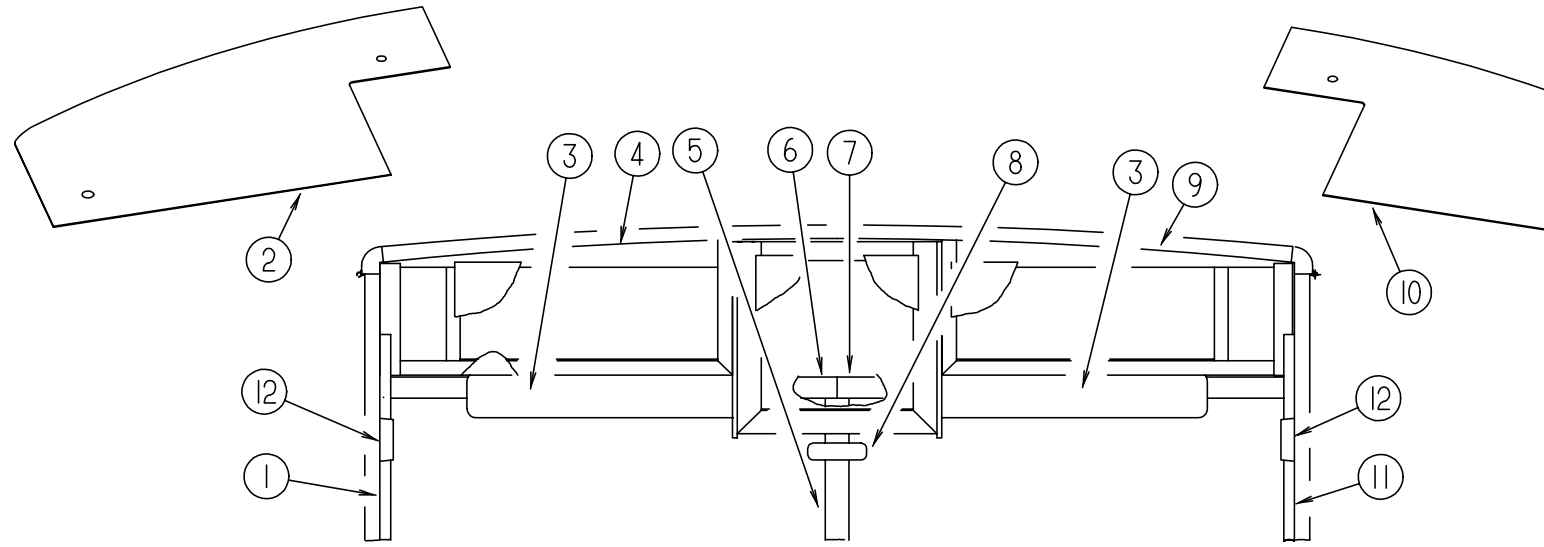


DINETTE TABLE (WOOD EDGE)

KEY	PART NUMBER	U/M DESCRIPTION
1	088913-08-G42	EA TABLE - DINETTE - W/O HARDWARE (K16)
1	088913-08-J51	EA TABLE - DINETTE - W/O HARDWARE (K17)
1	088913-08-K18	EA TABLE - DINETTE - W/O HARDWARE (K18)
2	064781-06-000	EA HOLDER - CUP - TWO STEP - OFF WHITE
3	053200-12-000	EA BRACKET - TABLE SUPPORT - UPPER/WALL MOUNTED - 23.50"
4	088410-02-000	EA BRACKET - LIFT - TABLE MOUNTED
5	024281-14-000	EA BRACKET/TABLE - LIFT ROD/LOWER WALL MOUNTED - 22.12"
6	024275-12-000	EA ROD - TABLE LIFT
7	093550-01-000	EA BRACKET - HINGE - MOUNTS TO LEG & TABLE TOP - 1.7" X 2.6"
8	092707-04-05A	EA LEG - TABLE - W/O HARDWARE - 27" - WATERFORD OAK
9	092593-01-05A	EA CATCH - TABLE LEG - OFF/WHITE
10	049493-12-000	EA CATCH - TABLE LEG/FLOOR MOUNTED - OFF WHITE
10	049493-11-700	EA CATCH-TABLE LEG,E-COAT

DRIVERS COMPARTMENT GROUP

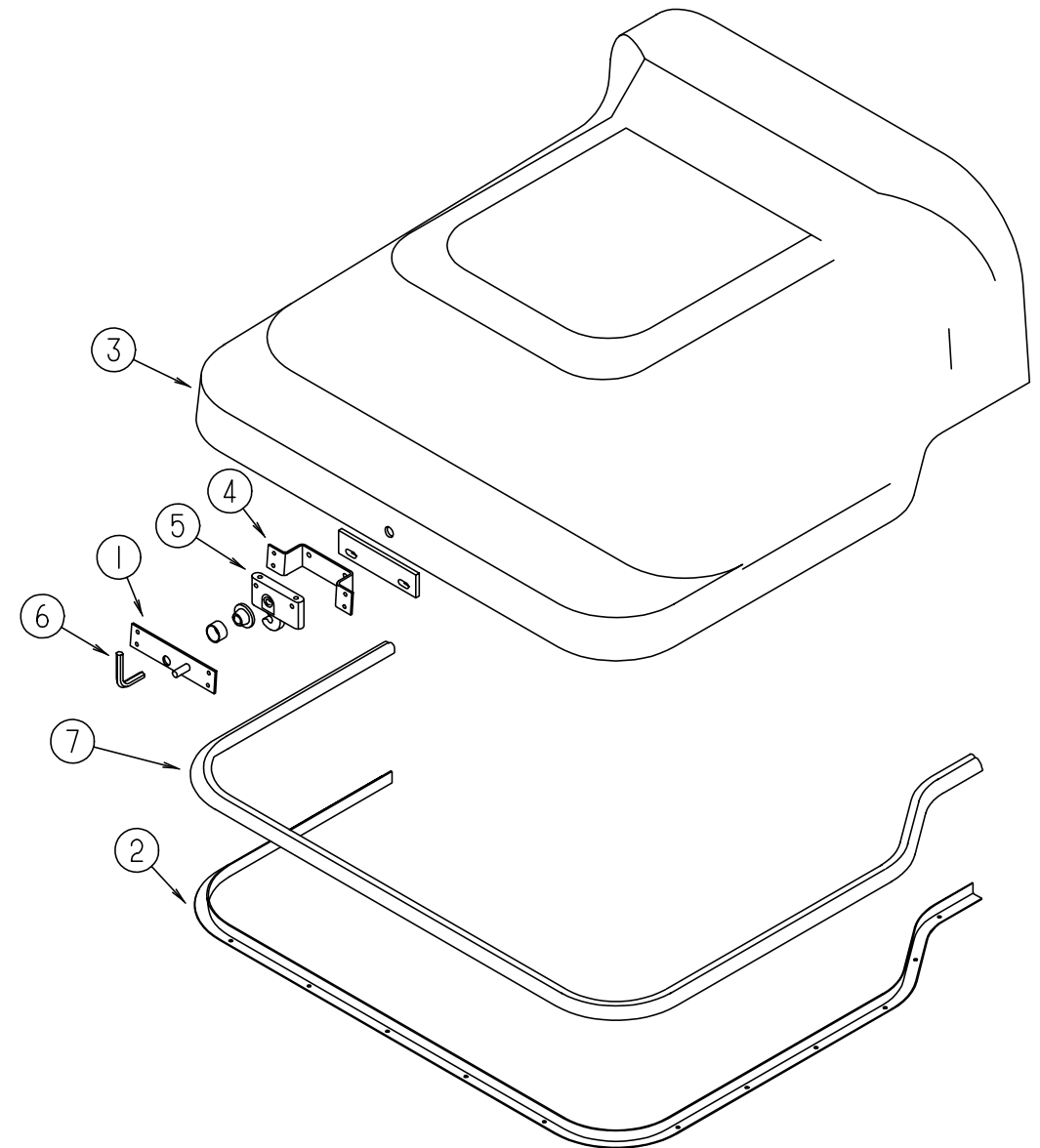
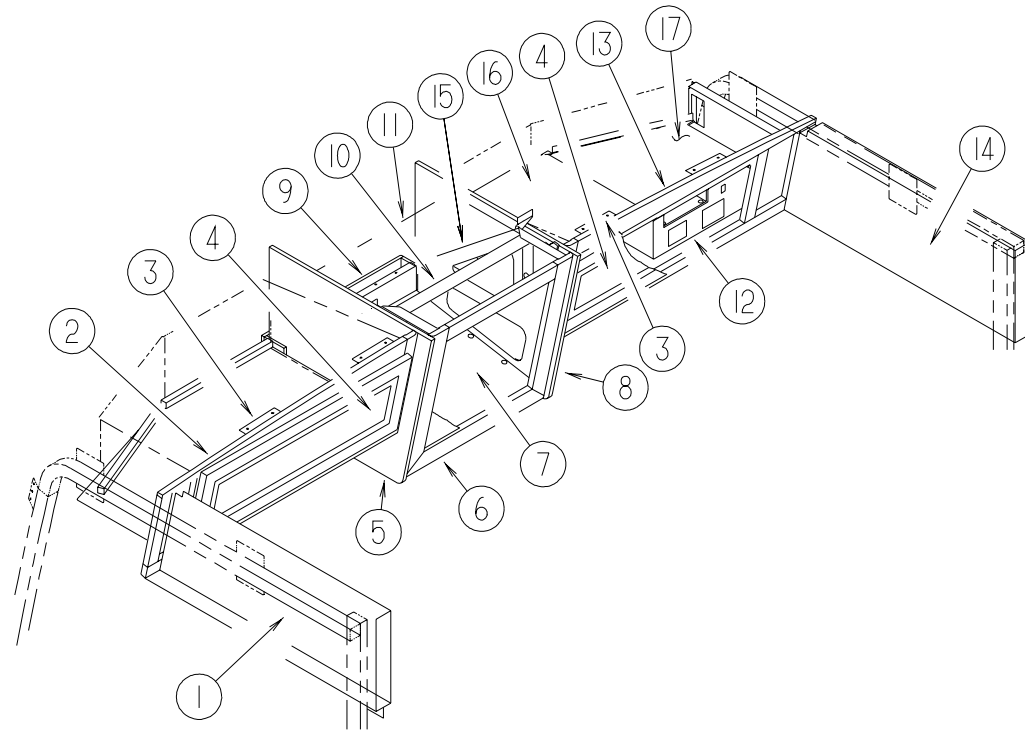
DRIVERS COMPARTMENT - UPPER



KEY	PART NUMBER	U/M DESCRIPTION
1	125508-04-01A	EA TRIM - A-PILLAR - INTERIOR - ANTELOPE
2	126440-04-J15	EA PANEL - OVERHEAD/FRONT - BOTTOM/LEFT HAND
3	123298-02-04A	EA SUNVISOR - 10.5" X 28.5"
4	126457-02-J20	EA PANEL - CLOSEOUT - OVERHEAD FRONT - UPPER/LOWER LEFT HAND
5	118452-05-01A	EA TRIM - WINDSHIELD - CENTER - ANTELOPE
6	118453-04-01A	EA TRIM - WINDSHIELD - INNER/TOP/DRIVER
7	118453-03-01A	EA TRIM - WINDSHIELD - INNER/TOP/PASSENGER
8	040714-01-000	EA MIRROR - REAR VIEW/ARM MOUNT & SET SCREW
	067490-01-000	EA BUTTON - MIRROR/REAR VIEW
9	126457-01-J20	EA PANEL - CLOSEOUT - OVERHEAD FRONT - UPPER/LOWER RIGHT HAND
10	126440-03-J15	EA PANEL - OVERHEAD/FRONT - BOTTOM/RIGHT HAND
11	125508-03-01A	EA TRIM - A-PILLAR - INTERIOR - ANTELOPE
12	103961-02-01A	EA COVER - BRACKET - SEAT BELT/LEFT HAND - DRIVER DOOR OPTION

DRIVERS COMPARTMENT GROUP (CONTINUED)

DRIVERS COMPARTMENT GROUP (CONTINUED)



INTERIOR STORAGE AND TV CABINETS

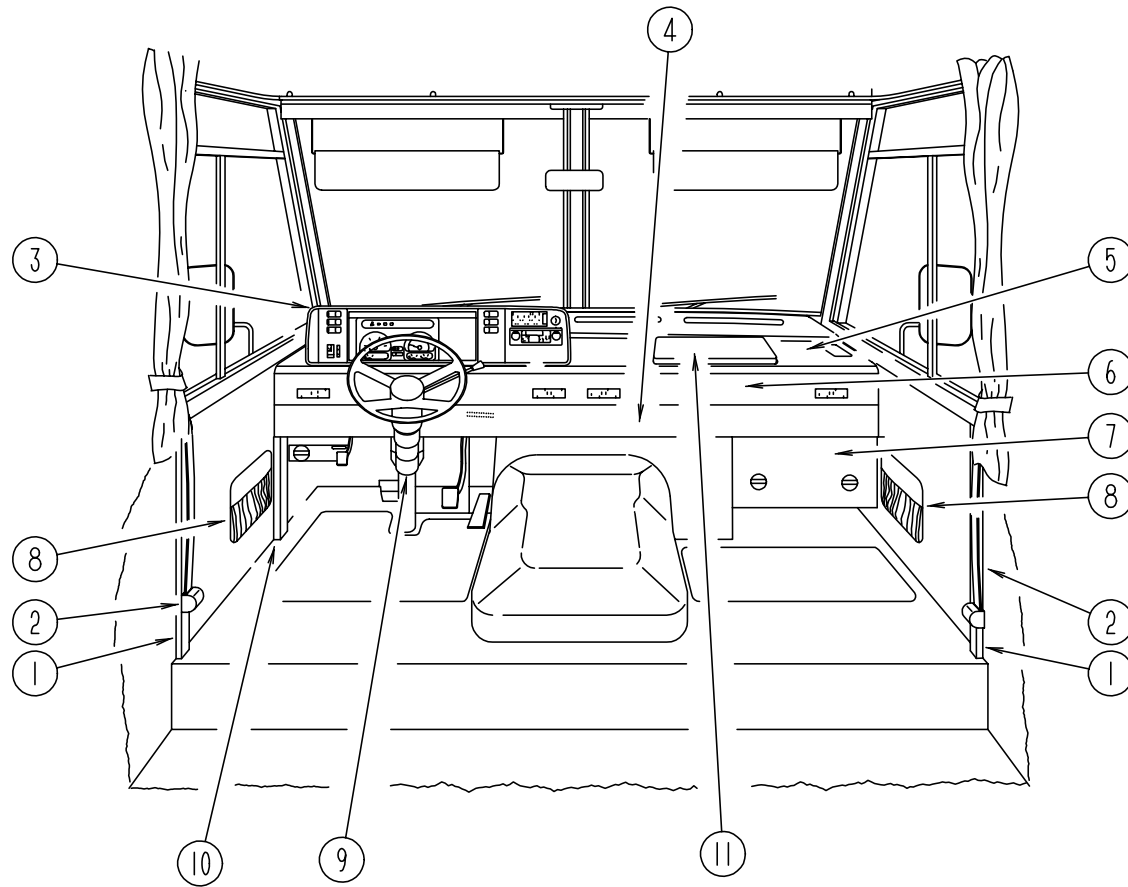
KEY	PART NUMBER	U/M DESCRIPTION
1	126765-02-J15	EA PANEL - OVERHEAD/DRIVER
2	126877-02-J15	EA CABINET - OVERHEAD/FRONT - LEFT HAND - W/O DOORS/HARDWARE
3	106699-01-01A	EA BRACKET - OVERHEAD CABINET/TV
4	M09332-07-K16	EA DOOR - RAISED MEMBRANE/OGEE EDGE - 10.8" X 27.9" - W/O HDW
5	103128-25-J15	EA END CAP - OVERHEAD CABINET - LEFT HAND
6	126718-01-J15	EA FRAME/FACE - TV CABINET - W/O DOOR/HARDWARE
6	116791-02-J15	EA FRAME/FACE - TV CABINET - F/TV
6	091261-01-000	FT SLIPNOT - ANTISLIP - 1' WIDE
7	100708-16-000	EA DOOR - GLASS - CABINET - 15.5" X 15.7" - W/O HARDWARE
8	103128-26-J15	EA END CAP - OVERHEAD CABINET - RIGHT HAND
9	126801-01-J15	EA CABINET BOTTOM - VINYL COVERED
10	114706-04-02B	EA SUPPORT - SHELF/TV
11	126854-01-J20	EA PANEL - HEADLINER/TV/TOP
12	126601-01-J20	EA PANEL - SHELF - VINYL COVERED - W/O INVERTER CUTOUT
		FROM: 00-00-00 THRU: 11-08-98
12	131807-01-K28	EA PANEL - SHELF - VINYL COVERED - W/O INVERTER CUTOUT
		FROM: 11-09-98 THRU: 99-99-99
12	126601-03-J20	EA PANEL SHELF/VINYL CVRD-W/O INVERTER CUTOUT-W/SWITCH NOTCH
		FROM: 00-00-00 THRU: 11-08-98
12	131807-02-K28	EA PANEL SHELF/VINYL CVRD-W/O INVERTER CUTOUT-W/SWITCH NOTCH
		FROM: 11-09-98 THRU: 99-99-99
12	126601-07-J20	EA PANEL SHELF-VINYL CVRD-W/INVERTER CUTOUT-W/SWITCH NOTCH
		FROM: 00-00-00 THRU: 11-08-98
12	131807-03-K28	EA PANEL SHELF-VINYL CVRD-W/INVERTER CUTOUT-W/SWITCH NOTCH
		FROM: 11-09-98 THRU: 99-99-99
13	126877-01-J15	EA CABINET - OVERHEAD/FRONT - RIGHT HAND - W/O DOORS/HARDWARE
14	126765-01-J15	EA PANEL - OVERHEAD/PASSENGER
15	126081-03-02B	EA BRACKET/SUPPORT - TV - 10 DEGREE - E-COATED
	126081-04-02B	EA BRACKET/SUPPORT - TV - 10 DEGREE - E-COATED
16	127637-01-02B	EA SHELF - OVERHEAD/FRONT/LEFT HAND - E-COATED
17	126275-01-02B	EA SHELF - OVERHEAD/FRONT - E-COATED
		FROM: 00-00-00 THRU: 11-08-98
17	126275-03-02B	EA SHELF - OVERHEAD/FRONT - E-COATED
		FROM: 11-09-98 THRU: 99-99-99

MOTOR COVER

KEY	PART NUMBER	U/M DESCRIPTION
1	115852-01-02B	EA STRIKE - LATCH - MOTOR COVER - E-COATED
2	115860-01-01A	EA TRIM - MOTOR COVER - CHEVY
2	115860-03-01A	EA TRIM - MOTOR COVER - FORD
3	115840-02-01A	EA COVER - MOTOR - W/O CARPET - CHEVY
3	115840-03-01A	EA COVER - MOTOR - W/O CARPET - FORD
4	115850-03-02B	EA RETAINER - LATCH - MOTOR COVER - RIGHT HAND - E-COATED
5	116581-01-000	EA LATCH - MOTOR COVER
6	116833-01-02B	EA WRENCH - HEX MOTOR COVER - E-COATED
7	039623-01-000	FT SEAL - MOTOR COVER - RUBBER BULB TYPE

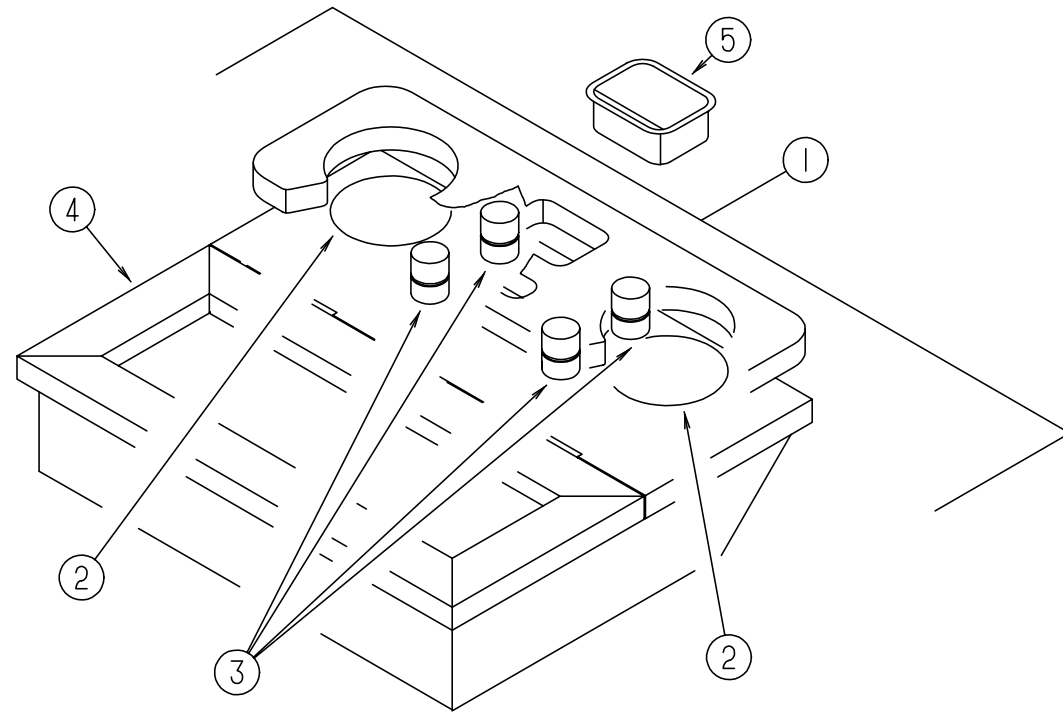
DRIVERS COMPARTMENT GROUP (CONTINUED)

DRIVERS COMPARTMENT - LOWER



KEY	PART NUMBER	U/M DESCRIPTION	VENDOR NO.
1	024700-51-000	EA COVER - ROLL BAR	
2	091990-04-01A	EA SEAT BELT/SHOULDER HARNESS - DRIVERS/PASSENGER - BLACK	
	091990-01-701	EA EXTENDER 9" FOR A8408 3 PT	I-1331-02
	091990-05-700	EA SLEEVE/BUCKLE COVER-PLASTIC	209S-2
	091990-05-701	EA CAP/COVER - BOLT HOLE COVER	209SC-02
	091990-05-702	EA SLEEVE/RETRACTABLE COVER	309C-02
	109146-01-000	EA BOLT - SHOULDER/SEAT BELT	
	133576-02-01B	EA PLATE - ANCHOR - SEATBELT - LOWER - MILL	
3	125677-02-J20	EA POD - INSTRUMENT PANEL - FORD	
			FROM: 00-00-00 THRU: 02-03-99
3	125677-04-K28	EA POD - INSTRUMENT PANEL - ANTELOPE - FORD	
			FROM: 02-04-99 THRU: 99-99-99
3	125677-02-J20	EA POD - INSTRUMENT PANEL - CHEVY	
4	114620-12-02A	EA TRIM - LOWER DASH - GM - 96" - ANTELOPE	
4	114620-01-04A	EA TRIM - LOWER DASH - GM - 96" - ANTELOPE - HEATED MIRRORS OPTION	
4	111528-04-04A	EA TRIM - LOWER DASH - DRIVER - FORD - ANTELOPE	
4	111528-03-05A	EA TRIM - LOWER DASH - PASSENGER - FORD - ANTELOPE - HEATED MIRRORS OPTION	
4	111528-08-02A	EA TRIM - LOWER DASH - PASSENGER - FORD - ANTELOPE	
5	P30276-02-000	EA DASH - W/O VINYL - FORD	
			FROM: 00-00-00 THRU: 02-03-99
5	P30276-10-000	EA DASH - COMPLETE - W/O VINYL - FORD	
			FROM: 02-04-99 THRU: 99-99-99
5	P30276-06-000	EA DASH - W/O VINYL - CHEVY	
	118101-06-02B	EA PANEL - DASH TOP - E-COATED	
	106569-11-01A	EA VINYL - LAMINATE - ALLANTE ANTELOPE - 1/4" X 21" X 100"	
	113452-01-000	FT SEAL/TRIM - FRONT - VINYL W/WIRE CARRIER	
6	126340-01-01A	EA DECAL - LOGO - BRAVE	
7	095757-05-J60	EA COVER - HEATER (K16)	
7	095757-05-J51	EA COVER - HEATER (K17)	
7	095757-05-J17	EA COVER - HEATER (K18)	
8	086120-01-J46	EA PAD - MAP POCKET - 12" X 16" (K16)	
8	086120-01-H16	EA PAD - MAP POCKET - 12" X 16" (K17)	
8	086120-01-G30	EA PAD - MAP POCKET - 12" X 16" (K18)	
9	103498-09-000	EA BOOT - STEERING COLUMN - W/1/2 CIRCLE - CHEVY	
	130111-01-01A	EA COVER - STEERING COLUMN - BLACK - FORD	
			FROM: 00-00-00 THRU: 02-03-99
	131804-01-01A	EA COVER - STEERING COLUMN - BLACK - FORD	
			FROM: 02-04-99 THRU: 99-99-99
	125795-01-01A	EA COVER - STEERING COLUMN - LOWER - FORD	
			FROM: 02-04-99 THRU: 99-99-99
	125655-03-01A	EA TRIM - STEERING COLUMN - RIGHT HAND/FORD	
			FROM: 00-00-00 THRU: 02-03-99
	125655-04-01A	EA TRIM - STEERING COLUMN - LEFT HAND/FORD	
			FROM: 00-00-00 THRU: 02-03-99
10	127901-01-01A	EA PANEL - TOEKICK/LEFT HAND - ANTELOPE	
11	127692-01-J20	EA TABLE - DASH	
	127597-01-000	EA SLIDE - WORK STATION - DASH	

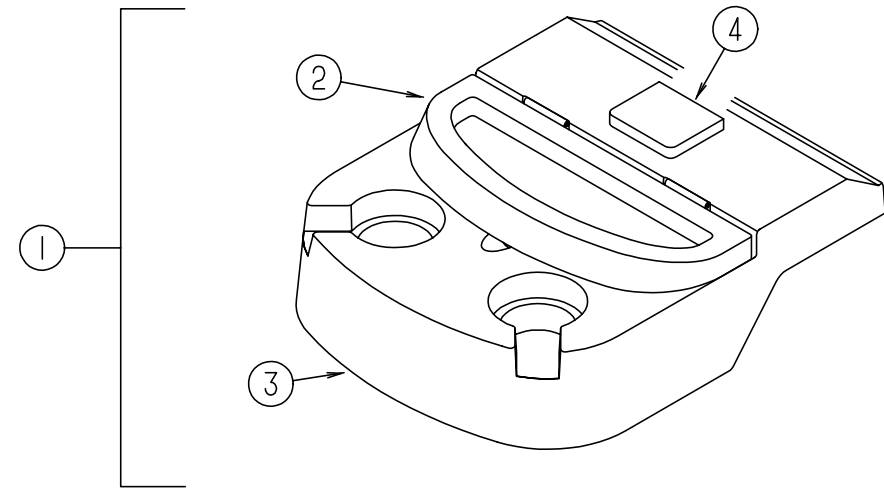
DRIVERS COMPARTMENT GROUP (CONTINUED)



BEVERAGE TRAY (WOOD)

KEY	PART NUMBER	U/M DESCRIPTION
1	111618-01-H17	EA TRAY - BEVERAGE W/COMPARTMENT - W/O CUPHOLDERS
2	122717-01-01A	EA PAD - NON SKID - 4" DIAMETER ROUND
3	097872-08-000	EA DOWEL - WOOD - 1" DIAMETER X 1.38" LONG - WATERFORD OAK
3	097872-04-000	EA DOWEL - WOOD - 1" DIAMETER X 1.38" LONG - UNFINISHED
4	111618-13-GB1	EA LID - BEVERAGE TRAY COMPARTMENT
5	046886-03-000	EA ASHTRAY - CHROME W/COVER

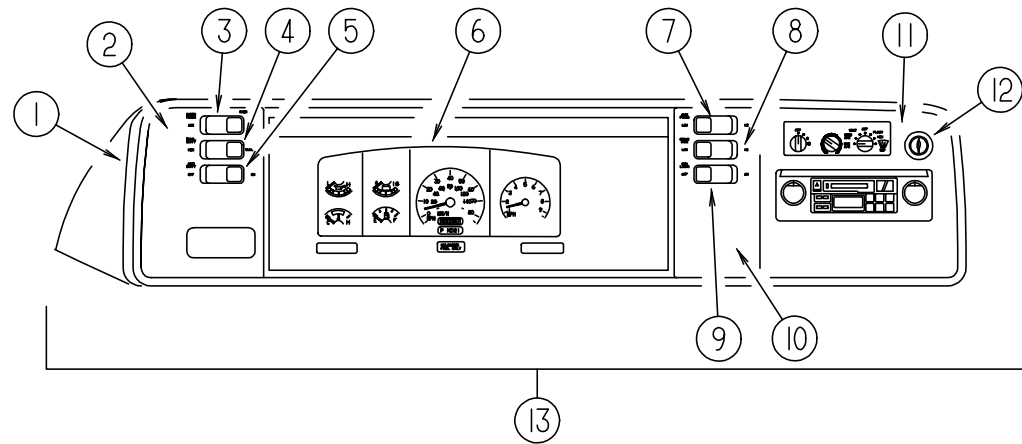
DRIVERS COMPARTMENT GROUP (CONTINUED)



BEVERAGE TRAY (PLASTIC)

KEY	PART NUMBER	U/M DESCRIPTION
1	126008-02-J30	EA TRAY - BEVERAGE - W/DOOR
2	128113-01-J30	EA LID - BEVERAGE TRAY
3	128114-01-01A	EA TRAY - BEVERAGE - ANTELOPE
4	118719-01-01A	EA ASHTRAY - TOP MOUNT - BLACK PLASTIC
	126010-01-01A	EA SPACER - BEVERAGE TRAY
	122772-02-02B	EA BRACKET - MOUNTING - BEVERAGE TRAY

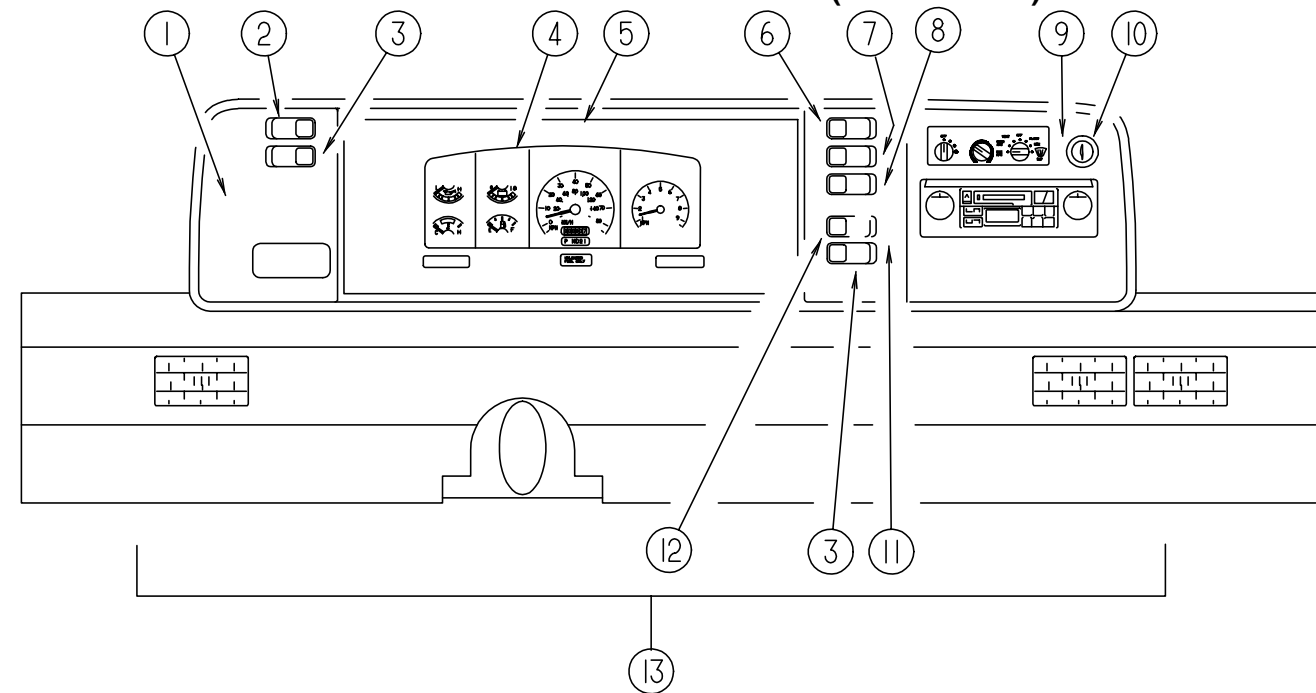
DRIVERS COMPARTMENT GROUP (CONTINUED)



DASH, GAUGES & SWITCHES - FORD (FROM: 00-00-00 THRU: 03-14-99)

KEY	PART NUMBER	U/M	DESCRIPTION
1	103662-12-01A	EA	BEZEL - INSTRUMENT PANEL - 99 HEAVY DUTY FORD FROM: 00-00-00 THRU: 02-03-99
1	103662-14-01A	EA	BEZEL - INSTRUMENT PANEL - 99 FORD FROM: 02-04-99 THRU: 03-14-99
2	104056-39-01A	EA	APPLIQUE - BEZEL - DRIVER - BLACK
3	108356-02-01A	EA	COVER/ACTUATOR SWITCH - 2 ROWS DIMPLES- CONTURA II - BLACK
3	108357-05-000	EA	SWITCH - ROCKER SPDT - ON/NONE/ON - 3 TERMINAL - RADIO POWER W/O CD
3	108357-08-000	EA	SWITCH - ROCKER DPDT - ON/NONE/ON - 6 TERMINAL - RADIO POWER W/CD
4	108356-02-01A	EA	COVER/ACTUATOR SWITCH - 2 ROWS DIMPLES- CONTURA II - BLACK
4	108357-09-000	EA	SWITCH - ROCKER SPDT - ON/NONE/MOM - 3 TERMINAL - AUXILIARY START
5	108356-02-01A	EA	COVER/ACTUATOR SWITCH - 2 ROWS DIMPLES- CONTURA II - BLACK
5	108357-06-000	EA	SWITCH - ROCKER DPDT - MOM/OFF/MOM - 6 TERMINAL - AUXILIARY BATTERY
6	N/A	EA	CLUSTER - INSTRUMENT PANEL
7	108356-03-01A	EA	COVER/ACTUATOR SWITCH -3 GROOVES W/LENS-CONTURA III-BLACK FROM: 00-00-00 THRU: 08-03-98
7	108356-04-01A	EA	COVER/ACTUATOR SWITCH - 2 ROWS DIMPLES W/LENS-CONTURA-BLK FROM: 08-04-98 THRU: 99-99-99
7	108357-01-000	EA	SWITCH - ROCKER SPST - ON/OFF - 2 TERMINAL - GENERATOR FROM: 00-00-00 THRU: 07-20-98
7	108357-10-000	EA	SWITCH - ROCKER SPDT - W/LIGHT - MOM/NONE/MOM - 5 TERMINAL - GEN FROM: 07-21-98 THRU: 99-99-99
7	096241-03-000	EA	SWITCH - BLANK - BLACK
8	108356-02-01A	EA	COVER/ACTUATOR SWITCH - 2 ROWS DIMPLES- CONTURA II - BLACK
8	108357-03-000	EA	SWITCH - ROCKER SPDT - ON/OFF/ON - 3 TERMINAL - REAR HEATER
8	096241-03-000	EA	SWITCH - BLANK - BLACK
9	096241-03-000	EA	SWITCH - BLANK - BLACK
10	104056-21-01A	EA	APPLIQUE - BEZEL - PASSENGER - BLACK
11	104056-06-01A	EA	APPLIQUE - BEZEL - PASSENGER - BLACK
12	089294-01-000	EA	LIGHTER - CIGARETTE - W/SOCKET & WIRE
13	125677-02-J20	EA	POD - INSTRUMENT PANEL FROM: 00-00-00 THRU: 02-03-99
13	125677-04-K28	EA	POD - INSTRUMENT PANEL - ANTELOPE FROM: 02-04-99 THRU: 99-99-99
	077031-01-000	EA	FILM - BLACK - 1" X 1.75"
	077031-03-000	EA	FILM - WHITE - .75" X 1"
	049176-01-000	EA	HEDLOCK II - 3/4 DIAMETER SCREW MOUNT
	103603-01-000	EA	BULB - 12 VOLT - #74 - .12A WEDGE - GE 22-25 USED IN DASH
	129644-01-000	EA	CABLE/INDICATOR - TRANSMISSION - 46.7" EYE/EYE FROM: 00-00-00 THRU: 11-24-98

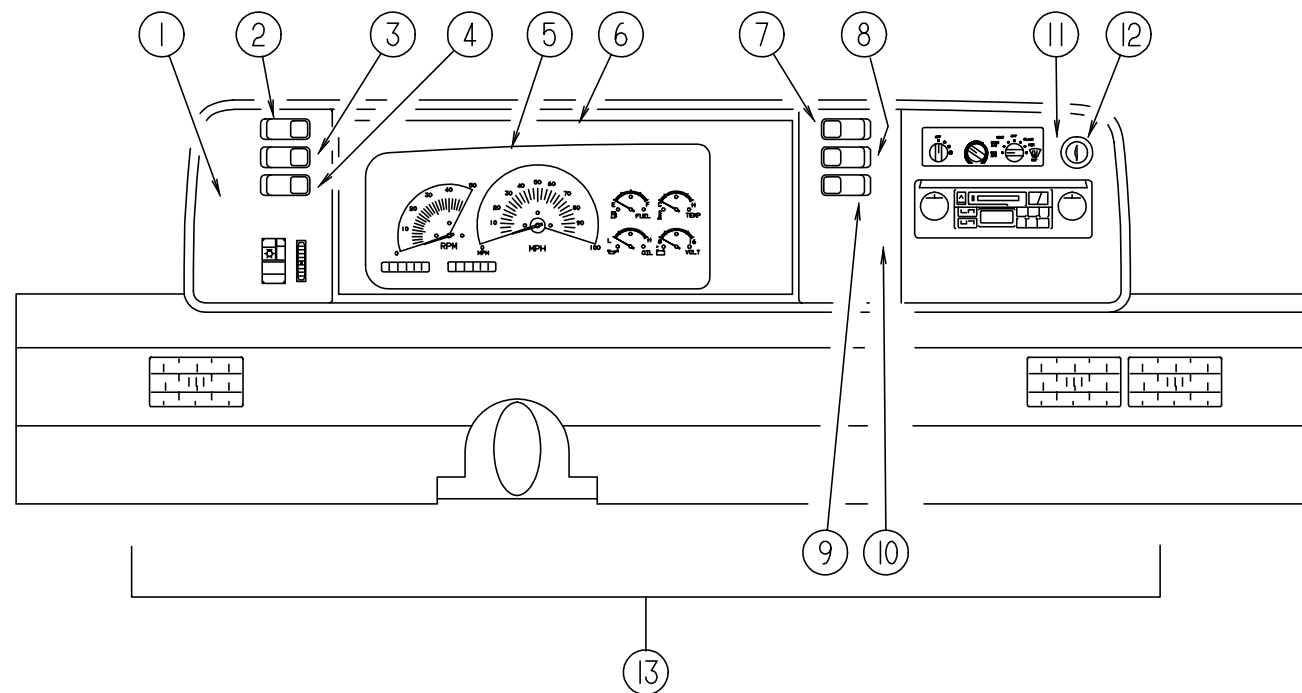
DRIVERS COMPARTMENT GROUP (CONTINUED)



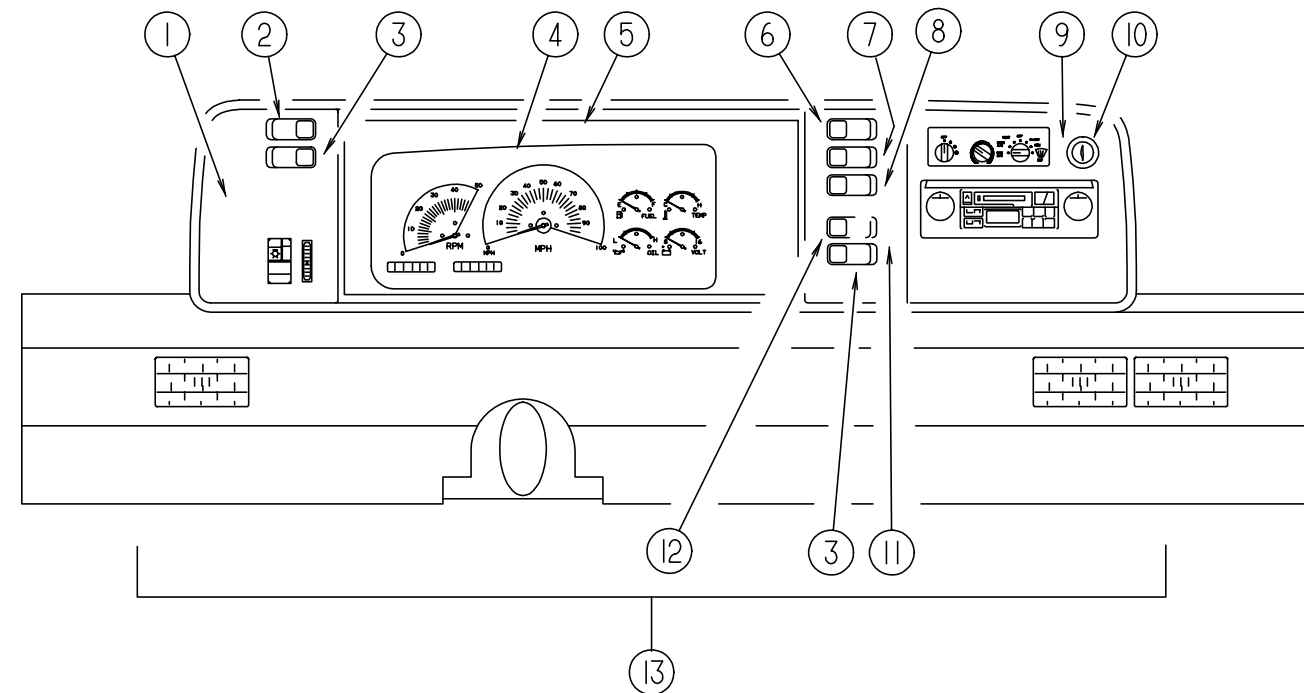
DASH, GAUGES & SWITCHES - FORD (FROM: 03-15-99 THRU: 99-99-99)

KEY	PART NUMBER	U/M	DESCRIPTION
1	104056-45-01A	EA	APPLIQUE - BEZEL - DRIVER - BLACK
2	108356-02-01A	EA	COVER/ACTUATOR SWITCH - 2 ROWS DIMPLES- CONTURA II - BLACK
2	108357-09-000	EA	SWITCH - ROCKER SPDT - ON/NONE/MOM - 3 TERMINAL - AUXILIARY START
3	096241-03-000	EA	SWITCH - BLANK - BLACK
4	N/A	EA	CLUSTER - INSTRUMENT PANEL
5	103662-14-01A	EA	BEZEL - INSTRUMENT PANEL - 99 FORD
6	108356-02-01A	EA	COVER/ACTUATOR SWITCH - 2 ROWS DIMPLES- CONTURA II - BLACK
6	108357-05-000	EA	SWITCH - ROCKER SPDT - ON/NONE/ON - 3 TERMINAL - RADIO POWER W/O CD
6	108357-08-000	EA	SWITCH - ROCKER DPDT - ON/NONE/ON - 6 TERMINAL - RADIO POWER W/CD
7	108356-04-01A	EA	COVER/ACTUATOR SWITCH - 2 ROWS DIMPLES W/LENS-CONTURA-BLK
7	108357-10-000	EA	SWITCH - ROCKER SPDT - W/LIGHT - MOM/NONE/MOM - 5 TERMINAL - GEN
7	096241-03-000	EA	SWITCH - BLANK - BLACK
8	108356-02-01A	EA	COVER/ACTUATOR SWITCH - 2 ROWS DIMPLES- CONTURA II - BLACK
8	108357-03-000	EA	SWITCH - ROCKER SPDT - ON/OFF/ON - 3 TERMINAL - REAR HEATER
8	096241-03-000	EA	SWITCH - BLANK - BLACK
9	104056-06-01A	EA	APPLIQUE - BEZEL - PASSENGER - BLACK
10	089294-01-000	EA	LIGHTER - CIGARETTE - W/SOCKET & WIRE
11	104056-43-01A	EA	APPLIQUE - BEZEL - PASSENGER - BLACK
12	108356-02-01A	EA	COVER/ACTUATOR SWITCH - 2 ROWS DIMPLES- CONTURA II - BLACK
12	108357-06-000	EA	SWITCH - ROCKER DPDT - MOM/OFF/MOM - 6 TERMINAL - AUXILIARY BATTERY
13	125677-04-K28	EA	POD - INSTRUMENT PANEL - ANTELOPE
	077031-01-000	EA	FILM - BLACK - 1" X 1.75"
	077031-03-000	EA	FILM - WHITE - .75" X 1"
	049176-01-000	EA	HEDLOCK II - 3/4 DIAMETER SCREW MOUNT
	103603-01-000	EA	BULB - 12 VOLT - #74 - .12A WEDGE - GE 22-25 USED IN DASH

DRIVERS COMPARTMENT GROUP (CONTINUED)



DRIVERS COMPARTMENT GROUP (CONTINUED)



DASH, GAUGES & SWITCHES - CHEVY (FROM: 00-00-00 THRU: 03-14-99)

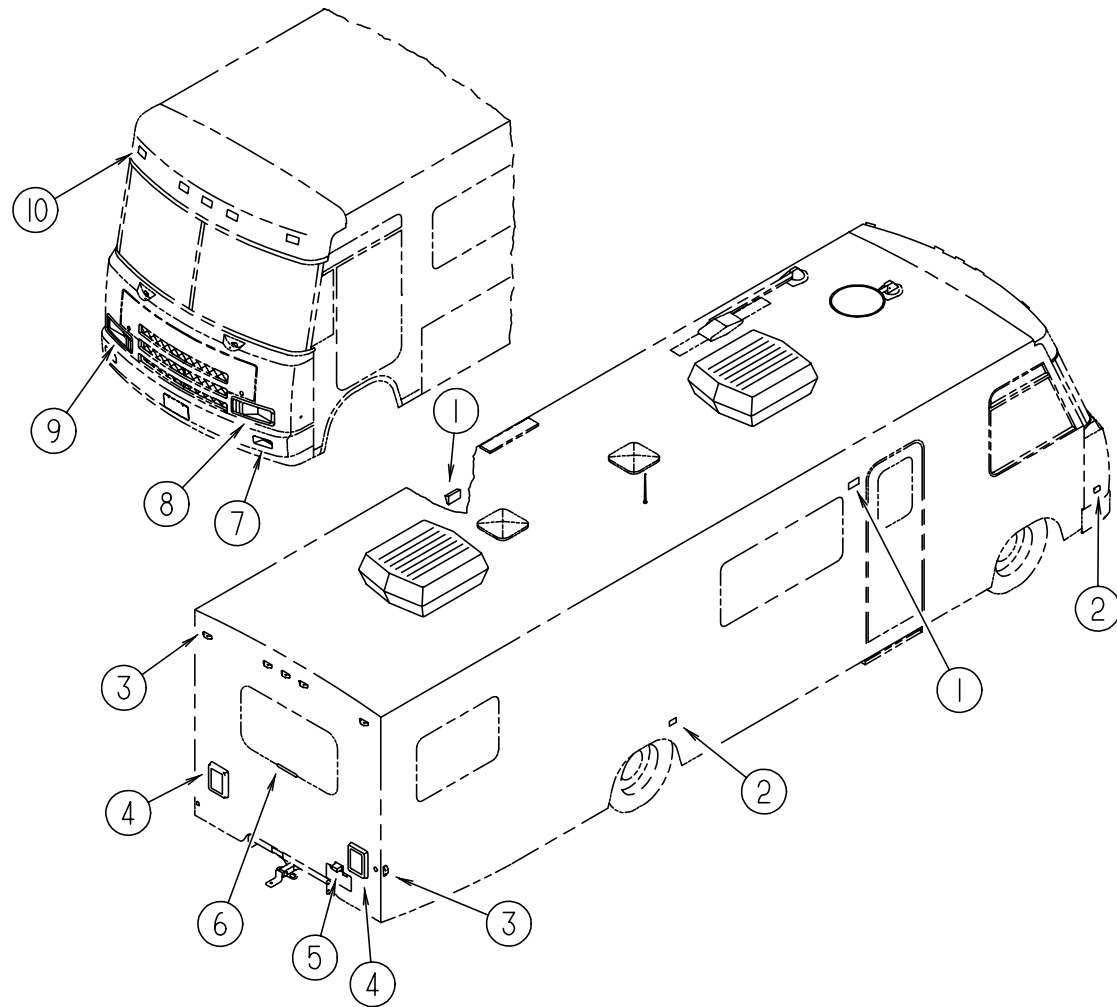
KEY	PART NUMBER	U/M	DESCRIPTION
1	104056-37-01A	EA	APPLIQUE - BEZEL - DRIVER - BLACK
2	108356-02-01A	EA	COVER/ACTUATOR SWITCH - 2 ROWS DIMPLES- CONTURA II - BLACK
2	108357-05-000	EA	SWITCH - ROCKER SPDT - ON/NONE/ON - 3 TERMINAL - RADIO POWER W/O CD
2	108357-08-000	EA	SWITCH - ROCKER DPDT - ON/NONE/ON - 6 TERMINAL - RADIO POWER W/CD
3	108356-02-01A	EA	COVER/ACTUATOR SWITCH - 2 ROWS DIMPLES- CONTURA II - BLACK
3	108357-09-000	EA	SWITCH - ROCKER SPDT - ON/NONE/MOM - 3 TERMINAL - AUXILIARY START
4	108356-02-01A	EA	COVER/ACTUATOR SWITCH - 2 ROWS DIMPLES- CONTURA II - BLACK
4	108357-06-000	EA	SWITCH - ROCKER DPDT - MOM/OFF/MOM - 6 TERMINAL - AUXILIARY BATTERY
5	N/A	EA	CLUSTER - INSTRUMENT PANEL - K/M - GAS - CANADIAN
6	103662-08-01A	EA	BEZEL - INSTRUMENT PANEL
7	108356-03-01A	EA	COVER/ACTUATOR SWITCH -3 GROOVES W/LENS-CONTURA III-BLACK FROM: 00-00-00 THRU: 08-03-98
7	108356-04-01A	EA	COVER/ACTUATOR SWITCH - 2 ROWS DIMPLES W/LENS-CONTURA-BLK FROM: 08-04-98 THRU: 99-99-99
7	108357-01-000	EA	SWITCH - ROCKER SPST - W/LIGHT - ON/OFF - 2 TERMINAL - GEN FROM: 00-00-00 THRU: 07-20-98
7	108357-10-000	EA	SWITCH - ROCKER SPDT - W/LIGHT - MOM/NONE/MOM - 5 TERMINAL - GEN FROM: 07-21-98 THRU: 99-99-99
7	096241-03-000	EA	SWITCH - BLANK - BLACK
8	108356-02-01A	EA	COVER/ACTUATOR SWITCH - 2 ROWS DIMPLES- CONTURA II - BLACK
8	108357-03-000	EA	SWITCH - ROCKER SPDT - ON/OFF/ON - 3 TERMINAL - REAR HEATER
8	096241-03-000	EA	SWITCH - BLANK - BLACK
9	096241-03-000	EA	SWITCH - BLANK - BLACK
10	104056-21-01A	EA	APPLIQUE - BEZEL - PASSENGER - BLACK
11	104056-06-01A	EA	APPLIQUE - BEZEL - PASSENGER - BLACK
12	089294-01-000	EA	LIGHTER - CIGARETTE - W/SOCKET & WIRE
13	125677-02-J20	EA	POD - INSTRUMENT PANEL
	103603-01-000	EA	BULB - 12 VOLT - #74 - .12A WEDGE - GE 22-25 USED IN DASH
	077031-01-000	EA	FILM - BLACK - 1" X 1.75"
	077031-03-000	EA	FILM - WHITE - .75" X 1"
	049176-01-000	EA	HEDLOCK II - 3/4 DIAMETER SCREW MOUNT

DASH, GAUGES & SWITCHES - CHEVY (FROM: 03-15-99 THRU: 99-99-99)

KEY	PART NUMBER	U/M	DESCRIPTION
1	104056-44-01A	EA	APPLIQUE - BEZEL - DRIVER - BLACK
2	108356-02-01A	EA	COVER/ACTUATOR SWITCH - 2 ROWS DIMPLES- CONTURA II - BLACK
2	108357-09-000	EA	SWITCH - ROCKER SPDT - ON/NONE/MOM - 3 TERMINAL - AUXILIARY START
3	096241-03-000	EA	SWITCH - BLANK - BLACK
4	N/A	EA	CLUSTER - INSTRUMENT PANEL - K/M - GAS - CANADIAN
5	103662-08-01A	EA	BEZEL - INSTRUMENT PANEL
6	108356-02-01A	EA	COVER/ACTUATOR SWITCH - 2 ROWS DIMPLES- CONTURA II - BLACK
6	108357-05-000	EA	SWITCH - ROCKER SPDT - ON/NONE/ON - 3 TERMINAL - RADIO POWER W/O CD
6	108357-08-000	EA	SWITCH - ROCKER DPDT - ON/NONE/ON - 6 TERMINAL - RADIO POWER W/CD
7	108356-04-01A	EA	COVER/ACTUATOR SWITCH - 2 ROWS DIMPLES W/LENS-CONTURA-BLK
7	108357-10-000	EA	SWITCH - ROCKER SPDT - W/LIGHT - MOM/NONE/MOM - 5 TERMINAL - GEN
7	096241-03-000	EA	SWITCH - BLANK - BLACK
8	108356-02-01A	EA	COVER/ACTUATOR SWITCH - 2 ROWS DIMPLES- CONTURA II - BLACK
8	108357-03-000	EA	SWITCH - ROCKER SPDT - ON/OFF/ON - 3 TERMINAL - REAR HEATER
8	096241-03-000	EA	SWITCH - BLANK - BLACK
9	104056-06-01A	EA	APPLIQUE - BEZEL - PASSENGER - BLACK
10	089294-01-000	EA	LIGHTER - CIGARETTE - W/SOCKET & WIRE
11	104056-43-01A	EA	APPLIQUE - BEZEL - PASSENGER - BLACK
12	108356-02-01A	EA	COVER/ACTUATOR SWITCH - 2 ROWS DIMPLES- CONTURA II - BLACK
12	108357-06-000	EA	SWITCH - ROCKER DPDT - MOM/OFF/MOM - 6 TERMINAL - AUXILIARY BATTERY
13	125677-02-J20	EA	POD - INSTRUMENT PANEL
	103603-01-000	EA	BULB - 12 VOLT - #74 - .12A WEDGE - GE 22-25 USED IN DASH
	077031-01-000	EA	FILM - BLACK - 1" X 1.75"
	077031-03-000	EA	FILM - WHITE - .75" X 1"
	049176-01-000	EA	HEDLOCK II - 3/4 DIAMETER SCREW MOUNT

ELECTRICAL GROUP

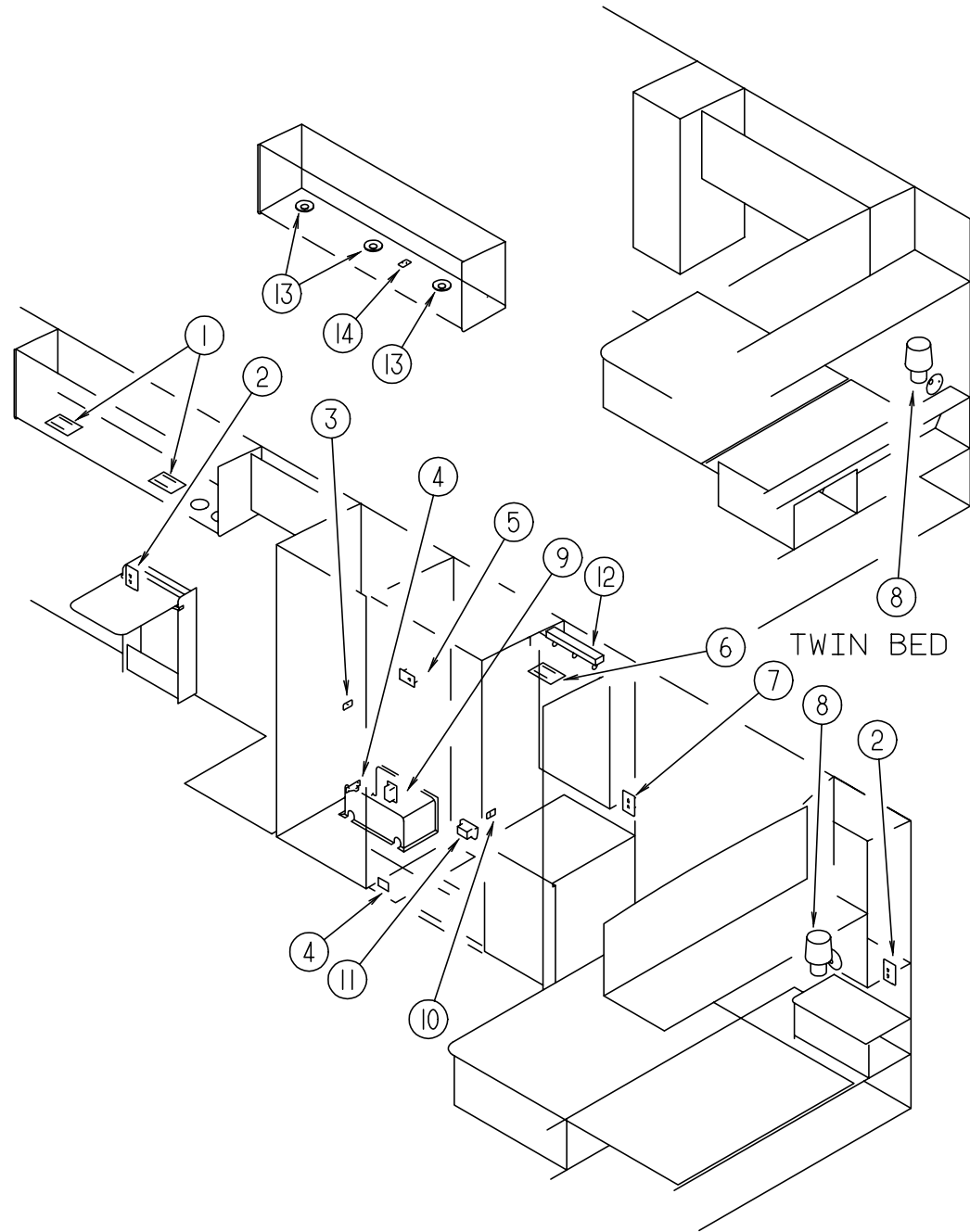
EXTERIOR LIGHTS



KEY	PART NUMBER	U/M DESCRIPTION	VENDOR NO.
1	097917-01-06A	EA LIGHT - PORCH - BRIGHT WHITE	
	008215-01-000	EA BULB - 12 VOLT - #1003 - .94 AMP	
	097917-01-700	EA LENS-LIGHT, CLEAR	30-78-021
1	008089-02-000	EA LIGHT - PORCH - RECESSED - CANADIAN	
	008089-01-700	EA LENS-LIGHT, RECESSED, PORCH DECO	
	008214-01-000	EA BULB - 12 VOLT - #67 - .59 AMP	
2	111102-01-000	EA BASE - MARKER LAMP	
2	111102-02-000	EA LENS - AMBER - MARKER LAMP	
	036196-01-000	EA BULB - 12V - #194 - .27 AMP - BAYONETTE	
3	111102-01-000	EA BASE - MARKER LAMP	
3	111102-03-000	EA LENS - RED - MARKER LAMP	
	036196-01-000	EA BULB - 12V - #194 - .27 AMP - BAYONETTE	
4	081638-01-000	EA TAILLIGHT/DOUBLE W/BLACK TRIM - DRIVER/PASSENGER SIDE	
	037934-01-000	EA BULB - 12V - #1156 - 2.1 AMP CLEAR GLASS BACK UP & TURN SIGNAL BULB	
	037935-01-000	EA BULB - 12V - #1157 OR #2057 - 2.1 AMP - CLEAR GLASS BRAKE LIGHT BULB	
	081638-01-700	EA LENS-TAILLIGHT, RED	30-84-010
	081638-01-701	EA LENS-TAILLIGHT, W/BACKUP	30-84-700
	103355-01-05A	EA POD - TAIL LIGHT - BRIGHT WHITE	FROM: 00-00-00 THRU: 11-22-98
	103355-02-01A	EA POD - TAIL LIGHT - BRIGHT WHITE	FROM: 11-23-98 THRU: 99-99-99
5	066432-02-000	EA LIGHT - LICENSE - BLACK	
5	066432-03-000	EA BRACKET - LICENSE PLATE	
6	121950-01-000	EA LIGHT - BRAKE - CENTER MOUNT	
7	084901-01-000	EA LAMP - PARK/TURN - GM #916558 (BULB #2057)	
8	049186-04-000	EA HEADLAMP - DRIVER - HIGH/LOW - HALOGEN	
8	049188-04-000	EA HEADLAMP - DRIVER - HIGH BEAM - HALOGEN	
8	049359-01-000	EA SPRING - RETAINER - HEADLAMP - GM #496096	
8	110750-01-000	EA SCREW - HEADLAMP ADJUSTING	
9	049185-04-000	EA HEADLAMP - PASSENGER - HIGH/LOW - HALOGEN	
9	049187-04-000	EA HEADLAMP - PASSENGER - HIGH BEAM - HALOGEN	
9	049359-01-000	EA SPRING - RETAINER - HEADLAMP - GM #496096	
9	110750-01-000	EA SCREW - HEADLAMP ADJUSTING	
10	102520-01-000	EA LIGHT - CLEARANCE - W/O SOCKET/HOUSING - AMBER	
10	067789-02-000	EA SOCKET - LAMP	
10	036196-01-000	EA BULB - 12V - #194 - .27 AMP - BAYONETTE	
10	102541-01-000	EA GASKET - CLEARANCE LIGHT	

ELECTRICAL GROUP (CONTINUED)

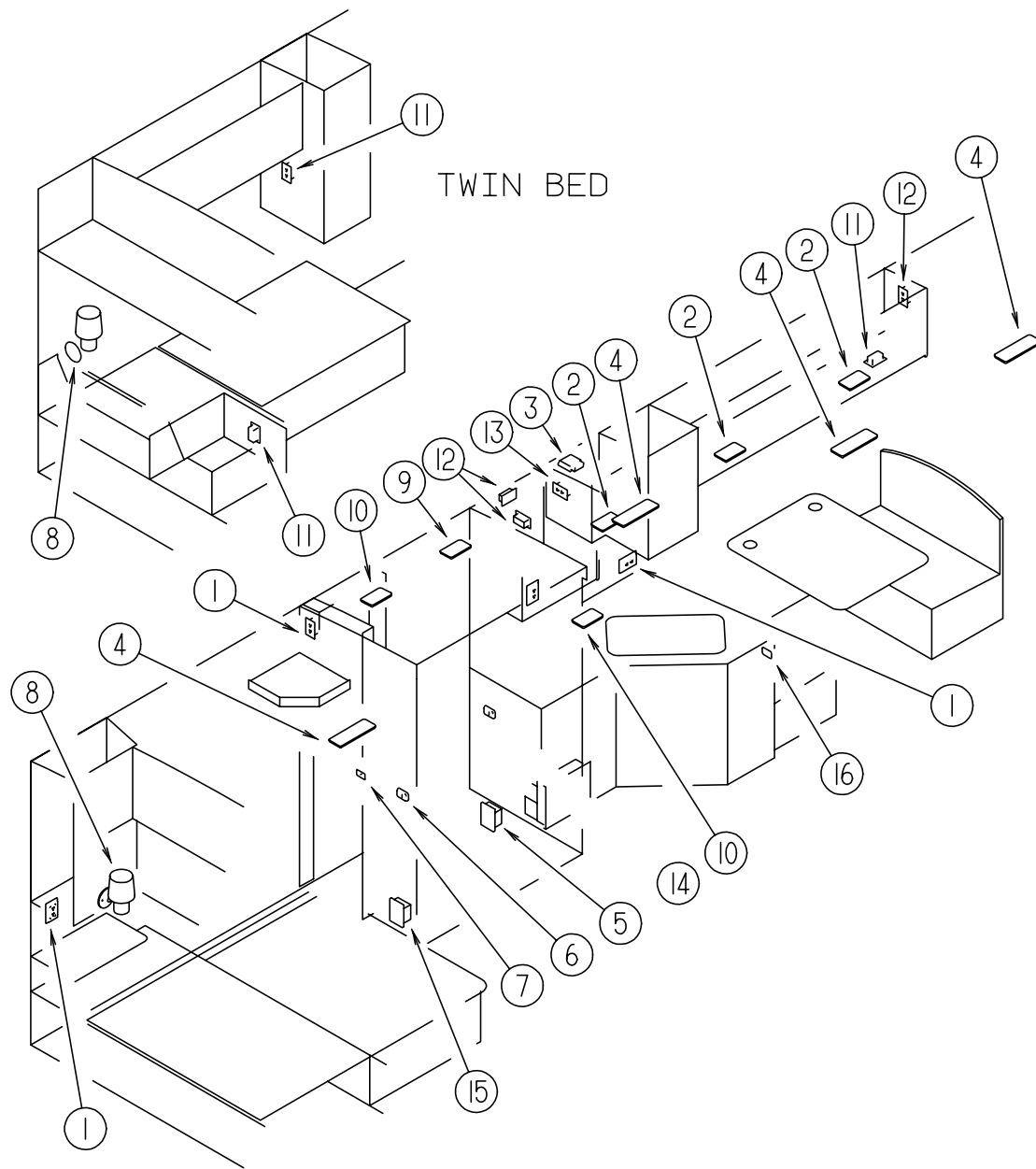
LIGHTS, SWITCHES, & RECEPTACLES PASSENGERS SIDE



KEY	PART NUMBER	U/M	DESCRIPTION	VENDOR NO.
1	098024-05-02A	EA	LIGHT - DOME - 1 BULB - SKYLITE - WHITE	
	008218-01-000	EA	BULB - 12 VOLT - #1141 - 1.44AMP	
	098024-01-701	EA	LENS - OPTI CLEAR - SKYLITE	809902
2	058708-02-000	EA	RECEPTACLE - ELECTRIC - DOUBLE - IVORY	
2	102568-01-GB1	EA	SPACER - RECEPTACLE - BETWEEN SIDEWALL & PLATE - WOOD	
3	098351-05-01A	EA	PLATE - SWITCH - 3 GANG POLISHED BRASS	
3	079364-01-000	EA	SWITCH - ON/OFF ROCKER - 2 TERMINAL - BROWN	
4	061424-01-000	EA	LIGHT - AISLE - 12 VOLT - RECTANGULAR	
	008103-01-000	EA	BULB - DASH/AISLE LIGHT - #53 - 12 VOLT - .12 AMP	
5	058707-01-000	EA	RECEPTACLE - ELECTRIC - SINGLE - BROWN	
6	098024-01-03A	EA	LIGHT - DOME - 1 BULB - WHITE	
	008218-01-000	EA	BULB - 12 VOLT - #1141 - 1.44AMP	
	098024-01-700	EA	LENS-LIGHT	807877
7	084076-01-000	EA	RECEPTACLE - GFI - 15 AMP/125 VOLT - IVORY	
7	084076-02-000	EA	RECEPTACLE - GFI - 15 AMP/125 VOLT - BROWN	
8	119257-03-01A	EA	SHADE - LAMP - LINEN	
8	119258-02-01A	EA	LAMP - WALL	
	119258-01-700	EA	FINIAL (PYRAMID)	12-0322
8	067479-01-000	EA	BULB - 12 VOLT - #1076 - 1.80 AMP	
9	058708-01-000	EA	RECEPTACLE - ELECTRIC - DOUBLE - BROWN	
10	098351-01-01A	EA	PLATE - SWITCH - 1 GANG POLISHED BRASS	
10	098351-02-01A	EA	PLATE - SWITCH - 2 GANG POLISHED BRASS	
			COMFORT AND CONVENIENCE PACKAGE	
10	079364-01-000	EA	SWITCH - ON/OFF ROCKER - 2 TERMINAL - BROWN	
10	095188-01-01A	EA	SPACER - SWITCH - 2.3" X 3.4" - PLASTIC - DARK BROWN	
11	112822-01-01A	EA	RECEPTACLE - DUPLEX - IVORY	
			FROM: 00-00-00 THRU: 11-15-98	
11	112824-01-03A	EA	COVER - EXTERIOR DUPLEX RECEPTACLE - WHITE PLASTIC	
			FROM: 00-00-00 THRU: 11-15-98	
11	131826-01-01A	EA	RECEPTACLE - EXTERIOR - W/COVER/GASKET - WHITE	
			FROM: 11-16-98 THRU: 99-99-99	
	086280-01-000	EA	LIGHT - SURFACE MOUNT - 12 VOLT	
	086280-01-700	EA	BULB,12V	ARP1089
12	110235-01-01A	EA	LIGHT - MAKE UP - 3 BULB - 12 VOLT	
			COMFORT AND CONVENIENCE PACKAGE	
	081633-01-700	EA	BULB-LIGHT, MAKE-UP	RP1041
13	123775-01-01A	EA	LIGHT - HALOGEN - ROUND	
			COMFORT AND CONVENIENCE PACKAGE	
	123775-01-700	EA	BULB - 10 WATT - HALOGEN	71-JC10
	123775-01-701	EA	BEZEL/LENS - RECESSED LIGHT	
13	123775-02-01A	EA	COLLAR - BRASS F/LIGHT - COMFORT AND CONVENIENCE PACKAGE	
14	098351-01-01A	EA	PLATE - SWITCH - 1 GANG POLISHED BRASS	
			COMFORT AND CONVENIENCE PACKAGE	
14	079364-01-000	EA	SWITCH - ON/OFF ROCKER - 2 TERMINAL - BROWN	
			COMFORT AND CONVENIENCE PACKAGE	

ELECTRICAL GROUP (CONTINUED)

LIGHTS, SWITCHES, & RECEPTACLES DRIVERS SIDE



KEY	PART NUMBER	U/M	DESCRIPTION	VENDOR NO.
1	058708-02-000	EA	RECEPTACLE - ELECTRIC - DOUBLE - IVORY	
1	102568-01-GB1	EA	SPACER - RECEPTACLE - BETWEEN SIDEWALL & PLATE - WOOD	
2	098024-05-02A	EA	LIGHT - DOME - 1 BULB - SKYLITE - WHITE	
	008218-01-000	EA	BULB - 12 VOLT - #1141 - 1.44AMP	
	098024-01-701	EA	LENS - OPTI CLEAR - SKYLITE	809902
3	091927-01-000	EA	COVER - RECEPTACLE - DOUBLE - IVORY	
4	098024-03-02A	EA	LIGHT - DOME - 2 BULB - WHITE	
	008218-01-000	EA	BULB - 12 VOLT - #1141 - 1.44AMP	
	098024-01-700	EA	LENS-LIGHT	807877
5	024924-02-000	EA	RECEPTACLE - POWER CORD - W/PARTIAL PLATE	
6	079364-03-000	EA	SWITCH - ON/OFF ROCKER - 3 TERMINAL - BROWN	
6	079364-01-000	EA	SWITCH - ON/OFF ROCKER - 2 TERMINAL - BROWN	
6	098351-02-01A	EA	PLATE - SWITCH - 2 GANG POLISHED BRASS	
6	095188-01-01A	EA	SPACER - SWITCH - 2.3" X 3.4" - PLASTIC - DARK BROWN	
7	079364-03-000	EA	SWITCH - ON/OFF ROCKER - 3 TERMINAL - BROWN - WATER PUMP	
7	079364-01-000	EA	SWITCH - ON/OFF ROCKER - 2 TERMINAL - BROWN - BATH LIGHT	
7	098351-02-01A	EA	PLATE - SWITCH - 2 GANG POLISHED BRASS	
8	119257-03-01A	EA	SHADE - LAMP - LINEN	
8	119258-02-01A	EA	LAMP - WALL	
	119258-01-700	EA	FINIAL (PYRAMID)	12-0322
8	067479-01-000	EA	BULB - 12 VOLT - #1076 - 1.80 AMP	
9	121935-01-01A	EA	LIGHT - DOME - SHOWER	
10	098024-01-03A	EA	LIGHT - DOME - 1 BULB - WHITE	
	008218-01-000	EA	BULB - 12 VOLT - #1141 - 1.44AMP	
	098024-01-700	EA	LENS-LIGHT	807877
11	058708-01-000	EA	RECEPTACLE - ELECTRIC - DOUBLE - BROWN	
12	058707-02-000	EA	RECEPTACLE - BLANK - JUNCTION BOX	
13	058708-05-000	EA	RECEPTACLE - ELECTRIC - SINGLE - BROWN	
14	079364-01-000	EA	SWITCH - ON/OFF ROCKER - 2 TERMINAL - BROWN	
14	098351-01-01A	EA	PLATE - SWITCH - 1 GANG POLISHED BRASS	
15	108354-01-01A	EA	LIGHT - COURTESY	
	108354-01-700	EA	BULB-COURTESY LIGHT	395-B
16	079364-03-000	EA	SWITCH - ON/OFF ROCKER - 3 TERMINAL - BROWN - COURTESY LIGHT	
16	098351-01-01A	EA	PLATE - SWITCH - 1 GANG POLISHED BRASS	
	086280-01-000	EA	LIGHT - SURFACE MOUNT - 12 VOLT	
	086280-01-700	EA	BULB,12V	ARP1089

ELECTRICAL GROUP (CONTINUED)

FUSES & FUSE HOUSINGS

KEY	PART NUMBER	U/M	DESCRIPTION
	062901-02-000	EA	FUSE - 05 AMPS - AUTOMOTIVE
	062901-05-000	EA	FUSE - 15 AMPS - AUTOMOTIVE
	062901-06-000	EA	FUSE - 20 AMPS - AUTOMOTIVE
	062901-07-000	EA	FUSE - 25 AMPS - AUTOMOTIVE
	062901-08-000	EA	FUSE - 30 AMPS - AUTOMOTIVE
	062037-01-000	EA	HOUSING - AUTO FUSE - NATURAL
	062037-02-000	EA	HOUSING - AUTO FUSE - GREEN
	062037-03-000	EA	HOUSING - AUTO FUSE - BLACK
	062037-04-000	EA	HOUSING - AUTO FUSE - BLUE
	062037-05-000	EA	HOUSING - AUTO FUSE - GRAY
	062037-06-000	EA	HOUSING - AUTO FUSE - BROWN
	062037-07-000	EA	HOUSING - AUTO FUSE - RED
	108669-01-000	EA	HOUSING - AUTO FUSE HOLDER
	106656-01-000	EA	FUSE BLOCK - 4 CAVITY - AUTOFUSE

CIRCUIT BREAKERS

KEY	PART NUMBER	U/M	DESCRIPTION
	083209-02-000	EA	CIRCUIT BREAKER - 15/15 AMP - 120 VOLT
	083209-03-000	EA	CIRCUIT BREAKER - 15/20 AMP - 120 VOLT
	083209-06-000	EA	CIRCUIT BREAKER - 30/15 AMP - 120 VOLT
	093655-03-000	EA	CIRCUIT BREAKER - 40 AMP - 12 VOLT
	097611-01-000	EA	CIRCUIT BREAKER - 10 AMP - 12 VOLT

TERMINALS

KEY	PART NUMBER	U/M	DESCRIPTION
	008326-01-000	EA	TERMINAL - RING - 16/14 WIRE - 3/8" STUD
	008328-01-000	EA	TERMINAL - RING - 12/10 WIRE - #10 STUD FIT
	008331-01-000	EA	TERMINAL - RING - TONGUE - #4 WIRE - 3/8" STUD - COPPER
	008348-01-000	EA	TERMINAL - RING - 3/8" STUD 2 GA. WIRE
	035416-04-000	EA	TERMINAL - RING - #10 STUD FIT - INSULATED BARREL #16/14
	047443-01-000	EA	TERMINAL - .250 RECEPTACLE FIT - INSULATED - 16/14 AWG
	047443-02-000	EA	TERMINAL - .250 RECEPTACLE FIT - INSULATED - 12/10 AWG
	062036-01-000	EA	TERMINAL - PACK - CON - 12/10 AWG
	062036-02-000	EA	TERMINAL - PACK - CON - 16/14 AWG
	088267-01-000	EA	TERMINAL - FEMALE - 1/4
	088476-01-000	EA	TERMINAL - ELECTRICAL
	098260-01-000	EA	TERMINAL - MALE - 56 SERIES
	104100-03-000	EA	TERMINAL - 75 AMP
	106007-01-000	EA	TERMINAL - FEMALE - 14-16 AWG
	106655-01-000	EA	TERMINAL - FUSE BLOCK - 14-16 AWG
	106655-02-000	EA	TERMINAL - FUSE BLOCK - 10-12 AWG
	113135-01-000	EA	TERMINAL - FEMALE - M/P - 14-16 - F/SEALED TERMINAL
	113306-01-000	EA	TERMINAL - FEMALE - M/P - 14-16 - F/NON-SEALED TERMINAL
	113307-01-000	EA	TERMINAL - FEMALE - M/P - 16-20
	125324-01-000	EA	TERMINAL - MALE - METRI-PACK - 150

ELECTRICAL GROUP (CONTINUED)

ELECTRIC BOXES & COVERS

KEY	PART NUMBER	U/M	DESCRIPTION
	008289-01-000	EA	BOX - ELECTRIC/STEEL - 1/2" & 3/4" KNOCKOUTS - 4" X 4"
	008289-02-000	EA	BOX - ELECTRIC/STEEL - 1/2" & 3/4" KNOCKOUTS - 4" X 4"-CAN
	008294-01-000	EA	COVER - ELECTRICAL BOX - BLANK/STEEL - 4" X 4" - GRAY
	008294-02-000	EA	COVER - ELECTRICAL BOX - BLANK STEEL - 4" X 4" - CANADIAN
	069238-01-000	EA	COVER - ELECTRICAL BOX - W/HOLE - 4" X 4" - GRAY USED WITH 30 AMP RECEPTACLE
	091910-01-000	EA	BOX - ELECTRIC - 3.8" X 3.5" X 1.8" - PLASTIC
	091910-02-000	EA	BOX - ELECTRIC - 2.2" X 3.5" X 1.8" - PLASTIC
	111509-01-000	EA	BOX - ELECTRICAL - E-COATED
	111510-01-000	EA	DOOR/ACCESS PANEL - ELECTRICAL BOX

HOUSINGS, PINS & SOCKETS

KEY	PART NUMBER	U/M	DESCRIPTION
	007954-01-000	EA	RECEPTACLE - HOUSING - 6 POSITION
	080015-02-000	EA	RECEPTACLE - FLAG - .185 - 16/14 GAUGE
	088473-01-000	EA	HOUSING - PIN - 12 CAVITY (3 ROWS OF 4)
	088473-02-000	EA	HOUSING - PIN - 15 CAVITY (3 ROWS OF 5)
	088473-03-000	EA	HOUSING - PIN - 9 CAVITY (3 ROWS OF 3)
	088473-06-000	EA	HOUSING - PIN - 6 CAVITY (2 ROWS OF 3)
	088473-08-000	EA	HOUSING - PIN - 4 CAVITY - IN-LINE
	088473-09-000	EA	HOUSING - PIN - 3 CAVITY - IN-LINE
	088473-10-000	EA	HOUSING - PIN - 2 CAVITY - IN LINE
	088474-01-000	EA	HOUSING - SOCKET - 12 CAVITY
	088474-02-000	EA	HOUSING - SOCKET - 15 CAVITY
	088474-03-000	EA	HOUSING - SOCKET - 9 CAVITY
	088474-06-000	EA	HOUSING - SOCKET - 6 CAVITY
	088474-07-000	EA	HOUSING - SOCKET - 5 CAVITY
	088474-08-000	EA	HOUSING - SOCKET - 4 CAVITY
	088474-09-000	EA	HOUSING - ELECTRICAL - 3 TERMINAL
	088474-10-000	EA	HOUSING - SOCKET - 2 CAVITY
	088475-01-000	EA	PIN - CONNECTOR - 14-20 AWG
	088475-02-000	EA	PIN - CONNECTOR - 10 - 12 AWG
	088476-02-000	EA	SOCKET - CONNECTOR - 12-10 GA - PRE-TIN
	101571-01-000	EA	HOUSING - 2 POSITION - MALE
	103608-01-000	EA	SOCKET - WEDGE BASE W/LEADS
	104100-01-000	EA	HOUSING - 1 POSITION - 75 AMPS
	106006-01-000	EA	HOUSING - 1 POSITION - FEMALE
	108355-01-000	EA	HOUSING - SWITCH
	110178-01-000	EA	HOUSING - WIPER MOTOR
	113131-01-000	EA	HOUSING - 3 PIN
	113468-01-000	EA	HOUSING - 2 POSITION - FEMALE USED ON WIPER/WASHER WIRE ASM
	119248-02-000	EA	HOUSING - 7 POSITION - FEMALE
	125323-02-000	EA	HOUSING - 8 POSITION - MALE
	115556-01-000	EA	HOUSING - 3 POSITION - FEMALE
	115556-02-000	EA	HOUSING - 2 POSITION - FEMALE

ELECTRICAL GROUP (CONTINUED)**CONNECTORS**

KEY	PART NUMBER	U/M	DESCRIPTION
	008311-01-000	EA	CONNECTOR - WIRE NUT - INSULATED - RED
	008312-01-000	EA	CONNECTOR - WIRE NUT - INSULATED - BLUE
	008313-01-000	EA	CONNECTOR - WIRE NUT - INSULATED - YELLOW
	008314-01-000	EA	CONNECTOR - WIRE NUT - INSULATED - GRAY
	008355-01-000	EA	CONNECTOR - CABLE CLAMPING - 3/4"
	008356-01-000	EA	CONNECTOR - PLASTIC - 3/8" AVG
	008398-01-000	EA	CONNECTOR - 1/2" X 90 DEGREE - FLEX CONDUIT - UL & CSA
	058028-01-000	EA	CONNECTOR - ELECTRICAL PIGTAIL - NYLON - CLEAR
	112823-01-000	EA	SPLICE - REDUCER - 16-14 TO 18-22

POWER CORDS

KEY	PART NUMBER	U/M	DESCRIPTION
	008052-01-000	EA	CORD - POWER - 10/3 WIRE - 30 AMP - 25' - CANADIAN
	008054-01-000	EA	CORD - POWER - 10/3 WIRE - 30 AMP - 25'

WIRE ASSEMBLIES

KEY	PART NUMBER	U/M	DESCRIPTION
	073328-B4-000	EA	CABLE ASSEMBLY - BATTERY - W/TERMINALS
	081059-02-000	EA	WIRE ASSEMBLY - 9PIN - F/RADIO
	P03784-01-000	EA	WIRE ASSEMBLY - HEADLAMP - GM
	090986-01-000	EA	WIRE ASSEMBLY - ELECTRIC STEP
	090986-02-000	EA	WIRE ASSEMBLY - ELECTRIC STEP FROM: 00-00-00 THRU: 02-07-99
			FROM: 02-08-99 THRU: 99-99-99
	096449-01-000	EA	WIRE ASSEMBLY - WATER TANK TO MONITOR PANEL
	100677-01-000	EA	WIRE ASSEMBLY - RADIO
	108303-01-000	EA	WIRE ASSEMBLY - REAR AUTO HEATER
	110256-01-000	EA	WIRE ASSEMBLY - INSTRUMENT PANEL - GENERATOR
	111915-01-000	EA	WIRE ASSEMBLY - DAYTIME RUNNING LAMPS - FUSED - GM
	113134-03-000	EA	WIRE ASSEMBLY - WIPER/WASHER
	120233-05-000	EA	WIRE - 30" W/DIGITAL SENSOR CONNECTOR/STRIPED LEAD
	125578-02-000	EA	WIRE ASSEMBLY - INSTRUMENT PANEL - RIGHT HAND
	125853-01-000	EA	WIRE ASSEMBLY - ENTERTAINMENT CENTER
	127053-01-000	EA	WIRE ASSEMBLY - REAR MONITOR/UPPER
	126392-01-000	EA	WIRE ASSEMBLY - REMOTE MIRRORS FROM: 00-00-00 THRU: 03-14-99
	129436-02-000	EA	WIRE ASSEMBLY - INSTRUMENT PANEL/POWER MIRROR FROM: 03-15-99 THRU: 04-13-99
	129436-03-000	EA	WIRE - INSTRUMENT PANEL - F/POWER MIRROR FROM: 04-14-99 THRU: 99-99-99

CONDUIT

KEY	PART NUMBER	U/M	DESCRIPTION
	041953-01-000	FT	CONDUIT - CONVOLUTE SLIT - .5" ID - POLYETHELENE
	041953-03-000	FT	CONDUIT - CONVOLUTE SLIT - 1" ID (CLOTHES ROD COVER)
	041953-05-000	FT	CONDUIT - CONVOLUTE SOLID - .62" ID - POLYETHELENE
	041953-06-000	FT	CONDUIT - CONVOLUTE SLIT - .375" ID - POLYETHELENE
	041953-07-000	FT	CONDUIT - CONVOLUTE SLIT - .25" ID - POLYETHELENE
	041953-08-000	FT	CONDUIT - CONVOLUTE SLIT - 1.50" ID - POLYETHELENE
	041953-09-000	FT	CONDUIT - CONVOLUTE SLIT - .50" ID - NYLON
	041953-10-000	FT	CONDUIT - CONVOLUTE SLIT - .75" ID - NYLON
	041953-11-000	FT	CONDUIT - CONVOLUTE SLIT - 1.06" ID - NYLON
	041953-12-000	FT	CONDUIT - CONVOLUTE SOLID - 1.1" ID - NYLON
	041953-13-000	FT	CONDUIT - CONVOLUTE SLIT - 1.25

ELECTRICAL GROUP (CONTINUED)**CONVERTER & INVERTER**

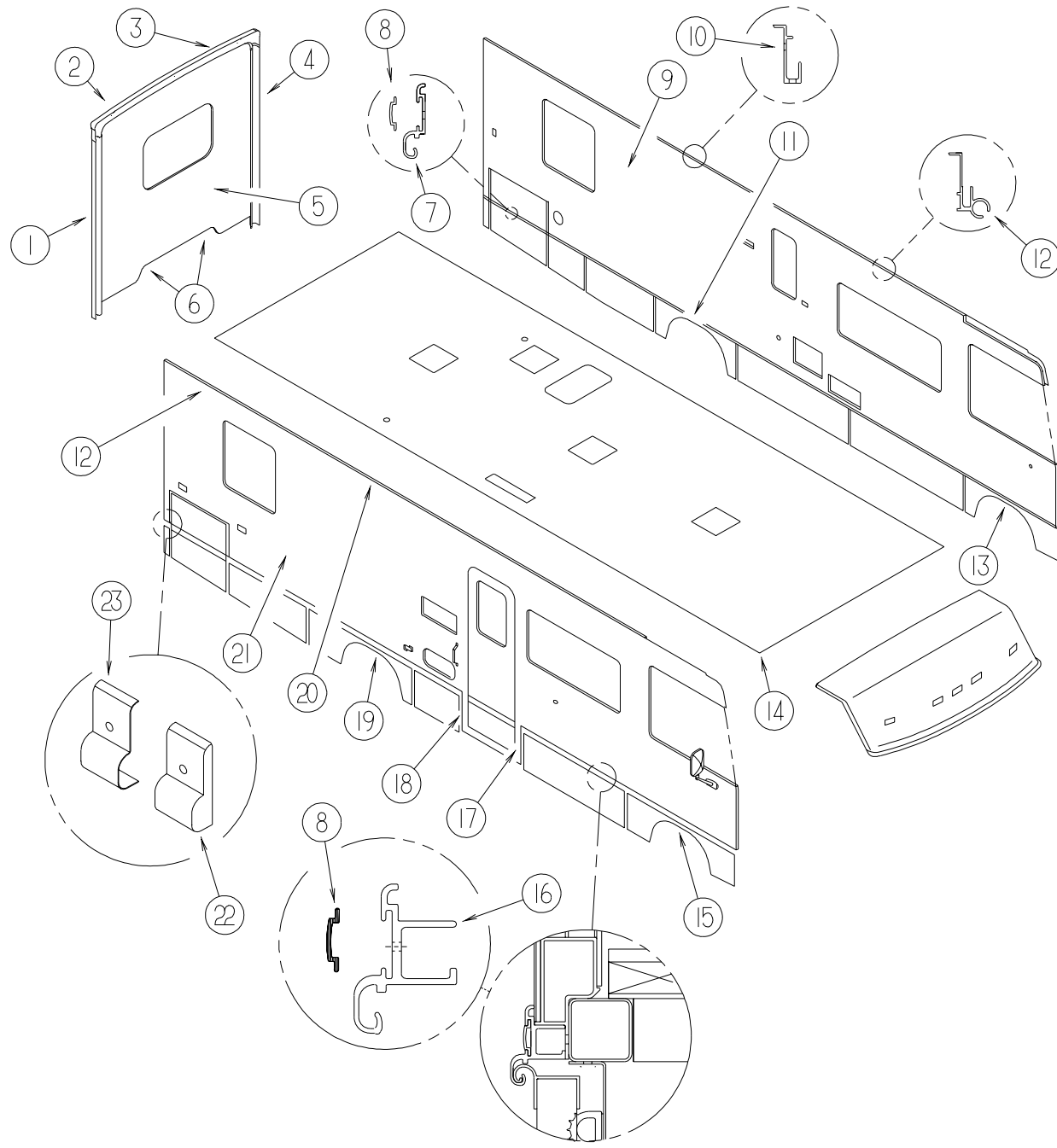
KEY	PART NUMBER	U/M	DESCRIPTION
	083208-02-000	EA	CONTROL CENTER - 45 AMP - 120/12V - W/O BREAKERS
	099048-03-000	EA	INVERTER - 130 WATT
	123058-02-000	EA	CONVERTER - 45 AMP - ELECTRONIC - 4 1/8"H X 7"W X 12 3/8"L

MISCELLANEOUS ELECTRICAL COMPONENTS

KEY	PART NUMBER	U/M	DESCRIPTION
	007956-05-000	EA	INSULATOR - SHRINK - .25 ID X 1.50
	008188-01-000	EA	SOLENOID - 3 POST - BATTERY CHANGE OVER
	063910-01-000	EA	HOUSING - RELAY
	063912-02-000	EA	RELAY - CANISTER - SPDT
	086233-01-000	EA	STUD - ISOLATED - 3/8" X 7/8" LONG
	086273-01-000	EA	RELAY - BATTERY DISCONNECT
	103987-02-000	EA	SEAL - SOLENOID ACCESS
	125323-03-000	EA	LOCK - SECONDARY 8 POSITION
	125325-01-000	EA	SEAL - CAVITY
	087225-02-000	FT	SLEEVING - 5/8" - TYPE H
	077479-01-000	EA	BOOT - BATTERY TERMINAL - DOUBLE CABLE
	077479-02-000	EA	BOOT - BATTERY TERMINAL - SINGLE CABLE

EXTERIOR BODY GROUP

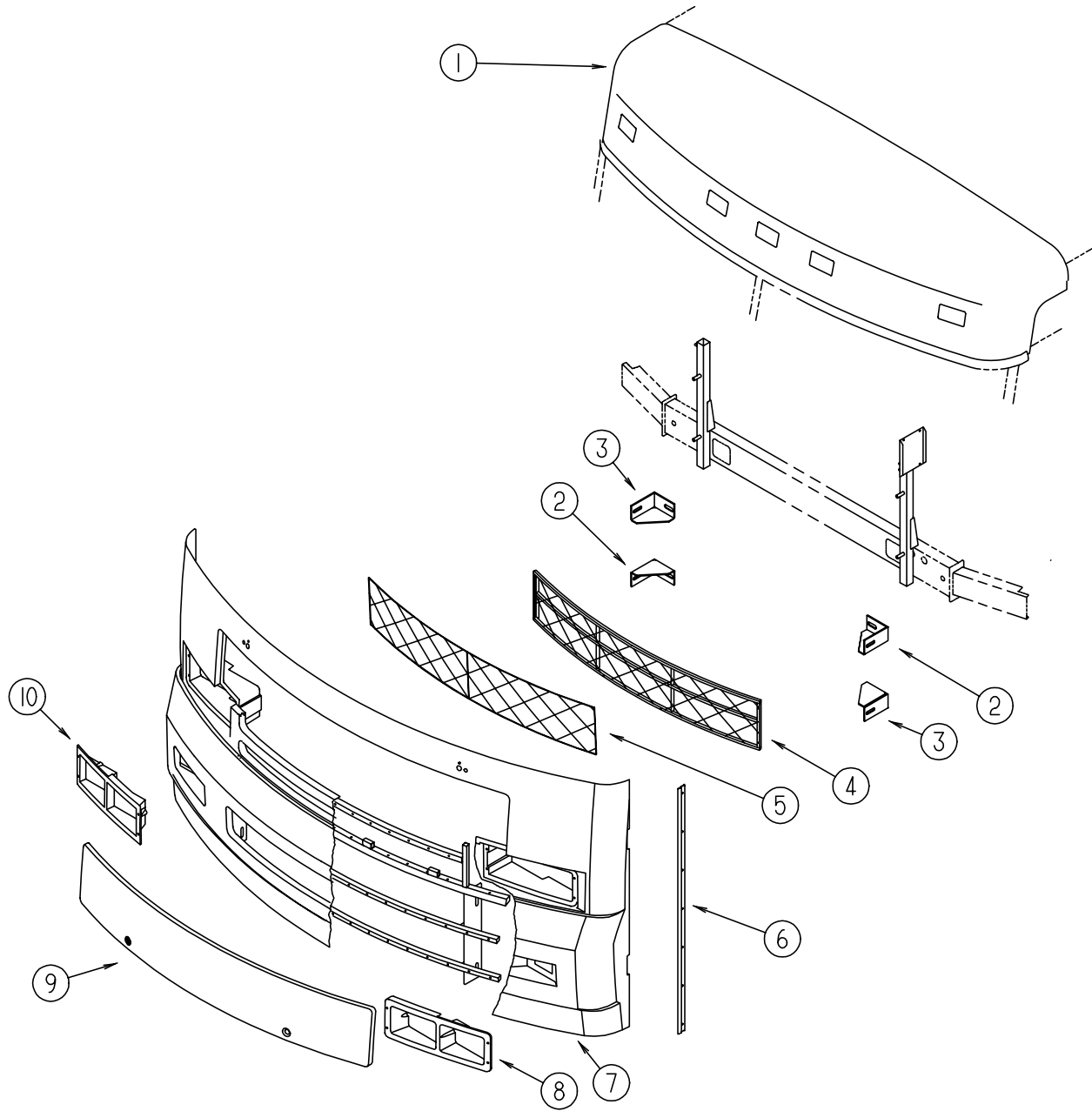
EXTERIOR BODY PANELS AND TRIM



KEY	PART NUMBER	U/M	DESCRIPTION
1	114874-01-12B	EA	TRIM - BACKWALL - PASSENGER SIDE
1	120548-03-01A	EA	TRIM-J - BACKWALL - PASSENGER - NOTCHED - BRIGHT WHITE
2	114872-02-02A	EA	TRIM - BACKWALL - TOP - PASSENGER SIDE - BRT/WHITE
3	114873-02-02A	EA	TRIM - BACKWALL - TOP - DRIVER SIDE - BRIGHT WHITE
4	114874-02-12B	EA	TRIM - BACKWALL - DRIVER SIDE
4	120548-04-01A	EA	TRIM-J - BACKWALL - DRIVER - NOTCHED - BRIGHT WHITE
5	M07419-23-J15	EA	BACKWALL - W/O WINDOW/TRIM - GM (K16)
5	M07419-23-J47	EA	BACKWALL - W/O WINDOW/TRIM - GM (K17)
5	M07419-23-K18	EA	BACKWALL - W/O WINDOW/TRIM - GM (K18)
5	M07419-24-J15	EA	BACKWALL - W/O WINDOW/TRIM - FORD (K16)
5	M07419-24-J47	EA	BACKWALL - W/O WINDOW/TRIM - FORD (K17)
5	M07419-24-K18	EA	BACKWALL - W/O WINDOW/TRIM - FORD (K18)
	114248-02-01A	EA	ANGLE - PLASTIC - 96.6"
6	050406-25-000	EA	TRIM - LOWER BACKWALL
7	126903-01-01A	EA	TRIM - SIDEWALL - 60.9" - BRIGHT WHITE
8	105312-01-07A	FT	INSERT - VINYL FEATURE STRIP - BRIGHT WHITE
9	129364-01-K16	EA	SIDEWALL - DRIVER - W/O WINDOWS/TRIMS
9	129364-01-K17	EA	SIDEWALL - DRIVER - W/O WINDOWS/TRIMS
9	129364-01-K18	EA	SIDEWALL - DRIVER - W/O WINDOWS/TRIMS
10	120091-01-02A	EA	TRIM - ROOF
			FROM: 00-00-00 THRU: 10-25-98
11	129076-03-K16	EA	VALANCE/WHEEL LIP - REAR DRIVER - 46.4"
12	131483-01-01A	EA	RAIL - AWNING - BRIGHT WHITE
			FROM: 10-26-98 THRU: 99-99-99
13	129075-03-K16	EA	VALANCE/WHEEL LIP - FRONT DRIVER
14	129638-01-K16	EA	ROOF - W/O LIGHTS/VENTS - W/WIRING
15	129075-04-K16	EA	VALANCE/WHEEL LIP - FRONT PASSENGER
16	126901-21-01A	EA	TRIM - SIDEWALL - 195" BRIGHT WHITE
17	124501-29-01A	EA	TRIM - SIDEWALL - NOTCHED - BRIGHT WHITE
18	124501-28-01A	EA	TRIM - SIDEWALL - NOTCHED - BRIGHT WHITE
19	129076-04-K16	EA	VALANCE/WHEEL LIP - REAR PASSENGER - 59.3"
20	120092-01-02A	EA	RAIL - AWNING - BRIGHT WHITE
			FROM: 00-00-00 THRU: 10-25-98
21	129363-01-K16	EA	SIDEWALL - PASSENGER - W/O WINDOWS/TRIMS
21	129363-01-K17	EA	SIDEWALL - PASSENGER - W/O WINDOWS/TRIMS
21	129363-01-K18	EA	SIDEWALL - PASSENGER - W/O WINDOWS/TRIMS
22	127845-05-01A	EA	CAP - SIDEWALL TRIM - RIGHT HAND - 2.1" - BRIGHT WHITE
23	127845-06-01A	EA	CAP - SIDEWALL TRIM - LEFT HAND - 2.1" - BRIGHT WHITE
	126694-55-001	EA	EXTRUSION - U-CHANNEL/HINGED - 191.7" - BRIGHT WHITE
	129854-05-01A	EA	SUPPORT - WHEEL LIP - 62.4" - MILL
	002726-01-001	EA	GARNISH - U-CHANNEL - 1.38" X 19' - SERRATED
	068716-01-001	EA	BRACE - 90 DEGREE L-ANGLE - 16'
	069726-02-000	EA	BUMPER - .88" OD X .40" THICK - BLACK
	113041-13-02B	EA	ANGLE - MOUNT - BUMPER - E-COATED
	119568-01-01A	EA	STANDOFF - VALANCE PANEL - BLACK
	128251-01-02B	EA	SUPPORT - VALANCE - E-COATED
			FROM: 00-00-00 THRU: 09-04-98
	107865-01-000	EA	ROD - SUPPORT - VALANCE PANEL - 14.3"
	107865-07-000	EA	ROD - SUPPORT - VALANCE PANEL - 14.3"
	107865-21-000	EA	ROD - SUPPORT - VALANCE PANEL - 23.3"

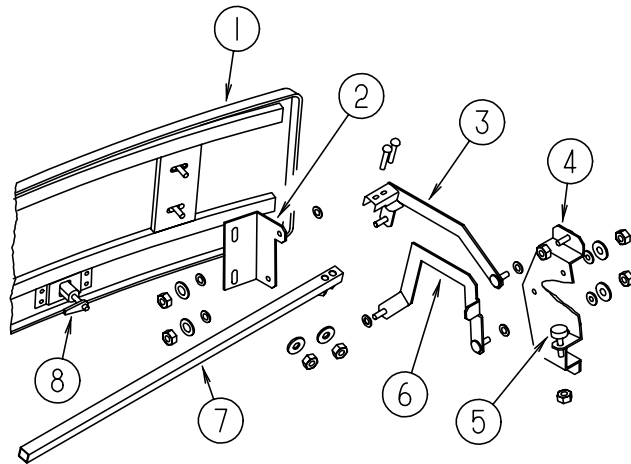
EXTERIOR BODY GROUP (CONTINUED)

FRONT END COMPONENTS



KEY	PART NUMBER	U/M	DESCRIPTION
1	125052-02-J20	EA	CAP - ROOF - W/O LIGHTS/WIRING
	118383-01-04A	EA	RETAINER - SCREW
	118383-04-04A	EA	CAP - RETAINER/SCREW
2	128455-04-02B	EA	BRACKET - BUMPER - LEFT HAND UPPER/RIGHT HAND LOWER
3	128455-03-02B	EA	BRACKET - BUMPER - RIGHT HAND UPPER/LEFT HAND LOWER
4	126953-01-J15	EA	GRILLE - W/O MESH
5	115924-15-02A	EA	WIRE MESH - F/GRILLE - FLAT BLACK
6	123680-05-01A	EA	TRIM - FIBERGLASS PANEL - BRIGHT WHITE
7	126229-04-J20	EA	PANEL - FRONT/LOWER - W/O NOTCH - BRIGHT WHITE
	125846-02-J20	EA	SUPPORT - WIPER
	110782-01-000	EA	ANGLE - SUPPORT - HEADLAMP
	007157-05-000	EA	NUT - WELL
8	126230-02-01A	EA	BEZEL - HEADLAMP - LEFT HAND
	110690-02-D18	EA	PLATE - HEADLAMP - QUAD/LEFT HAND
9	126956-01-J15	EA	HOOD - FRONT
10	126230-01-01A	EA	BEZEL - HEADLAMP - RIGHT HAND
	110690-01-D18	EA	PLATE - HEADLAMP - QUAD/RIGHT HAND

EXTERIOR BODY GROUP (CONTINUED)



HOOD & COMPONENTS

KEY	PART NUMBER	U/M DESCRIPTION
1	126956-01-J15	EA HOOD - FRONT
	106730-10-000	EA PLATE - STUD - F/HOOD
2	126911-01-02B	EA ANGLE - HOOD HINGE - PASSENGER - E-COATED
	126911-02-02B	EA ANGLE - HOOD HINGE - DRIVER - E-COATED
3	125798-03-02B	EA LINK - HOOD HINGE - UPPER PASSENGER
	125798-04-02B	EA LINK - HOOD HINGE - UPPER DRIVER
4	126867-01-02B	EA BRACKET - LINK - HOOD HINGE - PASSENGER - E-COATED
	126867-03-02B	EA BRACKET - LINK - HOOD HINGE - DRIVER - E-COATED
5	058786-01-000	EA BOLT - ADJUSTING HOOD - W/BLACK PAD
6	125778-07-02B	EA LINK - HOOD HINGE - LOWER PASSENGER - E-COATED
	125778-08-02B	EA LINK - HOOD HINGE - LOWER DRIVER - E-COATED
7	126913-02-02B	EA TUBE - TIMING - HOOD HINGE W/WELD NUT - 53.7" - E-COATED
8	102330-02-000	EA LATCH - VISE ACTION/KEY OPERATED
	102330-04-000	EA PAWL - LATCH - STRAIGHT - 1.96"
	102328-01-000	EA KEY - BARREL - NICKEL PLATED
	126352-04-02B	EA LATCH - HOOD - E-COATED

EXTERIOR BODY GROUP (CONTINUED)

FIBERGLASS, STYROFOAM & INSULATION

KEY	PART NUMBER	U/M DESCRIPTION
	076054-U4-000	EA FIBERGLASS SHEET - 101" X 104" - BRIGHT WHITE
	076054-U8-000	EA FIBERGLASS SHEET - 100" X 105" - BRIGHT WHITE
	076054-W4-000	EA FIBERGLASS SHEET - 79" X 337" - BRIGHT WHITE
	076054-W6-000	EA FIBERGLASS SHEET - 79" X 367" - BRIGHT WHITE
	077517-62-000	EA FIBERGLASS SHEET/SIDEWALL - 48" X 96" - BRIGHT WHITE
	108535-05-702	EA FRP FLAT 108" X 396" BRT WHT PARTS DEPT
	000870-08-000	SF STYROFOAM - 3/4" X 48" X 96" PLANED EXPANDED BEAD BOARD
	100619-01-000	BF FOAM - EXPANDED POLYSTYRENE - 1.34" X 48" X 96"
	100619-04-000	BF FOAM - EXPANDED POLYSTYRENE - .5" X 48" X 96"
	100619-05-000	BF FOAM - EXPANDED POLYSTYRENE - .75" X 48" X 96"-1.5 DENSITY
	100619-11-000	BF FOAM - EXPANDED POLYSTYRENE - 2" X 48" X 96"
	100619-16-000	BF FOAM - EXPANDED POLYSTYRENE - .75" X 48" X 96"-2.0 DENSITY
	100619-22-000	BF FOAM - EXPANDED POLYSTYRENE - 48" X 120" X 1.34"
	105077-08-000	EA FOAM - PLUG - ROOF CAP
	120107-01-000	EA FOAM - COVE - ROOF - 2.8" X 96" LONG
	120107-02-000	EA FOAM - PLUG - ROOF TUBE - 2.2" X 2.9" X 1.8" LONG
	120107-03-000	EA FOAM - PLUG - SIDEWALL TUBE - 1.2" X 2.1" X 1.8" LONG

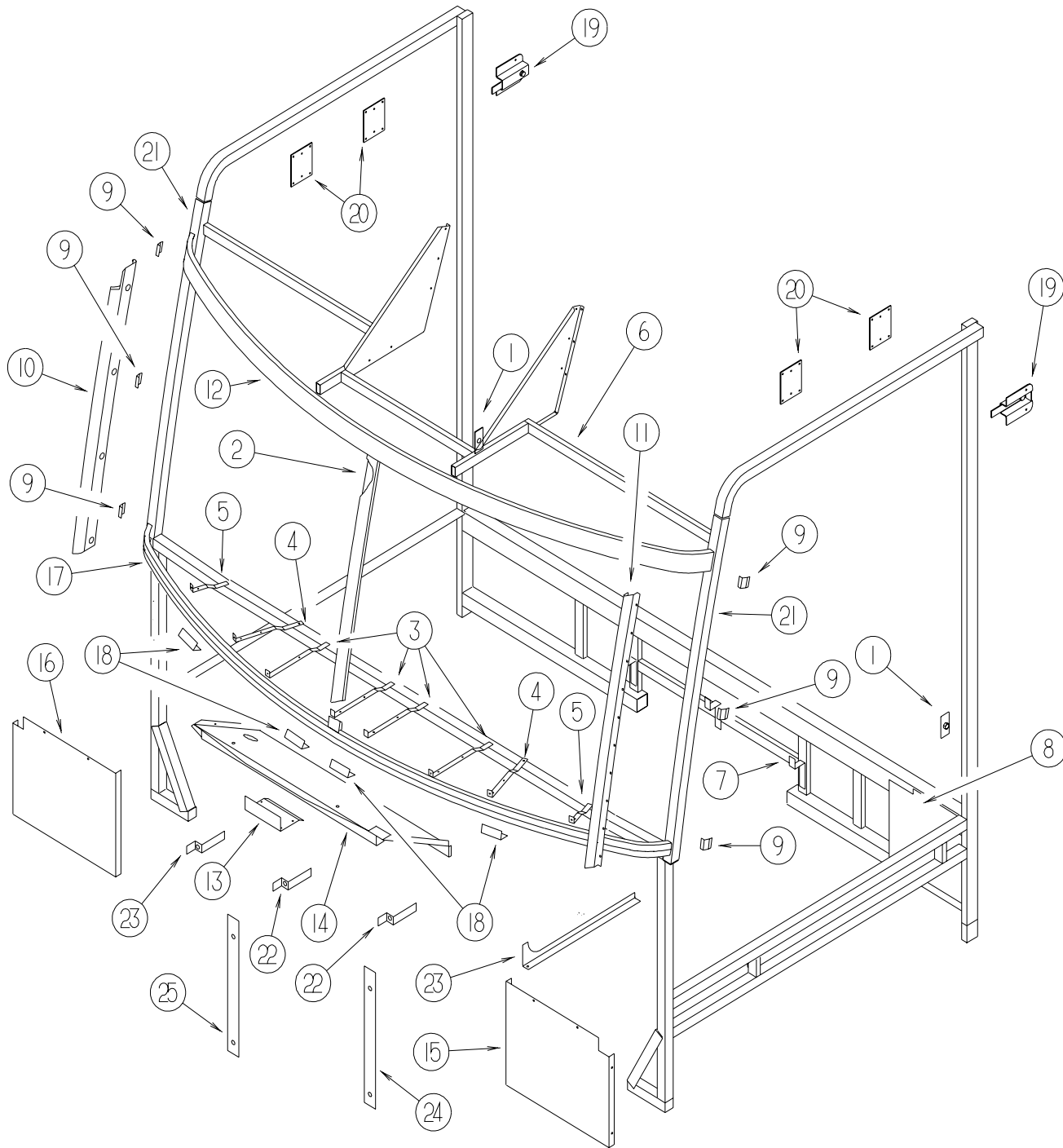
A & E AWNING & HARDWARE

KEY	PART NUMBER	U/M DESCRIPTION
	113874-06-11A	EA AWNING - W/O HARDWARE - 16' (AMETHYST GREEN) VINYL
*	113874-01-02A	EA HARDWARE KIT - AWNING - W/O STANDOFF BRACKET-BRIGHT WHITE
	130320-01-02A	EA BRACKET - AWNING - F/A&E INSTALLATION - BRIGHT WHITE
	113874-11-01A	EA SCREW/LAG - AWNING - 1/4" X 1" STAINLESS STEEL
		FROM: 07-17-98 THRU: 99-99-99
	113874-12-01A	EA SCREW/LAG - AWNING - 1/4" X 2 3/4" STAINLESS STEEL
		FROM: 07-17-98 THRU: 99-99-99

*COMPONENT PARTS FOUND IN SERVICE PARTS LIBRARY

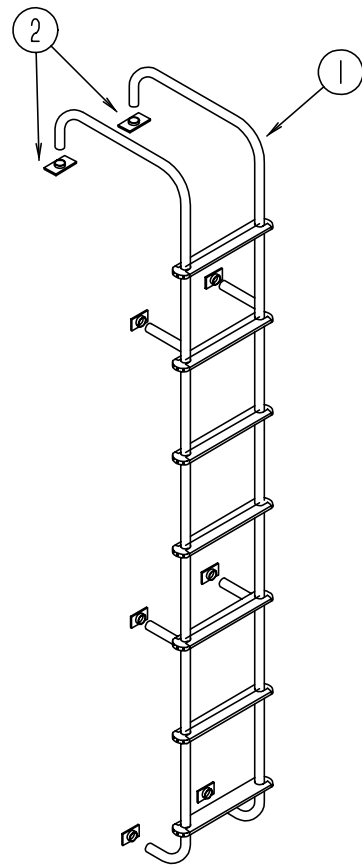
EXTERIOR BODY GROUP (CONTINUED)

MISCELLANEOUS FRONT END COMPONENTS



KEY	PART NUMBER	U/M DESCRIPTION
1	070579-06-000	EA PLATE - ANCHOR - W/7/16" WELD NUT - 1.5" X 3.3"
1	070579-07-000	EA PLATE - ANCHOR - W/O WELD NUT - 1.5" X 3.3"
2	078249-19-000	EA TUBE-SWEPT,FRAME,CAB
3	104797-03-000	EA BRACKET-DEFROSTER
4	104797-04-000	EA BRACKET-DEFROSTER
5	104797-05-000	EA BRACKET-DEFROSTER
6	124764-51-01B	EA HEADER - F/TV - MILL
	124904-03-01B	EA HEADER - WINDSHIELD - CENTER
7	117287-01-01B	EA BRACKET - MOUNT - CABLE
8	118592-01-01B	EA SHIELD - SPLASH
9	120363-01-01B	EA BRACKET - WINDSHIELD
10	121269-09-01B	EA FRAME-WINDSHIELD,A PILLAR,ML
11	121269-10-01B	EA FRAME-WINDSHIELD,A PILLAR,ML
12	124975-01-01B	EA SUPPORT-WINDSHIELD,UPPER,MLL
13	125836-02-01B	EA ZEE-WIPER MOTOR,MILL
14	125837-02-01B	EA BRACE-WIPER MOTOR,MILL
15	104147-14-000	EA SHIELD/SPLASH - HEADLIGHT
16	121962-02-02B	EA SHIELD/SPLASH - HEADLIGHT - E-COATED
17	124974-01-01B	EA SUPPORT-WINDSHIELD,LOWER,MLL
18	076364-57-000	EA ANGLE - FORMED
19	103318-01-000	EA MOUNT ASM-SEATBELT,WALL
20	104409-01-000	EA PLATE-MOUNT,SIDEWALL
21	117273-01-01A	EA TUBE - SUPPORT - A-PILLAR
22	117287-01-01B	EA BRACKET - MOUNT - CABLE
	129385-01-02B	EA BRACKET - SEAL TRANSITION - E-COATED
		FROM: 00-00-00 THRU: 07-11-99
23	131859-01-02B	EA BRACKET - SEAL - TRANSITION/LEFT HAND - E-COATED
		FROM: 07-12-99 THRU: 99-99-99
	131860-01-02B	EA BRACKET - SEAL - TRANSITION/LEFT HAND - E-COATED
		FROM: 07-12-99 THRU: 99-99-99
24	119892-12-02B	EA SUPPORT ASM-FRONT,GM,LH,E-CT
24	119892-14-02B	EA SUPPORT ASM-FRT,FORD,LH,E-CT
25	119892-17-02B	EA SUPPORT ASM-FRONT,GM,RH,E-CT
25	119892-13-02B	EA SUPPORT ASM-FRT,FORD,RH,E-CT
	113452-01-000	FT SEAL/TRIM - FRONT - VINYL W/WIRE CARRIER
	130885-14-877	FT STEEL - TUBE - 16 GAUGE 1.5" X 1.5"

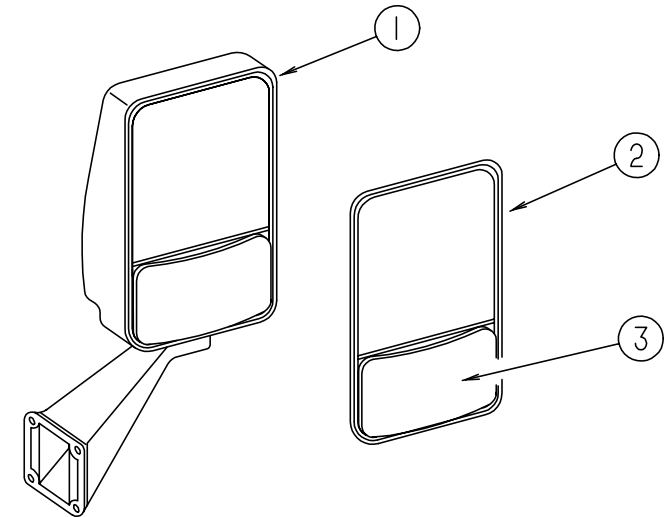
EXTERIOR BODY GROUP (CONTINUED)



LADDER

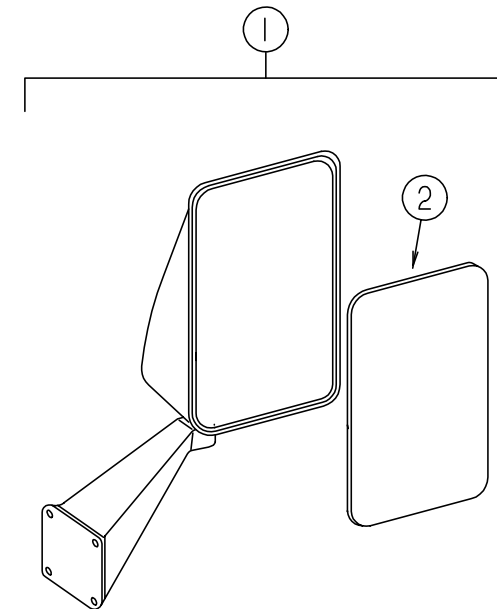
KEY	PART NUMBER	U/M DESCRIPTION
1	129639-03-01A	EA LADDER - BRUSHED ALUMINUM
2	131256-01-01A	EA PLATE - LADDER
	129375-01-000	EA SEAL/FOAM - LADDER BRACKET
	038327-01-000	EA TAPE - ANTI-SLIP - 2" X 60'

EXTERIOR BODY GROUP (CONTINUED)



VELVAC HEATED EXTERIOR MIRRORS

KEY	PART NUMBER	U/M DESCRIPTION	VENDOR NO.
1	106015-12-01A	EA MIRROR - EXTERIOR REMOTE/HEAT - PASSENGER	
	119774-09-700	EA PLATE-INNER SUPT/MIRROR HEAD	709418-7RH
1	106015-13-01A	EA MIRROR - EXTERIOR REMOTE/HEAT - DRIVER	
	119774-09-701	EA PLATE INNER SUPT/MIRROR HEAD	709419-7LH
2	106015-12-700	EA MIRROR-FLAT - W/W/O HEAT	709448
3	106015-12-701	EA MIRROR-CONVEX - W/W/O HEAT	709449
	106015-12-702	EA SCREW CAP - (BAG OF 4)	748329
	087695-02-000	EA SWITCH - HEATER - EXTERIOR MIRROR	
	088246-01-000	EA SWITCH - REMOTE - EXTERIOR - SQUARE PUSH	
	087695-03-000	EA CONNECTOR - ASSEMBLY	

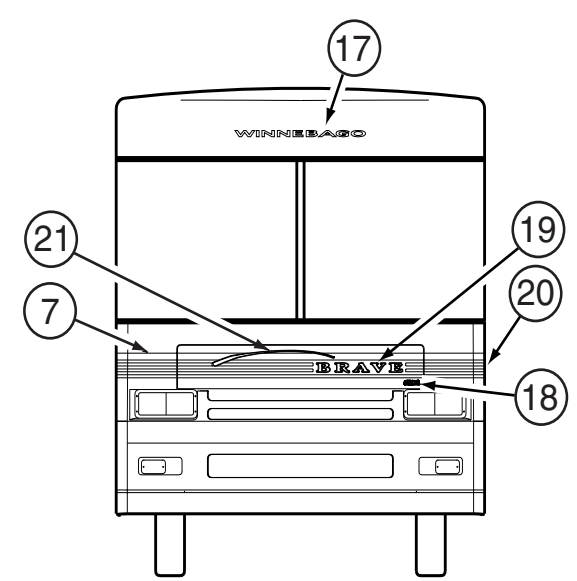
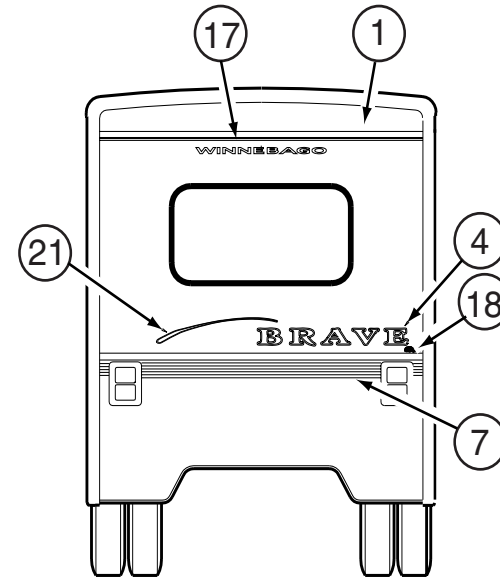
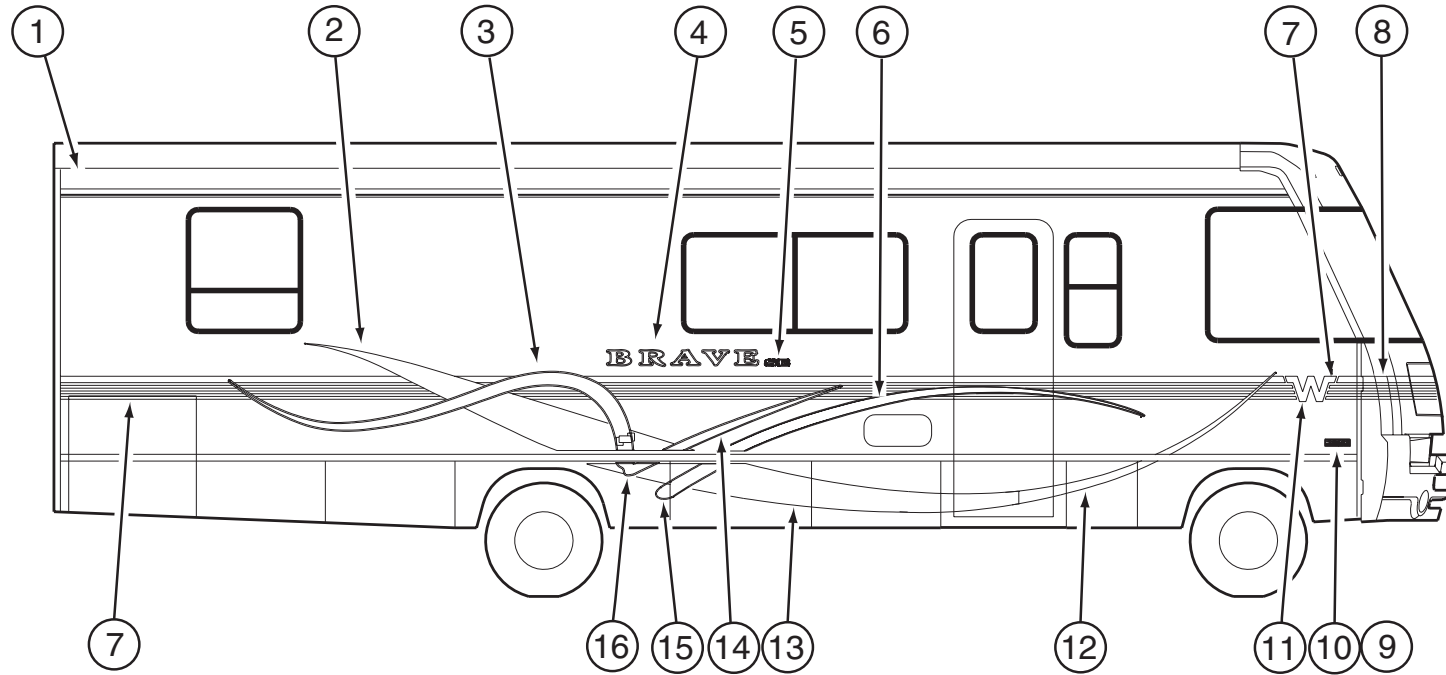


VELVAC EXTERIOR MIRRORS

KEY	PART NUMBER	U/M DESCRIPTION	VENDOR NO.
1	123297-01-01A	EA MIRROR - EXTERIOR - ADJUSTABLE GLASS - DRIVER	
1	123297-02-01A	EA MIRROR - EXTERIOR - ADJUSTABLE GLASS - PASSENGER	
2	106860-02-702	EA GLASS ONLY FLAT RH/LH STAR	702086-8

EXTERIOR BODY GROUP (CONTINUED)

DECALS, FILM STRIPES & PAINT



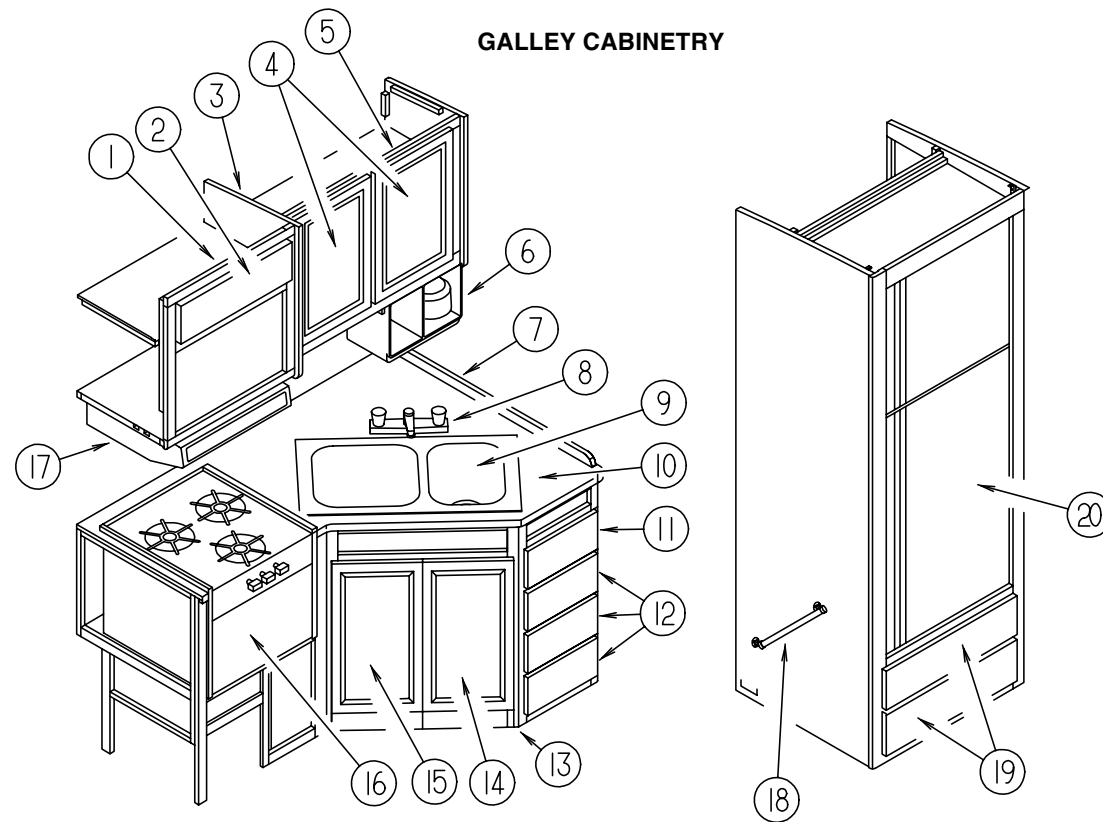
KEY	PART NUMBER	U/M	DESCRIPTION
1	105781-69-01A	FT	FILM - MULTISTRIFE - 2.3"
2	128024-01-02A	EA	DECAL - SWEEP - UPPER/RIGHT HAND
	128024-02-02A	EA	DECAL - SWEEP - UPPER/LEFT HAND
3	128027-01-02A	EA	DECAL - SLASH - #1/RIGHT HAND
	128027-02-02A	EA	DECAL - SLASH - #1/LEFT HAND
4	121437-01-04A	EA	DECAL - LOGO - BRAVE/LARGE
4	121437-01-05A	EA	DECAL - LOGO - BRAVE/LARGE - COMFORT AND CONVENIENCE PACKAGE
5	127162-01-02A	EA	DECAL - SE - LARGE
5	127162-01-03A	EA	DECAL - SE - LARGE - COMFORT AND CONVENIENCE PACKAGE
6	128031-01-02A	EA	DECAL - SLASH TIP - #2/RIGHT HAND
	128031-02-02A	EA	DECAL - SLASH TIP - #2/LEFT HAND
7	093689-25-02A	FT	FILM - MULTISTRIFE - 6.3"
8	128036-01-02A	EA	DECAL - CORNER/RIGHT HAND
9	122312-02-01A	EA	DECAL - VORTEC 7400 FUEL INJECTED
10	129922-01-01A	EA	EMBLEM - TRITON V10
11	121743-02-03A	EA	DECAL - LOGO "W"
12	128026-01-02A	EA	DECAL - SWEEP - #2/RIGHT HAND
	128026-02-02A	EA	DECAL - SWEEP - #2/LEFT HAND
13	128025-01-02A	EA	DECAL - SWEEP - #1 RIGHT HAND
	128025-02-02A	EA	DECAL - SWEEP - #1/LEFT HAND
14	128029-01-02A	EA	DECAL - SLASH TIP - #1/RIGHT HAND
	128029-02-02A	EA	DECAL - SLASH TIP - #1/LEFT HAND
15	128030-01-02A	EA	DECAL - SLASH END - #2/RIGHT HAND
	128030-02-02A	EA	DECAL - SLASH END - #2/LEFT HAND
16	128028-01-02A	EA	DECAL - SLASH END - #1/RIGHT HAND
	128028-02-02A	EA	DECAL - SLASH END - #1/LEFT HAND
17	120702-02-03A	EA	DECAL - LOGO,WINNEBAGO
18	127162-02-02A	EA	DECAL - SE - SMALL
18	127162-02-03A	EA	DECAL - SE - SMALL - COMFORT AND CONVENIENCE PACKAGE
19	121437-02-04A	EA	DECAL - LOGO - BRAVE/SMALL
19	121437-02-05A	EA	DECAL - LOGO - BRAVE/SMALL - COMFORT AND CONVENIENCE PACKAGE
20	128036-02-02A	EA	DECAL - CORNER/LEFT HAND
21	128034-01-02A	EA	DECAL - SLASH - HOOD
	041561-03-000	EA	PAINT - 16 OUNCE SPRAY - OFF WHITE

DUPONT COLOR CODES

BRIGHT WHITE (MAIN BODY COLOR)	#B8951
LT. SILVER METALLIC (ACCENT COLOR)	#F2573U
TEAL FIREMIST METALLIC (DECAL COLOR)	#GM016
VIOLET FIREMIST METALLIC (DECAL COLOR)	#F4572
WIN BLUE METALLIC (DECAL COLOR)	#BM351
AZTEC SILVER METALLIC(DECAL COLOR)	#F2573

GALLEY GROUP

GALLEY CABINETRY



KEY	PART NUMBER	U/M DESCRIPTION
1	128620-01-J15	EA CABINET - MICROWAVE - W/O DOORS/HARDWARE
	094750-10-000	EA BRACKET - MICROWAVE - 89 DEGREE
2	M05992-G3-J15	EA DOOR - STRAIGHT CORNER/OGEE EDGE - 6.3" X 23.2" - W/O HDW
3	081320-16-G09	EA END CAP - OVERHEAD CABINET
4	M09332-01-K16	EA DOOR - RAISED MEMBRANE/OGEE EDGE - 14.3" X 21.8" - W/O HDW
5	129356-01-K16	EA CABINET - OVERHEAD/GALLEY - W/O DOORS/HARDWARE
	129356-11-K16	EA SHELF - W/PLASTIC EDGE MOLDING
6	126019-01-01A	EA COFFEEMAKER - OPTIMA - W/BRACKETS - BLACK & DECKER
7	098335-16-H13	EA RAIL - GALLEY - 39" (K16)
7	098335-16-H33	EA RAIL - GALLEY - 39" (K17)
7	098335-16-K18	EA RAIL - GALLEY - 39" (K18)
7	123376-23-K16	EA BACKSPLASH - GALLEY COUNTERTOP COMFORT AND CONVENIENCE PACKAGE
7	123376-23-K17	EA BACKSPLASH - GALLEY COUNTERTOP COMFORT AND CONVENIENCE PACKAGE
7	123376-23-K18	EA BACKSPLASH - GALLEY COUNTERTOP COMFORT AND CONVENIENCE PACKAGE
8	104114-02-01A	EA FAUCET - GALLEY - SINGLE CONTROL
9	104113-01-000	EA SINK - DOUBLE - STAINLESS STEEL
	092303-01-000	EA STRAINER - SINK
	103610-03-H24	EA COVER - SINK - 15.2" X 11" (K16)
	103610-03-K17	EA COVER - SINK - 15.2" X 11" (K17)
	103610-03-K18	EA COVER - SINK - 15.2" X 11" (K18)
10	123376-21-K16	EA COUNTERTOP - GALLEY
10	123376-21-K17	EA COUNTERTOP - GALLEY
10	123376-21-K18	EA COUNTERTOP - GALLEY
10	123376-22-K16	EA COUNTERTOP - GALLEY - COMFORT AND CONVENIENCE PACKAGE
10	123376-22-K17	EA COUNTERTOP - GALLEY - COMFORT AND CONVENIENCE PACKAGE
10	123376-22-K18	EA COUNTERTOP - GALLEY - COMFORT AND CONVENIENCE PACKAGE
11	M05971-42-J15	EA DRAWER - OGEE EDGE - 10.8"W X 9"D - W/O SLIDES/HARDWARE
12	M05971-43-J15	EA DRAWER - OGEE EDGE - 10.8"W X 13.8"D - W/O SLIDES/HARDWARE

KEY	PART NUMBER	U/M DESCRIPTION	VENDOR NO.
13	123376-03-K16	EA CABINET - GALLEY - W/COUNTERTOP - W/O DOORS/DRAWERS/HDW	
13	123376-03-K17	EA CABINET - GALLEY - W/COUNTERTOP - W/O DOORS/DRAWERS/HDW	
13	123376-03-K18	EA CABINET - GALLEY - W/COUNTERTOP - W/O DOORS/DRAWERS/HDW	
13	123376-04-K16	EA CABINET - GALLEY - W/COUNTERTOP - W/O DOORS/DRAWERS/HDW COMFORT AND CONVENIENCE PACKAGE	
13	123376-04-K17	EA CABINET - GALLEY - W/COUNTERTOP - W/O DOORS/DRAWERS/HDW COMFORT AND CONVENIENCE PACKAGE	
13	123376-04-K18	EA CABINET - GALLEY - W/COUNTERTOP - W/O DOORS/DRAWERS/HDW COMFORT AND CONVENIENCE PACKAGE	
14	M05992-C4-K16	EA DOOR - STRAIGHT CORNER/OGEE EDGE - 12" X 25.9" - W/O HDW	
15	M05992-C3-K16	EA DOOR - STRAIGHT CORNER/OGEE EDGE - 12" X 25.9" - W/O HDW	
16*	112881-02-03A	EA RANGE-16"-3 BURNER-FRONT HI-OUTPUT BURNER - BLK TOP/DOOR	
	105458-03-000	EA BRACKET - STOVE TIEDOWN - RIGHT HAND	
	105458-04-000	EA BRACKET - STOVE TIEDOWN - LEFT HAND	
17*	100258-16-04A	EA HOOD - RANGE - W/O MONITOR PANEL-W/O HOUR METER/SWITCH-US	
17*	100258-17-04A	EA HOOD - RANGE - W/O MONITOR PANEL-W/O HOUR METER/SWITCH-CSA	
17*	100258-18-03A	EA HOOD - RANGE - W/O MONITOR PANEL-W/HOUR METER/SWITCH - US	
18	091257-10-000	EA HANDLE - ASSIST - WATERFORD OAK	
19	M05971-41-J15	EA DRAWER - OGEE EDGE - 22.5"W X 15.7"D - W/O SLIDES/HARDWARE	
20*	121568-01-01A	EA REFRIGERATOR - SMALL DBL DOOR/2 WAY-52.8"H X 23.5"W X 24"D	FROM: 00-00-00 THRU: 07-19-98
20*	121568-03-01A	EA REFRIGERATOR - SMALL DBL DOOR/2 WAY-52.8"H X 23.5"W X 24"D	FROM: 07-20-98 THRU: 99-99-99
	116751-01-01A	EA TRAY - REFRIGERATOR - CANADIAN	
	116751-03-01A	EA TRAY - REFRIGERATOR - BLACK - US	
	111222-01-02A	EA COVER - VENT/REFRIGERATOR - SIDE - BRIGHT WHITE	
	054450-01-000	EA LEVEL - REFRIGERATOR	
	065225-02-000	EA PLATE - TIEDOWN - REFRIGERATOR	
	093646-01-000	EA BRACKET - TIEDOWN/REFRIGERATOR - RIGHT HAND	
	093646-02-000	EA BRACKET - TIEDOWN/REFRIGERATOR - LEFT HAND	
	090329-01-000	FT SEAL/T - REFRIGERATOR CABINET	

*COMPONENT PARTS FOUND IN SERVICE PARTS LIBRARY

GALLEY GROUP (CONTINUED)

MICROWAVE OVEN & TRIMS, BRACKETS, AND BRACES

KEY	PART NUMBER	U/M DESCRIPTION	VENDOR NO.
	128527-02-000	EA OVEN - MICROWAVE - 1.2 CU FT - NON CONVECTION FROM: 00-00-00 THRU: 01-15-99	
	128527-02-700	EA TRIM RING-F/1.2 CU.FT. MICRO MC-6471-EA	
	128642-02-000	EA TRIM KIT W/VENT - MICROWAVE - 1.2 CU FT - SAMSUNG FROM: 00-00-00 THRU: 01-15-99	
	128527-04-000	EA OVEN - MICROWAVE - 1.2 CU FT FROM: 01-16-99 THRU: 99-99-99	
	094750-10-000	EA BRACKET - MICROWAVE - 89 DEGREE	
	098916-22-02B	EA BRACE - MICROWAVE CABINET - LEFT HAND	
	098916-23-02B	EA BRACE - MICROWAVE CABINET - RIGHT HAND	

COFFEE MAKER

KEY	PART NUMBER	U/M DESCRIPTION	VENDOR NO.
	126019-01-01A	EA COFFEEMAKER - OPTIMA - W/BRACKETS - BLACK & DECKER	
	126019-01-700	EA GLASS CARAFE	172547-00
	126019-01-701	EA RESERVOIR- WATER	172554
	126019-01-702	EA BASKET - FILTER	172553-00
	126019-01-703	EA HARDWARE - MOUNTING	172174-00

LVS MONITOR PANEL

KEY	PART NUMBER	U/M DESCRIPTION
*	102765-04-01A	EA PANEL - MONITOR - 2 HOLDING TANKS - ADJUSTABLE

*COMPONENT PARTS FOUND IN SERVICE PARTS LIBRARY

GENERATOR GROUP

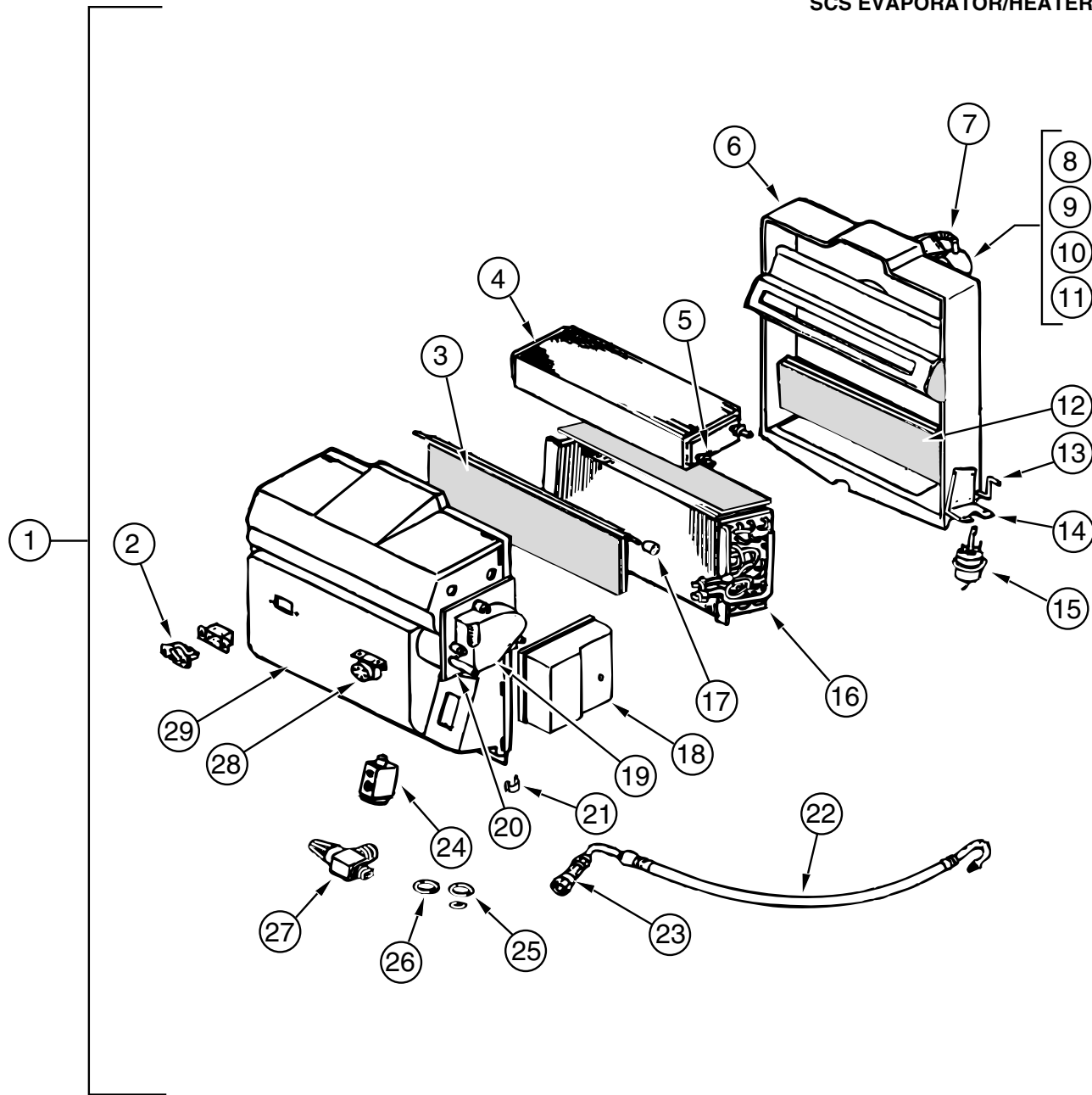
4,000 WATT ONAN MICROLITE

KEY	PART NUMBER	U/M DESCRIPTION
	109982-03-000	EA GENERATOR - 4.0 MICROLITE
	007125-04-000	EA CLAMP - MUFFLER - 1.12" DIAMETER
	105958-09-000	EA PIPE - GENERATOR EXHAUST - 1.3" OD X 5.9" X 22" FROM: 00-00-00 THRU: 06-24-99
	105958-08-000	EA PIPE - GENERATOR EXHAUST - 1.5" OD X 3.1" X 19.7" FROM: 06-25-99 THRU: 99-99-99

NOTE: ADDITIONAL GENERATOR COMPONENTS ARE FOUND IN THE CHASSIS GROUP

HEATING & AIR CONDITIONING GROUP

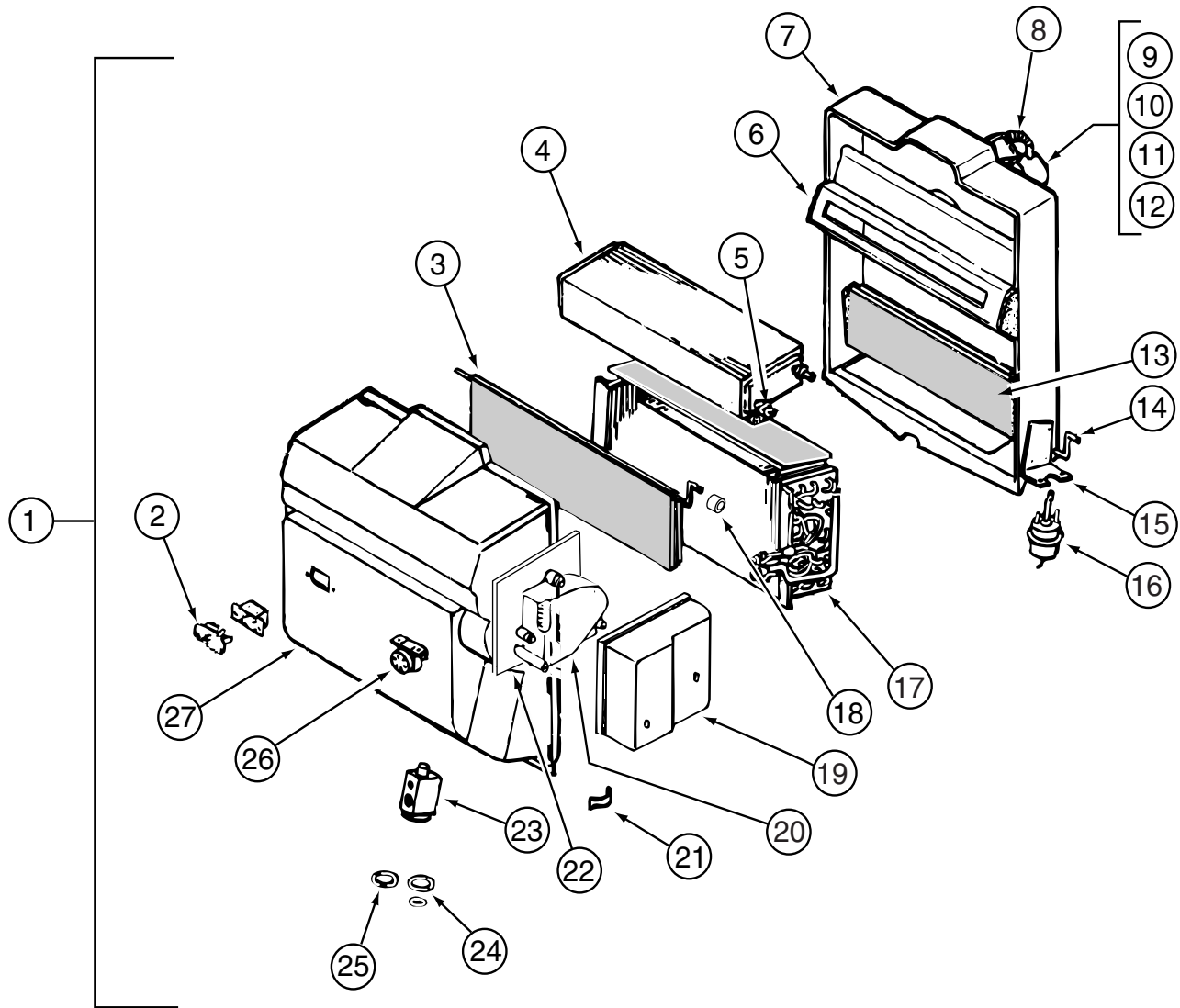
SCS EVAPORATOR/HEATER ASSEMBLY - 1998 CHEVY CHASSIS



KEY	PART NUMBER	U/M	DESCRIPTION	VENDOR NO.
1	103930-30-000	EA	EVAPORATOR/HEATER - CHEVY - SERVO MOTOR CONTROLLED	
2	103930-01-710	EA	RESISTOR-FUSED, A/C	035-0006
3	103930-30-705	EA	DOOR - BLEND AIR	071-0568
4	103930-01-703	EA	CORE-HEATER	042-0010
5	110279-01-712	EA	FITTING-HEATER	050-0076
6	103930-20-711	EA	CASE-BACK, SUB-ASSEMBLY	062-0147
7	110279-01-703	EA	HOSE-VENT F/BLOWER MOTOR	051-0034
8	103930-20-707	EA	HOUSING-BLOWER	062-0145
9	103930-30-706	EA	MOTOR-BLOWER PM147 W/ADAPTER	030-0109
10	103930-01-717	EA	WHEEL-BLOWER, CLOCKWISE	062-0010
11	103930-20-708	EA	CLIP-MOTOR SHAFT	022-0001
12	103930-20-705	EA	PANEL-DOOR, RECIRCULATING	071-0213
13	103930-20-704	EA	ROD-DOOR-RECIRCULATING	073-0018
14	103930-01-708	EA	BRACKET-VACUUM MOTOR	070-0113
15	103930-02-708	EA	MOTOR-VACUUM SERVO, A/C	030-0025
16	103930-01-704	EA	COIL-EVAPORATOR	041-0017
17	103930-30-702	EA	BUSHING - BLEND AIR DOOR	062-0168
18	103930-30-704	EA	COVER - SERVO	062-0545
19	103930-30-703	EA	MOTOR - SERVO	030-0104
20	103930-30-701	EA	PLATE - MOTOR MOUNT	062-0544
21	103930-20-706	EA	CLIP-RETAINER - CASE ATTACH	022-0057
22	103930-25-700	EA	HOSE ASM #6 EVAPORATOR/DRIER	085-0350
23	103930-12-709	EA	FITTING-QUICK CONNECT	050-0120
24	103930-20-700	EA	VALVE-EXPANSION-BLOCK, 2 TON	034-0032
25	103930-17-702	EA	O-RING #10	045-0127
26	113245-01-707	EA	O-RING #8	045-0126
27	103930-20-709	EA	VALVE-SERVICE	050-0159
28	103930-01-711	EA	THERMOSTAT	033-0003
29	103930-30-700	EA	CASE - FRONT	062-0542

HEATING & AIR CONDITIONING GROUP (CONTINUED)

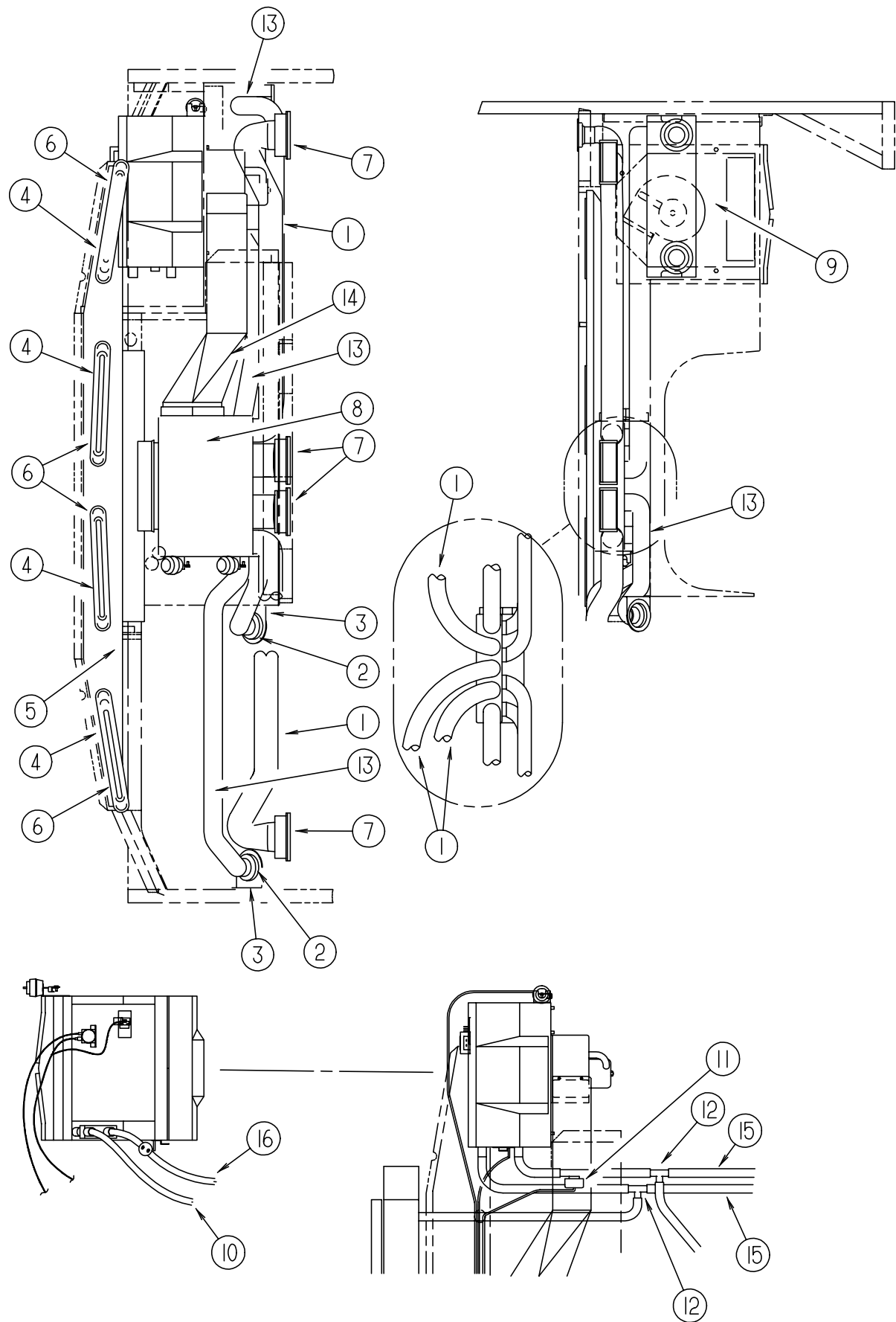
SCS EVAPORATOR/HEATER ASSEMBLY - FORD AND 1999 CHEVY CHASSIS



KEY	PART NUMBER	U/M	DESCRIPTION	VENDOR NO.
1	103930-43-000	EA	EVAPORATOR/HEATER ASSEMBLY - NON-CHARGED	
2	103930-01-710	EA	RESISTOR-FUSED, A/C	035-0006
3	103930-43-700	EA	DOOR - AIR BLEND	071-0568
4	103930-01-703	EA	CORE-HEATER	042-0010
5	110279-01-712	EA	FITTING-HEATER	050-0076
6	103930-30-707	EA	DIVIDER ASM.	086-0061
7	103930-20-711	EA	CASE-BACK, SUB-ASSEMBLY	062-0147
8	110279-01-703	EA	HOSE-VENT F/BLOWER MOTOR	051-0034
9	103930-20-707	EA	HOUSING-BLOWER	062-0145
10	103930-30-706	EA	MOTOR-BLOWER PM147 W/ADAPTER	030-0109
11	103930-01-717	EA	WHEEL-BLOWER, CLOCKWISE	062-0010
12	103930-20-708	EA	CLIP-MOTOR SHAFT	022-0001
13	103930-20-705	EA	PANEL-DOOR, RECIRCULATING	071-0213
14	103930-20-704	EA	ROD-DOOR-RECIRCULATING	073-0018
15	103930-01-708	EA	BRACKET-VACUUM MOTOR	070-0113
16	103930-02-708	EA	MOTOR-VACUUM SERVO, A/C	030-0025
17	103930-01-704	EA	COIL-EVAPORATOR	041-0017
18	103930-30-702	EA	BUSHING - BLEND AIR DOOR	062-0168
19	103930-30-704	EA	COVER - SERVO	062-0545
20	103930-30-703	EA	MOTOR - SERVO	030-0104
21	103930-20-706	EA	CLIP-RETAINER - CASE ATTACH	022-0057
22	103930-30-701	EA	PLATE - MOTOR MOUNT	062-0544
23	103930-20-700	EA	VALVE-EXPANSION-BLOCK, 2 TON	034-0032
24	103930-17-702	EA	O-RING #10	045-0127
25	113245-01-707	EA	O-RING #8	045-0126
26	103930-01-711	EA	THERMOSTAT	033-0003
27	103930-30-700	EA	CASE - FRONT	062-0542
	103930-02-714	EA	CLAMP-CLUTCH, BARREL	022-0006
	094831-01-709	EA	CLAMP-ROD 3/16"	022-0025
	113245-01-718	EA	HOSE - DRAIN/1/2" X 6"	051-0002

HEATING & AIR CONDITIONING GROUP (CONTINUED)

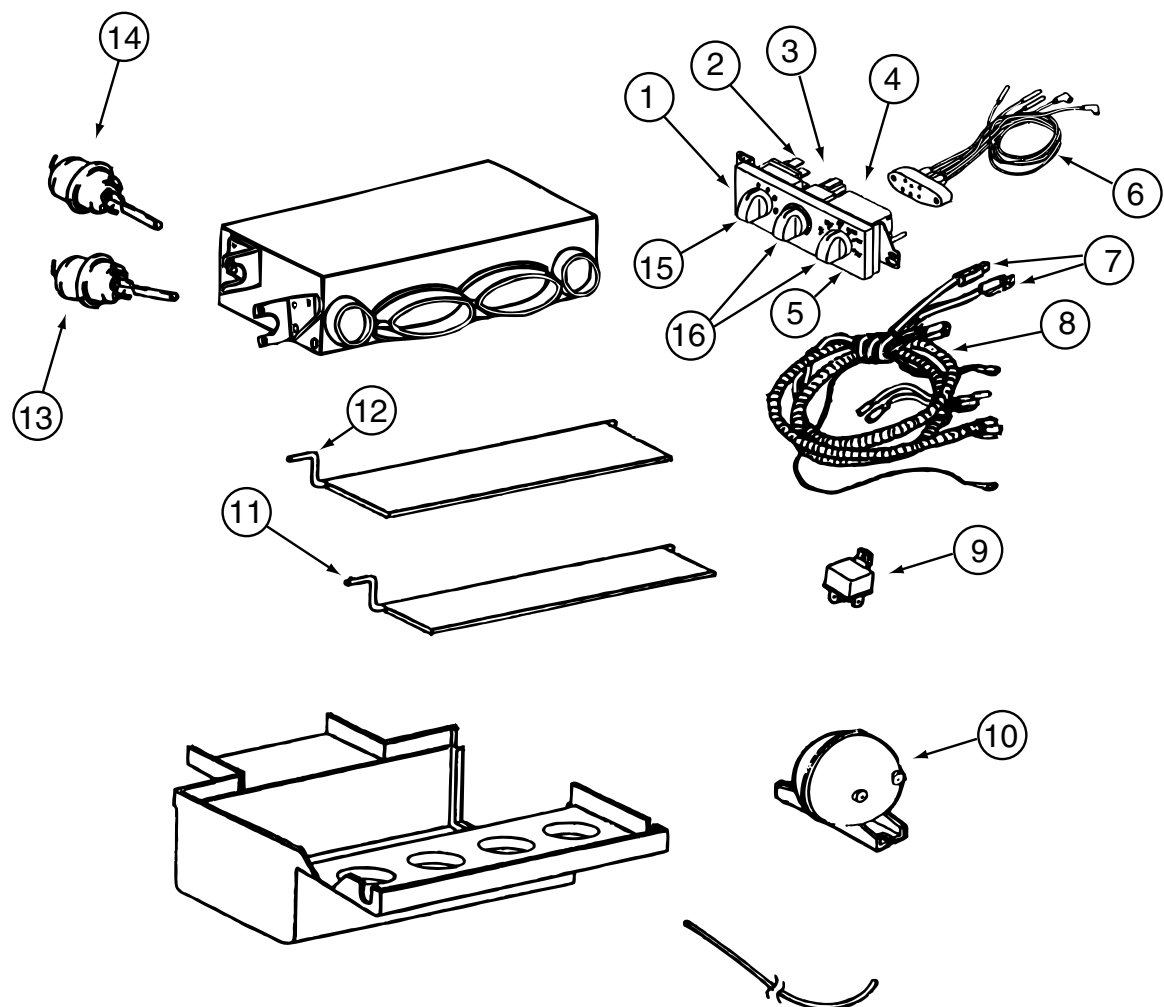
AUTOMOTIVE HEATER MISCELLANEOUS



KEY	PART NUMBER	U/M	DESCRIPTION	VENDOR NO.
1	007281-01-000	EA	HOSE - FLEXIBLE PVC - 2.5" ID X 50'	
1	007281-01-700	FT	HOSE-FLEXIBLE PVC, 2 1/2 ID	
2	024990-05-000	EA	OUTLET - DEFROSTER - 4" DIAMETER W/SWIVEL DEFLECTORS	
3	056402-05-000	EA	BRACKET - HEATER VENT - ROUND W/BEND - BLACK	
4	077075-01-000	EA	GASKET - INSTRUMENT PANEL/DEFROSTER PLENUM - .6" X 10.2"	
5	103017-03-000	EA	PLENUM - DEFROSTER	
6	103558-01-10A	EA	VENT - DEFROSTER - 2" X 14.4" X 1.4" - ANTELOPE	
			FROM: 00-00-00 THRU: 11-08-98	
6	103558-04-03A	EA	VENT - DEFROSTER - ANTELOPE	
			FROM: 11-09-98 THRU: 99-99-99	
7	103796-01-01A	EA	LOUVER - A/C-ADJUSTABLE - 2.2" X 5.4" F/2.5" HOSE - BLACK	
8	103930-39-000	EA	CONTROL/PLENUM - ROTARY	
9	103930-30-000	EA	EVAPORATOR/HEATER - CHEVY - SERVO MOTOR CONTROLLED	
			1998 CHEVY CHASSIS	
9	103930-43-000	EA	EVAPORATOR/HEATER ASSEMBLY - NON-CHARGED	
			FORD AND 1999 CHEVY CHASSIS	
10	103930-29-000	EA	HOSE KIT - #10 F/GM L-29 & L-65 CHASSIS	
			1998 CHEVY CHASSIS	
	103930-17-702	EA	O'RING #10	045-0127
	103930-29-701	EA	O'RING F/LOW PRESSURE SWITCH	045-0483
10	103930-46-000	EA	HOSE - EVAPORATER/COMPRESSOR - EXP. BLOCK TO COMPRESSOR	
			1999 CHEVY CHASSIS	
	103930-17-702	EA	O'RING #10	045-0127
	103930-29-701	EA	O'RING F/LOW PRESSURE SWITCH	045-0483
10	103930-45-000	EA	HOSE - EVAPORATOR/COMPRESSOR - FORD CHASSIS	
	103930-17-702	EA	O'RING #10	045-0127
11	103930-23-000	EA	VALVE - WATER - 2 PORT	
12	076776-01-000	EA	TEE - BEADED - 5/8" X 5/8" X 5/8"	
13	007076-01-000	EA	HOSE - FLEXIBLE PVC - 2" ID - INCREMENTS OF 50'	
14	103016-03-000	EA	PLENUM - TRANSITION	
15	007108-01-000	FT	HOSE - HEATER - 5/8" ID - HI-TEMP - FORD	
16	103930-47-000	EA	HOSE - EVAPORATOR/DRYER - EXP. VALVE TO REC. DRIER	
			1999 CHEVY CHASSIS	
	113245-01-710	EA	O'RING, #12	045-0128
16	103930-44-000	EA	HOSE - EVAPORATOR/DRYER - #6 - FORD CHASSIS	
	113245-01-710	EA	O'RING, #12	045-0128
	077539-01-000	EA	BRACKET - MOUNTING/DASH PANEL - L/SHAPED - 2.5"X1"X1.5"	
	103930-37-000	EA	MANUAL - OWNERS - HEATER/A/C	
	7SB003-97-01A	EA	SCS/FRIGETTE SERVICE MANUAL AIR CONDITIONING	

HEATING & AIR CONDITIONING GROUP (CONTINUED)

SCS CONTROL/PLENUM



KEY	PART NUMBER	U/M	DESCRIPTION	VENDOR NO.
	103930-39-000	EA	CONTROL/PLENUM - ROTARY	
1	103930-33-702	EA	CONTROL PANEL	083-0169
2	103930-33-707	EA	SWITCH - BLOWER	032-00066
3	103930-33-708	EA	SWITCH - POTENTIOMETER	032-0184
4	103930-33-709	EA	SWITCH - VACUUM	032-0183
5	103930-33-710	EA	DECAL F/CONTROL HEAD	058-0102
6	103930-33-703	EA	VACUUM HARNESS	036-0466
7	103930-33-705	EA	LIGHT BULBS	035-0030
8	103930-33-711	EA	WIRE HARNESS - MAIN	036-0496
9	103930-02-707	EA	RELAY-BOSCH W/RESISTER	031-0001
10	103930-02-710	EA	CANISTER-VACUUM	054-0002
11	103930-39-700	EA	ROD - DOOR - AC/HEAT	073-067
12	103930-39-701	EA	ROD - DOOR - AC/DEFROST	073-0069
13	103930-02-708	EA	MOTOR-VACUUM SERVO, A/C	030-0025
14	103930-33-701	EA	MOTOR - VACUUM, 3 STAGE	030-0105
15	103930-39-702	EA	KNOB - BLOWER	062-0539
16	103930-39-703	EA	KNOB - TEMPERATURE	062-0540
	103930-39-704	EA	SPRING	022-0119

HEATING & AIR CONDITIONING GROUP (CONTINUED)

COLEMAN ROOF A/C & CEILING ASM

KEY	PART NUMBER	U/M	DESCRIPTION
*	131188-01-01A	EA	A/C - ROOF - 14,800 MACH 15 - WHITE
*	131184-01-01A	EA	CEILING ASSEMBLY - A/C DUCTED - WHITE
	117238-01-01A	EA	THERMOSTAT - A/C - FURNACE
	120134-01-02A	EA	REGISTER - 4" TO 5" IN DIAMETER W/DAMPER

***COMPONENT PARTS FOUND IN SERVICE PARTS LIBRARY**

ROOF A/C COVERS

KEY	PART NUMBER	U/M	DESCRIPTION
	121365-02-01A	EA	COVER - A/C SWITCH - SINGLE
	092633-02-02A	EA	COVER - BLANK - ROOF A/C - 5.1" X 5.1"
	084077-03-000	EA	COVER/BLANK - ROOF A/C 5.2" X 3.5" - IVORY

HEATING & AIR CONDITIONING GROUP (CONTINUED)

30,000 BTU SUBURBAN FURNACE, REGISTERS & WALL THERMOSTAT

KEY	PART NUMBER	U/M	DESCRIPTION
*	098668-20-000	EA	FURNACE - 30,000 BTU
	098668-23-000	EA	DOOR - ACCESS - FURNACE - BRIGHT WHITE
	094600-06-01A	EA	REGISTER W/DAMPER-3.6" X 11.3" FACE/2.1" X 9.9" RO-BEIGE
	009200-01-000	EA	TAPE - FURNACE - 1 1/2"
	089367-02-000	EA	TEE - 4" X 2" X 4"
	115764-01-01A	EA	THERMOSTAT - FURNACE

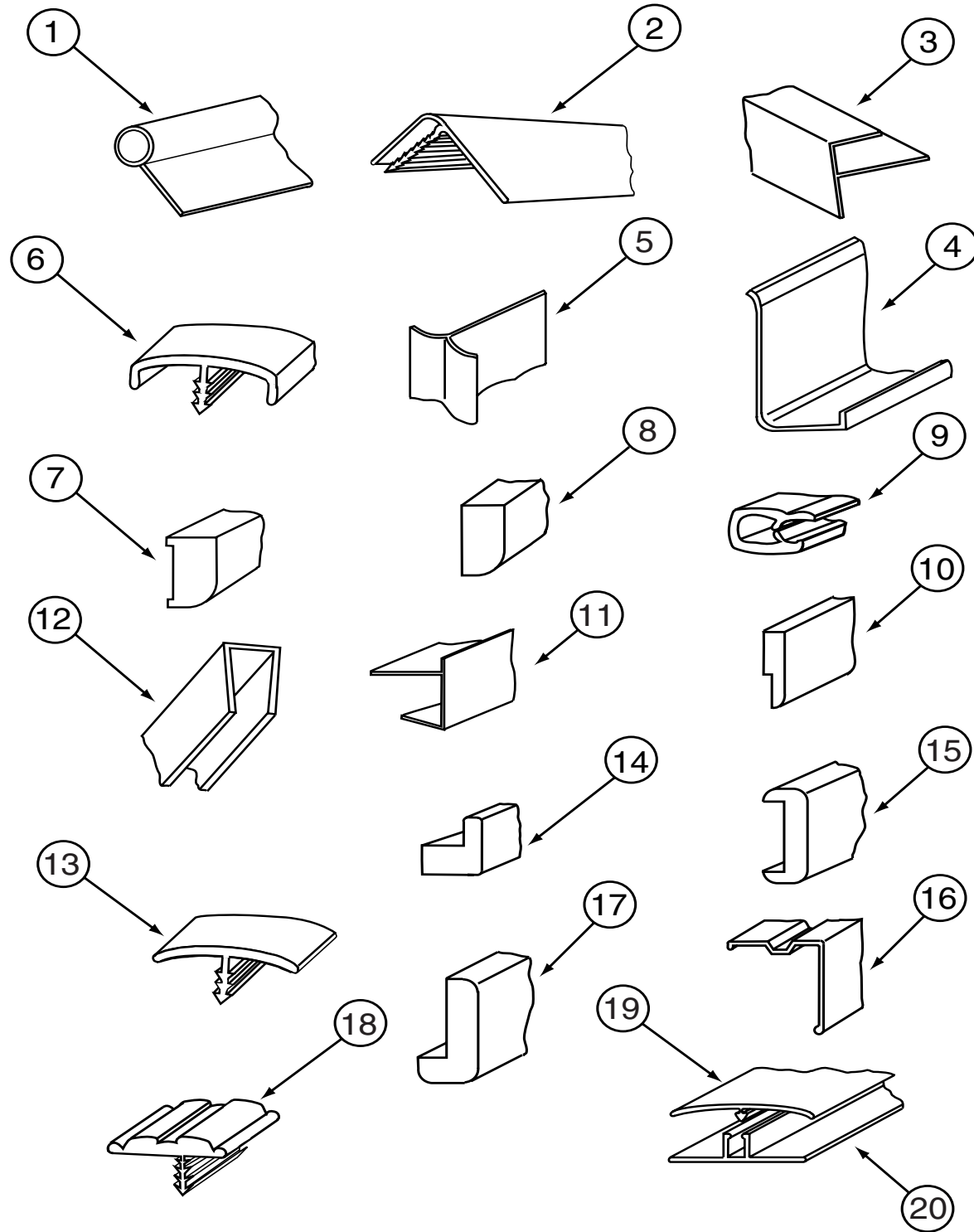
***COMPONENT PARTS FOUND IN SERVICE PARTS LIBRARY**

EVANS REAR HEATER & COMPONENTS

KEY	PART NUMBER	U/M	DESCRIPTION	VENDOR NO.
	084405-01-000	EA	HEATER - REAR/DUCTED - W/MOTOR AID	
	084405-01-700	EA	CORE-HEATER	FT200229
	084405-01-701	EA	FAN BLADES	HV029931
	084405-01-702	EA	MOTOR ASSEMBLY, 12 VOLT	RV010348
	009198-01-000	FT	DUCT - HEAT - FLEXIBLE - 4" ID X 25'	
	056464-09-000	EA	REGISTER - 4" DIAMETER - PLASTIC - W/DAMPER - BEIGE	
	061673-01-000	EA	BRACKET - MOTOR AID TUBES - 4" X 1.5" - STEEL	
	079059-01-000	EA	HOSE - 90 DEGREE - 5/8"ID X 4" X 36"	
	069636-02-000	EA	CONNECTOR - DUCT - 4" ID	

INTERIOR FINISH GROUP

MOLDINGS & TRIMS



KEY	PART NUMBER	U/M DESCRIPTION
1	009767-12-000	FT WELTING - SIDEWALL/CEILING/CABINET - OFF/WHT
2	009809-28-000	EA MOLDING - CORNER - OUTSIDE - 1" X 84" - WATERFORD OAK
3	009812-24-000	EA MOLDING - CORNER - 1/2" W/1/4" CHAN X 108" - IVORY PLASTIC
3	009812-29-000	EA MOLDING - CORNER - 1/2" W/1/4" CHAN X 84" - WATERFORD OAK
4	085746-04-000	FT TRIM-J - CARPET 1.2" X .5" ANGLE - 12' LONG - OFF WHITE
5	022992-11-000	FT MOLDING - REVERSE COVE - T-SHAPED VINYL - IVORY
6	083620-12-000	FT MOLDING-T - END CAP EDGE - W/EDGE LIP - .75"-WATERFORD OAK
7	117268-D2-134	EA MOLDING - VINYL WRAPPED - .7" X 1.6" X 84" - WATERFORD OAK
7	117268-F2-134	EA MOLDING - VINYL WRAPPED - .7" X 2.7" X 84" - WATERFORD OAK
8	100818-01-05A	EA MOLDING - VINYL WRAP - 1.6" X .4" X 84" - WATERFORD OAK
9	113452-01-000	FT SEAL/TRIM - FRONT - VINYL W/WIRE CARRIER
10	105004-01-05A	EA MOLDING - VINYL WRAPPED - 1" X 96" - WATERFORD OAK
11	103186-01-05A	FT MOLDING - PLASTIC - 3/8" U-CHANNEL 3/4" FACE-WATERFORD OAK
11	103186-02-05A	FT MOLDING - PLASTIC - 1" U-CHANNEL 1 3/8" FACE-WATERFORD OAK
12	009778-21-000	FT U-CHANNEL - 1" - WATERFORD OAK
12	070504-36-000	FT U-CHANNEL - PLASTIC - .13" X 72" - WATERFORD OAK
12	070504-37-000	FT U-CHANNEL - PLASTIC - .9" X 84" - WATERFORD OAK
13	105709-01-000	FT MOLDING-T - 1" - MODERN IVORY
14	100819-01-05A	EA MOLDING - VINYL WRAP - L-SHAPED - 1.5" X 1.5" X 7' - OAK
15	078323-06-G15	EA MOLDING - CAP - WALL - 78"
16	093873-01-01A	EA TRIM - CARPET - L-ANGLE 1.1" X 1.3" X 12' - GRAY VINYL
17	077840-01-G01	EA MOLDING - CAP - WALL - 8' - WATERFORD OAK
17	077840-07-K16	EA MOLDING - CAP - WALL - 79.2"
18	109736-02-01A	FT T-MOLDING - 1" - NATURAL OAK
19	086229-20-000	EA BATTEN - 1" X 96" - BEIGE
20	086229-01-000	EA RETAINER - BATTEN - .75" X 92.3" - ANY COLOR
	072368-02-000	EA TRIM - VINYL - EDGE - BLACK
	117267-D2-438	EA LUMBER - VINYL WRAPPED - .7" X 1.5" X 96" - WATERFORD OAK
	117267-E2-438	EA LUMBER - VINYL WRAPPED - .7" X 2" X 96" - WATERFORD OAK
	117267-F2-438	EA LUMBER - VINYL WRAPPED - .7" X 2.5" X 96" - WATERFORD OAK
	117267-J2-438	EA LUMBER - VINYL WRAPPED - .7" X 5.5" X 96" - WATERFORD OAK
	117267-R2-438	EA LUMBER - VINYL WRAPPED - .7" X 3" X 96" - WATERFORD OAK

INTERIOR FINISH GROUP (CONTINUED)

BATT STRIPS

KEY	PART NUMBER	U/M DESCRIPTION
	069733-83-000	EA BATT STRIP - WOODGRAINED/WATERFORD OAK - 8'
	079653-28-000	EA BATT STRIP - KERFED - WOODGRAINED/WATERFORD OAK - 8'
	088263-E3-000	EA BATT STRIP - DECORATIVE - PEBBLE EMBOSSED/ANTIQUE-8' LONG
	088263-F5-000	EA BATT STRIP - DECORATIVE - FLAGSTAFF SAND - 8' (K16)
	088263-E6-000	EA BATT STRIP - DECORATIVE - MONTANA FROST - 8' (K17)
	088263-G0-000	EA BATT STRIP - DECORATIVE - UPBEAT/TWILIGHT - 8' LONG (K18)
	085284-B5-000	FT BATT TAPE - ADHESIVE BACKED - WOODGRAINED - WATERFORD OAK
	085284-D6-000	FT BATT TAPE - ADHESIVE BACKED -DECORATIVE - EMBOSSED ANTIQUE
	085284-F1-000	FT BATT TAPE - ADHESIVE BACKED - DECORATIVE/FLAGSTAFF SAND (K16)
	085284-E0-000	FT BATT TAPE - ADHESIVE BACKED - DECORATIVE - MONTANA FROST (K17)
	085284-F8-000	FT BATT TAPE - ADHESIVE BACKED - UPBEAT/TWILIGHT (K18)

PLASTIC LAMINATE & EDGE BAND

KEY	PART NUMBER	U/M DESCRIPTION
	074498-54-000	SF LAMINATE - PLASTIC - SAND SPEKTRUM - 5' X 8' (K16)
	074498-80-000	SF LAMINATE - PLASTIC - WHITE TUNDRA - 5' X 8' (K17)
	074498-81-000	SF LAMINATE - PLASTIC - ALMOND JAGUARD - 5' X 8' (K18)
	076325-47-000	FT MOLDING - EDGE BAND - 1 5/16" X .030 - SAND (K16)
	076325-39-000	FT MOLDING - EDGE BAND - 1 5/16" X .030" - ALMOND (K17,K18)
	076325-44-000	FT MOLDING - EDGE BAND - .875" X .024" - SAND (K16)
	076325-40-000	FT MOLDING - EDGE BAND - .875" X .024" - ALMOND (K17,K18)
	074498-77-000	SF LAMINATE - PLASTIC - ART CABIN - 4' X 8' (PULL OUT TABLE)
	076325-68-000	FT MOLDING - EDGE BAND - 1 5/16" X .038 - WATERFORD OAK (PULL OUT TABLE)
	074498-40-000	SF LAMINATE - PLASTIC - OFF WHITE - 5' X 8' (PATIO ENTERTAINMENT CENTER TABLE)
	076325-73-000	FT MOLDING - EDGE BAND - .93" X .024" - OFF WHITE (PATIO ENTERTAINMENT CENTER TABLE)

WALLPAPER BORDER

KEY	PART NUMBER	U/M DESCRIPTION
	122481-14-000	FT WALLPAPER - 5.1" BORDER (K16)
	122481-15-000	FT WALLPAPER - 6.9" BORDER (K17,K18)

INTERIOR FINISH GROUP (CONTINUED)

SMOKE DETECTOR, CO DETECTOR, FIRE EXTINGUISHER & CLOCK

KEY	PART NUMBER	U/M DESCRIPTION	VENDOR NO.
	072852-01-000	EA DETECTOR - SMOKE - W/9 VOLT BATTERY - US	
	072852-02-000	EA DETECTOR - SMOKE - W/9 VOLT BATTERY - CANADIAN	
	094499-03-000	EA EXTINGUISHER/FIRE - DRY - 10B:C - W/O BRACKET	
	094499-04-000	EA BRACKET - FIRE EXTINGUISHER	
	094499-02-000	EA EXTINGUISHER/FIRE - DRY - 1A10BC - CANADIAN	
	094499-01-700	EA BRACKET MTG. W/PLAS. STRAP	294039
	118081-02-01A	EA CLOCK - WALL - ROUND 8" - BRASS	
	125136-01-000	EA CO DETECTOR - GAS - ROUND W/2 SCREWS - 9 VOLT	

ANTISLIP & FLOOR MATS

KEY	PART NUMBER	U/M DESCRIPTION
	091261-01-000	FT SLIPNOT - ANTISLIP - 1' WIDE
	105924-01-J16	EA MAT - FLOOR - 18" X 27" (K16)
	105924-01-J51	EA MAT - FLOOR - 18" X 27" (K17)
	105924-01-F11	EA MAT - FLOOR - 18" X 27" (K18)

CARPET, VINYL, & TILE

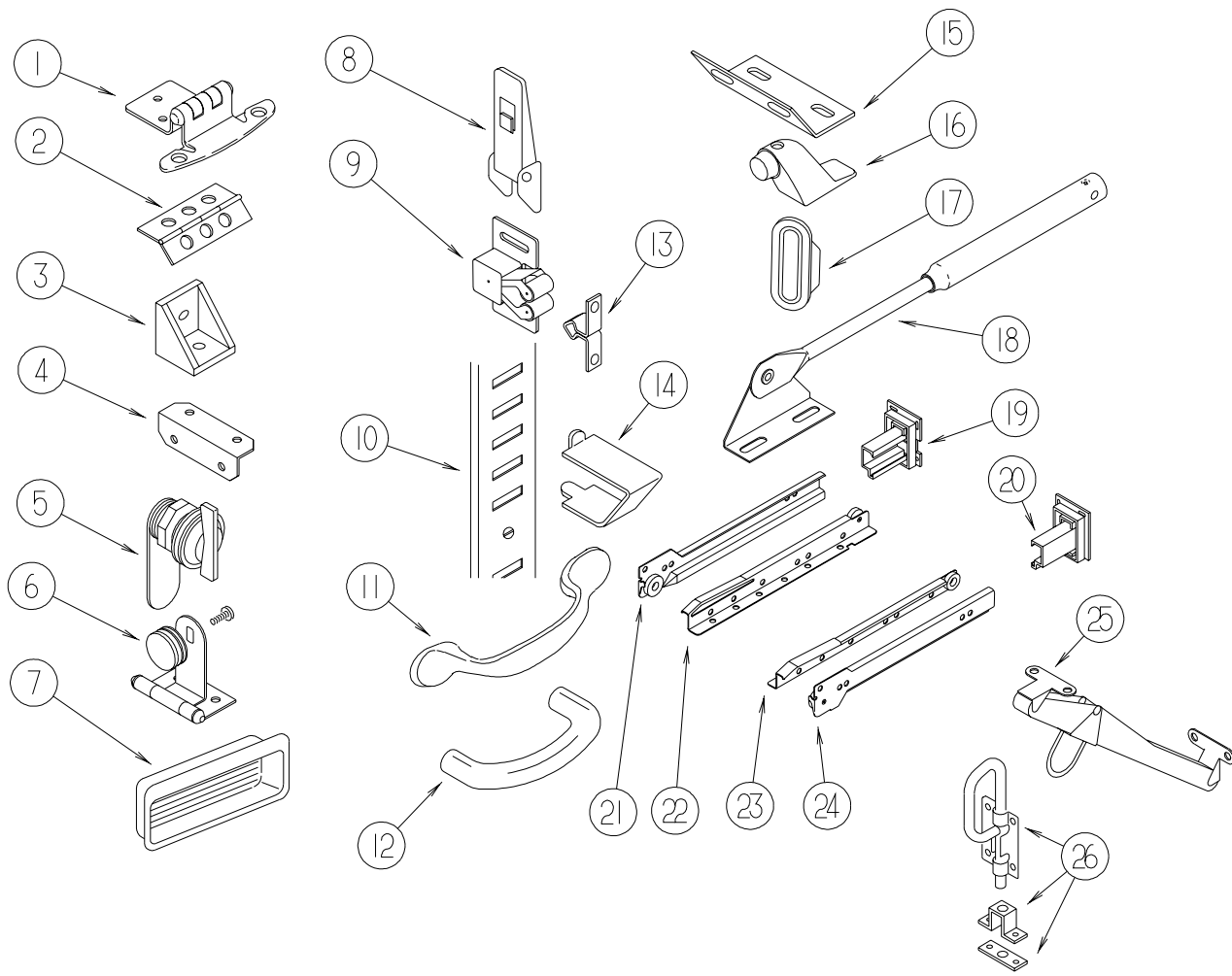
KEY	PART NUMBER	U/M DESCRIPTION
	093486-01-000	SY CARPET - COMPARTMENT - 72" WIDE - DARK GRAY
	096060-95-000	SY CARPET - DOESKIN - INCREMENTS OF 4 SQ YDS (K16)
	096060-97-000	SY CARPET - LAPIS - INCREMENTS OF 4 SY (K17)
	096060-A2-000	SY CARPET - NEW MEADOW - INCREMENTS OF 4 SQ YD (K18)
	042720-20-000	SY VINYL - FLOOR COVERING - 7.5' WIDE - CALAY
	122755-03-01A	EA TILE - RUBBER/ENTRANCE DOOR - 17.7" X 26.4"
	122755-05-01A	EA TILE - RUBBER/ENTRANCE DOOR - 11.2" X 26.9"

PANELING, PLYWOOD, & PARTICLE BOARD

KEY	PART NUMBER	U/M DESCRIPTION
	074497-28-000	SF PANELING - WATERFORD OAK - 4' X 8'
	088272-G1-000	SF PANELING - PEBBLE EMBOSSED - ANTIQUE WHITE - 4' X 7'
	088272-H5-000	SF PANELING - FLAGSTAFF - 4' X 7' (K16)
	088272-G4-000	SF PANELING - MONTANA FROST - 4' X 7' (K17)
	088272-H8-000	SF PANELING - UPBEAT/TWILIGHT (K18)
	080215-10-000	SF PANELING - 2 SIDED - WATERFORD - .2" X 4' X 8'
	000846-01-000	SF PLYWOOD - 5/16" X 48" X 96" - CD GRADE
	000846-02-000	SF PLYWOOD/UNDERLAYMENT - 5/16" X 48" X 96"
	089297-01-000	SF PLYWOOD - LUAN - OVERLAY GRADE - 48" X 96"
	089297-02-000	SF PLYWOOD - LUAN - OVERLAY GRADE - 48" X 108"
	126339-01-000	SF BOARD - WHEAT - 60" X 72"
	000885-76-000	SF PARTICLE BOARD-3/8" X 48" X 96"-WATERFORD OAK/VINYL 1 SIDE
	000885-77-000	SF PARTICLE BOARD-3/8" X 48" X 96"-WATERFORD OAK/VINYL 2 SIDE
	000885-79-000	SF PARTICLE BOARD-3/4" X 48" X 96"-WATERFORD OAK/VINYL 2 SIDE

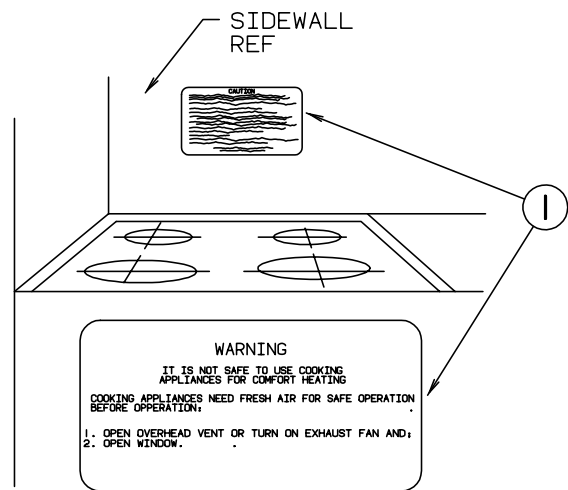
INTERIOR FINISH GROUP (CONTINUED)

CABINET HARDWARE

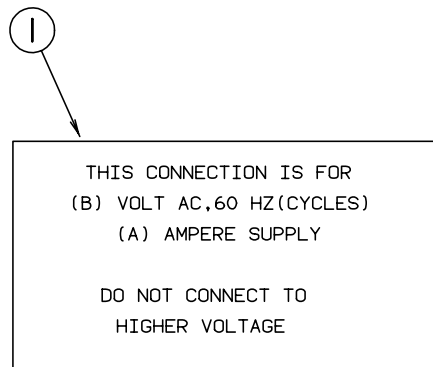


KEY	PART NUMBER	U/M	DESCRIPTION
1	108138-01-000	EA	HINGE - CABINET DOOR - BURNISHED BRASS
2	009059-01-000	EA	HINGE - DOOR - 2" X 1.4" - BRASS
3	065740-01-000	EA	BRACE - CABINET/CORNER - PLASTIC
4	016604-01-000	EA	BRACE - CABINET - ANGLE - 2.5" - UNPAINTED METAL
4	016604-05-000	EA	BRACE - CABINET - ANGLE - 2.5" - OFF WHITE METAL
5	100710-01-01A	EA	LOCK - GLASS DOOR/TWIST TYPE - BRASS
6	100711-01-01A	EA	HINGE - GLASS DOOR
7	124311-01-01A	EA	HANDLE - RECESSED - BRASS
8	116975-01-01A	EA	LATCH - W/O STRIKE - BLACK - NEW STYLE
9	093586-06-000	EA	CATCH - SPRING ROLLER
10	098980-01-000	EA	PILASTER - ADJUSTABLE SHELF - 18" WOODGRAIN APPEARANCE
10	098980-02-000	EA	PILASTER - ADJUSTABLE SHELF - 12" WOODGRAIN APPEARANCE
10	098980-03-000	EA	PILASTER - ADJUSTABLE SHELF - 9" WOODGRAIN APPEARANCE
10	098980-04-000	EA	PILASTER - ADJUSTABLE SHELF - 48" WOODGRAIN APPEARANCE
11	117801-01-01A	EA	PULL - CABINET - BRASS
12	131964-01-01A	EA	PULL - CABINET - POLISHED BRASS
			FROM: 00-00-00 THRU: 04-29-99
			FROM: 04-30-99 THRU: 99-99-99
13	093586-05-000	EA	STRIKE - SPRING STEEL
14	098979-01-000	EA	CLIP - ADJUSTABLE SHELF
15	111866-01-02A	EA	BRACE - SEAT - ANGLE - OFF WHITE
16	103257-01-000	EA	STOP - DOOR
17	098410-01-01A	EA	PULL - FINGER - OVAL - BRASS
18	074493-02-000	EA	SUPPORT - PISTON SPRING - CABINET DOOR - 26 LBS
19	128811-01-01A	EA	BACKSOCKET - ADJUSTABLE - LEFT
20	128811-02-01A	EA	BACKSOCKET - ADJUSTABLE - RIGHT
21	128810-01-01A	EA	SLIDE - DRAWER - 12" - LEFT CABINET
21	128810-05-01A	EA	SLIDE - DRAWER - 14" - LEFT CABINET
21	128810-09-01A	EA	SLIDE - DRAWER - 16" - LEFT CABINET
21	128810-21-01A	EA	SLIDE - DRAWER - 22" - LEFT CABINET
21	128810-25-01A	EA	SLIDE - DRAWER - 24" - LEFT CABINET
22	128810-03-01A	EA	SLIDE - DRAWER - 12" - LEFT DRAWER
22	128810-07-01A	EA	SLIDE - DRAWER - 14" - LEFT DRAWER
22	128810-11-01A	EA	SLIDE - DRAWER - 16" - LEFT DRAWER
22	128810-23-01A	EA	SLIDE - DRAWER - 22" - LEFT DRAWER
22	128810-27-01A	EA	SLIDE - DRAWER - 24" - LEFT DRAWER
23	128810-04-01A	EA	SLIDE - DRAWER - 12" - RIGHT DRAWER
23	128810-08-01A	EA	SLIDE - DRAWER - 14" - RIGHT DRAWER
23	128810-12-01A	EA	SLIDE - DRAWER - 16" - RIGHT DRAWER
23	128810-24-01A	EA	SLIDE - DRAWER - 22" - RIGHT DRAWER
23	128810-28-01A	EA	SLIDE - DRAWER - 24" - RIGHT DRAWER
24	128810-02-01A	EA	SLIDE - DRAWER - 12" - RIGHT CABINET
24	128810-06-01A	EA	SLIDE - DRAWER - 14" - RIGHT CABINET
24	128810-10-01A	EA	SLIDE - DRAWER - 16" - RIGHT CABINET
24	128810-22-01A	EA	SLIDE - DRAWER - 22" - RIGHT CABINET
24	128810-26-01A	EA	SLIDE - DRAWER - 24" - RIGHT CABINET
25	104181-01-01A	EA	SUPPORT - LEAF 5.3" EXTENDS TO 7.5" - SAFETY RING - METAL
26	103256-01-000	EA	LATCH - SLIDE
	004354-01-000	EA	BUMPER - RUBBER - .5" DIA - BROWN
	120760-01-000	EA	BUMPER - RUBBER - CLEAR
	023320-01-000	EA	PAD - FELT 3/8" DIAMETER

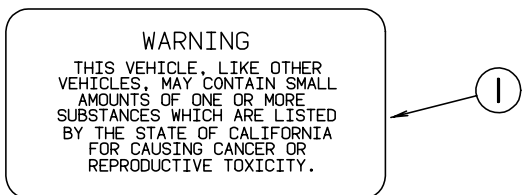
LABELS GROUP



KEY	PART NUMBER	U/M DESCRIPTION
1	050225-01-000	EA LABEL - STOVE VENT - US
1	050222-01-000	EA LABEL - STOVE VENT - CANADIAN

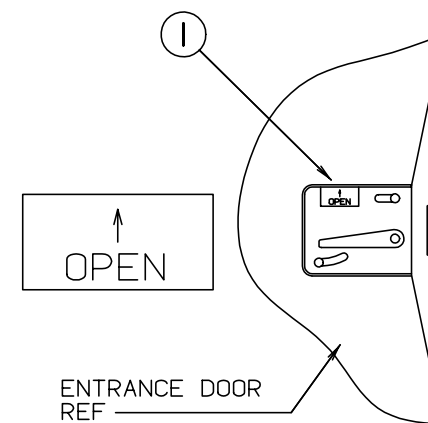


KEY	PART NUMBER	U/M DESCRIPTION
1	125306-01-01A	EA LABEL - ELECTRICAL ENTRANCE - 110 VOLT - 30 AMP

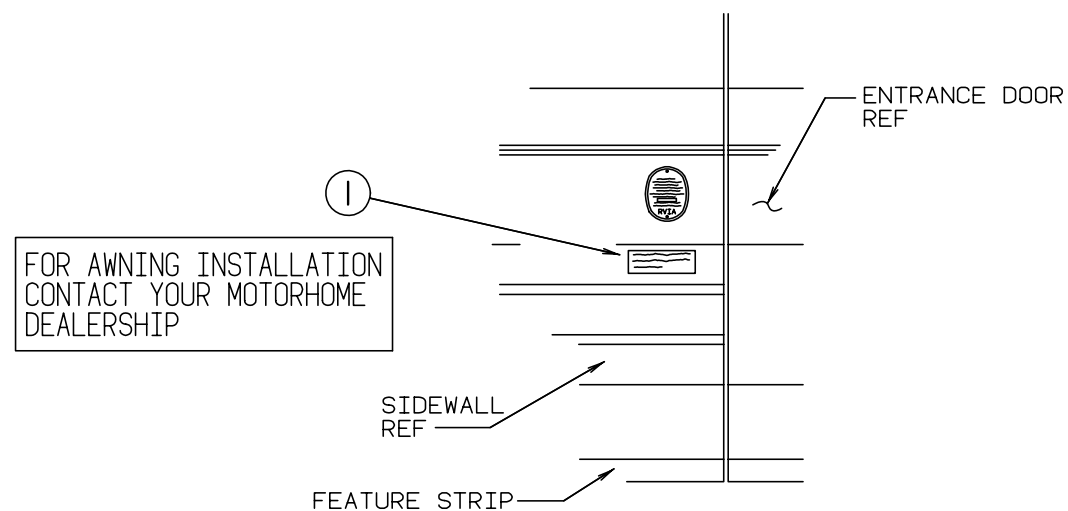


KEY	PART NUMBER	U/M DESCRIPTION
1	099689-01-000	EA LABEL - WARNING - CANCER/TOXICITY - CALIFORNIA

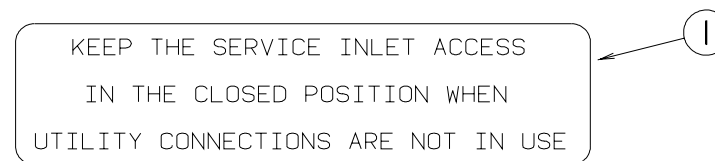
LABELS GROUP (CONTINUED)



KEY	PART NUMBER	U/M DESCRIPTION
1	040944-01-000	EA LABEL - ENTRANCE DOOR - "OPEN"

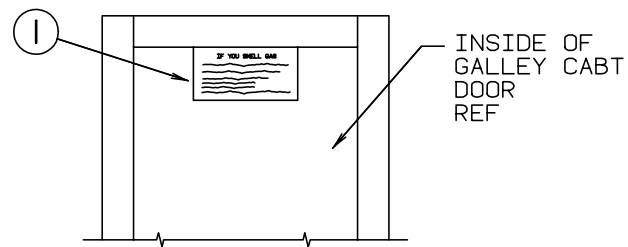


KEY	PART NUMBER	U/M DESCRIPTION
1	099509-01-000	EA LABEL - AWNING INSTALLATION



KEY	PART NUMBER	U/M DESCRIPTION
1	123562-01-000	EA LABEL - SERVICE/UTILITY ACCESS

LABELS GROUP (CONTINUED)



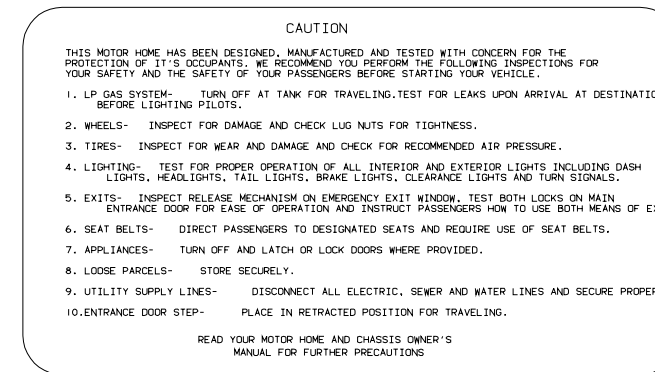
INSIDE OF
GALLEY CABT
DOOR
REF

IF YOU SMELL GAS

1. EXTINGUISH ANY OPEN FLAME, PILOT LIGHTS AND ALL SMOKING MATERIALS.
2. SHUT OFF THE GAS SUPPLY AT THE TANK VALVE(OR GAS SUPPLY CONNECTION.
3. OPEN DOORS AND OTHER VENTILATING OPENINGS.
4. DO NOT TOUCH ELECTRICAL SWITCHES.
5. LEAVE THE AREA UNTIL ODOR CLEARS.
6. HAVE THE GAS SYSTEM CHECKED AND LEAKAGE SOURCE CORRECTED BEFORE USING AGAIN.

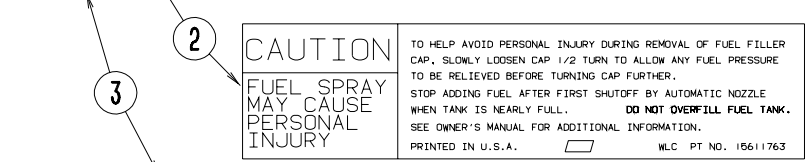
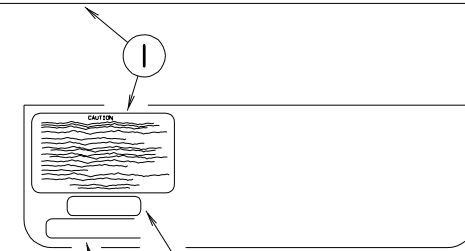
KEY	PART NUMBER	U/M DESCRIPTION
1	073998-01-000	EA LABEL - LPG ODOR WARNING

LABELS GROUP (CONTINUED)



CAUTION

- THIS MOTOR HOME HAS BEEN DESIGNED, MANUFACTURED AND TESTED WITH CONCERN FOR THE PROTECTION OF IT'S OCCUPANTS. WE RECOMMEND YOU PERFORM THE FOLLOWING INSPECTIONS FOR YOUR SAFETY AND THE SAFETY OF YOUR PASSENGERS BEFORE STARTING YOUR VEHICLE.
1. LP GAS SYSTEM- TURN OFF AT TANK FOR TRAVELING. TEST FOR LEAKS UPON ARRIVAL AT DESTINATION. BEFORE LIGHTING PILOTS.
 2. WHEELS- INSPECT FOR DAMAGE AND CHECK LUG NUTS FOR TIGHTNESS.
 3. TIRES- INSPECT FOR WEAR AND DAMAGE AND CHECK FOR RECOMMENDED AIR PRESSURE.
 4. LIGHTING- TEST FOR PROPER OPERATION OF ALL INTERIOR AND EXTERIOR LIGHTS INCLUDING DASH LIGHTS, HEADLIGHTS, TAIL LIGHTS, BRAKE LIGHTS, CLEARANCE LIGHTS AND TURN SIGNALS.
 5. EXITS- INSPECT RELEASE MECHANISM ON EMERGENCY EXIT WINDOW. TEST BOTH LOCKS ON MAIN ENTRANCE DOOR FOR EASE OF OPERATION AND INSTRUCT PASSENGERS HOW TO USE BOTH MEANS OF EXIT.
 6. SEAT BELTS- DIRECT PASSENGERS TO DESIGNATED SEATS AND REQUIRE USE OF SEAT BELTS.
 7. APPLIANCES- TURN OFF AND LATCH OR LOCK DOORS WHERE PROVIDED.
 8. LOOSE PARCELS- STORE SECURELY.
 9. UTILITY SUPPLY LINES- DISCONNECT ALL ELECTRIC, SEWER AND WATER LINES AND SECURE PROPERLY.
 10. ENTRANCE DOOR STEP- PLACE IN RETRACTED POSITION FOR TRAVELING.
- READ YOUR MOTOR HOME AND CHASSIS OWNER'S MANUAL FOR FURTHER PRECAUTIONS



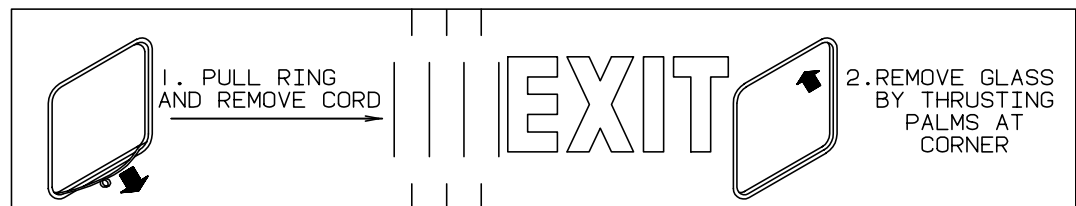
3

CAUTION
FUEL SPRAY
MAY CAUSE
PERSONAL
INJURY

TO HELP AVOID PERSONAL INJURY DURING REMOVAL OF FUEL FILLER CAP, SLOWLY LOOSEN CAP 1/2 TURN TO ALLOW ANY FUEL PRESSURE TO BE RELIEVED BEFORE TURNING CAP FURTHER.
STOP ADDING FUEL AFTER FIRST SHUTOFF BY AUTOMATIC NOZZLE WHEN TANK IS NEARLY FULL. **DO NOT OVERFILL FUEL TANK.**
SEE OWNER'S MANUAL FOR ADDITIONAL INFORMATION.
PRINTED IN U.S.A. WLC PT NO. 15611763

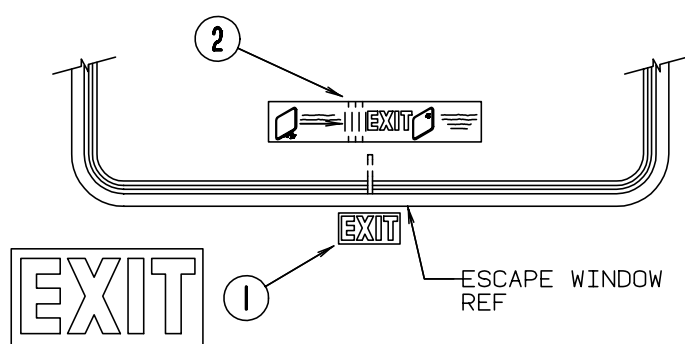
WARNING: CONTAINS "CFC" A SUBSTANCE WHICH HARMS PUBLIC HEALTH AND ENVIRONMENT BY DESTROYING OZONE IN THE UPPER ATMOSPHERE.

KEY	PART NUMBER	U/M DESCRIPTION
1	056259-01-000	EA LABEL - SAFETY CHECK LIST
2	087207-05-000	EA LABEL - FUEL CAP REMOVAL
3	111802-01-000	EA LABEL - CFC WARNING



1. PULL RING AND REMOVE CORD

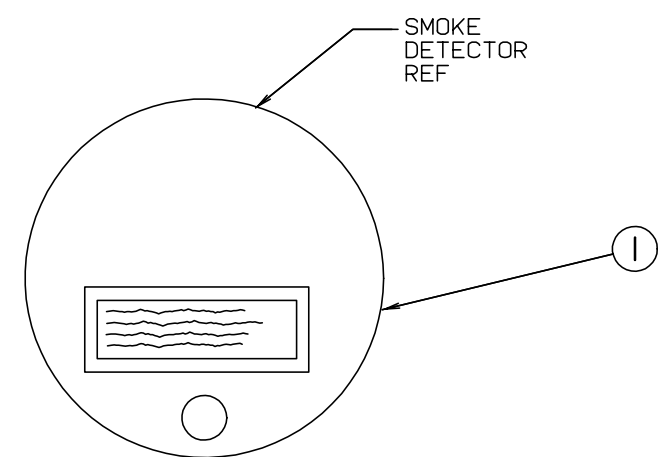
2. REMOVE GLASS BY THRUSTING PALMS AT CORNER



1

ESCAPE WINDOW REF

KEY	PART NUMBER	U/M DESCRIPTION
1	039290-01-000	EA LABEL - WARNING - EXIT
2	107571-01-000	EA LABEL - EXIT/ESCAPE WINDOW



SMOKE
DETECTOR
REF

WARNING: TEST SMOKE DETECTOR OPERATION AFTER VEHICLE HAS BEEN IN STORAGE, BEFORE EACH TRIP AND AT LEAST ONCE PER WEEK DURING USE.

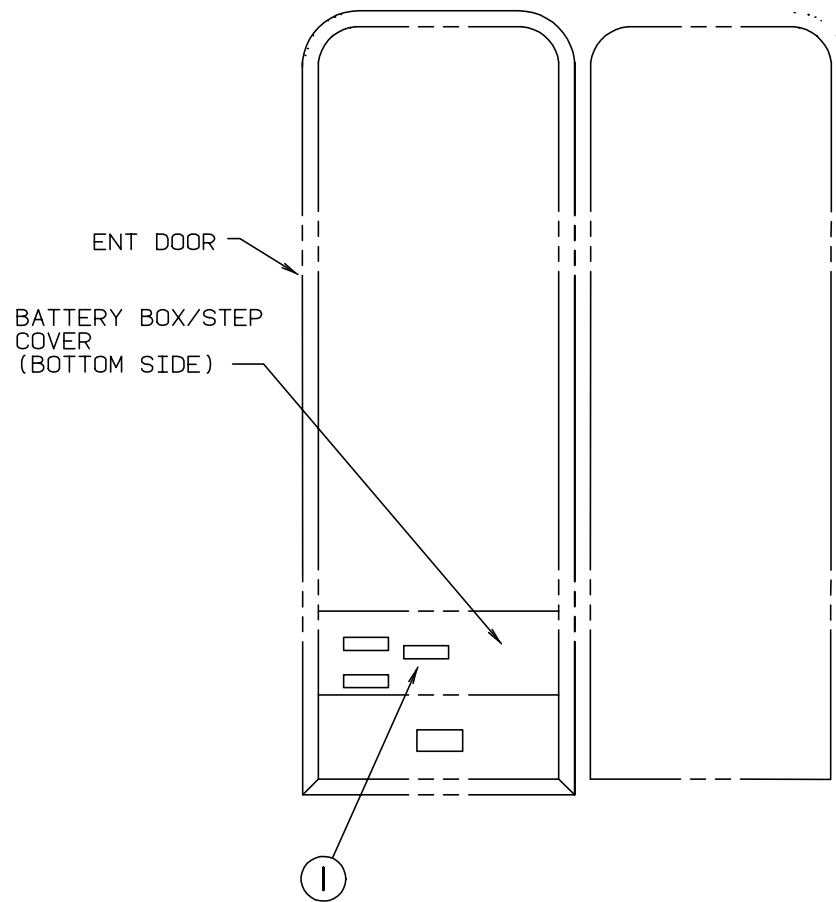
KEY	PART NUMBER	U/M DESCRIPTION
1	077956-01-000	EA LABEL - WARNING - SMOKE DETECTOR

LABELS GROUP (CONTINUED)

AIR CONDITIONING CIRCUIT.
THIS CONNECTION IS FOR
AIR CONDITIONERS RATED 110-
125 VOLT AC, 60 HZ, 16
AMPERES MAXIMUM. DO NOT
EXCEED CIRCUIT RATING.



KEY	PART NUMBER	U/M DESCRIPTION
1	091243-01-000	EA LABEL - A/C COVER "AIR CONDITIONING CIRCUIT ETC."



WARNING: DISCONNECT BATTERIES BEFORE
CONNECTING EXTERNAL CHARGING EQUIPMENT.

AVERTISSEMENT: DEBRANCHER LES BATTERIES AVANT
DE BRANCHER TOUT EQUIPEMENT DE CHARGE EXTERIEUR.

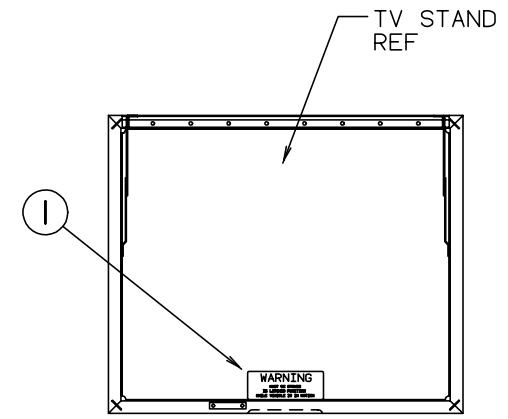
KEY	PART NUMBER	U/M DESCRIPTION
1	065748-01-000	EA LABEL - CAUTION - BATTERY CHARGING
1	065748-02-000	EA LABEL - WARNING - BATTERY/FRENCH

LABELS GROUP (CONTINUED)

DO NOT USE HITCH BEFORE
READING OWNERS MANUAL REGARDING
VEHICLE LOADING AND TOWING



KEY	PART NUMBER	U/M DESCRIPTION
1	111104-01-000	EA LABEL - HITCH - READ MANUAL - WHITE
1	111104-02-000	EA LABEL - HITCH - READ MANUAL - BLACK



WARNING
MUST BE STOWED
IN LATCHED POSITION
WHILE VEHICLE IS IN MOTION

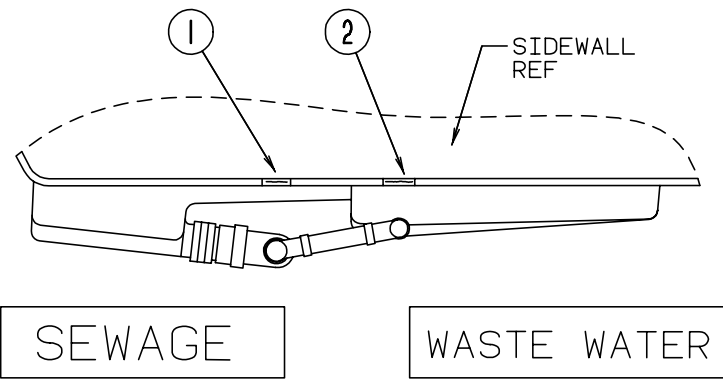
KEY	PART NUMBER	U/M DESCRIPTION
1	079966-01-000	EA LABEL - WARNING - STOWED - MOTION

TOW VEHICLE RATING MAY BE LESS THAN HITCH RATING.
MAXIMUM VERTICAL HITCH LOAD: A LBS
DO NOT EXCEED REAR AXLE RATING.
SEE OWNER'S MANUAL FOR ADDITIONAL INFORMATION.



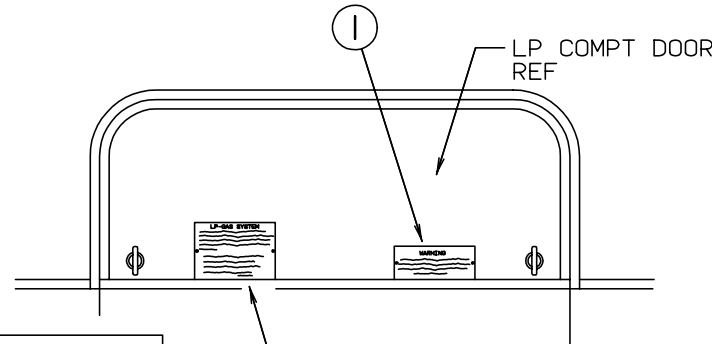
KEY	PART NUMBER	U/M DESCRIPTION
1	129669-01-01A	EA LABEL - HITCH/VEHICLE RATE - 350 - WHITE ON CLEAR

LABELS GROUP (CONTINUED)



KEY	PART NUMBER	U/M DESCRIPTION
1	006187-01-000	EA LABEL - SEWAGE
2	006188-01-000	EA LABEL - WASTE WATER

WARNING
ALL PILOT LIGHTS AND APPLIANCES SHALL BE TURNED OFF DURING REFUELING OF MOTOR FUEL TANKS AND/OR PERMANENTLY MOUNTED LP-GAS CONTAINERS.

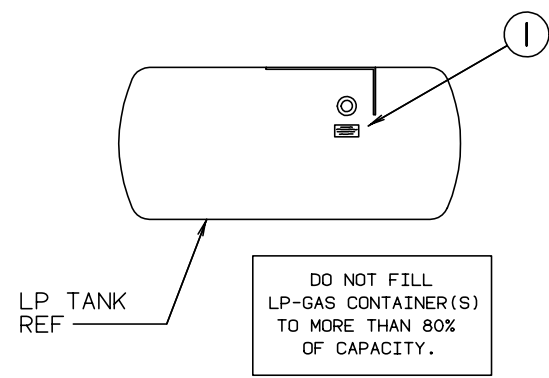


LP-GAS SYSTEM
THIS GAS PIPING SYSTEM IS DESIGNED FOR USE OF LIQUEFIED PETROLEUM GAS ONLY. DO NOT CONNECT NATURAL GAS TO THIS SYSTEM.

SECURELY CAP INLET(S) WHEN NOT CONNECTED FOR USE. AFTER TURNING ON GAS, EXCEPT AFTER NORMAL CONTAINER REPLACEMENT, TEST GAS PIPING AND CONNECTIONS TO APPLIANCE FOR LEAKAGE WITH SOAPY WATER OR BUBBLE SOLUTION. DO NOT USE PRODUCTS THAT CONTAIN AMMONIA OR CHLORINE.
P.N. 54531

KEY	PART NUMBER	U/M DESCRIPTION
1	124519-01-01A	EA LABEL - WARNING/REFUELING - BLACK ON CLEAR
1	124519-02-01A	EA LABEL - WARNING/REFUELING - CSA
2	124520-01-01A	EA LABEL - LP GAS ONLY - BLACK ON CLEAR
2	023769-01-000	EA LABEL - WARNING - LPG - CANADIAN

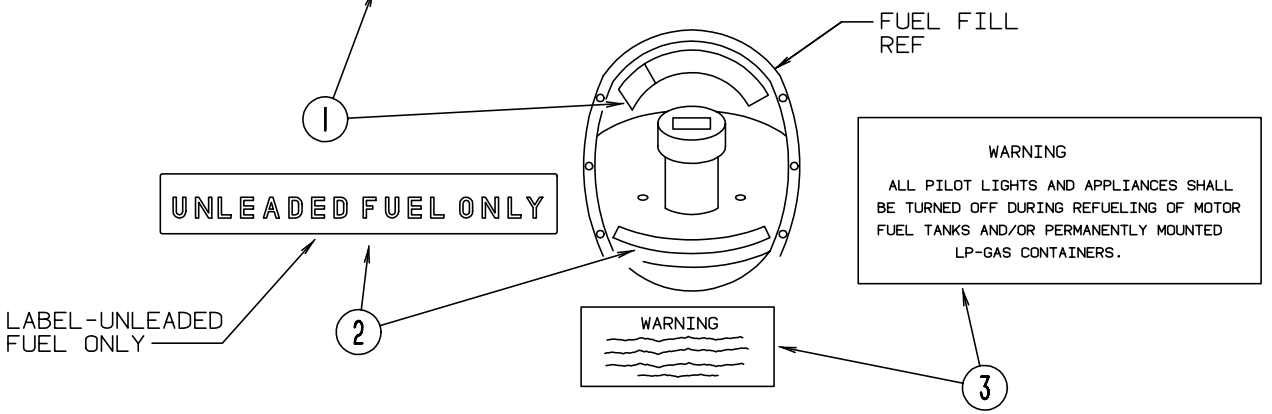
LABELS GROUP (CONTINUED)



KEY	PART NUMBER	U/M DESCRIPTION
1	079965-01-000	EA LABEL - LPG - 80% CAPACITY

CAUTION
TO HELP AVOID PERSONAL INJURY DURING REMOVAL OF FUEL FILLER CAP, SLOWLY LOOSEN CAP 1/2 TURN TO ALLOW ANY FUEL PRESSURE TO BE RELIEVED BEFORE TURNING CAP FURTHER.

FUEL SPRAY MAY CAUSE PERSONAL INJURY
STOP ADDING FUEL AFTER FIRST SHUTOFF BY AUTOMATIC NOZZLE WHEN TANK IS NEARLY FULL. DO NOT OVERFILL FUEL TANK. SEE OWNERS MANUAL FOR ADDITIONAL INFORMATION.
PRINTED IN U.S.A. MLC PT NO 15611763

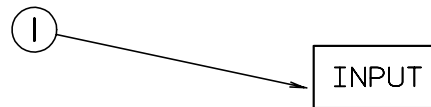


KEY	PART NUMBER	U/M DESCRIPTION
1	087207-05-000	EA LABEL - FUEL CAP REMOVAL
2	062043-01-000	EA LABEL - FUEL - UNLEADED
3	124519-01-01A	EA LABEL - WARNING/REFUELING - BLACK ON CLEAR
3	124519-02-01A	EA LABEL - WARNING/REFUELING - CSA

WARNING
ROOF SURFACE MAY BE SLIPPERY ESPECIALLY WHERE MOISTURE IS PRESENT. SLIPPING MAY RESULT IN PERSONAL INJURY.
128218-01

KEY	PART NUMBER	U/M DESCRIPTION
1	128218-01-01A	EA LABEL - WARNING - SLIPPERY ROOF

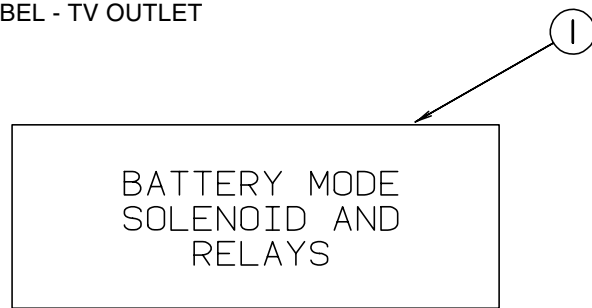
LABELS GROUP (CONTINUED)



KEY PART NUMBER U/M DESCRIPTION
 1 087236-01-000 EA LABEL - CABLE - INPUT



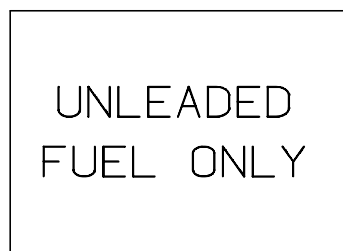
KEY PART NUMBER U/M DESCRIPTION
 1 087236-02-000 EA LABEL - TV OUTLET



KEY PART NUMBER U/M DESCRIPTION
 1 098379-04-000 EA LABEL - ELECTRICAL BOX - SIDE

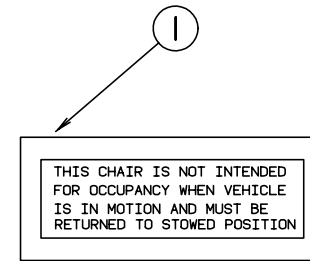
REMOVE PRIMARY TIRE HANGER BEFORE USING
 SPARE TIRE HOIST-SEE OWNERS MANUAL- PERSONAL
 INJURY MAY RESULT IF NOT FOLLOWED

KEY PART NUMBER U/M DESCRIPTION
 1 126024-01-01A EA LABEL - TIRE HANGER REMOVAL

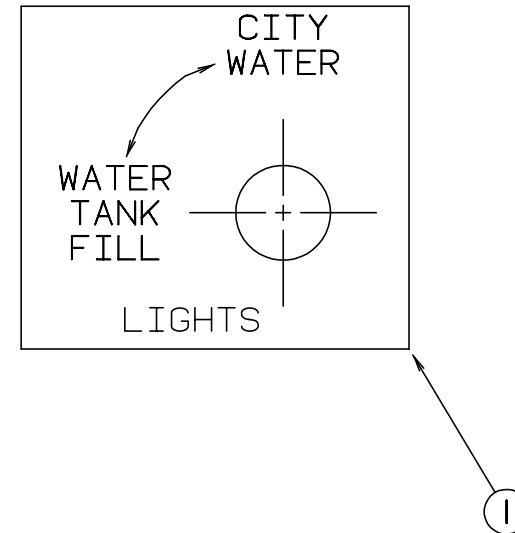


KEY PART NUMBER U/M DESCRIPTION
 1 098641-01-000 EA LABEL - FUEL - UNLEADED - DASH

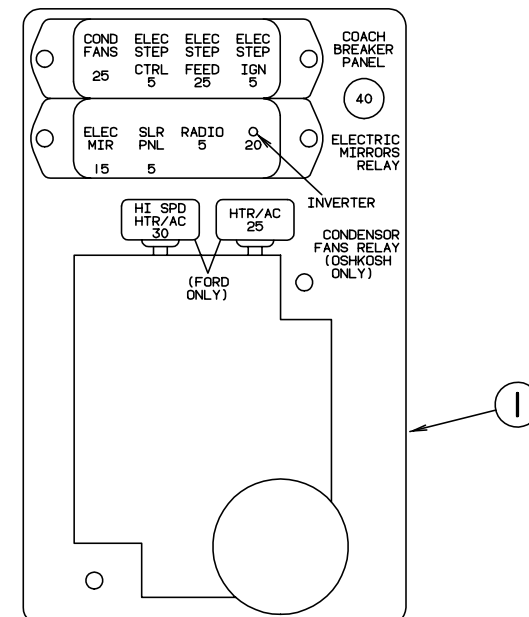
LABELS GROUP (CONTINUED)



KEY PART NUMBER U/M DESCRIPTION
 1 102267-01-000 EA LABEL - NO OCCUPANCY - US
 102267-02-000 EA LABEL - NO OCCUPANCY - CSA

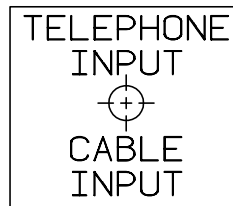


KEY PART NUMBER U/M DESCRIPTION
 1 117629-01-000 EA LABEL - WATER PUMP/FILL

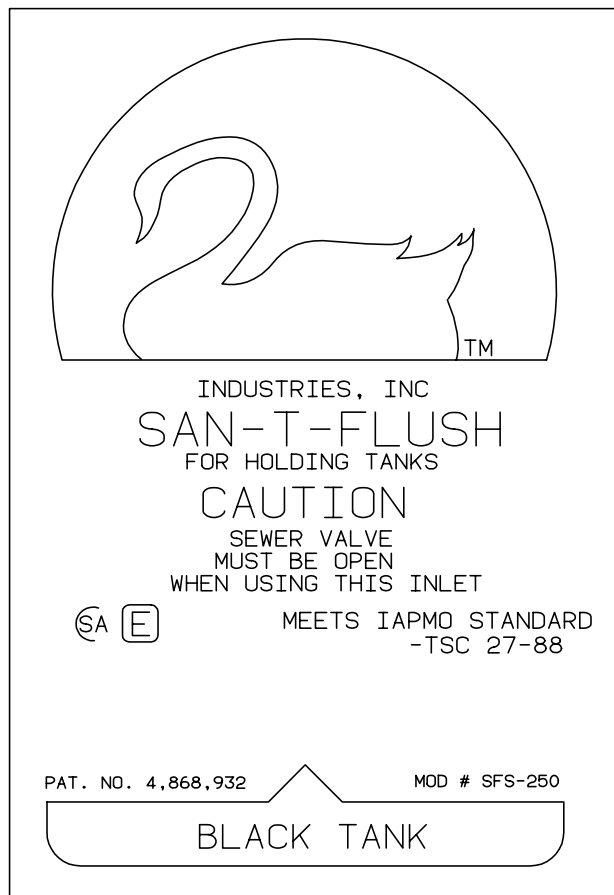


KEY PART NUMBER U/M DESCRIPTION
 1 111537-07-000 EA LABEL - FUSES

LABELS GROUP (CONTINUED)



KEY PART NUMBER U/M DESCRIPTION
1 114866-03-000 EA LABEL - PHONE & CABLE INPUT



KEY PART NUMBER U/M DESCRIPTION
1 125697-07-000 EA LABEL - CAUTION - FLUSHING SYSTEM



KEY PART NUMBER U/M DESCRIPTION
1 126247-05-000 EA LABEL - GRAY HOLDING TANK

LABELS GROUP (CONTINUED)



KEY PART NUMBER U/M DESCRIPTION
1 126249-03-000 EA LABEL - CITY WATER FILL



KEY PART NUMBER U/M DESCRIPTION
1 130168-01-000 EA LABEL - WASTE TANK FLUSH



KEY PART NUMBER U/M DESCRIPTION
1 130170-02-000 EA LABEL - SWITCH PANEL - BLK/CLEAR BACKGROUND-1.4H X 3.9"L



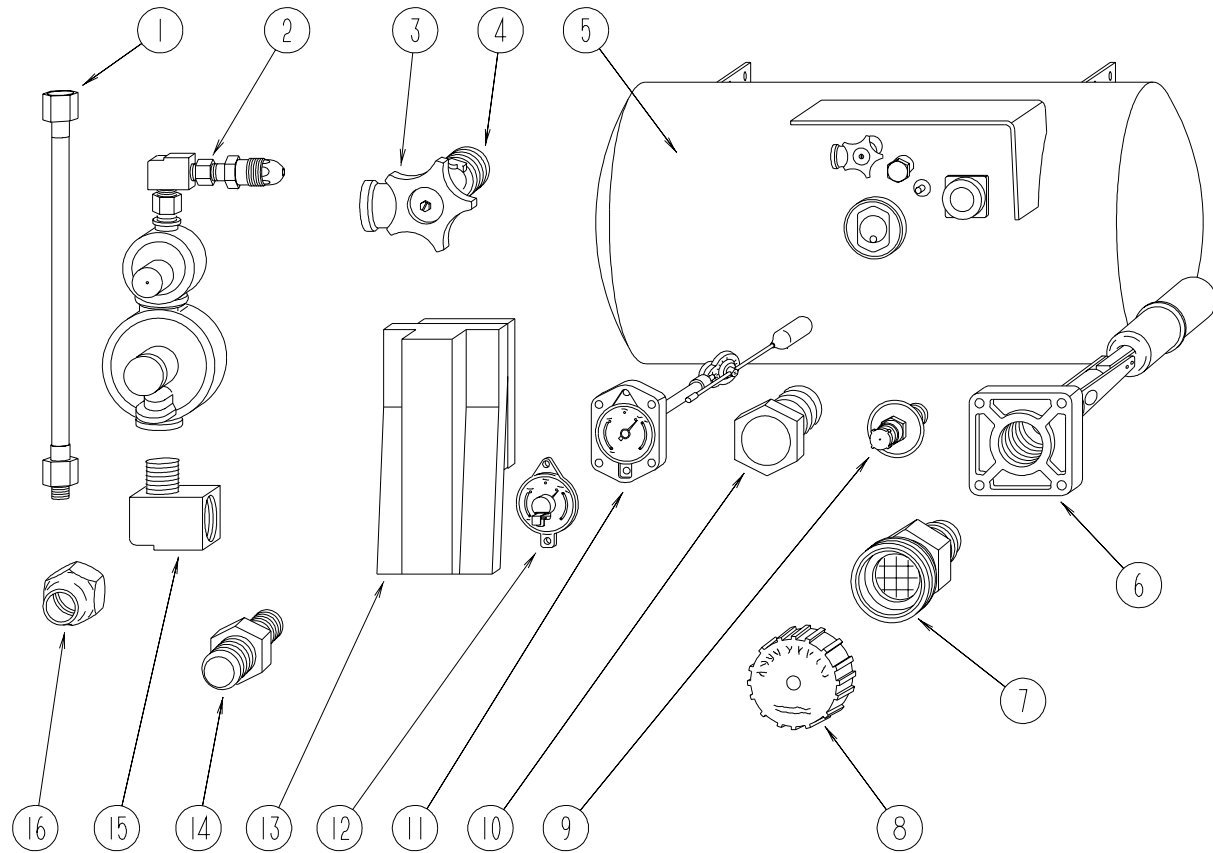
KEY PART NUMBER U/M DESCRIPTION
1 126247-06-000 EA LABEL-HOLDING TANK,BLACK



KEY PART NUMBER U/M DESCRIPTION
1 126248-03-000 EA LABEL - EXTERIOR SHOWER

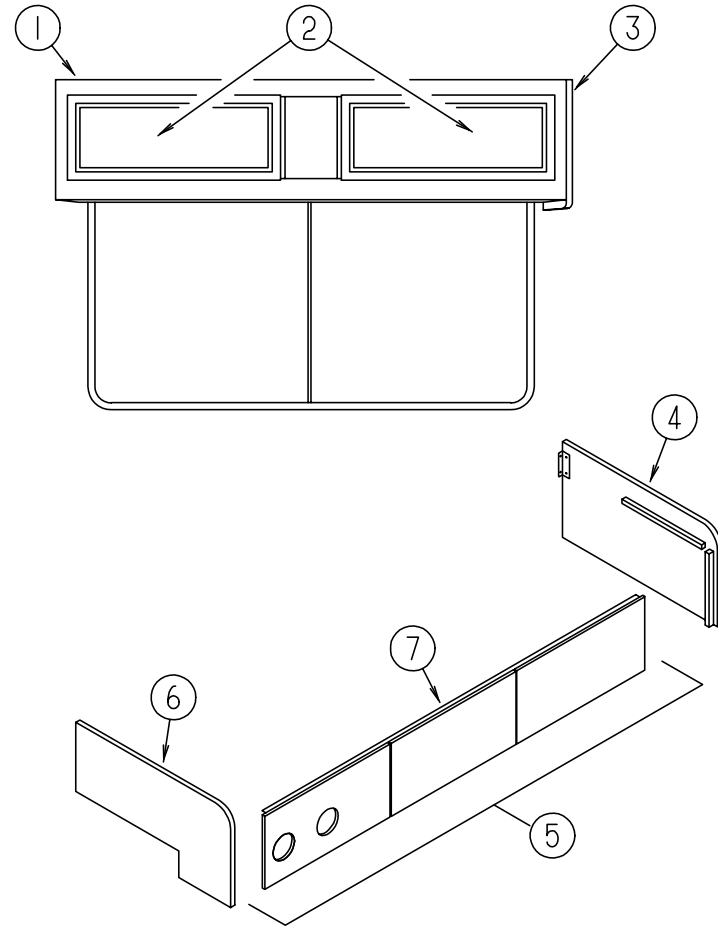
LP GROUP

LP TANK & COMPONENTS



KEY	PART NUMBER	U/M	DESCRIPTION	VENDOR NO.
1	045703-05-000	EA	HOSE - LP - 3/8"ID X 28" - 3/8"MPT X 1/2"F SWIVEL - U.S.	
1	045703-06-000	EA	HOSE - LP - 3/8"ID X 28" - 3/8"MPT X 1/2"F SWIVEL - CANADA	
2	106150-01-000	EA	REGULATOR - TWO STAGE -W/90 DEGREE ELBOW & 3/8" FPT OUTLET	
3	040421-01-708	EA	HANDWHEEL-SERVICE VALVE	G-1015-A
4	040421-01-712	EA	VALVE,SERV. W/O VAPOR RELIEF	29000853
5	088253-07-000	EA	TANK - LP - 80 LB - 16" X 30" - TOP MOUNT	
6	040421-01-711	EA	VALVE-80% FILL W/AUTO STOP	LLL/TL3
7	040421-01-701	EA	VALVE-FILL-SHORT, LP	7547B
8	040421-01-702	EA	CAP-FILL VALVE, PLASTIC	G-1014-A
9	040421-01-700	EA	VALVE-LIQUID LEVEL, 20%	G-1013
10	040421-01-713	EA	VALVE-RELIEF 1" W/SPRING 7"	29000587
11	088253-01-700	EA	GAUGE-FLOAT ASSEMBLY, L.P.	16C
12	040440-02-000	EA	TRANSMITTER - DIAL - 0-90 OHM -2 TERMINAL (POWER & GROUND)	
13	105658-01-000	EA	COMPARTMENT - LP REGULATOR	
14	010323-01-000	EA	ADAPTER - BRASS - 3/8"F X 1/2"MPT	
14	010329-01-000	EA	ADAPTER - BRASS - 1/2"F X 1/2"MPT	
15	065318-02-000	EA	ELBOW - 90 DEGREE - 3/8" MPT TO 3/8" FPT	
16	010377-02-000	EA	NUT - BRASS - 3/8" FLARE - FORGED	
	008042-01-000	FT	TUBING - VINYL - .65" ID	
	010326-01-000	EA	ADAPTER - FLARE - W/CONE GASKET - 3/8"F X 1/2"F	
	010380-02-000	EA	NUT - BRASS - 1/2" FLARE - FORGED	
	103613-03-000	EA	DETECTOR - LP GAS - W/O SHUT-OFF VALVE	

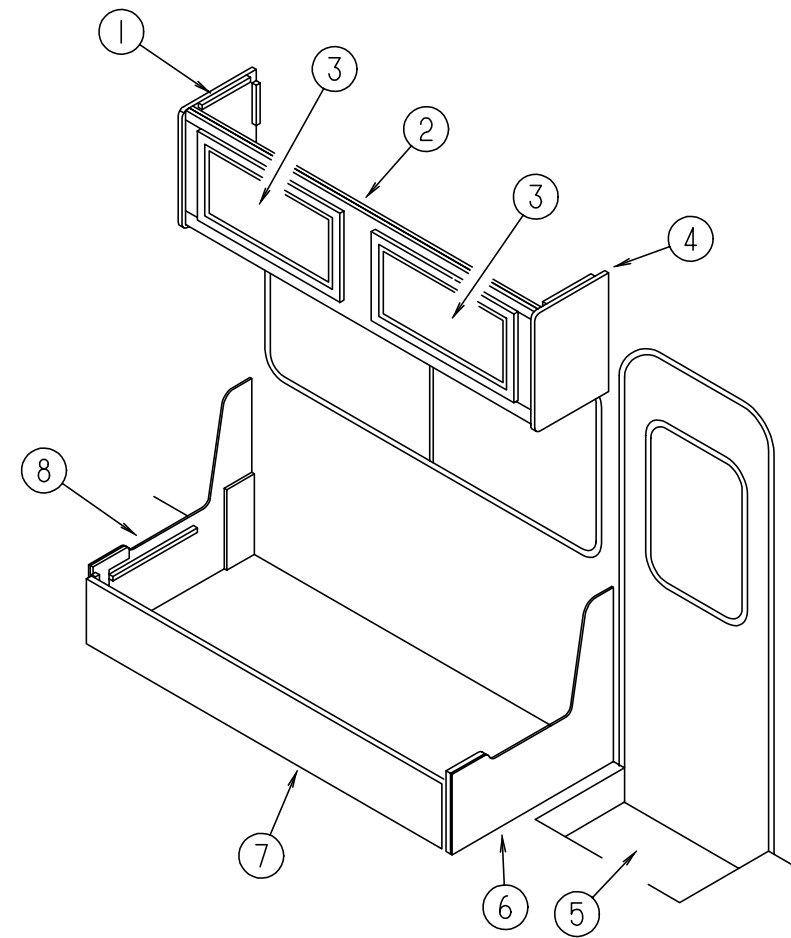
LOUNGE GROUP



DRIVER SIDE COUCH & PEDESTAL TABLES

KEY	PART NUMBER	U/M DESCRIPTION
1	113880-02-J46	EA CABINET - OVERHEAD DINETTE - W/O DOORS/HARDWARE (K16)
1	113880-02-J47	EA CABINET - OVERHEAD DINETTE - W/O DOORS/HARDWARE (K17)
1	113880-02-K18	EA CABINET - OVERHEAD DINETTE - W/O DOORS/HARDWARE (K18)
2	M09332-05-K01	EA DOOR - RAISED MEMBRANE/OGEE EDGE - 15.7" X 27.9" - W/O HDW
3	103128-01-G09	EA END CAP - OVERHEAD CABINET - RIGHT HAND
4	M08164-04-J46	EA PANEL - LEFT END - SOFA/BED - FABRIC COVERED (K16)
4	M08164-04-J47	EA PANEL - LEFT END - SOFA/BED - FABRIC COVERED (K17)
4	M08164-04-K18	EA PANEL - LEFT END - SOFA/BED - FABRIC COVERED (K18)
5	M04187-80-J46	EA PANEL - FRONT KICK - SOFA/BED - FABRIC COVERED (K16)
5	M04187-80-J47	EA PANEL - FRONT KICK - SOFA/BED - FABRIC COVERED (K17)
5	M04187-80-K18	EA PANEL - FRONT KICK - SOFA/BED - FABRIC COVERED (K18)
6	M04187-82-K16	EA PANEL - RIGHT END - SOFA/BED - FABRIC COVERED
6	M04187-82-K17	EA PANEL - RIGHT END - SOFA/BED - FABRIC COVERED
6	M04187-82-K18	EA PANEL - RIGHT END - SOFA/BED - FABRIC COVERED
	082525-01-000	EA BRACE - COUCH - FLOOR MOUNT - ANGLE 3" LONG
	083125-07-000	EA BRACE - COUCH - 2.5"
	081298-01-J01	EA TABLE TOP ONLY (K16,K17,K18)
	130969-04-K16	EA TABLE TOP ONLY (K16)
	130969-04-K17	EA TABLE TOP ONLY (K17)
	130969-04-K18	EA TABLE TOP ONLY (K18)
	009040-02-000	EA PEDESTAL TABLE LEG - 27.5" X 2.25" DIAMETER
	041194-01-000	EA BASE - TABLE/FLUSH - FLOOR MOUNTED
	062046-01-000	EA CLIP - LEG - PEDESTAL - 1.7" X 2.2" - DIA FROM 2 - 2.5"
	009040-03-000	EA BASE - TABLE/RAISED - TABLE MOUNTED

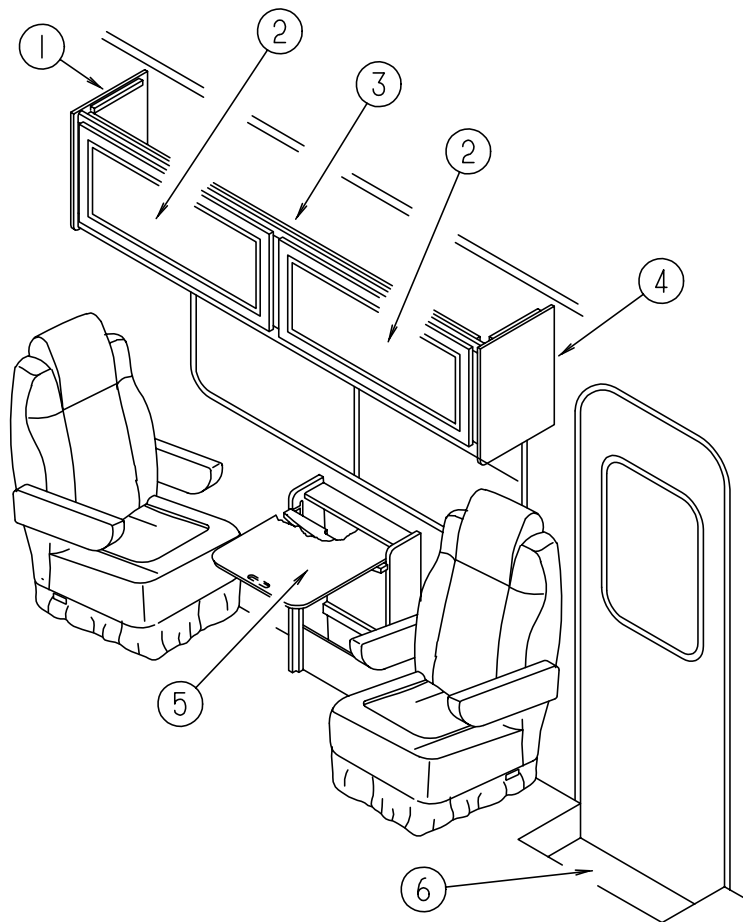
LOUNGE GROUP (CONTINUED)



PASSENGER SIDE COUCH & ENTRY STEP LID

KEY	PART NUMBER	U/M DESCRIPTION
1	103128-02-G09	EA END CAP - OVERHEAD CABINET/LEFT HAND
2	123371-02-J15	EA CABINET - OVERHEAD/FRONT - RIGHT HAND - W/O DOORS/HARDWARE
3	M09332-05-K01	EA DOOR - RAISED MEMBRANE/OGEE EDGE - 15.7" X 27.9" - W/O HDW
4	103128-01-G09	EA END CAP - OVERHEAD CABINET/RIGHT HAND
5	120234-04-H13	EA LID - ENTRY STEP
	101222-01-04A	EA BRACKET - CATCH - LID - E-COATED
	116975-01-01A	EA LATCH - W/O STRIKE - BLACK - NEW STYLE
	116975-02-01A	EA KEEPER/STRIKE - BLACK - NEW STYLE
	064075-07-000	FT SEAL - BULB - W/WIRED U CHANNEL - .3" X .5" CHANNEL - BLK
6	127840-02-J98	EA PANEL - LEFT END - SOFA/BED - FABRIC COVERED (K16)
6	127840-02-J97	EA PANEL - LEFT END - SOFA/BED - FABRIC COVERED (K17)
6	127840-02-K18	EA PANEL - LEFT END - SOFA/BED - FABRIC COVERED (K18)
7	120992-09-J68	EA PANEL - FRONT KICK - SOFA/BED - FABRIC COVERED (K16)
7	120992-09-J97	EA PANEL - FRONT KICK - SOFA/BED - FABRIC COVERED (K17)
7	120992-09-K18	EA PANEL - FRONT KICK - SOFA/BED - FABRIC COVERED (K18)
	121906-01-02B	EA BRACKET - KICKBOARD - E-COATED
8	127840-01-J98	EA PANEL - RIGHT END - SOFA/BED - FABRIC COVERED (K16)
8	127840-01-J97	EA PANEL - RIGHT END - SOFA/BED - FABRIC COVERED (K17)
8	127840-01-K18	EA PANEL - RIGHT END - SOFA/BED - FABRIC COVERED (K18)
	101926-01-02A	EA BRACKET - ZEE- BLACK
	127335-10-000	EA BRACKET - CANADIAN LATCH
	113990-09-000	EA LOCK - BRACKET - MALE FLEXSTEEL - CANADIAN
	122556-04-01A	EA LOCK - JACK KNIFE SEAT - CANADIAN

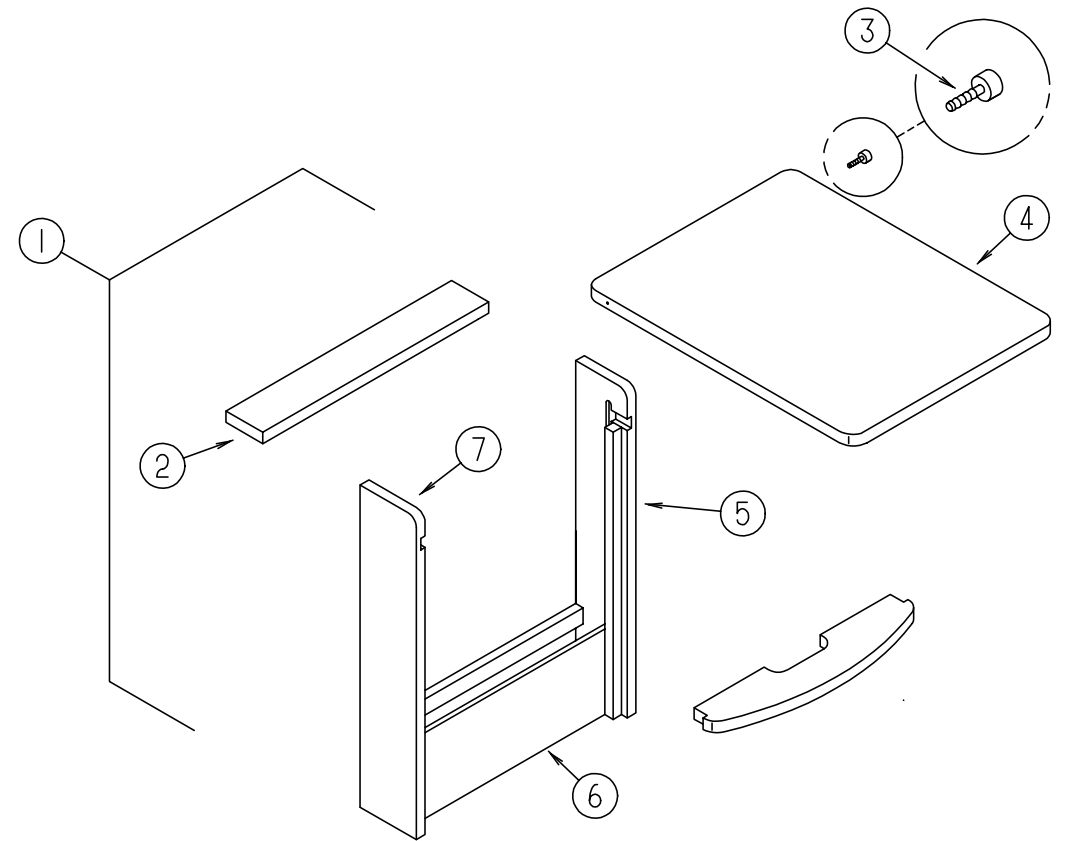
LOUNGE GROUP (CONTINUED)



PASSENGER SIDE SWIVEL CHAIRS, PULLOUT TABLE, & ENTRY STEP LID

KEY	PART NUMBER	U/M	DESCRIPTION
1	103128-02-G09	EA	END CAP - OVERHEAD CABINET/LEFT HAND
2	M09332-05-K01	EA	DOOR - RAISED MEMBRANE/OGEE EDGE - 15.7" X 27.9" - W/O HDW
3	123371-02-J15	EA	CABINET - OVERHEAD/FRONT - RIGHT HAND - W/O DOORS/HARDWARE
4	103128-01-G09	EA	END CAP - OVERHEAD CABINET/RIGHT HAND
5	M96873-01-G01	EA	CABINET - F/PULLOUT TABLE - W/O TOP
6	120234-04-H13	EA	LID - ENTRY STEP
	101222-01-04A	EA	BRACKET - CATCH - LID - E-COATED
	116975-01-01A	EA	LATCH - W/O STRIKE - BLACK - NEW STYLE
	116975-02-01A	EA	KEEPER/STRIKE - BLACK - NEW STYLE
	064075-07-000	FT	SEAL - BULB - W/WIRED U CHANNEL - .3" X .5" CHANNEL - BLK

LOUNGE GROUP (CONTINUED)



PULLOUT TABLE

KEY	PART NUMBER	U/M	DESCRIPTION
1	M96873-01-G01	EA	CABINET - F/PULLOUT TABLE - W/O TOP
2	096873-15-G01	EA	SHELF - SUPPORT - OVER PULLOUT TABLE TOP
3	079921-01-000	EA	ROLLER - NYLON - W/STEEL SHAFT - BARBED
4	096873-11-G01	EA	TABLE TOP ONLY - PULLOUT
	080736-01-000	EA	PULL - RECESSED - 1.25 X 4" - OAK
5	096873-13-G01	EA	CABINET/RIGHT SIDE - F/PULLOUT TABLE - 5.7" X 28.7"
6	096873-16-G01	EA	TABLE FRONT - BOTTOM - 18.1" X 6.7"
7	096873-14-G01	EA	CABINET/LEFT SIDE - F/PULLOUT TABLE - 5.7" X 28.7"

SEALANTS & FASTENERS GROUP

ADHESIVE

KEY	PART NUMBER	U/M DESCRIPTION	VENDOR NO.
	004020-01-000	QT ADHESIVE - ABS CEMENT - QUART	
	081377-01-700	EA ADHESIVE-CYANOACRYLATE 10 GM	
	087211-01-000	GL PROMOTER - ADHESIVE	
	004006-05-700	EA ADHESIVE-NAT. STARCH (5 GAL)	0802
	062917-03-000	EA ADHESIVE - LOCTITE 242	
	067788-01-000	EA ADHESIVE - SPRAY - 3M - 19.5 AEROSOL CAN	
	112901-02-000	EA ADHESIVE - PLEXUS - 50ML	

NUTS

KEY	PART NUMBER	U/M DESCRIPTION
	000D24-10-00B	EA NUT - HEX - SELF LOCKING - 10-32 ZINC
	000D29-05-00B	EA NUT - HEX - LOCKING W/SERRATED FLANGE-NYLON WASHER INSERT
	000D34-04-00B	EA NUT - HEX - LOCKING - 1/4-20 ZINC
	000D34-06-00B	EA NUT - HEX - LOCKING - 3/8-16 GRADE C - ZINC-PREVAILING
	000D39-04-00B	EA NUT - HEX - LOCKING W/SERRATED FLANGE - 1/4-20 - ZINC
	000D39-05-00B	EA NUT - HEX - LOCKING W/SERRATED FLANGE - 5/16-18 - ZINC
	000D39-06-00B	EA NUT - HEX - LOCKING W/SERRATED FLANGE - 3/8-18 - ZINC
	000D39-07-00B	EA NUT - HEX - LOCKING W/SERRATED FLANGE - 7/16-14 - ZINC
	000D39-08-00B	EA NUT - HEX - LOCKING W/SERRATED FLANGE - 1/2-13 - ZINC
	000D44-04-00B	EA NUT - HEX - LOCKING W/SERRATED FLANGE - 1/4-28 ZINC
	000D44-07-00B	EA NUT - HEX - LOCKING W/SERRATED FLANGE - 7/16-20 - ZINC
	000D46-04-00A	EA NUT - HEX - WELD - 1/4-20 - PLAIN
	000D65-08-00B	EA NUT - HEX/SERRATED FLANGE - 8-32 ZINC
	000D76-06-00B	EA NUT - HEX FLANGE - 3/8-16
	040921-01-000	EA NUT - SPEED - U TYPE - 10-24 BLACK
	040921-03-000	EA NUT - SPEED - U TYPE - #10
	040921-04-000	EA NUT - SPEED - U TYPE - 8-.59" LENGTH X .44" WIDTH
	040921-09-000	EA NUT - SPEED - U TYPE - 8
	044364-02-000	EA NUT - SPEED - FLAT - ROUND
	083163-06-000	EA PUSHNUT - FLAT TYPE 3/8 STUD - FORD ONLY TO RETAIN THE AIR BAFFLE ON THE OIL DIPSTICK TUBE
	104369-01-000	EA NUT - HEX - HEAVY - 5/8-11 UNC

BOLTS

KEY	PART NUMBER	U/M DESCRIPTION
	000C12-05-16B	EA BOLT - HEX - 5/16-18 X 1 - ZINC 5
	000C12-05-12B	EA BOLT - HEX - 5/16-18 X 3/4 - ZINC 5
	000C12-06-16B	EA BOLT - HEX - 3/8-16 X 1 - GRADE #5 - ZINC
	000C12-08-16B	EA BOLT - HEX - 1/2-13 X 1.00 - GD5 - ZINC
	000C12-10-24B	EA BOLT - HEX - 5/8-11 X 1.50 - ZINC 5
	000C13-07-48B	EA BOLT - HEX - 7/16-20 X 3 - ZINC 5
	000C18-05-40A	EA BOLT - ELEVATOR - 5/16-18 X 2.50 - PL
	000C26-04-18B	EA BOLT - HEX - SERRATED FLANGE - 1/4-20 X 1 1/8 - ZINC
	000C26-04-14B	EA BOLT - HEX - SERRATED FLANGE - 1/4-20 X 7/8 - ZINC
	000C26-04-10B	EA BOLT - HEX - SERRATED FLANGE - 1/4-20 X 5/8 - ZINC
	000C26-05-16B	EA BOLT - HEX - SERRATED FLANGE - 5/16-18 X 1 - ZINC
	000C26-05-12B	EA BOLT - HEX - SERRATED FLANGE - 5/16-18 X 3/4 - ZINC
	000C26-06-16B	EA BOLT - HEX - SERRATED FLANGE - 3/8-16 X 1 - ZINC
	000C26-06-12B	EA BOLT - HEX - SERRATED FLANGE - 3/8-16 X 3/4 - ZINC
	000C26-08-24B	EA BOLT - HEX - SERRATED FLANGE - 1/2-13 X 1 1/2 ZINC
	000C27-10-32B	EA BOLT - CARRIAGE - 5/8-11 X 2
	051387-06-000	EA BOLT - CARRIAGE W/O HOLE - 5/16-18 X 9.5 - ZINC
	102333-01-06A	EA BOLT - CARRIAGE - 7/16-14 STAINLESS STEEL CAP
	106166-01-000	EA BOLT/COLLARED HANGER - 8-32 X 1"
	106956-08-000	EA BOLT - HEX TAP - 1/2-13NC X 4 - GRADE 5 - FULL THREAD/ZINC
	088787-12-000	EA STUD - WELD - 1/4 - 20 X 1.0 LG - MN
	108067-03-000	EA STUD - WELD - 1/4 - 20 X 1/2 CD

SEALANTS & FASTENERS GROUP (CONTINUED)

WASHERS

KEY	PART NUMBER	U/M DESCRIPTION
	000E11-07-00B	EA WASHER - LOCKING - 7/16 MED SPLIT - ZINC
	000E13-14-00B	EA WASHER - FLAT - 1/4 WIDE - ZINC
	000E13-18-00B	EA WASHER - FLAT - 3/8 WIDE - ZINC
	000E13-20-00B	EA WASHER - FLAT - 7/16 WIDE - ZINC
	000E13-22-00B	EA WASHER - FLAT - 1/2 WIDE - ZINC
	000E13-26-00B	EA WASHER - FLAT - 5/8 WIDE - ZINC
	000E14-10-00B	EA WASHER - LOCKING - #10 EXTERNAL TOOTH - ZINC
	044533-01-000	EA WASHER - PLASTIC - 1 3/8" OD - FOR BUTTONS
	058716-02-000	EA WASHER - FLAT NYLON
	107397-01-000	EA WASHER - FENDER - .25" ID X 1" OD

CLAMPS

KEY	PART NUMBER	U/M DESCRIPTION
	007161-01-000	EA CLAMP - HOSE - SPRING TYPE - 1/2"
	010495-01-000	EA CLAMP - CABLE - 9/16"
	010497-01-000	EA CLAMP - CLOSED - 5/8" ID
	010497-03-000	EA CLAMP - CLOSED - 1" ID - CUSHIONED
	010497-04-000	EA CLAMP - CLOSED - 1.62" ID
	010497-07-000	EA CLAMP - CLOSED - 3/8" ID
	010499-01-000	EA CLAMP - CLOSED - 3/8 ID
	062401-01-000	EA CLAMP - HOSE - WORMGEAR - .25" - 1"
	062401-02-000	EA CLAMP - HOSE - WORMGEAR - 1.56" - 2.5"
	062401-03-000	EA CLAMP - HOSE - WORMGEAR - .22" - 1"
	062401-04-000	EA CLAMP - HOSE - WORMGEAR - .69" - 1.25"
	062401-05-000	EA CLAMP - HOSE - WORMGEAR - 2" TO 3" ID
	062401-06-000	EA CLAMP - HOSE - WORMGEAR - .22" - .62" ID
	062401-11-000	EA CLAMP - HOSE - WORMGEAR - 3.50" - 4.50"
	075148-02-000	EA CLAMP - GROUNDING - BRONZE SCREWS
	083609-01-000	EA CLAMP - WIRE - DUAL - EQUAL DIAMETERS - 5/8"
	083610-01-000	EA CLAMP - WIRE - DUAL - UNEQUAL DIAMETERS - 3/4" & 1 1/4"

TAPES

KEY	PART NUMBER	U/M DESCRIPTION
	004363-01-000	FT TAPE - ADHESIVE FOAM/1 SIDE - 3/16" X 1/2" X 50' - GRAY
	076314-02-000	FT TAPE - CARPET SEAM - HEAT-BOND - 4" WIDE
	076322-01-000	FT TAPE - DOUBLE COATED/ADHESIVE BACK - .025"THK X .75"W X18'
	076322-02-000	FT TAPE - DOUBLE COATED/ADHESIVE BACK - .045"THK X 1"W X9'
	076322-03-000	FT TAPE - DOUBLE COATED/ADHESIVE BACK - .045"THK X .50"W X9'
	076322-05-000	FT TAPE - DOUBLE COATED/ADHESIVE BACK - .045"THK X .75"W X 9'
	076322-07-000	FT TAPE - DOUBLE COATED/ADHESIVE BACK - .045"THK X .50"W X 9'
	110274-01-000	FT TAPE - DOUBLE SIDED FOAM - .45" X 1"
	123244-01-000	FT TAPE - DOUBLE SIDED FOAM - 5/64" THICK X .75" WIDE
	123244-02-000	FT TAPE - DOUBLE SIDED FOAM - 5/64" THICK X .50" WIDE
	123816-01-000	FT TAPE - DOUBLE SIDED - 1"
	123816-02-000	FT TAPE - DOUBLE SIDED - 1/2" X 1 1/3" THICK
	123816-03-000	FT TAPE - DOUBLE SIDED - 1/2" X 3/4" - THICK

SEALANTS & FASTENERS GROUP (CONTINUED)

SCREWS

KEY	PART NUMBER	U/M DESCRIPTION
	0G1108-12-170	EA SCREW - 8-18 X .75 PPH - BRIGHT WHITE
	0G1208-12-170	EA SCREW - 8-18 X .75 POH - BRIGHT WHITE
	0G3908-08-170	EA SCREW - SF/DR - 8-18 X .50 PPH - BRIGHT WHITE
	0G3908-24-170	EA SCREW - SF/DR - 8-18 X 1.50 PPH - BRIGHT WHITE
	0G3910-12-170	EA SCREW - SF/DR - 10-16 X .75 PPH - BRIGHT WHITE
	0G5508-12-260	EA SCREW - SF/DR - 8-18 X .75 PWH - ALLANTE ANTELOPE
	0G6710-08-170	EA SCREW - 10-12 X 1/2 PPH - BRIGHT WHITE
	000G11-05-08B	EA SCREW - 5-20 X .50 PPH - ZINC
	000G11-06-08B	EA SCREW - 6-20 X 1/2 PPH - ZINC
	000G11-06-06B	EA SCREW - 6-20 X 3/8 PPH - ZINC
	000G11-06-10J	EA SCREW - 6-20 X 5/8 PPH - BRASS
	000G11-06-10B	EA SCREW - 6-20 X 5/8 PPH - ZINC
	000G11-07-08B	EA SCREW - 7-19 X 1/2 PPH - ZINC
	000G11-08-06B	EA SCREW - 8-18 X 3/8 PPH - ZINC
	000G11-08-10B	EA SCREW - 8-18 X .50 PPH - ZINC
	000G11-08-12D	EA SCREW - 8-18 X 3/4 PPH - BLACK
	000G11-08-12B	EA SCREW - 8-18 X 3/4 PPH - ZINC
	000G11-08-08T	EA SCREW - 8-18 X 1/2 PPH - FLUOROCARBON COATING
	000G11-08-08B	EA SCREW - 8-18 X 1/2 PPH - ZINC
	000G11-08-20B	EA SCREW - 8-18 X 1 1/4 PPH - ZINC
	000G11-08-16S	EA SCREW - 8-18 X 1 PPH - OFF WHITE
	000G11-08-16B	EA SCREW-8-18X1 PPH ZN
	000G11-08-12T	EA SCREW - 8-18 X 3/4 PPH - BLACK
	000G11-08-12P	EA SCREW - 8-18 X 3/4 PPH - DARK BROWN
	000G11-08-12P	EA SCREW - 8-18 X 3/4 PPH - DARK BROWN
	000G11-10-12S	EA SCREW - 10-16 X 3/4 PPH - OFF WHITE
	000G11-10-12D	EA SCREW - 10-16 X 3/4 PPH - BLACK
	000G11-10-40B	EA SCREW - 10-16 X 2 1/2 PPH CAD - 34927-01-000
	000G11-10-24P	EA SCREW - 10-16 X 1 1/2 PPH - DARK BROWN
	000G11-10-16B	EA SCREW - 10-16 X 1 PPH - ZINC
	000G12-06-08T	EA SCREW - 6-20 X 1/2 POH - BLACK
	000G13-06-16J	EA SCREW - 6-20 X 1 PFH - BRASS
	000G13-06-24J	EA SCREW - 6-20 X 1 1/2 PFH - BRASS
	000G13-06-10G	EA SCREW - 6-20 X 5/8 PFH - ANTIQUE BRASS
	000G13-06-08G	EA SCREW - 6-20 X .50 PFH - ANTIQUE BRASS
	000G13-07-12B	EA SCREW - 7-19 X 3/4 PFH - ZINC
	000G18-08-20B	EA SCREW - MACHINE - 8-32 X 1 1/4 PPH - ZINC
	000G18-08-22B	EA SCREW - MACHINE - 8-32 X 1 3/8 PPH - ZINC
	000G19-10-20B	EA SCREW - MACHINE - 10-32 X 1 1/2 PPH - ZINC
	000G19-10-12F	EA SCREW - MACHINE - 10-32 X 3/4 PPH - STAINLESS STEEL
	000G19-10-08B	EA SCREW - MACHINE - 10-32 X 1/2 PPH - ZINC
	000G32-10-06B	EA SCREW - 10-32 X 3/8 PPH - ZINC
	000G37-08-089	EA SCREW - 8 X 18 X 1/2 PPH
	000G39-06-16T	EA SCREW - SF/DR - 6-20 X 1 PPH - BLACK
	000G39-06-10T	EA SCREW - SF/DR - 6-20 X 5/8 PPH - BLACK
	000G39-08-16B	EA SCREW - SF/DR - 8-18 X 1 PPH - ZINC
	000G39-08-12T	EA SCREW - SF/DR - 8-18 X 3/4 PPH - BLACK
	000G39-08-12B	EA SCREW - SF/DR - 8-18 X 3/4 PPH - ZINC
	000G39-08-08T	EA SCREW - SF/DR - 8-18 X 1/2 PPH - BLACK
	000G39-08-08S	EA SCREW - SF/DR - 8-18 X 1/2 PPH - OFF WHITE
	000G39-08-08B	EA SCREW - SF/DR - 8-18 X 1/2 PPH - ZINC
	000G39-08-06B	EA SCREW - SF/DR - 8-18 X 3/8 PPH - ZINC
	000G39-08-24B	EA SCREW - SF/DR - 8-18 X 1 1/2 PPH - ZINC
	000G39-08-16T	EA SCREW - SF/DR - 6-20 X 1 PPH - BLACK
	000G39-10-08B	EA SCREW - SF/DR - 10-16 X 1/2 PPH - ZINC
	000G39-10-20B	EA SCREW - SF/DR - 10-16 X 1 1/4 PPH - ZINC
	000G39-10-129	EA SCREW - SF/DR - 10-16 X 3/4 PPH - FLUOROCARBON SILVER
	000G39-10-12D	EA SCREW - SF/DR - 10-16 X 3/4 PPH - BLACK
	000G39-10-12B	EA SCREW - SF/DR - 10-16 X 3/4 PPH - ZINC
	000G39-10-10B	EA SCREW - SF/DR - 10-16 X 5/8 - ZINC
	000G39-10-088	EA SCREW - SF/DR - 10-16 X 1/2 PPH - FLEX FLUOROCARBON

SEALANTS & FASTENERS GROUP (CONTINUED)

SCREWS (CONTINUED)

KEY	PART NUMBER	U/M DESCRIPTION
	000G42-04-12B	EA SCREW - SF/DR - 1/4-14 X 3/4 HWH - ZINC
	000G46-08-24T	EA SCREW - MACHINE - 8-32 X 1 1/2 PFH - BLACK
	000G50-04-12B	EA SCREW - MACHINE - 1/4-20 X 3/4 PPH - ZINC
	000G52-08-18B	EA SCREW - MACHINE - 8-32 X 1 1/8 PTH - ZINC
	000G54-04-20B	EA SCREW - 1/4-20 X 1.25 PTH - TYPE 23 - ZINC PLATED
	000G55-08-12S	EA SCREW - SF/DR - 8-18 X 3/4 PWH - OFF WHITE
	000G56-12-48B	EA SCREW - WOOD - 12-11 X 3 POH - SPECIAL HARDENED
	000G56-12-48B	EA SCREW - WOOD - 12-11 X 3 POH - SPECIAL HARDENED
	000G60-10-28T	EA SCREW - SF/DR - 10-16 X 1 3/4 - BLACK
	000G60-10-20B	EA SCREW - SF/DR - 10-16 X 1 1/4 POH - ZINC
	000G67-08-32B	EA SCREW - 8-15 X 2 PPH - ZINC
	000G67-10-12P	EA SCREW - 10-12 X 3/4 PPH - DARK BROWN
	000G67-10-12B	EA SCREW - 10-12 X 3/4 PPH - ZINC
	000G67-10-10S	EA SCREW - 10-12 X 5/8 PPH - OFF WHITE
	000G67-10-10D	EA SCREW - 10-12 X 5/8 PPH - BLACK - TYPE A
	000G67-10-10B	EA SCREW - 10-12 X 5/8 PPH - ZINC - TYPE A
	000G67-10-08B	EA SCREW - 10-12 X 1/2 PPH - ZINC
	000G67-10-12S	EA SCREW - 10-12 X 3/4 PPH - OFF/WHITE
	000G67-10-16B	EA SCREW - 10-12 X 1 PPH - ZINC
	000G67-10-24B	EA SCREW - 10-12 X 1.50 PPH - ZINC
	000G67-10-20D	EA SCREW - 10-12 X 1.25 PPH - BLACK
	000G68-06-12S	EA SCREW - 6-18 X 3/4 POH
	000G68-06-10G	EA SCREW - 6-18 X 5/8 POH - ANTIQUE BRASS
	000G68-10-20I	EA SCREW - 10-12 X 1 1/4 POH - BLACK
	049465-01-000	EA SCREW - 10-16 W/WASHER PTH - DARK BROWN
	049465-17-000	EA SCREW - 10-16 X 1 POH W/WASHER - BRIGHT WHITE
	054434-02-000	EA SCREW - SF/DR - 10-16 X 2 - ZINC
	057671-01-000	EA COVER - SCREW - #8 - PLASTIC - OFF WHITE
	057671-15-000	EA COVER - SCREW - BRIGHT WHITE
	075908-01-000	EA SCREW - MACHINE - 10-32 X .56 PTH - EXTERNAL TOOTH - ZINC
	076790-01-000	EA SCREW - 6-20 X 1 1/4 PPH - BLACK
	076790-03-000	EA SCREW - 6-20 X 1 PPH - BLACK
	083554-04-000	EA SCREW - DRYWALL - 8 X 2.50
	086256-01-000	EA SCREW - SF/DR - 8 X 3/4 HWH LONG
	097974-01-000	EA SCREW - PARTICLE BOARD - 7-9 X 3/4 PPH
	101618-01-000	EA SCREW - 1/4-20 X 3/4 HEX - TAPPING - STALGARD TYPE F
	113563-01-01A	EA SCREW - 8 X .62 LONG SHOULDER/WASHER HEAD

SEALANTS & FASTENERS GROUP (CONTINUED)

SEALERS

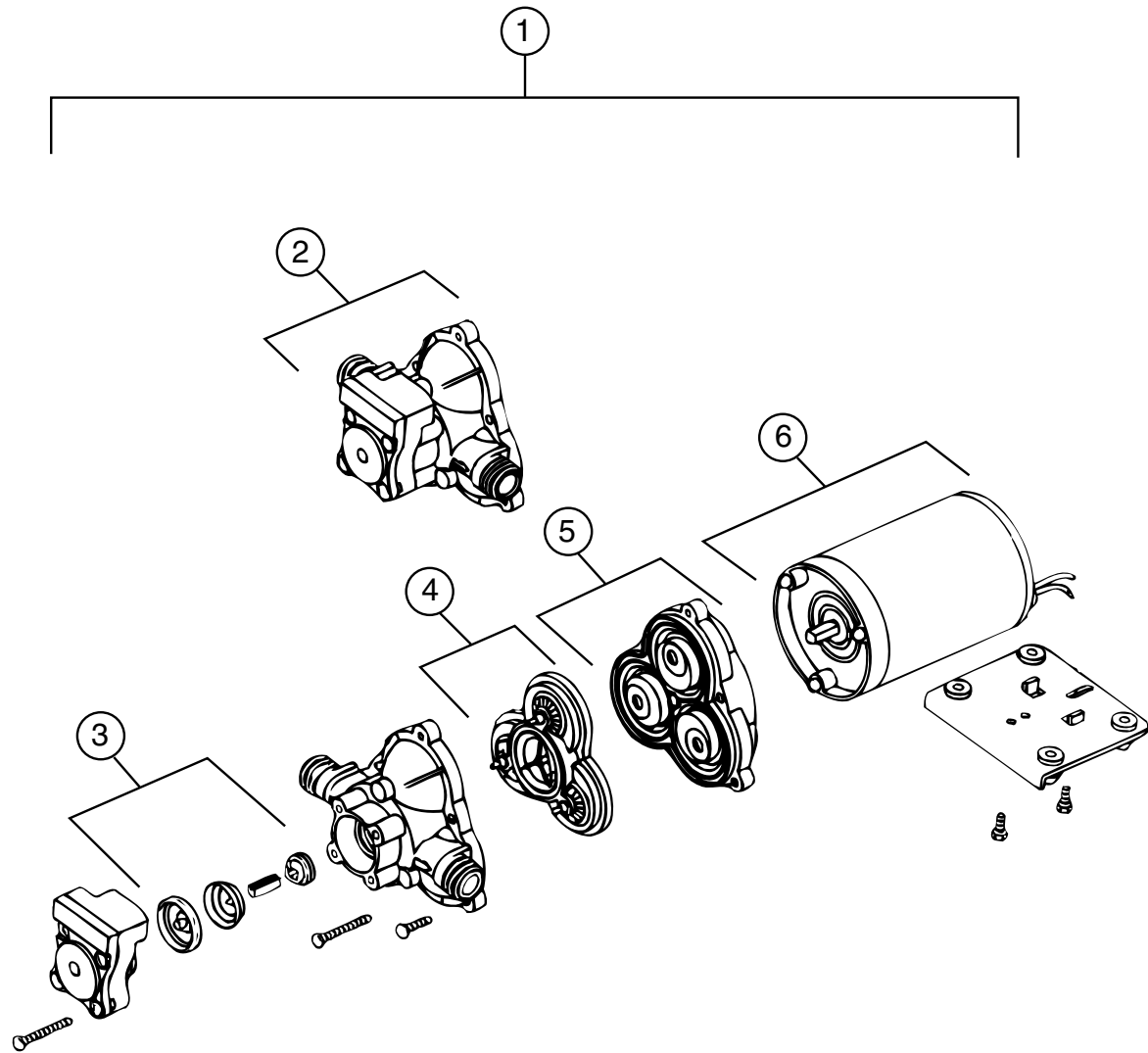
KEY	PART NUMBER	U/M DESCRIPTION
	069640-01-000	FT SEALER - RIBBON - 1/4" DIAMETER X 30' - BLACK
	069640-03-000	FT SEALER - TAPE - .13"THICK X .75"WIDE X 60' - BLACK
	069640-09-000	FT SEALER - TAPE - .032"THICK X 2.50"WIDE X 80' - GREY
	069640-11-000	FT SEALER - TAPE - .19"THICK X .38"WIDE X 40' - BLACK
	069640-15-000	FT SEALER - TAPE - .06"THICK X .38"WIDE X 80' - GRAY
	069640-18-000	FT SEALER - TAPE - .50"THICK X 1/8"WIDE X 60' - BRIGHT WHITE
	069640-19-000	FT SEALER - TAPE - .75"THICK X 1/8"WIDE X 60'- BRIGHT WHITE
	069640-21-000	FT SEALER - TAPE - .50" THICK X 1/16" WIDE X 100'- BRIGHT WHT
	900390-01-000	EA TIP - 2 1/2" X 1/8" ORIFICE
	900390-03-000	EA NOZZLE - SILICONE TUBE
	108716-03-000	EA SILICONE - TUBE - BRIGHT WHITE/SELF LEVELING - W/O NOZZLE FROM: 00-00-00 THRU: 09-06-98
	131264-01-01A	EA SILICONE - W/O NOZZLE - BLACK
	131264-01-02A	EA SILICONE - W/O NOZZLE - CLEAR
	131264-03-01A	EA SILICONE - SELF LEVELING - W/O NOZZLE - BRIGHT WHITE FROM: 09-07-98 THRU: 99-99-99
	053766-02-000	EA BEDDING COMPOUND - TUBE - WHITE
	072889-09-000	EA SEALANT - URETHANE - BLACK (TUBE) FROM: 00-00-00 THRU: 09-06-98
	072889-10-000	EA SEALANT - URETHANE (HV) - BRIGHT WHITE FROM: 00-00-00 THRU: 09-06-98
	072889-11-000	EA SEALANT - URETHANE - (TUBE) - GRAY
	072889-12-000	EA SEALANT - URETHANE (LV) BRIGHT WHITE FROM: 00-00-00 THRU: 09-06-98
	072889-18-000	EA SEALANT - URETHANE - BLACK (FOIL) FROM: 09-07-98 THRU: 99-99-99
	072889-19-000	EA SEALANT - URETHANE - (FOIL) - BLACK - 10 OUNCE FROM: 09-07-98 THRU: 99-99-99
	072889-20-000	EA SEALANT - URETHANE - (FOIL) - BRIGHT WHITE - 10 OUNCE FROM: 09-07-98 THRU: 99-99-99
	072889-21-000	EA SEALANT - URETHANE - (FOIL) - BRIGHT WHITE - 20 OUNCE FROM: 09-07-98 THRU: 99-99-99
	102352-01-000	EA SEALER - PUMPABLE - BLACK
	102352-02-000	EA SEALER - PUMPABLE - CLEAR
	106206-01-000	EA SEALER - PUMPABLE - MANUS 30A - BLACK
	091255-02-000	FT SEAL - ADHESIVE BACKED/FOAM - .18" THICK X 1.5" WIDE
	104692-01-000	FT SEAL - FOAM/ADHESIVE BACK - .75"THICK X .75"WIDE X 25'
	112864-01-000	FT SEAL - FOAM/BUTYL COVERED - 3/8"
	110530-01-000	FT SEAL - SPONGE - .31" X .62"
	120074-02-01A	EA SEALANT - SILICONE - OFF WHITE

SEALANTS & FASTENERS GROUP (CONTINUED)

RIVETS, GROMMETS AND MISCELLANEOUS FASTENERS

KEY	PART NUMBER	U/M DESCRIPTION
	000F10-06-32B	EA PIN - COTTER - 3/16" X 2" - ZINC
	000H16-04-06R	EA RIVET - POP ALUMINUM - 1/8 X .313 - .375
	000H16-06-10R	EA RIVET - POP ALUMINUM - 3/16 X .501-.625
	118626-01-01A	EA RIVET - POP - ALUMINUM 3/16 X .08-.375
	118626-02-01A	EA RIVET - POP - ALUMINUM - 3/16 X .500-.750
	069592-02-000	EA RIVET-T - POP - 1/4 X .093 - .156
	008386-01-000	EA GROMMET - SNAP - 3/8"
	016188-03-000	EA GROMMET - L/P LINE - 3/8" HOLE X 2 1/2" LONG - RUBBER
	016188-04-000	EA GROMMET - GAS LINE - 1/2" HOLE X 2 1/2" LONG - RUBBER
	023942-01-000	EA GROMMET - RUBBER - 2" OD
	071015-11-000	EA GROMMET - 1.00 ID - FITS .12 MATERIAL
	071015-26-000	EA GROMMET - RUBBER - 1.5" ID X 2.12" OD W/.06" GROOVE - BLK
	071015-30-000	EA GROMMET - RUBBER - .31" ID X .81" OD W/.12" GROOVE - BLK
	008343-02-000	EA TIE - WIRE - 14"
	108046-02-000	EA CABLE TIE - SCREW MOUNT 15"
	029094-04-000	YD VELCRO TAPE - LOOP - 1" WIDE - BLACK
	029096-03-000	YD VELCRO TAPE - HOOK - 1" WIDE - BLACK
	081211-04-000	EA PLUG - PLASTIC - .46 DIAMETER - BLACK USED IN HOUSE CIRCUIT BREAKER PANELS
	081211-05-000	EA PLUG - PLASTIC - .188 DIAMETER - NATURAL
	085774-01-000	FT FASTENER - DUAL LOCK - 1" WIDE - ADHESIVE BACK - BLACK
	085774-02-000	FT FASTENER - DUAL HOOK - 1" WIDE - ADHESIVE BACK - BLACK
	110943-02-000	FT FELTSTRIP - 3/8" - ADHESIVE BACK - WHITE
	080734-02-000	EA CLIP - WIRE NYLON
	094362-02-000	EA CLIP - XMAS TREE - BINDER HEAD - .9" LONG

WATER & SEWAGE GROUP



SHURFLO WATER PUMP

KEY	PART NUMBER	U/M DESCRIPTION	VENDOR NO.
1	098607-01-000	EA PUMP - WATER - W/.5" MPT FITTING - FLOW 2.8 GPM	
2	098607-01-706	EA HOUSING, W/SWITCH ONLY	94-231-20
3	098607-01-705	EA VALVE-CHECK, KIT	94-237-00
4	098607-01-703	EA VALVE KIT	94-232-00
5	098607-01-702	EA DIAPHRAGM/DRIVE ASSEMBLY KIT	94-238-04
6	098607-01-707	EA MOTOR W/BASEPLATE	11-148-04

WATER TANKS

KEY	PART NUMBER	U/M DESCRIPTION
	125359-03-000	EA TANK - WATER - 66 GALLON - W/FITTINGS - QUEEN BED
	125359-01-000	EA TANK - WATER - 66 GALLON - W/O FITTINGS - QUEEN BED
	121959-02-000	EA TANK - WATER - 50 GALLON - W/FITTINGS - TWIN BED
	121959-01-000	EA TANK - WATER - 50 GALLON - W/O FITTINGS - TWIN BED
	039861-01-000	EA SENDING UNIT - W/SCREW - WASHER - WELL NUT/TERMINAL RING
	010224-01-000	EA ADAPTER - HOSE TO PIPE - 3/8 MPT X 3/8 BARB - PLASTIC
	114429-02-000	EA ELBOW - 1/2"P X 1/2"MPT - QUEEN BED
	114430-03-000	EA ADAPTER - 1/2"P X 1/2"MPT
	042989-03-000	EA FITTING - SPINWELD - 1 1/4"NPT - PLASTIC
	042989-04-000	EA FITTING - SPINWELD - 3/8"FPT - WHITE PLASTIC
	042989-05-000	EA FITTING - SPINWELD - 1/2"FPT - PLASTIC
	049032-01-000	EA PATCH - SPINWELD - 3/8" - PLASTIC
	044927-01-000	EA ADAPTER - HOSE TO PIPE-1 1/4 MPTX1 1/4 BARB-BLACK PLASTIC
	074462-02-000	FT TUBING - VINYL - 3/8 ID X 20' - CLEAR
	077954-02-000	EA FILTER - WATER TANK - W/SCREEN IN TANK
	079381-01-000	FT TUBING - RIBBED FLEXIBLE - WATER FILL - 1.4" X 10"

WATER & SEWAGE GROUP (CONTINUED)

EXTERIOR SHOWER

KEY	PART NUMBER	U/M DESCRIPTION	VENDOR NO.
	075241-05-000	EA FAUCET/SHOWER - BONE 3/4" MPT X 1.4" LONG INLET PIPES FROM: 00-00-00 THRU: 07-12-98	
	075241-06-000	EA FAUCET - SHOWER CONTROL - BRIGHT WHITE FROM: 07-13-98 THRU: 99-99-99	
	103092-01-000	EA SHOWER HEAD - W/60" HOSE & BRACKET - IVORY FROM: 00-00-00 THRU: 07-12-98	
	103092-01-700	EA BRACKET-F/SHOWER HEAD, CLEAR	2328028
	011048-03-700	EA BRACKET - F/SHOWER HEAD	2328029-I
	103092-01-702	EA SEALS-SPRAY HEAD	24466
	131383-01-02A	EA SHOWER HEAD - W/HOSE & BRACKET - 60" - WHITE FROM: 07-13-98 THRU: 99-99-99	
	103092-02-000	EA SHOWER HEAD - W/60" HOSE - CSA FROM: 00-00-00 THRU: 07-12-98	
	103092-01-700	EA BRACKET-F/SHOWER HEAD, CLEAR	2328028
	011048-03-700	EA BRACKET - F/SHOWER HEAD	2328029-I
	103092-01-702	EA SEALS-SPRAY HEAD	24466
	131383-02-02A	EA SHOWER HEAD - W/HOSE & BRACKET - 60" - CSA - WHITE FROM: 07-13-98 THRU: 99-99-99	
	093527-02-000	EA BRACKET - EXTERIOR SHOWER HEAD/SQUEEGEE FROM: 00-00-00 THRU: 10-27-98	
	131732-01-12B	EA BRACKET - SQUEEGEE - BRIGHT WHITE FROM: 10-28-98 THRU: 99-99-99	
	131383-03-02A	EA BRACKET - SHOWER HEAD - WHITE	
	108356-02-01A	EA COVER/ACTUATOR SWITCH - 2 ROWS DIMPLES- CONTURA II - BLACK	
	108357-08-000	EA SWITCH - ROCKER DPDT - ON/NONE/ON - 6 TERMINAL	
	114293-01-01A	EA PAN - DRIP - EXTERIOR - OFF WHITE FROM: 00-00-00 THRU: 11-15-98	
	114293-01-02A	EA PAN - DRIP - EXTERIOR - BRIGHT WHITE FROM: 11-16-98 THRU: 99-99-99	

WATER SYSTEM

KEY	PART NUMBER	U/M DESCRIPTION
	110438-02-000	EA VALVE - CHECK - BRASS - 1/2 MPT X 1/2 MPT
	110915-01-01A	EA FILL - CITY WATER - CHROME
	112176-01-000	FT TUBING - VINYL - REINFORCED - 1/2" ID
	113697-01-000	EA CAP - 3/8 FTG
	114428-01-000	EA TEE - 1/2"P X 1/2"P X 1/2"P
	114428-02-000	EA TEE - SWIVEL - 1/2"P X 1/2"P X 1/2"FPT
	114429-01-000	EA ELBOW - 1/2"P X 1/2"P
	114429-02-000	EA ELBOW - 1/2"P X 1/2"MPT
	114429-03-000	EA ELBOW - SWIVEL - 1/2"P X 1/2"FPT
	114429-04-000	EA ELBOW - 1/2"P X 3/8"MPT
	114429-08-000	EA ELBOW - SWIVEL - 1/2"MPT X 1/2"FPT SWIVEL
	114430-02-000	EA ADAPTER - SWIVEL - 1/2"P X 1/2"FPT
	114430-03-000	EA ADAPTER - 1/2"P X 1/2"MPT
	114430-06-000	EA ADAPTER - 1/2"P X 3/8"FPT
	114431-01-000	EA VALVE - 180 DEGREE/CENTER DRAIN - 1/2"P - THREE WAY
	114431-02-000	EA VALVE - WATER BYPASS - 1/2"P - THREE WAY (WATER HEATER)
	114431-03-000	EA VALVE - 90 DEGREE DRAIN - 1/2"P
	123150-01-000	EA ELBOW - 1/2 FPT X 1/2 BARB - SWIVEL
	123152-01-000	EA ADAPTER - 1/2 FPT X 1/2 BARB - SWIVEL
	124184-01-000	EA SUPPORT - WATER LINE - BEND
	124188-01-000	FT TUBING - PEX - 1/2" ID X 20' - BLUE(COLD)
	124188-02-000	FT TUBING - PEX - 1/2" ID X 20' - RED(HOT)

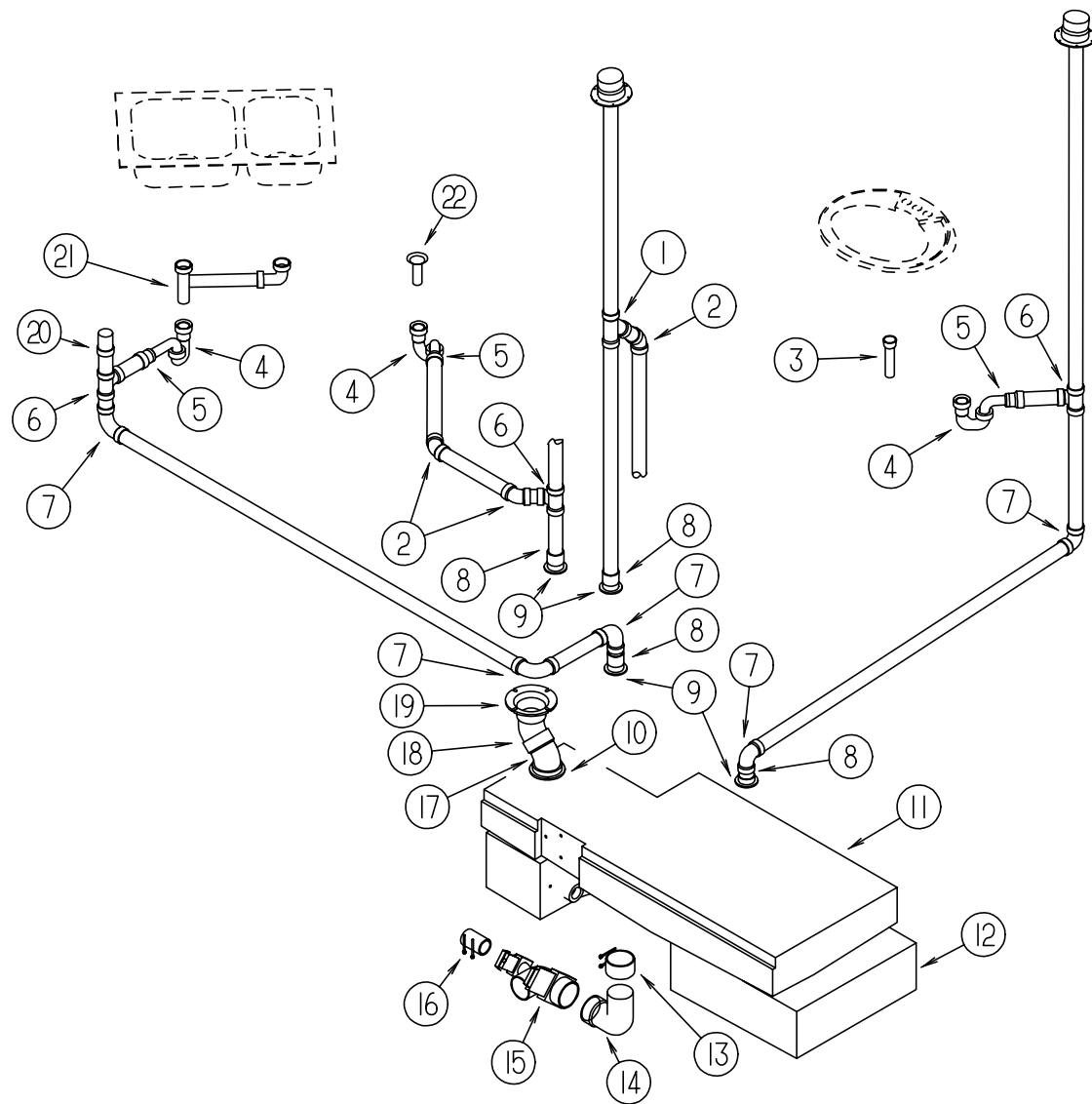
ATWOOD WATER HEATER W/MOTOR AID (GH6-8E)

KEY	PART NUMBER	U/M DESCRIPTION
*	051393-01-000	EA WATER HEATER - GH6-8E - ELECTRONIC IGNITION W/MOTOR AID

*COMPONENT PARTS FOUND IN SERVICE PARTS LIBRARY

WATER & SEWAGE GROUP (CONTINUED)

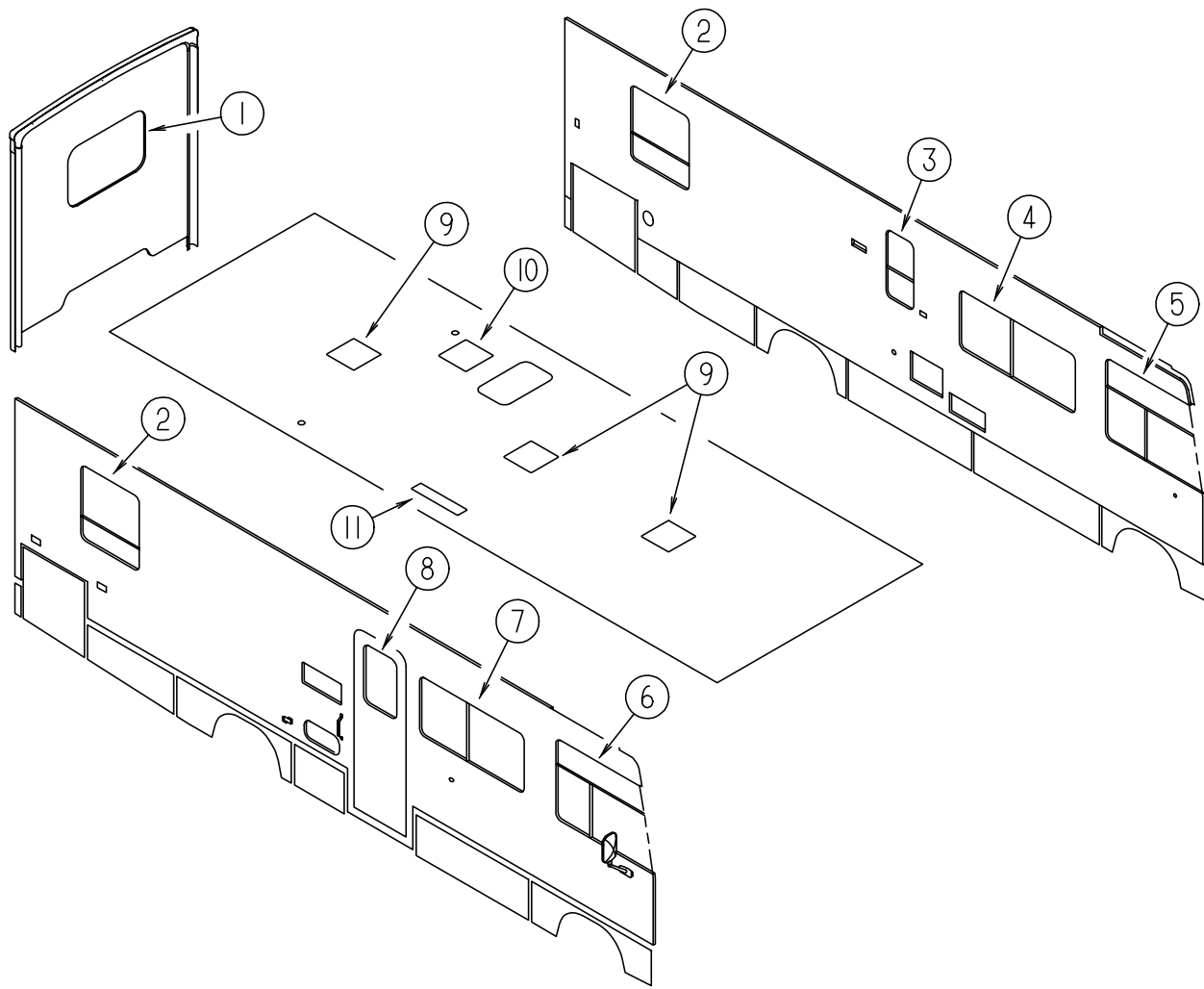
DRAINAGE SYSTEM



KEY	PART NUMBER	U/M DESCRIPTION	VENDOR NO.
1	010073-01-000	EA WYE - 45 DEGREE - 1 1/2" HUB X HUB X HUB - PLASTIC	
2	010006-01-000	EA ELBOW - 45 DEGREE - 1 1/2" HUB X HUB - PLASTIC	
3	106116-01-01A	EA STRAINER - SINK-W/STOPPER/TAILPIECE/GASKET & NUT - PLASTIC	
4	107538-01-000	EA P TRAP - PLASTIC - 1 1/4" W/EXTENSION ARM	
4	011071-01-000	EA P-TRAP - PLASTIC - 1 1/2" - CSA	
5	109571-01-000	EA ADAPTER - P TRAP - 1 1/2"P X 1 1/4"MPT - US	
6	010071-01-000	EA TEE - SANITARY - 1 1/2" HUB X HUB X HUB - PLASTIC	
7	010008-01-000	EA ELBOW - 90 DEGREE - 1 1/2" HUB X HUB - PLASTIC	
8	010115-01-000	EA COUPLING - 1 1/2" HUB X HUB - PLASTIC	
9	061607-01-000	EA GROMMET - HOLDING TANK - 1 1/2" NPS	
10	061607-02-000	EA GROMMET - HOLDING TANK - 3" NPS	
11	122006-01-000	EA TANK - HOLDING - 30 GALLON - W/O FITTINGS	
12	039861-01-000	EA SENDING UNIT - W/SCREW - WASHER - WELL NUT/TERMINAL RING	
12	122027-01-700	EA TANK-HOLDING 34 GAL-1.5"ADAP PARTS SALES	
	109571-02-000	EA ADAPTER - 1 1/2" HUB X 1 1/2" MPT	
	039861-01-000	EA SENDING UNIT - W/SCREW - WASHER - WELL NUT/TERMINAL RING	
13	078406-01-000	EA COUPLER - RUBBER - W/CLAMPS - 3" X 3"	
14	031126-01-000	EA ELBOW - 1/4 BEND - 3" X 90" XLT - BLACK PLASTIC	
15	070916-01-000	EA VALVE - DUAL DUMP - W/CAP - 3" X 1 1/2"	
	070916-01-700	EA VALVE ONLY (WASTE) 3"	T1003BU
	070916-01-701	EA VALVE ONLY (WASTE) 1 1/2"	T1001BU
	010201-01-000	EA HOSE - SEWER - 3" ID X 8'	
	062416-01-000	EA ADAPTER - SEWER HOSE TO 3" PIPE	
16	089355-01-000	EA COUPLER - RUBBER - 1 1/2" X 1 1/2"	
17	010061-01-000	EA ELBOW - 45 DEGREE ST - 3" SPIGOT & HUB - PLASTIC	
18	010024-01-000	EA ELBOW - 45 DEGREE - 3" HUB X HUB - PLASTIC	
19	063641-01-000	EA FLANGE - CLOSET - 4" X 3"	
20	079968-01-000	EA VENT - MECHANICAL/TRAP ARM - ANTI-SIPHON-2" X 7.3" PLASTIC	
21	011091-02-000	EA WASTE - CONTINUOUS - DOUBLE SINK	
22	011069-02-000	EA TAILPIECE - TUB/SHOWER - 1 1/2" X 1 1/4" X 4" - BRASS	
	066729-01-000	EA STRAINER - TUB/SHOWER W/PLUG - CHROME	
	127440-02-01A	EA WASHER - RUBBER - 1.8" X .1"	
	130403-01-000	EA NUT - SLIP - W/WINGS 1 1/2"	

WINDOW, VENT & EXTERIOR DOOR GROUP

WINDOWS AND ROOF VENTS

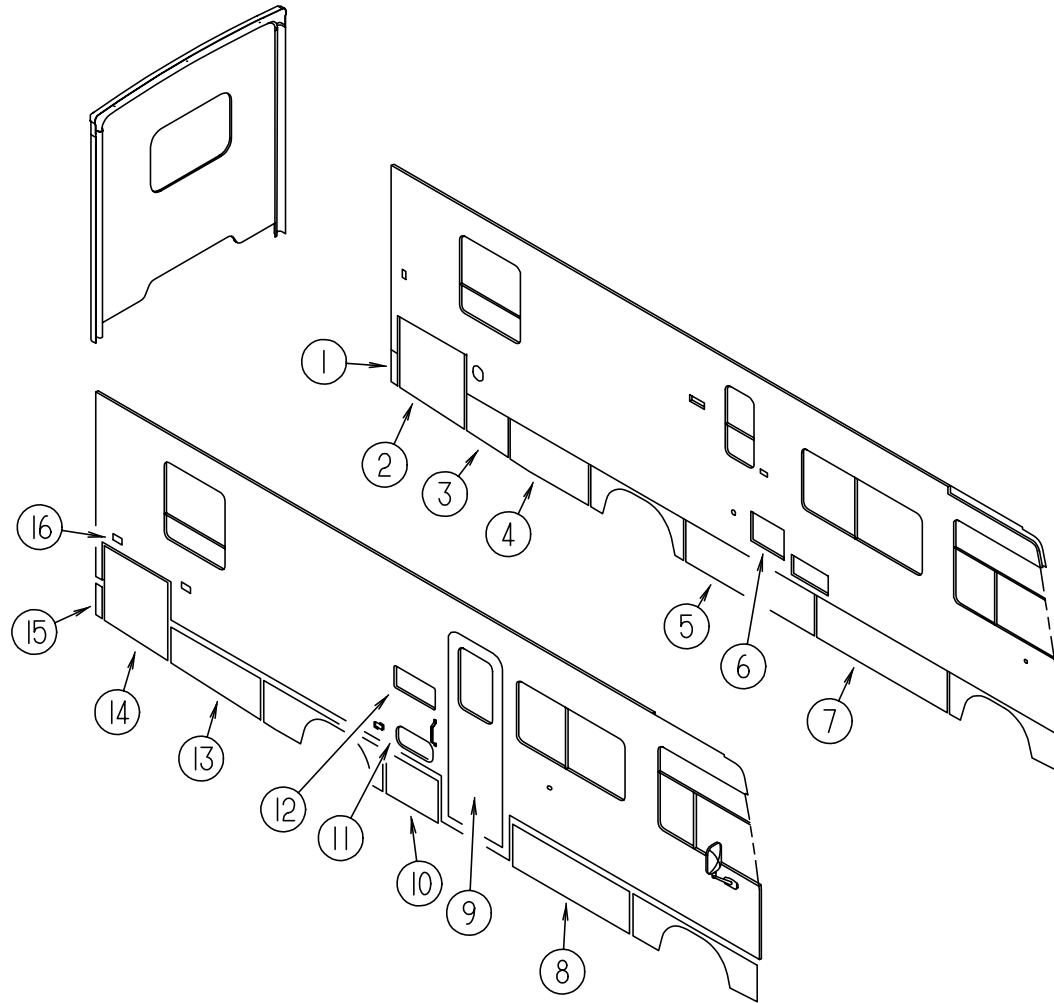


KEY	PART NUMBER	U/M	DESCRIPTION
1*	078528-06-E10	EA	WINDOW - ESCAPE - W/O RETAINER/TRIM - 48.5" X 24.5"
1*	113502-01-01A	EA	WINDOW - REAR/CENTER ESCAPE - THERMO - 24.8" X 48.7"
2*	112463-03-01A	EA	WINDOW - TIPOUT W/RETAINER TRIM - 33.3" X 30.2"
2*	129929-01-01A	EA	WINDOW - TORQUE - THERMO - 33.2" X 30.2"
3*	098647-34-01A	EA	WINDOW - DRIVER HORIZ SLIDER W/TRIM-TINTED - 15.7" X 28.5"
3*	112795-20-01A	EA	WINDOW - DRIVER HORIZONTAL SLIDER - THERMO - 16" X 28.7"
4*	098647-22-01A	EA	WINDOW - DRIVER HORIZ SLIDER W/TRIM-TINTED - 26.1" X 59.7"
4*	112795-15-01A	EA	WINDOW - DRIVER HORIZONTAL SLIDER - THERMO - 26.4" X 60"
5*	125582-08-01A	EA	WINDOW - CAB - DRIVER
5*	125583-08-01A	EA	WINDOW - DRVR CAB-3 GLASS THERMO-44.2"T X 51.2"B X 37"H
6*	125582-07-01A	EA	WINDOW - CAB - PASSENGER
6*	125583-07-01A	EA	WINDOW - PASS CAB-3 GLASS THERMO-44.2"T X 51.2"B X 37"H
7*	098647-24-01A	EA	WINDOW - PASS HORIZ SLIDER W/TRIM - TINTED - 26.1" X 53.8"
7*	112795-17-01A	EA	WINDOW - PASSENGER HORIZ SLIDER - THERMO - 26.4" X 54"
8*	117053-02-F36	EA	WINDOW - PICTURE - 60% TINTING - 17" X 26.4"
8*	113733-01-01A	EA	WINDOW - STATIONARY THERMOPANE - 17" X 26.4"
9*	122882-01-01A	EA	VENT - ROOF - NONPOWERED - W/O INSIDE GARNISH
10*	122882-02-01A	EA	VENT - ROOF - W/FAN - W/O INSIDE GARNISH - UL
10*	122882-03-01A	EA	VENT - ROOF - W/FAN - W/O INSIDE GARNISH - CSA
11	084073-04-000	EA	BASE - ROOF VENT/REFRIGERATOR - BLACK - NORCOLD
11	084073-07-000	EA	VENT - ROOF/REFRIGERATOR - BRIGHT WHITE - NORCOLD
	083558-03-000	EA	VENT - PLUMBING - PIPE ROOF - W/COVER - OFF WHITE
	084616-07-000	EA	SHROUD - EXHAUST VENT/RANGE HOOD - BRIGHT WHITE
	084878-09-000	EA	VENT - EXHAUST/RANGE HOOD - OFF WHITE
	117046-01-000	EA	BUMPER - RUBBER/ROUND END
	117046-02-000	EA	BUMPER - RUBBER/ROUND END - THERMOPANE WINDOW OPTION

*COMPONENT PARTS FOUND IN SERVICE PARTS LIBRARY

WINDOW, VENT & EXTERIOR DOOR GROUP (CONTINUED)

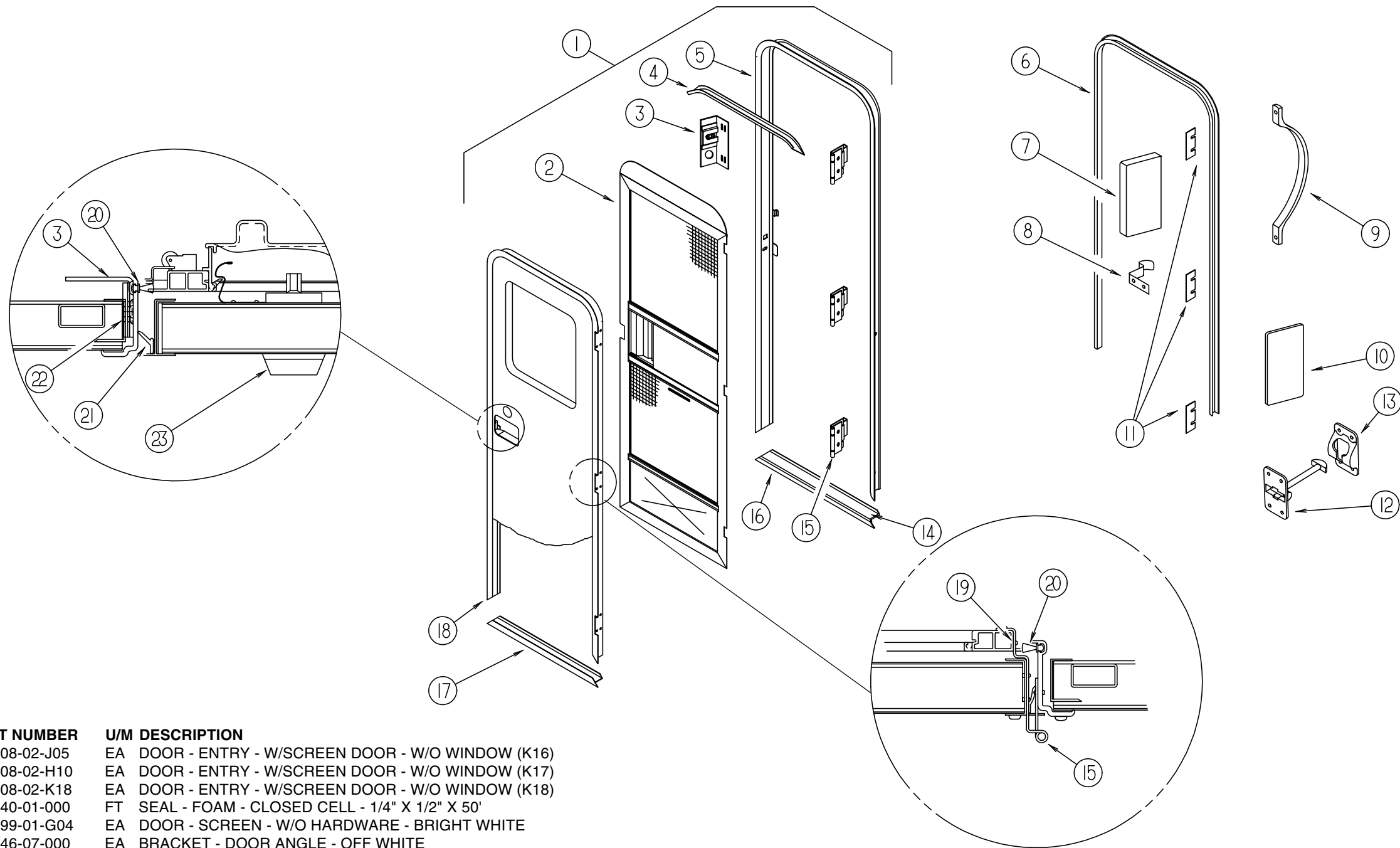
EXTERIOR DOORS & PANELS



KEY	PART NUMBER	U/M	DESCRIPTION	VENDOR NO.
1	126645-08-J15	EA	VALANCE/PANEL - REAR DRIVER - W/O HARDWARE - 4.4"	
2	124245-19-J15	EA	VALANCE/DOOR - REAR DRIVER - W/O PADDLE LATCH - 34.2"	
3	126645-02-J15	EA	VALANCE/PANEL - REAR DRIVER - W/O HARDWARE - 20.7"	
4	126647-03-J15	EA	VALANCE/DOOR - DRIVER W/O LATCH - 18.2" X 38.6" X 16.7"	
5	126646-06-J15	EA	VALANCE/DOOR - W/O PADDLE LATCH - 58"	
	009426-01-000	EA	HATCH - POWER CORD - WHITE	
6	052009-06-000	EA	DOOR - WATER HEATER - BRIGHT WHITE - 18" X 14.6"	
7	126646-05-J15	EA	VALANCE/DOOR - W/O PADDLE LATCH - 72.4"	
8	126646-08-J15	EA	VALANCE/DOOR - W/O PADDLE LATCH - 61.9"	
9	115108-02-J05	EA	DOOR - ENTRY - W/SCREEN DOOR - W/O WINDOW (K16)	
9	115108-02-H10	EA	DOOR - ENTRY - W/SCREEN DOOR - W/O WINDOW (K17)	
9	115108-02-K18	EA	DOOR - ENTRY - W/SCREEN DOOR - W/O WINDOW (K18)	
10	126646-07-J15	EA	VALANCE/DOOR - W/O PADDLE LATCH - 26.5"	
11	126945-01-J22	EA	DOOR/STORAGE - W/O HARDWARE - 18" X 8.3"	
12	084103-08-000	EA	DOOR - VENT/REFRIGERATOR - W/O JAMB - BRIGHT WHITE	
12	084104-08-000	EA	JAMB - VENT DOOR/REFRIGERATOR - BRIGHT WHITE	
	084104-01-700	EA	LOCK-MALE, FASTENER	201-721-010
	084104-01-701	EA	LOCK-FEMALE, FASTENER	201-802-010
13	126647-04-J15	EA	VALANCE/DOOR - PASS W/O LATCH - 18" X 47.3" X 15.6"	
14	124245-18-J15	EA	VALANCE/DOOR - REAR PASSENGER - W/O PADDLE LATCH - 34.2"	
15	126645-07-J15	EA	VALANCE/PANEL - REAR PASSENGER - W/O HARDWARE - 4.4"	
16	081240-20-000	EA	DOOR - WATER FILL - W/O LOCK - BRIGHT WHITE	

WINDOW, VENT & EXTERIOR DOOR GROUP (CONTINUED)

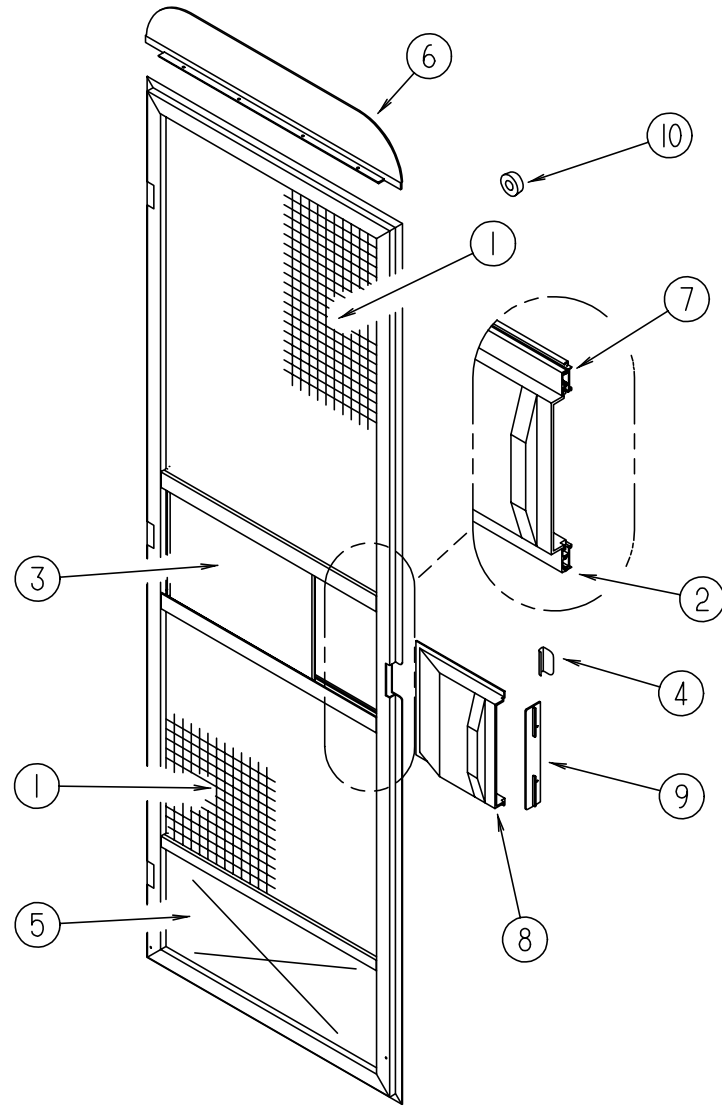
ENTRANCE DOOR



KEY	PART NUMBER	U/M DESCRIPTION
1	115108-02-J05	EA DOOR - ENTRY - W/SCREEN DOOR - W/O WINDOW (K16)
1	115108-02-H10	EA DOOR - ENTRY - W/SCREEN DOOR - W/O WINDOW (K17)
1	115108-02-K18	EA DOOR - ENTRY - W/SCREEN DOOR - W/O WINDOW (K18)
	090340-01-000	FT SEAL - FOAM - CLOSED CELL - 1/4" X 1/2" X 50'
2	121899-01-G04	EA DOOR - SCREEN - W/O HARDWARE - BRIGHT WHITE
3	041546-07-000	EA BRACKET - DOOR ANGLE - OFF WHITE
4	044582-44-000	EA CAP - DRIP - JAMB - BRIGHT WHITE
5	121898-01-01A	EA JAMB - ENTRY DOOR
6	115222-02-01A	EA GARNISH - RADIUS - ENTRY DOOR
7	077461-03-000	EA COVER - STRIKE - ENTRY DOOR - 6.5" X 2.5" - WHITE PLASTIC
8	100412-01-000	EA CATCH - SCREEN DOOR
9	009126-03-000	EA HANDLE - ASSIST - BLACK TEXTURED
10	076725-02-000	EA COVER - HINGE - ENTRY DOOR - 6" X 3.2" - OFF WHITE
11	102248-01-000	EA SHIM - DOOR
12	104099-01-04A	EA CATCH - DOOR HOLDER - STRIKE - BRIGHT WHITE
13	104099-02-04A	EA CATCH - DOOR HOLDER - RETAINER - BRIGHT WHITE
14	038327-01-000	EA TAPE - ANTI-SLIP - 2" X 60'
15	106719-01-05A	EA HINGE - ENTRANCE DOOR - BRIGHT WHITE
15	106719-01-01A	EA HINGE - ENTRANCE DOOR - MILL
	116111-02-01A	EA SCREW - TAPTITE - 1/4-20 X 3/8 PPH - ZINC
	039715-01-000	EA NUT-SERT - 1/4" DIAMETER - 20 THREADS

KEY	PART NUMBER	U/M DESCRIPTION	VENDOR NO.
16	051049-01-000	EA JAMB - BOTTOM - ENTRY DOOR - 25.9" - UNPAINTED	
17	121893-01-01A	EA FRAME - ENTRY DOOR/BOTTOM - BRIGHT WHITE	
18	121894-03-01A	EA FRAME - ENTRY DOOR	
	098173-01-04A	EA STIFFENER - ENTRY DOOR - SUPPORTS LATCH/STRIKE/UNPAINTED	
19	100128-02-000	FT SEAL - FOAM/ADHESIVE BACK - .37" WIDE X .37" THICK	
20	118929-01-01A	FT SEAL - PILE - PUSH ON	
21	075671-04-000	FT SEAL - SPONGE - LAZY T - W/ADHESIVE STRIP - .5" WIDE	
22	104692-01-000	EA SEAL - FOAM/ADHESIVE BACK - .75"THICK X .75"WIDE X 25'	
23	101145-01-06A	EA DEADBOLT - ENTRY DOOR W/O SECURITY BOLT W/2 KEYS - BLACK	
	101147-01-000	EA BOLT - SECURITY - 4.12"	
	095229-01-700	EA KEY-BLANK, DEADBOLT	81205-03
	101145-01-701	EA CYLINDER-LOCK ASM., W/KEY	81306-03

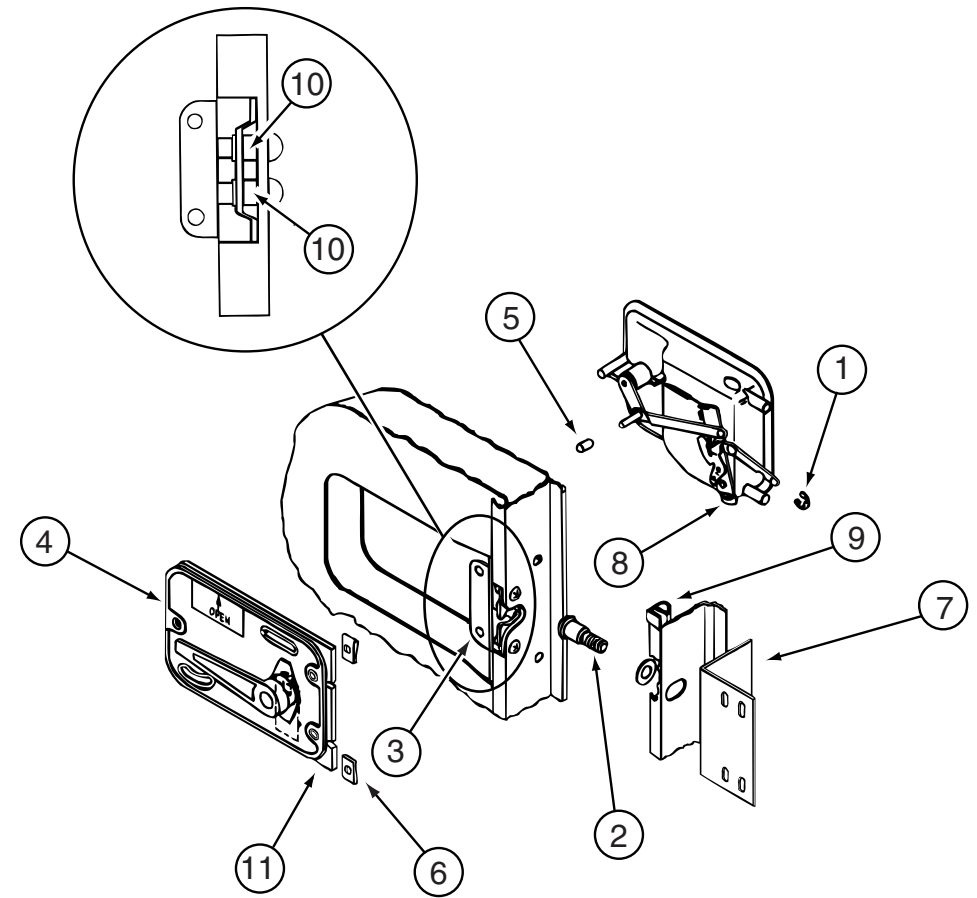
WINDOW, VENT & EXTERIOR DOOR GROUP (CONTINUED)



SCREEN DOOR

KEY	PART NUMBER	U/M DESCRIPTION
	121899-01-G04	EA DOOR - SCREEN - W/O HARDWARE - BRIGHT WHITE
1	002293-02-000	SF SCREENING - WINDOW/DOOR - 26" - CHARCOAL
2	002294-01-000	FT SPLINE - SCREENING - .135" X .138"
3	016454-01-000	EA INSERT - CENTER - LEATHER GRAIN ALUMINUM - UNPAINTED
	001014-01-013	EA INSERT - CENTER - 10.25" X 16.31" - UNPAINTED
4	050712-06-000	EA HANDLE - SCREEN DOOR - BRIGHT WHITE
5	078552-03-000	EA KICK PANEL - SCREEN DOOR - LOWER INSERT - UNPAINTED
6	078595-01-000	EA TOP PLATE - SCREEN DOOR - CURVED TOP - 4.7" X 25.35"
7	078777-08-000	FT CHANNEL - SLIDER
8	079086-03-000	EA SLIDER - SCREEN DOOR - BRIGHT WHITE
9	079087-03-000	EA STRIKE - SLIDER - SCREEN DOOR - BRIGHT WHITE
10	120863-02-000	EA BUMPER - RUBBER - 1" DIAMETER X 1.50"
	075673-05-000	FT SEAL - PILE - ADHESIVE BACK - BLACK

WINDOW, VENT & EXTERIOR DOOR GROUP (CONTINUED)

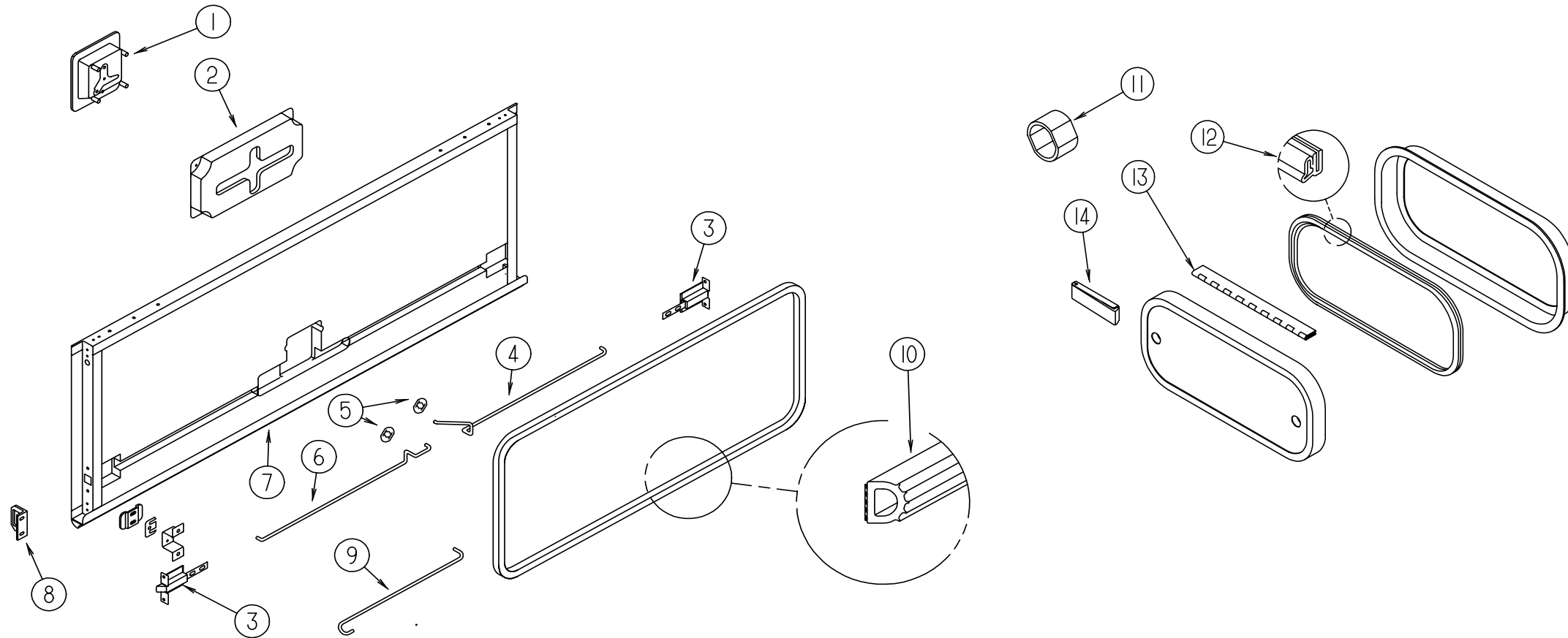


ENTRY DOOR LOCK INSTALLATION

KEY	PART NUMBER	U/M DESCRIPTION	VENDOR NO.
1	036618-02-000	EA E RING - EXTERNAL - 3/16" SHAFT DIAMETER - LYNOR DOOR LOCK	
2	039539-01-000	EA STRIKE - LOCK - ENTRY DOOR - ROUND W/THREADED WASHER	
3	039540-01-000	EA LATCH MECHANISM - HOOK - ENTRY DOOR - INTERIOR	
4	039979-06-000	EA COVER - LATCH PLATE - RIGHT HAND - BLACK TEXTURED	
5	039984-01-000	EA CAP - ROUND - VINYL - .28" ID X .62" - BLACK	
6	040921-01-000	EA NUT - SPEED - U TYPE - 10-24 BLACK	
7	041546-07-000	EA BRACKET - DOOR ANGLE - OFF WHITE	
8	045017-13-000	EA LATCH - ENTRY DOOR - BLACK TEXTURED	
	045017-11-703	EA CYLINDER-LOCK ASM. W/KEYS	81266-09
	130444-01-01A	EA CAP - KEY IDENTIFIER - GRAY	
9	064075-07-000	FT SEAL - BULB - W/WIRED U CHANNEL - .3" X .5" CHANNEL - BLK	
10	086285-05-000	EA SPACER - NYLON - .7" X .56"	
11	096810-01-01A	EA PLATE - LATCH - ENTRY DOOR - BLACK	

WINDOW, VENT & EXTERIOR DOOR GROUP (CONTINUED)

EXTERIOR ACCESS DOOR COMPONENTS



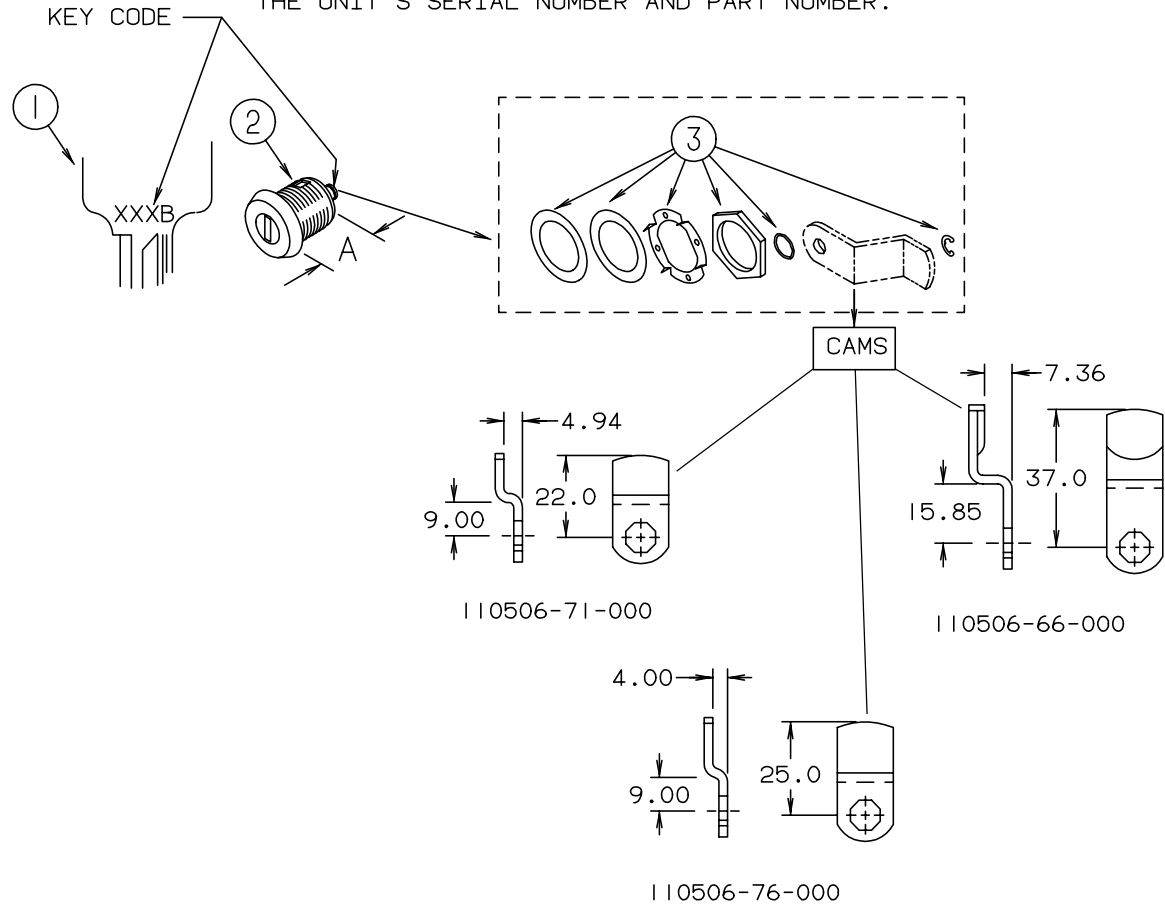
KEY	PART NUMBER	U/M	DESCRIPTION
1	112949-01-03A	EA	LATCH - PADDLE W/LOCK - W/O KEY - BRIGHT WHITE
	112949-03-000	EA	KEY - TRI-MARK #TM500
1	112949-02-04A	EA	LATCH - PADDLE NON-LOCKING - BRIGHT WHITE
2	122277-02-01A	EA	COVER - LATCH - BLACK
3	121947-01-01A	EA	BOLT - SLIDE - LATCH - STEEL
4	122268-08-000	EA	ROD - LATCH - 28.6"
4	122269-16-000	EA	ROD - LATCH - 8.96"
4	122269-17-000	EA	ROD - LATCH - 11.57"
4	122269-43-000	EA	ROD - LATCH - 15.94"
4	122269-44-000	EA	ROD - LATCH - 21.39"
4	122269-45-000	EA	ROD - LATCH - 5.55"
4	122269-46-000	EA	ROD - LATCH - 23.29"
5	124304-01-000	EA	CLIP - ROUND PUSH ON
6	122268-08-000	EA	ROD - LATCH - 28.5"
6	122268-16-000	EA	ROD - LATCH - 11.57"
6	122268-17-000	EA	ROD - LATCH - 8.96"
6	122268-43-000	EA	ROD - LATCH - 15.94"
6	122268-44-000	EA	ROD - LATCH - 21.39"
6	122268-45-000	EA	ROD - LATCH - 5.55"
6	122268-46-000	EA	ROD - LATCH - 23.29"
7	122613-55-001	EA	EXTRUDED - ROCKER PANEL - 192" - BRIGHT WHITE
8	123783-01-01A	EA	STRIKER - DOOR - MILL
			FROM: 00-00-00 THRU: 02-01-99
8	130053-01-01A	EA	STRIKER - LUGGAGE DOOR - FLUSH - BLACK
			FROM: 02-02-99 THRU: 99-99-99
8	130053-02-01A	EA	STRIKER - LUGGAGE DOOR - OFF SET - BLACK
			FROM: 02-02-99 THRU: 99-99-99
	120494-03-02B	EA	SHIM - STRIKER - LUGGAGE DOOR - E-COATED

KEY	PART NUMBER	U/M	DESCRIPTION
9	101667-06-000	EA	PROP ROD
	M62628-01-000	EA	CLIP-PROP ROD
10	107721-07-000	FT	SEAL - ACCESS DOOR
11	107997-51-001	EA	SPACER - DOOR LOCK - .6" DEEP
11	107997-51-002	EA	EXTRUDED - SPACER - 16'
12	106850-02-000	FT	SEAL-E - SPONGE RUBBER - .43" X .75"
13	081801-V3-000	EA	HINGE - ALUMINUM - 2" X 96" - BRIGHT WHITE
14	102768-01-000	EA	HOLDER - COMPARTMENT/ENTRY DOOR - METAL - MILL FINISH
	068559-01-001	EA	EXTRUDED - ANGLE - 1" X .9" X 192"
	076767-01-000	EA	CABLE - STEEL - 12"
	104692-01-000	FT	SEAL - FOAM/ADHESIVE BACK - .75"THICK X .75"WIDE X 25'
	112160-01-000	FT	SEAL - D SECTION - .2 X .3" - FOAM RUBBER
	119143-02-02A	EA	SPACER/CENTER HINGE - COMPARTMENT DOOR - BRIGHT WHITE - 2"
	123512-01-02B	EA	BRACKET - VALANCE DOOR - E-COATED
	120863-01-000	EA	BUMPER - RUBBER - 1 1/4" X 1 1/4"
	116424-01-000	EA	PROTECTOR - LATCH - WATER HEATER
	122614-55-001	EA	EXTRUDED - H CHANNEL - 191" - BRIGHT WHITE
	128298-01-12B	EA	CATCH - F/LOCK - COMPARTMENT DOORS
	121577-01-01A	EA	PLATE - W/HOLE - BRIGHT WHITE

WINDOW, VENT & EXTERIOR DOOR GROUP (CONTINUED)

BRIGGS & STRATTON LOCKS & COMPONENTS

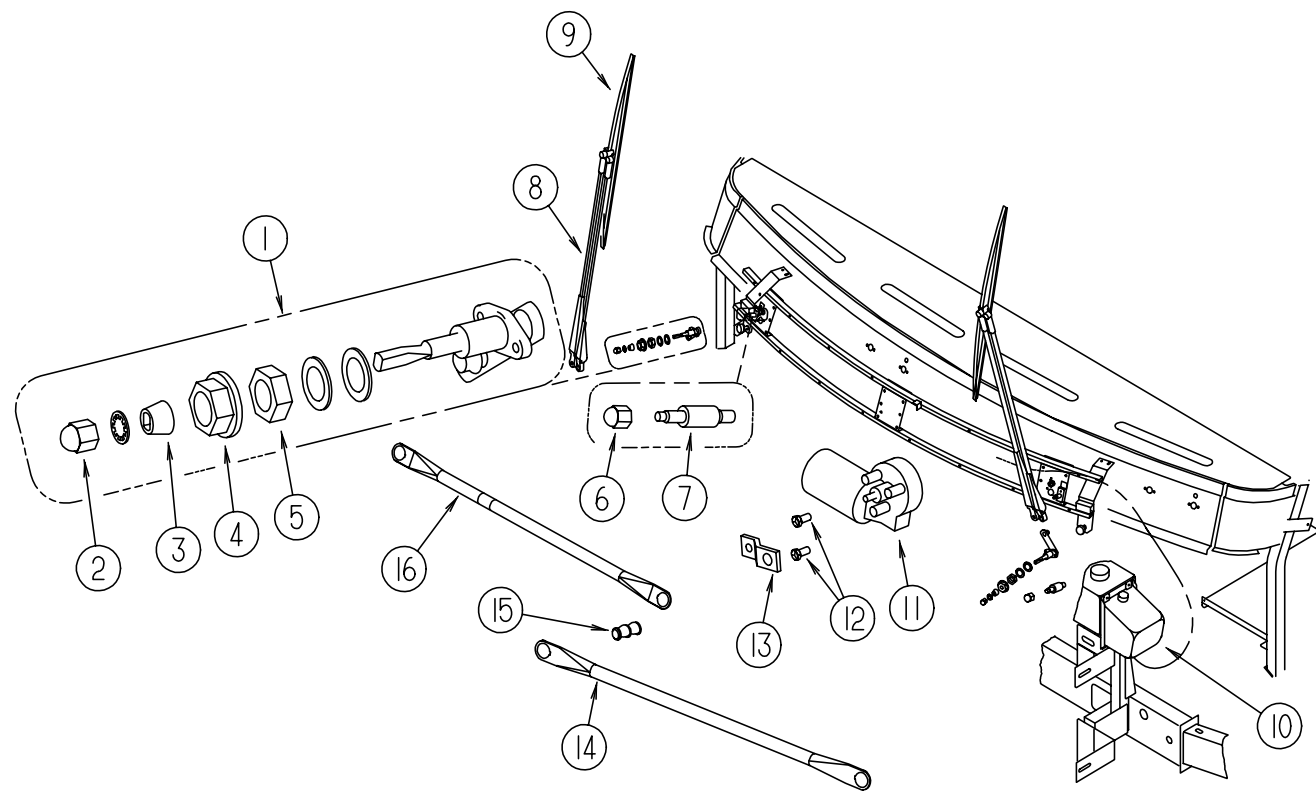
NOTE:
WHEN ORDERING THE LOCK CASE, THE KEY CODE MUST MATCH THE LAST DIGIT OF THE UNIT'S SERIAL NUMBER AND PART NUMBER; WHEN ORDERING THE KEYS, THE THIRD DIGIT OF THE KEY CODE MUST MATCH THE LAST DIGIT OF THE UNIT'S SERIAL NUMBER AND PART NUMBER.



KEY	PART NUMBER	U/M	DESCRIPTION	VENDOR NO.
1	110506-59-000	EA	KEYS - SET OF TWO	596720
2	110506-52-000	EA	CASE/CYLINDER - LOCKING W/O CAM - .65"	702370
2	110506-54-000	EA	CASE/CYLINDER - LOCKING W/O CAM OR KEY - 1 1/4"	703170
1	110506-59-001	EA	KEYS - SET OF TWO	596721
2	110506-52-001	EA	CASE/CYLINDER - LOCKING W/O CAM - .65"	702371
2	110506-54-001	EA	CASE/CYLINDER - LOCKING W/O CAM OR KEY - 1 1/4"	703171
1	110506-59-002	EA	KEYS - SET OF TWO	596722
2	110506-52-002	EA	CASE/CYLINDER - LOCKING W/O CAM - .65"	702372
2	110506-54-002	EA	CASE/CYLINDER - LOCKING W/O CAM OR KEY - 1 1/4"	703172
1	110506-59-003	EA	KEYS - SET OF TWO	596723
2	110506-52-003	EA	CASE/CYLINDER - LOCKING W/O CAM - .65"	702373
2	110506-54-003	EA	CASE/CYLINDER - LOCKING W/O CAM OR KEY - 1 1/4"	703173
1	110506-59-004	EA	KEYS - SET OF TWO	596724
2	110506-52-004	EA	CASE/CYLINDER - LOCKING W/O CAM - .65"	702374
2	110506-54-004	EA	CASE/CYLINDER - LOCKING W/O CAM OR KEY - 1 1/4"	703174
1	110506-59-005	EA	KEYS - SET OF TWO	596725
2	110506-52-005	EA	CASE/CYLINDER - LOCKING W/O CAM - .65"	702375
2	110506-54-005	EA	CASE/CYLINDER - LOCKING W/O CAM OR KEY - 1 1/4"	703175
1	110506-59-006	EA	KEYS - SET OF TWO	596726
2	110506-52-006	EA	CASE/CYLINDER - LOCKING W/O CAM - .65"	702376
2	110506-54-006	EA	CASE/CYLINDER - LOCKING W/O CAM OR KEY - 1 1/4"	703176
1	110506-59-007	EA	KEYS - SET OF TWO	596727
2	110506-52-007	EA	CASE/CYLINDER - LOCKING W/O CAM - .65"	702377
2	110506-54-007	EA	CASE/CYLINDER - LOCKING W/O CAM OR KEY - 1 1/4"	703177
1	110506-59-008	EA	KEYS - SET OF TWO	596728
2	110506-52-008	EA	CASE/CYLINDER - LOCKING W/O CAM - .65"	702378
2	110506-54-008	EA	CASE/CYLINDER - LOCKING W/O CAM OR KEY - 1 1/4"	703178
1	110506-59-009	EA	KEYS - SET OF TWO	596729
2	110506-52-009	EA	CASE/CYLINDER - LOCKING W/O CAM - .65"	702379
2	110506-54-009	EA	CASE/CYLINDER - LOCKING W/O CAM OR KEY - 1 1/4"	703179
3	110506-40-700	EA	HARDWARE PACKAGE-CYLINDER/CASE	596950AAL
	110506-59-701	EA	KEY BLANK (GOLD)	596728

WINDSHIELD & WIPER GROUP

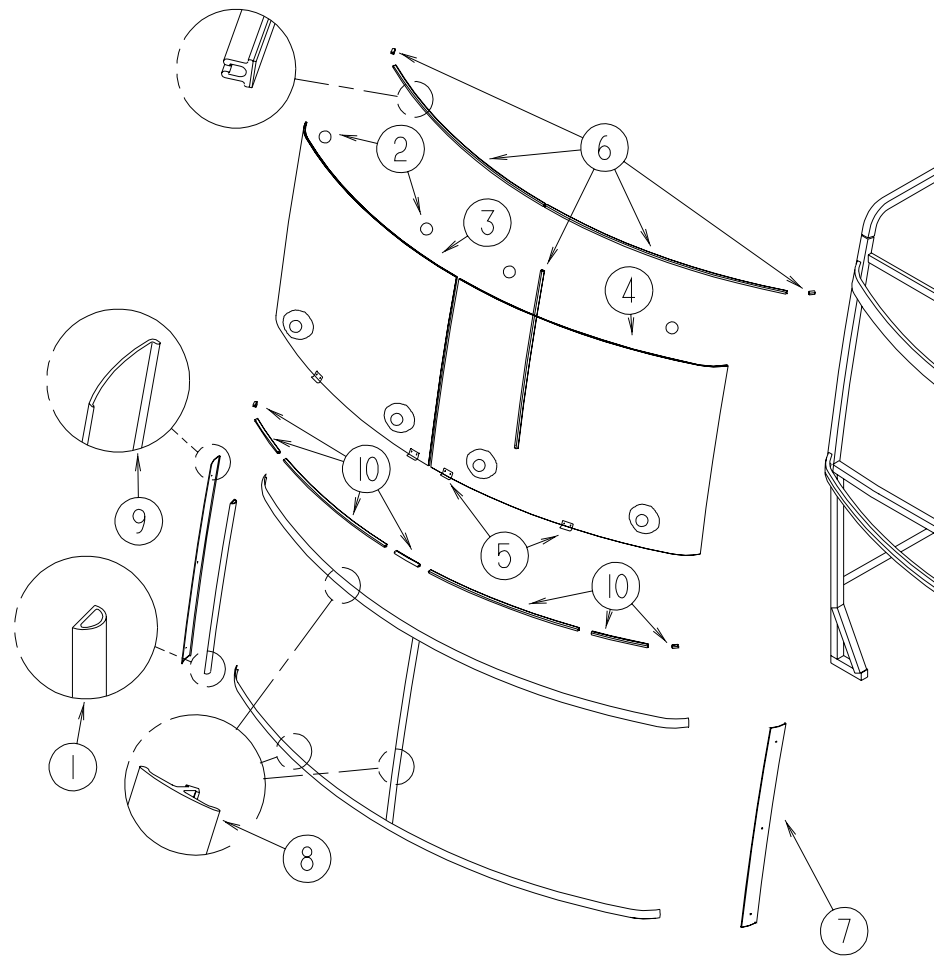
WIPER & WASHER COMPONENTS



KEY	PART NUMBER	U/M DESCRIPTION	VENDOR NO.
1	096505-09-000	EA SHAFT/PIVOT - WINDSHIELD WIPER	
2	096505-02-703	EA CAP-NUT(ACORN) HD W/.687 BRL	51065-40-NT27WC
3	096505-02-700	EA DRIVER-KNURLED,(HD) BRL .687	NT721017
4	096505-02-702	EA CAP-RUBBER (HD) BARREL .687	CP721084
5	096505-02-701	EA NUT-HEX (HD) W/.687 BARREL	NT721021
6	077049-02-000	EA NUT - ACORN - 10-32 BLACK/ANODIZED	
7	117768-01-000	EA SHAFT - ADAPTER - PANTOGRAPH ARM	
8	117769-01-000	EA ARM - WIPER - PANTOGRAPH - 28"	
	096931-01-700	FT HOSE-WIPER	XTU-66-0001
	096931-01-701	EA NOZZLE-HARDWARE KIT	
9	095964-01-000	EA BLADE - WINDSHIELD WIPER - 24"	
	095964-01-700	EA BLADE-REFILL 24" EA= 1 PAIR	12360
10	117766-02-000	EA RESERVOIR/PUMP - WINDSHIELD WASHER	
	045794-01-000	FT HOSE - WASHER - WINDSHIELD - 5/32" ID - BLACK	
	110605-01-000	EA TEE - PLASTIC - BARBED - 1/8" X 1/8" X 3/16"	
	117765-03-000	EA CONNECTOR - 5/32" - WINDSHIELD WASHER	
11	104346-05-000	EA WIPER MOTOR - W/INTERNAL BREAKER - DYNAMIC PARK - FORD	
11	104346-04-000	EA WIPER MOTOR - "COAST TO PARK" W/BKR - W/GRN/RED/WHITE WIRE - CHEVY	
12	117322-01-000	EA SCREW - 1/4-28 UNFINISHED - 2A - TORX	
13	104347-04-000	EA ARM - DRIVE - WIPER MOTOR	
14	117770-01-000	EA LINK - CONNECTING - 24" - CLOSED GROMMET/OPEN GROMMET	
15	067188-01-000	EA STUD - CRANK - WIPER MOTOR	
16	117770-02-000	EA LINK - CONNECTING - 24" - CLOSED GROMMET/CLOSED GROMMET	
	061603-01-000	EA GROMMET - SNAP - 3/16"ID - 3/8" HOLE - PLASTIC BLACK	
	110742-02-000	EA GASKET - NEOPRENE - WIPER ADAPTER SHAFT - .5" X .9" OD	

WINDSHIELD & WIPER GROUP (CONTINUED)

WINDSHIELD MOLDINGS & GLASS



KEY	PART NUMBER	U/M	DESCRIPTION
1	099418-01-000	FT	SEAL - D-SECTION/ADHESIVE BACK - .44" X .44"- BLK RUBBER
2	081914-01-000	EA	BUMPER - RUBBER - ROUND - .43" DIAMETER
3	124973-01-000	EA	GLASS - WINDSHIELD - RIGHT HAND
4	124973-02-000	EA	GLASS - WINDSHIELD - LEFT HAND
5	002328-02-000	EA	BLOCK - WINDSHIELD - .062" X .5" X .98"
6	127862-01-000	EA	CARRIER - REVEAL - WINDSHIELD - 47.2"
7	125384-06-02A	EA	TRIM - WINDSHIELD - A-PILLAR - DRIVER
8	120533-01-000	FT	MOLDING - REVEAL - WINDSHIELD
9	125384-05-02A	EA	TRIM - WINDSHIELD - A-PILLAR - PASSENGER
10	117335-01-000	EA	CARRIER/REVEAL - 94.6" W/ADHESIVE BACKING