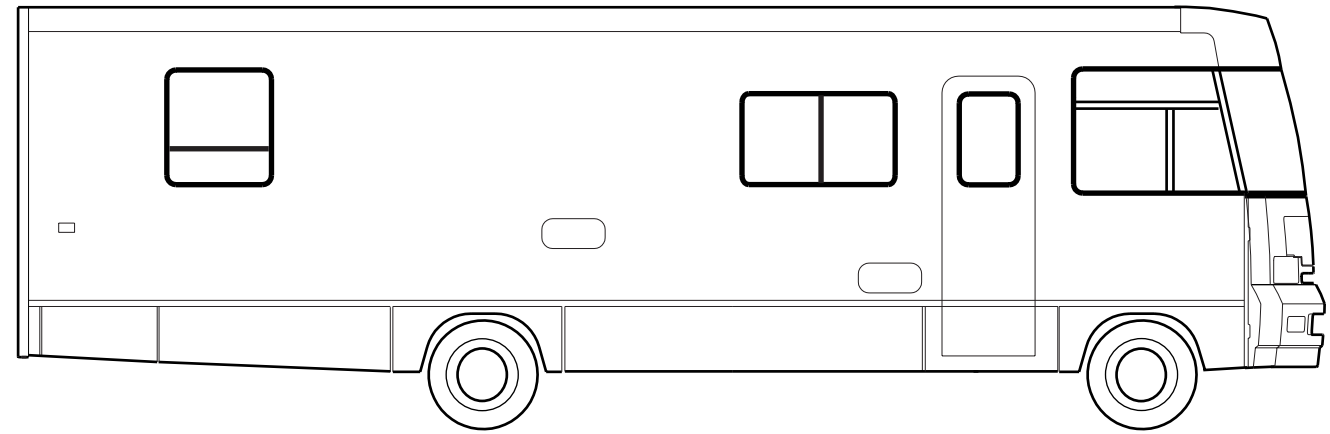


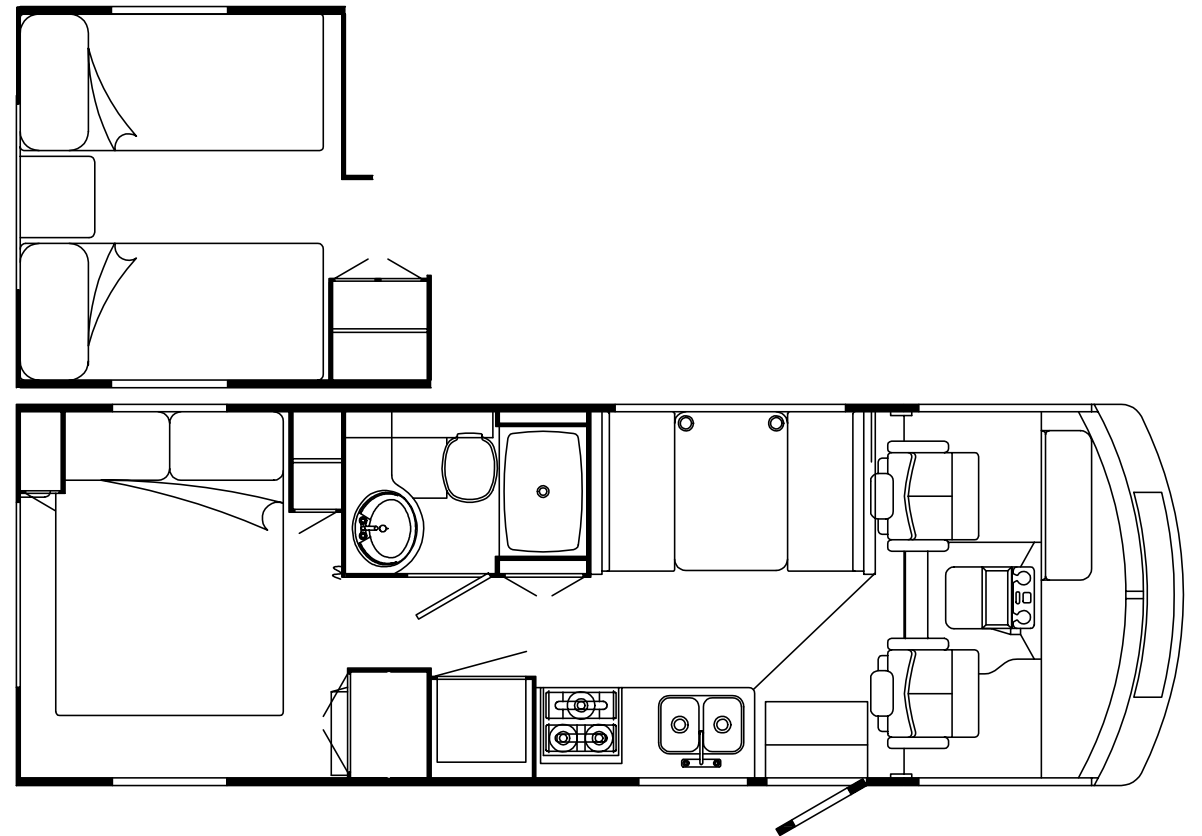
**1999**  
**WCF26P**



**K16**  
**SANDPIPER (TAN)**

**K17**  
**HORIZON (BLUE)**

**K18**  
**MEADOWBROOK (GREEN)**



**ACCESSORIES GROUP  
OPERATOR MANUAL**

KEY	PART NUMBER	U/M DESCRIPTION
	054185-K3-000	EA MANUAL-OPERATOR 1999 BRAVE - F SERIES
	129079-01-01A	EA CASE - VINYL/BLACK-EXPANDABLE ACCORDION SIDES-7"WX9"HX14"L
	128992-01-000	DW TOP LEVEL-F, 1999

**AUDIO VIDEO GROUP  
PATIO ENTERTAINMENT CENTER**

KEY	PART NUMBER	U/M DESCRIPTION
	076319-09-000	EA WALLPLATE - CABLE RECEPTACLE - TV - SINGLE - BROWN
	108847-01-000	EA BRACKET - ANTENNA GROUND
	109889-04-000	EA EXTENDER - ANTENNA SHAFT - 3"
	110469-01-000	EA SPEAKER - 4" X 6" OVAL - COAXIAL
	110470-01-01A	EA GRILLE - 4" X 6" OVAL - BLACK
	125322-02-000	EA RADIO - AM/FM STEREO - CASSETTE - AUDIOVOX

**RADIO SYSTEM & ANTENNA**

KEY	PART NUMBER	U/M DESCRIPTION	VENDOR NO.
	127516-03-000	EA RADIO - AM/FM STEREO - CD PLAYER - PANASONIC	
	127516-03-700	EA FACE - REMOVABLE	YEP0FX3300
	110267-04-000	EA RADIO - AM/FM STEREO/CD COMPATIBLE - AUDIOVOX	
	127264-03-000	EA RADIO - AM/FM STEREO/CASSETTE - EUROPEAN	
	077069-02-000	EA CABLE - ANTENNA/EXTENSION - RADIO - 96"	
	090944-01-000	EA ANTENNA - RADIO - 16" RUBBER	
	115916-01-01B	EA BRACKET - ANTENNA MOUNT	
	110469-01-000	EA SPEAKER - 4" X 6" OVAL - COAXIAL	
	110470-01-01A	EA GRILLE - 4" X 6" OVAL - BLACK	
	N/A	EA SPEAKER - 5" X 7" OVAL	
		MUST ORDER P.N.#F2UF-18814-CD FROM YOUR LOCAL FORD DEALER	
	111177-01-01A	EA GRILLE - SPEAKER - 6.6" X 8.9" - HOUSING 5" X 7" SPEAKER	

**TV, VCR & COMPONENTS**

KEY	PART NUMBER	U/M DESCRIPTION	VENDOR NO.
	126696-02-000	EA TV - 19" COLOR W/1/8" JACK - UL/CSA - GE19GT319M	FROM: 00-00-00 THRU: 06-09-99 226725/228006
	126696-01-700	EA REMOTE	
	126696-03-000	EA TV - 19" - 7/8" JACK - UL/CSA	FROM: 06-10-99 THRU: 99-99-99
	126697-02-000	EA VCR-VHS - CABLE READY - W/REMOTE - GE VG2042	FROM: 00-00-00 THRU: 04-04-99
	126697-02-700	EA REMOTE	238513
	126697-03-000	EA VCR-VHS - CABLE READY - REMOTE - GE V62051	FROM: 04-05-99 THRU: 99-99-99
	086757-03-000	EA CONTROL CENTER - SWITCH - VCR/TV	FROM: 00-00-00 THRU: 11-08-98
	086757-04-000	EA CONTROL CENTER - SWITCH - VCR/TV - 5 INPUTS	FROM: 11-09-98 THRU: 99-99-99
	086777-06-000	EA WALLPLATE - TV CABLE - ANTENNA BOOSTER/1 OUTPUT - BROWN	
	093901-03-000	EA PLATE - TV COAX - EXTERIOR - 1.8" X 2.5"	
	093214-01-02A	EA GRILLE - SPEAKER - 4" BROWN	
	098819-01-000	EA SPEAKER - 4" - 2 WATT - 8 OHM	
	076319-08-000	EA WALLPLATE - CABLE RECEPTACLE - TV - SINGLE - IVORY	
	086777-02-000	EA WALLPLATE - TV CABLE - W/ANTENNA SWITCH - BROWN	
	093901-03-000	EA PLATE - TV COAX - EXTERIOR - 1.8" X 2.5"	
	076319-03-000	FT CABLE - COAXIAL - 75 OHM	
	076319-12-000	EA CONNECTOR - COAXIAL - ONE PIECE	
	082134-01-000	EA ADAPTER - TV - CABLE TO CABLE	
	086756-01-000	EA SPLITTER - TV - 2 WAY	
	082136-01-000	EA NUT - HEX JAM - 3/8-32	

**REAR MONITOR SYSTEM**

KEY	PART NUMBER	U/M DESCRIPTION
	126838-01-000	EA MONITOR/CAMERA - REAR VIEW 7"
	126838-01-700	EA MONITOR - 7" VIDEOMAN
	126838-01-701	EA CAMERA VIDEOMAN
	126838-03-000	EA CABLE - MONITOR/CAMERA
	108885-02-000	EA WIRE - REAR MONITOR(W/3 PIN HOUSING F/FUSE BLOCK) CHEVY

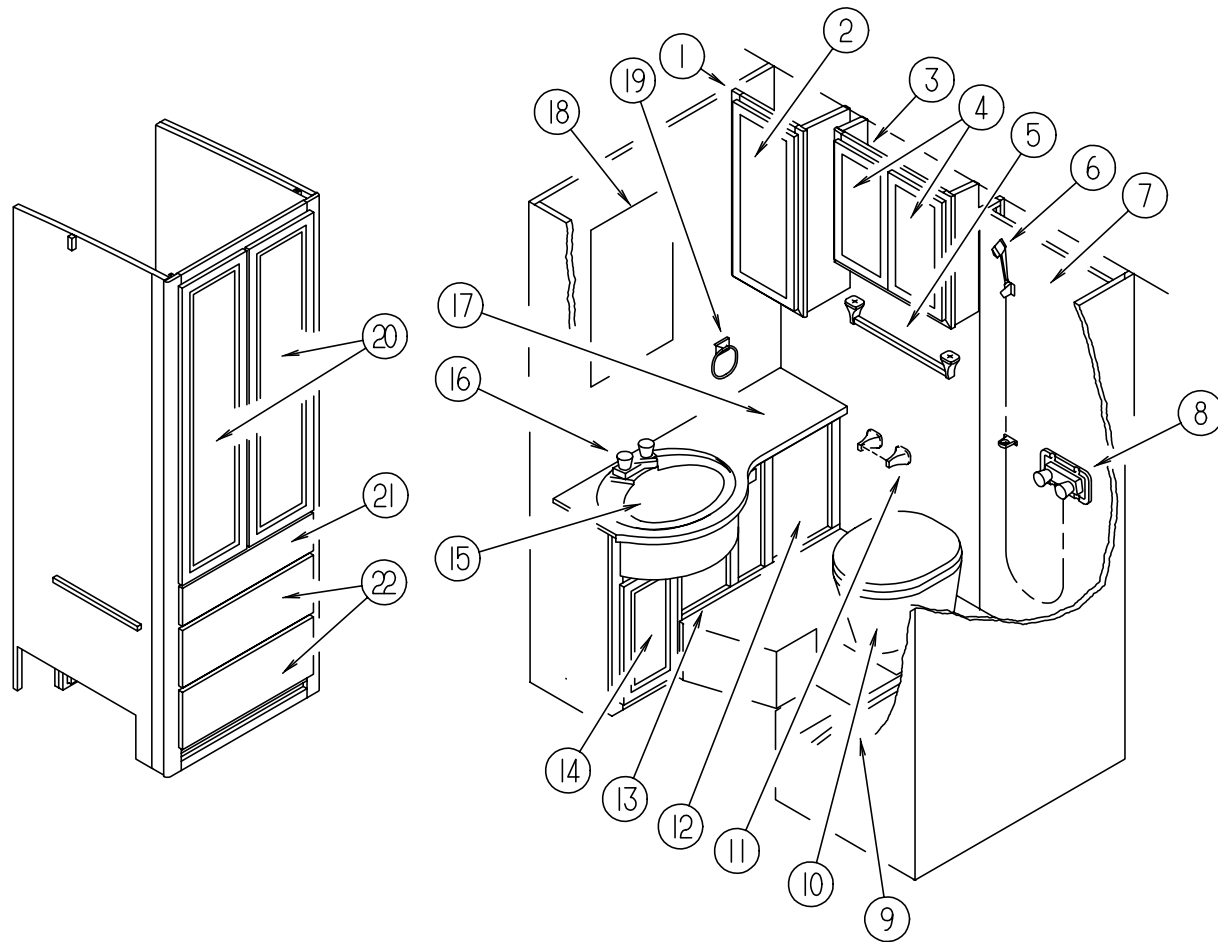
**WINEGARD TV ANTENNA**

KEY	PART NUMBER	U/M DESCRIPTION
*	076319-23-000	EA ANTENNA - TV ROOF MOUNT - 44.5" MAST
*	076319-25-000	EA KIT - HARDWARE INTERIOR

**\*COMPONENT PARTS FOUND IN SERVICE PARTS LIBRARY**

# BATH GROUP

## BATHROOM CABINET & COMPONENTS



KEY	PART NUMBER	U/M DESCRIPTION	VENDOR NO.
1	128143-01-K16	EA CABINET - MEDICINE - W/O HARDWARE	
	128143-12-J15	EA SHELF - W/PLASTIC EDGE TRIM	
	076767-04-000	EA CABLE - SUPPORT - 5.9" STAINLESS STEEL	
2	132141-86-K19	EA DOOR - VENEER - 11.4" X 28.1" - W/O HARDWARE	
3	111190-01-G09	EA CABINET - LINEN - W/O DOORS/HARDWARE	
	111190-11-G09	EA SHELF - W/PLASTIC EDGE TRIM	
4	132141-74-K19	EA DOOR - VENEER - 10" X 19.1" - W/O HARDWARE	
5	075453-02-000	EA BAR - TOWEL - 18" BRASS	
6	131383-01-01A	EA SHOWER HEAD - W/HOSE & BRACKET - 60" - IVORY	
6	131383-02-01A	EA SHOWER HEAD - W/HOSE & BRACKET - 60" - CSA- IVORY	
	103092-01-700	EA BRACKET-F/SHOWER HEAD, CLEAR	2328028
	011048-03-700	EA BRACKET - F/SHOWER HEAD	2328029-I
7	104464-03-01A	EA SURROUND - SHOWER	
	113714-04-01A	EA RETAINER - SHELF - SHOWER	
		FROM: 10-12-98 THRU: 99-99-99	
8	075242-04-000	EA FAUCET - TUB/SHOWER - BONE	
	075606-01-000	EA PANEL - PLASTIC - FAUCET BACK - 5" X 9"	
9	M02630-44-J15	EA SHOWER PAN - W/STRAINER/TAIPIECE	
10*	067487-01-000	EA TOILET - 12.37" - IVORY - HAND FLUSH	
11	075452-02-000	EA HOLDER - TOILET TISSUE - BRASS	

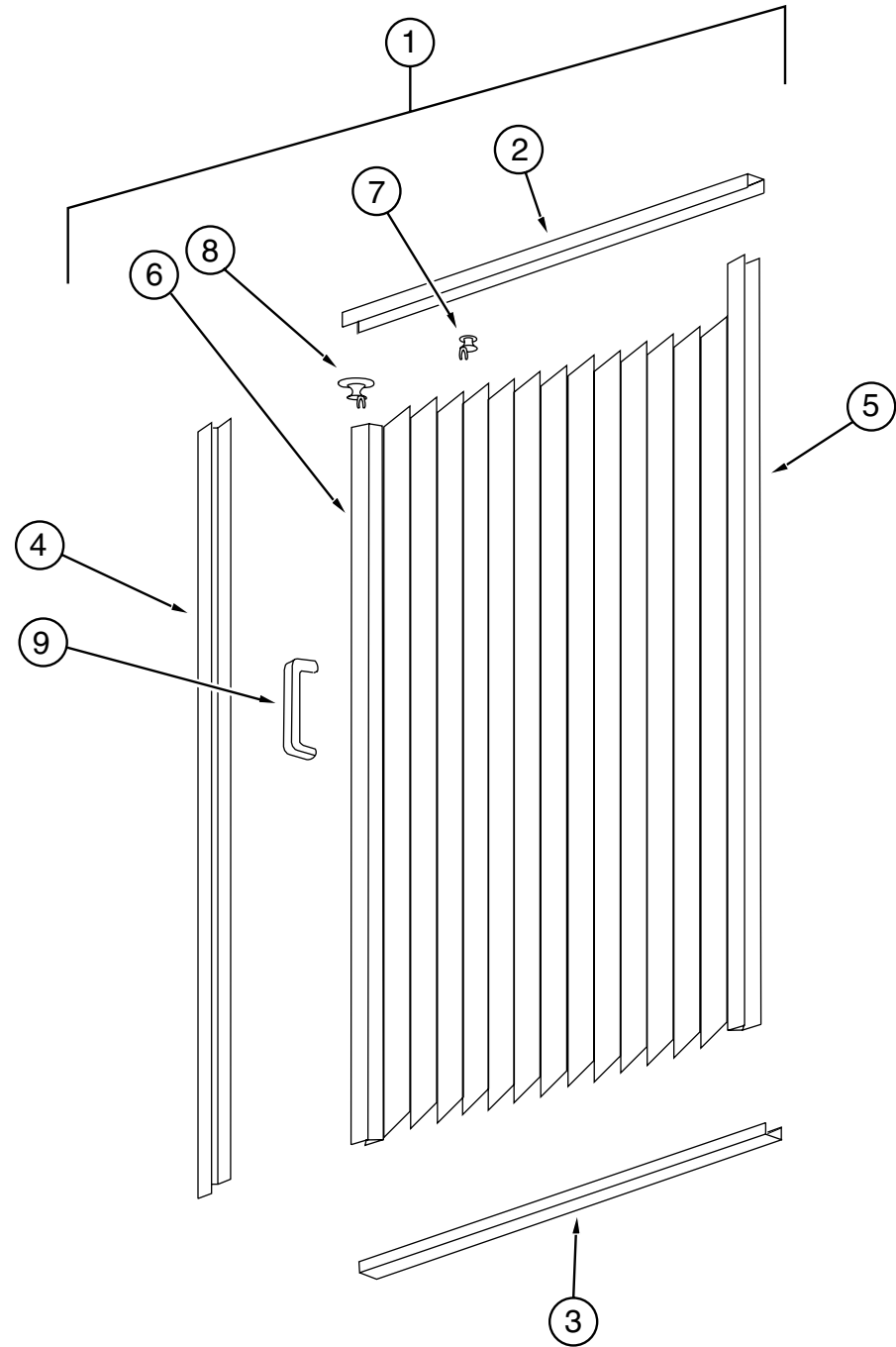
KEY	PART NUMBER	U/M DESCRIPTION	VENDOR NO.
12	131995-R8-K16	EA DOOR - SOLID PANEL - 12.7" X 17.7" - W/O HARDWARE	
13	127012-01-J46	EA CABINET - LAVATORY - W/COUNTERTOP - W/O DOORS/DWRS/HDW (K16)	
13	127012-01-K17	EA CABINET - LAVATORY - W/COUNTERTOP - W/O DOORS/DRAWERS/HDW (K17)	
13	127012-01-K18	EA CABINET - LAVATORY - W/COUNTERTOP - W/O DOORS/DWRS/HDW (K18)	
	127012-14-J15	EA SHELF - W/PLASTIC EDGE MOLDING	
14	131995-T9-K16	EA DOOR - ARCHED - 10" X 19.1" - W/O HARDWARE	
15	105921-01-01A	EA SINK - LAVATORY - LARGE/OVAL - 17" X 20" PLASTIC/OFF WHITE	
	106116-01-01A	EA STRAINER - SINK-W/STOPPER/TAIPIECE/GASKET & NUT - PLASTIC	
16	075240-06-000	EA FAUCET - LAVATORY/BONE	
	091253-01-000	EA GASKET - FAUCET - LAVATORY/GALLEY	
	105218-01-01A	EA SPACER - FAUCET/LAVATORY SINK - 2" X 5.9" - ABS PLASTIC	
17	127012-11-J46	EA COUNTERTOP - LAVATORY (K16)	
17	127012-11-K17	EA COUNTERTOP - LAVATORY (K17)	
17	127012-11-K18	EA COUNTERTOP - LAVATORY (K18)	
18	058331-D0-000	EA MIRROR - SAFETY GLASS - 19.6" X 35.4"	
18	105004-01-05A	EA MOLDING - VINYL WRAPPED - 1" X 96" - WATERFORD OAK	
19	075454-02-000	EA RING - TOWEL - W/MOUNTING HARDWARE - BRASS	
20	132141-17-K01	EA DOOR - VENEER - 12" X 48" - W/O HARDWARE - TWIN BED OPTION	
	009112-01-000	EA FLANGE - PLASTIC - 1" CLOTHES ROD - OFF WHITE	
	042438-01-000	EA DOWEL - WOOD - CLOTHES ROD - 1" DIAMETER X 4'	
21	M05971-KW-J15	EA DRAWER - OGEE EDGE - 22.4"W X 19.7"D - W/O SLIDES/HARDWARE TWIN BED OPTION	
22	M05971-KX-J15	EA DRAWER - OGEE EDGE - 22.4"W X 19.7"D - W/O SLIDES/HARDWARE TWIN BED OPTION	
	042488-13-000	EA DOOR - FOLDING - FABRIC - 27.5" X 75"	
		FROM: 00-00-00 THRU: 12-27-98	
	094856-05-01A	EA TRACK - DOOR/FOLDING - OFF WHITE	
		FROM: 00-00-00 THRU: 12-27-98	
	009700-04-002	EA TRACK - L-SHAPED 195.5" - OFF WHITE	
		FROM: 00-00-00 THRU: 12-27-98	
	009702-01-000	EA END STOP - CURTAIN CARRIER - L ROD	
		FROM: 00-00-00 THRU: 12-27-98	
	131595-01-01A	EA DOOR - FOLDING - 37" X 75" - W/4 CEILING MOUNTED BRACKETS	
		FROM: 12-28-98 THRU: 99-99-99	
	080224-01-703	EA HANDLE W/LATCH-CATCH, ALMOND	DE03505
		FROM: 12-28-98 THRU: 99-99-99	
	131595-01-700	EA END STOP ONLY	
		FROM: 12-28-98 THRU: 99-99-99	
	131595-01-701	EA BRACKET/MOUNTING	
		FROM: 12-28-98 THRU: 99-99-99	
	131595-01-702	EA TRACK/STRAIGHT - 37"	
		FROM: 12-28-98 THRU: 99-99-99	
	128967-06-J01	EA DOOR - BATH	
	111155-01-01A	EA LOCK - PRIVACY/LOCKING - POLISHED BRASS	
		FROM: 00-00-00 THRU: 01-03-99	
	111155-03-01A	EA LOCK - PRIVACY/LOCKING - POLISHED BRASS	
		FROM: 01-04-99 THRU: 99-99-99	
	103194-01-000	EA STOP - BATH DOOR	
	128967-51-J01	EA RACK - TOWEL/BATH DOOR	
	100357-01-000	EA ROD - F/TOWEL BAR - BRASS	
	128967-52-J01	EA MOLDING - VINYL WRAPPED	
	128967-53-J01	EA MOLDING - VINYL WRAPPED	

### \*COMPONENT PARTS FOUND IN SERVICE PARTS LIBRARY

KEY	PART NUMBER	U/M DESCRIPTION
	122192-01-02A	EA PANEL - SKYLIGHT - OUTER - 16.4" X 27.8"
	122193-01-02A	EA PANEL - SKYLIGHT - INNER

### SKYLIGHT

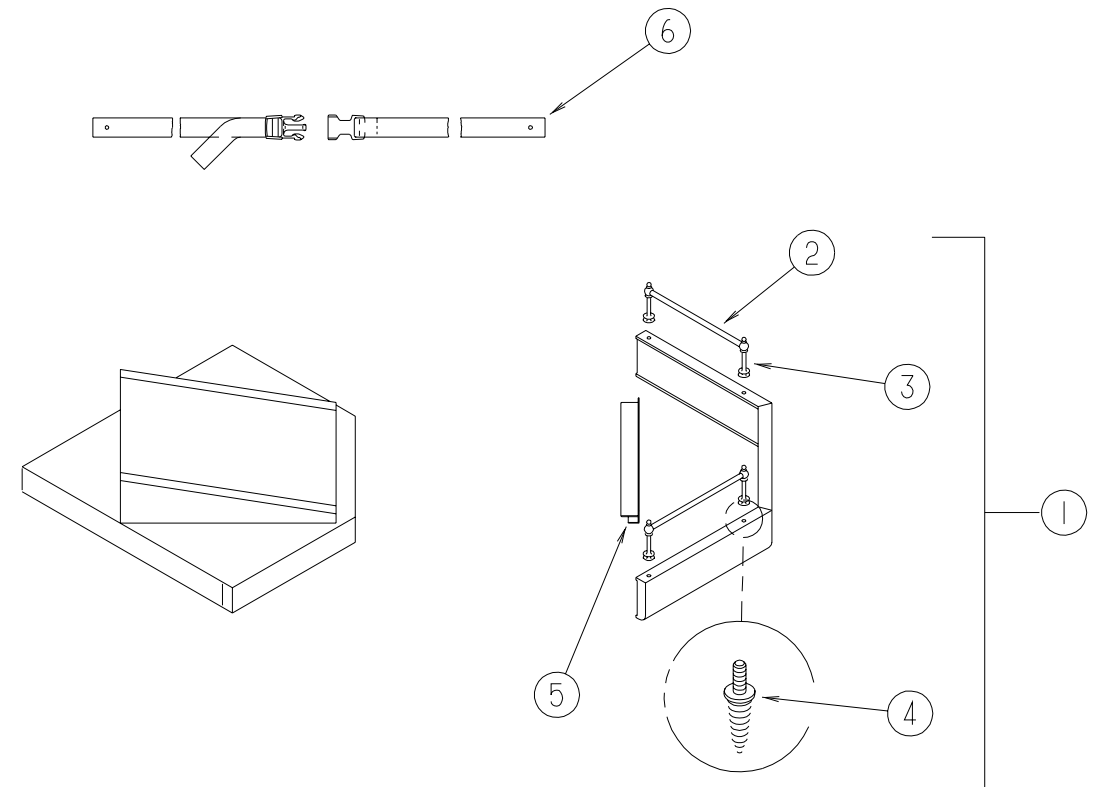
## BATH GROUP (CONTINUED)



### SHOWER DOOR COMPONENTS

KEY	PART NUMBER	U/M DESCRIPTION
1	117431-02-01A	EA DOOR - SHOWER - FABRIC/PLEATED
2	117431-01-700	EA TRACK-TOP, ALUM.IVORY INSERT 48"
3	117431-01-701	EA TRACK-BOTTOM, 48"
4	117431-01-702	EA RAIL-SIDE, 67"
5	117431-01-703	EA RAIL-STATIONARY, 67"
6	117431-01-704	EA RAIL-LEAD, 67" - W/LATCH
7	117431-01-705	EA GLIDE-IVORY, TRAVELER
8	117431-01-706	EA GLIDE-IVORY LEAD, TRAVELER
	117431-01-707	EA CATCH - BATH DOOR
9	117431-01-708	EA HANDLES & SCREWS
	117431-02-700	EA STRAP-VINYL SHOWER

## BEDROOM GROUP

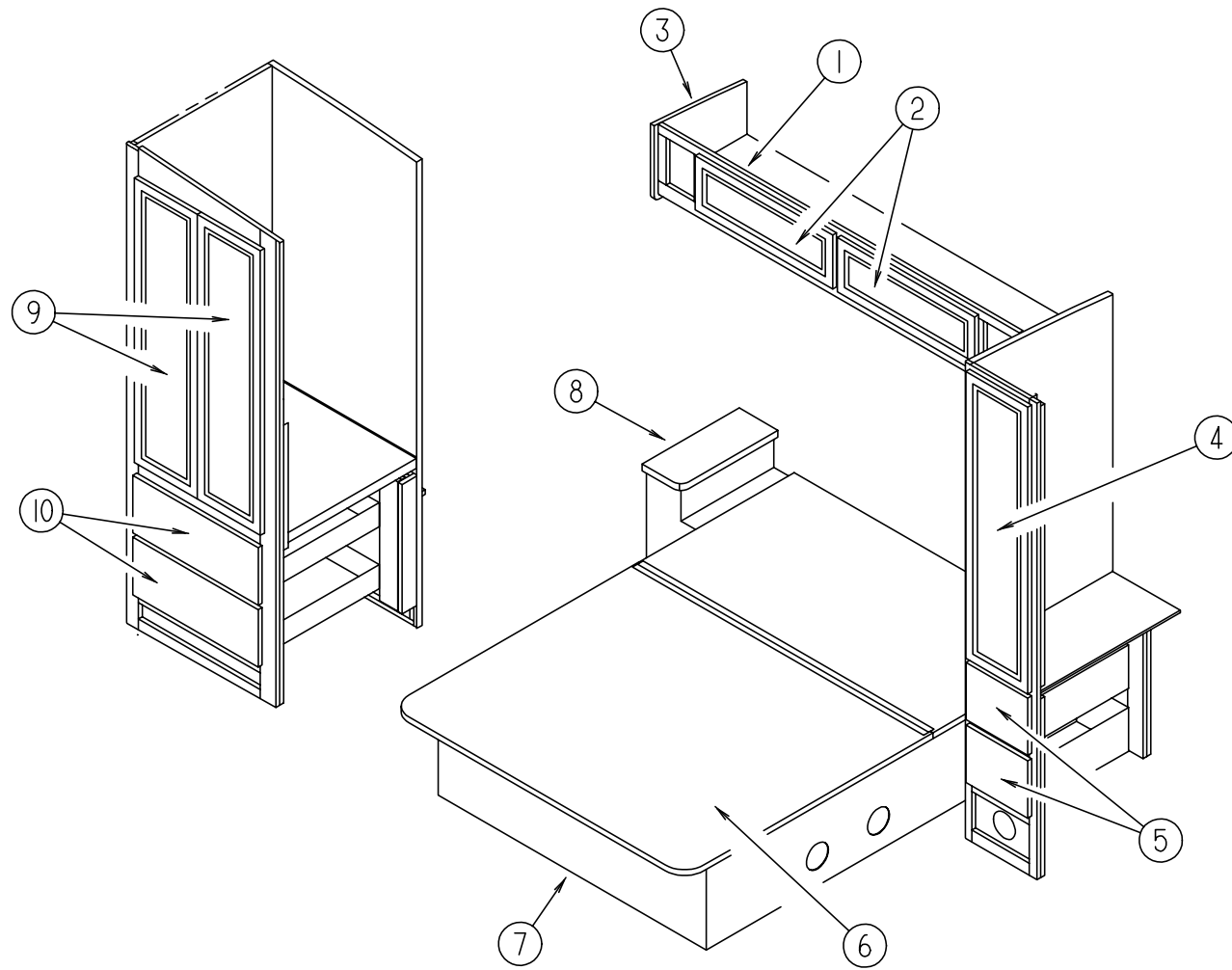


### QUEEN BED TV SHELF

KEY	PART NUMBER	U/M DESCRIPTION
1	127376-03-J15	EA CABINET - TV SHELF
2	084071-19-000	EA ROD - BRASS - 7.1"
2	084071-27-000	EA ROD - BRASS - 2.7"
3	084070-03-000	EA POST - END - 2.4" - SHINY BRASS
4	106166-01-000	EA BOLT/COLLARED HANGER - 8-32 X 1"
5	100818-01-05A	EA MOLDING - VINYL WRAP - 1.6" X .4" X 84" - WATERFORD OAK
6	099717-02-000	EA STRAP - TIE DOWN W/29.9" FEMALE STRAP & 14.2" MALE STRAP

## BEDROOM GROUP (CONTINUED)

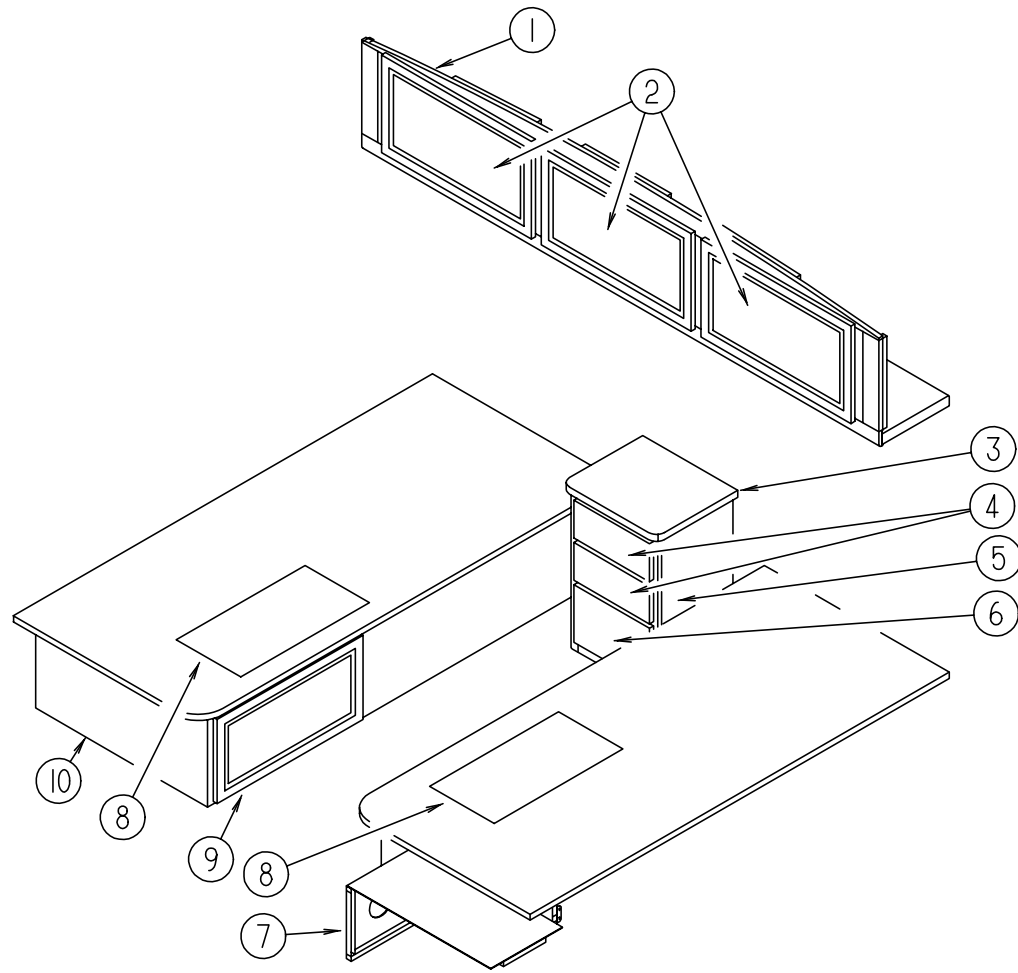
### QUEEN BEDROOM CABINETS



KEY	PART NUMBER	U/M DESCRIPTION
1	128054-01-K16	EA CABINET - OVERHEAD/REAR - W/O DOORS/HARDWARE
2	132141-62-K19	EA DOOR - VENEER - 9" X 26.5" - W/O HARDWARE
3	103128-35-J15	EA END CAP - OVERHEAD CABINET - RIGHT HAND
4	132141-62-K19	EA DOOR - VENEER - 12" X 48" - W/O HARDWARE
	009112-01-000	EA FLANGE - PLASTIC - 1" CLOTHES ROD - OFF WHITE
	042438-01-000	EA DOWEL - WOOD - CLOTHES ROD - 1" DIAMETER X 4'
5	M05971-KP-J15	EA DRAWER - OGEE EDGE - 10"W X 19.7"D - W/O SLIDES/HARDWARE
6	M08789-01-J15	EA TOP - BED/QUEEN - W/O HARDWARE
7	P28052-01-J46	EA CABINET - BASE - QUEEN BED - W/O DOORS/DRAWERS/HARDWARE (K16)
7	P28052-01-K17	EA CABINET - BASE - QUEEN BED - W/O DOORS/DRAWERS/HARDWARE (K17)
7	P28052-01-K18	EA CABINET - BASE - QUEEN BED - W/O DOORS/DRAWERS/HARDWARE (K18)
8	128052-11-J46	EA COUNTERTOP - QUEEN BED (K16)
8	128052-11-K17	EA COUNTERTOP - QUEEN BED (K17)
8	128052-11-K18	EA COUNTERTOP - QUEEN BED (K18)
9	132006-07-K01	EA DOOR - MITERED RAIL - 12" X 48" - W/O HARDWARE
10	M05971-KT-J15	EA DRAWER - OGEE EDGE - 22.5"W X 23.6"D - W/O SLIDES/HARDWARE
	009112-01-000	EA FLANGE - PLASTIC - 1" CLOTHES ROD - OFF WHITE
	042438-01-000	EA DOWEL - WOOD - CLOTHES ROD - 1" DIAMETER X 4'
	096764-02-000	FT SLIPNOT - ANTISLIP - 1' WIDE (100' ROLLS)
	041389-25-000	EA HINGE - PIANO - 1 1/2" X 55"
	107796-06-000	EA SPRING/GAS - 12" COMPRESSED/20" EXTENDED - 120 LB.
	126263-06-02B	EA BRACKET - GAS SPRING - E-COATED
	126263-08-02B	EA BRACKET - GAS SPRING - LOWER - E-COATED
	127960-01-01A	EA RETAINER - 3/8" PROP ROD - STAINLESS STEEL
	097872-04-000	EA DOWEL - WOOD - 1" DIAMETER X 1.38" LONG

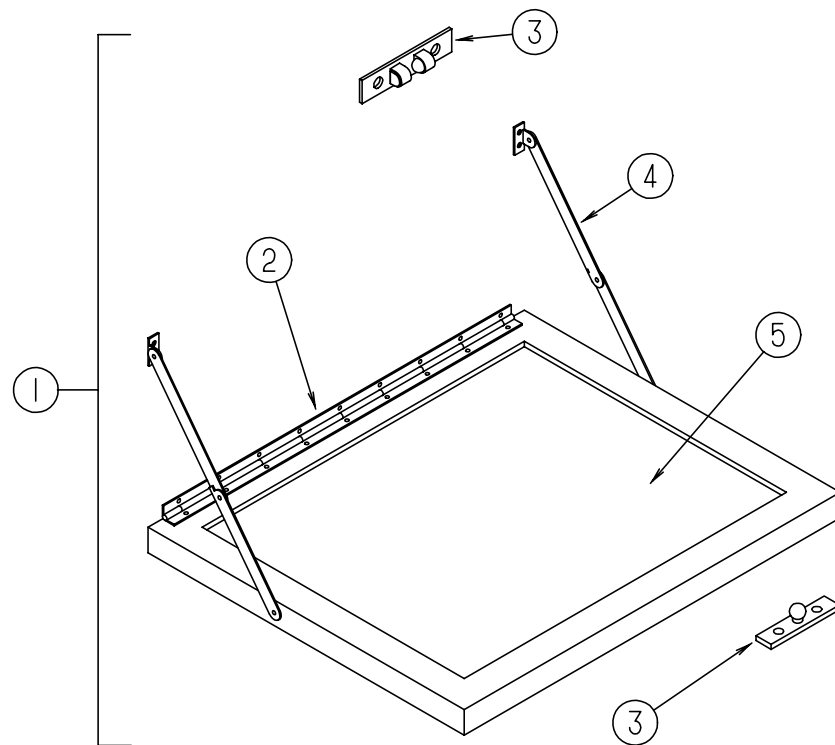
## BEDROOM GROUP (CONTINUED)

### TWIN BEDROOM CABINETS



KEY	PART NUMBER	U/M	DESCRIPTION
1	116187-01-K16	EA	CABINET - OVERHEAD/REAR - W/O DOORS/HARDWARE - F/TWIN BED
2	132141-14-K01	EA	DOOR - VENEER - 15.7" X 27.9" - W/O HARDWARE
3	104507-11-E10	EA	COUNTERTOP - NIGHTSTAND (K16)
3	104507-11-J24	EA	COUNTERTOP - NIGHTSTAND (K17)
3	104507-11-J23	EA	COUNTERTOP - NIGHTSTAND (K18)
4	M05971-65-J37	EA	DRAWER - OGEE EDGE - 12.2"W X 11.8"D - W/O SLIDES/HARDWARE
5	104507-01-K16	EA	CABINET/NIGHTSTAND - W/COUNTERTOP - W/O DOORS/DRAWERS/HDW
5	104507-01-K17	EA	CABINET/NIGHTSTAND - W/COUNTERTOP - W/O DOORS/DRAWERS/HDW
5	104507-01-K18	EA	CABINET/NIGHTSTAND - W/COUNTERTOP - W/O DOORS/DRAWERS/HDW
6	M05971-73-J37	EA	DRAWER - OGEE EDGE - 12.2"W X 11.8"D - W/O SLIDES/HARDWARE
7	P28235-01-J15	EA	CABINET - BASE - TWIN BED/LEFT HAND - W/O DOORS/DWRS/HDW
8	096764-02-000	FT	SLIPNOT - ANTISLIP - 1' WIDE (100' ROLLS)
9	131995-H0-K16	EA	DOOR - SOLID PANEL - 13.6" X 27.1" - W/O HARDWARE
10	P28236-01-J15	EA	CABINET - BASE - TWIN BED/RIGHT HAND - W/O DOORS/DWRS/HDW

**BEDROOM GROUP (CONTINUED)**



**TWIN BED TV STAND**

KEY	PART NUMBER	U/M DESCRIPTION
1	084357-02-H13	EA TV STAND
2	084413-01-000	EA HINGE/CONTINUOUS - ALUMINUM 1" X 72" - W/HOLES
3	084451-01-000	EA CATCH & LATCH - 1.7" - BRASS
4	084412-01-000	EA SUPPORT/HINGE KIT (LEFT & RIGHT HINGES)
5	084356-08-000	EA INSERT - TV STAND - W/SUPPORT HINGES - OFF WHITE
5	058331-14-000	EA MIRROR - SAFETY GLASS - 14" X 12.7"

**CHASSIS GROUP**

**SHOCKS & STABILIZER KIT - FRONT (FROM: 00-00-00 THRU: 04-04-99)**

KEY	PART NUMBER	U/M DESCRIPTION	VENDOR NO.
	122756-02-000	EA SHOCK AND STABILIZER (BLUE BOOT) KIT - FRONT END P30 CHASS	
		NOTE: ORDER 70139029000, FOR AFTER MARKET INSTALLATION	
	122756-02-700	EA BRACKET ASM - DRIVER SIDE	T818L
	122756-02-701	EA BRACKET ASM - PASSENGER SIDE	T818R
	122756-02-704	EA BOLT PACKAGE -BOLTS/NUTS ETC	T818B
	122756-02-705	EA SHOCK	T818SH
	122756-02-706	EA STUD - SHOCK MOUNTING	T818S
	122756-02-707	EA DAMPNER - STEERING	T818SD
	122756-02-708	EA BOOT - DAMPNER	T818SDB
	122756-02-709	EA BUSHING PKG-STEERING DAMPNER	T818SDBSH
	122756-02-710	EA BOLT PKG - STEERING DAMPNER	T818SBS

**SHOCKS & STABILIZER KIT - FRONT (FROM: 04-05-99 THRU: 99-99-99)**

KEY	PART NUMBER	U/M DESCRIPTION	VENDOR NO.
	122756-03-000	EA SHOCK & STABILIZER KIT (YELLOW SHOCK) - CHEVY	
	122756-02-706	EA STUD - SHOCK MOUNTING	T818S
	122756-02-707	EA DAMPNER - STEERING	T818SD
	122756-02-708	EA BOOT - DAMPNER	T818SDB
	122756-02-709	EA BUSHING PKG-STEERING DAMPNER	T818SDBSH
	122756-02-710	EA BOLT PKG - STEERING DAMPNER	T818SBS
	122756-03-700	EA BRACKET ASM-DRIVER SIDE	T818L-3
	122756-03-701	EA BRACKET ASM-PASSENGER SIDE	T818R-3
	122756-03-702	EA SHOCK	557003

**AIR COMPRESSOR - FIRESTONE AIRSPRING ASSEMBLY**

KEY	PART NUMBER	U/M DESCRIPTION	VENDOR NO.
	084086-07-000	EA COMPRESSOR/ACCESSORY KIT - 12 VOLT/ 1/6HP	
	084086-05-703	EA LOWER BRACKET	5098
	084086-07-700	EA COMPRESSOR	21-9014
	084086-07-701	EA TUBING-18FT	21-9038
	084086-07-702	EA TANK-AIR	21-9003
	084086-07-703	EA HOSE-AIR	21-9006

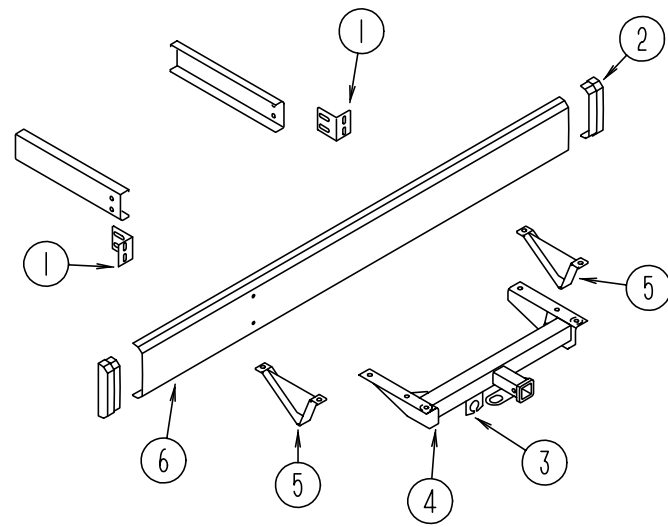
**AIRSPRING KIT - FIRESTONE AIRSPRING ASSEMBLY**

KEY	PART NUMBER	U/M DESCRIPTION	VENDOR NO.
	084086-08-000	EA AIRSPRING KIT - '93-'97 GM 14,500-16,000 GVW	
		COMES WITH BRACKETS FOR CENTERED & OFFSET DIFFERENTIALS	
	084086-05-706	EA VALVE-INFLATION,PUSH TO CONN	3032
	084086-08-700	EA BAG-AIR, (SPRING), 224C	0335
	084086-08-701	EA TUBING-22FT	0937
	084086-08-702	EA BRACKET-UPPER	5104
	084086-08-703	EA BRACKET-LOWER	5128
	084086-08-704	EA FITTING-PUSH TO CONNECT	3046
	084086-08-705	EA SLEEVE-THERMAL	0899

**CONTROL KIT - FIRESTONE AIRSPRING ASSEMBLY**

KEY	PART NUMBER	U/M DESCRIPTION	VENDOR NO.
	084086-09-000	EA CONTROL KIT - AIR SPRING - SINGLE CONTROL	
	084086-06-700	EA PANEL-AIR CONTROL, RIGHT	21-9012
	084086-06-702	EA TUBING-FLEXIBLE	21-9008
	084086-06-703	EA CONNECTOR-T	21-3005
	084086-06-704	EA FERRULE	21-0932
	120501-01-02B	EA BRACKET - CONTROL - RIDE RIDE	

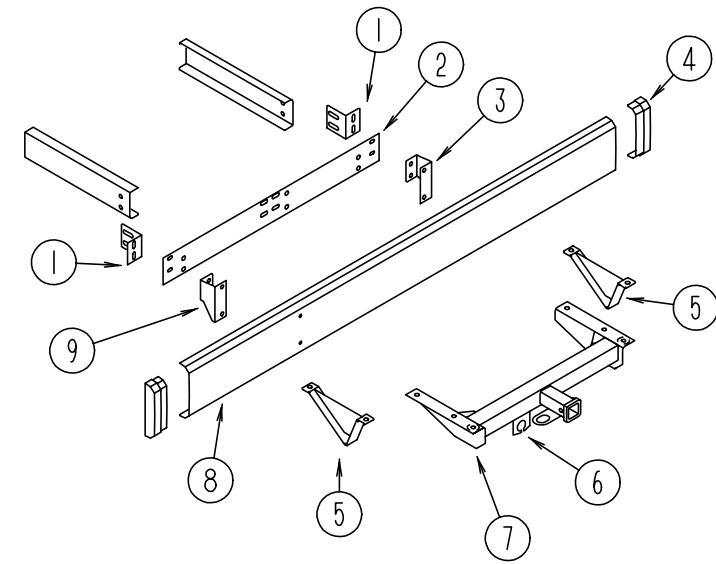
### CHASSIS GROUP (CONTINUED)



#### REAR BUMPER, TRAILER HITCH & COMPONENTS

KEY	PART NUMBER	U/M	DESCRIPTION
1	104418-07-000	EA	ANGLE - BUMPER - REAR SUPPORT
2	103228-01-06A	EA	END CAP - REAR BUMPER - DRIVER/PASSENGER
3	113588-02-01B	EA	BRACKET - CONNECTOR - TRAILER W/O LIP
4	130339-02-000	EA	HITCH RECEIVER - BOLT ON CLASS III
5	111742-01-000	EA	PLATE - SKID
6	103099-10-02A	EA	BUMPER - REAR - BRIGHT WHITE
	113589-02-000	EA	CONNECTOR - SOCKET - TRAILER
	113589-01-000	EA	CONNECTOR - PLUG - TRAILER

### CHASSIS GROUP (CONTINUED)

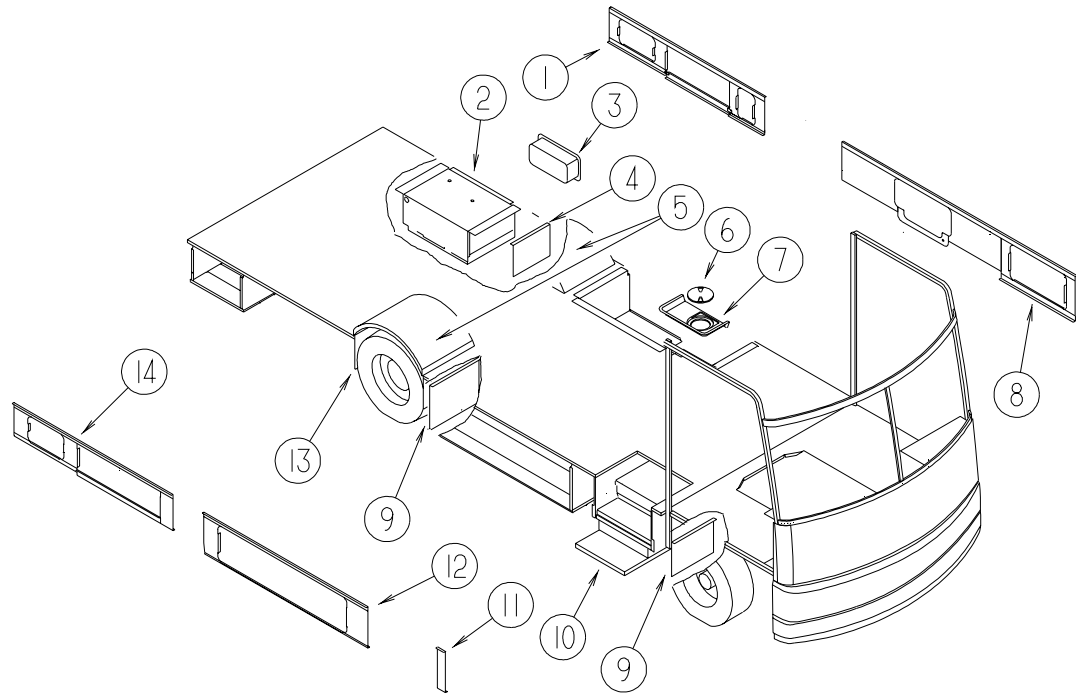


#### REAR BUMPER, TRAILER HITCH & COMPONENTS - 60 GL FUEL TANK OPTION

KEY	PART NUMBER	U/M	DESCRIPTION
1	078668-01-000	EA	SUPPORT ANGLE - BUMPER/REAR - L ANGLE - 4" X 3" STEEL/BLK
2	078678-02-000	EA	PLATE - MOUNTING - BUMPER/REAR - 46" X 5" - W/WELD NUTS
3	117950-03-02B	EA	BRACKET - BUMPER/REAR
4	103228-01-06A	EA	END CAP - REAR BUMPER - DRIVER/PASSENGER
5	111742-01-000	EA	PLATE - SKID
6	113588-02-01B	EA	BRACKET - CONNECTOR - TRAILER W/O LIP
7	130339-02-000	EA	HITCH RECEIVER - BOLT ON CLASS III
8	103099-11-02A	EA	BUMPER - REAR - BRIGHT WHITE
9	117950-04-02B	EA	BRACKET - BUMPER/REAR
	113589-02-000	EA	CONNECTOR - SOCKET - TRAILER
	113589-01-000	EA	CONNECTOR - PLUG - TRAILER



## CHASSIS GROUP (CONTINUED)

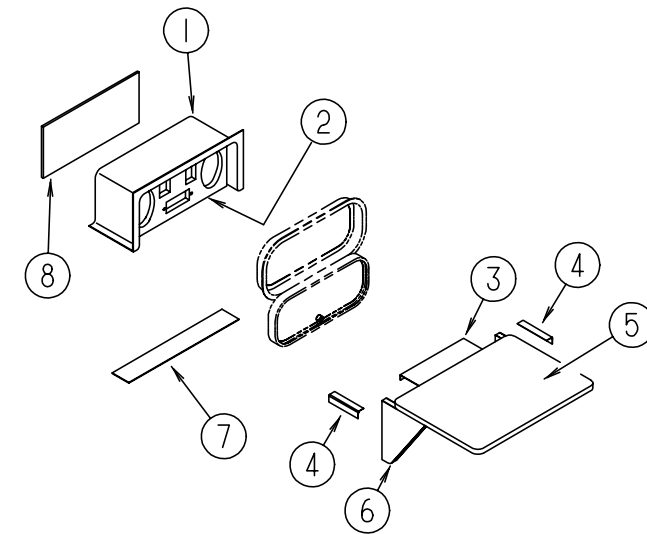


### STORAGE COMPARTMENTS & WHEELWELLS

KEY	PART NUMBER	U/M	DESCRIPTION	VENDOR NO.
1	128773-16-02B	EA	PANEL - SEAL/PLANE - E-COATED	
2	114070-02-02B	EA	SUPPORT - GENERATOR - LEFT	
2	114071-02-02B	EA	SUPPORT - GENERATOR - RIGHT	
3	106208-01-02A	EA	COMPARTMENT - SHOWER - EXTERIOR - BRIGHT WHITE	
4	020167-05-000	EA	DIRT GUARD - STEEL - 14.9" LONG	
4	017516-01-000	EA	MUD FLAP - 14" X 18" - BLACK	
5	125283-01-000	EA	WHEELWELL	
6	092887-01-000	EA	HATCH/PLATE - 8.2" FLANGE/6.5" R.O. - BLACK	
6	092887-04-000	EA	CHAIN - TWIST CAP - 9"	
7	121784-01-01A	EA	COVER - VALVE - DRAINAGE	
8	128773-15-02B	EA	PANEL - SEAL/PLANE - E-COATED	
9	020167-03-000	EA	DIRT GUARD - STEEL - 11" LONG	
10*	094708-01-01A	EA	STEP - ENTRY DOOR - ELECTRIC - SINGLE - W/O DOOR SWITCH	
			FROM: 00-00-00 THRU: 01-14-99	
	116995-01-000	EA	SWITCH/MAGNET - ELECTRIC STEP - WHITE/WHITE - OPEN CIRCUIT	
			FROM: 00-00-00 THRU: 01-14-99	
10*	094708-03-01A	EA	STEP - ELECTRIC - SINGLE - BLACK	
			FROM: 01-15-99 THRU: 99-99-99	
	094707-02-703	EA	BEARING & PINS	909530
	094707-02-702	EA	GEAR KIT(GEAR-BEARING-PINS)	909525
	094707-03-700	EA	CONTROL BOX/BLACK-ELECTRIC STEP- BLACK/WHITE SWITCH SYSTEM	
	094707-02-700	EA	MOTOR ASM.,W/BEARINGS & PINS	909520
	088746-01-709	EA	FRAME W/SINGLE STEP, 2800 SERIES	908028
	094707-03-701	EA	PLUG - 4-WAY - PACKARD	909306
	094707-02-704	EA	CONNECTOR-MOTOR ASM.W/PLATES	909537
	088746-01-705	EA	LIGHT-UNDER STEP	9004
	088733-01-700	EA	BULB	9004
	094707-02-707	EA	TREAD - NON-SKID - BLACK	909333
	116995-02-000	EA	SWITCH/MAGNET - ELECTRIC STEP - BLACK/WHITE-CLOSED CIRCUIT	
11	129060-01-02B	EA	PANEL - SEAL/PLANE - E-COATED	
12	128773-17-02B	EA	PANEL - SEAL/PLANE - E-COATED	
13	020167-04-000	EA	DIRT GUARD - STEEL - 14.9" LONG	
13	017516-01-000	EA	MUD FLAP - 14" X 18" - BLACK	
	065450-05-000	EA	TIEDOWN - BATTERY - 8.4" TUBE	
	061420-01-000	EA	PLUG/PLASTIC - 1.75" DIAMETER - BROWN	
14	128773-13-02B	EA	PANEL - SEAL/PLANE - E-COATED	

\*COMPONENT PARTS FOUND IN SERVICE PARTS LIBRARY

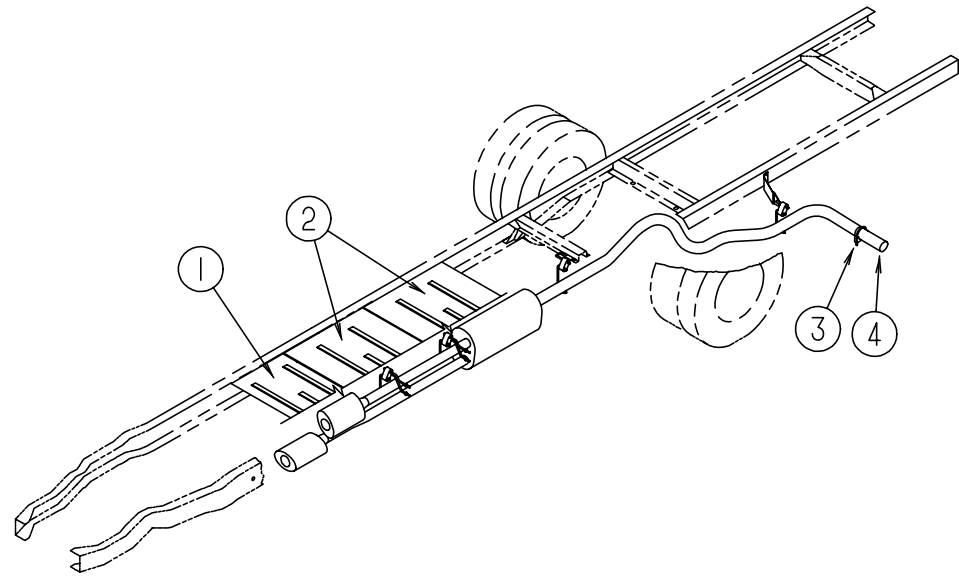
## CHASSIS GROUP (CONTINUED)



### PATIO ENTERTAINMENT CENTER

KEY	PART NUMBER	U/M	DESCRIPTION
1	124696-01-01A	EA	BOX - ENTERTAINMENT CENTER/EXTERIOR
2	127409-02-K04	EA	PLATE - RADIO MOUNTING
			FROM: 00-00-00 THRU: 06-13-99
2	127409-02-L15	EA	PLATE - RADIO MOUNTING
			FROM: 06-14-99 THRU: 99-99-99
3	105377-01-04A	EA	BRACKET - TABLE HANGER - BRIGHT WHITE
4	105376-01-03A	EA	HINGE - CONTINUOUS - 2" X 5.5" - BRIGHT WHITE
5	105230-11-J01	EA	SHELF - EXTERIOR ENTERTAINMENT CENTER - W/O HARDWARE
6	105230-12-J01	EA	SUPPORT - EXTERIOR SHELF
7	104898-01-02A	EA	PLATE - PLASTIC BOTTOM - BRIGHT WHITE
8	104898-02-02A	EA	PLATE - PLASTIC BACK - BRIGHT WHITE

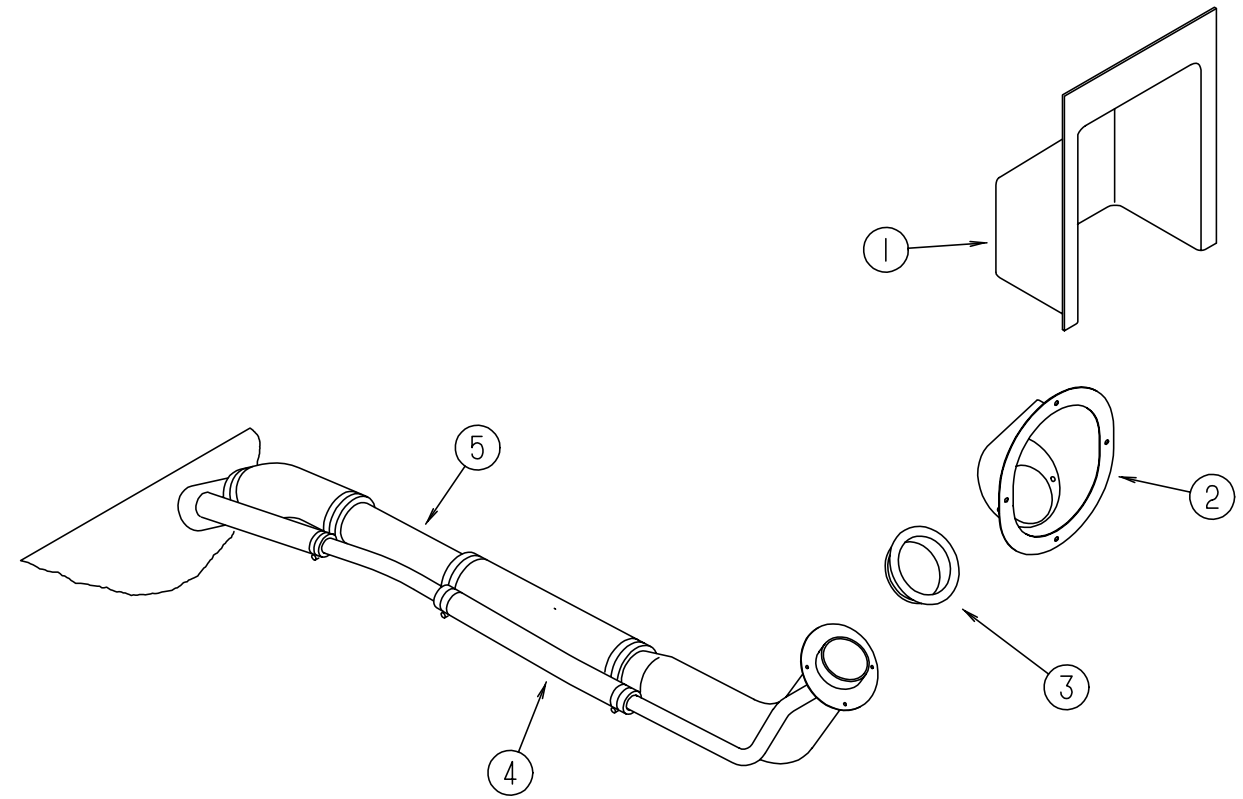
### CHASSIS GROUP (CONTINUED)



#### CHEVY EXHAUST SYSTEM

KEY	PART NUMBER	U/M	DESCRIPTION
1	101544-01-000	EA	SHIELD - HEAT/EXHAUST - 19.7" X 29.1"
2	101544-02-000	EA	SHIELD - HEAT/EXHAUST - 30" X 29.1"
			FROM: 00-00-00 THRU: 07-26-98
2	101544-06-000	EA	SHIELD - HEAT/EXHAUST - 33.9" X 29.1"
			FROM: 07-27-98 THRU: 99-99-99
3	094918-01-000	EA	CLAMP - EXHAUST - 3" - GUILLOTINE STYLE
4	098762-11-000	EA	PIPE - EXHAUST - STRAIGHT - 3"

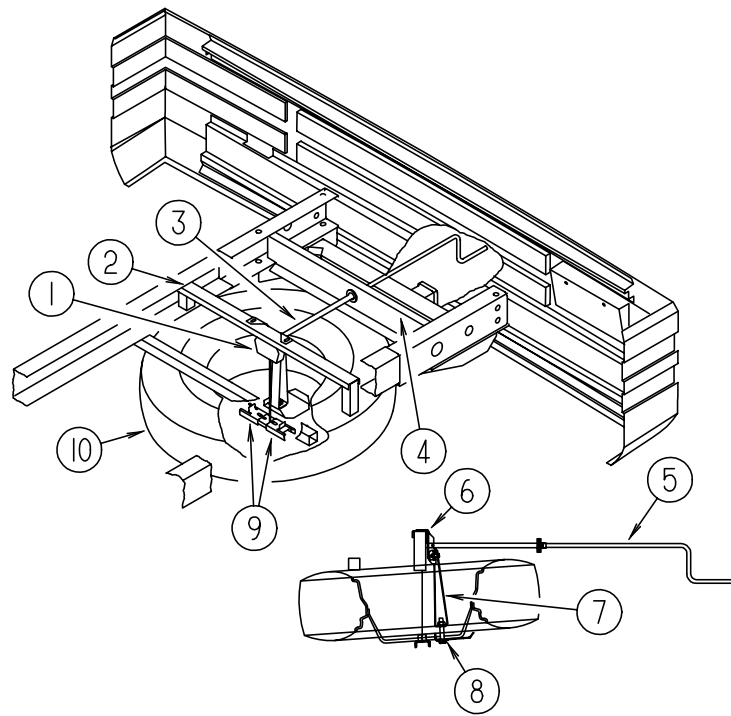
### CHASSIS GROUP (CONTINUED)



#### CHEVY FUEL SYSTEM

KEY	PART NUMBER	U/M	DESCRIPTION
1	072447-04-000	EA	SHROUD - FUEL FILL - UPPER
2	127291-01-01A	EA	SHROUD - FUEL FILL - BRIGHT WHITE - GAS
2	127291-02-01A	EA	SHROUD - FUEL FILL - BRIGHT WHITE - DIESEL
3	078200-01-000	EA	GASKET - FUEL FILL - 3.5" OD X 2" ID
4	128139-02-000	FT	HOSE - FUEL - LOW PERMEABILITY - 5/8" DIAMETER
5	124327-05-000	EA	TUBE - FUEL INLET
	084884-01-000	EA	PLUG - BRASS - 3/8"
	128139-03-000	FT	HOSE - FUEL - LOW PERMEABILITY - 1/4" DIAMETER
	068382-06-000	EA	BUSHING - BRASS - 3/8"MPT X 1/8"FPT
	114254-01-000	EA	ADAPTER - 1/4 BARB X 1/8 MPT
	044317-01-000	FT	HOSE - FUEL - 3/8" ID

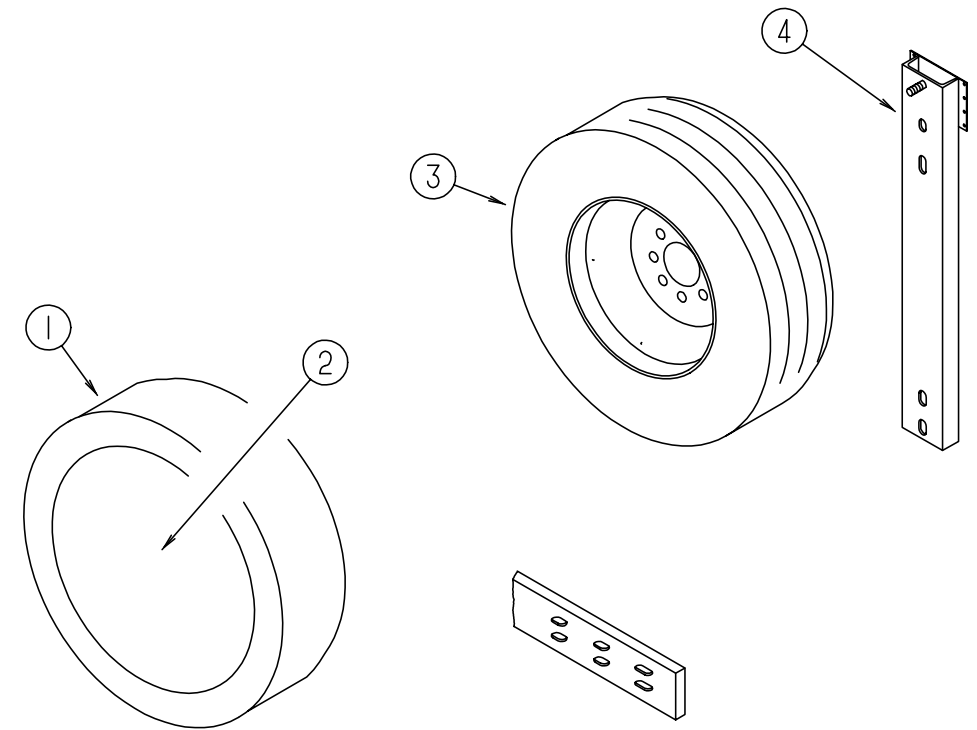
## CHASSIS GROUP (CONTINUED)



**TIRE HOIST**

KEY	PART NUMBER	U/M DESCRIPTION
1	093267-03-000	EA HOIST - SPARE TIRE - 100 LB
2	093362-06-000	EA CHANNEL - TIRE HOIST
3	093375-05-000	EA EXTENSION - TIRE HOIST
4	129006-02-02B	EA SUPPORT/FRAME - TIRE CARRIER HANDLE
5	093376-02-000	EA HANDLE - CRANK - TIRE HOIST
	114376-01-000	EA PIN - DRIVE - .156 X .750 - TYPE E - TIRE HOIST
6	124751-01-02B	EA HANGER - SPARE TIRE - E-COATED
7	129086-02-02B	EA SUPPORT - SPARE TIRE - E-COATED
8	129085-01-02B	EA PLATE - SUPPORT - SPARE TIRE
9	105499-02-000	EA BRACKET - TIRE HOIST
10	083425-07-000	EA TIRE - 7.50 X R16 LRD - MICHELIN XPS RIB
10	091673-01-000	EA TIRE - 225/70 R19.5 LRF - MICHELIN XZA
10	051377-03-000	EA VALVE STEM - 16" WHEEL
10	051377-01-000	EA VALVE STEM - 19.5" WHEEL
10	089359-03-000	EA WHEEL - STEEL - 16" X 6" L - 8 HOLE - PRIMED
10	064963-01-000	EA WHEEL - STEEL - 19.5" X 6" - GM 14005758
	077030-02-000	EA EXTENSION - VALVE STEM - 1.25"

## CHASSIS GROUP (CONTINUED)



**SPARE TIRE & HOIST - 60 GL FUEL TANK OPTION**

KEY	PART NUMBER	U/M DESCRIPTION
1	108163-05-01A	EA COVER - TIRE - 8 1/4" X 101"
2	108560-04-01A	EA INSERT - TIRE COVER
3	091673-01-000	EA TIRE - 225/70 R19.5 LRF - MICHELIN XZA
3	051377-01-000	EA VALVE STEM
3	064963-01-000	EA WHEEL - STEEL - 19.5" X 6" - GM 14005758
4	102944-05-000	EA BRACKET - TIRE CARRIER - CHEVY
	077030-02-000	EA EXTENSION - VALVE STEM - 1.25"

## CHASSIS GROUP (CONTINUED)

### 19.5" CHEVY WHEEL COVERS

KEY	PART NUMBER	U/M DESCRIPTION	VENDOR NO.
	109443-06-000	EA WHEEL COVER - 4/SET - 19.5"	
	109443-01-700	EA COVER-WHEEL 19.5 FRT/RR EA=1	SHAG95
	109443-01-701	EA BRACKET-RETENTION FRONT	SHAG95-FBS
	109443-01-703	EA CAP-CENTER, HUB - DICOR	SHAU95-CAP
	109443-01-704	EA CLIP-RETAINER	V160GM-PNT
	109443-06-701	EA BRACKET-RETENTION REAR	SHG795-RBS

### 19.5" CHEVY STAINLESS STEEL WHEEL LINERS

KEY	PART NUMBER	U/M DESCRIPTION	VENDOR NO.
	110435-10-000	EA LINER - WHEEL - SET/4 - 19.5"	
	110435-01-711	EA DECAL-CENTER CAP, 2" 2" DECAL	
	110435-10-700	EA LINER - WHEEL - FRONT - 1 PC	V195P7-FWC
	110435-10-701	EA LINER - WHEEL - REAR - 1 PC.	V195P7-RWC
	110435-10-702	EA COVER-LUG NUT W/STEEL JN	V195P7-EJN
	110435-10-703	EA STUD - PLASTIC	V195P7-PST
	110435-10-704	EA COVER-LUG NUT W/PLASTIC JN	V195P7-PJN
	110435-10-705	EA TOOL - INSTALLATION	V195P7-TOL

### 16" CHEVY STAINLESS STEEL WHEEL LINERS

KEY	PART NUMBER	U/M DESCRIPTION	VENDOR NO.
	091209-05-000	EA LINER - WHEEL - SET OF 4 - 16" - STAINLESS STEEL	
	091209-03-702	EA COVER-AXLE, FRONT, 8 LUG	64UE
	091209-03-703	EA COVER-AXLE, REAR, 8 LUG	65UE
	091209-03-704	EA RING-SNAP	00
	091209-05-700	EA LINER-WHEEL, FRONT	57-88 KAPER
	091209-05-701	EA LINER-WHEEL, REAR	58-88

### 16" CHEVY STAINLESS STEEL WHEEL COVERS

KEY	PART NUMBER	U/M DESCRIPTION	VENDOR NO.
	109443-05-000	EA WHEEL COVER - 4/SET - 16" STAINLESS STEEL	
	098532-01-700	EA COVER-LUG NUT (CHROME)	SHAU-LNC
	109443-05-700	EA COVER-WHEEL, 16" SS EA=1	SHFM16-CVR

### LUG WRENCH & LEVERAGE BAR

KEY	PART NUMBER	U/M DESCRIPTION
	080208-02-000	EA BAR - LEVERAGE - LUG WRENCH - CHEVY/OSHKOSH
	080208-06-000	EA LUG WRENCH - 1" X 1.06" W/DEEP SOCKET ENDS

### CHASSIS MISCELLANEOUS

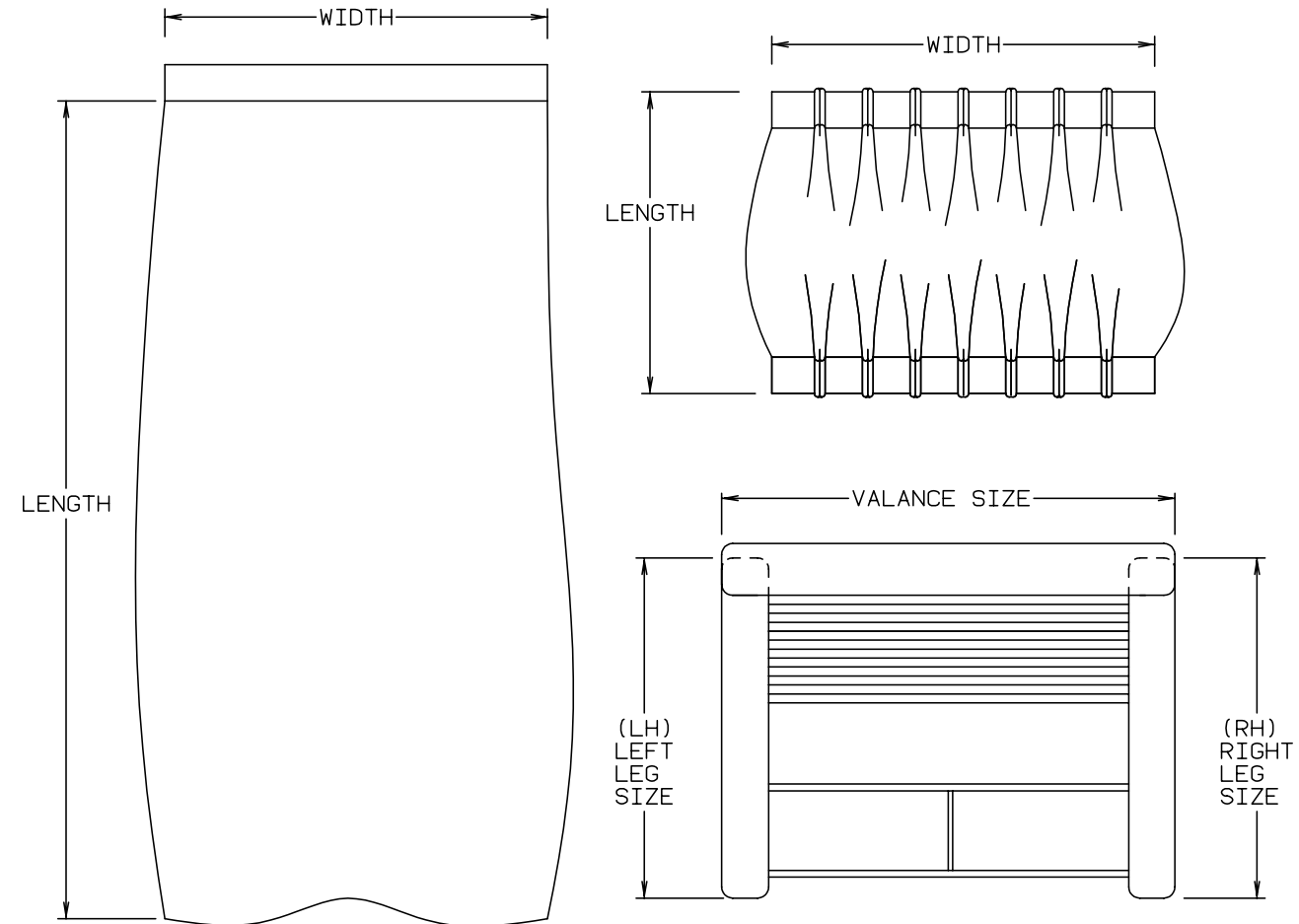
KEY	PART NUMBER	U/M DESCRIPTION
	008042-01-000	FT TUBING - VINYL - .65" ID
	113452-01-000	FT SEAL/TRIM - FRONT - VINYL W/WIRE CARRIER

## CURTAIN & CUSHION GROUP

### NOTICE

IN ORDER TO ASSIST OUR PARTS SALES DEPT. IN PROVIDING INTERIOR SOFTGOODS ITEMS, PLEASE INCLUDE THE SERIAL NUMBER AND THE COLOR CODE NUMBER FROM THE VEHICLE CERTIFICATION LABEL WHEN ORDERING. THIS LABEL IS LOCATED ON THE LEFT SIDEWALL AT THE END OF THE DASH (A-BODY), OR ON THE DRIVER'S DOOR LATCH PLATE (C-BODY).

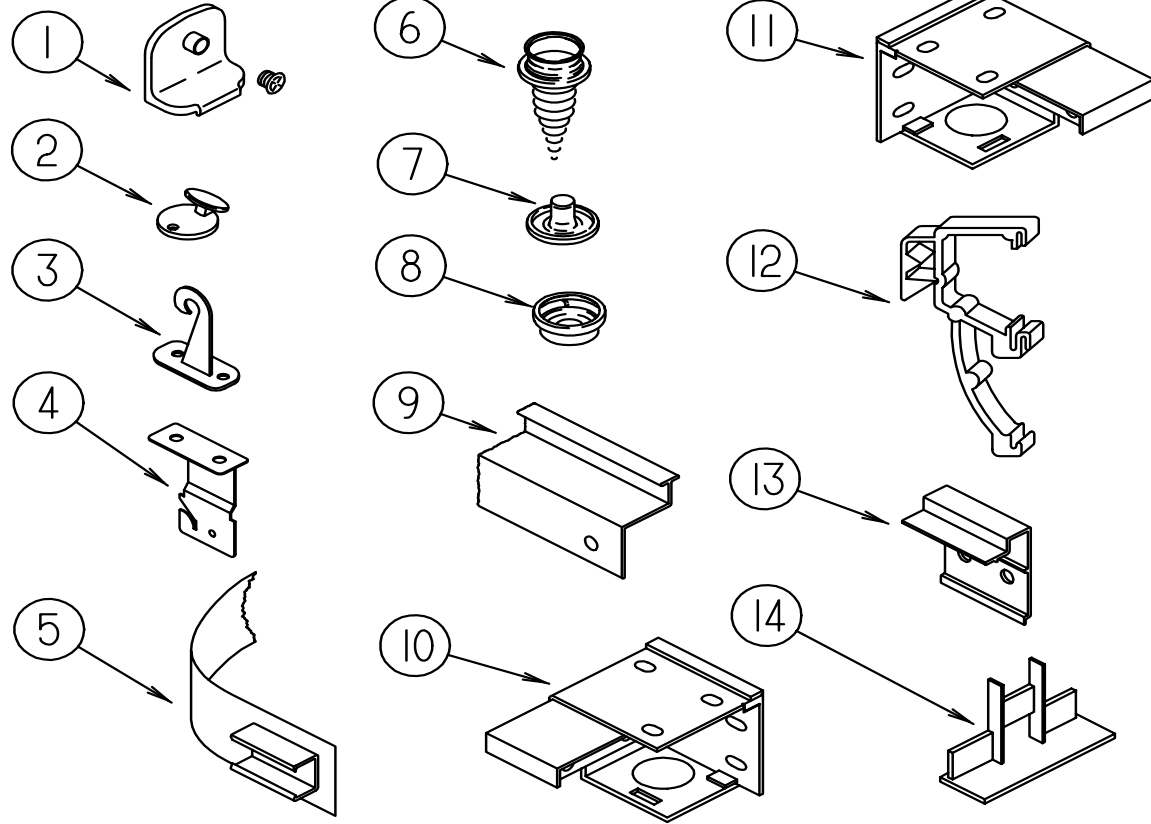
AN EXAMPLE OF A COLOR CODE NUMBER IS K16, WHICH DESIGNATES AN OVERALL COLOR SCHEME OF A PARTICULAR UNIT. THE COLOR LISTED AFTER THE ITEM DESCRIPTION ON THE MICROFICHE, INDICATES THE OVERALL UNIT COLOR. ORDER THE ITEM YOU DESIRE ACCORDING TO UNIT COLOR CODE.



NOTE: USE THIS ILLUSTRATION WHEN DETERMINING LENGTH AND WIDTH MEASUREMENTS FOR CURTAINS. YOU WILL NOTE THE WIDTH MEASUREMENT IS TAKEN ON THE TOP OF THE CURTAIN WITH THE CURTAIN FULLY EXTENDED. THE LENGTH MEASUREMENT IS TAKEN FROM TOP TO BOTTOM. LEFT AND RIGHT WINDOW LEGS ARE DETERMINED WHEN FACING THE WINDOW.

# CURTAIN & CUSHION GROUP (CONTINUED)

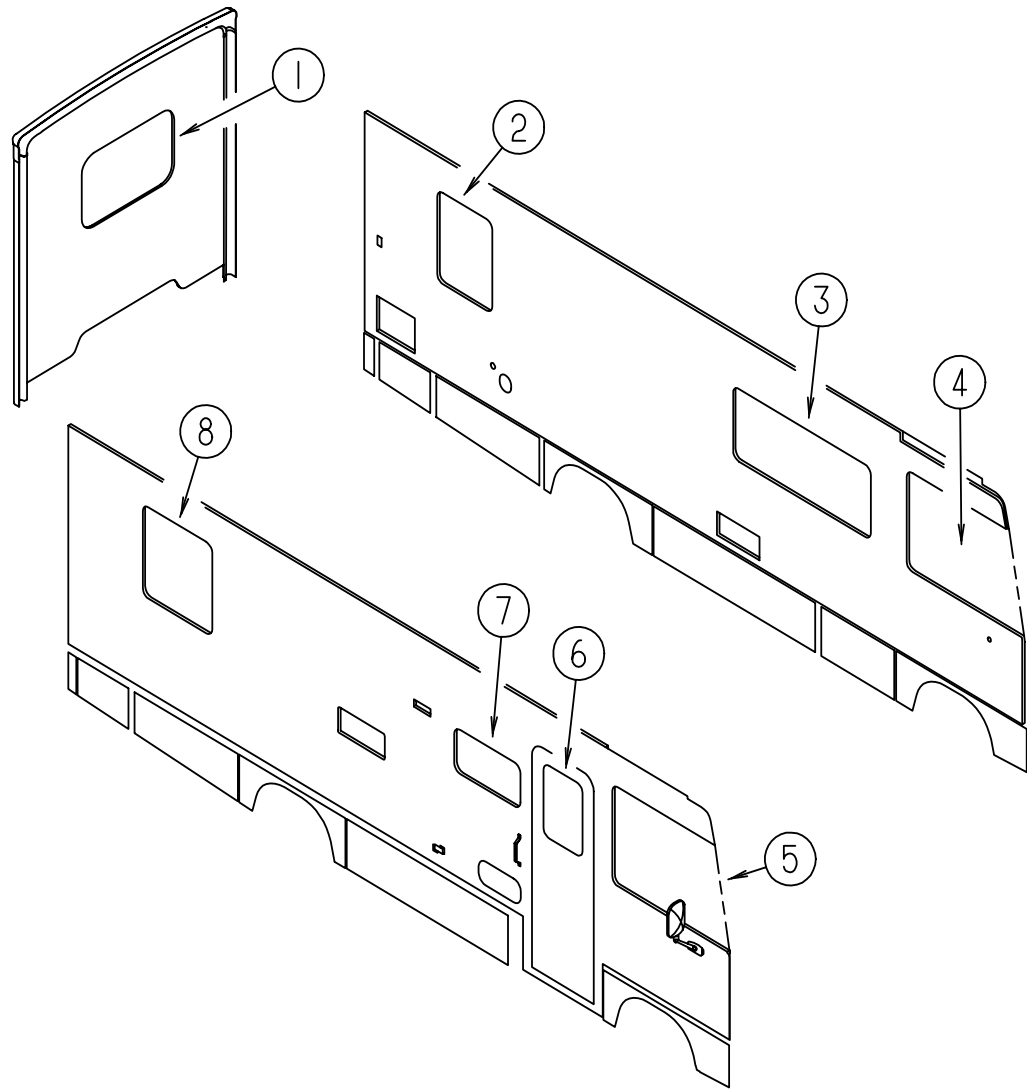
## CURTAIN, BLIND HARDWARE & TRACKS



KEY	PART NUMBER	U/M	DESCRIPTION
1	106544-01-000	EA	PULL - SHADE/BRASS
1	106544-01-001	EA	SCREW - SHADE/BRASS
2	102555-03-000	EA	CLEAT - BLIND CORD - MILKY WHITE PLASTIC
3	109441-03-000	EA	HOLD DOWN - BLIND (CLOUDY)
4	084434-01-000	EA	BRACKET - MOUNTING - ROLLER SHADE - 1 3/8"
	096843-01-000	EA	SPRING - REWIND/ROLLER SHADE
	086276-01-000	EA	TAPE - DOUBLE SIDED - 1/2"
5	101031-01-000	YD	TAPE - GLIDE/CURTAIN - 4.25" SPACING
6	029130-01-000	EA	SCREW - SNAP SOCKET - #8 PH X 5/8"
6	029130-03-000	EA	SCREW - SNAP SOCKET - #8 PH X 1"
7	029155-01-000	EA	CAP - SNAP - 5/32" OUTSIDE DIAMETER OF PIN
8	029156-01-000	EA	SOCKET - SNAP - 9/16" O.D.
9	127254-07-02A	EA	TRACK - CURTAIN - RIGHT HAND - ANTELOPE
9	127254-08-02A	EA	TRACK - CURTAIN - LEFT HAND - ANTELOPE
9	105450-01-01A	EA	TRACK - CURTAIN - 30.9" - OFF WHITE
10	083170-01-000	EA	BRACKET - BLIND - LEFT SIDE WHEN FACING WINDOW
11	083170-02-000	EA	BRACKET - BLIND - RIGHT SIDE WHEN FACING WINDOW
12	109353-04-000	EA	CLIP - VALANCE SLAT MOUNTING - CLEAR PLASTIC
13	097565-01-000	EA	BRACKET - MOUNTING/PLEATED BLIND
14	094907-02-000	EA	END CAP - TOP/PLEATED BLIND - PLASTIC - GRAY
	097592-02-000	EA	SPOOL - CORD - ELEVATED BLIND HOLDUP - LARGE - CLEAR
	046867-02-000	EA	WASHER - HANDY BUTTON #3
	046867-03-000	EA	GROMMET - HANDY BUTTON #3
	056003-01-000	EA	BRACKET - DRAPERY RETAINING - FRONT - METAL
	056003-02-000	EA	BRACKET - DRAPERY RETAINING - REAR - METAL
	083125-07-000	EA	BRACE - COUCH - 2.5"
	083125-08-000	EA	BRACE - WINDOW MOUNT - 3/4 - OFF WHITE
	095567-01-000	EA	TACK - STRIP - .5" X 625' ROLL
	068716-01-001	EA	BRACE - 90 DEGREE L-ANGLE - 16'
	075943-06-000	EA	BRACE-L-SHAPED - 8" LONG - ALUMINUM - BEIGE
	094896-02-000	EA	GROMMET - CORD/PLEATED BLIND - NYLON - GRAY
	094907-04-000	EA	END CAP - BOTTOM/PLEATED BLIND (RH & LH)
	097564-03-000	EA	HANDLE - KNOB - E-Z LIFT SHADE - TAN (K16)
	097564-04-000	EA	HANDLE - KNOB - E-Z LIFT SHADE - NAVY (K17)
	097564-05-000	EA	HANDLE - KNOB - E-Z LIFT SHADE - TEAL (K18)
	097591-01-000	EA	SPRING - EXTENSION/PLEATED BLIND
	097593-02-000	FT	CORD - BLIND - PLEATED - GRAY (K16)
	097593-06-000	FT	CORD - BLIND - PLEATED - PEWTER (K17)
	097593-07-000	FT	CORD - BLIND - PLEATED - PALE JADE (K18)
	105648-01-02A	EA	BRACE - VALANCE - OFF/WHITE - 14"

## CURTAIN & CUSHION GROUP (CONTINUED)

### WINDOW TREATMENT



KEY	PART NUMBER	U/M DESCRIPTION
1	118537-09-K16	EA VALANCE - GALAXY - 52"
1	118537-09-K17	EA VALANCE - GALAXY - 52"
1	118537-09-K18	EA VALANCE - GALAXY - 52"
1	112986-14-J02	EA CURTAIN - 27.5" X 6" (K16)
1	112986-14-J03	EA CURTAIN - 27.5" X 6" (K17)
1	112986-14-K18	EA CURTAIN - 27.5" X 6" (K18)
1	111910-62-K09	EA BLIND - DAY/NIGHTER - 49" X 27" (K16)
1	111910-62-K40	EA BLIND - DAY/NIGHTER - 49" X 27" (K17)
1	111910-62-K32	EA BLIND - DAY/NIGHTER - 49" X 27" (K18)
2	118537-34-K16	EA VALANCE - GALAXY - 34"
2	118537-34-K17	EA VALANCE - GALAXY - 34"
2	118537-34-K18	EA VALANCE - GALAXY - 34"
2	112986-16-J46	EA CURTAIN - 35.5" X 6" (K16) - QUEEN BED
2	112986-16-J47	EA CURTAIN - 35.5" X 6" (K17) - QUEEN BED
2	112986-16-K18	EA CURTAIN - 35.5" X 6" (K18) - QUEEN BED
2	112986-13-J46	EA CURTAIN - 38.5" X 6" (K16) - TWIN BED
2	112986-13-J47	EA CURTAIN - 38.5" X 6" (K17) - TWIN BED
2	112986-13-K18	EA CURTAIN - 38.5" X 6" (K18) - TWIN BED
2	111910-64-J16	EA BLIND - DAY/NIGHTER - 31" X 35" (K16) - QUEEN BED
2	111910-64-J15	EA BLIND - DAY/NIGHTER - 31" X 35" (K17) - QUEEN BED
2	111910-64-J32	EA BLIND - DAY/NIGHTER - 31" X 35" (K18) - QUEEN BED
2	111910-58-K31	EA BLIND - DAY/NIGHTER - 31" X 37" (K16) - TWIN BED
2	111910-58-K34	EA BLIND - DAY/NIGHTER - 31" X 37" (K17) - TWIN BED
2	111910-58-K32	EA BLIND - DAY/NIGHTER - 31" X 37" (K18) - TWIN BED
3	118537-07-K16	EA VALANCE - GALAXY - 64.5"
3	118537-07-K17	EA VALANCE - GALAXY - 64.5"
3	118537-07-K18	EA VALANCE - GALAXY - 64.5"
3	118537-38-K16	EA VALANCE - GALAXY - 64.5" - COFFEEMAKER OPTION
3	118537-38-K17	EA VALANCE - GALAXY - 64.5" - COFFEEMAKER OPTION
3	118537-38-K18	EA VALANCE - GALAXY - 64.5" - COFFEEMAKER OPTION
3	127017-11-J02	EA LEG - RIGHT - 25" (K16)
3	127017-11-J03	EA LEG - RIGHT - 25" (K17)
3	127017-11-K18	EA LEG - RIGHT - 25" (K18)
3	127017-12-J02	EA LEG - LEFT - 25" (K16)
3	127017-12-J03	EA LEG - LEFT - 25" (K17)
3	127017-12-K18	EA LEG - LEFT - 25" (K18)
3	111910-57-K06	EA BLIND - DAY/NIGHTER - 61" X 28.5" (K16)
3	111910-57-J90	EA BLIND - DAY/NIGHTER - 61" X 28.5" (K17)
3	111910-57-K32	EA BLIND - DAY/NIGHTER - 61" X 28.5" (K18)
4	101668-66-J15	EA CURTAIN - LEFT HAND - 35.5" X 106"
5	101668-65-J15	EA CURTAIN - RIGHT HAND - 35.5" X 106"
	073260-42-D10	EA TIEBACK - 6" X 18"
6	118537-36-K16	EA VALANCE - GALAXY - 33.25"
6	118537-36-K17	EA VALANCE - GALAXY - 33.25"
6	118537-36-K18	EA VALANCE - GALAXY - 33.25"
6	084755-57-E07	EA SHADE - PULL - 27.25"
7	109041-58-02A	EA BLIND - MINI - 30.5" X 17" (K16,K18)
7	109041-58-01A	EA BLIND - MINI - 30.5" X 17" (K17)
8	118537-34-K16	EA VALANCE - GALAXY - 34"
8	118537-34-K17	EA VALANCE - GALAXY - 34"
8	118537-34-K18	EA VALANCE - GALAXY - 34"
8	112986-13-J46	EA CURTAIN - 38.5" X 6" (K16)
8	112986-13-J47	EA CURTAIN - 38.5" X 6" (K17)
8	112986-13-K18	EA CURTAIN - 38.5" X 6" (K18)
8	111910-58-K31	EA BLIND - DAY/NIGHTER - 31" X 37" (K16)
8	111910-58-K34	EA BLIND - DAY/NIGHTER - 31" X 37" (K17)
8	111910-58-K32	EA BLIND - DAY/NIGHTER - 31" X 37" (K18)

## CURTAIN & CUSHION GROUP (CONTINUED)

### TWIN MATTRESS & BEDSPREAD

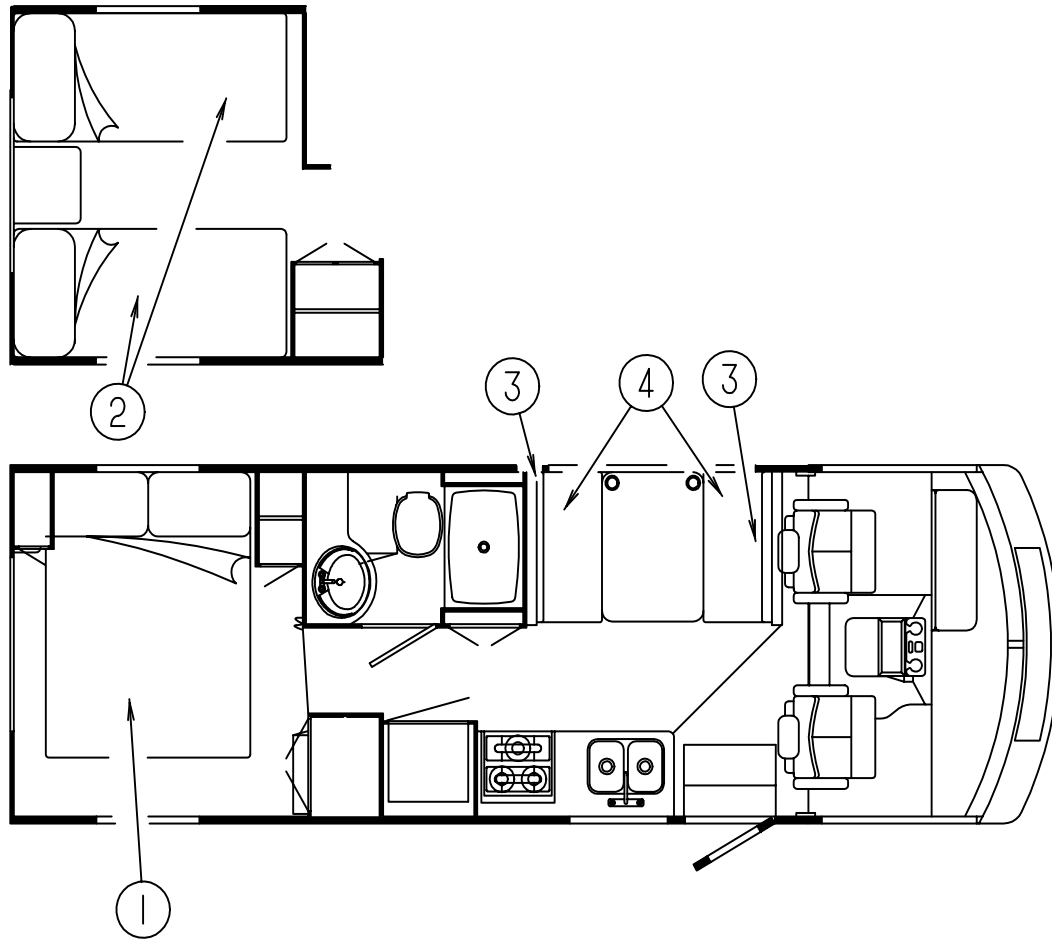
KEY	PART NUMBER	U/M DESCRIPTION
1	123015-04-000	EA MATTRESS - INNERSPRING - 36" X 79.5"
1	123471-09-J46	EA BEDSPREAD/THROW - 36" X 80" (K16)
1	123471-09-J47	EA BEDSPREAD/THROW - 36" X 80" (K17)
1	123471-09-K18	EA BEDSPREAD/THROW - 36" X 80" (K18)
	111863-16-J46	EA PILLOW SHAM - 22" X 37" (K16)
	111863-16-J47	EA PILLOW SHAM - 22" X 37" (K17)
	111863-16-K18	EA PILLOW SHAM - 22" X 37" (K18)

### QUEEN MATTRESS & BEDSPREAD

KEY	PART NUMBER	U/M DESCRIPTION
2	123015-07-000	EA MATTRESS - INNERSPRING - 60" X 79.5"
2	123471-23-J02	EA BEDSPREAD/THROW - 60" X 80" (K16)
2	123471-23-J03	EA BEDSPREAD/THROW - 60" X 80" (K17)
2	123471-23-K18	EA BEDSPREAD/THROW - 60" X 80" (K18)
	111863-15-J46	EA PILLOW SHAM - 20" X 33" (K16)
	111863-15-J47	EA PILLOW SHAM - 20" X 33" (K17)
	111863-15-K18	EA PILLOW SHAM - 20" X 33" (K18)

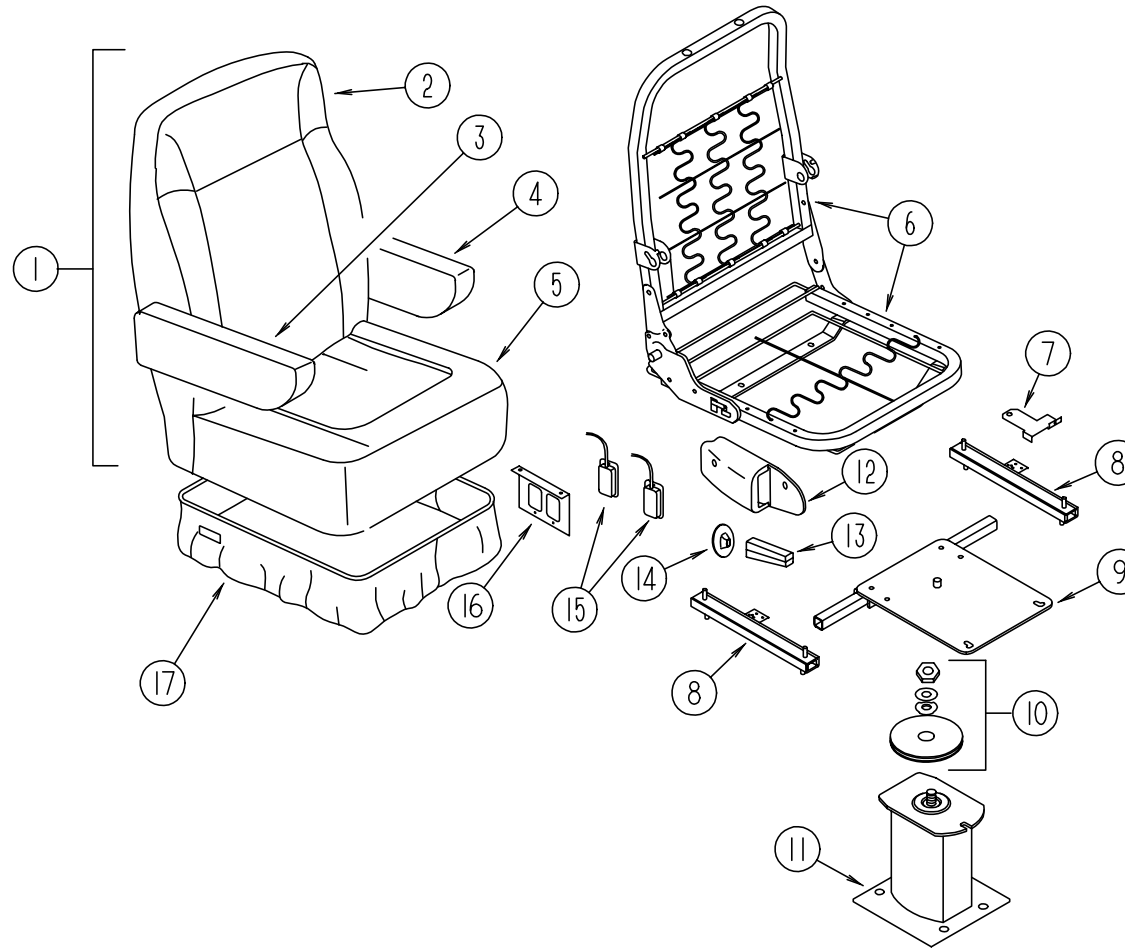
### DINETTE CUSHIONS

KEY	PART NUMBER	U/M DESCRIPTION
3	111897-05-K16	EA CUSHION - BACK - 13.5" X 42" X 5"
3	111897-05-K17	EA CUSHION - BACK - 13.5" X 42" X 5"
3	111897-05-K18	EA CUSHION - BACK - 13.5" X 42" X 5"
	P11897-05-K16	EA COVER - BACK - 13.5" X 42" X 5"
	P11897-05-K17	EA COVER - BACK - 13.5" X 42" X 5"
	P11897-05-K18	EA COVER - BACK - 13.5" X 42" X 5"
4	105603-15-J02	EA CUSHION - SEAT - 23" X 42" X 5" (K16)
4	105603-15-J47	EA CUSHION - SEAT - 23" X 42" X 5" (K17)
4	105603-15-K18	EA CUSHION - SEAT - 23" X 42" X 5" (K18)
	P05603-15-J02	EA COVER - SEAT - 23" X 42" X 5" (K16)
	P05603-15-J47	EA COVER - SEAT - 23" X 42" X 5" (K17)
	P05603-15-K18	EA COVER - SEAT - 23" X 42" X 5" (K18)



## CURTAIN & CUSHION GROUP (CONTINUED)

### BUCKET SEAT W/O LUMBAR



KEY	PART NUMBER	U/M	DESCRIPTION
1	129664-01-K16	EA	SEAT - BUCKET - WIDE/MANUAL RECLINE
1	129664-01-K17	EA	SEAT - BUCKET - WIDE/MANUAL RECLINE
1	129664-01-K18	EA	SEAT - BUCKET - WIDE/MANUAL RECLINE
2	M05962-80-K16	EA	COVER - BACK
2	M05962-80-K17	EA	COVER - BACK
2	M05962-80-K18	EA	COVER - BACK
3	129666-01-K16	EA	ARMREST - RIGHT HAND
3	129666-01-K17	EA	ARMREST - RIGHT HAND
3	129666-01-K18	EA	ARMREST - RIGHT HAND
	P29666-01-K16	EA	COVER - ARMREST - RIGHT HAND
	P29666-01-K17	EA	COVER - ARMREST - RIGHT HAND
	P29666-01-K18	EA	COVER - ARMREST - RIGHT HAND
4	129666-02-K16	EA	ARMREST - LEFT HAND
4	129666-02-K17	EA	ARMREST - LEFT HAND
4	129666-02-K18	EA	ARMREST - LEFT HAND
	P29666-02-K16	EA	COVER - ARMREST - LEFT HAND
	P29666-02-K17	EA	COVER - ARMREST - LEFT HAND
	P29666-02-K18	EA	COVER - ARMREST - LEFT HAND

KEY	PART NUMBER	U/M	DESCRIPTION
5	M05962-81-K16	EA	COVER - SEAT
5	M05962-81-K17	EA	COVER - SEAT
5	M05962-81-K18	EA	COVER - SEAT
6	122695-01-01B	EA	FRAME - SEAT/BACK
7	117125-01-02B	EA	BRACKET - CABLE MOUNT - ADJUSTER W/LOCK
8	119952-04-000	EA	SLIDE/SEAT - HEAVY DUTY LOCKING - 4 STUDS
	119952-07-000	EA	WIRE - LATCH RELEASE/ROTARY
9	107921-05-000	EA	PLATE - TOP - W/SEAT BELT BAR
10	107921-06-000	EA	BEARING KIT - PEDESTAL
11	107921-01-000	EA	PEDESTAL/FLOOR MOUNTED - W/9.75" EXTENSION
12	080730-09-000	EA	SHIELD - RECLINER HANDLE
13	080730-08-000	EA	HANDLE - RECLINER
14	080730-11-000	EA	SHIELD - RUBBER BOOT
15	108049-04-000	EA	CABLE - W/SWITCHES - W/26" MINI LEVER ACTION
	108049-02-000	EA	CLIP - CABLE/PEDESTAL
16	127159-02-02B	EA	BRACKET - SEAT RELEASE - REMOTE
17	071126-68-K16	EA	SKIRT - WIDE - 10.5" OPEN CORNER (STANDARD & 6-WAY POWER)
17	071126-68-K17	EA	SKIRT - WIDE - 10.5" OPEN CORNER (STANDARD & 6-WAY POWER)
17	071126-68-K18	EA	SKIRT - WIDE - 10.5" OPEN CORNER (STANDARD & 6-WAY POWER)



**CURTAIN & CUSHION GROUP (CONTINUED)**

**BUTTON, TRIM, ASSIST HANDLE & SEAT BELT**

KEY	PART NUMBER	U/M	DESCRIPTION
	079349-04-J46	YD	WELT - NARROW (K16)
	079349-04-H16	YD	WELT - NARROW (K17)
	079349-04-GC1	YD	WELT - NARROW (K18)
	007021-01-000	EA	SEAT BELT - 2" X 90" - BLACK
	057759-01-000	EA	WASHER - FLAT F/SEAT BELT - 4" DIAMETER
	069178-02-000	EA	BRACKET - MOUNTING/ASSIST HANDLE - GRAY
	053552-02-K01	EA	HANDLE - ASSIST - INTERIOR/ENTRY DOOR - VINYL/OFF WHITE
	057534-01-000	EA	TIEBACK/TIEDOWN - 6" CLEAR PLASTIC
	070578-02-B10	EA	BUTTON - SCREW - STUD - #30 VINYL
	000C16-07-16B	EA	BOLT - CARRIAGE - ASSIST HANDLE - 7/16" - 14 X 1"
	000D20-07-00B	EA	NUT - ACORN - ASSIST HANDLE - 7/16 - 14

**CURTAIN & CUSHION GROUP (CONTINUED)**

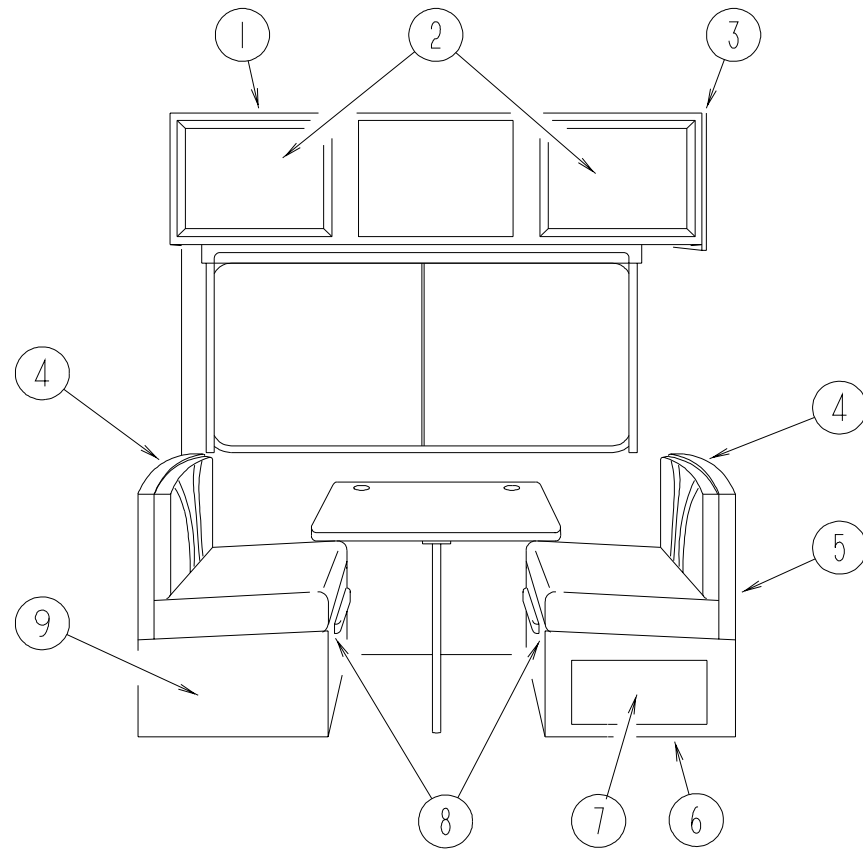
**BRAVE 'SE' FABRIC**

COLOR CODES	K16	K17	K18
	SANDPIPER (TAN)	HORIZON (BLUE)	MEADOWBROOK (GREEN)
<b>CEILING MATERIAL FROM: 00-00-00 THRU: 02-07-99</b>	113979-01-01A	113979-01-01A	113979-01-01A
<b>CEILING MATERIAL FROM: 02-08-99 THRU: 99-99-99</b>	113979-09-01A	113979-09-01A	113979-09-01A
<b>MADRID VINYL</b>	103907-01-01A	103907-01-01A	103907-01-01A
<b>ALLANTE ANTELOPE VINYL</b>	103907-01-07A 103907-02-07A 103907-03-07A	103907-01-07A 103907-02-07A 103907-03-07A	103907-01-07A 103907-02-07A 103907-03-07A
<b>DRAPERY LINING</b>	087272-03-000	087272-03-000	087272-03-000
<b>BUCKET SEATS</b>	108446-57-000 108446-U1-000	108446-F4-000 108446-F7-000	108446-S7-000 108446-C5-000
<b>DINETTE</b>	108446-R8-000	108446-U5-000	126883-03-000
<b>DINETTE PADS</b>	108446-U1-000	108446-F7-000	108446-C5-000
<b>SOFA</b>	108446-R8-000	108446-U5-000	126883-03-000
<b>SOFA PILLOWS</b>	108446-57-000	108446-F4-000	108446-S7-000
<b>SWIVEL CHAIR</b>	108446-57-000 108446-U1-000	108446-F4-000 108446-F7-000	108446-S7-000 108446-C5-000
<b>LOUNGE WINDOWS</b>	108446-R8-000 108446-57-000	108446-U5-000 108446-F4-000	126883-03-000 108446-S7-000
<b>BEDROOM WINDOWS</b>	105745-G2-000 105745-A1-000	105745-65-000 105745-64-000	105745-G8-000 105745-45-000
<b>BEDSPREAD</b>	105745-G2-000	105745-65-000	105745-G8-000
<b>PILLOW SHAMS</b>	105745-G2-000 105745-A1-000	105745-65-000 105745-64-000	105745-G8-000 105745-45-000
<b>HEADBOARD</b>	105745-G2-000 105745-A1-000	105745-65-000 105745-64-000	105745-G8-000 105745-45-000
<b>BEDROOM PILLOWS</b>	105745-G2-000 105745-A1-000	105745-65-000 105745-64-000	105745-G8-000 105745-45-000
<b>FRONT WRAP AROUND</b>	072333-82-000	072333-82-000	072333-82-000
<b>LOUNGE CABINET INSERTS</b>	108446-57-000	108446-F4-000	108446-S7-000
<b>BEDROOM CABINET INSERTS</b>	105745-A1-000	105745-64-000	105745-45-000
<b>MAP POCKETS</b>	108446-U1-000	108446-F7-000	108446-C5-000

**NOTE: FABRIC LISTED FIRST, IN A BLOCK, IS THE LARGEST QUANTITY OF FABRIC USED.**

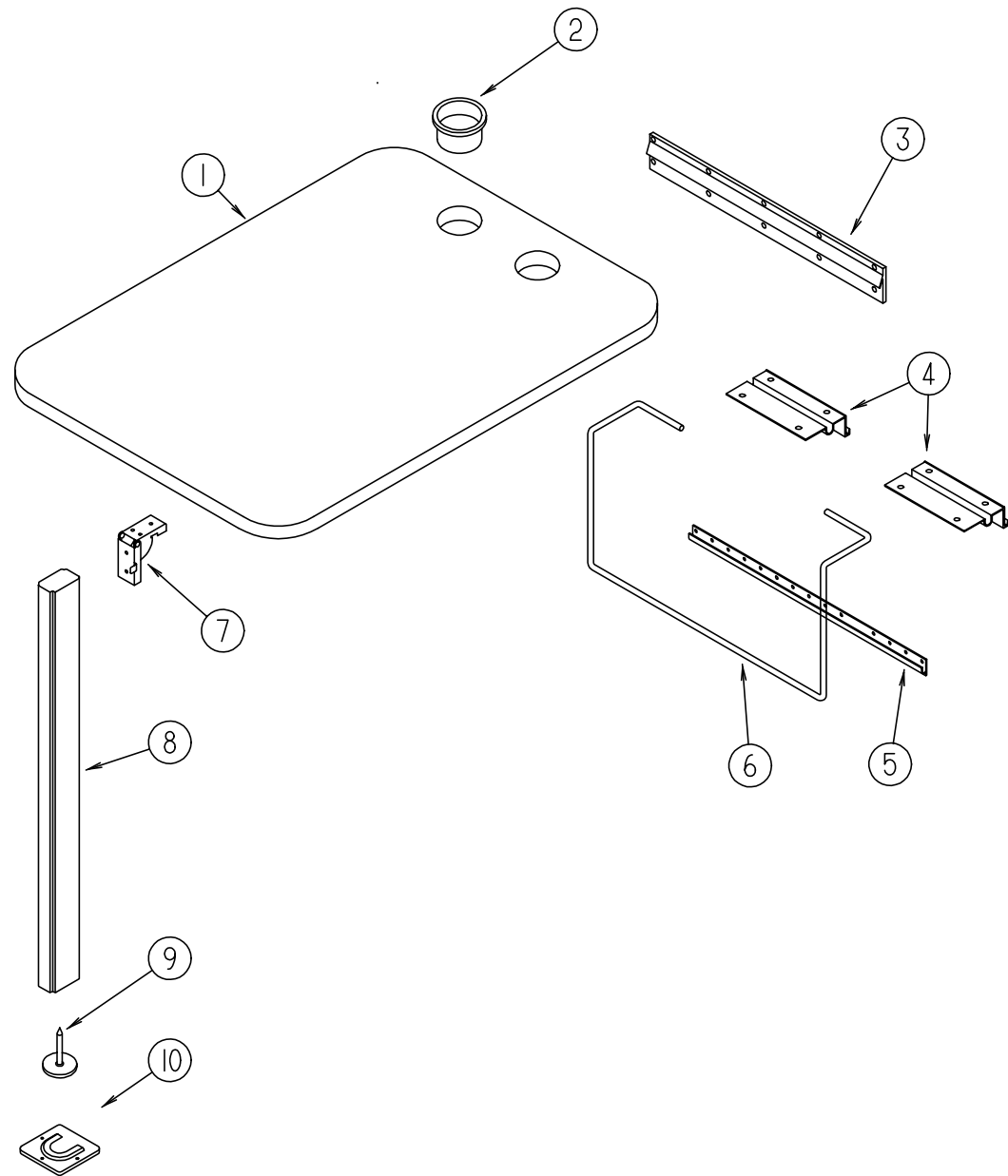
# DINETTE GROUP

## DINETTE CABINERY



KEY	PART NUMBER	U/M DESCRIPTION
1	117902-51-J46	EA CABINET - OVERHEAD/DINETTE - W/O DOORS/HARDWARE (K16)
1	117902-51-J47	EA CABINET - OVERHEAD DINETTE - W/O DOORS/HARDWARE (K17)
1	117902-51-K18	EA CABINET - OVERHEAD DINETTE - W/O DOORS/HARDWARE (K18)
	117902-14-G09	EA SHELF - W/PLASTIC EDGE TRIM
1	129198-01-J46	EA CABINET - OVERHEAD/DINETTE - W/O DOORS/HARDWARE (K16) - COFFEEMAKER
1	129198-01-J47	EA CABINET - OVERHEAD/DINETTE - W/O DOORS/HARDWARE (K17) - COFFEEMAKER
1	129198-01-K18	EA CABINET - OVERHEAD/DINETTE - W/O DOORS/HARDWARE (K18) - COFFEEMAKER
	129198-13-J15	EA SHELF - W/PLASTIC EDGE TRIM - COFFEEMAKER
2	132141-14-K01	EA DOOR - VENEER - 15.7" X 27.9" - W/O HARDWARE
3	103128-01-G09	EA END CAP - OVERHEAD CABINET - RIGHT HAND
4	104787-08-J46	EA PAD - DINETTE SEATBACK (K16)
4	104787-08-J47	EA PAD - DINETTE SEATBACK (K17)
4	104787-08-F11	EA PAD - DINETTE SEATBACK (K18)
5	M08752-10-J37	EA CABINET - SEATBACK - RIGHT HAND
6	M08753-10-J37	EA CABINET - SEATBASE - RIGHT HAND - W/O DOOR/DRAWER/HARDWARE
7	131995-G4-K01	EA DOOR - SOLID PANEL - 10" X 19.1" - W/O HARDWARE
8	081295-01-G01	EA SUPPORT - BED/DINETTE - 28" LONG
9	M08753-09-J15	EA CABINET - SEATBASE - LEFT HAND - W/O DOOR/DRAWER/HARDWARE
	122021-03-01A	EA ANGLE - W/HOLES
	122021-02-02A	EA ANGLE - W/HOLES - 13.7" LONG - OFF WHITE
		FROM: 10-05-98 THRU: 99-99-99
	122021-01-02A	EA ANGLE - W/HOLES - 8.6" LONG - OFF WHITE

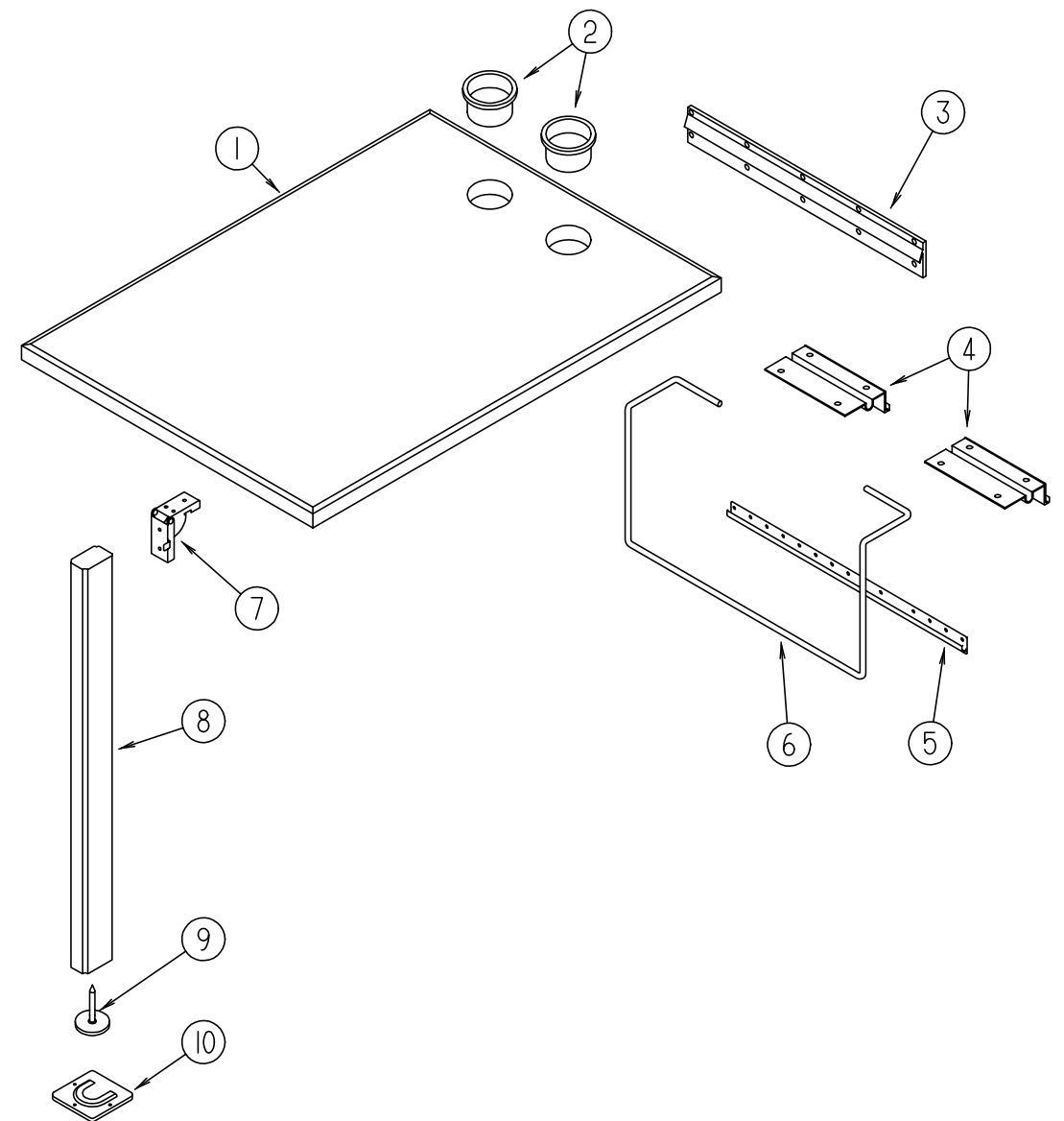
## DINETTE GROUP (CONTINUED)



**DINETTE TABLE (LAMINATE EDGE)**

KEY	PART NUMBER	U/M	DESCRIPTION
1	081322-23-K16	EA	TABLE TOP ONLY
1	081322-23-K17	EA	TABLE TOP ONLY
1	081322-23-K18	EA	TABLE TOP ONLY
2	064781-06-000	EA	HOLDER - CUP - TWO STEP - OFF WHITE
3	053200-12-000	EA	BRACKET - TABLE SUPPORT - UPPER/WALL MOUNTED - 23.50"
4	088410-02-000	EA	BRACKET - LIFT - TABLE MOUNTED
5	024281-14-000	EA	BRACKET/TABLE - LIFT ROD/LOWER WALL MOUNTED - 22.12"
6	024275-12-000	EA	ROD - TABLE LIFT
7	093550-01-000	EA	BRACKET - HINGE - MOUNTS TO LEG & TABLE TOP - 1.7" X 2.6"
8	092707-04-05A	EA	LEG - TABLE - W/O HARDWARE - 27" - WATERFORD OAK
9	092593-01-05A	EA	CATCH - TABLE LEG - OFF/WHITE
10	049493-12-000	EA	CATCH - TABLE LEG/FLOOR MOUNTED - OFF WHITE
10	049493-11-700	EA	CATCH-TABLE LEG,E-COAT

## DINETTE GROUP (CONTINUED)

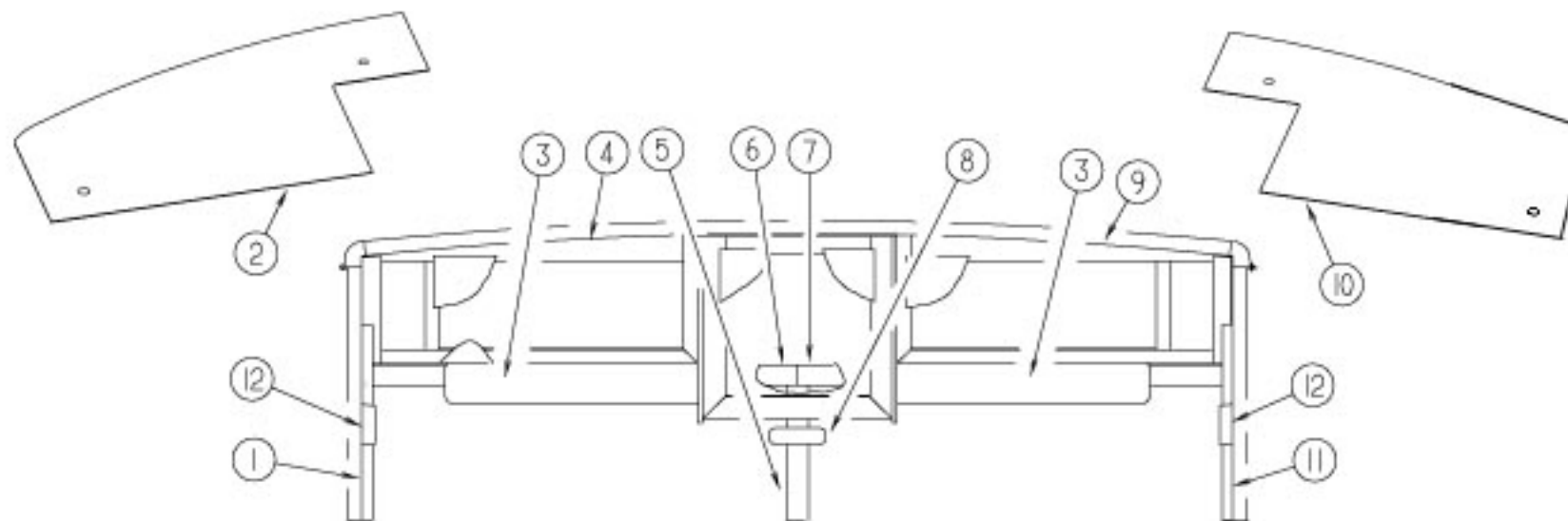


**DINETTE TABLE (WOOD EDGE)**

KEY	PART NUMBER	U/M	DESCRIPTION
1	088913-08-G42	EA	TABLE - DINETTE - W/O HARDWARE (K16)
1	088913-08-J51	EA	TABLE - DINETTE - W/O HARDWARE (K17)
1	088913-08-K18	EA	TABLE - DINETTE - W/O HARDWARE (K18)
2	064781-06-000	EA	HOLDER - CUP - TWO STEP - OFF WHITE
3	053200-12-000	EA	BRACKET - TABLE SUPPORT - UPPER/WALL MOUNTED - 23.50"
4	088410-02-000	EA	BRACKET - LIFT - TABLE MOUNTED
5	024281-14-000	EA	BRACKET/TABLE - LIFT ROD/LOWER WALL MOUNTED - 22.12"
6	024275-12-000	EA	ROD - TABLE LIFT
7	093550-01-000	EA	BRACKET - HINGE - MOUNTS TO LEG & TABLE TOP - 1.7" X 2.6"
8	092707-04-05A	EA	LEG - TABLE - W/O HARDWARE - 27" - WATERFORD OAK
9	092593-01-05A	EA	CATCH - TABLE LEG - OFF/WHITE
10	049493-12-000	EA	CATCH - TABLE LEG/FLOOR MOUNTED - OFF WHITE
10	049493-11-700	EA	CATCH-TABLE LEG,E-COAT

# DRIVERS COMPARTMENT GROUP

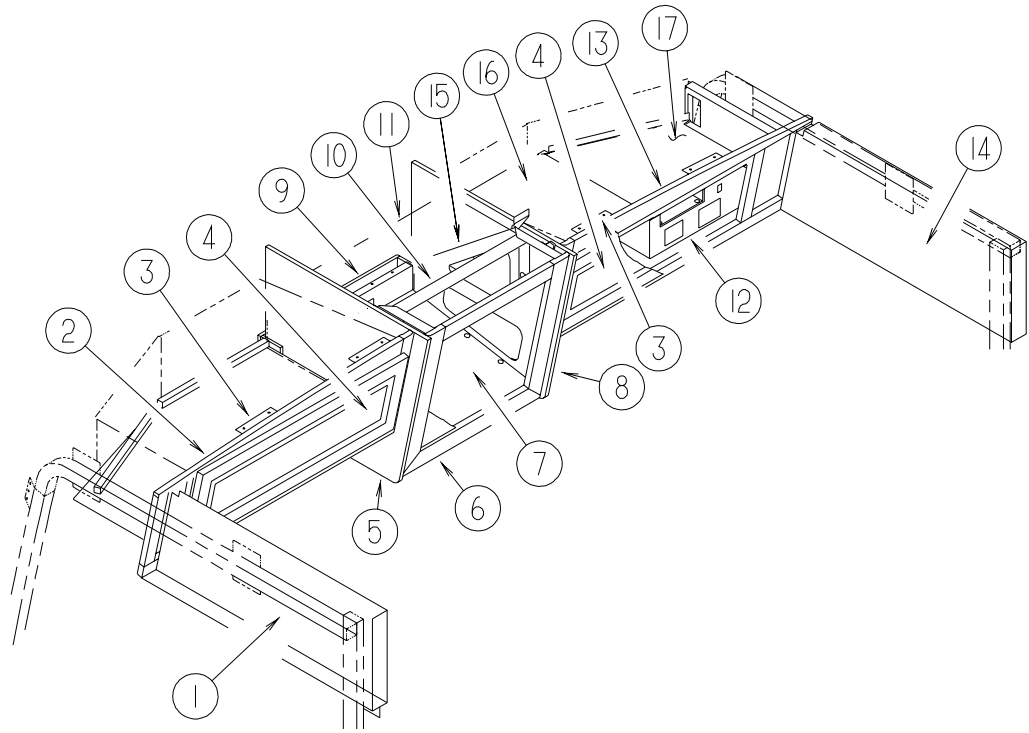
## DRIVERS COMPARTMENT - UPPER



KEY	PART NUMBER	U/M	DESCRIPTION
1	125508-04-01A	EA	TRIM - A-PILLAR - INTERIOR - ANTELOPE
2	126440-04-J15	EA	PANEL - OVERHEAD/FRONT - BOTTOM/LEFT HAND
3	123298-02-04A	EA	SUNVISOR - 10.5" X 28.5"
4	126457-02-J20	EA	PANEL - CLOSEOUT - OVERHEAD FRONT - UPPER/LOWER LEFT HAND
5	118452-05-01A	EA	TRIM - WINDSHIELD - CENTER - ANTELOPE
6	118453-04-01A	EA	TRIM - WINDSHIELD - INNER/TOP/DRIVER
7	118453-03-01A	EA	TRIM - WINDSHIELD - INNER/TOP/PASSENGER
8	040714-01-000	EA	MIRROR - REAR VIEW/ARM MOUNT & SET SCREW
	067490-01-000	EA	BUTTON - MIRROR/REAR VIEW
9	126457-01-J20	EA	PANEL - CLOSEOUT - OVERHEAD FRONT - UPPER/LOWER RIGHT HAND
10	126440-03-J15	EA	PANEL - OVERHEAD/FRONT - BOTTOM/RIGHT HAND
11	125508-03-01A	EA	TRIM - A-PILLAR - INTERIOR - ANTELOPE
12	103961-02-01A	EA	COVER - BRACKET - SEAT BELT/LEFT HAND - DRIVER DOOR OPTION

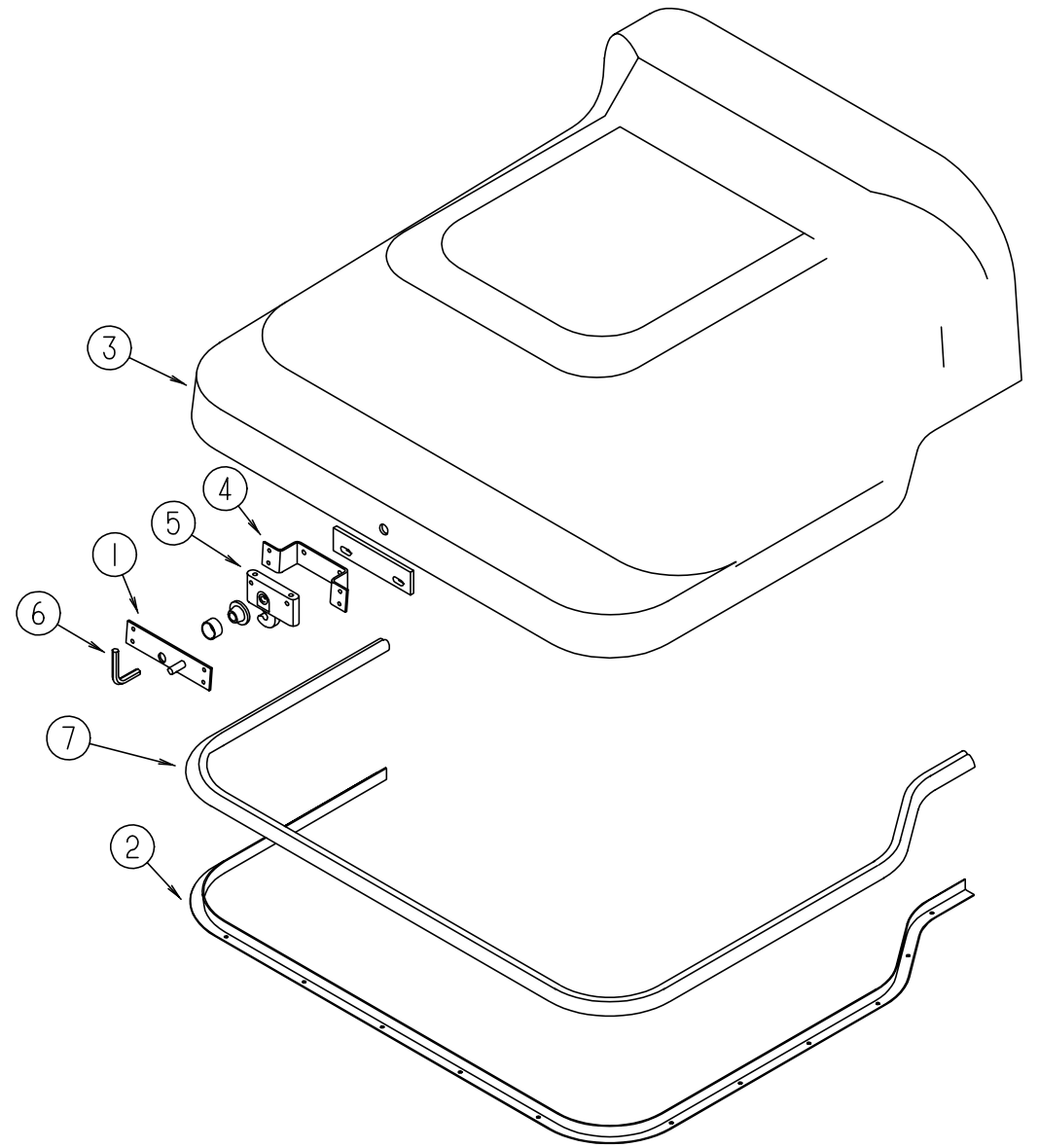
**DRIVERS COMPARTMENT GROUP (CONTINUED)**

**DRIVERS COMPARTMENT GROUP (CONTINUED)**



**INTERIOR STORAGE AND TV CABINETS**

KEY	PART NUMBER	U/M	DESCRIPTION
1	126765-02-J15	EA	PANEL - OVERHEAD/DRIVER
2	126877-02-J15	EA	CABINET - OVERHEAD/FRONT - LEFT HAND - W/O DOORS/HARDWARE
3	106699-01-01A	EA	BRACKET - OVERHEAD CABINET/TV
4	M09332-07-K16	EA	DOOR - RAISED MEMBRANE/OGEE EDGE - 10.8" X 27.9" - W/O HDW
5	103128-25-J15	EA	END CAP - OVERHEAD CABINET - LEFT HAND
6	126718-01-J15	EA	FRAME/FACE - TV CABINET - W/O DOOR/HARDWARE
6	116791-02-J15	EA	FRAME/FACE - TV CABINET - F/TV
	091261-01-000	FT	SLIPNOT - ANTISLIP - 1' WIDE
7	100708-16-000	EA	DOOR - GLASS - CABINET - 15.5" X 15.7" - W/O HARDWARE
8	103128-26-J15	EA	END CAP - OVERHEAD CABINET - RIGHT HAND
9	126801-01-J15	EA	CABINET BOTTOM - VINYL COVERED
10	114706-04-02B	EA	SUPPORT - SHELF/TV
11	126854-01-J20	EA	PANEL - HEADLINER/TV/TOP
12	126601-01-J20	EA	PANEL - SHELF - VINYL COVERED - W/O INVERTER CUTOUT FROM: 00-00-00 THRU: 11-08-98
12	131807-01-K28	EA	PANEL - SHELF - VINYL COVERED - W/O INVERTER CUTOUT FROM: 11-09-98 THRU: 99-99-99
12	126601-03-J20	EA	PANEL SHELF/VINYL CVRD-W/O INVERTER CUTOUT-W/SWITCH NOTCH FROM: 00-00-00 THRU: 11-08-98
12	131807-02-K28	EA	PANEL SHELF/VINYL CVRD-W/O INVERTER CUTOUT-W/SWITCH NOTCH FROM: 11-09-98 THRU: 99-99-99
12	126601-07-J20	EA	PANEL SHELF-VINYL CVRD-W/INVERTER CUTOUT-W/SWITCH NOTCH FROM: 00-00-00 THRU: 11-08-98
12	131807-03-K28	EA	PANEL SHELF-VINYL CVRD-W/INVERTER CUTOUT-W/SWITCH NOTCH FROM: 11-09-98 THRU: 99-99-99
13	126877-01-J15	EA	CABINET - OVERHEAD/FRONT - RIGHT HAND - W/O DOORS/HARDWARE
14	126765-01-J15	EA	PANEL - OVERHEAD/PASSENGER
15	126081-03-02B	EA	BRACKET/SUPPORT - TV - 10 DEGREE - E-COATED
	126081-04-02B	EA	BRACKET/SUPPORT - TV - 10 DEGREE - E-COATED
16	127637-01-02B	EA	SHELF - OVERHEAD/FRONT/LEFT HAND - E-COATED
17	126275-01-02B	EA	SHELF - OVERHEAD/FRONT - E-COATED FROM: 00-00-00 THRU: 11-08-98
17	126275-03-02B	EA	SHELF - OVERHEAD/FRONT - E-COATED FROM: 11-09-98 THRU: 99-99-99

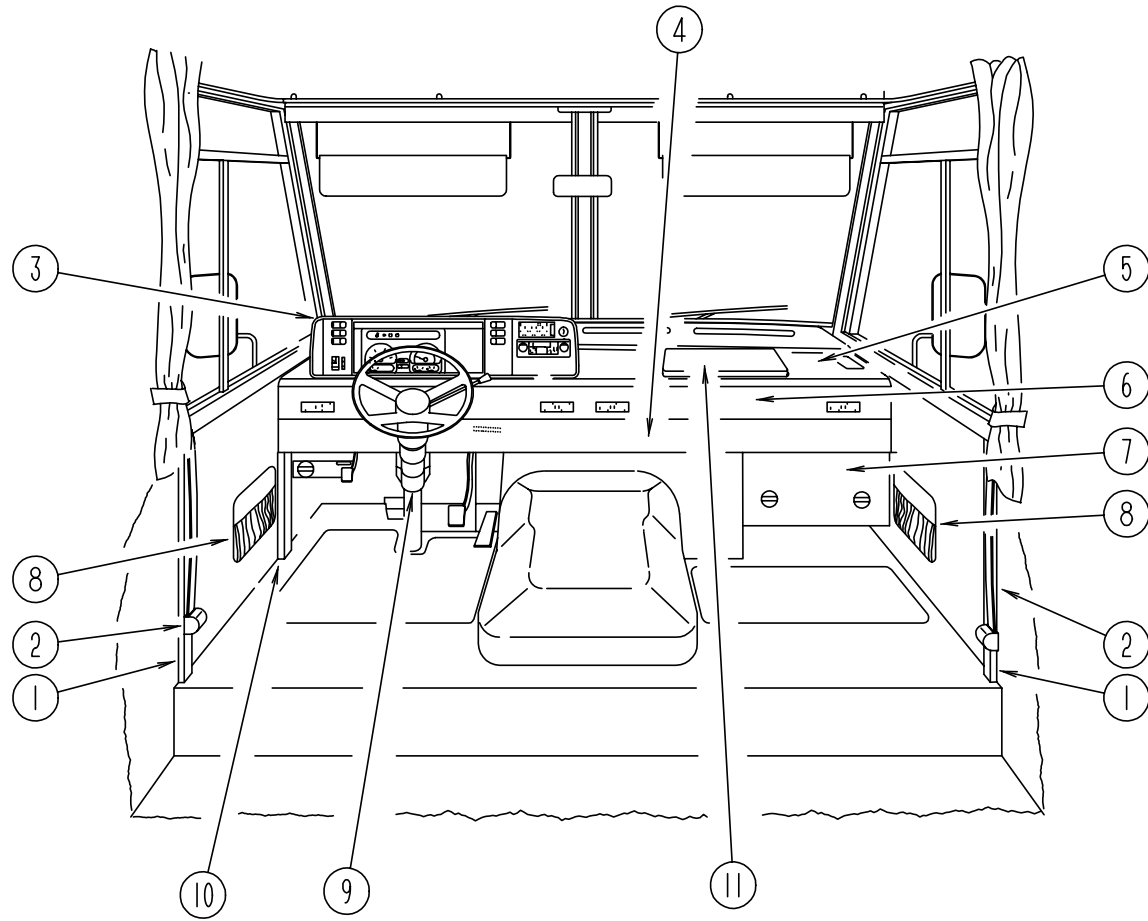


**MOTOR COVER**

KEY	PART NUMBER	U/M	DESCRIPTION
1	115852-01-02B	EA	STRIKE - LATCH - MOTOR COVER - E-COATED
2	115860-01-01A	EA	TRIM - MOTOR COVER - CHEVY
3	115840-02-01A	EA	COVER - MOTOR - W/O CARPET - CHEVY
4	115850-03-02B	EA	RETAINER - LATCH - MOTOR COVER - RIGHT HAND - E-COATED
5	116581-01-000	EA	LATCH - MOTOR COVER
6	116833-01-02B	EA	WRENCH - HEX MOTOR COVER - E-COATED
7	039623-01-000	FT	SEAL - MOTOR COVER - RUBBER BULB TYPE

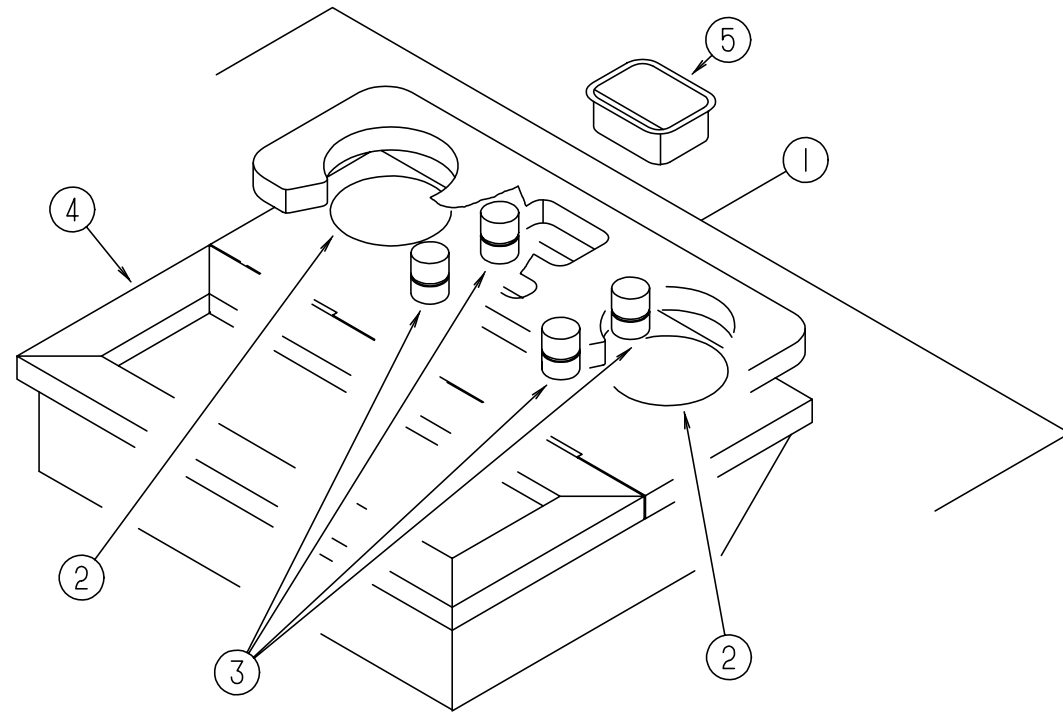
## DRIVERS COMPARTMENT GROUP (CONTINUED)

### DRIVERS COMPARTMENT - LOWER



KEY	PART NUMBER	U/M	DESCRIPTION	VENDOR NO.
1	024700-51-000	EA	COVER - ROLL BAR	
2	091990-04-01A	EA	SEAT BELT/SHOULDER HARNESS - DRIVERS/PASSENGER - BLACK	
	091990-01-701	EA	EXTENDER 9" FOR A8408 3 PT	I-1331-02
	091990-01-703	EA	BELT RECEIVER EXT.	I-1159-02
	091990-05-700	EA	SLEEVE/BUCKLE COVER-PLASTIC	209S-2
	091990-05-701	EA	CAP/COVER - BOLT HOLE COVER	209SC-02
	091990-05-702	EA	SLEEVE/RETRACTABLE COVER	309C-02
	109146-01-000	EA	BOLT - SHOULDER/SEAT BELT	
	133576-02-01B	EA	PLATE - ANCHOR - SEATBELT - LOWER - MILL	
3	125677-02-J20	EA	POD - INSTRUMENT PANEL - CHEVY	
4	114620-12-02A	EA	TRIM - LOWER DASH - GM - 96" - ANTELOPE	
4	114620-01-04A	EA	TRIM - LOWER DASH - GM - 96" - ANTELOPE - HEATED MIRRORS OPTION	
5	P30276-06-000	EA	DASH - W/O VINYL - CHEVY	
	106569-11-01A	EA	VINYL - LAMINATE - ALLANTE ANTELOPE - 1/4" X 21" X 100"	
	118101-06-02B	EA	PANEL - DASH TOP - E-COATED	
	113452-01-000	FT	SEAL/TRIM - FRONT - VINYL W/WIRE CARRIER	
6	126340-01-01A	EA	DECAL - LOGO - BRAVE	
7	095757-05-J60	EA	COVER - HEATER (K16)	
7	095757-05-J51	EA	COVER - HEATER (K17)	
7	095757-05-J17	EA	COVER - HEATER (K18)	
8	086120-01-J46	EA	PAD - MAP POCKET - 12" X 16" (K16)	
8	086120-01-H16	EA	PAD - MAP POCKET - 12" X 16" (K17)	
8	086120-01-G30	EA	PAD - MAP POCKET - 12" X 16" (K18)	
9	103498-09-000	EA	BOOT - STEERING COLUMN - W/1/2 CIRCLE - CHEVY	
10	127901-01-01A	EA	PANEL - TOEKICK/LEFT HAND - ANTELOPE	
11	127692-01-J20	EA	TABLE - DASH	
	127597-01-000	EA	SLIDE - WORK STATION - DASH	

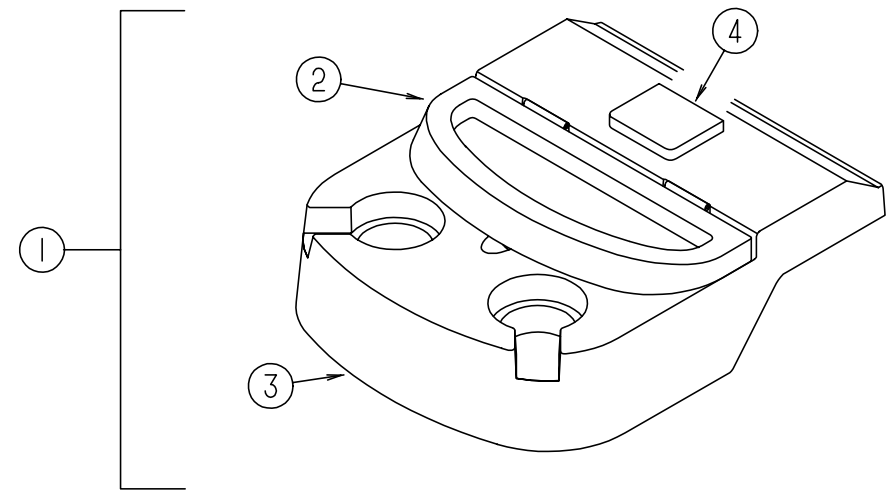
**DRIVERS COMPARTMENT GROUP (CONTINUED)**



**BEVERAGE TRAY (WOOD)**

KEY	PART NUMBER	U/M	DESCRIPTION
1	111618-01-H17	EA	TRAY - BEVERAGE W/COMPARTMENT - W/O CUPHOLDERS
2	122717-01-01A	EA	PAD - NON SKID - 4" DIAMETER ROUND
3	097872-08-000	EA	DOWEL - WOOD - 1" DIAMETER X 1.38" LONG - WATERFORD OAK
3	097872-04-000	EA	DOWEL - WOOD - 1" DIAMETER X 1.38" LONG - UNFINISHED
4	111618-13-GB1	EA	LID - BEVERAGE TRAY COMPARTMENT
5	046886-03-000	EA	ASHTRAY - CHROME W/COVER

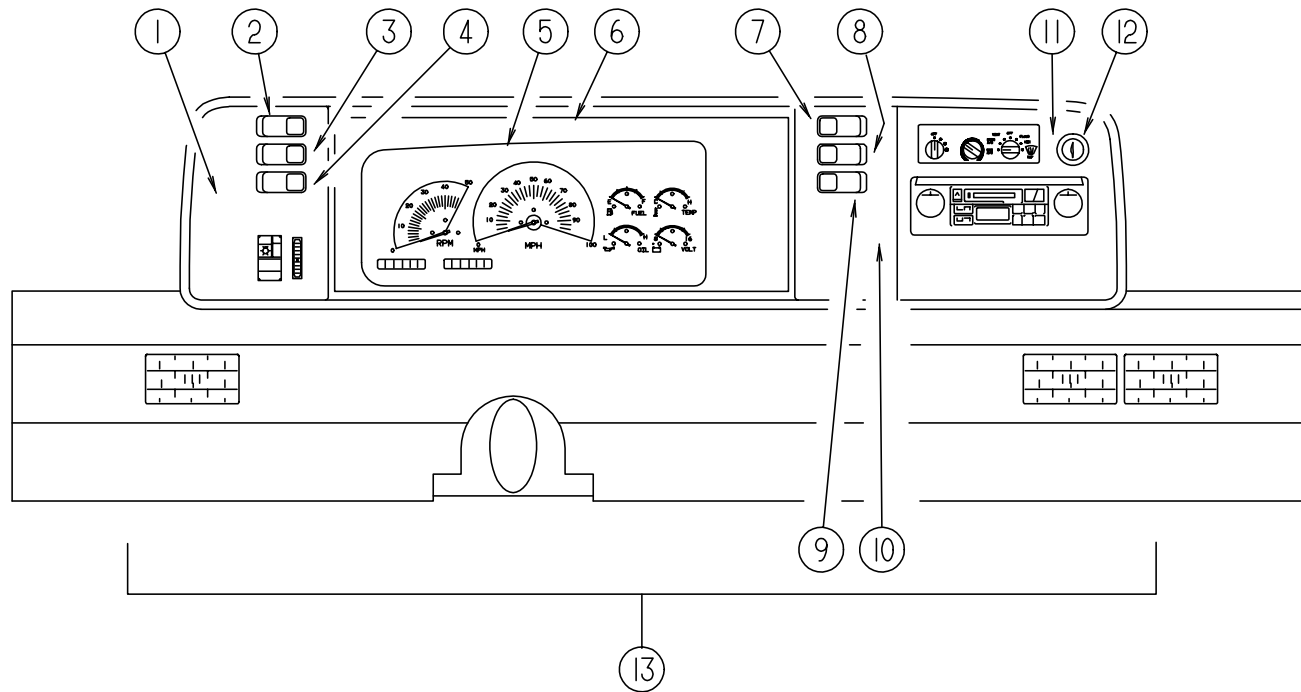
**DRIVERS COMPARTMENT GROUP (CONTINUED)**



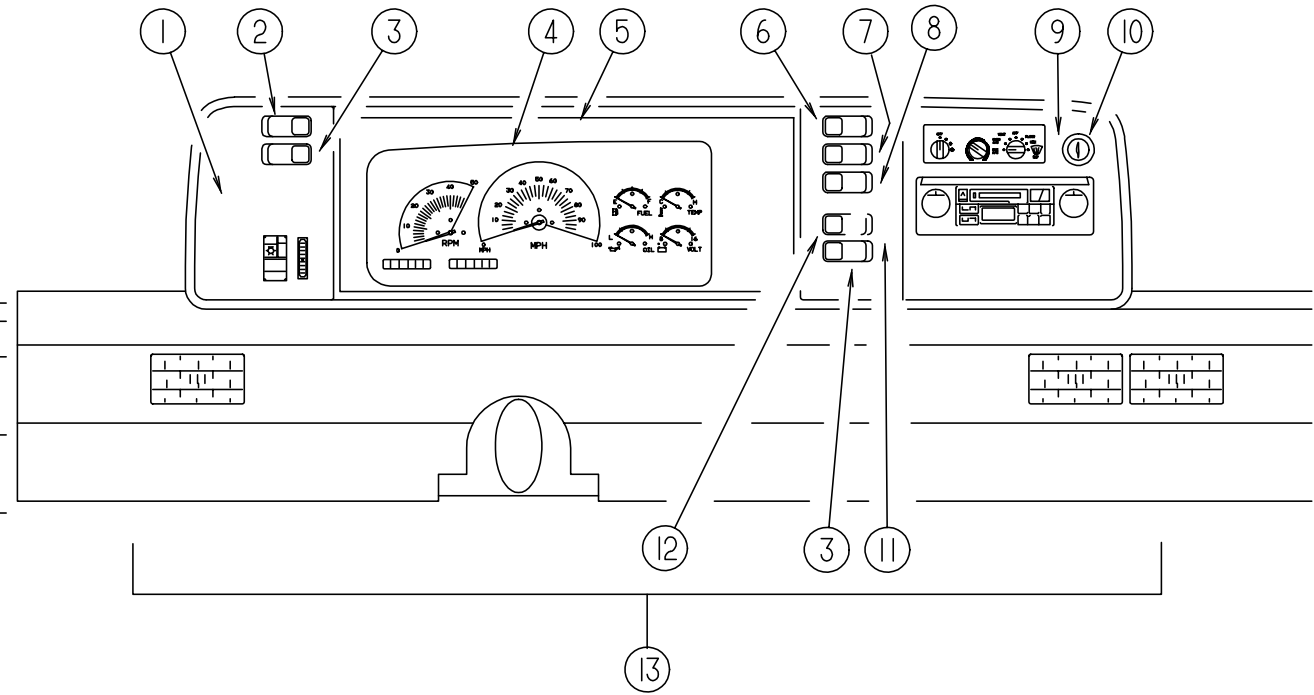
**BEVERAGE TRAY (PLASTIC)**

KEY	PART NUMBER	U/M	DESCRIPTION
1	126008-02-J30	EA	TRAY - BEVERAGE - W/DOOR
2	128113-01-J30	EA	LID - BEVERAGE TRAY
3	128114-01-01A	EA	TRAY - BEVERAGE - ANTELOPE
4	118719-01-01A	EA	ASHTRAY - TOP MOUNT - BLACK PLASTIC
	126010-01-01A	EA	SPACER - BEVERAGE TRAY
	122772-02-02B	EA	BRACKET - MOUNTING - BEVERAGE TRAY

### DRIVERS COMPARTMENT GROUP (CONTINUED)



### DRIVERS COMPARTMENT GROUP (CONTINUED)



#### DASH, GAUGES & SWITCHES - CHEVY (FROM: 00-00-00 THRU: 03-14-99)

KEY	PART NUMBER	U/M	DESCRIPTION
1	104056-37-01A	EA	APPLIQUE - BEZEL - DRIVER - BLACK
2	108356-02-01A	EA	COVER/ACTUATOR SWITCH - 2 ROWS DIMPLES- CONTURA II - BLACK
2	108357-05-000	EA	SWITCH - ROCKER SPDT - ON/NONE/ON - 3 TERMINAL - RADIO POWER W/O CD
2	108357-08-000	EA	SWITCH - ROCKER DPDT - ON/NONE/ON - 6 TERMINAL - RADIO POWER W/CD OR EUROPEAN
3	108356-02-01A	EA	COVER/ACTUATOR SWITCH - 2 ROWS DIMPLES- CONTURA II - BLACK
3	108357-09-000	EA	SWITCH - ROCKER SPDT - ON/NONE/MOM - 3 TERMINAL - AUXILIARY START
4	108356-02-01A	EA	COVER/ACTUATOR SWITCH - 2 ROWS DIMPLES- CONTURA II - BLACK
4	108357-06-000	EA	SWITCH - ROCKER DPDT - MOM/OFF/MOM - 6 TERMINAL - AUXILIARY BATTERY
5	N/A	EA	CLUSTER - INSTRUMENT PANEL - K/M - GAS - CANADIAN
6	103662-08-01A	EA	BEZEL - INSTRUMENT PANEL
7	108356-03-01A	EA	COVER/ACTUATOR SWITCH -3 GROOVES W/LENS-CONTURA III-BLACK FROM: 00-00-00 THRU: 08-03-98
7	108356-04-01A	EA	COVER/ACTUATOR SWITCH - 2 ROWS DIMPLES W/LENS-CONTURA-BLK FROM: 08-04-98 THRU: 99-99-99
7	108357-01-000	EA	SWITCH - ROCKER SPST - W/LIGHT - ON/OFF - 2 TERMINAL - GEN FROM: 00-00-00 THRU: 07-20-98
7	108357-10-000	EA	SWITCH - ROCKER SPDT - W/LIGHT - MOM/NONE/MOM - 5 TERMINAL - GEN FROM: 07-21-98 THRU: 99-99-99
7	096241-03-000	EA	SWITCH - BLANK - BLACK
8	108356-02-01A	EA	COVER/ACTUATOR SWITCH - 2 ROWS DIMPLES- CONTURA II - BLACK
8	108357-03-000	EA	SWITCH - ROCKER SPDT - ON/OFF/ON - 3 TERMINAL - REAR HEATER
8	096241-03-000	EA	SWITCH - BLANK - BLACK
9	096241-03-000	EA	SWITCH - BLANK - BLACK
10	104056-21-01A	EA	APPLIQUE - BEZEL - PASSENGER - BLACK
11	104056-06-01A	EA	APPLIQUE - BEZEL - PASSENGER - BLACK
12	089294-01-000	EA	LIGHTER - CIGARETTE - W/SOCKET & WIRE
13	125677-02-J20	EA	POD - INSTRUMENT PANEL
	103603-01-000	EA	BULB - 12 VOLT - #74 - .12A WEDGE - GE 22-25 USED IN DASH
	077031-01-000	EA	FILM - BLACK - 1" X 1.75"
	077031-03-000	EA	FILM - WHITE - .75" X 1"
	049176-01-000	EA	HEDLOCK II - 3/4 DIAMETER SCREW MOUNT

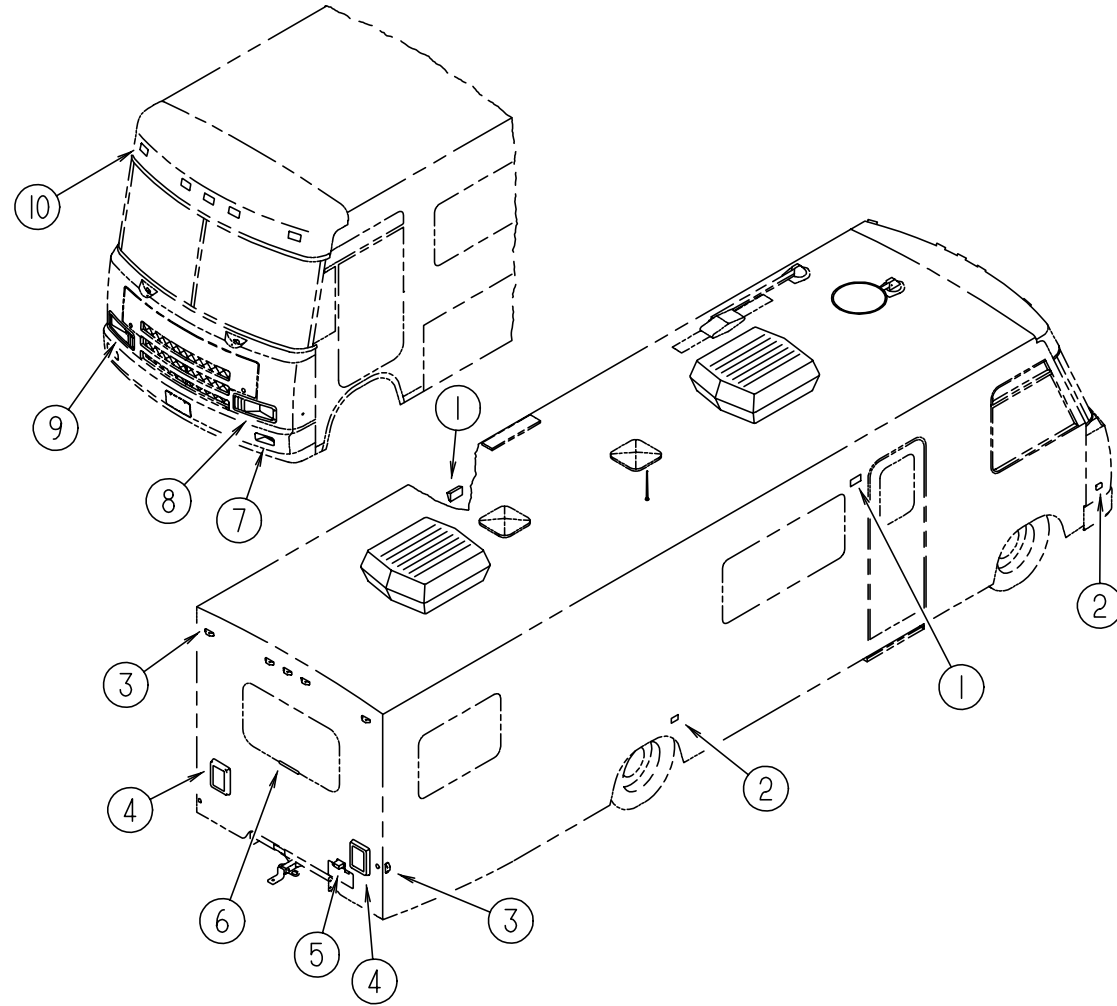
#### DASH, GAUGES & SWITCHES - CHEVY (FROM: 03-15-99 THRU: 99-99-99)

KEY	PART NUMBER	U/M	DESCRIPTION
1	104056-44-01A	EA	APPLIQUE - BEZEL - DRIVER - BLACK
2	108356-02-01A	EA	COVER/ACTUATOR SWITCH - 2 ROWS DIMPLES- CONTURA II - BLACK
2	108357-09-000	EA	SWITCH - ROCKER SPDT - ON/NONE/MOM - 3 TERMINAL - AUXILIARY START
3	096241-03-000	EA	SWITCH - BLANK - BLACK
4	N/A	EA	CLUSTER - INSTRUMENT PANEL - K/M - GAS - CANADIAN
5	103662-08-01A	EA	BEZEL - INSTRUMENT PANEL
6	108356-02-01A	EA	COVER/ACTUATOR SWITCH - 2 ROWS DIMPLES- CONTURA II - BLACK
6	108357-05-000	EA	SWITCH - ROCKER SPDT - ON/NONE/ON - 3 TERMINAL - RADIO POWER W/O CD
6	108357-08-000	EA	SWITCH - ROCKER DPDT - ON/NONE/ON - 6 TERMINAL - RADIO POWER W/CD OR EUROPEAN
7	108356-04-01A	EA	COVER/ACTUATOR SWITCH - 2 ROWS DIMPLES W/LENS-CONTURA-BLK
7	108357-10-000	EA	SWITCH - ROCKER SPDT - W/LIGHT - MOM/NONE/MOM - 5 TERMINAL - GENERATOR
7	096241-03-000	EA	SWITCH - BLANK - BLACK
8	108356-02-01A	EA	COVER/ACTUATOR SWITCH - 2 ROWS DIMPLES- CONTURA II - BLACK
8	108357-03-000	EA	SWITCH - ROCKER SPDT - ON/OFF/ON - 3 TERMINAL - REAR HEATER
8	096241-03-000	EA	SWITCH - BLANK - BLACK
9	104056-06-01A	EA	APPLIQUE - BEZEL - PASSENGER - BLACK
10	089294-01-000	EA	LIGHTER - CIGARETTE - W/SOCKET & WIRE
11	104056-43-01A	EA	APPLIQUE - BEZEL - PASSENGER - BLACK
12	108356-02-01A	EA	COVER/ACTUATOR SWITCH - 2 ROWS DIMPLES- CONTURA II - BLACK
12	108357-06-000	EA	SWITCH - ROCKER DPDT - MOM/OFF/MOM - 6 TERMINAL - AUXILIARY BATTERY
13	125677-02-J20	EA	POD - INSTRUMENT PANEL
	103603-01-000	EA	BULB - 12 VOLT - #74 - .12A WEDGE - GE 22-25 USED IN DASH
	077031-01-000	EA	FILM - BLACK - 1" X 1.75"
	077031-03-000	EA	FILM - WHITE - .75" X 1"
	049176-01-000	EA	HEDLOCK II - 3/4 DIAMETER SCREW MOUNT



# ELECTRICAL GROUP

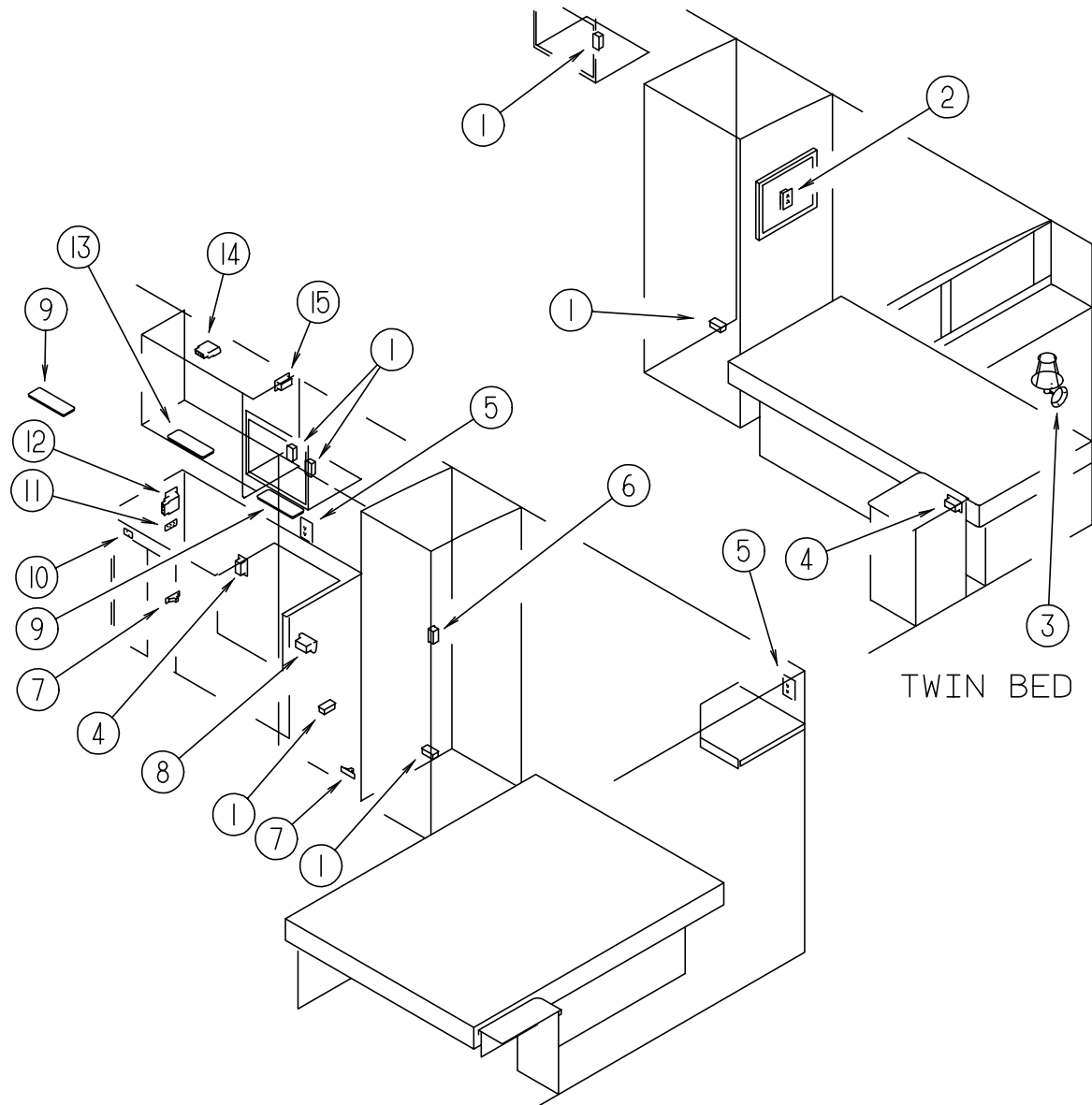
## EXTERIOR LIGHTS



KEY	PART NUMBER	U/M	DESCRIPTION	VENDOR NO.
1	097917-01-06A	EA	LIGHT - PORCH - BRIGHT WHITE	
	008215-01-000	EA	BULB - 12 VOLT - #1003 - .94 AMP	
	097917-01-700	EA	LENS-LIGHT, CLEAR	30-78-021
1	008089-02-000	EA	LIGHT - PORCH - RECESSED - CANADIAN	
	008089-01-700	EA	LENS-LIGHT,RECESSED,PORCH DECO	
	008214-01-000	EA	BULB - 12 VOLT - #67 - .59 AMP	
2	111102-01-000	EA	BASE - MARKER LAMP	
2	111102-02-000	EA	LENS - AMBER - MARKER LAMP	
	036196-01-000	EA	BULB - 12V - #194 - .27 AMP - BAYONETTE	
3	111102-01-000	EA	BASE - MARKER LAMP	
3	111102-03-000	EA	LENS - RED - MARKER LAMP	
	036196-01-000	EA	BULB - 12V - #194 - .27 AMP - BAYONETTE	
4	081638-01-000	EA	TAILLIGHT/DOUBLE W/BLACK TRIM - DRIVER/PASSENGER SIDE	
	037934-01-000	EA	BULB - 12V - #1156 - 2.1 AMP CLEAR GLASS BACK UP & TURN SIGNAL BULB	
	037935-01-000	EA	BULB - 12V - #1157 OR #2057 - 2.1 AMP - CLEAR GLASS BRAKE LIGHT BULB	
	081638-01-700	EA	LENS-TAILLIGHT, RED	30-84-010
	081638-01-701	EA	LENS-TAILLIGHT, W/BACKUP	30-84-700
	103355-01-05A	EA	POD - TAIL LIGHT - BRIGHT WHITE	
			FROM: 00-00-00 THRU: 11-22-98	
	103355-02-01A	EA	POD - TAIL LIGHT - BRIGHT WHITE	
			FROM: 11-23-98 THRU: 99-99-99	
5	066432-02-000	EA	LIGHT - LICENSE - BLACK	
5	066432-03-000	EA	BRACKET - LICENSE PLATE	
6	121950-01-000	EA	LIGHT - BRAKE - CENTER MOUNT	
7	084901-01-000	EA	LAMP - PARK/TURN - GM #916558 (BULB #2057)	
8	049186-04-000	EA	HEADLAMP - DRIVER - HIGH/LOW - HALOGEN	
8	049188-04-000	EA	HEADLAMP - DRIVER - HIGH BEAM - HALOGEN	
8	049359-01-000	EA	SPRING - RETAINER - HEADLAMP - GM #496096	
8	110750-01-000	EA	SCREW - HEADLAMP ADJUSTING	
9	049185-04-000	EA	HEADLAMP - PASSENGER - HIGH/LOW - HALOGEN	
9	049187-04-000	EA	HEADLAMP - PASSENGER - HIGH BEAM - HALOGEN	
9	049359-01-000	EA	SPRING - RETAINER - HEADLAMP - GM #496096	
9	110750-01-000	EA	SCREW - HEADLAMP ADJUSTING	
10	102520-01-000	EA	LIGHT - CLEARANCE - W/O SOCKET/HOUSING - AMBER	
10	067789-02-000	EA	SOCKET - LAMP	
10	036196-01-000	EA	BULB - 12V - #194 - .27 AMP - BAYONETTE	
10	102541-01-000	EA	GASKET - CLEARANCE LIGHT	

## ELECTRICAL GROUP (CONTINUED)

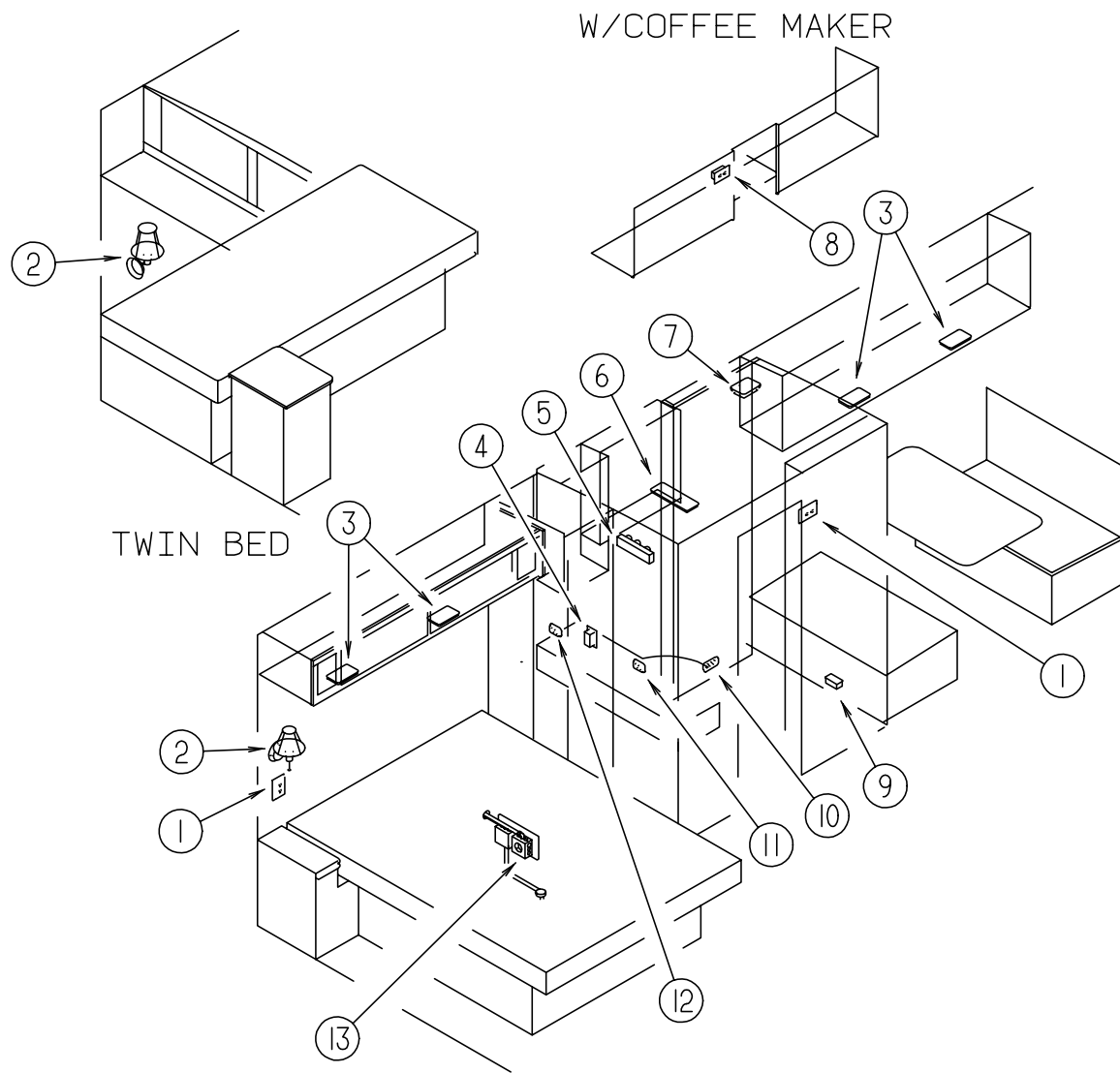
### LIGHTS, SWITCHES, & RECEPTACLES PASSENGERS SIDE



KEY	PART NUMBER	U/M	DESCRIPTION	VENDOR NO.
1	058707-02-000	EA	RECEPTACLE - BLANK JUNCTION BOX	
2	058708-02-000	EA	RECEPTACLE - ELECTRIC - DOUBLE - IVORY	
3	119257-03-01A	EA	SHADE - LAMP - LINEN	
3	119258-02-01A	EA	LAMP - WALL	
	119258-01-700	EA	FINIAL (PYRAMID)	12-0322
3	067479-01-000	EA	BULB - 12 VOLT - #1076 - 1.80 AMP	
4	058708-01-000	EA	RECEPTACLE - ELECTRIC - DOUBLE - BROWN	
5	058708-02-000	EA	RECEPTACLE - ELECTRIC - DOUBLE - IVORY	
5	102568-01-GB1	EA	SPACER - RECEPTACLE - BETWEEN SIDEWALL & PLATE - WOOD	
6	058707-01-000	EA	RECEPTACLE - ELECTRIC - SINGLE - BROWN	
7	061424-01-000	EA	LIGHT - AISLE - 12 VOLT - RECTANGULAR	
	008103-01-000	EA	BULB - DASH/AISLE LIGHT - #53 - 12 VOLT - .12 AMP	
8	112822-01-01A	EA	RECEPTACLE - DUPLEX - IVORY	
			FROM: 00-00-00 THRU: 11-15-98	
8	112824-01-03A	EA	COVER - EXTERIOR DUPLEX RECEPTACLE - WHITE PLASTIC	
			FROM: 00-00-00 THRU: 11-15-98	
8	131826-01-01A	EA	RECEPTACLE - EXTERIOR - W/COVER/GASKET - WHITE	
			FROM: 11-16-98 THRU: 99-99-99	
9	098024-03-02A	EA	LIGHT - DOME - 2 BULB - WHITE	
	008218-01-000	EA	BULB - DOME LIGHT - 12 VOLT - NO. 1141	
	098024-01-700	EA	LENS-LIGHT	807877
10	079364-03-000	EA	SWITCH - ON/OFF ROCKER - 3 TERMINAL - BROWN - FRONT COURTESY LAMP	
10	098351-01-01A	EA	PLATE/SWITCH - 1 GANG - POLISHED BRASS - W/O LABEL	
11	098351-05-01A	EA	PLATE/SWITCH - 3 GANG - POLISHED BRASS-PORCH/CEILING/STEP	
11	079364-01-000	EA	SWITCH - ON/OFF ROCKER - 2 TERMINAL - BROWN - PORCH/CEILING/STEP	
12	084076-02-000	EA	RECEPTACLE - GFI - 15 AMP/125 VOLT - BROWN	
13	098024-06-02A	EA	LIGHT - DOME - 2 BULB - SKYLITE	
	008218-01-000	EA	BULB - 12 VOLT - #1141 - 1.44AMP	
	098024-01-701	EA	LENS - OPTI CLEAR - SKYLITE	809902
14	091927-01-000	EA	COVER - RECEPTACLE - DOUBLE - IVORY - W/O ROOF A/C OPTION	
15	058708-05-000	EA	RECEPTACLE - ELECTRIC - SINGLE - BROWN - MICROWAVE	
	086280-01-000	EA	LIGHT - SURFACE MOUNT - 12 VOLT	
	086280-01-700	EA	BULB,12V	ARP1089

## ELECTRICAL GROUP (CONTINUED)

### LIGHTS, SWITCHES, & RECEPTACLES DRIVERS SIDE



KEY	PART NUMBER	U/M	DESCRIPTION	VENDOR NO.
1	058708-02-000	EA	RECEPTACLE - ELECTRIC - DOUBLE - IVORY	
1	102568-01-GB1	EA	SPACER - RECEPTACLE - BETWEEN SIDEWALL & PLATE - WOOD	
2	119257-03-01A	EA	SHADE - LAMP - LINEN	
2	119258-02-01A	EA	LAMP - WALL	
	119258-01-700	EA	FINIAL (PYRAMID)	12-0322
2	067479-01-000	EA	BULB - 12 VOLT - #1076 - 1.80 AMP	
3	098024-05-02A	EA	LIGHT - DOME - 1 BULB - SKYLITE - WHITE	
	008218-01-000	EA	BULB - DOME LIGHT - 12 VOLT - NO. 1141	
	098024-01-701	EA	LENS - OPTI CLEAR - SKYLITE	809902
4	058708-02-000	EA	RECEPTACLE - ELECTRIC - DOUBLE - IVORY	
5	110235-01-01A	EA	LIGHT - MAKE UP - 3 BULB - 12 VOLT - COMFORT AND CONVENIENCE PACKAGE	
	081633-01-700	EA	BULB-LIGHT, MAKE-UP	RP1041
6	098024-03-02A	EA	LIGHT - DOME - 2 BULB - WHITE	
	008218-01-000	EA	BULB - DOME LIGHT - 12 VOLT - NO. 1141	
	098024-01-700	EA	LENS-LIGHT	807877
7	121935-01-01A	EA	LIGHT - DOME - SHOWER	
8	058708-01-000	EA	RECEPTACLE - ELECTRIC - DOUBLE - BROWN	
9	058707-02-000	EA	RECEPTACLE - BLANK - JUNCTION BOX	
10	079364-03-000	EA	SWITCH - ON/OFF ROCKER - 3 TERMINAL - BROWN - WATER PUMP	
10	079364-01-000	EA	SWITCH - ON/OFF ROCKER - 2 TERMINAL - BROWN - BATH LAMP & SHOWER LAMP	
10	098351-03-01A	EA	PLATE/SWITCH - 3 GANG - POLISHED BRASS - W/O LABEL	
10	095188-02-01A	EA	SPACER - SWITCH - 2.3" X 4.1" - PLASTIC - DARK BROWN	
11	079364-03-000	EA	SWITCH - ON/OFF ROCKER - 3 TERMINAL - BROWN - COURTESY LAMP	
11	079364-01-000	EA	SWITCH - ON/OFF ROCKER - 2 TERMINAL - BROWN - BEDROOM CEILING LAMP	
11	098351-02-01A	EA	PLATE/SWITCH - 2 GANG - POLISHED BRASS - W/O LABEL	
11	095188-01-01A	EA	SPACER - SWITCH - 2.3" X 3.4" - PLASTIC - DARK BROWN	
12	079364-01-000	EA	SWITCH - ON/OFF ROCKER - 2 TERMINAL - BROWN - MAKE UP LAMP	
			COMFORT AND CONVENIENCE PACKAGE	
12	098351-01-01A	EA	PLATE/SWITCH - 1 GANG - POLISHED BRASS - W/O LABEL	
			COMFORT AND CONVENIENCE PACKAGE	
12	095188-01-01A	EA	SPACER - SWITCH - 2.3" X 3.4" - PLASTIC - DARK BROWN	
			COMFORT AND CONVENIENCE PACKAGE	
13	024924-02-000	EA	RECEPTACLE - POWER CORD - W/PARTIAL PLATE	
	086280-01-000	EA	LIGHT - SURFACE MOUNT - 12 VOLT	
	086280-01-700	EA	BULB, 12V	ARP1089

**ELECTRICAL GROUP (CONTINUED)****FUSES & FUSE HOUSINGS**

KEY	PART NUMBER	U/M	DESCRIPTION
	062901-02-000	EA	FUSE - 05 AMPS - AUTOMOTIVE
	062901-05-000	EA	FUSE - 15 AMPS - AUTOMOTIVE
	062901-06-000	EA	FUSE - 20 AMPS - AUTOMOTIVE
	062901-07-000	EA	FUSE - 25 AMPS - AUTOMOTIVE
	062901-08-000	EA	FUSE - 30 AMPS - AUTOMOTIVE
	062037-01-000	EA	HOUSING - AUTO FUSE - NATURAL
	062037-02-000	EA	HOUSING - AUTO FUSE - GREEN
	062037-03-000	EA	HOUSING - AUTO FUSE - BLACK
	062037-04-000	EA	HOUSING - AUTO FUSE - BLUE
	062037-05-000	EA	HOUSING - AUTO FUSE - GRAY
	062037-06-000	EA	HOUSING - AUTO FUSE - BROWN
	062037-07-000	EA	HOUSING - AUTO FUSE - RED
	108669-01-000	EA	HOUSING - AUTO FUSE HOLDER
	106656-01-000	EA	FUSE BLOCK - 4 CAVITY - AUTOFUSE

**CIRCUIT BREAKERS**

KEY	PART NUMBER	U/M	DESCRIPTION
	083209-02-000	EA	CIRCUIT BREAKER - 15/15 AMP - 120 VOLT
	083209-03-000	EA	CIRCUIT BREAKER - 15/20 AMP - 120 VOLT
	083209-04-000	EA	CIRCUIT BREAKER - 30 AMP - 120 VOLT
	083209-06-000	EA	CIRCUIT BREAKER - 30/15 AMP - 120 VOLT
	093655-03-000	EA	CIRCUIT BREAKER - 40 AMP - 12 VOLT
	097611-01-000	EA	CIRCUIT BREAKER - 10 AMP - 12 VOLT
	112591-01-000	EA	CIRCUIT BREAKER - 16 AMP - 240 VOLT

**TERMINALS**

KEY	PART NUMBER	U/M	DESCRIPTION
	008326-01-000	EA	TERMINAL - RING - 16/14 WIRE - 3/8" STUD
	008328-01-000	EA	TERMINAL - RING - 12/10 WIRE - #10 STUD FIT
	008331-01-000	EA	TERMINAL - RING - TONGUE - #4 WIRE - 3/8" STUD - COPPER
	008348-01-000	EA	TERMINAL - RING - 3/8" STUD 2 GA. WIRE
	035416-04-000	EA	TERMINAL - RING - #10 STUD FIT - INSULATED BARREL #16/14
	047443-01-000	EA	TERMINAL - .250 RECEPTACLE FIT - INSULATED - 16/14 AWG
	062036-01-000	EA	TERMINAL - PACK - CON - 12/10 AWG
	062036-02-000	EA	TERMINAL - PACK - CON - 16/14 AWG
	088267-01-000	EA	TERMINAL - FEMALE - 1/4
	088476-01-000	EA	TERMINAL - ELECTRICAL
	098260-01-000	EA	TERMINAL - MALE - 56 SERIES
	104100-03-000	EA	TERMINAL - 75 AMP
	106007-01-000	EA	TERMINAL - FEMALE - 14-16 AWG
	106655-01-000	EA	TERMINAL - FUSE BLOCK - 14-16 AWG
	106655-02-000	EA	TERMINAL - FUSE BLOCK - 10-12 AWG
	113135-01-000	EA	TERMINAL - FEMALE - M/P - 14-16 - F/SEALED TERMINAL
	113306-01-000	EA	TERMINAL - FEMALE - M/P - 14-16 - F/NON-SEALED TERMINAL
	113307-01-000	EA	TERMINAL - FEMALE - M/P - 16-20
	125324-01-000	EA	TERMINAL - MALE - METRI-PACK - 150

**ELECTRICAL GROUP (CONTINUED)****ELECTRIC BOXES & COVERS**

KEY	PART NUMBER	U/M	DESCRIPTION	VENDOR NO.
	008289-01-000	EA	BOX - ELECTRIC/STEEL - 1/2" & 3/4" KNOCKOUTS - 4" X 4"	
	008289-02-000	EA	BOX - ELECTRIC/STEEL - 1/2" & 3/4" KNOCKOUTS - 4" X 4"-CAN	
	008294-01-000	EA	COVER - ELECTRICAL BOX - BLANK/STEEL - 4" X 4" - GRAY	
	008294-02-000	EA	COVER - ELECTRICAL BOX - BLANK STEEL - 4" X 4" - CANADIAN	
	069238-01-000	EA	COVER - ELECTRICAL BOX - W/HOLE - 4" X 4" - GRAY USED WITH 30 AMP RECEPTACLE	
	091910-01-000	EA	BOX - ELECTRIC - 3.8" X 3.5" X 1.8" - PLASTIC	
	091910-02-000	EA	BOX - ELECTRIC - 2.2" X 3.5" X 1.8" - PLASTIC	
	111509-01-000	EA	BOX - ELECTRICAL - E-COATED	
	111510-01-000	EA	DOOR/ACCESS PANEL - ELECTRICAL BOX	
	093257-02-000	EA	BOX - ELECTRIC - W/O CIRCUIT BREAKERS/FUSES	
	093257-02-701	EA	FUSE BLOCK - DC- 11 POINT	30507060
	093257-02-700	EA	GROUND BAR - 8 POINT	13507201
	093257-02-703	EA	DEAD FRT ASM.-AC BREAKER CVR	M91500011
	093257-02-702	EA	STAB ASSEMBLY - BREAKER	M91500008
	093257-02-704	EA	NEUTRAL BAR ASM.W/GROUND BAR	M91500009

**HOUSINGS, PINS & SOCKETS**

KEY	PART NUMBER	U/M	DESCRIPTION
	007954-01-000	EA	RECEPTACLE - HOUSING - 6 POSITION
	080015-02-000	EA	RECEPTACLE - FLAG - .185 - 16/14 GAUGE
	088473-01-000	EA	HOUSING - PIN - 12 CAVITY (3 ROWS OF 4)
	088473-02-000	EA	HOUSING - PIN - 15 CAVITY (3 ROWS OF 5)
	088473-03-000	EA	HOUSING - PIN - 9 CAVITY (3 ROWS OF 3)
	088473-06-000	EA	HOUSING - PIN - 6 CAVITY (2 ROWS OF 3)
	088473-08-000	EA	HOUSING - PIN - 4 CAVITY - IN-LINE
	088473-09-000	EA	HOUSING - PIN - 3 CAVITY - IN-LINE
	088473-10-000	EA	HOUSING - PIN - 2 CAVITY - IN LINE
	088474-01-000	EA	HOUSING - SOCKET - 12 CAVITY
	088474-02-000	EA	HOUSING - SOCKET - 15 CAVITY
	088474-03-000	EA	HOUSING - SOCKET - 9 CAVITY
	088474-06-000	EA	HOUSING - SOCKET - 6 CAVITY
	088474-07-000	EA	HOUSING - SOCKET - 5 CAVITY
	088474-08-000	EA	HOUSING - SOCKET - 4 CAVITY
	088474-09-000	EA	HOUSING - ELECTRICAL - 3 TERMINAL
	088474-10-000	EA	HOUSING - SOCKET - 2 CAVITY
	088475-01-000	EA	PIN - CONNECTOR - 14 - 20 AWG
	088475-02-000	EA	PIN - CONNECTOR - 10 - 12 AWG
	088476-02-000	EA	SOCKET - CONNECTOR - 12-10 GA - PRE-TIN
	101571-01-000	EA	HOUSING - 2 POSITION - MALE
	101751-01-000	EA	HOUSING - 1 PIN - WEATHER PACK
	103608-01-000	EA	SOCKET - WEDGE BASE W/LEADS
	104100-01-000	EA	HOUSING - 1 POSITION - 75 AMPS
	106006-01-000	EA	HOUSING - 1 POSITION - FEMALE
	108355-01-000	EA	HOUSING - SWITCH
	110178-01-000	EA	HOUSING - WIPER MOTOR
	113131-01-000	EA	HOUSING - 3 PIN
	113468-01-000	EA	HOUSING - 2 POSITION - FEMALE USED ON WIPER/WASHER WIRE ASM
	119248-02-000	EA	HOUSING - 7 POSITION - FEMALE
	125323-02-000	EA	HOUSING - 8 POSITION - MALE

**ELECTRICAL GROUP (CONTINUED)****CONNECTORS**

KEY	PART NUMBER	U/M	DESCRIPTION
	008311-01-000	EA	CONNECTOR - WIRE NUT - INSULATED - RED
	008312-01-000	EA	CONNECTOR - WIRE NUT - INSULATED - BLUE
	008313-01-000	EA	CONNECTOR - WIRE NUT - INSULATED - YELLOW
	008314-01-000	EA	CONNECTOR - WIRE NUT - INSULATED - GRAY
	008355-01-000	EA	CONNECTOR - CABLE CLAMPING - 3/4"
	008356-01-000	EA	CONNECTOR - PLASTIC - 3/8" AVG
	008356-02-000	EA	CONNECTOR - PLASTIC - 21/32
	008398-01-000	EA	CONNECTOR - 1/2" X 90 DEGREE - FLEX CONDUIT - UL & CSA
	058028-01-000	EA	CONNECTOR - ELECTRICAL PIGTAIL - NYLON - CLEAR
	112823-01-000	EA	SPLICE - REDUCER - 16-14 TO 18-22

**POWER CORDS**

KEY	PART NUMBER	U/M	DESCRIPTION
	008052-01-000	EA	CORD - POWER - 10/3 WIRE - 30 AMP - 25' - CANADIAN
	008054-01-000	EA	CORD - POWER - 10/3 WIRE - 30 AMP - 25'

**WIRE ASSEMBLIES**

KEY	PART NUMBER	U/M	DESCRIPTION
	P03784-01-000	EA	WIRE ASSEMBLY - HEADLAMP - GM
	073328-B4-000	EA	CABLE ASSEMBLY - BATTERY - W/TERMINALS
	081059-02-000	EA	WIRE ASSEMBLY - 9 PIN - F/RADIO
	090986-01-000	EA	WIRE ASSEMBLY - ELECTRIC STEP
			FROM: 00-00-00 THRU: 02-07-99
	090986-02-000	EA	WIRE ASSEMBLY - ELECTRIC STEP
			FROM: 02-08-99 THRU: 99-99-99
	096449-01-000	EA	WIRE ASSEMBLY - WATER TANK TO MONITOR PANEL
	100677-01-000	EA	WIRE ASSEMBLY - RADIO
	108303-01-000	EA	WIRE ASSEMBLY - REAR AUTO HEATER
			FROM: 00-00-00 THRU: 03-14-99
	110256-01-000	EA	WIRE ASSEMBLY - INSTRUMENT PANEL - GENERATOR
			FROM: 00-00-00 THRU: 03-14-99
	111915-01-000	EA	WIRE ASSEMBLY - DAYTIME RUNNING LAMPS - FUSED - GM
	112593-02-000	FT	CABLE - 3 WIRE - 25A - FLEX RUBBER - EUROPEAN
	113134-03-000	EA	WIRE ASSEMBLY - WIPER/WASHER
	120233-05-000	EA	WIRE - 30" W/DIGITAL SENSOR CONNECTOR/STRIPED LEAD
	125578-02-000	EA	WIRE ASSEMBLY - INSTRUMENT PANEL - RIGHT HAND
	125853-01-000	EA	WIRE ASSEMBLY - ENTERTAINMENT CENTER
	127053-01-000	EA	WIRE ASSEMBLY - REAR MONITOR/UPPER
	126392-01-000	EA	WIRE ASSEMBLY - REMOTE MIRRORS
			FROM: 00-00-00 THRU: 03-14-99
	129436-02-000	EA	WIRE ASSEMBLY - INSTRUMENT PANEL/POWER MIRROR
			FROM: 03-15-99 THRU: 04-13-99
	129436-03-000	EA	WIRE - INSTRUMENT PANEL - F/POWER MIRROR
			FROM: 04-14-99 THRU: 99-99-99

**CONDUIT**

KEY	PART NUMBER	U/M	DESCRIPTION
	041953-01-000	FT	CONDUIT - CONVOLUTE SLIT - .5" ID - POLYETHELENE
	041953-03-000	FT	CONDUIT - CONVOLUTE SLIT - 1" ID (CLOTHES ROD COVER)
	041953-05-000	FT	CONDUIT - CONVOLUTE SOLID - .62" ID - POLYETHELENE
	041953-06-000	FT	CONDUIT - CONVOLUTE SLIT - .375" ID - POLYETHELENE
	041953-07-000	FT	CONDUIT - CONVOLUTE SLIT - .25" ID - POLYETHELENE
	041953-08-000	FT	CONDUIT - CONVOLUTE SLIT - 1.50" ID - POLYETHELENE
	041953-09-000	FT	CONDUIT - CONVOLUTE SLIT - .50" ID - NYLON
	041953-10-000	FT	CONDUIT - CONVOLUTE SLIT - .75" ID - NYLON
	041953-11-000	FT	CONDUIT - CONVOLUTE SLIT - 1.06" ID - NYLON
	041953-12-000	FT	CONDUIT - CONVOLUTE SOLID - 1.1" ID - NYLON
	041953-13-000	FT	CONDUIT - CONVOLUTE SLIT - 1.25

**ELECTRICAL GROUP (CONTINUED)****CONVERTER & INVERTER**

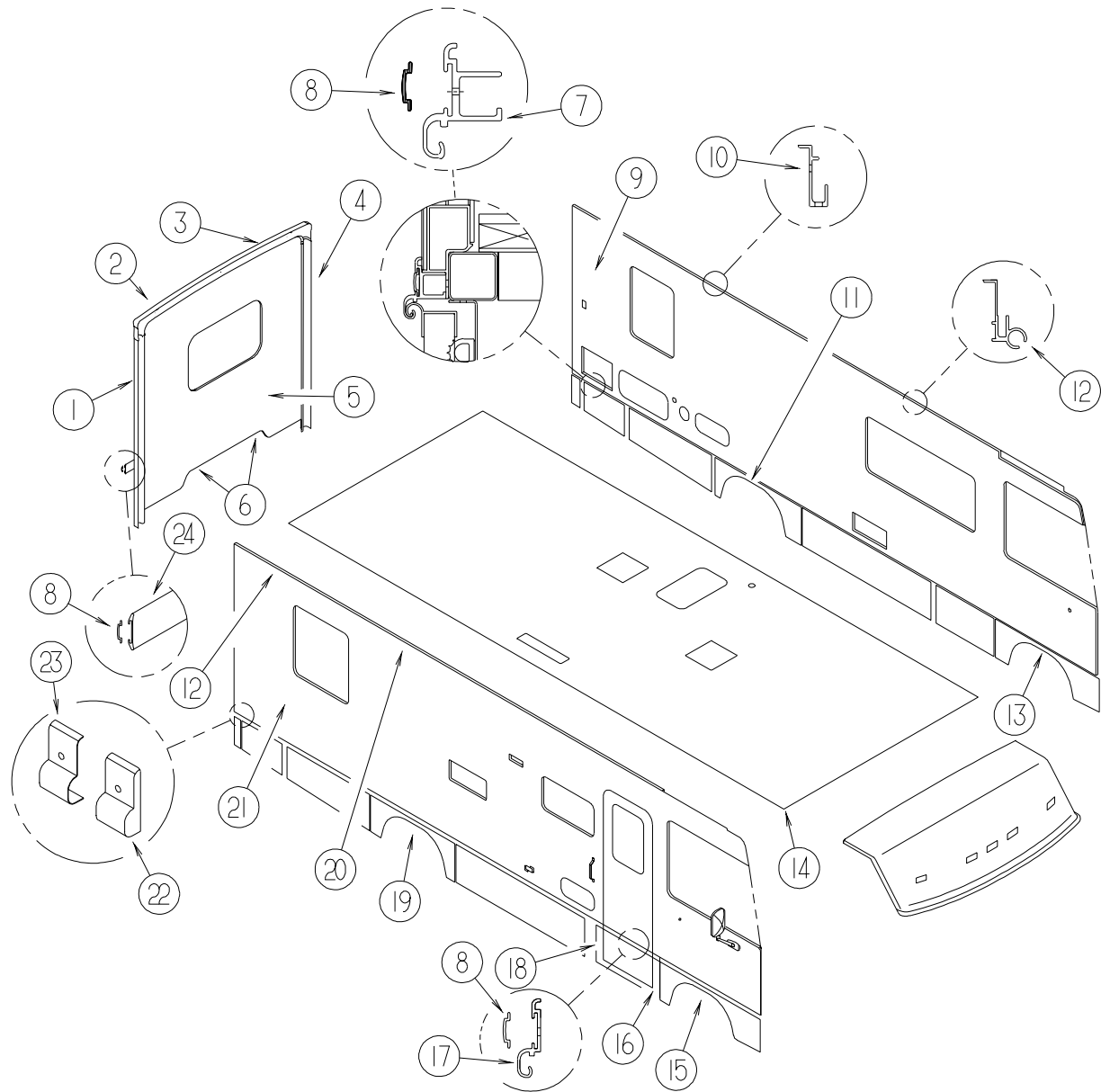
KEY	PART NUMBER	U/M	DESCRIPTION
	083208-02-000	EA	CONTROL CENTER - 45 AMP - 120/12V - W/O BREAKERS
	099048-03-000	EA	INVERTER - 130 WATT
	123058-02-000	EA	CONVERTER - 45 AMP - ELECTRONIC - 4 1/8"H X 7"W X 12 3/8"L
	113132-01-000	EA	LOAD CENTER - 120/240 VOLT - 60 AMP

**MISCELLANEOUS ELECTRICAL COMPONENTS**

KEY	PART NUMBER	U/M	DESCRIPTION
	007956-05-000	EA	INSULATOR - SHRINK - .25 ID X 1.50
	008188-01-000	EA	SOLENOID - 3 POST - BATTERY CHANGE OVER
	054250-04-000	EA	COVER/ANGLED - W/O HOLE 3.6" X 4.5" - PLASTIC
	054250-05-000	EA	COVER/ANGLED - W/O HOLE 1.9" X 4.5" - PLASTIC
	063910-01-000	EA	HOUSING - RELAY
	063912-02-000	EA	RELAY - CANISTER - SPDT
	086233-01-000	EA	STUD - ISOLATED - 3/8" X 7/8" LONG
	086273-01-000	EA	RELAY - BATTERY DISCONNECT
	103987-02-000	EA	SEAL - SOLENOID ACCESS
	125323-03-000	EA	LOCK - SECONDARY 8 POSITION
	125325-01-000	EA	SEAL - CAVITY
	077479-01-000	EA	BOOT - BATTERY TERMINAL - DOUBLE CABLE
	077479-02-000	EA	BOOT - BATTERY TERMINAL - SINGLE CABLE
	087225-02-000	FT	SLEEVING - 5/8" - TYPE H
	098262-01-000	EA	SEAL - CONNECTOR - WEATHERPACK
	098265-02-000	EA	PIN - CONNECTOR - WEATHERPACK

# EXTERIOR BODY GROUP

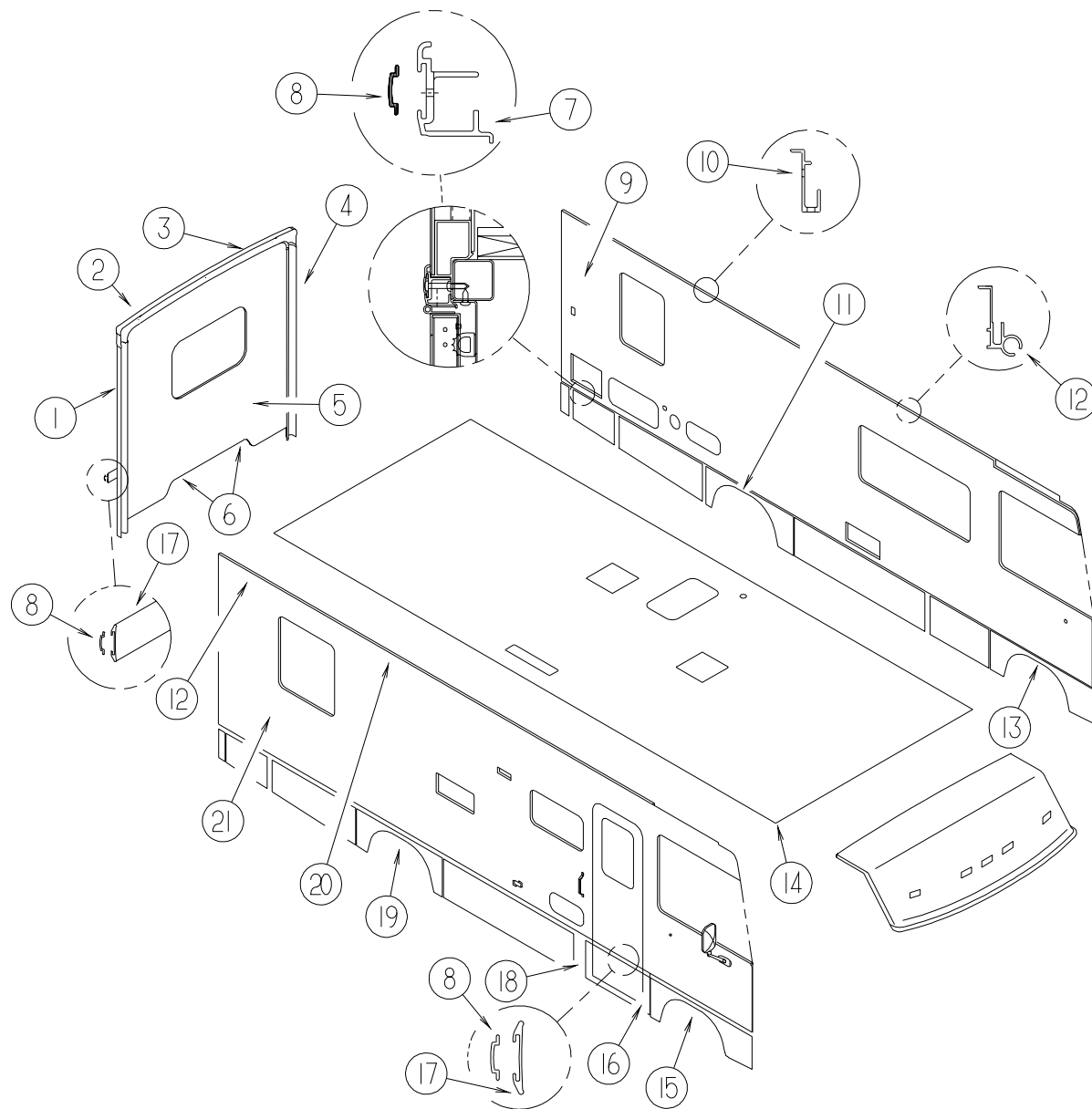
## EXTERIOR BODY PANELS AND TRIM



KEY	PART NUMBER	U/M	DESCRIPTION
1	114874-01-12B	EA	TRIM - BACKWALL - PASSENGER SIDE
1	120548-03-01A	EA	TRIM-J - BACKWALL - PASSENGER - NOTCHED - BRIGHT WHITE
2	114872-02-02A	EA	TRIM - BACKWALL - TOP - PASSENGER SIDE - BRT/WHITE
3	114873-02-02A	EA	TRIM - BACKWALL - TOP - DRIVER SIDE - BRIGHT WHITE
4	114874-02-12B	EA	TRIM - BACKWALL - DRIVER SIDE
4	120548-04-01A	EA	TRIM-J - BACKWALL - DRIVER - NOTCHED - BRIGHT WHITE
5	M07419-34-K16	EA	BACKWALL - W/O WINDOW/TRIM - QUEEN BED
5	M07419-34-K17	EA	BACKWALL - W/O WINDOW/TRIM - QUEEN BED
5	M07419-34-K18	EA	BACKWALL - W/O WINDOW/TRIM - QUEEN BED
5	M07419-35-K16	EA	BACKWALL - W/O WINDOW/TRIM - TWIN BED
5	M07419-35-K17	EA	BACKWALL - W/O WINDOW/TRIM - TWIN BED
5	M07419-35-K18	EA	BACKWALL - W/O WINDOW/TRIM - TWIN BED
6	050406-25-000	EA	TRIM - LOWER BACKWALL
7	126901-21-01A	EA	TRIM - SIDEWALL - 195" BRIGHT WHITE
8	105312-01-07A	FT	INSERT - VINYL FEATURE STRIP - BRIGHT WHITE
9	129800-01-K16	EA	SIDEWALL - DRIVER - W/O DOORS/HARDWARE
9	129800-01-K17	EA	SIDEWALL - DRIVER - W/O DOORS/HARDWARE
9	129800-01-K18	EA	SIDEWALL - DRIVER - W/O DOORS/HARDWARE
10	120091-01-02A	EA	TRIM - ROOF
			FROM: 00-00-00 THRU: 10-25-98
11	129076-05-K16	EA	VALANCE/WHEEL LIP - DRIVER REAR - 46.5"
12	131483-01-01A	EA	RAIL - AWNING - BRIGHT WHITE
			FROM: 10-26-98 THRU: 99-99-99
13	129075-05-K16	EA	VALANCE/WHEEL LIP - FRONT - DRIVER
14	129795-01-K16	EA	ROOF - W/O VENTS/TRIMS - W/WIRING
			FROM: 00-00-00 THRU: 02-21-99
14	132165-01-K16	EA	ROOF - W/O LIGHTS/VENTS - W/WIRING
			FROM: 02-22-99 THRU: 99-99-99
15	129075-06-K16	EA	VALANCE/WHEEL LIP - FRONT - PASSENGER
16	124501-29-01A	EA	TRIM - SIDEWALL - NOTCHED - BRIGHT WHITE
17	126903-01-01A	EA	TRIM - SIDEWALL - 60.9" - BRIGHT WHITE
18	124501-28-01A	EA	TRIM - SIDEWALL - NOTCHED - BRIGHT WHITE
19	129076-06-K16	EA	VALANCE/WHEEL LIP - PASSENGER REAR - 44"
20	120092-01-02A	EA	RAIL - AWNING - BRIGHT WHITE
			FROM: 00-00-00 THRU: 10-25-98
21	129801-01-K16	EA	SIDEWALL - PASSENGER - W/O DOORS/HARDWARE
21	129801-01-K17	EA	SIDEWALL - PASSENGER - W/O DOORS/HARDWARE
21	129801-01-K18	EA	SIDEWALL - PASSENGER - W/O DOORS/HARDWARE
22	127845-05-01A	EA	CAP - SIDEWALL TRIM - RIGHT HAND - 2.1" - BRIGHT WHITE
23	127845-06-01A	EA	CAP - SIDEWALL TRIM - LEFT HAND - 2.1" - BRIGHT WHITE
24	108688-01-03A	EA	STRIP - FEATURE - 15'
	108651-01-01A	EA	END CAP - FEATURE STRIP
	126694-55-001	EA	EXTRUSION - U-CHANNEL/HINGED - 191.7" - BRIGHT WHITE
	129854-05-01A	EA	SUPPORT - WHEEL LIP - 62.4" - MILL
	002726-01-001	EA	GARNISH - U-CHANNEL - 1.38" X 19' - SERRATED
	068716-01-001	EA	BRACE - 90 DEGREE L-ANGLE - 16'
	069726-02-000	EA	BUMPER - .88" OD X .40" THICK - BLACK
	119568-01-01A	EA	STANDOFF - VALANCE PANEL - BLACK
	129216-51-002	EA	EXTR-WHEEL LIP 3800 MM
	128251-01-02B	EA	SUPPORT - VALANCE - E-COATED
			FROM: 00-00-00 THRU: 09-04-98
	107865-01-000	EA	ROD - SUPPORT - VALANCE PANEL - 14.3"
	107865-02-000	EA	ROD - SUPPORT - VALANCE PANEL - 13.2"
			FROM: 00-00-00 THRU: 08-05-98
	107865-07-000	EA	ROD - SUPPORT - VALANCE PANEL - 14.3"
	107865-21-000	EA	ROD - SUPPORT - VALANCE PANEL - 23.3"
			FROM: 08-06-98 THRU: 99-99-99

## EXTERIOR BODY GROUP (CONTINUED)

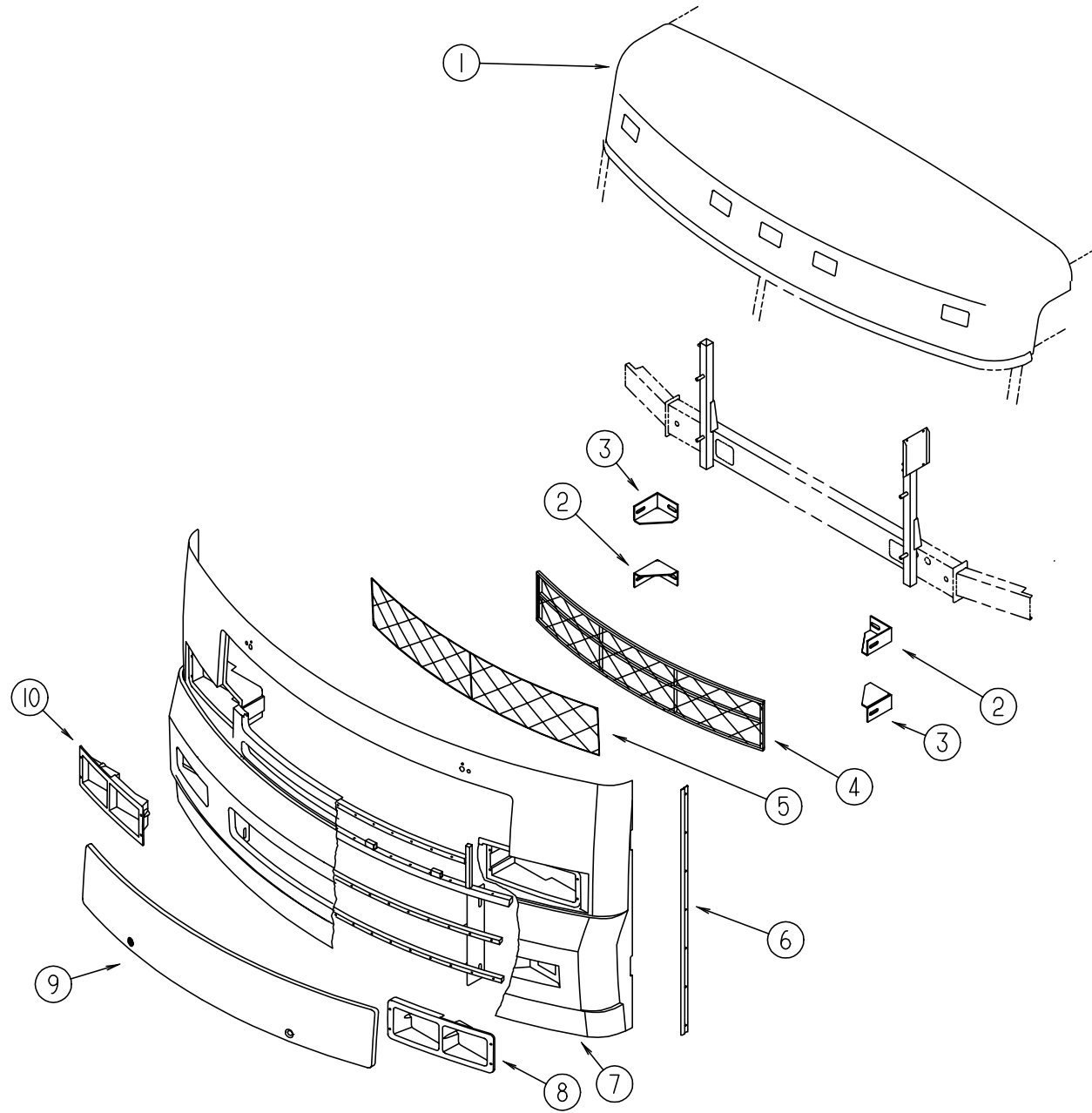
### EXTERIOR BODY PANELS AND TRIM - EUROPEAN EXPORT PREP OPTION



KEY	PART NUMBER	U/M	DESCRIPTION
1	114874-01-12B	EA	TRIM - BACKWALL - PASSENGER SIDE
1	120548-03-01A	EA	TRIM-J - BACKWALL - PASSENGER - NOTCHED - BRIGHT WHITE
2	114872-04-01A	EA	TRIM - BACKWALL - TOP - PASSENGER SIDE - BRIGHT WHITE
3	114873-04-01A	EA	TRIM - BACKWALL - TOP - DRIVER SIDE - BRIGHT WHITE
4	114874-02-12B	EA	TRIM - BACKWALL - DRIVER SIDE
4	120548-04-01A	EA	TRIM-J - BACKWALL - DRIVER - NOTCHED - BRIGHT WHITE
5	M07419-34-K16	EA	BACKWALL - W/O WINDOW/TRIM - QUEEN BED
5	M07419-34-K17	EA	BACKWALL - W/O WINDOW/TRIM - QUEEN BED
5	M07419-34-K18	EA	BACKWALL - W/O WINDOW/TRIM - QUEEN BED
5	M07419-35-K16	EA	BACKWALL - W/O WINDOW/TRIM - TWIN BED
5	M07419-35-K17	EA	BACKWALL - W/O WINDOW/TRIM - TWIN BED
5	M07419-35-K18	EA	BACKWALL - W/O WINDOW/TRIM - TWIN BED
6	050406-25-000	EA	TRIM - LOWER BACKWALL
7	130989-06-01A	EA	TRIM-SIDEWALL,HINGE, B/W
8	105312-01-07A	FT	INSERT - VINYL FEATURE STRIP - BRIGHT WHITE
9	129800-01-K16	EA	SIDEWALL - DRIVER - W/O DOORS/HARDWARE
9	129800-01-K17	EA	SIDEWALL - DRIVER - W/O DOORS/HARDWARE
9	129800-01-K18	EA	SIDEWALL - DRIVER - W/O DOORS/HARDWARE
10	120091-02-02A	EA	TRIM - ROOF
			FROM: 00-00-00 THRU: 10-25-98
11	129076-07-K16	EA	VALANCE/WHEEL LIP - DRIVER REAR - 46.5"
12	131483-01-01A	EA	RAIL - AWNING - BRIGHT WHITE
			FROM: 10-26-98 THRU: 99-99-99
13	129075-07-K16	EA	VALANCE/WHEEL LIP - FRONT - DRIVER
14	129795-01-K16	EA	ROOF - W/O VENTS/TRIMS - W/WIRING
			FROM: 00-00-00 THRU: 02-21-99
14	132165-01-K16	EA	ROOF - W/O LIGHTS/VENTS - W/WIRING
			FROM: 02-22-99 THRU: 99-99-99
15	129075-08-K16	EA	VALANCE/WHEEL LIP - FRONT - PASSENGER
16	124501-29-01A	EA	TRIM - SIDEWALL - NOTCHED - BRIGHT WHITE
17	108688-01-03A	EA	STRIP - FEATURE - 15'
	108651-01-01A	EA	END CAP - FEATURE STRIP
18	124501-28-01A	EA	TRIM - SIDEWALL - NOTCHED - BRIGHT WHITE
19	129076-08-K16	EA	VALANCE/WHEEL LIP - PASSENGER REAR - 44"
20	120092-01-02A	EA	RAIL - AWNING - BRIGHT WHITE
			FROM: 00-00-00 THRU: 10-25-98
21	129801-01-K16	EA	SIDEWALL - PASSENGER - W/O DOORS/HARDWARE
21	129801-01-K17	EA	SIDEWALL - PASSENGER - W/O DOORS/HARDWARE
21	129801-01-K18	EA	SIDEWALL - PASSENGER - W/O DOORS/HARDWARE
	124501-28-01A	EA	TRIM - SIDEWALL - NOTCHED - BRIGHT WHITE
	124501-29-01A	EA	TRIM - SIDEWALL - NOTCHED/BRIGHT WHITE
	002726-01-001	EA	GARNISH - U-CHANNEL - 1.38" X 19' - SERRATED
	068716-01-001	EA	BRACE - 90 DEGREE L-ANGLE - 16'
	069726-02-000	EA	BUMPER - .88" OD X .40" THICK - BLACK
	113041-13-02B	EA	ANGLE - MOUNT - BUMPER - E-COATED
	129854-05-01A	EA	SUPPORT - WHEEL LIP - 62.4" - MILL
	119568-01-01A	EA	STANDOFF - VALANCE PANEL - BLACK
	128251-01-02B	EA	SUPPORT - VALANCE - E-COATED
			FROM: 00-00-00 THRU: 09-04-98
	107865-01-000	EA	ROD - SUPPORT - VALANCE PANEL - 14.3"
	107865-02-000	EA	ROD - SUPPORT - VALANCE PANEL - 13.2"
			FROM: 00-00-00 THRU: 08-05-98
	107865-07-000	EA	ROD - SUPPORT - VALANCE PANEL - 14.3"
	107865-21-000	EA	ROD - SUPPORT - VALANCE PANEL - 23.3"
			FROM: 08-06-98 THRU: 99-99-99

# EXTERIOR BODY GROUP (CONTINUED)

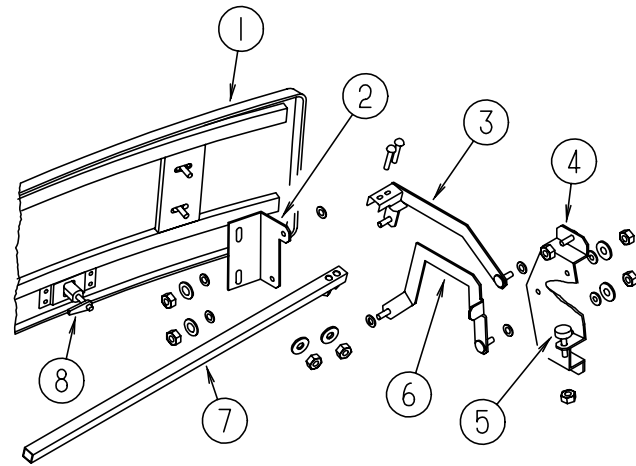
## FRONT END COMPONENTS



KEY	PART NUMBER	U/M	DESCRIPTION
1	125052-02-J20	EA	CAP - ROOF - W/O LIGHTS/WIRING
	118383-01-04A	EA	RETAINER - SCREW
	118383-04-04A	EA	CAP - RETAINER/SCREW
2	128455-04-02B	EA	BRACKET - BUMPER - LEFT HAND UPPER/RIGHT HAND LOWER
3	128455-03-02B	EA	BRACKET - BUMPER - RIGHT HAND UPPER/LEFT HAND LOWER
4	126953-01-J15	EA	GRILLE - W/O MESH
5	115924-15-02A	EA	WIRE MESH - F/GRILLE - FLAT BLACK
6	123680-05-01A	EA	TRIM - FIBERGLASS PANEL - BRIGHT WHITE
7	126229-04-J20	EA	PANEL - FRONT/LOWER - W/O NOTCH - BRIGHT WHITE
	125846-02-J20	EA	SUPPORT - WIPER
	110782-01-000	EA	ANGLE - SUPPORT - HEADLAMP
	007157-05-000	EA	NUT - WELL
8	126230-02-01A	EA	BEZEL - HEADLAMP - LEFT HAND
	110690-02-D18	EA	PLATE - HEADLAMP - QUAD/LEFT HAND
9	126956-01-J15	EA	HOOD - FRONT
10	126230-01-01A	EA	BEZEL - HEADLAMP - RIGHT HAND
	110690-01-D18	EA	PLATE - HEADLAMP - QUAD/RIGHT HAND



**EXTERIOR BODY GROUP (CONTINUED)**



**HOOD & COMPONENTS**

KEY	PART NUMBER	U/M DESCRIPTION
1	126956-01-J15	EA HOOD - FRONT
	106730-10-000	EA PLATE - STUD - F/HOOD
2	126911-01-02B	EA ANGLE - HOOD HINGE - PASSENGER - E-COATED
	126911-02-02B	EA ANGLE - HOOD HINGE - DRIVER - E-COATED
3	125798-03-02B	EA LINK - HOOD HINGE - UPPER PASSENGER
	125798-04-02B	EA LINK - HOOD HINGE - UPPER DRIVER
4	126867-01-02B	EA BRACKET - LINK - HOOD HINGE - PASSENGER - E-COATED
	126867-03-02B	EA BRACKET - LINK - HOOD HINGE - DRIVER - E-COATED
5	058786-01-000	EA BOLT - ADJUSTING HOOD - W/BLACK PAD
6	125778-07-02B	EA LINK - HOOD HINGE - LOWER PASSENGER - E-COATED
	125778-08-02B	EA LINK - HOOD HINGE - LOWER DRIVER - E-COATED
7	126913-02-02B	EA TUBE - TIMING - HOOD HINGE W/WELD NUT - 53.7" - E-COATED
8	102330-02-000	EA LATCH - VISE ACTION/KEY OPERATED
	102330-04-000	EA PAWL - LATCH - STRAIGHT - 1.96"
	102328-01-000	EA KEY - BARREL - NICKEL PLATED
	126352-04-02B	EA LATCH - HOOD - E-COATED

**EXTERIOR BODY GROUP (CONTINUED)**

**FIBERGLASS, STYROFOAM & INSULATION**

KEY	PART NUMBER	U/M DESCRIPTION
	076054-U4-000	EA FIBERGLASS SHEET - 101" X 104" - BRIGHT WHITE
	076054-U8-000	EA FIBERGLASS SHEET - 100" X 105" - BRIGHT WHITE
	076054-W4-000	EA FIBERGLASS SHEET - 79" X 337" - BRIGHT WHITE
	076054-W6-000	EA FIBERGLASS SHEET - 79" X 367" - BRIGHT WHITE
	077517-62-000	EA FIBERGLASS SHEET/SIDEWALL - 48" X 96" - BRIGHT WHITE
	108535-05-702	EA FRP FLAT 108" X 396" BRT WHT PARTS DEPT
	000870-08-000	SF STYROFOAM - 3/4" X 48" X 96" PLANED EXPANDED BEAD BOARD
	100619-01-000	BF FOAM - EXPANDED POLYSTYRENE - 1.34" X 48" X 96"
	100619-04-000	BF FOAM - EXPANDED POLYSTYRENE - .5" X 48" X 96"
	100619-05-000	BF FOAM - EXPANDED POLYSTYRENE - .75" X 48" X 96"-1.5 DENSITY
	100619-11-000	BF FOAM - EXPANDED POLYSTYRENE - 2" X 48" X 96"
	100619-16-000	BF FOAM - EXPANDED POLYSTYRENE - .75" X 48" X 96"-2.0 DENSITY
	100619-22-000	BF FOAM - EXPANDED POLYSTYRENE - 48" X 120" X 1.34"
	105077-08-000	EA FOAM - PLUG - ROOF CAP
	120107-01-000	EA FOAM - ROOF COVE - 2.8" X 96" LONG
	120107-02-000	EA FOAM - PLUG - ROOF TUBE - 2.2" X 2.9" X 1.8" LONG
	120107-03-000	EA FOAM - PLUG - SIDEWALL TUBE - 1.2" X 2.1" X 1.8" LONG
	120107-04-000	EA FOAM - ROOF COVE
	120107-05-000	EA FOAM PLUG - ROOF TUBE
	120107-06-000	EA FOAM-PLUG,ROOF TUBE - WISCONSIN EPS
		FROM: 00-00-00 THRU: 10-11-98
	072877-03-000	EA INSULATION - SOUND BARRIER - 1" X 36" X 57"
	072878-01-000	SF INSULATION - SOUND BARRIER PAD - .058" X 33" X 58"

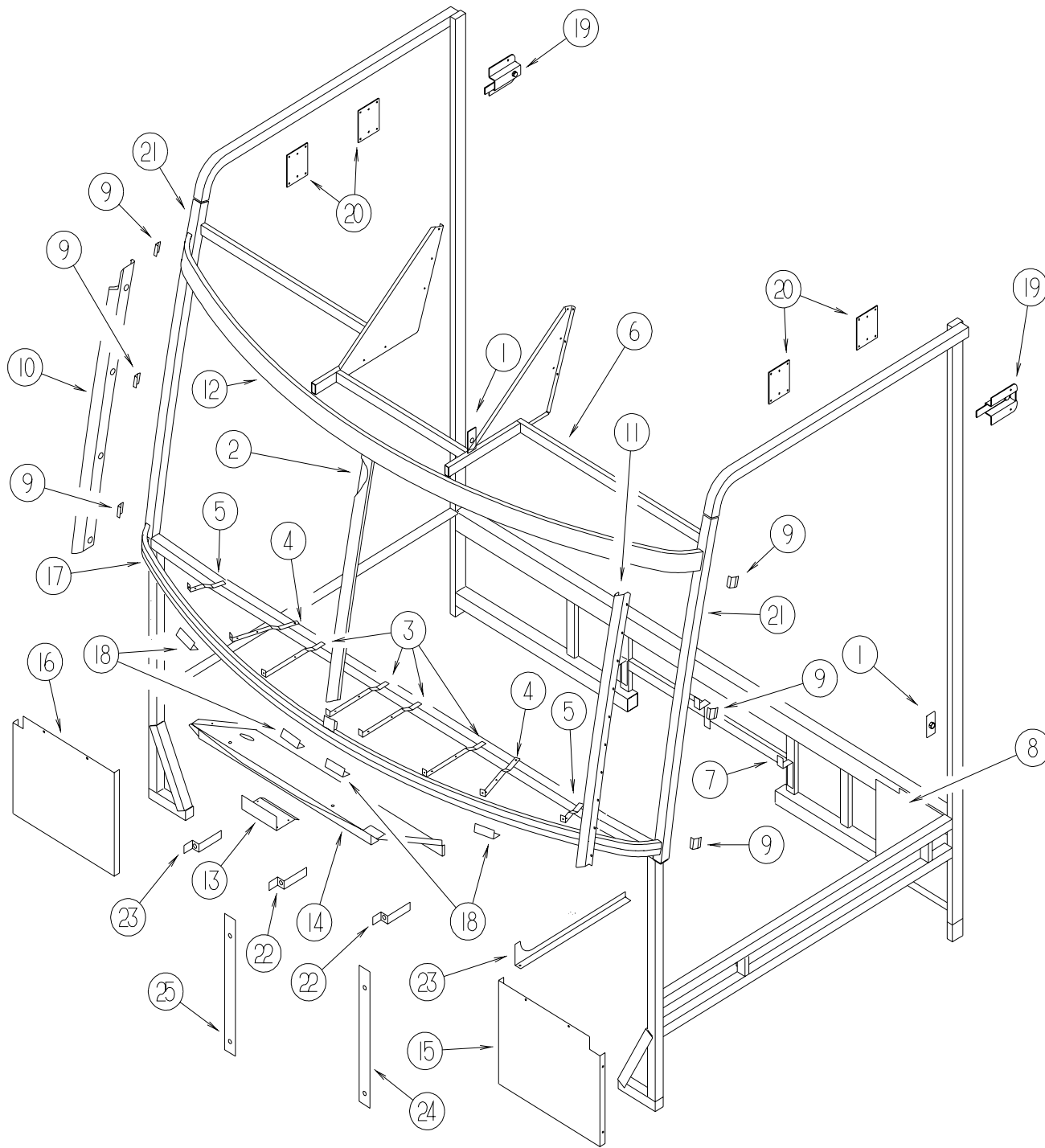
**A & E AWNING & HARDWARE**

KEY	PART NUMBER	U/M DESCRIPTION
	113874-05-11A	EA AWNING - W/O HARDWAER - 14' (AMETHYST GREEN) VINYL
*	113874-01-02A	EA HARDWARE KIT - AWNING - W/O STANDOFF BRACKET-BRIGHT WHITE
	130320-01-02A	EA BRACKET - AWNING - F/A&E INSTALLATION - BRIGHT WHITE
	113874-11-01A	EA SCREW/LAG - AWNING - 1/4" X 1" STAINLESS STEEL
		FROM: 07-17-98 THRU: 99-99-99
	113874-12-01A	EA SCREW/LAG - AWNING - 1/4" X 2 3/4" STAINLESS STEEL
		FROM: 07-17-98 THRU: 99-99-99
	127647-02-01A	EA ROD/AWNING GUARD - ENTRANCE DOOR

**\*COMPONENT PARTS FOUND IN SERVICE PARTS LIBRARY**

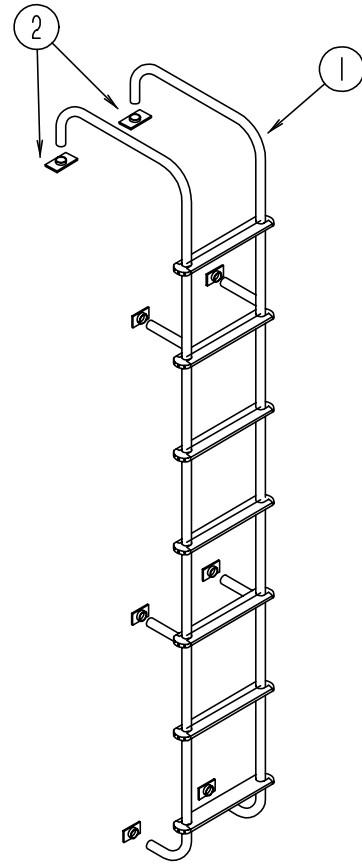
# EXTERIOR BODY GROUP (CONTINUED)

## MISCELLANEOUS FRONT END COMPONENTS



KEY	PART NUMBER	U/M	DESCRIPTION
1	070579-06-000	EA	PLATE - ANCHOR - W/7/16" WELD NUT - 1.5" X 3.3"
1	070579-07-000	EA	PLATE - ANCHOR - W/O WELD NUT - 1.5" X 3.3"
2	078249-19-000	EA	TUBE-SWEPT,FRAME,CAB
3	104797-03-000	EA	BRACKET-DEFROSTER
4	104797-04-000	EA	BRACKET-DEFROSTER
5	104797-05-000	EA	BRACKET-DEFROSTER
6	124764-51-01B	EA	HEADER - F/TV - MILL
	124904-03-01B	EA	HEADER - WINDSHIELD - CENTER
7	117287-01-01B	EA	BRACKET - MOUNT - CABLE
8	118592-01-01B	EA	SHIELD - SPLASH
9	120363-01-01B	EA	BRACKET - WINDSHIELD
10	121269-09-01B	EA	FRAME-WINDSHIELD,A PILLAR,ML
11	121269-10-01B	EA	FRAME-WINDSHIELD,A PILLAR,ML
12	124975-01-01B	EA	SUPPORT-WINDSHIELD,UPPER,MLL
13	125836-02-01B	EA	ZEE-WIPER MOTOR,MILL
14	125837-02-01B	EA	BRACE-WIPER MOTOR,MILL
15	104147-14-000	EA	SHIELD/SPLASH - HEADLIGHT
16	121962-02-02B	EA	SHIELD/SPLASH - HEADLIGHT - E-COATED
17	124974-01-01B	EA	SUPPORT-WINDSHIELD,LOWER,MLL
18	076364-57-000	EA	ANGLE - FORMED
19	103318-01-000	EA	MOUNT ASM-SEATBELT,WALL
20	104409-01-000	EA	PLATE-MOUNT,SIDEWALL
21	117273-01-01A	EA	TUBE - SUPPORT - A-PILLAR
22	117287-01-01B	EA	BRACKET - MOUNT - CABLE
	129385-01-02B	EA	BRACKET - SEAL TRANSITION - E-COATED
			FROM: 00-00-00 THRU: 07-11-99
23	131859-01-02B	EA	BRACKET - SEAL - TRANSITION/LEFT HAND - E-COATED
			FROM: 07-12-99 THRU: 99-99-99
	131860-01-02B	EA	BRACKET - SEAL - TRANSITION/LEFT HAND - E-COATED
			FROM: 07-12-99 THRU: 99-99-99
24	119892-12-02B	EA	SUPPORT ASM-FRONT,GM,LH,E-CT
24	119892-14-02B	EA	SUPPORT ASM-FRT,FORD,LH,E-CT
25	119892-17-02B	EA	SUPPORT ASM-FRONT,GM,RH,E-CT
25	119892-13-02B	EA	SUPPORT ASM-FRT,FORD,RH,E-CT
	113452-01-000	FT	SEAL/TRIM - FRONT - VINYL W/WIRE CARRIER
	130885-14-877	FT	STEEL - TUBE - 16 GAUGE 1.5" X 1.5"

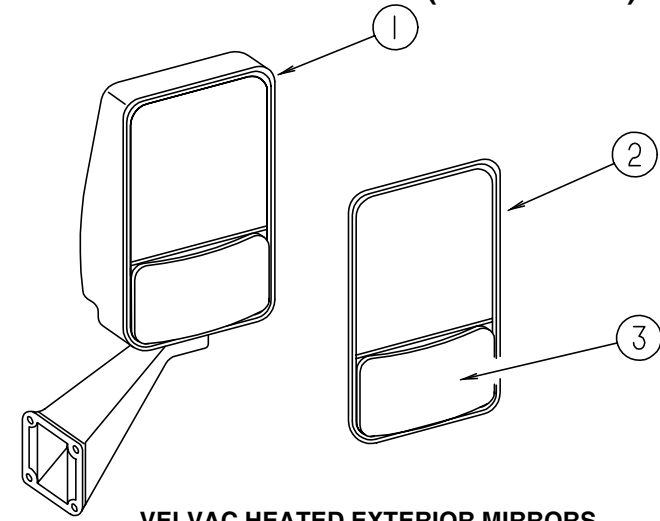
**EXTERIOR BODY GROUP (CONTINUED)**



**LADDER**

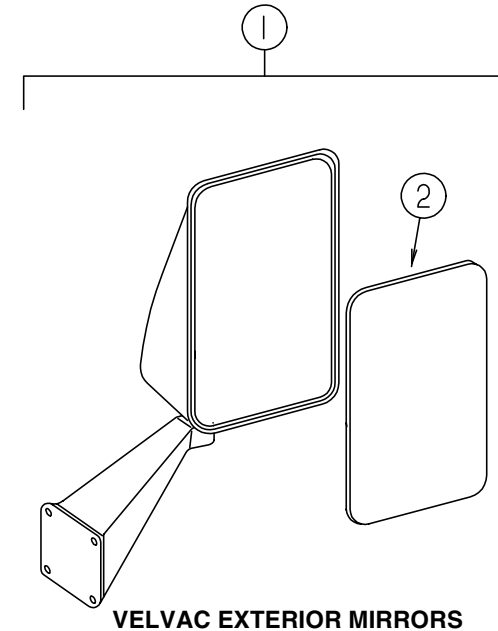
KEY	PART NUMBER	U/M DESCRIPTION
1	129639-03-01A	EA LADDER - BRUSHED ALUMINUM
2	131256-01-01A	EA PLATE - LADDER
	129375-01-000	EA SEAL/FOAM - LADDER BRACKET
	038327-01-000	EA TAPE - ANTI-SLIP - 2" X 60'

**EXTERIOR BODY GROUP (CONTINUED)**



**VELVAC HEATED EXTERIOR MIRRORS**

KEY	PART NUMBER	U/M DESCRIPTION	VENDOR NO.
1	106015-12-01A	EA MIRROR - EXTERIOR REMOTE/HEAT - PASSENGER	
	119774-09-700	EA PLATE-INNER SUPT/MIRROR HEAD	709418-7RH
1	106015-13-01A	EA MIRROR - EXTERIOR REMOTE/HEAT - DRIVER	
	119774-09-701	EA PLATE INNER SUPT/MIRROR HEAD	709419-7LH
2	106015-12-700	EA MIRROR-FLAT - W/W/O HEAT	709448
3	106015-12-701	EA MIRROR-CONVEX - W/W/O HEAT	709449
	106015-12-702	EA SCREW CAP - (BAG OF 4)	748329
	087695-02-000	EA SWITCH - HEATER - EXTERIOR MIRROR	
	088246-01-000	EA SWITCH - REMOTE - EXTERIOR - SQUARE PUSH	
	087695-03-000	EA CONNECTOR - ASSEMBLY	



**VELVAC EXTERIOR MIRRORS**

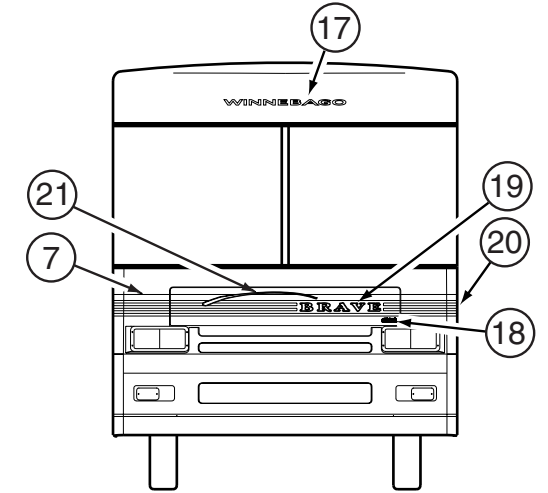
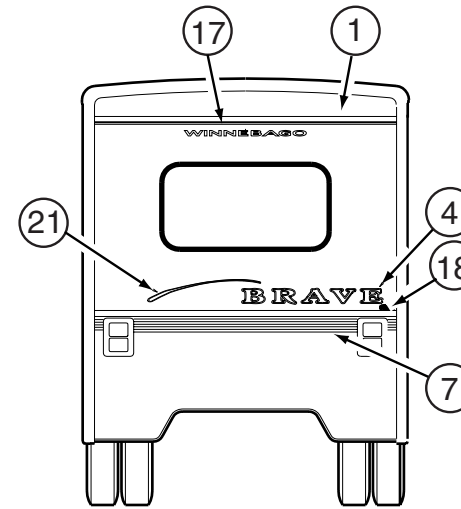
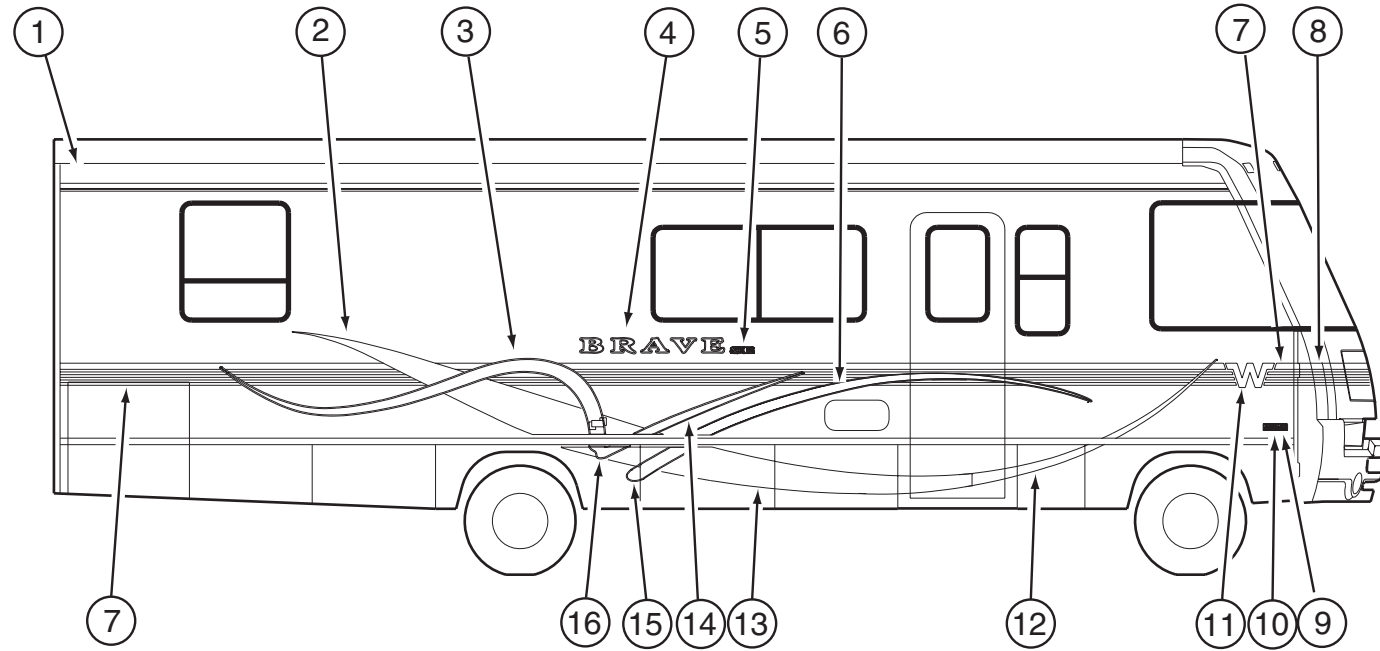
KEY	PART NUMBER	U/M DESCRIPTION	VENDOR NO.
1	123297-01-01A	EA MIRROR - EXTERIOR - ADJUSTABLE GLASS - DRIVER	
1	123297-02-01A	EA MIRROR - EXTERIOR - ADJUSTABLE GLASS - PASSENGER	
2	106860-02-702	EA GLASS ONLY FLAT RH/LH STAR	702086-8

**EUROPEAN EXPORT EXTERIOR MIRRORS**

KEY	PART NUMBER	U/M DESCRIPTION
	106477-05-000	EA SCREW - 14-10 X 2.25 PFH
	129607-01-01A	EA MIRROR - PASSENGER - 12 VOLT HEATED - BLACK
	129607-02-01A	EA MIRROR - DRIVER - 12 VOLT/HEATED - BLACK
	129607-03-01A	EA BRACKET - MOUNTING/MIRROR
	129607-04-01A	EA WIRE - MIRROR

## EXTERIOR BODY GROUP (CONTINUED)

### DECALS, FILM STRIPES & PAINT



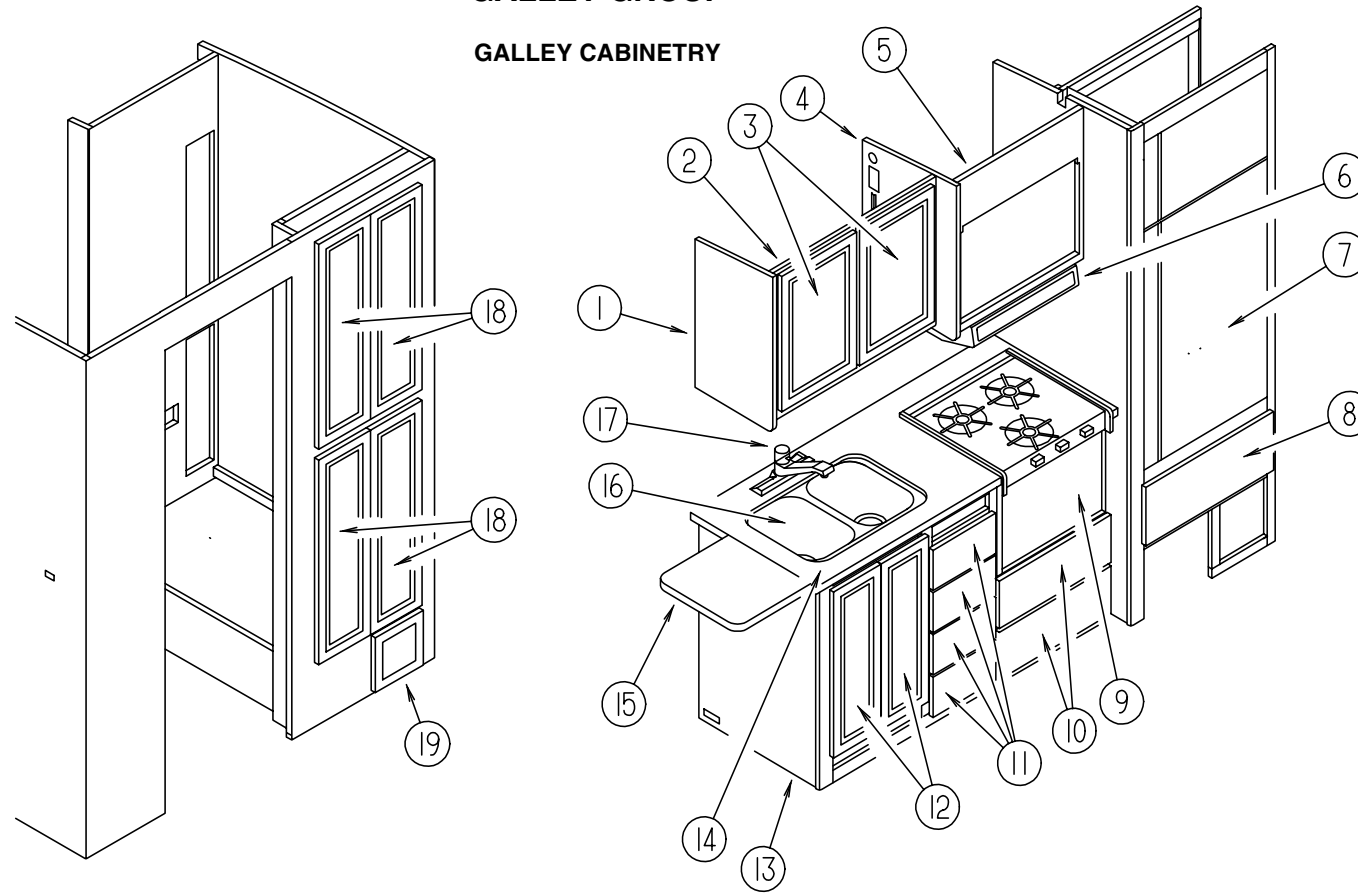
KEY	PART NUMBER	U/M DESCRIPTION
1	105781-69-01A	FT FILM - MULTISTRIPE - 2.3"
2	128024-01-02A	EA DECAL - SWEEP - UPPER/RIGHT HAND
	128024-02-02A	EA DECAL - SWEEP - UPPER/LEFT HAND
3	128027-01-02A	EA DECAL - SLASH - #1/RIGHT HAND
	128027-02-02A	EA DECAL - SLASH - #1/LEFT HAND
4	121437-01-04A	EA DECAL - LOGO - BRAVE/LARGE
4	121437-01-05A	EA DECAL - LOGO - BRAVE/LARGE - COMFORT AND CONVENIENCE PACKAGE
5	127162-01-02A	EA DECAL - SE - LARGE
5	127162-01-03A	EA DECAL - SE - LARGE - COMFORT AND CONVENIENCE PACKAGE
6	128031-01-02A	EA DECAL - SLASH TIP - #2/RIGHT HAND
	128031-02-02A	EA DECAL - SLASH TIP - #2/LEFT HAND
7	093689-25-02A	FT FILM - MULTISTRIPE - 6.3"
8	128036-01-02A	EA DECAL - CORNER/RIGHT HAND
9	122312-02-01A	EA DECAL - VORTEC 7400 FUEL INJECTED
10	129922-01-01A	EA EMBLEM - TRITON V10
11	121743-02-03A	EA DECAL - LOGO "W"
12	128026-01-02A	EA DECAL - SWEEP - #2/RIGHT HAND
	128026-02-02A	EA DECAL - SWEEP - #2/LEFT HAND
13	128025-01-02A	EA DECAL - SWEEP - #1 RIGHT HAND
	128025-02-02A	EA DECAL - SWEEP - #1/LEFT HAND
14	128029-01-02A	EA DECAL - SLASH TIP - #1/RIGHT HAND
	128029-02-02A	EA DECAL - SLASH TIP - #1/LEFT HAND
15	128030-01-02A	EA DECAL - SLASH END - #2/RIGHT HAND
	128030-02-02A	EA DECAL - SLASH END - #2/LEFT HAND
16	128028-01-02A	EA DECAL - SLASH END - #1/RIGHT HAND
	128028-02-02A	EA DECAL - SLASH END - #1/LEFT HAND
17	120702-02-03A	EA DECAL - LOGO,WINNEBAGO
18	127162-02-02A	EA DECAL - SE - SMALL
18	127162-02-03A	EA DECAL - SE - SMALL - COMFORT AND CONVENIENCE PACKAGE
19	121437-02-04A	EA DECAL - LOGO - BRAVE/SMALL
19	121437-02-05A	EA DECAL - LOGO - BRAVE/SMALL - COMFORT AND CONVENIENCE PACKAGE
20	128036-02-02A	EA DECAL - CORNER/LEFT HAND
21	128034-01-02A	EA DECAL - SLASH - HOOD
	041561-03-000	EA PAINT - 16 OUNCE SPRAY - OFF WHITE

#### DUPONT COLOR CODES

BRIGHT WHITE (MAIN BODY COLOR)	#B8951
LT. SILVER METALLIC (ACCENT COLOR)	#F2573U
TEAL FIREMIST METALLIC (DECAL COLOR)	#GM016
VIOLET FIREMIST METALLIC (DECAL COLOR)	#F4572
WIN BLUE METALLIC (DECAL COLOR)	#BM351
AZTEC SILVER METALLIC(DECAL COLOR)	#F2573

## GALLEY GROUP

### GALLEY CABINETRY



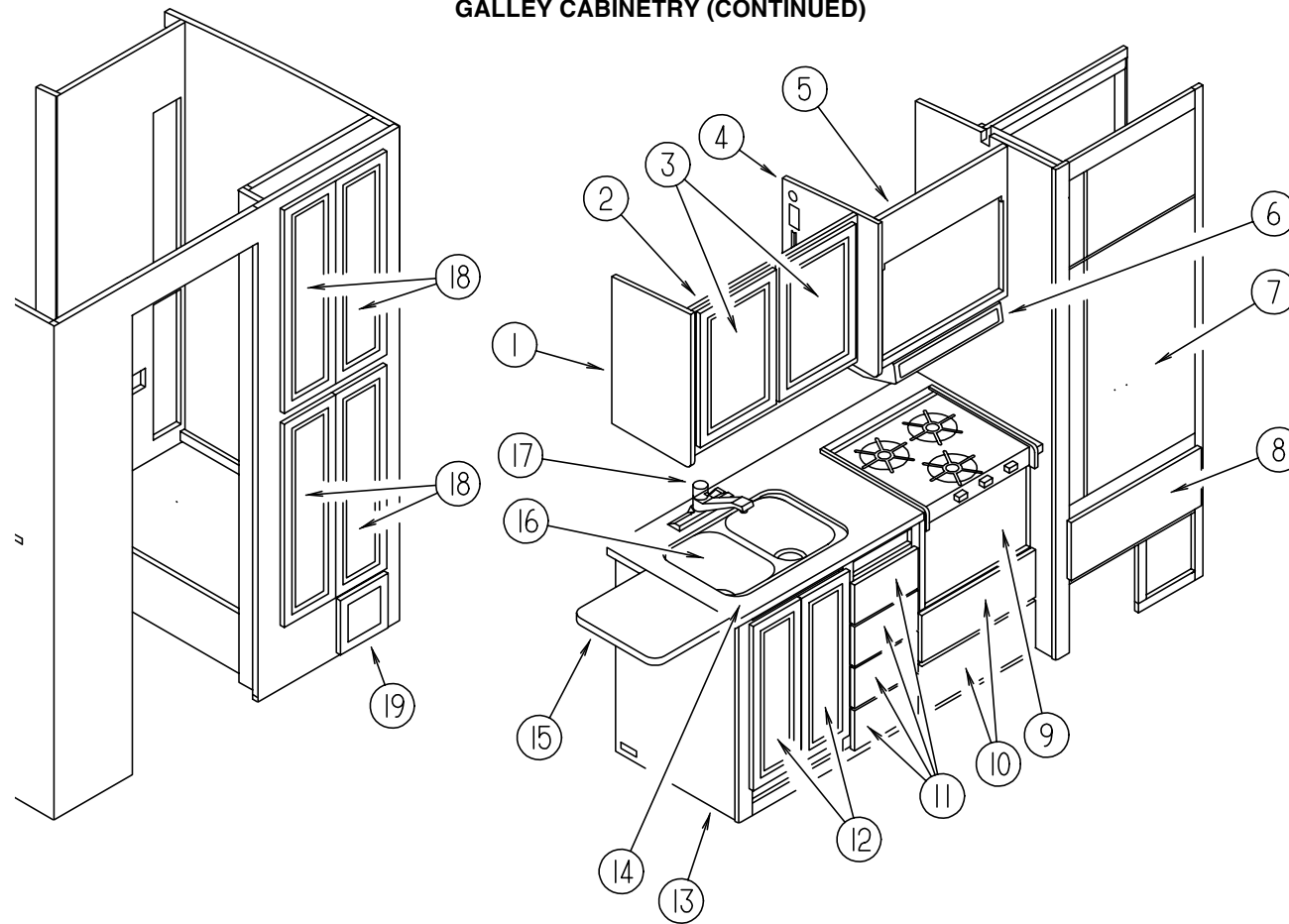
KEY	PART NUMBER	U/M	DESCRIPTION
1	103128-36-J15	EA	END CAP - OVERHEAD CABINET - LEFT HAND
2	128051-01-J15	EA	CABINET - OVERHEAD/GALLEY - W/O DOORS/HARDWARE
	128051-11-J15	EA	SHELF - W/PLASTIC EDGE TRIM
3	132141-02-K01	EA	DOOR - VENEER - 14.3" X 21.8" - W/O HARDWARE
4	081320-14-G09	EA	END CAP - OVERHEAD CABINET
5	128620-08-J15	EA	CABINET - MICROWAVE - W/O DOORS/HARDWARE
5	128620-53-K16	EA	CABINET - MICROWAVE - W/O DOORS/HARDWARE - EUROPEAN EXPORT PREP
6*	100258-16-04A	EA	HOOD - RANGE - W/O MONITOR PANEL-W/O HOUR METER/SWITCH-US
6*	100258-17-04A	EA	HOOD - RANGE - W/O MONITOR PANEL-W/O HOUR METER/SWITCH-CSA
6*	100258-18-03A	EA	HOOD - RANGE - W/O MONITOR PANEL-W/HOUR METER/SWITCH - US
7*	121568-01-01A	EA	REFRIGERATOR - SMALL DBL DOOR/2 WAY-52.8"H X 23.5"W X 24"D FROM: 00-00-00 THRU: 07-19-98
7*	121568-03-01A	EA	REFRIGERATOR - SMALL DBL DOOR/2 WAY-52.8"H X 23.5"W X 24"D FROM: 07-20-98 THRU: 99-99-99
	054450-01-000	EA	LEVEL - REFRIGERATOR
	065225-02-000	EA	PLATE - TIEDOWN - REFRIGERATOR
	093646-01-000	EA	BRACKET - TIEDOWN/REFRIGERATOR - RIGHT HAND
	093646-02-000	EA	BRACKET - TIEDOWN/REFRIGERATOR - LEFT HAND
	111222-01-02A	EA	COVER - VENT/REFRIGERATOR - SIDE - BRIGHT WHITE
	116751-03-01A	EA	TRAY - REFRIGERATOR - BLACK - US
	116751-10-01A	EA	TRAY - REFRIGERATOR - BLACK - CANADIAN
	090329-01-000	FT	SEAL/T - REFRIGERATOR CABINET
	129655-01-01A	EA	REFRIGERATOR - SMALL DOUBLE DOOR - 3 WAY - GERMANY
	103251-12-01A	EA	INSERT/REFRIGERATOR - BLACK ACRYLIC - 1/8" X 20.5" X 15.4"
	103251-13-01A	EA	INSERT/REFRIGERATOR - BLACK ACRYLIC - 1/8" X 20.5" X 32.2"
	111222-01-02A	EA	COVER - VENT/REFRIGERATOR - SIDE - BRIGHT WHITE
	116751-03-01A	EA	TRAY - REFRIGERATOR - BLACK
	054450-01-000	EA	LEVEL - REFRIGERATOR
	065225-02-000	EA	PLATE - TIEDOWN - REFRIGERATOR
	093646-01-000	EA	BRACKET - TIEDOWN/REFRIGERATOR - RIGHT HAND
	093646-02-000	EA	BRACKET - TIEDOWN/REFRIGERATOR - LEFT HAND
	090329-01-000	FT	SEAL/T - REFRIGERATOR CABINET

KEY	PART NUMBER	U/M	DESCRIPTION
8	M05971-KS-J15	EA	DRAWER - OGEE EDGE - 22.5"W X 23.6"D - W/O SLIDES/HARDWARE
9*	112881-02-03A	EA	RANGE-16"-3 BURNER-FRONT HI-OUTPUT BURNER - BLK TOP/DOOR
10	M05971-KR-J15	EA	DRAWER - OGEE EDGE - 19.8"W X 17.7"D - W/O SLIDES/HARDWARE
11	M05971-11-J15	EA	DRAWER - OGEE EDGE - 9.9"W X 17.7"D - W/O SLIDES/HARDWARE
12	131995-S3-K01	EA	DOOR - SOLID PANEL - 9" X 26.5" - W/O HARDWARE
13	127966-02-K16	EA	CABINET - GALLEY - W/COUNTERTOP - W/O DOORS/DRAWERS/HDW
13	127966-02-K17	EA	CABINET - GALLEY - W/COUNTERTOP - W/O DOORS/DRAWERS/HDW
13	127966-02-K18	EA	CABINET - GALLEY - W/COUNTERTOP - W/O DOORS/DRAWERS/HDW
13	127966-03-K16	EA	CABINET - GALLEY - W/COUNTERTOP - W/O DOORS/DRAWERS/HDW COMFORT AND CONVENIENCE PACKAGE
13	127966-03-K17	EA	CABINET - GALLEY - W/COUNTERTOP - W/O DOORS/DRAWERS/HDW COMFORT AND CONVENIENCE PACKAGE
13	127966-03-K18	EA	CABINET - GALLEY - W/COUNTERTOP - W/O DOORS/DRAWERS/HDW COMFORT AND CONVENIENCE PACKAGE
13	127966-04-K16	EA	CABINET - GALLEY - W/COUNTERTOP - W/O DOORS/DRAWERS/HDW EUROPEAN EXPORT PREP OPTION
13	127966-04-K17	EA	CABINET - GALLEY - W/COUNTERTOP - W/O DOORS/DRAWERS/HDW EUROPEAN EXPORT PREP OPTION
13	127966-04-K18	EA	CABINET - GALLEY - W/COUNTERTOP - W/O DOORS/DRAWERS/HDW EUROPEAN EXPORT PREP OPTION
	127966-11-J15	EA	SHELF - W/PLASTIC EDGE TRIM
14	127966-17-K16	EA	COUNTERTOP - GALLEY CABINET
14	127966-17-K17	EA	COUNTERTOP - GALLEY CABINET
14	127966-17-K18	EA	COUNTERTOP - GALLEY CABINET
14	127966-18-K16	EA	COUNTERTOP - GALLEY CABINET - COMFORT AND CONVENIENCE PACKAGE
14	127966-18-K17	EA	COUNTERTOP - GALLEY CABINET - COMFORT AND CONVENIENCE PACKAGE
14	127966-18-K18	EA	COUNTERTOP - GALLEY CABINET - COMFORT AND CONVENIENCE PACKAGE
14	127966-19-K16	EA	COUNTERTOP - GALLEY CABINET - EUROPEAN EXPORT PREP OPTION
14	127966-19-K17	EA	COUNTERTOP - GALLEY CABINET - EUROPEAN EXPORT PREP OPTION
14	127966-19-K18	EA	COUNTERTOP - GALLEY CABINET - EUROPEAN EXPORT PREP OPTION

\*COMPONENT PARTS FOUND IN SERVICE PARTS LIBRARY

## GALLEY GROUP (CONTINUED)

### GALLEY CABINETRY (CONTINUED)



KEY	PART NUMBER	U/M	DESCRIPTION
15	129503-02-J46	EA	EXTENSION - GALLEY COUNTERTOP - W/O HARDWARE (K16)
15	129503-02-K17	EA	EXTENSION - GALLEY COUNTERTOP - W/O HARDWARE (K17)
15	129503-02-K18	EA	EXTENSION - GALLEY COUNTERTOP - W/O HARDWARE (K18)
15	129503-03-K16	EA	EXTENSION - GALLEY COUNTERTOP - W/O HARDWARE COMFORT AND CONVENIENCE PACKAGE
15	129503-03-K17	EA	EXTENSION - GALLEY COUNTERTOP - W/O HARDWARE COMFORT AND CONVENIENCE PACKAGE
15	129503-03-K18	EA	EXTENSION - GALLEY COUNTERTOP - W/O HARDWARE COMFORT AND CONVENIENCE PACKAGE
15	129503-02-J46	EA	EXTENSION - GALLEY COUNTERTOP - W/O HARDWARE (K16) EUROPEAN EXPORT PREP OPTION
15	129503-02-K17	EA	EXTENSION - GALLEY COUNTERTOP - W/O HARDWARE (K17) EUROPEAN EXPORT PREP OPTION
15	129503-02-K18	EA	EXTENSION - GALLEY COUNTERTOP - W/O HARDWARE (K18) EUROPEAN EXPORT PREP OPTION

KEY	PART NUMBER	U/M	DESCRIPTION
16	104113-01-000	EA	SINK - DOUBLE - STAINLESS STEEL
	092303-01-000	EA	STRAINER - SINK
17	103243-01-000	EA	FAUCET - DUAL CONTROL
17	104114-02-01A	EA	FAUCET - GALLEY - SINGLE CONTROL - OPTIONAL
18	131995-T8-K16	EA	DOOR - ARCHED - 9.8" X 33.4" - W/O HARDWARE
	129624-15-K16	EA	SHELF - W/PLASTIC EDGE TRIM
19	131995-U0-K16	EA	DOOR - ARCHED - 9.2" X 9.8" - W/O HARDWARE
	103610-03-H24	EA	COVER - SINK - 15.2" X 11" (K16)
	103610-03-K17	EA	COVER - SINK - 15.2" X 11" (K17)
	103610-03-K18	EA	COVER - SINK - 15.2" X 11" (K18)

**GALLEY GROUP (CONTINUED)**

**ENTRY DOOR STEP LID & COMPONENTS**

KEY	PART NUMBER	U/M	DESCRIPTION
	120234-04-H13	EA	LID - ENTRY STEP
	101222-01-04A	EA	BRACKET - CATCH - LID - E-COATED
	116975-01-01A	EA	LATCH - W/O STRIKE - BLACK - NEW STYLE
	116975-02-01A	EA	KEEPER/STRIKE - BLACK - NEW STYLE
	064075-07-000	FT	SEAL - BULB - W/WIRED U CHANNEL - .3" X .5" CHANNEL - BLK

**MICROWAVE OVEN & TRIMS, BRACKETS, AND BRACES**

KEY	PART NUMBER	U/M	DESCRIPTION	VENDOR NO.
	128527-02-000	EA	OVEN - MICROWAVE - 1.2 CU FT - NON CONVECTION	
			FROM: 00-00-00 THRU: 01-15-99	
	128527-02-700	EA	TRIM RING-F/1.2 CU.FT. MICRO	MC-6471-EA
			FROM: 00-00-00 THRU: 01-15-99	
	128642-02-000	EA	TRIM KIT W/VENT - MICROWAVE - 1.2 CU FT - SAMSUNG	
			FROM: 00-00-00 THRU: 01-15-99	
	128527-04-000	EA	OVEN - MICROWAVE - 1.2 CU FT	
			FROM: 01-16-99 THRU: 99-99-99	
	094750-10-000	EA	BRACKET - MICROWAVE - 89 DEGREE	
	098916-22-02B	EA	BRACE - MICROWAVE CABINET - LEFT HAND	
	098916-23-02B	EA	BRACE - MICROWAVE CABINET - RIGHT HAND	

**MICROWAVE OVEN & TRIMS, BRACKETS, AND BRACES - 220 VOLT**

KEY	PART NUMBER	U/M	DESCRIPTION
	128527-05-000	EA	OVEN - MICROWAVE - .9 CUBIC FEET - 220 VOLT
	128642-02-000	EA	TRIM KIT W/VENT - MICROWAVE - 1.2 CU FT - SAMSUNG
			FROM: 00-00-00 THRU: 01-15-99
	094750-10-000	EA	BRACKET - MICROWAVE - 89 DEGREE
	098916-24-02B	EA	BRACE - MICROWAVE CABINET - LEFT HAND
	098916-25-02B	EA	BRACE - MICROWAVE CABINET - RIGHT HAND

**COFFEE MAKER**

KEY	PART NUMBER	U/M	DESCRIPTION	VENDOR NO.
	126019-01-01A	EA	COFFEEMAKER - OPTIMA - W/BRACKETS - BLACK & DECKER	
	126019-01-700	EA	GLASS CARAFE	172547-00
	126019-01-701	EA	RESERVOIR- WATER	172554
	126019-01-702	EA	BASKET - FILTER	172553-00
	126019-01-703	EA	HARDWARE - MOUNTING	172174-00

**LVS MONITOR PANEL**

KEY	PART NUMBER	U/M	DESCRIPTION
*	102765-04-01A	EA	PANEL - MONITOR - 2 HOLDING TANKS - ADJUSTABLE

\*COMPONENT PARTS FOUND IN SERVICE PARTS LIBRARY

**GENERATOR GROUP**

**4,000 WATT ONAN MICROLITE**

KEY	PART NUMBER	U/M	DESCRIPTION
	109982-03-000	EA	GENERATOR - 4.0 MICROLITE
	007125-04-000	EA	CLAMP - MUFFLER - 1.12" DIAMETER
	105958-09-000	EA	PIPE - GENERATOR EXHAUST - 1.3" OD X 5.9" X 22"
			FROM: 00-00-00 THRU: 06-24-99
	105958-08-000	EA	PIPE - GENERATOR EXHAUST - 1.5" OD X 3.1" X 19.7"
			FROM: 06-25-99 THRU: 99-99-99

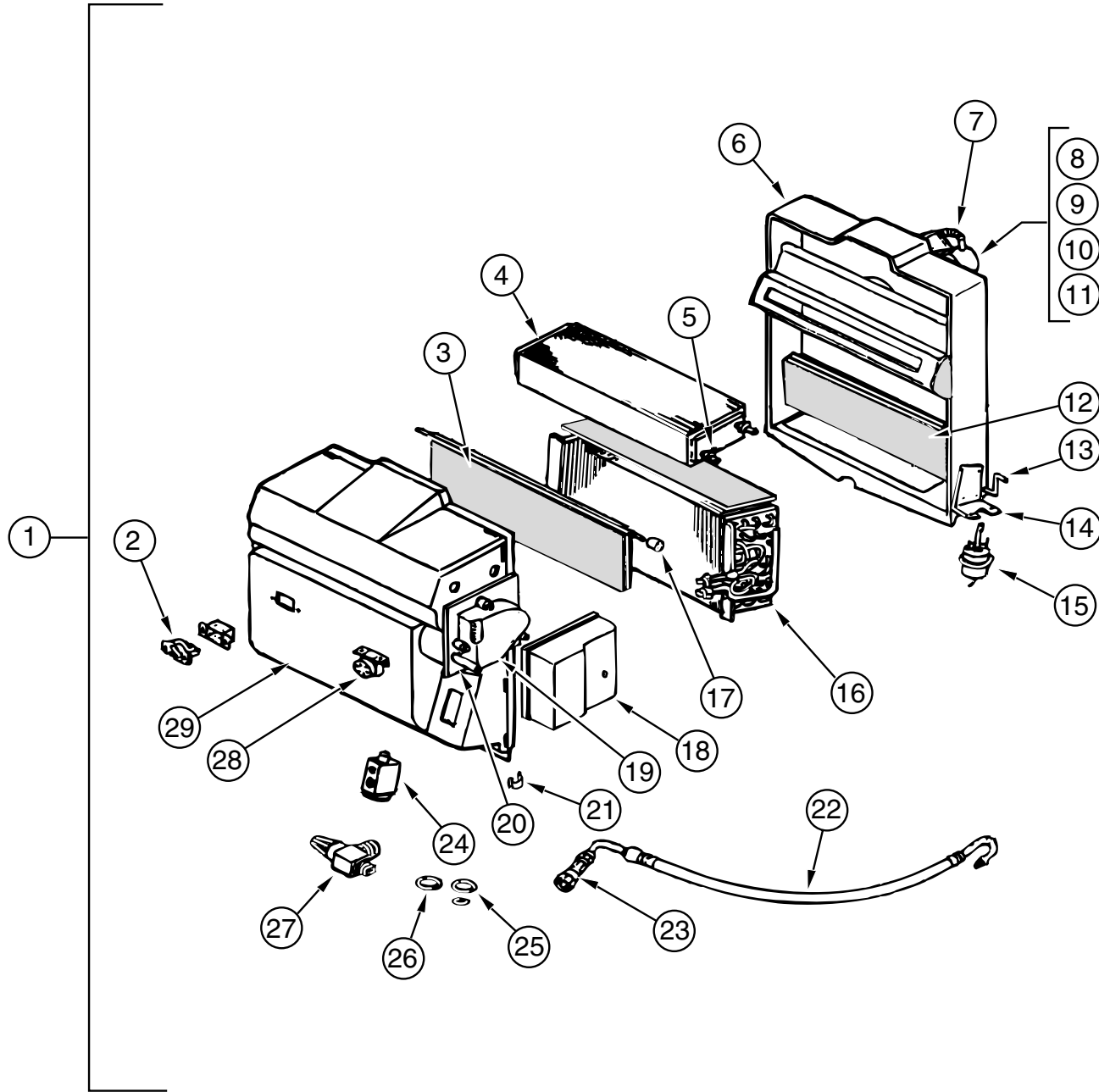
**3,600 WATT ONAN MICROLITE - LP**

KEY	PART NUMBER	U/M	DESCRIPTION
	109982-04-000	EA	GENERATOR - 3.6 MICROLITE
	007125-04-000	EA	CLAMP - MUFFLER - 1.12" DIAMETER
	105958-09-000	EA	PIPE - GENERATOR EXHAUST - 1.3" OD X 5.9" X 22"
			FROM: 00-00-00 THRU: 06-24-99
	105958-08-000	EA	PIPE - GENERATOR EXHAUST - 1.5" OD X 3.1" X 19.7"
			FROM: 06-25-99 THRU: 99-99-99

**NOTE: ADDITIONAL GENERATOR COMPONENTS ARE FOUND IN THE CHASSIS GROUP**

# HEATING & AIR CONDITIONING GROUP

## SCS EVAPORATOR/HEATER ASSEMBLY - 1998 CHEVY CHASSIS

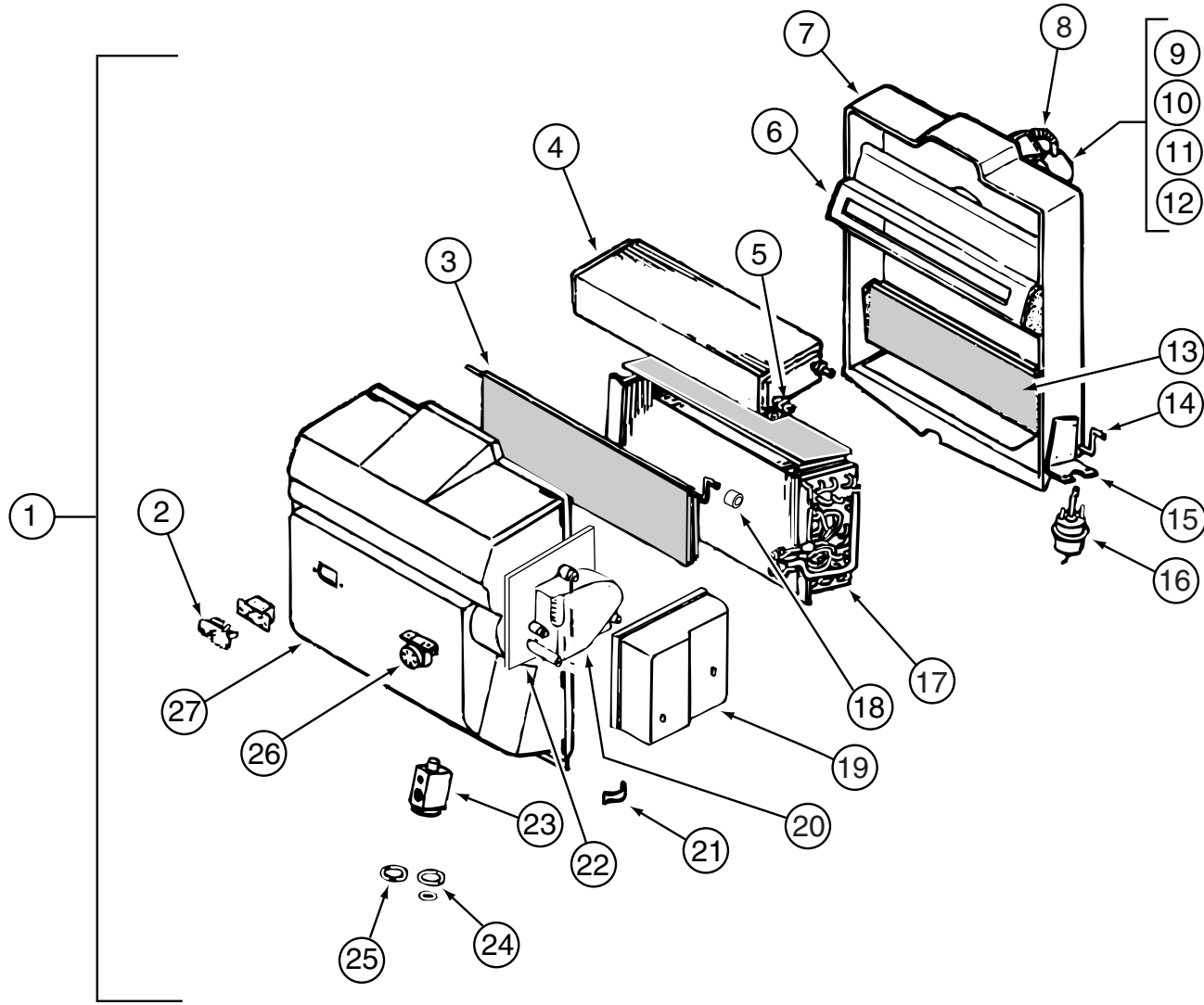


KEY	PART NUMBER	U/M	DESCRIPTION	VENDOR NO.
1	103930-30-000	EA	EVAPORATOR/HEATER - CHEVY - SERVO MOTOR CONTROLLED	
2	103930-01-710	EA	RESISTOR-FUSED, A/C	035-0006
3	103930-30-705	EA	DOOR - BLEND AIR	071-0568
4	103930-01-703	EA	CORE-HEATER	042-0010
5	110279-01-712	EA	FITTING-HEATER	050-0076
6	103930-20-711	EA	CASE-BACK, SUB-ASSEMBLY	062-0147
7	110279-01-703	EA	HOSE-VENT F/BLOWER MOTOR	051-0034
8	103930-20-707	EA	HOUSING-BLOWER	062-0145
9	103930-30-706	EA	MOTOR-BLOWER PM147 W/ADAPTER	030-0109
10	103930-01-717	EA	WHEEL-BLOWER, CLOCKWISE	062-0010
11	103930-20-708	EA	CLIP-MOTOR SHAFT	022-0001
12	103930-20-705	EA	PANEL-DOOR, RECIRCULATING	071-0213
13	103930-20-704	EA	ROD-DOOR-RECIRCULATING	073-0018
14	103930-01-708	EA	BRACKET-VACUUM MOTOR	070-0113
15	103930-02-708	EA	MOTOR-VACUUM SERVO, A/C	030-0025
16	103930-01-704	EA	COIL-EVAPORATOR	041-0017
17	103930-30-702	EA	BUSHING - BLEND AIR DOOR	062-0168
18	103930-30-704	EA	COVER - SERVO	062-0545
19	103930-30-703	EA	MOTOR - SERVO	030-0104
20	103930-30-701	EA	PLATE - MOTOR MOUNT	062-0544
21	103930-20-706	EA	CLIP-RETAINER - CASE ATTACH	022-0057
22	103930-25-700	EA	HOSE ASM #6 EVAPORATOR/DRIER	085-0350
23	103930-12-709	EA	FITTING-QUICK CONNECT	050-0120
24	103930-20-700	EA	VALVE-EXPANSION-BLOCK, 2 TON	034-0032
25	103930-17-702	EA	O'RING #10	045-0127
26	113245-01-707	EA	O'RING #8	045-0126
27	103930-20-709	EA	VALVE-SERVICE	050-0159
28	103930-01-711	EA	THERMOSTAT	033-0003
29	103930-30-700	EA	CASE - FRONT	062-0542



# HEATING & AIR CONDITIONING GROUP (CONTINUED)

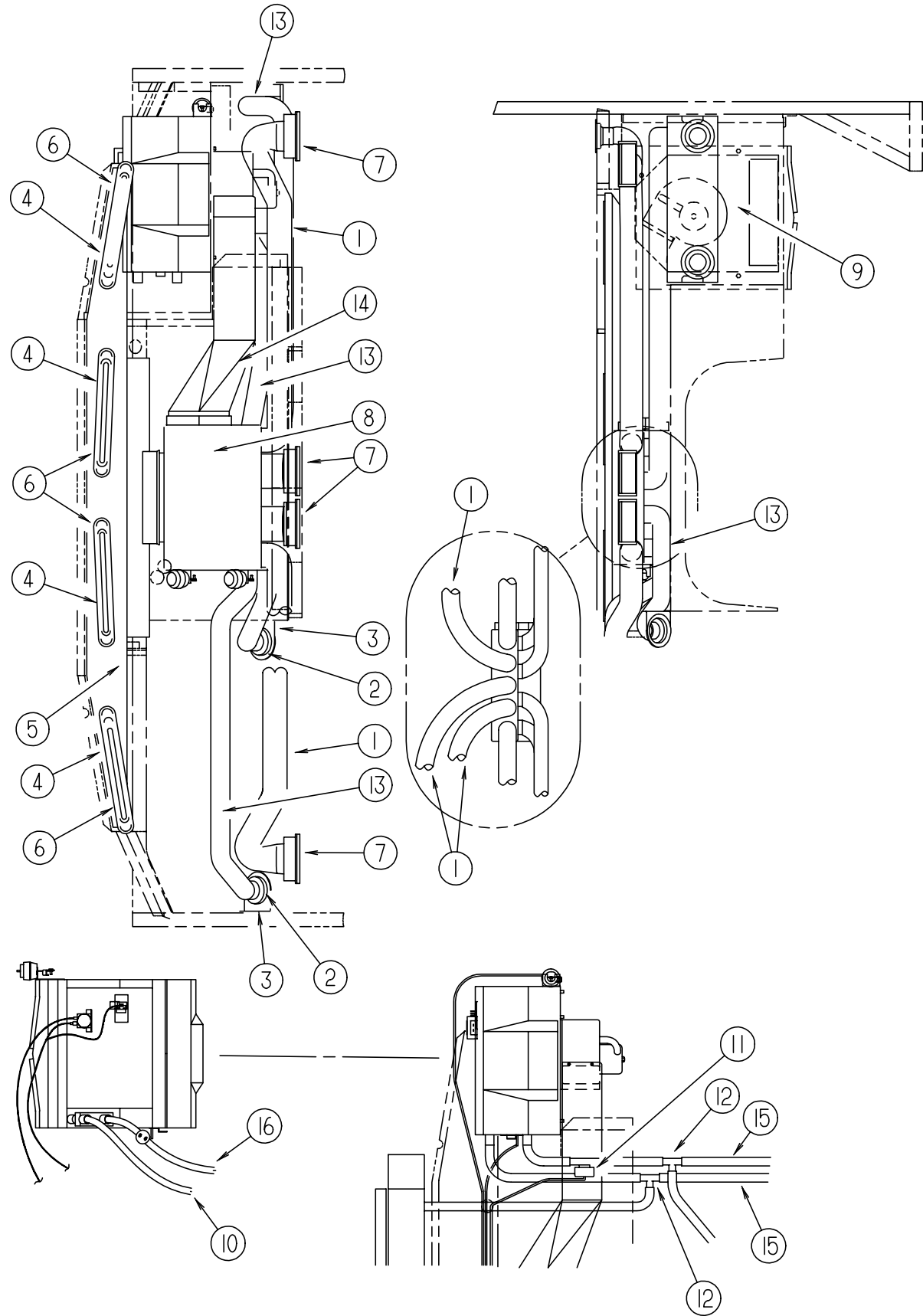
## SCS EVAPORATOR/HEATER ASSEMBLY - 1999 CHEVY CHASSIS



KEY	PART NUMBER	U/M DESCRIPTION	VENDOR NO.
1	103930-43-000	EA EVAPORATOR/HEATER ASSEMBLY - NON-CHARGED	
2	103930-01-710	EA RESISTOR-FUSED, A/C	035-0006
3	103930-43-700	EA DOOR - AIR BLEND	071-0568
4	103930-01-703	EA CORE-HEATER	042-0010
5	110279-01-712	EA FITTING-HEATER	050-0076
6	103930-30-707	EA DIVIDER ASM.	086-0061
7	103930-20-711	EA CASE-BACK, SUB-ASSEMBLY	062-0147
8	110279-01-703	EA HOSE-VENT F/BLOWER MOTOR	051-0034
9	103930-20-707	EA HOUSING-BLOWER	062-0145
10	103930-30-706	EA MOTOR-BLOWER PM147 W/ADAPTER	030-0109
11	103930-01-717	EA WHEEL-BLOWER, CLOCKWISE	062-0010
12	103930-20-708	EA CLIP-MOTOR SHAFT	022-0001
13	103930-20-705	EA PANEL-DOOR, RECIRCULATING	071-0213
14	103930-20-704	EA ROD-DOOR-RECIRCULATING	073-0018
15	103930-01-708	EA BRACKET-VACUUM MOTOR	070-0113
16	103930-02-708	EA MOTOR-VACUUM SERVO, A/C	030-0025
17	103930-01-704	EA COIL-EVAPORATOR	041-0017
18	103930-30-702	EA BUSHING - BLEND AIR DOOR	062-0168
19	103930-30-704	EA COVER - SERVO	062-0545
20	103930-30-703	EA MOTOR - SERVO	030-0104
21	103930-20-706	EA CLIP-RETAINER - CASE ATTACH	022-0057
22	103930-30-701	EA PLATE - MOTOR MOUNT	062-0544
23	103930-20-700	EA VALVE-EXPANSION-BLOCK, 2 TON	034-0032
24	103930-17-702	EA O-RING #10	045-0127
25	113245-01-707	EA O-RING #8	045-0126
26	103930-01-711	EA THERMOSTAT	033-0003
27	103930-30-700	EA CASE - FRONT	062-0542
	103930-02-714	EA CLAMP-CLUTCH, BARREL	022-0006
	094831-01-709	EA CLAMP-ROD 3/16"	022-0025
	113245-01-718	EA HOSE - DRAIN/1/2" X 6"	051-0002

# HEATING & AIR CONDITIONING GROUP (CONTINUED)

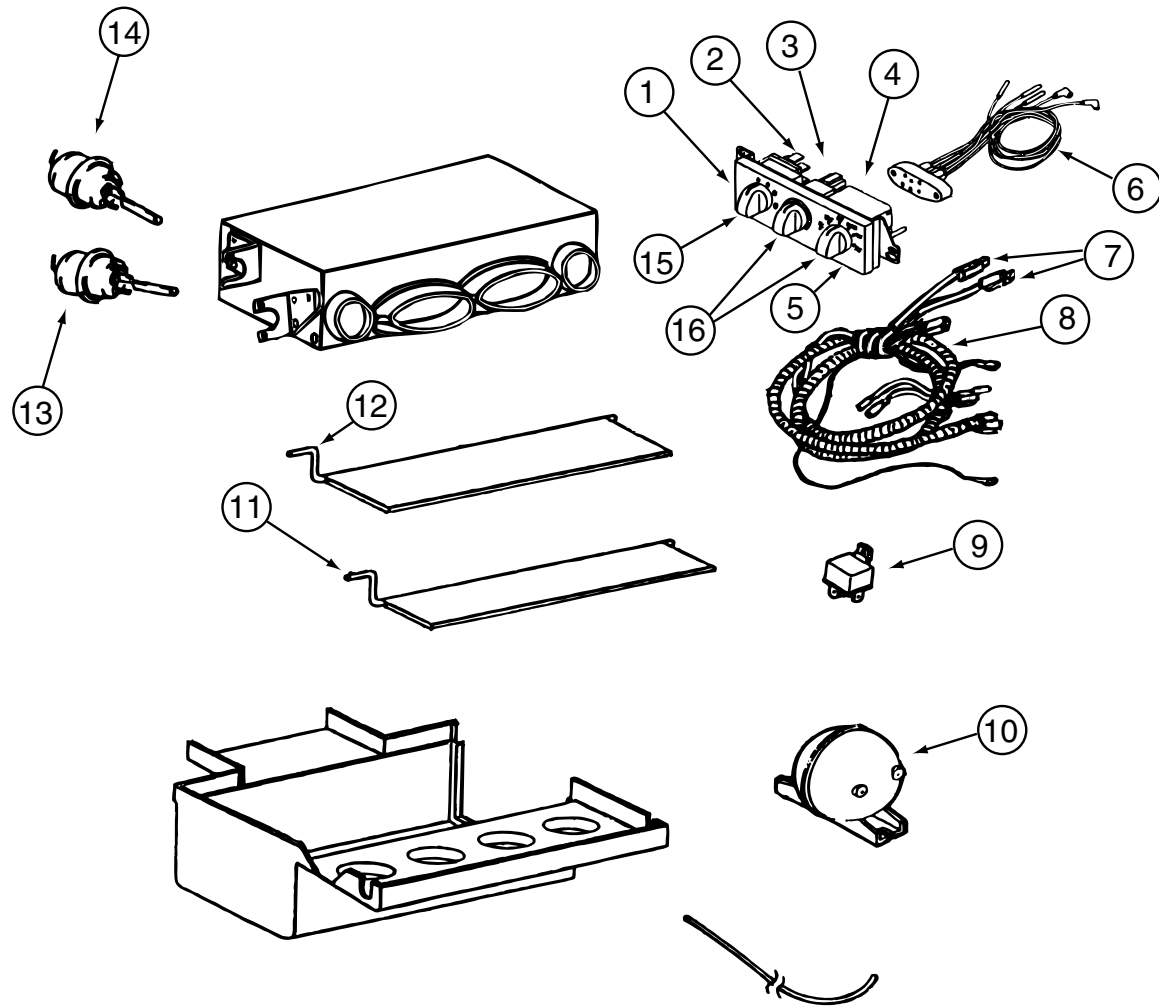
## AUTOMOTIVE HEATER MISCELLANEOUS



KEY	PART NUMBER	U/M	DESCRIPTION	VENDOR NO.
1	007281-01-000	EA	HOSE - FLEXIBLE PVC - 2.5" ID X 50'	
1	007281-01-700	FT	HOSE-FLEXIBLE PVC, 2 1/2 ID	
2	024990-05-000	EA	OUTLET - DEFROSTER - 4" DIAMETER W/SWIVEL DEFLECTORS	
3	056402-05-000	EA	BRACKET - HEATER VENT - ROUND W/BEND - BLACK	
4	077075-01-000	EA	GASKET - INSTRUMENT PANEL/DEFROSTER PLENUM - .6" X 10.2"	
5	103017-03-000	EA	PLENUM - DEFROSTER	
6	103558-01-10A	EA	VENT - DEFROSTER - 2" X 14.4" X 1.4" - ANTELOPE	
			FROM: 00-00-00 THRU: 11-08-98	
6	103558-04-03A	EA	VENT - DEFROSTER - ANTELOPE	
			FROM: 11-09-98 THRU: 99-99-99	
7	103796-01-01A	EA	LOUVER - A/C-ADJUSTABLE - 2.2" X 5.4" F/2.5" HOSE - BLACK	
8	103930-39-000	EA	CONTROL/PLENUM - ROTARY	
9	103930-30-000	EA	EVAPORATOR/HEATER - CHEVY - SERVO MOTOR CONTROLLED	
			1998 CHEVY CHASSIS	
9	103930-43-000	EA	EVAPORATOR/HEATER ASSEMBLY - NON-CHARGED	
			1999 CHEVY CHASSIS	
10	103930-29-000	EA	HOSE KIT - #10 F/GM L-29 & L-65 CHASSIS	
			1998 CHEVY CHASSIS	
	103930-17-702	EA	O'RING #10	045-0127
	103930-29-701	EA	O'RING F/LOW PRESSURE SWITCH	045-0483
10	103930-46-000	EA	HOSE - EVAPORATER/COMPRESSOR - EXP. BLOCK TO COMPRESSOR	
			1999 CHEVY CHASSIS	
	103930-17-702	EA	O'RING #10	045-0127
	103930-29-701	EA	O'RING F/LOW PRESSURE SWITCH	045-0483
11	103930-23-000	EA	VALVE - WATER - 2 PORT	
12	076776-01-000	EA	TEE - BEADED - 5/8" X 5/8" X 5/8"	
13	007076-01-000	EA	HOSE - FLEXIBLE PVC - 2" ID - INCREMENTS OF 50'	
14	103016-03-000	EA	PLENUM - TRANSITION	
15	007108-01-000	FT	HOSE - HEATER - 5/8" ID - HI-TEMP - FORD	
16	103930-47-000	EA	HOSE - EVAPORATOR/DRYER - EXP. VALVE TO REC. DRIER	
			1999 CHEVY CHASSIS	
	113245-01-710	EA	O'RING, #12	045-0128
	077539-01-000	EA	BRACKET - MOUNTING/DASH PANEL - L/SHAPED - 2.5"X1"X1.5"	
	103930-37-000	EA	MANUAL - OWNERS - HEATER/A/C	
	7SB003-97-01A	EA	SCS/FRIGETTE SERVICE MANUAL AIR CONDITIONING	

## HEATING & AIR CONDITIONING GROUP (CONTINUED)

### SCS CONTROL/PLENUM



KEY	PART NUMBER	U/M DESCRIPTION	VENDOR NO.
	103930-39-000	EA CONTROL/PLENUM - ROTARY	
1	103930-33-702	EA CONTROL PANEL	083-0169
2	103930-33-707	EA SWITCH - BLOWER	032-00066
3	103930-33-708	EA SWITCH - POTENTIOMETER	032-0184
4	103930-33-709	EA SWITCH - VACUUM	032-0183
5	103930-33-710	EA DECAL F/CONTROL HEAD	058-0102
6	103930-33-703	EA VACUUM HARNESS	036-0466
7	103930-33-705	EA LIGHT BULBS	035-0030
8	103930-33-711	EA WIRE HARNESS - MAIN	036-0496
9	103930-02-707	EA RELAY-BOSCH W/RESISTER	031-0001
10	103930-02-710	EA CANISTER-VACUUM	054-0002
11	103930-39-700	EA ROD - DOOR - AC/HEAT	073-067
12	103930-39-701	EA ROD - DOOR - AC/DEFROST	073-0069
13	103930-02-708	EA MOTOR-VACUUM SERVO, A/C	030-0025
14	103930-33-701	EA MOTOR - VACUUM, 3 STAGE	030-0105
15	103930-39-702	EA KNOB - BLOWER	062-0539
16	103930-39-703	EA KNOB - TEMPERATURE	062-0540
	103930-39-704	EA SPRING	022-0119

## HEATING & AIR CONDITIONING GROUP (CONTINUED)

### 30,000 BTU SUBURBAN FURNACE, REGISTERS & WALL THERMOSTAT

KEY	PART NUMBER	U/M DESCRIPTION
*	098668-20-000	EA FURNACE - 30,000 BTU
	056464-09-000	EA REGISTER - 4" DIAMETER - PLASTIC - W/DAMPER - BEIGE
	098668-23-000	EA DOOR - ACCESS - FURNACE - BRIGHT WHITE
	009200-01-000	EA TAPE - FURNACE - 1 1/2"
	089367-02-000	EA TEE - 4" X 2" X 4"
	115764-01-01A	EA THERMOSTAT - FURNACE

\*COMPONENT PARTS FOUND IN SERVICE PARTS LIBRARY

### EVANS REAR HEATER & COMPONENTS

KEY	PART NUMBER	U/M DESCRIPTION	VENDOR NO.
	084405-01-000	EA HEATER - REAR/DUCTED - W/MOTOR AID	
	084405-01-700	EA CORE-HEATER	FT200229
	084405-01-701	EA FAN BLADES	HV029931
	084405-01-702	EA MOTOR ASSEMBLY, 12 VOLT	RV010348
	009198-01-000	FT DUCT - HEAT - FLEXIBLE - 4" ID X 25'	
	009198-02-000	FT DUCT - FLEXIBLE - 2" ID X 25'	
	056464-10-000	EA REGISTER - 4" DIAMETER - PLASTIC - W/O DAMPER - BEIGE	
	061673-01-000	EA BRACKET - MOTOR AID TUBES - 4" X 1.5" - STEEL	

### ROOF A/C

KEY	PART NUMBER	U/M DESCRIPTION	VENDOR NO.
*	131185-01-01A	EA A/C ROOF - 13,500 BTU - WHITE	
*	131188-01-01A	EA A/C - ROOF - 14,800 MACH 15 - WHITE	
*	131184-01-01A	EA CEILING ASSEMBLY - A/C DUCTED - WHITE	

### ROOF A/C COVER

KEY	PART NUMBER	U/M DESCRIPTION
	092633-02-02A	EA COVER - BLANK - ROOF A/C - 5.1" X 5.1"

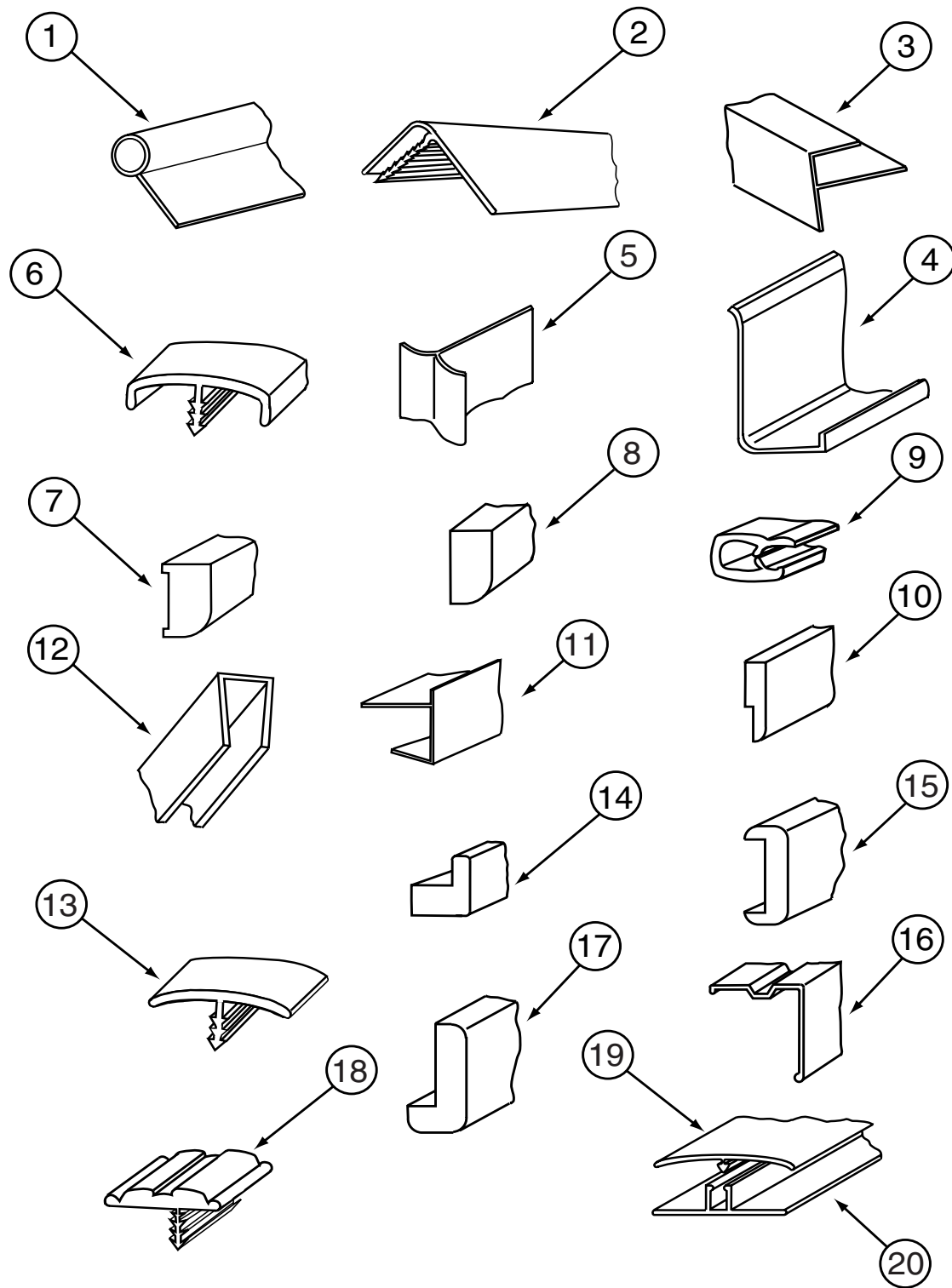
### 13,500 BTU ELECTROLUX 220 VOLT ROOF A/C & CEILING ASM

KEY	PART NUMBER	U/M DESCRIPTION	VENDOR NO.
	130671-01-01A	EA A/C ROOF - 13.500 BTU - 220 VOLT - WHITE	
*	130671-02-01A	EA CEILING ASSEMBLY - A/C DUCTED - WHITE	
	130671-04-01A	EA THERMOSTAT - A/C AND FURNACE	
	120134-01-02A	EA REGISTER - 4.5" DIAMETER W/DAMPNER	

\*COMPONENT PARTS FOUND IN SERVICE PARTS LIBRARY

# INTERIOR FINISH GROUP

## MOLDINGS & TRIMS



KEY	PART NUMBER	U/M DESCRIPTION
1	009767-12-000	FT WELTING - SIDEWALL/CEILING/CABINET - OFF/WHT
2	009809-28-000	EA MOLDING - CORNER - OUTSIDE - 1" X 84" - WATERFORD OAK
3	009812-29-000	EA MOLDING - CORNER - 1/2" W/1/4" CHAN X 84" - WATERFORD OAK
4	085746-04-000	FT TRIM-J - CARPET 1.2" X .5" ANGLE - 12' LONG - OFF WHITE
5	022992-11-000	FT MOLDING - REVERSE COVE - T-SHAPED VINYL - IVORY
6	083620-12-000	FT MOLDING-T - END CAP EDGE - W/EDGE LIP - .75"-WATERFORD OAK
7	117268-D2-134	EA MOLDING - VINYL WRAPPED - .7" X 1.6" X 84" - WATERFORD OAK
7	117268-F2-134	EA MOLDING - VINYL WRAPPED - .7" X 2.7" X 84" - WATERFORD OAK
8	100818-01-05A	EA MOLDING - VINYL WRAPPED - 1.6" X 4" X 84" - WATERFORD OAK
9	113452-01-000	FT SEAL/TRIM - FRONT - VINYL W/WIRE CARRIER
10	105004-01-05A	EA MOLDING - VINYL WRAPPED - 1" X 96" - WATERFORD OAK
11	103186-01-05A	FT MOLDING - PLASTIC - 3/8" U-CHANNEL 3/4" FACE-WATERFORD OAK
11	103186-02-05A	FT MOLDING - PLASTIC - 1" U-CHANNEL 1 3/8" FACE-WATERFORD OAK
12	009778-21-000	FT U-CHANNEL - 1" - WATERFORD OAK
12	070504-03-000	FT U-CHANNEL - PLASTIC - .9" X 96" - GRADY BROWN
12	070504-36-000	FT U-CHANNEL - PLASTIC - .13" X 72" - WATERFORD OAK
12	070504-37-000	FT U-CHANNEL - PLASTIC - .9" X 84" - WATERFORD OAK
13	105709-01-000	FT MOLDING-T - 1" - MODERN IVORY
14	100819-01-05A	EA MOLDING - VINYL WRAPPED - L-SHAPED - 1.5"X1.5"X84"-OAK
15	078323-06-G15	EA MOLDING - CAP - WALL - 78"
16	093873-01-01A	EA TRIM - CARPET - L-ANGLE 1.1" X 1.3" X 12' - GRAY VINYL
17	077840-01-G01	EA MOLDING - CAP - WALL - 8' - WATERFORD OAK
17	077840-07-K16	EA MOLDING - CAP - WALL - 79.2"
18	109736-02-01A	FT T-MOLDING - 1" - NATURAL OAK
19	086229-20-000	EA BATTEN - 1" X 96" - BEIGE
20	086229-01-000	EA RETAINER - BATTEN - .75" X 92.3" - ANY COLOR
	072368-02-000	EA TRIM - VINYL - EDGE - BLACK
	117267-D2-438	EA LUMBER - VINYL WRAPPED - .7" X 1.5" X 96" - WATERFORD OAK
	117267-E2-438	EA LUMBER - VINYL WRAPPED - .7" X 2" X 96" - WATERFORD OAK
	117267-F2-438	EA LUMBER - VINYL WRAPPED - .7"X 2.5" X 96" - WATERFORD OAK
	117267-J2-438	EA LUMBER - VINYL WRAPPED - .7" X 5.5" X 96"- WATERFORD OAK
	117267-R2-438	EA LUMBER - VINYL WRAPPED - .7" X 3" X 96" - WATERFORD OAK

**INTERIOR FINISH GROUP (CONTINUED)**

**BATT STRIPS**

KEY	PART NUMBER	U/M	DESCRIPTION
	069733-83-000	EA	BATT STRIP - WOODGRAINED/WATERFORD OAK - 8'
	079653-28-000	EA	BATT STRIP - KERFED - WOODGRAINED/WATERFORD OAK - 8'
	088263-E3-000	EA	BATT STRIP - DECORATIVE - PEBBLE EMBOSSSED/ANTIQUE-8' LONG
	088263-F5-000	EA	BATT STRIP - DECORATIVE - FLAGSTAFF SAND - 8' (K16)
	088263-E6-000	EA	BATT STRIP - DECORATIVE - MONTANA FROST - 8' (K17)
	088263-G0-000	EA	BATT STRIP - DECORATIVE - UPBEAT/TWILIGHT - 8' LONG (K18)
	085284-B5-000	FT	BATT TAPE - ADHESIVE BACKED - WOODGRAINED - WATERFORD OAK
	085284-D6-000	FT	BATT TAPE - ADHESIVE BACKED -DECORATIVE - EMBOSSSED ANTIQUE
	085284-F1-000	FT	BATT TAPE - ADHESIVE BACKED - DECORATIVE/FLAGSTAFF SAND (K16)
	085284-E0-000	FT	BATT TAPE - ADHESIVE BACKED - DECORATIVE - MONTANA FROST (K17)
	085284-F8-000	FT	BATT TAPE - ADHESIVE BACKED - UPBEAT/TWILIGHT (K18)

**PLASTIC LAMINATE & EDGE BAND**

KEY	PART NUMBER	U/M	DESCRIPTION
	074498-54-000	SF	LAMINATE - PLASTIC - SAND SPEKTRUM - 5' X 8' (K16)
	074498-80-000	SF	LAMINATE - PLASTIC - WHITE TUNDRA - 5' X 8' (K17)
	074498-81-000	SF	LAMINATE - PLASTIC - ALMOND JAGUARD - 5' X 8' (K18)
	076325-47-000	FT	MOLDING - EDGE BAND - 1 5/16" X .030" - SAND (K16)
	076325-39-000	FT	MOLDING - EDGE BAND - 1 5/16" X .030" - ALMOND (K17,K18)
	076325-44-000	FT	MOLDING - EDGE BAND - .875" X .024" - SAND (K16)
	076325-40-000	FT	MOLDING - EDGE BAND - .875" X .024" - ALMOND (K17,K18)
	074498-77-000	SF	LAMINATE - PLASTIC - ART CABIN - 4' X 8' (PULL OUT TABLE)
	076325-68-000	FT	MOLDING - EDGE BAND - 1 5/16" X .038" - WATERFORD OAK (PULL OUT TABLE)
	074498-40-000	SF	LAMINATE - PLASTIC - OFF WHITE - 5' X 8' (PATIO ENTERTAINMENT CENTER TABLE)
	076325-73-000	FT	MOLDING - EDGE BAND - .93" X .024" - OFF WHITE (PATIO ENTERTAINMENT CENTER TABLE)

**WALLPAPER BORDER**

KEY	PART NUMBER	U/M	DESCRIPTION
	122481-14-000	FT	WALLPAPER - 5.1" BORDER (K16)
	122481-15-000	FT	WALLPAPER - 6.9" BORDER (K17,K18)

**INTERIOR FINISH GROUP (CONTINUED)**

**SMOKE DETECTOR, CO DETECTOR, FIRE EXTINGUISHER & CLOCK**

KEY	PART NUMBER	U/M	DESCRIPTION	VENDOR NO.
	072852-01-000	EA	DETECTOR - SMOKE - W/9 VOLT BATTERY - US	
	072852-02-000	EA	DETECTOR - SMOKE - W/9 VOLT BATTERY - CANADIAN	
	094499-03-000	EA	EXTINGUISHER/FIRE - DRY - 10B:C - W/O BRACKET	
	094499-04-000	EA	BRACKET - FIRE EXTINGUISHER	
	094499-02-000	EA	EXTINGUISHER/FIRE - DRY - 1A10BC - CANADIAN	
	094499-01-700	EA	BRACKET MTG. W/PLAS. STRAP	294039
	118081-02-01A	EA	CLOCK - WALL - ROUND 8" - BRASS	
	125136-01-000	EA	CO DETECTOR - GAS - ROUND W/2 SCREWS - 9 VOLT	

**ANTISLIP & FLOOR MATS**

KEY	PART NUMBER	U/M	DESCRIPTION
	091261-01-000	FT	SLIPNOT - ANTISLIP - 1' WIDE
	105924-01-J16	EA	MAT - FLOOR - 18" X 27" (K16)
	105924-01-J51	EA	MAT - FLOOR - 18" X 27" (K17)
	105924-01-F11	EA	MAT - FLOOR - 18" X 27" (K18)

**CARPET, VINYL, & TILE**

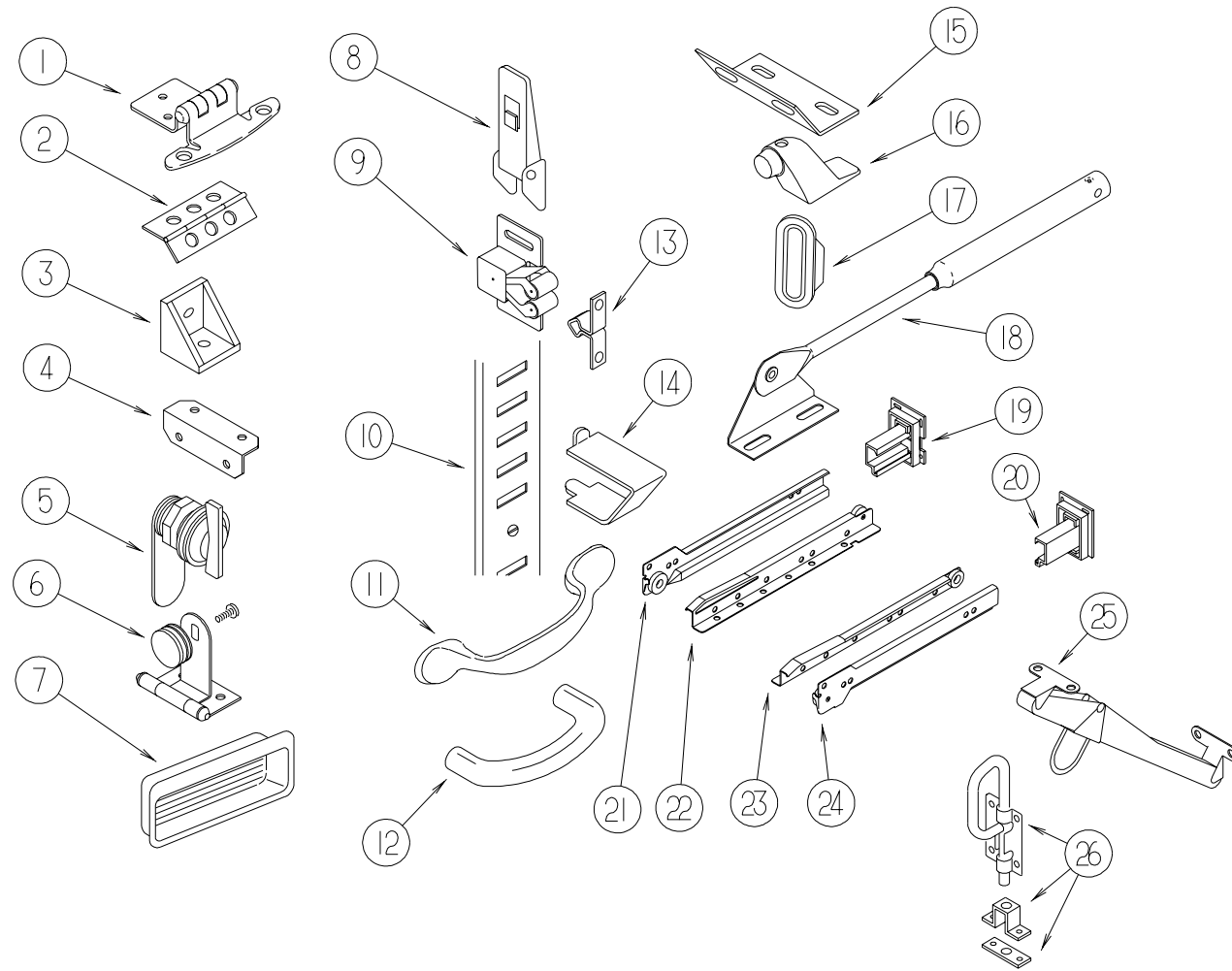
KEY	PART NUMBER	U/M	DESCRIPTION
	093486-01-000	SY	CARPET - COMPARTMENT - 72" WIDE - DARK GRAY
	096060-95-000	SY	CARPET - DOESKIN - INCREMENTS OF 4 SQ YDS (K16)
	096060-97-000	SY	CARPET - LAPIS - INCREMENTS OF 4 SY (K17)
	096060-A2-000	SY	CARPET - NEW MEADOW - INCREMENTS OF 4 SQ YD (K18)
	042720-20-000	SY	VINYL - FLOOR COVERING - 7.5' WIDE - CALAY
	122755-03-01A	EA	TILE - RUBBER/ENTRANCE DOOR - 17.7" X 26.4"
	122755-05-01A	EA	TILE - RUBBER/ENTRANCE DOOR - 11.2" X 26.9"

**PANELING, PLYWOOD, & PARTICLE BOARD**

KEY	PART NUMBER	U/M	DESCRIPTION
	074497-28-000	SF	PANELING - WATERFORD OAK - 4' X 8'
	088272-G1-000	SF	PANELING - PEBBLE EMBOSSSED - ANTIQUE WHITE - 4' X 7'
	088272-H5-000	SF	PANELING - FLAGSTAFF - 4' X 7' (K16)
	088272-G4-000	SF	PANELING - MONTANA FROST - 4' X 7' (K17)
	088272-H8-000	SF	PANELING - UPBEAT/TWILIGHT (K18)
	080215-10-000	SF	PANELING - 2 SIDED - WATERFORD - .2" X 4' X 8'
	000846-01-000	SF	PLYWOOD - 5/16" X 48" X 96" - CD GRADE
	000846-02-000	SF	PLYWOOD/UNDERLAYMENT - 5/16" X 48" X 96"
	089297-01-000	SF	PLYWOOD - LUAN - OVERLAY GRADE - 48" X 96"
	089297-02-000	SF	PLYWOOD - LUAN - OVERLAY GRADE - 48" X 108"
	126339-01-000	SF	BOARD - WHEAT - 60" X 72"
	000885-76-000	SF	PARTICLE BOARD-3/8" X 48" X 96"-WATERFORD OAK/VINYL 1 SIDE
	000885-77-000	SF	PARTICLE BOARD-3/8" X 48" X 96"-WATERFORD OAK/VINYL 2 SIDE
	000885-79-000	SF	PARTICLE BOARD-3/4" X 48" X 96"-WATERFORD OAK/VINYL 2 SIDE

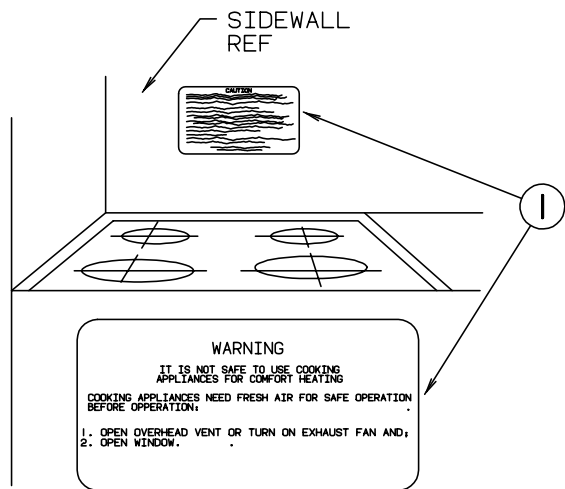
# INTERIOR FINISH GROUP (CONTINUED)

## CABINET HARDWARE



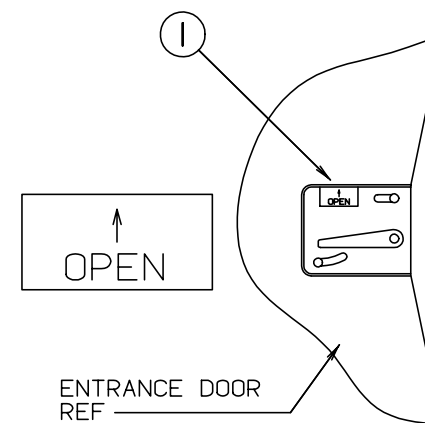
KEY	PART NUMBER	U/M	DESCRIPTION
1	108138-01-000	EA	HINGE - CABINET DOOR - BURNISHED BRASS
2	009059-01-000	EA	HINGE - DOOR - 2" X 1.4" - BRASS
3	065740-01-000	EA	BRACE - CABINET/CORNER - PLASTIC
4	016604-01-000	EA	BRACE - CABINET - ANGLE - 2.5" - UNPAINTED METAL
4	016604-05-000	EA	BRACE - CABINET - ANGLE - 2.5" - OFF WHITE METAL
5	100710-01-01A	EA	LOCK - GLASS DOOR/TWIST TYPE - BRASS
6	100711-01-01A	EA	HINGE - GLASS DOOR
7	124311-01-01A	EA	HANDLE - RECESSED - BRASS
8	116975-01-01A	EA	LATCH - W/O STRIKE - BLACK - NEW STYLE
9	093586-06-000	EA	CATCH - SPRING ROLLER
10	098980-01-000	EA	PILASTER - ADJUSTABLE SHELF - 18" WOODGRAIN APPEARANCE
10	098980-02-000	EA	PILASTER - ADJUSTABLE SHELF - 12" WOODGRAIN APPEARANCE
10	098980-03-000	EA	PILASTER - ADJUSTABLE SHELF - 9" WOODGRAIN APPEARANCE
10	098980-04-000	EA	PILASTER - ADJUSTABLE SHELF - 48" WOODGRAIN APPEARANCE
11	117801-01-01A	EA	PULL - CABINET - BRASS
12	131964-01-01A	EA	PULL - CABINET - POLISHED BRASS
			FROM: 00-00-00 THRU: 04-29-99
			FROM: 04-30-99 THRU: 99-99-99
13	093586-05-000	EA	STRIKE - SPRING STEEL
14	098979-01-000	EA	CLIP - ADJUSTABLE SHELF
15	111866-01-02A	EA	BRACE - SEAT - ANGLE - OFF WHITE
16	103257-01-000	EA	STOP - DOOR
17	098410-01-01A	EA	PULL - FINGER - OVAL - BRASS
18	074493-02-000	EA	SUPPORT - PISTON SPRING - CABINET DOOR - 26 LBS
19	128811-01-01A	EA	BACKSOCKET - ADJUSTABLE - LEFT
20	128811-02-01A	EA	BACKSOCKET - ADJUSTABLE - RIGHT
21	128810-01-01A	EA	SLIDE - DRAWER - 12" - LEFT CABINET
21	128810-13-01A	EA	SLIDE - DRAWER - 18" - LEFT CABINET
21	128810-17-01A	EA	SLIDE - DRAWER - 20" - LEFT CABINET
21	128810-21-01A	EA	SLIDE - DRAWER - 22" - LEFT CABINET
21	128810-25-01A	EA	SLIDE - DRAWER - 24" - LEFT CABINET
22	128810-03-01A	EA	SLIDE - DRAWER - 12" - LEFT DRAWER
22	128810-15-01A	EA	SLIDE - DRAWER - 18" - LEFT DRAWER
22	128810-19-01A	EA	SLIDE - DRAWER - 20" - LEFT DRAWER
22	128810-23-01A	EA	SLIDE - DRAWER - 22" - LEFT DRAWER
22	128810-27-01A	EA	SLIDE - DRAWER - 24" - LEFT DRAWER
23	128810-04-01A	EA	SLIDE - DRAWER - 12" - RIGHT DRAWER
23	128810-16-01A	EA	SLIDE - DRAWER - 18" - RIGHT DRAWER
23	128810-20-01A	EA	SLIDE - DRAWER - 20" - RIGHT DRAWER
23	128810-24-01A	EA	SLIDE - DRAWER - 22" - RIGHT DRAWER
23	128810-28-01A	EA	SLIDE - DRAWER - 24" - RIGHT DRAWER
24	128810-02-01A	EA	SLIDE - DRAWER - 12" - RIGHT CABINET
24	128810-14-01A	EA	SLIDE - DRAWER - 18" - RIGHT CABINET
24	128810-18-01A	EA	SLIDE - DRAWER - 20" - RIGHT CABINET
24	128810-22-01A	EA	SLIDE - DRAWER - 22" - RIGHT CABINET
24	128810-26-01A	EA	SLIDE - DRAWER - 24" - RIGHT CABINET
25	104181-01-01A	EA	SUPPORT - LEAF 5.3" EXTENDS TO 7.5" - SAFETY RING - METAL
26	103256-01-000	EA	LATCH - SLIDE
	004354-01-000	EA	BUMPER - RUBBER - .5" DIA - BROWN
	120760-01-000	EA	BUMPER - RUBBER - CLEAR
	023320-01-000	EA	PAD - FELT 3/8" DIAMETER

**LABELS GROUP**

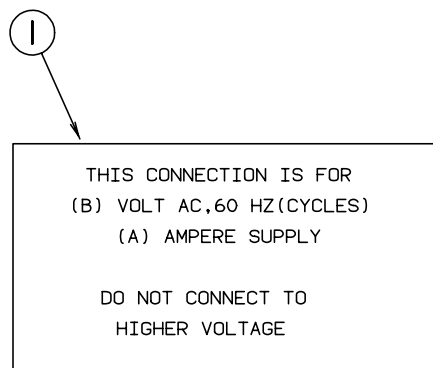


KEY	PART NUMBER	U/M DESCRIPTION
1	050225-01-000	EA LABEL - STOVE VENT - US
1	050222-01-000	EA LABEL - STOVE VENT - CANADIAN

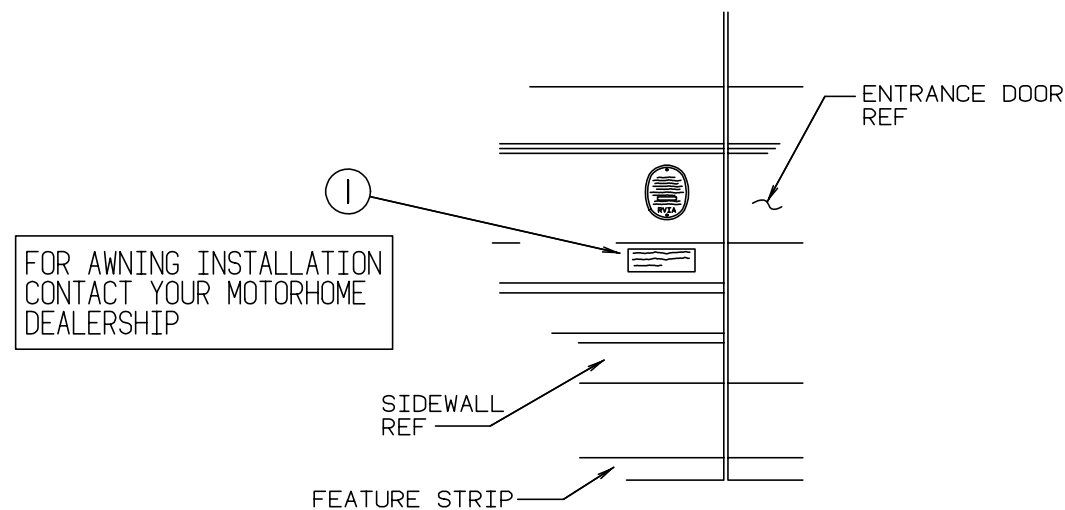
**LABELS GROUP (CONTINUED)**



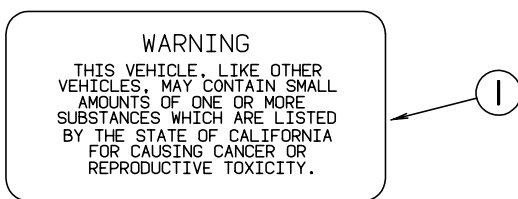
KEY	PART NUMBER	U/M DESCRIPTION
1	040944-01-000	EA LABEL - ENTRANCE DOOR - "OPEN"



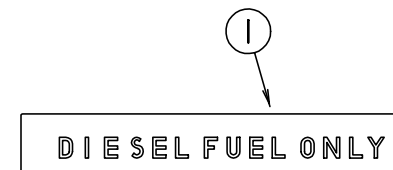
KEY	PART NUMBER	U/M DESCRIPTION
1	125306-01-01A	EA LABEL - ELECTRICAL ENTRANCE - 110 VOLT - 30 AMP



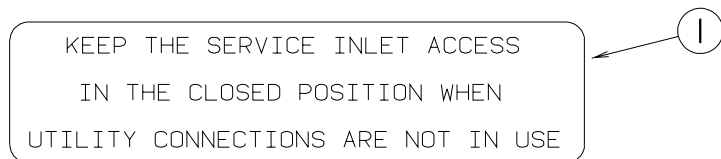
KEY	PART NUMBER	U/M DESCRIPTION
1	099509-01-000	EA LABEL - AWNING INSTALLATION



KEY	PART NUMBER	U/M DESCRIPTION
1	099689-01-000	EA LABEL - WARNING - CANCER/TOXICITY - CALIFORNIA

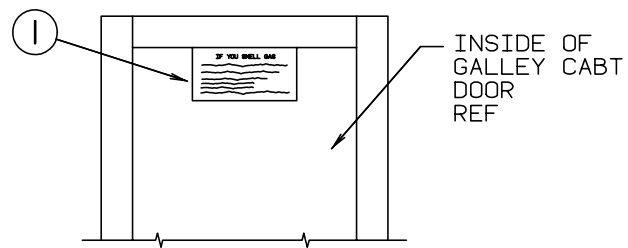


KEY	PART NUMBER	U/M DESCRIPTION
1	068383-01-000	EA LABEL - DIESEL FUEL



KEY	PART NUMBER	U/M DESCRIPTION
1	123562-01-000	EA LABEL - SERVICE/UTILITY ACCESS

## LABELS GROUP (CONTINUED)

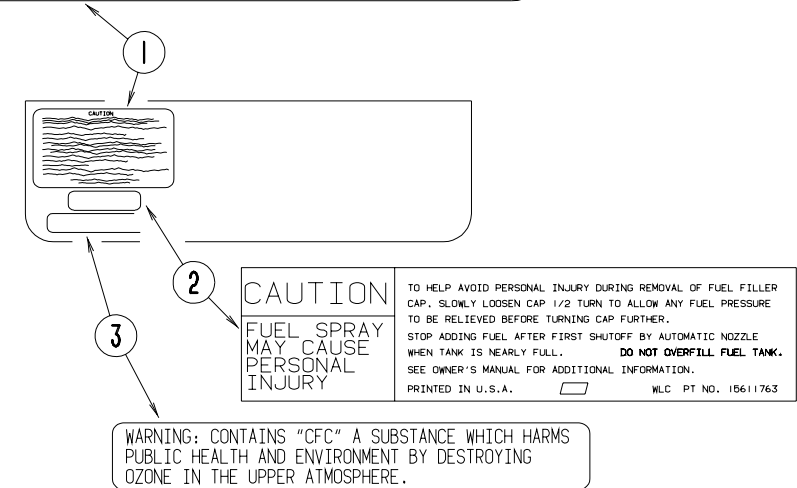
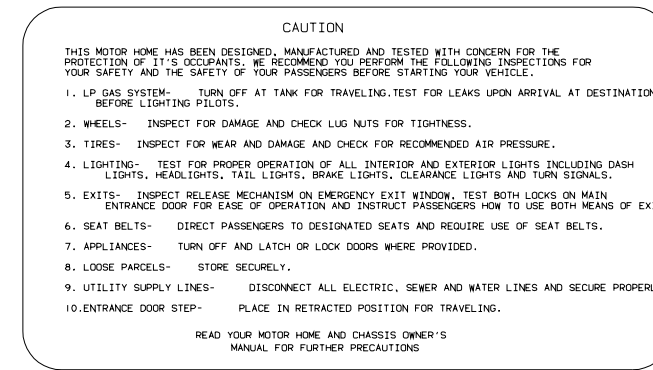


### IF YOU SMELL GAS

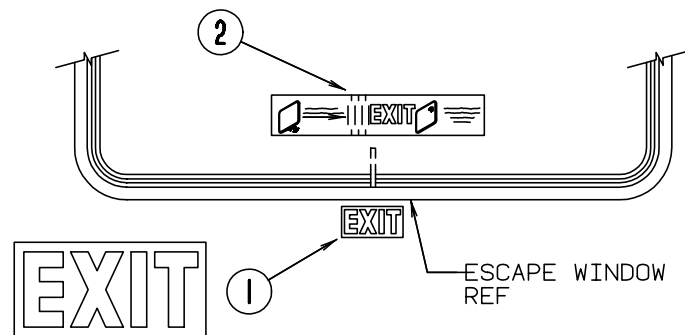
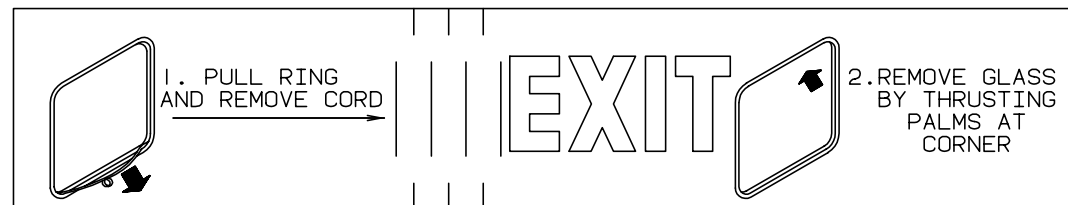
1. EXTINGUISH ANY OPEN FLAME, PILOT LIGHTS AND ALL SMOKING MATERIALS.
2. SHUT OFF THE GAS SUPPLY AT THE TANK VALVE( OR GAS SUPPLY CONNECTION).
3. OPEN DOORS AND OTHER VENTILATING OPENINGS.
4. DO NOT TOUCH ELECTRICAL SWITCHES.
5. LEAVE THE AREA UNTIL ODOR CLEARS.
6. HAVE THE GAS SYSTEM CHECKED AND LEAKAGE SOURCE CORRECTED BEFORE USING AGAIN.

KEY	PART NUMBER	U/M DESCRIPTION
1	073998-01-000	EA LABEL - LPG ODOR WARNING

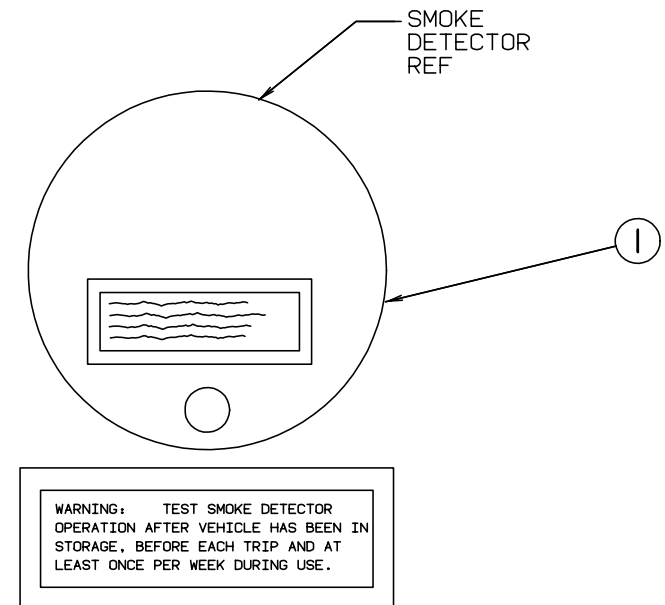
## LABELS GROUP (CONTINUED)



KEY	PART NUMBER	U/M DESCRIPTION
1	056259-01-000	EA LABEL - SAFETY CHECK LIST
2	087207-05-000	EA LABEL - FUEL CAP REMOVAL
3	111802-01-000	EA LABEL - CFC WARNING



KEY	PART NUMBER	U/M DESCRIPTION
1	039290-01-000	EA LABEL - WARNING - EXIT
2	107571-01-000	EA LABEL - EXIT/ESCAPE WINDOW



KEY	PART NUMBER	U/M DESCRIPTION
1	077956-01-000	EA LABEL - WARNING - SMOKE DETECTOR

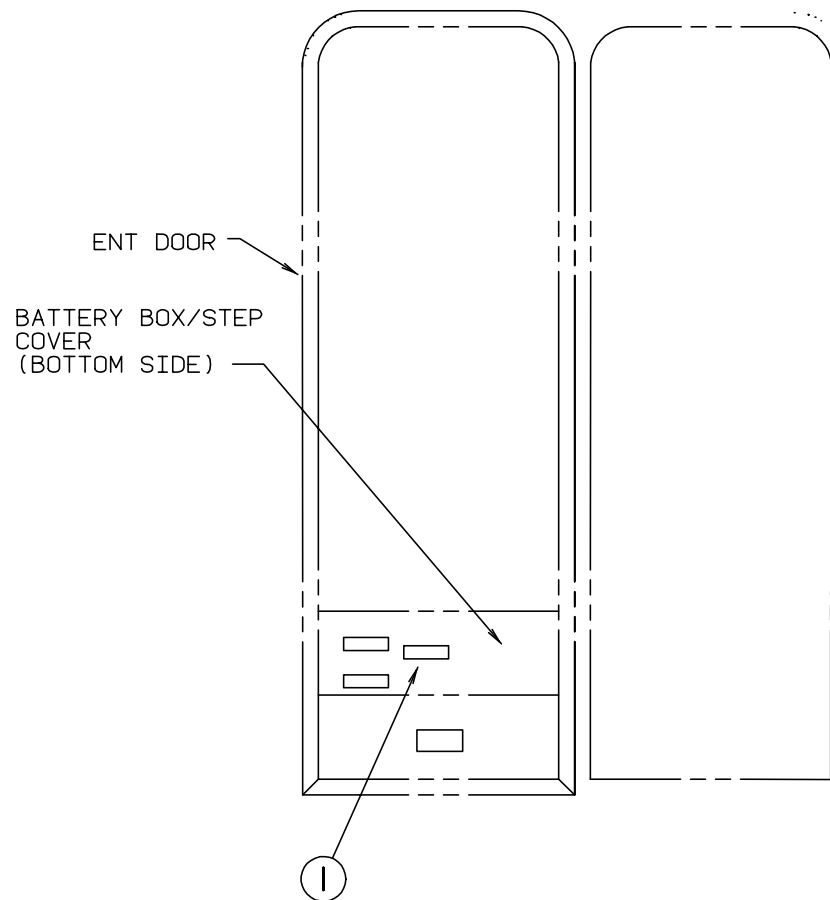


**LABELS GROUP (CONTINUED)**

AIR CONDITIONING CIRCUIT.  
THIS CONNECTION IS FOR  
AIR CONDITIONERS RATED 110-  
125 VOLT AC, 60 HZ, 16  
AMPERES MAXIMUM. DO NOT  
EXCEED CIRCUIT RATING.



KEY	PART NUMBER	U/M DESCRIPTION
1	091243-01-000	EA LABEL - A/C COVER "AIR CONDITIONING CIRCUIT ETC."



WARNING: DISCONNECT BATTERIES BEFORE CONNECTING EXTERNAL CHARGING EQUIPMENT.

AVERTISSEMENT: DEBRANCHER LES BATTERIES AVANT DE BRANCHER TOUT EQUIPEMENT DE CHARGE EXTERIEUR.

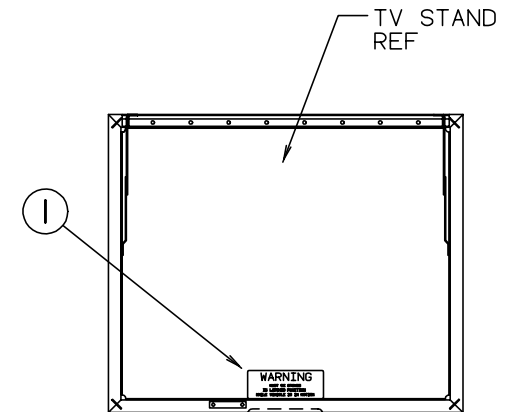
KEY	PART NUMBER	U/M DESCRIPTION
1	065748-01-000	EA LABEL - CAUTION - BATTERY CHARGING
1	065748-02-000	EA LABEL - WARNING - BATTERY/FRENCH

**LABELS GROUP (CONTINUED)**

DO NOT USE HITCH BEFORE READING OWNERS MANUAL REGARDING VEHICLE LOADING AND TOWING



KEY	PART NUMBER	U/M DESCRIPTION
1	111104-01-000	EA LABEL - HITCH - READ MANUAL - WHITE
1	111104-02-000	EA LABEL - HITCH - READ MANUAL - BLACK



WARNING  
MUST BE STOWED  
IN LATCHED POSITION  
WHILE VEHICLE IS IN MOTION

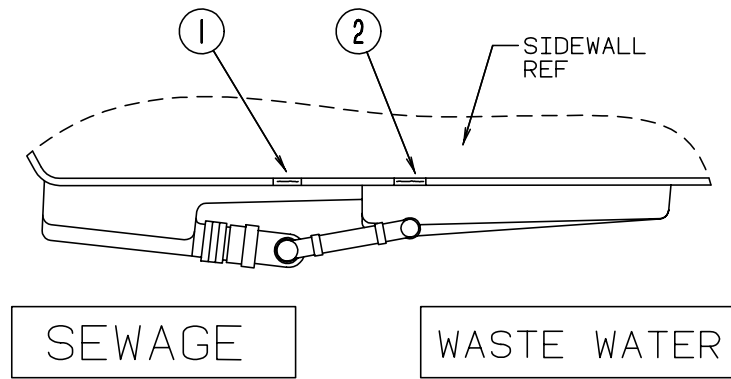
KEY	PART NUMBER	U/M DESCRIPTION
1	079966-01-000	EA LABEL - WARNING - STOWED - MOTION

TOW VEHICLE RATING MAY BE LESS THAN HITCH RATING.  
MAXIMUM VERTICAL HITCH LOAD: A LBS  
DO NOT EXCEED REAR AXLE RATING.  
SEE OWNER'S MANUAL FOR ADDITIONAL INFORMATION.



KEY	PART NUMBER	U/M DESCRIPTION
1	129669-01-01A	EA LABEL - HITCH/VEHICLE RATE - 350 - WHITE ON CLEAR

**LABELS GROUP (CONTINUED)**

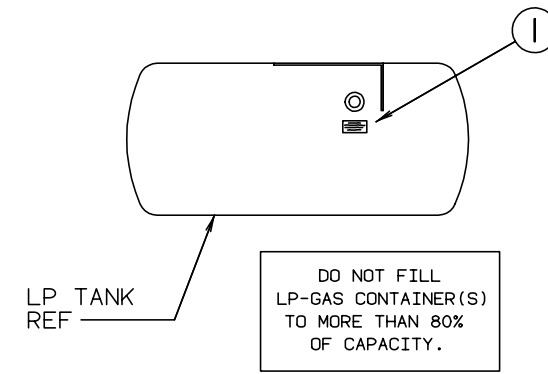


KEY	PART NUMBER	U/M DESCRIPTION
1	006187-01-000	EA LABEL - SEWAGE
2	006188-01-000	EA LABEL - WASTE WATER

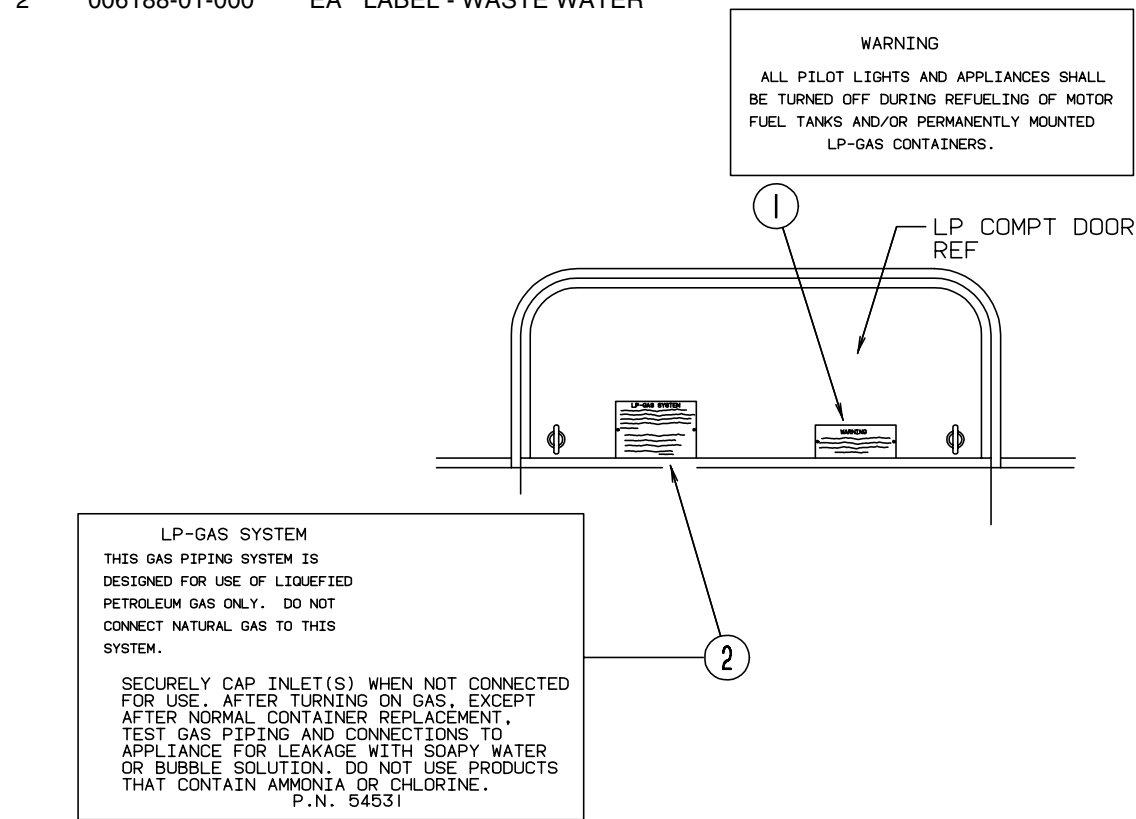
SEWAGE

WASTE WATER

**LABELS GROUP (CONTINUED)**

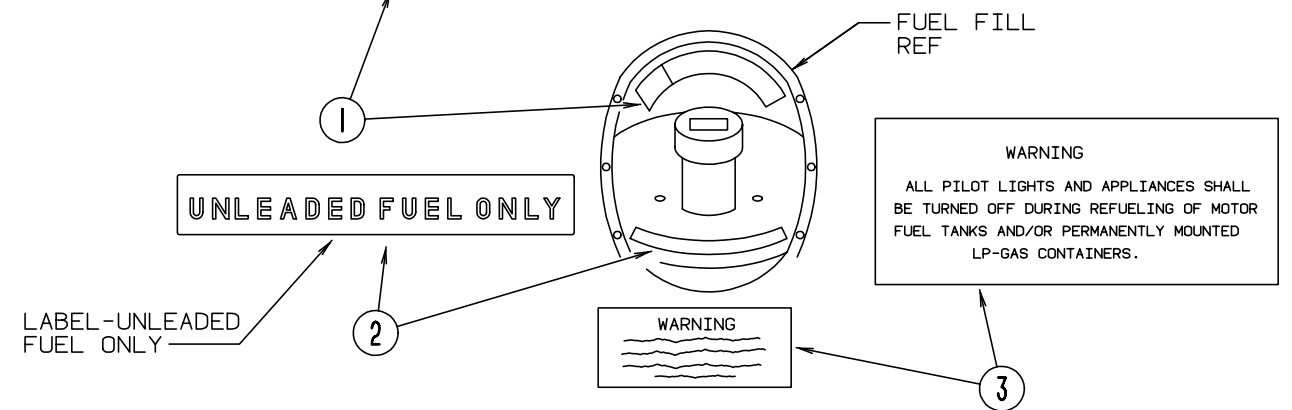


KEY	PART NUMBER	U/M DESCRIPTION
1	079965-01-000	EA LABEL - LPG - 80% CAPACITY



KEY	PART NUMBER	U/M DESCRIPTION
1	124519-01-01A	EA LABEL - WARNING/REFUELING - BLACK ON CLEAR
1	124519-02-01A	EA LABEL - WARNING/REFUELING - CSA
2	124520-01-01A	EA LABEL - LP GAS ONLY - BLACK ON CLEAR
2	023769-01-000	EA LABEL - WARNING - LPG - CANADIAN

<b>CAUTION</b>	TO HELP AVOID PERSONAL INJURY DURING REMOVAL OF FUEL FILLER CAP, SLOWLY LOOSEN CAP 1/2 TURN TO ALLOW ANY FUEL PRESSURE TO BE RELIEVED BEFORE TURNING CAP FURTHER.
<b>FUEL SPRAY MAY CAUSE PERSONAL INJURY</b>	STOP ADDING FUEL AFTER FIRST SHUTOFF BY AUTOMATIC NOZZLE WHEN TANK IS NEARLY FULL. DO NOT OVERFILL FUEL TANK. SEE OWNERS MANUAL FOR ADDITIONAL INFORMATION. PRINTED IN U.S.A. <span style="float: right;">MLC PT NO 15611763</span>

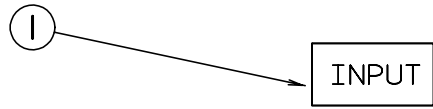


KEY	PART NUMBER	U/M DESCRIPTION
1	087207-05-000	EA LABEL - FUEL CAP REMOVAL
2	062043-01-000	EA LABEL - FUEL - UNLEADED
3	124519-01-01A	EA LABEL - WARNING/REFUELING - BLACK ON CLEAR
3	124519-02-01A	EA LABEL - WARNING/REFUELING - CSA

**WARNING**  
ROOF SURFACE MAY BE SLIPPERY ESPECIALLY WHERE MOISTURE IS PRESENT SLIPPING MAY RESULT IN PERSONAL INJURY.  
128218-01

KEY	PART NUMBER	U/M DESCRIPTION
1	128218-01-01A	EA LABEL - WARNING - SLIPPERY ROOF

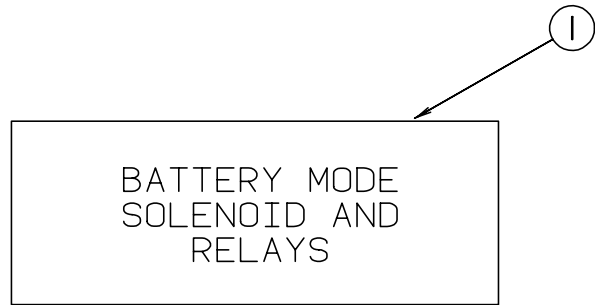
**LABELS GROUP (CONTINUED)**



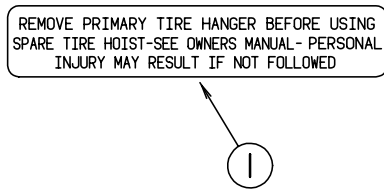
**KEY PART NUMBER U/M DESCRIPTION**  
 1 087236-01-000 EA LABEL - CABLE - INPUT



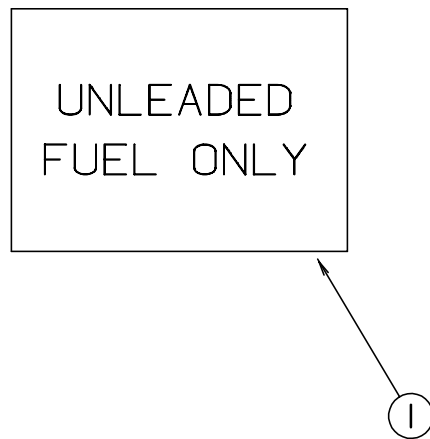
**KEY PART NUMBER U/M DESCRIPTION**  
 1 087236-02-000 EA LABEL - TV OUTLET



**KEY PART NUMBER U/M DESCRIPTION**  
 1 098379-04-000 EA LABEL - ELECTRICAL BOX - SIDE

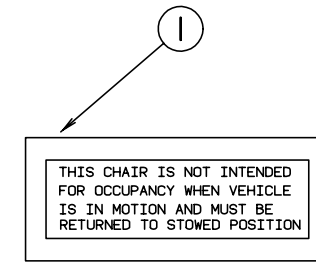


**KEY PART NUMBER U/M DESCRIPTION**  
 1 126024-01-01A EA LABEL - TIRE HANGER REMOVAL

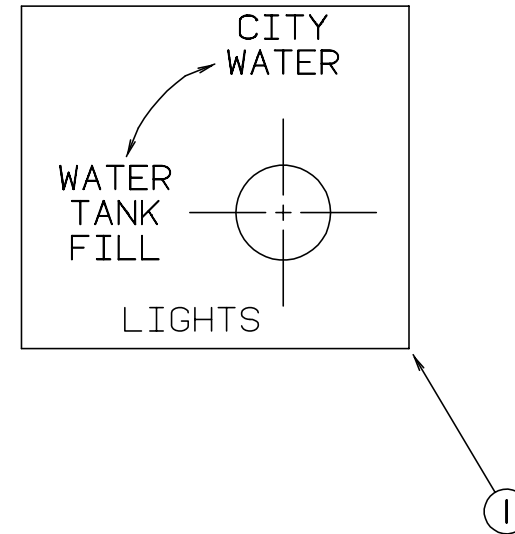


**KEY PART NUMBER U/M DESCRIPTION**  
 1 098641-01-000 EA LABEL - FUEL - UNLEADED - DASH

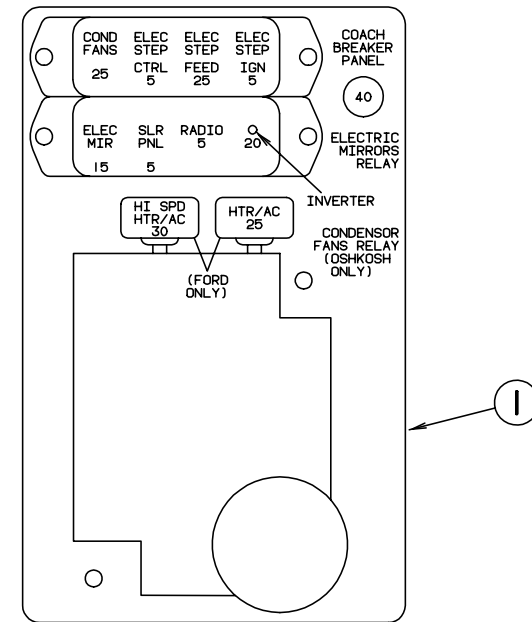
**LABELS GROUP (CONTINUED)**



**KEY PART NUMBER U/M DESCRIPTION**  
 1 102267-01-000 EA LABEL - NO OCCUPANCY - US  
 102267-02-000 EA LABEL - NO OCCUPANCY - CSA

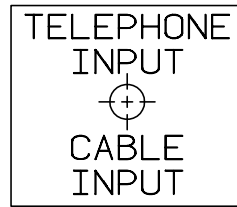


**KEY PART NUMBER U/M DESCRIPTION**  
 1 117629-01-000 EA LABEL - WATER PUMP/FILL

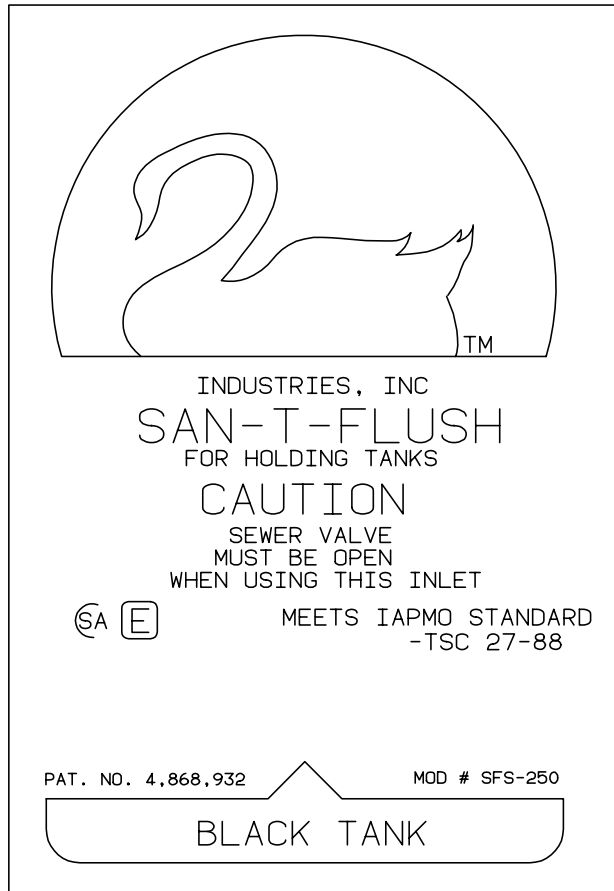


**KEY PART NUMBER U/M DESCRIPTION**  
 1 111537-07-000 EA LABEL - FUSES

**LABELS GROUP (CONTINUED)**



KEY	PART NUMBER	U/M DESCRIPTION
1	114866-03-000	EA LABEL - PHONE & CABLE INPUT



KEY	PART NUMBER	U/M DESCRIPTION
1	125697-07-000	EA LABEL - CAUTION - FLUSHING SYSTEM



KEY	PART NUMBER	U/M DESCRIPTION
1	126247-05-000	EA LABEL - GRAY HOLDING TANK

**LABELS GROUP (CONTINUED)**



KEY	PART NUMBER	U/M DESCRIPTION
1	126249-03-000	EA LABEL - CITY WATER FILL



KEY	PART NUMBER	U/M DESCRIPTION
1	130168-01-000	EA LABEL - WASTE TANK FLUSH



KEY	PART NUMBER	U/M DESCRIPTION
1	130170-02-000	EA LABEL-PANEL SWITCH



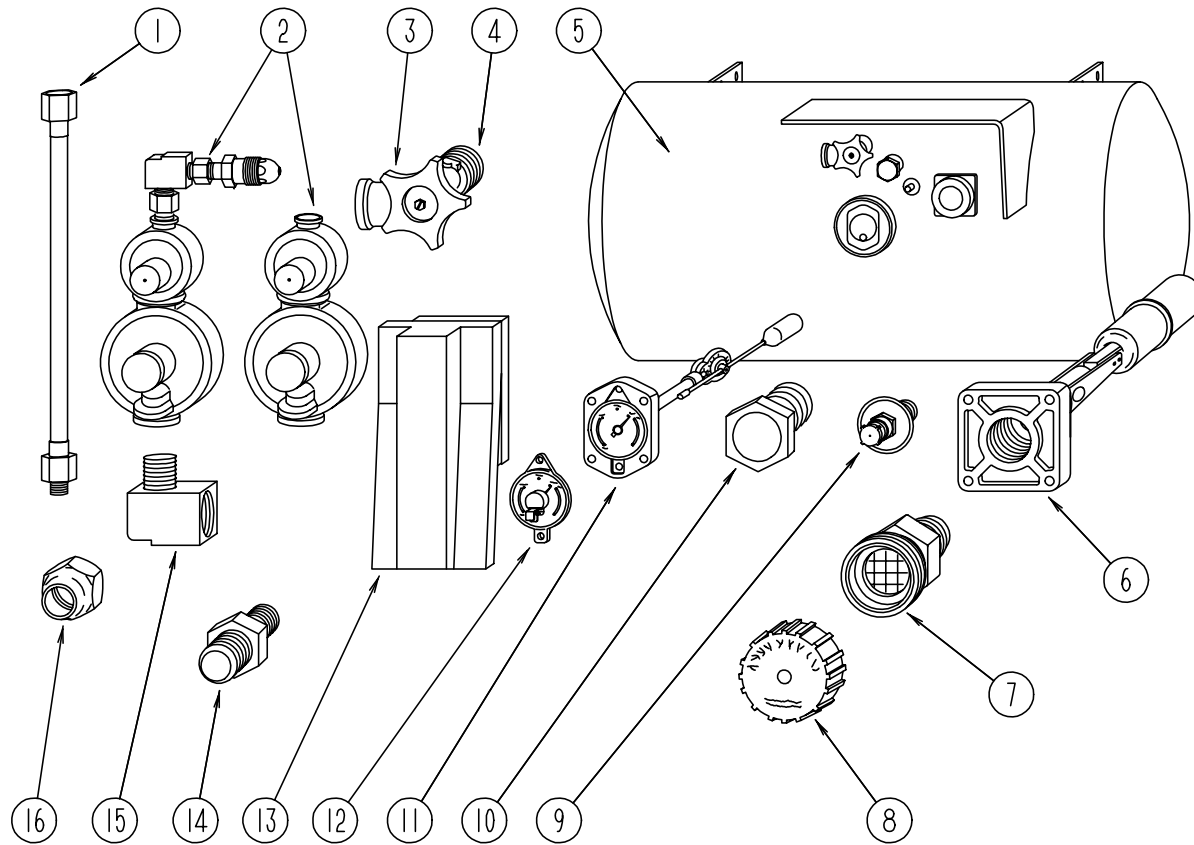
KEY	PART NUMBER	U/M DESCRIPTION
1	126247-06-000	EA LABEL-HOLDING TANK,BLACK



KEY	PART NUMBER	U/M DESCRIPTION
1	126248-03-000	EA LABEL - EXTERIOR SHOWER

# LP GROUP

## LP TANK & COMPONENTS



KEY	PART NUMBER	U/M DESCRIPTION	VENDOR NO.
1	045703-01-000	EA HOSE - LP - 3/8"ID X 24" - 3/8"MPT X 1/2"F SWIVEL - U.S.	
1	045703-02-000	EA HOSE - LP - 3/8"ID X 24" - 3/8"MPT X 1/2"F SWIVEL - CANADA	
2	106150-01-000	EA REGULATOR-TWO STAGE	
2	106150-02-000	EA REGULATOR-TWO STAGE - LP GENERATOR	
3	040421-01-708	EA HANDWHEEL-SERVICE VALVE	G-1015-A
4	040421-01-712	EA VALVE,SERV. W/O VAPOR RELIEF	29000853
5	088253-07-000	EA TANK - LP - 80 LB - 16" X 30" - TOP MOUNT	
6	040421-01-711	EA VALVE-80% FILL W/AUTO STOP	LLL/TL3
7	040421-01-701	EA VALVE-FILL-SHORT, LP	7547B
8	040421-01-702	EA CAP-FILL VALVE, PLASTIC	G-1014-A
9	040421-01-700	EA VALVE-LIQUID LEVEL, 20%	G-1013
10	040421-01-713	EA VALVE-RELIEF 1" W/SPRING 7"	29000587
11	088253-01-700	EA GAUGE-FLOAT ASSEMBLY, L.P.	16C
12	040440-02-000	EA TRANSMITTER - DIAL - 0-90 OHM -2 TERMINAL (POWER & GROUND)	
13	105658-01-000	EA COMPARTMENT - LP REGULATOR	
14	010323-01-000	EA ADAPTER - BRASS - 3/8"F X 1/2"MPT	
14	010329-01-000	EA ADAPTER - BRASS - 1/2"F X 1/2"MPT	
15	065318-02-000	EA ELBOW - 90 DEGREE - 3/8" MPT TO 3/8" FPT	
16	010377-02-000	EA NUT - BRASS - 3/8" FLARE - FORGED	
	008042-01-000	FT TUBING - VINYL - .65" ID	
	010252-01-000	EA ELBOW - BRASS - 90 DEGREE - 3/8"F X 1/2"MPT	
	010265-01-000	EA ELBOW - BRASS - 90 DEGREE - 3/8"F X 1/2"FPT	
	010326-01-000	EA ADAPTER - FLARE - W/CONE GASKET - 3/8"F X 1/2"F	
	010380-02-000	EA NUT - BRASS - 1/2" FLARE - FORGED	
	103613-03-000	EA DETECTOR - LP GAS - W/O SHUT-OFF VALVE	

## SEALANTS & FASTENERS GROUP

### ADHESIVE

KEY	PART NUMBER	U/M DESCRIPTION	VENDOR NO.
	004020-01-000	QT ADHESIVE - ABS CEMENT - QUART	
	081377-01-700	EA ADHESIVE-CYANOACRYLATE 10 GM	
	087211-01-000	GL PROMOTER - ADHESIVE	
	004006-05-700	EA ADHESIVE-NAT. STARCH (5 GAL)	0802
	062917-03-000	EA ADHESIVE - LOCTITE 242	
	067788-01-000	EA ADHESIVE - SPRAY - 3M - 19.5 AEROSOL CAN	
	112901-02-000	EA ADHESIVE - PLEXUS - 50ML	

### NUTS

KEY	PART NUMBER	U/M DESCRIPTION
	000D24-10-00B	EA NUT - HEX - SELF LOCKING - 10-32 ZINC
	000D29-05-00B	EA NUT - HEX - LOCKING W/SERRATED FLANGE-NYLON WASHER INSERT
	000D34-04-00B	EA NUT - HEX - LOCKING - 1/4-20 ZINC
	000D34-06-00B	EA NUT - HEX - LOCKING - 3/8-16 GRADE C - ZINC-PREVAILING
	000D39-04-00B	EA NUT - HEX - LOCKING W/SERRATED FLANGE - 1/4-20 - ZINC
	000D39-05-00B	EA NUT - HEX - LOCKING W/SERRATED FLANGE - 5/16-18 - ZINC
	000D39-06-00B	EA NUT - HEX - LOCKING W/SERRATED FLANGE - 3/8-18 - ZINC
	000D39-07-00B	EA NUT - HEX - LOCKING W/SERRATED FLANGE - 7/16-14 - ZINC
	000D39-08-00B	EA NUT - HEX - LOCKING W/SERRATED FLANGE - 1/2-13 - ZINC
	000D44-04-00B	EA NUT - HEX - LOCKING W/SERRATED FLANGE - 1/4-28 ZINC
	000D44-07-00B	EA NUT - HEX - LOCKING W/SERRATED FLANGE - 7/16-20 - ZINC
	000D46-04-00A	EA NUT - HEX - WELD - 1/4-20 - PLAIN
	000D65-08-00B	EA NUT - HEX/SERRATED FLANGE - 8-32 ZINC
	000D76-06-00B	EA NUT - HEX FLANGE - 3/8-16
	040921-01-000	EA NUT - SPEED - U TYPE - 10-24 BLACK
	040921-03-000	EA NUT - SPEED - U TYPE - #10
	040921-04-000	EA NUT - SPEED - U TYPE - 8-.59" LENGTH X .44" WIDTH
	040921-09-000	EA NUT - SPEED - U TYPE - 8
	044364-02-000	EA NUT - SPEED - FLAT - ROUND
	083163-06-000	EA PUSHNUT - FLAT TYPE 3/8 STUD - FORD ONLY TO RETAIN THE AIR BAFFLE ON THE OIL DIPSTICK TUBE
	104369-01-000	EA NUT - HEX - HEAVY - 5/8-11 UNC

### BOLTS

KEY	PART NUMBER	U/M DESCRIPTION
	000C12-05-16B	EA BOLT - HEX - 5/16-18 X 1 - ZINC 5
	000C12-06-16B	EA BOLT - HEX - 3/8-16 X 1 LG - ZINC 5
	000C12-08-16B	EA BOLT - HEX - 1/2-13 X 1.00 - GD5 - ZINC
	000C12-10-24B	EA BOLT - HEX - 5/8-11 X 1.50 - ZINC 5
	000C13-07-48B	EA BOLT - HEX - 7/16-20 X 3 - ZINC 5
	000C18-05-40A	EA BOLT - ELEVATOR - 5/16-18 X 2.50 - PL
	000C18-06-56A	EA BOLT - ELEVATOR - 3/8-16 X 3 1/2 - GRADE 5
	000C26-04-18B	EA BOLT - HEX - SERRATED FLANGE - 1/4-20 X 1 1/8 - ZINC
	000C26-04-14B	EA BOLT - HEX - SERRATED FLANGE - 1/4-20 X 7/8 - ZINC
	000C26-05-16B	EA BOLT - HEX - SERRATED FLANGE - 5/16-18 X 1 - ZINC
	000C26-05-12B	EA BOLT - HEX - SERRATED FLANGE - 5/16-18 X 3/4 - ZINC
	000C26-06-16B	EA BOLT - HEX - SERRATED FLANGE - 3/8-16 X 1 - ZINC
	000C26-06-12B	EA BOLT - HEX - SERRATED FLANGE - 3/8-16 X 3/4 - ZINC
	000C26-08-24B	EA BOLT - HEX - SERRATED FLANGE - 1/2-13 X 1 1/2 ZINC
	000C27-10-32B	EA BOLT - CARRIAGE - 5/8-11 X 2
	051387-06-000	EA BOLT - CARRIAGE W/O HOLE - 5/16-18 X 9.5 - ZINC
	102333-01-06A	EA BOLT - CARRIAGE - 7/16-14 STAINLESS STEEL CAP
	106166-01-000	EA BOLT/COLLARED HANGER - 8-32 X 1"
	106956-08-000	EA BOLT - HEX TAP - 1/2-13NC X 4 - GRADE 5 - FULL THREAD/ZINC
	088787-12-000	EA STUD - WELD - 1/4 - 20 X 1.0 LG - MN
	108067-03-000	EA STUD - WELD - 1/4 - 20 X 1/2 CD

## SEALANTS & FASTENERS GROUP (CONTINUED)

### WASHERS

KEY	PART NUMBER	U/M DESCRIPTION
	000E11-07-00B	EA WASHER - LOCKING - 7/16 MED SPLIT - ZINC
	000E13-14-00B	EA WASHER - FLAT - 1/4 WIDE - ZINC
	000E13-18-00B	EA WASHER - FLAT - 3/8 WIDE - ZINC
	000E13-20-00B	EA WASHER - FLAT - 7/16 WIDE - ZINC
	000E13-22-00B	EA WASHER - FLAT - 1/2 WIDE - ZINC
	000E13-26-00B	EA WASHER - FLAT - 5/8 WIDE - ZINC
	000E14-10-00B	EA WASHER - LOCKING - #10 EXTERNAL TOOTH - ZINC
	044533-01-000	EA WASHER - PLASTIC - 1 3/8" OD - FOR BUTTONS
	058716-02-000	EA WASHER - FLAT NYLON
	106649-01-000	EA WASHER - SEALING - GALVANIZED
	107397-01-000	EA WASHER - FENDER - .25" ID X 1" OD

### CLAMPS

KEY	PART NUMBER	U/M DESCRIPTION
	007161-01-000	EA CLAMP - HOSE - SPRING TYPE - 1/2"
	010495-01-000	EA CLAMP - CABLE - 9/16"
	010497-01-000	EA CLAMP - CLOSED - 5/8" ID
	010497-03-000	EA CLAMP - CLOSED - 1" ID - CUSHIONED
	010497-04-000	EA CLAMP - CLOSED - 1.62" ID
	010497-07-000	EA CLAMP - CLOSED - 3/8" ID
	010499-01-000	EA CLAMP - CLOSED - 3/8 ID
	062401-01-000	EA CLAMP - HOSE - WORMGEAR - .25" - 1"
	062401-02-000	EA CLAMP - HOSE - WORMGEAR - 1.56" - 2.5"
	062401-03-000	EA CLAMP - HOSE - WORMGEAR - .22" - 1"
	062401-04-000	EA CLAMP - HOSE - WORMGEAR - .69" - 1.25"
	062401-05-000	EA CLAMP - HOSE - WORMGEAR - 2" TO 3" ID
	062401-06-000	EA CLAMP - HOSE - WORMGEAR - .22" - .62" ID
	062401-11-000	EA CLAMP - HOSE - WORMGEAR - 3.50" - 4.50"
	075148-02-000	EA CLAMP - GROUNDING - BRONZE SCREWS
	083609-01-000	EA CLAMP - WIRE - DUAL - EQUAL DIAMETERS - 5/8"
	083610-01-000	EA CLAMP - WIRE - DUAL - UNEQUAL DIAMETERS - 3/4" & 1 1/4"

**SEALANTS & FASTENERS GROUP (CONTINUED)**

**SCREWS**

KEY	PART NUMBER	U/M	DESCRIPTION
	0G1108-12-170	EA	SCREW - 8-18 X .75 PPH - BRIGHT WHITE
	0G1208-12-170	EA	SCREW - 8-18 X .75 POH - BRIGHT WHITE
	0G3908-08-170	EA	SCREW - SF/DR - 8-18 X .50 PPH - BRIGHT WHITE
	0G3908-24-170	EA	SCREW - SF/DR - 8-18 X 1.50 PPH - BRIGHT WHITE
	0G3910-12-170	EA	SCREW - SF/DR - 10-16 X .75 PPH - BRIGHT WHITE
	0G5508-12-260	EA	SCREW - SF/DR - 8-18 X .75 PWH - ALLANTE ANTELOPE
	0G6710-08-170	EA	SCREW - 10-12 X 1/2 PPH - BRIGHT WHITE
	000G11-05-08B	EA	SCREW - 5-20 X .50 PPH - ZINC
	000G11-06-08B	EA	SCREW - 6-20 X 1/2 PPH - ZINC
	000G11-06-06B	EA	SCREW - 6-20 X 3/8 PPH - ZINC
	000G11-06-10J	EA	SCREW - 6-20 X 5/8 PPH - BRASS
	000G11-06-10B	EA	SCREW - 6-20 X 5/8 PPH - ZINC
	000G11-07-08B	EA	SCREW - 7-19 X 1/2 PPH - ZINC
	000G11-08-06B	EA	SCREW - 8-18 X 3/8 PPH - ZINC
	000G11-08-10B	EA	SCREW - 8-18 X .50 PPH - ZINC
	000G11-08-12D	EA	SCREW - 8-18 X 3/4 PPH - BLACK
	000G11-08-12B	EA	SCREW - 8-18 X 3/4 PPH - ZINC
	000G11-08-08T	EA	SCREW - 8-18 X 1/2 PPH - FLUOROCARBON COATING
	000G11-08-08B	EA	SCREW - 8-18 X 1/2 PPH - ZINC
	000G11-08-20B	EA	SCREW - 8-18 X 1 1/4 PPH - ZINC
	000G11-08-16S	EA	SCREW - 8-18 X 1 PPH - OFF WHITE
	000G11-08-16B	EA	SCREW-8-18X1 PPH ZN
	000G11-08-12T	EA	SCREW - 8-18 X 3/4 PPH - BLACK
	000G11-08-12P	EA	SCREW - 8-18 X 3/4 PPH - DARK BROWN
	000G11-08-12P	EA	SCREW - 8-18 X 3/4 PPH - DARK BROWN
	000G11-10-12S	EA	SCREW - 10-16 X 3/4 PPH - OFF WHITE
	000G11-10-12D	EA	SCREW - 10-16 X 3/4 PPH - BLACK
	000G11-10-40B	EA	SCREW - 10-16 X 2 1/2 PPH CAD - 34927-01-000
	000G11-10-24P	EA	SCREW - 10-16 X 1 1/2 PPH - DARK BROWN
	000G11-10-16B	EA	SCREW - 10-16 X 1 PPH - ZINC
	000G12-06-08T	EA	SCREW - 6-20 X 1/2 POH - BLACK
	000G13-06-08B	EA	SCREW - 6-20 X 1/2 PFH - ZINC
	000G13-06-16J	EA	SCREW - 6-20 X 1 PFH - BRASS
	000G13-06-24J	EA	SCREW - 6-20 X 1 1/2 PFH - BRASS
	000G13-06-10G	EA	SCREW - 6-20 X 5/8 PFH - ANTIQUE BRASS
	000G13-06-08G	EA	SCREW - 6-20 X .50 PFH - ANTIQUE BRASS
	000G13-07-12B	EA	SCREW - 7-19 X 3/4 PFH - ZINC
	000G18-08-20B	EA	SCREW - MACHINE - 8-32 X 1 1/4 PPH - ZINC
	000G18-08-22B	EA	SCREW - MACHINE - 8-32 X 1 3/8 PPH - ZINC
	000G19-10-20B	EA	SCREW - MACHINE - 10-32 X 1 1/2 PPH - ZINC
	000G19-10-12F	EA	SCREW - MACHINE - 10-32 X 3/4 PPH - STAINLESS STEEL
	000G19-10-08B	EA	SCREW - MACHINE - 10-32 X 1/2 PPH - ZINC
	000G32-10-06B	EA	SCREW - 10-32 X 3/8 PPH - ZINC
	000G37-08-089	EA	SCREW - 8 X 18 X 1/2 PPH
	000G39-06-16T	EA	SCREW - SF/DR - 6-20 X 1 PPH - BLACK
	000G39-06-10T	EA	SCREW - SF/DR - 6-20 X 5/8 PPH - BLACK
	000G39-08-16B	EA	SCREW - SF/DR - 8-18 X 1 PPH - ZINC
	000G39-08-12T	EA	SCREW - SF/DR - 8-18 X 3/4 PPH - BLACK
	000G39-08-12B	EA	SCREW - SF/DR - 8-18 X 3/4 PPH - ZINC
	000G39-08-08T	EA	SCREW - SF/DR - 8-18 X 1/2 PPH - BLACK
	000G39-08-08S	EA	SCREW - SF/DR - 8-18 X 1/2 PPH - OFF WHITE
	000G39-08-08B	EA	SCREW - SF/DR - 8-18 X 1/2 PPH - ZINC
	000G39-08-06B	EA	SCREW - SF/DR - 8-18 X 3/8 PPH - ZINC
	000G39-08-24B	EA	SCREW - SF/DR - 8-18 X 1 1/2 PPH - ZINC
	000G39-08-16T	EA	SCREW - SF/DR - 6-20 X 1 PPH - BLACK
	000G39-10-08B	EA	SCREW - SF/DR - 10-16 X 1/2 PPH - ZINC
	000G39-10-20B	EA	SCREW - SF/DR - 10-16 X 1 1/4 PPH - ZINC
	000G39-10-129	EA	SCREW - SF/DR - 10-16 X 3/4 PPH - FLUOROCARBON SILVER
	000G39-10-12D	EA	SCREW - SF/DR - 10-16 X 3/4 PPH - BLACK
	000G39-10-12B	EA	SCREW - SF/DR - 10-16 X 3/4 PPH - ZINC
	000G39-10-10B	EA	SCREW - SF/DR - 10-16 X 5/8 - ZINC
	000G39-10-088	EA	SCREW - SF/DR - 10-16 X 1/2 PPH - FLEX FLUOROCARBON
	000G39-10-32B	EA	SCREW - SF/DR - 10-16 X 2 - PPH - ZINC

**SEALANTS & FASTENERS GROUP (CONTINUED)**

**SCREWS (CONTINUED)**

KEY	PART NUMBER	U/M	DESCRIPTION
	000G42-04-12B	EA	SCREW - SF/DR - 1/4-14 X 3/4 HWH - ZINC
	000G46-08-24T	EA	SCREW - MACHINE - 8-32 X 1 1/2 PFH - BLACK
	000G50-04-12B	EA	SCREW - MACHINE - 1/4-20 X 3/4 PPH - ZINC
	000G52-08-18B	EA	SCREW - MACHINE - 8-32 X 1 1/8 PTH - ZINC
	000G54-04-20B	EA	SCREW - 1/4-20 X 1.25 PTH - TYPE 23 - ZINC PLATED
	000G55-08-12S	EA	SCREW - SF/DR - 8-18 X 3/4 PWH - OFF WHITE
	000G56-12-48B	EA	SCREW - WOOD - 12-11 X 3 POH - SPECIAL HARDENED
	000G56-12-48B	EA	SCREW - WOOD - 12-11 X 3 POH - SPECIAL HARDENED
	000G60-10-28T	EA	SCREW - SF/DR - 10-16 X 1 3/4 - BLACK
	000G60-10-20B	EA	SCREW - SF/DR - 10-16 X 1 1/4 POH - ZINC
	000G67-08-32B	EA	SCREW - 8-15 X 2 PPH - ZINC
	000G67-10-12P	EA	SCREW - 10-12 X 3/4 PPH - DARK BROWN
	000G67-10-12B	EA	SCREW - 10-12 X 3/4 PPH - ZINC
	000G67-10-10S	EA	SCREW - 10-12 X 5/8 PPH - OFF WHITE
	000G67-10-10D	EA	SCREW - 10-12 X 5/8 PPH - BLACK - TYPE A
	000G67-10-10B	EA	SCREW - 10-12 X 5/8 PPH - ZINC - TYPE A
	000G67-10-08B	EA	SCREW - 10-12 X 1/2 PPH - ZINC
	000G67-10-08S	EA	SCREW - 10-12 X 1/2 PPH - OFF WHITE
	000G67-10-12S	EA	SCREW - 10-12 X 3/4 PPH - OFF/WHITE
	000G67-10-16B	EA	SCREW - 10-12 X 1 PPH - ZINC
	000G67-10-24B	EA	SCREW - 10-12 X 1.50 PPH - ZINC
	000G67-10-32B	EA	SCREW - 10-12 X 2 PPH - ZINC
	000G67-10-20D	EA	SCREW - 10-12 X 1.25 PPH - BLACK
	000G68-06-12S	EA	SCREW - 6-18 X 3/4 POH
	000G68-06-10G	EA	SCREW - 6-18 X 5/8 POH - ANTIQUE BRASS
	000G68-10-20I	EA	SCREW - 10-12 X 1 1/4 POH - BLACK
	049465-01-000	EA	SCREW - 10-16 W/WASHER PTH - DARK BROWN
	049465-17-000	EA	SCREW - 10-16 X 1 POH W/WASHER - BRIGHT WHITE
	054434-02-000	EA	SCREW - SF/DR - 10-16 X 2 - ZINC
	057671-01-000	EA	COVER - SCREW - #8 - PLASTIC - OFF WHITE
	057671-15-000	EA	COVER - SCREW - BRIGHT WHITE
	075908-01-000	EA	SCREW - MACHINE - 10-32 X .56 PTH - EXTERNAL TOOTH - ZINC
	076790-01-000	EA	SCREW - 6-20 X 1 1/4 PPH - BLACK
	083554-04-000	EA	SCREW - DRYWALL - 8 X 2.50
	086256-01-000	EA	SCREW - SF/DR - 8 X 3/4 HWH LONG
	097974-01-000	EA	SCREW - PARTICLE BOARD - 7-9 X 3/4 PPH
	101618-01-000	EA	SCREW - 1/4-20 X 3/4 HEX - TAPPING - STALGARD TYPE F
	113563-01-01A	EA	SCREW - 8 X .62 LONG SHOULDER/WASHER HEAD

**SEALANTS & FASTENERS GROUP (CONTINUED)**

**SEALERS**

KEY	PART NUMBER	U/M DESCRIPTION
	069640-01-000	FT SEALER - RIBBON - 1/4" DIAMETER X 30' - BLACK
	069640-03-000	FT SEALER - TAPE - .13"THICK X .75"WIDE X 60' - BLACK
	069640-09-000	FT SEALER - TAPE - .032"THICK X 2.50"WIDE X 80' - GREY
	069640-11-000	FT SEALER - TAPE - .19"THICK X .38"WIDE X 40' - BLACK
	069640-15-000	FT SEALER - TAPE - .06"THICK X .38"WIDE X 80' - GRAY
	069640-18-000	FT SEALER - TAPE - .50"THICK X 1/8"WIDE X 60' - BRIGHT WHITE
	069640-19-000	FT SEALER - TAPE - .75"THICK X 1/8"WIDE X 60'- BRIGHT WHITE
	900390-01-000	EA TIP - 2 1/2" X 1/8" ORIFICE
	900390-03-000	EA NOZZLE - SILICONE TUBE
	108716-03-000	EA SILICONE - TUBE - BRIGHT WHITE/SELF LEVELING - W/O NOZZLE FROM: 00-00-00 THRU: 09-06-98
	131264-01-01A	EA SILICONE - W/O NOZZLE - BLACK
	131264-01-02A	EA SILICONE - W/O NOZZLE - CLEAR
	131264-03-01A	EA SILICONE - SELF LEVELING - W/O NOZZLE - BRIGHT WHITE FROM: 09-07-98 THRU: 99-99-99
	053766-02-000	EA BEDDING COMPOUND - TUBE - WHITE
	072889-09-000	EA SEALANT - URETHANE - BLACK (TUBE) FROM: 00-00-00 THRU: 09-06-98
	072889-10-000	EA SEALANT - URETHANE (HV) - BRIGHT WHITE FROM: 00-00-00 THRU: 09-06-98
	072889-11-000	EA SEALANT - URETHANE - (TUBE) - GRAY
	072889-12-000	EA SEALANT - URETHANE (LV) BRIGHT WHITE FROM: 00-00-00 THRU: 09-06-98
	072889-18-000	EA SEALANT - URETHANE - BLACK (FOIL) FROM: 09-07-98 THRU: 99-99-99
	072889-19-000	EA SEALANT - URETHANE - (FOIL) - BLACK - 10 OUNCE FROM: 09-07-98 THRU: 99-99-99
	072889-20-000	EA SEALANT - URETHANE - (FOIL) - BRIGHT WHITE - 10 OUNCE FROM: 09-07-98 THRU: 99-99-99
	072889-21-000	EA SEALANT - URETHANE - (FOIL) - BRIGHT WHITE - 20 OUNCE FROM: 09-07-98 THRU: 99-99-99
	102352-01-000	EA SEALER - PUMPABLE - BLACK
	102352-02-000	EA SEALER - PUMPABLE - CLEAR
	106206-01-000	EA SEALER - PUMPABLE - MANUS 30A - BLACK
	091255-02-000	FT SEAL - ADHESIVE BACKED/FOAM - .18" THICK X 1.5" WIDE
	104692-01-000	FT SEAL - FOAM/ADHESIVE BACK - .75"THICK X .75"WIDE X 25'
	112864-01-000	FT SEAL - FOAM/BUTYL COVERED - 3/8"
	110530-01-000	FT SEAL - SPONGE - .31" X .62"
	120074-02-01A	EA SEALANT - SILICONE - OFF WHITE

**SEALANTS & FASTENERS GROUP (CONTINUED)**

**TAPES**

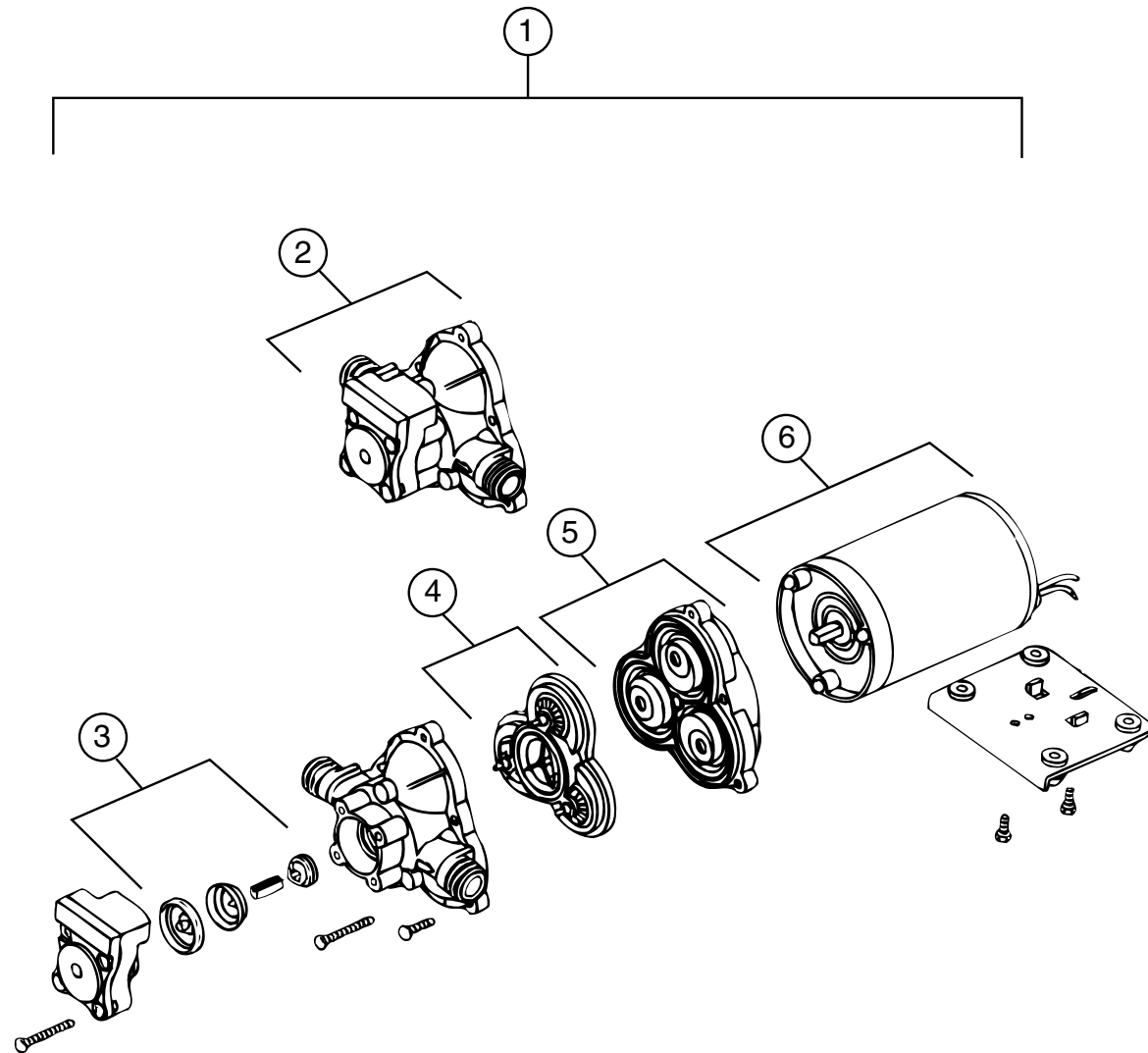
KEY	PART NUMBER	U/M DESCRIPTION
	004363-01-000	FT TAPE - ADHESIVE FOAM/1 SIDE - 3/16" X 1/2" X 50' - GRAY
	076314-02-000	FT TAPE - CARPET SEAM - HEAT-BOND - 4" WIDE
	076322-01-000	FT TAPE - DOUBLE COATED/ADHESIVE BACK - .025"THK X .75"W X18'
	076322-02-000	FT TAPE - DOUBLE COATED/ADHESIVE BACK - .045"THK X 1"W X9'
	076322-03-000	FT TAPE - DOUBLE COATED/ADHESIVE BACK - .045"THK X .50"W X9'
	076322-05-000	FT TAPE - DOUBLE COATED/ADHESIVE BACK - .045"THK X .75"W X 9'
	076322-07-000	FT TAPE - DOUBLE COATED/ADHESIVE BACK - .045"THK X .50"W X 9'
	088479-01-000	EA TAPE - ALUMINUM - 3"
	110274-01-000	FT TAPE - DOUBLE SIDED FOAM - .45" X 1"
	123244-01-000	FT TAPE - DOUBLE SIDED FOAM - 5/64" THICK X .75" WIDE
	123244-02-000	FT TAPE - DOUBLE SIDED FOAM - 5/64" THICK X .50" WIDE
	123816-01-000	FT TAPE - DOUBLE SIDED - 1"
	123816-02-000	FT TAPE - DOUBLE SIDED - 1/2" X 1 1/3" THICK
	123816-03-000	FT TAPE - DOUBLE SIDED - 1/2" X 3/4" - THICK

**RIVETS, GROMMETS AND MISCELLANEOUS FASTENERS**

KEY	PART NUMBER	U/M DESCRIPTION
	000F10-06-32B	EA PIN - COTTER - 3/16" X 2" - ZINC
	000H16-04-06R	EA RIVET - POP ALUMINUM - 1/8 X .313 - .375
	000H16-06-10R	EA RIVET - POP ALUMINUM - 3/16 X .501-.625
	069592-02-000	EA RIVET-T - POP - 1/4 X .093 - .156
	118626-01-01A	EA RIVET - POP - ALUMINUM 3/16 X .08-.375
	118626-02-01A	EA RIVET - POP - ALUMINUM - 3/16 X .500-.750
	008386-01-000	EA GROMMET - SNAP - 3/8"
	016188-03-000	EA GROMMET - L/P LINE - 3/8" HOLE X 2 1/2" LONG - RUBBER
	016188-04-000	EA GROMMET-GASLINE,.50,2.5 LONG
	023942-01-000	EA GROMMET - RUBBER - 2" OD
	071015-11-000	EA GROMMET - 1.00 ID - FITS .12 MATERIAL
	071015-26-000	EA GROMMET - RUBBER - 1.5" ID X 2.12" OD W/.06" GROOVE - BLK
	071015-30-000	EA GROMMET - RUBBER - .31" ID X .81" OD W/.12" GROOVE - BLK
	008343-02-000	EA TIE - WIRE - 14"
	029094-04-000	YD VELCRO TAPE - LOOP - 1" WIDE - BLACK
	029096-03-000	YD VELCRO TAPE - HOOK - 1" WIDE - BLACK
	081211-04-000	EA PLUG - PLASTIC - .46 DIAMETER - BLACK USED IN HOUSE CIRCUIT BREAKER PANELS
	081211-05-000	EA PLUG - PLASTIC - .188 DIAMETER - NATURAL
	085774-01-000	FT FASTENER - DUAL LOCK - 1" WIDE - ADHESIVE BACK - BLACK
	085774-02-000	FT FASTENER - DUAL HOOK - 1" WIDE - ADHESIVE BACK - BLACK
	108046-02-000	EA CABLE TIE - SCREW MOUNT 15"
	110943-02-000	FT FELTSTRIP - 3/8" - ADHESIVE BACK - WHITE
	080734-02-000	EA CLIP - WIRE NYLON
	091952-02-000	EA CLIP - GRIPPER - 3/4"
	094362-02-000	EA CLIP - XMAS TREE - BINDER HEAD - .9" LONG



## WATER & SEWAGE GROUP



**SHURFLO WATER PUMP**

KEY	PART NUMBER	U/M DESCRIPTION	VENDOR NO.
1	098607-01-000	EA PUMP - WATER - W/.5" MPT FITTING - FLOW 2.8 GPM	
2	098607-01-706	EA HOUSING, W/SWITCH ONLY	94-231-20
3	098607-01-705	EA VALVE-CHECK, KIT	94-237-00
4	098607-01-703	EA VALVE KIT	94-232-00
5	098607-01-702	EA DIAPHRAGM/DRIVE ASSEMBLY KIT	94-238-04
6	098607-01-707	EA MOTOR W/BASEPLATE	11-148-04

## WATER TANKS

KEY	PART NUMBER	U/M DESCRIPTION
	121959-05-000	EA TANK - WATER - 50 GALLON - W/FITTINGS
	121959-01-000	EA TANK - WATER - 50 GALLON - W/O FITTINGS
	039861-01-000	EA SENDING UNIT - W/SCREW - WASHER - WELL NUT/TERMINAL RING
	010224-01-000	EA ADAPTER - HOSE TO PIPE - 3/8 MPT X 3/8 BARB - PLASTIC
	044927-01-000	EA ADAPTER - HOSE TO PIPE-1 1/4 MPTX1 1/4 BARB-BLACK PLASTIC - TWIN BED
	010219-01-000	EA ELBOW - 1 1/4 MPT X 1 1/4 BARB - WATER FILL - PLASTIC
	042989-03-000	EA FITTING - SPINWELD - 1 1/4"NPT - PLASTIC
	042989-04-000	EA FITTING - SPINWELD - 3/8"FPT - WHITE PLASTIC
	042989-05-000	EA FITTING - SPINWELD - 1/2"FPT - PLASTIC
	049032-01-000	EA PATCH - SPINWELD - 3/8" - PLASTIC
	074462-02-000	FT TUBING - VINYL - 3/8 ID X 20' - CLEAR
	077954-02-000	EA FILTER - WATER TANK - W/SCREEN IN TANK
	079381-01-000	FT TUBING - RIBBED FLEXIBLE - WATER FILL - 1.4" X 10"

## WATER & SEWAGE GROUP (CONTINUED)

### EXTERIOR SHOWER

KEY	PART NUMBER	U/M DESCRIPTION
	075241-06-000	EA FAUCET - SHOWER CONTROL - BRIGHT WHITE
	131383-01-02A	EA SHOWER HEAD - W/HOSE & BRACKET - 60" - WHITE
	131383-02-02A	EA SHOWER HEAD - W/HOSE & BRACKET - 60" - CSA - WHITE
	093527-02-000	EA BRACKET - EXTERIOR SHOWER HEAD/SQUEEGEE
		FROM: 00-00-00 THRU: 10-27-98
	131732-01-12B	EA BRACKET - SQUEEGEE - BRIGHT WHITE
		FROM: 10-28-98 THRU: 99-99-99
	108356-02-01A	EA COVER/ACTUATOR SWITCH - 2 ROWS DIMPLES- CONTURA II - BLACK
	108357-08-000	EA SWITCH - ROCKER DPDT - ON/NONE/ON - 6 TERMINAL

### WATER SYSTEM

KEY	PART NUMBER	U/M DESCRIPTION
	101814-01-000	EA COUPLING - FEMALE - 1/2" X 1/2" FPT - GRAY
	110438-02-000	EA VALVE - CHECK - BRASS - 1/2 MPT X 1/2 MPT
	110915-01-01A	EA FILL - CITY WATER - CHROME
	112176-01-000	FT TUBING - VINYL - REINFORCED - 1/2" ID
	113697-01-000	EA CAP - 3/8 FTG
	114428-01-000	EA TEE - 1/2"P X 1/2"P X 1/2"P
	114428-02-000	EA TEE - SWIVEL - 1/2"P X 1/2"P X 1/2"FPT
	114428-03-000	EA TEE - 1/2"P X 1/2"P X 1/2"MPT
	114429-01-000	EA ELBOW - 1/2"P X 1/2"P
	114429-02-000	EA ELBOW - 1/2"P X 1/2"MPT
	114429-03-000	EA ELBOW - SWIVEL - 1/2"P X 1/2"FPT
	114429-04-000	EA ELBOW - 1/2"P X 3/8"MPT
	114429-08-000	EA ELBOW - SWIVEL - 1/2"MPT X 1/2"FPT SWIVEL
	114430-02-000	EA ADAPTER - SWIVEL - 1/2"P X 1/2"FPT
	114430-03-000	EA ADAPTER - 1/2"P X 1/2"MPT
	114430-06-000	EA ADAPTER - 1/2"P X 3/8"FPT
	114431-01-000	EA VALVE - 180 DEGREE/CENTER DRAIN - 1/2"P - THREE WAY
	114431-02-000	EA VALVE - WATER BYPASS - 1/2"P - THREE WAY (WATER HEATER)
	114431-03-000	EA VALVE - 90 DEGREE DRAIN - 1/2"P
	118809-01-000	EA ADAPTER - PLASTIC - 1/2 MPT X 3/8 BARB
	123150-01-000	EA ELBOW - 1/2 FPT X 1/2 BARB - SWIVEL
	123152-01-000	EA ADAPTER - 1/2 FPT X 1/2 BARB - SWIVEL
	124188-01-000	FT TUBING - PEX - 1/2" ID X 20' - BLUE(COLD)
	124188-02-000	FT TUBING - PEX - 1/2" ID X 20' - RED(HOT)

### ATWOOD WATER HEATER W/MOTOR AID (GH6-8E)

KEY	PART NUMBER	U/M DESCRIPTION
*	051393-01-000	EA WATER HEATER - GH6-8E - ELECTRONIC IGNITION W/MOTOR AID

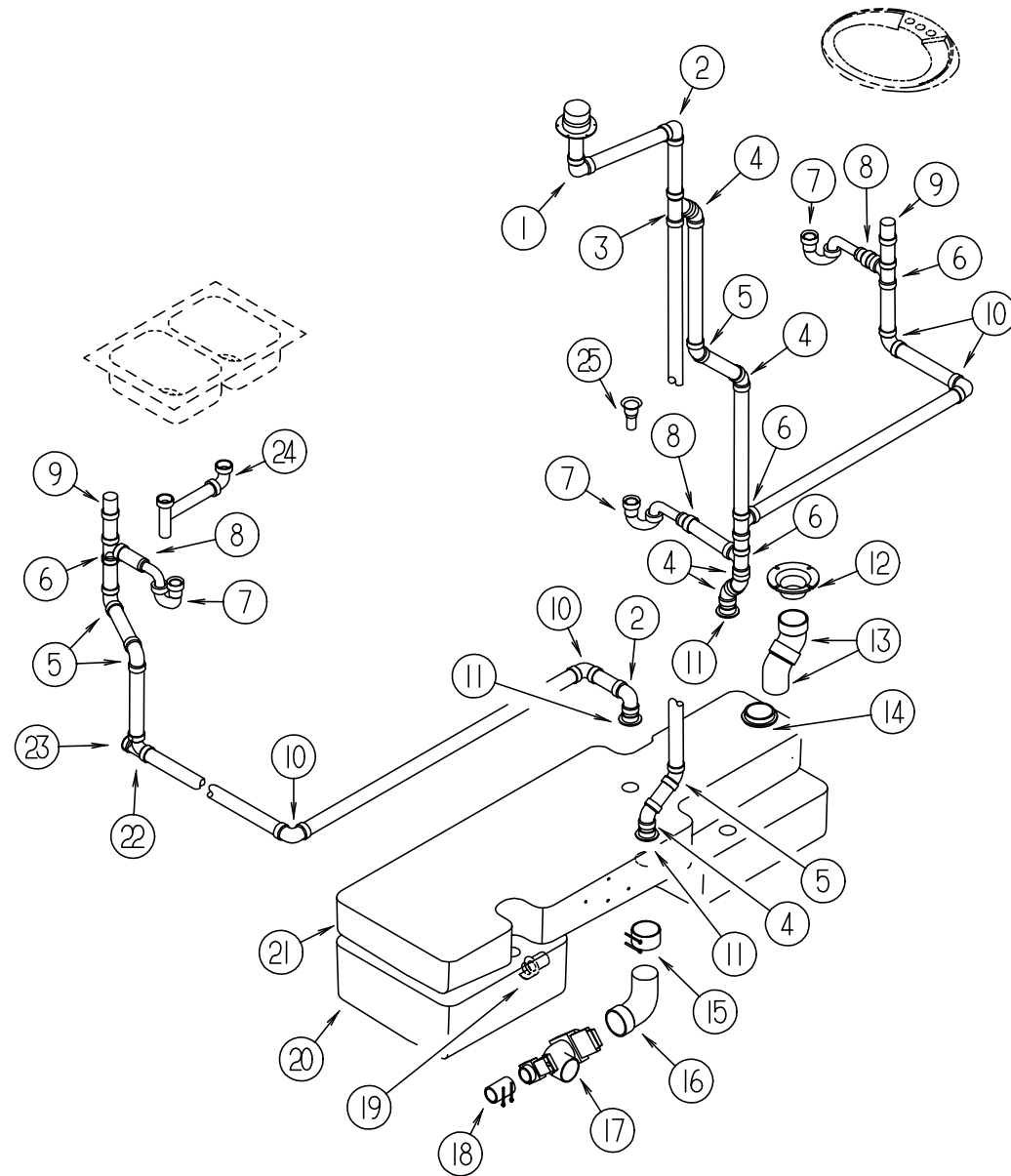
### WATER HEATER - EUROPEAN

KEY	PART NUMBER	U/M DESCRIPTION
*	111129-01-000	EA WATER HEATER - ELECTRIC IGNITION - 220 VOLTS

\*COMPONENT PARTS FOUND IN SERVICE PARTS LIBRARY

# WATER & SEWAGE GROUP (CONTINUED)

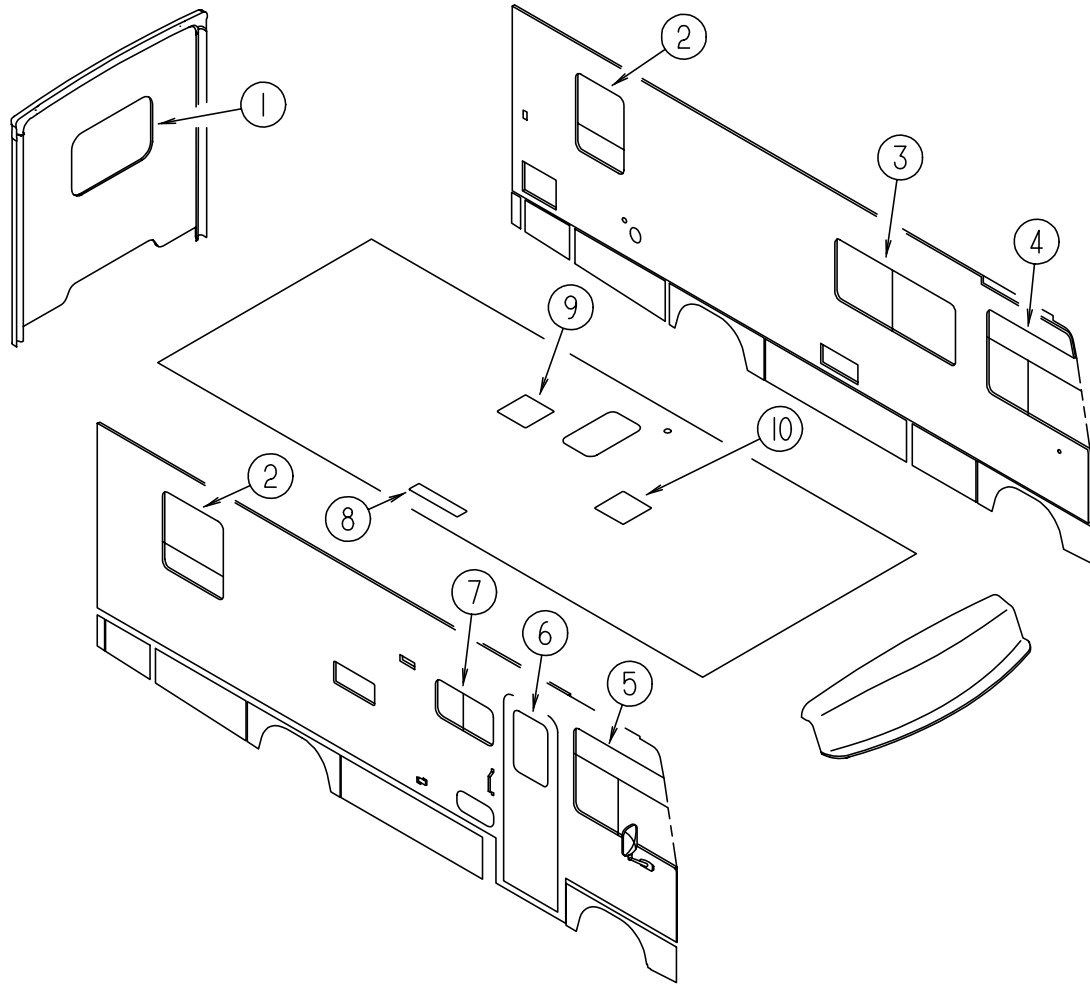
## DRAINAGE SYSTEM



KEY	PART NUMBER	U/M DESCRIPTION	VENDOR NO.
1	034250-01-000	EA ELBOW - 90 DEGREE - LONG TURN - 1 1/2" HUB X HUB - ABS	
2	010009-01-000	EA ELBOW - 90 DEGREE - 1/4 BEND - 1 1/2" PLASTIC	
3	010073-01-000	EA WYE - 45 DEGREE - 1 1/2" HUB X HUB X HUB - PLASTIC	
4	010051-01-000	EA ELBOW - 45 DEGREE - 1 1/2" SPIGOT & HUB - PLASTIC	
5	010006-01-000	EA ELBOW - 45 DEGREE - 1 1/2" HUB X HUB - PLASTIC	
6	010071-01-000	EA TEE - SANITARY - 1 1/2" HUB X HUB X HUB - PLASTIC	
7	107538-01-000	EA P TRAP - PLASTIC - 1 1/4" W/EXTENSION ARM	
7	011071-01-000	EA P-TRAP - PLASTIC - 1 1/2" - CSA	
8	109571-01-000	EA ADAPTER - P TRAP - 1 1/2"P X 1 1/4"MPT - US	
9	079968-01-000	EA VENT - MECHANICAL/TRAP ARM - ANTI-SIPHON-2" X 7.3" PLASTIC	
10	010008-01-000	EA ELBOW - 90 DEGREE - 1 1/2" HUB X HUB - PLASTIC	
11	010115-01-000	EA COUPLING - 1 1/2" HUB X HUB - PLASTIC	
11	061607-01-000	EA GROMMET - HOLDING TANK - 1 1/2" NPS	
12	116644-01-000	EA FLANGE - CLOSET - 4" X 3"	
13	010061-01-000	EA ELBOW - 45 DEGREE ST - 3" SPIGOT & HUB - PLASTIC	
14	061607-02-000	EA GROMMET - HOLDING TANK - 3" NPS	
15	078406-01-000	EA COUPLER - RUBBER - W/CLAMPS - 3" X 3"	
16	041956-01-000	EA ELBOW - 3" STREET - 90 DEGREE PLASTIC	
17	070916-01-000	EA VALVE - DUAL DUMP - W/CAP - 3" X 1 1/2"	
	070916-01-700	EA VALVE ONLY (WASTE) 3"	T1003BU
	070916-01-701	EA VALVE ONLY (WASTE) 1 1/2"	T1001BU
	010201-01-000	EA HOSE - SEWER - 3" ID X 8'	
	062416-01-000	EA ADAPTER - SEWER HOSE TO 3" PIPE	
	062422-01-000	EA ADAPTER - OFFSET REDUCER - 3" X 1 1/2" - PLASTIC	
18	089355-01-000	EA COUPLER - RUBBER - 1 1/2" X 1 1/2"	
19	109571-02-000	EA ADAPTER - 1 1/2" HUB X 1 1/2" MPT	
20	121505-01-700	EA TANK-HOLDING 43 GAL-1.5"ADAP PARTS SALES	
	039861-01-000	EA SENDING UNIT - W/SCREW - WASHER - WELL NUT/TERMINAL RING	
21	121500-01-000	EA TANK - HOLDING - 35 GALLON - W/O FITTINGS	
	039861-01-000	EA SENDING UNIT - W/SCREW - WASHER - WELL NUT/TERMINAL RING	
22	031365-02-000	EA TEE - PLASTIC - 1 1/2" EXTENSION LG TURN	
23	010166-01-000	EA PLUG - THREADED - 1 1/4" DIAMETER - PLASTIC - BLACK	
23	010122-01-000	EA BUSHING - REDUCER - 1 1/2 SMTH X 1 1/4 THD - BLACK PLASTIC	
24	011091-02-000	EA WASTE - CONTINUOUS - DOUBLE SINK	
25	011069-02-000	EA TAILPIECE - TUB/SHOWER - 1 1/2" X 1 1/4" X 4" - BRASS	
	066729-01-000	EA STRAINER - TUB/SHOWER W/PLUG - CHROME	
	127440-02-01A	EA WASHER - RUBBER - 1.8" X .1"	
	130403-01-000	EA NUT - SLIP - W/WINGS 1 1/2"	

# WINDOW, VENT & EXTERIOR DOOR GROUP

## WINDOWS AND ROOF VENTS

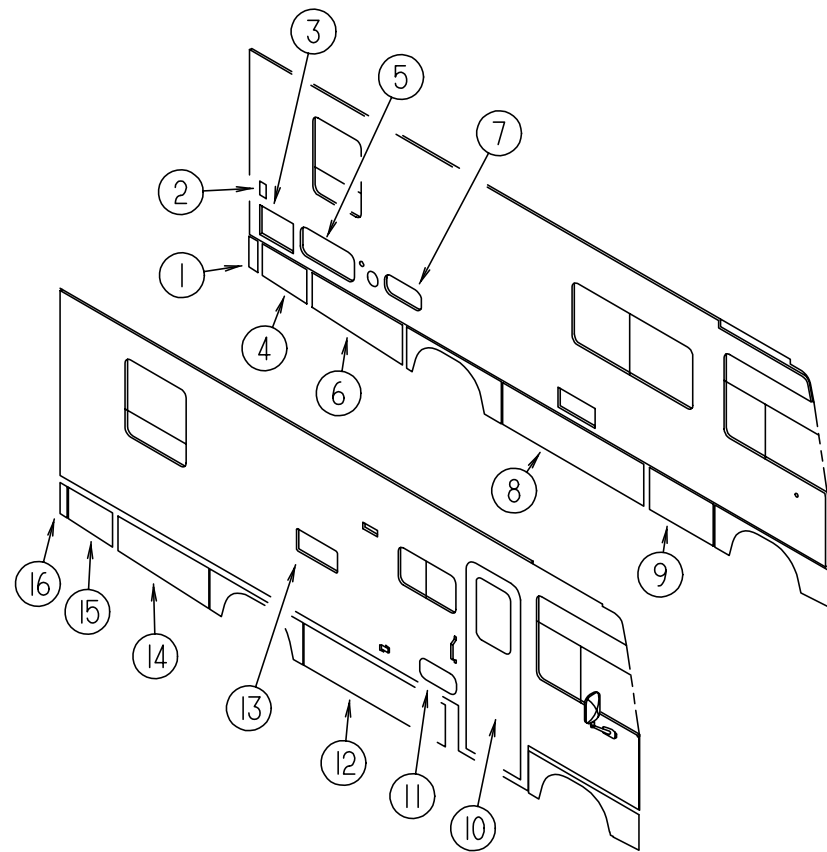


KEY	PART NUMBER	U/M	DESCRIPTION
1*	078528-06-E10	EA	WINDOW - ESCAPE - W/O RETAINER/TRIM - 48.5" X 24.5"
1	074816-11-000	EA	RETAINER - TRIM - ESCAPE WINDOW - OFF WHITE
1*	113502-01-01A	EA	WINDOW - REAR/CENTER ESCAPE - THERMO - 24.8" X 48.7"
2*	112463-03-01A	EA	WINDOW - TIPOUT W/RETAINER TRIM - 33.3" X 30.2"
2*	129929-01-01A	EA	WINDOW - TORQUE - THERMO - 33.2" X 30.2"
3*	098647-22-01A	EA	WINDOW - DRIVER HORIZ SLIDER W/TRIM-TINTED - 26.1" X 59.7"
3*	112795-15-01A	EA	WINDOW - DRIVER HORIZONTAL SLIDER - THERMO - 26.4" X 60"
4*	125582-08-01A	EA	WINDOW - CAB - DRIVER
4*	125583-08-01A	EA	WINDOW - DRV R CAB-3 GLASS THERMO-44.2"T X 51.2"B X 37"H
5*	125582-07-01A	EA	WINDOW - CAB - PASSENGER
5*	125583-07-01A	EA	WINDOW - PASS CAB-3 GLASS THERMO-44.2"T X 51.2"B X 37"H
6*	117053-02-F36	EA	WINDOW - PICTURE - 60% TINTING - 17" X 26.4"
6	117054-02-02A	EA	RETAINER - TRIM - BRIGHT WHITE
6*	113733-01-01A	EA	WINDOW - STATIONARY THERMOPANE - 17" X 26.4"
7*	098647-33-01A	EA	WINDOW - PASS HORIZ SLIDER W/TRIM - TINTED - 15.7" X 28.5"
7*	112795-19-01A	EA	WINDOW - PASSENGER HORIZ SLIDER - THERMO - 15.7" X 28.5"
8	084073-04-000	EA	BASE - ROOF VENT/REFRIGERATOR - BLACK - NORCOLD
8	084073-07-000	EA	VENT - ROOF/REFRIGERATOR - BRIGHT WHITE - NORCOLD
8	118369-02-02A	EA	BASE - REFRIGERATOR ROOF VENT - SIDE/SIDE - BRIGHT WHITE - EUROPEAN
8	118369-01-02A	EA	CAP - REFRIGERATOR ROOF VENT - SIDE/SIDE - BRIGHT WHITE - EUROPEAN
9*	122882-02-01A	EA	VENT - ROOF - W/FAN - W/O INSIDE GARNISH - UL
9*	122882-03-01A	EA	VENT - ROOF - W/FAN - W/O INSIDE GARNISH - CSA
9	122882-07-01A	EA	GARNISH - ROOF VENT - 2.50" TO 4.12"
10*	122882-01-01A	EA	VENT - ROOF - NONPOWERED - W/O INSIDE GARNISH
10	122882-07-01A	EA	GARNISH - ROOF VENT - 2.50" TO 4.12"
	083558-03-000	EA	VENT - PLUMBING - ROOF PIPE COVERED - OFF WHITE
	084616-07-000	EA	SHROUD - EXHAUST VENT/RANGE HOOD - BRIGHT WHITE
	084878-09-000	EA	VENT - EXHAUST/RANGE HOOD - OFF WHITE
	117046-01-000	EA	BUMPER - RUBBER/ROUND END - THERMOPANE WINDOW OPTION

\*COMPONENT PARTS FOUND IN SERVICE PARTS LIBRARY

# WINDOW, VENT & EXTERIOR DOOR GROUP (CONTINUED)

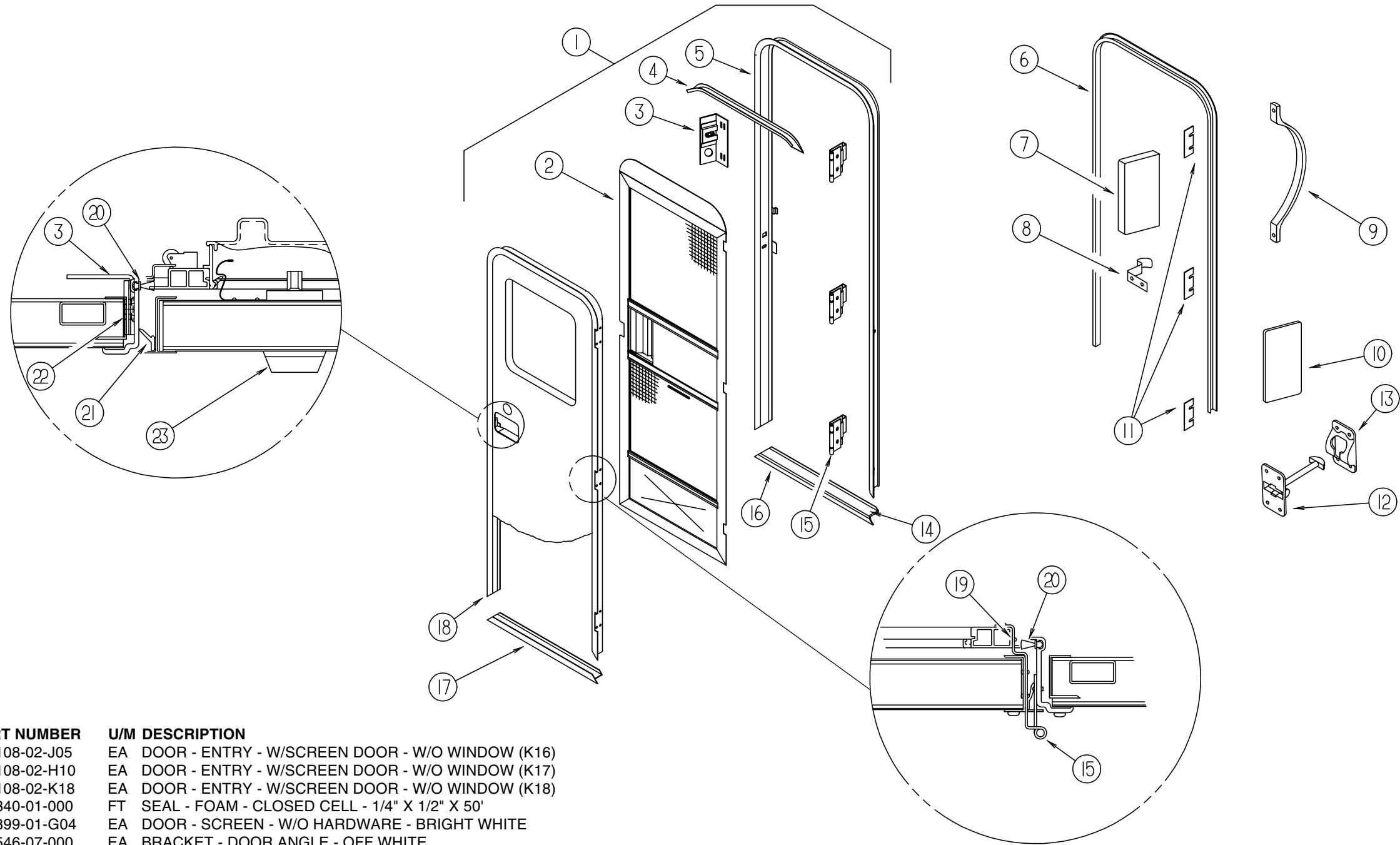
## EXTERIOR DOORS & PANELS



KEY	PART NUMBER	U/M	DESCRIPTION	VENDOR NO.
1	126645-12-J15	EA	VALANCE/PANEL - REAR DRIVER - W/O HARDWARE - 4.4"	
1	126645-08-J15	EA	VALANCE/PANEL - REAR DRIVER - W/O HARDWARE - 4.4" - EUROPEAN	FROM: 00-00-00 THRU: 08-02-98
1	126645-19-K16	EA	VALANCE/PANEL - REAR - W/O HARDWARE - EUROPEAN	FROM: 08-03-98 THRU: 99-99-99
2	081240-20-000	EA	FILL - WATER - LOCKABLE - BRIGHT WHITE	
3	052009-06-000	EA	DOOR - WATER HEATER - BRIGHT WHITE - 18" X 14.6"	
4	126647-11-J15	EA	VALANCE/DOOR - DRIVER W/O LATCH - 15.1" X 24.4" X 13.9"	
4	122391-91-K16	EA	VALANCE/DOOR-DRIVER W/O PADDLE LATCH 15.1" X 24.4" X 13.9" - EUROPEAN	
5	126946-10-J01	EA	DOOR/STORAGE - W/O HARDWARE - 26.5" X 12.2"	
6	126647-12-J15	EA	VALANCE/DOOR - DRIVER W/O LATCH - 17.5" X 47.3" X 15.2"	
6	122391-93-K16	EA	VALANCE/DOOR-DRIVER W/O PADDLE LATCH 17.5" X 47.3" X 15.2" - EUROPEAN	
7	126945-04-J01	EA	DOOR/STORAGE - W/O HARDWARE - 18" X 8.3"	
8	126646-30-J15	EA	VALANCE/DOOR - W/O PADDLE LATCH - 72.5"	
8	122239-B6-K16	EA	VALANCE/DOOR - W/O PADDLE LATCH/HINGE - EUROPEAN	
9	126646-20-J15	EA	VALANCE/DOOR - W/O PADDLE LATCH - 33.9"	
9	122239-B5-K16	EA	VALANCE/DOOR - W/O PADDLE LATCH/HINGE - EUROPEAN	
10	115108-02-J05	EA	DOOR - ENTRY - W/SCREEN DOOR - W/O WINDOW (K16)	
10	115108-02-H10	EA	DOOR - ENTRY - W/SCREEN DOOR - W/O WINDOW (K17)	
10	115108-02-K18	EA	DOOR - ENTRY - W/SCREEN DOOR - W/O WINDOW (K18)	
11	126945-01-J22	EA	DOOR/STORAGE - W/O HARDWARE - 18" X 8.3"	
12	126646-05-J15	EA	VALANCE/DOOR - W/O PADDLE LATCH - 72.4"	
12	122239-B4-K16	EA	VALANCE/DOOR - W/O PADDLE LATCH/HINGE - EUROPEAN	
13	084103-08-000	EA	DOOR - VENT/REFRIGERATOR - W/O JAMB - BRIGHT WHITE	
13	084104-08-000	EA	JAMB - VENT DOOR/REFRIGERATOR - BRIGHT WHITE	
	084104-01-700	EA	LOCK-MALE, FASTENER	201-721-010
	084104-01-701	EA	LOCK-FEMALE, FASTENER	201-802-010
13	125481-03-01A	EA	DOOR - REFRIGERATOR VENT-3 VANE/13.8" X 21.6" BRIGHT WHITE - EUROPEAN	
14	126647-17-J15	EA	VALANCE/DOOR - PASS W/O LATCH - 17.5" X 47.3" X 15.7"	
14	122391-92-K16	EA	VALANCE/DOOR-PASS W/O PADDLE LATCH 17.5" X 47.3" X 15.2" - EUROPEAN	
15	126647-10-J15	EA	VALANCE/DOOR - PASS W/O LATCH - 15.1" X 24.4" X 13.9"	
15	122391-90-K16	EA	VALANCE/DOOR-PASS W/O PADDLE LATCH 15.1" X 24.4" X 13.9" - EUROPEAN	
16	126645-11-J15	EA	VALANCE/PANEL - REAR PASSENGER - W/O HARDWARE - 4.4"	
16	126645-07-J15	EA	VALANCE/PANEL - REAR PASSENGER - W/O HARDWARE - 4.4" - EUROPEAN	FROM: 00-00-00 THRU: 08-02-98
16	126645-18-K16	EA	VALANCE/PANEL - REAR - W/O HARDWARE - EUROPEAN	FROM: 08-03-98 THRU: 99-99-99
	009426-01-000	EA	HATCH - POWER CORD - WHITE	

# WINDOW, VENT & EXTERIOR DOOR GROUP (CONTINUED)

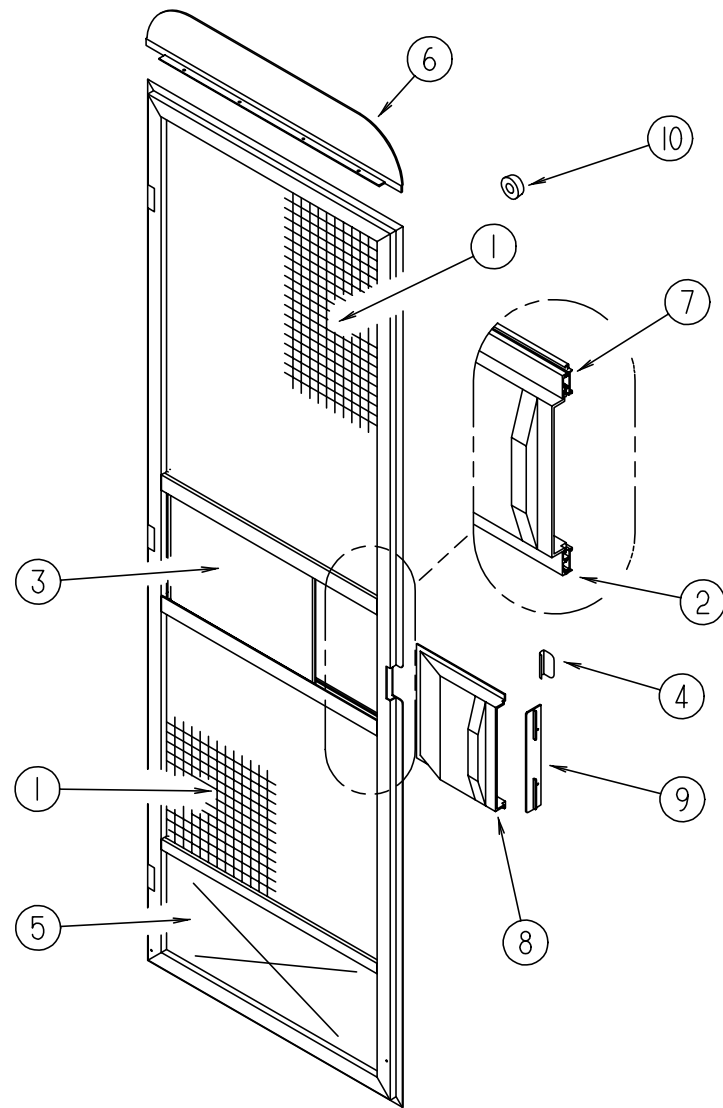
## ENTRANCE DOOR



KEY	PART NUMBER	U/M	DESCRIPTION
1	115108-02-J05	EA	DOOR - ENTRY - W/SCREEN DOOR - W/O WINDOW (K16)
1	115108-02-H10	EA	DOOR - ENTRY - W/SCREEN DOOR - W/O WINDOW (K17)
1	115108-02-K18	EA	DOOR - ENTRY - W/SCREEN DOOR - W/O WINDOW (K18)
	090340-01-000	FT	SEAL - FOAM - CLOSED CELL - 1/4" X 1/2" X 50'
2	121899-01-G04	EA	DOOR - SCREEN - W/O HARDWARE - BRIGHT WHITE
3	041546-07-000	EA	BRACKET - DOOR ANGLE - OFF WHITE
4	044582-44-000	EA	CAP - DRIP - JAMB - BRIGHT WHITE
5	121898-01-01A	EA	JAMB - ENTRY DOOR
6	115222-05-01A	EA	GARNISH - RADIUS - ENTRY DOOR
7	077461-03-000	EA	COVER - STRIKE - ENTRY DOOR - 6.5" X 2.5" - WHITE PLASTIC
8	100412-01-000	EA	CATCH - SCREEN DOOR
9	009126-03-000	EA	HANDLE - ASSIST - BLACK TEXTURED
10	076725-02-000	EA	COVER - HINGE - ENTRY DOOR - 6" X 3.2" - OFF WHITE
11	102248-01-000	EA	SHIM - DOOR
12	104099-01-04A	EA	CATCH - DOOR HOLDER - STRIKE - BRIGHT WHITE
13	104099-02-04A	EA	CATCH - DOOR HOLDER - RETAINER - BRIGHT WHITE
14	038327-01-000	EA	TAPE - ANTI-SLIP - 2" X 60'
15	106719-01-05A	EA	HINGE - ENTRANCE DOOR - BRIGHT WHITE
15	106719-01-01A	EA	HINGE - ENTRANCE DOOR - MILL
	116111-02-01A	EA	SCREW - TAPTITE - 1/4-20 X 3/8 PPH - ZINC
	039715-01-000	EA	NUT-SERT - 1/4" DIAMETER - 20 THREADS

KEY	PART NUMBER	U/M	DESCRIPTION	VENDOR NO.
16	051049-01-000	EA	JAMB - BOTTOM - ENTRY DOOR - 25.9" - UNPAINTED	
17	121893-01-01A	EA	FRAME - ENTRY DOOR/BOTTOM - BRIGHT WHITE	
18	121894-03-01A	EA	FRAME - ENTRY DOOR	
	098173-01-04A	EA	STIFFENER - ENTRY DOOR - SUPPORTS LATCH/STRIKE/UNPAINTED	
19	100128-02-000	FT	SEAL - FOAM/ADHESIVE BACK - .37" WIDE X .37" THICK	
20	118929-01-01A	FT	SEAL - PILE - PUSH ON	
21	075671-04-000	FT	SEAL - SPONGE - LAZY T - W/ADHESIVE STRIP - .5" WIDE	
22	104692-01-000	EA	SEAL - FOAM/ADHESIVE BACK - .75" THICK X .75" WIDE X 25'	
23	101145-01-06A	EA	DEADBOLT - ENTRY DOOR W/O SECURITY BOLT W/2 KEYS - BLACK	
	101147-01-000	EA	BOLT - SECURITY - 4.12"	
	095229-01-700	EA	KEY-BLANK, DEADBOLT	81205-03
	101145-01-701	EA	CYLINDER-LOCK ASM., W/KEY	81306-03

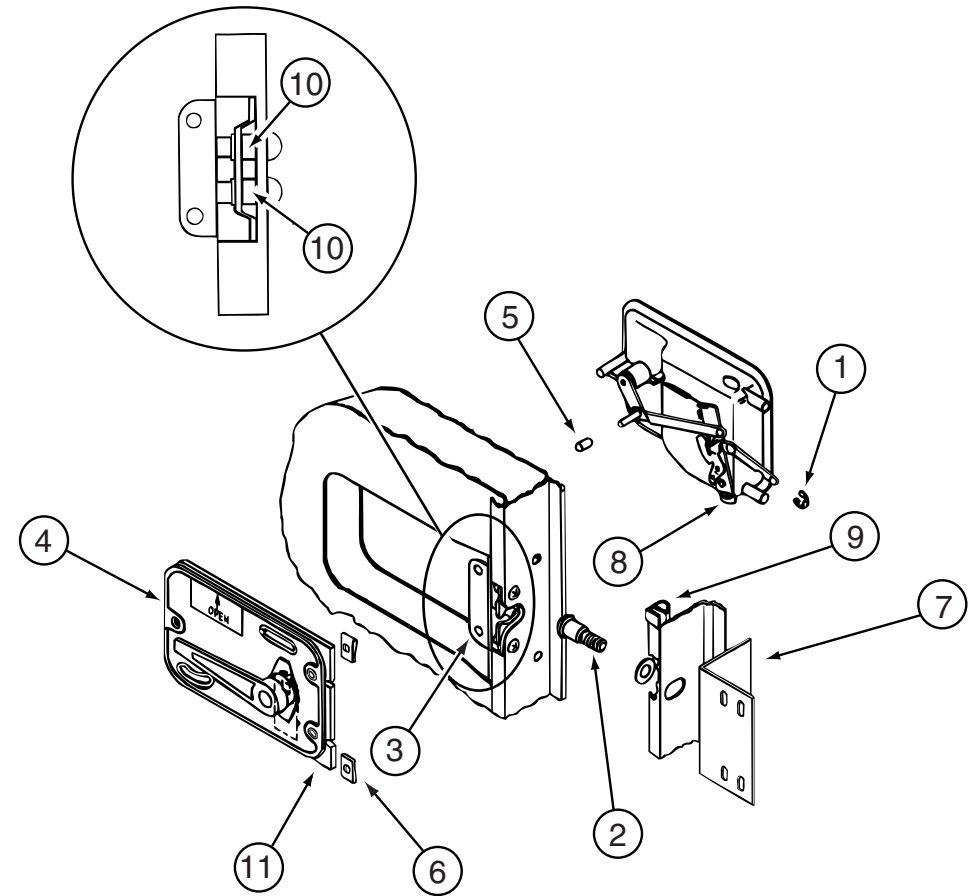
WINDOW, VENT & EXTERIOR DOOR GROUP (CONTINUED)



SCREEN DOOR

KEY	PART NUMBER	U/M DESCRIPTION
	121899-01-G04	EA DOOR - SCREEN - W/O HARDWARE - BRIGHT WHITE
1	002293-02-000	SF SCREENING - WINDOW/DOOR - 26" - CHARCOAL
2	002294-01-000	FT SPLINE - SCREENING - .135" X .138"
3	016454-01-000	EA INSERT - CENTER - LEATHER GRAIN ALUMINUM - UNPAINTED
	001014-01-013	EA INSERT - CENTER - 10.25" X 16.31" - UNPAINTED
4	050712-06-000	EA HANDLE - SCREEN DOOR - BRIGHT WHITE
5	078552-03-000	EA KICK PANEL - SCREEN DOOR - LOWER INSERT - UNPAINTED
6	078595-01-000	EA TOP PLATE - SCREEN DOOR - CURVED TOP - 4.7" X 25.35"
7	078777-08-000	FT CHANNEL - SLIDER
8	079086-03-000	EA SLIDER - SCREEN DOOR - BRIGHT WHITE
9	079087-03-000	EA STRIKE - SLIDER - SCREEN DOOR - BRIGHT WHITE
10	120863-05-000	EA BUMPER - RUBBER - 3/4" X 3/8"
	075673-01-000	FT SEAL - PILE - ADHESIVE BACK - GRAY
	075673-05-000	FT SEAL - PILE - ADHESIVE BACK - BLACK

WINDOW, VENT & EXTERIOR DOOR GROUP (CONTINUED)

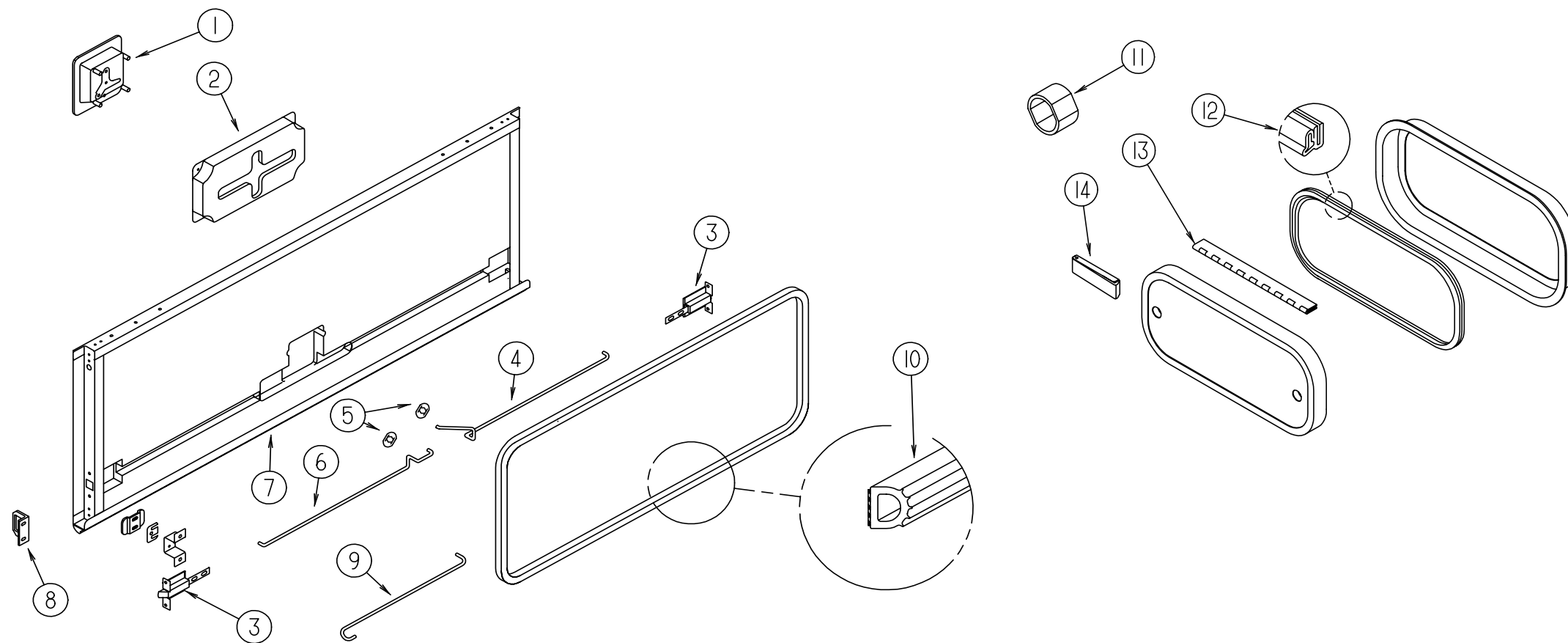


ENTRY DOOR LOCK INSTALLATION

KEY	PART NUMBER	U/M DESCRIPTION	VENDOR NO.
1	036618-02-000	EA E RING - EXTERNAL - 3/16" SHAFT DIAMETER - LYNOR DOOR LOCK	
2	039539-01-000	EA STRIKE - LOCK - ENTRY DOOR - ROUND W/THREADED WASHER	
3	039540-01-000	EA LATCH MECHANISM - HOOK - ENTRY DOOR - INTERIOR	
4	039979-06-000	EA COVER - LATCH PLATE - RIGHT HAND - BLACK TEXTURED	
5	039984-01-000	EA CAP - ROUND - VINYL - .28" ID X .62" - BLACK	
6	040921-01-000	EA NUT - SPEED - U TYPE - 10-24 BLACK	
7	041546-07-000	EA BRACKET - DOOR ANGLE - OFF WHITE	
8	045017-13-000	EA LATCH - ENTRY DOOR - BLACK TEXTURED	
	045017-11-703	EA CYLINDER-LOCK ASM. W/KEYS	81266-09
9	064075-07-000	FT SEAL - BULB - W/WIRED U CHANNEL - .3" X .5" CHANNEL - BLK	
10	086285-05-000	EA SPACER - NYLON - .7" X .56"	
11	096810-01-01A	EA PLATE - LATCH - ENTRY DOOR - BLACK	

# WINDOW, VENT & EXTERIOR DOOR GROUP (CONTINUED)

## EXTERIOR ACCESS DOOR COMPONENTS



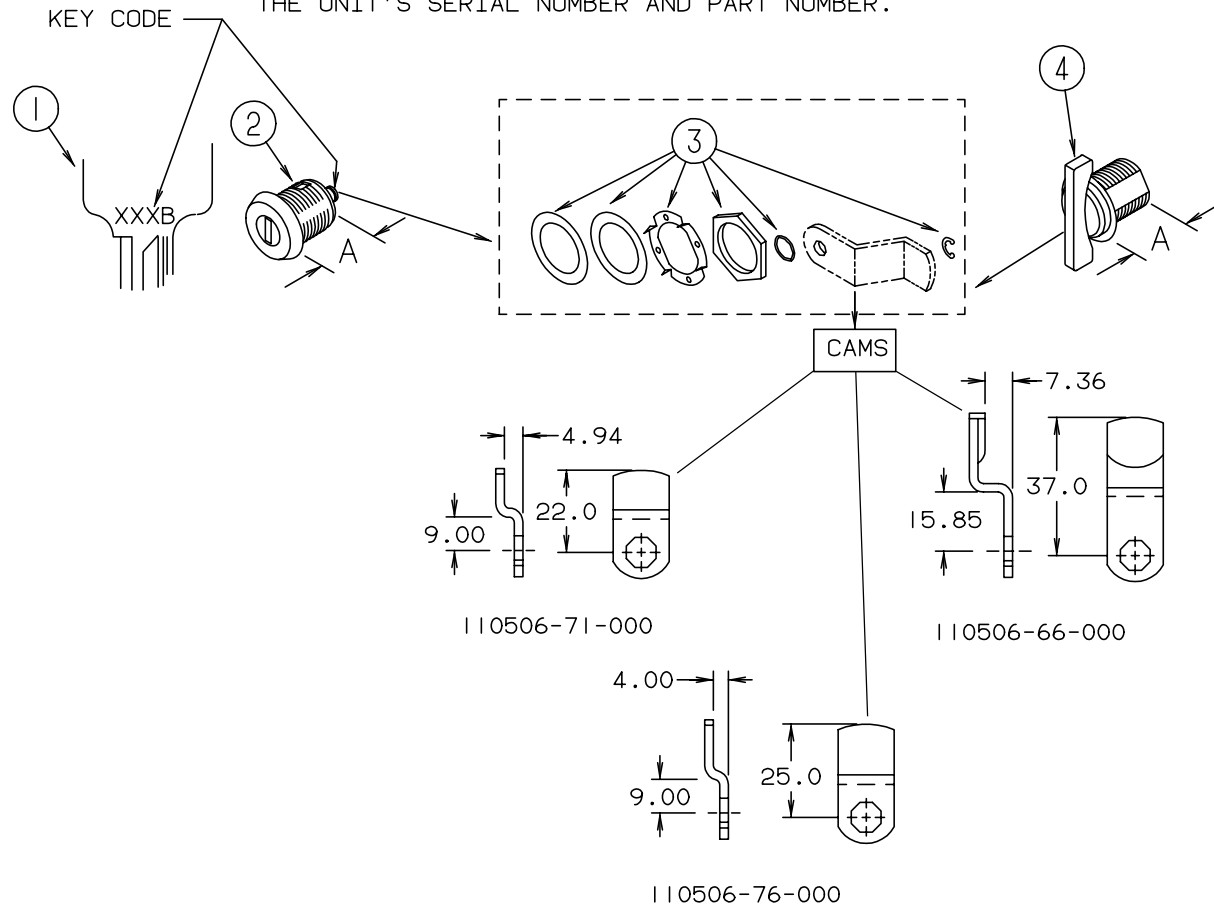
KEY	PART NUMBER	U/M	DESCRIPTION
1	112949-01-03A	EA	LATCH - PADDLE W/LOCK - W/O KEY - BRIGHT WHITE
	112949-03-000	EA	KEY - TRI-MARK #TM500
1	112949-02-04A	EA	LATCH - PADDLE NON-LOCKING - BRIGHT WHITE
2	122277-02-01A	EA	COVER - LATCH - BLACK
3	121947-01-01A	EA	BOLT - SLIDE - LATCH - STEEL
4	122268-08-000	EA	ROD - LATCH - 28.6"
4	122269-13-000	EA	ROD - LATCH - 4.46"
4	122269-33-000	EA	ROD - LATCH - 9.24"
4	122269-43-000	EA	ROD - LATCH - 15.94"
5	124304-01-000	EA	CLIP - ROUND PUSH ON
6	122268-08-000	EA	ROD - LATCH - 28.5"
6	122268-13-000	EA	ROD - LATCH - 4.46"
6	122268-33-000	EA	ROD - LATCH - 9.24"
6	122268-43-000	EA	ROD - LATCH - 15.94"
7	122613-55-001	EA	EXTRUDED - ROCKER PANEL - 192" - BRIGHT WHITE
8	123783-01-01A	EA	STRIKER - DOOR - MILL
			FROM: 00-00-00 THRU: 02-01-99
8	130053-01-01A	EA	STRIKER - LUGGAGE DOOR - FLUSH - BLACK
			FROM: 02-02-99 THRU: 99-99-99
8	130053-02-01A	EA	STRIKER - LUGGAGE DOOR - OFF SET - BLACK
			FROM: 02-02-99 THRU: 99-99-99
	120494-03-02B	EA	SHIM - STRIKER - LUGGAGE DOOR - E-COATED
9	101667-02-000	EA	ROD - PROP - 21.97"
9	101667-05-000	EA	ROD - PROP - 17.53"
	M62628-01-000	EA	CLIP-PROP ROD

KEY	PART NUMBER	U/M	DESCRIPTION
10	107721-07-000	FT	SEAL - ACCESS DOOR
11	107997-51-001	EA	SPACER - DOOR LOCK - .6" DEEP
11	107997-51-002	EA	EXTRUDED - SPACER - 16'
12	106850-02-000	FT	SEAL-E - SPONGE RUBBER - .43" X .75"
13	081801-V3-000	EA	HINGE - ALUMINUM - 2" X 96" - BRIGHT WHITE
13	115476-11-01A	EA	HINGE - CONTINUOUS - W/HOLES - BRIGHT WHITE
14	102768-01-000	EA	HOLDER - COMPARTMENT/ENTRY DOOR - METAL - MILL FINISH
	068559-01-001	EA	EXTRUDED - ANGLE - 1" X .9" X 192"
	076767-01-000	EA	CABLE - STEEL - 12"
	104692-01-000	FT	SEAL - FOAM/ADHESIVE BACK - .75"THICK X .75"WIDE X 25'
	112160-02-000	FT	SEAL - D SECTION - .2 X .3" - FOAM RUBBER
	116424-01-000	EA	PROTECTOR - LATCH - WATER HEATER
	119143-02-02A	EA	SPACER/CENTER HINGE - COMPARTMENT DOOR - BRIGHT WHITE - 2"
	122612-55-001	EA	U-CHANNEL/EXTRUSION - 192" - BRIGHT WHITE
	122614-55-001	EA	EXTRUDED - H CHANNEL - 191" - BRIGHT WHITE
	123512-01-02B	EA	BRACKET - VALANCE DOOR - E-COATED
	128298-01-12B	EA	CATCH - F/LOCK - COMPARTMENT DOORS
	121577-01-01A	EA	PLATE - W/HOLE - BRIGHT WHITE
	121577-04-01A	EA	PLATE - EXTERIOR SHOWER - BRIGHT WHITE

# WINDOW, VENT & EXTERIOR DOOR GROUP (CONTINUED)

## BRIGGS & STRATTON LOCKS & COMPONENTS

NOTE:  
 WHEN ORDERING THE LOCK CASE, THE KEY CODE MUST MATCH THE LAST DIGIT OF THE UNIT'S SERIAL NUMBER AND PART NUMBER; WHEN ORDERING THE KEYS, THE THIRD DIGIT OF THE KEY CODE MUST MATCH THE LAST DIGIT OF THE UNIT'S SERIAL NUMBER AND PART NUMBER.

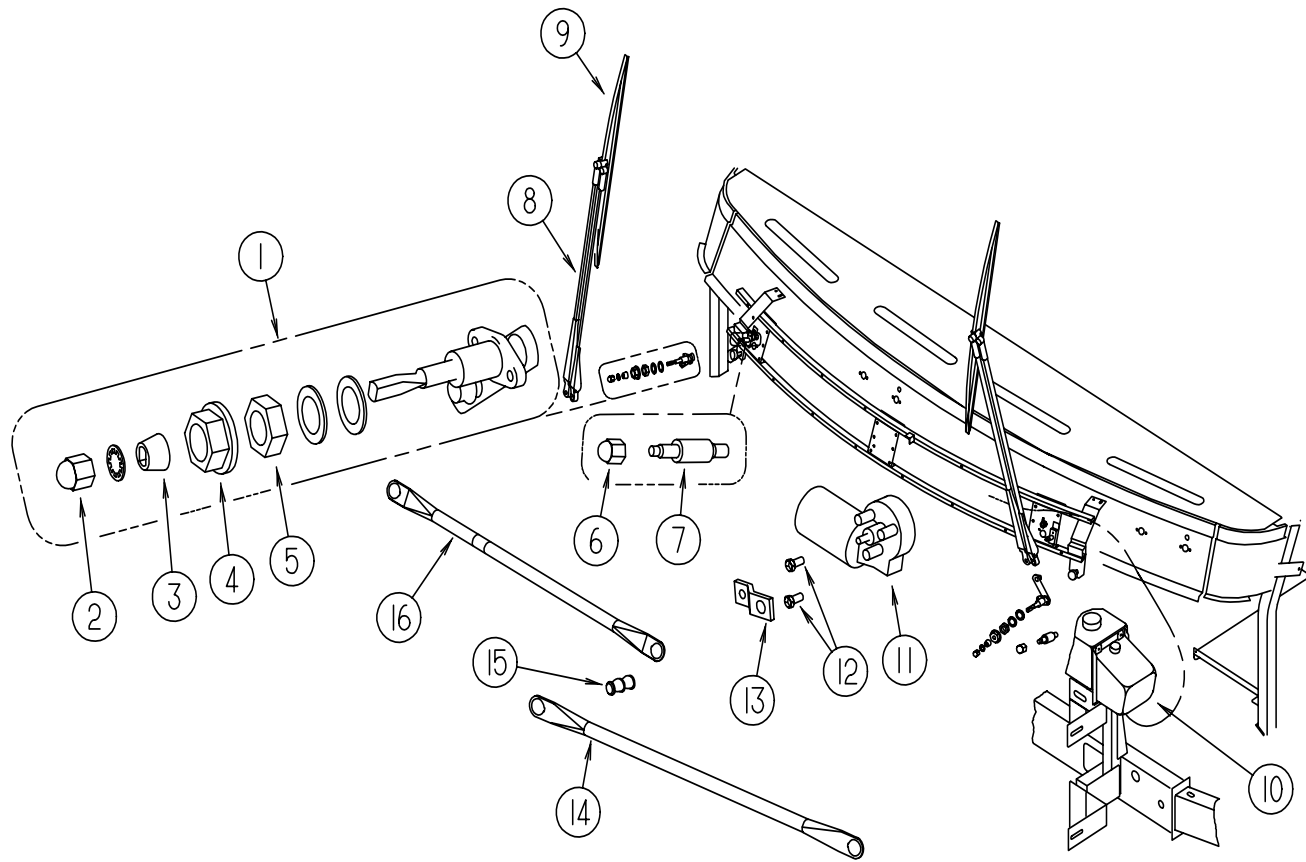


KEY	PART NUMBER	U/M DESCRIPTION	VENDOR NO.
1	110506-59-000	EA KEYS - SET OF TWO	596720
2	110506-52-000	EA CASE/CYLINDER - LOCKING W/O CAM - .65"	702370
2	110506-54-000	EA CASE/CYLINDER - LOCKING W/O CAM OR KEY - 1 1/4"	703170
1	110506-59-001	EA KEYS - SET OF TWO	596721
2	110506-52-001	EA CASE/CYLINDER - LOCKING W/O CAM - .65"	702371
2	110506-54-001	EA CASE/CYLINDER - LOCKING W/O CAM OR KEY - 1 1/4"	703171
1	110506-59-002	EA KEYS - SET OF TWO	596722
2	110506-52-002	EA CASE/CYLINDER - LOCKING W/O CAM - .65"	702372
2	110506-54-002	EA CASE/CYLINDER - LOCKING W/O CAM OR KEY - 1 1/4"	703172
1	110506-59-003	EA KEYS - SET OF TWO	596723
2	110506-52-003	EA CASE/CYLINDER - LOCKING W/O CAM - .65"	702373
2	110506-54-003	EA CASE/CYLINDER - LOCKING W/O CAM OR KEY - 1 1/4"	703173
1	110506-59-004	EA KEYS - SET OF TWO	596724
2	110506-52-004	EA CASE/CYLINDER - LOCKING W/O CAM - .65"	702374
2	110506-54-004	EA CASE/CYLINDER - LOCKING W/O CAM OR KEY - 1 1/4"	703174
1	110506-59-005	EA KEYS - SET OF TWO	596725
2	110506-52-005	EA CASE/CYLINDER - LOCKING W/O CAM - .65"	702375
2	110506-54-005	EA CASE/CYLINDER - LOCKING W/O CAM OR KEY - 1 1/4"	703175
1	110506-59-006	EA KEYS - SET OF TWO	596726
2	110506-52-006	EA CASE/CYLINDER - LOCKING W/O CAM - .65"	702376
2	110506-54-006	EA CASE/CYLINDER - LOCKING W/O CAM OR KEY - 1 1/4"	703176
1	110506-59-007	EA KEYS - SET OF TWO	596727
2	110506-52-007	EA CASE/CYLINDER - LOCKING W/O CAM - .65"	702377
2	110506-54-007	EA CASE/CYLINDER - LOCKING W/O CAM OR KEY - 1 1/4"	703177
1	110506-59-008	EA KEYS - SET OF TWO	596728
2	110506-52-008	EA CASE/CYLINDER - LOCKING W/O CAM - .65"	702378
2	110506-54-008	EA CASE/CYLINDER - LOCKING W/O CAM OR KEY - 1 1/4"	703178
1	110506-59-009	EA KEYS - SET OF TWO	596729
2	110506-52-009	EA CASE/CYLINDER - LOCKING W/O CAM - .65"	702379
2	110506-54-009	EA CASE/CYLINDER - LOCKING W/O CAM OR KEY - 1 1/4"	703179
3	110506-40-700	EA HARDWARE PACKAGE-CYLINDER/CASE	596950AAL
	110506-59-701	EA KEY BLANK (GOLD)	596728
4	110506-59-009	EA CASE/CYLINDER - TWIST LOCK - W/O CAM - 1.25"	597312AA1



# WINDSHIELD & WIPER GROUP

## WIPER & WASHER COMPONENTS



KEY	PART NUMBER	U/M	DESCRIPTION	VENDOR NO.
1	096505-09-000	EA	SHAFT/PIVOT - WINDSHIELD WIPER	
2	096505-02-703	EA	CAP-NUT(ACORN) HD W/.687 BRL	51065-40-NT27WC
3	096505-02-700	EA	DRIVER-KNURLED,(HD) BRL .687	NT721017
4	096505-02-702	EA	CAP-RUBBER (HD) BARREL .687	CP721084
5	096505-02-701	EA	NUT-HEX (HD) W/.687 BARREL	NT721021
6	077049-02-000	EA	NUT - ACORN - 10-32 BLACK/ANODIZED	
7	117768-01-000	EA	SHAFT - ADAPTER - PANTOGRAPH ARM	
8	117769-01-000	EA	ARM - WIPER - PANTOGRAPH - 28"	
	096931-01-701	EA	NOZZLE-HARDWARE KIT	
9	095964-01-000	EA	BLADE - WINDSHIELD WIPER - 24"	
	095964-01-700	EA	BLADE-REFILL 24" EA= 1 PAIR	12360
10	117766-02-000	EA	RESERVOIR/PUMP - WINDSHIELD WASHER	
	045794-01-000	FT	HOSE - WASHER - WINDSHIELD - 5/32" ID - BLACK	
	110605-01-000	EA	TEE - PLASTIC - BARBED - 1/8" X 1/8" X 3/16"	
	117765-03-000	EA	CONNECTOR - 5/32" - WINDSHIELD WASHER	
11	104346-04-000	EA	WIPER MOTOR - "COAST TO PARK" W/BKR - W/GRN/RED/WHITE WIRE - CHEVY	
12	117322-01-000	EA	SCREW - 1/4-28 UNFINISHED - 2A - TORX	
13	104347-04-000	EA	ARM - DRIVE - WIPER MOTOR	
14	117770-01-000	EA	LINK - CONNECTING - 24" - CLOSED GROMMET/OPEN GROMMET	
15	067188-01-000	EA	STUD - CRANK - WIPER MOTOR	
16	117770-02-000	EA	LINK - CONNECTING - 24" - CLOSED GROMMET/CLOSED GROMMET	
	061603-01-000	EA	GROMMET - SNAP - 3/16"ID - 3/8" HOLE - PLASTIC BLACK	
	110742-02-000	EA	GASKET-WIPER INDUSTRIAL PROD.	

# WINDSHIELD & WIPER GROUP (CONTINUED)

## WINDSHIELD MOLDINGS & GLASS

KEY	PART NUMBER	U/M	DESCRIPTION
1	099418-01-000	FT	SEAL - D-SECTION/ADHESIVE BACK - .44" X .44"- BLK RUBBER
2	081914-01-000	EA	BUMPER - RUBBER - ROUND - .43" DIAMETER
3	124973-01-000	EA	GLASS - WINDSHIELD - RIGHT HAND
4	124973-02-000	EA	GLASS - WINDSHIELD - LEFT HAND
5	002328-02-000	EA	BLOCK - WINDSHIELD - .062" X .5" X .98"
6	127862-01-000	EA	CARRIER - REVEAL - WINDSHIELD - 47.2"
7	125384-06-02A	EA	TRIM - WINDSHIELD - A-PILLAR - DRIVER
8	120533-01-000	FT	MOLDING - REVEAL - WINDSHIELD
9	125384-05-02A	EA	TRIM - WINDSHIELD - A-PILLAR - PASSENGER
10	117335-01-000	EA	CARRIER/REVEAL - 94.6" W/ADHESIVE BACKING

