

# 1999 ICG35C

**K58 CLOUD (GRAY)  
(WASHED MAPLE)**

**K59 CLOUD (GRAY)  
(WATERFORD OAK)**

**K62 CASTLETON (TAUPE)  
(WASHED MAPLE)**

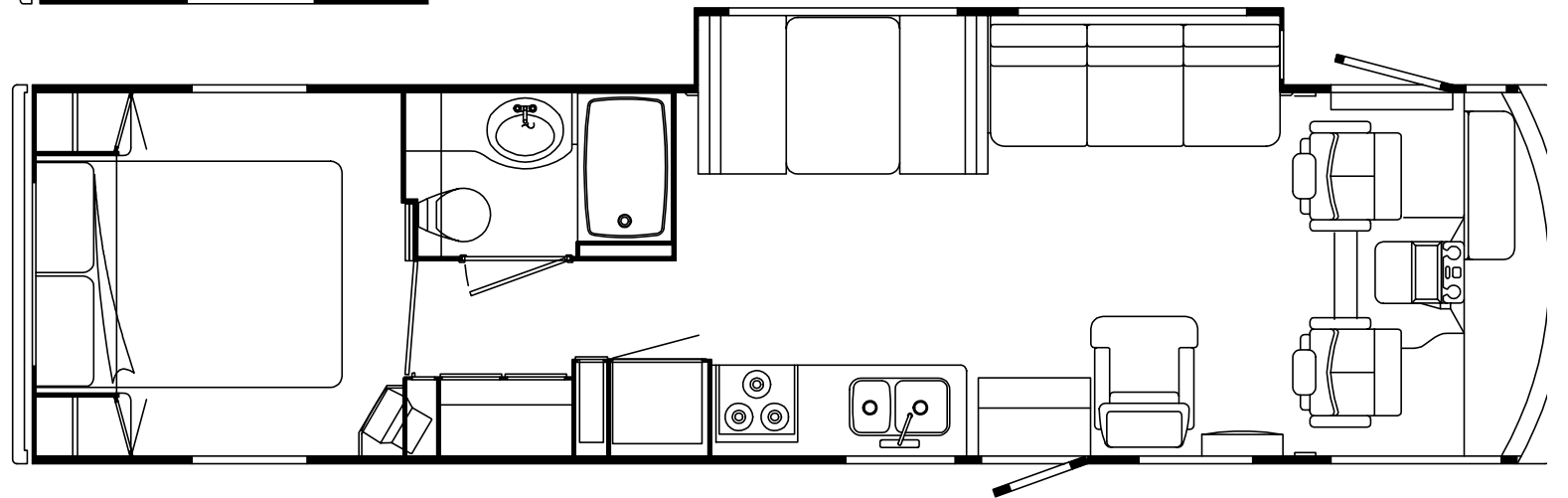
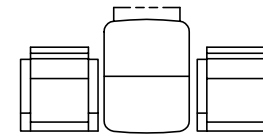
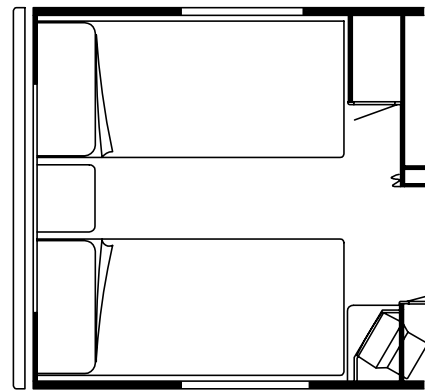
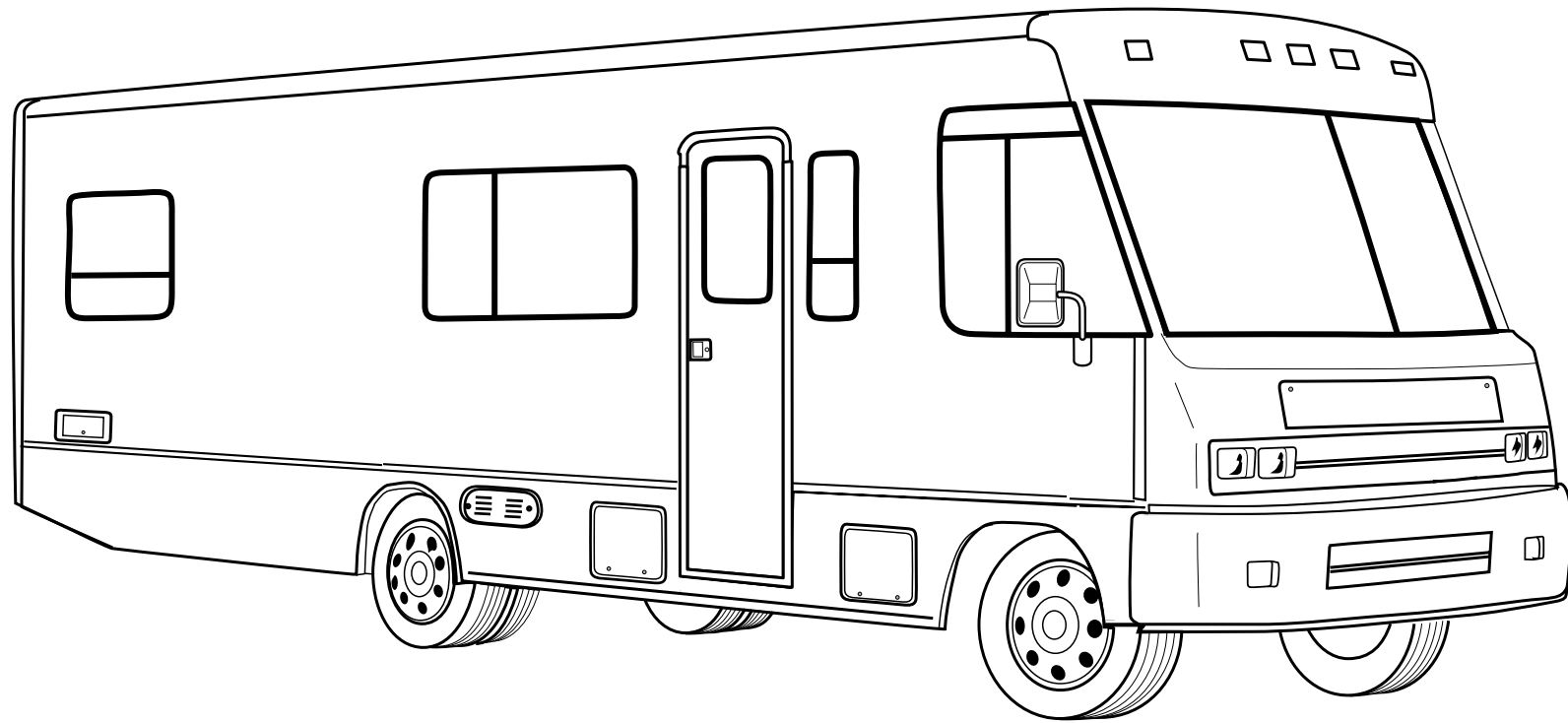
**K63 CASTLETON (TAUPE)  
(WATERFORD OAK)**

**K64 MINT (GREEN)  
(WASHED MAPLE)**

**K65 MINT (GREEN)  
(WATERFORD OAK)**

**K26 SEASPRAY (TEAL)  
(WASHED MAPLE)**

**K27 SEASPRAY (TEAL)  
(WATERFORD OAK)**



## ACCESSORIES GROUP

### OPERATOR MANUAL

KEY	PART NUMBER	U/M DESCRIPTION
	054185-J1-000	EA MANUAL - OPERATOR 99 SUNCRUISER
	129079-01-01A	EA CASE - VINYL/BLACK-EXPANDABLE ACCORDION SIDES-7"WX9"HX14"L
	129543-01-000	EA TOP LEVEL - G,1999

## AUDIO VIDEO GROUP

### RADIO SYSTEMS & ANTENNA

KEY	PART NUMBER	U/M DESCRIPTION	VENDOR NO.
	127516-03-000	EA RADIO - AM/FM STEREO - CD PLAYER - PANASONIC	- CQ-DP930
	127264-01-000	EA RADIO - AM/FM STEREO - CASSETTE - PANASONIC	- CQ-R111U
	127264-01-700	EA TRIM RING	YFC054C044ZB
	127264-01-701	EA KNOB - VOLUME	YFE074C045ZA
	127264-01-702	EA KNOB - FADER	YEFE074C026
	127264-01-703	EA FACTORY HARNESS	YAJ024C048ZB
	124881-01-000	EA AMPLIFIER - AUDIO	
	110469-01-000	EA SPEAKER - 4" X 6" OVAL - COAXIAL	
	110470-01-01A	EA GRILLE - 4" X 6" OVAL - BLACK	
	094097-01-000	EA SPEAKER - RADIO/TV - W/O GRILLE - 5.25" DIAMETER	
	077069-02-000	EA CABLE - ANTENNA/EXTENSION - RADIO - 96"	
	123256-01-000	EA ANTENNA - CB - W/O CABLE	
	123256-02-000	EA CABLE - CB - COAX	
	090944-01-000	EA ANTENNA - RADIO - 16" RUBBER	
	108847-01-000	EA BRACKET - ANTENNA GROUND	
	115916-01-01B	EA BRACKET - ANTENNA MOUNT	
	109889-04-000	EA EXTENDER - ANTENNA SHAFT - 3"	

### DELUXE SOUND SYSTEM

KEY	PART NUMBER	U/M DESCRIPTION
	124883-02-000	EA SPEAKER - CUBE - W/BRACKET
	124884-01-000	EA SPEAKER - 6" X 9" - SUB-WOOFER
	124885-01-000	EA GRILLE - SPEAKER - 6" X 9" - SUB-WOOFER
	124881-01-000	EA AMPLIFIER - AUDIO

### REAR MONITOR SYSTEM

KEY	PART NUMBER	U/M DESCRIPTION	VENDOR NO.
	093040-09-000	EA CAMERA - REAR VIEW - W/BRACKET - SONY	
	093040-10-000	EA MONITOR - 7" REAR VIEW - W/BRACKET - SONY	
	093040-10-700	EA LENS - MONITOR - REAR VIEW F/7"	3-708-537-01
	096717-03-000	EA WIRE ASSEMBLY - REAR MONITOR - AFTER MARKET INSTALLATION	
	108885-02-000	EA WIRE - REAR MONITOR(W/3 PIN HOUSING F/FUSE BLOCK) CHEVY	
	093041-01-000	EA CABLE - MONITOR/CAMERA - INTERNAL USE - 65.6'	
	093041-02-000	EA CABLE - MONITOR/CAMERA - EXTERNAL USE - 59.1'	

### PATIO ENTERTAINMENT CENTER

KEY	PART NUMBER	U/M DESCRIPTION
	110469-01-000	EA SPEAKER - OVAL - 4" X 6" - BLACK
	110470-01-01A	EA GRILLE - SPEAKER - OVAL - 4" X 6" - BLACK
	077069-02-000	EA CABLE - ANTENNA - RADIO - EXTENSION 96"
	125322-02-000	EA RADIO - AM/FM STEREO - CASSETTE - AUDIOVOX - MS-306
	090944-01-000	EA ANTENNA - RADIO - 16" RUBBER
	108847-01-000	EA BRACKET - ANTENNA GROUND
	109889-04-000	EA ANTENNA - 3" SHAFT EXTENDER - MAGNADYNE RV71EX3

### TELEPHONE

KEY	PART NUMBER	U/M DESCRIPTION
	093253-01-01A	EA PLATE - WALL - TELEPHONE - BEIGE
	130686-01-01A	EA PLATE - WALL - TELEPHONE/COAX - WHITE

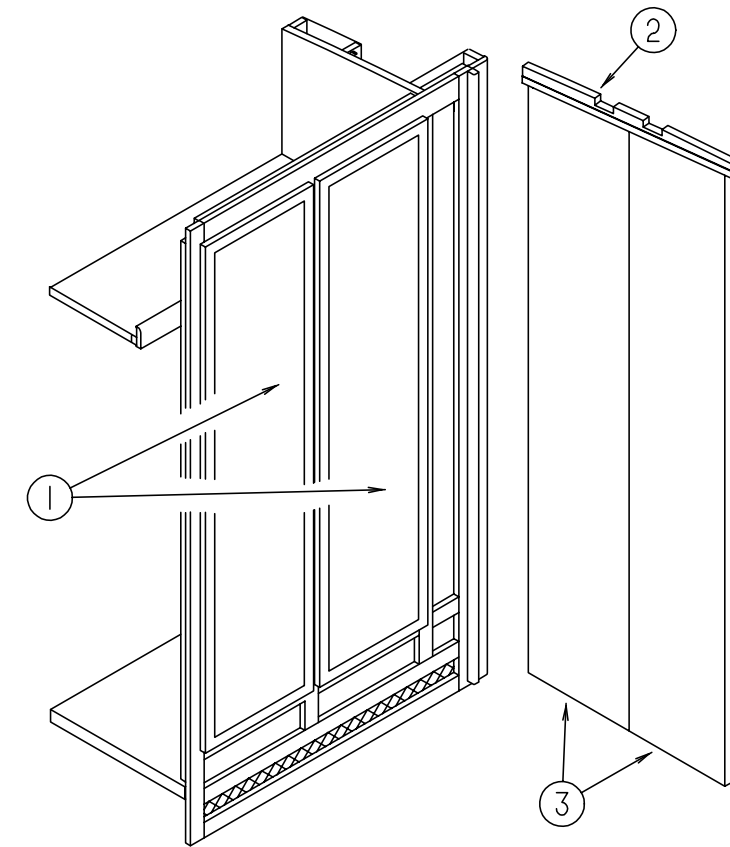
## AUDIO VIDEO GROUP (CONTINUED)

### TV & VCR SYSTEMS

KEY	PART NUMBER	U/M	DESCRIPTION	VENDOR NO.
*	076319-23-000	EA	ANTENNA - TV - ROOF MOUNT - 44.5" MAST	
*	120233-01-000	EA	ANTENNA - SATELLITE (DISH & HDW) W/O RECEIVER - MANUAL FROM: 00-00-00 THRU: 07-15-98	
*	120233-04-000	EA	ANTENNA - SATELLITE - W/DIGITAL SENSOR/READ OUT DISPLAY FROM: 07-16-98 THRU: 99-99-99	
	086231-08-000	EA	TV - 13" COLOR - DC - AUDIOVOX	
	086231-08-700	EA	REMOTE - UNIVERSAL	8822325
	126696-02-000	EA	TV - 19" COLOR W/1/8" JACK - UL/CSA	
	126696-01-700	EA	REMOTE	226725
	126697-02-000	EA	VCR-VHS - CABLE READY - W/REMOTE	
	126697-02-700	EA	REMOTE	238513
	086757-03-000	EA	CONTROL CENTER - SWITCH - VCR/TV FROM: 00-00-00 THRU: 11-08-98	
	086757-04-000	EA	CONTROL CENTER - SWITCHING - 5 INPUTS FROM: 11-09-98 THRU: 99-99-99	
	115466-06-02B	EA	TIEDOWN STRAP - TV - E-COATED STEEL FROM: 00-00-00 THRU: 10-20-98	
	115466-20-02B	EA	TIEDOWN STRAP - TV - E-COATED STEEL FROM: 10-21-98 THRU: 99-99-99	
	086777-02-000	EA	WALLPLATE - TV CABLE - W/ANTENNA SWITCH - BROWN	
	086777-06-000	EA	WALLPLATE - TV CABLE - ANTENNA BOOSTER/1 OUTPUT - BROWN	
	086756-01-000	EA	SPLITTER - TV - 2 WAY	
	076319-09-000	EA	WALLPLATE - CABLE RECEPTACLE - TV - SINGLE - BROWN	
	076319-08-000	EA	WALLPLATE - CABLE RECEPTACLE - TV - SINGLE - IVORY	
	076319-03-000	FT	CABLE - COAXIAL - 75 OHM	
	076319-12-000	EA	CONNECTOR - COAXIAL - ONE PIECE	
	086231-08-701	EA	ADAPTER - WIRE	0891436
	082134-01-000	EA	ADAPTER - TV - CABLE TO CABLE	
	098819-01-000	EA	SPEAKER - 4" - 2 WATT - 8 OHM	
	082136-01-000	EA	NUT - HEX JAM - 3/8-32	
	114870-02-000	EA	PLUG - .14" AUDIO W/LEADS	
*	076319-25-000	EA	KIT - HARDWARE INTERIOR	

\*COMPONENT PARTS FOUND IN SERVICE PARTS LIBRARY

## BATH GROUP

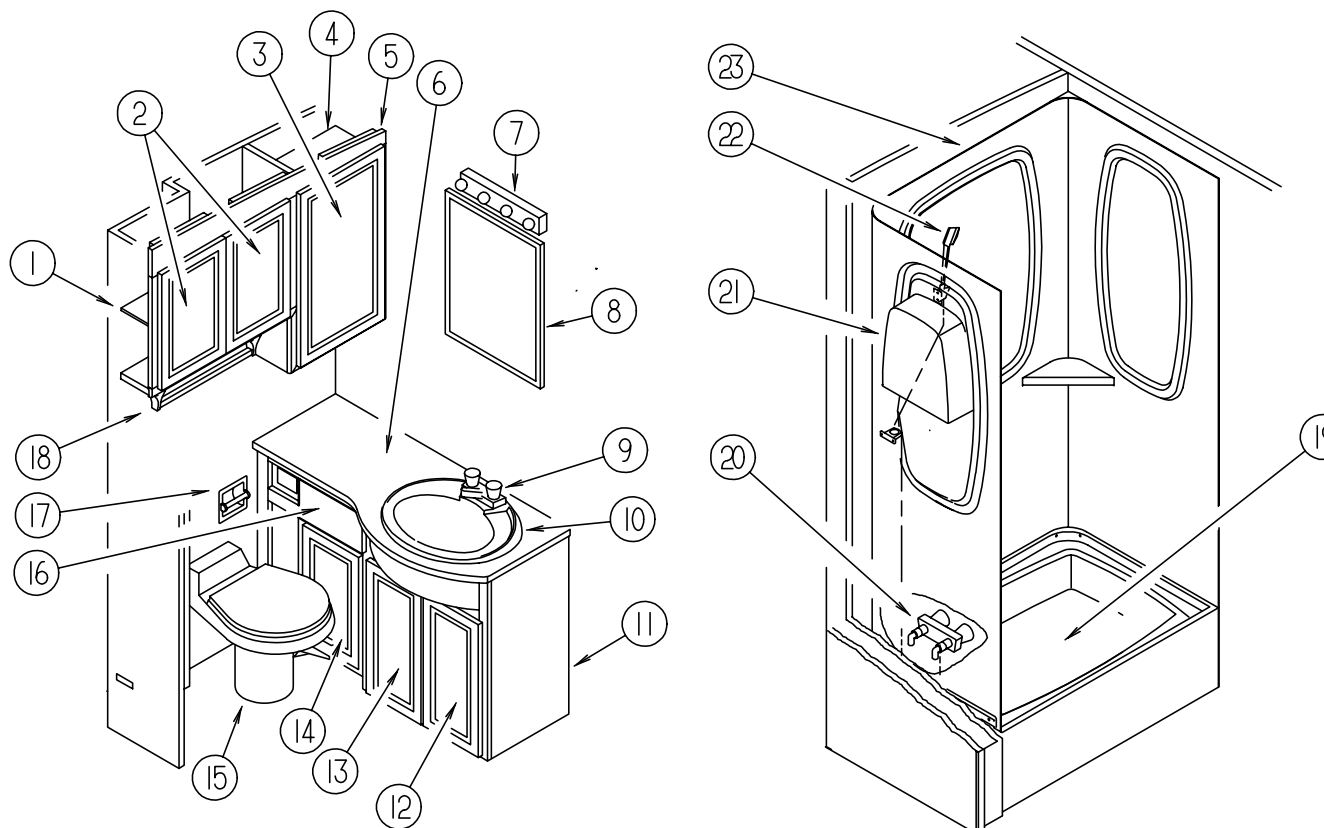


### WARDROBE CABINET & FOLDING DOOR

KEY	PART NUMBER	U/M	DESCRIPTION
1	131995-J3-K28	EA	DOOR - RAIL/SOLID PANEL - 8" X 60.7" - W/O HARDWARE (OAK)
1	131995-J3-K80	EA	DOOR - RAIL/SOLID PANEL - 8" X 60.7" - W/O HARDWARE (MAPLE)
2	103908-51-J22	EA	HEADER - DOOR (OAK)
2	103908-51-J52	EA	HEADER - DOOR (MAPLE)
	093170-12-01A	EA	HEADER/TRACK - DOOR - OFF WHITE
3	M03866-05-J22	EA	DOOR/PANEL - BI-FOLD - 15" X 72.7" - W/O HARDWARE (OAK)
3	M03866-05-J52	EA	DOOR/PANEL - BI-FOLD - 15" X 72.7" - W/O HARDWARE (MAPLE)
	092652-01-000	EA	GUIDE WHEEL - DOOR - TOP MOUNT
	102920-01-01A	EA	HINGE - DOOR - SPRING LOADED/ BRASS
	117978-01-01A	EA	KNOB - DOOR - BRIGHT BRASS
	104314-10-01A	EA	MESH-GRILLE BLACK

## BATH GROUP (CONTINUED)

### BATH CABINETS, PRIVACY DOOR & SHOWER COMPONENTS



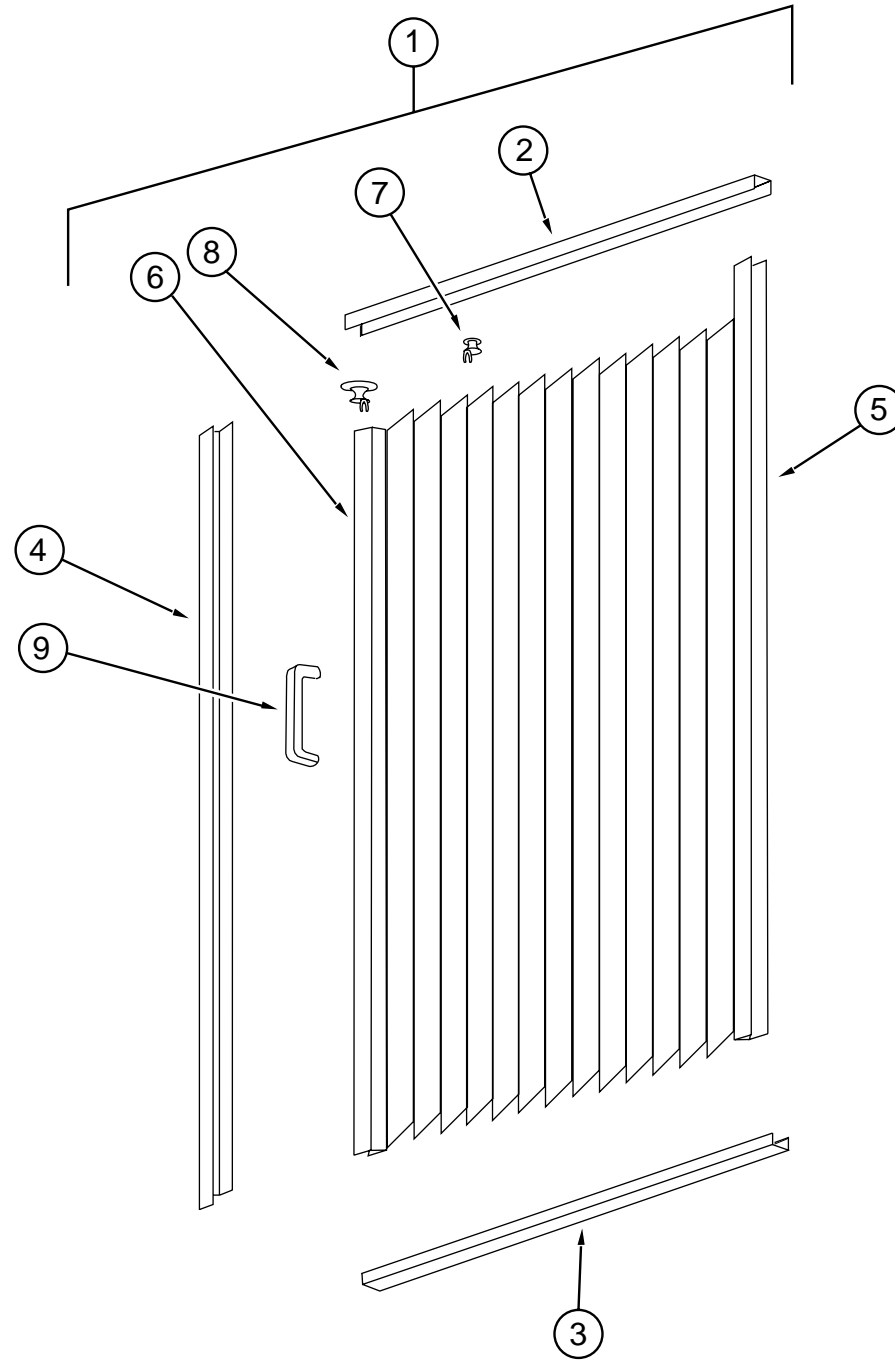
KEY	PART NUMBER	U/M DESCRIPTION	VENDOR NO.
1	126307-14-J22	EA SHELF - W/PLASTIC EDGE MOLDING (OAK)	
1	126307-14-J52	EA SHELF - W/PLASTIC EDGE MOLDING (MAPLE)	
2	131995-65-K28	EA DOOR - RAIL/SOLID PANEL - 12" X 18.7" - W/O HARDWARE (OAK)	
2	131995-65-K58	EA DOOR - RAIL/SOLID PANEL - 12" X 18.7" - W/O HARDWARE (MAPLE)	
3	131995-D4-K28	EA DOOR - RAIL/SOLID PANEL - 15.7" X 27.9" - W/O HARDWARE (OAK)	
3	131995-D4-K58	EA DOOR - RAIL/SOLID PANEL - 15.7" X 27.9" - W/O HARDWARE (MAPLE)	
4	126307-15-J22	EA SHELF - W/PLASTIC EDGE MOLDING (OAK)	
4	126307-15-J52	EA SHELF - W/PLASTIC EDGE MOLDING (MAPLE)	
5	126307-01-K32	EA CABINET - MEDICINE - W/O DOORS/HARDWARE (OAK)	
5	126307-01-K58	EA CABINET - MEDICINE - W/O DOORS/HARDWARE (MAPLE)	
6	126309-16-J26	EA CTRTP - LAVATORY (K58, K59, K64, K65, K26, K27)	
6	126309-16-K32	EA CTRTP - LAVATORY (K62, K63)	
7	110235-02-01A	EA LIGHT - MAKE UP - 4 BULB PANLESS	
8	058331-51-000	EA MIRROR - SAFETY GLASS - 25.9" X 40"	
9	075240-06-000	EA FAUCET - LAVATORY - BONE	
9	075240-05-000	EA FAUCET - LAVATORY - BRASS	
	105218-01-01A	EA SPACER - FAUCET/LAVATORY SINK - 2" X 5.9" - ABS PLASTIC	
	091253-01-000	EA GASKET - FAUCET - LAVATORY/GALLEY	
10	105921-01-01A	EA SINK - LAVATORY - LARGE OVAL - 17" X 20" PLASTIC/OFF WHITE	
	106116-01-01A	EA STRAINER - SINK - W/STOPPER/TAIPIECE/GASKET & NUT - PLASTIC	
11	126309-01-K58	EA CABINET - LAVATORY - W/CTRTP - W/O DOORS/DRAWERS/HDW (K58, K64, K26)	
11	126309-01-J26	EA CABINET - LAVATORY - W/CTRTP - W/O DOORS/DRAWERS/HDW (K59, K65, K27)	
11	126309-01-K62	EA CABINET - LAVATORY - W/CTRTP - W/O DOORS/DRAWERS/HDW (K62)	
11	126309-01-K32	EA CABINET - LAVATORY - W/CTRTP - W/O DOORS/DRAWERS/HDW (K63)	
11	126309-12-J22	EA SHELF - W/PLASTIC EDGE TRIM (OAK)	
11	126309-12-J52	EA SHELF - W/PLASTIC EDGE TRIM (MAPLE)	
12	131995-33-K28	EA DOOR - RAIL/SOLID PANEL - 10.2" X 21.4" - W/O HARDWARE (OAK)	
12	131995-33-K58	EA DOOR - RAIL/SOLID PANEL - 10.2" X 21.4" - W/O HARDWARE (MAPLE)	
13	131995-31-K28	EA DOOR - RAIL/SOLID PANEL - 10.2" X 21.4" - W/O HARDWARE (OAK)	
13	131995-31-K58	EA DOOR - RAIL/SOLID PANEL - 10.2" X 21.4" - W/O HARDWARE (MAPLE)	

KEY	PART NUMBER	U/M DESCRIPTION	VENDOR NO.
14	125162-04-K59	EA CABINET - HAMPER - W/O HARDWARE (OAK)	
14	125162-04-K58	EA CABINET - HAMPER - W/O HARDWARE (MAPLE)	
15*	085330-06-000	EA TOILET - STANDARD CHINA W/SPRAYER - BONE	
16	M05971-CM-K59	EA DRAWER - OGEE EDGE - 9.4" W X 11.8"D - W/O SLIDES/HARDWARE (OAK)	
16	M05971-CM-K58	EA DRAWER - OGEE EDGE - 9.4" W X 11.8"D - W/O SLIDES/HARDWARE (MAPLE)	
17	075452-02-000	EA HOLDER - TOILET TISSUE - BRASS	
18	075453-02-000	EA BAR - TOWEL - 18" BRASS	
19	M02630-34-GV0	EA SHOWER PAN - W/SPRING LOADED DRAIN PLUNGER	
20	075242-04-000	EA FAUCET - TUB/SHOWER - BONE	
21	104462-02-01A	EA CADDY - SHOWER - OFF WHITE	
22	131383-01-01A	EA SHOWER HEAD - W/60" HOSE & BRACKET - IVORY (US)	
22	131383-02-01A	EA SHOWER HEAD - W/60" HOSE & BRACKET - CSA - IVORY	
23	115612-01-01A	EA SURROUND - SHOWER - OFF WHITE	
	075606-01-000	EA PANEL - FAUCET BACK - SHOWER - 5" X 9" - PLASTIC	
	103092-01-702	EA SEALS - SPRAY HEAD	24466
	103092-01-700	EA BRACKET - F/SHOWER HEAD - CLEAR	2328028
	011048-03-700	EA BRACKET - SHOWER HEAD/IVORY	2328029-I
	121449-33-J22	EA DOOR - BATH - W/TOWEL RACK (OAK)	
	121449-33-J52	EA DOOR - BATH - W/TOWEL RACK (MAPLE)	
	111155-03-01A	EA LOCK - PRIVACY/LOCKING - POLISHED BRASS	
		FROM: 00-00-00 THRU: 01-03-99	
	111155-03-01A	EA LOCK - PRIVACY/LOCKING - POLISHED BRASS	
		FROM: 01-04-99 THRU: 99-99-99	
	121449-12-G04	EA RACK - TOWEL - BATH DOOR (OAK)	
	121449-12-J70	EA RACK - TOWEL - BATH DOOR (MAPLE)	
	100357-01-000	EA ROD - F/TOWEL BAR - BRASS	
	102920-01-01A	EA HINGE/SPRING LOADED - BRASS	
	117431-03-01A	EA DOOR - SHOWER - PLEATED FABRIC	
	057671-01-000	EA COVER - SCREW - #8 - PLASTIC - OFF WHITE	

\*COMPONENT PARTS FOUND IN SERVICE PARTS LIBRARY

**BATH GROUP (CONTINUED)**

**SHOWER DOOR**

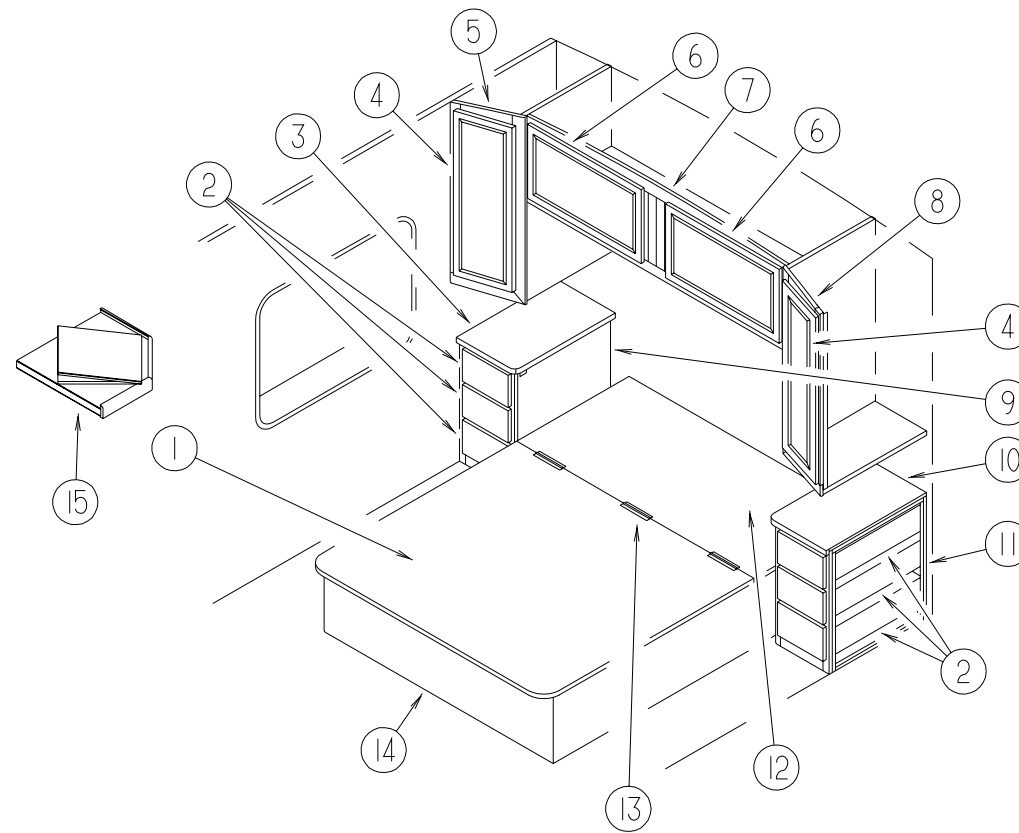


KEY	PART NUMBER	U/M DESCRIPTION
1	117431-03-01A	EA DOOR - SHOWER - PLEATED FABRIC
2	117431-01-700	EA TRACK - TOP - ALUM. IVORY INSERT - 48"
3	117431-01-701	EA TRACK - BOTTOM - 48 "
4	117431-01-702	EA RAIL - SIDE - 67"
5	117431-01-703	EA RAIL - STATIONARY - 67"

KEY	PART NUMBER	U/M DESCRIPTION
6	117431-01-704	EA RAIL - LEAD - 67" - W/LATCH
7	117431-01-705	EA GLIDE - IVORY - TRAVELER
8	117431-01-706	EA GLIDE - IVORY LEAD - TRAVELER
9	117431-01-708	EA HANDLES & SCREWS
	117431-01-707	EA CATCH - BATH DOOR
	117431-03-700	EA STRAP - VINYL SHOWER

# BEDROOM GROUP

## QUEEN BEDROOM

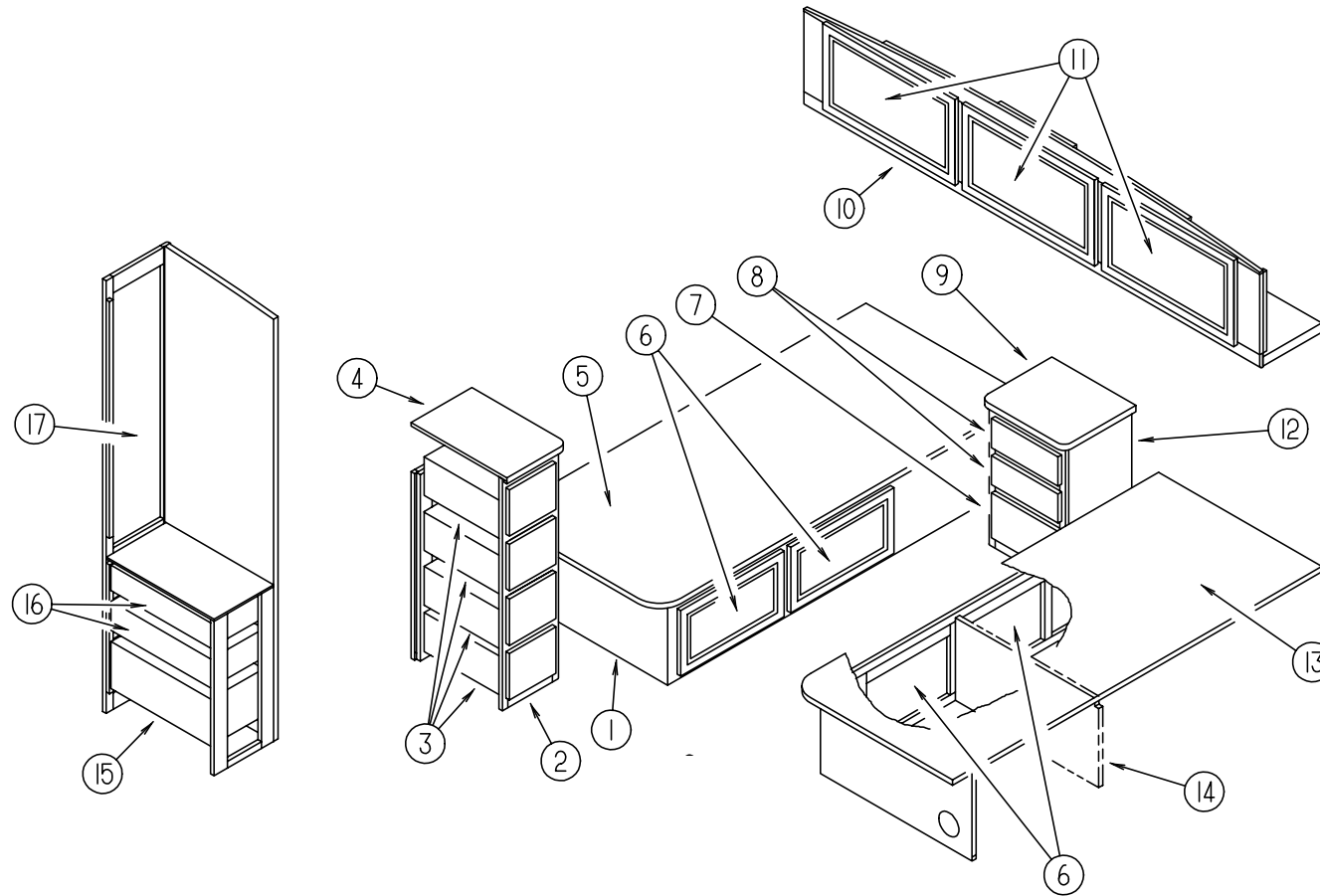


KEY	PART NUMBER	U/M	DESCRIPTION
1	M07571-03-J22	EA	TOP - QUEEN BED - W/O HDW
2	M09316-14-K20	EA	DRAWER - OGEE EDGE - 10.7"W X 19.7"D - W/O SLIDES/HDW (OAK)
2	M09316-14-K58	EA	DRAWER - OGEE EDGE - 10.7"W X 19.7"D - W/O SLIDES/HDW (MAPLE)
3	129251-19-K28	EA	CTRTP - NIGHTSTAND (K58, K59, K64, K65, K26, K27)
3	129251-19-K32	EA	CTRTP - NIGHTSTAND (K62, K63)
4	132006-02-K28	EA	DOOR - MIRROR/MITERED RAIL - 14.3" X 36.4" - W/O HDW (OAK)
4	132006-02-K58	EA	DOOR - MIRROR/MITERED RAIL - 14.3" X 36.4" - W/O HDW (MAPLE)
5	116142-01-J22	EA	CABINET - SHIRT CLOSET - RIGHT HAND - W/O DOOR/HDW (OAK)
5	116142-01-J54	EA	CABINET - SHIRT CLOSET - RIGHT HAND - W/O DOOR/HDW (MAPLE)
6	131995-D4-K28	EA	DOOR - RAIL/SOLID PANEL - 15.7" X 27.9" - W/O HDW (OAK)
6	131995-D4-K58	EA	DOOR - RAIL/SOLID PANEL - 15.7" X 27.9" - W/O HDW (MAPLE)
7	106523-01-G09	EA	CABINET - OVERHEAD REAR - W/O DOORS/HDW (OAK)
7	106523-01-J60	EA	CABINET - OVERHEAD REAR - W/O DOORS/HDW (MAPLE)
8	116142-02-J22	EA	CABINET - SHIRT CLOSET - LEFT HAND - W/O DOOR/HDW (OAK)
8	116142-02-J60	EA	CABINET - SHIRT CLOSET - LEFT HAND - W/O DOOR/HDW (MAPLE)
9	129251-07-K58	EA	CABINET/NIGHTSTAND/RH - W/CTRTP - W/O DRAWERS/ HDW (K58, K64, K26)
9	129251-07-K68	EA	CABINET/NIGHTSTAND/RH - W/CTRTP - W/O DRAWERS/ HDW (K59, K65, K27)
9	129251-07-K62	EA	CABINET/NIGHTSTAND/RH - W/CTRTP - W/O DRAWERS/ HDW (K62)
9	129251-07-K63	EA	CABINET/NIGHTSTAND/RH - W/CTRTP - W/O DRAWERS/ HDW (K63)

KEY	PART NUMBER	U/M	DESCRIPTION
10	129251-20-K28	EA	CTRTP - NIGHTSTAND (K58, K59, K64, K65, K26, K27)
10	129251-20-K32	EA	CTRTP - NIGHTSTAND (K62, K63)
11	129251-08-K58	EA	CABINET/NIGHTSTAND/LH - W/CTRTP - W/O DRAWERS/ HDW (K58, K64, K26)
11	129251-08-K68	EA	CABINET/NIGHTSTAND/LH - W/CTRTP - W/O DRAWERS/ HDW (K59, K65, K27)
11	129251-08-K62	EA	CABINET/NIGHTSTAND/LH - W/CTRTP - W/O DRAWERS/ HDW (K62)
11	129251-08-K63	EA	CABINET/NIGHTSTAND/LH - W/CTRTP - W/O DRAWERS/ HDW (K63)
12	M07571-03-J22	EA	TOP - QUEEN BED - W/O HDW
13	041389-25-000	EA	HINGE - PIANO - 1.50" X 55"
14	P26437-03-K32	EA	CABINET - BASE/QUEEN BED (OAK)
14	P26437-03-J52	EA	CABINET - BASE/QUEEN BED (MAPLE)
15	126418-01-J22	EA	SHELF - T.V. (OAK)
15	126418-01-J52	EA	SHELF - T.V. (MAPLE)
	107796-06-000	EA	SPRING/GAS - 12" COMPRESSED/20" EXTENDED - 120 LB.
	126263-06-02B	EA	BRACKET - GAS SPRING - E-COATED (UPPER)
	126263-08-02B	EA	BRACKET - GAS SPRING - LOWER - E-COATED
	097872-04-000	EA	DOWEL - WOOD - 1" DIAMETER X 1.38" LONG
	091952-01-000	EA	CLIP - GRIPPER - 1"

## BEDROOM GROUP (CONTINUED)

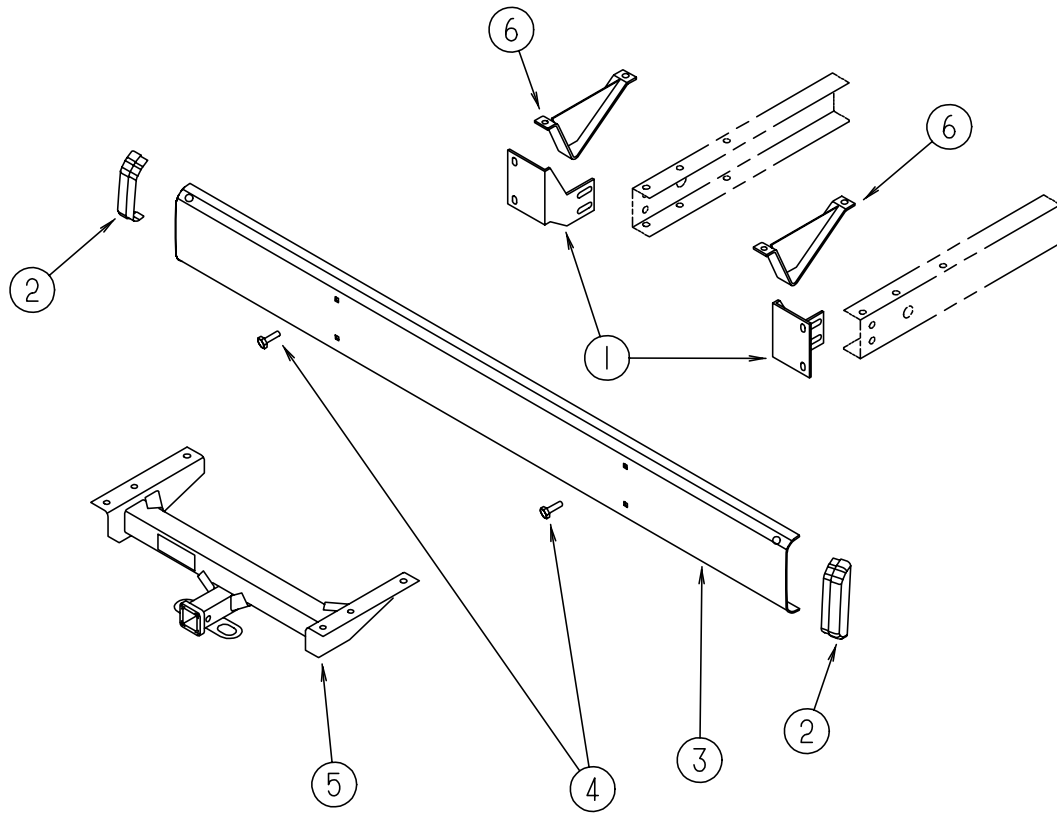
### TWIN BEDROOM



KEY	PART NUMBER	U/M	DESCRIPTION
1	P26436-01-J22	EA	CABINET - BASE/TWIN BED - RIGHT HAND - W/O DOORS/HDW (OAK)
1	P26436-01-J52	EA	CABINET - BASE/TWIN BED - RIGHT HAND - W/O DOORS/HDW (MAPLE)
2	126434-01-K58	EA	CABINET - DRESSER/RH TWIN - W/CTRTP - W/O DRAWERS/HDW (K58, K64, K26)
2	126434-01-K28	EA	CABINET - DRESSER/RH TWIN - W/CTRTP - W/O DRAWERS/HDW (K59, K65, K27)
2	126434-01-K62	EA	CABINET - DRESSER/RH TWIN - W/CTRTP - W/O DRAWERS/HDW (K62)
2	126434-01-K63	EA	CABINET - DRESSER/RH TWIN - W/CTRTP - W/O DRAWERS/HDW (K63)
3	M05971-71-H33	EA	DRAWER - OGEE EDGE - 8"W X 17.7"D - W/O SLIDES/HDW (OAK)
3	M05971-71-K58	EA	DRAWER - OGEE EDGE - 8"W X 17.7"D - W/O SLIDES/HDW (MAPLE)
4	126434-11-J26	EA	CTRTP - DRESSER (K58, K59, K64, K65, K26, K27)
4	126434-11-J23	EA	CTRTP - DRESSER (K62, K63)
5	M08754-02-000	EA	TOP - TWIN BED/RIGHT HAND - W/O HDW
6	131995-68-K28	EA	DOOR - RAIL/SOLID PANEL - 12" X 21.8" - W/O HDW (OAK)
6	131995-68-K58	EA	DOOR - RAIL/SOLID PANEL - 12" X 21.8" - W/O HDW (MAPLE)
7	M05971-73-K28	EA	DRAWER - OGEE EDGE - 12.2"W X 11.8"D - W/O SLIDES/HDW (OAK)
7	M05971-73-K58	EA	DRAWER - OGEE EDGE - 12.2"W X 11.8"D - W/O SLIDES/HDW (MAPLE)
8	M05971-65-K28	EA	DRAWER - OGEE EDGE - 12.2"W X 11.8"D - W/O SLIDES/HDW (OAK)
8	M05971-65-K58	EA	DRAWER - OGEE EDGE - 12.2"W X 11.8"D - W/O SLIDES/HDW (MAPLE)
9	104507-11-F12	EA	CTRTP - NIGHTSTAND (K58, K59, K64, K65, K26, K27)
9	104507-11-J23	EA	CTRTP - NIGHTSTAND (K62, K63)
10	116187-01-K16	EA	CABINET - OVERHEAD/REAR - W/O DOORS/HDW - F/TWIN BED (OAK)
10	116187-01-K58	EA	CABINET - OVERHEAD/REAR - W/O DOORS/HDW - F/TWIN BED (MAPLE)

KEY	PART NUMBER	U/M	DESCRIPTION
11	131995-D4-K28	EA	DOOR - RAIL/SOLID PANEL - 15.7" X 27.9" - W/O HDW (OAK)
11	131995-D4-K58	EA	DOOR - RAIL/SOLID PANEL - 15.7" X 27.9" - W/O HDW (MAPLE)
12	104507-01-K58	EA	CABINET/NIGHTSTAND - W/CTRTP - W/O DRAWERS/HDW (K58, K64, K26)
12	104507-01-K28	EA	CABINET/NIGHTSTAND - W/CTRTP - W/O DRAWERS/HDW (K59, K65, K27)
12	104507-01-K62	EA	CABINET/NIGHTSTAND - W/CTRTP - W/O DRAWERS/HDW (K62)
12	104507-01-K18	EA	CABINET/NIGHTSTAND - W/CTRTP - W/O DRAWERS/HDW (K63)
13	M08754-01-000	EA	TOP - TWIN BED/LEFT HAND - W/O HDW
14	P26435-01-J22	EA	CABINET - BASE/TWIN BED - LEFT HAND - W/O DOORS/HDW (OAK) FROM: 00-00-00 THRU: 12-13-98
14	P26435-02-J22	EA	CABINET - BASE/TWIN BED - LEFT HAND - W/O DOORS/HDW (OAK) FROM: 12-14-98 THRU: 99-99-99
14	P26435-01-J52	EA	CABINET - BASE/TWIN BED - LEFT HAND - W/O DOORS/HDW (MAPLE) FROM: 00-00-00 THRU: 12-13-98
14	P26435-02-J52	EA	CABINET - BASE/TWIN BED - LEFT HAND - W/O DOORS/HDW (MAPLE) FROM: 12-14-98 THRU: 99-99-99
15	M05971-W5-K28	EA	DRAWER - OGEE EDGE - 9.6"W X 21.6"D - W/O SLIDES/HDW (OAK)
15	M05971-W5-K58	EA	DRAWER - OGEE EDGE - 9.6"W X 21.6"D - W/O SLIDES/HDW (MAPLE)
16	M05971-58-K28	EA	DRAWER - OGEE EDGE - 9.6"W X 21.6"D - W/O SLIDES/HDW (OAK)
16	M05971-58-K58	EA	DRAWER - OGEE EDGE - 9.6"W X 21.6"D - W/O SLIDES/HDW (MAPLE)
17	131995-77-K28	EA	DOOR - RAIL/SOLID PANEL - 12" X 47.9" - W/O HDW (OAK)
17	131995-77-K58	EA	DOOR - RAIL/SOLID PANEL - 12" X 47.9" - W/O HDW (MAPLE)
	096764-02-000	FT	SLIPNOT - ANTISLIP - 1" WIDE (100' ROLLS)

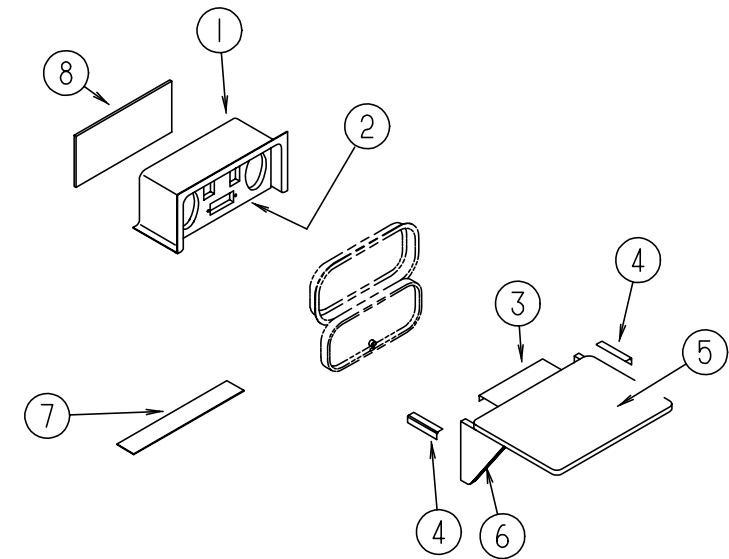
## CHASSIS GROUP



### REAR BUMPER & COMPONENTS

KEY	PART NUMBER	U/M	DESCRIPTION
1	104418-07-000	EA	ANGLE - BUMPER REAR SUPPORT
2	103228-01-05A	EA	END CAP - REAR BUMPER - DRIVER/ PASSENGER SIDE
3	103099-10-02A	EA	BUMPER - REAR - 98" - BRIGHT WHITE
4	102333-01-05A	EA	BOLT - CARRIAGE - 7/16 - 14 STAINLESS STEEL CAP
5	130339-02-000	EA	HITCH RECEIVER - BOLT ON CLASS III
6	111742-01-000	EA	PLATE - SKID
	113589-01-000	EA	CONNECTOR - PLUG - TRAILER
	113589-02-000	EA	CONNECTOR - SOCKET - TRAILER
	113588-01-01B	EA	BRACKET - CONNECTOR - TRAILER W/LIP

## CHASSIS GROUP (CONTINUED)



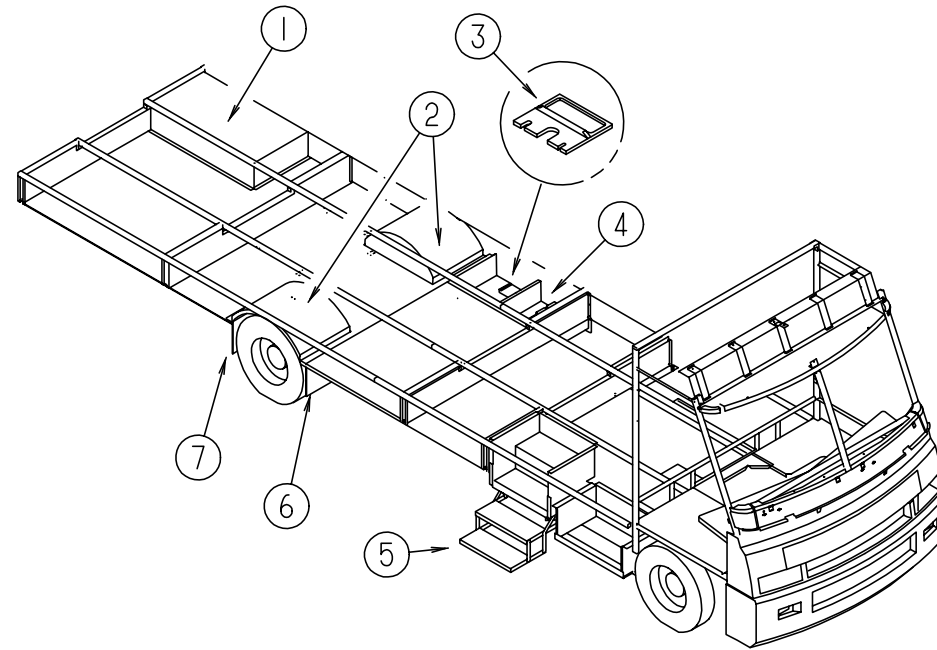
### COMPARTMENT (ENTERTAINMENT CENTER)

KEY	PART NUMBER	U/M	DESCRIPTION
1	124696-01-01A	EA	BOX - ENTERTAINMENT CENTER - EXTERIOR
2	127409-02-J01	EA	PLATE - RADIO MOUNTING
			FROM: 00-00-00 THRU: 06-13-99
2	127409-02-L15	EA	PLATE - RADIO MOUNTING
			FROM: 06-14-99 THRU: 99-99-99
3	105377-01-04A	EA	BRACKET - TABLE HANGER - BRIGHT WHITE
4	105376-01-03A	EA	HINGE - CONTINUOUS - 2" X 5.5" - BRIGHT WHITE
5	105230-11-J01	EA	SHELF - EXTERIOR ENTERTAINMENT CENTER
6	105230-12-J01	EA	SUPPORT - EXTERIOR SHELF
7	104898-01-02A	EA	PLATE - PLASTIC BOTTOM - BRIGHT WHITE
8	104898-02-02A	EA	PLATE - PLASTIC BACK - BRIGHT WHITE



## CHASSIS GROUP (CONTINUED)

### COMPARTMENTS & TRAYS

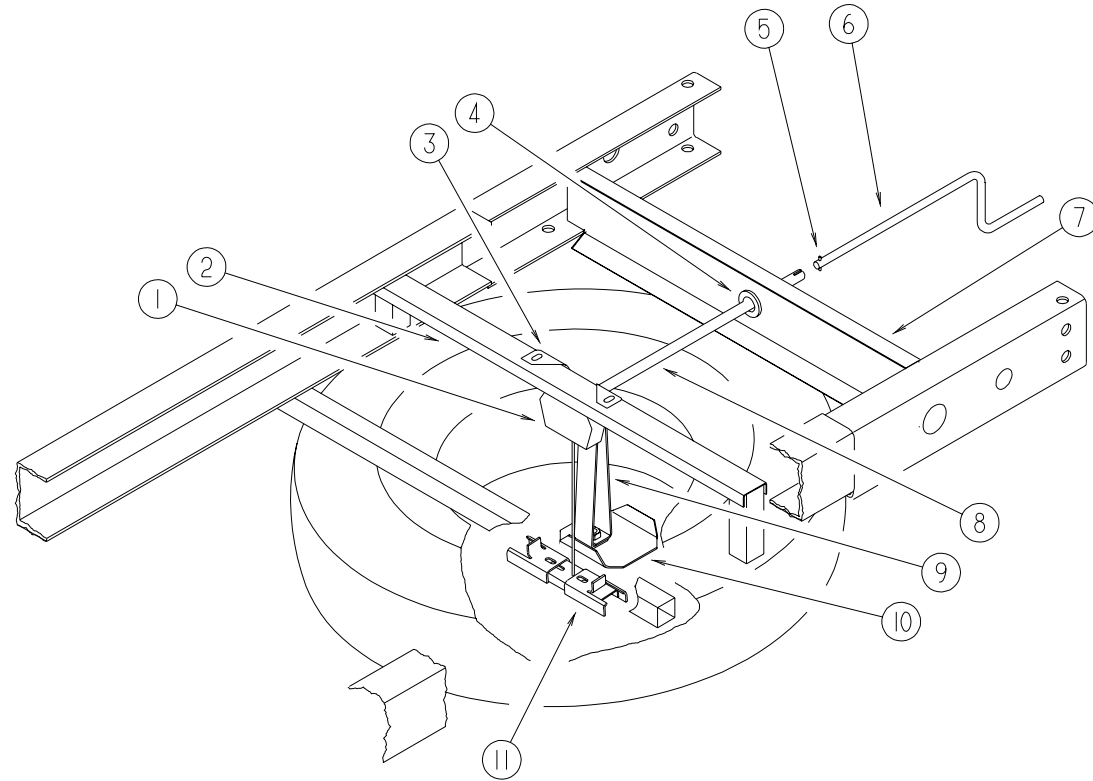


KEY	PART NUMBER	U/M	DESCRIPTION
1	104803-01-000	EA	ANGLE - FORMED - W/SLOTS
2	055374-01-000	EA	WHEELWELL - PLASTIC
3	M08628-01-H17	EA	HATCH W/FOAM INSERT
	121175-02-01A	EA	LATCH - SWELL
4	M08627-06-K28	EA	COMPARTMENT - ELECTRICAL/DRAINAGE
5*	094707-01-01A	EA	STEP - DOUBLE - ELECTRIC - KWIKEE
			FROM: 00-00-00 THRU: 01-13-99
5*	094707-03-01A	EA	STEP - DOUBLE - ELECTRIC - KWIKEE
			FROM: 01-14-99 THRU: 99-99-99
	116995-01-000	EA	SWITCH/MAGNET - ELECTRIC STEP
			FROM: 00-00-00 THRU: 01-13-99
	116995-02-000	EA	SWITCH/MAGNET - ELECTRIC STEP
			FROM: 01-14-99 THRU: 99-99-99

KEY	PART NUMBER	U/M	DESCRIPTION
	120234-03-H13	EA	LID - ENTRY STEP
	101222-01-04A	EA	BRACKET - CATCH - LID - E-COATED
6	020167-08-000	EA	DIRT GUARD - STEEL - 13.6" LONG
7	017516-01-000	EA	FLAP - MUD - 14" X 18" - BLACK
7	020167-03-000	EA	DIRT GUARD - STEEL - 11" LONG
	065450-05-000	EA	TIEDOWN - BATTERY - 8.4" TUBE
	120867-01-02B	EA	MOUNT - LP TANK
	119845-01-01A	EA	PLUG - PLASTIC - BLACK - 1 1/2" SQUARE

**\*COMPONENT PARTS FOUND IN SERVICE PARTS LIBRARY**

## CHASSIS GROUP (CONTINUED)



### SPARE TIRE & HOIST

KEY	PART NUMBER	U/M DESCRIPTION
1	093267-03-000	EA HOIST - SPARE TIRE - 100#
2	093362-06-000	EA CHANNEL - TIRE HOIST
3	124751-01-02B	EA HANGER - SPARE TIRE - E-COATED
4	071015-11-000	EA GROMMET - 1" ID
5	114376-01-000	EA PIN - DRIVE - .156 X .750 - TYPE E - TIRE HOIST
6	093376-02-000	EA HANDLE - CRANK - TIRE HOIST
7	129006-01-02B	EA SUPPORT/FRAME - TIRE CARRIER HANDLE (FORD)
7	129006-02-02B	EA SUPPORT/FRAME - TIRE CARRIER HANDLE (CHEVY)
8	093375-06-000	EA EXTENSION - TIRE HOIST
9	129086-01-02B	EA SUPPORT - SPARE TIRE
10	129085-01-02B	EA PLATE - SUPPORT - SPARE TIRE
11	105499-01-000	EA BRACKET - TIRE HOIST
	077030-02-000	EA EXTENSION - VALVE STEM - 1.25"
	077030-05-000	EA EXTENSION - VALVE STEM - 95 DEGREE
	077030-06-000	EA EXTENSION - VALVE STEM - 45 DEGREE
	095012-10-000	EA EXTENSION - VALVE STEM - 8.5"

## CHASSIS GROUP (CONTINUED)

### FORD TIRE & WHEEL

KEY	PART NUMBER	U/M DESCRIPTION
	051377-04-000	EA VALVE STEM .5" X 2"
	102340-04-000	EA TIRE - 245/70R X 19.5F - GOODYEAR
	118814-04-700	EA WHEEL/TAKE OFF (19.5X6.75RW) 8 BOLT ACCURIDE F53

### CHEVY TIRE & WHEEL

KEY	PART NUMBER	U/M DESCRIPTION
	051377-01-000	EA VALVE STEM
	064963-01-000	EA WHEEL - STEEL - 19.5" X 6" - GM 14005758
	091673-01-000	EA TIRE - 225/70 R19.5 LRF - MICHELIN XZA
	080208-06-000	EA LUG WRENCH - 1" X 1.06" W/DEEP SOCKET ENDS
	080208-02-000	EA BAR - LEVERAGE - LUG WRENCH

### CHEVY DRIVESHAFT

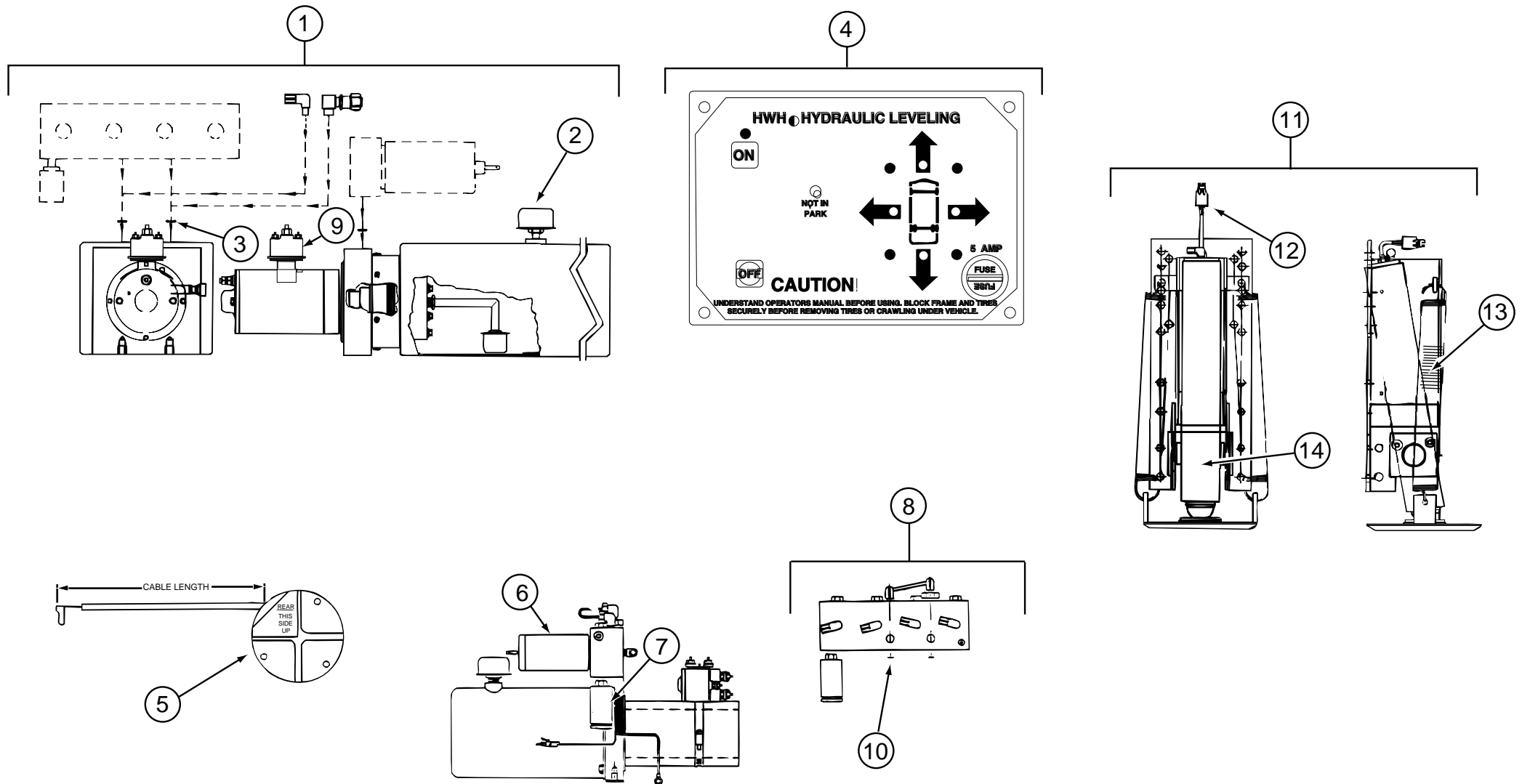
KEY	PART NUMBER	U/M DESCRIPTION
	088498-02-000	EA UNION - INVERTED FLARE - BRASS - 1/4
	088498-01-000	EA UNION - INVERTED FLARE - BRASS - 3/16 - BRAKE LINE
	074833-01-000	EA SPACER - BEARING - DRIVESHAFT - 2" X 8" X .5" THICK
	074833-04-000	EA SPACER - BEARING - DRIVESHAFT - 2" X 8" X .25" STEEL
	075302-16-000	EA DRIVESHAFT ASSEMBLY - YOKE/YOKE/BEARING - 46.72"
	083415-01-000	EA SHIELD - HEAT - DRIVESHAFT BEARING - 4" X 5.5" - STEEL
	085771-03-000	EA NUT - HEX - FLARE TORQUE - GRADE G - DRIVESHAFT
	129580-02-000	EA DRIVESHAFT - BALANCED - F53 - 242"
	115043-03-000	EA BUSHING - DRIVESHAFT

### HYDRAULIC SLIDEOUT

KEY	PART NUMBER	U/M DESCRIPTION	VENDOR NO.
	125687-01-000	EA SLIDEOUT - HYDRAULIC	
	125687-01-700	EA CYLINDER - 21" STROKE	RAP90512
	125687-01-701	EA HOSE - HYDRAULIC - 120"	RAP90428
	125687-01-702	EA CYLINDER - SYNCHRONIZING	RAP90471
	115767-02-000	EA WINCH - SLIDEOUT	
	116082-03-02B	EA BRACKET - WINCH	
	121177-01-02B	EA BRACKET - PASS REAR LEVEL JACK (STRAIGHT)/SLIDEOUT RM SYST	
	121177-02-02B	EA BRACKET - DRIVER REAR LEVEL JACK (STRAIGHT)/SLIDEOUT RM SYST	
	125888-01-02B	EA BRACKET - SLIDEOUT COMPARTMENT - E-COATED - RIGHT HAND	
	125888-02-02B	EA BRACKET - SLIDEOUT COMPARTMENT - E-COATED - LEFT HAND	
	128386-01-02B	EA BRACKET - SLIDEOUT/COMPARTMENT - E-COATED	

# CHASSIS GROUP (CONTINUED)

## HWH LEVELING SYSTEM - W/SLIDEOUT OPTION - CHEVY



KEY	PART NUMBER	U/M	DESCRIPTION	VENDOR NO.
	131306-01-000	EA	LEVELING SYSTEM - F/SLIDEOUT ROOM W/OUT JACKS DOWN SYSTEM	
1	100532-01-713	EA	PUMP-RESERVOIR ASM.-MONARCH	RAP90014
2	100532-03-715	EA	CAP-BREATHER W/DIPSTICK	RAP7876
3	100532-03-723	EA	O-RING/SEAL KIT	RAP9171
4	100532-08-703	EA	PANEL ASM.-200 BI-AXIS SYS.	RAP9755
5	100532-12-703	EA	SENSING UNIT BI-AXIS-27'	RAP6800
6	100532-09-704	EA	VALVE-PRESSURE SOLENOID	RAP0642
7	100532-31-701	EA	CHECK VALVE & KIT	RAP10021
8	100532-16-701	EA	MANIFOLD ASM. F/SLIDE OUT	RAP1716
9	100532-09-710	EA	SOLENOID-INTERMITTENT DUTY	RAP0533
10	100532-31-702	EA	O-RING/SEAL KIT - MANIFOLD	RAP90127
11	100532-18-700	EA	JACK - 9K STRAIGHT ACTING	RAP90177
12	100532-12-706	EA	SWITCH - WARNING/MAGNETIC	RAP1008 / RAP90496
13	100532-12-707	EA	SPRING KIT	R3847

KEY	PART NUMBER	U/M	DESCRIPTION	VENDOR NO.
14	100532-32-702	EA	CYLINDER ONLY F/9000 LB JACK	RAP1927
	100532-03-722	EA	O-RING KIT	R7430
	100532-08-702	EA	VALVE, BI-AXIS	RAP9589
	100532-32-703	EA	BUZZER - JACK WARNING	RAP90403
	100532-45-700	EA	CYLINDER W/O FOOT - 6K X 13"	RAP90490
	100532-47-701	EA	VALVE - BI-AXIS - W/O LEVERS	RAP0367
	117183-01-02B	EA	COVER - SENSOR - LEVELING	
	117837-02-01B	EA	SUPPORT-LEVELING, CNTRL, MILL	
	123264-01-000	EA	TEE - UNION - 1/4" X 1/4" X 1/4"	
	120916-01-02B	EA	BRACKET - PUMP - LEVELING SYSTEM	
	126311-01-02B	EA	BRACKET - LEVELING JACK - PASSENGER SIDE REAR	
	121177-02-02B	EA	BRACKET - DRVR REAR LEVEL JACK (STRAIGHT)/SLIDEOUT RM SYST	
	121651-01-02B	EA	CROSSMEMBER - REAR JACK MOUNTING	

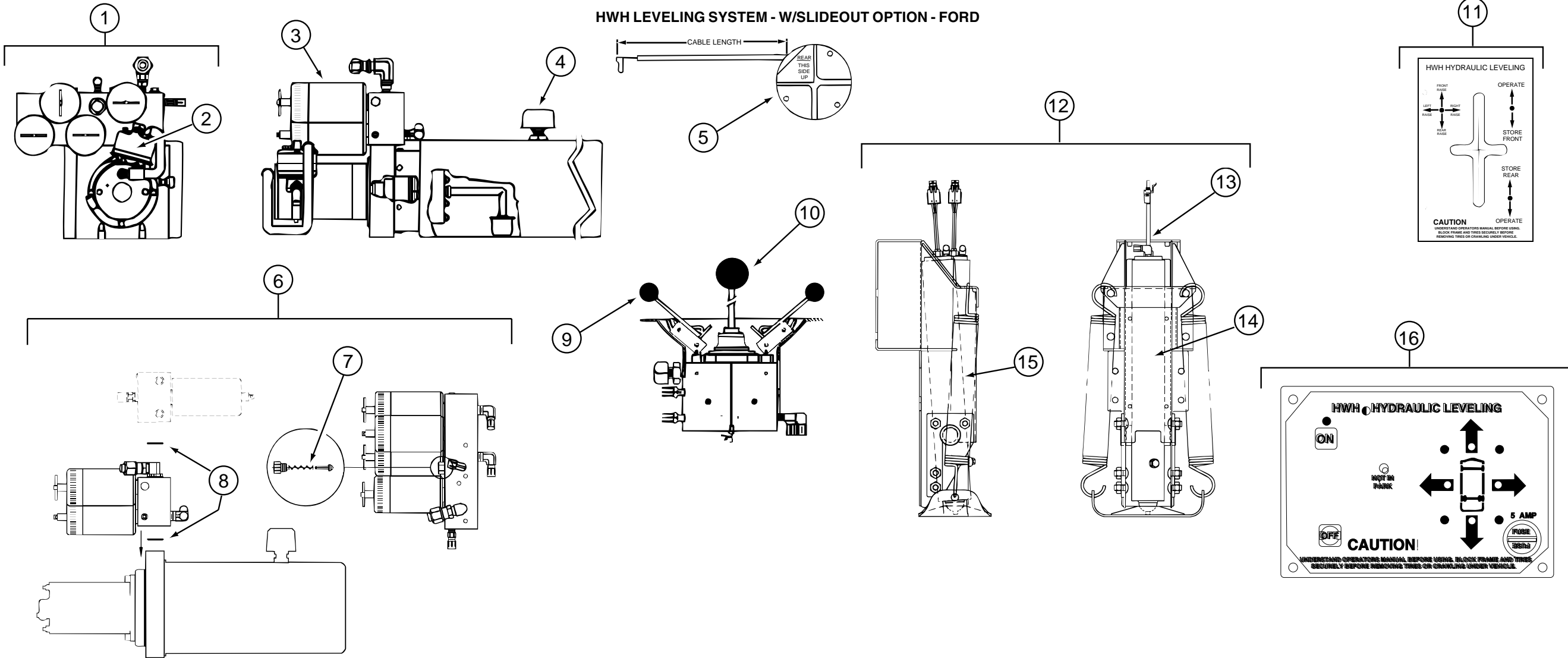
FROM: 00-00-00 THRU: 02-08-99

### HOSE KIT - LEVELING SYSTEM/JACKS

KEY	PART NUMBER	U/M	DESCRIPTION	VENDOR NO.
	100536-10-000	EA	HOSE KIT - LEVELING SYSTEM/JACKS	
	100536-09-700	EA	HOSE-HYDRAULIC-324"	AP2464
	100536-09-701	EA	HOSE-HYDRAULIC-60"	RAP4073
	100536-09-702	EA	HOSE-HYDRAULIC-354"	RAP4311
	100536-10-700	EA	HOSE-HYDRAULIC-84"	RAP1412
	100536-10-701	EA	HOSE-HYDRAULIC-116"	RAP90349

## CHASSIS GROUP (CONTINUED)

### HWH LEVELING SYSTEM - W/SLIDEOUT OPTION - FORD



KEY	PART NUMBER	U/M	DESCRIPTION	VENDOR NO.
	131306-02-000	EA	LEVELING SYSTEM - OPERATES SLIDEOUT ROOM W/OUT JACKS DOWN	
1	100532-16-701	EA	MANIFOLD ASM. F/SLIDE OUT	RAP1716
2	100532-09-710	EA	SOLENOID-INTERMITTENT DUTY	RAP0533
3	100532-09-704	EA	VALVE-PRESSURE SOLENOID	RAP0642
4	100532-03-715	EA	CAP-BREATHER W/DIPSTICK	RAP7876
5	100532-12-703	EA	SENSING UNIT BI-AXIS-27'	RAP6800
6	100532-01-713	EA	PUMP-RESERVOIR ASM.-MONARCH	RAP90014
7	100532-31-701	EA	CHECK VALVE & KIT	RAP10021
8	100532-31-702	EA	O-RING/SEAL KIT - MANIFOLD	RAP90127
9	100532-08-705	EA	KNOB-3/4" BLACK, SET OF FOUR	RAP1379
10	100532-08-706	EA	KNOB-1 3/16" BLACK	RAP9734
11	100532-08-707	EA	BEZEL W/GASKET, F/SYSTEM 200	RAP9592
12	100532-51-700	EA	JACK - 6K STRAIGHT ACTING	RAP90502
13	100532-12-706	EA	SWITCH - WARNING/MAGNETIC	RAP1008 / RAP90496
14	100532-53-700	EA	CYLINDER ASM. - 9K	RAP90491
15	100532-12-707	EA	SPRING KIT	R3847
16	100532-08-703	EA	PANEL ASM.-200 BI-AXIS SYS.	RAP9755

KEY	PART NUMBER	U/M	DESCRIPTION	VENDOR NO.
	100532-03-722	EA	O-RING KIT	R7430
	100532-03-723	EA	O-RING/SEAL KIT	RAP9171
	100532-08-702	EA	VALVE, BI-AXIS	RAP9589
	100532-32-703	EA	BUZZER - JACK WARNING	RAP90403
	100532-45-700	EA	CYLINDER W/O FOOT - 6K X 13"	RAP90490
	100532-47-701	EA	VALVE - BI-AXIS - W/O LEVERS	RAP0367
	123264-01-000	EA	TEE - UNION - 1/4" X 1/4" X 1/4"	
	117183-01-02B	EA	COVER - SENSOR - LEVELING	
	117837-02-01B	EA	SUPPORT-LEVELING, CNTRL, MILL	

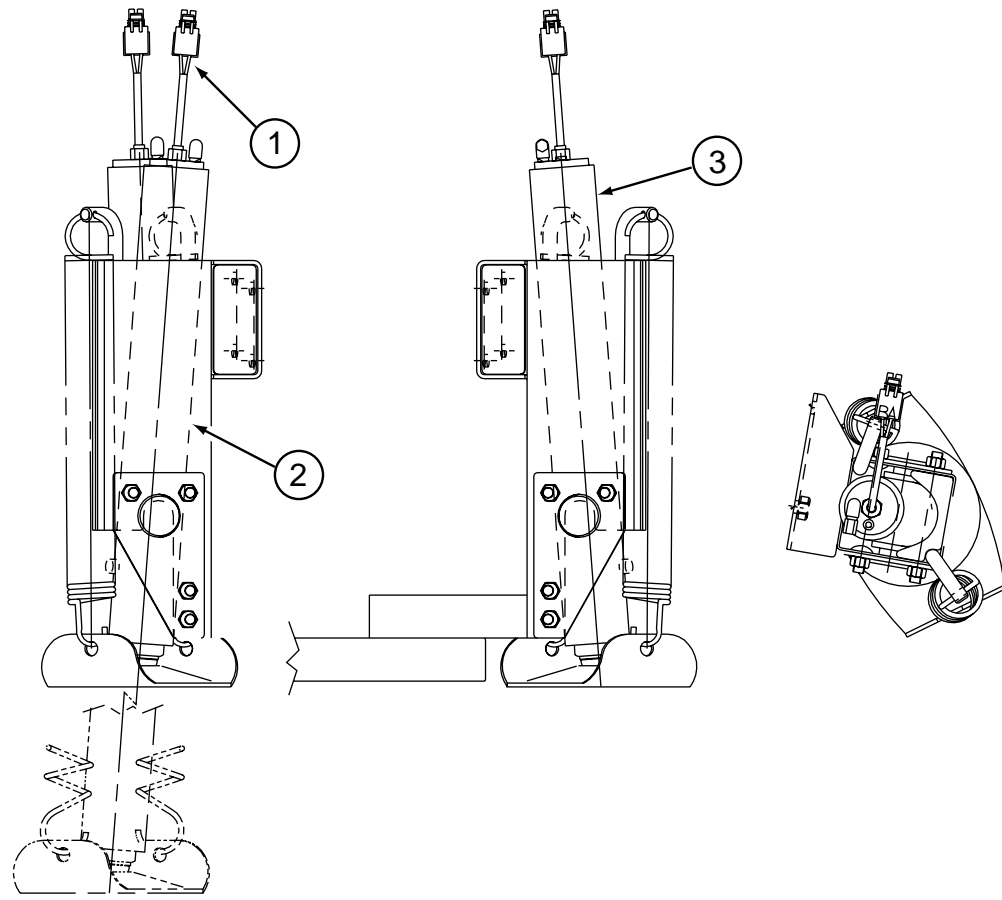
FROM: 00-00-00 THRU: 02-08-99

FROM: 01-18-99 THRU: 99-99-99

#### HOSE KIT - LEVELING SYSTEM/JACKS

KEY	PART NUMBER	U/M	DESCRIPTION	VENDOR NO.
	100536-10-000	EA	HOSE KIT - LEVELING SYSTEM/JACKS	
	100536-09-700	EA	HOSE-HYDRAULIC-324"	AP2464
	100536-09-701	EA	HOSE-HYDRAULIC-60"	RAP4073
	100536-09-702	EA	HOSE-HYDRAULIC-354"	RAP4311
	100536-10-700	EA	HOSE-HYDRAULIC-84"	RAP1412
	100536-10-701	EA	HOSE-HYDRAULIC-116"	RAP90349

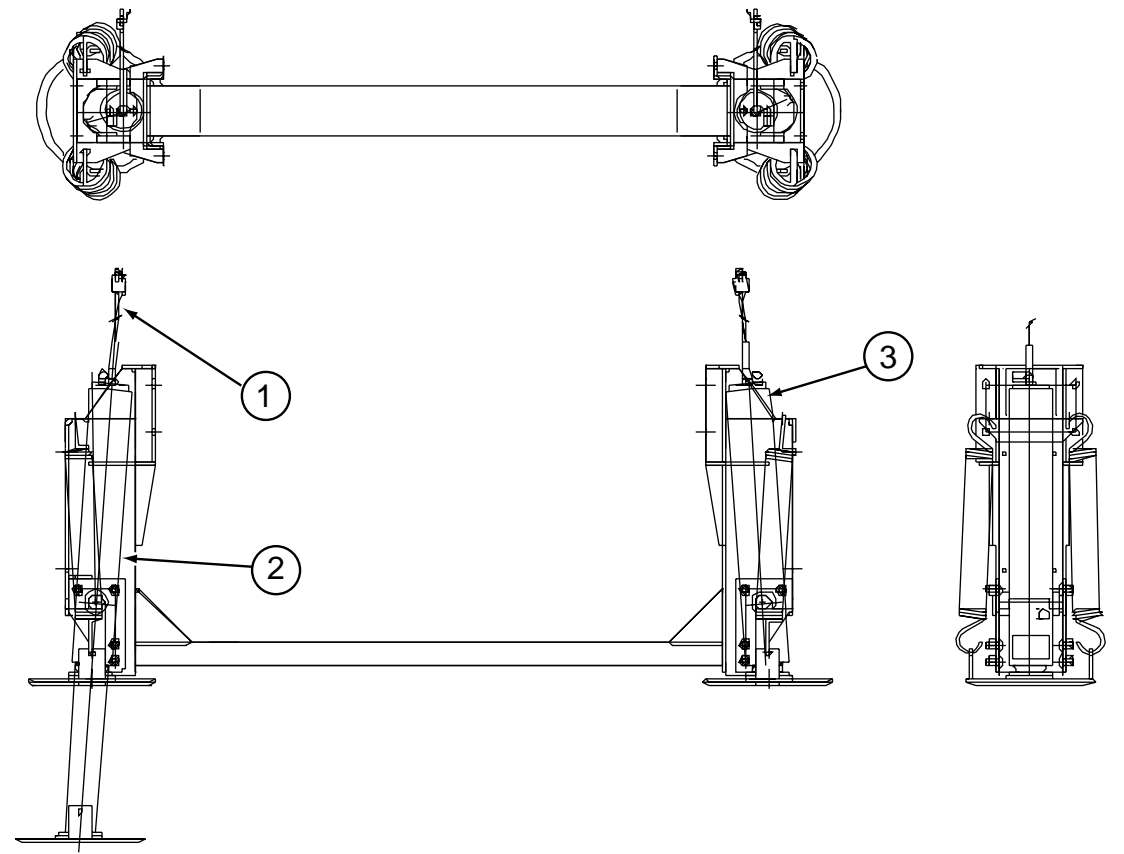
**CHASSIS GROUP (CONTINUED)**



**HWH LEVELING SYSTEM FRONT JACKS - W/SLIDEOUT OPTION - CHEVY**

KEY	PART NUMBER	U/M	DESCRIPTION	VENDOR NO.
	128285-01-000	EA	JACK/CROSSMEMBER ASSEMBLY - FRONT - CHEVY THIS ASSEMBLY CONSISTS OF 2 FRONT JACKS AND A CROSSMEMBER	
1	100532-12-706	EA	SWITCH - WARNING/MAGNETIC	RAP1008 / RAP90496
2	100532-12-707	EA	SPRING KIT	R3847
3	100532-45-700	EA	CYLINDER W/O FOOT - 6K X 13"	RAP90490

**CHASSIS GROUP (CONTINUED)**

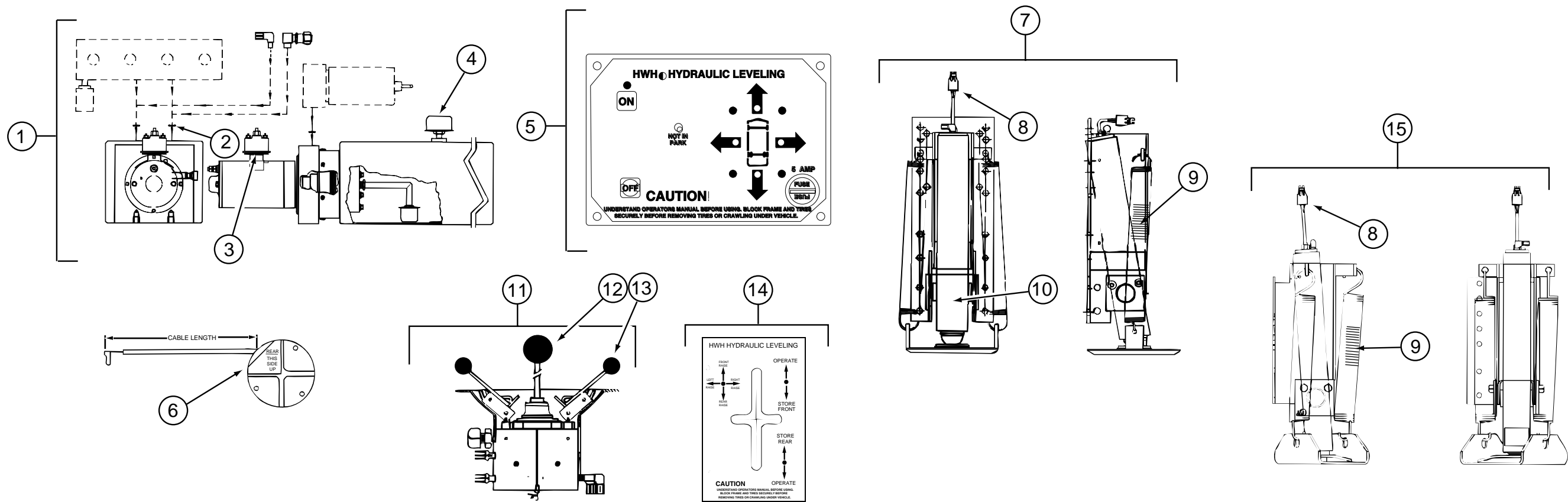


**HWH LEVELING SYSTEM REAR JACKS - W/SLIDEOUT OPTION - FORD**

KEY	PART NUMBER	U/M	DESCRIPTION	VENDOR NO.
	128571-03-000	EA	JACK ASSEMBLY - REAR LEVELING - W/CROSSMEMBER - MANUAL	
1	100532-12-706	EA	SWITCH - WARNING/MAGNETIC	RAP1008 / RAP90496
2	100532-12-707	EA	SPRING KIT	R3847
3	100532-53-700	EA	CYLINDER ASM. - 9K	RAP90491

## CHASSIS GROUP (CONTINUED)

### HWH HYDRAULIC LEVELING SYSTEM (WITHOUT SLIDEOUT OPTION) (CHEVY)

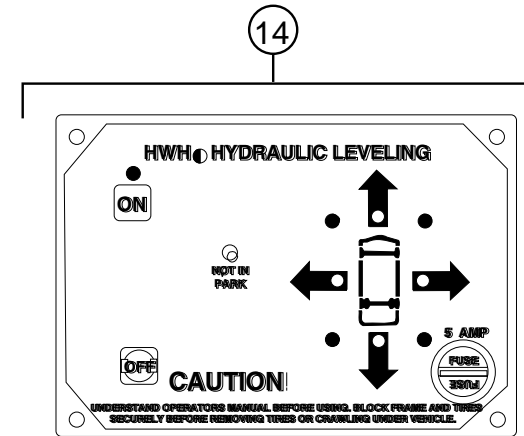
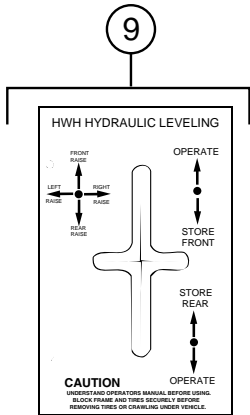
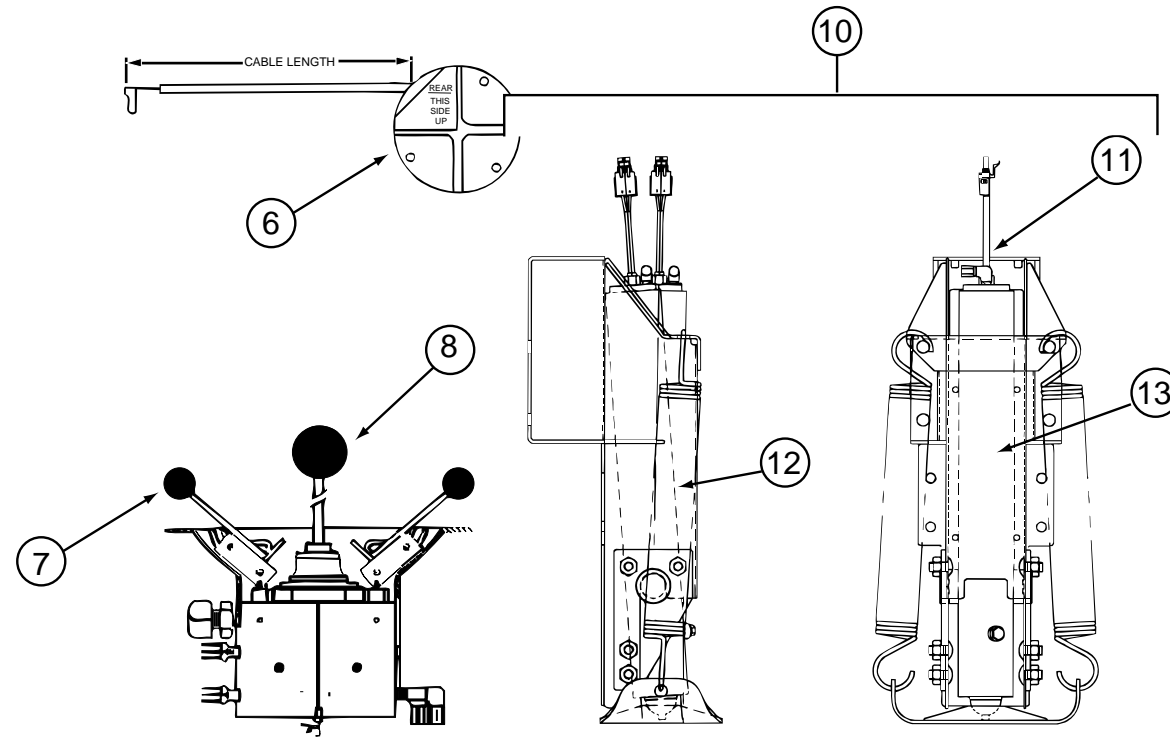
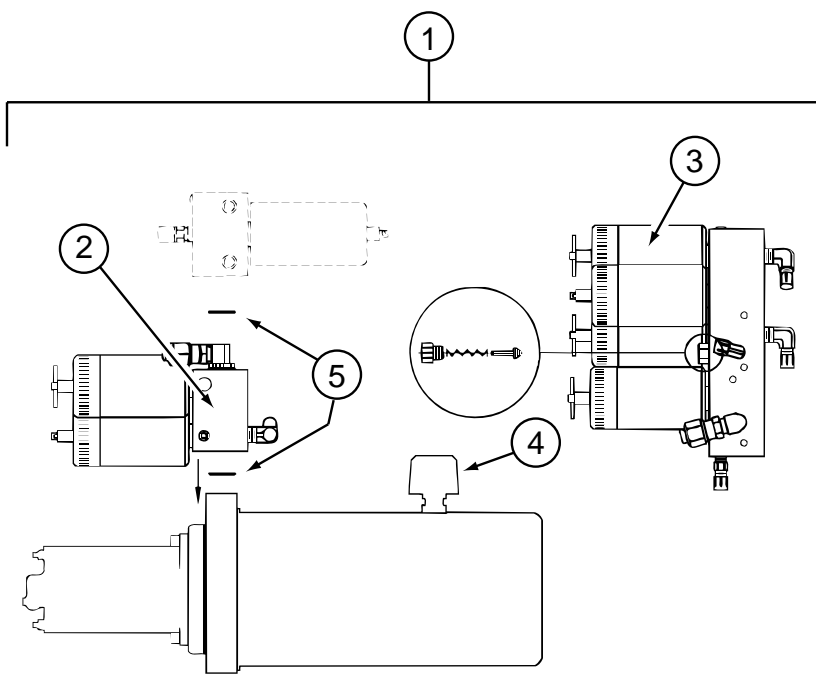


KEY	PART NUMBER	U/M	DESCRIPTION	VENDOR NO.
	100532-42-000	EA	LEVELING SYSTEM - HYDRAULIC	
1	100532-01-713	EA	PUMP - RESERVOIR ASM. - MONARCH	RAP90014
2	100532-03-723	EA	O-RING - SEAL KIT	RAP9171
3	100532-09-710	EA	SOLENOID - INTERMITTENT DUTY	RAP0533
4	100532-03-715	EA	CAP - BREATHER W/DIPSTICK	RAP7876
5	100532-08-703	EA	PANEL ASM. - 200 BI-AXIS SYS.	RAP9755
6	100532-03-710	EA	SENSING UNIT 21' MTA	RAP6798
7	100532-18-700	EA	JACK - 9K STRAIGHT ACTING	RAP90177
8	100532-12-706	EA	SWITCH - WARNING - MAGNETIC	RAP1008
9	100532-12-707	EA	SPRING KIT	R3847
10	100532-32-702	EA	CYLINDER ONLY F/9000 LB JACK	RAP1927
11	100532-08-702	EA	VALVE - BI-AXIS	RAP9589
12	100532-08-705	EA	KNOB - 3/4" BLACK - SET OF FOUR	RAP1379
13	100532-08-706	EA	KNOB - 1 3/16" BLACK	RAP9734
14	100532-08-707	EA	BEZEL W/GASKET - F/SYSTEM 200	RAP9592

KEY	PART NUMBER	U/M	DESCRIPTION	VENDOR NO.
15	100532-42-700	EA	JACK - DRIVERS - 6K	RAP90245
15	100532-42-701	EA	JACK - PASSENGER - 6K	RAP90246
	100532-08-700	EA	POWER UNIT ASM.	AP10470
	100532-32-701	EA	BUZZER - JACK DOWN WARNING	RAP0325
	100536-10-000	EA	HOSE KIT - LEVELING SYSTEM/JACKS	
	100536-09-700	EA	HOSE-HYDRAULIC-324"	AP2464
	100536-09-701	EA	HOSE - HYDRAULIC - 60"	RAP4073
	100536-09-702	EA	HOSE-HYDRAULIC-354"	RAP4311
	100536-10-700	EA	HOSE - HYDRAULIC - 84"	RAP1412
	100536-10-701	EA	HOSE-HYDRAULIC-1/4" X 116"	RAP90349/AP5384
	107890-01-000	EA	ELBOW - STEEL - 90 D - 1/4 X 37 D - FLARE	
	117183-01-02B	EA	COVER - SENSOR - LEVELING	
	120916-01-02B	EA	BRACKET - PUMP - LEVELING SYSTEM	
	121177-01-02B	EA	BRACKET - PASS REAR LEVEL JACK (STRAIGHT)	
	121177-02-02B	EA	BRACKET - DRVR REAR LEVEL JACK (STRAIGHT)	
	128285-01-000	EA	JACK/CROSSMEMBER ASSEMBLY - FRONT - CHEVY	

## CHASSIS GROUP (CONTINUED)

### HWH HYDRAULIC LEVELING SYSTEM (WITHOUT SLIDEOUT OPTION) (FORD)

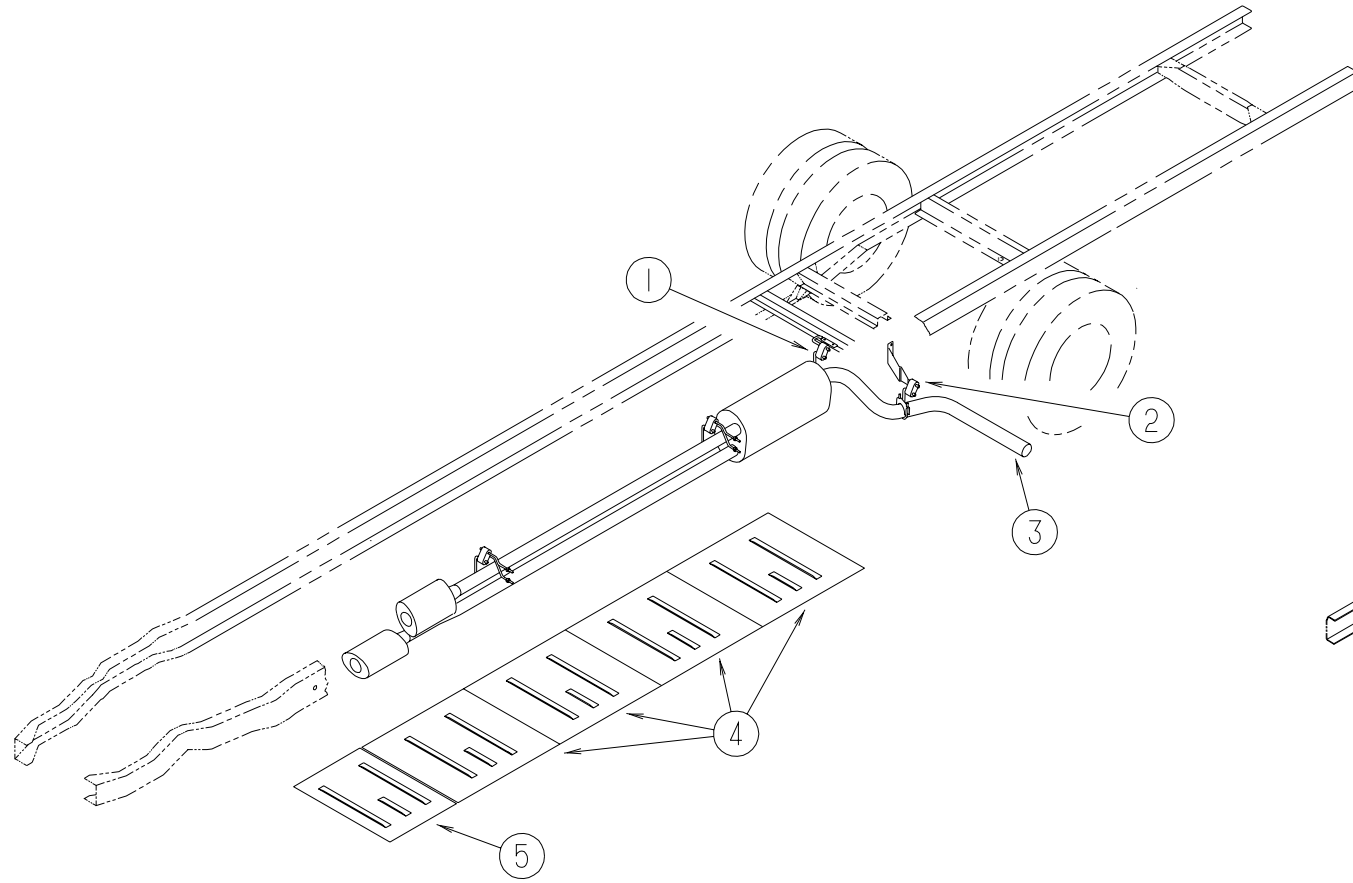


KEY	PART NUMBER	U/M DESCRIPTION
	100532-51-000	EA LEVELING SYSTEM - HYDRAULIC
1	100532-01-713	EA PUMP - RESERVOIR ASM. - MONARCH
2	100532-09-710	EA SOLENOID - INTERMITTENT DUTY
3	100532-08-702	EA VALVE - BI-AXIS
4	100532-03-715	EA CAP - BREATHER W/DIPSTICK
5	100532-03-723	EA O-RING/SEAL KIT
6	100532-03-710	EA SENSING UNIT 21' MTA
7	100532-08-705	EA KNOB - 3/4" BLACK - SET OF FOUR
8	100532-08-706	EA KNOB - 1 3/16" BLACK
9	100532-08-707	EA BEZEL W/GASKET - F/SYSTEM 200
10	100532-51-700	EA JACK - 6K STRAIGHT ACTING
11	100532-12-706	EA SWITCH - WARNING/MAGNETIC
12	100532-12-707	EA SPRING KIT
13	100532-53-700	EA CYLINDER ASM. - 9K
14	100532-08-703	EA PANEL ASM. - 200 BI-AXIS SYS.

VENDOR NO.
RAP90014
RAP0533
RAP9589
RAP7876
RAP9171
RAP6798
RAP1379
RAP9734
RAP9592
RAP90502
RAP1008 / RAP90496
R3847
RAP90491
RAP9755

KEY	PART NUMBER	U/M DESCRIPTION	VENDOR NO.
	100532-32-703	EA BUZZER - JACK WARNING	RAP90403
	100532-45-700	EA CYLINDER W/O FOOT - 6K X 13"	RAP90490
	100532-47-701	EA VALVE - BI-AXIS - W/O LEVERS	RAP0367
	100536-10-000	EA HOSE KIT - LEVELING SYSTEM/JACKS	
	100536-09-700	EA HOSE-HYDRAULIC-324"	AP2464
	100536-09-701	EA HOSE - HYDRAULIC - 60"	RAP4073
	100536-09-702	EA HOSE-HYDRAULIC-354"	RAP4311
	100536-10-700	EA HOSE - HYDRAULIC - 84"	RAP1412
	100536-10-701	EA HOSE-HYDRAULIC-1/4" X 116"	RAP90349/AP5384
	107890-01-000	EA ELBOW - STEEL - 90 D - 1/4 X 37 D -	FLARE
	117183-01-02B	EA COVER - SENSOR - LEVELING	
	128571-03-000	EA JACK ASSEMBLY - REAR LEVELING - W/CROSSMEMBER - MANUAL	
	100532-12-706	EA SWITCH - WARNING/MAGNETIC	RAP1008 / RAP90496
	100532-12-707	EA SPRING KIT	R3847
	100532-53-700	EA CYLINDER ASM. - 9K	RAP90491

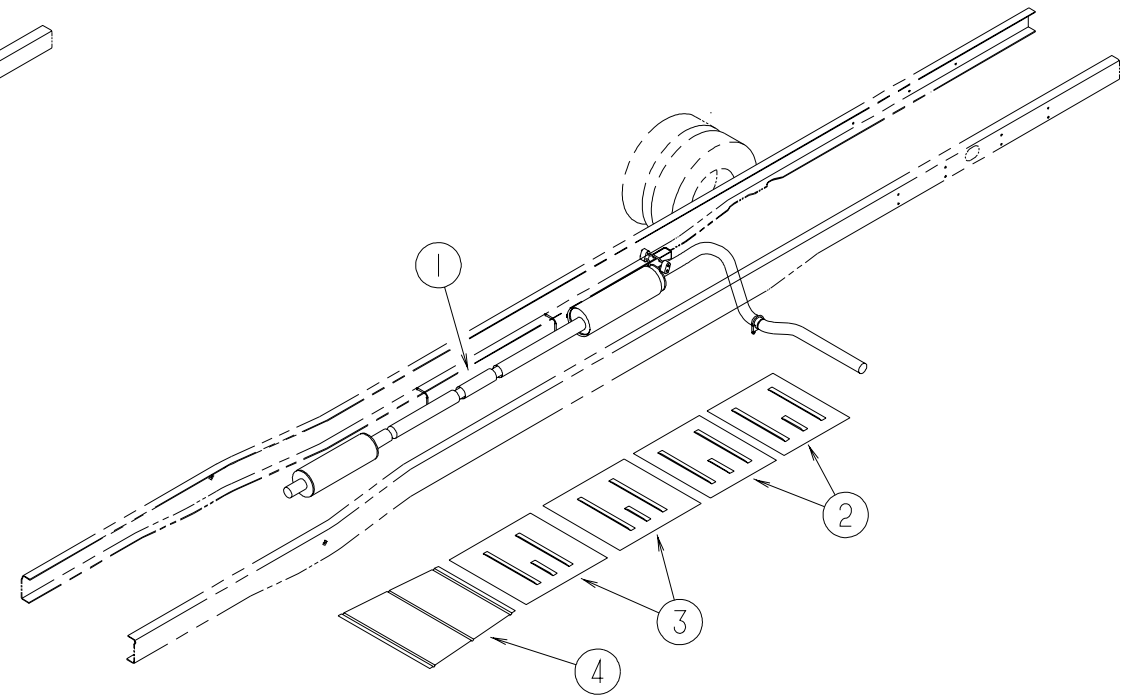
**CHASSIS GROUP (CONTINUED)**



**EXHAUST SYSTEM (CHEVY)**

KEY	PART NUMBER	U/M	DESCRIPTION
1	122392-01-02B	EA	HANGER - TAILPIPE
2	122392-03-02B	EA	HANGER - TAILPIPE - REAR
3	122529-02-000	EA	PIPE - EXHAUST
4	101544-02-000	EA	SHIELD - HEAT/EXHAUST - 30" X 29.1"
5	101544-01-000	EA	SHIELD - HEAT/EXHAUST - 19.7" X 29.1"
	094918-01-000	EA	CLAMP - EXHAUST - 3" - GUILLOTINE STYLE

**CHASSIS GROUP (CONTINUED)**

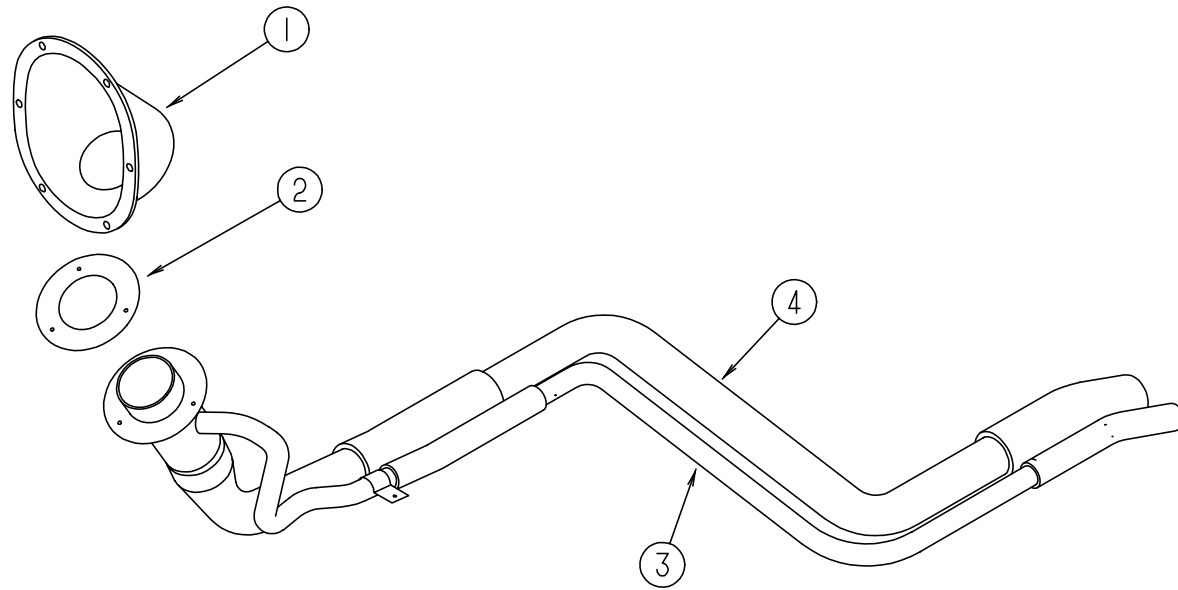


**EXHAUST SYSTEM (FORD)**

KEY	PART NUMBER	U/M	DESCRIPTION
1	112012-03-000	EA	PIPE - EXHAUST - 3" DIAMETER - FORD CHASSIS
	094918-06-000	EA	CLAMP - EXHAUST - 3" - HEAVY DUTY
2	101544-10-000	EA	SHIELD - HEAT/EXHAUST - 19.7" X 29.1" - FORD
3	101544-06-000	EA	SHIELD - HEAT/EXHAUST - 33.9" X 29.1"
4	128756-01-02B	EA	SHIELD - HEAT EXHAUST - E-COATED



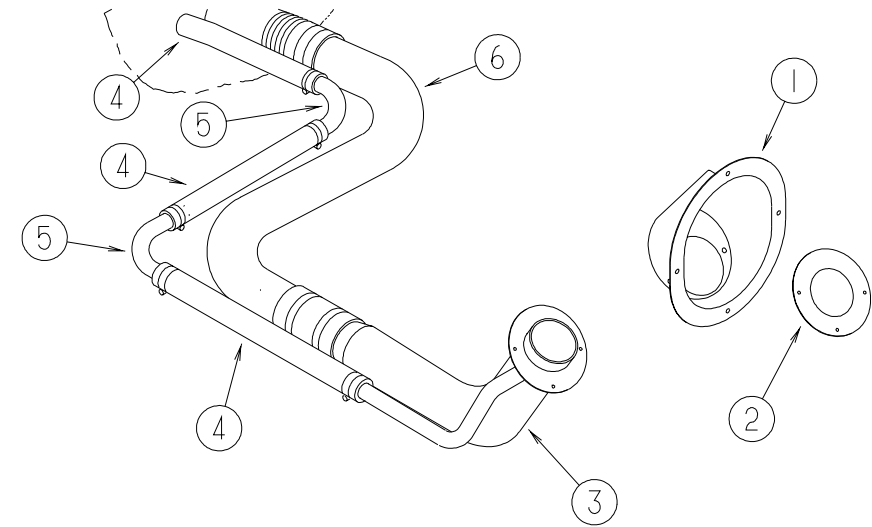
## CHASSIS GROUP (CONTINUED)



### FUEL SYSTEM (FORD)

KEY	PART NUMBER	U/M	DESCRIPTION
1	127291-02-01A	EA	SHROUD - FUEL FILL - BRIGHT WHITE
2	078200-01-000	EA	GASKET - FUEL FILL - 3.5"OD X 2"ID
3	129320-10-000	EA	PIPE - FILL VENT
4	129321-10-000	EA	TUBE - FUEL INLET
	007063-01-000	FT	HOSE - FUEL - 1/4"ID X 1/2"OD
	128139-03-000	FT	HOSE - FUEL - LOW PERMEABILITY - 1/4" DIAMETER FROM: 00-00-00 THRU: 01-25-99 FROM: 01-26-99 THRU: 99-99-99
	129494-03-000	EA	FUEL LINE - 5/16" X 21.2" - FORD CHASSIS
	129505-03-000	EA	TUBE - STEEL - 5/8" X 19.5"
	088497-02-000	EA	NUT - INVERTED FLARE - 1/4"
	092889-32-000	EA	FUEL LINE - SUPPLY - GENERATOR - 1/4" X 90.9" - STEEL

## CHASSIS GROUP (CONTINUED)



### FUEL SYSTEM (CHEVY)

KEY	PART NUMBER	U/M	DESCRIPTION
1	127291-01-01A	EA	SHROUD - FUEL FILL - BRIGHT WHITE
2	078200-01-000	EA	GASKET - FUEL FILL - 3.5"OD X 2"ID
3	127301-03-000	EA	NECK - FUEL FILL
4	128139-02-000	FT	HOSE - FUEL - LOW PERMEABILITY - 5/8" DIAMETER
5	098806-01-000	EA	PIPE - FILL VENT - 90 DEGREE BEND - .625" OD - STEEL
6	124327-05-000	EA	TUBE - FUEL INLET
	007063-01-000	FT	HOSE - FUEL - 1/4"ID X 1/2"OD
	128139-03-000	FT	HOSE - FUEL - LOW PERMEABILITY - 1/4" DIAMETER FROM: 00-00-00 THRU: 01-25-99 FROM: 01-26-99 THRU: 99-99-99
	127392-02-000	EA	HOSE - EVAPORATOR TO EMISSIONS CANISTER
	098758-01-000	EA	FUEL RETURN LINE - 5/16" STEEL X 14" LONG W/14MM NUTS
	098759-01-000	EA	FUEL SUPPLY LINE - 3/8" STEEL X 14" LONG W/16MM NUTS
	098779-02-000	EA	COUPLER - FUEL LINE - 1.2" LONG X 16MM THREAD
	127392-02-000	EA	HOSE - EVAPORATOR TO EMISSIONS CANISTER
	088497-02-000	EA	NUT - INVERTED FLARE - 1/4"
	024138-01-000	FT	HOSE - FUEL - 5/16" ID
	098759-05-000	EA	FUEL SUPPLY LINE - 3/8" STEEL X 30" LONG W/16MM NUTS

**CHASSIS GROUP (CONTINUED)**

**WHEEL LINERS, (FORD 19.5")**

KEY	PART NUMBER	U/M DESCRIPTION	VENDOR NO.
	077030-05-000	EA EXTENSION - VALVE STEM - 95 DEGREE FROM: 00-00-00 THRU: 11-23-98	
	077030-04-000	EA EXTENSION - VALVE STEM - .75" FROM: 11-24-98 THRU: 99-99-99	
	077030-06-000	EA EXTENSION - VALVE STEM - 45 DEGREE	
	095012-07-000	EA STABILIZER - VALVE EXTENSION	
	095012-10-000	EA EXTENSION - VALVE STEM - 8.5" FROM: 00-00-00 THRU: 11-23-98	
	095012-09-000	EA EXTENSION - VALVE STEM - 7.7" FROM: 11-24-98 THRU: 99-99-99	
	110435-15-000	EA LINER - WHEEL SET/4 - 19.5"	
	110435-10-705	EA TOOL - INSTALLATION	V195P7-TOL
	110435-15-700	EA LINER - WHEEL - FRONT	V195F9-FWC
	110435-15-701	EA LINER - WHEEL - REAR	V195F9-RWC
	110435-15-702	EA COVER LUG NUT/JAMB NUT - 14M	V195F9-EJN

**WHEEL COVERS, DICOR (FORD 19.5")**

KEY	PART NUMBER	U/M DESCRIPTION	VENDOR NO.
	109443-07-000	EA WHEEL COVER - 4/SET - 19.5"	
	109443-01-703	EA CAP-CENTER, HUB - DICOR	SHAU95-CAP
	109443-07-700	EA COVER - WHEEL - 8 LUG	SHAF95-COV
	109443-07-701	EA BRACKET SET - FRONT	SHAF95-FBS
	109443-07-702	EA BRACKET SET - REAR	SHAF95-RBS
	098532-01-700	EA COVER-LUG NUT (CHROME) SHAU-LNC	

**CHASSIS GROUP (CONTINUED)**

**WHEEL LINERS (CHEVY)**

KEY	PART NUMBER	U/M DESCRIPTION	VENDOR NO.
	110435-10-000	EA LINER - WHEEL - SET 4 - 19.5"	
	110435-10-700	EA LINER - WHEEL - FRONT - 1 PC	V195P7-FWC
	110435-10-701	EA LINER - WHEEL - REAR - 1 PC	V195P7-RWC
	110435-10-702	EA COVER-LUG NUT W/STEEL JAMB NUT	V195P7-EJN
	110435-10-703	EA STUD - PLASTIC	V195P7-PST
	110435-10-704	EA COVER-LUG NUT W/PLASTIC JAMB	V195P7-PJN
	110435-10-705	EA TOOL - INSTALLATION	V195P7-TOL

**WHEEL COVERS, DICOR (CHEVY)**

KEY	PART NUMBER	U/M DESCRIPTION	VENDOR NO.
	109443-06-000	EA WHEEL - COVER - 4/SET - 19.5"	
	109443-01-700	EA COVER - WHEEL 19.5 FRT/RR EA=1	SHAG95
	109443-01-701	EA BRACKET - RETENTION FRONT	SHAG95-FBS
	109443-01-703	EA CAP - CENTER - HUB - DICOR	SHAU95-CAP
	109443-01-704	EA CLIP - RETAINER	V160GM-PNT
	109443-06-701	EA BRACKET - RETENTION REAR	SHG795-RBS

**SHOCK ABSORBER (CHEVY) (FROM: 00-00-00 THRU: 04-04-99)**

KEY	PART NUMBER	U/M DESCRIPTION	VENDOR NO.
	122756-02-000	EA SHOCK AND STABILIZER (BLUE BOOT) KIT - FRONT END P30 CHASS	
	122756-02-700	EA BRACKET ASM - DRIVER SIDE	T818L
	122756-02-701	EA BRACKET ASM - PASSENGER SIDE	T818R
	122756-02-704	EA BOLT PACKAGE -BOLTS/NUTS ETC	T818B
	122756-02-705	EA SHOCK	T818SH
	122756-02-706	EA STUD - SHOCK MOUNTING	T818S
	122756-02-707	EA DAMPNER - STEERING	T818SD
	122756-02-708	EA BOOT - DAMPNER	T818SDB
	122756-02-709	EA BUSHING PKG-STEERING DAMPNER	T818SDBSH
	122756-02-710	EA BOLT PKG - STEERING DAMPNER	T818SBS

**SHOCK ABSORBER (CHEVY) (FROM: 04-05-99 THRU: 99-99-99)**

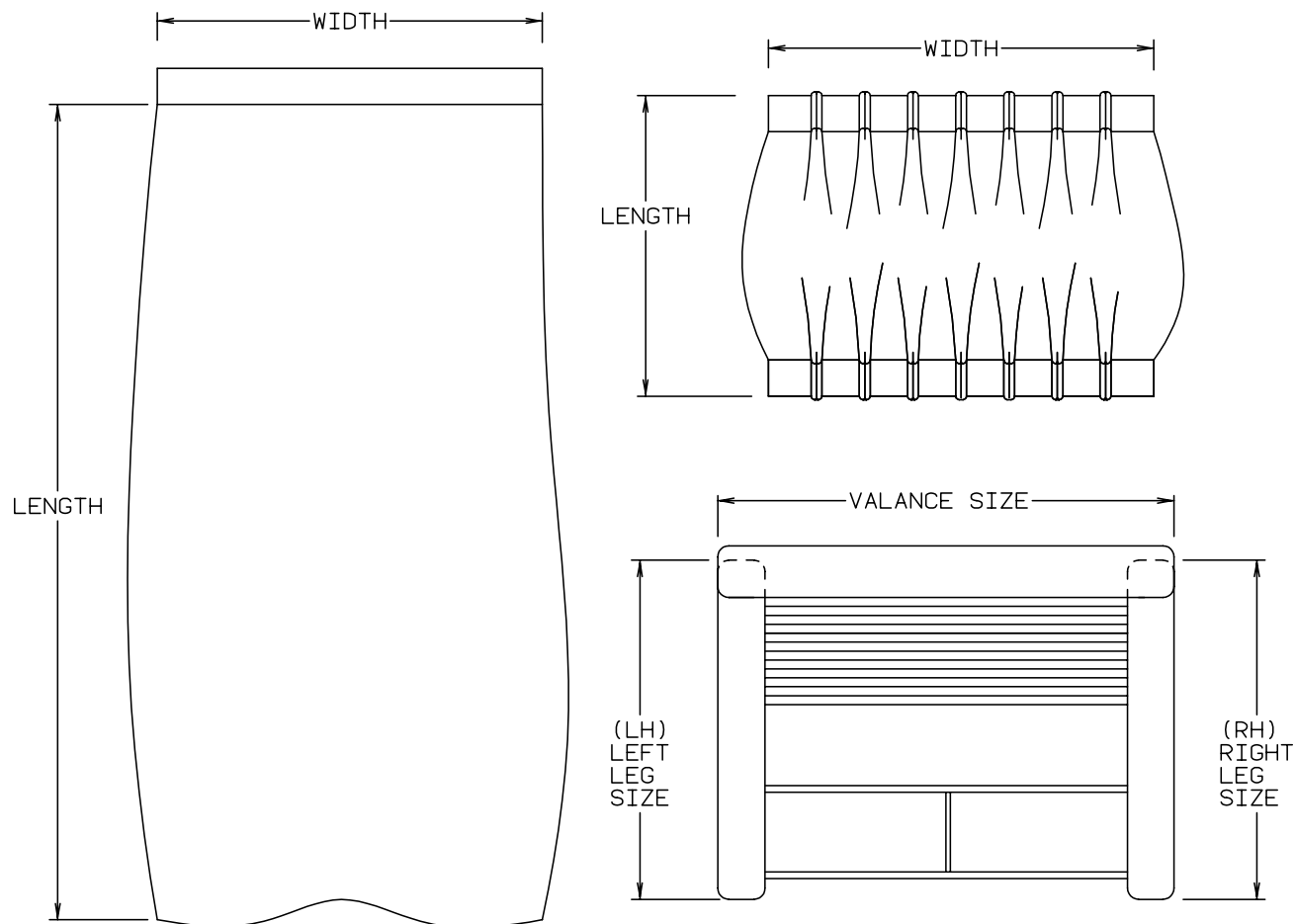
KEY	PART NUMBER	U/M DESCRIPTION	VENDOR NO.
	122756-03-000	EA SHOCK & STABILIZER KIT (YELLOW SHOCK)	
	122756-02-706	EA STUD - SHOCK MOUNTING	T818S
	122756-02-707	EA DAMPNER - STEERING	T818SD
	122756-02-708	EA BOOT - DAMPNER	T818SDB
	122756-02-709	EA BUSHING PKG-STEERING DAMPNER	T818SDBSH
	122756-02-710	EA BOLT PKG - STEERING DAMPNER	T818SBS
	122756-03-700	EA BRACKET ASM-DRIVER SIDE	T818L-3
	122756-03-701	EA BRACKET ASM-PASSENGER SIDE	T818R-3
	122756-03-702	EA SHOCK	557003

## CURTAIN & CUSHION GROUP

### NOTICE

IN ORDER TO ASSIST OUR PARTS SALES DEPT. IN PROVIDING INTERIOR SOFTGOODS ITEMS, PLEASE INCLUDE THE SERIAL NUMBER AND THE COLOR CODE NUMBER FROM THE VEHICLE CERTIFICATION LABEL WHEN ORDERING. THIS LABEL IS LOCATED ON THE LEFT SIDEWALL AT THE END OF THE DASH (A-BODY), OR ON THE DRIVER'S DOOR LATCH PLATE (C-BODY).

AN EXAMPLE OF A COLOR CODE NUMBER IS B07, WHICH DESIGNATES AN OVERALL COLOR SCHEME OF A PARTICULAR UNIT. THE COLOR LISTED AFTER THE ITEM DESCRIPTION ON THE MICROFICHE, INDICATES THE OVERALL UNIT COLOR. ORDER THE ITEM YOU DESIRE ACCORDING TO UNIT COLOR CODE.



NOTE: USE THIS ILLUSTRATION WHEN DETERMINING LENGTH AND WIDTH MEASUREMENTS FOR CURTAINS. YOU WILL NOTE THE WIDTH MEASUREMENT IS TAKEN ON THE TOP OF THE CURTAIN WITH THE CURTAIN FULLY EXTENDED. THE LENGTH MEASUREMENT IS TAKEN FROM TOP TO BOTTOM. LEFT AND RIGHT WINDOW LEGS ARE DETERMINED WHEN FACING THE WINDOW.

## CURTAIN & CUSHION GROUP (CONTINUED)

SUNCRUISER FABRICS				
COLOR CODES	K58, K59	K62, K63	K64, K65	K26, K27
MARKETING COLORS	CLOUD (GRAY)	CASTLETON (TAUPE)	MINT (GREEN)	SEASPRAY (TEAL)
<b>MAIN</b>	108446-U6-000	126883-33-000	126883-09-000	126883-27-000
<b>PLAIN ACCENT</b>	108446-W2-000	126883-34-000	108446-S6-000	108446-C5-000
<b>PATTERN ACCENT</b>	108446-W3-000	108446-U8-000	126883-18-000	126883-11-000
<b>BUCKET SEAT</b>	108446-W2-000	126883-34-000	108446-S6-000	108446-C5-000
<b>DINETTE</b>	108446-U6-000	126883-33-000	126883-09-000	126883-27-000
<b>DINETTE PAD</b>	108446-W2-000	126883-34-000	108446-S6-000	108446-C5-000
<b>SOFA</b>	108446-U6-000	126883-33-000	126883-09-000	126883-27-000
<b>RECLINER CHAIR</b>	108446-W3-000	108446-U8-000	126883-18-000	126883-11-000
<b>LOUNGE WINDOW VALANCE</b>	108446-U6-000	126883-33-000	126883-09-000	126883-27-000
<b>TRIM BRAID</b>	084415-93-000	084415-91-000	084415-94-000	084415-70-000
<b>LOUNGE WINDOW LEGS</b>	108446-U6-000	126883-33-000	126883-09-000	126883-27-000
<b>BEDSPREAD MAIN</b>	105745-H4-000	105745-H6-000	105745-H1-000	105745-K9-000
<b>BEDSPREAD ACCENT</b>	105745-H8-000	105745-E7-000	105745-J0-000	105745-E7-000
<b>BEDSPREAD TRIM</b>	084415-93-000	084415-91-000	084415-94-000	084415-70-000
<b>BEDROOM WINDOW VALANCE</b>	105745-H4-000	105745-H6-000	105745-H1-000	105745-K9-000
	105745-H8-000	105745-E7-000	105745-J0-000	105745-E7-000
<b>BEDROOM WINDOW LEGS</b>	105745-H4-000	105745-H6-000	105745-H1-000	105745-K9-000
<b>LOUNGE PILLOW</b>	108446-W3-000	108446-U8-000	126883-18-000	126883-11-000
<b>MAP POCKETS</b>	108446-W2-000	126883-34-000	108446-S6-000	108446-C5-000
<b>FRONT WRAP AROUND</b>	072333-88-000	072333-85-000	072333-85-000	072333-85-000
<b>CEILING</b>				
<b>FROM: 00-00-00</b>				
<b>THRU: 10-16-98</b>	113979-01-01A	113979-01-01A	113979-01-01A	113979-01-01A
<b>FROM: 10-17-98</b>				
<b>THRU: 99-99-99</b>	113979-09-01A	113979-09-01A	113979-09-01A	113979-09-01A

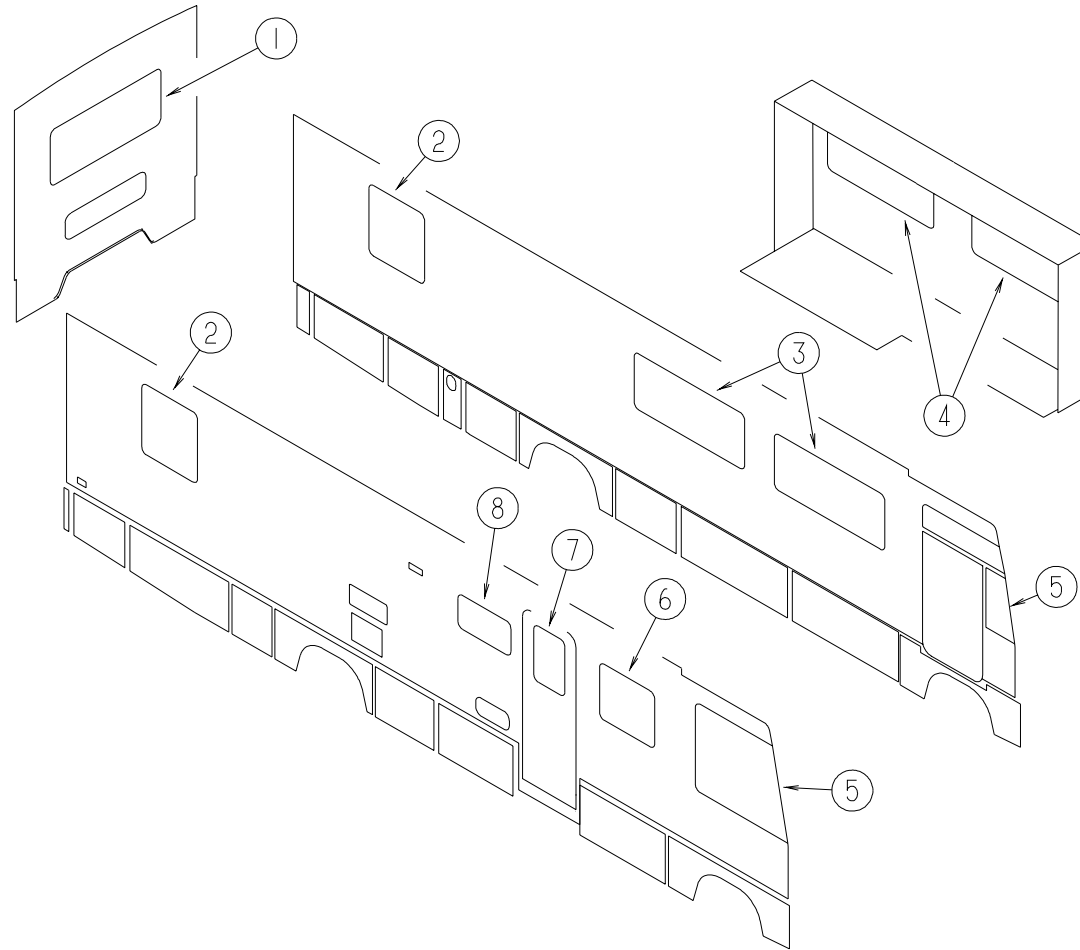
NOTE: THE FABRIC LISTED FIRST, IN A BLOCK, IS THE LARGEST QUANTITY OF FABRIC USED

### ASSIST HANDLE & BUTTONS

KEY	PART NUMBER	U/M	DESCRIPTION
	007021-01-000	EA	SEAT BELT - 2" X 90" - BLACK
	057759-01-000	EA	WASHER - FLAT F/SEAT BELT - 4" DIAMETER
	070578-02-J52	EA	BUTTON - #30 - VINYL
	079349-04-K15	YD	WELT - NARROW (K58, K59)
	079349-04-J06	YD	WELT - NARROW (K62, K63)
	079349-04-K19	YD	WELT - NARROW (K64, K65)
	079349-04-GC1	YD	WELT - NARROW (K26, K27)
	079349-08-J52	YD	WELT - VINYL
	000C16-07-16B	EA	BOLT - CARRIAGE - ASSIST HANDLE - 7/16" - 14 X 1"
	000D20-07-00B	EA	NUT - ACORN - ASSIST HANDLE - 7/16 - 14
	053552-02-K01	EA	HANDLE - ASSIST - INTERIOR/ENTRY DOOR - VINYL/OFF WHITE
	057534-03-000	EA	TIEBACK - CLEAR PLASTIC - 7.5"
	069178-02-000	EA	BRACKET - MOUNTING/ASSIST HANDLE - GRAY

## CURTAIN & CUSHION GROUP (CONTINUED)

### CURTAINS & WINDOW TREATMENT

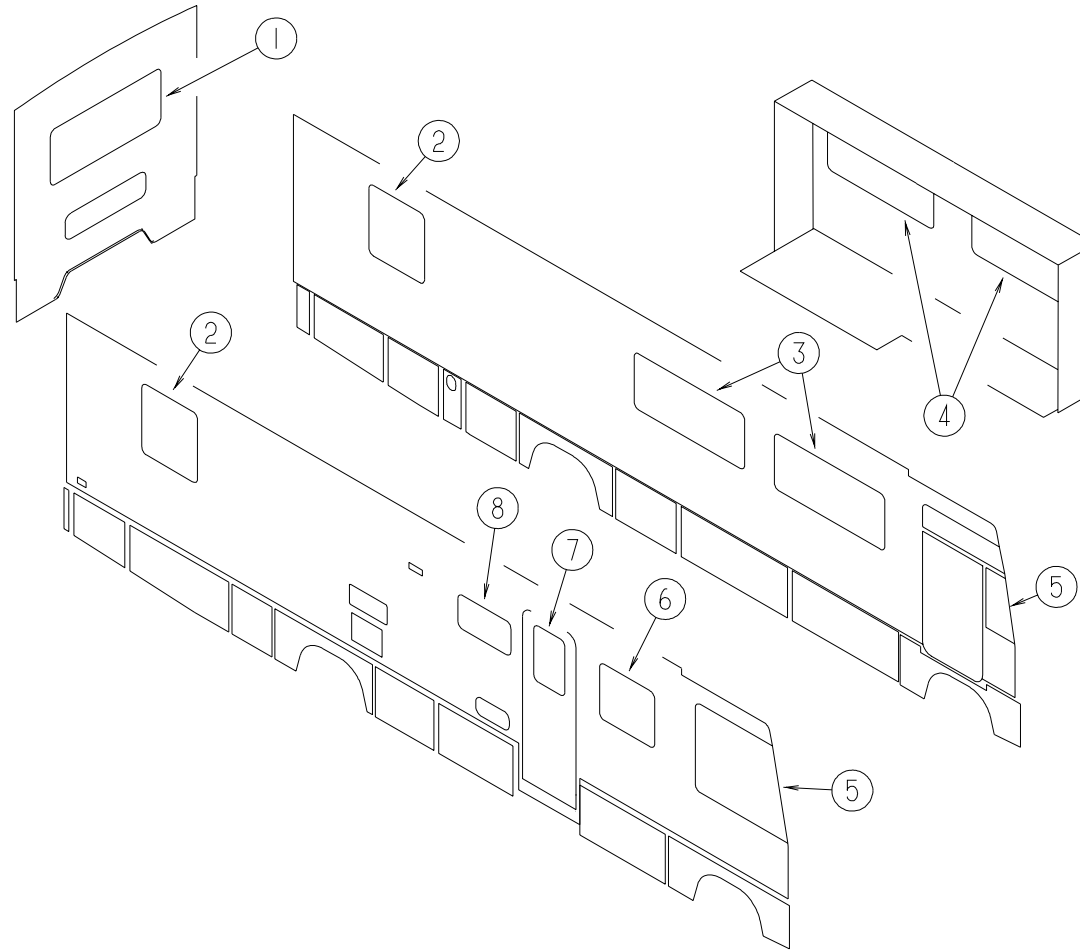


KEY	PART NUMBER	U/M DESCRIPTION
1	127019-01-K58	EA VALANCE - SARAH - 53" (K58, K59)
1	127019-01-K62	EA VALANCE - SARAH - 53" (K62, K63)
1	127019-01-K60	EA VALANCE - SARAH - 53" (K64, K65)
1	127019-01-K26	EA VALANCE - SARAH - 53" (K26, K27)
1	127017-07-J54	EA LEG - RIGHT - 25" (K58, K59)
1	127017-07-J56	EA LEG - RIGHT - 25" (K62, K63)
1	127017-07-J28	EA LEG - RIGHT - 25" (K64, K65)
1	127017-07-K26	EA LEG - RIGHT - 25" (K26, K27)
1	127017-08-J54	EA LEG - LEFT - 25" (K58, K59)
1	127017-08-J56	EA LEG - LEFT - 25" (K62, K63)
1	127017-08-J28	EA LEG - LEFT - 25" (K64, K65)
1	127017-08-K26	EA LEG - LEFT - 25" (K26, K27)
1	111910-62-K58	EA BLIND - DAY/NIGHTER - 49" X 27" (K58, K59, K62, K63, K64, K65)
1	111910-62-K26	EA BLIND - DAY/NIGHTER - 49" X 27" (K26, K27)
2	127019-02-K58	EA VALANCE - SARAH - 34" (K58, K59)
2	127019-02-K62	EA VALANCE - SARAH - 34" (K62, K63)
2	127019-02-K60	EA VALANCE - SARAH - 34" (K64, K65)
2	127019-02-K26	EA VALANCE - SARAH - 34" (K26, K27)
2	127017-09-J54	EA LEG - RIGHT - 34" (K58, K59)
2	127017-09-J56	EA LEG - RIGHT - 34" (K62, K63)
2	127017-09-J28	EA LEG - RIGHT - 34" (K64, K65)
2	127017-09-K26	EA LEG - RIGHT - 34" (K26, K27)
2	127017-10-J54	EA LEG - LEFT - 34" (K58, K59)
2	127017-10-J56	EA LEG - LEFT - 34" (K62, K63)
2	127017-10-J28	EA LEG - LEFT - 34" (K64, K65)
2	127017-10-K26	EA LEG - LEFT - 34" (K26, K27)
2	111910-58-K58	EA BLIND - DAY/NIGHTER - 31" X 37" (K58, K59, K62, K63, K64, K65)
2	111910-58-K26	EA BLIND - DAY/NIGHTER - 31" X 37" (K26, K27)

KEY	PART NUMBER	U/M DESCRIPTION
3	126609-01-J54	EA VALANCE - MONA - 64.5" (K58, K59)
3	126609-01-K62	EA VALANCE - MONA - 64.5" (K62, K63)
3	126609-22-K64	EA VALANCE - MONA - 64.5" (K64, K65)
3	126609-31-K26	EA VALANCE - MONA - 64.5" (K26, K27)
3	127017-01-J54	EA LEG - RIGHT - 25" (K58, K59)
3	127017-01-K62	EA LEG - RIGHT - 25" (K62, K63)
3	127017-01-K64	EA LEG - RIGHT - 25" (K64, K65)
3	127017-01-K26	EA LEG - RIGHT - 25" (K26, K27)
3	127017-02-J54	EA LEG - LEFT - 25" (K58, K59)
3	127017-02-K62	EA LEG - LEFT - 25" (K62, K63)
3	127017-02-K64	EA LEG - LEFT - 25" (K64, K65)
3	127017-02-K26	EA LEG - LEFT - 25" (K26, K27)
3	111910-57-K58	EA BLIND - DAY/NIGHTER - 61" X 28.5" (K58, K59, K62, K63, K64, K65)
3	111910-57-K26	EA BLIND - DAY/NIGHTER - 61" X 28.5" (K26, K27)
4	126609-11-J54	EA VALANCE - MONA - 62.5" (K58, K59)
4	126609-11-K62	EA VALANCE - MONA - 62.5" (K62, K63)
4	126609-26-K64	EA VALANCE - MONA - 62.5" (K64, K65)
4	126609-34-K26	EA VALANCE - MONA - 62.5" (K26, K27)
4	127017-41-J54	EA LEG - RIGHT - 23.5" (K58, K59)
4	127017-41-K62	EA LEG - RIGHT - 23.5" (K62, K63)
4	127017-41-K64	EA LEG - RIGHT - 23.5" (K64, K65)
4	127017-41-K26	EA LEG - RIGHT - 23.5" (K26, K27)
4	127017-42-J54	EA LEG - LEFT - 23.5" (K58, K59)
4	127017-42-K62	EA LEG - LEFT - 23.5" (K62, K63)
4	127017-42-K64	EA LEG - LEFT - 23.5" (K64, K65)
4	127017-42-K26	EA LEG - LEFT - 23.5" (K26, K27)
4	111910-57-K58	EA BLIND - DAY/NIGHTER - 61" X 28.5" (K58, K59, K62, K63, K64, K65)
4	111910-57-K26	EA BLIND - DAY/NIGHTER - 61" X 28.5" (K26, K27)

## CURTAIN & CUSHION GROUP (CONTINUED)

### CURTAINS & WINDOW TREATMENT (CONTINUED)

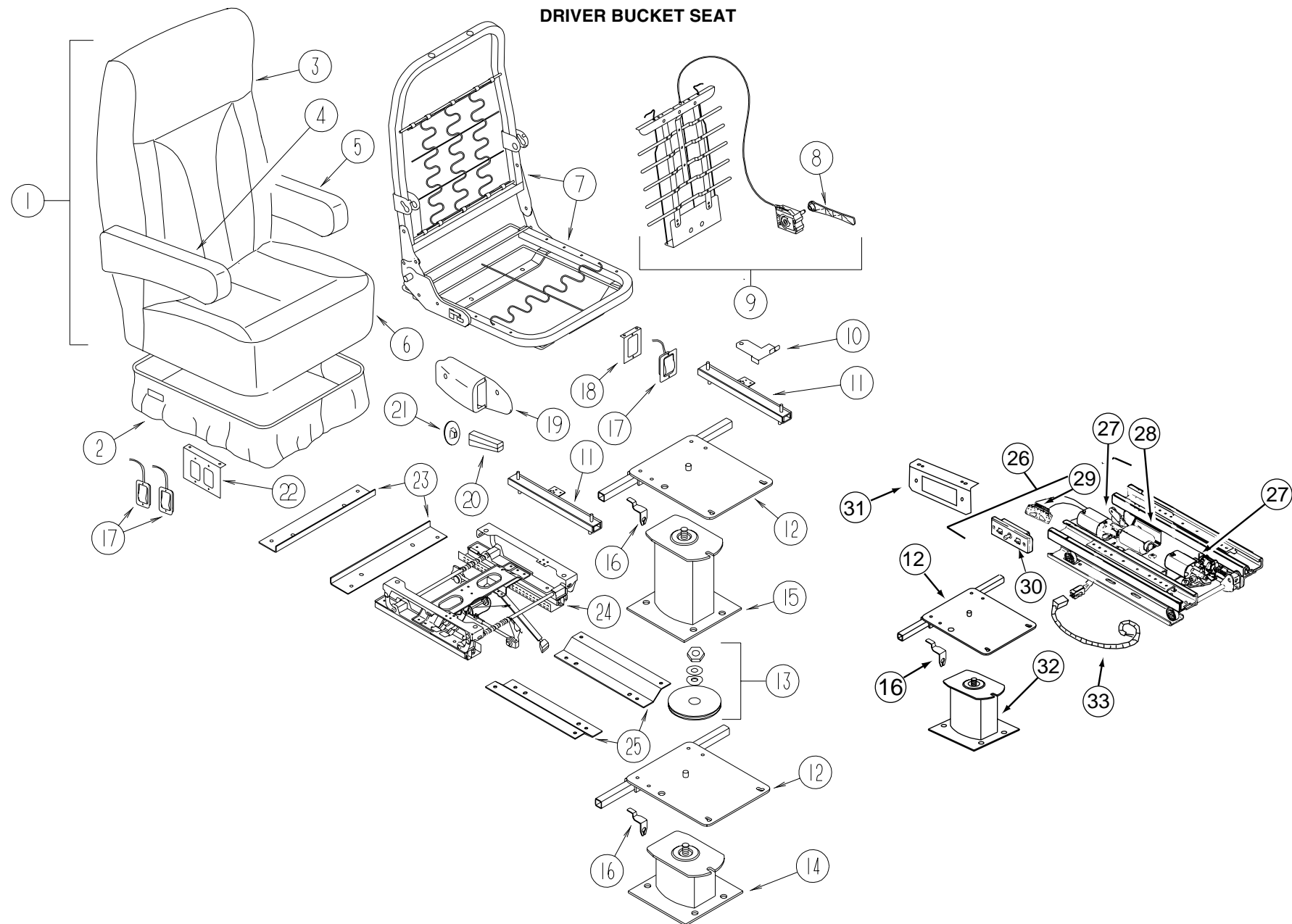


KEY	PART NUMBER	U/M	DESCRIPTION
5	101668-67-J54	EA	CURTAIN - RIGHT HAND/LEFT HAND - 42" X 106" (K58, K59)
5	101668-67-J22	EA	CURTAIN - RIGHT HAND/LEFT HAND - 42" X 106" (K62, K63, K64, K65, K26, K27)
5	073260-42-C17	EA	TIEBACK - 6" X 18" (K58, K59)
5	073260-42-C18	EA	TIEBACK - 6" X 18" (K62, K63, K64, K65, K26, K27)
5	126841-02-000	EA	SHADE - PULL - CHARCOAL MESH - 34" X 60"
			FROM: 00-00-00 THRU: 11-15-98
5	126841-04-000	EA	SHADE - PULL - CHARCOAL MESH - 30.3" X 60"
			FROM: 11-16-98 THRU: 99-99-99
6	126609-10-J54	EA	VALANCE - MONA - 34" (K58, K59)
6	126609-10-K62	EA	VALANCE - MONA - 34" (K62, K63)
6	126609-27-K64	EA	VALANCE - MONA - 34" (K64, K65)
6	126609-10-K26	EA	VALANCE - MONA - 34" (K26, K27)
6	127017-01-J54	EA	LEG - RIGHT - 25" (K58, K59)
6	127017-01-K62	EA	LEG - RIGHT - 25" (K62, K63)
6	127017-01-K64	EA	LEG - RIGHT - 25" (K64, K65)
6	127017-01-K26	EA	LEG - RIGHT - 25" (K26, K27)
6	127017-02-J54	EA	LEG - LEFT - 25" (K58, K59)
6	127017-02-K62	EA	LEG - LEFT - 25" (K62, K63)
6	127017-02-K64	EA	LEG - LEFT - 25" (K64, K65)
6	127017-02-K26	EA	LEG - LEFT - 25" (K26, K27)
6	111910-59-K66	EA	BLIND - DAY/NIGHTER - 28" X 28.5" (K58, K59, K62, K63, K64, K65)
6	111910-59-K26	EA	BLIND - DAY/NIGHTER - 28" X 28.5" (K26, K27)

KEY	PART NUMBER	U/M	DESCRIPTION
7	120820-21-J54	EA	VALANCE - 15" X 36" - W/CLOCK (K58, K59)
7	120820-21-K62	EA	VALANCE - 15" X 36" - W/CLOCK (K62, K63)
7	120820-26-K64	EA	VALANCE - 15" X 36" - W/CLOCK (K64, K65)
7	120820-43-K23	EA	VALANCE - 15" X 36" - W/CLOCK (K26, K27)
7	084755-57-E07	EA	SHADE - PULL - 27.25"
8	109041-58-02A	EA	BLIND - MINI - 30.5" X 17" (K58, K59, K62, K63, K64, K65)
8	109041-58-01A	EA	BLIND - MINI - 30.5" X 17" (K26, K27)
8	109353-10-02A	EA	BLIND - SLAT - 30.5" - BEIGE
8	109353-10-01A	EA	BLIND - SLAT - 30.5" - PURE SILVER

## CURTAIN & CUSHION GROUP (CONTINUED)

### DRIVER BUCKET SEAT

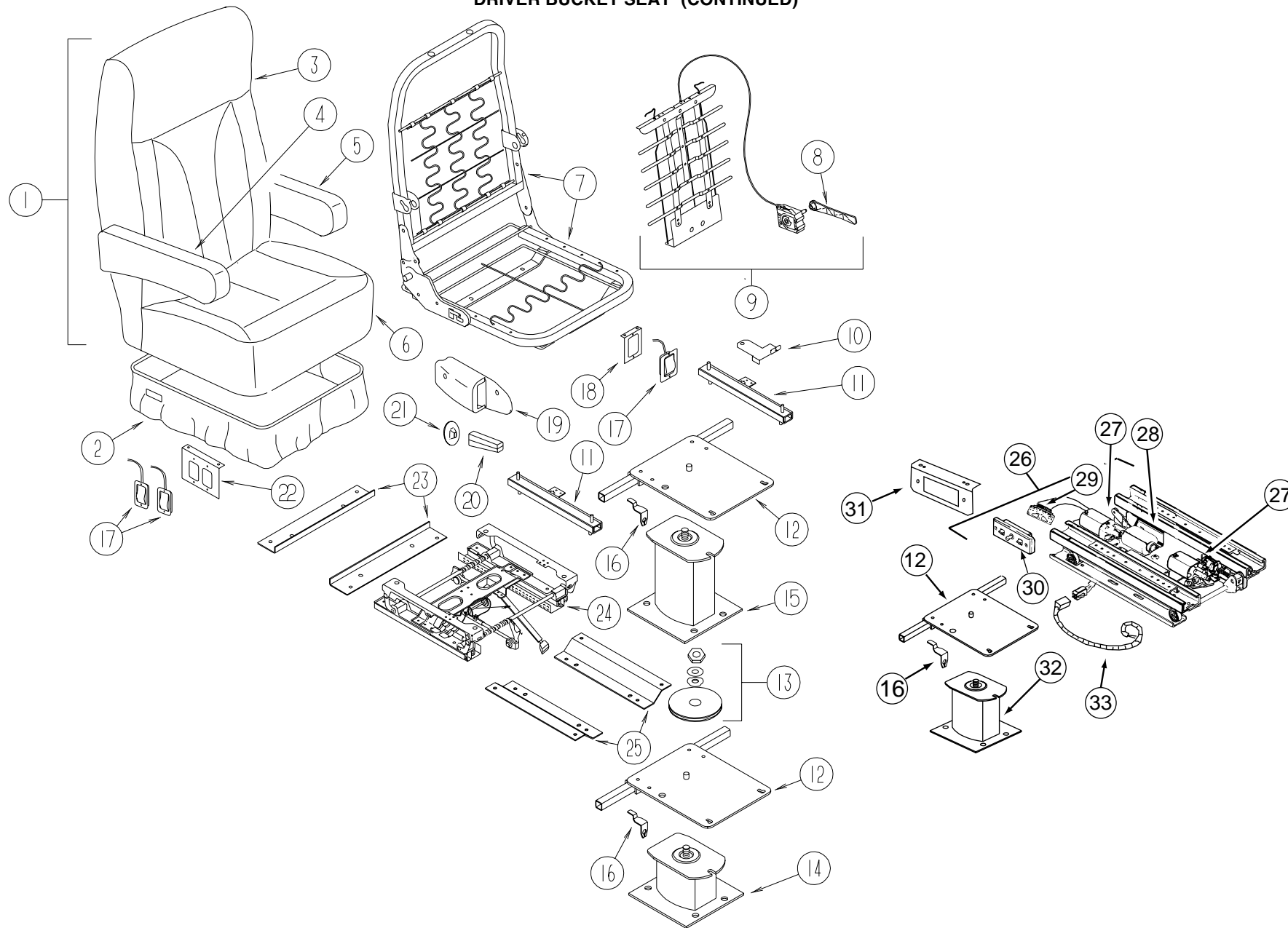


KEY	PART NUMBER	U/M DESCRIPTION
1	129664-06-K58	EA SEAT - BUCKET - DRIVERS WIDE W/LUMBAR SUPPORT (K58, K59)
1	129664-06-K62	EA SEAT - BUCKET - DRIVERS WIDE W/LUMBAR SUPPORT (K62, K63)
1	129664-06-K64	EA SEAT - BUCKET - DRIVERS WIDE W/LUMBAR SUPPORT (K64, K65)
1	129664-06-K45	EA SEAT - BUCKET - DRIVERS WIDE W/LUMBAR SUPPORT (K26, K27)
1	129664-04-K58	EA SEAT - BUCKET - W/LUMBAR SUPPORT (LEATHER)
2	071126-68-K58	EA SKIRT - WIDE - 10.5" OPEN CORNER (STANDARD OR ELECTRIC SEAT) (K58, K59)
2	071126-68-K62	EA SKIRT - WIDE - 10.5" OPEN CORNER (STANDARD OR ELECTRIC SEAT) (K62, K63)
2	071126-68-K64	EA SKIRT - WIDE - 10.5" OPEN CORNER (STANDARD OR ELECTRIC SEAT) (K64, K65)
2	071126-68-K18	EA SKIRT - WIDE - 10.5" OPEN CORNER (STANDARD OR ELECTRIC SEAT) (K26, K27)
2	071126-70-K58	EA SKIRT - WIDE - 10.5" OPEN CORNER (STANDARD OR ELECTRIC SEAT) (LEATHER)
2	071126-69-K58	EA SKIRT - SINGLE - 10.5" - 6-WAY MANUAL (K58, K59)
2	071126-69-K62	EA SKIRT - SINGLE - 10.5" - 6-WAY MANUAL (K62, K63)
2	071126-69-K64	EA SKIRT - SINGLE - 10.5" - 6-WAY MANUAL (K64, K65)
2	071126-69-K32	EA SKIRT - SINGLE - 10.5" - 6-WAY MANUAL (K26, K27)
2	071126-71-K58	EA SKIRT - SINGLE - 10.5" - 6-WAY MANUAL (LEATHER)
3	M05962-84-K58	EA COVER - BACK (K58, K59)
3	M05962-84-K62	EA COVER - BACK (K62, K63)
3	M05962-84-K64	EA COVER - BACK (K64, K65)
3	M05962-84-K32	EA COVER - BACK (K26, K27)
3	M05962-86-K58	EA COVER - BACK - WIDE - BUCKET (LEATHER)

KEY	PART NUMBER	U/M DESCRIPTION
4	129666-01-K58	EA ARMREST - RIGHT HAND (K58, K59)
4	129666-01-K62	EA ARMREST - RIGHT HAND (K62, K63)
4	129666-01-K64	EA ARMREST - RIGHT HAND (K64, K65)
4	129666-01-K18	EA ARMREST - RIGHT HAND (K26, K27)
4	129666-03-K58	EA ARMREST - RIGHT HAND (LEATHER)
4	P29666-01-K58	EA COVER - ARMREST - RIGHT HAND (K58, K59)
4	P29666-01-K62	EA COVER - ARMREST - RIGHT HAND (K62, K63)
4	P29666-01-K64	EA COVER - ARMREST - RIGHT HAND (K64, K65)
4	P29666-01-K18	EA COVER - ARMREST - RIGHT HAND (K26, K27)
4	P29666-03-K58	EA COVER - ARMREST - RIGHT HAND (LEATHER)
5	129666-02-K58	EA ARMREST - LEFT HAND (K58, K59)
5	129666-02-K62	EA ARMREST - LEFT HAND (K62, K63)
5	129666-02-K64	EA ARMREST - LEFT HAND (K64, K65)
5	129666-02-K18	EA ARMREST - LEFT HAND (K26, K27)
5	129666-04-K58	EA ARMREST - LEFT HAND (LEATHER)
5	P29666-02-K58	EA COVER - ARMREST - LEFT HAND (K58, K59)
5	P29666-02-K62	EA COVER - ARMREST - LEFT HAND (K62, K63)
5	P29666-02-K64	EA COVER - ARMREST - LEFT HAND (K64, K65)
5	P29666-02-K18	EA COVER - ARMREST - LEFT HAND (K26, K27)
5	P29666-04-K58	EA COVER - ARMREST - LEFT HAND (LEATHER)

## CURTAIN & CUSHION GROUP (CONTINUED)

### DRIVER BUCKET SEAT (CONTINUED)

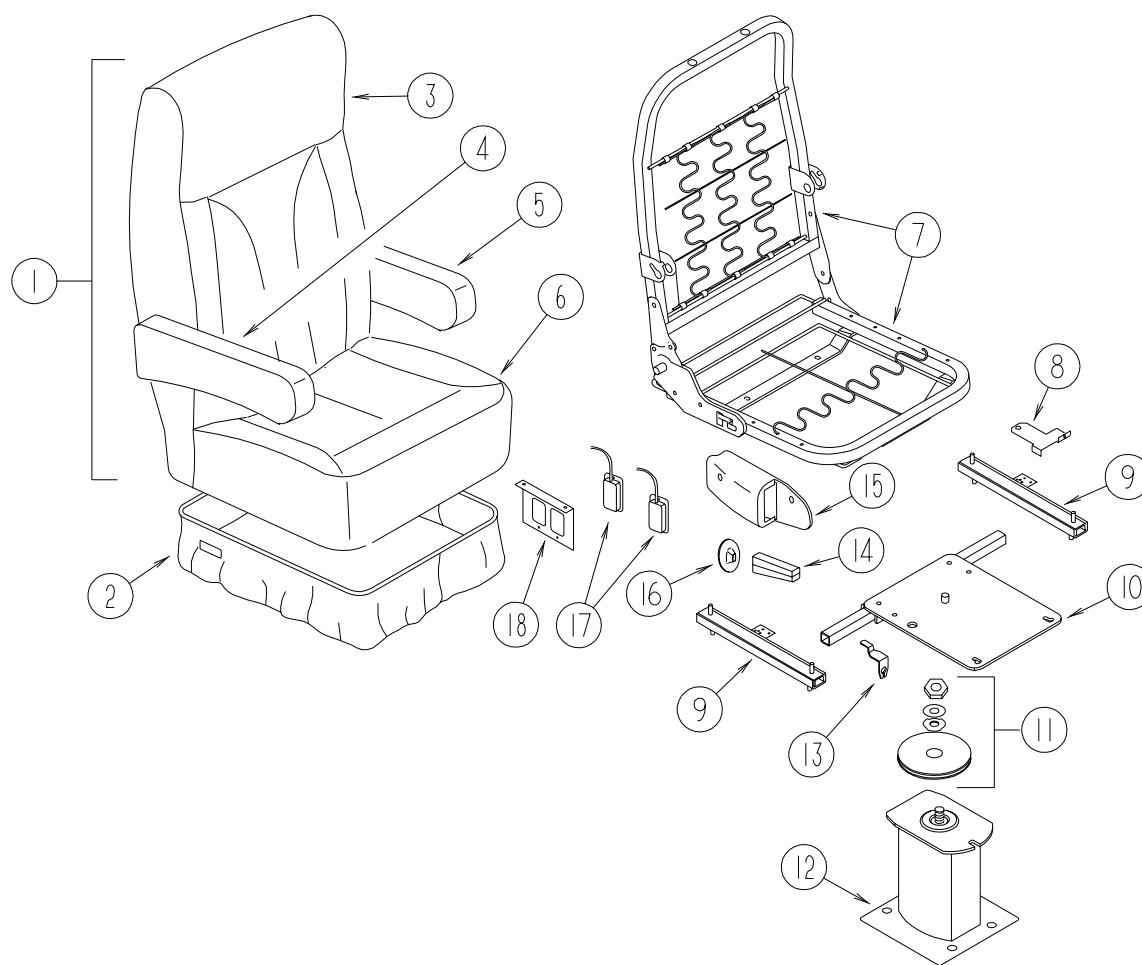


KEY	PART NUMBER	U/M DESCRIPTION
6	M05962-85-K58	EA COVER - SEAT (K58, K59)
6	M05962-85-K62	EA COVER - SEAT (K62, K63)
6	M05962-85-K65	EA COVER - SEAT (K64, K65)
6	M05962-85-K32	EA COVER - SEAT (K26, K27)
6	M05962-87-K58	EA COVER - SEAT (LEATHER)
7	122695-04-01B	EA FRAME - SEAT & HIGH BACK
8	122611-02-701	EA LUMBAR - LEVER
9	122611-02-000	EA LUMBAR - W/LEVER
10	117125-01-02B	EA BRACKET - CABLE MOUNT - ADJUSTER W/ LOCK
11	119952-04-000	EA SLIDE/SEAT - HEAVY DUTY LOCKING - 4 STUDS
	119952-07-000	EA WIRE - LATCH RELEASE/ ROTARY
12	107921-05-000	EA PLATE TOP - W/ SEAT BELT BAR
13	107921-06-000	EA BEARING KIT - PEDESTAL
14	107921-07-000	EA PEDESTAL/FLOOR MOUNTED - 4.5"
15	107921-01-000	EA PEDESTAL FLOOR MOUNTED - W/9.75" EXTENSION
16	108049-02-000	EA CLIP - CABLE/ PEDESTAL
17	108049-04-000	EA CABLE - W/SWITCHES - W/26" MINI LEVER ACTION (6-WAY MANUAL)

KEY	PART NUMBER	U/M DESCRIPTION	VENDOR NO.
18	127159-01-02B	EA BRACKET - SEAT RELEASE - SINGLE REMOTE (6-WAY MANUAL)	
19	080730-09-000	EA SHIELD - RECLINER HANDLE	
20	080730-08-000	EA HANDLE - RECLINER	
21	080730-11-000	EA SHIELD - RUBBER BOOT	
22	127159-02-02B	EA BRACKET - SEAT RELEASE - DUAL REMOTE	
23	116215-02-000	EA BRACKET - UPPER MOUNT - 6-WAY MANUAL SEAT	
	007221-01-000	EA SPACER - SEAT/ ADJUSTER	
24	116215-01-000	EA ADJUSTING MECHANISM/6-WAY MANUAL SEAT - DRIVER	
25	116215-03-000	EA BRACKET - LOWER MOUNT - 6-WAY MANUAL SEAT	
26	081373-03-000	EA SEAT - POWER 6 WAY	
27	081373-02-703	EA MOTOR PKG. ADJ. VERTICAL LIFT	22063238 & H-196
28	081373-02-704	EA MOTOR PKG. ADJ. HORIZONTAL	22063237 & H-195
29	081373-03-701	EA WIRE HARNESS ASM. - LEFT. SIDE	
30	081373-03-700	EA SWITCH POWER	
31	128699-01-02B	EA BRACKET - SEAT SWITCH - E-COATED	
32	107921-14-000	EA PEDESTAL/FLOOR MOUNTED - W/5.75" EXTENSION	
33	131279-01-000	EA WIRE ASSEMBLY - DRIVER SEAT (DASH TO SEAT)	

## CURTAIN & CUSHION GROUP (CONTINUED)

### PASSENGER BUCKET SEAT



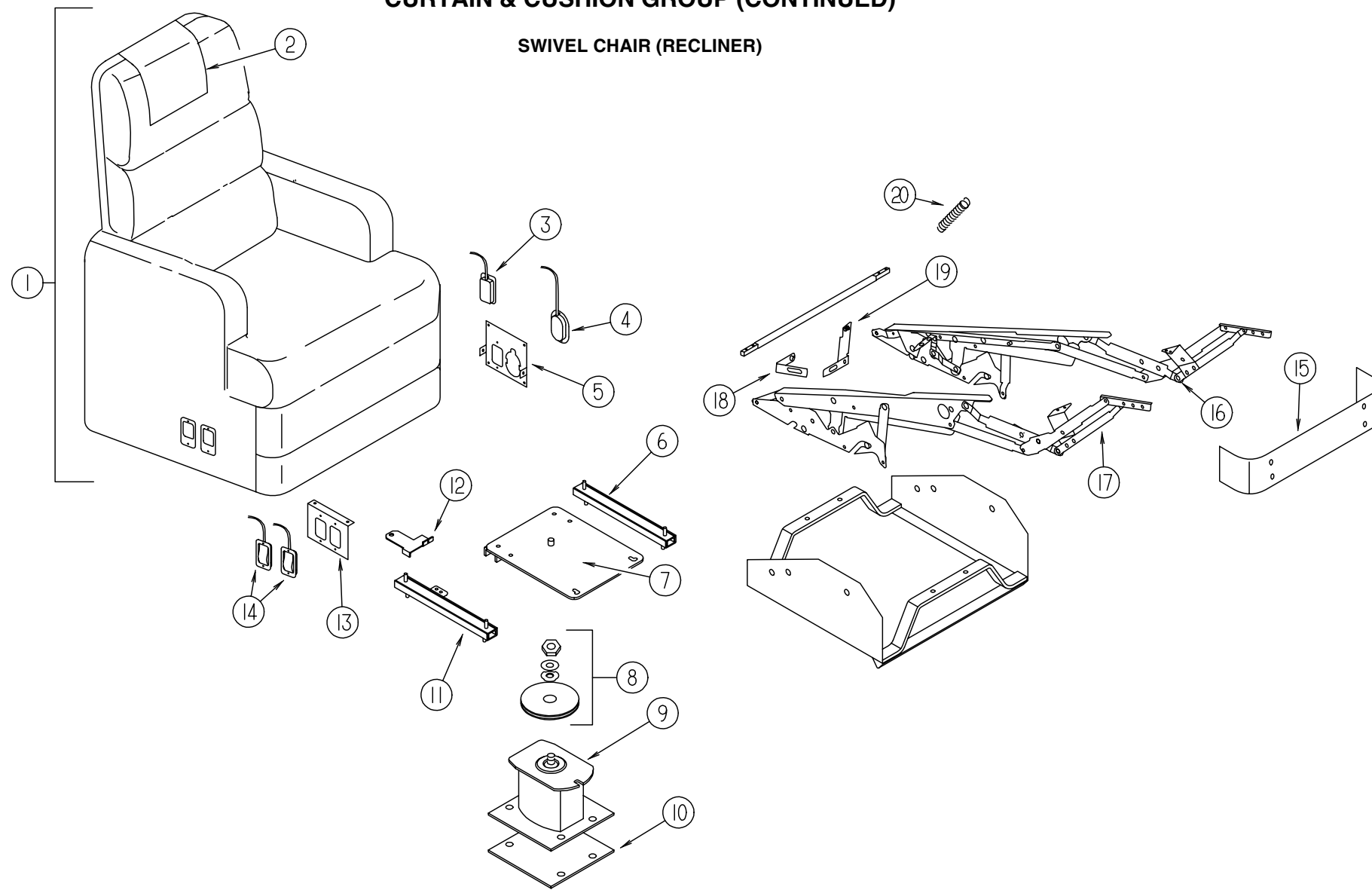
KEY	PART NUMBER	U/M DESCRIPTION
1	129664-03-K58	EA SEAT - BUCKET - WIDE (K58, K59)
1	129664-03-K62	EA SEAT - BUCKET - WIDE (K62, K63)
1	129664-03-K64	EA SEAT - BUCKET - WIDE (K64, K65)
1	129664-03-K32	EA SEAT - BUCKET - WIDE (K26, K27)
1	129664-05-K58	EA SEAT - BUCKET - WIDE (LEATHER)
2	071126-68-K58	EA SKIRT - WIDE - 10.5" OPEN CORNER (K58, K59)
2	071126-68-K62	EA SKIRT - WIDE - 10.5" OPEN CORNER (K62, K63)
2	071126-68-K64	EA SKIRT - WIDE - 10.5" OPEN CORNER (K64, K65)
2	071126-68-K18	EA SKIRT - WIDE - 10.5" OPEN CORNER (K26, K27)
2	071126-70-K58	EA SKIRT - WIDE - 10.5" OPEN CORNER (LEATHER)
3	M05962-84-K58	EA COVER - BACK (K58, K59)
3	M05962-84-K62	EA COVER - BACK (K62, K63)
3	M05962-84-K64	EA COVER - BACK (K64, K65)
3	M05962-84-K32	EA COVER - BACK (K26, K27)
3	M05962-86-K58	EA COVER - BACK - WIDE - BUCKET (LEATHER)
4	129666-01-K58	EA ARMREST - RIGHT HAND (K58, K59)
4	129666-01-K62	EA ARMREST - RIGHT HAND (K62, K63)
4	129666-01-K64	EA ARMREST - RIGHT HAND (K64, K65)
4	129666-01-K18	EA ARMREST - RIGHT HAND (K26, K27)
4	129666-03-K58	EA ARMREST - RIGHT HAND (LEATHER)
4	P29666-01-K58	EA COVER - ARMREST - RIGHT HAND (K58, K59)
4	P29666-01-K62	EA COVER - ARMREST - RIGHT HAND (K62, K63)
4	P29666-01-K64	EA COVER - ARMREST - RIGHT HAND (K64, K65)
4	P29666-01-K18	EA COVER - ARMREST - RIGHT HAND (K26, K27)
4	P29666-03-K58	EA COVER - ARMREST - RIGHT HAND (LEATHER)

KEY	PART NUMBER	U/M DESCRIPTION
5	129666-02-K58	EA ARMREST - LEFT HAND (K58, K59)
5	129666-02-K62	EA ARMREST - LEFT HAND (K62, K63)
5	129666-02-K64	EA ARMREST - LEFT HAND (K64, K65)
5	129666-02-K18	EA ARMREST - LEFT HAND (K26, K27)
5	129666-04-K58	EA ARMREST - LEFT HAND (LEATHER)
5	P29666-02-K58	EA COVER - ARMREST - LEFT HAND (K58, K59)
5	P29666-02-K62	EA COVER - ARMREST - LEFT HAND (K62, K63)
5	P29666-02-K64	EA COVER - ARMREST - LEFT HAND (K64, K65)
5	P29666-02-K18	EA COVER - ARMREST - LEFT HAND (K26, K27)
5	P29666-04-K58	EA COVER - ARMREST - LEFT HAND (LEATHER)
6	M05962-85-K58	EA COVER - SEAT (K58, K59)
6	M05962-85-K62	EA COVER - SEAT (K62, K63)
6	M05962-85-K65	EA COVER - SEAT (K64, K65)
6	M05962-85-K32	EA COVER - SEAT (K26, K27)
6	M05962-87-K58	EA COVER - SEAT (LEATHER)
7	122695-04-01B	EA FRAME - SEAT & HIGH BACK
8	117125-01-02B	EA BRACKET - CABLE MOUNT - ADJUSTER W/ LOCK
9	119952-04-000	EA SLIDE/SEAT - HEAVY DUTY LOCKING - 4 STUDS
	119952-07-000	EA WIRE - LATCH RELEASE/ ROTARY
10	107921-05-000	EA PLATE TOP - W/ SEAT BELT BAR
11	107921-06-000	EA BEARING KIT - PEDESTAL
12	107921-01-000	EA PEDESTAL FLOOR MOUNTED - W/9.75" EXTENSION
13	108049-02-000	EA CLIP - CABLE/ PEDESTAL
14	080730-08-000	EA HANDLE - RECLINER
15	080730-09-000	EA SHIELD - RECLINER HANDLE
16	080730-11-000	EA SHIELD - RUBBER BOOT
17	108049-04-000	EA CABLE - W/SWITCHES - W/26" MINI LEVER ACTION
18	127159-02-02B	EA BRACKET - SEAT RELEASE - DUAL REMOTE



## CURTAIN & CUSHION GROUP (CONTINUED)

### SWIVEL CHAIR (RECLINER)

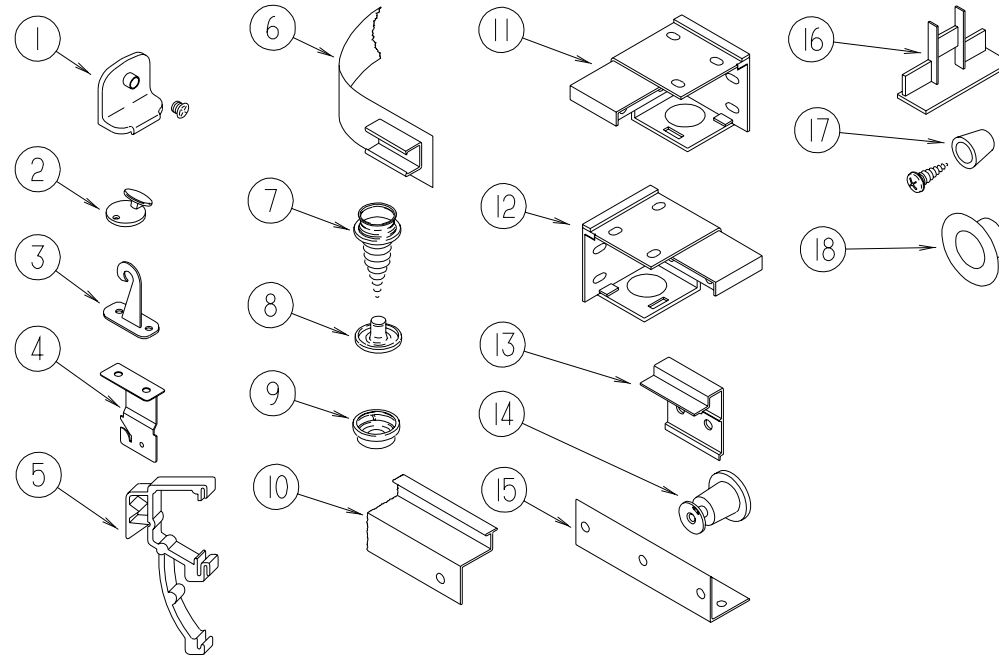


KEY	PART NUMBER	U/M DESCRIPTION
1	130565-01-K58	EA CHAIR - INCLINER - W/FOOTREST (K58, K59)
1	130565-01-K62	EA CHAIR - INCLINER - W/FOOTREST (K62, K63)
1	130565-01-K60	EA CHAIR - INCLINER - W/FOOTREST (K64, K65)
1	130565-01-K26	EA CHAIR - INCLINER - W/FOOTREST (K26, K27)
1	P30565-01-K58	EA COVER - CHAIR - INCLINER/W/FOOTREST (K58, K59)
1	P30565-01-K62	EA COVER - CHAIR - INCLINER/W/FOOTREST (K62, K63)
1	P30565-01-K60	EA COVER - CHAIR - INCLINER/W/FOOTREST (K64, K65)
1	P30565-01-K26	EA COVER - CHAIR - INCLINER/W/FOOTREST (K26, K27)
2	130690-01-K58	EA COVER - HEADREST - 15.5" X 15.5" (K58, K59)
2	130690-01-K62	EA COVER - HEADREST - 15.5" X 15.5" (K62, K63)
2	130690-01-K60	EA COVER - HEADREST - 15.5" X 15.5" (K64, K65)
2	130690-01-K32	EA COVER - HEADREST - 15.5" X 15.5" (K26, K27)
	130691-01-K58	EA COVER - ARM CAPS - UNIVERSAL (K58, K59)
	130691-01-K62	EA COVER - ARM CAPS - UNIVERSAL (K62, K63)
	130691-01-K60	EA COVER - ARM CAPS - UNIVERSAL (K64, K65)
	130691-01-K32	EA COVER - ARM CAPS - UNIVERSAL (K26, K27)
3	108049-05-000	EA FRAME - CABLE - REMOTE RECLINE - W/MINI LEVER ACTION
4	129148-11-000	EA INCLINER - HANDLE & CABLE

KEY	PART NUMBER	U/M DESCRIPTION
5	129164-01-02B	EA BRACKET - SEAT RELEASE - REMOTE
6	119952-02-000	EA SLIDE - SEAT - HEAVY DUTY NONLOCKING
	007221-01-000	EA SPACER - SEAT/ ADJUSTER
7	107921-08-000	EA TOP PLATE - PEDESTAL - W/O SEATBELT BAR
8	107921-06-000	EA BEARING KIT - PEDESTAL
9	107921-07-000	EA PEDESTAL/FLOOR MOUNTED - 4.5"
10	108445-02-000	EA PLATE/FLOOR MOUNTED - PEDESTAL SEAT
11	119952-04-000	EA SLIDE - SEAT - HEAVY DUTY LOCKING
12	117125-01-02B	EA BRACKET - CABLE MOUNT - ADJUSTER W/ LOCK
13	129162-01-02B	EA BRACKET - SEAT RELEASE - REMOTE
14	108049-04-000	EA CABLE - W/SWITCHES - W/26" MINI LEVER ACTION
	108049-02-000	EA CLIP - CABLE/ PEDESTAL
15	119901-06-000	EA FOOT REST - RECLINER
16	129148-01-000	EA INCLINER - LEFT
17	129148-02-000	EA INCLINER - RIGHT
	129148-09-000	EA INCLINER - CLIP/HAIRPIN - 1 7/16 X .07
18	129148-08-000	EA INCLINER - CLIP F/CABLE
19	129148-07-000	EA INCLINER/BACKET - F/INCLINE RELEASE CABLE
20	129148-03-000	EA SPRING - INCLINER

## CURTAIN & CUSHION GROUP (CONTINUED)

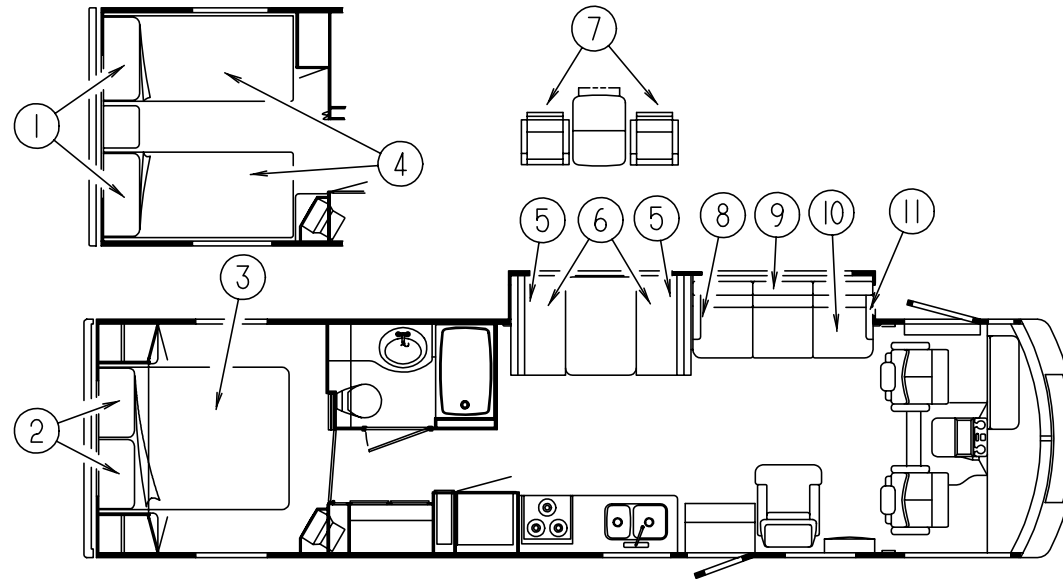
### CURTAIN & BLIND HARDWARE



KEY	PART NUMBER	U/M	DESCRIPTION
1	106544-01-000	EA	PULL - SHADE/BRASS
	106544-01-001	EA	SCREW - SHADE/BRASS
2	102555-03-000	EA	CLEAT - BLIND CORD - MILKY WHITE
3	109441-03-000	EA	HOLD DOWN - BLIND (CLOUDY)
4	084434-01-000	EA	BRACKET - MOUNTING - ROLLER SHADE - 1 3/8"
5	109353-04-000	EA	CLIP - VALANCE SLAT MOUNTING - CLEAR PLASTIC
6	101031-01-000	YD	TAPE - GLIDE/CURTAIN - 4.25" SPACING
7	029130-01-000	EA	SCREW - SNAP SOCKET - #8 PH X 5/8"
8	029155-01-000	EA	CAP - SNAP - 5/32" OUTSIDE DIAMETER OF PIN
9	029156-01-000	EA	SOCKET - SNAP - 9/16" O.D.
10	127254-01-02A	EA	TRACK - CURTAIN/RIGHT HAND - TITANIUM
10	127254-02-02A	EA	TRACK - CURTAIN/LEFT HAND - TITANIUM
11	083170-02-000	EA	BRACKET - BLIND - RIGHT SIDE WHEN FACING WINDOW
12	083170-01-000	EA	BRACKET - BLIND - LEFT SIDE WHEN FACING WINDOW
13	097565-01-000	EA	BRACKET - MOUNTING/PLEATED BLIND

KEY	PART NUMBER	U/M	DESCRIPTION
14	097592-02-000	EA	SPOOL - CORD - ELEVATED BLIND HOLDUP - LARGE - CLEAR
15	105648-01-02A	EA	BRACE - VALANCE - OFF/WHITE - 14"
16	094907-02-000	EA	END CAP - TOP/PLEATED BLIND - PLASTIC - GRAY
17	097564-03-000	EA	HANDLE - KNOB - E-Z LIFT SHADE - TAN
18	046867-03-000	EA	GROMMET - HANDY BUTTON #3
	048394-02-000	YD	VELCRO TAPE - HOOK - ADHESIVE BACK - .75" WIDE - BEIGE
	086276-01-000	EA	TAPE - DOUBLE SIDED - 1/2"
	094896-02-000	EA	GROMMET - CORD/PLEATED BLIND - NYLON - GRAY
	094907-04-000	EA	HARDWARE - END CAP BOTTOM - PULL TYPE (RH & LH)
	095567-01-000	EA	TACK - STRIP - .5" X 625' ROLL
	096843-01-000	EA	SPRING - REWIND/ROLLER SHADE
	097591-01-000	EA	SPRING - EXTENSION/PLEATED BLIND
	097593-02-000	FT	CORD - BLIND - PLEATED - GRAY
	083125-08-000	EA	BRACE - WINDOW MOUNT - 3/4 - OFF WHITE
	046867-02-000	EA	WASHER - HANDY BUTTON #3

## CURTAIN & CUSHION GROUP (CONTINUED)



### QUEEN & TWIN BED

KEY	PART NUMBER	U/M DESCRIPTION
1	119249-02-000	EA PILLOW - 22" X 37" - TWIN
2	119249-01-000	EA PILLOW - 20" X 33" - QUEEN
3	119141-14-J54	EA BEDSPREAD/THROW - 60" X 75" (K58, K59)
3	119141-14-K62	EA BEDSPREAD/THROW - 60" X 75" (K62, K63)
3	119141-21-J28	EA BEDSPREAD/THROW - 60" X 75" (K64, K65)
3	119141-14-K26	EA BEDSPREAD/THROW - 60" X 75" (K26, K27)
3	123015-06-000	EA MATTRESS - INNERSPRING - 60" X 74.5"
4	119141-16-J54	EA BEDSPREAD/THROW - 36" X 80" (K58, K59)
4	119141-16-K62	EA BEDSPREAD/THROW - 36" X 80" (K62, K63)
4	119141-22-J28	EA BEDSPREAD/THROW - 36" X 80" (K64, K65)
4	119141-16-K26	EA BEDSPREAD/THROW - 36" X 80" (K26, K27)
4	123015-04-000	EA MATTRESS - INNERSPRING - 36" X 79.5"
	103669-09-J54	EA PILLOW - 15" X 15"
	103669-09-J54	EA PILLOW - 14" X 14" (K58, K59)
	103669-09-J56	EA PILLOW - 14" X 14" (K62, K63)
	103669-09-K60	EA PILLOW - 14" X 14" (K64, K65)
	103669-09-K26	EA PILLOW - 14" X 14" (K26, K27)

### DINETTE OPTION

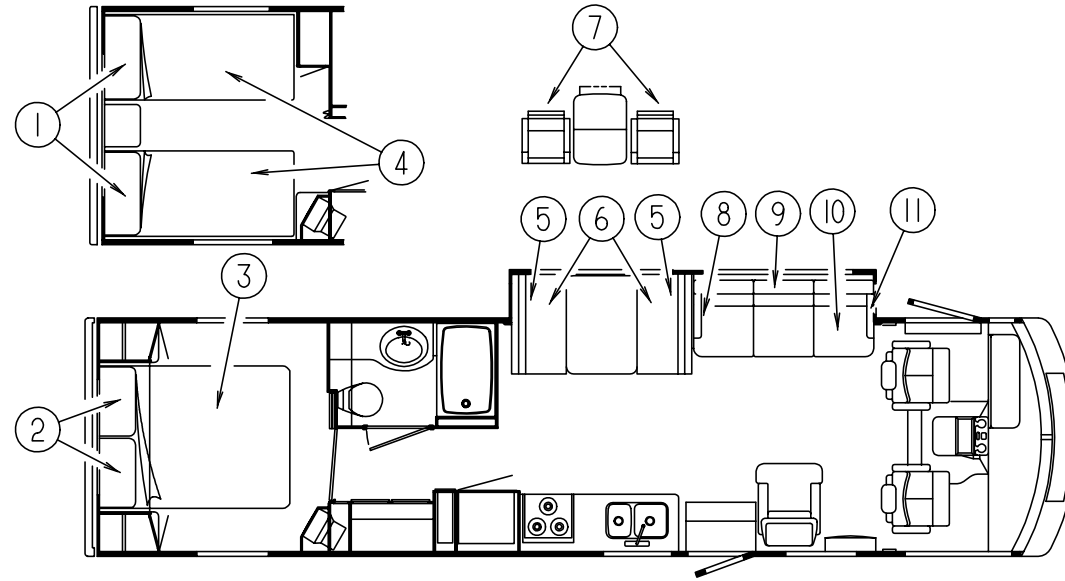
KEY	PART NUMBER	U/M DESCRIPTION
7	101604-01-04A	EA CHAIR - FOLDING/DINETTE - LINEN FABRIC - SOLAR MAPLE
7	101604-01-03A	EA CHAIR - FOLDING/DINETTE - LINEN FABRIC - WATERFORD OAK
7	126637-12-000	EA CHAIR - DINETTE - CLOUD (K58, K59)
7	126637-17-000	EA CHAIR - DINETTE - CASTLETON (K62, K63)
7	126637-14-000	EA CHAIR - DINETTE - MINT (K64, K65)
7	126637-16-000	EA CHAIR - DINETTE - SEASPRAY (K26, K27)
	129529-02-000	EA STRAP - RETAINER - CHAIR
	129491-01-000	EA CATCH - SNAP HOOK - 1"

### DINETTE CUSHIONS

KEY	PART NUMBER	U/M DESCRIPTION
5	111880-05-K58	EA CUSHION - BACK - 13.5" X 42" X 5" (K58, K59)
5	111880-05-K62	EA CUSHION - BACK - 13.5" X 42" X 5" (K62, K63)
5	111880-05-K64	EA CUSHION - BACK - 13.5" X 42" X 5" (K64, K65)
5	111897-05-K26	EA CUSHION - BACK - 13.5" X 42" X 5" (K26, K27)
5	P11880-05-K58	EA COVER - BACK - 13.5" X 42" X 5" (K58, K59)
5	P11880-05-K62	EA COVER - BACK - 13.5" X 42" X 5" (K62, K63)
5	P11880-05-K64	EA COVER - BACK - 13.5" X 42" X 5" (K64, K65)
5	P11897-05-K26	EA COVER - BACK - 13.5" X 42" X 5" (K26, K27)
6	105603-15-J54	EA CUSHION - SEAT - 23" X 42" X 5" (K58, K59)
6	105603-15-K08	EA CUSHION - SEAT - 23" X 42" X 5" (K62, K63)
6	105603-15-K19	EA CUSHION - SEAT - 23" X 42" X 5" (K64, K65)
6	105603-15-K26	EA CUSHION - SEAT - 23" X 42" X 5" (K26, K27)
6	P05603-15-J54	EA COVER - SEAT - 23" X 42" X 5" (K58, K59)
6	P05603-15-K08	EA COVER - SEAT - 23" X 42" X 5" (K62, K63)
6	P05603-15-K19	EA COVER - SEAT - 23" X 42" X 5" (K64, K65)
6	P05603-15-K26	EA COVER - SEAT - 23" X 42" X 5" (K26, K27)
	078155-01-000	EA STRAP - SNAP - BACK CUSHION

## CURTAIN & CUSHION GROUP (CONTINUED)

### SOFA BED

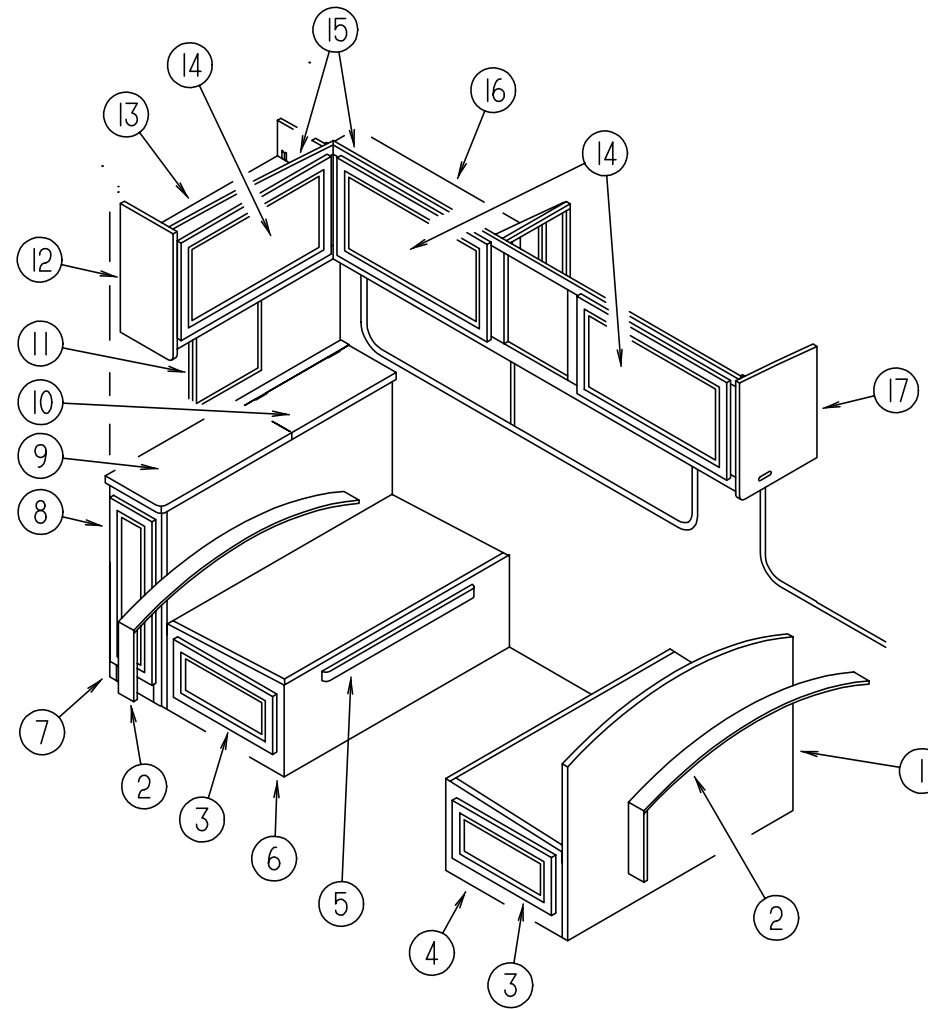


KEY	PART NUMBER	U/M	DESCRIPTION
8	127840-01-J54	EA	PANEL - RIGHT END - SOFA/BED - FABRIC COVERED (K58, K59)
8	127840-01-K08	EA	PANEL - RIGHT END - SOFA/BED - FABRIC COVERED (K62, K63)
8	127840-01-K64	EA	PANEL - RIGHT END - SOFA/BED - FABRIC COVERED (K64, K65)
8	127840-01-K26	EA	PANEL - RIGHT END - SOFA/BED - FABRIC COVERED (K26, K27)
8	130718-01-K58	EA	ARMREST - REMOVABLE/ RIGHT HAND (K58, K59)
8	130718-01-K62	EA	ARMREST - REMOVABLE/ RIGHT HAND (K62, K63)
8	130718-01-K64	EA	ARMREST - REMOVABLE/ RIGHT HAND (K64, K65)
8	130718-01-K26	EA	ARMREST - REMOVABLE/ RIGHT HAND (K26, K27)
8	P30718-01-K58	EA	COVER - ARMREST - REMOVEABLE/ RIGHT (K58, K59)
8	P30718-01-K62	EA	COVER - ARMREST - REMOVEABLE/ RIGHT (K62, K63)
8	P30718-01-K64	EA	COVER - ARMREST - REMOVEABLE/ RIGHT (K64, K65)
8	P30718-01-K26	EA	COVER - ARMREST - REMOVEABLE/ RIGHT (K26, K27)
9	130573-01-K15	EA	BED - BACK - 74" (K58, K59)
9	130573-01-K62	EA	BED - BACK - 74" (K62, K63)
9	130573-01-K64	EA	BED - BACK - 74" (K64, K65)
9	130573-01-K23	EA	BED - BACK - 74" (K26, K27)
9	P30573-01-K15	EA	COVER - BACK - SOFA/BED - 74" (K58, K59)
9	P30573-01-K62	EA	COVER - BACK - SOFA/BED - 74" (K62, K63)
9	P30573-01-K64	EA	COVER - BACK - SOFA/BED - 74" (K64, K65)
9	P30573-01-K23	EA	COVER - BACK - SOFA/BED - 74" (K26, K27)
10	130573-02-K15	EA	BED - SEAT - 74" (K58, K59)
10	130573-02-K62	EA	BED - SEAT - 74" (K62, K63)
10	130573-02-K64	EA	BED - SEAT - 74" (K64, K65)
10	130573-02-K26	EA	BED - SEAT - 74" (K26, K27)

KEY	PART NUMBER	U/M	DESCRIPTION
10	P30573-02-K15	EA	COVER - SEAT - SOFA/BED - 74" (K58, K59)
10	P30573-02-K62	EA	COVER - SEAT - SOFA/BED - 74" (K62, K63)
10	P30573-02-K64	EA	COVER - SEAT - SOFA/BED - 74" (K64, K65)
10	P30573-02-K26	EA	COVER - SEAT - SOFA/BED - 74" (K26, K27)
11	127840-02-J54	EA	PANEL - LEFT END - SOFA/BED - FABRIC COVERED (K58, K59)
11	127840-02-K08	EA	PANEL - LEFT END - SOFA/BED - FABRIC COVERED (K62, K63)
11	127840-02-K19	EA	PANEL - LEFT END - SOFA/BED - FABRIC COVERED (K64, K65)
11	127840-02-K26	EA	PANEL - LEFT END - SOFA/BED - FABRIC COVERED (K26, K27)
11	130718-02-K58	EA	ARMREST - REMOVABLE/LEFT HAND (K58, K59)
11	130718-02-K62	EA	ARMREST - REMOVABLE/LEFT HAND (K62, K63)
11	130718-02-K64	EA	ARMREST - REMOVABLE/LEFT HAND (K64, K65)
11	130718-02-J26	EA	ARMREST - REMOVABLE/LEFT HAND (K26, K27)
11	P30718-02-K58	EA	COVER - ARMREST - LEFT (K58, K59)
11	P30718-02-K62	EA	COVER - ARMREST - LEFT (K62, K63)
11	P30718-02-K64	EA	COVER - ARMREST - LEFT (K64, K65)
11	P30718-02-J26	EA	COVER - ARMREST - LEFT (K26, K27)
	127335-08-000	EA	BRACKET - REMOVABLE ARM/COUCH
	127335-09-000	EA	BRACKET - REMOVABLE ARM/CUSHION
	116104-03-02B	EA	BRACKET - ZEE W/HOLES - 5.9"
	116104-04-02B	EA	BRACKET - ZEE W/HOLES - 3.2"
	120992-07-J54	EA	PANEL - FRONT KICK - SOFA/BED - FABRIC COVERED (K58, K59)
	120992-07-K08	EA	PANEL - FRONT KICK - SOFA/BED - FABRIC COVERED (K62, K63)
	120992-07-K64	EA	PANEL - FRONT KICK - SOFA/BED - FABRIC COVERED (K64, K65)
	120992-07-K23	EA	PANEL - FRONT KICK - SOFA/BED - FABRIC COVERED (K26, K27)
	121906-01-02B	EA	BRACKET - KICKBOARD - E-COATED
	106728-08-K58	EA	PILLOW - 9" X 20" (K58, K59)
	106728-08-K62	EA	PILLOW - 9" X 20" (K62, K63)
	106728-08-K60	EA	PILLOW - 9" X 20" (K64, K65)
	106728-08-K26	EA	PILLOW - 9" X 20" (K26, K27)
	127335-12-000	EA	FRAME-10" LEG

# DINETTE GROUP

## DINETTE WITH OVERHEAD CABINETRY

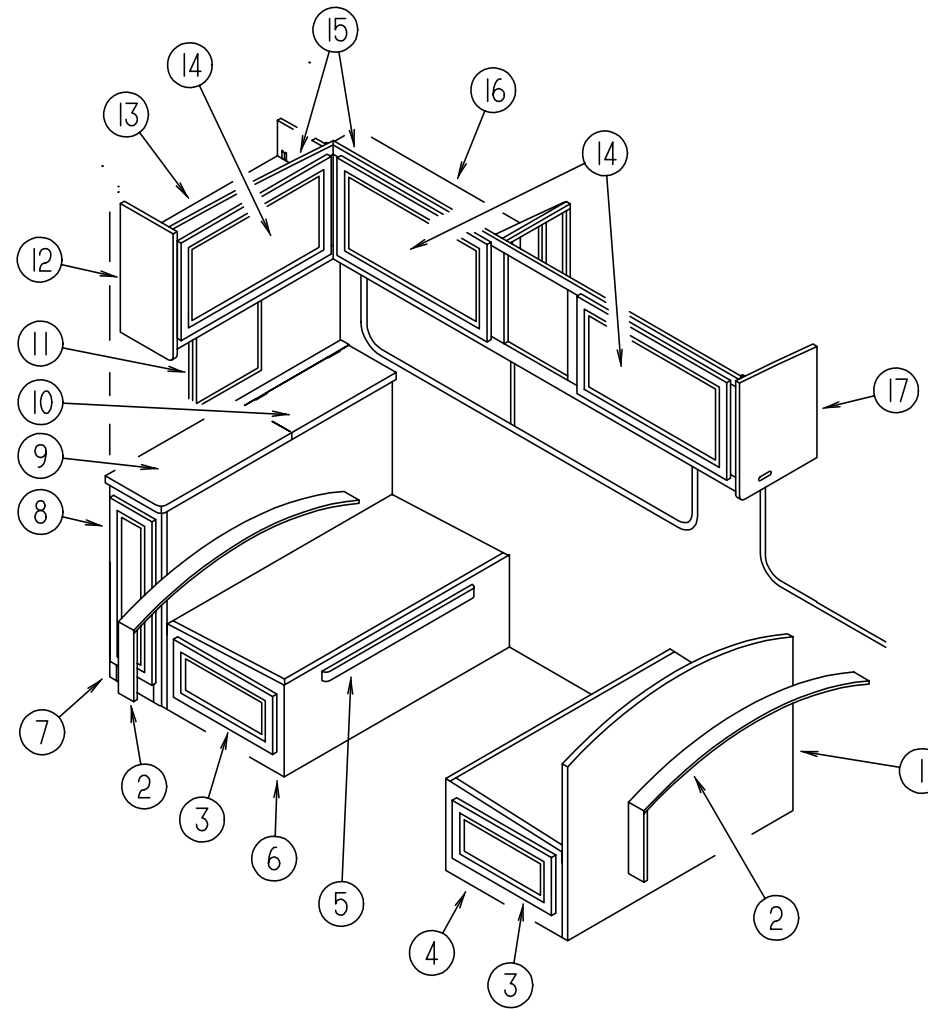


KEY	PART NUMBER	U/M	DESCRIPTION
1	M07514-01-H17	EA	CABINET - SEATBACK - RH (OAK)
1	M07514-01-J52	EA	CABINET - SEATBACK - RH (MAPLE)
2	104787-08-K54	EA	PAD - DINETTE SEATBACK (K58, K59)
2	104787-08-J24	EA	PAD - DINETTE SEATBACK (K62, K63)
2	104787-08-K64	EA	PAD - DINETTE SEATBACK (K64, K65)
2	104787-08-F11	EA	PAD - DINETTE SEATBACK (K26, K27)
3	M05971-35-K28	EA	DRAWER - OGEE EDGE - 16.9" X 21.6"D - W/O SLIDES/HDW (OAK)
3	M05971-35-J52	EA	DRAWER - OGEE EDGE - 16.9" X 21.6"D - W/O SLIDES/HDW (MAPLE)
4	M07515-01-G15	EA	CABINET - SEATBASE/RH - W/O DRAWER/HDW (OAK)
4	M07515-01-J52	EA	CABINET - SEATBASE/RH - W/O DRAWER/HDW (MAPLE)
5	081295-01-G01	EA	SUPPORT - BED/DINETTE - 28" LONG (OAK)
5	081295-01-H37	EA	SUPPORT - BED/DINETTE - 28" LONG (MAPLE)
6	M07515-02-G15	EA	CABINET - SEATBASE/LH - W/O DRAWER/HDW (OAK)
6	M07515-02-J52	EA	CABINET - SEATBASE/LH - W/O DRAWER/HDW (MAPLE)
7	126625-01-J54	EA	CABINET - STORAGE - W/CTRTP - W/O DOORS/HDW (K58, K64, K26)
7	126625-01-J26	EA	CABINET - STORAGE - W/CTRTP - W/O DOORS/HDW (K59, K65, K27)
7	126625-01-K62	EA	CABINET - STORAGE - W/CTRTP - W/O DOORS/HDW (K62)
7	126625-01-K32	EA	CABINET - STORAGE - W/CTRTP - W/O DOORS/HDW (K63)
7	122325-05-K32	EA	CABINET - PANTRY/LH SLIDING - W/O SLIDES/HDW (OAK)
7	122325-05-K58	EA	CABINET - PANTRY/LH SLIDING - W/O SLIDES/HDW (MAPLE)

KEY	PART NUMBER	U/M	DESCRIPTION
	122325-14-J22	EA	SHELF - W/EDGE MOLDING (OAK)
	122325-14-J52	EA	SHELF - W/EDGE MOLDING (MAPLE)
	122360-02-000	EA	SLIDE - PANTRY - W/O LOCK - RIGHT/LH
	122360-03-000	EA	SLIDE - PANTRY - W/LOCK - RH
	123673-01-01A	EA	KNOB - PANTRY SLIDE
8	131995-M2-K28	EA	DOOR - RAIL/SOLID PANEL - 7.9" X 26.3" - W/O HDW (OAK)
8	131995-M2-K58	EA	DOOR - RAIL/SOLID PANEL - 7.9" X 26.3" - W/O HDW (MAPLE)
9	126625-14-J26	EA	CTRTP - STORAGE CABINET (K58, K59, K64, K65, K26, K27)
9	126625-14-J23	EA	CTRTP - STORAGE CABINET (K62, K63)
10	126625-15-J26	EA	DOOR - STORAGE CABINET - 8.7" X 19.4" - W/O HDW (K58, K59, K64, K65, K26, K27)
10	126625-15-J23	EA	DOOR - STORAGE CABINET - 8.7" X 19.4" - W/O HDW (K62, K63)
11	131494-01-01A	EA	MIRROR - BEVELED - 24" X 36"
12	103128-20-J22	EA	END CAP - OVERHEAD CABINET - LH (OAK)
12	103128-20-J52	EA	END CAP - OVERHEAD CABINET - LH (MAPLE)
13	130695-14-K32	EA	SHELF - W/PLASTIC EDGE TRIM (OAK)
13	130695-14-K58	EA	SHELF - W/PLASTIC EDGE TRIM (MAPLE)
14	131995-D4-K28	EA	DOOR - RAIL/SOLID PANEL - 15.7" X 27.9" - W/O HDW (OAK)
14	131995-D4-K58	EA	DOOR - RAIL/SOLID PANEL - 15.7" X 27.9" - W/O HDW (MAPLE)

## DINETTE GROUP

### DINETTE WITH OVERHEAD CABINETRY (CONTINUED)

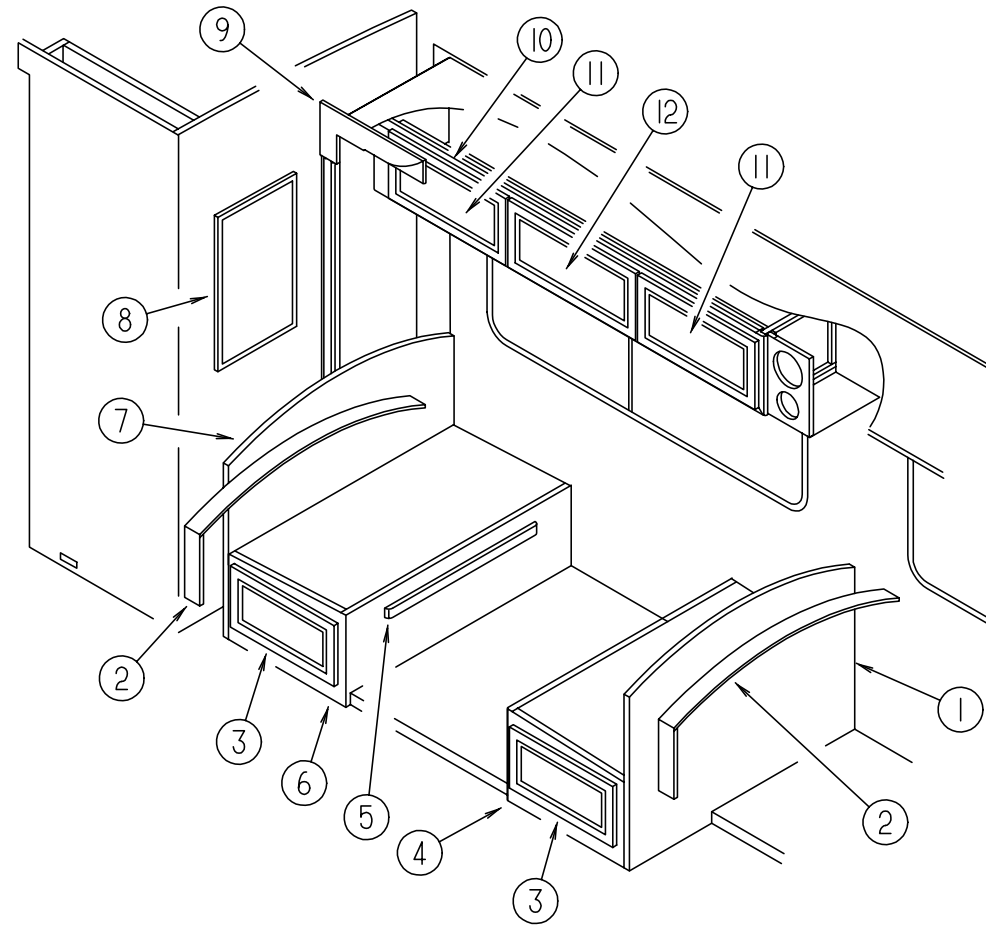


KEY	PART NUMBER	U/M	DESCRIPTION
15	130695-01-K58	EA	CABINET - OVERHEAD/DINETTE/LH - W/O DOORS/HDW (K58)
15	130695-01-K59	EA	CABINET - OVERHEAD/DINETTE/LH - W/O DOORS/HDW (K59)
15	130695-01-K62	EA	CABINET - OVERHEAD/DINETTE/LH - W/O DOORS/HDW (K62)
15	130695-01-K63	EA	CABINET - OVERHEAD/DINETTE/LH - W/O DOORS/HDW (K63)
15	130695-01-K60	EA	CABINET - OVERHEAD/DINETTE/LH - W/O DOORS/HDW (K64)
15	130695-01-K65	EA	CABINET - OVERHEAD/DINETTE/LH - W/O DOORS/HDW (K65)
15	130695-01-K26	EA	CABINET - OVERHEAD/DINETTE/LH - W/O DOORS/HDW (K26)
15	130695-01-K32	EA	CABINET - OVERHEAD/DINETTE/LH - W/O DOORS/HDW (K27)

KEY	PART NUMBER	U/M	DESCRIPTION
15	130695-02-K58	EA	CABINET - OVERHEAD/DINETTE/LH - W/O DOORS/HDW (F/SOUND SYSTEM) (K58)
15	130695-02-K59	EA	CABINET - OVERHEAD/DINETTE/LH - W/O DOORS/HDW (F/SOUND SYSTEM) (K59)
15	130695-02-K62	EA	CABINET - OVERHEAD/DINETTE/LH - W/O DOORS/HDW (F/SOUND SYSTEM) (K62)
15	130695-02-K63	EA	CABINET - OVERHEAD/DINETTE/LH - W/O DOORS/HDW (F/SOUND SYSTEM) (K63)
15	130695-02-K60	EA	CABINET - OVERHEAD/DINETTE/LH - W/O DOORS/HDW (F/SOUND SYSTEM) (K64)
15	130695-02-K65	EA	CABINET - OVERHEAD/DINETTE/LH - W/O DOORS/HDW (F/SOUND SYSTEM) (K65)
15	130695-02-K26	EA	CABINET - OVERHEAD/DINETTE/LH - W/O DOORS/HDW (F/SOUND SYSTEM) (K26)
15	130695-02-K27	EA	CABINET - OVERHEAD/DINETTE/LH - W/O DOORS/HDW (F/SOUND SYSTEM) (K27)
16	130695-15-K32	EA	SHELF - W/PLASTIC EDGE TRIM (OAK)
16	130695-15-K58	EA	SHELF - W/PLASTIC EDGE TRIM (MAPLE)
17	103128-16-H13	EA	END CAP - OVERHEAD CABINET - RH (OAK)
17	103128-16-J52	EA	END CAP - OVERHEAD CABINET - RH (MAPLE)
	122021-01-02A	EA	ANGLE - W/HOLES - 8.6" LONG - OFF WHITE
	122021-02-02A	EA	ANGLE - W/HOLES - 13.7" LONG - OFF WHITE

## DINETTE GROUP (CONTINUED)

### DINETTE (SLIDOUT OPTION)

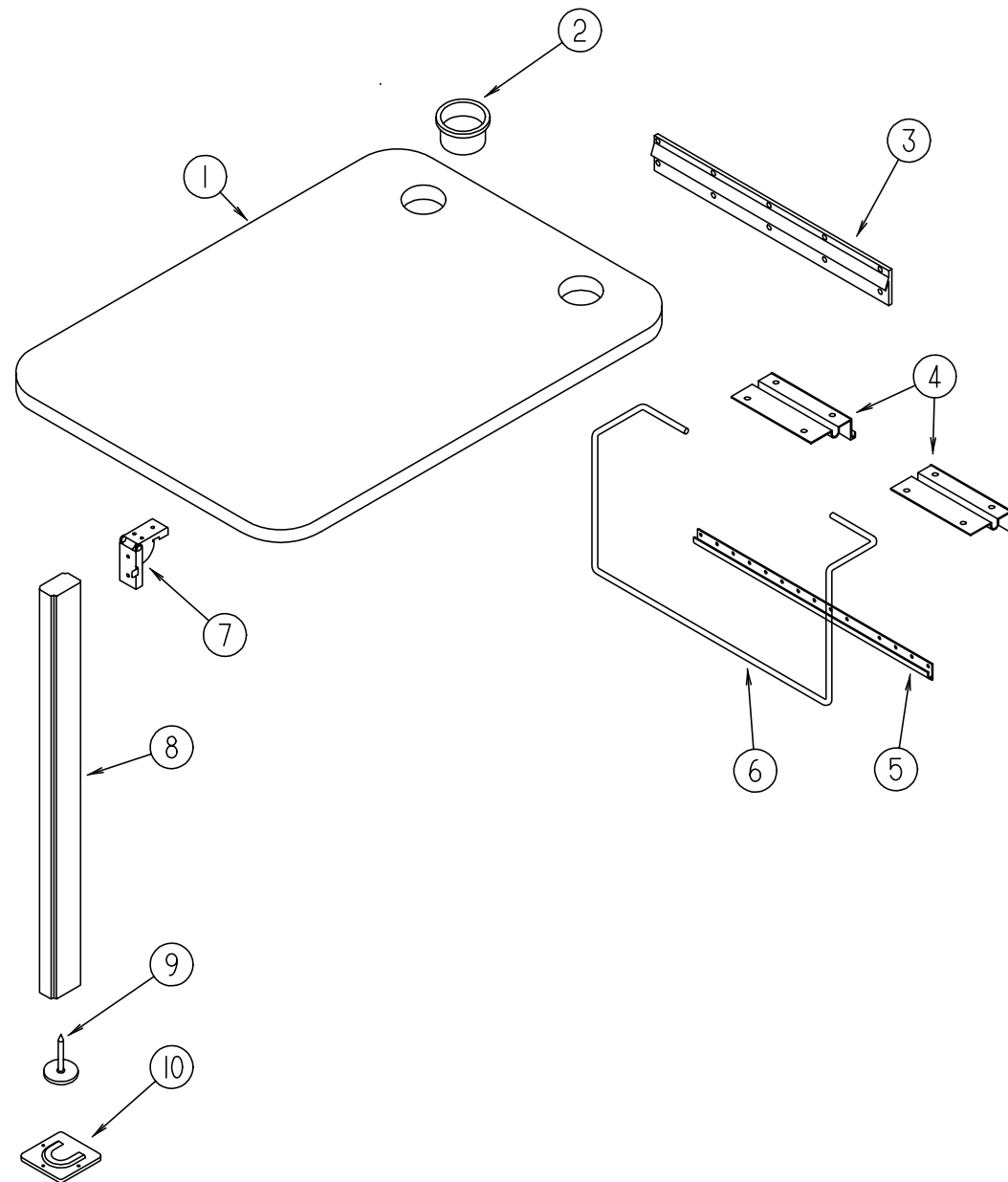


KEY	PART NUMBER	U/M DESCRIPTION
1	M08755-01-J22	EA CABINET - SEATBACK - RIGHT HAND (OAK)
1	M08755-01-J52	EA CABINET - SEATBACK - RIGHT HAND (MAPLE)
2	104787-08-K54	EA PAD - DINETTE SEATBACK (K58, K59)
2	104787-08-J24	EA PAD - DINETTE SEATBACK (K62, K63)
2	104787-08-K64	EA PAD - DINETTE SEATBACK (K64, K65)
2	104787-08-F11	EA PAD - DINETTE SEATBACK (K26, K27)
3	P27054-01-K28	EA DRAWER - OGEE EDGE - 11.8"W X 33.4"D - W/O SLIDES/HARDWARE (OAK)
3	P27054-01-K58	EA DRAWER - OGEE EDGE - 11.8"W X 33.4"D - W/O SLIDES/HARDWARE (MAPLE)
4	M08756-01-J22	EA CABINET - SEATBASE - RIGHT HAND - W/O DRAWER/HARDWARE (OAK)
4	M08756-01-J52	EA CABINET - SEATBASE - RIGHT HAND - W/O DRAWER/HARDWARE (MAPLE)
5	081295-01-G01	EA SUPPORT - BED/DINETTE - 28" LONG (OAK)
5	081295-01-H37	EA SUPPORT - BED/DINETTE - 28" LONG (MAPLE)
6	M08756-02-J22	EA CABINET - SEATBASE - LEFT HAND - W/O DRAWER/HARDWARE (OAK)
6	M08756-02-J52	EA CABINET - SEATBASE - LEFT HAND - W/O DRAWER/HARDWARE (MAPLE)
7	M08755-02-J22	EA CABINET - SEATBACK - LEFT HAND (OAK)
7	M08755-02-J52	EA CABINET - SEATBACK - LEFT HAND (MAPLE)

KEY	PART NUMBER	U/M DESCRIPTION
8	131494-01-01A	EA MIRROR - BEVELED - 24" X 36"
9	115811-20-J54	EA OVERLAY - NOVEAU - 7.5" X 23.75" - LEFT HAND (K58, K59)
9	115811-21-K62	EA OVERLAY - NOVEAU - 7.5" X 23.75" - LEFT HAND (K62, K63)
9	115811-20-J28	EA OVERLAY - NOVEAU - 7.5" X 23.75" - LEFT HAND (K64, K65)
9	115811-20-K32	EA OVERLAY - NOVEAU - 7.5" X 23.75" - LEFT HAND (K26, K27)
10	126310-01-J22	EA CABINET - OVERHEAD/DINETTE - W/O DOORS/HARDWARE (OAK)
10	126310-01-J52	EA CABINET - OVERHEAD/DINETTE - W/O DOORS/HARDWARE (MAPLE)
10	126310-02-J22	EA CABINET - OVERHEAD/DINETTE - W/O DOORS/HARDWARE (W/SOUND SYSTEM) (OAK)
10	126310-02-J52	EA CABINET - OVERHEAD/DINETTE - W/O DOORS/HARDWARE (W/SOUND SYSTEM) (MAPLE)
11	131995-41-K28	EA DOOR - RAIL/SOLID PANEL - 10.8" X 21.8" - W/O HARDWARE (OAK)
11	131995-41-K58	EA DOOR - RAIL/SOLID PANEL - 10.8" X 21.8" - W/O HARDWARE (MAPLE)
12	131995-44-K28	EA DOOR - RAIL/SOLID PANEL - 10.8" X 23.8" - W/O HARDWARE (OAK)
12	131995-44-K58	EA DOOR - RAIL/SOLID PANEL - 10.8" X 23.8" - W/O HARDWARE (MAPLE)

## DINETTE GROUP (CONTINUED)

### DINETTE TABLE ASM.

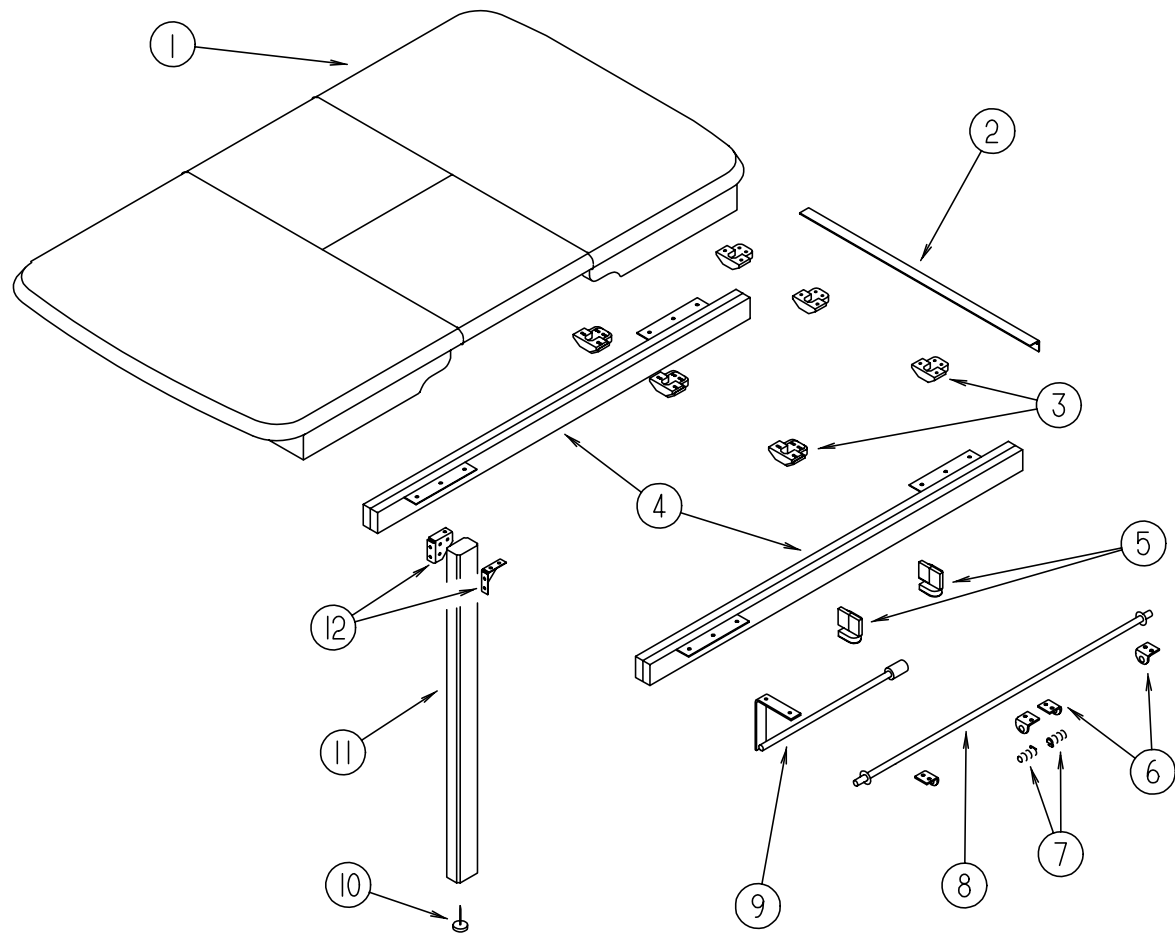


KEY	PART NUMBER	U/M DESCRIPTION
1	127121-02-J54	EA TABLE TOP ONLY (K58, K64, K26)
1	127121-02-J26	EA TABLE TOP ONLY (K59, K65, K27)
1	127121-02-K62	EA TABLE TOP ONLY (K62)
1	127121-02-K32	EA TABLE TOP ONLY (K63)
2	064781-06-000	EA HOLDER - CUP TWO STEP - OFF WHITE
3	053200-12-000	EA BRACKET - TABLE SUPPORT - UPPER WALL MOUNTED 23.50"
4	088410-02-000	EA BRACKET - LIFT - TABLE MOUNTED
5	024281-14-000	EA BRACKET - LIFT ROD LOWER WALL MOUNTED - 22.12"

KEY	PART NUMBER	U/M DESCRIPTION
6	024275-12-000	EA ROD - TABLE LIFT
7	093550-01-000	EA BRACKET - HINGE - MOUNTS TO LEG & TABLE TOP - 1.7" X 2.6"
8	092707-04-05A	EA LEG - TABLE - W/O HARDWARE - 27" - WATERFORD OAK
9	092593-01-05A	EA CATCH - TABLE LEG - OFF/WHITE
10	049493-12-000	EA CATCH - TABLE LEG - FLOOR MOUNTED - OFF WHITE
10	049493-11-700	EA CATCH - TABLE LEG - E-COAT
	004354-01-000	EA BUMPER - RUBBER - .5" DIA - BROWN



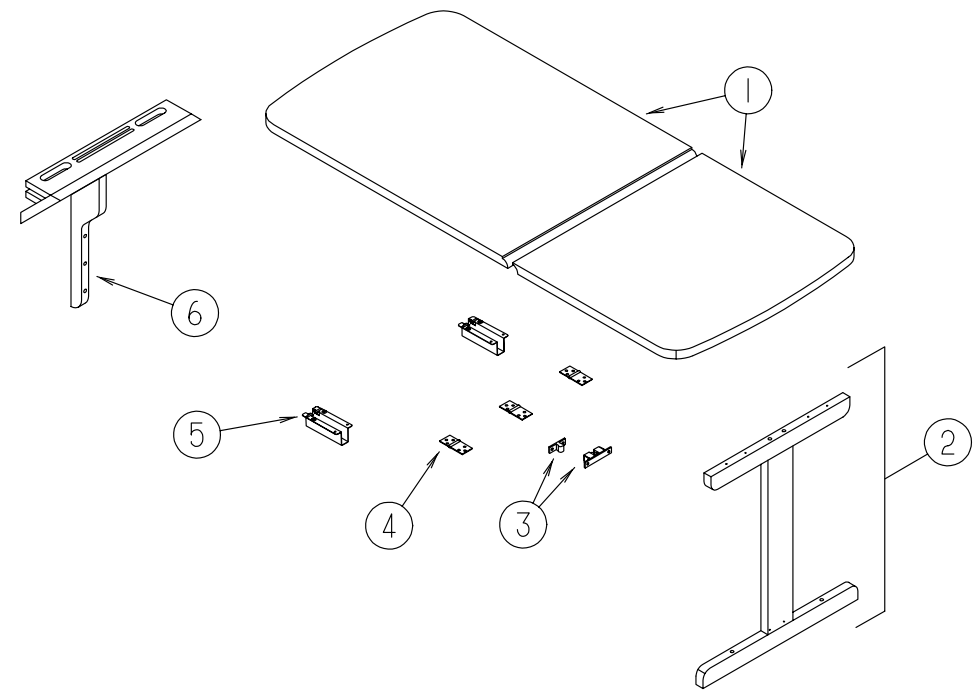
### DINETTE GROUP (CONTINUED)



DINETTE TABLE ASM. W/ DROP LEAF

KEY	PART NUMBER	U/M	DESCRIPTION
	P18322-03-K58	EA	TABLE - PULLOUT/SELF STORING - W/O LEG (K58, K64, K26)
	P18322-03-K30	EA	TABLE - PULLOUT/SELF STORING - W/O LEG (K59, K65, K27)
	P18322-03-K62	EA	TABLE - PULLOUT/SELF STORING - W/O LEG (K62)
	P18322-03-K32	EA	TABLE - PULLOUT/SELF STORING - W/O LEG (K63)
1	118322-20-J61	EA	TABLE TOP ONLY - W/O HARDWARE (K58, K64, K26)
1	118322-20-J91	EA	TABLE TOP ONLY - W/O HARDWARE (K59, K65, K27)
1	118322-20-K62	EA	TABLE TOP ONLY - W/O HARDWARE (K62)
1	118322-20-K32	EA	TABLE TOP ONLY - W/O HARDWARE (K63)
2	041389-18-000	EA	HINGE - PIANO - 1 1/2" X 19" - OFF WHITE
3	009050-02-000	EA	LEVELER - TABLE TOP - MALE END W/4 SCREWS - PLASTIC
3	009050-03-000	EA	LEVELER - TABLE TOP - FEMALE END W/2 SCREWS - PLASTIC
4	110749-01-000	EA	SLIDE/EXTENSION - 19 3/4" TO 33 1/4"
5	108663-01-000	EA	HINGE - LEAF - FOLDING
6	108874-01-000	EA	BRACKET - HINGE - TABLE LEAF
7	108664-01-000	EA	SPRING - COMPRESSION - .51" X 1.96"
8	108932-01-000	EA	ROD - PIVOT
9	108905-01-000	EA	SUPPORT - TABLE LEAF
10	102194-01-000	EA	GUIDE - PLASTIC
11	092707-07-05A	EA	LEG - TABLE - W/O HARDWARE - 27.8" - WATERFORD OAK
11	092707-07-08A	EA	LEG - TABLE - W/O HARDWARE - 27.8" - WASHED MAPLE
12	102810-01-04A	EA	BRACE - TABLE LEG - BLACK
12	102810-01-03A	EA	BRACE - TABLE LEG - MILL

### DINETTE GROUP (CONTINUED)

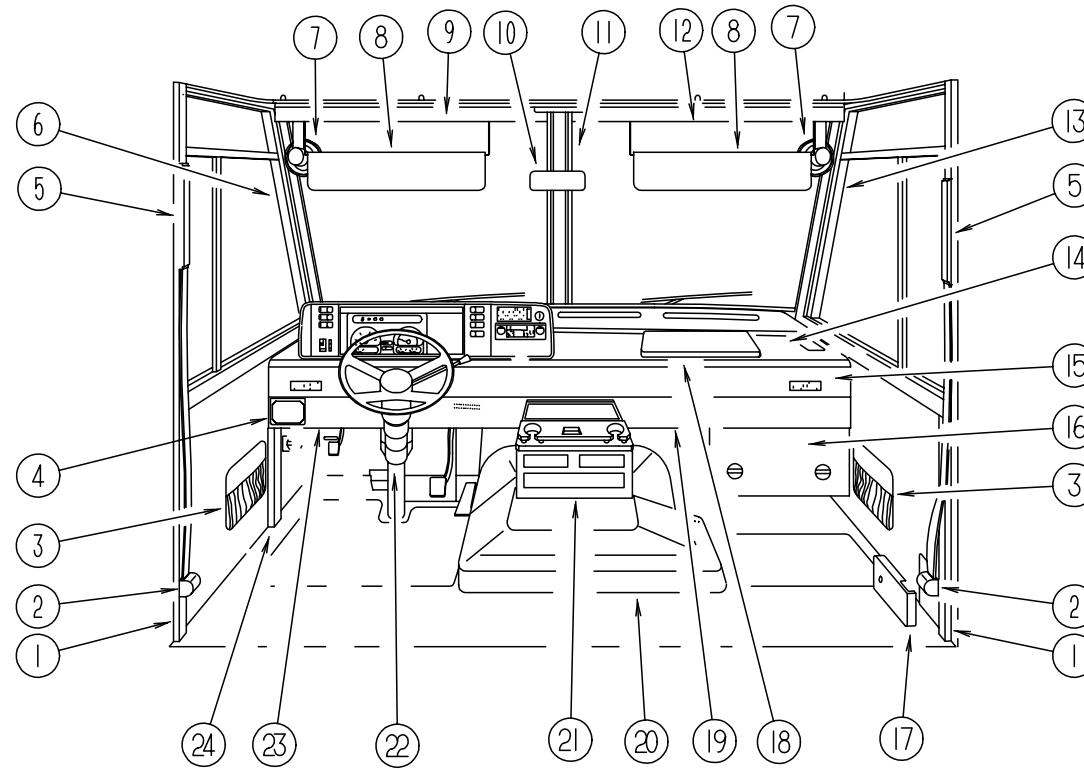


DINETTE TABLE ASM. W/ DROP LEAF

KEY	PART NUMBER	U/M	DESCRIPTION
1	120898-28-K28	EA	TABLE TOP ONLY (OAK)
1	120898-28-K58	EA	TABLE TOP ONLY (MAPLE)
2	120898-24-H17	EA	LEG - W/O HARDWARE (OAK)
2	120898-24-K58	EA	LEG - W/O HARDWARE (MAPLE)
3	084451-01-000	EA	CATCH - BRASS
4	120972-01-01A	EA	HINGE - TABLE/DROP LEAF
5	120973-01-000	EA	SUPPORT - TABLE/DROP LEAF - PAIR
6	120898-25-H07	EA	MOUNT - WALL - DROP LEAF TABLE (OAK)
6	120898-25-J40	EA	MOUNT - WALL - DROP LEAF TABLE (MAPLE)

# DRIVERS COMPARTMENT GROUP

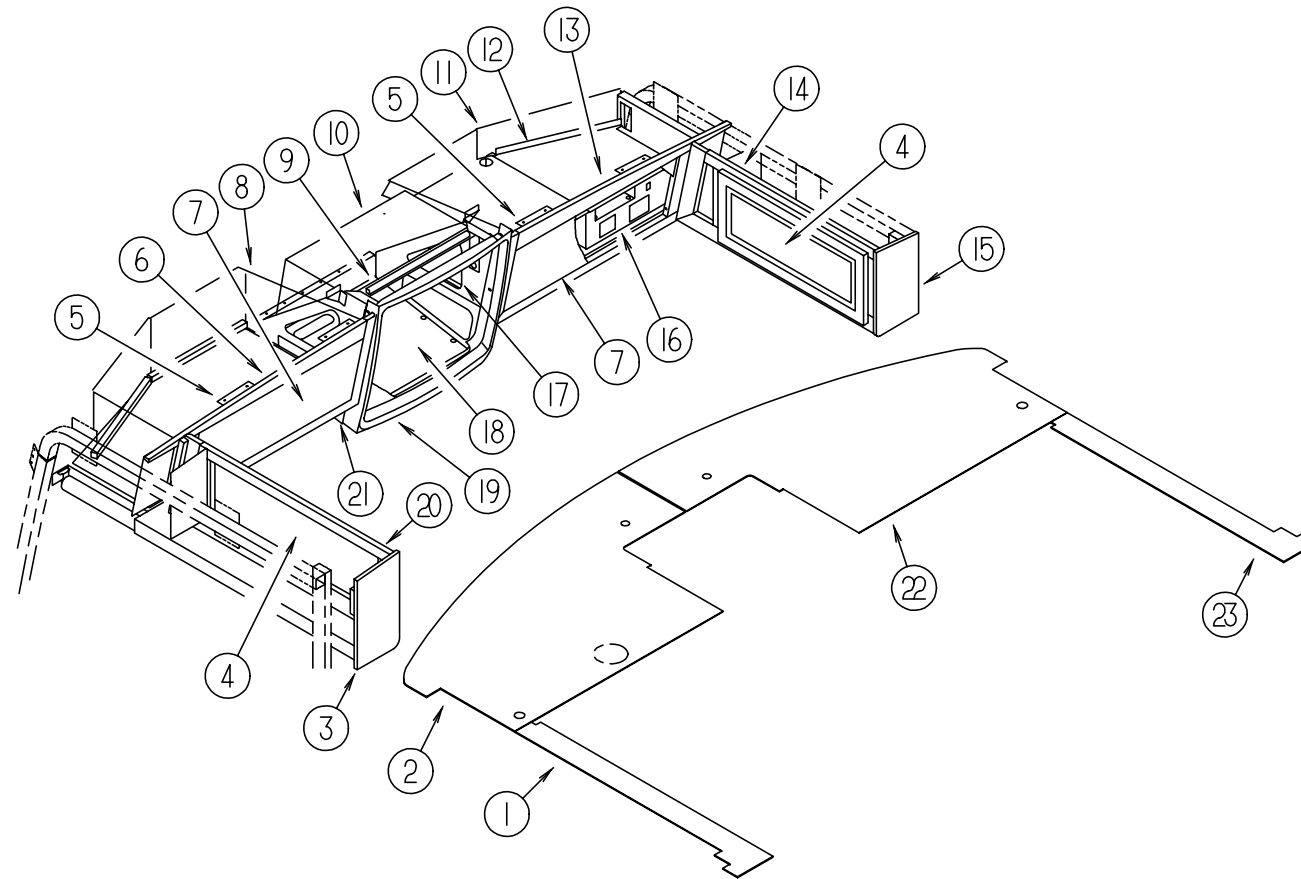
## LOWER DRIVER COMPARTMENT



KEY	PART NUMBER	U/M	DESCRIPTION	VENDOR NO.	KEY	PART NUMBER	U/M	DESCRIPTION
1	024700-51-000	EA	COVER - ROLL BAR - 88" - OFF WHITE		15	104354-09-09A	EA	APPLIQUE - LWR DASH - SUNCRUISER
	126701-01-03A	EA	COVER - ASSIST HANDLE - OFF WHITE		16	095757-05-J54	EA	COVER - HEATER (K58, K59)
2	091990-05-01A	EA	SEAT BELT/SHOULDER HARNESS - DRIVER/PASSENGER - BLACK		16	095757-05-K38	EA	COVER - HEATER (K62, K63)
	127598-01-01A	EA	ADJUSTER - SEATBELT - D-LOOP - ADJUSTER		16	095757-05-J31	EA	COVER - HEATER (K64, K65)
	127598-02-000	EA	NUT - HEX FLANGE - M10 X 1.5 - CLASS 10		16	095757-05-J17	EA	COVER - HEATER (K26, K27)
	128444-01-000	EA	WASHER - SPRING - CONICAL		17	103961-03-01A	EA	COVER - BRACKET - SEATBELT/OFF WHITE
	091990-05-700	EA	SLEEVE/BUCKLE COVER - PLASTIC	209S-2	18	127692-01-J50	EA	TABLE/WORK STATION - COMPLETE - TITANIUM
	091990-05-701	EA	CAP/COVER - BOLT HOLE COVER	209SC-02	18	127597-01-000	EA	SLIDE - WORK STATION - DASH
	091990-05-702	EA	SLEEVE/RETRACTABLE COVER	309C-02	19	114620-05-05A	EA	TRIM - LWR DASH - GM - 96" - TITANIUM - W/ELECTRIC MIRRORS - W/O DR DOR
	091990-01-701	EA	EXTENDER 9" FOR A8408 3 PT	I-1331-02	19	114620-08-03A	EA	TRIM - LWR DASH - GM - 96" - TITANIUM - W/O ELECTRIC MIRRORS - W/O DR DOR
3	086120-01-J54	EA	PAD - MAP POCKET - 12" X 16" (K58, K59)		19	114620-09-03A	EA	TRIM - LWR DASH - GM - 96" - TITANIUM - W/ELECTRIC MIRRORS - W/DR DOR
3	086120-01-J24	EA	PAD - MAP POCKET - 12" X 16" (K62, K63)		19	114620-11-03A	EA	TRIM - LWR DASH - GM - 96" - TITANIUM - W/O ELECTRIC MIRRORS - W/DR DOR
3	086120-01-K64	EA	PAD - MAP POCKET - 12" X 16" (K64, K65)		19	111528-07-05A	EA	TRIM - LWR DASH - PASSENGER - FORD - TITANIUM
3	086120-01-G30	EA	PAD - MAP POCKET - 12" X 16" (K26, K27)		20	115840-03-01A	EA	COVER - MOTOR - W/O CARPET - FORD
4	112236-02-J52	EA	BEZEL - F/SLIDEOUT ROOM CONTROL					FROM: 00-00-00 THRU: 05-05-99
4	116220-01-000	EA	APPLIQUE - SWITCH/SLIDEOUT		20	129099-03-01A	EA	COVER - MOTOR - W/O CARPET - FORD
4	108357-06-000	EA	SWITCH - ROCKER DPDT - MOM/OFF/MOM - 6 TERMINAL					FROM: 05-06-99 THRU: 99-99-99
4	108356-02-01A	EA	COVER/ACTUATOR SWITCH - 2 ROWS DIMPLES- CONTURA II - BLACK		20	115840-02-01A	EA	COVER - MOTOR - W/O CARPET (CHEVY)
4	081994-09-000	EA	PLATE - SWITCH - F/SLIDEOUT		21	126680-01-H17	EA	TRAY - BEVERAGE - W/SHELF/CUPHOLDERS - W/O DRAWER (FORD) (OAK)
5	127798-01-01A	EA	COVER - SLIDE - INNER - BLACK - 1.5" X 11.4"		21	126680-01-J52	EA	TRAY - BEVERAGE - W/SHELF/CUPHOLDERS - W/O DRAWER (FORD) (MAPLE)
5	127721-01-01A	EA	COVER - SLIDE - OFF WHITE		21	126680-02-H17	EA	TRAY - BEVERAGE - W/SHELF/CUPHOLDERS - W/O DRAWER (CHEVY) (OAK)
6	125444-02-02A	EA	TRIM - A-PILLAR/DRIVER - INTERIOR - TITANIUM		21	126680-02-J52	EA	TRAY - BEVERAGE - W/SHELF/CUPHOLDERS - W/O DRAWER (CHEVY) (MAPLE)
6	123045-11-03A	EA	BACKING - SCREW - TITANIUM		22	130111-01-01A	EA	COVER - STEERING COLUMN - BLACK - UPPER (FORD)
7	122856-01-01A	EA	FAN- DEFROSTER-2 SPEED W/SWIVEL BASE/NON-OSCILATING-CHROME					FROM: 00-00-00 THRU: 01-17-99
8	123298-02-05A	EA	SUNVISOR - 10.5" X 28.5"		22	131804-01-01A	EA	COVER - STEERING COLUMN - BLACK - UPPER & SIDES (FORD)
9	118453-06-02A	EA	TRIM - WINDSHIELD - INNER/TOP/DRIVER					FROM: 01-18-99 THRU: 99-99-99
10	040714-01-000	EA	MIRROR - REAR VIEW/ARM MOUNT & SET SCREW		22	125655-03-01A	EA	TRIM - STEERING COLUMN - RH (FORD)
10	067490-01-000	EA	BUTTON - MIRROR/REAR VIEW					FROM: 00-00-00 THRU: 01-17-99
11	118452-03-02A	EA	TRIM - WINDSHIELD - CENTER		22	125655-04-01A	EA	TRIM - STEERING COLUMN - LH (FORD)
12	118453-05-02A	EA	TRIM - WINDSHIELD - INNER/TOP/PASSENGER					FROM: 00-00-00 THRU: 01-17-99
13	125444-01-02A	EA	TRIM - A-PILLAR/PASSENGER - INTERIOR - TITANIUM		22	125795-01-01A	EA	COVER - STEERING COLUMN - LWR - BLACK (FORD)
13	123045-11-03A	EA	BACKING - SCREW - TITANIUM					FROM: 01-18-99 THRU: 99-99-99
14	P30276-01-000	EA	DASH - W/O VINYL - E-COATED (FORD) (W/ DR DOR)		22	103498-09-000	EA	BOOT - STEERING COLUMN - W/1/2 CIRCLE (CHEVY)
14	P30276-02-000	EA	DASH - W/O VINYL - E-COATED (FORD) (W/O DR DOR)		23	111528-04-05A	EA	TRIM - LWR DASH - LH - FORD - TITANIUM
14	P30276-05-000	EA	DASH - W/O VINYL - E-COATED (CHEVY) (W/ DR DOR)		24	127901-02-02A	EA	PANEL - TOEKICK - LH - TITANIUM (W/DR DOR)
14	P30276-06-000	EA	DASH - W/O VINYL - E-COATED (CHEVY) (W/O DR DOR)		24	127901-01-02A	EA	PANEL - TOEKICK - LH - TITANIUM (W/O DR DOR)
14	106569-11-02A	EA	VINYL - LAMINATE - TITANIUM - 1/4" X 21" X 100"					

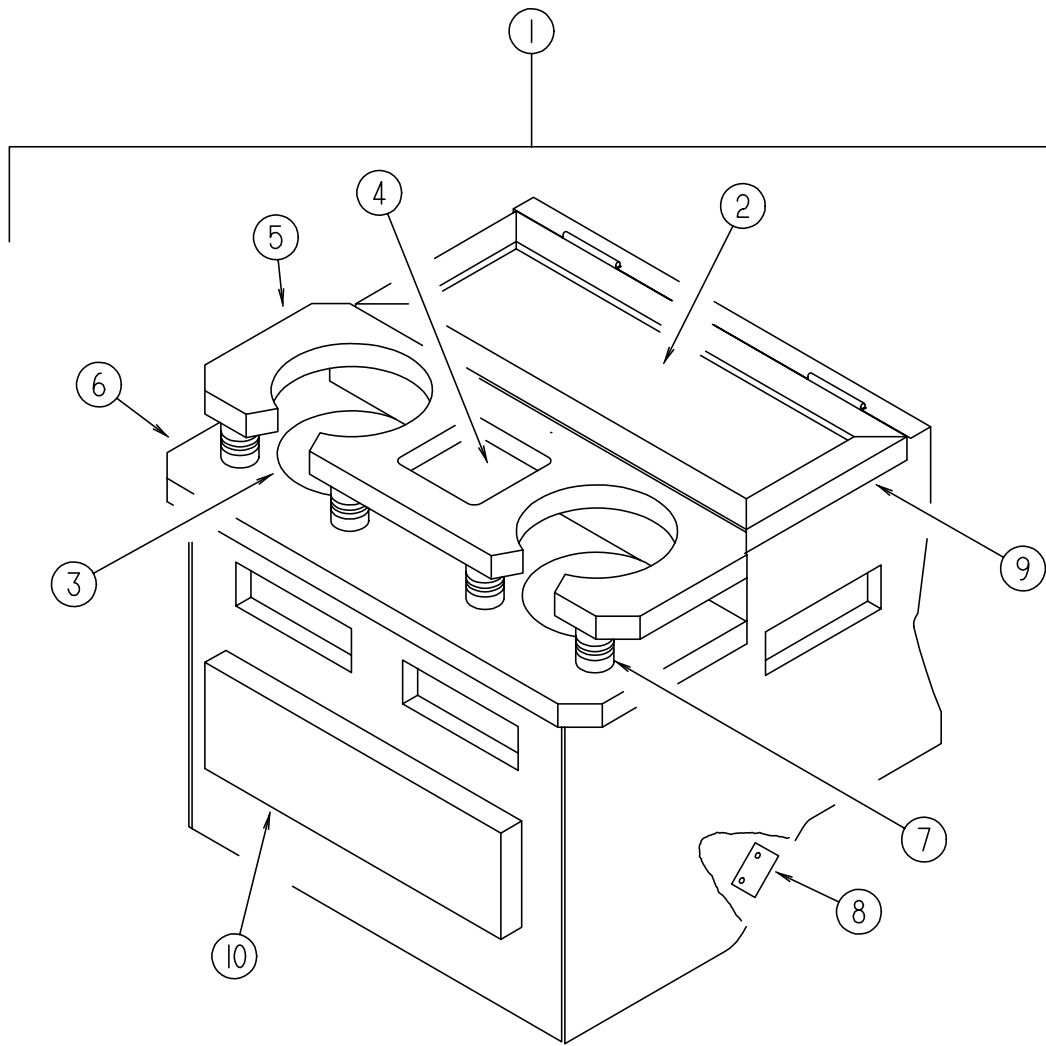
## DRIVERS COMPARTMENT GROUP (CONTINUED)

### OVERHEAD CABINETS (DRIVER COMPARTMENT)



KEY	PART NUMBER	U/M DESCRIPTION	KEY	PART NUMBER	U/M DESCRIPTION
1	126443-02-J53	EA PANEL - OVERHEAD/FRONT - LEFT HAND - 5.8" X 27.6"	15	103128-17-J20	EA END CAP - OVERHEAD CABINET - RIGHT HAND (OAK)
2	126440-02-J52	EA PANEL - OVERHEAD - FRONT/BOTTOM - LEFT HAND	15	103128-17-J52	EA END CAP - OVERHEAD CABINET - RIGHT HAND (MAPLE)
3	103128-18-J20	EA END CAP - OVERHEAD CABINET - LEFT HAND (OAK)	16	126601-03-J60	EA PANEL/SHELF - VINYL COVERED - W/NOTCH/ANTENNA CUTOUT FROM: 00-00-00 THRU: 11-08-98
3	103128-18-J60	EA END CAP - OVERHEAD CABINET - LEFT HAND (MAPLE)	16	131807-02-K58	EA PANEL/SHELF - VINYL COVERED - W/NOTCH/ANTENNA CUTOUT FROM: 11-09-98 THRU: 99-99-99
4	131995-23-K28	EA DOOR - SOLID PANEL - 10" X 19.1" - W/O HARDWARE (OAK)	16	126601-01-J60	EA PANEL/SHELF - VINYL COVERED - W/ANTENNA CUTOUT FROM: 00-00-00 THRU: 11-08-98
4	131995-23-K58	EA DOOR - SOLID PANEL - 10" X 19.1" - W/O HARDWARE (MAPLE)	16	131807-01-K58	EA PANEL/SHELF - VINYL COVERED - W/ANTENNA CUTOUT FROM: 11-09-98 THRU: 99-99-99
5	106699-01-01A	EA BRACKET - OVERHEAD CABINET/TV	16	126601-07-J60	EA PANEL/SHELF - VINYL COVERED - W/NOTCH/INVERTER/ANTENNA CUTOUT FROM: 00-00-00 THRU: 11-08-98
6	130768-02-K66	EA CABINET - OVERHEAD - FRONT/LEFT HAND - W/O DOOR/HARDWARE (OAK)	16	131807-03-K58	EA PANEL/SHELF - VINYL COVERED - W/NOTCH/ANTENNA CUTOUT FROM: 11-09-98 THRU: 99-99-99
6	130768-02-K67	EA CABINET - OVERHEAD - FRONT/LEFT HAND - W/O DOOR/HARDWARE (MAPLE)	17	126081-01-02B	EA BRACKET/SUPPORT - TV - 24 DEGREE - E-COATED (RIGHT)
7	131995-S6-K28	EA DOOR - GLASS PANEL - 11.4" X 28.1" - W/O HARDWARE (OAK)	17	126081-02-02B	EA BRACKET/SUPPORT - TV - 24 DEGREE - E-COATED (LEFT)
7	131995-S6-K58	EA DOOR - GLASS PANEL - 11.4" X 28.1" - W/O HARDWARE (MAPLE)	18	091261-01-000	FT SLIPNOT - ANTISLIP - 1" WIDE
7	100708-20-000	EA DOOR - GLASS - TV CABINET - 8.6" X 26.1"	18	100708-16-000	EA DOOR - GLASS - CABINET - 15.5" X 15.7" - W/O HARDWARE
8	126457-02-J20	EA PANEL - CLOSEOUT - OVERHEAD FRONT - UPPER/LOWER LEFT HAND	19	125977-01-01A	EA COVER - TV - OVERHEAD/FRONT - TITANIUM
9	114706-04-02B	EA SUPPORT - SHELF/TV	19	126602-02-J52	EA COVER - OVERHEAD FRONT - W/O TV OPTION
10	126854-01-J20	EA PANEL - HEADLINER/TV/TOP	20	126301-01-J22	EA CABINET - OVERHEAD/FRONT/LEFT HAND - W/O DOORS/HARDWARE (OAK)
11	126457-01-J20	EA PANEL - CLOSEOUT - OVERHEAD FRONT - UPPER/LOWER RIGHT HAND	20	126301-01-J52	EA CABINET - OVERHEAD/FRONT/LEFT HAND - W/O DOORS/HARDWARE (MAPLE)
12	126275-01-02B	EA SHELF - OVERHEAD/FRONT - E-COATED FROM: 00-00-00 THRU: 11-08-98	21	126006-02-J60	EA COVER - TV - OVERHEAD/BOTTOM
12	126275-03-02B	EA SHELF - OVERHEAD FRONT - E-COATED FROM: 11-09-98 THRU: 99-99-99	22	126440-01-J52	EA PANEL - OVERHEAD - FRONT/BOTTOM - RIGHT HAND
13	130768-01-K66	EA CABINET - OVERHEAD - FRONT - W/O DOOR/HARDWARE (OAK)	23	126443-05-J52	EA PANEL - OVERHEAD/FRONT/RIGHT HAND - 5.8" X 28.5"
13	130768-01-K67	EA CABINET - OVERHEAD - FRONT - W/O DOOR/HARDWARE (MAPLE)			
14	126358-01-J57	EA CABINET - OVERHEAD/FRONT - RIGHT HAND - W/O DOOR/HARDWARE (OAK)			
14	126358-01-J52	EA CABINET - OVERHEAD/FRONT - RIGHT HAND - W/O DOOR/HARDWARE (MAPLE)			

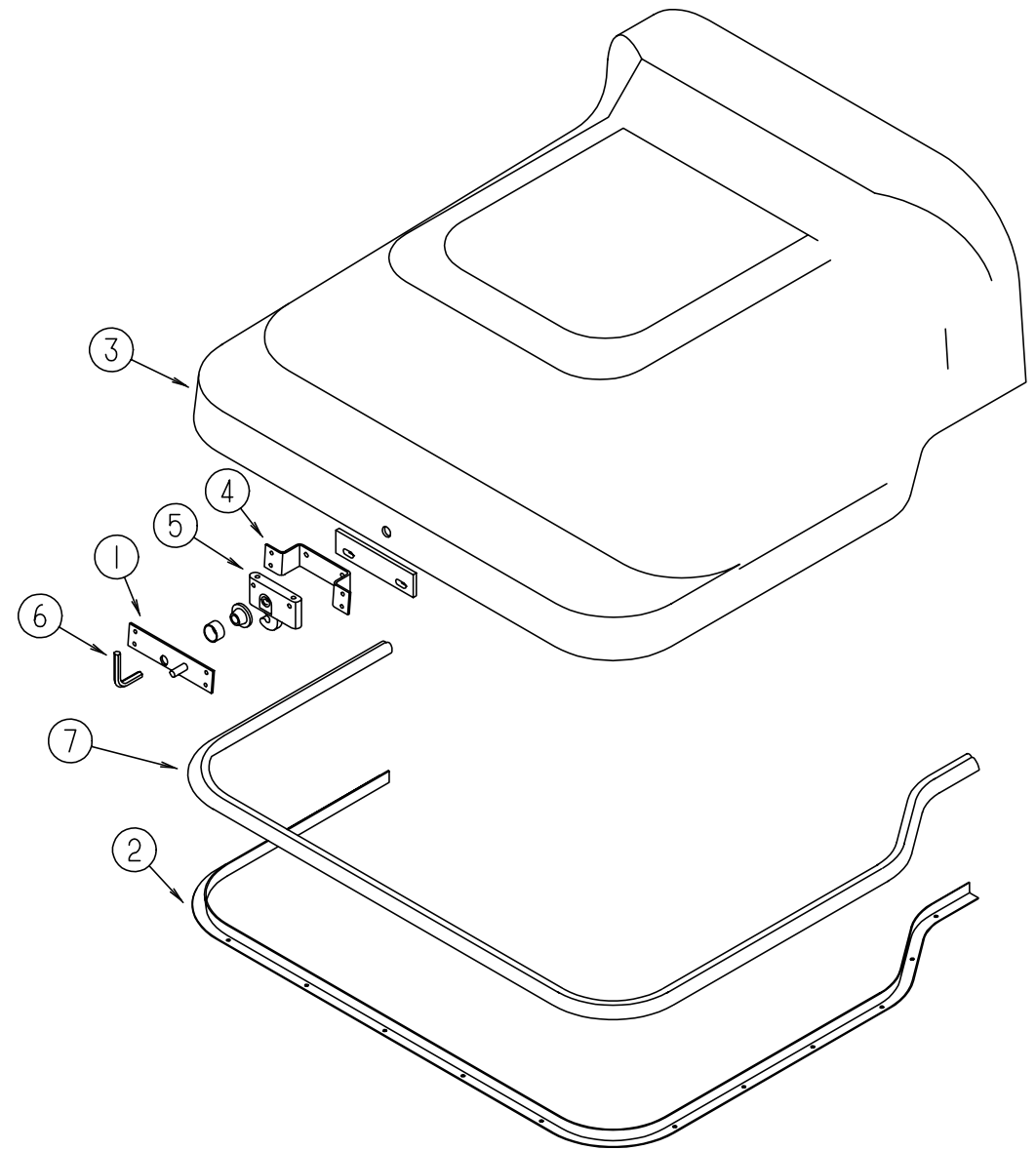
**DRIVERS COMPARTMENT GROUP (CONTINUED)**



**BEVERAGE TRAY, DRIVER COMPARTMENT**

KEY	PART NUMBER	U/M	DESCRIPTION
1	126680-01-H17	EA	TRAY - BEVERAGE - W/SHELF/CUPHOLDERS - W/O DRAWER (FORD) (OAK)
1	126680-01-J52	EA	TRAY - BEVERAGE - W/SHELF/CUPHOLDERS - W/O DRAWER (FORD) (MAPLE)
1	126680-02-H17	EA	TRAY - BEVERAGE - W/SHELF/CUPHOLDERS - W/O DRAWER (CHEVY) (OAK)
1	126680-02-J52	EA	TRAY - BEVERAGE - W/SHELF/CUPHOLDERS - W/O DRAWER (CHEVY) (MAPLE)
2	122717-06-01A	FT	PAD - NON SKID - PSA - 6.5" X 13.8"
3	122717-01-01A	EA	PAD - NON SKID - 4" DIAMETER ROUND
4	122717-02-01A	EA	PAD - NON SKID - 4" X 4"
5	126680-15-H17	EA	TRAY/CUPHOLDER - TOP (OAK)
5	126680-15-H37	EA	TRAY/CUPHOLDER - TOP (MAPLE)
6	126680-14-H17	EA	TRAY/CUPHOLDER - BOTTOM - W/PADS (OAK)
6	126680-14-H37	EA	TRAY/CUPHOLDER - BOTTOM - W/PADS (MAPLE)
7	097872-08-000	EA	DOWEL - WOOD - 1" DIAMETER X 1.38" LONG (OAK)
7	097872-11-000	EA	DOWEL - WOOD - 1" DIAMETER X 1.38" LONG (MAPLE)
	097872-04-000	EA	DOWEL - WOOD - 1" DIA X 1.38" LONG - UNFINISHED
8	122832-01-02B	EA	BRACKET - MOUNTING - BEVERAGE TRAY
	122772-02-02B	EA	BRACKET - MOUNTING - BEVERAGE TRAY(W/ STUD BOLTS)
9	126680-16-H17	EA	LID - BEVERAGE TRAY (OAK)
9	126680-16-J52	EA	LID - BEVERAGE TRAY (MAPLE)
10	M05971-AZ-H33	EA	DRAWER - OGEE EDGE - 9.9"W X 11.8"D - W/O SLIDES/HARDWARE (OAK)
10	M05971-AZ-J52	EA	DRAWER - OGEE EDGE - 9.9"W X 11.8"D - W/O SLIDES/HARDWARE (MAPLE)
	100128-02-000	FT	SEAL - FOAM - ADHESIVE BACK - .37" WIDE X .37" THICK

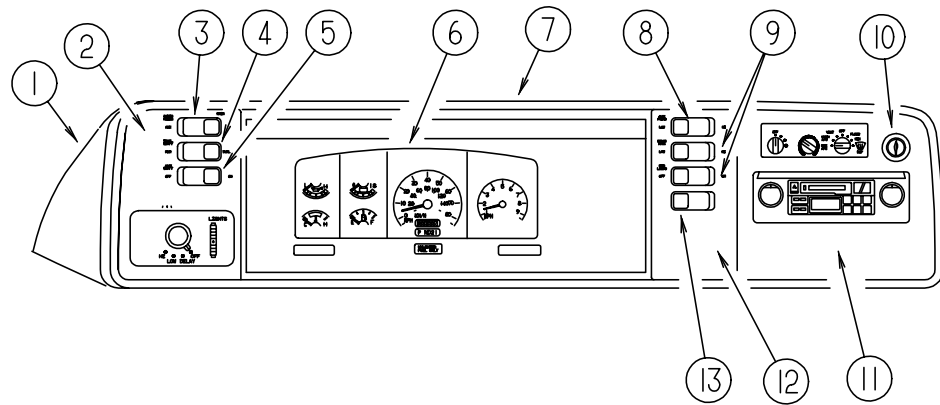
**DRIVERS COMPARTMENT GROUP (CONTINUED)**



**MOTOR COVER**

KEY	PART NUMBER	U/M	DESCRIPTION
1	115852-01-02B	EA	STRIKE - LATCH - MOTOR COVER - E-COATED
2	115860-01-01A	EA	TRIM - MOTOR COVER - CHEVY
2	115860-03-01A	EA	TRIM - MOTOR COVER - FORD
			FROM: 00-00-00 THRU: 05-05-99
2	115860-05-01A	EA	TRIM - MOTOR COVER - FORD
			FROM: 05-06-99 THRU: 99-99-99
3	115840-03-01A	EA	COVER - MOTOR - W/O CARPET - FORD
			FROM: 00-00-00 THRU: 05-05-99
3	129099-03-01A	EA	COVER - MOTOR - W/O CARPET - FORD
			FROM: 05-06-99 THRU: 99-99-99
3	115840-02-01A	EA	COVER - MOTOR - W/O CARPET - CHEVY
4	115850-03-02B	EA	RETAINER - LATCH - MOTOR COVER - RIGHT HAND - E-COAT
5	116581-01-000	EA	LATCH - MOTOR COVER
6	116833-01-02B	EA	WRENCH - HEX MOTOR COVER - E-COATED
7	039623-01-000	FT	SEAL - MOTOR COVER - RUBBER BULB TYPE

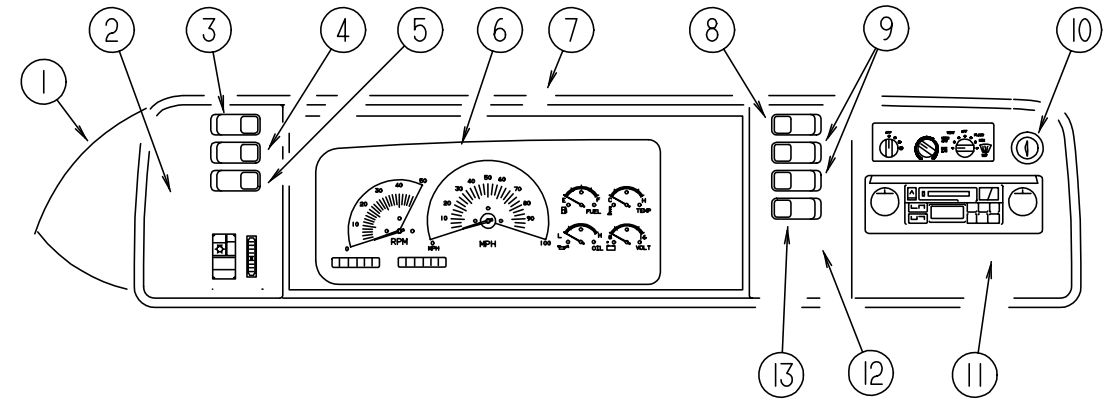
## DRIVERS COMPARTMENT GROUP (CONTINUED)



### DASH, GAUGES & SWITCHES (FORD)

KEY	PART NUMBER	U/M	DESCRIPTION
1	125677-02-J52	EA	POD - INSTRUMENT PANEL
			FROM: 00-00-00 THRU: 02-03-99
1	125677-04-K58	EA	POD - INSTRUMENT PANEL
			FROM: 02-04-99 THRU: 99-99-99
2	104056-39-01A	EA	APPLIQUE - BEZEL - DRIVER - BLACK
3	108357-08-000	EA	SWITCH - ROCKER DPDT - ON/NONE/ON - 6 TERMINAL
3	108356-02-01A	EA	COVER/ACTUATOR SWITCH - 2 ROWS DIMPLES- CONTURA II - BLACK
4	108357-09-000	EA	SWITCH - ROCKER SPDT - ON/NONE/MOM - 3 TERMINAL
4	108356-02-01A	EA	COVER/ACTUATOR SWITCH - 2 ROWS DIMPLES- CONTURA II - BLACK
5	108357-06-000	EA	SWITCH - ROCKER DPDT - MOM/OFF/MOM - 6 TERMINAL
5	108356-02-01A	EA	COVER/ACTUATOR SWITCH - 2 ROWS DIMPLES- CONTURA II - BLACK
6	N/A	EA	CLUSTER - INSTRUMENT PANEL - KILOMETERS
6	N/A	EA	CLUSTER - INSTRUMENT PANEL - K/M - GAS - CANADIAN
7	103662-12-01A	EA	BEZEL - INSTRUMENT PANEL - FORD
			FROM: 00-00-00 THRU: 02-03-99
7	103662-14-01A	EA	BEZEL - INSTRUMENT PANEL - FORD
			FROM: 02-04-99 THRU: 99-99-99
8	108357-10-000	EA	SWITCH - ROCKER SPDT W/LIGHT - MOM/NONE/MOM - 5 TERMINAL
8	108356-04-01A	EA	COVER/ACTUATOR SWITCH - 2 ROWS DIMPLES W/LENS-CONTURAII-BLK
9	108357-03-000	EA	SWITCH - ROCKER SPDT - ON/OFF/ON - 3 TERMINAL
9	108356-02-01A	EA	COVER/ACTUATOR SWITCH - 2 ROWS DIMPLES- CONTURA II - BLACK
	096241-03-000	EA	SWITCH - BLANK
	077942-01-000	EA	SWITCH - DUMMY - BLACK
10	089294-01-000	EA	LIGHTER - CIGARETTE - W/SOCKET & WIRE
11	104056-06-01A	EA	APPLIQUE - BEZEL - PASSENGER - BLACK
12	104056-21-01A	EA	APPLIQUE - BEZEL - PASSENGER - BLACK
12	104056-08-01A	EA	APPLIQUE - BEZEL - PASSENGER - 6 SWITCH - BLACK VELVET (W/FOG LAMPS)
13	108357-01-000	EA	SWITCH - ROCKER SPST - ON/OFF - 2 TERMINAL
13	108356-02-01A	EA	COVER/ACTUATOR SWITCH - 2 ROWS DIMPLES- CONTURA II - BLACK
	077031-01-000	EA	FILM - BLACK - .75" X 1"
	077031-03-000	EA	FILM - WHITE - .75" X 1"
	129644-01-000	EA	CABLE/INDICATOR - TRANSMISSION - 46.7" EYE/EYE

## DRIVERS COMPARTMENT GROUP (CONTINUED)

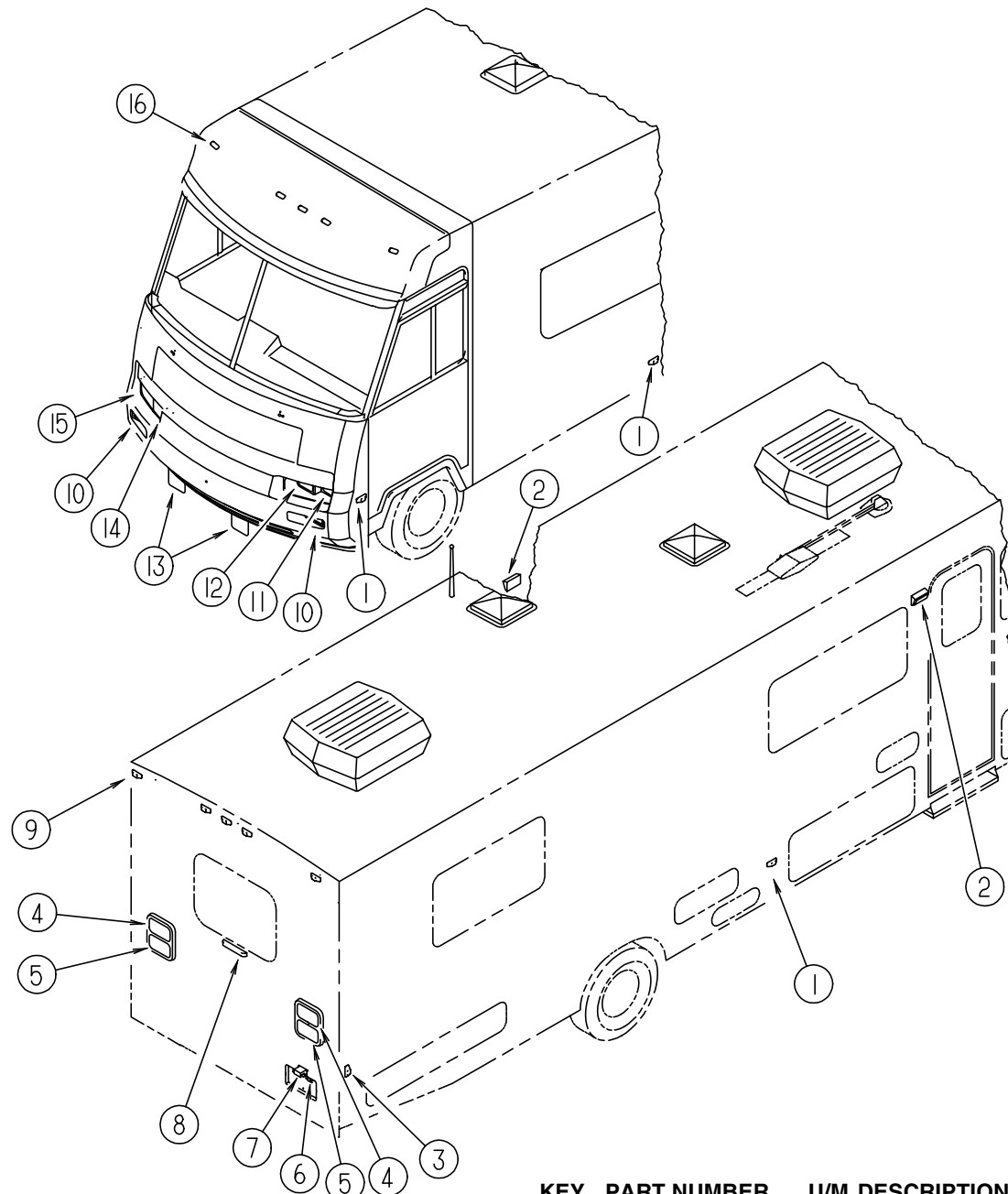


### DASH, GAUGES & SWITCHES (CHEVY)

KEY	PART NUMBER	U/M	DESCRIPTION
1	125677-02-J52	EA	POD - INSTRUMENT PANEL
2	104056-37-01A	EA	APPLIQUE - BEZEL - DRIVER - BLACK
3	108357-08-000	EA	SWITCH - ROCKER DPDT - ON/NONE/ON - 6 TERMINAL
3	108356-02-01A	EA	COVER/ACTUATOR SWITCH - 2 ROWS DIMPLES- CONTURA II - BLACK
4	108357-09-000	EA	SWITCH - ROCKER SPDT - ON/NONE/MOM - 3 TERMINAL
4	108356-02-01A	EA	COVER/ACTUATOR SWITCH - 2 ROWS DIMPLES- CONTURA II - BLACK
5	108357-06-000	EA	SWITCH - ROCKER DPDT - MOM/OFF/MOM - 6 TERMINAL
5	108356-02-01A	EA	COVER/ACTUATOR SWITCH - 2 ROWS DIMPLES- CONTURA II - BLACK
6	N/A	EA	CLUSTER - INSTRUMENT PANEL - KILOMETERS
7	103662-08-01A	EA	BEZEL - INSTRUMENT PANEL
8	108357-10-000	EA	SWITCH - ROCKER SPDT W/LIGHT - MOM/NONE/MOM - 5 TERMINAL
8	108356-04-01A	EA	COVER/ACTUATOR SWITCH-2 ROWS DIMPLES W/LENS-CONTURAII-BLK
9	108357-03-000	EA	SWITCH - ROCKER SPDT - ON/OFF/ON - 3 TERMINAL
9	108356-02-01A	EA	COVER/ACTUATOR SWITCH - 2 ROWS DIMPLES- CONTURA II - BLACK
	096241-03-000	EA	SWITCH - BLANK
	077942-01-000	EA	SWITCH - DUMMY - BLACK
10	089294-01-000	EA	LIGHTER - CIGARETTE - W/SOCKET & WIRE
11	104056-06-01A	EA	APPLIQUE - BEZEL - PASSENGER - BLACK
12	104056-21-01A	EA	APPLIQUE - BEZEL - PASSENGER - BLACK
12	104056-08-01A	EA	APPLIQUE - BEZEL - PASSENGER - 6 SWITCH - BLACK VELVET (W/FOG LAMPS)
13	108357-01-000	EA	SWITCH - ROCKER SPST - ON/OFF - 2 TERMINAL
13	108356-02-01A	EA	COVER/ACTUATOR SWITCH - 2 ROWS DIMPLES- CONTURA II - BLACK
	077031-01-000	EA	FILM - BLACK - .75" X 1"
	077031-03-000	EA	FILM - WHITE - .75" X 1"

# ELECTRICAL GROUP

## EXTERIOR LIGHTS

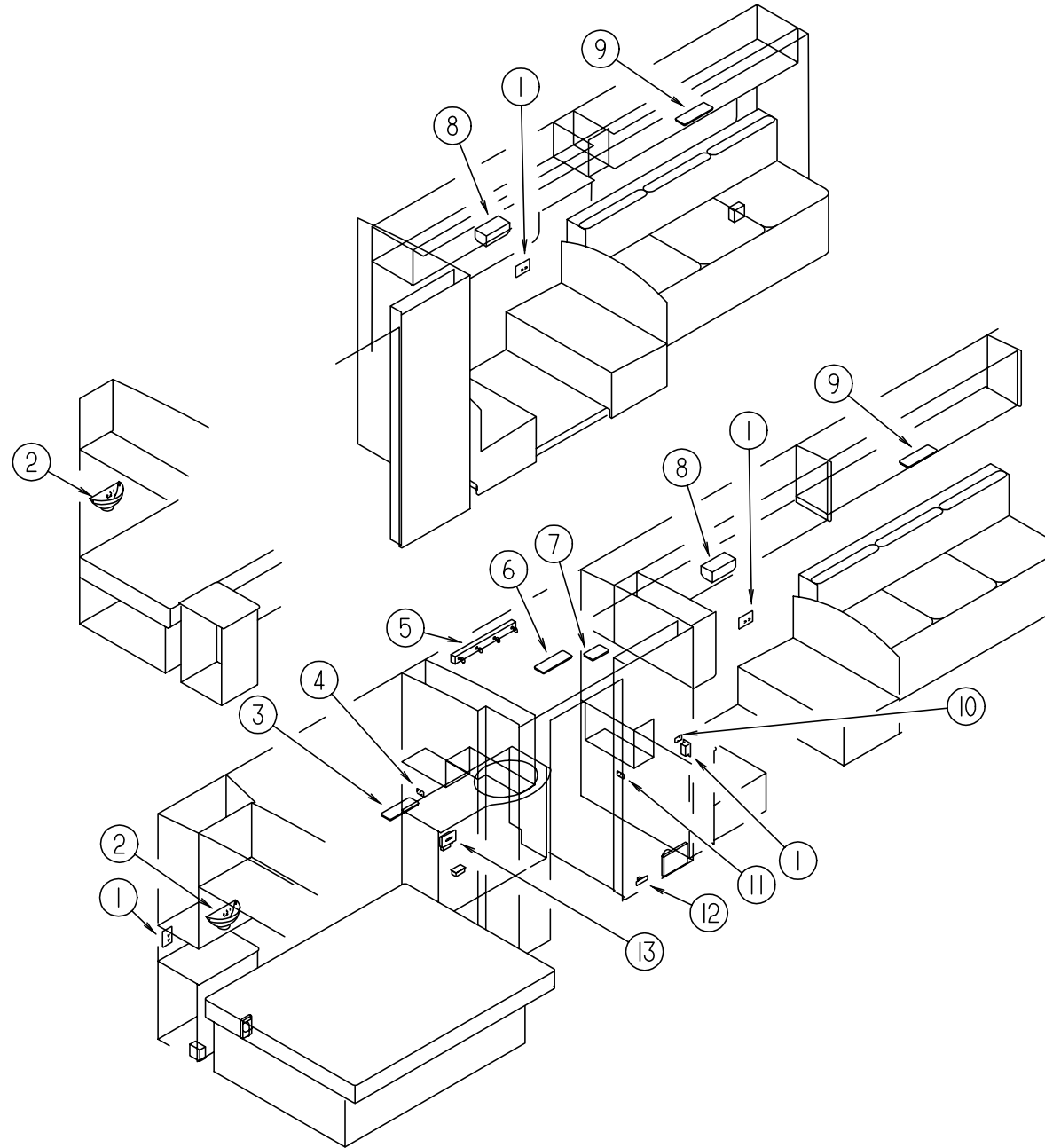


KEY	PART NUMBER	U/M	DESCRIPTION
1	111102-02-000	EA	LENS - AMBER - MARKER LAMP
1	111102-01-000	EA	BASE - LAMP MARKER
1	036196-01-000	EA	BULB - 12 VOLT - #194 - .27 AMP - BAYONETTE
2	097917-01-06A	EA	LIGHT - PORCH - BRIGHT WHITE
2	008215-01-000	EA	BULB - 12 VOLT - #1003 - .94 AMP
2	097917-01-700	EA	LENS - LIGHT - CLEAR
2	008089-02-000	EA	LIGHT - PORCH - RECESSED - CANADIAN
2	008089-01-700	EA	LENS - LIGHT - RECESSED - PORCH - DECO
2	008214-01-000	EA	BULB - 12 VOLT - #67 - .59 AMP
3	111102-03-000	EA	LENS - RED - MARKER LAMP
3	111102-01-000	EA	BASE - LAMP MARKER
3	036196-01-000	EA	BULB - 12 VOLT - #194 - .27 AMP - BAYONETTE
4	115632-01-02A	EA	LIGHT - STOP/TURN/TAIL RED
4	119158-01-000	EA	SOCKET - DOUBLE CONTACT
5	115632-03-02A	EA	LIGHT - STOP/TAIL/BACKUP
5	119157-01-000	EA	SOCKET - SINGLE CONTACT
5	119158-01-000	EA	SOCKET - DOUBLE CONTACT
5	037935-01-000	EA	BULB - 12V - #1157 OR #2057 - 2.1 AMP - CLEAR GLASS

KEY	PART NUMBER	U/M	DESCRIPTION
6	066432-03-000	EA	BRACKET - LICENSE PLATE
7	066432-02-000	EA	LIGHT - LICENSE - BLACK
8	121950-01-000	EA	LIGHT - BRAKE - CENTER MOUNT
9	127536-01-000	EA	LIGHT - CLEARANCE - RED
9	127536-02-000	EA	SOCKET - LIGHT - 194 WEDGE
9	036196-01-000	EA	BULB - 12 VOLT - #194 - .27 AMP - BAYONETTE
10	106688-02-000	EA	LIGHT - AMBER TURN SIGNAL (LENS/BACK PAN)
11	049186-04-000	EA	HEADLAMP - DRIVER - HIGH/LOW - HALOGEN
12	049188-04-000	EA	HEADLAMP - DRIVER - HIGH BEAM - HALOGEN
13	124215-01-000	EA	FOG LIGHT - RECTANGULAR/CLEAR LENS
	125787-03-J30	EA	SUPPORT - FOG LIGHT
14	049187-04-000	EA	HEADLAMP - PASSENGER - HIGH BEAM - HALOGEN
15	049185-04-000	EA	HEADLAMP - PASSENGER - HIGH/LOW - HALOGEN
	049359-01-000	EA	SPRING - RETAINER - HEADLAMP - GM #496096
	110750-01-000	EA	SCREW - HEADLAMP ADJUSTING
16	102520-01-000	EA	LIGHT - CLEARANCE - W/O SOCKET/HOUSING - AMBER
16	102540-01-000	EA	SEAL - SCREW - ROUND - RUBBER
16	102541-01-000	EA	GASKET - CLEARANCE LIGHT
16	067789-02-000	EA	SOCKET - LAMP

## ELECTRICAL GROUP (CONTINUED)

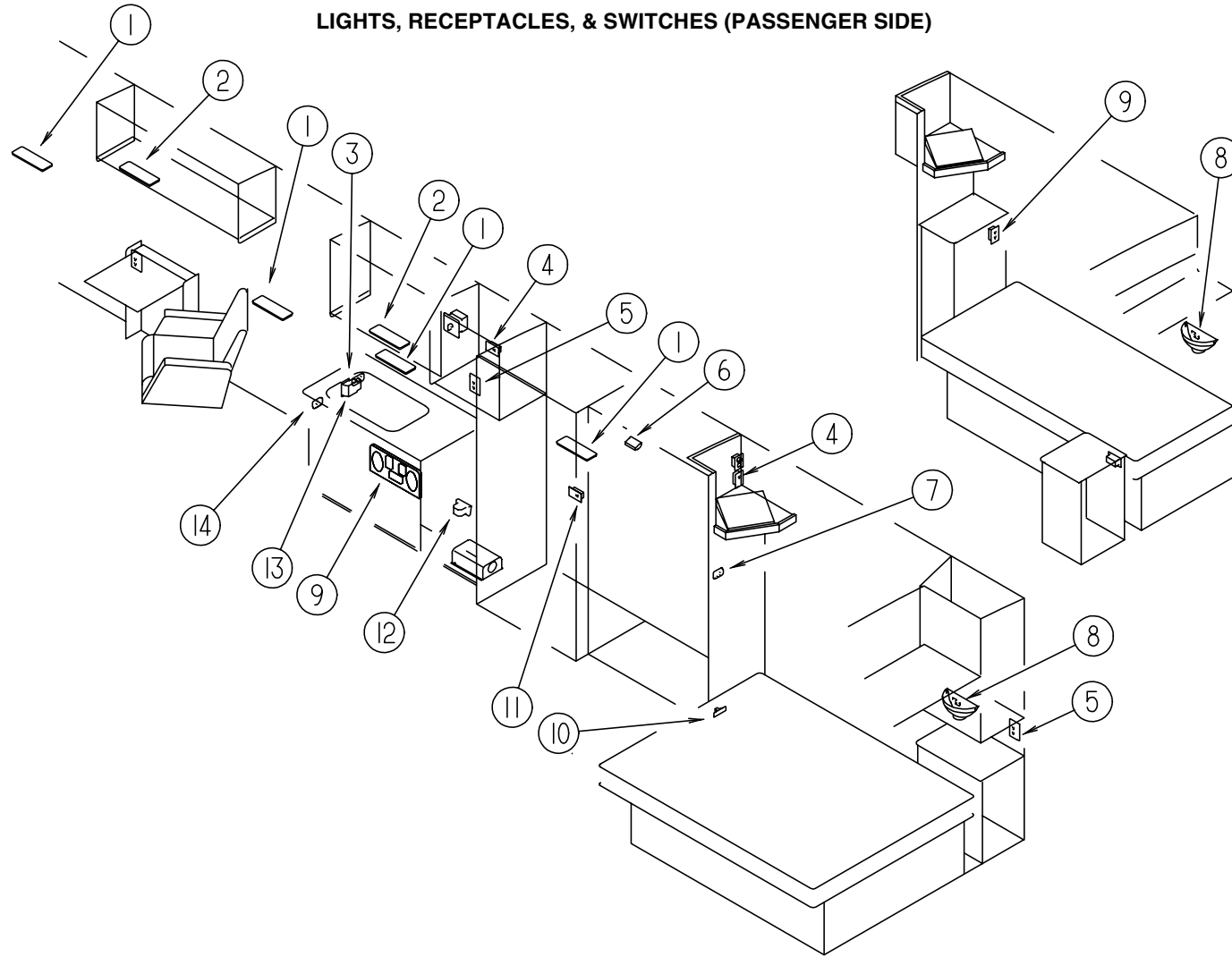
### LIGHTS, RECEPTACLES, & SWITCHES (DRIVER SIDE)



KEY	PART NUMBER	U/M	DESCRIPTION	VENDOR NO.	KEY	PART NUMBER	U/M	DESCRIPTION	VENDOR NO.
1	058708-02-000	EA	RECEPTACLE - ELECTRIC - DOUBLE - IVORY		7	121935-01-01A	EA	LIGHT - DOME - SHOWER	
1	102568-01-J70	EA	SPACER - RECEPTACLE - BETWEEN SIDEWALL & PLATE - WOOD		8	093575-06-01A	EA	LIGHT - CEILING - FLUTED	
2	065202-38-000	EA	LAMP - WALL		8	008218-01-000	EA	BULB - 12 VOLT - #1141 - 1.44 AMP	9048
2	117806-01-000	EA	BULB - 12 VOLT - #912 - 1.0 AMP		8	093575-06-700	EA	GLOBE	
3	098024-03-02A	EA	LIGHT - DOME - 2 BULB - WHITE		9	098024-06-02A	EA	LIGHT - DOME - 2 BULB - SKYLITE	
3	008218-01-000	EA	BULB - DOME LIGHT - 12 VOLT - 1141		9	008218-01-000	EA	BULB - DOME LIGHT - 12 VOLT - 1141	
3	098024-01-700	EA	LENS-LIGHT	807877	9	098024-01-701	EA	LENS - OPTI CLEAR - SKYLITE	809902
4	079364-01-000	EA	SWITCH - ON/OFF ROCKER - 2 TERMINAL - BROWN		10	079364-01-000	EA	SWITCH - ON/OFF ROCKER - 2 TERMINAL - BROWN	
4	079364-03-000	EA	SWITCH - ON/OFF ROCKER - 3 TERMINAL - BROWN		10	098351-01-01A	EA	PLATE - SWITCH - 1 GANG POLISHED BRASS	
4	098351-02-01A	EA	PLATE - SWITCH - 2 GANG POLISHED BRASS		11	079364-01-000	EA	SWITCH - ON/OFF ROCKER - 2 TERMINAL - BROWN	
4	095188-01-01A	EA	SPACER - SWITCH - 2.3" X 3.4" - PLASTIC - DARK BROWN		11	098351-02-01A	EA	PLATE - SWITCH - 2 GANG POLISHED BRASS	
5	110235-02-01A	EA	LIGHT - MAKE UP - 4 BULB PANLESS		12	061424-01-000	EA	LIGHT - AISLE - 12 VOLT - RECTANGULAR	
5	081633-01-700	EA	BULB - LIGHT - MAKE-UP	RP1041	12	008103-01-000	EA	BULB - DASH/AISLE LIGHT - #53 - 12 VOLT - .12 AMP	
6	098024-03-02A	EA	LIGHT - DOME - 2 BULB - WHITE		13	084076-02-000	EA	RECEPTACLE - GFI - 15 AMP/125 VOLT - BROWN	
6	008218-01-000	EA	BULB - DOME LIGHT - 12 VOLT - 1141			112642-01-06A	EA	TRIM RING - SINGLE LIGHT - BLACK (DRIVER COMPARTMENT OVERHEAD)	
6	098024-01-700	EA	LENS-LIGHT	807877		112643-01-000	EA	LIGHT - SINGLE - SWIVEL (DRIVER COMPARTMENT OVERHEAD)	

## ELECTRICAL GROUP (CONTINUED)

### LIGHTS, RECEPTACLES, & SWITCHES (PASSENGER SIDE)



KEY	PART NUMBER	U/M	DESCRIPTION	VENDOR NO.
1	098024-03-02A	EA	LIGHT - DOME - 2 BULB - WHITE	
1	008218-01-000	EA	BULB - DOME LIGHT - 12 VOLT - 1141	
1	098024-01-700	EA	LENS-LIGHT	807877
2	098024-06-02A	EA	LIGHT - DOME - 2 BULB - SKYLITE	
2	008218-01-000	EA	BULB - DOME LIGHT - 12 VOLT - NO. 1141	
2	098024-01-701	EA	LENS - OPTI CLEAR - SKYLITE	809902
3	079364-01-000	EA	SWITCH - ON/OFF ROCKER - 2 TERMINAL - BROWN	
3	095188-02-01A	EA	SPACER - SWITCH - 2.3" X 4.1" - PLASTIC - DARK BROWN	
3	098351-05-01A	EA	PLATE - SWITCH - 3 GANG POLISHED BRASS	
4	058708-05-000	EA	RECEPTACLE - ELECTRIC - SINGLE - BROWN	
5	058708-02-000	EA	RECEPTACLE - ELECTRIC - DOUBLE - IVORY	
5	102568-01-J70	EA	SPACER - RECEPTACLE - BETWEEN SIDEWALL & PLATE - WOOD	
6	087694-01-000	EA	LIGHT - WARDROBE/CLOSET - W/SWITCH	
7	079364-01-000	EA	SWITCH - ON/OFF ROCKER - 2 TERMINAL - BROWN	
7	079364-03-000	EA	SWITCH - ON/OFF ROCKER - 3 TERMINAL - BROWN	

KEY	PART NUMBER	U/M	DESCRIPTION
7	098351-02-01A	EA	PLATE - SWITCH - 2 GANG POLISHED BRASS
7	095188-01-01A	EA	SPACER - SWITCH - 2.3" X 3.4" - PLASTIC - DARK BROWN
8	065202-38-000	EA	LAMP - WALL
8	117806-01-000	EA	BULB - 12 VOLT - #912 - 1.0 AMP
9	058708-01-000	EA	RECEPTACLE - ELECTRIC - DOUBLE - BROWN
10	061424-01-000	EA	LIGHT - AISLE - 12 VOLT - RECTANGULAR
10	008103-01-000	EA	BULB - DASH/AISLE LIGHT - #53 - 12 VOLT - .12 AMP
11	058707-01-000	EA	RECEPTACLE - ELECTRIC - SINGLE - BROWN
12	112822-01-01A	EA	RECEPTACLE - DUPLEX - IVORY
13	084076-02-000	EA	RECEPTACLE - GFI - 15 AMP/125 VOLT - BROWN
14	079364-03-000	EA	SWITCH - ON/OFF ROCKER - 3 TERMINAL - BROWN
14	098351-01-01A	EA	PLATE - SWITCH - 1 GANG POLISHED BRASS
14	095188-01-01A	EA	SPACER - SWITCH - 2.3" X 3.4" - PLASTIC - DARK BROWN



**ELECTRICAL GROUP (CONTINUED)****ELECTRICAL SWITCHES**

KEY	PART NUMBER	U/M	DESCRIPTION
	079364-01-000	EA	SWITCH - ON/OFF ROCKER - 2 TERMINAL - BROWN
	079364-02-000	EA	SWITCH - ON/OFF ROCKER - 3 TERMINAL - BLACK
	079364-03-000	EA	SWITCH - ON/OFF ROCKER - 3 TERMINAL - BROWN
	095188-01-01A	EA	SPACER - SWITCH - 2.3" X 3.4" - PLASTIC - DARK BROWN
	095188-02-01A	EA	SPACER - SWITCH - 2.3" X 4.1" - PLASTIC - DARK BROWN
	098351-01-01A	EA	PLATE/SWITCH - 1 GANG - POLISHED BRASS - W/O LABEL
	098351-02-01A	EA	PLATE/SWITCH - 2 GANG - POLISHED BRASS - W/O LABEL
	098351-05-01A	EA	PLATE/SWITCH - 3 GANG - POLISHED BRASS-PORCH/CEILING/STEP
	098351-16-01A	EA	PLATE - SWITCH - 1 GANG W/LABEL
	108355-01-000	EA	HOUSING - SWITCH
	108356-02-01A	EA	COVER/ACTUATOR SWITCH - 2 ROWS DIMPLES- CONTURA II - BLACK
	108356-04-01A	EA	COVER/ACTUATOR SWITCH - 2 ROWS DIMPLES W/LENS-CONTURA-BLK
	108357-01-000	EA	SWITCH - ROCKER SPST - ON/OFF - 2 TERMINAL
	108357-06-000	EA	SWITCH - ROCKER DPDT - MOM/OFF/MOM - 6 TERMINAL
	108357-08-000	EA	SWITCH - ROCKER DPDT - ON/NONE/ON - 6 TERMINAL

**CIRCUIT BREAKERS & FUSES**

KEY	PART NUMBER	U/M	DESCRIPTION
	062037-01-000	EA	HOUSING - AUTO FUSE - NATURAL
	062037-02-000	EA	HOUSING - AUTO FUSE - GREEN
	062037-03-000	EA	HOUSING - AUTO FUSE - BLACK
	062037-04-000	EA	HOUSING - AUTO FUSE - BLUE
	062037-05-000	EA	HOUSING - AUTO FUSE - GRAY
	062037-06-000	EA	HOUSING - AUTO FUSE - BROWN
	062037-07-000	EA	HOUSING - AUTO FUSE - RED
	062901-02-000	EA	FUSE - 05 AMPS - AUTOMOTIVE
	062901-05-000	EA	FUSE - 15 AMPS - AUTOMOTIVE
	062901-06-000	EA	FUSE - 20 AMPS - AUTOMOTIVE
	062901-07-000	EA	FUSE - 25 AMPS - AUTOMOTIVE
	062901-08-000	EA	FUSE - 30 AMPS - AUTOMOTIVE
	083209-01-000	EA	CIRCUIT BREAKER - 15 AMP - 120 VOLT - CANADIAN
	083209-02-000	EA	CIRCUIT BREAKER - 15/15 AMP - 120 VOLT
	083209-03-000	EA	CIRCUIT BREAKER - 15/20 AMP - 120 VOLT
	083209-04-000	EA	CIRCUIT BREAKER - 30 AMP - 120 VOLT
	083209-10-000	EA	CIRCUIT BREAKER - 20/30 AMP - 120 VOLT
	093654-01-000	EA	CIRCUIT BREAKER - 6 AMP - 12 VOLT
	093654-02-000	EA	CIRCUIT BREAKER - 15 AMP - 12 VOLT
	093655-03-000	EA	CIRCUIT BREAKER - 40 AMP - 12 VOLT
	093674-01-000	EA	PLATE - CIRCUIT BREAKER - HOUSE - 8.4" X 4.1" - STEEL
	097611-01-000	EA	CIRCUIT BREAKER - 10 AMP - 12 VOLT
	106656-01-000	EA	FUSE BLOCK - 4 CAVITY - AUTOFUSE
	108669-01-000	EA	HOUSING - AUTO FUSE HOLDER
	108916-01-000	EA	CIRCUIT BREAKER - 50 AMP - 12 VOLT - 2 POLE
	122811-01-000	EA	CIRCUIT BREAKER - 20/50/50/20

**ELECTRICAL BOXES & CORDS**

KEY	PART NUMBER	U/M	DESCRIPTION
	008052-01-000	EA	CORD - POWER - 10/3 WIRE - 30 AMP - 25' - CANADIAN
	008054-01-000	EA	CORD - POWER - 10/3 WIRE - 30 AMP - 25'
	008289-01-000	EA	BOX - ELECTRIC/STEEL - 1/2" & 3/4" KNOCKOUTS - 4" X 4"
	008289-02-000	EA	BOX - ELECTRIC/STEEL - 1/2" & 3/4" KNOCKOUTS - 4" X 4"-CAN
	008294-01-000	EA	COVER - ELECTRICAL BOX - BLANK/STEEL - 4" X 4" - GRAY
	008294-02-000	EA	COVER - ELECTRICAL BOX - BLANK STEEL - 4" X 4" - CANADIAN
	091910-01-000	EA	BOX - ELECTRIC - 3.8" X 3.5" X 1.8" - PLASTIC
	091910-02-000	EA	BOX - ELECTRIC - 2.2" X 3.5" X 1.8" - PLASTIC
	108934-01-000	EA	POWER CORD - 36/50 AMP - 4 WIRE
	111509-01-000	EA	BOX - ELECTRICAL - E-COATED
	111510-01-000	EA	DOOR/ACCESS PANEL - ELECTRICAL BOX - 8.1" X 11.7"
	113096-01-000	EA	CORD - POWER - 50 AMP - 4 WIRE - 36' - CSA
	008058-01-000	EA	ADAPTER - POWER CORD - 30 AMP TO 15 AMP

**ELECTRICAL GROUP (CONTINUED)****WIRE ASSEMBLIES**

KEY	PART NUMBER	U/M	DESCRIPTION
	P03784-18-000	EA	WIRE ASSEMBLY - HEADLAMP - GM - G SERIES
	073328-B4-000	EA	CABLE ASSEMBLY - BATTERY - W/TERMINALS
	090986-01-000	EA	WIRE ASSEMBLY - ELECTRIC STEP
			FROM: 00-00-00 THRU: 02-07-99
	090986-02-000	EA	WIRE ASSEMBLY - ELECTRIC STEP
			FROM: 02-08-99 THRU: 99-99-99
	096449-01-000	EA	WIRE ASSEMBLY - WATER TANK TO MONITOR PANEL
	111915-01-000	EA	WIRE ASSEMBLY - DAYTIME RUNNING LAMPS - FUSED - GM
	113134-03-000	EA	WIRE ASSEMBLY - WIPER/WASHER
	113452-01-000	FT	SEAL/TRIM - FRONT - VINYL W/WIRE CARRIER
	113452-02-000	FT	SEAL-TRIM
	116675-02-000	FT	WIRE-16 AWG,XLPE-AWM,125 C
	120233-05-000	EA	WIRE - 30" W/DIGITAL SENSOR CONNECTOR/STRIPED LEAD
	124843-05-000	EA	WIRE ASSEMBLY - SPEAKER/ADAPTER
	124882-02-000	EA	WIRE ASSEMBLY - AMPLIFIER
	126392-01-000	EA	WIRE ASSEMBLY - REMOTE MIRRORS
	127002-03-000	EA	WIRE ASSEMBLY - ENERGY MANAGEMENT SYSTEM
	131279-01-000	EA	WIRE ASSEMBLY - DRIVER SEAT

**ROCKER SWITCHES (DASH)**

KEY	PART NUMBER	U/M	DESCRIPTION
	108357-03-000	EA	SWITCH - ROCKER - SPDT ON/ OFF/ ON 3 TERM. CARLING - V6D1000B-0
	108356-02-01A	EA	SWITCH COVER W/ 2 DIMPLES - CARLING - CCAZC00
	108357-08-000	EA	SWITCH - ROCKER DPDT - ON/NONE/ON - 6 TERMINAL
	108356-02-01A	EA	SWITCH COVER W/ 2 DIMPLES - CARLING - CCAZC00
	108357-06-000	EA	SWITCH - ROCKER - DPDT MOM/ OFF/ MOM 6 TERM. CARLING - VLD1000B-0
	108356-02-01A	EA	SWITCH COVER W/ 2 DIMPLES - CARLING - CCAZC00
	108357-09-000	EA	SWITCH - ROCKER - SPDT ON/ NONE/ MOM 3 TERM. CARLING - V5D1000B-0
	108356-02-01A	EA	SWITCH COVER W/ 2 DIMPLES - CARLING - CCAZC00
	108357-10-000	EA	SWITCH - ROCKER - SPDT MOM/ ON LIGHTED-5 TERM (3 SWITCH/ 2 LIGHT)
	108356-04-01A	EA	SWITCH COVER W/ DIMPLES - LIGHTED - CARLING - VVAGC00
	096241-03-000	EA	SWITCH - BLANK
	077942-01-000	EA	SWITCH - DUMMY - BLACK

**RECEPTACLES**

KEY	PART NUMBER	U/M	DESCRIPTION
	058707-01-000	EA	RECEPTACLE - ELECTRIC - SINGLE - BROWN
	058707-02-000	EA	RECEPTACLE - BLANK - JUNCTION BOX
	058708-01-000	EA	RECEPTACLE - ELECTRIC - DOUBLE - BROWN
	058708-02-000	EA	RECEPTACLE - ELECTRIC - DOUBLE - IVORY
	058708-05-000	EA	RECEPTACLE - ELECTRIC - SINGLE - BROWN
	084076-02-000	EA	RECEPTACLE - GFI - 15 AMP/125 VOLT - BROWN
	102568-01-J70	EA	SPACER - RECEPTACLE - BETWEEN SIDEWALL & PLATE - WOOD
	112824-01-03A	EA	COVER - EXTERIOR DUPLEX RECEPTACLE - WHITE PLASTIC
	115930-02-000	EA	INLET - 50 AMP - 240 VOLT - EXTERIOR
	112822-01-01A	EA	RECEPTACLE - DUPLEX - IVORY
			FROM: 00-00-00 THRU: 11-15-98
	131826-01-01A	EA	RECEPTACLE - EXTERIOR/W/COVER & GASKET - WHITE
			FROM: 11-16-98 THRU: 99-99-99

**ELECTRICAL GROUP (CONTINUED)****ELECTRICAL CONNECTORS & CONDUIT**

KEY	PART NUMBER	U/M	DESCRIPTION
	007954-01-000	EA	RECEPTACLE - HOUSING - 6 POSITION
	007956-05-000	EA	INSULATOR - SHRINK - .25 ID X 1.50
	008311-01-000	EA	CONNECTOR - WIRE NUT - INSULATED - RED
	008312-01-000	EA	CONNECTOR - WIRE NUT - INSULATED - BLUE
	008313-01-000	EA	CONNECTOR - WIRE NUT - INSULATED - YELLOW
	008314-01-000	EA	CONNECTOR - WIRE NUT - INSULATED - GRAY
	008326-01-000	EA	TERMINAL - RING - 16/14 WIRE - 3/8" STUD
	008328-01-000	EA	TERMINAL - RING - 12/10 WIRE - #10 STUD FIT
	008348-01-000	EA	TERMINAL - RING - 3/8" STUD 2 GA. WIRE
	008355-01-000	EA	CONNECTOR - CABLE CLAMPING - 3/4"
	008356-01-000	EA	CONNECTOR - PLASTIC - 3/8" AVG
	008356-02-000	EA	CONNECTOR - PLASTIC - 21/32
	008394-01-000	FT	CONDUIT - FLEXIBLE - 1/2"
	008398-01-000	EA	CONNECTOR - 1/2" X 90 DEGREE - FLEX CONDUIT - UL & CSA
	035416-04-000	EA	TERMINAL - RING - #10 STUD FIT - INSULATED BARREL #16/14
	041480-01-000	EA	CONNECTOR - STRAIGHT - 1/2" FLEX CONDUIT
	041953-01-000	FT	CONDUIT - CONVOLUTE SLIT - .5" ID - POLYETHELENE
	041953-03-000	FT	CONDUIT - CONVOLUTE SLIT - 1" ID (CLOTHES ROD COVER)
	041953-05-000	FT	CONDUIT - CONVOLUTE SOLID - .62" ID - POLYETHELENE
	041953-06-000	FT	CONDUIT - CONVOLUTE SLIT - .375" ID - POLYETHELENE
	041953-07-000	FT	CONDUIT - CONVOLUTE SLIT - .25" ID - POLYETHELENE
	041953-08-000	FT	CONDUIT - CONVOLUTE SLIT - 1.50" ID - POLYETHELENE
	041953-09-000	FT	CONDUIT - CONVOLUTE SLIT - .50" ID - NYLON
	041953-10-000	FT	CONDUIT - CONVOLUTE SLIT - .75" ID - NYLON
	041953-11-000	FT	CONDUIT - CONVOLUTE SLIT - 1.06" ID - NYLON
	041953-12-000	FT	CONDUIT - CONVOLUTE SOLID - 1.1" ID - NYLON
	047443-01-000	EA	TERMINAL - .250 RECEPTACLE FIT - INSULATED - 16/14 AWG
	047443-02-000	EA	TERMINAL - .250 RECEPTACLE FIT - INSULATED - 12/10 AWG
	058028-01-000	EA	CONNECTOR - ELECTRICAL PIGTAIL - NYLON - CLEAR
	062036-01-000	EA	TERMINAL - PACK - CON - 12/10 AWG
	062036-02-000	EA	TERMINAL - PACK - CON - 16/14 AWG
	077479-01-000	EA	BOOT - BATTERY TERMINAL - DOUBLE CABLE
	077479-02-000	EA	BOOT - BATTERY TERMINAL - SINGLE CABLE
	080015-02-000	EA	RECEPTACLE - FLAG - .185 - 16/14 GAUGE
	085724-01-000	EA	SOCKET - DOUBLE CONTACT - TAILLIGHT
	087225-01-000	FT	SLEEVEING - 1/2" - TYPE H
	087225-02-000	FT	SLEEVEING - 5/8" - TYPE H
	088267-01-000	EA	TERMINAL - FEMALE - 1/4
	088473-01-000	EA	HOUSING - PIN - 12 CAVITY (3 ROWS OF 4)
	088473-02-000	EA	HOUSING - PIN - 15 CAVITY (3 ROWS OF 5)
	088473-03-000	EA	HOUSING - PIN - 9 CAVITY (3 ROWS OF 3)
	088473-04-000	EA	HOUSING - PIN - 8 CAVITY IN-LINE
	088473-06-000	EA	HOUSING - PIN - 6 CAVITY (2 ROWS OF 3)
	088473-08-000	EA	HOUSING - PIN - 4 CAVITY - IN-LINE
	088473-09-000	EA	HOUSING - PIN - 3 CAVITY - IN-LINE
	088473-10-000	EA	HOUSING - PIN - 2 CAVITY - IN LINE
	088474-01-000	EA	HOUSING - SOCKET - 12 CAVITY
	088474-02-000	EA	HOUSING - SOCKET - 15 CAVITY
	088474-03-000	EA	HOUSING - SOCKET - 9 CAVITY
	088474-04-000	EA	HOUSING - SOCKET - 8 CAVITY
	088474-06-000	EA	HOUSING - SOCKET - 6 CAVITY
	088474-07-000	EA	HOUSING - SOCKET - 5 CAVITY
	088474-08-000	EA	HOUSING - SOCKET - 4 CAVITY
	088474-09-000	EA	HOUSING - ELECTRICAL - 3 TERMINAL
	088474-10-000	EA	HOUSING - SOCKET - 2 CAVITY
	088475-01-000	EA	PIN - CONNECTOR - 14-20 AWG
	088475-02-000	EA	PIN - CONNECTOR - 10 - 12 AWG
	088476-01-000	EA	TERMINAL - ELECTRICAL

**ELECTRICAL GROUP (CONTINUED)****ELECTRICAL CONNECTORS & CONDUIT (CONTINUED)**

KEY	PART NUMBER	U/M	DESCRIPTION
	088476-02-000	EA	SOCKET - CONNECTOR - 12-10 GA - PRE-TIN
	092786-02-000	EA	BUSS BAR - 3.3" LONG
	092786-03-000	EA	BUSS BAR - 6.9" LONG
	098260-01-000	EA	TERMINAL - MALE - 56 SERIES
	098261-02-000	EA	SOCKET - CONNECTOR - WEATHERPACK - 14-18 AWG
	098262-01-000	EA	SEAL - CONNECTOR - WEATHERPACK
	098264-01-000	EA	HOUSING - 2 PIN - WEATHERPACK
	101571-01-000	EA	HOUSING - 2 POSITION - MALE
	103608-01-000	EA	SOCKET - WEDGE BASE W/LEADS
	103987-02-000	EA	SEAL - SOLENOID ACCESS
	104016-01-000	EA	WIRE ASSEMBLY - AUXILIARY FANS
	104100-01-000	EA	HOUSING - 1 POSITION - 75 AMPS
	104100-03-000	EA	TERMINAL - 75 AMP
	106006-01-000	EA	HOUSING - 1 POSITION - FEMALE
	106007-01-000	EA	TERMINAL - FEMALE - 14-16 AWG
	106655-01-000	EA	TERMINAL - FUSE BLOCK - 14-16 AWG
	106655-02-000	EA	TERMINAL - FUSE BLOCK - 10-12 AWG
	110178-01-000	EA	HOUSING - WIPER MOTOR
	112823-01-000	EA	SPLICE - REDUCER - 16-14 TO 18-22
	113131-01-000	EA	HOUSING - 3 PIN
	113135-01-000	EA	TERMINAL - FEMALE - M/P - 14-16 - F/SEALED TERMINAL
	113306-01-000	EA	TERMINAL - FEMALE - M/P - 14-16 - F/NON-SEALED TERMINAL
	113307-01-000	EA	TERMINAL - FEMALE - M/P - 16-20
	113468-01-000	EA	HOUSING - 2 POSITION - FEMALE
	115556-01-000	EA	HOUSING - 3 POSITION - FEMALE
	115556-02-000	EA	HOUSING - 2 POSITION - FEMALE
	115931-02-000	EA	COVER - CONNECTOR - 50 AMP W/LOCKING RING
	115932-02-000	EA	CONNECTOR - FEMALE - 50 AMP - 240 VOLT
	116811-01-000	EA	TERMINAL - .110 RECEPTACLE - 16-14 AWG
	119248-02-000	EA	HOUSING - 7 POSITION - FEMALE
	125323-02-000	EA	HOUSING - 8 POSITION - MALE
	125324-01-000	EA	TERMINAL - MALE - METRI-PACK - 150
	125325-01-000	EA	SEAL - CAVITY

**ELECTRICAL MISCELLANEOUS**

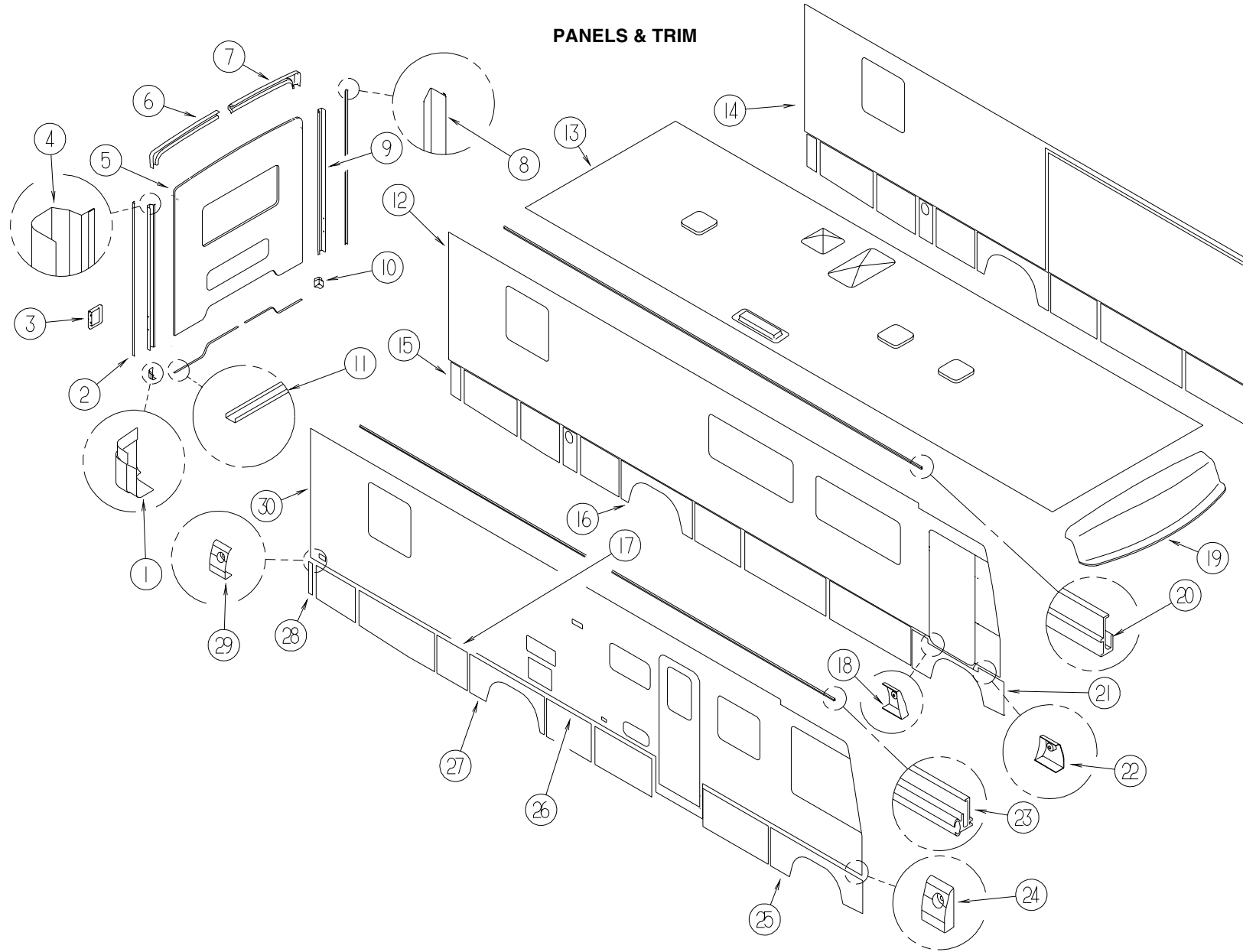
KEY	PART NUMBER	U/M	DESCRIPTION	VENDOR NO.
	007093-01-000	EA	SIGNAL FLASHER	
	008188-01-000	EA	SOLENOID - 3 POST - BATTERY CHANGE OVER	
	063910-01-000	EA	HOUSING - RELAY	
	063912-02-000	EA	RELAY - CANISTER - SPDT	
	086233-01-000	EA	STUD - ISOLATED - 3/8" X 7/8" LONG	
	086273-01-000	EA	RELAY - BATTERY DISCONNECT	
	115504-01-700	EA	PLUG & CABLE, 10 WATT PANEL	600-016
	115504-01-000	EA	PANEL - SOLAR 10 WATT	
	115505-01-000	EA	LIGHT - MONITOR/SOLAR PANEL - RED LED INDICATOR	

**CONVERTER & LOAD CENTER**

KEY	PART NUMBER	U/M	DESCRIPTION	VENDOR NO.
	099048-03-000	EA	INVERTER - 130 WATT	
	106071-03-700	EA	CIRCUIT BOARD/TIME DELAY SW	TD0001
	106071-04-000	EA	SWITCH - AUTOMATIC TRANSFER W/CONNECTION LUGS	
	108915-02-000	EA	LOAD CENTER - 120/240 VOLT - 100 AMP	
			FROM: 00-00-00 THRU: 04-04-99	
	108915-03-000	EA	LOAD CENTER - 120/240 - 100 AMP	
			FROM: 04-05-99 THRU: 99-99-99	
	113132-01-000	EA	LOAD CENTER - 120/240 VOLT - 60 AMP	
	123058-02-000	EA	CONVERTER - 45 AMP - ELECTRONIC - 4 1/8"H X 7"W X 12 3/8"L	
	127002-01-000	EA	MODULE/CIRCUIT BOARD - ENERGY MANAGEMENT SYSTEM CONTROL	
	127002-02-000	EA	PANEL/MONITOR - ENERGY MANAGEMENT SYSTEM	

# EXTERIOR BODY GROUP

## PANELS & TRIM



KEY	PART NUMBER	U/M	DESCRIPTION
1	125626-01-01A	EA	END CAP - LOWER BACKWALL TRIM - PASSENGER - BLACK
2	120548-01-02A	EA	TRIM-J - BACKWALL - PASSENGER/NOTCHED
3	125646-01-01A	EA	TRIM - TAILLIGHT/DRIVER/PASSENGER - BRIGHT WHITE
4	125649-01-12B	EA	TRIM - BACKWALL/PASSENGER SIDE - BRIGHT WHITE
5	M08153-14-K58	EA	BACKWALL - W/O WINDOW/TRIM - QUEEN BED (K58, K59)
5	M08153-14-K62	EA	BACKWALL - W/O WINDOW/TRIM - QUEEN BED (K62, K63)
5	M08153-14-K60	EA	BACKWALL - W/O WINDOW/TRIM - QUEEN BED (K64, K65)
5	M08153-14-K32	EA	BACKWALL - W/O WINDOW/TRIM - QUEEN BED (K26, K27)
5	M08153-15-K58	EA	BACKWALL - W/O WINDOW/TRIM - TWIN BED (K58, K59)
5	M08153-15-K62	EA	BACKWALL - W/O WINDOW/TRIM - TWIN BED (K62, K63)
5	M08153-15-K60	EA	BACKWALL - W/O WINDOW/TRIM - TWIN BED (K64, K65)
5	M08153-15-K32	EA	BACKWALL - W/O WINDOW/TRIM - TWIN BED (K26, K27)
6	125518-01-01A	EA	TRIM - BACKWALL - TOP/RIGHT HAND
7	125519-01-01A	EA	TRIM - BACKWALL - TOP/LEFT HAND
8	120548-02-02A	EA	TRIM-J - BACKWALL - DRIVER/NOTCHED
9	125649-02-12B	EA	TRIM - BACKWALL/DRIVER SIDE - BRIGHT WHITE
10	125626-02-01A	EA	END CAP - LOWER BACKWALL TRIM - DRIVER - BLACK
11	050406-25-000	EA	TRIM - LOWER BACKWALL - DRIVER/PASSENGER

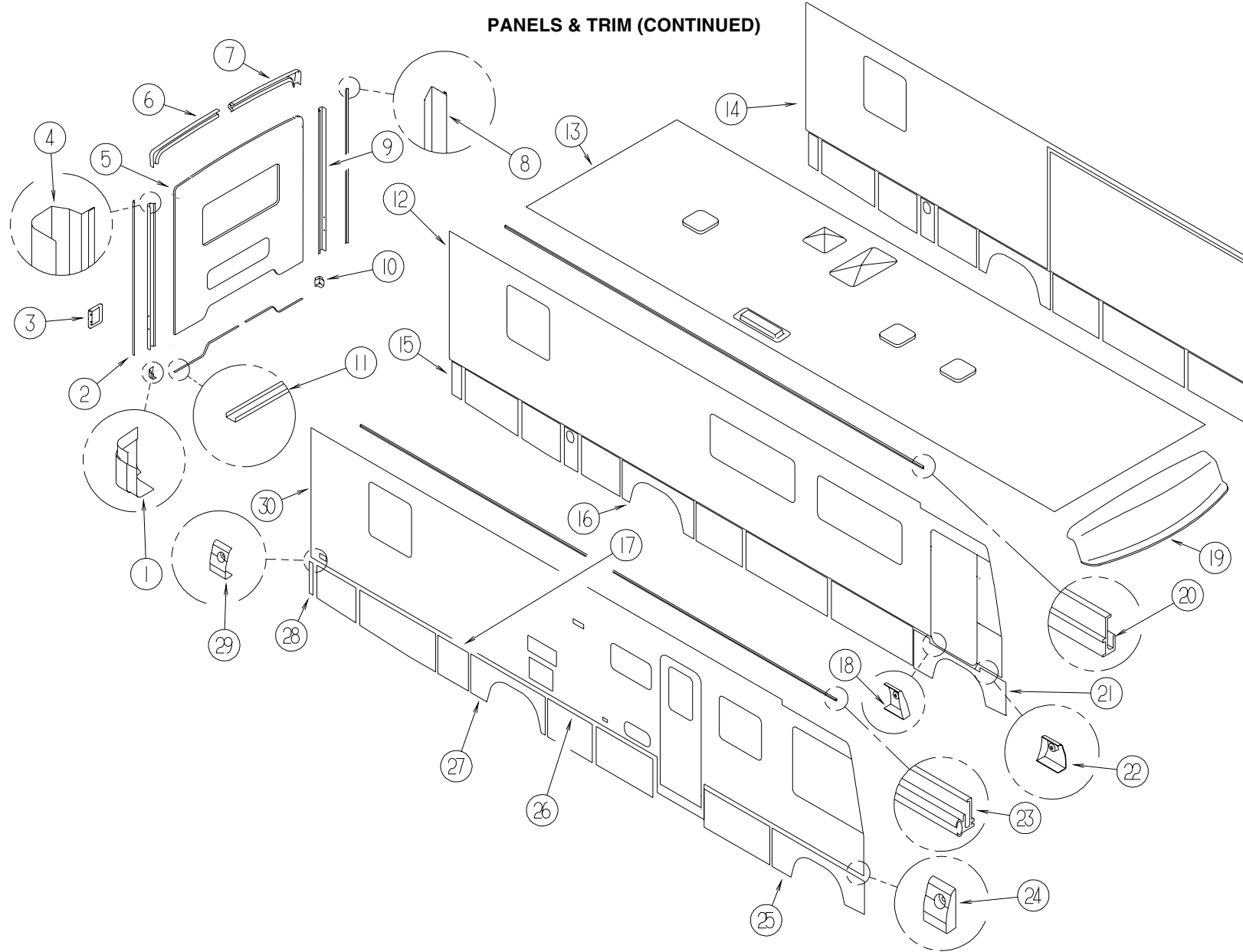
KEY	PART NUMBER	U/M	DESCRIPTION
12	130331-02-K58	EA	SIDEWALL - DRIVER - W/O WINDOWS/TRIM (K58, K59)
12	130331-02-K62	EA	SIDEWALL - DRIVER - W/O WINDOWS/TRIM (K62, K63)
12	130331-02-K60	EA	SIDEWALL - DRIVER - W/O WINDOWS/TRIM (K64, K65)
12	130331-02-K26	EA	SIDEWALL - DRIVER - W/O WINDOWS/TRIM (K26, K27)
13	130362-02-K58	EA	ROOF - W/O LIGHTS/VENTS - W/WIRING
14	130045-02-K58	EA	SIDEWALL - DRIVER - W/O WINDOWS/TRIMS - F/SLIDEOUT (K58, K59)
14	130045-02-K62	EA	SIDEWALL - DRIVER - W/O WINDOWS/TRIMS - F/SLIDEOUT (K62, K63)
14	130045-02-K60	EA	SIDEWALL - DRIVER - W/O WINDOWS/TRIMS - F/SLIDEOUT (K64, K65)
14	130045-02-K26	EA	SIDEWALL - DRIVER - W/O WINDOWS/TRIMS - F/SLIDEOUT (K26, K27)
15	122732-26-JA1	EA	VALANCE/PANEL - REAR DRIVER - W/O HARDWARE - 4.9"
16	129421-10-K32	EA	PANEL/WHEEL LIP - REAR (CHEVY)
16	129421-09-K32	EA	PANEL/WHEEL LIP - REAR (FORD)
17	122776-35-K32	EA	VALANCE/PANEL - W/O HARDWARE - 33.4"W X 24"H
18	124178-04-01A	EA	CAP - TRIM/DRIVER DOOR
19	125304-02-J60	EA	CAP - ROOF
20	120091-02-02A	EA	TRIM - ROOF
20	131483-01-01A	EA	RAIL - AWNING - BRIGHT WHITE

FROM: 00-00-00 THRU: 10-26-98

FROM: 10-27-98 THRU: 99-99-99

# EXTERIOR BODY GROUP

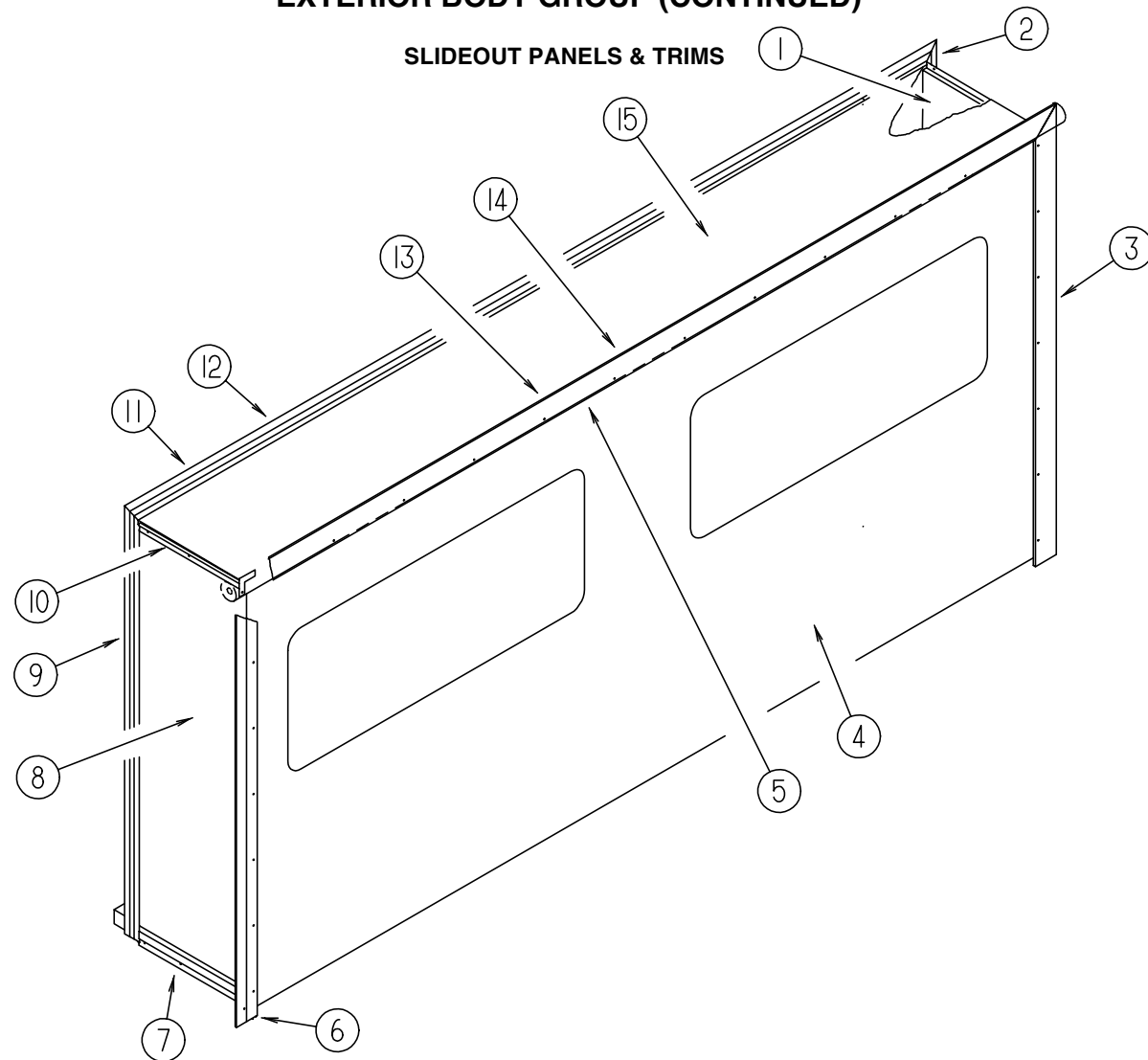
## PANELS & TRIM (CONTINUED)



KEY	PART NUMBER	U/M DESCRIPTION
21	129422-06-K28	EA PANEL - WHEEL LIP - FRONT/DRIVER - W/DRIVER DOOR
21	129422-07-K28	EA PANEL - WHEEL LIP - FRONT/DRIVER
	129854-05-01A	EA SUPPORT - WHEEL LIP - 7.9" - MILL
22	124178-03-01A	EA CAP - TRIM/DRIVER DOOR
23	120092-01-02A	EA RAIL - AWNING - BRIGHT WHITE
		FROM: 00-00-00 THRU: 10-26-98
23	131483-01-01A	EA RAIL - AWNING - BRIGHT WHITE
		FROM: 10-27-98 THRU: 99-99-99
24	124132-01-01A	EA CAP - SIDEWALL TRIM - RIGHT HAND - 1.4" - BRIGHT WHITE
25	129422-01-K28	EA PANEL/WHEEL LIP - FRONT/PASSENGER
		FROM: 00-00-00 THRU: 07-05-98
25	129422-13-K28	EA PANEL/WHEEL LIP - FRONT/PASSENGER
		FROM: 07-06-98 THRU: 99-99-99

KEY	PART NUMBER	U/M DESCRIPTION
26	124176-01-01A	EA TRIM - SIDEWALL - BRIGHT WHITE - 16'
26	105312-01-03A	FT INSERT - VINYL FEATURE STRIP - GRAY METALLIC
27	129421-12-K32	EA PANEL/WHEEL LIP - REAR (CHEVY)
27	129421-11-K32	EA PANEL/WHEEL LIP - REAR (FORD)
28	122732-25-JA1	EA VALANCE/PANEL - REAR PASSENGER - W/O HARDWARE - 4.9"
29	124132-02-01A	EA CAP - SIDEWALL TRIM - LEFT HAND - 1.4" - BRIGHT WHITE
30	130148-02-K58	EA SIDEWALL - PASSENGER - W/O WINDOWS/TRIM (K58, K59)
30	130148-02-K62	EA SIDEWALL - PASSENGER - W/O WINDOWS/TRIM (K62, K63)
30	130148-02-K60	EA SIDEWALL - PASSENGER - W/O WINDOWS/TRIM (K64, K65)
30	130148-02-K26	EA SIDEWALL - PASSENGER - W/O WINDOWS/TRIM (K26, K27)

## EXTERIOR BODY GROUP (CONTINUED)

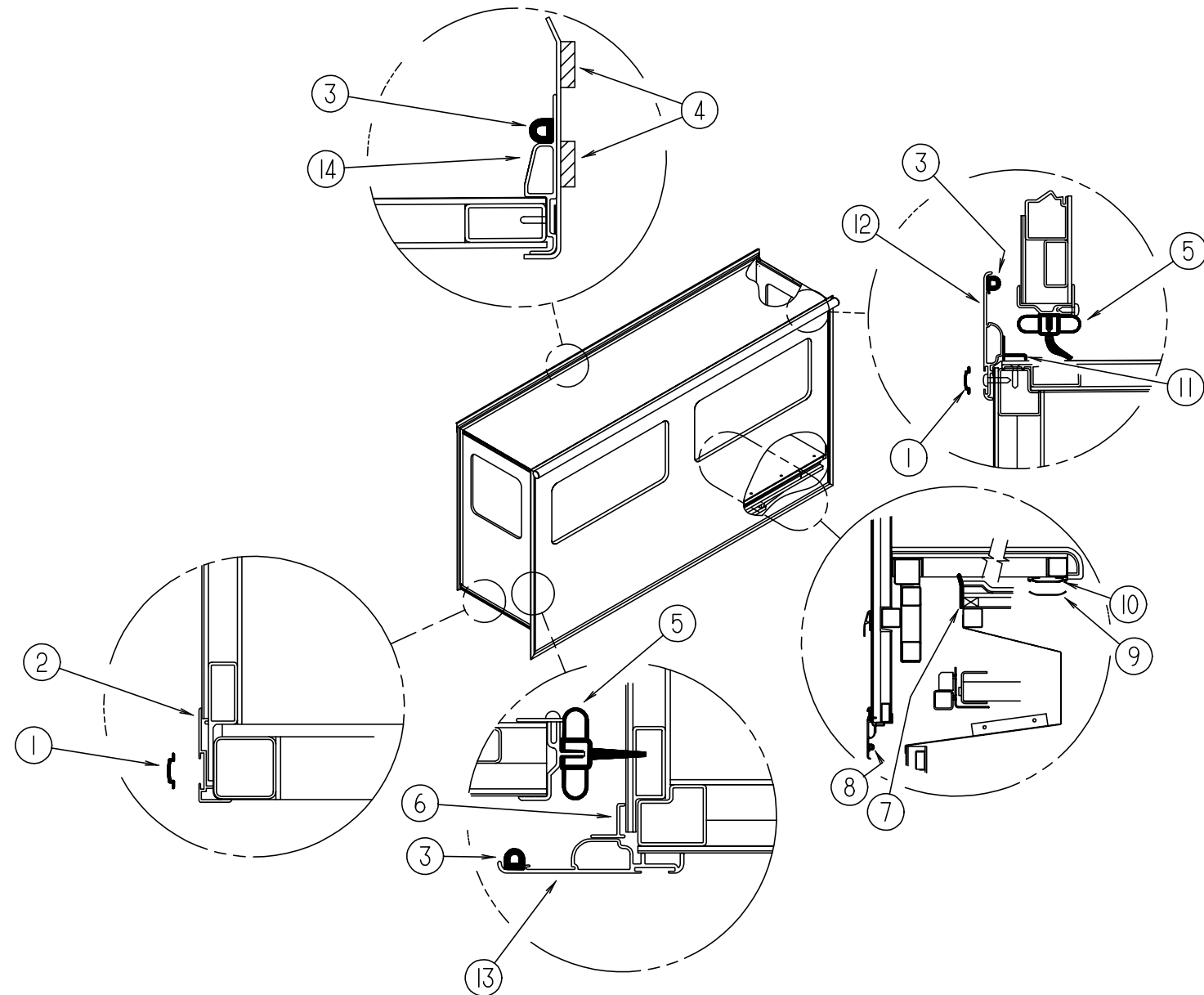


KEY	PART NUMBER	U/M	DESCRIPTION
1	126570-01-J26	EA	PANEL - SLIDEOUT - REAR (K58, K59)
1	126570-01-K62	EA	PANEL - SLIDEOUT - REAR (K62, K63)
1	126570-01-J28	EA	PANEL - SLIDEOUT - REAR (K64, K65)
1	126570-01-K32	EA	PANEL - SLIDEOUT - REAR (K26, K27)
2	117004-02-03A	EA	TRIM - SEAL/INNER HORIZONTAL W/MITERED ENDS-73.5 - BRIGHT WHITE
3	119992-12-01A	EA	TRIM - SEAL - W/MITERED ENDS - BRIGHT WHITE
3	105312-01-07A	FT	INSERT - VINYL FEATURE STRIP - BRIGHT WHITE
3	116933-15-01A	EA	TRIM - SEAL/FLOOR EDGE - 166.7" - BRIGHT WHITE
4	119783-18-K58	EA	PANEL - SLIDEOUT - OUTER (K58, K59)
4	119783-18-K62	EA	PANEL - SLIDEOUT - OUTER (K62, K63)
4	119783-18-K60	EA	PANEL - SLIDEOUT - OUTER (K64, K65)
4	119783-18-K32	EA	PANEL - SLIDEOUT - OUTER (K26, K27)
5	122977-06-01A	EA	AWNING - SLIDEOUT W/COVER - 160.24" - BRIGHT WHITE
	127647-01-01A	EA	ROD/AWNING GUARD - ENTRANCE DOOR
6	119992-11-01A	EA	TRIM - SEAL - W/MITERED ENDS - BRIGHT WHITE
6	105312-01-07A	FT	INSERT - VINYL FEATURE STRIP - BRIGHT WHITE
6	116933-15-01A	EA	TRIM - SEAL/FLOOR EDGE - 166.7" - BRIGHT WHITE

KEY	PART NUMBER	U/M	DESCRIPTION
7	125051-01-01A	EA	STRIP - FEATURE - LOWER - BRIGHT WHITE
7	105312-01-03A	FT	INSERT - VINYL FEATURE STRIP - GRAY METALLIC
8	126569-01-J26	EA	PANEL - SLIDEOUT - FRONT (K58, K59)
8	126569-01-K62	EA	PANEL - SLIDEOUT - FRONT (K62, K63)
8	126569-01-J28	EA	PANEL - SLIDEOUT - FRONT (K64, K65)
8	126569-01-K32	EA	PANEL - SLIDEOUT - FRONT (K26, K27)
9	117004-01-03A	EA	TRIM - SEAL/INNER VERTICAL - W/MITERED ENDS-73.5"
10	108688-01-03A	EA	STRIP - FEATURE - 15'
10	105312-01-03A	FT	INSERT - VINYL FEATURE STRIP - GRAY METALLIC
11	117004-03-03A	EA	TRIM - SEAL/INNER - BRIGHT WHITE (TOP)
12	125466-01-01A	EA	SUPPORT - ROOF - INTERIOR - OFF WHITE
13	119992-01-02A	EA	TRIM - SEAL - W/MITERED ENDS - BRIGHT WHITE
13	105312-01-07A	FT	INSERT - VINYL FEATURE STRIP - BRIGHT WHITE
14	117058-01-01A	FT	TAPE - LOOP - 3/4" WIDE - ADHESIVE BACKED
15	126571-01-J22	EA	ROOF - F/SLIDEOUT - W/O LIGHTS/VENTS - W/WIRING

## EXTERIOR BODY GROUP (CONTINUED)

### EXTERIOR SLIDEOUT HARDWARE

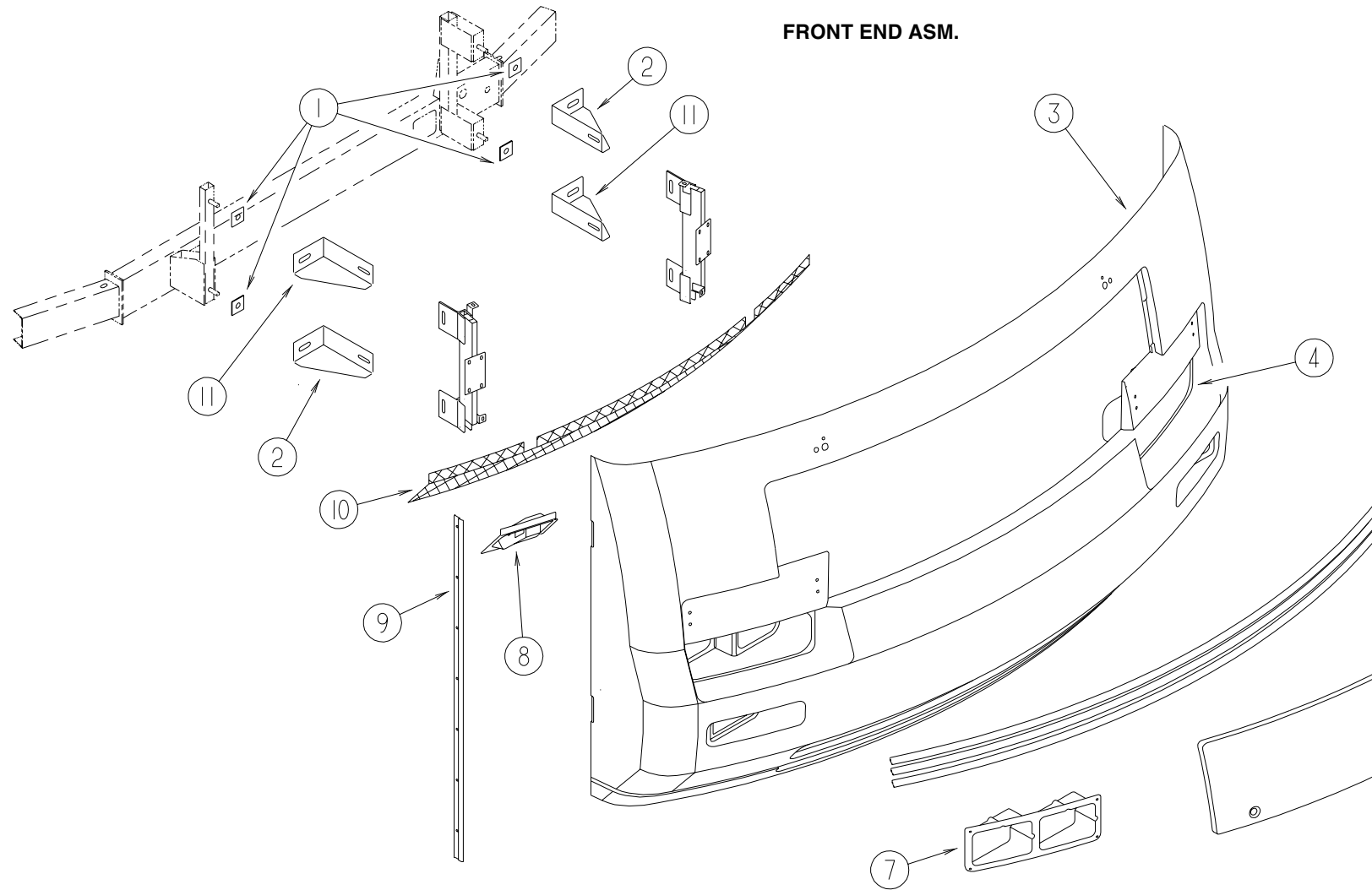


KEY	PART NUMBER	U/M DESCRIPTION
1	105312-01-03A	FT INSERT - VINYL FEATURE STRIP - GRAY METALLIC
2	108688-01-03A	EA STRIP - FEATURE - 15'
3	112091-01-000	FT SEAL-D - NEOPRENE
4	100128-02-000	FT SEAL - FOAM/ADHESIVE BACK - .37" WIDE X .37" THICK
5	115076-01-000	FT SEAL - SLIDEOUT
6	116933-15-01A	EA TRIM - SEAL/FLOOR EDGE - 166.7" - BRIGHT WHITE
7	115075-02-000	FT SEAL - WIPE - .25" X 3.15"
	089275-02-000	FT STRIP - 3/4" X 84" BLACK POLYETHELENE

KEY	PART NUMBER	U/M DESCRIPTION
8	121283-01-000	FT SEAL - P SHAPED
9	115661-01-000	FT POLYETHYLENE - HIGH DENSITY - 1/16" X 3'
10	115325-10-01A	EA RAIL - FLOOR/SLIDEOUT ROOM - BLACK
11	116933-15-01A	EA TRIM - SEAL/FLOOR EDGE - 166.7" - BRIGHT WHITE
12	119992-12-01A	EA TRIM - SEAL - W/MITERED ENDS - BRIGHT WHITE
13	119992-11-01A	EA TRIM - SEAL - W/MITERED ENDS - BRIGHT WHITE
14	117004-03-03A	EA TRIM - SEAL/INNER - BRIGHT WHITE (TOP)
	117004-01-03A	EA TRIM - SEAL/INNER VERTICAL - W/MITERED ENDS-73.5"- BRT WHITE (FORWARD)
	117004-02-03A	EA TRIM - SEAL/INNER HORIZONTAL W/MITERED ENDS-73.5 - BRT WHITE

## EXTERIOR BODY GROUP (CONTINUED)

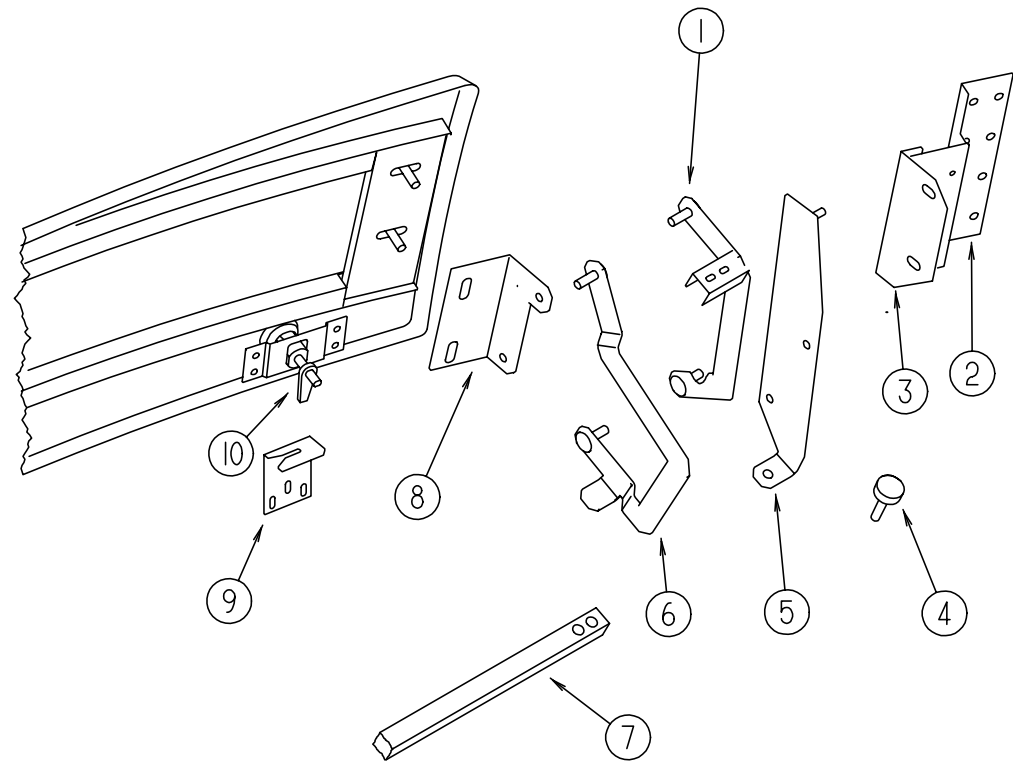
### FRONT END ASM.



KEY	PART NUMBER	U/M DESCRIPTION
1	116617-02-02B	EA SPACER - BUMPER
2	117611-08-02B	EA BRACKET - BUMPER - DRIVER UPPER/PASSENGER LOWER
3	125703-06-J52	EA PANEL - FRONT/LOWER - W/O NOTCH
4	125713-02-01A	EA BEZEL - HEADLAMP - DRIVER - BLACK
5	128741-01-J52	EA GRILLE - FRONT END
6	126862-01-J52	EA HOOD - FRONT
7	125713-01-01A	EA BEZEL - HEADLAMP - PASSENGER - BLACK

KEY	PART NUMBER	U/M DESCRIPTION
8	127013-01-01A	EA BEZEL - FOGLAMP - PASSENGER
	127013-02-01A	EA BEZEL - FOGLAMP - DRIVER
9	123680-05-01A	EA TRIM - FIBERGLASS PANEL - BRIGHT WHITE
10	115924-17-02A	EA WIRE MESH - F/GRILLE - FLAT BLACK (FOG LAMPS)
10	115924-16-02A	EA WIRE MESH - F/GRILLE - FLAT BLACK
11	117611-07-02B	EA BRACKET - BUMPER - PASSENGER UPPER/DRIVER LOWER
	128740-01-01A	EA RETAINER - GRILLE - BRIGHT WHITE
	106730-10-000	EA PLATE - STUD - F/HOOD

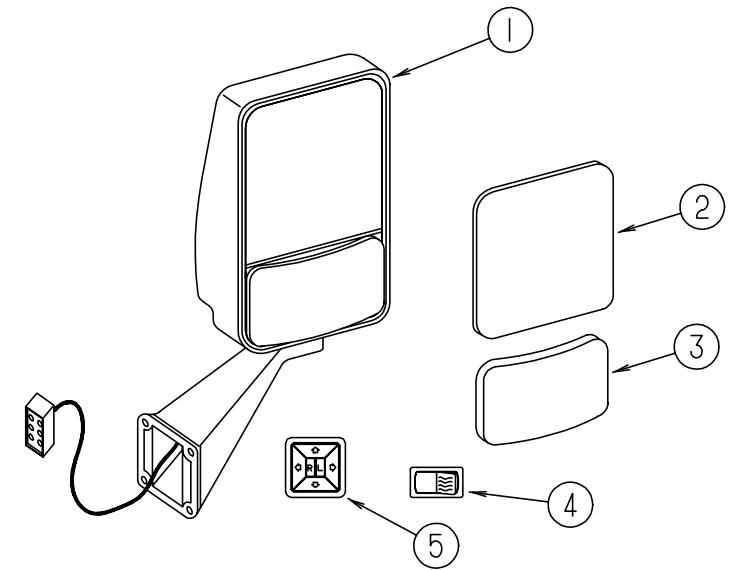
**EXTERIOR BODY GROUP (CONTINUED)**



**HOOD HARDWARE**

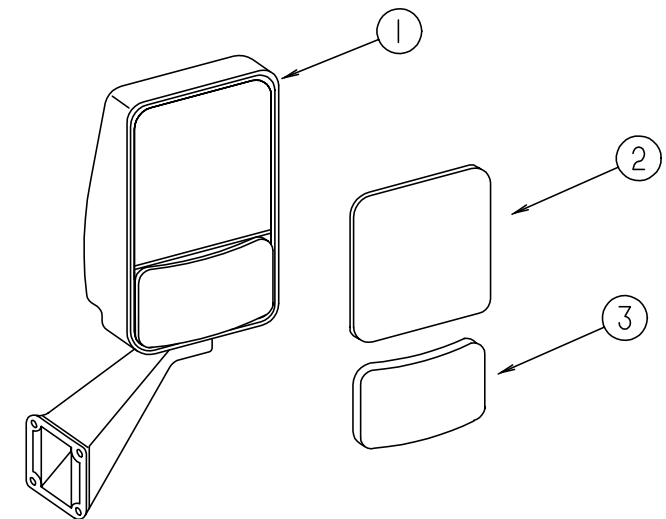
KEY	PART NUMBER	U/M DESCRIPTION
1	126353-01-02B	EA LINK - HINGE - UPPER/PASSENGER
	126353-02-02B	EA LINK - HINGE - UPPER/DRIVER
2	113495-07-02B	EA SUPPORT - HINGE - E-COATED
3	118595-01-03A	EA SUPPORT - HINGE LINK - PASSENGER - BRIGHT WHITE
	118595-02-03A	EA SUPPORT - HINGE LINK - DRIVER - BRIGHT WHITE
4	058786-01-000	EA BOLT - ADJUSTING HOOD - W/BLACK PAD
5	126867-06-02B	EA BRACKET - LINK - HOOD HINGE - PASSENGER - E-COATED
	126867-08-02B	EA BRACKET - LINK - HOOD HINGE - DRIVER - E-COATED
6	126356-02-02B	EA LINK - HINGE - LOWER/HOOD - PASSENGER - E-COATED
	126356-04-02B	EA LINK - HINGE - LOWER/HOOD - DRIVER - E-COATED
7	105096-10-000	EA TUBE - HOOD HINGE TIMING W/WELDNUTS
8	109927-05-000	EA ANGLE - LINK - HOOD/PASSENGER
	109927-06-000	EA ANGLE - LINK - HOOD/DRIVER
9	126352-02-02B	EA LATCH - HOOD - FRONT END
10	102330-02-000	EA LATCH - VISE ACTION/KEY OPERATED
10	102330-04-000	EA PAWL - LATCH - STRAIGHT - 1.96"
	102328-01-000	EA KEY - BARREL - NICKEL PLATED

**EXTERIOR BODY GROUP (CONTINUED)**



**EXTERIOR MIRROR OPTION (REMOTE & HEAT)**

KEY	PART NUMBER	U/M DESCRIPTION	VENDOR NO.
1	106015-12-01A	EA MIRROR - EXTERIOR REMOTE/HEAT - PASSENGER	
1	106015-13-01A	EA MIRROR - EXTERIOR REMOTE/HEAT - DRIVER	
2	106015-12-700	EA MIRROR - FLAT - W/W/O HEAT	709448
3	106015-12-701	EA MIRROR - CONVEX - W/W/O HEAT	709449
4	087695-02-000	EA SWITCH - HEATER - EXTERIOR MIRROR	
5	088246-01-000	EA SWITCH - REMOTE - EXTERIOR - SQUARE PUSH	
	106015-12-702	EA SCREW CAP - (BAG OF 4)	748329
	087695-03-000	EA CONNECTOR - ASSEMBLY	



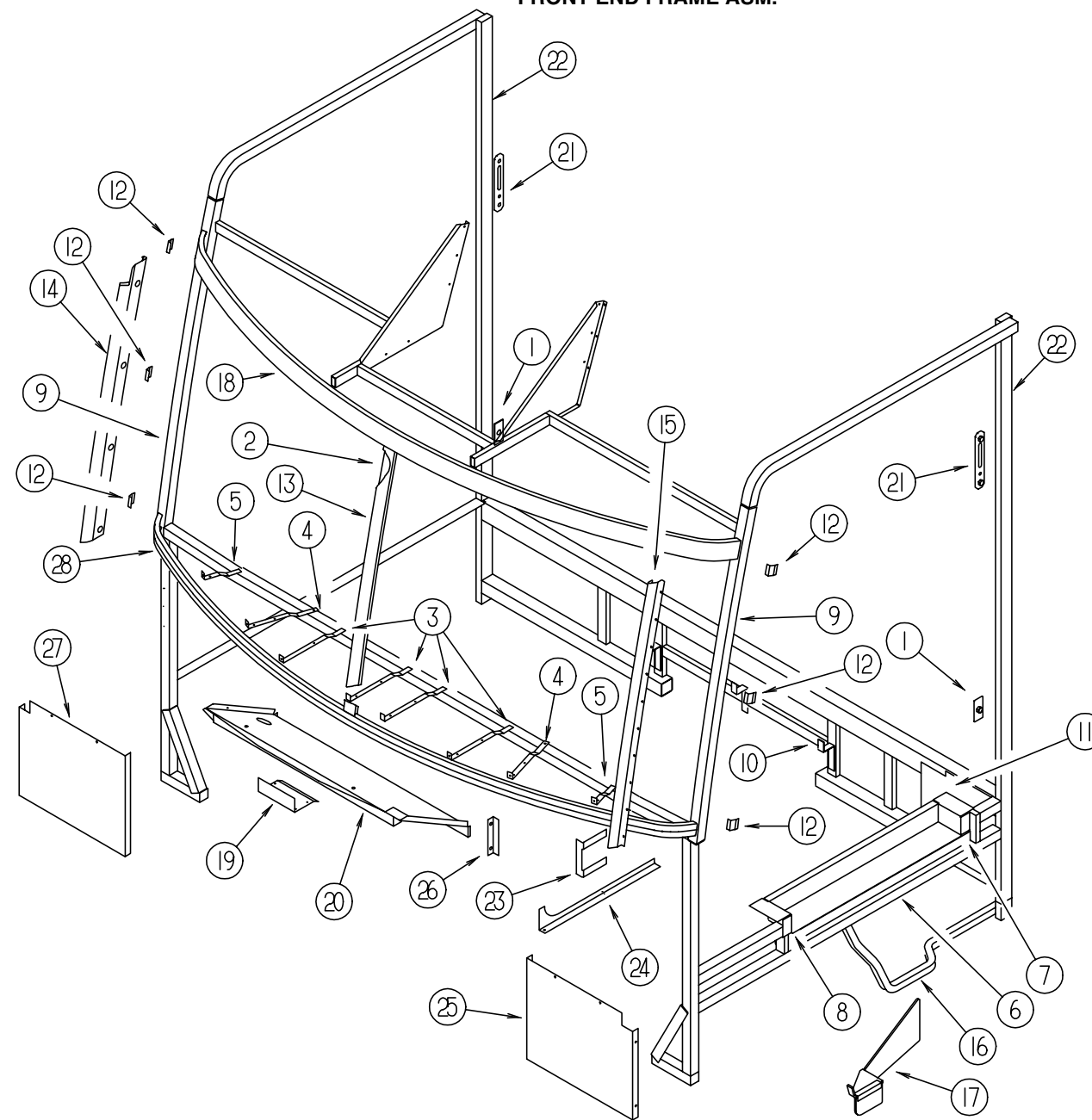
**EXTERIOR MIRROR (ADJUSTABLE)**

KEY	PART NUMBER	U/M DESCRIPTION	VENDOR NO.
1	106015-14-01A	EA MIRROR - EXTERIOR ADJUSTABLE GLASS - PASSENGER	
1	106015-15-01A	EA MIRROR - EXTERIOR ADJUSTABLE GLASS - DRIVER	
2	106015-12-700	EA MIRROR-FLAT - W/W/O HEAT	709448
3	106015-12-701	EA MIRROR-CONVEX - W/W/O HEAT	709449
	106015-12-702	EA SCREW CAP - (BAG OF 4)	748329



## EXTERIOR BODY GROUP (CONTINUED)

### FRONT END FRAME ASM.

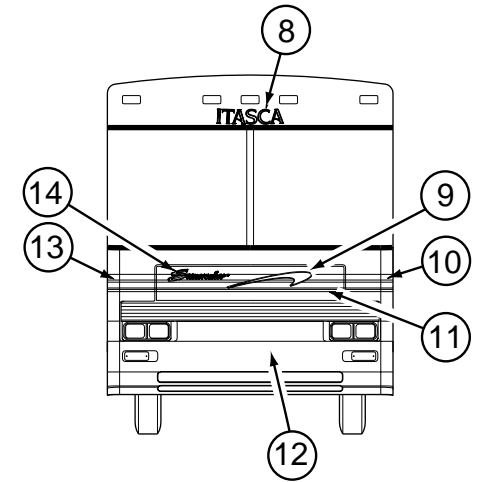
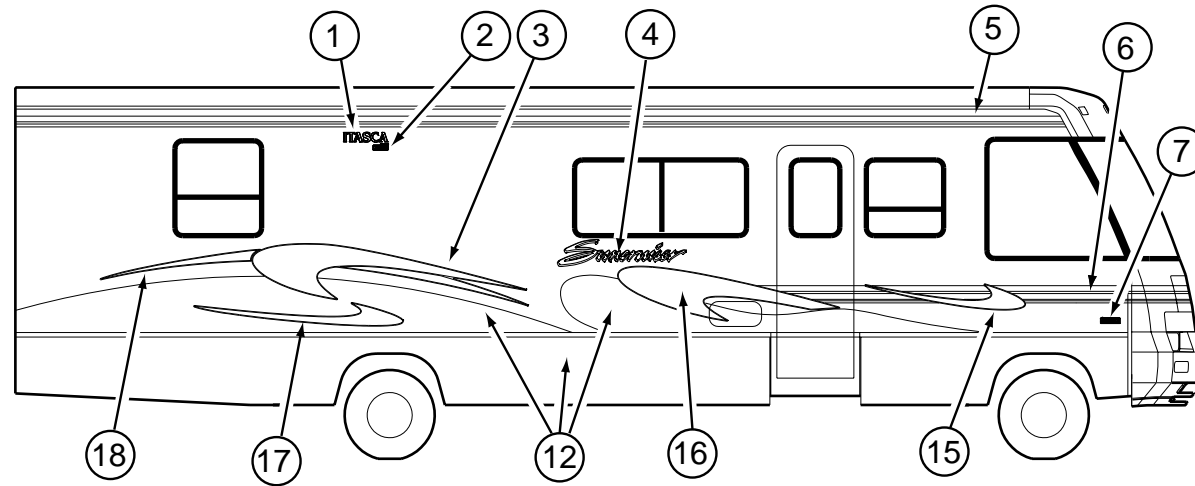
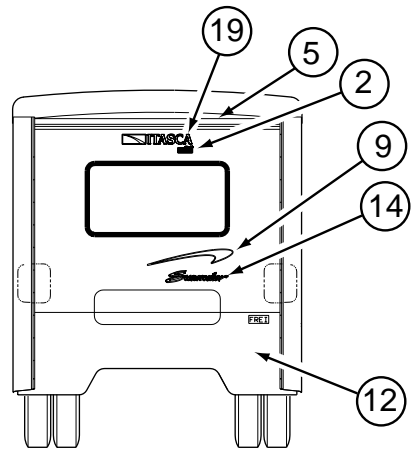


KEY	PART NUMBER	U/M DESCRIPTION
1	070579-06-000	EA PLATE - ANCHOR - W/7/16" WELD NUT - 1.5" X 3.3"
1	070579-07-000	EA PLATE - ANCHOR - W/O WELD NUT - 1.5" X 3.3"
2	078249-17-000	EA TUBE - SWEEP - CAB FRAME
3	104797-03-000	EA BRACKET - DEFROSTER
4	104797-04-000	EA BRACKET - DEFROSTER
5	104797-05-000	EA BRACKET - DEFROSTER
6	106746-02-000	EA PANEL - STEPWELL
7	106747-03-000	EA PANEL - STEPWELL - RIGHT HAND END
8	106747-04-000	EA PANEL - STEPWELL - LEFT HAND END
9	117273-01-01A	EA TUBE - SUPPORT - A-PILLAR
10	117287-01-01B	EA BRACKET - MOUNT - CABLE
11	118592-01-01B	EA SHIELD - SPLASH - RIGHT HAND
12	120363-01-01B	EA BRACKET - WINDSHIELD
13	120840-07-01B	EA STRAP - W/HOLES - MILL
14	121269-05-01B	EA FRAME - WINDSHIELD - A-PILLAR - MILL

KEY	PART NUMBER	U/M DESCRIPTION
15	121269-06-01B	EA FRAME - WINDSHIELD - A-PILLAR - MILL
16	063977-14-000	EA STEP - DRIVER DOOR - LEFT HAND
17	128255-01-04B	EA STEP - DRIVER DOOR - BLACK
18	124975-01-01B	EA SUPPORT - WINDSHIELD - UPPER - MILL
19	125836-02-01B	EA ZEE-WIPER MOTOR - MILL
20	125837-02-01B	EA BRACE - WIPER MOTOR - MILL
21	127461-02-01B	EA PLATE - ANCHOR - SEAT BELT
22	127874-01-01B	EA TUBE-B PILLAR - MILL
23	097123-01-000	EA MOUNT - AIR INTAKE - FORD
24	099102-01-000	EA BRACKET - LINKAGE - THROTTLE
25	104147-14-000	EA SHIELD/SPLASH - HEADLIGHT
26	123262-02-02B	EA BRACKET ASM - FUSE PANEL - E-CT
27	121962-02-02B	EA SHIELD/SPLASH - HEADLIGHT
28	124974-01-01B	EA SUPPORT - WINDSHIELD, LOWER - MILL
	124904-03-01B	EA HEADER - WINDSHIELD - CENTER

## EXTERIOR BODY GROUP (CONTINUED)

### DECALS, FILM STRIPES & PAINT



KEY	PART NUMBER	U/M	DESCRIPTION
1	124811-01-09A	EA	DECAL - LOGO - ITASCA
2	122770-02-15A	EA	DECAL - "BUILT PROUDLY BY WINNEBAGO INDUSTRIES"
3	129987-01-01A	EA	DECAL - SWISH - #2/REAR/RIGHT HAND
	129987-02-01A	EA	DECAL - SWISH - #2/REAR/LEFT HAND
4	129981-01-01A	EA	DECAL - LOGO - LARGE SUNCRUISER
5	105781-70-01A	FT	FILM - MULTISTRIPE - 3.7"
6	094443-60-01A	FT	FILM - MULTISTRIPE - 6"
7	129922-01-01A	EA	EMBLEM - TRITON V10
7	122312-02-01A	EA	DECAL - VORTEC 7400 FUEL INJECTED
8	124989-01-06A	EA	DECAL - LOGO - ITASCA - SWEEP #15
9	129983-01-01A	EA	DECAL - SWISH - HOOD & BACKWALL
10	129984-02-01A	EA	DECAL - CORNER/LEFT HAND
11	129982-01-01A	EA	DECAL - HOOD
12	N/A		PAINT - KHAKI METALLIC (DUPONT F4598U)
12	N/A		PAINT - WINTER GREEN METALLIC (DUPONT F3326U)
13	129984-01-01A	EA	DECAL - CORNER/RIGHT HAND
14	129981-02-01A	EA	DECAL - LOGO - SMALL SUNCRUISER
15	129989-01-01A	EA	DECAL - SWISH - #4/RIGHT HAND
	129989-02-01A	EA	DECAL - SWISH - #4/LEFT HAND
16	129988-01-01A	EA	DECAL - SWISH - #3/RIGHT HAND
	129988-02-01A	EA	DECAL - SWISH - #3/LEFT HAND
17	129985-01-01A	EA	DECAL - SWISH - #1/RIGHT HAND
	129985-02-01A	EA	DECAL - SWISH - #1/LEFT HAND
18	129990-01-01A		DECAL - SWISH - TAIL/RIGHT HAND
	129990-02-01A	EA	DECAL - SWISH - TAIL/LEFT HAND
19	124806-01-08A	EA	DECAL - LOGO - ITASCA W/ICON
	093681-40-01A	FT	FILM - 2" - FLAT BLACK
	041561-03-000	EA	PAINT - 16 OUNCE SPRAY - OFF WHITE

### DUPONT PAINT COLOR CODES

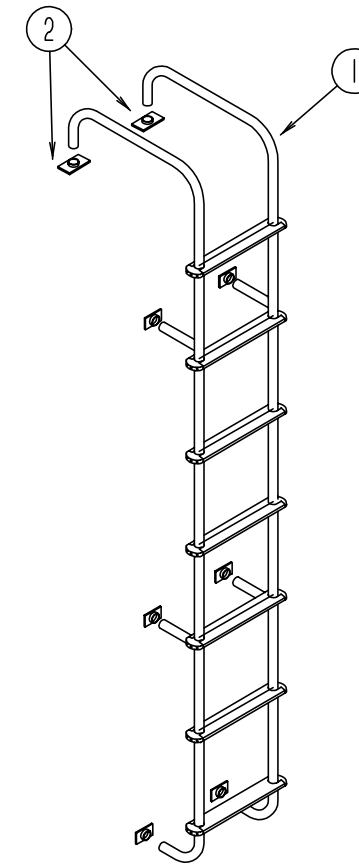
OFF WHITE	(INTERIOR)	DUPONT L8723
KHAKI METALLIC	(EXTERIOR)	DUPONT F4598U
WINTER GREEN METALLIC	(EXTERIOR)	DUPONT F3326U
BRIGHT WHITE	(EXTERIOR)	DUPONT B8951U
DARK GREEN METALLIC	(FILM)	DUPONT MM172
KHAKI METALLIC	(FILM)	DUPONT F4574
LIGHT GOLD METALLIC	(FILM)	DUPONT YM209

## EXTERIOR BODY GROUP (CONTINUED)

### STYROFOAM & FIBERGLASS SHEETING

KEY	PART NUMBER	U/M	DESCRIPTION
	000846-01-000	SF	PLYWOOD - 5/16" X 48" X 96" - CD GRADE
	000846-02-000	SF	PLYWOOD/UNDERLAYMENT - 5/16" X 48" X 96"
	002726-01-001	EA	GARNISH - U-CHANNEL - 1.38" X 19' - SERRATED
	002766-01-001	EA	ANGLE - EXTRUDED - 1" X 1.5" X 17'
	033381-17-001	FT	STEEL - TUBE - 16 GAUGE 1.5" X 1.5" X 16'
	068716-01-001	EA	BRACE - 90 DEGREE L-ANGLE - 16'
	076054-U4-000	EA	FIBERGLASS SHEET - 101" X 104" - BRIGHT WHITE
	076054-U8-000	EA	FIBERGLASS SHEET - 100" X 105" - BRIGHT WHITE
	076054-W3-000	EA	FIBERGLASS SHEET - 79" X 361.3" - BRIGHT WHITE
	076054-W6-000	EA	FIBERGLASS SHEET - 79" X 367" - BRIGHT WHITE
	108535-05-702	EA	FIBERGLASS SHEET - FLAT - 110" X 398" BRIGHT WHITE - ROOF
	077517-62-000	EA	FIBERGLASS SHEET/SIDEWALL - 48" X 96" - BRIGHT WHITE
	089297-01-000	SF	PLYWOOD - LUAN - OVERLAY GRADE - 48" X 96"
	089297-02-000	SF	PLYWOOD - LUAN - OVERLAY GRADE - 48" X 108"
	100619-01-000	BF	FOAM - EXPANDED POLYSTYRENE - 1.34" X 48" X 96"
	100619-02-000	BF	FOAM - EXPANDED POLYSTYRENE - 1.5" X 48" X 96"
	100619-04-000	BF	FOAM - EXPANDED POLYSTYRENE - .5" X 48" X 96"
	100619-05-000	BF	FOAM - EXPANDED POLYSTYRENE - .75" X 48" X 96"-1.5 DENSITY
	100619-11-000	BF	FOAM - EXPANDED POLYSTYRENE - 2" X 48" X 96"
	100619-13-000	BF	FOAM - EXPANDED POLYSTYRENE - .34" X 34.65" X 96"
	100619-16-000	BF	FOAM - EXPANDED POLYSTYRENE - .75" X 48" X 96"-2.0 DENSITY
	100619-22-000	BF	FOAM - EXPANDED POLYSTYRENE - 48" X 120" X 1.34"
	105077-08-000	EA	FOAM - PLUG - ROOF CAP
	120107-01-000	EA	FOAM - COVE - ROOF - 2.8" X 96" LONG
	120107-02-000	EA	FOAM - PLUG - ROOF TUBE - 2.2" X 2.9" X 1.8" LONG
	120107-03-000	EA	FOAM - PLUG - SIDEWALL TUBE - 1.2" X 2.1" X 1.8" LONG
	125838-01-002	EA	ACRYLIC SHEET - .125 X 1.8" X 2"

## EXTERIOR BODY GROUP (CONTINUED)



LADDER

KEY	PART NUMBER	U/M	DESCRIPTION
1	129639-02-01A	EA	LADDER - BRUSHED ALUMINUM
2	131256-01-01A	EA	PLATE - LADDER
	129375-01-000	EA	SEAL/FOAM - LADDER BRACKET
	038327-01-000	FT	TAPE - ANTI SLIP - 2" X 60FT

**EXTERIOR BODY GROUP (CONTINUED)**

**AWNINGS**  
**FROM: 00-00-00 THRU: 03-14-99**

KEY	PART NUMBER	U/M DESCRIPTION
	113874-11-01A	EA SCREW/LAG - AWNING - 1/4" X 1" STAINLESS STEEL
	113874-12-01A	EA SCREW/LAG - AWNING - 1/4" X 2 3/4" STAINLESS STEEL
	113874-06-19A	EA AWNING - W/O HARDWARE - 16' - VINYL (BLACK & GRAY)
		FROM: 00-00-00 THRU: 10-03-98
	113874-06-25A	EA AWNING - W/O HARDWARE - 16' (BLACK/GRAY) METAL
		FROM: 10-04-98 THRU: 03-14-99
*	113874-01-02A	EA HARDWARE KIT - AWNING - W/O STANDOFF BRACKET-BRIGHT WHITE
	111037-01-01A	EA SPACER - AWNING - UPPER - BLACK
	130320-01-02A	EA BRACKET - AWNING - F/A&E INSTALLATION - BRIGHT WHITE
	119496-01-02A	EA SPACER/ZEE - AWNING

**FROM: 03-15-99 THRU: 06-13-99**

KEY	PART NUMBER	U/M DESCRIPTION
	113874-11-01A	EA SCREW/LAG - AWNING - 1/4" X 1" STAINLESS STEEL
	113874-12-01A	EA SCREW/LAG - AWNING - 1/4" X 2 3/4" STAINLESS STEEL
	132715-02-04A	EA AWNING - 2 STEP W/O HDW - 16' W/METAL WRAP - BLACK & GRAY
	132715-01-01A	EA HARDWARE KIT - 2 STEP AWNING - BRIGHT WHITE
	133088-01-02A	EA BRACKET - AWNING - BRIGHT WHITE

**FROM: 06-14-99 THRU: 99-99-99**

KEY	PART NUMBER	U/M DESCRIPTION
	113874-11-01A	EA SCREW/LAG - AWNING - 1/4" X 1" STAINLESS STEEL
	113874-12-01A	EA SCREW/LAG - AWNING - 1/4" X 2 3/4" STAINLESS STEEL
	113874-06-25A	EA AWNING - 16' BLACK/GRAY VINYL - BRT/WHT METAL WRAP
*	113874-01-02A	EA HARDWARE KIT - AWNING - W/O STANDOFF BRACKET-BRIGHT WHITE
	130320-01-02A	EA BRACKET - AWNING - F/A&E INSTALLATION - BRIGHT WHITE

\*COMPONENT PARTS FOUND IN SERVICE PARTS LIBRARY

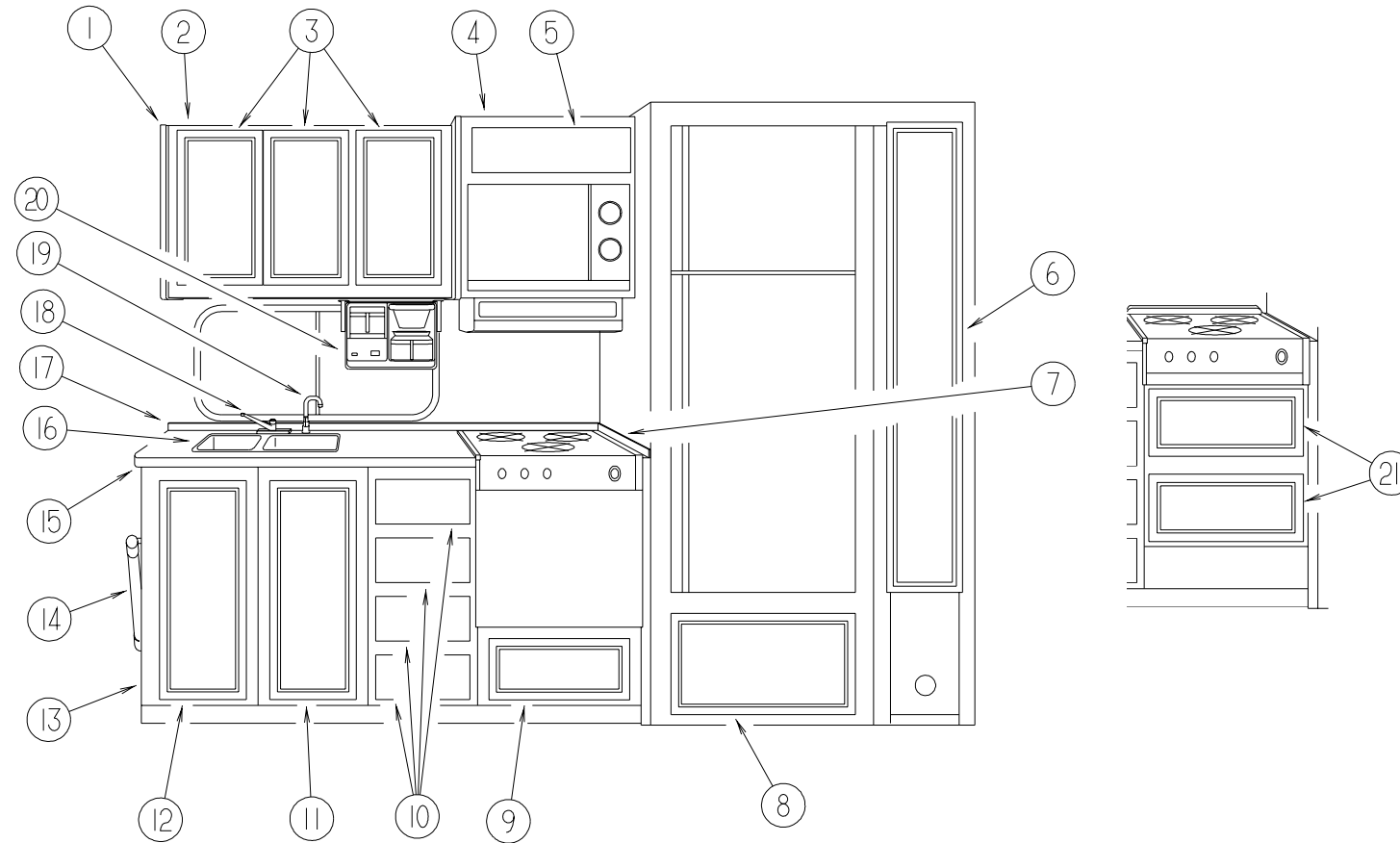
**EXTERIOR BODY GROUP (CONTINUED)**

**EXTERIOR BODY HARDWARE**

KEY	PART NUMBER	U/M DESCRIPTION
	120524-01-02B	EA U-CHANNEL - E-COATED
	114248-02-01A	EA ANGLE - PLASTIC - 96.6"
	099069-01-000	FT SEAL - RUBBER - CLOSED SPONGE - .5" WIDE X .12" THICK -BLK
	107865-01-000	EA ROD - SUPPORT - VALANCE PANEL - 14.3"
	107865-05-000	EA ROD - SUPPORT - VALANCE PANEL - 9"
	118383-01-04A	EA RETAINER - SCREW
	118383-04-04A	EA CAP - RETAINER/SCREW
	119568-01-01A	EA STANDOFF - VALANCE PANEL - BLACK
	121117-01-02B	EA ANGLE - W/HOLES - E-COATED
	124299-51-001	EA EXTRUDED - RETAINER - TRIM - 144"

# GALLEY GROUP

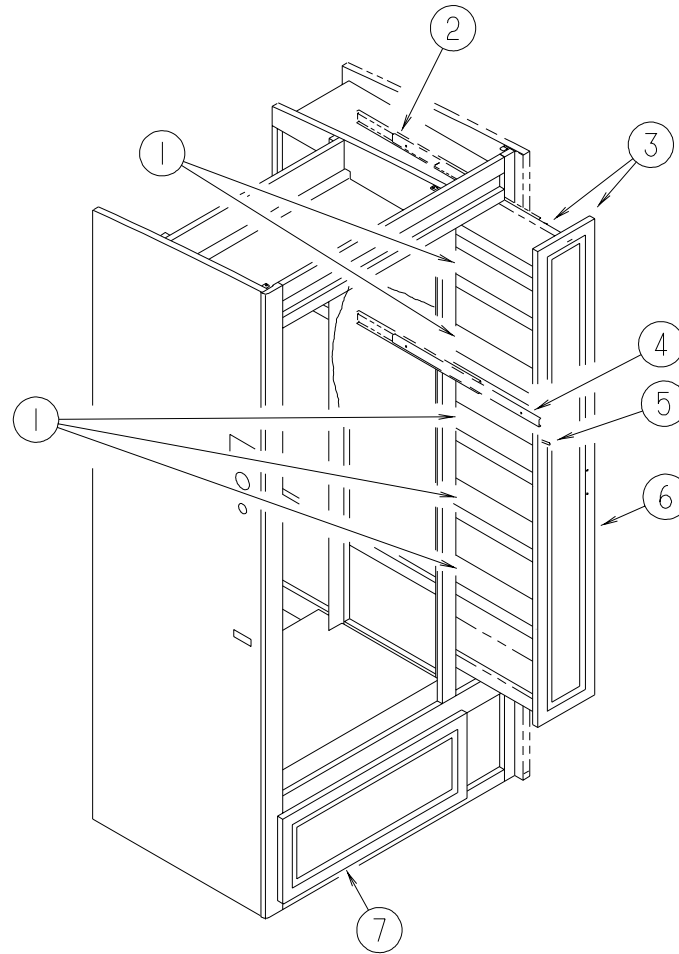
## GALLEY CABINETS



KEY	PART NUMBER	U/M	DESCRIPTION	KEY	PART NUMBER	U/M	DESCRIPTION	VENDOR NO.
1	081319-20-G15	EA	END CAP - OVERHEAD CABINET (OAK)	13	129908-02-K58	EA	CABINET - GALLEY - W/CTRTP - W/O DOORS/DRAWERS/HDW (K58, K64, K26)	
1	081319-20-J52	EA	END CAP - OVERHEAD CABINET (MAPLE)	13	129908-02-K28	EA	CABINET - GALLEY - W/CTRTP - W/O DOORS/DRAWERS/HDW (K59, K65, K27)	
2	P22393-01-H17	EA	CABINET - OVERHEAD/GALLEY - W/O DOORS/HARDWARE (OAK)	13	129908-02-K62	EA	CABINET - GALLEY - W/COUNTERTOP - W/O DOORS/DRAWERS/HDW (K62)	
2	P22393-01-J52	EA	CABINET - OVERHEAD/GALLEY - W/O DOORS/HARDWARE (MAPLE)	13	129908-02-K32	EA	CABINET - GALLEY - W/CTRTP- W/O DOORS/DRAWERS/HDW (K63)	
2	122393-11-H17	EA	SHELF/LARGE - W/PLASTIC EDGE MOLDING (OAK)	14	P02786-01-J22	EA	HANDRAIL - ENTRY DOOR - W/O BRACKET (OAK)	
2	122393-11-J52	EA	SHELF/LARGE - W/PLASTIC EDGE MOLDING (MAPLE)	14	P02786-01-J52	EA	HANDRAIL - ENTRY DOOR - W/O BRACKET (MAPLE)	
2	122393-12-H17	EA	SHELF/SMALL - W/PLASTIC EDGE MOLDING (OAK)	14	099682-01-01A	EA	BRACKET - MOUNTING/HAND RAIL - ROUND BASE	
2	122393-12J52	EA	SHELF/SMALL - W/PLASTIC EDGE MOLDING (MAPLE)	15	129908-12-K58	EA	CTRTP - GALLEY CABINET (K58, K64, K26)	
3	131995-68-K66	EA	DOOR - RAIL/SOLID PANEL - 12" X 21.8" - W/O HARDWARE (OAK)	15	129908-12-K28	EA	CTRTP - GALLEY CABINET (K59, K65, K27)	
3	131995-68-K67	EA	DOOR - RAIL/SOLID PANEL - 12" X 21.8" - W/O HARDWARE (MAPLE)	15	129908-12-K62	EA	CTRTP - GALLEY CABINET (K62)	
4	126057-02-K28	EA	CABINET - OVERHEAD/MICROWAVE - W/O DOOR/HARDWARE (OAK)	15	129908-12-K32	EA	CTRTP - GALLEY CABINET (K63)	
4	126057-02-K58	EA	CABINET - OVERHEAD/MICROWAVE - W/O DOOR/HARDWARE (MAPLE)	16	110654-01-000	EA	SINK - STAINLESS STEEL/DOUBLE BASIN (1 LG-1 SM BASIN)	
5	100708-05-000	EA	DOOR - GLASS - CABINET - 8.5" X 23.4" - W/O HARDWARE	092303-01-000		EA	STRAINER - SINK	
6	131995-J3-K28	EA	DOOR - RAIL/SOLID PANEL - 8" X 60.7" - W/O HARDWARE (OAK)	108464-04-J31		EA	COVER - SINK - 15" X 15" - LAMINATE BOTH SIDES (K58, K59, K64, K65, K26, K27)	
6	131995-J3-K80	EA	DOOR - RAIL/SOLID PANEL - 8" X 60.7" - W/O HARDWARE (MAPLE)	108464-04-J23		EA	COVER - SINK - 15" X 15" - LAMINATE BOTH SIDES (K62, K63)	
7	129908-18-K28	EA	BACKSPLASH - GALLEY COUNTERTOP (K58, K59, K64, K65, K26, K27)	108464-03-J31		EA	COVER - SINK - 15" X 11" - LAMINATE BOTH SIDES (K58, K59, K64, K65, K26, K27)	
7	129908-18-K32	EA	BACKSPLASH - GALLEY COUNTERTOP (K62, K63)	108464-03-J74		EA	COVER - SINK - 15" X 11" - LAMINATE BOTH SIDES (K62, K63)	
8	131995-M1-K28	EA	DOOR - RAIL/SOLID PANEL - 23.2" X 13.8" - W/O HARDWARE (OAK)	17	129908-16-K28	EA	BACKSPLASH - GALLEY COUNTERTOP (K58, K59, K64, K65, K26, K27)	
8	131995-M1-K58	EA	DOOR - RAIL/SOLID PANEL - 23.2" X 13.8" - W/O HARDWARE (MAPLE)	17	129908-16-K32	EA	BACKSPLASH - GALLEY COUNTERTOP (K62, K63)	
9	M09316-19-K59	EA	DRAWER - OGEE EDGE - 19.7"W X 15.7"D - W/O SLIDES/HARDWARE (OAK)	18	104114-02-01A	EA	FAUCET - GALLEY - SINGLE CONTROL	
9	M09316-19-K58	EA	DRAWER - OGEE EDGE - 19.7"W X 15.7"D - W/O SLIDES/HARDWARE (MAPLE)	19	103635-01-000	EA	FAUCET - SINGLE CONTROL DRINKING	
10	M09316-03-K28	EA	DRAWER - OGEE EDGE - 9.2"W X 17.7"D - W/O SLIDES/HARDWARE (OAK)	103635-01-700		EA	FITTING KIT, FAUCET REPAIR	3071-70
10	M09316-03-K58	EA	DRAWER - OGEE EDGE - 9.2"W X 17.7"D - W/O SLIDES/HARDWARE (MAPLE)	103635-01-701		EA	TUBING - PLASTIC	3019-20
11	131995-93-K28	EA	DOOR - RAIL/SOLID PANEL - 13.6" X 27.1" - W/O HARDWARE (OAK)	20	126019-01-01A	EA	COFFEEMAKER - OPTIMA - W/BRACKETS - BLACK & DECKER	
11	131995-93-K58	EA	DOOR - RAIL/SOLID PANEL - 13.6" X 27.1" - W/O HARDWARE (MAPLE)	20	126019-01-700	EA	GLASS CARAFE	172547-00
12	131995-91-K28	EA	DOOR - RAIL/SOLID PANEL - 13.6" X 27.1" - W/O HARDWARE (OAK)	20	126019-01-701	EA	RESERVOIR - WATER	172554
12	131995-91-K58	EA	DOOR - RAIL/SOLID PANEL - 13.6" X 27.1" - W/O HARDWARE (MAPLE)	20	126019-01-702	EA	BASKET - FILTER	172553-00
13	129908-01-K58	EA	CABINET - GALLEY - W/CTRTP- W/O DOORS/DRAWERS/HDW (K58, K64, K26)	20	126019-01-703	EA	HARDWARE - MOUNTING	172174-00
13	129908-01-K28	EA	CABINET - GALLEY - W/CTRTP- W/O DOORS/DRAWERS/HDW (K59, K65, K27)	21	M09316-11-K28	EA	DRAWER - OGEE EDGE - 19.7"W X 15.7"D - W/O SLIDES/HDW (OAK)	
13	129908-01-K62	EA	CABINET - GALLEY - W/CTRTP- W/O DOORS/DRAWERS/HDW (K62)	21	M09316-11-K58	EA	DRAWER - OGEE EDGE - 19.7"W X 15.7"D - W/O SLIDES/HARDWARE (MAPLE)	
13	129908-01-K32	EA	CABINET - GALLEY - W/CTRTP- W/O DOORS/DRAWERS/HDW (K63)	090329-01-000		FT	SEAL/T - REFRIGERATOR CABINET	

## GALLEY GROUP (CONTINUED)

### REFRIGERATOR & PANTRY CABINET



KEY	PART NUMBER	U/M	DESCRIPTION
1	122325-11-J90	EA	SHELF - W/EDGE MOLDING (MAPLE)
1	122325-11-H17	EA	SHELF - W/EDGE MOLDING (OAK)
2	122360-03-000	EA	SLIDE - PANTRY - W/LOCK - RIGHT HAND
3	122325-01-J60	EA	CABINET - PANTRY/RIGHT HAND SLIDING - W/O SLIDES/HARDWARE (MAPLE)
3	122325-01-J22	EA	CABINET - PANTRY/RIGHT HAND SLIDING - W/O SLIDES/HARDWARE (OAK)
4	122360-02-000	EA	SLIDE - PANTRY - W/O LOCK - RIGHT/LEFT HAND

KEY	PART NUMBER	U/M	DESCRIPTION
5	123673-01-01A	EA	KNOB - PANTRY SLIDE
6	131995-J3-K80	EA	DOOR - RAIL/SOLID PANEL - 8" X 60.7" - W/O HARDWARE (MAPLE)
6	131995-J3-K28	EA	DOOR - RAIL/SOLID PANEL - 8" X 60.7" - W/O HARDWARE (OAK)
7	131995-M1-K58	EA	DOOR - RAIL/SOLID PANEL - 12.6" X 6" - W/O HARDWARE (MAPLE)
7	131995-M1-K28	EA	DOOR - RAIL/SOLID PANEL - 12.6" X 6.1" - W/O HARDWARE (OAK)

## GALLEY GROUP (CONTINUED)

### REFRIGERATOR, RANGE & GALLEY HARDWARE

KEY	PART NUMBER	U/M	DESCRIPTION	VENDOR NO.
*	126023-01-01A	EA	RANGE - W/OVEN - 22" - 3 BURNER/BLACK GLASS DOOR	
*	126023-02-01A	EA	RANGE - W/OVEN - 22" - 3 BURNER/TEXTURED TOP - BLACK	
*	114030-02-01A	EA	RANGE - 3 BURNER TOP - W/O OVEN - BLACK - UL	
*	114030-03-01A	EA	RANGE - 3 BURNER TOP - W/O OVEN - BLACK - CSA	
	M05904-03-J61	EA	COVER - STOVE - W/SOLID COUNTERTOP	
	126022-01-01A	EA	COVER - RANGE - BI-FOLD - 16" & 22" - BLACK TEXTURED	
	126022-01-700	EA	BUMPER - RANGE BIFOLD COVER	8003P007-60
	107109-33-04B	EA	BRACKET - TIEDOWN	
	107109-35-04B	EA	BRACKET - TIEDOWN	
*	121569-01-01A	EA	REFRIGERATOR - LARGE DOUBLE DOOR/2-WAY FROM: 00-00-00 THRU: 07-19-98	
*	121569-03-01A	EA	REFRIGERATOR - LARGE DOUBLE DOOR/LEFT HAND - 2-WAY - BLACK FROM: 07-20-98 THRU: 99-99-99	
*	120075-09-01A	EA	REFRIGERATOR - LARGE DBL DOOR RH - W/ICE MAKER-BLACK 2-WAY	
*	118367-01-01A	EA	REFRIGERATOR - SIDE BY SIDE DOOR - 2 WAY	
	116751-02-01A	EA	TRAY - REFRIGERATOR - BLACK (US)	
	116751-09-01A	EA	TRAY - REFRIGERATOR - BLACK (CSA) FROM: 00-00-00 THRU: 02-07-99	
	116751-12-01A	EA	TRAY - REFRIGERATOR (CSA) FROM: 02-08-99 THRU: 99-99-99	
	065225-02-000	EA	PLATE - TIEDOWN - REFRIGERATOR	
	054450-01-000	EA	LEVEL - REFRIGERATOR	
	090195-08-000	EA	BAFFLE - REFRIGERATOR - LOWER	
	093369-03-000	EA	STRAP - REFRIGERATOR	
	093646-01-000	EA	BRACKET - TIEDOWN/REFRIGERATOR - RIGHT HAND	
	093646-02-000	EA	BRACKET - TIEDOWN/REFRIGERATOR - LEFT HAND	

\*COMPONENT PARTS FOUND IN SERVICE PARTS LIBRARY

### MICROWAVE OVEN & HARDWARE

KEY	PART NUMBER	U/M	DESCRIPTION	VENDOR NO.
	122753-06-000	EA	OVEN - MICROWAVE - .9 CU FT - CONVECTION - CSA	
	122546-12-02B	EA	SUPPORT - MICROWAVE - BOTTOM E-C - W/NOTCH	
	122546-13-02B	EA	SUPPORT - MICROWAVE - BOTTOM E-C - W/O NOTCH	
	122753-05-000	EA	OVEN - MICROWAVE - 1 CU. FT. NON CONVECTION - SHARP - UL (US)	
	122753-02-000	EA	OVEN - MICROWAVE - .9 CU. FT - CONVECTION - SHARP - UL (US)	
	122546-02-02B	EA	SUPPORT - MICROWAVE BOTTOM - E-COATED - W/O NOTCH	
	122546-06-02B	EA	SUPPORT - MICROWAVE BOTTOM - E-COATED - W/NOTCH	
	102482-09-H56	EA	FRAME - MICROWAVE	
	121850-04-02B	EA	STRAP - TIEDOWN - MICROWAVE - E-COATED	

### RANGE HOODS & MONITOR PANEL

KEY	PART NUMBER	U/M	DESCRIPTION	VENDOR NO.
*	100258-18-03A	EA	HOOD - RANGE - W/O MONITOR PANEL - W/HOUR METER/SWITCH - US	
*	100258-17-04A	EA	HOOD - RANGE - W/O MONITOR PANEL - W/O HOUR METER/SWITCH - CSA	
*	102765-04-01A	EA	PANEL - MONITOR - 2 HOLDING TANKS - ADJUSTABLE	
	100258-10-01A	EA	GAUGE - HOUR METER W/SWITCH - SCREW ON STYLE (OPTION) 150	
	100258-10-701	EA	GAUGE - HOUR METER - CLIP ON (OPTION)	L0775-00
	096983-01-702	EA	SWITCH - MOM/OFF/MOM/3 TERM (OPTION)	L0112-00

\*COMPONENT PARTS FOUND IN SERVICE PARTS LIBRARY

## GENERATOR GROUP

### ONAN GENERATOR, 5.0 KW EMERALD PLUS

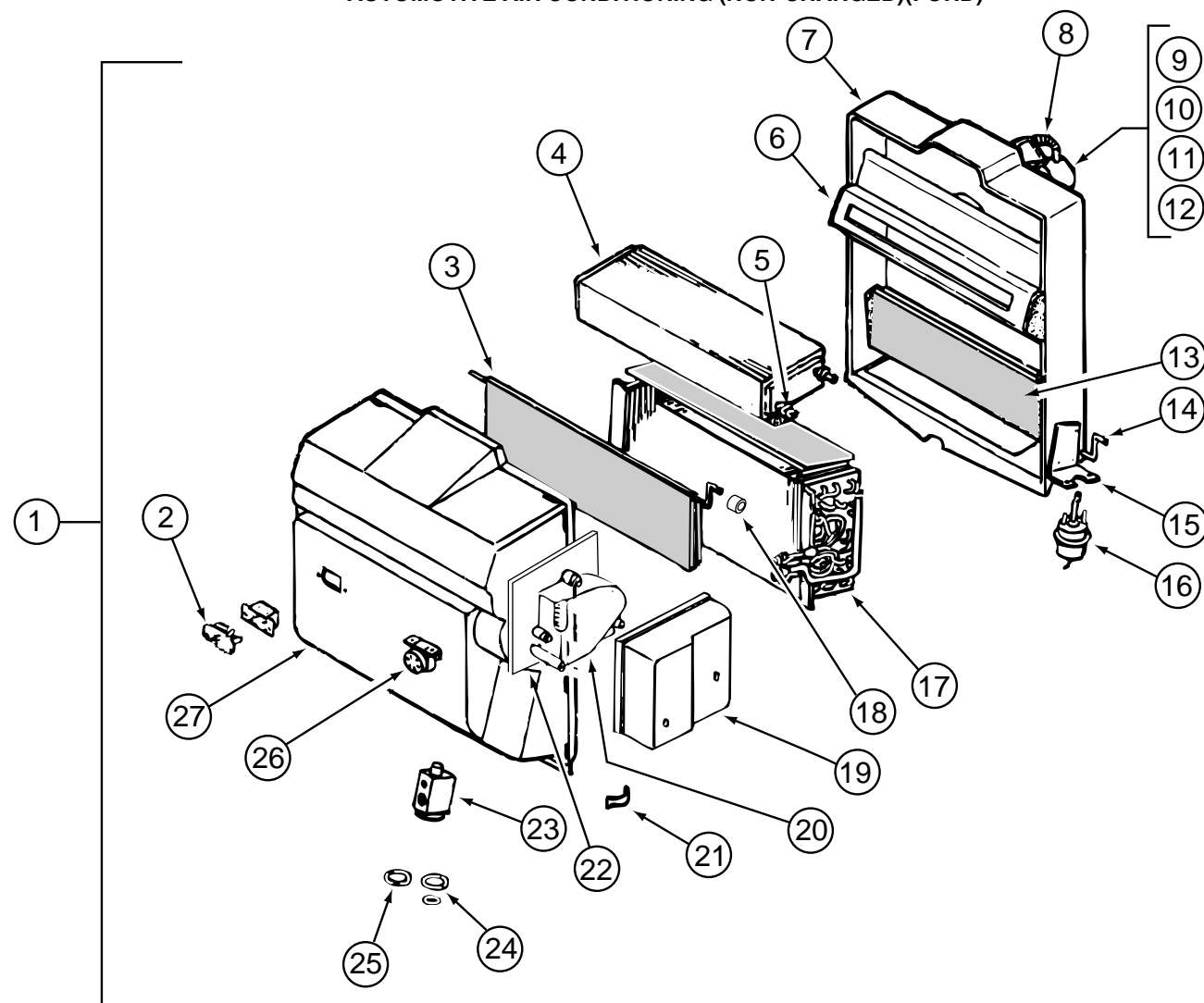
KEY	PART NUMBER	U/M	DESCRIPTION
	109303-01-000	EA	GENERATOR - 5 KW - EMERALD PLUS
	007125-03-000	EA	CLAMP - MUFFLER - 1.50" DIAMETER
	007125-04-000	EA	CLAMP - MUFFLER - 1.12" DIAMETER
	007131-01-000	EA	HANGER - TAILPIPE - 6 SLOTS
	079654-05-000	EA	PIPE - EXHAUST - ANGLED W/FLANGE - 2" ID
	081364-03-000	EA	MUFFLER - GENERATOR - ONAN
	094059-01-000	EA	SPACER - GENERATOR - ONAN
	106602-01-000	EA	PIPE - EXHAUST - GENERATOR - 1.5" DIA
	106607-01-000	EA	ANGLE - SUPPORT - EXHAUST
	127008-02-02B	EA	TRAY - GENERATOR - 16.2" X 20.8" X 6.9" - W/ANGLE & NUTS

### ONAN GENERATOR, 6.5 KW EMERALD PLUS (NHE-FA/26100G)

KEY	PART NUMBER	U/M	DESCRIPTION
	100975-01-000	EA	GENERATOR - 6.5 KW EMERALD PLUS
	106602-01-000	EA	PIPE - EXHAUST - GENERATOR - 1.5" DIA
	106607-01-000	EA	ANGLE - SUPPORT - EXHAUST
	007125-03-000	EA	CLAMP - MUFFLER - 1.5" DIA
	007125-04-000	EA	CLAMP - MUFFLER - 1.1" DIA
	007131-01-000	EA	HANGER - TAILPIPE - 6 SLOTS
	079654-05-000	EA	PIPE - EXHAUST - ANGLED - W/FLANGE - 2" ID - ONAN# 154-2539
	081364-03-000	EA	MUFFLER - GENERATOR - ONAN
	094059-01-000	EA	SPACER - GENERATOR - ONAN
	127008-02-02B	EA	TRAY - GENERATOR - 16.2" X 20.8" X 6.9" - W/ANGLE & NUTS

**NOTE: ADDITIONAL GENERATOR COMPONENTS ARE FOUND IN THE CHASSIS GROUP**

**HEATING & AIR CONDITIONING GROUP**  
**AUTOMOTIVE AIR CONDITIONING (NON-CHARGED)(FORD)**

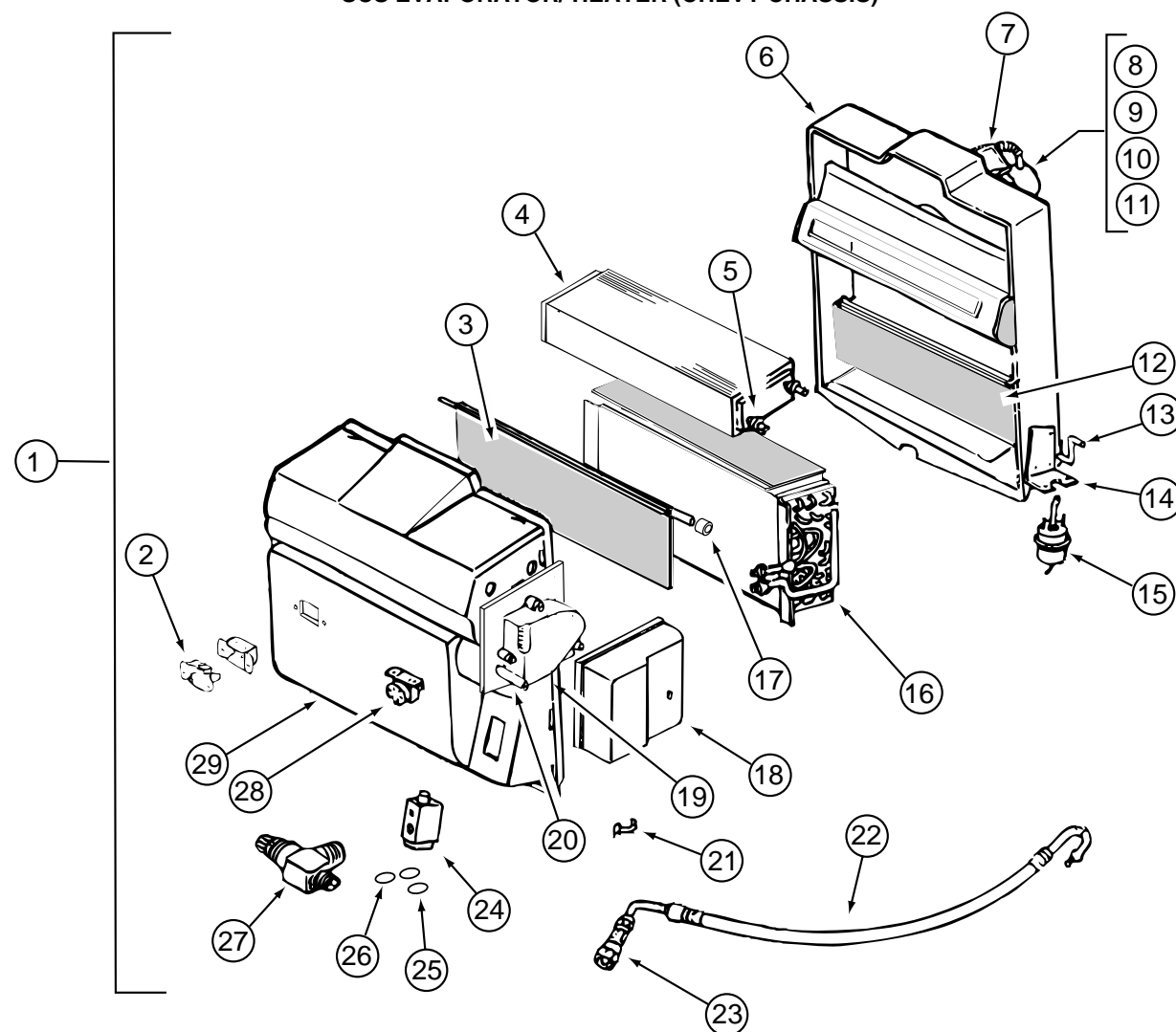


KEY	PART NUMBER	U/M	DESCRIPTION	VENDOR NO.	KEY	PART NUMBER	U/M	DESCRIPTION	VENDOR NO.
1	103930-43-000	EA	EVAPORATOR/HEATER ASSEMBLY - NON-CHARGED		23	103930-20-700	EA	VALVE-EXPANSION-BLOCK, 2 TON	034-0032
2	103930-01-710	EA	RESISTOR-FUSED, A/C	035-0006	24	103930-17-702	EA	O'RING #10	045-0127
3	103930-43-700	EA	DOOR - AIR BLEND	071-0568	25	113245-01-707	EA	O'RING #8	045-0126
4	103930-01-703	EA	CORE-HEATER	042-0010	26	103930-01-711	EA	THERMOSTAT	033-0003
5	110279-01-712	EA	FITTING-HEATER	050-0076	27	103930-30-700	EA	CASE - FRONT	062-0542
6	103930-30-707	EA	DIVIDER ASM.	086-0061		103930-02-714	EA	CLAMP-CLUTCH, BARREL	022-0006
7	103930-20-711	EA	CASE-BACK, SUB-ASSEMBLY	062-0147		094831-01-709	EA	CLAMP-ROD 3/16"	022-0025
8	110279-01-703	EA	HOSE-VENT F/BLOWER MOTOR	051-0034		113245-01-718	EA	HOSE - DRAIN/1/2" X 6"	051-0002
9	103930-20-707	EA	HOUSING-BLOWER	062-0145		103930-23-000	EA	VALVE - WATER - 2 PORT	
10	103930-30-706	EA	MOTOR-BLOWER PM147 W/ADAPTER	030-0109		007076-01-000	EA	HOSE - FLEXIBLE PVC - 2" ID - INCREMENTS OF 50'	
11	103930-01-717	EA	WHEEL-BLOWER, CLOCKWISE	062-0010		007281-01-000	EA	HOSE - FLEXIBLE PVC - 2.5" ID X 50'	
12	103930-20-708	EA	CLIP-MOTOR SHAFT	022-0001		103930-45-000	EA	HOSE - EVAPORATER/COMPRESSOR - EXP. BLOCK TO COMPRESSOR	
13	103930-20-705	EA	PANEL-DOOR, RECIRCULATING	071-0213		103930-47-000	EA	HOSE - EVAPORATOR/DRYER - EXP. VALVE TO REC. DRIER	
14	103930-20-704	EA	ROD-DOOR-RECIRCULATING	073-0018		113245-01-710	EA	O'RING, #12	045-0128
15	103930-01-708	EA	BRACKET-VACUUM MOTOR	070-0113		024990-05-000	EA	OUTLET - DEFROSTER - 4" DIAMETER W/SWIVEL DEFLECTORS	
16	103930-02-708	EA	MOTOR-VACUUM SERVO, A/C	030-0025		077075-01-000	EA	GASKET - INSTRUMENT PANEL TO DEFROSTER PLENUM - .6"X10.2"	
17	103930-01-704	EA	COIL-EVAPORATOR	041-0017		103016-03-000	EA	PLENUM - TRANSITION	
18	103930-30-702	EA	BUSHING - BLEND AIR DOOR	062-0168		103017-03-000	EA	PLENUM - DEFROSTER	
19	103930-30-704	EA	COVER - SERVO	062-0545		103558-01-11A	EA	VENT - DEFROSTER - 2" X 14.4" X 1.4" - TITANIUM	
20	103930-30-703	EA	MOTOR - SERVO	030-0104					FROM: 00-00-00 THRU: 11-08-98
21	103930-20-706	EA	CLIP-RETAINER - CASE ATTACH	022-0057		103558-04-04A	EA	VENT - DEFROSTER - TITANIUM	
22	103930-30-701	EA	PLATE - MOTOR MOUNT	062-0544					FROM: 11-09-98 THRU: 99-99-99
						103796-01-01A	EA	LOUVER - A/C-ADJUSTABLE - 2.2" X 5.4" F/2.5" HOSE - BLACK	



## HEATING & AIR CONDITIONING GROUP (CONTINUED)

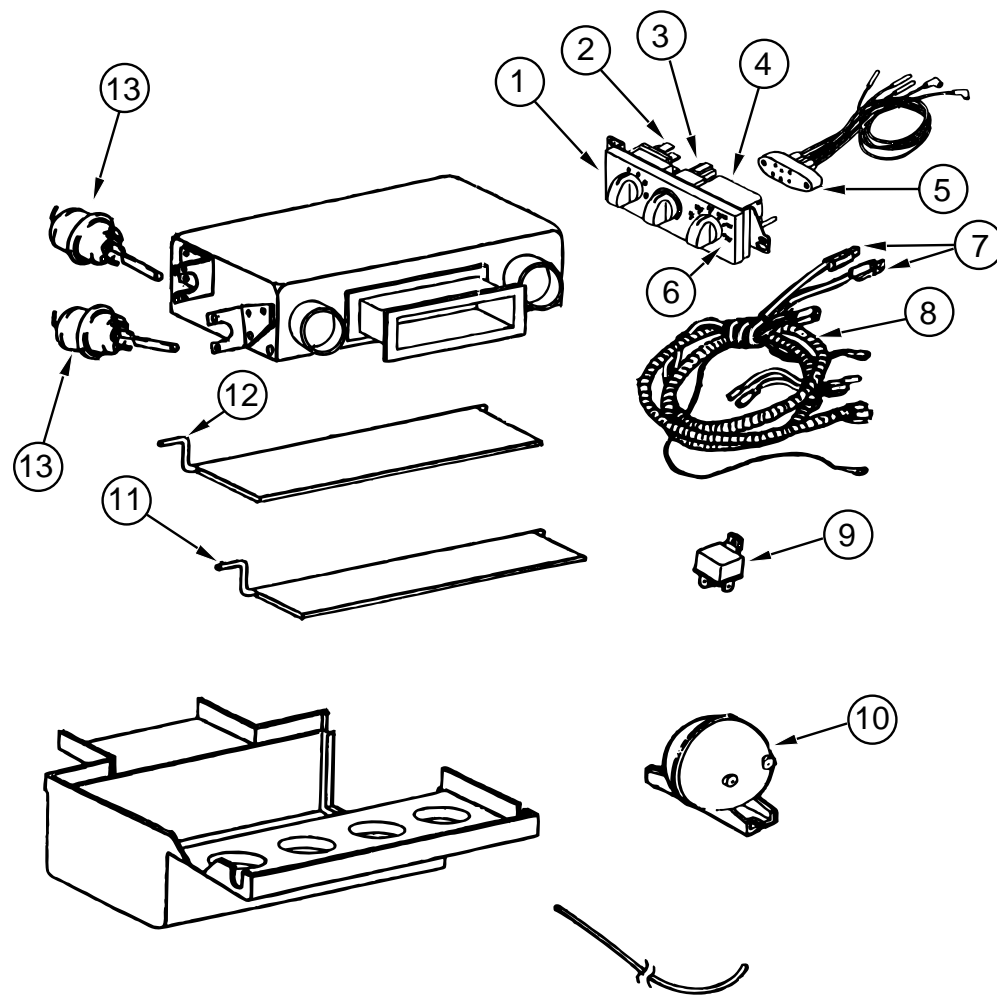
### SCS EVAPORATOR/ HEATER (CHEVY CHASSIS)



KEY	PART NUMBER	U/M	DESCRIPTION	VENDOR NO.	KEY	PART NUMBER	U/M	DESCRIPTION	VENDOR NO.
1	103930-30-000	EA	EVAPORATOR/HEATER - CHEVY - SERVO MOTOR CONTROLLED		23	103930-12-709	EA	FITTING - QUICK CONNECT	050-0120
2	103930-01-710	EA	RESISTOR - FUSED - A/C	035-0006	24	103930-20-700	EA	VALVE - EXPANSION - BLOCK - 2 TON	034-0032
3	103930-30-705	EA	DOOR - BLEND AIR	071-0568	25	103930-17-702	EA	O'RING #10	045-0127
4	103930-01-703	EA	CORE - HEATER	042-0010	26	113245-01-707	EA	O'RING #8	045-0126
5	110279-01-712	EA	FITTING - HEATER	050-0076	27	103930-20-709	EA	VALVE - SERVICE	050-0159
6	103930-20-711	EA	CASE - BACK - SUB-ASSEMBLY	062-0147	28	103930-01-711	EA	THERMOSTAT	033-0003
7	110279-01-703	EA	HOSE - VENT F/BLOWER MOTOR	051-0034	29	103930-30-700	EA	CASE - FRONT	062-0542
8	103930-20-707	EA	HOUSING - BLOWER	062-0145		103930-23-000	EA	VALVE - WATER - 2 PORT	
9	103930-30-706	EA	MOTOR - BLOWER PM147 W/ADAPTER	030-0109		007076-01-000	EA	HOSE - FLEXIBLE PVC - 2" ID - INCREMENTS OF 50'	
10	103930-01-717	EA	WHEEL - BLOWER - CLOCKWISE	062-0010		007281-01-000	EA	HOSE - FLEXIBLE PVC - 2.5" ID X 50'	
11	103930-20-708	EA	CLIP - MOTOR SHAFT	022-0001		103930-46-000	EA	HOSE - EVAPORATER/COMPRESSOR - EXP. BLOCK TO COMPRESSOR	
12	103930-20-705	EA	PANEL - DOOR - RECIRCULATING	071-0213		103930-47-000	EA	HOSE - EVAPORATOR/DRYER - EXP. VALVE TO REC. DRIER	
13	103930-20-704	EA	ROD - DOOR - RECIRCULATING	073-0018		113245-01-710	EA	O'RING, #12	045-0128
14	103930-01-708	EA	BRACKET-VACUUM MOTOR	070-0113		024990-05-000	EA	OUTLET - DEFROSTER - 4" DIAMETER W/SWIVEL DEFLECTORS	
15	103930-01-709	EA	MOTOR - VACUUM	030-0025		077075-01-000	EA	GASKET - INSTRUMENT PANEL TO DEFROSTER PLENUM - .6"X10.2"	
16	103930-01-704	EA	COIL - EVAPORATOR	041-0017		103016-03-000	EA	PLENUM - TRANSITION	
17	103930-30-702	EA	BUSHING - BLEND AIR DOOR	062-0168		103017-03-000	EA	PLENUM - DEFROSTER	
18	103930-30-704	EA	COVER - SERVO	062-0545		103558-01-11A	EA	VENT - DEFROSTER - 2" X 14.4" X 1.4" - TITANIUM	
19	103930-30-703	EA	MOTOR - SERVO	030-0104		103558-04-04A	EA	VENT - DEFROSTER - TITANIUM	FROM: 00-00-00 THRU: 11-08-98
20	103930-30-701	EA	PLATE - MOTOR MOUNT	062-0544		103796-01-01A	EA	LOUVER - A/C-ADJUSTABLE - 2.2" X 5.4" F/2.5" HOSE - BLACK	FROM: 11-09-98 THRU: 99-99-99
21	103930-20-706	EA	CLIP - RETAINER - CASE ATTACH	022-0057					
22	103930-25-700	EA	HOSE ASM #6 EVAPORATOR/DRIER	085-0350					

## HEATING & AIR CONDITIONING GROUP (CONTINUED)

### SCS CONTROL/ PLENUM



KEY	PART NUMBER	U/M DESCRIPTION	VENDOR NO.	KEY	PART NUMBER	U/M DESCRIPTION	VENDOR NO.
	103930-39-000	EA CONTROL/PLENUM - ROTARY (CHEVY)		8	103930-33-711	EA WIRE HARNESS MAIN	036-0466
	103930-40-000	EA CONTROL/PLENUM - ROTARY CONTROL HEAD (FORD)		9	103930-02-707	EA RELAY-BOSCH W/RESISTER	031-0001
1	103930-33-702	EA CONTROL PANEL	083-0169	10	103930-02-710	EA CANISTER-VACUUM	054-0002
2	103930-33-707	EA SWITCH - BLOWER	032-0186	11	103930-39-700	EA ROD - DOOR - AC/HEAT	073-067
3	103930-33-708	EA SWITCH - POTENTIOMETER	032-0184	12	103930-39-701	EA ROD - DOOR AC/DEFROST	073-0069
4	103930-33-709	EA SWITCH - VACUUM	032-0183	13	103930-02-708	EA MOTOR - VACUUM SERVO, A/C	030-0025
5	103930-33-703	EA VACUUM HARNESS	036-0465		103930-33-701	EA MOTOR - VACUUM, 3 STAGE	030-0105
6	103930-33-710	EA DECAL F CONTROL HEAD	058-0102		103930-33-712	EA KNOB - BLOWER	062-0539
7	103930-33-705	EA LIGHT BULBS	035-0030		103930-33-713	EA KNOB	062-0540
					103930-39-704	EA SPRING	022-0119

## HEATING & AIR CONDITIONING GROUP (CONTINUED)

### FURNACE

KEY	PART NUMBER	U/M	DESCRIPTION
*	098668-22-000	EA	FURNACE - 40,000 BTU
	009200-01-000	EA	TAPE - FURNACE - 1 1/2"
	094600-05-01A	EA	REGISTER W/O DAMPER - 3.6" X 11.3" FACE/2.1" X 9.9" RO - BEIGE
	094600-06-01A	EA	REGISTER W/DAMPER - 3.6" X 11.3" FACE/2.1" X 9.9" RO - BEIGE
	098668-14-000	EA	GASKET - FIBERGLASS - .5" X 18" X 18"
	098668-16-000	EA	VENT - INTAKE
	115764-01-01A	EA	THERMOSTAT - FURNACE

**\*COMPONENT PARTS FOUND IN SERVICE PARTS LIBRARY**

### AUTOMOTIVE REAR HEATER SYSTEM

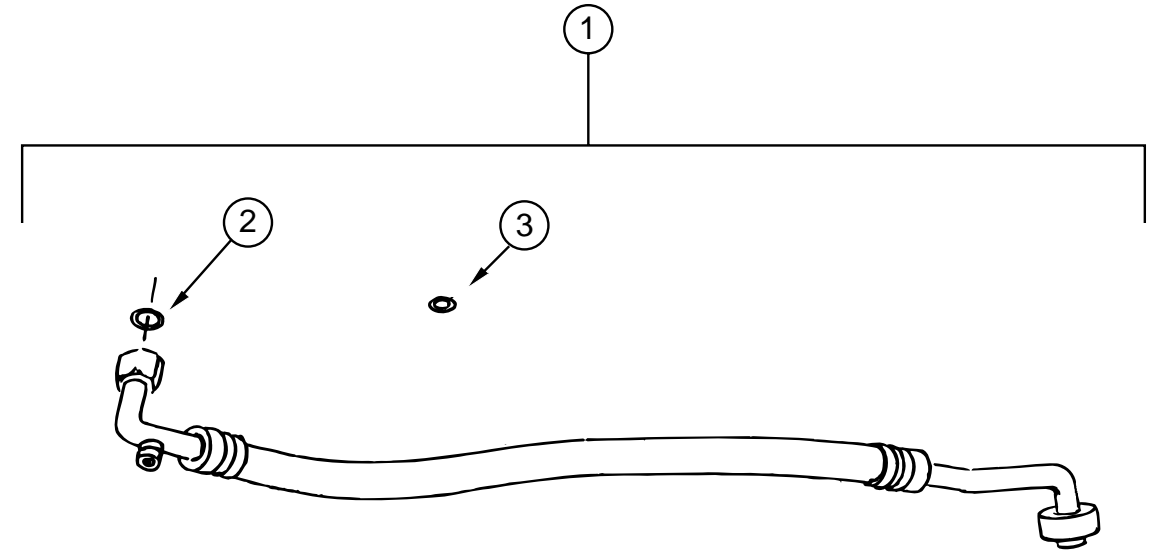
KEY	PART NUMBER	U/M	DESCRIPTION	VENDOR NO.
	009198-01-000	FT	DUCT - HEAT - FLEXIBLE - 4" ID X 25'	
	069636-02-000	EA	CONNECTOR - DUCT - 4" ID	
	118761-01-000	EA	REDUCER - 4"-2" - GALVANIZED	
	056464-10-000	EA	REGISTER W/O DAMPER - 4" DIAMETER - PLASTIC - BEIGE	
	079059-01-000	EA	HOSE - 90 DEGREE - 5/8"ID X 4" X 36"	
	084405-01-000	EA	HEATER - REAR/DUCTED - W/MOTOR AID	
	084405-01-700	EA	CORE - HEATER	FT200229
	084405-01-701	EA	FAN BLADES	HV029931
	084405-01-702	EA	MOTOR ASSEMBLY - 12 VOLT	RV010348
	061673-01-000	EA	BRACKET - MOTOR AID TUBES - 4" X 1.5" - STEEL	

### A/C - ROOF & CEILING ASSEMBLY

KEY	PART NUMBER	U/M	DESCRIPTION
*	126859-01-01A	EA	A/C - ROOF MACH 1 POWERSAVER FROM: 00-00-00 THRU: 07-05-98
*	131186-01-01A	EA	A/C - ROOF MACH 1 POWERSAVER - WHITE FROM: 07-06-98 THRU: 99-99-99
*	126860-01-01A	EA	A/C - ROOF MACH 3 POWERSAVER FROM: 00-00-00 THRU: 07-05-98
*	131187-01-01A	EA	A/C - ROOF MACH 3 POWER SAVER - WHITE FROM: 07-06-98 THRU: 99-99-99
*	108892-01-01A	EA	CEILING ASSEMBLY - A/C DUCTED FROM: 00-00-00 THRU: 07-05-98
*	131184-01-01A	EA	CEILING ASSEMBLY - A/C DUCTED - WHITE FROM: 07-06-98 THRU: 99-99-99
	102289-01-000	EA	SPRING - SCREW - ROOF A/C GASKET
	117238-01-01A	EA	THERMOSTAT - A/C - FURNACE
	117238-02-01A	EA	THERMOSTAT - A/C ONLY
	120134-01-02A	EA	REGISTER - 4".5" DIAMETER W/DAMPER

**\*COMPONENT PARTS FOUND IN SERVICE PARTS LIBRARY**

## HEATING & AIR CONDITIONING GROUP (CONTINUED)

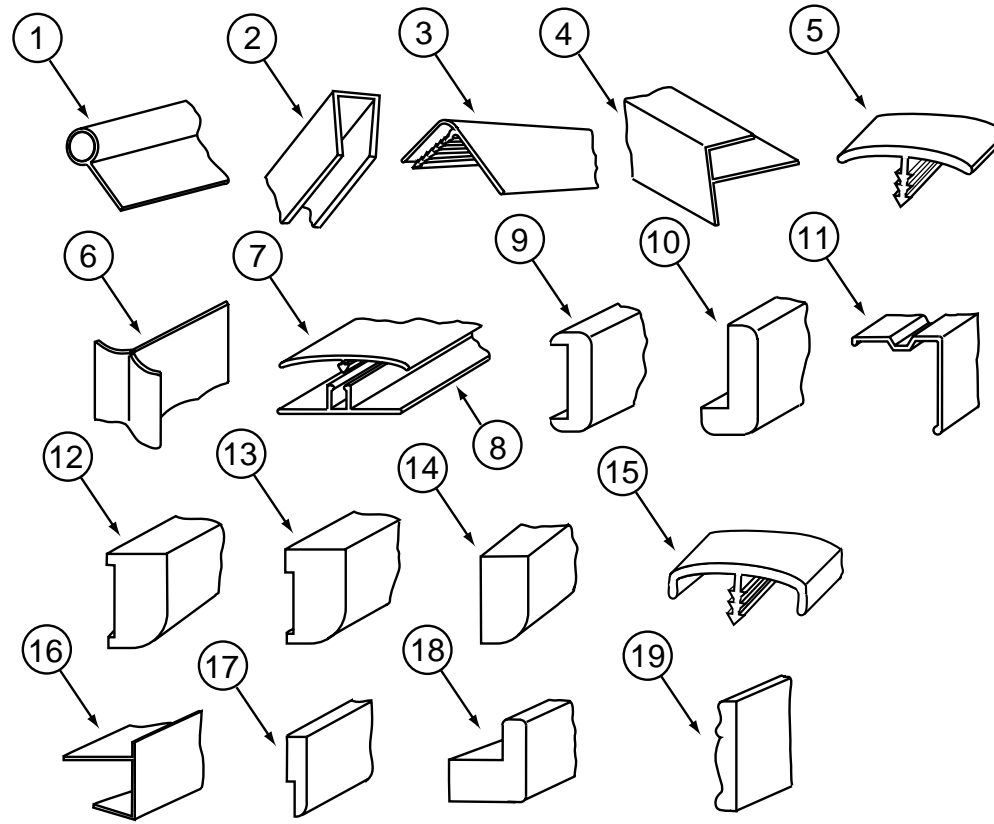


### CHEVY HOSE KIT - VORTEC GAS OR DIESEL OPTION

KEY	PART NUMBER	U/M	DESCRIPTION	VENDOR NO.
1	103930-29-000	EA	HOSE KIT - #10 W/GM L-29 & L-65 CHASSIS	
2	103930-17-702	EA	O'RING #10	045-0127
3	103930-29-701	EA	GASKET-GMLP SW 1996	045-0483

# INTERIOR FINISH GROUP

## INTERIOR TRIM & MOLDINGS



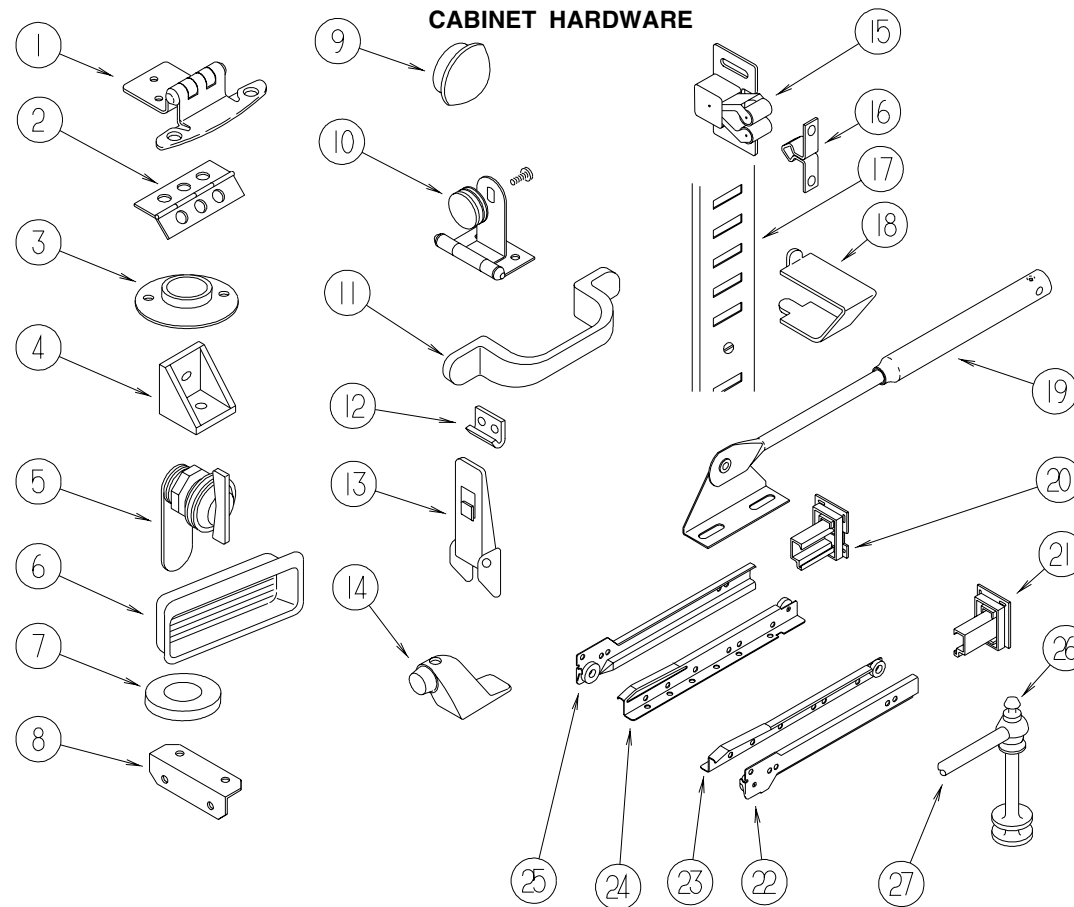
### WATERFORD OAK

### MAPLE

KEY	PART NUMBER	U/M DESCRIPTION
1	009767-12-000	FT WELTING - SIDEWALL/CEILING/CABINET - OFF/WHT
2	009778-21-000	FT U-CHANNEL - 1" - WATERFORD OAK
2	070504-36-000	FT U-CHANNEL - PLASTIC - .13" X 72" - WATERFORD OAK
2	070504-37-000	FT U-CHANNEL - PLASTIC - .87" X 84" - WATERFORD OAK
3	009809-23-000	EA MOLDING - CORNER - OUTSIDE - 1" X 84" - MODERN IVORY
3	009809-28-000	EA MOLDING - CORNER - OUTSIDE - 1" X 84" - WATERFORD OAK
4	009812-29-000	EA MOLDING - PLASTIC - 1/2" O/S CORNER - WATERFORD OAK
5	105709-01-000	FT MOLDING-T - 1" - MODERN IVORY
6	022992-11-000	FT MOLDING - REVERSE COVE - T-SHAPED VINYL - IVORY
7	086229-15-000	EA BATTEN - 1" X 96" - MODERN IVORY
7	086229-20-000	EA BATTEN - 1" X 96" - BEIGE
8	086229-01-000	EA RETAINER - BATTEN - .75" WIDE - 7.6'
9	078323-06-G15	EA MOLDING - CAP - WALL - 78"
10	077840-01-G01	EA MOLDING - CAP/WALL - 8' WATERFORD OAK
11	093873-01-01A	EA TRIM - CARPET - L-ANGLE 1.1" X 1.3" X 12' - GRAY VINYL
13	117268-D2-134	EA MOLDING - VINYL WRAPPED - .7" X 1.6" X 84" - WATERFORD OAK
13	117268-F2-438	EA MOLDING - VINYL WRAPPED - .7" X 2.6" X 96" - WATERFORD OAK
13	117268-F2-134	EA MOLDING - VINYL WRAPPED - .7" X 2.7" X 84" - WATERFORD OAK
14	100818-01-05A	EA MOLDING - VINYL WRAPPED - 1.65" X .4" X 84"-WATERFORD OAK
15	083620-12-000	FT MOLDING-T - END CAP EDGE - W/EDGE LIP - .75"-WATERFORD OAK
15	104676-02-04A	FT MOLDING-T - 1/2" - WATERFORD OAK
16	103186-01-05A	FT MOLDING - PLASTIC - 3/8" U-CHANNEL 3/4" FACE-WATERFORD OAK
16	103186-02-05A	FT MOLDING - PLASTIC/1" U-CHANNEL W/1 3/8" FACE-WATERFORD OAK
17	105004-01-05A	EA MOLDING - VINYL WRAPPED - 1" X 96" - WATERFORD OAK
18	100819-01-05A	EA MOLDING - VINYL WRAPPED - L-SHAPED - 1.5" X 1.5" X 84"
19	100182-10-G29	EA TRIM - CHAIR RAIL - 2.5" X 8' EACH - WOOD
	076325-39-000	FT MOLDING - EDGE BAND - 1 5/16" X .030" - ALMOND
	076325-67-000	FT MOLDING - EDGE BAND - .93" X .024" - WATERFORD OAK
	076325-73-000	FT MOLDING - EDGE BAND - .93" X .024" (EXTERIOR ENTERTAINMENT)

KEY	PART NUMBER	U/M DESCRIPTION
1	009767-12-000	FT WELTING - SIDEWALL/CEILING/CABINET - OFF/WHT
2	009778-27-000	FT U-CHANNEL - 1" - WASHED MAPLE
2	070504-50-000	FT U-CHANNEL - PLASTIC - .13" X 84" - WASHED MAPLE
2	070504-51-000	FT U-CHANNEL - PLASTIC - .9" X 84" - WASHED MAPLE
3	009809-23-000	EA MOLDING - CORNER - OUTSIDE - 1" X 84" - MODERN IVORY
3	009809-31-000	EA MOLDING - CORNER - OUTSIDE - 1" X 84" - WASHED MAPLE
4	009812-33-000	EA MOLDING - CORNER - 1/2" W/1/4" CHAN X 84" - WASHED MAPLE
5	105709-01-000	FT MOLDING-T - 1" - MODERN IVORY
6	022992-11-000	FT MOLDING - REVERSE COVE - T-SHAPED VINYL - IVORY
7	086229-15-000	EA BATTEN - 1" X 96" - MODERN IVORY
7	086229-20-000	EA BATTEN - 1" X 96" - BEIGE
8	086229-01-000	EA RETAINER - BATTEN - .75" WIDE - 7.6'
9	078323-06-J52	EA MOLDING - CAP/WALL - 6.6'
10	077840-01-J70	EA MOLDING - CAP/WALL - 8' - WASHED MAPLE
11	093873-01-01A	EA TRIM - CARPET - L-ANGLE 1.1" X 1.3" X 12' - GRAY VINYL
12	126204-D2-134	EA MOLDING - VINYL WRAPPED - WASHED MAPLE - .7" X 1.6" X 84"
12	126204-F2-134	EA MOLDING - VINYL WRAPPED - WASHED MAPLE - .7" X 2.5" X 84"
12	126204-F2-438	EA MOLDING - VINYL WRAPPED - WASHED MAPLE - .7" X 2.6" X 96"
14	100818-01-08A	EA MOLDING - VINYL WRAP - 1.6" X .4" X 7' - WASHED MAPLE
15	083620-19-000	FT MOLDING-T - END CAP EDGE - W/EDGE LIP - .75" - WASHED MAPLE
16	103186-01-08A	FT MOLDING - PLASTIC - 3/8" U-CHANNEL W/3/4" FACE - WASHED MAPLE
16	103186-02-08A	FT MOLDING - PLASTIC - 1" U-CHANNEL 1 3/8" FACE - WASHED MAPLE
15	104676-02-06A	FT MOLDING-T - 1/2" - WASHED MAPLE
17	105004-01-08A	EA MOLDING - VINYL WRAPPED - 1" X 96" - WASHED MAPLE
18	100819-01-08A	EA MOLDING - VINYL WRAP - L-SHAPED-1.5" X 1.5" X 7'-WASHED MAPLE
19	100182-10-J70	EA TRIM - CHAIR RAIL - 2.5" X 8' EACH - WOOD
	076325-39-000	FT MOLDING - EDGE BAND - 1 5/16" X .030" - ALMOND
	076325-73-000	FT MOLDING - EDGE BAND - .93" X .024" - OFF WHITE (EXTERIOR ENTERTAINMENT)
	076325-75-000	FT MOLDING - EDGE BAND - .93" X .024" - WASHED MAPLE

## INTERIOR FINISH GROUP (CONTINUED)



KEY	PART NUMBER	U/M	DESCRIPTION	KEY	PART NUMBER	U/M	DESCRIPTION
1	108138-01-000	EA	HINGE - CABINET DOOR - BURNISHED BRASS	22	128810-02-01A	EA	SLIDE - DRAWER - 12" - RIGHT CABINET
2	009059-01-000	EA	HINGE - DOOR - 2" X 1.4" - BRASS	22	128810-06-01A	EA	SLIDE - DRAWER - 14" - RIGHT CABINET
2	009059-02-000	EA	HINGE - DOOR - 2" X 2.7" - BRASS	22	128810-10-01A	EA	SLIDE - DRAWER - 16" - RIGHT CABINET
3	009112-01-000	EA	FLANGE - PLASTIC - 1" CLOTHES ROD - OFF WHITE	22	128810-14-01A	EA	SLIDE - DRAWER - 18" - RIGHT CABINET
4	065740-01-000	EA	BRACE - CABINET/CORNER - PLASTIC	22	128810-18-01A	EA	SLIDE - DRAWER - 20" - RIGHT CABINET
5	100710-01-01A	EA	LOCK - GLASS DOOR/TWIST TYPE - BRASS	22	128810-22-01A	EA	SLIDE - DRAWER - 22" - RIGHT CABINET
6	124311-01-01A	EA	HANDLE - RECESSED - BRASS	23	128810-04-01A	EA	SLIDE - DRAWER - 12" - RIGHT DRAWER
7	100707-01-000	EA	SPACER - GLASS DOOR - .8" DIA - .3" HOLE - PLASTIC	23	128810-08-01A	EA	SLIDE - DRAWER - 14" - RIGHT DRAWER
8	016604-01-000	EA	BRACE - CABINET - ANGLE - 2.5" - UNPAINTED METAL	23	128810-12-01A	EA	SLIDE - DRAWER - 16" - RIGHT DRAWER
8	016604-05-000	EA	BRACE - CABINET - ANGLE - 2.5" - OFF WHITE METAL	23	128810-16-01A	EA	SLIDE - DRAWER - 18" - RIGHT DRAWER
9	074045-01-000	EA	PLUG - OAK - 1/2" DIAMETER (OAK)	23	128810-20-01A	EA	SLIDE - DRAWER - 20" - RIGHT DRAWER
10	100711-01-01A	EA	HINGE - GLASS DOOR	23	128810-24-01A	EA	SLIDE - DRAWER - 22" - RIGHT DRAWER
11	117801-01-01A	EA	PULL - CABINET - BRASS	24	128810-03-01A	EA	SLIDE - DRAWER - 12" - LEFT DRAWER
			FROM: 00-00-00 THRU: 06-06-99	24	128810-07-01A	EA	SLIDE - DRAWER - 14" - LEFT DRAWER
11	131963-01-01A	EA	PULL - CABINET - POLISHED BRASS	24	128810-11-01A	EA	SLIDE - DRAWER - 16" - LEFT DRAWER
			FROM: 06-07-99 THRU: 99-99-99	24	128810-15-01A	EA	SLIDE - DRAWER - 18" - LEFT DRAWER
12	116975-02-01A	EA	KEEPER/STRIKE - BLACK - NEW STYLE	24	128810-19-01A	EA	SLIDE - DRAWER - 20" - LEFT DRAWER
13	116975-01-01A	EA	LATCH - W/O STRIKE - BLACK - NEW STYLE	24	128810-23-01A	EA	SLIDE - DRAWER - 22" - LEFT DRAWER
14	103257-01-000	EA	STOP - DOOR	25	128810-01-01A	EA	SLIDE - DRAWER - 12" - LEFT CABINET
15	093586-03-000	EA	CATCH - SPRING ROLLER - .377"	25	128810-05-01A	EA	SLIDE - DRAWER - 14" - LEFT CABINET
15	093586-06-000	EA	CATCH - SPRING ROLLER - .236"	25	128810-09-01A	EA	SLIDE - DRAWER - 16" - LEFT CABINET
16	093586-04-000	EA	STRIKE - SPRING STEEL - 1.14"	25	128810-13-01A	EA	SLIDE - DRAWER - 18" - LEFT CABINET
16	093586-05-000	EA	STRIKE - SPRING STEEL - .943"	25	128810-17-01A	EA	SLIDE - DRAWER - 20" - LEFT CABINET
17	098980-03-000	EA	PILASTER - ADJUSTABLE SHELF - 9"	25	128810-21-01A	EA	SLIDE - DRAWER - 22" - LEFT CABINET
17	098980-02-000	EA	PILASTER - ADJUSTABLE SHELF - 12"	26	084070-03-000	EA	POST - END - 2.4" - SHINY BRASS
17	098980-01-000	EA	PILASTER - ADJUSTABLE SHELF - 18"	27	084071-24-000	EA	ROD - BRASS - 3.8"
17	098980-04-000	EA	PILASTER - ADJUSTABLE SHELF - 48"	27	084071-27-000	EA	ROD - BRASS - 2.7"
18	098979-01-000	EA	CLIP - ADJUSTABLE SHELF	041389-18-000	EA	HINGE - PIANO - 1.50" X 19" - OFF WHITE	
19	074493-02-000	EA	SUPPORT - PISTON SPRING - CABINET DOOR - 26 LBS	041389-25-000	EA	HINGE - PIANO - 1.50" X 55"	
19	074493-04-000	EA	SUPPORT - PISTON SPRING - CABINET DOOR - 32 LBS	041389-35-000	EA	HINGE - PIANO - OFF WHITE - 31"	
	083204-03-000	EA	BUTTON - RETAINING MIRROR 5/16" TIP	042438-01-000	EA	DOWEL - WOOD - CLOTHES ROD - 1" DIAMETER X 4'	
20	128811-01-01A	EA	BACKSOCKET - ADJUSTABLE - LEFT	042438-06-000	EA	DOWEL - WOOD - 1.5" X 26" - OAK	
21	128811-02-01A	EA	BACKSOCKET - ADJUSTABLE - RIGHT	023320-01-000	EA	PAD - FELT 3/8" DIAMETER	
				004354-01-000	EA	BUMPER - RUBBER - .5" DIA - BROWN	

## INTERIOR FINISH GROUP (CONTINUED)

### PANELING & PLASTIC LAMINATE (WATERFORD OAK)

KEY	PART NUMBER	U/M	DESCRIPTION
	000846-01-000	SF	PLYWOOD - 5/16" X 48" X 96" - CD GRADE
	000846-02-000	SF	PLYWOOD/UNDERLAYMENT - 5/16" X 48" X 96"
	000885-76-000	SF	PARTICLE BOARD - 3/8" X 48" X 96" - WATERFORD OAK - VINYL 1 SIDE
	000885-77-000	SF	PARTICLE BOARD - 3/8" X 48" X 96" - WATERFORD OAK - VINYL 2 SIDE
	000885-79-000	SF	PARTICLE BOARD - 3/4" X 48" X 96" - WATERFORD OAK - VINYL 2 SIDE
	074497-28-000	SF	PANELING - WATERFORD OAK - 4' X 8'
	074498-40-000	SF	LAMINATE - PLASTIC - OFF WHITE - 5' X 8' (EXTERIOR ENTERTAINMENT)
	074498-71-000	SF	LAMINATE - PLASTIC - NEUTRAL SANTOS - 5'X 8' (K59, K65, K27)
	074498-81-000	SF	LAMINATE - PLASTIC - ALMOND JAGUARD - 5' X 8' (K63)
	074498-77-000	SF	LAMINATE - PLASTIC - ART CABIN (WATERFORD OAK) 4' X 8' (PULL OUT TABLE)
	080215-10-000	SF	PANELING - 2 SIDED - WATERFORD - .2" X 4' X 8'
	088272-G1-000	SF	PANELING - PEBBLE EMBOSSED - ANTIQUE WHITE - 4' X 7' (BATH)
	088272-H4-000	SF	PANELING - TRAVIS - 4' X 7'(28 SQ.FT.) (K59)
	088272-H3-000	SF	PANELING - BARCELONA - 4' X 7'(28 SQ.FT.) (K63)
	088272-H7-000	SF	PANELING - CAIRO/SILVERSAGE - 4' X 7'(28 SQ.FT.) (K65)
	088272-H8-000	SF	PANELING - UPBEAT/TWILIGHT - 4' X 7'(28 SQ.FT.) (K27)
	117267-D2-438	EA	LUMBER - VINYL WRAPPED - .7" X 1.5" X 96" - WATERFORD OAK
	117267-E2-438	EA	LUMBER - VINYL WRAPPED - .7" X 2" X 96" - WATERFORD OAK
	117267-F2-438	EA	LUMBER - VINYL WRAPPED - .7" X 2.5" X 96" - WATERFORD OAK
	117267-J2-438	EA	LUMBER - VINYL WRAPPED - .7" X 5.5" X 96" - WATERFORD OAK
	117267-R2-438	EA	LUMBER - VINYL WRAPPED - .7" X 3" X 96" - WATERFORD OAK
	122481-19-000	FT	WALLPAPER - 6.8" BORDER (GALLEY) (K59)
	122481-14-000	FT	WALLPAPER - 6.8" BORDER (GALLEY) (K63)
	122481-15-000	FT	WALLPAPER - 6.9" BORDER (GALLEY) (K65, K27)
	126339-01-000	SF	BOARD - WHEAT - 60" X 72"

### FIRE EXTINGUISHER, DETECTORS & WALL CLOCK

KEY	PART NUMBER	U/M	DESCRIPTION	VENDOR NO.
	072852-01-000	EA	DETECTOR - SMOKE - W/9 VOLT BATTERY - US	
	072852-02-000	EA	DETECTOR - SMOKE - W/9 VOLT BATTERY - CANADIAN	
	094499-03-000	EA	EXTINGUISHER/FIRE - DRY - 10B:C - W/O BRACKET	
	094499-02-000	EA	EXTINGUISHER/FIRE - DRY - 1A10BC - CANADIAN	
	094499-01-700	EA	BRACKET MTG. W/PLAS. STRAP	294039
	094499-01-701	EA	STRAP ONLY (METAL)	320351
	094499-04-000	EA	BRACKET - FIRE EXTINGUISHER (STAINLESS STEEL)	
	125136-01-000	EA	CO DETECTOR - GAS - ROUND W/2 SCREWS - 9 VOLT	
	131493-02-01A	EA	PICTURE - 13" X 15" - HOMESTEAD	

## INTERIOR FINISH GROUP (CONTINUED)

### PANELING & PLASTIC LAMINATE (MAPLE)

KEY	PART NUMBER	U/M	DESCRIPTION
	000846-01-000	SF	PLYWOOD - 5/16" X 48" X 96" - CD GRADE
	000846-02-000	SF	PLYWOOD/UNDERLAYMENT - 5/16" X 48" X 96"
	000885-89-000	SF	PARTICLE BOARD - 3/8" X 48" X 96" - WASHED MAPLE 2-SIDED
	000885-91-000	SF	PARTICLE BOARD - 3/4" X 48" X 96" - WASHED MAPLE 2-SIDED
	074497-39-000	SF	PANELING - WASHED MAPLE - 48" X 96"
	074498-40-000	SF	LAMINATE - PLASTIC - OFF WHITE - 5' X 8' (EXTERIOR ENTERTAINMENT)
	074498-71-000	SF	LAMINATE - PLASTIC - NEUTRAL SANTOS - 5'X 8' (K58, K64, K26)
	074498-81-000	SF	LAMINATE - PLASTIC - ALMOND JAGUARD - 5' X 8' (K62)
	074498-82-000	SF	LAMINATE - PLASTIC - WASHED MAPLE - 4' X 8' (PULL OUT TABLE)
	080215-13-000	SF	PANELING - 2 SIDED - WASHED MAPLE - .2" X 4' X 8'
	083618-07-000	SF	PLYWOOD - MAPLE - 1 SIDE 3/16"
	088272-G1-000	SF	PANELING - PEBBLE EMBOSSED - ANTIQUE WHITE - 4' X 7' (BATH)
	088272-H4-000	SF	PANELING - TRAVIS - 4' X 7'(28 SQ.FT.) (K58)
	088272-H3-000	SF	PANELING - BARCELONA - 4' X 7'(28 SQ.FT.) (K62)
	088272-H7-000	SF	PANELING - CAIRO/SILVERSAGE - 4' X 7'(28 SQ.FT.) (K64)
	088272-H8-000	SF	PANELING - UPBEAT/TWILIGHT - 4' X 7'(28 SQ.FT.) (K26)
	122481-19-000	FT	WALLPAPER - 6.8" BORDER (GALLEY) (K58)
	122481-14-000	FT	WALLPAPER - 6.8" BORDER (GALLEY) (K62)
	122481-15-000	FT	WALLPAPER - 6.9" BORDER (GALLEY) (K64, K26)
	126205-D2-438	EA	LUMBER - VINYL WRAPPED - .7" X 1.5" X 96" - WASHED MAPLE
	126205-E2-438	EA	LUMBER - VINYL WRAPPED - .7" X 2" X 96" - WASHED MAPLE
	126205-G2-438	EA	LUMBER - VINYL WRAPPED - .7" X 3" X 96" - WASHED MAPLE
	126205-J2-438	EA	LUMBER - VINYL WRAPPED - .7" X 5.5" X 96" - WASHED MAPLE
	126205-R2-438	EA	LUMBER - VINYL WRAPPED - WASHED MAPLE - .7" X 3" X 96"
	126339-01-000	SF	BOARD - WHEAT - 60" X 72"

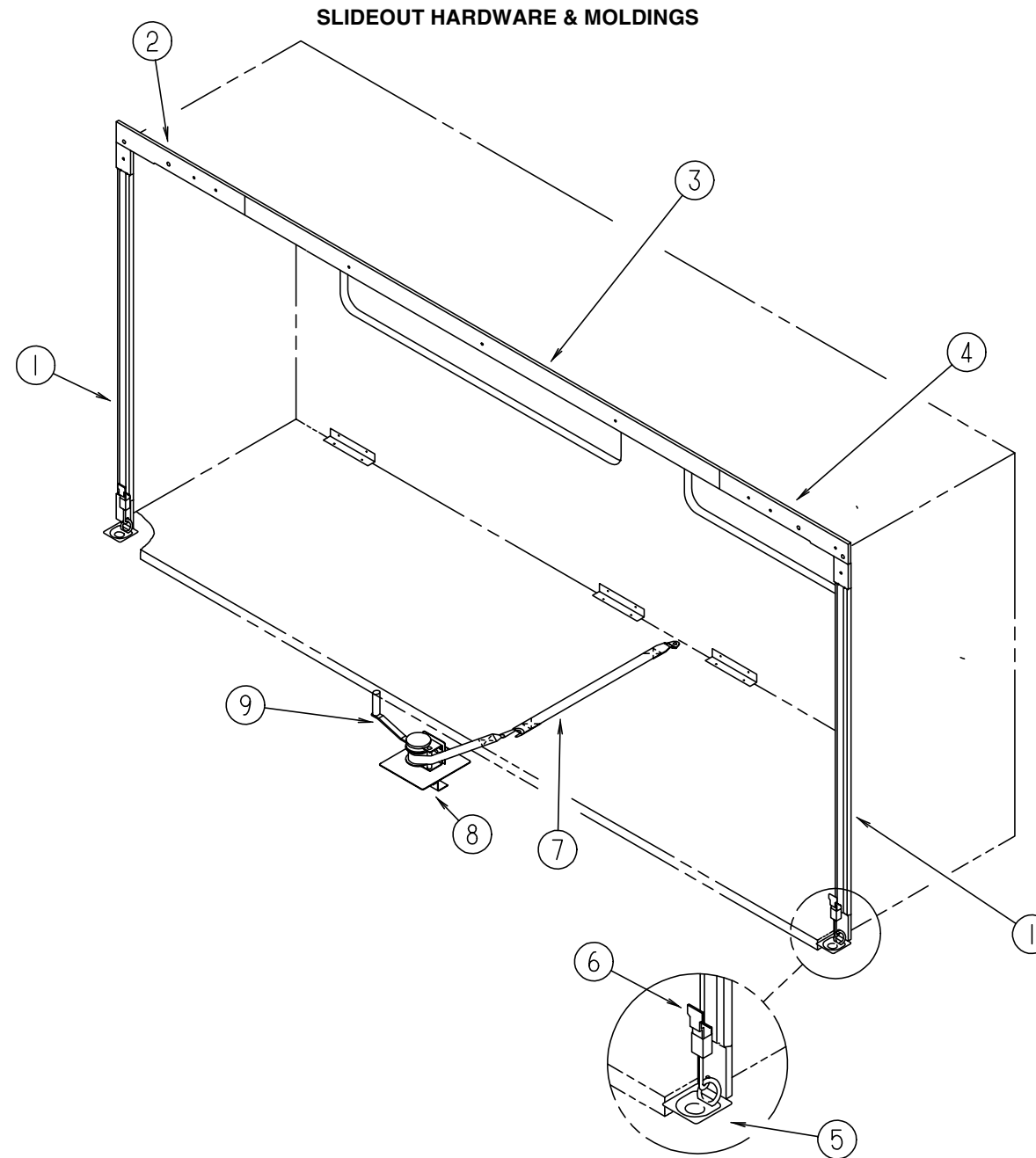
### BATT STRIPS & BATT TAPE

KEY	PART NUMBER	U/M	DESCRIPTION
	085284-E9-000	FT	BATT TAPE - ADHESIVE BACKED - DECORATIVE/TRAVIS MERCURY (K58, K59)
	085284-F4-000	FT	BATT TAPE - ADHESIVE BACKED - CAIRO/SILVERSAGE (K64, K65)
	085284-E8-000	FT	BATT TAPE - ADHESIVE BACKED - BARCELONA (K62, K63)
	085284-F8-000	FT	BATT TAPE - ADHESIVE BACKED - UPBEAT/TWILIGHT (K26, K27)
	085284-D6-000	FT	BATT TAPE - DECORATIVE - PEBBLE EMBOSSED/ANTIQU - 8' (BATH)
	085284-B5-000	FT	BATT TAPE - ADHESIVE BACKED - WOODGRAINED - WATERFORD OAK
	085284-F5-000	FT	BATT TAPE - ADHESIVE BACKED - WOODGRAINED - WASHED MAPLE
	069733-83-000	EA	BATT STRIP - WOODGRAINED - WATERFORD OAK - 8'
	069733-86-000	EA	BATT STRIP - WOODGRAINED - WASHED MAPLE - 8'
	088263-E3-000	EA	BATT STRIP - DECORATIVE - PEBBLE EMBOSSED/ANTIQU - 8' (BATH)
	088263-F4-000	EA	BATT STRIP - DECORATIVE - TRAVIS MERCURY - 8' (K58, K59)
	088263-F8-000	EA	BATT STRIP - DECORATIVE - CAIRO/SILVERSAGE - 8' (K64, K65)
	088263-F3-000	EA	BATT STRIP - DECORATIVE - BARCELONA - 8' (K62, K63)
	088263-G0-000	EA	BATT STRIP - DECORATIVE - UPBEAT/TWILIGHT - 8' (K26, K27)
	086229-15-000	EA	BATTEN - 1" X 96" - MODERN IVORY
	086229-20-000	EA	BATTEN - 1" X 96" - BEIGE

### FLOOR COVERINGS

KEY	PART NUMBER	U/M	DESCRIPTION
	042720-21-000	SY	VINYL - FLOOR COVERING - 7' WIDE - MODULATION (BATH, GALLEY)
	093486-01-000	SY	CARPET - COMPARTMENT - 72" WIDE - DARK GRAY (STORAGE COMPARTMENTS)
	096060-D1-000	SY	CARPET - SEAL GREY (K58, K59)
	096060-98-000	SY	CARPET - SILVER ASPEN (K64, K65)
	096060-EO-000	SY	CARPET - BAMBOO (K62, K63)
	096060-A2-000	SY	CARPET - NEW MEADOW (K26, K27)
	091261-01-000	FT	SLIPNOT - ANTISLIP - 1' WIDE
	096764-02-000	FT	SLIPNOT - ANTISLIP - 1" WIDE (100' ROLLS)
	105924-01-J54	EA	MAT - FLOOR - 18" X 27" (K58, K59)
	105924-01-K62	EA	MAT - FLOOR - 18" X 27" (K62, K63)
	105924-01-K60	EA	MAT - FLOOR - 18" X 27" (K64, K65)
	105924-01-K32	EA	MAT - FLOOR - 18" X 27" (K26, K27)
	122755-01-01A	EA	TILE - RUBBER/ENTRANCE DOOR - 18.5" X 27.2"
	122755-03-01A	EA	TILE - RUBBER/ENTRANCE DOOR - 17.7" X 26.4"

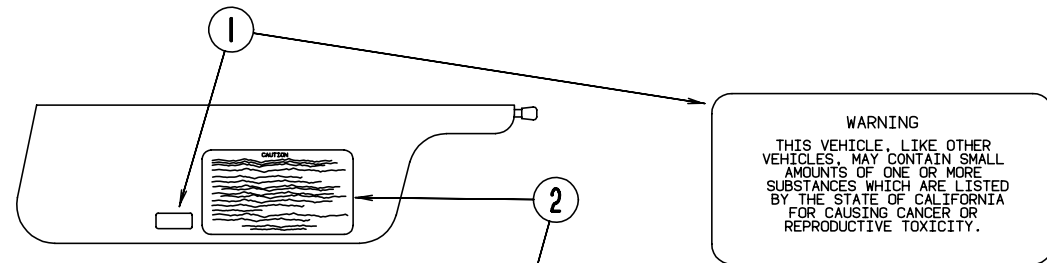
## INTERIOR FINISH GROUP (CONTINUED)



KEY	PART NUMBER	U/M	DESCRIPTION
1	116951-01-G35	EA	MOLDING - WOOD - 3" X 70.5" (OAK)
1	116951-01-J40	EA	MOLDING - WOOD - 3" X 70.5" (MAPLE)
2	116968-01-G35	EA	TRIM - END/LEFT HAND - WOOD - 3.8" X 19.1" (OAK)
2	116968-01-J54	EA	TRIM - END/LEFT HAND - WOOD - 3.8" X 19.1" (MAPLE)
3	116967-01-G35	EA	TRIM - CENTER - WOOD - 3.8" X 120" (OAK)
3	116967-01-J54	EA	TRIM - CENTER - WOOD - 3.8" X 120" (MAPLE)

KEY	PART NUMBER	U/M	DESCRIPTION
4	116968-02-G35	EA	TRIM - END/RIGHT HAND - WOOD - 3.8" X 19.1" (OAK)
4	116968-02-J54	EA	TRIM - END/RIGHT HAND - WOOD - 3.8" X 19.1" (MAPLE)
5	116736-01-01A	EA	TIEDOWN - DROP/D - ZINC
6	116737-01-01A	EA	LATCH - DRAW - ADJUSTABLE - ZINC
7	116101-02-F31	EA	STRAP - WINCH
8	116082-03-02B	EA	BRACKET - WINCH
9	115767-02-000	EA	WINCH - SLIDEOUT

**LABELS GROUP**



**WARNING**  
 THIS VEHICLE, LIKE OTHER VEHICLES, MAY CONTAIN SMALL AMOUNTS OF ONE OR MORE SUBSTANCES WHICH ARE LISTED BY THE STATE OF CALIFORNIA FOR CAUSING CANCER OR REPRODUCTIVE TOXICITY.

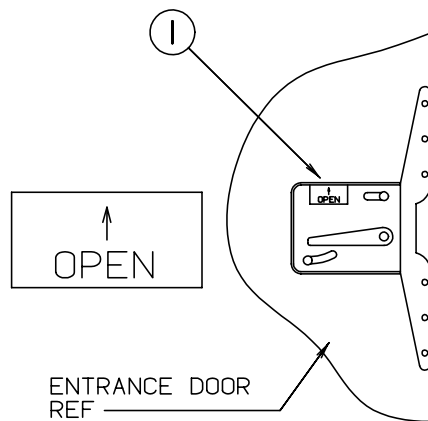
**CAUTION**

THIS MOTOR HOME HAS BEEN DESIGNED, MANUFACTURED AND TESTED WITH CONCERN FOR THE PROTECTION OF IT'S OCCUPANTS. WE RECOMMEND YOU PERFORM THE FOLLOWING INSPECTIONS FOR YOUR SAFETY AND THE SAFETY OF YOUR PASSENGERS BEFORE STARTING YOUR VEHICLE.

1. LP GAS SYSTEM- TURN OFF AT TANK FOR TRAVELING. TEST FOR LEAKS UPON ARRIVAL AT DESTINATION. BEFORE LIGHTING PILOTS.
2. WHEELS- INSPECT FOR DAMAGE AND CHECK LUG NUTS FOR TIGHTNESS.
3. TIRES- INSPECT FOR WEAR AND DAMAGE AND CHECK FOR RECOMMENDED AIR PRESSURE.
4. LIGHTING- TEST FOR PROPER OPERATION OF ALL INTERIOR AND EXTERIOR LIGHTS INCLUDING DASH LIGHTS, HEADLIGHTS, TAIL LIGHTS, BRAKE LIGHTS, CLEARANCE LIGHTS AND TURN SIGNALS.
5. EXITS- INSPECT RELEASE MECHANISM ON EMERGENCY EXIT WINDOW, TEST BOTH LOCKS ON MAIN ENTRANCE DOOR FOR EASE OF OPERATION AND INSTRUCT PASSENGERS HOW TO USE BOTH MEANS OF EXIT.
6. SEAT BELTS- DIRECT PASSENGERS TO DESIGNATED SEATS AND REQUIRE USE OF SEAT BELTS.
7. APPLIANCES- TURN OFF AND LATCH OR LOCK DOORS WHERE PROVIDED.
8. LOOSE PARCELS- STORE SECURELY.
9. UTILITY SUPPLY LINES- DISCONNECT ALL ELECTRIC, SEWER AND WATER LINES AND SECURE PROPERLY.
10. ENTRANCE DOOR STEP- PLACE IN RETRACTED POSITION FOR TRAVELING.

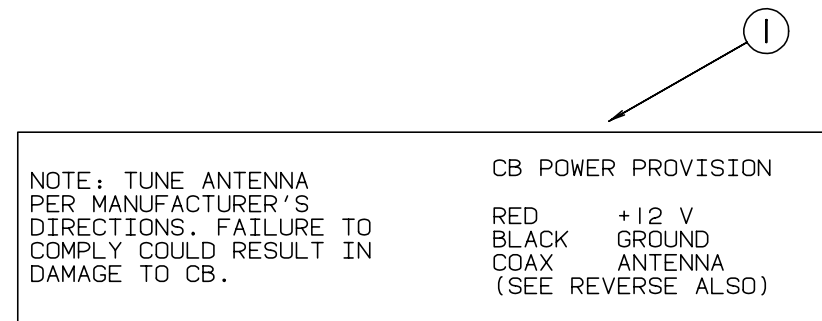
READ YOUR MOTOR HOME AND CHASSIS OWNER'S MANUAL FOR FURTHER PRECAUTIONS

KEY	PART NUMBER	U/M DESCRIPTION
1	099689-01-000	EA LABEL - WARNING - CANCER/TOXICITY
2	056259-01-000	EA LABEL - SAFETY CHECK LIST
	111802-01-000	EA LABEL - CFC WARNING



KEY	PART NUMBER	U/M DESCRIPTION
1	040944-01-000	EA LABEL - ENTRANCE DOOR - "OPEN"

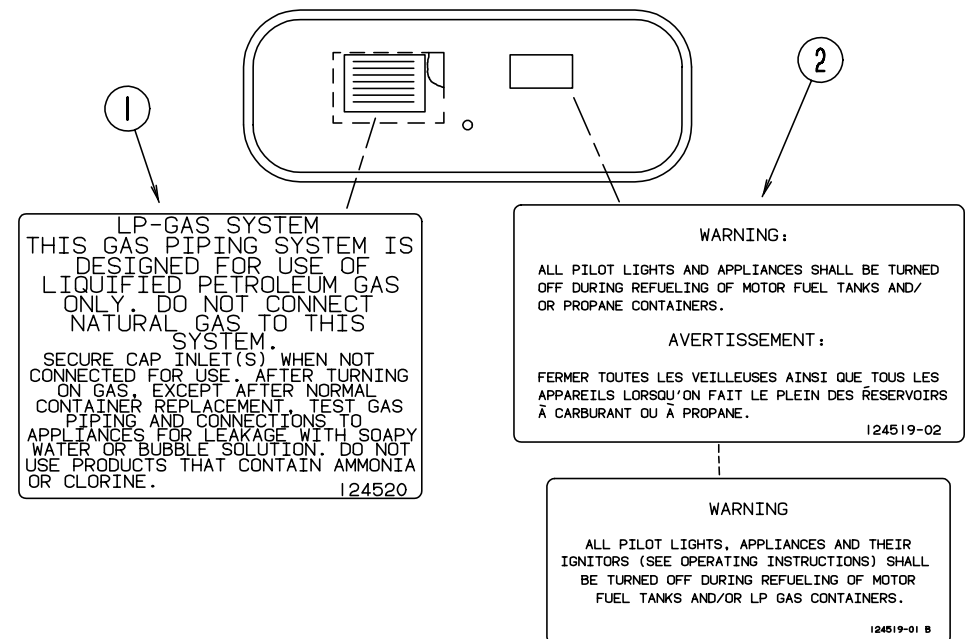
**LABELS GROUP (CONTINUED)**



**NOTE: TUNE ANTENNA PER MANUFACTURER'S DIRECTIONS. FAILURE TO COMPLY COULD RESULT IN DAMAGE TO CB.**

**CB POWER PROVISION**  
 RED +12 V  
 BLACK GROUND  
 COAX ANTENNA  
 (SEE REVERSE ALSO)

KEY	PART NUMBER	U/M DESCRIPTION
1	104678-01-000	EA LABEL - CB PREP



**LP-GAS SYSTEM**  
 THIS GAS PIPING SYSTEM IS DESIGNED FOR USE OF LIQUIFIED PETROLEUM GAS ONLY. DO NOT CONNECT NATURAL GAS TO THIS SYSTEM.  
 SECURE CAP INLET(S) WHEN NOT CONNECTED FOR USE. AFTER TURNING ON GAS, EXCEPT AFTER NORMAL CONTAINER REPLACEMENT, TEST GAS PIPING AND CONNECTIONS TO APPLIANCES FOR LEAKAGE WITH SOAPY WATER OR BUBBLE SOLUTION. DO NOT USE PRODUCTS THAT CONTAIN AMMONIA OR CLORINE.

124520

**WARNING:**  
 ALL PILOT LIGHTS AND APPLIANCES SHALL BE TURNED OFF DURING REFUELING OF MOTOR FUEL TANKS AND/OR PROPANE CONTAINERS.

**AVERTISSEMENT:**  
 FERMER TOUTES LES VEILLEUSES AINSI QUE TOUS LES APPAREILS LORSQU'ON FAIT LE PLEIN DES RESERVOIRS A CARBURANT OU A PROPANE.

124519-02

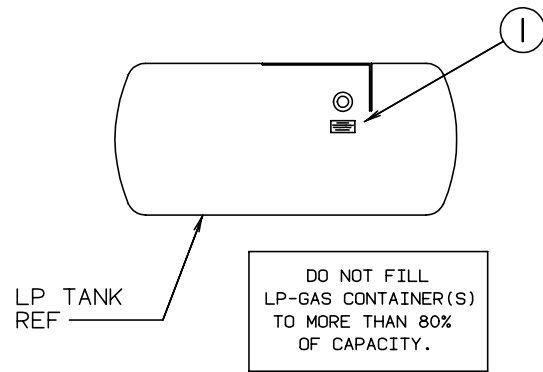
**WARNING**  
 ALL PILOT LIGHTS, APPLIANCES AND THEIR IGNITORS (SEE OPERATING INSTRUCTIONS) SHALL BE TURNED OFF DURING REFUELING OF MOTOR FUEL TANKS AND/OR LP GAS CONTAINERS.

124519-01 B

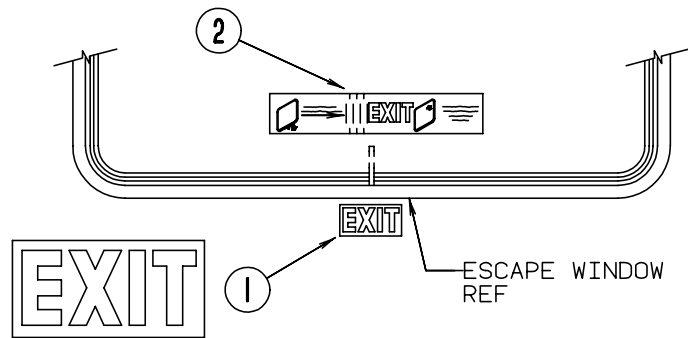
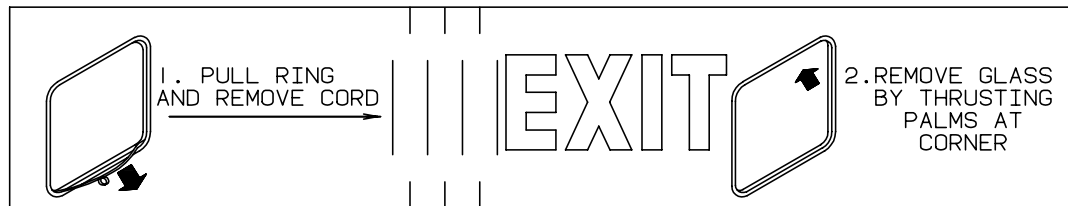
KEY	PART NUMBER	U/M DESCRIPTION
1	124520-01-02A	EA LABEL - LP GAS ONLY
	023769-01-000	EA LABEL - WARNING - LPG - CANADIAN
2	124519-01-02A	EA LABEL - WARNING/REFUELING
2	124519-02-02A	EA LABEL - WARNING/REFUELING - CSA



**LABELS GROUP (CONTINUED)**



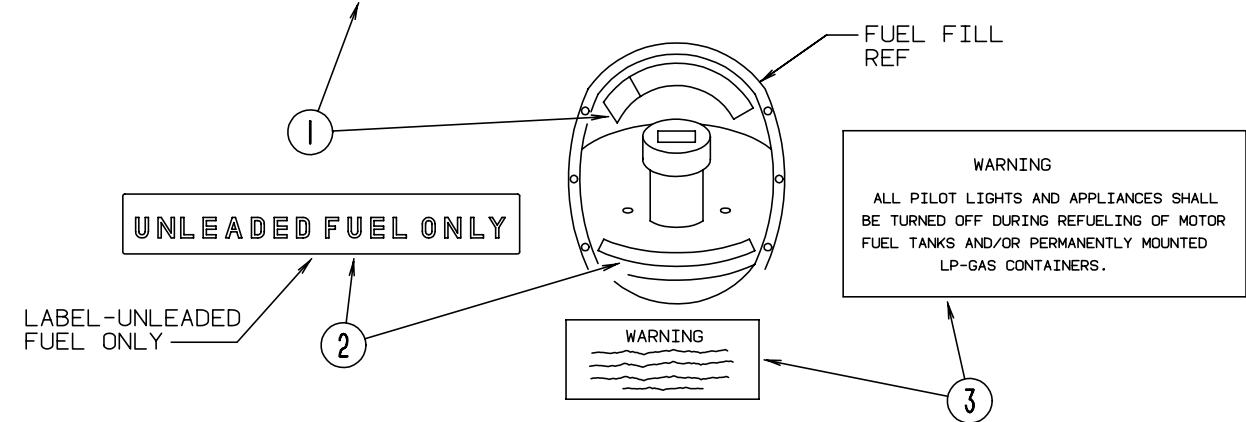
KEY	PART NUMBER	U/M DESCRIPTION
1	079965-01-000	EA LABEL - LPG - 80% CAPACITY



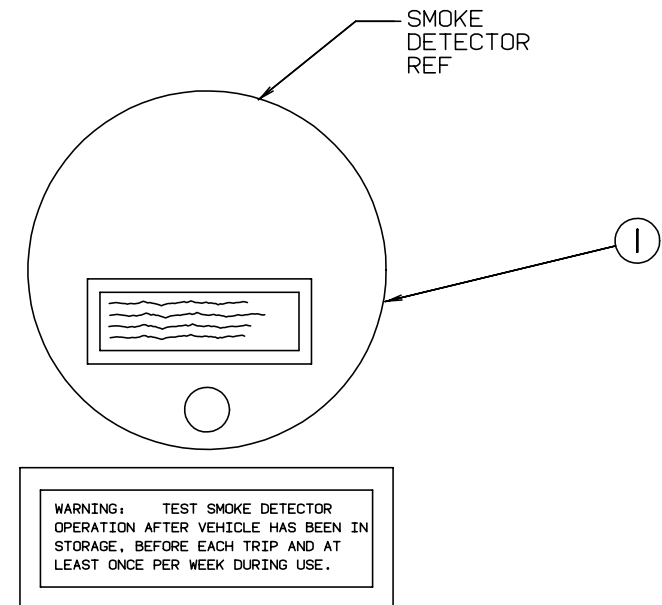
KEY	PART NUMBER	U/M DESCRIPTION
1	107571-01-000	EA LABEL - EXIT/ESCAPE WINDOW
2	039290-01-000	EA LABEL - EXIT WARNING

**LABELS GROUP (CONTINUED)**

CAUTION	TO HELP AVOID PERSONAL INJURY DURING REMOVAL OF FUEL FILLER CAP, SLOWLY LOOSEN CAP 1/2 TURN TO ALLOW ANY FUEL PRESSURE TO BE RELIEVED BEFORE TURNING CAP FURTHER.
FUEL SPRAY MAY CAUSE PERSONAL INJURY	STOP ADDING FUEL AFTER FIRST SHUTOFF BY AUTOMATIC NOZZLE WHEN TANK IS NEARLY FULL. DO NOT OVERFILL FUEL TANK. SEE OWNERS MANUAL FOR ADDITIONAL INFORMATION.
	PRINTED IN U.S.A. <span style="float: right;">MLC PT NO 15611763</span>

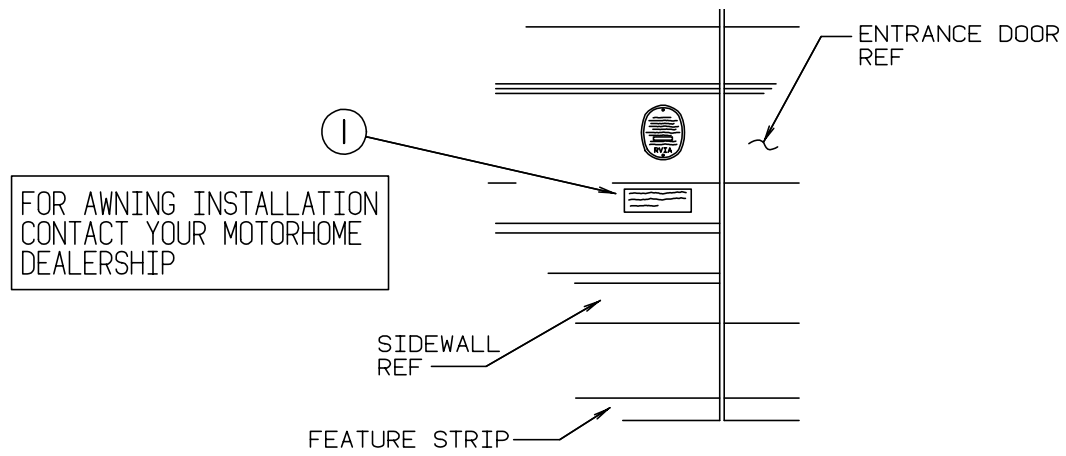


KEY	PART NUMBER	U/M DESCRIPTION
1	087207-05-000	EA LABEL - FUEL CAP REMOVAL
2	062043-01-000	EA LABEL - FUEL - UNLEADED
3	124519-01-02A	EA LABEL - WARNING/REFUELING
3	124519-02-02A	EA LABEL - WARNING/REFUELING - CSA

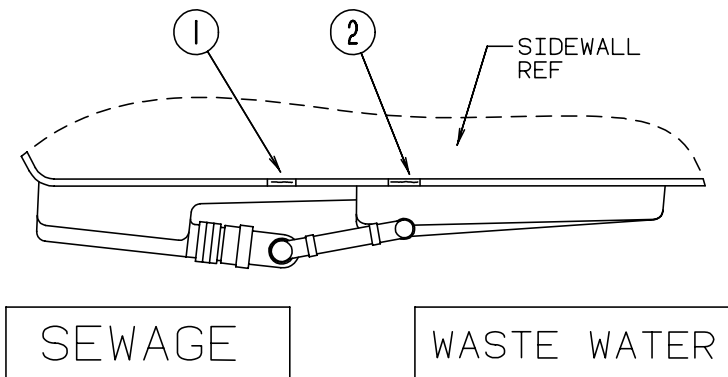


KEY	PART NUMBER	U/M DESCRIPTION
1	077956-01-000	EA LABEL - WARNING - SMOKE DETECTOR

**LABELS GROUP (CONTINUED)**

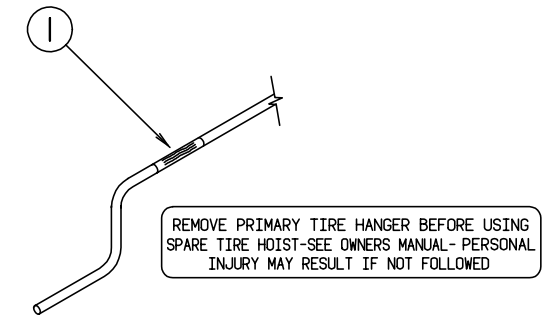


KEY	PART NUMBER	U/M DESCRIPTION
1	099509-01-000	EA LABEL - AWNING INSTALLATION

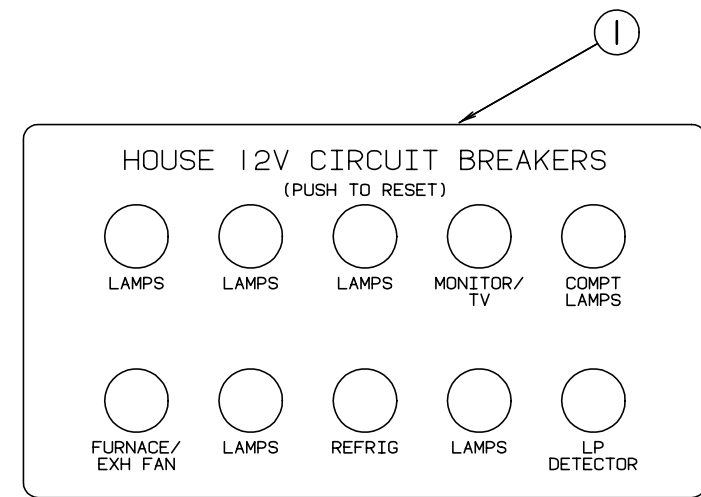


KEY	PART NUMBER	U/M DESCRIPTION
1	006187-01-000	EA LABEL - SEWAGE
2	006188-01-000	EA LABEL - WASTE WATER

**LABELS GROUP (CONTINUED)**

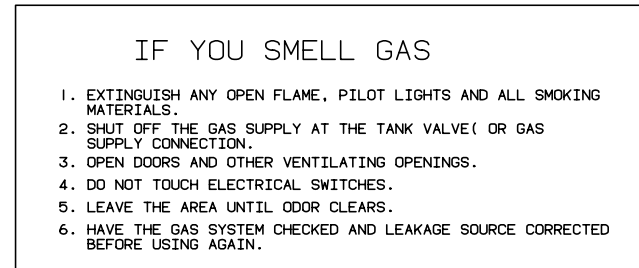
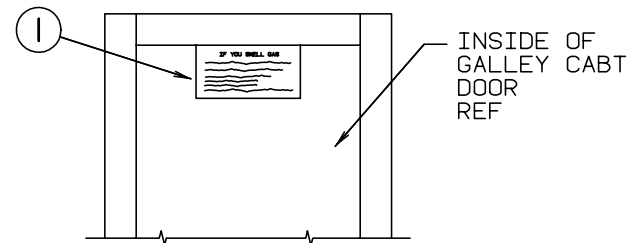


KEY	PART NUMBER	U/M DESCRIPTION
1	126024-01-01A	EA LABEL - TIRE HANGER REMOVAL

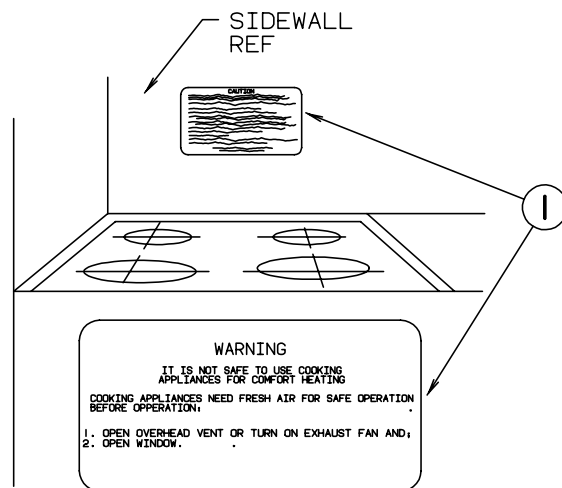


KEY	PART NUMBER	U/M DESCRIPTION
1	092547-06-000	EA LABEL-CIRCUIT BREAKER

## LABELS GROUP (CONTINUED)



KEY	PART NUMBER	U/M DESCRIPTION
1	073998-01-000	EA LABEL - LPG ODOR WARNING
	023769-01-000	EA LABEL - WARNING - LPG - CANADIAN



KEY	PART NUMBER	U/M DESCRIPTION
1	050225-01-000	EA LABEL - WARNING - STOVE VENT - US
1	050222-01-000	EA LABEL - WARNING - STOVE VENT - CSA

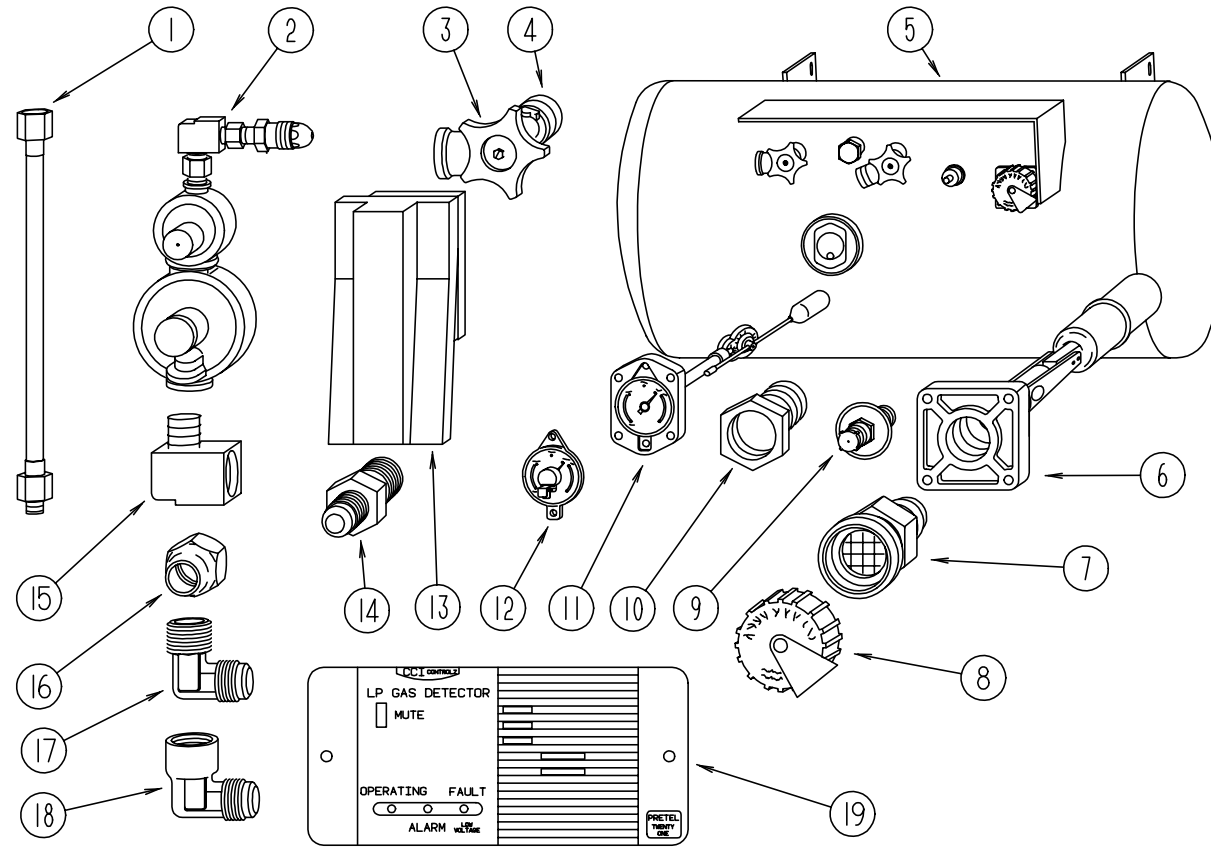
## LABELS GROUP (CONTINUED)

### MISCELLANEOUS LABELS

KEY	PART NUMBER	U/M DESCRIPTION
	065748-01-000	EA LABEL - CAUTION - BATTERY CHARGING
	065748-02-000	EA LABEL - WARNING - BATTERY/FRENCH
	087236-01-000	EA LABEL - CABLE - INPUT
	087236-02-000	EA LABEL - TV OUTLET
	095721-27-000	EA LABEL - CONTROL CENTER - 30 AMP
	095721-28-000	EA LABEL - CONTROL CENTER - 30 AMP - CANADIAN
	095721-29-000	EA LABEL - CONTROL CENTER - 50 AMP
	095721-30-000	EA LABEL - CONTROL CENTER - 50 AMP - CANADIAN
	098379-04-000	EA LABEL - ELECTRICAL BOX - SIDE
	098641-01-000	EA LABEL - FUEL - UNLEADED - DASH
	102267-01-000	EA LABEL - NO OCCUPANCY - US
	102267-02-000	EA LABEL - NO OCCUPANCY - CSA
	111537-07-000	EA LABEL - FUSES
	113402-01-000	EA LABEL - CAUTION - WATER HEATER EXHAUST
	117629-03-000	EA LABEL - WATER PUMP/FILL - BLACK LETTERS
	123562-01-000	EA LABEL - SERVICE/UTILITY ACCESS
	125306-01-01A	EA LABEL - ELECTRICAL ENTRANCE - 110 VOLT - 30 AMP
	126247-05-000	EA LABEL - GRAY HOLDING TANK
	126247-06-000	EA LABEL - HOLDING TANK - BLANK
	126248-03-000	EA LABEL - EXTERIOR SHOWER
	126249-03-000	EA LABEL - CITY WATER FILL
	128218-01-01A	EA LABEL - WARNING - SLIPPERY ROOF
	128725-01-02A	EA LABEL - POTABLE WATER ONLY
	129669-01-01A	EA LABEL - HITCH/VEHICLE RATE - 350 - WHITE ON CLEAR
	130170-02-000	EA LABEL - SWITCH PANEL
	131341-01-000	EA LABEL - STOW OBJECTS - US
	131341-02-000	EA LABEL - STOW OBJECTS - CANADIAN
	131274-01-000	EA STICKER - WINDOW - STATIC CLING - SLIDEOUT FROM: 00-00-00 THRU: 02-24-99
	131274-03-000	EA STICKER - WINDOW - STATIC CLING - SLIDEOUT FROM: 02-25-99 THRU: 99-99-99
	131274-02-000	EA STICKER - WINDOW - STATIC CLING - SLIDEOUT FROM: 00-00-00 THRU: 02-24-99
	131274-04-000	EA STICKER - WINDOW - STATIC CLING - SLIDEOUT FROM: 02-25-99 THRU: 99-99-99

# LP GROUP

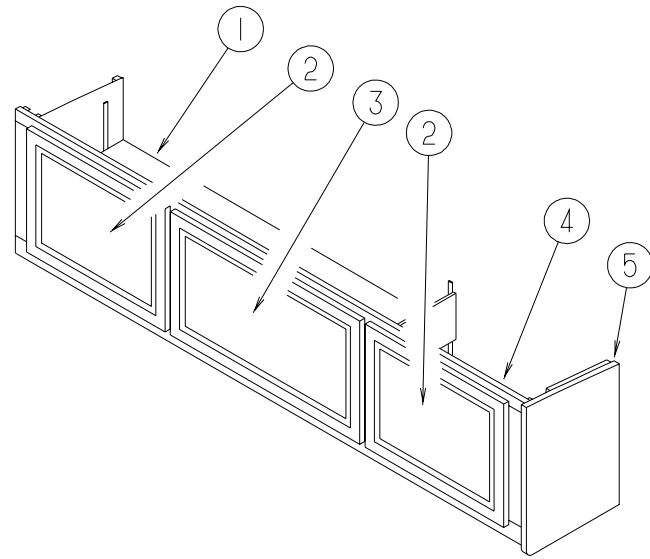
## LP TANK & COMPONENTS



KEY	PART NUMBER	U/M	DESCRIPTION	VENDOR NO.
1	045703-01-000	EA	HOSE - LP - 3/8"ID X 24" - 3/8"MPT X 1/2"F SWIVEL - U.S.	
1	045703-02-000	EA	HOSE - LP - 3/8"ID X 24" - 3/8"MPT X 1/2"F SWIVEL - CANADA	
1	045703-11-000	EA	HOSE - LP - 3/8"ID X 36" - 3/8"MPT X 3/8"F SWIVEL - UL/CSA	
2	106150-01-000	EA	REGULATOR - TWO STAGE	
3	040421-01-708	EA	HANDWHEEL - SERVICE VALVE	G-1015-A
4	040421-01-712	EA	VALVE - SERV. W/O VAPOR RELIEF	29000853
5	088253-09-000	EA	TANK - LP - 100 LB - 14" DIAMETER X 47" LONG	
6	040421-01-711	EA	VALVE - 80% FILL W/AUTO STOP	LLL/TL3
7	040421-01-701	EA	VALVE - FILL - SHORT, LP	7547B
8	040421-01-702	EA	CAP - FILL VALVE - PLASTIC	G-1014-A
9	040421-01-700	EA	VALVE - LIQUID LEVEL - 20%	G-1013
10	040421-01-713	EA	VALVE - RELIEF 1" W/SPRING 7"	29000587

KEY	PART NUMBER	U/M	DESCRIPTION	VENDOR NO.
11	040421-01-707	EA	FLOAT ASM.(SIGHT GAUGE) 14"	14C
12	040440-02-000	EA	TRANSMITTER - DIAL - 0-90 OHM - 2 TERMINAL (POWER & GROUND)	
13	105658-01-000	EA	COMPARTMENT - LP REGULATOR	
14	010326-01-000	EA	ADAPTER - FLARE - W/CONE GASKET - 3/8"FEMALE X 1/2"MALE	
14	010329-01-000	EA	ADAPTER - BRASS - 1/2" F X 1/2" MPT	
14	010323-01-000	EA	ADAPTER - BRASS - 3/8"F X 1/2"MPT	
15	065318-02-000	EA	ELBOW - 90 DEGREE - 3/8" MPT TO 3/8" FPT	
16	010377-02-000	EA	NUT - BRASS - 3/8" FLARE - FORGED	
16	010380-02-000	EA	NUT - BRASS - 1/2" FLARE - FORGED	
17	010252-01-000	EA	ELBOW - BRASS - 90 DEGREE - 3/8"F X 1/2"MPT	
18	010265-01-000	EA	ELBOW - BRASS - 90 DEGREE - 3/8"F X 1/2"FPT	
19	103613-03-000	EA	DETECTOR - LP GAS - W/O SHUT-OFF VALVE	

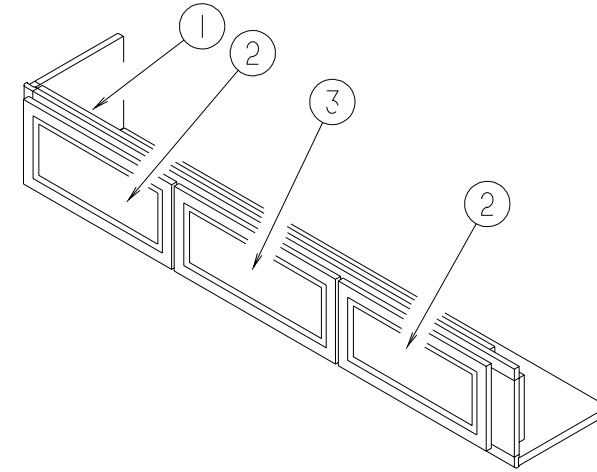
## LOUNGE GROUP



**LOUNGE OVERHEAD CABINET (DRIVER SIDE)**

KEY	PART NUMBER	U/M	DESCRIPTION
1	126244-11-K32	EA	SHELF - W/PLASTIC EDGE TRIM (OAK)
1	126244-11-J52	EA	SHELF - W/PLASTIC EDGE TRIM (MAPLE)
2	131995-D1-K28	EA	DOOR - RAIL/SOLID PANEL - 15.7" X 20.4" - W/O HARDWARE
2	131995-D1-K58	EA	DOOR - RAIL/SOLID PANEL - 15.7" X 20.4" - W/O HARDWARE
3	131995-D4-K28	EA	DOOR - RAIL/SOLID PANEL - 15.7" X 27.9" - W/O HARDWARE
3	131995-D4-K58	EA	DOOR - RAIL/SOLID PANEL - 15.7" X 27.9" - W/O HARDWARE
4	126244-01-J22	EA	CABINET - OVERHEAD/FRONT - LEFT HAND - W/O DOORS/HARDWARE (OAK)
4	126244-01-J52	EA	CABINET - OVERHEAD/FRONT - LEFT HAND - W/O DOORS/HDW (MAPLE)
5	103128-01-G09	EA	END CAP - OVERHEAD CABINET - RIGHT HAND (OAK)
5	103128-01-J52	EA	END CAP - OVERHEAD CABINET - RIGHT HAND (MAPLE)
	P27942-01-000	EA	CABINET - COVER - WATER FILL

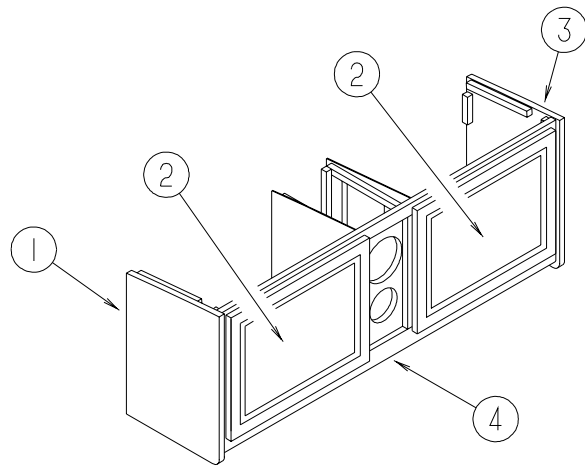
## LOUNGE GROUP (CONTINUED)



**LOUNGE OVERHEAD CABINET (DRIVER SIDE SLIDEOUT)**

KEY	PART NUMBER	U/M	DESCRIPTION
1	126433-01-J22	EA	CABINET - OVERHEAD/COUCH - W/O DOORS/HARDWARE (OAK)
1	126433-01-J52	EA	CABINET - OVERHEAD/COUCH - W/O DOORS/HARDWARE (MAPLE)
2	131995-41-K28	EA	DOOR - RAIL/SOLID PANEL - 10.8" X 21.8" - W/O HARDWARE (OAK)
2	131995-41-K58	EA	DOOR - RAIL/SOLID PANEL - 10.8" X 21.8" - W/O HARDWARE (MAPLE)
3	131995-44-K28	EA	DOOR - RAIL/SOLID PANEL - 10.8" X 23.8" - W/O HARDWARE (OAK)
3	131995-44-K58	EA	DOOR - RAIL/SOLID PANEL - 10.8" X 23.8" - W/O HARDWARE (MAPLE)

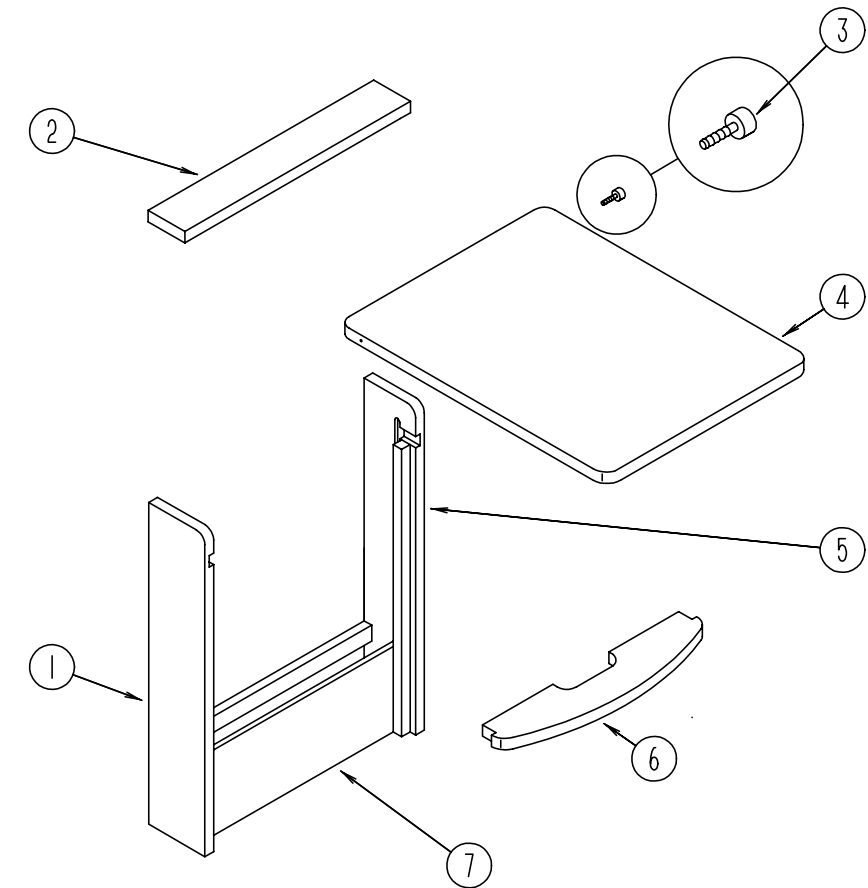
## LOUNGE GROUP (CONTINUED)



### LOUNGE OVERHEAD CABINET (PASSENGER SIDE)

KEY	PART NUMBER	U/M	DESCRIPTION
1	103128-02-J94	EA	END CAP - OVERHEAD CABINET - LEFT HAND (OAK) FROM: 00-00-00 THRU: 11-01-98
1	103128-39-G09	EA	END CAP - OVERHEAD CABINET - LEFT HAND (OAK) FROM: 11-02-98 THRU: 99-99-99
1	103128-02-J52	EA	END CAP - OVERHEAD CABINET - LEFT HAND (MAPLE) FROM: 00-00-00 THRU: 11-01-98
1	103128-39-52	EA	END CAP - OVERHEAD CABINET - LEFT HAND (MAPLE) FROM: 11-02-98 THRU: 99-99-99
2	131995-D1-K28	EA	DOOR - RAIL/SOLID PANEL - 15.7" X 20.4" - W/O HARDWARE (OAK)
2	131995-D1-K58	EA	DOOR - RAIL/SOLID PANEL - 15.7" X 20.4" - W/O HARDWARE (MAPLE)
3	103128-01-G09	EA	END CAP - OVERHEAD CABINET - RIGHT HAND (OAK)
3	103128-01-J52	EA	END CAP - OVERHEAD CABINET - RIGHT HAND (MAPLE)
4	130700-01-K58	EA	CABINET - OVERHEAD/FRONT - RIGHT HAND - W/O DOORS/HARDWARE (K58)
4	130700-01-K59	EA	CABINET - OVERHEAD/FRONT - RIGHT HAND - W/O DOORS/HARDWARE (K59)
4	130700-01-K62	EA	CABINET - OVERHEAD/FRONT - RIGHT HAND - W/O DOORS/HARDWARE (K62)
4	130700-01-K63	EA	CABINET - OVERHEAD/FRONT - RIGHT HAND - W/O DOORS/HARDWARE (K63)
4	130700-01-K60	EA	CABINET - OVERHEAD/FRONT - RIGHT HAND - W/O DOORS/HARDWARE (K64)
4	130700-01-K65	EA	CABINET - OVERHEAD/FRONT - RIGHT HAND - W/O DOORS/HARDWARE (K65)
4	130700-01-K26	EA	CABINET - OVERHEAD/FRONT - RIGHT HAND - W/O DOORS/HARDWARE (K26)
4	130700-01-K32	EA	CABINET - OVERHEAD/FRONT - RIGHT HAND - W/O DOORS/HARDWARE (K27)
4	130700-02-K58	EA	CABINET - OVERHEAD/FRONT - RIGHT HAND - W/O DOORS/HARDWARE (F/SOUND SYSTEM) (K58)
4	130700-02-K59	EA	CABINET - OVERHEAD/FRONT - RIGHT HAND - W/O DOORS/HARDWARE (F/SOUND SYSTEM) (K59)
4	130700-02-K62	EA	CABINET - OVERHEAD/FRONT - RIGHT HAND - W/O DOORS/HARDWARE (F/SOUND SYSTEM) (K62)
4	130700-02-K63	EA	CABINET - OVERHEAD/FRONT - RIGHT HAND - W/O DOORS/HARDWARE (F/SOUND SYSTEM) (K63)
4	130700-02-K60	EA	CABINET - OVERHEAD/FRONT - RIGHT HAND - W/O DOORS/HARDWARE (F/SOUND SYSTEM) (K64)
4	130700-02-K65	EA	CABINET - OVERHEAD/FRONT - RIGHT HAND - W/O DOORS/HARDWARE (F/SOUND SYSTEM) (K65)
4	130700-02-K26	EA	CABINET - OVERHEAD/FRONT - RIGHT HAND - W/O DOORS/HARDWARE (F/SOUND SYSTEM) (K26)
4	130700-02-K32	EA	CABINET - OVERHEAD/FRONT - RIGHT HAND - W/O DOORS/HARDWARE (F/SOUND SYSTEM) (K27)

## LOUNGE GROUP (CONTINUED)



### PULLOUT TABLE

KEY	PART NUMBER	U/M	DESCRIPTION
	P19559-03-J22	EA	CABINET - W/PULLOUT TABLE (OAK)
	P19559-03-J52	EA	CABINET - W/PULLOUT TABLE (MAPLE)
1	119559-12-G35	EA	CABINET/LEFT SIDE - F/PULLOUT TABLE - 5.7" X 28.7" (OAK)
1	119559-12-J52	EA	CABINET/LEFT SIDE - F/PULLOUT TABLE - 5.7" X 28.7" (MAPLE)
2	119559-22-J22	EA	TOP - F/CABINET/PULLOUT TABLE (OAK)
2	119559-22-J52	EA	TOP - F/CABINET/PULLOUT TABLE (MAPLE)
3	079921-01-000	EA	NYLON ROLLER W/ SHAFT
4	119559-25-J22	EA	TABLE TOP - PULLOUT (OAK)
4	119559-25-J52	EA	TABLE TOP - PULLOUT (MAPLE)
5	119559-11-G35	EA	CABINET/RIGHT SIDE - F/PULLOUT TABLE - 5.7" X 28.7" (OAK)
5	119559-11-J52	EA	CABINET/RIGHT SIDE - F/PULLOUT TABLE - 5.7" X 28.7" (MAPLE)
6	119559-23-J22	EA	SHELF - W/PLASTIC EDGE TRIM (OAK)
6	119559-23-J52	EA	SHELF - W/PLASTIC EDGE TRIM (MAPLE)
7	119559-24-J22	EA	PANEL - LOWER/FRONT (OAK)
7	119559-24-J52	EA	PANEL - LOWER/FRONT (MAPLE)
	080736-01-000	EA	PULL - RECESSED - 1.25" X 4" - OAK
	120234-03-H13	EA	LID - ENTRY STEP
	101222-01-04A	EA	BRACKET - CATCH - LID - E-COATED

## SEALANTS & FASTENERS GROUP

### ADHESIVE AND TAPE SEALERS

KEY	PART NUMBER	U/M	DESCRIPTION	VENDOR NO.
	004006-05-700	EA	ADHESIVE-NAT. STARCH (5 GAL)	0802
	004020-01-000	QT	ADHESIVE - ABS CEMENT - QUART	
	004363-01-000	FT	TAPE - ADHESIVE FOAM/1 SIDE - 3/16" X 1/2" X 50' - GRAY	
	034552-02-000	EA	SILICONE - TUBE - 300 ML - W/O NOZZLE - CLEAR ALSO ORDER P.N.#900390-03-000 NOZZLE SEPARATELY	
	039518-01-000	EA	SILICONE - TUBE - 300 ML - BLACK - W/O NOZZLE ALSO ORDER P.N.#900390-03-000 NOZZLE SEPARATELY	
	053766-02-000	EA	BEDDING COMPOUND - TUBE - WHITE	
	067788-01-000	EA	ADHESIVE - SPRAY - 3M - 19.5 AEROSOL CAN	
	069640-01-000	FT	SEALER - RIBBON - 1/4" DIAMETER X 30'	
	069640-02-000	FT	SEALER - TAPE - 1/8"THICK X .50"WIDE X 60'	
	069640-03-000	FT	SEALER - TAPE - 1/8"THICK X .75"WIDE X 60' - BLACK	
	069640-09-000	FT	SEALER - TAPE - 1/32"THICK X 2.50"WIDE X 80' - GREY	
	069640-14-000	FT	SEALER - TAPE - 1/16"THICK X 1"WIDE X 100'	
	069640-17-000	FT	SEALER - TAPE - 1/32" THICK X 1"WIDE X 90'	
	069640-18-000	FT	SEALER - TAPE - 1/2"THICK X 1/8"WIDE X 60' - BRT/WHITE	
	069640-19-000	FT	SEALER - TAPE - 3/4" X 1/8" X 60' - BRIGHT WHITE	
	069640-21-000	FT	SEALER - TAPE - 1/2" X 1/16" X 100' - BRIGHT WHITE	
	072889-01-000	EA	SEALANT - URETHANE - BLACK - 1/10	
	072889-09-000	EA	SEALANT - URETHANE - BLACK (TUBE)	
	072889-10-000	EA	SEALANT - URETHANE (HV) - BRIGHT WHITE	
	072889-11-000	EA	SEALANT - URETHANE - (TUBE) - GRAY	
	072889-12-000	EA	SEALANT - URETHANE (LV) BRIGHT WHITE	
	076322-01-000	FT	TAPE - DOUBLE COATED/ADHESIVE BACK - .025"THK X .75"W X 18'	
	076322-02-000	FT	TAPE - DOUBLE COATED/ADHESIVE BACK - .045"THK X 1"W X 108'	
	076322-05-000	FT	TAPE - DOUBLE COATED/ADHESIVE BACK - .045"THK X .75"W X 9'	
	076322-07-000	FT	TAPE - DOUBLE COATED/ADHESIVE BACK - .045"THK X .50"W X 9'	
	087211-01-000	GL	PROMOTER - ADHESIVE	
	088479-01-000	EA	TAPE - ALUMINUM - 3"	
	091255-02-000	FT	SEAL - ADHESIVE BACKED/FOAM - .18" THICK X 1.5" WIDE	
	102352-01-000	EA	SEALER - PUMPABLE - BLACK	
	102352-02-000	EA	SEALER - PUMPABLE - CLEAR	
	106206-01-000	EA	SEALER - PUMPABLE - MANUS 30A - BLACK	
	107828-01-000	EA	SEALANT - SB - 190 EVERSEAL	
	108716-03-000	EA	SILICONE - TUBE - BRIGHT WHITE/SELF LEVELING - W/O NOZZLE	
	110274-01-000	FT	TAPE - DOUBLE SIDED FOAM - .45" X 1"	
	112864-01-000	FT	SEAL - FOAM/BUTYL COVERED - 3/8"	
	112901-02-000	EA	ADHESIVE - PLEXUS - 50ML	
	118085-02-01A	FT	TAPE - FOIL - 1"	
	120074-02-01A	EA	SEALANT - SILICONE - OFF WHITE	
	120534-01-01A	EA	TAPE - SCOTCH - 3M - 1/2" FINE LINE	
	123244-01-000	FT	TAPE - DOUBLE SIDED FOAM 5/64" THICK X .75" WIDE	
	123816-01-000	FT	TAPE - DOUBLE SIDED - 1"	
	123816-02-000	FT	TAPE - DOUBLE SIDED - 1/2" X 35 MIL THICK	
	123816-03-000	FT	TAPE - DOUBLE SIDED - 1/2" X 20 MIL THICK	
	900390-01-000	EA	TIP - 2 1/2" X 1/8" ORIFICE	
	900390-03-000	EA	NOZZLE - SILICONE TUBE	

## SEALANTS & FASTENERS GROUP (CONTINUED)

### BOLTS, NUTS & WASHERS

KEY	PART NUMBER	U/M	DESCRIPTION
	000C12-05-16B	EA	BOLT - HEX - 5/16-18 X 1 - ZINC 5
	000C12-05-12B	EA	BOLT - HEX - 5/16-18 X 3/4 - ZINC 5
	000C12-06-16B	EA	BOLT - HEX - 3/8-16 X 1 LG - ZINC 5
	000C12-08-24B	EA	BOLT - HEX - 1/2-13 X 1.50 - ZINC 5
	000C12-08-16B	EA	BOLT - HEX - 1/2-13 X 1.00 - GD5 - ZINC
	000C12-10-24B	EA	BOLT - HEX - 5/8-11 X 1.50 - ZINC 5
	000C13-07-48B	EA	BOLT - HEX - 7/16-20 X 3 - ZINC 5
	000C26-04-14B	EA	BOLT - HEX - SERRATED FLANGE - 1/4-20 X 7/8 - ZINC
	000C26-04-10B	EA	BOLT - HEX - SERRATED FLANGE - 1/4-20 X 5/8 - ZINC
	000C26-04-18B	EA	BOLT - HEX - SERRATED FLANGE - 1/4-20 X 1 1/8 - ZINC
	000C26-05-16B	EA	BOLT - HEX - SERRATED FLANGE - 5/16-18 X 1 - ZINC
	000C26-05-12B	EA	BOLT - HEX - SERRATED FLANGE - 5/16-18 X 3/4 - ZINC
	000C26-06-12B	EA	BOLT - HEX - SERRATED FLANGE - 3/8-16 X 3/4 - ZINC
	000C26-06-16B	EA	BOLT - HEX - SERRATED FLANGE - 3/8-16 X 1 - ZINC
	000C26-08-24B	EA	BOLT - HEX - SERRATED FLANGE - 1/2-13 X 1.5 ZINC
	000G45-04-24B	EA	BOLT - LAG - 1/4-9 X 1.50 ZINC
	051387-06-000	EA	BOLT - CARRIAGE W/O HOLE - 5/16-18 X 9.5 - ZINC
	102333-01-06A	EA	BOLT - CARRIAGE - 7/16-14 STAINLESS STEEL CAP
	091274-03-000	EA	BOLT-J - 3/8-16 X 12.0
	106166-01-000	EA	BOLT/COLLARED HANGER - 8-32 X 1"
	106956-03-000	EA	BOLT - HEX TAP - 1/2-12NC X 3 - GRADE 5 - FULL THREAD/ZINC
	000D29-05-00B	EA	NUT - 5/16 - 18 UNC - SF/LOCKING - NYLON WASHER INSERT
	000D24-10-00B	EA	NUT - HEX - SELF LOCKING - 10-32 ZINC
	000D34-04-00B	EA	NUT - HEX - LOCKING - 1/4-20 ZINC
	000D34-06-00B	EA	NUT - HEX - LOCKING - 3/8 - 16 GRADE C - ZINC-PREVAILING T
	000D39-04-00B	EA	NUT - HEX - LOCKING W/SERRATED FLANGE - 1/4-20 - ZINC
	000D39-05-00B	EA	NUT - HEX - LOCKING W/SERRATED FLANGE - 5/16-18 - ZINC
	000D39-06-00B	EA	NUT - HEX - LOCKING W/SERRATED FLANGE - 3/8-18 - ZINC
	000D39-07-00B	EA	NUT - HEX - LOCKING W/SERRATED FLANGE - 7/16-14 - ZINC
	000D39-08-00B	EA	NUT - HEX - LOCKING W/SERRATED FLANGE - 1/2-13 - ZINC
	000D44-07-00B	EA	NUT - HEX - SERRATED FLANGE/LOCKING - 7/16-20 - ZINC
	000D46-04-00A	EA	NUT - HEX - WELD - 1/4 - 20 - PLAIN
	040921-01-000	EA	NUT - SPEED - U TYPE - 10-24 BLACK
	040921-04-000	EA	NUT - SPEED - U TYPE - # 8 - .59" LENGTH X .44" WIDTH
	040921-05-000	EA	NUT - SPEED - U-TYPE #8 - .67" X .44" WIDE
	040921-09-000	EA	NUT - SPEED - U TYPE - # 8
	044364-01-000	EA	NUT - SPEED - FLAT - RECTANGULAR - SELF LOCKING/ONE PIECE
	044364-02-000	EA	NUT - SPEED - FLAT - ROUND
	000D76-06-00B	EA	NUT - HEX FLANGE - 3/8-16
	063253-07-000	EA	NUT - J - #8A - .120 - .130 PNL THK
	083163-06-000	EA	PUSHNUT - FLAT TYPE 3/8 STUD - FORD ONLY
	000E11-08-00B	EA	WASHER - LOCKING - 1/2 MED SPLIT - ZINC
	000E13-14-00B	EA	WASHER - FLAT - 1/4 WIDE - ZINC
	000E13-18-00B	EA	WASHER - FLAT - 3/8 WIDE - ZINC
	000E13-20-00B	EA	WASHER - FLAT - 7/16 WIDE - ZINC
	000E13-21-00B	EA	WASHER - FLAT - W/2 NAR - ZINC
	000E13-22-00B	EA	WASHER - FLAT - 1/2 WIDE - ZINC
	000E13-26-00B	EA	WASHER - FLAT - 5/8 WIDE - ZINC
	058716-02-000	EA	WASHER - FLAT NYLON
	107397-01-000	EA	WASHER - FENDER - .25" ID X 1" OD
	110794-01-000	EA	WASHER - FLAT - 1" ID X 1 3/4" OD
	088787-12-000	EA	STUD - WELD - 1/4 - 20 X 1.0 LG - MN
	108067-03-000	EA	STUD - WELD - 1/4 - 20 X 1/2 CD

**SEALANTS & FASTENERS GROUP (CONTINUED)**

**SCREWS**

KEY	PART NUMBER	U/M DESCRIPTION
	0G3908-08-170	EA SCREW - SF/DR - 8-18 X .50 PPH - BRIGHT WHITE
	0G3908-20-170	EA SCREW - SF/DR - 8-18 X 1.25 PPH - BRIGHT WHITE
	0G3908-24-170	EA SCREW - SF/DR - 8-18 X 1.50 PPH - BRIGHT WHITE
	0G5508-12-260	EA SCREW - SF/DR - 8-18 X .75 PWH - ALLANTE ANTELOPE
	000G11-05-08B	EA SCREW - 5-20 X .50 PPH - ZINC
	000G11-06-10J	EA SCREW - 6-20 X 5/8 PPH - BRASS
	000G11-06-08B	EA SCREW - 6-20 X .50 PPH - ZINC
	000G11-06-06B	EA SCREW - 6-20 X 3/8 PPH - ZINC
	000G11-07-08B	EA SCREW - 7-19 X .50 PPH - ZINC
	000G11-08-08T	EA SCREW - 8-18 X 1/5 PPH - FLUOROCARBON COATING
	000G11-08-08B	EA SCREW - 8-18 X .50 PPH - ZINC
	000G11-08-06B	EA SCREW - 8-18 X 3/8 PPH - ZINC
	000G11-08-20B	EA SCREW - 8-18 X 1.25 PPH - ZINC
	000G11-08-16S	EA SCREW - 8-18 X 1 PPH - OFF WHITE
	000G11-08-12T	EA SCREW - 8-18 X .75 PPH - BLACK
	000G11-08-12P	EA SCREW - 8-18 X .75 PPH - DARK BROWN
	000G11-08-12D	EA SCREW - 8-18 X .75 PPH - BLACK
	000G11-08-12B	EA SCREW - 8-18 X .75 PPH - ZINC
	000G11-10-12D	EA SCREW - 10-16 X .75 PPH - BLACK
	000G11-10-40B	EA SCREW - 10-16 X 2 1/2 PPH CAD - 34927-01-000
	000G11-10-16B	EA SCREW - 10-16 X 1 PPH - ZINC
	000G11-10-12S	EA SCREW - 10-16 X .75 PPH - OFF WHITE
	000G12-06-08T	EA SCREW - 6-20 X 1/2 POH - BLACK
	000G13-06-24J	EA SCREW - 6-20 X 1.50 PFH - BRASS
	000G13-06-16J	EA SCREW - 6-20 X 1 PFH - BRASS
	000G13-06-10G	EA SCREW - 6-20 X 5/8 PFH - ANTIQUE BRASS
	000G13-06-08B	EA SCREW - 6-20 X .50 PFH - ZINC
	000G13-07-12B	EA SCREW - 7-19 X .75 PFH - ZINC
	000G18-08-22B	EA SCREW - MACHINE - 8-32 X 1 3/8 PPH - ZINC
	000G19-10-12F	EA SCREW - MACHINE - 10-32 X .75 - PPH - STAINLESS STEEL
	000G19-10-08B	EA SCREW - MACHINE - 10-32 X .50 - PPH - ZINC
	000G19-10-20B	EA SCREW - MACHINE - 10-32 X 1.25 PPH - ZINC
	000G32-10-06B	EA SCREW - 10-32 X 3/8 PPH - ZINC
	000G37-08-089	EA SCREW - 8 X 18 X 1/2 PPH
	000G39-06-08B	EA SCREW - SF/DR - 6-18 X .50 - ZINC
	000G39-06-16T	EA SCREW - SF/DR - 6-20 X 1 PPH - BLACK
	000G39-06-10T	EA SCREW - SF/DR - 6-20 X 5/8 PPH - BLACK
	000G39-08-08B	EA SCREW - SF/DR - 8-18 X 1.50 PPH - ZINC
	000G39-08-06B	EA SCREW - SF/DR - 8-18 X 3/8 PPH - ZINC
	000G39-08-24S	EA SCREW - SF/DR - 8-18 X 1.50 - OFF WHITE
	000G39-08-24B	EA SCREW - SF/DR - 8-18 X 1 1/2 PPH - ZINC
	000G39-08-16T	EA SCREW - SF/DR - 6-20 X 1 PPH - BLACK
	000G39-08-16R	EA SCREW - SF/DR - 8-18 X 1 PPH - BEIGE
	000G39-08-16B	EA SCREW - SF/DR - 8-18 X 1 PPH - ZINC
	000G39-08-12T	EA SCREW - SF/DR - 8-18 X .75 PPH - BLACK
	000G39-08-12B	EA SCREW - SF/DR - 8-18 X .75 PPH - ZINC
	000G39-08-08T	EA SCREW - SF/DR - 8-18 X 1/2 PPH - BLACK
	000G39-08-08S	EA SCREW - SF/DR - 8-18 X .50 PPH - OFF WHITE
	000G39-10-10B	EA SCREW - SF/DR - 10-16 X .625 - ZINC
	000G39-10-088	EA SCREW - SF/DR - 10-16 X 1/2 PPH - FLEX FLUOROCARBON
	000G39-10-08B	EA SCREW - SF/DR - 10-16 X .50 PPH - ZINC
	000G39-10-48B	EA SCREW - SF/DR - 10-16 X 3 - PPH - ZINC
	000G39-10-32B	EA SCREW - SF/DR - 10-16 X 2 - PPH - ZINC
	000G39-10-209	EA SCREW - SF/DR - 10-16 X 1 1/4 PPH - FLUOROCARBON SILVER
	000G39-10-20B	EA SCREW - SF/DR - 10-16 X 1.25 PPH - ZINC
	000G39-10-129	EA SCREW - SF/DR - 10-16 X .75 PPH - FLUOROCARBON SILVER
	000G39-10-12R	EA SCREW - SF/DR - 10-16 X .75 PPH - BEIGE
	000G39-10-12D	EA SCREW - SF/DR - 10-16 X .75 PPH - BLACK
	000G39-10-12B	EA SCREW - SF/DR - 10-16 X .75 PPH - ZINC

**SEALANTS & FASTENERS GROUP (CONTINUED)**

**SCREWS (CONTINUED)**

KEY	PART NUMBER	U/M DESCRIPTION
	000G39-12-12E	EA SCREW - SF/DR - 12-14 X .75 PPH - CHROME
	000G42-04-12B	EA SCREW - SF/DR - 1/4-14 X .75 HWH - ZINC
	000G43-06-24B	EA SCREW - MACHINE - 6-32 X 1.50 - ZINC
	000G46-08-24T	EA SCREW - MACHINE - 8-32 X 1.50 PFH - BLACK
	000G50-04-12B	EA SCREW - MACHINE - 1/4-20 X .75 PPH - ZINC
	000G50-04-08B	EA SCREW - MACHINE - 1/4-20 X .50 PTH - ZINC
	000G52-08-18B	EA SCREW - MACHINE - 8-32 X 1 1/8 PTH - ZINC
	000G54-04-20B	EA SCREW - 1/4-20 X 1.25 PTH - TYPE 23 - ZINC PLATED
	000G55-08-16S	EA SCREW - SF/DR - 8-18 X 1.00 - PWH - OFF WHITE
	000G55-08-12S	EA SCREW - SF/DR - 8-18 X .75 PWH - OFF WHITE
	000G57-05-16J	EA SCREW - 5-20 X 1 PFH - BRASS
	000G60-10-28T	EA SCREW - SF/DR - 10-16 X 1.75 - BLACK
	000G60-10-209	EA SCREW - SF/DR - 10-16 X 1.25 POH
	000G60-10-20B	EA SCREW - SF/DR - 10-16 X 1.25 POH - ZINC
	000G67-08-32B	EA SCREW - 8-15 X 2 PPH - ZINC
	000G67-10-10D	EA SCREW - 10-12 X 5/8 PPH - BLACK - TYPE A
	000G67-10-10B	EA SCREW - 10-12 X 5/8 PPH - ZINC - TYPE A
	000G67-10-08B	EA SCREW - 10-12 X .50 PPH - ZINC
	000G67-10-120	EA SCREW - 10-12 X .75 PPH - TAN
	000G67-10-12P	EA SCREW - 10-12 X .75 - PPH - DARK BROWN
	000G67-10-12B	EA SCREW - 10-12 X .75 PPH - ZINC
	000G67-10-10S	EA SCREW - 10-12 X 5/8 PPH - OFF WHITE
	000G67-10-48B	EA SCREW - 10-12 X 3 PPH - ZINC
	000G67-10-36T	EA SCREW - 10-12 X 2.25 PPH - BLACK
	000G67-10-24B	EA SCREW - 10-12 X 1.25 PPH - ZINC
	000G67-10-16B	EA SCREW - 10-12 X 1 PPH - ZINC
	000G67-10-120	EA SCREW - 10-12 X .75 PPH - TAN
	000G68-06-12S	EA SCREW - 6-18 X 3/4 POH
	000G68-06-10G	EA SCREW - 6-18 X 5/8 POH - ANTIQUE BRASS
	049465-01-000	EA SCREW - 10-16 W/WASHER PTH - DARK BROWN
	049465-03-000	EA SCREW - 10-16 X 1 POH W/WASHER - OFF WHITE
	054434-03-000	EA SCREW - SF/DR - 10-16 X 2 - PWH - ZINC - W/O WINGS
	057671-01-000	EA COVER - SCREW - #8 - PLASTIC - OFF WHITE
	057671-03-000	EA COVER - SCREW - #8 - WILLOW
	057671-15-000	EA COVER - SCREW - BRIGHT WHITE
	075908-01-000	EA SCREW - MACHINE - 10-32 X .56 PTH - EXTERNAL TOOTH - ZINC
	076790-01-000	EA SCREW - 6-20 X 1 1/4 PPH - BLACK
	083554-01-000	EA SCREW - DRYWALL - 8 X 1.25
	083554-04-000	EA SCREW - DRYWALL - 8 X 2.50
	086256-01-000	EA SCREW - SF/DR - 8 X 3/4 HWH LONG
	097974-01-000	EA SCREW - PARTICLE BOARD - 7-9 X 3/4 PPH
	101618-01-000	EA SCREW - 1/4-20 X 3/4 HEX - TAPPING - STALGARD TYPE F
	106477-01-000	EA SCREW - 14 - 10 X 3.00 - PFH



## SEALANTS & FASTENERS GROUP (CONTINUED)

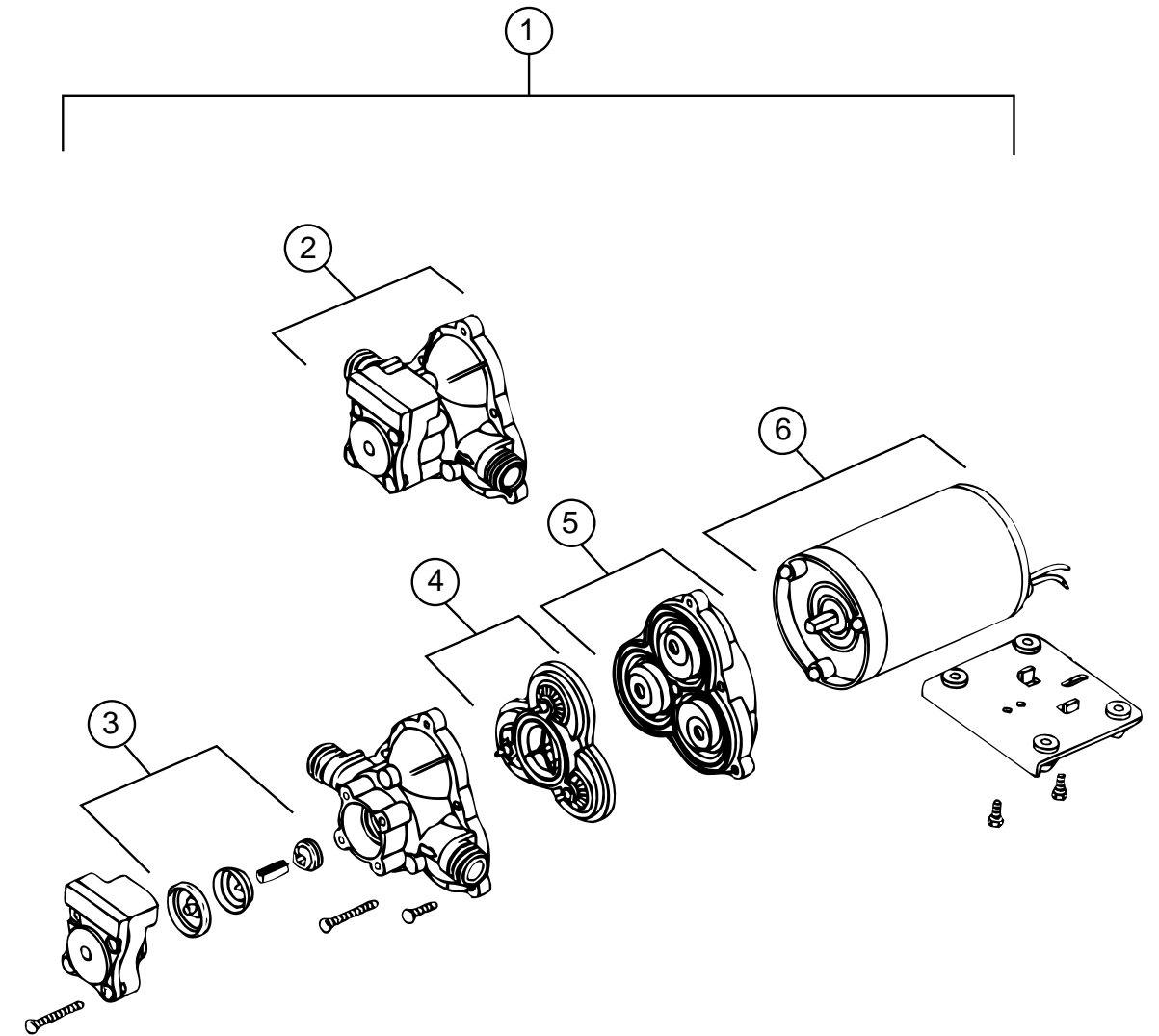
### CLAMPS, CLIPS, & GROMMETS

KEY	PART NUMBER	U/M DESCRIPTION
	000F10-04-16B	EA PIN - COTTER - 1/8" X 1" - ZINC
	000F10-06-32B	EA PIN - COTTER - 3/16" X 2" - ZINC
	000H14-04-04A	EA RIVET - MANDREL BLIND - 1/8 X .400
	000H14-06-14R	EA RIVET - MANDREL BLIND - 3/16"
	000H16-04-06R	EA RIVET - POP ALUMINUM - 1/8" X .313 - .375
	000H16-06-10R	EA RIVET - POP ALUMINUM - 3/16 X .501-.625
	007161-01-000	EA CLAMP - HOSE - SPRING TYPE - 1/2"
	010495-01-000	EA CLAMP - CABLE - 9/16"
	010497-01-000	EA CLAMP - CLOSED - 5/8" ID
	010497-03-000	EA CLAMP - CLOSED - 1" ID - CUSHIONED
	010497-04-000	EA CLAMP - CLOSED - 1.62" ID
	010499-01-000	EA CLAMP - CLOSED - 3/8" ID
	062401-01-000	EA CLAMP - HOSE - WORMGEAR - .25" - 1"
	062401-02-000	EA CLAMP - HOSE - WORMGEAR - 1.56" - 2.5"
	062401-04-000	EA CLAMP - HOSE - WORMGEAR - .69" - 1.25"
	062401-06-000	EA CLAMP - HOSE - WORMGEAR - .22" - .62" ID
	083609-01-000	EA CLAMP - WIRE - DUAL - EQUAL DIAMETERS - 5/8"
	083610-01-000	EA CLAMP - WIRE - DUAL - UNEQUAL DIAMETERS - 3/4" & 1 1/4"
	083610-02-000	EA CLAMP - WIRE - DUAL - UNEQUAL DIAMETERS
	016188-05-000	EA GROMMET - L/P LINE - 3/8" HOLE X 1 1/4" LONG - RUBBER
	023942-01-000	EA GROMMET - RUBBER - 2" OD
	071015-11-000	EA GROMMET - 1.00 ID - FITS .12 MATERIAL
	008380-01-000	EA GROMMET - RUBBER - 5/8" HOLE X 1 1/2" DIAMETER - BLACK
	071015-29-000	EA GROMMET - RUBBER - 1/4 ID X 1 1/4 OD W .12 GROOVE - BLK
	071015-30-000	EA GROMMET - RUBBER - .31" ID X .81" OD W/.12" GROOVE - BLK
	088756-01-000	EA GROMMET - WEB - 1 1/8" I.D.
	091952-01-000	EA CLIP - GRIPPER - 1"
	094362-02-000	EA CLIP - XMAS TREE - BINDER HEAD - .9" LONG

### MISCELLANEOUS FASTENERS

KEY	PART NUMBER	U/M DESCRIPTION
	008343-01-000	EA TIE - WIRE - 6"
	008343-02-000	EA TIE - WIRE - 14"
	029094-04-000	YD VELCRO TAPE - LOOP - 1" WIDE - BLACK
	029096-03-000	YD VELCRO TAPE - HOOK - 1" WIDE - BLACK
	081211-04-000	EA PLUG - PLASTIC - .46" DIAMETER - BLACK
	081211-05-000	EA PLUG - PLASTIC - .188 DIAMETER - NATURAL
	085774-01-000	FT FASTENER - DUAL HOOK - 1" WIDE - ADHESIVE BACK - BLACK
	085774-02-000	FT FASTENER - DUAL HOOK - 1" WIDE - ADHESIVE BACK - BLACK
	086285-01-000	EA SPACER - NYLON - .5" OD X .257" ID
	088792-02-000	YD VELCRO TAPE - LOOP - .75" - ADHESIVE BACKED - BEIGE
	108046-02-000	EA CABLE TIE - SCREW MOUNT 15"
	110943-02-000	FT FELTSTRIP - 3/8" - ADHESIVE BACK - WHITE
	115361-01-01A	EA PLUG - PLASTIC
	123816-04-000	FT TAPE - DOUBLE SIDED - 6"

## WATER & SEWAGE GROUP



WATER PUMP (SHURFLO)

KEY	PART NUMBER	U/M DESCRIPTION	VENDOR NO.
1	098607-01-000	EA PUMP - WATER - W/.5" MPT FITTING - FLOW 2.8 GPM	
2	098607-01-706	EA HOUSING - W/SWITCH ONLY	94-231-20
3	098607-01-705	EA VALVE - CHECK - KIT	94-237-00
4	098607-01-703	EA VALVE KIT	94-232-00
5	098607-01-702	EA DIAPHRAGM/DRIVE ASSEMBLY KIT	94-238-04
6	098607-01-707	EA MOTOR W/BASEPLATE	11-148-04

**WATER & SEWAGE GROUP (CONTINUED)**

**FRESH WATER TANK**

KEY	PART NUMBER	U/M	DESCRIPTION
	123243-01-000	EA	TANK - ACCUMULATOR, 24 OZ
	118645-01-000	EA	TANK - WATER - 17 GALLON - W/O FITTINGS
	118645-03-000	EA	TANK - WATER - 17 GALLON - W/FITTINGS
	128015-01-000	EA	TANK - WATER - 45 GALLON - W/O FITTINGS
	128015-04-000	EA	TANK - WATER - 44 GALLON - W/FITTINGS
			FROM: 00-00-00 THRU: 07-22-98
	128015-03-000	EA	TANK - WATER - 44 GALLON - W/FITTINGS
			FROM: 07-23-98 THRU: 99-99-99
	042989-03-000	EA	FITTING - WATER TANK - SPINWELD - 1 1/4"NPT - PLASTIC
	042989-05-000	EA	FITTING - SPINWELD - 1/2" FPT - PLASTIC
	049032-01-000	EA	PATCH - SPINWELD - 3/8" - PLASTIC
	039861-01-000	EA	SENDING UNIT - W/SCREW - WASHER - WELL NUT & TERMINAL RING
	091208-01-000	EA	WASHER - RUBBER - .06" X .75" X .5"
	077954-02-000	EA	FILTER - WATER TANK - SCREEN IN TANK
	112628-01-02A	EA	BRACKET - TIEDOWN - WATER TANK - E-COATED

**WATER SYSTEM COMPONENTS (FLAIR - IT)**

KEY	PART NUMBER	U/M	DESCRIPTION
	114427-01-000	EA	CAP - 1/2P
	114427-02-000	EA	PLUG - 1/2P
	114427-03-000	EA	NUT - 1/2"Q
	114428-01-000	EA	TEE - 1/2P X 1/2P X 1/2P
	114428-02-000	EA	TEE - SWIVEL - 1/2P X 1/2P X 1/2FPT
	114428-03-000	EA	TEE - 1/2P X 1/2P X 1/2MPT
	114428-04-000	EA	TEE - 1/2P X 1/2P X 1/8FPT
	114429-01-000	EA	ELBOW - 1/2P X 1/2P
	114429-02-000	EA	ELBOW - 1/2P X 1/2MPT
	114429-03-000	EA	ELBOW - SWIVEL - 1/2P X 1/2FPT
	114429-04-000	EA	ELBOW - 1/2P X 3/8MPT
	114429-05-000	EA	ELBOW - 1/2P X 3/4MPT
	114429-06-000	EA	ELBOW - SWIVEL - 1/2P X 3/4FPT
	114429-07-000	EA	ELBOW - 1/2P X 1/2FPT DROPEAR
	114430-01-000	EA	ADAPTER - 1/2P X 1/2P - 02840
	114430-02-000	EA	ADAPTER - SWIVEL - 1/2P X 1/2FPT
	114430-03-000	EA	ADAPTER - 1/2P X 1/2MPT
	114430-04-000	EA	ADAPTER - 1/2P X 3/8MPT
	114430-06-000	EA	ADAPTER - 1/2P X 3/8FPT
	114430-08-000	EA	ADAPTER - 1/2P X 3/4MPT
	114431-01-000	EA	VALVE - LINE DRAIN 1/2P
	114431-02-000	EA	VALVE - 1/2P - BYPASS
	114431-03-000	EA	VALVE - 1/2P X 1/2P
	114431-04-000	EA	VALVE - STOP - 1/2P X 1/2P
	114431-05-000	EA	VALVE - NEEDLE - COMP 1/8MPTX1/4
	114431-06-000	EA	VALVE - 3/8P X 3/8P
	114431-07-000	EA	VALVE - 3/8P THREE - WAY
	114431-08-000	EA	STRAIGHT STOP VALVE - 3/8P X 3/8P

**WATER & SEWAGE GROUP (CONTINUED)**

**WATER SYSTEM COMPONENTS**

KEY	PART NUMBER	U/M	DESCRIPTION	VENDOR NO.
*	051393-01-000	EA	WATER HEATER - GH6-8E - ELECTRONIC IGNITION W/MOTOR AID	
	701069-01-000	EA	WATER PURIFICATION SYSTEM	
	701069-03-700	EA	CARTRIDGE - WATER FILTER - AC - EVERPURE	9592-06
	044927-01-000	EA	ADAPTER - HOSE TO PIPE - 1 1/4 MPTX1 1/4 BARB - BLACK PLASTIC	
	010224-01-000	EA	ADAPTER - HOSE TO PIPE - 3/8" MPT X 3/8" BARB - PLASTIC	
	118809-02-000	EA	ADAPTER - 1/2" MPT X 1/2" BARB - PLASTIC	
	123152-01-000	EA	ADAPTER - 1/2" FPT X 1/2" BARB - SWIVEL	
	010230-06-000	EA	FILL - CITY WATER - W/CHECK VALVE - MPT	
	124188-01-000	FT	TUBING - PEX - 1/2" ID X 20' - BLUE (COLD)	
	124188-02-000	FT	TUBING - PEX - 1/2" ID X 20' - RED (HOT)	
	074462-02-000	FT	TUBING - VINYL - 3/8 ID X 20' - CLEAR	
	112176-01-000	FT	TUBING - VINYL - REINFORCED - 1/2" ID	
	079381-01-000	FT	TUBING - RIBBED FLEXIBLE - WATER FILL - 1.4" X 10"	
	035539-01-000	EA	ELBOW - PLASTIC - 3/8 MPT X 3/8 BARB	
	111223-03-000	EA	ELBOW - 3/4" MPT X 1/2" BARB - PLASTIC	
	010219-01-000	EA	ELBOW - 1 1/4" MPT X 1 1/4" BARB - WATER FILL - PLASTIC	
	126398-01-000	EA	ELBOW - ENTRY HOSE - 90 DEGREE	
	123150-01-000	EA	ELBOW - 1/2" FPT X 1/2" BARB - SWIVEL	
	110438-02-000	EA	VALVE - CHECK - BRASS - 1/2" MPT X 1/2" MPT	
	132148-01-000	EA	CONNECTOR - 1/2" X 1/2" MPT - BRASS	
	103798-01-000	EA	CONNECTOR - 1/4 OD X 3/8 MPT	
	113697-01-000	EA	CAP - 3/8" FTG	

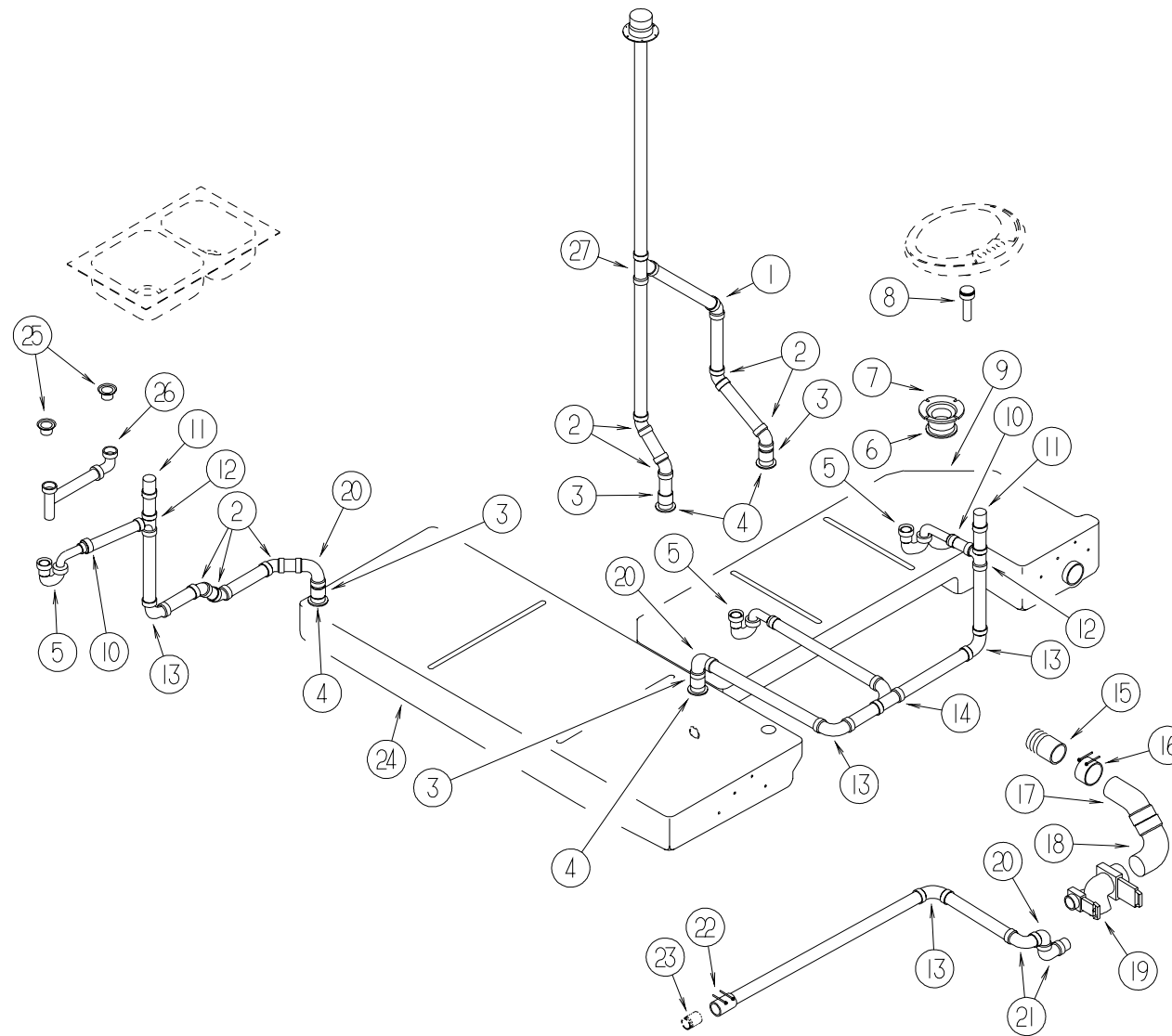
**\*COMPONENT PARTS FOUND IN SERVICE PARTS LIBRARY**

**EXTERIOR SHOWER COMPONENTS**

KEY	PART NUMBER	U/M	DESCRIPTION
	131383-01-02A	EA	SHOWER HEAD - W/HOSE & BRACKET - 60" - WHITE
	131383-02-02A	EA	SHOWER HEAD - W/HOSE & BRACKET - 60" - CSA - WHITE
	108356-02-01A	EA	COVER/ACTUATOR SWITCH - 2 ROWS DIMPLES- CONTURA II - BLACK
	108357-01-000	EA	SWITCH - ROCKER SPST - ON/OFF - 2 TERMINAL
	108357-08-000	EA	SWITCH - ROCKER DPDT - ON/NONE/ON - 6 TERMINAL
	131383-03-02A	EA	BRACKET - SHOWER HEAD - WHITE
	075241-06-000	EA	FAUCET - SHOWER CONTROL - BRIGHT WHITE

# WATER & SEWAGE GROUP (CONTINUED)

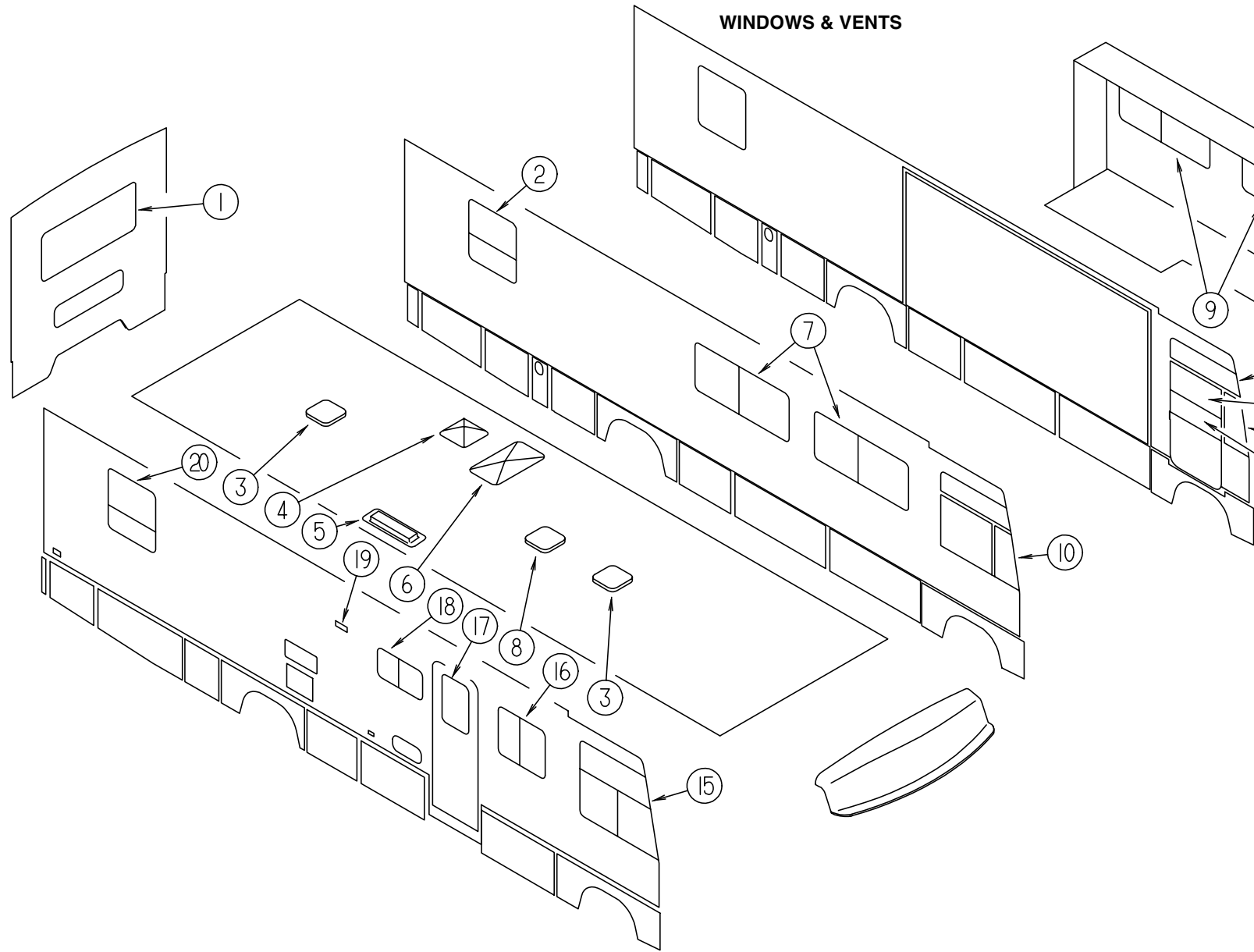
## DRAINAGE SYSTEM



KEY PART NUMBER	U/M	DESCRIPTION
1	010051-01-000	EA ELBOW - 45 DEGREE - 1 1/2" SPIGOT & HUB - PLASTIC
2	010006-01-000	EA ELBOW - 45 DEGREE - 1/8 BEND - 1 1/2" HUB X HUB
3	010115-01-000	EA COUPLING - 1 1/2" HUB X HUB - PLASTIC
4	061607-01-000	EA GROMMET - HOLDING TANK - 1 1/2" NPS
5	107538-01-000	EA P-TRAP - 1 1/4 - PLASTIC (US)
5	011071-01-000	EA P-TRAP - 1 1/2 - PLASTIC (CSA)
6	061607-02-000	EA GROMMET - HOLDING TANK - 3" NPS
7	116644-01-000	EA FLANGE - CLOSET - 4" X 3" - SEALAND 345892
8	096927-01-701	EA TAILPIECE - BATH SINK
9	123055-01-700	EA TANK - HOLDING 40 GAL - 3" NIPPLE PARTS SALES
10	109571-01-000	EA ADAPTER - P-TRAP - 1 1/2" P X 1 1/4" MPT
11	079968-01-000	EA VENT - MECHANICAL TRAP ARM - ANTI-SIPHON - 2" DIA X 7.3"
12	010071-01-000	EA TEE - SANITARY - 1 1/2" HUB X HUB X HUB
13	010008-01-000	EA ELBOW - 90 DEGREE - 1/4 BEND - 1 1/2" HUB X HUB
14	031365-02-000	EA TEE - PLASTIC - 1 1/2" EXT LG TURN
15	010129-03-000	EA NIPPLE - PLASTIC - 3" X 3" TOE
16	078406-01-000	EA COUPLER - RUBBER - W/ CLAMPS - 3" X 3"
17	010061-01-000	EA ELBOW - 45 DEGREE ST - 3" SPIGOT/HUB - PLASTIC
18	041056-01-000	EA ELBOW - STREET - 1/4" BEND - 3" X 90° XLT

KEY PART NUMBER	U/M	DESCRIPTION
19	070916-01-000	EA VALVE ASM - DUAL DUMP - W/CAP - 3" X 1 1/2"
	070916-01-700	EA VALVE ONLY - 3"
	070916-01-701	EA VALVE ONLY - 1 1/2"
	062415-01-000	EA SEWER CAP - 3"
20	034250-01-000	EA ELBOW - 90 DEGREE - LONG TURN - 1/4 BEND - 1 1/2" HUB X HUB
21	033761-01-000	EA ELBOW - 90 DEGREE STREET - 1/4 BEND - 1 1/2" S X H - PLASTIC
22	089355-01-000	EA COUPLER - RUBBER - 1 1/2" X 1 1/2"
23	102024-01-000	EA NIPPLE - PLASTIC - 1.5" X 2.62" TOE
24	127961-01-700	EA TANK - HOLDING 54 GAL-1.5"ADAP PARTS SALES
25	092303-01-000	EA STRAINER - SINK
26	011091-02-000	EA CONTINUOUS WASTE - DOUBLE SINK - 1 1/4" (US)
26	011091-03-000	EA CONTINUOUS WASTE - DOUBLE SINK - 1 1/4" (CSA)
27	010073-01-000	EA WYE - 45 DEGREE - 1 1/2" HUB X HUB X HUB - PLASTIC - BLACK
	011069-04-000	EA TAILPIECE - 1 1/2 X 1 1/4 X 8 - BRASS (SHOWER PAN)
	011069-02-000	EA TAILPIECE - TUB/ SHOWER - 1 1/2" X 1 1/4" X 4" - BRASS (CSA)
	066436-01-000	EA NUT - SLIP - TAILPIECE - 1.5"
	130403-01-000	EA NUT - SLIP - W/WINGS 1 1/2"
	010201-01-000	EA HOSE - SEWER - 3" ID X 8'
	062416-01-000	EA ADAPTER - SEWER HOSE TO 3" PIPE

# WINDOW, VENT & EXTERIOR DOOR GROUP



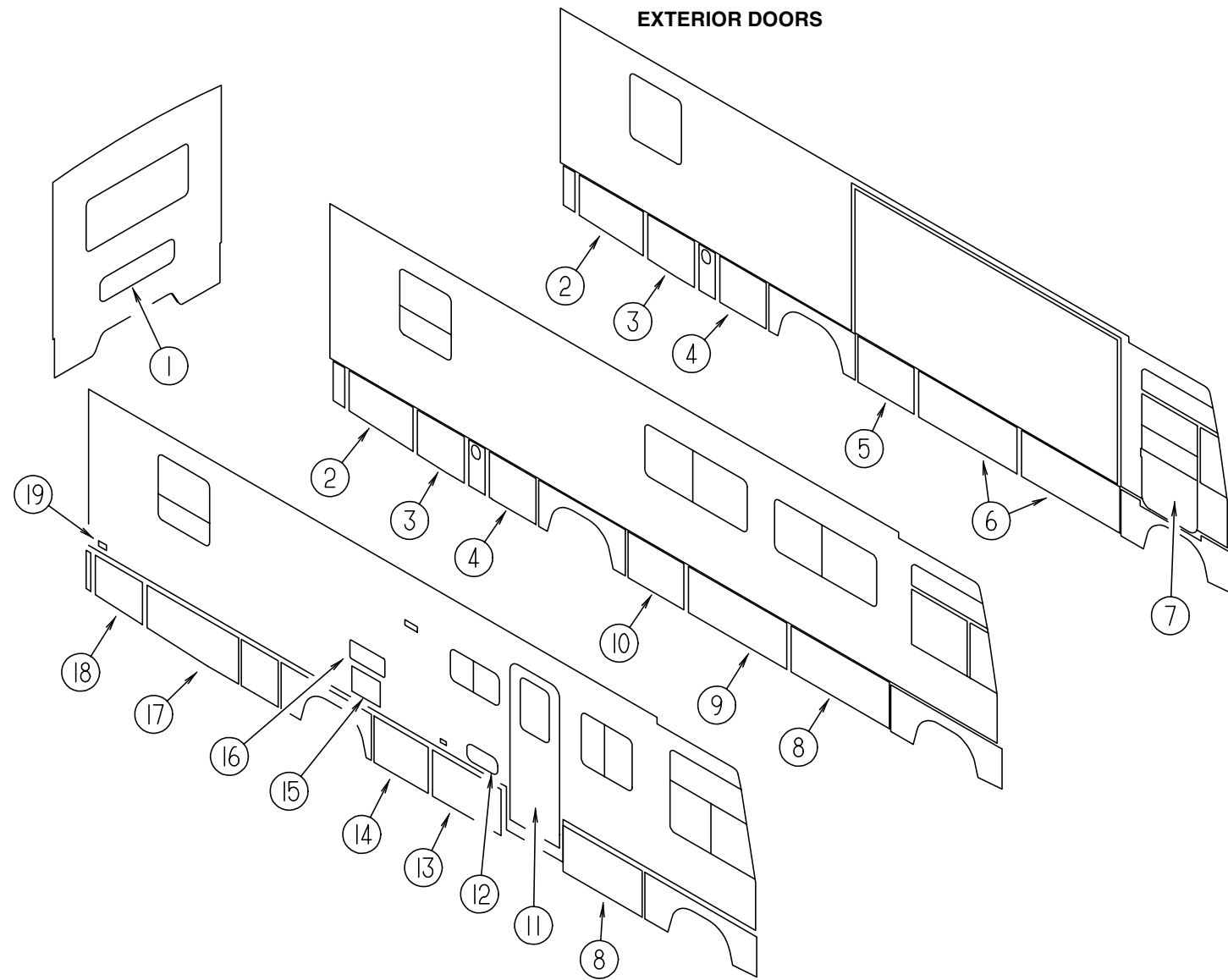
KEY	PART NUMBER	U/M	DESCRIPTION
1*	078528-06-E10	EA	WINDOW - ESCAPE W/O RETAINER/ TRIM 48.5" X 24.5"
1*	113502-01-01A	EA	WINDOW - REAR ESCAPE THERMO - 24.8" X 48.7"
2*	112463-03-01A	EA	WINDOW - TIPOUT W/ RETAINER RING - 33.3" X 30.2"
2*	129929-01-01A	EA	WINDOW - TORQUE - THERMO - 33.2" X 30.2"
3*	122882-01-01A	EA	VENT - ROOF - NONPOWERED
3	122882-07-01A	EA	VENT - ROOF - GARNISH 63.5-104.6
4*	122882-02-01A	EA	VENT - ROOF - POWERED
4*	122882-03-01A	EA	VENT - ROOF - POWERED CSA
4	122882-07-01A	EA	VENT - ROOF - GARNISH 63.5-104.6
5	084073-04-000	EA	BASE - ROOF VENT - REFRIGERATOR
5	084073-07-000	EA	VENT - ROOF - REFRIGERATOR - BRIGHT WHITE - NORCOLD
5	118369-01-02A	EA	CAP - REFRIGERATOR ROOF VENT - SIDE/SIDE - BRIGHT WHITE
5	118369-02-02A	EA	BASE - REFRIGERATOR ROOF VENT - SIDE/SIDE - BRIGHT WHITE
6	114496-01-02A	EA	PANEL - SKYLIGHT - OUTER - 22" X 37"
6	122191-01-02A	EA	PANEL - SKYLIGHT - INNER W/LIGHT CUTOUT - 20.7" X 35.4"
7*	098647-22-01A	EA	WINDOW - DRIVER HORIZONTAL SLIDER - 26.1" X 59.7"
7*	112795-15-01A	EA	WINDOW - DRIVERS HORIZONTAL SLIDER THERMO 26.4" X 60"
	083558-03-000	EA	VENT - PLUMBING PIPE ROOF - W/ COVER - OFF WHITE
8*	123780-03-01A	EA	VENTILATOR - ROOF 78-100 MM - WHITE
9*	098647-47-01A	EA	WINDOW - DRIVER HORIZ SLIDER W/TRIM - TINTED - 23.6" X 57.5"
9*	112795-54-01A	EA	WINDOW - DRIVER HORIZONTAL SLIDER - THERMO - 23.9" X 57.8"

\*COMPONENT PARTS FOUND IN SERVICE PARTS LIBRARY

KEY	PART NUMBER	U/M	DESCRIPTION	VENDOR NO.
10*	125582-04-01A	EA	WINDOW - DRIVER CAB-3 WINDOW - 31.8"T X 42.6"H X 51.6"B	
10*	125583-04-01A	EA	WINDOW - DRIVER CAB-3 GLASS THERMO - 31.8"T X 51.6"B X 42.6"H	
11*	125586-02-01A	EA	WINDOW - VISTA	
11*	125600-02-01A	EA	WINDOW - VISTA - THERMOPANE	
12	125581-04-705	EA	GLASS - STATIONARY	106-041547
13*	125584-02-01A	EA	WINDOW - FRONT SLANT - DRIVER	
13*	125585-02-01A	EA	WINDOW - FRONT SLANT/THERMO - 4.1"T X 29.2"H X 17.1"B	
14	125581-04-704	EA	GLASS - ROLL-UP	106-041821
15*	125582-03-01A	EA	WINDOW - PASSENGER CAB/3 WINDOW - 31.8"T X 42.6"H X 51.6"	
15*	125583-03-01A	EA	WINDOW - PASS CAB-3 GLASS THERMO - 31.8"T X 51.6"B X 42.6"H	
16*	098647-25-01A	EA	WINDOW - PASS HORIZ SLIDER W/TRIM - TINTED - 26.1" X 29.6"	
16*	112795-18-01A	EA	WINDOW - PASSENGER HORIZONTAL SLIDER THERMO - 26.4" X 30"	
17*	117053-02-F36	EA	WINDOW - PICTURE - 17" X 26.4"	
17*	113733-01-01A	EA	WINDOW - STATIONARY THERMOPANE - 17" X 26.4"H	
18*	098647-33-01A	EA	WINDOW - PASS HORIZ SLIDER W/TRIM - TINTED - 15.7" X 28.5"	
18*	112795-19-01A	EA	WINDOW - PASSENGER HORIZONTAL SLIDER THERMO - 16" X 28.7"	
19	084616-07-000	EA	SHROUD - EXHAUST VENT/RANGE HOOD - BRIGHT WHITE	
19	084878-09-000	EA	VENT - EXHAUST/RANGE HOOD - OFF WHITE	
20*	112463-03-01A	EA	WINDOW - TIPOUT W/ RETAINER TRIM - 33.3" X 30.2"	
20*	129929-01-01A	EA	WINDOW - TORQUE - THERMO - 33.2" X 30.2"	
20*	112898-16-01A	EA	WINDOW - VERTICAL SLIDER - THERMO - 30.2" X 33.2"	

\*COMPONENT PARTS FOUND IN SERVICE PARTS LIBRARY

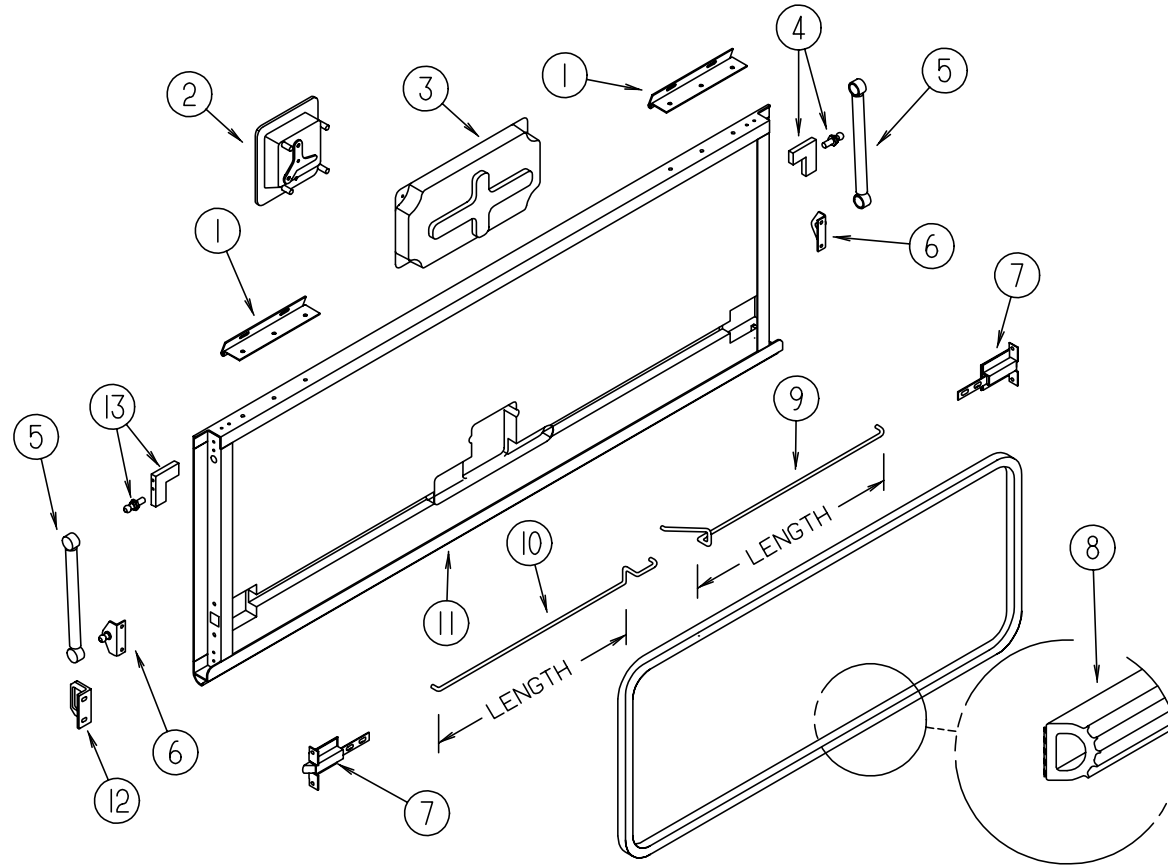
## WINDOW, VENT & EXTERIOR DOOR GROUP (CONTINUED)



KEY	PART NUMBER	U/M	DESCRIPTION	VENDOR NO.	KEY	PART NUMBER	U/M	DESCRIPTION	VENDOR NO.
1	126944-02-J22	EA	DOOR/STORAGE - W/O HARDWARE - 43.5" X 11.7"		12	126945-01-J22	EA	DOOR/STORAGE - W/O HARDWARE - 18" X 8.3"	
			FROM: 00-00-00 THRU: 07-05-98						FROM: 00-00-00 THRU: 07-05-98
1	126944-05-K28	EA	DOOR/STORAGE - W/O HARDWARE - 43.5" X 11.7"		12	126945-08-K28	EA	DOOR/STORAGE - W/O HARDWARE - 18" X 8.3"	
			FROM: 07-06-98 THRU: 99-99-99						FROM: 07-06-98 THRU: 99-99-99
2	122391-85-K32	EA	VALANCE/DOOR-DRIVER W/O PADDLE LATCH 22.7" X 39.8" X 20.7"		13	122239-95-K30	EA	VALANCE/DOOR - W/O PADDLE LATCH/HINGE - 23.7" X 42.5"	
3	122391-83-K32	EA	VALANCE/DOOR-DRIVER W/O PADDLE LATCH 23.7" X 49.6" X 22.8"		14	122239-A7-K32	EA	VALANCE/DOOR - W/O PADDLE LATCH/HINGE - 23.7" X 34.1"	
4	122239-A8-K32	EA	VALANCE/DOOR - W/O PADDLE LATCH/HINGE - 23.7" X 31.4"		15	052009-06-000	EA	DOOR - WATER HEATER - BRIGHT WHITE - 18" X 14.6"	
5	122239-A0-K28	EA	VALANCE/DOOR - W/O PADDLE LATCH/HINGE - 23.7" X 35.1"		15	116424-01-000	EA	PROTECTOR - LATCH - WATER HEATER	
6	122239-97-K28	EA	VALANCE/DOOR - W/O PADDLE LATCH/HINGE - 23.7" X 60"		16	084103-08-000	EA	DOOR - VENT/REFRIGERATOR - W/O JAMB - BRIGHT WHITE	
7	125581-05-01A	EA	DOOR - DRIVER - NON-POWER		16	084104-01-700	EA	LOCK - MALE - FASTENER	201-721-010
8	122239-99-K28	EA	VALANCE/DOOR - W/O PADDLE LATCH/HINGE - 23.7" X 48.7"		16	084104-01-701	EA	LOCK - FEMALE - FASTENER	201-802-010
9	122239-A6-K32	EA	VALANCE/DOOR - W/O PADDLE LATCH/HINGE - 23.7" X 77.5"		16	084104-08-000	EA	JAMB - VENT DOOR/REFRIGERATOR - BRIGHT WHITE	
10	122239-A2-K28	EA	VALANCE/DOOR - W/O PADDLE LATCH/HINGE - 23.7" X 29.2"		16	125481-01-02A	EA	DOOR - REFRIGERATOR VENT (SIDE BY SIDE)	
11	115108-16-K36	EA	DOOR - ENTRY - W/SCREEN DOOR - W/O WINDOW (K58, K59)		17	122391-84-K32	EA	VALANCE/DOOR-PASS W/O PADDLE LATCH 23.7" X 33.4" X 22.3"	
11	115108-16-K66	EA	DOOR - ENTRY - W/SCREEN DOOR - W/O WINDOW (K62, K63)		18	122391-86-K32	EA	VALANCE/DOOR-PASS W/O PADDLE LATCH 22.2" X 33.4" X 20.5"	
11	115108-16-K60	EA	DOOR - ENTRY - W/SCREEN DOOR - W/O WINDOW (K64, K65)		19	081240-20-000	EA	DOOR - WATER FILL - W/O LOCK - BRIGHT WHITE	
11	115108-16-K26	EA	DOOR - ENTRY - W/SCREEN DOOR - W/O WINDOW (K26, K27)						

# WINDOW, VENT & EXTERIOR DOOR GROUP (CONTINUED)

## COMPARTMENT DOORS & COMPONENTS

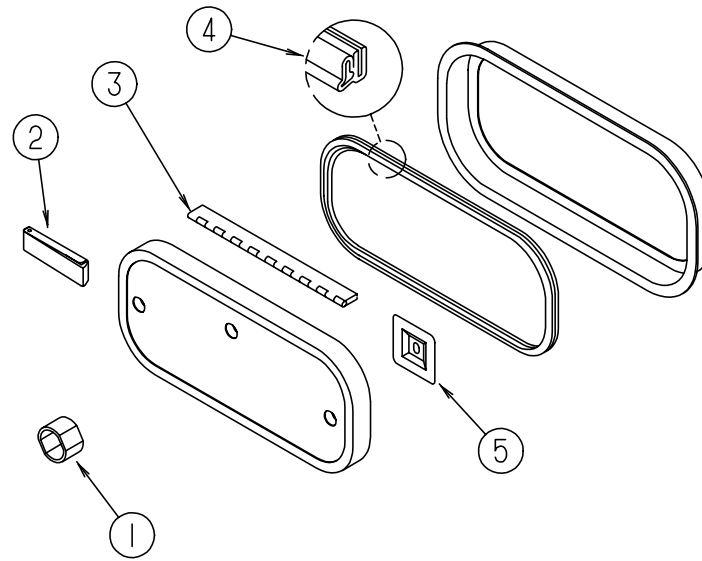


KEY	PART NUMBER	U/M	DESCRIPTION
1	121755-01-04A	EA	HINGE - 6.00 INCH
2	112949-02-05A	EA	LATCH - PADDLE NON-LOCKING - BLACK
2	129675-01-01A	EA	LATCH - LOCKING PADDLE - BLACK
3	122277-02-01A	EA	COVER - LATCH - BLACK
4	123892-10-02B	EA	CORNER STABILIZER W/BALL STUD - LEFT HAND - E-COATED
5	107796-20-000	EA	SPRING/GAS - 7" COMPRESSED/10" EXTENDED - 60 LB
6	126263-02-02B	EA	BRACKET - GAS SPRING
7	121947-01-01A	EA	BOLT - SLIDE W/PLASTIC PLUNGER
8	107721-07-000	FT	SEAL - ACCESS DOOR
9	122269-32-000	EA	ROD - LATCH - 6.89"
9	122269-35-000	EA	ROD - LATCH - 7.1"
9	122269-55-000	EA	ROD - LATCH - 7.95"
9	122269-16-000	EA	ROD - LATCH - 8.6"
9	122269-66-000	EA	ROD - LATCH - 9.3"
9	122269-59-000	EA	ROD - LATCH - 9.8"
9	122269-36-000	EA	ROD - LATCH - 12.18"
9	122269-52-000	EA	ROD - LATCH - 13.54"
9	122269-07-000	EA	ROD - LATCH - 16.63"
9	122269-12-000	EA	ROD - LATCH - 22.28"
9	122269-10-000	EA	ROD - LATCH - 31.03"

KEY	PART NUMBER	U/M	DESCRIPTION
10	122268-32-000	EA	ROD - LATCH - 6.89"
10	122268-35-000	EA	ROD - LATCH - 7.1"
10	122268-55-000	EA	ROD - LATCH - 7.95"
10	122268-16-000	EA	ROD - LATCH - 8.6"
10	122268-66-000	EA	ROD - LATCH - 9.3"
10	122268-67-000	EA	ROD - LATCH - 9.8"
10	122268-36-000	EA	ROD - LATCH - 12.18"
10	122268-52-000	EA	ROD - LATCH - 13.54"
10	122268-07-000	EA	ROD - LATCH - 16.63"
10	122268-12-000	EA	ROD - LATCH - 22.28"
10	122268-10-000	EA	ROD - LATCH - 31.03"
11	122613-55-007	EA	EXTRUDED - ROCKER PANEL - 192" - BLACK
	122612-55-007	EA	U CHANNEL - EXTRUSION - BLACK
	122614-55-007	EA	EXTRUDED - H CHANNEL - 191" - BLACK
12	123783-01-01A	EA	STRIKER - DOOR - MILL
			FROM: 00-00-00 THRU: 12-13-98
12	130053-01-01A	EA	STRIKER - LUGGAGE DOOR
			FROM: 12-14-98 THRU: 99-99-99
12	130053-02-01A	EA	STRIKER - LUGGAGE DOOR - OFF SET - BLACK
			FROM: 12-14-98 THRU: 99-99-99
13	123892-10-02B	EA	CORNER STABILIZER W/BALL STUD - RIGHT HAND - E-COATED

## WINDOW, VENT & EXTERIOR DOOR GROUP (CONTINUED)

### ENTERTAINMENT CENTER DOORS & COMPONENTS



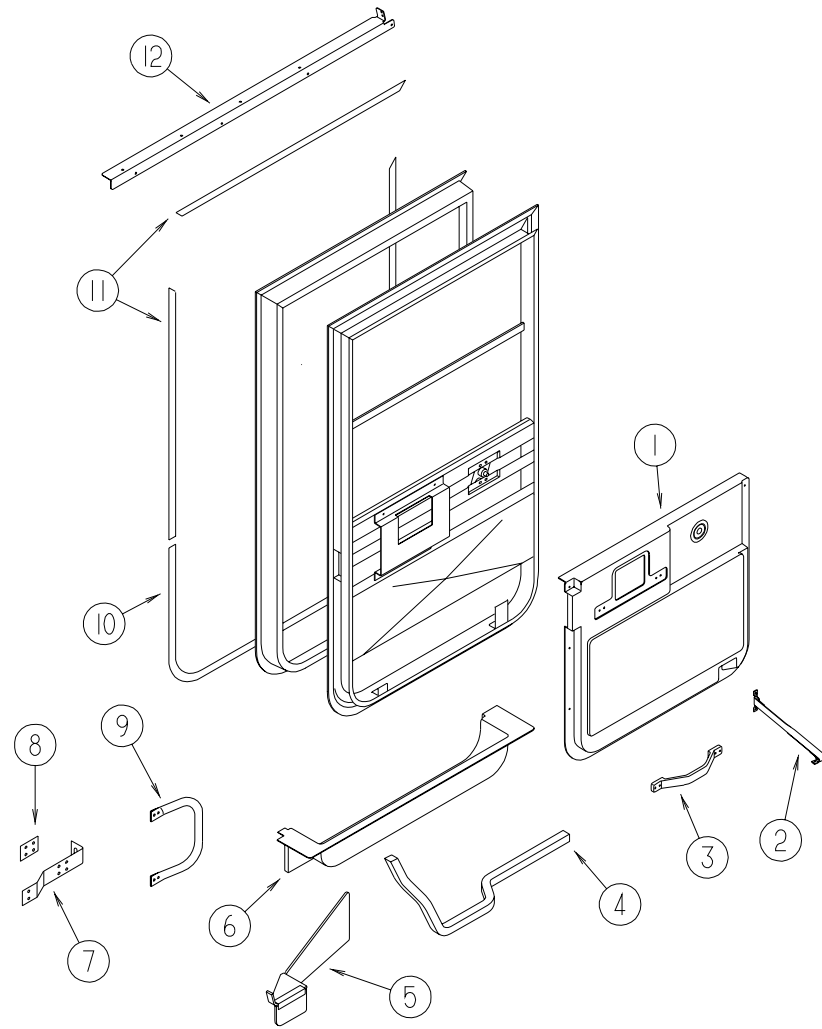
KEY	PART NUMBER	U/M DESCRIPTION
1	107997-51-001	EA SPACER - DOOR LOCK - .6" DEEP
	107997-51-002	EA EXTRUDED - SPACER - 16'
2	102768-01-000	EA HOLDER - COMPARTMENT/ ENTRY DOOR - METAL - MILL FINISH
3	081801-V3-000	EA HINGE - ALUMINUM - 2" X 8' - BRIGHT WHITE
4	106850-02-000	FT SEAL-E - SPONGE RUBBER - .43" X .75"
5	097111-01-04A	EA POCKET - LOCK - VALANCE

### COMPARTMENT & DRIVER DOOR KEYS

KEY	PART NUMBER	U/M DESCRIPTION
	129676-01-000	EA KEY - T/M 14472-07-1431
	129676-02-000	EA KEY - T/M 14472-07-1432
	129676-03-000	EA KEY - T/M 14472-07-1443
	129676-04-000	EA KEY - T/M 14472-07-1434
	129676-05-000	EA KEY - T/M 14472-07-1435
	129676-06-000	EA KEY - T/M 14472-07-1436
	129676-07-000	EA KEY - T/M 14472-07-1437
	129676-08-000	EA KEY - T/M 14472-07-1438
	129676-09-000	EA KEY - T/M 14472-07-1439
	129676-10-000	EA KEY - T/M 14472-07-1440

## WINDOW, VENT & EXTERIOR DOOR GROUP (CONTINUED)

### DRIVER DOOR INTERIOR COMPONENTS



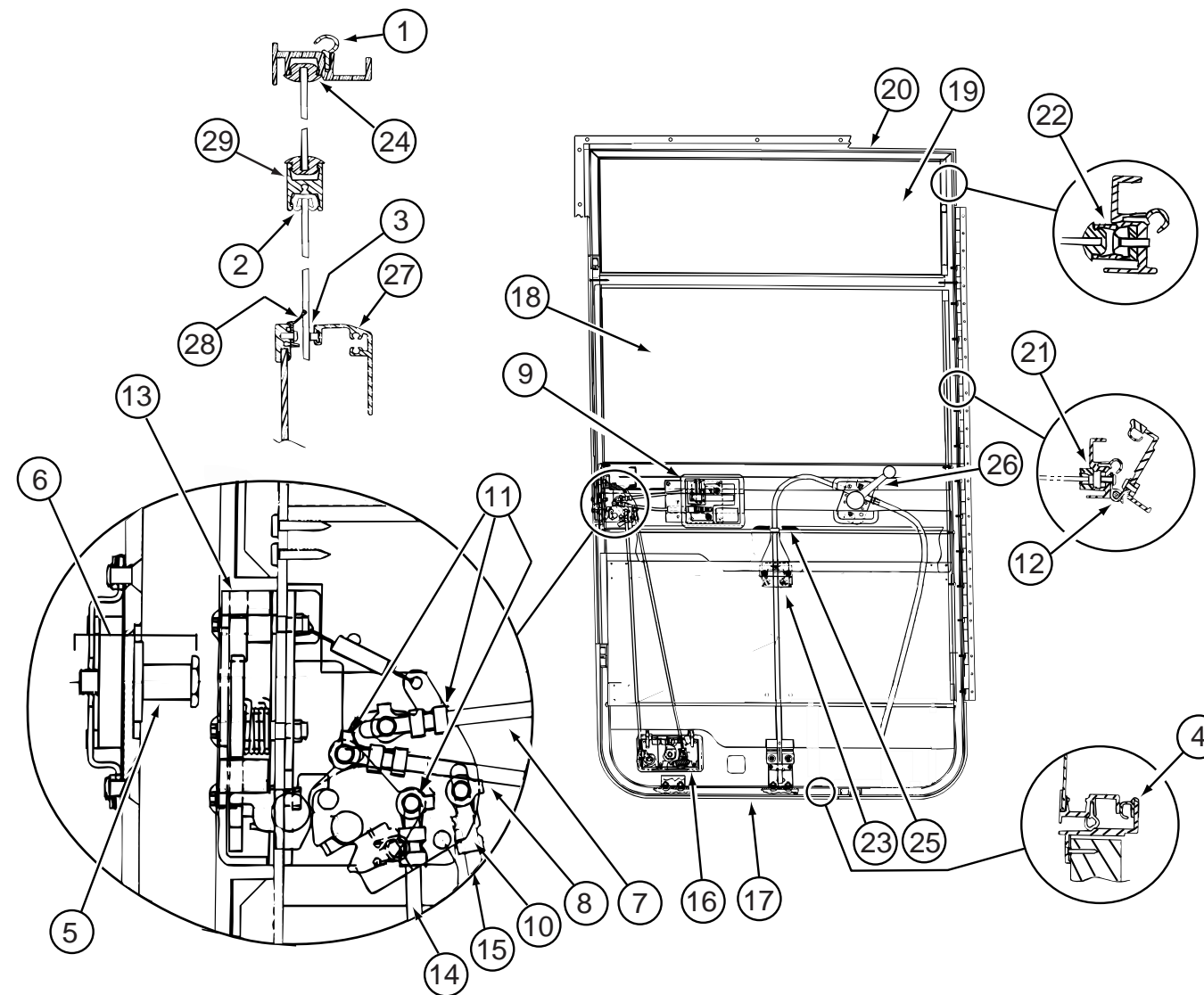
KEY	PART NUMBER	U/M	DESCRIPTION
1	125899-03-02A	EA	PANEL - CAB DOOR - INNER/DRIVER - ANTELOPE
2	109378-01-000	EA	STRAP - CHECK - DRIVER DOOR - 12.8"
3	110604-01-01A	EA	HANDLE - ASSIST - DRIVER DOOR - 10.8" LONG - BLACK
4	063977-14-000	EA	STEP - DRIVER DOOR - LEFT HAND
5	128255-01-04B	EA	STEP - DRIVER DOOR - BLACK
6	107818-03-03A	EA	TRIM - STEP - DRIVERS DOOR - ANTELOPE
	102569-02-000	EA	MAT - ANTI SLIP - LOWER
7	126506-01-02B	EA	BRACKET - STRIKE - DRIVER DOOR - E-COATED
8	126534-01-02B	EA	SPACER - STRIKE - DRIVER DOOR - E-COATED

KEY	PART NUMBER	U/M	DESCRIPTION
9	108832-02-01A	EA	HANDLE - ASSIST - DRIVER DOOR
	126701-01-03A	EA	COVER - ASSIST HANDLE - OFF WHITE
10	109235-01-05A	FT	COVER - SCREW - BRIGHT WHITE
11	109235-01-01A	FT	COVER - SCREW - MAT BLACK
12	125804-02-02B	EA	ANGLE - DOOR SUPPORT - E-COATED
	125725-01-01A	EA	FRAME - DRIVER DOOR - 33.5" - BLACK
	125725-03-01A	EA	FRAME - DRIVER DOOR - 27.8" - BLACK
	125725-07-01A	EA	FRAME - DRIVER DOOR - 53.26" - BLACK
	125725-08-01A	EA	FRAME - DRIVER DOOR - 21.38" - BLACK
	P01713-01-000	EA	SWITCH - PUSH BUTTON - IN DOOR JAMB - METAL CHROME



# WINDOW, VENT & EXTERIOR DOOR GROUP (CONTINUED)

## DRIVER DOOR

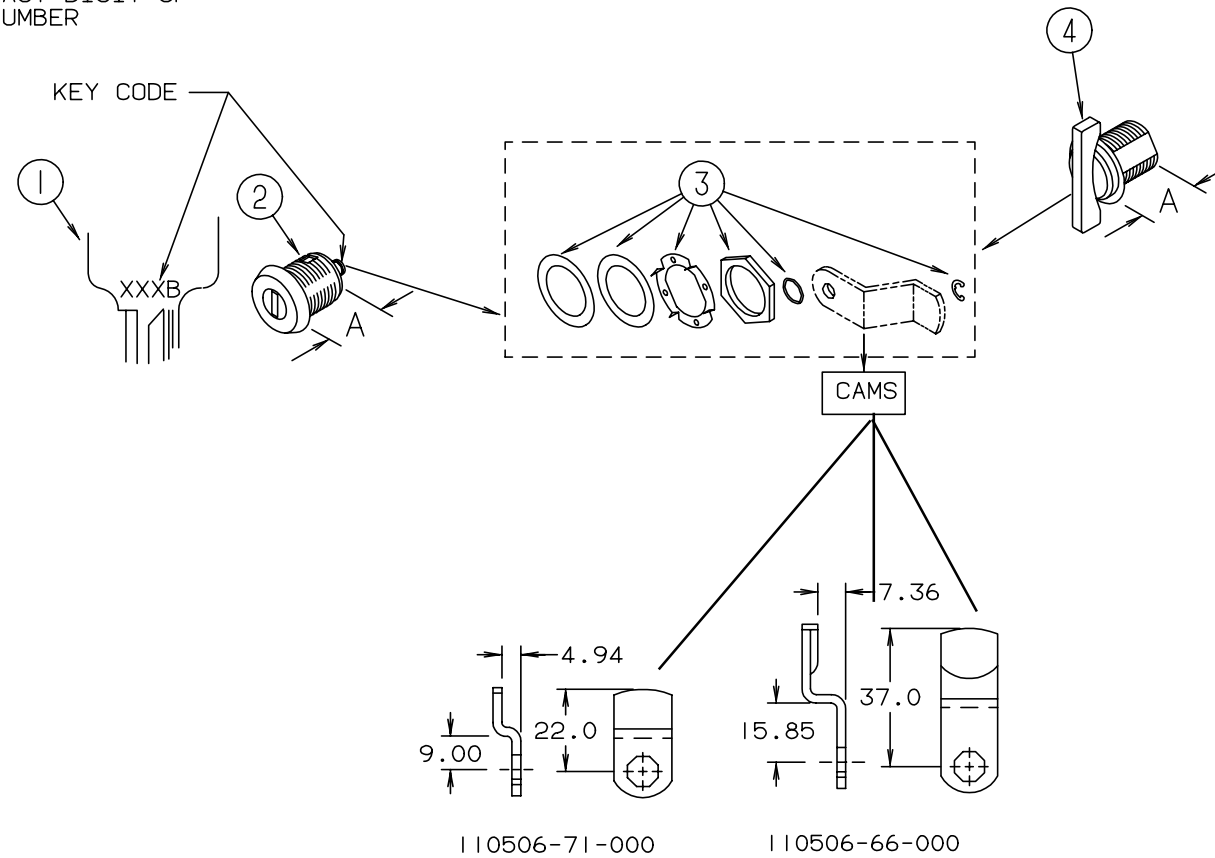


KEY	PART NUMBER	U/M DESCRIPTION	VENDOR NO.	KEY	PART NUMBER	U/M DESCRIPTION	VENDOR NO.
	125581-05-01A	EA DOOR - DRIVER - NON-POWER WINDOW/LOCK		14	125581-04-700	EA ROD - LATCH/VERTICAL ADJUST.	203041767
1	106469-01-702	EA DOOR SEAL	122-040984	15	125581-04-701	EA ROD - LOCK/VERTICAL ADJUST.	203-041768
2	106469-01-705	FT CHANNEL - RUN - SLIDING	122-010850	16	125581-03-704	EA PADDLE - W/O LOCK/RH - KEY 1	TRI/MARK #14312-02
3	106469-01-709	FT WEATHERSTRIP - FUZZY	171-040630	17	125581-04-703	EA FRAME - MOUNTING - BLACK	V180-35L
4	106469-01-723	EA SEAL - BULB ASM. (JAMB)	171-040985	18	125581-04-704	EA GLASS - ROLL-UP	106-041821
5	106469-04-703	EA BOLT - STRIKER (W/ WASHER)	248-041152	19	125581-04-705	EA GLASS - STATIONARY	106-041547
6	106469-04-704	EA NUT ASSEMBLY - CAGED - W/STRIKER	248-041151	20	125581-04-706	EA FRAME - DOOR - SUB-ASSEMBLY	V180-94L
7	106469-04-705	EA LATCH ROD - HORIZONTAL	203-041139	21	125581-04-707	EA CHANNEL - ROLL UP GLASS	V156-60
8	106469-04-711	EA LOCK ROD - HORIZONTAL	203-041137	22	125581-04-708	EA CHANNEL - STATIONARY GLASS	V156-61
9	106469-04-712	EA HANDLE/DOOR - INNER W/HARDWARE	248-041402	23	125581-04-709	EA REGULATOR - MANUAL	410-08389
10	106469-04-713	EA ROD CLIP L.H.	248-041154	24	125581-04-710	EA VINYL - GLAZING	132-041484
11	106469-04-714	EA ROD CLIP R.H.	248-041153	25	125581-04-711	EA CHANNEL- GLASS	N135-66
12	106469-05-702	EA HINGE - 42"	211-041194	26	125581-05-702	EA HANDLE - REGULATOR	182-041785
13	106469-05-706	EA LATCH - ROTARY - W/LINKAGE	248-041150	CONTACT WINNEBAGO PART SALES FOR THIS COMPONENT			
	125581-07-703	EA BRACKET-ALUMINUM "L" (INSIDE)	N135-55		106469-04-716	EA LEVER - LOCKING - BLACK	80978-00
	125581-07-704	EA BRACKET - STRAP/JAMB & DOOR	248-080394	28	125581-03-703	EA WEATHERSTRIP - BELTING	410-08389
	125581-07-705	EA BRACKET (L) F/SEAL PROTECT	490201	29	125581-03-700	EA MULLION RAIL - BLACK	V123-84
					125581-05-700	EA INNER SILL - BLACK	V130-64L

## WINDOW, VENT & EXTERIOR DOOR GROUP (CONTINUED)

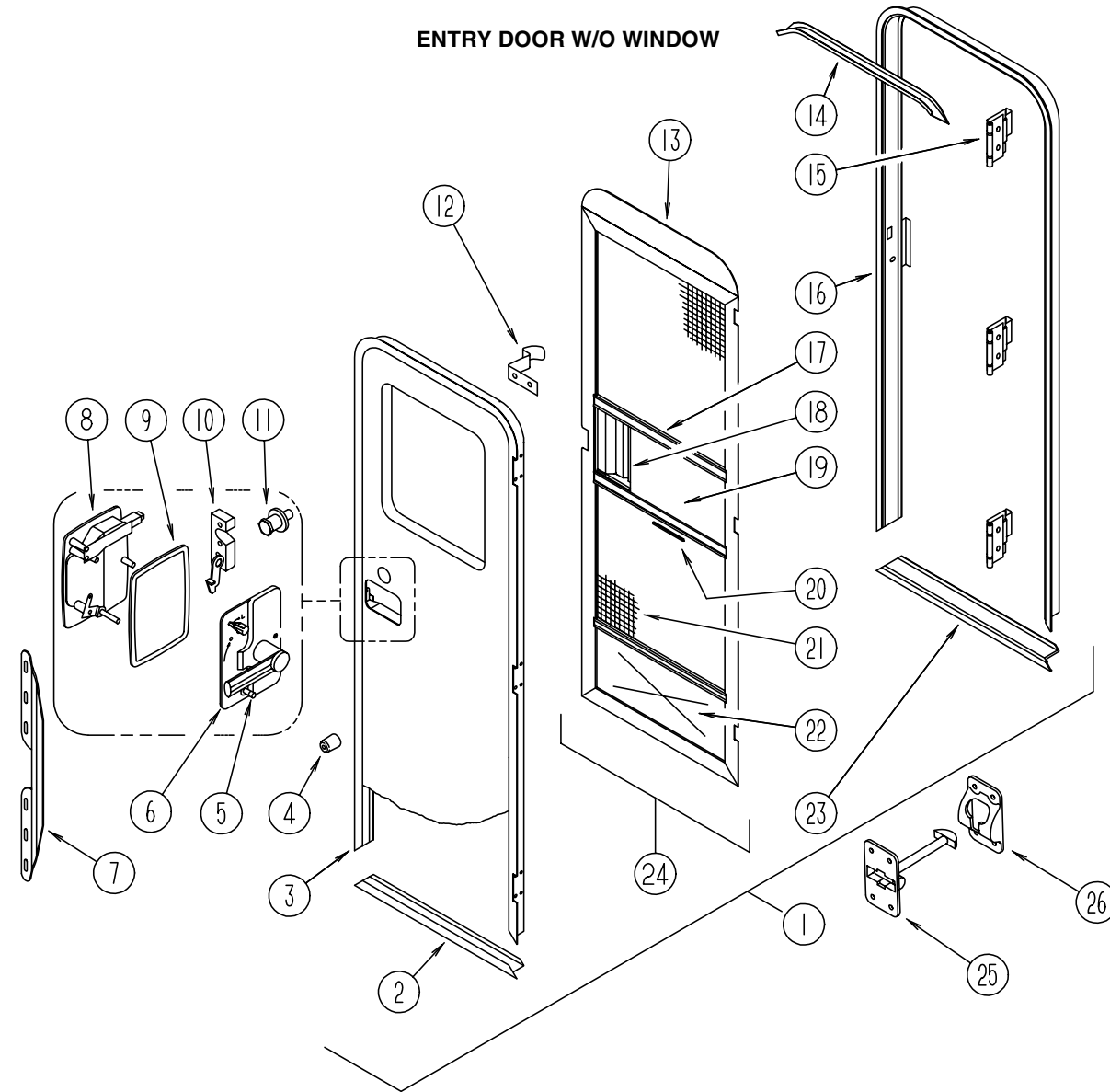
NOTE:  
 WHEN ORDERING THE LOCK CASE, THE KEY CODE MUST MATCH THE LAST DIGIT OF THE VEHICLE'S SERIAL NUMBER AND PART NUMBER; WHEN ORDERING THE KEYS, THE THIRD DIGIT OF THE KEY CODE MUST MATCH THE LAST DIGIT OF THE VEHICLE'S SERIAL NUMBER AND PART NUMBER

### BRIGGS & STRATTON LOCKS & COMPONENTS



KEY	PART NUMBER	U/M	DESCRIPTION	VENDOR NO.	KEY	PART NUMBER	U/M	DESCRIPTION	VENDOR NO.
1	110506-59-000	EA	KEYS - SET OF TWO	596720	1	110506-59-006	EA	KEYS - SET OF TWO	596726
2	110506-52-000	EA	CASE - LOCK - A= .65"	702370	2	110506-52-006	EA	CASE - LOCK - A= .65"	702376
2	110506-53-000	EA	CASE - LOCK - A= 1"	702380	2	110506-53-006	EA	CASE - LOCK - A= 1"	702386
2	110506-54-000	EA	CASE - LOCK - A= 1.25"	703170	2	110506-54-006	EA	CASE - LOCK - A= 1.25"	703176
1	110506-59-001	EA	KEYS - SET OF TWO	596721	1	110506-59-007	EA	KEYS - SET OF TWO	596727
2	110506-52-001	EA	CASE - LOCK - A= .65"	702371	2	110506-52-007	EA	CASE - LOCK - A= .65"	702377
2	110506-53-001	EA	CASE - LOCK - A= 1"	702381	2	110506-53-007	EA	CASE - LOCK - A= 1"	702387
2	110506-54-001	EA	CASE - LOCK - A= 1.25"	703171	2	110506-54-007	EA	CASE - LOCK - A= 1.25"	703177
1	110506-59-002	EA	KEYS - SET OF TWO	596722	1	110506-59-008	EA	KEYS - SET OF TWO	596728
2	110506-52-002	EA	CASE - LOCK - A= .65"	702372	2	110506-52-008	EA	CASE - LOCK - A= .65"	702378
2	110506-53-002	EA	CASE - LOCK - A= 1"	702382	2	110506-53-008	EA	CASE - LOCK - A= 1"	702388
2	110506-54-002	EA	CASE - LOCK - A= 1.25"	703172	2	110506-54-008	EA	CASE - LOCK - A= 1.25"	703178
1	110506-59-003	EA	KEYS - SET OF TWO	596723	1	110506-59-009	EA	KEYS - SET OF TWO	596729
2	110506-52-003	EA	CASE - LOCK - A= .65"	702373	2	110506-52-009	EA	CASE - LOCK - A= .65"	702379
2	110506-53-003	EA	CASE - LOCK - A= 1"	702383	2	110506-53-009	EA	CASE - LOCK - A= 1"	702389
2	110506-54-003	EA	CASE - LOCK - A= 1.25"	703173	2	110506-54-009	EA	CASE - LOCK - A= 1.25"	703179
1	110506-59-004	EA	KEYS - SET OF TWO	596724	3	110506-40-700	EA	HARDWARE KIT	
2	110506-52-004	EA	CASE - LOCK - A= .65"	702374	4	110506-50-000	EA	CASE - TWIST LOCK - A= .65"	596952
2	110506-53-004	EA	CASE - LOCK - A= 1"	702384	4	110506-51-000	EA	CASE - TWIST LOCK - A= 1"	596669
2	110506-54-004	EA	CASE - LOCK - A= 1.25"	703174	4	110506-55-000	EA	CASE - TWIST LOCK - A= 1.25"	597312AA1
1	110506-59-005	EA	KEYS - SET OF TWO	596725		110506-40-000	EA	CLIP-E - LOCK ASM.	93981
2	110506-52-005	EA	CASE - LOCK - A= .65"	702375		110506-64-000	EA	CAM - LOCK	322280
2	110506-53-005	EA	CASE - LOCK - A= 1"	702385		110506-68-000	EA	CAM - LOCK	322284
2	110506-54-005	EA	CASE - LOCK - A= 1.25"	703175		110506-71-000	EA	CAM - LOCK	322287
						110506-59-701	EA	KEY BLANK - GOLD	
						130444-01-01A	EA	CAP - KEY IDENTIFIER - GRAY	

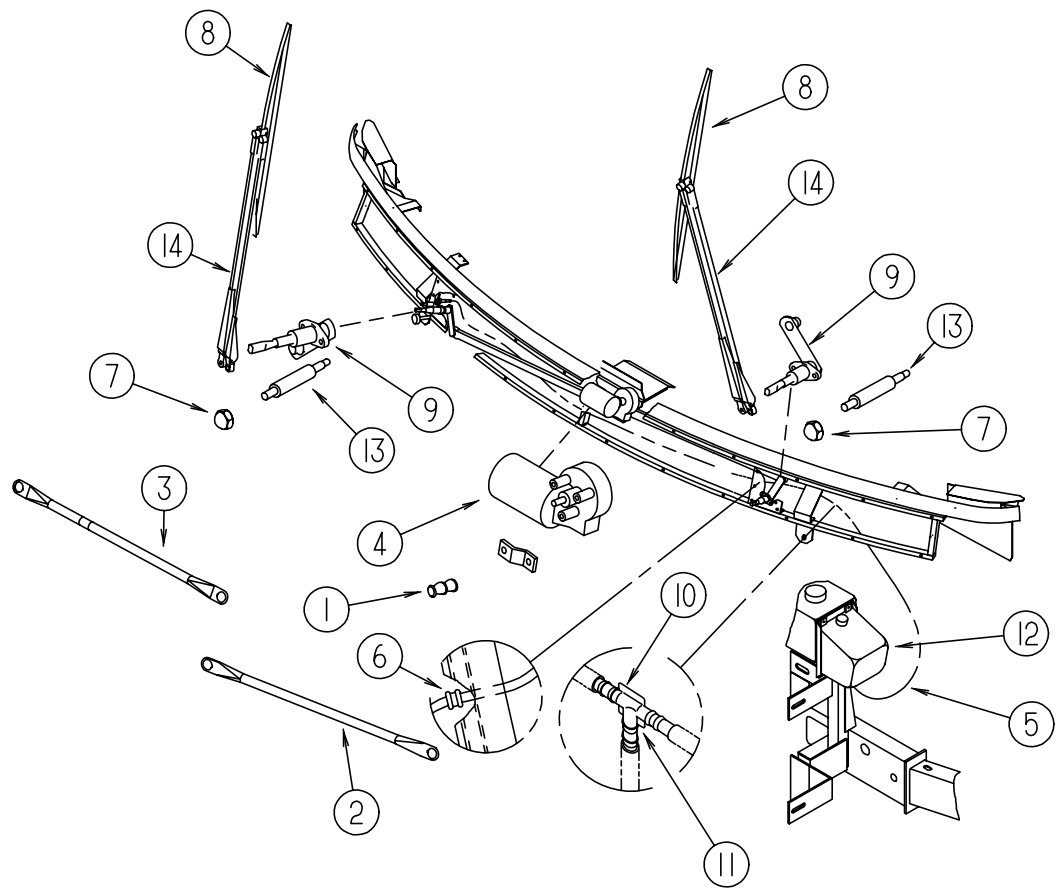
## WINDOW, VENT & EXTERIOR DOOR GROUP (CONTINUED)



KEY	PART NUMBER	U/M	DESCRIPTION
1	115108-16-K36	EA	DOOR - ENTRY - W/SCREEN DOOR - W/O WINDOW (K58, K59)
1	115108-16-K66	EA	DOOR - ENTRY - W/SCREEN DOOR - W/O WINDOW (K62, K63)
1	115108-16-K60	EA	DOOR - ENTRY - W/SCREEN DOOR - W/O WINDOW (K64, K65)
1	115108-16-K26	EA	DOOR - ENTRY - W/SCREEN DOOR - W/O WINDOW (K26, K27)
2	121893-03-02A	EA	FRAME - DOOR - ENTRANCE - BOTTOM - BRIGHT WHITE
3	121894-15-01A	EA	FRAME - ENTRY DOOR - BRIGHT WHITE
4	120863-02-000	EA	BUMPER - RUBBER - 1" DIAMETER X 1.50"
5	112782-05-01A	EA	CAP - VINYL - RED
6	112782-02-01A	EA	LATCH - INTERIOR PLATE
7	098173-01-04A	EA	STIFFENER - ENTRY DOOR - SUPPORTS LATCH/ STRIKE AREA - UNPAINTED
8	112782-07-01A	EA	LATCH - EXTERIOR - W/O MAIN CYLINDER W/DEADBOLT LOCK/KEY
9	112782-04-01A	EA	GASKET
10	112782-03-01A	EA	LATCH - SINGLE ROTOR
11	092927-03-000	EA	STRIKER - ROUND - JAMB MOUNTED
	077461-03-000	EA	COVER - STRIKE - ENTRY DOOR - 6.5" X 2.5" - WHITE PLASTIC
	039715-01-000	EA	NUT-SERT - 1/4" DIAMETER - 20 THREADS (ENTRANCE DOOR HINGE )
	041546-08-000	EA	BRACKET - DOOR ANGLE - OFF WHITE
	075671-04-000	FT	SEAL - SPONGE - LAZY T SHAPE - W/ ADHESIVE STRIP - .5" WIDE
12	100412-01-000	EA	CATCH - SCREEN DOOR
13	078595-01-000	EA	TOP PLATE - SCREEN DOOR - CURVED TOP - 4.7" X 25.35"
14	044582-50-000	EA	CAP - DRIP JAMB MITERED

KEY	PART NUMBER	U/M	DESCRIPTION
15	106719-01-05A	EA	HINGE - ENTRANCE DOOR - BRIGHT WHITE
	076725-02-000	EA	COVER - HINGE - ENTRY DOOR - 6" X 3.2" - OFF WHITE
	102248-01-000	EA	SHIM - DOOR
	116111-02-01A	EA	SCREW - TAPTITE - 1/4-20 X 3/8 PPH - ZINC
	118929-01-01A	FT	SEAL - PILE - PUSH ON
16	121898-13-02A	EA	JAMB - DOOR - ENTRANCE
17	078777-08-000	FT	CHANNEL SLIDER
18	079086-03-000	EA	SLIDER - SCREEN DOOR - BRIGHT WHITE
19	016454-17-000	EA	INSERT - SCREEN DOOR - CENTER - MILL
20	002294-01-000	FT	SPLINE - SCREENING - .135" X .138"
21	002293-02-000	SF	SCREEN - 26" - CHARCOAL
	075673-01-000	FT	SEAL - PILE - ADHESIVE BACK - GRAY
22	078552-09-000	EA	INSERT - SCREEN DOOR - LOWER
	078595-01-000	EA	TOP PLATE - SCREEN DOOR - CURVED TOP - 4.7" X 25.35"
23	051049-05-000	EA	JAMB/DOOR - LOWER - ENTRANCE DOOR
24	117077-03-K80	EA	DOOR - SCREEN - W/O HARDWARE
25	104099-01-04A	EA	CATCH - DOOR HOLDER - STRIKE - BRIGHT WHITE
26	104099-02-04A	EA	CATCH - DOOR HOLDER - RETAINER - BRIGHT WHITE
	115222-12-02A	EA	GARNISH - RADIUS - ENTRY DOOR
	009126-03-000	EA	HANDLE - ASSIST - BLACK TEXTURED
	120863-06-000	EA	BUMPER - RUBBER - 3/4" X 3/8"

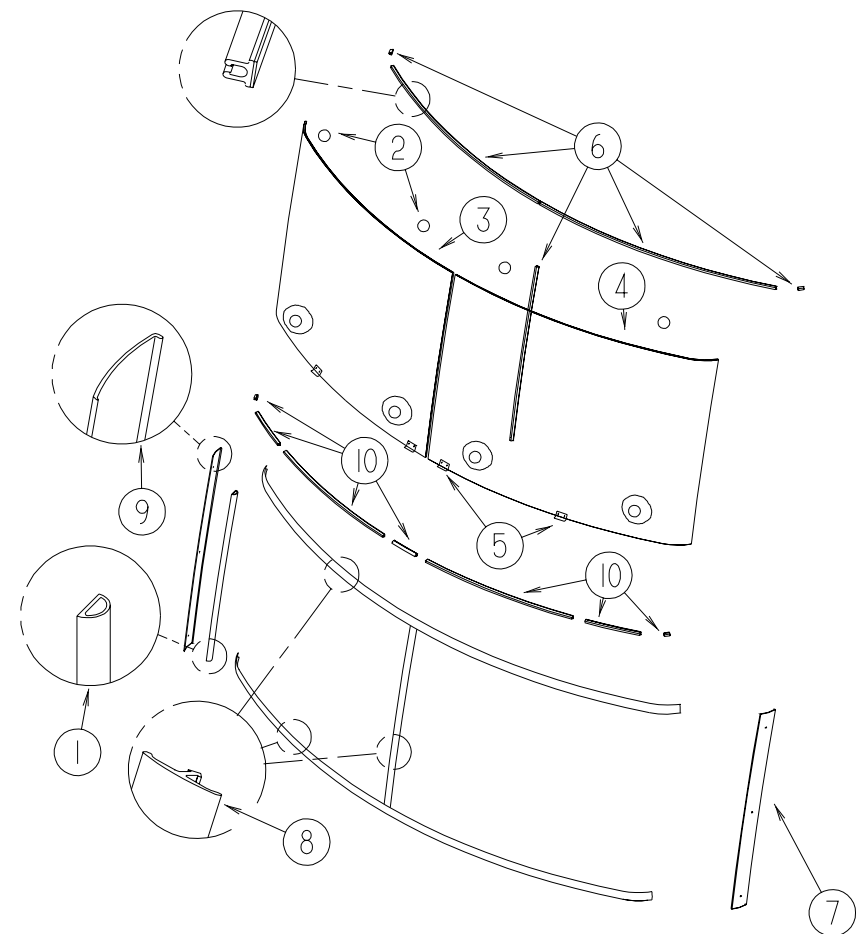
## WINDSHIELD & WIPER GROUP



WINDSHIELD WIPER ASM

KEY	PART NUMBER	U/M DESCRIPTION	VENDOR NO.
1	067188-01-000 117322-01-000	EA STUD - CRANK - WIPER MOTOR EA SCREW - 1/4-28 UNFINISHED - 2A - TORX	
2	117770-01-000	EA LINK - CONNECTING - 24" - CLOSED GROMMET/OPEN GROMMET	
3	117770-02-000	EA LINK - CONNECTING - 24" - CLOSED GROMMET/CLOSED GROMMET	
4	104346-04-000 104346-05-000 104347-04-000	EA MOTOR - WIPER W/INTERNAL BREAKER (GM) EA MOTOR - WIPER W/INTERNAL BREAKER - DYNAMIC PARK (FORD) EA ARM - DRIVE - WIPER MOTOR	
	117322-01-000	EA SCREW - 1/4-28 UNFINISHED - 2A - TORX	
5	045794-01-000	FT HOSE - WASHER - WINDSHIELD - 5/32" ID - BLACK	
6	061603-01-000	EA GROMMET - SNAP - 3/16"ID - 3/8" HOLE - PLASTIC BLACK	
7	077049-02-000	EA NUT - ACORN - 10-32 BLACK/ANODIZED	
8	095964-01-000 095964-01-700	EA BLADE - WINDSHIELD WIPER - 24" EA BLADE - REFILL24" EA = 1 PAIR	12360
9	096505-09-000 096505-02-700 096505-02-701 096505-02-702 096505-02-703	EA SHAFT/PIVOT - WINDSHIELD WIPER EA DRIVER - KNURLED,(HD) BRL .687 EA NUT - HEX (HD) W/.687 BARREL EA CAP - RUBBER (HD) BARREL .687 EA CAP - NUT(ACORN) HD W/.687 BRL	NT721017 NT721021 CP721084 51065-40-NT27WC
10	110605-01-000	EA TEE - PLASTIC - BARBED - 1/8" X 1/8" X 3/16"	
11	117765-03-000	EA CONNECTOR - 5/32" - WINDSHIELD WASHER	
12	117766-02-000	EA RESERVOIR/PUMP - WINDSHIELD WASHER	
13	117768-01-000	EA SHAFT - ADAPTER - PANTOGRAPH ARM	
14	117769-01-000 110742-02-000 096931-01-700	EA ARM - WIPER - PANTOGRAPH - 28" EA GASKET - WIPER FT HOSE - WIPER	XTU-66-0001

## WINDSHIELD & WIPER GROUP (CONTINUED)



WINDSHIELD MOLDINGS & GLASS

KEY	PART NUMBER	U/M DESCRIPTION
1	099418-01-000	FT SEAL - D-SECTION/ADHESIVE BACK - .44" X .44"- BLK RUBBER
2	081914-01-000	EA BUMPER - RUBBER - ROUND - .43" DIAMETER
3	124328-01-000	EA WINDSHIELD - PASSENGER - 51.5" X 44.3" (CURVED)
4	124328-02-000	EA WINDSHIELD - DRIVER - 51.5" X 44.3" (CURVED)
5	002328-02-000	EA BLOCK - WINDSHIELD - .062" X .5" X .98"
6	127862-01-000	EA CARRIER - REVEAL - WINDSHIELD - 47.2"
7	125384-04-02A 125384-04-01A	EA TRIM - WINDSHIELD - A-PILLAR - DRIVER - BLACK EA TRIM - WINDSHIELD - A-PILLAR - DRIVER - MILL
8	120533-01-000	FT MOLDING - REVEAL - WINDSHIELD
9	125384-03-02A 125384-03-01A	EA TRIM - WINDSHIELD - A-PILLAR - PASSENGER - BLACK EA TRIM - WINDSHIELD - A-PILLAR - PASSENGER - MILL
10	117335-01-000	EA CARRIER/REVEAL - 94.6" W/ADHESIVE BACKING