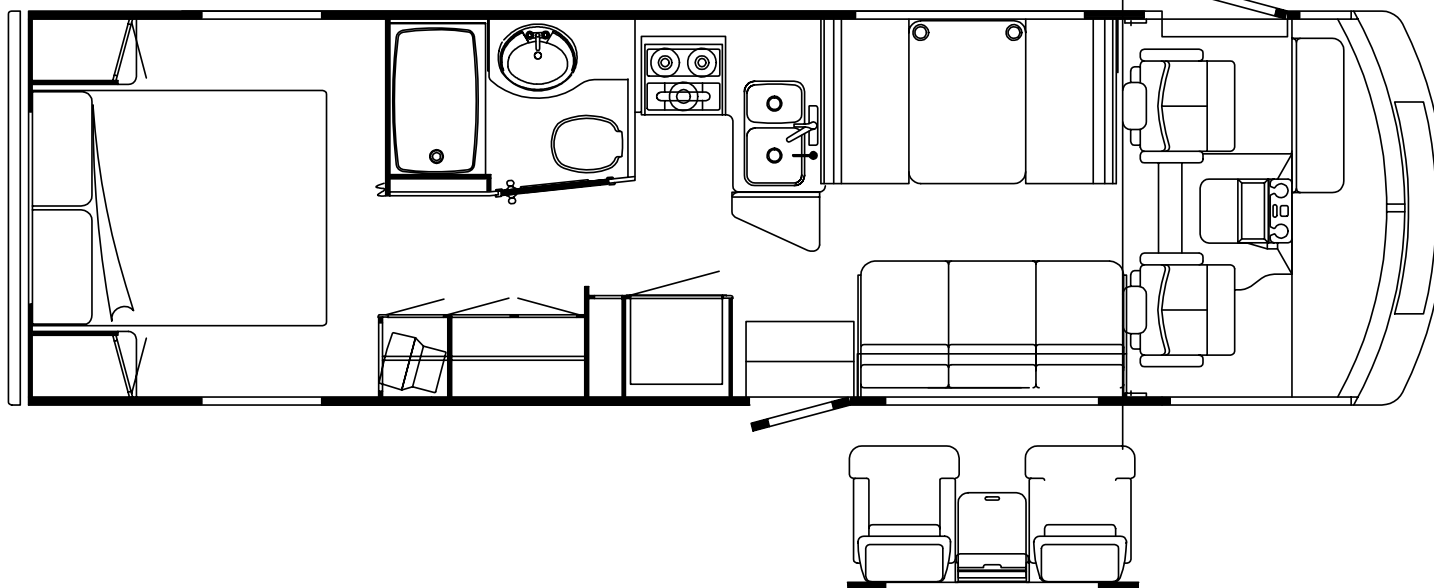
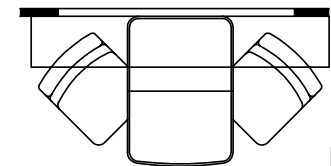
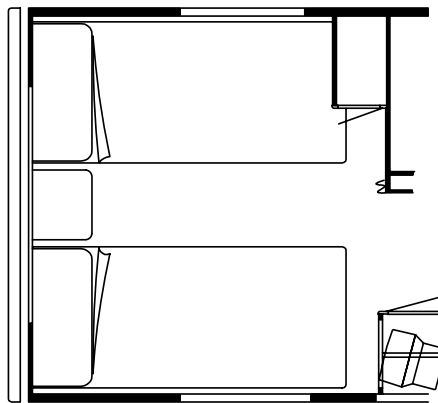
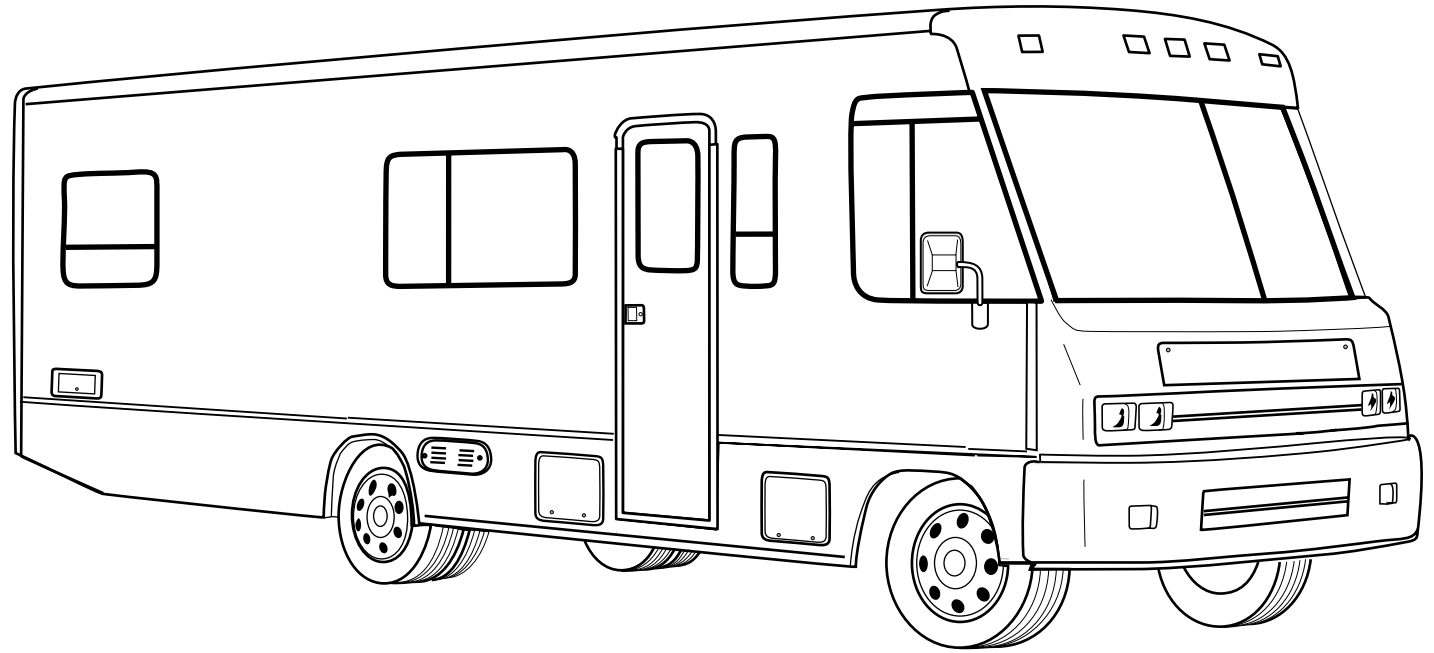


1999 ICG30A

- K58 CLOUD (GRAY)
(WASHED MAPLE)**
- K59 CLOUD (GRAY)
(WATERFORD OAK)**
- K62 CASTLETON (TAUPE)
(WASHED MAPLE)**
- K63 CASTLETON (TAUPE)
(WATERFORD OAK)**
- K64 MINT (GREEN)
(WASHED MAPLE)**
- K65 MINT (GREEN)
(WATERFORD OAK)**
- K26 SEASPRAY (TEAL)
(WASHED MAPLE)**
- K27 SEASPRAY (TEAL)
(WATERFORD OAK)**



ACCESSORIES GROUP

OPERATOR MANUAL

KEY	PART NUMBER	U/M	DESCRIPTION
	054185-J1-000	EA	MANUAL - OPERATOR 99 SUNCRUISER
	129079-01-01A	EA	CASE - VINYL/BLACK-EXPANDABLE ACCORDION SIDES-7"WX9"HX14"L
	129543-01-000	EA	TOP LEVEL - G,1999

AUDIO VIDEO GROUP

RADIO SYSTEMS & ANTENNA

KEY	PART NUMBER	U/M	DESCRIPTION	VENDOR NO.
	127516-03-000	EA	RADIO - AM/FM STEREO - CD PLAYER - PANASONIC	- CQ-DP930
	127264-01-000	EA	RADIO - AM/FM STEREO - CASSETTE - PANASONIC	
	127264-01-700	EA	TRIM RING	YFC054C044ZB
	127264-01-701	EA	KNOB - VOLUME	YFE074C045ZA
	127264-01-702	EA	KNOB - FADER	YEFE074C026
	127264-01-703	EA	FACTORY HARNESS	YAJ024C048ZB
	124881-01-000	EA	AMPLIFIER - AUDIO	
	110469-01-000	EA	SPEAKER - 4" X 6" OVAL - COAXIAL	
	110470-01-01A	EA	GRILLE - 4" X 6" OVAL - BLACK	
	094097-01-000	EA	SPEAKER - RADIO/TV - W/O GRILLE - 5.25" DIAMETER	
	077069-02-000	EA	CABLE - ANTENNA/EXTENSION - RADIO - 96"	
	123256-01-000	EA	ANTENNA - CB - W/O CABLE	
	123256-02-000	EA	CABLE - CB - COAX	
	090944-01-000	EA	ANTENNA - RADIO - 16" RUBBER	
	108847-01-000	EA	BRACKET - ANTENNA GROUND	
	115916-01-01B	EA	BRACKET - ANTENNA MOUNT	
	109889-04-000	EA	EXTENDER - ANTENNA SHAFT - 3"	

DELUXE SOUND SYSTEM

KEY	PART NUMBER	U/M	DESCRIPTION
	124883-02-000	EA	SPEAKER - CUBE - W/BRACKET
	124884-01-000	EA	SPEAKER - 6" X 9" - SUB-WOOFER
	124885-01-000	EA	GRILLE - SPEAKER - 6" X 9" - SUB-WOOFER
	124881-01-000	EA	AMPLIFIER - AUDIO

REAR MONITOR SYSTEM

KEY	PART NUMBER	U/M	DESCRIPTION
	093040-09-000	EA	CAMERA - REAR VIEW - W/BRACKET - SONY
	093040-10-000	EA	MONITOR - 7" REAR VIEW - W/BRACKET - SONY
	093040-10-700	EA	LENS-MONITOR, REAR VIEW F/7" 3-708-537-01
	096717-03-000	EA	WIRE ASSEMBLY - REAR MONITOR - AFTER MARKET INSTALLATION
	108885-02-000	EA	WIRE - REAR MONITOR(W/3 PIN HOUSING F/FUSE BLOCK) CHEVY
	093041-01-000	EA	CABLE - MONITOR/CAMERA - INTERNAL USE - 65.6'
	093041-02-000	EA	CABLE - MONITOR/CAMERA - EXTERNAL USE - 59.1'

PATIO ENTERTAINMENT CENTER

KEY	PART NUMBER	U/M	DESCRIPTION
	110469-01-000	EA	SPEAKER - OVAL - 4" X 6" - BLACK
	110470-01-01A	EA	GRILLE - SPEAKER - OVAL - 4" X 6" - BLACK
	077069-02-000	EA	CABLE - ANTENNA - RADIO - EXTENSION 96"
	125322-02-000	EA	RADIO - AM/FM STEREO - CASSETTE - AUDIOVOX
	090944-01-000	EA	ANTENNA - RADIO - 16" RUBBER
	108847-01-000	EA	BRACKET - ANTENNA GROUND
	109889-04-000	EA	ANTENNA - 3" SHAFT EXTENDER - MAGNADYNE RV71EX3

TELEPHONE

KEY	PART NUMBER	U/M	DESCRIPTION
	093253-01-01A	EA	PLATE - WALL - TELEPHONE - BEIGE
	130686-01-01A	EA	PLATE - WALL - TELEPHONE/COAX

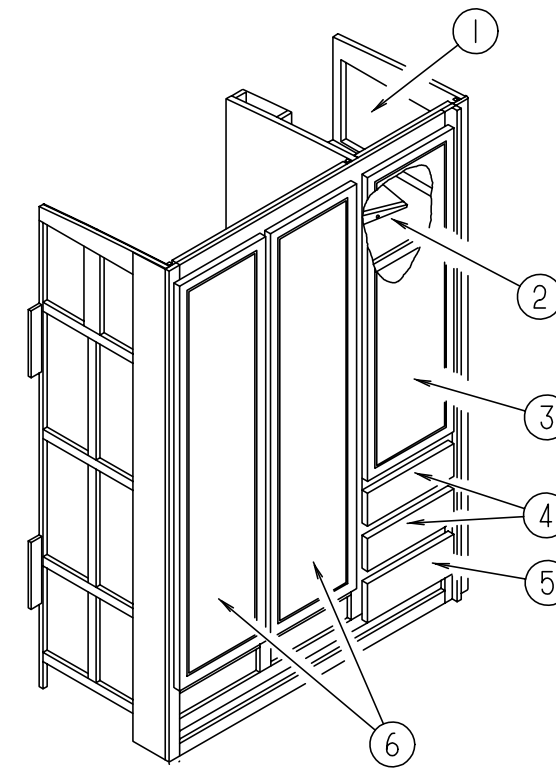
AUDIO VIDEO GROUP (CONTINUED)

TV & VCR SYSTEMS

KEY	PART NUMBER	U/M	DESCRIPTION	VENDOR NO.
*	076319-23-000	EA	ANTENNA - TV - ROOF MOUNT - 44.5" MAST	
*	120233-01-000	EA	ANTENNA - SATELLITE (DISH & HDW) W/O RECEIVER - MANUAL FROM: 00-00-00 THRU: 07-15-98	
*	120233-04-000	EA	ANTENNA - SATELLITE - W/DIGITAL SENSOR/READ OUT DISPLAY FROM: 07-16-98 THRU: 99-99-99	
	086231-08-000	EA	TV - 13" COLOR - DC - AUDIOVOX AVT-1475	
	086231-08-700	EA	REMOTE - UNIVERSAL	8822325
	126696-02-000	EA	TV - 19" COLOR W/1/8" JACK - UL/CSA - GE19GT319M	
	126696-01-700	EA	REMOTE	226725
	126697-02-000	EA	VCR-VHS - CABLE READY - W/REMOTE - GE VG2042	
	126697-02-700	EA	REMOTE	238513
	086757-03-000	EA	CONTROL CENTER - SWITCH - VCR/TV FROM: 00-00-00 THRU: 11-08-98	
	086757-04-000	EA	CONTROL CENTER - SWITCH - 5 INPUTS FROM: 11-09-98 THRU: 99-99-99	
	086777-02-000	EA	WALLPLATE - TV CABLE - W/ANTENNA SWITCH - BROWN	
	086777-06-000	EA	WALLPLATE - TV CABLE - ANTENNA BOOSTER/1 OUTPUT - BROWN	
	086756-01-000	EA	SPLITTER - TV - 2 WAY	
	076319-09-000	EA	WALLPLATE - CABLE RECEPTACLE - TV - SINGLE - BROWN	
	076319-03-000	FT	CABLE - COAXIAL - 75 OHM	
	076319-12-000	EA	CONNECTOR - COAXIAL - ONE PIECE	
	086231-08-701	EA	ADAPTER - WIRE	0891436
	082134-01-000	EA	ADAPTER - TV - CABLE TO CABLE	
	098819-01-000	EA	SPEAKER - 4" - 2 WATT - 8 OHM	
	082136-01-000	EA	NUT - HEX JAM - 3/8-32	
	114870-02-000	EA	PLUG - .14" AUDIO W/LEADS	
*	076319-25-000	EA	KIT - HARDWARE INTERIOR	

*COMPONENT PARTS FOUND IN SERVICE PARTS LIBRARY

BATH GROUP

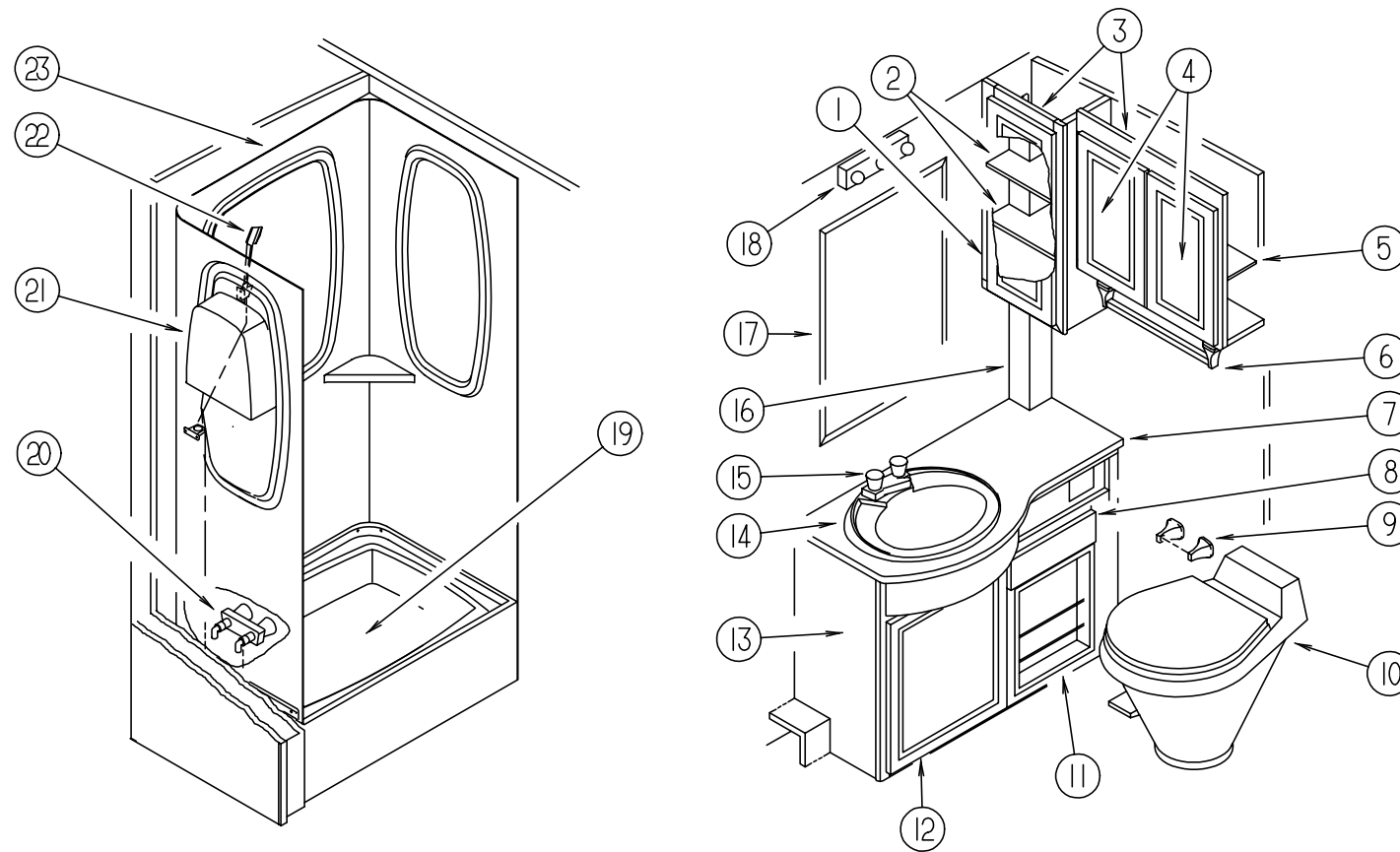


WARDROBE CABINET

KEY	PART NUMBER	U/M	DESCRIPTION
1	M05992-L2-J20	EA	DOOR - STRAIGHT CORNER/OGEE EDGE - 14.3" X 17.9" - W/O HARDWARE (OAK)
1	M05992-L2-J52	EA	DOOR - STRAIGHT CORNER/OGEE EDGE - 14.3" X 17.9" - W/O HDW (MAPLE)
2	126114-13-J22	EA	WEDGE - W/PLASTIC EDGE MOLDING/TIE DOWN STRAP (OAK)
2	126114-13-J52	EA	WEDGE - W/PLASTIC EDGE MOLDING/TIE DOWN STRAP (MAPLE)
3	M05992-L3-K28	EA	DOOR - STRAIGHT CORNER/OGEE EDGE - 16.7" X 48" - W/O HARDWARE (OAK)
3	M05992-L3-J52	EA	DOOR - STRAIGHT CORNER/OGEE EDGE - 16.7" X 48" - W/O HDW (MAPLE)
4	M05971-FA-K28	EA	DRAWER - OGEE EDGE - 14.1"W X 15.7"D - W/O SLIDES/HARDWARE (OAK)
4	M05971-FA-J52	EA	DRAWER - OGEE EDGE - 14.1"W X 15.7"D - W/O SLIDES/HARDWARE (MAPLE)
5	M05971-FC-K28	EA	DRAWER - OGEE EDGE - 14.1"W X 15.7"D - W/O SLIDES/HARDWARE (OAK)
5	M05971-FC-J52	EA	DRAWER - OGEE EDGE - 14.1"W X 15.7"D - W/O SLIDES/HARDWARE (MAPLE)
6	M06803-11-G15	EA	DOOR - MIRROR/MTRD CRNR/OGEE EDGE - 16.1" X 65.3" - W/O HARDWARE (OAK)
6	M06803-11-J52	EA	DOOR - MIRROR/MTRD CRNR/OGEE EDGE - 16.1" X 65.3" - W/O HDW (MAPLE)
	042438-01-000	EA	DOWEL - WOOD - CLOTHES ROD - 1" DIAMETER X 4'
	009112-01-000	EA	FLANGE - 1" CLOTHES ROD - OFF WHITE PLASTIC
	041953-12-000	FT	CONDUIT - CONVOLUTE SOLID - 1.1" ID - NYLON

BATH GROUP (CONTINUED)

BATH CABINETS, PRIVACY DOOR & SHOWER COMPONENTS

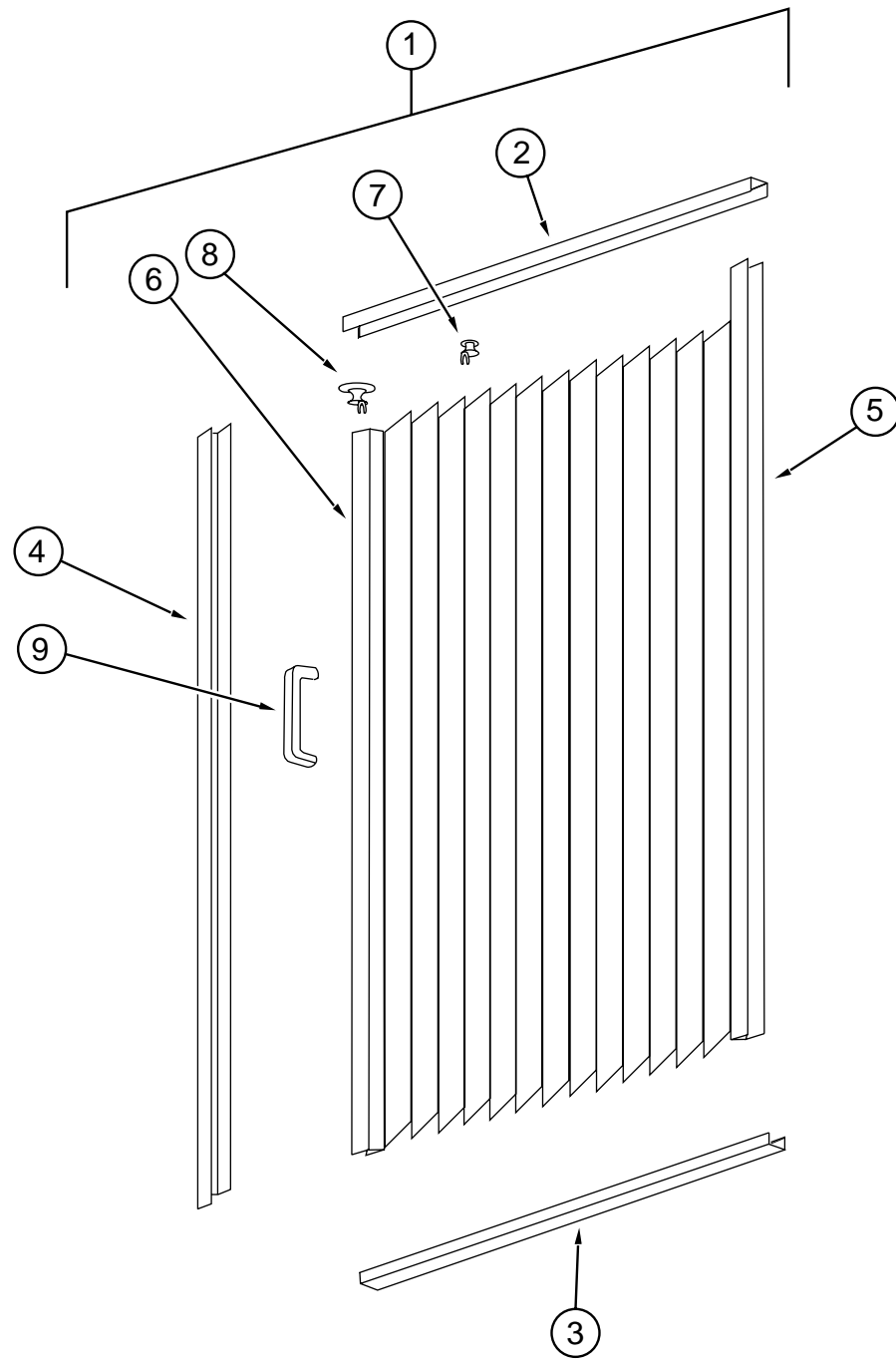


KEY	PART NUMBER	U/M	DESCRIPTION
1	M05992-77-K28	EA	DOOR - STRAIGHT CORNER/OGEE EDGE - 10" X 25.2" - W/O HDW (OAK)
1	M05992-77-K58	EA	DOOR - STRAIGHT CORNER/OGEE EDGE - 10" X 25.2" - W/O HDW(MAPLE)
2	126111-13-J22	EA	SHELF - W/PLASTIC EDGE TRIM (OAK)
2	126111-13-J52	EA	SHELF - W/PLASTIC EDGE TRIM (MAPLE)
3	126111-01-J22	EA	CABINET - OVERHEAD/MEDICINE - W/O HDW(OAK)
3	126111-01-J52	EA	CABINET - OVERHEAD/MEDICINE - W/O HDW(MAPLE)
4	M05992-G1-K28	EA	DOOR - STRAIGHT CORNER/OGEE EDGE - 11.2" X 19.7" - W/O HDW(OAK)
4	M05992-G1-K58	EA	DOOR - STRAIGHT CORNER/OGEE EDGE - 11.2" X 19.7" - W/O HDW(MAPLE)
5	126111-14-J22	EA	SHELF - W/PLASTIC EDGE TRIM (OAK)
5	126111-14-J52	EA	SHELF - W/PLASTIC EDGE TRIM (MAPLE)
6	075453-02-000	EA	BAR - TOWEL - 18" BRASS
7	126112-15-J26	EA	COUNTERTOP - LAVATORY (K58, K59, K64, K65, K26, K27)
7	126112-15-J23	EA	COUNTERTOP - LAVATORY (K62, K63)
8	M05971-EB-J20	EA	DRAWER - OGEE EDGE - 12.4"W X 11.8"D - W/O SLIDES/HDW(OAK)
8	M05971-EB-J52	EA	DRAWER - OGEE EDGE - 12.4"W X 11.8"D - W/O SLIDES/HDW(MAPLE)
9	075452-02-000	EA	HOLDER - TOILET TISSUE - BRASS
10*	085330-06-000	EA	TOILET - STANDARD CHINA W/SPRAYER - BONE
11	097208-07-J22	EA	MAGAZINE RACK (OAK)
11	097208-07-J70	EA	MAGAZINE RACK (MAPLE)
12	M05992-Z4-K28	EA	DOOR - STRAIGHT CORNER/OGEE EDGE - 14.9" X 21.8" - W/O HDW(OAK)
12	M05992-Z4-J52	EA	DOOR - STRAIGHT CORNER/OGEE EDGE - 14.9" X 21.8" - W/O HDW(MAPLE)

KEY	PART NUMBER	U/M	DESCRIPTION
13	126112-01-K58	EA	CABINET - LAVATORY - W/COUNTERTOP - W/O HDW (K58, K64, K26)
13	126112-01-K28	EA	CABINET - LAVATORY - W/COUNTERTOP - W/O HDW (K59, K65, K27)
13	126112-01-K62	EA	CABINET - LAVATORY - W/COUNTERTOP - W/O HDW (K62)
13	126112-01-K32	EA	CABINET - LAVATORY - W/COUNTERTOP - W/O HDW (K63)
13	126112-13-J22	EA	SHELF - W/PLASTIC EDGE TRIM (OAK)
13	126112-13-J52	EA	SHELF - W/PLASTIC EDGE TRIM (MAPLE)
14	105921-01-01A	EA	SINK - LAVATORY - LARGE/OVAL - 17" X 20" PLASTIC/OFF WHITE
	106116-01-01A	EA	STRAINER - SINK - W/STOPPER/TAIPIECE/GASKET & NUT - PLASTIC
15	075240-06-000	EA	FAUCET - LAVATORY/BONE
15	091253-01-000	EA	GASKET - FAUCET - LAVATORY/GALLEY
15	105218-01-01A	EA	SPACER - FAUCET/LAVATORY SINK - 2" X 5.9" - ABS PLASTIC
16	058331-08-000	EA	MIRROR - SAFETY GLASS - 24" X 30"
16	105004-01-05A	EA	MOLDING - VINYL WRAPPED - 1" X 96" - WATERFORD OAK
16	105004-01-08A	EA	MOLDING - VINYL WRAPPED - 1" X 96" - WASHED MAPLE
17	058331-08-000	EA	MIRROR - SAFETY GLASS - 24" X 30"
18	110235-01-01A	EA	LIGHT - MAKE UP - 3 BULB - 12 VOLT
19	M02630-30-GB1	EA	SHOWER PAN - W/SPRING LOADED DRAIN PLUNGER
20	075242-04-000	EA	FAUCET - TUB/SHOWER - BONE
	075606-01-000	EA	PANEL - PLASTIC - FAUCET BACK - 5" X 9"
21	104462-02-01A	EA	CADDY - SHOWER - OFF WHITE
22	131383-01-01A	EA	SHOWER HEAD - W/60" HOSE & BRACKET - IVORY - US
22	131383-02-01A	EA	SHOWER HEAD - W/60" HOSE & BRACKET - IVORY - CSA
23	115612-02-01A	EA	SURROUND - SHOWER - OFF WHITE
	117431-03-01A	EA	DOOR - SHOWER - PLEATED FABRIC

*COMPONENT PARTS FOUND IN SERVICE PARTS LIBRARY

BATH GROUP (CONTINUED)



SHOWER DOOR

KEY	PART NUMBER	U/M	DESCRIPTION
1	117431-03-01A	EA	DOOR - SHOWER - PLEATED FABRIC
2	117431-01-700	EA	TRACK - TOP - ALUM. IVORY INSERT - 48"
3	117431-01-701	EA	TRACK - BOTTOM - 48 "
4	117431-01-702	EA	RAIL - SIDE - 67"
5	117431-01-703	EA	RAIL - STATIONARY - 67"
6	117431-01-704	EA	RAIL - LEAD - 67"
7	117431-01-705	EA	GLIDE - IVORY - TRAVELER
8	117431-01-706	EA	GLIDE - IVORY LEAD - TRAVELER
9	117431-01-708	EA	HANDLES & SCREWS
	117431-01-707	EA	LATCH
	117431-03-700	EA	STRAP - VINYL SHOWER

BATH GROUP (CONTINUED)

BATH/BEDROOM PRIVACY DOOR

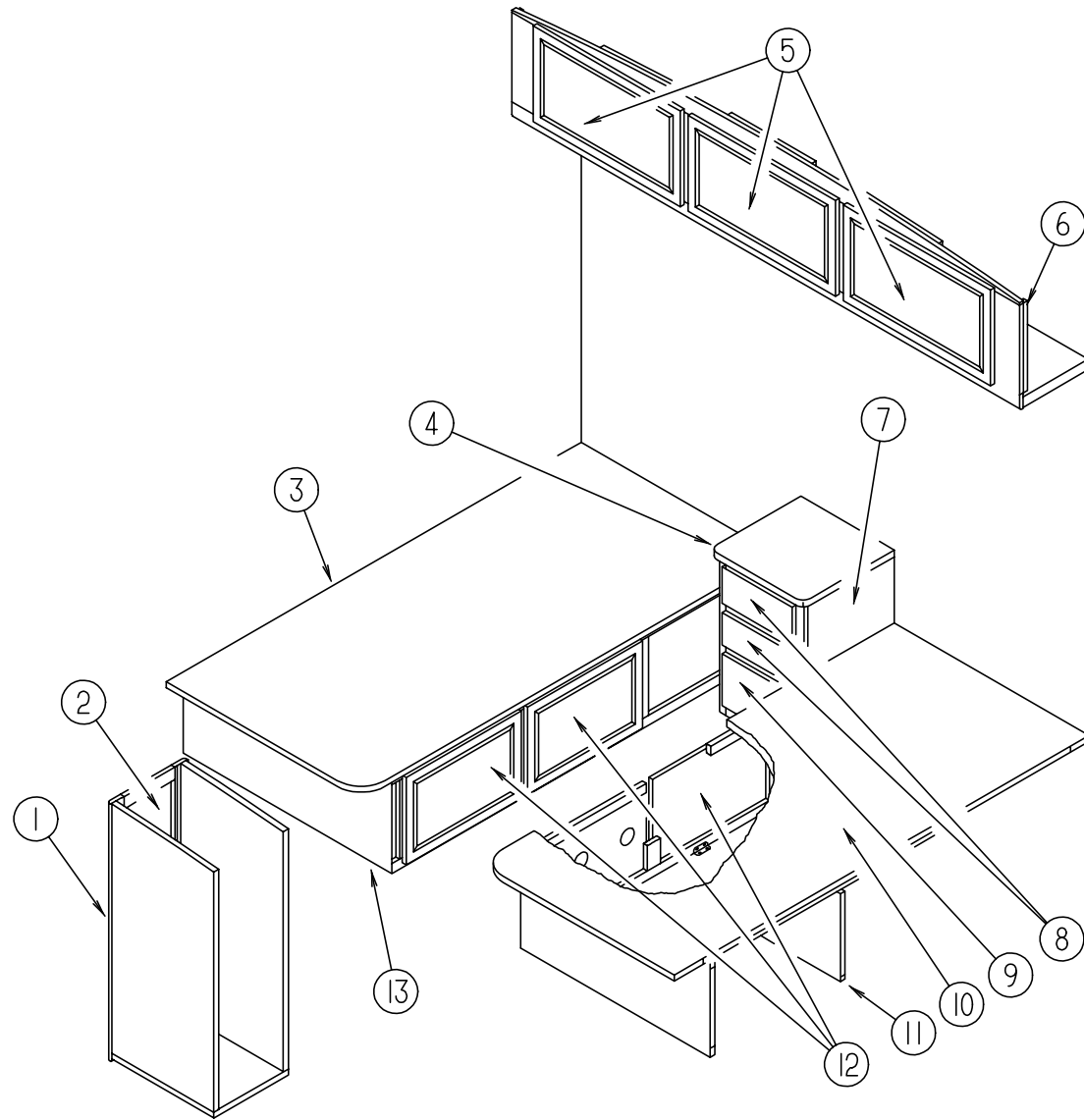
KEY	PART NUMBER	U/M	DESCRIPTION
	M87868-39-J22	EA	DOOR - BATH - 26.7" X 75.4" (OAK)
	M87868-39-J52	EA	DOOR - BATH - 26.7" X 75.4" (MAPLE)
	102920-01-01A	EA	HINGE/SPRING LOADED - BRASS
	110496-01-01A	EA	HINGE - BRASS
	124311-01-01A	EA	HANDLE - RECESSED - BRASS
	117978-01-01A	EA	KNOB - DOOR - BRIGHT BRASS

BATH DOOR

KEY	PART NUMBER	U/M	DESCRIPTION
	121449-31-H17	EA	DOOR - BATH (OAK)
	121449-31-J60	EA	DOOR - BATH (MAPLE)
	102920-01-01A	EA	HINGE/SPRING LOADED - BRASS
	110496-01-01A	EA	HINGE - BRASS
	111155-01-01A	EA	LOCK - PRIVACY/LOCKING - POLISHED BRASS
			FROM: 00-00-00 THRU: 01-03-99
	111155-03-01A	EA	LOCK - PRIVACY/LOCKING - POLISHED BRASS
			FROM: 01-04-99 THRU: 99-99-99
	121449-12-G04	EA	RACK - TOWEL - BATH DOOR (OAK)
	121449-12-J70	EA	RACK - TOWEL - BATH DOOR (MAPLE)
	100357-01-000	EA	ROD - F/TOWEL BAR - BRASS

BEDROOM GROUP

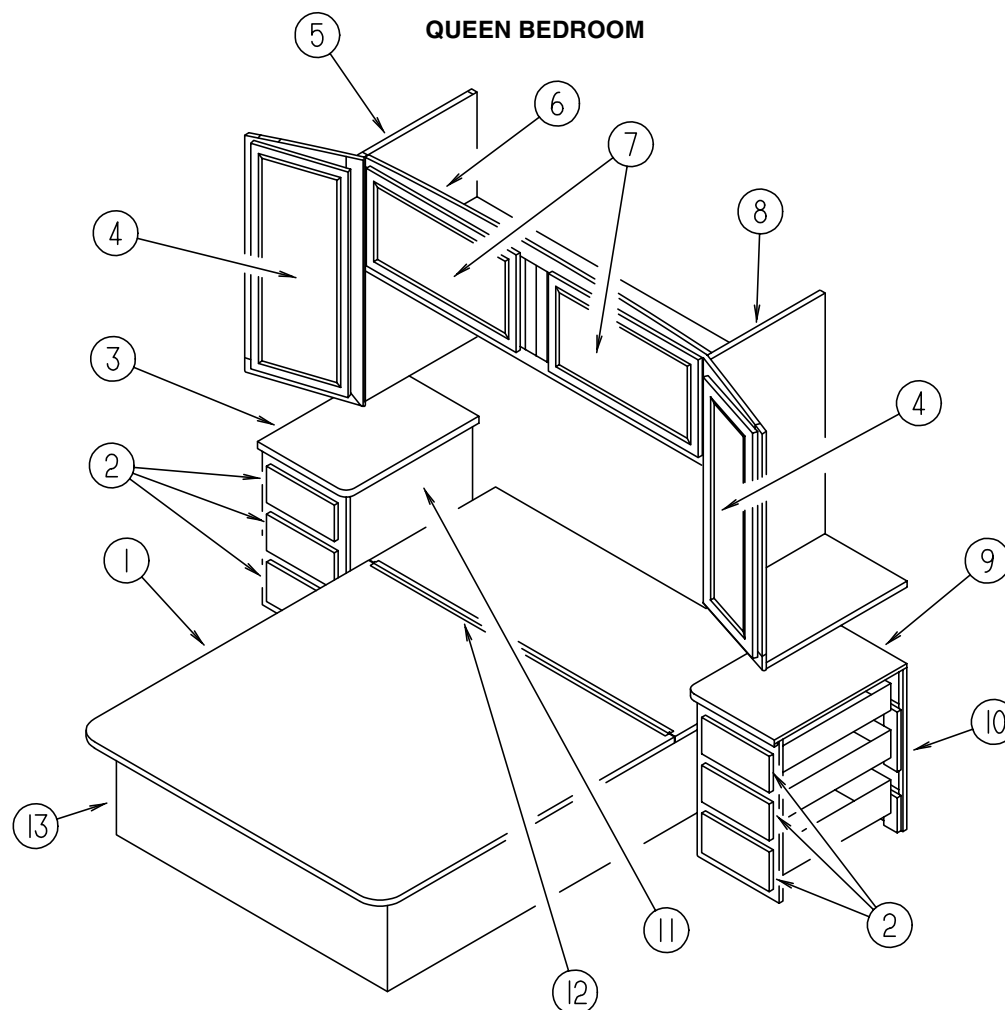
TWIN BEDROOM



KEY	PART NUMBER	U/M	DESCRIPTION
1	126529-01-J22	EA	CABINET - SHIRT CLOSET - W/O DOOR/HDW (OAK)
1	126529-01-J52	EA	CABINET - SHIRT CLOSET - W/O DOOR/HDW (MAPLE)
2	M05992-47-J20	EA	DOOR - STRAIGHT CORNER/OGEE EDGE - 12" X 39.9" - W/O HDW (OAK)
2	M05992-47-J52	EA	DOOR - STRAIGHT CORNER/OGEE EDGE - 12" X 39.9" - W/O HDW (MAPLE)
3	M08754-02-000	EA	TOP - TWIN BED/RIGHT HAND - W/O HARDWARE
4	129653-11-K28	EA	CTRTP - NIGHTSTAND (K58, K59, K64, K65, K26, K27)
4	129653-11-K32	EA	CTRTP - NIGHTSTAND (K62, K63)
5	M05992-48-J20	EA	DOOR - STRAIGHT CORNER/OGEE EDGE - 15.7" X 27.9" - W/O HDW (OAK)
5	M05992-48-J54	EA	DOOR - STRAIGHT CORNER/OGEE EDGE - 15.7" X 27.9" - W/O HDW (MAPLE)
6	116187-01-K16	EA	CABINET - OVERHEAD/REAR - W/O DOORS/HDW (OAK)
6	116187-01-K58	EA	CABINET - OVERHEAD/REAR - W/O DOORS/HDW (MAPLE)
7	129653-01-K58	EA	CABINET - NIGHTSTAND - W/CTRTP - W/O DRAWERS/HDW (K58, K64, K26)
7	129653-01-K28	EA	CABINET - NIGHTSTAND - W/CTRTP - W/O DRAWERS/HDW (K59, K65, K27)
7	129653-01-K62	EA	CABINET - NIGHTSTAND - W/CTRTP - W/O DRAWERS/HDW (K62)
7	129653-01-K32	EA	CABINET - NIGHTSTAND - W/CTRTP - W/O DRAWERS/HDW (K63)

KEY	PART NUMBER	U/M	DESCRIPTION
8	M09316-12-K28	EA	DRAWER - OGEE EDGE - 13.5"W X 11.8"D - W/O SLIDES/HDW (OAK)
8	M09316-12-K58	EA	DRAWER - OGEE EDGE - 13.5"W X 11.8"D - W/O SLIDES/HDW (MAPLE)
9	M09316-13-K28	EA	DRAWER - OGEE EDGE - 13.5"W X 11.8"D - W/O SLIDES/HDW (OAK)
9	M09316-13-K58	EA	DRAWER - OGEE EDGE - 13.5"W X 11.8"D - W/O SLIDES/HDW (MAPLE)
10	M08754-01-000	EA	TOP - TWIN BED/LEFT HAND - W/O HARDWARE
11	P26435-02-K28	EA	CABINET - BASE/TWIN BED - LEFT HAND - W/O DOOR/HDW (OAK)
11	P26435-02-K58	EA	CABINET - BASE/TWIN BED - LEFT HAND - W/O DOOR/HDW (MAPLE)
12	M05992-BT-K28	EA	DOOR - STRAIGHT CORNER/OGEE EDGE - 12" X 21.8" - W/O HDW (OAK)
12	M05992-BT-K58	EA	DOOR - STRAIGHT CORNER/OGEE EDGE - 12" X 21.8" - W/O HDW (MAPLE)
13	P26436-01-J22	EA	CABINET - BASE - TWIN BED/RIGHT HAND - W/O DOORS/HDW (OAK)
13	P26436-01-J52	EA	CABINET - BASE - TWIN BED/RIGHT HAND - W/O DOORS/HDW (MAPLE)
	096764-02-000	FT	SLIPNOT - ANTISLIP - 1' WIDE (100' ROLLS)

BEDROOM GROUP (CONTINUED)

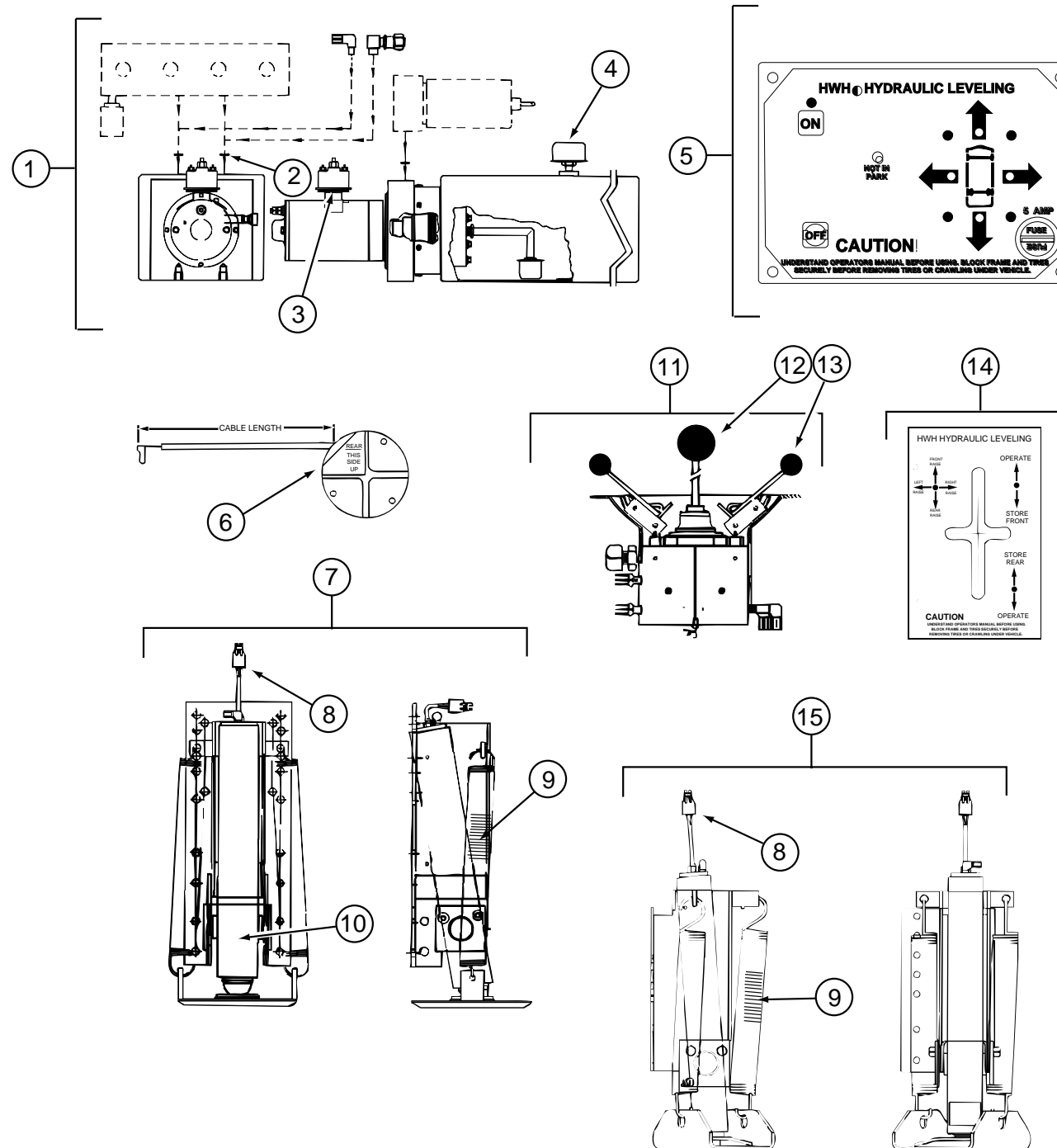


KEY	PART NUMBER	U/M	DESCRIPTION
1	M08093-05-K28	EA	TOP - QUEEN BED - W/O HDW
2	M09316-14-K28	EA	DRAWER - OGEE EDGE - 10.7"W X 19.7"D - W/O SLIDES/HDW (OAK)
2	M09316-14-K58	EA	DRAWER - OGEE EDGE - 10.7"W X 19.7"D - W/O SLIDES/HDW (MAPLE)
3	129251-19-K28	EA	CTRTP - NIGHTSTAND (K58, K59, K64, K65, K26, K27)
3	129251-19-K32	EA	CTRTP - NIGHTSTAND (K62, K63)
4	M06803-R5-K28	EA	DOOR - MIRROR/MTRD CRNR/OGEE EDGE - 14.3" X 36.4" - W/O HDW (OAK)
4	M06803-R5-J54	EA	DOOR - MIRROR/MTRD CRNR/OGEE EDGE - 14.3" X 36.4" - W/O HDW (MAPLE)
5	116142-01-J22	EA	CABINET - SHIRT CLOSET - RIGHT HAND - W/O DOOR/HDW (OAK)
5	116142-01-J54	EA	CABINET - SHIRT CLOSET - RIGHT HAND - W/O DOOR/HDW (MAPLE)
6	106523-01-G09	EA	CABINET - OVERHEAD REAR - W/O DOORS/HDW (OAK)
6	106523-01-J60	EA	CABINET - OVERHEAD REAR - W/O DOORS/HDW (MAPLE)
7	M05992-48-J20	EA	DOOR - STRAIGHT CORNER/OGEE EDGE - 15.7" X 27.9" - W/O HDW (OAK)
7	M05992-48-J54	EA	DOOR - STRAIGHT CORNER/OGEE EDGE - 15.7" X 27.9" - W/O HDW (MAPLE)
8	116142-02-J22	EA	CABINET - SHIRT CLOSET - LEFT HAND - W/O DOOR/HDW (OAK)
8	116142-02-J60	EA	CABINET - SHIRT CLOSET - LEFT HAND - W/O DOOR/HDW (MAPLE)
9	129251-20-K28	EA	CTRTP - NIGHTSTAND (K58, K59, K64, K65, K26, K27)
9	129251-20-K32	EA	CTRTP - NIGHTSTAND (K62, K63)

KEY	PART NUMBER	U/M	DESCRIPTION
10	129251-08-K58	EA	CABINET - NIGHTSTAND/LH - W/CTRTP - W/O HDW (K58, K64, K26)
10	129251-08-K29	EA	CABINET - NIGHTSTAND/LH - W/CTRTP - W/O HDW (K59, K65, K27)
10	129251-08-K62	EA	CABINET - NIGHTSTAND/LH - W/CTRTP - W/O HDW (K62)
10	129251-08-K63	EA	CABINET - NIGHTSTAND/LH - W/CTRTP - W/O HDW (K63)
11	129251-07-K28	EA	CABINET - NIGHTSTAND/RH - W/CTRTP - W/O HDW (K58, K64, K26)
11	129251-07-K29	EA	CABINET - NIGHTSTAND/RH - W/CTRTP - W/O HDW (K59, K65, K27)
11	129251-07-K62	EA	CABINET - NIGHTSTAND/RH - W/CTRTP - W/O HDW (K62)
11	129251-07-K63	EA	CABINET - NIGHTSTAND/RH - W/CTRTP - W/O HDW (K63)
12	041389-25-000	EA	HINGE - PIANO - 1.50" X 55"
13	P29654-01-K28	EA	CABINET - BASE/QUEEN BED (OAK)
13	P29654-01-K58	EA	CABINET - BASE/QUEEN BED (MAPLE)
	107796-06-000	EA	SPRING/GAS - 12" COMPRESSED/20" EXTENDED - 120 LB.
	126263-06-02B	EA	BRACKET - GAS SPRING - E-COATED (UPPER)
	126263-08-02B	EA	BRACKET - GAS SPRING - LOWER - E-COATED
	097872-04-000	EA	DOWEL - WOOD - 1" DIAMETER X 1.38" LONG
	091952-01-000	EA	CLIP - GRIPPER - 1"

CHASSIS GROUP (CONTINUED)

HWH HYDRAULIC LEVELING SYSTEM (AP15570) (CHEVY)

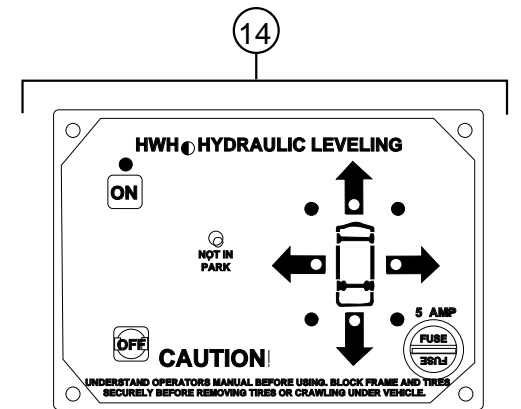
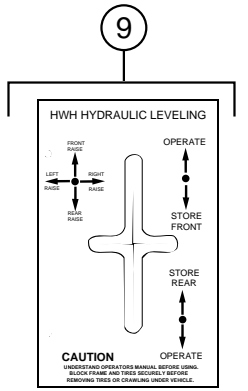
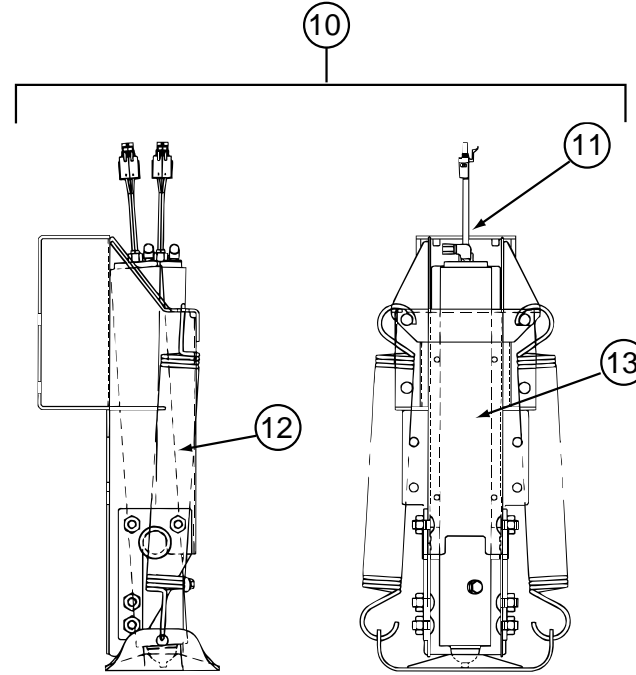
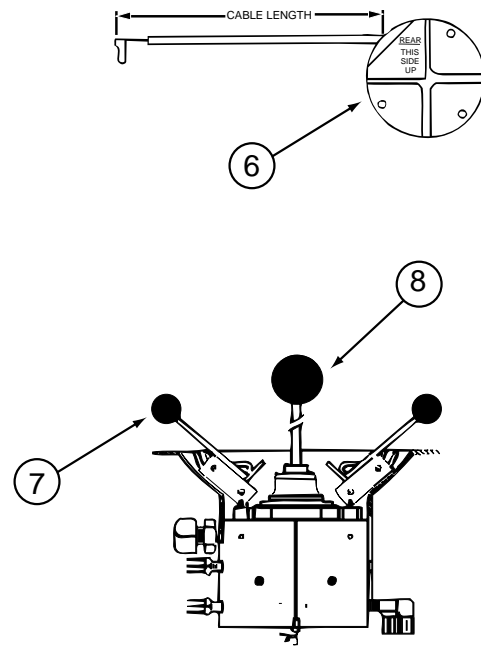
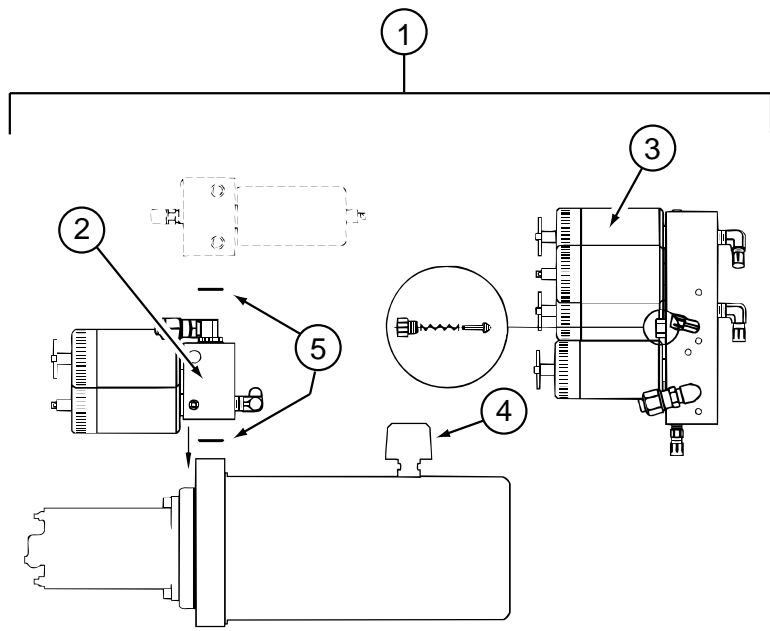


KEY	PART NUMBER	U/M	DESCRIPTION	VENDOR NO.
	100532-42-000	EA	LEVELING SYSTEM - HYDRAULIC	
1	100532-01-713	EA	PUMP - RESERVOIR ASM. - MONARCH	RAP90014
2	100532-03-723	EA	O-RING - SEAL KIT	RAP9171
3	100532-09-710	EA	SOLENOID - INTERMITTENT DUTY	RAP0533
4	100532-03-715	EA	CAP - BREATHER W/DIPSTICK	RAP7876
5	100532-08-703	EA	PANEL ASM. - 200 BI-AXIS SYS.	RAP9755
6	100532-03-710	EA	SENSING UNIT 21' MTA	RAP6798
7	100532-18-700	EA	JACK - 9K STRAIGHT ACTING	RAP90177
8	100532-12-706	EA	SWITCH - WARNING - MAGNETIC	RAP1008
9	100532-12-707	EA	SPRING KIT	R3847
10	100532-32-702	EA	CYLINDER ONLY F/9000 LB JACK	RAP1927
11	100532-08-702	EA	VALVE - BI-AXIS	RAP9589
12	100532-08-705	EA	KNOB - 3/4" BLACK - SET OF FOUR	RAP1379

KEY	PART NUMBER	U/M	DESCRIPTION	VENDOR NO.
13	100532-08-706	EA	KNOB - 1 3/16" BLACK	RAP9734
14	100532-08-707	EA	BEZEL W/GASKET - F/SYSTEM 200	RAP9592
15	100532-42-700	EA	JACK - DRIVERS - 6K	RAP90245
15	100532-42-701	EA	JACK - PASSENGER - 6K	RAP90246
	100532-08-700	EA	POWER UNIT ASM.	AP10470
	100532-32-701	EA	BUZZER - JACK DOWN WARNING	RAP0325
	100536-11-000	EA	HOSE KIT - HWH #AP0013	
	107890-01-000	EA	ELBOW - STEEL - 90 D - 1/4 X 37 D - FLARE	
	117183-01-02B	EA	COVER - SENSOR - LEVELING	
	120916-01-02B	EA	BRACKET - PUMP - LEVELING SYSTEM	
	121177-01-02B	EA	BRACKET - PASS REAR LEVEL JACK (STRAIGHT)	
	121177-02-02B	EA	BRACKET - DRVR REAR LEVEL JACK (STRAIGHT)	
	128285-01-000	EA	JACK/CROSSMEMBER ASSEMBLY - FRONT - CHEVY	

CHASSIS GROUP (CONTINUED)

HWH HYDRAULIC LEVELING SYSTEM (AP15569) (FORD)

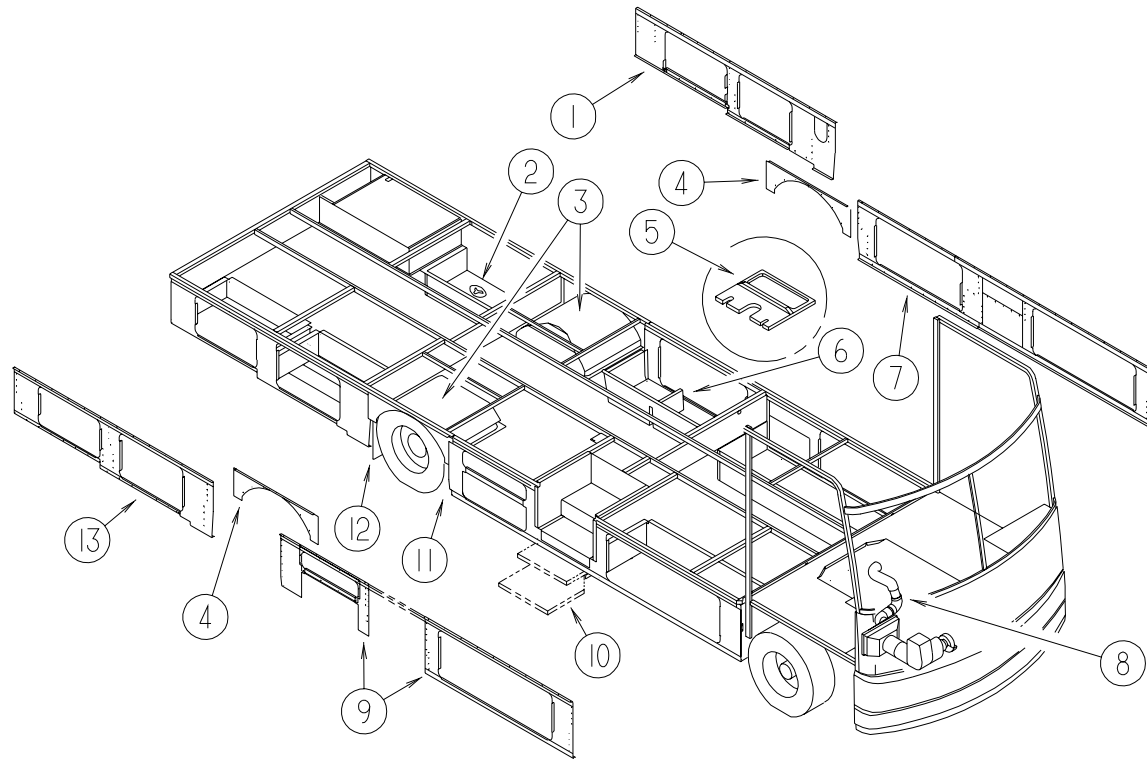


KEY	PART NUMBER	U/M	DESCRIPTION
	100532-51-000	EA	LEVELING SYSTEM - HYDRAULIC
1	100532-01-713	EA	PUMP - RESERVOIR ASM. - MONARCH
2	100532-09-710	EA	SOLENOID - INTERMITTENT DUTY
3	100532-08-702	EA	VALVE - BI-AXIS
4	100532-03-715	EA	CAP - BREATHER W/DIPSTICK
5	100532-03-723	EA	O-RING/SEAL KIT
6	100532-03-710	EA	SENSING UNIT 21' MTA
7	100532-08-705	EA	KNOB - 3/4" BLACK - SET OF FOUR
8	100532-08-706	EA	KNOB - 1 3/16" BLACK
9	100532-08-707	EA	BEZEL W/GASKET - F/SYSTEM 200
10	100532-51-700	EA	JACK - 6K STRAIGHT ACTING
11	100532-12-706	EA	SWITCH - WARNING/MAGNETIC
12	100532-12-707	EA	SPRING KIT
13	100532-53-700	EA	CYLINDER ASM. - 9K

VENDOR NO.
RAP90014
RAP0533
RAP9589
RAP7876
RAP9171
RAP6798
RAP1379
RAP9734
RAP9592
RAP90502
RAP1008 / RAP90496
R3847
RAP90491

KEY	PART NUMBER	U/M	DESCRIPTION	VENDOR NO.
14	100532-08-703	EA	PANEL ASM. - 200 BI-AXIS SYS.	RAP9755
	100532-32-703	EA	BUZZER - JACK WARNING	RAP90403
	100532-45-700	EA	CYLINDER W/O FOOT - 6K X 13"	RAP90490
	100532-47-701	EA	VALVE - BI-AXIS - W/O LEVERS	RAP0367
	100536-11-000	EA	HOSE KIT - HWH #AP0013	
	100536-09-701	EA	HOSE - HYDRAULIC - 60"	RAP4073
	100536-10-700	EA	HOSE - HYDRAULIC - 84"	RAP1412
	100536-14-701	EA	HOSE - HYDRAULIC - 108"	RAP4074
	100536-25-701	EA	HOSE - HYDRAULIC - 312"	RAP5216
	100536-37-701	EA	HOSE - HYDRAULIC - 336"	RAP5561
	107890-01-000	EA	ELBOW - STEEL - 90 D - 1/4 X 37 D -	FLARE
	117183-01-02B	EA	COVER - SENSOR - LEVELING	
	128571-03-000	EA	JACK ASSEMBLY - REAR LEVELING - W/CROSSMEMBER - MANUAL	
	100532-12-706	EA	SWITCH - WARNING/MAGNETIC	RAP1008 / RAP90496
	100532-12-707	EA	SPRING KIT	R3847
	100532-53-700	EA	CYLINDER ASM. - 9K	RAP90491

CHASSIS GROUP (CONTINUED)

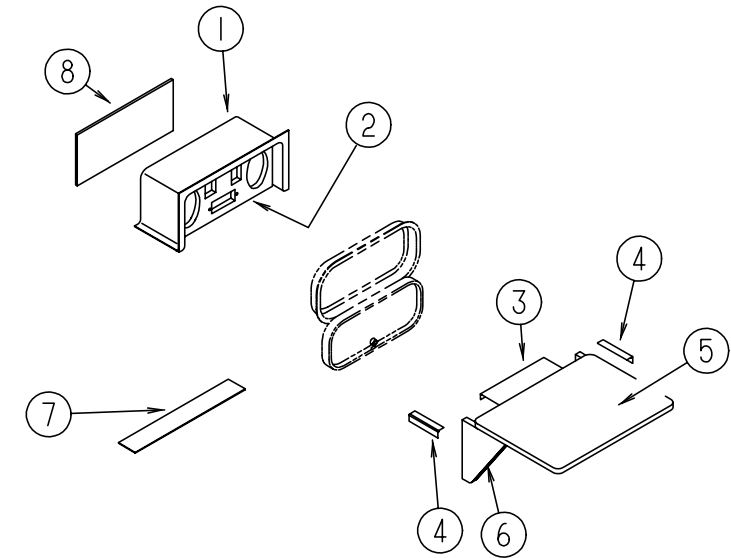


COMPARTMENTS & TRAYS

KEY	PART NUMBER	U/M	DESCRIPTION
1	125954-17-02B	EA	PANEL/SEAL PLANE
2	129015-01-K80	EA	PORT COMPLETE - F/ELECTRICAL/DRAIN
2	121175-02-01A	EA	LATCH - SWELL
3	055374-03-000	EA	WHEELWELL - PLASTIC
4	107576-03-000	EA	PANEL/SEAL PLANE - WHEEL WELL
5	M06991-05-G38	EA	HATCH/COMPARTMENT - W/FOAMED INSULATION
5	121175-01-01A	EA	LATCH - SWELL - BLACK
6	114676-04-G38	EA	COMPARTMENT - STORAGE - 14.4" X 48.9"
7	129608-16-02B	EA	PANEL/SEAL PLANE
8	123361-01-000	EA	DUCT - AIR INTAKE
9	129608-15-02B	EA	PANEL/SEAL PLANE
10*	094707-01-01A	EA	STEP - DOUBLE - ELECTRIC - KWIKEE
			FROM: 00-00-00 THRU: 01-13-99
10*	094707-03-01A	EA	STEP - DOUBLE - ELECTRIC - KWIKEE
			FROM: 01-14-99 THRU: 99-99-99
	116995-01-000	EA	SWITCH/MAGNET - ELECTRIC STEP
			FROM: 00-00-00 THRU: 01-13-99
	116995-02-000	EA	SWITCH/MAGNET - ELECTRIC STEP
			FROM: 01-14-99 THRU: 99-99-99
	104452-03-000	EA	SUPPORT - STEP
11	020167-05-000	EA	DIRT GUARD - STEEL - 14.9" LONG
12	020167-08-000	EA	DIRT GUARD - STEEL - 13.6" LONG
12	017516-01-000	EA	MUD FLAP - 14" X 18" - BLACK
13	125954-15-02B	EA	PANEL/SEAL PLANE
	065450-05-000	EA	TIEDOWN - BATTERY - 8.4" TUBE
	120867-01-02B	EA	MOUNT - LP TANK
	113452-01-000	FT	SEAL/TRIM - FRONT - VINYL W/WIRE CARRIER
	061420-10-000	EA	PLUG/PLASTIC - 1.50" DIAMETER - BLACK
	119845-01-01A	EA	PLUG - PLASTIC - BLACK

*COMPONENT PARTS FOUND IN SERVICE PARTS LIBRARY

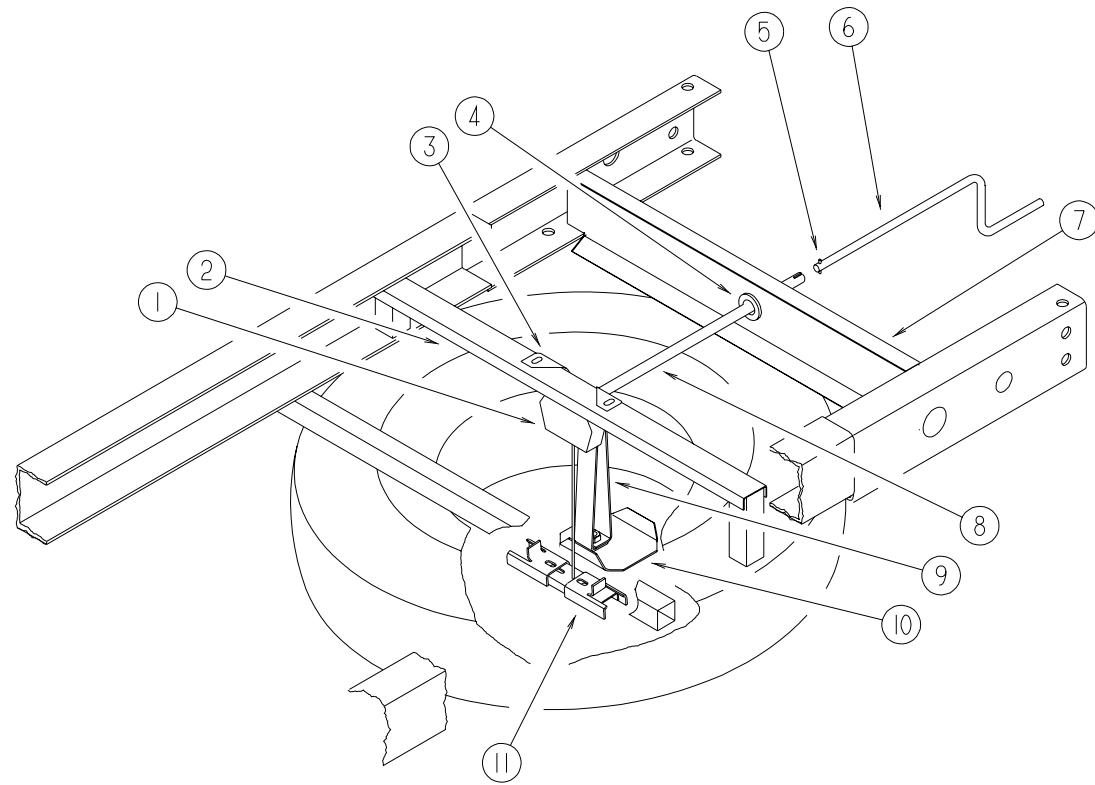
CHASSIS GROUP (CONTINUED)



COMPARTMENT (ENTERTAINMENT CENTER)

KEY	PART NUMBER	U/M	DESCRIPTION
1	124696-01-01A	EA	BOX - ENTERTAINMENT CENTER - EXTERIOR
2	127409-02-J01	EA	PLATE - RADIO MOUNTING
3	105377-01-04A	EA	BRACKET - TABLE HANGER - BRIGHT WHITE
4	105376-01-03A	EA	HINGE - CONTINUOUS - 2" X 5.5" - BRIGHT WHITE
5	105230-11-J01	EA	SHELF - EXTERIOR ENTERTAINMENT CENTER - W/O HARDWARE
6	105230-12-J01	EA	SUPPORT - EXTERIOR SHELF
7	104898-01-02A	EA	PLATE - PLASTIC BOTTOM - BRIGHT WHITE
8	104898-02-02A	EA	PLATE - PLASTIC BACK - BRIGHT WHITE

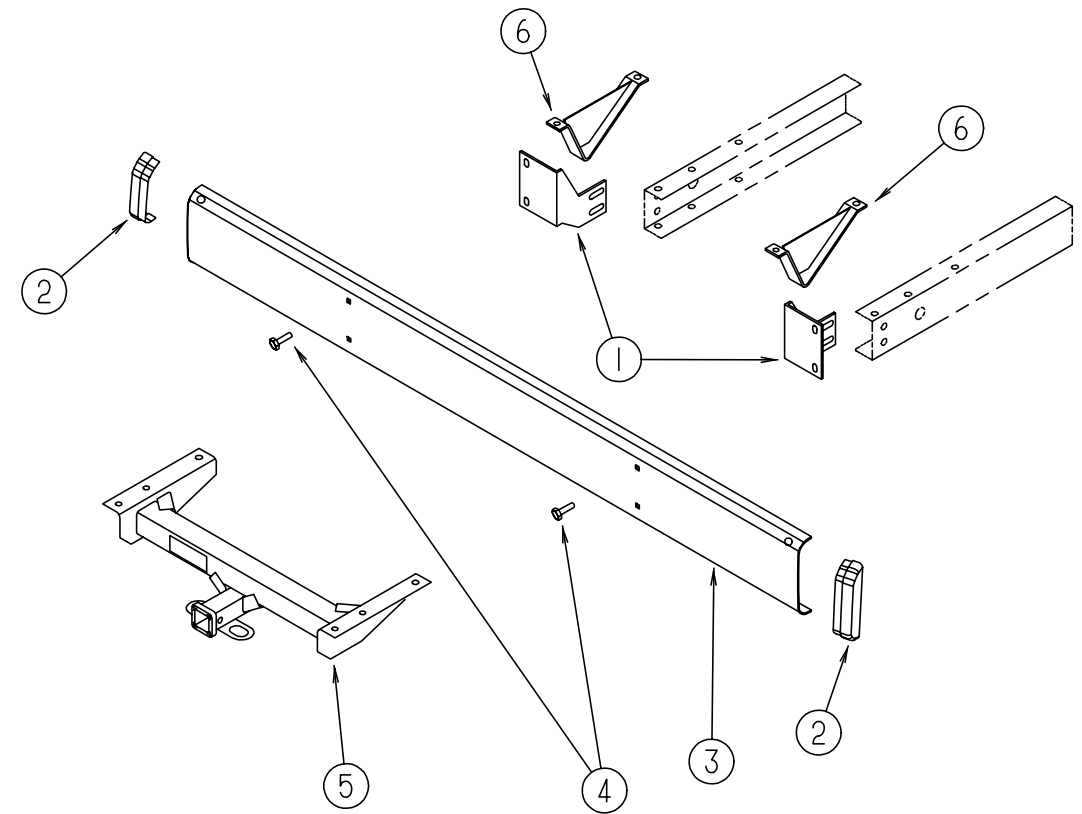
CHASSIS GROUP (CONTINUED)



SPARE TIRE & HOIST

KEY	PART NUMBER	U/M	DESCRIPTION
1	093267-03-000	EA	HOIST - SPARE TIRE - 100#
2	093362-06-000	EA	CHANNEL - TIRE HOIST
3	124751-01-02B	EA	HANGER - SPARE TIRE - E-COATED
4	071015-11-000	EA	GROMMET - 1" ID
5	114376-01-000	EA	PIN - DRIVE - .156 X .750 - TYPE E - TIRE HOIST
6	093376-02-000	EA	HANDLE - CRANK - TIRE HOIST
7	129006-01-02B	EA	SUPPORT/FRAME - TIRE CARRIER HANDLE (FORD)
7	129006-02-02B	EA	SUPPORT/FRAME - TIRE CARRIER HANDLE (CHEVY)
8	093375-05-000	EA	EXTENSION - TIRE HOIST
9	129086-01-02B	EA	SUPPORT - SPARE TIRE
10	129085-01-02B	EA	PLATE - SUPPORT - SPARE TIRE
11	105499-01-000	EA	BRACKET - TIRE HOIST
	077030-02-000	EA	EXTENSION - VALVE STEM - 1.25"
	077030-05-000	EA	EXTENSION - VALVE STEM - 95 DEGREE
	077030-06-000	EA	EXTENSION - VALVE STEM - 45 DEGREE
	095012-10-000	EA	EXTENSION - VALVE STEM - 8.5"

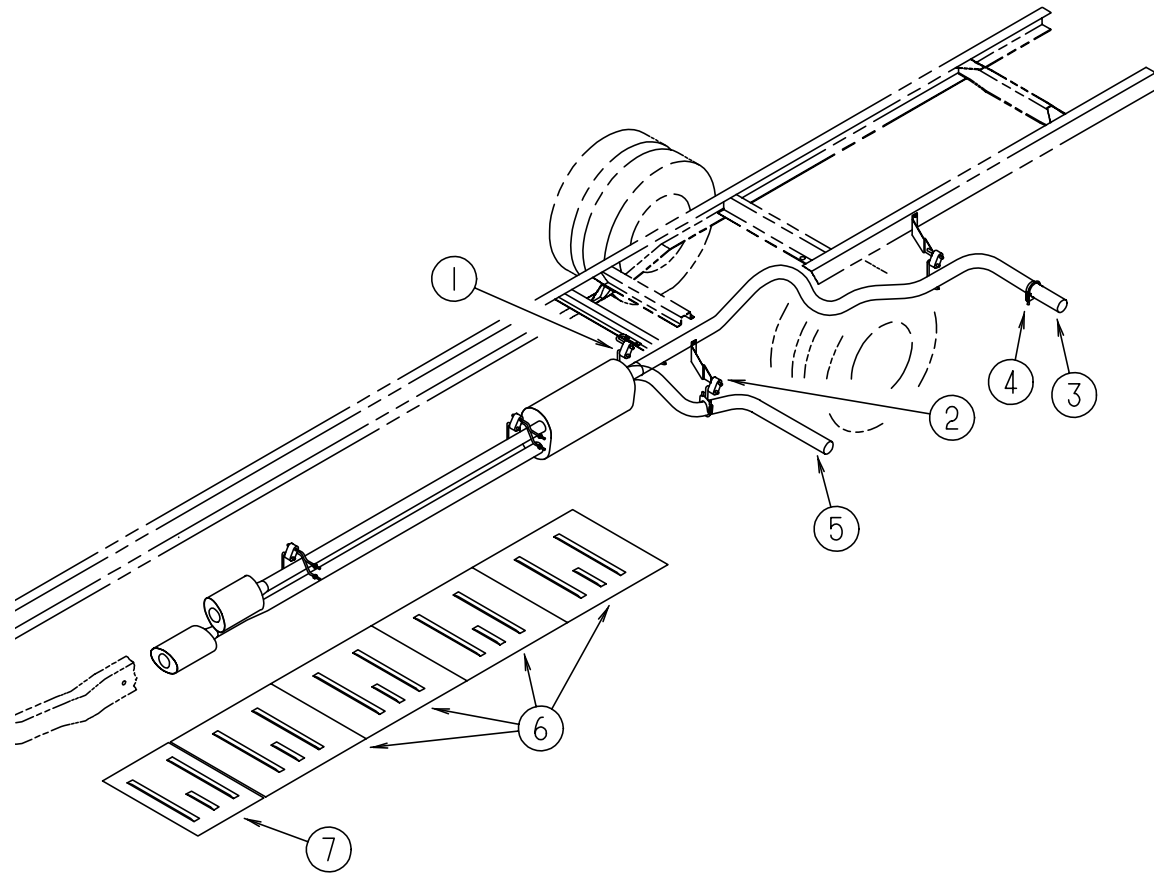
CHASSIS GROUP



REAR BUMPER & COMPONENTS

KEY	PART NUMBER	U/M	DESCRIPTION
1	104418-07-000	EA	ANGLE - BUMPER REAR SUPPORT
2	103228-01-05A	EA	END CAP - REAR BUMPER - DRIVER/ PASSENGER SIDE
3	103099-10-02A	EA	BUMPER - REAR - BRIGHT WHITE
4	102333-01-05A	EA	BOLT - CARRIAGE - 7/16 - 14 STAINLESS STEEL CAP
5	130339-02-000	EA	HITCH RECEIVER - BOLT ON CLASS III
6	111742-01-000	EA	PLATE - SKID
	113589-01-000	EA	CONNECTOR - PLUG - TRAILER
	113589-02-000	EA	CONNECTOR - SOCKET - TRAILER
	113588-01-01B	EA	BRACKET - CONNECTOR - TRAILER W/LIP

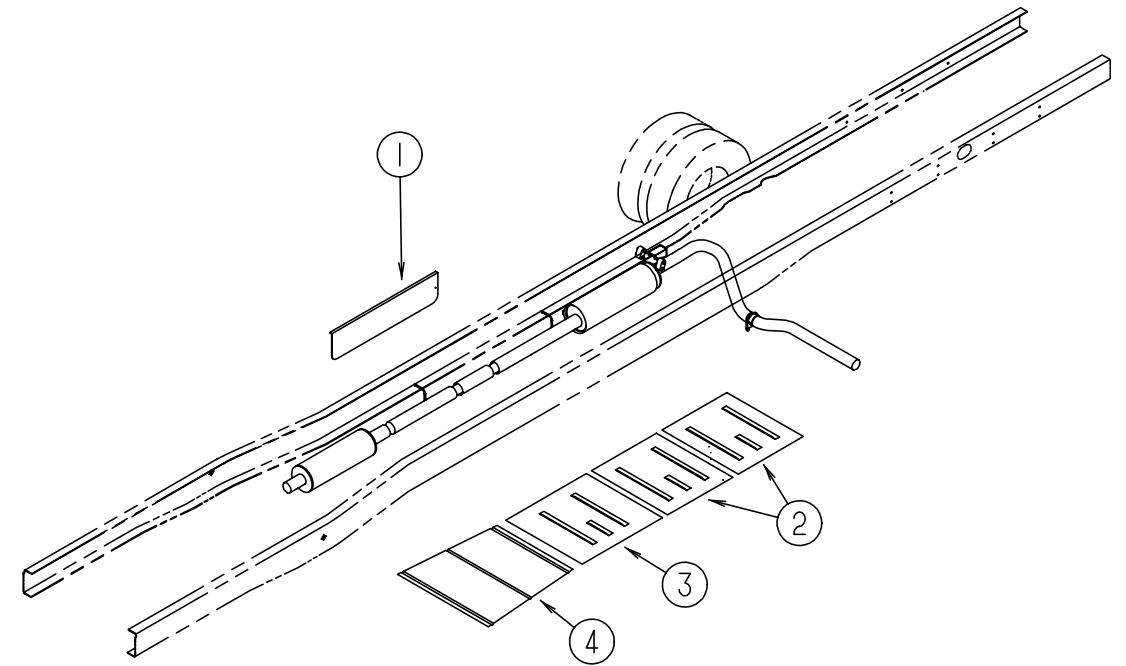
CHASSIS GROUP (CONTINUED)



EXHAUST SYSTEM (CHEVY)

KEY	PART NUMBER	U/M	DESCRIPTION
1	122392-01-02B	EA	HANGER - TAILPIPE
2	122392-03-02B	EA	HANGER - TAILPIPE - REAR
3	098762-11-000	EA	PIPE - EXHAUST - STRAIGHT - 3"
4	094918-01-000	EA	CLAMP - EXHAUST - 3" - GUILLOTINE STYLE
5	122529-02-000	EA	PIPE - EXHAUST
6	101544-02-000	EA	SHIELD - HEAT/EXHAUST - 30" X 29.1"
7	101544-01-000	EA	SHIELD - HEAT/EXHAUST - 19.7" X 29.1"

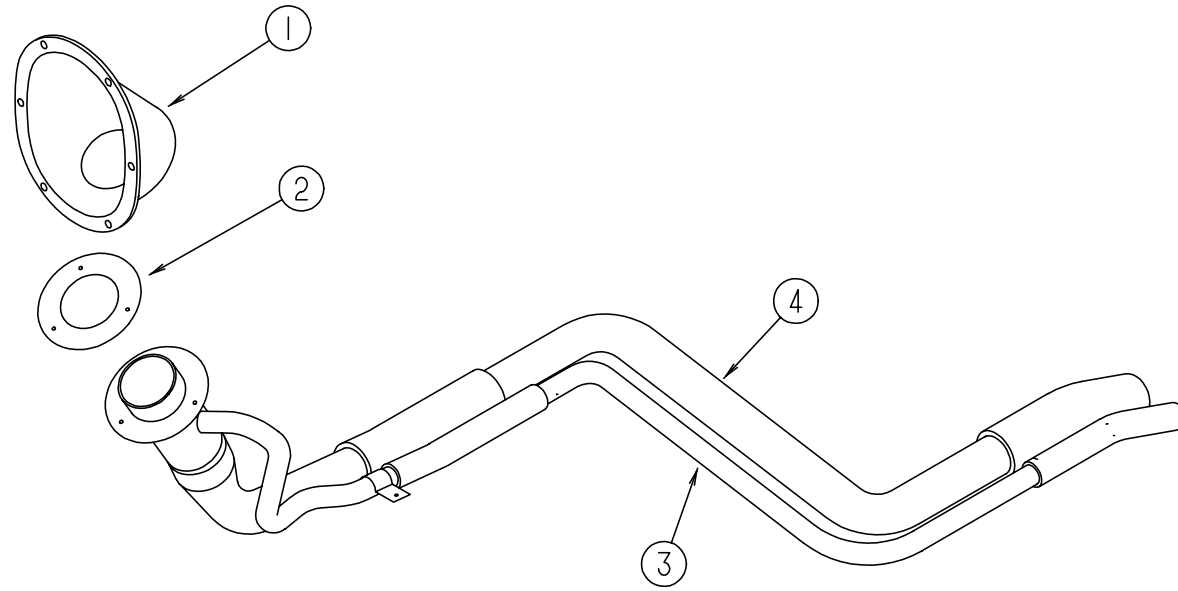
CHASSIS GROUP (CONTINUED)



EXHAUST SYSTEM (FORD)

KEY	PART NUMBER	U/M	DESCRIPTION
1	075307-03-000	EA	SHIELD - HEAT - LP
1	053322-10-000	EA	SHIELD - HEAT - EXHAUST - 48" X 7.5" - STEEL FROM: 00-00-00 THRU: 10-18-98
2	101544-01-000	EA	SHIELD - HEAT/EXHAUST - 19.7" X 29.1" FROM: 10-19-98 THRU: 99-99-99
3	101544-02-000	EA	SHIELD - HEAT/EXHAUST - 30" X 29.1"
4	128756-01-02B	EA	SHIELD - HEAT EXHAUST - E-COATED

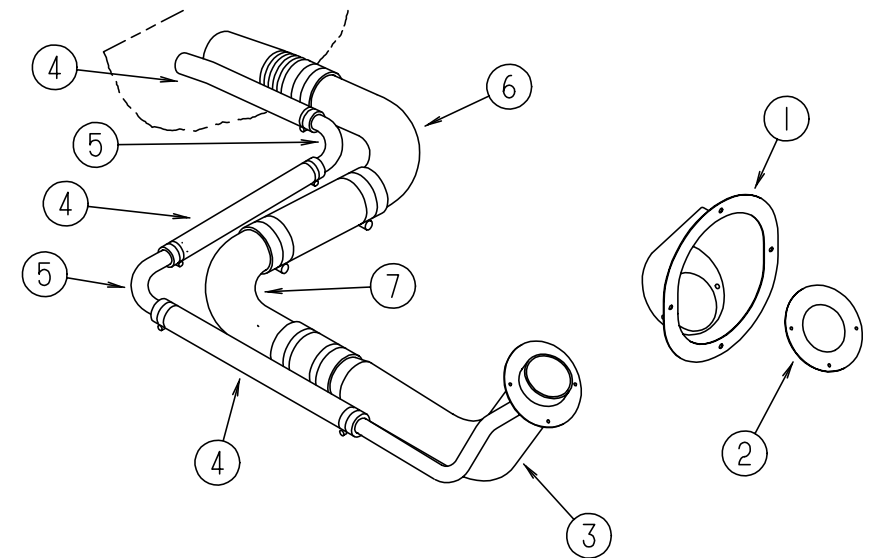
CHASSIS GROUP (CONTINUED)



FUEL SYSTEM (FORD)

KEY	PART NUMBER	U/M	DESCRIPTION
1	127291-02-01A	EA	SHROUD - FUEL FILL - BRIGHT WHITE
2	078200-01-000	EA	GASKET - FUEL FILL - 3.5"OD X 2"ID
3	129320-06-000	EA	PIPE - FILL VENT
4	129321-06-000	EA	TUBE - FUEL INLET
	128139-03-000	FT	HOSE - FUEL - LOW PERMEABILITY - 1/4" DIAMETER
	092889-14-000	EA	FUEL LINE - SUPPLY - GENERATOR - 1/4" X 92.7" - STEEL
			FROM: 00-00-00 THRU: 07-23-98
	092889-41-000	EA	FUEL LINE - SUPPLY - GENERATOR - 1/4" X 54.5" - STEEL
			FROM: 07-24-98 THRU: 99-99-99
	007063-01-000	FT	HOSE - FUEL - 1/4"ID X 1/2"OD

CHASSIS GROUP (CONTINUED)



FUEL SYSTEM (CHEVY)

KEY	PART NUMBER	U/M	DESCRIPTION
1	127291-01-01A	EA	SHROUD - FUEL FILL - BRIGHT WHITE
2	078200-01-000	EA	GASKET - FUEL FILL - 3.5"OD X 2"ID
3	127301-03-000	EA	NECK - FUEL FILL
4	128139-02-000	FT	HOSE - FUEL - LOW PERMEABILITY - 5/8" DIAMETER
5	098806-01-000	EA	PIPE - FILL VENT - 90 DEGREE BEND - .625" OD - STEEL
6	098807-01-000	EA	PIPE - FUEL FILL - 90 DEGREE BEND - 6.6" - 1 3/4" OD
7	098803-01-000	EA	PIPE - FUEL FILL - 90 DEGREE BEND - 13.2" - 1 3/4" OD
	007063-01-000	FT	HOSE - FUEL - 1/4"ID X 1/2"OD
	092889-34-000	EA	FUEL LINE - SUPPLY - GENERATOR - 1/4" X 87.8" - STEEL
	084884-01-000	EA	PLUG - BRASS - 3/8
	068382-06-000	EA	BUSHING - BRASS - 3/8 MPT X 1/8 FPT
	114254-01-000	EA	ADAPTER - 1/4 BARB X 1/8 MPT

CHASSIS GROUP (CONTINUED)

WHEEL LINERS, (FORD 19.5")

KEY	PART NUMBER	U/M DESCRIPTION	VENDOR NO.
	077030-05-000	EA EXTENSION - VALVE STEM - 95 DEGREE FROM: 00-00-00 THRU: 11-23-98	
	077030-04-000	EA EXTENSION - VALVE STEM - .75" FROM: 11-24-98 THRU: 99-99-99	
	077030-06-000	EA EXTENSION - VALVE STEM - 45 DEGREE	
	095012-07-000	EA STABILIZER - VALVE EXTENSION	
	095012-10-000	EA EXTENSION - VALVE STEM - 8.5" FROM: 00-00-00 THRU: 11-23-98	
	095012-09-000	EA EXTENSION - VALVE STEM - 7.7" FROM: 11-24-98 THRU: 99-99-99	
	110435-15-000	EA LINER - WHEEL SET/4 - 19.5"	
	110435-10-705	EA TOOL - INSTALLATION	V195P7-TOL
	110435-15-700	EA LINER - WHEEL - FRONT	V195F9-FWC
	110435-15-701	EA LINER - WHEEL - REAR	V195F9-RWC
	110435-15-702	EA NUT - JAM - ENCLOSED - 14M	V195F9-EJN

WHEEL COVERS, DICOR (FORD 19.5")

KEY	PART NUMBER	U/M DESCRIPTION	VENDOR NO.
	109443-07-000	EA WHEEL COVER - 4/SET - 19.5"	
	109443-01-703	EA CAP - CENTER - HUB - DICOR	SHAU95-CAP
	109443-07-700	EA COVER/WHEEL - FRONT/REAR 8 LUG	SHAF95-COV
	109443-07-701	EA BRACKET SET - FRONT	SHAF95-FBS
	109443-07-702	EA BRACKET SET - REAR	SHAF95-RBS
	098532-01-700	EA COVER - LUG NUT (CHROME) SHAU-LNC	

FORD TIRE & WHEEL

KEY	PART NUMBER	U/M DESCRIPTION
	051377-04-000	EA VALVE STEM
	102340-04-000	EA TIRE - 245/70R X 19.5F - GOODYEAR
	118814-04-700	EA WHEEL/TAKE OFF (19.5X6.75RW) 8 BOLT ACCURIDE F53

CHASSIS GROUP (CONTINUED)

WHEEL LINERS (CHEVY)

KEY	PART NUMBER	U/M DESCRIPTION	VENDOR NO.
	110435-10-000	EA LINER - WHEEL - SET 4 - 19.5"	
	110435-10-700	EA LINER - WHEEL - FRONT - 1 PC	V195P7-FWC
	110435-10-701	EA LINER - WHEEL - REAR - 1 PC.	V195P7-RWC
	110435-10-702	EA COVER - LUG - NUT/JAMB NUT	V195P7-EJN
	110435-10-703	EA STUD - PLASTIC	V195P7-PST
	110435-10-704	EA JAMB NUT - PLASTIC/LNC	V195P7-PJN
	110435-10-705	EA TOOL - INSTALLATION	V195P7-TOL

WHEEL COVERS, DICOR (CHEVY)

KEY	PART NUMBER	U/M DESCRIPTION	VENDOR NO.
	109443-06-000	EA WHEEL - COVER - 4/SET - 19.5"	
	109443-01-700	EA COVER - WHEEL 19.5 FRT/RR EA=1	SHAG95
	109443-01-701	EA BRACKET - RETENTION FRONT	SHAG95-FBS
	109443-01-703	EA CAP - CENTER - HUB - DICOR	SHAU95-CAP
	109443-01-704	EA CLIP - RETAINER	V160GM-PNT
	109443-06-701	EA BRACKET - RETENTION REAR	SHG795-RBS

SHOCK ABSORBER (CHEVY)

KEY	PART NUMBER	U/M DESCRIPTION	VENDOR NO.
	122756-02-000	EA SHOCK AND STABILIZER (BLUE BOOT) KIT - FRONT END P30 CHASS	
	122756-02-700	EA BRACKET ASM - DRIVER SIDE	T818L
	122756-02-701	EA BRACKET ASM - PASSENGER SIDE	T818R
	122756-02-704	EA BOLT PACKAGE -BOLTS/NUTS ETC	T818B
	122756-02-705	EA SHOCK	T818SH
	122756-02-706	EA STUD - SHOCK MOUNTING	T818S
	122756-02-707	EA DAMPNER - STEERING	T818SD
	122756-02-708	EA BOOT - DAMPNER	T818SDB
	122756-02-709	EA BUSHING PKG-STEERING DAMPNER	T818SDBSH
	122756-02-710	EA BOLT PKG - STEERING DAMPNER	T818SBS

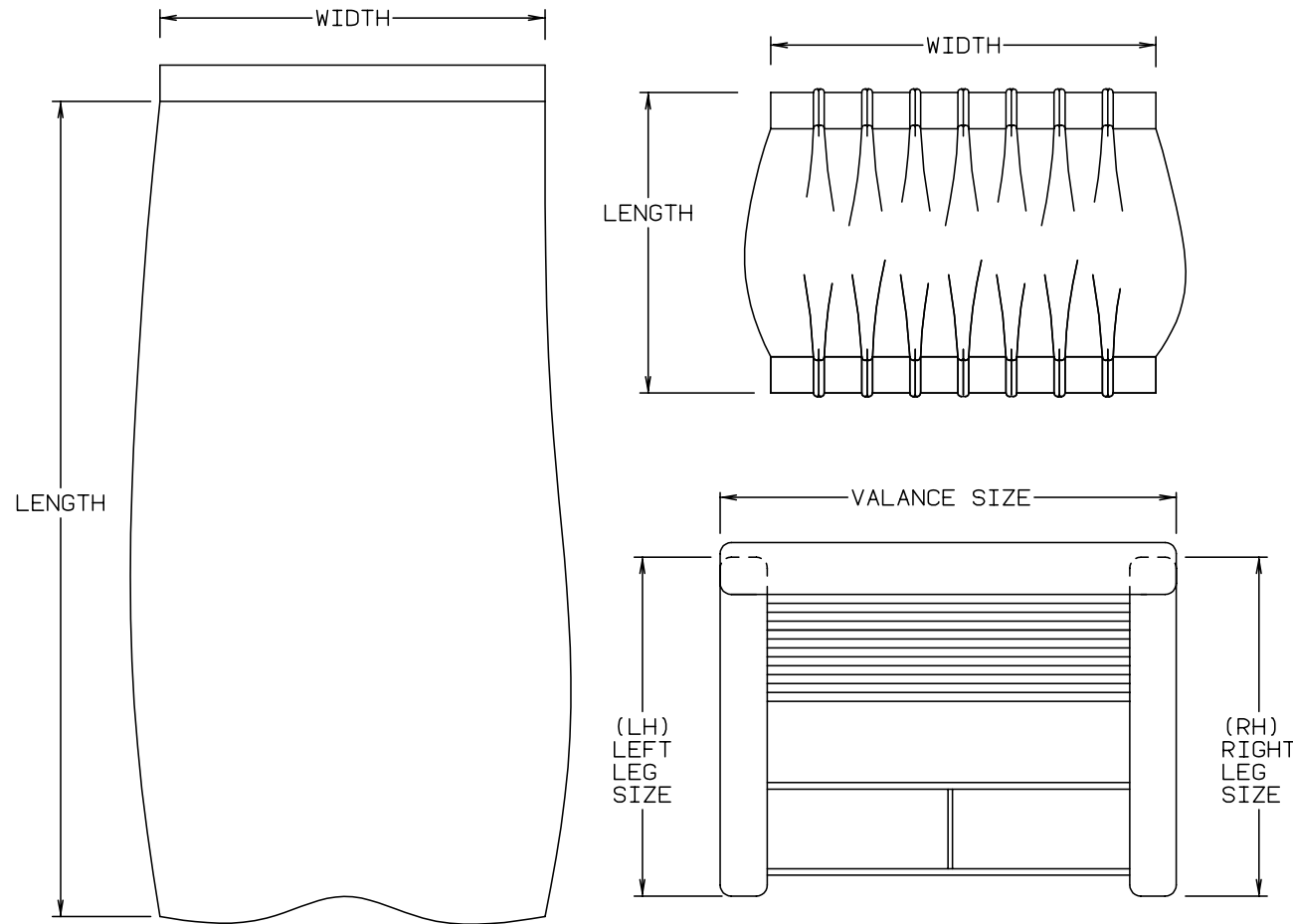
CHEVY TIRE & WHEEL

KEY	PART NUMBER	U/M DESCRIPTION
	051377-01-000	EA VALVE STEM
	064963-01-000	EA WHEEL - STEEL - 19.5" X 6" - GM 14005758
	091673-01-000	EA TIRE - 225/70 R19.5 LRF - MICHELIN XZA
	080208-06-000	EA LUG WRENCH - 1" X 1.06" W/DEEP SOCKET ENDS
	080208-02-000	EA BAR - LEVERAGE - LUG WRENCH

CURTAIN & CUSHION GROUP

NOTICE

IN ORDER TO ASSIST OUR PARTS SALES DEPT. IN PROVIDING INTERIOR SOFTGOODS ITEMS, PLEASE INCLUDE THE SERIAL NUMBER AND THE COLOR CODE NUMBER FROM THE VEHICLE CERTIFICATION LABEL WHEN ORDERING. THIS LABEL IS LOCATED ON THE LEFT SIDEWALL AT THE END OF THE DASH (A-BODY), OR ON THE DRIVER'S DOOR LATCH PLATE (C-BODY). AN EXAMPLE OF A COLOR CODE NUMBER IS B07, WHICH DESIGNATES AN OVERALL COLOR SCHEME OF A PARTICULAR UNIT. THE COLOR LISTED AFTER THE ITEM DESCRIPTION ON THE MICROFICHE, INDICATES THE OVERALL UNIT COLOR. ORDER THE ITEM YOU DESIRE ACCORDING TO UNIT COLOR CODE.



NOTE: USE THIS ILLUSTRATION WHEN DETERMINING LENGTH AND WIDTH MEASUREMENTS FOR CURTAINS. YOU WILL NOTE THE WIDTH MEASUREMENT IS TAKEN ON THE TOP OF THE CURTAIN WITH THE CURTAIN FULLY EXTENDED. THE LENGTH MEASUREMENT IS TAKEN FROM TOP TO BOTTOM. LEFT AND RIGHT WINDOW LEGS ARE DETERMINED WHEN FACING THE WINDOW.

CURTAIN & CUSHION GROUP (CONTINUED)

SUNCRUISER FABRICS				
COLOR CODES	K58, K59	K62, K63	K64, K65	K26, K27
MARKETING COLORS	CLOUD (GRAY)	CASTLETON (TAUPE)	MINT (GREEN)	SEASPRAY (TEAL)
MAIN PLAIN ACCENT PATTERN ACCENT	108446-U6-000 108446-W2-000 108446-W3-000	126883-33-000 126883-34-000 108446-U8-000	126883-09-000 108446-S6-000 126883-18-000	126883-27-000 108446-C5-000 126883-11-000
BUCKET SEAT	108446-W2-000	126883-34-000	108446-S6-000	108446-C5-000
DINETTE	108446-U6-000	126883-33-000	126883-09-000	126883-27-000
DINETTE PAD	108446-W2-000	126883-34-000	108446-S6-000	108446-C5-000
SOFA	108446-U6-000	126883-33-000	126883-09-000	126883-27-000
RECLINER CHAIR	108446-W3-000	108446-U8-000	126883-18-000	126883-11-000
LOUNGE WINDOW VALANCE TRIM BRAID	108446-U6-000 084415-93-000	126883-33-000 084415-91-000	126883-09-000 084415-94-000	126883-27-000 084415-70-000
LOUNGE WINDOW LEGS	108446-U6-000	126883-33-000	126883-09-000	126883-27-000
BEDSPREAD MAIN BEDSPREAD ACCENT BEDSPREAD TRIM	105745-H4-000 105745-H8-000 084415-93-000	105745-H6-000 105745-E7-000 084415-91-000	105745-H1-000 105745-J0-000 084415-94-000	105745-K9-000 105745-E7-000 084415-70-000
BEDROOM WINDOW VALANCE	105745-H4-000 105745-H8-000	105745-H6-000 105745-E7-000	105745-H1-000 105745-J0-000	105745-K9-000 105745-E7-000
BEDROOM WINDOW LEGS	105745-H4-000	105745-H6-000	105745-H1-000	105745-K9-000
LOUNGE PILLOW	108446-W3-000	108446-U8-000	126883-18-000	126883-11-000
MAP POCKETS	108446-W2-000	126883-34-000	108446-S6-000	108446-C5-000
FRONT WRAP AROUND	072333-88-000	072333-85-000	072333-85-000	072333-85-000
CEILING				
FROM: 00-00-00 THRU: 10-16-98	113979-01-01A	113979-01-01A	113979-01-01A	113979-01-01A
FROM: 10-17-98 THRU: 99-99-99	113979-09-01A	113979-09-01A	113979-09-01A	113979-09-01A

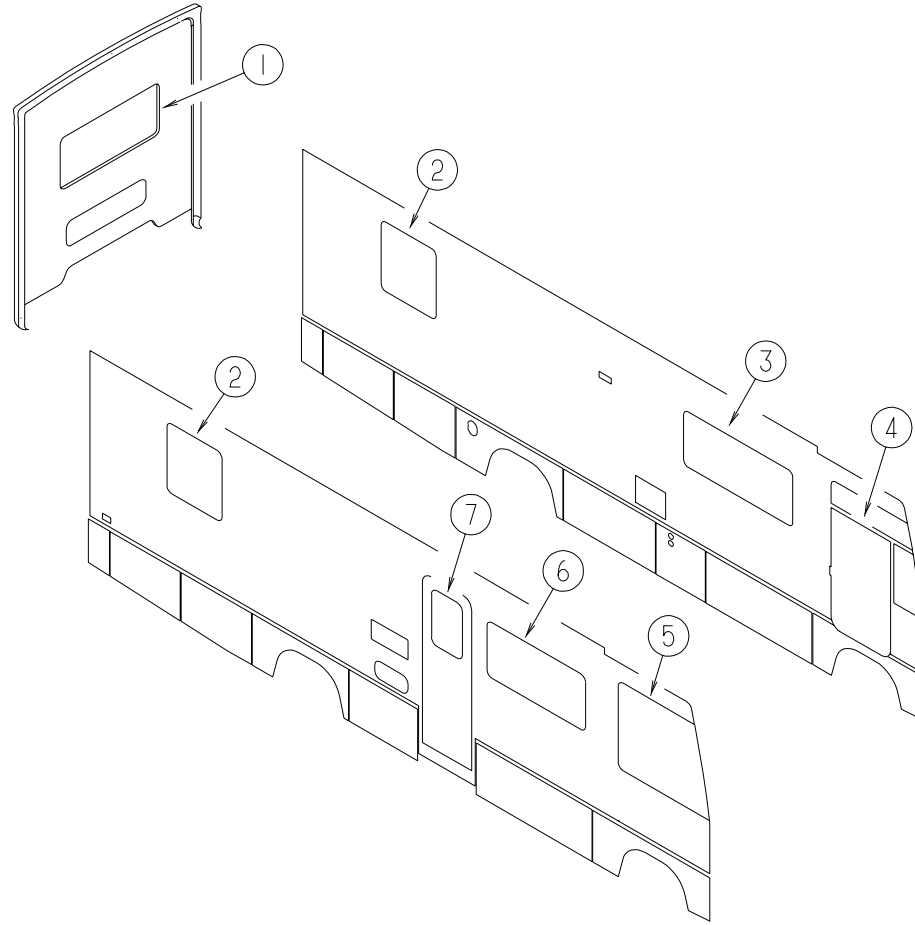
NOTE: THE FABRIC LISTED FIRST, IN A BLOCK, IS THE LARGEST QUANTITY OF FABRIC USED

ASSIST HANDLE & BUTTONS

KEY	PART NUMBER	U/M DESCRIPTION
	007021-01-000	EA SEAT BELT - 2" X 90" - BLACK
	057759-01-000	EA WASHER - FLAT F/SEAT BELT - 4" DIAMETER
	070578-02-J52	EA BUTTON - #30 - VINYL
	079349-04-K15	YD WELT - NARROW (K58, K59)
	079349-04-J06	YD WELT - NARROW (K62, K63)
	079349-04-K19	YD WELT - NARROW (K64, K65)
	079349-04-GC1	YD WELT - NARROW (K26, K27)
	079349-08-J52	YD WELT - VINYL
	000C16-07-16B	EA BOLT - CARRIAGE - ASSIST HANDLE - 7/16" - 14 X 1"
	000D20-07-00B	EA NUT - ACORN - ASSIST HANDLE - 7/16 - 14
	053552-02-K01	EA HANDLE - ASSIST - INTERIOR/ENTRY DOOR - VINYL/OFF WHITE
	057534-03-000	EA TIEBACK - CLEAR PLASTIC - 7.5"
	069178-02-000	EA BRACKET - MOUNTING/ASSIST HANDLE - GRAY

CURTAIN & CUSHION GROUP (CONTINUED)

CURTAINS & WINDOW TREATMENT

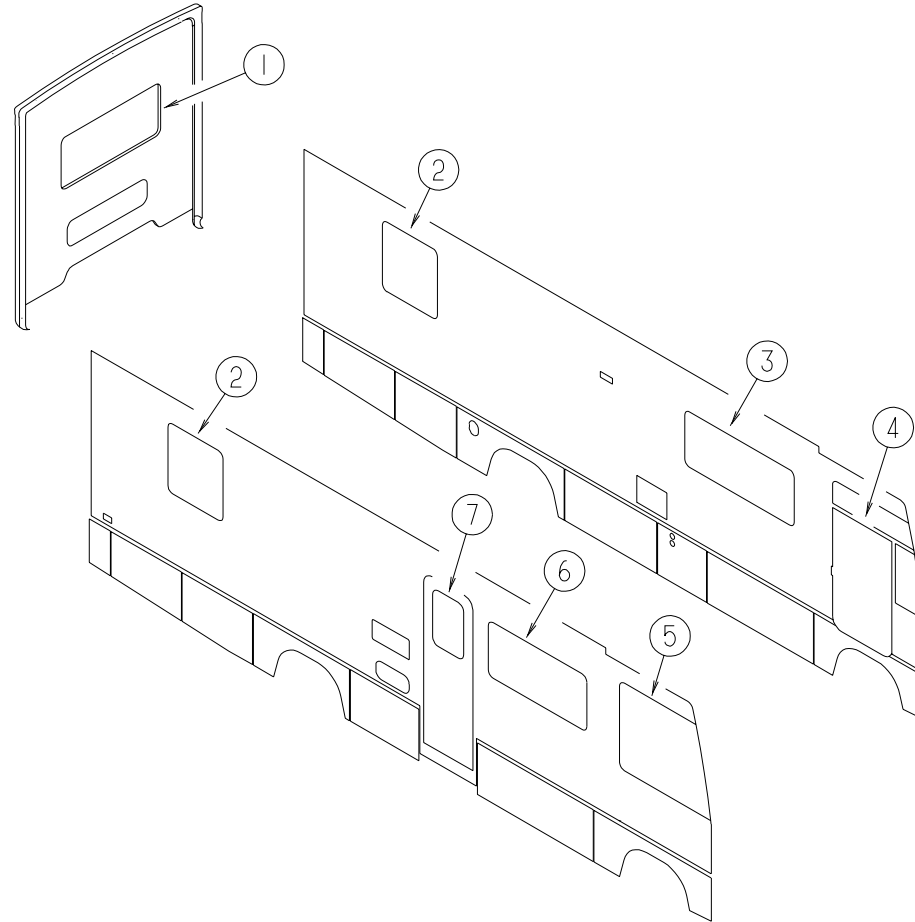


KEY	PART NUMBER	U/M DESCRIPTION
1	127019-01-K58	EA VALANCE - SARAH - 53" (K58, K59)
1	127019-01-K62	EA VALANCE - SARAH - 53" (K62, K63)
1	127019-01-K60	EA VALANCE - SARAH - 53" (K64, K65)
1	127019-01-K26	EA VALANCE - SARAH - 53" (K26, K27)
1	127017-07-J54	EA LEG - RIGHT - 25" (K58, K59)
1	127017-07-J56	EA LEG - RIGHT - 25" (K62, K63)
1	127017-07-J28	EA LEG - RIGHT - 25" (K64, K65)
1	127017-07-K26	EA LEG - RIGHT - 25" (K26, K27)
1	127017-08-J54	EA LEG - LEFT - 25" (K58, K59)
1	127017-08-J56	EA LEG - LEFT - 25" (K62, K63)
1	127017-08-J28	EA LEG - LEFT - 25" (K64, K65)
1	127017-08-K26	EA LEG - LEFT - 25" (K26, K27)
1	111910-62-K58	EA BLIND - DAY/NIGHTER - 49" X 27" (K58, K59, K62, K63, K64, K65)
1	111910-62-K26	EA BLIND - DAY/NIGHTER - 49" X 27" (K26, K27)
2	127019-02-K58	EA VALANCE - SARAH - 34" (K58, K59)
2	127019-02-K62	EA VALANCE - SARAH - 34" (K62, K63)
2	127019-02-K60	EA VALANCE - SARAH - 34" (K64, K65)
2	127019-02-K26	EA VALANCE - SARAH - 34" (K26, K27)
2	127017-09-J54	EA LEG - RIGHT - 34" (K58, K59)
2	127017-09-J56	EA LEG - RIGHT - 34" (K62, K63)
2	127017-09-J28	EA LEG - RIGHT - 34" (K64, K65)
2	127017-09-K26	EA LEG - RIGHT - 34" (K26, K27)

KEY	PART NUMBER	U/M DESCRIPTION
2	127017-10-J54	EA LEG - LEFT - 34" (K58, K59)
2	127017-10-J56	EA LEG - LEFT - 34" (K62, K63)
2	127017-10-J28	EA LEG - LEFT - 34" (K64, K65)
2	127017-10-K26	EA LEG - LEFT - 34" (K26, K27)
2	111910-58-K58	EA BLIND - DAY/NIGHTER - 31" X 37" (K58, K59, K62, K63, K64, K65)
2	111910-58-K26	EA BLIND - DAY/NIGHTER - 31" X 37" (K26, K27)
3	126609-01-J54	EA VALANCE - MONA - 64.5" (K58, K59)
3	126609-01-K62	EA VALANCE - MONA - 64.5" (K62, K63)
3	126609-22-K64	EA VALANCE - MONA - 64.5" (K64, K65)
3	126609-31-K26	EA VALANCE - MONA - 64.5" (K26, K27)
3	127017-01-J54	EA LEG - RIGHT - 25" (K58, K59)
3	127017-01-K62	EA LEG - RIGHT - 25" (K62, K63)
3	127017-01-K64	EA LEG - RIGHT - 25" (K64, K65)
3	127017-01-K26	EA LEG - RIGHT - 25" (K26, K27)
3	127017-02-J54	EA LEG - LEFT - 25" (K58, K59)
3	127017-02-K62	EA LEG - LEFT - 25" (K62, K63)
3	127017-02-K64	EA LEG - LEFT - 25" (K64, K65)
3	127017-02-K26	EA LEG - LEFT - 25" (K26, K27)
3	111910-57-K58	EA BLIND - DAY/NIGHTER - 61" X 28.5" (K58, K59, K62, K63, K64, K65)
3	111910-57-K26	EA BLIND - DAY/NIGHTER - 61" X 28.5" (K26, K27)

CURTAIN & CUSHION GROUP (CONTINUED)

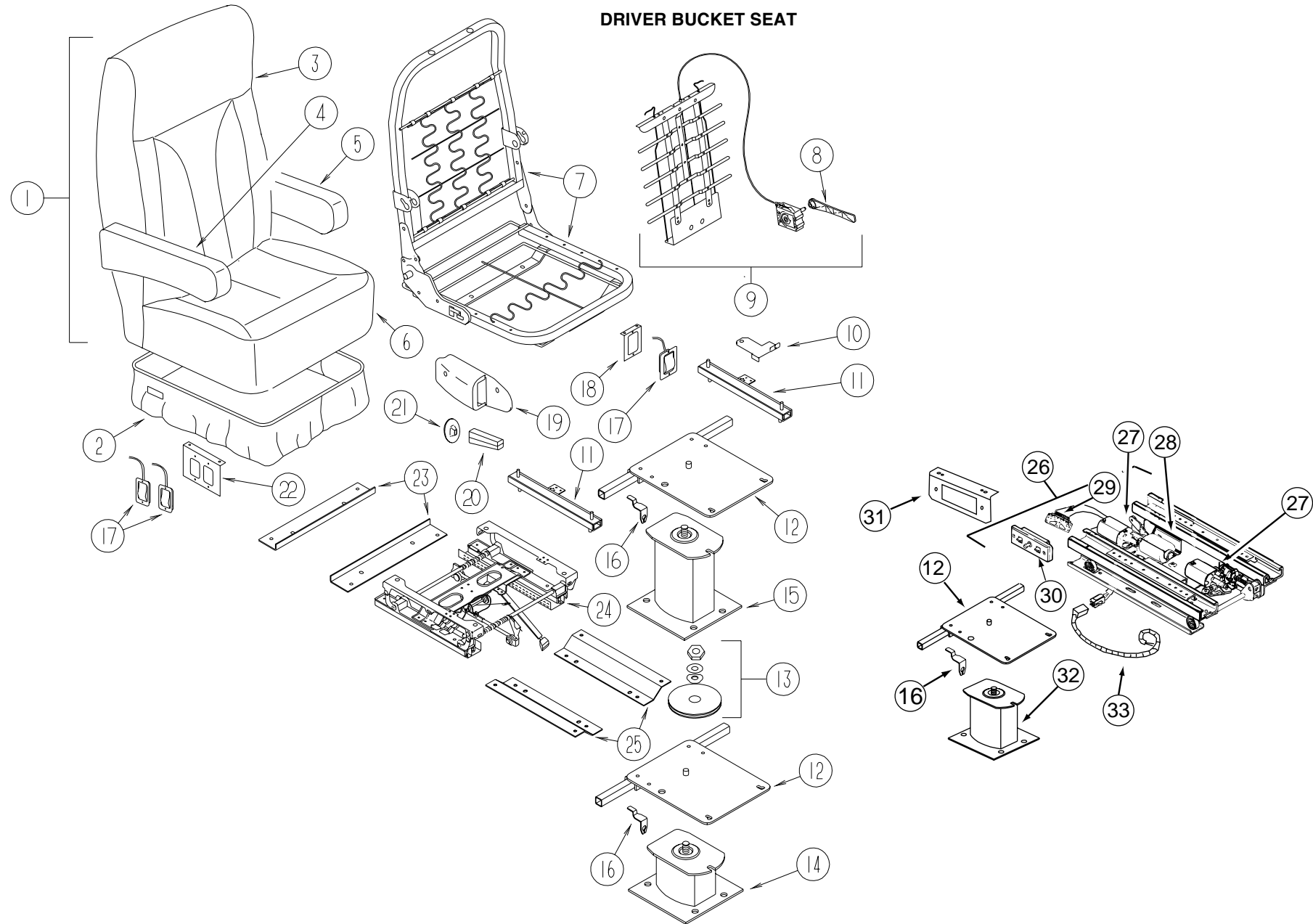
CURTAINS & WINDOW TREATMENT



KEY	PART NUMBER	U/M DESCRIPTION
4	101668-68-J54	EA CURTAIN - LEFT HAND - 42" X 106" (K58, K59)
4	101668-68-J22	EA CURTAIN - LEFT HAND - 42" X 106" (K62, K63, K64, K65, K26, K27)
4	073260-42-C17	EA TIEBACK - 6" X 18" (K58, K59)
4	073260-42-C18	EA TIEBACK - 6" X 18" (K62, K63, K64, K65, K26, K27)
4	126841-02-000	EA SHADE - PULL - CHARCOAL MESH - 34" X 60" FROM: 00-00-00 THRU: 11-15-98
4	126841-04-000	EA SHADE - PULL - CHARCOAL MESH - 30.3" X 60" FROM: 11-16-98 THRU: 99-99-99
5	101668-67-J54	EA CURTAIN - RIGHT HAND - 42" X 106" (K58, K59)
5	101668-67-J22	EA CURTAIN - RIGHT HAND - 42" X 106" (K62, K63, K64, K65, K26, K27)
5	073260-42-C17	EA TIEBACK - 6" X 18" (K58, K59)
5	073260-42-C18	EA TIEBACK - 6" X 18" (K62, K63, K64, K65, K26, K27)
5	126841-02-000	EA SHADE - PULL - CHARCOAL MESH - 34" X 60" FROM: 00-00-00 THRU: 11-15-98
5	126841-04-000	EA SHADE - PULL - CHARCOAL MESH - 30.3" X 60" FROM: 11-16-98 THRU: 99-99-99

KEY	PART NUMBER	U/M DESCRIPTION
6	126609-14-J54	EA VALANCE - MONA - 58.5" (K58, K59)
6	126609-14-K62	EA VALANCE - MONA - 58.5" (K62, K63)
6	126609-25-K64	EA VALANCE - MONA - 58.5" (K64, K65)
6	126609-32-K26	EA VALANCE - MONA - 58.5" (K26, K27)
6	127017-01-J54	EA LEG - RIGHT - 25" (K58, K59)
6	127017-01-K62	EA LEG - RIGHT - 25" (K62, K63)
6	127017-01-K64	EA LEG - RIGHT - 25" (K64, K65)
6	127017-01-K26	EA LEG - RIGHT - 25" (K26, K27)
6	127017-02-J54	EA LEG - LEFT - 25" (K58, K59)
6	127017-02-K62	EA LEG - LEFT - 25" (K62, K63)
6	127017-02-K64	EA LEG - LEFT - 25" (K64, K65)
6	127017-02-K26	EA LEG - LEFT - 25" (K26, K27)
6	111910-60-K58	EA BLIND - DAY/NIGHTER - 55" X 28.5" (K58, K59, K62, K63, K64, K65)
6	111910-60-K26	EA BLIND - DAY/NIGHTER - 55" X 28.5" (K26, K27)
7	120820-41-K58	EA VALANCE - 15" X 33.75" - W/CLOCK CUTOUT (K58, K59)
7	120820-36-K62	EA VALANCE - 15" X 33.75" - W/CLOCK CUTOUT (K62, K63)
7	120820-42-K64	EA VALANCE - 15" X 33.75" - W/CLOCK CUTOUT (K64, K65)
7	120820-36-K26	EA VALANCE - 15" X 33.75" - W/CLOCK CUTOUT (K26, K27)
7	084755-57-E07	EA SHADE - PULL - 27.25"

CURTAIN & CUSHION GROUP (CONTINUED)

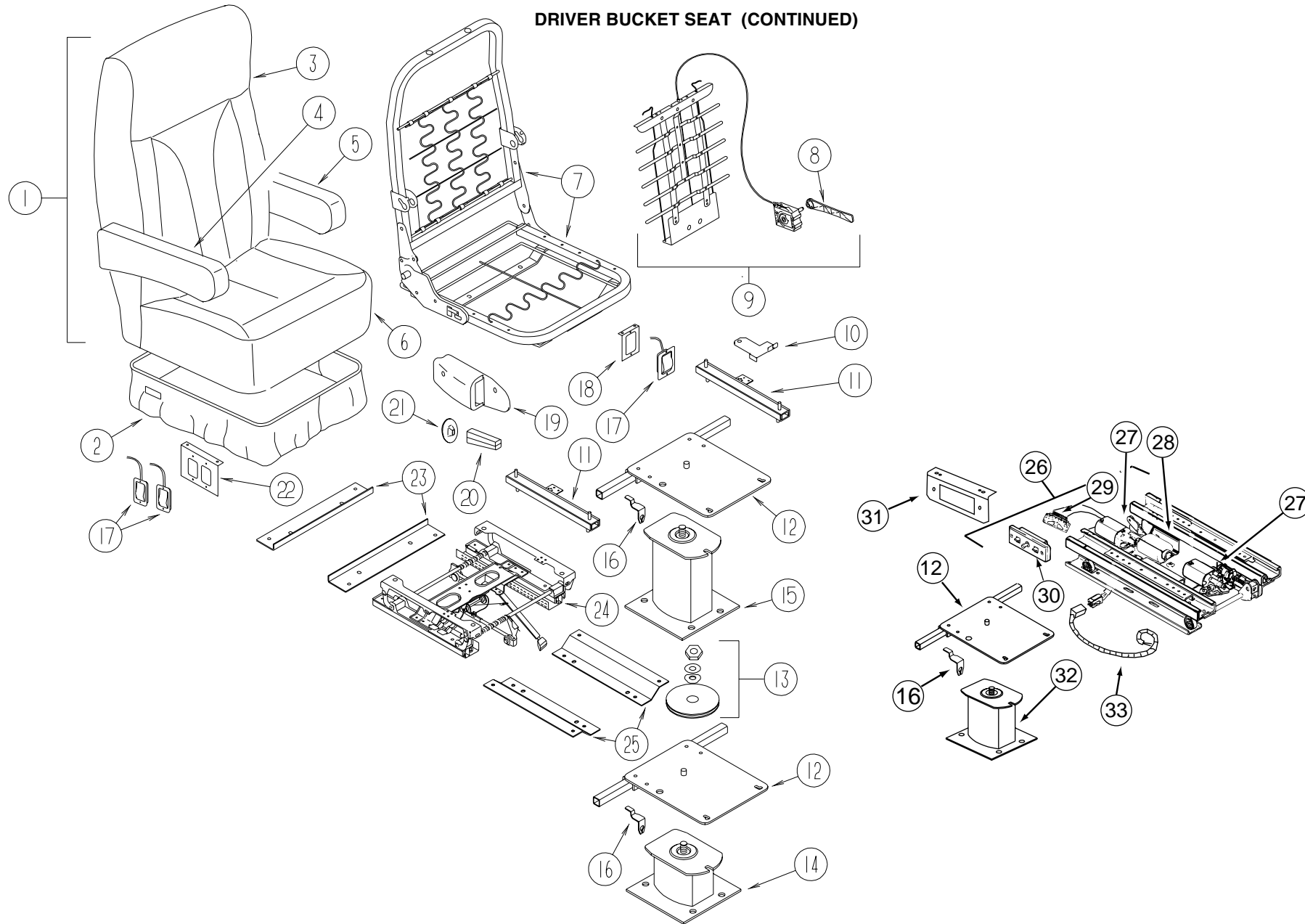


KEY	PART NUMBER	U/M	DESCRIPTION
1	129664-06-K58	EA	SEAT - BUCKET - DRIVERS WIDE W/LUMBAR SUPPORT (K58, K59)
1	129664-06-K62	EA	SEAT - BUCKET - DRIVERS WIDE W/LUMBAR SUPPORT (K62, K63)
1	129664-06-K64	EA	SEAT - BUCKET - DRIVERS WIDE W/LUMBAR SUPPORT (K64, K65)
1	129664-06-K45	EA	SEAT - BUCKET - DRIVERS WIDE W/LUMBAR SUPPORT (K26, K27)
1	129664-04-K58	EA	SEAT - BUCKET - W/LUMBAR SUPPORT (LEATHER)
2	071126-68-K58	EA	SKIRT - WIDE - 10.5" OPEN CORNER (STD OR ELECTRIC SEAT) (K58, K59)
2	071126-68-K62	EA	SKIRT - WIDE - 10.5" OPEN CORNER (STD OR ELECTRIC SEAT) (K62, K63)
2	071126-68-K64	EA	SKIRT - WIDE - 10.5" OPEN CORNER (STD OR ELECTRIC SEAT) (K64, K65)
2	071126-68-K18	EA	SKIRT - WIDE - 10.5" OPEN CORNER (STD OR ELECTRIC SEAT) (K26, K27)
2	071126-70-K58	EA	SKIRT - WIDE - 10.5" OPEN CORNER (STD OR ELECTRIC SEAT) (LEATHER)
2	071126-69-K58	EA	SKIRT - SINGLE - 10.5" - 6-WAY MANUAL (K58, K59)
2	071126-69-K62	EA	SKIRT - SINGLE - 10.5" - 6-WAY MANUAL (K62, K63)
2	071126-69-K64	EA	SKIRT - SINGLE - 10.5" - 6-WAY MANUAL (K64, K65)
2	071126-69-K32	EA	SKIRT - SINGLE - 10.5" - 6-WAY MANUAL (K26, K27)
2	071126-71-K58	EA	SKIRT - SINGLE - 10.5" - 6-WAY MANUAL (LEATHER)
3	M05962-84-K58	EA	COVER - BACK (K58, K59)
3	M05962-84-K62	EA	COVER - BACK (K62, K63)
3	M05962-84-K64	EA	COVER - BACK (K64, K65)
3	M05962-84-K32	EA	COVER - BACK (K26, K27)
3	M05962-86-K58	EA	COVER - BACK - WIDE - BUCKET (LEATHER)

KEY	PART NUMBER	U/M	DESCRIPTION
4	129666-01-K58	EA	ARMREST - RIGHT HAND (K58, K59)
4	129666-01-K62	EA	ARMREST - RIGHT HAND (K62, K63)
4	129666-01-K64	EA	ARMREST - RIGHT HAND (K64, K65)
4	129666-01-K18	EA	ARMREST - RIGHT HAND (K26, K27)
4	129666-03-K58	EA	ARMREST - RIGHT HAND (LEATHER)
4	P29666-01-K58	EA	COVER - ARMREST - RIGHT HAND (K58, K59)
4	P29666-01-K62	EA	COVER - ARMREST - RIGHT HAND (K62, K63)
4	P29666-01-K64	EA	COVER - ARMREST - RIGHT HAND (K64, K65)
4	P29666-01-K18	EA	COVER - ARMREST - RIGHT HAND (K26, K27)
4	P29666-03-K58	EA	COVER - ARMREST - RIGHT HAND (LEATHER)
5	129666-02-K58	EA	ARMREST - LEFT HAND (K58, K59)
5	129666-02-K62	EA	ARMREST - LEFT HAND (K62, K63)
5	129666-02-K64	EA	ARMREST - LEFT HAND (K64, K65)
5	129666-02-K18	EA	ARMREST - LEFT HAND (K26, K27)
5	129666-04-K58	EA	ARMREST - LEFT HAND (LEATHER)
5	P29666-02-K58	EA	COVER - ARMREST - LEFT HAND (K58, K59)
5	P29666-02-K62	EA	COVER - ARMREST - LEFT HAND (K62, K63)
5	P29666-02-K64	EA	COVER - ARMREST - LEFT HAND (K64, K65)
5	P29666-02-K18	EA	COVER - ARMREST - LEFT HAND (K26, K27)
5	P29666-04-K58	EA	COVER - ARMREST - LEFT HAND (LEATHER)

CURTAIN & CUSHION GROUP (CONTINUED)

DRIVER BUCKET SEAT (CONTINUED)

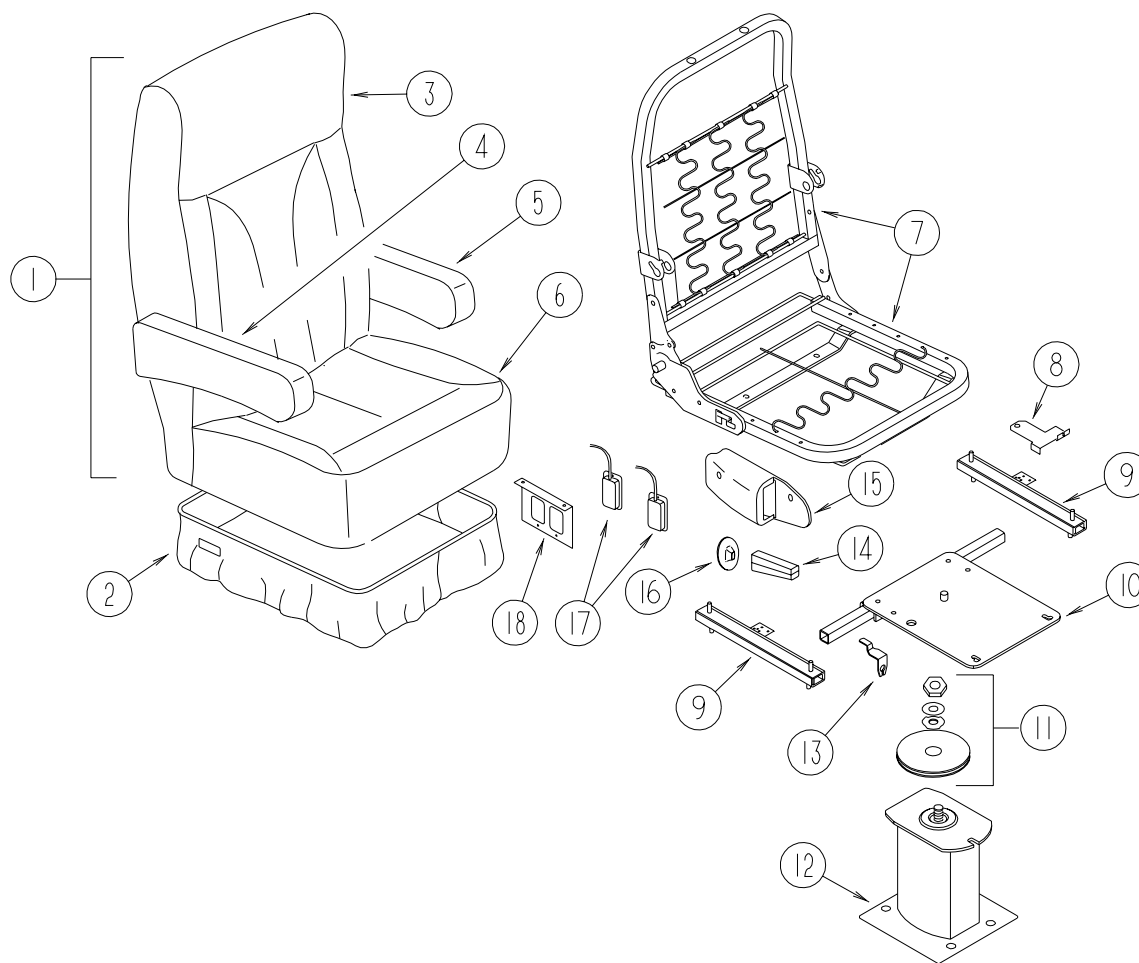


KEY	PART NUMBER	U/M	DESCRIPTION
6	M05962-85-K58	EA	COVER - SEAT (K58, K59)
6	M05962-85-K62	EA	COVER - SEAT (K62, K63)
6	M05962-85-K65	EA	COVER - SEAT (K64, K65)
6	M05962-85-K32	EA	COVER - SEAT (K26, K27)
6	M05962-87-K58	EA	COVER - SEAT (LEATHER)
7	122695-04-01B	EA	FRAME - SEAT & HIGH BACK
8	122611-02-701	EA	LUMBAR - LEVER
9	122611-02-000	EA	LUMBAR - W/LEVER
10	117125-01-02B	EA	BRACKET - CABLE MOUNT - ADJUSTER W/ LOCK
11	119952-04-000	EA	SLIDE/SEAT - HEAVY DUTY LOCKING - 4 STUDS
	119952-07-000	EA	WIRE - LATCH RELEASE/ ROTARY
12	107921-05-000	EA	PLATE TOP - W/ SEAT BELT BAR
13	107921-06-000	EA	BEARING KIT - PEDESTAL
14	107921-14-000	EA	PEDESTAL/FLOOR MOUNTED - W/5.75" EXTENSION
			FROM: 00-00-00 THRU: 08-02-98
14	107921-07-000	EA	PEDESTAL/FLOOR MOUNTED - 4.5"
			FROM: 08-03-98 THRU: 99-99-99
15	107921-01-000	EA	PEDESTAL FLOOR MOUNTED - W/9.75" EXTENSION
16	108049-02-000	EA	CLIP - CABLE/ PEDESTAL

KEY	PART NUMBER	U/M	DESCRIPTION	VENDOR NO.
17	108049-04-000	EA	CABLE - W/SWITCHES - W/26" MINI LEVER ACTION (6-WAY MANUAL)	
18	127159-01-02B	EA	BRACKET - SEAT RELEASE - SINGLE REMOTE (6-WAY MANUAL)	
19	080730-09-000	EA	SHIELD - RECLINER HANDLE	
20	080730-08-000	EA	HANDLE - RECLINER	
21	080730-11-000	EA	SHIELD - RUBBER BOOT	
22	127159-02-02B	EA	BRACKET - SEAT RELEASE - DUAL REMOTE	
23	116215-02-000	EA	BRACKET - UPPER MOUNT - 6-WAY MANUAL SEAT	
	007221-01-000	EA	SPACER - SEAT/ ADJUSTER	
24	116215-01-000	EA	ADJUSTING MECHANISM/6-WAY MANUAL SEAT - DRIVER	
25	116215-03-000	EA	BRACKET - LOWER MOUNT - 6-WAY MANUAL SEAT	
26	081373-03-000	EA	SEAT - POWER 6 WAY	
27	081373-02-703	EA	MOTOR PKG. ADJ. VERTICAL LIFT	22063238 & H-196
28	081373-02-704	EA	MOTOR PKG. ADJ. HORIZONTAL	22063237 & H-195
29	081373-03-701	EA	WIRE HARNESS ASM. - LEFT. SIDE	
30	081373-03-700	EA	SWITCH POWER	
31	128699-01-02B	EA	BRACKET - SEAT SWITCH - E-COATED	
32	107921-14-000	EA	PEDESTAL/FLOOR MOUNTED - W/5.75" EXTENSION	
33	131279-01-000	EA	WIRE ASSEMBLY - DRIVER SEAT (DASH TO SEAT)	

CURTAIN & CUSHION GROUP (CONTINUED)

PASSENGER BUCKET SEAT

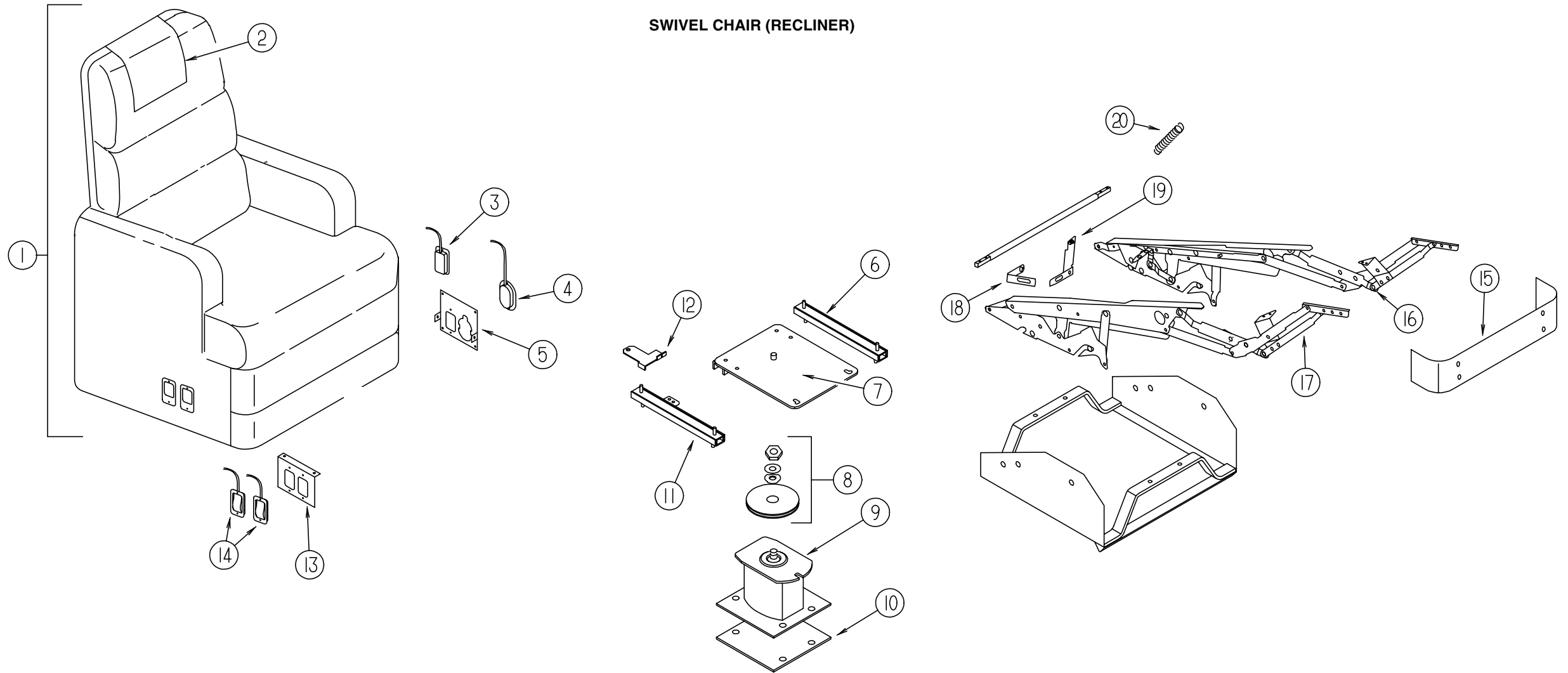


KEY	PART NUMBER	U/M	DESCRIPTION
1	129664-03-K58	EA	SEAT - BUCKET - WIDE (K58, K59)
1	129664-03-K62	EA	SEAT - BUCKET - WIDE (K62, K63)
1	129664-03-K64	EA	SEAT - BUCKET - WIDE (K64, K65)
1	129664-03-K32	EA	SEAT - BUCKET - WIDE (K26, K27)
1	129664-05-K58	EA	SEAT - BUCKET - WIDE (LEATHER)
2	071126-68-K58	EA	SKIRT - WIDE - 10.5" OPEN CORNER (K58, K59)
2	071126-68-K62	EA	SKIRT - WIDE - 10.5" OPEN CORNER (K62, K63)
2	071126-68-K64	EA	SKIRT - WIDE - 10.5" OPEN CORNER (K64, K65)
2	071126-68-K18	EA	SKIRT - WIDE - 10.5" OPEN CORNER (K26, K27)
2	071126-70-K58	EA	SKIRT - WIDE - 10.5" OPEN CORNER (LEATHER)
3	M05962-84-K58	EA	COVER - BACK (K58, K59)
3	M05962-84-K62	EA	COVER - BACK (K62, K63)
3	M05962-84-K64	EA	COVER - BACK (K64, K65)
3	M05962-84-K32	EA	COVER - BACK (K26, K27)
3	M05962-86-K58	EA	COVER - BACK - WIDE - BUCKET (LEATHER)
4	129666-01-K58	EA	ARMREST - RIGHT HAND (K58, K59)
4	129666-01-K62	EA	ARMREST - RIGHT HAND (K62, K63)
4	129666-01-K64	EA	ARMREST - RIGHT HAND (K64, K65)
4	129666-01-K18	EA	ARMREST - RIGHT HAND (K26, K27)
4	129666-03-K58	EA	ARMREST - RIGHT HAND (LEATHER)
4	P29666-01-K58	EA	COVER - ARMREST - RIGHT HAND (K58, K59)
4	P29666-01-K62	EA	COVER - ARMREST - RIGHT HAND (K62, K63)
4	P29666-01-K64	EA	COVER - ARMREST - RIGHT HAND (K64, K65)
4	P29666-01-K18	EA	COVER - ARMREST - RIGHT HAND (K26, K27)
4	P29666-03-K58	EA	COVER - ARMREST - RIGHT HAND (LEATHER)

KEY	PART NUMBER	U/M	DESCRIPTION
5	129666-02-K58	EA	ARMREST - LEFT HAND (K58, K59)
5	129666-02-K62	EA	ARMREST - LEFT HAND (K62, K63)
5	129666-02-K64	EA	ARMREST - LEFT HAND (K64, K65)
5	129666-02-K18	EA	ARMREST - LEFT HAND (K26, K27)
5	129666-04-K58	EA	ARMREST - LEFT HAND (LEATHER)
5	P29666-02-K58	EA	COVER - ARMREST - LEFT HAND (K58, K59)
5	P29666-02-K62	EA	COVER - ARMREST - LEFT HAND (K62, K63)
5	P29666-02-K64	EA	COVER - ARMREST - LEFT HAND (K64, K65)
5	P29666-02-K18	EA	COVER - ARMREST - LEFT HAND (K26, K27)
5	P29666-04-K58	EA	COVER - ARMREST - LEFT HAND (LEATHER)
6	M05962-85-K58	EA	COVER - SEAT (K58, K59)
6	M05962-85-K62	EA	COVER - SEAT (K62, K63)
6	M05962-85-K65	EA	COVER - SEAT (K64, K65)
6	M05962-85-K32	EA	COVER - SEAT (K26, K27)
6	M05962-87-K58	EA	COVER - SEAT (LEATHER)
7	122695-04-01B	EA	FRAME - SEAT & HIGH BACK
8	117125-01-02B	EA	BRACKET - CABLE MOUNT - ADJUSTER W/ LOCK
9	119952-04-000	EA	SLIDE/SEAT - HEAVY DUTY LOCKING - 4 STUDS
	119952-07-000	EA	WIRE - LATCH RELEASE/ ROTARY
10	107921-05-000	EA	PLATE TOP - W/ SEAT BELT BAR
11	107921-06-000	EA	BEARING KIT - PEDESTAL
12	107921-01-000	EA	PEDESTAL FLOOR MOUNTED - W/9.75" EXTENSION
13	108049-02-000	EA	CLIP - CABLE/ PEDESTAL
14	080730-08-000	EA	HANDLE - RECLINER
15	080730-09-000	EA	SHIELD - RECLINER HANDLE
16	080730-11-000	EA	SHIELD - RUBBER BOOT
17	108049-04-000	EA	CABLE - W/SWITCHES - W/26" MINI LEVER ACTION
18	127159-02-02B	EA	BRACKET - SEAT RELEASE - DUAL REMOTE

CURTAIN & CUSHION GROUP (CONTINUED)

SWIVEL CHAIR (RECLINER)

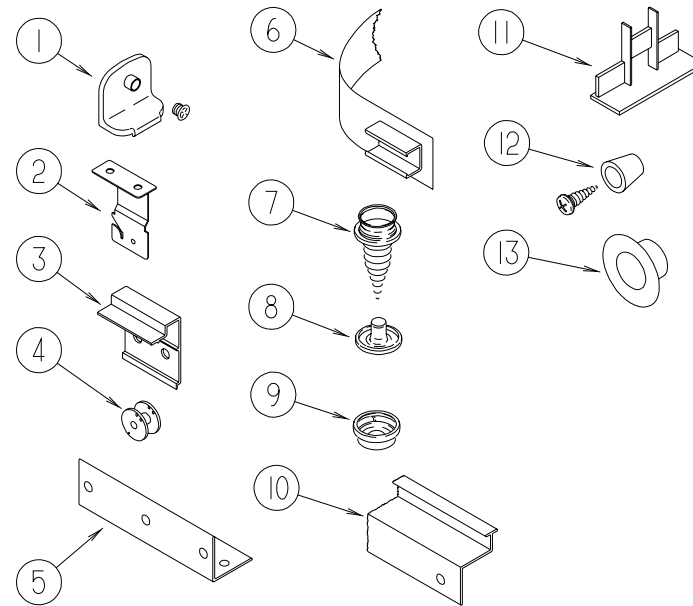


KEY	PART NUMBER	U/M DESCRIPTION
1	130565-01-K58	EA CHAIR - INCLINER - W/FOOTREST (K58, K59)
1	130565-01-K62	EA CHAIR - INCLINER - W/FOOTREST (K62, K63)
1	130565-01-K60	EA CHAIR - INCLINER - W/FOOTREST (K64, K65)
1	130565-01-K26	EA CHAIR - INCLINER - W/FOOTREST (K26, K27)
1	P30565-01-K58	EA COVER - CHAIR - INCLINER/W/FOOTREST (K58, K59)
1	P30565-01-K62	EA COVER - CHAIR - INCLINER/W/FOOTREST (K62, K63)
1	P30565-01-K60	EA COVER - CHAIR - INCLINER/W/FOOTREST (K64, K65)
1	P30565-01-K26	EA COVER - CHAIR - INCLINER/W/FOOTREST (K26, K27)
2	130690-01-K58	EA COVER - HEADREST - 15.5" X 15.5" (K58, K59)
2	130690-01-K62	EA COVER - HEADREST - 15.5" X 15.5" (K62, K63)
2	130690-01-K60	EA COVER - HEADREST - 15.5" X 15.5" (K64, K65)
2	130690-01-K32	EA COVER - HEADREST - 15.5" X 15.5" (K26, K27)
	130691-01-K58	EA COVER - ARM CAPS - UNIVERSAL (K58, K59)
	130691-01-K62	EA COVER - ARM CAPS - UNIVERSAL (K62, K63)
	130691-01-K60	EA COVER - ARM CAPS - UNIVERSAL (K64, K65)
	130691-01-K32	EA COVER - ARM CAPS - UNIVERSAL (K26, K27)
3	108049-05-000	EA FRAME - CABLE - REMOTE RECLINE - W/MINI LEVER ACTION
4	129148-11-000	EA INCLINER - HANDLE & CABLE
5	129164-01-02B	EA BRACKET - SEAT RELEASE - REMOTE
6	119952-02-000	EA SLIDE - SEAT - HEAVY DUTY NONLOCKING
	007221-01-000	EA SPACER - SEAT/ ADJUSTER

KEY	PART NUMBER	U/M DESCRIPTION
7	107921-08-000	EA TOP PLATE - PEDESTAL - W/O SEATBELT BAR
8	107921-06-000	EA BEARING KIT - PEDESTAL
9	107921-14-000	EA PEDESTAL/FLOOR MOUNTED - W/5.75" EXTENSION - MANUAL SEAT FROM: 00-00-00 THRU: 08-02-98
9	107921-07-000	EA PEDESTAL/FLOOR MOUNTED - 4.5" FROM: 08-03-98 THRU: 99-99-99
10	108445-02-000	EA PLATE/FLOOR MOUNTED - PEDESTAL SEAT
11	119952-04-000	EA SLIDE - SEAT - HEAVY DUTY LOCKING
12	117125-01-02B	EA BRACKET - CABLE MOUNT - ADJUSTER W/ LOCK
13	129162-01-02B	EA BRACKET - SEAT RELEASE - REMOTE
14	108049-04-000	EA CABLE - W/SWITCHES - W/26" MINI LEVER ACTION
	108049-02-000	EA CLIP - CABLE/ PEDESTAL
15	119901-06-000	EA FOOT REST - RECLINER
16	129148-01-000	EA INCLINER - LEFT
17	129148-02-000	EA INCLINER - RIGHT
	129148-09-000	EA INCLINER - CLIP/HAIRPIN - 1 7/16 X .07
18	129148-08-000	EA INCLINER - CLIP F/CABLE
19	129148-07-000	EA INCLINER/BRACKET - F/INCLINE RELEASE CABLE
20	129148-03-000	EA SPRING - INCLINER

CURTAIN & CUSHION GROUP (CONTINUED)

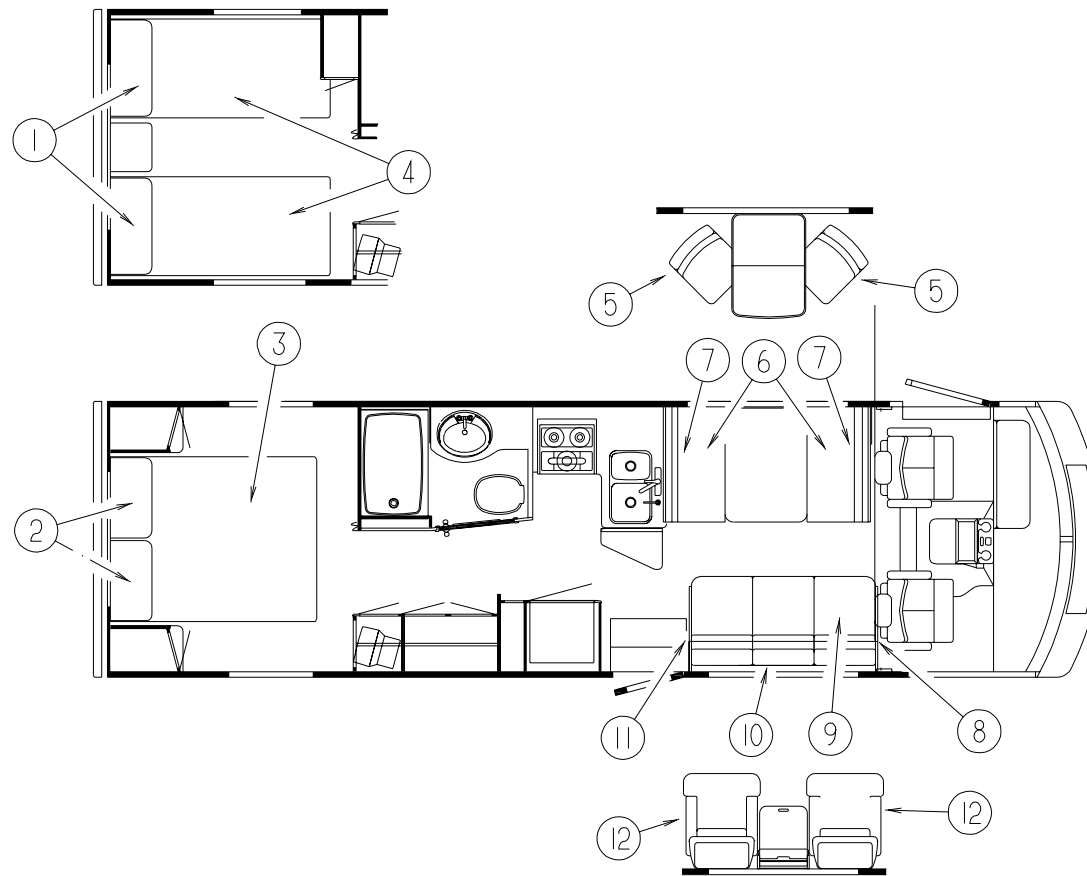
CURTAIN & BLIND HARDWARE



KEY	PART NUMBER	U/M	DESCRIPTION
1	106544-01-000	EA	PULL - SHADE/BRASS
	106544-01-001	EA	SCREW - SHADE/BRASS
2	084434-01-000	EA	BRACKET - MOUNTING - ROLLER SHADE - 1 3/8"
3	097565-01-000	EA	BRACKET - MOUNTING/PLEATED BLIND
4	097592-02-000	EA	SPOOL - CORD - ELEVATED BLIND HOLDUP - LARGE - CLEAR
5	105648-01-02A	EA	BRACE - VALANCE - OFF/WHITE - 14"
6	101031-01-000	YD	TAPE - GLIDE/CURTAIN - 4.25" SPACING
7	029130-01-000	EA	SCREW - SNAP SOCKET - #8 PH X 5/8"
8	029155-01-000	EA	CAP - SNAP - 5/32" OUTSIDE DIAMETER OF PIN
9	029156-01-000	EA	SOCKET - SNAP - 9/16" O.D.
10	127254-01-02A	EA	TRACK - CURTAIN/RIGHT HAND - TITANIUM
10	127254-02-02A	EA	TRACK - CURTAIN/LEFT HAND - TITANIUM

KEY	PART NUMBER	U/M	DESCRIPTION
11	094907-02-000	EA	END CAP - TOP/PLEATED BLIND - PLASTIC - GRAY
12	097564-03-000	EA	HANDLE - KNOB - E-Z LIFT SHADE - TAN
13	046867-03-000	EA	GROMMET - HANDY BUTTON #3
	048394-02-000	YD	VELCRO TAPE - HOOK - ADHESIVE BACK - .75" WIDE - BEIGE
	086276-01-000	EA	TAPE - DOUBLE SIDED - 1/2"
	094896-02-000	EA	GROMMET - CORD/PLEATED BLIND - NYLON - GRAY
	094907-04-000	EA	HARDWARE - END CAP BOTTOM - PULL TYPE (RH & LH)
	095567-01-000	EA	TACK - STRIP - .5" X 625' ROLL
	096843-01-000	EA	SPRING - REWIND/ROLLER SHADE
	097591-01-000	EA	SPRING - EXTENSION/PLEATED BLIND
	097593-02-000	FT	CORD - BLIND - PLEATED - GRAY
	083125-08-000	EA	BRACE - WINDOW MOUNT - 3/4 - OFF WHITE
	046867-02-000	EA	WASHER - HANDY BUTTON #3

CURTAIN & CUSHION GROUP (CONTINUED)



QUEEN & TWIN BED

KEY	PART NUMBER	U/M DESCRIPTION
1	119249-02-000	EA PILLOW - 22" X 37" - TWIN
2	119249-01-000	EA PILLOW - 20" X 33" - QUEEN
3	119141-14-J54	EA BEDSPREAD/THROW - 60" X 75" (K58, K59)
3	119141-14-K62	EA BEDSPREAD/THROW - 60" X 75" (K62, K63)
3	119141-21-J28	EA BEDSPREAD/THROW - 60" X 75" (K64, K65)
3	119141-14-K26	EA BEDSPREAD/THROW - 60" X 75" (K26, K27)
3	123015-06-000	EA MATTRESS - INNERSPRING - 60" X 74.5"
4	119141-16-J54	EA BEDSPREAD/THROW - 36" X 80" (K58, K59)
4	119141-16-K62	EA BEDSPREAD/THROW - 36" X 80" (K62, K63)
4	119141-22-J28	EA BEDSPREAD/THROW - 36" X 80" (K64, K65)
4	119141-16-K26	EA BEDSPREAD/THROW - 36" X 80" (K26, K27)
4	123015-04-000	EA MATTRESS - INNERSPRING - 36" X 79.5"
	111862-09-J54	EA PILLOW - 15" X 15" (K58, K59)
	111862-09-J56	EA PILLOW - 15" X 15" (K62, K63)
	111862-09-K60	EA PILLOW - 15" X 15" (K64, K65)
	111862-09-K26	EA PILLOW - 15" X 15" (K26, K27)

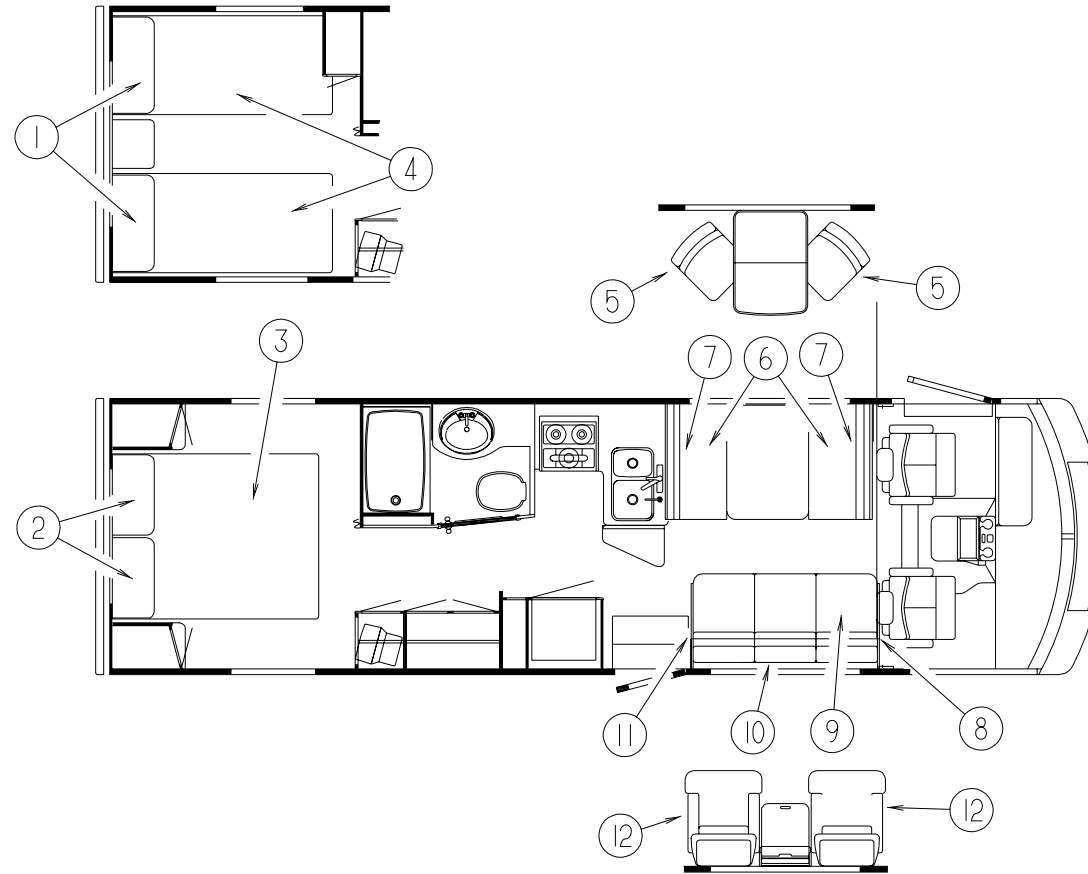
DINETTE OPTION

KEY	PART NUMBER	U/M DESCRIPTION
	101604-01-04A	EA CHAIR - FOLDING/DINETTE - LINEN FABRIC - SOLAR MAPLE
	101604-01-03A	EA CHAIR - FOLDING/DINETTE - LINEN FABRIC - WATERFORD OAK
5	126637-12-000	EA CHAIR - DINETTE - CLOUD (K58, K59)
5	126637-17-000	EA CHAIR - DINETTE - CASTLETON (K62, K63)
5	126637-14-000	EA CHAIR - DINETTE - MINT (K64, K65)
5	126637-16-000	EA CHAIR - DINETTE - SEASPRAY (K26, K27)
	129529-02-000	EA STRAP - RETAINER - CHAIR
	129491-01-000	EA CATCH - SNAP HOOK - 1"

DINETTE CUSHIONS

KEY	PART NUMBER	U/M DESCRIPTION
6	105603-15-J54	EA CUSHION - SEAT - 23" X 42" X 5" (K58, K59)
6	105603-15-K08	EA CUSHION - SEAT - 23" X 42" X 5" (K62, K63)
6	105603-15-K19	EA CUSHION - SEAT - 23" X 42" X 5" (K64, K65)
6	105603-15-K26	EA CUSHION - SEAT - 23" X 42" X 5" (K26, K27)
6	P05603-15-K54	EA COVER - SEAT - 23" X 42" X 5" (K58, K59)
6	P05603-15-K08	EA COVER - SEAT - 23" X 42" X 5" (K62, K63)
6	P05603-15-K19	EA COVER - SEAT - 23" X 42" X 5" (K64, K65)
6	P05603-15-K26	EA COVER - SEAT - 23" X 42" X 5" (K26, K27)
7	111880-05-K58	EA CUSHION - BACK - 13.5" X 42" X 5" (K58, K59)
7	111880-05-K62	EA CUSHION - BACK - 13.5" X 42" X 5" (K62, K63)
7	111880-05-K64	EA CUSHION - BACK - 13.5" X 42" X 5" (K64, K65)
7	111897-05-K26	EA CUSHION - BACK - 13.5" X 42" X 5" (K26, K27)
7	P11880-05-K58	EA COVER - BACK - 13.5" X 42" X 5" (K58, K59)
7	P11880-05-K62	EA COVER - BACK - 13.5" X 42" X 5" (K62, K63)
7	P11880-05-K64	EA COVER - BACK - 13.5" X 42" X 5" (K64, K65)
7	P11897-05-H26	EA COVER - BACK - 13.5" X 42" X 5" (K26, K27)
	078155-01-000	EA STRAP - SNAP - BACK CUSHION

CURTAIN & CUSHION GROUP (CONTINUED)



COUCH BED

KEY	PART NUMBER	U/M DESCRIPTION
8	127840-01-J54	EA PANEL - RIGHT END - SOFA/BED - FABRIC COVERED (K58, K59)
8	127840-01-K08	EA PANEL - RIGHT END - SOFA/BED - FABRIC COVERED (K62, K63)
8	127840-01-K64	EA PANEL - RIGHT END - SOFA/BED - FABRIC COVERED (K64, K65)
8	127840-01-K26	EA PANEL - RIGHT END - SOFA/BED - FABRIC COVERED (K26, K27)
8	130718-01-K58	EA ARMREST - REMOVEABLE/ RIGHT HAND (K58, K59)
8	130718-01-K62	EA ARMREST - REMOVEABLE/ RIGHT HAND (K62, K63)
8	130718-01-K64	EA ARMREST - REMOVEABLE/ RIGHT HAND (K64, K65)
8	130718-01-K26	EA ARMREST - REMOVEABLE/ RIGHT HAND (K26, K27)
8	P30718-01-K58	EA COVER - ARMREST - REMOVEABLE/ RIGHT (K58, K59)
8	P30718-01-K62	EA COVER - ARMREST - REMOVEABLE/ RIGHT (K62, K63)
8	P30718-01-K64	EA COVER - ARMREST - REMOVEABLE/ RIGHT (K64, K65)
8	P30718-01-K26	EA COVER - ARMREST - REMOVEABLE/ RIGHT (K26, K27)
9	130573-04-K58	EA BED - COUCH/SEAT - 67.5" (K58, K59)
9	130573-04-K62	EA BED - COUCH/SEAT - 67.5" (K62, K63)
9	130573-04-K64	EA BED - COUCH/SEAT - 67.5" (K64, K65)
9	130573-04-K23	EA BED - COUCH/SEAT - 67.5" (K26, K27)
9	P30573-04-K58	EA COVER - COUCH/SEAT - 67.5" (K58, K59)
9	P30573-04-K62	EA COVER - COUCH/SEAT - 67.5" (K62, K63)
9	P30573-04-K64	EA COVER - COUCH/SEAT - 67.5" (K64, K65)
9	P30573-04-K23	EA COVER - COUCH/SEAT - 67.5" (K26, K27)
10	130573-03-K58	EA BED - COUCH/BACK - 67.5" (K58, K59)
10	130573-03-K62	EA BED - COUCH/BACK - 67.5" (K62, K63)
10	130573-03-K64	EA BED - COUCH/BACK - 67.5" (K64, K65)
10	130573-03-K23	EA BED - COUCH/BACK - 67.5" (K26, K27)
10	P30573-03-K58	EA COVER - COUCH/BACK - 67.5" (K58, K59)
10	P30573-03-K62	EA COVER - COUCH/BACK - 67.5" (K62, K63)
10	P30573-03-K64	EA COVER - COUCH/BACK - 67.5" (K64, K65)
10	P30573-03-K23	EA COVER - COUCH/BACK - 67.5" (K26, K27)
11	127840-02-J54	EA PANEL - LEFT HAND - SOFA/BED - FABRIC COVERED (K58, K59)
11	127840-02-K08	EA PANEL - LEFT HAND - SOFA/BED - FABRIC COVERED (K62, K63)
11	127840-02-K19	EA PANEL - LEFT HAND - SOFA/BED - FABRIC COVERED (K64, K65)
11	127840-02-K26	EA PANEL - LEFT HAND - SOFA/BED - FABRIC COVERED (K26, K27)

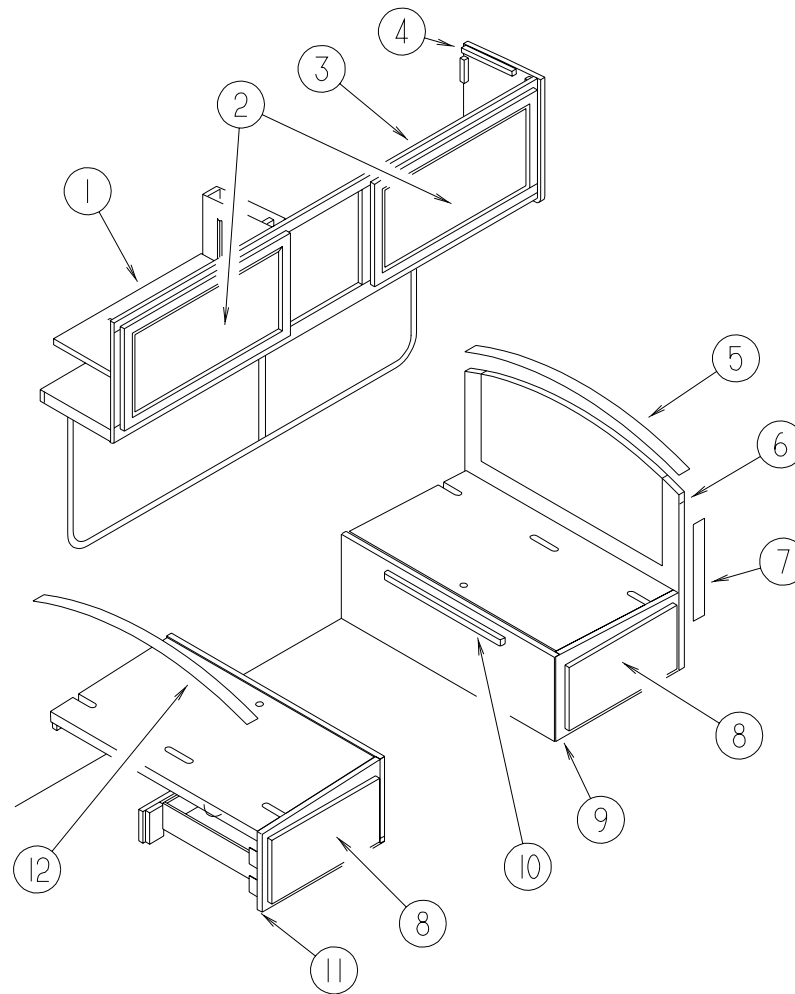
KEY	PART NUMBER	U/M DESCRIPTION
11	130718-02-K58	EA ARMREST - REMOVEABLE LEFT HAND (K58, K59)
11	130718-02-K62	EA ARMREST - REMOVEABLE LEFT HAND (K62, K63)
11	130718-02-K64	EA ARMREST - REMOVEABLE LEFT HAND (K64, K65)
11	130718-02-J26	EA ARMREST - REMOVEABLE LEFT HAND (K26, K27)
11	P30718-02-K58	EA COVER - ARMREST - REMOVABLE/LEFT HAND (K58, K59)
11	P30718-02-K62	EA COVER - ARMREST - REMOVABLE/LEFT HAND (K62, K63)
11	P30718-02-K64	EA COVER - ARMREST - REMOVABLE/LEFT HAND (K64, K65)
11	P30718-02-J26	EA COVER - ARMREST - REMOVABLE/LEFT HAND (K26, K27)
	127335-08-000	EA BRACKET - REMOVABLE ARM/COUCH
	127335-09-000	EA BRACKET - REMOVABLE ARM/CUSHION
	116104-03-02B	EA BRACKET - ZEE W/HOLES - 5.9"
	116104-04-02B	EA BRACKET - ZEE W/HOLES - 3.2"
	120992-09-J54	EA PANEL - FRONT KICK - SOFA/BED - FABRIC COVERED (K58, K59)
	120992-09-K62	EA PANEL - FRONT KICK - SOFA/BED - FABRIC COVERED (K62, K63)
	120992-09-K64	EA PANEL - FRONT KICK - SOFA/BED - FABRIC COVERED (K64, K65)
	120992-09-K23	EA PANEL - FRONT KICK - SOFA/BED - FABRIC COVERED (K26, K27)
	121906-01-02B	EA BRACKET - KICKBOARD - E-COATED
	106728-08-K58	EA PILLOW - 9" X 20" (K58, K59)
	106728-08-K62	EA PILLOW - 9" X 20" (K62, K63)
	106728-08-K60	EA PILLOW - 9" X 20" (K64, K65)
	106728-08-K26	EA PILLOW - 9" X 20" (K26, K27)
	127335-12-000	EA FRAME-10" LEG

SWIVEL CHAIR/RECLINER - FABRIC

KEY	PART NUMBER	U/M DESCRIPTION
12	130565-01-K58	EA CHAIR - INCLINER - W/FOOTREST (K58, K59)
12	130565-01-K62	EA CHAIR - INCLINER - W/FOOTREST (K62, K63)
12	130565-01-K60	EA CHAIR - INCLINER - W/FOOTREST (K64, K65)
12	130565-01-K26	EA CHAIR - INCLINER - W/FOOTREST (K26, K27)

DINETTE GROUP

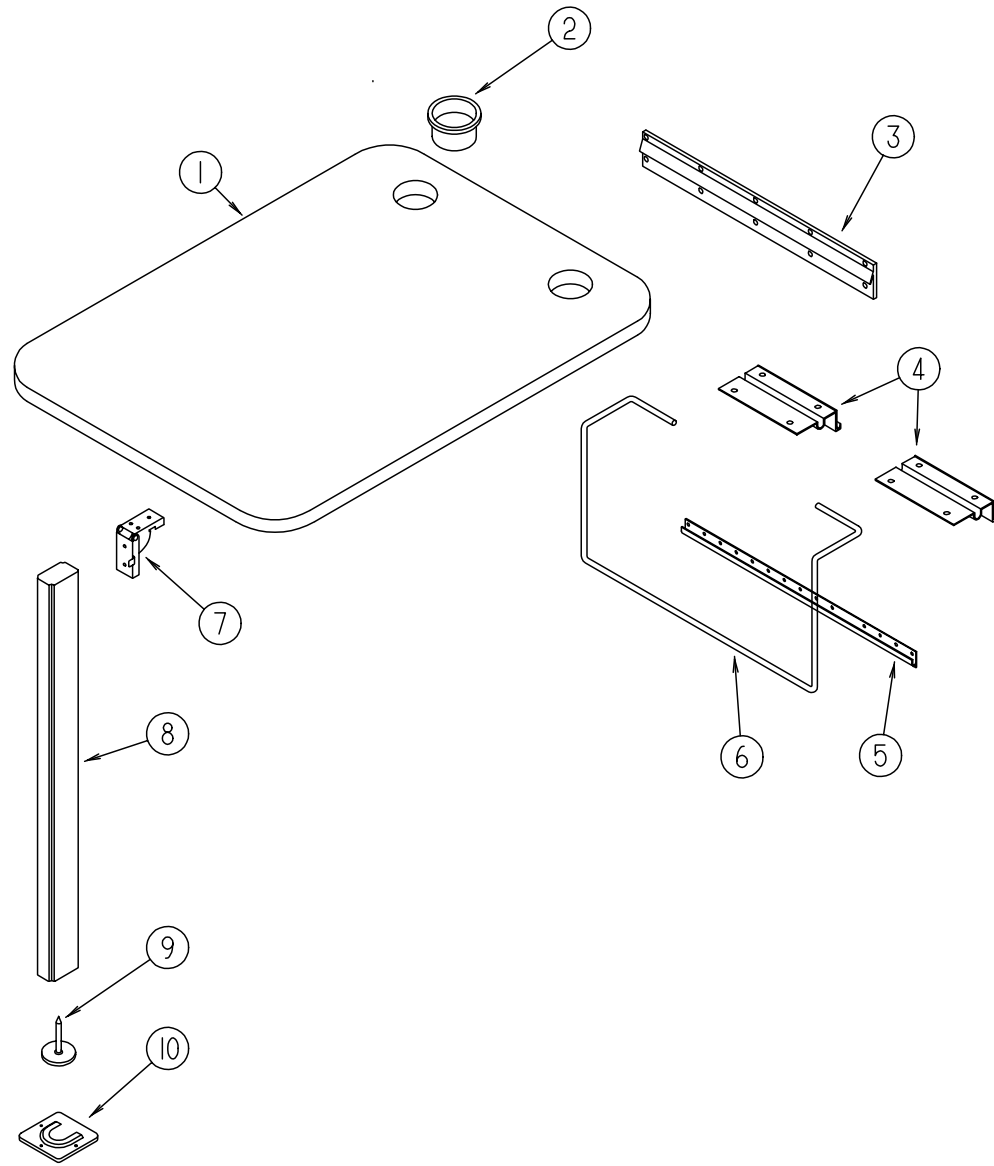
DINETTE CABINETS



KEY	PART NUMBER	U/M DESCRIPTION
1	128955-13-K28	EA SHELF - W/PLASTIC EDGE TRIM (OAK)
1	128955-13-K58	EA SHELF - W/PLASTIC EDGE TRIM (MAPLE)
2	M05992-48-J20	EA DOOR - STRAIGHT CORNER/OGEE EDGE - 15.7" X 27.9" - W/O HARDWARE (OAK)
2	M05992-48-J54	EA DOOR - STRAIGHT CORNER/OGEE EDGE - 15.7" X 27.9" - W/O HARDWARE (MAPLE)
3	128955-01-K58	EA CABINET - OVERHEAD/DINETTE/LEFT HAND - W/O DOORS/HARDWARE (K58)
3	128955-01-K59	EA CABINET - OVERHEAD/DINETTE/LEFT HAND - W/O DOORS/HARDWARE (K59)
3	128955-01-K62	EA CABINET - OVERHEAD/DINETTE/LEFT HAND - W/O DOORS/HARDWARE (K62)
3	128955-01-K33	EA CABINET - OVERHEAD/DINETTE/LEFT HAND - W/O DOORS/HARDWARE (K63)
3	128955-01-K60	EA CABINET - OVERHEAD/DINETTE/LEFT HAND - W/O DOORS/HARDWARE (K64)
3	128955-01-K61	EA CABINET - OVERHEAD/DINETTE/LEFT HAND - W/O DOORS/HARDWARE (K65)
3	128955-01-K26	EA CABINET - OVERHEAD/DINETTE/LEFT HAND - W/O DOORS/HARDWARE (K26)
3	128955-01-K32	EA CABINET - OVERHEAD/DINETTE/LEFT HAND - W/O DOORS/HARDWARE (K27)
4	103128-01-G09	EA END CAP - OVERHEAD CABINET - RIGHT HAND (OAK)
4	103128-01-J52	EA END CAP - OVERHEAD CABINET - RIGHT HAND (MAPLE)
5	104787-19-K58	EA PAD - DINETTE (K58, K59)
5	104787-19-K62	EA PAD - DINETTE (K62, K63)
5	104787-19-K64	EA PAD - DINETTE (K64, K65)
5	104787-19-K18	EA PAD - DINETTE (K26, K27)
6	M07514-54-K28	EA CABINET - SEAT BACK - RIGHT HAND (OAK)
6	M07514-54-K58	EA CABINET - SEAT BACK - RIGHT HAND (MAPLE)
6	M07514-55-K28	EA CABINET - SEAT BACK - RIGHT HAND (SOUND SYSTEM) (OAK)
6	M07514-55-K58	EA CABINET - SEAT BACK - RIGHT HAND (SOUND SYSTEM) (MAPLE)

KEY	PART NUMBER	U/M DESCRIPTION
7	104787-18-K58	EA PAD - DINETTE (K58, K59)
7	104787-18-K62	EA PAD - DINETTE (K62, K63)
7	104787-18-K64	EA PAD - DINETTE (K64, K65)
7	104787-18-K18	EA PAD - DINETTE (K26, K27)
8	M05971-35-K28	EA DRAWER - OGEE EDGE - 16.9" X 21.6"D - W/O SLIDES/HARDWARE (OAK)
8	M05971-35-J52	EA DRAWER - OGEE EDGE - 16.9" X 21.6"D - W/O SLIDES/HARDWARE (MAPLE)
9	M07515-54-K28	EA CABINET - SEATBASE/RIGHT HAND - W/O /DRAWER/HARDWARE (OAK)
9	M07515-54-K58	EA CABINET - SEATBASE/RIGHT HAND - W/O /DRAWER/HARDWARE (MAPLE)
9	M07515-55-K28	EA CABINET - SEATBASE/RIGHT HAND - W/O /DRAWER/HDW (SND SYSTEM) (OAK)
9	M07515-55-K58	EA CABINET - SEATBASE/RIGHT HAND - W/O /DRAWER/HDW (SND SYSTEM) (MAPLE)
10	081295-01-G01	EA SUPPORT - BED/DINETTE - 28" LONG (OAK)
10	081295-01-H37	EA SUPPORT - BED/DINETTE - 28" LONG (MAPLE)
11	M07515-06-J22	EA CABINET - SEATBASE/LEFT HAND - W/O /DRAWER/HARDWARE (OAK)
11	M07515-06-J52	EA CABINET - SEATBASE/LEFT HAND - W/O /DRAWER/HARDWARE (MAPLE)
12	104787-08-J54	EA PAD - DINETTE SEATBACK (K58, K59)
12	104787-08-J24	EA PAD - DINETTE SEATBACK (K62, K63)
12	104787-08-K64	EA PAD - DINETTE SEATBACK (K64, K65)
12	104787-08-F11	EA PAD - DINETTE SEATBACK (K26, K27)
	103256-01-000	EA LATCH - SLIDE
	122021-02-02A	EA ANGLE - W/HOLES - 13.7" LONG - OFF WHITE

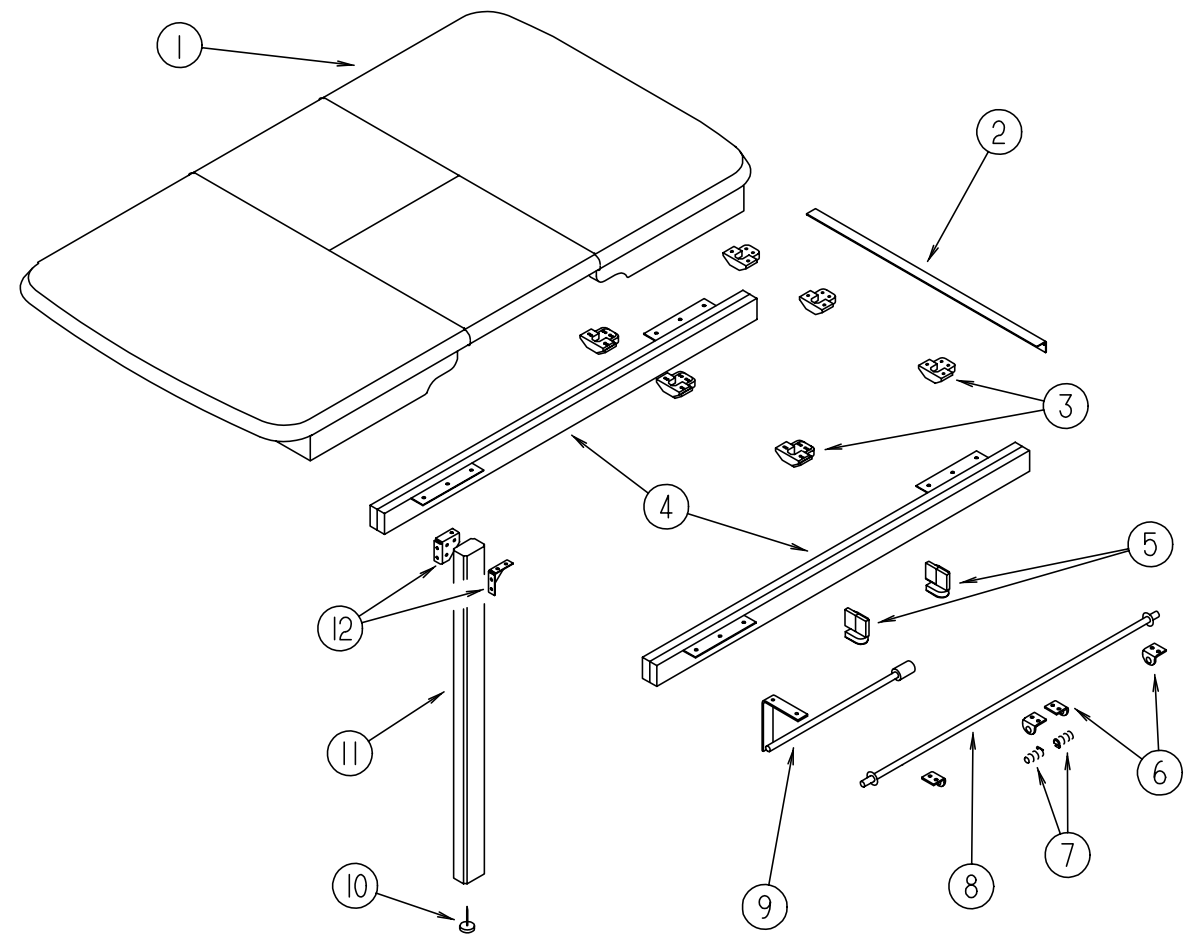
DINETTE GROUP (CONTINUED)



DINETTE TABLE ASM.

KEY	PART NUMBER	U/M DESCRIPTION
1	127121-20-K58	EA TABLE TOP ONLY (K58, K64, K26)
1	127121-20-J26	EA TABLE TOP ONLY (K59, K65, K27)
1	127121-20-J23	EA TABLE TOP ONLY (K62)
1	127121-20-K32	EA TABLE TOP ONLY (K63)
2	064781-06-000	EA HOLDER - CUP TWO STEP - OFF WHITE
3	053200-12-000	EA BRACKET - TABLE SUPPORT - UPPER WALL MOUNTED 23.50"
4	088410-02-000	EA BRACKET - LIFT - TABLE MOUNTED
5	024281-14-000	EA BRACKET - LIFT ROD LOWER WALL MOUNTED - 22.12"
6	024275-12-000	EA ROD - TABLE LIFT
7	093550-01-000	EA BRACKET - HINGE - MOUNTS TO LEG & TABLE TOP - 1.7" X 2.6"
8	092707-04-05A	EA LEG - TABLE - W/O HARDWARE - 27" - WATERFORD OAK
8	092707-04-08A	EA LEG - TABLE - W/O HARDWARE - 27" - WASHED MAPLE
9	092593-01-05A	EA CATCH - TABLE LEG - OFF/WHITE
10	049493-12-000	EA CATCH - TABLE LEG - FLOOR MOUNTED - OFF WHITE
10	049493-11-700	EA CATCH - TABLE LEG - E-COAT
	004354-01-000	EA BUMPER - RUBBER - .5" DIA - BROWN

DINETTE GROUP (CONTINUED)

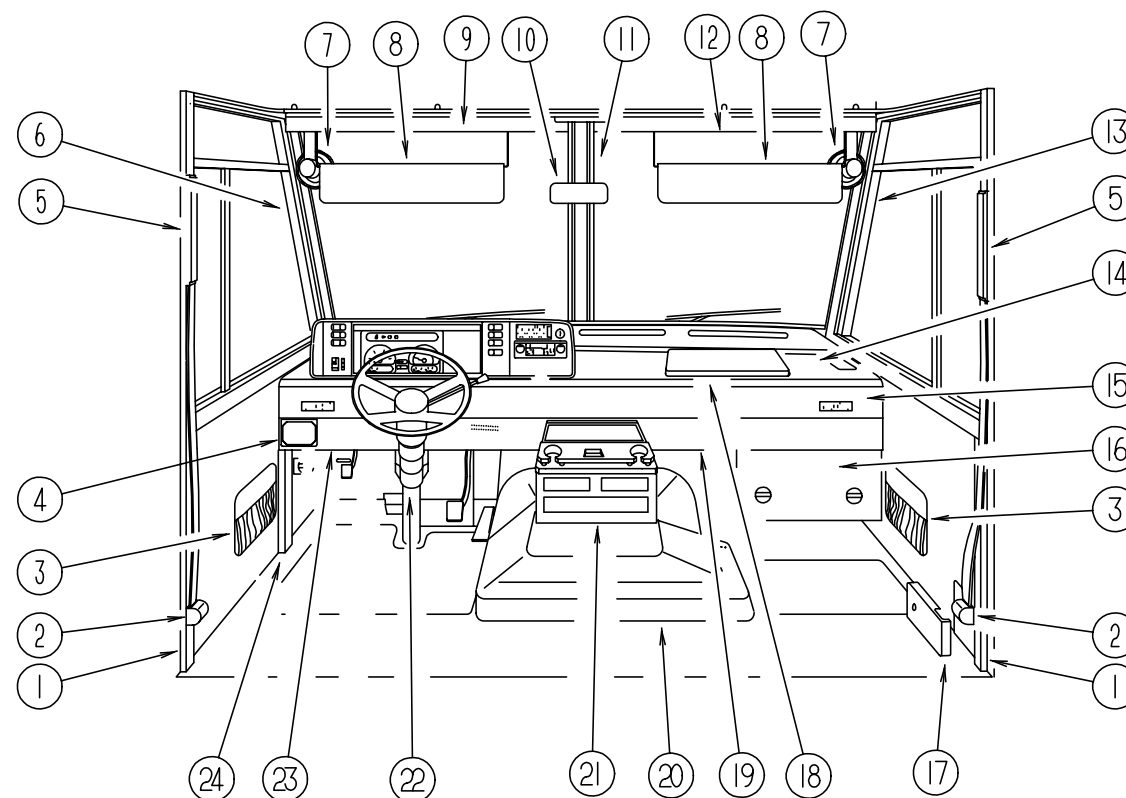


DINETTE TABLE ASM. W/ DROP LEAF

KEY	PART NUMBER	U/M DESCRIPTION
	P18322-03-K58	EA TABLE - PULLOUT/SELF STORING - W/O LEG (K58, K64, K26)
	P18322-03-K30	EA TABLE - PULLOUT/SELF STORING - W/O LEG (K59, K65, K27)
	P18322-03-K62	EA TABLE - PULLOUT/SELF STORING - W/O LEG (K62)
	P18322-03-K32	EA TABLE - PULLOUT/SELF STORING - W/O LEG (K63)
1	118322-20-J61	EA TABLE TOP ONLY - W/O HARDWARE (K58, K64, K26)
1	118322-20-J91	EA TABLE TOP ONLY - W/O HARDWARE (K59, K65, K27)
1	118322-20-K62	EA TABLE TOP ONLY - W/O HARDWARE (K62)
1	118322-20-K32	EA TABLE TOP ONLY - W/O HARDWARE (K63)
2	041389-18-000	EA HINGE - PIANO - 1 1/2" X 19" - OFF WHITE
3	009050-02-000	EA LEVELER - TABLE TOP - MALE END W/4 SCREWS - PLASTIC
3	009050-03-000	EA LEVELER - TABLE TOP - FEMALE END W/2 SCREWS - PLASTIC
4	110749-01-000	EA SLIDE/EXTENSION - 19 3/4" TO 33 1/4"
5	108663-01-000	EA HINGE - LEAF - FOLDING
6	108874-01-000	EA BRACKET - HINGE - TABLE LEAF
7	108664-01-000	EA SPRING - COMPRESSION - .51" X 1.96"
8	108932-01-000	EA ROD - PIVOT
9	108905-01-000	EA SUPPORT - TABLE LEAF
10	102194-01-000	EA GUIDE - PLASTIC
11	092707-07-05A	EA LEG - TABLE - W/O HARDWARE - 27.8" - WATERFORD OAK
11	092707-07-08A	EA LEG - TABLE - W/O HARDWARE - 27.8" - WASHED MAPLE
12	102810-01-04A	EA BRACE - TABLE LEG - BLACK
12	102810-01-03A	EA BRACE - TABLE LEG - MILL

DRVRS COMPARTMENT GROUP

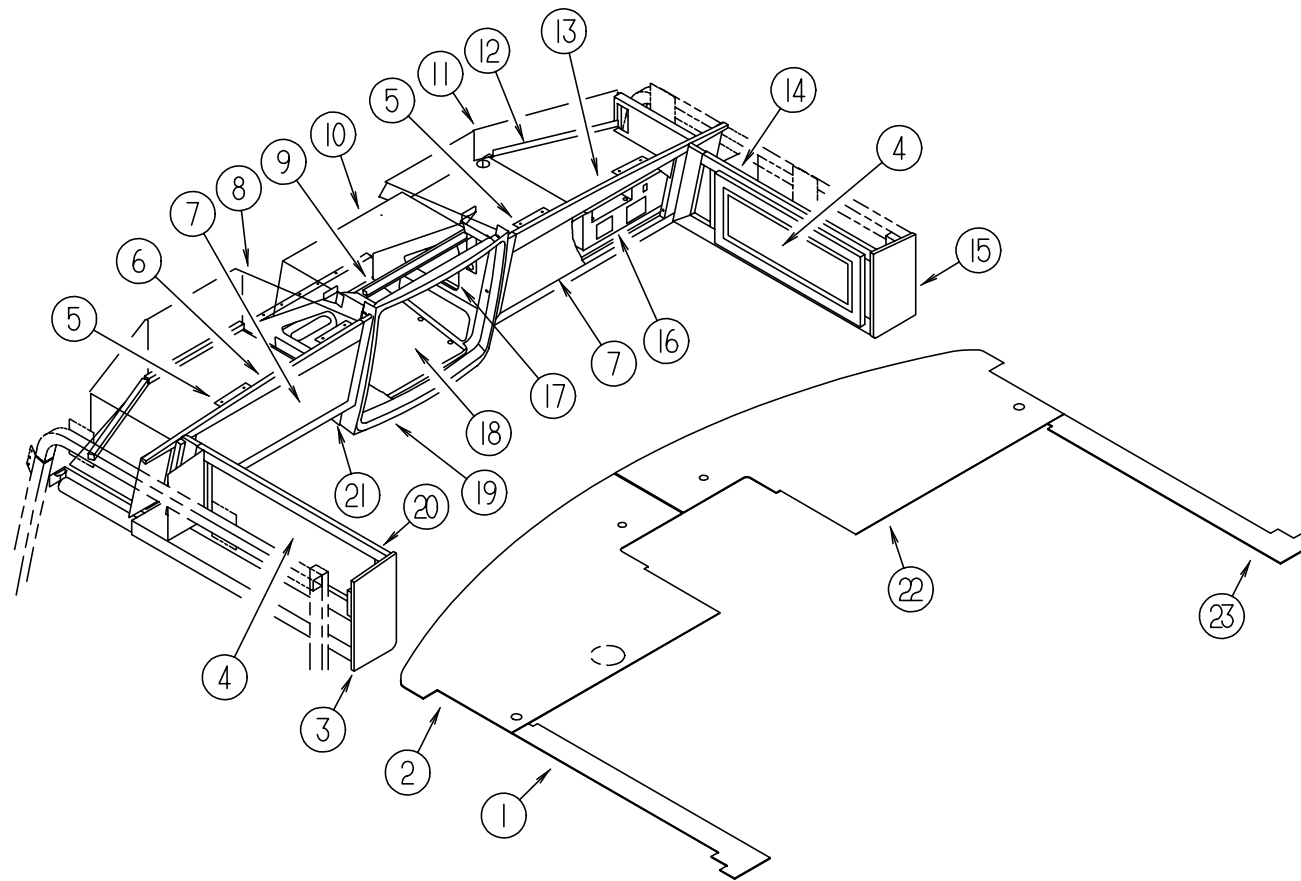
LOWER DRVR COMPARTMENT



KEY	PART NUMBER	U/M	DESCRIPTION	VENDOR NO.	KEY	PART NUMBER	U/M	DESCRIPTION
1	024700-51-000	EA	COVER - ROLL BAR - 88" - OFF WHITE		16	095757-05-J54	EA	COVER - HEATER (K58, K59)
	126701-01-03A	EA	COVER - ASSIST HANDLE - OFF WHITE		16	095757-05-K38	EA	COVER - HEATER (K62, K63)
2	091990-05-01A	EA	SEAT BELT/SHOULDER HARNESS - DRVR/PASSENGER - BLACK		16	095757-05-J31	EA	COVER - HEATER (K64, K65)
	091990-05-700	EA	SLEEVE/BUCKLE COVER-PLASTIC	209S-2	16	095757-05-J17	EA	COVER - HEATER (K26, K27)
	091990-05-701	EA	CAP/COVER - BOLT HOLE COVER	209SC-02	17	103961-03-01A	EA	COVER - BRACKET - SEATBELT/OFF WHITE
	091990-05-702	EA	SLEEVE/RETRACTABLE COVER	309C-02	18	127692-01-J50	EA	TABLE/WORK STATION - COMPLETE
	091990-05-703	EA	EXTENDER 12"	I-1442-02	18	127597-01-000	EA	SLIDE - WORK STATION - DASH
	127598-01-01A	EA	ADJUSTER - SEATBELT - D-LOOP - ADJUSTER		19	114620-05-05A	EA	TRIM - LWR DASH - GM - 96" - TITANIUM - W/ELEC MIRRORS - W/ODRVR DOOR
	127598-02-000	EA	NUT - HEX FLANGE - M10 X 1.5 - CLASS 10		19	114620-08-03A	EA	TRIM - LWR DASH - GM - 96" - TITANIUM - W/O ELEC MIRRORS - W/ODRVR DOOR
	128444-01-000	EA	WASHER - SPRING - CONICAL		19	114620-09-03A	EA	TRIM - LWR DASH - GM - 96" - TITANIUM - W/ELEC MIRRORS - W/DRVR DOOR
3	086120-01-J54	EA	PAD - MAP POCKET - 12" X 16" (K58, K59)		19	114620-11-03A	EA	TRIM - LWR DASH - GM - 96" - TITANIUM - W/O ELEC MIRRORS - W/DRVR DOOR
3	086120-01-J24	EA	PAD - MAP POCKET - 12" X 16" (K62, K63)		19	111528-07-05A	EA	TRIM - LWR DASH - PASSENGER - FORD - TITANIUM
3	086120-01-K64	EA	PAD - MAP POCKET - 12" X 16" (K64, K65)		20	115840-03-01A	EA	COVER - MOTOR - W/O CARPET - FORD
3	086120-01-G30	EA	PAD - MAP POCKET - 12" X 16" (K26, K27)					FROM: 00-00-00 THRU: 05-05-99
4	112236-01-J60	EA	BEZEL - LEVELING PANEL		20	129099-03-01A	EA	COVER - MOTOR - W/O CARPET - FORD
5	127798-01-01A	EA	COVER - SLIDE - INNER - BLACK - 1.5" X 11.4"					FROM: 05-06-99 THRU: 99-99-99
5	127721-01-01A	EA	COVER - SLIDE - OFF WHITE		20	115840-02-01A	EA	COVER - MOTOR - W/O CARPET (CHEVY)
6	125444-02-02A	EA	TRIM - A-PILLAR/DRVR - INTERIOR - TITANIUM		21	126680-01-H17	EA	TRAY - BEVERAGE - W/SHELF/CUPHOLDERS - W/O DRAWER (FORD) (OAK)
6	123045-11-03A	EA	BACKING - SCREW - TITANIUM		21	126680-01-J52	EA	TRAY - BEVERAGE - W/SHELF/CUPHOLDERS - W/O DRAWER (FORD) (MAPLE)
7	122856-01-01A	EA	FAN- DEFROSTER-2 SPEED W/SWIVEL BASE/NON-OSCILATING-CHROME		21	126680-02-H17	EA	TRAY - BEVERAGE - W/SHELF/CUPHOLDERS - W/O DRAWER (CHEVY) (OAK)
8	123298-02-05A	EA	SUNVISOR - 10.5" X 28.5"		21	126680-02-J52	EA	TRAY - BEVERAGE - W/SHELF/CUPHOLDERS - W/O DRAWER (CHEVY) (MAPLE)
9	118453-06-02A	EA	TRIM - WINDSHIELD - INNER/TOP/DRVR		22	130111-01-01A	EA	COVER - STEERING COLUMN - BLACK - UPPER (FORD)
10	040714-01-000	EA	MIRROR - REAR VIEW/ARM MOUNT & SET SCREW					FROM: 00-00-00 THRU: 01-17-99
10	067490-01-000	EA	BUTTON - MIRROR/REAR VIEW		22	131804-01-01A	EA	COVER - STEERING COLUMN - BLACK - UPPER & SIDES (FORD)
11	118452-03-02A	EA	TRIM - WINDSHIELD - CENTER					FROM: 01-18-99 THRU: 99-99-99
12	118453-05-02A	EA	TRIM - WINDSHIELD - INNER/TOP/PASSENGER		22	125655-03-01A	EA	TRIM - STEERING COLUMN - RIGHT HAND (FORD)
13	125444-01-02A	EA	TRIM - A-PILLAR/PASSENGER - INTERIOR - TITANIUM					FROM: 00-00-00 THRU: 01-17-99
13	123045-11-03A	EA	BACKING - SCREW - TITANIUM		22	125655-04-01A	EA	TRIM - STEERING COLUMN - LEFT HAND (FORD)
14	P30276-01-000	EA	DASH - W/O VINYL - E-COATED (FORD) (W/ DRVR DOOR)					FROM: 00-00-00 THRU: 01-17-99
14	P30276-02-000	EA	DASH - W/O VINYL - E-COATED (FORD) (W/O DRVR DOOR)		22	125795-01-01A	EA	COVER - STEERING COLUMN - LOWER - BLACK (FORD)
14	P30276-05-000	EA	DASH - W/O VINYL - E-COATED (CHEVY) (W/ DRVR DOOR)					FROM: 01-18-99 THRU: 99-99-99
14	P30276-06-000	EA	DASH - W/O VINYL - E-COATED (CHEVY) (W/O DRVR DOOR)		22	103498-09-000	EA	BOOT - STEERING COLUMN - W/1/2 CIRCLE (CHEVY)
14	106569-11-02A	EA	VINYL - LAMINATE - TITANIUM - 1/4" X 21" X 100"		23	111528-04-05A	EA	TRIM - DASH - LOWER DRVR (FORD)
15	104354-09-09A	EA	APPLIQUE - LOWER DASH - SUNCRUISER		24	127901-02-02A	EA	PANEL - TOEKICK - LEFT HAND - TITANIUM (W/DRVR DOOR)
					24	127901-01-02A	EA	PANEL - TOEKICK - LEFT HAND - TITANIUM (W/O DRVR DOOR)

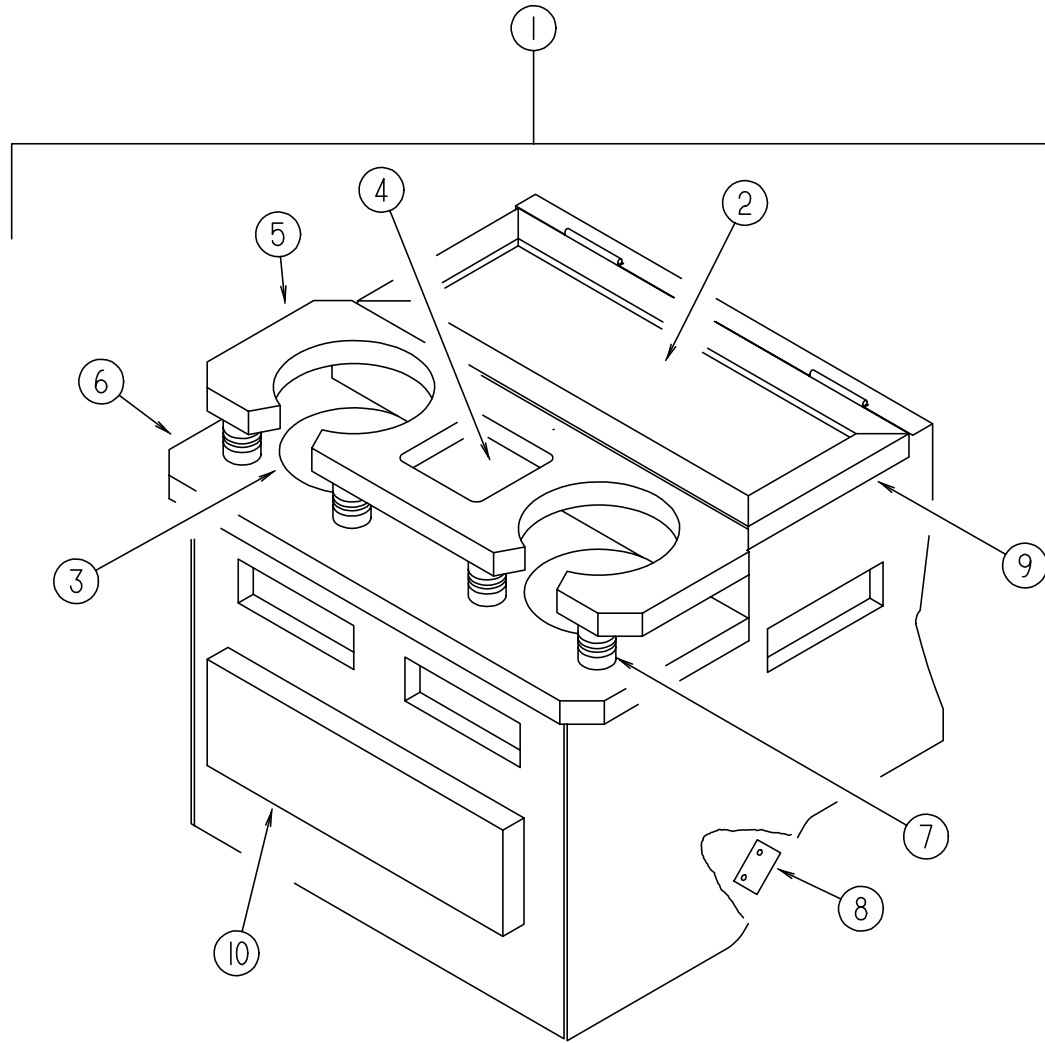
DRIVERS COMPARTMENT GROUP (CONTINUED)

OVERHEAD CABINETS (DRIVER COMPARTMENT)



KEY	PART NUMBER	U/M	DESCRIPTION	KEY	PART NUMBER	U/M	DESCRIPTION
1	126443-02-J53	EA	PANEL - OVERHEAD/FRONT - LEFT HAND - 5.8" X 27.6"	15	103128-17-J52	EA	END CAP - OVERHEAD CABINET - RIGHT HAND (MAPLE)
2	126440-02-J52	EA	PANEL - OVERHEAD - FRONT/BOTTOM - LEFT HAND	16	126601-03-J60	EA	PANEL/SHELF - VINYL COVERED - W/NOTCH/ANTENNA CUTOUT FROM: 00-00-00 THRU: 11-08-98
3	103128-18-J20	EA	END CAP - OVERHEAD CABINET - LEFT HAND (OAK)	16	131807-02-K58	EA	PANEL/SHELF - VINYL COVERED - W/NOTCH/ANTENNA CUTOUT FROM: 11-09-98 THRU: 99-99-99
3	103128-18-J60	EA	END CAP - OVERHEAD CABINET - LEFT HAND (MAPLE)	16	126601-01-J60	EA	PANEL/SHELF - VINYL COVERED - W/ANTENNA CUTOUT FROM: 00-00-00 THRU: 11-08-98
4	131995-23-K28	EA	DOOR - SOLID PANEL - 10" X 19.1" - W/O HARDWARE (OAK)	16	131807-01-K58	EA	PANEL/SHELF - VINYL COVERED - W/ANTENNA CUTOUT FROM: 11-09-98 THRU: 99-99-99
4	131995-23-K58	EA	DOOR - SOLID PANEL - 10" X 19.1" - W/O HARDWARE (MAPLE)	16	126601-07-J60	EA	PANEL/SHELF - VINYL COVERED - W/NOTCH/INVERTER/ANTENNA CUTOUT FROM: 00-00-00 THRU: 11-08-98
5	106699-01-01A	EA	BRACKET - OVERHEAD CABINET/TV	16	131807-03-K58	EA	PANEL/SHELF - VINYL COVERED - W/NOTCH/ANTENNA CUTOUT FROM: 11-09-98 THRU: 99-99-99
6	130768-02-K66	EA	CABINET - OVERHEAD - FRONT/LEFT HAND - W/O DOOR/HARDWARE (OAK)	17	126081-01-02B	EA	BRACKET/SUPPORT - TV - 24 DEGREE - E-COATED (RIGHT)
6	130768-02-K67	EA	CABINET - OVERHEAD - FRONT/LEFT HAND - W/O DOOR/HARDWARE (MAPLE)	17	126081-02-02B	EA	BRACKET/SUPPORT - TV - 24 DEGREE - E-COATED (LEFT)
7	M05992-AW-K28	EA	DOOR - STRAIGHT CORNER/OGEE EDGE - 11.4" X 28.1" - W/O HDW (OAK)	18	091261-01-000	FT	SLIPNOT - ANTISLIP - 1" WIDE
7	M05992-AW-K58	EA	DOOR - STRAIGHT CORNER/OGEE EDGE - 11.4" X 28.1" - W/O HDW (MAPLE)	19	100708-16-000	EA	DOOR - GLASS - CABINET - 15.5" X 15.7" - W/O HARDWARE
7	100708-20-000	EA	DOOR - GLASS - TV CABINET - 8.6" X 26.1"	19	125977-01-01A	EA	COVER - TV - OVERHEAD/FRONT - TITANIUM
8	126457-02-J20	EA	PANEL - CLOSEOUT - OVERHEAD FRONT - UPPER/LOWER LEFT HAND	19	126602-02-J52	EA	COVER - OVERHEAD FRONT - W/O TV OPTION
9	114706-04-02B	EA	SUPPORT - SHELF/TV	20	126301-01-J22	EA	CABINET - OVERHEAD/FRONT/LEFT HAND - W/O DOORS/HARDWARE (OAK)
10	126854-01-J20	EA	PANEL - HEADLINER/TV/TOP	20	126301-01-J52	EA	CABINET - OVERHEAD/FRONT/LEFT HAND - W/O DOORS/HARDWARE (MAPLE)
11	126457-01-J20	EA	PANEL - CLOSEOUT - OVERHEAD FRONT - UPPER/LOWER RIGHT HAND	21	126006-02-J60	EA	COVER - TV - OVERHEAD/BOTTOM
12	126275-01-02B	EA	SHELF - OVERHEAD/FRONT - E-COATED FROM: 00-00-00 THRU: 11-08-98	22	126440-01-J52	EA	PANEL - OVERHEAD - FRONT/BOTTOM - RIGHT HAND
12	126275-03-02B	EA	SHELF - OVERHEAD FRONT - E-COATED FROM: 11-09-98 THRU: 99-99-99	23	126443-05-J53	EA	PANEL - OVERHEAD/FRONT/RIGHT HAND - 5.8" X 28.5"
13	130768-01-K66	EA	CABINET - OVERHEAD - FRONT - W/O DOOR/HARDWARE (OAK)				
13	130768-01-K67	EA	CABINET - OVERHEAD - FRONT - W/O DOOR/HARDWARE (MAPLE)				
14	126358-01-J57	EA	CABINET - OVERHEAD/FRONT - RIGHT HAND - W/O DOOR/HARDWARE (OAK)				
14	126358-01-J52	EA	CABINET - OVERHEAD/FRONT - RIGHT HAND - W/O DOOR/HARDWARE (MAPLE)				
15	103128-17-J20	EA	END CAP - OVERHEAD CABINET - RIGHT HAND (OAK)				

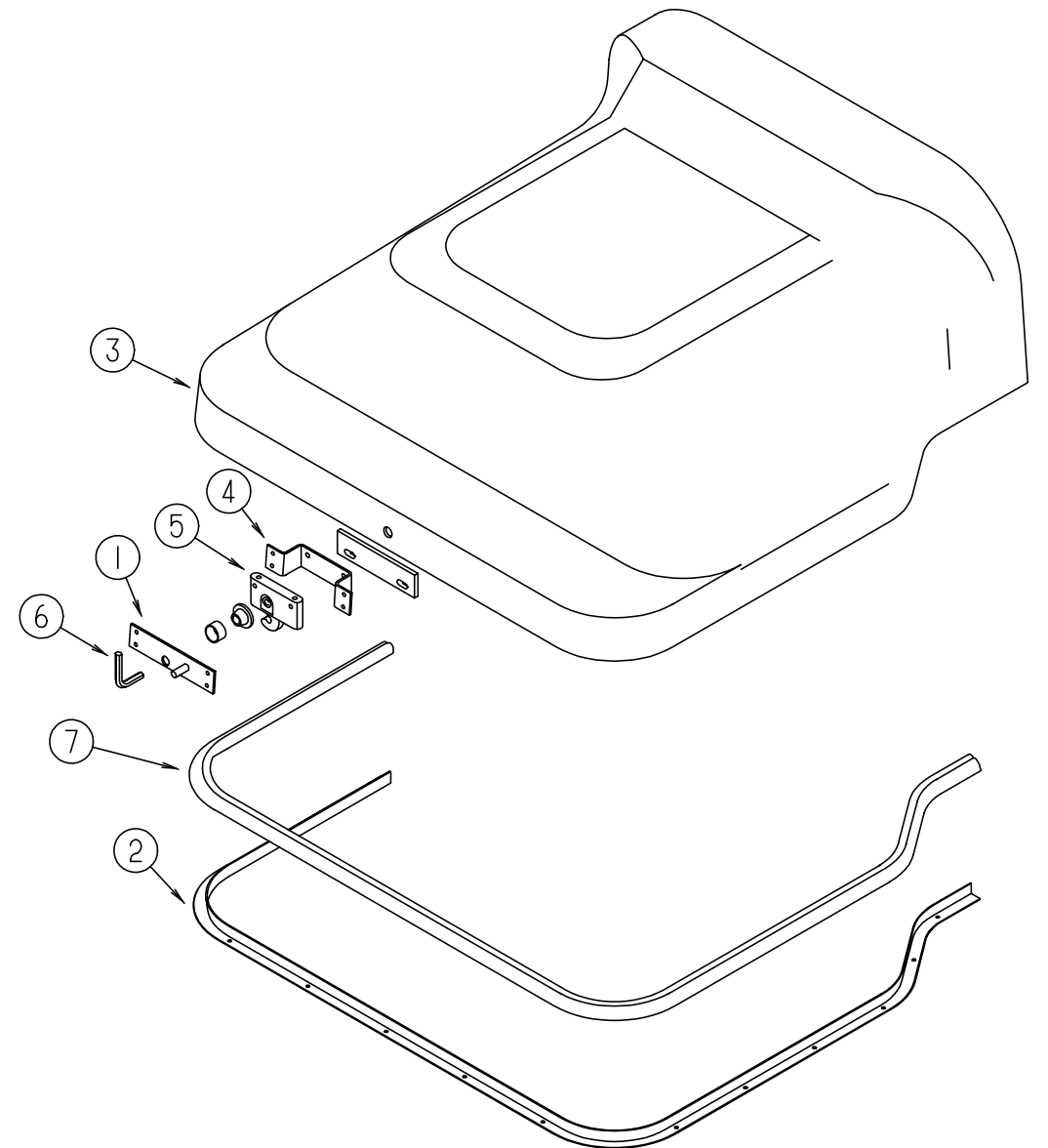
DRIVERS COMPARTMENT GROUP (CONTINUED)



BEVERAGE TRAY, DRIVER COMPARTMENT

KEY	PART NUMBER	U/M	DESCRIPTION
1	126680-01-H17	EA	TRAY - BEVERAGE - W/SHELF/CUPHOLDERS - W/O DRAWER (FORD) (OAK)
1	126680-01-J52	EA	TRAY - BEVERAGE - W/SHELF/CUPHOLDERS - W/O DRAWER (FORD) (MAPLE)
1	126680-02-H17	EA	TRAY - BEVERAGE - W/SHELF/CUPHOLDERS - W/O DRAWER (CHEVY) (OAK)
1	126680-02-J52	EA	TRAY - BEVERAGE - W/SHELF/CUPHOLDERS - W/O DRAWER (CHEVY) (MAPLE)
2	122717-06-01A	FT	PAD - NON SKID - PSA - 6.5" X 13.8"
3	122717-01-01A	EA	PAD - NON SKID - 4" DIAMETER ROUND
4	122717-02-01A	EA	PAD - NON SKID - 4" X 4"
5	126680-15-H17	EA	TRAY/CUPHOLDER - TOP (OAK)
5	126680-15-H37	EA	TRAY/CUPHOLDER - TOP (MAPLE)
6	126680-14-H17	EA	TRAY/CUPHOLDER - BOTTOM - W/PADS (OAK)
6	126680-14-H37	EA	TRAY/CUPHOLDER - BOTTOM - W/PADS (MAPLE)
7	097872-08-000	EA	DOWEL - WOOD - 1" DIAMETER X 1.38" LONG (OAK)
7	097872-11-000	EA	DOWEL - WOOD - 1" DIAMETER X 1.38" LONG (MAPLE)
	097872-04-000	EA	DOWEL - WOOD - 1" DIA X 1.38" LONG - UNFINISHED
8	122832-01-02B	EA	BRACKET - MOUNTING - BEVERAGE TRAY
	122772-02-02B	EA	BRACKET - MOUNTING - BEVERAGE TRAY(W/ STUD BOLTS)
9	126680-16-H17	EA	LID - BEVERAGE TRAY (OAK)
9	126680-16-J52	EA	LID - BEVERAGE TRAY (MAPLE)
10	M05971-AZ-H33	EA	DRAWER - OGEE EDGE - 9.9"W X 11.8"D - W/O SLIDES/HARDWARE (OAK)
10	M05971-AZ-J52	EA	DRAWER - OGEE EDGE - 9.9"W X 11.8"D - W/O SLIDES/HARDWARE (MAPLE)
	100128-02-000	FT	SEAL - FOAM - ADHESIVE BACK - .37" WIDE X .37" THICK

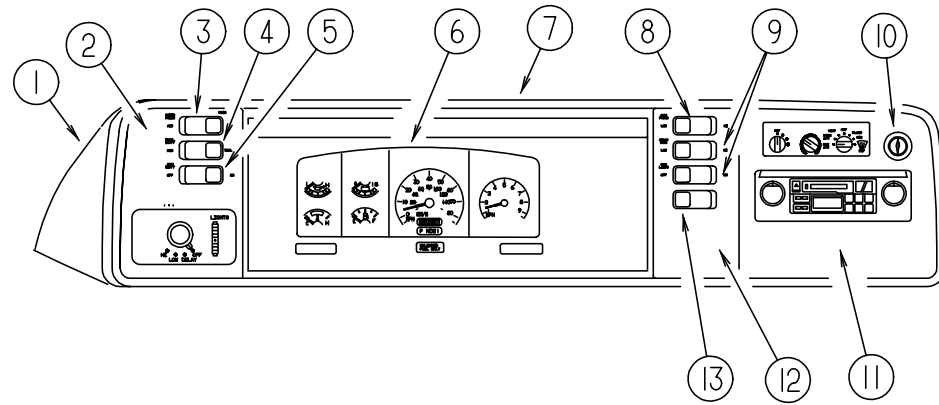
DRIVERS COMPARTMENT GROUP (CONTINUED)



MOTOR COVER

KEY	PART NUMBER	U/M	DESCRIPTION
1	115852-01-02B	EA	STRIKE - LATCH - MOTOR COVER - E-COATED
2	115860-01-01A	EA	TRIM - MOTOR COVER - CHEVY
2	115860-03-01A	EA	TRIM - MOTOR COVER - FORD
			FROM: 00-00-00 THRU: 05-05-99
2	115860-05-01A	EA	TRIM - MOTOR COVER - FORD
			FROM: 05-06-99 THRU: 99-99-99
3	115840-03-01A	EA	COVER - MOTOR - W/O CARPET - FORD
			FROM: 00-00-00 THRU: 05-05-99
3	129099-03-01A	EA	COVER - MOTOR - W/O CARPET - FORD
			FROM: 05-06-99 THRU: 99-99-99
3	115840-02-01A	EA	COVER - MOTOR - W/O CARPET - CHEVY
4	115850-03-02B	EA	RETAINER - LATCH - MOTOR COVER - RIGHT HAND - E-COAT
5	116581-01-000	EA	LATCH - MOTOR COVER
6	116833-01-02B	EA	WRENCH - HEX MOTOR COVER - E-COATED
7	039623-01-000	EA	SEAL - MOTOR COVER - RUBBER BULB TYPE

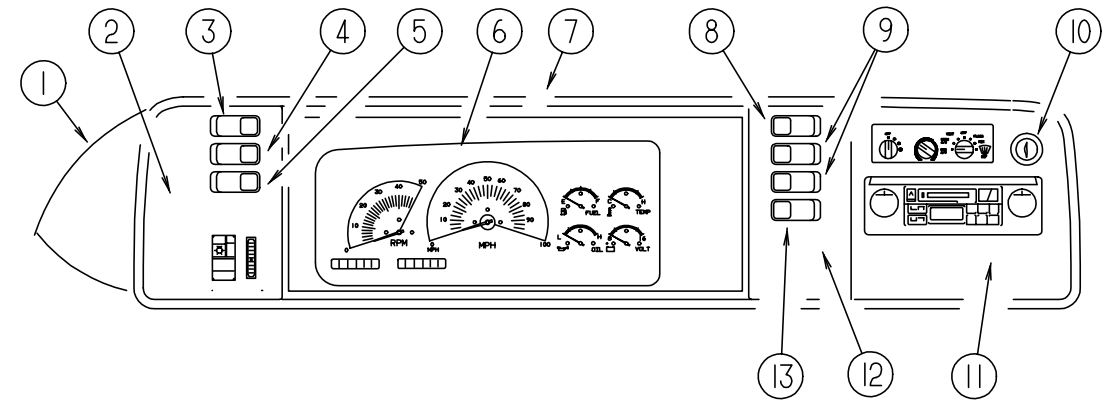
DRIVERS COMPARTMENT GROUP (CONTINUED)



DASH, GAUGES & SWITCHES (FORD)

KEY	PART NUMBER	U/M	DESCRIPTION
1	125677-02-J52	EA	POD - INSTRUMENT PANEL FROM: 00-00-00 THRU: 02-03-99
1	125677-04-K58	EA	POD - INSTRUMENT PANEL FROM: 02-04-99 THRU: 99-99-99
2	104056-39-01A	EA	APPLIQUE - BEZEL - DRIVER - BLACK
3	108357-08-000	EA	SWITCH - ROCKER DPDT - ON/NONE/ON - 6 TERMINAL
3	108356-02-01A	EA	COVER/ACTUATOR SWITCH - 2 ROWS DIMPLES- CONTURA II - BLACK
4	108357-09-000	EA	SWITCH - ROCKER SPDT - ON/NONE/MOM - 3 TERMINAL
4	108356-02-01A	EA	COVER/ACTUATOR SWITCH - 2 ROWS DIMPLES- CONTURA II - BLACK
5	108357-06-000	EA	SWITCH - ROCKER DPDT - MOM/OFF/MOM - 6 TERMINAL
5	108356-02-01A	EA	COVER/ACTUATOR SWITCH - 2 ROWS DIMPLES- CONTURA II - BLACK
6	N/A	EA	CLUSTER - INSTRUMENT PANEL - KILOMETERS
6	N/A	EA	CLUSTER - INSTRUMENT PANEL - K/M - GAS - CANADIAN
7	103662-12-01A	EA	BEZEL - INSTRUMENT PANEL - FORD FROM: 00-00-00 THRU: 02-03-99
7	103662-14-01A	EA	BEZEL - INSTRUMENT PANEL - FORD FROM: 02-04-99 THRU: 99-99-99
8	108357-10-000	EA	SWITCH - ROCKER SPDT W/LIGHT - MOM/NONE/MOM - 5 TERMINAL
8	108356-04-01A	EA	COVER/ACTUATOR SWITCH - 2 ROWS DIMPLES W/LENS-CONTURAIIBLK
9	108357-03-000	EA	SWITCH - ROCKER SPDT - ON/OFF/ON - 3 TERMINAL
9	108356-02-01A	EA	COVER/ACTUATOR SWITCH - 2 ROWS DIMPLES- CONTURA II - BLACK
	096241-03-000	EA	SWITCH - BLANK
	077942-01-000	EA	SWITCH - DUMMY - BLACK
10	089294-01-000	EA	LIGHTER - CIGARETTE - W/SOCKET & WIRE
11	104056-06-01A	EA	APPLIQUE - BEZEL - PASSENGER - BLACK
12	104056-21-01A	EA	APPLIQUE - BEZEL - PASSENGER - BLACK
12	104056-08-01A	EA	APPLIQUE - BEZEL - PASSENGER - 6 SWITCH - BLACK VELVET (W/FOG LAMPS)
13	108357-01-000	EA	SWITCH - ROCKER SPST - ON/OFF - 2 TERMINAL
13	108356-02-01A	EA	COVER/ACTUATOR SWITCH - 2 ROWS DIMPLES- CONTURA II - BLACK
	077031-01-000	EA	FILM - BLACK - .75" X 1"
	077031-03-000	EA	FILM - WHITE - .75" X 1"
	129644-01-000	EA	CABLE/INDICATOR - TRANSMISSION - 46.7" EYE/EYE

DRIVERS COMPARTMENT GROUP (CONTINUED)

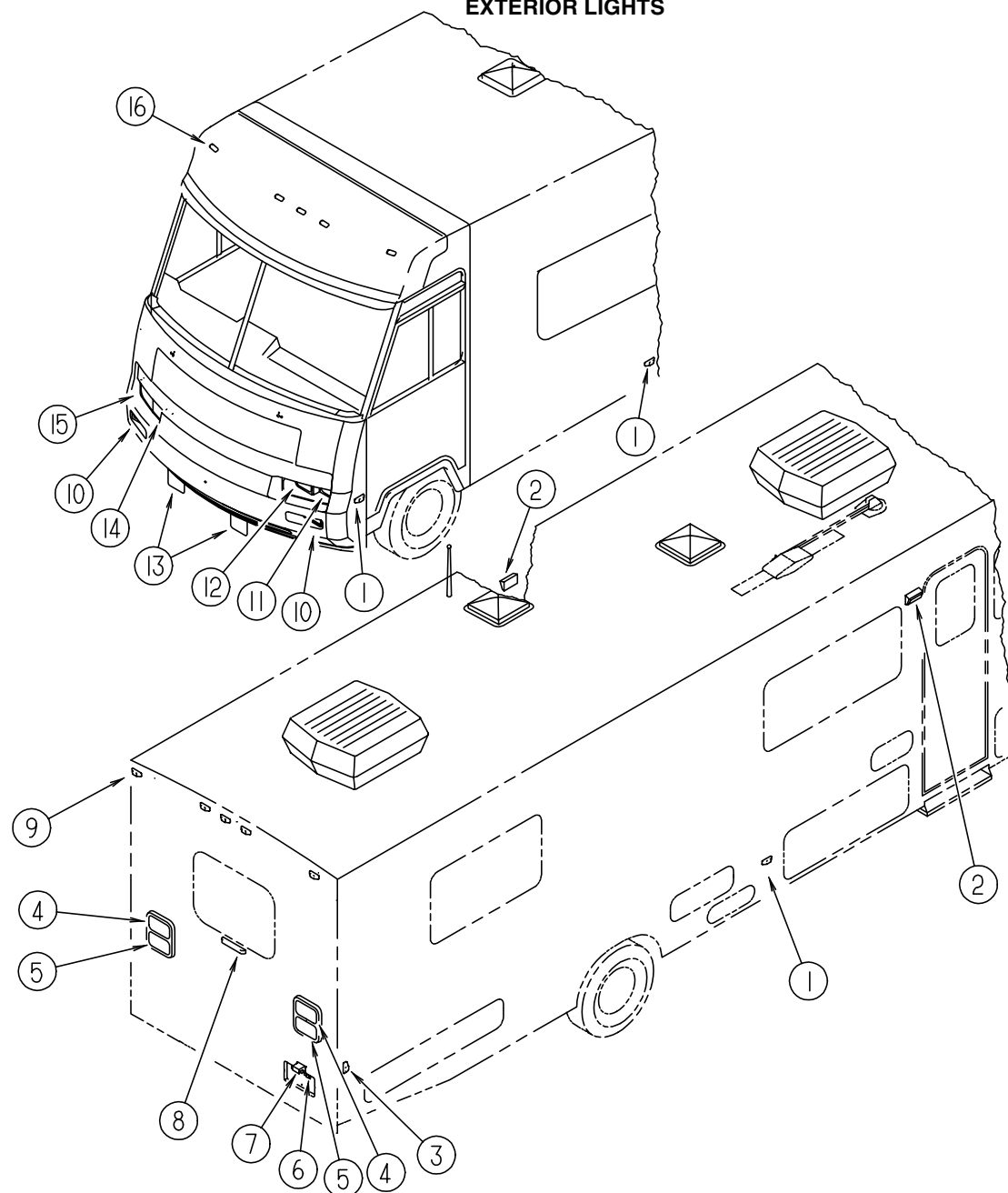


DASH, GAUGES & SWITCHES (CHEVY)

KEY	PART NUMBER	U/M	DESCRIPTION
1	125677-02-J52	EA	POD - INSTRUMENT PANEL
2	104056-37-01A	EA	APPLIQUE - BEZEL - DRIVER - BLACK
3	108357-08-000	EA	SWITCH - ROCKER DPDT - ON/NONE/ON - 6 TERMINAL
3	108356-02-01A	EA	COVER/ACTUATOR SWITCH - 2 ROWS DIMPLES- CONTURA II - BLACK
4	108357-09-000	EA	SWITCH - ROCKER SPDT - ON/NONE/MOM - 3 TERMINAL
4	108356-02-01A	EA	COVER/ACTUATOR SWITCH - 2 ROWS DIMPLES- CONTURA II - BLACK
5	108357-06-000	EA	SWITCH - ROCKER DPDT - MOM/OFF/MOM - 6 TERMINAL
5	108356-02-01A	EA	COVER/ACTUATOR SWITCH - 2 ROWS DIMPLES- CONTURA II - BLACK
6	N/A	EA	CLUSTER - INSTRUMENT PANEL - KILOMETERS
7	103662-08-01A	EA	BEZEL - INSTRUMENT PANEL
8	108357-10-000	EA	SWITCH - ROCKER SPDT W/LIGHT - MOM/NONE/MOM - 5 TERMINAL
8	108356-04-01A	EA	COVER/ACTUATOR SWITCH-2 ROWS DIMPLES W/LENS-CONTURAIIBLK
9	108357-03-000	EA	SWITCH - ROCKER SPDT - ON/OFF/ON - 3 TERMINAL
9	108356-02-01A	EA	COVER/ACTUATOR SWITCH - 2 ROWS DIMPLES- CONTURA II - BLACK
	096241-03-000	EA	SWITCH - BLANK
	077942-01-000	EA	SWITCH - DUMMY - BLACK
10	089294-01-000	EA	LIGHTER - CIGARETTE - W/SOCKET & WIRE
11	104056-06-01A	EA	APPLIQUE - BEZEL - PASSENGER - BLACK
12	104056-21-01A	EA	APPLIQUE - BEZEL - PASSENGER - BLACK
12	104056-08-01A	EA	APPLIQUE - BEZEL - PASSENGER - 6 SWITCH - BLACK VELVET (W/FOG LAMPS)
13	108357-01-000	EA	SWITCH - ROCKER SPST - ON/OFF - 2 TERMINAL
13	108356-02-01A	EA	COVER/ACTUATOR SWITCH - 2 ROWS DIMPLES- CONTURA II - BLACK
	077031-01-000	EA	FILM - BLACK - .75" X 1"
	077031-03-000	EA	FILM - WHITE - .75" X 1"

ELECTRICAL GROUP

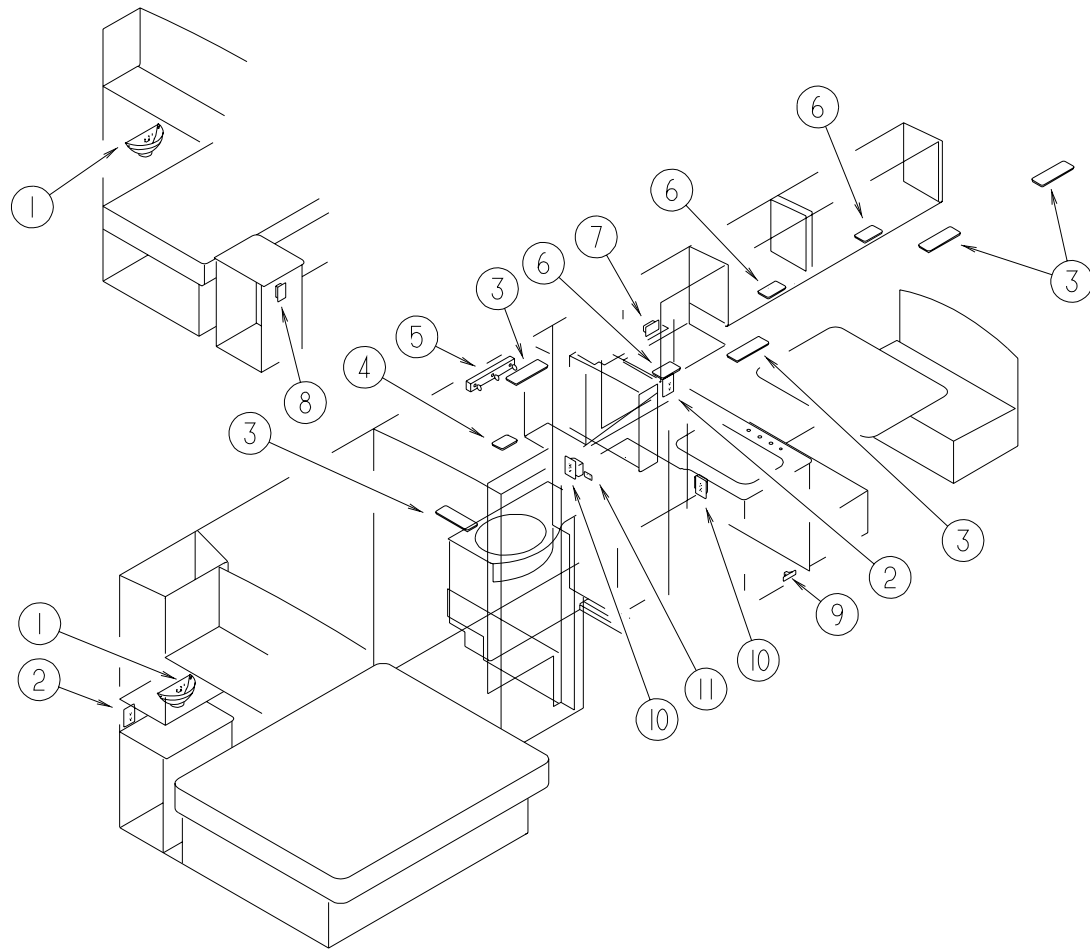
EXTERIOR LIGHTS



KEY	PART NUMBER	U/M DESCRIPTION
1	111102-02-000	EA LENS - AMBER - MARKER LAMP
1	111102-01-000	EA BASE - LAMP MARKER
1	036196-01-000	EA BULB - 12 VOLT - #194 - .27 AMP - BAYONETTE
2	097917-01-06A	EA LIGHT - PORCH - BRIGHT WHITE
2	008215-01-000	EA BULB - 12 VOLT - #1003 - .94 AMP
2	097917-01-700	EA LENS - LIGHT - CLEAR
2	008089-02-000	EA LIGHT - PORCH - RECESSED - CANADIAN
2	008089-01-700	EA LENS - LIGHT - RECESSED - PORCH - DECO
2	008214-01-000	EA BULB - 12 VOLT - #67 - .59 AMP
3	111102-03-000	EA LENS - RED - MARKER LAMP
3	111102-01-000	EA BASE - LAMP MARKER
3	036196-01-000	EA BULB - 12 VOLT - #194 - .27 AMP - BAYONETTE
4	115632-01-02A	EA LIGHT - STOP/TURN/TAIL RED
4	119158-01-000	EA SOCKET - DOUBLE CONTACT
5	115632-03-02A	EA LIGHT - STOP/TAIL/BACKUP
5	119157-01-000	EA SOCKET - SINGLE CONTACT
5	119158-01-000	EA SOCKET - DOUBLE CONTACT
5	037935-01-000	EA BULB - 12V - #1157 OR #2057 - 2.1 AMP - CLEAR GLASS

KEY	PART NUMBER	U/M DESCRIPTION
6	066432-03-000	EA BRACKET - LICENSE PLATE
7	066432-02-000	EA LIGHT - LICENSE - BLACK
8	121950-01-000	EA LIGHT - BRAKE - CENTER MOUNT
9	127536-01-000	EA LIGHT - CLEARANCE - RED
9	127536-02-000	EA SOCKET - LIGHT - 194 WEDGE
9	036196-01-000	EA BULB - 12 VOLT - #194 - .27 AMP - BAYONETTE
10	106688-02-000	EA LIGHT - AMBER TURN SIGNAL (LENS/BACK PAN)
11	049186-04-000	EA HEADLAMP - DRIVER - HIGH/LOW - HALOGEN
12	049188-04-000	EA HEADLAMP - DRIVER - HIGH BEAM - HALOGEN
13	124215-01-000	EA FOG LIGHT - RECTANGULAR/CLEAR LENS
	125787-03-J30	EA SUPPORT - FOG LIGHT
14	049187-04-000	EA HEADLAMP - PASSENGER - HIGH BEAM - HALOGEN
15	049185-04-000	EA HEADLAMP - PASSENGER - HIGH/LOW - HALOGEN
	049359-01-000	EA SPRING - RETAINER - HEADLAMP - GM #496096
	110750-01-000	EA SCREW - HEADLAMP ADJUSTING
16	102520-01-000	EA LIGHT - CLEARANCE - W/O SOCKET/HOUSING - AMBER
16	102540-01-000	EA SEAL - SCREW - ROUND - RUBBER
16	102541-01-000	EA GASKET - CLEARANCE LIGHT
16	067789-02-000	EA SOCKET - LAMP

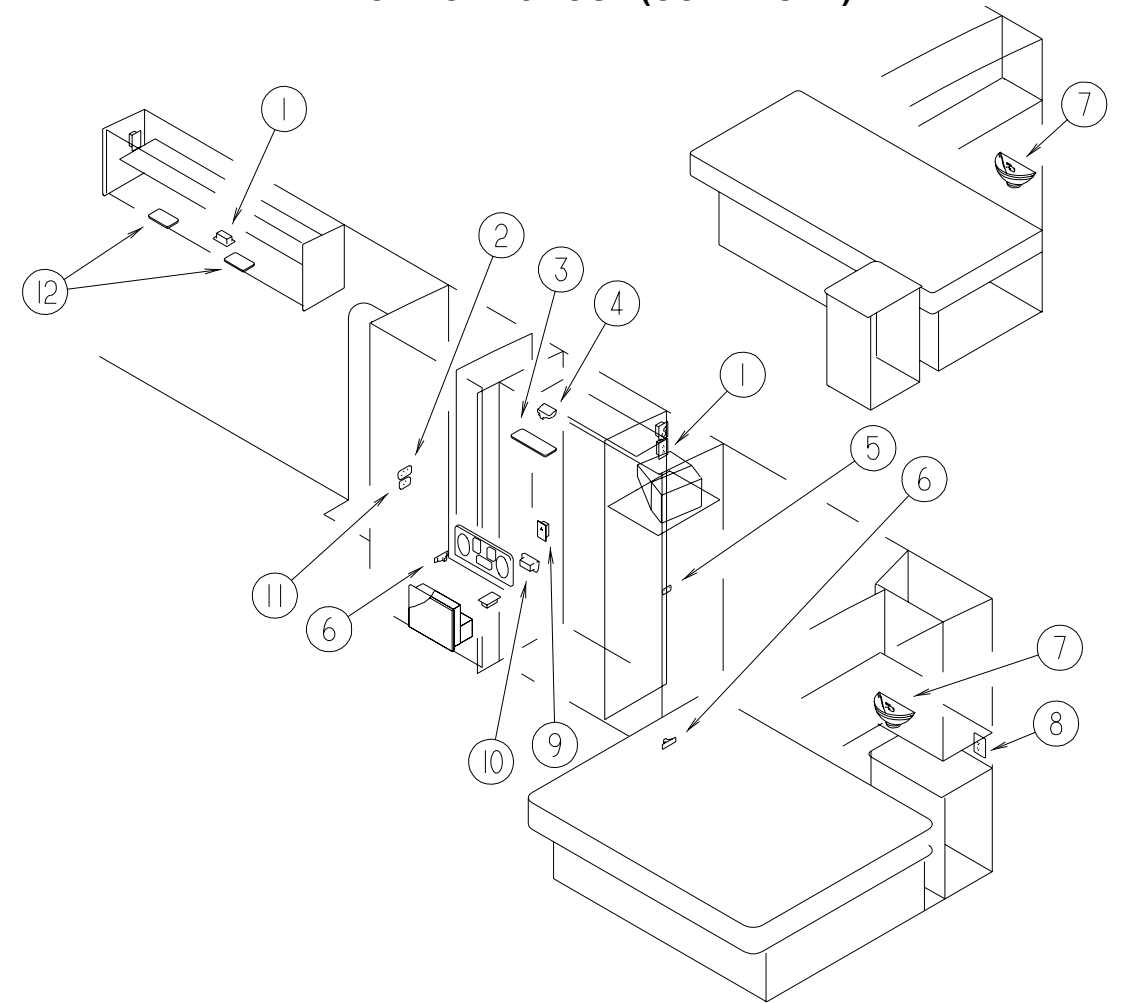
ELECTRICAL GROUP (CONTINUED)



LIGHTS, RECEPTACLES, & SWITCHES (DRIVER SIDE)

KEY	PART NUMBER	U/M	DESCRIPTION	VENDOR NO.
1	065202-38-000	EA	LAMP - WALL	
1	117806-01-000	EA	BULB - 12 VOLT - #912 - 1.0 AMP	
2	058708-02-000	EA	RECEPTACLE - ELECTRIC - DOUBLE - IVORY	
2	102568-01-GB1	EA	SPACER - RECEPTACLE - WOOD (WATERFORD OAK)	
2	102568-01-K29	EA	SPACER - RECEPTACLE - BETWEEN SIDEWALL & PLATE - WOOD (MYSTIC OAK)	
3	098024-03-02A	EA	LIGHT - DOME - 2 BULB - WHITE	
3	008218-01-000	EA	BULB - DOME LIGHT - 12 VOLT - 1141	
3	098024-01-700	EA	LENS-LIGHT	807877
4	121935-01-01A	EA	LIGHT - DOME - SHOWER	
5	110235-01-01A	EA	LIGHT - MAKE UP - 4 BULB PANLESS	
5	081633-01-700	EA	BULB - LIGHT, MAKE-UP	RP1041
6	098024-05-02A	EA	LIGHT - DOME - 1 BULB - SKYLITE - WHITE	
6	008218-01-000	EA	BULB - DOME LIGHT - 12 VOLT - 1141	
6	098024-01-701	EA	LENS - OPTI CLEAR - SKYLITE	809902
7	058708-05-000	EA	RECEPTACLE - ELECTRIC - SINGLE - BROWN	
8	058708-01-000	EA	RECEPTACLE - ELECTRIC - DOUBLE - BROWN	
9	061424-01-000	EA	LIGHT - AISLE - 12 VOLT - RECTANGULAR	
9	008103-01-000	EA	BULB - DASH/AISLE LIGHT - #53 - 12 VOLT - .12 AMP	
10	084076-02-000	EA	RECEPTACLE - GFI - 15 AMP/125 VOLT - BROWN	
11	079364-01-000	EA	SWITCH - ON/OFF ROCKER - 2 TERMINAL - BROWN	
11	098351-02-01A	EA	PLATE - SWITCH - 2 GANG POLISHED BRASS	
11	095188-01-01A	EA	SPACER - SWITCH - 2.3" X 3.4" - PLASTIC - DARK BROWN	

ELECTRICAL GROUP (CONTINUED)



LIGHTS, RECEPTACLES, & SWITCHES (PASSENGER SIDE)

KEY	PART NUMBER	U/M	DESCRIPTION	VENDOR NO.
1	058708-01-000	EA	RECEPTACLE - ELECTRIC - DOUBLE - BROWN	
2	079364-01-000	EA	SWITCH - ON/OFF ROCKER - 2 TERMINAL - BROWN	
2	095188-02-01A	EA	SPACER - SWITCH - 2.3" X 4.1" - PLASTIC - DARK BROWN	
2	098351-05-01A	EA	PLATE - SWITCH - 3 GANG POLISHED BRASS	
3	098024-03-02A	EA	LIGHT - DOME - 2 BULB - WHITE	
3	008218-01-000	EA	BULB - DOME LIGHT - 12 VOLT - 1141	
3	098024-01-700	EA	LENS-LIGHT	807877
4	087694-01-000	EA	LIGHT - WARDROBE/CLOSET - W/SWITCH	
4	087694-01-700	EA	BULB	GE561
5	079364-01-000	EA	SWITCH - ON/OFF ROCKER - 2 TERMINAL - BROWN	
5	079364-03-000	EA	SWITCH - ON/OFF ROCKER - 3 TERMINAL - BROWN	
5	098351-02-01A	EA	PLATE - SWITCH - 2 GANG POLISHED BRASS	
5	095188-01-01A	EA	SPACER - SWITCH - 2.3" X 3.4" - PLASTIC - DARK BROWN	
6	061424-01-000	EA	LIGHT - AISLE - 12 VOLT - RECTANGULAR	
6	008103-01-000	EA	BULB - DASH/AISLE LIGHT - #53 - 12 VOLT - .12 AMP	
7	065202-38-000	EA	LAMP - WALL	
7	117806-01-000	EA	BULB - 12 VOLT - #912 - 1.0 AMP	
8	058708-02-000	EA	RECEPTACLE - ELECTRIC - DOUBLE - IVORY	
8	102568-01-GB1	EA	SPACER - RECEPTACLE - WOOD (WATERFORD OAK)	
	102568-01-J70	EA	SPACER - RECEPTACLE - BETWEEN SIDEWALL & PLATE - WOOD (MAPLE)	
9	058707-01-000	EA	RECEPTACLE - ELECTRIC - SINGLE - BROWN	
10	112822-01-01A	EA	RECEPTACLE - DUPLEX - IVORY	
11	079364-03-000	EA	SWITCH - ON/OFF ROCKER - 3 TERMINAL - BROWN	
11	098351-01-01A	EA	PLATE - SWITCH - 1 GANG POLISHED BRASS	
11	095188-01-01A	EA	SPACER - SWITCH - 2.3" X 3.4" - PLASTIC - DARK BROWN	
12	098024-06-02A	EA	LIGHT - DOME - 2 BULB - SKYLITE	
12	008218-01-000	EA	BULB - DOME LIGHT - 12 VOLT - NO. 1141	
12	098024-01-701	EA	LENS - OPTI CLEAR - SKYLITE	809902

ELECTRICAL GROUP (CONTINUED)**ELECTRICAL SWITCHES**

KEY	PART NUMBER	U/M	DESCRIPTION
	079364-01-000	EA	SWITCH - ON/OFF ROCKER - 2 TERMINAL - BROWN
	079364-02-000	EA	SWITCH - ON/OFF ROCKER - 3 TERMINAL - BLACK
	079364-03-000	EA	SWITCH - ON/OFF ROCKER - 3 TERMINAL - BROWN
	095188-01-01A	EA	SPACER - SWITCH - 2.3" X 3.4" - PLASTIC - DARK BROWN
	095188-02-01A	EA	SPACER - SWITCH - 2.3" X 4.1" - PLASTIC - DARK BROWN
	098351-01-01A	EA	PLATE/SWITCH - 1 GANG - POLISHED BRASS - W/O LABEL
	098351-02-01A	EA	PLATE/SWITCH - 2 GANG - POLISHED BRASS - W/O LABEL
	098351-05-01A	EA	PLATE/SWITCH - 3 GANG - POLISHED BRASS-PORCH/CEILING/STEP
	098351-16-01A	EA	PLATE - SWITCH - 1 GANG W/LABEL
	108355-01-000	EA	HOUSING - SWITCH
	108356-02-01A	EA	COVER/ACTUATOR SWITCH - 2 ROWS DIMPLES- CONTURA II - BLACK
	108356-04-01A	EA	COVER/ACTUATOR SWITCH - 2 ROWS DIMPLES W/LENS-CONTURA-BLK
	108357-01-000	EA	SWITCH - ROCKER SPST - ON/OFF - 2 TERMINAL
	108357-06-000	EA	SWITCH - ROCKER DPDT - MOM/OFF/MOM - 6 TERMINAL
	108357-08-000	EA	SWITCH - ROCKER DPDT - ON/NONE/ON - 6 TERMINAL

CIRCUIT BREAKERS & FUSES

KEY	PART NUMBER	U/M	DESCRIPTION
	062037-01-000	EA	HOUSING - AUTO FUSE - NATURAL
	062037-02-000	EA	HOUSING - AUTO FUSE - GREEN
	062037-03-000	EA	HOUSING - AUTO FUSE - BLACK
	062037-04-000	EA	HOUSING - AUTO FUSE - BLUE
	062037-05-000	EA	HOUSING - AUTO FUSE - GRAY
	062037-06-000	EA	HOUSING - AUTO FUSE - BROWN
	062037-07-000	EA	HOUSING - AUTO FUSE - RED
	062901-02-000	EA	FUSE - 05 AMPS - AUTOMOTIVE
	062901-05-000	EA	FUSE - 15 AMPS - AUTOMOTIVE
	062901-06-000	EA	FUSE - 20 AMPS - AUTOMOTIVE
	062901-07-000	EA	FUSE - 25 AMPS - AUTOMOTIVE
	062901-08-000	EA	FUSE - 30 AMPS - AUTOMOTIVE
	083209-02-000	EA	CIRCUIT BREAKER - 15/15 AMP - 120 VOLT
	083209-03-000	EA	CIRCUIT BREAKER - 15/20 AMP - 120 VOLT
	083209-04-000	EA	CIRCUIT BREAKER - 30 AMP - 120 VOLT
	083209-06-000	EA	CIRCUIT BREAKER - 30/15 AMP - 120 VOLT
	083209-07-000	EA	CIRCUIT BREAKER - 20/20 AMP - 120 VOLT
	093655-03-000	EA	CIRCUIT BREAKER - 40 AMP - 12 VOLT
	097611-01-000	EA	CIRCUIT BREAKER - 10 AMP - 12 VOLT
	106656-01-000	EA	FUSE BLOCK - 4 CAVITY - AUTOFUSE
	108669-01-000	EA	HOUSING - AUTO FUSE HOLDER

ELECTRICAL BOXES & CORDS

KEY	PART NUMBER	U/M	DESCRIPTION
	008052-01-000	EA	CORD - POWER - 10/3 WIRE - 30 AMP - 25' - CANADIAN
	008054-01-000	EA	CORD - POWER - 10/3 WIRE - 30 AMP - 25'
	008289-01-000	EA	BOX - ELECTRIC/STEEL - 1/2" & 3/4" KNOCKOUTS - 4" X 4"
	008289-02-000	EA	BOX - ELECTRIC/STEEL - 1/2" & 3/4" KNOCKOUTS - 4" X 4"-CAN
	008294-01-000	EA	COVER - ELECTRICAL BOX - BLANK/STEEL - 4" X 4" - GRAY
	008294-02-000	EA	COVER - ELECTRICAL BOX - BLANK STEEL - 4" X 4" - CANADIAN
	091910-01-000	EA	BOX - ELECTRIC - 3.8" X 3.5" X 1.8" - PLASTIC
	091910-02-000	EA	BOX - ELECTRIC - 2.2" X 3.5" X 1.8" - PLASTIC
	111509-01-000	EA	BOX - ELECTRICAL - E-COATED
	111510-01-000	EA	DOOR/ACCESS PANEL - ELECTRICAL BOX

CONVERTER & LOAD CENTER

KEY	PART NUMBER	U/M	DESCRIPTION
	099048-03-000	EA	INVERTER - 130 WATT
	083208-02-000	EA	CONTROL CENTER - 45 AMP - 120/12V - W/O BREAKERS
	106071-01-000	EA	SWITCH - AUTOMATIC TRANSFER - 30 AMP - MAGNETEK
	113132-01-000	EA	LOAD CENTER - 120/240 VOLT - 60 AMP

ELECTRICAL GROUP (CONTINUED)**WIRE ASSEMBLIES**

KEY	PART NUMBER	U/M	DESCRIPTION
	073328-B4-000	EA	CABLE ASSEMBLY - BATTERY - W/TERMINALS
	090986-01-000	EA	WIRE ASSEMBLY - ELECTRIC STEP
	096449-01-000	EA	WIRE ASSEMBLY - WATER TANK TO MONITOR PANEL
	096717-03-000	EA	WIRE ASSEMBLY - REAR MONITOR - AFTER MARKET INSTALLATION
	097618-01-000	EA	WIRE ASSEMBLY - MONITOR PANEL- W/3 WIRES & ORANGE RESISTOR
	108303-01-000	EA	WIRE ASSEMBLY - REAR AUTO HEATER
	108304-01-000	EA	WIRE ASSEMBLY - INSTRUMENT PANEL - AUXILIARY FANS
	110256-01-000	EA	WIRE ASSEMBLY - INSTRUMENT PANEL - GENERATOR
	111915-01-000	EA	WIRE ASSEMBLY - DAYTIME RUNNING LAMPS - FUSED - GM
	113134-03-000	EA	WIRE ASSEMBLY - WIPER/WASHER
	113452-01-000	FT	SEAL/TRIM - FRONT - VINYL W/WIRE CARRIER
	120233-05-000	EA	WIRE - 30" W/DIGITAL SENSOR CONNECTOR/STRIPED LEAD
	124096-01-000	EA	WIRE - INSTRUMENT PANEL - FOG LAMPS
	124111-01-000	EA	WIRE ASSEMBLY - FOG LAMPS
	124843-05-000	EA	WIRE ASSEMBLY - SPEAKER/ADAPTER
	124882-02-000	EA	WIRE ASSEMBLY - AMPLIFIER
	125898-08-000	EA	WIRE - SPEAKER - DELUXE EXTERIOR
	131279-01-000	EA	WIRE ASSEMBLY - DRIVER SEAT
	126392-01-000	EA	WIRE ASSEMBLY - REMOTE MIRRORS

ROCKER SWITCHES (DASH)

KEY	PART NUMBER	U/M	DESCRIPTION
	108357-03-000	EA	SWITCH - ROCKER - SPDT ON/ OFF/ ON 3 TERM. CARLING - V6D1000B-0
	108356-02-01A	EA	SWITCH COVER W/ 2 DIMPLES - CARLING - CCAZC00
	108357-08-000	EA	SWITCH - ROCKER DPDT - ON/NONE/ON - 6 TERMINAL
	108356-02-01A	EA	SWITCH COVER W/ 2 DIMPLES - CARLING - CCAZC00
	108357-06-000	EA	SWITCH - ROCKER - DPDT MOM/ OFF/ MOM 6 TERM. CARLING - VLD1000B-0
	108356-02-01A	EA	SWITCH COVER W/ 2 DIMPLES - CARLING - CCAZC00
	108357-09-000	EA	SWITCH - ROCKER - SPDT ON/ NONE/ MOM 3 TERM. CARLING - V5D1000B-0
	108356-02-01A	EA	SWITCH COVER W/ 2 DIMPLES - CARLING - CCAZC00
	108357-10-000	EA	SWITCH - ROCKER - SPDT MOM/ ON LIGHTED-5 TERM (3 SWITCH/ 2 LIGHT)
	108356-04-01A	EA	SWITCH COVER W/ DIMPLES - LIGHTED - CARLING - VVAGC00
	096241-03-000	EA	SWITCH - BLANK
	077942-01-000	EA	SWITCH - DUMMY - BLACK

BULB & SOCKET, 12 VOLT (DASH)

KEY	PART NUMBER	U/M	DESCRIPTION
	103603-01-000	EA	BULB - 12 VOLT - #74 - .12A WEDGE - GE 22-25 USED IN DASH
	103608-01-000	EA	SOCKET - WEDGE BASE W/LEADS

RECEPTACLES

KEY	PART NUMBER	U/M	DESCRIPTION
	058707-01-000	EA	RECEPTACLE - ELECTRIC - SINGLE - BROWN
	058707-02-000	EA	RECEPTACLE - BLANK - JUNCTION BOX
	058708-01-000	EA	RECEPTACLE - ELECTRIC - DOUBLE - BROWN
	058708-02-000	EA	RECEPTACLE - ELECTRIC - DOUBLE - IVORY
	058708-05-000	EA	RECEPTACLE - ELECTRIC - SINGLE - BROWN
	084076-02-000	EA	RECEPTACLE - GFI - 15 AMP/125 VOLT - BROWN
	102568-01-GB1	EA	SPACER - RECEPTACLE - WOOD (WATERFORD OAK)
	102568-01-J70	EA	SPACER - RECEPTACLE - WOOD (MAPLE)
	112824-01-03A	EA	COVER - EXTERIOR DUPLEX RECEPTACLE - WHITE PLASTIC
	115930-02-000	EA	INLET - 50 AMP - 240 VOLT - EXTERIOR
	112822-01-01A	EA	RECEPTACLE - DUPLEX - IVORY
	131826-01-01A	EA	RECEPTACLE - EXTERIOR/W/COVER & GASKET - WHITE

ELECTRICAL GROUP (CONTINUED)**ELECTRICAL CONNECTORS & CONDUIT**

KEY	PART NUMBER	U/M	DESCRIPTION
	007954-01-000	EA	RECEPTACLE - HOUSING - 6 POSITION
	007956-05-000	EA	INSULATOR - SHRINK - .25 ID X 1.50
	008311-01-000	EA	CONNECTOR - WIRE NUT - INSULATED - RED
	008312-01-000	EA	CONNECTOR - WIRE NUT - INSULATED - BLUE
	008313-01-000	EA	CONNECTOR - WIRE NUT - INSULATED - YELLOW
	008314-01-000	EA	CONNECTOR - WIRE NUT - INSULATED - GRAY
	008326-01-000	EA	TERMINAL - RING - 16/14 WIRE - 3/8" STUD
	008328-01-000	EA	TERMINAL - RING - 12/10 WIRE - #10 STUD FIT
	008348-01-000	EA	TERMINAL - RING - 3/8" STUD 2 GA. WIRE
	008355-01-000	EA	CONNECTOR - CABLE CLAMPING - 3/4"
	008356-01-000	EA	CONNECTOR - PLASTIC - 3/8" AVG
	008356-02-000	EA	CONNECTOR - PLASTIC - 21/32
	008394-01-000	FT	CONDUIT - FLEXIBLE - 1/2"
	008398-01-000	EA	CONNECTOR - 1/2" X 90 DEGREE - FLEX CONDUIT - UL & CSA
	035416-04-000	EA	TERMINAL - RING - #10 STUD FIT - INSULATED BARREL #16/14
	041480-01-000	EA	CONNECTOR - STRAIGHT - 1/2" FLEX CONDUIT
	041953-01-000	FT	CONDUIT - CONVOLUTE SLIT - .5" ID - POLYETHELENE
	041953-03-000	FT	CONDUIT - CONVOLUTE SLIT - 1" ID (CLOTHES ROD COVER)
	041953-05-000	FT	CONDUIT - CONVOLUTE SOLID - .62" ID - POLYETHELENE
	041953-06-000	FT	CONDUIT - CONVOLUTE SLIT - .375" ID - POLYETHELENE
	041953-07-000	FT	CONDUIT - CONVOLUTE SLIT - .25" ID - POLYETHELENE
	041953-08-000	FT	CONDUIT - CONVOLUTE SLIT - 1.50" ID - POLYETHELENE
	041953-09-000	FT	CONDUIT - CONVOLUTE SLIT - .50" ID - NYLON
	041953-10-000	FT	CONDUIT - CONVOLUTE SLIT - .75" ID - NYLON
	041953-11-000	FT	CONDUIT - CONVOLUTE SLIT - 1.06" ID - NYLON
	041953-12-000	FT	CONDUIT - CONVOLUTE SOLID - 1.1" ID - NYLON
	047443-01-000	EA	TERMINAL - .250 RECEPTACLE FIT - INSULATED - 16/14 AWG
	047443-02-000	EA	TERMINAL - .250 RECEPTACLE FIT - INSULATED - 12/10 AWG
	058028-01-000	EA	CONNECTOR - ELECTRICAL PIGTAIL - NYLON - CLEAR
	062036-01-000	EA	TERMINAL - PACK - CON - 12/10 AWG
	062036-02-000	EA	TERMINAL - PACK - CON - 16/14 AWG
	077479-01-000	EA	BOOT - BATTERY TERMINAL - DOUBLE CABLE
	077479-02-000	EA	BOOT - BATTERY TERMINAL - SINGLE CABLE
	080015-02-000	EA	RECEPTACLE - FLAG - .185 - 16/14 GAUGE
	085724-01-000	EA	SOCKET - DOUBLE CONTACT - TAILLIGHT
	087225-01-000	FT	SLEEVEING - 1/2" - TYPE H
	087225-02-000	FT	SLEEVEING - 5/8" - TYPE H
	088267-01-000	EA	TERMINAL - FEMALE - 1/4
	088473-01-000	EA	HOUSING - PIN - 12 CAVITY (3 ROWS OF 4)
	088473-02-000	EA	HOUSING - PIN - 15 CAVITY (3 ROWS OF 5)
	088473-03-000	EA	HOUSING - PIN - 9 CAVITY (3 ROWS OF 3)
	088473-04-000	EA	HOUSING - PIN - 8 CAVITY IN-LINE
	088473-06-000	EA	HOUSING - PIN - 6 CAVITY (2 ROWS OF 3)
	088473-08-000	EA	HOUSING - PIN - 4 CAVITY - IN-LINE
	088473-09-000	EA	HOUSING - PIN - 3 CAVITY - IN-LINE
	088473-10-000	EA	HOUSING - PIN - 2 CAVITY - IN LINE
	088474-01-000	EA	HOUSING - SOCKET - 12 CAVITY
	088474-02-000	EA	HOUSING - SOCKET - 15 CAVITY
	088474-03-000	EA	HOUSING - SOCKET - 9 CAVITY
	088474-04-000	EA	HOUSING - SOCKET - 8 CAVITY
	088474-06-000	EA	HOUSING - SOCKET - 6 CAVITY
	088474-07-000	EA	HOUSING - SOCKET - 5 CAVITY
	088474-08-000	EA	HOUSING - SOCKET - 4 CAVITY
	088474-09-000	EA	HOUSING - ELECTRICAL - 3 TERMINAL
	088474-10-000	EA	HOUSING - SOCKET - 2 CAVITY
	088475-01-000	EA	PIN - CONNECTOR - 14-20 AWG
	088475-02-000	EA	PIN - CONNECTOR - 10 - 12 AWG
	088476-01-000	EA	TERMINAL - ELECTRICAL

ELECTRICAL GROUP (CONTINUED)**ELECTRICAL CONNECTORS & CONDUIT (CONTINUED)**

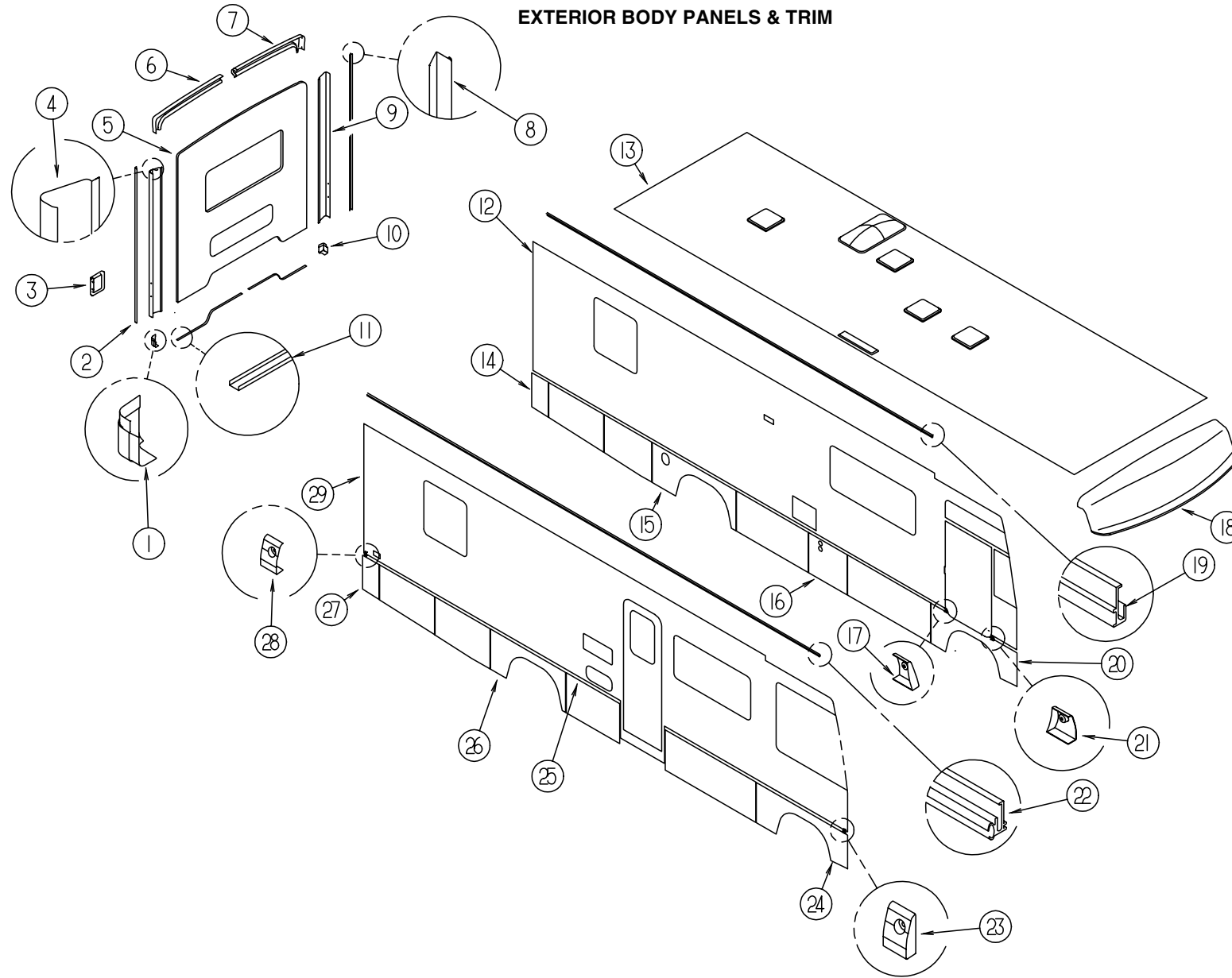
KEY	PART NUMBER	U/M	DESCRIPTION
	088476-02-000	EA	SOCKET - CONNECTOR - 12-10 GA - PRE-TIN
	092786-02-000	EA	BUSS BAR - 3.3" LONG
	092786-03-000	EA	BUSS BAR - 6.9" LONG
	098260-01-000	EA	TERMINAL - MALE - 56 SERIES
	098261-02-000	EA	SOCKET - CONNECTOR - WEATHERPACK - 14-18 AWG
	098262-01-000	EA	SEAL - CONNECTOR - WEATHERPACK
	098264-01-000	EA	HOUSING - 2 PIN - WEATHERPACK
	101571-01-000	EA	HOUSING - 2 POSITION - MALE
	103608-01-000	EA	SOCKET - WEDGE BASE W/LEADS
	103987-02-000	EA	SEAL - SOLENOID ACCESS
	104016-01-000	EA	WIRE ASSEMBLY - AUXILIARY FANS
	104100-01-000	EA	HOUSING - 1 POSITION - 75 AMPS
	104100-03-000	EA	TERMINAL - 75 AMP
	106006-01-000	EA	HOUSING - 1 POSITION - FEMALE
	106007-01-000	EA	TERMINAL - FEMALE - 14-16 AWG
	106655-01-000	EA	TERMINAL - FUSE BLOCK - 14-16 AWG
	106655-02-000	EA	TERMINAL - FUSE BLOCK - 10-12 AWG
	110178-01-000	EA	HOUSING - WIPER MOTOR
	112823-01-000	EA	SPLICE - REDUCER - 16-14 TO 18-22
	113131-01-000	EA	HOUSING - 3 PIN
	113135-01-000	EA	TERMINAL - FEMALE - M/P - 14-16 - F/SEALED TERMINAL
	113306-01-000	EA	TERMINAL - FEMALE - M/P - 14-16 - F/NON-SEALED TERMINAL
	113307-01-000	EA	TERMINAL - FEMALE - M/P - 16-20
	113468-01-000	EA	HOUSING - 2 POSITION - FEMALE
	115556-01-000	EA	HOUSING - 3 POSITION - FEMALE
	115556-02-000	EA	HOUSING - 2 POSITION - FEMALE
	115931-02-000	EA	COVER - CONNECTOR - 50 AMP W/LOCKING RING
	115932-02-000	EA	CONNECTOR - FEMALE - 50 AMP - 240 VOLT
	116811-01-000	EA	TERMINAL - .110 RECEPTACLE - 16-14 AWG
	119248-02-000	EA	HOUSING - 7 POSITION - FEMALE
	125323-02-000	EA	HOUSING - 8 POSITION - MALE
	125324-01-000	EA	TERMINAL - MALE - METRI-PACK - 150
	125325-01-000	EA	SEAL - CAVITY

ELECTRICAL MISCELLANEOUS

KEY	PART NUMBER	U/M	DESCRIPTION	VENDOR NO.
	007093-01-000	EA	SIGNAL FLASHER	
	008188-01-000	EA	SOLENOID - 3 POST - BATTERY CHANGE OVER	
	063910-01-000	EA	HOUSING - RELAY	
	063912-02-000	EA	RELAY - CANISTER - SPDT	
	086233-01-000	EA	STUD - ISOLATED - 3/8" X 7/8" LONG	
	086273-01-000	EA	RELAY - BATTERY DISCONNECT	
	115504-01-000	EA	PANEL - SOLAR 10 WATT	
	115504-01-700	EA	PLUG & CABLE - 10 WATT PANEL	600-016
	115505-01-000	EA	LIGHT - MONITOR/SOLAR PANEL - RED LED INDICATOR	

EXTERIOR BODY GROUP

EXTERIOR BODY PANELS & TRIM

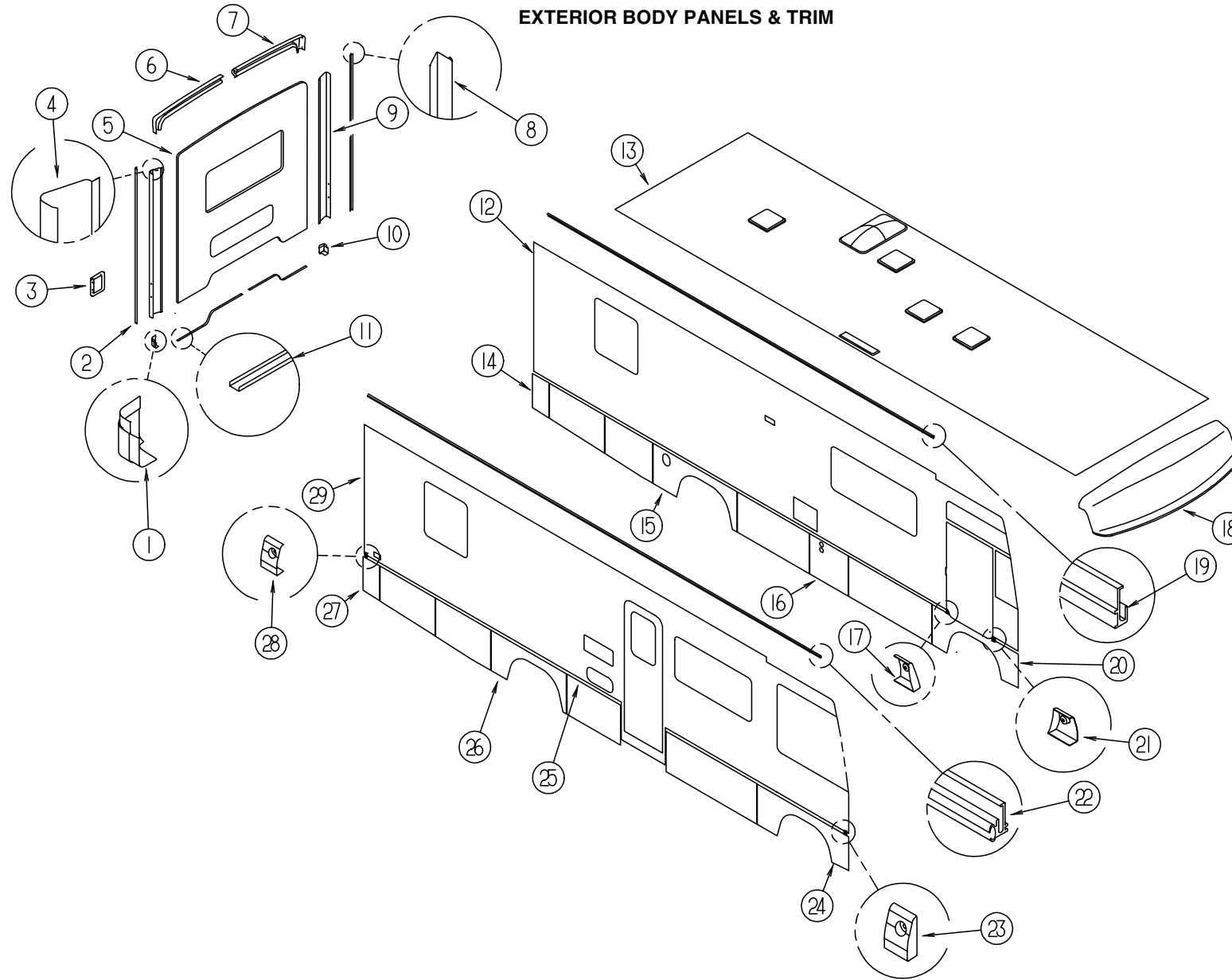


KEY	PART NUMBER	U/M	DESCRIPTION
1	125873-01-01A	EA	END CAP - LOWER BACKWALL TRIM - PASSENGER - BLACK
2	120548-01-02A	EA	TRIM-J - BACKWALL - PASSENGER/NOTCHED
3	125646-01-01A	EA	TRIM - TAILLIGHT/DRIVER/PASSENGER - BRIGHT WHITE
4	125649-01-12B	EA	TRIM - BACKWALL/PASSENGER SIDE - BRIGHT WHITE
5	M08153-15-K58	EA	BACKWALL - W/O WINDOW/TRIM - TWIN BED (K58, K59)
5	M08153-15-K62	EA	BACKWALL - W/O WINDOW/TRIM - TWIN BED (K62, K63)
5	M08153-15-K60	EA	BACKWALL - W/O WINDOW/TRIM - TWIN BED (K64, K65)
5	M08153-15-K32	EA	BACKWALL - W/O WINDOW/TRIM - TWIN BED (K26, K27)
5	M08153-14-K58	EA	BACKWALL - W/O WINDOW/TRIM - QUEEN BED (K58, K59)
5	M08153-14-K62	EA	BACKWALL - W/O WINDOW/TRIM - QUEEN BED (K62, K63)
5	M08153-14-K60	EA	BACKWALL - W/O WINDOW/TRIM - QUEEN BED (K64, K65)
5	M08153-14-K32	EA	BACKWALL - W/O WINDOW/TRIM - QUEEN BED (K26, K27)
6	125518-01-01A	EA	TRIM - BACKWALL - TOP/RIGHT HAND
7	125519-01-01A	EA	TRIM - BACKWALL - TOP/LEFT HAND
8	120548-02-02A	EA	TRIM-J - BACKWALL - DRIVER/NOTCHED
9	125649-02-12B	EA	TRIM - BACKWALL/DRIVER SIDE - BRIGHT WHITE
10	125873-02-01A	EA	END CAP - LOWER BACKWALL TRIM - PASSENGER - BLACK
11	050406-25-000	EA	TRIM - LOWER BACKWALL - DRIVER/PASSENGER

KEY	PART NUMBER	U/M	DESCRIPTION
12	129537-02-K58	EA	SIDEWALL - DRIVER - W/O WINDOWS/TRIM (K58)
12	129537-02-K59	EA	SIDEWALL - DRIVER - W/O WINDOWS/TRIM (K59)
12	129537-02-K62	EA	SIDEWALL - DRIVER - W/O WINDOWS/TRIM (K62)
12	129537-02-K63	EA	SIDEWALL - DRIVER - W/O WINDOWS/TRIM (K63)
12	129537-02-K60	EA	SIDEWALL - DRIVER - W/O WINDOWS/TRIM (K64)
12	129537-02-K61	EA	SIDEWALL - DRIVER - W/O WINDOWS/TRIM (K65)
12	129537-02-K26	EA	SIDEWALL - DRIVER - W/O WINDOWS/TRIM (K26)
12	129537-02-K27	EA	SIDEWALL - DRIVER - W/O WINDOWS/TRIM (K27)
13	131525-01-K28	EA	ROOF - W/O LIGHTS/VENTS - W/WIRING
			FROM: 00-00-00 THRU: 10-16-98
13	129535-01-K28	EA	ROOF - W/O LIGHTS/VENTS - W/WIRING
			FROM: 10-17-98 THRU: 99-99-99
14	122732-02-JA1	EA	VALANCE/PANEL - REAR DRIVER - W/O HARDWARE - 11.5"
15	129421-03-K28	EA	PANEL - WHEEL LIP - REAR DRIVER
16	122776-18-JA1	EA	VALANCE/PANEL - W/O HARDWARE - 26.9"
17	124178-04-01A	EA	CAP - TRIM/DRIVER DOOR
18	125052-02-J20	EA	CAP - ROOF - W/O LIGHTS/WIRING
19	120091-02-02A	EA	TRIM - ROOF - 192" - BRIGHT WHITE
			FROM: 00-00-00 THRU: 10-26-98
19	131483-01-01A	EA	RAIL - AWNING - 192" - BRIGHT WHITE
			FROM: 10-27-98 THRU: 99-99-99

EXTERIOR BODY GROUP

EXTERIOR BODY PANELS & TRIM

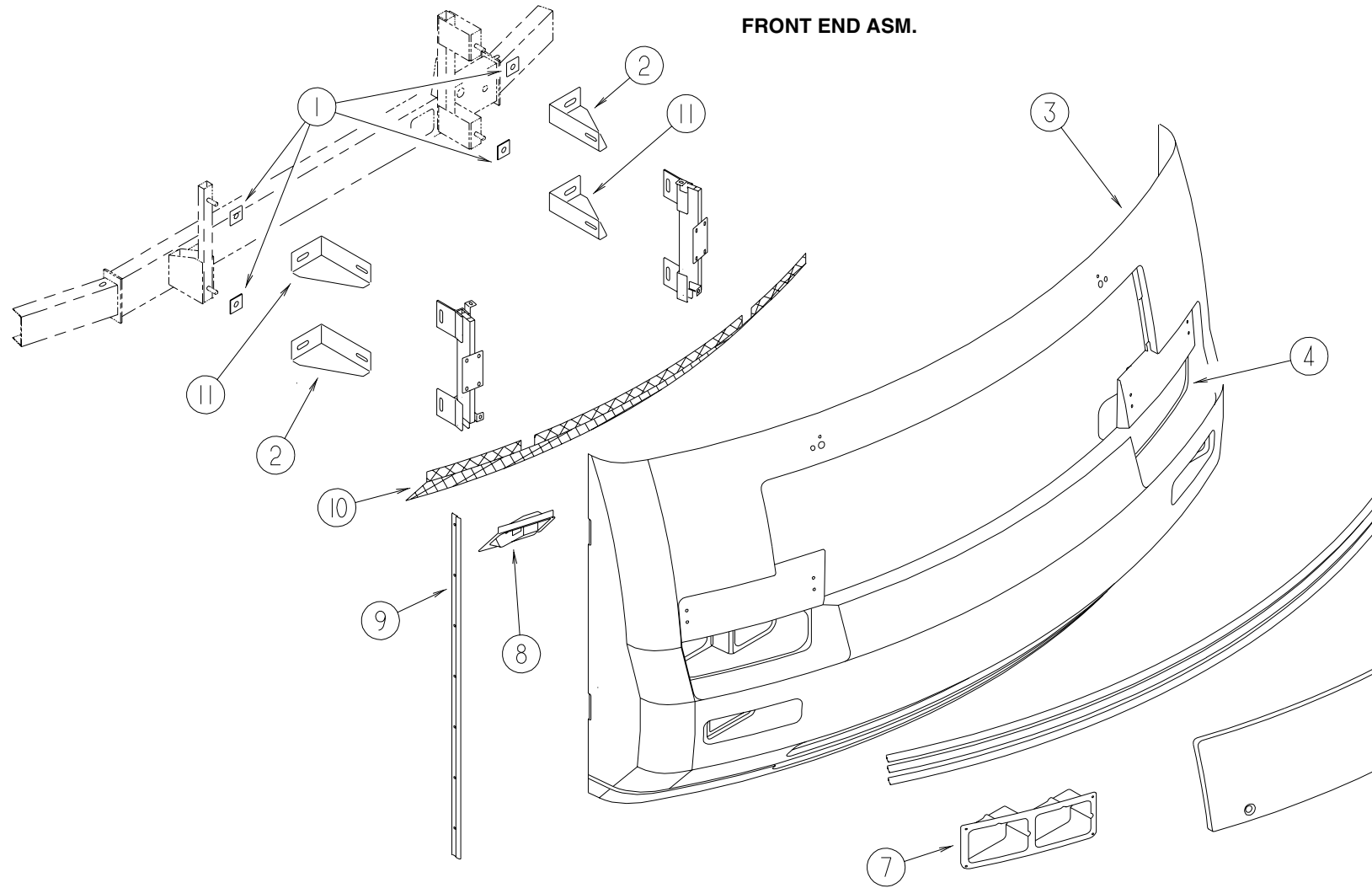


KEY	PART NUMBER	U/M	DESCRIPTION
20	129422-02-K28	EA	PANEL/WHEEL LIP - FRONT/DRIVER - W/DRIVER DOOR
20	129422-03-K28	EA	PANEL/WHEEL LIP - FRONT/DRIVER - W/O DRIVER DOOR
	129854-03-01A	EA	SUPPORT - WHEEL LIP - 7.9" - MILL - W/DRIVER DOOR
	129854-11-01A	EA	SUPPORT - WHEEL LIP - MILL - W/O DRIVER DOOR
21	124178-03-01A	EA	CAP - TRIM/DRIVER DOOR
22	120092-01-02A	EA	RAIL - AWNING - 192" - BRIGHT WHITE
			FROM: 00-00-00 THRU: 10-26-98
22	131483-01-01A	EA	RAIL - AWNING - 192" - BRIGHT WHITE
			FROM: 10-27-98 THRU: 99-99-99
23	124132-01-01A	EA	CAP - SIDEWALL TRIM - RIGHT HAND - 1.4" - BRIGHT WHITE
24	129422-04-K28	EA	PANEL/WHEEL LIP - FRONT/PASSENGER
25	124176-01-01A	EA	TRIM - SIDEWALL - BRIGHT WHITE - 16'
25	105312-01-03A	FT	INSERT - VINYL FEATURE STRIP - GRAY METALLIC

KEY	PART NUMBER	U/M	DESCRIPTION
26	129421-04-K28	EA	WHEEL LIP - REAR - PASSENGER
	129854-11-01A	EA	SUPPORT - WHEEL LIP - MILL
27	122732-01-JA1	EA	PANEL/VALANCE - REAR PASSENGER - W/O HARDWARE - 11.5"
28	124132-02-01A	EA	CAP - SIDEWALL TRIM - LEFT HAND - 1.4" - BRIGHT WHITE
29	129536-02-K58	EA	SIDEWALL - DRIVER - W/O WINDOWS/TRIM (K58)
29	129536-02-K59	EA	SIDEWALL - DRIVER - W/O WINDOWS/TRIM (K59)
29	129536-02-K62	EA	SIDEWALL - DRIVER - W/O WINDOWS/TRIM (K62)
29	129536-02-K63	EA	SIDEWALL - DRIVER - W/O WINDOWS/TRIM (K63)
29	129536-02-K60	EA	SIDEWALL - DRIVER - W/O WINDOWS/TRIM (K64)
29	129536-02-K61	EA	SIDEWALL - DRIVER - W/O WINDOWS/TRIM (K65)
29	129536-02-K26	EA	SIDEWALL - DRIVER - W/O WINDOWS/TRIM (K26)
29	129536-02-K27	EA	SIDEWALL - DRIVER - W/O WINDOWS/TRIM (K27)

EXTERIOR BODY GROUP (CONTINUED)

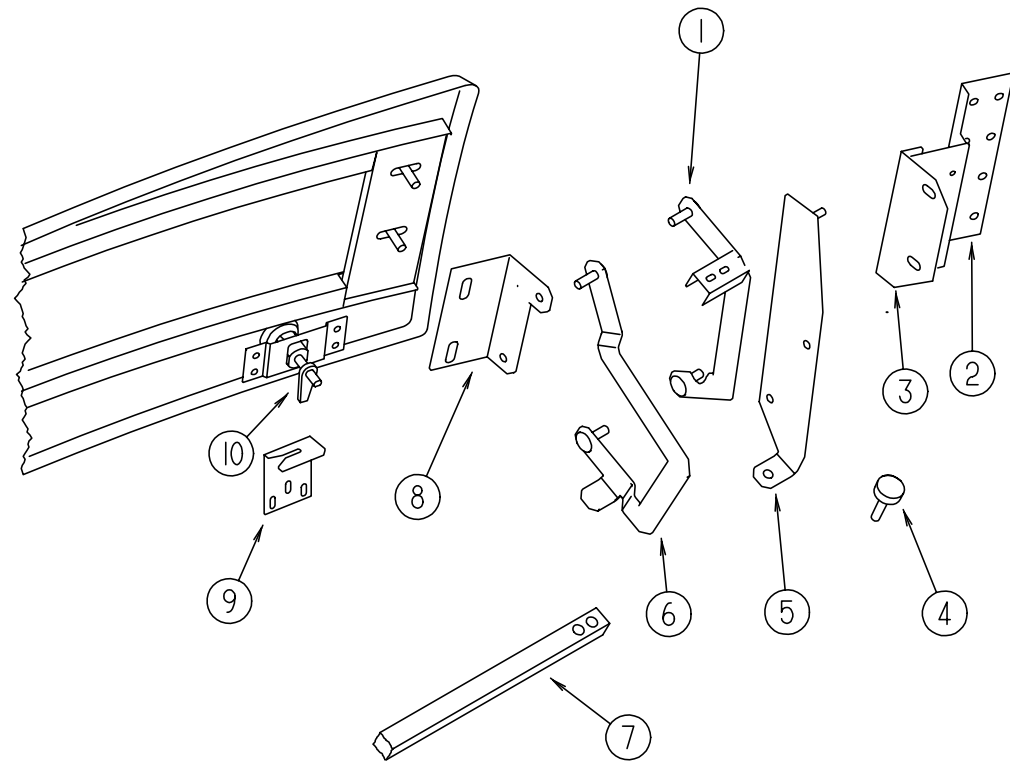
FRONT END ASM.



KEY	PART NUMBER	U/M	DESCRIPTION
1	116617-02-02B	EA	SPACER - BUMPER
2	117611-08-02B	EA	BRACKET - BUMPER - DRIVER UPPER/PASSENGER LOWER
3	125703-06-J52	EA	PANEL - FRONT/LOWER - W/O NOTCH
4	125713-02-01A	EA	BEZEL - HEADLAMP - DRIVER - BLACK
5	128741-01-J52	EA	GRILLE - FRONT END
6	126862-01-J52	EA	HOOD - FRONT
7	125713-01-01A	EA	BEZEL - HEADLAMP - PASSENGER - BLACK

KEY	PART NUMBER	U/M	DESCRIPTION
8	127013-01-01A	EA	BEZEL - FOGLAMP - PASSENGER
	127013-02-01A	EA	BEZEL - FOGLAMP - DRIVER
9	123680-05-01A	EA	TRIM - FIBERGLASS PANEL - BRIGHT WHITE
10	115924-17-02A	EA	WIRE MESH - F/GRILLE - FLAT BLACK (FOG LAMPS)
10	115924-16-02A	EA	WIRE MESH - F/GRILLE - FLAT BLACK
11	117611-07-02B	EA	BRACKET - BUMPER - PASSENGER UPPER/DRIVER LOWER
	128740-01-01A	EA	RETAINER - GRILLE - BRIGHT WHITE
	106730-10-000	EA	PLATE - STUD - F/HOOD

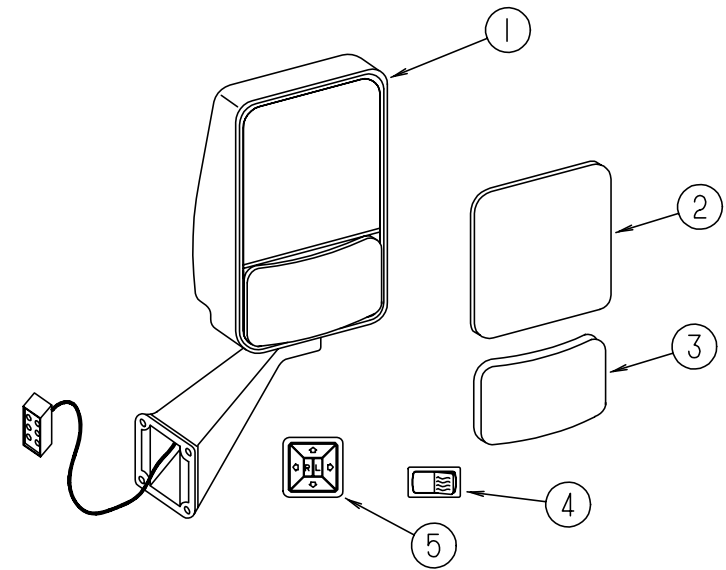
EXTERIOR BODY GROUP (CONTINUED)



HOOD HARDWARE

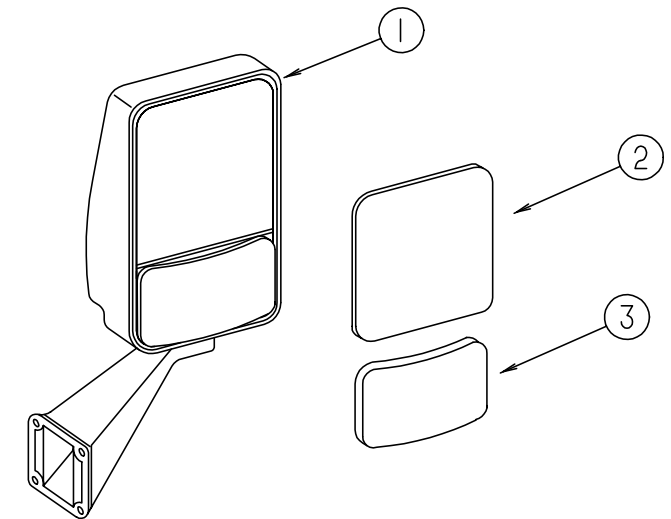
KEY	PART NUMBER	U/M DESCRIPTION
1	126353-01-02B	EA LINK - HINGE - UPPER/PASSENGER
	126353-02-02B	EA LINK - HINGE - UPPER/DRIVER
2	113495-07-02B	EA SUPPORT - HINGE - E-COATED
3	118595-01-03A	EA SUPPORT - HINGE LINK - PASSENGER - BRIGHT WHITE
	118595-02-03A	EA SUPPORT - HINGE LINK - DRIVER - BRIGHT WHITE
4	058786-01-000	EA BOLT - ADJUSTING HOOD - W/BLACK PAD
5	126867-06-02B	EA BRACKET - LINK - HOOD HINGE - PASSENGER - E-COATED
	126867-08-02B	EA BRACKET - LINK - HOOD HINGE - DRIVER - E-COATED
6	126356-02-02B	EA LINK - HINGE - LOWER/HOOD - PASSENGER - E-COATED
	126356-04-02B	EA LINK - HINGE - LOWER/HOOD - DRIVER - E-COATED
7	105096-10-000	EA TUBE - HOOD HINGE TIMING W/WELDNUTS
8	109927-05-000	EA ANGLE - LINK - HOOD/PASSENGER
	109927-06-000	EA ANGLE - LINK - HOOD/DRIVER
9	126352-02-02B	EA LATCH - HOOD - FRONT END
10	102330-02-000	EA LATCH - VISE ACTION/KEY OPERATED
	102330-04-000	EA PAWL - LATCH - STRAIGHT - 1.96"
	102328-01-000	EA KEY - BARREL - NICKEL PLATED

EXTERIOR BODY GROUP (CONTINUED)



EXTERIOR MIRROR OPTION (REMOTE & HEAT)

KEY	PART NUMBER	U/M DESCRIPTION	VENDOR NO.
1	106015-12-01A	EA MIRROR - EXTERIOR REMOTE/HEAT - PASSENGER	
1	106015-13-01A	EA MIRROR - EXTERIOR REMOTE/HEAT - DRIVER	
2	106015-12-700	EA MIRROR - FLAT - W/W/O HEAT	709448
3	106015-12-701	EA MIRROR - CONVEX - W/W/O HEAT	709449
4	087695-02-000	EA SWITCH - HEATER - EXTERIOR MIRROR	
5	088246-01-000	EA SWITCH - REMOTE - EXTERIOR - SQUARE PUSH	
	106015-12-702	EA SCREW CAP - (BAG OF 4)	748329
	087695-03-000	EA CONNECTOR - ASSEMBLY	

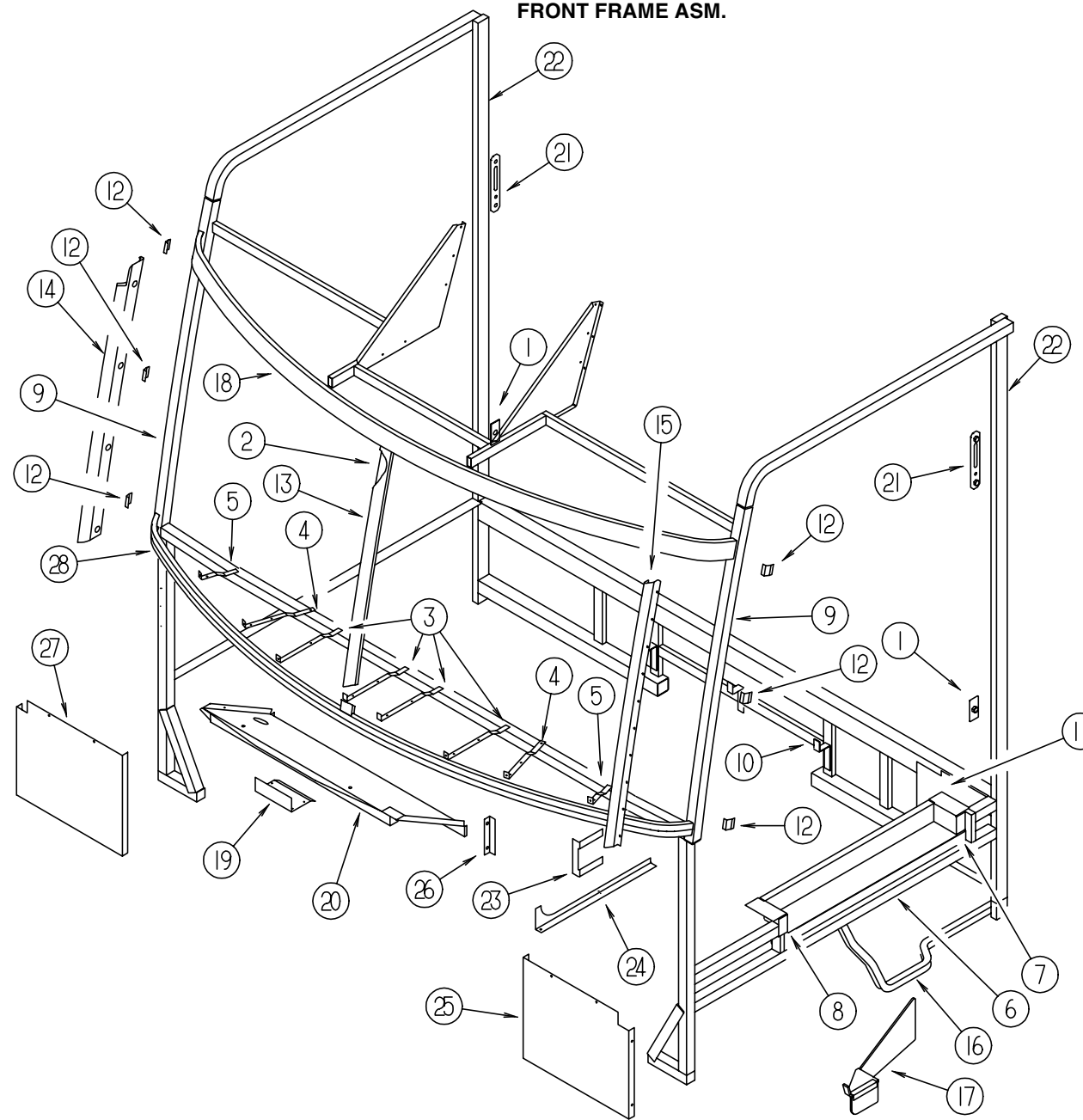


EXTERIOR MIRROR (ADJUSTABLE)

KEY	PART NUMBER	U/M DESCRIPTION	VENDOR NO.
1	106015-14-01A	EA MIRROR - EXTERIOR ADJUSTABLE GLASS - PASSENGER	
1	106015-15-01A	EA MIRROR - EXTERIOR ADJUSTABLE GLASS - DRIVER	
2	106015-12-700	EA MIRROR-FLAT - W/W/O HEAT	709448
3	106015-12-701	EA MIRROR-CONVEX - W/W/O HEAT	709449
	106015-12-702	EA SCREW CAP - (BAG OF 4)	748329

EXTERIOR BODY GROUP (CONTINUED)

FRONT FRAME ASM.

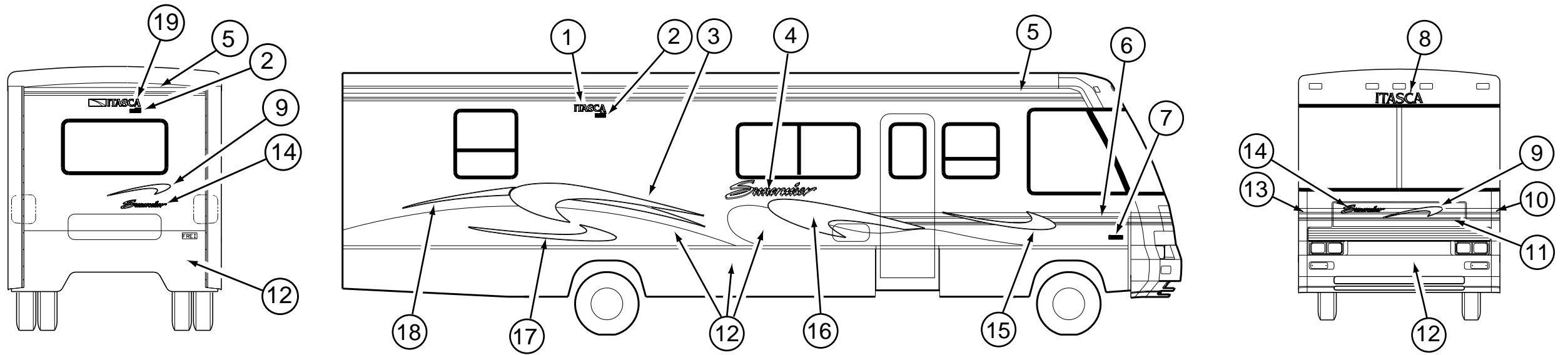


KEY	PART NUMBER	U/M	DESCRIPTION
1	070579-06-000	EA	PLATE - ANCHOR - W/7/16" WELD NUT - 1.5" X 3.3"
1	070579-07-000	EA	PLATE - ANCHOR - W/O WELD NUT - 1.5" X 3.3"
2	078249-16-000	EA	TUBE - SWEPT - CAB FRAME
3	104797-03-000	EA	BRACKET - DEFROSTER
4	104797-04-000	EA	BRACKET - DEFROSTER
5	104797-05-000	EA	BRACKET - DEFROSTER
6	106746-02-000	EA	PANEL - STEPWELL
7	106747-03-000	EA	PANEL - STEPWELL - RIGHT HAND END
8	106747-04-000	EA	PANEL - STEPWELL - LEFT HAND END
9	117273-01-01A	EA	TUBE - SUPPORT - A-PILLAR
10	117287-01-01B	EA	BRACKET - MOUNT - CABLE
11	118592-01-01B	EA	SHIELD - SPLASH - RIGHT HAND
12	120363-01-01B	EA	BRACKET - WINDSHIELD
13	120840-06-01B	EA	STRAP - W/HOLES - MILL
14	121269-07-01B	EA	FRAME - WINDSHIELD - A-PILLAR - MILL

KEY	PART NUMBER	U/M	DESCRIPTION
15	121269-08-01B	EA	FRAME - WINDSHIELD - A-PILLAR - MILL
16	063977-14-000	EA	STEP - DRIVER DOOR - LEFT HAND
17	128255-01-04B	EA	STEP - DRIVER DOOR - BLACK
18	121268-01-01B	EA	SUPPORT - WINDSHIELD - UPPER - MLL
19	125836-02-01B	EA	ZEE - WIPER MOTOR - MILL
20	125837-02-01B	EA	BRACE - WIPER MOTOR - MILL
21	127461-02-01B	EA	PLATE - ANCHOR - SEAT BELT
22	127874-01-01B	EA	TUBE - B PILLAR - MILL
23	097123-01-000	EA	MOUNT - AIR INTAKE - FORD
24	099102-01-000	EA	BRACKET - LINKAGE - THROTTLE
25	104147-14-000	EA	SHIELD/SPLASH - HEADLIGHT
26	123262-02-02B	EA	BRACKET ASM - FUSE PANEL - E-CT
27	121962-02-02B	EA	SHIELD/SPLASH - HEADLIGHT
28	121267-01-01B	EA	SUPPORT - WINDSHIELD, LOWER - MLL
	121481-05-01B	EA	HEADER - WINDSHIELD - CENTER

EXTERIOR BODY GROUP (CONTINUED)

DECALS, FILM STRIPES & PAINT



KEY	PART NUMBER	U/M	DESCRIPTION
1	124811-01-09A	EA	DECAL - LOGO - ITASCA
2	122770-02-15A	EA	DECAL - "BUILT PROUDLY BY WINNEBAGO INDUSTRIES"
3	129987-01-01A	EA	DECAL - SWISH - #2/REAR/RIGHT HAND
	129987-02-01A	EA	DECAL - SWISH - #2/REAR/LEFT HAND
4	129981-01-01A	EA	DECAL - LOGO - LARGE SUNCRUISER
5	105781-70-01A	FT	FILM - MULTISTRIPE - 3.7"
6	094443-60-01A	FT	FILM - MULTISTRIPE - 6"
7	129922-01-01A	EA	EMBLEM - TRITON V10
7	122312-02-01A	EA	DECAL - VORTEC 7400 FUEL INJECTED
8	124989-01-06A	EA	DECAL - LOGO - ITASCA - SWEEP #15
9	129983-01-01A	EA	DECAL - SWISH - HOOD & BACKWALL
10	129984-02-01A	EA	DECAL - CORNER/LEFT HAND
11	129982-01-01A	EA	DECAL - HOOD
12	N/A		PAINT - KHAKI METALLIC (DUPONT F4598U)
12	N/A		PAINT - WINTER GREEN METALLIC (DUPONT F3326U)
13	129984-01-01A	EA	DECAL - CORNER/RIGHT HAND
14	129981-02-01A	EA	DECAL - LOGO - SMALL SUNCRUISER
15	129989-01-01A	EA	DECAL - SWISH - #4/RIGHT HAND
	129989-02-01A	EA	DECAL - SWISH - #4/LEFT HAND
16	129988-01-01A	EA	DECAL - SWISH - #3/RIGHT HAND
	129988-02-01A	EA	DECAL - SWISH - #3/LEFT HAND
17	129985-01-01A	EA	DECAL - SWISH - #1/RIGHT HAND
	129985-02-01A	EA	DECAL - SWISH - #1/LEFT HAND
18	129990-01-01A		DECAL - SWISH - TAIL/RIGHT HAND
	129990-02-01A	EA	DECAL - SWISH - TAIL/LEFT HAND
19	124806-01-08A	EA	DECAL - LOGO - ITASCA W/ICON
	093681-40-01A	FT	FILM - 2" - FLAT BLACK
	041561-03-000	EA	PAINT - 16 OUNCE SPRAY - OFF WHITE

DUPONT PAINT COLOR CODES

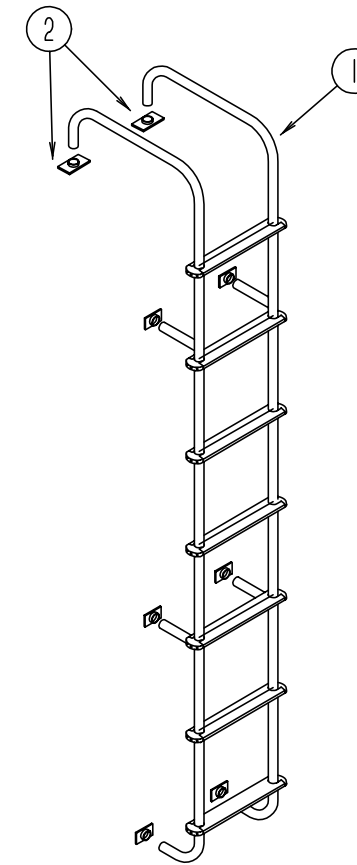
OFF WHITE	(INTERIOR)	DUPONT L8723
KHAKI METALLIC	(EXTERIOR)	DUPONT F4598U
WINTER GREEN METALLIC	(EXTERIOR)	DUPONT F3326U
BRIGHT WHITE	(EXTERIOR)	DUPONT B8951U
DARK GREEN METALLIC	(FILM)	DUPONT MM172
KHAKI METALLIC	(FILM)	DUPONT F4574
LIGHT GOLD METALLIC	(FILM)	DUPONT YM209

EXTERIOR BODY GROUP (CONTINUED)

STYROFOAM & FIBERGLASS SHEETING

KEY	PART NUMBER	U/M	DESCRIPTION
	000846-01-000	SF	PLYWOOD - 5/16" X 48" X 96" - CD GRADE
	000846-02-000	SF	PLYWOOD/UNDERLAYMENT - 5/16" X 48" X 96"
	002726-01-001	EA	GARNISH - U-CHANNEL - 1.38" X 19' - SERRATED
	002766-01-001	EA	ANGLE - EXTRUDED - 1" X 1.5" X 17'
	033381-17-001	FT	STEEL - TUBE - 16 GAUGE 1.5" X 1.5" X 16'
	068716-01-001	EA	BRACE - 90 DEGREE L-ANGLE - 16'
	076054-U4-000	EA	FIBERGLASS SHEET - 101" X 104" - BRIGHT WHITE
	076054-U8-000	EA	FIBERGLASS SHEET - 100" X 105" - BRIGHT WHITE
	076054-W3-000	EA	FIBERGLASS SHEET - 79" X 361.3" - BRIGHT WHITE
	076054-W6-000	EA	FIBERGLASS SHEET - 79" X 367" - BRIGHT WHITE
	108535-05-702	EA	FIBERGLASS SHEET - FLAT - 110" X 398" BRIGHT WHITE - ROOF
	077517-62-000	EA	FIBERGLASS SHEET/SIDEWALL - 48" X 96" - BRIGHT WHITE
	089297-01-000	SF	PLYWOOD - LUAN - OVERLAY GRADE - 48" X 96"
	089297-02-000	SF	PLYWOOD - LUAN - OVERLAY GRADE - 48" X 108"
	100619-01-000	BF	FOAM - EXPANDED POLYSTYRENE - 1.34" X 48" X 96"
	100619-02-000	BF	FOAM - EXPANDED POLYSTYRENE - 1.5" X 48" X 96"
	100619-04-000	BF	FOAM - EXPANDED POLYSTYRENE - .5" X 48" X 96"
	100619-05-000	BF	FOAM - EXPANDED POLYSTYRENE - .75" X 48" X 96"-1.5 DENSITY
	100619-11-000	BF	FOAM - EXPANDED POLYSTYRENE - 2" X 48" X 96"
	100619-13-000	BF	FOAM - EXPANDED POLYSTYRENE - .34" X 34.65" X 96"
	100619-16-000	BF	FOAM - EXPANDED POLYSTYRENE - .75" X 48" X 96"-2.0 DENSITY
	100619-22-000	BF	FOAM - EXPANDED POLYSTYRENE - 48" X 120" X 1.34"
	105077-08-000	EA	FOAM - PLUG - ROOF CAP
	120107-01-000	EA	FOAM - COVE - ROOF - 2.8" X 96" LONG
	120107-02-000	EA	FOAM - PLUG - ROOF TUBE - 2.2" X 2.9" X 1.8" LONG
	120107-03-000	EA	FOAM - PLUG - SIDEWALL TUBE - 1.2" X 2.1" X 1.8" LONG
	125838-01-002	EA	ACRYLIC SHEET - .125 X 1.8" X 2"

EXTERIOR BODY GROUP (CONTINUED)



LADDER

KEY	PART NUMBER	U/M	DESCRIPTION
1	129639-02-01A	EA	LADDER - BRUSHED ALUMINUM
2	131256-01-01A	EA	PLATE - LADDER
	129375-01-000	EA	SEAL/FOAM - LADDER BRACKET
	038327-01-000	FT	TAPE - ANTI SLIP - 2" X 60FT

EXTERIOR BODY GROUP (CONTINUED)

**AWNINGS
FROM: 00-00-00 THRU: 03-14-99**

KEY	PART NUMBER	U/M DESCRIPTION
	113874-11-01A	EA SCREW/LAG - AWNING - 1/4" X 1" STAINLESS STEEL
	113874-12-01A	EA SCREW/LAG - AWNING - 1/4" X 2 3/4" STAINLESS STEEL
	113874-06-19A	EA AWNING - W/O HARDWARE - 16' - VINYL (BLACK & GRAY)
		FROM: 00-00-00 THRU: 10-03-98
	113874-06-25A	EA AWNING - W/O HARDWARE - 16' (BLACK/GRAY) METAL
		FROM: 10-04-98 THRU: 03-14-99
*	113874-01-02A	EA HARDWARE KIT - AWNING - W/O STANDOFF BRACKET-BRIGHT WHITE
	111037-01-01A	EA SPACER - AWNING - UPPER - BLACK
	130320-01-02A	EA BRACKET - AWNING - F/A&E INSTALLATION - BRIGHT WHITE
	119496-01-02A	EA SPACER/ZEE - AWNING

FROM: 03-15-99 THRU: 06-13-99

KEY	PART NUMBER	U/M DESCRIPTION
	113874-11-01A	EA SCREW/LAG - AWNING - 1/4" X 1" STAINLESS STEEL
	113874-12-01A	EA SCREW/LAG - AWNING - 1/4" X 2 3/4" STAINLESS STEEL
	132715-02-04A	EA AWNING - 2 STEP W/O HDW - 16' W/METAL WRAP - BLACK & GRAY
	132715-01-01A	EA HARDWARE KIT - 2 STEP AWNING - BRIGHT WHITE
	133088-01-02A	EA BRACKET - AWNING - BRIGHT WHITE

FROM: 06-14-99 THRU: 99-99-99

KEY	PART NUMBER	U/M DESCRIPTION
	113874-11-01A	EA SCREW/LAG - AWNING - 1/4" X 1" STAINLESS STEEL
	113874-12-01A	EA SCREW/LAG - AWNING - 1/4" X 2 3/4" STAINLESS STEEL
	113874-06-25A	EA AWNING - 16' BLACK/GRAY VINYL - BRT/WHT METAL WRAP
*	113874-01-02A	EA HARDWARE KIT - AWNING - W/O STANDOFF BRACKET-BRIGHT WHITE
	130320-01-02A	EA BRACKET - AWNING - F/A&E INSTALLATION - BRIGHT WHITE

*COMPONENT PARTS FOUND IN SERVICE PARTS LIBRARY

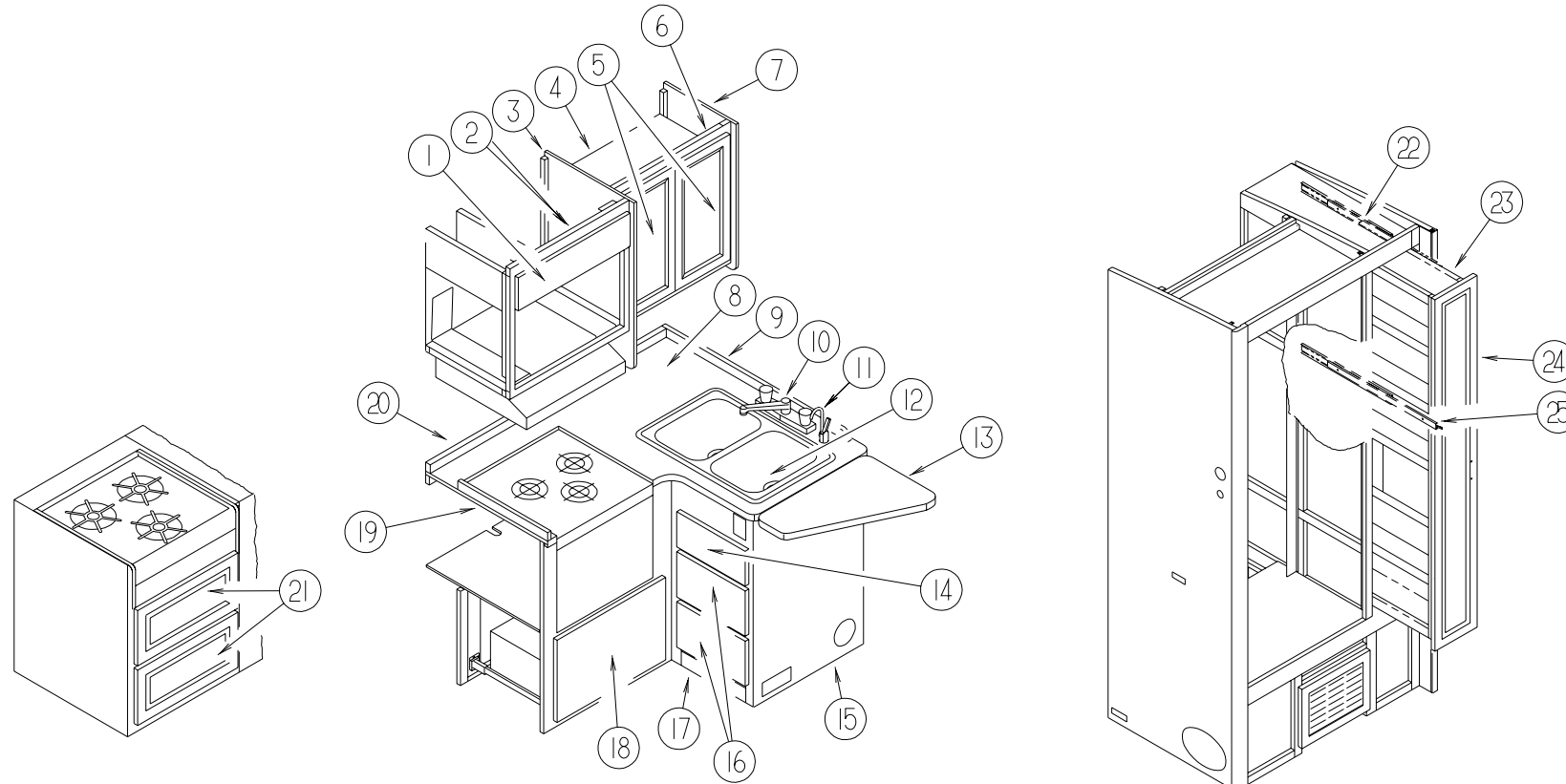
EXTERIOR BODY GROUP (CONTINUED)

EXTERIOR BODY HARDWARE

KEY	PART NUMBER	U/M DESCRIPTION
	120524-01-02B	EA U-CHANNEL - E-COATED
	114248-02-01A	EA ANGLE - PLASTIC - 96.6"
	099069-01-000	FT SEAL - RUBBER - CLOSED SPONGE - .5" WIDE X .12" THICK -BLK
	107865-01-000	EA ROD - SUPPORT - VALANCE PANEL - 14.3"
	107865-05-000	EA ROD - SUPPORT - VALANCE PANEL - 9"
	118383-01-04A	EA RETAINER - SCREW
	118383-04-04A	EA CAP - RETAINER/SCREW
	119568-01-01A	EA STANDOFF - VALANCE PANEL - BLACK
	121117-01-02B	EA ANGLE - W/HOLES - E-COATED
	124299-51-001	EA EXTRUDED - RETAINER - TRIM - 144"

GALLEY GROUP

GALLEY CABINETRY & FIXTURES



KEY	PART NUMBER	U/M	DESCRIPTION	VENDOR NO.	KEY	PART NUMBER	U/M	DESCRIPTION	VENDOR NO.
1	126057-01-K28	EA	CABINET - OVERHEAD/MICROWAVE - W/O DOOR/HARDWARE (US) (OAK)		13	129634-15-K28	EA	EXTENSION/GALLEY W/O HARDWARE (K58, K59, K64, K65, K26, K27)	
1	126057-03-K28	EA	CABINET - OVERHEAD/MICROWAVE - W/O DOOR/HARDWARE (CSA) (OAK)		13	129634-15-K58	EA	EXTENSION/GALLEY W/O HARDWARE (K62, K63)	
1	126057-01-K58	EA	CABINET - OVERHEAD/MICROWAVE - W/O DOOR/HARDWARE (US)(MAPLE)		14	M09316-18-K28	EA	DRAWER - OGEE EDGE - 13.9"W X 21.6"D - W/O SLIDES/HARDWARE (OAK)	
1	126057-03-K58	EA	CABINET - OVERHEAD/MICROWAVE - W/O DOOR/HARDWARE (CSA)(MAPLE)		14	M09316-18-K58	EA	DRAWER - OGEE EDGE - 13.9"W X 21.6"D - W/O SLIDES/HARDWARE (MAPLE)	
2	100708-05-000	EA	DOOR - GLASS - CABINET - 8.5" X 23.4" - W/O HARDWARE		15	129634-01-K58	EA	CABINET - GALLEY - W/CTRTP - W/O HDW (RANGE & OVEN) (K58, K64, K26)	
3	103128-33-J55	EA	END CAP - OVERHEAD/RIGHT HAND (OAK)		15	129634-01-K59	EA	CABINET - GALLEY - W/CTRTP - W/O HDW (RANGE & OVEN) (K59, K65, K27)	
3	103128-33-J56	EA	END CAP - OVERHEAD/RIGHT HAND (MAPLE)		15	129634-01-K62	EA	CABINET - GALLEY - W/CTRTP - W/O HDW (RANGE & OVEN) (K62)	
4	122174-11-J55	EA	SHELF - W/PLASTIC EDGE TRIM (OAK)		15	129634-01-K32	EA	CABINET - GALLEY - W/CTRTP - W/O HDW (RANGE & OVEN) (K63)	
4	122174-11-J52	EA	SHELF - W/PLASTIC EDGE TRIM (MAPLE)		15	129634-02-K58	EA	CABINET - GALLEY - W/CTRTP - W/O HDW (RANGE TOP) (K58, K64, K26)	
5	M05992-L4-K28	EA	DOOR - STRAIGHT CORNER/OGEE EDGE - 10" X 21.4" - W/O HARDWARE (OAK)		15	129634-02-K59	EA	CABINET - GALLEY - W/CTRTP - W/O HDW (RANGE TOP) (K59, K65, K27)	
5	M05992-L4-J52	EA	DOOR - STRAIGHT CORNER/OGEE EDGE - 10" X 21.4" - W/O HARDWARE (MAPLE)		15	129634-02-K62	EA	CABINET - GALLEY - W/CTRTP - W/O HDW (RANGE TOP) (K62)	
6	122174-02-J22	EA	CABINET - OVERHEAD/GALLEY - W/O DOORS/HARDWARE (OAK)		15	129634-02-K63	EA	CABINET - GALLEY - W/CTRTP - W/O HDW (RANGE TOP) (K63)	
6	122174-02-J52	EA	CABINET - OVERHEAD/GALLEY - W/O DOORS/HARDWARE (MAPLE)		16	M09316-17-K28	EA	DRAWER - OGEE EDGE - 13.9"W X 21.6"D - W/O SLIDES/HARDWARE (OAK)	
7	103128-11-H33	EA	END CAP - OVERHEAD CABINET - RIGHT HAND (OAK)		16	M09316-17-K58	EA	DRAWER - OGEE EDGE - 13.9"W X 21.6"D - W/O SLIDES/HARDWARE (MAPLE)	
7	103128-11-J52	EA	END CAP - OVERHEAD CABINET - RIGHT HAND (MAPLE)		17	129634-13-K28	EA	TOE KICK - GALLEY CABINET FRONT (OAK)	
8	129634-18-K28	EA	CTRTP - GALLEY (K58, K59, K64, K65, K26, K27)		17	129634-13-K58	EA	TOE KICK - GALLEY CABINET FRONT (MAPLE)	
8	129634-18-K58	EA	CTRTP - GALLEY (K62, K63)			118200-01-01A	SF	MESH - PLASTIC - 1/2 INCH	
9	129634-19-K28	EA	BACKSPLASH - GALLEY CABINET (K58, K59, K64, K65, K26, K27)		18	M09316-16-K28	EA	DRAWER - OGEE EDGE - 19.8"W X 11.8"D - W/O SLIDES/HARDWARE (OAK)	
9	129634-19-K58	EA	BACKSPLASH - GALLEY CABINET (K62, K63)		18	M09316-16-K58	EA	DRAWER - OGEE EDGE - 19.8"W X 11.8"D - W/O SLIDES/HARDWARE (MAPLE)	
10	104114-02-01A	EA	FAUCET - GALLEY - SINGLE CONTROL		19	129634-21-K28	EA	BACKSPLASH - GALLEY/STOVE (K58, K59, K64, K65, K26, K27)	
11	103635-01-000	EA	FAUCET - SINGLE CONTROL DRINKING		19	129634-21-K32	EA	BACKSPLASH - GALLEY/STOVE(K62, K63)	
	103635-01-700	EA	FITTING KIT, FAUCET REPAIR	3071-70	20	129634-20-K28	EA	BACKSPLASH - GALLEY CABINET (K58, K59, K64, K65, K26, K27)	
	103635-01-701	EA	TUBING-PLASTIC	3019-20	20	129634-20-K32	EA	BACKSPLASH - GALLEY CABINET(K62, K63)	
	103635-01-702	EA	FAUCET REPAIR KIT	3026-46	21	M09316-15-K28	EA	DRAWER - OGEE EDGE - 19.8"W X 17.7"D - W/O SLIDES/HARDWARE (OAK)	
12	110654-01-000	EA	SINK - STAINLESS STEEL/DOUBLE BASIN (1 LG-1 SM BASIN)		21	M09316-15-K58	EA	DRAWER - OGEE EDGE - 19.8"W X 17.7"D - W/O SLIDES/HARDWARE (MAPLE)	
	092303-01-000	EA	STRAINER - SINK		22	122360-02-000	EA	SLIDE - PANTRY - W/O LOCK - RIGHT/LEFT HAND	
	108464-04-J31	EA	COVER - SINK - 15" X 15" - LAMINATE BOTH SIDES (K58, K59, K64, K65, K26, K27)		23	122325-01-J22	EA	CABINET - PANTRY/RIGHT HAND SLIDING - W/O SLIDES/HARDWARE (OAK)	
	108464-04-J23	EA	COVER - SINK - 15" X 15" - LAMINATE BOTH SIDES (K62, K63)		23	122325-01-J60	EA	CABINET - PANTRY/RIGHT HAND SLIDING - W/O SLIDES/HARDWARE (MAPLE)	
	108464-03-J31	EA	COVER - SINK - 15" X 11" - LAMINATE BOTH SIDES (K58, K59, K64, K65, K26, K27)		24	M05992-K0-K28	EA	DOOR - STRAIGHT CORNER/OGEE EDGE - 8.5" X 60.7" - W/O HARDWARE (OAK)	
	108464-03-J74	EA	COVER - SINK - 15" X 11" - LAMINATE BOTH SIDES (K62, K63)		24	M05992-K0-J52	EA	DOOR - STRAIGHT CORNER/OGEE EDGE - 8.5" X 60.7" - W/O HARDWARE (MAPLE)	
	126019-01-01A	EA	COFFEEMAKER - OPTIMA - W/BRACKETS - BLACK & DECKER		25	122360-03-000	EA	SLIDE - PANTRY - W/LOCK - RIGHT HAND	
	126019-01-700	EA	GLASS CARAFE	172547-00		123673-01-01A	EA	KNOB - PANTRY SLIDE	
	126019-01-701	EA	RESERVOIR - WATER	172554		090329-01-000	FT	SEAL/T - REFRIGERATOR CABINET	
	126019-01-702	EA	BASKET - FILTER	172553-00					
	126019-01-703	EA	HARDWARE - MOUNTING	172174-00					

GALLEY GROUP (CONTINUED)

RANGE, MICROWAVE OVEN & GALLEY HARDWARE

KEY	PART NUMBER	U/M	DESCRIPTION
*	126023-01-01A	EA	RANGE - W/OVEN 22" - 3 BURNER/BLACK GLASS DOOR
*	114030-02-01A	EA	RANGE - 3 BURNER TOP - W/O OVEN - BLACK - UL
	M05904-03-J61	EA	COVER - STOVE - W/SOLID COUNTERTOP (K58, K59, K64, K65, K26, K27)
	M05904-03-J62	EA	COVER - STOVE - W/SOLID COUNTERTOP (K62, K63)
	126022-01-01A	EA	COVER - RANGE - BI-FOLD - 16" & 22" - BLACK TEXTURED
	107109-34-04B	EA	BRACKET - TIEDOWN/BLACK
	107109-36-04B	EA	BRACKET - TIEDOWN/BLACK
*	121569-01-01A	EA	REFRIGERATOR - LARGE DOUBLE DOOR/RH - 2-WAY - 59.9" X 23.5" X 24" FROM: 00-00-00 THRU: 07-19-98
*	121569-03-01A	EA	REFRIGERATOR - LARGE DOUBLE DOOR/RIGHT HAND - 2-WAY - BLACK FROM: 07-20-98 THRU: 99-99-99
	116751-02-01A	EA	TRAY - REFRIGERATOR - BLACK
	065225-02-000	EA	PLATE - TIEDOWN - REFRIGERATOR
	054450-01-000	EA	LEVEL - REFRIGERATOR
	090195-08-000	EA	BAFFLE - REFRIGERATOR - LOWER
	093369-03-000	EA	STRAP - REFRIGERATOR
	093646-01-000	EA	BRACKET - TIEDOWN/REFRIGERATOR - RIGHT HAND
	093646-02-000	EA	BRACKET - TIEDOWN/REFRIGERATOR - LEFT HAND
	122753-02-000	EA	OVEN - MICROWAVE - .9 CU. FT - CONVECTION - SHARP - UL(US)
	122753-06-000	EA	OVEN - MICROWAVE - .9 CU FT - CONVECTION - CSA
	122753-05-000	EA	OVEN - MICROWAVE - 1 CU. FT. 0 NON CONVECTION - SHARP - UL(US)
	102482-09-H56	EA	FRAME - MICROWAVE
	082227-06-000	EA	TRIM - BOTTOM/MICROWAVE - BLACK
	102486-13-01A	EA	TRIM - MICROWAVE - VERTICAL - BLACK
	121850-04-02B	EA	STRAP - TIEDOWN - MICROWAVE - E-COATED
	122546-10-02B	EA	SUPPORT - MICROWAVE BOTTOM - E-COATED
	122546-11-02B	EA	SUPPORT - MICROWAVE BOTTOM - E-COATED

*COMPONENT PARTS FOUND IN SERVICE PARTS LIBRARY

RANGE HOODS & MONITOR PANEL

KEY	PART NUMBER	U/M	DESCRIPTION	VENDOR NO.
*	100258-18-03A	EA	HOOD - RANGE - W/O MONITOR PANEL - W/HOUR METER/SWITCH - US	
*	100258-17-04A	EA	HOOD - RANGE - W/O MONITOR PANEL - W/O HOUR METER/SWITCH - CSA	
*	102765-04-01A	EA	PANEL - MONITOR - 2 HOLDING TANKS - ADJUSTABLE	
	100258-10-01A	EA	GAUGE - HOUR METER W/SWITCH - SCREW ON STYLE (OPTION) 150	
	100258-10-701	EA	GAUGE - HOUR METER - CLIP ON (OPTION)	L0775-00
	096983-01-702	EA	SWITCH - MOM/OFF/MOM/3 TERM (OPTION)	L0112-00

*COMPONENT PARTS FOUND IN SERVICE PARTS LIBRARY

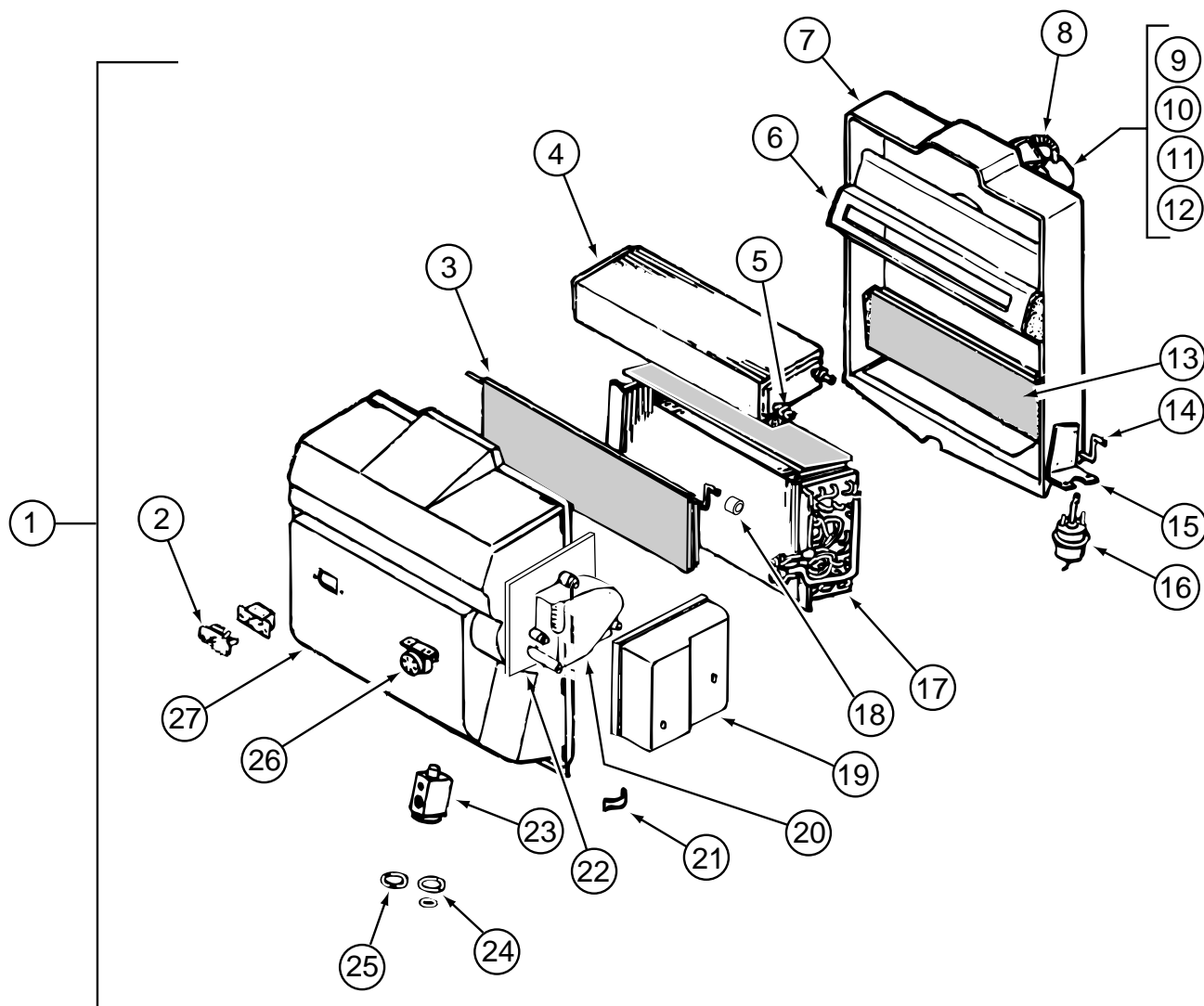
GENERATOR GROUP

ONAN GENERATOR, 4.0 KW MICROLITE

KEY	PART NUMBER	U/M	DESCRIPTION
	109982-03-000	EA	GENERATOR - 4.0 MICROLITE
	007125-04-000	EA	CLAMP - MUFFLER - 1.12" DIAMETER
	105958-09-000	EA	PIPE - GENERATOR EXHAUST - 1.3" OD X 5.9" X 22"
	104644-01-000	EA	ANGLE - FORMED - GENERATOR

NOTE: ADDITIONAL GENERATOR COMPONENTS ARE FOUND IN THE CHASSIS GROUP

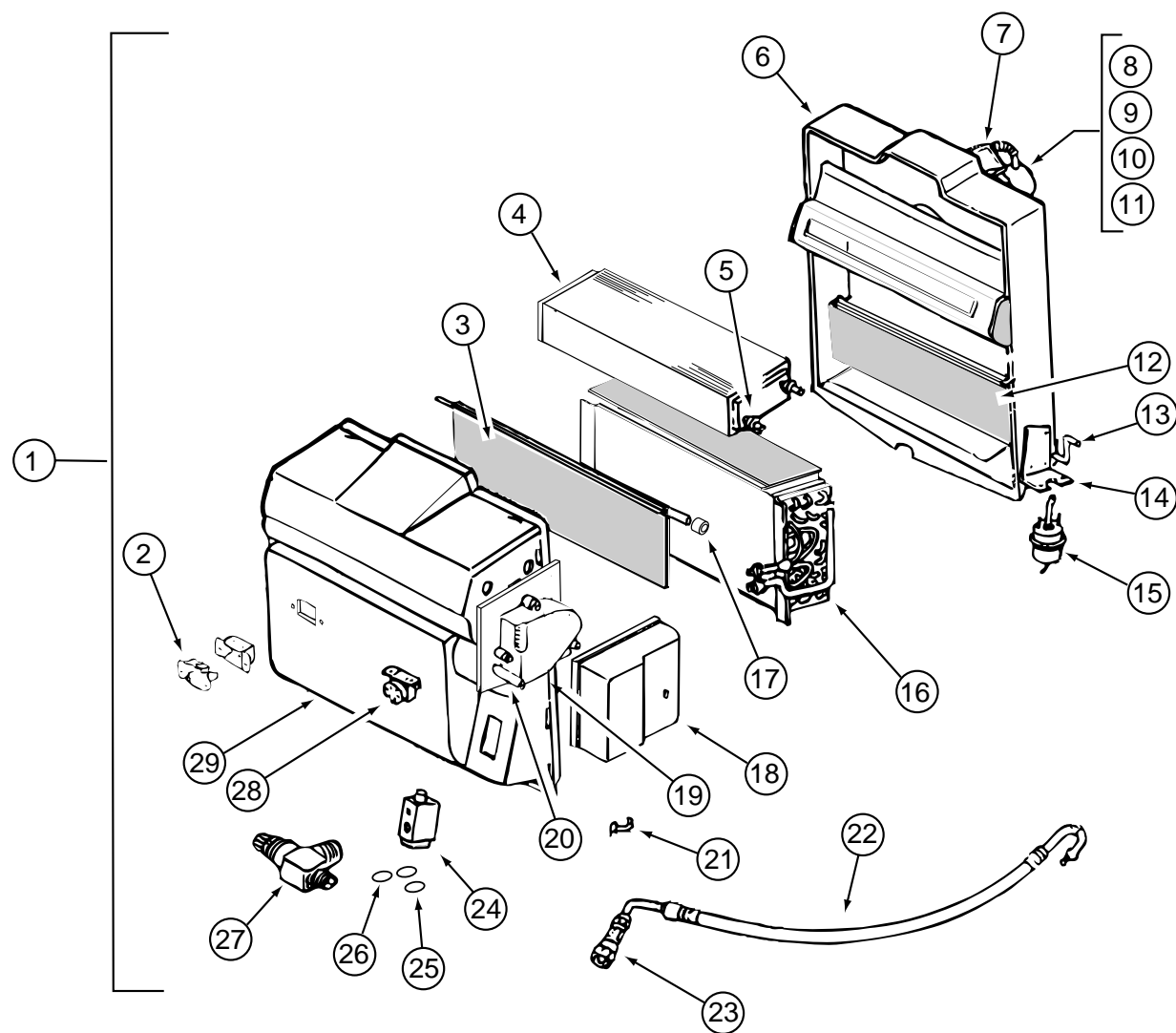
HEATING & AIR CONDITIONING GROUP
AUTOMOTIVE AIR CONDITIONING (NON-CHARGED) (FORD)



KEY	PART NUMBER	U/M	DESCRIPTION	VENDOR NO.	KEY	PART NUMBER	U/M	DESCRIPTION	VENDOR NO.
1	103930-43-000	EA	EVAPORATOR/HEATER ASSEMBLY - NON-CHARGED		24	103930-17-702	EA	O'RING #10	045-0127
2	103930-01-710	EA	RESISTOR-FUSED, A/C	035-0006	25	113245-01-707	EA	O'RING #8	045-0126
3	103930-43-700	EA	DOOR - AIR BLEND	071-0568	26	103930-01-711	EA	THERMOSTAT	033-0003
4	103930-01-703	EA	CORE-HEATER	042-0010	27	103930-30-700	EA	CASE - FRONT	062-0542
5	110279-01-712	EA	FITTING-HEATER	050-0076		103930-02-714	EA	CLAMP-CLUTCH, BARREL	022-0006
6	103930-30-707	EA	DIVIDER ASM.	086-0061		094831-01-709	EA	CLAMP-ROD 3/16"	022-0025
7	103930-20-711	EA	CASE-BACK, SUB-ASSEMBLY	062-0147		113245-01-718	EA	HOSE - DRAIN/1/2" X 6"	051-0002
8	110279-01-703	EA	HOSE-VENT F/BLOWER MOTOR	051-0034		103930-23-000	EA	VALVE - WATER - 2 PORT	
9	103930-20-707	EA	HOUSING-BLOWER	062-0145		007076-01-000	EA	HOSE - FLEXIBLE PVC - 2" ID - INCREMENTS OF 50'	
10	103930-30-706	EA	MOTOR-BLOWER PM147 W/ADAPTER	030-0109		007281-01-000	EA	HOSE - FLEXIBLE PVC - 2.5" ID X 50'	
11	103930-01-717	EA	WHEEL-BLOWER, CLOCKWISE	062-0010		103930-45-000	EA	HOSE - EVAPORATER/COMPRESSOR - EXP. BLOCK TO COMPRESSOR	
12	103930-20-708	EA	CLIP-MOTOR SHAFT	022-0001		103930-47-000	EA	HOSE - EVAPORATOR/DRYER - EXP. VALVE TO REC. DRIER	
13	103930-20-705	EA	PANEL-DOOR, RECIRCULATING	071-0213		113245-01-710	EA	O'RING, #12	045-0128
14	103930-20-704	EA	ROD-DOOR-RECIRCULATING	073-0018		024990-05-000	EA	OUTLET - DEFROSTER - 4" DIAMETER W/SWIVEL DEFLECTORS	
15	103930-01-708	EA	BRACKET-VACUUM MOTOR	070-0113		077075-01-000	EA	GASKET - INSTRUMENT PANEL TO DEFROSTER PLENUM - .6"X10.2"	
16	103930-02-708	EA	MOTOR-VACUUM SERVO, A/C	030-0025		103016-03-000	EA	PLENUM - TRANSITION	
17	103930-01-704	EA	COIL-EVAPORATOR	041-0017		103017-03-000	EA	PLENUM - DEFROSTER	
18	103930-30-702	EA	BUSHING - BLEND AIR DOOR	062-0168		103558-01-11A	EA	VENT - DEFROSTER - 2" X 14.4" X 1.4" - TITANIUM	
19	103930-30-704	EA	COVER - SERVO	062-0545					FROM: 00-00-00 THRU: 11-08-98
20	103930-30-703	EA	MOTOR - SERVO	030-0104		103558-04-04A	EA	VENT - DEFROSTER - TITANIUM ABS PLASTIC	
21	103930-20-706	EA	CLIP-RETAINER - CASE ATTACH	022-0057					FROM: 11-09-98 THRU: 99-99-99
22	103930-30-701	EA	PLATE - MOTOR MOUNT	062-0544		103796-01-01A	EA	LOUVER - A/C-ADJUSTABLE - 2.2" X 5.4" F/2.5" HOSE - BLACK	
23	103930-20-700	EA	VALVE-EXPANSION-BLOCK, 2 TON	034-0032					

HEATING & AIR CONDITIONING GROUP (CONTINUED)

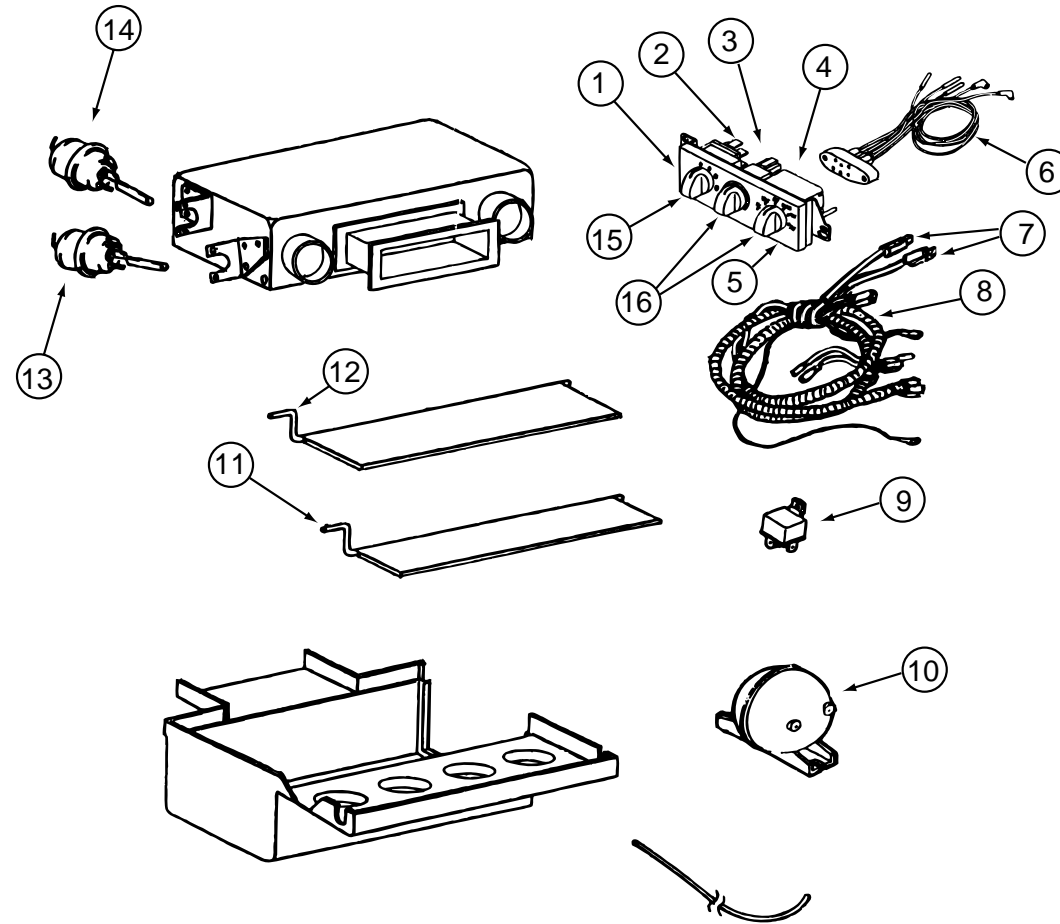
SCS EVAPORATOR/ HEATER (CHEVY)



KEY	PART NUMBER	U/M DESCRIPTION	VENDOR NO.	KEY	PART NUMBER	U/M DESCRIPTION	VENDOR NO.
1	103930-30-000	EA EVAPORATOR/HEATER - CHEVY - SERVO MOTOR CONTROLLED		23	103930-12-709	EA FITTING - QUICK CONNECT	050-0120
2	103930-01-710	EA RESISTOR - FUSED - A/C	035-0006	24	103930-20-700	EA VALVE - EXPANSION - BLOCK - 2 TON	034-0032
3	103930-30-705	EA DOOR - BLEND AIR	071-0568	25	103930-17-702	EA O'RING #10	045-0127
4	103930-01-703	EA CORE - HEATER	042-0010	26	113245-01-707	EA O'RING #8	045-0126
5	110279-01-712	EA FITTING - HEATER	050-0076	27	103930-20-709	EA VALVE - SERVICE	050-0159
6	103930-20-711	EA CASE - BACK - SUB-ASSEMBLY	062-0147	28	103930-01-711	EA THERMOSTAT	033-0003
7	110279-01-703	EA HOSE - VENT F/BLOWER MOTOR	051-0034	29	103930-30-700	EA CASE - FRONT	062-0542
8	103930-20-707	EA HOUSING - BLOWER	062-0145		103930-23-000	EA VALVE - WATER - 2 PORT	
9	103930-30-706	EA MOTOR - BLOWER PM147 W/ADAPTER	030-0109		007076-01-000	EA HOSE - FLEXIBLE PVC - 2" ID - INCREMENTS OF 50'	
10	103930-01-717	EA WHEEL - BLOWER - CLOCKWISE	062-0010		007281-01-000	EA HOSE - FLEXIBLE PVC - 2.5" ID X 50'	
11	103930-20-708	EA CLIP - MOTOR SHAFT	022-0001		103930-46-000	EA HOSE - EVAPORATER/COMPRESSOR - EXP. BLOCK TO COMPRESSOR	
12	103930-20-705	EA PANEL - DOOR - RECIRCULATING	071-0213		103930-47-000	EA HOSE - EVAPORATOR/DRYER - EXP. VALVE TO REC. DRIER	
13	103930-20-704	EA ROD - DOOR - RECIRCULATING	073-0018		113245-01-710	EA O'RING, #12	045-0128
14	103930-01-708	EA BRACKET-VACUUM MOTOR	070-0113		024990-05-000	EA OUTLET - DEFROSTER - 4" DIAMETER W/SWIVEL DEFLECTORS	
15	103930-01-709	EA MOTOR - VACUUM	030-0025		077075-01-000	EA GASKET - INSTRUMENT PANEL TO DEFROSTER PLENUM - .6"X10.2"	
16	103930-01-704	EA COIL - EVAPORATOR	041-0017		103016-03-000	EA PLENUM - TRANSITION	
17	103930-30-702	EA BUSHING - BLEND AIR DOOR	062-0168		103017-03-000	EA PLENUM - DEFROSTER	
18	103930-30-704	EA COVER - SERVO	062-0545		103558-01-11A	EA VENT - DEFROSTER - 2" X 14.4" X 1.4" - TITANIUM	
19	103930-30-703	EA MOTOR - SERVO	030-0104				FROM: 00-00-00 THRU: 11-08-98
20	103930-30-701	EA PLATE - MOTOR MOUNT	062-0544		103558-04-04A	EA VENT - DEFROSTER - TITANIUM ABS PLASTIC	
21	103930-20-706	EA CLIP - RETAINER - CASE ATTACH	022-0057				FROM: 11-09-98 THRU: 99-99-99
22	103930-25-700	EA HOSE ASM #6 EVAPORATOR/DRIER	085-0350		103796-01-01A	EA LOUVER - A/C-ADJUSTABLE - 2.2" X 5.4" F/2.5" HOSE - BLACK	

HEATING & AIR CONDITIONING GROUP (CONTINUED)

SCS CONTROL/ PLENUM



KEY	PART NUMBER	U/M DESCRIPTION	VENDOR NO.
	103930-40-000	EA CONTROL/PLENUM - ROTARY CONTROL HEAD	
1	103930-33-702	EA CONTROL PANEL	083-0169
2	103930-33-707	EA SWITCH - BLOWER	032-0186
3	103930-33-708	EA SWITCH - POTENTIOMETER	032-0184
4	103930-33-709	EA SWITCH - VACUUM	032-0183
5	103930-33-710	EA DECAL F CONTROL HEAD	058-0102
6	103930-33-703	EA VACUUM HARNESS	036-0465
7	103930-33-705	EA LIGHT BULBS	035-0030
8	103930-33-711	EA WIRE HARNESS MAIN	036-0466

KEY	PART NUMBER	U/M DESCRIPTION	VENDOR NO.
9	103930-02-707	EA RELAY-BOSCH W/RESISTER	031-0001
10	103930-02-710	EA CANISTER-VACUUM	054-0002
11	103930-39-700	EA ROD - DOOR - AC/HEAT	073-067
12	103930-39-701	EA ROD - DOOR AC/DEFROST	073-0069
13	103930-02-708	EA MOTOR - VACUUM SERVO, A/C	030-0025
14	103930-33-701	EA MOTOR - VACUUM, 3 STAGE	030-0105
15	103930-39-702	EA KNOB - BLOWER	062-0539
16	103930-39-703	EA KNOB	062-0540
	103930-39-704	EA SPRING	022-0119

HEATING & AIR CONDITIONING GROUP (CONTINUED)

FURNACE

KEY	PART NUMBER	U/M	DESCRIPTION
*	098668-21-000	EA	FURNACE - 35000 BTU
	009200-01-000	EA	TAPE - FURNACE - 1 1/2"
	089367-02-000	EA	TEE - 4" X 2" X 4"
	094600-05-01A	EA	REGISTER W/O DAMPER - 3.6" X 11.3" FACE/2.1" X 9.9" RO - BEIGE
	056464-09-000	EA	REGISTER - 4" DIAMETER - PLASTIC - W/DAMPER - BEIGE
	098668-14-000	EA	GASKET - FIBERGLASS - .5" X 18" X 18"
	098668-16-000	EA	VENT - INTAKE
	092777-01-000	EA	ADAPTER - DUCT - 4"
	115764-01-01A	EA	THERMOSTAT - FURNACE

AUTOMOTIVE REAR HEATER SYSTEM

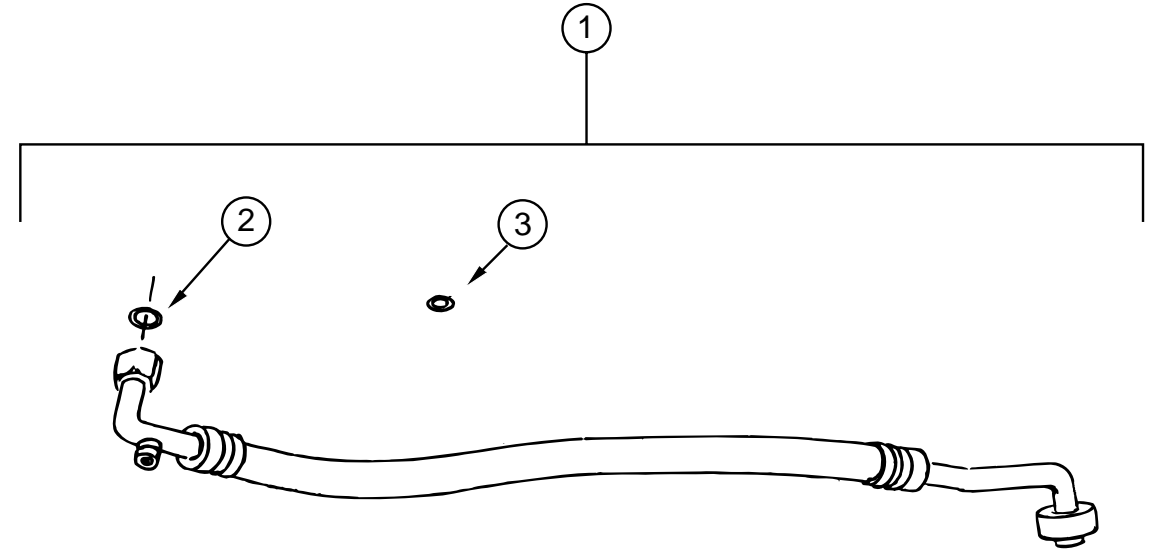
KEY	PART NUMBER	U/M	DESCRIPTION	VENDOR NO.
	009198-01-000	FT	DUCT - HEAT - FLEXIBLE - 4" ID X 25'	
	069636-02-000	EA	CONNECTOR - DUCT - 4" ID	
	056464-10-000	EA	REGISTER - 4" DIAMETER - PLASTIC - W/O DAMPER - BEIGE	
	079059-01-000	EA	HOSE - 90 DEGREE - 5/8"ID X 4" X 36"	
	084405-01-000	EA	HEATER - REAR/DUCTED - W/MOTOR AID	
	084405-01-700	EA	CORE - HEATER	FT200229
	084405-01-701	EA	FAN BLADES	HV029931
	084405-01-702	EA	MOTOR ASSEMBLY - 12 VOLT	RV010348
	061673-01-000	EA	BRACKET - MOTOR AID TUBES - 4" X 1.5" - STEEL	

A/C - ROOF & CEILING ASSEMBLY

KEY	PART NUMBER	U/M	DESCRIPTION
*	131188-01-01A	EA	A/C - ROOF - 14,800 MACH 15 - WHITE
*	131184-01-01A	EA	CEILING ASSEMBLY - A/C DUCTED - WHITE
	102289-01-000	EA	SPRING - SCREW - ROOF A/C GASKET
	117238-01-01A	EA	THERMOSTAT - A/C - FURNACE
	120134-01-02A	EA	REGISTER - 4".5" DIAMETER W/DAMPER

*COMPONENT PARTS FOUND IN SERVICE PARTS LIBRARY

HEATING & AIR CONDITIONING GROUP (CONTINUED)

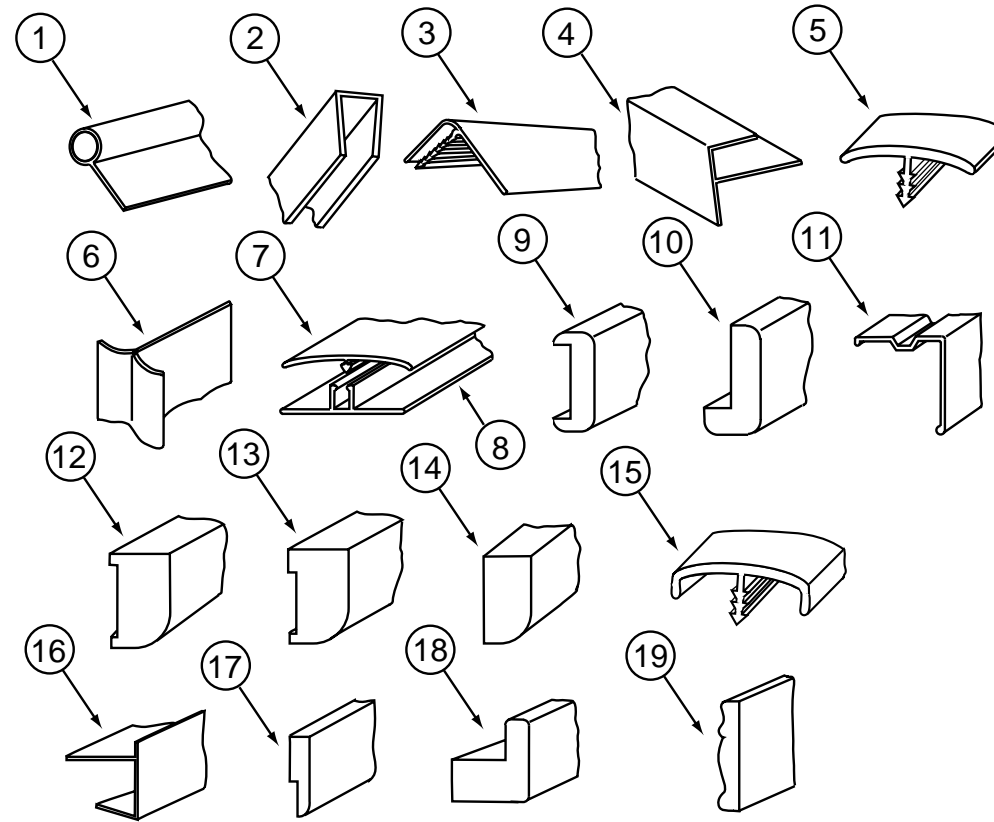


CHEVY HOSE KIT - VORTEC GAS OR DIESEL OPTION

KEY	PART NUMBER	U/M	DESCRIPTION	VENDOR NO.
1	103930-29-000	EA	HOSE KIT - #10 W/GM L-29 & L-65 CHASSIS	
2	103930-17-702	EA	O'RING #10	045-0127
3	103930-29-701	EA	GASKET-GMLP SW 1996	045-0483

INTERIOR FINISH GROUP

INTERIOR TRIM & MOLDINGS



WATERFORD OAK

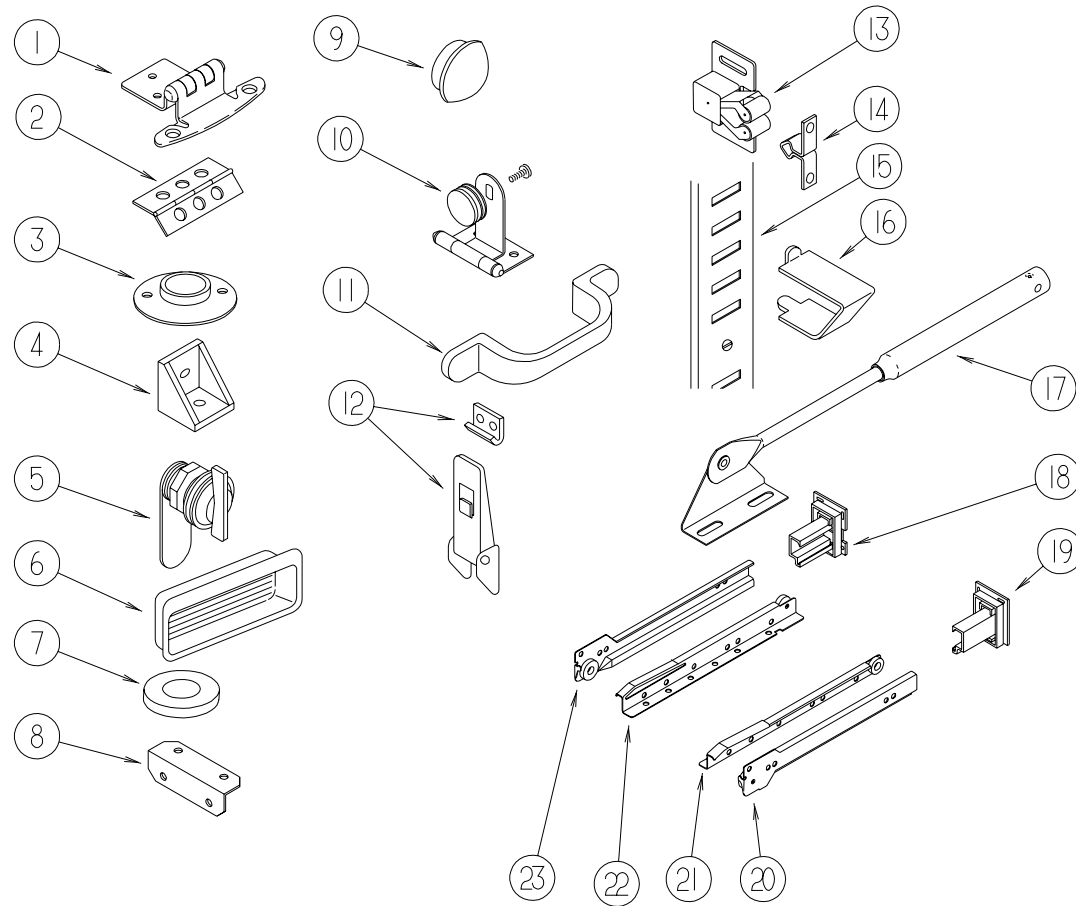
MAPLE

KEY	PART NUMBER	U/M DESCRIPTION
1	009767-12-000	FT WELTING - SIDEWALL/CEILING/CABINET - OFF/WHT
2	009778-21-000	FT U-CHANNEL - 1" - WATERFORD OAK
2	070504-36-000	FT U-CHANNEL - PLASTIC - .13" X 72" - WATERFORD OAK
2	070504-37-000	FT U-CHANNEL - PLASTIC - .87" X 84" - WATERFORD OAK
3	009809-23-000	EA MOLDING - CORNER - OUTSIDE - 1" X 84" - MODERN IVORY
3	009809-28-000	EA MOLDING - CORNER - OUTSIDE - 1" X 84" - WATERFORD OAK
4	009812-29-000	EA MOLDING - PLASTIC - 1/2" O/S CORNER - WATERFORD OAK
5	105709-01-000	FT MOLDING-T - 1" - MODERN IVORY
6	022992-11-000	FT MOLDING - REVERSE COVE - T-SHAPED VINYL - IVORY
7	086229-15-000	EA BATTEN - 1" X 96" - MODERN IVORY
7	086229-20-000	EA BATTEN - 1" X 96" - BEIGE
8	086229-01-000	EA RETAINER - BATTEN - .75" WIDE - 7.6'
9	078323-06-G15	EA MOLDING - CAP - WALL - 78"
10	077840-01-G01	EA MOLDING - CAP/WALL - 8' WATERFORD OAK
11	093873-01-01A	EA TRIM - CARPET - L-ANGLE 1.1" X 1.3" X 12' - GRAY VINYL
13	117268-D2-134	EA MOLDING - VINYL WRAPPED - .7" X 1.6" X 84" - WATERFORD OAK
13	117268-F2-438	EA MOLDING - VINYL WRAPPED - .7" X 2.6" X 96" - WATERFORD OAK
13	117268-F2-134	EA MOLDING - VINYL WRAPPED - .7" X 2.7" X 84" - WATERFORD OAK
14	100818-01-05A	EA MOLDING - VINYL WRAPPED - 1.65" X .4" X 84"-WATERFORD OAK
15	083620-12-000	FT MOLDING-T - END CAP EDGE - W/EDGE LIP - .75"-WATERFORD OAK
15	104676-02-04A	FT MOLDING-T - 1/2" - WATERFORD OAK
16	103186-01-05A	FT MOLDING - PLASTIC - 3/8" U-CHANNEL 3/4" FACE-WATERFORD OAK
16	103186-02-05A	FT MOLDING - PLASTIC/1" U-CHANNEL W/1 3/8" FACE-WATERFORD OAK
17	105004-01-05A	EA MOLDING - VINYL WRAPPED - 1" X 96" - WATERFORD OAK
18	100819-01-05A	EA MOLDING - VINYL WRAPPED - L-SHAPED - 1.5" X 1.5" X 84"
19	100182-10-G29	EA TRIM - CHAIR RAIL - 2.5" X 8' EACH - WOOD
	076325-39-000	FT MOLDING - EDGE BAND - 1 5/16" X .030" - ALMOND
	076325-67-000	FT MOLDING - EDGE BAND - .93" X .024" - WATERFORD OAK
	076325-73-000	FT MOLDING - EDGE BAND - .93" X .024" (EXTERIOR ENTERTAINMENT)

KEY	PART NUMBER	U/M DESCRIPTION
1	009767-12-000	FT WELTING - SIDEWALL/CEILING/CABINET - OFF/WHT
2	009778-27-000	FT U-CHANNEL - 1" - WASHED MAPLE
2	070504-50-000	FT U-CHANNEL - PLASTIC - .13" X 84" - WASHED MAPLE
2	070504-51-000	FT U-CHANNEL - PLASTIC - .9" X 84" - WASHED MAPLE
3	009809-23-000	EA MOLDING - CORNER - OUTSIDE - 1" X 84" - MODERN IVORY
3	009809-31-000	EA MOLDING - CORNER - OUTSIDE - 1" X 84" - WASHED MAPLE
4	009812-33-000	EA MOLDING - CORNER - 1/2" W/1/4" CHAN X 84" - WASHED MAPLE
5	105709-01-000	FT MOLDING-T - 1" - MODERN IVORY
6	022992-11-000	FT MOLDING - REVERSE COVE - T-SHAPED VINYL - IVORY
7	086229-15-000	EA BATTEN - 1" X 96" - MODERN IVORY
7	086229-20-000	EA BATTEN - 1" X 96" - BEIGE
8	086229-01-000	EA RETAINER - BATTEN - .75" WIDE - 7.6'
9	078323-06-J52	EA MOLDING - CAP/WALL - 6.6'
10	077840-01-J70	EA MOLDING - CAP/WALL - 8' - WASHED MAPLE
11	093873-01-01A	EA TRIM - CARPET - L-ANGLE 1.1" X 1.3" X 12' - GRAY VINYL
12	126204-D2-134	EA MOLDING - VINYL WRAPPED - WASHED MAPLE - .7" X 1.6" X 84"
12	126204-F2-134	EA MOLDING - VINYL WRAPPED - WASHED MAPLE - .7" X 2.5" X 84"
12	126204-F2-438	EA MOLDING - VINYL WRAPPED - WASHED MAPLE - .7" X 2.6" X 96"
14	100818-01-08A	EA MOLDING - VINYL WRAPPED - 1.6" X .4" X 84"-WASHED MAPLE
15	083620-19-000	FT MOLDING-T - END CAP EDGE - W/EDGE LIP - .75" - WASHED MAPLE
15	104676-02-06A	FT MOLDING-T - 1/2" - WASHED MAPLE
16	103186-01-08A	FT MOLDING - PLASTIC -3/8" U-CHANNEL W/3/4" FACE - WASHED MAPLE
16	103186-02-08A	FT MOLDING - PLASTIC - 1" U-CHANNEL 1 3/8" FACE - WASHED MAPLE
17	105004-01-08A	EA MOLDING - VINYL WRAPPED - 1" X 96" - WASHED MAPLE
18	100819-01-08A	EA MOLDING - VINYL WRAPPED-L-SHAPED-1.5"X1.5"X84"-WSHD MAPLE
19	100182-10-J70	EA TRIM - CHAIR RAIL - 2.5" X 8' EACH - WOOD
	076325-39-000	FT MOLDING - EDGE BAND - 1 5/16" X .030" - ALMOND
	076325-73-000	FT MOLDING - EDGE BAND - .93" X .024" - OFF WHITE (EXTERIOR ENTERTAINMENT)
	076325-75-000	FT MOLDING - EDGE BAND - .93" X .024" - WASHED MAPLE

INTERIOR FINISH GROUP (CONTINUED)

CABINET HARDWARE



KEY	PART NUMBER	U/M DESCRIPTION
1	108138-01-000	EA HINGE - CABINET DOOR - BURNISHED BRASS (OAK)
2	009059-01-000	EA HINGE - DOOR - 2" X 1.4" - BRASS
2	009059-02-000	EA HINGE - DOOR - 2" X 2.7" - BRASS
3	009112-01-000	EA FLANGE - PLASTIC - 1" CLOTHES ROD - OFF WHITE
4	065740-01-000	EA BRACE - CABINET/CORNER - PLASTIC
5	100710-01-01A	EA LOCK - GLASS DOOR/TWIST TYPE - BRASS
6	124311-01-01A	EA HANDLE - RECESSED - BRASS
7	100707-01-000	EA SPACER - GLASS DOOR - .8" DIA - .3" HOLE - PLASTIC
8	016604-01-000	EA BRACE - CABINET - ANGLE - 2.5" - UNPAINTED METAL
8	016604-05-000	EA BRACE - CABINET - ANGLE - 2.5" - OFF WHITE METAL
9	074045-01-000	EA PLUG - OAK - 1/2" DIAMETER (OAK)
10	100711-01-01A	EA HINGE - GLASS DOOR
11	117801-01-01A	EA PULL - CABINET - BRASS
12	116975-01-01A	EA LATCH - W/O STRIKE - BLACK - NEW STYLE
13	093586-06-000	EA CATCH - SPRING - ROLLER
14	093586-05-000	EA STRIKE - SPRING STEEL
15	098980-01-000	EA PILASTER - ADJUSTABLE SHELF - 18"
15	098980-02-000	EA PILASTER - ADJUSTABLE SHELF - 12"
15	098980-03-000	EA PILASTER - ADJUSTABLE SHELF - 9"
15	098980-04-000	EA PILASTER - ADJUSTABLE SHELF - 48"
16	098979-01-000	EA CLIP - ADJUSTABLE SHELF
17	074493-02-000	EA SUPPORT - PISTON SPRING - CABINET DOOR - 26 LBS
17	074493-04-000	EA SUPPORT - PISTON SPRING - CABINET DOOR - 32 LBS
18	128811-01-01A	EA BACKSOCKET - ADJUSTABLE - LEFT
19	128811-02-01A	EA BACKSOCKET - ADJUSTABLE - RIGHT

KEY	PART NUMBER	U/M DESCRIPTION
20	128810-02-01A	EA SLIDE - DRAWER - 12" - RIGHT CABINET
20	128810-10-01A	EA SLIDE - DRAWER - 16" - RIGHT CABINET
20	128810-14-01A	EA SLIDE - DRAWER - 18" - RIGHT CABINET
20	128810-18-01A	EA SLIDE - DRAWER - 20" - RIGHT CABINET
20	128810-22-01A	EA SLIDE - DRAWER - 22" - RIGHT CABINET
21	128810-04-01A	EA SLIDE - DRAWER - 12" - RIGHT DRAWER
21	128810-12-01A	EA SLIDE - DRAWER - 16" - RIGHT DRAWER
21	128810-16-01A	EA SLIDE - DRAWER - 18" - RIGHT DRAWER
21	128810-20-01A	EA SLIDE - DRAWER - 20" - RIGHT DRAWER
21	128810-24-01A	EA SLIDE - DRAWER - 22" - RIGHT DRAWER
22	128810-03-01A	EA SLIDE - DRAWER - 12" - LEFT DRAWER
22	128810-11-01A	EA SLIDE - DRAWER - 16" - LEFT DRAWER
22	128810-15-01A	EA SLIDE - DRAWER - 18" - LEFT DRAWER
22	128810-19-01A	EA SLIDE - DRAWER - 20" - LEFT DRAWER
22	128810-23-01A	EA SLIDE - DRAWER - 22" - LEFT DRAWER
23	128810-01-01A	EA SLIDE - DRAWER - 12" - LEFT CABINET
23	128810-09-01A	EA SLIDE - DRAWER - 16" - LEFT CABINET
23	128810-13-01A	EA SLIDE - DRAWER - 18" - LEFT CABINET
23	128810-17-01A	EA SLIDE - DRAWER - 20" - LEFT CABINET
23	128810-21-01A	EA SLIDE - DRAWER - 22" - LEFT CABINET
	083204-03-000	EA BUTTON - RETAINING MIRROR 5/16" TIP
	041389-18-000	EA HINGE - PIANO - 1.50" X 19" - OFF WHITE
	041389-25-000	EA HINGE - PIANO - 1.50" X 55"
	041389-35-000	EA HINGE - PIANO - OFF WHITE - 31"
	042438-01-000	EA DOWEL - WOOD - CLOTHES ROD - 1" DIAMETER X 4'
	042438-06-000	EA DOWEL - WOOD - 1.5" X 26" - OAK
	023320-01-000	EA PAD - FELT 3/8" DIAMETER
	084071-23-000	EA ROD - BRASS - 13.12" LONG
	004354-01-000	EA BUMPER - RUBBER - .5" DIA - BROWN

INTERIOR FINISH GROUP (CONTINUED)**PANELING & PLASTIC LAMINATE (WATERFORD OAK)**

KEY	PART NUMBER	U/M	DESCRIPTION
	000846-01-000	SF	PLYWOOD - 5/16" X 48" X 96" - CD GRADE
	000846-02-000	SF	PLYWOOD/UNDERLAYMENT - 5/16" X 48" X 96"
	000885-76-000	SF	PARTICLE BOARD - 3/8" X 48" X 96" - WATERFORD OAK - VINYL 1 SIDE
	000885-77-000	SF	PARTICLE BOARD - 3/8" X 48" X 96" - WATERFORD OAK - VINYL 2 SIDE
	000885-79-000	SF	PARTICLE BOARD - 3/4" X 48" X 96" - WATERFORD OAK - VINYL 2 SIDE
	074497-28-000	SF	PANELING - WATERFORD OAK - 4' X 8'
	074498-40-000	SF	LAMINATE - PLASTIC - OFF WHITE - 5' X 8' (EXTERIOR ENTERTAINMENT)
	074498-71-000	SF	LAMINATE - PLASTIC - NEUTRAL SANTOS - 5'X 8' (K59, K65, K27)
	074498-81-000	SF	LAMINATE - PLASTIC - ALMOND JAGUARD - 5' X 8' (K63)
	074498-77-000	SF	LAMINATE - PLASTIC - ART CABIN (WATERFORD OAK) 4' X 8' (PULL OUT TABLE)
	080215-10-000	SF	PANELING - 2 SIDED - WATERFORD - .2" X 4' X 8'
	088272-G1-000	SF	PANELING - PEBBLE EMBOSSED - ANTIQUE WHITE - 4' X 7' (BATH)
	088272-H4-000	SF	PANELING - TRAVIS - 4' X 7'(28 SQ.FT.) (K59)
	088272-H3-000	SF	PANELING - BARCELONA - 4' X 7'(28 SQ.FT.) (K63)
	088272-H7-000	SF	PANELING - CAIRO/SILVERSAGE - 4' X 7'(28 SQ.FT.) (K65)
	088272-H8-000	SF	PANELING - UPBEAT/TWILIGHT - 4' X 7'(28 SQ.FT.) (K27)
	117267-D2-438	EA	LUMBER - VINYL WRAPPED - .7" X 1.5" X 96" - WATERFORD OAK
	117267-E2-438	EA	LUMBER - VINYL WRAPPED - .7" X 2" X 96" - WATERFORD OAK
	117267-F2-438	EA	LUMBER - VINYL WRAPPED - .7" X 2.5" X 96" - WATERFORD OAK
	117267-J2-438	EA	LUMBER - VINYL WRAPPED - .7" X 5.5" X 96" - WATERFORD OAK
	117267-R2-438	EA	LUMBER - VINYL WRAPPED - .7" X 3" X 96" - WATERFORD OAK
	122481-19-000	FT	WALLPAPER - 6.8" BORDER (GALLY) (K59)
	122481-14-000	FT	WALLPAPER - 6.8" BORDER (GALLY) (K63)
	122481-15-000	FT	WALLPAPER - 6.9" BORDER (GALLY) (K65, K27)
	126339-01-000	SF	BOARD - WHEAT - 60" X 72"

FIRE EXTINGUISHER, DETECTORS & WALL CLOCK

KEY	PART NUMBER	U/M	DESCRIPTION	VENDOR NO.
	072852-01-000	EA	DETECTOR - SMOKE - W/9 VOLT BATTERY - US	
	072852-02-000	EA	DETECTOR - SMOKE - W/9 VOLT BATTERY - CANADIAN	
	094499-03-000	EA	EXTINGUISHER/FIRE - DRY - 10B:C - W/O BRACKET	
	094499-02-000	EA	EXTINGUISHER/FIRE - DRY - 1A10BC - CANADIAN	
	094499-01-700	EA	BRACKET MTG. W/PLAS. STRAP	294039
	094499-01-701	EA	STRAP ONLY (METAL)	320351
	094499-04-000	EA	BRACKET - FIRE EXTINGUISHER (STAINLESS STEEL)	
	125136-01-000	EA	CO DETECTOR - GAS - ROUND W/2 SCREWS - 9 VOLT	
	131493-02-01A	EA	PICTURE - 13" X 15" - HOMESTEAD	

INTERIOR FINISH GROUP (CONTINUED)**PANELING & PLASTIC LAMINATE (MAPLE)**

KEY	PART NUMBER	U/M	DESCRIPTION
	000846-01-000	SF	PLYWOOD - 5/16" X 48" X 96" - CD GRADE
	000846-02-000	SF	PLYWOOD/UNDERLAYMENT - 5/16" X 48" X 96"
	000885-89-000	SF	PARTICLE BOARD - 3/8" X 48" X 96" - WASHED MAPLE 2-SIDED
	000885-91-000	SF	PARTICLE BOARD - 3/4" X 48" X 96" - WASHED MAPLE 2-SIDED
	074497-39-000	SF	PANELING - WASHED MAPLE - 48" X 96"
	074498-40-000	SF	LAMINATE - PLASTIC - OFF WHITE - 5' X 8' (EXTERIOR ENTERTAINMENT)
	074498-71-000	SF	LAMINATE - PLASTIC - NEUTRAL SANTOS - 5'X 8' (K58, K64, K26)
	074498-81-000	SF	LAMINATE - PLASTIC - ALMOND JAGUARD - 5' X 8' (K62)
	074498-82-000	SF	LAMINATE - PLASTIC - WASHED MAPLE - 4' X 8' (PULL OUT TABLE)
	080215-13-000	SF	PANELING - 2 SIDED - WASHED MAPLE - .2" X 4' X 8'
	083618-07-000	SF	PLYWOOD - MAPLE - 1 SIDE 3/16"
	088272-G1-000	SF	PANELING - PEBBLE EMBOSSED - ANTIQUE WHITE - 4' X 7' (BATH)
	088272-H4-000	SF	PANELING - TRAVIS - 4' X 7'(28 SQ.FT.) (K58)
	088272-H3-000	SF	PANELING - BARCELONA - 4' X 7'(28 SQ.FT.) (K62)
	088272-H7-000	SF	PANELING - CAIRO/SILVERSAGE - 4' X 7'(28 SQ.FT.) (K64)
	088272-H8-000	SF	PANELING - UPBEAT/TWILIGHT - 4' X 7'(28 SQ.FT.) (K26)
	122481-19-000	FT	WALLPAPER - 6.8" BORDER (GALLY) (K58)
	122481-14-000	FT	WALLPAPER - 6.8" BORDER (GALLY) (K62)
	122481-15-000	FT	WALLPAPER - 6.9" BORDER (GALLY) (K64, K26)
	126205-D2-438	EA	LUMBER - VINYL WRAPPED - .7" X 1.5" X 96" - WASHED MAPLE
	126205-E2-438	EA	LUMBER - VINYL WRAPPED - .7" X 2" X 96" - WASHED MAPLE
	126205-G2-438	EA	LUMBER - VINYL WRAPPED - .7" X 3" X 96" - WASHED MAPLE
	126205-J2-438	EA	LUMBER - VINYL WRAPPED - .7" X 5.5" X 96" - WASHED MAPLE
	126205-R2-438	EA	LUMBER - VINYL WRAPPED - WASHED MAPLE - .7" X 3" X 96"
	126339-01-000	SF	BOARD - WHEAT - 60" X 72"

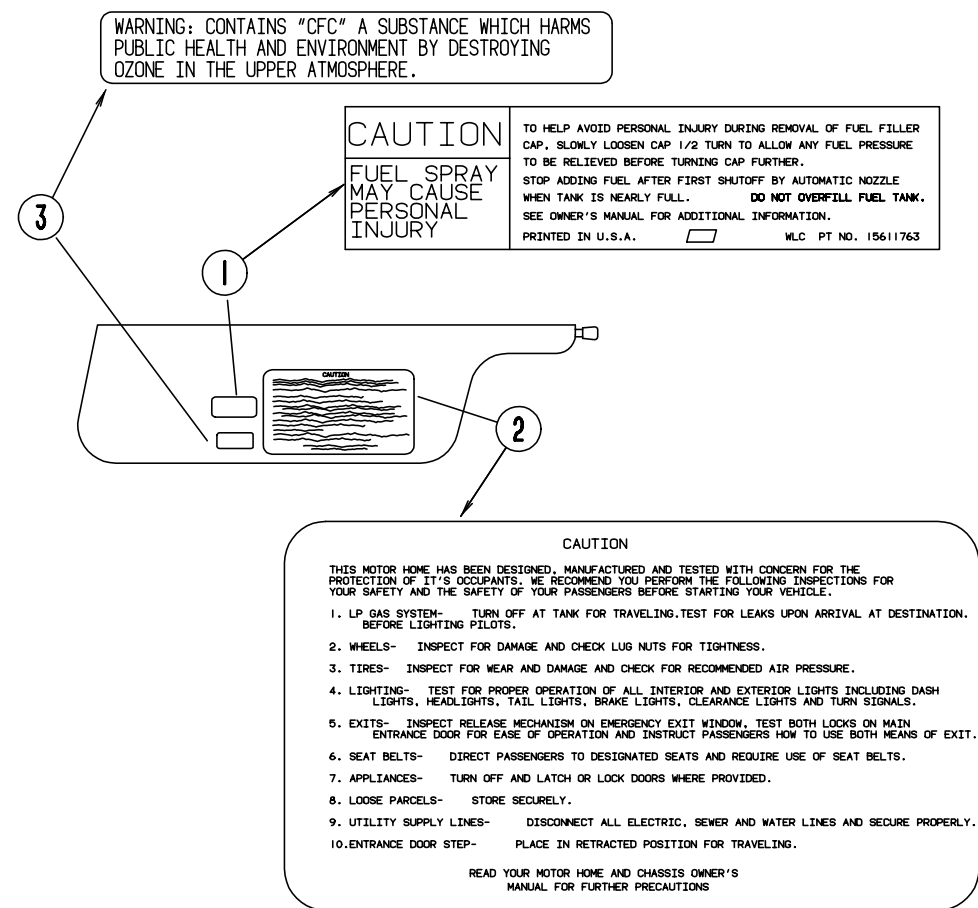
BATT STRIPS & BATT TAPE

KEY	PART NUMBER	U/M	DESCRIPTION
	085284-E9-000	FT	BATT TAPE - ADHESIVE BACKED - DECORATIVE/TRAVIS MERCURY (K58, K59)
	085284-F4-000	FT	BATT TAPE - ADHESIVE BACKED - CAIRO/SILVERSAGE (K64, K65)
	085284-E8-000	FT	BATT TAPE - ADHESIVE BACKED - BARCELONA (K62, K63)
	085284-F8-000	FT	BATT TAPE - ADHESIVE BACKED - UPBEAT/TWILIGHT (K26, K27)
	085284-D6-000	FT	BATT TAPE - DECORATIVE - PEBBLE EMBOSSED/ANTIQU - 8' (BATH)
	085284-B5-000	FT	BATT TAPE - ADHESIVE BACKED - WOODGRAINED - WATERFORD OAK
	085284-F5-000	FT	BATT TAPE - ADHESIVE BACKED - WOODGRAINED - WASHED MAPLE
	069733-83-000	EA	BATT STRIP - WOODGRAINED - WATERFORD OAK - 8'
	069733-86-000	EA	BATT STRIP - WOODGRAINED - WASHED MAPLE - 8'
	088263-E3-000	EA	BATT STRIP - DECORATIVE - PEBBLE EMBOSSED/ANTIQU - 8' (BATH)
	088263-F4-000	EA	BATT STRIP - DECORATIVE - TRAVIS MERCURY - 8' (K58, K59)
	088263-F8-000	EA	BATT STRIP - DECORATIVE - CAIRO/SILVERSAGE - 8' (K64, K65)
	088263-F3-000	EA	BATT STRIP - DECORATIVE - BARCELONA - 8' (K62, K63)
	088263-G0-000	EA	BATT STRIP - DECORATIVE - UPBEAT/TWILIGHT - 8' (K26, K27)

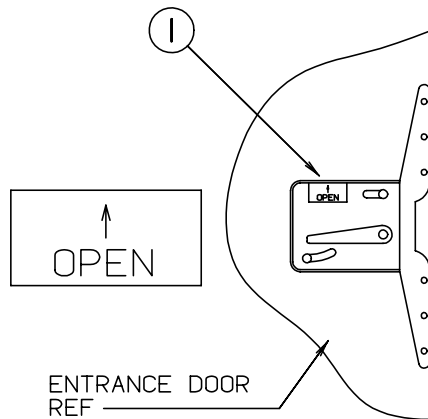
FLOOR COVERINGS

KEY	PART NUMBER	U/M	DESCRIPTION
	042720-21-000	SY	VINYL - FLOOR COVERING - 7' WIDE - MODULATION (BATH, GALLEY)
	093486-01-000	SY	CARPET - COMPARTMENT - 72" WIDE - DARK GRAY (STORAGE COMPARTMENTS)
	096060-D1-000	SY	CARPET - SEAL GREY (K58, K59)
	096060-98-000	SY	CARPET - SILVER ASPEN (K64, K65)
	096060-EO-000	SY	CARPET - BAMBOO (K62, K63)
	096060-A2-000	SY	CARPET - NEW MEDOW (K26, K27)
	091261-01-000	FT	SLIPNOT - ANTISLIP - 1' WIDE
	096764-02-000	FT	SLIPNOT - ANTISLIP - 1" WIDE (100' ROLLS)
	105924-01-J54	EA	MAT - FLOOR - 18" X 27" (K58, K59)
	105924-01-K62	EA	MAT - FLOOR - 18" X 27" (K62, K63)
	105924-01-K60	EA	MAT - FLOOR - 18" X 27" (K64, K65)
	105924-01-K32	EA	MAT - FLOOR - 18" X 27" (K26, K27)
	122755-01-01A	EA	TILE - RUBBER/ENTRANCE DOOR - 18.5" X 27.2"
	122755-03-01A	EA	TILE - RUBBER/ENTRANCE DOOR - 17.7" X 26.4"

LABELS GROUP

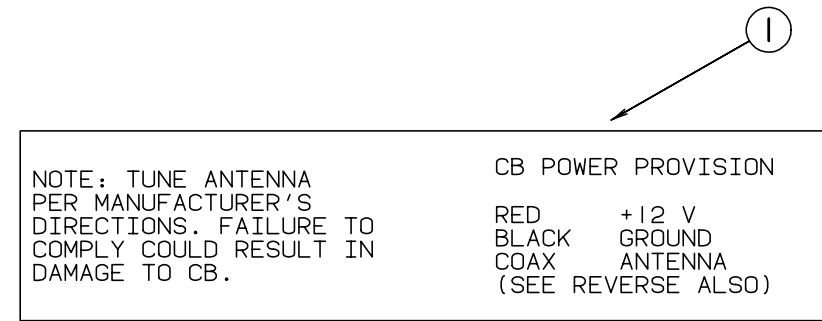


KEY	PART NUMBER	U/M DESCRIPTION
1	087207-05-000	EA LABEL - FUEL CAP REMOVAL
2	056259-01-000	EA LABEL - SAFETY CHECK LIST
3	111802-01-000	EA LABEL - CFC WARNING

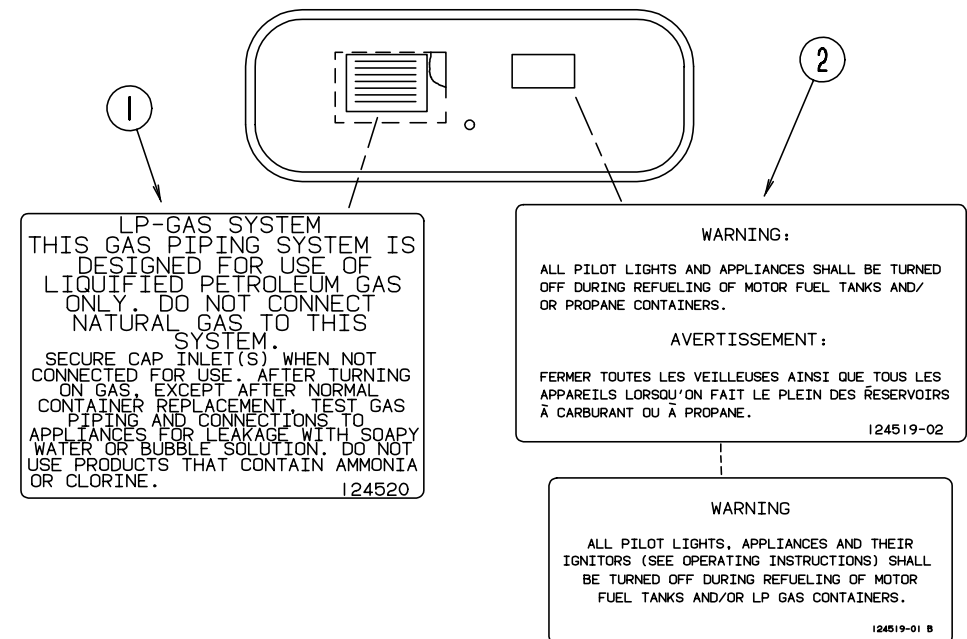


KEY	PART NUMBER	U/M DESCRIPTION
1	040944-01-000	EA LABEL - ENTRANCE DOOR - "OPEN"

LABELS GROUP (CONTINUED)

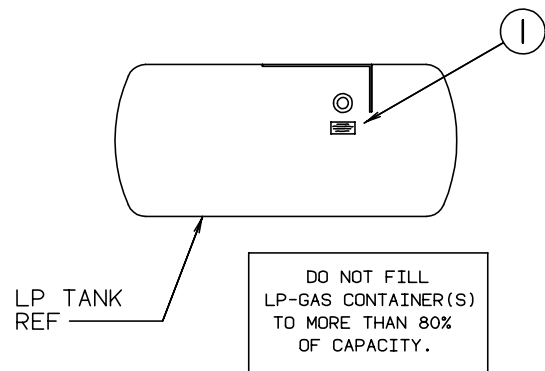


KEY	PART NUMBER	U/M DESCRIPTION
1	104678-01-000	EA LABEL - CB PREP

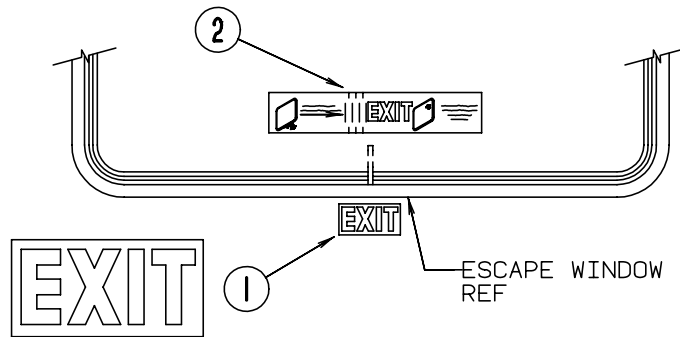
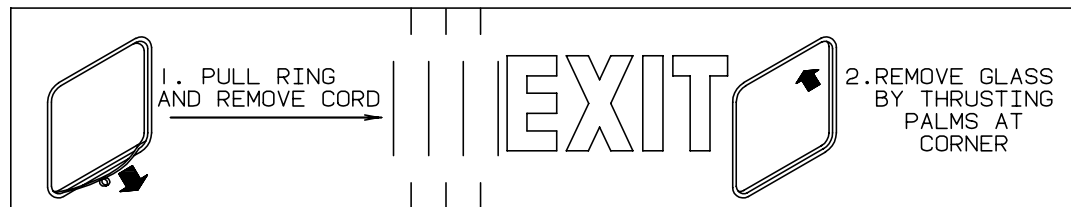


KEY	PART NUMBER	U/M DESCRIPTION
1	124520-01-02A	EA LABEL - LP GAS ONLY
2	023769-01-000	EA LABEL - WARNING - LPG - CANADIAN
2	124519-01-02A	EA LABEL - WARNING/REFUELING
2	124519-02-02A	EA LABEL - WARNING/REFUELING - CSA

LABELS GROUP (CONTINUED)



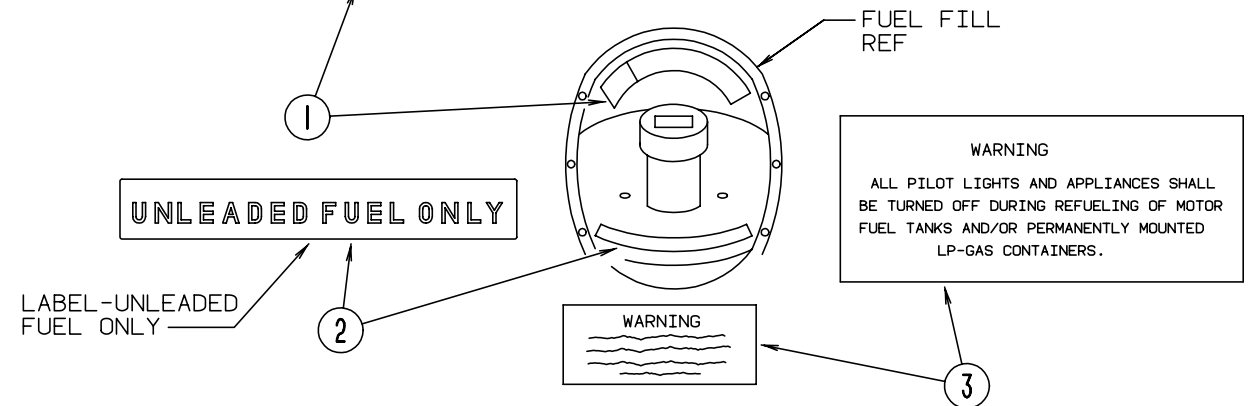
KEY	PART NUMBER	U/M DESCRIPTION
1	079965-01-000	EA LABEL - LPG - 80% CAPACITY



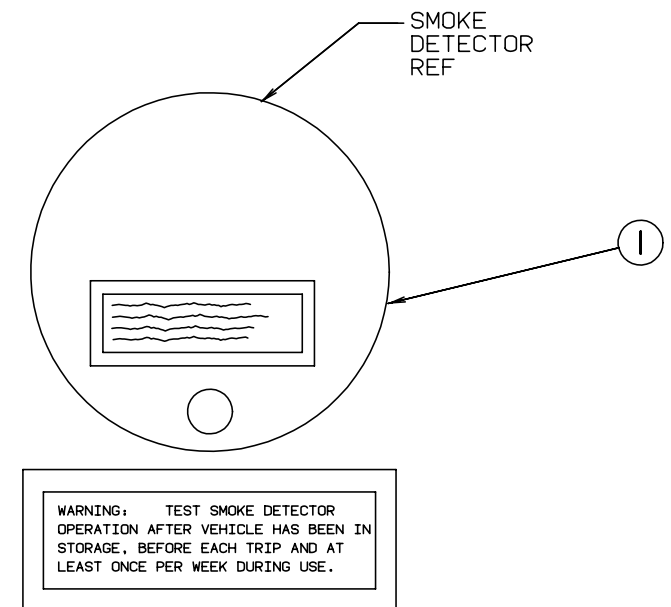
KEY	PART NUMBER	U/M DESCRIPTION
1	107571-01-000	EA LABEL - EXIT/ESCAPE WINDOW
2	039290-01-000	EA LABEL - EXIT WARNING

LABELS GROUP (CONTINUED)

CAUTION	TO HELP AVOID PERSONAL INJURY DURING REMOVAL OF FUEL FILLER CAP, SLOWLY LOOSEN CAP 1/2 TURN TO ALLOW ANY FUEL PRESSURE TO BE RELIEVED BEFORE TURNING CAP FURTHER.
FUEL SPRAY MAY CAUSE PERSONAL INJURY	STOP ADDING FUEL AFTER FIRST SHUTOFF BY AUTOMATIC NOZZLE WHEN TANK IS NEARLY FULL. DO NOT OVERFILL FUEL TANK. SEE OWNERS MANUAL FOR ADDITIONAL INFORMATION.
	PRINTED IN U.S.A. MLC PT NO 15611763

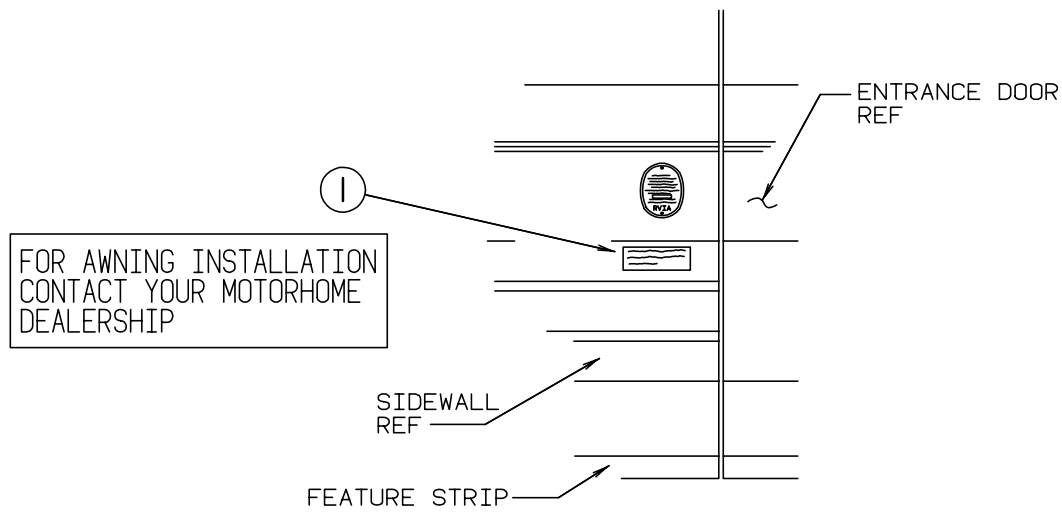


KEY	PART NUMBER	U/M DESCRIPTION
1	087207-05-000	EA LABEL - FUEL CAP REMOVAL
2	062043-01-000	EA LABEL - FUEL - UNLEADED
3	124519-01-02A	EA LABEL - WARNING/REFUELING
3	124519-02-02A	EA LABEL - WARNING/REFUELING - CSA

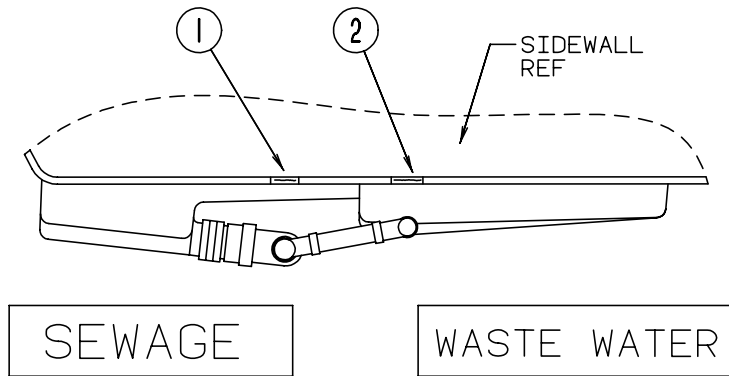


KEY	PART NUMBER	U/M DESCRIPTION
1	077956-01-000	EA LABEL - WARNING - SMOKE DETECTOR

LABELS GROUP (CONTINUED)

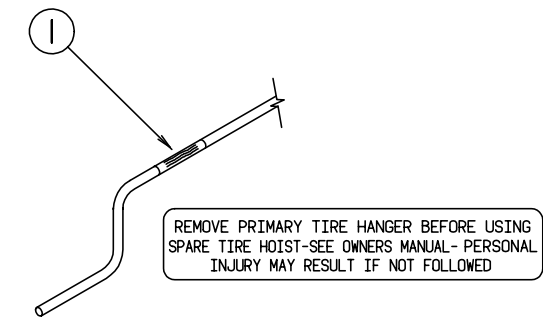


KEY	PART NUMBER	U/M DESCRIPTION
1	099509-01-000	EA LABEL - AWNING INSTALLATION



KEY	PART NUMBER	U/M DESCRIPTION
1	006187-01-000	EA LABEL - SEWAGE
2	006188-01-000	EA LABEL - WASTE WATER

LABELS GROUP (CONTINUED)



KEY	PART NUMBER	U/M DESCRIPTION
1	126024-01-01A	EA LABEL - TIRE HANGER REMOVAL

TOW VEHICLE RATING MAY BE LESS THAN HITCH RATING.
MAXIMUM VERTICAL HITCH LOAD: 3 LBS
 DO NOT EXCEED REAR AXLE RATING.
 SEE OWNER'S MANUAL FOR ADDITIONAL INFORMATION.

KEY	PART NUMBER	U/M DESCRIPTION
1	129669-01-01A	EA LABEL - HITCH/VEHICLE RATE - 350 - WHITE ON CLEAR

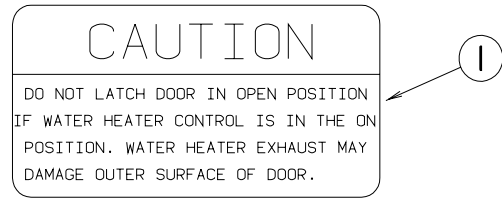
AIR CONDITIONING CIRCUIT.
 THIS CONNECTION IS FOR
 AIR CONDITIONERS RATED 110-
 125 VOLT AC, 60 HZ, 16
 AMPERES MAXIMUM. DO NOT
 EXCEED CIRCUIT RATING.

KEY	PART NUMBER	U/M DESCRIPTION
1	091243-01-000	EA LABEL - A/C COVER "AIR CONDITIONING CIRCUIT ETC."

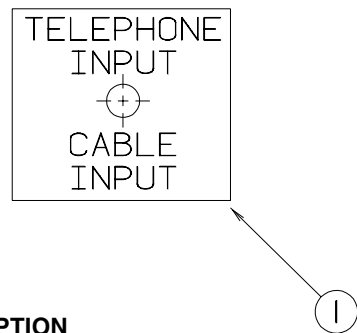
UNLEADED
 FUEL ONLY

KEY	PART NUMBER	U/M DESCRIPTION
1	098641-01-000	EA LABEL - FUEL - UNLEADED - DASH

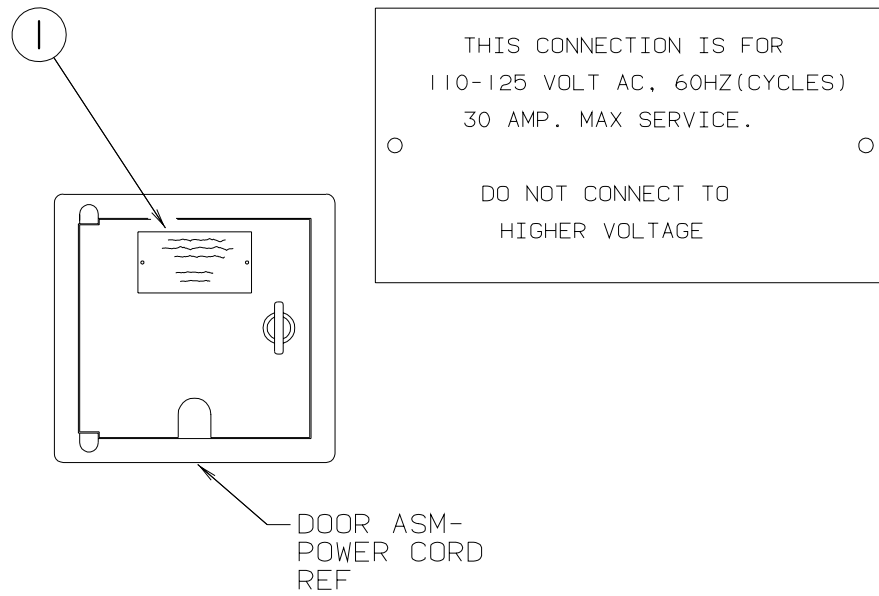
LABELS GROUP (CONTINUED)



KEY	PART NUMBER	U/M DESCRIPTION
1	113402-01-000	EA LABEL - CAUTION - WATER HEATER EXHAUST

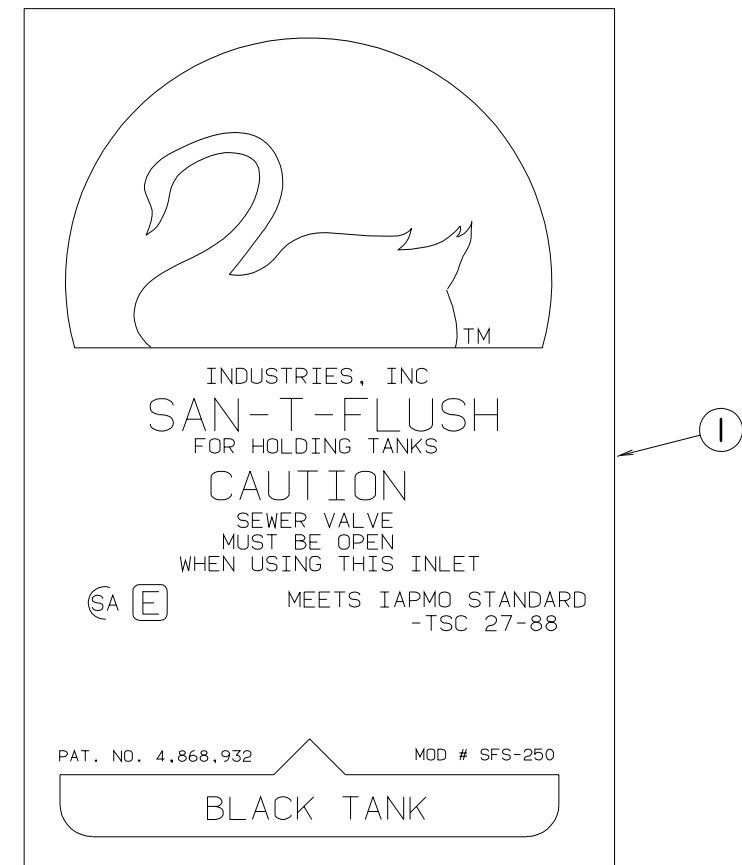


KEY	PART NUMBER	U/M DESCRIPTION
1	114866-02-000	EA LABEL - PHONE & CABLE INPUT (WHITE LETTERING)
1	114866-03-000	EA LABEL - PHONE & CABLE INPUT (BLACK LETTERING)



KEY	PART NUMBER	U/M DESCRIPTION
1	125306-01-01A	EA LABEL - ELECTRICAL ENTRANCE - 110 VOLT - 30 AMP

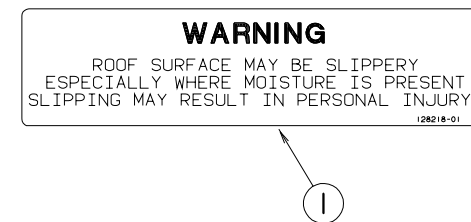
LABELS GROUP (CONTINUED)



KEY	PART NUMBER	U/M DESCRIPTION
1	125697-07-000	EA LABEL - CAUTION - FLUSHING SYSTEM

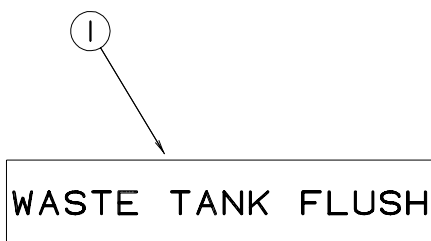


KEY	PART NUMBER	U/M DESCRIPTION
1	126249-03-000	EA LABEL - CITY WATER FILL

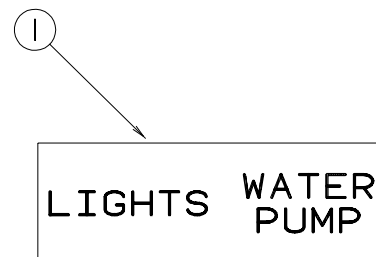


KEY	PART NUMBER	U/M DESCRIPTION
1	128218-01-01A	EA LABEL - WARNING - SLIPPERY ROOF

LABELS GROUP (CONTINUED)



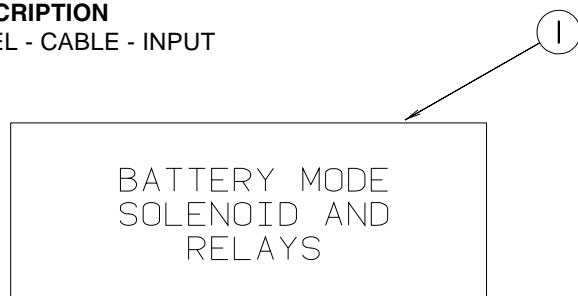
KEY PART NUMBER U/M DESCRIPTION
 1 130168-01-000 EA LABEL - WASTE TANK FLUSH



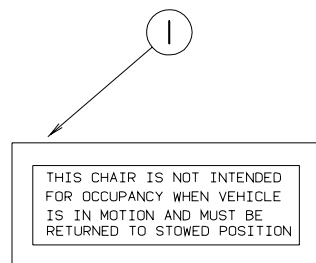
KEY PART NUMBER U/M DESCRIPTION
 1 130170-02-000 EA LABEL - SWITCH PANEL



KEY PART NUMBER U/M DESCRIPTION
 1 087236-01-000 EA LABEL - CABLE - INPUT

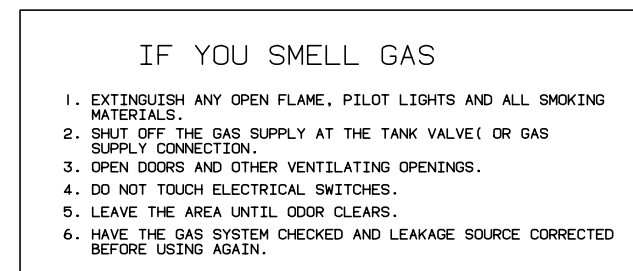
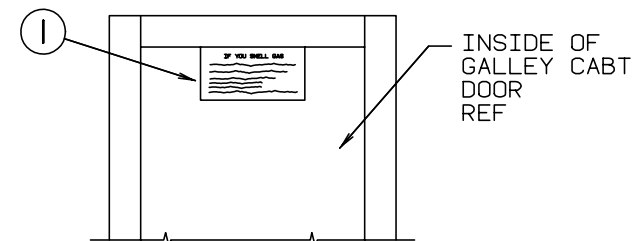


KEY PART NUMBER U/M DESCRIPTION
 1 098379-04-000 EA LABEL - ELECTRICAL BOX - SIDE

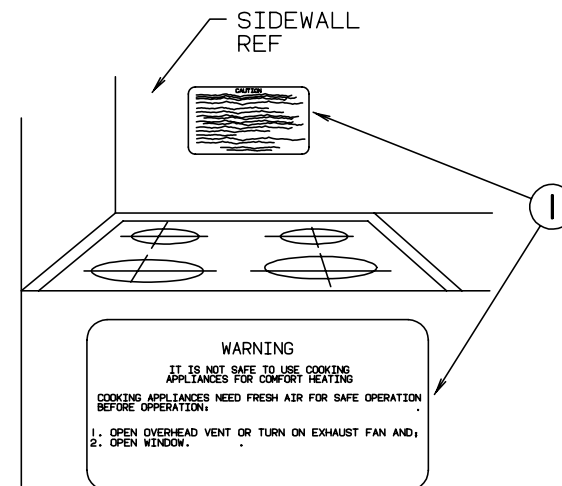


KEY PART NUMBER U/M DESCRIPTION
 1 102267-01-000 EA LABEL - NO OCCUPANCY - US
 1 102267-02-000 EA LABEL - NO OCCUPANCY - CSA

LABELS GROUP (CONTINUED)



KEY PART NUMBER U/M DESCRIPTION
 1 073998-01-000 EA LABEL - LPG ODOR WARNING
 023769-01-000 EA LABEL - WARNING - LPG - CANADIAN



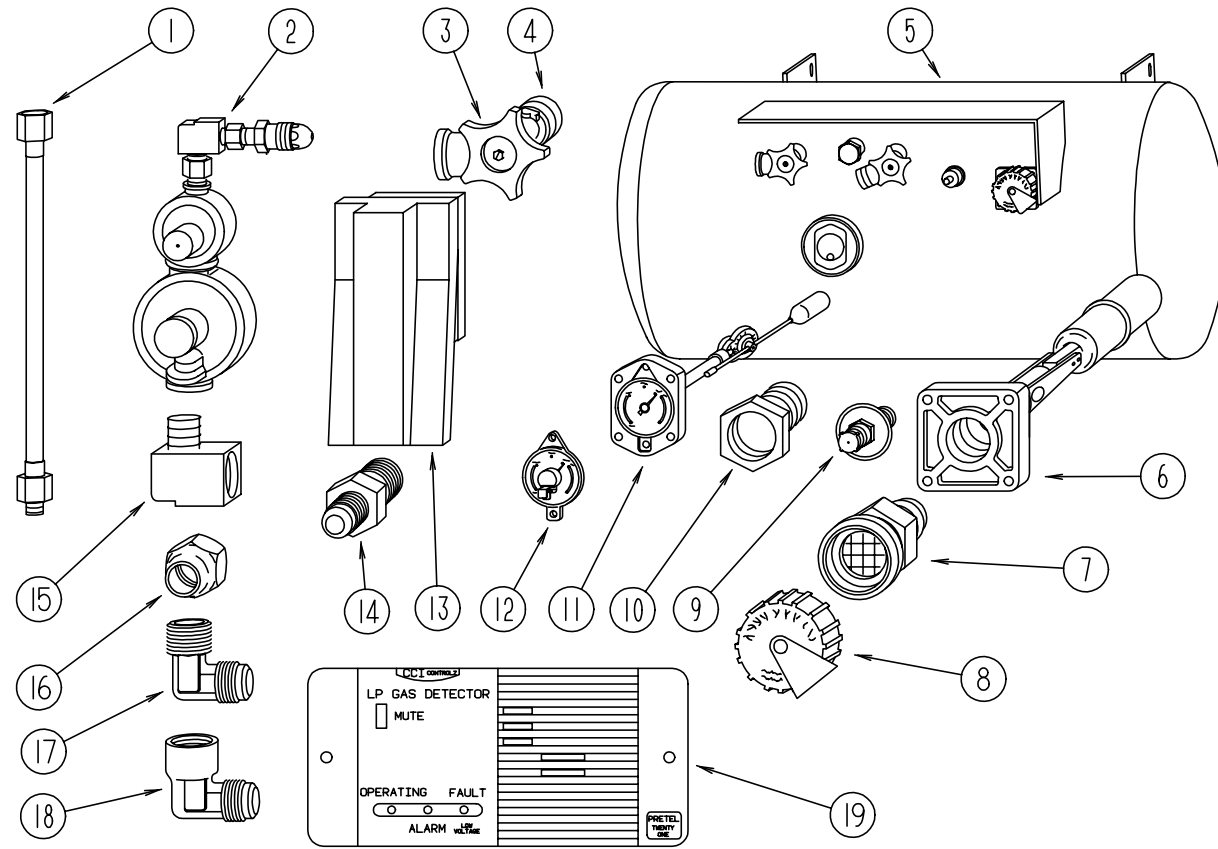
KEY PART NUMBER U/M DESCRIPTION
 1 050225-01-000 EA LABEL - WARNING - STOVE VENT - US
 1 050222-01-000 EA LABEL - WARNING - STOVE VENT - CSA

MISCELLANEOUS LABELS

KEY PART NUMBER U/M DESCRIPTION
 065748-01-000 EA LABEL - CAUTION - BATTERY CHARGING
 065748-02-000 EA LABEL - WARNING - BATTERY/FRENCH
 111537-07-000 EA LABEL - FUSES
 117629-03-000 EA LABEL - WATER PUMP/FILL
 126247-03-000 EA LABEL - GRAY HOLDING TANK
 126247-05-000 EA LABEL - GRAY HOLDING TANK
 126247-06-000 EA LABEL - HOLDING TANK - BLANK
 126248-02-000 EA LABEL - EXTERIOR SHOWER
 126248-03-000 EA LABEL - EXTERIOR SHOWER
 128725-01-02A EA LABEL - POTABLE WATER ONLY

LP GROUP

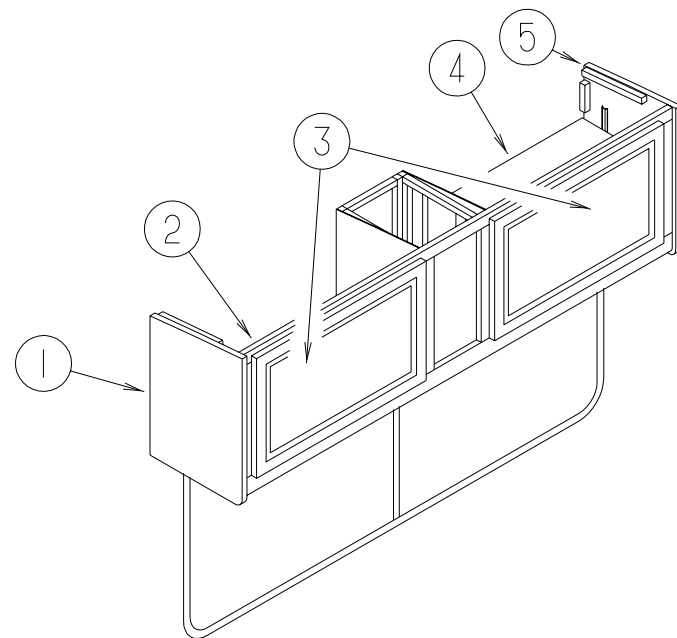
LP TANK & COMPONENTS



KEY	PART NUMBER	U/M	DESCRIPTION	VENDOR NO.
1	045703-01-000	EA	HOSE - LP - 3/8"ID X 24" - 3/8"MPT X 1/2"F SWIVEL - U.S.	
1	045703-02-000	EA	HOSE - LP - 3/8"ID X 24" - 3/8"MPT X 1/2"F SWIVEL - CANADA	
2	106150-01-000	EA	REGULATOR - TWO STAGE -W/90 DEGREE ELBOW & 3/8" FPT OUTLET	
3	040421-01-708	EA	HANDWHEEL - SERVICE VALVE	G-1015-A
4	040421-01-712	EA	VALVE - SERV. W/O VAPOR RELIEF	29000853
5	088253-04-000	EA	TANK - LP - 100 LB - 16" DIAMETER X 36" LONG	
6	040421-01-711	EA	VALVE - 80% FILL W/AUTO STOP	LLL/TL3
7	040421-01-701	EA	VALVE - FILL - SHORT, LP	7547B
8	040421-01-702	EA	CAP - FILL VALVE - PLASTIC	G-1014-A
9	040421-01-700	EA	VALVE - LIQUID LEVEL - 20%	G-1013
10	040421-01-713	EA	VALVE - RELIEF 1" W/SPRING 7"	29000587

KEY	PART NUMBER	U/M	DESCRIPTION	VENDOR NO.
11	088253-01-700	EA	GAUGE - FLOAT ASSEMBLY - L.P.	16C
12	040440-02-000	EA	TRANSMITTER - DIAL - 0-90 OHM -2 TERMINAL (POWER & GROUND)	
13	105658-01-000	EA	COMPARTMENT - LP REGULATOR	
14	010323-01-000	EA	ADAPTER - BRASS - 3/8" F X 1/2" MPT	
14	010329-01-000	EA	ADAPTER - BRASS - 1/2" F X 1/2" MPT	
	010326-01-000	EA	ADAPTER - FLARE - W/CONE GASKET - 3/8"F X 1/2"F	
15	065318-02-000	EA	ELBOW - 90 DEGREE - 3/8" MPT TO 3/8" FPT	
16	010377-02-000	EA	NUT - BRASS - 3/8" FLARE - FORGED	
16	010380-02-000	EA	NUT - BRASS - 1/2" FLARE - FORGED	
17	010252-01-000	EA	ELBOW - BRASS - 90 DEGREE - 3/8"F X 1/2"MPT	
18	010265-01-000	EA	ELBOW - BRASS - 90 DEGREE - 3/8"F X 1/2"FPT	
19	103613-03-000	EA	DETECTOR - LP GAS - W/O SHUT-OFF VALVE	

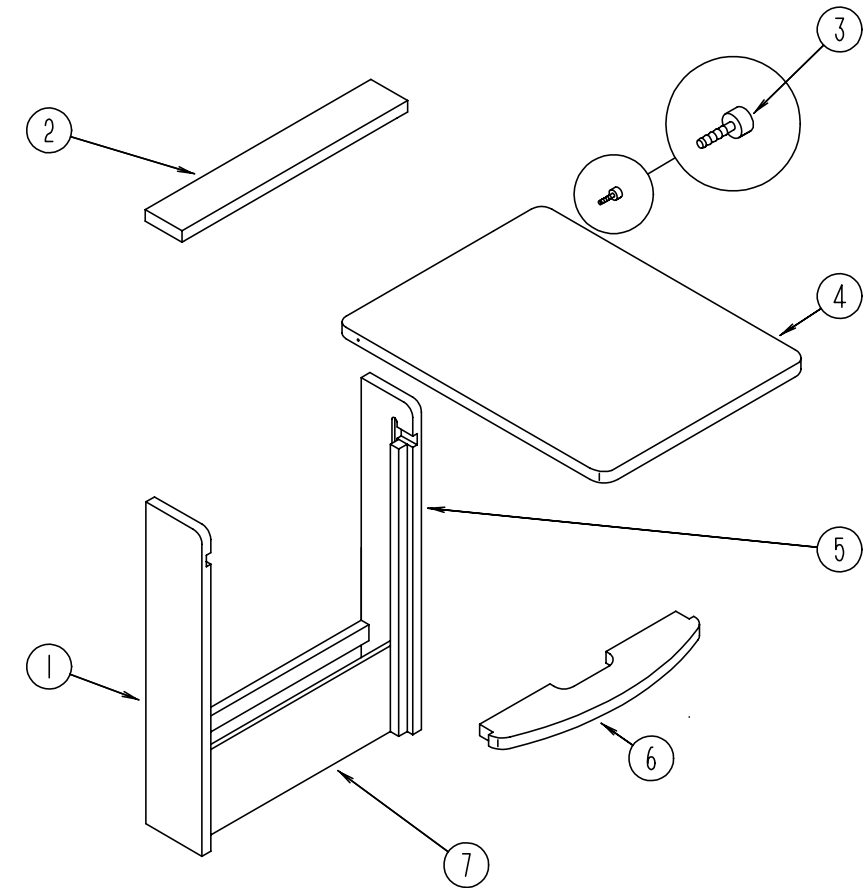
LOUNGE GROUP



LOUNGE OVERHEAD CABINET (PASSENGER SIDE)

KEY	PART NUMBER	U/M	DESCRIPTION
1	103128-02-J94	EA	END CAP - OVERHEAD CABINET - LEFT HAND (OAK)
1	103128-02-J52	EA	END CAP - OVERHEAD CABINET - LEFT HAND (MAPLE)
2	128956-01-K58	EA	CABINET - OVERHEAD/FRONT/RIGHT HAND - W/O DOORS/HARDWARE (K58)
2	128956-01-K59	EA	CABINET - OVERHEAD/FRONT/RIGHT HAND - W/O DOORS/HARDWARE (K59)
2	128956-01-K62	EA	CABINET - OVERHEAD/FRONT/RIGHT HAND - W/O DOORS/HARDWARE (K62)
2	128956-01-K63	EA	CABINET - OVERHEAD/FRONT/RIGHT HAND - W/O DOORS/HARDWARE (K63)
2	128956-01-K60	EA	CABINET - OVERHEAD/FRONT/RIGHT HAND - W/O DOORS/HARDWARE (K64)
2	128956-01-K61	EA	CABINET - OVERHEAD/FRONT/RIGHT HAND - W/O DOORS/HARDWARE (K65)
2	128956-01-K26	EA	CABINET - OVERHEAD/FRONT/RIGHT HAND - W/O DOORS/HARDWARE (K26)
2	128956-01-K32	EA	CABINET - OVERHEAD/FRONT/RIGHT HAND - W/O DOORS/HARDWARE (K27)
3	M05992-80-K28	EA	DOOR - STRAIGHT CORNER/OGEE EDGE - 15.3" X 25.6" - W/O HDW (OAK)
3	M05992-80-K58	EA	DOOR - STRAIGHT CORNER/OGEE EDGE - 15.3" X 25.6" - W/O HDW (MAPLE)
4	128956-13-K28	EA	SHELF - W/PLASTIC EDGE MOLDING (OAK)
4	128956-13-K58	EA	SHELF - W/PLASTIC EDGE MOLDING (MAPLE)
5	103128-01-G09	EA	END CAP - OVERHEAD CABINET - RIGHT HAND (OAK)
5	103128-01-J52	EA	END CAP - OVERHEAD CABINET - RIGHT HAND (MAPLE)

LOUNGE GROUP (CONTINUED)



PULLOUT TABLE

KEY	PART NUMBER	U/M	DESCRIPTION
	P19559-02-J22	EA	CABINET - W/PULLOUT TABLE (OAK)
	P19559-02-J52	EA	CABINET - W/PULLOUT TABLE (MAPLE)
1	119559-12-G35	EA	CABINET/LEFT SIDE - F/PULLOUT TABLE - 5.7" X 28.7" (OAK)
1	119559-12-J52	EA	CABINET/LEFT SIDE - F/PULLOUT TABLE - 5.7" X 28.7" (MAPLE)
2	119559-18-J22	EA	TOP - F/CABINET/PULLOUT TABLE (OAK)
2	119559-18-J52	EA	TOP - F/CABINET/PULLOUT TABLE (MAPLE)
3	079921-01-000	EA	NYLON ROLLER W/ SHAFT
4	119559-21-J22	EA	TABLE TOP ONLY (OAK)
4	119559-21-J52	EA	TABLE TOP ONLY (MAPLE)
5	119559-11-G35	EA	CABINET/RIGHT SIDE - F/PULLOUT TABLE - 5.7" X 28.7" (OAK)
5	119559-11-J52	EA	CABINET/RIGHT SIDE - F/PULLOUT TABLE - 5.7" X 28.7" (MAPLE)
6	119559-19-J22	EA	SHELF - SUPPORT/PULLOUT TABLE (OAK)
6	119559-19-J52	EA	SHELF - SUPPORT/PULLOUT TABLE (MAPLE)
7	119559-20-J22	EA	PANEL - PULLOUT TABLE (OAK)
7	119559-20-J52	EA	PANEL - PULLOUT TABLE (MAPLE)
	080736-01-000	EA	PULL - RECESSED - 1.25" X 4" - OAK

SEALANTS & FASTENERS GROUP

ADHESIVE AND TAPE SEALERS

KEY	PART NUMBER	U/M	DESCRIPTION
	004006-05-700	EA	ADHESIVE-NAT. STARCH (5 GAL) 0802
	004020-01-000	QT	ADHESIVE - ABS CEMENT - QUART
	004363-01-000	FT	TAPE - ADHESIVE FOAM/1 SIDE - 3/16" X 1/2" X 50' - GRAY
	034552-02-000	EA	SILICONE - TUBE - 300 ML - W/O NOZZLE - CLEAR ALSO ORDER P.N.#900390-03-000 NOZZLE SEPARATELY
	039518-01-000	EA	SILICONE - TUBE - 300 ML - BLACK - W/O NOZZLE ALSO ORDER P.N.#900390-03-000 NOZZLE SEPARATELY
	053766-02-000	EA	BEDDING COMPOUND - TUBE - WHITE
	067788-01-000	EA	ADHESIVE - SPRAY - 3M - 19.5 AEROSOL CAN
	069640-01-000	FT	SEALER - RIBBON - 1/4" DIAMETER X 30'
	069640-02-000	FT	SEALER - TAPE - 1/8"THICK X .50"WIDE X 60'
	069640-03-000	FT	SEALER - TAPE - 1/8"THICK X .75"WIDE X 60' - BLACK
	069640-09-000	FT	SEALER - TAPE - 1/32"THICK X 2.50"WIDE X 80' - GREY
	069640-14-000	FT	SEALER - TAPE - 1/16"THICK X 1"WIDE X 100'
	069640-17-000	FT	SEALER - TAPE - 1/32" THICK X 1"WIDE X 90'
	069640-18-000	FT	SEALER - TAPE - 1/2"THICK X 1/8"WIDE X 60' - BRT/WHITE
	069640-19-000	FT	SEALER - TAPE - 3/4" X 1/8" X 60' - BRIGHT WHITE
	069640-21-000	FT	SEALER - TAPE - 1/2" X 1/16" X 100' - BRIGHT WHITE
	072889-01-000	EA	SEALANT - URETHANE - BLACK - 1/10
	072889-09-000	EA	SEALANT - URETHANE - BLACK (TUBE)
	072889-10-000	EA	SEALANT - URETHANE (HV) - BRIGHT WHITE
	072889-11-000	EA	SEALANT - URETHANE - (TUBE) - GRAY
	072889-12-000	EA	SEALANT - URETHANE (LV) BRIGHT WHITE
	076322-01-000	FT	TAPE - DOUBLE COATED/ADHESIVE BACK - .025"THK X .75"W X 18'
	076322-02-000	FT	TAPE - DOUBLE COATED/ADHESIVE BACK - .045"THK X 1"W X 108'
	076322-05-000	FT	TAPE - DOUBLE COATED/ADHESIVE BACK - .045"THK X .75"W X 9'
	076322-07-000	FT	TAPE - DOUBLE COATED/ADHESIVE BACK - .045"THK X .50"W X 9'
	087211-01-000	GL	PROMOTER - ADHESIVE
	088479-01-000	EA	TAPE - ALUMINUM - 3"
	091255-02-000	FT	SEAL - ADHESIVE BACKED/FOAM - .18" THICK X 1.5" WIDE
	102352-01-000	EA	SEALER - PUMPABLE - BLACK
	102352-02-000	EA	SEALER - PUMPABLE - CLEAR
	106206-01-000	EA	SEALER - PUMPABLE - MANUS 30A - BLACK
	107828-01-000	EA	SEALANT - SB - 190 EVERSEAL
	108716-03-000	EA	SILICONE - TUBE - BRIGHT WHITE/SELF LEVELING - W/O NOZZLE
	110274-01-000	FT	TAPE - DOUBLE SIDED FOAM - .45" X 1"
	112864-01-000	FT	SEAL - FOAM/BUTYL COVERED - 3/8"
	112901-02-000	EA	ADHESIVE - PLEXUS - 50ML
	118085-02-01A	FT	TAPE - FOIL - 1"
	120074-02-01A	EA	SEALANT - SILICONE - OFF WHITE
	120534-01-01A	EA	TAPE - SCOTCH - 3M - 1/2" FINE LINE
	123244-01-000	FT	TAPE - DOUBLE SIDED FOAM 5/64" THICK X .75" WIDE
	123816-01-000	FT	TAPE - DOUBLE SIDED - 1"
	123816-02-000	FT	TAPE - DOUBLE SIDED - 1/2" X 35 MIL THICK
	123816-03-000	FT	TAPE - DOUBLE SIDED - 1/2" X 20 MIL THICK
	900390-01-000	EA	TIP - 2 1/2" X 1/8" ORIFICE
	900390-03-000	EA	NOZZLE - SILICONE TUBE

SEALANTS & FASTENERS GROUP (CONTINUED)

BOLTS, NUTS & WASHERS

KEY	PART NUMBER	U/M	DESCRIPTION
	000C12-05-16B	EA	BOLT - HEX - 5/16-18 X 1 - ZINC 5
	000C12-05-12B	EA	BOLT - HEX - 5/16-18 X 3/4 - ZINC 5
	000C12-06-16B	EA	BOLT - HEX - 3/8-16 X 1 LG - ZINC 5
	000C12-08-24B	EA	BOLT - HEX - 1/2-13 X 1.50 - ZINC 5
	000C12-08-16B	EA	BOLT - HEX - 1/2-13 X 1.00 - GD5 - ZINC
	000C12-10-24B	EA	BOLT - HEX - 5/8-11 X 1.50 - ZINC 5
	000C13-07-48B	EA	BOLT - HEX - 7/16-20 X 3 - ZINC 5
	000C26-04-14B	EA	BOLT - HEX - SERRATED FLANGE - 1/4-20 X 7/8 - ZINC
	000C26-04-10B	EA	BOLT - HEX - SERRATED FLANGE - 1/4-20 X 5/8 - ZINC
	000C26-04-18B	EA	BOLT - HEX - SERRATED FLANGE - 1/4-20 X 1 1/8 - ZINC
	000C26-05-16B	EA	BOLT - HEX - SERRATED FLANGE - 5/16-18 X 1 - ZINC
	000C26-05-12B	EA	BOLT - HEX - SERRATED FLANGE - 5/16-18 X 3/4 - ZINC
	000C26-06-12B	EA	BOLT - HEX - SERRATED FLANGE - 3/8-16 X 3/4 - ZINC
	000C26-06-16B	EA	BOLT - HEX - SERRATED FLANGE - 3/8-16 X 1 - ZINC
	000C26-08-24B	EA	BOLT - HEX - SERRATED FLANGE - 1/2-13 X 1.5 ZINC
	000G45-04-24B	EA	BOLT - LAG - 1/4-9 X 1.50 ZINC
	051387-06-000	EA	BOLT - CARRIAGE W/O HOLE - 5/16-18 X 9.5 - ZINC
	102333-01-06A	EA	BOLT - CARRIAGE - 7/16-14 STAINLESS STEEL CAP
	091274-03-000	EA	BOLT-J - 3/8-16 X 12.0
	106166-01-000	EA	BOLT/COLLARED HANGER - 8-32 X 1"
	106956-03-000	EA	BOLT - HEX TAP - 1/2-12NC X 3 - GRADE 5 - FULL THREAD/ZINC
	000D29-05-00B	EA	NUT - 5/16 - 18 UNC - SF/LOCKING - NYLON WASHER INSERT
	000D24-10-00B	EA	NUT - HEX - SELF LOCKING - 10-32 ZINC
	000D34-04-00B	EA	NUT - HEX - LOCKING - 1/4-20 ZINC
	000D34-06-00B	EA	NUT - HEX - LOCKING - 3/8 - 16 GRADE C - ZINC-PREVAILING T
	000D39-04-00B	EA	NUT - HEX - LOCKING W/SERRATED FLANGE - 1/4-20 - ZINC
	000D39-05-00B	EA	NUT - HEX - LOCKING W/SERRATED FLANGE - 5/16-18 - ZINC
	000D39-06-00B	EA	NUT - HEX - LOCKING W/SERRATED FLANGE - 3/8-18 - ZINC
	000D39-07-00B	EA	NUT - HEX - LOCKING W/SERRATED FLANGE - 7/16-14 - ZINC
	000D39-08-00B	EA	NUT - HEX - LOCKING W/SERRATED FLANGE - 1/2-13 - ZINC
	000D44-07-00B	EA	NUT - HEX - SERRATED FLANGE/LOCKING - 7/16-20 - ZINC
	000D46-04-00A	EA	NUT - HEX - WELD - 1/4 - 20 - PLAIN
	040921-01-000	EA	NUT - SPEED - U TYPE - 10-24 BLACK
	040921-04-000	EA	NUT - SPEED - U TYPE - # 8 - .59" LENGTH X .44" WIDTH
	040921-05-000	EA	NUT - SPEED - U-TYPE #8 - .67" X .44" WIDE
	040921-09-000	EA	NUT - SPEED - U TYPE - # 8
	044364-01-000	EA	NUT - SPEED - FLAT - RECTANGULAR - SELF LOCKING/ONE PIECE
	044364-02-000	EA	NUT - SPEED - FLAT - ROUND
	000D76-06-00B	EA	NUT - HEX FLANGE - 3/8-16
	063253-07-000	EA	NUT - J - #8A - .120 - .130 PNL THK
	083163-06-000	EA	PUSHNUT - FLAT TYPE 3/8 STUD - FORD ONLY
	000E11-08-00B	EA	WASHER - LOCKING - 1/2 MED SPLIT - ZINC
	000E13-14-00B	EA	WASHER - FLAT - 1/4 WIDE - ZINC
	000E13-18-00B	EA	WASHER - FLAT - 3/8 WIDE - ZINC
	000E13-20-00B	EA	WASHER - FLAT - 7/16 WIDE - ZINC
	000E13-21-00B	EA	WASHER - FLAT - W/2 NAR - ZINC
	000E13-22-00B	EA	WASHER - FLAT - 1/2 WIDE - ZINC
	000E13-26-00B	EA	WASHER - FLAT - 5/8 WIDE - ZINC
	058716-02-000	EA	WASHER - FLAT NYLON
	107397-01-000	EA	WASHER - FENDER - .25" ID X 1" OD
	110794-01-000	EA	WASHER - FLAT - 1" ID X 1 3/4' OD
	088787-12-000	EA	STUD - WELD - 1/4 - 20 X 1.0 LG - MN
	108067-03-000	EA	STUD - WELD - 1/4 - 20 X 1/2 CD

SEALANTS & FASTENERS GROUP (CONTINUED)

SCREWS

KEY	PART NUMBER	U/M DESCRIPTION
	0G3908-08-170	EA SCREW - SF/DR - 8-18 X .50 PPH - BRIGHT WHITE
	0G3908-20-170	EA SCREW - SF/DR - 8-18 X 1.25 PPH - BRIGHT WHITE
	0G3908-24-170	EA SCREW - SF/DR - 8-18 X 1.50 PPH - BRIGHT WHITE
	0G5508-12-260	EA SCREW - SF/DR - 8-18 X .75 PWH - ALLANTE ANTELOPE
	000G11-05-08B	EA SCREW - 5-20 X .50 PPH - ZINC
	000G11-06-10J	EA SCREW - 6-20 X 5/8 PPH - BRASS
	000G11-06-08B	EA SCREW - 6-20 X .50 PPH - ZINC
	000G11-06-06B	EA SCREW - 6-20 X 3/8 PPH - ZINC
	000G11-07-08B	EA SCREW - 7-19 X .50 PPH - ZINC
	000G11-08-08T	EA SCREW - 8-18 X 1/5 PPH - FLUOROCARBON COATING
	000G11-08-08B	EA SCREW - 8-18 X .50 PPH - ZINC
	000G11-08-06B	EA SCREW - 8-18 X 3/8 PPH - ZINC
	000G11-08-20B	EA SCREW - 8-18 X 1.25 PPH - ZINC
	000G11-08-16S	EA SCREW - 8-18 X 1 PPH - OFF WHITE
	000G11-08-12T	EA SCREW - 8-18 X .75 PPH - BLACK
	000G11-08-12P	EA SCREW - 8-18 X .75 PPH - DARK BROWN
	000G11-08-12D	EA SCREW - 8-18 X .75 PPH - BLACK
	000G11-08-12B	EA SCREW - 8-18 X .75 PPH - ZINC
	000G11-10-12D	EA SCREW - 10-16 X .75 PPH - BLACK
	000G11-10-40B	EA SCREW - 10-16 X 2 1/2 PPH CAD - 34927-01-000
	000G11-10-16B	EA SCREW - 10-16 X 1 PPH - ZINC
	000G11-10-12S	EA SCREW - 10-16 X .75 PPH - OFF WHITE
	000G12-06-08T	EA SCREW - 6-20 X 1/2 POH - BLACK
	000G13-06-24J	EA SCREW - 6-20 X 1.50 PFH - BRASS
	000G13-06-16J	EA SCREW - 6-20 X 1 PFH - BRASS
	000G13-06-10G	EA SCREW - 6-20 X 5/8 PFH - ANTIQUE BRASS
	000G13-06-08B	EA SCREW - 6-20 X .50 PFH - ZINC
	000G13-07-12B	EA SCREW - 7-19 X .75 PFH - ZINC
	000G18-08-22B	EA SCREW - MACHINE - 8-32 X 1 3/8 PPH - ZINC
	000G19-10-12F	EA SCREW - MACHINE - 10-32 X .75 - PPH - STAINLESS STEEL
	000G19-10-08B	EA SCREW - MACHINE - 10-32 X .50 - PPH - ZINC
	000G19-10-20B	EA SCREW - MACHINE - 10-32 X 1.25 PPH - ZINC
	000G32-10-06B	EA SCREW - 10-32 X 3/8 PPH - ZINC
	000G37-08-089	EA SCREW - 8 X 18 X 1/2 PPH
	000G39-06-08B	EA SCREW - SF/DR - 6-18 X .50 - ZINC
	000G39-06-16T	EA SCREW - SF/DR - 6-20 X 1 PPH - BLACK
	000G39-06-10T	EA SCREW - SF/DR - 6-20 X 5/8 PPH - BLACK
	000G39-08-08B	EA SCREW - SF/DR - 8-18 X 1.50 PPH - ZINC
	000G39-08-06B	EA SCREW - SF/DR - 8-18 X 3/8 PPH - ZINC
	000G39-08-24S	EA SCREW - SF/DR - 8-18 X 1.50 - OFF WHITE
	000G39-08-24B	EA SCREW - SF/DR - 8-18 X 1 1/2 PPH - ZINC
	000G39-08-16T	EA SCREW - SF/DR - 6-20 X 1 PPH - BLACK
	000G39-08-16R	EA SCREW - SF/DR - 8-18 X 1 PPH - BEIGE
	000G39-08-16B	EA SCREW - SF/DR - 8-18 X 1 PPH - ZINC
	000G39-08-12T	EA SCREW - SF/DR - 8-18 X .75 PPH - BLACK
	000G39-08-12B	EA SCREW - SF/DR - 8-18 X .75 PPH - ZINC
	000G39-08-08T	EA SCREW - SF/DR - 8-18 X 1/2 PPH - BLACK
	000G39-08-08S	EA SCREW - SF/DR - 8-18 X .50 PPH - OFF WHITE
	000G39-10-10B	EA SCREW - SF/DR - 10-16 X .625 - ZINC
	000G39-10-088	EA SCREW - SF/DR - 10-16 X 1/2 PPH - FLEX FLUOROCARBON
	000G39-10-08B	EA SCREW - SF/DR - 10-16 X .50 PPH - ZINC
	000G39-10-48B	EA SCREW - SF/DR - 10-16 X 3 - PPH - ZINC
	000G39-10-32B	EA SCREW - SF/DR - 10-16 X 2 - PPH - ZINC
	000G39-10-209	EA SCREW - SF/DR - 10-16 X 1 1/4 PPH - FLUOROCARBON SILVER
	000G39-10-20B	EA SCREW - SF/DR - 10-16 X 1.25 PPH - ZINC
	000G39-10-129	EA SCREW - SF/DR - 10-16 X .75 PPH - FLUOROCARBON SILVER
	000G39-10-12R	EA SCREW - SF/DR - 10-16 X .75 PPH - BEIGE
	000G39-10-12D	EA SCREW - SF/DR - 10-16 X .75 PPH - BLACK
	000G39-10-12B	EA SCREW - SF/DR - 10-16 X .75 PPH - ZINC

SEALANTS & FASTENERS GROUP (CONTINUED)

SCREWS (CONTINUED)

KEY	PART NUMBER	U/M DESCRIPTION
	000G39-12-12E	EA SCREW - SF/DR - 12-14 X .75 PPH - CHROME
	000G42-04-12B	EA SCREW - SF/DR - 1/4-14 X .75 HWH - ZINC
	000G43-06-24B	EA SCREW - MACHINE - 6-32 X 1.50 - ZINC
	000G46-08-24T	EA SCREW - MACHINE - 8-32 X 1.50 PFH - BLACK
	000G50-04-12B	EA SCREW - MACHINE - 1/4-20 X .75 PPH - ZINC
	000G50-04-08B	EA SCREW - MACHINE - 1/4-20 X .50 PTH - ZINC
	000G52-08-18B	EA SCREW - MACHINE - 8-32 X 1 1/8 PTH - ZINC
	000G54-04-20B	EA SCREW - 1/4-20 X 1.25 PTH - TYPE 23 - ZINC PLATED
	000G55-08-16S	EA SCREW - SF/DR - 8-18 X 1.00 - PWH - OFF WHITE
	000G55-08-12S	EA SCREW - SF/DR - 8-18 X .75 PWH - OFF WHITE
	000G57-05-16J	EA SCREW - 5-20 X 1 PFH - BRASS
	000G60-10-28T	EA SCREW - SF/DR - 10-16 X 1.75 - BLACK
	000G60-10-209	EA SCREW - SF/DR - 10-16 X 1.25 POH
	000G60-10-20B	EA SCREW - SF/DR - 10-16 X 1.25 POH - ZINC
	000G67-08-32B	EA SCREW - 8-15 X 2 PPH - ZINC
	000G67-10-10D	EA SCREW - 10-12 X 5/8 PPH - BLACK - TYPE A
	000G67-10-10B	EA SCREW - 10-12 X 5/8 PPH - ZINC - TYPE A
	000G67-10-08B	EA SCREW - 10-12 X .50 PPH - ZINC
	000G67-10-120	EA SCREW - 10-12 X .75 PPH - TAN
	000G67-10-12P	EA SCREW - 10-12 X .75 - PPH - DARK BROWN
	000G67-10-12B	EA SCREW - 10-12 X .75 PPH - ZINC
	000G67-10-10S	EA SCREW - 10-12 X 5/8 PPH - OFF WHITE
	000G67-10-48B	EA SCREW - 10-12 X 3 PPH - ZINC
	000G67-10-36T	EA SCREW - 10-12 X 2.25 PPH - BLACK
	000G67-10-24B	EA SCREW - 10-12 X 1.25 PPH - ZINC
	000G67-10-16B	EA SCREW - 10-12 X 1 PPH - ZINC
	000G67-10-120	EA SCREW - 10-12 X .75 PPH - TAN
	000G68-06-12S	EA SCREW - 6-18 X 3/4 POH
	000G68-06-10G	EA SCREW - 6-18 X 5/8 POH - ANTIQUE BRASS
	049465-01-000	EA SCREW - 10-16 W/WASHER PTH - DARK BROWN
	049465-03-000	EA SCREW - 10-16 X 1 POH W/WASHER - OFF WHITE
	054434-03-000	EA SCREW - SF/DR - 10-16 X 2 - PWH - ZINC - W/O WINGS
	057671-01-000	EA COVER - SCREW - #8 - PLASTIC - OFF WHITE
	057671-03-000	EA COVER - SCREW - #8 - WILLOW
	057671-15-000	EA COVER - SCREW - BRIGHT WHITE
	075908-01-000	EA SCREW - MACHINE - 10-32 X .56 PTH - EXTERNAL TOOTH - ZINC
	076790-01-000	EA SCREW - 6-20 X 1 1/4 PPH - BLACK
	083554-01-000	EA SCREW - DRYWALL - 8 X 1.25
	083554-04-000	EA SCREW - DRYWALL - 8 X 2.50
	086256-01-000	EA SCREW - SF/DR - 8 X 3/4 HWH LONG
	097974-01-000	EA SCREW - PARTICLE BOARD - 7-9 X 3/4 PPH
	101618-01-000	EA SCREW - 1/4-20 X 3/4 HEX - TAPPING - STALGARD TYPE F
	106477-01-000	EA SCREW - 14 - 10 X 3.00 - PFH

SEALANTS & FASTENERS GROUP (CONTINUED)

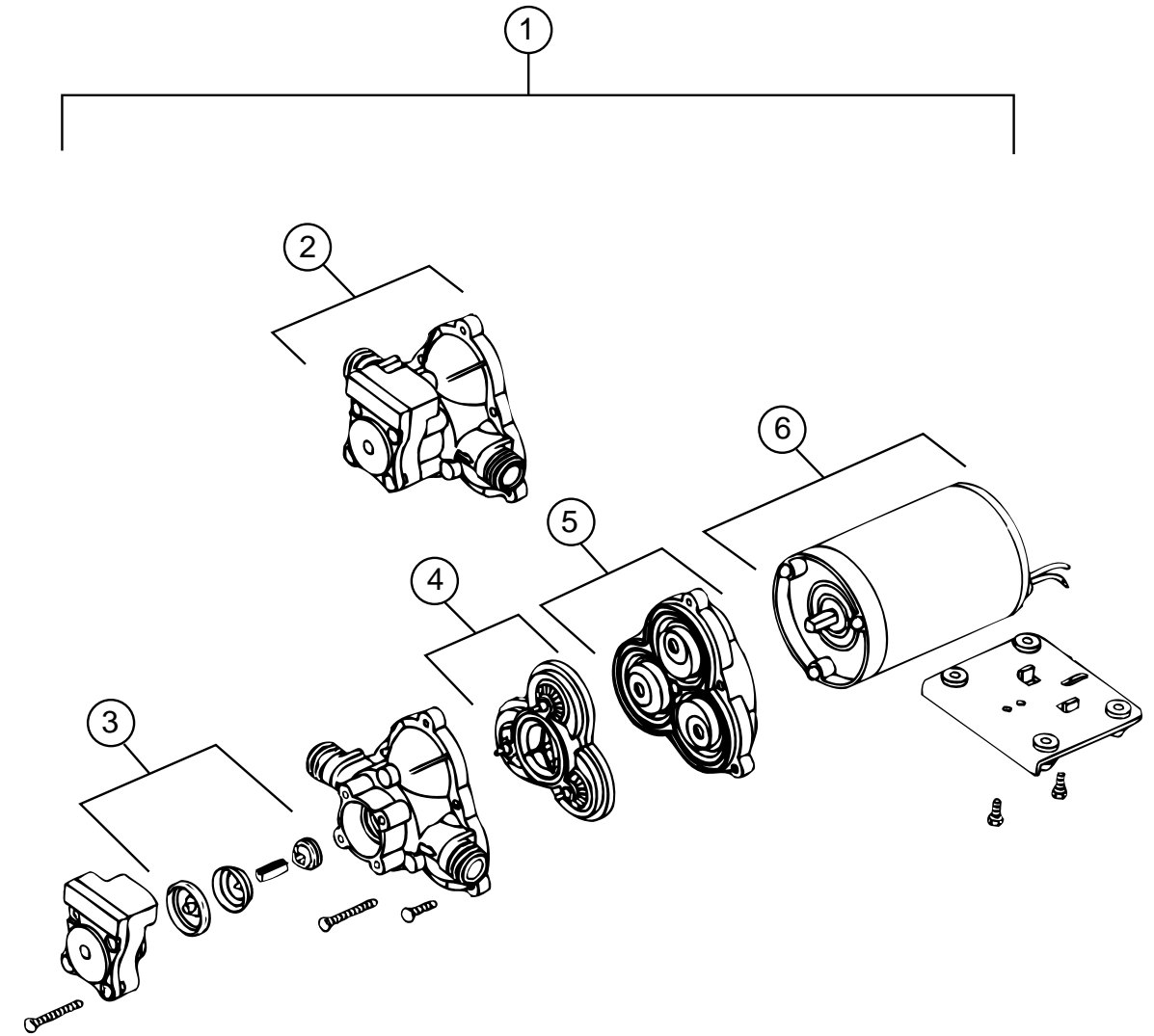
CLAMPS, CLIPS, & GROMMETS

KEY	PART NUMBER	U/M	DESCRIPTION
	000F10-04-16B	EA	PIN - COTTER - 1/8" X 1" - ZINC
	000F10-06-32B	EA	PIN - COTTER - 3/16" X 2" - ZINC
	000H14-04-04A	EA	RIVET - MANDREL BLIND - 1/8 X .400
	000H14-06-14R	EA	RIVET - MANDREL BLIND - 3/16"
	000H16-04-06R	EA	RIVET - POP ALUMINUM - 1/8" X .313 - .375
	000H16-06-10R	EA	RIVET - POP ALUMINUM - 3/16 X .501-.625
	007161-01-000	EA	CLAMP - HOSE - SPRING TYPE - 1/2"
	010495-01-000	EA	CLAMP - CABLE - 9/16"
	010497-01-000	EA	CLAMP - CLOSED - 5/8" ID
	010497-03-000	EA	CLAMP - CLOSED - 1" ID - CUSHIONED
	010497-04-000	EA	CLAMP - CLOSED - 1.62" ID
	010499-01-000	EA	CLAMP - CLOSED - 3/8" ID
	062401-01-000	EA	CLAMP - HOSE - WORMGEAR - .25" - 1"
	062401-02-000	EA	CLAMP - HOSE - WORMGEAR - 1.56" - 2.5"
	062401-04-000	EA	CLAMP - HOSE - WORMGEAR - .69" - 1.25"
	062401-06-000	EA	CLAMP - HOSE - WORMGEAR - .22" - .62" ID
	083609-01-000	EA	CLAMP - WIRE - DUAL - EQUAL DIAMETERS - 5/8"
	083610-01-000	EA	CLAMP - WIRE - DUAL - UNEQUAL DIAMETERS - 3/4" & 1 1/4"
	083610-02-000	EA	CLAMP - WIRE - DUAL - UNEQUAL DIAMETERS
	016188-05-000	EA	GROMMET - L/P LINE - 3/8" HOLE X 1 1/4" LONG - RUBBER
	023942-01-000	EA	GROMMET - RUBBER - 2" OD
	071015-11-000	EA	GROMMET - 1.00 ID - FITS .12 MATERIAL
	008380-01-000	EA	GROMMET - RUBBER - 5/8" HOLE X 1 1/2" DIAMETER - BLACK
	071015-29-000	EA	GROMMET - RUBBER - 1/4 ID X 1 1/4 OD W .12 GROOVE - BLK
	071015-30-000	EA	GROMMET - RUBBER - .31" ID X .81" OD W/.12" GROOVE - BLK
	088756-01-000	EA	GROMMET - WEB - 1 1/8" I.D.
	091952-01-000	EA	CLIP - GRIPPER - 1"
	094362-02-000	EA	CLIP - XMAS TREE - BINDER HEAD - .9" LONG

MISCELLANEOUS FASTENERS

KEY	PART NUMBER	U/M	DESCRIPTION
	008343-01-000	EA	TIE - WIRE - 6"
	008343-02-000	EA	TIE - WIRE - 14"
	029094-04-000	YD	VELCRO TAPE - LOOP - 1" WIDE - BLACK
	029096-03-000	YD	VELCRO TAPE - HOOK - 1" WIDE - BLACK
	081211-04-000	EA	PLUG - PLASTIC - .46" DIAMETER - BLACK
	081211-05-000	EA	PLUG - PLASTIC - .188 DIAMETER - NATURAL
	085774-01-000	FT	FASTENER - DUAL HOOK - 1" WIDE - ADHESIVE BACK - BLACK
	085774-02-000	FT	FASTENER - DUAL HOOK - 1" WIDE - ADHESIVE BACK - BLACK
	086285-01-000	EA	SPACER - NYLON - .5" OD X .257" ID
	088792-02-000	YD	VELCRO TAPE - LOOP - .75" - ADHESIVE BACKED - BEIGE
	108046-02-000	EA	CABLE TIE - SCREW MOUNT 15"
	110943-02-000	FT	FELTSTRIP - 3/8" - ADHESIVE BACK - WHITE
	115361-01-01A	EA	PLUG - PLASTIC
	123816-04-000	FT	TAPE - DOUBLE SIDED - 6"

WATER & SEWAGE GROUP



WATER PUMP (SHURFLO)

KEY	PART NUMBER	U/M	DESCRIPTION	VENDOR NO.
1	098607-01-000	EA	PUMP - WATER - W/.5" MPT FITTING - FLOW 2.8 GPM	
2	098607-01-706	EA	HOUSING - W/SWITCH ONLY	94-231-20
3	098607-01-705	EA	VALVE - CHECK - KIT	94-237-00
4	098607-01-703	EA	VALVE KIT	94-232-00
5	098607-01-702	EA	DIAPHRAGM/DRIVE ASSEMBLY KIT	94-238-04
6	098607-01-707	EA	MOTOR W/BASEPLATE	11-148-04

WATER & SEWAGE GROUP (CONTINUED)**FRESH WATER TANK**

KEY	PART NUMBER	U/M DESCRIPTION
	123243-01-000	EA TANK - ACCUMULATOR, 24 OZ
	117217-01-000	EA TANK - FRESH WATER - 30 GALLON - W/O FITTINGS
	117217-02-000	EA TANK - FRESH WATER - 30 GALLON - W/FITTINGS (CHEVY)
	117217-13-000	EA TANK - FRESH WATER - 30 GALLON - W/FITTINGS (FORD)
	116881-01-000	EA TANK - FRESH WATER - 48 GAL. W/NOTCHED CORNER W/O FITTINGS
	116881-08-000	EA TANK - FRESH WATER - 48 GALLON W/NOTCHED CORNER/FITTINGS (CHEVY)
	116881-15-000	EA TANK - FRESH WATER - 48 GALLON W/NOTCHED CORNER/FITTINGS (FORD)
	042989-03-000	EA FITTING - WATER TANK - SPINWELD - 1 1/4"NPT - PLASTIC
	042989-05-000	EA FITTING - SPINWELD - 1/2" FPT - PLASTIC
	049032-01-000	EA PATCH - SPINWELD - 3/8" - PLASTIC
	039861-01-000	EA SENDING UNIT - W/SCREW - WASHER - WELL NUT & TERMINAL RING
	091208-01-000	EA WASHER - RUBBER - .06" X .75" X .5"
	077954-02-000	EA FILTER - WATER TANK - SCREEN IN TANK

WATER SYSTEM COMPONENTS (FLAIR - IT)

KEY	PART NUMBER	U/M DESCRIPTION
	114427-01-000	EA CAP - 1/2P
	114427-02-000	EA PLUG - 1/2P
	114427-03-000	EA NUT - 1/2"Q
	114428-01-000	EA TEE - 1/2P X 1/2P X 1/2P
	114428-02-000	EA TEE - SWIVEL - 1/2P X 1/2P X 1/2FPT
	114428-03-000	EA TEE - 1/2P X 1/2P X 1/2MPT
	114428-04-000	EA TEE - 1/2P X 1/2P X 1/8FPT
	114429-01-000	EA ELBOW - 1/2P X 1/2P
	114429-02-000	EA ELBOW - 1/2P X 1/2MPT
	114429-03-000	EA ELBOW - SWIVEL - 1/2P X 1/2FPT
	114429-04-000	EA ELBOW - 1/2P X 3/8MPT
	114429-05-000	EA ELBOW - 1/2P X 3/4MPT
	114429-06-000	EA ELBOW - SWIVEL - 1/2P X 3/4FPT
	114429-07-000	EA ELBOW - 1/2"P X 1/2"FPT
	114430-01-000	EA ADAPTER - 1/2P X 1/2P
	114430-02-000	EA ADAPTER - SWIVEL - 1/2P X 1/2FPT
	114430-03-000	EA ADAPTER - 1/2P X 1/2MPT
	114430-04-000	EA ADAPTER - 1/2P X 3/8MPT
	114430-06-000	EA ADAPTER - 1/2P X 3/8FPT
	114430-08-000	EA ADAPTER - 1/2P X 3/4MPT
	114431-01-000	EA VALVE - LINE DRAIN 1/2P
	114431-02-000	EA VALVE - 1/2P - BYPASS
	114431-03-000	EA VALVE - 1/2P X 1/2P
	114431-04-000	EA VALVE - STOP - 1/2P X 1/2P
	114431-05-000	EA VALVE - NEEDLE - COMP 1/8MPTX1/4
	114431-06-000	EA VALVE - 3/8P X 3/8P
	114431-07-000	EA VALVE - 3/8P THREE - WAY
	114431-08-000	EA STRAIGHT STOP VALVE - 3/8P X 3/8P

WATER & SEWAGE GROUP (CONTINUED)**WATER SYSTEM COMPONENTS**

KEY	PART NUMBER	U/M DESCRIPTION	VENDOR NO.
*	051393-01-000	EA WATER HEATER - GH6-8E - ELECTRONIC IGNITION W/MOTOR AID	
	701069-01-000	EA WATER PURIFICATION SYSTEM	
	701069-03-700	EA CARTRIDGE - WATER FILTER - AC - EVERPURE	9592-06
	010224-01-000	EA ADAPTER - HOSE TO PIPE - 3/8" MPT X 3/8" BARB - PLASTIC	
	118809-02-000	EA ADAPTER - 1/2" MPT X 1/2" BARB - PLASTIC	
	123152-01-000	EA ADAPTER - 1/2" FPT X 1/2" BARB - SWIVEL	
	010230-06-000	EA FILL - CITY WATER - W/CHECK VALVE - MPT	
	124188-01-000	FT TUBING - PEX - 1/2" ID X 20' - BLUE (COLD)	
	124188-02-000	FT TUBING - PEX - 1/2" ID X 20' - RED (HOT)	
	112176-01-000	FT TUBING - VINYL - REINFORCED - 1/2" ID	
	079381-01-000	FT TUBING - RIBBED FLEXIBLE - WATER FILL - 1.4" X 10"	
	010219-01-000	EA ELBOW - 1 1/4" MPT X 1 1/4" BARB - WATER FILL - PLASTIC	
	114429-02-000	EA ELBOW - 1/2"P X 1/2"MPT	
	123150-01-000	EA ELBOW - 1/2" FPT X 1/2" BARB - SWIVEL	
	110438-02-000	EA VALVE - CHECK - BRASS - 1/2" MPT X 1/2" MPT	
	113697-01-000	EA CAP - 3/8" FTG	
	125697-06-000	EA INSTRUCTIONS - USER - FLUSHING SYSTEM	

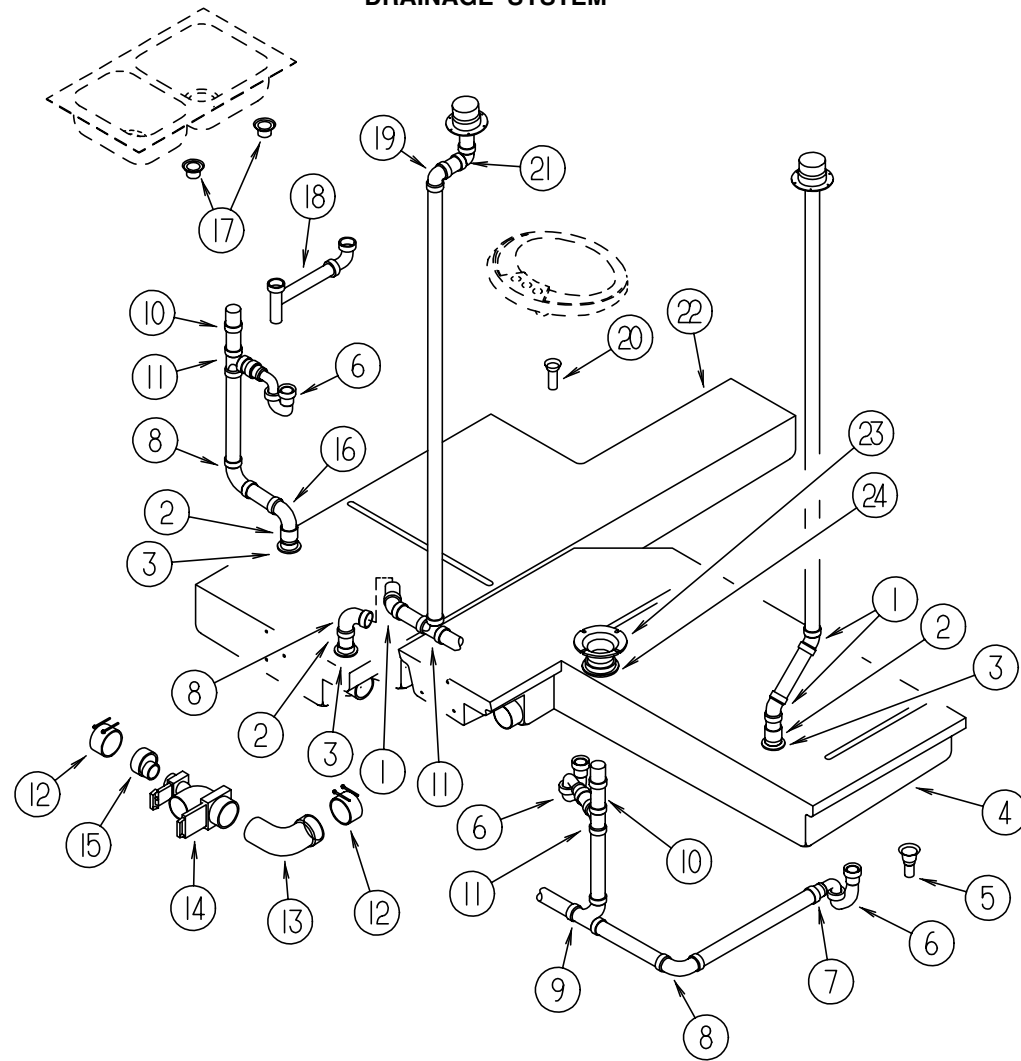
*COMPONENT PARTS FOUND IN SERVICE PARTS LIBRARY

EXTERIOR SHOWER COMPONENTS

KEY	PART NUMBER	U/M DESCRIPTION
	131383-01-02A	EA SHOWER HEAD - W/HOSE & BRACKET - 60" - WHITE
	131383-02-02A	EA SHOWER HEAD - W/HOSE & BRACKET - 60" - CSA - WHITE
	108356-02-01A	EA COVER/ACTUATOR SWITCH - 2 ROWS DIMPLES- CONTURA II - BLACK
	108357-01-000	EA SWITCH - ROCKER SPST - ON/OFF - 2 TERMINAL
	108357-08-000	EA SWITCH - ROCKER DPDT - ON/NONE/ON - 6 TERMINAL
	131383-03-02A	EA BRACKET - SHOWER HEAD - WHITE
	075241-06-000	EA FAUCET - SHOWER CONTROL - BRIGHT WHITE

WATER & SEWAGE GROUP (CONTINUED)

DRAINAGE SYSTEM

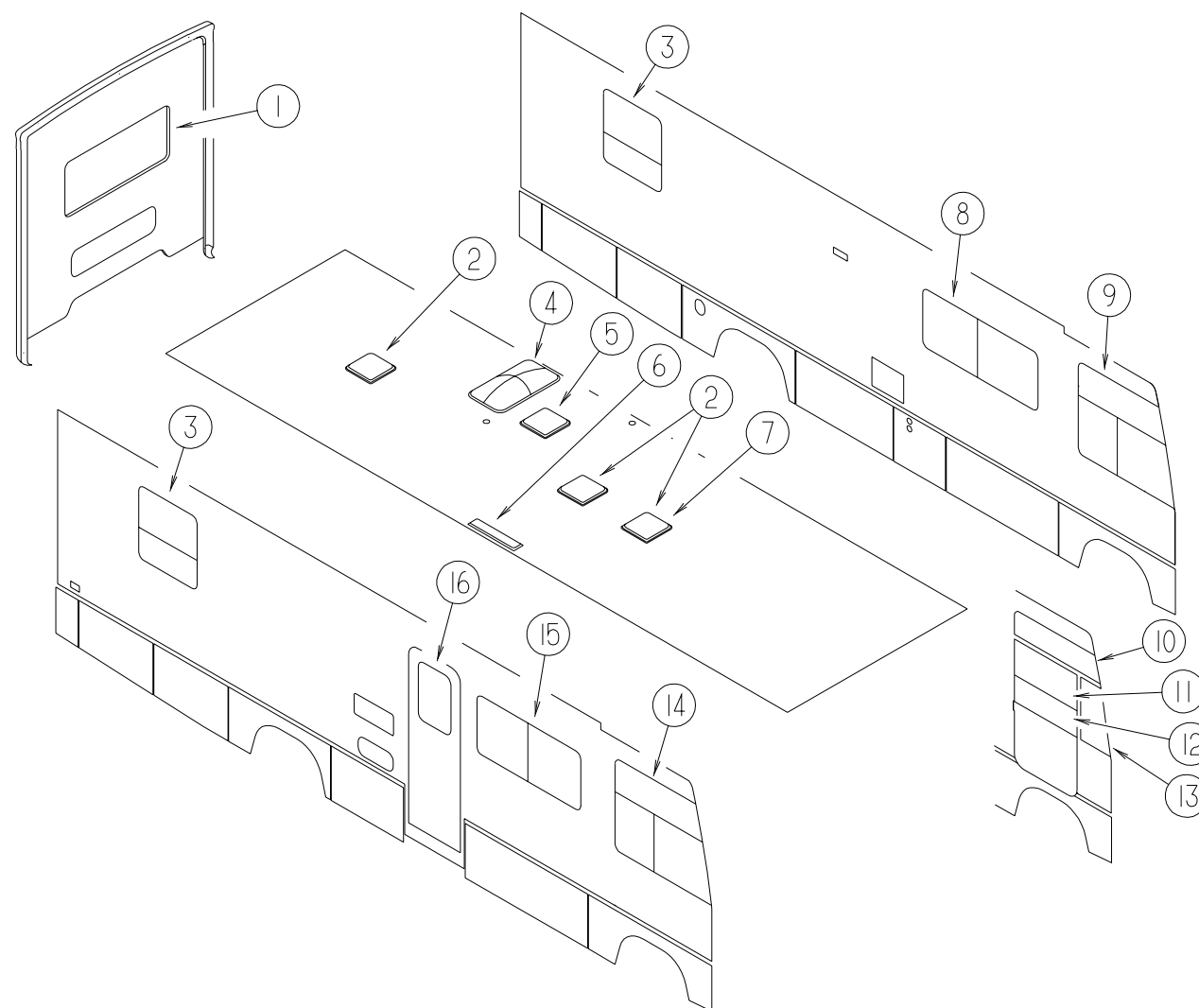


KEY	PART NUMBER	U/M	DESCRIPTION	VENDOR NO.
1	010006-01-000	EA	ELBOW - 45 DEGREE - 1 1/2" HUB X HUB - PLASTIC	
2	010115-01-000	EA	COUPLING - 1 1/2" HUB X HUB - PLASTIC	
3	061607-01-000	EA	GROMMET - HOLDING TANK - 1 1/2" NPS	
4	104351-01-000	EA	TANK - HOLDING - SEWAGE - 55 GALLON - W/O FITTINGS	
5	120981-01-01A	EA	DRAIN - BATH/SHOWER W/SPRING LOADED PLUNGER - BRASS	
5	127440-02-01A	EA	WASHER - RUBBER - 1.8" X .1"	
6	107538-01-000	EA	P TRAP - PLASTIC - 1 1/4" W/EXTENSION ARM	
6	011066-03-700	EA	P TRAP KIT 1 1/2" X 1 1/2" P TRAP W/1 1/2"-1 1/4" REDUCER - CANADA	
7	109571-01-000	EA	ADAPTER - P TRAP - 1 1/2"P X 1 1/4"MPT	
8	010008-01-000	EA	ELBOW - 90 DEGREE - 1 1/2" HUB X HUB - PLASTIC	
9	031365-02-000	EA	TEE - PLASTIC - 1 1/2" EXT LG TURN	
10	079968-01-000	EA	VENT - MECHANICAL/TRAP ARM - ANTI-SIPHON-2" X 7.3" PLASTIC	
11	010071-01-000	EA	TEE - SANITARY - 1 1/2" HUB X HUB X HUB - PLASTIC	
12	078406-01-000	EA	COUPLER - RUBBER - W/CLAMPS - 3" X 3"	
13	041956-01-000	EA	ELBOW - STREET - 1/4" BARB X 90 DEGREE X 3 XLT	
14	070916-01-000	EA	VALVE - DUAL DUMP - W/CAP - 3" X 1 1/2"	
	070916-01-700	EA	VALVE ONLY (WASTE) 3"	T1003BU
	070916-01-701	EA	VALVE ONLY (WASTE) 1 1/2"	T1001BU

KEY	PART NUMBER	U/M	DESCRIPTION	VENDOR NO.
	010201-01-000	EA	HOSE - SEWER - 3" ID X 8'	
	062416-01-000	EA	ADAPTER - SEWER HOSE TO 3" PIPE	
	062415-01-000	EA	CAP - SEWER - 3" DIAMETER	
	062415-01-700	EA	STRING - SEWER CAP	V#SV7 STRAP
15	062422-01-000	EA	ADAPTER - OFFSET REDUCER - 3" X 1 1/2" - PLASTIC	
16	033761-01-000	EA	ELBOW - TURN - 90 DEGREE 1 1/2" HUB X 1 1/2" SPIGOT	
17	092303-01-000	EA	STRAINER - SINK	
18	011091-02-000	EA	WASTE - CONTINUOUS - DOUBLE SINK	
18	011091-03-000	EA	WASTE - CONTINUOUS - DOUBLE SINK - CSA	
19	034250-01-000	EA	ELBOW - 90 DEGREE - LONG TURN - 1 1/2" HUB X HUB - ABS	
20	106116-01-01A	EA	STRAINER - SINK - W/STOPPER/TAILPIECE/GASKET & NUT - PLASTIC	
21	010009-01-000	EA	ELBOW - 90 DEGREE - 1/4 BEND - 1 1/2" PLASTIC	
22	111229-01-700	EA	TANK - HOLDING - 56 GALLON - 3"NIPPLE	
22	131389-01-000	EA	TANK - HOLDING - 56 GALLON - W/O FITTINGS	
23	116644-01-000	EA	FLANGE - CLOSET - 4" X 3"	
24	061607-02-000	EA	GROMMET - HOLDING TANK - 3" NPS	
	010129-03-000	EA	NIPPLE - PLASTIC - 3" X 3" TOE	
	130403-01-000	EA	NUT - SLIP - W/WINGS 1 1/2"	

WINDOW, VENT & EXTERIOR DOOR GROUP

WINDOWS & VENTS



KEY	PART NUMBER	U/M	DESCRIPTION
1*	078528-06-E10	EA	WINDOW - ESCAPE W/O RETAINER/ TRIM 48.5" X 24.5"
1*	113502-01-01A	EA	WINDOW - REAR ESCAPE THERMO - 24.8" X 48.7"
2*	122882-01-01A	EA	VENT - ROOF - NONPOWERED
2	122882-07-01A	EA	GARNISH - ROOF VENT - 2.5" TO 4"
3*	112463-03-01A	EA	WINDOW - TIPOUT W/ RETAINER RING - 33.3" X 30.2"
3*	129929-01-01A	EA	WINDOW - TORQUE - THERMO - 33.2" X 30.2"
4	114496-01-02A	EA	PANEL - SKYLIGHT - OUTER - 22" X 37"
4	122191-01-02A	EA	PANEL - SKYLIGHT - INNER W/LIGHT CUTOUT - 20.7" X 35.4"
5*	122882-02-01A	EA	VENT - ROOF - POWERED
5*	122882-03-01A	EA	VENT - ROOF - POWERED CSA
5	122882-07-01A	EA	VENT - ROOF - GARNISH 63.5-104.6
6	084073-04-000	EA	BASE - ROOF VENT/REFRIGERATOR - BLACK - NORCOLD
6	084073-07-000	EA	VENT - ROOF/REFRIGERATOR - BRIGHT WHITE - NORCOLD
	083558-03-000	EA	VENT - PLUMBING - ROOF PIPE COVERED - OFF WHITE
7*	123780-03-01A	EA	VENT - ROOF - 3" TO 4" - W/FAN/POWER LIFT - W/O THERMOSTAT
8*	112795-15-01A	EA	WINDOW - DRIVER HORIZONTAL SLIDER - THERMO - 26.4" X 60"
8*	098647-22-01A	EA	WINDOW - DRIVER HORIZONTAL SLIDER W/TRIM - TINTED - 26.1" X 59.7"

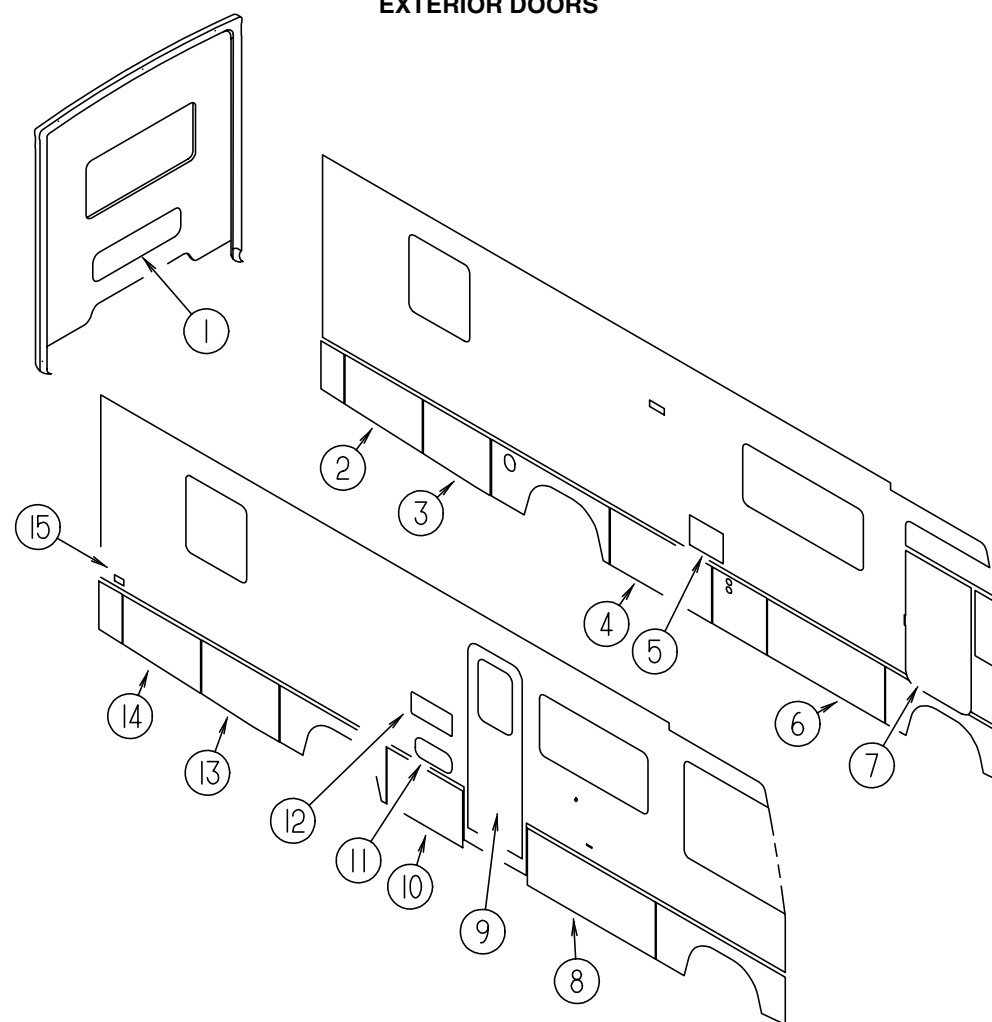
KEY	PART NUMBER	U/M	DESCRIPTION	VENDOR NO.
9*	125582-04-01A	EA	WINDOW - CAB - DRIVER	
9*	125583-04-01A	EA	WINDOW - DRIVER CAB-3 GLASS THERMO - 31.8"T X 51.6"B X 42.6"H	
10*	125586-02-01A	EA	WINDOW - VISTA	
10*	125600-02-01A	EA	WINDOW - VISTA - THERMOPANE	
11	125581-04-705	EA	GLASS - STATIONARY	106-041547
12	125581-04-704	EA	GLASS - ROLL-UP	106-041821
13*	125584-02-01A	EA	WINDOW - FRONT SLANT - DRIVER	
13*	125585-02-01A	EA	WINDOW - FRONT SLANT - THERMO	
14*	125582-03-01A	EA	WINDOW - CAB - PASSENGER	
14*	125583-03-01A	EA	WINDOW - PASS CAB-3 GLASS THERMO - 31.8"T X 51.6"B X 42.6"H	
15*	098647-24-01A	EA	WINDOW - PASSENGER HORIZ SLIDER W/TRIM - TINTED - 26.1" X 53.8"	
15*	112795-17-01A	EA	WINDOW - PASSENGER HORIZ SLIDER - THERMO - 26.4" X 54"	
16*	117053-02-F36	EA	WINDOW - PICTURE - 60% TINTING - 26.4" X 17"	
16*	113733-01-01A	EA	WINDOW - STATIONARY THERMOPANE - 26.4" X 17"	

*COMPONENT PARTS FOUND IN SERVICE PARTS LIBRARY

*COMPONENT PARTS FOUND IN SERVICE PARTS LIBRARY

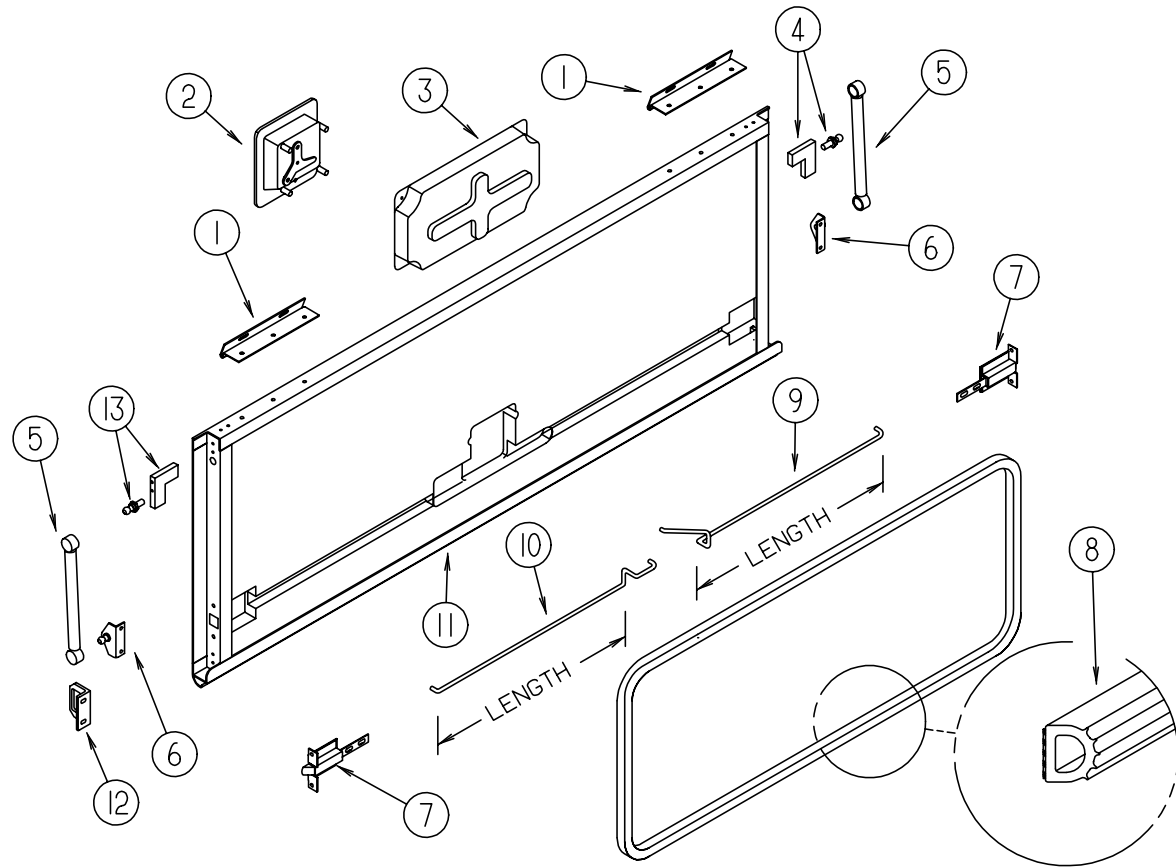
WINDOW, VENT & EXTERIOR DOOR GROUP (CONTINUED)

EXTERIOR DOORS



KEY	PART NUMBER	U/M	DESCRIPTION	VENDOR NO.	KEY	PART NUMBER	U/M	DESCRIPTION	VENDOR NO.
1	126944-02-J22	EA	DOOR/STORAGE - W/O HARDWARE - 43.5" X 11.7" FROM: 00-00-00 THRU: 07-05-98		9	115108-17-K58	EA	DOOR - ENTRY - W/SCREEN DOOR - W/O WINDOW (K58, K59)	
1	126944-05-K28	EA	DOOR/STORAGE - W/O HARDWARE - 43.5" X 11.7" FROM: 07-06-98 THRU: 99-99-99		9	115108-17-K62	EA	DOOR - ENTRY - W/SCREEN DOOR - W/O WINDOW (K62, K63)	
2	122391-68-K28	EA	VALANCE/DOOR - DRIVER W/O PADDLE LATCH - 22.4" X 38.6" X 20.6"		9	115108-17-K60	EA	DOOR - ENTRY - W/SCREEN DOOR - W/O WINDOW (K64, K65)	
3	122391-70-K28	EA	VALANCE/DOOR - DRIVER W/O PADDLE LATCH - 22.4" X 33.4" X 20.6"		9	115108-17-K33	EA	DOOR - ENTRY - W/SCREEN DOOR - W/O WINDOW (K26, K27)	
4	122239-99-K28	EA	VALANCE/DOOR - W/O PADDLE LATCH/HINGE - 23.7" X 48.7"		10	122239-85-K28	EA	VALANCE/DOOR - W/O PADDLE LATCH/HINGE - 23.7" X 34.1"	
5	052009-06-000	EA	DOOR - WATER HEATER - BRIGHT WHITE - 18" X 14.6"		11	126945-08-K28	EA	DOOR/STORAGE - W/O HARDWARE - 18" X 8.3"	
5	116424-01-000	EA	PROTECTOR - LATCH - WATER HEATER		12	084103-08-000	EA	DOOR - VENT/REFRIGERATOR - W/O JAMB - BRIGHT WHITE	
6	122239-98-K28	EA	VALANCE/DOOR - W/O PADDLE LATCH/HINGE - 23.7" X 58.2"		12	084104-08-000	EA	JAMB - VENT DOOR/REFRIGERATOR - BRIGHT WHITE	
7	125581-05-01A	EA	DOOR - DRIVER - NON-POWER		12	084104-01-700	EA	LOCK - MALE - FASTENER	201-721-010
8	122239-90-K28	EA	VALANCE/DOOR - W/O PADDLE LATCH/HINGE - 23.7" X 63.6"		12	084104-01-701	EA	LOCK - FEMALE - FASTENER	201-802-010
					13	122391-67-K28	EA	VALANCE/DOOR - PASSENGER W/O PADDLE LATCH - 23.7" X 38.6" X 22.5"	
					14	122391-69-K28	EA	VALANCE/DOOR - PASSENGER W/O PADDLE LATCH - 22.4" X 38.6" X 20.6"	
					15	081240-20-000	EA	FILL - WATER - LOCKABLE - W/O LOCK - BRIGHT WHITE	

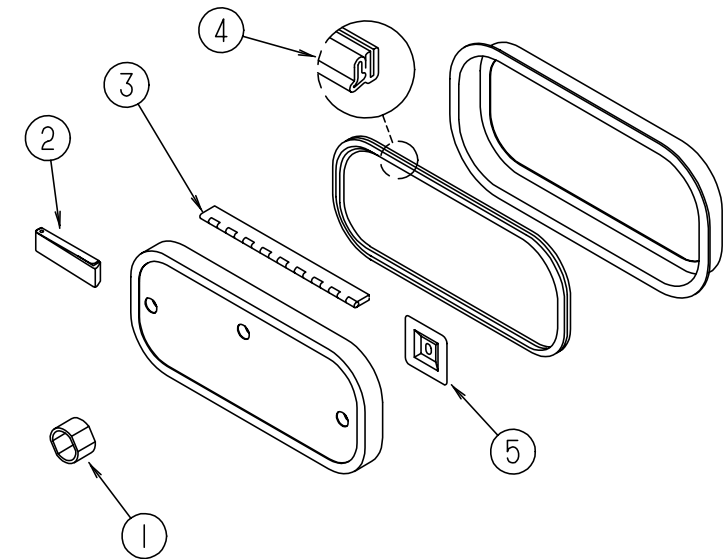
WINDOW, VENT & EXTERIOR DOOR GROUP (CONTINUED)



EXTERIOR COMPARTMENT DOORS & COMPONENTS

KEY	PART NUMBER	U/M	DESCRIPTION
1	121755-01-04A	EA	HINGE - 6.00 INCH
2	112949-02-05A	EA	LATCH - PADDLE NON-LOCKING - BLACK
2	P29686-01-700	EA	LATCH/PADDLE - F/COMP DOORS W/CYLINDER
3	122277-02-01A	EA	COVER - LATCH - BLACK
4	123892-12-02B	EA	CORNER STABILIZER W/BALL STUD - LEFT HAND - E-COATED
5	107796-20-000	EA	SPRING/GAS - 7" COMPRESSED/10" EXTENDED - 60 LB
6	126263-02-02B	EA	BRACKET - GAS SPRING
7	121947-01-01A	EA	BOLT - SLIDE W/PLASTIC PLUNGER
8	107721-07-000	FT	SEAL - ACCESS DOOR
9	122269-16-000	EA	ROD - LATCH - 8.96"
9	122269-66-000	EA	ROD - LATCH - 9.32"
9	122269-17-000	EA	ROD - LATCH - 11.57"
9	122269-07-000	EA	ROD - LATCH - 16.63"
9	122269-44-000	EA	ROD - LATCH - 21.39"
9	122269-06-000	EA	ROD - LATCH - 24.07"
10	122268-16-000	EA	ROD - LATCH - 8.96"
10	122268-66-000	EA	ROD - LATCH - 9.32"
10	122268-17-000	EA	ROD - LATCH - 11.57"
10	122268-07-000	EA	ROD - LATCH - 16.63"
10	122268-44-000	EA	ROD - LATCH - 21.39"
10	122268-06-000	EA	ROD - LATCH - 24.07"
11	122613-55-007	EA	EXTRUDED - ROCKER PANEL - 192" - BLACK
	122612-55-007	EA	U CHANNEL - EXTRUSION - BLACK
	122614-55-007	EA	EXTRUDED - H CHANNEL - 191" - BLACK
12	123783-01-01A	EA	STRIKER - DOOR - MILL
			FROM: 00-00-00 THRU: 12-13-98
12	130053-01-01A	EA	STRIKER - LUGGAGE DOOR
			FROM: 12-14-98 THRU: 99-99-99
13	123892-10-02B	EA	CORNER STABILIZER W/BALL STUD - RIGHT HAND - E-COATED

WINDOW, VENT & EXTERIOR DOOR GROUP (CONTINUED)



ENTERTAINMENT CENTER DOORS & COMPONENTS

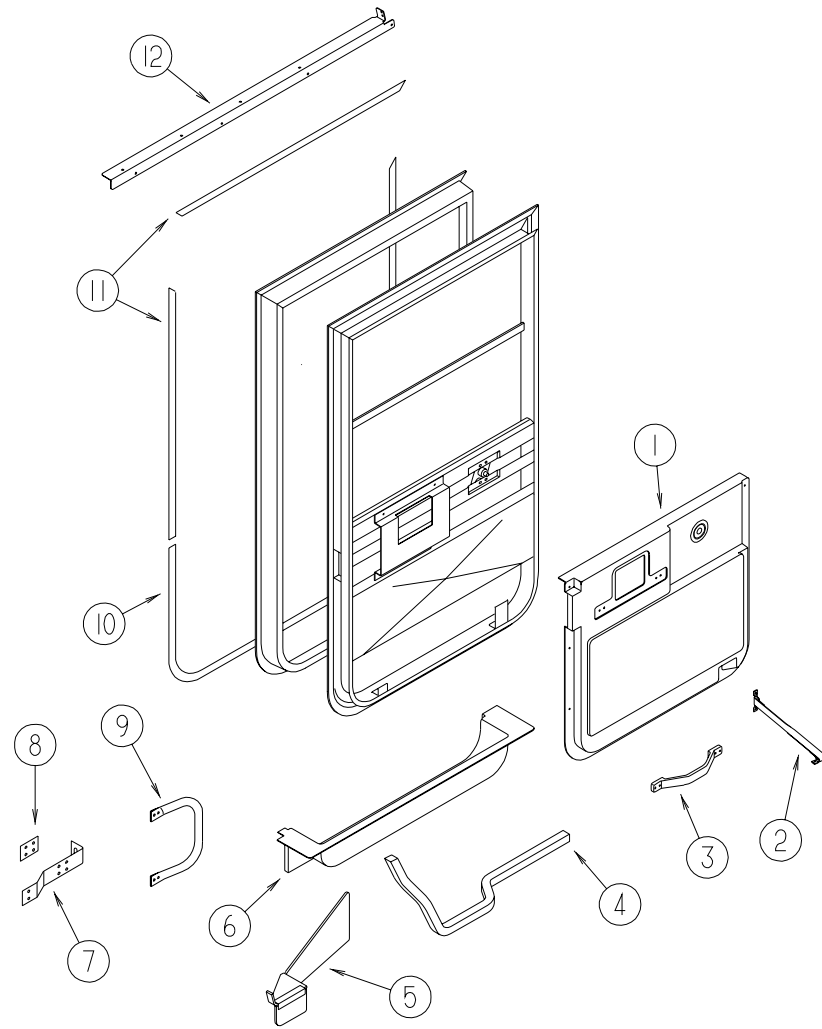
KEY	PART NUMBER	U/M	DESCRIPTION
1	107997-51-001	EA	SPACER - DOOR LOCK - .6" DEEP
	107997-51-002	EA	EXTRUDED - SPACER - 16'
2	102768-01-000	EA	HOLDER - COMPARTMENT/ ENTRY DOOR - METAL - MILL FINISH
3	081801-V3-000	EA	HINGE - ALUMINUM - 2" X 8' - BRIGHT WHITE
4	106850-02-000	FT	SEAL-E - SPONGE RUBBER - .43" X .75"
5	097111-01-04A	EA	POCKET - LOCK - VALANCE

COMPARTMENT & DRIVER DOOR KEYS

KEY	PART NUMBER	U/M	DESCRIPTION
	129676-01-000	EA	KEY - T/M 14472-07-1431
	129676-02-000	EA	KEY - T/M 14472-07-1432
	129676-03-000	EA	KEY - T/M 14472-07-1443
	129676-04-000	EA	KEY - T/M 14472-07-1434
	129676-05-000	EA	KEY - T/M 14472-07-1435
	129676-06-000	EA	KEY - T/M 14472-07-1436
	129676-07-000	EA	KEY - T/M 14472-07-1437
	129676-08-000	EA	KEY - T/M 14472-07-1438
	129676-09-000	EA	KEY - T/M 14472-07-1439
	129676-10-000	EA	KEY - T/M 14472-07-1440

WINDOW, VENT & EXTERIOR DOOR GROUP (CONTINUED)

DRIVER DOOR INTERIOR COMPONENTS

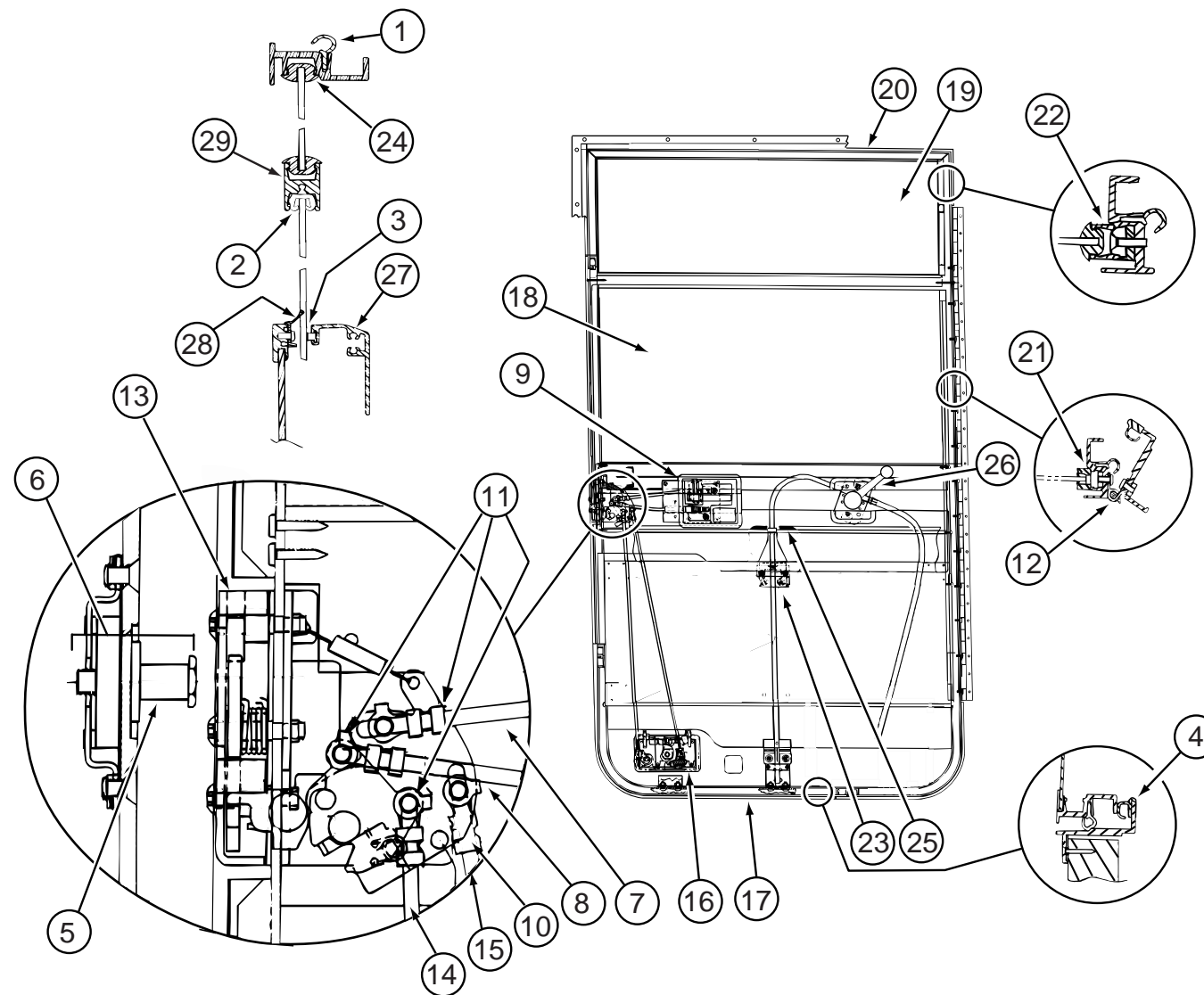


KEY	PART NUMBER	U/M	DESCRIPTION
1	125899-03-02A	EA	PANEL - CAB DOOR - INNER/DRIVER - ANTELOPE
2	109378-01-000	EA	STRAP - CHECK - DRIVER DOOR - 12.8"
3	110604-01-01A	EA	HANDLE - ASSIST - DRIVER DOOR - 10.8" LONG - BLACK
4	063977-14-000	EA	STEP - DRIVER DOOR - LEFT HAND
5	128255-01-04B	EA	STEP - DRIVER DOOR - BLACK
6	107818-03-03A	EA	TRIM - STEP - DRIVERS DOOR - ANTELOPE
	102569-02-000	EA	MAT - ANTI SLIP - LOWER
7	126506-01-02B	EA	BRACKET - STRIKE - DRIVER DOOR - E-COATED
8	126534-01-02B	EA	SPACER - STRIKE - DRIVER DOOR - E-COATED

KEY	PART NUMBER	U/M	DESCRIPTION
9	108832-02-01A	EA	HANDLE - ASSIST - DRIVER DOOR
	126701-01-03A	EA	COVER - ASSIST HANDLE - OFF WHITE
10	109235-01-05A	FT	COVER - SCREW - BRIGHT WHITE
11	109235-01-01A	FT	COVER - SCREW - MAT BLACK
12	125804-02-02B	EA	ANGLE - DOOR SUPPORT - E-COATED
	125725-01-01A	EA	FRAME - DRIVER DOOR - 33.5" - BLACK
	125725-03-01A	EA	FRAME - DRIVER DOOR - 27.8" - BLACK
	125725-07-01A	EA	FRAME - DRIVER DOOR - 53.26" - BLACK
	125725-08-01A	EA	FRAME - DRIVER DOOR - 21.38" - BLACK
	P01713-01-000	EA	SWITCH - PUSH BUTTON - IN DOOR JAMB - METAL CHROME

WINDOW, VENT & EXTERIOR DOOR GROUP (CONTINUED)

DRIVER DOOR



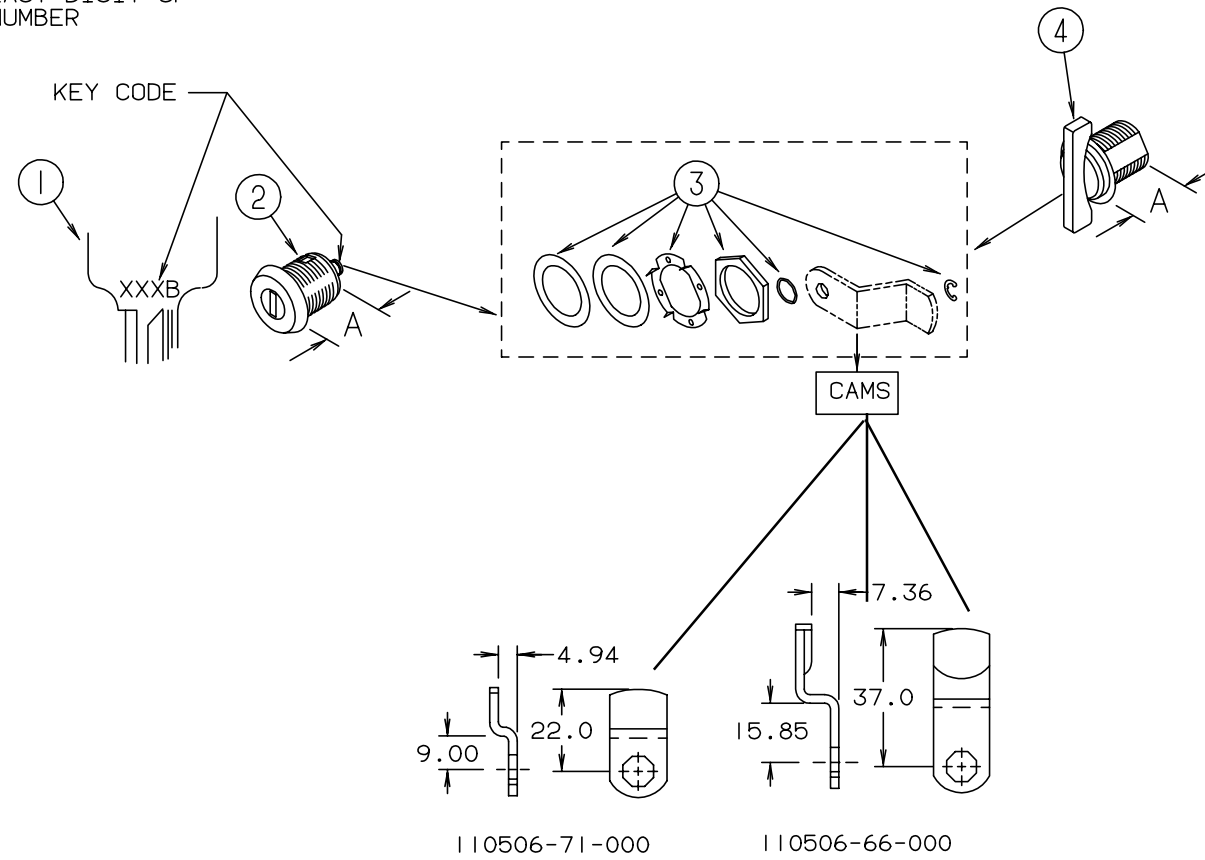
KEY	PART NUMBER	U/M DESCRIPTION	VENDOR NO.
	125581-05-01A	EA DOOR - DRIVER - NON-POWER WINDOW/LOCK	
1	106469-01-702	EA DOOR SEAL	122-040984
2	106469-01-705	FT CHANNEL - RUN - SLIDING	122-010850
3	106469-01-709	FT WEATHERSTRIP - FUZZY	171-040630
4	106469-01-723	EA SEAL - BULB ASM. (JAMB)	171-040985
5	106469-04-703	EA BOLT - STRIKER (W/ WASHER)	248-041152
6	106469-04-704	EA NUT ASSEMBLY - CAGED - W/STRIKER	248-041151
7	106469-04-705	EA LATCH ROD - HORIZONTAL	203-041139
8	106469-04-711	EA LOCK ROD - HORIZONTAL	203-041137
9	106469-04-712	EA HANDLE/DOOR - INNER W/HARDWARE	248-041402
10	106469-04-713	EA ROD CLIP L.H.	248-041154
11	106469-04-714	EA ROD CLIP R.H.	248-041153
12	106469-05-702	EA HINGE - 42"	211-041194
13	106469-05-706	EA LATCH - ROTARY - W/LINKAGE	248-041150
	125581-07-703	EA BRACKET-ALUMINUM "L" (INSIDE)	N135-55
	125581-07-704	EA BRACKET - STRAP/JAMB & DOOR	248-080394
	125581-07-705	EA BRACKET (L) F/SEAL PROTECT	490201

KEY	PART NUMBER	U/M DESCRIPTION	VENDOR NO.
14	125581-04-700	EA ROD - LATCH/VERTICAL ADJUST.	203041767
15	125581-04-701	EA ROD - LOCK/VERTICAL ADJUST.	203-041768
16	125581-03-704	EA PADDLE - W/O LOCK/RH - KEY 1	TRI/MARK #14312-02
17	125581-04-703	EA FRAME - MOUNTING - BLACK	V180-35L
18	125581-04-704	EA GLASS - ROLL-UP	106-041821
19	125581-04-705	EA GLASS - STATIONARY	106-041547
20	125581-04-706	EA FRAME - DOOR - SUB-ASSEMBLY	V180-94L
21	125581-04-707	EA CHANNEL - ROLL UP GLASS	V156-60
22	125581-04-708	EA CHANNEL - STATIONARY GLASS	V156-61
23	125581-04-709	EA REGULATOR - MANUAL	410-08389
24	125581-04-710	EA VINYL - GLAZING	132-041484
25	125581-04-711	EA CHANNEL- GLASS	N135-66
26	125581-05-702	EA HANDLE - REGULATOR	182-041785
27		CONTACT WINNEBAGO PART SALES FOR THIS COMPONENT	
	106469-04-716	EA LEVER - LOCKING - BLACK	80978-00
28	125581-03-703	EA WEATHERSTRIP - BELTING	410-08389
29	125581-03-700	EA MULLION RAIL - BLACK	V123-84
	125581-05-700	EA INNER SILL - BLACK	V130-64L

WINDOW, VENT & EXTERIOR DOOR GROUP (CONTINUED)

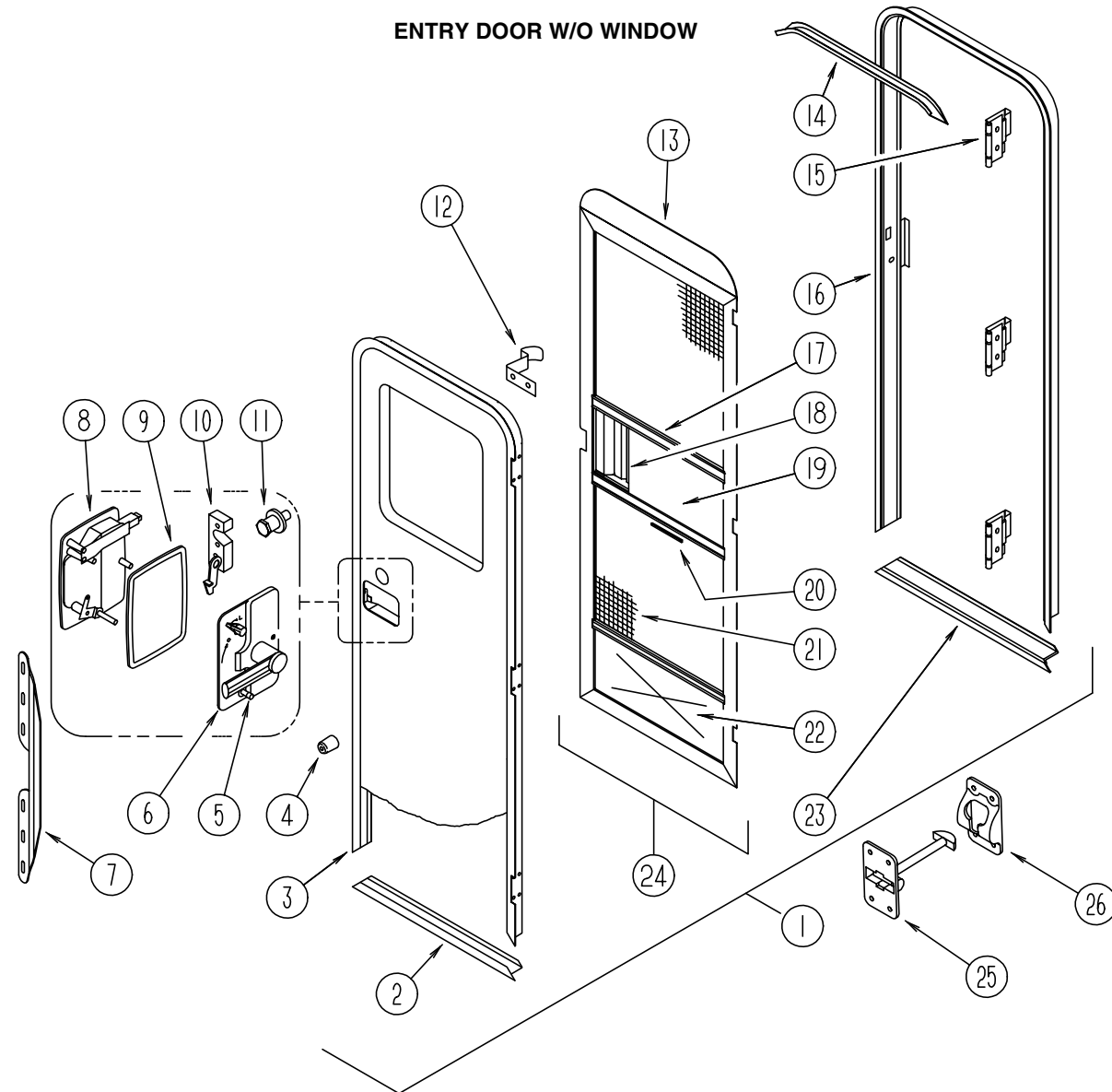
NOTE:
 WHEN ORDERING THE LOCK CASE, THE KEY CODE MUST MATCH THE LAST DIGIT OF THE VEHICLE'S SERIAL NUMBER AND PART NUMBER; WHEN ORDERING THE KEYS, THE THIRD DIGIT OF THE KEY CODE MUST MATCH THE LAST DIGIT OF THE VEHICLE'S SERIAL NUMBER AND PART NUMBER

BRIGGS & STRATTON LOCKS & COMPONENTS



KEY	PART NUMBER	U/M	DESCRIPTION	VENDOR NO.	KEY	PART NUMBER	U/M	DESCRIPTION	VENDOR NO.
1	110506-59-000	EA	KEYS - SET OF TWO	596720	1	110506-59-006	EA	KEYS - SET OF TWO	596726
2	110506-52-000	EA	CASE - LOCK - A= .65"	702370	2	110506-52-006	EA	CASE - LOCK - A= .65"	702376
2	110506-53-000	EA	CASE - LOCK - A= 1"	702380	2	110506-53-006	EA	CASE - LOCK - A= 1"	702386
2	110506-54-000	EA	CASE - LOCK - A= 1.25"	703170	2	110506-54-006	EA	CASE - LOCK - A= 1.25"	703176
1	110506-59-001	EA	KEYS - SET OF TWO	596721	1	110506-59-007	EA	KEYS - SET OF TWO	596727
2	110506-52-001	EA	CASE - LOCK - A= .65"	702371	2	110506-52-007	EA	CASE - LOCK - A= .65"	702377
2	110506-53-001	EA	CASE - LOCK - A= 1"	702381	2	110506-53-007	EA	CASE - LOCK - A= 1"	702387
2	110506-54-001	EA	CASE - LOCK - A= 1.25"	703171	2	110506-54-007	EA	CASE - LOCK - A= 1.25"	703177
1	110506-59-002	EA	KEYS - SET OF TWO	596722	1	110506-59-008	EA	KEYS - SET OF TWO	596728
2	110506-52-002	EA	CASE - LOCK - A= .65"	702372	2	110506-52-008	EA	CASE - LOCK - A= .65"	702378
2	110506-53-002	EA	CASE - LOCK - A= 1"	702382	2	110506-53-008	EA	CASE - LOCK - A= 1"	702388
2	110506-54-002	EA	CASE - LOCK - A= 1.25"	703172	2	110506-54-008	EA	CASE - LOCK - A= 1.25"	703178
1	110506-59-003	EA	KEYS - SET OF TWO	596723	1	110506-59-009	EA	KEYS - SET OF TWO	596729
2	110506-52-003	EA	CASE - LOCK - A= .65"	702373	2	110506-52-009	EA	CASE - LOCK - A= .65"	702379
2	110506-53-003	EA	CASE - LOCK - A= 1"	702383	2	110506-53-009	EA	CASE - LOCK - A= 1"	702389
2	110506-54-003	EA	CASE - LOCK - A= 1.25"	703173	2	110506-54-009	EA	CASE - LOCK - A= 1.25"	703179
1	110506-59-004	EA	KEYS - SET OF TWO	596724	3	110506-40-700	EA	HARDWARE KIT	
2	110506-52-004	EA	CASE - LOCK - A= .65"	702374	4	110506-50-000	EA	CASE - TWIST LOCK - A= .65"	596952
2	110506-53-004	EA	CASE - LOCK - A= 1"	702384	4	110506-51-000	EA	CASE - TWIST LOCK - A= 1"	596669
2	110506-54-004	EA	CASE - LOCK - A= 1.25"	703174	4	110506-55-000	EA	CASE - TWIST LOCK - A= 1.25"	597312AA1
1	110506-59-005	EA	KEYS - SET OF TWO	596725		110506-40-000	EA	CLIP-E - LOCK ASM.	93981
2	110506-52-005	EA	CASE - LOCK - A= .65"	702375		110506-64-000	EA	CAM - LOCK	322280
2	110506-53-005	EA	CASE - LOCK - A= 1"	702385		110506-68-000	EA	CAM - LOCK	322284
2	110506-54-005	EA	CASE - LOCK - A= 1.25"	703175		110506-71-000	EA	CAM - LOCK	322287
						110506-59-701	EA	KEY BLANK - GOLD	
						130444-01-01A	EA	CAP - KEY IDENTIFIER - GRAY	

WINDOW, VENT & EXTERIOR DOOR GROUP (CONTINUED)

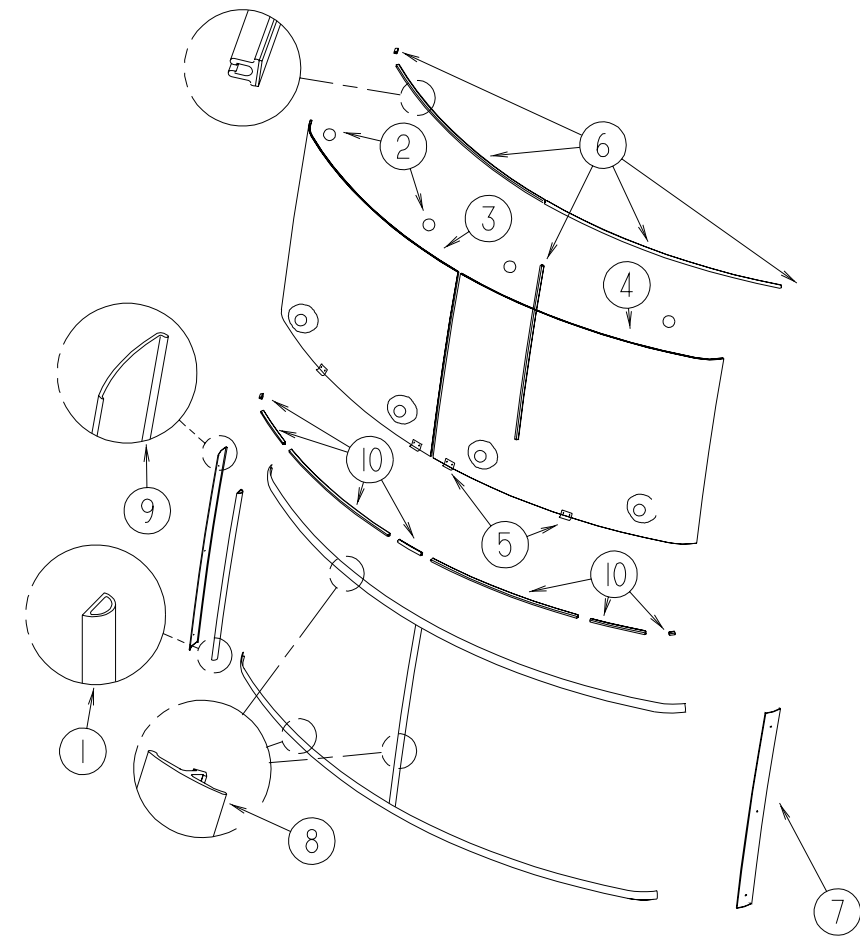
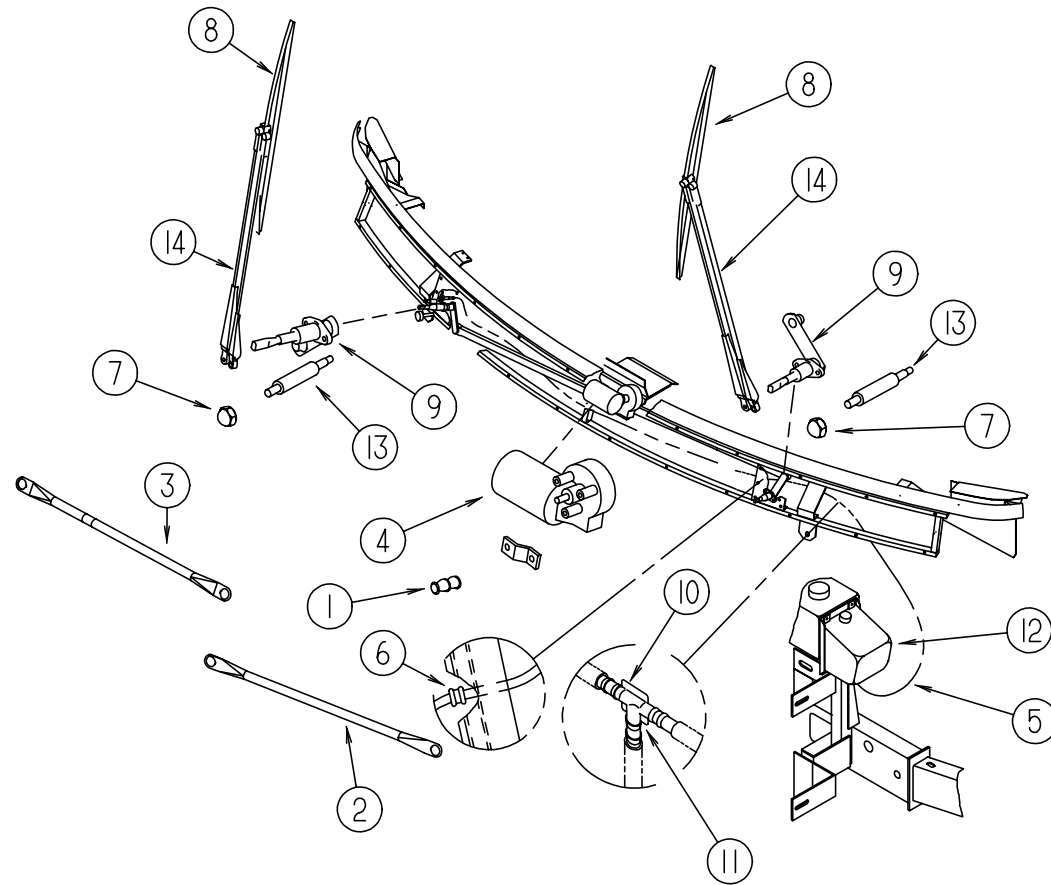


KEY	PART NUMBER	U/M	DESCRIPTION
1	115108-17-K58	EA	DOOR - ENTRY - W/SCREEN DOOR - W/O WINDOW (K58, K59)
1	115108-17-K62	EA	DOOR - ENTRY - W/SCREEN DOOR - W/O WINDOW (K62, K63)
1	115108-17-K60	EA	DOOR - ENTRY - W/SCREEN DOOR - W/O WINDOW (K64, K65)
1	115108-17-K33	EA	DOOR - ENTRY - W/SCREEN DOOR - W/O WINDOW (K26, K27)
2	121893-01-01A	EA	FRAME - DOOR - ENTRANCE - BOTTOM - BRIGHT WHITE
3	121894-09-02A	EA	FRAME - DOOR - ENTRANCE
4	120863-02-000	EA	BUMPER - RUBBER - 1" DIAMETER X 1.50"
5	112782-05-01A	EA	CAP - VINYL - RED
6	112782-02-01A	EA	LATCH - INTERIOR PLATE
7	098173-01-04A	EA	STIFFENER - ENTRY DOOR - SUPPORTS LATCH/ STRIKE AREA - UNPAINTED
8	112782-07-01A	EA	LATCH - EXTERIOR - W/O MAIN CYLINDER W/DEADBOLT LOCK/KEY
9	112782-04-01A	EA	GASKET
10	112782-03-01A	EA	LATCH - SINGLE ROTOR
11	092927-03-000	EA	STRIKER - ROUND - JAMB MOUNTED
	077461-03-000	EA	COVER - STRIKE - ENTRY DOOR - 6.5" X 2.5" - WHITE PLASTIC
	039715-01-000	EA	NUT-SERT - 1/4" DIAMETER - 20 THREADS (ENTRANCE DOOR HINGE)
	041546-08-000	EA	BRACKET - DOOR ANGLE - OFF WHITE
	075671-04-000	FT	SEAL - SPONGE - LAZY T SHAPE - W/ ADHESIVE STRIP - .5" WIDE
12	100412-01-000	EA	CATCH - SCREEN DOOR
13	078595-01-000	EA	TOP PLATE - SCREEN DOOR - CURVED TOP - 4.7" X 25.35"

KEY	PART NUMBER	U/M	DESCRIPTION
14	044582-44-000	EA	CAP - DRIP - ENTRY DOOR - ALUMINUM - BRIGHT WHITE
15	106719-01-05A	EA	HINGE - ENTRANCE DOOR - BRIGHT WHITE
	076725-02-000	EA	COVER - HINGE - ENTRY DOOR - 6" X 3.2" - OFF WHITE
	102248-01-000	EA	SHIM - DOOR
	116111-02-01A	EA	SCREW - TAPTITE - 1/4-20 X 3/8 PPH - ZINC
	118929-01-01A	FT	SEAL - PILE - PUSH ON
16	121898-07-02A	EA	JAMB - DOOR - ENTRANCE
17	078777-08-000	FT	CHANNEL SLIDER
18	079086-03-000	EA	SLIDER - SCREEN DOOR - BRIGHT WHITE
19	001014-01-013	EA	INSERT - CENTER - 10.25" X 16.31" - UNPAINTED
20	002294-01-000	FT	SPLINE - SCREENING - .135" X .138"
21	002293-02-000	SF	SCREENING - WINDOW/ DOOR - 26"
	075673-01-000	FT	SEAL - PILE - ADHESIVE BACK - GRAY
22	078552-03-000	EA	KICK PANEL - SCREEN DOOR - LOWER INSERT - UNPAINTED
	078595-01-000	EA	TOP PLATE - SCREEN DOOR - CURVED TOP - 4.7" X 25.35"
23	051049-01-000	EA	JAMB - BOTTOM - ENTRY DOOR - 25.9" - UNPAINTED
24	117077-02-J70	EA	DOOR - SCREEN
25	104099-01-04A	EA	CATCH - DOOR HOLDER - STRIKE - BRIGHT WHITE
26	104099-02-04A	EA	CATCH - DOOR HOLDER - RETAINER - BRIGHT WHITE
	115222-02-01A	EA	GARNISH - RADIUS - ENTRY DOOR
	009126-03-000	EA	HANDLE - ASSIST - BLACK TEXTURED
	120863-06-000	EA	BUMPER - RUBBER - 3/4" X 3/8"

WINDSHIELD & WIPER GROUP

WINDSHIELD & WIPER GROUP (CONTINUED)



WINDSHIELD WIPER ASM

WINDSHIELD MOLDINGS & GLASS

KEY	PART NUMBER	U/M DESCRIPTION	VENDOR NO.
1	067188-01-000	EA STUD - CRANK - WIPER MOTOR	
	117322-01-000	EA SCREW - 1/4-28 UNFINISHED - 2A - TORX	
2	117770-01-000	EA LINK - CONNECTING - 24" - CLOSED GROMMET/OPEN GROMMET	
3	117770-02-000	EA LINK - CONNECTING - 24" - CLOSED GROMMET/CLOSED GROMMET	
4	104346-04-000	EA MOTOR - WIPER W/INTERNAL BREAKER (GM)	
4	104346-05-000	EA MOTOR - WIPER W/INTERNAL BREAKER - DYNAMIC PARK (FORD)	
	104347-04-000	EA ARM - DRIVE - WIPER MOTOR	
	117322-01-000	EA SCREW - 1/4-28 UNFINISHED - 2A - TORX	
5	045794-01-000	FT HOSE - WASHER - WINDSHIELD - 5/32" ID - BLACK	
6	061603-01-000	EA GROMMET - SNAP - 3/16"ID - 3/8" HOLE - PLASTIC BLACK	
7	077049-02-000	EA NUT - ACORN - 10-32 BLACK/ANODIZED	
8	095964-01-000	EA BLADE - WINDSHIELD WIPER - 24"	
	095964-01-700	EA BLADE - REFILL 24" EA = 1 PAIR	12360
9	096505-09-000	EA SHAFT/PIVOT - WINDSHIELD WIPER	
	096505-02-700	EA DRIVER - KNURLED,(HD) BRL .687	NT721017
	096505-02-701	EA NUT - HEX (HD) W/.687 BARREL	NT721021
	096505-02-702	EA CAP - RUBBER (HD) BARREL .687	CP721084
	096505-02-703	EA CAP - NUT(ACORN) HD W/.687 BRL	51065-40-NT27WC
10	110605-01-000	EA TEE - PLASTIC - BARBED - 1/8" X 1/8" X 3/16"	
11	117765-03-000	EA CONNECTOR - 5/32" - WINDSHIELD WASHER	
12	117766-02-000	EA RESERVOIR/PUMP - WINDSHIELD WASHER	
13	117768-01-000	EA SHAFT - ADAPTER - PANTOGRAPH ARM	
14	117769-01-000	EA ARM - WIPER - PANTOGRAPH - 28"	
	110742-02-000	EA GASKET - WIPER	
	096931-01-700	FT HOSE - WIPER	XTU-66-0001

KEY	PART NUMBER	U/M DESCRIPTION
1	099418-01-000	FT SEAL - D-SECTION/ADHESIVE BACK - .44" X .44"- BLK RUBBER
2	081914-01-000	EA BUMPER - RUBBER - ROUND - .43" DIAMETER
3	124328-01-000	EA WINDSHIELD - PASSENGER - 51.5" X 44.3" (CURVED)
4	124328-02-000	EA WINDSHIELD - DRIVER - 51.5" X 44.3" (CURVED)
5	002328-02-000	EA BLOCK - WINDSHIELD - .062" X .5" X .98"
6	127862-01-000	EA CARRIER - REVEAL - WINDSHIELD - 47.2"
7	125384-04-02A	EA TRIM - WINDSHIELD - A-PILLAR - DRIVER - BLACK
7	125384-04-01A	EA TRIM - WINDSHIELD - A-PILLAR - DRIVER - MILL
8	120533-01-000	FT MOLDING - REVEAL - WINDSHIELD
9	125384-03-02A	EA TRIM - WINDSHIELD - A-PILLAR - PASSENGER - BLACK
9	125384-03-01A	EA TRIM - WINDSHIELD - A-PILLAR - PASSENGER - MILL
10	117335-01-000	EA CARRIER/REVEAL - 94.6" W/ADHESIVE BACKING