

**1999**

**ICF32T**

**K50**

**MINK (TAUPE)**

**K51**

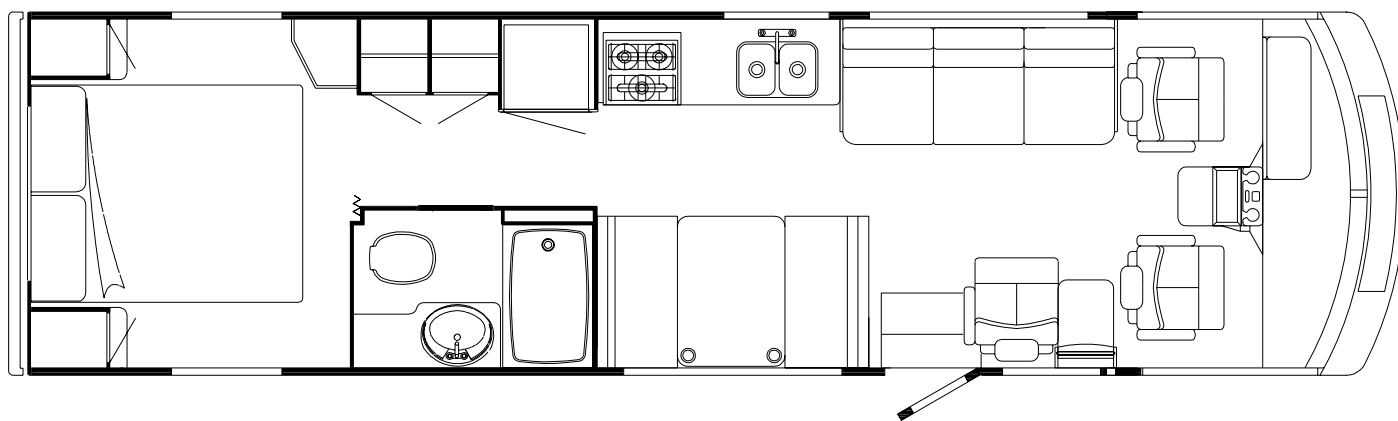
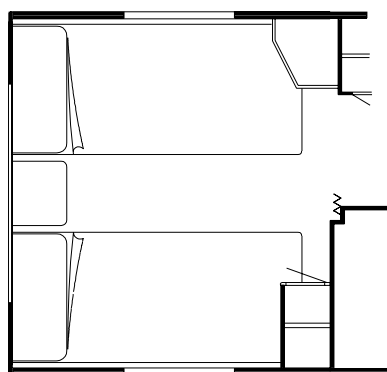
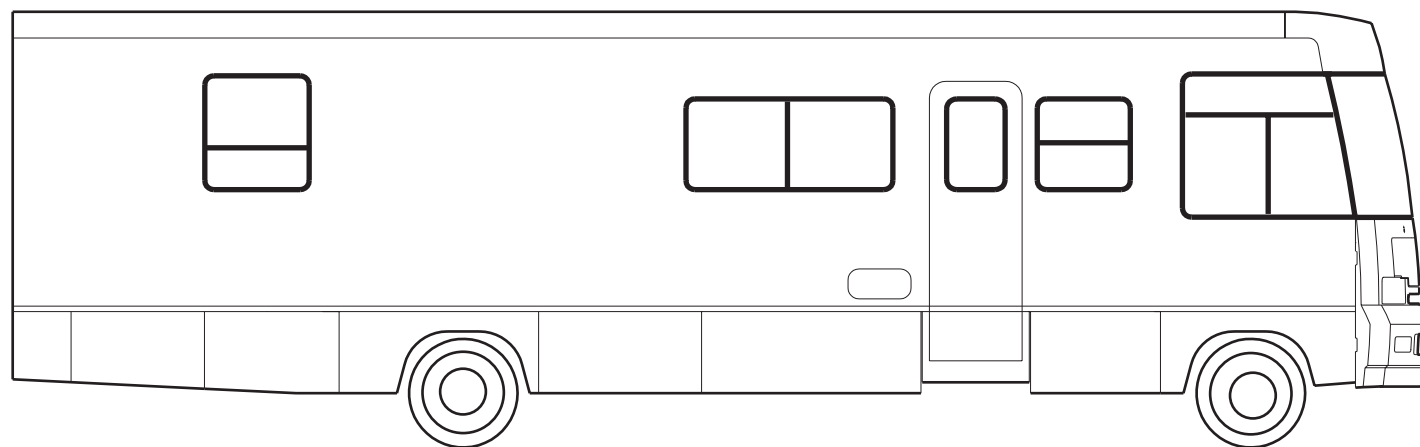
**ASPEN (GREEN)**

**K52**

**PRISM (BLUE)**

**K53**

**TUMBLEWEED (SAND)**



**ACCESSORIES GROUP  
OPERATOR MANUAL**

KEY	PART NUMBER	U/M DESCRIPTION
	054185-K4-000	EA MANUAL - OPERATOR 99 SUNRISE
	129079-01-01A	EA CASE - VINYL/BLACK-EXPANDABLE ACCORDION SIDES-7"WX9"HX14"L
	128992-01-000	DW TOP LEVEL-F, 1999

**AUDIO VIDEO GROUP  
PATIO ENTERTAINMENT CENTER**

KEY	PART NUMBER	U/M DESCRIPTION
	076319-09-000	EA WALLPLATE - CABLE RECEPTACLE - TV - SINGLE - BROWN
	108847-01-000	EA BRACKET - ANTENNA GROUND
	109889-04-000	EA EXTENDER - ANTENNA SHAFT - 3"
	110469-01-000	EA SPEAKER - 4" X 6" OVAL - COAXIAL
	110470-01-01A	EA GRILLE - 4" X 6" OVAL - BLACK
	125322-02-000	EA RADIO - AM/FM STEREO - CASSETTE - AUDIOVOX

**RADIO SYSTEM & ANTENNA**

KEY	PART NUMBER	U/M DESCRIPTION	VENDOR NO.
	127516-03-000	EA RADIO - AM/FM STEREO - CD PLAYER - PANASONIC	
	127516-03-700	EA FACE - REMOVABLE	YEP0FX3300
	110267-04-000	EA RADIO - AM/FM STEREO/CD COMPATIBLE - AUDIOVOX	
	077069-02-000	EA CABLE - ANTENNA/EXTENSION - RADIO - 96"	
	090944-01-000	EA ANTENNA - RADIO - 16" RUBBER	
	115916-01-01B	EA BRACKET - ANTENNA MOUNT	
	110469-01-000	EA SPEAKER - 4" X 6" OVAL - COAXIAL	
	110470-01-01A	EA GRILLE - 4" X 6" OVAL - BLACK	
	094097-01-000	EA SPEAKER - RADIO/TV - W/O GRILLE - 5.25" DIAMETER	

**TV, VCR & COMPONENTS**

VKEY	PART NUMBER	U/M DESCRIPTION	VENDOR NO.
	126696-02-000	EA TV - 19" COLOR W/1/8" JACK - UL/CSA - GE19GT319M	FROM: 00-00-00 THRU: 06-09-99 226725/228006
	126696-01-700	EA REMOTE	
	126696-03-000	EA TV - 19" - 7/8" JACK - UL/CSA	FROM: 06-10-99 THRU: 99-99-99
	126697-02-000	EA VCR-VHS - CABLE READY - W/REMOTE - GE VG2042	FROM: 00-00-00 THRU: 04-04-99 238513
	126697-02-700	EA REMOTE	
	126697-03-000	EA VCR-VHS - CABLE READY - REMOTE - GE V62051	FROM: 04-05-99 THRU: 99-99-99
	086757-03-000	EA CONTROL CENTER - SWITCH - VCR/TV	FROM: 00-00-00 THRU: 11-08-98
	086757-04-000	EA CONTROL CENTER - SWITCH - VCR/TV - 5 INPUTS	FROM: 11-09-98 THRU: 99-99-99
	086777-06-000	EA WALLPLATE - TV CABLE - ANTENNA BOOSTER/1 OUTPUT - BROWN	
	093253-01-01A	EA PLATE - WALL - TELEPHONE - BEIGE	
	093214-01-02A	EA GRILLE - SPEAKER - 4" BROWN	
	098819-01-000	EA SPEAKER - 4" - 2 WATT - 8 OHM	
	076319-08-000	EA WALLPLATE - CABLE RECEPTACLE - TV - SINGLE - IVORY	
	086777-02-000	EA WALLPLATE - TV CABLE - W/ANTENNA SWITCH - BROWN	
	093901-03-000	EA PLATE - TV COAX - EXTERIOR - 1.8" X 2.5"	
	076319-03-000	FT CABLE - COAXIAL - 75 OHM	
	076319-12-000	EA CONNECTOR - COAXIAL - ONE PIECE	
	082134-01-000	EA ADAPTER - TV - CABLE TO CABLE	
	086756-01-000	EA SPLITTER - TV - 2 WAY	
	082136-01-000	EA NUT - HEX JAM - 3/8-32	
	114870-02-000	EA PLUG - .14" AUDIO W/LEADS	

**REAR MONITOR SYSTEM**

KEY	PART NUMBER	U/M DESCRIPTION
	126838-01-000	EA MONITOR/CAMERA - REAR VIEW 7"
	126838-01-700	EA MONITOR - 7" VIDEOMAN
	126838-01-701	EA CAMERA VIDEOMAN
	126838-03-000	EA CABLE - MONITOR/CAMERA
	108885-02-000	EA WIRE - REAR MONITOR(W/3 PIN HOUSING F/FUSE BLOCK) CHEVY

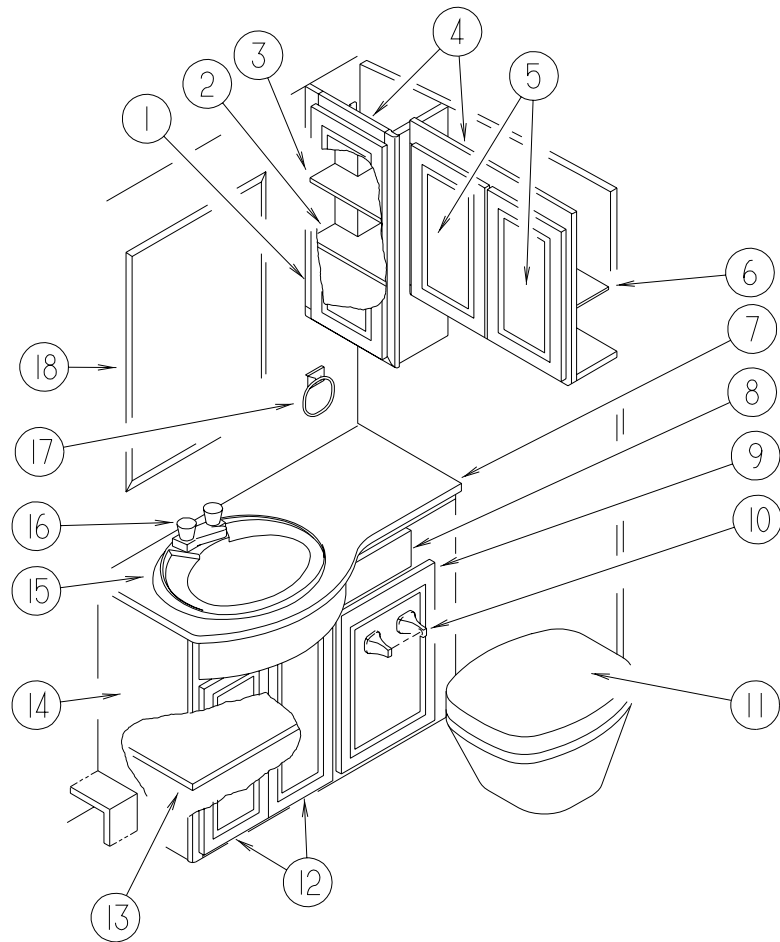
**WINEGARD TV ANTENNA**

KEY	PART NUMBER	U/M DESCRIPTION
*	076319-23-000	EA ANTENNA - TV ROOF MOUNT - 44.5" MAST
*	076319-25-000	EA KIT - HARDWARE INTERIOR

**\*COMPONENT PARTS FOUND IN SERVICE PARTS LIBRARY**

## BATH GROUP

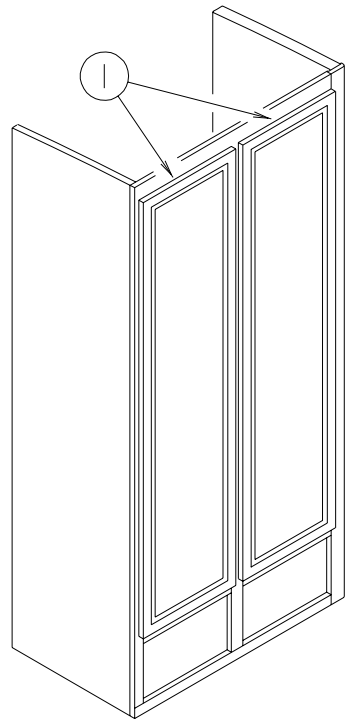
### BATHROOM CABINET & COMPONENTS



KEY	PART NUMBER	U/M	DESCRIPTION	VENDOR NO.
1	132141-14-K20	EA	DOOR - RAIL/VENEER - 15.7" X 27.9" - W/O HARDWARE	
2	116308-14-H17	EA	SHELF - W/PLASTIC EDGE TRIM	
3	116308-15-H17	EA	SHELF - W/PLASTIC EDGE TRIM	
4	116308-01-G15	EA	CABINET - MEDICINE - W/O DOORS/HARDWARE	
	076767-04-000	EA	CABLE - SUPPORT - 5.9" STAINLESS STEEL	
5	132141-68-K20	EA	DOOR - RAIL/VENEER - 11.2" X 19.6" - W/O HARDWARE	
6	116308-16-H17	EA	SHELF - W/PLASTIC EDGE TRIM	
7	125418-13-J24	EA	COUNTERTOP - LAVATORY (K50)	
7	125418-13-J26	EA	COUNTERTOP - LAVATORY (K51,K53)	
7	125418-13-J22	EA	COUNTERTOP - LAVATORY (K52)	
8	M05971-JA-K20	EA	DRAWER - OGEE EDGE - 6.3"W X 9.8"D - W/O SLIDES/HARDWARE	
9	P25417-01-K20	EA	DRAWER - HAMPER - W/O SLIDES/HARDWARE	
10	075452-02-000	EA	HOLDER - TOILET TISSUE - BRASS	
11*	063740-01-000	EA	TOILET - HIGH/HAND FLUSH	
			FROM: 00-00-00 THRU: 01-03-99	
	063740-01-700	EA	LEVER-WATER	12514 THETFORD
	063740-01-701	EA	LEVER-FLUSH	12515 THETFORD
	063740-01-706	EA	BOLT PACKAGE-FLOOR FLANGE	12524 THETFORD
	063740-01-714	EA	VALVE ASM (VALVE-BALL SEAL)	13168
	063740-01-717	EA	TUBE-FLUSH	12509
	063740-01-720	EA	LEVER KIT, WAT-FLUSH-BEARING	24629
	063740-01-721	EA	BLADE ONLY	1248232
	063740-02-700	EA	SEAT & COVER, PARCHMENT	2464157
11*	131932-01-01A	EA	TOILET - AQUA MAGIC 4 - HIGH - HAND FLUSH - IVORY	
			FROM: 01-04-99 THRU: 99-99-99	
	063740-01-700	EA	LEVER-WATER	12514 THETFORD
	063740-01-701	EA	LEVER-FLUSH	12515 THETFORD
	063740-01-706	EA	BOLT PACKAGE-FLOOR FLANGE	12524 THETFORD
	063740-01-714	EA	VALVE ASM (VALVE-BALL SEAL)	13168
	063740-01-717	EA	TUBE-FLUSH	12509
	063740-01-720	EA	LEVER KIT, WAT-FLUSH-BEARING	24629
	063740-01-721	EA	BLADE ONLY	1248232
	063740-02-700	EA	SEAT & COVER, PARCHMENT	2464157
12	131995-N5-K20	EA	DOOR - SOLID PANEL - 11" X 21.8" - W/O HARDWARE	
13	125418-11-J22	EA	SHELF - W/PLASTIC EDGE TRIM	
14	125418-01-K20	EA	CABINET - LAVATORY - W/COUNTERTOP - W/O DOORS/DRAWERS/HDW (K50)	
14	125418-01-J69	EA	CABINET - LAVATORY - W/COUNTERTOP - W/O DOORS/DRAWERS/HDW (K51,K53)	
14	125418-01-K22	EA	CABINET - LAVATORY - W/COUNTERTOP - W/O DOORS/DRAWERS/HDW (K52)	
15	105921-01-01A	EA	SINK - LAVATORY - LARGE/OVAL - 17" X 20" PLASTIC/OFF WHITE	
	106116-01-01A	EA	STRAINER - SINK-W/STOPPER/TAIPIECE/GASKET & NUT - PLASTIC	
16	075240-06-000	EA	FAUCET - LAVATORY/BONE	
	105218-01-01A	EA	SPACER - FAUCET/LAVATORY SINK - 2" X 5.9" - ABS PLASTIC	
	091253-01-000	EA	GASKET - FAUCET - LAVATORY/GALLEY	
17	075454-02-000	EA	RING - TOWEL - W/MOUNTING HARDWARE - BRASS	
18	058331-51-000	EA	MIRROR - SAFETY GLASS - 25.9" X 40"	
18	105004-01-05A	EA	MOLDING - VINYL WRAPPED - 1" X 96" - WATERFORD OAK	

\*COMPONENT PARTS FOUND IN SERVICE PARTS LIBRARY

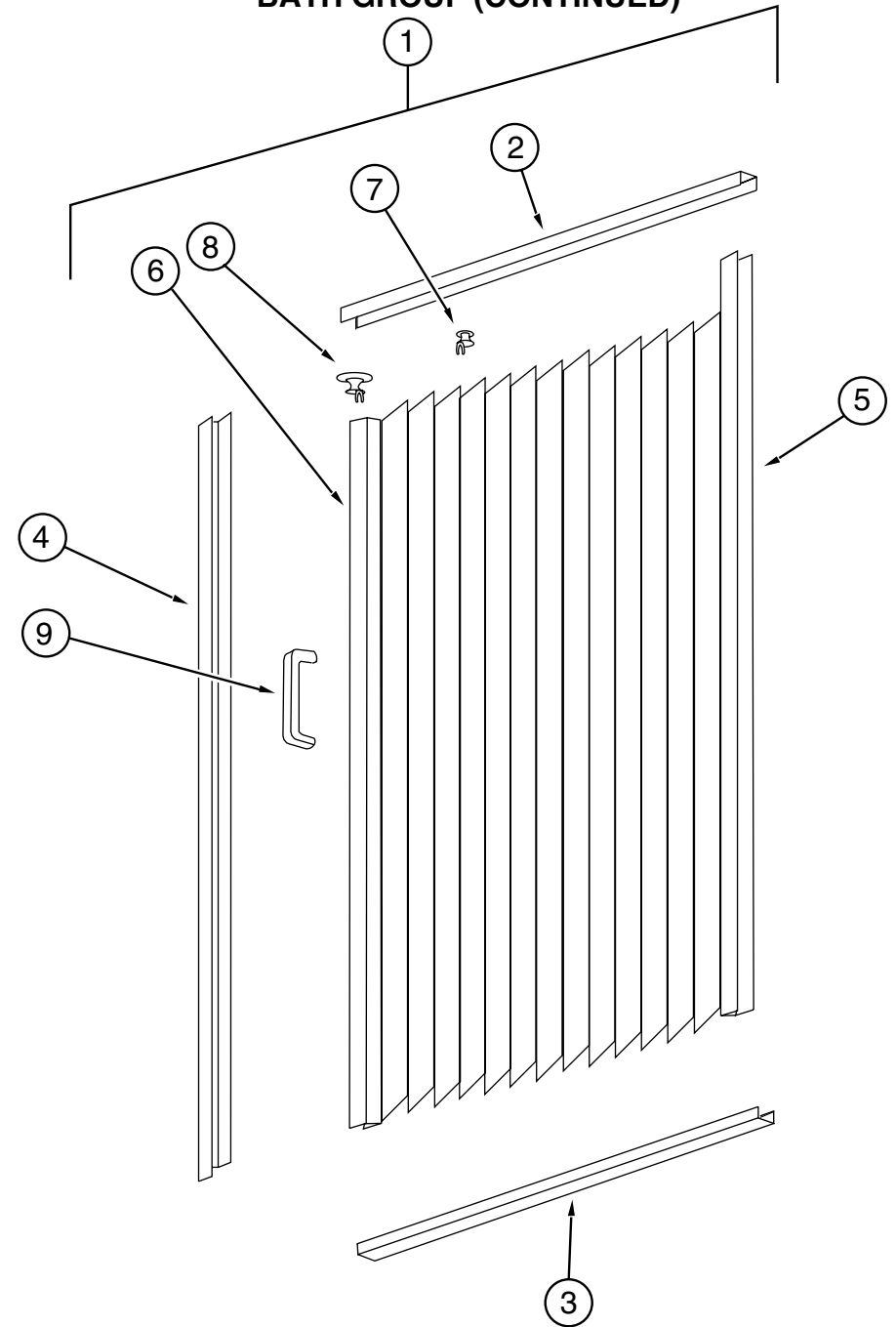
**BATH GROUP (CONTINUED)**



**WARDROBE CABINET**

KEY	PART NUMBER	U/M DESCRIPTION
1	132006-03-K28	EA DOOR - MITERED EDGES - 16.1" X 65.2" - W/O HARDWARE

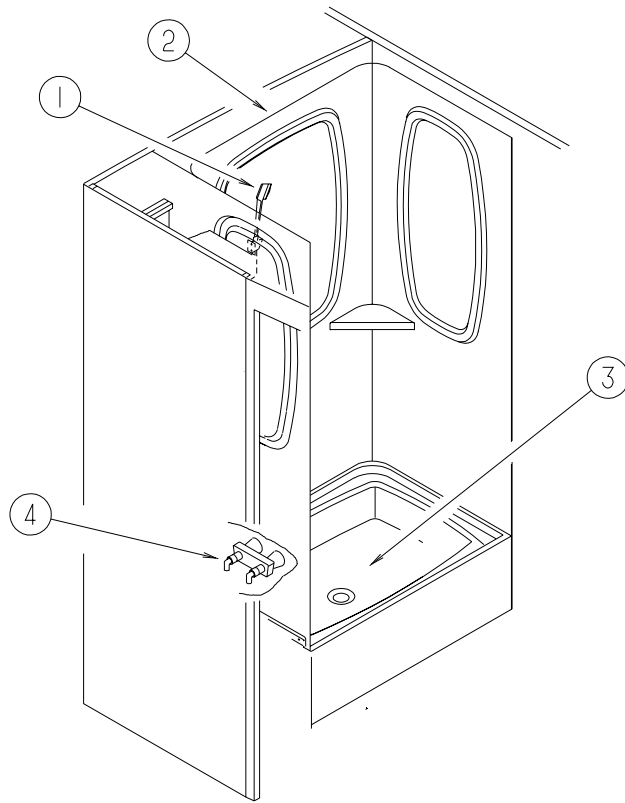
**BATH GROUP (CONTINUED)**



**SHOWER DOOR COMPONENTS**

KEY	PART NUMBER	U/M DESCRIPTION
1	117431-03-01A	EA DOOR - SHOWER PLEATED FABRIC
2	117431-01-700	EA TRACK-TOP, ALUM.IVORY INSERT 48"
3	117431-01-701	EA TRACK-BOTTOM, 48 "
4	117431-01-702	EA RAIL-SIDE, 67"
5	117431-01-703	EA RAIL-STATIONARY, 67"
6	117431-01-704	EA RAIL-LEAD, 67" - W/LATCH
7	117431-01-705	EA GLIDE-IVORY, TRAVELER
8	117431-01-706	EA GLIDE-IVORY LEAD, TRAVELER
9	117431-01-708	EA HANDLE - W/SCREWS
	117431-01-707	EA CATCH - BATH DOOR
	117431-03-700	EA STRAP-VINYL SHOWER

**BATH GROUP (CONTINUED)**



**SHOWER & COMPONENTS**

KEY	PART NUMBER	U/M DESCRIPTION
1	131383-01-01A	EA SHOWER HEAD - W/HOSE & BRACKET - 60" - IVORY
1	131383-02-01A	EA SHOWER HEAD - W/HOSE & BRACKET - 60" - CSA- IVORY
	093527-02-000	EA BRACKET - EXTERIOR SHOWER HEAD/SQUEEGEE FROM: 00-00-00 THRU: 10-27-98
	131732-01-12B	EA BRACKET - SQUEEGEE - BRIGHT WHITE FROM: 10-28-98 THRU: 99-99-99
2	115612-03-01A	EA SURROUND - SHOWER - OFF WHITE
	113714-02-01A	EA RETAINER - SHELF FROM: 00-00-00 THRU: 10-11-98
	113714-04-01A	EA RETAINER - SHELF - SHOWER FROM: 10-12-98 THRU: 99-99-99
3	M02630-28-F11	EA SHOWER PAN - W/STRAINER/TAILPIECE
4	075242-04-000	EA FAUCET - TUB/SHOWER - BONE
	075606-01-000	EA PANEL - PLASTIC - FAUCET BACK - 5" X 9"

**SHOWER SKYLIGHT**

KEY	PART NUMBER	U/M DESCRIPTION
	114496-01-02A	EA PANEL - SKYLIGHT - OUTER - 22" X 37"
	122191-01-02A	EA PANEL - SKYLIGHT - INNER W/LIGHT CUTOUT - 20.7" X 35.4"

**BATH GROUP (CONTINUED)**

**BATH DOOR**

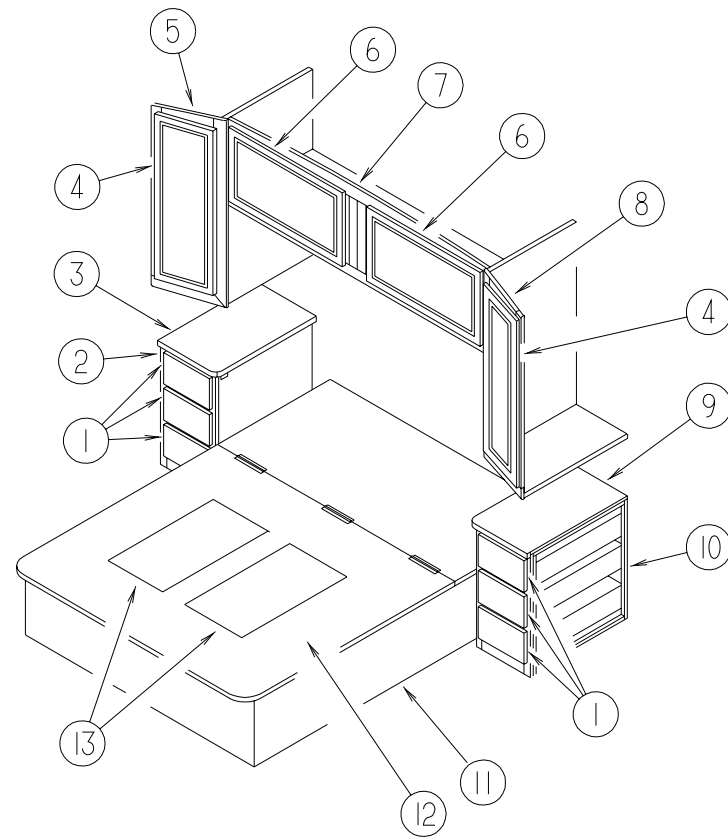
KEY	PART NUMBER	U/M DESCRIPTION
	128967-51-J01	EA RACK - TOWEL/BATH DOOR
	128967-52-J01	EA MOLDING - VINYL WRAPPED
	128967-53-J01	EA MOLDING - VINYL WRAPPED
	100357-01-000	EA ROD - F/TOWEL BAR - BRASS
	128967-08-K07	EA DOOR - BATH
	111155-01-01A	EA LOCK - PRIVACY/LOCKING - POLISHED BRASS FROM: 00-00-00 THRU: 01-03-99
	111155-03-01A	EA LOCK - PRIVACY/LOCKING - POLISHED BRASS FROM: 01-04-99 THRU: 99-99-99
	009059-02-000	EA HINGE - DOOR - 2" X 2.7" - BRASS

**BATHROOM/BEDROOM PRIVACY DOOR & COMPONENTS**

KEY	PART NUMBER	U/M DESCRIPTION	VENDOR NO.
	042488-10-000	EA DOOR - FOLDING - OFF WHITE FABRIC - 37" X 75" FROM: 00-00-00 THRU: 12-27-98	
	042488-10-700	EA LEADRAIL-PREPUNCHED F/HANDLE FROM: 00-00-00 THRU: 12-27-98	DW2100
	080224-01-703	EA HANDLE W/LATCH-CATCH, ALMOND FROM: 00-00-00 THRU: 12-27-98	DE03505
	080224-01-705	EA LATCH & CATCH ASM., ALMOND FROM: 00-00-00 THRU: 12-27-98	DE25010 & DE25020
	094856-09-01A	EA TRACK - FOLDING DOOR - OFF WHITE FROM: 00-00-00 THRU: 12-27-98	
	009700-04-002	EA TRACK/CURTAIN - L SHAPED - 15.5' - OFF WHITE FROM: 00-00-00 THRU: 12-27-98	
	009702-01-000	EA END STOP - CURTAIN CARRIER - L ROD FROM: 00-00-00 THRU: 12-27-98	
	131595-01-01A	EA DOOR - FOLDING - 37" X 75" - W/4 CEILING MOUNTED BRACKETS FROM: 12-28-98 THRU: 01-31-99	
	131595-01-700	EA END STOP ONLY-FABRIC DOOR FROM: 12-28-98 THRU: 01-31-99	
	131595-01-701	EA BRACKET/MOUNTING-FABRIC DOOR FROM: 12-28-98 THRU: 01-31-99	
	131595-01-702	EA TRACK/STRAIGHT-37" FABRIC DR FROM: 12-28-98 THRU: 01-31-99	
	042488-10-000	EA DOOR - FOLDING - OFF WHITE FABRIC - 37" X 75" FROM: 02-01-99 THRU: 03-07-99	
	042488-10-700	EA LEADRAIL-PREPUNCHED F/HANDLE FROM: 02-01-99 THRU: 03-07-99	DW2100
	080224-01-703	EA HANDLE W/LATCH-CATCH, ALMOND FROM: 02-01-99 THRU: 03-07-99	DE03505
	080224-01-705	EA LATCH & CATCH ASM., ALMOND FROM: 02-01-99 THRU: 03-07-99	DE25010 & DE25020
	094856-09-01A	EA TRACK - FOLDING DOOR - OFF WHITE FROM: 02-01-99 THRU: 03-07-99	
	009700-04-002	EA TRACK/CURTAIN - L SHAPED - 15.5' - OFF WHITE FROM: 02-01-99 THRU: 03-07-99	
	009702-01-000	EA END STOP - CURTAIN CARRIER - L ROD FROM: 02-01-99 THRU: 03-07-99	
	131595-01-01A	EA DOOR - FOLDING - 37" X 75" - W/4 CEILING MOUNTED BRACKETS FROM: 03-08-99 THRU: 99-99-99	
	131595-01-700	EA END STOP ONLY-FABRIC DOOR FROM: 03-08-99 THRU: 99-99-99	
	131595-01-701	EA BRACKET/MOUNTING-FABRIC DOOR FROM: 03-08-99 THRU: 99-99-99	
	131595-01-702	EA TRACK/STRAIGHT-37" FABRIC DR FROM: 03-08-99 THRU: 99-99-99	

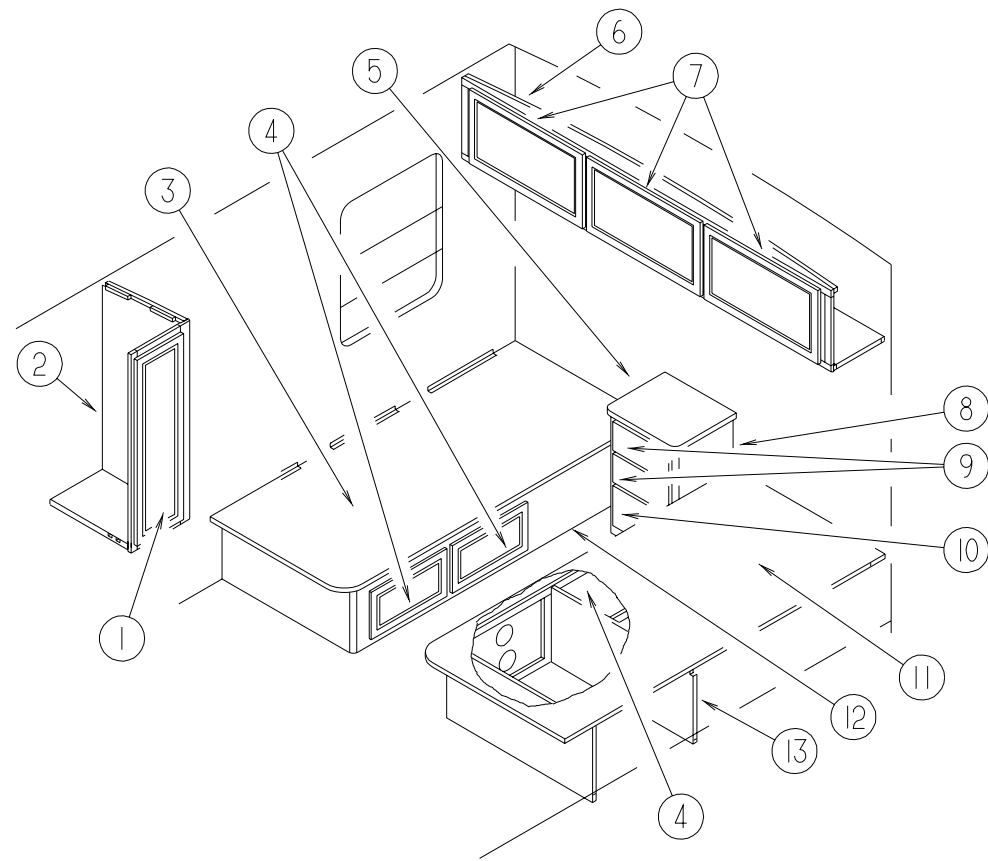
## BEDROOM GROUP

### QUEEN BEDROOM CABINTRY



KEY	PART NUMBER	U/M DESCRIPTION
1	M09316-14-K20	EA DRAWER - OGEE EDGE - 10.7"W X 19.7"D - W/O SLIDES/HARDWARE
2	129251-07-K20	EA CABINET - NIGHTSTAND/RH - W/COUNTERTOP - W/O DRS/DWRS/HDW (K50)
2	129251-07-K68	EA CABINET - NIGHTSTAND/RH - W/COUNTERTOP - W/O DRS/DWRS/HDW (K51,K53)
2	129251-07-K22	EA CABINET - NIGHTSTAND/RH - W/COUNTERTOP - W/O DRS/DWRS/HDW (K52)
3	129251-19-K20	EA COUNTERTOP - NIGHTSTAND (K50)
3	129251-19-K28	EA COUNTERTOP - NIGHTSTAND (K51,K53)
3	129251-19-K22	EA COUNTERTOP - NIGHTSTAND (K52)
4	132141-71-K20	EA DOOR - VENEER - 14.3" X 36.4" - W/O HARDWARE
5	126003-01-J20	EA CABINET - SHIRT CLOSET/RIGHT HAND - W/O DOORS/HARDWARE
	009112-01-000	EA FLANGE - PLASTIC - 1" CLOTHES ROD - OFF WHITE
	042438-01-000	EA DOWEL - WOOD - CLOTHES ROD - 1" DIAMETER X 4'
6	132141-14-K20	EA DOOR - VENEER - 15.7" X 27.9" - W/O HARDWARE
7	106523-01-G09	EA CABINET - OVERHEAD/REAR - W/O DOORS/HARDWARE
8	126003-02-J20	EA CABINET - SHIRT CLOSET/LEFT HAND - W/O DOORS/HARDWARE
	009112-01-000	EA FLANGE - PLASTIC - 1" CLOTHES ROD - OFF WHITE
	042438-01-000	EA DOWEL - WOOD - CLOTHES ROD - 1" DIAMETER X 4'
9	129251-20-K20	EA COUNTERTOP - NIGHTSTAND (K50)
9	129251-20-K28	EA COUNTERTOP - NIGHTSTAND (K51,K53)
9	129251-20-K22	EA COUNTERTOP - NIGHTSTAND (K52)
10	129251-08-K20	EA CABINET - NIGHTSTAND/LH - W/COUNTERTOP - W/O DRS/DWRS/HDW (K50)
10	129251-08-K68	EA CABINET - NIGHTSTAND/LH - W/COUNTERTOP - W/O DRS/DWRS/HDW (K51,K53)
10	129251-08-K22	EA CABINET - NIGHTSTAND/LH - W/COUNTERTOP - W/O DRS/DWRS/HDW (K52)
11	P26437-04-K20	EA CABINET - QUEEN BED - W/O DOORS/DRAWERS/HARDWARE
12	M07571-03-J22	EA TOP - QUEEN BED - W/O HARDWARE
13	041389-25-000	EA HINGE - PIANO - 1 1/2" X 55"
	096764-02-000	FT SLIPNOT - ANTISLIP - 1" WIDE (100' ROLLS)
	107796-06-000	EA SPRING/GAS - 12" COMPRESSED/20" EXTENDED - 120 LB.
	126259-01-000	EA STUD - BALL - GAS SHOCK MOUNTING
	126263-06-02B	EA BRACKET - GAS SPRING - E-COATED
	126263-08-02B	EA BRACKET - GAS SPRING - LOWER - E-COATED
	127960-01-01A	EA RETAINER - 3/8" PROP ROD - STAINLESS STEEL
	097872-04-000	EA DOWEL - WOOD - 1" DIAMETER X 1.38" LONG

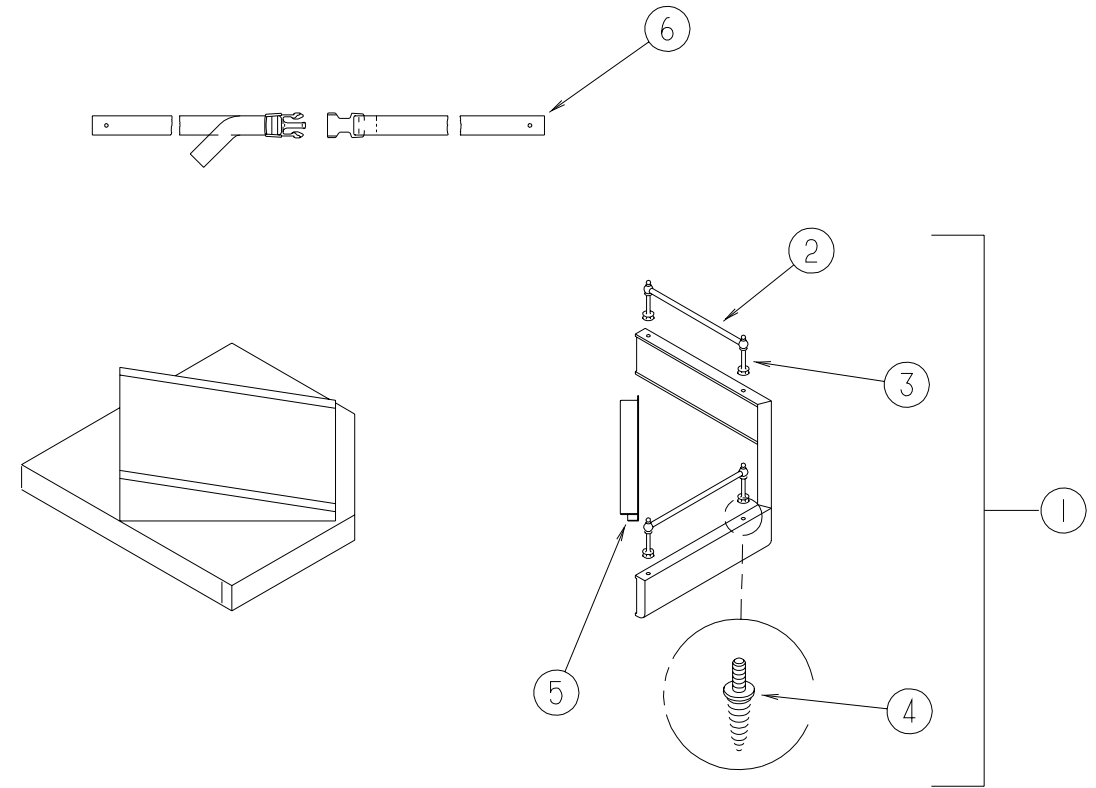
**BEDROOM GROUP (CONTINUED)**



**TWIN BEDROOM CABINETY**

KEY	PART NUMBER	U/M	DESCRIPTION
1	132141-23-K20	EA	DOOR - VENEER - 12" X 40" - W/O HARDWARE
2	110946-01-K16	EA	CABINET - SHIRT CLOSET/RIGHT HAND - W/O DOORS/HARDWARE
3	M08754-02-000	EA	TOP - TWIN BED/RIGHT HAND - W/O HARDWARE
4	131995-S8-K20	EA	DOOR - ARCHED - 12" X 21.8" - W/O HARDWARE
5	129653-11-K20	EA	COUNTERTOP - NIGHTSTAND (K50)
5	129653-11-K28	EA	COUNTERTOP - NIGHTSTAND (K51,K53)
5	129653-11-K22	EA	COUNTERTOP - NIGHTSTAND (K52)
6	116187-01-K16	EA	CABINET - OVERHEAD/REAR - W/O DOORS/HARDWARE - F/TWIN BED
7	132141-14-K20	EA	DOOR - VENEER - 15.7" X 27.9" - W/O HARDWARE
8	129653-01-K20	EA	CABINET - NIGHTSTAND/TWN BD - W/CTRTP-W/O DOORS/DRWS/HDW (K50)
8	129653-01-K28	EA	CABINET - NIGHTSTAND/TWN BD - W/CTRTP-W/O DOORS/DRWS/HDW (K51,K53)
8	129653-01-K22	EA	CABINET - NIGHTSTAND/TWN BD - W/CTRTP-W/O DOORS/DRWS/HDW (K52)
9	M09316-12-K20	EA	DRAWER - OGEE EDGE - 13.5"W X 11.8"D - W/O SLIDES/HARDWARE
10	M09316-13-K20	EA	DRAWER - OGEE EDGE - 13.5"W X 11.8"D - W/O SLIDES/HARDWARE
11	M08754-01-000	EA	TOP - TWIN BED/LEFT HAND - W/O HARDWARE
12	P26436-01-J22	EA	CABINET - BASE/TWIN BED - RIGHT HAND - W/O DOORS/DWRS/HDW
13	P26435-02-K28	EA	CABINET - BASE/TWIN BED - LEFT HAND - W/O DOORS/DRWS/HDW
	096764-02-000	FT	SLIPNOT - ANTISLIP - 1" WIDE (100' ROLLS)

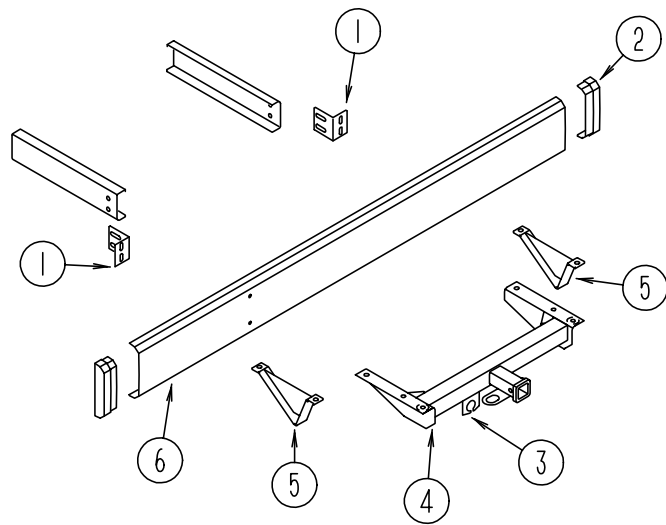
**BEDROOM GROUP (CONTINUED)**



**TV SHELF**

KEY	PART NUMBER	U/M	DESCRIPTION
1	127486-01-J22	EA	SHELF - TV - W/BRASS POST ENDS & RODS
2	084071-20-000	EA	ROD - BRASS - 9.8" LONG
2	084071-28-000	EA	ROD - BRASS - 6" LONG
3	084070-03-000	EA	POST - END - 2.4" - SHINY BRASS
4	106166-01-000	EA	BOLT/COLLARED HANGER - 8-32 X 1"
5	103186-01-05A	FT	MOLDING - PLASTIC - 3/8" U-CHANNEL 3/4" FACE-WATERFORD OAK
6	099717-02-000	EA	STRAP - TIE DOWN W/29.9" FEMALE STRAP & 14.2" MALE STRAP

## CHASSIS GROUP



### REAR BUMPER, TRAILER HITCH & COMPONENTS

KEY	PART NUMBER	U/M	DESCRIPTION
1	104418-07-000	EA	ANGLE - BUMPER - REAR SUPPORT
2	103228-01-06A	EA	END CAP - REAR BUMPER - DRIVER/PASSENGER
3	113588-01-01B	EA	BRACKET - CONNECTOR - TRAILER W/LIP
4	130339-02-000	EA	HITCH RECEIVER - BOLT ON CLASS III
5	111742-01-000	EA	PLATE - SKID
FROM: 08-10-98 THRU: 99-99-99			
6	103099-10-02A	EA	BUMPER - REAR - BRIGHT WHITE
	113589-01-000	EA	CONNECTOR - PLUG - TRAILER
	113589-02-000	EA	CONNECTOR - SOCKET - TRAILER

## CHASSIS GROUP (CONTINUED)

### 19.5" CHEVY STAINLESS STEEL WHEEL LINERS

KEY	PART NUMBER	U/M	DESCRIPTION	VENDOR NO.
	110435-10-000	EA	LINER - WHEEL - SET/4 - 19.5"	
	110435-01-711	EA	DECAL-CENTER CAP, 2" 2" DECAL	
	110435-10-700	EA	LINER - WHEEL - FRONT - 1 PC	V195P7-FWC
	110435-10-701	EA	LINER - WHEEL - REAR - 1 PC.	V195P7-RWC
	110435-10-702	EA	COVER-LUG NUT W/STEEL JN 2 USED PER WHEEL	V195P7-EJN
	110435-10-703	EA	STUD - PLASTIC ALSO ORDER #11043510704 PLASTIC NUT W/NUT COVER 2 USED PER EACH FRONT WHEEL	V195P7-PST
	110435-10-704	EA	COVER-LUG NUT W/PLASTIC JN ALSO ORDER #11043510703 PLASTIC STUD 2 USED PER EACH FRONT WHEEL	V195P7-PJN
	110435-10-705	EA	TOOL - INSTALLATION	V195P7-TOL

### 19.5" FORD STAINLESS STEEL WHEEL LINERS - 19.5" X 6.75" WHEEL

KEY	PART NUMBER	U/M	DESCRIPTION	VENDOR NO.
	110435-15-000	EA	LINER - WHEEL SET/4 - 19.5"	
	110435-04-705	EA	DECAL-CTR HUB 2 3/4" DIAMOND 2 3/4 DECAL DIAMOND	
	110435-10-705	EA	TOOL - INSTALLATION	V195P7-TOL
	110435-15-700	EA	LINER - WHEEL - FRONT	V195F9-FWC
	110435-15-701	EA	LINER - WHEEL - REAR	V195F9-RWC
	110435-15-702	EA	COVER LUG NUT/JAMB NUT - 14M	V195F9-EJN

### 19.5" FORD WHEEL COVERS

KEY	PART NUMBER	U/M	DESCRIPTION	VENDOR NO.
	109443-07-000	EA	WHEEL COVER - 4/SET - 19.5"	
	098532-01-700	EA	COVER-LUG NUT (CHROME) NOTE:THE VENDOR DOES NOT RECOMMEND THIS PART TO BE REPLACED DUE TO POSSIBLE DAMAGE TO THE LINER	SHAU-LNC
	109443-01-703	EA	CAP-CENTER, HUB - DICOR	SHAU95-CAP
	109443-07-700	EA	COVER/WHEEL-FRONT/REAR 8 LUG	SHAF95-COV
	109443-07-701	EA	BRACKET SET - FRONT	SHAF95-FBS
	109443-07-702	EA	BRACKET SET - REAR	SHAF95-RBS

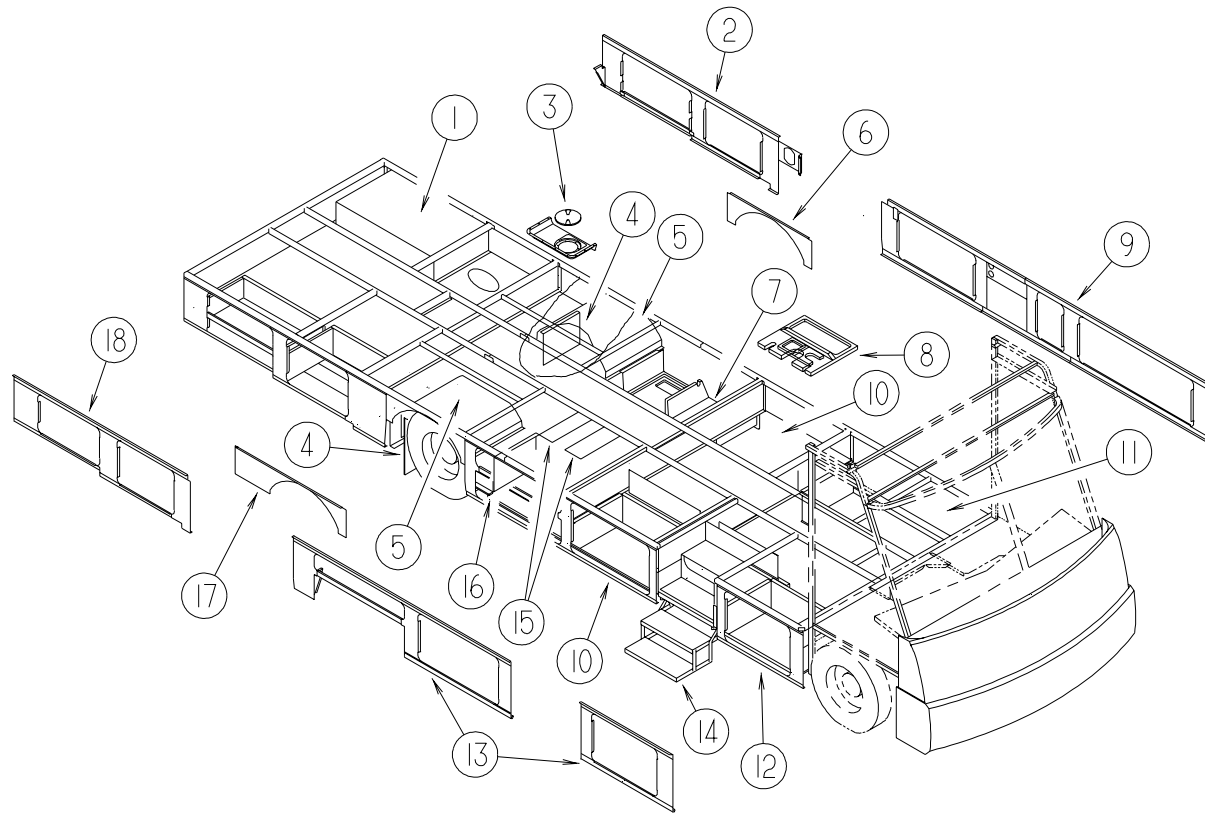
### 19.5" CHEVY WHEEL COVERS

KEY	PART NUMBER	U/M	DESCRIPTION	VENDOR NO.
	109443-06-000	EA	WHEEL COVER - 4/SET - 19.5"	
	109443-01-700	EA	COVER-WHEEL 19.5 FRT/RR EA=1	SHAG95
	109443-01-701	EA	BRACKET-RETENTION FRONT	SHAG95-FBS
	109443-01-703	EA	CAP-CENTER, HUB - DICOR	SHAU95-CAP
	109443-01-704	EA	CLIP-RETAINER	V160GM-PNT
	109443-06-701	EA	BRACKET-RETENTION REAR	SHG795-RBS



## CHASSIS GROUP (CONTINUED)

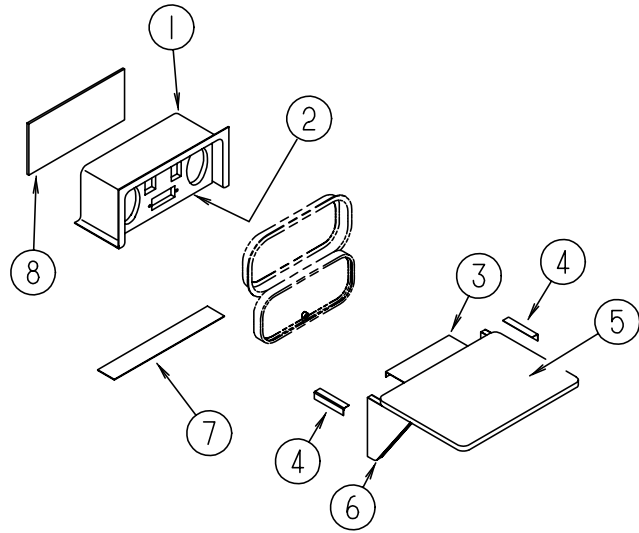
### STORAGE COMPARTMENTS & WHEELWELLS



KEY	PART NUMBER	U/M DESCRIPTION	VENDOR NO.
1	127008-02-02B	EA TRAY - GENERATOR - 16.2" X 20.8" X 6.9" - W/ANGLE & NUTS	
	104644-01-000	EA ANGLE - FORMED - GENERATOR	
2	129054-18-02B	EA PANEL - SEAL/PLANE - E-COATED	
3	129015-01-K80	EA PORT COMPLETE - F/ELECTRICAL/DRAIN	
	121175-02-01A	EA LATCH - SWELL	
4	020167-05-000	EA DIRT GUARD - STEEL - 14.9" LONG	
4	017516-01-000	EA MUD FLAP - 14" X 18" - BLACK	
5	055374-03-000	EA WHEELWELL - PLASTIC	
6	107576-09-000	EA PANEL/SEAL PLANE - WHEEL WELL - DRIVER	
7	117757-01-01A	EA COMPARTMENT/STORAGE - W/O RETAINER/HATCH	
8	M06991-05-G38	EA HATCH/COMPARTMENT - W/FOAMED INSULATION	
	121175-01-01A	EA LATCH - SWELL - BLACK	
9	129054-17-02B	EA PANEL - SEAL/PLANE - E-COATED	
10	126386-25-J22	EA COMPARTMENT - LUGGAGE	
11	126386-06-J22	EA COMPARTMENT - LUGGAGE	
12	126386-08-J22	EA COMPARTMENT - LUGGAGE	
13	129054-15-02B	EA PANEL - SEAL/PLANE - E-COATED	
14*	094707-01-01A	EA STEP - DOUBLE - ELECTRIC - KWIKEE	
			FROM: 00-00-00 THRU: 01-14-99
	116995-01-000	EA SWITCH/MAGNET - ELECTRIC STEP - WHITE/WHITE - OPEN CIRCUIT	
			FROM: 00-00-00 THRU: 01-14-99
14*	094707-03-01A	EA STEP - ELECTRIC DOUBLE - W/BLACK CONTROL BOX	
			FROM: 01-15-99 THRU: 99-99-99
	088733-01-700	EA BULB	9004
	088746-01-705	EA LIGHT-UNDER STEP	9004
	094707-01-702	EA FRAME W/DBL STEP,3200 SERIES	908032
	094707-02-700	EA MOTOR ASM.,W/BEARINGS & PINS	909520
	094707-02-701	EA LINKAGE ASM. W/BEARINGS-PINS	909534
	094707-02-702	EA GEAR KIT(GEAR-BEARING-PINS)	909525
	094707-02-703	EA BEARING & PINS	909530
	094707-02-704	EA CONNECTOR-MOTOR ASM.W/PLATES	909537
	094707-02-706	EA GEAR BOX ASM. W/O MOTOR	9524
	094707-02-707	EA TREAD - NON-SKID - BLACK	909333
	094707-02-708	EA TREAD - NON-SKID - YELLOW	909331
	094707-03-700	EA KIT CONTROL/SWITCH-RETROFIT	909506005
	094707-03-701	EA PLUG - 4-WAY - PACKARD	909306
	116995-02-000	EA SWITCH/MAGNET - ELECTRIC STEP - BLACK/WHITE-CLOSED CIRCUIT	
			FROM: 01-15-99 THRU: 99-99-99
	104452-03-000	EA SUPPORT - STEP	
	065450-05-000	EA TIEDOWN - BATTERY - 8.4" TUBE	
15	120867-01-02B	EA MOUNT - LP TANK	
16	020167-12-000	EA DIRT GUARD	
			FROM: 00-00-00 THRU: 06-28-99
16	134191-01-02B	EA GUARD - DIRT - E-COATED	
			FROM: 06-29-99 THRU: 99-99-99
17	107576-08-000	EA PANEL - SEAL PLANE - WHEEL WELL - PASSENGER	
18	129054-15-02B	EA PANEL - SEAL/PLANE - E-COATED	
	061420-01-000	EA PLUG/PLASTIC - 1.75" DIAMETER - BROWN	
	119845-01-01A	EA PLUG - PLASTIC - BLACK - 1 1/2" SQUARE	
	117154-07-02B	EA MOUNT - FRAME RAIL/FLOOR	
			FROM: 00-00-00 THRU: 10-11-98
	104803-01-000	EA ANGLE - FORMED W/SLOTS	
	084852-51-003	EA EXTRUDED - ANGLE - 1.25" X .75" X 15'	

\*COMPONENT PARTS FOUND IN SERVICE PARTS LIBRARY

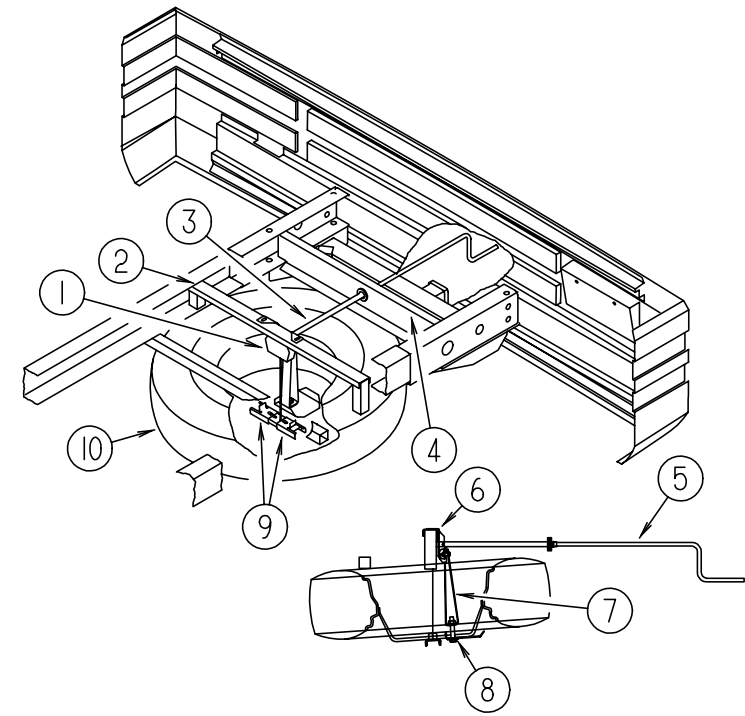
## CHASSIS GROUP (CONTINUED)



**PATIO ENTERTAINMENT CENTER**

KEY	PART NUMBER	U/M	DESCRIPTION
1	124696-01-01A	EA	BOX - ENTERTAINMENT CENTER/EXTERIOR
2	127409-02-K04	EA	PLATE - RADIO MOUNTING
			FROM: 00-00-00 THRU: 06-13-99
2	127409-02-L15	EA	PLATE - RADIO MOUNTING
			FROM: 06-14-99 THRU: 99-99-99
3	105377-01-04A	EA	BRACKET - TABLE HANGER - BRIGHT WHITE
4	105376-01-03A	EA	HINGE - CONTINUOUS - 2" X 5.5" - BRIGHT WHITE
5	105230-11-J01	EA	SHELF - EXTERIOR ENTERTAINMENT CENTER - W/O HARDWARE
6	105230-12-J01	EA	SUPPORT - EXTERIOR SHELF
7	104898-01-02A	EA	PLATE - PLASTIC BOTTOM - BRIGHT WHITE
8	104898-02-02A	EA	PLATE - PLASTIC BACK - BRIGHT WHITE

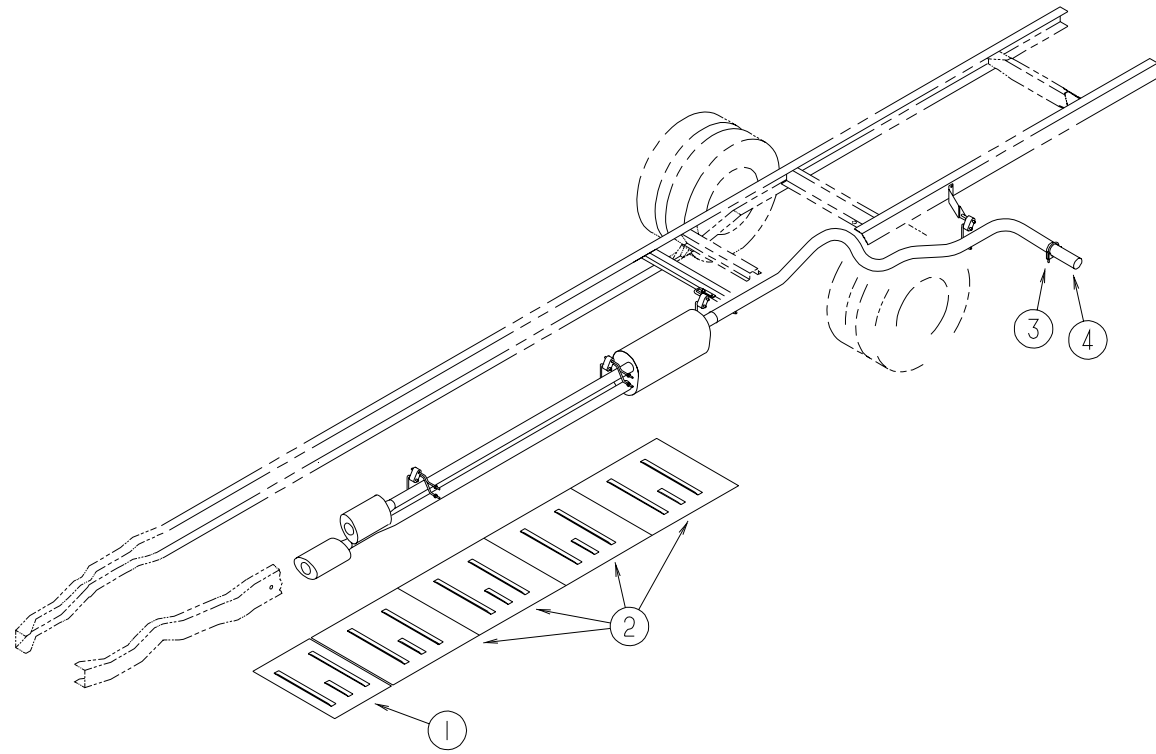
## CHASSIS GROUP (CONTINUED)



**TIRE HOIST**

KEY	PART NUMBER	U/M	DESCRIPTION
1	093267-03-000	EA	HOIST - SPARE TIRE - 100 LB
2	093362-06-000	EA	CHANNEL - TIRE HOIST
3	093375-05-000	EA	EXTENSION - TIRE HOIST
4	129006-01-02B	EA	SUPPORT/FRAME - TIRE CARRIER HANDLE - FORD
4	129006-02-02B	EA	SUPPORT/FRAME - TIRE CARRIER HANDLE - CHEVY
5	093376-02-000	EA	HANDLE - CRANK - TIRE HOIST
	114376-01-000	EA	PIN - DRIVE - .156 X .750 - TYPE E - TIRE HOIST
6	124751-01-02B	EA	HANGER - SPARE TIRE - E-COATED
7	129086-01-02B	EA	SUPPORT - SPARE TIRE
8	129085-01-02B	EA	PLATE - SUPPORT - SPARE TIRE
9	105499-01-000	EA	BRACKET - TIRE HOIST
10	102340-04-000	EA	TIRE - 245/70R X 19.5F - GOODYEAR - FORD - 19.5" X 6.75" WHEEL
10	091673-01-000	EA	TIRE - 225/70 R19.5 LRF - MICHELIN XZA - CHEVY
10	051377-01-000	EA	VALVE STEM - CHEVY
10	118814-04-700	EA	WHEEL/TAKE OFF (19.5X6.75RW) 8 BOLT ACCURIDE F53 - FORD
10	064963-01-000	EA	WHEEL - STEEL - 19.5" X 6" - GM 14005758 - CHEVY
	077030-02-000	EA	EXTENSION - VALVE STEM - 1.25" - CHEVY WHEEL LINERS
	077030-05-000	EA	EXTENSION - VALVE STEM - 95 DEGREE - FORD WHEEL LINERS
			FROM: 00-00-00 THRU: 11-23-98
	077030-04-000	EA	EXTENSION - VALVE STEM - .75" - FORD WHEEL LINERS
			FROM: 11-24-98 THRU: 99-99-99
	077030-06-000	EA	EXTENSION - VALVE STEM - 45 DEGREE - FORD WHEEL LINERS
	095012-10-000	EA	EXTENSION - VALVE STEM - 8.5" - FORD WHEEL LINERS
			FROM: 00-00-00 THRU: 11-23-98
	095012-09-000	EA	EXTENSION - VALVE STEM - 7.7" - FORD WHEEL LINERS
			FROM: 11-24-98 THRU: 99-99-99
	095012-07-000	EA	STABILIZER - VALVE EXTENSION - FORD WHEEL LINERS

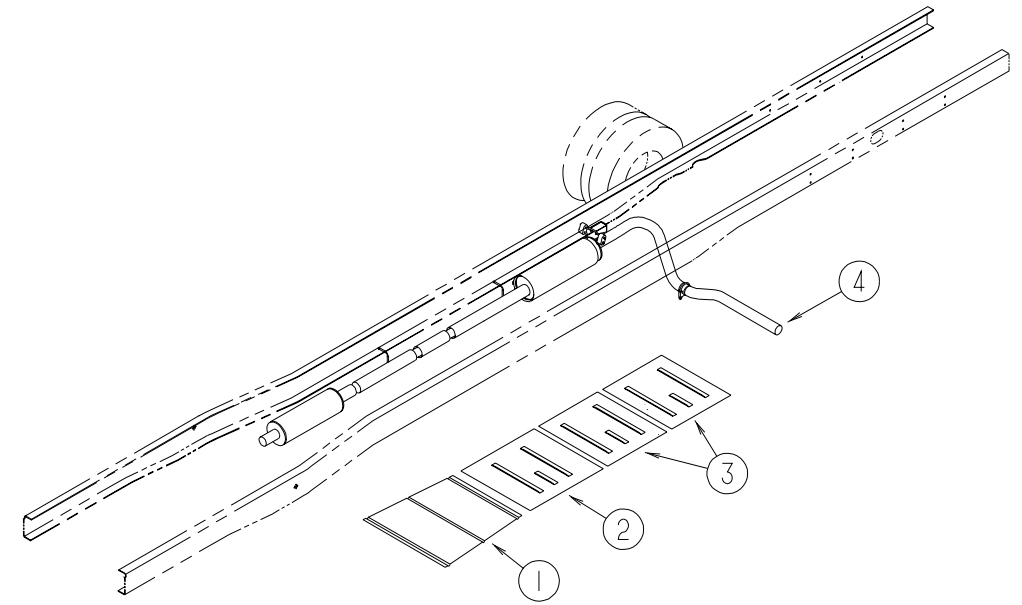
**CHASSIS GROUP (CONTINUED)**



**CHEVY EXHAUST SYSTEM**

KEY	PART NUMBER	U/M	DESCRIPTION
1	101544-01-000	EA	SHIELD - HEAT/EXHAUST - 19.7" X 29.1"
2	101544-02-000	EA	SHIELD - HEAT/EXHAUST - 30" X 29.1"
3	094918-01-000	EA	CLAMP - EXHAUST - 3" - GUILLOTINE STYLE
4	098762-11-000	EA	PIPE - EXHAUST - STRAIGHT - 3"

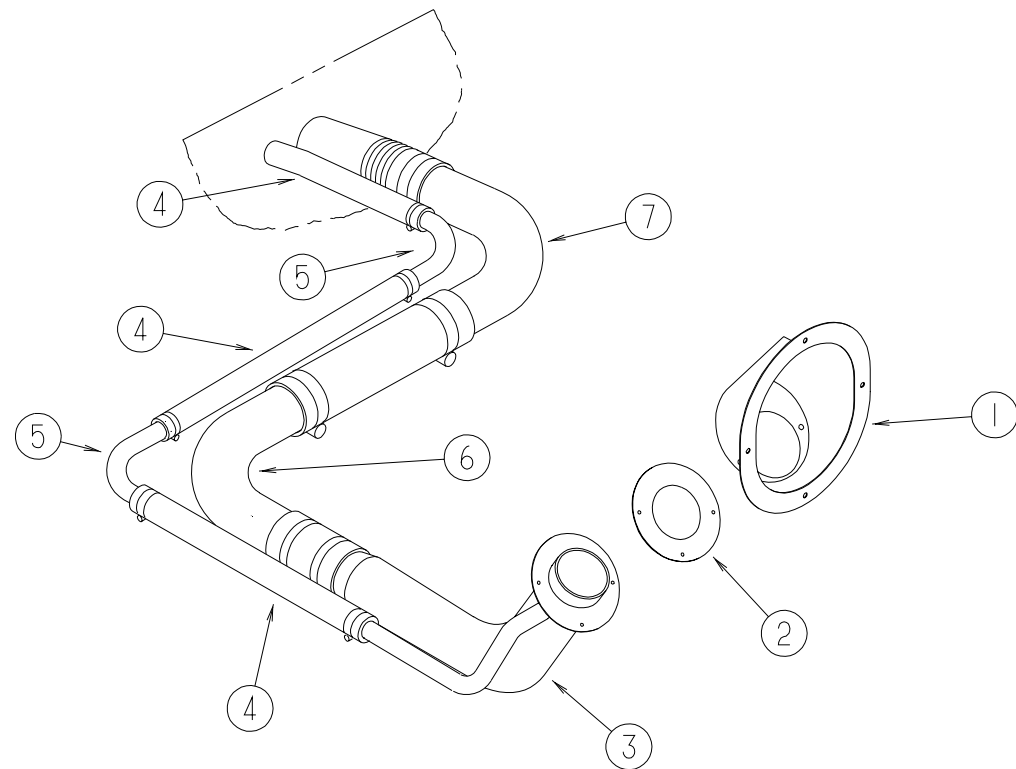
**CHASSIS GROUP (CONTINUED)**



**FORD EXHAUST SYSTEM**

KEY	PART NUMBER	U/M	DESCRIPTION
1	128756-01-02B	EA	SHIELD - HEAT EXHAUST - E-COATED
2	101544-06-000	EA	SHIELD - HEAT/EXHAUST - 33.9" X 29.1"
3	101544-02-000	EA	SHIELD - HEAT/EXHAUST - 30" X 29.1"
4	129726-01-000	EA	PIPE - EXHAUST - FORD

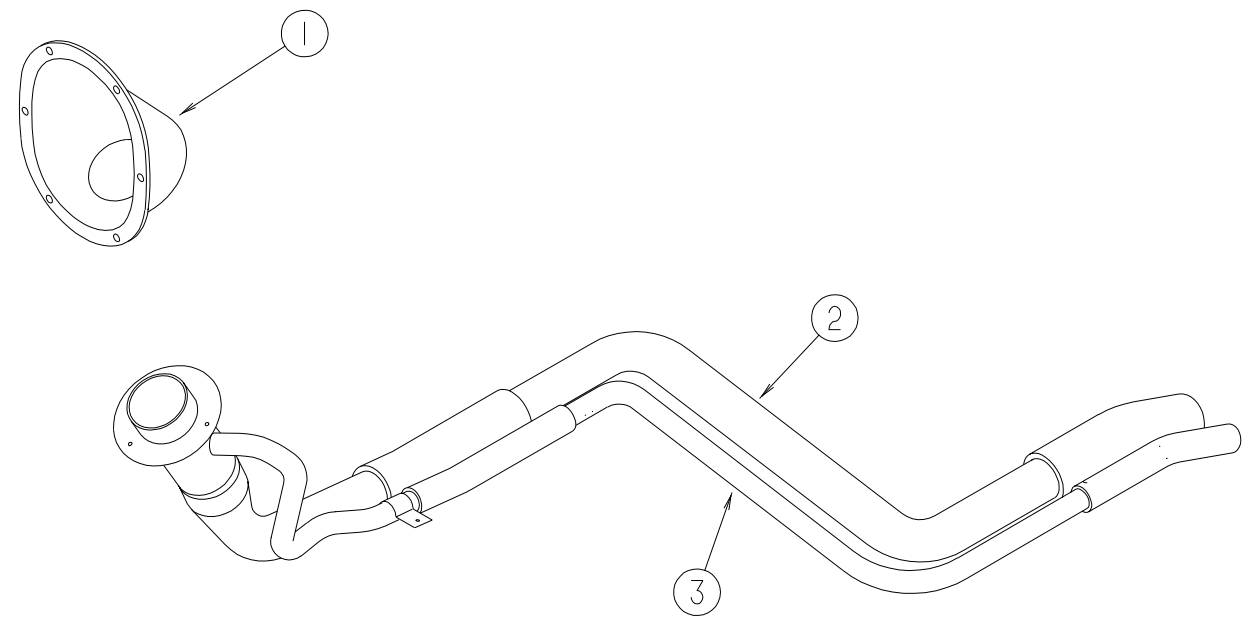
## CHASSIS GROUP (CONTINUED)



### CHEVY FUEL SYSTEM

KEY	PART NUMBER	U/M	DESCRIPTION
1	127291-01-01A	EA	SHROUD - FUEL FILL - BRIGHT WHITE
2	078200-01-000	EA	GASKET - FUEL FILL - 3.5"OD X 2"ID
3	127301-03-000	EA	NECK - FUEL FILL
4	128139-02-000	FT	HOSE - FUEL - LOW PERMEABILITY - 5/8" DIAMETER
5	098806-01-000	EA	PIPE - FILL VENT - 90 DEGREE BEND - .635 OD - STEEL
6	098803-01-000	EA	PIPE - FUEL FILL - 90 DEGREE BEND - 13.2" - 1 3/4" OD
7	098807-01-000	EA	PIPE - FUEL FILL - 90 DEGREE BEND - 6.6" - 1 3/4" OD
	084884-01-000	EA	PLUG - BRASS - 3/8"
	092889-35-000	EA	FUEL LINE - SUPPLY - GENERATOR - 1/4" X 79.1" - STEEL FROM: 00-00-00 THRU: 07-23-98
	092889-34-000	EA	FUEL LINE - SUPPLY - GENERATOR - 1/4" X 87.8" - STEEL FROM: 07-24-98 THRU: 99-99-99
	007063-01-000	FT	HOSE - FUEL - 1/4"ID X 1/2"OD FROM: 00-00-00 THRU: 01-25-99
	128139-03-000	FT	HOSE - FUEL - LOW PERMEABILITY - 1/4" DIAMETER FROM: 01-26-99 THRU: 99-99-99
	068382-06-000	EA	BUSHING - BRASS - 3/8"MPT X 1/8"FPT
	114254-01-000	EA	ADAPTER - 1/4 BARB X 1/8 MPT
	044317-01-000	FT	HOSE - FUEL - 3/8" ID

## CHASSIS GROUP (CONTINUED)



### FORD FUEL SYSTEM

KEY	PART NUMBER	U/M	DESCRIPTION
1	127291-02-01A	EA	SHROUD - FUEL FILL - BRIGHT WHITE
2	129321-02-000	EA	TUBE - FUEL INLET
3	129320-02-000	EA	PIPE - VENT - FILL
	007063-01-000	FT	HOSE - FUEL - 1/4"ID X 1/2"OD
	084884-01-000	EA	PLUG - BRASS - 3/8"
	092889-14-000	EA	FUEL LINE - SUPPLY - GENERATOR - 1/4" X 92.7" - STEEL FROM: 00-00-00 THRU: 07-23-98
	092889-41-000	EA	FUEL LINE - SUPPLY - GENERATOR - 1/4" X 54.5" - STEEL FROM: 07-24-98 THRU: 99-99-99

## CHASSIS GROUP (CONTINUED)

### SHOCKS & STABILIZER KIT - FRONT (FROM: 00-00-00 THRU: 04-04-99)

KEY	PART NUMBER	U/M	DESCRIPTION	VENDOR NO.
	122756-02-000	EA	SHOCK AND STABILIZER (BLUE BOOT) KIT - FRONT END P30 CHASS NOTE: ORDER 70139029000, FOR AFTER MARKET INSTALLATION	
	122756-02-700	EA	BRACKET ASM - DRIVER SIDE	T818L
	122756-02-701	EA	BRACKET ASM - PASSENGER SIDE	T818R
	122756-02-704	EA	BOLT PACKAGE -BOLTS/NUTS ETC	T818B
	122756-02-705	EA	SHOCK	T818SH
	122756-02-706	EA	STUD - SHOCK MOUNTING	T818S
	122756-02-707	EA	DAMPNER - STEERING	T818SD
	122756-02-708	EA	BOOT - DAMPNER	T818SDB
	122756-02-709	EA	BUSHING PKG-STEERING DAMPNER	T818SDBSH
	122756-02-710	EA	BOLT PKG - STEERING DAMPNER	T818SBS

### SHOCKS & STABILIZER KIT - FRONT (FROM: 04-05-99 THRU: 99-99-99)

KEY	PART NUMBER	U/M	DESCRIPTION	VENDOR NO.
	122756-03-000	EA	SHOCK & STABILIZER KIT (YELLOW SHOCK) - CHEVY	
	122756-02-706	EA	STUD - SHOCK MOUNTING	T818S
	122756-02-707	EA	DAMPNER - STEERING	T818SD
	122756-02-708	EA	BOOT - DAMPNER	T818SDB
	122756-02-709	EA	BUSHING PKG-STEERING DAMPNER	T818SDBSH
	122756-02-710	EA	BOLT PKG - STEERING DAMPNER	T818SBS
	122756-03-700	EA	BRACKET ASM-DRIVER SIDE	T818L-3
	122756-03-701	EA	BRACKET ASM-PASSENGER SIDE	T818R-3
	122756-03-702	EA	SHOCK	557003

### LUG WRENCH & LEVERAGE BAR

KEY	PART NUMBER	U/M	DESCRIPTION
	080208-02-000	EA	BAR - LEVERAGE - LUG WRENCH - CHEVY/OSHKOSH
	080208-06-000	EA	LUG WRENCH - 1" X 1.06" W/DEEP SOCKET ENDS

### CHASSIS MISCELLANEOUS

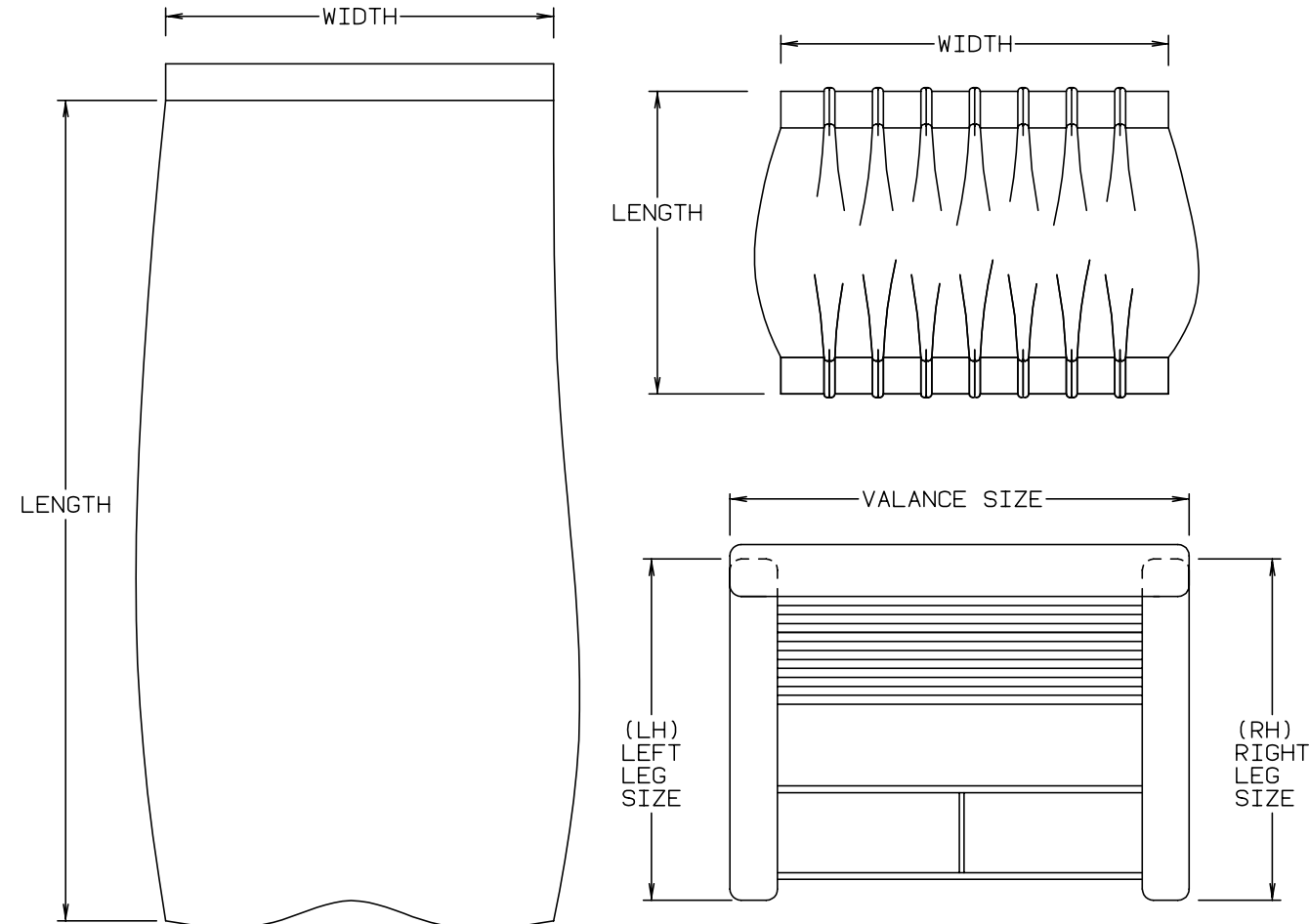
KEY	PART NUMBER	U/M	DESCRIPTION
	008042-01-000	FT	TUBING - VINYL - .65" ID
	008401-01-000	EA	STRAP - CONDUIT - 3/4" - 1 HOLE - GALVANIZED STEEL
	075307-03-000	EA	SHIELD - HEAT - LP
	053322-10-000	EA	SHIELD - HEAT - EXHAUST - 48" X 7.5" - STEEL FROM: 00-00-00 THRU: 10-12-98
	113007-01-000	EA	PIN - SPRING - .375 X 3" FROM: 10-13-98 THRU: 99-99-99

## CURTAIN & CUSHION GROUP

### NOTICE

IN ORDER TO ASSIST OUR PARTS SALES DEPT. IN PROVIDING INTERIOR SOFTGOODS ITEMS, PLEASE INCLUDE THE SERIAL NUMBER AND THE COLOR CODE NUMBER FROM THE VEHICLE CERTIFICATION LABEL WHEN ORDERING. THIS LABEL IS LOCATED ON THE LEFT SIDEWALL AT THE END OF THE DASH (A-BODY),OR ON THE DRIVER'S DOOR LATCH PLATE (C-BODY).

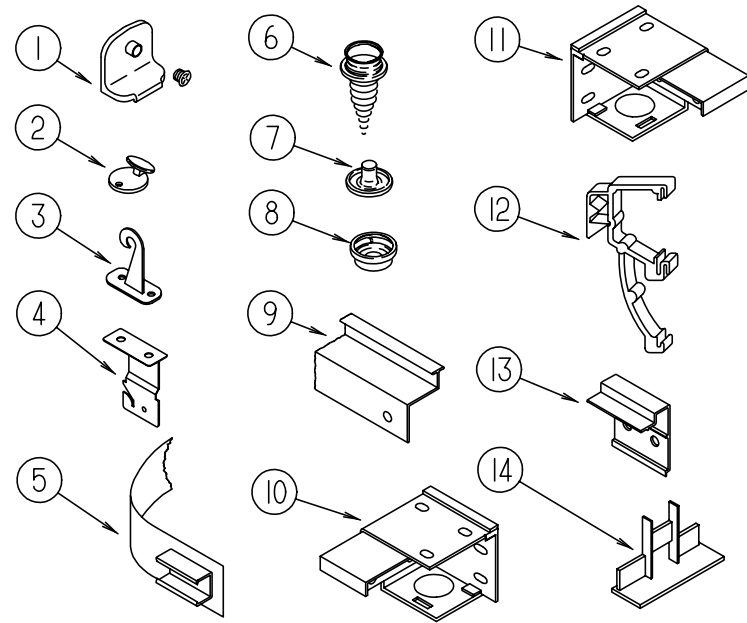
AN EXAMPLE OF A COLOR CODE NUMBER IS B07, WHICH DESIGNATES AN OVERALL COLOR SCHEME OF A PARTICULAR UNIT. THE COLOR LISTED AFTER THE ITEM DESCRIPTION ON THE MICROFICHE, INDICATES THE OVERALL UNIT COLOR. ORDER THE ITEM YOU DESIRE ACCORDING TO UNIT COLOR CODE.



NOTE: USE THIS ILLUSTRATION WHEN DETERMINING LENGTH AND WIDTH MEASUREMENTS FOR CURTAINS. YOU WILL NOTE THE WIDTH MEASUREMENT IS TAKEN ON THE TOP OF THE CURTAIN WITH THE CURTAIN FULLY EXTENDED. THE LENGTH MEASUREMENT IS TAKEN FROM TOP TO BOTTOM. LEFT AND RIGHT WINDOW LEGS ARE DETERMINED WHEN FACING THE WINDOW.

## CURTAIN & CUSHION GROUP (CONTINUED)

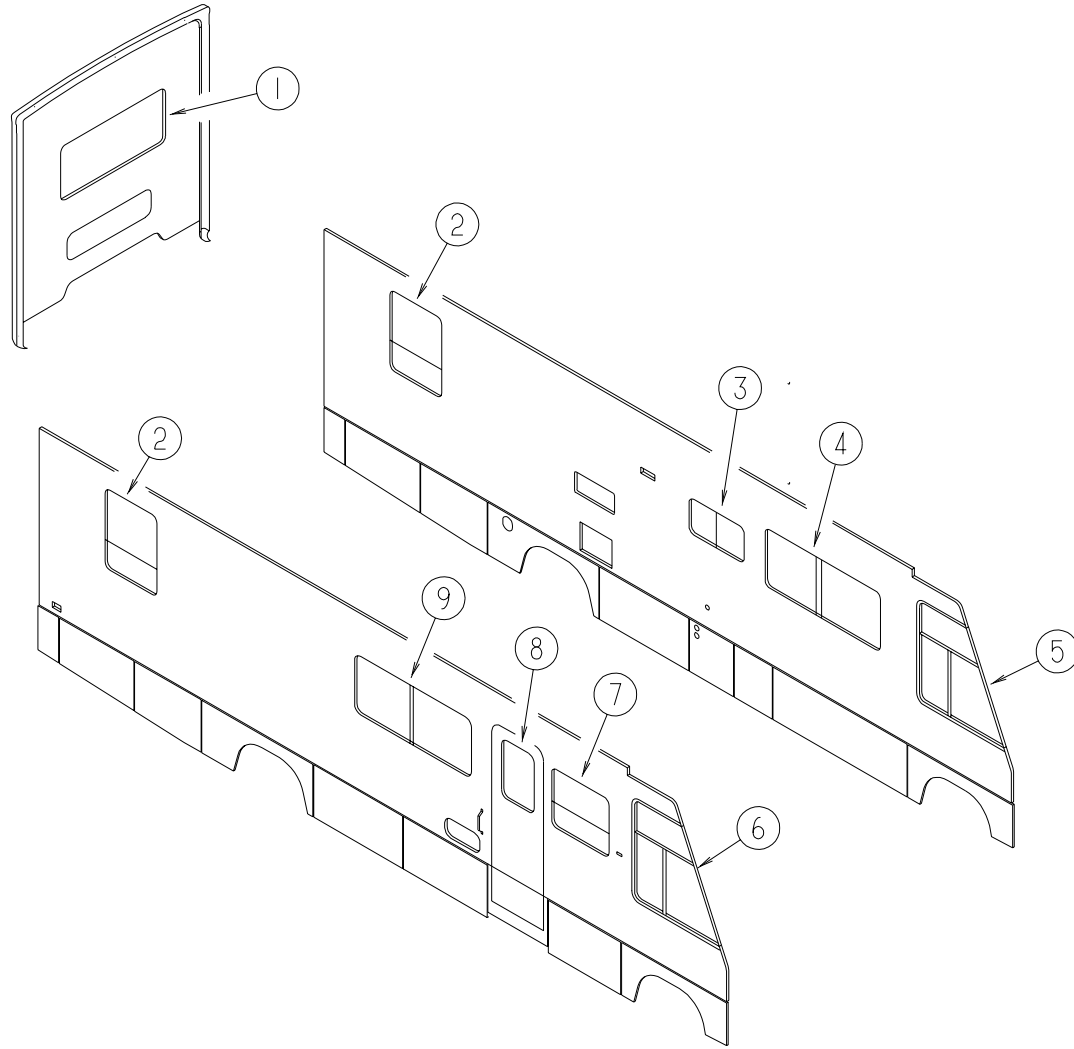
### CURTAIN, BLIND HARDWARE & TRACKS



KEY	PART NUMBER	U/M	DESCRIPTION
1	106544-01-000	EA	PULL - SHADE/BRASS
1	106544-01-001	EA	SCREW - SHADE/BRASS
2	102555-03-000	EA	CLEAT - BLIND CORD - MILKY WHITE PLASTIC
3	109441-03-000	EA	HOLD DOWN - BLIND (CLOUDY)
	109441-02-000	EA	HOLD DOWN-SPACER
4	084434-01-000	EA	BRACKET - MOUNTING - ROLLER SHADE - 1 3/8"
	096843-01-000	EA	SPRING - REWIND/ROLLER SHADE
	086276-01-000	EA	TAPE - DOUBLE SIDED - 1/2"
5	101031-01-000	YD	TAPE - GLIDE/CURTAIN - 4.25" SPACING
6	029130-01-000	EA	SCREW - SNAP SOCKET - #8 PH X 5/8"
6	029130-03-000	EA	SCREW - SNAP SOCKET - #8 PH X 1"
7	029155-01-000	EA	CAP - SNAP - 5/32" OUTSIDE DIAMETER OF PIN
8	029156-01-000	EA	SOCKET - SNAP - 9/16" O.D.
9	127254-01-02A	EA	TRACK - CURTAIN/RIGHT HAND - TITANIUM
			FROM: 00-00-00 THRU: 10-11-98
9	127254-13-02A	EA	TRACK - CURTAIN/RIGHT HAND - TITANIUM
			FROM: 10-12-98 THRU: 99-99-99
9	127254-02-02A	EA	TRACK - CURTAIN/LEFT HAND - TITANIUM
10	083170-01-000	EA	BRACKET - BLIND - LEFT SIDE WHEN FACING WINDOW
11	083170-02-000	EA	BRACKET - BLIND - RIGHT SIDE WHEN FACING WINDOW
12	109353-04-000	EA	CLIP - VALANCE SLAT MOUNTING - CLEAR PLASTIC
13	097565-01-000	EA	BRACKET - MOUNTING/PLEATED BLIND
14	094907-02-000	EA	END CAP - TOP/PLEATED BLIND - PLASTIC - GRAY
	097592-02-000	EA	SPOOL - CORD - ELEVATED BLIND HOLDUP - LARGE - CLEAR
	046867-02-000	EA	WASHER - HANDY BUTTON #3
	046867-03-000	EA	GROMMET - HANDY BUTTON #3
	083125-07-000	EA	BRACE - COUCH - 2.5" - OFF WHITE
			USED TO SUPPORT DINETTE PADS & CURTAIN LEGS
	083125-08-000	EA	BRACE - WINDOW MOUNT - 3/4 - OFF WHITE
	068716-01-001	EA	BRACE - 90 DEGREE L-ANGLE - 16'
	094896-02-000	EA	GROMMET - CORD/PLEATED BLIND - NYLON - GRAY
	094907-04-000	EA	END CAP - BOTTOM/PLEATED BLIND (RH & LH)
	097564-03-000	EA	HANDLE - KNOB - E-Z LIFT SHADE - TAN (K50,K51,K53)
	097564-04-000	EA	HANDLE - KNOB - E-Z LIFT SHADE - NAVY (K52)
	097591-01-000	EA	SPRING - EXTENSION/PLEATED BLIND
	097593-02-000	FT	CORD - BLIND - PLEATED - GRAY (K50,K51,K53)
	097593-06-000	FT	CORD - BLIND - PLEATED - PEWTER (K52)
	095567-01-000	EA	TACK - STRIP - .5" X 625' ROLL
	105648-01-02A	EA	BRACE - VALANCE - OFF/WHITE - 14"
	089275-01-000	FT	STRIP - 3/4" X 96" - CLEAR POLYETHYLENE

## CURTAIN & CUSHION GROUP (CONTINUED)

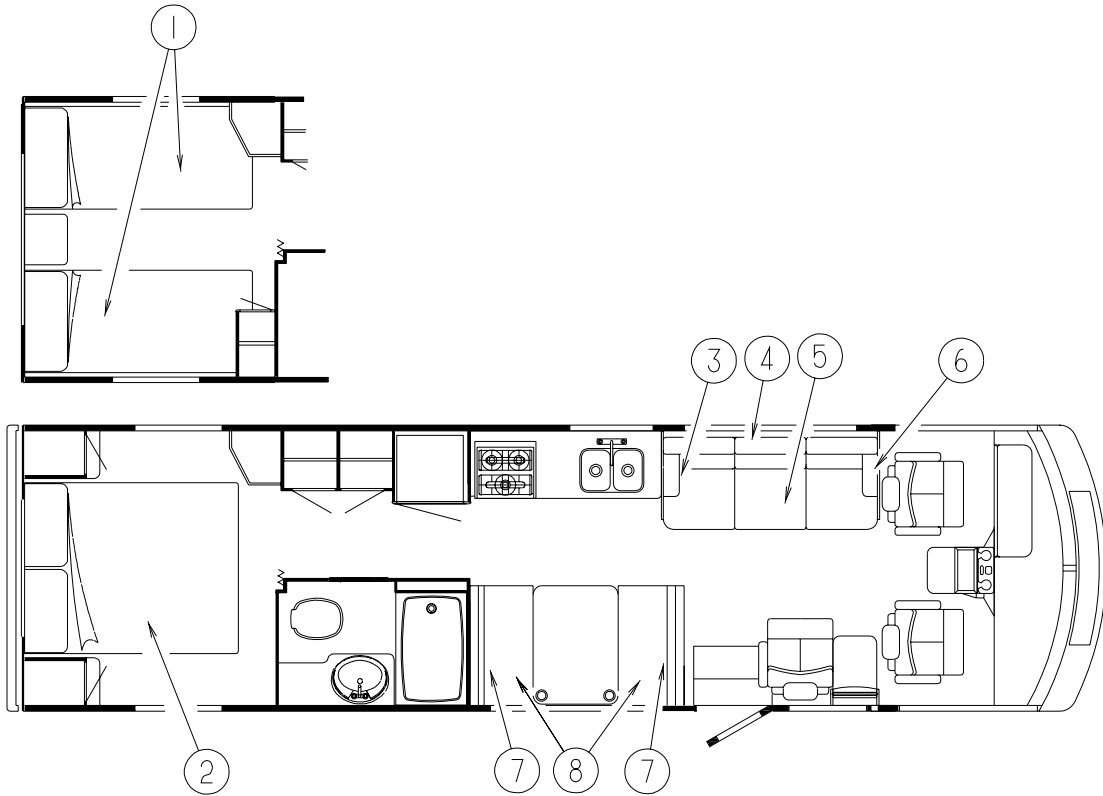
### WINDOW TREATMENT



KEY	PART NUMBER	U/M DESCRIPTION
1	127019-01-K20	EA VALANCE - SARAH - 53" (K50,K53)
1	127019-01-K21	EA VALANCE - SARAH - 53" (K51)
1	127019-01-K22	EA VALANCE - SARAH - 53" (K52)
1	127017-07-J06	EA LEG - RIGHT - 25" (K50,K53)
1	127017-07-K21	EA LEG - RIGHT - 25" (K51)
1	127017-07-J30	EA LEG - RIGHT - 25" (K52)
1	127017-08-J06	EA LEG - LEFT - 25" (K50,K53)
1	127017-08-K21	EA LEG - LEFT - 25" (K51)
1	127017-08-J30	EA LEG - LEFT - 25" (K52)
1	111910-62-K58	EA BLIND - DAY/NIGHTER - 49" X 27" (K50,K51,K53)
1	111910-62-K22	EA BLIND - DAY/NIGHTER - 49" X 27" (K52)
2	127019-02-K20	EA VALANCE - SARAH - 34" (K50,K53)
2	127019-02-K21	EA VALANCE - SARAH - 34" (K51)
2	127019-02-K22	EA VALANCE - SARAH - 34" (K52)
2	127017-09-J24	EA LEG - RIGHT - 34" (K50,K53)
2	127017-09-K21	EA LEG - RIGHT - 34" (K51)
2	127017-09-J30	EA LEG - RIGHT - 34" (K52)
2	127017-10-J24	EA LEG - LEFT - 34" (K50,K53)
2	127017-10-K21	EA LEG - LEFT - 34" (K51)
2	127017-10-J30	EA LEG - LEFT - 34" (K52)
2	111910-58-K58	EA BLIND - DAY/NIGHTER - 31" X 37" (K50,K51,K53)
2	111910-58-K22	EA BLIND - DAY/NIGHTER - 31" X 37" (K52)

KEY	PART NUMBER	U/M DESCRIPTION
3	109041-58-02A	EA BLIND - MINI - 30.5" X 17" (K50,K51)
3	109041-58-01A	EA BLIND - MINI - 30.5" X 17" (K52,K53)
4	119136-43-K20	EA VALANCE - STANWICK - 64.5" (K50)
4	119136-43-K21	EA VALANCE - STANWICK - 64.5" (K51)
4	119136-43-K22	EA VALANCE - STANWICK - 64.5" (K52)
4	119136-43-K53	EA VALANCE - STANWICK - 64.5" (K53)
4	127017-11-J06	EA LEG - RIGHT - 25" (K50)
4	127017-11-K21	EA LEG - RIGHT - 25" (K51)
4	127017-11-K22	EA LEG - RIGHT - 25" (K52)
4	127017-11-J04	EA LEG - RIGHT - 25" (K53)
4	127017-12-J06	EA LEG - LEFT - 25" (K50)
4	127017-12-K21	EA LEG - LEFT - 25" (K51)
4	127017-12-K22	EA LEG - LEFT - 25" (K52)
4	127017-12-J04	EA LEG - LEFT - 25" (K53)
4	111910-57-K58	EA BLIND - DAY/NIGHTER - 61" X 28.5" (K50,K51,K53)
4	111910-57-K22	EA BLIND - DAY/NIGHTER - 61" X 28.5" (K52)
5	101668-68-J38	EA CURTAIN - LEFT HAND - 42" X 106"
6	101668-67-J38	EA CURTAIN - RIGHT HAND - 42" X 106"
	073260-42-D10	EA TIEBACK - 6" X 18"
7	119136-44-K20	EA VALANCE - STANWICK - 31.5" (K50)
7	119136-44-K21	EA VALANCE - STANWICK - 31.5" (K51)
7	119136-44-K22	EA VALANCE - STANWICK - 31.5" (K52)
7	119136-44-K53	EA VALANCE - STANWICK - 31.5" (K53)
7	127017-11-J06	EA LEG - RIGHT - 25" (K50)
7	127017-11-K21	EA LEG - RIGHT - 25" (K51)
7	127017-11-K22	EA LEG - RIGHT - 25" (K52)
7	127017-11-J04	EA LEG - RIGHT - 25" (K53)
7	127017-12-J06	EA LEG - LEFT - 25" (K50)
7	127017-12-K21	EA LEG - LEFT - 25" (K51)
7	127017-12-K22	EA LEG - LEFT - 25" (K52)
7	127017-12-J04	EA LEG - LEFT - 25" (K53)
7	111910-20-K58	EA BLIND - DAY/NIGHTER - 28" X 28" (K50,K51,K53)
7	111910-20-K22	EA BLIND - DAY/NIGHTER - 28" X 28" (K52)
8	119136-45-K20	EA VALANCE - STANWICK - 15" X 30.5" (K50)
8	119136-45-K21	EA VALANCE - STANWICK - 30.5" (K51)
8	119136-45-K22	EA VALANCE - STANWICK - 30.5" (K52)
8	119136-45-K53	EA VALANCE - STANWICK - 30.5" (K53)
8	120820-39-K20	EA VALANCE - 15' X 30.5" - W/CLOCK CUTOUT (K50)
8	120820-39-K21	EA VALANCE - 15' X 30.5" - W/CLOCK CUTOUT (K51)
8	120820-39-K22	EA VALANCE - 15' X 30.5" - W/CLOCK CUTOUT (K52)
8	120820-39-K53	EA VALANCE - 15' X 30.5" - W/CLOCK CUTOUT (K53)
8	084755-57-E07	EA SHADE - PULL - 27.25"
9	119136-43-K20	EA VALANCE - STANWICK - 64.5" (K50)
9	119136-43-K21	EA VALANCE - STANWICK - 64.5" (K51)
9	119136-43-K22	EA VALANCE - STANWICK - 64.5" (K52)
9	119136-43-K53	EA VALANCE - STANWICK - 64.5" (K53)
9	113637-30-K20	EA VALANCE - ROSEANNE - 64.5" - COFFEEMAKER OPTION (K50)
9	113637-30-K21	EA VALANCE - ROSEANNE - 64.5" - COFFEEMAKER OPTION (K51)
9	113637-30-K22	EA VALANCE - ROSEANNE - 64.5" - COFFEEMAKER OPTION (K52)
9	113637-30-K53	EA VALANCE - ROSEANNE - 64.5" - COFFEEMAKER OPTION (K53)
9	127017-11-J06	EA LEG - RIGHT - 25" (K50)
9	127017-11-K21	EA LEG - RIGHT - 25" (K51)
9	127017-11-K22	EA LEG - RIGHT - 25" (K52)
9	127017-11-J04	EA LEG - RIGHT - 25" (K53)
9	127017-12-J06	EA LEG - LEFT - 25" (K50)
9	127017-12-K21	EA LEG - LEFT - 25" (K51)
9	127017-12-K22	EA LEG - LEFT - 25" (K52)
9	127017-12-J04	EA LEG - LEFT - 25" (K53)
9	111910-57-K58	EA BLIND - DAY/NIGHTER - 61" X 28.5" (K50,K51,K53)
9	111910-57-K22	EA BLIND - DAY/NIGHTER - 61" X 28.5" (K52)

**CURTAIN & CUSHION GROUP (CONTINUED)**



**SOFA/BED**

KEY	PART NUMBER	U/M	DESCRIPTION
3	130718-01-K20	EA	ARMREST - REMOVABLE/RIGHT HAND (K50)
3	130718-01-K21	EA	ARMREST - REMOVABLE RIGHT HAND (K51)
3	130718-01-K22	EA	ARMREST - REMOVABLE RIGHT HAND (K52)
3	130718-01-K53	EA	ARMREST - REMOVABLE RIGHT HAND (K53)
	P30718-01-K20	EA	COVER - ARMREST - REMOVABLE/RIGHT HAND (K50)
	P30718-01-K21	EA	COVER - ARMREST - REMOVABLE/RIGHT HAND (K51)
	P30718-01-K22	EA	COVER - ARMREST - REMOVABLE/RIGHT HAND (K52)
	P30718-01-K53	EA	COVER - ARMREST - REMOVABLE/RIGHT HAND (K53)
	127335-08-000	EA	BRACKET - REMOVABLE ARM/COUCH
	127335-09-000	EA	BRACKET - REMOVABLE ARM/CUSHION
4	130573-01-K20	EA	BED - BACK - 74" (K50)
4	130573-01-K21	EA	BED - BACK - 74" (K51)
4	130573-01-K22	EA	BED - BACK - 74" (K52)
4	130573-01-K53	EA	BED - BACK - 74" (K53)
	P30573-01-K20	EA	COVER - BACK - SOFA/BED - 74" (K50)
	P30573-01-K21	EA	COVER - BACK - SOFA/BED - 74" (K51)
	P30573-01-K22	EA	COVER - BACK - SOFA/BED - 74" (K52)
	P30573-01-K53	EA	COVER - BACK - SOFA/BED - 74" (K53)
5	130573-02-K20	EA	BED - SEAT - 74" (K50)
5	130573-02-K21	EA	BED - SEAT - 74" (K51)
5	130573-02-K22	EA	BED - SEAT - 74" (K52)
5	130573-02-K53	EA	BED - SEAT - 74" (K53)
	P30573-02-K20	EA	COVER - SEAT - SOFA/BED - 74" (K50)
	P30573-02-K21	EA	COVER - SEAT - SOFA/BED - 74" (K51)
	P30573-02-K22	EA	COVER - SEAT - SOFA/BED - 74" (K52)
	P30573-02-K53	EA	COVER - SEAT - SOFA/BED - 74" (K53)
6	130718-02-K20	EA	ARMREST - REMOVABLE/LEFT HAND (K50)
6	130718-02-K21	EA	ARMREST - REMOVABLE/LEFT HAND (K51)
6	130718-02-K22	EA	ARMREST - REMOVABLE/LEFT HAND (K52)
6	130718-02-K53	EA	ARMREST - REMOVABLE/LEFT HAND (K53)
	P30718-02-K20	EA	COVER - ARMREST - REMOVABLE/LEFT HAND (K50)
	P30718-02-K21	EA	COVER - ARMREST - REMOVABLE/LEFT HAND (K51)
	P30718-02-K22	EA	COVER - ARMREST - REMOVABLE/LEFT HAND (K52)
	P30718-02-K53	EA	COVER - ARMREST - REMOVABLE/LEFT HAND (K53)
	127335-08-000	EA	BRACKET - REMOVABLE ARM/COUCH
	127335-09-000	EA	BRACKET - REMOVABLE ARM/CUSHION
	111637-15-K50	EA	PILLOW - 14" X 14" (K50)
	111637-15-K51	EA	PILLOW - 14" X 14" (K51)
	111637-15-K52	EA	PILLOW - 14" X 14" (K52)
	111637-15-J16	EA	PILLOW - 14" X 14" (K53)

**TWIN MATTRESS & BEDSPREAD**

KEY	PART NUMBER	U/M	DESCRIPTION
1	123015-04-000	EA	MATTRESS - INNERSPRING - 36" X 79.5"
1	123471-09-J06	EA	BEDSPREAD/THROW - 36" X 80" (K50,K53)
1	123471-09-J36	EA	BEDSPREAD/THROW - 36" X 80" (K51)
1	123471-09-K22	EA	BEDSPREAD/THROW - 36" X 80" (K52)
	111863-13-K20	EA	PILLOW SHAM - 22" X 37" (K50,K53)
	111863-13-K21	EA	PILLOW SHAM - 22" X 37" (K51)
	111863-13-K22	EA	PILLOW SHAM - 22" X 37" (K52)
	103669-24-K20	EA	PILLOW - 14" X 14" (K50,K53)
	103669-24-K21	EA	PILLOW - 14" X 14" (K51)
	103669-24-K22	EA	PILLOW - 14" X 14" (K52)

**QUEEN MATTRESS & BEDSPREAD**

KEY	PART NUMBER	U/M	DESCRIPTION
2	123015-06-000	EA	MATTRESS - INNERSPRING - 60" X 74.5"
2	123471-08-J06	EA	BEDSPREAD/THROW - 60" X 75" (K50,K53)
2	123471-08-J01	EA	BEDSPREAD/THROW - 60" X 75" (K51)
2	123471-08-K22	EA	BEDSPREAD/THROW - 60" X 75" (K52)
	111863-12-K20	EA	PILLOW SHAM - 20" X 33" (K50,K53)
	111863-12-K21	EA	PILLOW SHAM - 20" X 33" (K51)
	111863-12-K22	EA	PILLOW SHAM - 20" X 33" (K52)
	103669-24-K20	EA	PILLOW - 14" X 14" (K50,K53)
	103669-24-K21	EA	PILLOW - 14" X 14" (K51)
	103669-24-K22	EA	PILLOW - 14" X 14" (K52)

NOTE: COUCH FRONT AND SIDE PANELS ARE FOUND IN THE LOUNGE GROUP

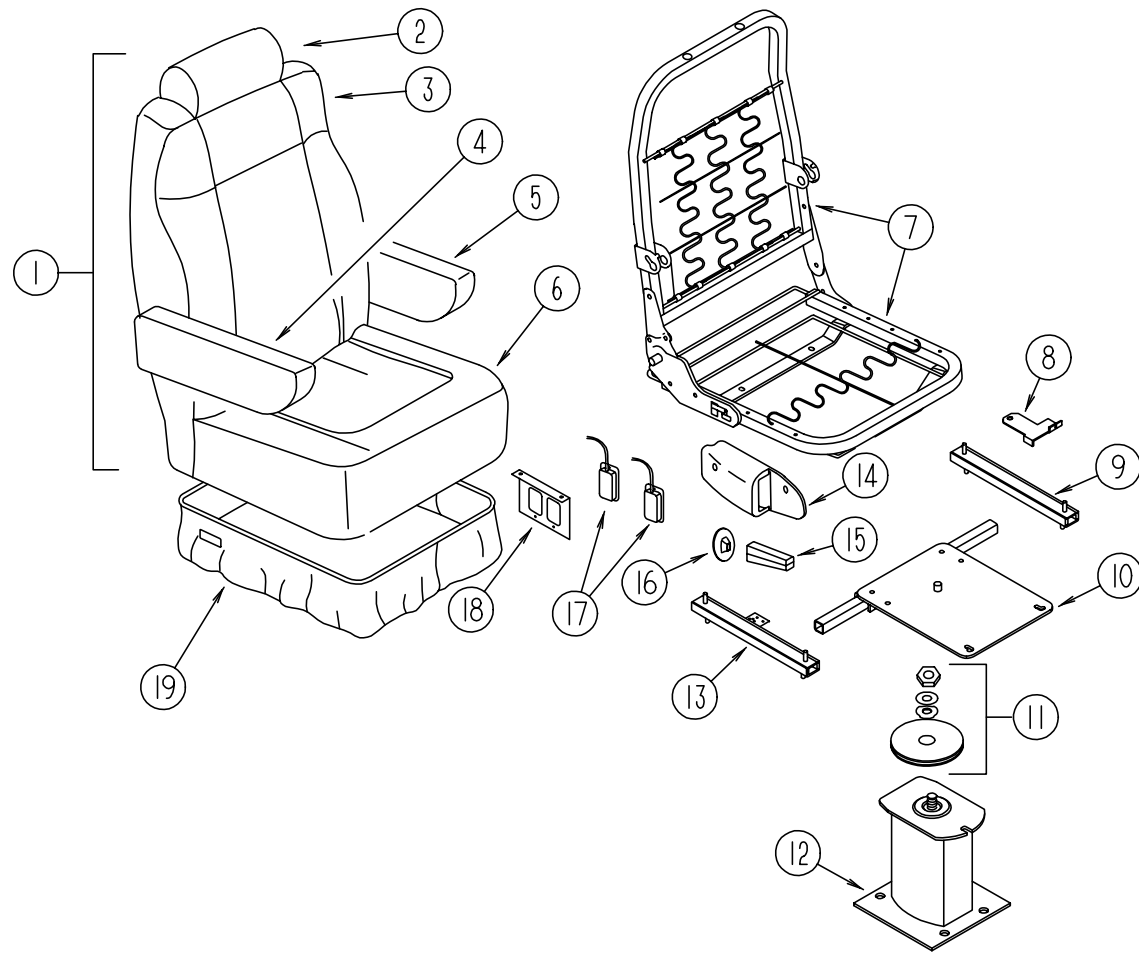
**DINETTE CUSHIONS**

KEY	PART NUMBER	U/M	DESCRIPTION
7	111897-04-K20	EA	CUSHION - BACK - 13.5" X 38" X 5" (K50)
7	111897-04-K21	EA	CUSHION - BACK - 13.5" X 38" X 5" (K51)
7	111897-04-K22	EA	CUSHION - BACK - 13.5" X 38" X 5" (K52)
7	111897-04-K53	EA	CUSHION - BACK - 13.5" X 38" X 5" (K53)
	P11897-04-K20	EA	COVER - BACK - 13.5" X 38" X 5" (K50)
	P11897-04-K21	EA	COVER - BACK - 13.5" X 38" X 5" (K51)
	P11897-04-K22	EA	COVER - BACK - 13.5" X 38" X 5" (K52)
	P11897-04-K53	EA	COVER - BACK - 13.5" X 38" X 5" (K53)
8	088927-87-K20	EA	CUSHION - SEAT - 23" X 38" X 5" (K50)
8	088927-87-K21	EA	CUSHION - SEAT - 23" X 38" X 5" (K51)
8	088927-87-K22	EA	CUSHION - SEAT - 23" X 38" X 5" (K52)
8	088927-87-K53	EA	CUSHION - SEAT - 23" X 38" X 5" (K53)
	M88927-87-K20	EA	COVER - SEAT - 23" X 38" X 5" (K50)
	M88927-87-K21	EA	COVER - SEAT - 23" X 38" X 5" (K51)
	M88927-87-K22	EA	COVER - SEAT - 23" X 38" X 5" (K52)
	M88927-87-K53	EA	COVER - SEAT - 23" X 38" X 5" (K53)



## CURTAIN & CUSHION GROUP (CONTINUED)

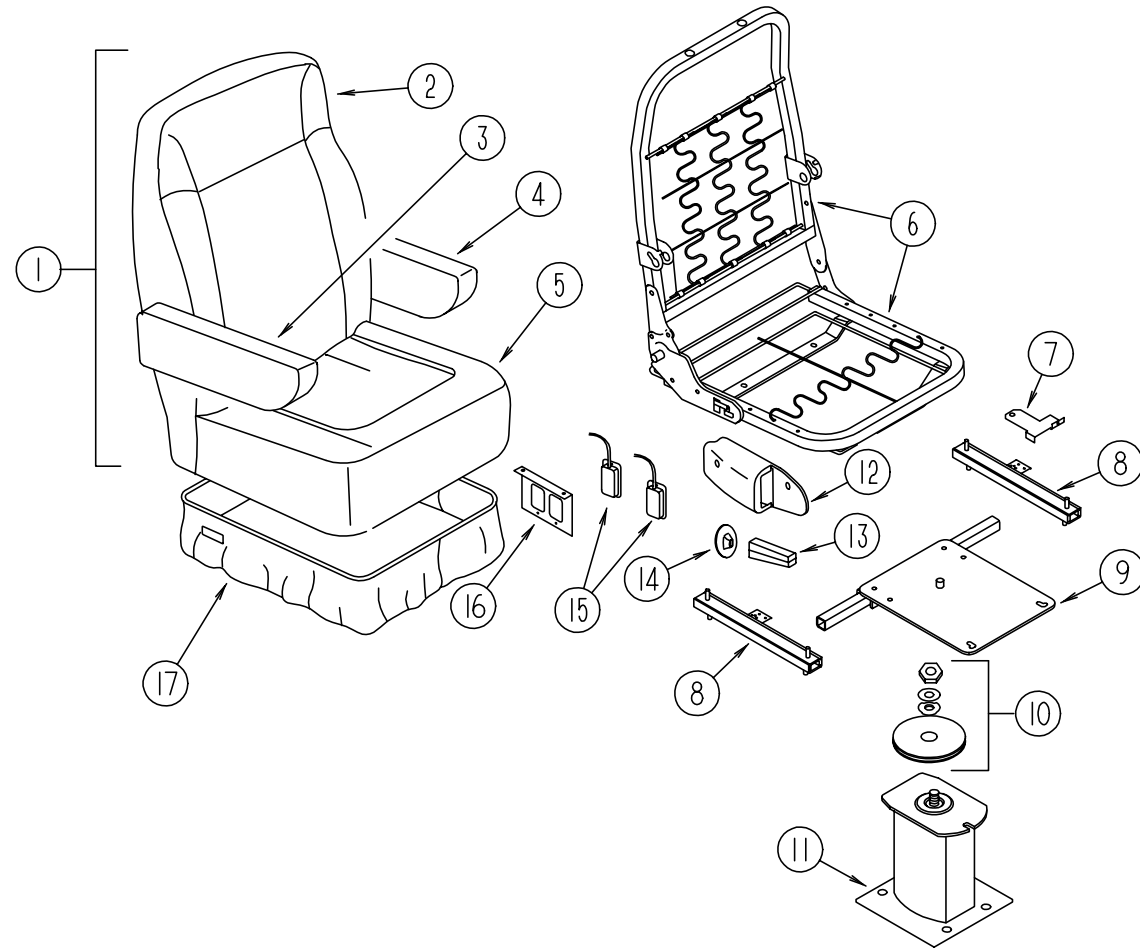
### LOUNGE SWIVEL CHAIR



KEY	PART NUMBER	U/M	DESCRIPTION
1	127540-12-K20	EA	SEAT - BUCKET - MANUAL RECLINE - WIDE (K50)
1	127540-12-K21	EA	SEAT - BUCKET - MANUAL RECLINE - WIDE (K51)
1	127540-12-K22	EA	SEAT - BUCKET - MANUAL RECLINE - WIDE (K52)
1	127540-05-K53	EA	SEAT - BUCKET - MANUAL RECLINE/LOUNGE CHAIR - WIDE (K53)
2	127601-02-K20	EA	HEADREST (K50)
2	127601-02-K21	EA	HEADREST (K51)
2	127601-02-K22	EA	HEADREST (K52)
2	127601-01-J16	EA	HEADREST (K53)
	P27601-02-K48	EA	COVER - HEADREST (K50)
	P27601-02-K21	EA	COVER - HEADREST (K51)
	P27601-02-K22	EA	COVER - HEADREST (K52)
	P27601-01-J16	EA	COVER - HEADREST (K53)
3	M05962-67-K20	EA	COVER - BACK (K50)
3	M05962-67-K21	EA	COVER - BACK (K51)
3	M05962-67-K22	EA	COVER - BACK (K52)
3	M05962-65-K53	EA	COVER - BACK (K53)
4	122780-01-K06	EA	ARMREST - RIGHT HAND (K50)
4	122780-01-H30	EA	ARMREST - RIGHT HAND (K51)
4	122780-01-K22	EA	ARMREST - RIGHT HAND (K52)
4	122780-01-K53	EA	ARMREST - RIGHT HAND (K53)
	P22780-01-K06	EA	COVER - ARMREST - RIGHT HAND (K50)
	P22780-01-H30	EA	COVER - ARMREST - RIGHT HAND (K51)
	P22780-01-K22	EA	COVER - ARMREST - RIGHT HAND (K52)
	P22780-01-K53	EA	COVER - ARMREST - RIGHT HAND (K53)
	115617-03-000	EA	ARMREST - W/O COVER - RIGHT HAND
5	122780-02-J06	EA	ARMREST - LEFT HAND (K50)
5	122780-02-J26	EA	ARMREST - LEFT HAND (K51)
5	122780-02-K22	EA	ARMREST - LEFT HAND (K52)
5	122780-02-H54	EA	ARMREST - LEFT HAND (K53)
	P22780-02-J06	EA	COVER - ARMREST - LEFT HAND (K50)
	P22780-02-J26	EA	COVER - ARMREST - LEFT HAND (K51)
	P22780-02-K22	EA	COVER - ARMREST - LEFT HAND (K52)
	P22780-02-H54	EA	COVER - ARMREST - LEFT HAND (K53)
	115617-04-000	EA	ARMREST - W/O COVER - LEFT HAND
6	M05962-68-K20	EA	COVER - SEAT (K50)
6	M05962-68-K21	EA	COVER - SEAT (K51)
6	M05962-68-K22	EA	COVER - SEAT (K52)
6	M05962-66-K53	EA	COVER - SEAT (K53)
7	122695-01-01B	EA	FRAME - SEAT/BACK
8	117125-01-02B	EA	BRACKET - CABLE MOUNT - ADJUSTER W/LOCK
9	119952-02-000	EA	SLIDE/SEAT - HEAVY DUTY NON LOCKING
	119952-07-000	EA	WIRE - LATCH RELEASE/ROTARY
10	107921-05-000	EA	PLATE - TOP - W/SEAT BELT BAR
11	107921-06-000	EA	BEARING KIT - PEDESTAL
12	107921-01-000	EA	PEDESTAL/FLOOR MOUNTED - W/9.75" EXTENSION
13	119952-04-000	EA	SLIDE/SEAT - HEAVY DUTY LOCKING - 4 STUDS
14	080730-09-000	EA	SHIELD - RECLINER HANDLE
15	080730-08-000	EA	HANDLE - RECLINER
16	080730-11-000	EA	SHIELD - RUBBER BOOT
17	108049-04-000	EA	CABLE - W/SWITCHES - W/26" MINI LEVER ACTION
	108049-02-000	EA	CLIP - CABLE/PEDESTAL
18	127159-02-02B	EA	BRACKET - SEAT RELEASE - DUAL REMOTE
19	071126-66-K48	EA	SKIRT - BUCKET/LARGE (K50)
19	071126-66-J45	EA	SKIRT - BUCKET/LARGE (K51)
19	071126-66-K22	EA	SKIRT - BUCKET/LARGE (K52)
19	071126-66-J16	EA	SKIRT - BUCKET/LARGE (K53)
	108445-02-000	EA	PLATE/FLOOR MOUNTED - PEDESTAL SEAT

## CURTAIN & CUSHION GROUP (CONTINUED)

### BUCKET SEAT W/O LUMBAR



KEY	PART NUMBER	U/M	DESCRIPTION
1	129664-01-K20	EA	SEAT - BUCKET - WIDE - MANUAL RECLINING (K50)
1	129664-01-K21	EA	SEAT - BUCKET - WIDE - MANUAL RECLINING (K51)
1	129664-01-K22	EA	SEAT - BUCKET - WIDE - MANUAL RECLINING (K52)
1	129664-03-K53	EA	SEAT - BUCKET - WIDE (K53)
2	M05962-80-K20	EA	COVER - BACK (K50)
2	M05962-80-K21	EA	COVER - BACK (K51)
2	M05962-80-K22	EA	COVER - BACK (K52)
2	M05962-84-K53	EA	COVER - BACK (K53)
3	129666-01-K48	EA	ARMREST - RIGHT HAND (K50)
3	129666-01-K21	EA	ARMREST - RIGHT HAND (K51)
3	129666-01-K22	EA	ARMREST - RIGHT HAND (K52)
3	129666-01-K53	EA	ARMREST - RIGHT HAND (K53)
	P29666-01-K48	EA	COVER - ARMREST/RIGHT HAND (K50)
	P29666-01-K21	EA	COVER - ARMREST/RIGHT HAND (K51)
	P29666-01-K22	EA	COVER - ARMREST/RIGHT HAND (K52)
	P29666-01-K53	EA	COVER - ARMREST/RIGHT HAND (K53)
4	129666-02-K48	EA	ARMREST - LEFT HAND (K50)
4	129666-02-K21	EA	ARMREST - LEFT HAND (K51)
4	129666-02-K22	EA	ARMREST - LEFT HAND (K52)
4	129666-02-K53	EA	ARMREST - LEFT HAND (K53)
	P29666-02-K48	EA	COVER - ARMREST/LEFT HAND (K50)
	P29666-02-K21	EA	COVER - ARMREST/LEFT HAND (K51)
	P29666-02-K22	EA	COVER - ARMREST/LEFT HAND (K52)
	P29666-02-K53	EA	COVER - ARMREST/LEFT HAND (K53)
5	M05962-81-K20	EA	COVER - SEAT (K50)
5	M05962-81-K21	EA	COVER - SEAT (K51)
5	M05962-81-K22	EA	COVER - SEAT (K52)
5	M05962-85-K53	EA	COVER - SEAT (K53)
6	122695-01-01B	EA	FRAME - SEAT/BACK
7	117125-01-02B	EA	BRACKET - CABLE MOUNT - ADJUSTER W/LOCK
8	119952-04-000	EA	SLIDE/SEAT - HEAVY DUTY LOCKING - 4 STUDS
	119952-07-000	EA	WIRE - LATCH RELEASE/ROTARY
9	107921-05-000	EA	PLATE - TOP - W/SEAT BELT BAR
10	107921-06-000	EA	BEARING KIT - PEDESTAL
11	107921-01-000	EA	PEDESTAL/FLOOR MOUNTED - W/9.75" EXTENSION
12	080730-09-000	EA	SHIELD - RECLINER HANDLE
13	080730-08-000	EA	HANDLE - RECLINER
14	080730-11-000	EA	SHIELD - RUBBER BOOT
15	108049-04-000	EA	CABLE - W/SWITCHES - W/26" MINI LEVER ACTION
	108049-02-000	EA	CLIP - CABLE/PEDESTAL
16	127159-02-02B	EA	BRACKET - SEAT RELEASE - REMOTE
17	071126-68-K48	EA	SKIRT - WIDE - 10.5" OPEN CORNER (STANDARD & 6-WAY POWER) (K50)
17	071126-68-K21	EA	SKIRT - WIDE - 10.5" OPEN CORNER (STANDARD & 6-WAY POWER) (K51)
17	071126-68-K22	EA	SKIRT - WIDE - 10.5" OPEN CORNER (STANDARD & 6-WAY POWER) (K52)
17	071126-68-K53	EA	SKIRT - WIDE - 10.5" OPEN CORNER (STANDARD & 6-WAY POWER) (K53)

**CURTAIN & CUSHION GROUP (CONTINUED)**

**BUTTON, TRIM, ASSIST HANDLE & SEAT BELT**

KEY	PART NUMBER	U/M	DESCRIPTION
	070578-02-B10	EA	BUTTON - SCREW - STUD - #30 VINYL
	079349-04-J06	YD	WELT - NARROW (K50)
	079349-04-H17	YD	WELT - NARROW (K51)
	079349-04-K22	YD	WELT - NARROW - ACCENT (K52)
	079349-04-H87	YD	WELT - NARROW (K53)
	007021-01-000	EA	SEAT BELT - 2" X 90" - BLACK
	056271-01-000	EA	SEAT BELT - 2" X 102" - BLACK
	057759-01-000	EA	WASHER - FLAT F/SEAT BELT - 4" DIAMETER
	069178-02-000	EA	BRACKET - MOUNTING/ASSIST HANDLE - GRAY
	000C16-07-16B	EA	BOLT - CARRIAGE - ASSIST HANDLE - 7/16" - 14 X 1"
	000D20-07-00B	EA	NUT - ACORN - ASSIST HANDLE - 7/16 - 14
	053552-02-K01	EA	HANDLE - ASSIST - INTERIOR/ENTRY DOOR - VINYL/OFF WHITE

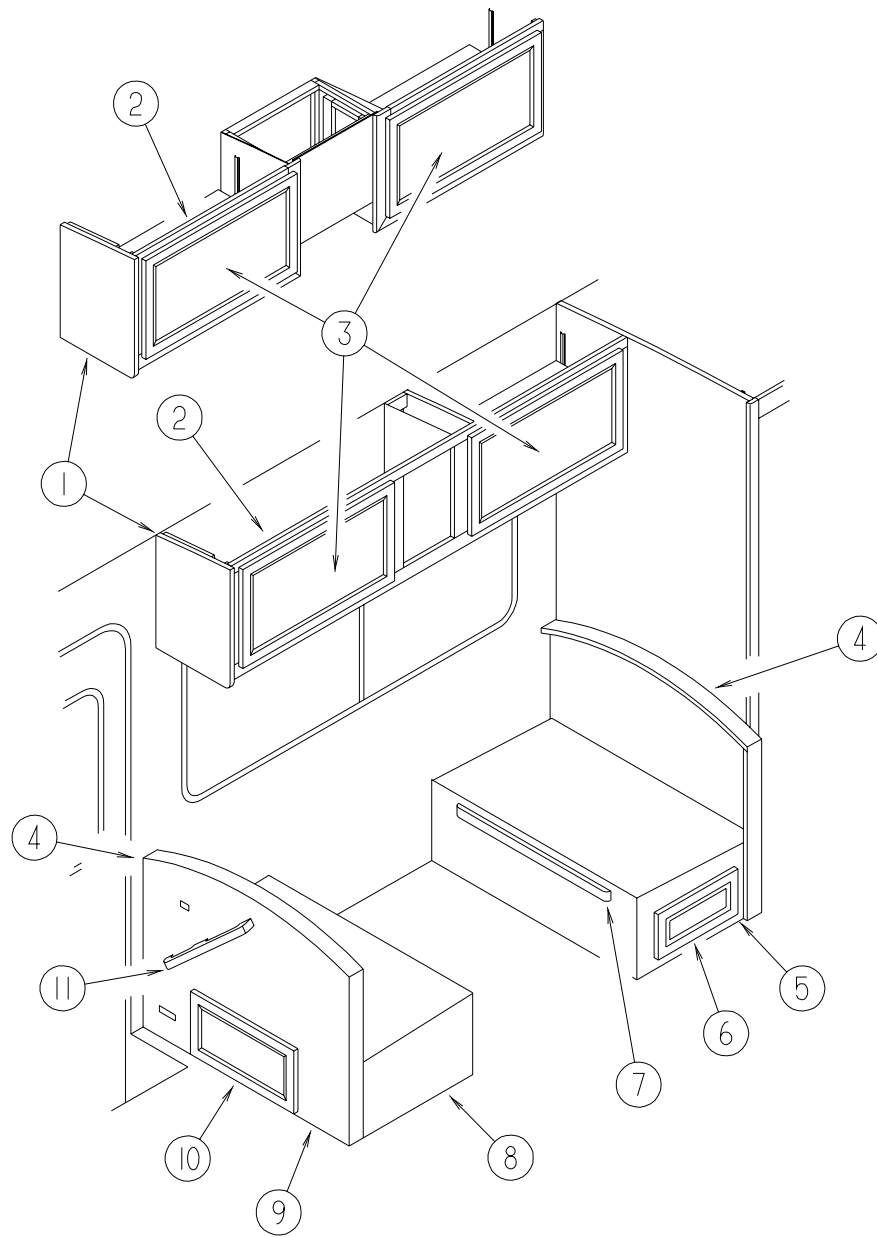
**CURTAIN & CUSHION GROUP (CONTINUED)**

SUNRISE FABRIC				
COLOR CODES	K50	K51	K52	K53
	MINK (TAUPE)	ASPEN (GREEN)	PRISM (BLUE)	TUMBLEWEED (SAND)
CEILING MATERIAL FROM: 00-00-00 THRU: 02-07-99	113979-01-01A	113979-01-01A	113979-01-01A	113979-01-01A
CEILING MATERIAL FROM: 02-08-99 THRU: 99-99-99	113979-09-01A	113979-09-01A	113979-09-01A	113979-09-01A
MADRID VINYL	103907-01-01A	103907-01-01A	103907-01-01A	103907-01-01A
TITANIUM VINYL	103907-01-08A 103907-02-08A 103907-03-08A	103907-01-08A 103907-02-08A 103907-03-08A	103907-01-08A 103907-02-08A 103907-03-08A	103907-01-08A 103907-02-08A 103907-03-08A
DRAPERY LINING	087272-03-000	087272-03-000	087272-03-000	087272-03-000
BUCKET SEATS	108446-T4-000 108446-S6-000	126883-22-000 108446-G0-000	126883-28-000 096008-85-000	108446-R2-000
DINETTE	108446-S3-000	126883-21-000	126883-25-000	126883-26-000
DINETTE PADS	108446-T4-000	126883-22-000	126883-28-000	108446-R2-000
SOFA	108446-S3-000	126883-21-000	126883-25-000	126883-26-000
SOFA PILLOWS	108446-T4-000	126883-22-000	126883-28-000	108446-R2-000
SWIVEL CHAIR	108446-T4-000 108446-S6-000	126883-22-000 108446-G0-000	126883-28-000 096008-85-000	108446-R2-000
LOUNGE WINDOWS	108446-S3-000 108446-T4-000	126883-21-000 126883-22-000	126883-25-000 126883-28-000	108446-R2-000
BEDROOM WINDOWS	105745-G5-000 105745-B5-000	105745-G1-000 105745-E7-000	105745-E9-000 105745-E3-000	105745-G5-000 105745-B5-000
BEDSPREAD	105745-G5-000	105745-G1-000	105745-E9-000	105745-G5-000
PILLOW SHAMS	105745-G5-000 105745-B5-000	105745-G1-000 105745-E7-000	105745-E9-000 105745-E3-000	105745-G5-000 105745-B5-000
BEDROOM PILLOWS	105745-G5-000 105745-B5-000	105745-G1-000 105745-E7-000	105745-E9-000 105745-E3-000	105745-G5-000 105745-B5-000
FRONT WRAP AROUND	072333-82-000	072333-82-000	072333-82-000	072333-82-000
LOUNGE CABINET INSERTS	108446-T4-000	126883-22-000	126883-28-000	108446-R2-000
BEDROOM CABINET INSERTS	105745-B5-000	105745-E7-000	105745-E3-000	105745-B5-000
MAP POCKETS	108446-S6-000	108446-G0-000	096008-85-000	108446-R2-000

NOTE: FABRIC LISTED FIRST, IN A BLOCK, IS THE LARGEST QUANTITY OF FABRIC USED.

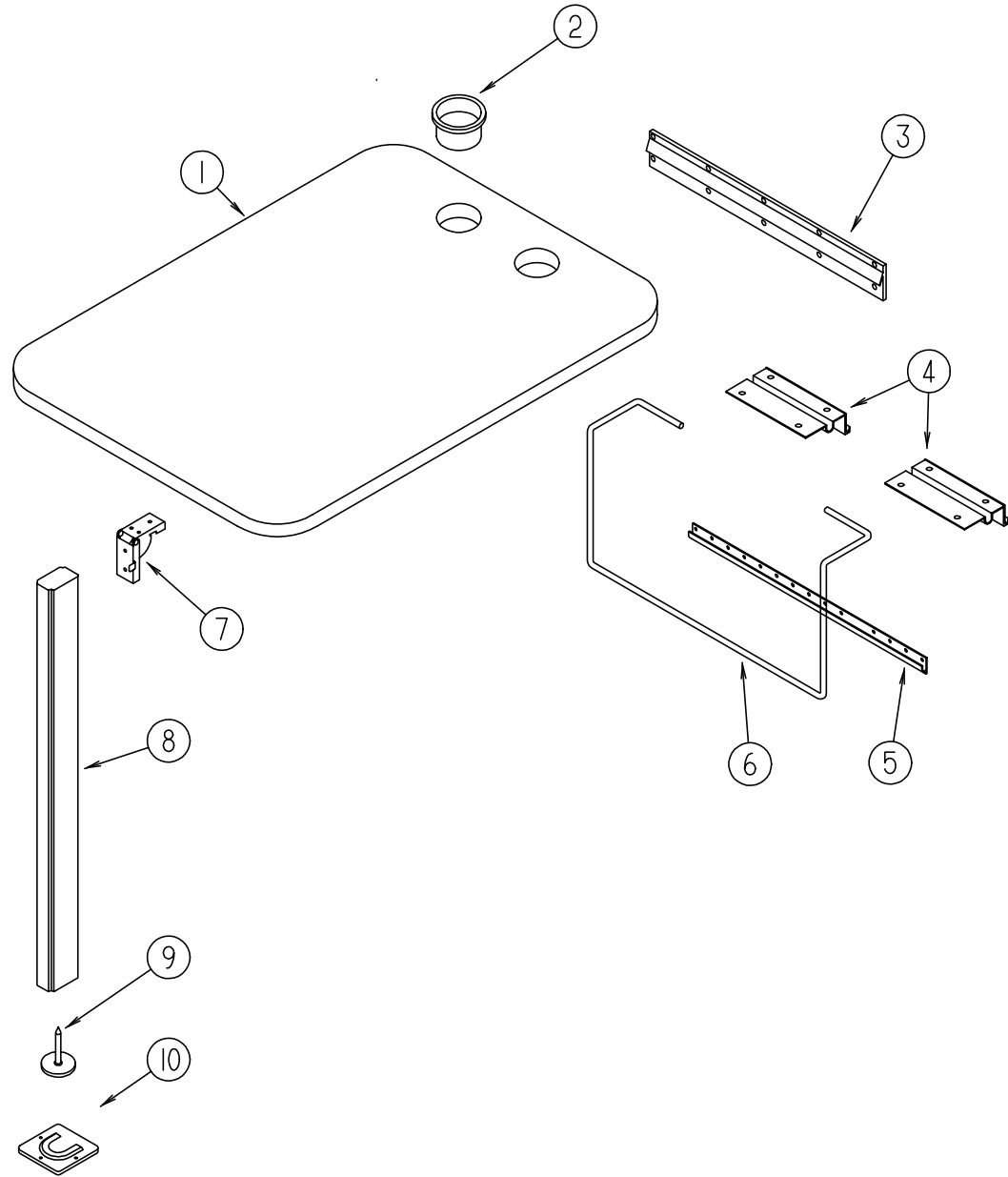
## DINETTE GROUP

### DINETTE CABINETRY



KEY	PART NUMBER	U/M DESCRIPTION
1	103128-30-J37	EA END CAP - OVERHEAD/CABINET - LEFT HAND
2	129730-01-K20	EA CABINET - OVERHEAD DINETTE - W/O DOORS/HARDWARE (K50)
2	129730-01-K21	EA CABINET - OVERHEAD DINETTE - W/O DOORS/HARDWARE (K51)
2	129730-01-K22	EA CABINET - OVERHEAD DINETTE - W/O DOORS/HARDWARE (K52)
2	129730-01-K53	EA CABINET - OVERHEAD DINETTE - W/O DOORS/HARDWARE (K53)
	129730-12-K20	EA SHELF - W/PLASTIC TRIM
2	127594-03-K20	EA CABINET - OVERHEAD/DINETTE - W/O DOORS/HARDWARE (K50) COFFEEMAKER OPTION
2	127594-03-K21	EA CABINET - OVERHEAD/DINETTE - W/O DOORS/HARDWARE (K51) COFFEEMAKER OPTION
2	127594-03-K22	EA CABINET - OVERHEAD/DINETTE - W/O DOORS/HARDWARE (K52) COFFEEMAKER OPTION
2	127594-03-K53	EA CABINET - OVERHEAD/DINETTE - W/O DOORS/HARDWARE (K53) COFFEEMAKER OPTION
3	132141-56-K20	EA DOOR - RAIL/VENEER - 14.3" X 26.7" - W/O HARDWARE
4	104787-04-K20	EA PAD - DINETTE SEATBACK (K50)
4	104787-04-K21	EA PAD - DINETTE SEATBACK (K51)
4	104787-04-K22	EA PAD - DINETTE SEATBACK (K52)
4	104787-04-H40	EA PAD - DINETTE SEATBACK (K53)
5	M08753-08-J37	EA CABINET - SEATBASE - RIGHT HAND - W/O DOOR/DRAWER/HARDWARE
6	131995-G4-K01	EA DOOR - SOLID PANEL - 10" X 19.1" - W/O HARDWARE
7	081295-01-G01	EA SUPPORT - BED/DINETTE - 28" LONG
8	M04175-90-H13	EA CABINET - SEATBASE - LEFT HAND - W/O DOOR/DRAWER/HDW
9	M04174-90-H13	EA CABINET - SEATBACK - LEFT HAND
10	131995-U7-K20	EA DOOR - SOLID PANEL - 10" X 19.1" - W/O HARDWARE
11	091257-10-000	EA HANDLE - ASSIST - WATERFORD OAK
	122021-01-02A	EA ANGLE - W/HOLES - 8.6" LONG - OFF WHITE
	122021-03-01A	EA ANGLE - W/HOLES
	122021-02-02A	EA ANGLE - W/HOLES - 13.7" LONG - OFF WHITE

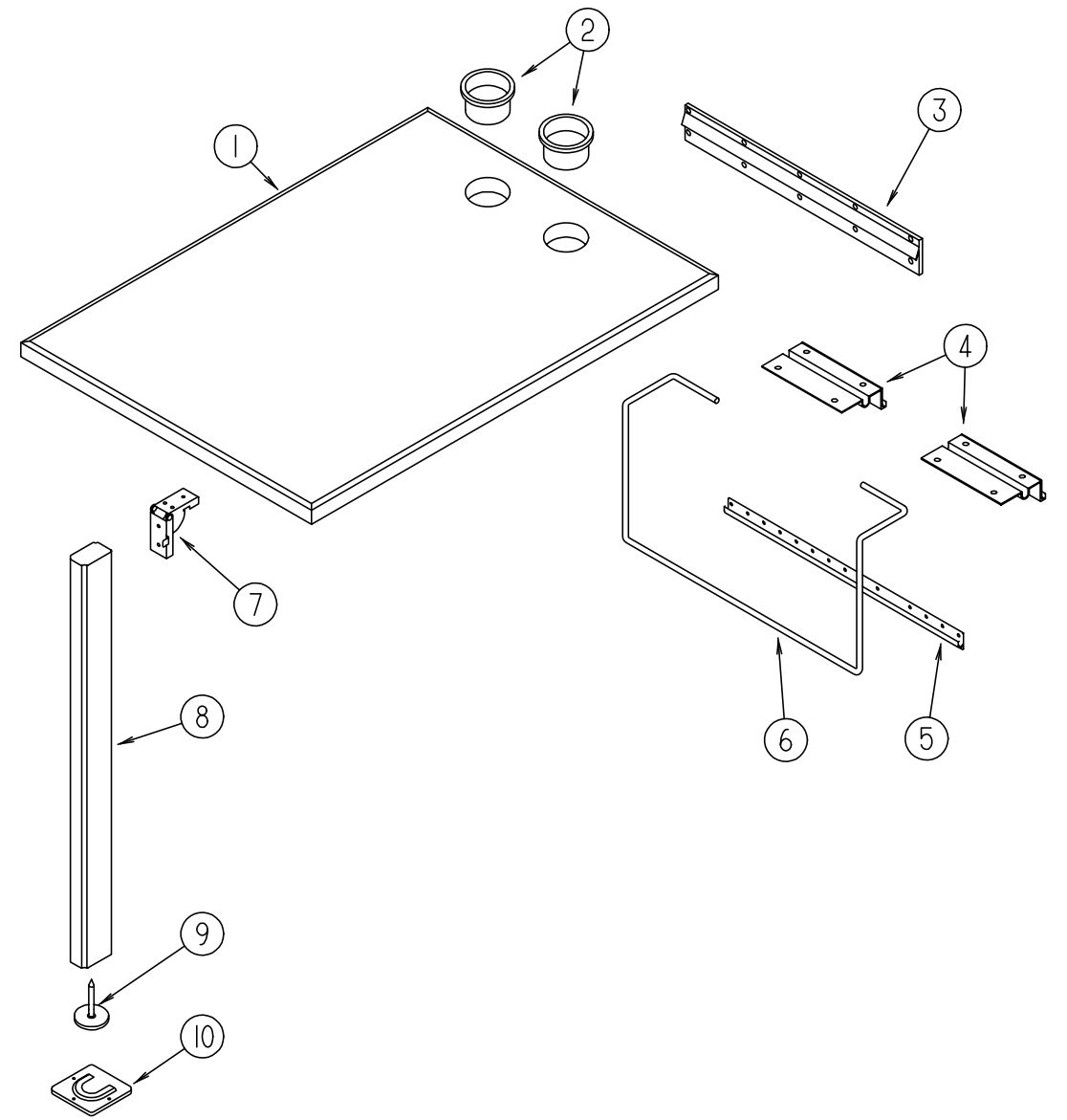
### DINETTE GROUP (CONTINUED)



**DINETTE TABLE (PLASTIC EDGE)**

KEY	PART NUMBER	U/M	DESCRIPTION
1	081322-24-K20	EA	TABLE TOP ONLY (K50)
1	081322-24-K21	EA	TABLE TOP ONLY (K51,K53)
1	081322-24-K22	EA	TABLE TOP ONLY (K52)
2	064781-06-000	EA	HOLDER - CUP - TWO STEP - OFF WHITE
3	053200-12-000	EA	BRACKET - TABLE SUPPORT - UPPER/WALL MOUNTED - 23.50"
4	088410-02-000	EA	BRACKET - LIFT - TABLE MOUNTED
5	024281-14-000	EA	BRACKET/TABLE - LIFT ROD/LOWER WALL MOUNTED - 22.12"
6	024275-12-000	EA	ROD - TABLE LIFT
7	093550-01-000	EA	BRACKET - HINGE - MOUNTS TO LEG & TABLE TOP - 1.7" X 2.6"
8	092707-04-05A	EA	LEG - TABLE - W/O HARDWARE - 27" - WATERFORD OAK
9	092593-01-05A	EA	CATCH - TABLE LEG - OFF/WHITE
10	049493-12-000	EA	CATCH - TABLE LEG/FLOOR MOUNTED - OFF WHITE
10	049493-11-700	EA	CATCH - TABLE LEG/FLOOR MOUNTED - E COATED

### DINETTE GROUP (CONTINUED)

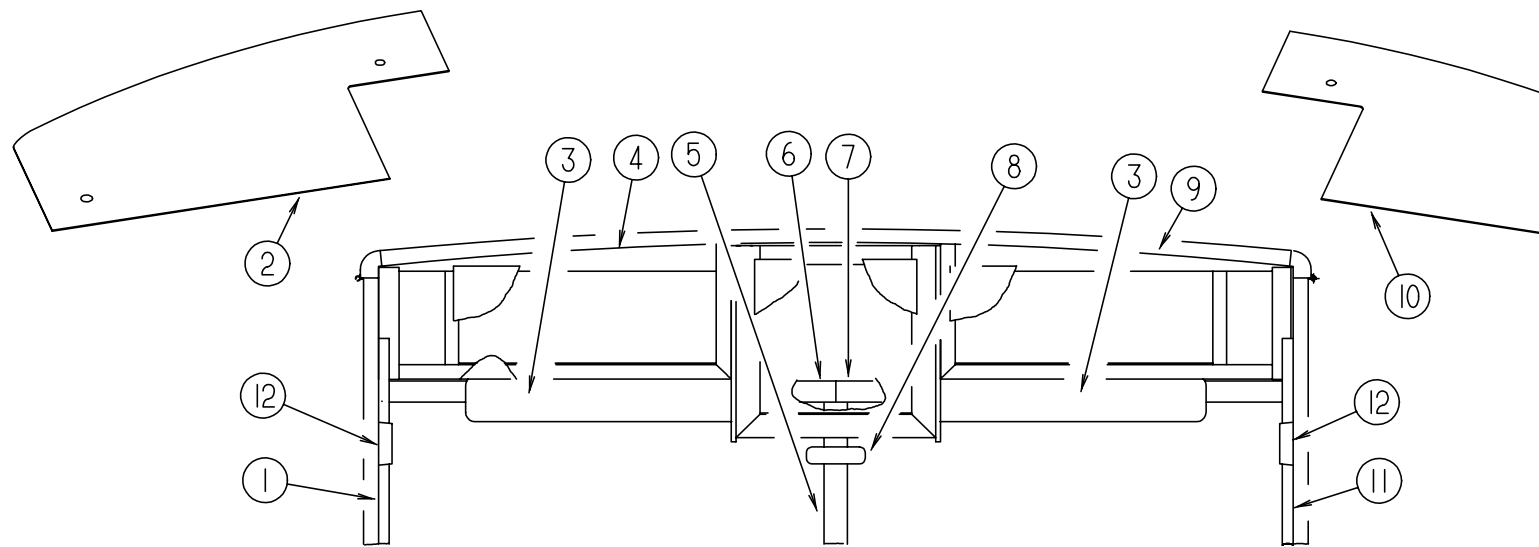


**DINETTE TABLE (WOOD EDGE)**

KEY	PART NUMBER	U/M	DESCRIPTION
1	088913-04-K20	EA	TABLE TOP ONLY (K50)
1	088913-04-K21	EA	TABLE TOP ONLY (K51,K53)
1	088913-04-K22	EA	TABLE TOP ONLY (K52)
2	064781-06-000	EA	HOLDER - CUP - TWO STEP - OFF WHITE
3	053200-12-000	EA	BRACKET - TABLE SUPPORT - UPPER/WALL MOUNTED - 23.50"
4	088410-02-000	EA	BRACKET - LIFT - TABLE MOUNTED
5	024281-14-000	EA	BRACKET/TABLE - LIFT ROD/LOWER WALL MOUNTED - 22.12"
6	024275-12-000	EA	ROD - TABLE LIFT
7	093550-01-000	EA	BRACKET - HINGE - MOUNTS TO LEG & TABLE TOP - 1.7" X 2.6"
8	092707-04-05A	EA	LEG - TABLE - W/O HARDWARE - 27" - WATERFORD OAK
9	092593-01-05A	EA	CATCH - TABLE LEG - OFF/WHITE
10	049493-12-000	EA	CATCH - TABLE LEG/FLOOR MOUNTED - OFF WHITE
10	049493-11-700	EA	CATCH - TABLE LEG/FLOOR MOUNTED - E COATED

# DRIVERS COMPARTMENT GROUP

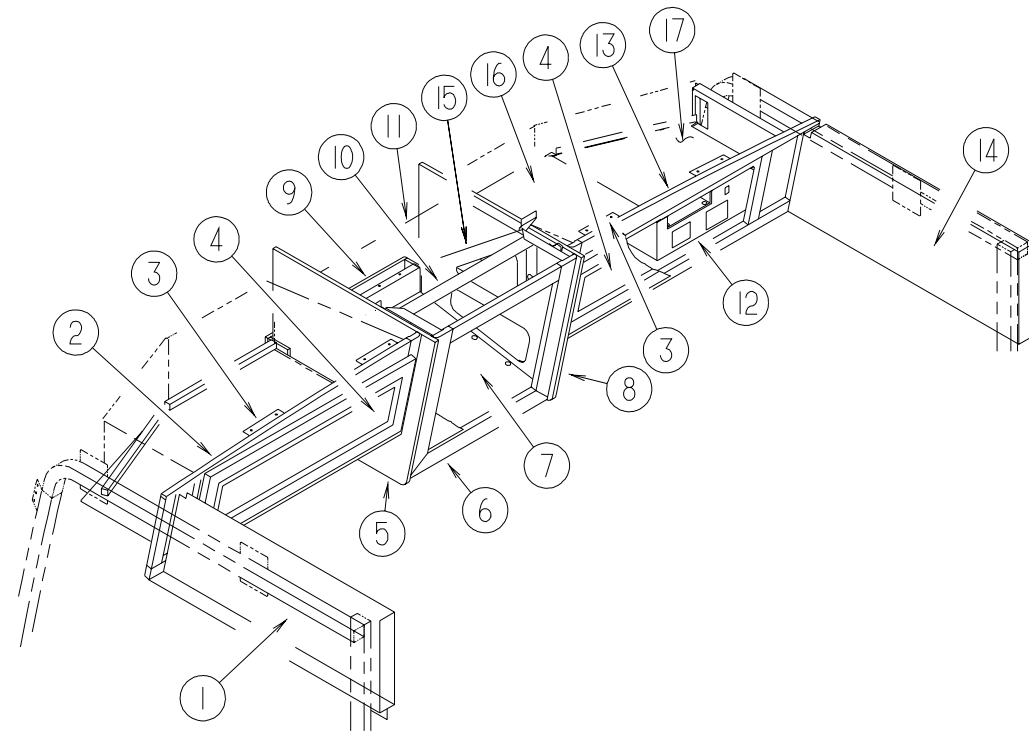
## DRIVERS COMPARTMENT - UPPER



KEY	PART NUMBER	U/M	DESCRIPTION
1	125444-02-02A	EA	TRIM - A-PILLAR - INTERIOR - TITANIUM
2	126440-04-J45	EA	PANEL - OVERHEAD/FRONT - BOTTOM/LEFT HAND
3	123298-02-05A	EA	SUNVISOR - 10.5" X 28.5"
4	126457-02-J20	EA	PANEL - CLOSEOUT - OVERHEAD FRONT - UPPER/LOWER LEFT HAND
5	118452-03-02A	EA	TRIM - WINDSHIELD - CENTER
6	118453-06-02A	EA	TRIM - WINDSHIELD - INNER/TOP/DRIVER
7	118453-05-02A	EA	TRIM - WINDSHIELD - INNER/TOP/PASSENGER
8	040714-01-000	EA	MIRROR - REAR VIEW/ARM MOUNT & SET SCREW
	067490-01-000	EA	BUTTON - MIRROR/REAR VIEW
9	126457-01-J20	EA	PANEL - CLOSEOUT - OVERHEAD FRONT - UPPER/LOWER RIGHT HAND
10	126440-03-J45	EA	PANEL - OVERHEAD/FRONT - BOTTOM/RIGHT HAND
11	125444-01-02A	EA	TRIM - A-PILLAR/PASSENGER - INTERIOR - TITANIUM
12	103961-03-01A	EA	COVER - BRACKET - SEATBELT/OFF WHITE

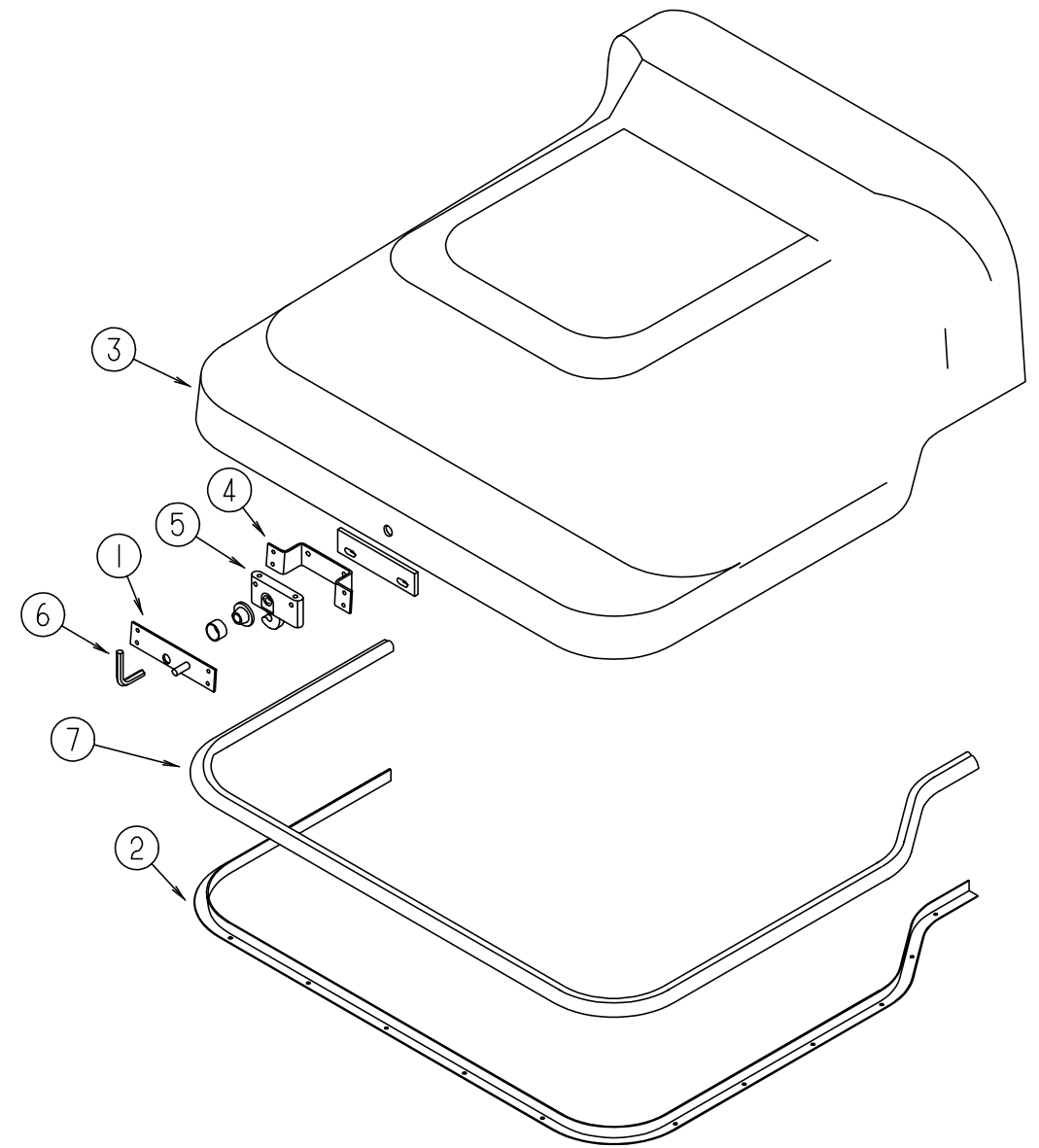
**DRIVERS COMPARTMENT GROUP (CONTINUED)**

**DRIVERS COMPARTMENT GROUP (CONTINUED)**



**INTERIOR STORAGE AND TV CABINETS**

KEY	PART NUMBER	U/M	DESCRIPTION
1	126765-08-K50	EA	PANEL - OVERHEAD/DRIVER
2	126877-02-J15	EA	CABINET - OVERHEAD/FRONT - LEFT HAND - W/O DOORS/HARDWARE
3	106699-01-01A	EA	BRACKET - OVERHEAD CABINET/TV
4	M09332-07-K16	EA	DOOR - RAISED MEMBRANE/OGEE EDGE - 10.8" X 27.9" - W/O HDW
5	103128-25-J15	EA	END CAP - OVERHEAD CABINET - LEFT HAND
6	126718-01-J15	EA	FRAME/FACE - TV CABINET - W/O DOOR/HARDWARE
6	116791-02-J15	EA	FRAME/FACE - TV CABINET - F/TV
	091261-01-000	FT	SLIPNOT - ANTISLIP - 1' WIDE
7	100708-16-000	EA	DOOR - GLASS - CABINET - 15.5" X 15.7" - W/O HARDWARE
8	103128-26-J15	EA	END CAP - OVERHEAD CABINET - RIGHT HAND
9	126801-01-J45	EA	CABINET BOTTOM - VINYL COVERED
10	114706-04-02B	EA	SUPPORT - SHELF/TV
11	126854-01-J20	EA	PANEL - HEADLINER/TV/TOP
12	126601-01-J60	EA	PANEL - SHELF - VINYL COVERED - W/O INVERTER CUTOUT
			FROM: 00-00-00 THRU: 11-08-98
12	131807-01-K58	EA	PANEL - SHELF - VINYL COVERED - W/O INVERTER CUTOUT
			FROM: 11-09-98 THRU: 99-99-99
12	126601-03-J60	EA	PANEL SHELF/VINYL CVRD-W/O INVERTER CUTOUT-W/SWITCH NOTCH
			FROM: 00-00-00 THRU: 11-08-98
12	131807-02-K58	EA	PANEL SHELF/VINYL CVRD-W/O INVERTER CUTOUT-W/SWITCH NOTCH
			FROM: 11-09-98 THRU: 99-99-99
12	126601-07-J60	EA	PANEL SHELF-VINYL CVRD-W/INVERTER CUTOUT-W/SWITCH NOTCH
			FROM: 00-00-00 THRU: 11-08-98
12	131807-03-K58	EA	PANEL SHELF-VINYL CVRD-W/INVERTER CUTOUT-W/SWITCH NOTCH
			FROM: 11-09-98 THRU: 99-99-99
13	126877-01-J15	EA	CABINET - OVERHEAD/FRONT - RIGHT HAND - W/O DOORS/HARDWARE
14	126765-07-K50	EA	PANEL - OVERHEAD/PASSENGER
15	126081-01-02B	EA	BRACKET/SUPPORT - TV - 24 DEGREE - E-COATED
	126081-02-02B	EA	BRACKET/SUPPORT - TV - 24 DEGREE - E-COATED
16	127637-01-02B	EA	SHELF - OVERHEAD/FRONT/LEFT HAND - E-COATED
17	126275-01-02B	EA	SHELF - OVERHEAD/FRONT - E-COATED
			FROM: 00-00-00 THRU: 11-08-98
17	126275-03-02B	EA	SHELF - OVERHEAD/FRONT - E-COATED
			FROM: 11-09-98 THRU: 99-99-99

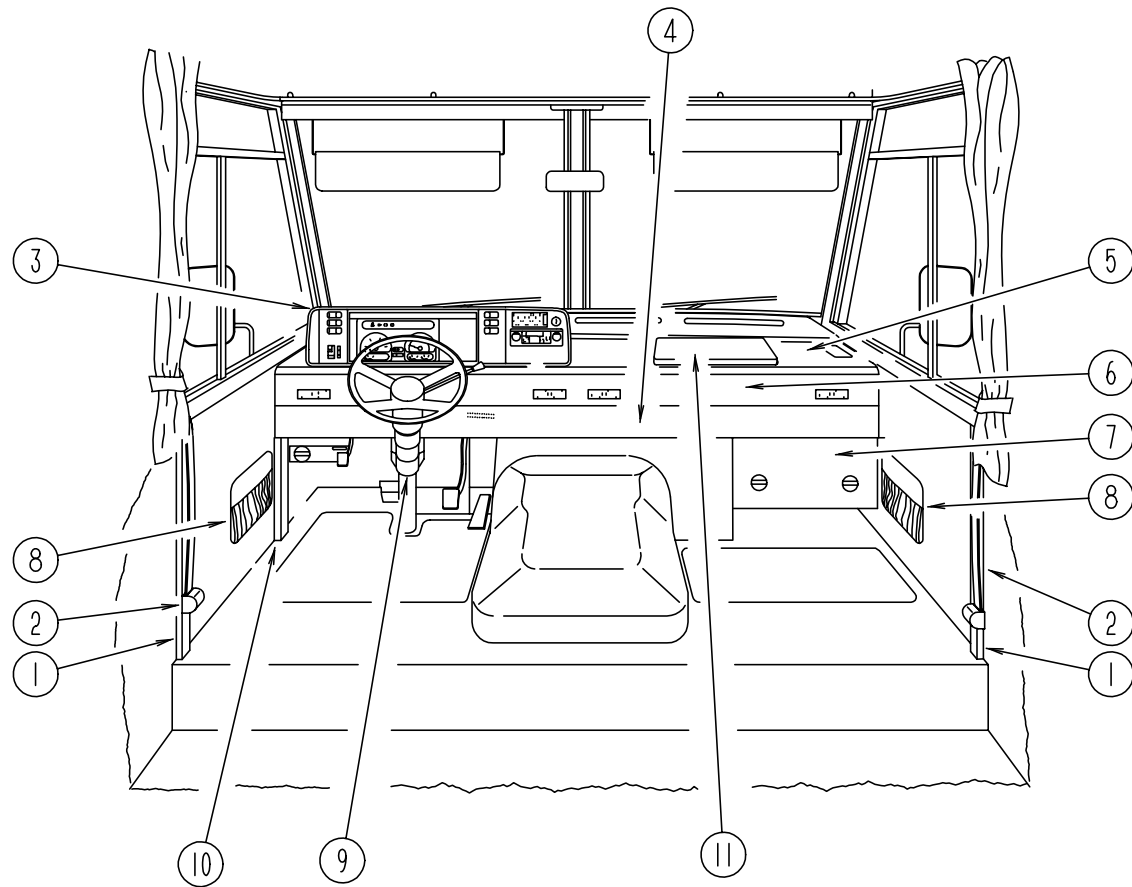


**MOTOR COVER**

KEY	PART NUMBER	U/M	DESCRIPTION
1	115852-01-02B	EA	STRIKE - LATCH - MOTOR COVER - E-COATED
2	115860-01-01A	EA	TRIM - MOTOR COVER - CHEVY
2	115860-03-01A	EA	TRIM - MOTOR COVER - FORD
3	115840-02-01A	EA	COVER - MOTOR - W/O CARPET - CHEVY
3	115840-03-01A	EA	COVER - MOTOR - W/O CARPET - FORD
4	115850-03-02B	EA	RETAINER - LATCH - MOTOR COVER - RIGHT HAND - E-COATED
5	116581-01-000	EA	LATCH - MOTOR COVER
6	116833-01-02B	EA	WRENCH - HEX MOTOR COVER - E-COATED
7	039623-01-000	FT	SEAL - MOTOR COVER - RUBBER BULB TYPE

## DRIVERS COMPARTMENT GROUP (CONTINUED)

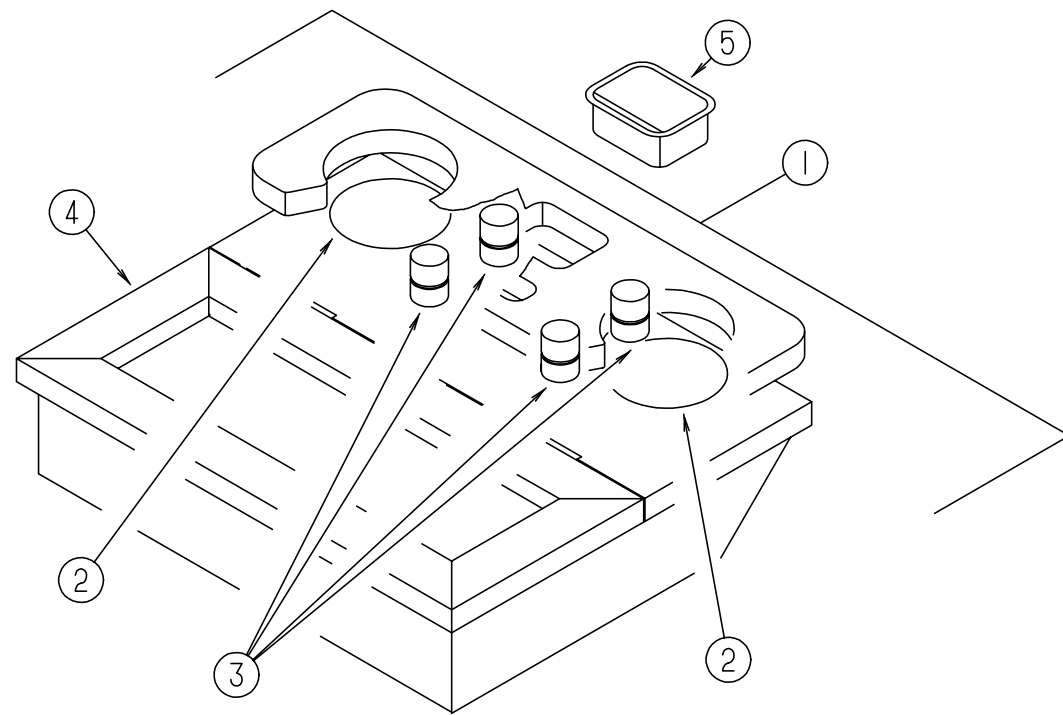
### DRIVERS COMPARTMENT - LOWER



KEY	PART NUMBER	U/M DESCRIPTION	VENDOR NO.
1	024700-51-000	EA COVER - ROLL BAR - 88" - OFF WHITE	
2	091990-04-01A	EA SEAT BELT/SHOULDER HARNESS - DRIVERS/PASSENGER - BLACK	
	091990-01-701	EA EXTENDER - 9" W/POINTED LATCHING TONGUE	I-1331-02
	091990-05-700	EA SLEEVE/BUCKLE COVER-PLASTIC	209S-2
	091990-05-701	EA CAP/COVER - BOLT HOLE COVER	209SC-02
	091990-05-702	EA SLEEVE/RETRACTABLE COVER	309C-02
	109146-01-000	EA BOLT - SHOULDER/SEAT BELT	
	133576-02-01B	EA PLATE - ANCHOR - SEATBELT - LOWER - MILL	
3	125677-02-J52	EA POD - INSTRUMENT PANEL - TITANIUM - FORD	
		FROM: 00-00-00 THRU: 03-07-99	
3	125677-04-K58	EA POD - INSTRUMENT PANEL - TITANIUM - FORD	
		FROM: 03-08-99 THRU: 99-99-99	
3	125677-04-K58	EA POD - INSTRUMENT PANEL - CHEVY	
4	114620-12-03A	EA TRIM - LOWER DASH - GM - 96" - TITANIUM	
4	114620-01-05A	EA TRIM - LOWER DASH - GM - 96" - TITANIUM - HEATED MIRRORS OPTION	
4	111528-04-05A	EA TRIM - LOWER DASH - DRIVER - FD - TITANIUM	
4	111528-03-06A	EA TRIM - LOWER DASH - PASSENGER - FD - TITANIUM - HEATED MIRRORS OPTION	
4	111528-08-03A	EA TRIM - LOWER DASH - PASSENGER - FD - TITANIUM	
5	P30276-02-000	EA DASH - W/O VINYL - FORD	
		FROM: 00-00-00 THRU: 02-03-99	
5	P30276-10-000	EA DASH - COMPLETE - W/O VINYL - FORD	
		FROM: 02-04-99 THRU: 99-99-99	
5	P30276-06-000	EA DASH - W/O VINYL - CHEVY	
	106569-11-02A	EA VINYL - LAMINATE - TITANIUM - 1/4" X 21" X 100"	
	118101-06-02B	EA PANEL - DASH TOP - E-COATED	
	113452-01-000	FT SEAL/TRIM - FRONT - VINYL W/WIRE CARRIER	
	110530-01-000	FT SEAL - SPONGE - .31" X .62"	
6	126340-02-01A	EA DECAL - LOGO - SUNRISE	
7	095757-05-G16	EA COVER - HEATER (K50)	
7	095757-05-J31	EA COVER - HEATER (K51)	
7	095757-05-J51	EA COVER - HEATER (K52)	
7	095757-05-J60	EA COVER - HEATER (K53)	
8	086120-01-J24	EA PAD - MAP POCKET - 12" X 16" (K50)	
8	086120-01-J61	EA PAD - MAP POCKET - 12" X 16" (K51)	
8	086120-01-F05	EA PAD - MAP POCKET - 12" X 16" (K52)	
8	086120-01-J62	EA PAD - MAP POCKET - 12" X 16" (K53)	
9	103498-09-000	EA BOOT - STEERING COLUMN - W/1/2 CIRCLE - CHEVY	
	130111-01-01A	EA COVER - STEERING COLUMN - BLACK - FORD	
		FROM: 00-00-00 THRU: 02-03-99	
	131804-01-01A	EA COVER - STEERING COLUMN - BLACK - FORD	
		FROM: 02-04-99 THRU: 99-99-99	
	125795-01-01A	EA COVER - STEERING COLUMN - LOWER - FORD	
		FROM: 02-04-99 THRU: 99-99-99	
	125655-03-01A	EA TRIM - STEERING COLUMN - RIGHT HAND/FORD	
		FROM: 00-00-00 THRU: 02-03-99	
	125655-04-01A	EA TRIM - STEERING COLUMN - LEFT HAND/FORD	
		FROM: 00-00-00 THRU: 02-03-99	
10	127901-01-02A	EA PANEL - TOEKICK/LEFT HAND - TITANIUM	
11	127692-01-J50	EA TABLE - DASH	
	127597-01-000	EA SLIDE - WORK STATION - DASH	



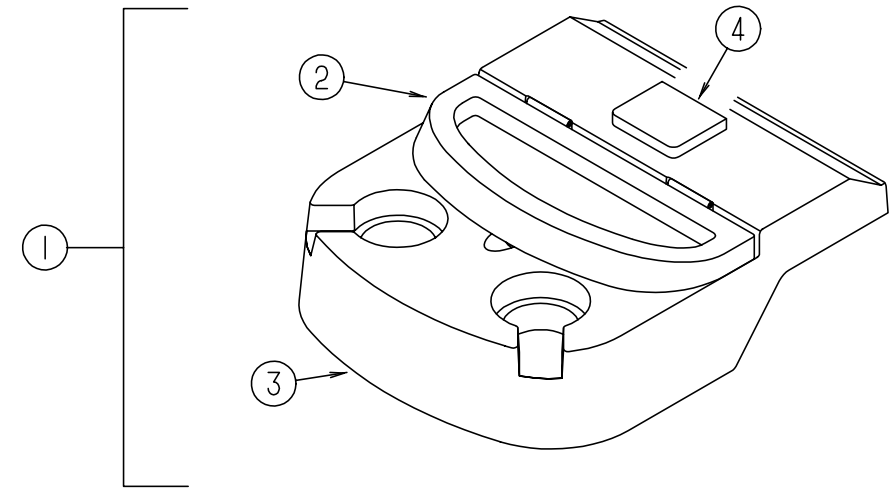
**DRIVERS COMPARTMENT GROUP (CONTINUED)**



**BEVERAGE TRAY (WOOD)**

KEY	PART NUMBER	U/M	DESCRIPTION
1	111618-01-H17	EA	TRAY - BEVERAGE W/COMPARTMENT - W/O CUPHOLDERS
2	122717-01-01A	EA	PAD - NON SKID - 4" DIAMETER ROUND
3	097872-08-000	EA	DOWEL - WOOD - 1" DIAMETER X 1.38" LONG - WATERFORD OAK
3	097872-04-000	EA	DOWEL - WOOD - 1" DIAMETER X 1.38" LONG - UNFINISHED
4	111618-13-GB1	EA	LID - BEVERAGE TRAY COMPARTMENT
5	046886-03-000	EA	ASHTRAY - CHROME W/COVER

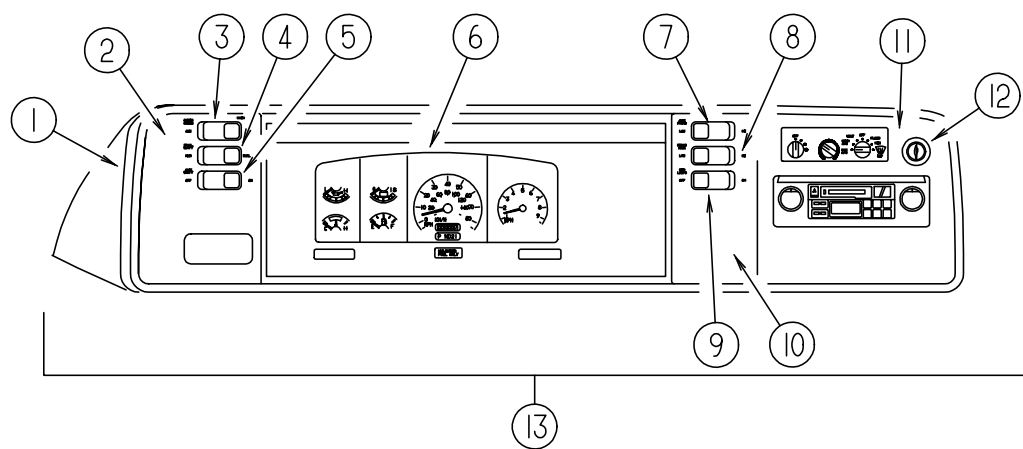
**DRIVERS COMPARTMENT GROUP (CONTINUED)**



**BEVERAGE TRAY (PLASTIC)**

KEY	PART NUMBER	U/M	DESCRIPTION
1	126008-02-J60	EA	TRAY ASM-BEVERAGE
2	128113-01-J60	EA	LID - BEVERAGE TRAY
3	128114-01-02A	EA	TRAY - BEVERAGE - TITANIUM
4	118719-01-01A	EA	ASHTRAY - TOP MOUNT - BLACK PLASTIC
	126010-01-02A	EA	SPACER - BEVERAGE TRAY
	122772-02-02B	EA	BRACKET - MOUNTING - BEVERAGE TRAY

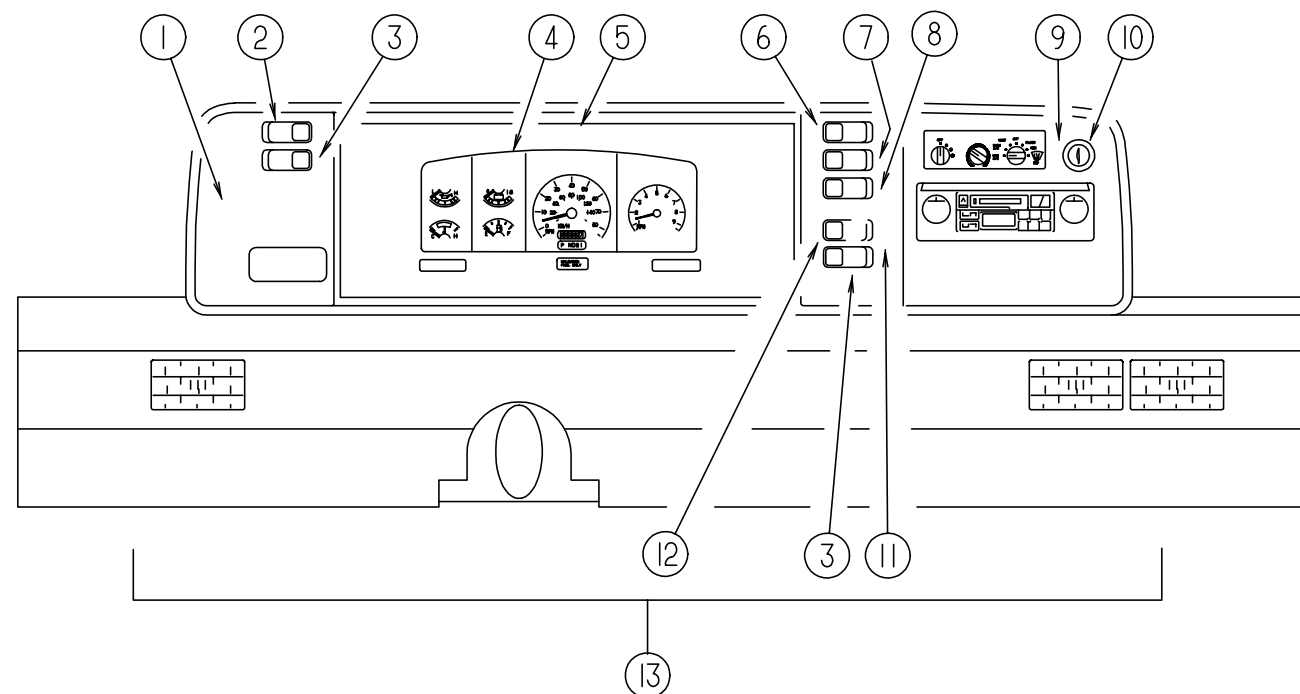
### DRIVERS COMPARTMENT GROUP (CONTINUED)



DASH, GAUGES & SWITCHES - FORD (FROM: 00-00-00 THRU: 03-14-99)

KEY	PART NUMBER	U/M	DESCRIPTION
1	103662-12-01A	EA	BEZEL - INSTRUMENT PANEL - 99 HEAVY DUTY FORD FROM: 00-00-00 THRU: 02-03-99
1	103662-14-01A	EA	BEZEL - INSTRUMENT PANEL - 99 FORD FROM: 02-04-99 THRU: 99-99-99
2	104056-39-01A	EA	APPLIQUE - BEZEL - DRIVER - BLACK
3	108356-02-01A	EA	COVER/ACTUATOR SWITCH - 2 ROWS DIMPLES- CONTURA II - BLACK
3	108357-05-000	EA	SWITCH - ROCKER SPDT - ON/NONE/ON - 3 TERMINAL - RADIO POWER W/O CD
3	108357-08-000	EA	SWITCH - ROCKER DPDT - ON/NONE/ON - 6 TERMINAL - RADIO POWER W/CD
4	108356-02-01A	EA	COVER/ACTUATOR SWITCH - 2 ROWS DIMPLES- CONTURA II - BLACK
4	108357-09-000	EA	SWITCH - ROCKER SPDT - ON/NONE/MOM - 3 TERMINAL - AUXILIARY START
5	108356-02-01A	EA	COVER/ACTUATOR SWITCH - 2 ROWS DIMPLES- CONTURA II - BLACK
5	108357-06-000	EA	SWITCH - ROCKER DPDT - MOM/OFF/MOM - 6 TERMINAL - AUXILIARY BATTERY
6	N/A	EA	CLUSTER - INSTRUMENT PANEL
7	108356-03-01A	EA	COVER/ACTUATOR SWITCH -3 GROOVES W/LENS-CONTURA III-BLACK FROM: 00-00-00 THRU: 08-03-98
7	108356-04-01A	EA	COVER/ACTUATOR SWITCH - 2 ROWS DIMPLES W/LENS-CONTURA-BLK FROM: 08-04-98 THRU: 99-99-99
7	108357-01-000	EA	SWITCH - ROCKER SPST - ON/OFF - 2 TERMINAL - GENERATOR FROM: 00-00-00 THRU: 07-20-98
7	108357-10-000	EA	SWITCH - ROCKER SPDT - W/LIGHT - MOM/NONE/MOM - 5 TERMINAL - GEN FROM: 07-21-98 THRU: 99-99-99
7	096241-03-000	EA	SWITCH - BLANK - BLACK
8	108356-02-01A	EA	COVER/ACTUATOR SWITCH - 2 ROWS DIMPLES- CONTURA II - BLACK
8	108357-03-000	EA	SWITCH - ROCKER SPDT - ON/OFF/ON - 3 TERMINAL - REAR HEATER
8	096241-03-000	EA	SWITCH - BLANK - BLACK
9	096241-03-000	EA	SWITCH - BLANK - BLACK
10	104056-21-01A	EA	APPLIQUE - BEZEL - PASSENGER - BLACK
11	104056-06-01A	EA	APPLIQUE - BEZEL - PASSENGER - BLACK
12	089294-01-000	EA	LIGHTER - CIGARETTE - W/SOCKET & WIRE
13	125677-02-J52	EA	POD - INSTRUMENT PANEL - TITANIUM FROM: 00-00-00 THRU: 03-07-99
13	125677-04-K58	EA	POD - INSTRUMENT PANEL - TITANIUM FROM: 03-08-99 THRU: 99-99-99
	077031-01-000	EA	FILM - BLACK - 1" X 1.75"
	077031-03-000	EA	FILM - WHITE - .75" X 1"
	049176-01-000	EA	HEDLOCK II - 3/4 DIAMETER SCREW MOUNT
	103603-01-000	EA	BULB - 12 VOLT - #74 - .12A WEDGE - GE 22-25 USED IN DASH
	129644-01-000	EA	CABLE/INDICATOR - TRANSMISSION - 46.7" EYE/EYE FROM: 00-00-00 THRU: 11-24-98

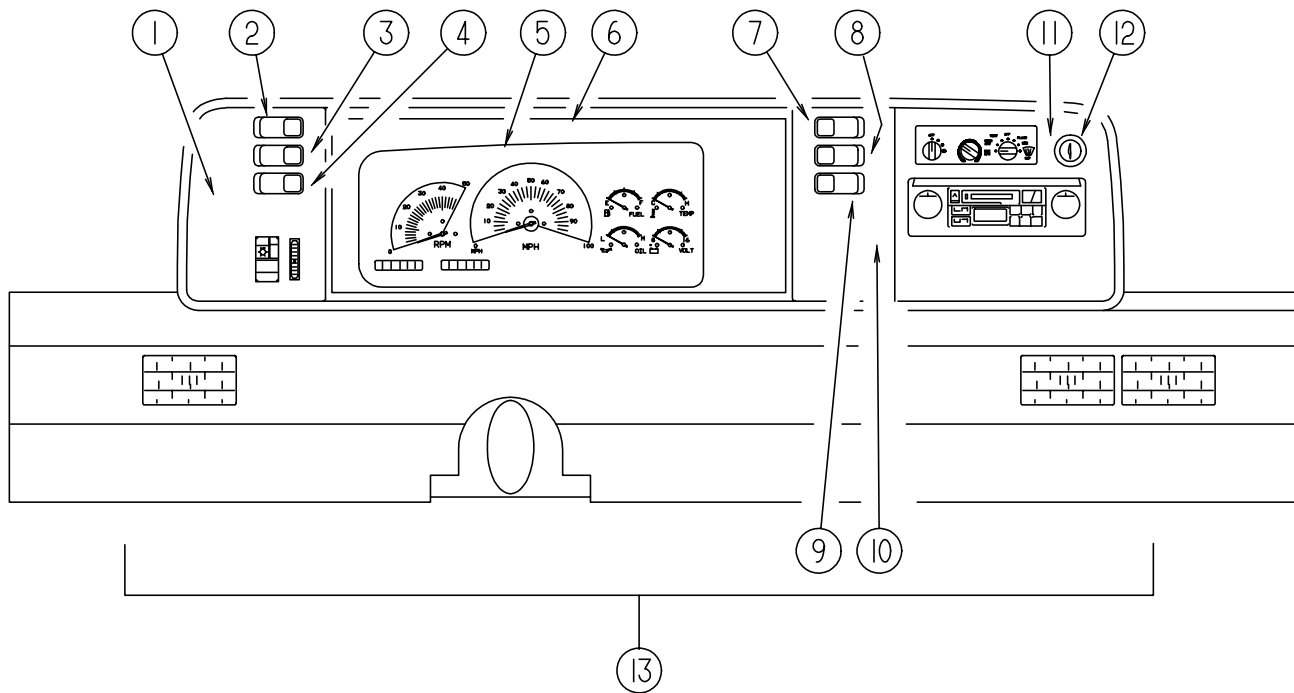
### DRIVERS COMPARTMENT GROUP (CONTINUED)



DASH, GAUGES & SWITCHES - FORD (FROM: 03-15-99 THRU: 99-99-99)

KEY	PART NUMBER	U/M	DESCRIPTION
1	104056-45-01A	EA	APPLIQUE - BEZEL - DRIVER - BLACK
2	108356-02-01A	EA	COVER/ACTUATOR SWITCH - 2 ROWS DIMPLES- CONTURA II - BLACK
2	108357-09-000	EA	SWITCH - ROCKER SPDT - ON/NONE/MOM - 3 TERMINAL - AUXILIARY START
3	096241-03-000	EA	SWITCH - BLANK - BLACK
4	N/A	EA	CLUSTER - INSTRUMENT PANEL
5	103662-14-01A	EA	BEZEL - INSTRUMENT PANEL - 99 FORD
6	108356-02-01A	EA	COVER/ACTUATOR SWITCH - 2 ROWS DIMPLES- CONTURA II - BLACK
6	108357-05-000	EA	SWITCH - ROCKER SPDT - ON/NONE/ON - 3 TERMINAL - RADIO POWER W/O CD
6	108357-08-000	EA	SWITCH - ROCKER DPDT - ON/NONE/ON - 6 TERMINAL - RADIO POWER W/CD
7	108356-04-01A	EA	COVER/ACTUATOR SWITCH - 2 ROWS DIMPLES W/LENS-CONTURA-BLK
7	108357-10-000	EA	SWITCH - ROCKER SPDT - W/LIGHT - MOM/NONE/MOM - 5 TERMINAL - GEN
7	096241-03-000	EA	SWITCH - BLANK - BLACK
8	108356-02-01A	EA	COVER/ACTUATOR SWITCH - 2 ROWS DIMPLES- CONTURA II - BLACK
8	108357-03-000	EA	SWITCH - ROCKER SPDT - ON/OFF/ON - 3 TERMINAL - REAR HEATER
8	096241-03-000	EA	SWITCH - BLANK - BLACK
9	104056-06-01A	EA	APPLIQUE - BEZEL - PASSENGER - BLACK
10	089294-01-000	EA	LIGHTER - CIGARETTE - W/SOCKET & WIRE
11	104056-43-01A	EA	APPLIQUE - BEZEL - PASSENGER - BLACK
12	108356-02-01A	EA	COVER/ACTUATOR SWITCH - 2 ROWS DIMPLES- CONTURA II - BLACK
12	108357-06-000	EA	SWITCH - ROCKER DPDT - MOM/OFF/MOM - 6 TERMINAL - AUXILIARY BATTERY
13	125677-04-K58	EA	POD - INSTRUMENT PANEL - TITANIUM
	077031-01-000	EA	FILM - BLACK - 1" X 1.75"
	077031-03-000	EA	FILM - WHITE - .75" X 1"
	049176-01-000	EA	HEDLOCK II - 3/4 DIAMETER SCREW MOUNT
	103603-01-000	EA	BULB - 12 VOLT - #74 - .12A WEDGE - GE 22-25 USED IN DASH

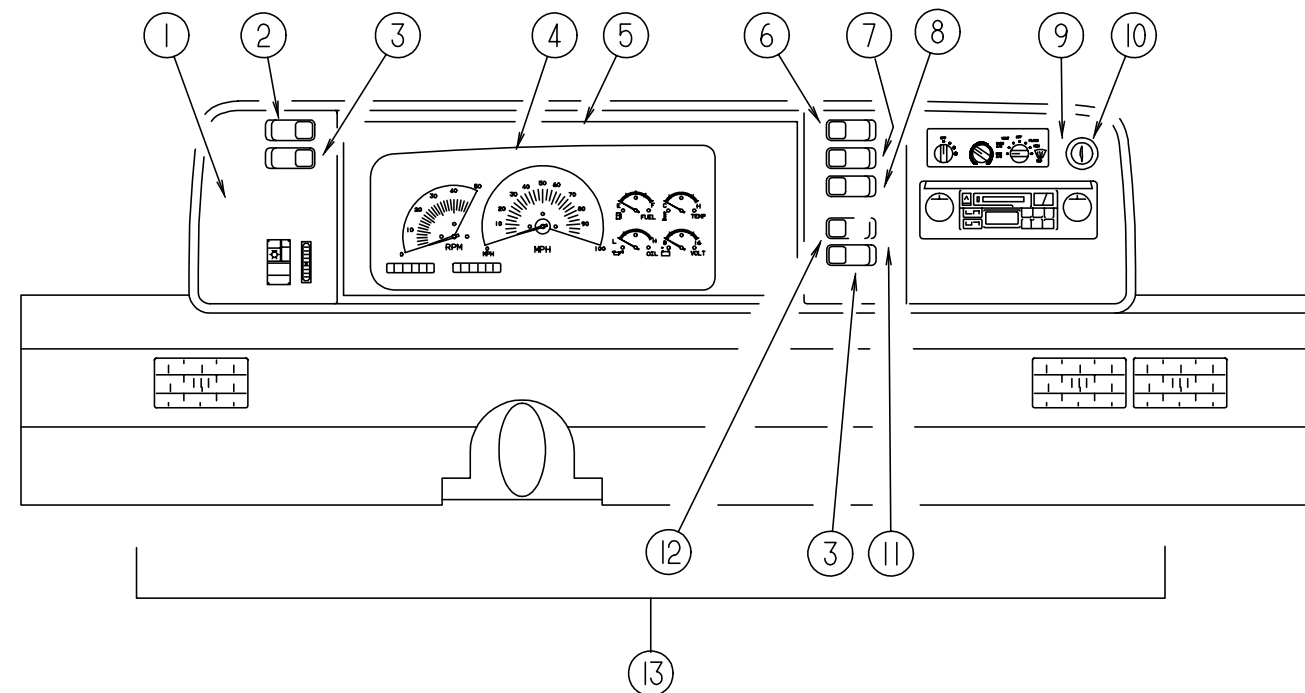
**DRIVERS COMPARTMENT GROUP (CONTINUED)**



**DASH, GAUGES & SWITCHES - CHEVY (FROM: 00-00-00 THRU: 03-14-99)**

KEY	PART NUMBER	U/M	DESCRIPTION
1	104056-37-01A	EA	APPLIQUE - BEZEL - DRIVER - BLACK
2	108356-02-01A	EA	COVER/ACTUATOR SWITCH - 2 ROWS DIMPLES- CONTURA II - BLACK
2	108357-05-000	EA	SWITCH - ROCKER SPDT - ON/NONE/ON - 3 TERMINAL - RADIO POWER W/O CD
2	108357-08-000	EA	SWITCH - ROCKER DPDT - ON/NONE/ON - 6 TERMINAL - RADIO POWER W/CD
3	108356-02-01A	EA	COVER/ACTUATOR SWITCH - 2 ROWS DIMPLES- CONTURA II - BLACK
3	108357-09-000	EA	SWITCH - ROCKER SPDT - ON/NONE/MOM - 3 TERMINAL - AUXILIARY START
4	108356-02-01A	EA	COVER/ACTUATOR SWITCH - 2 ROWS DIMPLES- CONTURA II - BLACK
4	108357-06-000	EA	SWITCH - ROCKER DPDT - MOM/OFF/MOM - 6 TERMINAL - AUXILIARY BATTERY
5	N/A	EA	CLUSTER - INSTRUMENT PANEL - K/M - GAS - CANADIAN
6	103662-08-01A	EA	BEZEL - INSTRUMENT PANEL
7	108356-03-01A	EA	COVER/ACTUATOR SWITCH -3 GROOVES W/LENS-CONTURA III-BLACK FROM: 00-00-00 THRU: 08-03-98
7	108356-04-01A	EA	COVER/ACTUATOR SWITCH - 2 ROWS DIMPLES W/LENS-CONTURA-BLK FROM: 08-04-98 THRU: 99-99-99
7	108357-01-000	EA	SWITCH - ROCKER SPST - W/LIGHT - ON/OFF - 2 TERMINAL - GENERATOR FROM: 00-00-00 THRU: 07-20-98
7	108357-10-000	EA	SWITCH - ROCKER SPDT - W/LIGHT - MOM/NONE/MOM - 5 TERMINAL - GENERATOR FROM: 07-21-98 THRU: 99-99-99
7	096241-03-000	EA	SWITCH - BLANK - BLACK
8	108356-02-01A	EA	COVER/ACTUATOR SWITCH - 2 ROWS DIMPLES- CONTURA II - BLACK
8	108357-03-000	EA	SWITCH - ROCKER SPDT - ON/OFF/ON - 3 TERMINAL - REAR HEATER
8	096241-03-000	EA	SWITCH - BLANK - BLACK
9	096241-03-000	EA	SWITCH - BLANK - BLACK
10	104056-21-01A	EA	APPLIQUE - BEZEL - PASSENGER - BLACK
11	104056-06-01A	EA	APPLIQUE - BEZEL - PASSENGER - BLACK
12	089294-01-000	EA	LIGHTER - CIGARETTE - W/SOCKET & WIRE
13	125677-02-J52	EA	POD - INSTRUMENT PANEL - TITANIUM
	103603-01-000	EA	BULB - 12 VOLT - #74 - .12A WEDGE - GE 22-25 USED IN DASH
	077031-01-000	EA	FILM - BLACK - 1" X 1.75"
	077031-03-000	EA	FILM - WHITE - .75" X 1"
	049176-01-000	EA	HEDLOCK II - 3/4 DIAMETER SCREW MOUNT

**DRIVERS COMPARTMENT GROUP (CONTINUED)**

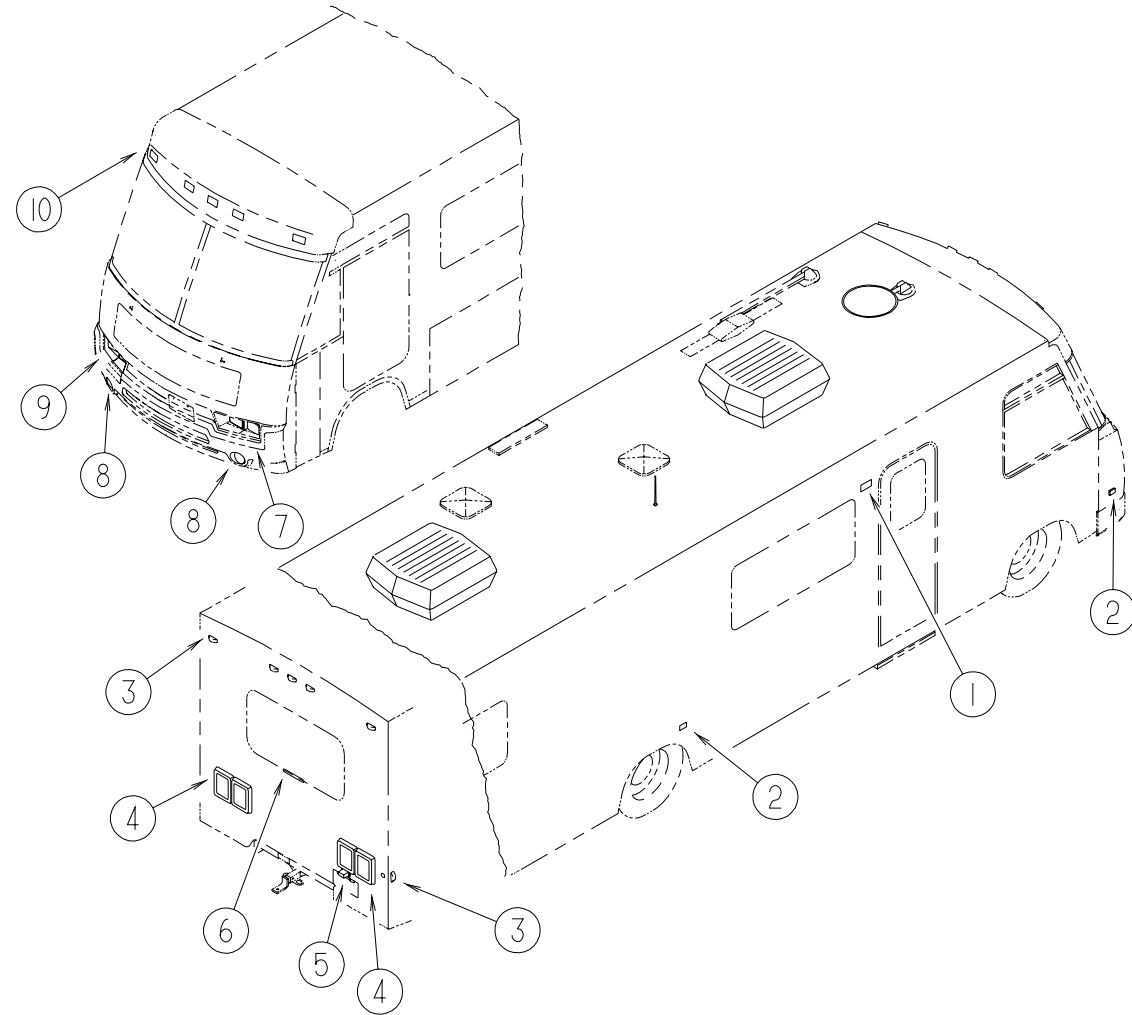


**DASH, GAUGES & SWITCHES - CHEVY (FROM: 03-15-99 THRU: 99-99-99)**

KEY	PART NUMBER	U/M	DESCRIPTION
1	104056-44-01A	EA	APPLIQUE - BEZEL - DRIVER - BLACK
2	108356-02-01A	EA	COVER/ACTUATOR SWITCH - 2 ROWS DIMPLES- CONTURA II - BLACK
2	108357-09-000	EA	SWITCH - ROCKER SPDT - ON/NONE/MOM - 3 TERMINAL - AUXILIARY START
3	096241-03-000	EA	SWITCH - BLANK - BLACK
4	N/A	EA	CLUSTER - INSTRUMENT PANEL - K/M - GAS - CANADIAN
5	103662-08-01A	EA	BEZEL - INSTRUMENT PANEL
6	108356-02-01A	EA	COVER/ACTUATOR SWITCH - 2 ROWS DIMPLES- CONTURA II - BLACK
6	108357-05-000	EA	SWITCH - ROCKER SPDT - ON/NONE/ON - 3 TERMINAL - RADIO POWER W/O CD
6	108357-08-000	EA	SWITCH - ROCKER DPDT - ON/NONE/ON - 6 TERMINAL - RADIO POWER W/CD
7	108356-04-01A	EA	COVER/ACTUATOR SWITCH - 2 ROWS DIMPLES W/LENS-CONTURA-BLK
7	108357-10-000	EA	SWITCH - ROCKER SPDT - W/LIGHT - MOM/NONE/MOM - 5 TERMINAL - GENERATOR
7	096241-03-000	EA	SWITCH - BLANK - BLACK
8	108356-02-01A	EA	COVER/ACTUATOR SWITCH - 2 ROWS DIMPLES- CONTURA II - BLACK
8	108357-03-000	EA	SWITCH - ROCKER SPDT - ON/OFF/ON - 3 TERMINAL - REAR HEATER
8	096241-03-000	EA	SWITCH - BLANK - BLACK
9	104056-06-01A	EA	APPLIQUE - BEZEL - PASSENGER - BLACK
10	089294-01-000	EA	LIGHTER - CIGARETTE - W/SOCKET & WIRE
11	104056-43-01A	EA	APPLIQUE - BEZEL - PASSENGER - BLACK
12	108356-02-01A	EA	COVER/ACTUATOR SWITCH - 2 ROWS DIMPLES- CONTURA II - BLACK
12	108357-06-000	EA	SWITCH - ROCKER DPDT - MOM/OFF/MOM - 6 TERMINAL - AUXILIARY BATTERY
13	125677-02-J52	EA	POD - INSTRUMENT PANEL - TITANIUM
	103603-01-000	EA	BULB - 12 VOLT - #74 - .12A WEDGE - GE 22-25 USED IN DASH
	077031-01-000	EA	FILM - BLACK - 1" X 1.75"
	077031-03-000	EA	FILM - WHITE - .75" X 1"
	049176-01-000	EA	HEDLOCK II - 3/4 DIAMETER SCREW MOUNT

# ELECTRICAL GROUP

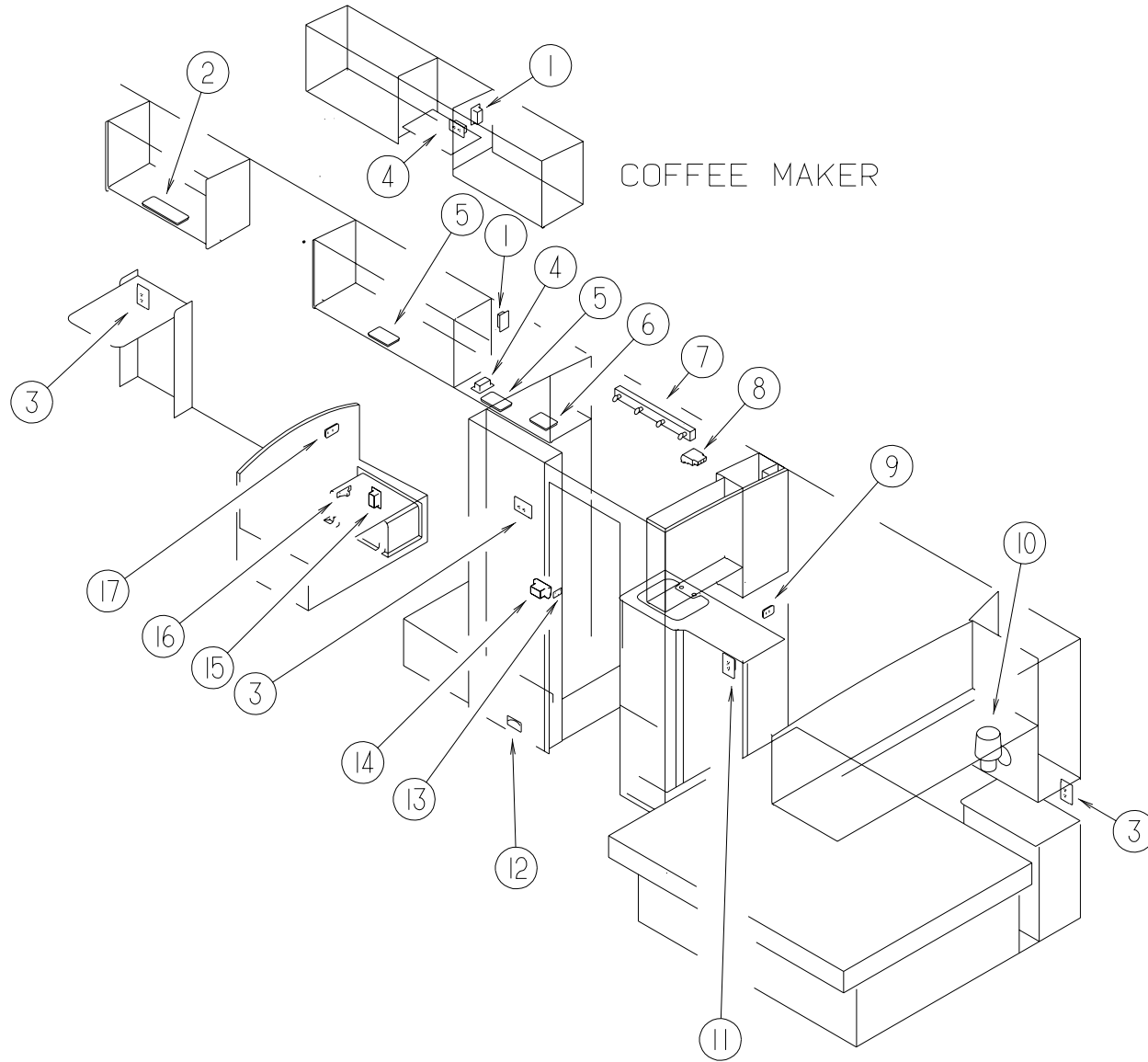
## EXTERIOR LIGHTS



KEY	PART NUMBER	U/M DESCRIPTION	VENDOR NO.
1	097917-01-06A	EA LIGHT - PORCH - BRIGHT WHITE	
	008215-01-000	EA BULB - 12 VOLT - #1003 - .94 AMP	
	097917-01-700	EA LENS-LIGHT, CLEAR	30-78-021
1	008089-02-000	EA LIGHT - PORCH - RECESSED - CANADIAN	
	008089-01-700	EA LENS-LIGHT,RECESSED,PORCH DECO	
	008214-01-000	EA BULB - 12 VOLT - #67 - .59 AMP	
2	111102-01-000	EA BASE - LAMP MARKER	
2	111102-02-000	EA LENS - AMBER - MARKER LAMP	
	036196-01-000	EA BULB - 12V - #194 - .27 AMP - BAYONETTE	
3	111102-01-000	EA BASE - LAMP MARKER	
3	111102-03-000	EA LENS - RED - MARKER LAMP	
	036196-01-000	EA BULB - 12V - #194 - .27 AMP - BAYONETTE	
4	115632-01-02A	EA LIGHT - STOP/TURN/TAI RED	
4	115632-03-02A	EA LIGHT - STOP/TAI/BACKUP	
	121621-01-01A	EA POD - TAIL LIGHT - BRIGHT WHITE	
			FROM: 00-00-00 THRU: 11-22-98
	121621-02-01A	EA POD - TAIL LIGHT - BRIGHT WHITE	
			FROM: 11-23-98 THRU: 99-99-99
5	066432-02-000	EA LIGHT - LICENSE - BLACK	
5	066432-03-000	EA BRACKET - LICENSE PLATE	
6	121950-01-000	EA LIGHT - BRAKE - CENTER MOUNT	
7	049186-04-000	EA HEADLAMP - DRIVER - HIGH/LOW - HALOGEN	
7	049188-04-000	EA HEADLAMP - DRIVER - HIGH BEAM - HALOGEN	
7	049359-01-000	EA SPRING - RETAINER - HEADLAMP - GM #496096	
7	110750-01-000	EA SCREW - HEADLAMP ADJUSTING	
8	126198-01-000	EA LAMP ASSEMBLY - PARK/TURN - AMBER	
8	126198-02-000	EA GROMMET - MOUNTING - LIGHT/4" RED	
9	049185-04-000	EA HEADLAMP - PASSENGER - HIGH/LOW - HALOGEN	
9	049187-04-000	EA HEADLAMP - PASSENGER - HIGH BEAM - HALOGEN	
9	049359-01-000	EA SPRING - RETAINER - HEADLAMP - GM #496096	
9	110750-01-000	EA SCREW - HEADLAMP ADJUSTING	
10	102520-01-000	EA LIGHT - CLEARANCE - W/O SOCKET/HOUSING - AMBER	
10	067789-02-000	EA SOCKET - LAMP	
10	036196-01-000	EA BULB - 12V - #194 - .27 AMP - BAYONETTE	
10	102541-01-000	EA GASKET - CLEARANCE LIGHT	

## ELECTRICAL GROUP (CONTINUED)

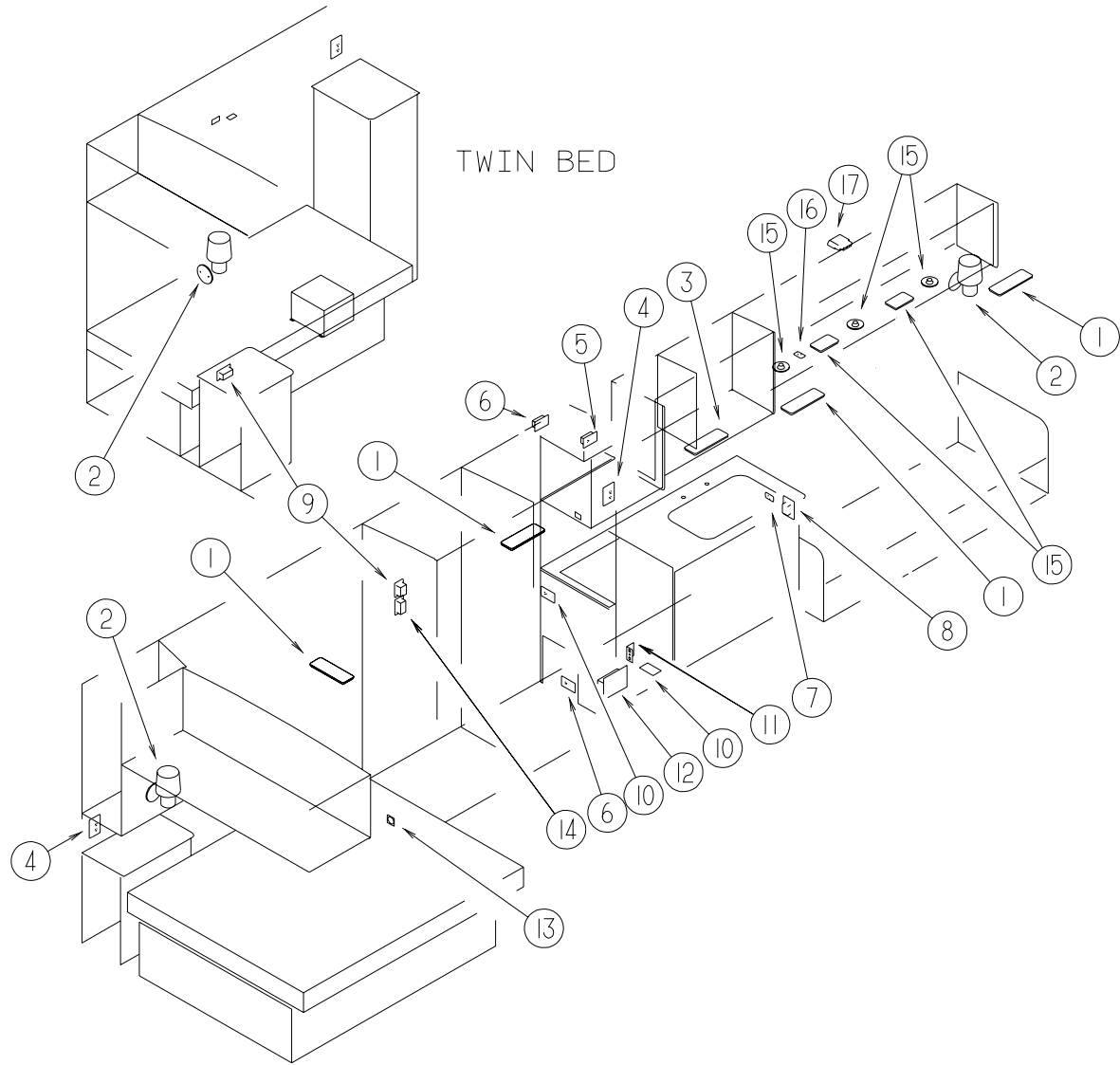
### LIGHTS, SWITCHES, & RECEPTACLES PASSENGERS SIDE



KEY	PART NUMBER	U/M	DESCRIPTION	VENDOR NO.
1	058707-02-000	EA	RECEPTACLE - BLANK - JUNCTION BOX	
2	098024-06-02A	EA	LIGHT - DOME - 2 BULB - SKYLITE	
	008218-01-000	EA	BULB - 12 VOLT - #1141 - 1.44 AMP	
	098024-01-701	EA	LENS - OPTI CLEAR - SKYLITE	809902
3	058708-02-000	EA	RECEPTACLE - ELECTRIC - DOUBLE - IVORY	
3	102568-01-GB1	EA	SPACER - RECEPTACLE - BETWEEN SIDEWALL & PLATE - WOOD	
4	058708-01-000	EA	RECEPTACLE - ELECTRIC - DOUBLE - BROWN	
5	098024-05-02A	EA	LIGHT - DOME - 1 BULB - SKYLITE - WHITE	
	008218-01-000	EA	BULB - 12 VOLT - #1141 - 1.44 AMP	
	098024-01-701	EA	LENS - OPTI CLEAR - SKYLITE	809902
6	121935-01-01A	EA	LIGHT - DOME - SHOWER	
7	110235-02-01A	EA	LIGHT - MAKE UP - 4 BULB PANLESS - COMFORT AND CONVENIENCE PACKAGE	
	081633-01-700	EA	BULB-LIGHT, MAKE-UP	RP1041
8	091927-01-000	EA	COVER - RECEPTACLE - DOUBLE - IVORY - W/O ROOF A/C OPTION	
9	095188-01-01A	EA	SPACER - SWITCH - 2.3" X 3.4" - PLASTIC - DARK BROWN	
9	079364-03-000	EA	SWITCH - ON/OFF ROCKER - 3 TERMINAL - BROWN	
9	098351-01-01A	EA	PLATE/SWITCH - 1 GANG - POLISHED BRASS - W/O LABEL	
10	119257-03-01A	EA	SHADE - LAMP - LINEN	
10	119258-02-01A	EA	LAMP - WALL	
	119258-01-700	EA	FINIAL (PYRAMID)	12-0322
10	067479-01-000	EA	BULB - 12 VOLT - #1076 - 1.80 AMP	
11	084076-02-000	EA	RECEPTACLE - GFI - 15 AMP/125 VOLT - BROWN	
12	108354-01-01A	EA	LIGHT - COURTESY	
	108354-01-700	EA	BULB-COURTESY LIGHT	395-B
13	098351-02-01A	EA	PLATE/SWITCH - 2 GANG - POLISHED BRASS - W/O LABEL	
13	079364-01-000	EA	SWITCH - ON/OFF ROCKER - 2 TERMINAL - BROWN - BATH & SHOWER LAMP	
13	095188-01-01A	EA	SPACER - SWITCH - 2.3" X 3.4" - PLASTIC - DARK BROWN	
14	112822-01-01A	EA	RECEPTACLE - DUPLEX - IVORY	
			FROM: 00-00-00 THRU: 11-15-98	
14	112824-01-03A	EA	COVER - EXTERIOR DUPLEX RECEPTACLE - WHITE PLASTIC	
			FROM: 00-00-00 THRU: 11-15-98	
14	131826-01-01A	EA	RECEPTACLE - EXTERIOR - W/COVER/GASKET - WHITE	
			FROM: 11-16-98 THRU: 99-99-99	
15	058708-01-000	EA	RECEPTACLE - ELECTRIC - DOUBLE - BROWN	
16	061424-01-000	EA	LIGHT - AISLE - 12 VOLT - RECTANGULAR	
	008103-01-000	EA	BULB - DASH/AISLE LIGHT - #53 - 12 VOLT - .12 AMP	
17	095188-02-01A	EA	SPACER - SWITCH - 2.3" X 4.1" - PLASTIC - DARK BROWN	
17	098351-05-01A	EA	PLATE/SWITCH - 3 GANG - POLISHED BRASS-PORCH/CEILING/STEP	
17	079364-01-000	EA	SWITCH - ON/OFF ROCKER - 2 TERMINAL - BROWN - PORCH/CEILING/STEP	
	086280-01-000	EA	LIGHT - SURFACE MOUNT - 12 VOLT	
	086280-01-700	EA	BULB,12V	ARP1089

## ELECTRICAL GROUP (CONTINUED)

### LIGHTS, SWITCHES, & RECEPTACLES DRIVERS SIDE



KEY	PART NUMBER	U/M	DESCRIPTION	VENDOR NO.
1	098024-03-02A	EA	LIGHT - DOME - 2 BULB - WHITE	
	008218-01-000	EA	BULB - 12 VOLT - #1141 - 1.44 AMP	
	098024-01-700	EA	LENS-LIGHT	807877
2	119257-03-01A	EA	SHADE - LAMP - LINEN	
2	119258-02-01A	EA	LAMP - WALL	
	119258-01-700	EA	FINIAL (PYRAMID)	12-0322
2	067479-01-000	EA	BULB - 12 VOLT - #1076 - 1.80 AMP	
3	098024-06-02A	EA	LIGHT - DOME - 2 BULB - SKYLITE	
	008218-01-000	EA	BULB - 12 VOLT - #1141 - 1.44 AMP	
	098024-01-701	EA	LENS - OPTI CLEAR - SKYLITE	809902
4	058708-02-000	EA	RECEPTACLE - ELECTRIC - DOUBLE - IVORY	
4	102568-01-GB1	EA	SPACER - RECEPTACLE - BETWEEN SIDEWALL & PLATE - WOOD	
5	058708-05-000	EA	RECEPTACLE - ELECTRIC - SINGLE - BROWN - MICROWAVE	
6	058707-02-000	EA	RECEPTACLE - BLANK - JUNCTION BOX	
7	079364-03-000	EA	SWITCH - ON/OFF ROCKER - 3 TERMINAL - BROWN	
7	098351-01-01A	EA	PLATE/SWITCH - 1 GANG - POLISHED BRASS - W/O LABEL	
8	084076-02-000	EA	RECEPTACLE - GFI - 15 AMP/125 VOLT - BROWN	
9	058708-01-000	EA	RECEPTACLE - ELECTRIC - DOUBLE - BROWN	
10	058707-01-000	EA	RECEPTACLE - ELECTRIC - SINGLE - BROWN - REFRIGERATOR OR CONVERTER	
11	108357-01-000	EA	SWITCH - ROCKER SPST - ON/OFF - 2 TERMINAL - SERVICE CENTER LIGHT	
11	108356-02-01A	EA	COVER/ACTUATOR SWITCH - 2 ROWS DIMPLES- CONTURA II - BLACK	
12	024924-02-000	EA	RECEPTACLE - POWER CORD - W/PARTIAL PLATE	
13	108354-01-01A	EA	LIGHT - COURTESY	
	108354-01-700	EA	BULB-COURTESY LIGHT	395-B
14	079364-03-000	EA	SWITCH - ON/OFF ROCKER - 3 TERMINAL - BROWN - COURTESY LIGHT	
14	079364-01-000	EA	SWITCH - ON/OFF ROCKER - 2 TERMINAL - BROWN - BEDROOM LIGHT	
14	098351-02-01A	EA	PLATE/SWITCH - 2 GANG - POLISHED BRASS - W/O LABEL	
14	095188-01-01A	EA	SPACER - SWITCH - 2.3" X 3.4" - PLASTIC - DARK BROWN	
15	098024-05-02A	EA	LIGHT - DOME - 1 BULB - SKYLITE - WHITE	
	008218-01-000	EA	BULB - 12 VOLT - #1141 - 1.44 AMP	
	098024-01-701	EA	LENS - OPTI CLEAR - SKYLITE	809902
15	123775-01-01A	EA	LIGHT - HALOGEN - ROUND - COMFORT AND CONVENIENCE PACKAGE	
	123775-01-700	EA	BULB - 10 WATT - HALOGEN	71-JC10
16	098351-01-01A	EA	PLATE/SWITCH - 1 GANG - POLISHED BRASS - W/O LABEL	
16	079364-01-000	EA	SWITCH - ON/OFF ROCKER - 2 TERMINAL - BROWN	
17	091927-01-000	EA	COVER - RECEPTACLE - DOUBLE - IVORY - W/O ROOF A/C OPTION	
	086280-01-000	EA	LIGHT - SURFACE MOUNT - 12 VOLT - EXTERIOR STORAGE COMPARTMENTS	
	086280-01-700	EA	BULB, 12V	ARP1089
	098024-01-03A	EA	LIGHT - DOME - 1 BULB - WHITE - EXTERIOR STORAGE COMPARTMENTS	
	008218-01-000	EA	BULB - 12 VOLT - #1141 - 1.44 AMP	
	098024-01-700	EA	LENS-LIGHT	807877

**ELECTRICAL GROUP (CONTINUED)****FUSES & FUSE HOUSINGS**

KEY	PART NUMBER	U/M	DESCRIPTION
	062901-02-000	EA	FUSE - 05 AMPS - AUTOMOTIVE
	062901-05-000	EA	FUSE - 15 AMPS - AUTOMOTIVE
	062901-06-000	EA	FUSE - 20 AMPS - AUTOMOTIVE
	062901-07-000	EA	FUSE - 25 AMPS - AUTOMOTIVE
	062901-08-000	EA	FUSE - 30 AMPS - AUTOMOTIVE
	062037-01-000	EA	HOUSING - AUTO FUSE - NATURAL
	062037-02-000	EA	HOUSING - AUTO FUSE - GREEN
	062037-03-000	EA	HOUSING - AUTO FUSE - BLACK
	062037-04-000	EA	HOUSING - AUTO FUSE - BLUE
	062037-05-000	EA	HOUSING - AUTO FUSE - GRAY
	062037-06-000	EA	HOUSING - AUTO FUSE - BROWN
	062037-07-000	EA	HOUSING - AUTO FUSE - RED
	106656-01-000	EA	FUSE BLOCK - 4 CAVITY - AUTOFUSE
	108669-01-000	EA	HOUSING - AUTO FUSE HOLDER

**CIRCUIT BREAKERS**

KEY	PART NUMBER	U/M	DESCRIPTION
	083209-01-000	EA	CIRCUIT BREAKER - 15 AMP - 120 VOLT - CANADIAN
	083209-02-000	EA	CIRCUIT BREAKER - 15/15 AMP - 120 VOLT
	083209-03-000	EA	CIRCUIT BREAKER - 15/20 AMP - 120 VOLT
	083209-06-000	EA	CIRCUIT BREAKER - 30/15 AMP - 120 VOLT
	083209-07-000	EA	CIRCUIT BREAKER - 20/20 AMP - 120 VOLT
	083209-10-000	EA	CIRCUIT BREAKER - 20/30 AMP - 120 VOLT
	083209-11-000	EA	CIRCUIT BREAKER - 20/15 AMP - 120 VOLT
	093654-01-000	EA	CIRCUIT BREAKER - 6 AMP - 12 VOLT
	093654-02-000	EA	CIRCUIT BREAKER - 15 AMP - 12 VOLT
	093655-03-000	EA	CIRCUIT BREAKER - 40 AMP - 12 VOLT
	093674-01-000	EA	PLATE - CIRCUIT BREAKER - HOUSE - 8.4" X 4.1" - STEEL
	097611-01-000	EA	CIRCUIT BREAKER - 10 AMP - 12 VOLT

**TERMINALS**

KEY	PART NUMBER	U/M	DESCRIPTION
	008326-01-000	EA	TERMINAL - RING - 16/14 WIRE - 3/8" STUD
	008328-01-000	EA	TERMINAL - RING - 12/10 WIRE - #10 STUD FIT
	008331-01-000	EA	TERMINAL - RING - TONGUE - #4 WIRE - 3/8" STUD - COPPER
	008348-01-000	EA	TERMINAL - RING - 3/8" STUD 2 GA. WIRE
	035416-04-000	EA	TERMINAL - RING - #10 STUD FIT - INSULATED BARREL #16/14
	047443-01-000	EA	TERMINAL - .250 RECEPTACLE FIT - INSULATED - 16/14 AWG
	047443-02-000	EA	TERMINAL - .250 RECEPTACLE FIT - INSULATED - 12/10 AWG
	062036-01-000	EA	TERMINAL - PACK - CON - 12/10 AWG
	062036-02-000	EA	TERMINAL - PACK - CON - 16/14 AWG
	088267-01-000	EA	TERMINAL - FEMALE - 1/4
	088476-01-000	EA	TERMINAL - ELECTRICAL
	098260-01-000	EA	TERMINAL - MALE - 56 SERIES
	104100-03-000	EA	TERMINAL - 75 AMP
	106007-01-000	EA	TERMINAL - FEMALE - 14-16 AWG
	106655-01-000	EA	TERMINAL - FUSE BLOCK - 14-16 AWG
	106655-02-000	EA	TERMINAL - FUSE BLOCK - 10-12 AWG
	113135-01-000	EA	TERMINAL - FEMALE - M/P - 14-16 - F/SEALED TERMINAL
	113306-01-000	EA	TERMINAL - FEMALE - M/P - 14-16 - F/NON-SEALED TERMINAL
	113307-01-000	EA	TERMINAL - FEMALE - M/P - 16-20
	125324-01-000	EA	TERMINAL - MALE - METRI-PACK - 150

**ELECTRICAL GROUP (CONTINUED)****ELECTRIC BOXES & COVERS**

KEY	PART NUMBER	U/M	DESCRIPTION
	008289-01-000	EA	BOX - ELECTRIC/STEEL - 1/2" & 3/4" KNOCKOUTS - 4" X 4"
	008289-02-000	EA	BOX - ELECTRIC/STEEL - 1/2" & 3/4" KNOCKOUTS - 4" X 4"-CAN
	008294-01-000	EA	COVER - ELECTRICAL BOX - BLANK/STEEL - 4" X 4" - GRAY
	008294-02-000	EA	COVER - ELECTRICAL BOX - BLANK STEEL - 4" X 4" - CANADIAN
	069238-01-000	EA	COVER - ELECTRICAL BOX - W/HOLE - 4" X 4" - GRAY USED WITH 30 AMP RECEPTACLE
	074890-01-000	EA	BOX - EXTENSION/STEEL - OPEN SIDES - 4" X 4" X 1 1/2"
	074897-01-000	EA	COVER - ELECTRICAL BOX W/HOLES - 4" X 4"
	091910-01-000	EA	BOX - ELECTRIC - 3.8" X 3.5" X 1.8" - PLASTIC
	091910-02-000	EA	BOX - ELECTRIC - 2.2" X 3.5" X 1.8" - PLASTIC
	111509-01-000	EA	BOX - ELECTRICAL - E-COATED
	111510-01-000	EA	DOOR/ACCESS PANEL - ELECTRICAL BOX

**HOUSINGS, PINS & SOCKETS**

KEY	PART NUMBER	U/M	DESCRIPTION
	088473-01-000	EA	HOUSING - PIN - 12 CAVITY (3 ROWS OF 4)
	088473-02-000	EA	HOUSING - PIN - 15 CAVITY (3 ROWS OF 5)
	088473-03-000	EA	HOUSING - PIN - 9 CAVITY (3 ROWS OF 3)
	088473-04-000	EA	HOUSING - PIN - 8 CAVITY IN-LINE
	088473-06-000	EA	HOUSING - PIN - 6 CAVITY (2 ROWS OF 3)
	088473-08-000	EA	HOUSING - PIN - 4 CAVITY - IN-LINE
	088473-09-000	EA	HOUSING - PIN - 3 CAVITY - IN-LINE
	088473-10-000	EA	HOUSING - PIN - 2 CAVITY - IN LINE
	098264-01-000	EA	HOUSING - 2 PIN - WEATHERPACK - MALE W/FEMALE PINS
	088474-01-000	EA	HOUSING - SOCKET - 12 CAVITY
	088474-02-000	EA	HOUSING - SOCKET - 15 CAVITY
	088474-03-000	EA	HOUSING - SOCKET - 9 CAVITY
	088474-04-000	EA	HOUSING - SOCKET - 8 CAVITY
	088474-06-000	EA	HOUSING - SOCKET - 6 CAVITY
	088474-07-000	EA	HOUSING - SOCKET - 5 CAVITY
	088474-08-000	EA	HOUSING - SOCKET - 4 CAVITY
	088474-09-000	EA	HOUSING - ELECTRICAL - 3 TERMINAL
	088474-10-000	EA	HOUSING - SOCKET - 2 CAVITY
	088475-01-000	EA	PIN - CONNECTOR - 14-20 AWG
	088475-02-000	EA	PIN - CONNECTOR - 10 - 12 AWG
	088476-02-000	EA	SOCKET - CONNECTOR - 12-10 GA - PRE-TIN
	098261-02-000	EA	SOCKET - CONNECTOR - WEATHERPACK - 14-18 AWG
	101571-01-000	EA	HOUSING - 2 POSITION - MALE
	103608-01-000	EA	SOCKET - WEDGE BASE W/LEADS
	104100-01-000	EA	HOUSING - 1 POSITION - 75 AMPS
	106006-01-000	EA	HOUSING - 1 POSITION - FEMALE
	110178-01-000	EA	HOUSING - WIPER MOTOR
	113131-01-000	EA	HOUSING - 3 PIN
	113468-01-000	EA	HOUSING - 2 POSITION - FEMALE USED ON WIPER/WASHER WIRE ASM
	115556-01-000	EA	HOUSING - 3 POSITION - FEMALE
	115556-02-000	EA	HOUSING - 2 POSITION - FEMALE
	119248-02-000	EA	HOUSING - 7 POSITION - FEMALE
	125323-02-000	EA	HOUSING - 8 POSITION - MALE
	108355-01-000	EA	HOUSING - SWITCH
	007954-01-000	EA	RECEPTACLE - HOUSING - 6 POSITION
	080015-02-000	EA	RECEPTACLE - FLAG - .185 - 16/14 GAUGE

**ELECTRICAL GROUP (CONTINUED)****CONNECTORS**

KEY	PART NUMBER	U/M DESCRIPTION
	008311-01-000	EA CONNECTOR - WIRE NUT - INSULATED - RED
	008312-01-000	EA CONNECTOR - WIRE NUT - INSULATED - BLUE
	008313-01-000	EA CONNECTOR - WIRE NUT - INSULATED - YELLOW
	008314-01-000	EA CONNECTOR - WIRE NUT - INSULATED - GRAY
	008355-01-000	EA CONNECTOR - CABLE CLAMPING - 3/4"
	008356-01-000	EA CONNECTOR - PLASTIC - 3/8" AVG
	008356-02-000	EA CONNECTOR - PLASTIC - 21/32
	008398-01-000	EA CONNECTOR - 1/2" X 90 DEGREE - FLEX CONDUIT - UL & CSA
	041480-01-000	EA CONNECTOR - STRAIGHT - 1/2" FLEX CONDUIT
	058028-01-000	EA CONNECTOR - ELECTRICAL PIGTAIL - NYLON - CLEAR
	126403-02-000	EA CONNECTOR - 3 CIRCUIT
	098262-01-000	EA SEAL - CONNECTOR - WEATHERPACK
	112823-01-000	EA SPLICE - REDUCER - 16-14 TO 18-22

**POWER CORDS**

KEY	PART NUMBER	U/M DESCRIPTION
	008052-01-000	EA CORD - POWER - 10/3 WIRE - 30 AMP - 25' - CANADIAN
	008054-01-000	EA CORD - POWER - 10/3 WIRE - 30 AMP - 25'

**WIRE ASSEMBLIES**

KEY	PART NUMBER	U/M DESCRIPTION
	073328-B4-000	EA CABLE ASSEMBLY - BATTERY - W/TERMINALS
	081059-02-000	EA WIRE ASSEMBLY - 9PIN - F/RADIO
	090986-01-000	EA WIRE ASSEMBLY - ELECTRIC STEP
		FROM: 00-00-00 THRU: 02-07-99
	090986-02-000	EA WIRE ASSEMBLY - ELECTRIC STEP
		FROM: 02-08-99 THRU: 99-99-99
	096449-01-000	EA WIRE ASSEMBLY - WATER TANK TO MONITOR PANEL
	100677-01-000	EA WIRE ASSEMBLY - RADIO
	108303-01-000	EA WIRE ASSEMBLY - REAR AUTO HEATER
		FROM: 00-00-00 THRU: 03-14-99
	110256-01-000	EA WIRE ASSEMBLY - INSTRUMENT PANEL - GENERATOR
		FROM: 00-00-00 THRU: 03-14-99
	111915-01-000	EA WIRE ASSEMBLY - DAYTIME RUNNING LAMPS - FUSED - GM
	113134-03-000	EA WIRE ASSEMBLY - WIPER/WASHER
	120233-05-000	EA WIRE - 30" W/DIGITAL SENSOR CONNECTOR/STRIPED LEAD
	125578-02-000	EA WIRE ASSEMBLY - INSTRUMENT PANEL - RIGHT HAND
	125853-01-000	EA WIRE ASSEMBLY - ENTERTAINMENT CENTER
	126392-01-000	EA WIRE ASSEMBLY - REMOTE MIRRORS
		FROM: 00-00-00 THRU: 03-14-99
	129436-02-000	EA WIRE ASSEMBLY - INSTRUMENT PANEL/POWER MIRROR
		FROM: 03-15-99 THRU: 04-13-99
	129436-03-000	EA WIRE - INSTRUMENT PANEL - F/POWER MIRROR
		FROM: 04-14-99 THRU: 99-99-99
	127002-03-000	EA WIRE ASSEMBLY - ENERGY MANAGEMENT SYSTEM
	127053-01-000	EA WIRE ASM-REAR MONITOR,UPPER

**CONDUIT**

KEY	PART NUMBER	U/M DESCRIPTION
	008394-01-000	FT CONDUIT - FLEXIBLE - 1/2"
	041953-01-000	FT CONDUIT - CONVOLUTE SLIT - .5" ID - POLYETHYLENE
	041953-03-000	FT CONDUIT - CONVOLUTE SLIT - 1" ID (CLOTHES ROD COVER)
	041953-05-000	FT CONDUIT - CONVOLUTE SOLID - .62" ID - POLYETHYLENE
	041953-06-000	FT CONDUIT - CONVOLUTE SLIT - .375" ID - POLYETHYLENE
	041953-07-000	FT CONDUIT - CONVOLUTE SLIT - .25" ID - POLYETHYLENE
	041953-08-000	FT CONDUIT - CONVOLUTE SLIT - 1.50" ID - POLYETHYLENE
	041953-09-000	FT CONDUIT - CONVOLUTE SLIT - .50" ID - NYLON
	041953-10-000	FT CONDUIT - CONVOLUTE SLIT - .75" ID - NYLON
	041953-11-000	FT CONDUIT - CONVOLUTE SLIT - 1.06" ID - NYLON
	041953-12-000	FT CONDUIT - CONVOLUTE SOLID - 1.1" ID - NYLON

**ELECTRICAL GROUP (CONTINUED)****INVERTER, LOAD CENTER, CONVERTER & ENERGY MANAGEMENT SYSTEM PANEL**

KEY	PART NUMBER	U/M DESCRIPTION
	099048-03-000	EA INVERTER - 130 WATT
	108915-02-000	EA LOAD CENTER - 120/240 VOLT - 100 AMP
	113132-01-000	EA LOAD CENTER - 120/240 VOLT - 60 AMP
	123058-02-000	EA CONVERTER - 45 AMP - ELECTRONIC - 4 1/8"H X 7"W X 12 3/8"L
	127002-01-000	EA MODULE/CIRCUIT BOARD - ENERGY MANAGEMENT SYSTEM CONTROL
	127002-02-000	EA PANEL/MONITOR - ENERGY MANAGEMENT SYSTEM

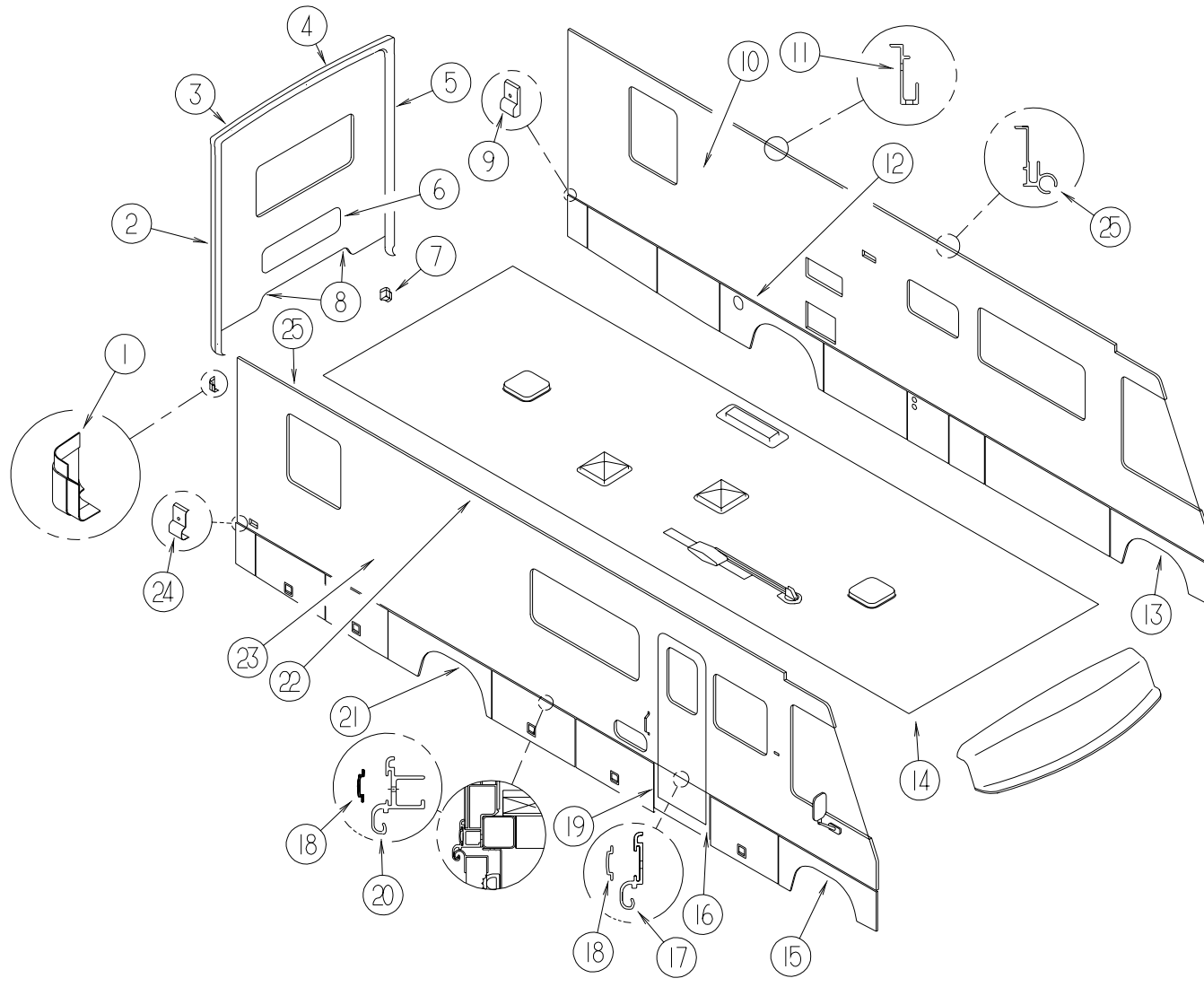
**MISCELLANEOUS ELECTRICAL COMPONENTS**

KEY	PART NUMBER	U/M DESCRIPTION
	007093-01-000	EA SIGNAL FLASHER
	007956-05-000	EA INSULATOR - SHRINK - .25 ID X 1.50
	008058-01-000	EA ADAPTER-POWER CORD, 30 AMP TO 15 AMP
	008188-01-000	EA SOLENOID - 3 POST - BATTERY CHANGE OVER
	063910-01-000	EA HOUSING - RELAY
	063912-02-000	EA RELAY - CANISTER - SPDT
	086233-01-000	EA STUD - ISOLATED - 3/8" X 7/8" LONG
	086273-01-000	EA RELAY - BATTERY DISCONNECT
	092786-02-000	EA BUSS BAR - 3.3" LONG
	092786-03-000	EA BUSS BAR - 6.9" LONG
	103987-02-000	EA SEAL - SOLENOID ACCESS
	125323-03-000	EA LOCK - SECONDARY 8 POSITION
	125325-01-000	EA SEAL - CAVITY
	087225-01-000	FT SLEEVING - 1/2" - TYPE H
	087225-02-000	FT SLEEVING - 5/8" - TYPE H
	077479-01-000	EA BOOT - BATTERY TERMINAL - DOUBLE CABLE
	077479-02-000	EA BOOT - BATTERY TERMINAL - SINGLE CABLE
	128961-01-02B	EA HANGER - POWER CORD - E-COATED
	072368-02-000	EA TRIM - VINYL - EDGE - BLACK
		FROM: 00-00-00 THRU: 08-27-98



# EXTERIOR BODY GROUP

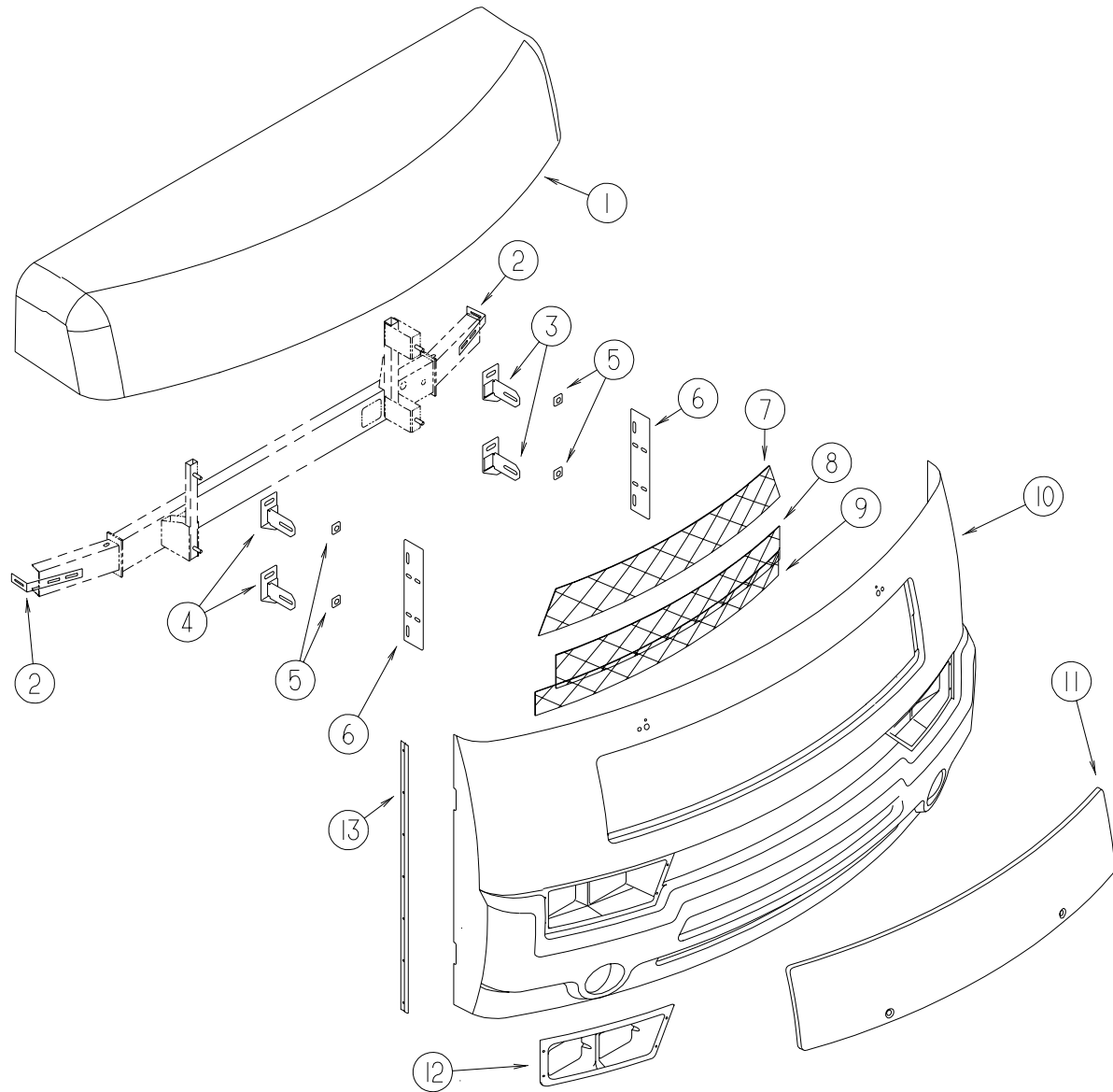
## EXTERIOR BODY PANELS AND TRIM



KEY	PART NUMBER	U/M	DESCRIPTION
1	119212-01-01A	EA	END CAP - LOWER BACKWALL TRIM - PASSENGER - BLACK
2	114874-03-12B	EA	TRIM - BACKWALL - SIDE - PASSENGER SIDE - BRT/WHITE
2	120548-01-02A	EA	TRIM-J - BACKWALL/PASSENGER - 98.3" - NOTCHED - BRIGHT WHT
3	114872-02-02A	EA	TRIM - BACKWALL - TOP - PASSENGER SIDE - BRT/WHITE
4	114873-02-02A	EA	TRIM - BACKWALL - TOP - DRIVER SIDE - BRIGHT WHITE
5	114874-04-12B	EA	TRIM - BACKWALL/SIDE - DRIVER SIDE - BRT/WHITE
5	120548-02-02A	EA	TRIM-J - BACKWALL/DRIVER - 98.3" - NOTCHED - BRIGHT WHITE
6	130352-01-K20	EA	BACKWALL - W/O WINDOW/TRIM (K50,K53)
6	130352-01-K21	EA	BACKWALL - W/O WINDOW/TRIM (K51)
6	130352-01-K22	EA	BACKWALL - W/O WINDOW/TRIM (K52)
	114248-02-01A	EA	ANGLE - PLASTIC - 96.6"
7	119212-02-01A	EA	END CAP - LOWER BACKWALL TRIM - DRIVER - BLACK
8	050406-25-000	EA	TRIM - LOWER BACKWALL - DRIVER/PASSENGER
9	127845-05-01A	EA	CAP - SIDEWALL TRIM - RIGHT HAND - 2.1" - BRIGHT WHITE
10	129324-04-K50	EA	SIDEWALL - DRIVER - W/O WINDOWS/TRIMS (K50,K53)
10	129324-04-K51	EA	SIDEWALL - DRIVER - W/O WINDOWS/TRIMS (K51)
10	129324-04-K52	EA	SIDEWALL - DRIVER - W/O WINDOWS/TRIMS (K52)
11	120091-01-02A	EA	TRIM - ROOF
			FROM: 00-00-00 THRU: 10-25-98
12	129421-01-K20	EA	PANEL/WHEEL LIP - REAR/DRIVER
13	129422-03-K20	EA	PANEL/WHEEL LIP - FRONT/DRIVER
14	129330-04-K50	EA	ROOF - W/O LIGHTS/VENTS - W/WIRING
15	129422-01-K89	EA	PANEL/WHEEL LIP - FRONT/PASSENGER
16	124501-31-01A	EA	TRIM - SIDEWALL - NOTCHED - RIGHT SIDE - BRIGHT WHITE
17	126903-01-01A	EA	TRIM - SIDEWALL - 60.9" - BRIGHT WHITE
18	105312-01-07A	FT	INSERT - VINYL FEATURE STRIP - BRIGHT WHITE
19	124501-30-01A	EA	TRIM - SIDEWALL - NOTCHED - LEFT SIDE - BRIGHT WHITE
20	126901-21-01A	EA	TRIM - SIDEWALL - 195" - BRIGHT WHITE
21	129421-02-K20	EA	PANEL/WHEEL LIP - REAR
22	120092-01-02A	EA	RAIL - AWNING - BRIGHT WHITE
			FROM: 00-00-00 THRU: 10-25-98
23	129325-04-K50	EA	SIDEWALL - PASSENGER - W/O WINDOWS/TRIMS (K50,K53)
23	129325-04-K51	EA	SIDEWALL - PASSENGER - W/O WINDOWS/TRIMS (K51)
23	129325-04-K52	EA	SIDEWALL - PASSENGER - W/O WINDOWS/TRIMS (K52)
24	127845-06-01A	EA	CAP - SIDEWALL TRIM - LEFT HAND - 2.1" - BRIGHT WHITE
25	131483-01-01A	EA	RAIL - AWNING - BRIGHT WHITE
			FROM: 10-26-98 THRU: 99-99-99
	002726-01-001	EA	GARNISH - U-CHANNEL - 1.38" X 19' - SERRATED
	002766-01-001	EA	ANGLE - EXTRUDED - 1" X 1.5" X 17'
	068716-01-001	EA	BRACE - 90 DEGREE L-ANGLE - 16'
	069726-02-000	EA	BUMPER - .88" OD X .40" THICK - BLACK
	113041-08-02B	EA	ANGLE - BUMPER MOUNT
			FROM: 00-00-00 THRU: 08-09-98
	119568-01-01A	EA	STANDOFF - VALANCE PANEL - BLACK
	120524-01-02B	EA	U-CHANNEL - E-COATED
	121117-01-12B	EA	ANGLE - W/HOLES - BRIGHT WHITE
	128251-01-02B	EA	SUPPORT - VALANCE - E-COATED
			FROM: 00-00-00 THRU: 09-04-98
	129854-06-01A	EA	SUPPORT-WHEEL LIP,MILL
			FROM: 00-00-00 THRU: 08-09-98
	129854-07-01A	EA	SUPPORT-WHEEL LIP,MILL
			FROM: 00-00-00 THRU: 08-09-98
	129854-11-01A	EA	SUPPORT-WHEEL LIP,MILL
			FROM: 08-10-98 THRU: 99-99-99
	107865-01-000	EA	ROD - SUPPORT - VALANCE PANEL - 14.3"
	107865-05-000	EA	ROD - SUPPORT - VALANCE PANEL - 9"
	107865-07-000	EA	ROD - SUPPORT - VALANCE PANEL - 14.3"

# EXTERIOR BODY GROUP (CONTINUED)

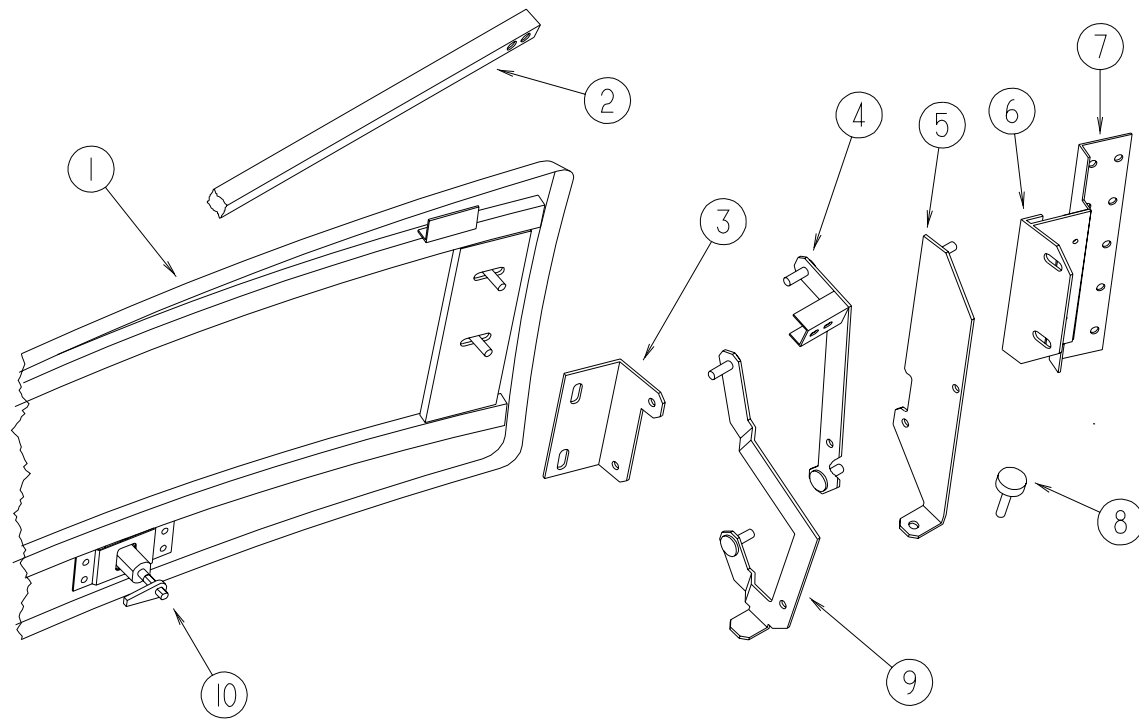
## FRONT END COMPONENTS



KEY	PART NUMBER	U/M	DESCRIPTION
1	125304-02-J60	EA	CAP - ROOF
	118383-01-04A	EA	RETAINER - SCREW
	118383-04-04A	EA	CAP - RETAINER/SCREW
2	128251-01-02B	EA	SUPPORT - VALANCE - E-COATED
3	122826-02-02B	EA	BRACKET - BUMPER - DRIVER - E-COATED
4	122826-01-02B	EA	BRACKET - BUMPER - PASSENGER - E-COATED
5	116617-02-02B	EA	SPACER - BUMPER
6	126933-02-02A	EA	SUPPORT - GRILLE - VERTICAL/BLACK
7	115924-22-02A	EA	WIRE MESH - F/GRILLE - FLAT BLACK
8	115924-23-02A	EA	WIRE MESH - F/GRILLE - FLAT BLACK
9	115924-24-02A	EA	WIRE MESH - F/GRILLE - FLAT BLACK
10	126845-04-J45	EA	PANEL - FRONT/LOWER - W/O NOTCH
	110782-01-000	EA	ANGLE - SUPPORT - HEADLAMP
	125846-01-J60	EA	SUPPORT ASM-WIPER
11	127223-01-J50	EA	HOOD - FRONT
12	126844-01-01A	EA	BEZEL - HEADLAMP - DUAL/RIGHT HAND
	126844-02-01A	EA	BEZEL - HEADLAMP - DUAL/LEFT HAND
	110690-01-D18	EA	PLATE - HEADLAMP - QUAD/RIGHT HAND
	110690-02-D18	EA	PLATE - HEADLAMP - QUAD/LEFT HAND
	007157-05-000	EA	NUT - WELL
13	123680-05-01A	EA	TRIM - FIBERGLASS PANEL - BRIGHT WHITE

FROM: 00-00-00 THRU: 09-04-98

## EXTERIOR BODY GROUP (CONTINUED)



### HOOD & COMPONENTS

KEY	PART NUMBER	U/M DESCRIPTION
1	127223-01-J50	EA HOOD - FRONT
	106730-10-000	EA PLATE - STUD - F/HOOD
2	105096-10-000	EA TUBE - HOOD HINGE TIMING W/WELDNUTS - CHEVY
3	109927-07-000	EA ANGLE - LINK - HOOD/RIGHT HAND
	109927-08-000	EA ANGLE - LINK - HOOD/LEFT HAND
4	127174-01-02B	EA LINK - HINGE/HOOD/UPPER/RIGHT HAND
	127174-02-02B	EA LINK - HINGE/HOOD/UPPER/LEFT HAND
5	126867-10-02B	EA BRACKET - LINK - HOOD HINGE - PASSENGER - E-COATED
	126867-12-02B	EA BRACKET - LINK - HOOD HINGE - DRIVER - E-COATED
6	118595-01-03A	EA SUPPORT - HINGE LINK - PASSENGER - BRIGHT WHITE
	118595-02-03A	EA SUPPORT - HINGE LINK - DRIVER - BRIGHT WHITE
7	113495-07-02B	EA SUPPORT - HINGE - E-COATED
8	058786-01-000	EA BOLT - ADJUSTING HOOD - W/BLACK PAD
9	127172-02-02B	EA LINK - HOOD HINGE - LOWER/PASSENGER - E-COATED
	127172-04-02B	EA LINK - HOOD HINGE - LOWER/DRIVER - E-COATED
10	102330-02-000	EA LATCH - VISE ACTION/KEY OPERATED
	102328-01-000	EA KEY - BARREL - NICKEL PLATED
	106748-01-000	EA LATCH - HOOD - FRONT END
	099418-01-000	FT SEAL - D-SECTION/ADHESIVE BACK - .44" X .44"- BLK RUBBER

## EXTERIOR BODY GROUP (CONTINUED)

### FIBERGLASS, STYROFOAM & INSULATION

KEY	PART NUMBER	U/M DESCRIPTION
	076054-U8-000	EA FIBERGLASS SHEET - 100" X 105" - BRIGHT WHITE
	076054-U4-000	EA FIBERGLASS SHEET - 101" X 104" - BRIGHT WHITE
	076054-W3-000	EA FIBERGLASS SHEET - 79" X 361.3" - BRIGHT WHITE
	076054-W6-000	EA FIBERGLASS SHEET - 79" X 367" - BRIGHT WHITE
	077517-62-000	EA FIBERGLASS SHEET/SIDEWALL - 48" X 96" - BRIGHT WHITE
	108535-05-702	EA FRP FLAT 108" X 396" BRT WHT PARTS DEPT
	100619-01-000	BF FOAM - EXPANDED POLYSTYRENE - 1.34" X 48" X 96"
	100619-02-000	BF FOAM - EXPANDED POLYSTYRENE - 1.5" X 48" X 96"
	100619-04-000	BF FOAM - EXPANDED POLYSTYRENE - .5" X 48" X 96"
	100619-05-000	BF FOAM - EXPANDED POLYSTYRENE - .75" X 48" X 96"-1.5 DENSITY
	100619-10-000	BF FOAM - EXPANDED POLYSTYRENE - 1.5" X 48" X 96"
	100619-11-000	BF FOAM - EXPANDED POLYSTYRENE - 2" X 48" X 96"
	100619-13-000	BF FOAM - EXPANDED POLYSTYRENE - .34" X 34.65" X 96"
	100619-16-000	BF FOAM - EXPANDED POLYSTYRENE - .75" X 48" X 96"-2.0 DENSITY
	105077-08-000	EA FOAM - PLUG - ROOF CAP
	120107-01-000	EA FOAM - COVE - ROOF - 2.8" X 96" LONG
	120107-02-000	EA FOAM - PLUG - ROOF TUBE - 2.2" X 2.9" X 1.8" LONG
	120107-03-000	EA FOAM - PLUG - SIDEWALL TUBE - 1.2" X 2.1" X 1.8" LONG

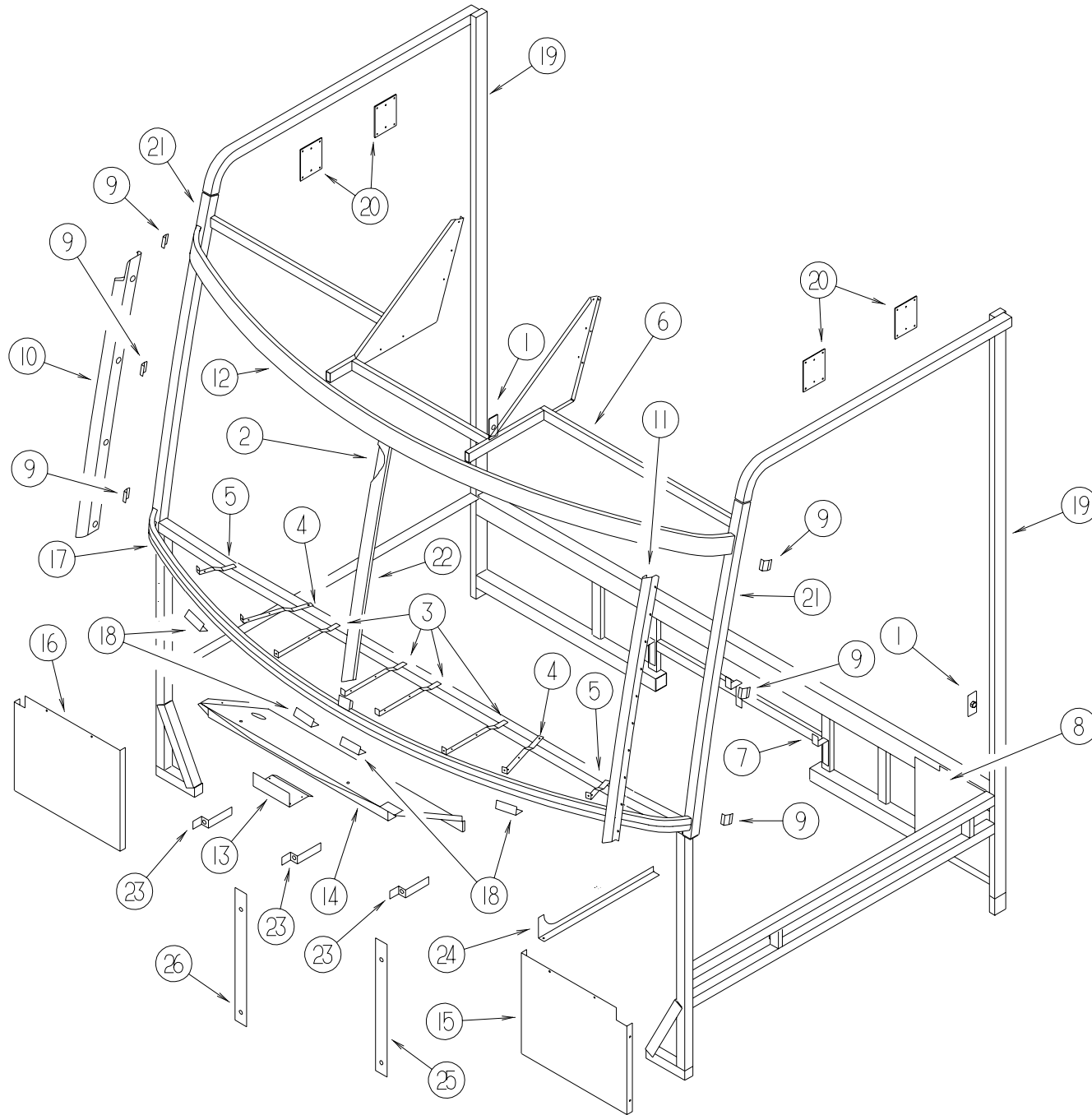
### A & E AWNING & HARDWARE

KEY	PART NUMBER	U/M DESCRIPTION
	113874-06-02A	EA AWNING - W/O HDW 16' (POLAR NAVY TEAL) VINYL
*	113874-01-02A	EA HARDWARE KIT - AWNING - W/O STANDOFF BRACKET-BRIGHT WHITE
	113874-11-01A	EA SCREW/LAG - AWNING - 1/4" X 1" STAINLESS STEEL USED TO MOUNT LOWER ARM BRACKET TO WALL FROM: 07-17-98 THRU: 99-99-99
	113874-12-01A	EA SCREW/LAG - AWNING - 1/4" X 2 3/4" STAINLESS STEEL USED TO MOUNT UPPER ARM BRACKET TO WALL FROM: 07-17-98 THRU: 99-99-99
	130320-01-02A	EA BRACKET - AWNING - F/A&E INSTALLATION - BRIGHT WHITE

\*COMPONENT PARTS FOUND IN SERVICE PARTS LIBRARY

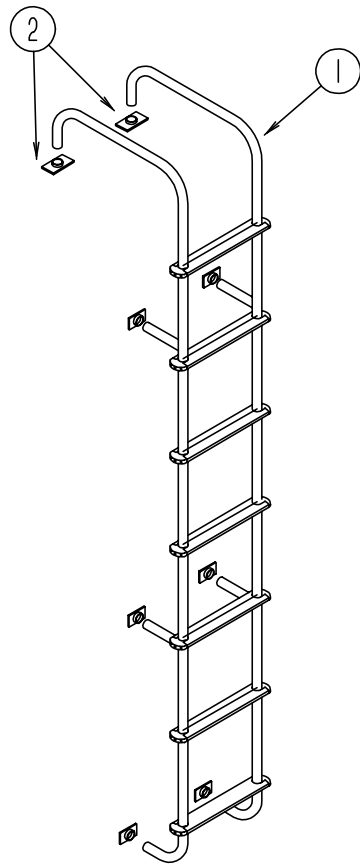
# EXTERIOR BODY GROUP (CONTINUED)

## MISCELLANEOUS FRONT END COMPONENTS



KEY	PART NUMBER	U/M	DESCRIPTION
1	070579-06-000	EA	PLATE - ANCHOR - W/7/16" WELD NUT - 1.5" X 3.3"
1	070579-07-000	EA	PLATE - ANCHOR - W/O WELD NUT - 1.5" X 3.3"
2	078249-16-000	EA	TUBE-SWEPT,FRAME,CAB
3	104797-03-000	EA	BRACKET-DEFROSTER
4	104797-04-000	EA	BRACKET-DEFROSTER
5	104797-05-000	EA	BRACKET-DEFROSTER
6	124763-51-01B	EA	HEADER ASM-W/TV, MILL
	121481-05-01B	EA	HEADER - WINDSHIELD, CENTER
7	117287-01-01B	EA	BRACKET - MOUNT - CABLE
8	118592-01-01B	EA	SHIELD - SPLASH
9	120363-01-01B	EA	BRACKET - WINDSHIELD
10	121269-07-01B	EA	FRAME-W/S,A PILLAR,MILL
11	121269-08-01B	EA	FRAME-W/S,A PILLAR,MILL
12	121268-01-01B	EA	SUPPORT-WINDSHIELD,UPPER,MLL
13	125836-02-01B	EA	ZEE-WIPER MOTOR,MILL
14	125837-02-01B	EA	BRACE-WIPER MOTOR,MILL
15	104147-14-000	EA	SHIELD/SPLASH - HEADLIGHT
16	121962-02-02B	EA	SHIELD/SPLASH - HEADLIGHT - E-COATED
17	121267-01-01B	EA	SUPPORT-WINDSHIELD,LOWER,MLL
18	076364-57-000	EA	ANGLE - FORMED
19	127874-01-01B	EA	TUBE-B PILLAR,MILL
20	104409-01-000	EA	PLATE-MOUNT,SIDEWALL
21	117273-01-01A	EA	TUBE - SUPPORT - A-PILLAR
22	120840-06-01B	EA	STRAP-W/HOLES,MILL
23	117287-01-01B	EA	BRACKET - MOUNT - CABLE
	129385-01-02B	EA	BRACKET - SEAL TRANSITION - E-COATED
			FROM: 00-00-00 THRU: 05-01-99
24	131859-01-02B	EA	BRACKET - SEAL - TRANSITION/LEFT HAND - E-COATED
			FROM: 05-02-99 THRU: 99-99-99
	131860-01-02B	EA	BRACKET - SEAL - TRANSITION/LEFT HAND - E-COATED
			FROM: 05-02-99 THRU: 99-99-99
25	119892-12-02B	EA	SUPPORT ASM-FRONT,GM,LH,E-CT
25	119892-14-02B	EA	SUPPORT ASM-FRT,FORD,LH,E-CT
26	119892-17-02B	EA	SUPPORT ASM-FRONT,GM,RH,E-CT
26	119892-13-02B	EA	SUPPORT ASM-FRT,FORD,RH,E-CT
	131860-01-02B	EA	BRACKET - SEAL - TRANSITION/LEFT HAND - E-COATED
			FROM: 05-02-99 THRU: 99-99-99
	128419-03-01A	EA	BRACKET - ROD SUPPORT
			FROM: 00-00-00 THRU: 11-03-98
	113452-01-000	FT	SEAL/TRIM - FRONT - VINYL W/WIRE CARRIER
	130885-14-877	FT	STEEL - TUBE - 16 GAUGE 1.5" X 1.5"

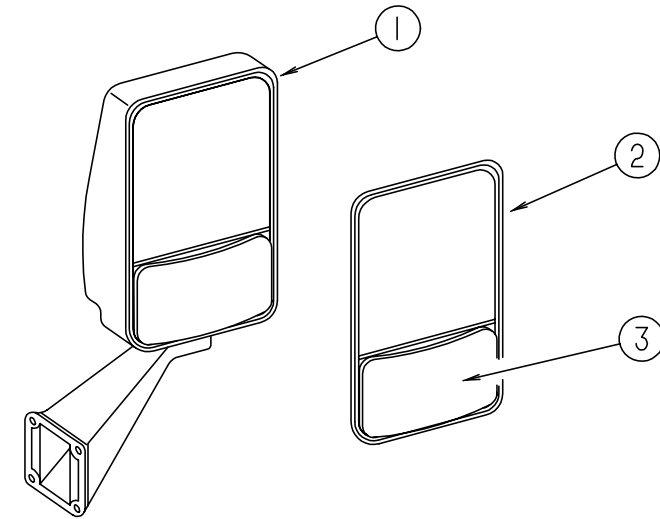
**EXTERIOR BODY GROUP (CONTINUED)**



**LADDER**

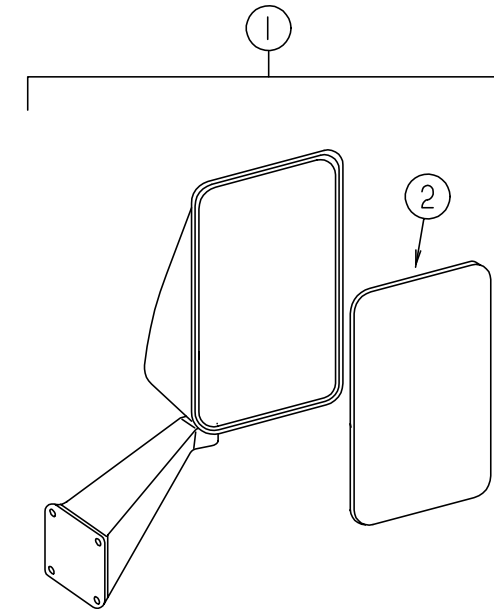
KEY	PART NUMBER	U/M DESCRIPTION
1	129639-02-01A	EA LADDER - BRUSHED ALUMINUM
2	131256-01-01A	EA PLATE - LADDER
	129375-01-000	EA SEAL/FOAM - LADDER BRACKET
	038327-01-000	EA TAPE - ANTI-SLIP - 2" X 60'

**EXTERIOR BODY GROUP (CONTINUED)**



**VELVAC HEATED EXTERIOR MIRRORS**

KEY	PART NUMBER	U/M DESCRIPTION	VENDOR NO.
1	106015-12-01A	EA MIRROR - EXTERIOR REMOTE/HEAT - PASSENGER	
	119774-09-700	EA PLATE-INNER SUPT/MIRROR HEAD	709418-7RH
1	106015-13-01A	EA MIRROR - EXTERIOR REMOTE/HEAT - DRIVER	
	119774-09-701	EA PLATE INNER SUPT/MIRROR HEAD	709419-7LH
2	106015-12-700	EA MIRROR-FLAT - W/W/O HEAT	709448
3	106015-12-701	EA MIRROR-CONVEX - W/W/O HEAT	709449
	106015-12-702	EA SCREW CAP - (BAG OF 4)	748329
	087695-02-000	EA SWITCH - HEATER - EXTERIOR MIRROR	
	088246-01-000	EA SWITCH - REMOTE - EXTERIOR - SQUARE PUSH	
	087695-03-000	EA CONNECTOR - ASSEMBLY	

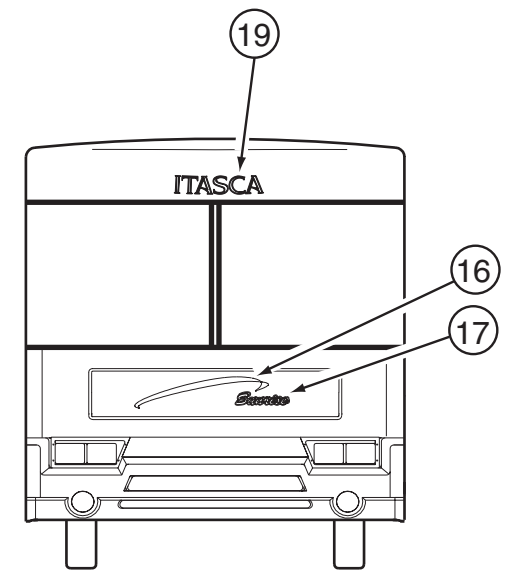
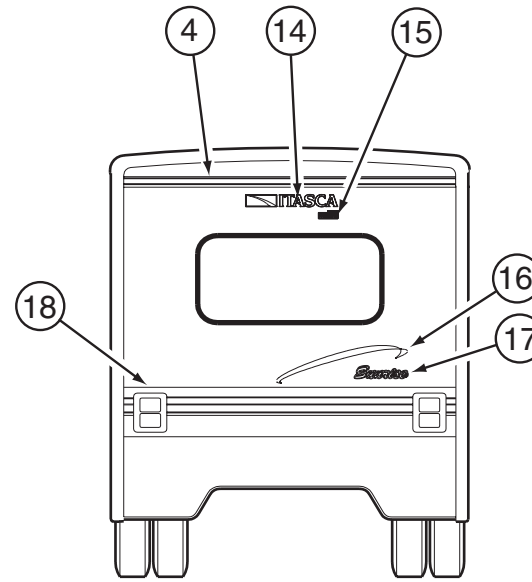
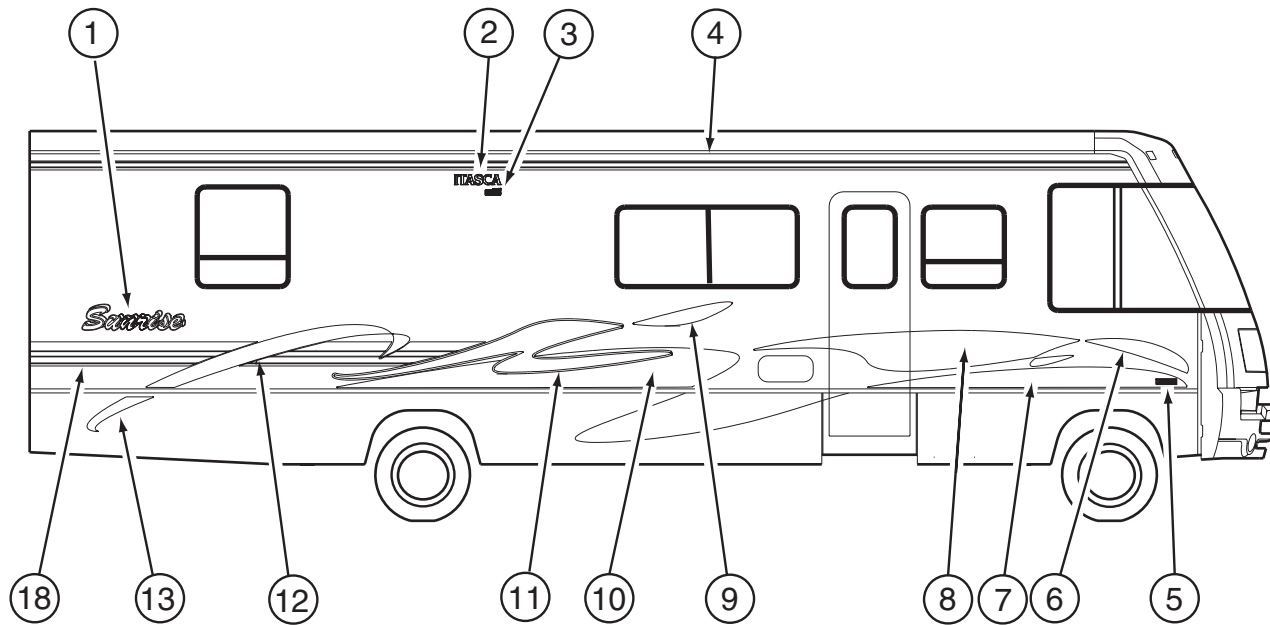


**VELVAC EXTERIOR MIRRORS**

KEY	PART NUMBER	U/M DESCRIPTION	VENDOR NO.
1	123297-01-01A	EA MIRROR - EXTERIOR - ADJUSTABLE GLASS - DRIVER	
1	123297-02-01A	EA MIRROR - EXTERIOR - ADJUSTABLE GLASS - PASSENGER	
2	106860-02-702	EA GLASS ONLY FLAT RH/LH STAR	702086-8

## EXTERIOR BODY GROUP (CONTINUED)

### DECALS, FILM STRIPES & PAINT



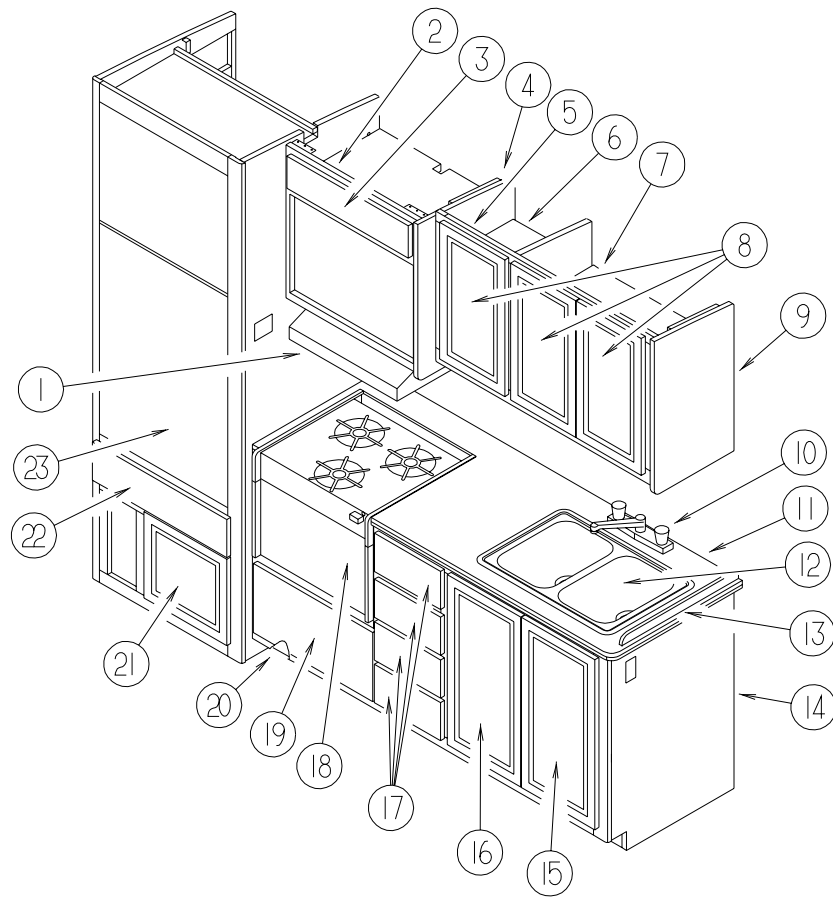
KEY	PART NUMBER	U/M	DESCRIPTION
1	121425-01-04A	EA	DECAL - LOGO - LARGE SUNRISE
1	121425-01-05A	EA	DECAL - LOGO - LARGE SUNRISE - COMFORT AND CONVENIENCE PACKAGE
2	124811-01-09A	EA	DECAL - LOGO - ITASCA
3	122770-01-13A	EA	DECAL - "BUILT PROUDLY BY WINNEBAGO INDUSTRIES"
4	094443-59-01A	FT	FILM - MULTISTRIPE - 2.9"
5	122312-02-01A	EA	DECAL - VORTEC 7400 FUEL INJECTED
5	129922-01-01A	EA	EMBLEM - TRITON V10
5	111318-03-03A	EA	DECAL - TURBO DIESEL
6	128045-03-01A	EA	DECAL - TIP #3 - RIGHT HAND
	128045-04-01A	EA	DECAL - TIP #3 - LEFT HAND
7	128046-01-02A	EA	DECAL - PAINT HUMP - FRONT/RIGHT HAND
	128046-02-02A	EA	DECAL - PAINT HUMP - FRONT/LEFT HAND
8	128044-03-01A	EA	DECAL - SWIRL #3 - RIGHT HAND
	128044-04-01A	EA	DECAL - SWIRL #3 - LEFT HAND
9	128043-03-01A	EA	DECAL - TIP #2 - RIGHT HAND
	128043-04-01A	EA	DECAL - TIP #2 - LEFT HAND
10	128047-01-02A	EA	DECAL - PAINT HUMP - REAR/PASSENGER
	128047-02-02A	EA	DECAL - PAINT HUMP - REAR/DRIVERS
11	128042-01-02A	EA	DECAL - SWIRL #2 - RIGHT HAND
	128042-02-02A	EA	DECAL - SWIRL #2 - LEFT HAND
12	128040-03-01A	EA	DECAL - SWIRL #1 - UPPER/PASSENGER
	128040-04-01A	EA	DECAL - SWIRL #1 - UPPER/DRIVERS
13	128041-03-01A	EA	DECAL - SWIRL #1 - LOWER/PASSENGER
	128041-04-01A	EA	DECAL - SWIRL #1 - LOWER/DRIVERS
14	124806-01-08A	EA	DECAL - LOGO - ITASCA W/ICON
15	122770-02-15A	EA	DECAL - "BUILT PROUDLY BY WINNEBAGO INDUSTRIES"
16	128048-02-01A	EA	DECAL - SWIRL - HOOD
17	121425-02-04A	EA	DECAL - LOGO - SMALL SUNRISE
17	121425-02-05A	EA	DECAL - LOGO - SMALL SUNRISE - COMFORT AND CONVENIENCE PACKAGE
18	093689-28-01A	FT	FILM - MULTISTRIPE - 8" WIDE
19	124989-01-06A	EA	DECAL - LOGO - ITASCA - SWEEP #15
	041561-03-000	EA	PAINT - 16 OUNCE SPRAY - OFF WHITE
	004308-01-000	EA	PAINT - BLACK SPRAY

#### DUPONT COLOR CODES

BRIGHT WHITE (MAIN BODY COLOR)	#B8951
KHAKI METALLIC (ACCENT COLOR)	#F4598U
LT. TOURQUOISE METALLIC (DECAL COLOR)	#GM188
DK. GREEN METALLIC (DECAL COLOR)	#MM172
LT. GREEN METALLIC (DECAL COLOR)	#GM200

# GALLEY GROUP

## GALLEY CABINETRY



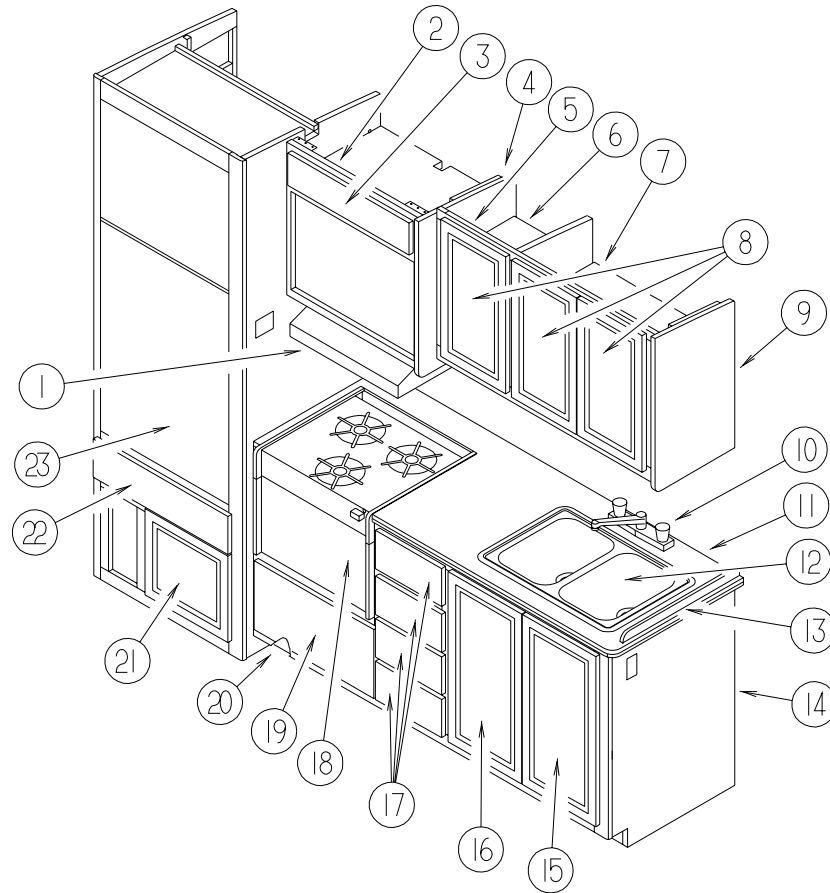
KEY	PART NUMBER	U/M DESCRIPTION
1*	100258-16-04A	EA HOOD - RANGE - W/O MONITOR PANEL-W/O HOUR METER/SWITCH-US
1*	100258-17-04A	EA HOOD - RANGE - W/O MONITOR PANEL-W/O HOUR METER/SWITCH-CSA
1*	100258-18-03A	EA HOOD - RANGE - W/O MONITOR PANEL-W/HOUR METER/SWITCH - US
2	128620-04-J15	EA CABINET - MICROWAVE - W/O DOORS/HARDWARE
3	131995-K2-K20	EA DOOR - SOLID PANEL - 6.3" X 23.2" - W/O HARDWARE
4	081320-16-G09	EA END CAP - OVERHEAD CABINET
5	P18158-04-K20	EA CABINET - OVERHEAD/GALLEY - W/O DOORS/HARDWARE
6	118158-11-J37	EA SHELF - W/PLASTIC EDGE TRIM
7	118158-12-J37	EA SHELF - W/PLASTIC EDGE TRIM
8	132141-65-K20	EA DOOR - VENEER - 12" X 21.8" - W/O HARDWARE
9	081319-17-G35	EA END CAP - OVERHEAD CABINET
10	104114-02-01A	EA FAUCET - GALLEY - SINGLE CONTROL
11	127582-17-K20	EA COUNTERTOP - GALLEY CABINET (K50)
11	127582-17-K21	EA COUNTERTOP - GALLEY CABINET (K51,K53)
11	127582-17-K22	EA COUNTERTOP - GALLEY (K52)
11	127582-16-K20	EA COUNTERTOP - GALLEY CABINET (K50) COMFORT AND CONVENIENCE PACKAGE
11	127582-16-K21	EA COUNTERTOP - GALLEY CABINET (K51,K53) COMFORT AND CONVENIENCE PACKAGE
11	127582-16-K22	EA COUNTERTOP - GALLEY CABINET (K52) COMFORT AND CONVENIENCE PACKAGE
12	104113-01-000	EA SINK - DOUBLE - STAINLESS STEEL
	092303-01-000	EA STRAINER - SINK
	103610-03-K02	EA COVER - SINK - 15.2" X 11" - LAMINATED BOTH SIDES (K50)
	103610-03-H07	EA COVER - SINK - 15.2" X 11" (K51,K53)
	103610-03-H04	EA COVER - SINK - 15.2" X 11" (K52)
13	098335-07-J24	EA RAIL - GALLEY - 22.2" (K50)
13	098335-07-G07	EA RAIL - GALLEY - 22.2" (K51,K53)
13	098335-07-G24	EA RAIL - GALLEY - 22.2" (K52)

KEY	PART NUMBER	U/M DESCRIPTION	VENDOR NO.
13	127582-18-K20	EA BACKSPLASH - GALLEY (K50) COMFORT AND CONVENIENCE PACKAGE	
13	127582-18-K21	EA BACKSPLASH - GALLEY (K51,K53) COMFORT AND CONVENIENCE PACKAGE	
13	127582-18-K22	EA BACKSPLASH - GALLEY (K52) COMFORT AND CONVENIENCE PACKAGE	
14	127582-03-K20	EA CABINET - GALLEY - W/COUNTERTOP - W/O DOORS/DRAWERS/HDW (K50)	
14	127582-03-K21	EA CABINET - GALLEY - W/COUNTERTOP - W/O DOORS/DRAWERS/HDW (K51,K53)	
14	127582-03-K22	EA CABINET - GALLEY - W/COUNTERTOP - W/O DOORS/DRAWERS/HDW (K52)	
14	127582-02-K20	EA CABINET - GALLEY - W/COUNTERTOP - W/O DOORS/DRAWERS/HDW (K50) COMFORT AND CONVENIENCE PACKAGE	
14	127582-02-K21	EA CABINET - GALLEY - W/COUNTERTOP - W/O DOORS/DRAWERS/HDW (K51,K53) COMFORT AND CONVENIENCE PACKAGE	
14	127582-02-K22	EA CABINET - GALLEY - W/COUNTERTOP - W/O DOORS/DRAWERS/HDW (K52) COMFORT AND CONVENIENCE PACKAGE	
15	131995-T1-K20	EA DOOR - SOLID PANEL - 13.5" X 27.1" - W/O HARDWARE	
16	131995-T0-K20	EA DOOR - SOLID PANEL - 13.5" X 27.1" - W/O HARDWARE	
17	M05971-11-J20	EA DRAWER - OGEE EDGE - 9.9"W X 17.7"D - W/O SLIDES/HARDWARE	
18*	112881-02-03A	EA RANGE-16"-3 BURNER-FRONT HI-OUTPUT BURNER - BLK TOP/DOOR	
	098507-02-701	EA INSERT-BURNER, SLOTTED VENT	7214P015-60
	102020-01-701	EA HANDLE,DOOR	7701P092-60
	102020-01-709	EA BUMPER-GRATE	8007-P020-60
	102020-01-714	EA PILOT-OVEN	968-143
	102020-01-724	EA BUMPER-MAIN TOP	8003P008-60
	102022-01-708	EA REGULATOR, 1/4 & 1/2 OUT	7510P041-60
	112881-01-705	EA KNOB-TOP BURNER	7733P072-60
	126023-01-728	EA TOP - MAIN (BLACK) W/BRACE	74003323
	112881-01-717	EA BURNER, TOP REAR	7505P181-60
	112881-01-718	EA KNOB - TOP BURNER HI-OUTPUT	74001794
	112881-01-719	EA TRIM-FLAT LH BLACK TEXTURED	74002813
	112881-01-720	EA TRIM-FLAT RH BLACK TEXTURED	74002812
	112881-01-722	EA THERMOSTAT	7515P029-60K
	112881-02-700	EA VALVE - OVEN	7501P056-60
	112881-02-701	EA CLIP - MAIN TOP (REAR)	7112P071-60
	112881-02-702	EA SPRING - OVEN DOOR	7803P051-60
	112881-02-703	EA BURNER - TOP (FRT)HGH OUTPUT	7505P142-60
	126023-01-703	EA GRATE - TOP	74003358
	126023-01-704	EA KNOB - THERMOSTAT	7731P109-60
	126023-01-705	EA PIPE - MANIFOLD	7513P161-60
	126023-01-728	EA TOP - MAIN (BLACK) W/BRACE	74003323
	126023-01-727	EA TOP - MAIN (ALMOND) W/BRACE	74003324
	126023-01-709	EA VALVE - BURNER (REAR)	74003348
	126023-01-710	EA VALVE - BURNER (FRONT)	74003349
	126023-01-715	EA PANEL - MANIFOLD	74003350
	126023-01-716	EA RACK - OVEN	74003106
	126023-01-717	EA BURNER - OVEN	74003343
	126023-01-718	EA FLUE BOX ASSEMBLY	4006W075-80
	105458-03-000	EA BRACKET - STOVE TIEDOWN - RIGHT HAND	
	105458-04-000	EA BRACKET - STOVE TIEDOWN - LEFT HAND	
19	M05971-GX-K20	EA DRAWER - OGEE EDGE - 19.7"W X 11.8"D - W/O SLIDES/HARDWARE	
20	118200-01-01A	SF MESH - PLASTIC - 1/2 INCH	
21	131995-H8-K20	EA DOOR - SOLID PANEL - 13.7" X 23.2" - W/O HARDWARE	
22	M05971-GY-K20	EA DRAWER - OGEE EDGE - 23"W X 11.8"D - W/O SLIDES/HARDWARE	

\*COMPONENT PARTS FOUND IN SERVICE PARTS LIBRARY

## GALLEY GROUP (CONTINUED)

### GALLEY CABINETRY (CONTINUED)



KEY	PART NUMBER	U/M DESCRIPTION	VENDOR NO.
	120075-01-720	EA TRAY-DRIP	618137
	120075-01-721	EA LOUVER-DRIP TRAY	618176
	120075-01-725	EA COVER-CRISPER	618158
	120075-01-727	EA PIN-HINGE	618145
	120075-01-729	EA TRIM-BOTTOM PIECE	618136
	120075-01-730	EA RETAINER-SHELF	618181
	120075-01-732	EA PLATE-STRIKE	618167
	120075-01-735	EA THERMISTER W/LAMP & WIRE/ASM	618548
	120075-01-738	EA COVER-POWER BOARD	618185
	120076-01-705	EA ORIFICE - JEWEL .015	618283
	121568-01-701	EA BIN - DOOR WHITE	618619
	121568-01-704	EA RAIL - DOOR LOWER	618578
	121568-01-707	EA SHELF - WIRE - SHORT	618624
	121568-01-708	EA SHELF - WIRE	618589
	121568-01-709	EA CRISPER	618571
	121568-03-700	EA RETAINER - DOOR PANEL/BLACK	619558
	121568-03-701	EA BUSHING - HINGE PIN/GRAY	619671
	121568-03-702	EA DOOR LINER - W/TRIM/BLACK	619627
	121568-03-703	EA HANDLE ASM TOP/RH-LWR/LH BLK	619865
	121568-03-704	EA TRAVEL LATCH - GRAY	619647
	121568-03-705	EA STORAGE LATCH - GRAY	619648
	121568-03-706	EA RETAINER - DOOR PANEL/BLACK	619559
	121568-03-707	EA DOOR LINER - BLACK	619629
	121568-03-708	EA HANDLE ASM - TOP/LH-LWR/RH	619866
	121568-03-709	EA TRIM - TOP/BLACK	619687
	121568-03-710	EA HINGE/CABINET-TOP/RH-LWR/LH	619335
	121568-03-711	EA TRIM - SIDE/BLACK	619801
	121568-03-712	EA SHELF - WIRE/FREEZER	620250
	121568-03-713	EA FRONT BOX/DECORATIVE-BLACK	619282
	121568-03-714	EA CONTROL ASM - 2 WAY BLACK	619350
	121568-03-715	EA HINGE/CABINET-TOP/LH-LWR/RH	619336
	121568-03-716	EA COVER - HINGE HOLES	619301
	121568-03-717	EA HOLE PLUG - WHITE	619561
	121568-03-718	EA CABINET - FOAMED - N62	619658
	121568-03-719	EA POWER - BOARD - 2-WAY	619353
	054450-01-000	EA LEVEL - REFRIGERATOR	
	065225-02-000	EA PLATE - TIEDOWN - REFRIGERATOR	
	093646-01-000	EA BRACKET - TIEDOWN/REFRIGERATOR - RIGHT HAND	
	093646-02-000	EA BRACKET - TIEDOWN/REFRIGERATOR - LEFT HAND	
	116751-02-01A	EA TRAY - REFRIGERATOR - BLACK	
	116751-09-01A	EA TRAY - REFRIGERATOR - BLACK - CANADIAN	
	111222-01-02A	EA COVER - VENT - SIDE - BRIGHT WHITE - REFRIGERATOR TRAY DRAIN	
	090329-01-000	FT SEAL/T - REFRIGERATOR CABINET	

\*COMPONENT PARTS FOUND IN SERVICE PARTS LIBRARY

KEY	PART NUMBER	U/M DESCRIPTION	VENDOR NO.
23*	121568-02-01A	EA REFRIGERATOR - SMALL DOUBLE DOOR/LEFT HAND - 2-WAY	
		FROM: 00-00-00 THRU: 07-19-98	
23	121568-04-01A	EA REFRIGERATOR - SMALL DOUBLE DOOR/LEFT HAND - 2-WAY - BLACK	
		FROM: 07-20-98 THRU: 99-99-99	
	084880-01-718	EA VALVE-GAS, (ASCO)	61551822
	084880-01-760	EA CLIP (THERMISTER)	61689122
	084880-03-705	EA BRACKET-LIGHT-INTERIOR	61629722
	084880-03-706	EA BULB-LAMP	61628922
	084880-03-707	EA COVER-LAMP, LENS	61627922
	088248-01-709	EA HEATER-AC (HORIZONTAL)	61562722
	104137-06-709	EA VALVE-SHUT OFF, MANUAL	61694922
	104137-06-714	EA BURNER ASSEMBLY, 5-SLOT	61705222
	104137-06-715	EA ELECTRODE-SPARK/SENSOR, SGL	61692222
	113737-01-702	EA PLUG 1/8" F/PRESSURE TAP	61445322
	113737-01-716	EA TAP-PRESSURE	61594422
	113737-01-750	EA TUBE-UNION	61694622
	120075-01-701	EA HINGE-TOP RH/BOTTOM LH(DOOR)	618511
	120075-01-702	EA CAP, (HINGE PLUG)	618160
	120075-01-705	EA HINGE-TOP LH/BOTTOM RH(DOOR)	618510
	120075-01-714	EA PLUG-HOLE	618170



## GALLEY GROUP (CONTINUED)

### MICROWAVE OVEN & TRIMS, BRACKETS, AND BRACES

KEY	PART NUMBER	U/M DESCRIPTION	VENDOR NO.
	128527-02-000	EA OVEN - MICROWAVE - 1.2 CU FT - NON CONVECTION	
			FROM: 00-00-00 THRU: 02-07-99
	128527-02-700	EA TRIM RING-F/1.2 CU.FT. MICRO	MC-6471-EA
			FROM: 00-00-00 THRU: 02-07-99
	128642-02-000	EA TRIM KIT W/VENT - MICROWAVE - 1.2 CU FT - SAMSUNG	
			FROM: 00-00-00 THRU: 02-07-99
	128527-04-000	EA OVEN - MICROWAVE - 1.2 CU FT	
			FROM: 02-08-99 THRU: 99-99-99
	098916-22-02B	EA BRACE - MICROWAVE CABINET - LEFT HAND	
	098916-23-02B	EA BRACE - MICROWAVE CABINET - RIGHT HAND	
	094750-10-000	EA BRACKET - MICROWAVE - 89 DEGREE	

### COFFEE MAKER

KEY	PART NUMBER	U/M DESCRIPTION	VENDOR NO.
	126019-01-01A	EA COFFEEMAKER - OPTIMA - W/BRACKETS - BLACK & DECKER	
	126019-01-700	EA GLASS CARAFE	172547-00
	126019-01-701	EA RESERVOIR- WATER	172554
	126019-01-702	EA BASKET - FILTER	172553-00
	126019-01-703	EA HARDWARE - MOUNTING	172174-00

### LVS MONITOR PANEL

KEY	PART NUMBER	U/M DESCRIPTION
*	102765-04-01A	EA PANEL - MONITOR - 2 HOLDING TANKS - ADJUSTABLE

\*COMPONENT PARTS FOUND IN SERVICE PARTS LIBRARY

## GENERATOR GROUP

### 4,000 WATT ONAN EMERALD PLUS

KEY	PART NUMBER	U/M DESCRIPTION
	100974-01-000	EA GENERATOR - 4 KW EMERALD PLUS - ONAN BGE-FA26100G WITH ONAN GENERATOR TRAY #403-2218 - IF INSTALLING BELOW FLOOR ORDER ONAN TRAY #403-2727
	007067-01-000	SF INSULATION - FIBERGLASS - 1" THICK X 4'-INCREMENTS 4 SF
	007125-03-000	EA CLAMP - MUFFLER - 1.5" DIAMETER
	007125-04-000	EA CLAMP - MUFFLER - 1.12" DIAMETER
	079654-05-000	EA PIPE - EXHAUST - ANGLED W/FLANGE - 2" ID
	082272-01-000	EA MUFFLER - GENERATOR - NELSON #20892-A
	094059-01-000	EA SPACER - GENERATOR - ONAN
	105958-03-000	EA PIPE - GENERATOR EXHAUST - 1.5" OD X 4.4" X 15.7"

### 5,000 WATT ONAN EMERALD PLUS

KEY	PART NUMBER	U/M DESCRIPTION
	109303-01-000	EA GENERATOR - 5 KW - EMERALD PLUS WITH ONAN TRAY #403-2727
	007067-01-000	SF INSULATION - FIBERGLASS - 1" THICK X 4'-INCREMENTS 4 SF
	007125-03-000	EA CLAMP - MUFFLER - 1.5" DIAMETER
	007125-04-000	EA CLAMP - MUFFLER - 1.12" DIAMETER
	007131-01-000	EA HANGER - TAILPIPE - 6 SLOTS
	079654-05-000	EA PIPE - EXHAUST - ANGLED W/FLANGE - 2" ID
	081364-03-000	EA MUFFLER - GENERATOR - ONAN
	094059-01-000	EA SPACER - GENERATOR - ONAN

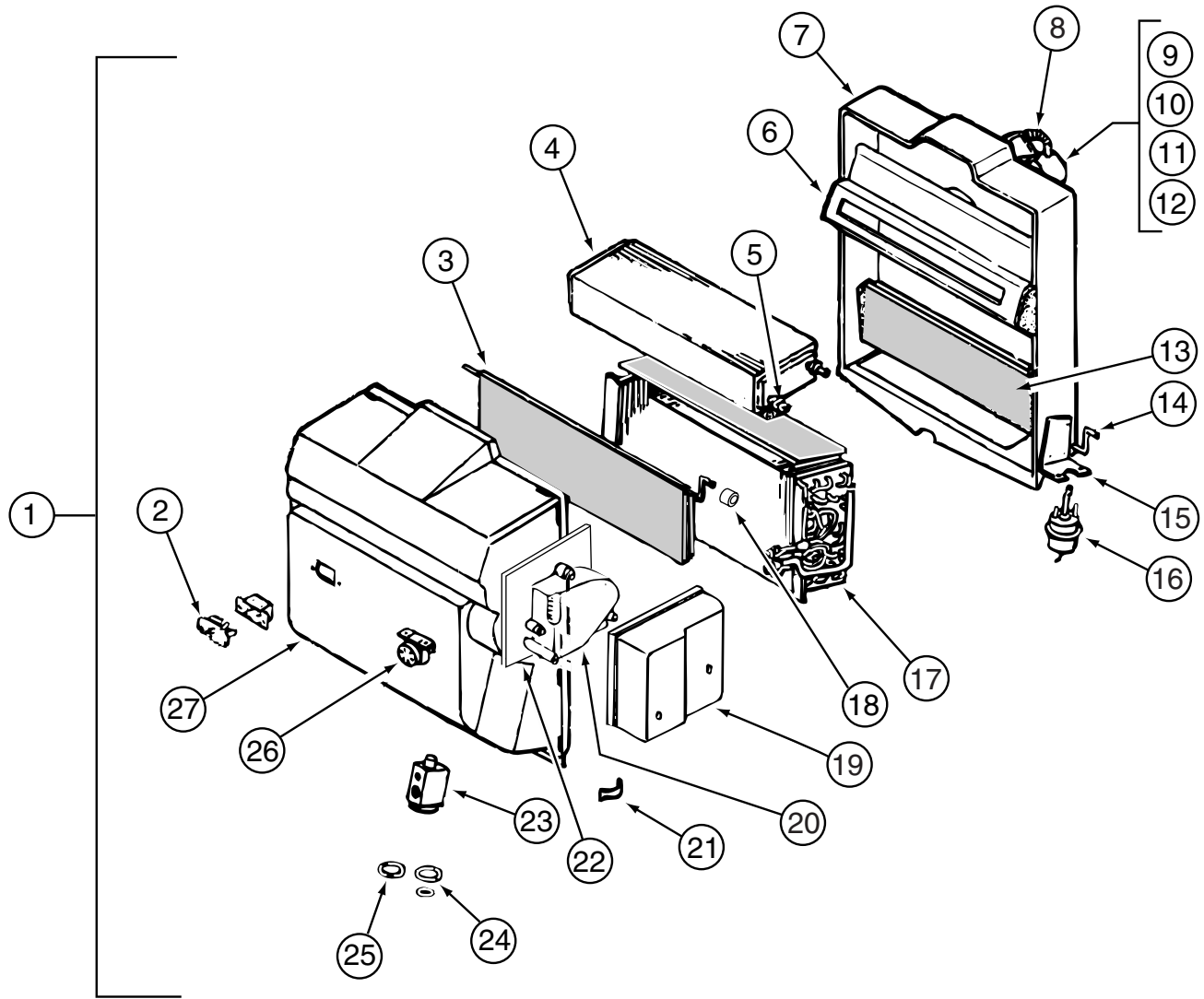
### 6,500 WATT ONAN EMERALD PLUS

KEY	PART NUMBER	U/M DESCRIPTION
	100975-01-000	EA GENERATOR - 6.5 KW EMERALD PLUS WITH ONAN TRAY #403-2218
	007067-01-000	SF INSULATION - FIBERGLASS - 1" THICK X 4'-INCREMENTS 4 SF
	007125-03-000	EA CLAMP - MUFFLER - 1.5" DIAMETER
	007125-04-000	EA CLAMP - MUFFLER - 1.12" DIAMETER
	007131-01-000	EA HANGER - TAILPIPE - 6 SLOTS
	079654-05-000	EA PIPE - EXHAUST - ANGLED W/FLANGE - 2" ID
	081364-03-000	EA MUFFLER - GENERATOR - ONAN
	094059-01-000	EA SPACER - GENERATOR - ONAN

**NOTE: ADDITIONAL GENERATOR COMPONENTS ARE FOUND IN THE CHASSIS GROUP**

# HEATING & AIR CONDITIONING GROUP

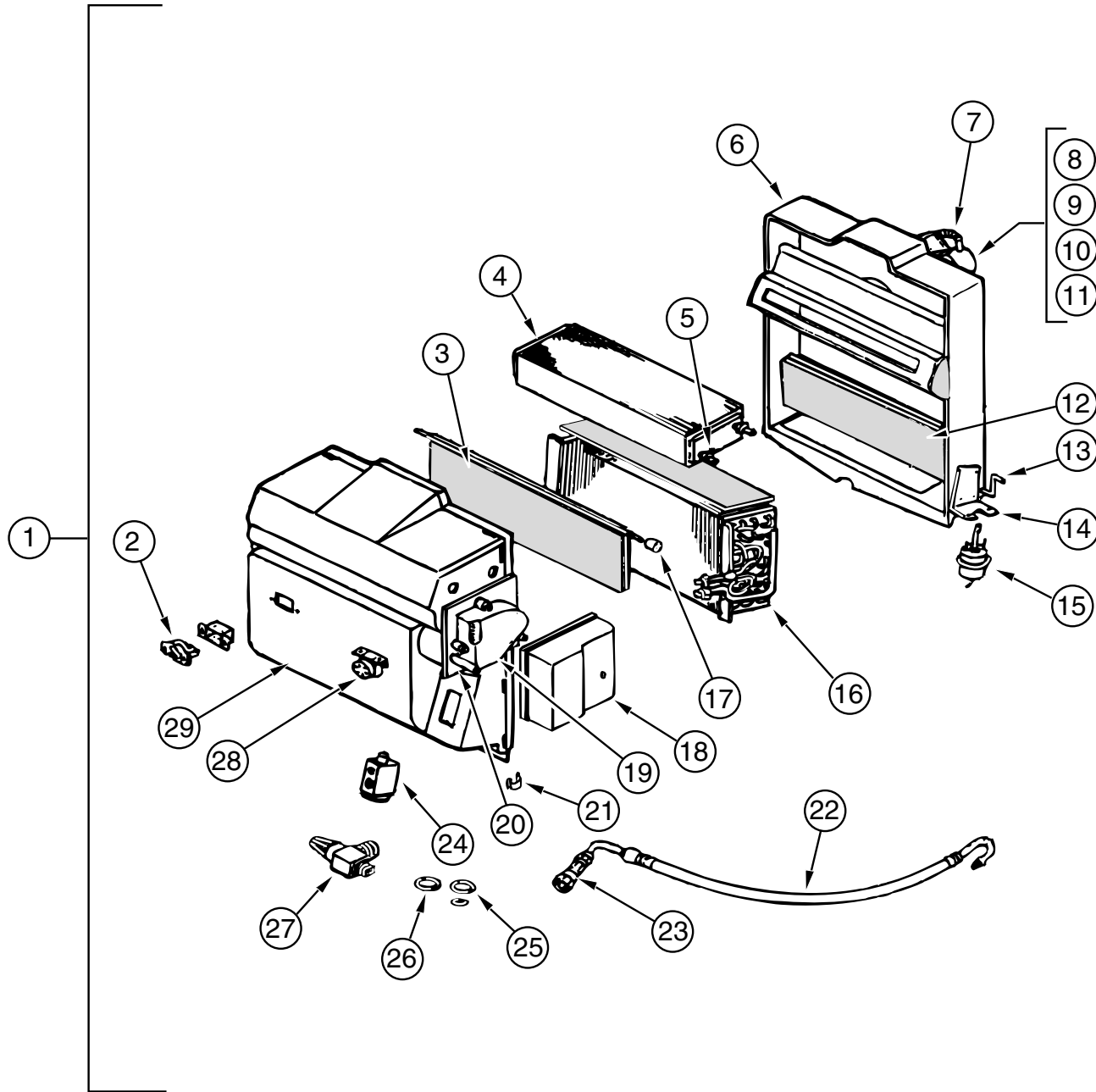
## SCS EVAPORATOR/HEATER ASSEMBLY - FORD AND 1999 CHEVY CHASSIS



KEY	PART NUMBER	U/M DESCRIPTION	VENDOR NO.
1	103930-43-000	EA EVAPORATOR/HEATER ASSEMBLY - NON-CHARGED	
2	103930-01-710	EA RESISTOR-FUSED, A/C	035-0006
3	103930-43-700	EA DOOR - AIR BLEND	071-0568
4	103930-01-703	EA CORE-HEATER	042-0010
5	110279-01-712	EA FITTING-HEATER	050-0076
6	103930-30-707	EA DIVIDER ASM.	086-0061
7	103930-20-711	EA CASE-BACK, SUB-ASSEMBLY	062-0147
8	110279-01-703	EA HOSE-VENT F/BLOWER MOTOR	051-0034
9	103930-20-707	EA HOUSING-BLOWER	062-0145
10	103930-30-706	EA MOTOR-BLOWER PM147 W/ADAPTER	030-0109
11	103930-01-717	EA WHEEL-BLOWER, CLOCKWISE	062-0010
12	103930-20-708	EA CLIP-MOTOR SHAFT	022-0001
13	103930-20-705	EA PANEL-DOOR, RECIRCULATING	071-0213
14	103930-20-704	EA ROD-DOOR-RECIRCULATING	073-0018
15	103930-01-708	EA BRACKET-VACUUM MOTOR	070-0113
16	103930-02-708	EA MOTOR-VACUUM SERVO, A/C	030-0025
17	103930-01-704	EA COIL-EVAPORATOR	041-0017
18	103930-30-702	EA BUSHING - BLEND AIR DOOR	062-0168
19	103930-30-704	EA COVER - SERVO	062-0545
20	103930-30-703	EA MOTOR - SERVO	030-0104
21	103930-20-706	EA CLIP-RETAINER - CASE ATTACH	022-0057
22	103930-30-701	EA PLATE - MOTOR MOUNT	062-0544
23	103930-20-700	EA VALVE-EXPANSION-BLOCK, 2 TON	034-0032
24	103930-17-702	EA O'RING #10	045-0127
25	113245-01-707	EA O'RING #8	045-0126
26	103930-01-711	EA THERMOSTAT	033-0003
27	103930-30-700	EA CASE - FRONT	062-0542
	103930-02-714	EA CLAMP-CLUTCH, BARREL	022-0006
	094831-01-709	EA CLAMP-ROD 3/16"	022-0025
	113245-01-718	EA HOSE - DRAIN/1/2" X 6"	051-0002

# HEATING & AIR CONDITIONING GROUP (CONTINUED)

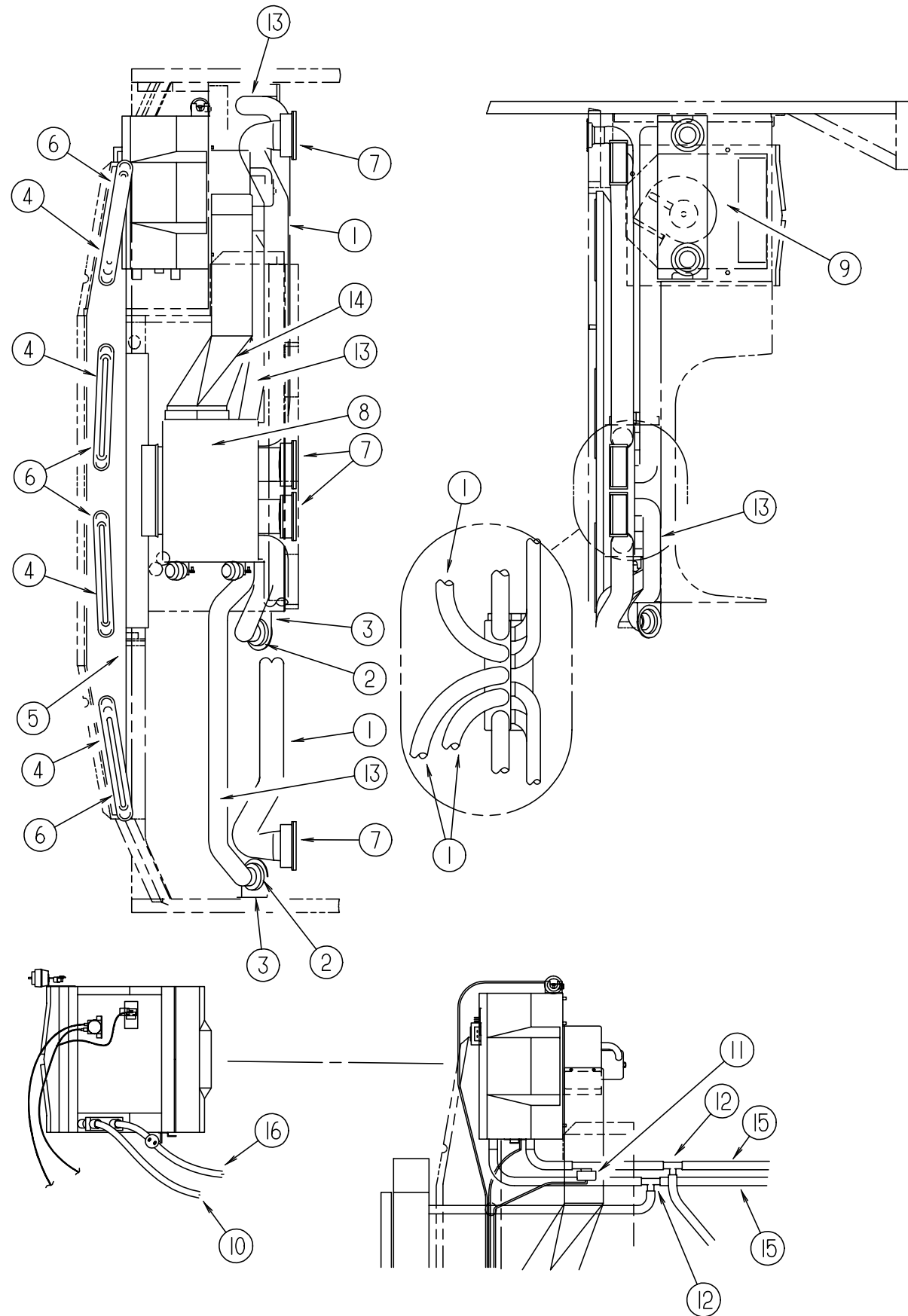
## SCS EVAPORATOR/HEATER ASSEMBLY - 1998 CHEVY CHASSIS



KEY	PART NUMBER	U/M DESCRIPTION	VENDOR NO.
1	103930-30-000	EA EVAPORATOR/HEATER - CHEVY - SERVO MOTOR CONTROLLED	
2	103930-01-710	EA RESISTOR-FUSED, A/C	035-0006
3	103930-30-705	EA DOOR - BLEND AIR	071-0568
4	103930-01-703	EA CORE-HEATER	042-0010
5	110279-01-712	EA FITTING-HEATER	050-0076
6	103930-20-711	EA CASE-BACK, SUB-ASSEMBLY	062-0147
7	110279-01-703	EA HOSE-VENT F/BLOWER MOTOR	051-0034
8	103930-20-707	EA HOUSING-BLOWER	062-0145
9	103930-30-706	EA MOTOR-BLOWER PM147 W/ADAPTER	030-0109
10	103930-01-717	EA WHEEL-BLOWER, CLOCKWISE	062-0010
11	103930-20-708	EA CLIP-MOTOR SHAFT	022-0001
12	103930-20-705	EA PANEL-DOOR, RECIRCULATING	071-0213
13	103930-20-704	EA ROD-DOOR-RECIRCULATING	073-0018
14	103930-01-708	EA BRACKET-VACUUM MOTOR	070-0113
15	103930-02-708	EA MOTOR-VACUUM SERVO, A/C	030-0025
16	103930-01-704	EA COIL-EVAPORATOR	041-0017
17	103930-30-702	EA BUSHING - BLEND AIR DOOR	062-0168
18	103930-30-704	EA COVER - SERVO	062-0545
19	103930-30-703	EA MOTOR - SERVO	030-0104
20	103930-30-701	EA PLATE - MOTOR MOUNT	062-0544
21	103930-20-706	EA CLIP-RETAINER - CASE ATTACH	022-0057
22	103930-25-700	EA HOSE ASM #6 EVAPORATOR/DRIER	085-0350
23	103930-12-709	EA FITTING-QUICK CONNECT	050-0120
24	103930-20-700	EA VALVE-EXPANSION-BLOCK, 2 TON	034-0032
25	103930-17-702	EA O'RING #10	045-0127
26	113245-01-707	EA O'RING #8	045-0126
27	103930-20-709	EA VALVE-SERVICE	050-0159
28	103930-01-711	EA THERMOSTAT	033-0003
29	103930-30-700	EA CASE - FRONT	062-0542

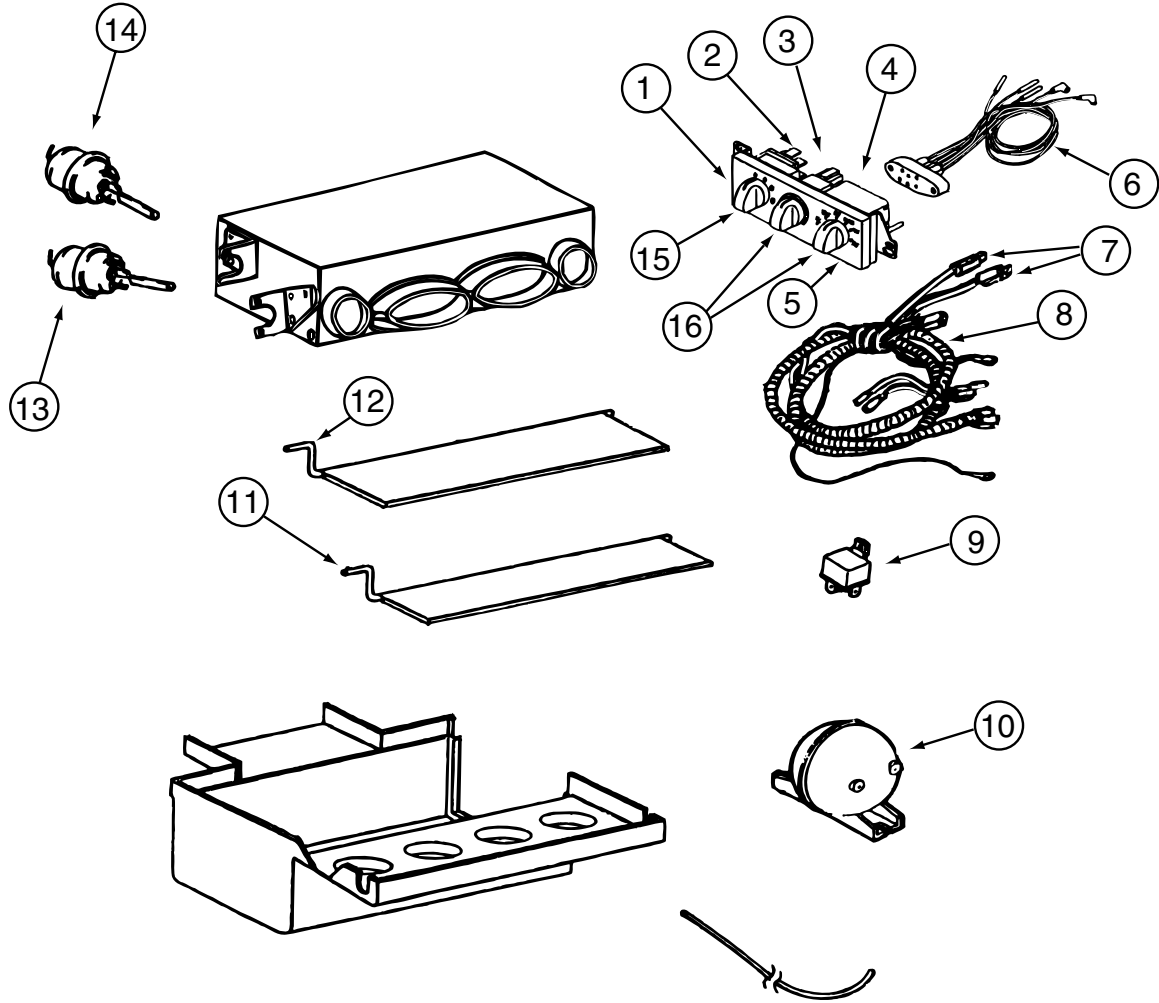
# HEATING & AIR CONDITIONING GROUP (CONTINUED)

## AUTOMOTIVE HEATER MISCELLANEOUS



KEY	PART NUMBER	U/M	DESCRIPTION	VENDOR NO.
1	007281-01-000	EA	HOSE - FLEXIBLE PVC - 2.5" ID X 50'	
1	007281-01-700	FT	HOSE-FLEXIBLE PVC, 2 1/2 ID	
2	024990-05-000	EA	OUTLET - DEFROSTER - 4" DIAMETER W/SWIVEL DEFLECTORS	
3	056402-05-000	EA	BRACKET - HEATER VENT - ROUND W/BEND - BLACK	
4	077075-01-000	EA	GASKET - INSTRUMENT PANEL/DEFROSTER PLENUM - .6" X 10.2"	
5	103017-03-000	EA	PLENUM - DEFROSTER	
6	103558-01-11A	EA	VENT - DEFROSTER - 2" X 14.4" X 1.4" - TITANIUM	
			FROM: 00-00-00 THRU: 11-08-98	
6	103558-04-04A	EA	VENT - DEFROSTER - TITANIUM ABS PLASTIC	
			FROM: 11-09-98 THRU: 99-99-99	
7	103796-01-01A	EA	LOUVER - A/C-ADJUSTABLE - 2.2" X 5.4" F/2.5" HOSE - BLACK	
8	103930-39-000	EA	CONTROL/PLENUM - ROTARY	
9	103930-30-000	EA	EVAPORATOR/HEATER - CHEVY - SERVO MOTOR CONTROLLED	
			1998 CHEVY CHASSIS	
9	103930-43-000	EA	EVAPORATOR/HEATER ASSEMBLY - NON-CHARGED	
			FORD AND 1999 CHEVY CHASSIS	
10	103930-29-000	EA	HOSE KIT - #10 F/GM L-29 & L-65 CHASSIS	
			1998 CHEVY CHASSIS	
	103930-17-702	EA	O'RING #10	045-0127
	103930-29-701	EA	O'RING F/LOW PRESSURE SWITCH	045-0483
10	103930-46-000	EA	HOSE - EVAPORATER/COMPRESSOR - EXP. BLOCK TO COMPRESSOR	
			1999 CHEVY CHASSIS	
	103930-17-702	EA	O'RING #10	045-0127
	103930-29-701	EA	O'RING F/LOW PRESSURE SWITCH	045-0483
10	103930-45-000	EA	HOSE - EVAPORATOR/COMPRESSOR - FORD CHASSIS	
	103930-17-702	EA	O'RING #10	045-0127
11	103930-23-000	EA	VALVE - WATER - 2 PORT	
12	076776-01-000	EA	TEE - BEADED - 5/8" X 5/8" X 5/8"	
13	007076-01-000	EA	HOSE - FLEXIBLE PVC - 2" ID - INCREMENTS OF 50'	
14	103016-03-000	EA	PLENUM - TRANSITION	
15	007108-01-000	FT	HOSE - HEATER - 5/8" ID - HI-TEMP - FORD	
16	103930-47-000	EA	HOSE - EVAPORATOR/DRYER - EXP. VALVE TO REC. DRIER	
			1999 CHEVY CHASSIS	
	113245-01-710	EA	O'RING, #12	045-0128
16	103930-44-000	EA	HOSE - EVAPORATOR/DRYER - #6 - FORD CHASSIS	
	113245-01-710	EA	O'RING, #12	045-0128
	077539-01-000	EA	BRACKET - MOUNTING/DASH PANEL - L/SHAPED - 2.5"X1"X1.5"	
	103930-37-000	EA	MANUAL - OWNERS - HEATER/A/C	
	7SB003-97-01A	EA	SCS/FRIGETTE SERVICE MANUAL AIR CONDITIONING	

**HEATING & AIR CONDITIONING GROUP (CONTINUED)**



**SCS CONTROL/PLENUM**

KEY	PART NUMBER	U/M DESCRIPTION	VENDOR NO.
	103930-39-000	EA CONTROL/PLENUM - ROTARY	
1	103930-33-702	EA CONTROL PANEL	083-0169
2	103930-33-707	EA SWITCH - BLOWER	032-00066
3	103930-33-708	EA SWITCH - POTENTIOMETER	032-0184
4	103930-33-709	EA SWITCH - VACUUM	032-0183
5	103930-33-710	EA DECAL F/CONTROL HEAD	058-0102
6	103930-33-703	EA VACUUM HARNESS	036-0466
7	103930-33-705	EA LIGHT BULBS	035-0030
8	103930-33-711	EA WIRE HARNESS - MAIN	036-0496
9	103930-02-707	EA RELAY-BOSCH W/RESISTER	031-0001
10	103930-02-710	EA CANISTER-VACUUM	054-0002
11	103930-39-700	EA ROD - DOOR - AC/HEAT	073-067
12	103930-39-701	EA ROD - DOOR - AC/DEFROST	073-0069
13	103930-02-708	EA MOTOR-VACUUM SERVO, A/C	030-0025
14	103930-33-701	EA MOTOR - VACUUM, 3 STAGE	030-0105
15	103930-39-702	EA KNOB - BLOWER	062-0539
16	103930-39-703	EA KNOB - TEMPERATURE	062-0540
	103930-39-704	EA SPRING	022-0119

**HEATING & AIR CONDITIONING GROUP (CONTINUED)**

**35,000 BTU SUBURBAN FURNACE, REGISTERS & WALL THERMOSTAT**

KEY	PART NUMBER	U/M DESCRIPTION
*	098668-21-000	EA FURNACE - 35,000 BTU
	094600-05-01A	EA REGISTER W/O DAMPER-3.6" X 11.3" FACE/2.1" X 9.9" RO-BEIGE
	098668-14-000	EA GASKET - FIBERGLASS - .5" X 18" X 18"
	098668-16-000	EA VENT-INTAKE
	009198-01-000	FT DUCT - HEAT - FLEXIBLE - 4" ID X 25'
	009198-02-000	FT DUCT - FLEXIBLE - 2" ID X 25'
	089367-02-000	EA TEE - 4" X 2" X 4"
	009200-01-000	EA TAPE - FURNACE - 1 1/2"
	115764-01-01A	EA THERMOSTAT - FURNACE

**\*COMPONENT PARTS FOUND IN SERVICE PARTS LIBRARY**

**EVANS REAR HEATER & COMPONENTS**

KEY	PART NUMBER	U/M DESCRIPTION	VENDOR NO.
	084405-01-000	EA HEATER - REAR/DUCTED - W/MOTOR AID	
	084405-01-700	EA CORE-HEATER	FT200229
	084405-01-701	EA FAN BLADES	HV029931
	084405-01-702	EA MOTOR ASSEMBLY, 12 VOLT	RV010348
	009198-01-000	FT DUCT - HEAT - FLEXIBLE - 4" ID X 25'	
	056464-10-000	EA REGISTER - 4" DIAMETER - PLASTIC - W/O DAMPER - BEIGE	
	061673-01-000	EA BRACKET - MOTOR AID TUBES - 4" X 1.5" - STEEL	
		FROM: 00-00-00 THRU: 12-07-98	
	069636-02-000	EA CONNECTOR - DUCT - 4" ID	
	079059-01-000	EA HOSE - 90 DEGREE - 5/8"ID X 4" X 36"	

**ROOF A/C**

KEY	PART NUMBER	U/M DESCRIPTION
*	131186-01-01A	EA A/C - ROOF MACH 1 POWERSAVER - WHITE
*	131187-01-01A	EA A/C - ROOF MACH 3 POWER SAVER - WHITE
*	131188-01-01A	EA A/C - ROOF - 14,800 MACH 15 - WHITE
*	131185-01-01A	EA A/C ROOF - 13,500 BTU - WHITE

**A/C CEILING ASM AND THERMOSTATS**

KEY	PART NUMBER	U/M DESCRIPTION
*	131184-01-01A	EA CEILING ASSEMBLY - A/C DUCTED - WHITE
	117238-01-01A	EA THERMOSTAT - A/C - FURNACE
	117238-02-01A	EA THERMOSTAT - A/C ONLY
	131184-02-01A	EA BOARD - DIVIDER - SILVER

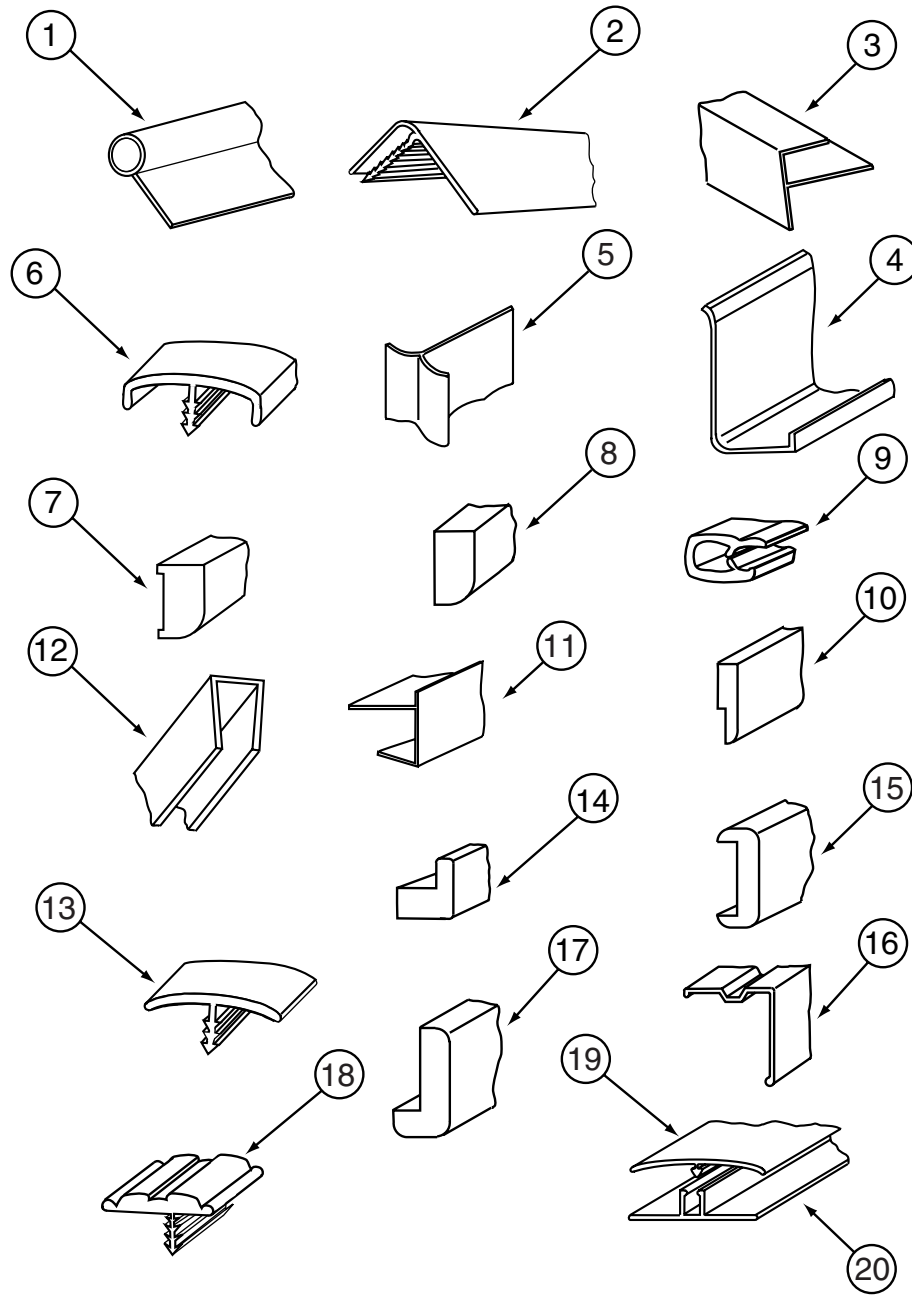
**ROOF A/C SELECTOR SWITCH, COVERS, AND REGISTER**

KEY	PART NUMBER	U/M DESCRIPTION
	073937-03-000	EA SWITCH - ROTARY- AC - SELECTOR - 3 DECK
	084077-03-000	EA COVER/BLANK - ROOF A/C 5.2" X 3.5" - IVORY
	121365-01-01A	EA COVER - A/C SWITCH - DUAL
	121365-02-01A	EA COVER - A/C SWITCH - SINGLE
	092633-02-02A	EA COVER - BLANK - ROOF A/C - 5.1" X 5.1"
	120134-01-02A	EA REGISTER - 4" TO 5" IN DIAMETER W/DAMPER

**\*COMPONENT PARTS FOUND IN SERVICE PARTS LIBRARY**

# INTERIOR FINISH GROUP

## MOLDINGS & TRIMS



KEY	PART NUMBER	U/M DESCRIPTION
1	009767-12-000	FT WELTING - SIDEWALL/CEILING/CABINET - OFF/WHT
2	009809-23-000	EA MOLDING - CORNER - OUTSIDE - 1" X 84" - MODERN IVORY
2	009809-28-000	EA MOLDING - CORNER - OUTSIDE - 1" X 84" - WATERFORD OAK
3	009812-29-000	EA MOLDING - CORNER - 1/2" W/1/4" CHAN X 84" - WATERFORD OAK
4	085746-04-000	FT TRIM-J - CARPET 1.2" X .5" ANGLE - 12' LONG - OFF WHITE
5	022992-11-000	FT MOLDING - REVERSE COVE - T-SHAPED VINYL - IVORY
6	083620-12-000	FT MOLDING-T - END CAP EDGE - W/EDGE LIP - .75"-WATERFORD OAK
7	117268-D2-134	EA MOLDING - VINYL WRAPPED - .7" X 1.6" X 84" - WATERFORD OAK
7	117268-F2-134	EA MOLDING - VINYL WRAPPED - .7" X 2.7" X 84" - WATERFORD OAK
8	100818-01-05A	EA MOLDING - VINYL WRAP - 1.6" X .4" X 84" - WATERFORD OAK
9	113452-01-000	FT SEAL/TRIM - FRONT - VINYL W/WIRE CARRIER
10	105004-01-05A	EA MOLDING - VINYL WRAPPED - 1" X 96" - WATERFORD OAK
11	103186-01-05A	FT MOLDING - PLASTIC - 3/8" U-CHANNEL 3/4" FACE-WATERFORD OAK
11	103186-02-05A	FT MOLDING - PLASTIC - 1" U-CHANNEL 1 3/8" FACE-WATERFORD OAK
12	009778-21-000	FT U-CHANNEL - 1" - WATERFORD OAK
12	070504-03-000	FT U-CHANNEL - PLASTIC - .9" X 96" - GRADY BROWN
12	070504-36-000	FT U-CHANNEL - PLASTIC - .13" X 72" - WATERFORD OAK
12	070504-37-000	FT U-CHANNEL - PLASTIC - .9" X 84" - WATERFORD OAK
13	105709-01-000	FT MOLDING-T - 1" - MODERN IVORY
14	100819-01-05A	EA MOLDING - VINYL WRAP - L-SHAPED - 1.5" X 1.5" X 7' - OAK
15	078323-06-G15	EA MOLDING - CAP/WALL - 79.6" - WATERFORD OAK
16	093873-01-01A	EA TRIM - CARPET - L-ANGLE 1.1" X 1.3" X 12' - GRAY VINYL
17	077840-01-G01	EA MOLDING - CAP/WALL - 8' WATERFORD OAK
18	109736-02-01A	FT T-MOLDING - 1" - NATURAL OAK
19	086229-20-000	EA BATTEN - 1" X 96" - BEIGE
20	086229-01-000	EA RETAINER - BATTEN - .75" X 92.3" - ANY COLOR
	072368-02-000	EA TRIM - VINYL - EDGE - BLACK
	117267-D2-438	EA LUMBER - VINYL WRAPPED - .7" X 1.5" X 96" - WATERFORD OAK
	117267-E2-438	EA LUMBER - VINYL WRAPPED - .7" X 2" X 96" - WATERFORD OAK
	117267-F2-438	EA LUMBER - VINYL WRAPPED - .7" X 2.5" X 96" - WATERFORD OAK
	117267-J2-438	EA LUMBER - VINYL WRAPPED - .7" X 5.5" X 96" - WATERFORD OAK
	117267-R2-438	EA LUMBER - VINYL WRAPPED - .7" X 3" X 96" - WATERFORD OAK

**INTERIOR FINISH GROUP (CONTINUED)**

**BATT STRIPS**

KEY	PART NUMBER	U/M	DESCRIPTION
	069733-83-000	EA	BATT STRIP - WOODGRAINED/WATERFORD OAK - 8'
	079653-28-000	EA	BATT STRIP - KERFED - WOODGRAINED/WATERFORD OAK - 8'
	088263-E3-000	EA	BATT STRIP - DECORATIVE - PEBBLE EMBOSSD/ANTIQUE-8' LONG
	088263-F2-000	EA	BATT STRIP - DECORATIVE - TUSCAN MINK - 8' LENGTHS (K50,K53)
	088263-G0-000	EA	BATT STRIP - DECORATIVE - UPBEAT/TWILIGHT - 8' LONG (K51)
	088263-E6-000	EA	BATT STRIP - DECORATIVE - MONTANA FROST - 8' (K52)
	085284-B5-000	FT	BATT TAPE - ADHESIVE BACKED - WOODGRAINED - WATERFORD OAK
	085284-D6-000	FT	BATT TAPE - ADHESIVE BACKED -DECORATIVE - EMBOSSD ANTIQUE
	085284-E7-000	FT	BATT TAPE - ADHESIVE BACKED - DECORATIVE/TUSCAN MINK (K50,K53)
	085284-F8-000	FT	BATT TAPE - ADHESIVE BACKED - UPBEAT/TWILIGHT (K51)
	085284-E0-000	FT	BATT TAPE - ADHESIVE BACKED - DECORATIVE - MONTANA FROST (K52)

**PLASTIC LAMINATE & EDGE BAND**

KEY	PART NUMBER	U/M	DESCRIPTION
	074498-80-000	SF	LAMINATE - PLASTIC - WHITE TUNDRA - 5' X 8' (K50)
	074498-71-000	SF	LAMINATE - PLASTIC - NEUTRAL SANTOS - 5'X 8' (K51,K53)
	074498-62-000	SF	LAMINATE - PLASTIC - GREY FINESSE - 5' X 8' (K52)
	076325-39-000	FT	MOLDING - EDGE BAND - 1 5/16" X .030" - ALMOND (K50,K51,K53)
	076325-46-000	FT	MOLDING - EDGE BAND - 1 5/16" X .030" - CLOUD (K52)
	076325-40-000	FT	MOLDING - EDGE BAND - .875" X .024" - ALMOND (K50,K51,K53)
	076325-43-000	FT	MOLDING - EDGE BAND - .875" X .024" - CLOUD (K52)
	074498-77-000	SF	LAMINATE - PLASTIC - ART CABIN - 4' X 8' (PULL OUT TABLE)
	076325-68-000	FT	MOLDING - EDGE BAND - 1 5/16" X .038 - WATERFORD OAK (PULL OUT TABLE)
	074498-40-000	SF	LAMINATE - PLASTIC - OFF WHITE - 5' X 8' (PATIO ENTERTAINMENT CENTER TABLE)
	076325-73-000	FT	MOLDING - EDGE BAND - .93" X .024" - OFF WHITE (PATIO ENTERTAINMENT CENTER TABLE)

**WALLPAPER BORDER**

KEY	PART NUMBER	U/M	DESCRIPTION
	122481-23-000	FT	WALLPAPER - 6.9" BORDER (K50,K53)
	122481-16-000	FT	WALLPAPER - 6.9" BORDER (K51)
	122481-04-000	FT	WALLPAPER - 6" BORDER - TRAVIS BLUE (K52)

**INTERIOR FINISH GROUP (CONTINUED)**

**SMOKE DETECTOR, CO DETECTOR, FIRE EXTINGUISHER & CLOCK**

KEY	PART NUMBER	U/M	DESCRIPTION	VENDOR NO.
	072852-01-000	EA	DETECTOR - SMOKE - W/9 VOLT BATTERY - US	
	072852-02-000	EA	DETECTOR - SMOKE - W/9 VOLT BATTERY - CANADIAN	
	094499-03-000	EA	EXTINGUISHER/FIRE - DRY - 10B:C - W/O BRACKET	
	094499-04-000	EA	BRACKET - FIRE EXTINGUISHER	
	094499-02-000	EA	EXTINGUISHER/FIRE - DRY - 1A10BC - CANADIAN	
	094499-01-700	EA	BRACKET MTG. W/PLAS. STRAP	294039
	118081-02-01A	EA	CLOCK - WALL - ROUND 8" - BRASS	
	125136-01-000	EA	CO DETECTOR - GAS - ROUND W/2 SCREWS - 9 VOLT	

**ANTISLIP & FLOOR MATS**

KEY	PART NUMBER	U/M	DESCRIPTION
	091261-01-000	FT	SLIPNOT - ANTISLIP - 1' WIDE
	105924-01-F12	EA	MAT - FLOOR - 18" X 27" (K50)
	105924-01-J69	EA	MAT - FLOOR - 18" X 27" (K51)
	105924-01-F05	EA	MAT - FLOOR - 18" X 27" (K52)
	105924-01-J16	EA	MAT - FLOOR - 18" X 27" (K53)

**CARPET, VINYL, & TILE**

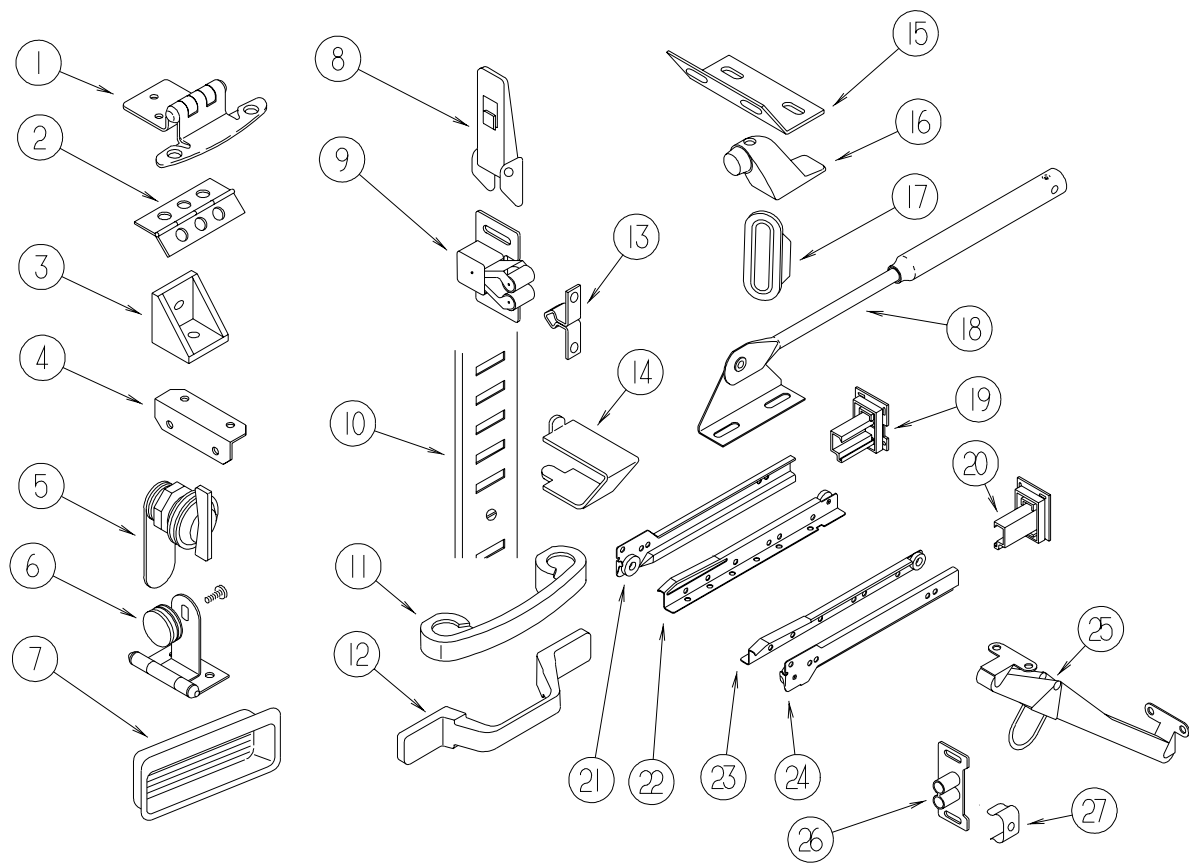
KEY	PART NUMBER	U/M	DESCRIPTION
	093486-01-000	SY	CARPET - COMPARTMENT - 72" WIDE - DARK GRAY
	096060-99-000	SY	CARPET - PARCHMENT - INCREMENTS OF 4 SY (K50)
	096060-98-000	SY	CARPET - SILVER ASPEN - INCREMENTS OF 4 SY (K51)
	096060-97-000	SY	CARPET - LAPIS - INCREMENTS OF 4 SY (K52)
	096060-95-000	SY	CARPET - DOESKIN - INCREMENTS OF 4 SY (K53)
	042720-21-000	SY	VINYL - FLOOR COVERING - 7' WIDE - MODULATION FROM: 00-00-00 THRU: 02-07-99
	042720-25-000	SY	VINYL - FLOOR COVERING - 14' WIDE - MODULATION FROM: 02-08-99 THRU: 99-99-99
	122755-01-01A	EA	TILE - RUBBER/ENTRANCE DOOR - 18.5" X 27.2" FROM: 00-00-00 THRU: 06-25-99
	122755-05-01A	EA	TILE - RUBBER/ENTRANCE DOOR - 11.2" X 27" FROM: 06-26-99 THRU: 99-99-99
	122755-03-01A	EA	TILE - RUBBER/ENTRANCE DOOR - 17.7" X 26.4"
	124253-01-02A	EA	VINYL - FLOOR PLANK - 3" X 12" - MAPLE

**PANELING, PLYWOOD, & PARTICLE BOARD**

KEY	PART NUMBER	U/M	DESCRIPTION
	074497-28-000	SF	PANELING - WATERFORD OAK - 4' X 8'
	088272-G1-000	SF	PANELING - PEBBLE EMBOSSD - ANTIQUE WHITE - 4' X 7'
	088272-H2-000	SF	PANELING - TUSCAN MINK - 48" X 84" (K50,K53)
	088272-H8-000	SF	PANELING - UPBEAT/TWILIGHT (K51)
	088272-G4-000	SF	PANELING - MONTANA FROST - 4' X 7' (K52)
	080215-10-000	SF	PANELING - 2 SIDED - WATERFORD - .2" X 4' X 8'
	000846-01-000	SF	PLYWOOD - 5/16" X 48" X 96" - CD GRADE
	000846-02-000	SF	PLYWOOD/UNDERLAYMENT - 5/16" X 48" X 96"
	089297-01-000	SF	PLYWOOD - LUAN - OVERLAY GRADE - 48" X 96"
	089297-02-000	SF	PLYWOOD - LUAN - OVERLAY GRADE - 48" X 108"
	126339-01-000	SF	BOARD - WHEAT - 60" X 72"
	000885-76-000	SF	PARTICLE BOARD-3/8" X 48" X 96"-WATERFORD OAK/VINYL 1 SIDE
	000885-77-000	SF	PARTICLE BOARD-3/8" X 48" X 96"-WATERFORD OAK/VINYL 2 SIDE
	000885-79-000	SF	PARTICLE BOARD-3/4" X 48" X 96"-WATERFORD OAK/VINYL 2 SIDE

# INTERIOR FINISH GROUP (CONTINUED)

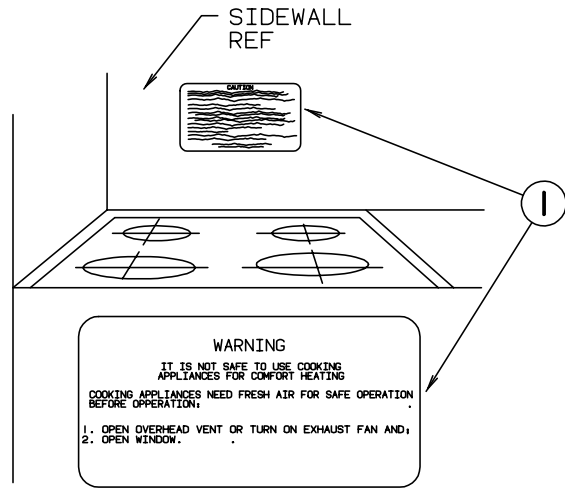
## CABINET HARDWARE



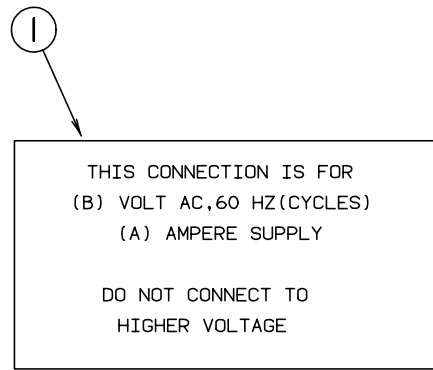
KEY	PART NUMBER	U/M	DESCRIPTION
1	108138-01-000	EA	HINGE - CABINET DOOR - BURNISHED BRASS
2	009059-01-000	EA	HINGE - DOOR - 2" X 1.4" - BRASS
3	065740-01-000	EA	BRACE - CABINET/CORNER - PLASTIC
4	016604-01-000	EA	BRACE - CABINET - ANGLE - 2.5" - UNPAINTED METAL
4	016604-05-000	EA	BRACE - CABINET - ANGLE - 2.5" - OFF WHITE METAL
5	100710-01-01A	EA	LOCK - GLASS DOOR/TWIST TYPE - BRASS
6	100711-01-01A	EA	HINGE - GLASS DOOR
7	124311-01-01A	EA	HANDLE - RECESSED - BRASS
8	116975-01-01A	EA	LATCH - W/O STRIKE - BLACK - NEW STYLE
8	116975-02-01A	EA	KEEPER/STRIKE - BLACK - NEW STYLE
9	093586-06-000	EA	CATCH - SPRING ROLLER
10	098980-01-000	EA	PILASTER - ADJUSTABLE SHELF - 18" WOODGRAIN APPEARANCE
10	098980-02-000	EA	PILASTER - ADJUSTABLE SHELF - 12" WOODGRAIN APPEARANCE
10	098980-03-000	EA	PILASTER - ADJUSTABLE SHELF - 9" WOODGRAIN APPEARANCE
10	098980-04-000	EA	PILASTER - ADJUSTABLE SHELF - 48" WOODGRAIN APPEARANCE
11	131962-01-01A	EA	PULL - CABINET - POLISHED BRASS
12	117801-01-01A	EA	PULL - CABINET - BRASS
			FROM: 04-30-99 THRU: 99-99-99
			FROM: 00-00-00 THRU: 04-29-99
13	093586-05-000	EA	STRIKE - SPRING STEEL
14	098979-01-000	EA	CLIP - ADJUSTABLE SHELF
15	111866-01-02A	EA	BRACE - SEAT - ANGLE - OFF WHITE
16	103257-01-000	EA	STOP - DOOR
17	098410-01-01A	EA	PULL - FINGER - OVAL - BRASS
18	074493-02-000	EA	SUPPORT - PISTON SPRING - CABINET DOOR - 26 LBS
19	128811-01-01A	EA	BACKSOCKET - ADJUSTABLE - LEFT
20	128811-02-01A	EA	BACKSOCKET - ADJUSTABLE - RIGHT
21	128810-01-01A	EA	SLIDE - DRAWER - 12" - LEFT CABINET
21	128810-03-01A	EA	SLIDE - DRAWER - 16" - LEFT CABINET
21	128810-13-01A	EA	SLIDE - DRAWER - 18" - LEFT CABINET
21	128810-17-01A	EA	SLIDE - DRAWER - 20" - LEFT CABINET
22	128810-03-01A	EA	SLIDE - DRAWER - 12" - LEFT DRAWER
22	128810-11-01A	EA	SLIDE - DRAWER - 16" - LEFT DRAWER
22	128810-15-01A	EA	SLIDE - DRAWER - 18" - LEFT DRAWER
22	128810-19-01A	EA	SLIDE - DRAWER - 20" - LEFT DRAWER
23	128810-04-01A	EA	SLIDE - DRAWER - 12" - RIGHT DRAWER
23	128810-12-01A	EA	SLIDE - DRAWER - 16" - RIGHT DRAWER
23	128810-16-01A	EA	SLIDE - DRAWER - 18" - RIGHT DRAWER
23	128810-20-01A	EA	SLIDE - DRAWER - 20" - RIGHT DRAWER
24	128810-02-01A	EA	SLIDE - DRAWER - 12" - RIGHT CABINET
24	128810-10-01A	EA	SLIDE - DRAWER - 16" - RIGHT CABINET
24	128810-14-01A	EA	SLIDE - DRAWER - 18" - RIGHT CABINET
24	128810-18-01A	EA	SLIDE - DRAWER - 20" - RIGHT CABINET
25	104181-01-01A	EA	SUPPORT - LEAF 5.3" EXTENDS TO 7.5" - SAFETY RING - METAL
26	009021-01-000	EA	CATCH - GRILLE - NYLON
27	009021-02-000	EA	STRIKE - SPRING STEEL
	004354-01-000	EA	BUMPER - RUBBER - .5" DIA - BROWN
	023320-01-000	EA	PAD - FELT 3/8" DIAMETER



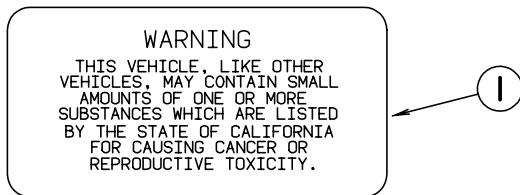
**LABELS GROUP**



KEY	PART NUMBER	U/M DESCRIPTION
1	050225-01-000	EA LABEL - STOVE VENT - US
1	050222-01-000	EA LABEL - STOVE VENT - CANADIAN

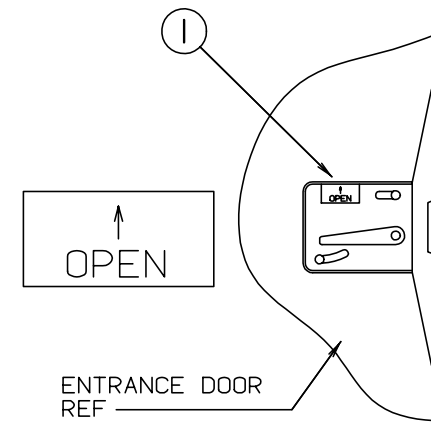


KEY	PART NUMBER	U/M DESCRIPTION
1	125306-01-01A	EA LABEL - ELECTRICAL ENTRANCE - 110 VOLT - 30 AMP

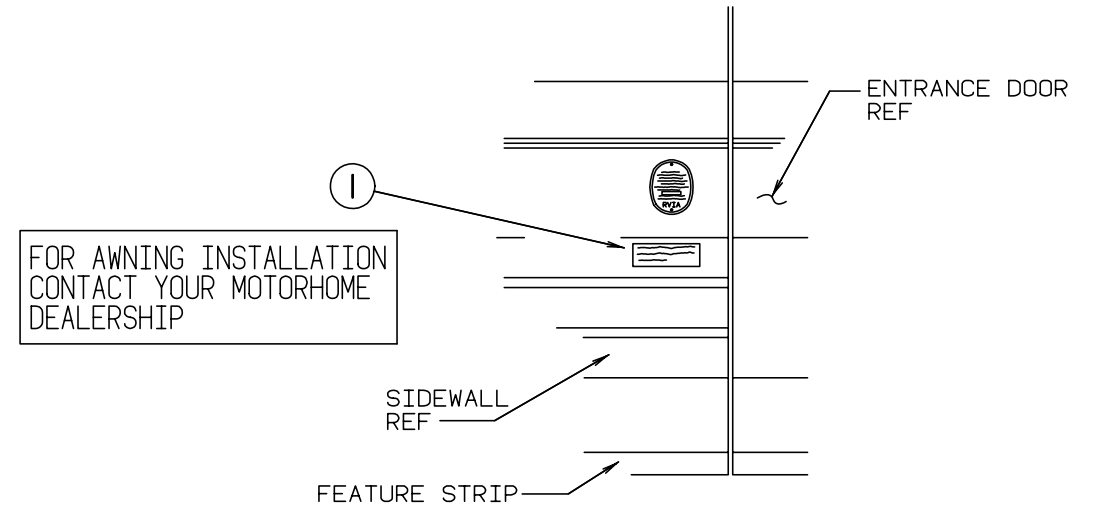


KEY	PART NUMBER	U/M DESCRIPTION
1	099689-01-000	EA LABEL - WARNING - CANCER/TOXICITY - CALIFORNIA

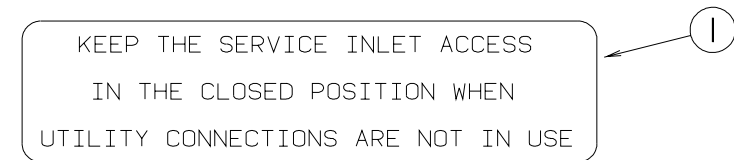
**LABELS GROUP (CONTINUED)**



KEY	PART NUMBER	U/M DESCRIPTION
1	040944-01-000	EA LABEL - ENTRANCE DOOR - "OPEN"

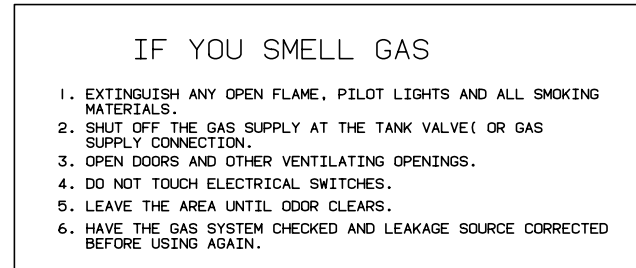
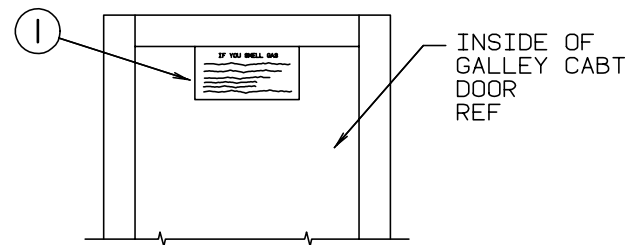


KEY	PART NUMBER	U/M DESCRIPTION
1	099509-01-000	EA LABEL - AWNING INSTALLATION



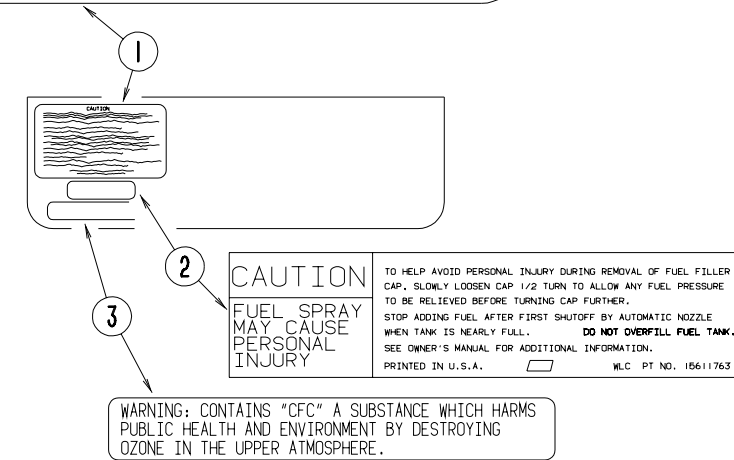
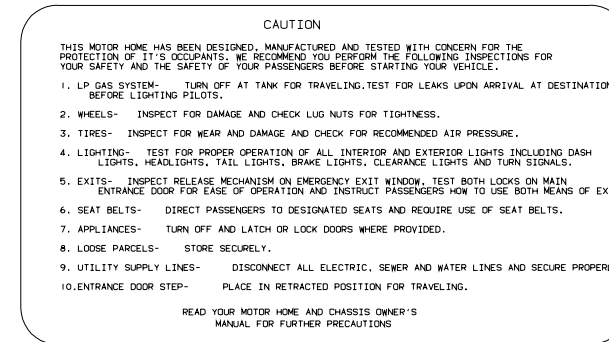
KEY	PART NUMBER	U/M DESCRIPTION
1	123562-01-000	EA LABEL - SERVICE/UTILITY ACCESS

## LABELS GROUP (CONTINUED)

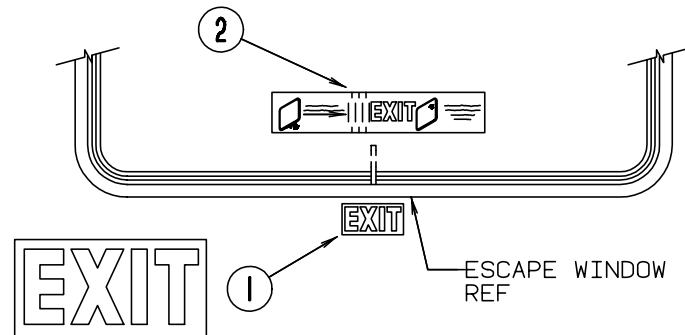


KEY	PART NUMBER	U/M DESCRIPTION
1	073998-01-000	EA LABEL - LPG ODOR WARNING

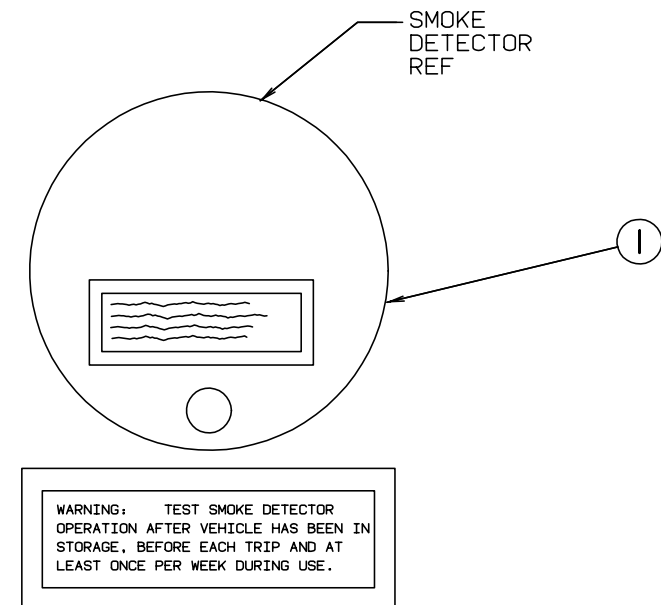
## LABELS GROUP (CONTINUED)



KEY	PART NUMBER	U/M DESCRIPTION
1	056259-01-000	EA LABEL - SAFETY CHECK LIST
2	087207-05-000	EA LABEL - FUEL CAP REMOVAL
3	111802-01-000	EA LABEL - CFC WARNING



KEY	PART NUMBER	U/M DESCRIPTION
1	039290-01-000	EA LABEL - WARNING - EXIT
2	107571-01-000	EA LABEL - EXIT/ESCAPE WINDOW



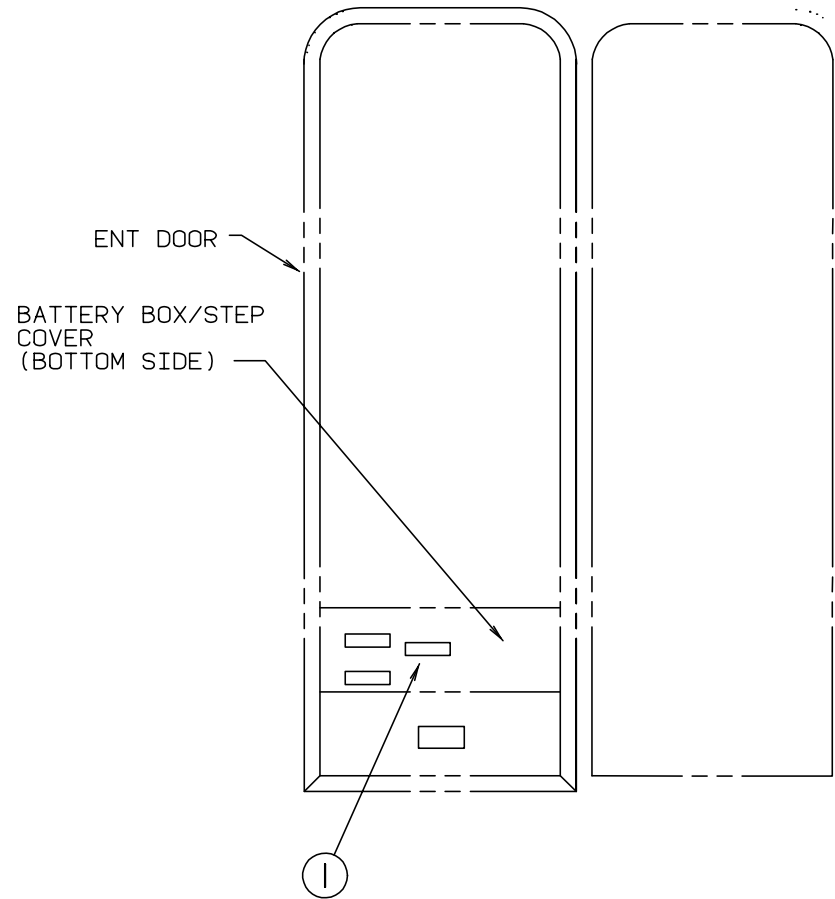
KEY	PART NUMBER	U/M DESCRIPTION
1	077956-01-000	EA LABEL - WARNING - SMOKE DETECTOR

**LABELS GROUP (CONTINUED)**

AIR CONDITIONING CIRCUIT.  
THIS CONNECTION IS FOR  
AIR CONDITIONERS RATED 110-  
125 VOLT AC, 60 HZ, 16  
AMPERES MAXIMUM. DO NOT  
EXCEED CIRCUIT RATING.



KEY	PART NUMBER	U/M DESCRIPTION
1	091243-01-000	EA LABEL - A/C COVER "AIR CONDITIONING CIRCUIT ETC."



WARNING: DISCONNECT BATTERIES BEFORE  
CONNECTING EXTERNAL CHARGING EQUIPMENT.

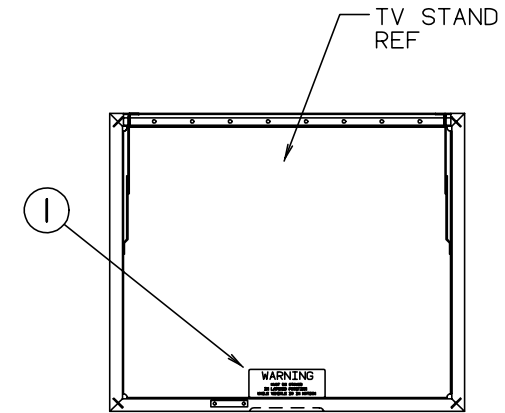
AVERTISSEMENT: DEBRANCHER LES BATTERIES AVANT  
DE BRANCHER TOUT EQUIPEMENT DE CHARGE EXTERIEUR.

KEY	PART NUMBER	U/M DESCRIPTION
1	065748-01-000	EA LABEL - CAUTION - BATTERY CHARGING
1	065748-02-000	EA LABEL - WARNING - BATTERY/FRENCH

**LABELS GROUP (CONTINUED)**

DO NOT USE HITCH BEFORE  
READING OWNERS MANUAL REGARDING  
VEHICLE LOADING AND TOWING

KEY	PART NUMBER	U/M DESCRIPTION
1	111104-01-000	EA LABEL - HITCH - READ MANUAL - WHITE
1	111104-02-000	EA LABEL - HITCH - READ MANUAL - BLACK



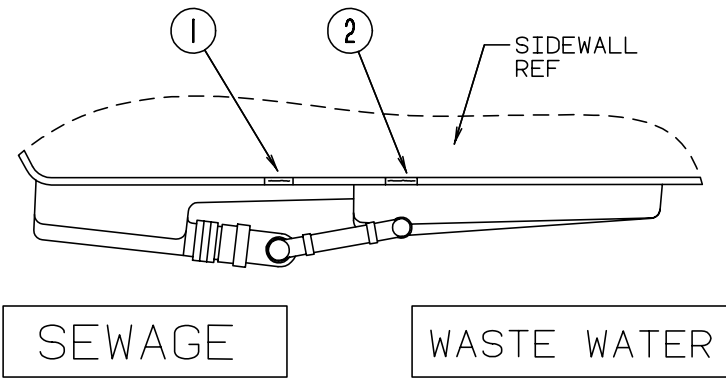
WARNING  
MUST BE STOWED  
IN LATCHED POSITION  
WHILE VEHICLE IS IN MOTION

KEY	PART NUMBER	U/M DESCRIPTION
1	079966-01-000	EA LABEL - WARNING - STOWED - MOTION

TOW VEHICLE RATING MAY BE LESS THAN HITCH RATING.  
MAXIMUM VERTICAL HITCH LOAD:  $\Delta$  LBS  
DO NOT EXCEED REAR AXLE RATING.  
SEE OWNER'S MANUAL FOR ADDITIONAL INFORMATION.

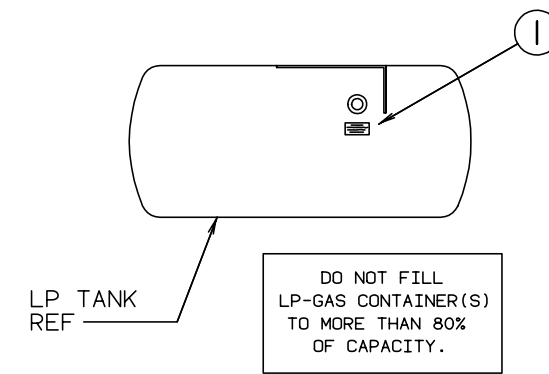
KEY	PART NUMBER	U/M DESCRIPTION
1	129669-01-01A	EA LABEL - HITCH/VEHICLE RATE - 350 - WHITE ON CLEAR

**LABELS GROUP (CONTINUED)**



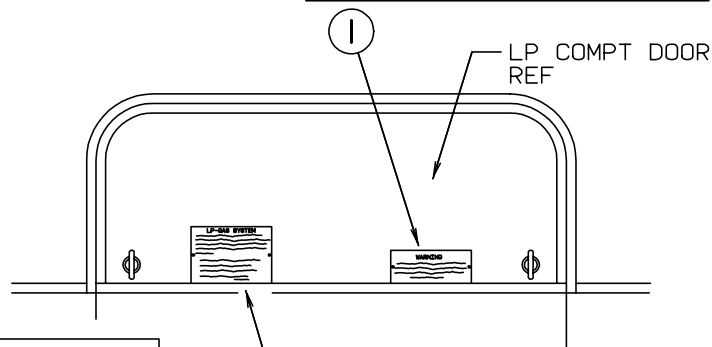
KEY	PART NUMBER	U/M DESCRIPTION
1	006187-01-000	EA LABEL - SEWAGE
2	006188-01-000	EA LABEL - WASTE WATER

**LABELS GROUP (CONTINUED)**



KEY	PART NUMBER	U/M DESCRIPTION
1	079965-01-000	EA LABEL - LPG - 80% CAPACITY

**WARNING**  
ALL PILOT LIGHTS AND APPLIANCES SHALL BE TURNED OFF DURING REFUELING OF MOTOR FUEL TANKS AND/OR PERMANENTLY MOUNTED LP-GAS CONTAINERS.



**LP-GAS SYSTEM**  
THIS GAS PIPING SYSTEM IS DESIGNED FOR USE OF LIQUEFIED PETROLEUM GAS ONLY. DO NOT CONNECT NATURAL GAS TO THIS SYSTEM.

SECURELY CAP INLET(S) WHEN NOT CONNECTED FOR USE. AFTER TURNING ON GAS, EXCEPT AFTER NORMAL CONTAINER REPLACEMENT, TEST GAS PIPING AND CONNECTIONS TO APPLIANCE FOR LEAKAGE WITH SOAPY WATER OR BUBBLE SOLUTION. DO NOT USE PRODUCTS THAT CONTAIN AMMONIA OR CHLORINE.  
P.N. 54531

KEY	PART NUMBER	U/M DESCRIPTION
1	124519-01-01A	EA LABEL - WARNING/REFUELING - BLACK ON CLEAR
1	124519-02-01A	EA LABEL - WARNING/REFUELING - CSA
2	124520-01-01A	EA LABEL - LP GAS ONLY - BLACK ON CLEAR
2	023769-01-000	EA LABEL - WARNING - LPG - CANADIAN

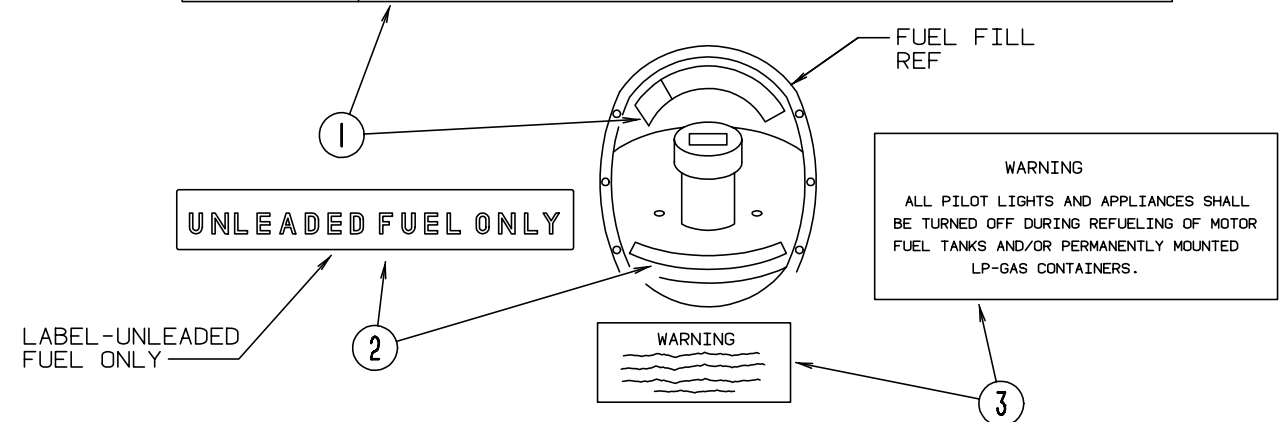
**CAUTION**  
FUEL SPRAY MAY CAUSE PERSONAL INJURY

TO HELP AVOID PERSONAL INJURY DURING REMOVAL OF FUEL FILLER CAP, SLOWLY LOOSEN CAP 1/2 TURN TO ALLOW ANY FUEL PRESSURE TO BE RELIEVED BEFORE TURNING CAP FURTHER.

STOP ADDING FUEL AFTER FIRST SHUTOFF BY AUTOMATIC NOZZLE WHEN TANK IS NEARLY FULL. DO NOT OVERFILL FUEL TANK.

SEE OWNERS MANUAL FOR ADDITIONAL INFORMATION.

PRINTED IN U.S.A. MLC PT NO 15611763

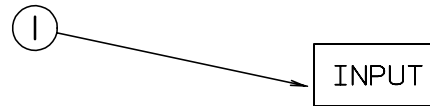


KEY	PART NUMBER	U/M DESCRIPTION
1	087207-05-000	EA LABEL - FUEL CAP REMOVAL
2	062043-01-000	EA LABEL - FUEL - UNLEADED
3	124519-01-01A	EA LABEL - WARNING/REFUELING - BLACK ON CLEAR
3	124519-02-01A	EA LABEL - WARNING/REFUELING - CSA

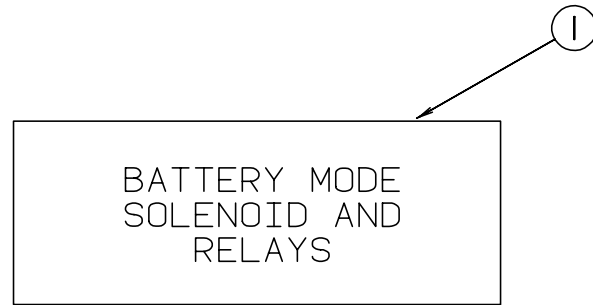
**WARNING**  
ROOF SURFACE MAY BE SLIPPERY ESPECIALLY WHERE MOISTURE IS PRESENT  
SLIPPING MAY RESULT IN PERSONAL INJURY.  
128218-01

KEY	PART NUMBER	U/M DESCRIPTION
1	128218-01-01A	EA LABEL - WARNING - SLIPPERY ROOF

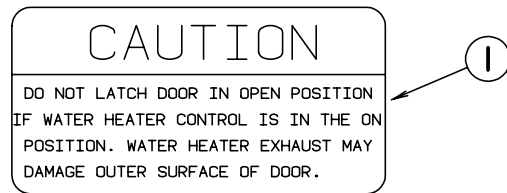
**LABELS GROUP (CONTINUED)**



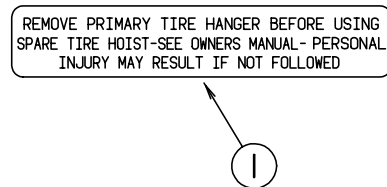
**KEY PART NUMBER U/M DESCRIPTION**  
 1 087236-01-000 EA LABEL - CABLE - INPUT



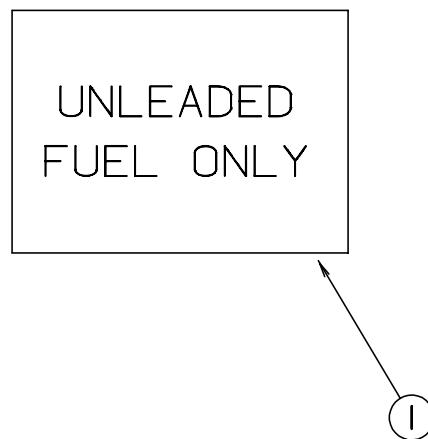
**KEY PART NUMBER U/M DESCRIPTION**  
 1 098379-04-000 EA LABEL - ELECTRICAL BOX - SIDE



**KEY PART NUMBER U/M DESCRIPTION**  
 1 113402-01-000 EA LABEL - CAUTION - WATER HEATER EXHAUST

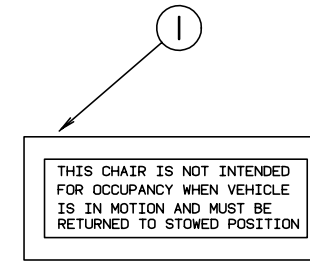


**KEY PART NUMBER U/M DESCRIPTION**  
 1 126024-01-01A EA LABEL - TIRE HANGER REMOVAL

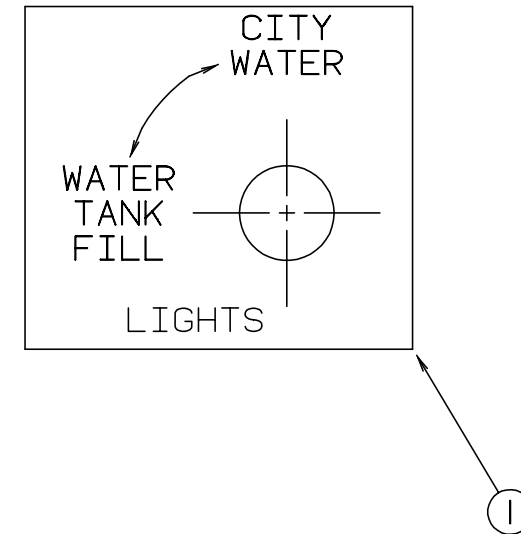


**KEY PART NUMBER U/M DESCRIPTION**  
 1 098641-01-000 EA LABEL - FUEL - UNLEADED - DASH

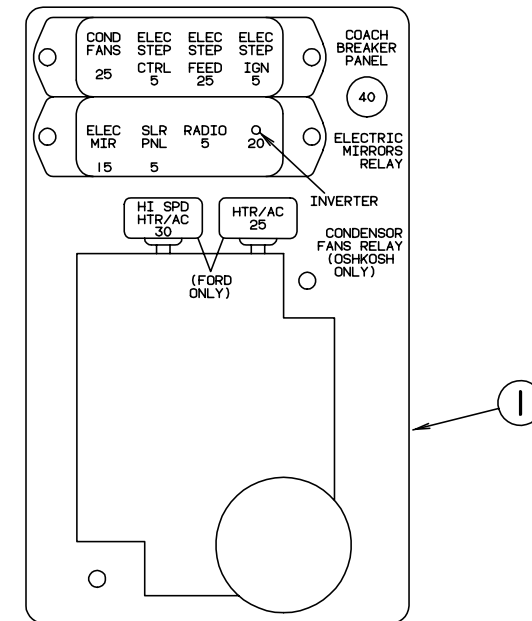
**LABELS GROUP (CONTINUED)**



**KEY PART NUMBER U/M DESCRIPTION**  
 1 102267-01-000 EA LABEL - NO OCCUPANCY - US  
 102267-02-000 EA LABEL - NO OCCUPANCY - CSA

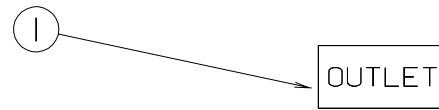


**KEY PART NUMBER U/M DESCRIPTION**  
 1 117629-03-000 EA LABEL - WATER PUMP/FILL

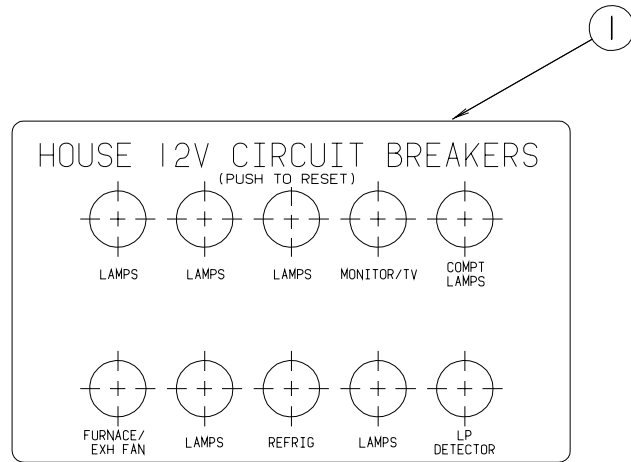


**KEY PART NUMBER U/M DESCRIPTION**  
 1 111537-07-000 EA LABEL - FUSES

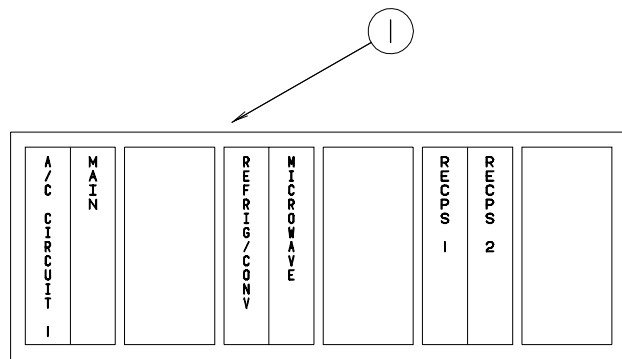
**LABELS GROUP (CONTINUED)**



**KEY PART NUMBER U/M DESCRIPTION**  
 1 087236-02-000 EA LABEL - TV OUTLET

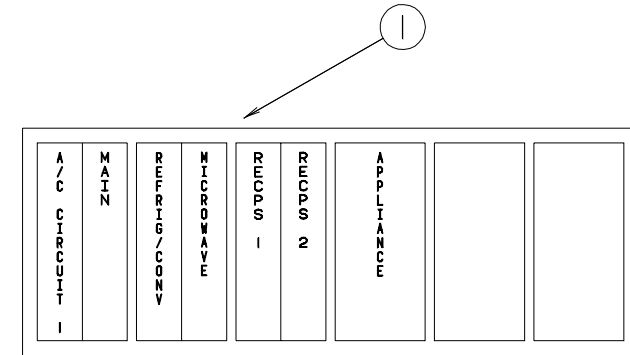


**KEY PART NUMBER U/M DESCRIPTION**  
 1 092547-06-000 EA LABEL - CIRCUIT BREAKER

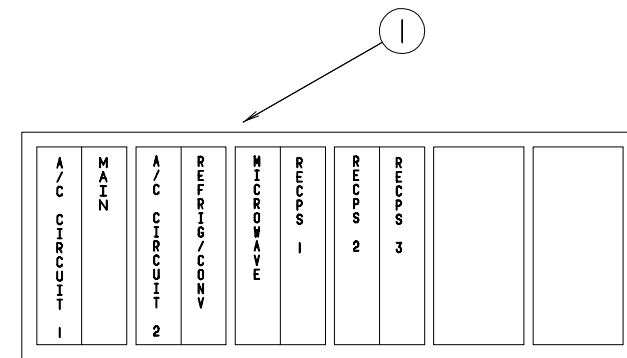


**KEY PART NUMBER U/M DESCRIPTION**  
 1 095721-25-000 EA LABEL - CONTROL CENTER - 30 AMP

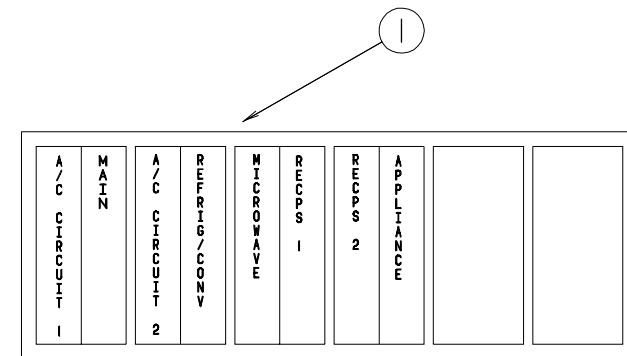
**LABELS GROUP (CONTINUED)**



**KEY PART NUMBER U/M DESCRIPTION**  
 1 095721-26-000 EA LABEL - CONTROL CENTER - 30 AMP - CANADIAN

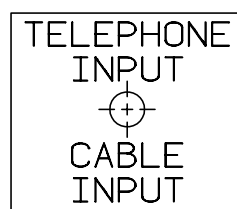


**KEY PART NUMBER U/M DESCRIPTION**  
 1 095721-27-000 EA LABEL - CONTROL CENTER - 30 AMP

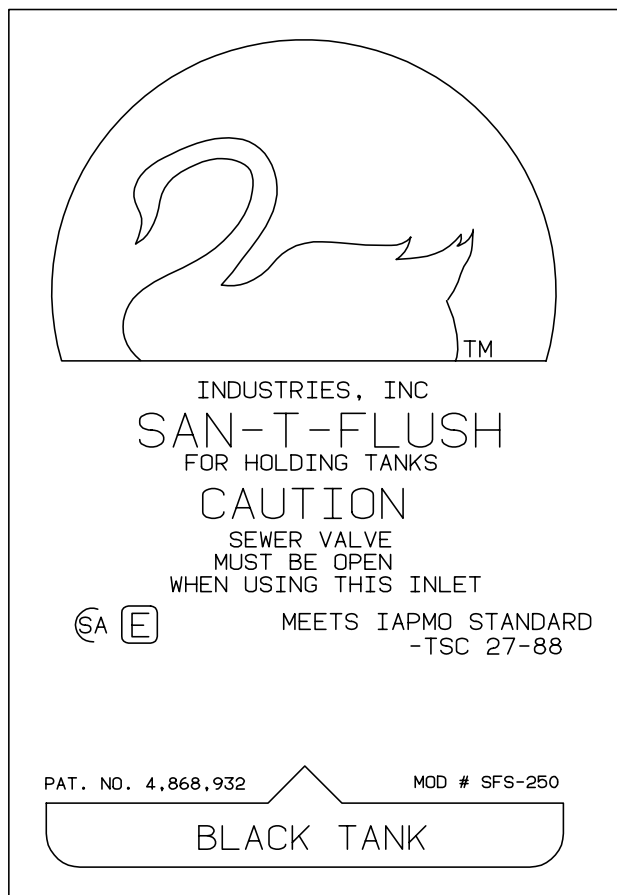


**KEY PART NUMBER U/M DESCRIPTION**  
 1 095721-28-000 EA LABEL - CONTROL CENTER - 30 AMP - CANADIAN

**LABELS GROUP (CONTINUED)**



**KEY PART NUMBER U/M DESCRIPTION**  
1 114866-03-000 EA LABEL - PHONE & CABLE INPUT



**KEY PART NUMBER U/M DESCRIPTION**  
1 125697-07-000 EA LABEL - CAUTION - FLUSHING SYSTEM



**KEY PART NUMBER U/M DESCRIPTION**  
1 126247-05-000 EA LABEL - GRAY HOLDING TANK

**LABELS GROUP (CONTINUED)**



**KEY PART NUMBER U/M DESCRIPTION**  
1 126249-03-000 EA LABEL - CITY WATER FILL



**KEY PART NUMBER U/M DESCRIPTION**  
1 130168-01-000 EA LABEL - WASTE TANK FLUSH



**KEY PART NUMBER U/M DESCRIPTION**  
1 130170-02-000 EA LABEL-PANEL SWITCH

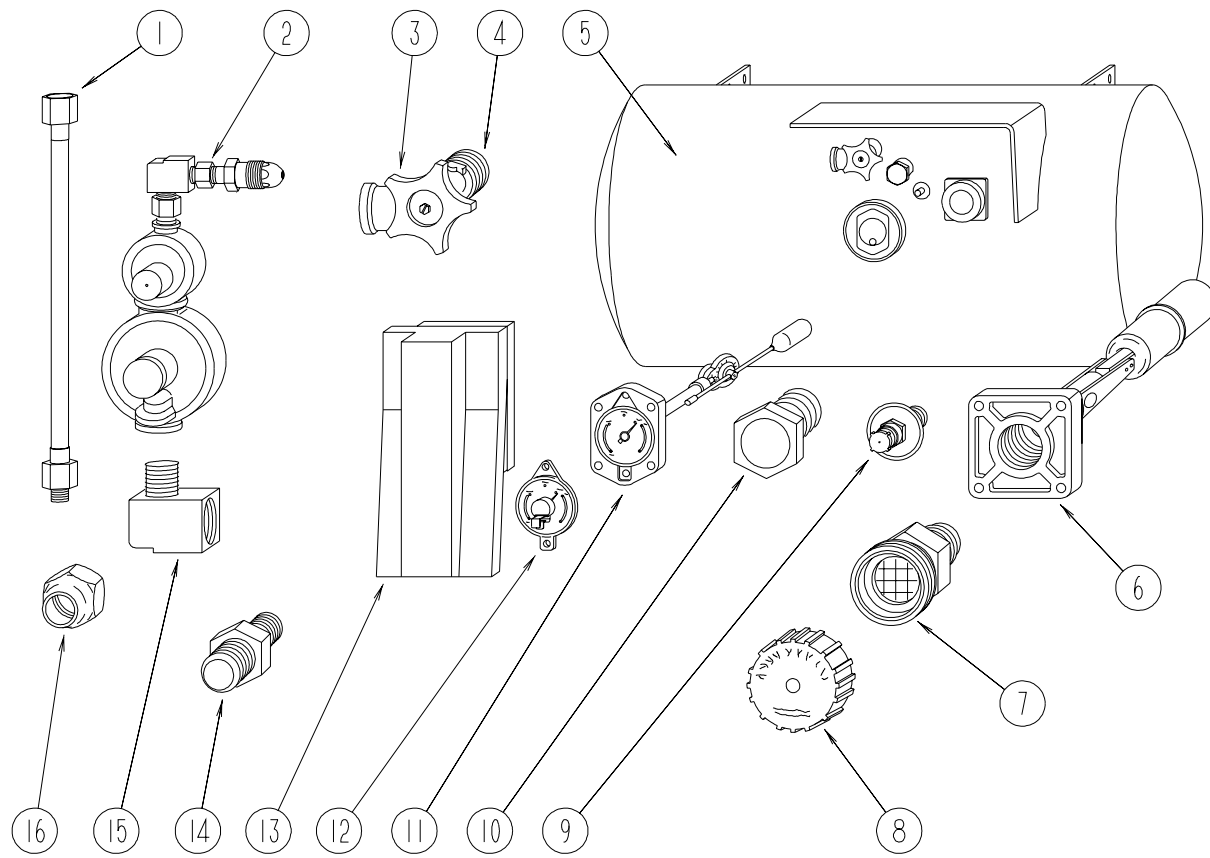


**KEY PART NUMBER U/M DESCRIPTION**  
1 126247-06-000 EA LABEL-HOLDING TANK,BLACK



**KEY PART NUMBER U/M DESCRIPTION**  
1 126248-03-000 EA LABEL - EXTERIOR SHOWER

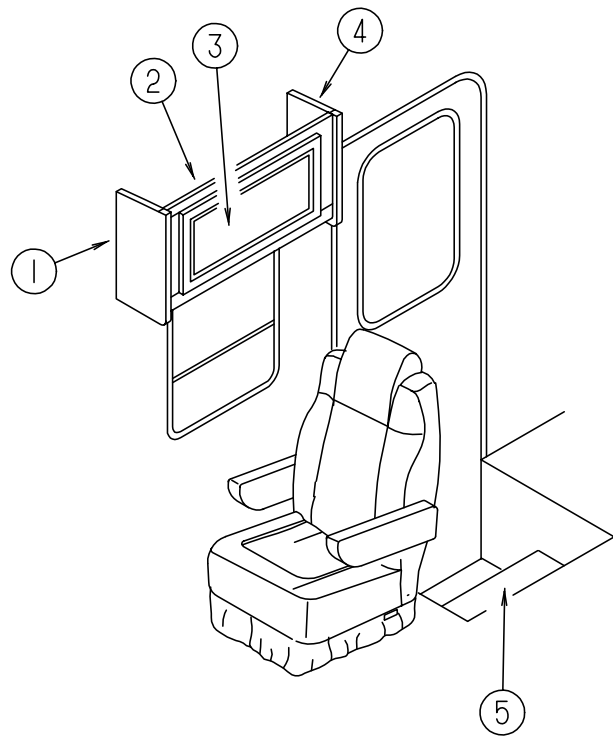
**LP GROUP**  
**LP TANK & COMPONENTS**



KEY	PART NUMBER	U/M DESCRIPTION	VENDOR NO.
1	045703-01-000	EA HOSE - LP - 3/8"ID X 24" - 3/8"MPT X 1/2"F SWIVEL - U.S.	
1	045703-02-000	EA HOSE - LP - 3/8"ID X 24" - 3/8"MPT X 1/2"F SWIVEL - CANADA	
2	106150-01-000	EA REGULATOR - TWO STAGE -W/90 DEGREE ELBOW & 3/8" FPT OUTLET	
3	040421-01-708	EA HANDWHEEL-SERVICE VALVE	G-1015-A
4	040421-01-712	EA VALVE,SERV. W/O VAPOR RELIEF	29000853
5	088253-01-000	EA TANK - LP - 80 LB - 16" DIAMETER X 30"	
6	040421-01-711	EA VALVE-80% FILL W/AUTO STOP	LLL/TL3
7	040421-01-701	EA VALVE-FILL-SHORT, LP	7547B
8	040421-01-702	EA CAP-FILL VALVE, PLASTIC	G-1014-A
9	040421-01-700	EA VALVE-LIQUID LEVEL, 20%	G-1013
10	040421-01-713	EA VALVE-RELIEF 1" W/SPRING 7"	29000587
11	088253-01-700	EA GAUGE-FLOAT ASSEMBLY, L.P.	16C
12	040440-02-000	EA TRANSMITTER - DIAL - 0-90 OHM -2 TERMINAL (POWER & GROUND)	
13	105658-01-000	EA COMPARTMENT - LP REGULATOR	
14	010323-01-000	EA ADAPTER - BRASS - 3/8"F X 1/2"MPT	
14	010329-01-000	EA ADAPTER - BRASS - 1/2" F X 1/2" MPT	
15	065318-02-000	EA ELBOW - 90 DEGREE - 3/8" MPT TO 3/8" FPT	
16	010377-02-000	EA NUT - BRASS - 3/8" FLARE - FORGED	
16	010380-02-000	EA NUT - BRASS - 1/2" FLARE - FORGED	
	008042-01-000	FT TUBING - VINYL - .65" ID	
	010252-01-000	EA ELBOW - BRASS - 90 DEGREE - 3/8"F X 1/2"MPT	
	010326-01-000	EA ADAPTER - FLARE - W/CONE GASKET - 3/8"FEMALE X 1/2"MALE	
	103613-03-000	EA DETECTOR - LP GAS - W/O SHUT-OFF VALVE	



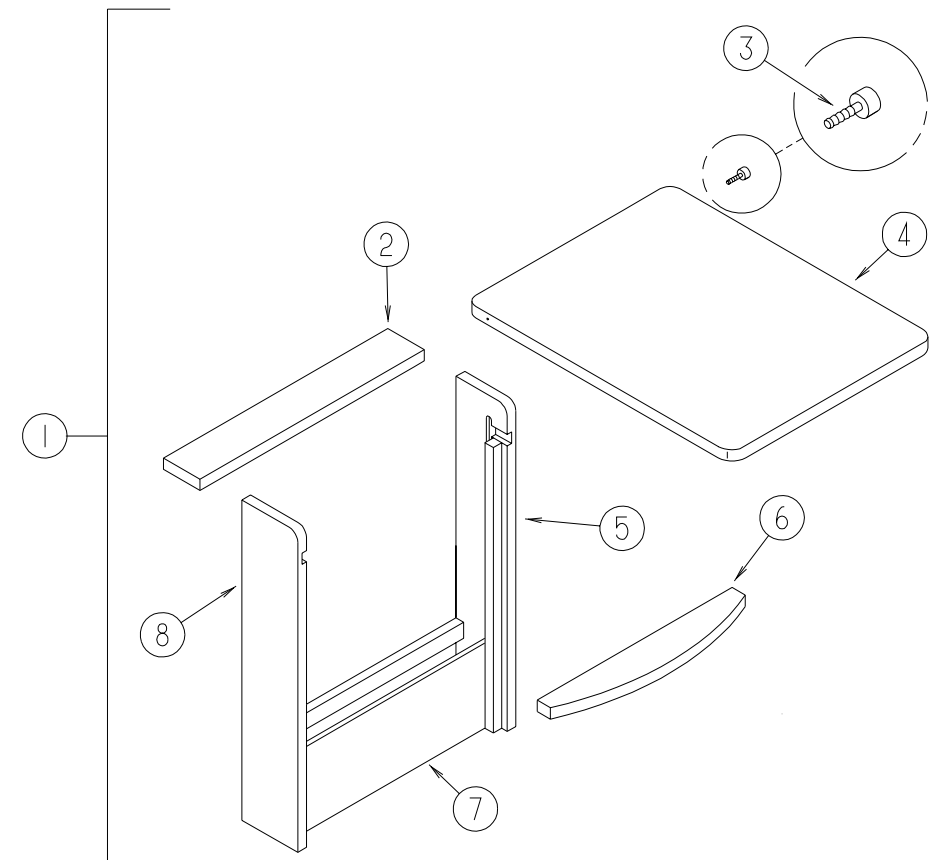
## LOUNGE GROUP



### PASSENGER SIDE LOUNGE

KEY	PART NUMBER	U/M	DESCRIPTION
1	103128-37-J37	EA	END CAP - OVERHEAD CABINET - LEFT HAND
2	127595-01-J37	EA	CABINET - OVERHEAD/FRONT - RIGHT HAND- W/O DOORS/HARDWARE
	127595-12-J37	EA	SHELF - W/PLASTIC EDGE TRIM
3	132141-56-K20	EA	DOOR - VENEER - 14.3" X 26.7" - W/O HARDWARE
4	103128-31-J37	EA	END CAP - OVERHEAD CABINET - RIGHT HAND
5	120234-04-H13	EA	LID - ENTRY STEP
	101222-01-04A	EA	BRACKET - CATCH - LID - E-COATED
	116975-01-01A	EA	LATCH - W/O STRIKE - BLACK - NEW STYLE
	116975-02-01A	EA	KEEPER/STRIKE - BLACK - NEW STYLE
	064075-07-000	FT	SEAL - BULB - W/WIRED U CHANNEL - .3" X .5" CHANNEL - BLK

## LOUNGE GROUP (CONTINUED)

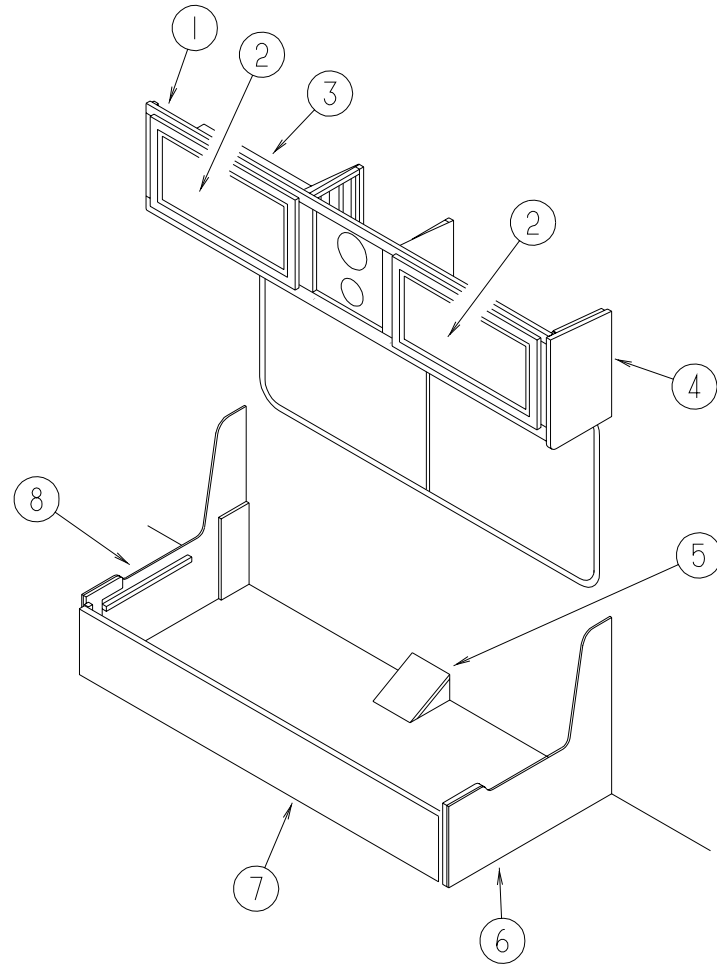


### PULLOUT TABLE

KEY	PART NUMBER	U/M	DESCRIPTION
1	P19559-02-J22	EA	CABINET - W/PULLOUT TABLE
2	119559-18-J22	EA	TOP - F/CABINET/PULLOUT TABLE
3	079921-01-000	EA	ROLLER - NYLON - W/STEEL SHAFT - BARBED
4	119559-21-J22	EA	TABLE TOP ONLY
	080736-01-000	EA	PULL - RECESSED - 1.25 X 4" - OAK
5	119559-11-G35	EA	CABINET/RIGHT SIDE - F/PULLOUT TABLE - 5.7" X 28.7"
6	119559-19-J22	EA	SHELF - SUPPORT/PULLOUT TABLE
7	119559-20-J22	EA	PANEL - PULLOUT TABLE
8	119559-12-G35	EA	CABINET/LEFT SIDE - F/PULLOUT TABLE - 5.7" X 28.7"

## LOUNGE GROUP (CONTINUED)

### DRIVER SIDE LOUNGE



KEY	PART NUMBER	U/M DESCRIPTION
1	129729-02-K20	EA CABINET - OVERHEAD/FRONT/LEFT HAND - W/O DOORS/HARDWARE (K50)
1	129729-02-K21	EA CABINET - OVERHEAD/FRONT/LEFT HAND - W/O DOORS/HARDWARE (K51)
1	129729-02-K22	EA CABINET - OVERHEAD/FRONT/LEFT HAND - W/O DOORS/HARDWARE (K52)
1	129729-02-K53	EA CABINET - OVERHEAD/FRONT/LEFT HAND - W/O DOORS/HARDWARE (K53)
1	129729-01-K20	EA CABINET - OVERHEAD FRONT/LEFT HAND - W/O DOORS/HARDWARE (K50) COMFORT AND CONVENIENCE PACKAGE
1	129729-01-K21	EA CABINET - OVERHEAD FRONT/LEFT HAND - W/O DOORS/HARDWARE (K51) COMFORT AND CONVENIENCE PACKAGE
1	129729-01-K22	EA CABINET - OVERHEAD FRONT/LEFT HAND - W/O DOORS/HARDWARE (K52) COMFORT AND CONVENIENCE PACKAGE
1	129729-01-K53	EA CABINET - OVERHEAD FRONT/LEFT HAND - W/O DOORS/HARDWARE (K53) COMFORT AND CONVENIENCE PACKAGE
2	132141-56-K20	EA DOOR - VENEER - 14.3" X 26.7" - W/O HARDWARE
3	129729-12-K20	EA SHELF - W/PLASTIC EDGE TRIM
4	103128-31-J37	EA END CAP - OVERHEAD CABINET - RIGHT HAND
5	P27942-01-000	EA CABINET - COVER - WATER FILL - W/O DOORS/HARDWARE - FORD
6	127840-02-J24	EA PANEL - LEFT END - SOFA/BED - FABRIC COVERED (K50)
6	127840-02-K21	EA PANEL - LEFT END - SOFA/BED - FABRIC COVERED (K51)
6	127840-02-K22	EA PANEL - LEFT END - SOFA/BED - FABRIC COVERED (K52)
6	127840-02-K53	EA PANEL - LEFT END - SOFA/BED - FABRIC COVERED (K53)
7	120992-07-J24	EA PANEL - FRONT KICK - SOFA/BED - FABRIC COVERED (K50)
7	120992-07-K21	EA PANEL - FRONT KICK - SOFA/BED - FABRIC COVERED (K51)
7	120992-07-K22	EA PANEL - FRONT KICK - SOFA/BED - FABRIC COVERED (K52)
7	120992-07-K53	EA PANEL - FRONT KICK - SOFA/BED - FABRIC COVERED (K53)
	121906-01-02B	EA BRACKET - KICKBOARD - E-COATED
8	127840-01-J24	EA PANEL - RIGHT END - SOFA/BED - FABRIC COVERED (K50)
8	127840-01-K21	EA PANEL - RIGHT END - SOFA/BED - FABRIC COVERED (K51)
8	127840-01-K22	EA PANEL - RIGHT END - SOFA/BED - FABRIC COVERED (K52)
8	127840-01-K53	EA PANEL - RIGHT END - SOFA/BED - FABRIC COVERED (K53)
	101926-01-02A	EA BRACKET - ZEE - BLACK
	116104-03-02B	EA BRACKET - ZEE W/HOLES - 5.9"
	102874-01-000	EA CATCH-COUCH, W/BRACKET & SPRING - STEEL - CANADIAN
	127335-10-000	EA BRACKET - CANADIAN LATCH
	127335-12-000	EA FRAME-10" LEG

## SEALANTS & FASTENERS GROUP

### ADHESIVE

KEY	PART NUMBER	U/M	DESCRIPTION	VENDOR NO.
	004020-01-000	QT	ADHESIVE - ABS CEMENT - QUART	
	081377-01-700	EA	ADHESIVE-CYANOACRYLATE 10 GM	
	087211-01-000	GL	PROMOTER - ADHESIVE	
	004006-05-700	EA	ADHESIVE-NAT. STARCH (5 GAL)	0802
	062917-03-000	EA	ADHESIVE - LOCTITE 242	
	067788-01-000	EA	ADHESIVE - SPRAY - 3M - 19.5 AEROSOL CAN	
	112901-02-000	EA	ADHESIVE - PLEXUS - 50ML	
	131384-01-000	EA	ADHESIVE - JET - WELD	

### NUTS

KEY	PART NUMBER	U/M	DESCRIPTION
	000D24-10-00B	EA	NUT - HEX - SELF LOCKING - 10-32 ZINC
	000D29-05-00B	EA	NUT - HEX - LOCKING W/SERRATED FLANGE-NYLON WASHER INSERT
	000D34-04-00B	EA	NUT - HEX - LOCKING - 1/4-20 ZINC
	000D34-06-00B	EA	NUT - HEX - LOCKING - 3/8-16 GRADE C - ZINC-PREVAILING
	000D39-04-00B	EA	NUT - HEX - LOCKING W/SERRATED FLANGE - 1/4-20 - ZINC
	000D39-05-00B	EA	NUT - HEX - LOCKING W/SERRATED FLANGE - 5/16-18 - ZINC
	000D39-06-00B	EA	NUT - HEX - LOCKING W/SERRATED FLANGE - 3/8-18 - ZINC
	000D39-06-00D	EA	NUT - HEX - LOCKING W/SERRATED FLANGE - 3/8"-16 BLACK
	000D39-07-00B	EA	NUT - HEX - LOCKING W/SERRATED FLANGE - 7/16-14 - ZINC
	000D39-08-00B	EA	NUT - HEX - LOCKING W/SERRATED FLANGE - 1/2-13 - ZINC
	000D44-04-00B	EA	NUT - HEX - LOCKING W/SERRATED FLANGE - 1/4-28 ZINC
	000D44-07-00B	EA	NUT - HEX - LOCKING W/SERRATED FLANGE - 7/16-20 - ZINC
	000D46-04-00A	EA	NUT - HEX - WELD - 1/4-20 - PLAIN
	000D65-08-00B	EA	NUT - HEX/SERRATED FLANGE - 8-32 ZINC
	000D76-06-00B	EA	NUT - HEX FLANGE - 3/8-16
	040921-01-000	EA	NUT - SPEED - U TYPE - 10-24 BLACK
	040921-03-000	EA	NUT - SPEED - U TYPE - #10
	040921-04-000	EA	NUT - SPEED - U TYPE - 8-.59" LENGTH X .44" WIDTH
	040921-09-000	EA	NUT - SPEED - U TYPE - 8
	044364-02-000	EA	NUT - SPEED - FLAT - ROUND
	083163-06-000	EA	PUSHNUT - FLAT TYPE 3/8 STUD - FORD ONLY TO RETAIN THE AIR BAFFLE ON THE OIL DIPSTICK TUBE
	104369-01-000	EA	NUT - HEX - HEAVY - 5/8-11 UNC

## SEALANTS & FASTENERS GROUP (CONTINUED)

### BOLTS

KEY	PART NUMBER	U/M	DESCRIPTION
	000C12-05-16B	EA	BOLT - HEX - 5/16-18 X 1 - ZINC 5
	000C12-06-16B	EA	BOLT - HEX - 3/8-16 X 1 LG - ZINC 5
	000C12-08-16B	EA	BOLT - HEX - 1/2-13 X 1.00 - GD5 - ZINC
	000C12-10-24B	EA	BOLT - HEX - 5/8-11 X 1.50 - ZINC 5
	000C13-07-48B	EA	BOLT - HEX - 7/16-20 X 3 - ZINC 5
	000C18-05-40A	EA	BOLT - ELEVATOR - 5/16-18 X 2.50 - PL
	000C26-04-18B	EA	BOLT - HEX - SERRATED FLANGE - 1/4-20 X 1 1/8 - ZINC
	000C26-04-14B	EA	BOLT - HEX - SERRATED FLANGE - 1/4-20 X 7/8 - ZINC
	000C26-04-10B	EA	BOLT - HEX - SERRATED FLANGE - 1/4-20 X 5/8 - ZINC
	000C26-05-16B	EA	BOLT - HEX - SERRATED FLANGE - 5/16-18 X 1 - ZINC
	000C26-05-12B	EA	BOLT - HEX - SERRATED FLANGE - 5/16-18 X 3/4 - ZINC
	000C26-06-16B	EA	BOLT - HEX - SERRATED FLANGE - 3/8-16 X 1 - ZINC
	000C26-06-12B	EA	BOLT - HEX - SERRATED FLANGE - 3/8-16 X 3/4 - ZINC
	000C26-08-24B	EA	BOLT - HEX - SERRATED FLANGE - 1/2-13 X 1 1/2 ZINC
	000C27-10-32B	EA	BOLT - CARRIAGE - 5/8-11 X 2
	051387-06-000	EA	BOLT - CARRIAGE W/O HOLE - 5/16-18 X 9.5 - ZINC
	102333-01-06A	EA	BOLT - CARRIAGE - 7/16-14 STAINLESS STEEL CAP
	106166-01-000	EA	BOLT/COLLARED HANGER - 8-32 X 1"
	106956-08-000	EA	BOLT - HEX TAP - 1/2-13NC X 4 - GRADE 5 - FULL THREAD/ZINC
	088787-12-000	EA	STUD - WELD - 1/4 - 20 X 1.0 LG - MN
	108067-03-000	EA	STUD - WELD - 1/4 - 20 X 1/2 CD

### WASHERS

KEY	PART NUMBER	U/M	DESCRIPTION
	000E11-07-00B	EA	WASHER - LOCKING - 7/16 MED SPLIT - ZINC
	000E13-14-00B	EA	WASHER - FLAT - 1/4 WIDE - ZINC
	000E13-18-00B	EA	WASHER - FLAT - 3/8 WIDE - ZINC
	000E13-20-00B	EA	WASHER - FLAT - 7/16 WIDE - ZINC
	000E13-22-00B	EA	WASHER - FLAT - 1/2 WIDE - ZINC
	000E13-26-00B	EA	WASHER - FLAT - 5/8 WIDE - ZINC
	000E14-10-00B	EA	WASHER - LOCKING - #10 EXTERNAL TOOTH - ZINC
	044533-01-000	EA	WASHER - PLASTIC - 1 3/8" OD - FOR BUTTONS
	058716-02-000	EA	WASHER - FLAT NYLON
	107397-01-000	EA	WASHER - FENDER - .25" ID X 1" OD

**SEALANTS & FASTENERS GROUP (CONTINUED)**

**SCREWS**

KEY	PART NUMBER	U/M DESCRIPTION
	0G1108-12-170	EA SCREW - 8-18 X .75 PPH - BRIGHT WHITE
	0G1208-12-170	EA SCREW - 8-18 X .75 POH - BRIGHT WHITE
	0G3908-08-170	EA SCREW - SF/DR - 8-18 X .50 PPH - BRIGHT WHITE
	0G3908-24-170	EA SCREW - SF/DR - 8-18 X 1.50 PPH - BRIGHT WHITE
	0G3910-12-170	EA SCREW - SF/DR - 10-16 X .75 PPH - BRIGHT WHITE
	0G5508-12-270	EA SCREW - SF/DR - 8-18 X .75 PWH - TITANIUM
	0G6710-08-170	EA SCREW - 10-12 X 1/2 PPH - BRIGHT WHITE
	0G6710-16-230	EA SCREW - 10-12 X 1 PPH
	000G11-05-08B	EA SCREW - 5-20 X .50 PPH - ZINC
	000G11-06-08B	EA SCREW - 6-20 X 1/2 PPH - ZINC
	000G11-06-06B	EA SCREW - 6-20 X 3/8 PPH - ZINC
	000G11-06-10J	EA SCREW - 6-20 X 5/8 PPH - BRASS
	000G11-06-10B	EA SCREW - 6-20 X 5/8 PPH - ZINC
	000G11-07-08B	EA SCREW - 7-19 X 1/2 PPH - ZINC
	000G11-08-06B	EA SCREW - 8-18 X 3/8 PPH - ZINC
	000G11-08-12D	EA SCREW - 8-18 X 3/4 PPH - BLACK
	000G11-08-12B	EA SCREW - 8-18 X 3/4 PPH - ZINC
	000G11-08-08T	EA SCREW - 8-18 X 1/2 PPH - FLUOROCARBON COATING
	000G11-08-08B	EA SCREW - 8-18 X 1/2 PPH - ZINC
	000G11-08-20B	EA SCREW - 8-18 X 1 1/4 PPH - ZINC
	000G11-08-16S	EA SCREW - 8-18 X 1 PPH - OFF WHITE
	000G11-08-16B	EA SCREW - 8-18 X 1 PPH - ZINC
	000G11-08-12T	EA SCREW - 8-18 X 3/4 PPH - BLACK
	000G11-08-12P	EA SCREW - 8-18 X 3/4 PPH - DARK BROWN
	000G11-10-12S	EA SCREW - 10-16 X 3/4 PPH - OFF WHITE
	000G11-10-12D	EA SCREW - 10-16 X 3/4 PPH - BLACK
	000G11-10-40B	EA SCREW - 10-16 X 2 1/2 PPH CAD - 34927-01-000
	000G11-10-24P	EA SCREW - 10-16 X 1 1/2 PPH - DARK BROWN
	000G11-10-16B	EA SCREW - 10-16 X 1 PPH - ZINC
	000G12-06-08T	EA SCREW - 6-20 X 1/2 POH - BLACK
	000G13-06-08B	EA SCREW - 6-20 X 1/2 PFH - ZINC
	000G13-06-24J	EA SCREW - 6-20 X 1 1/2 PFH - BRASS
	000G13-06-16J	EA SCREW - 6-20 X 1 PFH - BRASS
	000G13-06-10G	EA SCREW - 6-20 X 5/8 PFH - ANTIQUE BRASS
	000G13-06-08G	EA SCREW - 6-20 X .50 PFH - ANTIQUE BRASS
	000G13-07-12B	EA SCREW - 7-19 X 3/4 PFH - ZINC
	000G18-08-20B	EA SCREW - MACHINE - 8-32 X 1 1/4 PPH - ZINC
	000G18-08-22B	EA SCREW - MACHINE - 8-32 X 1 3/8 PPH - ZINC
	000G19-10-20B	EA SCREW - MACHINE - 10-32 X 1 1/2 PPH - ZINC
	000G19-10-12F	EA SCREW - MACHINE - 10-32 X 3/4 PPH - STAINLESS STEEL
	000G19-10-08B	EA SCREW - MACHINE - 10-32 X 1/2 PPH - ZINC
	000G32-10-06B	EA SCREW - 10-32 X 3/8 PPH - ZINC
	000G37-08-089	EA SCREW - 8 X 18 X 1/2 PPH
	000G39-06-16T	EA SCREW - SF/DR - 6-20 X 1 PPH - BLACK
	000G39-06-10T	EA SCREW - SF/DR - 6-20 X 5/8 PPH - BLACK
	000G39-08-16B	EA SCREW - SF/DR - 8-18 X 1 PPH - ZINC
	000G39-08-12T	EA SCREW - SF/DR - 8-18 X 3/4 PPH - BLACK
	000G39-08-12B	EA SCREW - SF/DR - 8-18 X 3/4 PPH - ZINC
	000G39-08-08T	EA SCREW - SF/DR - 8-18 X 1/2 PPH - BLACK
	000G39-08-08S	EA SCREW - SF/DR - 8-18 X 1/2 PPH - OFF WHITE
	000G39-08-08B	EA SCREW - SF/DR - 8-18 X 1/2 PPH - ZINC
	000G39-08-06B	EA SCREW - SF/DR - 8-18 X 3/8 PPH - ZINC
	000G39-08-24B	EA SCREW - SF/DR - 8-18 X 1 1/2 PPH - ZINC
	000G39-08-16T	EA SCREW - SF/DR - 6-20 X 1 PPH - BLACK
	000G39-10-08B	EA SCREW - SF/DR - 10-16 X 1/2 PPH - ZINC
	000G39-10-209	EA SCREW - SF/DR - 10-16 X 1 1/4 PPH - FLUOROCARBON SILVER
	000G39-10-20B	EA SCREW - SF/DR - 10-16 X 1 1/4 PPH - ZINC
	000G39-10-129	EA SCREW - SF/DR - 10-16 X 3/4 PPH - FLUOROCARBON SILVER
	000G39-10-12D	EA SCREW - SF/DR - 10-16 X 3/4 PPH - BLACK
	000G39-10-12B	EA SCREW - SF/DR - 10-16 X 3/4 PPH - ZINC
	000G39-10-10B	EA SCREW - SF/DR - 10-16 X 5/8 - ZINC
	000G39-10-088	EA SCREW - SF/DR - 10-16 X 1/2 PPH - FLEX FLUOROCARBON
	000G39-12-12E	EA SCREW - SF/DR - 12-14 X 3/4 PPH - CHROME

**SEALANTS & FASTENERS GROUP (CONTINUED)**

**SCREWS (CONTINUED)**

KEY	PART NUMBER	U/M DESCRIPTION
	000G42-04-12B	EA SCREW - SF/DR - 1/4-14 X 3/4 HWH - ZINC
	000G46-08-24T	EA SCREW - MACHINE - 8-32 X 1 1/2 PFH - BLACK
	000G50-04-12B	EA SCREW - MACHINE - 1/4-20 X 3/4 PPH - ZINC
	000G52-08-18B	EA SCREW - MACHINE - 8-32 X 1 1/8 PTH - ZINC
	000G54-04-20B	EA SCREW - 1/4-20 X 1.25 PTH - TYPE 23 - ZINC PLATED
	000G55-08-12S	EA SCREW - SF/DR - 8-18 X 3/4 PWH - OFF WHITE
	000G56-12-48B	EA SCREW - WOOD - 12-11 X 3 POH - SPECIAL HARDENED
	000G60-10-28T	EA SCREW - SF/DR - 10-16 X 1 3/4 - BLACK
	000G60-10-20B	EA SCREW - SF/DR - 10-16 X 1 1/4 POH - ZINC
	000G67-08-32B	EA SCREW - 8-15 X 2 PPH - ZINC
	000G67-10-12P	EA SCREW - 10-12 X 3/4 PPH - DARK BROWN
	000G67-10-12B	EA SCREW - 10-12 X 3/4 PPH - ZINC
	000G67-10-10S	EA SCREW - 10-12 X 5/8 PPH - OFF WHITE
	000G67-10-10D	EA SCREW - 10-12 X 5/8 PPH - BLACK - TYPE A
	000G67-10-10B	EA SCREW - 10-12 X 5/8 PPH - ZINC - TYPE A
	000G67-10-08S	EA SCREW - 10-12 X 1/2 PPH - OFF WHITE
	000G67-10-08R	EA SCREW - 10-12 X 1/2 PPH - BEIGE - TYPE A
	000G67-10-08B	EA SCREW - 10-12 X 1/2 PPH - ZINC
	000G67-10-10P	EA SCREW - 10-12X.62 PPH - DARK BROWN
	000G67-10-24B	EA SCREW - 10-12 X 1.50 PPH - ZINC
	000G67-10-20D	EA SCREW - 10-12 X 1.25 PPH - BLACK
	000G67-10-12S	EA SCREW - 10-12 X 3/4 PPH - OFF/WHITE
	000G67-10-48B	EA SCREW - 10-12 X 3 PPH - ZINC
	000G67-10-36T	EA SCREW - 10-12 X 2 1/4 - PPH - BLACK
	000G67-10-32B	EA SCREW - 10-12 X 2 PPH - ZINC
	000G68-06-12S	EA SCREW - 6-18 X 3/4 POH
	000G68-06-10G	EA SCREW - 6-18 X 5/8 POH - ANTIQUE BRASS
	000G68-10-20I	EA SCREW - 10-12 X 1 1/4 POH - BLACK
	049465-01-000	EA SCREW - 10-16 W/WASHER PTH - DARK BROWN
	049465-17-000	EA SCREW - 10-16 X 1 POH W/WASHER - BRIGHT WHITE
	054434-02-000	EA SCREW - SF/DR - 10-16 X 2 - ZINC
	057671-01-000	EA COVER - SCREW - #8 - PLASTIC - OFF WHITE
	057671-15-000	EA COVER - SCREW - BRIGHT WHITE
	075908-01-000	EA SCREW - MACHINE - 10-32 X .56 PTH - EXTERNAL TOOTH - ZINC
	076790-01-000	EA SCREW - 6-20 X 1 1/4 PPH - BLACK
	083554-04-000	EA SCREW - DRYWALL - 8 X 2.50
	086256-01-000	EA SCREW - SF/DR - 8 X 3/4 HWH LONG
	097974-01-000	EA SCREW - PARTICLE BOARD - 7-9 X 3/4 PPH
	101618-01-000	EA SCREW - 1/4-20 X 3/4 HEX - TAPPING - STALGARD TYPE F
	113563-01-01A	EA SCREW - 8 X .62 LONG SHOULDER/WASHER HEAD

**SEALANTS & FASTENERS GROUP (CONTINUED)**

**TAPES**

KEY	PART NUMBER	U/M	DESCRIPTION
	004363-01-000	FT	TAPE - ADHESIVE FOAM/1 SIDE - 3/16" X 1/2" X 50' - GRAY
	076314-02-000	FT	TAPE - CARPET SEAM - HEAT-BOND - 4" WIDE
	076322-01-000	FT	TAPE - DOUBLE COATED/ADHESIVE BACK - .025"THK X .75"W X18'
	076322-02-000	FT	TAPE - DOUBLE COATED/ADHESIVE BACK - .045"THK X 1"W X 108'
	076322-03-000	FT	TAPE - DOUBLE COATED/ADHESIVE BACK - .045"THK X .50"W X 9'
	076322-05-000	FT	TAPE - DOUBLE COATED/ADHESIVE BACK - .045"THK X .75"W X 9'
	076322-07-000	FT	TAPE - DOUBLE COATED/ADHESIVE BACK - .045"THK X .50"W X 9'
	088479-01-000	EA	TAPE - ALUMINUM - 3"
	110274-01-000	FT	TAPE - DOUBLE SIDED FOAM - .45" X 1"
	118085-02-01A	FT	TAPE - FOIL - 1"
	120534-01-01A	EA	TAPE - SCOTCH - 3M - 1/2" FINE LINE
	123244-01-000	FT	TAPE - DOUBLE SIDED FOAM - 5/64" THICK X .75" WIDE
	123244-02-000	FT	TAPE - DOUBLE SIDED FOAM - 5/64" THICK X .50" WIDE
	123816-01-000	FT	TAPE - DOUBLE SIDED - 1"
	123816-02-000	FT	TAPE - DOUBLE SIDED - 1/2" X 1 1/3" THICK
	123816-03-000	FT	TAPE - DOUBLE SIDED - 1/2" X 3/4" - THICK

**SEALERS**

KEY	PART NUMBER	U/M	DESCRIPTION
	069640-01-000	FT	SEALER - RIBBON - 1/4" DIAMETER X 30' - BLACK
	069640-03-000	FT	SEALER - TAPE - .13"THICK X .75"WIDE X 60' - BLACK
	069640-09-000	FT	SEALER - TAPE - .032"THICK X 2.50"WIDE X 80' - GREY
	069640-11-000	FT	SEALER - TAPE - .19"THICK X .38"WIDE X 40' - BLACK
	069640-15-000	FT	SEALER - TAPE - .06"THICK X .38"WIDE X 80' - GRAY
	069640-18-000	FT	SEALER - TAPE - .50"THICK X 1/8"WIDE X 60' - BRIGHT WHITE
	069640-19-000	FT	SEALER - TAPE - .75"THICK X 1/8"WIDE X 60' - BRIGHT WHITE
	069640-21-000	FT	SEALER - TAPE - 1/2" THICK X 1/16" WIDE X 100' - BRT WHT
	900390-01-000	EA	TIP - 2 1/2" X 1/8" ORIFICE
	900390-03-000	EA	NOZZLE - SILICONE TUBE
	108716-03-000	EA	SILICONE - TUBE - BRIGHT WHITE/SELF LEVELING - W/O NOZZLE FROM: 00-00-00 THRU: 09-06-98
	131264-01-01A	EA	SILICONE - W/O NOZZLE - BLACK
	131264-01-02A	EA	SILICONE - W/O NOZZLE - CLEAR
	131264-03-01A	EA	SILICONE - SELF LEVELING - W/O NOZZLE - BRIGHT WHITE FROM: 09-07-98 THRU: 99-99-99
	053766-02-000	EA	BEDDING COMPOUND - TUBE - WHITE
	072889-09-000	EA	SEALANT - URETHANE - BLACK (TUBE) FROM: 00-00-00 THRU: 09-06-98
	072889-10-000	EA	SEALANT - URETHANE (HV) - BRIGHT WHITE FROM: 00-00-00 THRU: 09-06-98
	072889-11-000	EA	SEALANT - URETHANE - (TUBE) - GRAY
	072889-12-000	EA	SEALANT - URETHANE (LV) BRIGHT WHITE FROM: 00-00-00 THRU: 09-06-98
	072889-18-000	EA	SEALANT - URETHANE - BLACK (FOIL) FROM: 09-07-98 THRU: 99-99-99
	072889-19-000	EA	SEALANT - URETHANE - (FOIL) - BLACK - 10 OUNCE FROM: 09-07-98 THRU: 99-99-99
	072889-20-000	EA	SEALANT - URETHANE - (FOIL) - BRIGHT WHITE - 10 OUNCE FROM: 09-07-98 THRU: 99-99-99
	072889-21-000	EA	SEALANT - URETHANE - (FOIL) - BRIGHT WHITE - 20 OUNCE FROM: 09-07-98 THRU: 99-99-99
	102352-01-000	EA	SEALER - PUMPABLE - BLACK
	102352-02-000	EA	SEALER - PUMPABLE - CLEAR
	106206-01-000	EA	SEALER - PUMPABLE - MANUS 30A - BLACK
	091255-02-000	FT	SEAL - ADHESIVE BACKED/FOAM - .18" THICK X 1.5" WIDE
	104692-01-000	FT	SEAL - FOAM/ADHESIVE BACK - .75"THICK X .75"WIDE X 25'
	112864-01-000	FT	SEAL - FOAM/BUTYL COVERED - 3/8"
	110530-01-000	FT	SEAL - SPONGE - .31" X .62"
	120074-02-01A	EA	SEALANT - SILICONE - OFF WHITE

**SEALANTS & FASTENERS GROUP (CONTINUED)**

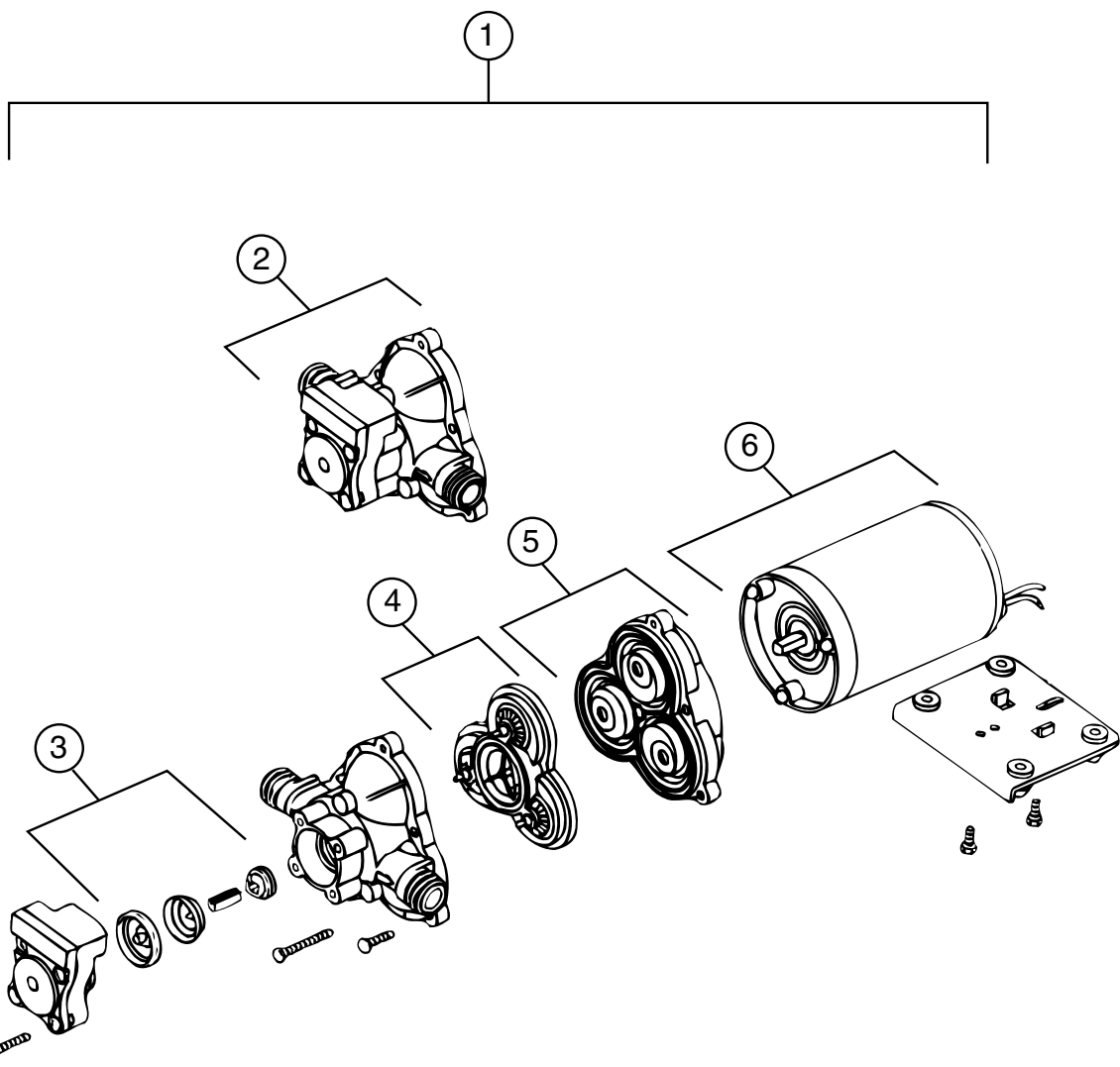
**CLAMPS**

KEY	PART NUMBER	U/M	DESCRIPTION
	007161-01-000	EA	CLAMP - HOSE - SPRING TYPE - 1/2"
	010495-01-000	EA	CLAMP - CABLE - 9/16"
	010497-01-000	EA	CLAMP - CLOSED - 5/8" ID
	010497-03-000	EA	CLAMP - CLOSED - 1" ID - CUSHIONED
	010497-04-000	EA	CLAMP - CLOSED - 1.62" ID
	010499-01-000	EA	CLAMP - CLOSED - 3/8" ID
	062401-01-000	EA	CLAMP - HOSE - WORMGEAR - .25" - 1"
	062401-02-000	EA	CLAMP - HOSE - WORMGEAR - 1.56" - 2.5"
	062401-03-000	EA	CLAMP - HOSE - WORMGEAR - .22" - 1"
	062401-04-000	EA	CLAMP - HOSE - WORMGEAR - .69" - 1.25"
	062401-05-000	EA	CLAMP - HOSE - WORMGEAR - 2" TO 3" ID
	062401-06-000	EA	CLAMP - HOSE - WORMGEAR - .22" - .62" ID
	062401-11-000	EA	CLAMP - HOSE - WORMGEAR - 3.50" - 4.50"
	075148-02-000	EA	CLAMP - GROUNDING - BRONZE SCREWS
	083609-01-000	EA	CLAMP - WIRE - DUAL - EQUAL DIAMETERS - 5/8"
	083610-01-000	EA	CLAMP - WIRE - DUAL - UNEQUAL DIAMETERS - 3/4" & 1 1/4"
	083610-02-000	EA	CLAMP - WIRE - DUAL - UNEQUAL DIAMETERS - 3/4" & 2"

**RIVETS, GROMMETS AND MISCELLANEOUS FASTENERS**

KEY	PART NUMBER	U/M	DESCRIPTION
	000F10-06-32B	EA	PIN - COTTER - 3/16" X 2" - ZINC
	000H14-06-14R	EA	RIVET - MANDREL BLIND - 3/16"
	000H16-04-06R	EA	RIVET - POP ALUMINUM - 1/8 X .313 - .375
	000H16-06-10R	EA	RIVET - POP ALUMINUM - 3/16 X .501-.625
	069592-02-000	EA	RIVET-T - POP - 1/4 X .093 - .156
	118626-01-01A	EA	RIVET - POP - ALUMINUM 3/16 X .08-.375
	118626-02-01A	EA	RIVET - POP - ALUMINUM - 3/16 X .500-.750
	008386-01-000	EA	GROMMET - SNAP - 3/8"
	016188-03-000	EA	GROMMET - L/P LINE - 3/8" HOLE X 2 1/2" LONG - RUBBER
	016188-04-000	EA	GROMMET-GASLINE, .50,2.5 LONG
	016188-05-000	EA	GROMMET - L/P LINE - 3/8" HOLE X 1 1/4" LONG - RUBBER
	023942-01-000	EA	GROMMET - RUBBER - 2" OD
	071015-11-000	EA	GROMMET - 1.00 ID - FITS .12 MATERIAL
	071015-30-000	EA	GROMMET - RUBBER - .31" ID X .81" OD W/.12" GROOVE - BLK
	088756-01-000	EA	GROMMET - WEB - 1 1/8 " I.D.
	114208-05-000	EA	GROMMET - EDGE LINER - FITS 2"
	091952-01-000	EA	CLIP - GRIPPER - 1"
	008343-02-000	EA	TIE - WIRE - 14"
	108046-02-000	EA	CABLE TIE - SCREW MOUNT 15"
	029094-04-000	YD	VELCRO TAPE - LOOP - 1" WIDE - BLACK
	029096-03-000	YD	VELCRO TAPE - HOOK - 1" WIDE - BLACK
	081211-03-000	EA	PLUG - PLASTIC - .50 DIAMETER - BLACK
	081211-04-000	EA	PLUG - PLASTIC - .46 DIAMETER - BLACK USED IN HOUSE CIRCUIT BREAKER PANELS
	081211-05-000	EA	PLUG - PLASTIC - .188 DIAMETER - NATURAL
	085774-01-000	FT	FASTENER - DUAL LOCK - 1" WIDE - ADHESIVE BACK - BLACK
	085774-02-000	FT	FASTENER - DUAL HOOK - 1" WIDE - ADHESIVE BACK - BLACK
	110943-02-000	FT	FELTSTRIP - 3/8" - ADHESIVE BACK - WHITE
	080734-02-000	EA	CLIP - WIRE NYLON
	094362-02-000	EA	CLIP - XMAS TREE - BINDER HEAD - .9" LONG

**WATER & SEWAGE GROUP**



**SHURFLO WATER PUMP**

KEY	PART NUMBER	U/M DESCRIPTION	VENDOR NO.
1	098607-01-000	EA PUMP - WATER - W/.5" MPT FITTING - FLOW 2.8 GPM	
2	098607-01-706	EA HOUSING, W/SWITCH ONLY	94-231-20
3	098607-01-705	EA VALVE-CHECK, KIT	94-237-00
4	098607-01-703	EA VALVE KIT	94-232-00
5	098607-01-702	EA DIAPHRAGM/DRIVE ASSEMBLY KIT	94-238-04
6	098607-01-707	EA MOTOR W/BASEPLATE	11-148-04

**WATER & SEWAGE GROUP (CONTINUED)**

**EXTERIOR SHOWER**

KEY	PART NUMBER	U/M DESCRIPTION
	075241-06-000	EA FAUCET - SHOWER CONTROL - BRIGHT WHITE
	131383-01-02A	EA SHOWER HEAD - W/HOSE & BRACKET - 60" - WHITE
	131383-02-02A	EA SHOWER HEAD - W/HOSE & BRACKET - 60" - CSA - WHITE
	093527-02-000	EA BRACKET - EXTERIOR SHOWER HEAD/SQUEEGEE
		FROM: 00-00-00 THRU: 10-27-98
	131732-01-12B	EA BRACKET - SQUEEGEE - BRIGHT WHITE
		FROM: 10-28-98 THRU: 99-99-99
	108357-08-000	EA SWITCH - ROCKER DPDT - ON/NONE/ON - 6 TERMINAL
	108356-02-01A	EA COVER/ACTUATOR SWITCH - 2 ROWS DIMPLES- CONTURA II - BLACK

**WATER TANKS**

KEY	PART NUMBER	U/M DESCRIPTION
	116881-08-000	EA TANK - FRESH WATER - 48 GALLON W/NOTCHED CORNER/FITTINGS - CHEVY
	116881-14-000	EA TANK - FRESH WATER - 48 GALLON W/NOTCHED CORNER/FITTINGS - FORD
	116881-01-000	EA TANK - FRESH WATER - 48 GAL-W/NOTCHED CORNER W/O FITTINGS
	117217-10-000	EA TANK - FRESH WATER - 30 GALLON - W/FITTINGS - CHEVY
	117217-12-000	EA TANK - FRESH WATER - 30 GALLON - W/FITTINGS - FORD
	117217-01-000	EA TANK - FRESH WATER - 30 GALLON - W/O FITTINGS
	039861-01-000	EA SENDING UNIT - W/SCREW - WASHER - WELL NUT/TERMINAL RING
	010219-01-000	EA ELBOW - 1 1/4 MPT X 1 1/4 BARB - WATER FILL - PLASTIC
	010224-01-000	EA ADAPTER - HOSE TO PIPE - 3/8 MPT X 3/8 BARB - PLASTIC
	042989-03-000	EA FITTING - SPINWELD - 1 1/4"NPT - PLASTIC
	042989-04-000	EA FITTING - SPINWELD - 3/8"FPT - WHITE PLASTIC
	042989-05-000	EA FITTING - SPINWELD - 1/2"FPT - PLASTIC
	049032-01-000	EA PATCH - SPINWELD - 3/8" - PLASTIC
	077954-02-000	EA FILTER - WATER TANK - W/SCREEN IN TANK
	079381-01-000	FT TUBING - RIBBED FLEXIBLE - WATER FILL - 1.4" X 10"
	112628-01-02A	EA BRACKET - TIEDOWN - WATER TANK - E-COATED

**WATER SYSTEM**

KEY	PART NUMBER	U/M DESCRIPTION
	110438-02-000	EA VALVE - CHECK - BRASS - 1/2 MPT X 1/2 MPT
	010230-06-000	EA FILL - CITY WATER - W/CHECK VALVE - MPT
	112176-01-000	FT TUBING - VINYL - REINFORCED - 1/2" ID
	113697-01-000	EA CAP - 3/8 FTG
	114428-01-000	EA TEE - 1/2"P X 1/2"P X 1/2"P
	114428-02-000	EA TEE - SWIVEL - 1/2"P X 1/2"P X 1/2"FPT
	114428-03-000	EA TEE - 1/2"P X 1/2"P X 1/2"MPT
	114429-01-000	EA ELBOW - 1/2"P X 1/2"P
	114429-02-000	EA ELBOW - 1/2"P X 1/2"MPT
	114429-03-000	EA ELBOW - SWIVEL - 1/2"P X 1/2"FPT
	114429-04-000	EA ELBOW - 1/2"P X 3/8"MPT
	114429-08-000	EA ELBOW - SWIVEL - 1/2"MPT X 1/2"FPT SWIVEL
	114430-02-000	EA ADAPTER - SWIVEL - 1/2"P X 1/2"FPT
	114430-03-000	EA ADAPTER - 1/2"P X 1/2"MPT
	114430-06-000	EA ADAPTER - 1/2"P X 3/8"FPT
	114431-01-000	EA VALVE - 180 DEGREE/CENTER DRAIN - 1/2"P - THREE WAY
	114431-02-000	EA VALVE - WATER BYPASS - 1/2"P - THREE WAY (WATER HEATER)
	114431-03-000	EA VALVE - 90 DEGREE DRAIN - 1/2"P
	123150-01-000	EA ELBOW - 1/2 FPT X 1/2 BARB - SWIVEL
	123152-01-000	EA ADAPTER - 1/2 FPT X 1/2 BARB - SWIVEL
	124188-01-000	FT TUBING - PEX - 1/2" ID X 20' - BLUE(COLD)
	124188-02-000	FT TUBING - PEX - 1/2" ID X 20' - RED(HOT)

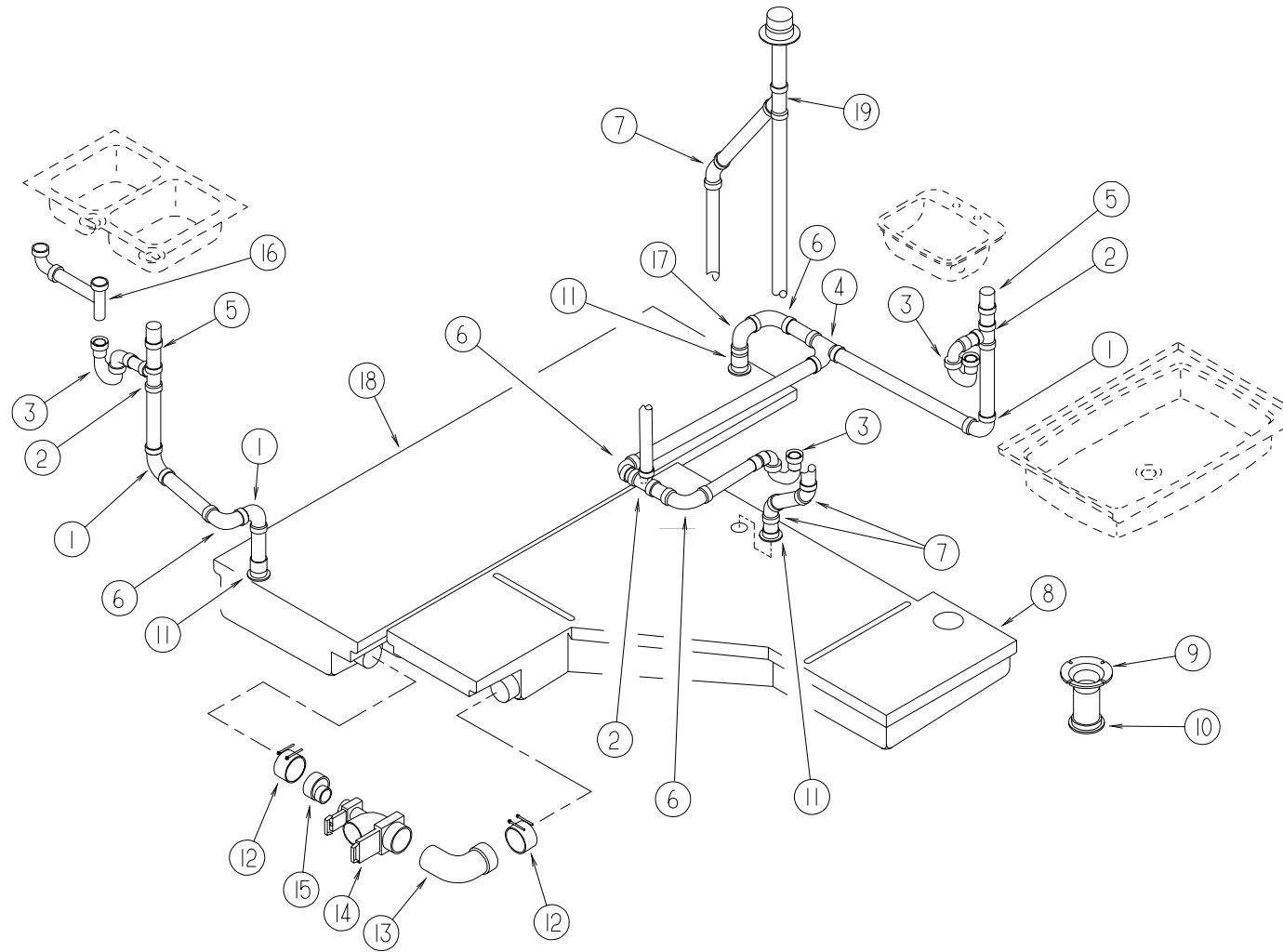
**ATWOOD WATER HEATER W/MOTOR AID (GH6-8E)**

KEY	PART NUMBER	U/M DESCRIPTION
*	051393-01-000	EA WATER HEATER - GH6-8E - ELECTRONIC IGNITION W/MOTOR AID

\*COMPONENT PARTS FOUND IN SERVICE PARTS LIBRARY

# WATER & SEWAGE GROUP (CONTINUED)

## DRAINAGE SYSTEM

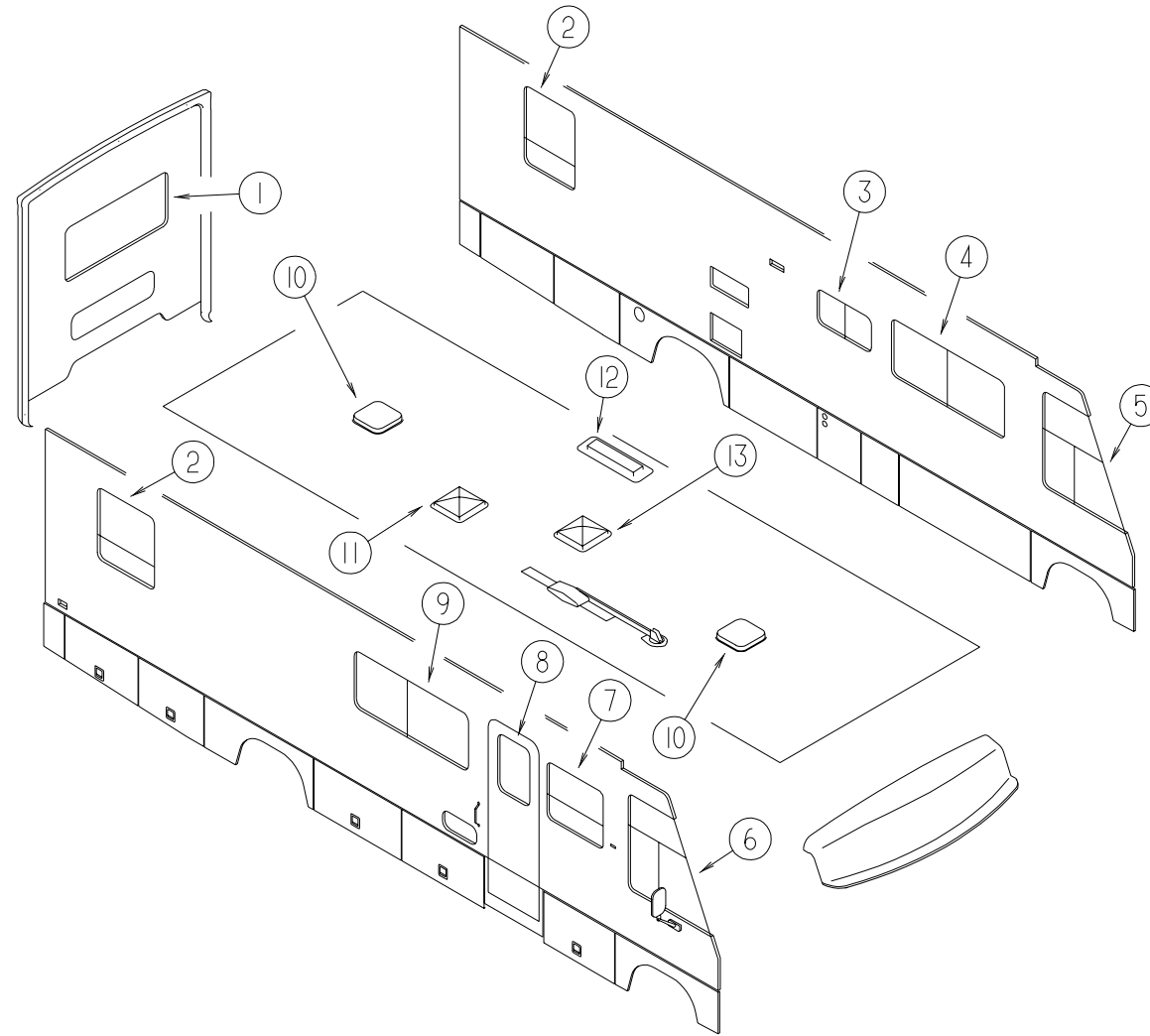


KEY	PART NUMBER	U/M	DESCRIPTION
1	010008-01-000	EA	ELBOW - 90 DEGREE - 1 1/2" HUB X HUB - PLASTIC
2	010071-01-000	EA	TEE - SANITARY - 1 1/2" HUB X HUB X HUB - PLASTIC
3	107538-01-000	EA	P TRAP - PLASTIC - 1 1/4" W/EXTENSION ARM
3	011071-01-000	EA	P-TRAP - PLASTIC - 1 1/2" - CSA
	109571-01-000	EA	ADAPTER - P TRAP - 1 1/2"P X 1 1/4"MPT - US
4	031365-02-000	EA	TEE - PLASTIC - 1 1/2" EXTENSION LG TURN
5	079968-01-000	EA	VENT - MECHANICAL/TRAP ARM - ANTI-SIPHON-2" X 7.3" PLASTIC
6	033761-01-000	EA	ELBOW - TURN - 90 DEGREE 1 1/2" HUB X 1 1/2" SPIGOT
7	010006-01-000	EA	ELBOW - 45 DEGREE - 1 1/2" HUB X HUB - PLASTIC
8	104350-01-000	EA	TANK - HOLDING - 69 GALLON - "REVISED DESIGN"
	039861-01-000	EA	SENDING UNIT - W/SCREW - WASHER - WELL NUT/TERMINAL RING
9	116644-01-000	EA	FLANGE - CLOSET - 4" X 3"
10	061607-02-000	EA	GROMMET - HOLDING TANK - 3" NPS
11	010115-01-000	EA	COUPLING - 1 1/2" HUB X HUB - PLASTIC
	061607-01-000	EA	GROMMET - HOLDING TANK - 1 1/2" NPS
12	078406-01-000	EA	COUPLER - RUBBER - W/CLAMPS - 3" X 3"
13	041956-01-000	EA	ELBOW - 3" STREET - 90 DEGREE PLASTIC

KEY	PART NUMBER	U/M	DESCRIPTION	VENDOR NO.
14	070916-01-000	EA	VALVE - DUAL DUMP - W/CAP - 3" X 1 1/2"	
	070916-01-700	EA	VALVE ONLY (WASTE) 3"	T1003BU
	070916-01-701	EA	VALVE ONLY (WASTE) 1 1/2"	T1001BU
	010201-01-000	EA	HOSE - SEWER - 3" ID X 8'	
	062416-01-000	EA	ADAPTER - SEWER HOSE TO 3" PIPE	
15	062422-01-000	EA	ADAPTER - OFFSET REDUCER - 3" X 1 1/2" - PLASTIC	
16	011091-02-000	EA	WASTE - CONTINUOUS - DOUBLE SINK	
17	034250-01-000	EA	ELBOW - 90 DEGREE - LONG TURN - 1 1/2" HUB X HUB - ABS	
18	104352-01-000	EA	TANK - HOLDING - 50 GALLON (GRAY) - RECTANGULAR	
	039861-01-000	EA	SENDING UNIT - W/SCREW - WASHER - WELL NUT/TERMINAL RING	
19	010073-01-000	EA	WYE - 45 DEGREE - 1 1/2" HUB X HUB X HUB - PLASTIC	
	011069-02-000	EA	TAILPIECE - TUB/SHOWER - 1 1/2" X 1 1/4" X 4" - BRASS	
	066729-01-000	EA	STRAINER - TUB/SHOWER W/PLUG - CHROME	
	127440-02-01A	EA	WASHER - RUBBER - 1.8" X .1"	
	130403-01-000	EA	NUT - SLIP - W/WINGS 1 1/2"	
	094756-02-01A	EA	BRACKET - L - 6.1" LONG X 3.9" WIDE - STEEL	

# WINDOW, VENT & EXTERIOR DOOR GROUP

## WINDOWS AND ROOF VENTS



KEY	PART NUMBER	U/M DESCRIPTION	VENDOR NO.
1*	078528-06-E10	EA WINDOW - ESCAPE - W/O RETAINER/TRIM - 48.5" X 24.5"	
1	074816-11-000	EA RETAINER - TRIM - ESCAPE WINDOW - OFF WHITE	
1*	113502-01-01A	EA WINDOW - REAR/CENTER ESCAPE - THERMO - 24.8" X 48.7"	
2*	112463-03-01A	EA WINDOW - TIPOUT W/RETAINER TRIM - 33.3" X 30.2"	
2*	129929-01-01A	EA WINDOW - TORQUE - THERMO - 33.2" X 30.2"	
3*	098647-34-01A	EA WINDOW - DRIVER HORIZ SLIDER W/TRIM-TINTED - 15.7" X 28.5"	
3*	112795-20-01A	EA WINDOW - DRIVER HORIZONTAL SLIDER - THERMO - 16" X 28.7"	
4*	098647-22-01A	EA WINDOW - DRIVER HORIZ SLIDER W/TRIM-TINTED - 26.1" X 59.7"	
4*	112795-15-01A	EA WINDOW - DRIVER HORIZONTAL SLIDER - THERMO - 26.4" X 60"	
5*	125582-04-01A	EA WINDOW - CAB - DRIVER	
5*	125583-04-01A	EA WINDOW - CAB DRVR-3 GLASS THERMO-31.8"T X 51.6"B X 42.6"H	
6*	125582-03-01A	EA WINDOW - CAB - PASSENGER	
6*	125583-03-01A	EA WINDOW - CAB PASS-3 GLASS THERMO- 31.8"T X 51.6"B X 42.6"H	
7*	098644-11-01A	EA WINDOW - VERTICAL SLIDER W/TRIM - TINTED - 26.4" X 27"	
7*	112898-19-01A	EA WINDOW - VERTICAL SLIDER - THERMO - 27" X 26.4"	
8*	117053-02-F36	EA WINDOW - PICTURE - 60% TINTING - 17" X 26.4"	
8	117054-02-02A	EA RETAINER - TRIM - BRIGHT WHITE	
8*	113733-01-01A	EA WINDOW - STATIONARY THERMOPANE - 17" X 26.4"	

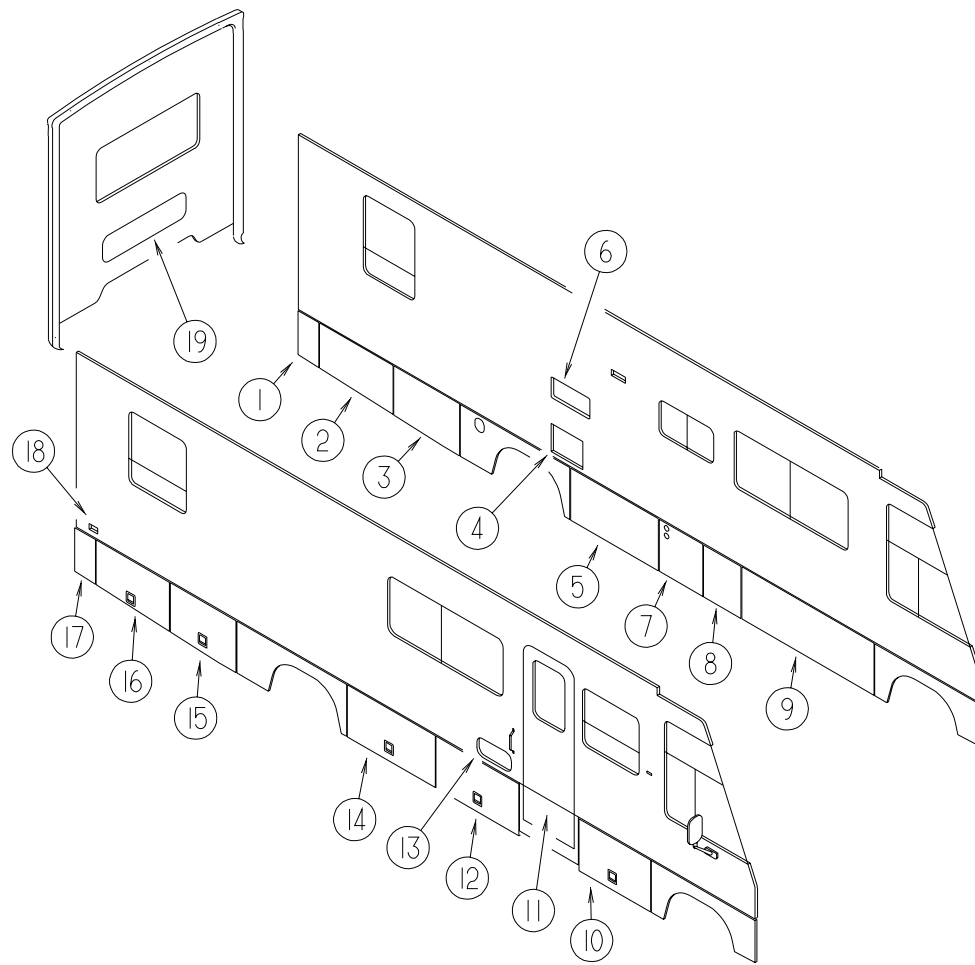
KEY	PART NUMBER	U/M DESCRIPTION	VENDOR NO.
9*	098647-23-01A	EA WINDOW - PASS HORIZ SLIDER W/TRIM - TINTED - 26.1" X 59.7"	
9*	112795-16-01A	EA WINDOW - PASSENGER HORIZONTAL SLIDER -THERMO-26.1" X 59.8"	
10*	122882-01-01A	EA VENT - ROOF - NONPOWERED - W/O INSIDE GARNISH	
10	122882-07-01A	EA GARNISH - ROOF VENT - 2.5" TO 4"	
11*	122882-02-01A	EA VENT - ROOF - W/FAN - W/O INSIDE GARNISH - UL	
11*	122882-03-01A	EA VENT - ROOF - W/FAN - W/O INSIDE GARNISH - CSA	
11	122882-07-01A	EA GARNISH - ROOF VENT - 2.5" TO 4"	
12	084073-04-000	EA BASE - ROOF VENT/REFRIGERATOR - BLACK - NORCOLD	
12	084073-07-000	EA VENT - ROOF/REFRIGERATOR - BRIGHT WHITE - NORCOLD	
13*	122882-01-01A	EA VENT - ROOF - NONPOWERED - W/O INSIDE GARNISH	
13	122882-07-01A	EA GARNISH - ROOF VENT - 2.5" TO 4"	
13*	123780-03-01A	EA VENT - ROOF - 3" TO 4" - W/FAN/POWER LIFT - W/O THERMOSTAT	
	083558-06-000	EA VENT - ROOF PLUMBING PIPE - COVERED	
	084616-07-000	EA SHROUD - EXHAUST VENT/RANGE HOOD - BRIGHT WHITE	
	084878-09-000	EA VENT - EXHAUST/RANGE HOOD - OFF WHITE	
	117046-01-000	EA BUMPER - RUBBER/ROUND END	
	117046-02-000	EA BUMPER - RUBBER/ROUND END - THERMOPANE WINDOW OPTION	

\*COMPONENT PARTS FOUND IN SERVICE PARTS LIBRARY



## WINDOW, VENT & EXTERIOR DOOR GROUP (CONTINUED)

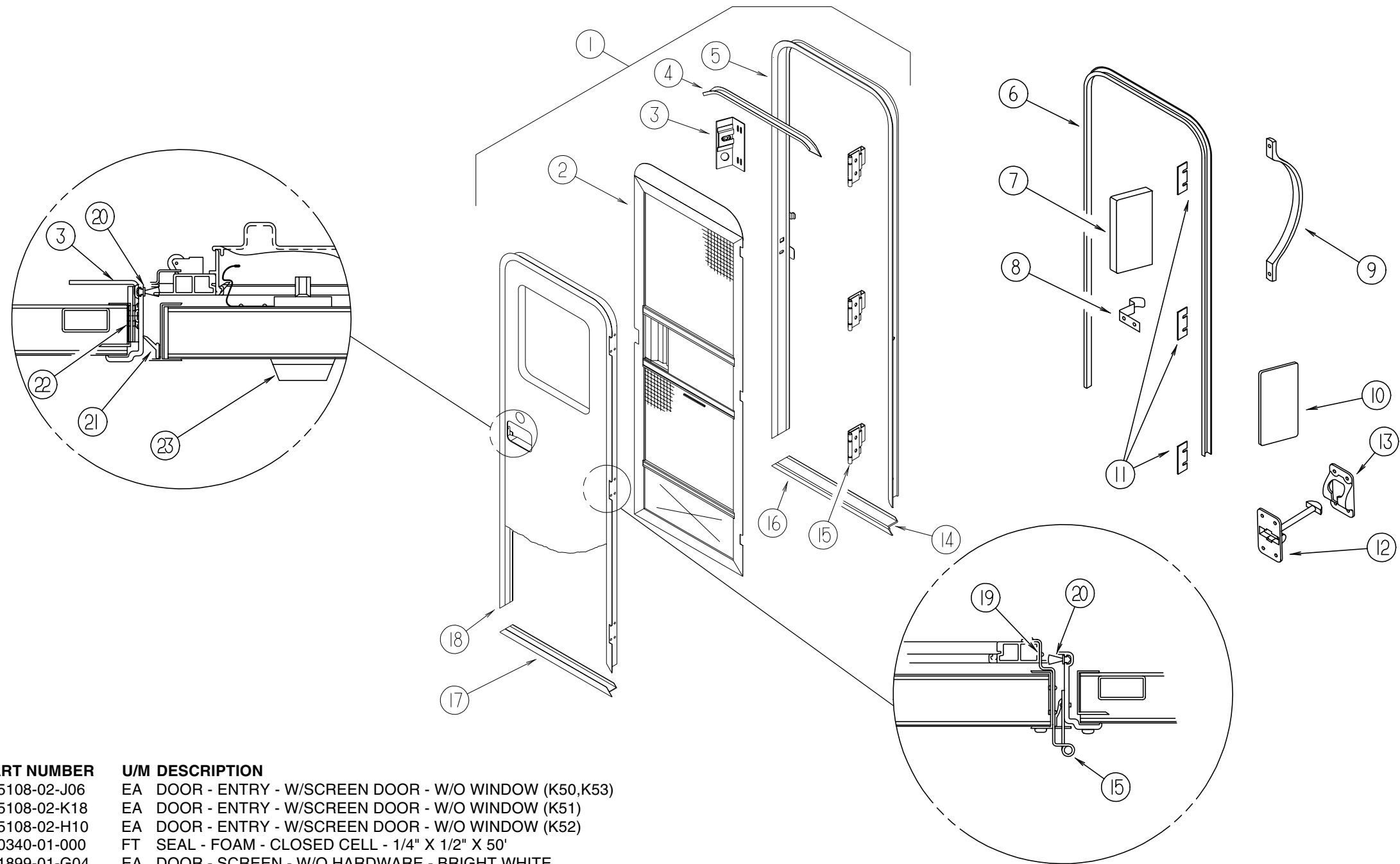
### EXTERIOR DOORS & PANELS



KEY	PART NUMBER	U/M	DESCRIPTION	VENDOR NO.
1	126645-13-J37	EA	VALANCE/PANEL - REAR DRIVER - W/O HARDWARE - 11.5"	
2	126647-07-J37	EA	VALANCE/DOOR - DRIVER W/O LATCH - 22.4" X 38.6" X 20.6"	
3	126647-05-J37	EA	VALANCE/DOOR - DRIVER W/O LATCH - 23.7" X 38.6" X 22.5"	
4	052009-06-000	EA	DOOR - WATER HEATER - BRIGHT WHITE - 18" X 14.6"	
5	126646-33-K20	EA	VALANCE/DOOR - W/O PADDLE LATCH - 43.9"	
6	084103-08-000	EA	DOOR - VENT/REFRIGERATOR - W/O JAMB - BRIGHT WHITE	
	084104-01-700	EA	LOCK-MALE, FASTENER	201-721-010
	084104-01-701	EA	LOCK-FEMALE, FASTENER	201-802-010
6	084104-08-000	EA	JAMB - VENT DOOR/REFRIGERATOR - BRIGHT WHITE	
7	122776-24-K20	EA	VALANCE/PANEL - W/O HARDWARE - 22.9"	
8	126646-10-J37	EA	VALANCE/DOOR - W/O PADDLE LATCH - 19.6"	
9	126646-14-J37	EA	VALANCE/DOOR - W/O PADDLE LATCH - 65.3"	
			FROM: 00-00-00 THRU: 09-20-98	
9	122239-C4-K20	EA	VALANCE/DOOR - W/O PADDLE LATCH/HINGE	
			FROM: 09-21-98 THRU: 99-99-99	
10	126646-12-J37	EA	VALANCE/DOOR - W/O PADDLE LATCH - 33.9"	
11	115108-02-J06	EA	DOOR - ENTRY - W/SCREEN DOOR - W/O WINDOW (K50,K53)	
11	115108-02-K18	EA	DOOR - ENTRY - W/SCREEN DOOR - W/O WINDOW (K51)	
11	115108-02-H10	EA	DOOR - ENTRY - W/SCREEN DOOR - W/O WINDOW (K52)	
12	126646-11-J37	EA	VALANCE/DOOR - W/O PADDLE LATCH - 43.4"	
13	126945-01-J22	EA	DOOR/STORAGE - W/O HARDWARE - 18" X 8.3"	
14	126646-32-K20	EA	VALANCE/DOOR - W/O PADDLE LATCH - 42.5"	
15	126647-06-J37	EA	VALANCE/DOOR - PASSENGER W/O LATCH - 22.5" X 38.6" X 23.7"	
16	126647-08-J37	EA	VALANCE/DOOR - PASSENGER W/O LATCH - 20.6" X 38.6" X 22.4"	
17	126645-05-J37	EA	VALANCE/PANEL - REAR PASSENGER - W/O HARDWARE - 11.5"	
18	081240-16-000	EA	DOOR - WATER FILL - W/O LOCK - 4" X 4 5/8"	
			FROM: 00-00-00 THRU: 09-12-98	
18	081240-20-000	EA	FILL - WATER - LOCKABLE - BRIGHT WHITE	
			FROM: 09-13-98 THRU: 99-99-99	
19	126944-02-J22	EA	DOOR/STORAGE - W/O HARDWARE - 43.5" X 11.7" - QUEEN BED	
	117047-01-000	EA	BUMPER - RUBBER - WASHER INSERT	

# WINDOW, VENT & EXTERIOR DOOR GROUP (CONTINUED)

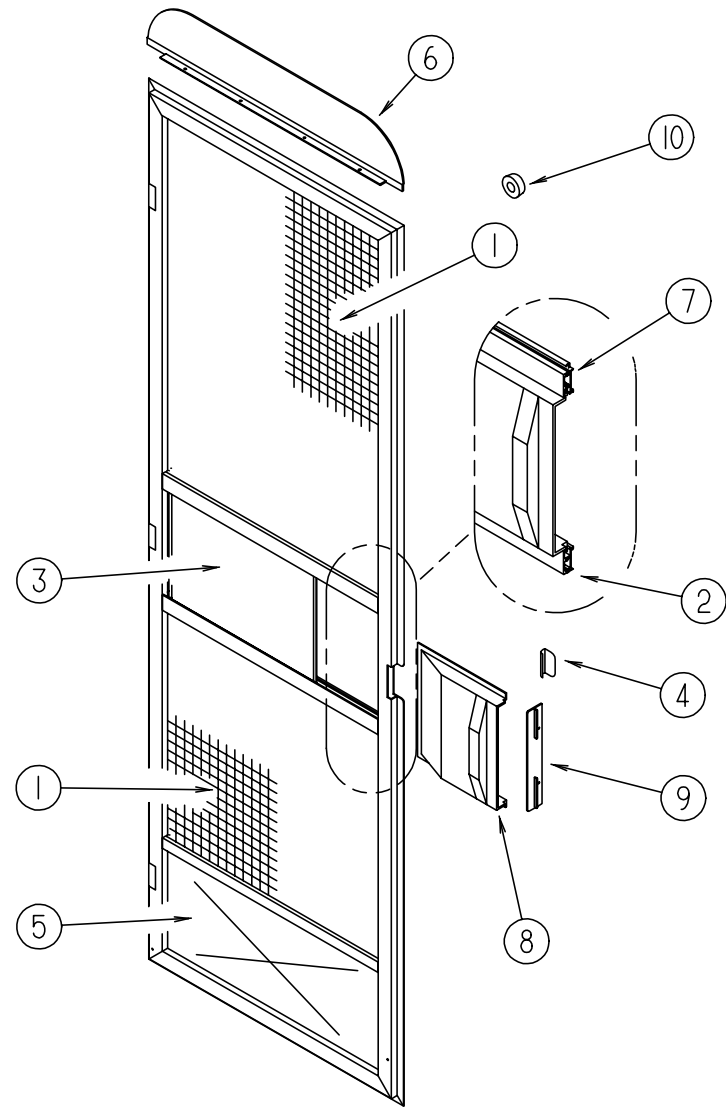
## ENTRANCE DOOR



KEY	PART NUMBER	U/M	DESCRIPTION
1	115108-02-J06	EA	DOOR - ENTRY - W/SCREEN DOOR - W/O WINDOW (K50,K53)
1	115108-02-K18	EA	DOOR - ENTRY - W/SCREEN DOOR - W/O WINDOW (K51)
1	115108-02-H10	EA	DOOR - ENTRY - W/SCREEN DOOR - W/O WINDOW (K52)
	090340-01-000	FT	SEAL - FOAM - CLOSED CELL - 1/4" X 1/2" X 50'
2	121899-01-G04	EA	DOOR - SCREEN - W/O HARDWARE - BRIGHT WHITE
3	041546-07-000	EA	BRACKET - DOOR ANGLE - OFF WHITE
4	044582-44-000	EA	CAP - DRIP - JAMB - BRIGHT WHITE
5	121898-01-01A	EA	JAMB - ENTRY DOOR
6	115222-02-01A	EA	GARNISH - RADIUS - ENTRY DOOR
7	077461-03-000	EA	COVER - STRIKE - ENTRY DOOR - 6.5" X 2.5" - WHITE PLASTIC
8	100412-01-000	EA	CATCH - SCREEN DOOR
9	009126-03-000	EA	HANDLE - ASSIST - BLACK TEXTURED
10	076725-02-000	EA	COVER - HINGE - ENTRY DOOR - 6" X 3.2" - OFF WHITE
11	102248-01-000	EA	SHIM - DOOR
12	104099-01-04A	EA	CATCH - DOOR HOLDER - STRIKE - BRIGHT WHITE
13	104099-02-04A	EA	CATCH - DOOR HOLDER - RETAINER - BRIGHT WHITE
14	038327-01-000	EA	TAPE - ANTI-SLIP - 2" X 60'
15	106719-01-05A	EA	HINGE - ENTRY DOOR - BRIGHT WHITE
15	106719-01-01A	EA	HINGE - ENTRY DOOR - MILL
	116111-02-01A	EA	SCREW - TAPTITE - 1/4-20 X 3/8 PPH - ZINC
	039715-01-000	EA	NUT-SERT - 1/4" DIAMETER - 20 THREADS

KEY	PART NUMBER	U/M	DESCRIPTION	VENDOR NO.
16	051049-01-000	EA	JAMB - BOTTOM - ENTRY DOOR - 25.9" - UNPAINTED	
17	121893-01-01A	EA	FRAME - ENTRY DOOR/BOTTOM - BRIGHT WHITE	
18	121894-03-01A	EA	FRAME - ENTRY DOOR	
	098173-01-04A	EA	STIFFENER - ENTRY DOOR - SUPPORTS LATCH/STRIKE/UNPAINTED	
19	100128-02-000	FT	SEAL - FOAM/ADHESIVE BACK - .37" WIDE X .37" THICK	
20	118929-01-01A	FT	SEAL - PILE - PUSH ON	
21	075671-04-000	FT	SEAL - SPONGE - LAZY T - W/ADHESIVE STRIP - .5" WIDE	
22	104692-01-000	EA	SEAL - FOAM/ADHESIVE BACK - .75"THICK X .75"WIDE X 25'	
23	101145-01-06A	EA	DEADBOLT - ENTRY DOOR W/O SECURITY BOLT W/2 KEYS - BLACK	
	101147-01-000	EA	BOLT - SECURITY - 4.12"	
	095229-01-700	EA	KEY-BLANK, DEADBOLT	81205-03
	101145-01-701	EA	CYLINDER-LOCK ASM., W/KEY	81306-03

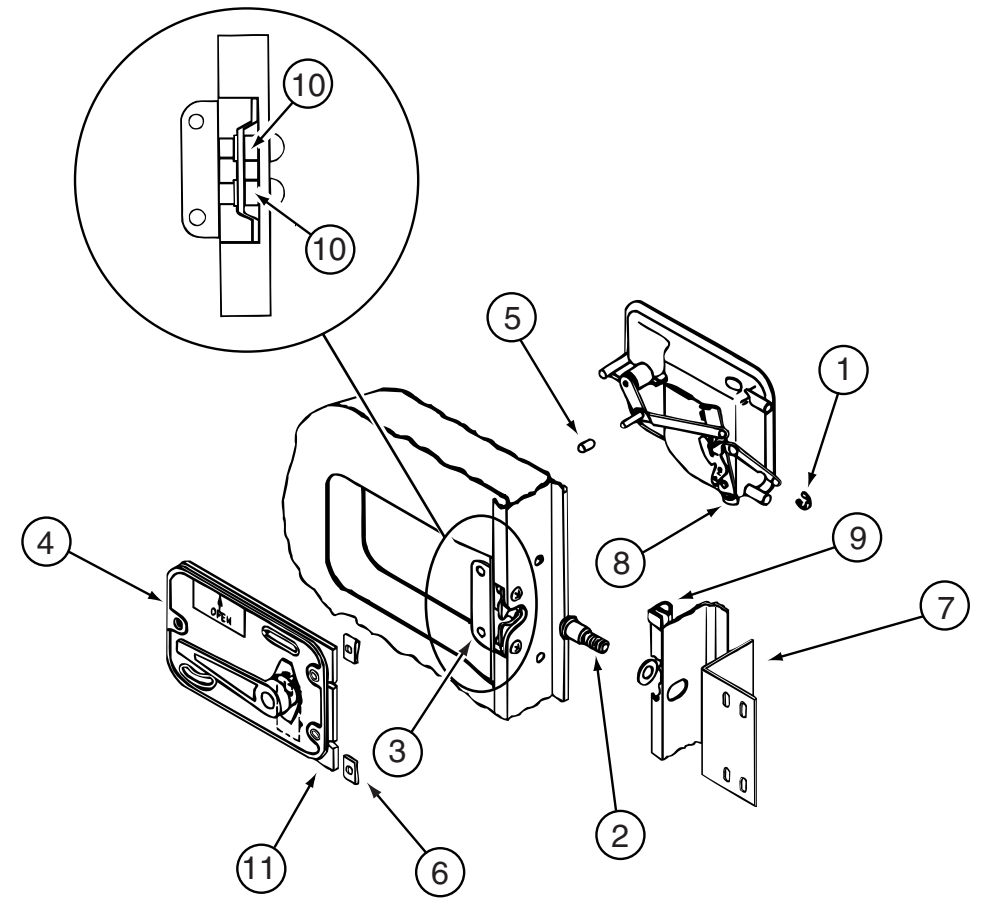
**WINDOW, VENT & EXTERIOR DOOR GROUP (CONTINUED)**



**SCREEN DOOR**

KEY	PART NUMBER	U/M	DESCRIPTION
	121899-01-G04	EA	DOOR - SCREEN - W/O HARDWARE - BRIGHT WHITE
1	002293-02-000	SF	SCREENING - WINDOW/DOOR - 26" - CHARCOAL
2	002294-01-000	FT	SPLINE - SCREENING - .135" X .138"
3	016454-01-000	EA	INSERT - CENTER - LEATHER GRAIN ALUMINUM - UNPAINTED
	001014-01-013	EA	INSERT - CENTER - 10.25" X 16.31" - UNPAINTED
4	050712-06-000	EA	HANDLE - SCREEN DOOR - BRIGHT WHITE
5	078552-03-000	EA	KICK PANEL - SCREEN DOOR - LOWER INSERT - UNPAINTED
6	078595-01-000	EA	TOP PLATE - SCREEN DOOR - CURVED TOP - 4.7" X 25.35"
7	078777-08-000	FT	CHANNEL - SLIDER
8	079086-03-000	EA	SLIDER - SCREEN DOOR - BRIGHT WHITE
9	079087-03-000	EA	STRIKE - SLIDER - SCREEN DOOR - BRIGHT WHITE
10	120863-02-000	EA	BUMPER - RUBBER - 1" DIAMETER X 1.50"
	075673-01-000	FT	SEAL - PILE - ADHESIVE BACK - GRAY
	075673-05-000	FT	SEAL - PILE - ADHESIVE BACK - BLACK

**WINDOW, VENT & EXTERIOR DOOR GROUP (CONTINUED)**

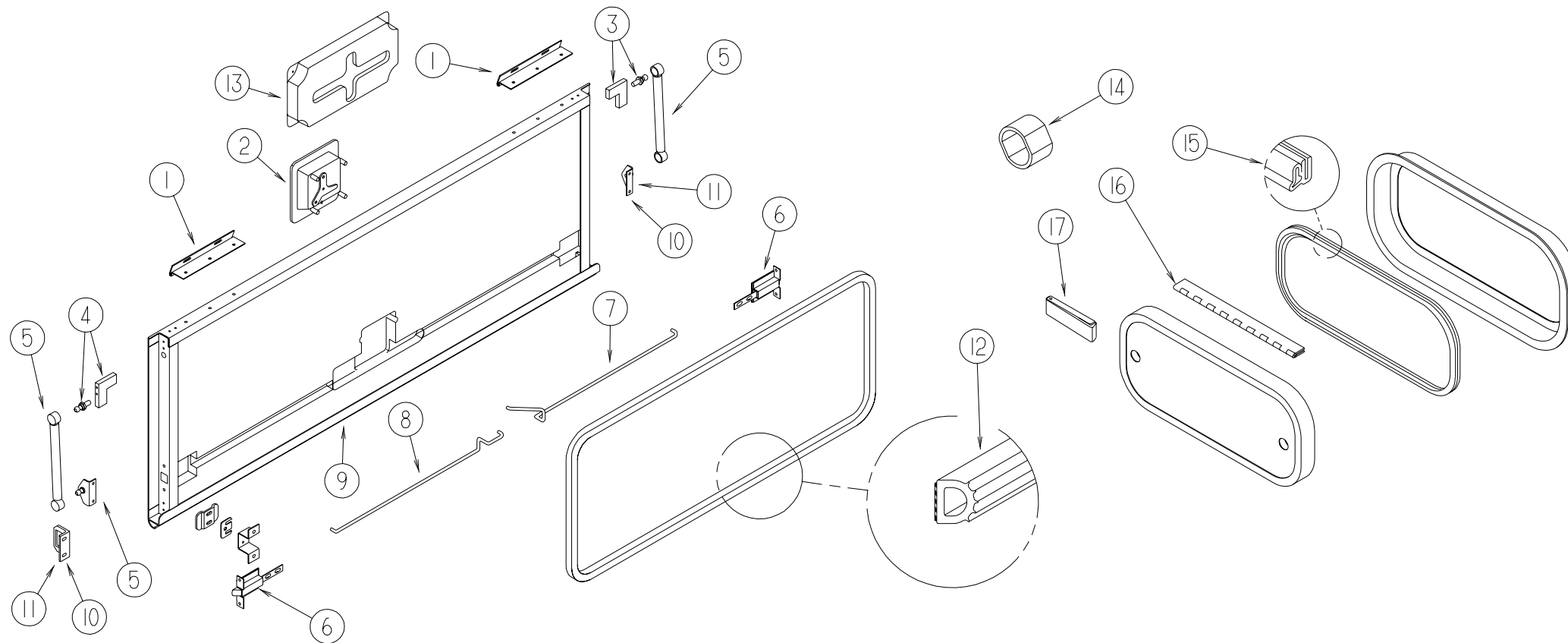


**ENTRY DOOR LOCK INSTALLATION**

KEY	PART NUMBER	U/M	DESCRIPTION	VENDOR NO.
1	036618-02-000	EA	E-RING - EXTERNAL - 3/16" SHAFT DIAMETER - LYNOR DOOR LOCK	
2	039539-01-000	EA	STRIKE - LOCK - ENTRY DOOR - ROUND W/THREADED WASHER	
3	039540-01-000	EA	LATCH MECHANISM - HOOK - ENTRY DOOR - INTERIOR	
4	039979-06-000	EA	COVER - LATCH PLATE - RIGHT HAND - BLACK TEXTURED	
5	039984-01-000	EA	CAP - ROUND - VINYL - .28" ID X .62" - BLACK	
6	040921-01-000	EA	NUT - SPEED - U TYPE - 10-24 BLACK	
7	041546-07-000	EA	BRACKET - DOOR ANGLE - OFF WHITE	
8	045017-13-000	EA	LATCH - ENTRY DOOR - BLACK TEXTURED	
	045017-11-703	EA	CYLINDER-LOCK ASM. W/KEYS	81266-09
	045017-11-701	EA	KEY - BLANK (F1 SERIES) "K-104" - DOOR LOCK (TM 200 - 250)	
	130444-01-01A	EA	CAP - KEY IDENTIFIER - GRAY	
9	064075-07-000	FT	SEAL - BULB - W/WIRED U CHANNEL - .3" X .5" CHANNEL - BLACK	
10	086285-05-000	EA	SPACER - NYLON - .7" X .56"	
11	096810-01-01A	EA	PLATE - LATCH - ENTRY DOOR - BLACK	

# WINDOW, VENT & EXTERIOR DOOR GROUP (CONTINUED)

## EXTERIOR ACCESS DOOR COMPONENTS



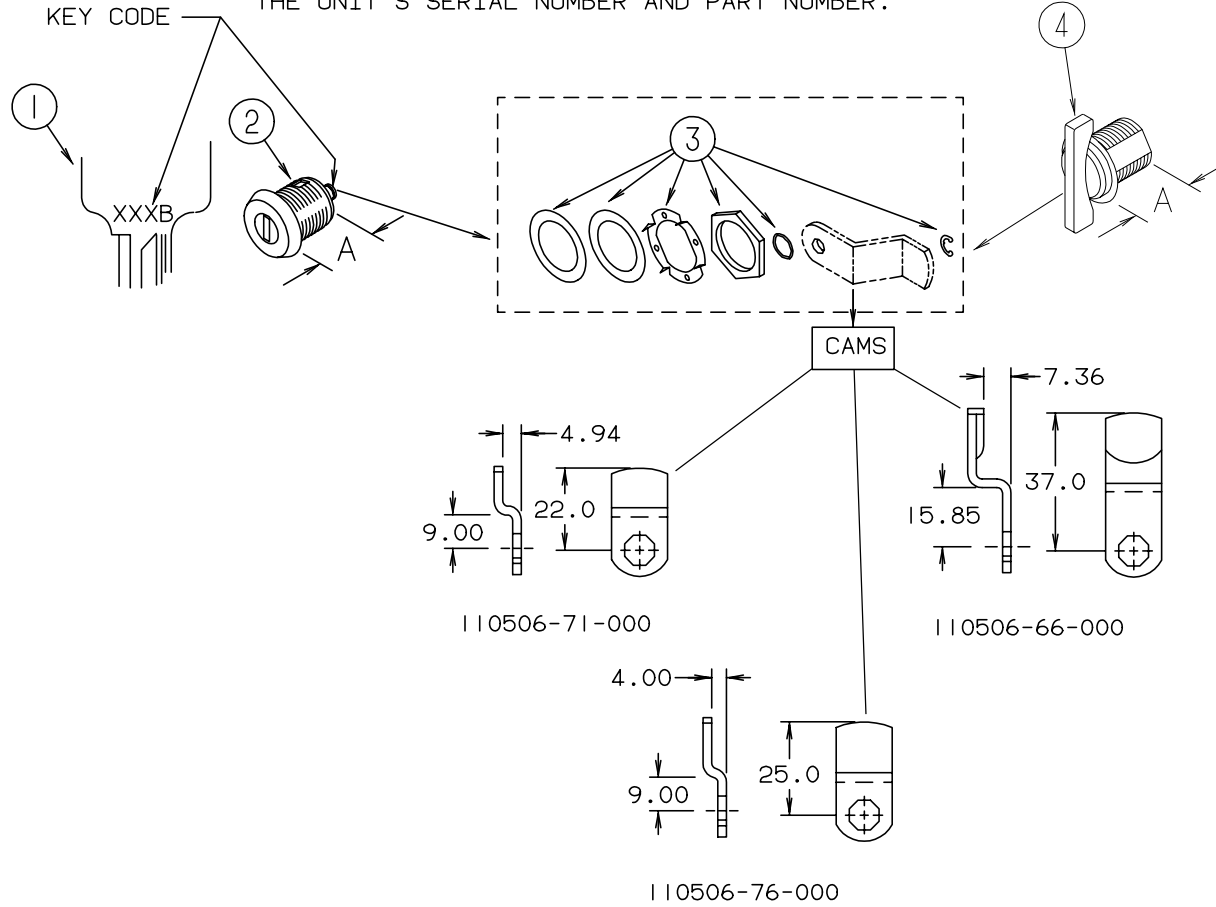
KEY	PART NUMBER	U/M	DESCRIPTION
1	131271-01-04A	EA	HINGE - VALANCE DOOR - BRIGHT WHITE
1	121755-01-04A	EA	HINGE - 6.00 INCH
2	112949-01-03A	EA	LATCH - PADDLE W/LOCK - W/O KEY - BRIGHT WHITE
	112949-03-000	EA	KEY - TRI-MARK #TM500
2	112949-02-04A	EA	LATCH - PADDLE NON-LOCKING - BRIGHT WHITE
3	123892-10-02B	EA	CORNER STABILIZER W/BALL STUD - RIGHT HAND - E-COATED
4	123892-12-02B	EA	CORNER STABILIZER W/BALL STUD - LEFT HAND - E-COATED
5	107796-24-000	EA	SPRING/GAS - 11.3" COMPRESSED/18.5" EXTENDED - 60 LB. FROM: 00-00-00 THRU: 09-20-98
5	107796-20-000	EA	SPRING/GAS - 7" COMPRESSED/10" EXTENDED - 60 LB. FROM: 09-21-98 THRU: 99-99-99
6	121947-01-01A	EA	BOLT - SLIDE W/PLASTIC PLUNGER
7	122269-17-000	EA	ROD - LATCH - 11.57"
7	122269-19-000	EA	ROD - LATCH - 14.22"
7	122269-29-000	EA	ROD - LATCH - 2.08"
7	122269-30-000	EA	ROD - LATCH - 14.03"
7	122269-33-000	EA	ROD - LATCH - 9.24"
7	122269-52-000	EA	ROD - LATCH - 13.54"
7	122269-53-000	EA	ROD - LATCH - 24.98"
8	122268-17-000	EA	ROD - LATCH - 11.57"
8	122268-19-000	EA	ROD - LATCH - 14.22"
8	122268-29-000	EA	ROD - LATCH - 2.08"
8	122268-30-000	EA	ROD - LATCH - 14.03"
8	122268-33-000	EA	ROD - LATCH - 9.24"
8	122268-52-000	EA	ROD - LATCH - 13.54"
8	122268-53-000	EA	ROD - LATCH - 24.98"

KEY	PART NUMBER	U/M	DESCRIPTION
9	122613-55-001	EA	ROCKER PANEL/EXTRUSION - 192" - BRIGHT WHITE
10	123783-01-01A	EA	STRIKER - DOOR - MILL FROM: 00-00-00 THRU: 01-31-99
11	130053-01-01A	EA	STRIKER - LUGGAGE DOOR FROM: 02-01-99 THRU: 99-99-99
12	107721-07-000	FT	SEAL - ACCESS DOOR
13	122277-02-01A	EA	COVER - LATCH - BLACK
14	107997-51-001	EA	SPACER - DOOR LOCK - .6" DEEP
14	107997-51-002	EA	EXTRUDED - SPACER - 16"
15	106850-02-000	FT	SEAL-E - SPONGE RUBBER - .43" X .75"
16	081801-V3-000	EA	HINGE - ALUMINUM - 2" X 96" - BRIGHT WHITE
17	102768-01-000	EA	HOLDER - COMPARTMENT/ENTRY DOOR - METAL - MILL FINISH
	076767-01-000	EA	CABLE - STEEL - 12"
	099069-01-000	FT	SEAL - RUBBER - CLOSED SPONGE - .5" WIDE X .12" THICK -BLK
	123512-01-02B	EA	BRACKET - VALANCE DOOR - E-COATED
	116424-01-000	EA	PROTECTOR - LATCH - WATER HEATER
	119143-02-02A	EA	SPACER/CENTER HINGE - COMPARTMENT DOOR - BRIGHT WHITE - 2"
	120863-02-000	EA	BUMPER - RUBBER - 1" DIAMETER X 1.50"
	120863-05-000	EA	BUMPER - RUBBER - 3/4" X 3/8"
	122614-55-001	EA	H-CHANNEL/EXTRUSION - 192" - BRIGHT WHITE
	122612-55-001	EA	U-CHANNEL/EXTRUSION - 192" - BRIGHT WHITE
	126694-55-001	EA	EXTRUSION - U-CHANNEL/HINGED - 191.7" - BRIGHT WHITE
	126516-01-01A	FT	TRIM - VINYL/EXTRUDED - 96"
	128298-01-12B	EA	CATCH - F/LOCK - COMPARTMENT DOORS

# WINDOW, VENT & EXTERIOR DOOR GROUP (CONTINUED)

## BRIGGS & STRATTON LOCKS & COMPONENTS

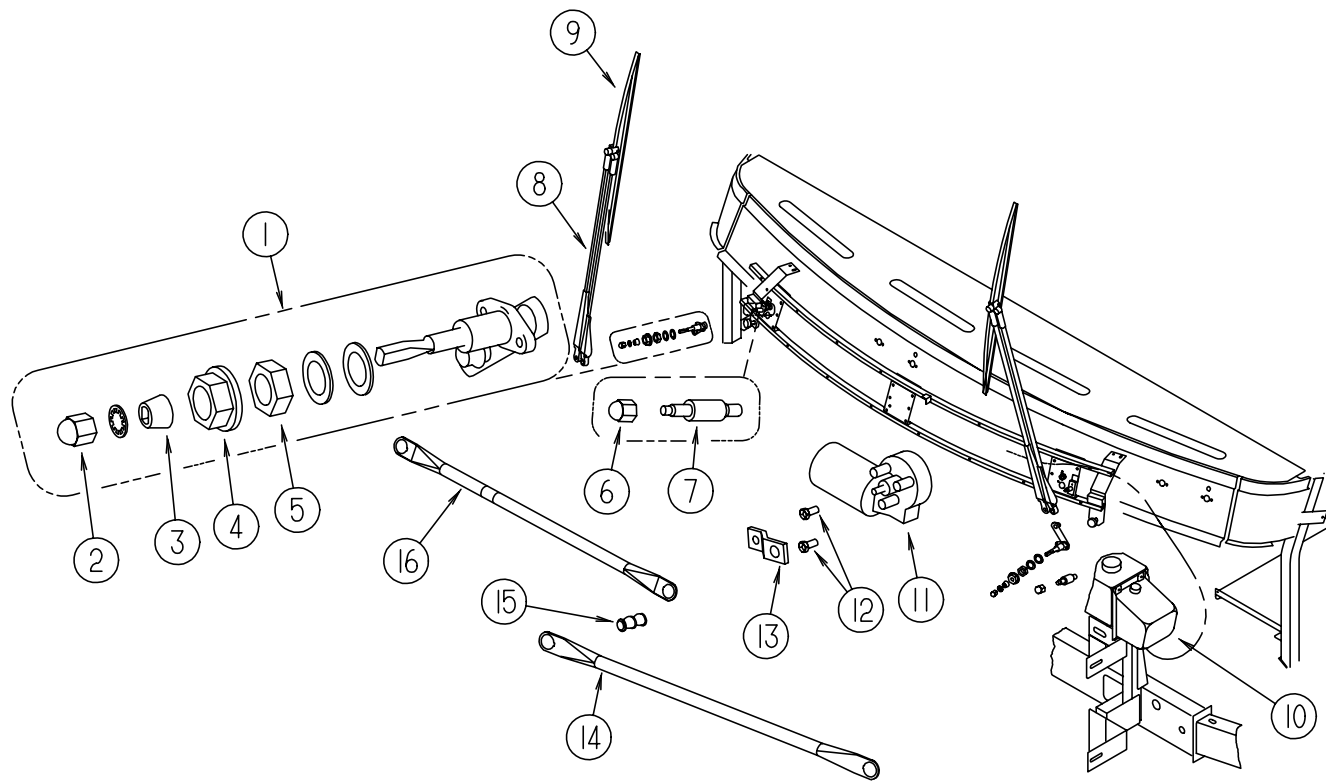
NOTE:  
 WHEN ORDERING THE LOCK CASE, THE KEY CODE MUST MATCH THE LAST DIGIT OF THE UNIT'S SERIAL NUMBER AND PART NUMBER; WHEN ORDERING THE KEYS, THE THIRD DIGIT OF THE KEY CODE MUST MATCH THE LAST DIGIT OF THE UNIT'S SERIAL NUMBER AND PART NUMBER.



KEY	PART NUMBER	U/M	DESCRIPTION	VENDOR NO.
1	110506-59-000	EA	KEYS - SET OF TWO	596720
2	110506-52-000	EA	CASE/CYLINDER - LOCKING W/O CAM - .65"	702370
2	110506-54-000	EA	CASE/CYLINDER - LOCKING W/O CAM OR KEY - 1 1/4"	703170
1	110506-59-001	EA	KEYS - SET OF TWO	596721
2	110506-52-001	EA	CASE/CYLINDER - LOCKING W/O CAM - .65"	702371
2	110506-54-001	EA	CASE/CYLINDER - LOCKING W/O CAM OR KEY - 1 1/4"	703171
1	110506-59-002	EA	KEYS - SET OF TWO	596722
2	110506-52-002	EA	CASE/CYLINDER - LOCKING W/O CAM - .65"	702372
2	110506-54-002	EA	CASE/CYLINDER - LOCKING W/O CAM OR KEY - 1 1/4"	703172
1	110506-59-003	EA	KEYS - SET OF TWO	596723
2	110506-52-003	EA	CASE/CYLINDER - LOCKING W/O CAM - .65"	702373
2	110506-54-003	EA	CASE/CYLINDER - LOCKING W/O CAM OR KEY - 1 1/4"	703173
1	110506-59-004	EA	KEYS - SET OF TWO	596724
2	110506-52-004	EA	CASE/CYLINDER - LOCKING W/O CAM - .65"	702374
2	110506-54-004	EA	CASE/CYLINDER - LOCKING W/O CAM OR KEY - 1 1/4"	703174
1	110506-59-005	EA	KEYS - SET OF TWO	596725
2	110506-52-005	EA	CASE/CYLINDER - LOCKING W/O CAM - .65"	702375
2	110506-54-005	EA	CASE/CYLINDER - LOCKING W/O CAM OR KEY - 1 1/4"	703175
1	110506-59-006	EA	KEYS - SET OF TWO	596726
2	110506-52-006	EA	CASE/CYLINDER - LOCKING W/O CAM - .65"	702376
2	110506-54-006	EA	CASE/CYLINDER - LOCKING W/O CAM OR KEY - 1 1/4"	703176
1	110506-59-007	EA	KEYS - SET OF TWO	596727
2	110506-52-007	EA	CASE/CYLINDER - LOCKING W/O CAM - .65"	702377
2	110506-54-007	EA	CASE/CYLINDER - LOCKING W/O CAM OR KEY - 1 1/4"	703177
1	110506-59-008	EA	KEYS - SET OF TWO	596728
2	110506-52-008	EA	CASE/CYLINDER - LOCKING W/O CAM - .65"	702378
2	110506-54-008	EA	CASE/CYLINDER - LOCKING W/O CAM OR KEY - 1 1/4"	703178
1	110506-59-009	EA	KEYS - SET OF TWO	596729
2	110506-52-009	EA	CASE/CYLINDER - LOCKING W/O CAM - .65"	702379
2	110506-54-009	EA	CASE/CYLINDER - LOCKING W/O CAM OR KEY - 1 1/4"	703179
3	110506-40-700	EA	HARDWARE PACKAGE-CYLINDER/CASE	596950AAL
	110506-59-701	EA	KEY BLANK (GOLD)	596728
4	110506-55-000	EA	CASE/CYLINDER - TWIST LOCK - W/O CAM - 1.25"	597312AA1

# WINDSHIELD & WIPER GROUP

## WIPER & WASHER COMPONENTS



KEY	PART NUMBER	U/M DESCRIPTION	VENDOR NO.
1	096505-09-000	EA SHAFT/PIVOT - WINDSHIELD WIPER	
2	096505-02-703	EA CAP-NUT(ACORN) HD W/.687 BRL	51065-40-NT27WC
3	096505-02-700	EA DRIVER-KNURLED,(HD) BRL .687	NT721017
4	096505-02-702	EA CAP-RUBBER (HD) BARREL .687	CP721084
5	096505-02-701	EA NUT-HEX (HD) W/.687 BARREL	NT721021
6	077049-02-000	EA NUT - ACORN - 10-32 BLACK/ANODIZED	
7	117768-01-000	EA SHAFT - ADAPTER - PANTOGRAPH ARM	
8	117769-01-000	EA ARM - WIPER - PANTOGRAPH - 28"	
	096931-01-700	FT HOSE-WIPER	XTU-66-0001
	096931-01-701	EA NOZZLE-HARDWARE KIT	
9	095964-01-000	EA BLADE - WINDSHIELD WIPER - 24"	
	095964-01-700	EA BLADE-REFILL 24" EA= 1 PAIR	12360
10	117766-02-000	EA RESERVOIR/PUMP - WINDSHIELD WASHER	
	045794-01-000	FT HOSE - WASHER - WINDSHIELD - 5/32" ID - BLACK	
	110605-01-000	EA TEE - PLASTIC - BARBED - 1/8" X 1/8" X 3/16"	
	117765-03-000	EA CONNECTOR - 5/32" - WINDSHIELD WASHER	
11	104346-05-000	EA WIPER MOTOR - W/INTERNAL BREAKER - DYNAMIC PARK - FORD	
	125829-03-02B	EA BRACKET ASM-WIPER MOTOR,E-CT	
11	104346-04-000	EA WIPER MOTOR - "COAST TO PARK" W/BKR - W/GRN/RED/WHITE WIRE - CHEVY	
12	117322-01-000	EA SCREW - 1/4-28 UNFINISHED - 2A - TORX	
13	104347-04-000	EA ARM - DRIVE - WIPER MOTOR	
14	117770-01-000	EA LINK - CONNECTING - 24" - CLOSED GROMMET/OPEN GROMMET	
15	067188-01-000	EA STUD - CRANK - WIPER MOTOR	
16	117770-02-000	EA LINK - CONNECTING - 24" - CLOSED GROMMET/CLOSED GROMMET	
	061603-01-000	EA GROMMET - SNAP - 3/16"ID - 3/8" HOLE - PLASTIC BLACK	
	110742-02-000	EA GASKET-WIPER INDUSTRIAL PROD.	

# WINDSHIELD & WIPER GROUP (CONTINUED)

## WINDSHIELD MOLDINGS & GLASS

KEY	PART NUMBER	U/M DESCRIPTION
1	099418-01-000	FT SEAL - D-SECTION/ADHESIVE BACK - .44" X .44"- BLK RUBBER
2	081914-01-000	EA BUMPER - RUBBER - ROUND - .43" DIAMETER
3	124329-01-000	EA WINDSHIELD - PASSENGER - 51.5" X 44.3" (CURVED)
4	124329-02-000	EA WINDSHIELD - DRIVER - 51.5" X 44.3" (CURVED)
5	002328-02-000	EA BLOCK - WINDSHIELD - .062" X .5" X .98"
6	127862-01-000	EA CARRIER - REVEAL - WINDSHIELD - 47.2"
7	125384-04-02A	EA TRIM - WINDSHIELD - A-PILLAR - DRIVER - BLACK
8	120533-01-000	FT MOLDING - REVEAL - WINDSHIELD
9	125384-03-02A	EA TRIM - WINDSHIELD - A-PILLAR - PASSENGER - BLACK
10	117335-01-000	EA CARRIER/REVEAL - 94.6" W/ADHESIVE BACKING

