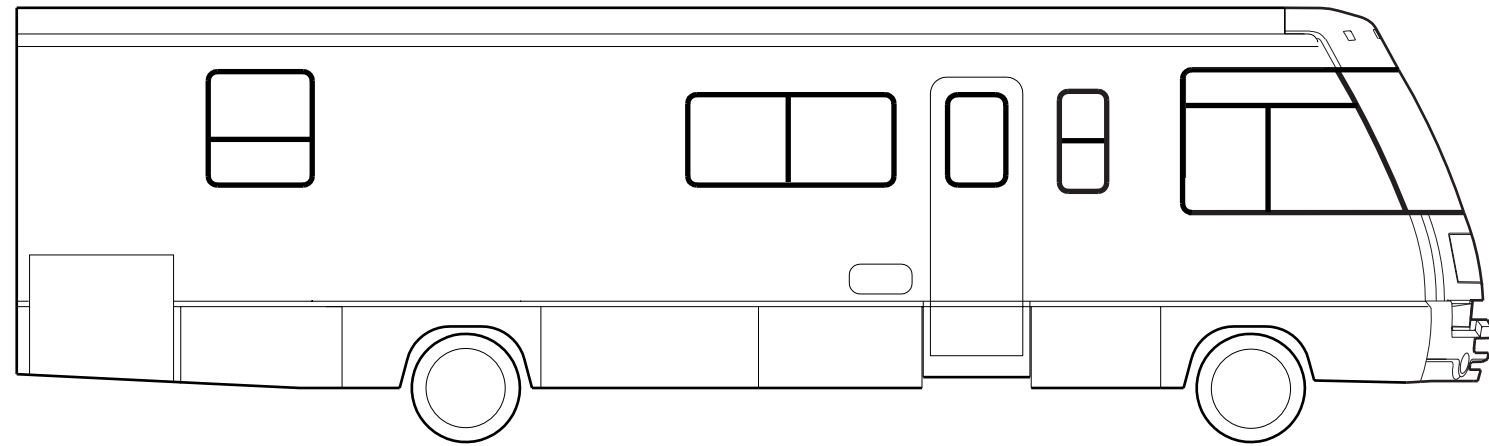


1999
ICF31B



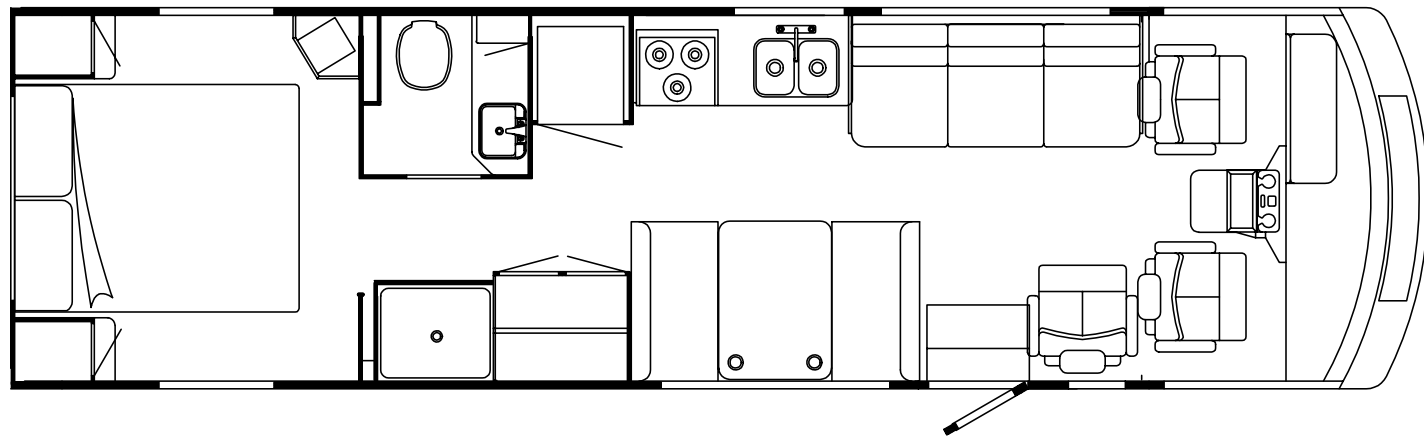
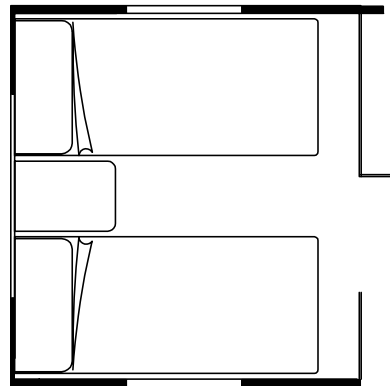
K46
SANDPIPER (SAND)

K47

HORIZON (BLUE)

K48

RIVERWALK (TAUPE)



**ACCESSORIES GROUP
OPERATOR MANUAL**

KEY	PART NUMBER	U/M DESCRIPTION
	054185-K4-000	EA MANUAL-OPERATOR 99 SUNRISE
	129079-01-01A	EA CASE - VINYL/BLACK-EXPANDABLE ACCORDION SIDES-7"WX9"HX14"L
	128992-01-000	DW TOP LEVEL-F, 1999

**AUDIO VIDEO GROUP
PATIO ENTERTAINMENT CENTER**

KEY	PART NUMBER	U/M DESCRIPTION
	076319-09-000	EA WALLPLATE - CABLE RECEPTACLE - TV - SINGLE - BROWN
	109889-04-000	EA EXTENDER - ANTENNA SHAFT - 3"
	110469-01-000	EA SPEAKER - 4" X 6" OVAL - COAXIAL
	110470-01-01A	EA GRILLE - 4" X 6" OVAL - BLACK
	125322-02-000	EA RADIO - AM/FM STEREO - CASSETTE - AUDIOVOX

RADIO SYSTEM & ANTENNA

KEY	PART NUMBER	U/M DESCRIPTION	VENDOR NO.
	127516-03-000	EA RADIO - AM/FM STEREO - CD PLAYER - PANASONIC	
	127516-03-700	EA FACE - REMOVABLE	YEP0FX3300
	110267-04-000	EA RADIO - AM/FM STEREO/CD COMPATIBLE - AUDIOVOX	
	077069-02-000	EA CABLE - ANTENNA/EXTENSION - RADIO - 96"	
	090944-01-000	EA ANTENNA - RADIO - 16" RUBBER	
	115916-01-01B	EA BRACKET - ANTENNA MOUNT	
	110469-01-000	EA SPEAKER - 4" X 6" OVAL - COAXIAL	
	110470-01-01A	EA GRILLE - 4" X 6" OVAL - BLACK	
	N/A	EA SPEAKER - 5" X 7" OVAL	
	111177-01-01A	EA GRILLE - SPEAKER - 6.6" X 8.9" - HOUSING 5" X 7" SPEAKER	

TV, VCR & COMPONENTS

KEY	PART NUMBER	U/M DESCRIPTION	VENDOR NO.
	126696-02-000	EA TV - 19" COLOR W/1/8" JACK - UL/CSA - GE19GT319M	FROM: 00-00-00 THRU: 06-09-99 226725/228006
	126696-01-700	EA REMOTE	
	126696-03-000	EA TV - 19" - 7/8" JACK - UL/CSA	FROM: 06-10-99 THRU: 99-99-99
	126697-02-000	EA VCR-VHS - CABLE READY - W/REMOTE - GE VG2042	FROM: 00-00-00 THRU: 04-04-99
	126697-02-700	EA REMOTE	238513
	126697-03-000	EA VCR-VHS - CABLE READY - REMOTE - GE V62051	FROM: 04-05-99 THRU: 99-99-99
	086757-03-000	EA CONTROL CENTER - SWITCH - VCR/TV	FROM: 00-00-00 THRU: 11-08-98
	086757-04-000	EA CONTROL CENTER - SWITCH - VCR/TV - 5 INPUTS	FROM: 11-09-98 THRU: 99-99-99
	086777-06-000	EA WALLPLATE - TV CABLE - ANTENNA BOOSTER/1 OUTPUT - BROWN	
	093901-03-000	EA PLATE - TV COAX - EXTERIOR - 1.8" X 2.5"	
	093214-01-02A	EA GRILLE - SPEAKER - 4" BROWN	
	098819-01-000	EA SPEAKER - 4" - 2 WATT - 8 OHM	
	076319-08-000	EA WALLPLATE - CABLE RECEPTACLE - TV - SINGLE - IVORY	
	086777-02-000	EA WALLPLATE - TV CABLE - W/ANTENNA SWITCH - BROWN	
	093901-03-000	EA PLATE - TV COAX - EXTERIOR - 1.8" X 2.5"	
	076319-03-000	FT CABLE - COAXIAL - 75 OHM	
	076319-12-000	EA CONNECTOR - COAXIAL - ONE PIECE	
	082134-01-000	EA ADAPTER - TV - CABLE TO CABLE	
	086756-01-000	EA SPLITTER - TV - 2 WAY	
	082136-01-000	EA NUT - HEX JAM - 3/8-32	

REAR MONITOR SYSTEM

KEY	PART NUMBER	U/M DESCRIPTION
	126838-01-000	EA MONITOR/CAMERA - REAR VIEW 7"
	126838-01-700	EA MONITOR - 7" VIDEOMAN
	126838-01-701	EA CAMERA VIDEOMAN
	126838-03-000	EA CABLE - MONITOR/CAMERA
	108885-02-000	EA WIRE - REAR MONITOR(W/3 PIN HOUSING F/FUSE BLOCK) CHEVY

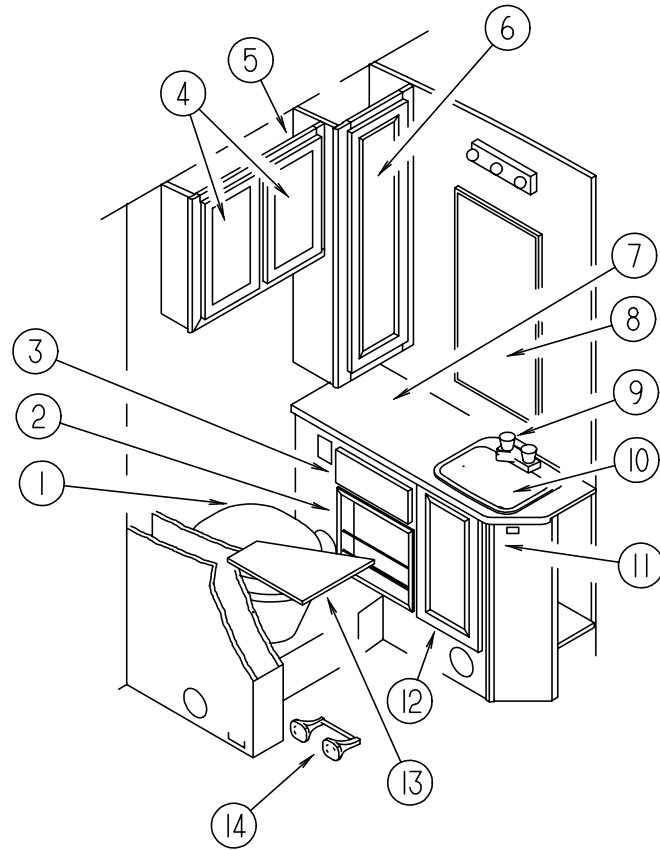
WINEGARD TV ANTENNA

KEY	PART NUMBER	U/M DESCRIPTION
*	076319-23-000	EA ANTENNA - TV ROOF MOUNT - 44.5" MAST
*	076319-25-000	EA KIT - HARDWARE INTERIOR

***COMPONENT PARTS FOUND IN SERVICE PARTS LIBRARY**

BATH GROUP

BATHROOM CABINET & COMPONENTS



KEY	PART NUMBER	U/M DESCRIPTION	VENDOR NO.
1*	067487-01-000	EA TOILET - 12.37" - IVORY - HAND FLUSH	
2	097208-07-J22	EA MAGAZINE RACK	
			FROM: 00-00-00 THRU: 12-13-98
2	131096-02-K16	EA WALL POCKET - MAGAZINE RACK	
			FROM: 12-14-98 THRU: 99-99-99
3	M05971-EB-J15	EA DRAWER - OGEE EDGE - 12.4"W X 11.8"D - W/O SLIDES/HARDWARE	
			FROM: 00-00-00 THRU: 04-08-99
3	M09316-47-L15	EA DRAWER - OGEE EDGE - 12.4"W X 11.8"D - W/O SLIDES/HARDWARE	
			FROM: 04-09-99 THRU: 99-99-99
4	M06803-87-K16	EA DOOR - MITERED CORNER/OGEE EDGE - 11.2" X 19.7" - W/O HDW	
5	111178-01-G09	EA CABINET - LINEN - W/O DOORS/HARDWARE	
	111178-11-G09	EA SHELF - W/PLASTIC EDGE TRIM	
	111178-12-G09	EA SHELF - W/PLASTIC EDGE TRIM	
	076767-04-000	EA CABLE - SUPPORT - 5.9" STAINLESS STEEL	
6	M09332-26-K16	EA DOOR - RAISED MEMBRANE/OGEE EDGE - 11.2" X 36.4" - W/O HDW	
7	125777-12-J46	EA COUNTERTOP - LAVATORY (K46)	
7	125777-12-J15	EA COUNTERTOP - LAVATORY (K47)	
7	125777-12-J20	EA COUNTERTOP - LAVATORY (K48)	
8	058331-51-000	EA MIRROR - SAFETY GLASS - 25.9" X 40"	
8	105004-01-05A	EA MOLDING - VINYL WRAPPED - 1" X 96" - WATERFORD OAK	
9	075240-06-000	EA FAUCET - LAVATORY/BONE	
	091253-01-000	EA GASKET - FAUCET - LAVATORY/GALLEY	
10	096927-01-01A	EA SINK - LAVATORY - RECTANGULAR - PLASTIC/BONE	
	096927-01-700	EA SINK STOPPER	M9801
	096927-01-701	EA TAILPIECE-DRAIN-LAVATORY	M9802
11	125777-01-J46	EA CABINET - LAVATORY - W/COUNTERTOP - W/O DOORS/DRAWERS/HDW (K46)	
11	125777-01-J15	EA CABINET - LAVATORY - W/COUNTERTOP - W/O DOORS/DRAWERS/HDW (K47)	
11	125777-01-J20	EA CABINET - LAVATORY - W/COUNTERTOP - W/O DOORS/DRAWERS/HDW (K48)	
12	M05992-AE-K16	EA DOOR - STRAIGHT CORNER/OGEE EDGE - 11.2" X 19.7" - W/O HDW	
13	101859-03-J46	EA SHELF - W/PLASTIC EDGE MOLDING (K46)	
13	101859-03-K17	EA SHELF - W/PLASTIC EDGE MOLDING (K47)	
13	101859-03-J20	EA SHELF - W/PLASTIC EDGE MOLDING (K48)	
14	075452-02-000	EA HOLDER - TOILET TISSUE - BRASS	
	058331-52-000	EA MIRROR - SAFETY GLASS - 10.9" X 37.9"	
	105004-01-05A	EA MOLDING - VINYL WRAPPED - 1" X 96" - WATERFORD OAK	
	075453-02-000	EA BAR - TOWEL - 18" BRASS	

***COMPONENT PARTS FOUND IN SERVICE PARTS LIBRARY**

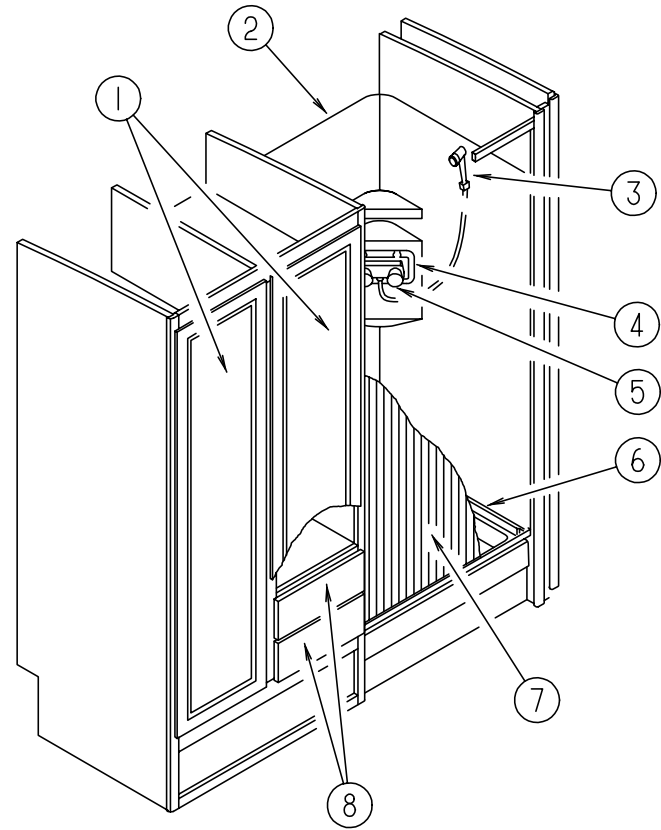
BATH DOOR

KEY	PART NUMBER	U/M DESCRIPTION	VENDOR NO.
	128967-51-J01	EA RACK - TOWEL/BATH DOOR	
	128967-52-J01	EA MOLDING - VINYL WRAPPED	
	128967-53-J01	EA MOLDING - VINYL WRAPPED	
	100357-01-000	EA ROD - F/TOWEL BAR - BRASS	
	128967-10-K16	EA DOOR - BATH - W/O HARDWARE	
	111155-01-01A	EA LOCK - PRIVACY - POLISHED BRASS	
			FROM: 00-00-00 THRU: 01-03-99
	111155-03-01A	EA LOCK - PRIVACY/LOCKING - POLISHED BRASS	
			FROM: 01-04-99 THRU: 99-99-99
	102920-01-01A	EA HINGE/SPRING LOADED - BRASS	
	110496-01-01A	EA HINGE - BRASS	

SLIDING PRIVACY DOOR

KEY	PART NUMBER	U/M DESCRIPTION
	104013-02-G09	EA DOOR - SLIDING - W/O HARDWARE
	103874-01-000	EA HANGER - SLIDING DOOR
	103868-02-01A	EA TRACK-SLIDING DOOR 48.6"

BATH GROUP (CONTINUED)



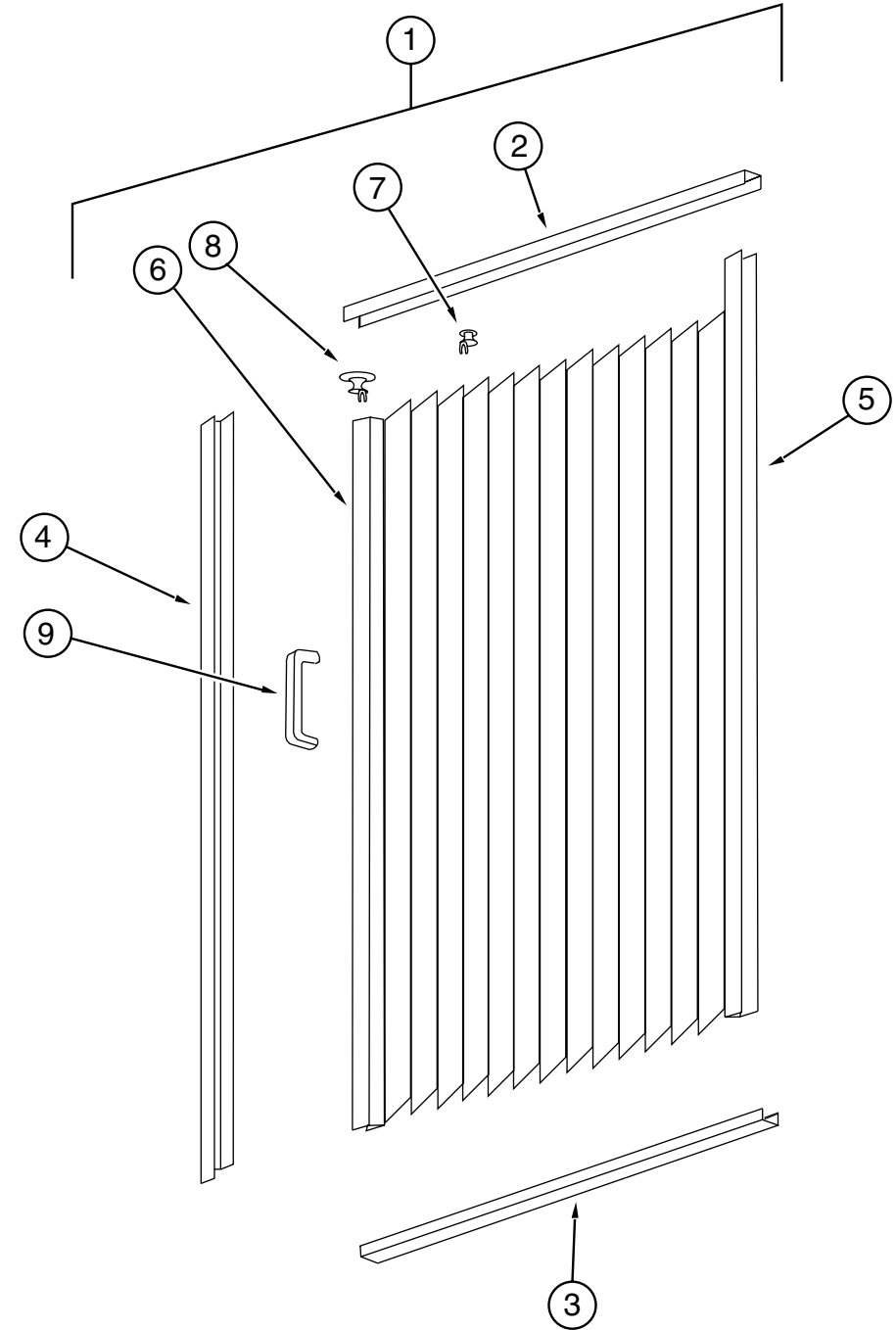
WARDROBE & SHOWER COMPONENTS

KEY	PART NUMBER	U/M	DESCRIPTION
1	M06803-11-J01	EA	DOOR - MIRROR/MTRD CRNR/OGEE EDGE - 16.1" X 65.3"-W//O HDW
2	121583-01-01A	EA	SURROUND - SHOWER
	113714-04-01A	EA	RETAINER - SHELF - SHOWER
	113714-02-01A	EA	RETAINER - SHELF
			FROM: 00-00-00 THRU: 08-13-98
			FROM: 08-14-98 THRU: 99-99-99
3	131383-01-01A	EA	SHOWER HEAD - W/HOSE & BRACKET - 60" - IVORY
3	131383-02-01A	EA	SHOWER HEAD - W/HOSE & BRACKET - 60" - CSA- IVORY
	093527-02-000	EA	BRACKET - EXTERIOR SHOWER HEAD/SQUEEGEE
			FROM: 00-00-00 THRU: 10-27-98
	131732-01-12B	EA	BRACKET - SQUEEGEE - BRIGHT WHITE
			FROM: 10-28-98 THRU: 99-99-99
4	075606-01-000	EA	PANEL - PLASTIC - FAUCET BACK - 5" X 9"
5	075241-05-000	EA	FAUCET/SHOWER - BONE 3/4" MPT X 1.4" LONG INLET PIPES
6	M02429-07-000	EA	PAN - SHOWER W/STRAINER
7	117431-04-01A	EA	DOOR - SHOWER - PLEATED FABRIC
8	P11023-03-G09	EA	DRAWER - 14.1"W X 21.6"D - W/O SLIDES/HARDWARE

SHOWER SKYLIGHT

KEY	PART NUMBER	U/M	DESCRIPTION
	122192-01-02A	EA	PANEL - SKYLIGHT - OUTER - 16.4" X 27.8"
	122193-01-02A	EA	PANEL - SKYLIGHT - INNER

BATH GROUP (CONTINUED)

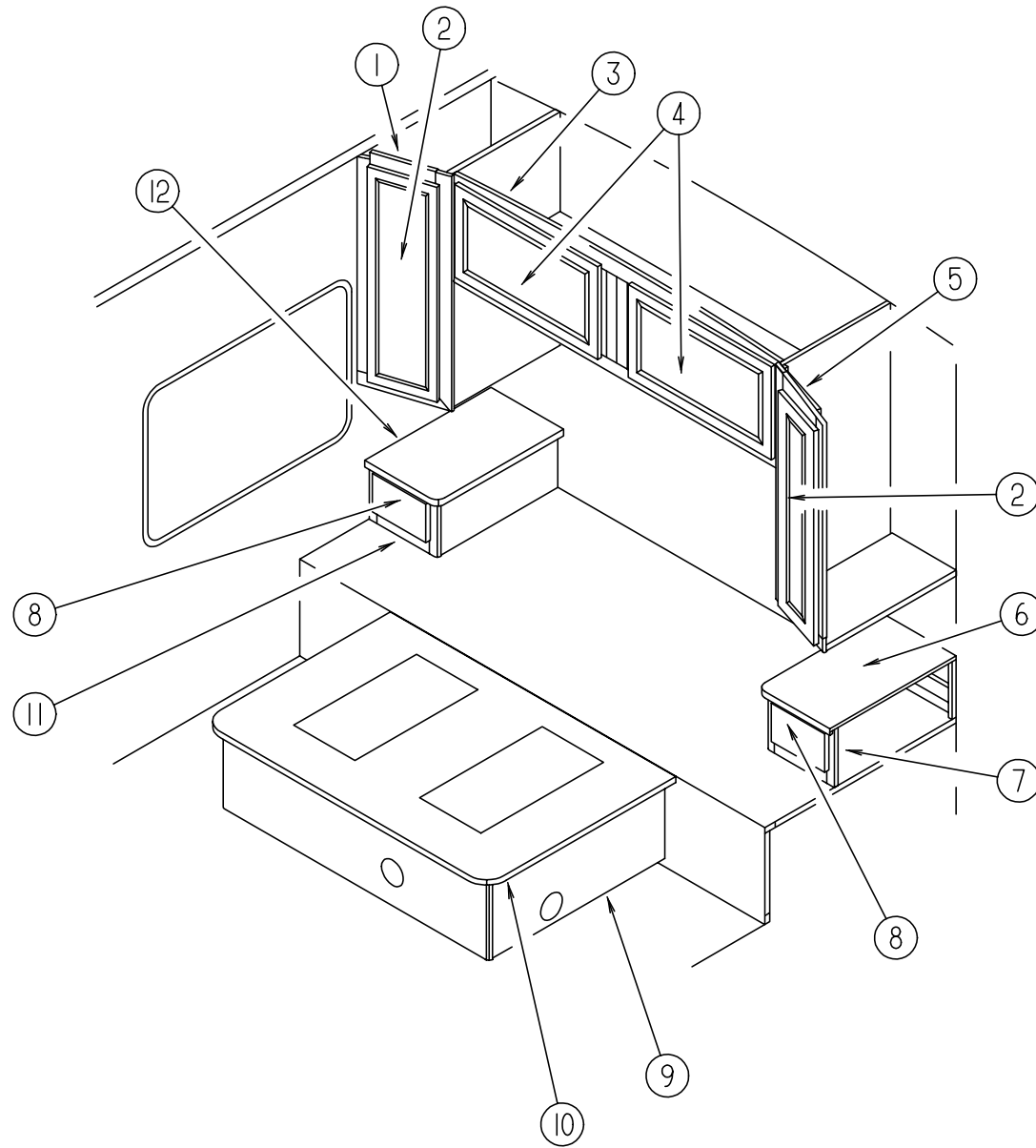


SHOWER DOOR COMPONENTS

KEY	PART NUMBER	U/M	DESCRIPTION
1	117431-04-01A	EA	DOOR - SHOWER - PLEATED FABRIC
2	117431-01-700	EA	TRACK-TOP, ALUM.IVORY INSERT 48"
3	117431-01-701	EA	TRACK-BOTTOM, 48 "
4	117431-01-702	EA	RAIL-SIDE, 67"
5	117431-01-703	EA	RAIL-STATIONARY, 67"
6	117431-01-704	EA	RAIL-LEAD, 67" - W/LATCH
7	117431-01-705	EA	GLIDE-IVORY, TRAVELER
8	117431-01-706	EA	GLIDE-IVORY LEAD, TRAVELER
9	117431-01-708	EA	HANDLE - W/SCREWS
	117431-01-707	EA	CATCH - BATH DOOR
	117431-04-700	EA	STRAP-VINYL SHOWER

BEDROOM GROUP

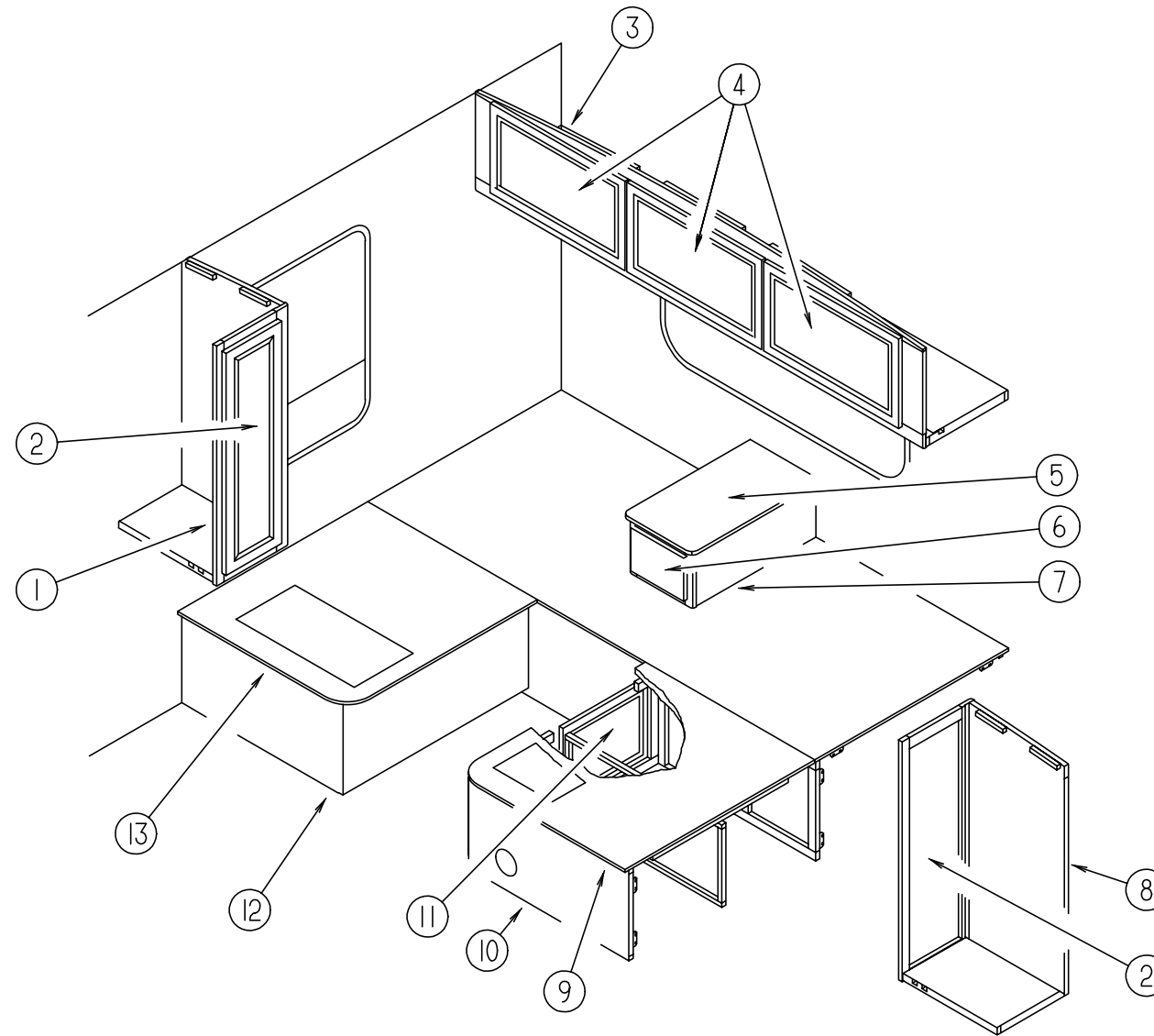
QUEEN BEDROOM CABINTRY



KEY	PART NUMBER	U/M	DESCRIPTION
1	126003-01-J20	EA	CABINET - SHIRT CLOSET/RIGHT HAND - W/O DOORS/HARDWARE
	009112-01-000	EA	FLANGE - PLASTIC - 1" CLOTHES ROD - OFF WHITE
	042438-01-000	EA	DOWEL - WOOD - CLOTHES ROD - 1" DIAMETER X 4'
2	M09332-24-K16	EA	DOOR - RAISED MEMBRANE/OGEE EDGE - 14.3" X 36.4" - W/O HDW
3	106523-01-G09	EA	CABINET - OVERHEAD/REAR - W/O DOORS/HARDWARE
4	M09332-05-K01	EA	DOOR - RAISED MEMBRANE/OGEE EDGE - 15.7" X 27.9" - W/O HDW
5	126003-02-J20	EA	CABINET - SHIRT CLOSET/LEFT HAND - W/O DOORS/HARDWARE
	009112-01-000	EA	FLANGE - PLASTIC - 1" CLOTHES ROD - OFF WHITE
	042438-01-000	EA	DOWEL - WOOD - CLOTHES ROD - 1" DIAMETER X 4'
6	125904-12-J46	EA	COUNTERTOP - NIGHTSTAND (K46)
6	125904-12-K17	EA	COUNTERTOP - NIGHTSTAND (K47)
6	125904-12-J20	EA	COUNTERTOP - NIGHTSTAND (K48)
7	125904-02-J46	EA	CABINET - NIGHTSTAND/LH-W/COUNTERTOP-W/O DOORS/DWRS/HDW (K46)
7	125904-02-K17	EA	CABINET - NIGHTSTAND/LH-W/COUNTERTOP-W/O DOORS/DWRS/HDW (K47)
7	125904-02-J20	EA	CABINET - NIGHTSTAND/LH-W/COUNTERTOP-W/O DOORS/DWRS/HDW (K48)
8	M05971-L5-J15	EA	DRAWER - OGEE EDGE - 11.5"W X 21.7"D - W/O SLIDES/HARDWARE
9	P21862-02-J20	EA	CABINET - BASE - QUEEN BED - W/O DOORS/DRAWERS/HARDWARE
10	M05706-17-000	EA	TOP - QUEEN BED - W/O HARDWARE
	096764-02-000	FT	SLIPNOT - ANTISLIP - 1" WIDE (100' ROLLS)
11	125904-01-J46	EA	CABINET - NIGHTSTAND/RH-W/COUNTERTOP-W/O DOORS/DWRS/HDW (K46)
11	125904-01-K17	EA	CABINET - NIGHTSTAND/RH-W/COUNTERTOP-W/O DOORS/DWRS/HDW (K47)
11	125904-01-J20	EA	CABINET - NIGHTSTAND/RH-W/COUNTERTOP-W/O DOORS/DWRS/HDW (K48)
12	125904-11-J46	EA	COUNTERTOP - NIGHTSTAND (K46)
12	125904-11-K17	EA	COUNTERTOP - NIGHTSTAND (K47)
12	125904-11-J20	EA	COUNTERTOP - NIGHTSTAND (K48)

BEDROOM GROUP (CONTINUED)

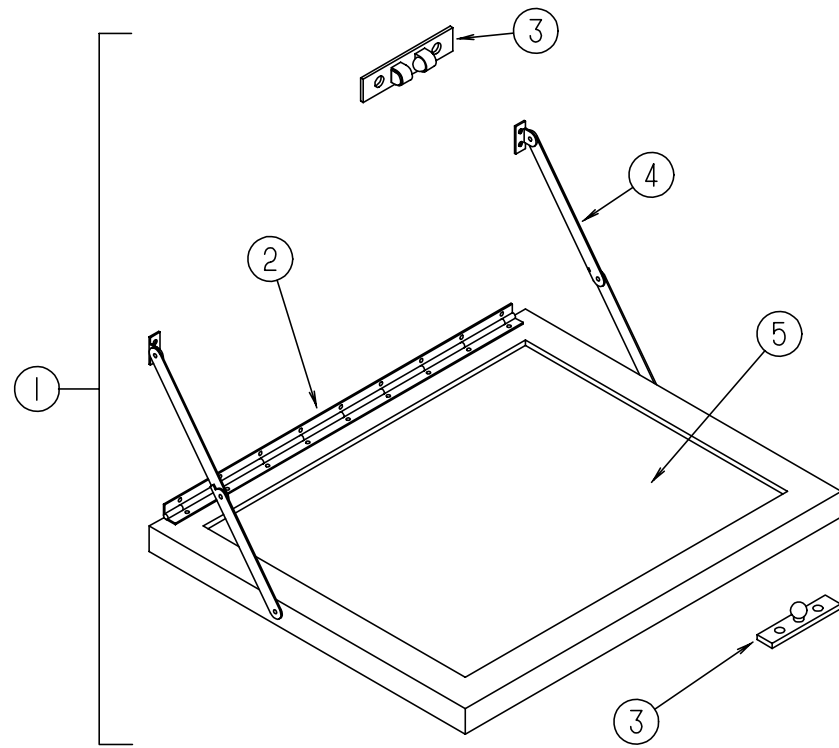
TWIN BEDROOM CABINETS



KEY	PART NUMBER	U/M	DESCRIPTION
1	110946-01-K16	EA	CABINET - SHIRT CLOSET/RIGHT HAND - W/O DOORS/HARDWARE
	009112-01-000	EA	FLANGE - 1" ROD, CLOTHES - PLASTIC - OFF WHITE
	042438-01-000	EA	DOWEL-WOOD, CLOTHES ROD - 1" DIAMETER X 4'
2	M09332-08-K04	EA	DOOR - RAISED MEMBRANE/OGEE EDGE - 12" X 40" - W/O HDW
3	116187-01-K16	EA	CABINET - OVERHEAD/REAR - W/O DOORS/HARDWARE - F/TWIN BED
4	M09332-05-K01	EA	DOOR - RAISED MEMBRANE/OGEE EDGE - 15.7" X 27.9" - W/O HDW
5	126059-11-J46	EA	COUNTERTOP - NIGHTSTAND (K46)
5	126059-11-K17	EA	COUNTERTOP - NIGHTSTAND (K47)
5	126059-11-J20	EA	COUNTERTOP - NIGHTSTAND (K48)
6	M05971-EL-J15	EA	DRAWER - OGEE EDGE - 15.5"W X 23.6"D - W/O SLIDES/HARDWARE

KEY	PART NUMBER	U/M	DESCRIPTION
7	126059-01-J46	EA	CABINET - NIGHTSTAND/TWNBD-W/COUNTERTOP-W/O DOORS/DWRS/HDW (K46)
7	126059-01-K17	EA	CABINET - NIGHTSTAND/TWNBD-W/COUNTERTOP-W/O DOORS/DWRS/HDW (K47)
7	126059-01-J20	EA	CABINET - NIGHTSTAND/TWNBD-W/COUNTERTOP-W/O DOORS/DWRS/HDW (K48)
8	110947-01-K16	EA	CABINET - SHIRT CLOSET/LEFT HAND - W/O DOORS/HARDWARE
	009112-01-000	EA	FLANGE - 1" ROD, CLOTHES - PLASTIC - OFF WHITE
	042438-01-000	EA	DOWEL-WOOD, CLOTHES ROD - 1" DIAMETER X 4'
9	M04170-12-000	EA	TOP - TWIN BED/LEFT HAND - W/O HARDWARE
10	121859-02-K16	EA	CABINET - BASE/TWIN BED/LEFT HAND - W/O DOORS/DRAWERS/HDW
11	M05992-CE-K16	EA	DOOR - STRAIGHT CORNER/OGEE EDGE - 14.3" X 17.9" - W/O HDW
12	121860-01-K16	EA	CABINET - BASE/TWIN BED/RIGHT HAND - W/O DOORS/DRAWERS/HDW
13	M04170-13-000	EA	TOP - TWIN BED/RIGHT HAND - W/O HARDWARE
	096764-02-000	FT	SLIPNOT - ANTISLIP - 1" WIDE (100' ROLLS)

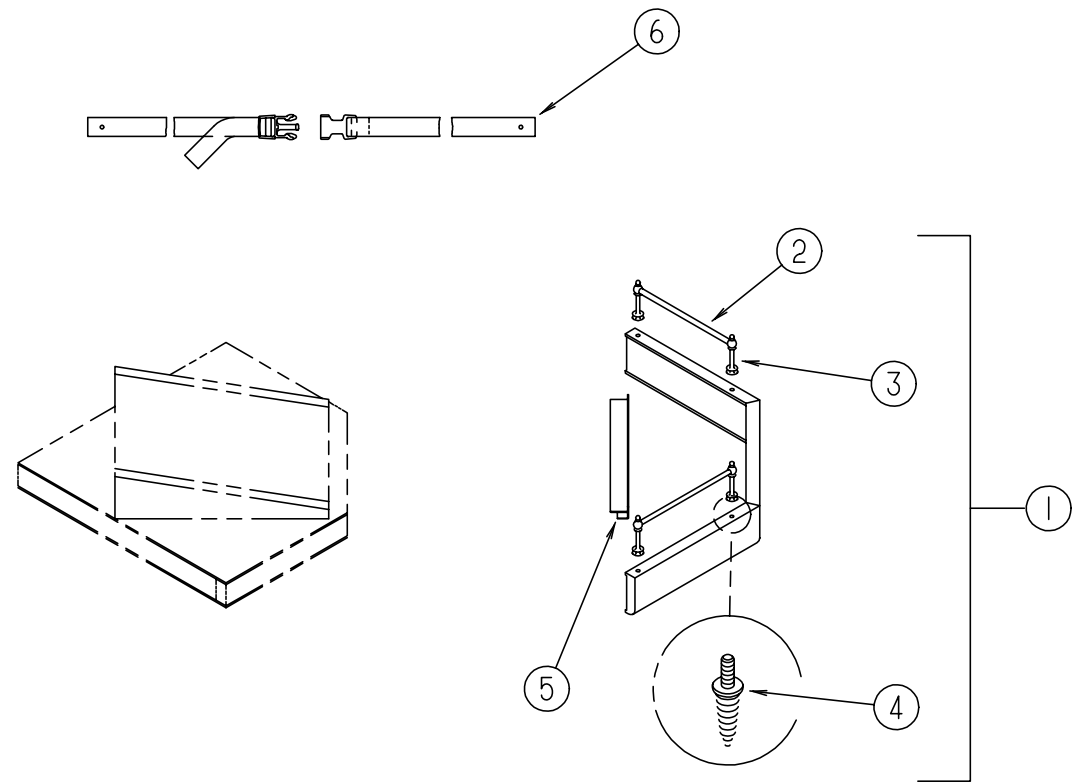
BEDROOM GROUP (CONTINUED)



TV STAND

KEY	PART NUMBER	U/M DESCRIPTION
1	084357-02-H13	EA TV STAND
2	084413-01-000	EA HINGE/CONTINUOUS - ALUMINUM 1" X 72" - W/HOLES
3	084451-01-000	EA CATCH & LATCH - 1.7" - BRASS
4	084412-01-000	EA SUPPORT/HINGE KIT (LEFT & RIGHT HINGES)
5	084356-08-000	EA INSERT - TV STAND - W/SUPPORT HINGES - OFF WHITE
5	058331-14-000	EA MIRROR - SAFETY GLASS - 14" X 12.7"

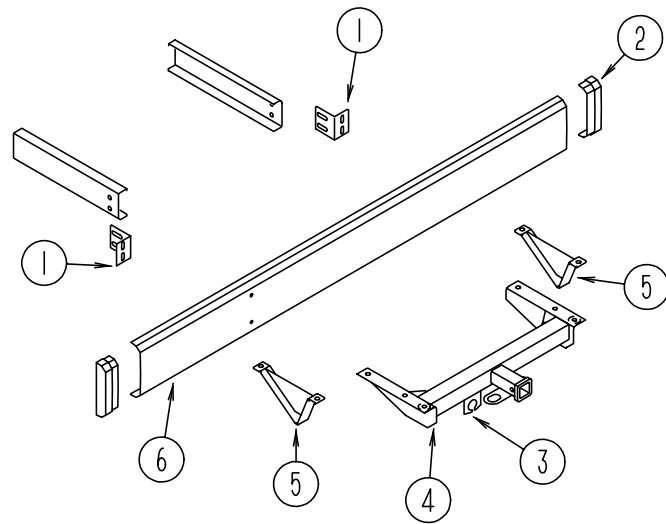
BEDROOM GROUP (CONTINUED)



TV SHELF

KEY	PART NUMBER	U/M DESCRIPTION
1	127376-02-J20	EA CABINET - TV SHELF - LEFT HAND
2	084071-27-000	EA ROD - BRASS - 2.7"
2	084071-19-000	EA ROD - BRASS - 7.1"
	084071-23-000	EA ROD - BRASS - 13.12"
3	084070-03-000	EA POST - END - 2.4" - SHINY BRASS
4	106166-01-000	EA BOLT/COLLARED HANGER - 8-32 X 1"
5	103186-01-05A	FT MOLDING - PLASTIC - 3/8" U-CHANNEL 3/4" FACE-WATERFORD OAK
6	099717-02-000	EA STRAP - TIE DOWN W/29.9" FEMALE STRAP & 14.2" MALE STRAP

CHASSIS GROUP



REAR BUMPER, TRAILER HITCH & COMPONENTS

KEY	PART NUMBER	U/M DESCRIPTION
1	104418-07-000	EA ANGLE - BUMPER - REAR SUPPORT
2	103228-01-06A	EA END CAP - REAR BUMPER - DRIVER/PASSENGER
3	113588-02-01B	EA BRACKET - CONNECTOR - TRAILER W/O LIP
4	130339-02-000	EA HITCH RECEIVER - BOLT ON CLASS III
5	111742-01-000	EA PLATE - SKID
6	103099-10-02A	EA BUMPER - REAR - BRIGHT WHITE
	113589-01-000	EA CONNECTOR - PLUG - TRAILER
	113589-02-000	EA CONNECTOR - SOCKET - TRAILER

CHASSIS GROUP (CONTINUED)

19.5" CHEVY STAINLESS STEEL WHEEL LINERS

KEY	PART NUMBER	U/M DESCRIPTION	VENDOR NO.
	110435-10-000	EA LINER - WHEEL - SET/4 - 19.5"	
	110435-01-711	EA DECAL-CENTER CAP, 2" 2" DECAL	
	110435-10-700	EA LINER - WHEEL - FRONT - 1 PC	V195P7-FWC
	110435-10-701	EA LINER - WHEEL - REAR - 1 PC.	V195P7-RWC
	110435-10-702	EA COVER-LUG NUT W/STEEL JN 2 USED PER WHEEL	V195P7-EJN
	110435-10-703	EA STUD - PLASTIC ALSO ORDER #11043510704 PLASTIC NUT W/NUT COVER 2 USED PER EACH FRONT WHEEL	V195P7-PST
	110435-10-704	EA COVER-LUG NUT W/PLASTIC JN ALSO ORDER #11043510703 PLASTIC STUD 2 USED PER EACH FRONT WHEEL	V195P7-PJN
	110435-10-705	EA TOOL - INSTALLATION	V195P7-TOL

19.5" FORD STAINLESS STEEL WHEEL LINERS - 19.5" X 6.0" WHEEL

KEY	PART NUMBER	U/M DESCRIPTION	VENDOR NO.
	110435-14-000	EA LINER - WHEEL SET/4 - 19.5"	
	110435-04-705	EA DECAL-CTR HUB 2 3/4" DIAMOND 2 3/4 DECAL DIAMOND	
	110435-10-705	EA TOOL - INSTALLATION	V195P7-TOL
	110435-14-700	EA LINER - WHEEL - FRONT	V195F96-FWC
	110435-14-701	EA LINER - WHEEL - REAR	V195F96-RWC
	110435-15-702	EA COVER LUG NUT/JAMB NUT - 14M	V195F9-EJN

19.5" FORD STAINLESS STEEL WHEEL LINERS - 19.5" X 6.75" WHEEL

KEY	PART NUMBER	U/M DESCRIPTION	VENDOR NO.
	110435-15-000	EA LINER - WHEEL SET/4 - 19.5"	
	110435-10-705	EA TOOL - INSTALLATION	V195P7-TOL
	110435-15-700	EA LINER - WHEEL - FRONT	V195F9-FWC
	110435-15-701	EA LINER - WHEEL - REAR	V195F9-RWC
	110435-15-702	EA COVER LUG NUT/JAMB NUT - 14M	V195F9-EJN

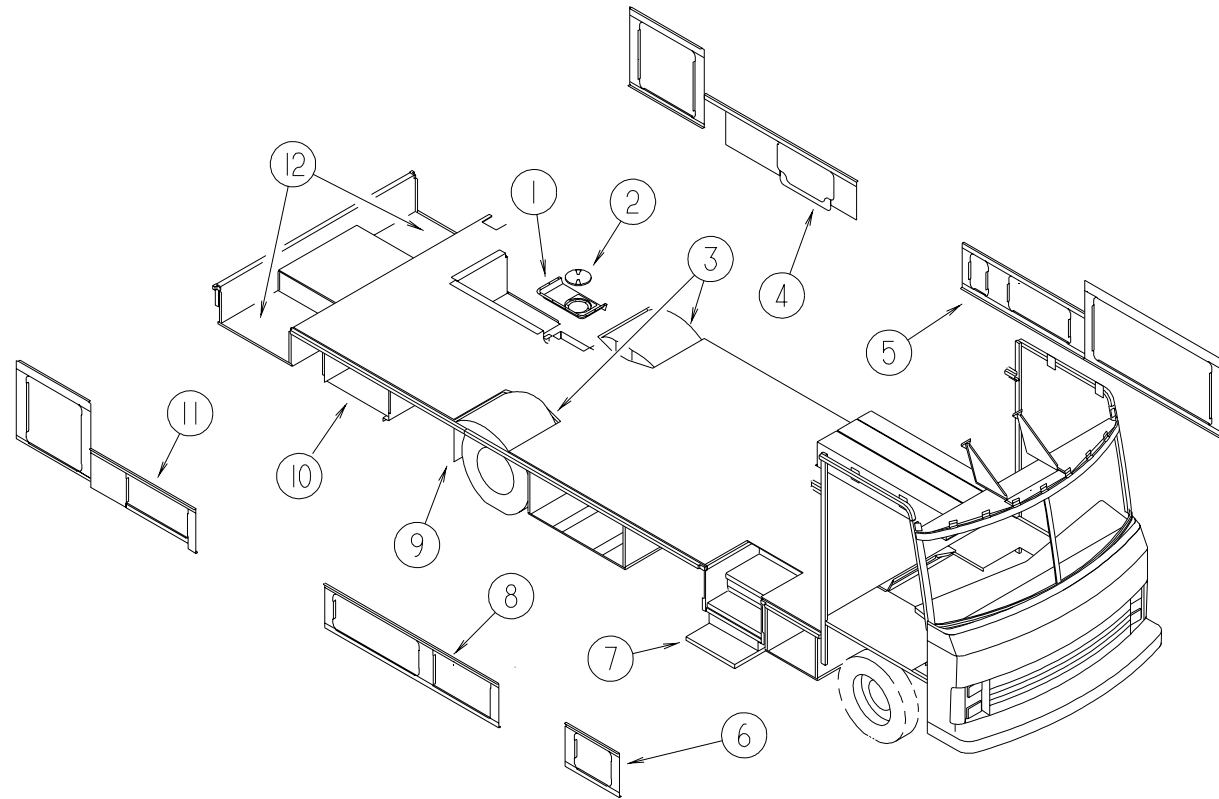
19.5" FORD WHEEL COVERS

KEY	PART NUMBER	U/M DESCRIPTION	VENDOR NO.
	109443-07-000	EA WHEEL COVER - 4/SET - 19.5"	
	098532-01-700	EA COVER-LUG NUT (CHROME) NOTE:THE VENDOR DOES NOT RECOMMEND THIS PART TO BE REPLACED DUE TO POSSIBLE DAMAGE TO THE LINER	SHAU-LNC
	109443-01-703	EA CAP-CENTER, HUB - DICOR	SHAU95-CAP
	109443-07-700	EA COVER/WHEEL-FRONT/REAR 8 LUG	SHAF95-COV
	109443-07-701	EA BRACKET SET - FRONT	SHAF95-FBS
	109443-07-702	EA BRACKET SET - REAR	SHAF95-RBS

19.5" CHEVY WHEEL COVERS

KEY	PART NUMBER	U/M DESCRIPTION	VENDOR NO.
	109443-06-000	EA WHEEL COVER - 4/SET - 19.5"	
	109443-01-700	EA COVER-WHEEL 19.5 FRT/RR EA=1	SHAG95
	109443-01-701	EA BRACKET-RETENTION FRONT	SHAG95-FBS
	109443-01-703	EA CAP-CENTER, HUB - DICOR	SHAU95-CAP
	109443-01-704	EA CLIP-RETAINER	V160GM-PNT
	109443-06-701	EA BRACKET-RETENTION REAR	SHG795-RBS

CHASSIS GROUP (CONTINUED)

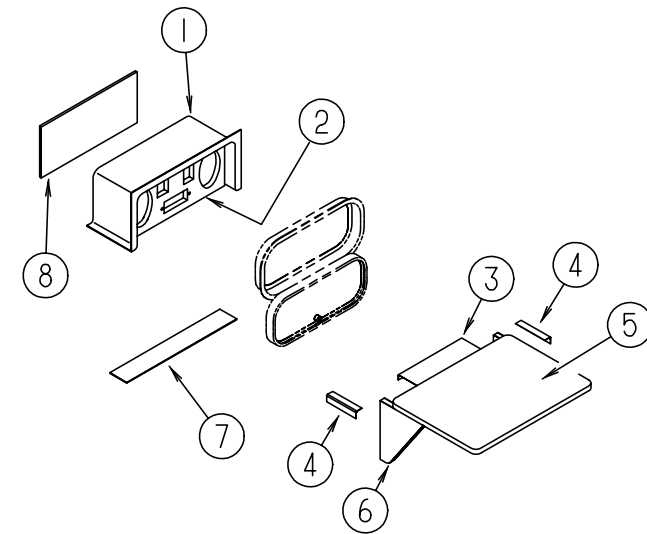


STORAGE COMPARTMENTS & WHEELWELLS

KEY	PART NUMBER	U/M	DESCRIPTION	VENDOR NO.
1	121784-01-01A	EA	COVER - VALVE - DRAINAGE	
2	092887-01-000	EA	HATCH/PLATE - 8.2" FLANGE/6.5" R.O. - BLACK	
	092887-04-000	EA	CHAIN - TWIST CAP - 9"	
3	125673-01-000	EA	WHEELWELL	
4	128711-14-02B	EA	PANEL - SEAL/PLANE - E-COATED	
5	125611-17-02B	EA	PANEL - SEAL/PLANE - E-COATED	
6	125611-13-02B	EA	PANEL - SEAL/PLANE - E-COATED	
7*	094708-01-01A	EA	STEP - ENTRY DOOR - ELECTRIC - SINGLE - W/O DOOR SWITCH	
			FROM: 00-00-00 THRU: 01-14-99	
	116995-01-000	EA	SWITCH/MAGNET - ELECTRIC STEP - WHITE/WHITE - OPEN CIRCUIT	
			FROM: 00-00-00 THRU: 01-14-99	
7*	094708-03-01A	EA	STEP - ELECTRIC - SINGLE - BLACK CONTROL BOX - KWIKEE	
			FROM: 01-15-99 THRU: 99-99-99	
	088733-01-700	EA	BULB	9004
	088746-01-705	EA	LIGHT-UNDER STEP	9004
	088746-01-709	EA	FRAME W/SGL STEP,2800 SERIES	908028
	094707-02-700	EA	MOTOR ASM.,W/BEARINGS & PINS	909520
	094707-02-702	EA	GEAR KIT(GEAR-BEARING-PINS)	909525
	094707-02-703	EA	BEARING & PINS	909530
	094707-02-704	EA	CONNECTOR-MOTOR ASM.W/PLATES	909537
	094707-02-707	EA	TREAD - NON-SKID - BLACK	909333
	094707-03-700	EA	KIT CONTROL/SWITCH-RETROFIT	909506005
	094707-03-701	EA	PLUG - 4-WAY - PACKARD	909306
	116995-02-000	EA	SWITCH/MAGNET - ELECTRIC STEP - BLACK/WHITE-CLOSED CIRCUIT	
			FROM: 01-15-99 THRU: 99-99-99	
	065450-05-000	EA	TIEDOWN - BATTERY - 8.4" TUBE	
8	125611-14-02B	EA	PANEL - SEAL/PLANE - E-COATED	
9	017516-01-000	EA	MUD FLAP - 14" X 18" - BLACK	
9	020167-10-000	EA	DIRT GUARD - STEEL - 22" LONG	
10	105732-02-000	EA	TRAY - GENERATOR	
10	104644-01-000	EA	ANGLE - FORMED - GENERATOR	
11	125611-15-02B	EA	PANEL - SEAL/PLANE - E-COATED	
12	110820-03-000	EA	COMPARTMENT - STORAGE	
	061420-01-000	EA	PLUG/PLASTIC - 1.75" DIAMETER - BROWN	

*COMPONENT PARTS FOUND IN SERVICE PARTS LIBRARY

CHASSIS GROUP (CONTINUED)

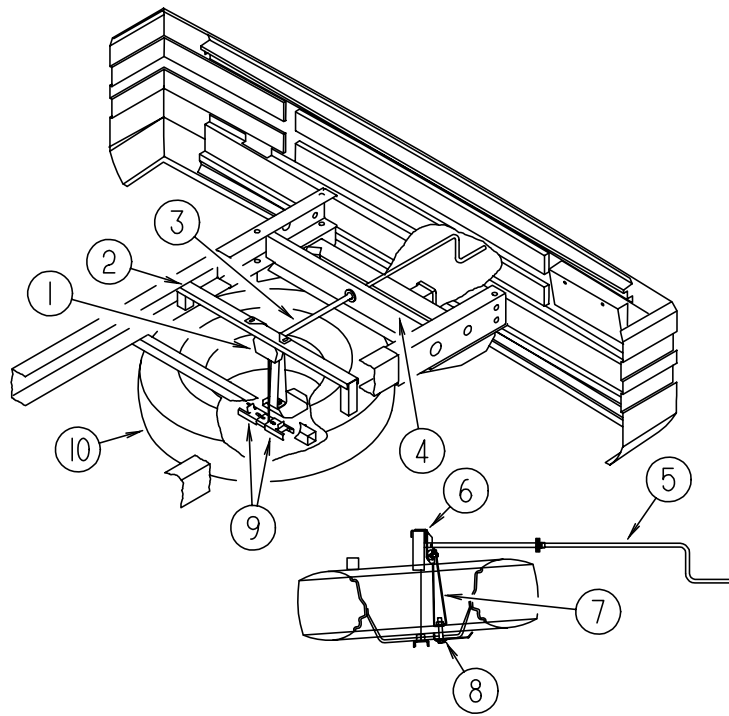


PATIO ENTERTAINMENT CENTER

KEY	PART NUMBER	U/M	DESCRIPTION
1	124696-01-01A	EA	BOX - ENTERTAINMENT CENTER/EXTERIOR
2	127409-02-K04	EA	PLATE - RADIO MOUNTING
			FROM: 00-00-00 THRU: 06-13-99
2	127409-02-L15	EA	PLATE - RADIO MOUNTING
			FROM: 06-14-99 THRU: 99-99-99
3	105377-01-04A	EA	BRACKET - TABLE HANGER - BRIGHT WHITE
4	105376-01-03A	EA	HINGE - CONTINUOUS - 2" X 5.5" - BRIGHT WHITE
5	105230-11-J01	EA	SHELF - EXTERIOR ENTERTAINMENT CENTER - W/O HARDWARE
6	105230-12-J01	EA	SUPPORT - EXTERIOR SHELF
7	104898-01-02A	EA	PLATE - PLASTIC BOTTOM - BRIGHT WHITE
8	104898-02-02A	EA	PLATE - PLASTIC BACK - BRIGHT WHITE

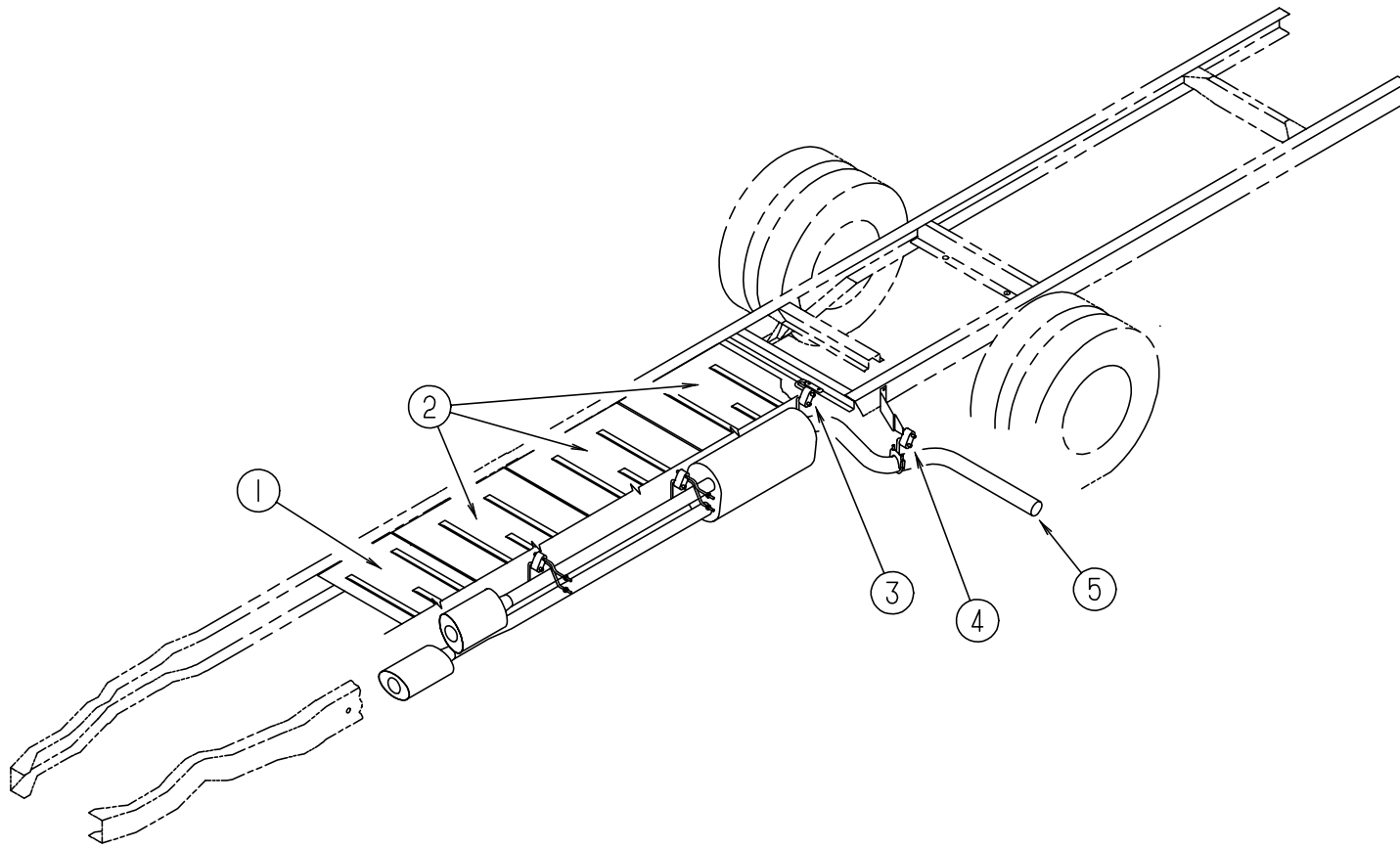
CHASSIS GROUP (CONTINUED)

TIRE HOIST



KEY	PART NUMBER	U/M	DESCRIPTION
1	093267-03-000	EA	HOIST - SPARE TIRE - 100 LB
2	093362-06-000	EA	CHANNEL - TIRE HOIST
3	093375-05-000	EA	EXTENSION - TIRE HOIST
4	129006-01-02B	EA	SUPPORT/FRAME - TIRE CARRIER HANDLE - FORD
4	129006-02-02B	EA	SUPPORT/FRAME - TIRE CARRIER HANDLE - CHEVY
5	093376-02-000	EA	HANDLE - CRANK - TIRE HOIST
	114376-01-000	EA	PIN - DRIVE - .156 X .750 - TYPE E - TIRE HOIST
6	124751-01-02B	EA	HANGER - SPARE TIRE - E-COATED
7	129086-01-02B	EA	SUPPORT - SPARE TIRE
8	129085-01-02B	EA	PLATE - SUPPORT - SPARE TIRE
9	105499-01-000	EA	BRACKET - TIRE HOIST
10	091673-08-000	EA	TIRE - 225/70R19.5" LRF - GENERAL LMT 400 A/S - FORD - 19.5" X 6.0" WHEEL
10	102340-04-000	EA	TIRE - 245/70R X 19.5F - GOODYEAR - FORD - 19.5" X 6.75" WHEEL
10	091673-01-000	EA	TIRE - 225/70 R19.5 LRF - MICHELIN XZA - CHEVY
10	051377-01-000	EA	VALVE STEM - CHEVY
10	118814-03-000	EA	WHEEL - STEEL - 19.5 X 6 - GRAY - W/STEM
10	118814-04-700	EA	WHEEL/TAKE OFF (19.5X6.75RW) 8 BOLT ACCURIDE F53 - FORD
10	064963-01-000	EA	WHEEL - STEEL - 19.5" X 6" - GM 14005758 - CHEVY
	077030-02-000	EA	EXTENSION - VALVE STEM - 1.25"
	077030-04-000	EA	EXTENSION - VALVE STEM - .75"
	077030-05-000	EA	EXTENSION - VALVE STEM - 95 DEGREE
	077030-06-000	EA	EXTENSION - VALVE STEM - 45 DEGREE
	095012-10-000	EA	EXTENSION - VALVE STEM - 8.5"
	095012-09-000	EA	EXTENSION - VALVE STEM - 7.7"
	095012-07-000	EA	STABILIZER - VALVE EXTENSION

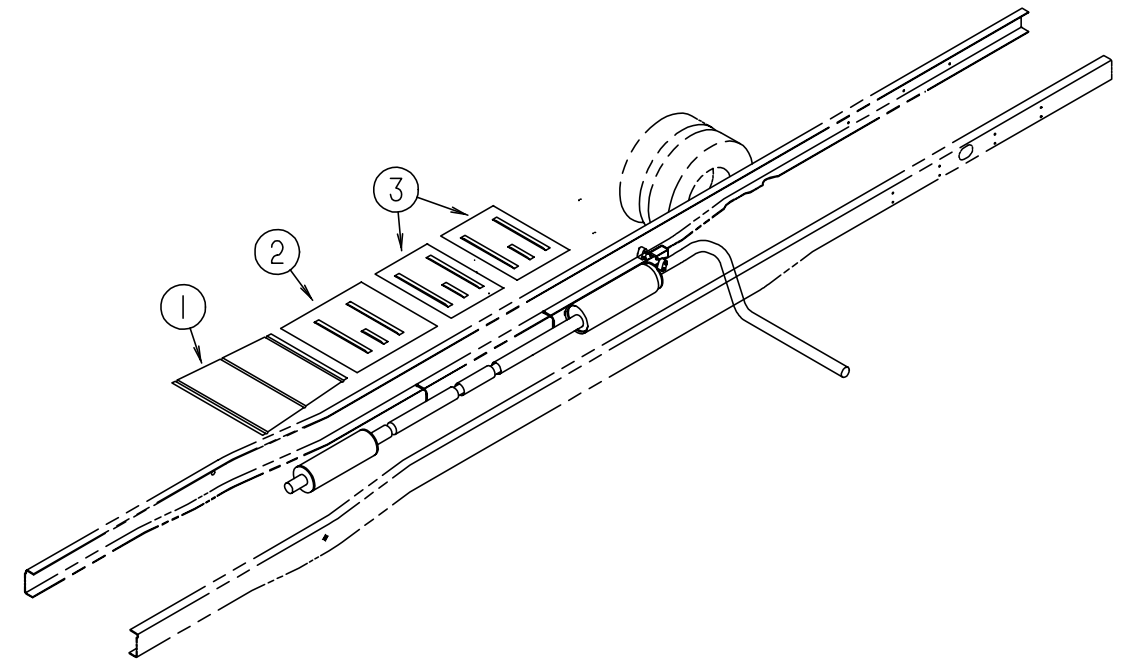
CHASSIS GROUP (CONTINUED)



CHEVY EXHAUST SYSTEM

KEY	PART NUMBER	U/M	DESCRIPTION
1	101544-01-000	EA	SHIELD - HEAT/EXHAUST - 19.7" X 29.1"
2	101544-02-000	EA	SHIELD - HEAT/EXHAUST - 30" X 29.1"
3	122392-01-02B	EA	HANGER - TAILPIPE
4	122392-03-02B	EA	HANGER - TAILPIPE - REAR
5	122529-02-000	EA	PIPE - EXHAUST
	094918-01-000	EA	CLAMP - EXHAUST - 3" - GUILLOTINE STYLE

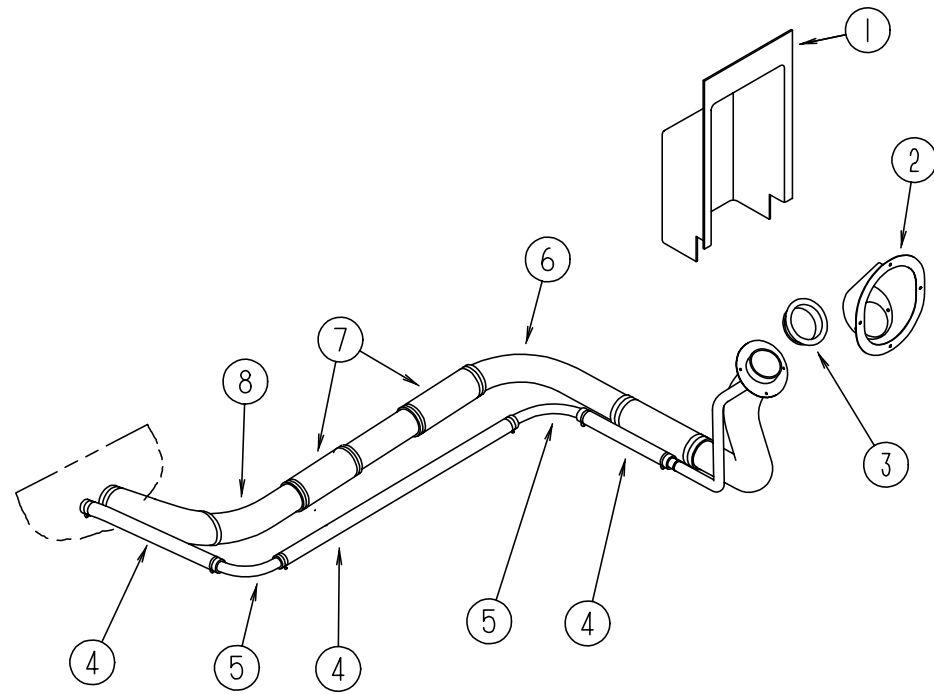
CHASSIS GROUP (CONTINUED)



FORD EXHAUST SYSTEM

KEY	PART NUMBER	U/M	DESCRIPTION
1	128756-01-02B	EA	SHIELD - HEAT EXHAUST - E-COATED
2	101544-02-000	EA	SHIELD - HEAT/EXHAUST - 30" X 29.1"
3	101544-01-000	EA	SHIELD - HEAT/EXHAUST - 19.7" X 29.1"

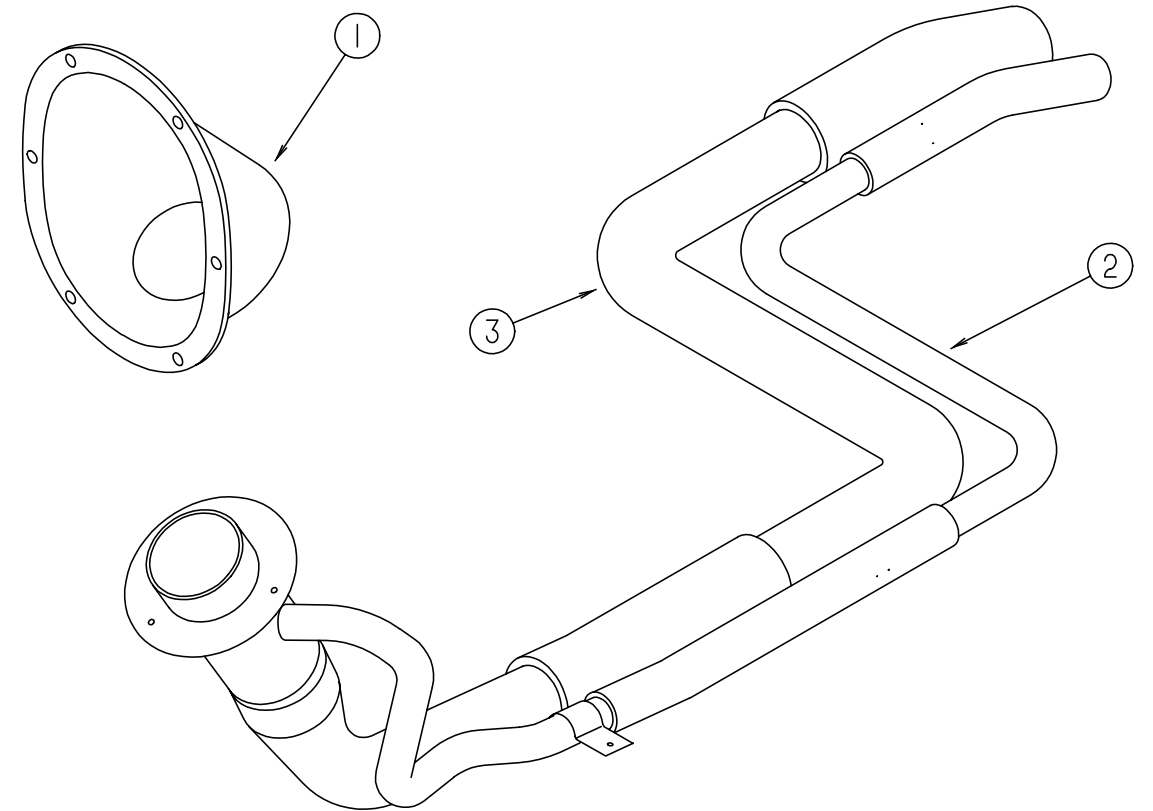
CHASSIS GROUP (CONTINUED)



CHEVY FUEL SYSTEM

KEY	PART NUMBER	U/M	DESCRIPTION
1	072447-04-000	EA	SHROUD - FUEL FILL - UPPER
2	127291-01-01A	EA	SHROUD - FUEL FILL - BRIGHT WHITE
3	078200-01-000	EA	GASKET - FUEL FILL - 3.5"OD X 2"ID
4	128139-02-000	FT	HOSE - FUEL - LOW PERMEABILITY - 5/8" DIAMETER
5	098806-01-000	EA	PIPE - FILL VENT - 90 DEGREE BEND - .635 OD - STEEL
6	098803-01-000	EA	PIPE - FUEL FILL - 90 DEGREE BEND - 13.2" - 1 3/4" OD
7	128139-01-000	FT	HOSE - FUEL - LOW PERMEABILITY
8	098803-02-000	EA	PIPE - FUEL FILL
	084884-01-000	EA	PLUG - BRASS - 3/8"
	128139-03-000	FT	HOSE - FUEL - LOW PERMEABILITY - 1/4" DIAMETER
	068382-06-000	EA	BUSHING - BRASS - 3/8"MPT X 1/8"FPT
	114254-01-000	EA	ADAPTER - 1/4 BARB X 1/8 MPT
	044317-01-000	FT	HOSE - FUEL - 3/8" ID

CHASSIS GROUP (CONTINUED)



FORD FUEL SYSTEM

KEY	PART NUMBER	U/M	DESCRIPTION
1	127291-02-01A	EA	SHROUD - FUEL FILL - BRIGHT WHITE
2	129320-08-000	EA	PIPE - VENT/FILL
3	129321-08-000	EA	TUBE - FUEL INLET
	007063-01-000	FT	HOSE - FUEL - 1/4"ID X 1/2"OD
	084884-01-000	EA	PLUG - BRASS - 3/8"

CHASSIS GROUP (CONTINUED)

SHOCKS & STABILIZER KIT - FRONT (FROM: 00-00-00 THRU: 04-04-99)

KEY	PART NUMBER	U/M	DESCRIPTION	VENDOR NO.
	122756-02-000	EA	SHOCK AND STABILIZER (BLUE BOOT) KIT - FRONT END P30 CHASS NOTE: ORDER 70139029000, FOR AFTER MARKET INSTALLATION	
	122756-02-700	EA	BRACKET ASM - DRIVER SIDE	T818L
	122756-02-701	EA	BRACKET ASM - PASSENGER SIDE	T818R
	122756-02-704	EA	BOLT PACKAGE -BOLTS/NUTS ETC	T818B
	122756-02-705	EA	SHOCK	T818SH
	122756-02-706	EA	STUD - SHOCK MOUNTING	T818S
	122756-02-707	EA	DAMPNER - STEERING	T818SD
	122756-02-708	EA	BOOT - DAMPNER	T818SDB
	122756-02-709	EA	BUSHING PKG-STEERING DAMPNER	T818SDBSH
	122756-02-710	EA	BOLT PKG - STEERING DAMPNER	T818SBS

SHOCKS & STABILIZER KIT - FRONT (FROM: 04-05-99 THRU: 99-99-99)

KEY	PART NUMBER	U/M	DESCRIPTION	VENDOR NO.
	122756-03-000	EA	SHOCK & STABILIZER KIT (YELLOW SHOCK) - CHEVY	
	122756-02-706	EA	STUD - SHOCK MOUNTING	T818S
	122756-02-707	EA	DAMPNER - STEERING	T818SD
	122756-02-708	EA	BOOT - DAMPNER	T818SDB
	122756-02-709	EA	BUSHING PKG-STEERING DAMPNER	T818SDBSH
	122756-02-710	EA	BOLT PKG - STEERING DAMPNER	T818SBS
	122756-03-700	EA	BRACKET ASM-DRIVER SIDE	T818L-3
	122756-03-701	EA	BRACKET ASM-PASSENGER SIDE	T818R-3
	122756-03-702	EA	SHOCK	557003

LUG WRENCH & LEVERAGE BAR

KEY	PART NUMBER	U/M	DESCRIPTION
	080208-02-000	EA	BAR - LEVERAGE - LUG WRENCH - CHEVY/OSHKOSH
	080208-06-000	EA	LUG WRENCH - 1" X 1.06" W/DEEP SOCKET ENDS

CHASSIS MISCELLANEOUS

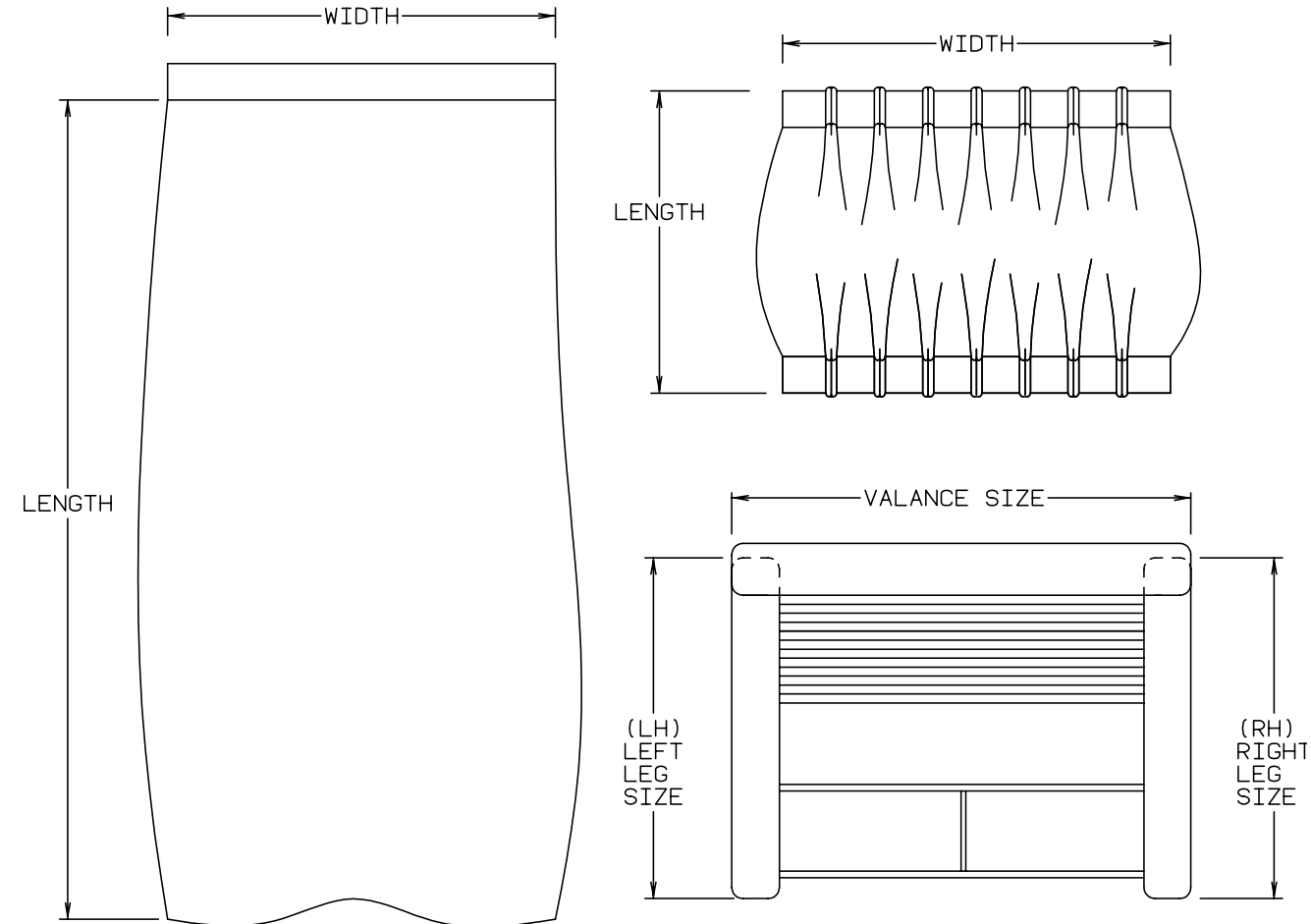
KEY	PART NUMBER	U/M	DESCRIPTION
	008042-01-000	FT	TUBING - VINYL - .65" ID
	008401-01-000	EA	STRAP - CONDUIT - 3/4" - 1 HOLE - GALVANIZED STEEL
	075307-03-000	EA	SHIELD - HEAT - LP
	110444-01-000	EA	SHIELD-GENERATOR
	113007-01-000	EA	PIN - SPRING - .375 X 3"

CURTAIN & CUSHION GROUP

NOTICE

IN ORDER TO ASSIST OUR PARTS SALES DEPT. IN PROVIDING INTERIOR SOFTGOODS ITEMS, PLEASE INCLUDE THE SERIAL NUMBER AND THE COLOR CODE NUMBER FROM THE VEHICLE CERTIFICATION LABEL WHEN ORDERING. THIS LABEL IS LOCATED ON THE LEFT SIDEWALL AT THE END OF THE DASH (A-BODY),OR ON THE DRIVER'S DOOR LATCH PLATE (C-BODY).

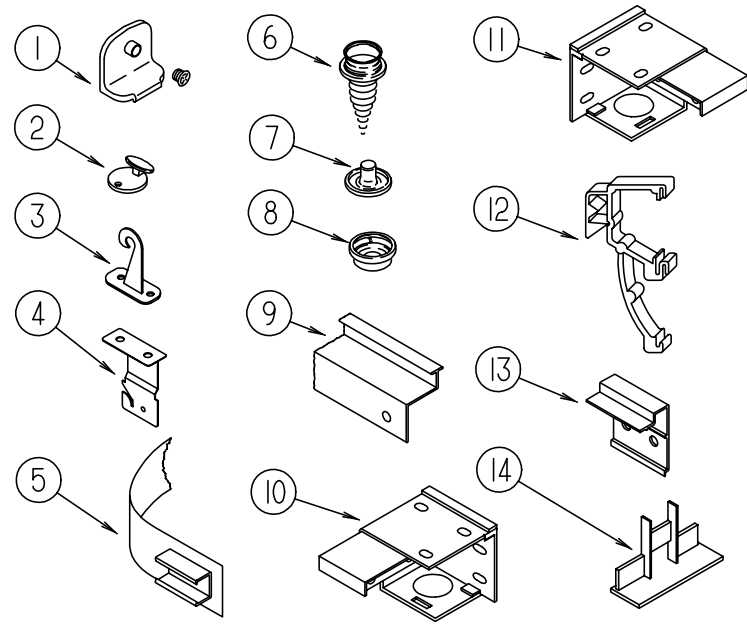
AN EXAMPLE OF A COLOR CODE NUMBER IS B07, WHICH DESIGNATES AN OVERALL COLOR SCHEME OF A PARTICULAR UNIT. THE COLOR LISTED AFTER THE ITEM DESCRIPTION ON THE MICROFICHE, INDICATES THE OVERALL UNIT COLOR. ORDER THE ITEM YOU DESIRE ACCORDING TO UNIT COLOR CODE.



NOTE: USE THIS ILLUSTRATION WHEN DETERMINING LENGTH AND WIDTH MEASUREMENTS FOR CURTAINS. YOU WILL NOTE THE WIDTH MEASUREMENT IS TAKEN ON THE TOP OF THE CURTAIN WITH THE CURTAIN FULLY EXTENDED. THE LENGTH MEASUREMENT IS TAKEN FROM TOP TO BOTTOM. LEFT AND RIGHT WINDOW LEGS ARE DETERMINED WHEN FACING THE WINDOW.

CURTAIN & CUSHION GROUP (CONTINUED)

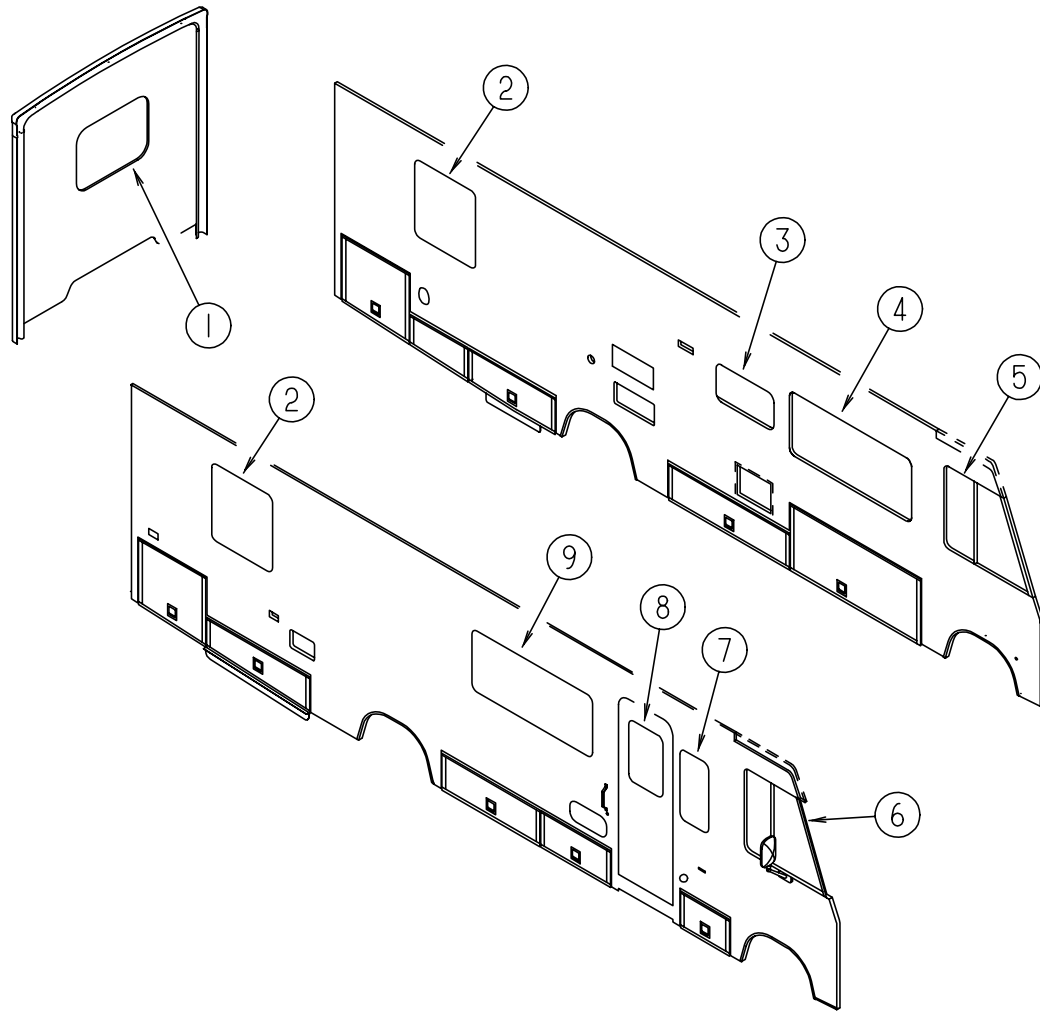
CURTAIN, BLIND HARDWARE & TRACKS



KEY	PART NUMBER	U/M	DESCRIPTION
1	106544-01-000	EA	PULL - SHADE/BRASS
1	106544-01-001	EA	SCREW - SHADE/BRASS
2	102555-03-000	EA	CLEAT - BLIND CORD - MILKY WHITE PLASTIC
3	109441-03-000	EA	HOLD DOWN - BLIND (CLOUDY)
	109441-02-000	EA	HOLD DOWN-SPACER
4	084434-01-000	EA	BRACKET - MOUNTING - ROLLER SHADE - 1 3/8"
	096843-01-000	EA	SPRING - REWIND/ROLLER SHADE
	086276-01-000	EA	TAPE - DOUBLE SIDED - 1/2"
5	101031-01-000	YD	TAPE - GLIDE/CURTAIN - 4.25" SPACING
6	029130-01-000	EA	SCREW - SNAP SOCKET - #8 PH X 5/8"
6	029130-03-000	EA	SCREW - SNAP SOCKET - #8 PH X 1"
7	029155-01-000	EA	CAP - SNAP - 5/32" OUTSIDE DIAMETER OF PIN
8	029156-01-000	EA	SOCKET - SNAP - 9/16" O.D.
9	127254-09-02A	EA	TRACK - CURTAIN - RIGHT HAND - TITANIUM
9	127254-10-02A	EA	TRACK - CURTAIN - LEFT HAND - TITANIUM
10	083170-01-000	EA	BRACKET - BLIND - LEFT SIDE WHEN FACING WINDOW
11	083170-02-000	EA	BRACKET - BLIND - RIGHT SIDE WHEN FACING WINDOW
12	109353-04-000	EA	CLIP - VALANCE SLAT MOUNTING - CLEAR PLASTIC
13	097565-01-000	EA	BRACKET - MOUNTING/PLEATED BLIND
14	094907-02-000	EA	END CAP - TOP/PLEATED BLIND - PLASTIC - GRAY
	097592-02-000	EA	SPOOL - CORD - ELEVATED BLIND HOLDUP - LARGE - CLEAR
	046867-02-000	EA	WASHER - HANDY BUTTON #3
	046867-03-000	EA	GROMMET - HANDY BUTTON #3
	056003-01-000	EA	BRACKET - DRAPERY RETAINING - FRONT - METAL
	056003-02-000	EA	BRACKET - DRAPERY RETAINING - REAR - METAL
	083125-07-000	EA	BRACE - COUCH - 2.5" - OFF WHITE
			USED TO SUPPORT DINETTE PADS & CURTAIN LEGS
	083125-08-000	EA	BRACE - WINDOW MOUNT - 3/4 - OFF WHITE
	068716-01-001	EA	BRACE - 90 DEGREE L-ANGLE - 16'
	075943-06-000	EA	BRACE-L-SHAPED - 8" LONG - ALUMINUM - BEIGE
	094896-02-000	EA	GROMMET - CORD/PLEATED BLIND - NYLON - GRAY
	094907-04-000	EA	END CAP - BOTTOM/PLEATED BLIND (RH & LH)
	097564-03-000	EA	HANDLE - KNOB - E-Z LIFT SHADE - TAN (K46,K48)
	097564-04-000	EA	HANDLE - KNOB - E-Z LIFT SHADE - NAVY (K47)
	097591-01-000	EA	SPRING - EXTENSION/PLEATED BLIND
	097593-02-000	FT	CORD - BLIND - PLEATED - GRAY (K46,K48)
	097593-06-000	FT	CORD - BLIND - PLEATED - PEWTER (K47)
	095567-01-000	EA	TACK - STRIP - .5" X 625' ROLL
	105648-01-02A	EA	BRACE - VALANCE - OFF/WHITE - 14"

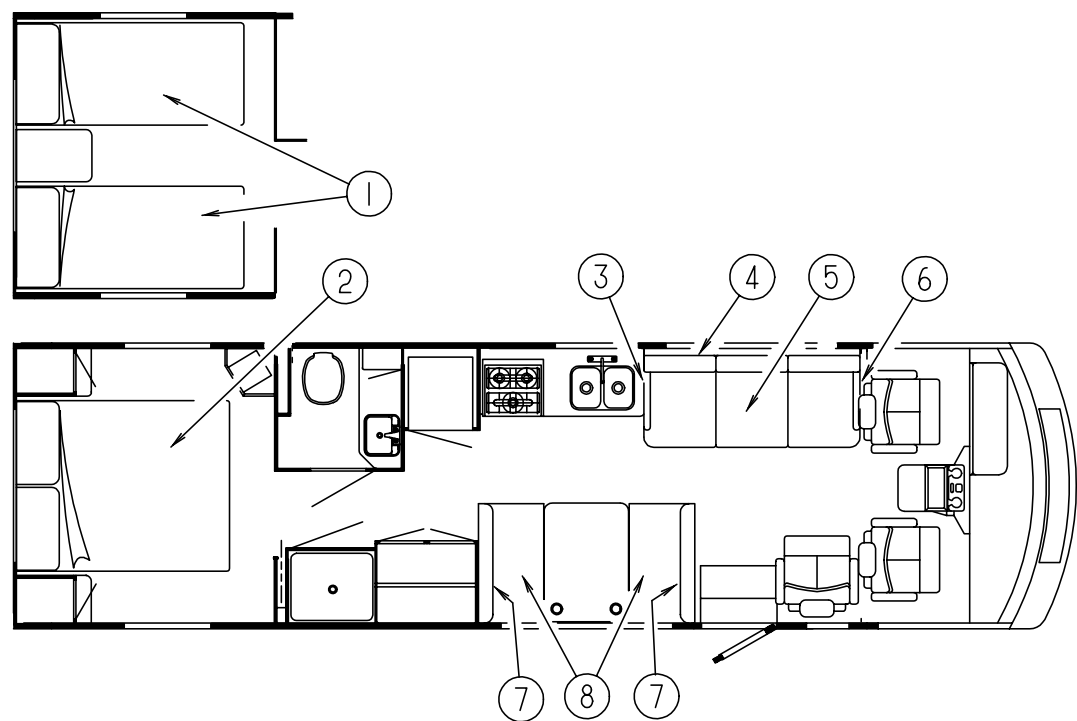
CURTAIN & CUSHION GROUP (CONTINUED)

WINDOW TREATMENT



KEY	PART NUMBER	U/M	DESCRIPTION
1	118537-09-K16	EA	VALANCE - GALAXY - 52" (K46)
1	118537-09-K17	EA	VALANCE - GALAXY - 52" (K47)
1	118537-09-K48	EA	VALANCE - GALAXY - 52" (K48)
1	112986-14-J02	EA	CURTAIN - 27.5" X 6" (K46)
1	112986-14-J03	EA	CURTAIN - 27.5" X 6" (K47)
1	112986-14-K48	EA	CURTAIN - 27.5" X 6" (K48)
1	111910-62-J04	EA	BLIND - DAY/NIGHTER - 49" X 27" (K46,K48)
1	111910-62-J03	EA	BLIND - DAY/NIGHTER - 49" X 27" (K47)
2	118537-34-K16	EA	VALANCE - GALAXY - 34" (K46)
2	118537-34-K17	EA	VALANCE - GALAXY - 34" (K47)
2	118537-34-K48	EA	VALANCE - GALAXY - 34" (K48)
2	112986-13-J46	EA	CURTAIN - 38.5" X 6" (K46)
2	112986-13-J47	EA	CURTAIN - 38.5" X 6" (K47)
2	112986-13-K48	EA	CURTAIN - 38.5" X 6" (K48)
2	111910-58-J38	EA	BLIND - DAY/NIGHTER - 31" X 37" (K46,K48)
2	111910-58-J90	EA	BLIND - DAY/NIGHTER - 31" X 37" (K47)
3	109041-58-02A	EA	BLIND - MINI - 30.5" X 17" (K46,K48)
3	109041-58-01A	EA	BLIND - MINI - 30.5" X 17" (K47)
4	118537-07-K16	EA	VALANCE - GALAXY - 64.5" (K46)
4	118537-07-K17	EA	VALANCE - GALAXY - 64.5" (K47)
4	118537-07-K48	EA	VALANCE - GALAXY - 64.5" (K48)
4	127017-11-J02	EA	LEG - RIGHT - 25" (K46)
4	127017-11-J03	EA	LEG - RIGHT - 25" (K47)
4	127017-11-K48	EA	LEG - RIGHT - 25" (K48)
4	127017-12-J02	EA	LEG - LEFT - 25" (K46)
4	127017-12-J03	EA	LEG - LEFT - 25" (K47)
4	127017-12-K48	EA	LEG - LEFT - 25" (K48)
4	111910-57-J38	EA	BLIND - DAY/NIGHTER - 61" X 28.5" (K46,K48)
4	111910-57-J90	EA	BLIND - DAY/NIGHTER - 61" X 28.5" (K47)
5	101668-66-J15	EA	CURTAIN - LEFT HAND - 35.5" X 106"
6	101668-65-J15	EA	CURTAIN - RIGHT HAND - 35.5" X 106"
	073260-42-D10	EA	TIEBACK - 6" X 18"
7	118537-35-K16	EA	VALANCE - GALAXY - 17.5" (K46)
7	118537-35-K17	EA	VALANCE - GALAXY - 17.5" (K47)
7	118537-35-K48	EA	VALANCE - GALAXY - 17.5" (K48)
7	111910-54-K16	EA	BLIND - DAY/NIGHTER - 15.5" X 33" (K46,K48)
7	111910-54-K17	EA	BLIND - DAY/NIGHTER - 15.5" X 33" (K47)
8	118537-37-K16	EA	VALANCE - GALAXY - 12" X 30.8" (K46)
8	118537-37-K17	EA	VALANCE - GALAXY - 12" X 30.8" (K47)
8	118537-37-K48	EA	VALANCE - GALAXY - 12" X 30.8" (K48)
8	084755-57-E07	EA	SHADE - PULL - 27.25"
9	118537-07-K16	EA	VALANCE - GALAXY - 64.5" (K46)
9	118537-07-K17	EA	VALANCE - GALAXY - 64.5" (K47)
9	118537-07-K48	EA	VALANCE - GALAXY - 64.5" (K48)
9	118537-38-K16	EA	VALANCE - GALAXY - 64.5 - COFFEEMAKER OPTION (K46)
9	118537-38-K17	EA	VALANCE - GALAXY - 64.5 - COFFEEMAKER OPTION (K47)
9	118537-38-K48	EA	VALANCE - GALAXY - 64.5 - COFFEEMAKER OPTION (K48)
9	127017-11-J02	EA	LEG - RIGHT - 25" (K46)
9	127017-11-J03	EA	LEG - RIGHT - 25" (K47)
9	127017-11-K48	EA	LEG - RIGHT - 25" (K48)
9	127017-12-J02	EA	LEG - LEFT - 25" (K46)
9	127017-12-J03	EA	LEG - LEFT - 25" (K47)
9	127017-12-K48	EA	LEG - LEFT - 25" (K48)
9	111910-57-J38	EA	BLIND - DAY/NIGHTER - 61" X 28.5" (K46,K48)
9	111910-57-J90	EA	BLIND - DAY/NIGHTER - 61" X 28.5" (K47)

CURTAIN & CUSHION GROUP (CONTINUED)



SOFA/BED

KEY	PART NUMBER	U/M DESCRIPTION
3	130708-01-K16	EA ARMREST - REMOVABLE - RIGHT HAND (K46)
3	130708-01-K17	EA ARM - REMOVABLE - RIGHT HAND (K47)
3	130708-01-K48	EA ARM - REMOVABLE - RIGHT HAND (K48)
	P30708-01-K16	EA COVER - ARMREST/REMOVABLE - RIGHT HAND (K46)
	P30708-01-K17	EA COVER - ARMREST/REMOVABLE - RIGHT HAND (K47)
	P30708-01-K48	EA COVER - ARMREST/REMOVABLE - RIGHT HAND (K48)
	127335-08-000	EA BRACKET - REMOVABLE ARM/COUCH
	127335-09-000	EA BRACKET - REMOVABLE ARM/CUSHION
4	129688-01-K46	EA SOFA - BACK - 74"
4	129688-01-K47	EA SOFA - BACK - 74"
4	129688-01-K48	EA SOFA - BACK - 74"
	P29688-01-K16	EA COVER - BACK - 74" (K46)
	P29688-01-K17	EA COVER - BACK - 74" (K47)
	P29688-01-K48	EA COVER - BACK - 74" (K48)
5	129688-02-K16	EA SOFA - SEAT - 74" (K46)
5	129688-02-K47	EA SOFA - SEAT - 74" (K47)
5	129688-02-K48	EA SOFA - SEAT - 74" (K48)
	P29688-02-K16	EA COVER - SEAT - 74" (K46)
	P29688-02-K47	EA COVER - SEAT - 74" (K47)
	P29688-02-K48	EA COVER - SEAT - 74" (K48)
6	130708-02-K16	EA ARMREST - REMOVABLE - LEFT HAND (K46)
6	130708-02-K17	EA ARMREST - REMOVABLE - LEFT HAND (K47)
6	130708-02-K48	EA ARMREST - REMOVABLE - LEFT HAND (K48)
	P30708-02-K16	EA COVER - ARMREST/REMOVABLE - LEFT HAND (K46)
	P30708-02-K17	EA COVER - ARMREST/REMOVABLE - LEFT HAND (K47)
	P30708-02-K48	EA COVER - ARMREST/REMOVABLE - LEFT HAND (K48)
	127335-08-000	EA BRACKET - REMOVABLE ARM/COUCH
	127335-09-000	EA BRACKET - REMOVABLE ARM/CUSHION
	111637-15-J46	EA PILLOW - 14" X 14" (K46)
	111637-15-J47	EA PILLOW - 14" X 14" (K47)
	111637-15-K48	EA PILLOW - 14" X 14" (K48)

TWIN MATTRESSES & BEDSPREADS

KEY	PART NUMBER	U/M DESCRIPTION
1	123015-04-000	EA MATTRESS - INNERSPRING - 36" X 79.5"
1	123471-09-J46	EA BEDSPREAD/THROW - 36" X 80" (K46)
1	123471-09-J47	EA BEDSPREAD/THROW - 36" X 80" (K47)
1	123471-09-K48	EA BEDSPREAD/THROW - 36" X 80" (K48)
	111863-16-J46	EA PILLOW SHAM - 22" X 37" (K46)
	111863-16-J47	EA PILLOW SHAM - 22" X 37" (K47)
	111863-16-K48	EA PILLOW SHAM - 22" X 37" (K48)

QUEEN MATTRESS & BEDSPREAD

KEY	PART NUMBER	U/M DESCRIPTION
2	123015-06-000	EA MATTRESS - INNERSPRING - 60" X 74.5"
2	123471-08-J02	EA BEDSPREAD/THROW - 60" X 75" (K46)
2	123471-08-J03	EA BEDSPREAD/THROW - 60" X 75" (K47)
2	123471-08-K48	EA BEDSPREAD/THROW - 60" X 75" (K48)
	111863-15-J46	EA PILLOW SHAM - 20" X 33" (K46)
	111863-15-J47	EA PILLOW SHAM - 20" X 33" (K47)
	111863-15-K48	EA PILLOW SHAM - 20" X 33" (K48)

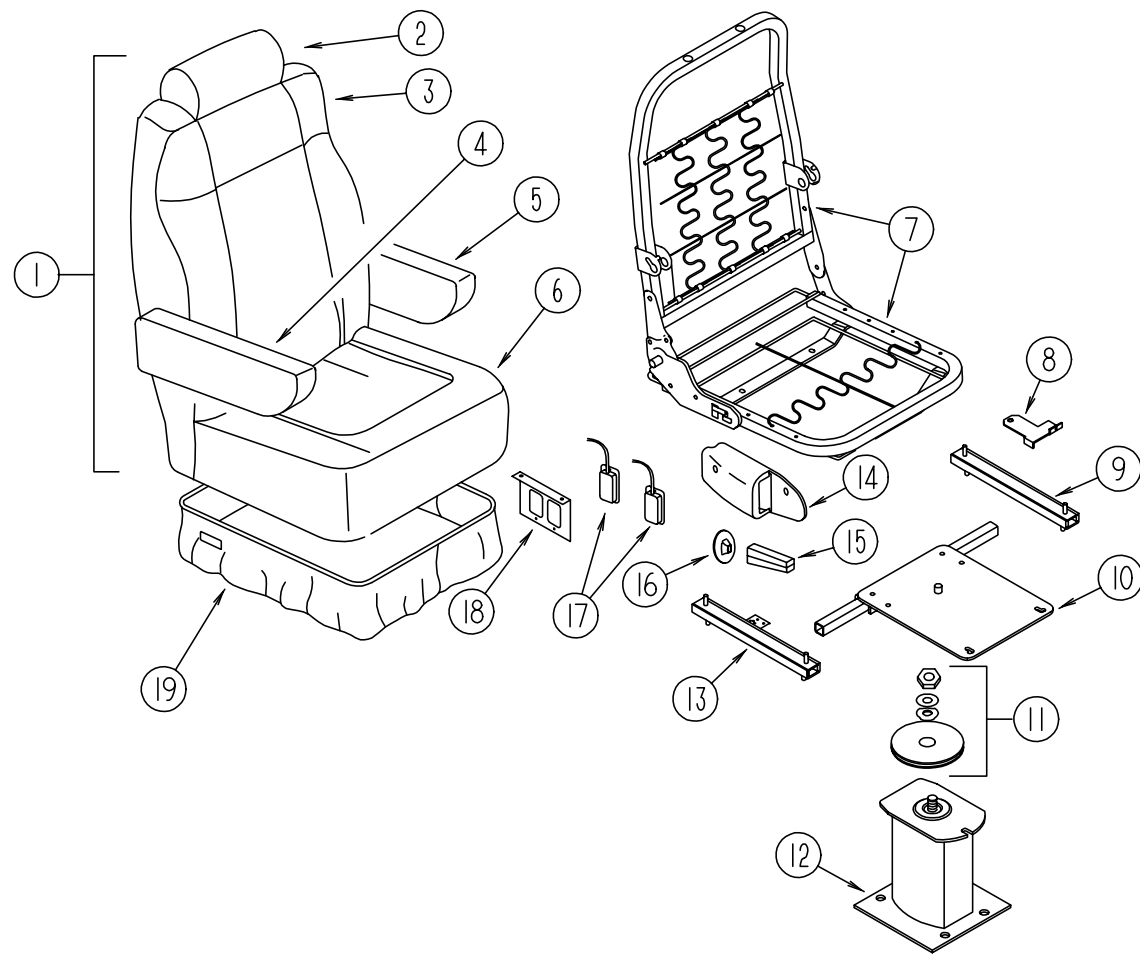
NOTE: COUCH FRONT AND SIDE PANELS ARE FOUND IN THE LOUNGE GROUP

DINETTE CUSHIONS

KEY	PART NUMBER	U/M DESCRIPTION
7	111880-05-J46	EA CUSHION - BACK - 13.5" X 42" X 5" (K46)
7	111880-05-J47	EA CUSHION - BACK - 13.5" X 42" X 5" (K47)
7	111880-05-K48	EA CUSHION - BACK - 13.5" X 42" X 5" (K48)
	P11880-05-J46	EA COVER - BACK - 13.5" X 42" X 5" (K46)
	P11880-05-J47	EA COVER - BACK - 13.5" X 42" X 5" (K47)
	P11880-05-K48	EA COVER - BACK - 13.5" X 42" X 5" (K48)
	078155-01-000	EA STRAP - SNAP - BACK CUSHION
8	105603-15-J02	EA CUSHION - SEAT - 23" X 42" X 5" (K46)
8	105603-15-J47	EA CUSHION - SEAT - 23" X 42" X 5" (K47)
8	105603-15-K48	EA CUSHION - SEAT - 23" X 42" X 5" (K48)
	P05603-15-J02	EA COVER - SEAT - 23" X 42" X 5" (K46)
	P05603-15-J47	EA COVER - SEAT - 23" X 42" X 5" (K47)
	P05603-15-K48	EA COVER - SEAT - 23" X 42" X 5" (K48)

CURTAIN & CUSHION GROUP (CONTINUED)

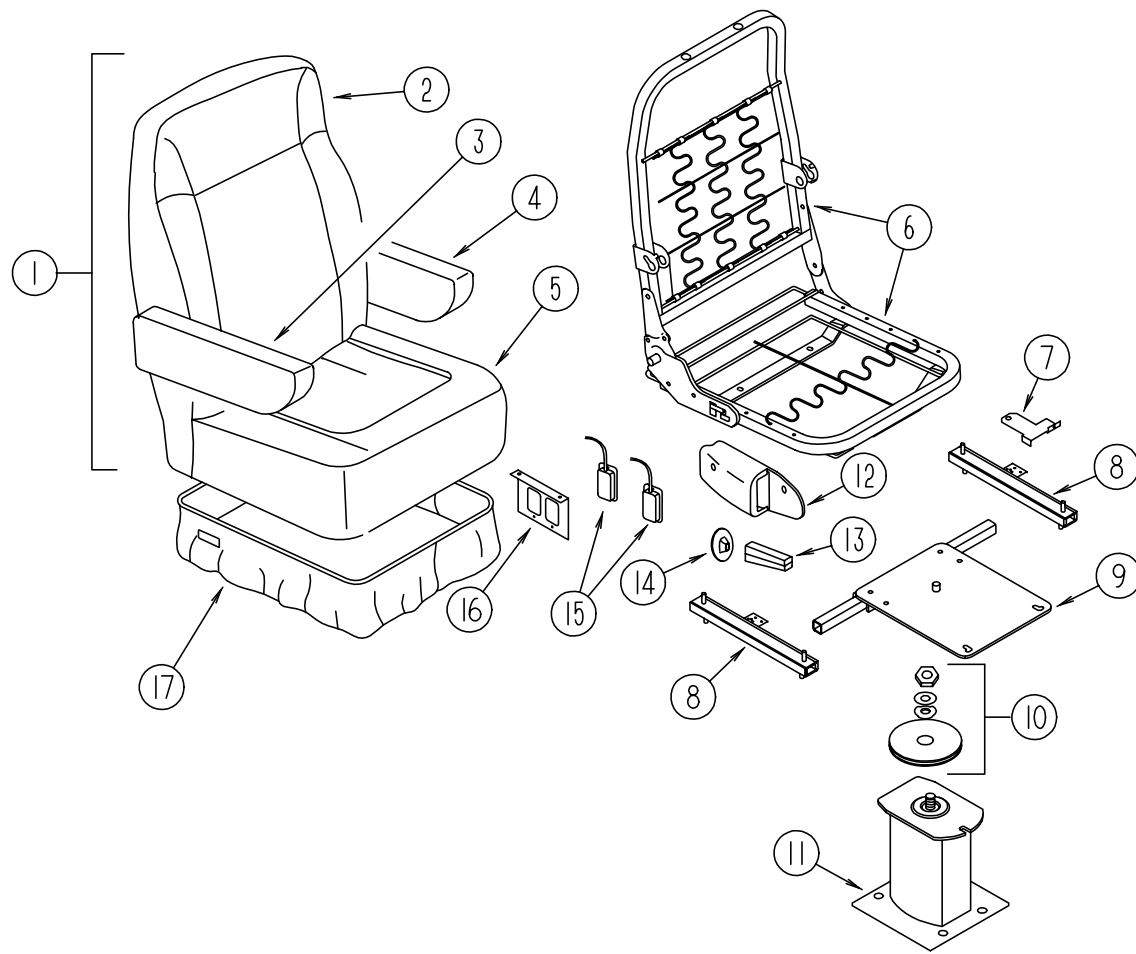
LOUNGE SWIVEL CHAIR



KEY	PART NUMBER	U/M DESCRIPTION
1	127540-12-K16	EA SEAT - BUCKET - MANUAL RECLINE - WIDE (K46)
1	127540-12-K17	EA SEAT - BUCKET - MANUAL RECLINE - WIDE (K47)
1	127540-12-K48	EA SEAT - BUCKET - MANUAL RECLINE - WIDE (K48)
2	127601-02-K16	EA HEADREST (K46)
2	127601-02-K17	EA HEADREST (K47)
2	127601-02-K48	EA HEADREST (K48)
	P27601-02-K16	EA COVER - HEADREST (K46)
	P27601-02-K17	EA COVER - HEADREST (K47)
	P27601-02-K18	EA COVER-HEADREST,521-04 LG. CHA (K48)
3	M05962-67-J46	EA COVER - BACK (K46)
3	M05962-67-J47	EA COVER - BACK (K47)
3	M05962-67-K48	EA COVER - BACK (K48)
4	122780-01-J02	EA ARMREST - RIGHT HAND (K46)
4	122780-01-H01	EA ARMREST - RIGHT HAND (K47)
4	122780-01-J06	EA ARMREST - RIGHT HAND (K48)
	P22780-01-J02	EA COVER - ARMREST - RIGHT HAND (K46)
	P22780-01-H01	EA COVER - ARMREST - RIGHT HAND (K47)
	P22780-01-J06	EA COVER - ARMREST - RIGHT HAND (K48)
	115617-03-000	EA ARMREST - W/O COVER - RIGHT HAND
5	122780-02-J02	EA ARMREST - LEFT HAND (K46)
5	122780-02-H16	EA ARMREST - LEFT HAND (K47)
5	122780-02-J06	EA ARMREST - LEFT HAND (K48)
	P22780-02-J02	EA COVER - ARMREST - LEFT HAND (K46)
	P22780-02-H16	EA COVER - ARMREST - LEFT HAND (K47)
	P22780-02-J06	EA COVER - ARMREST - LEFT HAND (K48)
	115617-04-000	EA ARMREST - W/O COVER - LEFT HAND
6	M05962-68-J46	EA COVER - SEAT (K46)
6	M05962-68-J47	EA COVER - SEAT (K47)
6	M05962-68-K48	EA COVER - SEAT (K48)
7	122695-01-01B	EA FRAME - SEAT/BACK
8	117125-01-02B	EA BRACKET - CABLE MOUNT - ADJUSTER W/LOCK
9	119952-02-000	EA SLIDE/SEAT - HEAVY DUTY NON LOCKING
	119952-07-000	EA WIRE - LATCH RELEASE/ROTARY
10	107921-05-000	EA PLATE - TOP - W/SEAT BELT BAR
11	107921-06-000	EA BEARING KIT - PEDESTAL
12	107921-01-000	EA PEDESTAL/FLOOR MOUNTED - W/9.75" EXTENSION
13	119952-04-000	EA SLIDE/SEAT - HEAVY DUTY LOCKING - 4 STUDS
14	080730-09-000	EA SHIELD - RECLINER HANDLE
15	080730-08-000	EA HANDLE - RECLINER
16	080730-11-000	EA SHIELD - RUBBER BOOT
17	108049-04-000	EA CABLE - W/SWITCHES - W/26" MINI LEVER ACTION
	108049-02-000	EA CLIP - CABLE/PEDESTAL
18	127159-02-02B	EA BRACKET - SEAT RELEASE - DUAL REMOTE
19	071126-66-J46	EA SKIRT - BUCKET/LARGE (K46)
19	071126-66-J47	EA SKIRT - BUCKET/LARGE (K47)
19	071126-66-K48	EA SKIRT - BUCKET/LARGE (K48)
	108445-02-000	EA PLATE/FLOOR MOUNTED - PEDESTAL SEAT

CURTAIN & CUSHION GROUP (CONTINUED)

BUCKET SEAT W/O LUMBAR



KEY	PART NUMBER	U/M	DESCRIPTION
1	129664-01-K16	EA	SEAT - BUCKET - WIDE/MANUAL RECLINE (K46)
1	129664-01-K47	EA	SEAT - BUCKET - WIDE/MANUAL RECLINE (K47)
1	129664-01-K48	EA	SEAT - BUCKET - WIDE/MANUAL RECLINE (K48)
2	M05962-80-K16	EA	COVER - BACK (K46)
2	M05962-80-K17	EA	COVER - BACK (K47)
2	M05962-80-K48	EA	COVER - BACK - WIDE (K48)
3	129666-01-K16	EA	ARMREST - RIGHT HAND (K46)
3	129666-01-K17	EA	ARMREST - RIGHT HAND (K47)
3	129666-01-K48	EA	ARMREST ASM-522-01,RT. (K48)
	P29666-01-K16	EA	COVER - ARMREST - RIGHT HAND (K46)
	P29666-01-K17	EA	COVER - ARMREST - RIGHT HAND (K47)
	P29666-01-K48	EA	COVER - ARMREST - RIGHT HAND (K48)
4	129666-02-K16	EA	ARMREST - LEFT HAND (K46)
4	129666-02-K47	EA	ARMREST - LEFT HAND (K47)
4	129666-02-K48	EA	ARMREST - LEFT HAND (K48)
	P29666-02-K16	EA	COVER - ARMREST - LEFT HAND (K46)
	P29666-02-K47	EA	COVER - ARMREST - LEFT HAND (K47)
	P29666-02-K48	EA	COVER - ARMREST - LEFT HAND (K48)
5	M05962-81-K16	EA	COVER - SEAT (K46)
5	M05962-81-K17	EA	COVER - SEAT (K47)
5	M05962-81-K48	EA	COVER - SEAT (K48)
6	122695-01-01B	EA	FRAME - SEAT/BACK
7	117125-01-02B	EA	BRACKET - CABLE MOUNT - ADJUSTER W/LOCK
8	119952-04-000	EA	SLIDE/SEAT - HEAVY DUTY LOCKING - 4 STUDS
	119952-07-000	EA	WIRE - LATCH RELEASE/ROTARY
9	107921-05-000	EA	PLATE - TOP - W/SEAT BELT BAR
10	107921-06-000	EA	BEARING KIT - PEDESTAL
11	107921-01-000	EA	PEDESTAL/FLOOR MOUNTED - W/9.75" EXTENSION
12	080730-09-000	EA	SHIELD - RECLINER HANDLE
13	080730-08-000	EA	HANDLE - RECLINER
14	080730-11-000	EA	SHIELD - RUBBER BOOT
15	108049-04-000	EA	CABLE - W/SWITCHES - W/26" MINI LEVER ACTION
	108049-02-000	EA	CLIP - CABLE/PEDESTAL
16	127159-02-02B	EA	BRACKET - SEAT RELEASE - REMOTE
17	071126-68-K16	EA	SKIRT - WIDE - 10.5" OPEN CORNER (STANDARD & 6-WAY POWER) (K46)
17	071126-68-K17	EA	SKIRT - WIDE - 10.5" OPEN CORNER (STANDARD & 6-WAY POWER) (K47)
17	071126-68-K48	EA	SKIRT - WIDE - 10.5" OPEN CORNER (STANDARD & 6-WAY POWER) (K48)

CURTAIN & CUSHION GROUP (CONTINUED)

BUTTON, TRIM, ASSIST HANDLE & SEAT BELT

KEY	PART NUMBER	U/M	DESCRIPTION
	070578-02-B10	EA	BUTTON - SCREW - STUD - #30 VINYL
	079349-04-J46	YD	WELT - NARROW (K46)
	079349-04-H16	YD	WELT - NARROW (K47)
	079349-04-J06	YD	WELT - NARROW (K48)
	007021-01-000	EA	SEAT BELT - 2" X 90" - BLACK
	057759-01-000	EA	WASHER - FLAT F/SEAT BELT - 4" DIAMETER
	069178-02-000	EA	BRACKET - MOUNTING/ASSIST HANDLE - GRAY
	000C16-07-16B	EA	BOLT - CARRIAGE - ASSIST HANDLE - 7/16" - 14 X 1"
	000D20-07-00B	EA	NUT - ACORN - ASSIST HANDLE - 7/16 - 14
	053552-02-K01	EA	HANDLE - ASSIST - INTERIOR/ENTRY DOOR - VINYL/OFF WHITE
	057534-01-000	EA	TIEBACK/TIEDOWN - 6" CLEAR PLASTIC

CURTAIN & CUSHION GROUP (CONTINUED)

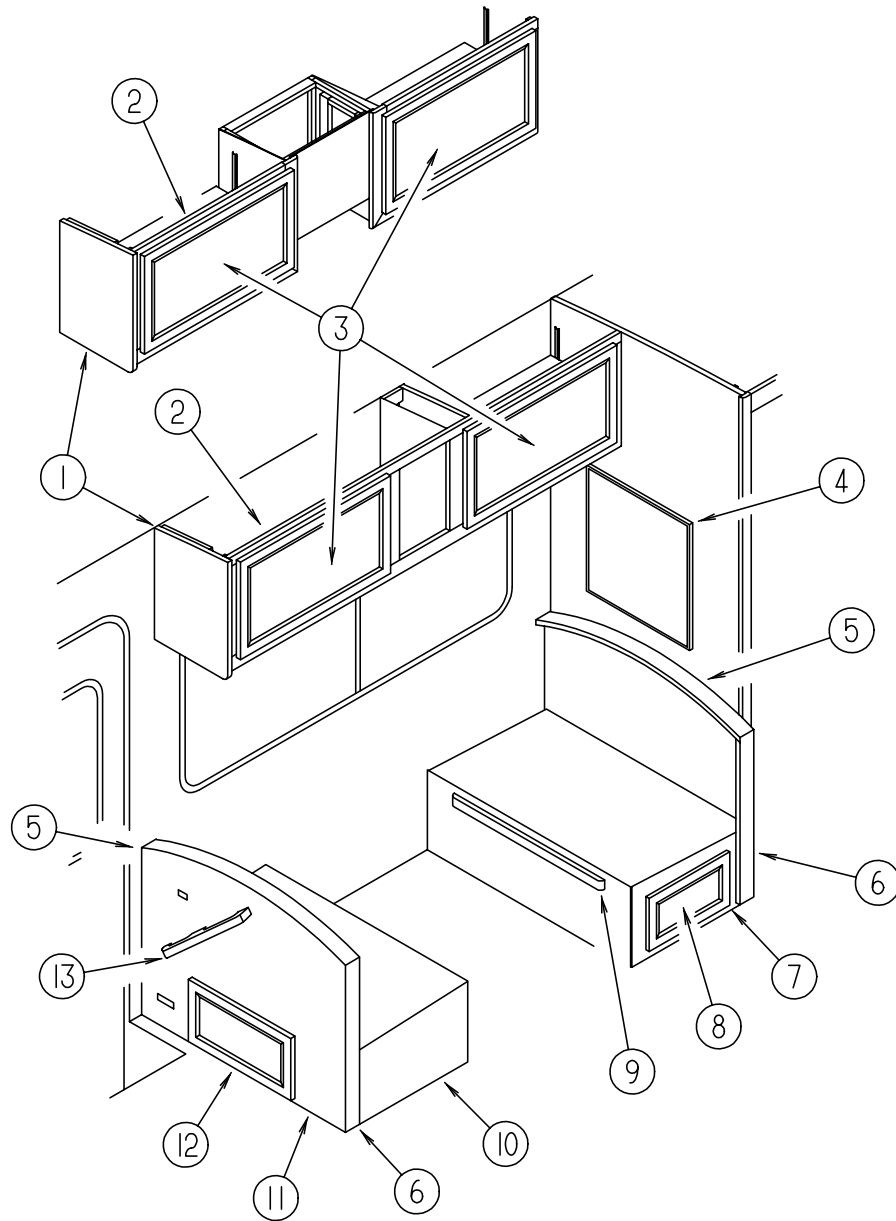
SUNRISE 'SE' FABRIC

COLOR CODES	K46	K47	K48
	SANDPIPER (SAND)	HORIZON (BLUE)	RIVERWALK (TAUPE)
CEILING MATERIAL FROM: 00-00-00 THRU: 02-07-99	113979-01-01A	113979-01-01A	113979-01-01A
CEILING MATERIAL FROM: 02-08-99 THRU: 99-99-99	113979-09-01A	113979-09-01A	113979-09-01A
MADRID VINYL	103907-01-01A	103907-01-01A	103907-01-01A
TITANIUM VINYL	103907-01-08A 103907-02-08A 103907-03-08A	103907-01-08A 103907-02-08A 103907-03-08A	103907-01-08A 103907-02-08A 103907-03-08A
DRAPERY LINING	087272-03-000	087272-03-000	087272-03-000
BUCKET SEATS	108446-57-000 108446-U1-000	108446-F4-000 108446-F7-000	126883-05-000 108446-S6-000
DINETTE	108446-R8-000	108446-U5-000	126883-04-000
DINETTE PADS	108446-U1-000	108446-F7-000	108446-S6-000
SOFA	108446-R8-000	108446-U5-000	126883-04-000
SOFA PILLOWS	108446-57-000	108446-F4-000	126883-05-000
SWIVEL CHAIR	108446-57-000 108446-U1-000	108446-F4-000 108446-F7-000	126883-05-000 108446-S6-000
LOUNGE WINDOWS	108446-R8-000 108446-57-000	108446-U5-000 108446-F4-000	126883-04-000 126883-05-000
BEDROOM WINDOWS	105745-G2-000 105745-A1-000	105745-65-000 105745-64-000	105745-G6-000 105745-B5-000
BEDSPREAD	105745-G2-000	105745-65-000	105745-G6-000
PILLOW SHAMS	105745-G2-000 105745-A1-000	105745-65-000 105745-64-000	105745-G6-000 105745-B5-000
HEADBOARD	105745-G2-000 105745-A1-000	105745-65-000 105745-64-000	105745-G6-000 105745-B5-000
BEDROOM PILLOWS	105745-G2-000 105745-A1-000	105745-65-000 105745-64-000	105745-G6-000 105745-B5-000
FRONT WRAP AROUND	072333-82-000	072333-82-000	072333-82-000
LOUNGE CABINET INSERTS	108446-57-000	108446-F4-000	126883-05-000
BEDROOM CABINET INSERTS	105745-A1-000	105745-64-000	105745-B5-000
MAP POCKETS	108446-U1-000	108446-F7-000	108446-S6-000

NOTE: FABRIC LISTED FIRST, IN A BLOCK, IS THE LARGEST QUANTITY OF FABRIC USED.

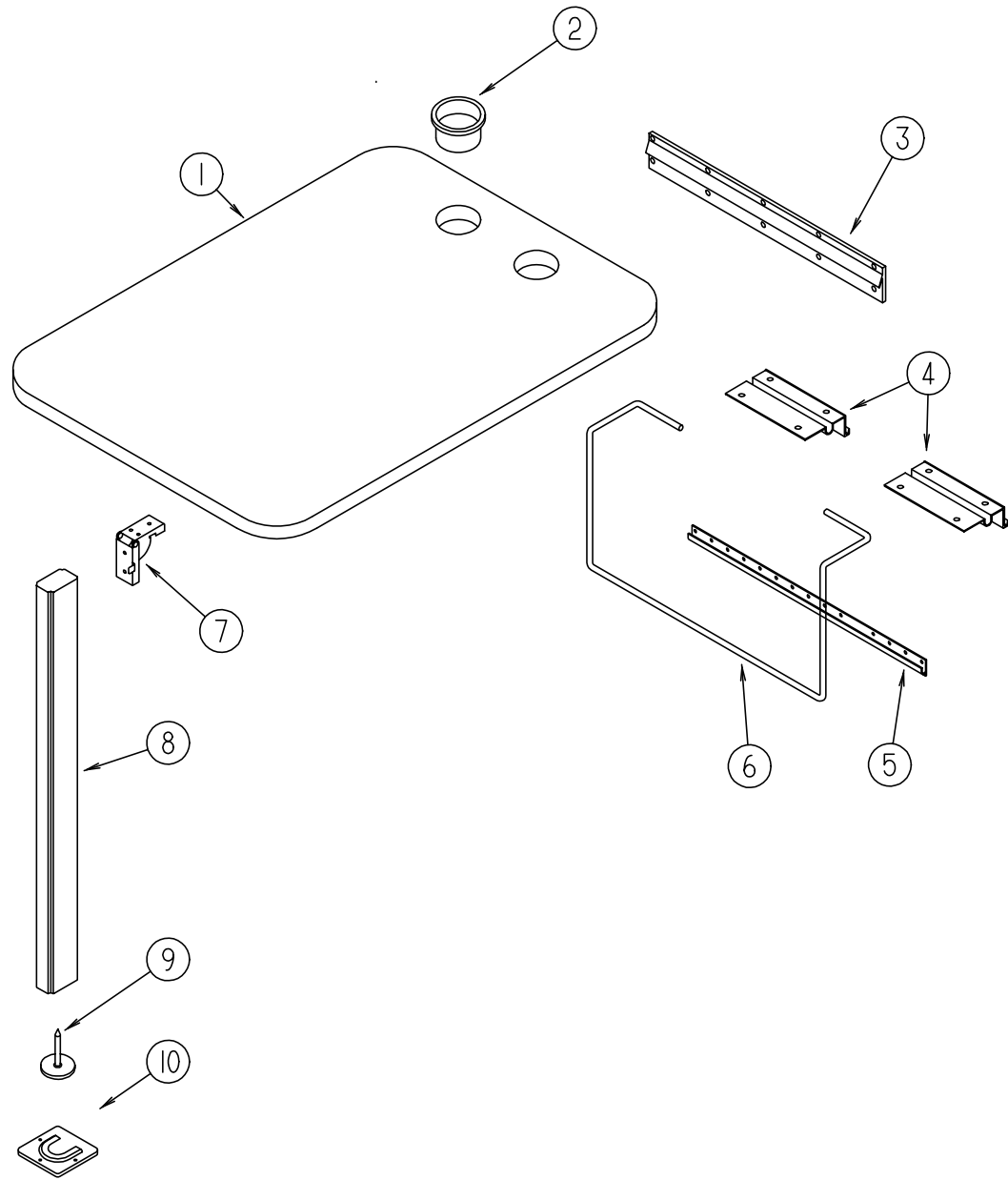
DINETTE GROUP

DINETTE CABINETRY



KEY	PART NUMBER	U/M	DESCRIPTION
1	103128-02-J94	EA	END CAP - OVERHEAD CABINET - LEFT HAND
2	117902-10-K16	EA	CABINET - OVERHEAD/DINETTE - W/O DOORS/HARDWARE (K46)
2	117902-10-K17	EA	CABINET - OVERHEAD/DINETTE - W/O DOORS/HARDWARE (K47)
2	117902-10-K48	EA	CABINET - OVERHEAD/DINETTE - W/O DOORS/HARDWARE (K48)
	117902-14-G09	EA	SHelf - W/PLASTIC EDGE TRIM
2	117579-51-K16	EA	CABINET - OVERHEAD/DINETTE - W/O DOORS/HARDWARE (K46) COFFEEMAKER OPTION
2	117579-51-K17	EA	CABINET - OVERHEAD/DINETTE - W/O DOORS/HARDWARE (K47) COFFEEMAKER OPTION
2	117579-51-K48	EA	CABINET - OVERHEAD/DINETTE - W/O DOORS/HARDWARE (K48) COFFEEMAKER OPTION
	117579-13-G09	EA	SHelf - W/PLASTIC EDGE TRIM
3	M09332-05-K01	EA	DOOR - RAISED MEMBRANE/OGEE EDGE - 15.7" X 27.9" - W/O HDW
4	058331-47-000	EA	MIRROR - SAFETY GLASS - 22.36" X 15.09"
4	105004-01-05A	EA	MOLDING - VINYL WRAPPED - 1" X 96" - WATERFORD OAK
5	104787-08-J46	EA	PAD - DINETTE SEATBACK (K46)
5	104787-08-J47	EA	PAD - DINETTE SEATBACK (K47)
5	104787-08-J24	EA	PAD - DINETTE SEATBACK (K48)
6	M08752-04-J20	EA	CABINET - SEATBACK - RIGHT HAND
7	M08753-04-J20	EA	CABINET - SEATBASE - RIGHT HAND - W/O DOOR/DRAWER/HARDWARE
8	M05992-M7-J18	EA	DOOR - STRAIGHT CORNER/OGEE EDGE - 10" X 19.1" - W/O HDW
9	081295-01-G01	EA	SUPPORT - BED/DINETTE - 28" LONG
10	M08753-05-J20	EA	CABINET - SEATBASE - LEFT HAND - W/O DOOR/DRAWER/HARDWARE
11	M08752-05-J20	EA	CABINET - SEATBACK - LEFT HAND
12	M05992-N6-K16	EA	DOOR - STRAIGHT CORNER/OGEE EDGE - 9" X 26.5" - W/O HDW
13	091257-10-000	EA	HANDLE - ASSIST - WATERFORD OAK
	122021-01-02A	EA	ANGLE - W/HOLES - 8.6" LONG - OFF WHITE
	122021-02-02A	EA	ANGLE - W/HOLES - 13.7" LONG - OFF WHITE
	122021-03-01A	EA	ANGLE - W/HOLES - 23.5" LONG - OFF WHITE

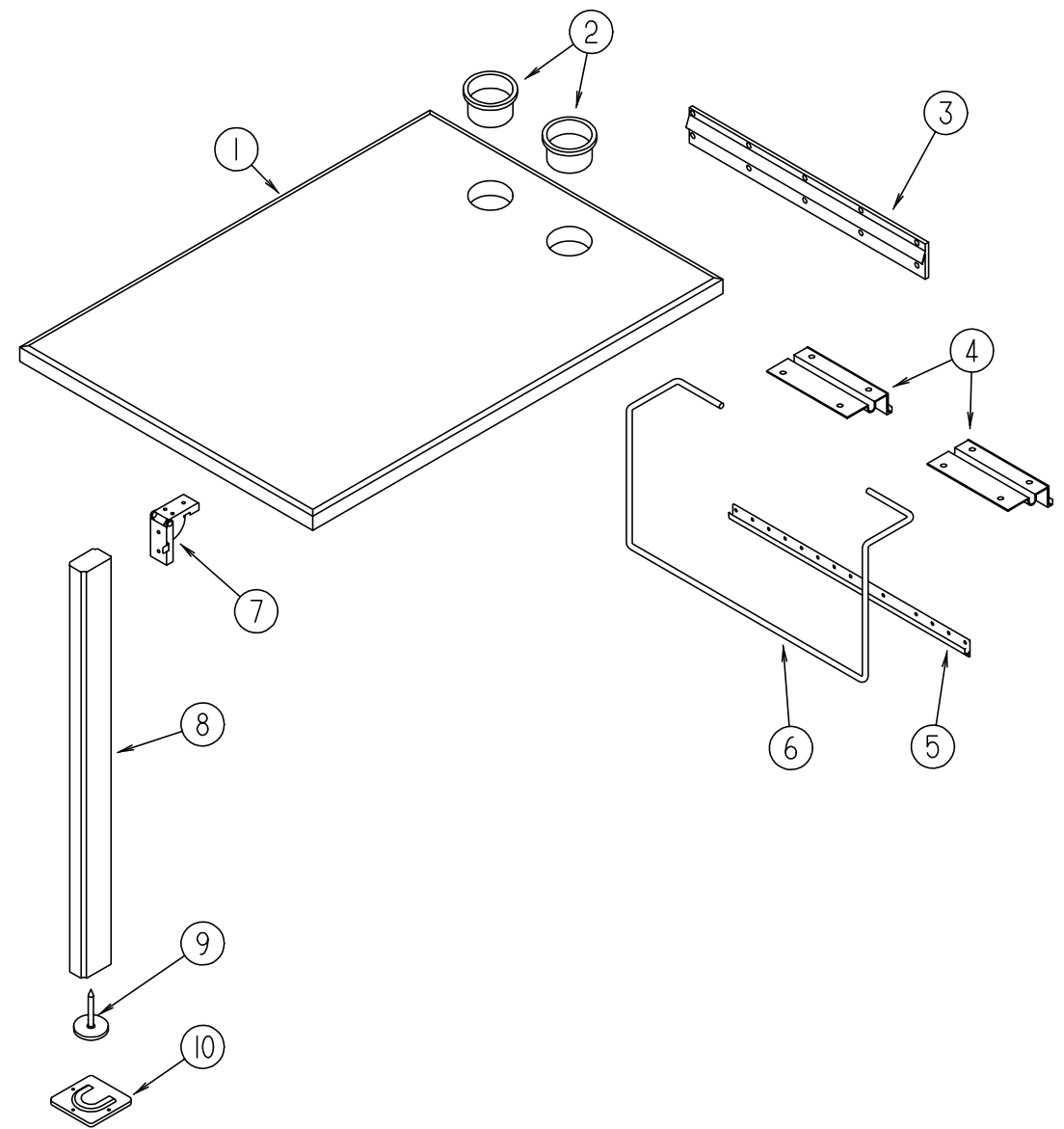
DINETTE GROUP (CONTINUED)



DINETTE TABLE (LAMINATE EDGE)

KEY	PART NUMBER	U/M	DESCRIPTION
1	081322-23-K16	EA	TABLE TOP ONLY (K46)
1	081322-23-K47	EA	TABLE TOP ONLY (K47)
1	081322-23-K48	EA	TABLE TOP ONLY (K48)
2	064781-06-000	EA	HOLDER - CUP - TWO STEP - OFF WHITE
3	053200-12-000	EA	BRACKET - TABLE SUPPORT - UPPER/WALL MOUNTED - 23.50"
4	088410-02-000	EA	BRACKET - LIFT - TABLE MOUNTED
5	024281-14-000	EA	BRACKET/TABLE - LIFT ROD/LOWER WALL MOUNTED - 22.12"
6	024275-12-000	EA	ROD - TABLE LIFT
7	093550-01-000	EA	BRACKET - HINGE - MOUNTS TO LEG & TABLE TOP - 1.7" X 2.6"
8	092707-04-05A	EA	LEG - TABLE - W/O HARDWARE - 27" - WATERFORD OAK
9	092593-01-05A	EA	CATCH - TABLE LEG - OFF/WHITE
10	049493-12-000	EA	CATCH - TABLE LEG/FLOOR MOUNTED - OFF WHITE
10	049493-11-700	EA	CATCH - TABLE LEG/FLOOR MOUNTED - E COATED

DINETTE GROUP (CONTINUED)

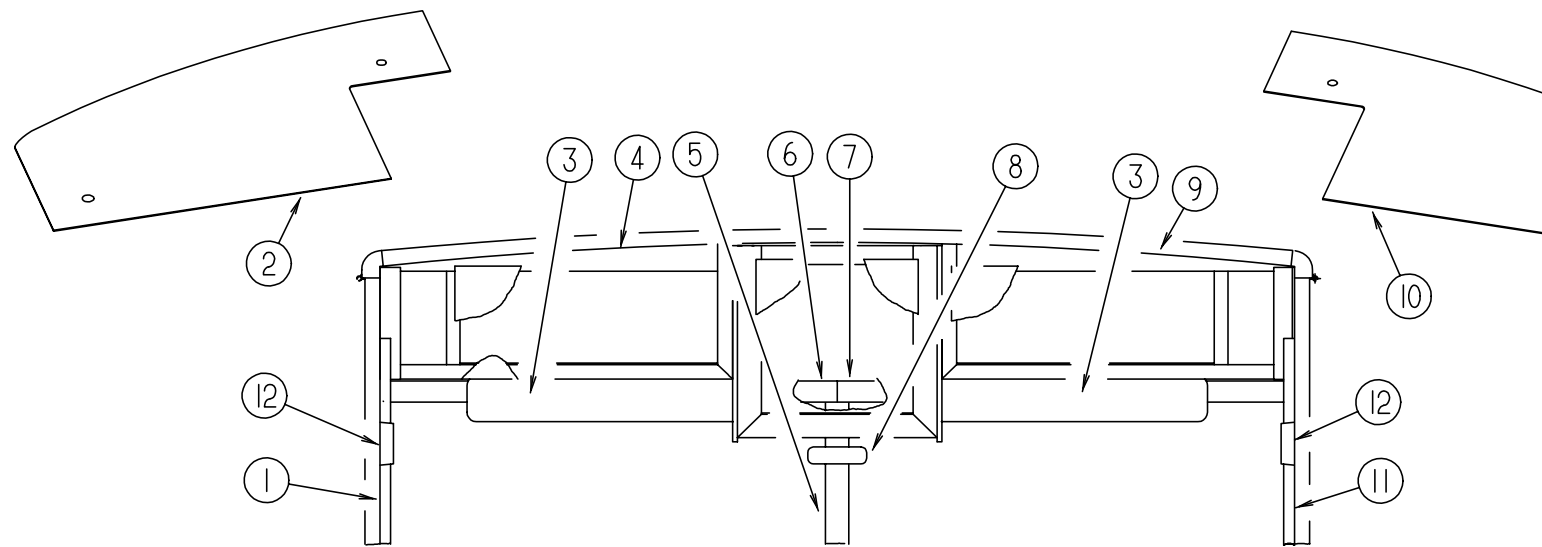


DINETTE TABLE (WOOD EDGE)

KEY	PART NUMBER	U/M	DESCRIPTION
1	088913-08-G42	EA	TABLE - DINETTE - W/O HARDWARE (K46)
1	088913-08-J51	EA	TABLE - DINETTE - W/O HARDWARE (K47)
1	088913-08-J20	EA	TABLE - DINETTE - W/O HARDWARE (K48)
2	064781-06-000	EA	HOLDER - CUP - TWO STEP - OFF WHITE
3	053200-12-000	EA	BRACKET - TABLE SUPPORT - UPPER/WALL MOUNTED - 23.50"
4	088410-02-000	EA	BRACKET - LIFT - TABLE MOUNTED
5	024281-14-000	EA	BRACKET/TABLE - LIFT ROD/LOWER WALL MOUNTED - 22.12"
6	024275-12-000	EA	ROD - TABLE LIFT
7	093550-01-000	EA	BRACKET - HINGE - MOUNTS TO LEG & TABLE TOP - 1.7" X 2.6"
8	092707-04-05A	EA	LEG - TABLE - W/O HARDWARE - 27" - WATERFORD OAK
9	092593-01-05A	EA	CATCH - TABLE LEG - OFF/WHITE
10	049493-12-000	EA	CATCH - TABLE LEG/FLOOR MOUNTED - OFF WHITE
10	049493-11-700	EA	CATCH - TABLE LEG/FLOOR MOUNTED - E COATED

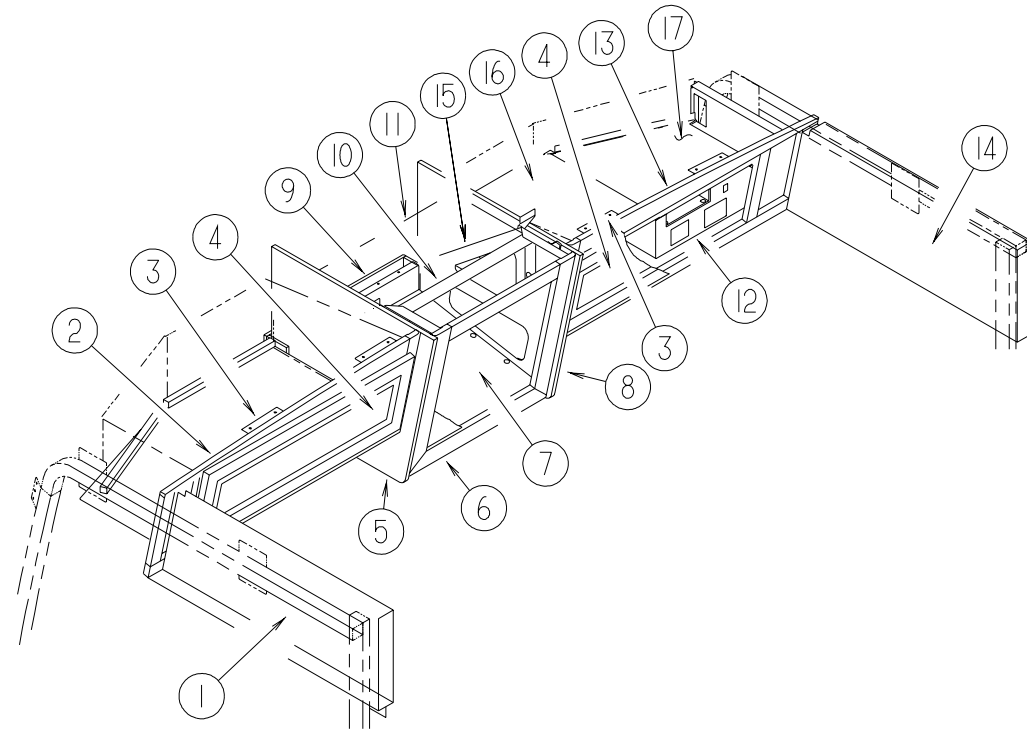
DRIVERS COMPARTMENT GROUP

DRIVERS COMPARTMENT - UPPER



KEY	PART NUMBER	U/M	DESCRIPTION
1	125444-04-02A	EA	TRIM - A-PILLAR/DRIVER - INTERIOR - TITANIUM
2	126440-04-J45	EA	PANEL - OVERHEAD/FRONT - BOTTOM/LEFT HAND
3	123298-02-05A	EA	SUNVISOR - 10.5" X 28.5"
4	126457-02-J20	EA	PANEL - CLOSEOUT - OVERHEAD/FRONT - UPPER/LOWER LEFT HAND
5	118452-06-02A	EA	TRIM - WINDSHIELD - CENTER
6	118453-06-02A	EA	TRIM - WINDSHIELD - INNER/TOP/DRIVER
7	118453-05-02A	EA	TRIM - WINDSHIELD - INNER/TOP/PASSENGER
8	040714-01-000	EA	MIRROR - REAR VIEW/ARM MOUNT & SET SCREW
	067490-01-000	EA	BUTTON - MIRROR/REAR VIEW
9	126457-01-J20	EA	PANEL - CLOSEOUT - OVERHEAD/FRONT - UPPER/LOWER RIGHT HAND
10	126440-03-J45	EA	PANEL - OVERHEAD/FRONT - BOTTOM/RIGHT HAND
11	125444-03-02A	EA	TRIM - A-PILLAR/PASSENGER - INTERIOR - TITANIUM
12	103961-02-01A	EA	COVER - BRACKET - SEAT BELT/LEFT HAND - DRIVER DOOR OPTION

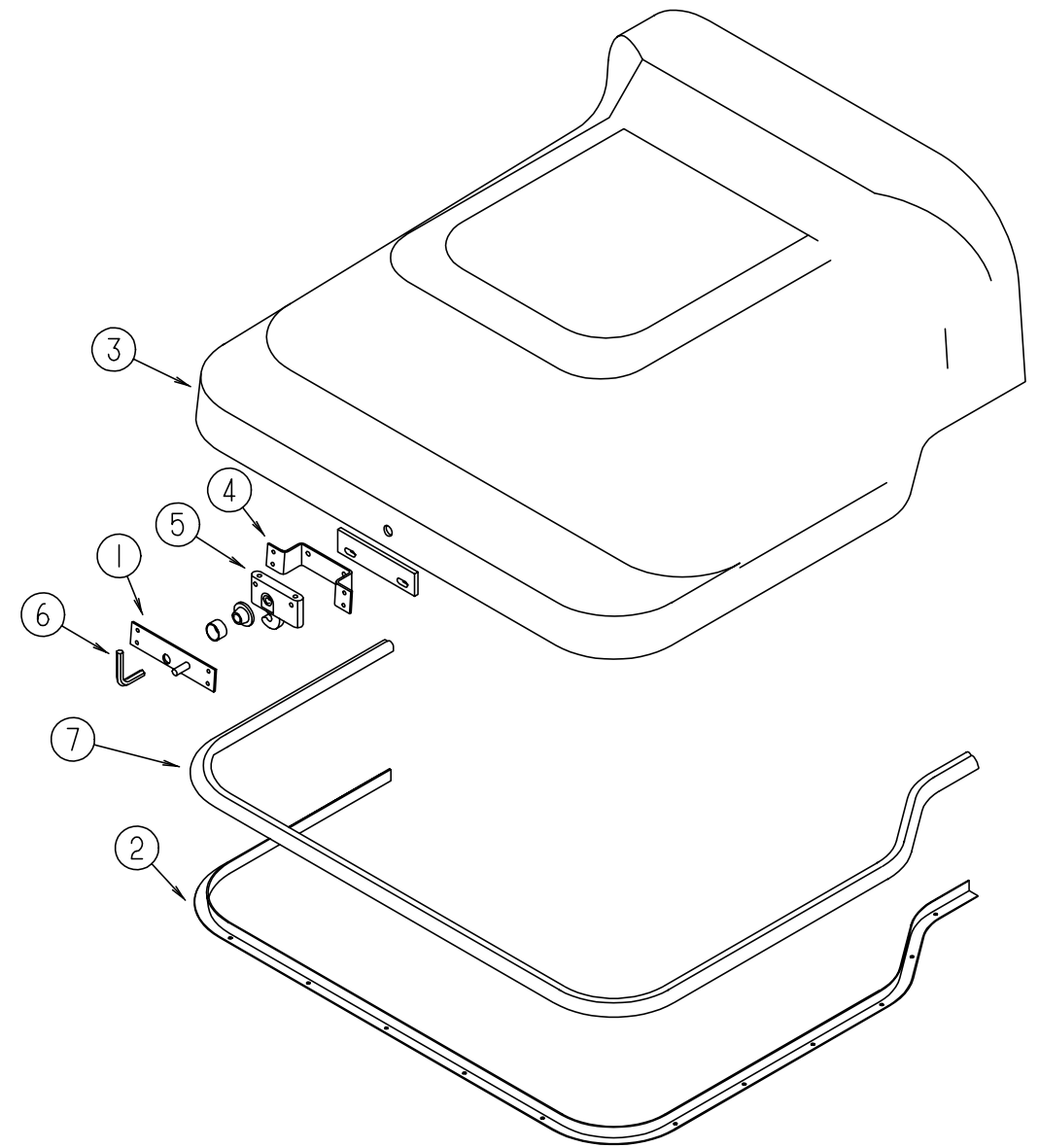
DRIVERS COMPARTMENT GROUP (CONTINUED)



INTERIOR STORAGE AND TV CABINETS

KEY	PART NUMBER	U/M	DESCRIPTION
1	126765-04-J45	EA	PANEL - OVERHEAD/DRIVER
2	126877-02-J15	EA	CABINET - OVERHEAD/Front - LEFT HAND - W/O DOORS/HARDWARE
3	106699-01-01A	EA	BRACKET - OVERHEAD CABINET/TV
4	M09332-07-K16	EA	DOOR - RAISED MEMBRANE/OGEE EDGE - 10.8" X 27.9" - W/O HDW
5	103128-25-J15	EA	END CAP - OVERHEAD CABINET - LEFT HAND
6	126718-01-J15	EA	FRAME/FACE - TV CABINET - W/O DOOR/HARDWARE
6	116791-02-J15	EA	FRAME/FACE - TV CABINET - F/TV
	091261-01-000	FT	SLIPNOT - ANTISLIP - 1' WIDE
7	100708-16-000	EA	DOOR - GLASS - CABINET - 15.5" X 15.7" - W/O HARDWARE
8	103128-26-J15	EA	END CAP - OVERHEAD CABINET - RIGHT HAND
9	126801-01-J45	EA	CABINET BOTTOM - VINYL COVERED
10	114706-04-02B	EA	SUPPORT - SHELF/TV
11	126854-01-J20	EA	PANEL - HEADLINER/TV/TOP
12	126601-01-J60	EA	PANEL/SHELF - VINYL COVERED - W/ANTENNA CUTOUT
			FROM: 00-00-00 THRU: 11-08-98
12	131807-01-K58	EA	PANEL/SHELF - VINYL COVERED - W/ANTENNA CUTOUT
			FROM: 11-09-98 THRU: 99-99-99
12	126601-03-J60	EA	PANEL/SHELF - VINYL COVERED - W/NOTCH/ANTENNA CUTOUT
			FROM: 00-00-00 THRU: 11-08-98
12	131807-02-K58	EA	PANEL/SHELF - VINYL COVERED - W/NOTCH/ANTENNA CUTOUT
			FROM: 11-09-98 THRU: 99-99-99
12	126601-07-J60	EA	PANEL/SHELF-VINYL COVERED-W/NOTCH/INVERTER/ANTENNA CUTOUT
			FROM: 00-00-00 THRU: 11-08-98
12	131807-03-K58	EA	PANEL/SHELF - VINYL COVERED - W/NOTCH/ANTENNA CUTOUT
			FROM: 11-09-98 THRU: 99-99-99
13	126877-01-J15	EA	CABINET - OVERHEAD/Front - RIGHT HAND - W/O DOORS/HARDWARE
14	126765-03-J45	EA	PANEL - OVERHEAD/PASSENGER
15	126081-01-02B	EA	BRACKET/SUPPORT - TV - 24 DEGREE - E-COATED
	126081-02-02B	EA	BRACKET/SUPPORT - TV - 24 DEGREE - E-COATED
16	127637-01-02B	EA	SHELF - OVERHEAD/Front/LEFT HAND - E-COATED
17	126275-01-02B	EA	SHELF - OVERHEAD/Front - E-COATED
			FROM: 00-00-00 THRU: 11-08-98
17	126275-03-02B	EA	SHELF - OVERHEAD/Front - E-COATED
			FROM: 11-09-98 THRU: 99-99-99

DRIVERS COMPARTMENT GROUP (CONTINUED)

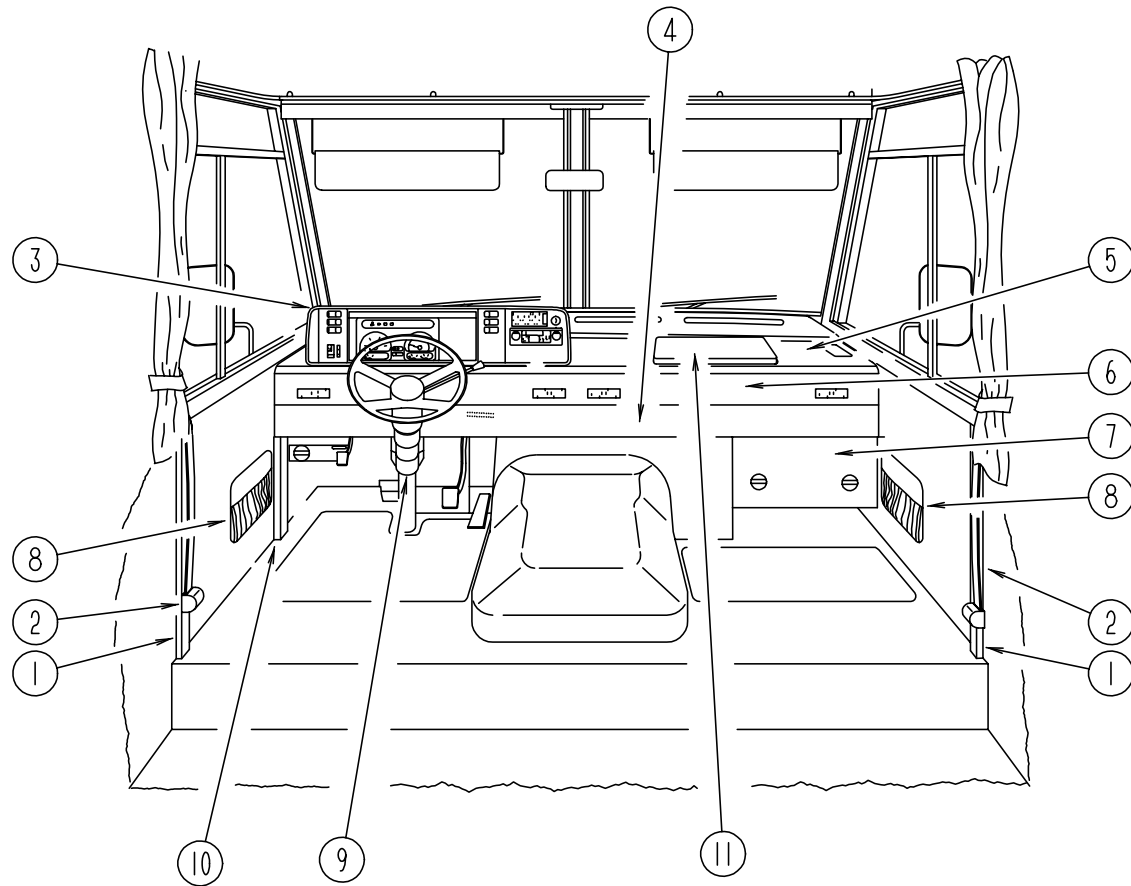


MOTOR COVER

KEY	PART NUMBER	U/M	DESCRIPTION
1	115852-01-02B	EA	STRIKE - LATCH - MOTOR COVER - E-COATED
2	115860-01-01A	EA	TRIM - MOTOR COVER - CHEVY
2	115860-03-01A	EA	TRIM - MOTOR COVER - FORD
3	115840-02-01A	EA	COVER - MOTOR - W/O CARPET - CHEVY
3	115840-03-01A	EA	COVER - MOTOR - W/O CARPET - FORD
4	115850-03-02B	EA	RETAINER - LATCH - MOTOR COVER - RIGHT HAND - E-COATED
5	116581-01-000	EA	LATCH - MOTOR COVER
6	116833-01-02B	EA	WRENCH - HEX MOTOR COVER - E-COATED
7	039623-01-000	FT	SEAL - MOTOR COVER - RUBBER BULB TYPE

DRIVERS COMPARTMENT GROUP (CONTINUED)

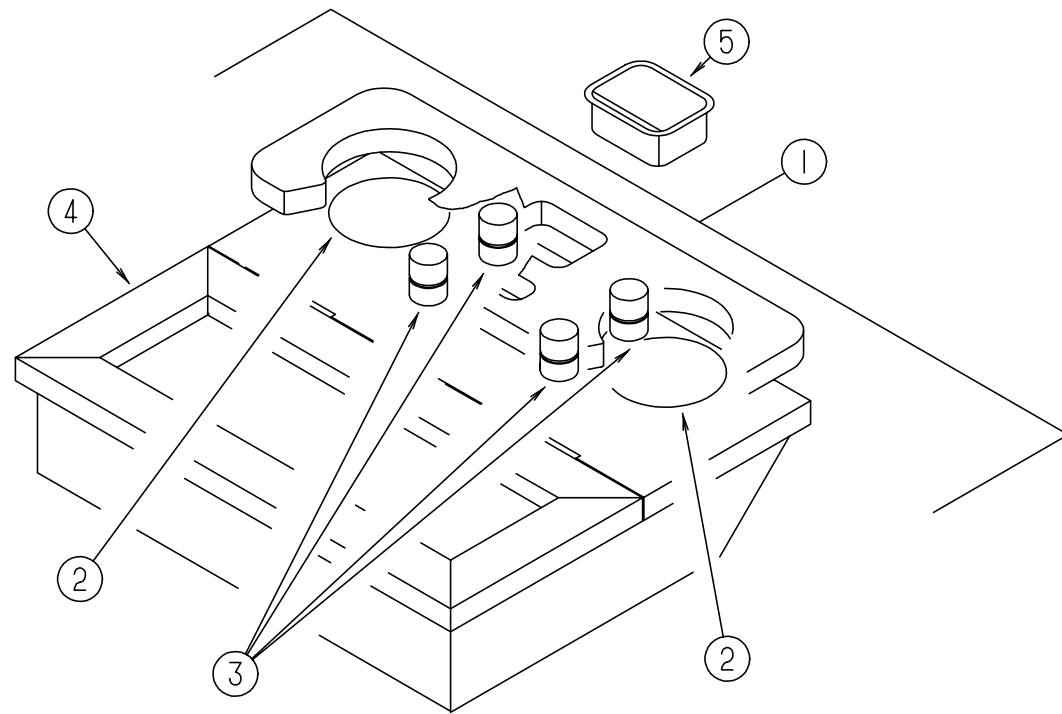
DRIVERS COMPARTMENT - LOWER



KEY	PART NUMBER	U/M DESCRIPTION	VENDOR NO.
1	024700-51-000	EA COVER - ROLL BAR	
2	091990-04-01A	EA SEAT BELT/SHOULDER HARNESS - DRIVERS/PASSENGER - BLACK	
	091990-01-701	EA EXTENDER 9" FOR A8408 3 PT	I-1331-02
	091990-05-700	EA SLEEVE/BUCKLE COVER-PLASTIC	209S-2
	091990-05-701	EA CAP/COVER - BOLT HOLE COVER	209SC-02
	091990-05-702	EA SLEEVE/RETRACTABLE COVER	309C-02
	109146-01-000	EA BOLT - SHOULDER/SEAT BELT	
	133576-02-01B	EA PLATE - ANCHOR - SEATBELT - LOWER - MILL	
3	125677-02-J52	EA POD - INSTRUMENT PANEL - TITANIUM - FORD	
		FROM: 00-00-00 THRU: 02-03-99	
3	125677-04-K58	EA POD - INSTRUMENT PANEL - TITANIUM - FORD	
		FROM: 02-04-99 THRU: 99-99-99	
3	125677-02-J52	EA POD - INSTRUMENT PANEL - TITANIUM - CHEVY	
4	114620-12-03A	EA TRIM - LOWER DASH - GM - 96" - TITANIUM	
4	114620-01-05A	EA TRIM - LOWER DASH - GM - 96" - TITANIUM - HEATED MIRRORS OPTION	
4	111528-04-05A	EA TRIM - LOWER DASH - DRIVER - FD - TITANIUM	
4	111528-03-06A	EA TRIM - LOWER DASH - PASSENGER - FD - TITANIUM - HEATED MIRRORS OPTION	
4	111528-08-03A	EA TRIM - LOWER DASH - PASSENGER - FD - TITANIUM	
5	P30276-02-000	EA DASH - W/O VINYL - FORD	
		FROM: 00-00-00 THRU: 02-03-99	
5	P30276-10-000	EA DASH - COMPLETE - W/O VINYL - FORD	
		FROM: 02-04-99 THRU: 99-99-99	
5	P30276-06-000	EA DASH - W/O VINYL - CHEVY	
	118101-06-02B	EA PANEL - DASH TOP - E-COATED	
	106569-11-02A	EA VINYL - LAMINATE - TITANIUM - 1/4" X 21" X 100"	
	113452-01-000	FT SEAL/TRIM - FRONT - VINYL W/WIRE CARRIER	
6	126340-02-01A	EA DECAL - LOGO - SUNRISE	
7	095757-05-J60	EA COVER - HEATER (K46)	
7	095757-05-J51	EA COVER - HEATER (K47)	
7	095757-05-G16	EA COVER - HEATER (K48)	
8	086120-01-J46	EA PAD - MAP POCKET - 12" X 16" (K46)	
8	086120-01-H16	EA PAD - MAP POCKET - 12" X 16" (K47)	
8	086120-01-J24	EA PAD - MAP POCKET - 12" X 16" (K48)	
9	103498-09-000	EA BOOT - STEERING COLUMN - W/1/2 CIRCLE - CHEVY	
	130111-01-01A	EA COVER - STEERING COLUMN - BLACK - FORD	
		FROM: 00-00-00 THRU: 02-03-99	
	131804-01-01A	EA COVER - STEERING COLUMN - BLACK - FORD	
		FROM: 02-04-99 THRU: 99-99-99	
	125795-01-01A	EA COVER - STEERING COLUMN - LOWER - FORD	
		FROM: 02-04-99 THRU: 99-99-99	
	125655-03-01A	EA TRIM - STEERING COLUMN - RIGHT HAND/FORD	
		FROM: 00-00-00 THRU: 02-03-99	
	125655-04-01A	EA TRIM - STEERING COLUMN - LEFT HAND/FORD	
		FROM: 00-00-00 THRU: 02-03-99	
10	127901-01-02A	EA PANEL - TOEKICK/LEFT HAND - TITANIUM	
11	127692-01-J50	EA TABLE - DASH	
	127597-01-000	EA SLIDE - WORK STATION - DASH	

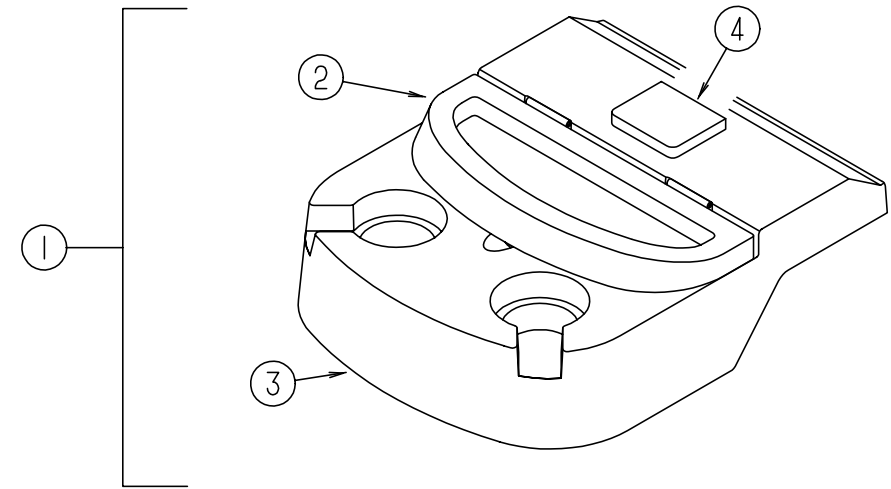
DRIVERS COMPARTMENT GROUP (CONTINUED)

DRIVERS COMPARTMENT GROUP (CONTINUED)



BEVERAGE TRAY (WOOD)

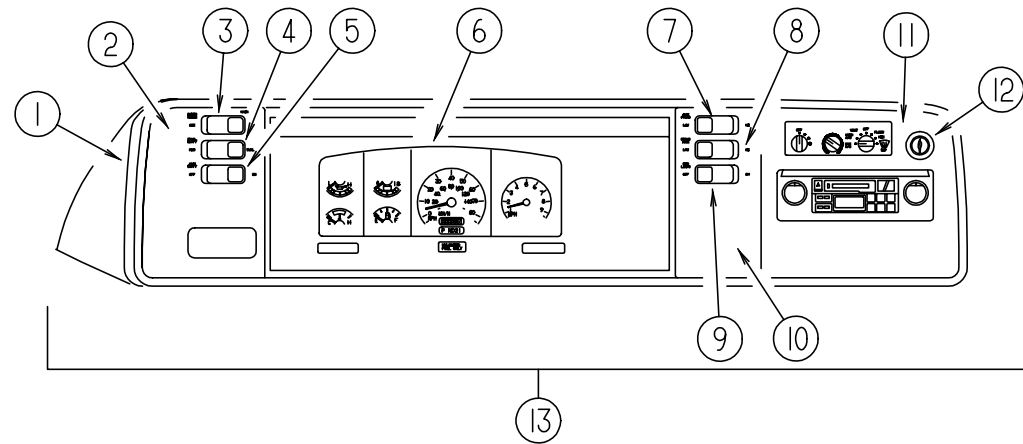
KEY	PART NUMBER	U/M	DESCRIPTION
1	111618-01-H17	EA	TRAY - BEVERAGE W/COMPARTMENT - W/O CUPHOLDERS
2	122717-01-01A	EA	PAD - NON SKID - 4" DIAMETER ROUND
3	097872-08-000	EA	DOWEL - WOOD - 1" DIAMETER X 1.38" LONG - WATERFORD OAK
3	097872-04-000	EA	DOWEL - WOOD - 1" DIAMETER X 1.38" LONG
4	111618-13-GB1	EA	LID - BEVERAGE TRAY COMPARTMENT
5	046886-03-000	EA	ASHTRAY - CHROME W/COVER



BEVERAGE TRAY (PLASTIC)

KEY	PART NUMBER	U/M	DESCRIPTION
1	126008-02-J60	EA	TRAY ASM-BEVERAGE
2	128113-01-J60	EA	LID - BEVERAGE TRAY
3	128114-01-02A	EA	TRAY - BEVERAGE - TITANIUM
4	118719-01-01A	EA	ASHTRAY - TOP MOUNT - BLACK PLASTIC
	126010-01-02A	EA	SPACER - BEVERAGE TRAY
	122772-02-02B	EA	BRACKET - MOUNTING - BEVERAGE TRAY

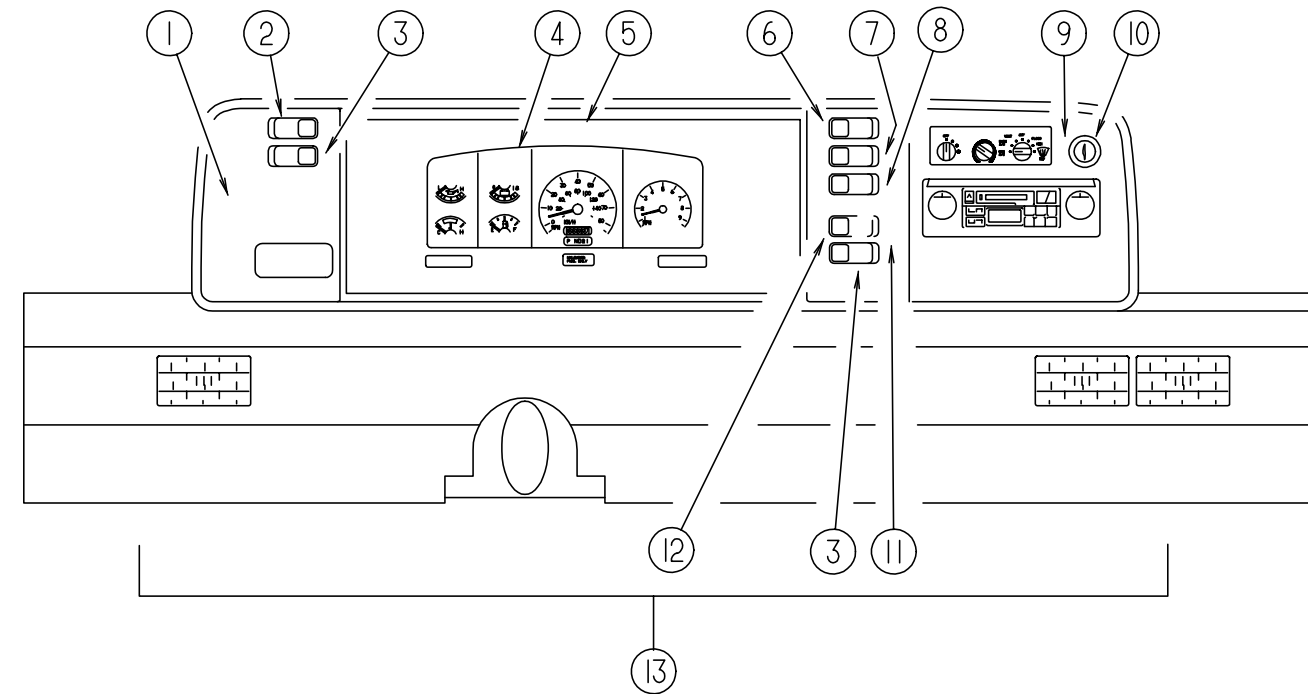
DRIVERS COMPARTMENT GROUP (CONTINUED)



DASH, GAUGES & SWITCHES - FORD (FROM: 00-00-00 THRU: 03-14-99)

KEY	PART NUMBER	U/M	DESCRIPTION
1	103662-12-01A	EA	BEZEL - INSTRUMENT PANEL - 99 HEAVY DUTY FORD FROM: 00-00-00 THRU: 02-03-99
1	103662-14-01A	EA	BEZEL - INSTRUMENT PANEL - 99 FORD FROM: 02-04-99 THRU: 99-99-99
2	104056-39-01A	EA	APPLIQUE - BEZEL - DRIVER - BLACK
3	108356-02-01A	EA	COVER/ACTUATOR SWITCH - 2 ROWS DIMPLES- CONTURA II - BLACK
3	108357-05-000	EA	SWITCH - ROCKER SPDT - ON/NONE/ON - 3 TERMINAL - RADIO POWER W/O CD
3	108357-08-000	EA	SWITCH - ROCKER DPDT - ON/NONE/ON - 6 TERMINAL - RADIO POWER W/CD
4	108356-02-01A	EA	COVER/ACTUATOR SWITCH - 2 ROWS DIMPLES- CONTURA II - BLACK
4	108357-09-000	EA	SWITCH - ROCKER SPDT - ON/NONE/MOM - 3 TERMINAL - AUXILIARY START
5	108356-02-01A	EA	COVER/ACTUATOR SWITCH - 2 ROWS DIMPLES- CONTURA II - BLACK
5	108357-06-000	EA	SWITCH - ROCKER DPDT - MOM/OFF/MOM - 6 TERMINAL - AUXILIARY BATTERY
6	N/A	EA	CLUSTER - INSTRUMENT PANEL
7	108356-03-01A	EA	COVER/ACTUATOR SWITCH -3 GROOVES W/LENS-CONTURA III-BLACK FROM: 00-00-00 THRU: 08-03-98
7	108356-04-01A	EA	COVER/ACTUATOR SWITCH - 2 ROWS DIMPLES W/LENS-CONTURA-BLK FROM: 08-04-98 THRU: 99-99-99
7	108357-01-000	EA	SWITCH - ROCKER SPST - W/LIGHT - ON/OFF - 2 TERMINAL - GENERATOR FROM: 00-00-00 THRU: 07-20-98
7	108357-10-000	EA	SWITCH - ROCKER SPDT - W/LIGHT - MOM/NONE/MOM - 5 TERMINAL - GENERATOR FROM: 07-21-98 THRU: 99-99-99
7	096241-03-000	EA	SWITCH - BLANK - BLACK
8	108356-02-01A	EA	COVER/ACTUATOR SWITCH - 2 ROWS DIMPLES- CONTURA II - BLACK
8	108357-03-000	EA	SWITCH - ROCKER SPDT - ON/OFF/ON - 3 TERMINAL - REAR HEATER
8	096241-03-000	EA	SWITCH - BLANK - BLACK
9	096241-03-000	EA	SWITCH - BLANK - BLACK
10	104056-21-01A	EA	APPLIQUE - BEZEL - PASSENGER - BLACK
11	104056-06-01A	EA	APPLIQUE - BEZEL - PASSENGER - BLACK
12	089294-01-000	EA	LIGHTER - CIGARETTE - W/SOCKET & WIRE
13	125677-02-J52	EA	POD - INSTRUMENT PANEL - TITANIUM FROM: 00-00-00 THRU: 02-03-99
13	125677-04-K58	EA	POD - INSTRUMENT PANEL - TITANIUM FROM: 02-04-99 THRU: 99-99-99
	077031-01-000	EA	FILM - BLACK - 1" X 1.75"
	077031-03-000	EA	FILM - WHITE - .75" X 1"
	049176-01-000	EA	HEDLOCK II - 3/4 DIAMETER SCREW MOUNT
	103603-01-000	EA	BULB - 12 VOLT - #74 - .12A WEDGE - GE 22-25 USED IN DASH
	129644-01-000	EA	CABLE/INDICATOR - TRANSMISSION - 46.7" EYE/EYE FROM: 00-00-00 THRU: 11-24-98

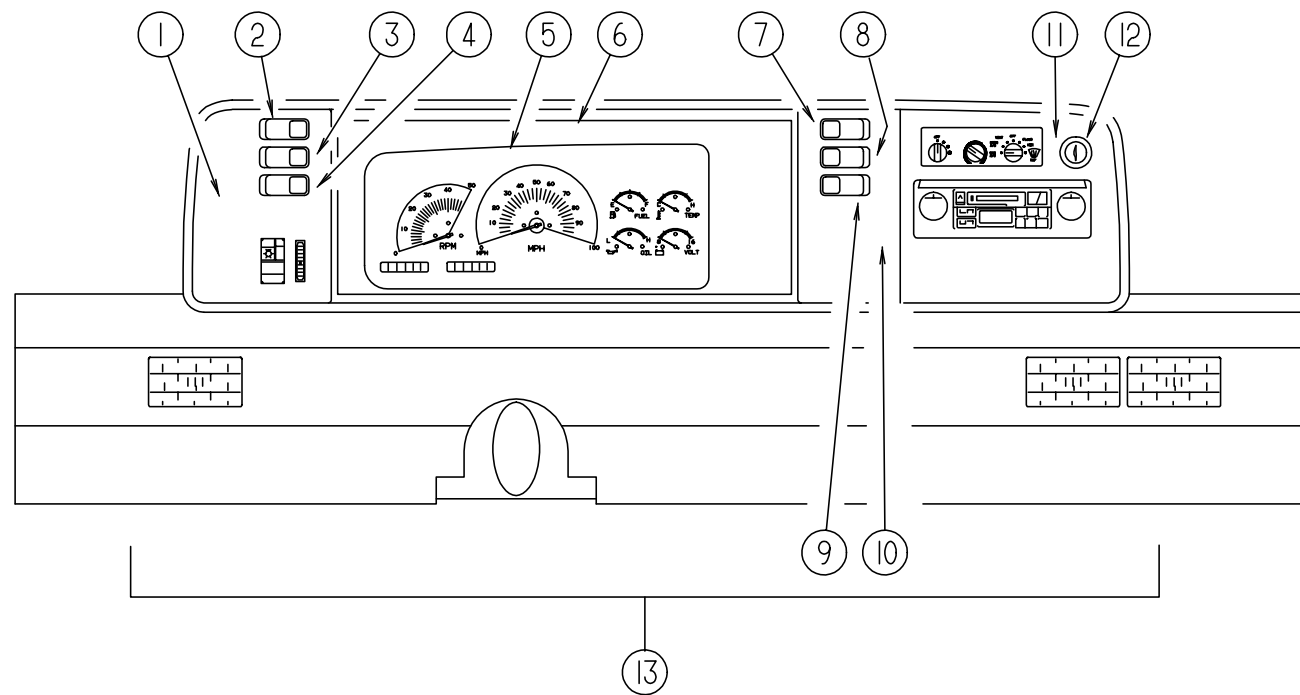
DRIVERS COMPARTMENT GROUP (CONTINUED)



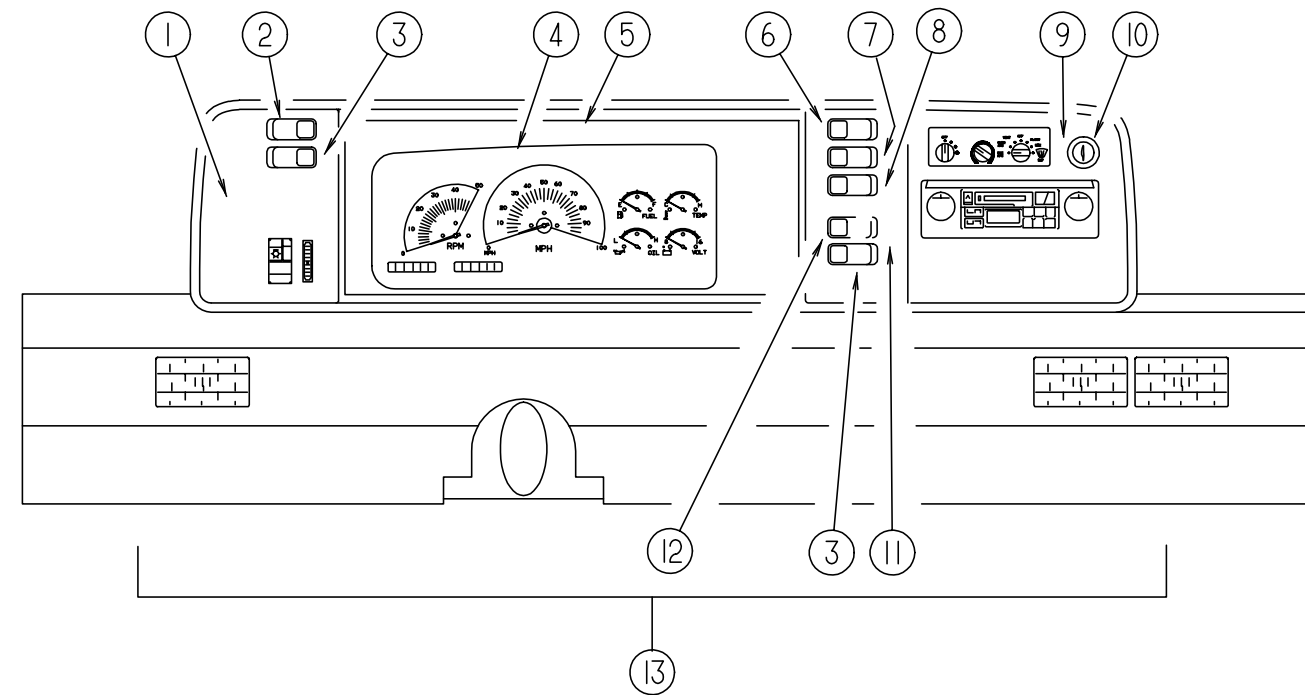
DASH, GAUGES & SWITCHES - FORD (FROM: 03-15-99 THRU: 99-99-99)

KEY	PART NUMBER	U/M	DESCRIPTION
1	104056-45-01A	EA	APPLIQUE - BEZEL - DRIVER - BLACK
2	108356-02-01A	EA	COVER/ACTUATOR SWITCH - 2 ROWS DIMPLES- CONTURA II - BLACK
2	108357-09-000	EA	SWITCH - ROCKER SPDT - ON/NONE/MOM - 3 TERMINAL - AUXILIARY START
3	096241-03-000	EA	SWITCH - BLANK - BLACK
4	N/A	EA	CLUSTER - INSTRUMENT PANEL
5	103662-14-01A	EA	BEZEL - INSTRUMENT PANEL - 99 FORD
6	108356-02-01A	EA	COVER/ACTUATOR SWITCH - 2 ROWS DIMPLES- CONTURA II - BLACK
6	108357-05-000	EA	SWITCH - ROCKER SPDT - ON/NONE/ON - 3 TERMINAL - RADIO POWER W/O CD
6	108357-08-000	EA	SWITCH - ROCKER DPDT - ON/NONE/ON - 6 TERMINAL - RADIO POWER W/CD
7	108356-04-01A	EA	COVER/ACTUATOR SWITCH - 2 ROWS DIMPLES W/LENS-CONTURA-BLK
7	108357-10-000	EA	SWITCH - ROCKER SPDT - W/LIGHT - MOM/NONE/MOM - 5 TERMINAL - GENERATOR
7	096241-03-000	EA	SWITCH - BLANK - BLACK
8	108356-02-01A	EA	COVER/ACTUATOR SWITCH - 2 ROWS DIMPLES- CONTURA II - BLACK
8	108357-03-000	EA	SWITCH - ROCKER SPDT - ON/OFF/ON - 3 TERMINAL - REAR HEATER
8	096241-03-000	EA	SWITCH - BLANK - BLACK
9	104056-06-01A	EA	APPLIQUE - BEZEL - PASSENGER - BLACK
10	089294-01-000	EA	LIGHTER - CIGARETTE - W/SOCKET & WIRE
11	104056-43-01A	EA	APPLIQUE - BEZEL - PASSENGER - BLACK
12	108356-02-01A	EA	COVER/ACTUATOR SWITCH - 2 ROWS DIMPLES- CONTURA II - BLACK
12	108357-06-000	EA	SWITCH - ROCKER DPDT - MOM/OFF/MOM - 6 TERMINAL - AUXILIARY BATTERY
13	125677-04-K58	EA	POD - INSTRUMENT PANEL - TITANIUM
	077031-01-000	EA	FILM - BLACK - 1" X 1.75"
	077031-03-000	EA	FILM - WHITE - .75" X 1"
	049176-01-000	EA	HEDLOCK II - 3/4 DIAMETER SCREW MOUNT
	103603-01-000	EA	BULB - 12 VOLT - #74 - .12A WEDGE - GE 22-25 USED IN DASH

DRIVERS COMPARTMENT GROUP (CONTINUED)



DRIVERS COMPARTMENT GROUP (CONTINUED)



DASH, GAUGES & SWITCHES - CHEVY (FROM: 00-00-00 THRU: 03-14-99)

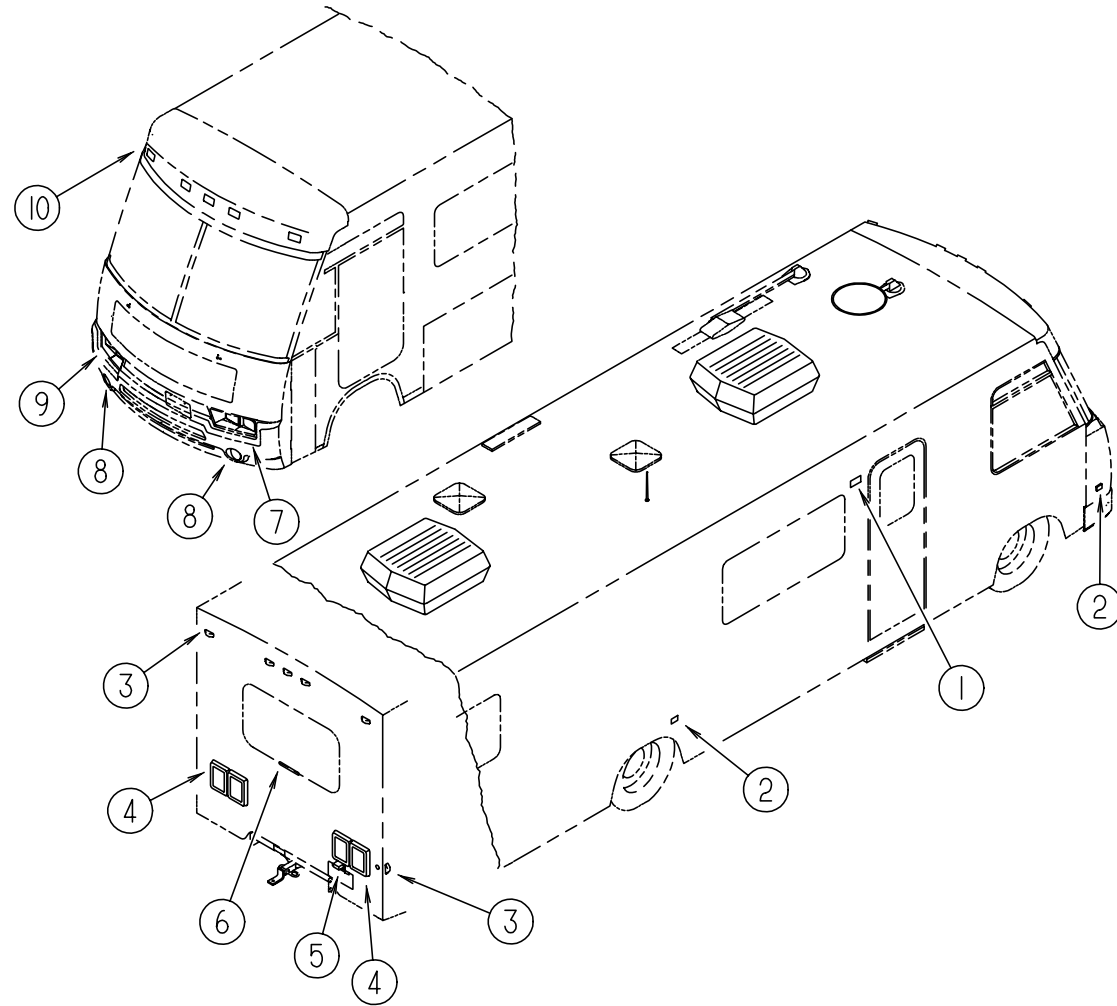
KEY	PART NUMBER	U/M	DESCRIPTION
1	104056-37-01A	EA	APPLIQUE - BEZEL - DRIVER - BLACK
2	108356-02-01A	EA	COVER/ACTUATOR SWITCH - 2 ROWS DIMPLES- CONTURA II - BLACK
2	108357-05-000	EA	SWITCH - ROCKER SPDT - ON/NONE/ON - 3 TERMINAL - RADIO POWER W/O CD
2	108357-08-000	EA	SWITCH - ROCKER DPDT - ON/NONE/ON - 6 TERMINAL - RADIO POWER W/CD
3	108356-02-01A	EA	COVER/ACTUATOR SWITCH - 2 ROWS DIMPLES- CONTURA II - BLACK
3	108357-09-000	EA	SWITCH - ROCKER SPDT - ON/NONE/MOM - 3 TERMINAL - AUXILIARY START
4	108356-02-01A	EA	COVER/ACTUATOR SWITCH - 2 ROWS DIMPLES- CONTURA II - BLACK
4	108357-06-000	EA	SWITCH - ROCKER DPDT - MOM/OFF/MOM - 6 TERMINAL - AUXILIARY BATTERY
5	N/A	EA	CLUSTER - INSTRUMENT PANEL - K/M - GAS - CANADIAN
6	103662-08-01A	EA	BEZEL - INSTRUMENT PANEL
7	108356-03-01A	EA	COVER/ACTUATOR SWITCH -3 GROOVES W/LENS-CONTURA III-BLACK FROM: 00-00-00 THRU: 08-03-98
7	108356-04-01A	EA	COVER/ACTUATOR SWITCH - 2 ROWS DIMPLES W/LENS-CONTURA-BLK FROM: 08-04-98 THRU: 99-99-99
7	108357-01-000	EA	SWITCH - ROCKER SPST - W/LIGHT - ON/OFF - 2 TERMINAL - GENERATOR FROM: 00-00-00 THRU: 07-20-98
7	108357-10-000	EA	SWITCH - ROCKER SPDT - W/LIGHT - MOM/NONE/MOM - 5 TERMINAL - GENERATOR FROM: 07-21-98 THRU: 99-99-99
7	096241-03-000	EA	SWITCH - BLANK - BLACK
8	108356-02-01A	EA	COVER/ACTUATOR SWITCH - 2 ROWS DIMPLES- CONTURA II - BLACK
8	108357-03-000	EA	SWITCH - ROCKER SPDT - ON/OFF/ON - 3 TERMINAL - REAR HEATER
8	096241-03-000	EA	SWITCH - BLANK - BLACK
9	096241-03-000	EA	SWITCH - BLANK - BLACK
10	104056-21-01A	EA	APPLIQUE - BEZEL - PASSENGER - BLACK
11	104056-06-01A	EA	APPLIQUE - BEZEL - PASSENGER - BLACK
12	089294-01-000	EA	LIGHTER - CIGARETTE - W/SOCKET & WIRE
13	125677-02-J52	EA	POD - INSTRUMENT PANEL - TITANIUM
	103603-01-000	EA	BULB - 12 VOLT - #74 - .12A WEDGE - GE 22-25 USED IN DASH
	077031-01-000	EA	FILM - BLACK - 1" X 1.75"
	077031-03-000	EA	FILM - WHITE - .75" X 1"
	049176-01-000	EA	HEDLOCK II - 3/4 DIAMETER SCREW MOUNT

DASH, GAUGES & SWITCHES - CHEVY (FROM: 03-15-99 THRU: 99-99-99)

KEY	PART NUMBER	U/M	DESCRIPTION
1	104056-44-01A	EA	APPLIQUE - BEZEL - DRIVER - BLACK
2	108356-02-01A	EA	COVER/ACTUATOR SWITCH - 2 ROWS DIMPLES- CONTURA II - BLACK
2	108357-09-000	EA	SWITCH - ROCKER SPDT - ON/NONE/MOM - 3 TERMINAL - AUXILIARY START
3	096241-03-000	EA	SWITCH - BLANK - BLACK
4	N/A	EA	CLUSTER - INSTRUMENT PANEL - K/M - GAS - CANADIAN
5	103662-08-01A	EA	BEZEL - INSTRUMENT PANEL
6	108356-02-01A	EA	COVER/ACTUATOR SWITCH - 2 ROWS DIMPLES- CONTURA II - BLACK
6	108357-05-000	EA	SWITCH - ROCKER SPDT - ON/NONE/ON - 3 TERMINAL - RADIO POWER W/O CD
6	108357-08-000	EA	SWITCH - ROCKER DPDT - ON/NONE/ON - 6 TERMINAL - RADIO POWER W/CD
7	108356-04-01A	EA	COVER/ACTUATOR SWITCH - 2 ROWS DIMPLES W/LENS-CONTURA-BLK
7	108357-10-000	EA	SWITCH - ROCKER SPDT - W/LIGHT - MOM/NONE/MOM - 5 TERMINAL - GENERATOR
7	096241-03-000	EA	SWITCH - BLANK - BLACK
8	108356-02-01A	EA	COVER/ACTUATOR SWITCH - 2 ROWS DIMPLES- CONTURA II - BLACK
8	108357-03-000	EA	SWITCH - ROCKER SPDT - ON/OFF/ON - 3 TERMINAL - REAR HEATER
8	096241-03-000	EA	SWITCH - BLANK - BLACK
9	104056-06-01A	EA	APPLIQUE - BEZEL - PASSENGER - BLACK
10	089294-01-000	EA	LIGHTER - CIGARETTE - W/SOCKET & WIRE
11	104056-43-01A	EA	APPLIQUE - BEZEL - PASSENGER - BLACK
12	108356-02-01A	EA	COVER/ACTUATOR SWITCH - 2 ROWS DIMPLES- CONTURA II - BLACK
12	108357-06-000	EA	SWITCH - ROCKER DPDT - MOM/OFF/MOM - 6 TERMINAL - AUXILIARY BATTERY
13	125677-02-J52	EA	POD - INSTRUMENT PANEL - TITANIUM
	103603-01-000	EA	BULB - 12 VOLT - #74 - .12A WEDGE - GE 22-25 USED IN DASH
	077031-01-000	EA	FILM - BLACK - 1" X 1.75"
	077031-03-000	EA	FILM - WHITE - .75" X 1"
	049176-01-000	EA	HEDLOCK II - 3/4 DIAMETER SCREW MOUNT

ELECTRICAL GROUP

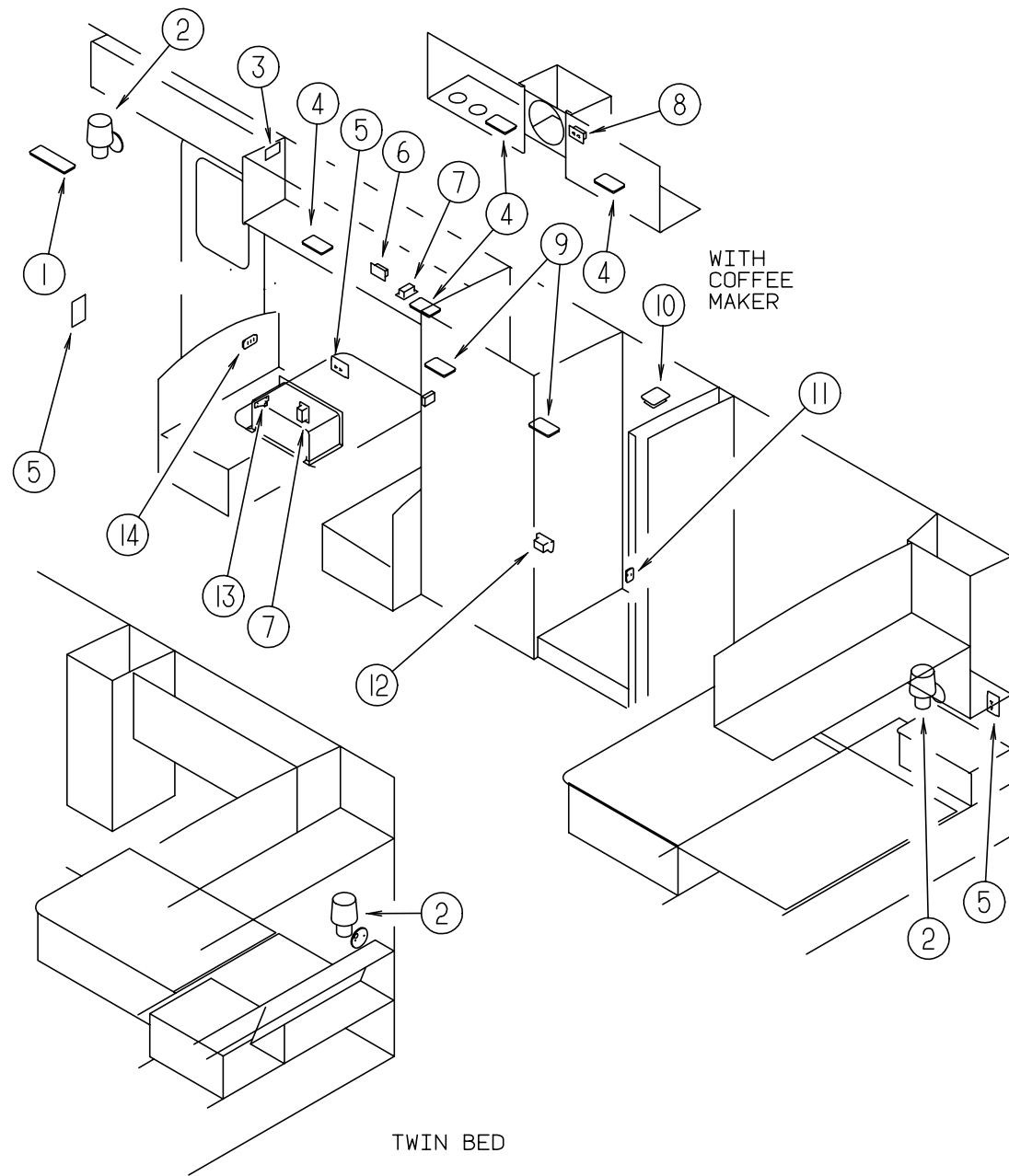
EXTERIOR LIGHTS



KEY	PART NUMBER	U/M DESCRIPTION	VENDOR NO.
1	097917-01-06A	EA LIGHT - PORCH - BRIGHT WHITE	30-78-021
	008215-01-000	EA BULB - 12 VOLT - #1003 - .94 AMP	
	097917-01-700	EA LENS-LIGHT, CLEAR	
1	008089-02-000	EA LIGHT - PORCH - RECESSED - CANADIAN	
	008089-01-700	EA LENS-LIGHT,RECESSED,PORCH DECO	
	008214-01-000	EA BULB - 12 VOLT - #67 - .59 AMP	
2	111102-01-000	EA BASE - MARKER LAMP	
2	111102-02-000	EA LENS - AMBER - MARKER LAMP	
	036196-01-000	EA BULB - 12V - #194 - .27 AMP - BAYONETTE	
3	111102-01-000	EA BASE - MARKER LAMP	
3	111102-03-000	EA LENS - RED - MARKER LAMP	
	036196-01-000	EA BULB - 12V - #194 - .27 AMP - BAYONETTE	
4	115632-01-02A	EA LIGHT - STOP/TURN/TAIL RED	FROM: 00-00-00 THRU: 11-22-98
4	115632-03-02A	EA LIGHT - STOP/TAI/BACKUP	
	121621-01-01A	EA POD - TAIL LIGHT - BRIGHT WHITE	FROM: 11-23-98 THRU: 99-99-99
	121621-02-01A	EA POD - TAIL LIGHT - BRIGHT WHITE	
5	066432-02-000	EA LIGHT - LICENSE - BLACK	
5	066432-03-000	EA BRACKET - LICENSE PLATE	
6	121950-01-000	EA LIGHT - BRAKE - CENTER MOUNT	
7	049186-04-000	EA HEADLAMP - DRIVER - HIGH/LOW - HALOGEN	
7	049188-04-000	EA HEADLAMP - DRIVER - HIGH BEAM - HALOGEN	
7	049359-01-000	EA SPRING - RETAINER - HEADLAMP - GM #496096	
7	110750-01-000	EA SCREW - HEADLAMP ADJUSTING	
8	126198-01-000	EA LAMP ASSEMBLY - PARK/TURN - AMBER	
8	126198-02-000	EA GROMMET - MOUNTING - LIGHT/4" RED	
9	049185-04-000	EA HEADLAMP - PASSENGER - HIGH/LOW - HALOGEN	
9	049187-04-000	EA HEADLAMP - PASSENGER - HIGH BEAM - HALOGEN	
9	049359-01-000	EA SPRING - RETAINER - HEADLAMP - GM #496096	
9	110750-01-000	EA SCREW - HEADLAMP ADJUSTING	
10	102520-01-000	EA LIGHT - CLEARANCE - W/O SOCKET/HOUSING - AMBER	
10	067789-02-000	EA SOCKET - LAMP	
10	036196-01-000	EA BULB - 12V - #194 - .27 AMP - BAYONETTE	
10	102541-01-000	EA GASKET - CLEARANCE LIGHT	

ELECTRICAL GROUP (CONTINUED)

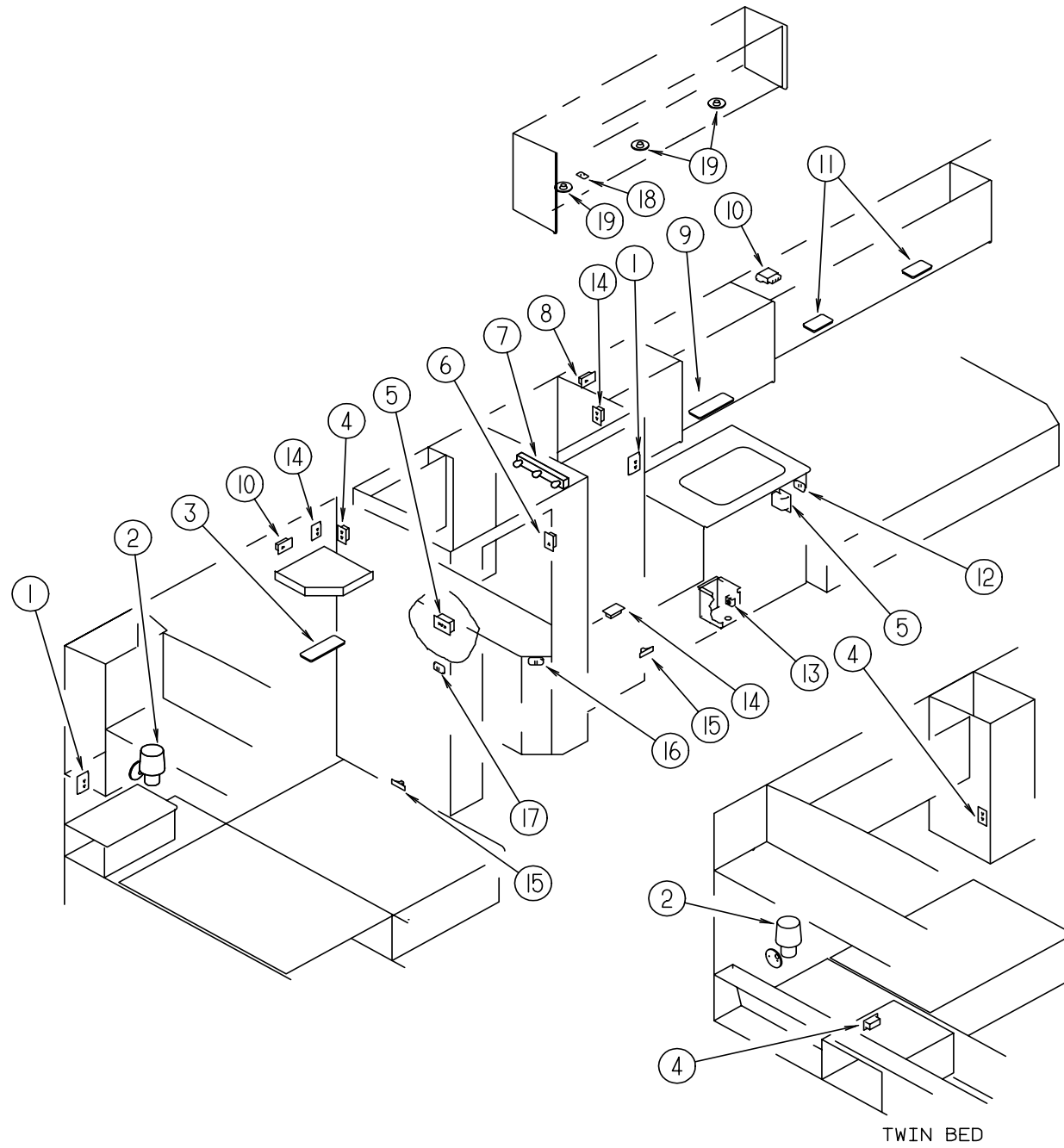
LIGHTS, SWITCHES, & RECEPTACLES PASSENGERS SIDE



KEY	PART NUMBER	U/M DESCRIPTION	VENDOR NO.
1	098024-03-02A	EA LIGHT - DOME - 2 BULB - WHITE	
	008218-01-000	EA BULB - 12 VOLT - #1141 - 1.44 AMP	
	098024-01-700	EA LENS-LIGHT	807877
2	119257-03-01A	EA SHADE - LAMP - LINEN	
2	119258-02-01A	EA LAMP - WALL	
	119258-01-700	EA FINIAL (PYRAMID)	12-0322
2	067479-01-000	EA BULB - 12 VOLT - #1076 - 1.80 AMP	
3	091927-01-000	EA COVER - RECEPTACLE - DOUBLE - IVORY - W/O ROOF A/C OPTION	
4	098024-05-02A	EA LIGHT - DOME - 1 BULB - SKYLITE - WHITE	
	008218-01-000	EA BULB - 12 VOLT - #1141 - 1.44 AMP	
	098024-01-701	EA LENS - OPTI CLEAR - SKYLITE	809902
5	058708-02-000	EA RECEPTACLE - ELECTRIC - DOUBLE - IVORY	
5	102568-01-GB1	EA SPACER - RECEPTACLE - BETWEEN SIDEWALL & PLATE - WOOD	
6	058707-02-000	EA RECEPTACLE - BLANK - JUNCTION BOX	
7	058708-01-000	EA RECEPTACLE - ELECTRIC - DOUBLE - BROWN	
8	058708-05-000	EA RECEPTACLE - ELECTRIC - SINGLE - BROWN - COFFEEMAKER	
9	098024-01-03A	EA LIGHT - DOME - 1 BULB - WHITE	
	008218-01-000	EA BULB - 12 VOLT - #1141 - 1.44 AMP	
	098024-01-700	EA LENS-LIGHT	807877
10	121935-01-01A	EA LIGHT - DOME - SHOWER	
11	079364-03-000	EA SWITCH - ON/OFF ROCKER - 3 TERMINAL - BROWN - SHOWER LIGHT	
11	098351-01-01A	EA PLATE/SWITCH - 1 GANG - POLISHED BRASS - W/O LABEL	
12	112822-01-01A	EA RECEPTACLE - DUPLEX - IVORY	
12	131826-01-01A	EA RECEPTACLE - EXTERIOR/W/COVER & GASKET - WHITE	FROM: 00-00-00 THRU: 11-15-98
			FROM: 11-16-98 THRU: 99-99-99
12	112824-01-03A	EA COVER - EXTERIOR DUPLEX RECEPTACLE - WHITE PLASTIC	
13	061424-01-000	EA LIGHT - AISLE - 12 VOLT - RECTANGULAR	
	008103-01-000	EA BULB - DASH/AISLE LIGHT - #53 - 12 VOLT - .12 AMP	
14	095188-02-01A	EA SPACER - SWITCH - 2.3" X 4.1" - PLASTIC - DARK BROWN	
14	098351-05-01A	EA PLATE/SWITCH - 3 GANG - POLISHED BRASS-PORCH/CEILING/STEP	
14	079364-01-000	EA SWITCH - ON/OFF ROCKER - 2 TERMINAL - BROWN - STEP, CEILING & PORCH	
LAMP	086280-01-000	EA LIGHT - SURFACE MOUNT - 12 VOLT	
	086280-01-700	EA BULB,12V	ARP1089

ELECTRICAL GROUP (CONTINUED)

LIGHTS, SWITCHES, & RECEPTACLES DRIVERS SIDE



KEY	PART NUMBER	U/M	DESCRIPTION	VENDOR NO.
1	058708-02-000	EA	RECEPTACLE - ELECTRIC - DOUBLE - IVORY	
1	102568-01-GB1	EA	SPACER - RECEPTACLE - BETWEEN SIDEWALL & PLATE - WOOD	
2	119257-03-01A	EA	SHADE - LAMP - LINEN	
2	119258-02-01A	EA	LAMP - WALL	
	119258-01-700	EA	FINIAL (PYRAMID)	12-0322
2	067479-01-000	EA	BULB - 12 VOLT - #1076 - 1.80 AMP	
3	098024-03-02A	EA	LIGHT - DOME - 2 BULB - WHITE	
	008218-01-000	EA	BULB - 12 VOLT - #1141 - 1.44 AMP	
	098024-01-700	EA	LENS-LIGHT	807877
4	058708-01-000	EA	RECEPTACLE - ELECTRIC - DOUBLE - BROWN	
5	084076-02-000	EA	RECEPTACLE - GFI - 15 AMP/125 VOLT - BROWN	
6	058707-01-000	EA	RECEPTACLE - ELECTRIC - SINGLE - BROWN - REFRIGERATOR	
7	110235-01-01A	EA	LIGHT - MAKE UP - 3 BULB - 12 VOLT - COMFORT AND CONVENIENCE PACKAGE	
	081633-01-700	EA	BULB-LIGHT, MAKE-UP	RP1041
8	058708-05-000	EA	RECEPTACLE - ELECTRIC - SINGLE - BROWN - MICROWAVE	
9	098024-06-02A	EA	LIGHT - DOME - 2 BULB - SKYLITE	
	008218-01-000	EA	BULB - 12 VOLT - #1141 - 1.44 AMP	
	098024-01-701	EA	LENS - OPTI CLEAR - SKYLITE	809902
10	091927-01-000	EA	COVER - RECEPTACLE - DOUBLE - IVORY - W/O ROOF A/C OPTION	
11	098024-05-02A	EA	LIGHT - DOME - 1 BULB - SKYLITE - WHITE	
	008218-01-000	EA	BULB - 12 VOLT - #1141 - 1.44 AMP	
	098024-01-701	EA	LENS - OPTI CLEAR - SKYLITE	809902
12	079364-03-000	EA	SWITCH - ON/OFF ROCKER - 3 TERMINAL - BROWN - COURTESY LIGHT	
12	098351-01-01A	EA	PLATE/SWITCH - 1 GANG - POLISHED BRASS - W/O LABEL	
13	024924-02-000	EA	RECEPTACLE - POWER CORD - W/PARTIAL PLATE	
14	058707-02-000	EA	RECEPTACLE - BLANK - JUNCTION BOX	
15	061424-01-000	EA	LIGHT - AISLE - 12 VOLT - RECTANGULAR	
	008103-01-000	EA	BULB - DASH/AISLE LIGHT - #53 - 12 VOLT - .12 AMP	
16	079364-03-000	EA	SWITCH - ON/OFF ROCKER - 3 TERMINAL - BROWN - WATER PUMP	
16	079364-01-000	EA	SWITCH - ON/OFF ROCKER - 2 TERMINAL - BROWN - MAKEUP LIGHT	
16	098351-02-01A	EA	PLATE/SWITCH - 2 GANG - POLISHED BRASS - W/O LABEL	
17	079364-03-000	EA	SWITCH - ON/OFF ROCKER - 3 TERMINAL - BROWN - COURTESY LIGHT	
17	079364-01-000	EA	SWITCH - ON/OFF ROCKER - 2 TERMINAL - BROWN - BEDROOM LIGHT	
17	098351-02-01A	EA	PLATE/SWITCH - 2 GANG - POLISHED BRASS - W/O LABEL	
18	098351-01-01A	EA	PLATE/SWITCH - 1 GANG - POLISHED BRASS - W/O LABEL	
18	079364-01-000	EA	SWITCH - ON/OFF ROCKER - 2 TERMINAL - BROWN - HALOGEN LIGHTS	
19	123775-01-01A	EA	LIGHT - HALOGEN - ROUND	
	123775-01-700	EA	BULB - 10 WATT - HALOGEN	71-JC10
	123775-01-701	EA	BEZEL/LENS - RECESSED LIGHT	
	086280-01-000	EA	LIGHT - SURFACE MOUNT - 12 VOLT	
	086280-01-700	EA	BULB, 12V	ARP1089
	098024-01-03A	EA	LIGHT - DOME - 1 BULB - WHITE - EXTERIOR STORAGE COMPARTMENTS	
	008218-01-000	EA	BULB - 12 VOLT - #1141 - 1.44 AMP	
	098024-01-700	EA	LENS-LIGHT	807877

ELECTRICAL GROUP (CONTINUED)**FUSES & FUSE HOUSINGS**

KEY	PART NUMBER	U/M DESCRIPTION
	062901-02-000	EA FUSE - 05 AMPS - AUTOMOTIVE
	062901-05-000	EA FUSE - 15 AMPS - AUTOMOTIVE
	062901-06-000	EA FUSE - 20 AMPS - AUTOMOTIVE
	062901-07-000	EA FUSE - 25 AMPS - AUTOMOTIVE
	062901-08-000	EA FUSE - 30 AMPS - AUTOMOTIVE
	062037-01-000	EA HOUSING - AUTO FUSE - NATURAL
	062037-02-000	EA HOUSING - AUTO FUSE - GREEN
	062037-03-000	EA HOUSING - AUTO FUSE - BLACK
	062037-04-000	EA HOUSING - AUTO FUSE - BLUE
	062037-05-000	EA HOUSING - AUTO FUSE - GRAY
	062037-06-000	EA HOUSING - AUTO FUSE - BROWN
	062037-07-000	EA HOUSING - AUTO FUSE - RED
	106656-01-000	EA FUSE BLOCK - 4 CAVITY - AUTOFUSE
	108669-01-000	EA HOUSING - AUTO FUSE HOLDER

CIRCUIT BREAKERS

KEY	PART NUMBER	U/M DESCRIPTION
	083209-02-000	EA CIRCUIT BREAKER - 15/15 AMP - 120 VOLT
	083209-03-000	EA CIRCUIT BREAKER - 15/20 AMP - 120 VOLT
	083209-06-000	EA CIRCUIT BREAKER - 30/15 AMP - 120 VOLT
	083209-07-000	EA CIRCUIT BREAKER - 20/20 AMP - 120 VOLT
	093655-03-000	EA CIRCUIT BREAKER - 40 AMP - 12 VOLT
	097611-01-000	EA CIRCUIT BREAKER - 10 AMP - 12 VOLT

TERMINALS

KEY	PART NUMBER	U/M DESCRIPTION
	008326-01-000	EA TERMINAL - RING - 16/14 WIRE - 3/8" STUD
	008328-01-000	EA TERMINAL - RING - 12/10 WIRE - #10 STUD FIT
	008331-01-000	EA TERMINAL - RING - TONGUE - #4 WIRE - 3/8" STUD - COPPER
	008348-01-000	EA TERMINAL - RING - 3/8" STUD 2 GA. WIRE
	035416-04-000	EA TERMINAL - RING - #10 STUD FIT - INSULATED BARREL #16/14
	047443-01-000	EA TERMINAL - .250 RECEPTACLE FIT - INSULATED - 16/14 AWG
	047443-02-000	EA TERMINAL - .250 RECEPTACLE FIT - INSULATED - 12/10 AWG
	062036-01-000	EA TERMINAL - PACK - CON - 12/10 AWG
	062036-02-000	EA TERMINAL - PACK - CON - 16/14 AWG
	088267-01-000	EA TERMINAL - FEMALE - 1/4
	088476-01-000	EA TERMINAL - ELECTRICAL
	098260-01-000	EA TERMINAL - MALE - 56 SERIES
	104100-03-000	EA TERMINAL - 75 AMP
	106007-01-000	EA TERMINAL - FEMALE - 14-16 AWG
	106655-01-000	EA TERMINAL - FUSE BLOCK - 14-16 AWG
	106655-02-000	EA TERMINAL - FUSE BLOCK - 10-12 AWG
	113135-01-000	EA TERMINAL - FEMALE - M/P - 14-16 - F/SEALED TERMINAL
	113306-01-000	EA TERMINAL - FEMALE - M/P - 14-16 - F/NON-SEALED TERMINAL
	113307-01-000	EA TERMINAL - FEMALE - M/P - 16-20
	125324-01-000	EA TERMINAL - MALE - METRI-PACK - 150

ELECTRICAL GROUP (CONTINUED)**ELECTRIC BOXES & COVERS**

KEY	PART NUMBER	U/M DESCRIPTION
	008289-01-000	EA BOX - ELECTRIC/STEEL - 1/2" & 3/4" KNOCKOUTS - 4" X 4"
	008289-02-000	EA BOX - ELECTRIC/STEEL - 1/2" & 3/4" KNOCKOUTS - 4" X 4"-CAN
	008294-01-000	EA COVER - ELECTRICAL BOX - BLANK/STEEL - 4" X 4" - GRAY
	008294-02-000	EA COVER - ELECTRICAL BOX - BLANK STEEL - 4" X 4" - CANADIAN
	069238-01-000	EA COVER - ELECTRICAL BOX - W/HOLE - 4" X 4" - GRAY USED WITH 30 AMP RECEPTACLE
	074890-01-000	EA BOX - EXTENSION/STEEL - OPEN SIDES - 4" X 4" X 1 1/2"
	074897-01-000	EA COVER - ELECTRICAL BOX W/HOLES - 4" X 4"
	091910-01-000	EA BOX - ELECTRIC - 3.8" X 3.5" X 1.8" - PLASTIC
	091910-02-000	EA BOX - ELECTRIC - 2.2" X 3.5" X 1.8" - PLASTIC
	111509-01-000	EA BOX - ELECTRICAL - E-COATED
	111510-01-000	EA DOOR/ACCESS PANEL - ELECTRICAL BOX

HOUSINGS, PINS & SOCKETS

KEY	PART NUMBER	U/M DESCRIPTION
	088473-01-000	EA HOUSING - PIN - 12 CAVITY (3 ROWS OF 4)
	088473-02-000	EA HOUSING - PIN - 15 CAVITY (3 ROWS OF 5)
	088473-03-000	EA HOUSING - PIN - 9 CAVITY (3 ROWS OF 3)
	088473-06-000	EA HOUSING - PIN - 6 CAVITY (2 ROWS OF 3)
	088473-08-000	EA HOUSING - PIN - 4 CAVITY - IN-LINE
	088473-09-000	EA HOUSING - PIN - 3 CAVITY - IN-LINE
	088473-10-000	EA HOUSING - PIN - 2 CAVITY - IN LINE
	088474-01-000	EA HOUSING - SOCKET - 12 CAVITY
	088474-02-000	EA HOUSING - SOCKET - 15 CAVITY
	088474-03-000	EA HOUSING - SOCKET - 9 CAVITY
	088474-06-000	EA HOUSING - SOCKET - 6 CAVITY
	088474-07-000	EA HOUSING - SOCKET - 5 CAVITY
	088474-08-000	EA HOUSING - SOCKET - 4 CAVITY
	088474-09-000	EA HOUSING - ELECTRICAL - 3 TERMINAL
	088474-10-000	EA HOUSING - SOCKET - 2 CAVITY
	088475-01-000	EA PIN - CONNECTOR - 14-20 AWG
	088475-02-000	EA PIN - CONNECTOR - 10 - 12 AWG
	088476-02-000	EA SOCKET - CONNECTOR - 12-10 GA - PRE-TIN
	101571-01-000	EA HOUSING - 2 POSITION - MALE
	103608-01-000	EA SOCKET - WEDGE BASE W/LEADS
	104100-01-000	EA HOUSING - 1 POSITION - 75 AMPS
	106006-01-000	EA HOUSING - 1 POSITION - FEMALE
	110178-01-000	EA HOUSING - WIPER MOTOR
	113131-01-000	EA HOUSING - 3 PIN
	113468-01-000	EA HOUSING - 2 POSITION - FEMALE USED ON WIPER/WASHER WIRE ASM
	115556-01-000	EA HOUSING - 3 POSITION - FEMALE
	115556-02-000	EA HOUSING - 2 POSITION - FEMALE
	119248-02-000	EA HOUSING - 7 POSITION - FEMALE
	125323-02-000	EA HOUSING - 8 POSITION - MALE
	108355-01-000	EA HOUSING - SWITCH
	007954-01-000	EA RECEPTACLE - HOUSING - 6 POSITION
	080015-02-000	EA RECEPTACLE - FLAG - .185 - 16/14 GAUGE

ELECTRICAL GROUP (CONTINUED)**CONNECTORS**

KEY	PART NUMBER	U/M	DESCRIPTION
	008311-01-000	EA	CONNECTOR - WIRE NUT - INSULATED - RED
	008312-01-000	EA	CONNECTOR - WIRE NUT - INSULATED - BLUE
	008313-01-000	EA	CONNECTOR - WIRE NUT - INSULATED - YELLOW
	008314-01-000	EA	CONNECTOR - WIRE NUT - INSULATED - GRAY
	008355-01-000	EA	CONNECTOR - CABLE CLAMPING - 3/4"
	008356-01-000	EA	CONNECTOR - PLASTIC - 3/8" AVG
	008356-02-000	EA	CONNECTOR - PLASTIC - 21/32
	008398-01-000	EA	CONNECTOR - 1/2" X 90 DEGREE - FLEX CONDUIT - UL & CSA
	041480-01-000	EA	CONNECTOR - STRAIGHT - 1/2" FLEX CONDUIT
	058028-01-000	EA	CONNECTOR - ELECTRICAL PIGTAIL - NYLON - CLEAR
	126403-02-000	EA	CONNECTOR - 3 CIRCUIT
	112823-01-000	EA	SPLICE - REDUCER - 16-14 TO 18-22

POWER CORDS

KEY	PART NUMBER	U/M	DESCRIPTION
	008052-01-000	EA	CORD - POWER - 10/3 WIRE - 30 AMP - 25' - CANADIAN
	008054-01-000	EA	CORD - POWER - 10/3 WIRE - 30 AMP - 25'

WIRE ASSEMBLIES

KEY	PART NUMBER	U/M	DESCRIPTION
	073328-B4-000	EA	CABLE ASSEMBLY - BATTERY - W/TERMINALS
	081059-02-000	EA	WIRE ASSEMBLY - 9PIN - F/RADIO
	090986-01-000	EA	WIRE ASSEMBLY - ELECTRIC STEP
			FROM: 00-00-00 THRU: 02-07-99
	090986-02-000	EA	WIRE ASSEMBLY - ELECTRIC STEP
			FROM: 02-08-99 THRU: 99-99-99
	096449-01-000	EA	WIRE ASSEMBLY - WATER TANK TO MONITOR PANEL
	100677-01-000	EA	WIRE ASSEMBLY - RADIO
	108303-01-000	EA	WIRE ASSEMBLY - REAR AUTO HEATER
	110256-01-000	EA	WIRE ASSEMBLY - INSTRUMENT PANEL - GENERATOR
	111915-01-000	EA	WIRE ASSEMBLY - DAYTIME RUNNING LAMPS - FUSED - GM
	113134-03-000	EA	WIRE ASSEMBLY - WIPER/WASHER
	120233-05-000	EA	WIRE - 30" W/DIGITAL SENSOR CONNECTOR/STRIPED LEAD
	125578-02-000	EA	WIRE ASSEMBLY - INSTRUMENT PANEL - RIGHT HAND
	125853-01-000	EA	WIRE ASSEMBLY - ENTERTAINMENT CENTER
	126392-01-000	EA	WIRE ASSEMBLY - REMOTE MIRRORS
			FROM: 00-00-00 THRU: 03-14-99
	129436-02-000	EA	WIRE ASSEMBLY - INSTRUMENT PANEL/POWER MIRROR
			FROM: 03-15-99 THRU: 04-13-99
	129436-03-000	EA	WIRE - INSTRUMENT PANEL - F/POWER MIRROR
			FROM: 04-14-99 THRU: 99-99-99
	127053-01-000	EA	WIRE ASSEMBLY - REAR MONITOR/UPPER

CONDUIT

KEY	PART NUMBER	U/M	DESCRIPTION
	008394-01-000	FT	CONDUIT - FLEXIBLE - 1/2"
	041953-01-000	FT	CONDUIT - CONVOLUTE SLIT - .5" ID - POLYETHELENE
	041953-03-000	FT	CONDUIT - CONVOLUTE SLIT - 1" ID (CLOTHES ROD COVER)
	041953-05-000	FT	CONDUIT - CONVOLUTE SOLID - .62" ID - POLYETHELENE
	041953-06-000	FT	CONDUIT - CONVOLUTE SLIT - .375" ID - POLYETHELENE
	041953-07-000	FT	CONDUIT - CONVOLUTE SLIT - .25" ID - POLYETHELENE
	041953-08-000	FT	CONDUIT - CONVOLUTE SLIT - 1.50" ID - POLYETHELENE
	041953-09-000	FT	CONDUIT - CONVOLUTE SLIT - .50" ID - NYLON
	041953-10-000	FT	CONDUIT - CONVOLUTE SLIT - .75" ID - NYLON
	041953-11-000	FT	CONDUIT - CONVOLUTE SLIT - 1.06" ID - NYLON
	041953-12-000	FT	CONDUIT - CONVOLUTE SOLID - 1.1" ID - NYLON
	041953-13-000	FT	CONDUIT - CONVOLUTE SLIT - 1.25

ELECTRICAL GROUP (CONTINUED)**CONVERTER & INVERTER**

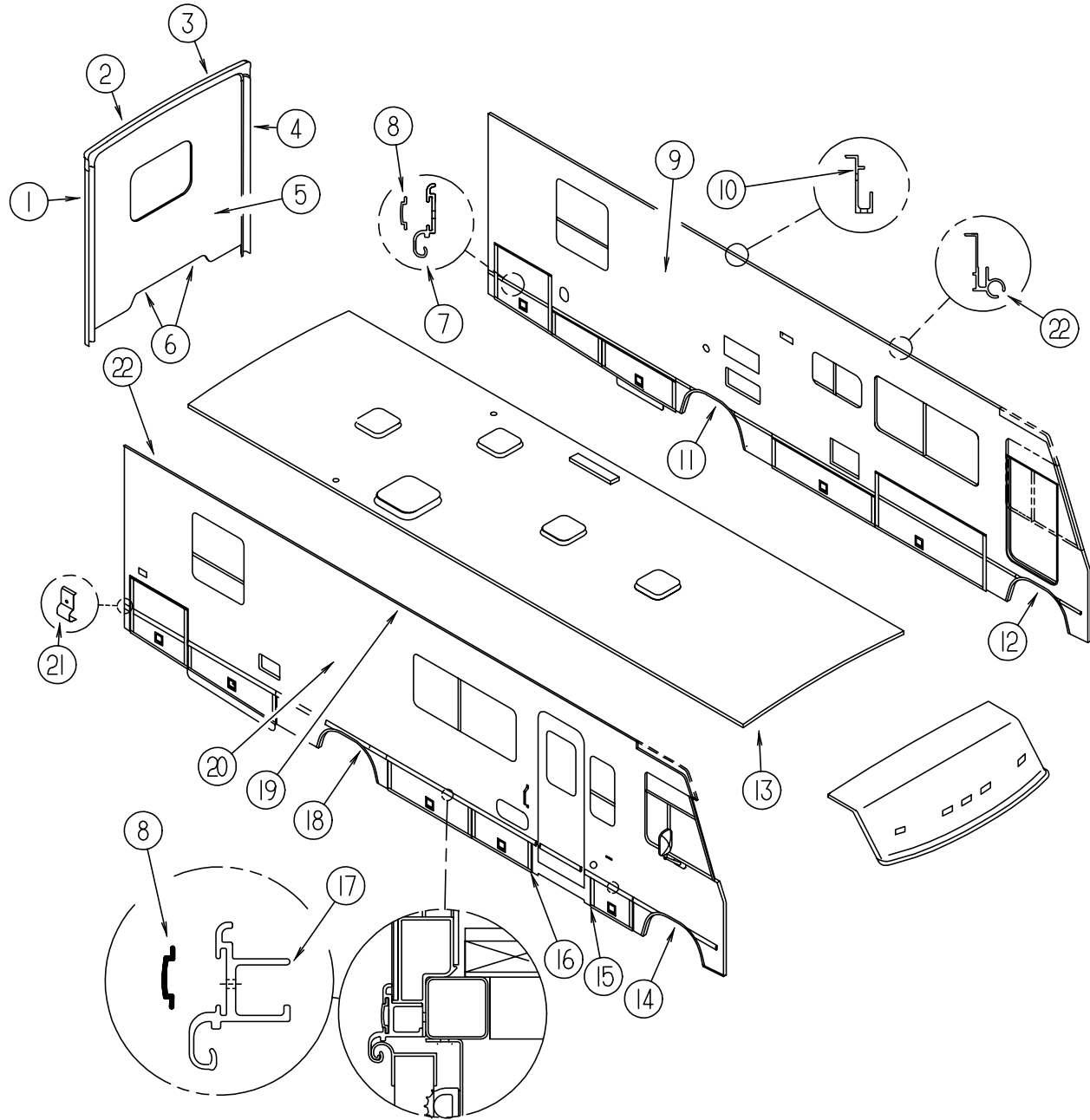
KEY	PART NUMBER	U/M	DESCRIPTION
	083208-02-000	EA	CONTROL CENTER - 45 AMP - 120/12V - W/O BREAKERS
	099048-03-000	EA	INVERTER - 130 WATT
	123058-02-000	EA	CONVERTER - 45 AMP - ELECTRONIC - 4 1/8"H X 7"W X 12 3/8"L

MISCELLANEOUS ELECTRICAL COMPONENTS

KEY	PART NUMBER	U/M	DESCRIPTION
	007093-01-000	EA	SIGNAL FLASHER
	007956-05-000	EA	INSULATOR - SHRINK - .25 ID X 1.50
	008188-01-000	EA	SOLENOID - 3 POST - BATTERY CHANGE OVER
	063910-01-000	EA	HOUSING - RELAY
	063912-02-000	EA	RELAY - CANISTER - SPDT
	086233-01-000	EA	STUD - ISOLATED - 3/8" X 7/8" LONG
	086273-01-000	EA	RELAY - BATTERY DISCONNECT
	103987-02-000	EA	SEAL - SOLENOID ACCESS
	125323-03-000	EA	LOCK - SECONDARY 8 POSITION
	125325-01-000	EA	SEAL - CAVITY
	087225-02-000	FT	SLEEVING - 5/8" - TYPE H
	077479-01-000	EA	BOOT - BATTERY TERMINAL - DOUBLE CABLE
	077479-02-000	EA	BOOT - BATTERY TERMINAL - SINGLE CABLE

EXTERIOR BODY GROUP

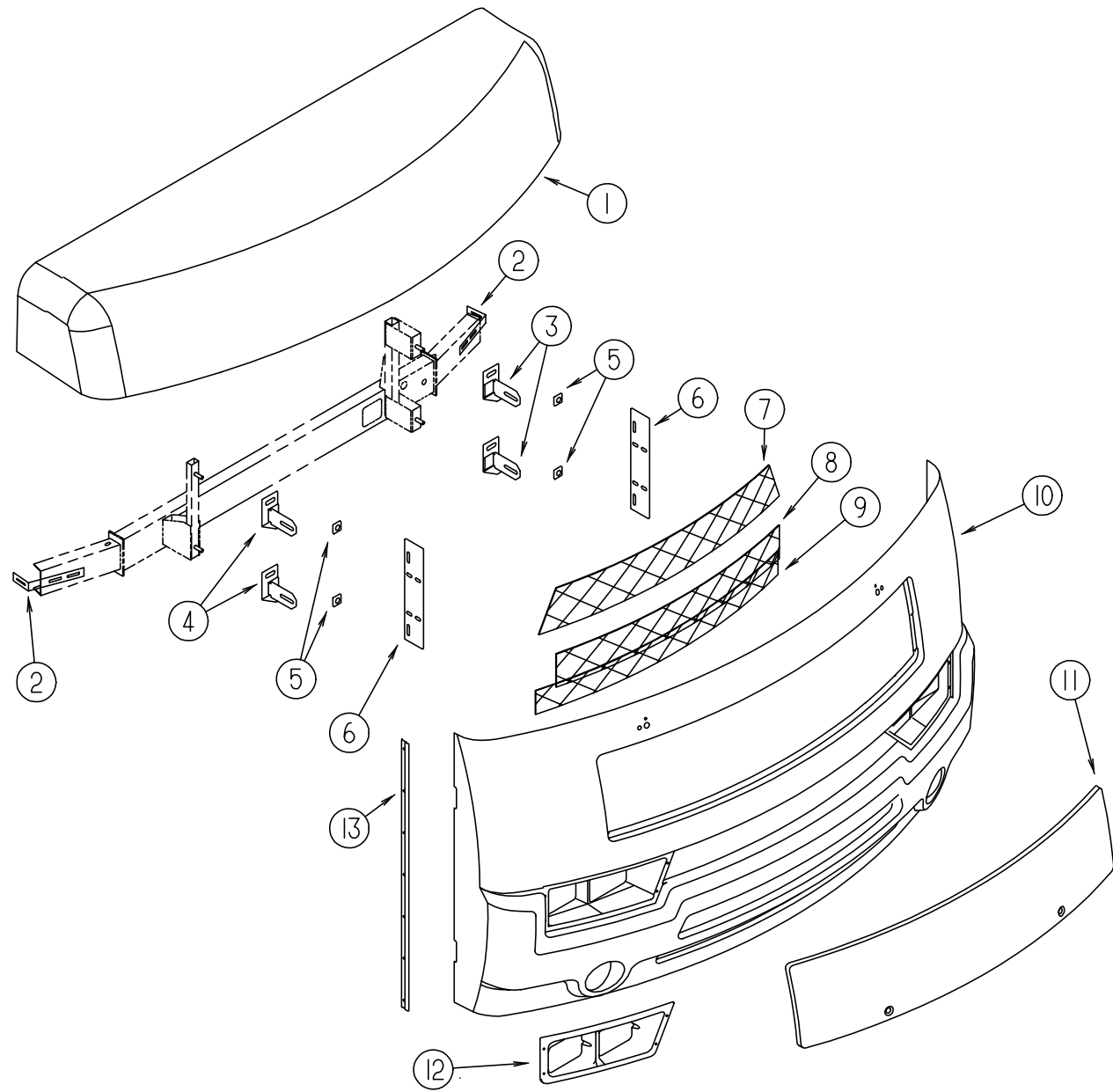
EXTERIOR BODY PANELS AND TRIM



KEY	PART NUMBER	U/M DESCRIPTION
1	114874-01-12B	EA TRIM - BACKWALL - PASSENGER SIDE
1	120548-03-01A	EA TRIM-J - BACKWALL - PASSENGER - NOTCHED - BRIGHT WHITE
2	114872-02-02A	EA TRIM - BACKWALL - TOP - PASSENGER SIDE - BRT/WHITE
3	114873-02-02A	EA TRIM - BACKWALL - TOP - DRIVER SIDE - BRIGHT WHITE
4	114874-02-12B	EA TRIM - BACKWALL - DRIVER SIDE
4	120548-04-01A	EA TRIM-J - BACKWALL - DRIVER - NOTCHED - BRIGHT WHITE
5	M07419-32-K16	EA BACKWALL - W/O WINDOWS/TRIMS (K46)
5	M07419-32-K17	EA BACKWALL - W/O WINDOWS/TRIMS (K47)
5	M07419-32-K48	EA BACKWALL - W/O WINDOWS/TRIMS (K48)
	114248-02-01A	EA ANGLE - PLASTIC - 96.6"
6	050406-25-000	EA TRIM - LOWER BACKWALL
7	126903-01-01A	EA TRIM - SIDEWALL - 60.9" - BRIGHT WHITE
8	105312-01-07A	FT INSERT - VINYL FEATURE STRIP - BRIGHT WHITE
9	129201-02-K46	EA SIDEWALL - DRIVER - W/O DOORS/HARDWARE
9	129201-02-K47	EA SIDEWALL - DRIVER - W/O DOORS/HARDWARE
9	129201-02-K48	EA SIDEWALL - DRIVER - W/O DOORS/HARDWARE
10	120091-01-02A	EA TRIM - ROOF
		FROM: 00-00-00 THRU: 10-25-98
11	129076-01-K16	EA VALANCE/WHEEL LIP - REAR DRIVER - 58.3"
12	129075-01-K16	EA VALANCE/WHEEL LIP - FRONT - DRIVER
13	129126-02-K46	EA ROOF - W/O LIGHTS/VENTS - W/WIRING
14	129075-02-K16	EA VALANCE/WHEEL LIP - FRONT - PASSENGER
15	124501-29-01A	EA TRIM - SIDEWALL - NOTCHED/BRIGHT WHITE
16	124501-28-01A	EA TRIM - SIDEWALL - NOTCHED - BRIGHT WHITE
17	126901-21-01A	EA TRIM - SIDEWALL - 195" - BRIGHT WHITE
18	129076-02-K16	EA VALANCE/WHEEL LIP - REAR PASSENGER - 64.7"
19	120092-01-02A	EA RAIL - AWNING - BRIGHT WHITE
		FROM: 00-00-00 THRU: 10-25-98
20	129202-02-K46	EA SIDEWALL - PASSENGER - W/O WINDOWS/TRIMS
20	129202-02-K47	EA SIDEWALL - PASSENGER - W/O WINDOWS/TRIMS
20	129202-02-K48	EA SIDEWALL - PASSENGER - W/O WINDOWS/TRIMS
21	127845-05-01A	EA CAP - SIDEWALL TRIM - RIGHT HAND - 2.1" - BRIGHT WHITE
21	127845-06-01A	EA CAP - SIDEWALL TRIM - LEFT HAND - 2.1" - BRIGHT WHITE
22	131483-01-01A	EA RAIL - AWNING - BRIGHT WHITE
		FROM: 10-26-98 THRU: 99-99-99
	002726-01-001	EA GARNISH - U-CHANNEL - 1.38" X 19" - SERRATED
	068716-01-001	EA BRACE - 90 DEGREE L-ANGLE - 16'
	069726-02-000	EA BUMPER - .88" OD X .40" THICK - BLACK
	113041-13-02B	EA ANGLE - MOUNT - BUMPER - E-COATED
	119568-01-01A	EA STANDOFF - VALANCE PANEL - BLACK
	129854-05-01A	EA SUPPORT - WHEEL LIP - 62.4" - MILL
	107865-01-000	EA ROD - SUPPORT - VALANCE PANEL - 14.3"
	107865-07-000	EA ROD - SUPPORT - VALANCE PANEL - 14.3"

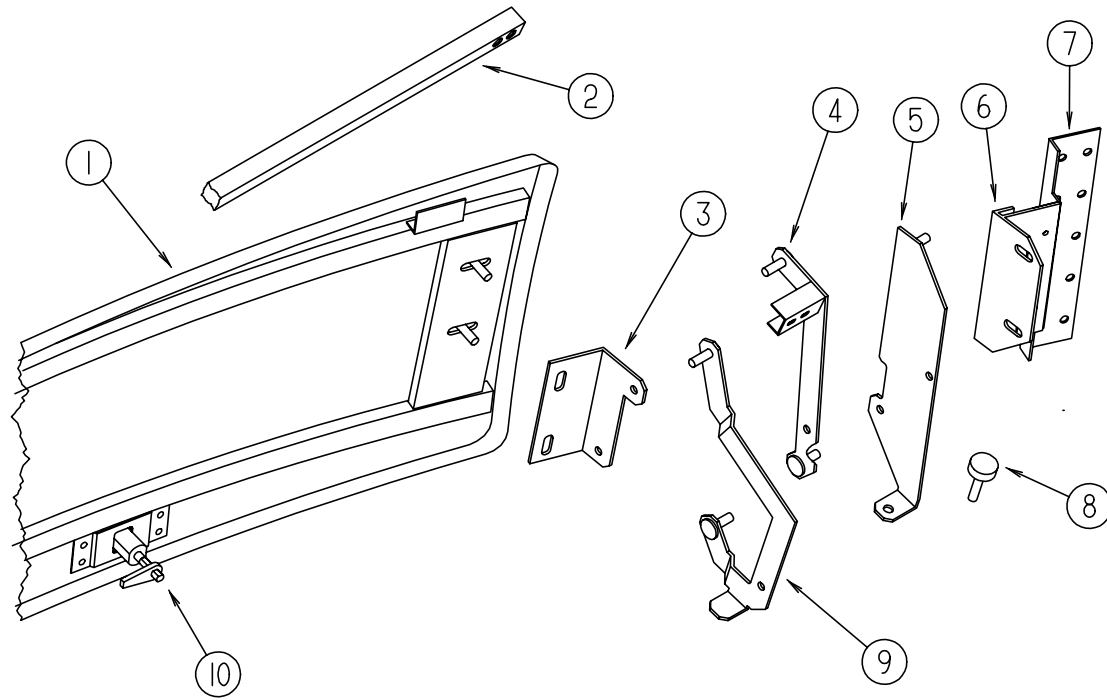
EXTERIOR BODY GROUP (CONTINUED)

FRONT END COMPONENTS



KEY	PART NUMBER	U/M	DESCRIPTION
1	125304-02-J60	EA	CAP - ROOF
	118383-01-04A	EA	RETAINER - SCREW
	118383-04-04A	EA	CAP - RETAINER/SCREW
2	128251-01-02B	EA	SUPPORT - VALANCE - E-COATED
FROM: 00-00-00 THRU: 09-04-98			
3	122826-02-02B	EA	BRACKET - BUMPER - DRIVER - E-COATED
4	122826-01-02B	EA	BRACKET - BUMPER - PASSENGER - E-COATED
5	116617-02-02B	EA	SPACER - BUMPER
6	126933-02-02A	EA	SUPPORT - GRILLE - VERTICAL/BLACK
7	115924-22-02A	EA	WIRE MESH - F/GRILLE - FLAT BLACK
8	115924-23-02A	EA	WIRE MESH - F/GRILLE - FLAT BLACK
9	115924-24-02A	EA	WIRE MESH - F/GRILLE - FLAT BLACK
10	126845-04-J45	EA	PANEL - FRONT/LOWER - W/O NOTCH
	110782-01-000	EA	ANGLE - SUPPORT - HEADLAMP
	125846-01-J60	EA	SUPPORT ASM-WIPER
11	127223-01-J50	EA	HOOD - FRONT
12	126844-01-01A	EA	BEZEL - HEADLAMP - DUAL/RIGHT HAND
	126844-02-01A	EA	BEZEL - HEADLAMP - DUAL/LEFT HAND
	110690-01-D18	EA	PLATE - HEADLAMP - QUAD/RIGHT HAND
	110690-02-D18	EA	PLATE - HEADLAMP - QUAD/LEFT HAND
	007157-05-000	EA	NUT - WELL
13	123680-05-01A	EA	TRIM - FIBERGLASS PANEL - BRIGHT WHITE

EXTERIOR BODY GROUP (CONTINUED)



HOOD & COMPONENTS

KEY	PART NUMBER	U/M DESCRIPTION
1	127223-01-J50	EA HOOD - FRONT
	106730-10-000	EA PLATE - STUD - F/HOOD
2	105096-10-000	EA TUBE - HOOD HINGE TIMING W/WELDNUTS - CHEVY
3	109927-07-000	EA ANGLE - LINK - HOOD/RIGHT HAND
	109927-08-000	EA ANGLE - LINK - HOOD/LEFT HAND
4	127174-01-02B	EA LINK - HINGE/HOOD/UPPER/RIGHT HAND
	127174-02-02B	EA LINK - HINGE/HOOD/UPPER/LEFT HAND
5	126867-10-02B	EA BRACKET - LINK - HOOD HINGE - PASSENGER - E-COATED
	126867-12-02B	EA BRACKET - LINK - HOOD HINGE - DRIVER - E-COATED
6	118595-01-03A	EA SUPPORT - HINGE LINK - PASSENGER - BRIGHT WHITE
	118595-02-03A	EA SUPPORT - HINGE LINK - DRIVER - BRIGHT WHITE
7	113495-07-02B	EA SUPPORT - HINGE - E-COATED
8	058786-01-000	EA BOLT - ADJUSTING HOOD - W/BLACK PAD
9	127172-02-02B	EA LINK - HOOD HINGE - LOWER/PASSENGER - E-COATED
	127172-04-02B	EA LINK - HOOD HINGE - LOWER/DRIVER - E-COATED
10	102330-02-000	EA LATCH - VISE ACTION/KEY OPERATED
	102328-01-000	EA KEY - BARREL - NICKEL PLATED
	106748-01-000	EA LATCH - HOOD - FRONT END
	099418-01-000	FT SEAL - D-SECTION/ADHESIVE BACK - .44" X .44"- BLK RUBBER

EXTERIOR BODY GROUP (CONTINUED)

FIBERGLASS, STYROFOAM & INSULATION

KEY	PART NUMBER	U/M DESCRIPTION
	076054-U8-000	EA FIBERGLASS SHEET - 100" X 105" - BRIGHT WHITE
	076054-U4-000	EA FIBERGLASS SHEET - 101" X 104" - BRIGHT WHITE
	076054-W6-000	EA FIBERGLASS SHEET - 79" X 367" - BRIGHT WHITE
	077517-62-000	EA FIBERGLASS SHEET/SIDEWALL - 48" X 96" - BRIGHT WHITE
	108535-05-702	EA FRP FLAT 108" X 396" BRT WHT PARTS DEPT
	100619-01-000	BF FOAM - EXPANDED POLYSTYRENE - 1.34" X 48" X 96"
	100619-04-000	BF FOAM - EXPANDED POLYSTYRENE - .5" X 48" X 96"
	100619-05-000	BF FOAM - EXPANDED POLYSTYRENE - .75" X 48" X 96"-1.5 DENSITY
	100619-10-000	BF FOAM - EXPANDED POLYSTYRENE - 1.5" X 48" X 96"
	100619-11-000	BF FOAM - EXPANDED POLYSTYRENE - 2" X 48" X 96"
	100619-16-000	BF FOAM - EXPANDED POLYSTYRENE - .75" X 48" X 96"-2.0 DENSITY
	105077-08-000	EA FOAM - PLUG - ROOF CAP
	120107-01-000	EA FOAM - COVE - ROOF - 2.8" X 96" LONG
	120107-02-000	EA FOAM - PLUG - ROOF TUBE - 2.2" X 2.9" X 1.8" LONG
	120107-03-000	EA FOAM - PLUG - SIDEWALL TUBE - 1.2" X 2.1" X 1.8" LONG

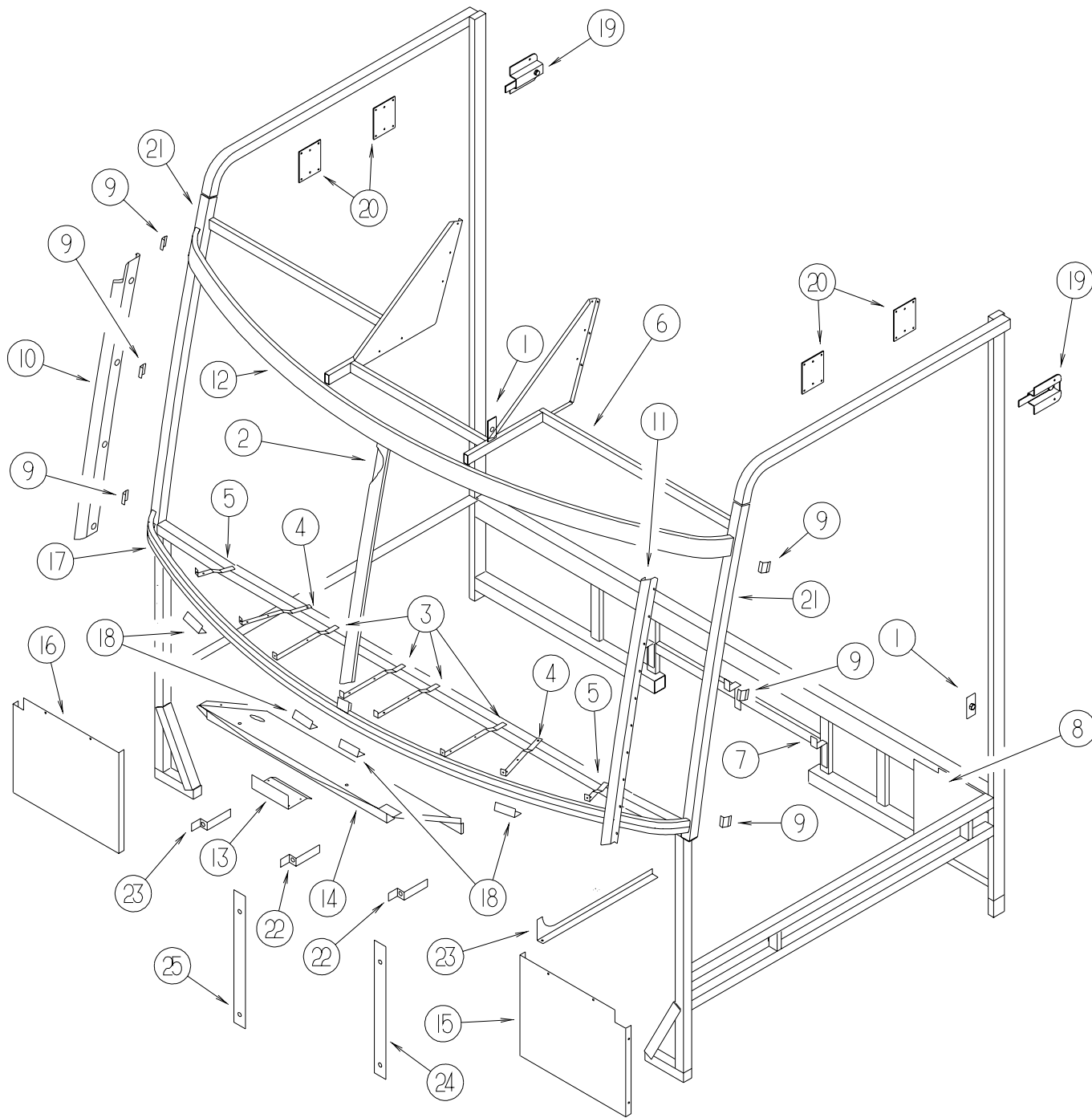
A & E AWNING & HARDWARE

KEY	PART NUMBER	U/M DESCRIPTION
	113874-06-02A	EA AWNING - W/O HDW 16' (POLAR NAVY TEAL) VINYL
*	113874-01-02A	EA HARDWARE KIT - AWNING - W/O STANDOFF BRACKET-BRIGHT WHITE
	113874-11-01A	EA SCREW/LAG - AWNING - 1/4" X 1" STAINLESS STEEL USED TO MOUNT LOWER ARM BRACKET TO WALL
	113874-12-01A	EA SCREW/LAG - AWNING - 1/4" X 2 3/4" STAINLESS STEEL USED TO MOUNT UPPER ARM BRACKET TO WALL
	130320-01-02A	EA BRACKET - AWNING - F/A&E INSTALLATION - BRIGHT WHITE

*COMPONENT PARTS FOUND IN SERVICE PARTS LIBRARY

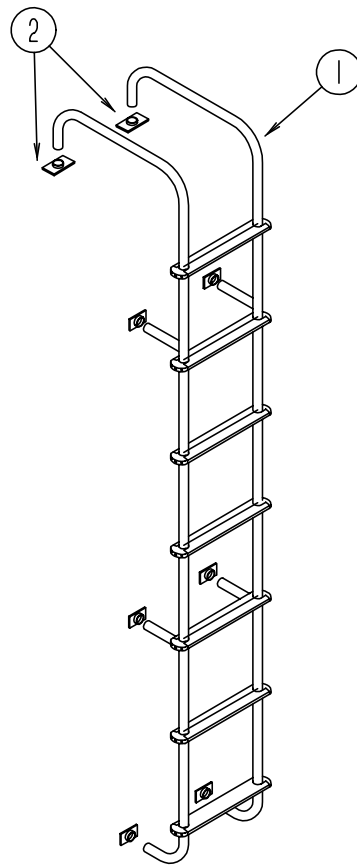
EXTERIOR BODY GROUP (CONTINUED)

MISCELLANEOUS FRONT END COMPONENTS



KEY	PART NUMBER	U/M	DESCRIPTION
1	070579-06-000	EA	PLATE - ANCHOR - W/7/16" WELD NUT - 1.5" X 3.3"
1	070579-07-000	EA	PLATE - ANCHOR - W/O WELD NUT - 1.5" X 3.3"
2	078249-18-000	EA	TUBE-SWEPT,FRAME,CAB
3	104797-03-000	EA	BRACKET-DEFROSTER
4	104797-04-000	EA	BRACKET-DEFROSTER
5	104797-05-000	EA	BRACKET-DEFROSTER
6	124763-51-01B	EA	HEADER ASM-W/TV, MILL
	121481-05-01B	EA	HEADER-WINDSHIELD, CENTER
7	117287-01-01B	EA	BRACKET - MOUNT - CABLE
8	118592-01-01B	EA	SHIELD - SPLASH - RIGHT HAND
9	120363-01-01B	EA	BRACKET - WINDSHIELD
10	121269-11-01B	EA	FRAME-WINDSHIELD,A PILLAR,ML
11	121269-12-01B	EA	FRAME-WINDSHIELD,A PILLAR,ML
12	121268-01-01B	EA	SUPPORT-WINDSHIELD,UPPER,MLL
13	125836-02-01B	EA	ZEE-WIPER MOTOR,MILL
14	125837-02-01B	EA	BRACE-WIPER MOTOR,MILL
15	104147-14-000	EA	SHIELD/SPLASH - HEADLIGHT
16	121962-02-02B	EA	SHIELD/SPLASH - HEADLIGHT - E-COATED
17	121267-01-01B	EA	SUPPORT-WINDSHIELD,LOWER,MLL
18	076364-57-000	EA	ANGLE - FORMED
19	103318-01-000	EA	MOUNT ASM-SEATBELT,WALL
20	104409-01-000	EA	PLATE-MOUNT,SIDEWALL
21	117273-01-01A	EA	TUBE - SUPPORT - A-PILLAR
22	117287-01-01B	EA	BRACKET - MOUNT - CABLE
	129385-01-02B	EA	BRACKET - SEAL TRANSITION - E-COATED
			FROM: 00-00-00 THRU: 07-11-99
23	131859-01-02B	EA	BRACKET - SEAL - TRANSITION/LEFT HAND - E-COATED
			FROM: 07-12-99 THRU: 99-99-99
	131860-01-02B	EA	BRACKET - SEAL - TRANSITION/LEFT HAND - E-COATED
			FROM: 07-12-99 THRU: 99-99-99
24	119892-12-02B	EA	SUPPORT ASM-FRONT,GM,LH,E-CT
24	119892-14-02B	EA	SUPPORT ASM-FRT,FORD,LH,E-CT
25	119892-17-02B	EA	SUPPORT ASM-FRONT,GM,RH,E-CT
25	119892-13-02B	EA	SUPPORT ASM-FRT,FORD,RH,E-CT
	113452-01-000	FT	SEAL/TRIM - FRONT - VINYL W/WIRE CARRIER
	130885-14-877	FT	STEEL - TUBE - 16 GAUGE 1.5" X 1.5"

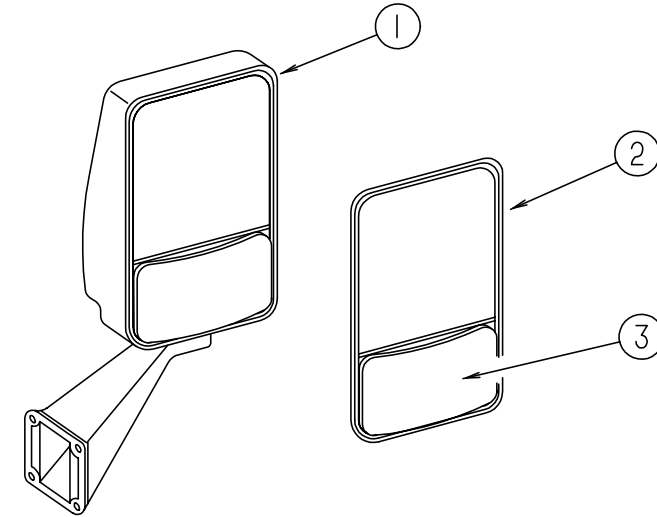
EXTERIOR BODY GROUP (CONTINUED)



LADDER

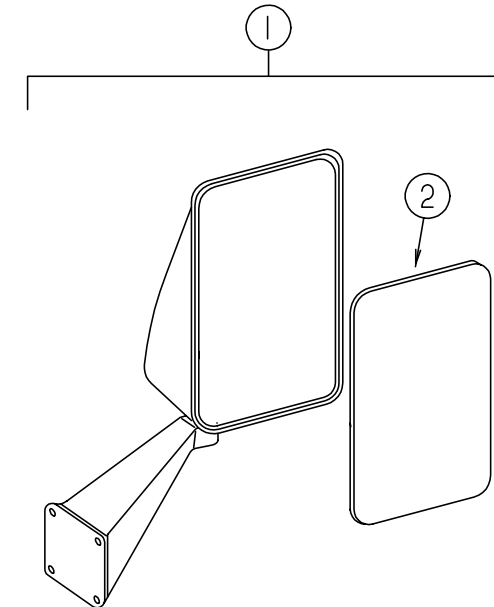
KEY	PART NUMBER	U/M DESCRIPTION
1	129639-03-01A	EA LADDER - BRUSHED ALUMINUM
2	131256-01-01A	EA PLATE - LADDER
	129375-01-000	EA SEAL/FOAM - LADDER BRACKET
	038327-01-000	EA TAPE - ANTI-SLIP - 2" X 60'

EXTERIOR BODY GROUP (CONTINUED)



VELVAC HEATED EXTERIOR MIRRORS

KEY	PART NUMBER	U/M DESCRIPTION	VENDOR NO.
1	106015-12-01A	EA MIRROR - EXTERIOR REMOTE/HEAT - PASSENGER	
	119774-09-700	EA PLATE-INNER SUPT/MIRROR HEAD	709418-7RH
1	106015-13-01A	EA MIRROR - EXTERIOR REMOTE/HEAT - DRIVER	
	119774-09-701	EA PLATE INNER SUPT/MIRROR HEAD	709419-7LH
2	106015-12-700	EA MIRROR-FLAT - W/W/O HEAT	709448
3	106015-12-701	EA MIRROR-CONVEX - W/W/O HEAT	709449
	106015-12-702	EA SCREW CAP - (BAG OF 4)	748329
	087695-02-000	EA SWITCH - HEATER - EXTERIOR MIRROR	
	088246-01-000	EA SWITCH - REMOTE - EXTERIOR - SQUARE PUSH	
	087695-03-000	EA CONNECTOR - ASSEMBLY	

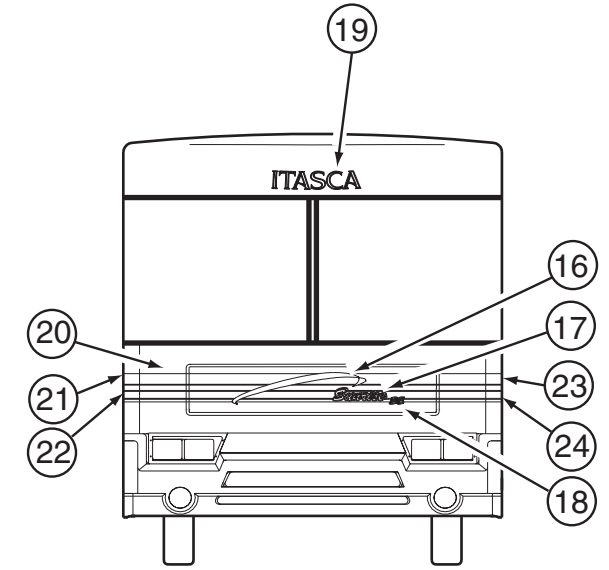
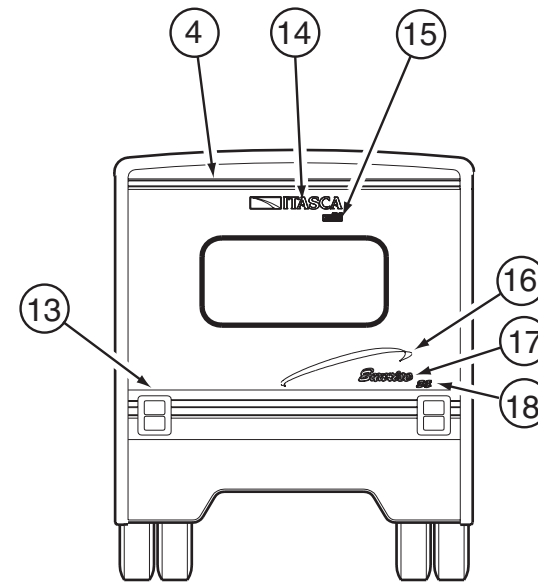
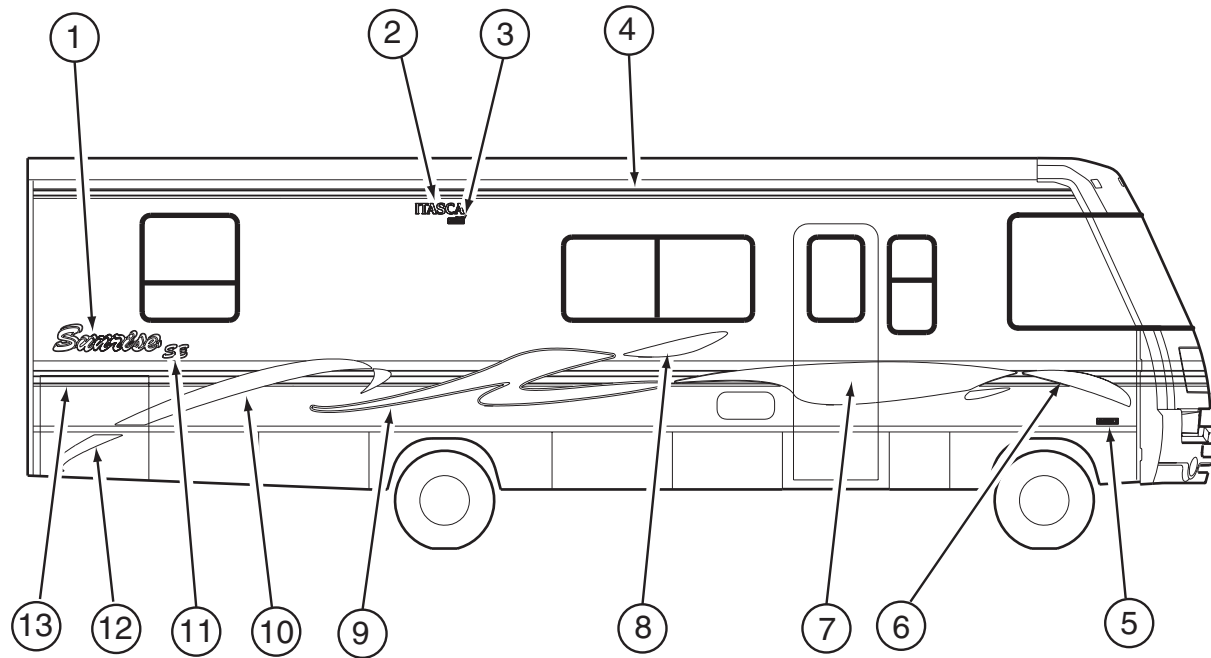


VELVAC EXTERIOR MIRRORS

KEY	PART NUMBER	U/M DESCRIPTION	VENDOR NO.
1	123297-01-01A	EA MIRROR - EXTERIOR - ADJUSTABLE GLASS - DRIVER	
1	123297-02-01A	EA MIRROR - EXTERIOR - ADJUSTABLE GLASS - PASSENGER	
2	106860-02-702	EA GLASS ONLY FLAT RH/LH STAR	702086-8

EXTERIOR BODY GROUP (CONTINUED)

DECALS, FILM STRIPES & PAINT

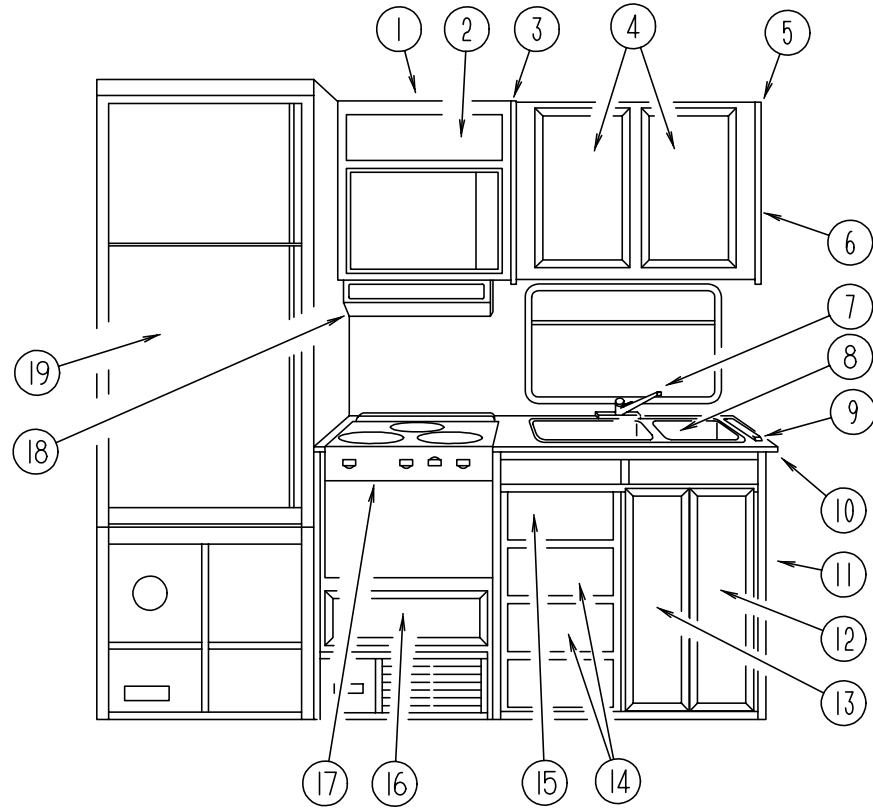


KEY	PART NUMBER	U/M	DESCRIPTION
1	121425-01-04A	EA	DECAL - LOGO - LARGE SUNRISE
1	121425-01-05A	EA	DECAL - LOGO - LARGE SUNRISE - COMFORT AND CONVENIENCE PACKAGE
2	124811-01-09A	EA	DECAL - LOGO - ITASCA
3	122770-01-13A	EA	DECAL - "BUILT PROUDLY BY WINNEBAGO INDUSTRIES"
4	094443-59-01A	FT	FILM - MULTISTRIPE - 2.9"
5	122312-02-01A	EA	DECAL - VORTEC 7400 FUEL INJECTED
5	129922-01-01A	EA	EMBLEM - TRITON V10
6	128045-03-01A	EA	DECAL - TIP #3 - RIGHT HAND
6	128045-04-01A	EA	DECAL - TIP #3 - LEFT HAND
7	128044-03-01A	EA	DECAL - SWIRL #3 - RIGHT HAND
7	128044-04-01A	EA	DECAL - SWIRL #3 - LEFT HAND
8	128043-03-01A	EA	DECAL - TIP #2 - RIGHT HAND
8	128043-04-01A	EA	DECAL - TIP #2 - LEFT HAND
9	128042-01-02A	EA	DECAL - SWIRL #2 - RIGHT HAND
9	128042-02-02A	EA	DECAL - SWIRL #2 - LEFT HAND
10	128040-03-01A	EA	DECAL - SWIRL #1 - UPPER/PASSENGER
10	128040-04-01A	EA	DECAL - SWIRL #1 - UPPER/DRIVERS
11	127164-03-01A	EA	DECAL - SE - LARGE
11	127164-03-02A	EA	DECAL - SE - LARGE - COMFORT AND CONVENIENCE PACKAGE
12	128041-03-01A	EA	DECAL - SWIRL #1 - LOWER/PASSENGER
12	128041-04-01A	EA	DECAL - SWIRL #1 - LOWER/DRIVERS
13	093689-28-01A	FT	FILM - MULTISTRIPE - 8" WIDE
14	124806-01-08A	EA	DECAL - LOGO - ITASCA W/ICON
15	122770-02-15A	EA	DECAL - "BUILT PROUDLY BY WINNEBAGO INDUSTRIES"
16	128048-02-01A	EA	DECAL - SWIRL - HOOD
17	121425-02-04A	EA	DECAL - LOGO - SMALL SUNRISE
17	121425-02-05A	EA	DECAL - LOGO - SMALL SUNRISE - COMFORT AND CONVENIENCE PACKAGE
18	127164-04-01A	EA	DECAL - SE - SMALL
18	127164-04-02A	EA	DECAL - SE - SMALL - COMFORT AND CONVENIENCE PACKAGE
19	124989-01-06A	EA	DECAL - LOGO - ITASCA - SWEEP #15
20	129886-01-01A	EA	DECAL - HOOD
21	129887-01-01A	EA	DECAL - CORNER/PASSENGER
22	130617-01-01A	EA	DECAL - CORNER/LOWER PASSENGER - LIGHT GREEN/DARK GREEN
23	129887-02-01A	EA	DECAL - CORNER/DRIVERS
24	130617-02-01A	EA	DECAL - CORNER/LOWER DRIVER - LIGHT GREEN/DARK GREEN
	041561-03-000	EA	PAINT - 16 OUNCE SPRAY - OFF WHITE

DUPONT COLOR CODES

BRIGHT WHITE (MAIN BODY COLOR)	#B8951
KHAKI METALLIC (ACCENT COLOR)	#F4598U
LT. TOURQUOISE METALLIC (DECAL COLOR)	#GM188
DK. GREEN METALLIC (DECAL COLOR)	#MM172
LT. GREEN METALLIC (DECAL COLOR)	#GM200

GALLEY GROUP
GALLEY CABINETRY



KEY	PART NUMBER	U/M DESCRIPTION
1	128620-09-J37	EA CABINET - MICROWAVE - W/O DOORS/HARDWARE
2	M05992-G3-J15	EA DOOR - STRAIGHT CORNER/OGEE EDGE - 6.3" X 23.2" - W/O HDW
3	081320-14-G09	EA END CAP - OVERHEAD CABINET
4	M09332-01-K16	EA DOOR - RAISED MEMBRANE/OGEE EDGE - 14.3" X 21.8" - W/O HDW
5	121823-01-H13	EA CABINET - OVERHEAD/GALLEY - W/O DOORS/HARDWARE
	121823-11-K16	EA SHELF - W/PLASTIC EDGE TRIM
6	081320-17-G09	EA END CAP - OVERHEAD CABINET
7	104114-02-01A	EA FAUCET - GALLEY - SINGLE CONTROL
8	104113-01-000	EA SINK - DOUBLE - STAINLESS STEEL
	092303-01-000	EA STRAINER - SINK
	103610-03-H24	EA COVER - SINK - 15.2" X 11" (K46)
	103610-03-H04	EA COVER - SINK - 15.2" X 11" (K47)
	103610-03-H07	EA COVER - SINK - 15.2" X 11" (K48)
9	098335-18-H13	EA RAIL - GALLEY - 25" (K46)
9	098335-18-H33	EA RAIL - GALLEY - 25" (K47)
9	098335-18-H14	EA RAIL - GALLEY - 25" (K48)
9	129142-17-K16	EA BACKSPLASH - GALLEY COMFORT AND CONVENIENCE PACKAGE (K46)
9	129142-17-K17	EA BACKSPLASH - GALLEY COMFORT AND CONVENIENCE PACKAGE (K47)
9	129142-17-K48	EA BACKSPLASH - GALLEY COMFORT AND CONVENIENCE PACKAGE (K48)
10	129142-15-K16	EA COUNTERTOP - GALLEY (K46)
10	129142-15-K17	EA COUNTERTOP - GALLEY (K47)
10	129142-15-K48	EA COUNTERTOP - GALLEY (K48)
10	129142-16-K16	EA COUNTERTOP - GALLEY (K46) COMFORT AND CONVENIENCE PACKAGE
10	129142-16-K17	EA COUNTERTOP - GALLEY (K47) COMFORT AND CONVENIENCE PACKAGE
10	129142-16-K48	EA COUNTERTOP - GALLEY (K48) COMFORT AND CONVENIENCE PACKAGE

KEY	PART NUMBER	U/M DESCRIPTION	VENDOR NO.
11	129142-01-K16	EA CABINET/GALLEY - W/COUNTERTOP - W/O DOORS/DRAWERS/HARDWARE (K46)	
11	129142-01-K17	EA CABINET/GALLEY - W/COUNTERTOP - W/O DOORS/DRAWERS/HARDWARE (K47)	
11	129142-01-K48	EA CABINET/GALLEY - W/COUNTERTOP - W/O DOORS/DRAWERS/HARDWARE (K48)	
11	129142-02-K16	EA CABINET/GALLEY - W/COUNTERTOP - W/O DOORS/DRAWERS/HARDWARE (K46) COMFORT AND CONVENIENCE PACKAGE	
11	129142-02-K17	EA CABINET/GALLEY - W/COUNTERTOP - W/O DOORS/DRAWERS/HARDWARE (K47) COMFORT AND CONVENIENCE PACKAGE	
11	129142-02-K48	EA CABINET/GALLEY - W/COUNTERTOP - W/O DOORS/DRAWERS/HARDWARE (K48) COMFORT AND CONVENIENCE PACKAGE	
	129142-14-K16	EA SHELF - W/PLASTIC EDGE TRIM	
12	M05992-H2-K16	EA DOOR - STRAIGHT CORNER/OGEE EDGE - 9" X 26.5" - W/O HDW	
13	M05992-H3-K16	EA DOOR - STRAIGHT CORNER/OGEE EDGE - 9" X 26.5" - W/O HDW	
14	M05971-11-J15	EA DRAWER - OGEE EDGE - 9.9"W X 17.7"D - W/O SLIDES/HARDWARE	
15	M05971-83-J15	EA DRAWER - OGEE EDGE - 8.4"W X 7.6"D - W/O SLIDES/HARDWARE	
16	M05971-50-J15	EA DRAWER - OGEE EDGE - 19.8"W X 17.7"D - W/O SLIDES/HARDWARE	
17*	112881-02-03A	EA RANGE-16"-3 BURNER-FRONT HI-OUTPUT BURNER - BLK TOP/DOOR	
	105458-03-000	EA BRACKET - STOVE TIEDOWN - RIGHT HAND	
	105458-04-000	EA BRACKET - STOVE TIEDOWN - LEFT HAND	
18*	100258-16-04A	EA HOOD - RANGE - W/O MONITOR PANEL-W/O HOUR METER/SWITCH-US	
18*	100258-17-04A	EA HOOD - RANGE - W/O MONITOR PANEL-W/O HOUR METER/SWITCH-CSA	
18*	100258-18-03A	EA HOOD - RANGE - W/O MONITOR PANEL-W/HOUR METER/SWITCH - US	
19*	121568-02-01A	EA REFRIGERATOR - SMALL DOUBLE DOOR/LEFT HAND - 2-WAY FROM: 00-00-00 THRU: 07-19-98	
19*	121568-04-01A	EA REFRIGERATOR - SMALL DOUBLE DOOR/LEFT HAND - 2-WAY - BLACK FROM: 07-20-98 THRU: 99-99-99	
	054450-01-000	EA LEVEL - REFRIGERATOR	
	065225-02-000	EA PLATE - TIEDOWN - REFRIGERATOR	
	093646-03-000	EA BRACKET - TIEDOWN/RIGHT HAND - REFRIGERATOR	
	093646-04-000	EA BRACKET - TIEDOWN/LEFT HAND - REFRIGERATOR	
	111222-01-02A	EA COVER - VENT/REFRIGERATOR - SIDE - BRIGHT WHITE	
	116751-03-01A	EA TRAY - REFRIGERATOR - BLACK - US	
	116751-10-01A	EA TRAY - REFRIGERATOR - BLACK - CANADIAN	
	090329-01-000	FT SEAL/T - REFRIGERATOR CABINET	

LVS MONITOR PANEL

KEY	PART NUMBER	U/M DESCRIPTION
*	102765-04-01A	EA PANEL - MONITOR - 2 HOLDING TANKS - ADJUSTABLE

***COMPONENT PARTS FOUND IN SERVICE PARTS LIBRARY**

GALLEY GROUP (CONTINUED)

MICROWAVE OVEN & TRIMS, BRACKETS, AND BRACES

KEY	PART NUMBER	U/M DESCRIPTION	VENDOR NO.
	128527-02-000	EA OVEN - MICROWAVE - 1.2 CU FT - NON CONVECTION	
			FROM: 00-00-00 THRU: 01-15-99
	128527-02-700	EA TRIM RING-F/1.2 CU.FT. MICRO	MC-6471-EA
			FROM: 00-00-00 THRU: 01-15-99
	128642-02-000	EA TRIM KIT W/VENT - MICROWAVE - 1.2 CU FT - SAMSUNG	
			FROM: 00-00-00 THRU: 01-15-99
	128527-04-000	EA OVEN - MICROWAVE - 1.2 CU FT	
			FROM: 01-16-99 THRU: 99-99-99
	098916-22-02B	EA BRACE - MICROWAVE CABINET - LEFT HAND	
	098916-23-02B	EA BRACE - MICROWAVE CABINET - RIGHT HAND	
	094750-10-000	EA BRACKET - MICROWAVE - 89 DEGREE	

COFFEE MAKER

KEY	PART NUMBER	U/M DESCRIPTION	VENDOR NO.
	126019-01-01A	EA COFFEEMAKER - OPTIMA - W/BRACKETS - BLACK & DECKER	
	126019-01-700	EA GLASS CARAFE	172547-00
	126019-01-701	EA RESERVOIR- WATER	172554
	126019-01-702	EA BASKET - FILTER	172553-00
	126019-01-703	EA HARDWARE - MOUNTING	172174-00

GENERATOR GROUP

4,000 WATT ONAN EMERALD PLUS

KEY	PART NUMBER	U/M DESCRIPTION
	100974-01-000	EA GENERATOR - 4 KW EMERALD PLUS - ONAN BGE-FA26100G WITH ONAN GENERATOR TRAY #403-2218 - IF INSTALLING BELOW FLOOR ORDER ONAN TRAY #403-2727
	007067-01-000	SF INSULATION - FIBERGLASS - 1" THICK X 4'-INCREMENTS 4 SF
	007125-03-000	EA CLAMP - MUFFLER - 1.5" DIAMETER
	007125-04-000	EA CLAMP - MUFFLER - 1.12" DIAMETER
	079654-05-000	EA PIPE - EXHAUST - ANGLED W/FLANGE - 2" ID
	082272-01-000	EA MUFFLER - GENERATOR - NELSON #20892-A
	094059-01-000	EA SPACER - GENERATOR - ONAN
	105958-03-000	EA PIPE - GENERATOR EXHAUST - 1.5" OD X 4.4" X 15.7"

5,000 WATT ONAN EMERALD PLUS

KEY	PART NUMBER	U/M DESCRIPTION
	109303-01-000	EA GENERATOR - 5 KW - EMERALD PLUS WITH ONAN TRAY #403-2727
	007067-01-000	SF INSULATION - FIBERGLASS - 1" THICK X 4'-INCREMENTS 4 SF
	007125-03-000	EA CLAMP - MUFFLER - 1.5" DIAMETER
	007125-04-000	EA CLAMP - MUFFLER - 1.12" DIAMETER
	079654-05-000	EA PIPE - EXHAUST - ANGLED W/FLANGE - 2" ID
	082272-01-000	EA MUFFLER - GENERATOR - NELSON #20892-A
	094059-01-000	EA SPACER - GENERATOR - ONAN
	105958-03-000	EA PIPE - GENERATOR EXHAUST - 1.5" OD X 4.4" X 15.7"

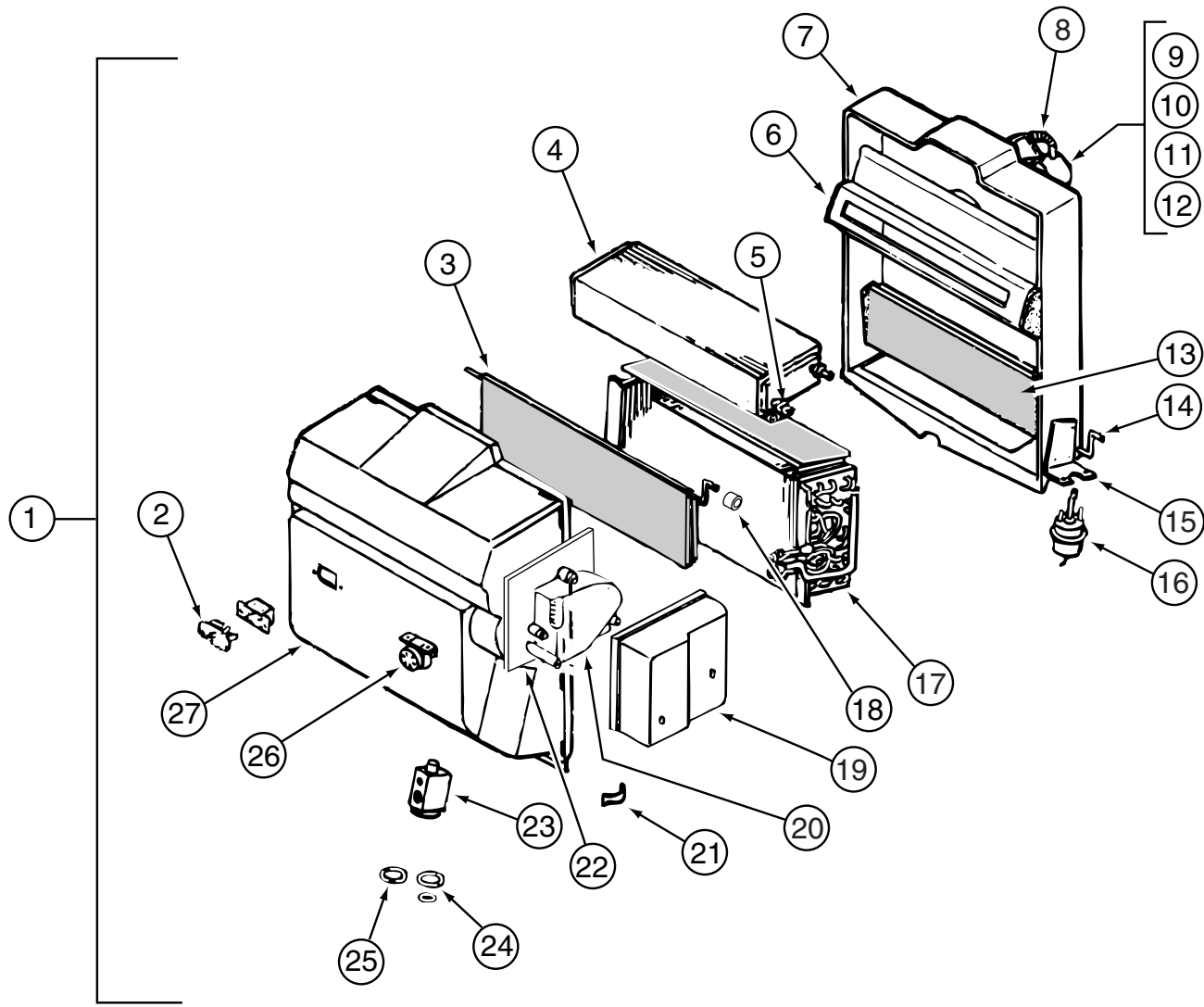
6,500 WATT ONAN EMERALD PLUS

KEY	PART NUMBER	U/M DESCRIPTION
	100975-01-000	EA GENERATOR - 6.5 KW EMERALD PLUS WITH ONAN TRAY #403-2218
	007067-01-000	SF INSULATION - FIBERGLASS - 1" THICK X 4'-INCREMENTS 4 SF
	007125-03-000	EA CLAMP - MUFFLER - 1.5" DIAMETER
	007125-04-000	EA CLAMP - MUFFLER - 1.12" DIAMETER
	007131-01-000	EA HANGER - TAILPIPE - 6 SLOTS
	079654-05-000	EA PIPE - EXHAUST - ANGLED W/FLANGE - 2" ID
	082272-01-000	EA MUFFLER - GENERATOR - NELSON #20892-A
	094059-01-000	EA SPACER - GENERATOR - ONAN
	105958-03-000	EA PIPE - GENERATOR EXHAUST - 1.5" OD X 4.4" X 15.7"

NOTE: ADDITIONAL GENERATOR COMPONENTS ARE FOUND IN THE CHASSIS GROUP

HEATING & AIR CONDITIONING GROUP

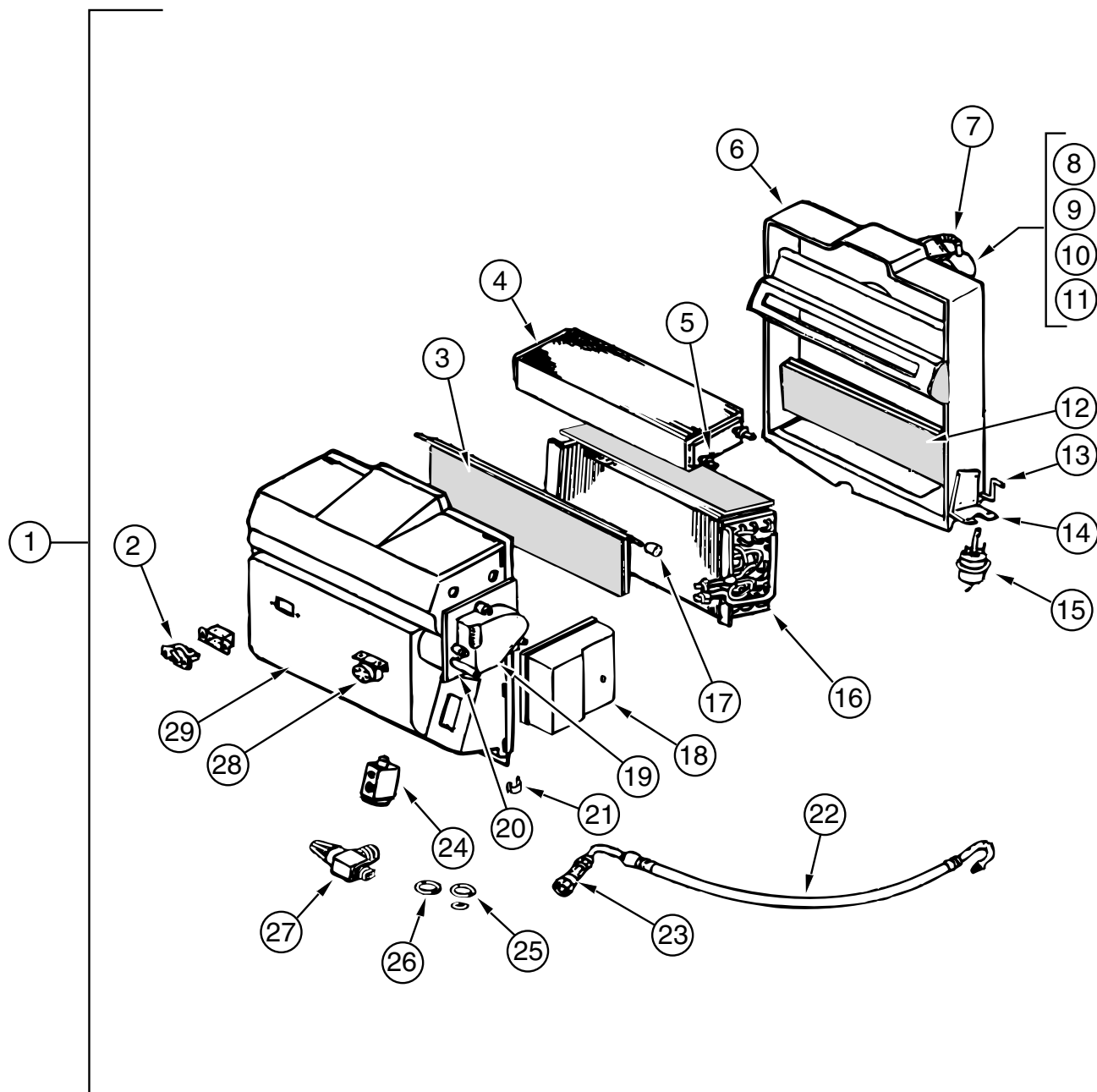
SCS EVAPORATOR/HEATER ASSEMBLY - FORD AND 1999 CHEVY CHASSIS



KEY	PART NUMBER	U/M DESCRIPTION	VENDOR NO.
1	103930-43-000	EA EVAPORATOR/HEATER ASSEMBLY - NON-CHARGED	
2	103930-01-710	EA RESISTOR-FUSED, A/C	035-0006
3	103930-43-700	EA DOOR - AIR BLEND	071-0568
4	103930-01-703	EA CORE-HEATER	042-0010
5	110279-01-712	EA FITTING-HEATER	050-0076
6	103930-30-707	EA DIVIDER ASM.	086-0061
7	103930-20-711	EA CASE-BACK, SUB-ASSEMBLY	062-0147
8	110279-01-703	EA HOSE-VENT F/BLOWER MOTOR	051-0034
9	103930-20-707	EA HOUSING-BLOWER	062-0145
10	103930-30-706	EA MOTOR-BLOWER PM147 W/ADAPTER	030-0109
11	103930-01-717	EA WHEEL-BLOWER, CLOCKWISE	062-0010
12	103930-20-708	EA CLIP-MOTOR SHAFT	022-0001
13	103930-20-705	EA PANEL-DOOR, RECIRCULATING	071-0213
14	103930-20-704	EA ROD-DOOR-RECIRCULATING	073-0018
15	103930-01-708	EA BRACKET-VACUUM MOTOR	070-0113
16	103930-02-708	EA MOTOR-VACUUM SERVO, A/C	030-0025
17	103930-01-704	EA COIL-EVAPORATOR	041-0017
18	103930-30-702	EA BUSHING - BLEND AIR DOOR	062-0168
19	103930-30-704	EA COVER - SERVO	062-0545
20	103930-30-703	EA MOTOR - SERVO	030-0104
21	103930-20-706	EA CLIP-RETAINER - CASE ATTACH	022-0057
22	103930-30-701	EA PLATE - MOTOR MOUNT	062-0544
23	103930-20-700	EA VALVE-EXPANSION-BLOCK, 2 TON	034-0032
24	103930-17-702	EA O'RING #10	045-0127
25	113245-01-707	EA O'RING #8	045-0126
26	103930-01-711	EA THERMOSTAT	033-0003
27	103930-30-700	EA CASE - FRONT	062-0542
	103930-02-714	EA CLAMP-CLUTCH, BARREL	022-0006
	094831-01-709	EA CLAMP-ROD 3/16"	022-0025
	113245-01-718	EA HOSE - DRAIN 1/2" X 6"	051-0002

HEATING & AIR CONDITIONING GROUP (CONTINUED)

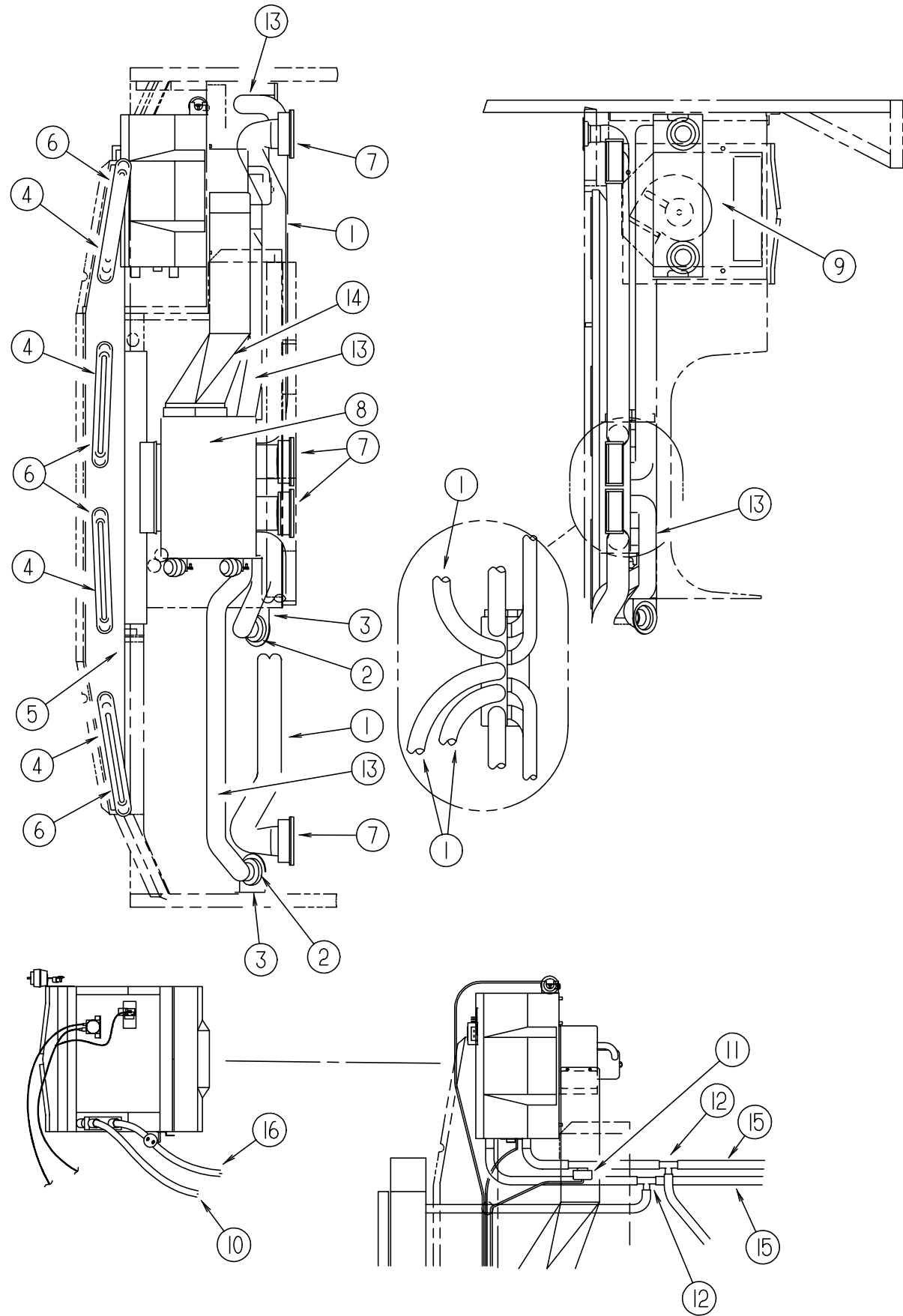
SCS EVAPORATOR/HEATER ASSEMBLY - 1998 CHEVY CHASSIS



KEY	PART NUMBER	U/M DESCRIPTION	VENDOR NO.
1	103930-30-000	EA EVAPORATOR/HEATER - CHEVY - SERVO MOTOR CONTROLLED	
2	103930-01-710	EA RESISTOR-FUSED, A/C	035-0006
3	103930-30-705	EA DOOR - BLEND AIR	071-0568
4	103930-01-703	EA CORE-HEATER	042-0010
5	110279-01-712	EA FITTING-HEATER	050-0076
6	103930-20-711	EA CASE-BACK, SUB-ASSEMBLY	062-0147
7	110279-01-703	EA HOSE-VENT F/BLOWER MOTOR	051-0034
8	103930-20-707	EA HOUSING-BLOWER	062-0145
9	103930-30-706	EA MOTOR-BLOWER PM147 W/ADAPTER	030-0109
10	103930-01-717	EA WHEEL-BLOWER, CLOCKWISE	062-0010
11	103930-20-708	EA CLIP-MOTOR SHAFT	022-0001
12	103930-20-705	EA PANEL-DOOR, RECIRCULATING	071-0213
13	103930-20-704	EA ROD-DOOR-RECIRCULATING	073-0018
14	103930-01-708	EA BRACKET-VACUUM MOTOR	070-0113
15	103930-02-708	EA MOTOR-VACUUM SERVO, A/C	030-0025
16	103930-01-704	EA COIL-EVAPORATOR	041-0017
17	103930-30-702	EA BUSHING - BLEND AIR DOOR	062-0168
18	103930-30-704	EA COVER - SERVO	062-0545
19	103930-30-703	EA MOTOR - SERVO	030-0104
20	103930-30-701	EA PLATE - MOTOR MOUNT	062-0544
21	103930-20-706	EA CLIP-RETAINER - CASE ATTACH	022-0057
22	103930-25-700	EA HOSE ASM #6 EVAPORATOR/DRIER	085-0350
23	103930-12-709	EA FITTING-QUICK CONNECT	050-0120
24	103930-20-700	EA VALVE-EXPANSION-BLOCK, 2 TON	034-0032
25	103930-17-702	EA O'RING #10	045-0127
26	113245-01-707	EA O'RING #8	045-0126
27	103930-20-709	EA VALVE-SERVICE	050-0159
28	103930-01-711	EA THERMOSTAT	033-0003
29	103930-30-700	EA CASE - FRONT	062-0542

HEATING & AIR CONDITIONING GROUP (CONTINUED)

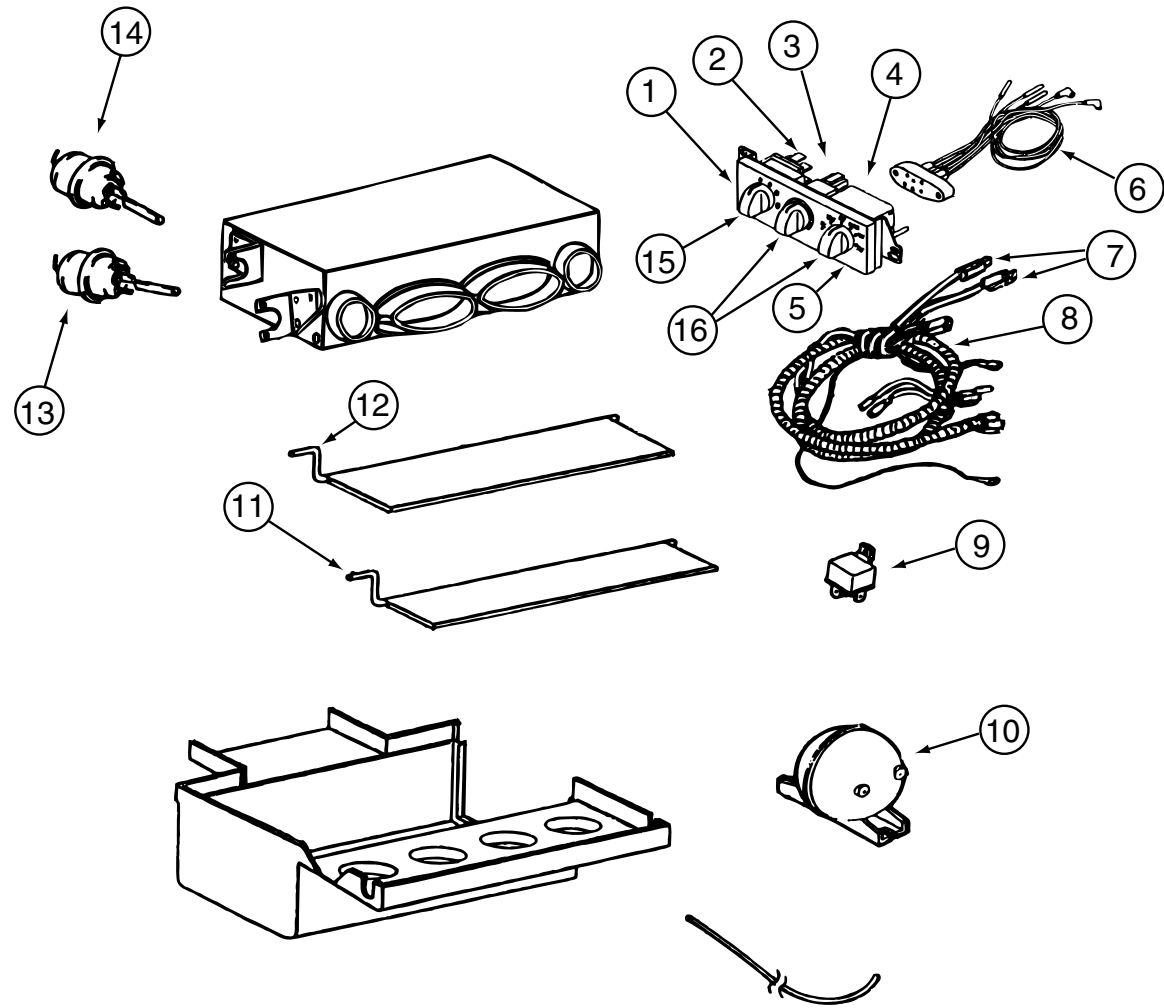
AUTOMOTIVE HEATER MISCELLANEOUS



KEY	PART NUMBER	U/M DESCRIPTION	VENDOR NO.
1	007281-01-000	EA HOSE - FLEXIBLE PVC - 2.5" ID X 50'	
1	007281-01-700	FT HOSE-FLEXIBLE PVC, 2 1/2 ID	
2	024990-05-000	EA OUTLET - DEFROSTER - 4" DIAMETER W/SWIVEL DEFLECTORS	
3	056402-05-000	EA BRACKET - HEATER VENT - ROUND W/BEND - BLACK	
4	077075-01-000	EA GASKET - INSTRUMENT PANEL/DEFROSTER PLENUM - .6" X 10.2"	
5	103017-03-000	EA PLENUM - DEFROSTER	
6	103558-01-11A	EA VENT - DEFROSTER - 2" X 14.4" X 1.4" - TITANIUM	
		FROM: 00-00-00 THRU: 11-08-98	
6	103558-04-04A	EA VENT - DEFROSTER - TITANIUM ABS PLASTIC	
		FROM: 11-09-98 THRU: 99-99-99	
7	103796-01-01A	EA LOUVER - A/C-ADJUSTABLE - 2.2" X 5.4" F/2.5" HOSE - BLACK	
8	103930-39-000	EA CONTROL/PLENUM - ROTARY	
9	103930-30-000	EA EVAPORATOR/HEATER - CHEVY - SERVO MOTOR CONTROLLED	
		1998 CHEVY CHASSIS	
9	103930-43-000	EA EVAPORATOR/HEATER ASSEMBLY - NON-CHARGED	
		FORD AND 1999 CHEVY CHASSIS	
10	103930-29-000	EA HOSE KIT - #10 F/GM L-29 & L-65 CHASSIS	
		1998 CHEVY CHASSIS	
	103930-17-702	EA O'RING #10	045-0127
	103930-29-701	EA O'RING F/LOW PRESSURE SWITCH	045-0483
10	103930-46-000	EA HOSE - EVAPORATER/COMPRESSOR - EXP. BLOCK TO COMPRESSOR	
		1999 CHEVY CHASSIS	
	103930-17-702	EA O'RING #10	045-0127
	103930-29-701	EA O'RING F/LOW PRESSURE SWITCH	045-0483
10	103930-45-000	EA HOSE - EVAPORATOR/COMPRESSOR - FORD CHASSIS	
	103930-17-702	EA O'RING #10	045-0127
11	103930-23-000	EA VALVE - WATER - 2 PORT	
12	076776-01-000	EA TEE - BEADED - 5/8" X 5/8" X 5/8"	
13	007076-01-000	EA HOSE - FLEXIBLE PVC - 2" ID - INCREMENTS OF 50'	
14	103016-03-000	EA PLENUM - TRANSITION	
15	007108-01-000	FT HOSE - HEATER - 5/8" ID - HI-TEMP - FORD	
16	103930-47-000	EA HOSE - EVAPORATOR/DRYER - EXP. VALVE TO REC. DRIER	
		1999 CHEVY CHASSIS	
	113245-01-710	EA O'RING, #12	045-0128
16	103930-44-000	EA HOSE - EVAPORATOR/DRYER - #6 - FORD CHASSIS	
	113245-01-710	EA O'RING, #12	045-0128
	077539-01-000	EA BRACKET - MOUNTING/DASH PANEL - L/SHAPED - 2.5"X1"X1.5"	
	103930-37-000	EA MANUAL - OWNERS - HEATER/A/C	
	7SB003-97-01A	EA SCS/FRIGETTE SERVICE MANUAL AIR CONDITIONING	

HEATING & AIR CONDITIONING GROUP (CONTINUED)

SCS CONTROL/PLENUM



KEY	PART NUMBER	U/M	DESCRIPTION	VENDOR NO.
	103930-39-000	EA	CONTROL/PLENUM - ROTARY	
1	103930-33-702	EA	CONTROL PANEL	083-0169
2	103930-33-707	EA	SWITCH - BLOWER	032-00066
3	103930-33-708	EA	SWITCH - POTENTIOMETER	032-0184
4	103930-33-709	EA	SWITCH - VACUUM	032-0183
5	103930-33-710	EA	DECAL F/CONTROL HEAD	058-0102
6	103930-33-703	EA	VACUUM HARNESS	036-0466
7	103930-33-705	EA	LIGHT BULBS	035-0030
8	103930-33-711	EA	WIRE HARNESS - MAIN	036-0496
9	103930-02-707	EA	RELAY-BOSCH W/RESISTER	031-0001
10	103930-02-710	EA	CANISTER-VACUUM	054-0002
11	103930-39-700	EA	ROD - DOOR - AC/HEAT	073-067
12	103930-39-701	EA	ROD - DOOR - AC/DEFROST	073-0069
13	103930-02-708	EA	MOTOR-VACUUM SERVO, A/C	030-0025
14	103930-33-701	EA	MOTOR - VACUUM, 3 STAGE	030-0105
15	103930-39-702	EA	KNOB - BLOWER	062-0539
16	103930-39-703	EA	KNOB - TEMPERATURE	062-0540
	103930-39-704	EA	SPRING	022-0119

HEATING & AIR CONDITIONING GROUP (CONTINUED)

COLEMAN ROOF A/C & CEILING ASM

KEY	PART NUMBER	U/M	DESCRIPTION
*	131185-01-01A	EA	A/C ROOF - 13,500 BTU - 220 VOLT - WHITE
*	131188-01-01A	EA	A/C - ROOF - 14,800 MACH 15 - WHITE
*	131184-01-01A	EA	CEILING ASSEMBLY - A/C DUCTED - WHITE
	117238-01-01A	EA	THERMOSTAT - A/C - FURNACE
	117238-02-01A	EA	THERMOSTAT - A/C ONLY

***COMPONENT PARTS FOUND IN SERVICE PARTS LIBRARY**

ROOF A/C SELECTOR SWITCH, COVERS, AND REGISTER

KEY	PART NUMBER	U/M	DESCRIPTION
	073937-03-000	EA	SWITCH - ROTARY- AC - SELECTOR - 3 DECK
	022756-03-000	EA	COVER - A/C - OFF WHITE PLASTIC
	121365-01-01A	EA	COVER - A/C SWITCH - DUAL
	121365-02-01A	EA	COVER - A/C SWITCH - SINGLE
	084077-03-000	EA	COVER/BLANK - ROOF A/C 5.2" X 3.5" - IVORY
	092633-02-02A	EA	COVER - BLANK - ROOF A/C - 5.1" X 5.1"
	120134-01-02A	EA	REGISTER - 4" TO 5" IN DIAMETER W/DAMPER

HEATING & AIR CONDITIONING GROUP (CONTINUED)

35,000 BTU SUBURBAN FURNACE, REGISTERS & WALL THERMOSTAT

KEY	PART NUMBER	U/M	DESCRIPTION
*	098668-21-000	EA	FURNACE - 35,000 BTU
	098668-23-000	EA	DOOR - ACCESS - FURNACE - BRIGHT WHITE
	056464-09-000	EA	REGISTER - 4" DIAMETER - PLASTIC - W/DAMPER - BEIGE
	056464-10-000	EA	REGISTER - 4" DIAMETER - PLASTIC - W/O DAMPER - BEIGE
	094600-06-01A	EA	REGISTER W/DAMPER-3.6" X 11.3" FACE/2.1" X 9.9" RO-BEIGE
	093614-01-02A	EA	GRILLE - RETURN AIR - 15.6" X 7.6" - BEIGE
	009198-01-000	FT	DUCT - HEAT - FLEXIBLE - 4" ID X 25'
	009198-02-000	FT	DUCT - FLEXIBLE - 2" ID X 25'
	089367-02-000	EA	TEE - 4" X 2" X 4"
	009200-01-000	EA	TAPE - FURNACE - 1 1/2"
	115764-01-01A	EA	THERMOSTAT - FURNACE

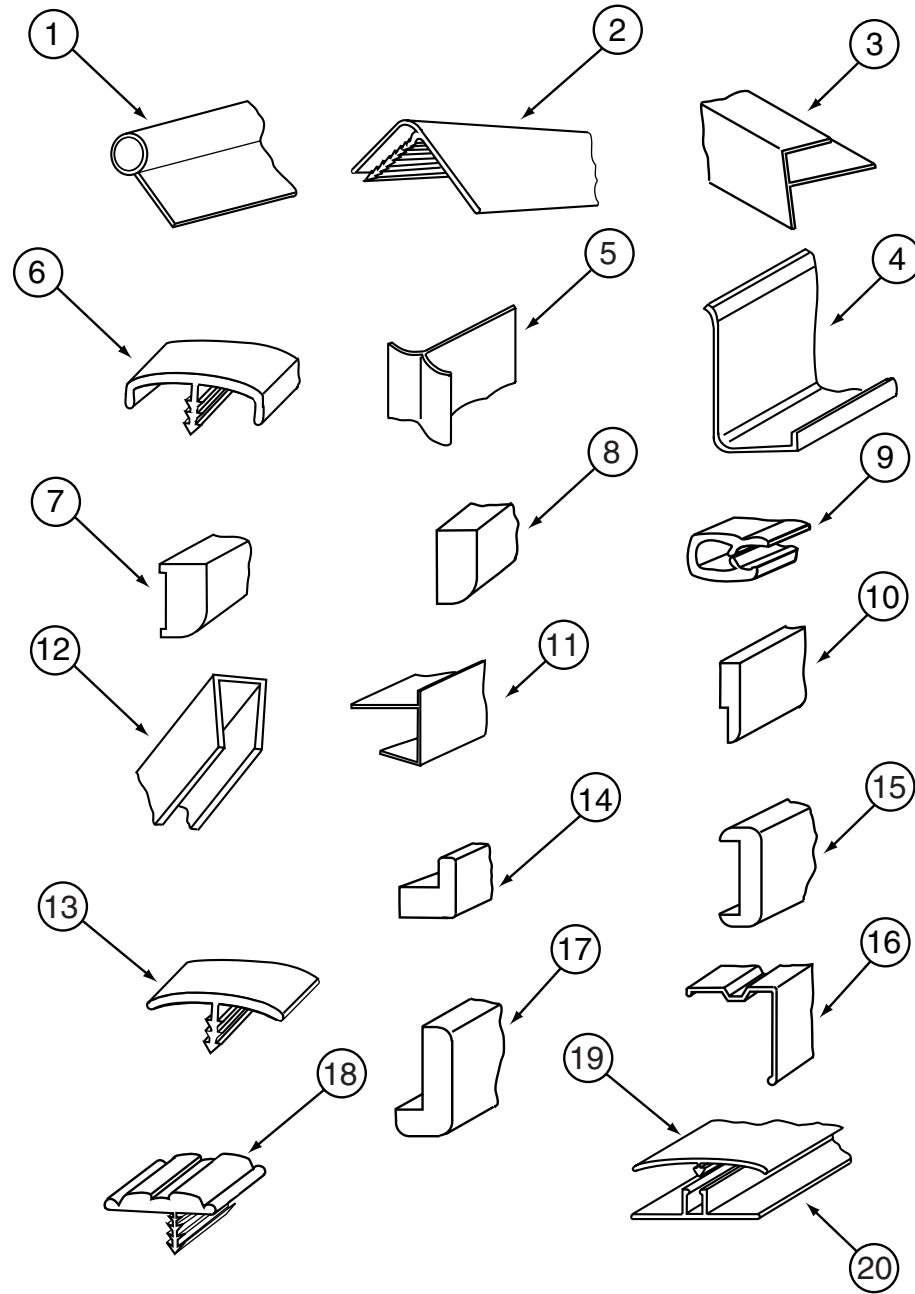
***COMPONENT PARTS FOUND IN SERVICE PARTS LIBRARY**

EVANS REAR HEATER & COMPONENTS

KEY	PART NUMBER	U/M	DESCRIPTION	VENDOR NO.
	084405-01-000	EA	HEATER - REAR/DUCTED - W/MOTOR AID	
	084405-01-700	EA	CORE-HEATER	FT200229
	084405-01-701	EA	FAN BLADES	HV029931
	084405-01-702	EA	MOTOR ASSEMBLY, 12 VOLT	RV010348
	009198-01-000	FT	DUCT - HEAT - FLEXIBLE - 4" ID X 25'	
	056464-09-000	EA	REGISTER - 4" DIAMETER - PLASTIC - W/DAMPER - BEIGE	
	061673-01-000	EA	BRACKET - MOTOR AID TUBES - 4" X 1.5" - STEEL	
	079059-01-000	EA	HOSE - 90 DEGREE - 5/8"ID X 4" X 36"	

INTERIOR FINISH GROUP

MOLDINGS & TRIMS



KEY	PART NUMBER	U/M DESCRIPTION
1	009767-12-000	FT WELTING - SIDEWALL/CEILING/CABINET - OFF/WHT
2	009809-28-000	EA MOLDING - CORNER - OUTSIDE - 1" X 84" - WATERFORD OAK
3	009812-29-000	EA MOLDING - CORNER - 1/2" W/1/4" CHAN X 84" - WATERFORD OAK
4	085746-04-000	FT TRIM-J - CARPET 1.2" X .5" ANGLE - 12' LONG - OFF WHITE
5	022992-11-000	FT MOLDING - REVERSE COVE - T-SHAPED VINYL - IVORY
6	083620-12-000	FT MOLDING-T - END CAP EDGE - W/EDGE LIP - .75"-WATERFORD OAK
7	117268-D2-134	EA MOLDING - VINYL WRAPPED - .7" X 1.6" X 84" - WATERFORD OAK
7	117268-F2-134	EA MOLDING - VINYL WRAPPED - .7" X 2.7" X 84" - WATERFORD OAK
8	100818-01-05A	EA MOLDING - VINYL WRAPPED - 1.6" X 4" X 84" - WATERFORD OAK
9	113452-01-000	FT SEAL/TRIM - FRONT - VINYL W/WIRE CARRIER
10	105004-01-05A	EA MOLDING - VINYL WRAPPED - 1" X 96" - WATERFORD OAK
11	103186-01-05A	FT MOLDING - PLASTIC - 3/8" U-CHANNEL 3/4" FACE-WATERFORD OAK
11	103186-02-05A	FT MOLDING - PLASTIC - 1" U-CHANNEL 1 3/8" FACE-WATERFORD OAK
12	009778-21-000	FT U-CHANNEL - 1" - WATERFORD OAK
12	070504-36-000	FT U-CHANNEL - PLASTIC - .13" X 72" - WATERFORD OAK
12	070504-37-000	FT U-CHANNEL - PLASTIC - .9" X 84" - WATERFORD OAK
13	105709-01-000	FT MOLDING-T - 1" - MODERN IVORY
14	100819-01-05A	EA MOLDING - VINYL WRAPPED - L-SHAPED - 1.5"X1.5"X84"-OAK
15	078323-06-G15	EA MOLDING - CAP - WALL - 78"
16	093873-01-01A	EA TRIM - CARPET - L-ANGLE 1.1" X 1.3" X 12' - GRAY VINYL
17	077840-01-G01	EA MOLDING - CAP/WALL - 8' WATERFORD OAK
17	077840-07-K16	EA MOLDING - WALL CAP - 79.2"
18	109736-02-01A	FT T-MOLDING - 1" - NATURAL OAK
19	086229-20-000	EA BATTEN - 1" X 96" - BEIGE
20	086229-01-000	EA RETAINER - BATTEN - .75" X 92.3" - ANY COLOR
	072368-02-000	EA TRIM - VINYL - EDGE - BLACK
	117267-D2-438	EA LUMBER - VINYL WRAPPED - .7" X 1.5" X 96" - WATERFORD OAK
	117267-E2-438	EA LUMBER - VINYL WRAPPED - .7" X 2" X 96" - WATERFORD OAK
	117267-F2-438	EA LUMBER - VINYL WRAPPED - .7"X 2.5" X 96" - WATERFORD OAK
	117267-J2-438	EA LUMBER - VINYL WRAPPED - .7" X 5.5" X 96" - WATERFORD OAK
	117267-R2-438	EA LUMBER - VINYL WRAPPED - .7" X 3" X 96" - WATERFORD OAK

INTERIOR FINISH GROUP (CONTINUED)

BATT STRIPS

KEY	PART NUMBER	U/M DESCRIPTION
	069733-83-000	EA BATT STRIP - WOODGRAINED/WATERFORD OAK - 8'
	079653-28-000	EA BATT STRIP - KERFED - WOODGRAINED/WATERFORD OAK - 8'
	088263-E3-000	EA BATT STRIP - DECORATIVE - PEBBLE EMBOSSED/ANTIQUE-8' LONG
	088263-F5-000	EA BATT STRIP - DECORATIVE - FLAGSTAFF SAND - 8' (K46)
	088263-E6-000	EA BATT STRIP - DECORATIVE - MONTANNA FROST - 8' (K47)
	088263-F4-000	EA BATT STRIP - DECORATIVE - TRAVIS MERCURY - 8' (K48)
	085284-B5-000	FT BATT TAPE - ADHESIVE BACKED - WOODGRAINED - WATERFORD OAK
	085284-D6-000	FT BATT TAPE - ADHESIVE BACKED -DECORATIVE - EMBOSSED ANTIQUE
	085284-F1-000	FT BATT TAPE - ADHESIVE BACKED - DECORATIVE/FLAGSTAFF SAND (K46)
	085284-E0-000	FT BATT TAPE - ADHESIVE BACKED - DECORATIVE - MONTANA FROST (K47)
	085284-E9-000	FT BATT TAPE - ADHESIVE BACKED - DECORATIVE/TRAVIS MERCURY (K48)

PLASTIC LAMINATE & EDGE BAND

KEY	PART NUMBER	U/M DESCRIPTION
	074498-54-000	SF LAMINATE - PLASTIC - SAND SPEKTRUM - 5' X 8' (K46)
	074498-80-000	SF LAMINATE - PLASTIC - WHITE TUNDRA - 5' X 8' (K47)
	074498-71-000	SF LAMINATE - PLASTIC - NEUTRAL SANTOS - 5'X 8' (K48)
	076325-47-000	FT MOLDING - EDGE BAND - 1 5/16" X .030" - SAND (K46)
	076325-39-000	FT MOLDING - EDGE BAND - 1 5/16" X .030" - ALMOND (K47,K48)
	076325-44-000	FT MOLDING - EDGE BAND - .875" X .024" - SAND (K46)
	076325-40-000	FT MOLDING - EDGE BAND - .875" X .024" - ALMOND (K47,K48)
	074498-77-000	SF LAMINATE - PLASTIC - ART CABIN - 4' X 8' (PULL OUT TABLE)
	076325-68-000	FT MOLDING - EDGE BAND - 1 5/16" X .038" - WATERFORD OAK (PULL OUT TABLE)
	074498-40-000	SF LAMINATE - PLASTIC - OFF WHITE - 5' X 8' (PATIO ENTERTAINMENT CENTER TABLE)
	076325-73-000	FT MOLDING - EDGE BAND - .93" X .024" - OFF WHITE (PATIO ENTERTAINMENT CENTER TABLE)

WALLPAPER BORDER

KEY	PART NUMBER	U/M DESCRIPTION
	122481-14-000	FT WALLPAPER - 5.1" BORDER (K46)
	122481-15-000	FT WALLPAPER - 6.9" BORDER (K47)
	122481-19-000	FT WALLPAPER - 6 3/4" BORDER (K48)

INTERIOR FINISH GROUP (CONTINUED)

SMOKE DETECTOR, CO DETECTOR, FIRE EXTINGUISHER & CLOCK

KEY	PART NUMBER	U/M DESCRIPTION	VENDOR NO.
	072852-01-000	EA DETECTOR - SMOKE - W/9 VOLT BATTERY - US	
	072852-02-000	EA DETECTOR - SMOKE - W/9 VOLT BATTERY - CANADIAN	
	094499-03-000	EA EXTINGUISHER/FIRE - DRY - 10B:C - W/O BRACKET	
	094499-04-000	EA BRACKET - FIRE EXTINGUISHER	
	094499-02-000	EA EXTINGUISHER/FIRE - DRY - 1A10BC - CANADIAN	
	094499-01-700	EA BRACKET MTG. W/PLAS. STRAP	294039
	118081-02-01A	EA CLOCK - WALL - ROUND 8" - BRASS	
	125136-01-000	EA CO DETECTOR - GAS - ROUND W/2 SCREWS - 9 VOLT	

ANTISLIP & FLOOR MATS

KEY	PART NUMBER	U/M DESCRIPTION
	091261-01-000	FT SLIPNOT - ANTISLIP - 1' WIDE
	105924-01-J16	EA MAT - FLOOR - 18" X 27" (K46)
	105924-01-J51	EA MAT - FLOOR - 18" X 27" (K47)
	105924-01-F12	EA MAT - FLOOR - 18" X 27" (K48)

CARPET, VINYL, & TILE

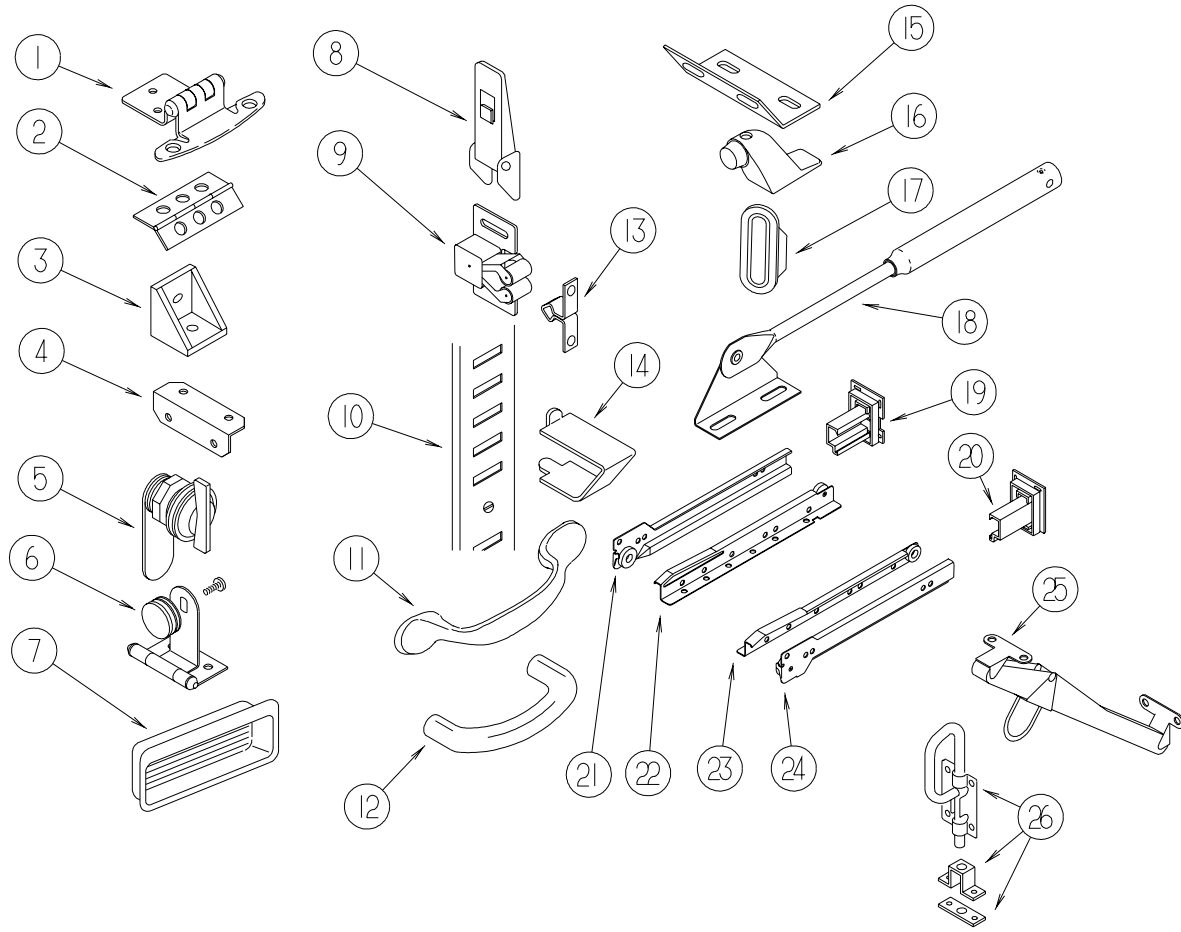
KEY	PART NUMBER	U/M DESCRIPTION
	093486-01-000	SY CARPET - COMPARTMENT - 72" WIDE - DARK GRAY
	096060-95-000	SY CARPET - DOESKIN - INCREMENTS OF 4 SQ YDS (K46)
	096060-97-000	SY CARPET - LAPIS - INCREMENTS OF 4 SY YDS (K47)
	096060-99-000	SY CARPET - PARCHMENT - INCREMENTS OF 4 SQ YD (K48)
	042720-21-000	SY VINYL - FLOOR COVERING - 7' WIDE - MODULATION FROM: 00-00-00 THRU: 02-07-99
	042720-25-000	SY VINYL - FLOOR COVERING - 14' WIDE - MODULATION FROM: 02-08-99 THRU: 99-99-99
	122755-03-01A	EA TILE - RUBBER/ENTRANCE DOOR - 17.7" X 26.4"
	122755-05-01A	EA TILE - RUBBER/ENTRANCE DOOR - 11.2" X 26.9"

PANELING, PLYWOOD, & PARTICLE BOARD

KEY	PART NUMBER	U/M DESCRIPTION
	074497-28-000	SF PANELING - WATERFORD OAK - 4' X 8'
	088272-G1-000	SF PANELING - PEBBLE EMBOSSED - ANTIQUE WHITE - 48" X 84"
	088272-H5-000	SF PANELING - FLAGSTAFF - 4' X 7' (K46)
	088272-G4-000	SF PANELING - MONTANA FROST - 4' X 7' (K47)
	088272-H4-000	SF PANELING - TRAVIS - 4' X 7' (28 SQ.FT.) (K48)
	080215-10-000	SF PANELING - 2 SIDED - WATERFORD - .2" X 4' X 8'
	000846-01-000	SF PLYWOOD - 5/16" X 48" X 96" - CD GRADE
	000846-02-000	SF PLYWOOD/UNDERLAYMENT - 5/16" X 48" X 96"
	089297-01-000	SF PLYWOOD - LUAN - OVERLAY GRADE - 48" X 96"
	089297-02-000	SF PLYWOOD - LUAN - OVERLAY GRADE - 48" X 108"
	126339-01-000	SF BOARD - WHEAT - 60" X 72"
	000885-76-000	SF PARTICLE BOARD-3/8" X 48" X 96"-WATERFORD OAK/VINYL 1 SIDE
	000885-77-000	SF PARTICLE BOARD-3/8" X 48" X 96"-WATERFORD OAK/VINYL 2 SIDE
	000885-79-000	SF PARTICLE BOARD-3/4" X 48" X 96"-WATERFORD OAK/VINYL 2 SIDE

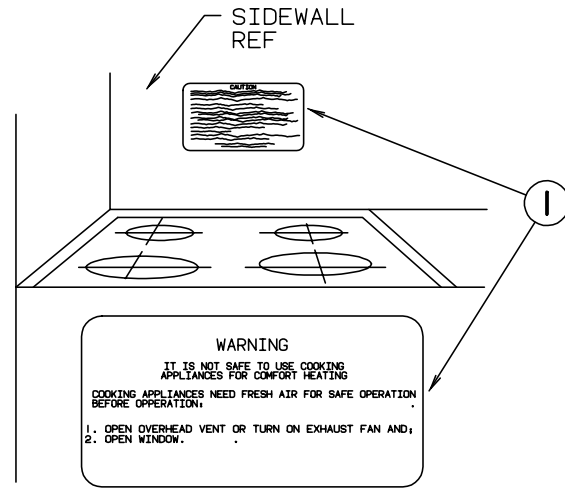
INTERIOR FINISH GROUP (CONTINUED)

CABINET HARDWARE



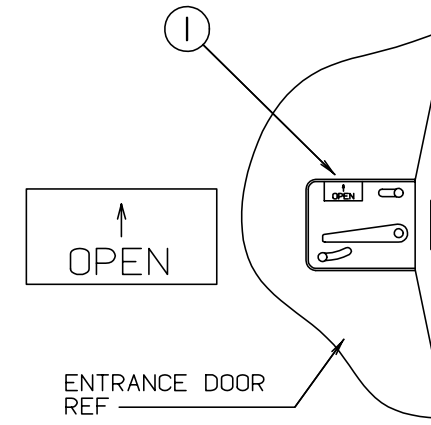
KEY	PART NUMBER	U/M	DESCRIPTION
1	108138-01-000	EA	HINGE - CABINET DOOR - BURNISHED BRASS
2	009059-01-000	EA	HINGE - DOOR - 2" X 1.4" - BRASS
3	065740-01-000	EA	BRACE - CABINET/CORNER - PLASTIC
4	016604-01-000	EA	BRACE - CABINET - ANGLE - 2.5" - UNPAINTED METAL
4	016604-05-000	EA	BRACE - CABINET - ANGLE - 2.5" - OFF WHITE METAL
5	100710-01-01A	EA	LOCK - GLASS DOOR/TWIST TYPE - BRASS
6	100711-01-01A	EA	HINGE - GLASS DOOR
7	124311-01-01A	EA	HANDLE - RECESSED - BRASS
8	116975-01-01A	EA	LATCH - W/O STRIKE - BLACK - NEW STYLE
9	093586-06-000	EA	CATCH - SPRING ROLLER
10	098980-01-000	EA	PILASTER - ADJUSTABLE SHELF - 18" WOODGRAIN APPEARANCE
10	098980-02-000	EA	PILASTER - ADJUSTABLE SHELF - 12" WOODGRAIN APPEARANCE
10	098980-03-000	EA	PILASTER - ADJUSTABLE SHELF - 9" WOODGRAIN APPEARANCE
10	098980-04-000	EA	PILASTER - ADJUSTABLE SHELF - 48" WOODGRAIN APPEARANCE
11	117801-01-01A	EA	PULL - CABINET - BRASS
12	131964-01-01A	EA	PULL - CABINET - POLISHED BRASS
			FROM: 00-00-00 THRU: 04-29-99
			FROM: 04-30-99 THRU: 99-99-99
13	093586-05-000	EA	STRIKE - SPRING STEEL
14	098979-01-000	EA	CLIP - ADJUSTABLE SHELF
15	111866-01-02A	EA	BRACE - SEAT - ANGLE - OFF WHITE
16	103257-01-000	EA	STOP - DOOR
17	098410-01-01A	EA	PULL - FINGER - OVAL - BRASS
18	074493-02-000	EA	SUPPORT - PISTON SPRING - CABINET DOOR - 26 LBS
19	128811-01-01A	EA	BACKSOCKET - ADJUSTABLE - LEFT
20	128811-02-01A	EA	BACKSOCKET - ADJUSTABLE - RIGHT
21	128810-01-01A	EA	SLIDE - DRAWER - 12" - LEFT CABINET
21	128810-13-01A	EA	SLIDE - DRAWER - 18" - LEFT CABINET
21	128810-21-01A	EA	SLIDE - DRAWER - 22" - LEFT CABINET
21	128810-25-01A	EA	SLIDE - DRAWER - 24" - LEFT CABINET
22	128810-03-01A	EA	SLIDE - DRAWER - 12" - LEFT DRAWER
22	128810-15-01A	EA	SLIDE - DRAWER - 18" - LEFT DRAWER
22	128810-23-01A	EA	SLIDE - DRAWER - 22" - LEFT DRAWER
22	128810-27-01A	EA	SLIDE - DRAWER - 24" - LEFT DRAWER
23	128810-04-01A	EA	SLIDE - DRAWER - 12" - RIGHT DRAWER
23	128810-16-01A	EA	SLIDE - DRAWER - 18" - RIGHT DRAWER
23	128810-24-01A	EA	SLIDE - DRAWER - 22" - RIGHT DRAWER
23	128810-28-01A	EA	SLIDE - DRAWER - 24" - RIGHT DRAWER
24	128810-02-01A	EA	SLIDE - DRAWER - 12" - RIGHT CABINET
24	128810-14-01A	EA	SLIDE - DRAWER - 18" - RIGHT CABINET
24	128810-22-01A	EA	SLIDE - DRAWER - 22" - RIGHT CABINET
24	128810-26-01A	EA	SLIDE - DRAWER - 24" - RIGHT CABINET
25	104181-01-01A	EA	SUPPORT - LEAF 5.3" EXTENDS TO 7.5" - SAFETY RING - METAL
26	103256-01-000	EA	LATCH - SLIDE
	004354-01-000	EA	BUMPER - RUBBER - .5" DIA - BROWN
	120760-01-000	EA	BUMPER - RUBBER - CLEAR
	023320-01-000	EA	PAD - FELT 3/8" DIAMETER

LABELS GROUP

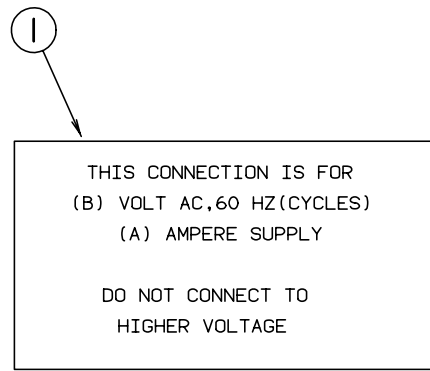


KEY	PART NUMBER	U/M DESCRIPTION
1	050225-01-000	EA LABEL - STOVE VENT - US
1	050222-01-000	EA LABEL - STOVE VENT - CANADIAN

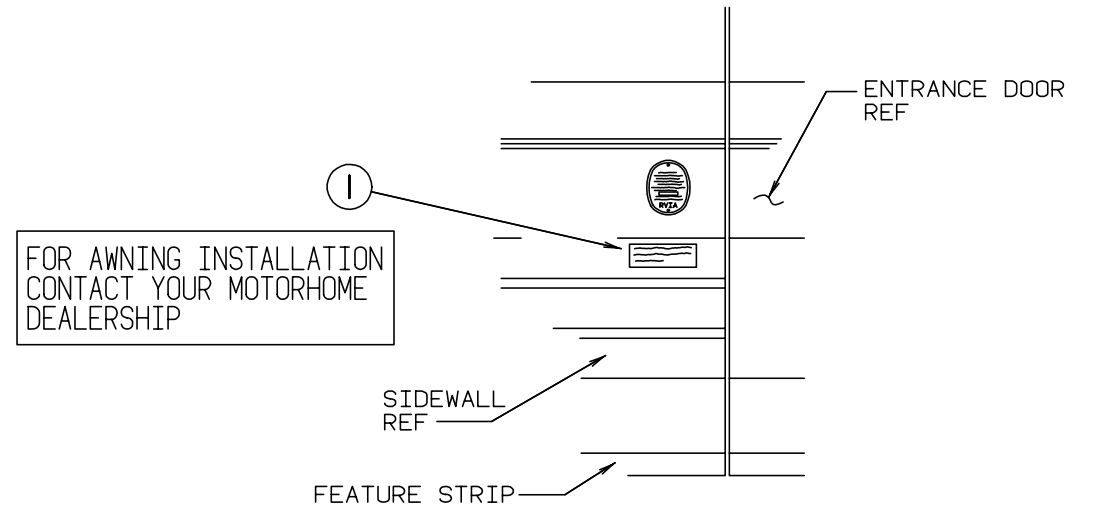
LABELS GROUP (CONTINUED)



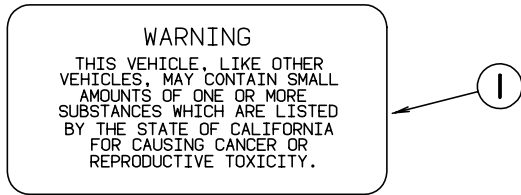
KEY	PART NUMBER	U/M DESCRIPTION
1	040944-01-000	EA LABEL - ENTRANCE DOOR - "OPEN"



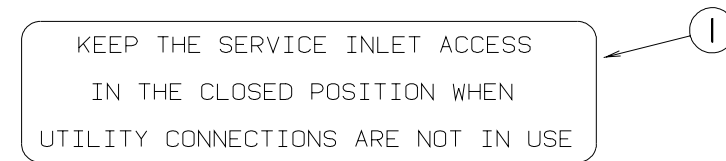
KEY	PART NUMBER	U/M DESCRIPTION
1	125306-01-01A	EA LABEL - ELECTRICAL ENTRANCE - 110 VOLT - 30 AMP



KEY	PART NUMBER	U/M DESCRIPTION
1	099509-01-000	EA LABEL - AWNING INSTALLATION



KEY	PART NUMBER	U/M DESCRIPTION
1	099689-01-000	EA LABEL - WARNING - CANCER/TOXICITY - CALIFORNIA

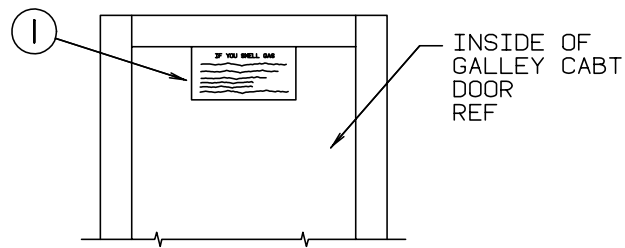


KEY	PART NUMBER	U/M DESCRIPTION
1	123562-01-000	EA LABEL - SERVICE/UTILITY ACCESS

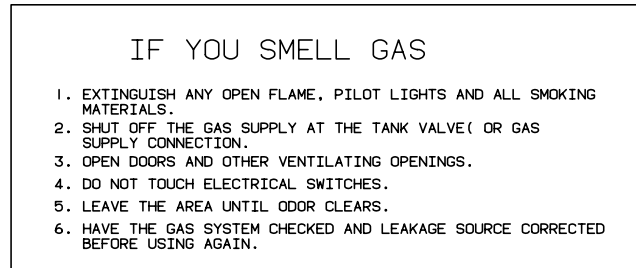


KEY	PART NUMBER	U/M DESCRIPTION
1	087236-02-000	EA LABEL - TV OUTLET

LABELS GROUP (CONTINUED)

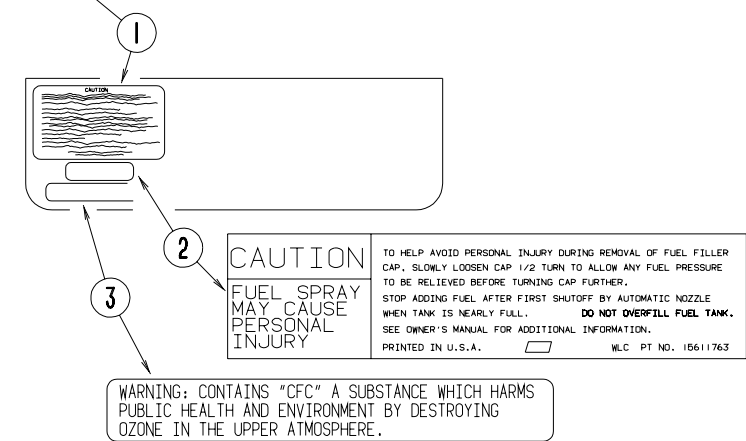
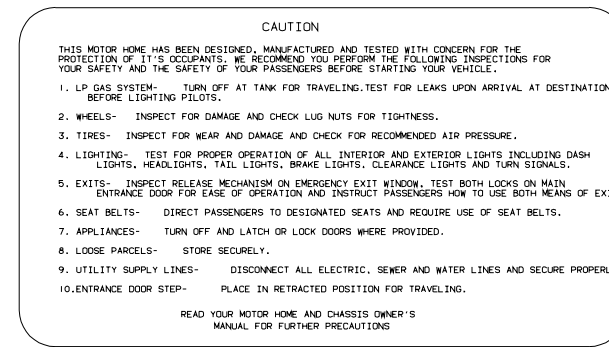


INSIDE OF
GALLEY CABT
DOOR
REF

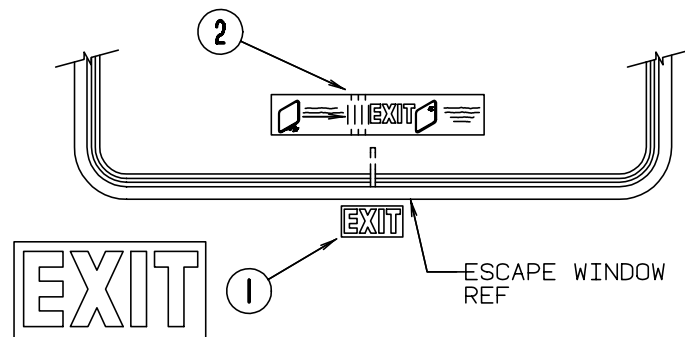
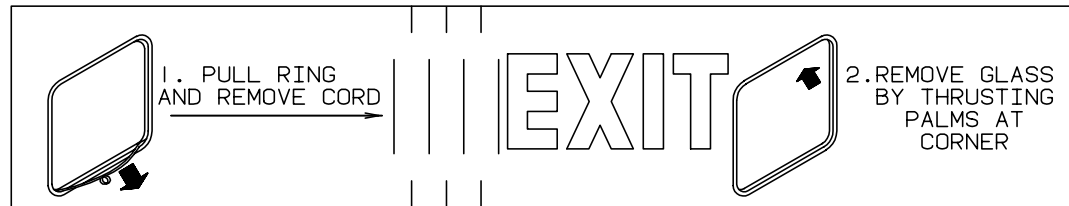


KEY	PART NUMBER	U/M DESCRIPTION
1	073998-01-000	EA LABEL - LPG ODOR WARNING

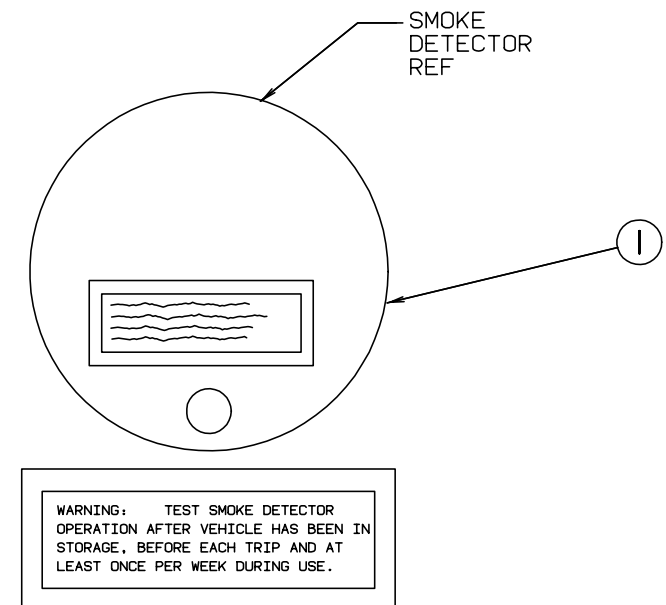
LABELS GROUP (CONTINUED)



KEY	PART NUMBER	U/M DESCRIPTION
1	056259-01-000	EA LABEL - SAFETY CHECK LIST
2	087207-05-000	EA LABEL - FUEL CAP REMOVAL
3	111802-01-000	EA LABEL - CFC WARNING



KEY	PART NUMBER	U/M DESCRIPTION
1	039290-01-000	EA LABEL - WARNING - EXIT
2	107571-01-000	EA LABEL - EXIT/ESCAPE WINDOW



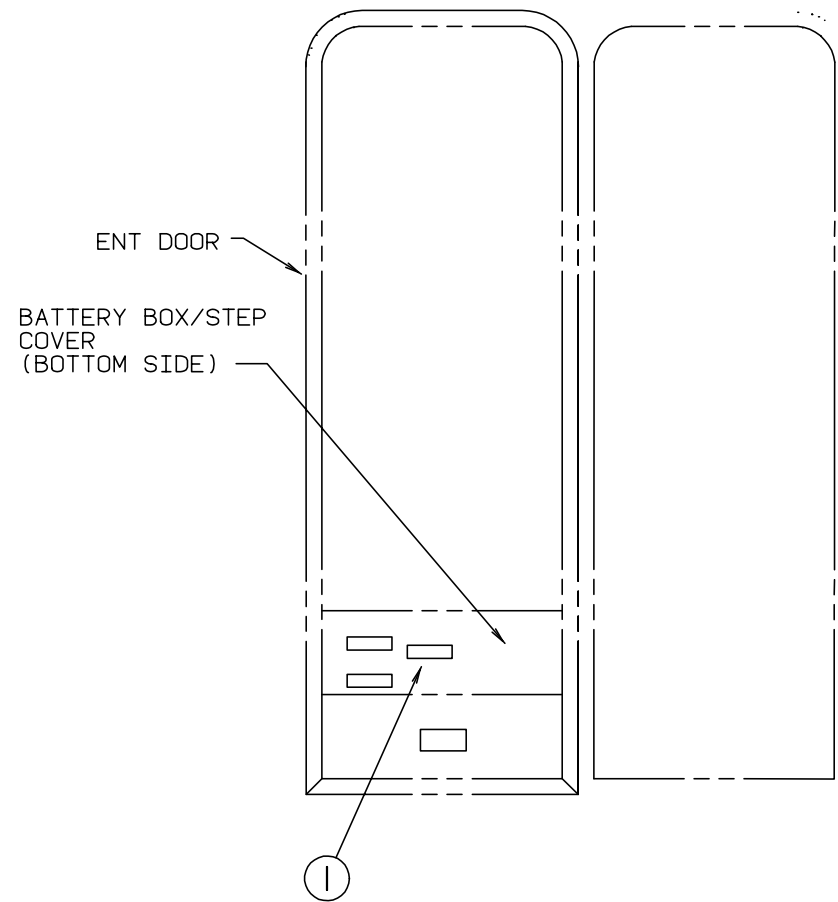
KEY	PART NUMBER	U/M DESCRIPTION
1	077956-01-000	EA LABEL - WARNING - SMOKE DETECTOR

LABELS GROUP (CONTINUED)

AIR CONDITIONING CIRCUIT.
THIS CONNECTION IS FOR
AIR CONDITIONERS RATED 110-
125 VOLT AC, 60 HZ, 16
AMPERES MAXIMUM. DO NOT
EXCEED CIRCUIT RATING.



KEY	PART NUMBER	U/M DESCRIPTION
1	091243-01-000	EA LABEL - A/C COVER "AIR CONDITIONING CIRCUIT ETC."



WARNING: DISCONNECT BATTERIES BEFORE
CONNECTING EXTERNAL CHARGING EQUIPMENT.

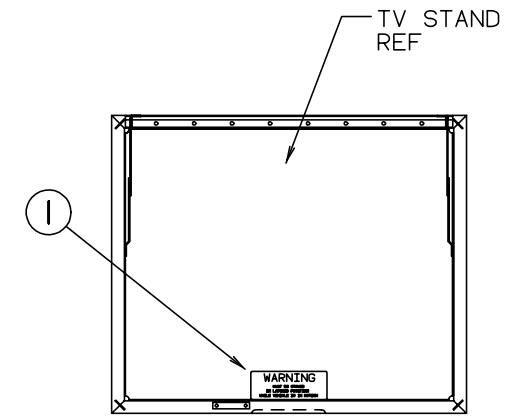
AVERTISSEMENT: DEBRANCHER LES BATTERIES AVANT
DE BRANCHER TOUT EQUIPEMENT DE CHARGE EXTERIEUR.

KEY	PART NUMBER	U/M DESCRIPTION
1	065748-01-000	EA LABEL - CAUTION - BATTERY CHARGING
1	065748-02-000	EA LABEL - WARNING - BATTERY/FRENCH

LABELS GROUP (CONTINUED)

DO NOT USE HITCH BEFORE
READING OWNERS MANUAL REGARDING
VEHICLE LOADING AND TOWING

KEY	PART NUMBER	U/M DESCRIPTION
1	111104-01-000	EA LABEL - HITCH - READ MANUAL - WHITE
1	111104-02-000	EA LABEL - HITCH - READ MANUAL - BLACK



WARNING
MUST BE STOWED
IN LATCHED POSITION
WHILE VEHICLE IS IN MOTION

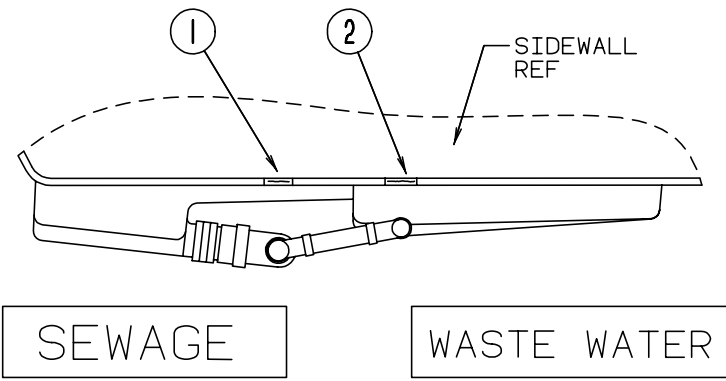
KEY	PART NUMBER	U/M DESCRIPTION
1	079966-01-000	EA LABEL - WARNING - STOWED - MOTION

TOW VEHICLE RATING MAY BE LESS THAN HITCH RATING.
MAXIMUM VERTICAL HITCH LOAD, A LBS
DO NOT EXCEED REAR AXLE RATING.
SEE OWNER'S MANUAL FOR ADDITIONAL INFORMATION.



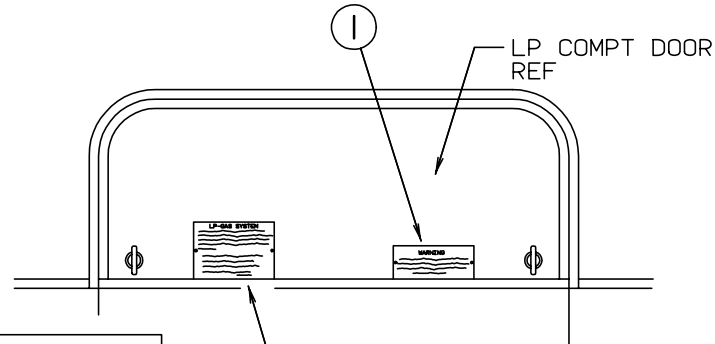
KEY	PART NUMBER	U/M DESCRIPTION
1	129669-01-01A	EA LABEL - HITCH/VEHICLE RATE - 350 - WHITE ON CLEAR

LABELS GROUP (CONTINUED)



KEY	PART NUMBER	U/M DESCRIPTION
1	006187-01-000	EA LABEL - SEWAGE
2	006188-01-000	EA LABEL - WASTE WATER

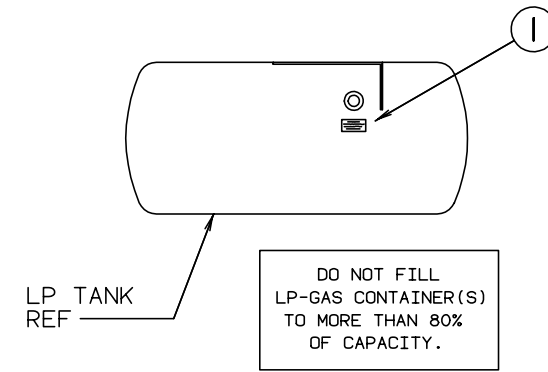
WARNING
 ALL PILOT LIGHTS AND APPLIANCES SHALL BE TURNED OFF DURING REFUELING OF MOTOR FUEL TANKS AND/OR PERMANENTLY MOUNTED LP-GAS CONTAINERS.



LP-GAS SYSTEM
 THIS GAS PIPING SYSTEM IS DESIGNED FOR USE OF LIQUEFIED PETROLEUM GAS ONLY. DO NOT CONNECT NATURAL GAS TO THIS SYSTEM.
 SECURELY CAP INLET(S) WHEN NOT CONNECTED FOR USE. AFTER TURNING ON GAS, EXCEPT AFTER NORMAL CONTAINER REPLACEMENT, TEST GAS PIPING AND CONNECTIONS TO APPLIANCE FOR LEAKAGE WITH SOAPY WATER OR BUBBLE SOLUTION. DO NOT USE PRODUCTS THAT CONTAIN AMMONIA OR CHLORINE.
 P.N. 54531

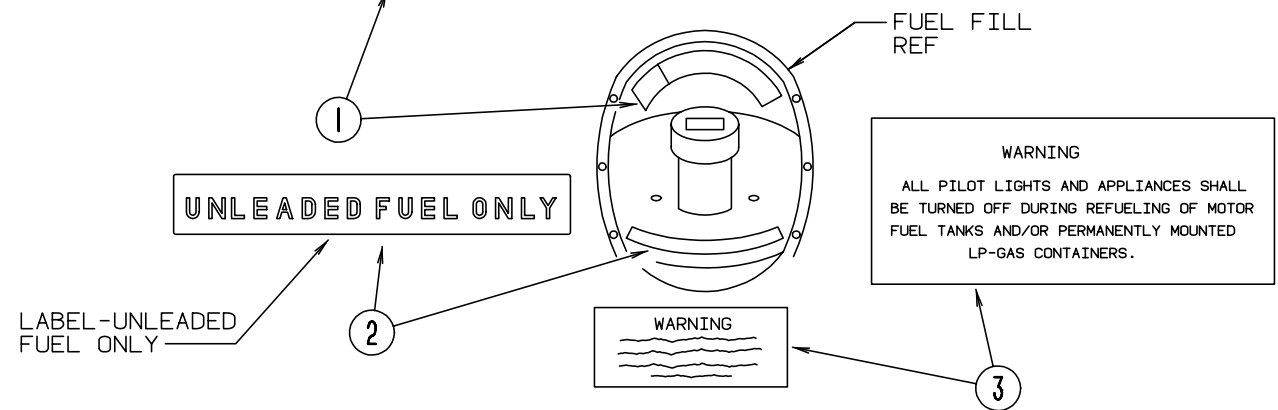
KEY	PART NUMBER	U/M DESCRIPTION
1	124519-01-01A	EA LABEL - WARNING/REFUELING - BLACK ON CLEAR
1	124519-02-01A	EA LABEL - WARNING/REFUELING - CSA
2	124520-01-01A	EA LABEL - LP GAS ONLY - BLACK ON CLEAR
2	023769-01-000	EA LABEL - WARNING - LPG - CANADIAN

LABELS GROUP (CONTINUED)



KEY	PART NUMBER	U/M DESCRIPTION
1	079965-01-000	EA LABEL - LPG - 80% CAPACITY

CAUTION
 TO HELP AVOID PERSONAL INJURY DURING REMOVAL OF FUEL FILLER CAP, SLOWLY LOOSEN CAP 1/2 TURN TO ALLOW ANY FUEL PRESSURE TO BE RELIEVED BEFORE TURNING CAP FURTHER.
FUEL SPRAY MAY CAUSE PERSONAL INJURY
 STOP ADDING FUEL AFTER FIRST SHUTOFF BY AUTOMATIC NOZZLE WHEN TANK IS NEARLY FULL. DO NOT OVERFILL FUEL TANK.
 SEE OWNERS MANUAL FOR ADDITIONAL INFORMATION.
 PRINTED IN U.S.A. MLC PT NO 15611763



KEY	PART NUMBER	U/M DESCRIPTION
1	087207-05-000	EA LABEL - FUEL CAP REMOVAL
2	062043-01-000	EA LABEL - FUEL - UNLEADED
3	124519-01-01A	EA LABEL - WARNING/REFUELING - BLACK ON CLEAR
3	124519-02-01A	EA LABEL - WARNING/REFUELING - CSA

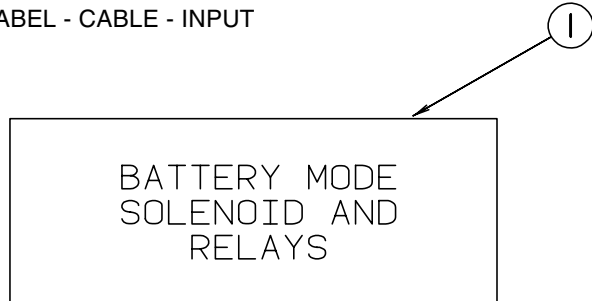
WARNING
 ROOF SURFACE MAY BE SLIPPERY ESPECIALLY WHERE MOISTURE IS PRESENT. SLIPPING MAY RESULT IN PERSONAL INJURY.
 128218-01

KEY	PART NUMBER	U/M DESCRIPTION
1	128218-01-01A	EA LABEL - WARNING - SLIPPERY ROOF

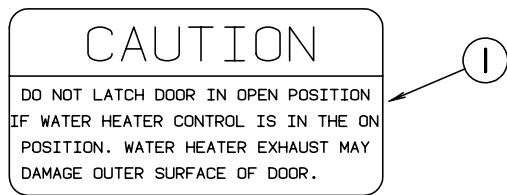
LABELS GROUP (CONTINUED)



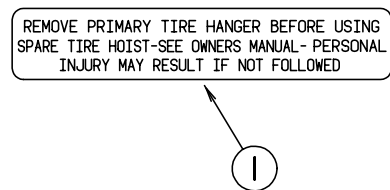
KEY PART NUMBER U/M DESCRIPTION
 1 087236-01-000 EA LABEL - CABLE - INPUT



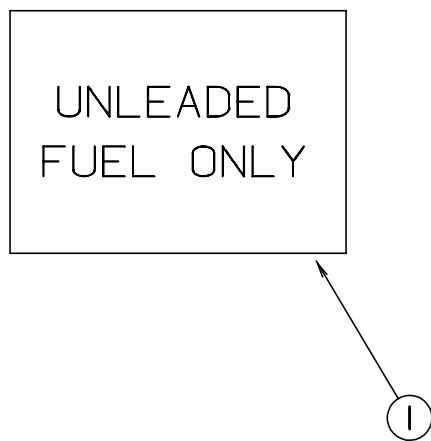
KEY PART NUMBER U/M DESCRIPTION
 1 098379-04-000 EA LABEL - ELECTRICAL BOX - SIDE



KEY PART NUMBER U/M DESCRIPTION
 113402-01-000 EA LABEL - CAUTION - WATER HEATER EXHAUST

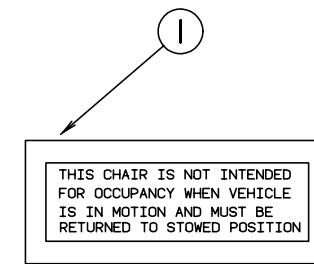


KEY PART NUMBER U/M DESCRIPTION
 1 126024-01-01A EA LABEL - TIRE HANGER REMOVAL

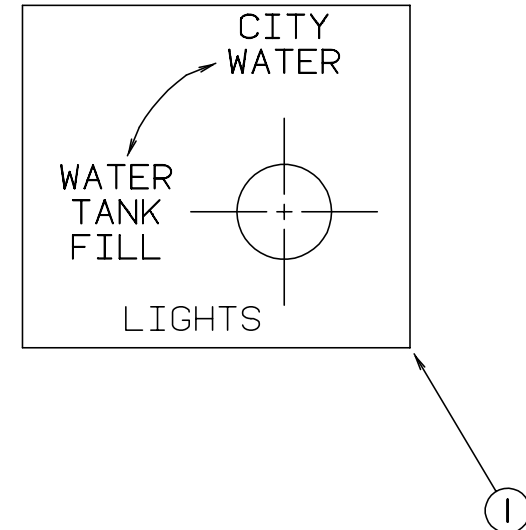


KEY PART NUMBER U/M DESCRIPTION
 1 098641-01-000 EA LABEL - FUEL - UNLEADED - DASH

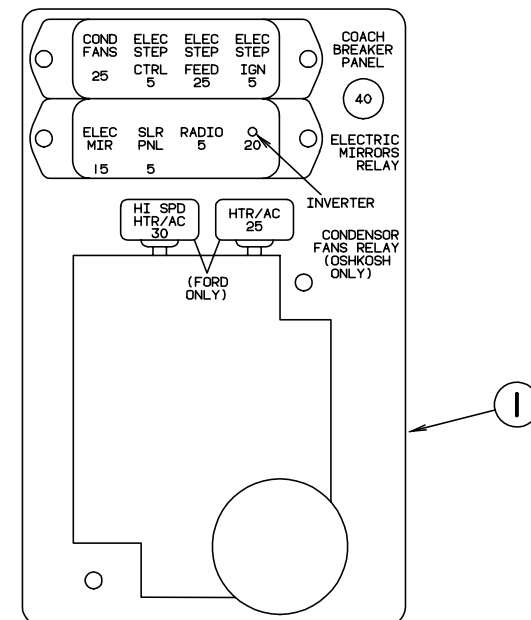
LABELS GROUP (CONTINUED)



KEY PART NUMBER U/M DESCRIPTION
 1 102267-01-000 EA LABEL - NO OCCUPANCY - US
 102267-01-000 EA LABEL - NO OCCUPANCY - CSA

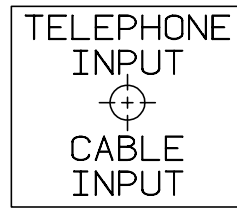


KEY PART NUMBER U/M DESCRIPTION
 1 117629-03-000 EA LABEL - WATER PUMP/FILL

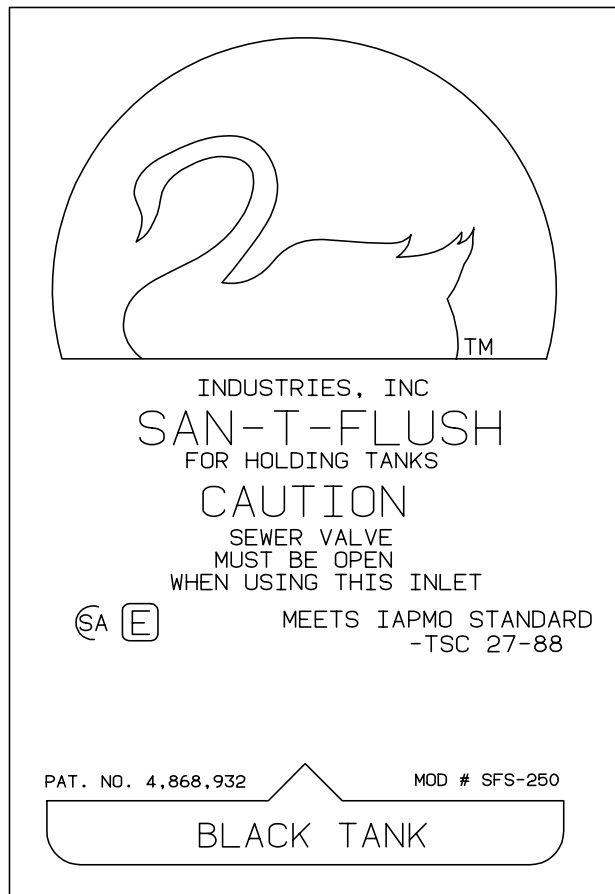


KEY PART NUMBER U/M DESCRIPTION
 1 111537-07-000 EA LABEL - FUSES

LABELS GROUP (CONTINUED)



KEY	PART NUMBER	U/M DESCRIPTION
1	114866-03-000	EA LABEL - PHONE & CABLE INPUT



KEYPART NUMBER	U/M DESCRIPTION
1 125697-07-000	EA LABEL - CAUTION - FLUSHING SYSTEM



KEY	PART NUMBER	U/M DESCRIPTION
1	126247-05-000	EA LABEL - GRAY HOLDING TANK

LABELS GROUP (CONTINUED)



KEY	PART NUMBER	U/M DESCRIPTION
1	126249-03-000	EA LABEL - CITY WATER FILL



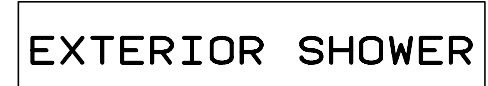
KEY	PART NUMBER	U/M DESCRIPTION
1	130168-01-000	EA LABEL - WASTE TANK FLUSH



KEY	PART NUMBER	U/M DESCRIPTION
1	130170-02-000	EA LABEL-PANEL SWITCH

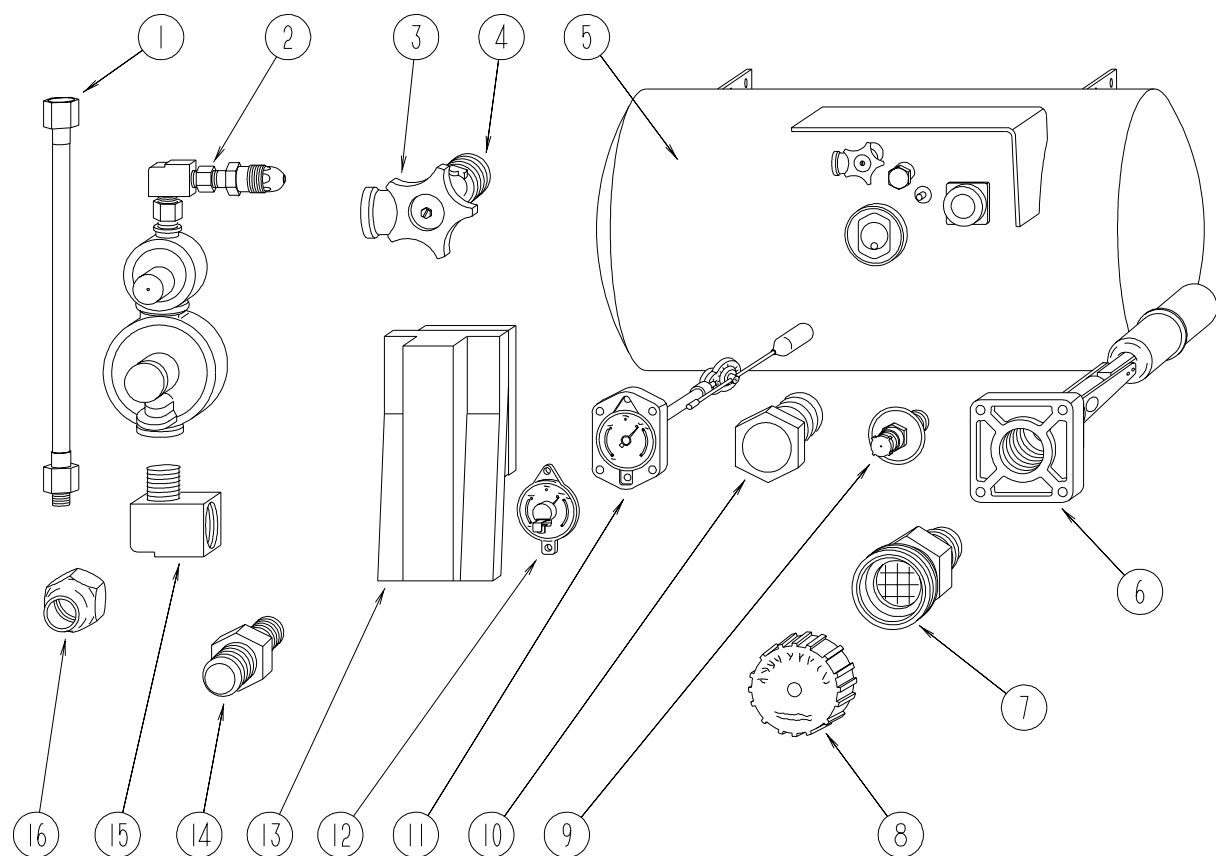


KEY	PART NUMBER	U/M DESCRIPTION
1	126247-06-000	EA LABEL-HOLDING TANK,BLACK



KEY	PART NUMBER	U/M DESCRIPTION
1	126248-03-000	EA LABEL - EXTERIOR SHOWER

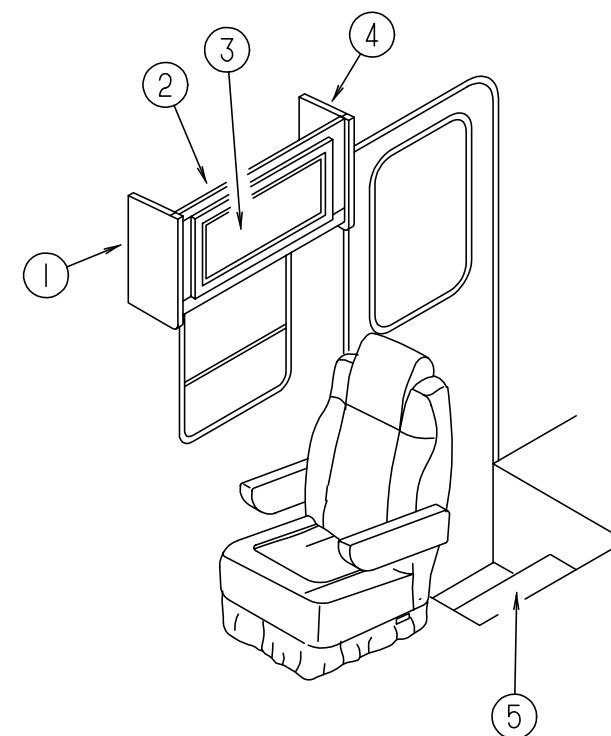
LP GROUP



LP TANK & COMPONENTS

KEY	PART NUMBER	U/M	DESCRIPTION	VENDOR NO.
1	045703-01-000	EA	HOSE - LP - 3/8"ID X 24" - 3/8"MPT X 1/2"F SWIVEL - U.S.	
1	045703-02-000	EA	HOSE - LP - 3/8"ID X 24" - 3/8"MPT X 1/2"F SWIVEL - CANADA	
1	045703-09-000	EA	HOSE - LP - 3/8"ID X 24" - 3/8"ID F SWIVEL X 3/8"ID F SWIV	
2	106150-01-000	EA	REGULATOR - TWO STAGE -W/90 DEGREE ELBOW & 3/8" FPT OUTLET	
3	040421-01-708	EA	HANDWHEEL-SERVICE VALVE	G-1015-A
4	040421-01-712	EA	VALVE,SERV. W/O VAPOR RELIEF	29000853
5	088253-01-000	EA	TANK - LP - 80 LB - 16" DIAMETER X 30"	
6	040421-01-711	EA	VALVE-80% FILL W/AUTO STOP	LLL/TL3
7	040421-01-701	EA	VALVE-FILL-SHORT, LP	7547B
8	040421-01-702	EA	CAP-FILL VALVE, PLASTIC	G-1014-A
9	040421-01-700	EA	VALVE-LIQUID LEVEL, 20%	G-1013
10	040421-01-713	EA	VALVE-RELIEF 1" W/SPRING 7"	29000587
11	088253-01-700	EA	GAUGE-FLOAT ASSEMBLY, L.P.	16C
12	040440-02-000	EA	TRANSMITTER - DIAL - 0-90 OHM -2 TERMINAL (POWER & GROUND)	
13	105658-01-000	EA	COMPARTMENT - LP REGULATOR	
14	010323-01-000	EA	ADAPTER - BRASS - 3/8"F X 1/2"MPT	
14	010329-01-000	EA	ADAPTER - BRASS - 1/2" F X 1/2" MPT	
15	065318-02-000	EA	ELBOW - 90 DEGREE - 3/8" MPT TO 3/8" FPT	
16	010377-02-000	EA	NUT - BRASS - 3/8" FLARE - FORGED	
	008042-01-000	FT	TUBING - VINYL - .65" ID	
	010252-01-000	EA	ELBOW - BRASS - 90 DEGREE - 3/8"F X 1/2"MPT	
	010326-01-000	EA	ADAPTER - FLARE - W/CONE GASKET - 3/8"FEMALE X 1/2"MALE	
	103613-03-000	EA	DETECTOR - LP GAS - W/O SHUT-OFF VALVE	

LOUNGE GROUP

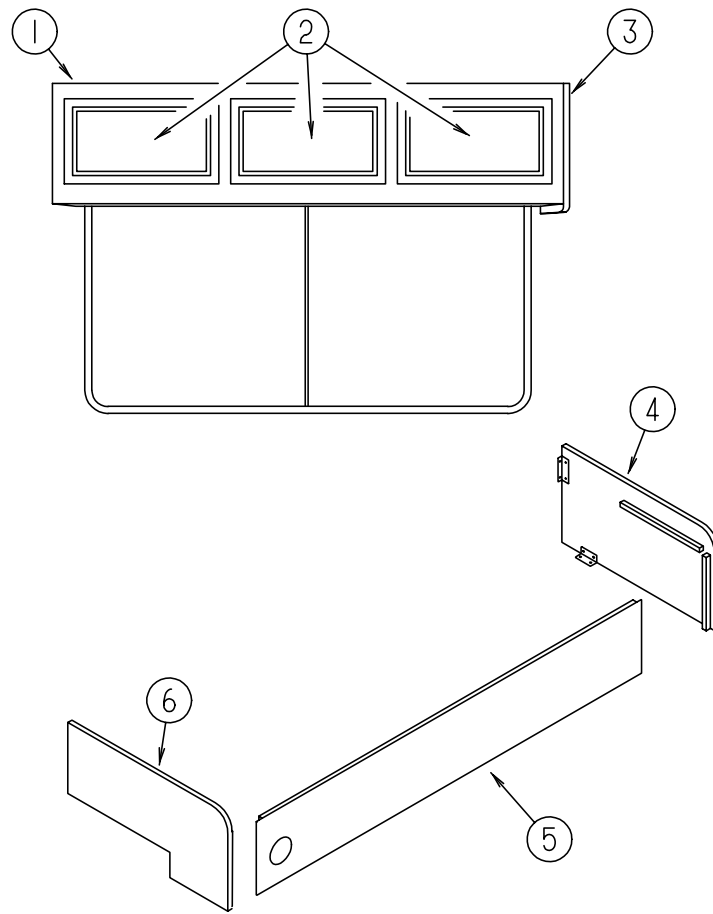


PASSENGER SIDE LOUNGE

KEY	PART NUMBER	U/M	DESCRIPTION
1	103128-09-G09	EA	END CAP - OVERHEAD CABINET - LEFT HAND
2	114189-01-J15	EA	CABINET - OVERHEAD FRONT PASSENGER - W/O DOORS/HARDWARE
3	M09332-25-K16	EA	DOOR - RAISED MEMBRANE/OGEE EDGE - 10" X 19.1" - W/O HDW
4	103128-08-G09	EA	END CAP - OVERHEAD CABINET - RIGHT HAND
5	120234-04-H13	EA	LID - ENTRY STEP
	101222-01-04A	EA	BRACKET - CATCH - LID - E-COATED
	116975-01-01A	EA	LATCH - W/O STRIKE - BLACK - NEW STYLE
	116975-02-01A	EA	KEEPER/STRIKE - BLACK - NEW STYLE
	064075-07-000	FT	SEAL - BULB - W/WIRED U CHANNEL - .3" X .5" CHANNEL - BLK

LOUNGE GROUP (CONTINUED)

DRIVER SIDE LOUNGE



KEY	PART NUMBER	U/M	DESCRIPTION
1	103275-04-K16	EA	CABINET - OVERHEAD/FRONT/LEFT HAND - W/O DOORS/HARDWARE
1	103275-05-K16	EA	CABINET - OVERHEAD/FRONT/LEFT HAND - W/O DOORS/HARDWARE
	103275-12-G09	EA	SHELF - W/PLASTIC EDGE TRIM
2	M09332-03-K01	EA	DOOR - RAISED MEMBRANE/OGEE EDGE - 15.7" X 20.4" - W/O HDW
3	103128-01-G09	EA	END CAP - OVERHEAD CABINET - RIGHT HAND
4	127840-06-J98	EA	PANEL - RIGHT END W/CUTOUT - SOFA/BED - FABRIC COVERED (K46)
4	127840-06-J97	EA	PANEL - RIGHT END W/CUTOUT - SOFA/BED - FABRIC COVERED (K47)
4	127840-06-K48	EA	PANEL - RIGHT END W/CUTOUT - SOFA/BED - FABRIC COVERED (K48)
5	120992-08-K16	EA	PANEL - FRONT KICK W/VENT - SOFA/BED - FABRIC COVERED (K46)
5	120992-08-K17	EA	PANEL - FRONT KICK W/VENT - SOFA/BED - FABRIC COVERED (K47)
5	120992-08-K48	EA	PANEL - FRONT KICK W/VENT - SOFA/BED - FABRIC COVERED (K48)
	121906-01-02B	EA	BRACKET - KICKBOARD - E-COATED
6	127840-02-J98	EA	PANEL - LEFT END - SOFA/BED - FABRIC COVERED (K46)
6	127840-02-J97	EA	PANEL - LEFT END - SOFA/BED - FABRIC COVERED (K47)
6	127840-02-K48	EA	PANEL - LEFT END - SOFA/BED - FABRIC COVERED (K48)
	082525-01-000	EA	BRACE - COUCH - FLOOR MOUNT - ANGLE 3" LONG
	101926-01-02A	EA	BRACKET - ZEE - BLACK
	127335-10-000	EA	BRACKET - CANADIAN LATCH

SEALANTS & FASTENERS GROUP

ADHESIVE

KEY	PART NUMBER	U/M DESCRIPTION	VENDOR NO.
	004020-01-000	QT ADHESIVE - ABS CEMENT - QUART	
	081377-01-700	EA ADHESIVE-CYANOACRYLATE 10 GM	
	087211-01-000	GL PROMOTER - ADHESIVE	
	004006-05-700	EA ADHESIVE-NAT. STARCH (5 GAL)	0802
	062917-03-000	EA ADHESIVE - LOCTITE 242	
	067788-01-000	EA ADHESIVE - SPRAY - 3M - 19.5 AEROSOL CAN	
	112901-02-000	EA ADHESIVE - PLEXUS - 50ML	

NUTS

KEY	PART NUMBER	U/M DESCRIPTION
	000D24-10-00B	EA NUT - HEX - SELF LOCKING - 10-32 ZINC
	000D29-05-00B	EA NUT - HEX - LOCKING W/SERRATED FLANGE-NYLON WASHER INSERT
	000D34-04-00B	EA NUT - HEX - LOCKING - 1/4-20 ZINC
	000D34-06-00B	EA NUT - HEX - LOCKING - 3/8-16 GRADE C - ZINC-PREVAILING
	000D39-04-00B	EA NUT - HEX - LOCKING W/SERRATED FLANGE - 1/4-20 - ZINC
	000D39-05-00B	EA NUT - HEX - LOCKING W/SERRATED FLANGE - 5/16-18 - ZINC
	000D39-06-00B	EA NUT - HEX - LOCKING W/SERRATED FLANGE - 3/8-18 - ZINC
	000D39-07-00B	EA NUT - HEX - LOCKING W/SERRATED FLANGE - 7/16-14 - ZINC
	000D39-08-00B	EA NUT - HEX - LOCKING W/SERRATED FLANGE - 1/2-13 - ZINC
	000D44-04-00B	EA NUT - HEX - LOCKING W/SERRATED FLANGE - 1/4-28 ZINC
	000D44-07-00B	EA NUT - HEX - LOCKING W/SERRATED FLANGE - 7/16-20 - ZINC
	000D46-04-00A	EA NUT - HEX - WELD - 1/4-20 - PLAIN
	000D65-08-00B	EA NUT - HEX/SERRATED FLANGE - 8-32 ZINC
	000D76-06-00B	EA NUT - HEX FLANGE - 3/8-16
	040921-01-000	EA NUT - SPEED - U TYPE - 10-24 BLACK
	040921-03-000	EA NUT - SPEED - U TYPE - #10
	040921-04-000	EA NUT - SPEED - U TYPE - 8-.59" LENGTH X .44" WIDTH
	040921-09-000	EA NUT - SPEED - U TYPE - 8
	044364-02-000	EA NUT - SPEED - FLAT - ROUND
	083163-06-000	EA PUSHNUT - FLAT TYPE 3/8 STUD - FORD ONLY TO RETAIN THE AIR BAFFLE ON THE OIL DIPSTICK TUBE
	104369-01-000	EA NUT - HEX - HEAVY - 5/8-11 UNC

TAPES

KEY	PART NUMBER	U/M DESCRIPTION
	004363-01-000	FT TAPE - ADHESIVE FOAM/1 SIDE - 3/16" X 1/2" X 50' - GRAY
	076314-02-000	FT TAPE - CARPET SEAM - HEAT-BOND - 4" WIDE
	076322-01-000	FT TAPE - DOUBLE COATED/ADHESIVE BACK - .025"THK X .75"W X18'
	076322-02-000	FT TAPE - DOUBLE COATED/ADHESIVE BACK - .045"THK X 1"W X9'
	076322-03-000	FT TAPE - DOUBLE COATED/ADHESIVE BACK - .045"THK X .50"W X9'
	076322-05-000	FT TAPE - DOUBLE COATED/ADHESIVE BACK - .045"THK X .75"W X 9'
	076322-07-000	FT TAPE - DOUBLE COATED/ADHESIVE BACK - .045"THK X .50"W X 9'
	110274-01-000	FT TAPE - DOUBLE SIDED FOAM - .45" X 1"
	123244-01-000	FT TAPE - DOUBLE SIDED FOAM - 5/64" THICK X .75" WIDE
	123244-02-000	FT TAPE - DOUBLE SIDED FOAM - 5/64" THICK X .50" WIDE
	123816-01-000	FT TAPE - DOUBLE SIDED - 1"
	123816-02-000	FT TAPE - DOUBLE SIDED - 1/2" X 1 1/3" THICK
	123816-03-000	FT TAPE - DOUBLE SIDED - 1/2" X 3/4" - THICK

SEALANTS & FASTENERS GROUP (CONTINUED)

WASHERS

KEY	PART NUMBER	U/M DESCRIPTION
	000E11-07-00B	EA WASHER - LOCKING - 7/16 MED SPLIT - ZINC
	000E13-14-00B	EA WASHER - FLAT - 1/4 WIDE - ZINC
	000E13-18-00B	EA WASHER - FLAT - 3/8 WIDE - ZINC
	000E13-20-00B	EA WASHER - FLAT - 7/16 WIDE - ZINC
	000E13-22-00B	EA WASHER - FLAT - 1/2 WIDE - ZINC
	000E13-26-00B	EA WASHER - FLAT - 5/8 WIDE - ZINC
	000E14-10-00B	EA WASHER - LOCKING - #10 EXTERNAL TOOTH - ZINC
	044533-01-000	EA WASHER - PLASTIC - 1 3/8" OD - FOR BUTTONS
	058716-02-000	EA WASHER - FLAT NYLON
	107397-01-000	EA WASHER - FENDER - .25" ID X 1" OD

CLAMPS

KEY	PART NUMBER	U/M DESCRIPTION
	007161-01-000	EA CLAMP - HOSE - SPRING TYPE - 1/2"
	010495-01-000	EA CLAMP - CABLE - 9/16"
	010497-01-000	EA CLAMP - CLOSED - 5/8" ID
	010497-03-000	EA CLAMP - CLOSED - 1" ID - CUSHIONED
	010497-04-000	EA CLAMP - CLOSED - 1.62" ID
	062401-01-000	EA CLAMP - HOSE - WORMGEAR - .25" - 1"
	062401-02-000	EA CLAMP - HOSE - WORMGEAR - 1.56" - 2.5"
	062401-03-000	EA CLAMP - HOSE - WORMGEAR - .22" - 1"
	062401-04-000	EA CLAMP - HOSE - WORMGEAR - .69" - 1.25"
	062401-05-000	EA CLAMP - HOSE - WORMGEAR - 2" TO 3" ID
	062401-06-000	EA CLAMP - HOSE - WORMGEAR - .22" - .62" ID
	062401-11-000	EA CLAMP - HOSE - WORMGEAR - 3.50" - 4.50"
	075148-02-000	EA CLAMP - GROUNDING - BRONZE SCREWS
	083609-01-000	EA CLAMP - WIRE - DUAL - EQUAL DIAMETERS - 5/8"
	083610-01-000	EA CLAMP - WIRE - DUAL - UNEQUAL DIAMETERS - 3/4" & 1 1/4"

SEALANTS & FASTENERS GROUP (CONTINUED)

SCREWS

KEY	PART NUMBER	U/M	DESCRIPTION
	0G1108-12-170	EA	SCREW - 8-18 X .75 PPH - BRIGHT WHITE
	0G1208-12-170	EA	SCREW - 8-18 X .75 POH - BRIGHT WHITE
	0G3908-08-170	EA	SCREW - SF/DR - 8-18 X .50 PPH - BRIGHT WHITE
	0G3908-24-170	EA	SCREW - SF/DR - 8-18 X 1.50 PPH - BRIGHT WHITE
	0G3910-12-170	EA	SCREW - SF/DR - 10-16 X .75 PPH - BRIGHT WHITE
	0G5508-12-270	EA	SCREW - SF/DR - 8-18 X .75 PWH - TITANIUM
	0G6710-08-170	EA	SCREW - 10-12 X 1/2 PPH - BRIGHT WHITE
	000G11-05-08B	EA	SCREW - 5-20 X .50 PPH - ZINC
	000G11-06-08B	EA	SCREW - 6-20 X 1/2 PPH - ZINC
	000G11-06-06B	EA	SCREW - 6-20 X 3/8 PPH - ZINC
	000G11-06-10J	EA	SCREW - 6-20 X 5/8 PPH - BRASS
	000G11-06-10B	EA	SCREW - 6-20 X 5/8 PPH - ZINC
	000G11-07-08B	EA	SCREW - 7-19 X 1/2 PPH - ZINC
	000G11-08-06B	EA	SCREW - 8-18 X 3/8 PPH - ZINC
	000G11-08-12D	EA	SCREW - 8-18 X 3/4 PPH - BLACK
	000G11-08-12B	EA	SCREW - 8-18 X 3/4 PPH - ZINC
	000G11-08-08T	EA	SCREW - 8-18 X 1/2 PPH - FLUOROCARBON COATING
	000G11-08-08B	EA	SCREW - 8-18 X 1/2 PPH - ZINC
	000G11-08-20B	EA	SCREW - 8-18 X 1 1/4 PPH - ZINC
	000G11-08-16S	EA	SCREW - 8-18 X 1 PPH - OFF WHITE
	000G11-08-16B	EA	SCREW-8-18X1 PPH ZN
	000G11-08-12T	EA	SCREW - 8-18 X 3/4 PPH - BLACK
	000G11-08-12P	EA	SCREW - 8-18 X 3/4 PPH - DARK BROWN
	000G11-08-12P	EA	SCREW - 8-18 X 3/4 PPH - DARK BROWN
	000G11-10-12S	EA	SCREW - 10-16 X 3/4 PPH - OFF WHITE
	000G11-10-12D	EA	SCREW - 10-16 X 3/4 PPH - BLACK
	000G11-10-40B	EA	SCREW - 10-16 X 2 1/2 PPH CAD - 34927-01-000
	000G11-10-24P	EA	SCREW - 10-16 X 1 1/2 PPH - DARK BROWN
	000G11-10-16B	EA	SCREW - 10-16 X 1 PPH - ZINC
	000G12-06-08T	EA	SCREW - 6-20 X 1/2 POH - BLACK
	000G13-06-24J	EA	SCREW - 6-20 X 1 1/2 PFH - BRASS
	000G13-06-10G	EA	SCREW - 6-20 X 5/8 PFH - ANTIQUE BRASS
	000G13-06-08G	EA	SCREW - 6-20 X .50 PFH - ANTIQUE BRASS
	000G13-07-12B	EA	SCREW - 7-19 X 3/4 PFH - ZINC
	000G18-08-20B	EA	SCREW - MACHINE - 8-32 X 1 1/4 PPH - ZINC
	000G18-08-22B	EA	SCREW - MACHINE - 8-32 X 1 3/8 PPH - ZINC
	000G19-10-20B	EA	SCREW - MACHINE - 10-32 X 1 1/2 PPH - ZINC
	000G19-10-12F	EA	SCREW - MACHINE - 10-32 X 3/4 PPH - STAINLESS STEEL
	000G19-10-08B	EA	SCREW - MACHINE - 10-32 X 1/2 PPH - ZINC
	000G32-10-06B	EA	SCREW - 10-32 X 3/8 PPH - ZINC
	000G37-08-089	EA	SCREW - 8 X 18 X 1/2 PPH
	000G39-06-16T	EA	SCREW - SF/DR - 6-20 X 1 PPH - BLACK
	000G39-06-10T	EA	SCREW - SF/DR - 6-20 X 5/8 PPH - BLACK
	000G39-08-16B	EA	SCREW - SF/DR - 8-18 X 1 PPH - ZINC
	000G39-08-12T	EA	SCREW - SF/DR - 8-18 X 3/4 PPH - BLACK
	000G39-08-12B	EA	SCREW - SF/DR - 8-18 X 3/4 PPH - ZINC
	000G39-08-08T	EA	SCREW - SF/DR - 8-18 X 1/2 PPH - BLACK
	000G39-08-08S	EA	SCREW - SF/DR - 8-18 X 1/2 PPH - OFF WHITE
	000G39-08-08B	EA	SCREW - SF/DR - 8-18 X 1/2 PPH - ZINC
	000G39-08-06B	EA	SCREW - SF/DR - 8-18 X 3/8 PPH - ZINC
	000G39-08-24B	EA	SCREW - SF/DR - 8-18 X 1 1/2 PPH - ZINC
	000G39-08-16T	EA	SCREW - SF/DR - 6-20 X 1 PPH - BLACK
	000G39-10-08B	EA	SCREW - SF/DR - 10-16 X 1/2 PPH - ZINC
	000G39-10-209	EA	SCREW - SF/DR - 10-16 X 1 1/4 PPH - FLUOROCARBON SILVER
	000G39-10-20B	EA	SCREW - SF/DR - 10-16 X 1 1/4 PPH - ZINC
	000G39-10-129	EA	SCREW - SF/DR - 10-16 X 3/4 PPH - FLUOROCARBON SILVER
	000G39-10-12D	EA	SCREW - SF/DR - 10-16 X 3/4 PPH - BLACK
	000G39-10-12B	EA	SCREW - SF/DR - 10-16 X 3/4 PPH - ZINC
	000G39-10-10B	EA	SCREW - SF/DR - 10-16 X 5/8 - ZINC
	000G39-10-088	EA	SCREW - SF/DR - 10-16 X 1/2 PPH - FLEX FLUOROCARBON
	000G39-12-12E	EA	SCREW - SF/DR - 12-14 X 3/4 PPH - CHROME

SEALANTS & FASTENERS GROUP (CONTINUED)

SCREWS (CONTINUED)

KEY	PART NUMBER	U/M	DESCRIPTION
	000G42-04-12B	EA	SCREW - SF/DR - 1/4-14 X 3/4 HWH - ZINC
	000G46-08-24T	EA	SCREW - MACHINE - 8-32 X 1 1/2 PFH - BLACK
	000G50-04-12B	EA	SCREW - MACHINE - 1/4-20 X 3/4 PPH - ZINC
	000G52-08-18B	EA	SCREW - MACHINE - 8-32 X 1 1/8 PTH - ZINC
	000G54-04-20B	EA	SCREW - 1/4-20 X 1.25 PTH - TYPE 23 - ZINC PLATED
	000G55-08-12S	EA	SCREW - SF/DR - 8-18 X 3/4 PWH - OFF WHITE
	000G56-12-48B	EA	SCREW - WOOD - 12-11 X 3 POH - SPECIAL HARDENED
	000G56-12-48B	EA	SCREW - WOOD - 12-11 X 3 POH - SPECIAL HARDENED
	000G60-10-28T	EA	SCREW - SF/DR - 10-16 X 1 3/4 - BLACK
	000G60-10-20B	EA	SCREW - SF/DR - 10-16 X 1 1/4 POH - ZINC
	000G67-08-32B	EA	SCREW - 8-15 X 2 PPH - ZINC
	000G67-10-12P	EA	SCREW - 10-12 X 3/4 PPH - DARK BROWN
	000G67-10-12B	EA	SCREW - 10-12 X 3/4 PPH - ZINC
	000G67-10-10S	EA	SCREW - 10-12 X 5/8 PPH - OFF WHITE
	000G67-10-10D	EA	SCREW - 10-12 X 5/8 PPH - BLACK - TYPE A
	000G67-10-10B	EA	SCREW - 10-12 X 5/8 PPH - ZINC - TYPE A
	000G67-10-08S	EA	SCREW-10-12X1/2 PPH,OFF WHT - TYPE A
	000G67-10-08R	EA	SCREW - 10-12 X 1/2 PPH - BEIGE - TYPE A
	000G67-10-08B	EA	SCREW - 10-12 X 1/2 PPH - ZINC
	000G67-10-24B	EA	SCREW - 10-12 X 1.50 PPH - ZINC
	000G67-10-20D	EA	SCREW - 10-12 X 1.25 PPH - BLACK
	000G68-06-12S	EA	SCREW - 6-18 X 3/4 POH
	000G68-06-10G	EA	SCREW - 6-18 X 5/8 POH - ANTIQUE BRASS
	000G68-10-20I	EA	SCREW - 10-12 X 1 1/4 POH - BLACK
	049465-01-000	EA	SCREW - 10-16 W/WASHER PTH - DARK BROWN
	049465-17-000	EA	SCREW - 10-16 X 1 POH W/WASHER - BRIGHT WHITE
	054434-02-000	EA	SCREW - SF/DR - 10-16 X 2 - ZINC
	057671-01-000	EA	COVER - SCREW - #8 - PLASTIC - OFF WHITE
	057671-15-000	EA	COVER - SCREW - BRIGHT WHITE
	075908-01-000	EA	SCREW - MACHINE - 10-32 X .56 PTH - EXTERNAL TOOTH - ZINC
	076790-01-000	EA	SCREW - 6-20 X 1 1/4 PPH - BLACK
	076790-03-000	EA	SCREW - 6-20 X 1 PPH - BLACK
	083554-04-000	EA	SCREW - DRYWALL - 8 X 2.50
	086256-01-000	EA	SCREW - SF/DR - 8 X 3/4 HWH LONG
	097974-01-000	EA	SCREW - PARTICLE BOARD - 7-9 X 3/4 PPH
	101618-01-000	EA	SCREW - 1/4-20 X 3/4 HEX - TAPPING - STALGARD TYPE F
	113563-01-01A	EA	SCREW - 8 X .62 LONG SHOULDER/WASHER HEAD

SEALANTS & FASTENERS GROUP (CONTINUED)

BOLTS

KEY	PART NUMBER	U/M DESCRIPTION
	000C12-05-16B	EA BOLT - HEX - 5/16-18 X 1 - ZINC 5
	000C12-06-16B	EA BOLT - HEX - 3/8-16 X 1 LG - ZINC 5
	000C12-08-16B	EA BOLT - HEX - 1/2-13 X 1.00 - GD5 - ZINC
	000C12-10-24B	EA BOLT - HEX - 5/8-11 X 1.50 - ZINC 5
	000C13-07-48B	EA BOLT - HEX - 7/16-20 X 3 - ZINC 5
	000C18-05-40A	EA BOLT - ELEVATOR - 5/16-18 X 2.50 - PL
	000C26-04-18B	EA BOLT - HEX - SERRATED FLANGE - 1/4-20 X 1 1/8 - ZINC
	000C26-04-14B	EA BOLT - HEX - SERRATED FLANGE - 1/4-20 X 7/8 - ZINC
	000C26-04-10B	EA BOLT - HEX - SERRATED FLANGE - 1/4-20 X 5/8 - ZINC
	000C26-05-16B	EA BOLT - HEX - SERRATED FLANGE - 5/16-18 X 1 - ZINC
	000C26-05-12B	EA BOLT - HEX - SERRATED FLANGE - 5/16-18 X 3/4 - ZINC
	000C26-06-16B	EA BOLT - HEX - SERRATED FLANGE - 3/8-16 X 1 - ZINC
	000C26-06-12B	EA BOLT - HEX - SERRATED FLANGE - 3/8-16 X 3/4 - ZINC
	000C26-08-24B	EA BOLT - HEX - SERRATED FLANGE - 1/2-13 X 1 1/2 ZINC
	000C27-10-32B	EA BOLT - CARRIAGE - 5/8-11 X 2
	051387-06-000	EA BOLT - CARRIAGE W/O HOLE - 5/16-18 X 9.5 - ZINC
	102333-01-06A	EA BOLT - CARRIAGE - 7/16-14 STAINLESS STEEL CAP
	106166-01-000	EA BOLT/COLLARED HANGER - 8-32 X 1"
	106956-08-000	EA BOLT - HEX TAP - 1/2-13NC X 4 - GRADE 5 - FULL THREAD/ZINC
	088787-12-000	EA STUD - WELD - 1/4 - 20 X 1.0 LG - MN
	108067-03-000	EA STUD - WELD - 1/4 - 20 X 1/2 CD

SEALERS

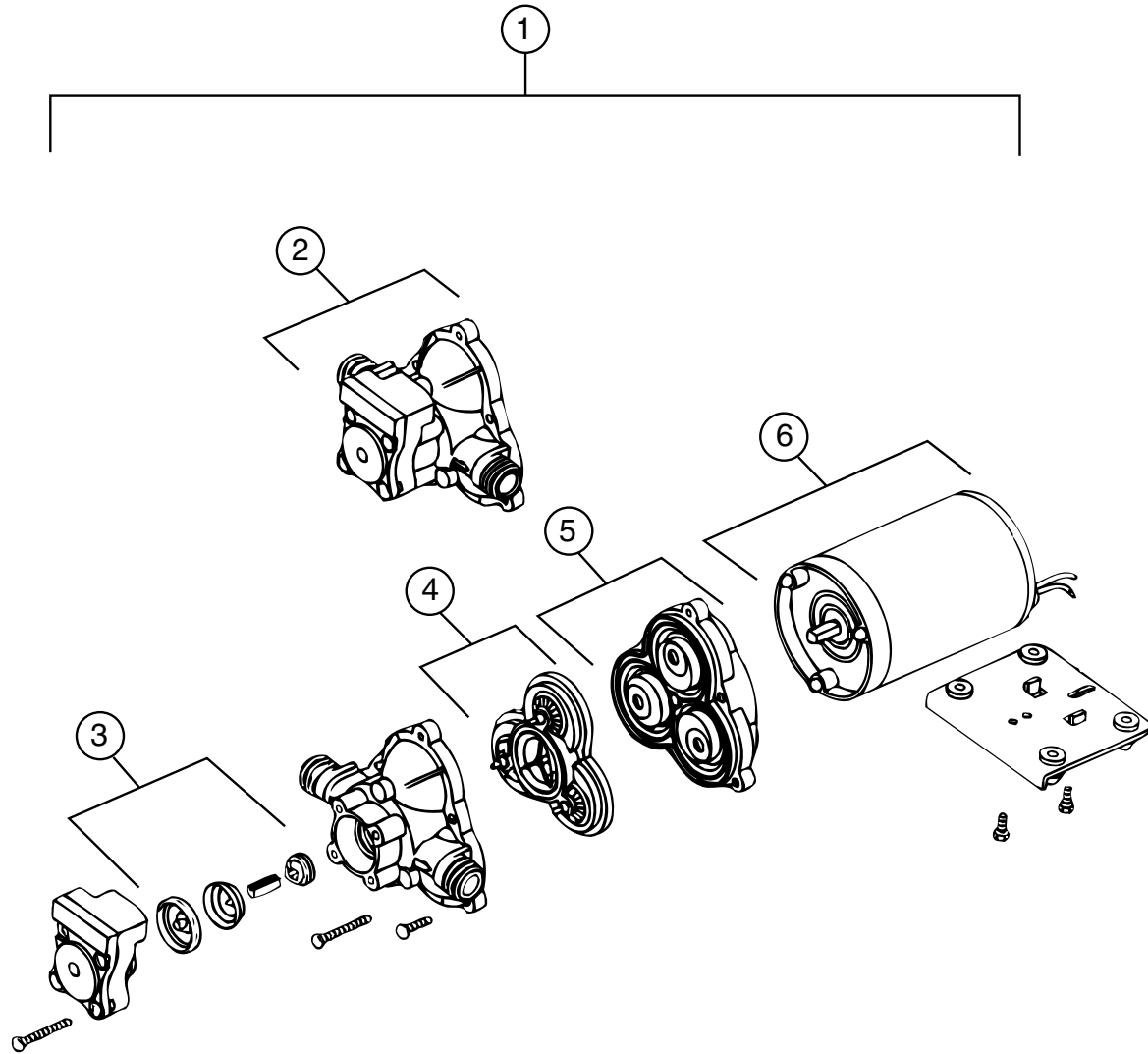
KEY	PART NUMBER	U/M DESCRIPTION
	069640-01-000	FT SEALER - RIBBON - 1/4" DIAMETER X 30' - BLACK
	069640-03-000	FT SEALER - TAPE - .13"THICK X .75"WIDE X 60' - BLACK
	069640-09-000	FT SEALER - TAPE - .032"THICK X 2.50"WIDE X 80' - GREY
	069640-11-000	FT SEALER - TAPE - .19"THICK X .38"WIDE X 40' - BLACK
	069640-15-000	FT SEALER - TAPE - .06"THICK X .38"WIDE X 80' - GRAY
	069640-18-000	FT SEALER - TAPE - .50"THICK X 1/8"WIDE X 60' - BRIGHT WHITE
	069640-19-000	FT SEALER - TAPE - .75"THICK X 1/8"WIDE X 60' - BRIGHT WHITE
	069640-21-000	FT SEALER - TAPE - .50"THICK X 1/16 X 100FT - BRIGHT WHITE
	900390-01-000	EA TIP - 2 1/2" X 1/8" ORIFICE
	900390-03-000	EA NOZZLE - SILICONE TUBE
	108716-03-000	EA SILICONE - TUBE - BRIGHT WHITE/SELF LEVELING - W/O NOZZLE FROM: 00-00-00 THRU: 09-06-98
	131264-01-01A	EA SILICONE - W/O NOZZLE - BLACK
	131264-01-02A	EA SILICONE - W/O NOZZLE - CLEAR
	131264-03-01A	EA SILICONE - SELF LEVELING - W/O NOZZLE - BRIGHT WHITE FROM: 09-07-98 THRU: 99-99-99
	053766-02-000	EA BEDDING COMPOUND - TUBE - WHITE
	072889-09-000	EA SEALANT - URETHANE - BLACK (TUBE) FROM: 00-00-00 THRU: 09-06-98
	072889-10-000	EA SEALANT - URETHANE (HV) - BRIGHT WHITE FROM: 00-00-00 THRU: 09-06-98
	072889-11-000	EA SEALANT - URETHANE - (TUBE) - GRAY
	072889-12-000	EA SEALANT - URETHANE (LV) BRIGHT WHITE FROM: 00-00-00 THRU: 09-06-98
	072889-18-000	EA SEALANT - URETHANE - BLACK (FOIL) FROM: 09-07-98 THRU: 99-99-99
	072889-19-000	EA SEALANT - URETHANE - (FOIL) - BLACK - 10 OUNCE FROM: 09-07-98 THRU: 99-99-99
	072889-20-000	EA SEALANT - URETHANE - (FOIL) - BRIGHT WHITE - 10 OUNCE FROM: 09-07-98 THRU: 99-99-99
	072889-21-000	EA SEALANT - URETHANE - (FOIL) - BRIGHT WHITE - 20 OUNCE FROM: 09-07-98 THRU: 99-99-99
	102352-01-000	EA SEALER - PUMPABLE - BLACK
	102352-02-000	EA SEALER - PUMPABLE - CLEAR
	106206-01-000	EA SEALER - PUMPABLE - MANUS 30A - BLACK
	091255-02-000	FT SEAL - ADHESIVE BACKED/FOAM - .18" THICK X 1.5" WIDE
	104692-01-000	FT SEAL - FOAM/ADHESIVE BACK - .75"THICK X .75"WIDE X 25'
	112864-01-000	FT SEAL - FOAM/BUTYL COVERED - 3/8"
	110530-01-000	FT SEAL - SPONGE - .31" X .62"
	120074-02-01A	EA SEALANT - SILICONE - OFF WHITE

SEALANTS & FASTENERS GROUP (CONTINUED)

RIVETS, GROMMETS AND MISCELLANEOUS FASTENERS

KEY	PART NUMBER	U/M DESCRIPTION
	000F10-06-32B	EA PIN - COTTER - 3/16" X 2" - ZINC
	000H16-04-06R	EA RIVET - POP ALUMINUM - 1/8 X .313 - .375
	000H16-06-10R	EA RIVET - POP ALUMINUM - 3/16 X .501-.625
	069592-02-000	EA RIVET-T - POP - 1/4 X .093 - .156
	118626-01-01A	EA RIVET - POP - ALUMINUM 3/16 X .08-.375
	118626-02-01A	EA RIVET - POP - ALUMINUM - 3/16 X .500-.750
	008386-01-000	EA GROMMET - SNAP - 3/8"
	016188-03-000	EA GROMMET - L/P LINE - 3/8" HOLE X 1 1/4" LONG - RUBBER
	016188-04-000	EA GROMMET-GASLINE,.50,2.5 LONG
	016188-05-000	EA GROMMET - L/P LINE - 3/8" HOLE X 2 1/2" LONG - RUBBER
	023942-01-000	EA GROMMET - RUBBER - 2" OD
	071015-11-000	EA GROMMET - 1.00 ID - FITS .12 MATERIAL
	071015-30-000	EA GROMMET - RUBBER - .31" ID X .81" OD W/.12" GROOVE - BLK
	008343-02-000	EA TIE - WIRE - 14"
	029094-04-000	YD VELCRO TAPE - LOOP - 1" WIDE - BLACK
	029096-03-000	YD VELCRO TAPE - HOOK - 1" WIDE - BLACK
	081211-04-000	EA PLUG - PLASTIC - .46 DIAMETER - BLACK USED IN HOUSE CIRCUIT BREAKER PANELS
	081211-05-000	EA PLUG - PLASTIC - .188 DIAMETER - NATURAL
	085774-01-000	FT FASTENER - DUAL LOCK - 1" WIDE - ADHESIVE BACK - BLACK
	085774-02-000	FT FASTENER - DUAL HOOK - 1" WIDE - ADHESIVE BACK - BLACK
	110943-02-000	FT FELTSTRIP - 3/8" - ADHESIVE BACK - WHITE
	080734-02-000	EA CLIP - WIRE NYLON
	094362-02-000	EA CLIP - XMAS TREE - BINDER HEAD - .9" LONG

WATER & SEWAGE GROUP



SHURFLO WATER PUMP

KEY	PART NUMBER	U/M DESCRIPTION	VENDOR NO.
1	098607-01-000	EA PUMP - WATER - W/.5" MPT FITTING - FLOW 2.8 GPM	
2	098607-01-706	EA HOUSING, W/SWITCH ONLY	94-231-20
3	098607-01-705	EA VALVE-CHECK, KIT	94-237-00
4	098607-01-703	EA VALVE KIT	94-232-00
5	098607-01-702	EA DIAPHRAGM/DRIVE ASSEMBLY KIT	94-238-04
6	098607-01-707	EA MOTOR W/BASEPLATE	11-148-04

WATER TANKS

KEY	PART NUMBER	U/M DESCRIPTION
	125359-03-000	EA TANK - WATER - 66 GALLON - W/FITTINGS - QUEEN BED
	125359-01-000	EA TANK - WATER - 66 GALLON - W/O FITTINGS - QUEEN BED
	121959-02-000	EA TANK - WATER - 50 GALLON - W/FITTINGS - TWIN BED
	121959-01-000	EA TANK - WATER - 50 GALLON - W/O FITTINGS - TWIN BED
	039861-01-000	EA SENDING UNIT - W/SCREW - WASHER - WELL NUT/TERMINAL RING
	010224-01-000	EA ADAPTER - HOSE TO PIPE - 3/8 MPT X 3/8 BARB - PLASTIC
	042989-03-000	EA FITTING - SPINWELD - 1 1/4"NPT - PLASTIC
	042989-04-000	EA FITTING - SPINWELD - 3/8"FPT - WHITE PLASTIC
	042989-05-000	EA FITTING - SPINWELD - 1/2"FPT - PLASTIC
	049032-01-000	EA PATCH - SPINWELD - 3/8" - PLASTIC
	044927-01-000	EA ADAPTER - HOSE TO PIPE-1 1/4 MPTX1 1/4 BARB-BLACK PLASTIC
	074462-02-000	FT TUBING - VINYL - 3/8 ID X 20' - CLEAR
	077954-02-000	EA FILTER - WATER TANK - W/SCREEN IN TANK
	079381-01-000	FT TUBING - RIBBED FLEXIBLE - WATER FILL - 1.4" X 10"

WATER & SEWAGE GROUP (CONTINUED)

EXTERIOR SHOWER

KEY	PART NUMBER	U/M DESCRIPTION	VENDOR NO.
	075241-05-000	EA FAUCET/SHOWER - BONE 3/4" MPT X 1.4" LONG INLET PIPES FROM: 00-00-00 THRU: 07-12-98	
	075241-06-000	EA FAUCET - SHOWER CONTROL - BRIGHT WHITE FROM: 07-13-98 THRU: 99-99-99	
	103092-01-000	EA SHOWER HEAD - W/60" HOSE - WHITE FROM: 00-00-00 THRU: 07-12-98	
	103092-01-700	EA BRACKET-F/SHOWER HEAD, CLEAR	2328028
	011048-03-700	EA BRACKET - F/SHOWER HEAD	2328029-I
	103092-01-702	EA SEALS-SPRAY HEAD	24466
	131383-01-02A	EA SHOWER HEAD - W/HOSE & BRACKET - 60" - WHITE FROM: 07-13-98 THRU: 99-99-99	
	103092-02-000	EA SHOWER HEAD - W/60" HOSE - CSA FROM: 00-00-00 THRU: 07-12-98	
	103092-01-700	EA BRACKET-F/SHOWER HEAD, CLEAR	2328028
	011048-03-700	EA BRACKET - F/SHOWER HEAD	2328029-I
	103092-01-702	EA SEALS-SPRAY HEAD	24466
	131383-02-02A	EA SHOWER HEAD - W/HOSE & BRACKET - 60" - CSA - WHITE FROM: 07-13-98 THRU: 99-99-99	
	093527-02-000	EA BRACKET - EXTERIOR SHOWER HEAD/SQUEEGEE FROM: 00-00-00 THRU: 10-27-98	
	131732-01-12B	EA BRACKET - SQUEEGEE - BRIGHT WHITE FROM: 10-28-98 THRU: 99-99-99	
	131383-03-02A	EA BRACKET - SHOWER HEAD - WHITE	
	108357-08-000	EA SWITCH - ROCKER DPDT - ON/NONE/ON - 6 TERMINAL	
	108356-02-01A	EA COVER/ACTUATOR SWITCH - 2 ROWS DIMPLES- CONTURA II - BLACK	
	114293-01-01A	EA PAN - DRIP - EXTERIOR - OFF WHITE FROM: 00-00-00 THRU: 11-15-98	
	114293-01-02A	EA PAN - DRIP - EXTERIOR - BRIGHT WHITE FROM: 11-16-98 THRU: 99-99-99	

WATER SYSTEM

KEY	PART NUMBER	U/M DESCRIPTION
	110438-02-000	EA VALVE - CHECK - BRASS - 1/2 MPT X 1/2 MPT
	110915-01-01A	EA FILL - CITY WATER - CHROME
	112176-01-000	FT TUBING - VINYL - REINFORCED - 1/2" ID
	113697-01-000	EA CAP - 3/8 FTG
	114428-01-000	EA TEE - 1/2"P X 1/2"P X 1/2"P
	114428-02-000	EA TEE - SWIVEL - 1/2"P X 1/2"P X 1/2"FPT
	114429-01-000	EA ELBOW - 1/2"P X 1/2"P
	114429-02-000	EA ELBOW - 1/2"P X 1/2"MPT
	114429-03-000	EA ELBOW - SWIVEL - 1/2"P X 1/2"FPT
	114429-04-000	EA ELBOW - 1/2"P X 3/8"MPT
	114429-08-000	EA ELBOW - SWIVEL - 1/2"MPT X 1/2"FPT SWIVEL
	114430-02-000	EA ADAPTER - SWIVEL - 1/2"P X 1/2"FPT
	114430-03-000	EA ADAPTER - 1/2"P X 1/2"MPT
	114430-06-000	EA ADAPTER - 1/2"P X 3/8"FPT
	114431-01-000	EA VALVE - 180 DEGREE/CENTER DRAIN - 1/2"P - THREE WAY
	114431-02-000	EA VALVE - WATER BYPASS - 1/2"P - THREE WAY (WATER HEATER)
	114431-03-000	EA VALVE - 90 DEGREE DRAIN - 1/2"P
	123150-01-000	EA ELBOW - 1/2 FPT X 1/2 BARB - SWIVEL
	123152-01-000	EA ADAPTER - 1/2 FPT X 1/2 BARB - SWIVEL
	124188-01-000	FT TUBING - PEX - 1/2" ID X 20' - BLUE(COLD)
	124188-02-000	FT TUBING - PEX - 1/2" ID X 20' - RED(HOT)
	124184-01-000	EA SUPPORT - WATER LINE - BEND

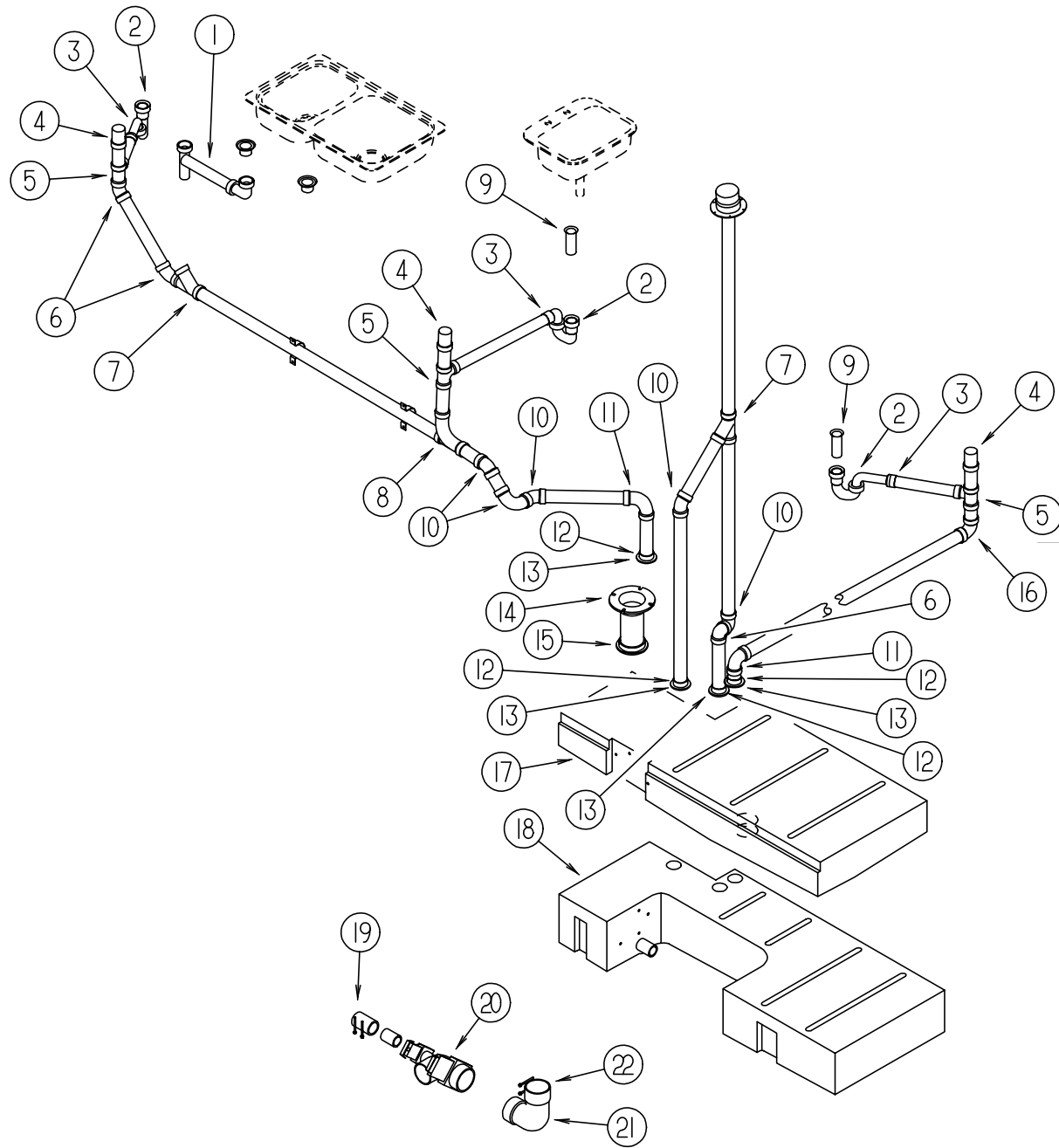
ATWOOD WATER HEATER W/MOTOR AID (GH6-8E)

KEY	PART NUMBER	U/M DESCRIPTION
*	051393-01-000	EA WATER HEATER - GH6-8E - ELECTRONIC IGNITION W/MOTOR AID

***COMPONENT PARTS FOUND IN SERVICE PARTS LIBRARY**

WATER & SEWAGE GROUP (CONTINUED)

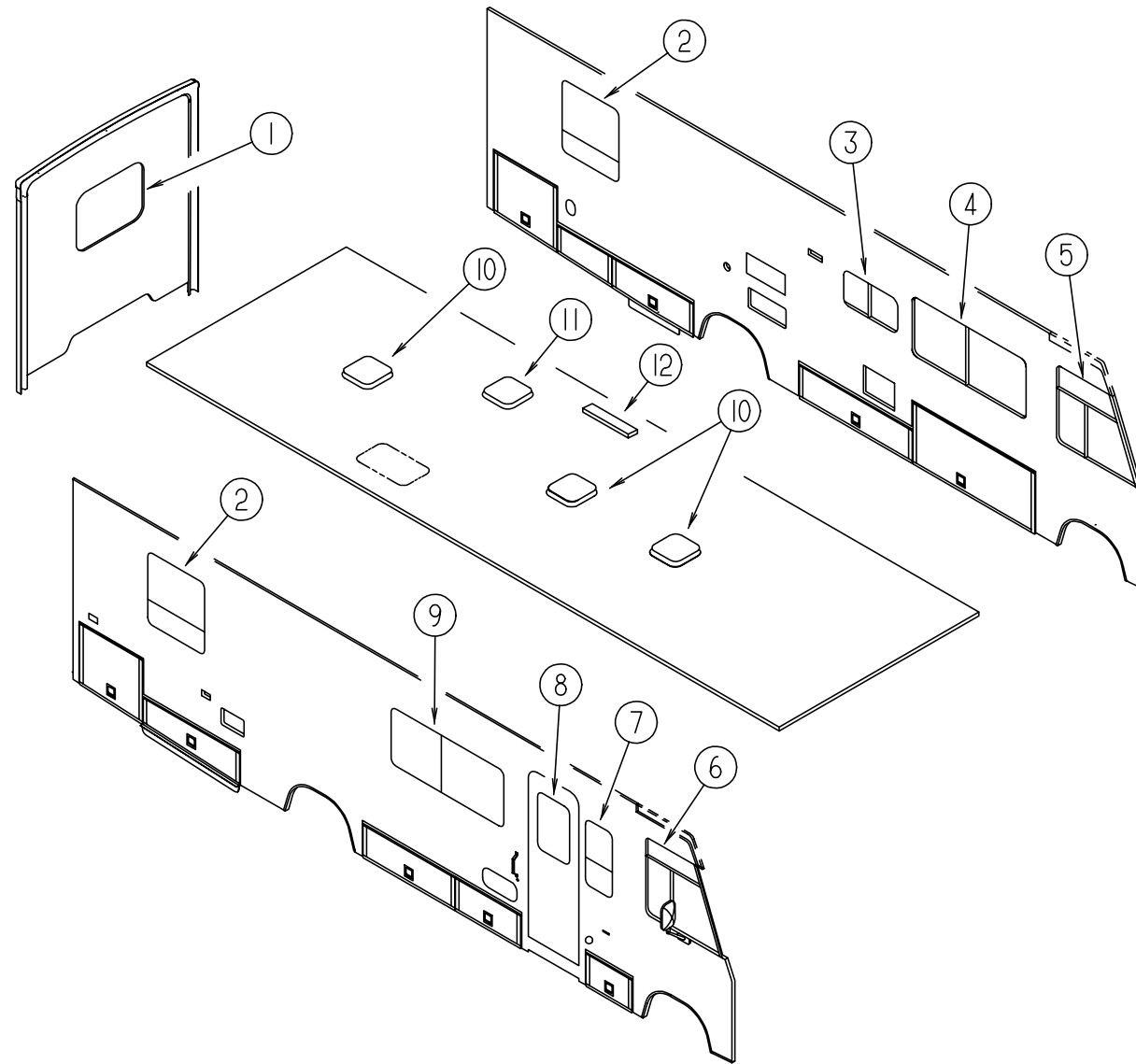
DRAINAGE SYSTEM



KEY	PART NUMBER	U/M	DESCRIPTION	VENDOR NO.
1	011091-02-000	EA	WASTE - CONTINUOUS - DOUBLE SINK	
1	011091-03-000	EA	WASTE - CONTINUOUS - DOUBLE SINK - CSA	
2	107538-01-000	EA	P TRAP - PLASTIC - 1 1/4" W/EXTENSION ARM	
2	011071-01-000	EA	P-TRAP - PLASTIC - 1 1/2" - CSA	
3	109571-01-000	EA	ADAPTER - P TRAP - 1 1/2"P X 1 1/4"MPT - US	
4	079968-01-000	EA	VENT - MECHANICAL/TRAP ARM - ANTI-SIPHON-2" X 7.3" PLASTIC	
5	010071-01-000	EA	TEE - SANITARY - 1 1/2" HUB X HUB X HUB - PLASTIC	
6	010051-01-000	EA	ELBOW - 45 DEGREE - 1 1/2" SPIGOT & HUB - PLASTIC	
7	010073-01-000	EA	WYE - 45 DEGREE - 1 1/2" HUB X HUB X HUB - PLASTIC	
	010122-01-000	EA	BUSHING - REDUCER - 1 1/2 SMTH X 1 1/4 THD - BLACK PLASTIC	
	010166-01-000	EA	PLUG - THREADED - 1 1/4" DIAMETER - PLASTIC - BLACK	
8	031365-02-000	EA	TEE - PLASTIC - 1 1/2" EXTENSION LG TURN	
9	011069-02-000	EA	TAILPIECE - TUB/SHOWER - 1 1/2" X 1 1/4" X 4" - BRASS	
	069735-01-000	EA	WASHER - STRAINER TO TAILPIECE - PLASTIC - 1.5"	
10	010006-01-000	EA	ELBOW - 45 DEGREE - 1 1/2" HUB X HUB - PLASTIC	
11	010008-01-000	EA	ELBOW - 90 DEGREE - 1 1/2" HUB X HUB - PLASTIC	
12	010115-01-000	EA	COUPLING - 1 1/2" HUB X HUB - PLASTIC	
13	061607-01-000	EA	GROMMET - HOLDING TANK - 1 1/2" NPS	
14	116644-01-000	EA	FLANGE - CLOSET - 4" X 3"	
15	061607-02-000	EA	GROMMET - HOLDING TANK - 3" NPS	
16	033761-01-000	EA	ELBOW - TURN - 90 DEGREE 1 1/2" HUB X 1 1/2" SPIGOT	
17	122006-01-000	EA	TANK - HOLDING - 30 GALLON - W/O FITTINGS	
	039861-01-000	EA	SENDING UNIT - W/SCREW - WASHER - WELL NUT/TERMINAL RING	
18	122027-01-700	EA	TANK-HOLDING 34 GAL-1.5"ADAP PARTS SALES	
	039861-01-000	EA	SENDING UNIT - W/SCREW - WASHER - WELL NUT/TERMINAL RING	
19	089355-01-000	EA	COUPLER - RUBBER - 1 1/2" X 1 1/2"	
20	070916-01-000	EA	VALVE - DUAL DUMP - W/CAP - 3" X 1 1/2"	
	070916-01-700	EA	VALVE ONLY (WASTE) 3"	T1003BU
	070916-01-701	EA	VALVE ONLY (WASTE) 1 1/2"	T1001BU
	010201-01-000	EA	HOSE - SEWER - 3" ID X 8'	
	062416-01-000	EA	ADAPTER - SEWER HOSE TO 3" PIPE	
21	031126-01-000	EA	ELBOW - 1/4 BEND - 3" X 90" XLT - BLACK PLASTIC	
22	078406-01-000	EA	COUPLER - RUBBER - W/CLAMPS - 3" X 3"	
	066440-01-000	EA	STRAINER - SHOWER DRAIN - W/RUBBER WASHER	
	130403-01-000	EA	NUT - SLIP - W/WINGS 1 1/2"	
	127440-02-01A	EA	WASHER - RUBBER - 1.8" X .1"	

WINDOW, VENT & EXTERIOR DOOR GROUP

WINDOWS AND ROOF VENTS



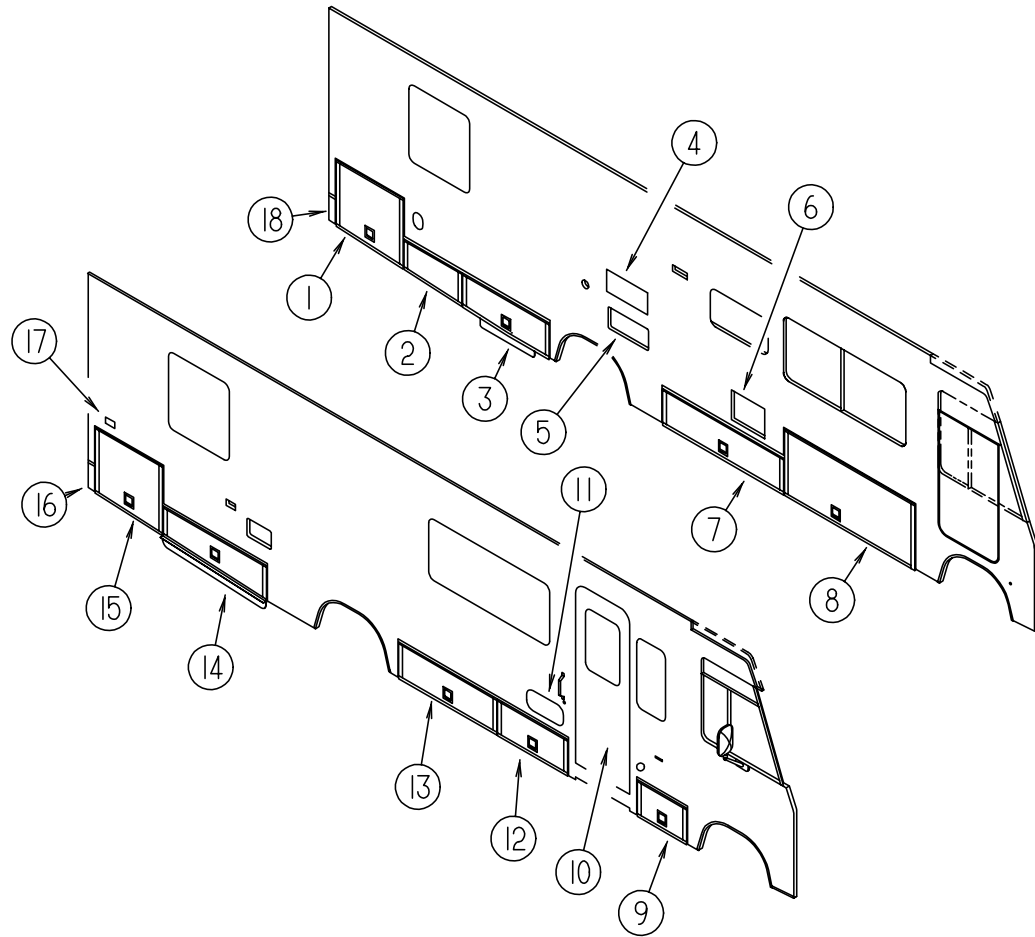
KEY	PART NUMBER	U/M	DESCRIPTION
1*	078528-06-E10	EA	WINDOW - ESCAPE - W/O RETAINER/TRIM - 48.5" X 24.5"
1*	113502-01-01A	EA	WINDOW - REAR/CENTER ESCAPE - THERMO - 24.8" X 48.7"
2*	112463-03-01A	EA	WINDOW - TIPOUT W/RETAINER TRIM - 33.3" X 30.2"
2*	129929-01-01A	EA	WINDOW - TORQUE - THERMO - 33.2" X 30.2"
3*	098647-34-01A	EA	WINDOW - DRIVER HORIZ SLIDER W/TRIM-TINTED - 15.7" X 28.5"
3*	112795-20-01A	EA	WINDOW - DRIVER HORIZONTAL SLIDER - THERMO - 16" X 28.7"
4*	098647-22-01A	EA	WINDOW - DRIVER HORIZ SLIDER W/TRIM-TINTED - 26.1" X 59.7"
4*	112795-15-01A	EA	WINDOW - DRIVER HORIZONTAL SLIDER - THERMO - 26.4" X 60"
5*	125582-10-01A	EA	WINDOW - CAB - DRIVER
5*	125583-10-01A	EA	WINDOW-DRIVER CAB-3 GLASS THERMO-34.7"T X 51.6"B X 37"H
6*	125582-09-01A	EA	WINDOW - CAB - PASSENGER
6*	125583-09-01A	EA	WINDOW - PASS CAB-3 GLASS THERMO-34.7"T X 51.6"B X 37"H
7*	098644-07-01A	EA	WINDOW - VERTICAL SLIDER W/TRIM - TINTED - 30.2" X 14.3"
7*	112898-04-01A	EA	WINDOW - VERTICAL SLIDER - THERMO - 14.5" X 30.2"

KEY	PART NUMBER	U/M	DESCRIPTION
8*	117053-02-F36	EA	WINDOW - PICTURE - 60% TINTING - 17" X 26.4"
8*	113733-01-01A	EA	WINDOW - STATIONARY THERMOPANE - 17" X 26.4"
9*	098647-23-01A	EA	WINDOW - PASS HORIZ SLIDER W/TRIM - TINTED - 26.1" X 59.7"
9*	112795-16-01A	EA	WINDOW - PASSENGER HORIZONTAL SLIDER -THERMO-26.1" X 59.8"
10*	122882-01-01A	EA	VENT - ROOF - NONPOWERED - W/O INSIDE GARNISH
11*	122882-02-01A	EA	VENT - ROOF - W/FAN - W/O INSIDE GARNISH - UL
11*	122882-03-01A	EA	VENT - ROOF - W/FAN - W/O INSIDE GARNISH - CSA
12	084073-04-000	EA	BASE - ROOF VENT/REFRIGERATOR - BLACK - NORCOLD
12	084073-07-000	EA	VENT - ROOF/REFRIGERATOR - BRIGHT WHITE - NORCOLD
	083558-03-000	EA	VENT - PLUMBING - ROOF PIPE COVERED - OFF WHITE
	084616-07-000	EA	SHROUD - EXHAUST VENT/RANGE HOOD - BRIGHT WHITE
	084878-09-000	EA	VENT - EXHAUST/RANGE HOOD - OFF WHITE
	117046-01-000	EA	BUMPER - RUBBER/ROUND END
	117046-02-000	EA	BUMPER - RUBBER/ROUND END - THERMOPANE WINDOW OPTION

*COMPONENT PARTS FOUND IN SERVICE PARTS LIBRARY

WINDOW, VENT & EXTERIOR DOOR GROUP (CONTINUED)

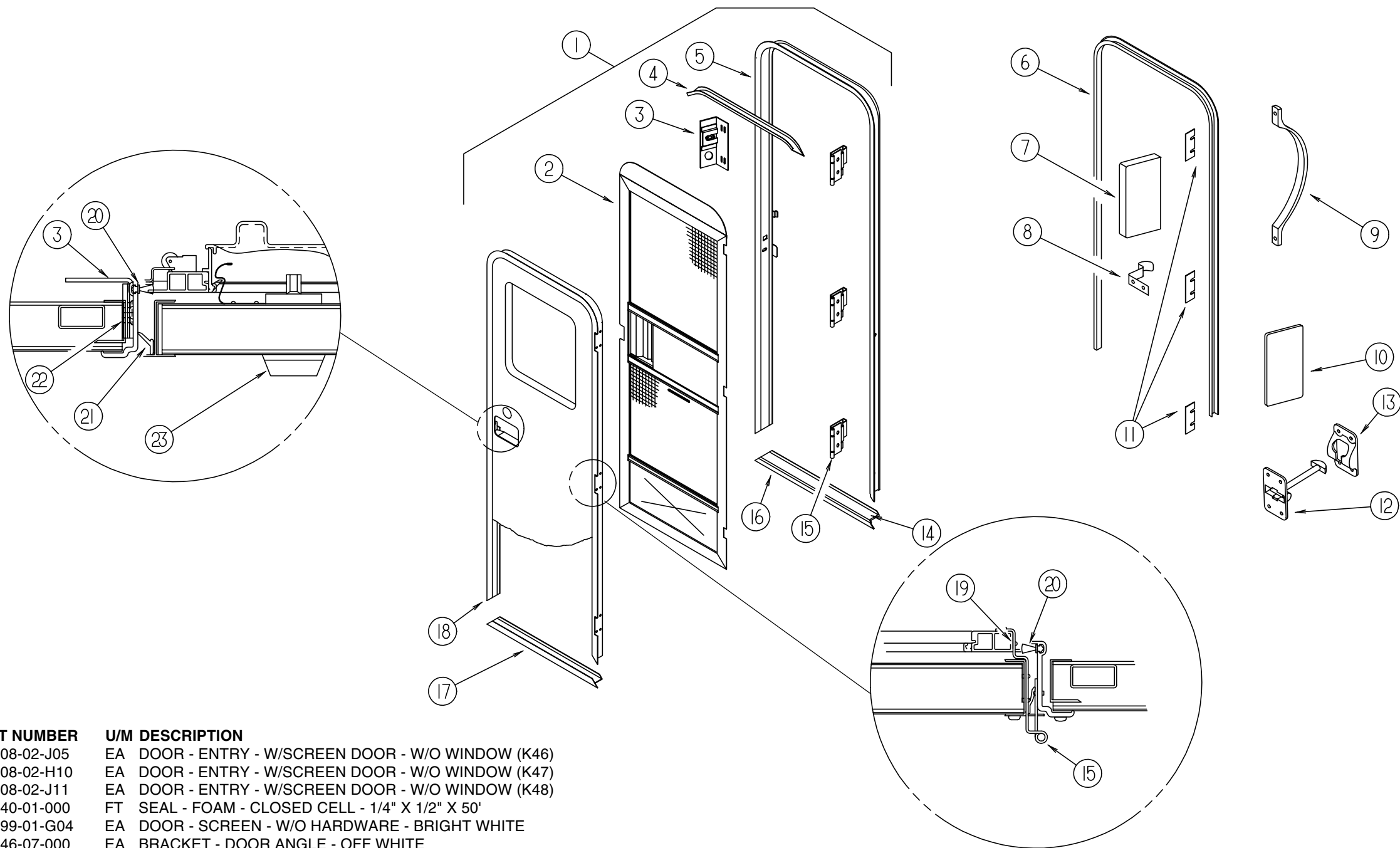
EXTERIOR DOORS & PANELS



KEY	PART NUMBER	U/M DESCRIPTION	VENDOR NO.
1	124245-19-J15	EA VALANCE/DOOR - REAR DRIVER - W/O PADDLE LATCH - 34.2"	
2	126645-01-J15	EA VALANCE/PANEL - REAR DRIVER - W/O HARDWARE - 28.9"	
3	126647-02-J15	EA VALANCE/DOOR - DRIVER W/O LATCH - 18.2" X 40.3" X 17.2"	
4	009426-01-000	EA HATCH - POWER CORD - WHITE	
4	084103-08-000	EA DOOR - VENT/REFRIGERATOR - W/O JAMB - BRIGHT WHITE	
	084104-01-700	EA LOCK-MALE, FASTENER	201-721-010
	084104-01-701	EA LOCK-FEMALE, FASTENER	201-802-010
4	084104-08-000	EA JAMB - VENT DOOR/REFRIGERATOR - BRIGHT WHITE	
5	098668-23-000	EA DOOR - ACCESS - FURNACE - BRIGHT WHITE	
6	052009-06-000	EA DOOR - WATER HEATER - BRIGHT WHITE - 18" X 14.6"	
7	126646-01-J15	EA VALANCE/DOOR - W/O PADDLE LATCH - 60"	
8	124245-20-J15	EA VALANCE/DOOR - W/O PADDLE LATCH - 65.7"	
9	126646-02-J15	EA VALANCE/DOOR - W/O PADDLE LATCH - 24.3"	
10	115108-02-J05	EA DOOR - ENTRY - W/SCREEN DOOR - W/O WINDOW (K46)	
10	115108-02-H10	EA DOOR - ENTRY - W/SCREEN DOOR - W/O WINDOW (K47)	
10	115108-02-J11	EA DOOR - ENTRY - W/SCREEN DOOR - W/O WINDOW (K48)	
11	126945-01-J22	EA DOOR/STORAGE - W/O HARDWARE - 18" X 8.3"	
12	126646-03-J15	EA VALANCE/DOOR - W/O PADDLE LATCH - 34.6"	
13	126646-04-J15	EA VALANCE/DOOR - W/O PADDLE LATCH - 48.6"	
14	126647-01-J15	EA VALANCE/DOOR - PASS W/O LATCH - 18.2" X 51.2" X 15.6"	
15	124245-18-J15	EA VALANCE/DOOR - REAR PASSENGER - W/O PADDLE LATCH - 34.2"	
16	126645-07-J15	EA VALANCE/PANEL - REAR PASSENGER - W/O HARDWARE - 4.4"	
17	081240-16-000	EA DOOR - WATER FILL - LOCKABLE W/O LOCK - 4" X 4 5/8"	
			FROM: 00-00-00 THRU: 09-12-98
17	081240-20-000	EA FILL - WATER - LOCKABLE - BRIGHT WHITE	
			FROM: 09-13-98 THRU: 99-99-99
18	126645-08-J15	EA VALANCE/PANEL - REAR DRIVER - W/O HARDWARE - 4.4"	

WINDOW, VENT & EXTERIOR DOOR GROUP (CONTINUED)

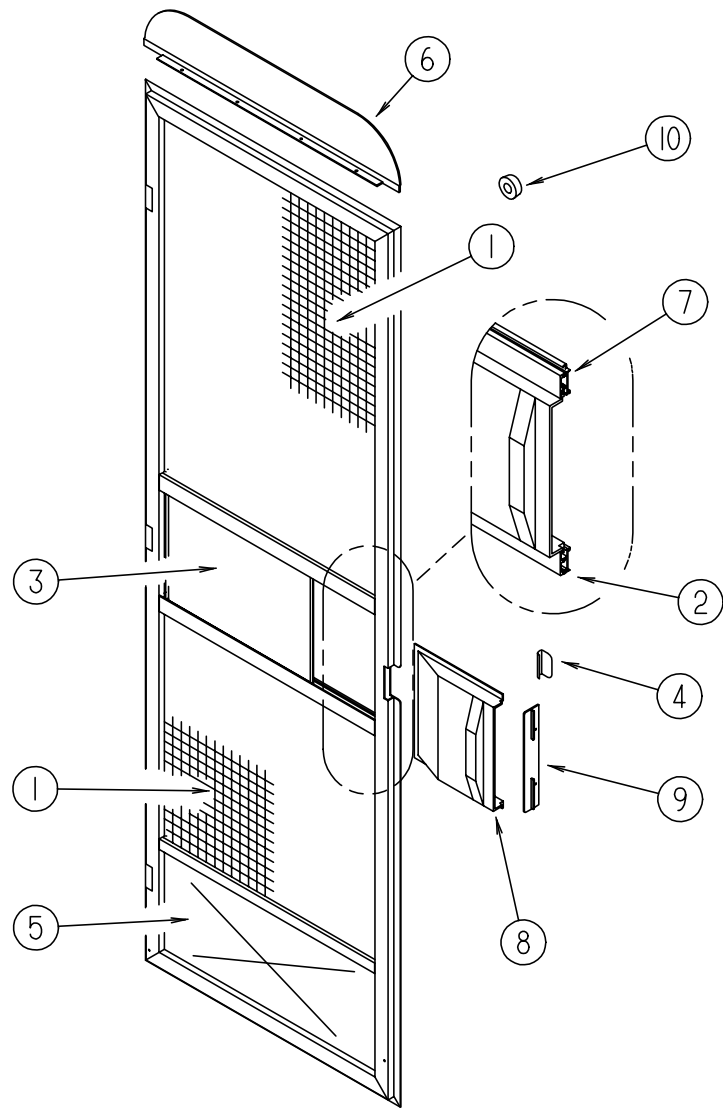
ENTRANCE DOOR



KEY	PART NUMBER	U/M	DESCRIPTION
1	115108-02-J05	EA	DOOR - ENTRY - W/SCREEN DOOR - W/O WINDOW (K46)
1	115108-02-H10	EA	DOOR - ENTRY - W/SCREEN DOOR - W/O WINDOW (K47)
1	115108-02-J11	EA	DOOR - ENTRY - W/SCREEN DOOR - W/O WINDOW (K48)
	090340-01-000	FT	SEAL - FOAM - CLOSED CELL - 1/4" X 1/2" X 50'
2	121899-01-G04	EA	DOOR - SCREEN - W/O HARDWARE - BRIGHT WHITE
3	041546-07-000	EA	BRACKET - DOOR ANGLE - OFF WHITE
4	044582-44-000	EA	CAP - DRIP - JAMB - BRIGHT WHITE
5	121898-01-01A	EA	JAMB - ENTRY DOOR
6	115222-02-01A	EA	GARNISH - RADIUS - ENTRY DOOR
7	077461-03-000	EA	COVER - STRIKE - ENTRY DOOR - 6.5" X 2.5" - WHITE PLASTIC
8	100412-01-000	EA	CATCH - SCREEN DOOR
9	009126-03-000	EA	HANDLE - ASSIST - BLACK TEXTURED
10	076725-02-000	EA	COVER - HINGE - ENTRY DOOR - 6" X 3.2" - OFF WHITE
11	102248-01-000	EA	SHIM - DOOR
12	104099-01-04A	EA	CATCH - DOOR HOLDER - STRIKE - BRIGHT WHITE
13	104099-02-04A	EA	CATCH - DOOR HOLDER - RETAINER - BRIGHT WHITE
14	038327-01-000	EA	TAPE - ANTI-SLIP - 2" X 60'
15	106719-01-05A	EA	HINGE - ENTRY DOOR - BRIGHT WHITE
15	106719-01-01A	EA	HINGE - ENTRY DOOR - MILL
	116111-02-01A	EA	SCREW - TAPTITE - 1/4-20 X 3/8 PPH - ZINC
	039715-01-000	EA	NUT-SERT - 1/4" DIAMETER - 20 THREADS

KEY	PART NUMBER	U/M	DESCRIPTION	VENDOR NO.
16	051049-01-000	EA	JAMB - BOTTOM - ENTRY DOOR - 25.9" - UNPAINTED	
17	121893-01-01A	EA	FRAME - ENTRY DOOR/BOTTOM - BRIGHT WHITE	
18	121894-03-01A	EA	FRAME - ENTRY DOOR	
	098173-01-04A	EA	STIFFENER - ENTRY DOOR - SUPPORTS LATCH/STRIKE/UNPAINTED	
19	100128-02-000	FT	SEAL - FOAM/ADHESIVE BACK - .37" WIDE X .37" THICK	
20	118929-01-01A	FT	SEAL - PILE - PUSH ON	
21	075671-04-000	FT	SEAL - SPONGE - LAZY T - W/ADHESIVE STRIP - .5" WIDE	
22	104692-01-000	EA	SEAL - FOAM/ADHESIVE BACK - .75" THICK X .75" WIDE X 25'	
23	101145-01-06A	EA	DEADBOLT - ENTRY DOOR W/O SECURITY BOLT W/2 KEYS - BLACK	
	101147-01-000	EA	BOLT - SECURITY - 4.12"	
	095229-01-700	EA	KEY-BLANK, DEADBOLT	81205-03
	101145-01-701	EA	CYLINDER-LOCK ASM., W/KEY	81306-03

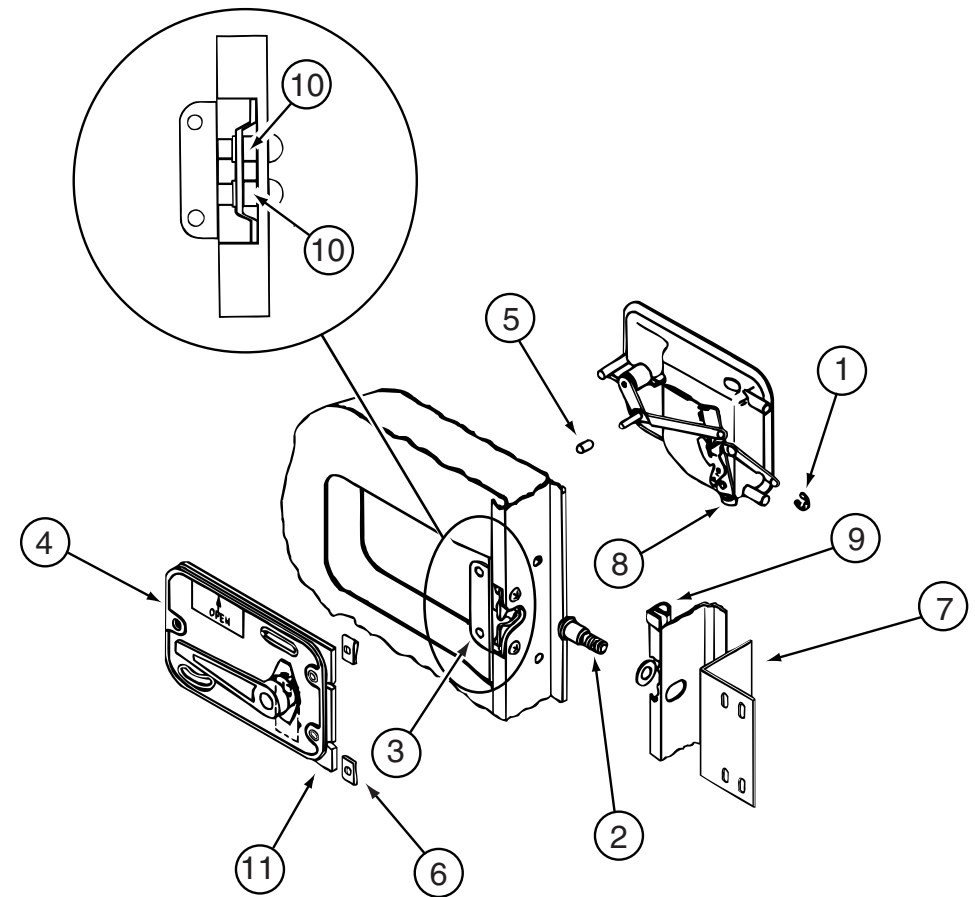
WINDOW, VENT & EXTERIOR DOOR GROUP (CONTINUED)



SCREEN DOOR

KEY	PART NUMBER	U/M DESCRIPTION
	121899-01-G04	EA DOOR - SCREEN - W/O HARDWARE - BRIGHT WHITE
1	002293-02-000	SF SCREENING - WINDOW/DOOR - 26" - CHARCOAL
2	002294-01-000	FT SPLINE - SCREENING - .135" X .138"
3	016454-01-000	EA INSERT - CENTER - LEATHER GRAIN ALUMINUM - UNPAINTED
	001014-01-013	EA INSERT - CENTER - 10.25" X 16.31" - UNPAINTED
4	050712-06-000	EA HANDLE - SCREEN DOOR - BRIGHT WHITE
5	078552-03-000	EA KICK PANEL - SCREEN DOOR - LOWER INSERT - UNPAINTED
6	078595-01-000	EA TOP PLATE - SCREEN DOOR - CURVED TOP - 4.7" X 25.35"
7	078777-08-000	FT CHANNEL - SLIDER
8	079086-03-000	EA SLIDER - SCREEN DOOR - BRIGHT WHITE
9	079087-03-000	EA STRIKE - SLIDER - SCREEN DOOR - BRIGHT WHITE
10	120863-02-000	EA BUMPER - RUBBER - 1" DIAMETER X 1.50"
	075673-01-000	FT SEAL - PILE - ADHESIVE BACK - GRAY
	075673-05-000	FT SEAL - PILE - ADHESIVE BACK - BLACK

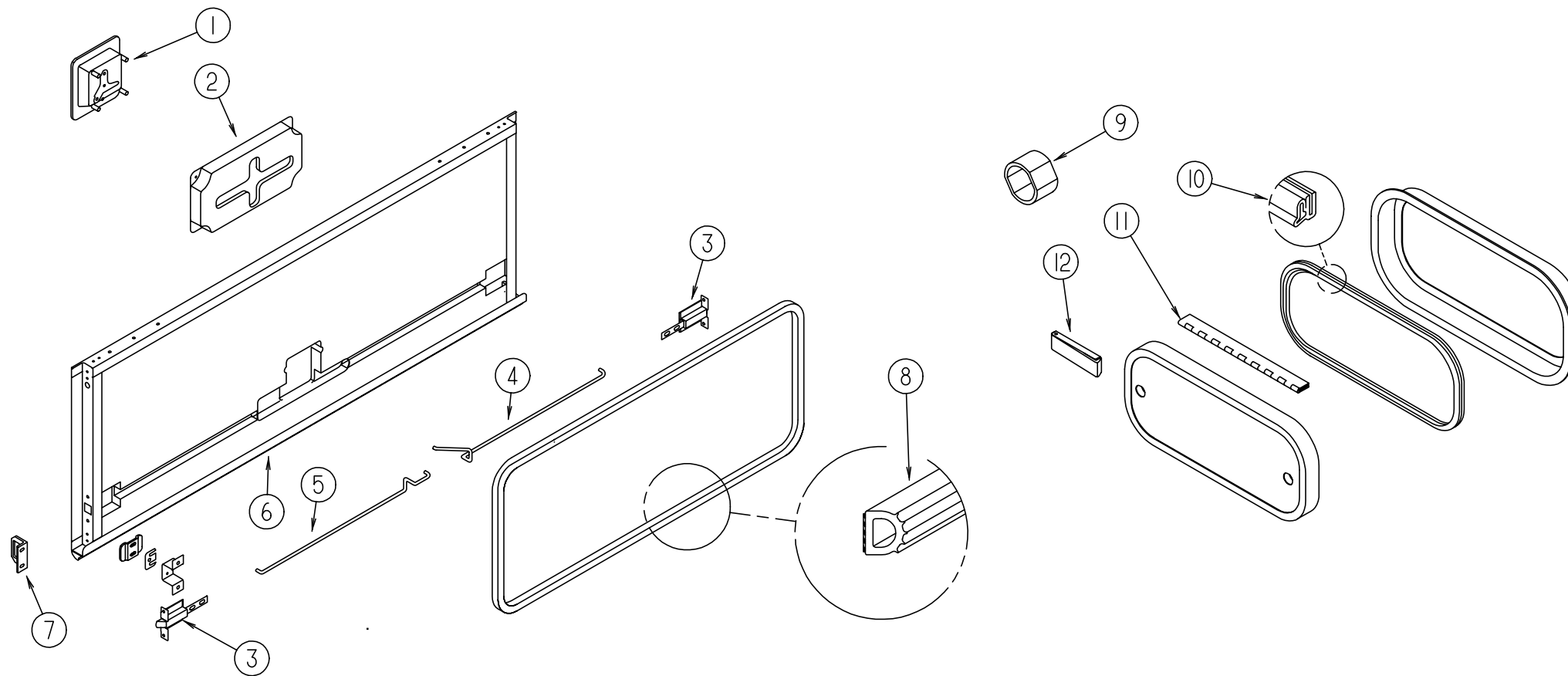
WINDOW, VENT & EXTERIOR DOOR GROUP (CONTINUED)



ENTRY DOOR LOCK INSTALLATION

KEY	PART NUMBER	U/M DESCRIPTION	VENDOR NO.
1	036618-02-000	EA E-RING - EXTERNAL - 3/16" SHAFT DIAMETER - LYNOR DOOR LOCK	
2	039539-01-000	EA STRIKE - LOCK - ENTRY DOOR - ROUND W/THREADED WASHER	
3	039540-01-000	EA LATCH MECHANISM - HOOK - ENTRY DOOR - INTERIOR	
4	039979-06-000	EA COVER - LATCH PLATE - RIGHT HAND - BLACK TEXTURED	
5	039984-01-000	EA CAP - ROUND - VINYL - .28" ID X .62" - BLACK	
6	040921-01-000	EA NUT - SPEED - U TYPE - 10-24 BLACK	
7	041546-07-000	EA BRACKET - DOOR ANGLE - OFF WHITE	
8	045017-13-000	EA LATCH - ENTRY DOOR - BLACK TEXTURED	
	045017-11-703	EA CYLINDER-LOCK ASM. W/KEYS	81266-09
	045017-11-701	EA KEY - BLANK (F1 SERIES) "K-104" - DOOR LOCK (TM 200 - 250)	
	130444-01-01A	EA CAP - KEY IDENTIFIER - GRAY	
9	064075-07-000	FT SEAL - BULB - W/WIRED U CHANNEL - .3" X .5" CHANNEL - BLACK	
10	086285-05-000	EA SPACER - NYLON - .7" X .56"	
11	096810-01-01A	EA PLATE - LATCH - ENTRY DOOR - BLACK	

WINDOW, VENT & EXTERIOR DOOR GROUP (CONTINUED)
EXTERIOR ACCESS DOOR COMPONENTS



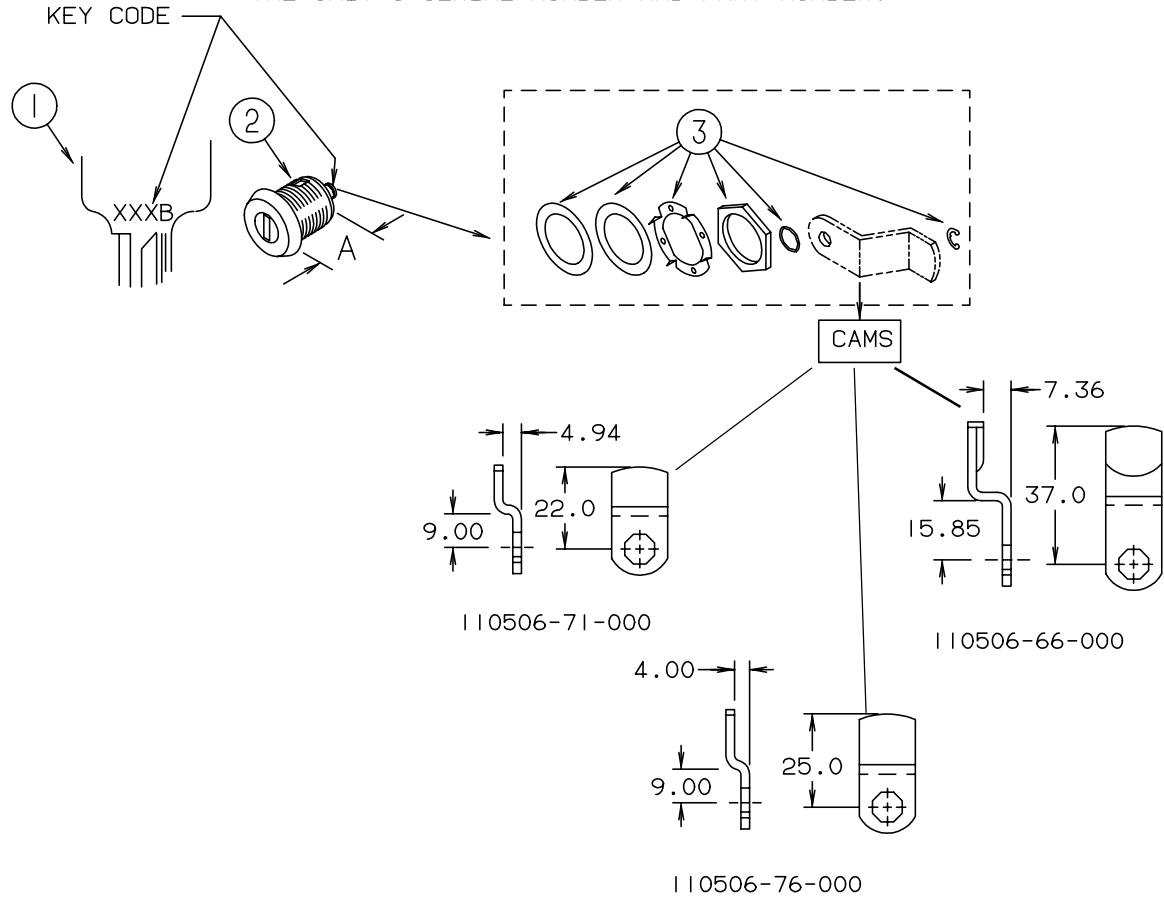
KEY	PART NUMBER	U/M	DESCRIPTION
1	112949-01-03A	EA	LATCH - PADDLE W/LOCK - W/O KEY - BRIGHT WHITE
	112949-03-000	EA	KEY - TRI-MARK #TM500
1	112949-02-04A	EA	LATCH - PADDLE NON-LOCKING - BRIGHT WHITE
2	122277-02-01A	EA	COVER - LATCH - BLACK
	123892-10-02B	EA	CORNER STABILIZER W/BALL STUD - RIGHT HAND - E-COATED
	123892-12-02B	EA	CORNER STABILIZER W/BALL STUD - LEFT HAND - E-COATED
3	121947-01-01A	EA	BOLT - SLIDE W/PLASTIC PLUNGER
4	122269-07-000	EA	ROD - LATCH - 16.63"
4	122269-11-000	EA	ROD - LATCH - 24.71"
4	122269-12-000	EA	ROD - LATCH - 22.28"
4	122269-13-000	EA	ROD - LATCH - 4.46"
4	122269-14-000	EA	ROD - LATCH - 9.63"
4	122269-16-000	EA	ROD - LATCH - 8.96"
4	122269-26-000	EA	ROD - LATCH - 17.89"
4	122269-38-000	EA	ROD - LATCH - 12.41"
5	122268-07-000	EA	ROD - LATCH - 16.63"
5	122268-11-000	EA	ROD - LATCH - 24.71"
5	122268-12-000	EA	ROD - LATCH - 22.28"
5	122268-13-000	EA	ROD - LATCH - 4.46"
5	122268-14-000	EA	ROD - LATCH - 9.63"
5	122268-16-000	EA	ROD - LATCH - 8.96"
5	122268-26-000	EA	ROD - LATCH - 17.89"
5	122268-38-000	EA	ROD - LATCH - 12.41"

KEY	PART NUMBER	U/M	DESCRIPTION
6	122613-55-001	EA	ROCKER PANEL/EXTRUSION - 192" - BRIGHT WHITE
7	123783-01-01A	EA	STRIKER - DOOR - MILL
			FROM: 00-00-00 THRU: 02-01-99
8	130053-01-01A	EA	STRIKER - LUGGAGE DOOR - FLUSH - BLACK
			FROM: 02-02-99 THRU: 99-99-99
8	130053-02-01A	EA	STRIKER - LUGGAGE DOOR - OFF SET - BLACK
			FROM: 02-02-99 THRU: 99-99-99
	120494-03-02B	EA	SHIM - STRIKER - LUGGAGE DOOR - E-COATED
9	107997-51-001	EA	SPACER - DOOR LOCK - .6" DEEP
9	107997-51-002	EA	EXTRUDED - SPACER - 16'
10	106850-02-000	FT	SEAL-E - SPONGE RUBBER - .43" X .75"
11	081801-V3-000	EA	HINGE - ALUMINUM - 2" X 96" - BRIGHT WHITE
11	115476-11-01A	EA	HINGE - CONTINUOUS - W/HOLES - BRIGHT WHITE
12	102768-01-000	EA	HOLDER - COMPARTMENT/ENTRY DOOR - METAL - MILL FINISH
	068559-01-001	EA	EXTRUDED - ANGLE - 1" X .9" X 192"
	076767-01-000	EA	CABLE - STEEL - 12"
	107865-21-000	EA	ROD - SUPPORT - VALANCE PANEL - 23.3"
	119143-02-02A	EA	SPACER/CENTER HINGE - COMPARTMENT DOOR - BRIGHT WHITE - 2"
	123512-01-02B	EA	BRACKET - VALANCE DOOR - E-COATED
	116424-01-000	EA	PROTECTOR - LATCH - WATER HEATER
	120863-01-000	EA	BUMPER - RUBBER - 1 1/4" X 1 1/4"
	120863-05-000	EA	BUMPER - RUBBER - 3/4" X 3/8"
	122614-55-001	EA	H-CHANNEL/EXTRUSION - 192" - BRIGHT WHITE
	122612-55-001	EA	U-CHANNEL/EXTRUSION - 192" - BRIGHT WHITE
	126694-55-001	EA	EXTRUSION - U-CHANNEL/HINGED - 191.7" - BRIGHT WHITE
	128298-01-12B	EA	CATCH - F/LOCK - COMPARTMENT DOORS

WINDOW, VENT & EXTERIOR DOOR GROUP (CONTINUED)

BRIGGS & STRATTON LOCKS & COMPONENTS

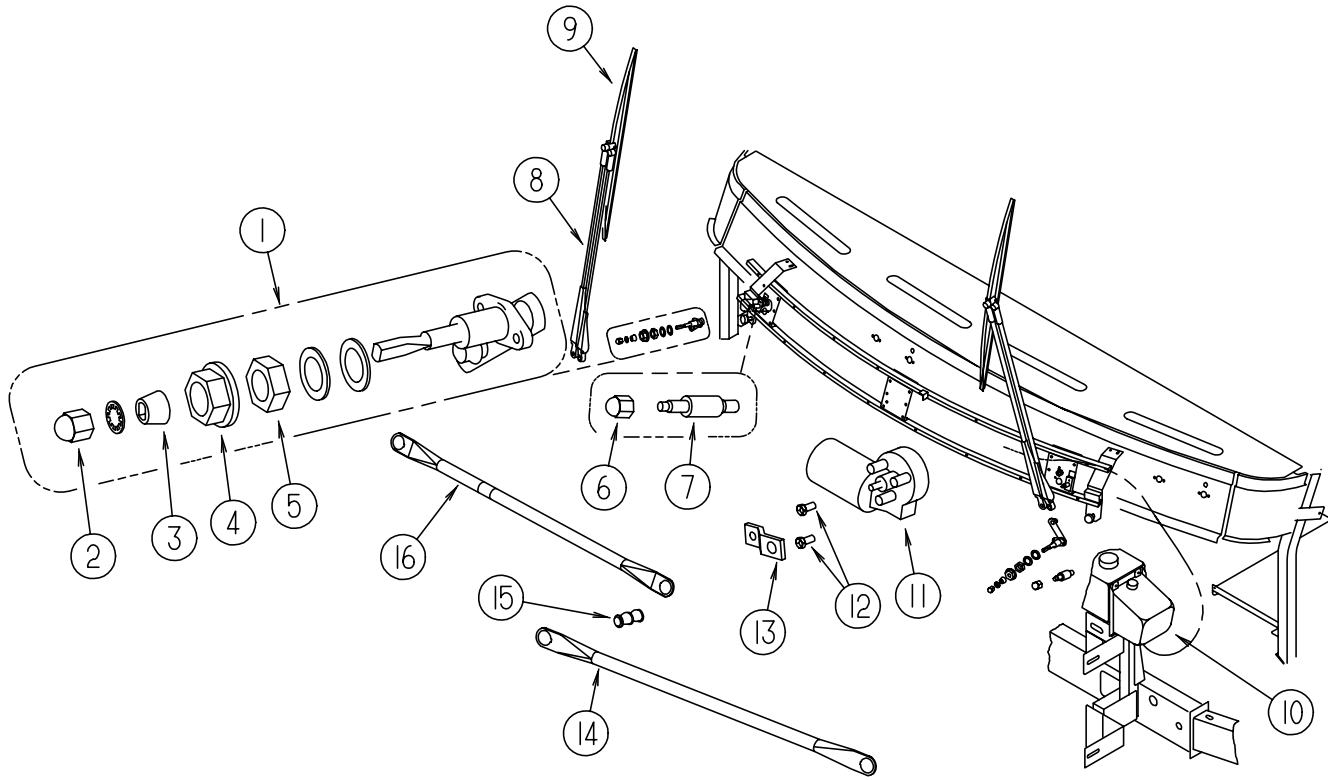
NOTE:
 WHEN ORDERING THE LOCK CASE, THE KEY CODE MUST MATCH THE LAST DIGIT OF THE UNIT'S SERIAL NUMBER AND PART NUMBER; WHEN ORDERING THE KEYS, THE THIRD DIGIT OF THE KEY CODE MUST MATCH THE LAST DIGIT OF THE UNIT'S SERIAL NUMBER AND PART NUMBER.



KEY	PART NUMBER	U/M	DESCRIPTION	VENDOR NO.
1	110506-59-000	EA	KEYS - SET OF TWO	596720
2	110506-52-000	EA	CASE/CYLINDER - LOCKING W/O CAM - .65"	702370
2	110506-54-000	EA	CASE/CYLINDER - LOCKING W/O CAM OR KEY - 1 1/4"	703170
1	110506-59-001	EA	KEYS - SET OF TWO	596721
2	110506-52-001	EA	CASE/CYLINDER - LOCKING W/O CAM - .65"	702371
2	110506-54-001	EA	CASE/CYLINDER - LOCKING W/O CAM OR KEY - 1 1/4"	703171
1	110506-59-002	EA	KEYS - SET OF TWO	596722
2	110506-52-002	EA	CASE/CYLINDER - LOCKING W/O CAM - .65"	702372
2	110506-54-002	EA	CASE/CYLINDER - LOCKING W/O CAM OR KEY - 1 1/4"	703172
1	110506-59-003	EA	KEYS - SET OF TWO	596723
2	110506-52-003	EA	CASE/CYLINDER - LOCKING W/O CAM - .65"	702373
2	110506-54-003	EA	CASE/CYLINDER - LOCKING W/O CAM OR KEY - 1 1/4"	703173
1	110506-59-004	EA	KEYS - SET OF TWO	596724
2	110506-52-004	EA	CASE/CYLINDER - LOCKING W/O CAM - .65"	702374
2	110506-54-004	EA	CASE/CYLINDER - LOCKING W/O CAM OR KEY - 1 1/4"	703174
1	110506-59-005	EA	KEYS - SET OF TWO	596725
2	110506-52-005	EA	CASE/CYLINDER - LOCKING W/O CAM - .65"	702375
2	110506-54-005	EA	CASE/CYLINDER - LOCKING W/O CAM OR KEY - 1 1/4"	703175
1	110506-59-006	EA	KEYS - SET OF TWO	596726
2	110506-52-006	EA	CASE/CYLINDER - LOCKING W/O CAM - .65"	702376
2	110506-54-006	EA	CASE/CYLINDER - LOCKING W/O CAM OR KEY - 1 1/4"	703176
1	110506-59-007	EA	KEYS - SET OF TWO	596727
2	110506-52-007	EA	CASE/CYLINDER - LOCKING W/O CAM - .65"	702377
2	110506-54-007	EA	CASE/CYLINDER - LOCKING W/O CAM OR KEY - 1 1/4"	703177
1	110506-59-008	EA	KEYS - SET OF TWO	596728
2	110506-52-008	EA	CASE/CYLINDER - LOCKING W/O CAM - .65"	702378
2	110506-54-008	EA	CASE/CYLINDER - LOCKING W/O CAM OR KEY - 1 1/4"	703178
1	110506-59-009	EA	KEYS - SET OF TWO	596729
2	110506-52-009	EA	CASE/CYLINDER - LOCKING W/O CAM - .65"	702379
2	110506-54-009	EA	CASE/CYLINDER - LOCKING W/O CAM OR KEY - 1 1/4"	703179
3	110506-40-700	EA	HARDWARE PACKAGE-CYLINDER/CASE	596950AAL
	110506-59-701	EA	KEY BLANK (GOLD)	596728

WINDSHIELD & WIPER GROUP

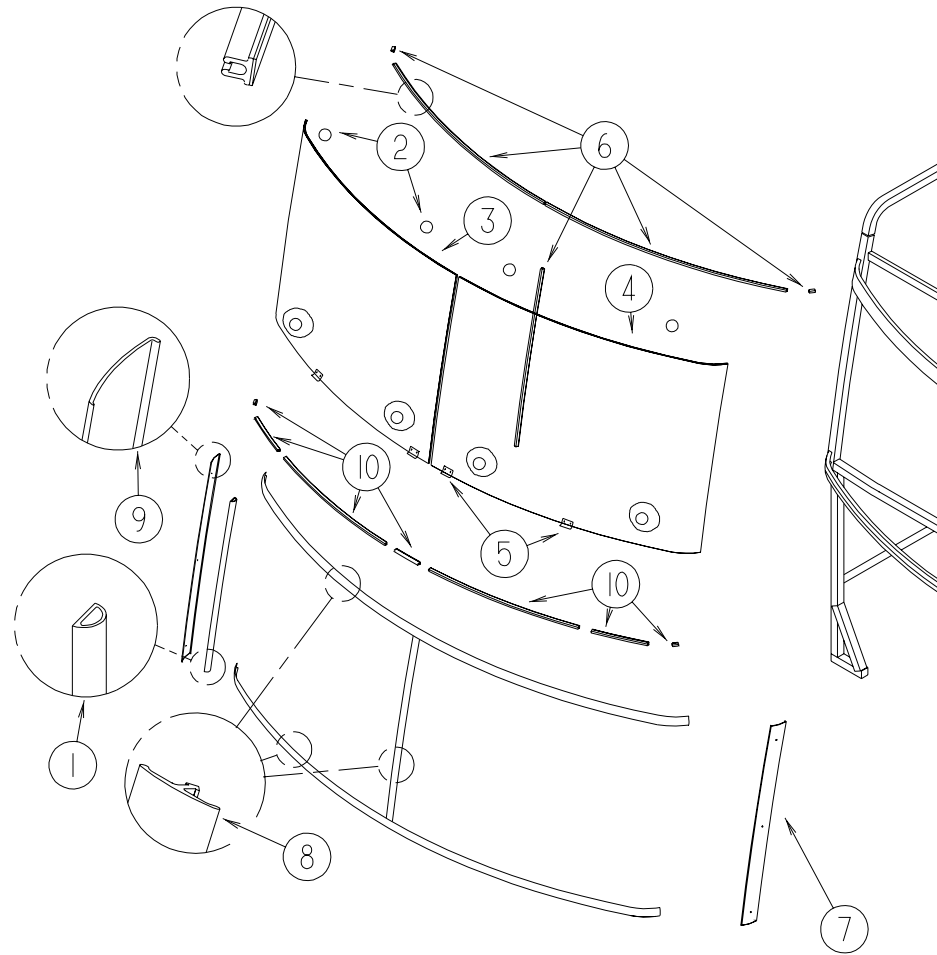
WIPER & WASHER COMPONENTS



KEY	PART NUMBER	U/M DESCRIPTION	VENDOR NO.
1	096505-09-000	EA SHAFT/PIVOT - WINDSHIELD WIPER	
2	096505-02-703	EA CAP-NUT(ACORN) HD W/.687 BRL	51065-40-NT27WC
3	096505-02-700	EA DRIVER-KNURLED,(HD) BRL .687	NT721017
4	096505-02-702	EA CAP-RUBBER (HD) BARREL .687	CP721084
5	096505-02-701	EA NUT-HEX (HD) W/.687 BARREL	NT721021
6	077049-02-000	EA NUT - ACORN - 10-32 BLACK/ANODIZED	
7	117768-01-000	EA SHAFT - ADAPTER - PANTOGRAPH ARM	
8	117769-01-000	EA ARM - WIPER - PANTOGRAPH - 28"	
	096931-01-700	FT HOSE-WIPER	XTU-66-0001
	096931-01-701	EA NOZZLE-HARDWARE KIT	
9	095964-01-000	EA BLADE - WINDSHIELD WIPER - 24"	
	095964-01-700	EA BLADE-REFILL 24" EA= 1 PAIR	12360
10	117766-02-000	EA RESERVOIR/PUMP - WINDSHIELD WASHER	
	045794-01-000	FT HOSE - WASHER - WINDSHIELD - 5/32" ID - BLACK	
	110605-01-000	EA TEE - PLASTIC - BARBED - 1/8" X 1/8" X 3/16"	
	117765-03-000	EA CONNECTOR - 5/32" - WINDSHIELD WASHER	
11	104346-05-000	EA WIPER MOTOR - W/INTERNAL BREAKER - DYNAMIC PARK - FORD	
11	104346-04-000	EA WIPER MOTOR - "COAST TO PARK" W/BKR - W/GRN/RED/WHITE WIRE - CHEVY	
12	117322-01-000	EA SCREW - 1/4-28 UNFINISHED - 2A - TORX	
13	104347-04-000	EA ARM - DRIVE - WIPER MOTOR	
14	117770-01-000	EA LINK - CONNECTING - 24" - CLOSED GROMMET/OPEN GROMMET	
15	067188-01-000	EA STUD - CRANK - WIPER MOTOR	
16	117770-02-000	EA LINK - CONNECTING - 24" - CLOSED GROMMET/CLOSED GROMMET	
	061603-01-000	EA GROMMET - SNAP - 3/16"ID - 3/8" HOLE - PLASTIC BLACK	
	110742-02-000	EA GASKET - NEOPRENE - WIPER ADAPTER SHAFT - .5" X .9" OD	

WINDSHIELD & WIPER GROUP (CONTINUED)

WINDSHIELD MOLDINGS & GLASS



KEY	PART NUMBER	U/M	DESCRIPTION
1	099418-01-000	FT	SEAL - D-SECTION/ADHESIVE BACK - .44" X .44"- BLK RUBBER
2	081914-01-000	EA	BUMPER - RUBBER - ROUND - .43" DIAMETER
3	124972-01-000	EA	GLASS - WINDSHIELD - RIGHT HAND
4	124972-02-000	EA	GLASS - WINDSHIELD - LEFT HAND
5	002328-02-000	EA	BLOCK - WINDSHIELD - .062" X .5" X .98"
6	127862-01-000	EA	CARRIER - REVEAL - WINDSHIELD - 47.2"
7	125384-08-02A	EA	TRIM - WINDSHIELD - A-PILLAR - DRIVER
8	120533-01-000	FT	MOLDING - REVEAL - WINDSHIELD
9	125384-07-02A	EA	TRIM - WINDSHIELD - A-PILLAR - PASSENGER
10	117335-01-000	EA	CARRIER/REVEAL - 94.6" W/ADHESIVE BACKING