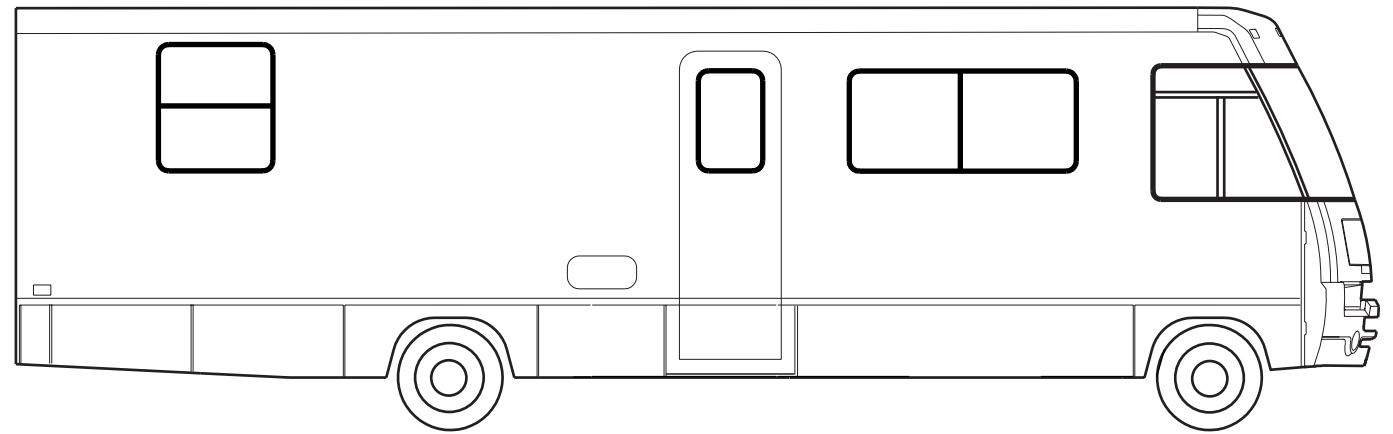


**1999**  
**ICF30A**



**K50**

MINK (TAUPE)

**K51**

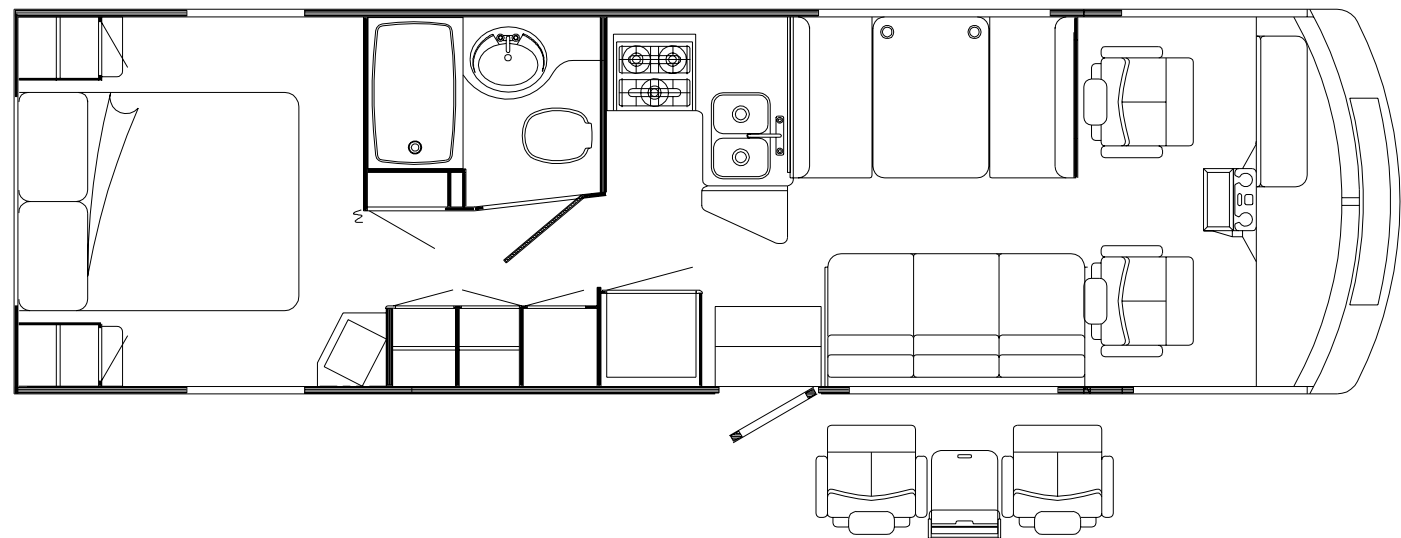
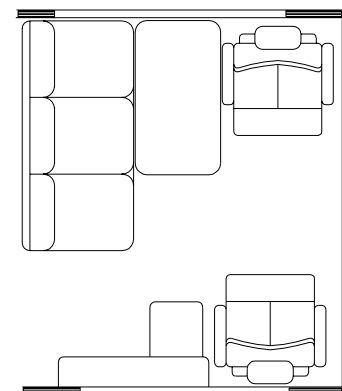
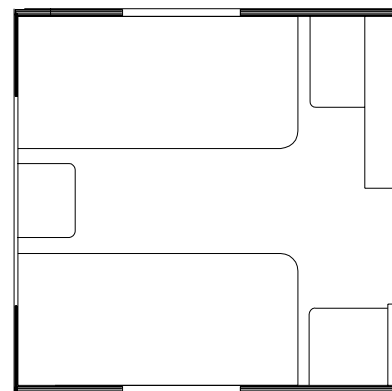
ASPEN (GREEN)

**K52**

PRISM (BLUE)

**K53**

TUMBLEWEED (SAND)



**ACCESSORIES GROUP**

**OPERATOR MANUAL**

KEY	PART NUMBER	U/M DESCRIPTION
	054185-K4-000	EA MANUAL - OPERATOR 99 SUNRISE
	129079-01-01A	EA CASE - VINYL/BLACK-EXPANDABLE ACCORDION SIDES-7"WX9"HX14"L
	128992-01-000	DW TOP LEVEL-F, 1999

**AUDIO VIDEO GROUP**

**PATIO ENTERTAINMENT CENTER**

KEY	PART NUMBER	U/M DESCRIPTION
	076319-09-000	EA WALLPLATE - CABLE RECEPTACLE - TV - SINGLE - BROWN
	108847-01-000	EA BRACKET - ANTENNA GROUND
	109889-04-000	EA EXTENDER - ANTENNA SHAFT - 3"
	110469-01-000	EA SPEAKER - 4" X 6" OVAL - COAXIAL
	110470-01-01A	EA GRILLE - 4" X 6" OVAL - BLACK
	125322-02-000	EA RADIO - AM/FM STEREO - CASSETTE - AUDIOVOX

**RADIO SYSTEM & ANTENNA**

KEY	PART NUMBER	U/M DESCRIPTION	VENDOR NO.
	127516-03-000	EA RADIO - AM/FM STEREO - CD PLAYER - PANASONIC	
	127516-03-700	EA FACE - REMOVABLE	YEP0FX3300
	110267-04-000	EA RADIO - AM/FM STEREO/CD COMPATIBLE - AUDIOVOX	
	127264-03-000	EA RADIO - AM/FM STEREO/CASSETTE - EUROPEAN	
	077069-02-000	EA CABLE - ANTENNA/EXTENSION - RADIO - 96"	
	090944-01-000	EA ANTENNA - RADIO - 16" RUBBER	
	115916-01-01B	EA BRACKET - ANTENNA MOUNT	
	110469-01-000	EA SPEAKER - 4" X 6" OVAL - COAXIAL	
	110470-01-01A	EA GRILLE - 4" X 6" OVAL - BLACK	
	094097-01-000	EA SPEAKER - RADIO/TV - W/O GRILLE - 5.25" DIAMETER	

**TV, VCR & COMPONENTS**

KEY	PART NUMBER	U/M DESCRIPTION	VENDOR NO.
	126696-02-000	EA TV - 19" COLOR W/1/8" JACK - UL/CSA - GE19GT319M	
			FROM: 00-00-00 THRU: 06-09-99
	126696-01-700	EA REMOTE	226725/228006
	126696-03-000	EA TV - 19" - 7/8" JACK - UL/CSA	
			FROM: 06-10-99 THRU: 99-99-99
	126697-02-000	EA VCR-VHS - CABLE READY - W/REMOTE - GE VG2042	
			FROM: 00-00-00 THRU: 04-04-99
	126697-02-700	EA REMOTE	238513
	126697-03-000	EA VCR-VHS - CABLE READY - REMOTE - GE V62051	
			FROM: 04-05-99 THRU: 99-99-99
	086757-03-000	EA CONTROL CENTER - SWITCH - VCR/TV	
			FROM: 00-00-00 THRU: 11-08-98
	086757-04-000	EA CONTROL CENTER - SWITCH - VCR/TV - 5 INPUTS	
			FROM: 11-09-98 THRU: 99-99-99
	086777-06-000	EA WALLPLATE - TV CABLE - ANTENNA BOOSTER/1 OUTPUT - BROWN	
	093253-01-01A	EA PLATE - WALL - TELEPHONE - BEIGE	
	093214-01-02A	EA GRILLE - SPEAKER - 4" BROWN	
	098819-01-000	EA SPEAKER - 4" - 2 WATT - 8 OHM	
	076319-08-000	EA WALLPLATE - CABLE RECEPTACLE - TV - SINGLE - IVORY	
	086777-02-000	EA WALLPLATE - TV CABLE - W/ANTENNA SWITCH - BROWN	
	093901-03-000	EA PLATE - TV COAX - EXTERIOR - 1.8" X 2.5"	
	076319-03-000	FT CABLE - COAXIAL - 75 OHM	
	076319-12-000	EA CONNECTOR - COAXIAL - ONE PIECE	
	082134-01-000	EA ADAPTER - TV - CABLE TO CABLE	
	086756-01-000	EA SPLITTER - TV - 2 WAY	
	082136-01-000	EA NUT - HEX JAM - 3/8-32	

**REAR MONITOR SYSTEM**

KEY	PART NUMBER	U/M DESCRIPTION
	126838-01-000	EA MONITOR/CAMERA - REAR VIEW 7"
	126838-01-700	EA MONITOR - 7" VIDEOMAN
	126838-01-701	EA CAMERA VIDEOMAN
	126838-03-000	EA CABLE - MONITOR/CAMERA
	108885-02-000	EA WIRE - REAR MONITOR(W/3 PIN HOUSING F/FUSE BLOCK) CHEVY

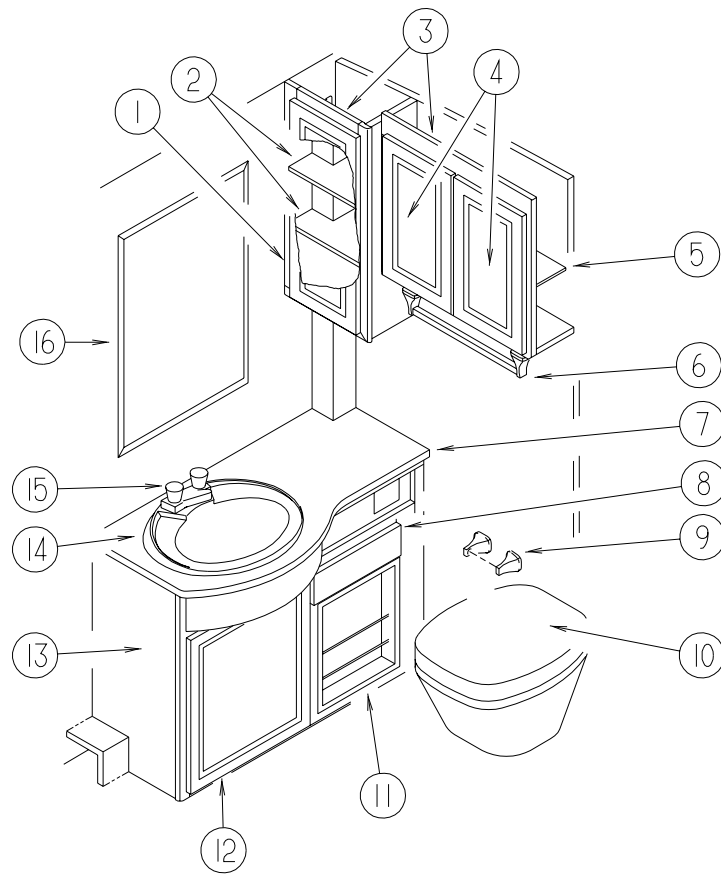
**WINEGARD TV ANTENNA**

KEY	PART NUMBER	U/M DESCRIPTION
*	076319-23-000	EA ANTENNA - TV ROOF MOUNT - 44.5" MAST
*	076319-25-000	EA KIT - HARDWARE INTERIOR

\*COMPONENT PARTS FOUND IN SERVICE PARTS LIBRARY

# BATH GROUP

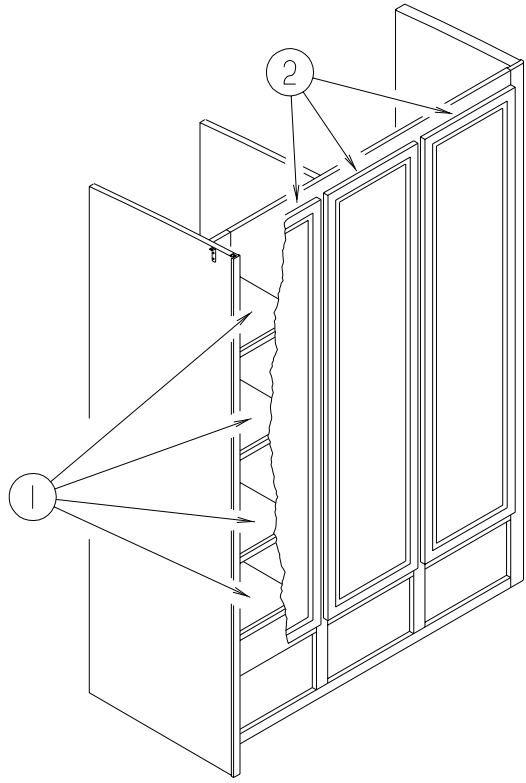
## BATHROOM CABINET & COMPONENTS



KEY	PART NUMBER	U/M DESCRIPTION	VENDOR NO.
1	132141-29-K20	EA DOOR - RAIL/VENEER - 10" X 25.1" - W/O HARDWARE	
2	127715-13-J37	EA SHELF - W/PLASTIC EDGE TRIM	
3	127715-01-K20	EA CABINET - OVERHEAD - MEDICINE - W/O DOORS/HARDWARE	
	076767-04-000	EA CABLE - SUPPORT - 5.9" STAINLESS STEEL	
4	132141-68-K20	EA DOOR - RAIL/VENEER - 11.2" X 19.6" - W/O HARDWARE	
5	127715-14-J37	EA SHELF - W/PLASTIC EDGE TRIM	
6	075453-02-000	EA BAR - TOWEL - 18" BRASS	
7	126112-15-J24	EA COUNTERTOP - LAVATORY (K50)	
7	126112-15-J26	EA COUNTERTOP - LAVATORY (K51,K53)	
7	126112-15-J22	EA COUNTERTOP - LAVATORY (K52)	
8	M05971-EB-J20	EA DRAWER - OGEE EDGE - 12.4"W X 11.8"D - W/O SLIDES/HARDWARE	
9	075452-02-000	EA HOLDER - TOILET TISSUE - BRASS	
10*	063740-01-000	EA TOILET - HIGH/HAND FLUSH	
			FROM: 00-00-00 THRU: 01-03-99
	063740-01-700	EA LEVER-WATER	12514 THETFORD
	063740-01-701	EA LEVER-FLUSH	12515 THETFORD
	063740-01-706	EA BOLT PACKAGE-FLOOR FLANGE	12524 THETFORD
	063740-01-714	EA VALVE ASM (VALVE-BALL SEAL)	13168
	063740-01-717	EA TUBE-FLUSH	12509
	063740-01-720	EA LEVER KIT, WAT-FLUSH-BEARING	24629
	063740-01-721	EA BLADE ONLY	1248232
	063740-02-700	EA SEAT & COVER, PARCHMENT	2464157
10*	131932-01-01A	EA TOILET - AQUA MAGIC 4 - HIGH - HAND FLUSH - IVORY	
			FROM: 01-04-99 THRU: 99-99-99
	063740-01-700	EA LEVER-WATER	12514 THETFORD
	063740-01-701	EA LEVER-FLUSH	12515 THETFORD
	063740-01-706	EA BOLT PACKAGE-FLOOR FLANGE	12524 THETFORD
	063740-01-714	EA VALVE ASM (VALVE-BALL SEAL)	13168
	063740-01-717	EA TUBE-FLUSH	12509
	063740-01-720	EA LEVER KIT, WAT-FLUSH-BEARING	24629
	063740-01-721	EA BLADE ONLY	1248232
	063740-02-700	EA SEAT & COVER, PARCHMENT	2464157
11	097208-07-J22	EA MAGAZINE RACK	
			FROM: 00-00-00 THRU: 04-01-99
11	131096-02-K16	EA MAGAZINE RACK	
			FROM: 04-02-99 THRU: 99-99-99
12	131995-R1-K20	EA DOOR - SOLID PANEL - 14.9" X 21.8" - W/O HARDWARE	
13	126112-01-J37	EA CABINET - LAVATORY - W/CTRTP - W/O DOORS/DRAWERS/HDW (K50)	
13	126112-01-K28	EA CABINET - LAVATORY - W/CTRTP - W/O DOORS/DRAWERS/HDW (K51,K53)	
13	126112-01-J97	EA CABINET - LAVATORY - W/CTRTP CTRTP - W/O DOORS/DRAWERS/HDW (K52)	
	126112-13-J22	EA SHELF - W/PLASTIC EDGE TRIM	
14	105921-01-01A	EA SINK - LAVATORY - LARGE/OVAL - 17" X 20" PLASTIC/OFF WHITE	
	106116-01-01A	EA STRAINER - SINK-W/STOPPER/TAIPIECE/GASKET & NUT - PLASTIC	
15	075240-06-000	EA FAUCET - LAVATORY/BONE	
	105218-01-01A	EA SPACER - FAUCET/LAVATORY SINK - 2" X 5.9" - ABS PLASTIC	
	091253-01-000	EA GASKET - FAUCET - LAVATORY/GALLEY	
16	058331-08-000	EA MIRROR - SAFETY GLASS - 24" X 30"	
16	105004-01-05A	EA MOLDING - VINYL WRAPPED - 1" X 96" - WATERFORD OAK	

\*COMPONENT PARTS FOUND IN SERVICE PARTS LIBRARY

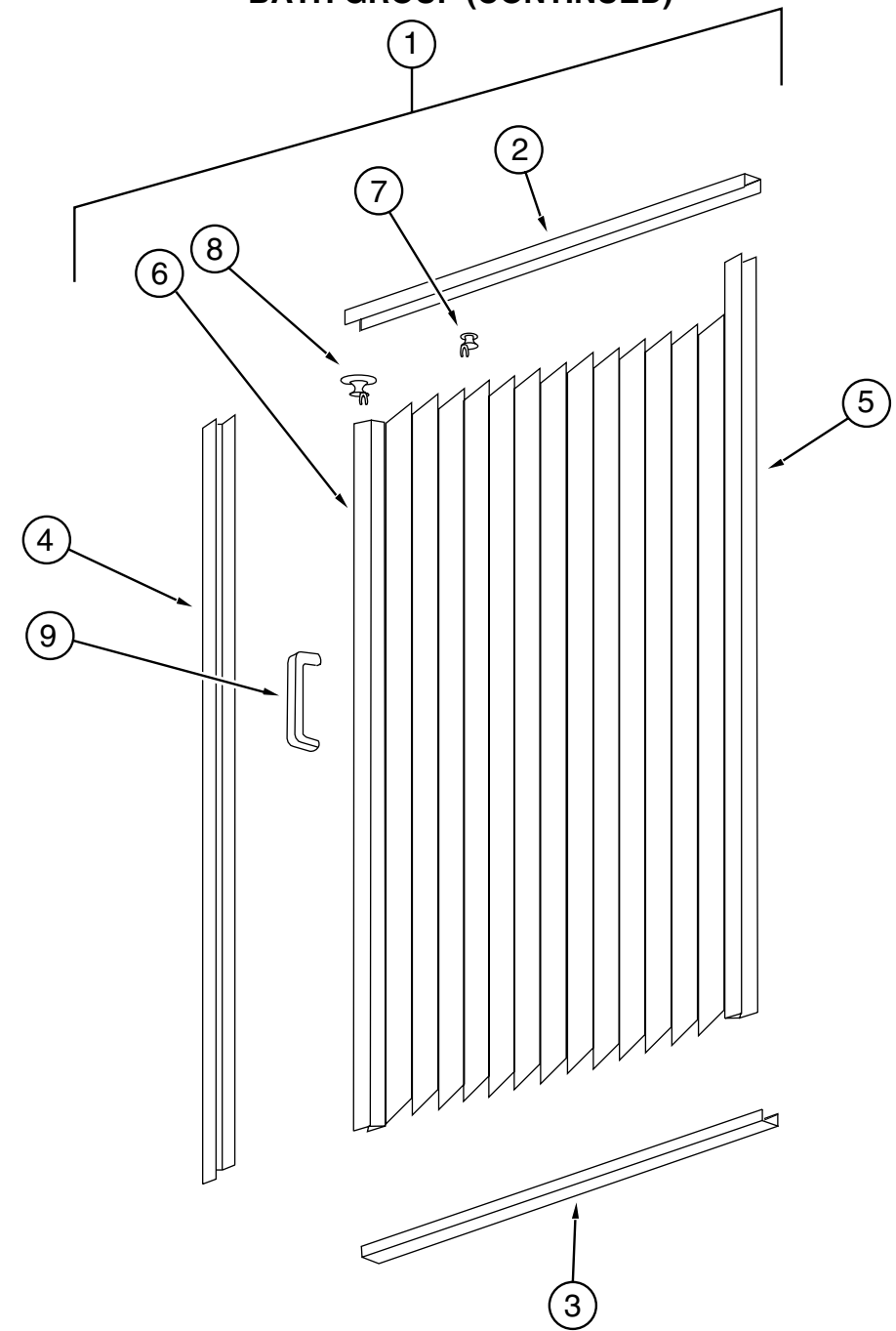
**BATH GROUP (CONTINUED)**



**WARDROBE CABINET**

KEY	PART NUMBER	U/M	DESCRIPTION
1	127641-13-J37	EA	SHELF - W/PLASTIC EDGE TRIM
2	132006-03-K28	EA	DOOR - MIRROR/MTRD EDGES - 16.1" X 65.2" - W/O HARDWARE

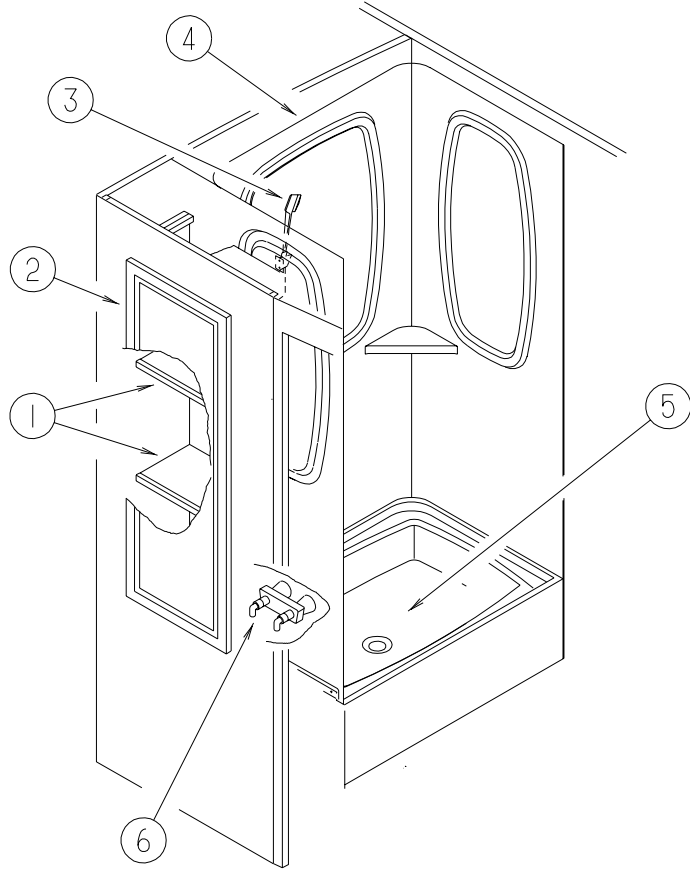
**BATH GROUP (CONTINUED)**



**SHOWER DOOR COMPONENTS**

KEY	PART NUMBER	U/M	DESCRIPTION
1	117431-03-01A	EA	DOOR - SHOWER PLEATED FABRIC
2	117431-01-700	EA	TRACK-TOP, ALUM.IVORY INSERT 48"
3	117431-01-701	EA	TRACK-BOTTOM, 48 "
4	117431-01-702	EA	RAIL-SIDE, 67"
5	117431-01-703	EA	RAIL-STATIONARY, 67"
6	117431-01-704	EA	RAIL-LEAD, 67" - W/LATCH
7	117431-01-705	EA	GLIDE-IVORY, TRAVELER
8	117431-01-706	EA	GLIDE-IVORY LEAD, TRAVELER
9	117431-01-708	EA	HANDLE - W/SCREWS
	117431-01-707	EA	CATCH - BATH DOOR
	117431-03-700	EA	STRAP-VINYL SHOWER

**BATH GROUP (CONTINUED)**



**SHOWER & COMPONENTS**

KEY	PART NUMBER	U/M DESCRIPTION	VENDOR NO.
1	130272-14-K20	EA SHELF - W/PLASTIC EDGE TRIM	
2	132141-53-K20	EA DOOR - RAIL/VENEER - 16.7" X 48" - W/O HARDWARE	
3	131383-01-01A	EA SHOWER HEAD - W/HOSE & BRACKET - 60" - IVORY	
3	131383-02-01A	EA SHOWER HEAD - W/HOSE & BRACKET - 60" - CSA- IVORY	
	103092-01-700	EA BRACKET-F/SHOWER HEAD, CLEAR	2328028
	011048-03-700	EA BRACKET - SHOWER HEAD/IVORY	2328029-I
	103092-01-702	EA SEALS-SPRAY HEAD	24466
4	115612-03-01A	EA SURROUND - SHOWER - OFF WHITE	
	113714-02-01A	EA RETAINER - SHELF	
		FROM: 00-00-00 THRU: 10-11-98	
	113714-04-01A	EA RETAINER - SHELF - SHOWER	
		FROM: 10-12-98 THRU: 99-99-99	
5	M02630-49-J37	EA SHOWER PAN - W/STRAINER/TAILPIECE	
6	075242-04-000	EA FAUCET - TUB/SHOWER - BONE	
	075606-01-000	EA PANEL - PLASTIC - FAUCET BACK - 5" X 9"	

**SHOWER SKYLIGHT**

KEY	PART NUMBER	U/M DESCRIPTION
	114496-01-02A	EA PANEL - SKYLIGHT - OUTER - 22" X 37"
	122191-01-02A	EA PANEL - SKYLIGHT - INNER W/LIGHT CUTOUT - 20.7" X 35.4"

**BATH GROUP (CONTINUED)**

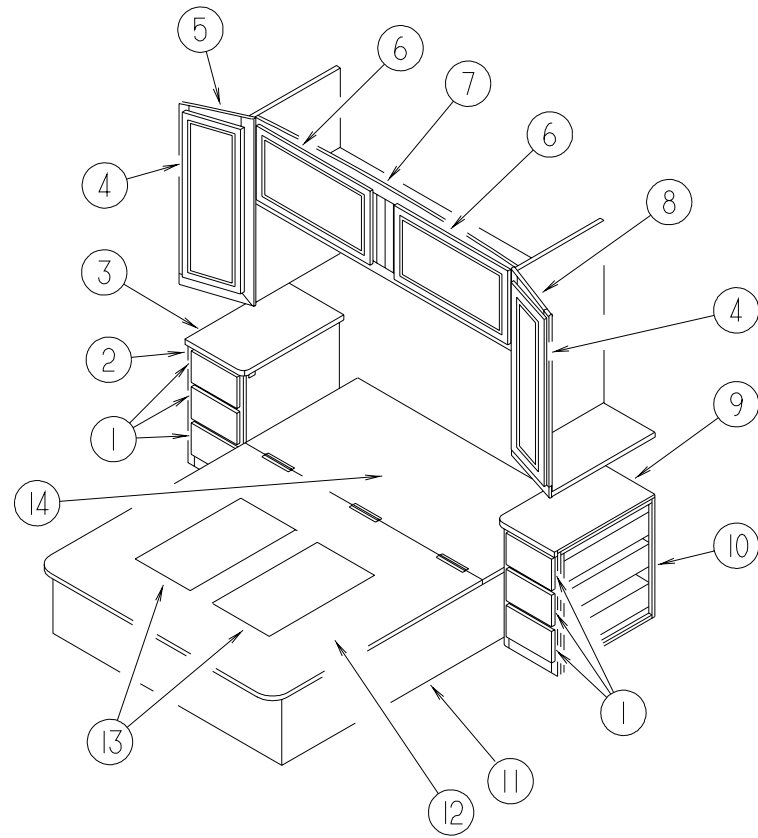
**BATH DOOR**

KEY	PART NUMBER	U/M DESCRIPTION
	128967-10-K16	EA DOOR - BATH - W/O HARDWARE
	128967-51-J01	EA RACK - TOWEL/BATH DOOR
	100357-01-000	EA ROD - F/TOWEL BAR - BRASS
	128967-52-J01	EA MOLDING/SIDE RAIL - TOWEL BAR RACK - LEFT SIDE
	128967-53-J01	EA MOLDING/SIDE RAIL - TOWEL BAR RACK - RIGHT SIDE
	111155-01-01A	EA LOCK - PRIVACY/LOCKING - POLISHED BRASS
		FROM: 00-00-00 THRU: 01-03-99
	111155-03-01A	EA LOCK - PRIVACY/LOCKING - POLISHED BRASS
		FROM: 01-04-99 THRU: 99-99-99
	102920-01-01A	EA HINGE/SPRING LOADED - BRASS
	110496-01-01A	EA HINGE - BRASS

**BATHROOM/BEDROOM PRIVACY DOOR & COMPONENTS**

KEY	PART NUMBER	U/M DESCRIPTION	VENDOR NO.
	042488-10-000	EA DOOR - FOLDING - OFF WHITE FABRIC - 37" X 75"	
		FROM: 00-00-00 THRU: 12-27-98	
	042488-10-700	EA LEADRAIL-PREPUNCHED F/HANDLE	DW2100
		FROM: 00-00-00 THRU: 12-27-98	
	080224-01-703	EA HANDLE W/LATCH-CATCH, ALMOND	DE03505
		FROM: 00-00-00 THRU: 12-27-98	
	080224-01-705	EA LATCH & CATCH ASM., ALMOND	DE25010 & DE25020
		FROM: 00-00-00 THRU: 12-27-98	
	094856-05-01A	EA TRACK - DOOR/FOLDING - OFF WHITE	
		FROM: 00-00-00 THRU: 12-27-98	
	009700-04-002	EA TRACK/CURTAIN - L SHAPED - 15.5' - OFF WHITE	
		FROM: 00-00-00 THRU: 12-27-98	
	009702-01-000	EA END STOP - CURTAIN CARRIER - L ROD	
		FROM: 00-00-00 THRU: 12-27-98	
	131595-01-01A	EA DOOR - FOLDING - 37" X 75" - W/4 CEILING MOUNTED BRACKETS	
		FROM: 12-28-98 THRU: 01-31-99	
	131595-01-700	EA END STOP ONLY-FABRIC DOOR	
		FROM: 12-28-98 THRU: 01-31-99	
	131595-01-701	EA BRACKET/MOUNTING-FABRIC DOOR	
		FROM: 12-28-98 THRU: 01-31-99	
	131595-01-702	EA TRACK/STRAIGHT-37"FABRIC DR	
		FROM: 12-28-98 THRU: 01-31-99	
	042488-10-000	EA DOOR - FOLDING - OFF WHITE FABRIC - 37" X 75"	
		FROM: 02-01-99 THRU: 03-07-99	
	042488-10-700	EA LEADRAIL-PREPUNCHED F/HANDLE	DW2100
		FROM: 02-01-99 THRU: 03-07-99	
	080224-01-703	EA HANDLE W/LATCH-CATCH, ALMOND	DE03505
		FROM: 02-01-99 THRU: 03-07-99	
	080224-01-705	EA LATCH & CATCH ASM., ALMOND	DE25010 & DE25020
		FROM: 02-01-99 THRU: 03-07-99	
	094856-05-01A	EA TRACK - DOOR/FOLDING - OFF WHITE	
		FROM: 02-01-99 THRU: 03-07-99	
	009700-04-002	EA TRACK/CURTAIN - L SHAPED - 15.5' - OFF WHITE	
		FROM: 02-01-99 THRU: 03-07-99	
	009702-01-000	EA END STOP - CURTAIN CARRIER - L ROD	
		FROM: 02-01-99 THRU: 03-07-99	
	131595-01-01A	EA DOOR - FOLDING - 37" X 75" - W/4 CEILING MOUNTED BRACKETS	
		FROM: 03-08-99 THRU: 99-99-99	
	131595-01-700	EA END STOP ONLY-FABRIC DOOR	
		FROM: 03-08-99 THRU: 99-99-99	
	131595-01-701	EA BRACKET/MOUNTING-FABRIC DOOR	
		FROM: 03-08-99 THRU: 99-99-99	
	131595-01-702	EA TRACK/STRAIGHT-37"FABRIC DR	
		FROM: 03-08-99 THRU: 99-99-99	

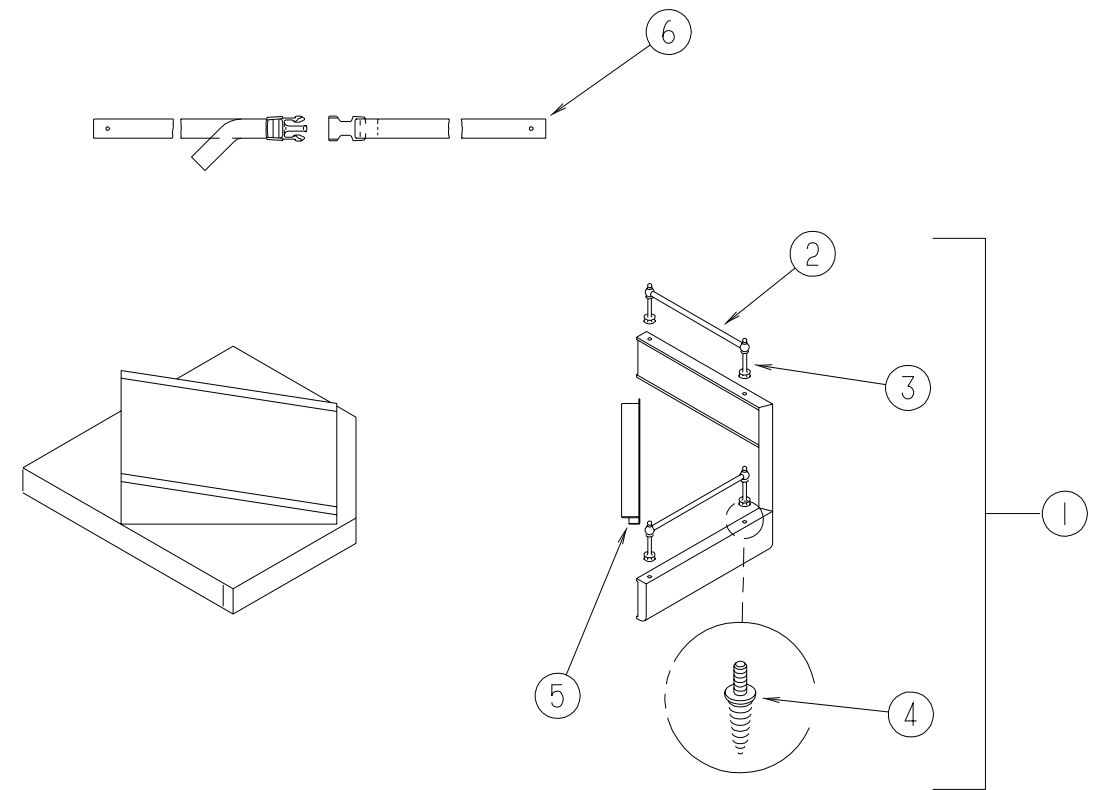
## BEDROOM GROUP



### QUEEN BEDROOM CABINERY

KEY	PART NUMBER	U/M	DESCRIPTION
1	M09316-14-K20	EA	DRAWER - OGEE EDGE - 10.7"W X 19.7"D - W/O SLIDES/HARDWARE
2	129251-07-K20	EA	CABINET - NIGHTSTAND/RH - W/COUNTERTOP - W/O DRS/DWRS/HDW (K50)
2	129251-07-K68	EA	CABINET - NIGHTSTAND/RH - W/COUNTERTOP - W/O DRS/DWRS/HDW (K51,K53)
2	129251-07-K22	EA	CABINET - NIGHTSTAND/RH - W/COUNTERTOP - W/O DRS/DWRS/HDW (K52)
3	129251-19-K20	EA	COUNTERTOP - NIGHTSTAND (K50)
3	129251-19-K28	EA	COUNTERTOP - NIGHTSTAND (K51,K53)
3	129251-19-K22	EA	COUNTERTOP - NIGHTSTAND (K52)
4	132141-71-K20	EA	DOOR - RAIL/VENEER - 14.3" X 36.4" - W/O HARDWARE
5	126003-01-J20	EA	CABINET - SHIRT CLOSET/RIGHT HAND - W/O DOORS/HARDWARE
	009112-01-000	EA	FLANGE - PLASTIC - 1" CLOTHES ROD - OFF WHITE
	042438-01-000	EA	DOWEL - WOOD - CLOTHES ROD - 1" DIAMETER X 4'
6	132141-14-K20	EA	DOOR - RAIL/VENEER - 15.7" X 27.9" - W/O HARDWARE
7	106523-01-G09	EA	CABINET - OVERHEAD/REAR - W/O DOORS/HARDWARE
8	126003-02-J20	EA	CABINET - SHIRT CLOSET/LEFT HAND - W/O DOORS/HARDWARE
	009112-01-000	EA	FLANGE - PLASTIC - 1" CLOTHES ROD - OFF WHITE
	042438-01-000	EA	DOWEL - WOOD - CLOTHES ROD - 1" DIAMETER X 4'
9	129251-20-K20	EA	COUNTERTOP - NIGHTSTAND (K50)
9	129251-20-K28	EA	COUNTERTOP - NIGHTSTAND (K51,K53)
9	129251-20-K22	EA	COUNTERTOP - NIGHTSTAND (K52)
10	129251-08-K20	EA	CABINET - NIGHTSTAND/LH - W/COUNTERTOP - W/O DRS/DWRS/HDW (K50)
10	129251-08-K68	EA	CABINET - NIGHTSTAND/LH - W/COUNTERTOP - W/O DRS/DWRS/HDW (K51,K53)
10	129251-08-K22	EA	CABINET - NIGHTSTAND/LH - W/COUNTERTOP - W/O DRS/DWRS/HDW (K52)
11	P29654-01-K28	EA	CABINET - BASE/QUEEN BED - W/O DOORS/DRAWERS/HARDWARE
12	M08093-06-000	EA	TOP - QUEEN BED - W/O HARDWARE
	041389-25-000	EA	HINGE - PIANO - 1 1/2" X 55"
13	096764-02-000	FT	SLIPNOT - ANTISLIP - 1" WIDE (100' ROLLS)
14	M08093-05-K28	EA	TOP - QUEEN BED - W/O HARDWARE
	107796-06-000	EA	SPRING/GAS - 12" COMPRESSED/20" EXTENDED - 120 LB.
	126259-01-000	EA	STUD - BALL - GAS SHOCK MOUNTING
	126263-06-02B	EA	BRACKET - GAS SPRING - E-COATED
	126263-08-02B	EA	BRACKET - GAS SPRING - LOWER - E-COATED
	097872-04-000	EA	DOWEL - WOOD - 1" DIAMETER X 1.38" LONG

## BEDROOM GROUP (CONTINUED)

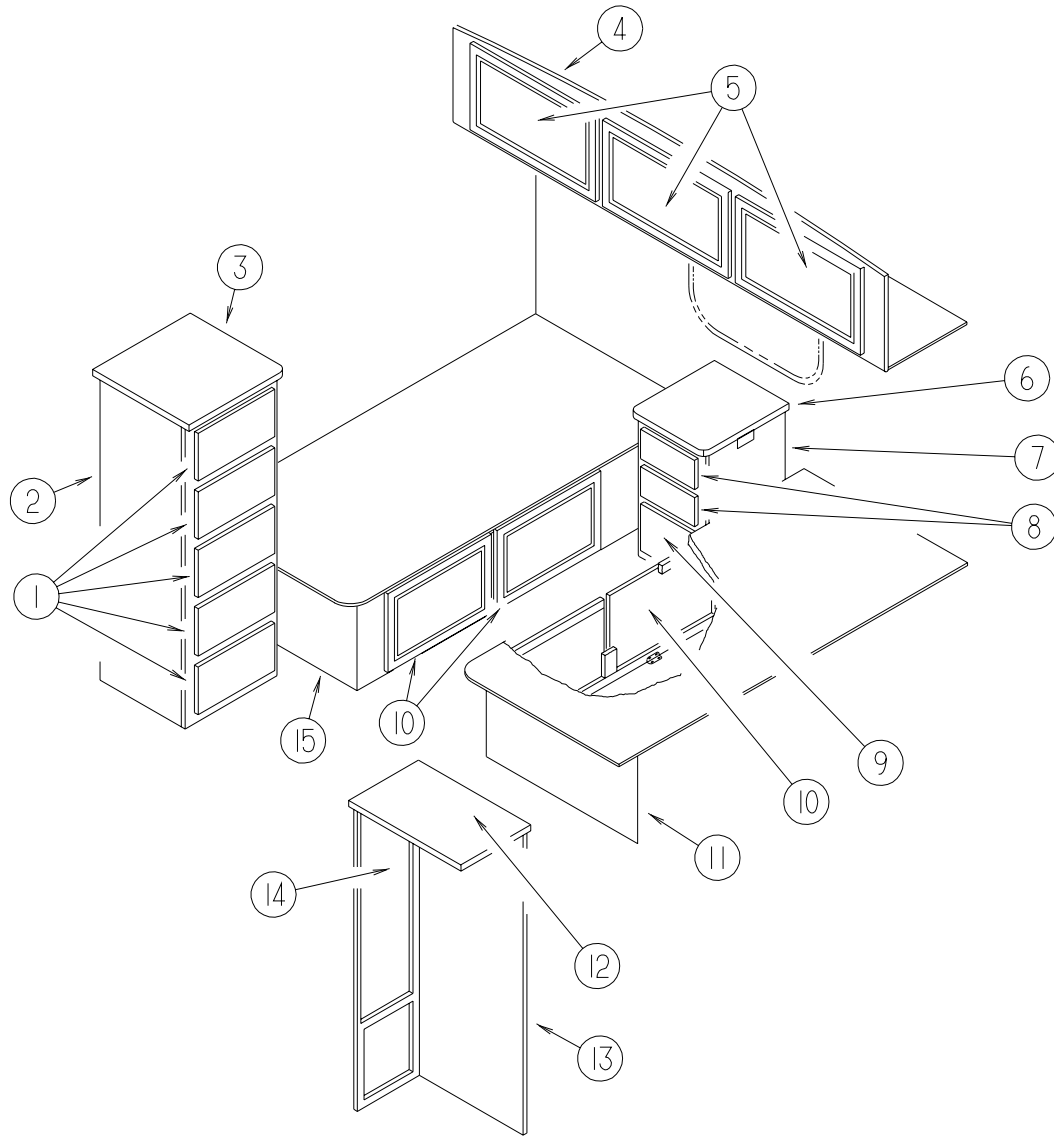


### TV SHELF

KEY	PART NUMBER	U/M	DESCRIPTION
1	127376-01-J20	EA	CABINET - TV SHELF - RIGHT HAND
2	084071-19-000	EA	ROD - BRASS - 7.1"
2	084071-27-000	EA	ROD - BRASS - 2.7"
	084071-23-000	EA	ROD - BRASS - 13.12"
3	084070-03-000	EA	POST - END - 2.4" - SHINY BRASS
4	106166-01-000	EA	BOLT/COLLARED HANGER - 8-32 X 1"
5	103186-01-05A	FT	MOLDING - PLASTIC - 3/8" U-CHANNEL 3/4" FACE-WATERFORD OAK
6	099717-02-000	EA	STRAP - TIE DOWN W/29.9" FEMALE STRAP & 14.2" MALE STRAP

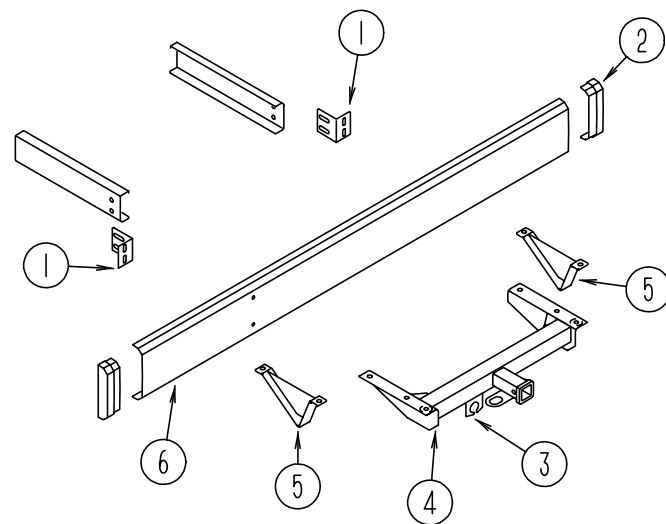
## BEDROOM GROUP (CONTINUED)

### TWIN BEDROOM CABINETS



KEY	PART NUMBER	U/M DESCRIPTION
1	M05971-Z3-H33	EA DRAWER - OGEE EDGE - 15.1"W X 15.7"D - W/O SLIDES/HARDWARE
2	122499-01-J37	EA CABINET-DRESSER-W/CTRTP-W/O DRAWERS/HDW-F/RH TWN BED (K50)
2	122499-01-J38	EA CABINET-DRESSER-W/CTRTP-W/O DRAWERS/HDW-F/RH TWN BED (K51,K53)
2	122499-01-H33	EA CABINET-DRESSER-W/CTRTP-W/O DRAWERS/HDW-F/RH TWN BED (K52)
3	122499-11-J37	EA COUNTERTOP - DRESSER (K50)
3	122499-11-J38	EA COUNTERTOP - DRESSER (K51,K53)
3	122499-11-H33	EA COUNTERTOP - DRESSER (K52)
4	116187-01-K20	EA CABINET - OVERHEAD/REAR - W/O DOORS/HARDWARE - F/TWIN BED
5	132141-14-K20	EA DOOR - RAIL/VENEER - 15.7" X 27.9" - W/O HARDWARE
6	129653-11-K20	EA COUNTERTOP - NIGHTSTAND (K50)
6	129653-11-K28	EA COUNTERTOP - NIGHTSTAND (K51,K53)
6	129653-11-K22	EA COUNTERTOP - NIGHTSTAND (K52)
7	129653-01-K20	EA CABINET - NIGHTSTAND/TNBD - W/CTRTP-W/O DOORS/DRWS/HDW (K50)
7	129653-01-K28	EA CABINET - NIGHTSTAND/TN BD - W/CTRTP-W/O DOORS/DRWS/HDW (K51,K53)
7	129653-01-K22	EA CABINET - NIGHTSTAND/TN BD - W/CTRTP-W/O DOORS/DWRS/HDW (K52)
8	M09316-12-K20	EA DRAWER - OGEE EDGE - 13.5"W X 11.8"D - W/O SLIDES/HARDWARE
9	M09316-13-K20	EA DRAWER - OGEE EDGE - 13.5"W X 11.8"D - W/O SLIDES/HARDWARE
10	131995-S8-K20	EA DOOR - SOLID PANEL - 12" X 21.8" - W/O HARDWARE
11	P30238-01-K20	EA CABINET/BASE - TWIN BED - W/O DOORS/DRAWERS/HARDWARE
12	122475-11-J37	EA COUNTERTOP - SHIRT CLOSET (K50)
12	122475-11-J38	EA COUNTERTOP - SHIRT CLOSET (K51,K53)
12	122475-11-H33	EA COUNTERTOP - SHIRT CLOSET (K52)
13	122475-01-K20	EA CABINET - SHIRT CLOSET/LEFT HAND - W/O DOORS/HARDWARE (K50)
13	122475-01-K21	EA CABINET - SHIRT CLOSET/LEFT HAND - W/O DOORS/HARDWARE (K51,K53)
13	122475-01-K22	EA CABINET - SHIRT CLOSET/LEFT HAND - W/O DOORS/HARDWARE (K52)
	009112-01-000	EA FLANGE - 1" ROD, CLOTHES - PLASTIC - OFF WHITE
	042438-01-000	EA DOWEL - WOOD - CLOTHES ROD - 1" DIAMETER X 4'
14	132141-23-K20	EA DOOR - RAIL/VENEER - 12" X 39.9" - W/O HARDWARE
15	P30239-01-K20	EA CABINET/BASE - TWIN BED - W/O DOORS/DRAWERS/HARDWARE
	096764-02-000	FT SLIPNOT - ANTISLIP - 1'WIDE (100' ROLLS)

## CHASSIS GROUP



### REAR BUMPER, TRAILER HITCH & COMPONENTS

KEY	PART NUMBER	U/M	DESCRIPTION
1	104418-07-000	EA	ANGLE - BUMPER - REAR SUPPORT
2	103228-01-06A	EA	END CAP - REAR BUMPER - DRIVER/PASSENGER
3	113588-02-01B	EA	BRACKET - CONNECTOR - TRAILER W/O LIP
4	130339-02-000	EA	HITCH RECEIVER - BOLT ON CLASS III
5	111742-01-000	EA	PLATE - SKID
6	103099-10-02A	EA	BUMPER - REAR - BRIGHT WHITE
	113589-01-000	EA	CONNECTOR - PLUG - TRAILER
	113589-02-000	EA	CONNECTOR - SOCKET - TRAILER

## CHASSIS GROUP (CONTINUED)

### 19.5" CHEVY STAINLESS STEEL WHEEL LINERS

KEY	PART NUMBER	U/M	DESCRIPTION	VENDOR NO.
	110435-10-000	EA	LINER - WHEEL - SET/4 - 19.5"	
	110435-01-711	EA	DECAL-CENTER CAP, 2" 2" DECAL	
	110435-10-700	EA	LINER - WHEEL - FRONT - 1 PC	V195P7-FWC
	110435-10-701	EA	LINER - WHEEL - REAR - 1 PC.	V195P7-RWC
	110435-10-702	EA	COVER-LUG NUT W/STEEL JN 2 USED PER WHEEL	V195P7-EJN
	110435-10-703	EA	STUD - PLASTIC ALSO ORDER #11043510704 PLASTIC NUT W/NUT COVER 2 USED PER EACH FRONT WHEEL	V195P7-PST
	110435-10-704	EA	COVER-LUG NUT W/PLASTIC JN ALSO ORDER #11043510703 PLASTIC STUD 2 USED PER EACH FRONT WHEEL	V195P7-PJN
	110435-10-705	EA	TOOL - INSTALLATION	V195P7-TOL

### 19.5" FORD STAINLESS STEEL WHEEL LINERS - 19.5" X 6" WHEEL

KEY	PART NUMBER	U/M	DESCRIPTION	VENDOR NO.
	110435-14-000	EA	LINER - WHEEL SET/4 - 19.5"	
	110435-04-705	EA	DECAL-CTR HUB 2 3/4" DIAMOND 2 3/4 DECAL DIAMOND	
	110435-10-705	EA	TOOL - INSTALLATION	V195P7-TOL
	110435-14-700	EA	LINER - WHEEL - FRONT	V195F96-FWC
	110435-14-701	EA	LINER - WHEEL - REAR	V195F96-RWC
	110435-15-702	EA	COVER LUG NUT/JAMB NUT - 14M	V195F9-EJN

### 19.5" FORD STAINLESS STEEL WHEEL LINERS - 19.5" X 6.75" WHEEL

KEY	PART NUMBER	U/M	DESCRIPTION	VENDOR NO.
	110435-15-000	EA	LINER - WHEEL SET/4 - 19.5"	
	110435-10-705	EA	TOOL - INSTALLATION	V195P7-TOL
	110435-15-700	EA	LINER - WHEEL - FRONT	V195F9-FWC
	110435-15-701	EA	LINER - WHEEL - REAR	V195F9-RWC
	110435-15-702	EA	COVER LUG NUT/JAMB NUT - 14M	V195F9-EJN

### 19.5" FORD WHEEL COVERS

KEY	PART NUMBER	U/M	DESCRIPTION	VENDOR NO.
	109443-07-000	EA	WHEEL COVER - 4/SET - 19.5"	
	098532-01-700	EA	COVER-LUG NUT (CHROME) NOTE:THE VENDOR DOES NOT RECOMMEND THIS PART TO BE REPLACED DUE TO POSSIBLE DAMAGE TO THE LINER	SHAU-LNC
	109443-01-703	EA	CAP-CENTER, HUB - DICOR	SHAU95-CAP
	109443-07-700	EA	COVER/WHEEL-FRONT/REAR 8 LUG	SHAF95-COV
	109443-07-701	EA	BRACKET SET - FRONT	SHAF95-FBS
	109443-07-702	EA	BRACKET SET - REAR	SHAF95-RBS

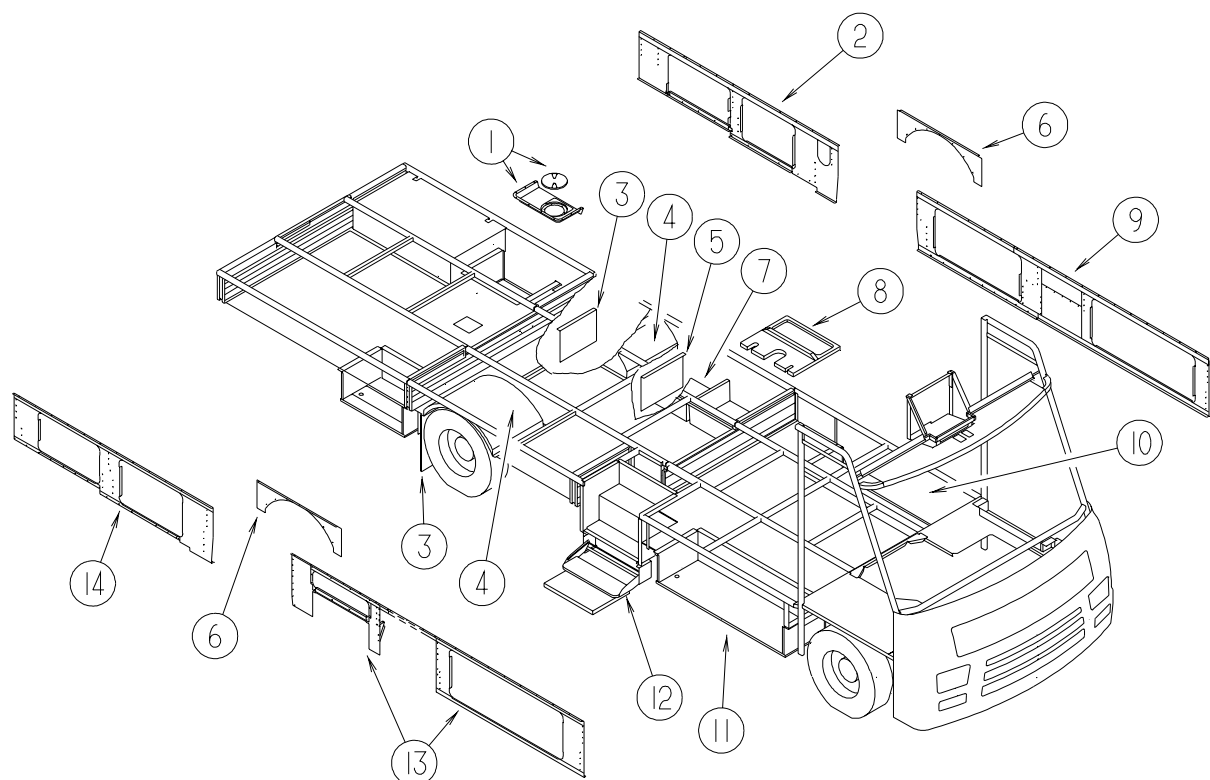
### 19.5" CHEVY WHEEL COVERS

KEY	PART NUMBER	U/M	DESCRIPTION	VENDOR NO.
	109443-06-000	EA	WHEEL COVER - 4/SET - 19.5"	
	109443-01-700	EA	COVER-WHEEL 19.5 FRT/RR EA=1	SHAG95
	109443-01-701	EA	BRACKET-RETENTION FRONT	SHAG95-FBS
	109443-01-703	EA	CAP-CENTER, HUB - DICOR	SHAU95-CAP
	109443-01-704	EA	CLIP-RETAINER	V160GM-PNT
	109443-06-701	EA	BRACKET-RETENTION REAR	SHG795-RBS



## CHASSIS GROUP (CONTINUED)

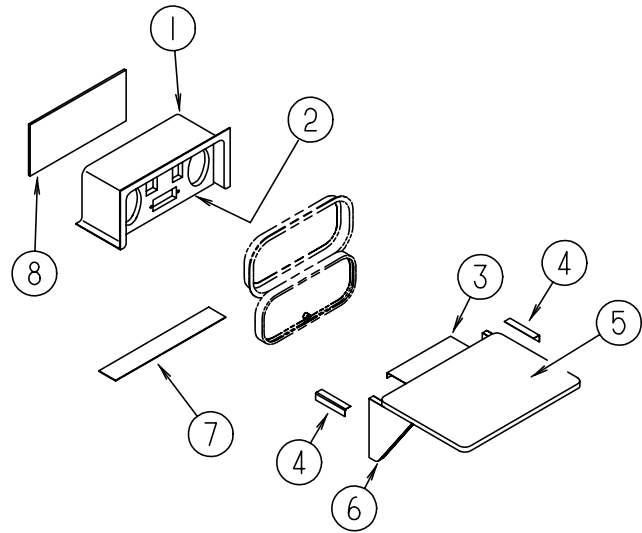
### STORAGE COMPARTMENTS & WHEELWELLS



KEY	PART NUMBER	U/M DESCRIPTION	VENDOR NO.
1	129015-01-K80	EA PORT COMPLETE - F/ELECTRICAL/DRAIN	
	121175-02-01A	EA LATCH - SWELL	
2	125954-17-02B	EA PANEL/SEAL PLANE	
3	020167-08-000	EA DIRT GUARD - STEEL - 13.6" LONG	
	017516-01-000	EA MUD FLAP - 14" X 18" - BLACK	
4	055374-03-000	EA WHEELWELL - PLASTIC	
5	020167-05-000	EA DIRT GUARD - STEEL W/BEND - 14.9" LONG	
			FROM: 00-00-00 THRU: 06-26-99
5	020167-12-000	EA DIRT GUARD	
			FROM: 06-27-99 THRU: 06-28-99
5	134191-01-02B	EA GUARD - DIRT - E-COATED	
			FROM: 06-29-99 THRU: 99-99-99
	017516-01-000	EA MUD FLAP - 14" X 18" - BLACK	
6	107576-03-000	EA PANEL/SEAL PLANE - WHEEL WELL	
7	117757-01-01A	EA COMPARTMENT/STORAGE - W/O RETAINER/HATCH	
8	M06991-05-G38	EA HATCH/COMPARTMENT - W/FOAMED INSULATION	
	121175-01-01A	EA LATCH - SWELL - BLACK	
9	129608-16-02B	EA PANEL/SEAL PLANE	
10	126386-24-J22	EA COMPARTMENT - LUGGAGE	
11	126386-23-J22	EA COMPARTMENT - LUGGAGE	
12*	094707-01-01A	EA STEP - DOUBLE - ELECTRIC - KWIKEE	
			FROM: 00-00-00 THRU: 01-13-99
	116995-01-000	EA SWITCH/MAGNET - ELECTRIC STEP - WHITE/WHITE - OPEN CIRCUIT	
			FROM: 00-00-00 THRU: 01-13-99
12*	094707-03-01A	EA STEP - ELECTRIC DOUBLE - W/BLACK CONTROL BOX	
			FROM: 01-14-99 THRU: 99-99-99
	088733-01-700	EA BULB	9004
	088746-01-705	EA LIGHT-UNDER STEP	9004
	094707-01-702	EA FRAME W/DBL STEP,3200 SERIES	908032
	094707-02-700	EA MOTOR ASM.,W/BEARINGS & PINS	909520
	094707-02-701	EA LINKAGE ASM. W/BEARINGS-PINS	909534
	094707-02-702	EA GEAR KIT(GEAR-BEARING-PINS)	909525
	094707-02-703	EA BEARING & PINS	909530
	094707-02-704	EA CONNECTOR-MOTOR ASM.W/PLATES	909537
	094707-02-706	EA GEAR BOX ASM. W/O MOTOR	9524
	094707-02-707	EA TREAD - NON-SKID - BLACK	909333
	094707-02-708	EA TREAD - NON-SKID - YELLOW	909331
	094707-03-700	EA KIT CONTROL/SWITCH-RETROFIT	909506005
	094707-03-701	EA PLUG - 4-WAY - PACKARD	909306
	116995-02-000	EA SWITCH/MAGNET - ELECTRIC STEP - BLACK/WHITE-CLOSED CIRCUIT	
			FROM: 01-14-99 THRU: 99-99-99
	104452-03-000	EA SUPPORT - STEP	
	065450-05-000	EA TIEDOWN - BATTERY - 8.4" TUBE	
13	125954-15-02B	EA PANEL/SEAL PLANE	
14	129608-15-02B	EA PANEL/SEAL PLANE	
	061420-01-000	EA PLUG/PLASTIC - 1.75" DIAMETER - BROWN	
	119845-01-01A	EA PLUG - PLASTIC - BLACK - 1 1/2" SQUARE	
			FROM: 00-00-00 THRU: 06-28-99
	117154-07-02B	EA MOUNT - FRAME RAIL/FLOOR	
			FROM: 00-00-00 THRU: 10-11-98
	084852-51-003	EA EXTRUDED - ANGLE - 1.25" X .75" X 15'	

\*COMPONENT PARTS FOUND IN SERVICE PARTS LIBRARY

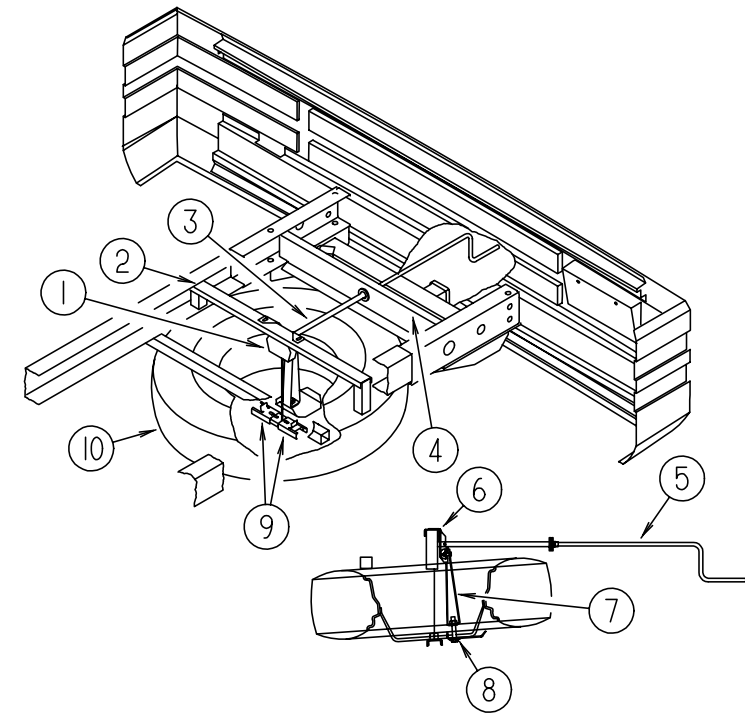
## CHASSIS GROUP (CONTINUED)



**PATIO ENTERTAINMENT CENTER**

KEY	PART NUMBER	U/M	DESCRIPTION
1	124696-01-01A	EA	BOX - ENTERTAINMENT CENTER/EXTERIOR
2	127409-02-K04	EA	PLATE - RADIO MOUNTING
			FROM: 00-00-00 THRU: 06-13-99
2	127409-02-L15	EA	PLATE - RADIO MOUNTING
			FROM: 06-14-99 THRU: 99-99-99
3	105377-01-04A	EA	BRACKET - TABLE HANGER - BRIGHT WHITE
4	105376-01-03A	EA	HINGE - CONTINUOUS - 2" X 5.5" - BRIGHT WHITE
5	105230-11-J01	EA	SHELF - EXTERIOR ENTERTAINMENT CENTER - W/O HARDWARE
6	105230-12-J01	EA	SUPPORT - EXTERIOR SHELF
7	104898-01-02A	EA	PLATE - PLASTIC BOTTOM - BRIGHT WHITE
8	104898-02-02A	EA	PLATE - PLASTIC BACK - BRIGHT WHITE

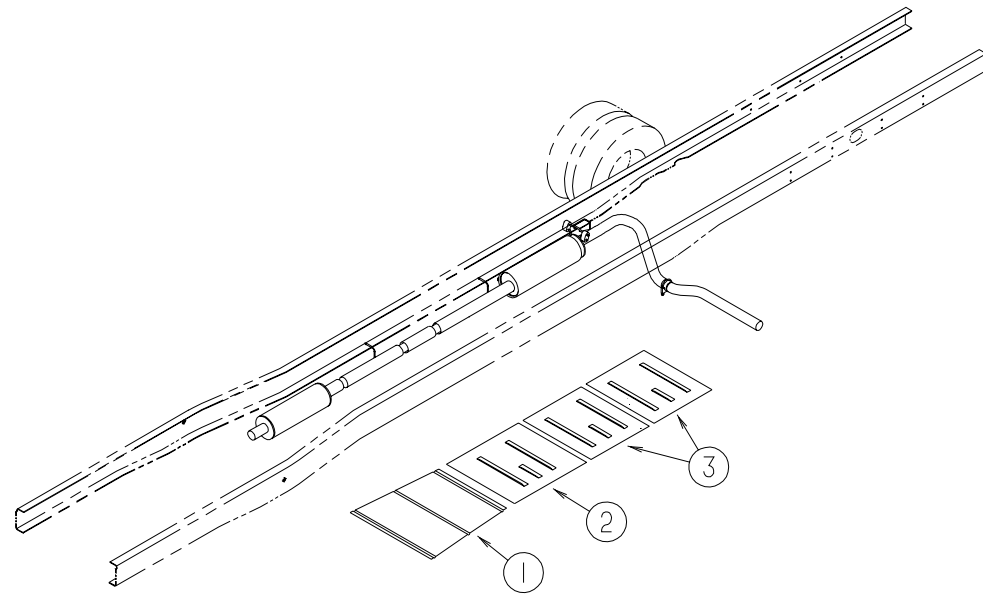
## CHASSIS GROUP (CONTINUED)



**TIRE HOIST**

KEY	PART NUMBER	U/M	DESCRIPTION
1	093267-03-000	EA	HOIST - SPARE TIRE - 100 LB
2	093362-06-000	EA	CHANNEL - TIRE HOIST
3	093375-05-000	EA	EXTENSION - TIRE HOIST
4	129006-01-02B	EA	SUPPORT/FRAME - TIRE CARRIER HANDLE - FORD
4	129006-02-02B	EA	SUPPORT/FRAME - TIRE CARRIER HANDLE - CHEVY
5	093376-02-000	EA	HANDLE - CRANK - TIRE HOIST
	114376-01-000	EA	PIN - DRIVE - .156 X .750 - TYPE E - TIRE HOIST
6	124751-01-02B	EA	HANGER - SPARE TIRE - E-COATED
7	129086-01-02B	EA	SUPPORT - SPARE TIRE
8	129085-01-02B	EA	PLATE - SUPPORT - SPARE TIRE
9	105499-01-000	EA	BRACKET - TIRE HOIST
10	102340-04-000	EA	TIRE - 245/70R X 19.5F - GOODYEAR - FORD - 19.5" X 6.75" WHEEL
10	091673-01-000	EA	TIRE - 225/70 R19.5 LRF - MICHELIN XZA - CHEVY
10	051377-01-000	EA	VALVE STEM - CHEVY
10	118814-04-700	EA	WHEEL/TAKE OFF (19.5X6.75RW) 8 BOLT ACCURIDE F53 - FORD
10	064963-01-000	EA	WHEEL - STEEL - 19.5" X 6" - GM 14005758 - CHEVY
	077030-02-000	EA	EXTENSION - VALVE STEM - 1.25" - CHEVY WHEEL LINERS
	077030-05-000	EA	EXTENSION - VALVE STEM - 95 DEGREE - FORD WHEEL LINERS
			FROM: 00-00-00 THRU: 11-23-98
	077030-04-000	EA	EXTENSION - VALVE STEM - .75" - FORD WHEEL LINERS
			FROM: 11-24-98 THRU: 99-99-99
	077030-06-000	EA	EXTENSION - VALVE STEM - 45 DEGREE - FORD WHEEL LINERS
	095012-10-000	EA	EXTENSION - VALVE STEM - 8.5" - FORD WHEEL LINERS
			FROM: 00-00-00 THRU: 11-23-98
	095012-09-000	EA	EXTENSION - VALVE STEM - 7.7" - FORD WHEEL LINERS
			FROM: 11-24-98 THRU: 99-99-99
	095012-07-000	EA	STABILIZER - VALVE EXTENSION - FORD WHEEL LINERS

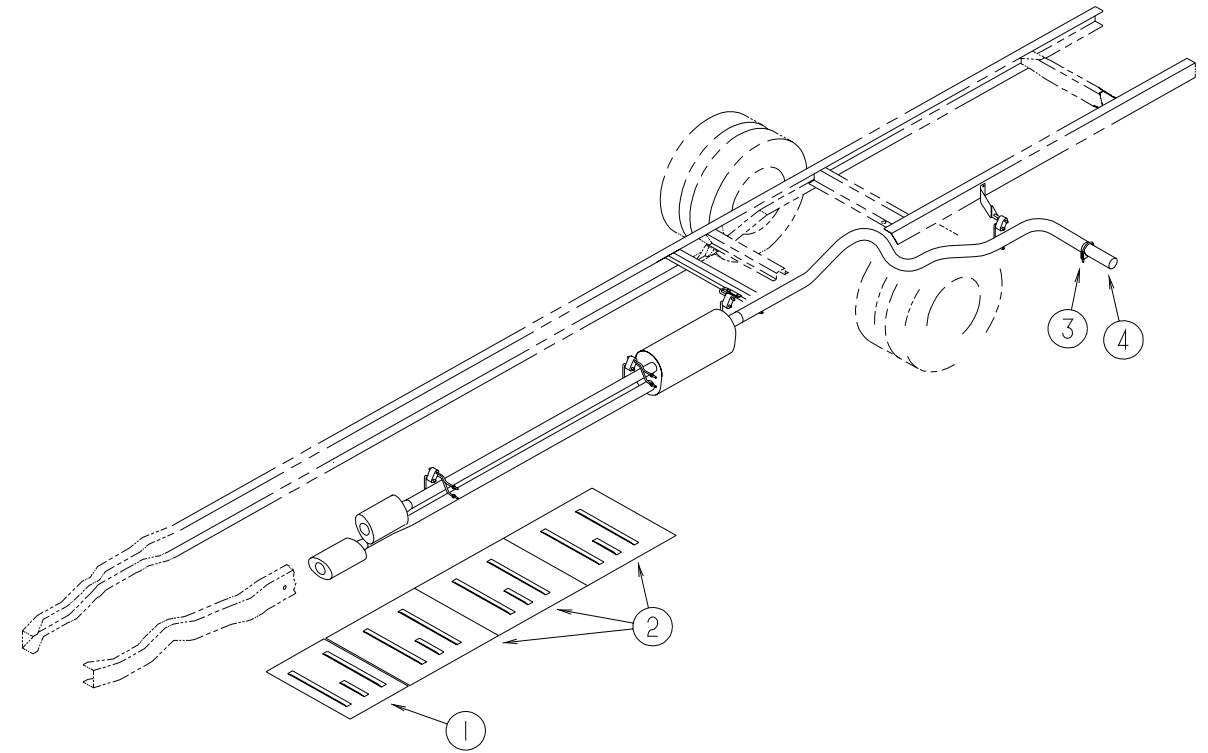
**CHASSIS GROUP (CONTINUED)**



**FORD EXHAUST SYSTEM**

KEY	PART NUMBER	U/M	DESCRIPTION
1	128756-01-02B	EA	SHIELD - HEAT EXHAUST - E-COATED
2	101544-02-000	EA	SHIELD - HEAT/EXHAUST - 30" X 29.1"
3	101544-01-000	EA	SHIELD - HEAT/EXHAUST - 19.7" X 29.1"

**CHASSIS GROUP (CONTINUED)**



**CHEVY EXHAUST SYSTEM**

KEY	PART NUMBER	U/M	DESCRIPTION
1	101544-01-000	EA	SHIELD - HEAT/EXHAUST - 19.7" X 29.1"
2	101544-02-000	EA	SHIELD - HEAT/EXHAUST - 30" X 29.1"
3	094918-01-000	EA	CLAMP - EXHAUST - 3" - GUILLOTINE STYLE
4	098762-11-000	EA	PIPE - EXHAUST - STRAIGHT - 3"

## CHASSIS GROUP (CONTINUED)

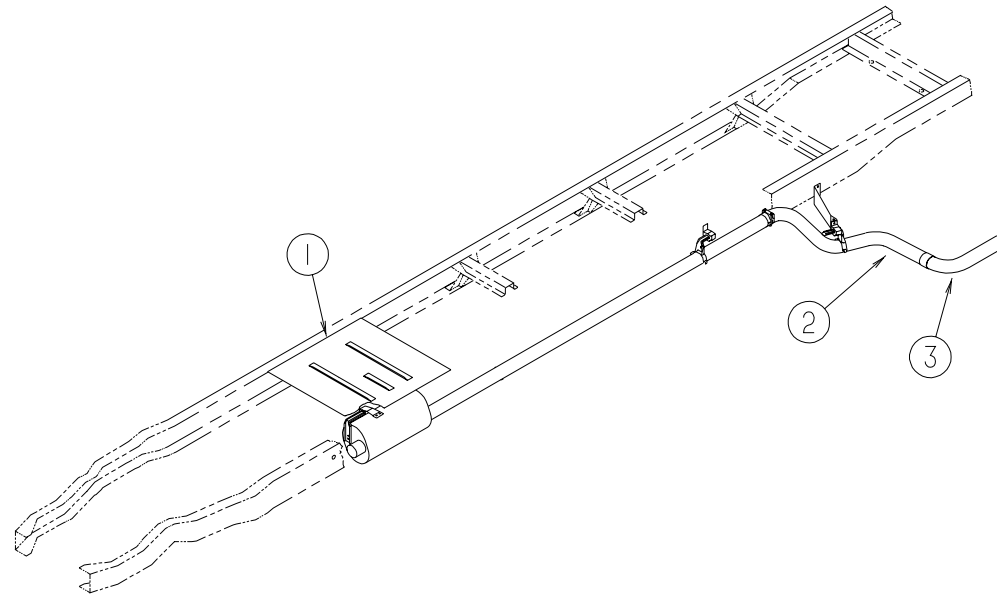
## CHASSIS GROUP (CONTINUED)

### SHOCKS & STABILIZER KIT - FRONT (FROM: 00-00-00 THRU: 04-04-99)

KEY	PART NUMBER	U/M DESCRIPTION	VENDOR NO.
	122756-02-000	EA SHOCK AND STABILIZER (BLUE BOOT) KIT - FRONT END P30 CHASS NOTE: ORDER 70139029000, FOR AFTER MARKET INSTALLATION	
	122756-02-700	EA BRACKET ASM - DRIVER SIDE	T818L
	122756-02-701	EA BRACKET ASM - PASSENGER SIDE	T818R
	122756-02-704	EA BOLT PACKAGE -BOLTS/NUTS ETC	T818B
	122756-02-705	EA SHOCK	T818SH
	122756-02-706	EA STUD - SHOCK MOUNTING	T818S
	122756-02-707	EA DAMPNER - STEERING	T818SD
	122756-02-708	EA BOOT - DAMPNER	T818SDB
	122756-02-709	EA BUSHING PKG-STEERING DAMPNER	T818SDBSH
	122756-02-710	EA BOLT PKG - STEERING DAMPNER	T818SBS

### SHOCKS & STABILIZER KIT - FRONT (FROM: 04-05-99 THRU: 99-99-99)

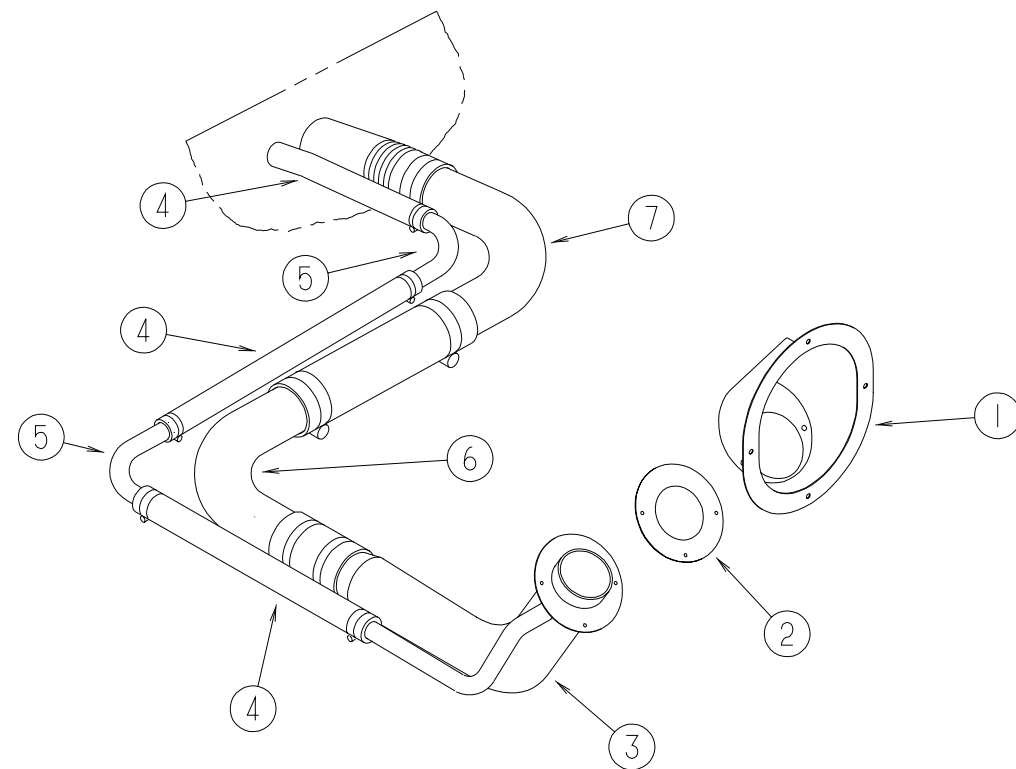
KEY	PART NUMBER	U/M DESCRIPTION	VENDOR NO.
	122756-03-000	EA SHOCK & STABILIZER KIT (YELLOW SHOCK) - CHEVY	
	122756-02-706	EA STUD - SHOCK MOUNTING	T818S
	122756-02-707	EA DAMPNER - STEERING	T818SD
	122756-02-708	EA BOOT - DAMPNER	T818SDB
	122756-02-709	EA BUSHING PKG-STEERING DAMPNER	T818SDBSH
	122756-02-710	EA BOLT PKG - STEERING DAMPNER	T818SBS
	122756-03-700	EA BRACKET ASM-DRIVER SIDE	T818L-3
	122756-03-701	EA BRACKET ASM-PASSENGER SIDE	T818R-3
	122756-03-702	EA SHOCK	557003



### CHEVY DIESEL EXHAUST SYSTEM

KEY	PART NUMBER	U/M DESCRIPTION
1	101544-02-000	EA SHIELD - HEAT/EXHAUST - 30" X 29.1"
2	122529-01-000	EA PIPE - EXHAUST
3	119119-01-000	EA PIPE - EXHAUST/TAIL 90 DEGREEE
	094918-01-000	EA CLAMP - EXHAUST - 3" - GUILLOTINE STYLE

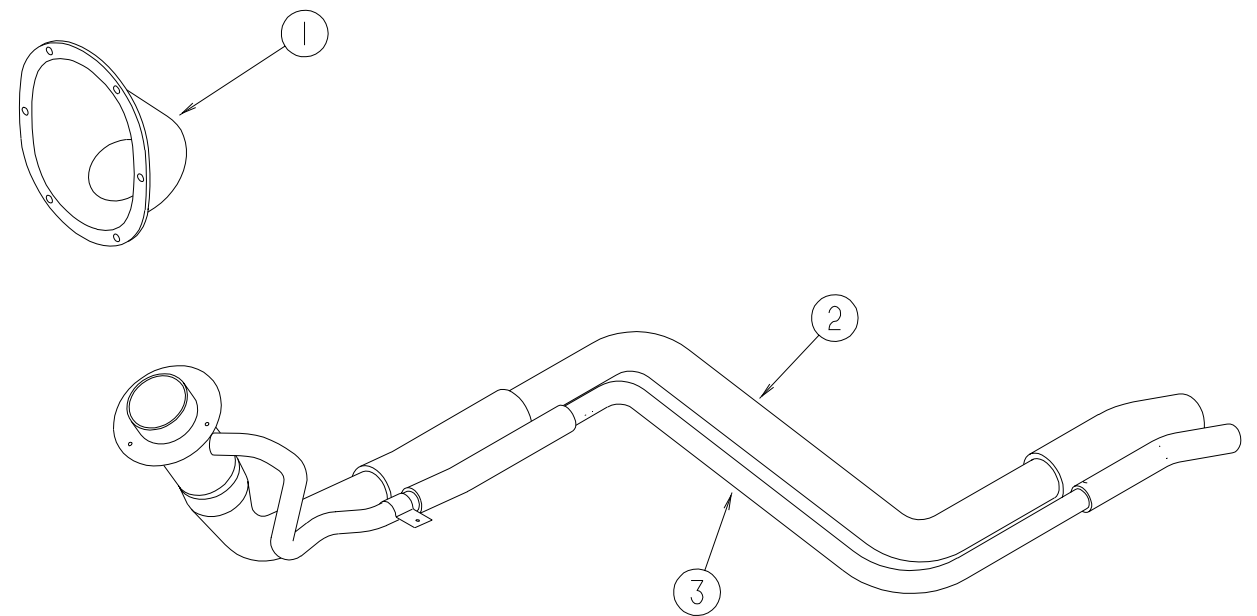
## CHASSIS GROUP (CONTINUED)



**CHEVY FUEL SYSTEM**

KEY	PART NUMBER	U/M	DESCRIPTION
1	127291-01-01A	EA	SHROUD - FUEL FILL - BRIGHT WHITE
2	078200-01-000	EA	GASKET - FUEL FILL - 3.5"OD X 2"ID
3	127301-03-000	EA	NECK - FUEL FILL
3	127301-04-000	EA	NECK - FUEL FILL - EUROPEAN EXPORT
4	128139-02-000	FT	HOSE - FUEL - LOW PERMEABILITY - 5/8" DIAMETER
5	098806-01-000	EA	PIPE - FILL VENT - 90 DEGREE BEND - .635 OD - STEEL
6	098803-01-000	EA	PIPE - FUEL FILL - 90 DEGREE BEND - 13.2" - 1 3/4" OD
7	098807-01-000	EA	PIPE - FUEL FILL - 90 DEGREE BEND - 6.6" - 1 3/4" OD
	084884-01-000	EA	PLUG - BRASS - 3/8"
	092889-34-000	EA	FUEL LINE - SUPPLY - GENERATOR - 1/4" X 87.8" - STEEL
	007063-01-000	FT	HOSE - FUEL - 1/4"ID X 1/2"OD
			FROM: 00-00-00 THRU: 01-25-99
	128139-03-000	FT	HOSE - FUEL - LOW PERMEABILITY - 1/4" DIAMETER
			FROM: 01-26-99 THRU: 99-99-99
	068382-06-000	EA	BUSHING - BRASS - 3/8"MPT X 1/8"FPT
	114254-01-000	EA	ADAPTER - 1/4 BARB X 1/8 MPT
	044317-01-000	FT	HOSE - FUEL - 3/8" ID

## CHASSIS GROUP (CONTINUED)



**FORD FUEL SYSTEM**

KEY	PART NUMBER	U/M	DESCRIPTION
1	127291-02-01A	EA	SHROUD - FUEL FILL - BRIGHT WHITE
2	129321-06-000	EA	TUBE - FUEL INLET
3	129320-06-000	EA	PIPE - VENT - FILL
	007063-01-000	FT	HOSE - FUEL - 1/4"ID X 1/2"OD
			FROM: 00-00-00 THRU: 01-25-99
	128139-03-000	FT	HOSE - FUEL - LOW PERMEABILITY - 1/4" DIAMETER
			FROM: 01-26-99 THRU: 99-99-99
	084884-01-000	EA	PLUG - BRASS - 3/8"
	092889-41-000	EA	FUEL LINE - SUPPLY - GENERATOR - 1/4" X 54.5" - STEEL

## CHASSIS GROUP (CONTINUED)

### LUG WRENCH & LEVERAGE BAR

KEY	PART NUMBER	U/M DESCRIPTION
	080208-02-000	EA BAR - LEVERAGE - LUG WRENCH - CHEVY/OSHKOSH
	080208-06-000	EA LUG WRENCH - 1" X 1.06" W/DEEP SOCKET ENDS

### CHASSIS MISCELLANEOUS

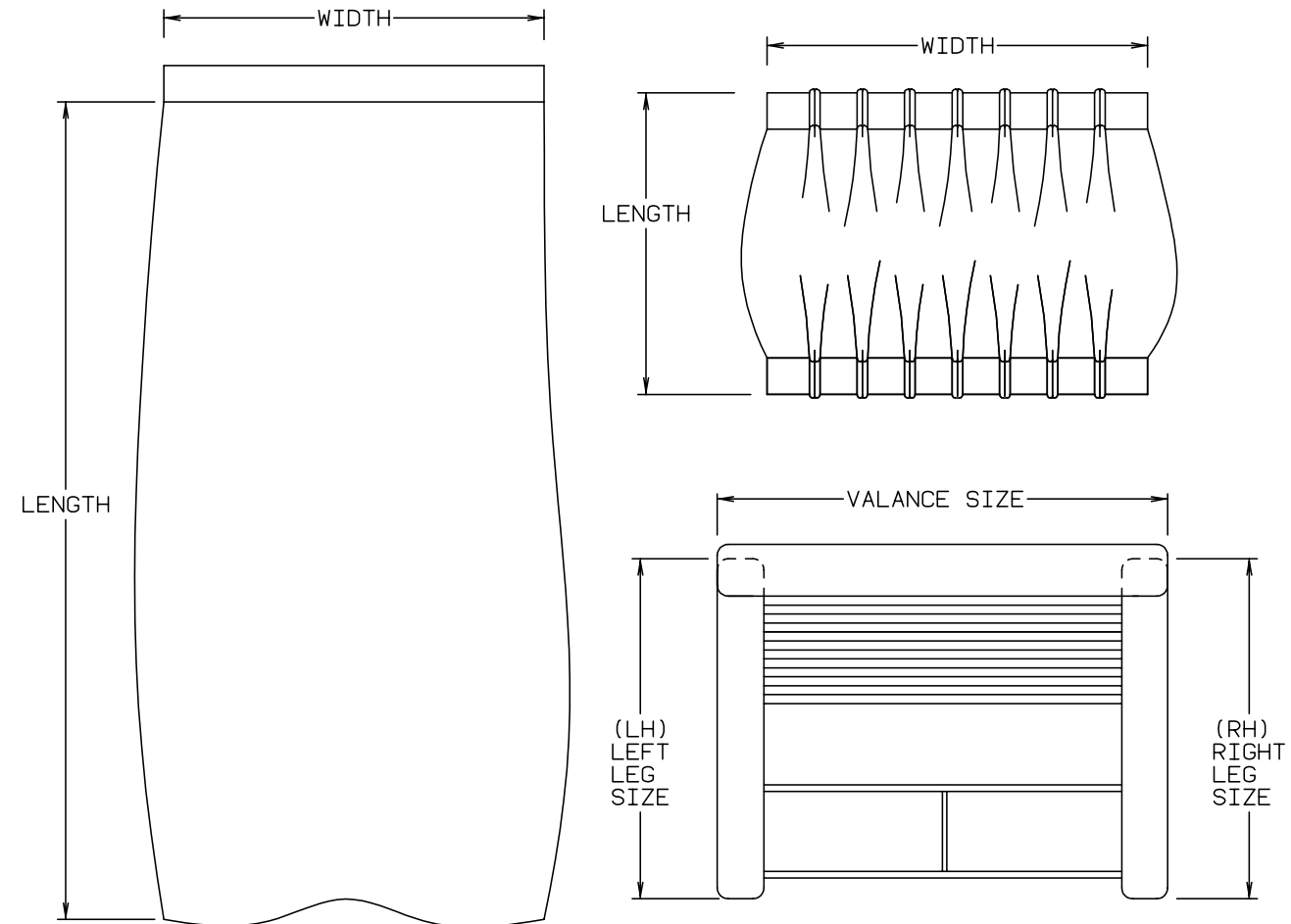
KEY	PART NUMBER	U/M DESCRIPTION
	008042-01-000	FT TUBING - VINYL - .65" ID
	008401-01-000	EA STRAP - CONDUIT - 3/4" - 1 HOLE - GALVANIZED STEEL
	075307-03-000	EA SHIELD - HEAT - LP
	053322-10-000	EA SHIELD - HEAT - EXHAUST - 48" X 7.5" - STEEL FROM: 00-00-00 THRU: 10-12-98 FROM: 10-13-98 THRU: 99-99-99
	113007-01-000	EA PIN - SPRING - .375 X 3"

## CURTAIN & CUSHION GROUP

### NOTICE

IN ORDER TO ASSIST OUR PARTS SALES DEPT. IN PROVIDING INTERIOR SOFTGOODS ITEMS, PLEASE INCLUDE THE SERIAL NUMBER AND THE COLOR CODE NUMBER FROM THE VEHICLE CERTIFICATION LABEL WHEN ORDERING. THIS LABEL IS LOCATED ON THE LEFT SIDEWALL AT THE END OF THE DASH (A-BODY), OR ON THE DRIVER'S DOOR LATCH PLATE (C-BODY).

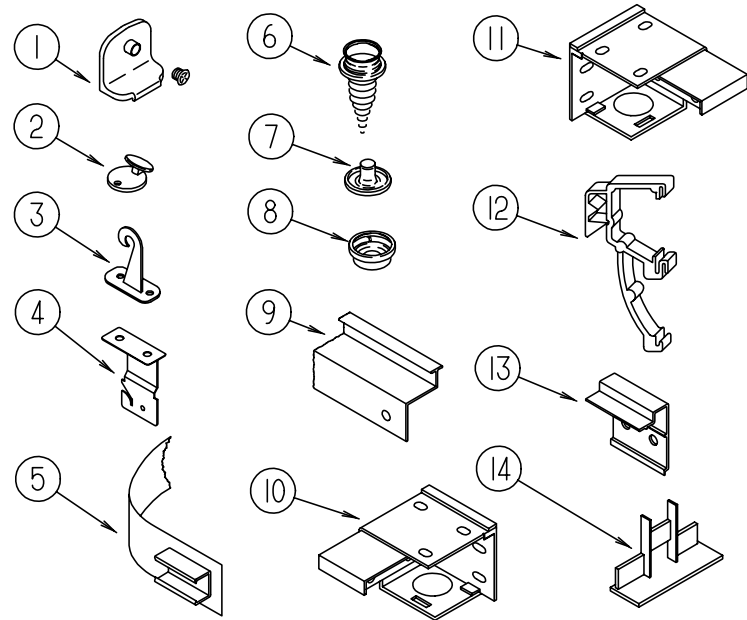
AN EXAMPLE OF A COLOR CODE NUMBER IS B07, WHICH DESIGNATES AN OVERALL COLOR SCHEME OF A PARTICULAR UNIT. THE COLOR LISTED AFTER THE ITEM DESCRIPTION ON THE MICROFICHE, INDICATES THE OVERALL UNIT COLOR. ORDER THE ITEM YOU DESIRE ACCORDING TO UNIT COLOR CODE.



NOTE: USE THIS ILLUSTRATION WHEN DETERMINING LENGTH AND WIDTH MEASUREMENTS FOR CURTAINS. YOU WILL NOTE THE WIDTH MEASUREMENT IS TAKEN ON THE TOP OF THE CURTAIN WITH THE CURTAIN FULLY EXTENDED. THE LENGTH MEASUREMENT IS TAKEN FROM TOP TO BOTTOM. LEFT AND RIGHT WINDOW LEGS ARE DETERMINED WHEN FACING THE WINDOW.

## CURTAIN & CUSHION GROUP (CONTINUED)

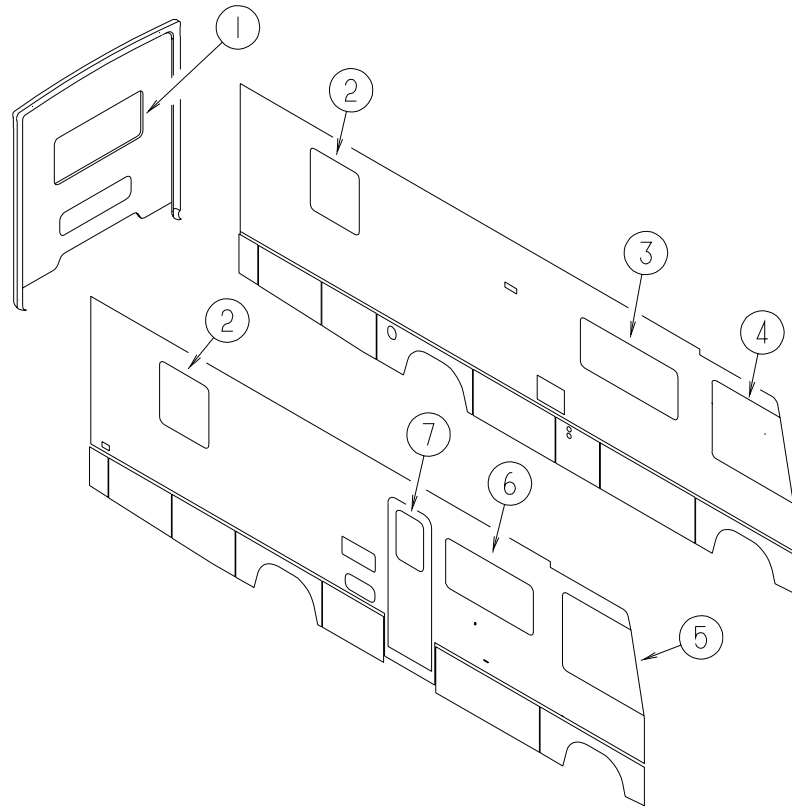
### CURTAIN, BLIND HARDWARE & TRACKS



KEY	PART NUMBER	U/M	DESCRIPTION
1	106544-01-000	EA	PULL - SHADE/BRASS
1	106544-01-001	EA	SCREW - SHADE/BRASS
2	102555-03-000	EA	CLEAT - BLIND CORD - MILKY WHITE PLASTIC
3	109441-03-000	EA	HOLD DOWN - BLIND (CLOUDY)
	109441-02-000	EA	HOLD DOWN-SPACER
4	084434-01-000	EA	BRACKET - MOUNTING - ROLLER SHADE - 1 3/8"
	096843-01-000	EA	SPRING - REWIND/ROLLER SHADE
	086276-01-000	EA	TAPE - DOUBLE SIDED - 1/2"
5	101031-01-000	YD	TAPE - GLIDE/CURTAIN - 4.25" SPACING
6	029130-01-000	EA	SCREW - SNAP SOCKET - #8 PH X 5/8"
6	029130-03-000	EA	SCREW - SNAP SOCKET - #8 PH X 1"
7	029155-01-000	EA	CAP - SNAP - 5/32" OUTSIDE DIAMETER OF PIN
8	029156-01-000	EA	SOCKET - SNAP - 9/16" O.D.
9	127254-01-02A	EA	TRACK - CURTAIN/RIGHT HAND - TITANIUM
			FROM: 00-00-00 THRU: 10-11-98
9	127254-13-02A	EA	TRACK - CURTAIN/RIGHT HAND - TITANIUM
			FROM: 10-12-98 THRU: 99-99-99
9	127254-02-02A	EA	TRACK - CURTAIN/LEFT HAND - TITANIUM
10	083170-01-000	EA	BRACKET - BLIND - LEFT SIDE WHEN FACING WINDOW
11	083170-02-000	EA	BRACKET - BLIND - RIGHT SIDE WHEN FACING WINDOW
12	109353-04-000	EA	CLIP - VALANCE SLAT MOUNTING - CLEAR PLASTIC
13	097565-01-000	EA	BRACKET - MOUNTING/PLEATED BLIND
14	094907-02-000	EA	END CAP - TOP/PLEATED BLIND - PLASTIC - GRAY
	097592-02-000	EA	SPOOL - CORD - ELEVATED BLIND HOLDUP - LARGE - CLEAR
	056003-01-000	EA	BRACKET - DRAPERY RETAINING - FRONT - METAL
	056003-02-000	EA	BRACKET - DRAPERY RETAINING - REAR - METAL
	083125-07-000	EA	BRACE - COUCH - 2.5" - OFF WHITE
			USED TO SUPPORT DINETTE PADS & CURTAIN LEGS
	083125-08-000	EA	BRACE - WINDOW MOUNT - 3/4 - OFF WHITE
	068716-01-001	EA	BRACE - 90 DEGREE L-ANGLE - 16'
	075943-06-000	EA	BRACE-L-SHAPED - 8" LONG - ALUMINUM - BEIGE
	094896-02-000	EA	GROMMET - CORD/PLEATED BLIND - NYLON - GRAY
	094907-04-000	EA	END CAP - BOTTOM/PLEATED BLIND (RH & LH)
	097564-03-000	EA	HANDLE - KNOB - E-Z LIFT SHADE - TAN (K50,K51,K53)
	097564-04-000	EA	HANDLE - KNOB - E-Z LIFT SHADE - NAVY (K52)
	097591-01-000	EA	SPRING - EXTENSION/PLEATED BLIND
	097593-02-000	FT	CORD - BLIND - PLEATED - GRAY (K50,K51,K53)
	097593-06-000	FT	CORD - BLIND - PLEATED - PEWTER (K52)
	095567-01-000	EA	TACK - STRIP - .5" X 625' ROLL
	105648-01-02A	EA	BRACE - VALANCE - OFF/WHITE - 14"

## CURTAIN & CUSHION GROUP (CONTINUED)

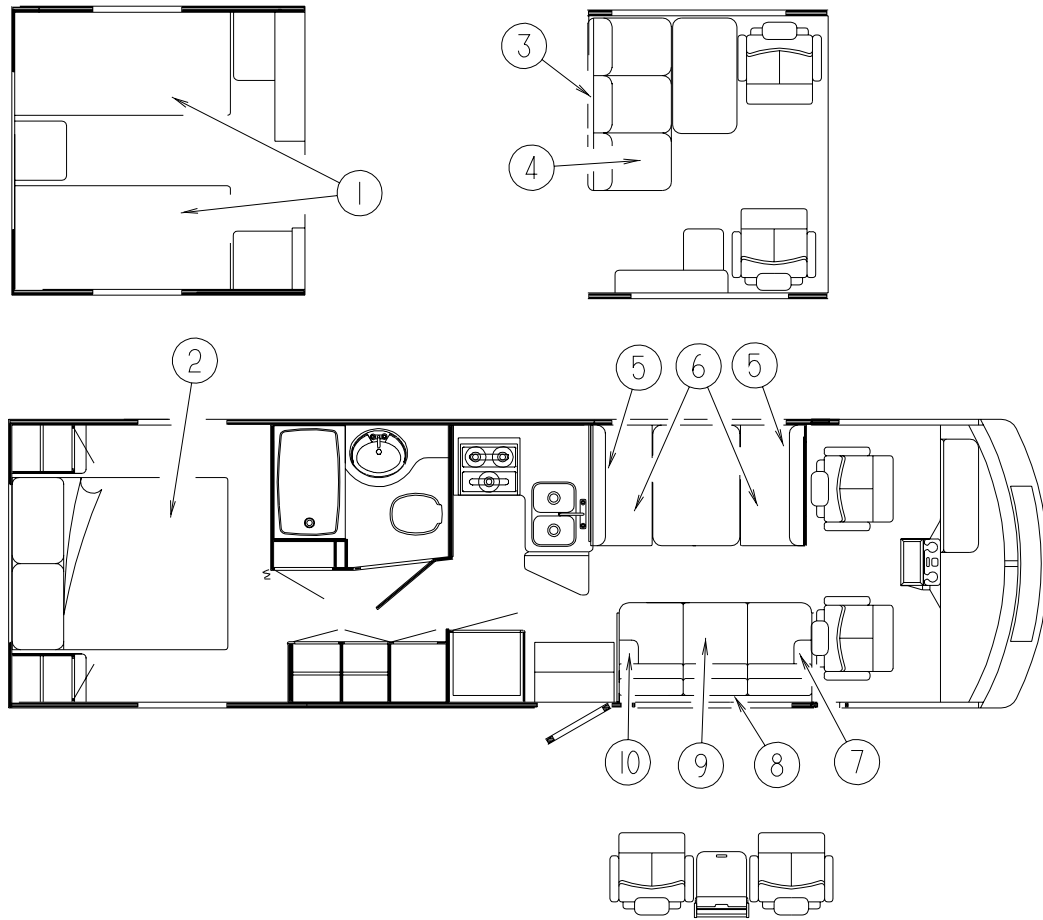
### WINDOW TREATMENT



KEY	PART NUMBER	U/M DESCRIPTION
1	127019-01-K20	EA VALANCE - SARAH - 53" (K50,K53)
1	127019-01-K21	EA VALANCE - SARAH - 53" (K51)
1	127019-01-K22	EA VALANCE - SARAH - 53" (K52)
1	127017-07-J06	EA LEG - RIGHT - 25" (K50,K53)
1	127017-07-K21	EA LEG - RIGHT - 25" (K51)
1	127017-07-J30	EA LEG - RIGHT - 25" (K52)
1	127017-08-J06	EA LEG - LEFT - 25" (K50,K53)
1	127017-08-K21	EA LEG - LEFT - 25" (K51)
1	127017-08-J30	EA LEG - LEFT - 25" (K52)
1	111910-62-K50	EA BLIND - DAY/NIGHTER - 49" X 27" (K50)
1	111910-62-K51	EA BLIND - DAY/NIGHTER - 49" X 27" (K51)
1	111910-62-K52	EA BLIND - DAY/NIGHTER - 49" X 27" (K52)
1	111910-62-K53	EA BLIND - DAY/NIGHTER - 49" X 27" (K53)
2	127019-02-K20	EA VALANCE - SARAH - 34" (K50,K53)
2	127019-02-K21	EA VALANCE - SARAH - 34" (K51)
2	127019-02-K22	EA VALANCE - SARAH - 34" (K52)
2	127017-09-J24	EA LEG - RIGHT - 34" (K50,K53)
2	127017-09-K21	EA LEG - RIGHT - 34" (K51)
2	127017-09-J30	EA LEG - RIGHT - 34" (K52)
2	127017-10-J24	EA LEG - LEFT - 34" (K50,K53)
2	127017-10-K21	EA LEG - LEFT - 34" (K51)
2	127017-10-J30	EA LEG - LEFT - 34" (K52)
2	111910-58-K50	EA BLIND - DAY/NIGHTER - 31" X 37"
2	111910-58-K51	EA BLIND - DAY/NIGHTER - 31" X 37"
2	111910-58-K52	EA BLIND - DAY/NIGHTER - 31" X 37"
2	111910-58-K53	EA BLIND - DAY/NIGHTER - 31" X 37"
3	119136-43-K20	EA VALANCE - STANWICK - 64.5" (K50)
3	119136-43-K21	EA VALANCE - STANWICK - 64.5" (K51)
3	119136-43-K22	EA VALANCE - STANWICK - 64.5" (K52)
3	119136-43-K53	EA VALANCE - STANWICK - 64.5" (K53)
3	127017-11-J06	EA LEG - RIGHT - 25" (K50)
3	127017-11-K21	EA LEG - RIGHT - 25" (K51)
3	127017-11-K22	EA LEG - RIGHT - 25" (K52)
3	127017-11-J04	EA LEG - RIGHT - 25" (K53)
3	127017-12-J06	EA LEG - LEFT - 25" (K50)
3	127017-12-K21	EA LEG - LEFT - 25" (K51)
3	127017-12-K22	EA LEG - LEFT - 25" (K52)
3	127017-12-J04	EA LEG - LEFT - 25" (K53)
3	111910-57-K50	EA BLIND - DAY/NIGHTER - 61" X 28.5"
3	111910-57-K51	EA BLIND - DAY/NIGHTER - 61" X 28.5"
3	111910-57-K52	EA BLIND - DAY/NIGHTER - 61" X 28.5"
3	111910-57-K53	EA BLIND - DAY/NIGHTER - 61" X 28.5"
4	101668-68-J38	EA CURTAIN - LEFT HAND - 42" X 106"
5	101668-67-J38	EA CURTAIN - RIGHT HAND - 42" X 106"
	073260-42-D10	EA TIEBACK - 6" X 18"
6	119136-50-K20	EA VALANCE - STANWICK - 58.5" (K50)
6	119136-50-K21	EA VALANCE - STANWICK - 58.5" (K51)
6	119136-50-K22	EA VALANCE - STANWICK - 58.5" (K52)
6	119136-50-K53	EA VALANCE - STANWICK - 58.5" (K53)
6	127017-11-J06	EA LEG - RIGHT - 25" (K50)
6	127017-11-K21	EA LEG - RIGHT - 25" (K51)
6	127017-11-K22	EA LEG - RIGHT - 25" (K52)
6	127017-11-J04	EA LEG - RIGHT - 25" (K53)
6	127017-12-J06	EA LEG - LEFT - 25" (K50)
6	127017-12-K21	EA LEG - LEFT - 25" (K51)
6	127017-12-K22	EA LEG - LEFT - 25" (K52)
6	127017-12-J04	EA LEG - LEFT - 25" (K53)
6	111910-60-K50	EA BLIND - DAY/NIGHTER - 55" X 28.5" (K50)
6	111910-60-K51	EA BLIND - DAY/NIGHTER - 55" X 28.5" (K51,K53)
6	111910-60-K52	EA BLIND - DAY/NIGHTER - 55" X 28.5" (K52)
7	119136-51-K20	EA VALANCE - STANWICK - 33.75" (K50)
7	119136-51-K21	EA VALANCE - STANWICK - 33.75" (K51)
7	119136-51-K22	EA VALANCE - STANWICK - 33.75" (K52)
7	119136-51-K53	EA VALANCE - STANWICK - 33.75" (K53)
7	120820-36-K20	EA VALANCE - 15" X 33.75" - W/CLOCK CUTOUT (K50)
7	120820-36-K21	EA VALANCE - 15" X 33.75" - W/CLOCK CUTOUT (K51)
7	120820-36-K22	EA VALANCE - 15" X 33.75" - W/CLOCK CUTOUT (K52)
7	120820-36-K53	EA VALANCE - 15" X 33.75" - W/CLOCK CUTOUT (K53)
7	084755-57-E07	EA SHADE - PULL - 27.25"



## CURTAIN & CUSHION GROUP (CONTINUED)



### DRIVER SIDE SOFA/BED

KEY	PART NUMBER	U/M	DESCRIPTION
3	114969-01-J06	EA	BACK ONLY - COMPLETE - SOFA/BED (K50)
3	114969-01-K21	EA	BACK ONLY - COMPLETE - SOFA/BED (K51)
3	114969-01-K22	EA	BACK ONLY - COMPLETE - SOFA/BED (K52)
3	114969-01-K53	EA	BACK ONLY - COMPLETE - SOFA/BED (K53)
	114969-02-J06	EA	BACK - SOFA/BED - RIGHT & LEFT CUSHIONS (K50)
	114969-02-K21	EA	BACK - SOFA/BED - RIGHT & LEFT CUSHIONS (K51)
	114969-02-K22	EA	BACK - SOFA/BED - RIGHT & LEFT CUSHIONS (K52)
	114969-02-K53	EA	BACK - SOFA/BED - RIGHT & LEFT CUSHIONS (K53)
	P14969-02-J06	EA	COVER - BACK - RIGHT/LEFT CUSHION - SOFA/BED (K50)
	P14969-02-K21	EA	COVER - BACK - RIGHT/LEFT CUSHION - SOFA/BED (K51)
	P14969-02-K22	EA	COVER - BACK - RIGHT/LEFT CUSHIONS - SOFA/BED (K52)
	P14969-02-K53	EA	COVER - BACK - RIGHT/LEFT CUSHIONS - SOFA/BED (K23)
	114763-03-000	EA	FRAME-FORWARD FACE BACK END
	114763-05-000	EA	FRAME-FORWARD FACE HINGE LT
	114763-06-000	EA	FRAME-FORWARD FACE HINGE RT
	114969-03-J06	EA	BACK - SOFA/BED - CENTER CUSHION (K50)
	114969-03-K21	EA	BACK - SOFA/BED - CENTER CUSHION (K51)
	114969-03-K22	EA	BACK - SOFA/BED - CENTER CUSHION (K52)
	114969-03-K53	EA	BACK - SOFA/BED - CENTER CUSHION (K53)
	P14969-03-J06	EA	COVER - CENTER BACK CUSHION - FORWARD FACING (K50)
	P14969-03-K21	EA	COVER - CENTER BACK CUSHION - FORWARD FACING (K51)
	P14969-03-K22	EA	COVER - CENTER BACK CUSHION - FORWARD FACING (K52)
	P14969-03-K53	EA	COVER - CENTER BACK CUSHION - FORWARD FACING (K53)
	114763-04-000	EA	FRAME-FORWARD FACE BACK CNT
	114726-01-K07	EA	TRAY - BEVERAGE
	114763-07-000	EA	FRAME - FORWARD FACING LEGS - SOFA/BED
	114763-09-000	EA	FRAME - JACKKNIFE FRAME - W/8" LEGS
	120962-01-000	EA	BRACKET - QUICK RELEASE CLAMP
4	114969-04-J06	EA	SEAT - SOFA/BED - W/O BACKREST (K50)
4	114969-04-K21	EA	SEAT - SOFA/BED - W/O BACKREST (K51)
4	114969-04-K22	EA	SEAT - SOFA/BED - W/O BACKREST (K52)
4	114969-04-K53	EA	SEAT - SOFA/BED - W/O BACKREST (K53)
	P14969-04-J06	EA	COVER - SEAT - SOFA/BED (K50)
	P14969-04-K21	EA	COVER - SEAT - SOFA/BED (K51)
	P14969-04-K22	EA	COVER - SEAT - SOFA/BED (K52)
	P14969-04-K53	EA	COVER - SEAT - SOFA/BED (K53)
	114763-01-000	EA	FRAME - FORWARD FACING BASE - SOFA/BED
	114763-02-000	EA	FRAME - FORWARD FACING SEAT - SOFA/BED
	116631-02-02B	EA	PLATE - W/HOLES - E-COATED

**NOTE: COUCH FRONT AND SIDE PANELS ARE FOUND IN THE LOUNGE GROUP**

### TWIN MATTRESS & BEDSPREAD

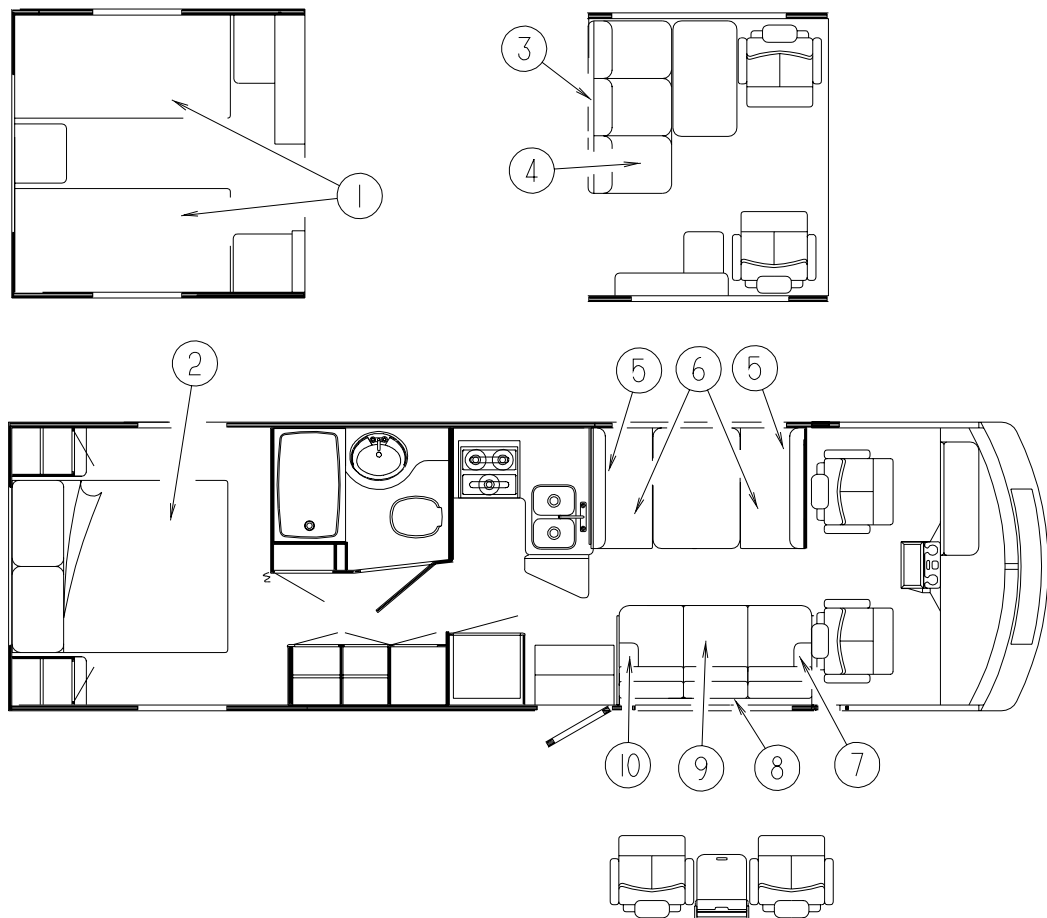
KEY	PART NUMBER	U/M	DESCRIPTION
1	123015-03-000	EA	MATTRESS - INNERSPRING - 36" X 74.5"
1	123471-21-J06	EA	BEDSPREAD/THROW - 36" X 75" (K50,K53)
1	123471-21-J01	EA	BEDSPREAD/THROW - 36" X 75" (K51)
1	123471-21-K22	EA	BEDSPREAD/THROW - 36" X 75" (K52)
	111863-13-K20	EA	PILLOW SHAM - 22" X 37" (K50,K53)
	111863-13-K21	EA	PILLOW SHAM - 22" X 37" (K51)
	111863-13-K22	EA	PILLOW SHAM - 22" X 37" (K52)
	103669-24-K20	EA	PILLOW - 14" X 14" (K50,K53)
	103669-24-K21	EA	PILLOW - 14" X 14" (K51)
	103669-24-K22	EA	PILLOW - 14" X 14" (K52)

### QUEEN MATTRESS & BEDSPREAD

KEY	PART NUMBER	U/M	DESCRIPTION
2	123015-06-000	EA	MATTRESS - INNERSPRING - 60" X 74.5"
2	123471-08-J06	EA	BEDSPREAD/THROW - 60" X 75" (K50,K53)
2	123471-08-J01	EA	BEDSPREAD/THROW - 60" X 75" (K51)
2	123471-08-K22	EA	BEDSPREAD/THROW - 60" X 75" (K52)
	111863-12-K20	EA	PILLOW SHAM - 20" X 33" (K50,K53)
	111863-12-K21	EA	PILLOW SHAM - 20" X 33" (K51)
	111863-12-K22	EA	PILLOW SHAM - 20" X 33" (K52)
	103669-24-K20	EA	PILLOW - 14" X 14" (K50,K53)
	103669-24-K21	EA	PILLOW - 14" X 14" (K51)
	103669-24-K22	EA	PILLOW - 14" X 14" (K52)

**CURTAIN & CUSHION GROUP (CONTINUED)**

**DINETTE CUSHIONS**



KEY	PART NUMBER	U/M DESCRIPTION
5	111897-05-J06	EA CUSHION - BACK - 13.5" X 42" X 5" (K50)
5	111897-05-K21	EA CUSHION - BACK - 13.5" X 42" X 5" (K51)
5	111897-05-K22	EA CUSHION - BACK - 13.5" X 42" X 5" (K52)
5	111897-05-K53	EA CUSHION - BACK - 13.5" X 42" X 5" (K53)
	P11897-05-J06	EA COVER - BACK - 13.5" X 42" X 5" (K50)
	P11897-05-K21	EA COVER - BACK - 13.5" X 42" X 5" (K51)
	P11897-05-K22	EA COVER - BACK - 13.5" X 42" X 5" (K52)
	P11897-05-K53	EA COVER - BACK - 13.5" X 42" X 5" (K53)
6	105603-15-J06	EA CUSHION - SEAT - 23" X 42" X 5" (K50)
6	105603-15-K21	EA CUSHION - SEAT - 23" X 42" X 5" (K51)
6	105603-15-K22	EA CUSHION - SEAT - 23" X 42" X 5" (K52)
6	105603-15-K53	EA CUSHION - SEAT - 23" X 42" X 5" (K53)
	P05603-15-J06	EA COVER - SEAT - 23" X 42" X 5" (K50)
	P05603-15-K21	EA COVER - SEAT - 23" X 42" X 5" (K51)
	P05603-15-K22	EA COVER - SEAT - 23" X 42" X 5" (K52)
	P05603-15-K53	EA COVER - SEAT - 23" X 42" X 5" (K53)

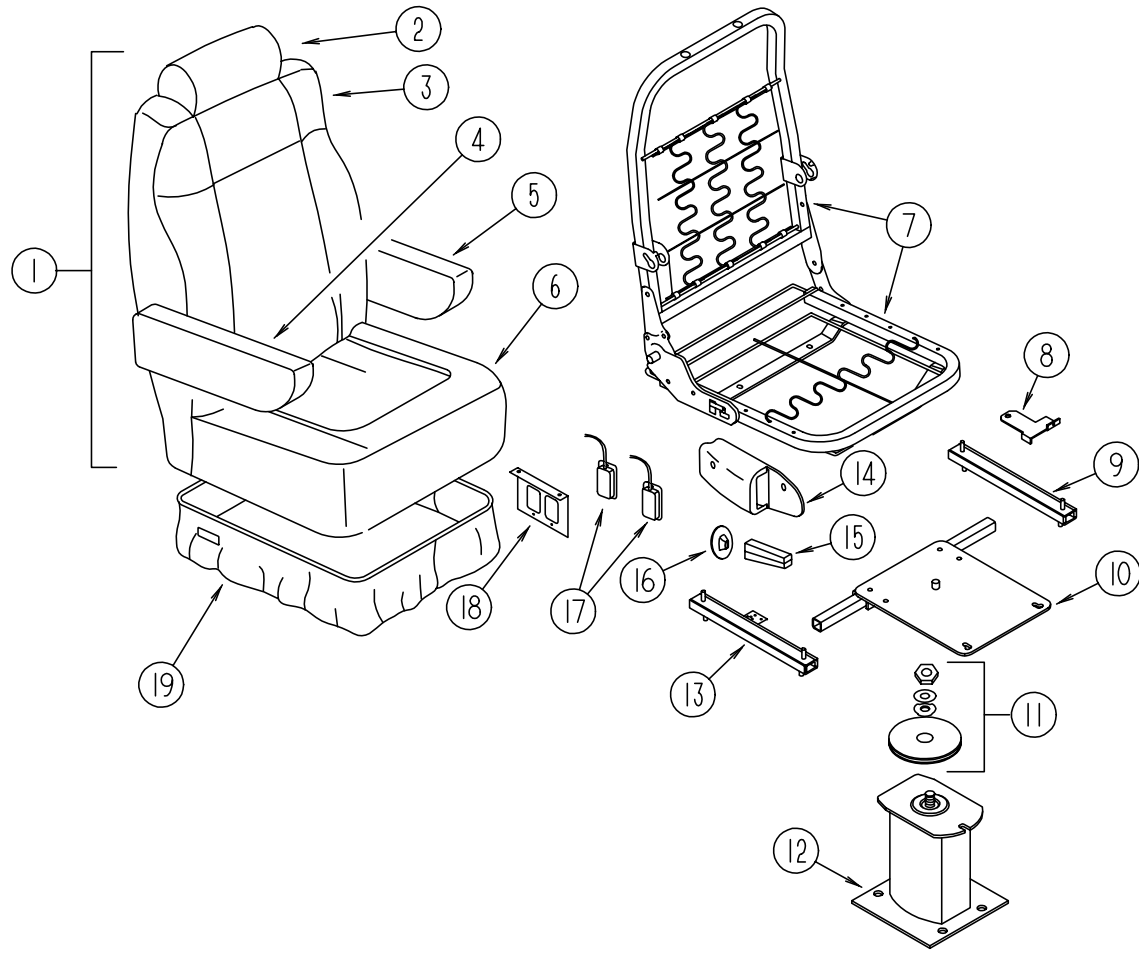
**PASSENGER SIDE SOFA/BED**

KEY	PART NUMBER	U/M DESCRIPTION
7	130718-01-K20	EA ARMREST - REMOVABLE/RIGHT HAND (K50)
7	130718-01-K21	EA ARMREST - REMOVABLE RIGHT HAND (K51)
7	130718-01-K22	EA ARMREST - REMOVABLE/RIGHT HAND (K52)
7	130718-01-K53	EA ARMREST - REMOVABLE/RIGHT HAND (K53)
	P30718-01-K20	EA COVER - ARMREST - REMOVABLE/RIGHT HAND (K50)
	P30718-01-K21	EA COVER - ARMREST - REMOVABLE/RIGHT HAND (K51)
	P30718-01-K22	EA COVER - ARMREST - REMOVABLE/RIGHT HAND (K52)
	P30718-01-K53	EA COVER - ARMREST - REMOVABLE/RIGHT HAND (K53)
	127335-08-000	EA BRACKET - REMOVABLE ARM/COUCH
	127335-09-000	EA BRACKET - REMOVABLE ARM/CUSHION
8	130573-03-K20	EA BED - BACK - 67.5" (K50)
8	130573-03-K21	EA BED - BACK - 67.5" (K51)
8	130573-03-K22	EA BED - BACK - 67.5" (K52)
8	130573-03-K53	EA BED - BACK - 67.5" (K53)
	P30573-03-K20	EA COVER - BACK - 67.5" (K50)
	P30573-03-K21	EA COVER - BACK - 67.5" (K51)
	P30573-03-K22	EA COVER - BACK - 67.5" (K52)
	P30573-03-K53	EA COVER - BACK - 67.5" (K53)
9	130573-04-K20	EA BED - SEAT - 67.5" (K50)
9	130573-04-K21	EA BED - SEAT - 67.5" (K51)
9	130573-04-K22	EA BED - SEAT - 67.5" (K52)
9	130573-04-K53	EA BED - SEAT - 67.5" (K53)
	P30573-04-K20	EA COVER - SEAT - 67.5" (K50)
	P30573-04-K21	EA COVER - SEAT - 67.5" (K51)
	P30573-04-K22	EA COVER - SEAT - 67.5" (K52)
	P30573-04-K53	EA COVER - SEAT - 67.5" (K53)
	127335-12-000	EA FRAME-10" LEG
10	130718-02-K20	EA ARMREST - REMOVABLE/LEFT HAND (K50)
10	130718-02-K21	EA ARMREST - REMOVABLE/LEFT HAND (K51)
10	130718-02-K22	EA ARMREST - REMOVABLE/LEFT HAND (K52)
10	130718-02-K53	EA ARMREST - REMOVABLE/LEFT HAND (K53)
	P30718-02-K20	EA COVER - ARMREST - REMOVABLE/LEFT HAND (K50)
	P30718-02-K21	EA COVER - ARMREST - REMOVABLE/LEFT HAND (K51)
	P30718-02-K22	EA COVER - ARMREST - REMOVABLE/LEFT HAND (K52)
	P30718-02-K53	EA COVER - ARMREST - REMOVABLE/LEFT HAND (K53)
	127335-08-000	EA BRACKET - REMOVABLE ARM/COUCH
	127335-09-000	EA BRACKET - REMOVABLE ARM/CUSHION
	111637-15-K50	EA PILLOW - 14" X 14" (K50)
	111637-15-K51	EA PILLOW - 14" X 14" (K51)
	111637-15-K52	EA PILLOW - 14" X 14" (K52)
	111637-15-J16	EA PILLOW - 14" X 14" (K53)

**NOTE: COUCH FRONT AND SIDE PANELS ARE FOUND IN THE LOUNGE GROUP**

## CURTAIN & CUSHION GROUP (CONTINUED)

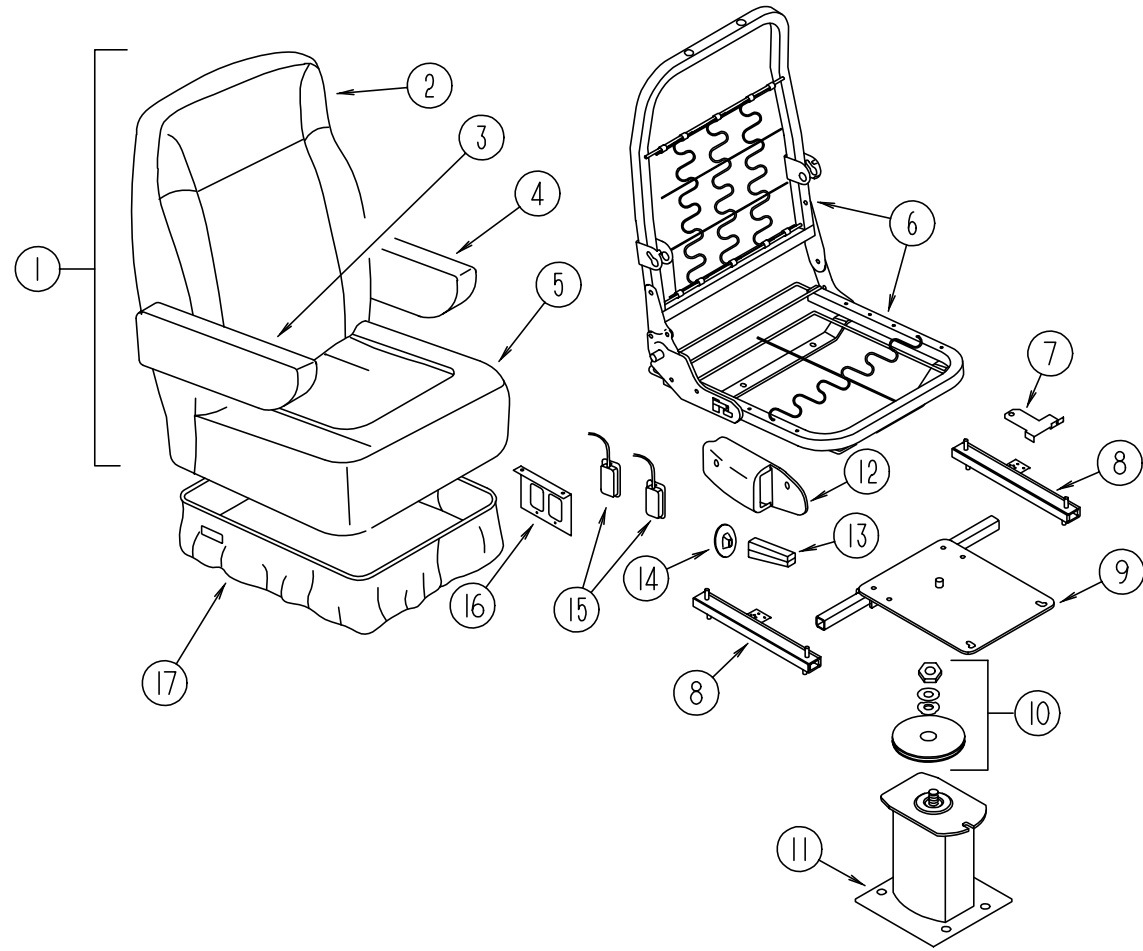
### LOUNGE SWIVEL CHAIR



KEY	PART NUMBER	U/M	DESCRIPTION
1	127540-12-K20	EA	SEAT - BUCKET - MANUAL RECLINE - WIDE (K50)
1	127540-12-K21	EA	SEAT - BUCKET - MANUAL RECLINE - WIDE (K51)
1	127540-12-K22	EA	SEAT - BUCKET - MANUAL RECLINE - WIDE (K52)
1	127540-05-K53	EA	SEAT - BUCKET - MANUAL RECLINE/LOUNGE CHAIR - WIDE (K53)
2	127601-02-K20	EA	HEADREST (K50)
2	127601-02-K21	EA	HEADREST (K51)
2	127601-02-K22	EA	HEADREST (K52)
2	127601-01-J16	EA	HEADREST (K53)
	P27601-02-K48	EA	COVER - HEADREST (K50)
	P27601-02-K21	EA	COVER - HEADREST (K51)
	P27601-02-K22	EA	COVER - HEADREST (K52)
	P27601-01-J16	EA	COVER - HEADREST (K53)
3	M05962-67-K20	EA	COVER - BACK (K50)
3	M05962-67-K21	EA	COVER - BACK (K51)
3	M05962-67-K22	EA	COVER - BACK (K52)
3	M05962-65-K53	EA	COVER - BACK (K53)
4	122780-01-K06	EA	ARMREST - RIGHT HAND (K50)
4	122780-01-H30	EA	ARMREST - RIGHT HAND (K51)
4	122780-01-K22	EA	ARMREST - RIGHT HAND (K52)
4	122780-01-K53	EA	ARMREST - RIGHT HAND (K53)
	P22780-01-K06	EA	COVER - ARMREST - RIGHT HAND (K50)
	P22780-01-H30	EA	COVER - ARMREST - RIGHT HAND (K51)
	P22780-01-K22	EA	COVER - ARMREST - RIGHT HAND (K52)
	P22780-01-K53	EA	COVER - ARMREST - RIGHT HAND (K53)
	115617-03-000	EA	ARMREST - W/O COVER - RIGHT HAND
5	122780-02-J06	EA	ARMREST - LEFT HAND (K50)
5	122780-02-J26	EA	ARMREST - LEFT HAND (K51)
5	122780-02-K22	EA	ARMREST - LEFT HAND (K52)
5	122780-02-H54	EA	ARMREST - LEFT HAND (K53)
	P22780-02-J06	EA	COVER - ARMREST - LEFT HAND (K50)
	P22780-02-J26	EA	COVER - ARMREST - LEFT HAND (K51)
	P22780-02-K22	EA	COVER - ARMREST - LEFT HAND (K52)
	P22780-02-H54	EA	COVER - ARMREST - LEFT HAND (K53)
	115617-04-000	EA	ARMREST - W/O COVER - LEFT HAND
6	M05962-68-K20	EA	COVER - SEAT (K50)
6	M05962-68-K21	EA	COVER - SEAT (K51)
6	M05962-68-K22	EA	COVER - SEAT (K52)
6	M05962-66-K53	EA	COVER - SEAT (K53)
7	122695-01-01B	EA	FRAME - SEAT/BACK
8	117125-01-02B	EA	BRACKET - CABLE MOUNT - ADJUSTER W/LOCK
9	119952-02-000	EA	SLIDE/SEAT - HEAVY DUTY NON LOCKING
	119952-07-000	EA	WIRE - LATCH RELEASE/ROTARY
10	107921-05-000	EA	PLATE - TOP - W/SEAT BELT BAR
11	107921-06-000	EA	BEARING KIT - PEDESTAL
12	107921-01-000	EA	PEDESTAL/FLOOR MOUNTED - W/9.75" EXTENSION
13	119952-04-000	EA	SLIDE/SEAT - HEAVY DUTY LOCKING - 4 STUDS
14	080730-09-000	EA	SHIELD - RECLINER HANDLE
15	080730-08-000	EA	HANDLE - RECLINER
16	080730-11-000	EA	SHIELD - RUBBER BOOT
17	108049-04-000	EA	CABLE - W/SWITCHES - W/26" MINI LEVER ACTION
	108049-02-000	EA	CLIP - CABLE/PEDESTAL
18	127159-02-02B	EA	BRACKET - SEAT RELEASE - DUAL REMOTE
19	071126-66-K48	EA	SKIRT - BUCKET/LARGE (K50)
19	071126-66-J45	EA	SKIRT - BUCKET/LARGE (K51)
19	071126-66-K22	EA	SKIRT - BUCKET/LARGE (K52)
19	071126-66-J16	EA	SKIRT - BUCKET/LARGE (K53)
	108445-02-000	EA	PLATE/FLOOR MOUNTED - PEDESTAL SEAT

## CURTAIN & CUSHION GROUP (CONTINUED)

### BUCKET SEAT W/O LUMBAR



KEY	PART NUMBER	U/M	DESCRIPTION
1	129664-01-K20	EA	SEAT - BUCKET - WIDE - MANUAL RECLINING (K50)
1	129664-01-K21	EA	SEAT - BUCKET - WIDE - MANUAL RECLINING (K51)
1	129664-01-K22	EA	SEAT - BUCKET - WIDE - MANUAL RECLINING (K52)
1	129664-03-K53	EA	SEAT - BUCKET - WIDE (K53)
2	M05962-80-K20	EA	COVER - BACK (K50)
2	M05962-80-K21	EA	COVER - BACK (K51)
2	M05962-80-K22	EA	COVER - BACK (K52)
2	M05962-84-K53	EA	COVER - BACK (K53)
3	129666-01-K48	EA	ARMREST - RIGHT HAND (K50)
3	129666-01-K21	EA	ARMREST - RIGHT HAND (K51)
3	129666-01-K22	EA	ARMREST - RIGHT HAND (K52)
3	129666-01-K53	EA	ARMREST - RIGHT HAND (K53)
	P29666-01-K48	EA	COVER - ARMREST/RIGHT HAND (K50)
	P29666-01-K21	EA	COVER - ARMREST/RIGHT HAND (K51)
	P29666-01-K22	EA	COVER - ARMREST/RIGHT HAND (K52)
	P29666-01-K53	EA	COVER - ARMREST/RIGHT HAND (K53)
4	129666-02-K48	EA	ARMREST - LEFT HAND (K50)
4	129666-02-K21	EA	ARMREST - LEFT HAND (K51)
4	129666-02-K22	EA	ARMREST - LEFT HAND (K52)
4	129666-02-K53	EA	ARMREST - LEFT HAND (K53)
	P29666-02-K48	EA	COVER - ARMREST/LEFT HAND (K50)
	P29666-02-K21	EA	COVER - ARMREST/LEFT HAND (K51)
	P29666-02-K22	EA	COVER - ARMREST/LEFT HAND (K52)
	P29666-02-K53	EA	COVER - ARMREST/LEFT HAND (K53)
5	M05962-81-K20	EA	COVER - SEAT (K50)
5	M05962-81-K21	EA	COVER - SEAT (K51)
5	M05962-81-K22	EA	COVER - SEAT (K52)
5	M05962-85-K53	EA	COVER - SEAT (K53)
6	122695-01-01B	EA	FRAME - SEAT/BACK
7	117125-01-02B	EA	BRACKET - CABLE MOUNT - ADJUSTER W/LOCK
8	119952-04-000	EA	SLIDE/SEAT - HEAVY DUTY LOCKING - 4 STUDS
	119952-07-000	EA	WIRE - LATCH RELEASE/ROTARY
9	107921-05-000	EA	PLATE - TOP - W/SEAT BELT BAR
10	107921-06-000	EA	BEARING KIT - PEDESTAL
11	107921-01-000	EA	PEDESTAL/FLOOR MOUNTED - W/9.75" EXTENSION
12	080730-09-000	EA	SHIELD - RECLINER HANDLE
13	080730-08-000	EA	HANDLE - RECLINER
14	080730-11-000	EA	SHIELD - RUBBER BOOT
15	108049-04-000	EA	CABLE - W/SWITCHES - W/26" MINI LEVER ACTION
	108049-02-000	EA	CLIP - CABLE/PEDESTAL
16	127159-02-02B	EA	BRACKET - SEAT RELEASE - REMOTE
17	071126-68-K48	EA	SKIRT - WIDE - 10.5" OPEN CORNER (STANDARD & 6-WAY POWER) (K50)
17	071126-68-K21	EA	SKIRT - WIDE - 10.5" OPEN CORNER (STANDARD & 6-WAY POWER) (K51)
17	071126-68-K22	EA	SKIRT - WIDE - 10.5" OPEN CORNER (STANDARD & 6-WAY POWER) (K52)
17	071126-68-K53	EA	SKIRT - WIDE - 10.5" OPEN CORNER (STANDARD & 6-WAY POWER) (K53)

**CURTAIN & CUSHION GROUP (CONTINUED)**

**BUTTON, TRIM, ASSIST HANDLE & SEAT BELT**

KEY	PART NUMBER	U/M DESCRIPTION
	070578-02-B10	EA BUTTON - SCREW - STUD - #30 VINYL
	079349-04-J06	YD WELT - NARROW (K50)
	079349-04-H17	YD WELT - NARROW (K51)
	079349-04-K22	YD WELT - NARROW (K52)
	079349-04-H87	YD WELT - NARROW (K53)
	007021-01-000	EA SEAT BELT - 2" X 90" - BLACK
	056271-01-000	EA SEAT BELT - 2" X 102" - BLACK
	057759-01-000	EA WASHER - FLAT F/SEAT BELT - 4" DIAMETER
	069178-02-000	EA BRACKET - MOUNTING/ASSIST HANDLE - GRAY
	000C16-07-16B	EA BOLT - CARRIAGE - ASSIST HANDLE - 7/16" - 14 X 1"
	000D20-07-00B	EA NUT - ACORN - ASSIST HANDLE - 7/16 - 14
	053552-02-K01	EA HANDLE - ASSIST - INTERIOR/ENTRY DOOR - VINYL/OFF WHITE

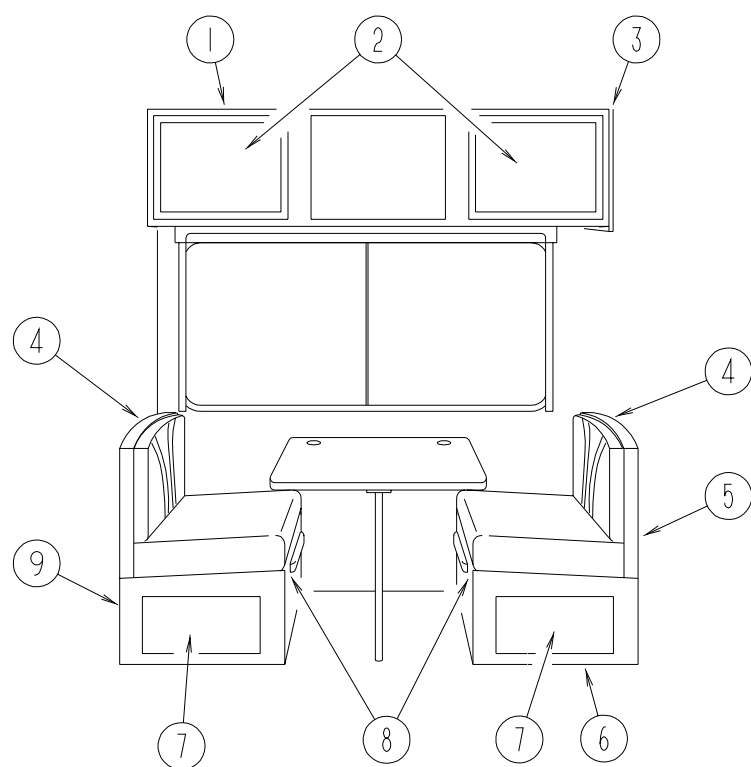
**CURTAIN & CUSHION GROUP (CONTINUED)**

SUNRISE FABRIC				
COLOR CODES	K50	K51	K52	K53
	MINK (TAUPE)	ASPEN (GREEN)	PRISM (BLUE)	TUMBLEWEED (SAND)
CEILING MATERIAL FROM: 00-00-00 THRU: 02-07-99	113979-01-01A	113979-01-01A	113979-01-01A	113979-01-01A
CEILING MATERIAL FROM: 02-08-99 THRU: 99-99-99	113979-09-01A	113979-09-01A	113979-09-01A	113979-09-01A
MADRID VINYL	103907-01-01A	103907-01-01A	103907-01-01A	103907-01-01A
TITANIUM VINYL	103907-01-08A 103907-02-08A 103907-03-08A	103907-01-08A 103907-02-08A 103907-03-08A	103907-01-08A 103907-02-08A 103907-03-08A	103907-01-08A 103907-02-08A 103907-03-08A
DRAPERY LINING	087272-03-000	087272-03-000	087272-03-000	087272-03-000
BUCKET SEATS	108446-T4-000 108446-S6-000	126883-22-000 108446-G0-000	126883-28-000 096008-85-000	108446-R2-000
DINETTE	108446-S3-000	126883-21-000	126883-25-000	126883-26-000
DINETTE PADS	108446-T4-000	126883-22-000	126883-28-000	108446-R2-000
SOFA	108446-S3-000	126883-21-000	126883-25-000	126883-26-000
SOFA PILLOWS	108446-T4-000	126883-22-000	126883-28-000	108446-R2-000
SWIVEL CHAIR	108446-T4-000 108446-S6-000	126883-22-000 108446-G0-000	126883-28-000 096008-85-000	108446-R2-000
LOUNGE WINDOWS	108446-S3-000 108446-T4-000	126883-21-000 126883-22-000	126883-25-000 126883-28-000	108446-R2-000
BEDROOM WINDOWS	105745-G5-000 105745-B5-000	105745-G1-000 105745-E7-000	105745-E9-000 105745-E3-000	105745-G5-000 105745-B5-000
BEDSPREAD	105745-G5-000	105745-G1-000	105745-E9-000	105745-G5-000
PILLOW SHAMS	105745-G5-000 105745-B5-000	105745-G1-000 105745-E7-000	105745-E9-000 105745-E3-000	105745-G5-000 105745-B5-000
BEDROOM PILLOWS	105745-G5-000 105745-B5-000	105745-G1-000 105745-E7-000	105745-E9-000 105745-E3-000	105745-G5-000 105745-B5-000
FRONT WRAP AROUND	072333-82-000	072333-82-000	072333-82-000	072333-82-000
LOUNGE CABINET INSERTS	108446-T4-000	126883-22-000	126883-28-000	108446-R2-000
BEDROOM CABINET INSERTS	105745-B5-000	105745-E7-000	105745-E3-000	105745-B5-000
MAP POCKETS	108446-S6-000	108446-G0-000	096008-85-000	108446-R2-000

NOTE: FABRIC LISTED FIRST, IN A BLOCK, IS THE LARGEST QUANTITY OF FABRIC USED.

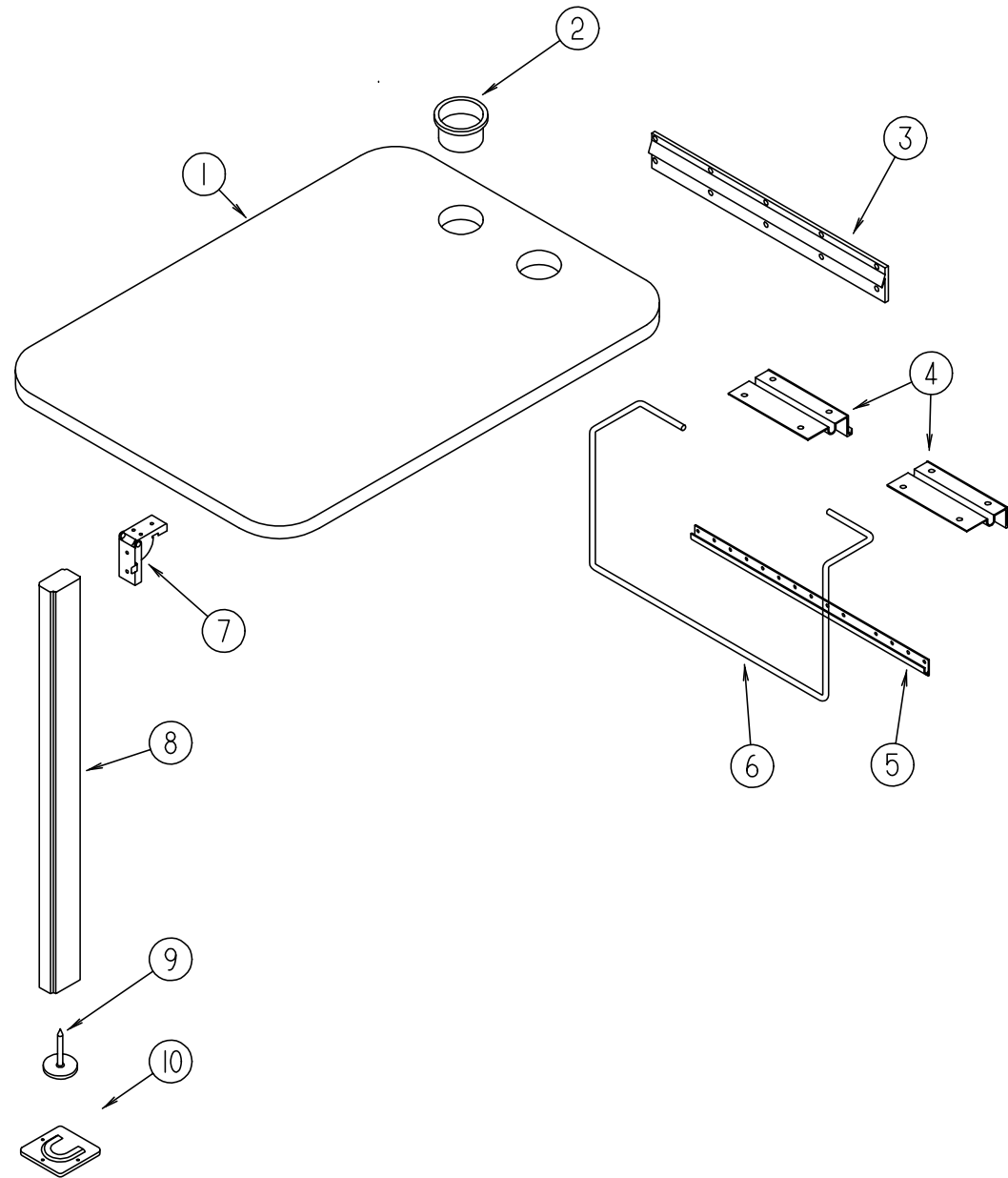
## DINETTE GROUP

### DINETTE CABINERY



KEY	PART NUMBER	U/M DESCRIPTION
1	130279-01-K20	EA CABINET - OVERHEAD - W/O DOORS/HARDWARE (K50)
1	130279-01-K21	EA CABINET - OVERHEAD - W/O DOORS/HARDWARE (K51)
1	130279-01-K22	EA CABINET - OVERHEAD - W/O DOORS/HARDWARE (K52)
1	130279-01-K53	EA CABINET - OVERHEAD - W/O DOORS/HARDWARE (K53)
	130279-13-K20	EA SHELF - W/PLASTIC EDGE TRIM
2	132141-56-K20	EA DOOR - RAIL/VENEER - 14.3" X 26.7" - W/O HARDWARE
3	103128-29-J37	EA END CAP - OVERHEAD/CABINET - RIGHT HAND
4	104787-08-K20	EA PAD - DINETTE SEATBACK (K50)
4	104787-08-K21	EA PAD - DINETTE SEATBACK (K51)
4	104787-08-K22	EA PAD - DINETTE SEATBACK (K52)
4	104787-08-J16	EA PAD - DINETTE SEATBACK (K53)
5	M08752-10-J37	EA CABINET - SEATBACK - RIGHT HAND
6	M08753-10-J37	EA CABINET - SEATBASE - RIGHT HAND - W/O DOOR/DRAWER/HARDWARE
7	131995-G4-K01	EA DOOR - SOLID PANEL - 10" X 19.1" - W/O HARDWARE
8	081295-01-G01	EA SUPPORT - BED/DINETTE - 28" LONG
9	M08753-11-J37	EA CABINET - SEATBASE - LEFT HAND - W/O DOOR/DRAWER/HARDWARE
	122021-01-02A	EA ANGLE - W/HOLES - 8.6" LONG - OFF WHITE
	122021-02-02A	EA ANGLE - W/HOLES - 13.7" LONG - OFF WHITE
	P27942-01-000	EA CABINET - COVER - WATER FILL - W/O DOORS/HARDWARE

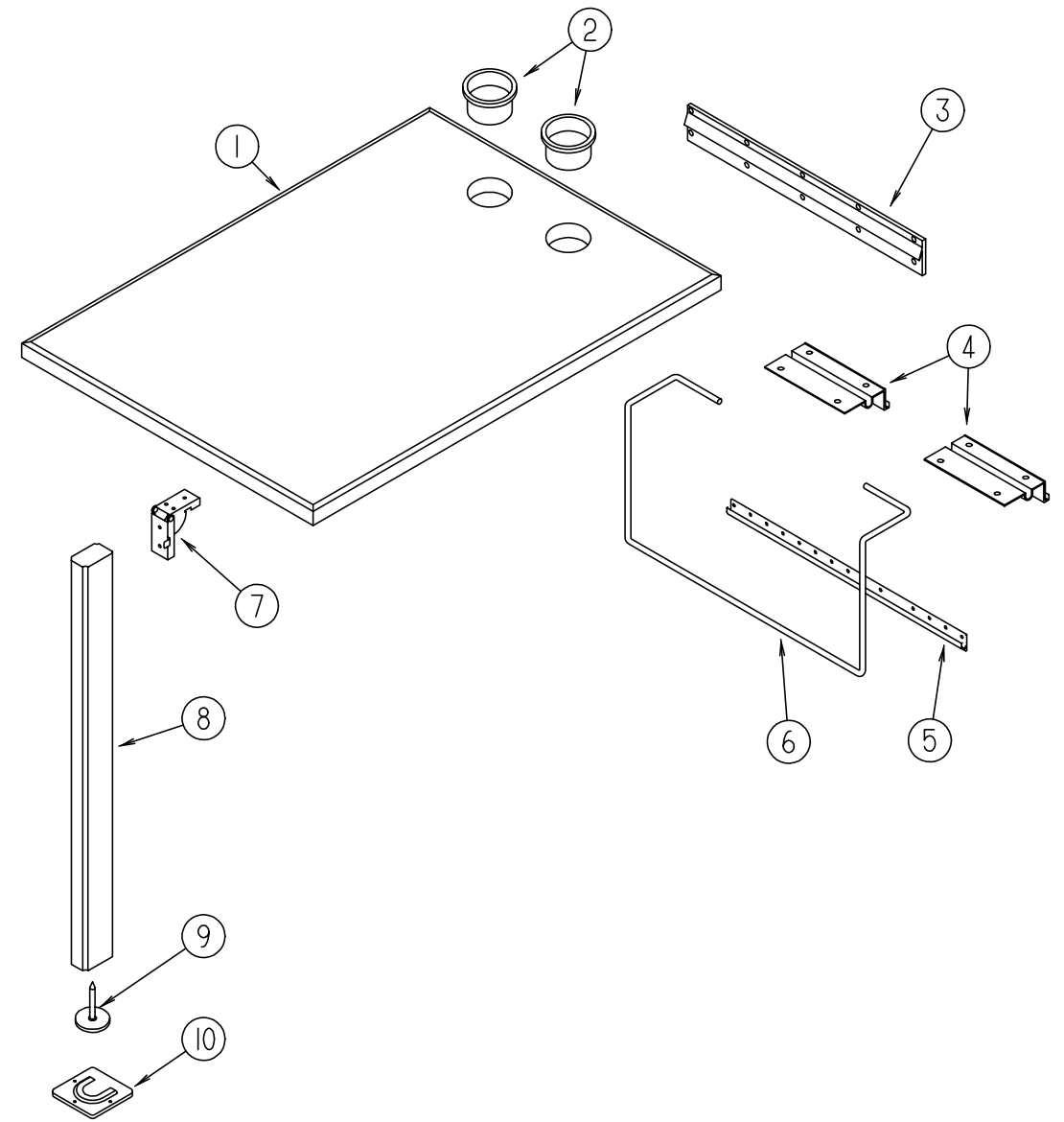
### DINETTE GROUP (CONTINUED)



**DINETTE TABLE (PLASTIC EDGE)**

KEY	PART NUMBER	U/M	DESCRIPTION
1	081322-20-K17	EA	TABLE TOP ONLY (K50)
1	081322-20-J38	EA	TABLE TOP ONLY (K51,K53)
1	081322-20-J97	EA	TABLE TOP ONLY (K52)
2	064781-06-000	EA	HOLDER - CUP - TWO STEP - OFF WHITE
3	053200-12-000	EA	BRACKET - TABLE SUPPORT - UPPER/WALL MOUNTED - 23.50"
4	088410-02-000	EA	BRACKET - LIFT - TABLE MOUNTED
5	024281-14-000	EA	BRACKET/TABLE - LIFT ROD/LOWER WALL MOUNTED - 22.12"
6	024275-12-000	EA	ROD - TABLE LIFT
7	093550-01-000	EA	BRACKET - HINGE - MOUNTS TO LEG & TABLE TOP - 1.7" X 2.6"
8	092707-04-05A	EA	LEG - TABLE - W/O HARDWARE - 27" - WATERFORD OAK
9	092593-01-05A	EA	CATCH - TABLE LEG - OFF/WHITE
10	049493-12-000	EA	CATCH - TABLE LEG/FLOOR MOUNTED - OFF WHITE
10	049493-11-700	EA	CATCH - TABLE LEG/FLOOR MOUNTED - E COATED

### DINETTE GROUP (CONTINUED)

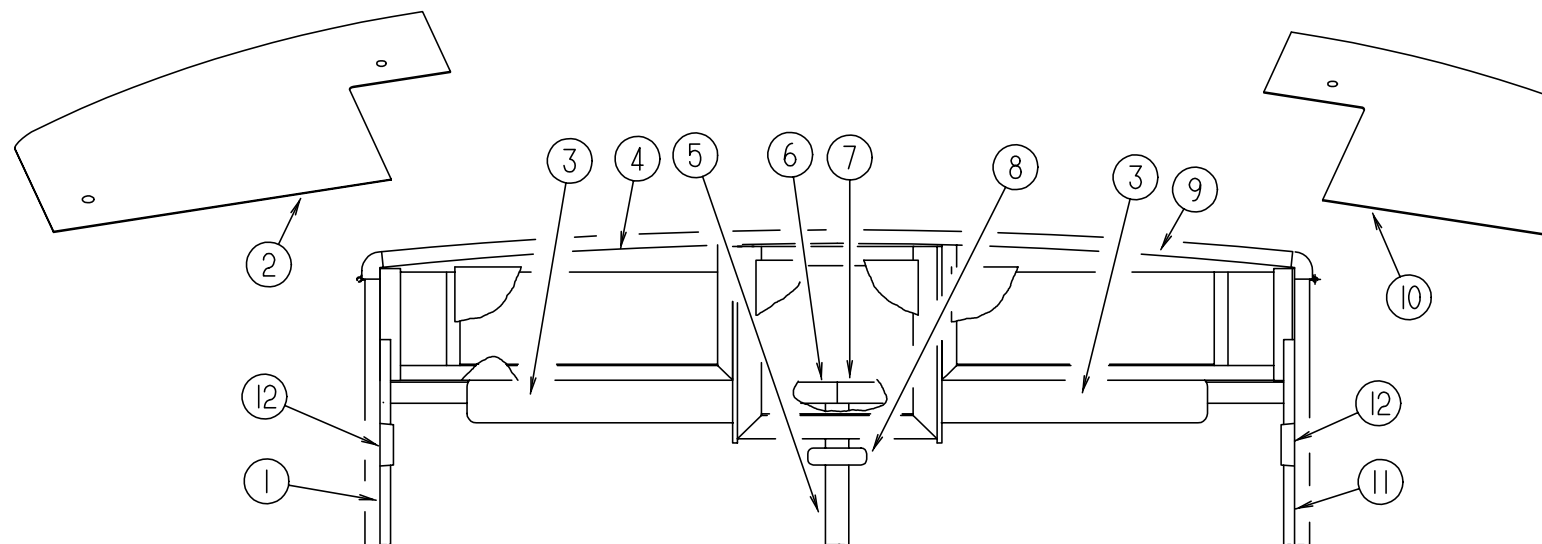


**DINETTE TABLE (WOOD EDGE)**

KEY	PART NUMBER	U/M	DESCRIPTION
1	088913-08-K47	EA	TABLE - DINETTE - W/O HARDWARE (K50)
1	088913-08-J20	EA	TABLE - DINETTE - W/O HARDWARE (K51,K53)
1	088913-08-J51	EA	TABLE - DINETTE - W/O HARDWARE (K52)
2	064781-06-000	EA	HOLDER - CUP - TWO STEP - OFF WHITE
3	053200-12-000	EA	BRACKET - TABLE SUPPORT - UPPER/WALL MOUNTED - 23.50"
4	088410-02-000	EA	BRACKET - LIFT - TABLE MOUNTED
5	024281-14-000	EA	BRACKET/TABLE - LIFT ROD/LOWER WALL MOUNTED - 22.12"
6	024275-12-000	EA	ROD - TABLE LIFT
7	093550-01-000	EA	BRACKET - HINGE - MOUNTS TO LEG & TABLE TOP - 1.7" X 2.6"
8	092707-04-05A	EA	LEG - TABLE - W/O HARDWARE - 27" - WATERFORD OAK
9	092593-01-05A	EA	CATCH - TABLE LEG - OFF/WHITE
10	049493-12-000	EA	CATCH - TABLE LEG/FLOOR MOUNTED - OFF WHITE
10	049493-11-700	EA	CATCH - TABLE LEG/FLOOR MOUNTED - E COATED

# DRIVERS COMPARTMENT GROUP

## DRIVERS COMPARTMENT - UPPER

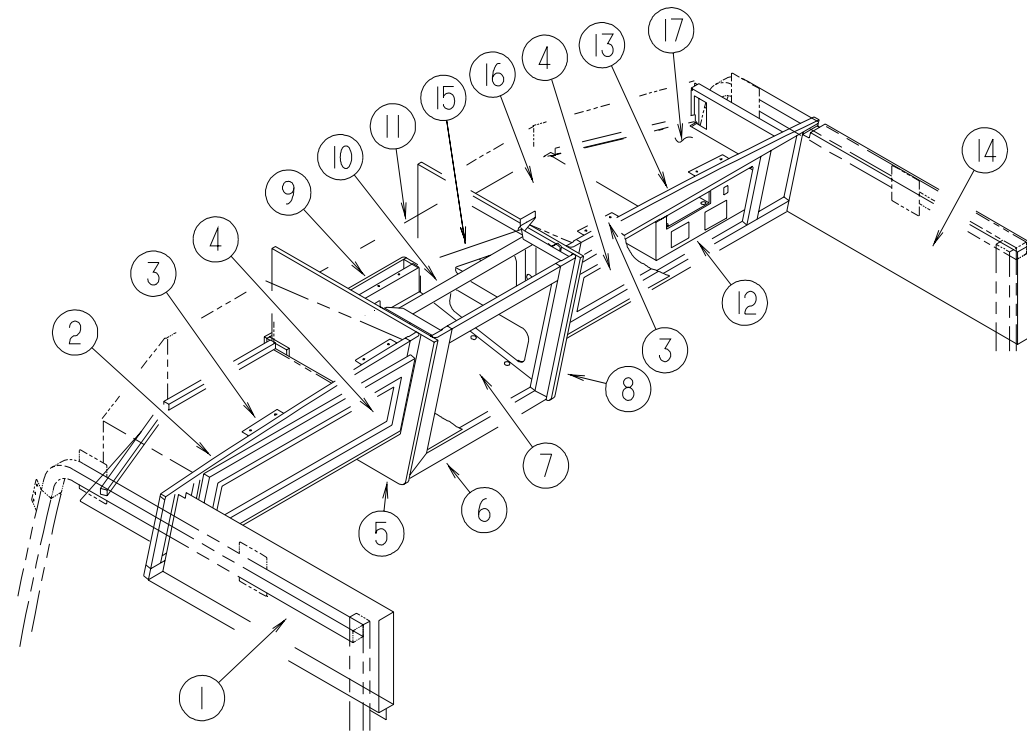


KEY	PART NUMBER	U/M DESCRIPTION
1	125444-02-02A	EA TRIM - A-PILLAR - INTERIOR - TITANIUM
2	126440-04-J45	EA PANEL - OVERHEAD/FRONT - BOTTOM/LEFT HAND
3	123298-02-05A	EA SUNVISOR - 10.5" X 28.5"
4	126457-02-J20	EA PANEL - CLOSEOUT - OVERHEAD FRONT - UPPER/LOWER LEFT HAND
5	118452-03-02A	EA TRIM - WINDSHIELD - CENTER
6	118453-06-02A	EA TRIM - WINDSHIELD - INNER/TOP/DRIVER
7	118453-05-02A	EA TRIM - WINDSHIELD - INNER/TOP/PASSENGER
8	040714-01-000	EA MIRROR - REAR VIEW/ARM MOUNT & SET SCREW
	067490-01-000	EA BUTTON - MIRROR/REAR VIEW
9	126457-01-J20	EA PANEL - CLOSEOUT - OVERHEAD FRONT - UPPER/LOWER RIGHT HAND
10	126440-03-J45	EA PANEL - OVERHEAD/FRONT - BOTTOM/RIGHT HAND
11	125444-01-02A	EA TRIM - A-PILLAR/PASSENGER - INTERIOR - TITANIUM
12	103961-03-01A	EA COVER - BRACKET - SEATBELT/OFF WHITE



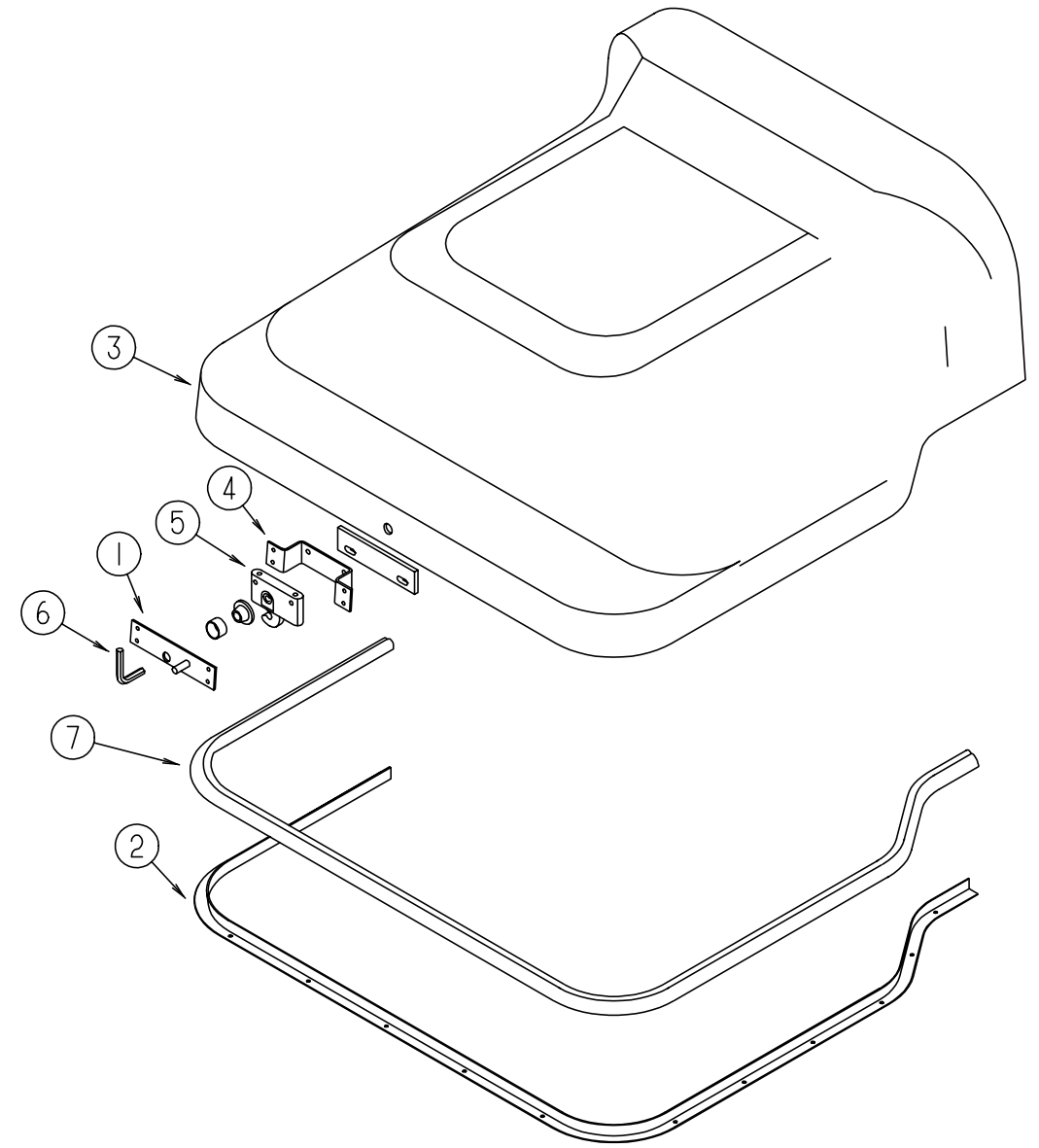
**DRIVERS COMPARTMENT GROUP (CONTINUED)**

**DRIVERS COMPARTMENT GROUP (CONTINUED)**



**INTERIOR STORAGE AND TV CABINETS**

KEY	PART NUMBER	U/M	DESCRIPTION
1	126765-08-K50	EA	PANEL - OVERHEAD/DRIVER
2	126877-02-J15	EA	CABINET - OVERHEAD/FRONT - LEFT HAND - W/O DOORS/HARDWARE
3	106699-01-01A	EA	BRACKET - OVERHEAD CABINET/TV
4	M09332-07-K16	EA	DOOR - RAISED MEMBRANE/OGEE EDGE - 10.8" X 27.9" - W/O HDW
5	103128-25-J15	EA	END CAP - OVERHEAD CABINET - LEFT HAND
6	126718-01-J15	EA	FRAME/FACE - TV CABINET - W/O DOOR/HARDWARE
6	116791-02-J15	EA	FRAME/FACE - TV CABINET - F/TV
	091261-01-000	FT	SLIPNOT - ANTISLIP - 1' WIDE
7	100708-16-000	EA	DOOR - GLASS - CABINET - 15.5" X 15.7" - W/O HARDWARE
8	103128-26-J15	EA	END CAP - OVERHEAD CABINET - RIGHT HAND
9	126801-01-J45	EA	CABINET BOTTOM - VINYL COVERED
10	114706-04-02B	EA	SUPPORT - SHELF/TV
11	126854-01-J20	EA	PANEL - HEADLINER/TV/TOP
12	126601-01-J60	EA	PANEL - SHELF - VINYL COVERED - W/O INVERTER CUTOUT FROM: 00-00-00 THRU: 11-08-98
12	131807-01-K58	EA	PANEL - SHELF - VINYL COVERED - W/O INVERTER CUTOUT FROM: 11-09-98 THRU: 99-99-99
12	126601-03-J60	EA	PANEL SHELF/VINYL CVRD-W/O INVERTER CUTOUT-W/SWITCH NOTCH FROM: 00-00-00 THRU: 11-08-98
12	131807-02-K58	EA	PANEL SHELF/VINYL CVRD-W/O INVERTER CUTOUT-W/SWITCH NOTCH FROM: 11-09-98 THRU: 99-99-99
12	126601-07-J60	EA	PANEL SHELF-VINYL CVRD-W/INVERTER CUTOUT-W/SWITCH NOTCH FROM: 00-00-00 THRU: 11-08-98
12	131807-03-K58	EA	PANEL SHELF-VINYL CVRD-W/INVERTER CUTOUT-W/SWITCH NOTCH FROM: 11-09-98 THRU: 99-99-99
13	126877-01-J15	EA	CABINET - OVERHEAD/FRONT - RIGHT HAND - W/O DOORS/HARDWARE
14	126765-07-K50	EA	PANEL - OVERHEAD/PASSENGER
15	126081-01-02B	EA	BRACKET/SUPPORT - TV - 24 DEGREE - E-COATED
	126081-02-02B	EA	BRACKET/SUPPORT - TV - 24 DEGREE - E-COATED
16	127637-01-02B	EA	SHELF - OVERHEAD/FRONT/LEFT HAND - E-COATED
17	126275-01-02B	EA	SHELF - OVERHEAD/FRONT - E-COATED FROM: 00-00-00 THRU: 11-08-98
17	126275-03-02B	EA	SHELF - OVERHEAD/FRONT - E-COATED FROM: 11-09-98 THRU: 99-99-99

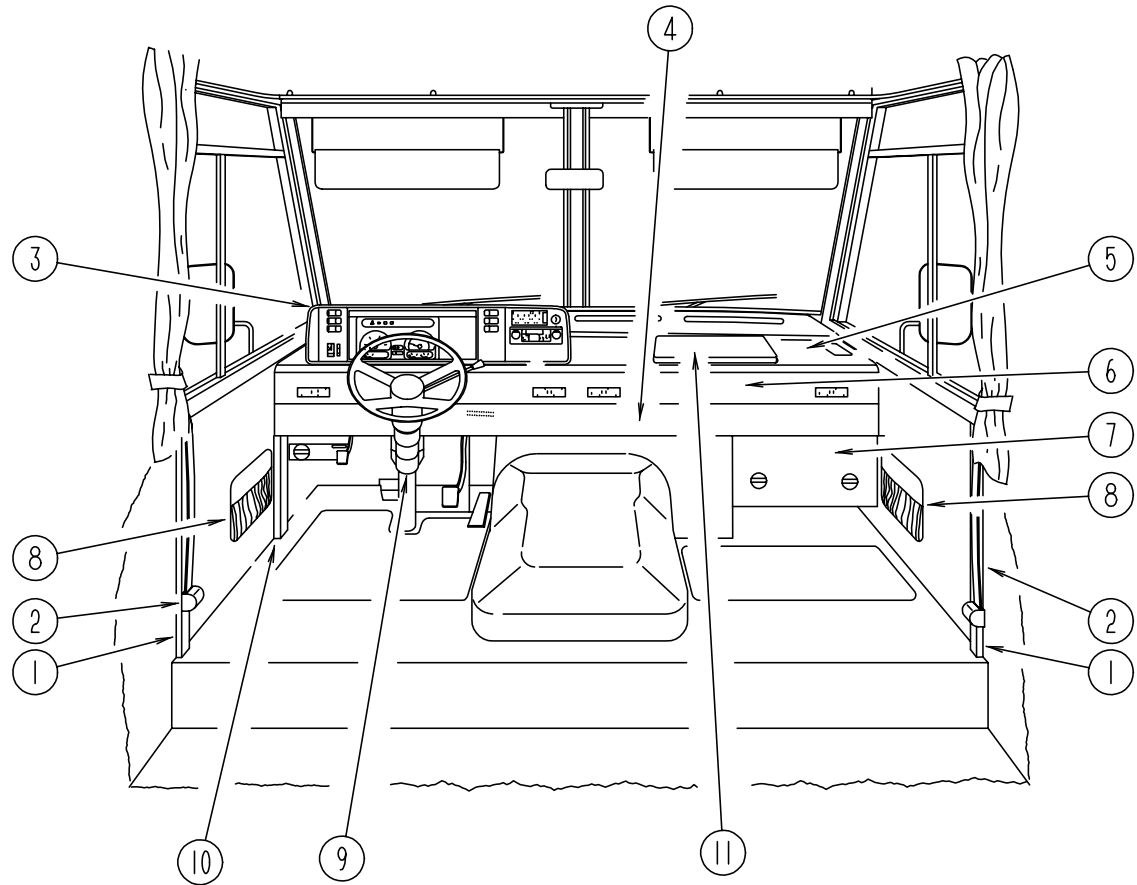


**MOTOR COVER**

KEY	PART NUMBER	U/M	DESCRIPTION
1	115852-01-02B	EA	STRIKE - LATCH - MOTOR COVER - E-COATED
2	115860-01-01A	EA	TRIM - MOTOR COVER - CHEVY
2	115860-03-01A	EA	TRIM - MOTOR COVER - FORD
3	115840-02-01A	EA	COVER - MOTOR - W/O CARPET - CHEVY FROM: 00-00-00 THRU: 05-05-99
3	129099-02-01A	EA	COVER-MOTOR 99 CHEVY P32 FROM: 05-06-99 THRU: 99-99-99
3	115840-03-01A	EA	COVER - MOTOR - W/O CARPET - HD FORD FROM: 00-00-00 THRU: 06-02-99
3	129099-03-01A	EA	COVER-MOTOR 99 FORD FROM: 06-03-99 THRU: 99-99-99
4	115850-03-02B	EA	RETAINER - LATCH - MOTOR COVER - RIGHT HAND - E-COATED
5	116581-01-000	EA	LATCH - MOTOR COVER
6	116833-01-02B	EA	WRENCH - HEX MOTOR COVER - E-COATED
7	039623-01-000	FT	SEAL - MOTOR COVER - RUBBER BULB TYPE

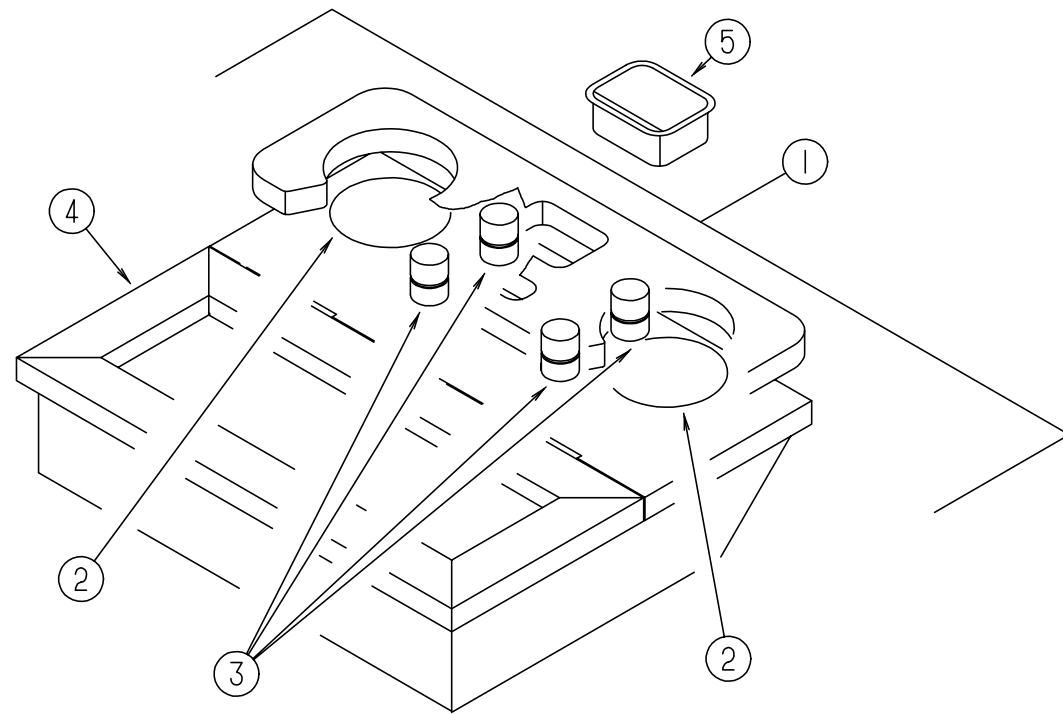
## DRIVERS COMPARTMENT GROUP (CONTINUED)

### DRIVERS COMPARTMENT - LOWER



KEY	PART NUMBER	U/M DESCRIPTION	VENDOR NO.
1	024700-51-000	EA COVER - ROLL BAR - 88" - OFF WHITE	
2	091990-04-01A	EA SEAT BELT/SHOULDER HARNESS - DRIVERS/PASSENGER - BLACK	
	091990-01-701	EA EXTENDER - 9" W/POINTED LATCHING TONGUE	I-1331-02
	091990-05-700	EA SLEEVE/BUCKLE COVER-PLASTIC	209S-2
	091990-05-701	EA CAP/COVER - BOLT HOLE COVER	209SC-02
	091990-05-702	EA SLEEVE/RETRACTABLE COVER	309C-02
	109146-01-000	EA BOLT - SHOULDER/SEAT BELT	
	133576-02-01B	EA PLATE - ANCHOR - SEATBELT - LOWER - MILL	
3	125677-02-J52	EA POD - INSTRUMENT PANEL - TITANIUM - FORD	
			FROM: 00-00-00 THRU: 03-07-99
3	125677-04-K58	EA POD - INSTRUMENT PANEL - TITANIUM - FORD	
			FROM: 03-08-99 THRU: 99-99-99
3	125677-04-K58	EA POD - INSTRUMENT PANEL - TITANIUM - CHEVY	
3	125677-02-J52	EA POD - INSTRUMENT PANEL - TITANIUM - CHEVY DIESEL	
4	114620-12-03A	EA TRIM - LOWER DASH - GM - 96" - TITANIUM	
4	114620-01-05A	EA TRIM - LOWER DASH - GM - 96" - TITANIUM - HEATED MIRRORS OPTION	
4	111528-04-05A	EA TRIM - LOWER DASH - DRIVER - FD - TITANIUM	
4	111528-03-06A	EA TRIM - LOWER DASH - PASSENGER - FD - TITANIUM - HEATED MIRRORS OPTION	
4	111528-08-03A	EA TRIM - LOWER DASH - PASSENGER - FD - TITANIUM	
5	P30276-02-000	EA DASH - W/O VINYL - FORD	
			FROM: 00-00-00 THRU: 02-03-99
5	P30276-10-000	EA DASH - W/O VINYL - FORD	
			FROM: 02-04-99 THRU: 99-99-99
5	P30276-06-000	EA DASH - W/O VINYL - CHEVY	
5	P26082-01-000	EA DASH - W/O VINYL - E-COATED - CHEVY DIESEL	
	106569-11-02A	EA VINYL - LAMINATE - TITANIUM - 1/4" X 21" X 100"	
	118101-06-02B	EA PANEL - DASH TOP - E-COATED	
	113452-01-000	FT SEAL/TRIM - FRONT - VINYL W/WIRE CARRIER	
	110530-01-000	FT SEAL - SPONGE - .31" X .62"	
6	126340-02-01A	EA DECAL - LOGO - SUNRISE	
7	095757-05-G16	EA COVER - HEATER (K50)	
7	095757-05-J31	EA COVER - HEATER (K51)	
7	095757-05-J51	EA COVER - HEATER (K52)	
7	095757-05-J60	EA COVER - HEATER (K53)	
8	086120-01-J24	EA PAD - MAP POCKET - 12" X 16" (K50)	
8	086120-01-J61	EA PAD - MAP POCKET - 12" X 16" (K51)	
8	086120-01-F05	EA PAD - MAP POCKET - 12" X 16" (K52)	
8	086120-01-J62	EA PAD - MAP POCKET - 12" X 16" (K53)	
9	103498-09-000	EA BOOT - STEERING COLUMN - W/1/2 CIRCLE - CHEVY	
	130111-01-01A	EA COVER - STEERING COLUMN - BLACK - FORD	
			FROM: 00-00-00 THRU: 03-07-99
	131804-01-01A	EA COVER - STEERING COLUMN - BLACK - FORD	
			FROM: 03-08-99 THRU: 99-99-99
	125795-01-01A	EA COVER - STEERING COLUMN - LOWER - FORD	
			FROM: 03-08-99 THRU: 99-99-99
	125655-03-01A	EA TRIM - STEERING COLUMN - RIGHT HAND/FORD	
			FROM: 00-00-00 THRU: 02-03-99
	125655-04-01A	EA TRIM - STEERING COLUMN - LEFT HAND/FORD	
			FROM: 00-00-00 THRU: 02-03-99
10	127901-01-02A	EA PANEL - TOEKICK/LEFT HAND - TITANIUM	
11	127692-01-J50	EA TABLE - DASH	
	127597-01-000	EA SLIDE - WORK STATION - DASH	

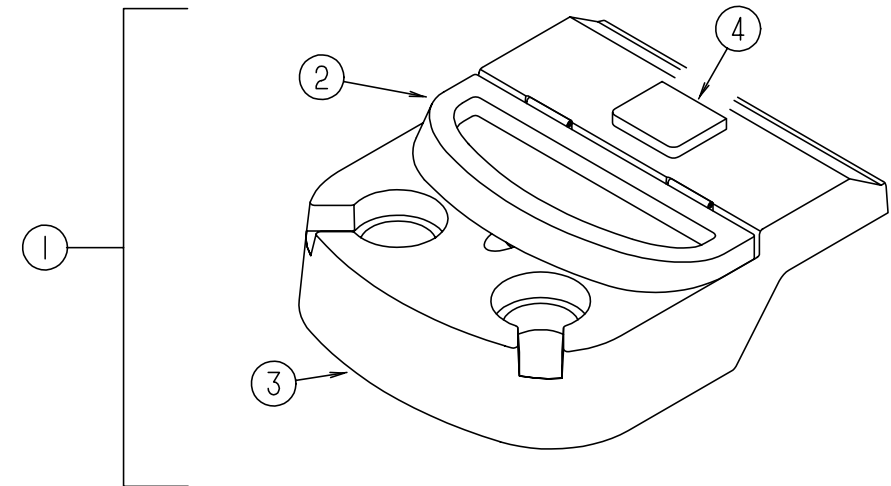
**DRIVERS COMPARTMENT GROUP (CONTINUED)**



**BEVERAGE TRAY (WOOD)**

KEY	PART NUMBER	U/M	DESCRIPTION
1	111618-01-H17	EA	TRAY - BEVERAGE W/COMPARTMENT - W/O CUPHOLDERS
2	122717-01-01A	EA	PAD - NON SKID - 4" DIAMETER ROUND
3	097872-08-000	EA	DOWEL - WOOD - 1" DIAMETER X 1.38" LONG - WATERFORD OAK
3	097872-04-000	EA	DOWEL - WOOD - 1" DIAMETER X 1.38" LONG - UNFINISHED
4	111618-13-GB1	EA	LID - BEVERAGE TRAY COMPARTMENT
5	046886-03-000	EA	ASHTRAY - CHROME W/COVER

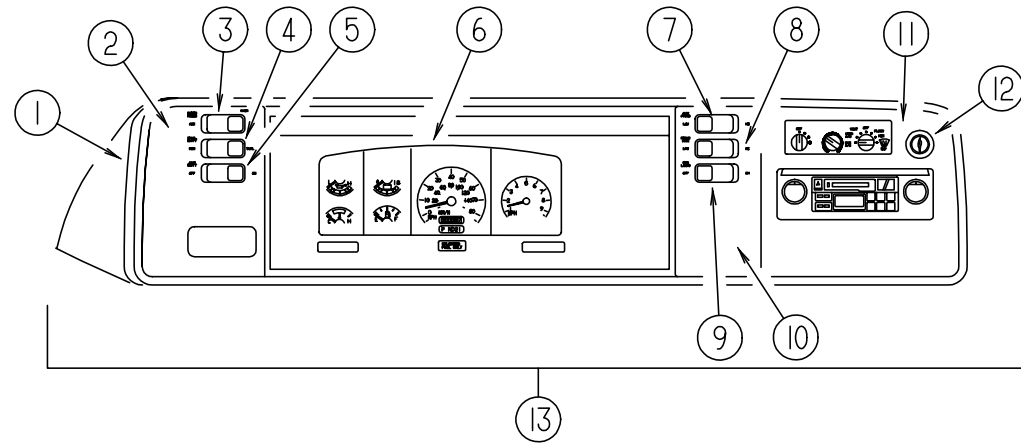
**DRIVERS COMPARTMENT GROUP (CONTINUED)**



**BEVERAGE TRAY (PLASTIC)**

KEY	PART NUMBER	U/M	DESCRIPTION
1	126008-02-J60	EA	TRAY - BEVERAGE - W/DOOR
2	128113-01-J60	EA	LID - BEVERAGE TRAY
3	128114-01-02A	EA	TRAY - BEVERAGE - TITANIUM
4	118719-01-01A	EA	ASHTRAY - TOP MOUNT - BLACK PLASTIC
	126010-01-02A	EA	SPACER - BEVERAGE TRAY
	122772-02-02B	EA	BRACKET - MOUNTING - BEVERAGE TRAY

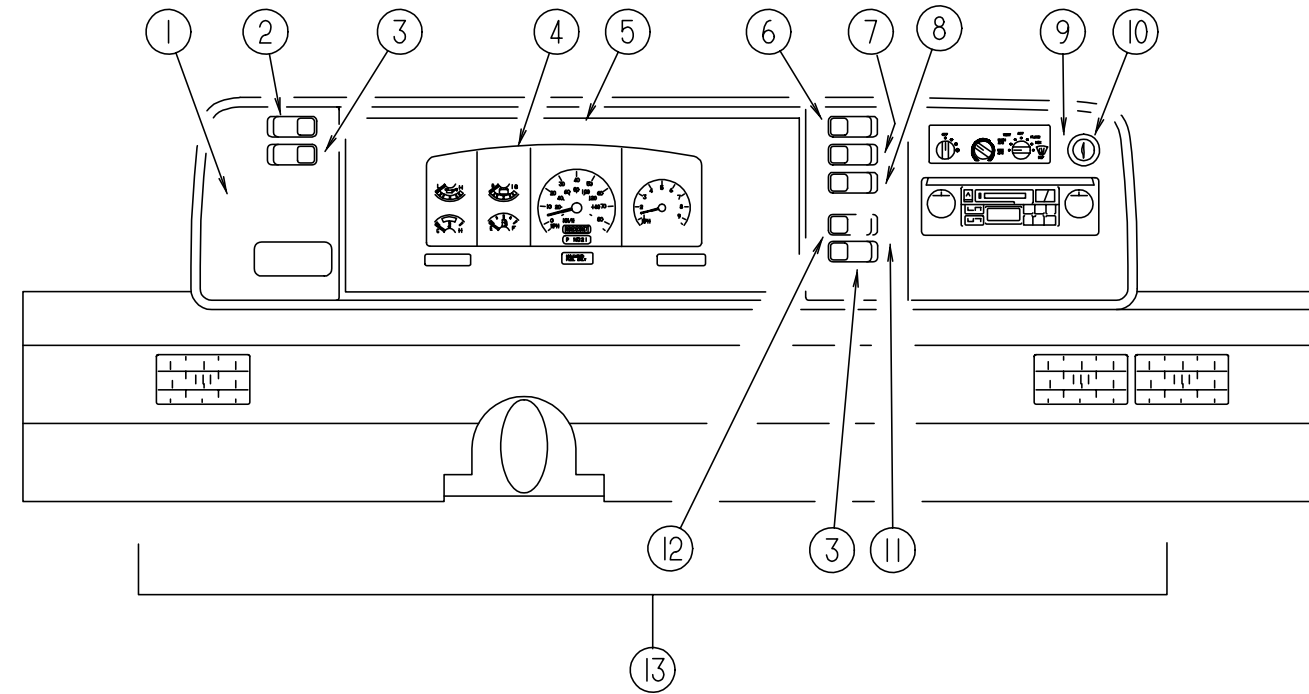
### DRIVERS COMPARTMENT GROUP (CONTINUED)



DASH, GAUGES & SWITCHES - FORD (FROM: 00-00-00 THRU: 03-14-99)

KEY	PART NUMBER	U/M	DESCRIPTION
1	103662-12-01A	EA	BEZEL - INSTRUMENT PANEL - 99 HEAVY DUTY FORD FROM: 00-00-00 THRU: 03-07-99
1	103662-14-01A	EA	BEZEL - INSTRUMENT PANEL - 99 FORD FROM: 03-08-99 THRU: 99-99-99
2	104056-39-01A	EA	APPLIQUE - BEZEL - DRIVER - BLACK
3	108356-02-01A	EA	COVER/ACTUATOR SWITCH - 2 ROWS DIMPLES- CONTURA II - BLACK
3	108357-05-000	EA	SWITCH - ROCKER SPDT - ON/NONE/ON - 3 TERMINAL - RADIO POWER W/O CD
3	108357-08-000	EA	SWITCH - ROCKER DPDT - ON/NONE/ON - 6 TERMINAL - RADIO POWER W/CD
4	108356-02-01A	EA	COVER/ACTUATOR SWITCH - 2 ROWS DIMPLES- CONTURA II - BLACK
4	108357-09-000	EA	SWITCH - ROCKER SPDT - ON/NONE/MOM - 3 TERMINAL - AUXILIARY START
5	108356-02-01A	EA	COVER/ACTUATOR SWITCH - 2 ROWS DIMPLES- CONTURA II - BLACK
5	108357-06-000	EA	SWITCH - ROCKER DPDT - MOM/OFF/MOM - 6 TERMINAL - AUXILIARY BATTERY
6	N/A	EA	CLUSTER - INSTRUMENT PANEL
7	108356-04-01A	EA	COVER/ACTUATOR SWITCH - 2 ROWS DIMPLES W/LENS-CONTURA-BLK
7	108357-10-000	EA	SWITCH - ROCKER SPDT - W/LIGHT - MOM/NONE/MOM - 5 TERMINAL - GENERATOR
7	096241-03-000	EA	SWITCH - BLANK - BLACK
8	108356-02-01A	EA	COVER/ACTUATOR SWITCH - 2 ROWS DIMPLES- CONTURA II - BLACK
8	108357-03-000	EA	SWITCH - ROCKER SPDT - ON/OFF/ON - 3 TERMINAL - REAR HEATER
8	096241-03-000	EA	SWITCH - BLANK - BLACK
9	096241-03-000	EA	SWITCH - BLANK - BLACK
10	104056-21-01A	EA	APPLIQUE - BEZEL - PASSENGER - BLACK
11	104056-06-01A	EA	APPLIQUE - BEZEL - PASSENGER - BLACK
12	089294-01-000	EA	LIGHTER - CIGARETTE - W/SOCKET & WIRE
13	125677-02-J52	EA	POD - INSTRUMENT PANEL - TITANIUM FROM: 00-00-00 THRU: 03-07-99
13	125677-04-K58	EA	POD - INSTRUMENT PANEL - TITANIUM FROM: 03-08-99 THRU: 99-99-99
	077031-01-000	EA	FILM - BLACK - 1" X 1.75"
	077031-03-000	EA	FILM - WHITE - .75" X 1"
	049176-01-000	EA	HEDLOCK II - 3/4 DIAMETER SCREW MOUNT
	103603-01-000	EA	BULB - 12 VOLT - #74 - .12A WEDGE - GE 22-25 USED IN DASH
	129644-01-000	EA	CABLE/INDICATOR - TRANSMISSION - 46.7" EYE/EYE FROM: 00-00-00 THRU: 11-24-98

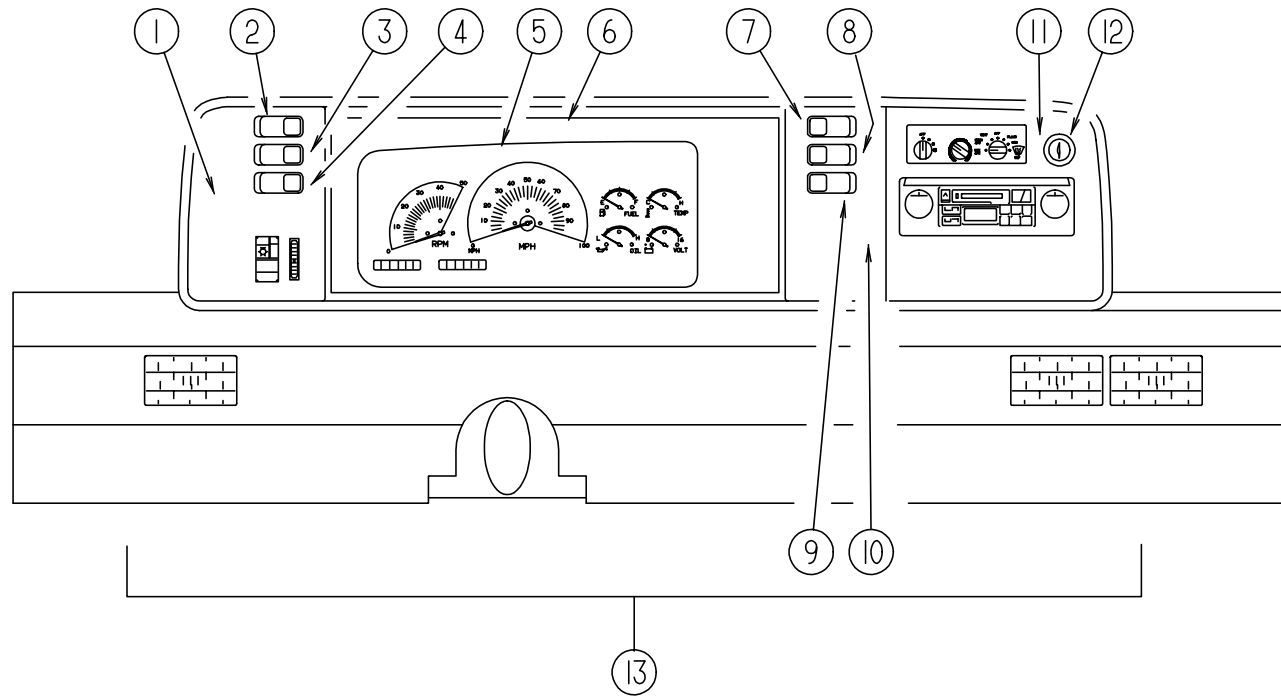
### DRIVERS COMPARTMENT GROUP (CONTINUED)



DASH, GAUGES & SWITCHES - FORD (FROM: 03-15-99 THRU: 99-99-99)

KEY	PART NUMBER	U/M	DESCRIPTION
1	104056-45-01A	EA	APPLIQUE - BEZEL - DRIVER - BLACK
2	108356-02-01A	EA	COVER/ACTUATOR SWITCH - 2 ROWS DIMPLES- CONTURA II - BLACK
2	108357-09-000	EA	SWITCH - ROCKER SPDT - ON/NONE/MOM - 3 TERMINAL - AUXILIARY START
3	096241-03-000	EA	SWITCH - BLANK - BLACK
4	N/A	EA	CLUSTER - INSTRUMENT PANEL
5	103662-14-01A	EA	BEZEL - INSTRUMENT PANEL - 99 FORD
6	108356-02-01A	EA	COVER/ACTUATOR SWITCH - 2 ROWS DIMPLES- CONTURA II - BLACK
6	108357-05-000	EA	SWITCH - ROCKER SPDT - ON/NONE/ON - 3 TERMINAL - RADIO POWER W/O CD
6	108357-08-000	EA	SWITCH - ROCKER DPDT - ON/NONE/ON - 6 TERMINAL - RADIO POWER W/CD
7	108356-04-01A	EA	COVER/ACTUATOR SWITCH - 2 ROWS DIMPLES W/LENS-CONTURA-BLK
7	108357-10-000	EA	SWITCH - ROCKER SPDT - W/LIGHT - MOM/NONE/MOM - 5 TERMINAL - GEN
7	096241-03-000	EA	SWITCH - BLANK - BLACK
8	108356-02-01A	EA	COVER/ACTUATOR SWITCH - 2 ROWS DIMPLES- CONTURA II - BLACK
8	108357-03-000	EA	SWITCH - ROCKER SPDT - ON/OFF/ON - 3 TERMINAL - REAR HEATER
8	096241-03-000	EA	SWITCH - BLANK - BLACK
9	104056-06-01A	EA	APPLIQUE - BEZEL - PASSENGER - BLACK
10	089294-01-000	EA	LIGHTER - CIGARETTE - W/SOCKET & WIRE
11	104056-43-01A	EA	APPLIQUE - BEZEL - PASSENGER - BLACK
12	108356-02-01A	EA	COVER/ACTUATOR SWITCH - 2 ROWS DIMPLES- CONTURA II - BLACK
12	108357-06-000	EA	SWITCH - ROCKER DPDT - MOM/OFF/MOM - 6 TERMINAL - AUXILIARY BATTERY
13	125677-04-K58	EA	POD - INSTRUMENT PANEL - TITANIUM
	077031-01-000	EA	FILM - BLACK - 1" X 1.75"
	077031-03-000	EA	FILM - WHITE - .75" X 1"
	049176-01-000	EA	HEDLOCK II - 3/4 DIAMETER SCREW MOUNT
	103603-01-000	EA	BULB - 12 VOLT - #74 - .12A WEDGE - GE 22-25 USED IN DASH

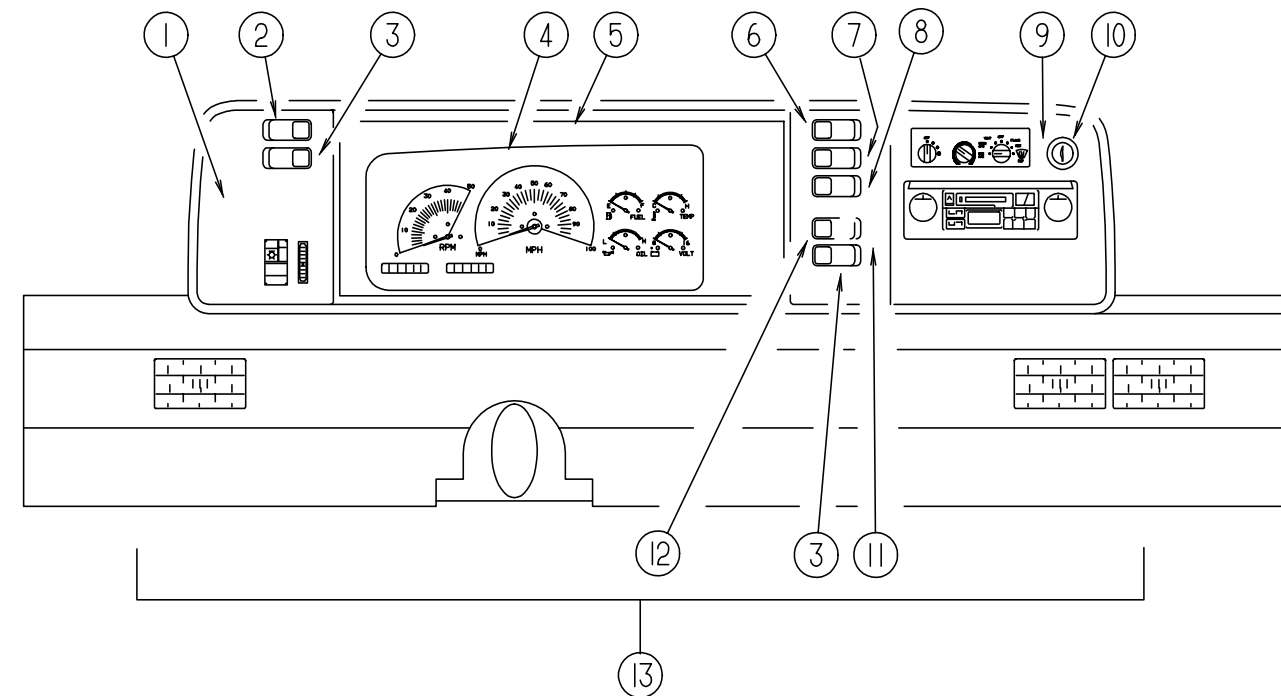
**DRIVERS COMPARTMENT GROUP (CONTINUED)**



**DASH, GAUGES & SWITCHES - CHEVY (FROM: 00-00-00 THRU: 03-14-99)**

KEY	PART NUMBER	U/M	DESCRIPTION
1	104056-37-01A	EA	APPLIQUE - BEZEL - DRIVER - BLACK
2	108356-02-01A	EA	COVER/ACTUATOR SWITCH - 2 ROWS DIMPLES- CONTURA II - BLACK
2	108357-05-000	EA	SWITCH - ROCKER SPDT - ON/NONE/ON - 3 TERMINAL - RADIO POWER W/O CD
2	108357-08-000	EA	SWITCH - ROCKER DPDT - ON/NONE/ON - 6 TERMINAL - RADIO POWER W/CD
3	108356-02-01A	EA	COVER/ACTUATOR SWITCH - 2 ROWS DIMPLES- CONTURA II - BLACK
3	108357-09-000	EA	SWITCH - ROCKER SPDT - ON/NONE/MOM - 3 TERMINAL - AUXILIARY START
4	108356-02-01A	EA	COVER/ACTUATOR SWITCH - 2 ROWS DIMPLES- CONTURA II - BLACK
4	108357-06-000	EA	SWITCH - ROCKER DPDT - MOM/OFF/MOM - 6 TERMINAL - AUXILIARY BATTERY
5	N/A	EA	CLUSTER - INSTRUMENT PANEL - K/M - GAS - CANADIAN
6	103662-08-01A	EA	BEZEL - INSTRUMENT PANEL
7	108356-04-01A	EA	COVER/ACTUATOR SWITCH - 2 ROWS DIMPLES W/LENS-CONTURA-BLK
7	108357-10-000	EA	SWITCH - ROCKER SPDT - W/LIGHT - MOM/NONE/MOM - 5 TERMINAL - GENERATOR
7	096241-03-000	EA	SWITCH - BLANK - BLACK
8	108356-02-01A	EA	COVER/ACTUATOR SWITCH - 2 ROWS DIMPLES- CONTURA II - BLACK
8	108357-03-000	EA	SWITCH - ROCKER SPDT - ON/OFF/ON - 3 TERMINAL - REAR HEATER
8	096241-03-000	EA	SWITCH - BLANK - BLACK
9	096241-03-000	EA	SWITCH - BLANK - BLACK
10	104056-21-01A	EA	APPLIQUE - BEZEL - PASSENGER - BLACK
11	104056-06-01A	EA	APPLIQUE - BEZEL - PASSENGER - BLACK
12	089294-01-000	EA	LIGHTER - CIGARETTE - W/SOCKET & WIRE
13	125677-02-J52	EA	POD - INSTRUMENT PANEL - TITANIUM
	103603-01-000	EA	BULB - 12 VOLT - #74 - .12A WEDGE - GE 22-25 USED IN DASH
	077031-01-000	EA	FILM - BLACK - 1" X 1.75"
	077031-03-000	EA	FILM - WHITE - .75" X 1"
	049176-01-000	EA	HEDLOCK II - 3/4 DIAMETER SCREW MOUNT

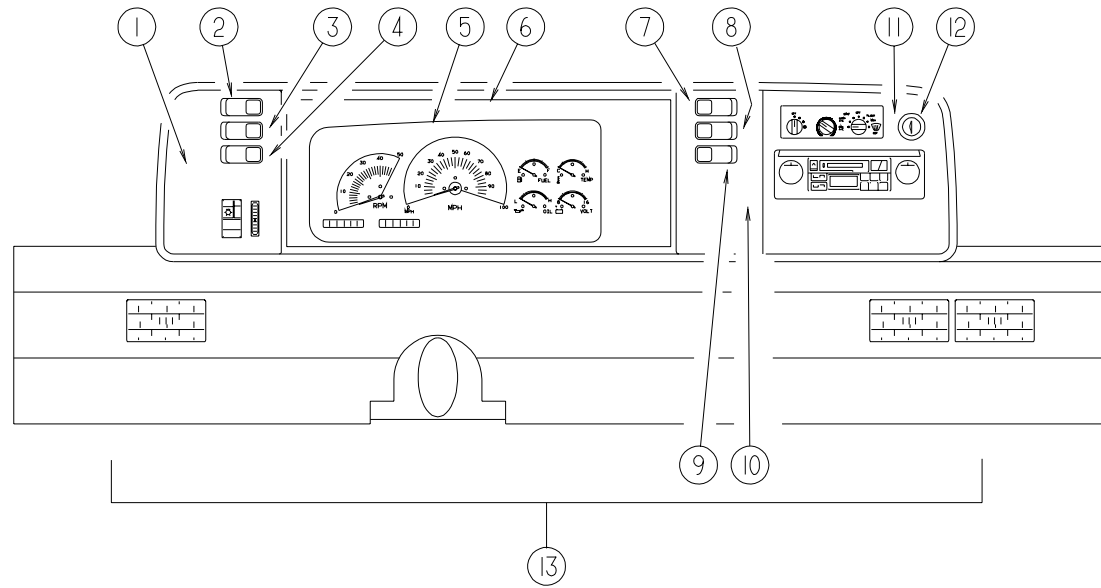
**DRIVERS COMPARTMENT GROUP (CONTINUED)**



**DASH, GAUGES & SWITCHES - CHEVY (FROM: 03-15-99 THRU: 99-99-99)**

KEY	PART NUMBER	U/M	DESCRIPTION
1	104056-44-01A	EA	APPLIQUE - BEZEL - DRIVER - BLACK
2	108356-02-01A	EA	COVER/ACTUATOR SWITCH - 2 ROWS DIMPLES- CONTURA II - BLACK
2	108357-09-000	EA	SWITCH - ROCKER SPDT - ON/NONE/MOM - 3 TERMINAL - AUXILIARY START
3	096241-03-000	EA	SWITCH - BLANK - BLACK
4	N/A	EA	CLUSTER - INSTRUMENT PANEL - K/M - GAS - CANADIAN
5	103662-08-01A	EA	BEZEL - INSTRUMENT PANEL
6	108356-02-01A	EA	COVER/ACTUATOR SWITCH - 2 ROWS DIMPLES- CONTURA II - BLACK
6	108357-05-000	EA	SWITCH - ROCKER SPDT - ON/NONE/ON - 3 TERMINAL - RADIO POWER W/O CD
6	108357-08-000	EA	SWITCH - ROCKER DPDT - ON/NONE/ON - 6 TERMINAL - RADIO POWER W/CD
7	108356-04-01A	EA	COVER/ACTUATOR SWITCH - 2 ROWS DIMPLES W/LENS-CONTURA-BLK
7	108357-10-000	EA	SWITCH - ROCKER SPDT - W/LIGHT - MOM/NONE/MOM - 5 TERMINAL - GEN
7	096241-03-000	EA	SWITCH - BLANK - BLACK
8	108356-02-01A	EA	COVER/ACTUATOR SWITCH - 2 ROWS DIMPLES- CONTURA II - BLACK
8	108357-03-000	EA	SWITCH - ROCKER SPDT - ON/OFF/ON - 3 TERMINAL - REAR HEATER
8	096241-03-000	EA	SWITCH - BLANK - BLACK
9	104056-06-01A	EA	APPLIQUE - BEZEL - PASSENGER - BLACK
10	089294-01-000	EA	LIGHTER - CIGARETTE - W/SOCKET & WIRE
11	104056-43-01A	EA	APPLIQUE - BEZEL - PASSENGER - BLACK
12	108356-02-01A	EA	COVER/ACTUATOR SWITCH - 2 ROWS DIMPLES- CONTURA II - BLACK
12	108357-06-000	EA	SWITCH - ROCKER DPDT - MOM/OFF/MOM - 6 TERMINAL - AUXILIARY BATTERY
13	125677-02-J52	EA	POD - INSTRUMENT PANEL - TITANIUM
	103603-01-000	EA	BULB - 12 VOLT - #74 - .12A WEDGE - GE 22-25 USED IN DASH
	077031-01-000	EA	FILM - BLACK - 1" X 1.75"
	077031-03-000	EA	FILM - WHITE - .75" X 1"
	049176-01-000	EA	HEDLOCK II - 3/4 DIAMETER SCREW MOUNT

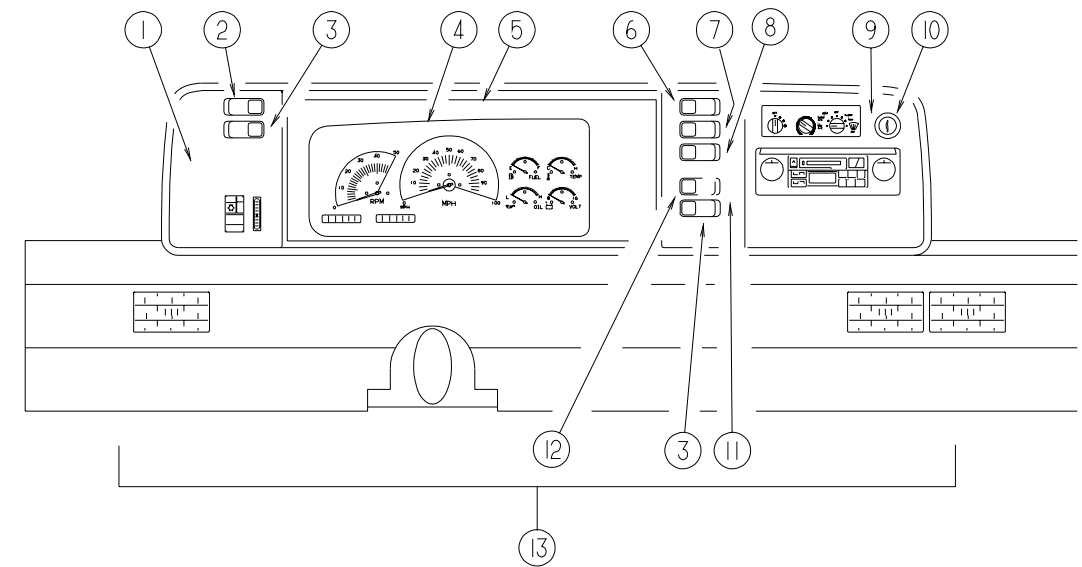
## DRIVERS COMPARTMENT GROUP (CONTINUED)



DASH, GAUGES & SWITCHES - CHEVY DIESEL (FROM: 00-00-00 THRU: 03-14-99)

KEY	PART NUMBER	U/M	DESCRIPTION
1	104056-37-01A	EA	APPLIQUE - BEZEL - DRIVER - BLACK
2	108356-02-01A	EA	COVER/ACTUATOR SWITCH - 2 ROWS DIMPLES- CONTURA II - BLACK
2	108357-05-000	EA	SWITCH - ROCKER SPDT - ON/NONE/ON - 3 TERMINAL - RADIO POWER W/O CD
2	108357-08-000	EA	SWITCH - ROCKER DPDT - ON/NONE/ON - 6 TERMINAL - RADIO POWER W/CD
3	108356-02-01A	EA	COVER/ACTUATOR SWITCH - 2 ROWS DIMPLES- CONTURA II - BLACK
3	108357-09-000	EA	SWITCH - ROCKER SPDT - ON/NONE/MOM - 3 TERMINAL - AUXILIARY START
4	108356-02-01A	EA	COVER/ACTUATOR SWITCH - 2 ROWS DIMPLES- CONTURA II - BLACK
4	108357-06-000	EA	SWITCH - ROCKER DPDT - MOM/OFF/MOM - 6 TERMINAL - AUXILIARY BATTERY
5	N/A	EA	CLUSTER - INSTRUMENT PANEL - K/M
6	103662-06-01A	EA	BEZEL - INSTRUMENT PANEL 6.6" X 12" CLUSTER OPENING FROM: 00-00-00 THRU: 10-13-98
6	103662-10-01A	EA	BEZEL - INSTRUMENT PANEL FROM: 10-14-98 THRU: 99-99-99
7	108356-04-01A	EA	COVER/ACTUATOR SWITCH - 2 ROWS DIMPLES W/LENS-CONTURA-BLK
7	108357-10-000	EA	SWITCH - ROCKER SPDT - W/LIGHT - MOM/NONE/MOM - 5 TERMINAL - GEN
7	096241-03-000	EA	SWITCH - BLANK - BLACK
8	108356-02-01A	EA	COVER/ACTUATOR SWITCH - 2 ROWS DIMPLES- CONTURA II - BLACK
8	108357-03-000	EA	SWITCH - ROCKER SPDT - ON/OFF/ON - 3 TERMINAL - REAR HEATER
8	096241-03-000	EA	SWITCH - BLANK - BLACK
9	096241-03-000	EA	SWITCH - BLANK - BLACK
10	104056-21-01A	EA	APPLIQUE - BEZEL - PASSENGER - BLACK
11	104056-06-01A	EA	APPLIQUE - BEZEL - PASSENGER - BLACK
12	089294-01-000	EA	LIGHTER - CIGARETTE - W/SOCKET & WIRE
13	M05946-50-J50	EA	DASH POD - CHEVY - W/O CLUSTER
	103603-01-000	EA	BULB - 12 VOLT - #74 - .12A WEDGE - GE 22-25 USED IN DASH
	077031-01-000	EA	FILM - BLACK - 1" X 1.75"
	077031-03-000	EA	FILM - WHITE - .75" X 1"
	049176-01-000	EA	HEDLOCK II - 3/4 DIAMETER SCREW MOUNT

## DRIVERS COMPARTMENT GROUP (CONTINUED)

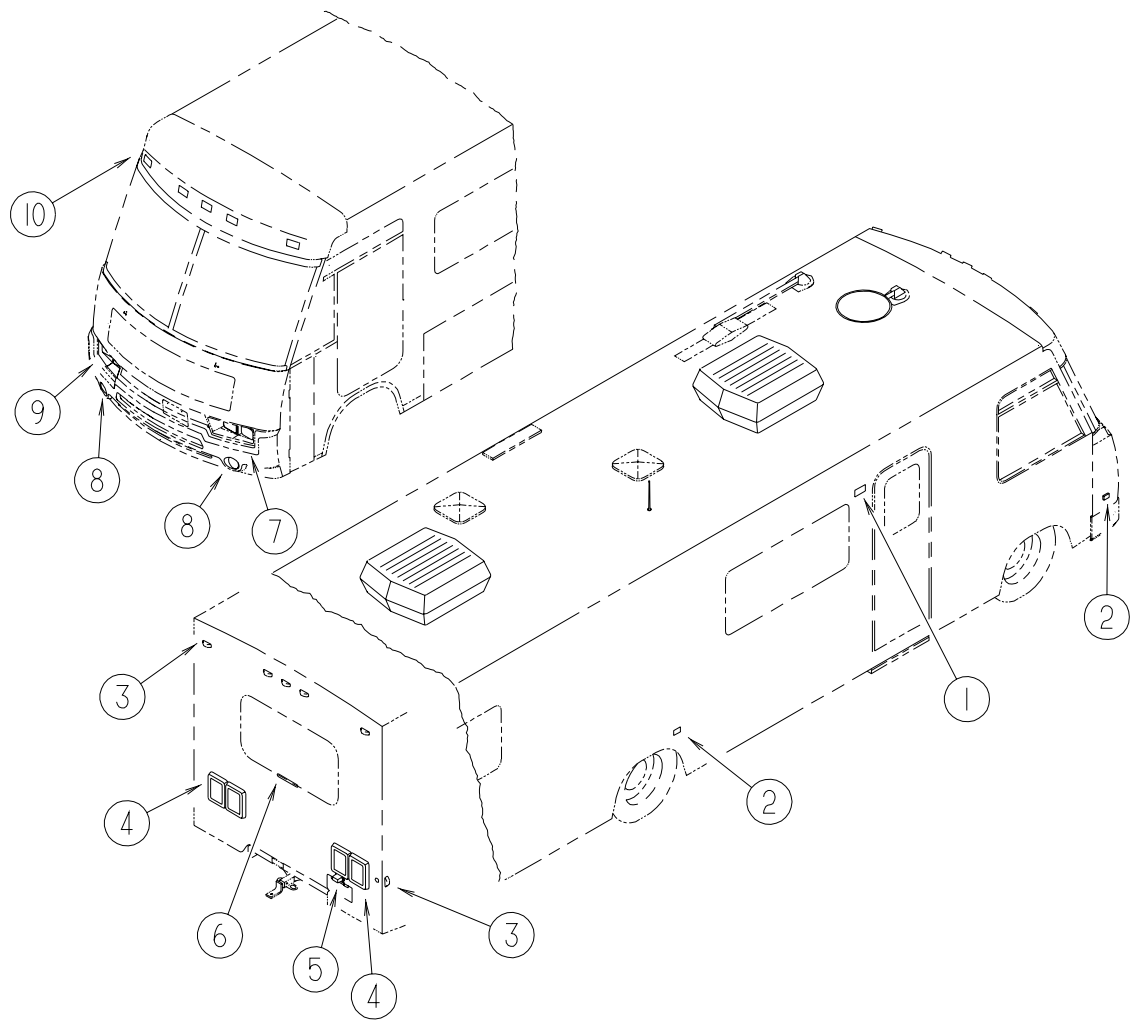


DASH, GAUGES & SWITCHES - CHEVY DIESEL (FROM: 03-15-99 THRU: 99-99-99)

KEY	PART NUMBER	U/M	DESCRIPTION
1	104056-44-01A	EA	APPLIQUE - BEZEL - DRIVER - BLACK
2	108356-02-01A	EA	COVER/ACTUATOR SWITCH - 2 ROWS DIMPLES- CONTURA II - BLACK
2	108357-09-000	EA	SWITCH - ROCKER SPDT - ON/NONE/MOM - 3 TERMINAL - AUXILIARY START
3	096241-03-000	EA	SWITCH - BLANK - BLACK
4	N/A	EA	CLUSTER - INSTRUMENT PANEL - K/M
5	103662-10-01A	EA	BEZEL - INSTRUMENT PANEL
6	108356-02-01A	EA	COVER/ACTUATOR SWITCH - 2 ROWS DIMPLES- CONTURA II - BLACK
6	108357-05-000	EA	SWITCH - ROCKER SPDT - ON/NONE/ON - 3 TERMINAL - RADIO POWER W/O CD
6	108357-08-000	EA	SWITCH - ROCKER DPDT - ON/NONE/ON - 6 TERMINAL - RADIO POWER W/CD
7	108356-04-01A	EA	COVER/ACTUATOR SWITCH - 2 ROWS DIMPLES W/LENS-CONTURA-BLK
7	108357-10-000	EA	SWITCH - ROCKER SPDT - W/LIGHT - MOM/NONE/MOM - 5 TERMINAL - GEN
7	096241-03-000	EA	SWITCH - BLANK - BLACK
8	108356-02-01A	EA	COVER/ACTUATOR SWITCH - 2 ROWS DIMPLES- CONTURA II - BLACK
8	108357-03-000	EA	SWITCH - ROCKER SPDT - ON/OFF/ON - 3 TERMINAL - REAR HEATER
8	096241-03-000	EA	SWITCH - BLANK - BLACK
9	104056-06-01A	EA	APPLIQUE - BEZEL - PASSENGER - BLACK
10	089294-01-000	EA	LIGHTER - CIGARETTE - W/SOCKET & WIRE
11	104056-43-01A	EA	APPLIQUE - BEZEL - PASSENGER - BLACK
12	108356-02-01A	EA	COVER/ACTUATOR SWITCH - 2 ROWS DIMPLES- CONTURA II - BLACK
12	108357-06-000	EA	SWITCH - ROCKER DPDT - MOM/OFF/MOM - 6 TERMINAL - AUXILIARY BATTERY
13	M05946-50-J50	EA	DASH POD - CHEVY - W/O CLUSTER
	103603-01-000	EA	BULB - 12 VOLT - #74 - .12A WEDGE - GE 22-25 USED IN DASH
	077031-01-000	EA	FILM - BLACK - 1" X 1.75"
	077031-03-000	EA	FILM - WHITE - .75" X 1"
	049176-01-000	EA	HEDLOCK II - 3/4 DIAMETER SCREW MOUNT

# ELECTRICAL GROUP

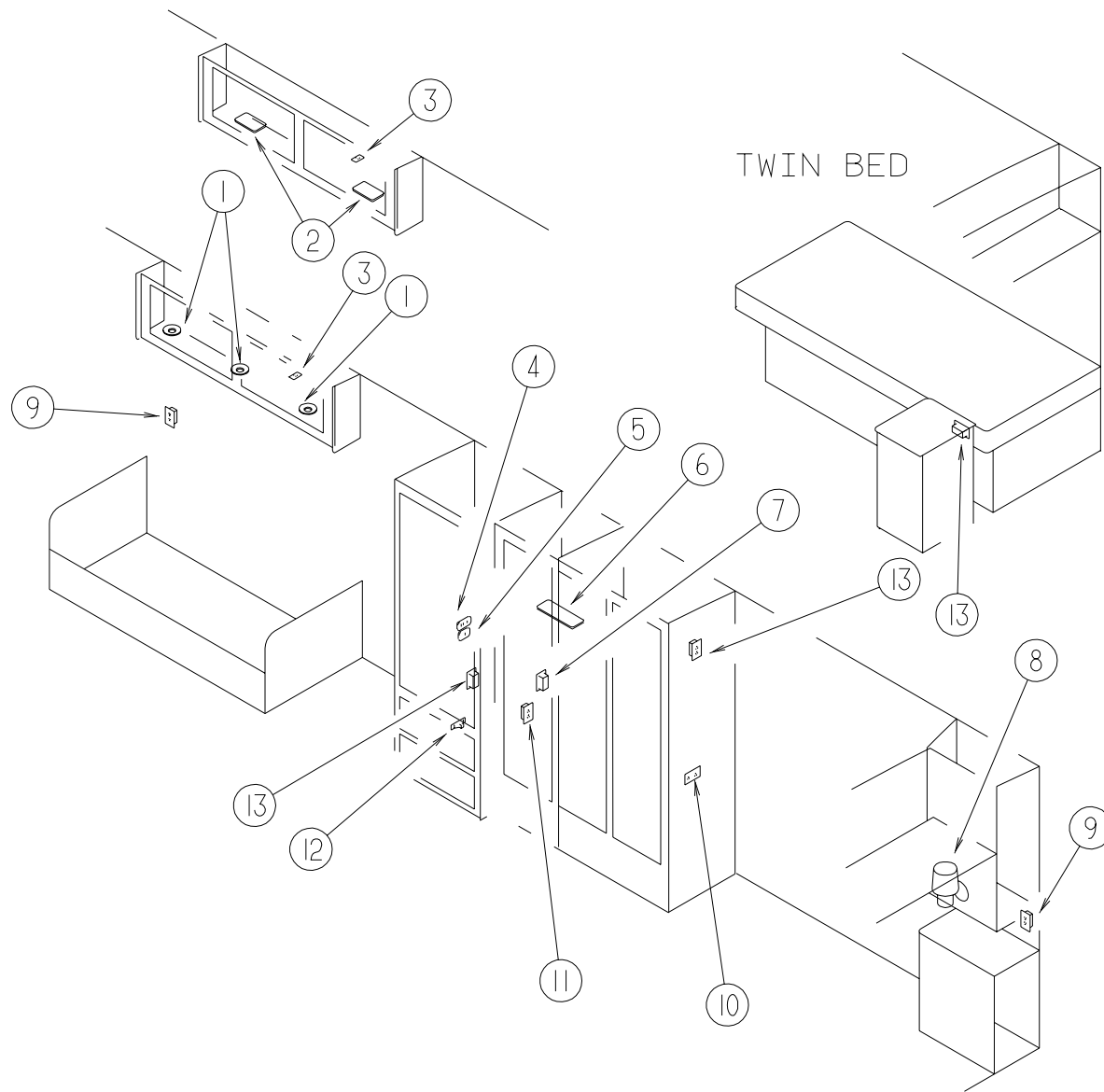
## EXTERIOR LIGHTS



KEY	PART NUMBER	U/M DESCRIPTION	VENDOR NO.
1	097917-01-06A	EA LIGHT - PORCH - BRIGHT WHITE	
	008215-01-000	EA BULB - 12 VOLT - #1003 - .94 AMP	
	097917-01-700	EA LENS-LIGHT, CLEAR	30-78-021
1	008089-02-000	EA LIGHT - PORCH - RECESSED - CANADIAN	
	008089-01-700	EA LENS-LIGHT,RECESSED,PORCH DECO	
	008214-01-000	EA BULB - 12 VOLT - #67 - .59 AMP	
2	111102-01-000	EA BASE - LAMP MARKER	
2	111102-02-000	EA LENS - AMBER - MARKER LAMP	
	036196-01-000	EA BULB - 12V - #194 - .27 AMP - BAYONETTE	
3	111102-01-000	EA BASE - LAMP MARKER	
3	111102-03-000	EA LENS - RED - MARKER LAMP	
	036196-01-000	EA BULB - 12V - #194 - .27 AMP - BAYONETTE	
4	115632-01-02A	EA LIGHT - STOP/TURN/TAIL RED	
4	115632-03-02A	EA LIGHT - STOP/TAIL/BACKUP	
	121621-01-01A	EA POD - TAIL LIGHT - BRIGHT WHITE	FROM: 00-00-00 THRU: 11-22-98
	121621-02-01A	EA POD - TAIL LIGHT - BRIGHT WHITE	FROM: 11-23-98 THRU: 99-99-99
5	066432-02-000	EA LIGHT - LICENSE - BLACK	
5	066432-03-000	EA BRACKET - LICENSE PLATE	
6	121950-01-000	EA LIGHT - BRAKE - CENTER MOUNT	
7	049186-04-000	EA HEADLAMP - DRIVER - HIGH/LOW - HALOGEN	
7	049188-04-000	EA HEADLAMP - DRIVER - HIGH BEAM - HALOGEN	
7	049359-01-000	EA SPRING - RETAINER - HEADLAMP - GM #496096	
7	110750-01-000	EA SCREW - HEADLAMP ADJUSTING	
8	126198-01-000	EA LAMP ASSEMBLY - PARK/TURN - AMBER	
8	126198-02-000	EA GROMMET - MOUNTING - LIGHT/4" RED	
9	049185-04-000	EA HEADLAMP - PASSENGER - HIGH/LOW - HALOGEN	
9	049187-04-000	EA HEADLAMP - PASSENGER - HIGH BEAM - HALOGEN	
9	049359-01-000	EA SPRING - RETAINER - HEADLAMP - GM #496096	
9	110750-01-000	EA SCREW - HEADLAMP ADJUSTING	
10	102520-01-000	EA LIGHT - CLEARANCE - W/O SOCKET/HOUSING - AMBER	
10	067789-02-000	EA SOCKET - LAMP	
10	036196-01-000	EA BULB - 12V - #194 - .27 AMP - BAYONETTE	
10	102541-01-000	EA GASKET - CLEARANCE LIGHT	

## ELECTRICAL GROUP (CONTINUED)

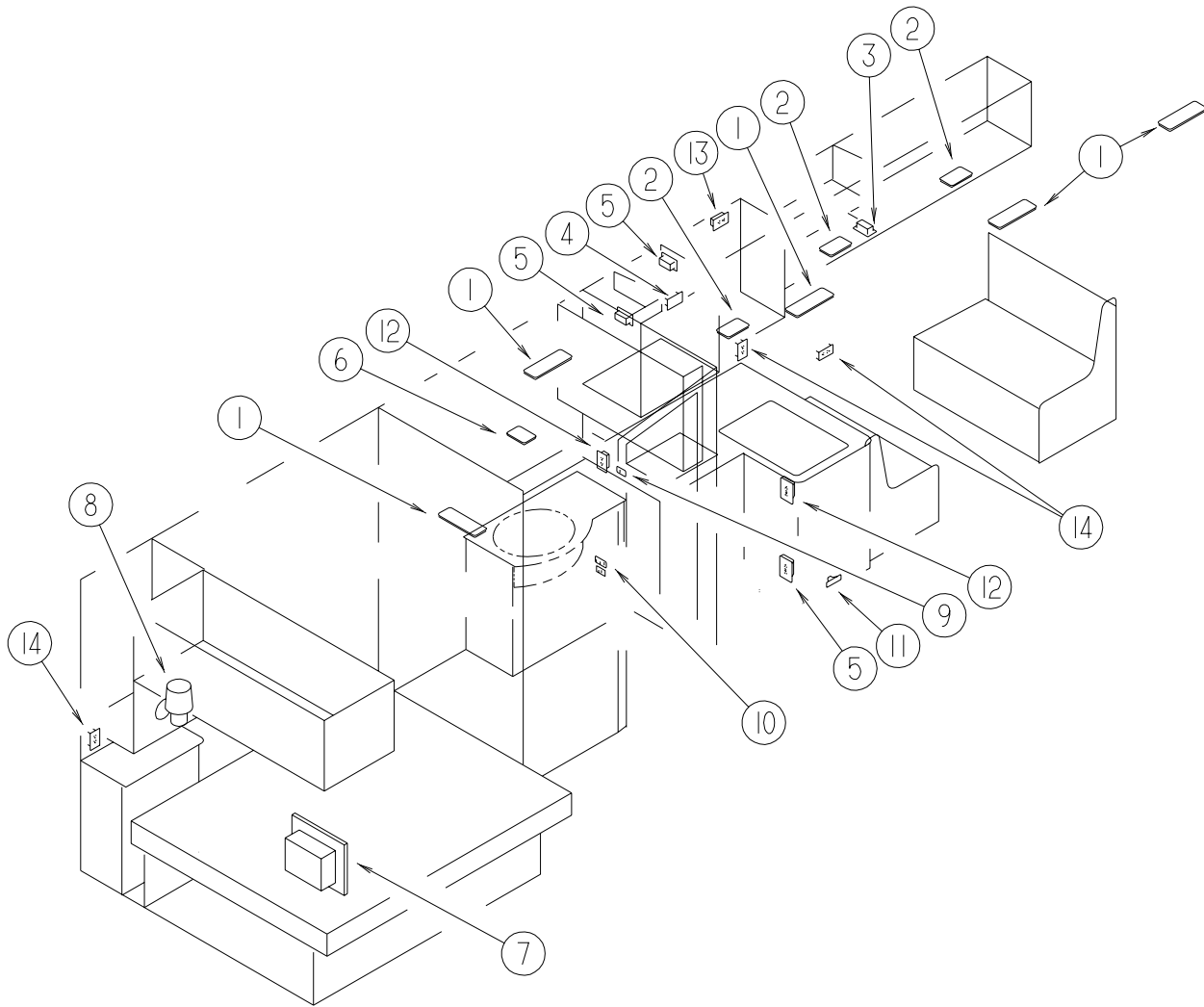
### LIGHTS, SWITCHES, & RECEPTACLES PASSENGERS SIDE



KEY	PART NUMBER	U/M DESCRIPTION	VENDOR NO.
1	123775-01-01A	EA LIGHT - HALOGEN - ROUND - COMFORT AND CONVENIENCE PACKAGE	
	123775-01-700	EA BULB - 10 WATT - HALOGEN	71-JC10
2	098024-05-02A	EA LIGHT - DOME - 1 BULB - SKYLITE - WHITE	
	008218-01-000	EA BULB - 12 VOLT - #1141 - 1.44 AMP	
	098024-01-701	EA LENS - OPTI CLEAR - SKYLITE	809902
3	098351-01-01A	EA PLATE/SWITCH - 1 GANG - POLISHED BRASS - W/O LABEL	
3	079364-01-000	EA SWITCH - ON/OFF ROCKER - 2 TERMINAL - BROWN	
4	095188-02-01A	EA SPACER - SWITCH - 2.3" X 4.1" - PLASTIC - DARK BROWN	
4	098351-05-01A	EA PLATE/SWITCH - 3 GANG - POLISHED BRASS-PORCH/CEILING/STEP	
4	079364-01-000	EA SWITCH - ON/OFF ROCKER - 2 TERMINAL - BROWN - PORCH/CEILING/STEP	
5	095188-01-01A	EA SPACER - SWITCH - 2.3" X 3.4" - PLASTIC - DARK BROWN	
5	079364-03-000	EA SWITCH - ON/OFF ROCKER - 3 TERMINAL - BROWN	
5	098351-01-01A	EA PLATE/SWITCH - 1 GANG - POLISHED BRASS - W/O LABEL	
6	098024-03-02A	EA LIGHT - DOME - 2 BULB - WHITE	
	008218-01-000	EA BULB - 12 VOLT - #1141 - 1.44 AMP	
	098024-01-700	EA LENS-LIGHT	807877
7	058707-01-000	EA RECEPTACLE - ELECTRIC - SINGLE - BROWN - REFRIGERATOR	
8	119257-03-01A	EA SHADE - LAMP - LINEN	
8	119258-02-01A	EA LAMP - WALL	
	119258-01-700	EA FINIAL (PYRAMID)	12-0322
8	067479-01-000	EA BULB - 12 VOLT - #1076 - 1.80 AMP	
9	058708-02-000	EA RECEPTACLE - ELECTRIC - DOUBLE - IVORY	
9	102568-01-GB1	EA SPACER - RECEPTACLE - BETWEEN SIDEWALL & PLATE - WOOD	
10	079364-01-000	EA SWITCH - ON/OFF ROCKER - 2 TERMINAL - BROWN - BEDROOM LIGHT	
10	079364-03-000	EA SWITCH - ON/OFF ROCKER - 3 TERMINAL - BROWN - COURTESY LIGHT	
10	098351-02-01A	EA PLATE/SWITCH - 2 GANG - POLISHED BRASS - W/O LABEL	
11	112822-01-01A	EA RECEPTACLE - DUPLEX - IVORY	
		FROM: 00-00-00 THRU: 11-15-98	
11	112824-01-03A	EA COVER - EXTERIOR DUPLEX RECEPTACLE - WHITE PLASTIC	
		FROM: 00-00-00 THRU: 11-15-98	
11	131826-01-01A	EA RECEPTACLE - EXTERIOR - W/COVER/GASKET - WHITE	
		FROM: 11-16-98 THRU: 99-99-99	
12	061424-01-000	EA LIGHT - AISLE - 12 VOLT - RECTANGULAR	
	008103-01-000	EA BULB - DASH/AISLE LIGHT - #53 - 12 VOLT - .12 AMP	
13	058708-01-000	EA RECEPTACLE - ELECTRIC - DOUBLE - BROWN	
	086280-01-000	EA LIGHT - SURFACE MOUNT - 12 VOLT - EXTERIOR STORAGE COMPARTMENTS	
	086280-01-700	EA BULB,12V	ARP1089
	098024-01-03A	EA LIGHT - DOME - 1 BULB - WHITE - EXTERIOR STORAGE COMPARTMENTS	
	008218-01-000	EA BULB - 12 VOLT - #1141 - 1.44 AMP	
	098024-01-700	EA LENS-LIGHT	807877



**ELECTRICAL GROUP (CONTINUED)**  
**LIGHTS, SWITCHES, & RECEPTACLES DRIVERS SIDE**



KEY	PART NUMBER	U/M	DESCRIPTION	VENDOR NO.
1	098024-03-02A	EA	LIGHT - DOME - 2 BULB - WHITE	
	008218-01-000	EA	BULB - 12 VOLT - #1141 - 1.44 AMP	
	098024-01-700	EA	LENS-LIGHT	807877
2	098024-05-02A	EA	LIGHT - DOME - 1 BULB - SKYLITE - WHITE	
	008218-01-000	EA	BULB - 12 VOLT - #1141 - 1.44 AMP	
	098024-01-701	EA	LENS - OPTI CLEAR - SKYLITE	809902
3	058708-01-000	EA	RECEPTACLE - ELECTRIC - DOUBLE - BROWN	
4	058708-05-000	EA	RECEPTACLE - ELECTRIC - SINGLE - BROWN - MICROWAVE	
5	058707-02-000	EA	RECEPTACLE - BLANK - JUNCTION BOX	
6	121935-01-01A	EA	LIGHT - DOME - SHOWER	
7	024924-02-000	EA	RECEPTACLE - POWER CORD - W/PARTIAL PLATE	
8	119257-03-01A	EA	SHADE - LAMP - LINEN	
8	119258-02-01A	EA	LAMP - WALL	
	119258-01-700	EA	FINIAL (PYRAMID)	12-0322
8	067479-01-000	EA	BULB - 12 VOLT - #1076 - 1.80 AMP	
9	098351-01-01A	EA	PLATE/SWITCH - 1 GANG - POLISHED BRASS - W/O LABEL	
9	079364-03-000	EA	SWITCH - ON/OFF ROCKER - 3 TERMINAL - BROWN - WATER PUMP	
10	079364-01-000	EA	SWITCH - ON/OFF ROCKER - 2 TERMINAL - BROWN	
10	098351-02-01A	EA	PLATE/SWITCH - 2 GANG - POLISHED BRASS - W/O LABEL	
11	061424-01-000	EA	LIGHT - AISLE - 12 VOLT - RECTANGULAR	
	008103-01-000	EA	BULB - DASH/AISLE LIGHT - #53 - 12 VOLT - .12 AMP	
12	084076-01-000	EA	RECEPTACLE - GFI - 15 AMP/125 VOLT - IVORY	
12	084076-02-000	EA	RECEPTACLE - GFI - 15 AMP/125 VOLT - BROWN	
13	091927-01-000	EA	COVER - RECEPTACLE - DOUBLE - IVORY - W/O ROOF A/C OPTION	
14	058708-02-000	EA	RECEPTACLE - ELECTRIC - DOUBLE - IVORY	
14	102568-01-GB1	EA	SPACER - RECEPTACLE - BETWEEN SIDEWALL & PLATE - WOOD	
	086280-01-000	EA	LIGHT - SURFACE MOUNT - 12 VOLT - EXTERIOR STORAGE COMPARTMENTS	
	086280-01-700	EA	BULB, 12V	ARP1089
	098024-01-03A	EA	LIGHT - DOME - 1 BULB - WHITE - EXTERIOR STORAGE COMPARTMENTS	
	008218-01-000	EA	BULB - 12 VOLT - #1141 - 1.44 AMP	
	098024-01-700	EA	LENS-LIGHT	807877

**ELECTRICAL GROUP (CONTINUED)****FUSES & FUSE HOUSINGS**

KEY	PART NUMBER	U/M	DESCRIPTION
	062901-02-000	EA	FUSE - 05 AMPS - AUTOMOTIVE
	062901-05-000	EA	FUSE - 15 AMPS - AUTOMOTIVE
	062901-06-000	EA	FUSE - 20 AMPS - AUTOMOTIVE
	062901-07-000	EA	FUSE - 25 AMPS - AUTOMOTIVE
	062901-08-000	EA	FUSE - 30 AMPS - AUTOMOTIVE
	062037-01-000	EA	HOUSING - AUTO FUSE - NATURAL
	062037-02-000	EA	HOUSING - AUTO FUSE - GREEN
	062037-03-000	EA	HOUSING - AUTO FUSE - BLACK
	062037-04-000	EA	HOUSING - AUTO FUSE - BLUE
	062037-05-000	EA	HOUSING - AUTO FUSE - GRAY
	062037-06-000	EA	HOUSING - AUTO FUSE - BROWN
	062037-07-000	EA	HOUSING - AUTO FUSE - RED
	106656-01-000	EA	FUSE BLOCK - 4 CAVITY - AUTOFUSE
	108669-01-000	EA	HOUSING - AUTO FUSE HOLDER

**CIRCUIT BREAKERS**

KEY	PART NUMBER	U/M	DESCRIPTION
	083209-01-000	EA	CIRCUIT BREAKER - 15 AMP - 120 VOLT - CANADIAN
	083209-02-000	EA	CIRCUIT BREAKER - 15/15 AMP - 120 VOLT
	083209-03-000	EA	CIRCUIT BREAKER - 15/20 AMP - 120 VOLT
	083209-04-000	EA	CIRCUIT BREAKER - 30 AMP - 120 VOLT
	083209-06-000	EA	CIRCUIT BREAKER - 30/15 AMP - 120 VOLT
	083209-07-000	EA	CIRCUIT BREAKER - 20/20 AMP - 120 VOLT
	083209-08-000	EA	CIRCUIT BREAKER - BLANK
	083209-10-000	EA	CIRCUIT BREAKER - 20/30 AMP - 120 VOLT
	083209-11-000	EA	CIRCUIT BREAKER - 20/15 AMP - 120 VOLT
	093654-01-000	EA	CIRCUIT BREAKER - 6 AMP - 12 VOLT
	093654-02-000	EA	CIRCUIT BREAKER - 15 AMP - 12 VOLT
	093655-03-000	EA	CIRCUIT BREAKER - 40 AMP - 12 VOLT
	093674-01-000	EA	PLATE - CIRCUIT BREAKER - HOUSE - 8.4" X 4.1" - STEEL
	097611-01-000	EA	CIRCUIT BREAKER - 10 AMP - 12 VOLT
	112591-01-000	EA	CIRCUIT BREAKER - 16 AMP - 240 VOLT

**TERMINALS**

KEY	PART NUMBER	U/M	DESCRIPTION
	008326-01-000	EA	TERMINAL - RING - 16/14 WIRE - 3/8" STUD
	008328-01-000	EA	TERMINAL - RING - 12/10 WIRE - #10 STUD FIT
	008331-01-000	EA	TERMINAL - RING - TONGUE - #4 WIRE - 3/8" STUD - COPPER
	008348-01-000	EA	TERMINAL - RING - 3/8" STUD 2 GA. WIRE
	035416-04-000	EA	TERMINAL - RING - #10 STUD FIT - INSULATED BARREL #16/14
	047443-01-000	EA	TERMINAL - .250 RECEPTACLE FIT - INSULATED - 16/14 AWG
	047443-02-000	EA	TERMINAL - .250 RECEPTACLE FIT - INSULATED - 12/10 AWG
	062036-01-000	EA	TERMINAL - PACK - CON - 12/10 AWG
	062036-02-000	EA	TERMINAL - PACK - CON - 16/14 AWG
	088267-01-000	EA	TERMINAL - FEMALE - 1/4
	088476-01-000	EA	TERMINAL - ELECTRICAL
	098260-01-000	EA	TERMINAL - MALE - 56 SERIES
	104100-03-000	EA	TERMINAL - 75 AMP
	106007-01-000	EA	TERMINAL - FEMALE - 14-16 AWG
	106655-01-000	EA	TERMINAL - FUSE BLOCK - 14-16 AWG
	106655-02-000	EA	TERMINAL - FUSE BLOCK - 10-12 AWG
	113135-01-000	EA	TERMINAL - FEMALE - M/P - 14-16 - F/SEALED TERMINAL
	113306-01-000	EA	TERMINAL - FEMALE - M/P - 14-16 - F/NON-SEALED TERMINAL
	113307-01-000	EA	TERMINAL - FEMALE - M/P - 16-20
	125324-01-000	EA	TERMINAL - MALE - METRI-PACK - 150

**ELECTRICAL GROUP (CONTINUED)****ELECTRIC BOXES & COVERS**

KEY	PART NUMBER	U/M	DESCRIPTION
	008289-01-000	EA	BOX - ELECTRIC/STEEL - 1/2" & 3/4" KNOCKOUTS - 4" X 4"
	008289-02-000	EA	BOX - ELECTRIC/STEEL - 1/2" & 3/4" KNOCKOUTS - 4" X 4"-CAN
	008294-01-000	EA	COVER - ELECTRICAL BOX - BLANK/STEEL - 4" X 4" - GRAY
	008294-02-000	EA	COVER - ELECTRICAL BOX - BLANK STEEL - 4" X 4" - CANADIAN
	069238-01-000	EA	COVER - ELECTRICAL BOX - W/HOLE - 4" X 4" - GRAY USED WITH 30 AMP RECEPTACLE
	091910-01-000	EA	BOX - ELECTRIC - 3.8" X 3.5" X 1.8" - PLASTIC
	091910-02-000	EA	BOX - ELECTRIC - 2.2" X 3.5" X 1.8" - PLASTIC
	111509-01-000	EA	BOX - ELECTRICAL - E-COATED
	111510-01-000	EA	DOOR/ACCESS PANEL - ELECTRICAL BOX

**HOUSINGS, PINS & SOCKETS**

KEY	PART NUMBER	U/M	DESCRIPTION
	088473-01-000	EA	HOUSING - PIN - 12 CAVITY (3 ROWS OF 4)
	088473-02-000	EA	HOUSING - PIN - 15 CAVITY (3 ROWS OF 5)
	088473-03-000	EA	HOUSING - PIN - 9 CAVITY (3 ROWS OF 3)
	088473-04-000	EA	HOUSING - PIN - 8 CAVITY IN-LINE
	088473-06-000	EA	HOUSING - PIN - 6 CAVITY (2 ROWS OF 3)
	088473-08-000	EA	HOUSING - PIN - 4 CAVITY - IN-LINE
	088473-09-000	EA	HOUSING - PIN - 3 CAVITY - IN-LINE
	088473-10-000	EA	HOUSING - PIN - 2 CAVITY - IN LINE
	098264-01-000	EA	HOUSING - 2 PIN - WEATHERPACK - MALE W/FEMALE PINS
	088474-01-000	EA	HOUSING - SOCKET - 12 CAVITY
	088474-02-000	EA	HOUSING - SOCKET - 15 CAVITY
	088474-03-000	EA	HOUSING - SOCKET - 9 CAVITY
	088474-04-000	EA	HOUSING - SOCKET - 8 CAVITY
	088474-06-000	EA	HOUSING - SOCKET - 6 CAVITY
	088474-07-000	EA	HOUSING - SOCKET - 5 CAVITY
	088474-08-000	EA	HOUSING - SOCKET - 4 CAVITY
	088474-09-000	EA	HOUSING - ELECTRICAL - 3 TERMINAL
	088474-10-000	EA	HOUSING - SOCKET - 2 CAVITY
	088475-01-000	EA	PIN - CONNECTOR - 14-20 AWG
	088475-02-000	EA	PIN - CONNECTOR - 10 - 12 AWG
	088476-02-000	EA	SOCKET - CONNECTOR - 12-10 GA - PRE-TIN
	098261-02-000	EA	SOCKET - CONNECTOR - WEATHERPACK - 14-18 AWG
	101571-01-000	EA	HOUSING - 2 POSITION - MALE
	101751-01-000	EA	HOUSING - 1 PIN - WEATHER PACK
	103608-01-000	EA	SOCKET - WEDGE BASE W/LEADS
	104100-01-000	EA	HOUSING - 1 POSITION - 75 AMPS
	106006-01-000	EA	HOUSING - 1 POSITION - FEMALE
	110178-01-000	EA	HOUSING - WIPER MOTOR
	113131-01-000	EA	HOUSING - 3 PIN
	113468-01-000	EA	HOUSING - 2 POSITION - FEMALE USED ON WIPER/WASHER WIRE ASM
	115556-01-000	EA	HOUSING - 3 POSITION - FEMALE
	115556-02-000	EA	HOUSING - 2 POSITION - FEMALE
	119248-02-000	EA	HOUSING - 7 POSITION - FEMALE
	125323-02-000	EA	HOUSING - 8 POSITION - MALE
	108355-01-000	EA	HOUSING - SWITCH
	007954-01-000	EA	RECEPTACLE - HOUSING - 6 POSITION
	080015-02-000	EA	RECEPTACLE - FLAG - .185 - 16/14 GAUGE

**ELECTRICAL GROUP (CONTINUED)**

**CONNECTORS**

KEY	PART NUMBER	U/M DESCRIPTION
	008311-01-000	EA CONNECTOR - WIRE NUT - INSULATED - RED
	008312-01-000	EA CONNECTOR - WIRE NUT - INSULATED - BLUE
	008313-01-000	EA CONNECTOR - WIRE NUT - INSULATED - YELLOW
	008314-01-000	EA CONNECTOR - WIRE NUT - INSULATED - GRAY
	008355-01-000	EA CONNECTOR - CABLE CLAMPING - 3/4"
	008356-01-000	EA CONNECTOR - PLASTIC - 3/8" AVG
	008356-02-000	EA CONNECTOR - PLASTIC - 21/32
	008398-01-000	EA CONNECTOR - 1/2" X 90 DEGREE - FLEX CONDUIT - UL & CSA
	041480-01-000	EA CONNECTOR - STRAIGHT - 1/2" FLEX CONDUIT
	058028-01-000	EA CONNECTOR - ELECTRICAL PIGTAIL - NYLON - CLEAR
	126403-02-000	EA CONNECTOR - 3 CIRCUIT
	098262-01-000	EA SEAL - CONNECTOR - WEATHERPACK
	098265-02-000	EA PIN - CONNECTOR - WEATHERPACK
	112823-01-000	EA SPLICE - REDUCER - 16-14 TO 18-22

**POWER CORDS**

KEY	PART NUMBER	U/M DESCRIPTION
	008052-01-000	EA CORD - POWER - 10/3 WIRE - 30 AMP - 25' - CANADIAN
	008054-01-000	EA CORD - POWER - 10/3 WIRE - 30 AMP - 25'

**WIRE ASSEMBLIES**

KEY	PART NUMBER	U/M DESCRIPTION
	073328-B4-000	EA CABLE ASSEMBLY - BATTERY - W/TERMINALS
	112593-02-000	FT CABLE - 3 WIRE - 25A - FLEX RUBBER - EUROPEAN
	081059-02-000	EA WIRE ASSEMBLY - 9PIN - F/RADIO
	090986-01-000	EA WIRE ASSEMBLY - ELECTRIC STEP
	090986-02-000	EA WIRE ASSEMBLY - ELECTRIC STEP FROM: 00-00-00 THRU: 02-07-99
	096449-01-000	EA WIRE ASSEMBLY - WATER TANK TO MONITOR PANEL FROM: 02-08-99 THRU: 99-99-99
	100677-01-000	EA WIRE ASSEMBLY - RADIO
	108303-01-000	EA WIRE ASSEMBLY - REAR AUTO HEATER FROM: 00-00-00 THRU: 03-14-99
	110256-01-000	EA WIRE ASSEMBLY - INSTRUMENT PANEL - GENERATOR FROM: 00-00-00 THRU: 03-14-99
	111915-01-000	EA WIRE ASSEMBLY - DAYTIME RUNNING LAMPS - FUSED - GM
	113134-03-000	EA WIRE ASSEMBLY - WIPER/WASHER
	115928-04-000	EA WIRE ASSEMBLY - HEADLAMP- CHEVY
	125578-02-000	EA WIRE ASSEMBLY - INSTRUMENT PANEL - RIGHT HAND
	125853-01-000	EA WIRE ASSEMBLY - ENTERTAINMENT CENTER
	126392-01-000	EA WIRE ASSEMBLY - REMOTE MIRRORS FROM: 00-00-00 THRU: 03-14-99
	129436-02-000	EA WIRE ASSEMBLY - INSTRUMENT PANEL/POWER MIRROR FROM: 03-15-99 THRU: 04-13-99
	129436-03-000	EA WIRE - INSTRUMENT PANEL - F/POWER MIRROR FROM: 04-14-99 THRU: 99-99-99
	127053-01-000	EA WIRE ASM-REAR MONITOR,UPPER

**CONDUIT**

KEY	PART NUMBER	U/M DESCRIPTION
	008394-01-000	FT CONDUIT - FLEXIBLE - 1/2"
	041953-01-000	FT CONDUIT - CONVOLUTE SLIT - .5" ID - POLYETHYLENE
	041953-03-000	FT CONDUIT - CONVOLUTE SLIT - 1" ID (CLOTHES ROD COVER)
	041953-05-000	FT CONDUIT - CONVOLUTE SOLID - .62" ID - POLYETHYLENE
	041953-06-000	FT CONDUIT - CONVOLUTE SLIT - .375" ID - POLYETHYLENE
	041953-07-000	FT CONDUIT - CONVOLUTE SLIT - .25" ID - POLYETHYLENE
	041953-08-000	FT CONDUIT - CONVOLUTE SLIT - 1.50" ID - POLYETHYLENE
	041953-09-000	FT CONDUIT - CONVOLUTE SLIT - .50" ID - NYLON
	041953-10-000	FT CONDUIT - CONVOLUTE SLIT - .75" ID - NYLON
	041953-11-000	FT CONDUIT - CONVOLUTE SLIT - 1.06" ID - NYLON
	041953-12-000	FT CONDUIT - CONVOLUTE SOLID - 1.1" ID - NYLON

**ELECTRICAL GROUP (CONTINUED)**

**INVERTER, LOAD CENTER, & CONVERTER**

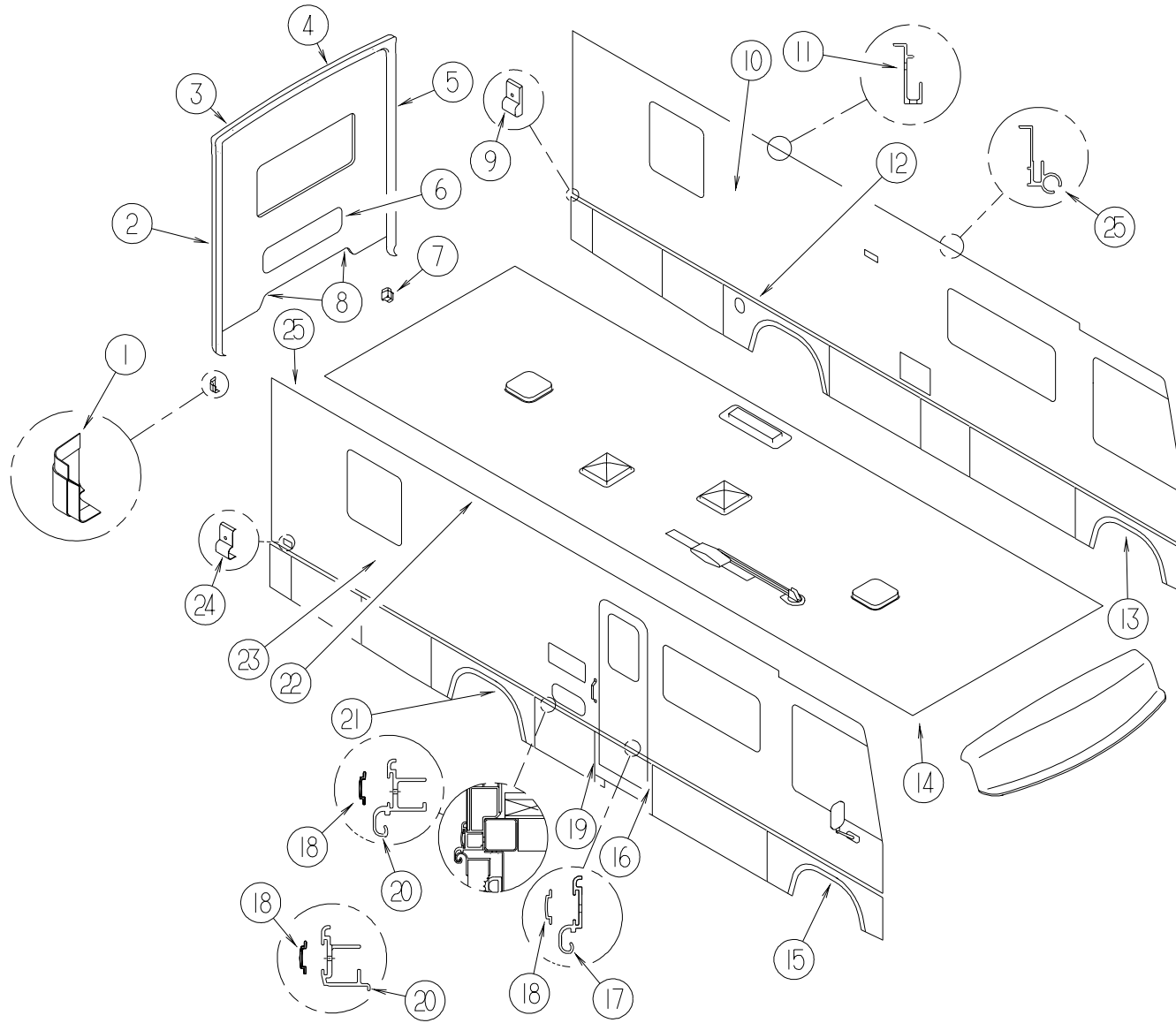
KEY	PART NUMBER	U/M DESCRIPTION	VENDOR NO.
	099048-03-000	EA INVERTER - 130 WATT	
	083208-02-000	EA CONTROL CENTER - 45 AMP - 120/12V - W/O BREAKERS	
	083208-05-000	EA CONTROL CENTER - 45 AMP - 100/12V - EXPORT FROM: 00-00-00 THRU: 11-05-98	
	093257-02-000	EA BOX - ELECTRIC - W/O CIRCUIT BREAKERS/FUSES - EXPORT FROM: 11-06-98 THRU: 99-99-99	
	093257-02-700	EA GROUND BAR - 8 POINT	13507201
	093257-02-701	EA FUSE BLOCK - DC- 11 POINT	30507060
	093257-02-702	EA STAB ASSEMBLY - BREAKER	M91500008
	093257-02-703	EA DEAD FRT ASM.-AC BREAKER CVR	M91500011
	093257-02-704	EA NEUTRAL BAR ASM.W/GROUND BAR	M91500009
	113132-01-000	EA LOAD CENTER - 120/240 VOLT - 60 AMP	

**MISCELLANEOUS ELECTRICAL COMPONENTS**

KEY	PART NUMBER	U/M DESCRIPTION
	007093-01-000	EA SIGNAL FLASHER
	007956-05-000	EA INSULATOR - SHRINK - .25 ID X 1.50
	008188-01-000	EA SOLENOID - 3 POST - BATTERY CHANGE OVER
	063910-01-000	EA HOUSING - RELAY
	063912-02-000	EA RELAY - CANISTER - SPDT
	086233-01-000	EA STUD - ISOLATED - 3/8" X 7/8" LONG
	086273-01-000	EA RELAY - BATTERY DISCONNECT
	092786-02-000	EA BUSS BAR - 3.3" LONG
	092786-03-000	EA BUSS BAR - 6.9" LONG
	087949-01-000	EA BUSS BAR - 2 POSITION - .6" X 1.5"
	087949-02-000	EA BUSS BAR - 3 POSITION - .6" X 2.4"
	103987-02-000	EA SEAL - SOLENOID ACCESS
	125323-03-000	EA LOCK - SECONDARY 8 POSITION
	125325-01-000	EA SEAL - CAVITY
	087225-01-000	FT SLEEVING - 1/2" - TYPE H
	087225-02-000	FT SLEEVING - 5/8" - TYPE H
	077479-01-000	EA BOOT - BATTERY TERMINAL - DOUBLE CABLE
	077479-02-000	EA BOOT - BATTERY TERMINAL - SINGLE CABLE
	128961-01-02B	EA HANGER - POWER CORD - E-COATED

# EXTERIOR BODY GROUP

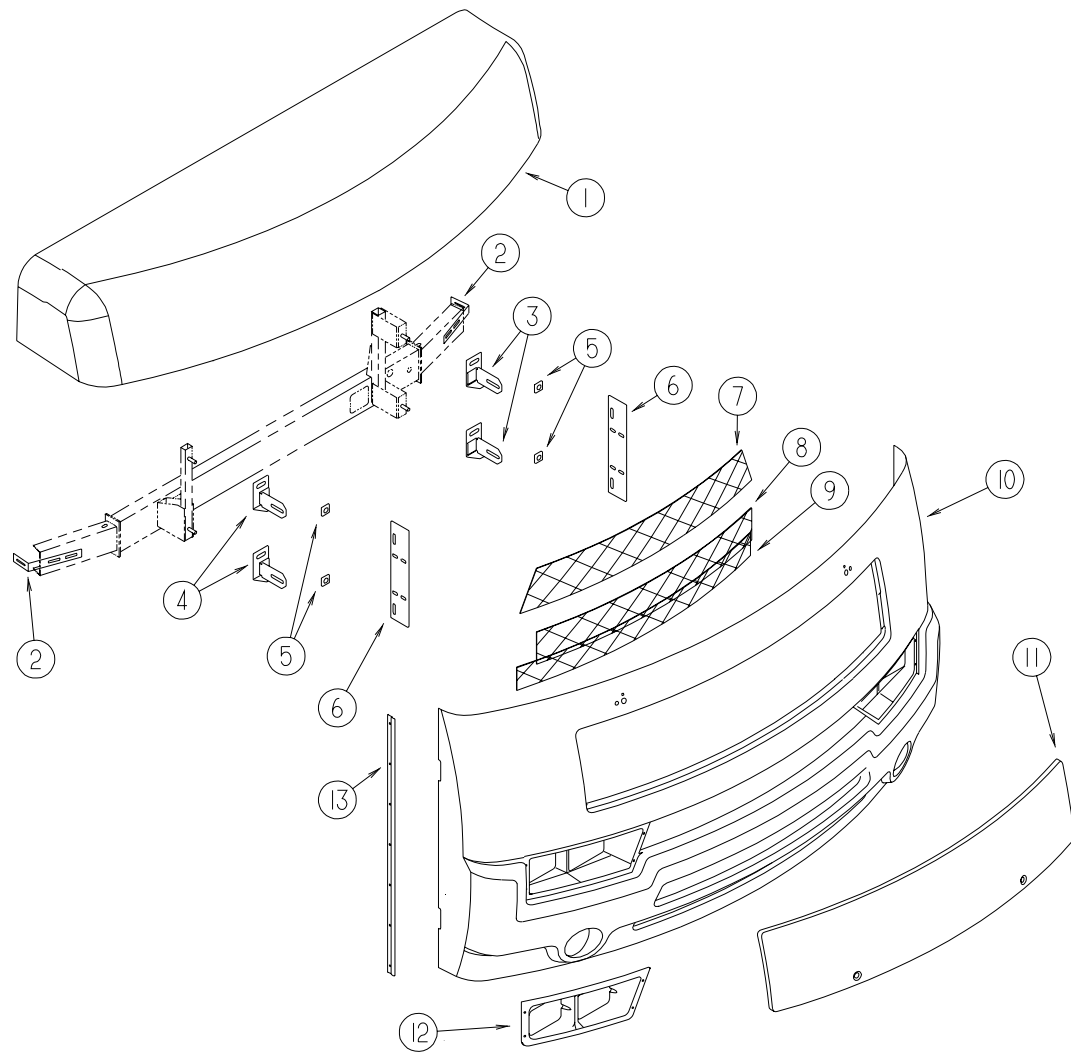
## EXTERIOR BODY PANELS AND TRIM



KEY	PART NUMBER	U/M	DESCRIPTION
1	119212-01-01A	EA	END CAP - LOWER BACKWALL TRIM - PASSENGER - BLACK
2	114874-03-12B	EA	TRIM - BACKWALL/PASSENGER SIDE - BRIGHT/WHITE
2	120548-01-02A	EA	TRIM-J - BACKWALL/PASSENGER - 98.3" - NOTCHED - BRIGHT WHT
3	114872-02-02A	EA	TRIM - BACKWALL - TOP - PASSENGER SIDE - BRT/WHITE
3	114872-04-01A	EA	TRIM - BACKWALL - TOP - PASSENGER SIDE - BRIGHT WHITE - EXPORT
4	114873-02-02A	EA	TRIM - BACKWALL - TOP - DRIVER SIDE - BRIGHT WHITE
4	114873-04-01A	EA	TRIM - BACKWALL - TOP - DRIVER SIDE - BRIGHT WHITE - EXPORT
5	114874-04-12B	EA	TRIM - BACKWALL/DRIVER SIDE - BRIGHT/WHITE
5	120548-02-02A	EA	TRIM-J - BACKWALL/DRIVER - 98.3" - NOTCHED - BRIGHT WHITE
6	130352-01-K20	EA	BACKWALL - W/O WINDOW/TRIM (K50,K53)
6	130352-01-K21	EA	BACKWALL - W/O WINDOW/TRIM (K51)
6	130352-01-K22	EA	BACKWALL - W/O WINDOW/TRIM (K52)
	114248-02-01A	EA	ANGLE - PLASTIC - 96.6"
7	119212-02-01A	EA	END CAP - LOWER BACKWALL TRIM - DRIVER - BLACK
8	050406-25-000	EA	TRIM - LOWER BACKWALL - DRIVER/PASSENGER
9	127845-05-01A	EA	CAP - SIDEWALL TRIM - RIGHT HAND - 2.1" - BRIGHT WHITE
10	129537-04-K50	EA	SIDEWALL - DRIVER - W/O WINDOWS/TRIMS (K50,K53)
10	129537-04-K51	EA	SIDEWALL - DRIVER - W/O WINDOWS/TRIMS (K51)
10	129537-04-K52	EA	SIDEWALL - DRIVER - W/O WINDOWS/TRIMS (K52)
11	120091-01-02A	EA	TRIM - ROOF
			FROM: 00-00-00 THRU: 10-25-98
12	129421-03-K89	EA	PANEL/WHEEL LIP - REAR/DRIVER
12	129421-16-K50	EA	PANEL/WHEEL LIP - REAR - EXPORT
13	129422-03-K20	EA	PANEL/WHEEL LIP - FRONT/DRIVER
13	129422-11-K50	EA	PANEL/WHEEL LIP - FRONT/DRIVER - EXPORT
14	129535-04-K50	EA	ROOF - W/O LIGHTS/VENTS - W/WIRING
15	129422-04-K20	EA	PANEL/WHEEL LIP - FRONT/PASSENGER
15	129422-12-K50	EA	PANEL/WHEEL LIP - FRONT/PASSENGER - EXPORT
16	124501-31-01A	EA	TRIM - SIDEWALL - NOTCHED - RIGHT SIDE - BRIGHT WHITE
17	126903-01-01A	EA	TRIM - SIDEWALL - 60.9" - BRIGHT WHITE
18	105312-01-07A	FT	INSERT - VINYL FEATURE STRIP - BRIGHT WHITE
19	124501-30-01A	EA	TRIM - SIDEWALL - NOTCHED - LEFT SIDE - BRIGHT WHITE
20	126901-21-01A	EA	TRIM - SIDEWALL - 195" - BRIGHT WHITE
20	130989-06-01A	EA	TRIM - SIDEWALL - HINGE - BRIGHT WHITE - EXPORT
21	129421-04-K89	EA	PANEL/WHEEL LIP - REAR/PASSENGER
21	129421-17-K50	EA	PANEL/WHEEL LIP - REAR - EXPORT
22	120092-01-02A	EA	RAIL - AWNING - 192" - BRIGHT WHITE
			FROM: 00-00-00 THRU: 10-25-98
23	129536-04-K50	EA	SIDEWALL - PASSENGER - W/O WINDOWS/TRIMS (K50,K53)
23	129536-04-K51	EA	SIDEWALL - PASSENGER - W/O WINDOWS/TRIMS (K51)
23	129536-04-K52	EA	SIDEWALL - PASSENGER - W/O WINDOWS/TRIMS (K52)
24	127845-06-01A	EA	CAP - SIDEWALL TRIM - LEFT HAND - 2.1" - BRIGHT WHITE
25	131483-01-01A	EA	RAIL - AWNING - 192" - BRIGHT WHITE
			FROM: 10-26-98 THRU: 99-99-99
	002726-01-001	EA	GARNISH - U-CHANNEL - 1.38" X 19" - SERRATED
	002766-01-001	EA	ANGLE - EXTRUDED - 1" X 1.5" X 17"
	068716-01-001	EA	BRACE - 90 DEGREE L-ANGLE - 16"
	069726-02-000	EA	BUMPER - .88" OD X .40" THICK - BLACK
	119568-01-01A	EA	STANDOFF - VALANCE PANEL - BLACK
	120524-01-02B	EA	U-CHANNEL - E-COATED
	121117-01-12B	EA	ANGLE - W/HOLES - BRIGHT WHITE
	129854-11-01A	EA	SUPPORT - WHEEL LIP - 53.8" - MILL
	107865-01-000	EA	ROD - SUPPORT - VALANCE PANEL - 14.3"
	107865-05-000	EA	ROD - SUPPORT - VALANCE PANEL - 9"
	107865-07-000	EA	ROD - SUPPORT - VALANCE PANEL - 14.3"

## EXTERIOR BODY GROUP (CONTINUED)

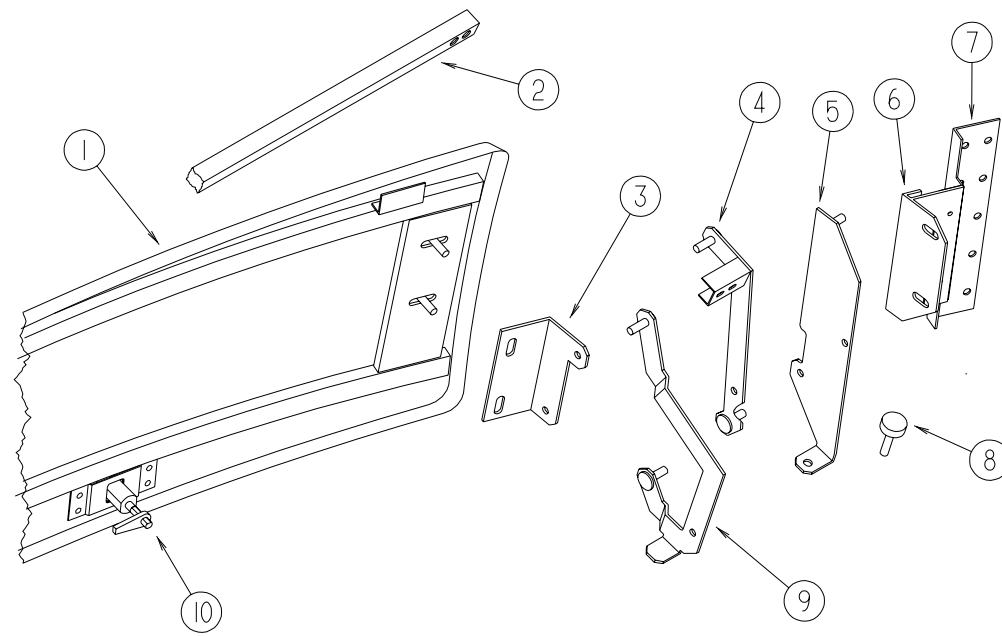
### FRONT END COMPONENTS



KEY	PART NUMBER	U/M	DESCRIPTION
1	125304-02-J60	EA	CAP - ROOF
	118383-01-04A	EA	RETAINER - SCREW
	118383-04-04A	EA	CAP - RETAINER/SCREW
2	128251-01-02B	EA	SUPPORT - VALANCE - E-COATED
3	122826-02-02B	EA	BRACKET - BUMPER - DRIVER - E-COATED
4	122826-01-02B	EA	BRACKET - BUMPER - PASSENGER - E-COATED
5	116617-02-02B	EA	SPACER - BUMPER
6	126933-02-02A	EA	SUPPORT - GRILLE - VERTICAL/BLACK
7	115924-22-02A	EA	WIRE MESH - F/GRILLE - FLAT BLACK
8	115924-23-02A	EA	WIRE MESH - F/GRILLE - FLAT BLACK
9	115924-24-02A	EA	WIRE MESH - F/GRILLE - FLAT BLACK
10	126845-04-J45	EA	PANEL - FRONT/LOWER - W/O NOTCH
	110782-01-000	EA	ANGLE - SUPPORT - HEADLAMP
	125846-01-J60	EA	SUPPORT ASM-WIPER
11	127223-01-J50	EA	HOOD - FRONT
12	126844-01-01A	EA	BEZEL - HEADLAMP - DUAL/RIGHT HAND
	126844-02-01A	EA	BEZEL - HEADLAMP - DUAL/LEFT HAND
	110690-01-D18	EA	PLATE - HEADLAMP - QUAD/RIGHT HAND
	110690-02-D18	EA	PLATE - HEADLAMP - QUAD/LEFT HAND
	007157-05-000	EA	NUT - WELL
13	123680-05-01A	EA	TRIM - FIBERGLASS PANEL - BRIGHT WHITE

FROM: 00-00-00 THRU: 09-04-98

## EXTERIOR BODY GROUP (CONTINUED)



### HOOD & COMPONENTS

KEY	PART NUMBER	U/M DESCRIPTION
1	127223-01-J50	EA HOOD - FRONT
	106730-10-000	EA PLATE - STUD - F/HOOD
2	105096-10-000	EA TUBE - HOOD HINGE TIMING W/WELDNUTS - CHEVY
3	109927-07-000	EA ANGLE - LINK - HOOD/RIGHT HAND
	109927-08-000	EA ANGLE - LINK - HOOD/LEFT HAND
4	127174-01-02B	EA LINK - HINGE/HOOD/UPPER/RIGHT HAND
	127174-02-02B	EA LINK - HINGE/HOOD/UPPER/LEFT HAND
5	126867-10-02B	EA BRACKET - LINK - HOOD HINGE - PASSENGER - E-COATED
	126867-12-02B	EA BRACKET - LINK - HOOD HINGE - DRIVER - E-COATED
6	118595-01-03A	EA SUPPORT - HINGE LINK - PASSENGER - BRIGHT WHITE
	118595-02-03A	EA SUPPORT - HINGE LINK - DRIVER - BRIGHT WHITE
7	113495-07-02B	EA SUPPORT - HINGE - E-COATED
8	058786-01-000	EA BOLT - ADJUSTING HOOD - W/BLACK PAD
9	127172-02-02B	EA LINK - HOOD HINGE - LOWER/PASSENGER - E-COATED
	127172-04-02B	EA LINK - HOOD HINGE - LOWER/DRIVER - E-COATED
10	102330-02-000	EA LATCH - VISE ACTION/KEY OPERATED
	102328-01-000	EA KEY - BARREL - NICKEL PLATED
	106748-01-000	EA LATCH - HOOD - FRONT END
	099418-01-000	FT SEAL - D-SECTION/ADHESIVE BACK - .44" X .44"- BLK RUBBER

## EXTERIOR BODY GROUP (CONTINUED)

### FIBERGLASS, STYROFOAM & INSULATION

KEY	PART NUMBER	U/M DESCRIPTION
	076054-U8-000	EA FIBERGLASS SHEET - 100" X 105" - BRIGHT WHITE
	076054-U4-000	EA FIBERGLASS SHEET - 101" X 104" - BRIGHT WHITE
	076054-W3-000	EA FIBERGLASS SHEET - 79" X 361.3" - BRIGHT WHITE
	076054-W6-000	EA FIBERGLASS SHEET - 79" X 367" - BRIGHT WHITE
	077517-62-000	EA FIBERGLASS SHEET/SIDEWALL - 48" X 96" - BRIGHT WHITE
	108535-05-702	EA FRP FLAT 108" X 396" BRT WHT PARTS DEPT
	100619-01-000	BF FOAM - EXPANDED POLYSTYRENE - 1.34" X 48" X 96"
	100619-02-000	BF FOAM - EXPANDED POLYSTYRENE - 1.5" X 48" X 96"
	100619-04-000	BF FOAM - EXPANDED POLYSTYRENE - .5" X 48" X 96"
	100619-05-000	BF FOAM - EXPANDED POLYSTYRENE - .75" X 48" X 96"-1.5 DENSITY
	100619-10-000	BF FOAM - EXPANDED POLYSTYRENE - 1.5" X 48" X 96"
	100619-11-000	BF FOAM - EXPANDED POLYSTYRENE - 2" X 48" X 96"
	100619-13-000	BF FOAM - EXPANDED POLYSTYRENE - .34" X 34.65" X 96"
	100619-16-000	BF FOAM - EXPANDED POLYSTYRENE - .75" X 48" X 96"-2.0 DENSITY
	100619-22-000	BF FOAM - EXPANDED POLYSTYRENE - 48" X 120" X 1.34"
	105077-08-000	EA FOAM - PLUG - ROOF CAP
	120107-01-000	EA FOAM - COVE - ROOF - 2.8" X 96" LONG
	120107-02-000	EA FOAM - PLUG - ROOF TUBE - 2.2" X 2.9" X 1.8" LONG
	120107-03-000	EA FOAM - PLUG - SIDEWALL TUBE - 1.2" X 2.1" X 1.8" LONG
	072877-03-000	EA INSULATION - SOUND BARRIER - 1" X 36" X 57"
	072878-01-000	SF INSULATION - SOUND BARRIER PAD - .058" X 33" X 58"

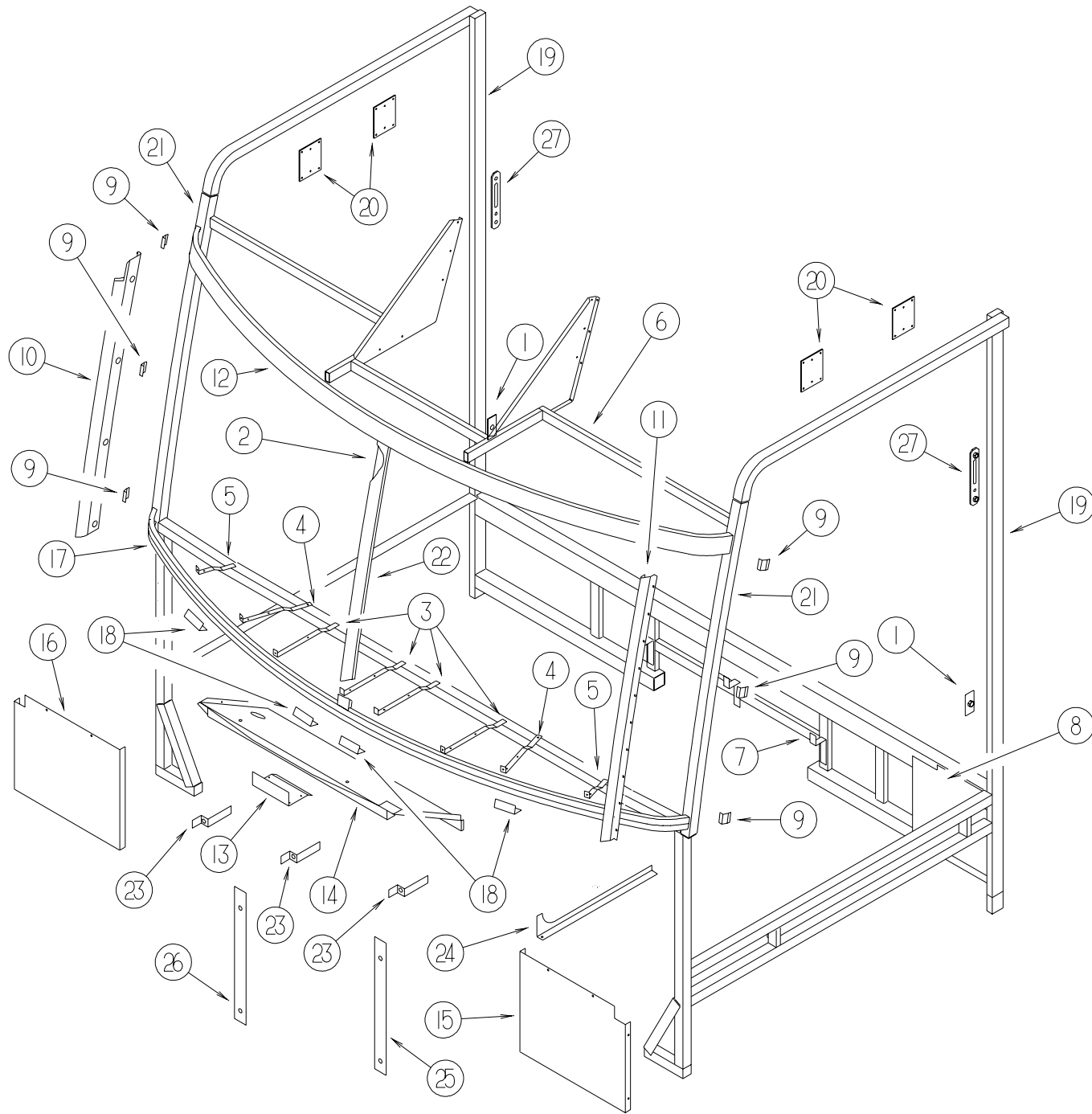
### A & E AWNING & HARDWARE

KEY	PART NUMBER	U/M DESCRIPTION
	113874-06-02A	EA AWNING - W/O HDW 16' (POLAR NAVY TEAL) VINYL
*	113874-01-02A	EA HARDWARE KIT - AWNING - W/O STANDOFF BRACKET-BRIGHT WHITE
	113874-11-01A	EA SCREW/LAG - AWNING - 1/4" X 1" STAINLESS STEEL USED TO MOUNT LOWER ARM BRACKET TO WALL
	113874-12-01A	EA SCREW/LAG - AWNING - 1/4" X 2 3/4" STAINLESS STEEL USED TO MOUNT UPPER ARM BRACKET TO WALL
	130320-01-02A	EA BRACKET - AWNING - F/A&E INSTALLATION - BRIGHT WHITE

\*COMPONENT PARTS FOUND IN SERVICE PARTS LIBRARY

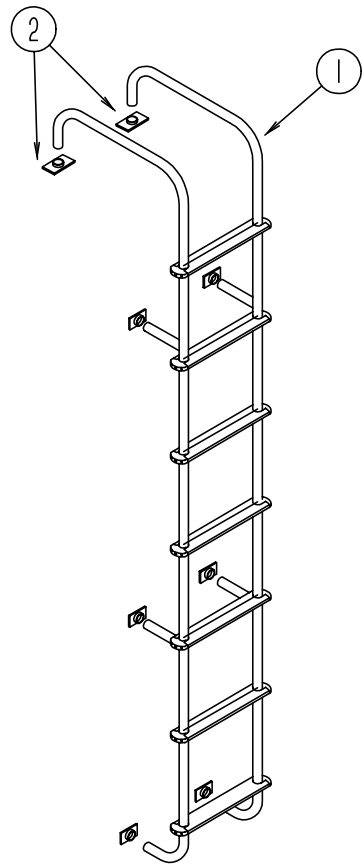
# EXTERIOR BODY GROUP (CONTINUED)

## MISCELLANEOUS FRONT END COMPONENTS



KEY	PART NUMBER	U/M	DESCRIPTION
1	070579-06-000	EA	PLATE - ANCHOR - W/7/16" WELD NUT - 1.5" X 3.3"
1	070579-07-000	EA	PLATE - ANCHOR - W/O WELD NUT - 1.5" X 3.3"
2	078249-16-000	EA	TUBE-SWEPT,FRAME,CAB
3	104797-03-000	EA	BRACKET-DEFROSTER
4	104797-04-000	EA	BRACKET-DEFROSTER
5	104797-05-000	EA	BRACKET-DEFROSTER
6	124763-51-01B	EA	HEADER ASM-W/TV, MILL
	121481-05-01B	EA	HEADER - WINDSHIELD, CENTER
7	117287-01-01B	EA	BRACKET - MOUNT - CABLE
8	118592-01-01B	EA	SHIELD - SPLASH
9	120363-01-01B	EA	BRACKET - WINDSHIELD
10	121269-07-01B	EA	FRAME-W/S,A PILLAR,MILL
11	121269-08-01B	EA	FRAME-W/S,A PILLAR,MILL
12	121268-01-01B	EA	SUPPORT-WINDSHIELD,UPPER,MLL
13	125836-02-01B	EA	ZEE-WIPER MOTOR,MILL
14	125837-02-01B	EA	BRACE-WIPER MOTOR,MILL
15	104147-14-000	EA	SHIELD/SPLASH - HEADLIGHT
16	121962-02-02B	EA	SHIELD/SPLASH - HEADLIGHT - E-COATED
17	121267-01-01B	EA	SUPPORT-WINDSHIELD,LOWER,MLL
18	076364-57-000	EA	ANGLE - FORMED
19	127874-01-01B	EA	TUBE-B PILLAR,MILL
20	104409-01-000	EA	PLATE-MOUNT,SIDEWALL
21	117273-01-01A	EA	TUBE - SUPPORT - A-PILLAR
22	120840-06-01B	EA	STRAP-W/HOLES,MILL
23	117287-01-01B	EA	BRACKET - MOUNT - CABLE
	129385-01-02B	EA	BRACKET - SEAL TRANSITION - E-COATED
			FROM: 00-00-00 THRU: 05-01-99
24	131859-01-02B	EA	BRACKET - SEAL - TRANSITION/LEFT HAND - E-COATED
			FROM: 05-02-99 THRU: 99-99-99
	131860-01-02B	EA	BRACKET - SEAL - TRANSITION/LEFT HAND - E-COATED
			FROM: 05-02-99 THRU: 99-99-99
25	119892-12-02B	EA	SUPPORT ASM-FRONT,GM,LH,E-CT
25	119892-14-02B	EA	SUPPORT ASM-FRT,FORD,LH,E-CT
26	119892-17-02B	EA	SUPPORT ASM-FRONT,GM,RH,E-CT
26	119892-13-02B	EA	SUPPORT ASM-FRT,FORD,RH,E-CT
27	127461-02-01B	EA	PLATE - ANCHOR - SEAT BELT
	128419-03-01A	EA	BRACKET - ROD SUPPORT
			FROM: 00-00-00 THRU: 11-03-98
	113452-01-000	FT	SEAL/TRIM - FRONT - VINYL W/WIRE CARRIER
	130885-14-877	FT	STEEL - TUBE - 16 GAUGE 1.5" X 1.5"

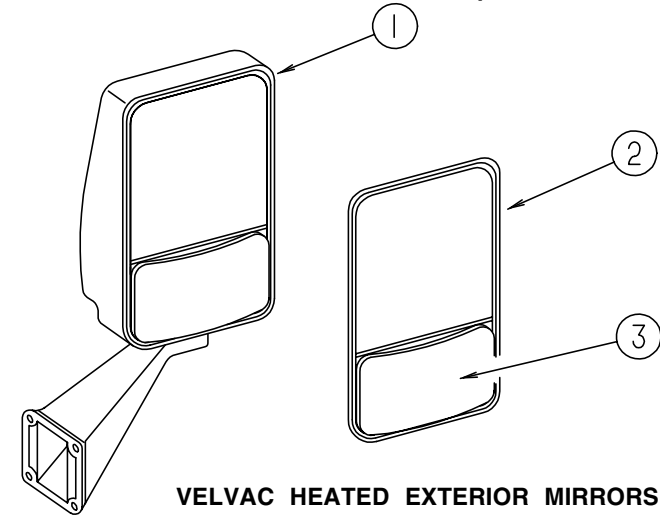
**EXTERIOR BODY GROUP (CONTINUED)**



**LADDER**

KEY	PART NUMBER	U/M DESCRIPTION
1	129639-02-01A	EA LADDER - BRUSHED ALUMINUM
2	131256-01-01A	EA PLATE - LADDER
	129375-01-000	EA SEAL/FOAM - LADDER BRACKET
	038327-01-000	EA TAPE - ANTI-SLIP - 2" X 60'

**EXTERIOR BODY GROUP (CONTINUED)**

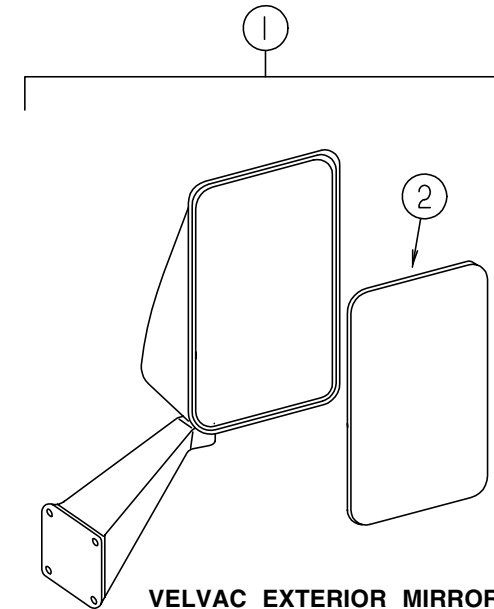


**VELVAC HEATED EXTERIOR MIRRORS**

KEY	PART NUMBER	U/M DESCRIPTION	VENDOR NO.
1	106015-12-01A	EA MIRROR - EXTERIOR REMOTE/HEAT - PASSENGER	
	119774-09-700	EA PLATE-INNER SUPT/MIRROR HEAD	709418-7RH
1	106015-13-01A	EA MIRROR - EXTERIOR REMOTE/HEAT - DRIVER	
	119774-09-701	EA PLATE INNER SUPT/MIRROR HEAD	709419-7LH
2	106015-12-700	EA MIRROR-FLAT - W/W/O HEAT	709448
3	106015-12-701	EA MIRROR-CONVEX - W/W/O HEAT	709449
	106015-12-702	EA SCREW CAP - (BAG OF 4)	748329
	087695-02-000	EA SWITCH - HEATER - EXTERIOR MIRROR	
	088246-01-000	EA SWITCH - REMOTE - EXTERIOR - SQUARE PUSH	
	087695-03-000	EA CONNECTOR - ASSEMBLY	

**WILKE HEATED EXTERIOR MIRRORS - EXPORT**

KEY	PART NUMBER	U/M DESCRIPTION
	129607-01-01A	EA MIRROR - PASSENGER - 12 VOLT HEATED - BLACK
	129607-02-01A	EA MIRROR - DRIVER - 12 VOLT/HEATED - BLACK
	129607-03-01A	EA BRACKET - MOUNTING/MIRROR
	129607-04-01A	EA WIRE - MIRROR - EUROPEAN
	087695-02-000	EA SWITCH - HEATER - EXTERIOR MIRROR
	088246-01-000	EA SWITCH - REMOTE - EXTERIOR - SQUARE PUSH
	087695-03-000	EA CONNECTOR - ASSEMBLY
	106477-05-000	EA SCREW - 14-10 X 2.25 PFH



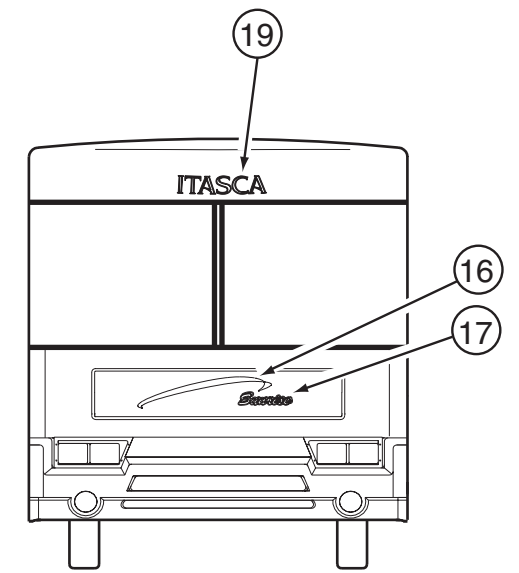
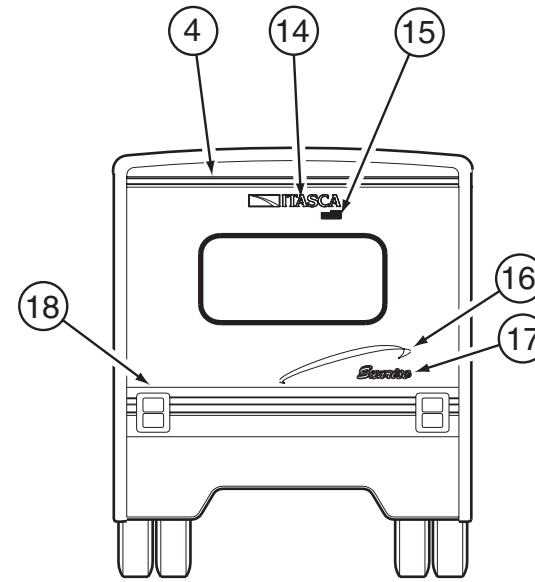
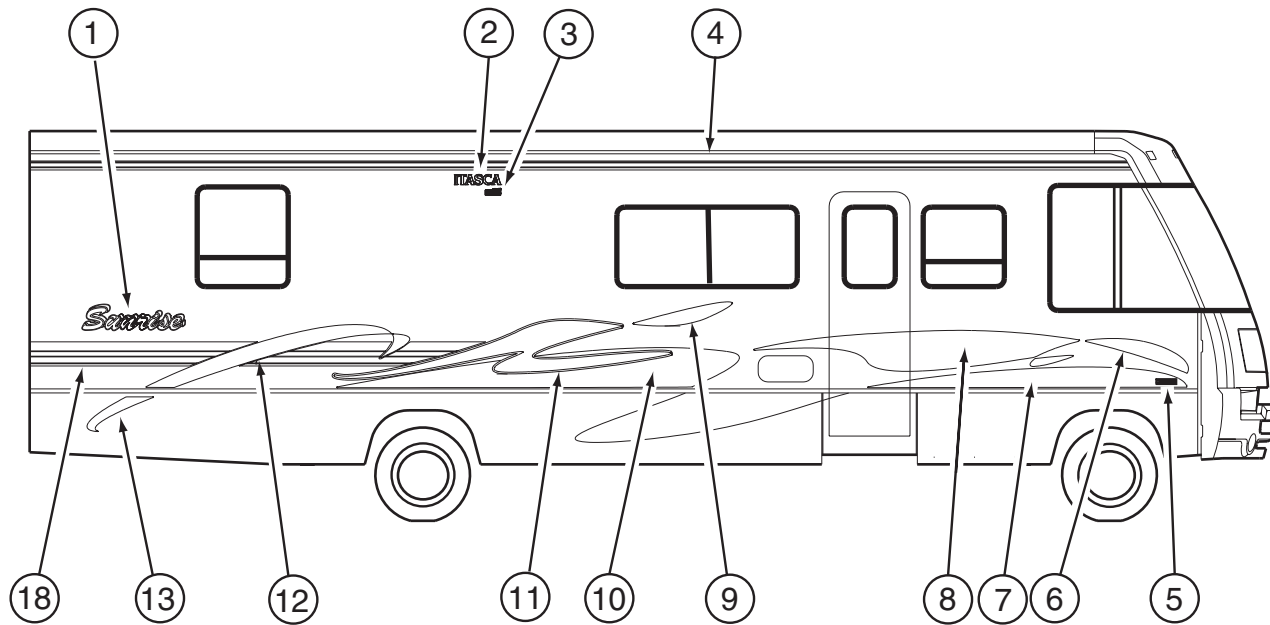
**VELVAC EXTERIOR MIRRORS**

KEY	PART NUMBER	U/M DESCRIPTION	VENDOR NO.
1	123297-01-01A	EA MIRROR - EXTERIOR - ADJUSTABLE GLASS - DRIVER	
1	123297-02-01A	EA MIRROR - EXTERIOR - ADJUSTABLE GLASS - PASSENGER	
2	106860-02-702	EA GLASS ONLY FLAT RH/LH STAR	702086-8



## EXTERIOR BODY GROUP (CONTINUED)

### DECALS, FILM STRIPES & PAINT



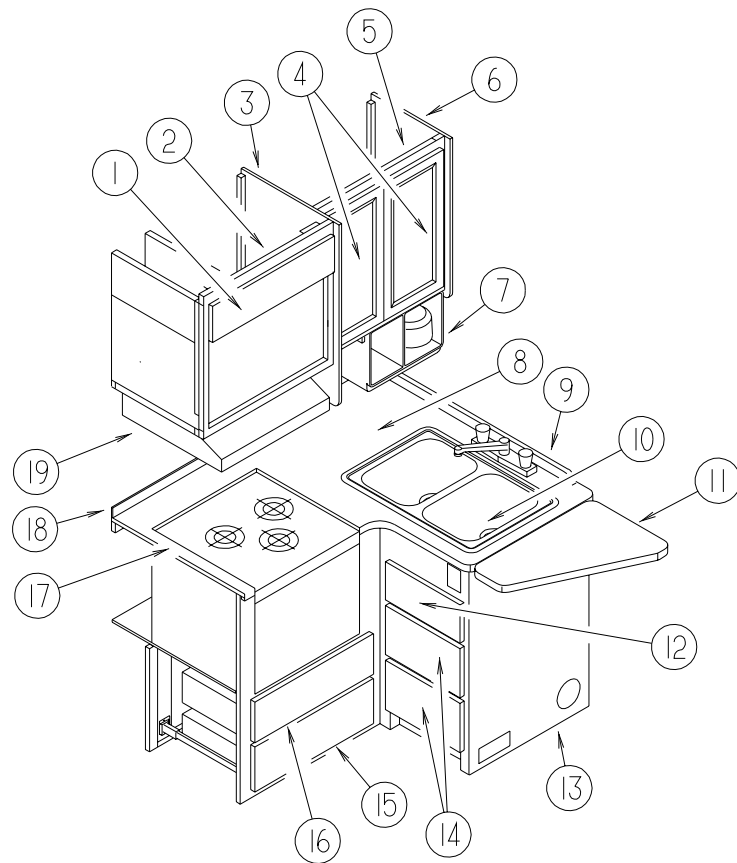
KEY	PART NUMBER	U/M	DESCRIPTION
1	121425-01-04A	EA	DECAL - LOGO - LARGE SUNRISE
1	121425-01-05A	EA	DECAL - LOGO - LARGE SUNRISE - COMFORT AND CONVENIENCE PACKAGE
2	124811-01-09A	EA	DECAL - LOGO - ITASCA
3	122770-01-13A	EA	DECAL - "BUILT PROUDLY BY WINNEBAGO INDUSTRIES"
4	094443-59-01A	FT	FILM - MULTISTRIPE - 2.9"
5	122312-02-01A	EA	DECAL - VORTEC 7400 FUEL INJECTED
5	129922-01-01A	EA	EMBLEM - TRITON V10
5	111318-03-03A	EA	DECAL - TURBO DIESEL
6	128045-03-01A	EA	DECAL - TIP #3 - RIGHT HAND
	128045-04-01A	EA	DECAL - TIP #3 - LEFT HAND
7	128046-01-02A	EA	DECAL - PAINT HUMPS - FRONT/RIGHT HAND
	128046-02-02A	EA	DECAL - PAINT HUMPS - FRONT/LEFT HAND
8	128044-03-01A	EA	DECAL - SWIRL #3 - RIGHT HAND
	128044-04-01A	EA	DECAL - SWIRL #3 - LEFT HAND
9	128043-03-01A	EA	DECAL - TIP #2 - RIGHT HAND
	128043-04-01A	EA	DECAL - TIP #2 - LEFT HAND
10	128047-01-02A	EA	DECAL - PAINT HUMPS - REAR/PASSENGER
	128047-02-02A	EA	DECAL - PAINT HUMPS - REAR/DRIVERS
11	128042-01-02A	EA	DECAL - SWIRL #2 - RIGHT HAND
	128042-02-02A	EA	DECAL - SWIRL #2 - LEFT HAND
12	128040-03-01A	EA	DECAL - SWIRL #1 - UPPER/PASSENGER
	128040-04-01A	EA	DECAL - SWIRL #1 - UPPER/DRIVERS
13	128041-03-01A	EA	DECAL - SWIRL #1 - LOWER/PASSENGER
	128041-04-01A	EA	DECAL - SWIRL #1 - LOWER/DRIVERS
14	124806-01-08A	EA	DECAL - LOGO - ITASCA W/ICON
15	122770-02-15A	EA	DECAL - "BUILT PROUDLY BY WINNEBAGO INDUSTRIES"
16	128048-02-01A	EA	DECAL - SWIRL - HOOD
17	121425-02-04A	EA	DECAL - LOGO - SMALL SUNRISE
17	121425-02-05A	EA	DECAL - LOGO - SMALL SUNRISE - COMFORT AND CONVENIENCE PACKAGE
18	093689-28-01A	FT	FILM - MULTISTRIPE - 8" WIDE
19	124989-01-06A	EA	DECAL - LOGO - ITASCA - SWEEP #15
	041561-03-000	EA	PAINT - 16 OUNCE SPRAY - OFF WHITE
	004308-01-000	EA	PAINT - BLACK SPRAY

#### DUPONT COLOR CODES

BRIGHT WHITE (MAIN BODY COLOR)	#B8951
KHAKI METALLIC (ACCENT COLOR)	#F4598U
LT. TOURQUOISE METALLIC (DECAL COLOR)	#GM188
DK. GREEN METALLIC (DECAL COLOR)	#MM172
LT. GREEN METALLIC (DECAL COLOR)	#GM200

# GALLEY GROUP

## GALLEY CABINETS

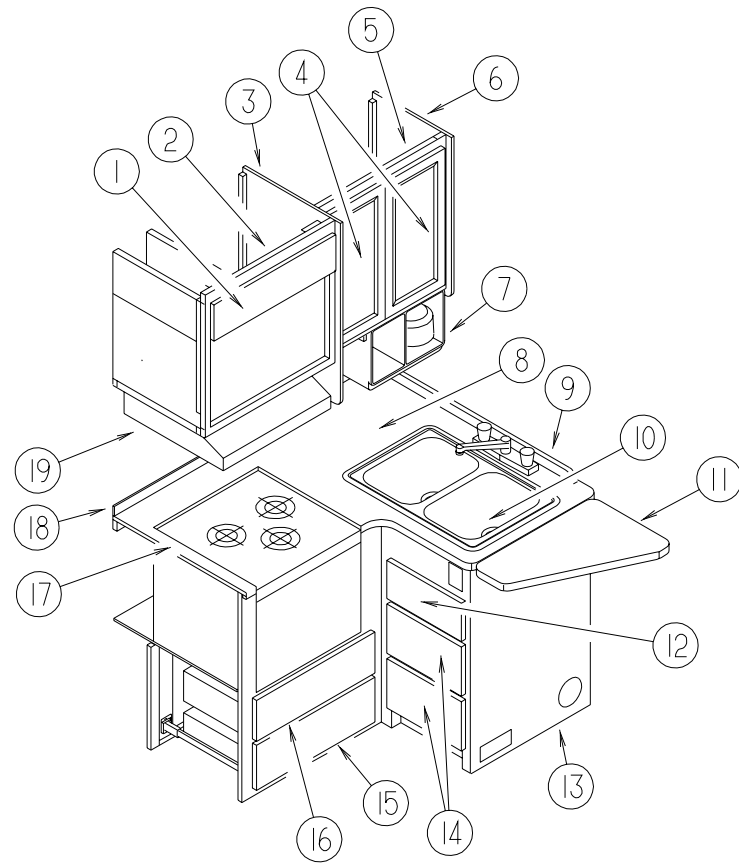


KEY	PART NUMBER	U/M DESCRIPTION
1	131995-K2-K20	EA DOOR - SOLID PANEL - 6.3" X 23.2" - W/O HARDWARE
2	128620-04-J15	EA CABINET - MICROWAVE - W/O DOORS/HARDWARE
		FROM: 00-00-00 THRU: 01-03-99
2	128620-09-K20	EA CABINET - MICROWAVE - W/O DOORS/HARDWARE
		FROM: 01-04-99 THRU: 99-99-99
2	128620-51-K42	EA CABINET - MICROWAVE - W/O DOORS/HARDWARE - EXPORT
3	081320-16-G09	EA END CAP - OVERHEAD CABINET
4	132141-83-K20	EA DOOR - VENEER - 10.2" X 21.4" - W/O HARDWARE
5	122174-02-J22	EA CABINET - OVERHEAD/GALLEY - W/O DOORS/HARDWARE
	122174-11-J55	EA SHELF - W/PLASTIC EDGE TRIM
6	103128-11-H33	EA END CAP - OVERHEAD CABINET - RIGHT HAND
7	126019-01-01A	EA COFFEEMAKER - OPTIMA - W/BRACKETS - BLACK & DECKER
8	130248-14-K20	EA COUNTERTOP - GALLEY CABINET (K50)
8	130248-14-K21	EA COUNTERTOP - GALLEY CABINET (K51,K53)
8	130248-14-K22	EA COUNTERTOP - GALLEY CABINET (K52)
8	130248-16-K20	EA COUNTERTOP - GALLEY CABINET (K50)
		COMFORT AND CONVENIENCE PACKAGE
8	130248-16-K21	EA COUNTERTOP - GALLEY CABINET (K51,K53)
		COMFORT AND CONVENIENCE PACKAGE
8	130248-16-K22	EA COUNTERTOP - GALLEY CABINET (K52)
		COMFORT AND CONVENIENCE PACKAGE
8	130248-20-K20	EA COUNTERTOP - GALLEY CABINET (K50) - EXPORT
8	130248-20-K21	EA COUNTERTOP - GALLEY CABINET (K51,K53) - EXPORT
8	130248-20-K22	EA COUNTERTOP - GALLEY CABINET (K52) - EXPORT
	104114-02-01A	EA FAUCET - GALLEY - SINGLE CONTROL
9	098335-22-K20	EA RAIL - GALLEY - 37.4" (K50)
9	098335-22-J38	EA RAIL - GALLEY - 37.4" (K51,K53)
9	098335-22-H33	EA RAIL - GALLEY - 37.4" (K52)
9	130248-17-K20	EA BACKSPLASH - GALLEY COUNTERTOP (K50)
		COMFORT AND CONVENIENCE PACKAGE
9	130248-17-K21	EA BACKSPLASH - GALLEY COUNTERTOP (K51,K53)
		COMFORT AND CONVENIENCE PACKAGE
9	130248-17-K22	EA BACKSPLASH - GALLEY COUNTERTOP (K52)
		COMFORT AND CONVENIENCE PACKAGE

KEY	PART NUMBER	U/M DESCRIPTION	VENDOR NO.
10	104113-01-000	EA SINK - DOUBLE - STAINLESS STEEL	
	092303-01-000	EA STRAINER - SINK	
	108464-01-J37	EA COVER - SINK - 15.2" X 11.1" - LAMINATED ON BOTH SIDES (K50)	
	108464-01-J66	EA COVER - SINK - 15.2" X 11.1" - LAMINATED ON BOTH SIDES (K51,K53)	
	108464-01-E13	EA COVER - SINK - 15.2" X 11.1" - LAMINATED ON BOTH SIDES (K52)	
11	130248-13-K20	EA EXTENSION - GALLEY COUNTERTOP (K50)	
11	130248-13-K21	EA EXTENSION - GALLEY COUNTERTOP (K51,K53)	
11	130248-13-K22	EA EXTENSION - GALLEY COUNTERTOP (K52)	
11	130248-15-K20	EA EXTENSION - GALLEY COUNTERTOP (K50)	
		COMFORT AND CONVENIENCE PACKAGE	
11	130248-15-K21	EA EXTENSION - GALLEY COUNTERTOP (K51,K53)	
		COMFORT AND CONVENIENCE PACKAGE	
11	130248-15-K22	EA EXTENSION - GALLEY COUNTERTOP (K52)	
		COMFORT AND CONVENIENCE PACKAGE	
11	130248-13-K20	EA EXTENSION - GALLEY COUNTERTOP (K50) - EXPORT	
11	130248-13-K21	EA EXTENSION - GALLEY COUNTERTOP (K51,K53) - EXPORT	
11	130248-13-K22	EA EXTENSION - GALLEY COUNTERTOP (K52) - EXPORT	
12	M09316-17-K28	EA DRAWER - OGEE EDGE - 13.9"W X 21.6"D - W/O SLIDES/HARDWARE	
13	130248-01-K20	EA CABINET - GALLEY - W/COUNTERTOP - W/O DOORS/DRAWERS/HDW (K50)	
13	130248-01-K21	EA CABINET - GALLEY - W/COUNTERTOP - W/O DOORS/DRAWERS/HDW (K51,K53)	
13	130248-01-K22	EA CABINET - GALLEY - W/COUNTERTOP - W/O DOORS/DRAWERS/HDW (K52)	
13	130248-02-K20	EA CABINET - GALLEY - W/COUNTERTOP - W/O DOORS/DRAWERS/HDW (K50)	
		COMFORT AND CONVENIENCE PACKAGE	
13	130248-02-K21	EA CABINET - GALLEY - W/COUNTERTOP - W/O DOORS/DRAWERS/HDW (K51,K53)	
		COMFORT AND CONVENIENCE PACKAGE	
13	130248-02-K22	EA CABINET - GALLEY - W/COUNTERTOP - W/O DOORS/DRAWERS/HDW (K52)	
		COMFORT AND CONVENIENCE PACKAGE	
13	130248-03-K20	EA CABINET - GALLEY - W/COUNTERTOP - W/O DOORS/DRAWERS/HDW (K50)	
		EXPORT	
13	130248-03-K21	EA CABINET - GALLEY - W/COUNTERTOP - W/O DOORS/DRAWERS/HDW (K51,K53)	
		EXPORT	
13	130248-03-K22	EA CABINET - GALLEY - W/COUNTERTOP - W/O DOORS/DRAWERS/HDW (K52)	
		EXPORT	
	118200-01-01A	SF MESH - PLASTIC - 1/2 INCH	
14	M09316-18-K28	EA DRAWER - OGEE EDGE - 13.9"W X 21.6"D - W/O SLIDES/HARDWARE	
15	M09316-16-K28	EA DRAWER - OGEE EDGE - 19.8"W X 11.8"D - W/O SLIDES/HARDWARE	
16	M09316-20-K20	EA DRAWER - OGEE EDGE - 19.8"W X 11.8"D - W/O SLIDES/HARDWARE	
17*	112881-02-03A	EA RANGE - 16" - 3 BURNER - FRONT HI-OUTPUT BRNR - BLK TOP/DR	
	098507-02-701	EA INSERT-BURNER, SLOTTED VENT	7214P015-60
	102020-01-701	EA HANDLE,DOOR	7701P092-60
	102020-01-709	EA BUMPER-GRATE	8007-P020-60
	102020-01-714	EA PILOT-OVEN	968-143
	102020-01-724	EA BUMPER-MAIN TOP	8003P008-60
	102022-01-708	EA REGULATOR, 1/4 & 1/2 OUT	7510P041-60
	112881-01-705	EA KNOB-TOP BURNER	7733P072-60
	126023-01-728	EA TOP - MAIN (BLACK) W/BRACE	74003323
	112881-01-717	EA BURNER, TOP REAR	7505P181-60
	112881-01-718	EA KNOB - TOP BURNER HI-OUTPUT	74001794
	112881-01-719	EA TRIM-FLAT LH BLACK TEXTURED	74002813
	112881-01-720	EA TRIM-FLAT RH BLACK TEXTURED	74002812
	112881-01-722	EA THERMOSTAT	7515P029-60K
	112881-02-700	EA VALVE - OVEN	7501P056-60
	112881-02-701	EA CLIP - MAIN TOP (REAR)	7112P071-60
	112881-02-702	EA SPRING - OVEN DOOR	7803P051-60
	112881-02-703	EA BURNER - TOP (FRT)HGH OUTPUT	7505P142-60
	126023-01-703	EA GRATE - TOP	74003358
	126023-01-704	EA KNOB - THERMOSTAT	7731P109-60
	126023-01-705	EA PIPE - MANIFOLD	7513P161-60
	126023-01-728	EA TOP - MAIN (BLACK) W/BRACE	74003323
	126023-01-727	EA TOP - MAIN (ALMOND) W/BRACE	74003324

\*COMPONENT PARTS FOUND IN SERVICE PARTS LIBRARY

**GALLEY GROUP (CONTINUED)**



**GALLEY CABINETRY (CONTINUED)**

KEY	PART NUMBER	U/M DESCRIPTION	VENDOR NO.
	126023-01-709	EA VALVE - BURNER (REAR)	74003348
	126023-01-710	EA VALVE - BURNER (FRONT)	74003349
	126023-01-715	EA PANEL - MANIFOLD	74003350
	126023-01-716	EA RACK - OVEN	74003106
	126023-01-717	EA BURNER - OVEN	74003343
	126023-01-718	EA FLUE BOX ASSEMBLY	4006W075-80
	105458-03-000	EA BRACKET - STOVE TIEDOWN - RIGHT HAND	
	105458-04-000	EA BRACKET - STOVE TIEDOWN - LEFT HAND	
18	130248-18-K20	EA BACKSPLASH - GALLEY COUNTERTOP (K50,K51,K53) COMFORT AND CONVENIENCE PACKAGE	
18	130248-18-K22	EA BACKSPLASH - GALLEY COUNTERTOP (K52) COMFORT AND CONVENIENCE PACKAGE	
19*	100258-16-04A	EA HOOD - RANGE - W/O MONITOR PANEL-W/O HOUR METER/SWITCH-US	
19*	100258-17-04A	EA HOOD - RANGE - W/O MONITOR PANEL-W/O HOUR METER/SWITCH-CSA	
19*	100258-18-03A	EA HOOD - RANGE - W/O MONITOR PANEL-W/HOUR METER/SWITCH - US	
*	121568-03-01A	EA REFRIGERATOR - SMALL DBL DOOR/BLK-52.8"HX23.5"WX24"D-2-WAY	
	084880-01-718	EA VALVE-GAS, (ASCO)	61551822
	084880-01-760	EA CLIP (THERMISTER)	61689122
	084880-03-705	EA BRACKET-LIGHT-INTERIOR	61629722
	084880-03-706	EA BULB-LAMP	61628922
	084880-03-707	EA COVER-LAMP, LENS	61627922
	088248-01-709	EA HEATER-AC (HORIZONTAL)	61562722
	104137-06-709	EA VALVE-SHUT OFF, MANUAL	61694922
	104137-06-714	EA BURNER ASSEMBLY, 5-SLOT	61705222
	104137-06-715	EA ELECTRODE-SPARK/SENSOR, SGL	61692222
	113737-01-702	EA PLUG 1/8" F/PRESSURE TAP	61445322
	113737-01-716	EA TAP-PRESSURE	61594422
	113737-01-750	EA TUBE-UNION	61694622
	120075-01-701	EA HINGE-TOP RH/BOTTOM LH(DOOR)	618511
	120075-01-702	EA CAP, (HINGE PLUG)	618160
	120075-01-705	EA HINGE-TOP LH/BOTTOM RH(DOOR)	618510

**GALLEY GROUP (CONTINUED)**

**GALLEY CABINETRY (CONTINUED)**

KEY	PART NUMBER	U/M DESCRIPTION	VENDOR NO.
	120075-01-714	EA PLUG-HOLE	618170
	120075-01-720	EA TRAY-DRIP	618137
	120075-01-721	EA LOUVER-DRIP TRAY	618176
	120075-01-725	EA COVER-CRISPER	618158
	120075-01-727	EA PIN-HINGE	618145
	120075-01-729	EA TRIM-BOTTOM PIECE	618136
	120075-01-730	EA RETAINER-SHELF	618181
	120075-01-732	EA PLATE-STRIKE	618167
	120075-01-735	EA THERMISTER W/LAMP & WIRE/ASM	618548
	120075-01-738	EA COVER-POWER BOARD	618185
	120076-01-705	EA ORIFICE - JEWEL .015	618283
	121568-01-701	EA BIN - DOOR WHITE	618619
	121568-01-704	EA RAIL - DOOR LOWER	618578
	121568-01-707	EA SHELF - WIRE - SHORT	618624
	121568-01-708	EA SHELF - WIRE	618589
	121568-01-709	EA CRISPER	618571
	121568-03-700	EA RETAINER - DOOR PANEL/BLACK	619558
	121568-03-701	EA BUSHING - HINGE PIN/GRAY	619671
	121568-03-702	EA DOOR LINER - W/TRIM/BLACK	619627
	121568-03-703	EA HANDLE ASM TOP/RH-LWR/LH BLK	619865
	121568-03-704	EA TRAVEL LATCH - GRAY	619647
	121568-03-705	EA STORAGE LATCH - GRAY	619648
	121568-03-706	EA RETAINER - DOOR PANEL/BLACK	619559
	121568-03-707	EA DOOR LINER - BLACK	619629
	121568-03-708	EA HANDLE ASM - TOP/LH-LWR/RH	619866
	121568-03-709	EA TRIM - TOP/BLACK	619687
	121568-03-710	EA HINGE/CABINET-TOP/RH-LWR/LH	619335
	121568-03-711	EA TRIM - SIDE/BLACK	619801
	121568-03-712	EA SHELF - WIRE/FREEZER	620250
	121568-03-713	EA FRONT BOX/DECORATIVE-BLACK	619282
	121568-03-714	EA CONTROL ASM - 2 WAY BLACK	619350
	121568-03-715	EA HINGE/CABINET-TOP/LH-LWR/RH	619336
	121568-03-716	EA COVER - HINGE HOLES	619301
	121568-03-717	EA HOLE PLUG - WHITE	619561
	121568-03-718	EA CABINET - FOAMED - N62	619658
	121568-03-719	EA POWER - BOARD - 2-WAY	619353
	129655-01-01A	EA REFRIGERATOR - SMALL DOUBLE DOOR - 3 WAY - GERMANY - EXPORT	
	054450-01-000	EA LEVEL - REFRIGERATOR	
	065225-02-000	EA PLATE - TIEDOWN - REFRIGERATOR	
	093646-01-000	EA BRACKET - TIEDOWN/REFRIGERATOR - RIGHT HAND	
	093646-02-000	EA BRACKET - TIEDOWN/REFRIGERATOR - LEFT HAND	
	103251-12-01A	EA INSERT/REFRIGERATOR DOOR - 20.5" X 15.4" - BLACK ACRYLIC - EXPORT	
	103251-13-01A	EA INSERT/REFRIGERATOR DOOR - 20.5" X 32.2" - BLACK ACRYLIC - EXPORT	
	116751-03-01A	EA TRAY - REFRIGERATOR - BLACK	
	116751-10-01A	EA TRAY - REFRIGERATOR - BLACK - CANADIAN	
		FROM: 00-00-00 THRU: 06-22-99	
	116751-02-01A	EA TRAY - REFRIGERATOR - BLACK - CANADIAN	
		FROM: 06-23-99 THRU: 99-99-99	
	116751-06-01A	EA TRAY - REFRIGERATOR - BLACK - EXPORT	
	111222-01-02A	EA COVER - VENT - SIDE - BRIGHT WHITE - REFRIGERATOR TRAY DRAIN	
	090329-01-000	FT SEAL/T - REFRIGERATOR CABINET	

\*COMPONENT PARTS FOUND IN SERVICE PARTS LIBRARY

## GALLEY GROUP (CONTINUED)

### MICROWAVE OVEN & TRIMS, BRACKETS, AND BRACES

KEY	PART NUMBER	U/M DESCRIPTION	VENDOR NO.
	128527-02-000	EA OVEN - MICROWAVE - 1.2 CU FT - NON CONVECTDN FROM: 00-00-00 THRU: 02-07-99	
	128527-02-700	EA TRIM RING-F/1.2 CU.FT. MICRO MC-6471-EA FROM: 00-00-00 THRU: 02-07-99	
	128527-04-000	EA OVEN - MICROWAVE - 1.2 CU FT FROM: 02-08-99 THRU: 99-99-99	
	128527-05-000	EA OVEN - MICROWAVE - .9 CUBIC FEET - 220 VOLT - EXPORT	
	128642-02-000	EA TRIM KIT W/VENT - MICROWAVE - 1.2 CU FT - SAMSUNG - EXPORT FROM: 00-00-00 THRU: 02-07-99	
	098916-22-02B	EA BRACE - MICROWAVE CABINET - LEFT HAND	
	098916-23-02B	EA BRACE - MICROWAVE CABINET - RIGHT HAND	
	098916-24-02B	EA BRACE - MICROWAVE CABINET - LEFT HAND - EXPORT	
	098916-25-02B	EA BRACE - MICROWAVE CABINET - RIGHT HAND - EXPORT	
	094750-10-000	EA BRACKET - MICROWAVE - 89 DEGREE	

### COFFEE MAKER

KEY	PART NUMBER	U/M DESCRIPTION	VENDOR NO.
	126019-01-01A	EA COFFEEMAKER - OPTIMA - W/BRACKETS - BLACK & DECKER	
	126019-01-700	EA GLASS CARAFE	172547-00
	126019-01-701	EA RESERVOIR- WATER	172554
	126019-01-702	EA BASKET - FILTER	172553-00
	126019-01-703	EA HARDWARE - MOUNTING	172174-00

### LVS MONITOR PANEL

KEY	PART NUMBER	U/M DESCRIPTION
*	102765-04-01A	EA PANEL - MONITOR - 2 HOLDING TANKS - ADJUSTABLE

\*COMPONENT PARTS FOUND IN SERVICE PARTS LIBRARY

## GENERATOR GROUP

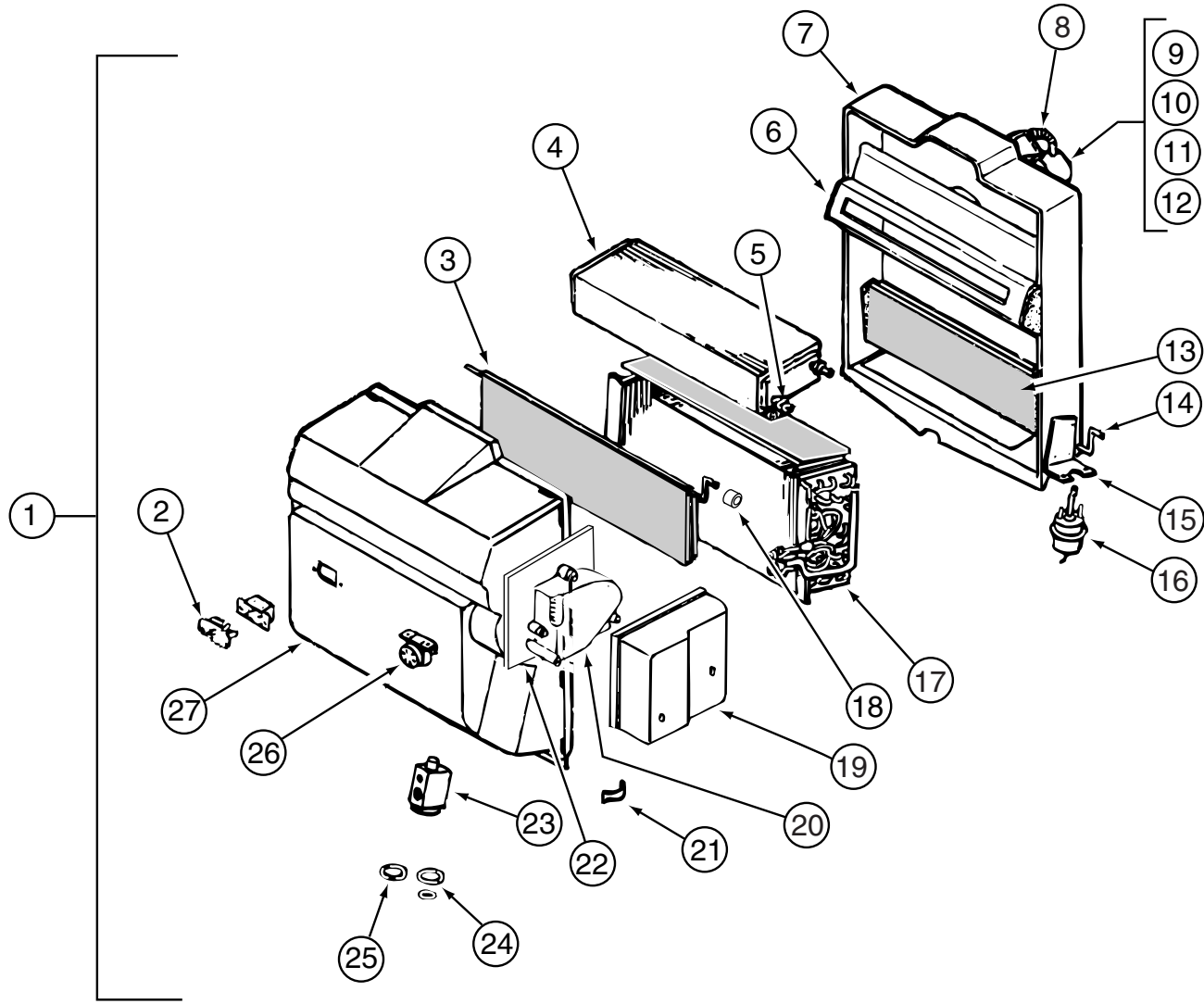
### 4,000 WATT ONAN EMERALD PLUS

KEY	PART NUMBER	U/M DESCRIPTION
	109982-03-000	EA GENERATOR - 4.0 MICROLITE
	007067-01-000	SF INSULATION - FIBERGLASS - 1" THICK X 4'-INCREMENTS 4 SF
	007125-04-000	EA CLAMP - MUFFLER - 1.12" DIAMETER
	105958-09-000	EA PIPE - GENERATOR EXHAUST - 1.3" OD X 5.9" X 22"

**NOTE: ADDITIONAL GENERATOR COMPONENTS ARE FOUND IN THE CHASSIS GROUP**

# HEATING & AIR CONDITIONING GROUP

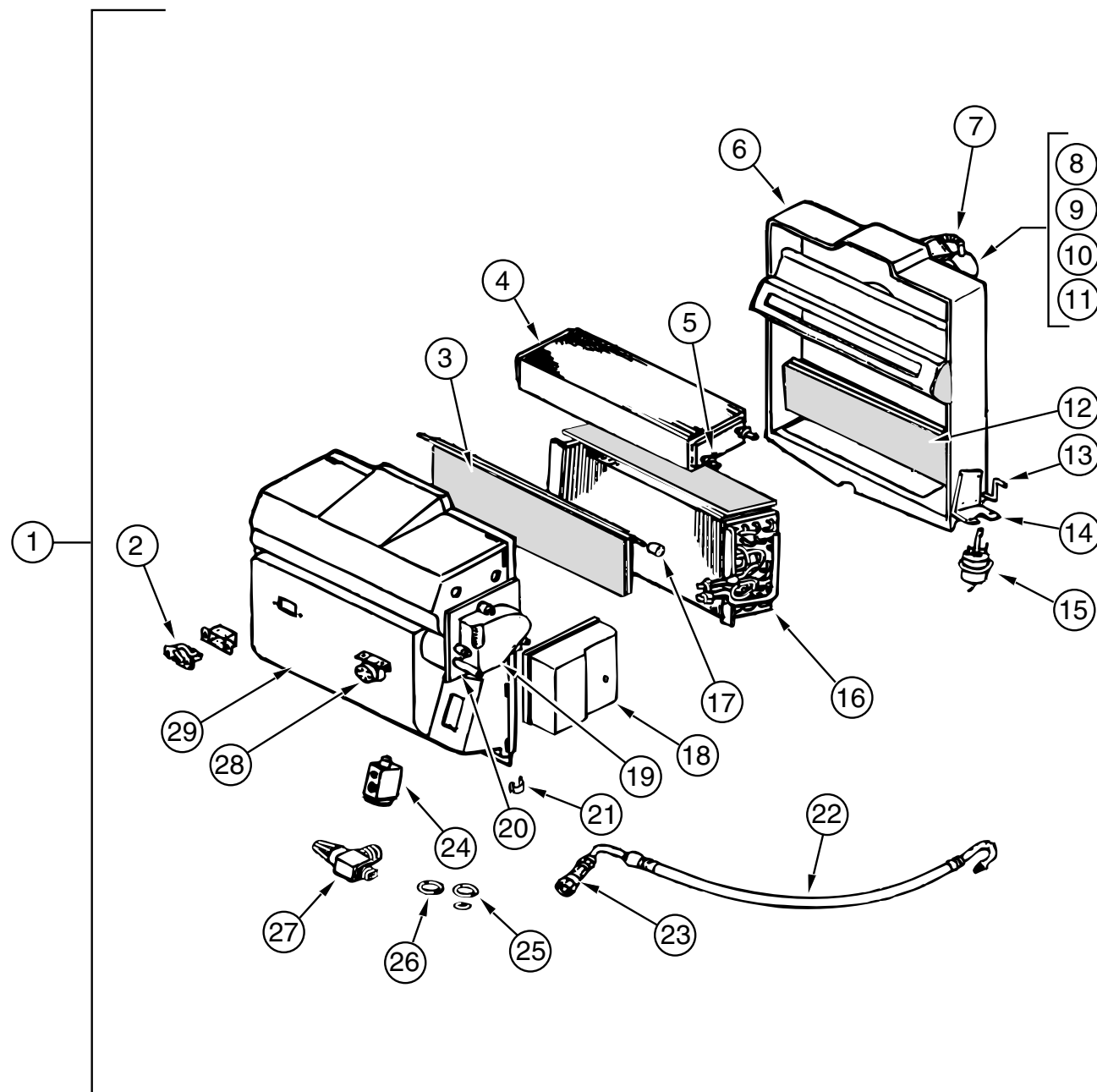
## SCS EVAPORATOR/HEATER ASSEMBLY - FORD AND 1999 CHEVY CHASSIS



KEY	PART NUMBER	U/M DESCRIPTION	VENDOR NO.
1	103930-43-000	EA EVAPORATOR/HEATER ASSEMBLY - NON-CHARGED	
2	103930-01-710	EA RESISTOR-FUSED, A/C	035-0006
3	103930-43-700	EA DOOR - AIR BLEND	071-0568
4	103930-01-703	EA CORE-HEATER	042-0010
5	110279-01-712	EA FITTING-HEATER	050-0076
6	103930-30-707	EA DIVIDER ASM.	086-0061
7	103930-20-711	EA CASE-BACK, SUB-ASSEMBLY	062-0147
8	110279-01-703	EA HOSE-VENT F/BLOWER MOTOR	051-0034
9	103930-20-707	EA HOUSING-BLOWER	062-0145
10	103930-30-706	EA MOTOR-BLOWER PM147 W/ADAPTER	030-0109
11	103930-01-717	EA WHEEL-BLOWER, CLOCKWISE	062-0010
12	103930-20-708	EA CLIP-MOTOR SHAFT	022-0001
13	103930-20-705	EA PANEL-DOOR, RECIRCULATING	071-0213
14	103930-20-704	EA ROD-DOOR-RECIRCULATING	073-0018
15	103930-01-708	EA BRACKET-VACUUM MOTOR	070-0113
16	103930-02-708	EA MOTOR-VACUUM SERVO, A/C	030-0025
17	103930-01-704	EA COIL-EVAPORATOR	041-0017
18	103930-30-702	EA BUSHING - BLEND AIR DOOR	062-0168
19	103930-30-704	EA COVER - SERVO	062-0545
20	103930-30-703	EA MOTOR - SERVO	030-0104
21	103930-20-706	EA CLIP-RETAINER - CASE ATTACH	022-0057
22	103930-30-701	EA PLATE - MOTOR MOUNT	062-0544
23	103930-20-700	EA VALVE-EXPANSION-BLOCK, 2 TON	034-0032
24	103930-17-702	EA O'RING #10	045-0127
25	113245-01-707	EA O'RING #8	045-0126
26	103930-01-711	EA THERMOSTAT	033-0003
27	103930-30-700	EA CASE - FRONT	062-0542
	103930-02-714	EA CLAMP-CLUTCH, BARREL	022-0006
	094831-01-709	EA CLAMP-ROD 3/16"	022-0025
	113245-01-718	EA HOSE - DRAIN/1/2" X 6"	051-0002

# HEATING & AIR CONDITIONING GROUP (CONTINUED)

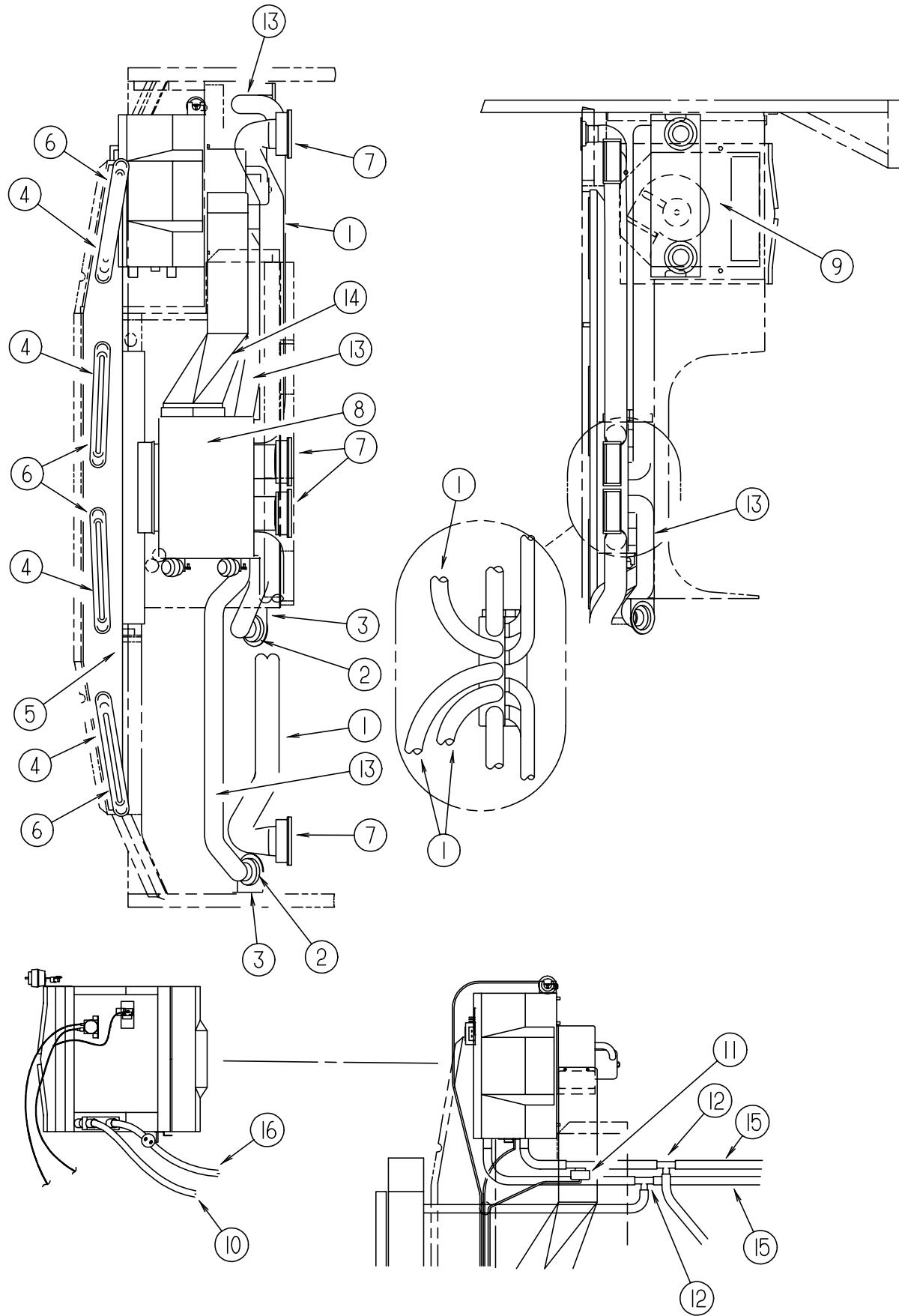
## SCS EVAPORATOR/HEATER ASSEMBLY - 1998 CHEVY CHASSIS



KEY	PART NUMBER	U/M DESCRIPTION	VENDOR NO.
1	103930-30-000	EA EVAPORATOR/HEATER - CHEVY - SERVO MOTOR CONTROLLED	
2	103930-01-710	EA RESISTOR-FUSED, A/C	035-0006
3	103930-30-705	EA DOOR - BLEND AIR	071-0568
4	103930-01-703	EA CORE-HEATER	042-0010
5	110279-01-712	EA FITTING-HEATER	050-0076
6	103930-20-711	EA CASE-BACK, SUB-ASSEMBLY	062-0147
7	110279-01-703	EA HOSE-VENT F/BLOWER MOTOR	051-0034
8	103930-20-707	EA HOUSING-BLOWER	062-0145
9	103930-30-706	EA MOTOR-BLOWER PM147 W/ADAPTER	030-0109
10	103930-01-717	EA WHEEL-BLOWER, CLOCKWISE	062-0010
11	103930-20-708	EA CLIP-MOTOR SHAFT	022-0001
12	103930-20-705	EA PANEL-DOOR, RECIRCULATING	071-0213
13	103930-20-704	EA ROD-DOOR-RECIRCULATING	073-0018
14	103930-01-708	EA BRACKET-VACUUM MOTOR	070-0113
15	103930-02-708	EA MOTOR-VACUUM SERVO, A/C	030-0025
16	103930-01-704	EA COIL-EVAPORATOR	041-0017
17	103930-30-702	EA BUSHING - BLEND AIR DOOR	062-0168
18	103930-30-704	EA COVER - SERVO	062-0545
19	103930-30-703	EA MOTOR - SERVO	030-0104
20	103930-30-701	EA PLATE - MOTOR MOUNT	062-0544
21	103930-20-706	EA CLIP-RETAINER - CASE ATTACH	022-0057
22	103930-25-700	EA HOSE ASM #6 EVAPORATOR/DRIER	085-0350
23	103930-12-709	EA FITTING-QUICK CONNECT	050-0120
24	103930-20-700	EA VALVE-EXPANSION-BLOCK, 2 TON	034-0032
25	103930-17-702	EA O-RING #10	045-0127
26	113245-01-707	EA O-RING #8	045-0126
27	103930-20-709	EA VALVE-SERVICE	050-0159
28	103930-01-711	EA THERMOSTAT	033-0003
29	103930-30-700	EA CASE - FRONT	062-0542

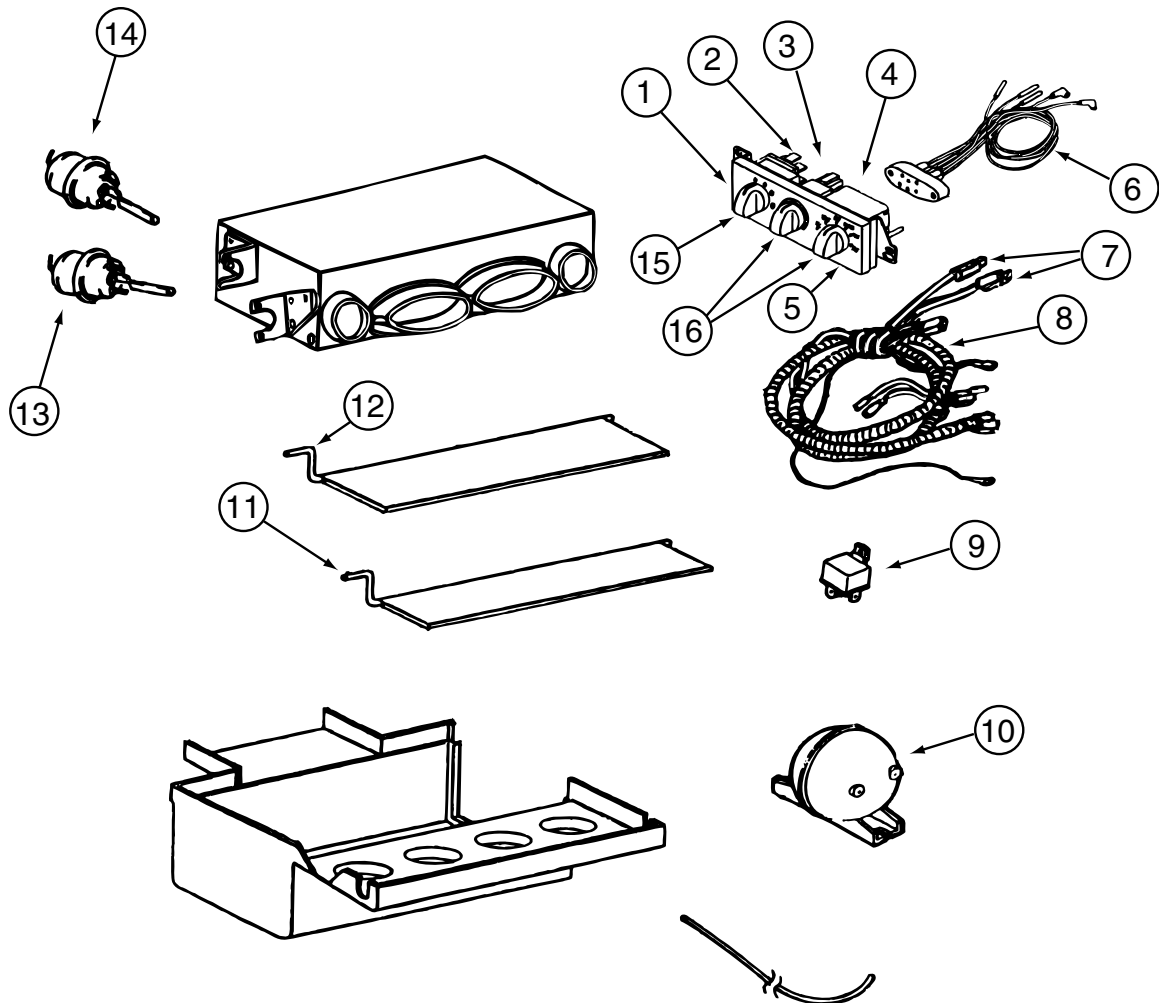
# HEATING & AIR CONDITIONING GROUP (CONTINUED)

## AUTOMOTIVE HEATER MISCELLANEOUS



KEY	PART NUMBER	U/M DESCRIPTION	VENDOR NO.
1	007281-01-000	EA HOSE - FLEXIBLE PVC - 2.5" ID X 50'	
1	007281-01-700	FT HOSE-FLEXIBLE PVC, 2 1/2 ID	
2	024990-05-000	EA OUTLET - DEFROSTER - 4" DIAMETER W/SWIVEL DEFLECTORS	
3	056402-05-000	EA BRACKET - HEATER VENT - ROUND W/BEND - BLACK	
4	077075-01-000	EA GASKET - INSTRUMENT PANEL/DEFROSTER PLENUM - .6" X 10.2"	
5	103017-03-000	EA PLENUM - DEFROSTER	
6	103558-01-11A	EA VENT - DEFROSTER - 2" X 14.4" X 1.4" - TITANIUM	
		FROM: 00-00-00 THRU: 11-08-98	
6	103558-04-04A	EA VENT - DEFROSTER - TITANIUM ABS PLASTIC	
		FROM: 11-09-98 THRU: 99-99-99	
7	103796-01-01A	EA LOUVER - A/C-ADJUSTABLE - 2.2" X 5.4" F/2.5" HOSE - BLACK	
8	103930-39-000	EA CONTROL/PLENUM - ROTARY	
9	103930-30-000	EA EVAPORATOR/HEATER - CHEVY - SERVO MOTOR CONTROLLED	
		1998 CHEVY CHASSIS	
9	103930-43-000	EA EVAPORATOR/HEATER ASSEMBLY - NON-CHARGED	
		FORD AND 1999 CHEVY CHASSIS	
10	103930-29-000	EA HOSE KIT - #10 F/GM L-29 & L-65 CHASSIS	
		1998 CHEVY CHASSIS	
	103930-17-702	EA O'RING #10	045-0127
	103930-29-701	EA O'RING F/LOW PRESSURE SWITCH	045-0483
10	103930-46-000	EA HOSE - EVAPORATER/COMPRESSOR - EXP. BLOCK TO COMPRESSOR	
		1999 CHEVY CHASSIS	
	103930-17-702	EA O'RING #10	045-0127
	103930-29-701	EA O'RING F/LOW PRESSURE SWITCH	045-0483
10	103930-45-000	EA HOSE - EVAPORATOR/COMPRESSOR - FORD CHASSIS	
	103930-17-702	EA O'RING #10	045-0127
11	103930-23-000	EA VALVE - WATER - 2 PORT	
12	076776-01-000	EA TEE - BEADED - 5/8" X 5/8" X 5/8"	
13	007076-01-000	EA HOSE - FLEXIBLE PVC - 2" ID - INCREMENTS OF 50'	
14	103016-03-000	EA PLENUM - TRANSITION	
15	007108-01-000	FT HOSE - HEATER - 5/8" ID - HI-TEMP - FORD	
16	103930-47-000	EA HOSE - EVAPORATOR/DRYER - EXP. VALVE TO REC. DRIER	
		1999 CHEVY CHASSIS	
	113245-01-710	EA O'RING, #12	045-0128
16	103930-44-000	EA HOSE - EVAPORATOR/DRYER - #6 - FORD CHASSIS	
	113245-01-710	EA O'RING, #12	045-0128
	077539-01-000	EA BRACKET - MOUNTING/DASH PANEL - L/SHAPED - 2.5"X1"X1.5"	
	103930-37-000	EA MANUAL - OWNERS - HEATER/A/C	
	7SB003-97-01A	EA SCS/FRIGETTE SERVICE MANUAL AIR CONDITIONING	

**HEATING & AIR CONDITIONING GROUP (CONTINUED)**



**SCS CONTROL/PLENUM**

KEY	PART NUMBER	U/M DESCRIPTION	VENDOR NO.
	103930-39-000	EA CONTROL/PLENUM - ROTARY	
1	103930-33-702	EA CONTROL PANEL	083-0169
2	103930-33-707	EA SWITCH - BLOWER	032-00066
3	103930-33-708	EA SWITCH - POTENTIOMETER	032-0184
4	103930-33-709	EA SWITCH - VACUUM	032-0183
5	103930-33-710	EA DECAL F/CONTROL HEAD	058-0102
6	103930-33-703	EA VACUUM HARNESS	036-0466
7	103930-33-705	EA LIGHT BULBS	035-0030
8	103930-33-711	EA WIRE HARNESS - MAIN	036-0496
9	103930-02-707	EA RELAY-BOSCH W/RESISTER	031-0001
10	103930-02-710	EA CANISTER-VACUUM	054-0002
11	103930-39-700	EA ROD - DOOR - AC/HEAT	073-067
12	103930-39-701	EA ROD - DOOR - AC/DEFROST	073-0069
13	103930-02-708	EA MOTOR-VACUUM SERVO, A/C	030-0025
14	103930-33-701	EA MOTOR - VACUUM, 3 STAGE	030-0105
15	103930-39-702	EA KNOB - BLOWER	062-0539
16	103930-39-703	EA KNOB - TEMPERATURE	062-0540
	103930-39-704	EA SPRING	022-0119

**HEATING & AIR CONDITIONING GROUP (CONTINUED)**

**35,000 BTU SUBURBAN FURNACE, REGISTERS & WALL THERMOSTAT**

KEY	PART NUMBER	U/M DESCRIPTION
*	098668-21-000	EA FURNACE - 35,000 BTU
	098668-23-000	EA DOOR - ACCESS - FURNACE - BRIGHT WHITE
	056464-09-000	EA REGISTER W/DAMPER - 4" DIAMETER - PLASTIC - BEIGE
	092777-01-000	EA ADAPTER - DUCT - 4"
	093614-03-02A	EA GRILLE - RETURN AIR - 14" X 8" - BEIGE
	094600-05-01A	EA REGISTER W/O DAMPER-3.6" X 11.3" FACE/2.1" X 9.9" RO-BEIGE
	098668-14-000	EA GASKET - FIBERGLASS - .5" X 18" X 18"
	098668-16-000	EA VENT-INTAKE
	009198-01-000	FT DUCT - HEAT - FLEXIBLE - 4" ID X 25'
	009198-02-000	FT DUCT - FLEXIBLE - 2" ID X 25'
	089367-02-000	EA TEE - 4" X 2" X 4"
	009200-01-000	EA TAPE - FURNACE - 1 1/2"
	115764-01-01A	EA THERMOSTAT - FURNACE

\*COMPONENT PARTS FOUND IN SERVICE PARTS LIBRARY



**HEATING & AIR CONDITIONING GROUP (CONTINUED)**

**EVANS REAR HEATER & COMPONENTS**

KEY	PART NUMBER	U/M DESCRIPTION	VENDOR NO.
	084405-01-000	EA HEATER - REAR/DUCTED - W/MOTOR AID	
	084405-01-700	EA CORE-HEATER	FT200229
	084405-01-701	EA FAN BLADES	HV029931
	084405-01-702	EA MOTOR ASSEMBLY, 12 VOLT	RV010348
	009198-01-000	FT DUCT - HEAT - FLEXIBLE - 4" ID X 25'	
	056464-11-000	EA REGISTER W/DAMPER - 4" DIAMETER - PLASTIC - OFF WHITE	
	061673-01-000	EA BRACKET - MOTOR AID TUBES - 4" X 1.5" - STEEL	
	079059-01-000	EA HOSE - 90 DEGREE - 5/8"ID X 4" X 36"	

FROM: 00-00-00 THRU: 12-07-98

**HEATING & AIR CONDITIONING GROUP (CONTINUED)**

**14,800 BTU COLEMAN ROOF A/C**

KEY	PART NUMBER	U/M DESCRIPTION	VENDOR NO.
*	131188-01-01A	EA A/C - ROOF - 14,800 MACH 15 - WHITE	
	091225-01-709	EA RELAY-START	1497-4131
	093306-01-701	EA DECAL PACKAGE, LEFT & RIGHT	6798B3591
	093763-01-712	EA BLADE-FAN-CONDENSER	6733-3221
	105620-01-706	EA MOUNTING PKG.,COMP., 3 PER	6759-3081
	093763-01-704	EA CAPACITOR-FAN	1499-5461
	108889-01-710	EA PAD-FILLER, CONDENSER SEAL	6759B3971
	108889-05-700	EA SHROUD-BRIGHT/WHT. W/O LOGO	7333-4601
	115219-01-700	EA COIL-CONDENSER	1452A1321
	126859-01-704	EA CAPACITOR - START	1497-0871
	131185-01-701	EA MOTOR (115V, 60HZ)	1468-3069
	131185-01-702	EA IMPELLOR	1472-1091
	131185-01-704	EA MOTOR MOUNT & SEAL KIT	8333-5151
	131186-01-701	EA EVAPORATOR COIL	1452-1521
	131188-01-700	EA COMPRESSOR - TECUMSEH	1450A2609
	131188-01-701	EA RUN CAP. (COMP-40MFD/370V)	1499-5721
	131188-01-702	EA LINE - SUCTION	7335A134
	131188-01-703	EA LINE - DISCHARGE	7335A135

**13,500 BTU COLEMAN ROOF A/C - EXPORT**

KEY	PART NUMBER	U/M DESCRIPTION	VENDOR NO.
*	131185-02-01A	EA A/C ROOF - 13,500 BTU - 220 VOLT - WHITE	
	037648-01-714	EA GASKET PACKAGE	8332-3301
	093306-01-701	EA DECAL PACKAGE, LEFT & RIGHT	6798B3591
	093763-01-704	EA CAPACITOR-FAN	1499-5461
	093763-01-712	EA BLADE-FAN-CONDENSER	6733-3221
	105620-01-706	EA MOUNTING PKG.,COMP., 3 PER	6759-3081
	108889-01-707	EA CAPACITOR-RUN,COMP-25MFD/370	1499-5661
	108889-01-710	EA PAD-FILLER, CONDENSER SEAL	6759B3971
	108889-02-700	EA COMPRESSOR-TECUMSEH	1450A2029
	108889-02-703	EA RELAY-START	1497-4141
	108889-05-700	EA SHROUD-BRIGHT/WHT. W/O LOGO	7333-4601
	131185-01-700	EA CONDENSER COIL	1452A1451
	131185-01-702	EA IMPELLOR	1472-1091
	131185-01-703	EA EVAPORATOR COIL	1452A1491
	131185-01-704	EA MOTOR MOUNT & SEAL KIT	8333-5151
	131185-01-705	EA SUCTION LINE (3/8" OD)	6792B130
	131185-02-700	EA OVERLOAD	1450-0031
	131185-02-701	EA MOTOR - 115V. 60HZ	1468-3139
	131185-02-702	EA START CAP - 21-25MFD/165V	1497-1081
	131185-02-703	EA LINE - DISCHARGE	6792B131

**COLEMAN CEILING ASM AND THERMOSTATS**

KEY	PART NUMBER	U/M DESCRIPTION
*	131184-01-01A	EA CEILING ASSEMBLY - A/C DUCTED - WHITE
	117238-01-01A	EA THERMOSTAT - A/C - FURNACE
	131184-02-01A	EA BOARD - DIVIDER - SILVER

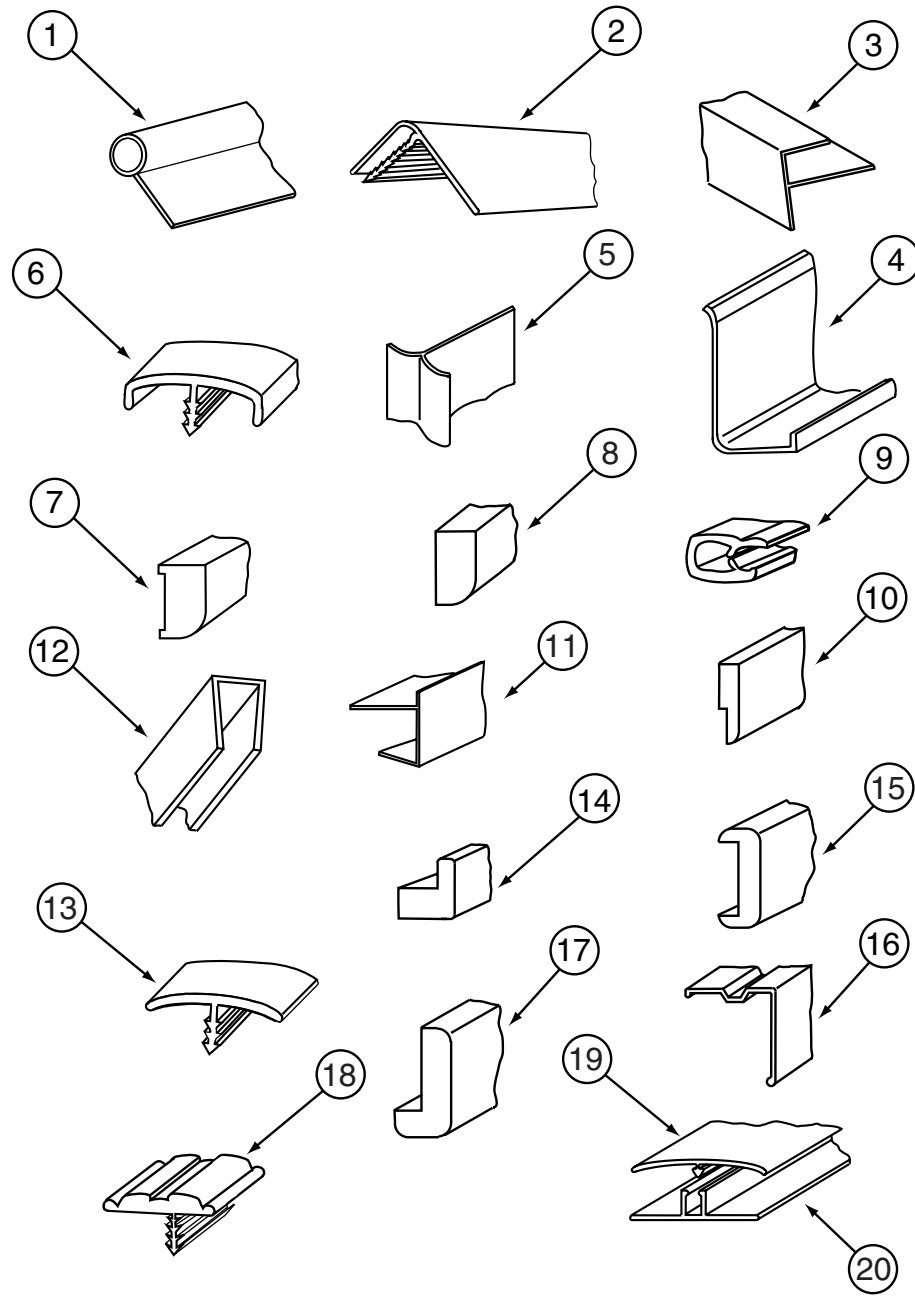
**\*COMPONENT PARTS FOUND IN SERVICE PARTS LIBRARY**

**ROOF A/C COVERS AND REGISTER**

KEY	PART NUMBER	U/M DESCRIPTION
	084077-03-000	EA COVER/BLANK - ROOF A/C 5.2" X 3.5" - IVORY
	092633-02-02A	EA COVER - BLANK - ROOF A/C - 5.1" X 5.1"
	120134-01-02A	EA REGISTER - 4" TO 5" IN DIAMETER W/DAMPER

# INTERIOR FINISH GROUP

## MOLDINGS & TRIMS



KEY	PART NUMBER	U/M DESCRIPTION
1	009767-12-000	FT WELTING - SIDEWALL/CEILING/CABINET - OFF/WHT
2	009809-23-000	EA MOLDING - CORNER - OUTSIDE - 1" X 84" - MODERN IVORY
2	009809-28-000	EA MOLDING - CORNER - OUTSIDE - 1" X 84" - WATERFORD OAK
3	009812-29-000	EA MOLDING - CORNER - 1/2" W/1/4" CHAN X 84" - WATERFORD OAK
4	085746-04-000	FT TRIM-J - CARPET 1.2" X .5" ANGLE - 12' LONG - OFF WHITE
5	022992-11-000	FT MOLDING - REVERSE COVE - T-SHAPED VINYL - IVORY
6	083620-12-000	FT MOLDING-T - END CAP EDGE - W/EDGE LIP - .75"-WATERFORD OAK
7	117268-D2-134	EA MOLDING - VINYL WRAPPED - .7" X 1.6" X 84" - WATERFORD OAK
7	117268-F2-134	EA MOLDING - VINYL WRAPPED - .7" X 2.7" X 84" - WATERFORD OAK
8	100818-01-05A	EA MOLDING - VINYL WRAPPED - 1.6" X .4" X 84" - WATERFORD OAK
9	113452-01-000	FT SEAL/TRIM - FRONT - VINYL W/WIRE CARRIER
10	105004-01-05A	EA MOLDING - VINYL WRAPPED - 1" X 96" - WATERFORD OAK
11	103186-01-05A	FT MOLDING - PLASTIC - 3/8" U-CHANNEL 3/4" FACE-WATERFORD OAK
11	103186-02-05A	FT MOLDING - PLASTIC - 1" U-CHANNEL 1 3/8" FACE-WATERFORD OAK
12	009778-21-000	FT U-CHANNEL - 1" - WATERFORD OAK
12	070504-03-000	FT U-CHANNEL - PLASTIC - .9" X 96" - GRADY BROWN
12	070504-36-000	FT U-CHANNEL - PLASTIC - .13" X 72" - WATERFORD OAK
12	070504-37-000	FT U-CHANNEL - PLASTIC - .9" X 84" - WATERFORD OAK
13	105709-01-000	FT MOLDING-T - 1" - MODERN IVORY
14	100819-01-05A	EA MOLDING - VINYL WRAPPED - L-SHAPED - 1.5"X1.5"X84"-OAK
15	078323-06-G15	EA MOLDING - CAP/WALL - 79.6" - WATERFORD OAK
16	093873-01-01A	EA TRIM - CARPET - L-ANGLE 1.1" X 1.3" X 12' - GRAY VINYL
17	077840-01-G01	EA MOLDING - CAP/WALL - 8' WATERFORD OAK
18	109736-02-01A	FT T-MOLDING - 1" - NATURAL OAK
19	086229-20-000	EA BATTEN - 1" X 96" - BEIGE
20	086229-01-000	EA RETAINER - BATTEN - .75" X 92.3" - ANY COLOR
	072368-02-000	EA TRIM - VINYL - EDGE - BLACK
	117267-D2-438	EA LUMBER - VINYL WRAPPED - .7" X 1.5" X 96" - WATERFORD OAK
	117267-E2-438	EA LUMBER - VINYL WRAPPED - .7" X 2" X 96" - WATERFORD OAK
	117267-F2-438	EA LUMBER - VINYL WRAPPED - .7"X 2.5" X 96" - WATERFORD OAK
	117267-J2-438	EA LUMBER - VINYL WRAPPED - .7" X 5.5" X 96"- WATERFORD OAK
	117267-R2-438	EA LUMBER - VINYL WRAPPED - .7" X 3" X 96" - WATERFORD OAK

## INTERIOR FINISH GROUP (CONTINUED)

### BATT STRIPS

KEY	PART NUMBER	U/M DESCRIPTION
	069733-83-000	EA BATT STRIP - WOODGRAINED/WATERFORD OAK - 8'
	079653-28-000	EA BATT STRIP - KERFED - WOODGRAINED/WATERFORD OAK - 8'
	088263-E3-000	EA BATT STRIP - DECORATIVE - PEBBLE EMBOSSED/ANTIQUE-8' LONG
	088263-F2-000	EA BATT STRIP - DECORATIVE - TUSCAN MINK - 8' LENGTHS (K50,K53)
	088263-G0-000	EA BATT STRIP - DECORATIVE - UPBEAT/TWILIGHT - 8' LONG (K51)
	088263-E6-000	EA BATT STRIP - DECORATIVE - MONTANA FROST - 8' (K52)
	085284-B5-000	FT BATT TAPE - ADHESIVE BACKED - WOODGRAINED - WATERFORD OAK
	085284-D6-000	FT BATT TAPE - ADHESIVE BACKED -DECORATIVE - EMBOSSED ANTIQUE
	085284-E7-000	FT BATT TAPE - ADHESIVE BACKED - DECORATIVE/TUSCAN MINK (K50,K53)
	085284-F8-000	FT BATT TAPE - ADHESIVE BACKED - UPBEAT/TWILIGHT (K51)
	085284-E0-000	FT BATT TAPE - ADHESIVE BACKED - DECORATIVE - MONTANA FROST (K52)

### PLASTIC LAMINATE & EDGE BAND

KEY	PART NUMBER	U/M DESCRIPTION
	074498-80-000	SF LAMINATE - PLASTIC - WHITE TUNDRA - 5' X 8' (K50)
	074498-71-000	SF LAMINATE - PLASTIC - NEUTRAL SANTOS - 5'X 8' (K51,K53)
	074498-62-000	SF LAMINATE - PLASTIC - GREY FINESSE - 5' X 8' (K52)
	076325-39-000	FT MOLDING - EDGE BAND - 1 5/16" X .030" - ALMOND (K50,K51,K53)
	076325-46-000	FT MOLDING - EDGE BAND - 1 5/16" X .030 - CLOUD (K52)
	076325-40-000	FT MOLDING - EDGE BAND - .875" X .024" - ALMOND (K50,K51,K53)
	076325-43-000	FT MOLDING - EDGE BAND - .875" X .024" - CLOUD (K52)
	130247-01-01A	FT T-MOLDING - 1.3" WATERFORD OAK - GALLEY COUNTERTOP - EXPORT
	074498-77-000	SF LAMINATE - PLASTIC - ART CABIN - 4' X 8' (PULL OUT TABLE)
	076325-68-000	FT MOLDING - EDGE BAND - 1 5/16" X .038 - WATERFORD OAK (PULL OUT TABLE)
	074498-40-000	SF LAMINATE - PLASTIC - OFF WHITE - 5' X 8' (PATIO ENTERTAINMENT CENTER TABLE)
	076325-73-000	FT MOLDING - EDGE BAND - .93" X .024" - OFF WHITE (PATIO ENTERTAINMENT CENTER TABLE)

### WALLPAPER BORDER

KEY	PART NUMBER	U/M DESCRIPTION
	122481-23-000	FT WALLPAPER - 6.9" BORDER (K50,K53)
	122481-16-000	FT WALLPAPER - 6.9" BORDER (K51)
	122481-04-000	FT WALLPAPER - 6" BORDER - TRAVIS BLUE (K52)

## INTERIOR FINISH GROUP (CONTINUED)

### SMOKE DETECTOR, CO DETECTOR, FIRE EXTINGUISHER & CLOCK

KEY	PART NUMBER	U/M DESCRIPTION	VENDOR NO.
	072852-01-000	EA DETECTOR - SMOKE - W/9 VOLT BATTERY - US	
	072852-02-000	EA DETECTOR - SMOKE - W/9 VOLT BATTERY - CANADIAN	
	094499-03-000	EA EXTINGUISHER/FIRE - DRY - 10B:C - W/O BRACKET	
	094499-04-000	EA BRACKET - FIRE EXTINGUISHER	
	094499-02-000	EA EXTINGUISHER/FIRE - DRY - 1A10BC - CANADIAN	
	094499-01-700	EA BRACKET MTG. W/PLAS. STRAP	294039
	118081-02-01A	EA CLOCK - WALL - ROUND 8" - BRASS	
	125136-01-000	EA CO DETECTOR - GAS - ROUND W/2 SCREWS - 9 VOLT	

### ANTISLIP & FLOOR MATS

KEY	PART NUMBER	U/M DESCRIPTION
	091261-01-000	FT SLIPNOT - ANTISLIP - 1' WIDE
	105924-01-F12	EA MAT - FLOOR - 18" X 27" (K50)
	105924-01-J69	EA MAT - FLOOR - 18" X 27" (K51)
	105924-01-F05	EA MAT - FLOOR - 18" X 27" (K52)
	105924-01-J16	EA MAT - FLOOR - 18" X 27" (K53)

### CARPET, VINYL, & TILE

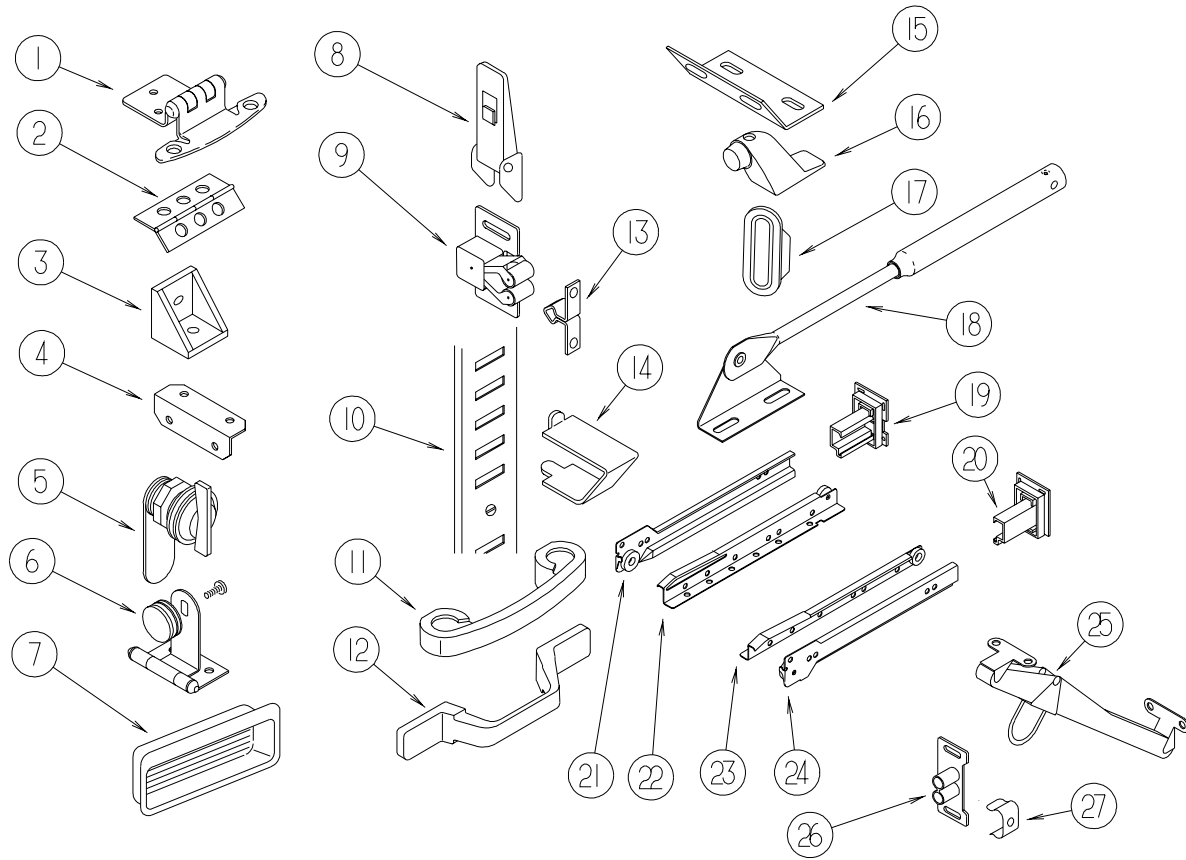
KEY	PART NUMBER	U/M DESCRIPTION
	093486-01-000	SY CARPET - COMPARTMENT - 72" WIDE - DARK GRAY
	096060-99-000	SY CARPET - PARCHMENT - INCREMENTS OF 4 SY (K50)
	096060-98-000	SY CARPET - SILVER ASPEN - INCREMENTS OF 4 SY (K51)
	096060-97-000	SY CARPET - LAPIS - INCREMENTS OF 4 SY (K52)
	096060-95-000	SY CARPET - DOESKIN - INCREMENTS OF 4 SY (K53)
	042720-21-000	SY VINYL - FLOOR COVERING - 7' WIDE - MODULATION FROM: 00-00-00 THRU: 02-07-99
	042720-25-000	SY VINYL - FLOOR COVERING - 14' WIDE - MODULATION FROM: 02-08-99 THRU: 99-99-99
	122755-01-01A	EA TILE - RUBBER/ENTRANCE DOOR - 18.5" X 27.2"
	122755-03-01A	EA TILE - RUBBER/ENTRANCE DOOR - 17.7" X 26.4"
	124253-01-02A	EA VINYL - FLOOR PLANK - 3" X 12" - MAPLE

### PANELING, PLYWOOD, & PARTICLE BOARD

KEY	PART NUMBER	U/M DESCRIPTION
	074497-28-000	SF PANELING - WATERFORD OAK - 4' X 8'
	088272-G1-000	SF PANELING - PEBBLE EMBOSSED - ANTIQUE WHITE - 4' X 7'
	088272-H2-000	SF PANELING - TUSCAN MINK - 48" X 84" (K50,K53)
	088272-H8-000	SF PANELING - UPBEAT/TWILIGHT (K51)
	088272-G4-000	SF PANELING - MONTANA FROST - 4' X 7' (K52)
	080215-10-000	SF PANELING - 2 SIDED - WATERFORD - .2" X 4' X 8'
	000846-01-000	SF PLYWOOD - 5/16" X 48" X 96" - CD GRADE
	000846-02-000	SF PLYWOOD/UNDERLAYMENT - 5/16" X 48" X 96"
	089297-01-000	SF PLYWOOD - LUAN - OVERLAY GRADE - 48" X 96"
	089297-02-000	SF PLYWOOD - LUAN - OVERLAY GRADE - 48" X 108"
	126339-01-000	SF BOARD - WHEAT - 60" X 72"
	000885-76-000	SF PARTICLE BOARD-3/8" X 48" X 96"-WATERFORD OAK/VINYL 1 SIDE
	000885-77-000	SF PARTICLE BOARD-3/8" X 48" X 96"-WATERFORD OAK/VINYL 2 SIDE
	000885-79-000	SF PARTICLE BOARD-3/4" X 48" X 96"-WATERFORD OAK/VINYL 2 SIDE

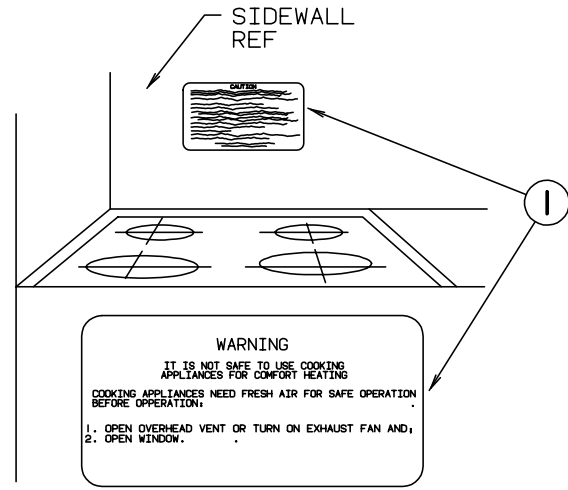
# INTERIOR FINISH GROUP (CONTINUED)

## CABINET HARDWARE



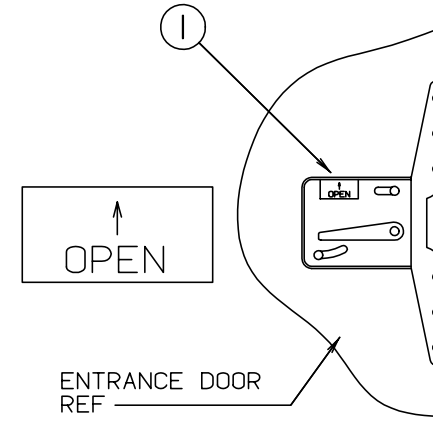
KEY	PART NUMBER	U/M DESCRIPTION
1	108138-01-000	EA HINGE - CABINET DOOR - BURNISHED BRASS
2	009059-01-000	EA HINGE - DOOR - 2" X 1.4" - BRASS
3	065740-01-000	EA BRACE - CABINET/CORNER - PLASTIC
4	016604-01-000	EA BRACE - CABINET - ANGLE - 2.5" - UNPAINTED METAL
4	016604-05-000	EA BRACE - CABINET - ANGLE - 2.5" - OFF WHITE METAL
5	100710-01-01A	EA LOCK - GLASS DOOR/TWIST TYPE - BRASS
6	100711-01-01A	EA HINGE - GLASS DOOR
7	124311-01-01A	EA HANDLE - RECESSED - BRASS
8	116975-01-01A	EA LATCH - W/O STRIKE - BLACK - NEW STYLE
8	116975-02-01A	EA KEEPER/STRIKE - BLACK - NEW STYLE
9	093586-06-000	EA CATCH - SPRING ROLLER
10	098980-01-000	EA PILASTER - ADJUSTABLE SHELF - 18" WOODGRAIN APPEARANCE
10	098980-02-000	EA PILASTER - ADJUSTABLE SHELF - 12" WOODGRAIN APPEARANCE
10	098980-03-000	EA PILASTER - ADJUSTABLE SHELF - 9" WOODGRAIN APPEARANCE
10	098980-04-000	EA PILASTER - ADJUSTABLE SHELF - 48" WOODGRAIN APPEARANCE
11	131962-01-01A	EA PULL - CABINET - POLISHED BRASS
12	117801-01-01A	EA PULL - CABINET - BRASS
		FROM: 04-30-99 THRU: 99-99-99
		FROM: 00-00-00 THRU: 04-29-99
13	093586-05-000	EA STRIKE - SPRING STEEL
14	098979-01-000	EA CLIP - ADJUSTABLE SHELF
15	111866-01-02A	EA BRACE - SEAT - ANGLE - OFF WHITE
16	103257-01-000	EA STOP - DOOR
17	098410-01-01A	EA PULL - FINGER - OVAL - BRASS
18	074493-02-000	EA SUPPORT - PISTON SPRING - CABINET DOOR - 26 LBS
19	128811-01-01A	EA BACKSOCKET - ADJUSTABLE - LEFT
20	128811-02-01A	EA BACKSOCKET - ADJUSTABLE - RIGHT
21	128810-01-01A	EA SLIDE - DRAWER - 12" - LEFT CABINET
21	128810-13-01A	EA SLIDE - DRAWER - 18" - LEFT CABINET
21	128810-17-01A	EA SLIDE - DRAWER - 20" - LEFT CABINET
21	128810-21-01A	EA SLIDE - DRAWER - 22" - LEFT CABINET
21	128810-25-01A	EA SLIDE - DRAWER - 24" - LEFT CABINET
22	128810-03-01A	EA SLIDE - DRAWER - 12" - LEFT DRAWER
22	128810-15-01A	EA SLIDE - DRAWER - 18" - LEFT DRAWER
22	128810-19-01A	EA SLIDE - DRAWER - 20" - LEFT DRAWER
22	128810-23-01A	EA SLIDE - DRAWER - 22" - LEFT DRAWER
22	128810-27-01A	EA SLIDE - DRAWER - 24" - LEFT DRAWER
23	128810-04-01A	EA SLIDE - DRAWER - 12" - RIGHT DRAWER
23	128810-16-01A	EA SLIDE - DRAWER - 18" - RIGHT DRAWER
23	128810-20-01A	EA SLIDE - DRAWER - 20" - RIGHT DRAWER
23	128810-24-01A	EA SLIDE - DRAWER - 22" - RIGHT DRAWER
23	128810-28-01A	EA SLIDE - DRAWER - 24" - RIGHT DRAWER
24	128810-02-01A	EA SLIDE - DRAWER - 12" - RIGHT CABINET
24	128810-14-01A	EA SLIDE - DRAWER - 18" - RIGHT CABINET
24	128810-18-01A	EA SLIDE - DRAWER - 20" - RIGHT CABINET
24	128810-22-01A	EA SLIDE - DRAWER - 22" - RIGHT CABINET
24	128810-26-01A	EA SLIDE - DRAWER - 24" - RIGHT CABINET
25	104181-01-01A	EA SUPPORT - LEAF 5.3" EXTENDS TO 7.5" - SAFETY RING - METAL
26	009021-01-000	EA CATCH - GRILLE - NYLON
27	009021-02-000	EA STRIKE - SPRING STEEL
	004354-01-000	EA BUMPER - RUBBER - .5" DIA - BROWN
	023320-01-000	EA PAD - FELT 3/8" DIAMETER

**LABELS GROUP**

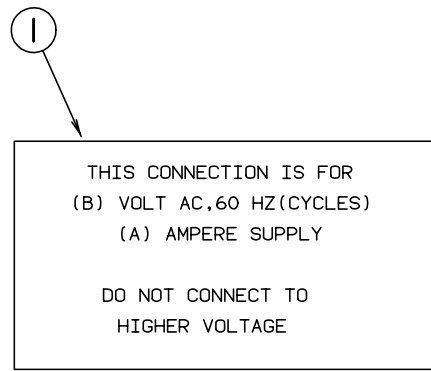


KEY	PART NUMBER	U/M DESCRIPTION
1	050225-01-000	EA LABEL - STOVE VENT - US
1	050222-01-000	EA LABEL - STOVE VENT - CANADIAN

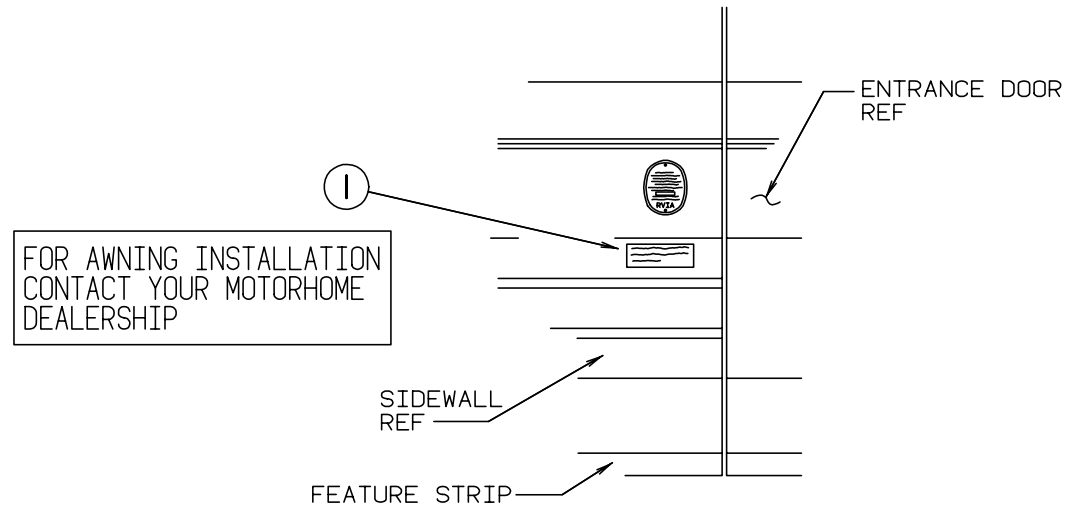
**LABELS GROUP (CONTINUED)**



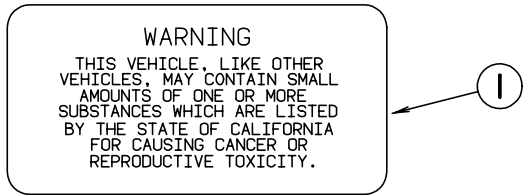
KEY	PART NUMBER	U/M DESCRIPTION
1	040944-01-000	EA LABEL - ENTRANCE DOOR - "OPEN"



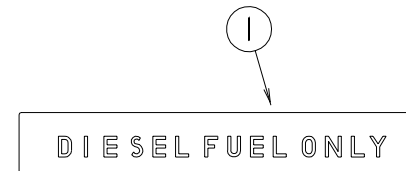
KEY	PART NUMBER	U/M DESCRIPTION
1	125306-01-01A	EA LABEL - ELECTRICAL ENTRANCE - 110 VOLT - 30 AMP



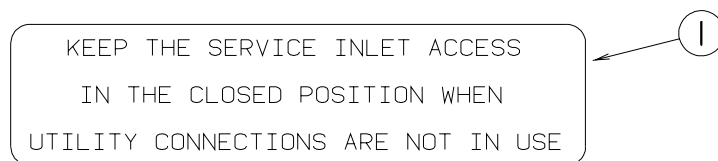
KEY	PART NUMBER	U/M DESCRIPTION
1	099509-01-000	EA LABEL - AWNING INSTALLATION



KEY	PART NUMBER	U/M DESCRIPTION
1	099689-01-000	EA LABEL - WARNING - CANCER/TOXICITY - CALIFORNIA

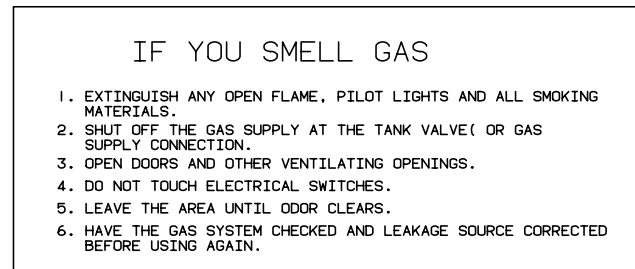
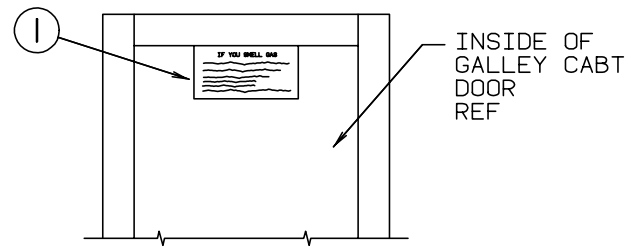


KEY	PART NUMBER	U/M DESCRIPTION
1	068383-01-000	EA LABEL - DIESEL FUEL

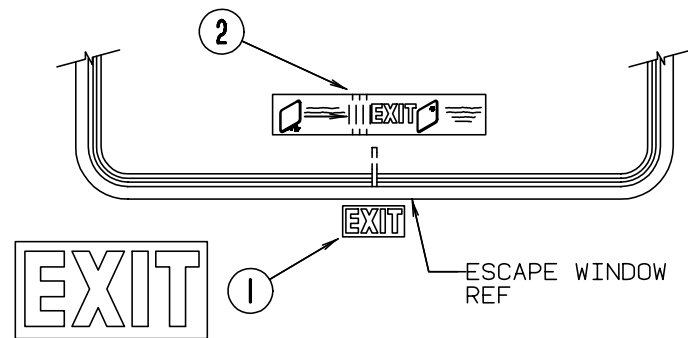


KEY	PART NUMBER	U/M DESCRIPTION
1	123562-01-000	EA LABEL - SERVICE/UTILITY ACCESS

## LABELS GROUP (CONTINUED)

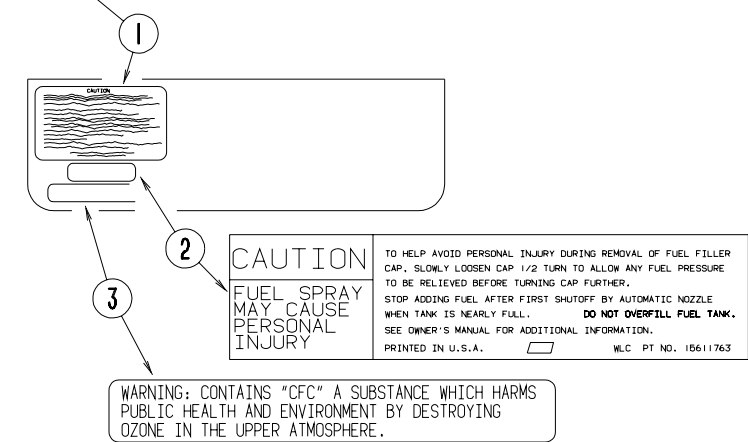
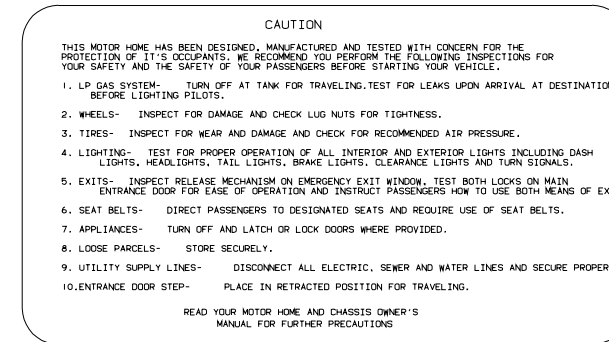


KEY	PART NUMBER	U/M DESCRIPTION
1	073998-01-000	EA LABEL - LPG ODOR WARNING

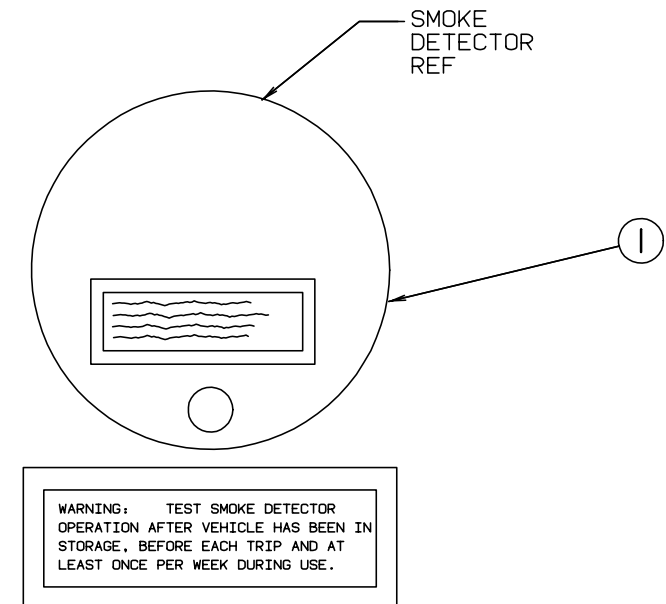


KEY	PART NUMBER	U/M DESCRIPTION
1	039290-01-000	EA LABEL - WARNING - EXIT
2	107571-01-000	EA LABEL - EXIT/ESCAPE WINDOW

## LABELS GROUP (CONTINUED)



KEY	PART NUMBER	U/M DESCRIPTION
1	056259-01-000	EA LABEL - SAFETY CHECK LIST
2	087207-05-000	EA LABEL - FUEL CAP REMOVAL
3	111802-01-000	EA LABEL - CFC WARNING



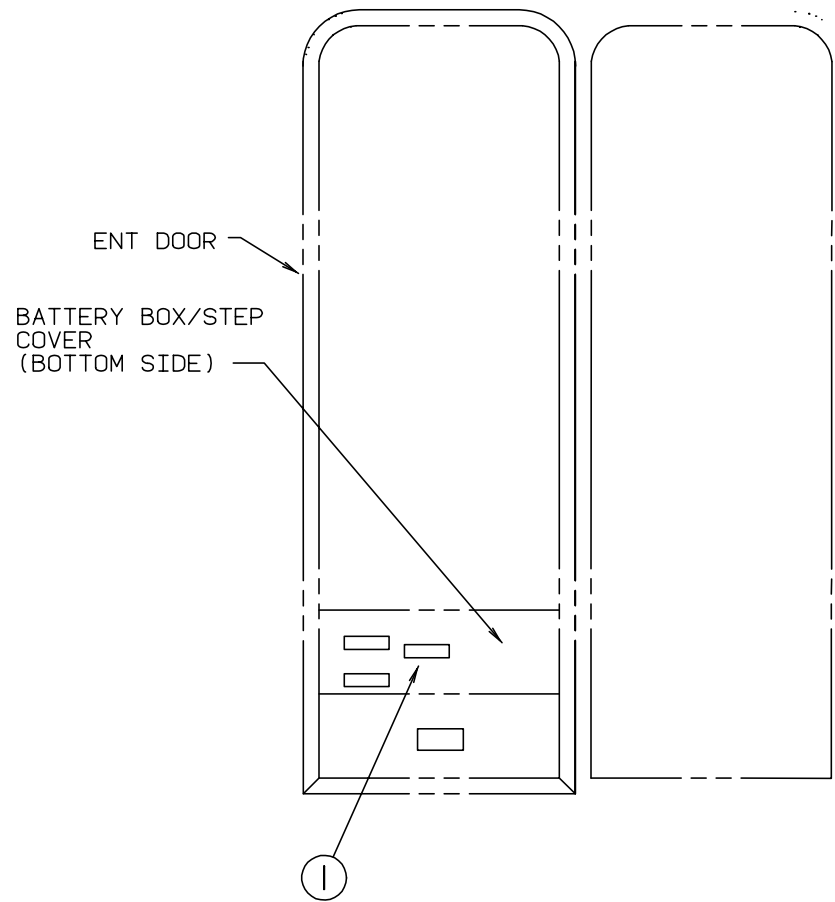
KEY	PART NUMBER	U/M DESCRIPTION
1	077956-01-000	EA LABEL - WARNING - SMOKE DETECTOR

**LABELS GROUP (CONTINUED)**

AIR CONDITIONING CIRCUIT.  
THIS CONNECTION IS FOR  
AIR CONDITIONERS RATED 110-  
125 VOLT AC, 60 HZ, 16  
AMPERES MAXIMUM. DO NOT  
EXCEED CIRCUIT RATING.



KEY	PART NUMBER	U/M DESCRIPTION
1	091243-01-000	EA LABEL - A/C COVER "AIR CONDITIONING CIRCUIT ETC."



WARNING: DISCONNECT BATTERIES BEFORE  
CONNECTING EXTERNAL CHARGING EQUIPMENT.

AVERTISSEMENT: DEBRANCHER LES BATTERIES AVANT  
DE BRANCHER TOUT EQUIPEMENT DE CHARGE EXTERIEUR.

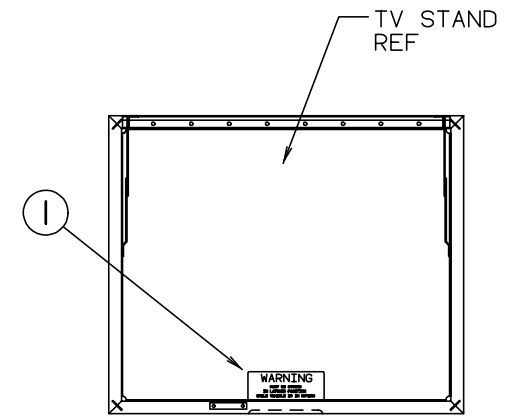
KEY	PART NUMBER	U/M DESCRIPTION
1	065748-01-000	EA LABEL - CAUTION - BATTERY CHARGING
1	065748-02-000	EA LABEL - WARNING - BATTERY/FRENCH

**LABELS GROUP (CONTINUED)**

DO NOT USE HITCH BEFORE  
READING OWNERS MANUAL REGARDING  
VEHICLE LOADING AND TOWING



KEY	PART NUMBER	U/M DESCRIPTION
1	111104-01-000	EA LABEL - HITCH - READ MANUAL - WHITE
1	111104-02-000	EA LABEL - HITCH - READ MANUAL - BLACK



WARNING  
MUST BE STOWED  
IN LATCHED POSITION  
WHILE VEHICLE IS IN MOTION

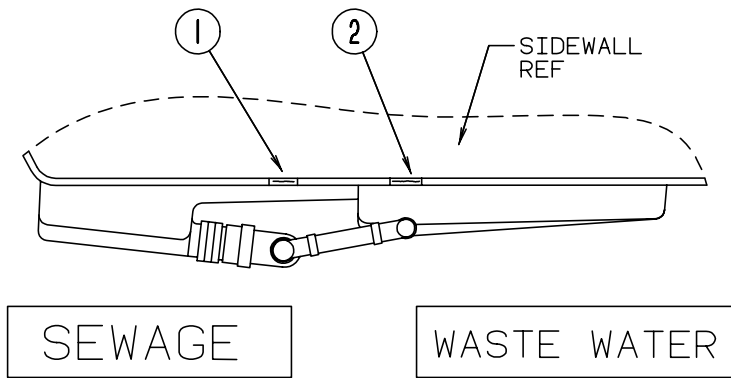
KEY	PART NUMBER	U/M DESCRIPTION
1	079966-01-000	EA LABEL - WARNING - STOWED - MOTION

TOW VEHICLE RATING MAY BE LESS THAN HITCH RATING.  
MAXIMUM VERTICAL HITCH LOAD: A LBS  
DO NOT EXCEED REAR AXLE RATING.  
SEE OWNER'S MANUAL FOR ADDITIONAL INFORMATION.



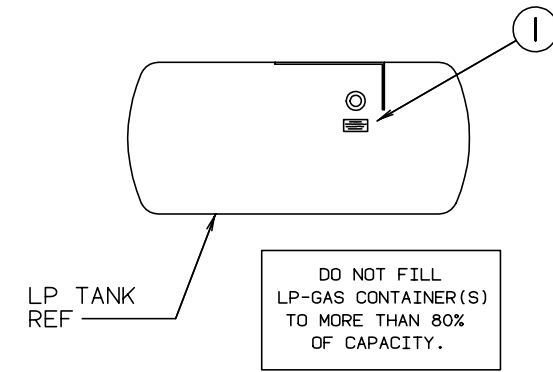
KEY	PART NUMBER	U/M DESCRIPTION
1	129669-01-01A	EA LABEL - HITCH/VEHICLE RATE - 350 - WHITE ON CLEAR

**LABELS GROUP (CONTINUED)**



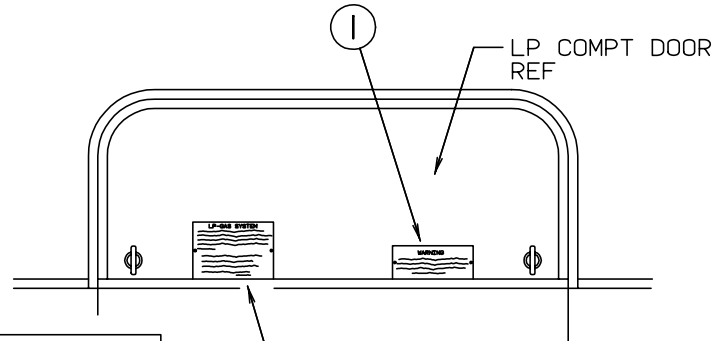
KEY	PART NUMBER	U/M DESCRIPTION
1	006187-01-000	EA LABEL - SEWAGE
2	006188-01-000	EA LABEL - WASTE WATER

**LABELS GROUP (CONTINUED)**



KEY	PART NUMBER	U/M DESCRIPTION
1	079965-01-000	EA LABEL - LPG - 80% CAPACITY

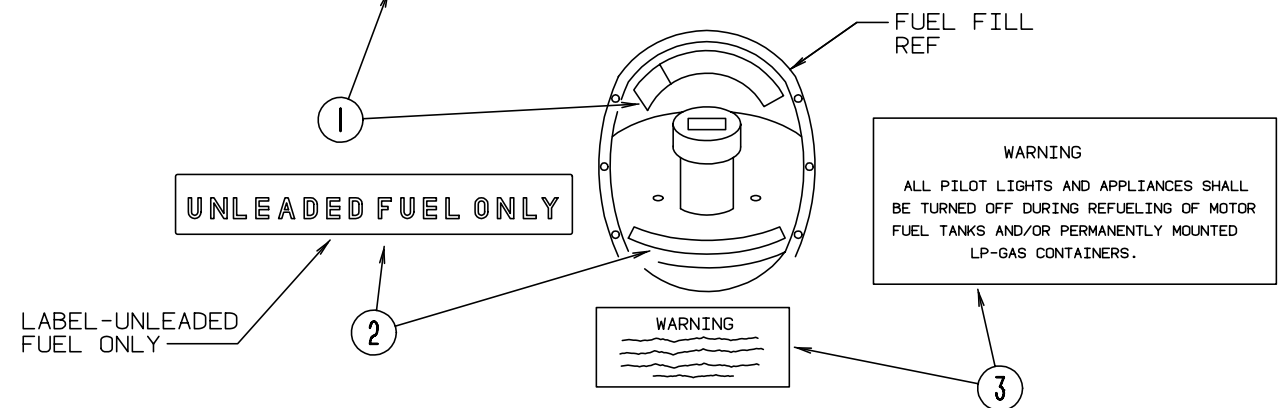
**WARNING**  
ALL PILOT LIGHTS AND APPLIANCES SHALL BE TURNED OFF DURING REFUELING OF MOTOR FUEL TANKS AND/OR PERMANENTLY MOUNTED LP-GAS CONTAINERS.



**LP-GAS SYSTEM**  
THIS GAS PIPING SYSTEM IS DESIGNED FOR USE OF LIQUEFIED PETROLEUM GAS ONLY. DO NOT CONNECT NATURAL GAS TO THIS SYSTEM.  
  
SECURELY CAP INLET(S) WHEN NOT CONNECTED FOR USE. AFTER TURNING ON GAS, EXCEPT AFTER NORMAL CONTAINER REPLACEMENT, TEST GAS PIPING AND CONNECTIONS TO APPLIANCE FOR LEAKAGE WITH SOAPY WATER OR BUBBLE SOLUTION. DO NOT USE PRODUCTS THAT CONTAIN AMMONIA OR CHLORINE.  
P.N. 54531

KEY	PART NUMBER	U/M DESCRIPTION
1	124519-01-01A	EA LABEL - WARNING/REFUELING - BLACK ON CLEAR
1	124519-02-01A	EA LABEL - WARNING/REFUELING - CSA
2	124520-01-01A	EA LABEL - LP GAS ONLY - BLACK ON CLEAR
2	023769-01-000	EA LABEL - WARNING - LPG - CANADIAN

**CAUTION**  
FUEL SPRAY MAY CAUSE PERSONAL INJURY  
  
TO HELP AVOID PERSONAL INJURY DURING REMOVAL OF FUEL FILLER CAP, SLOWLY LOOSEN CAP 1/2 TURN TO ALLOW ANY FUEL PRESSURE TO BE RELIEVED BEFORE TURNING CAP FURTHER.  
  
STOP ADDING FUEL AFTER FIRST SHUTOFF BY AUTOMATIC NOZZLE WHEN TANK IS NEARLY FULL. DO NOT OVERFILL FUEL TANK.  
  
SEE OWNERS MANUAL FOR ADDITIONAL INFORMATION.  
PRINTED IN U.S.A. MLC PT NO 15611763



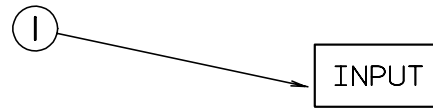
KEY	PART NUMBER	U/M DESCRIPTION
1	087207-05-000	EA LABEL - FUEL CAP REMOVAL
2	062043-01-000	EA LABEL - FUEL - UNLEADED
3	124519-01-01A	EA LABEL - WARNING/REFUELING - BLACK ON CLEAR
3	124519-02-01A	EA LABEL - WARNING/REFUELING - CSA

**WARNING**  
ROOF SURFACE MAY BE SLIPPERY ESPECIALLY WHERE MOISTURE IS PRESENT SLIPPING MAY RESULT IN PERSONAL INJURY.  
128218-01

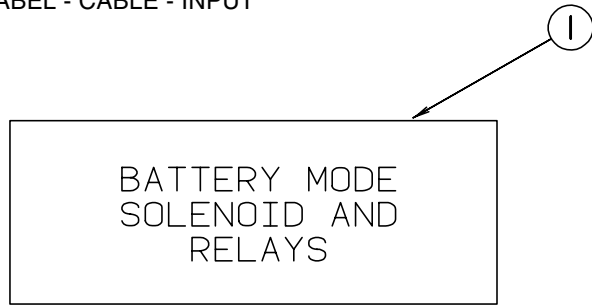
KEY	PART NUMBER	U/M DESCRIPTION
1	128218-01-01A	EA LABEL - WARNING - SLIPPERY ROOF



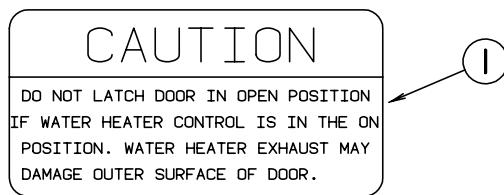
**LABELS GROUP (CONTINUED)**



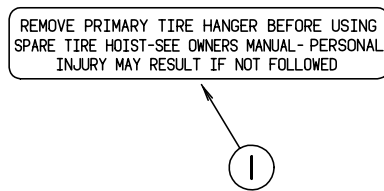
**KEY PART NUMBER U/M DESCRIPTION**  
 1 087236-01-000 EA LABEL - CABLE - INPUT



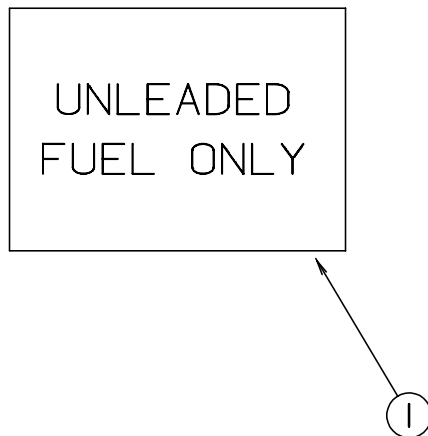
**KEY PART NUMBER U/M DESCRIPTION**  
 1 098379-04-000 EA LABEL - ELECTRICAL BOX - SIDE



**KEY PART NUMBER U/M DESCRIPTION**  
 1 113402-01-000 EA LABEL - CAUTION - WATER HEATER EXHAUST

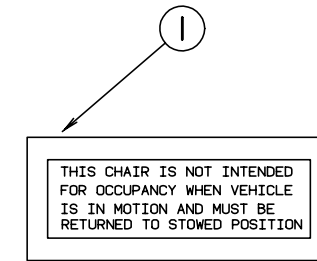


**KEY PART NUMBER U/M DESCRIPTION**  
 1 126024-01-01A EA LABEL - TIRE HANGER REMOVAL

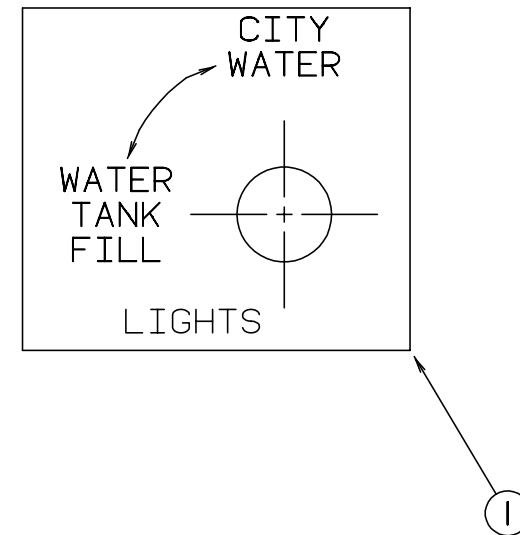


**KEY PART NUMBER U/M DESCRIPTION**  
 1 098641-01-000 EA LABEL - FUEL - UNLEADED - DASH

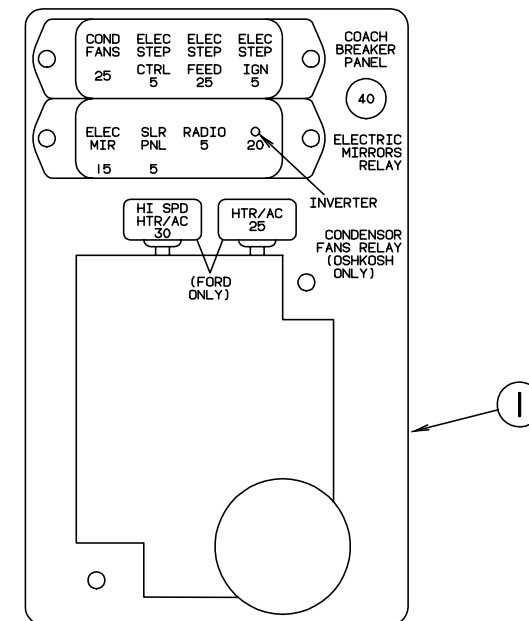
**LABELS GROUP (CONTINUED)**



**KEY PART NUMBER U/M DESCRIPTION**  
 1 102267-01-000 EA LABEL - NO OCCUPANCY - US  
 102267-02-000 EA LABEL - NO OCCUPANCY - CSA

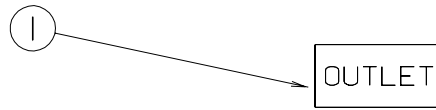


**KEY PART NUMBER U/M DESCRIPTION**  
 1 117629-03-000 EA LABEL - WATER PUMP/FILL

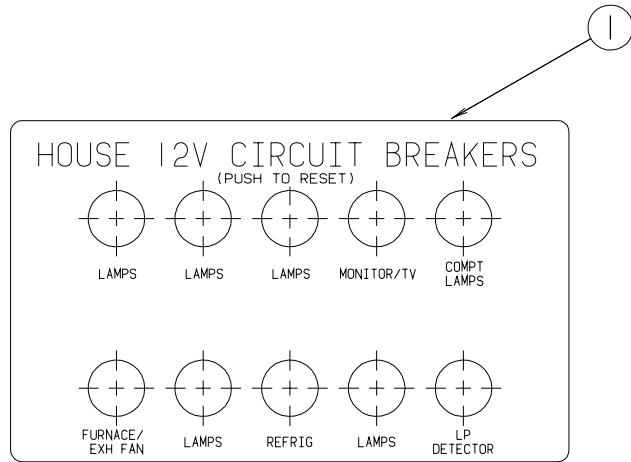


**KEY PART NUMBER U/M DESCRIPTION**  
 1 111537-07-000 EA LABEL - FUSES

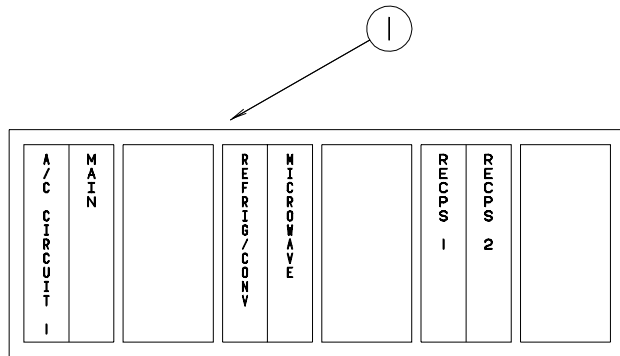
**LABELS GROUP (CONTINUED)**



**KEY PART NUMBER U/M DESCRIPTION**  
 1 087236-02-000 EA LABEL - TV OUTLET

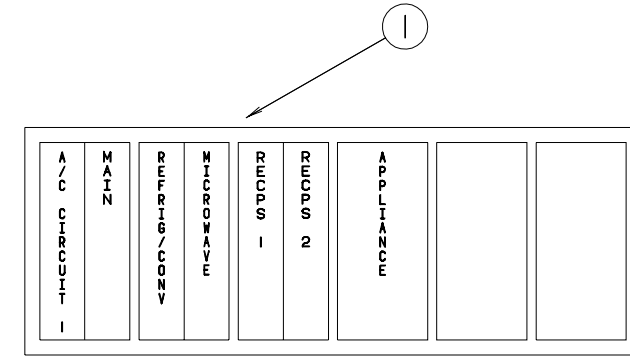


**KEY PART NUMBER U/M DESCRIPTION**  
 1 092547-06-000 EA LABEL - CIRCUIT BREAKER

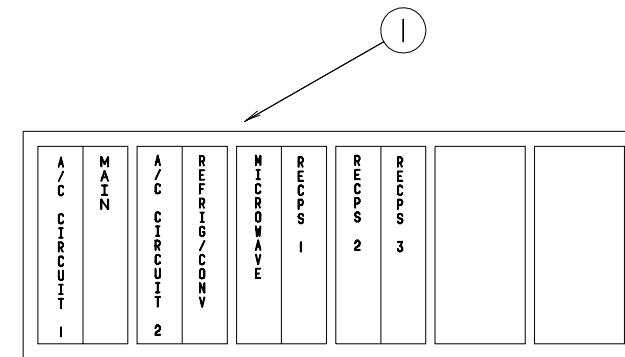


**KEY PART NUMBER U/M DESCRIPTION**  
 1 095721-25-000 EA LABEL - CONTROL CENTER - 30 AMP

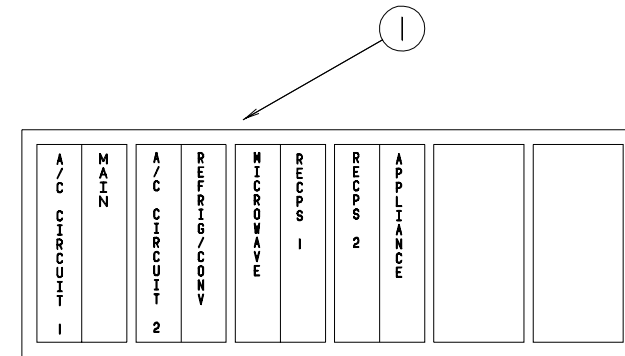
**LABELS GROUP (CONTINUED)**



**KEY PART NUMBER U/M DESCRIPTION**  
 1 095721-26-000 EA LABEL - CONTROL CENTER - 30 AMP - CANADIAN

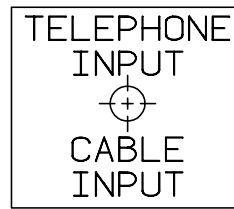


**KEY PART NUMBER U/M DESCRIPTION**  
 1 095721-27-000 EA LABEL - CONTROL CENTER - 30 AMP

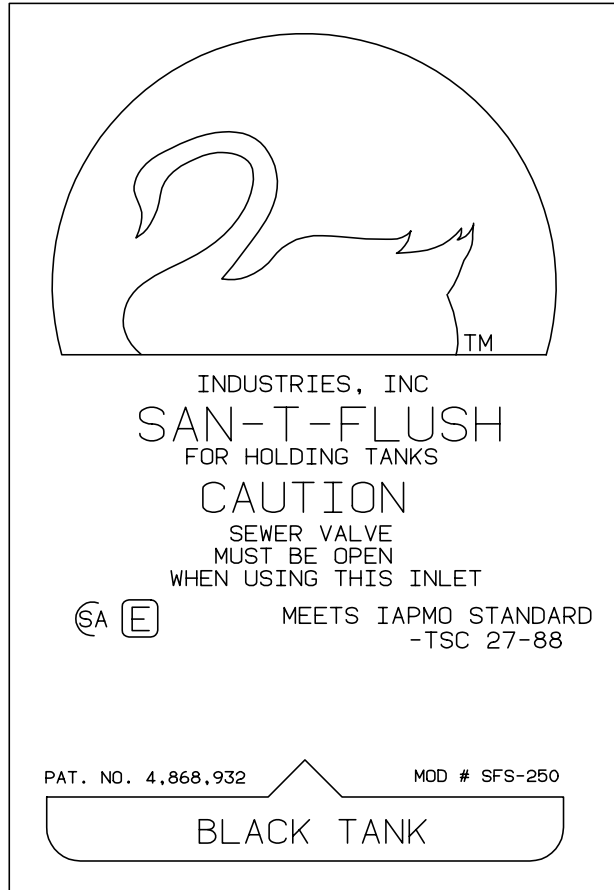


**KEY PART NUMBER U/M DESCRIPTION**  
 1 095721-28-000 EA LABEL - CONTROL CENTER - 30 AMP - CANADIAN

**LABELS GROUP (CONTINUED)**



KEY	PART NUMBER	U/M DESCRIPTION
1	114866-03-000	EA LABEL - PHONE & CABLE INPUT



KEY	PART NUMBER	U/M DESCRIPTION
1	125697-07-000	EA LABEL - CAUTION - FLUSHING SYSTEM



KEY	PART NUMBER	U/M DESCRIPTION
1	126247-05-000	EA LABEL - GRAY HOLDING TANK

**LABELS GROUP (CONTINUED)**



KEY	PART NUMBER	U/M DESCRIPTION
1	126249-03-000	EA LABEL - CITY WATER FILL



KEY	PART NUMBER	U/M DESCRIPTION
1	130168-01-000	EA LABEL - WASTE TANK FLUSH



KEY	PART NUMBER	U/M DESCRIPTION
1	130170-02-000	EA LABEL-PANEL SWITCH



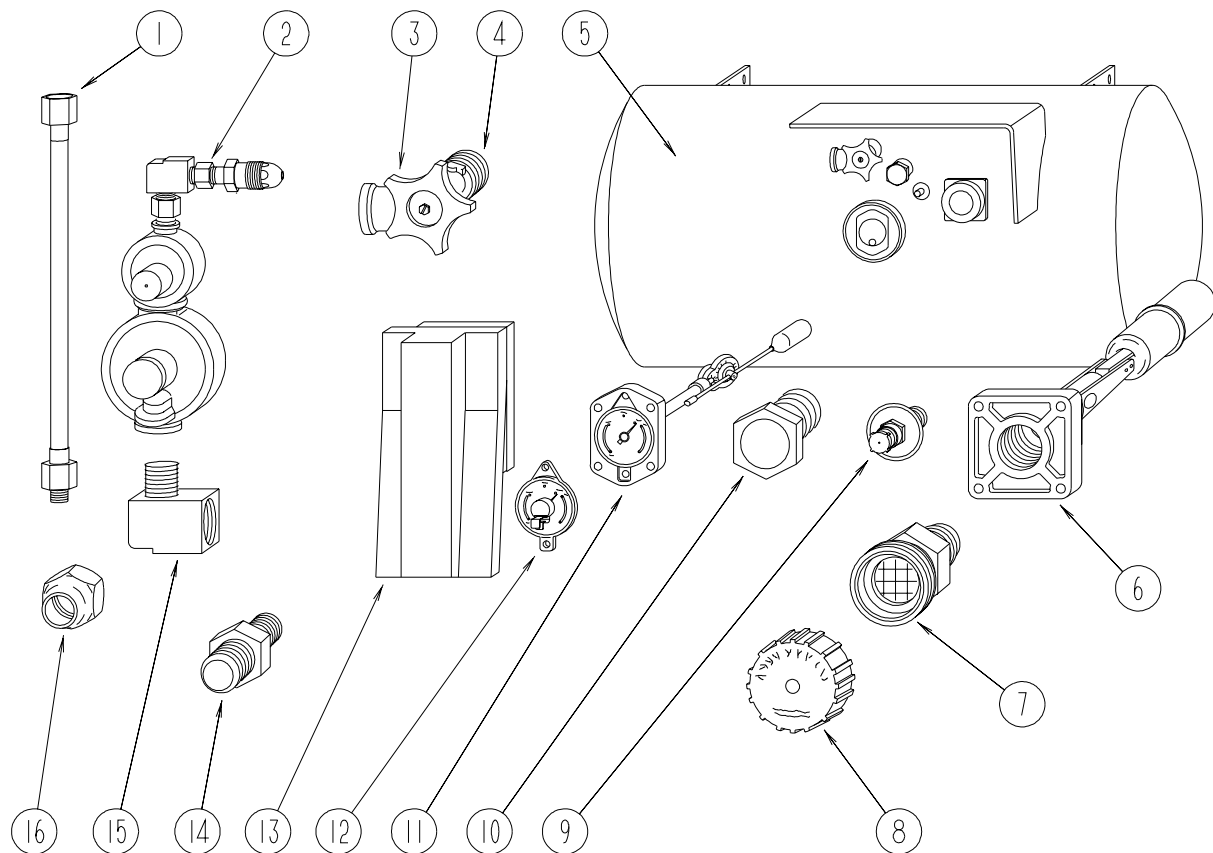
KEY	PART NUMBER	U/M DESCRIPTION
1	126247-06-000	EA LABEL-HOLDING TANK,BLACK



KEY	PART NUMBER	U/M DESCRIPTION
1	126248-03-000	EA LABEL - EXTERIOR SHOWER

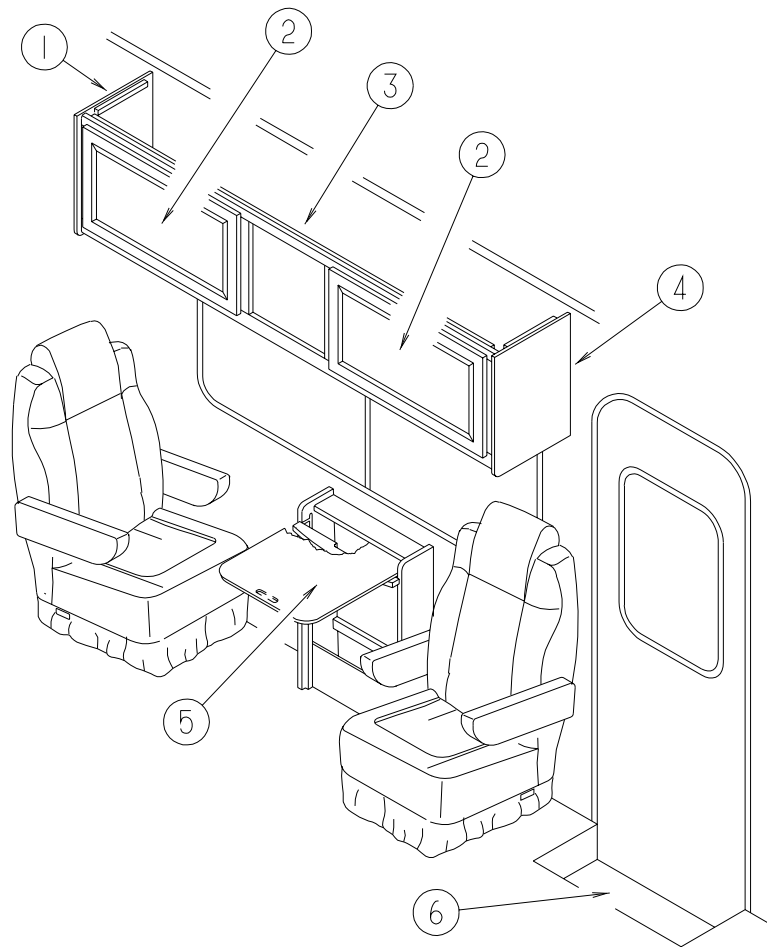
# LP GROUP

## LP TANK & COMPONENTS



KEY	PART NUMBER	U/M DESCRIPTION	VENDOR NO.
1	045703-05-000	EA HOSE - LP - 3/8"ID X 28" - 3/8"MPT X 1/2"F SWIVEL - U.S.	
1	045703-06-000	EA HOSE - LP - 3/8"ID X 28" - 3/8"MPT X 1/2"F SWIVEL - CANADA	
2	106150-01-000	EA REGULATOR - TWO STAGE -W/90 DEGREE ELBOW & 3/8" FPT OUTLET	
3	040421-01-708	EA HANDWHEEL-SERVICE VALVE	G-1015-A
4	040421-01-712	EA VALVE,SERV. W/O VAPOR RELIEF	29000853
5	088253-08-000	EA TANK - LP/80 LB - 16" DIAMETER X 30" LONG	
6	040421-01-711	EA VALVE-80% FILL W/AUTO STOP	LLL/TL3
7	040421-01-701	EA VALVE-FILL-SHORT, LP	7547B
8	040421-01-702	EA CAP-FILL VALVE, PLASTIC	G-1014-A
9	040421-01-700	EA VALVE-LIQUID LEVEL, 20%	G-1013
10	040421-01-713	EA VALVE-RELIEF 1" W/SPRING 7"	29000587
11	088253-01-700	EA GAUGE-FLOAT ASSEMBLY, L.P.	16C
12	040440-02-000	EA TRANSMITTER - DIAL - 0-90 OHM -2 TERMINAL (POWER & GROUND)	
13	105658-01-000	EA COMPARTMENT - LP REGULATOR	
14	010323-01-000	EA ADAPTER - BRASS - 3/8"F X 1/2"MPT	
14	010329-01-000	EA ADAPTER - BRASS - 1/2" F X 1/2" MPT	
15	065318-02-000	EA ELBOW - 90 DEGREE - 3/8" MPT TO 3/8" FPT	
16	010377-02-000	EA NUT - BRASS - 3/8" FLARE - FORGED	
16	010380-02-000	EA NUT - BRASS - 1/2" FLARE - FORGED	
	008042-01-000	FT TUBING - VINYL - .65" ID	
	010265-01-000	EA ELBOW - BRASS - 90 DEGREE - 3/8"F X 1/2"FPT	
	010326-01-000	EA ADAPTER - FLARE - W/CONE GASKET - 3/8"FEMALE X 1/2"MALE	
	103613-03-000	EA DETECTOR - LP GAS - W/O SHUT-OFF VALVE	

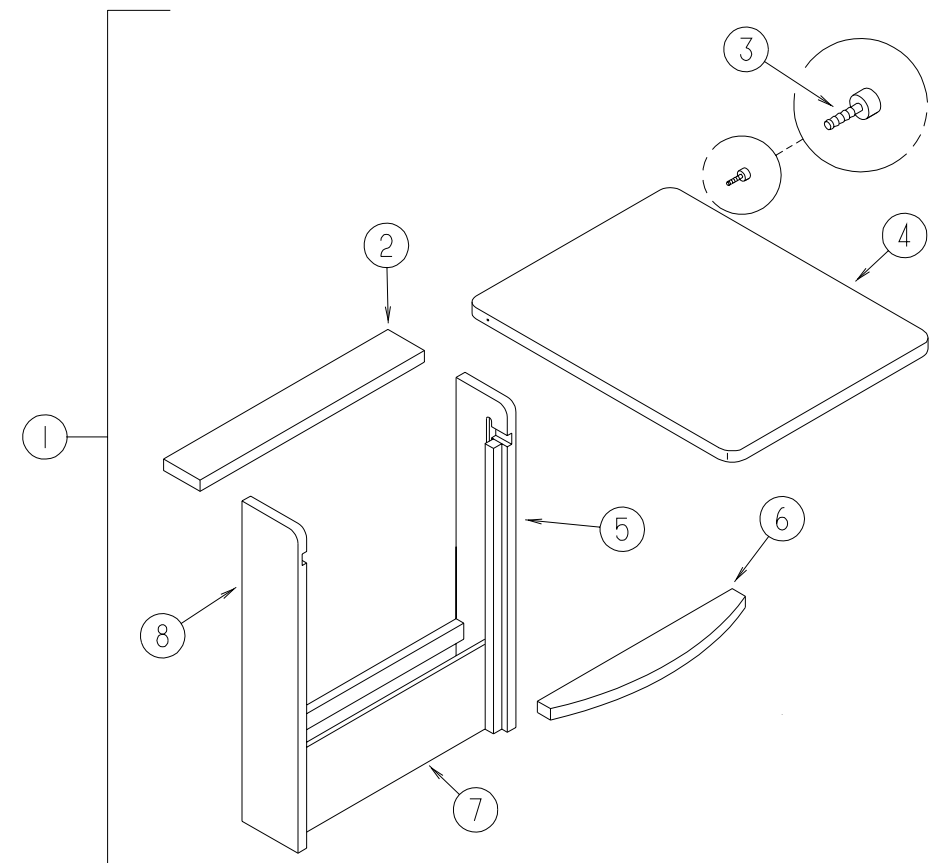
## LOUNGE GROUP



### PASSENGER SIDE OVERHEAD CABINET & PULLOUT TABLE

KEY	PART NUMBER	U/M	DESCRIPTION
1	103128-32-J37	EA	END CAP - OVERHEAD CABINET - LEFT HAND
2	132141-56-K20	EA	DOOR - RAIL/VENEER - 14.3" X 26.7" - W/O HARDWARE
3	130255-01-K20	EA	CABINET - OVERHEAD/FRONT/RIGHT HAND - W/O DOORS/HDW (K50)
3	130255-01-K21	EA	CABINET - OVERHEAD/FRONT/RIGHT HAND - W/O DOORS/HDW (K51)
3	130255-01-K22	EA	CABINET - OVERHEAD/FRONT/RIGHT HAND - W/O DOORS/HDW (K52)
3	130255-01-K53	EA	CABINET - OVERHEAD/FRONT/RIGHT HAND - W/O DOORS/HDW (K53)
3	130255-02-K20	EA	CABINET - OVERHEAD/FRONT/RIGHT HAND - W/O DOORS/HDW (K50) COMFORT AND CONVENIENCE PACKAGE
3	130255-02-K21	EA	CABINET - OVERHEAD/FRONT/RIGHT HAND - W/O DOORS/HDW (K51) COMFORT AND CONVENIENCE PACKAGE
3	130255-02-K22	EA	CABINET - OVERHEAD/FRONT/RIGHT HAND - W/O DOORS/HDW (K52) COMFORT AND CONVENIENCE PACKAGE
3	130255-02-K53	EA	CABINET - OVERHEAD/FRONT/RIGHT HAND - W/O DOORS/HDW (K53) COMFORT AND CONVENIENCE PACKAGE
4	103128-31-J37	EA	END CAP - OVERHEAD CABINET - RIGHT HAND
5	P19559-02-J22	EA	CABINET - W/PULLOUT TABLE
6	120234-04-H13	EA	LID - ENTRY STEP
	101222-01-04A	EA	BRACKET - CATCH - LID - E-COATED
	116975-01-01A	EA	LATCH - W/O STRIKE - BLACK - NEW STYLE
	116975-02-01A	EA	KEEPER/STRIKE - BLACK - NEW STYLE
	064075-07-000	FT	SEAL - BULB - W/WIRED U CHANNEL - .3" X .5" CHANNEL - BLK
	091257-10-000	EA	HANDLE - ASSIST - WATERFORD OAK

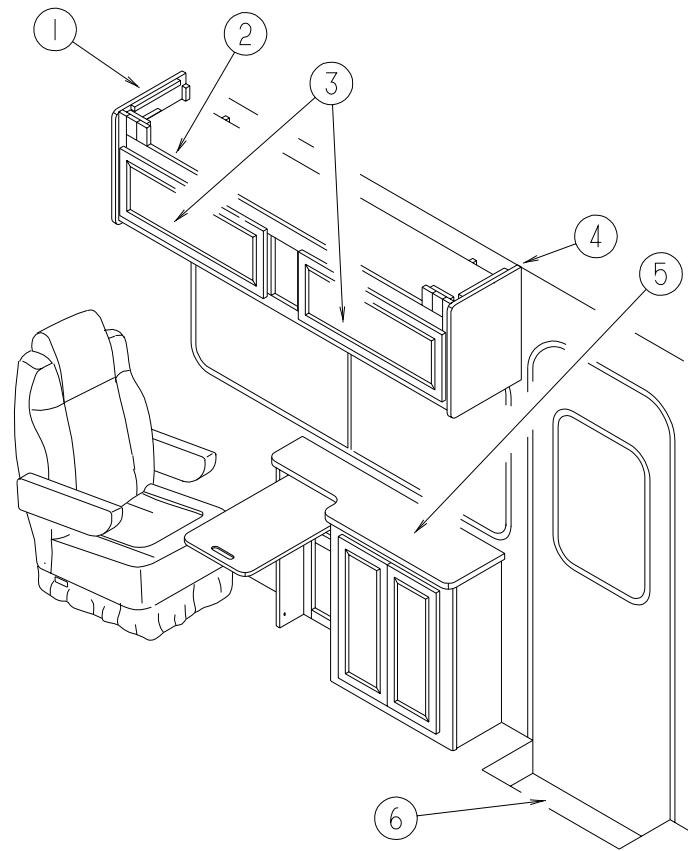
## LOUNGE GROUP (CONTINUED)



### PULLOUT TABLE

KEY	PART NUMBER	U/M	DESCRIPTION
1	P19559-02-J22	EA	CABINET - W/PULLOUT TABLE
2	119559-18-J22	EA	TOP - F/CABINET/PULLOUT TABLE
3	079921-01-000	EA	ROLLER - NYLON - W/STEEL SHAFT - BARBED
4	119559-21-J22	EA	TABLE TOP ONLY
	080736-01-000	EA	PULL - RECESSED - 1.25 X 4" - OAK
5	119559-11-G35	EA	CABINET/RIGHT SIDE - F/PULLOUT TABLE - 5.7" X 28.7"
6	119559-19-J22	EA	SHELF - SUPPORT/PULLOUT TABLE
7	119559-20-J22	EA	PANEL - PULLOUT TABLE
8	119559-12-G35	EA	CABINET/LEFT SIDE - F/PULLOUT TABLE - 5.7" X 28.7"

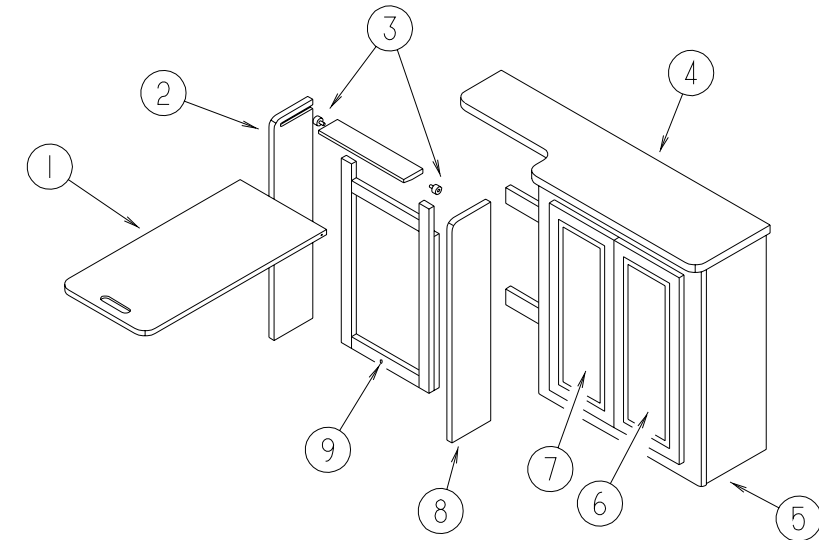
## LOUNGE GROUP (CONTINUED)



### PASSENGER SIDE OVERHEAD CABINET & HUTCH

KEY	PART NUMBER	U/M	DESCRIPTION
1	103128-32-J37	EA	END CAP - OVERHEAD CABINET - LEFT HAND
2	130255-01-K20	EA	CABINET - OVERHEAD/FRONT/RIGHT HAND - W/O DOORS/HDW (K50)
2	130255-01-K21	EA	CABINET - OVERHEAD/FRONT/RIGHT HAND - W/O DOORS/HDW (K51)
2	130255-01-K22	EA	CABINET - OVERHEAD/FRONT/RIGHT HAND - W/O DOORS/HDW (K52)
2	130255-01-K53	EA	CABINET - OVERHEAD/FRONT/RIGHT HAND - W/O DOORS/HDW (K53)
2	130255-02-K20	EA	CABINET - OVERHEAD/FRONT/RIGHT HAND - W/O DOORS/HDW (K50) COMFORT AND CONVENIENCE PACKAGE
2	130255-02-K21	EA	CABINET - OVERHEAD/FRONT/RIGHT HAND - W/O DOORS/HDW (K51) COMFORT AND CONVENIENCE PACKAGE
2	130255-02-K22	EA	CABINET - OVERHEAD/FRONT/RIGHT HAND - W/O DOORS/HDW (K52) COMFORT AND CONVENIENCE PACKAGE
2	130255-02-K53	EA	CABINET - OVERHEAD/FRONT/RIGHT HAND - W/O DOORS/HDW (K53) COMFORT AND CONVENIENCE PACKAGE
3	132141-56-K20	EA	DOOR - RAIL/VENEER - 14.3" X 26.7" - W/O HARDWARE
4	103128-31-J37	EA	END CAP - OVERHEAD CABINET - RIGHT HAND
5	114796-01-J37	EA	CABINET - HUTCH/FRONT/RH - W/COUNTERTOP-W/O DRS/DWRS/HDW (K50)
5	114796-01-J38	EA	CABINET - HUTCH/FRONT/RH - W/COUNTERTOP-W/O DRS/DWRS/HDW (K51,K53)
5	114796-01-GB1	EA	CABINET - HUTCH/FRONT/RH - W/COUNTERTOP-W/O DRS/DWRS/HDW (K52)
6	120234-04-H13	EA	LID - ENTRY STEP
	101222-01-04A	EA	BRACKET - CATCH - LID - E-COATED
	116975-01-01A	EA	LATCH - W/O STRIKE - BLACK - NEW STYLE
	116975-02-01A	EA	KEEPER/STRIKE - BLACK - NEW STYLE
	064075-07-000	FT	SEAL - BULB - W/WIRED U CHANNEL - .3" X .5" CHANNEL - BLK
	091257-10-000	EA	HANDLE - ASSIST - WATERFORD OAK

## LOUNGE GROUP (CONTINUED)

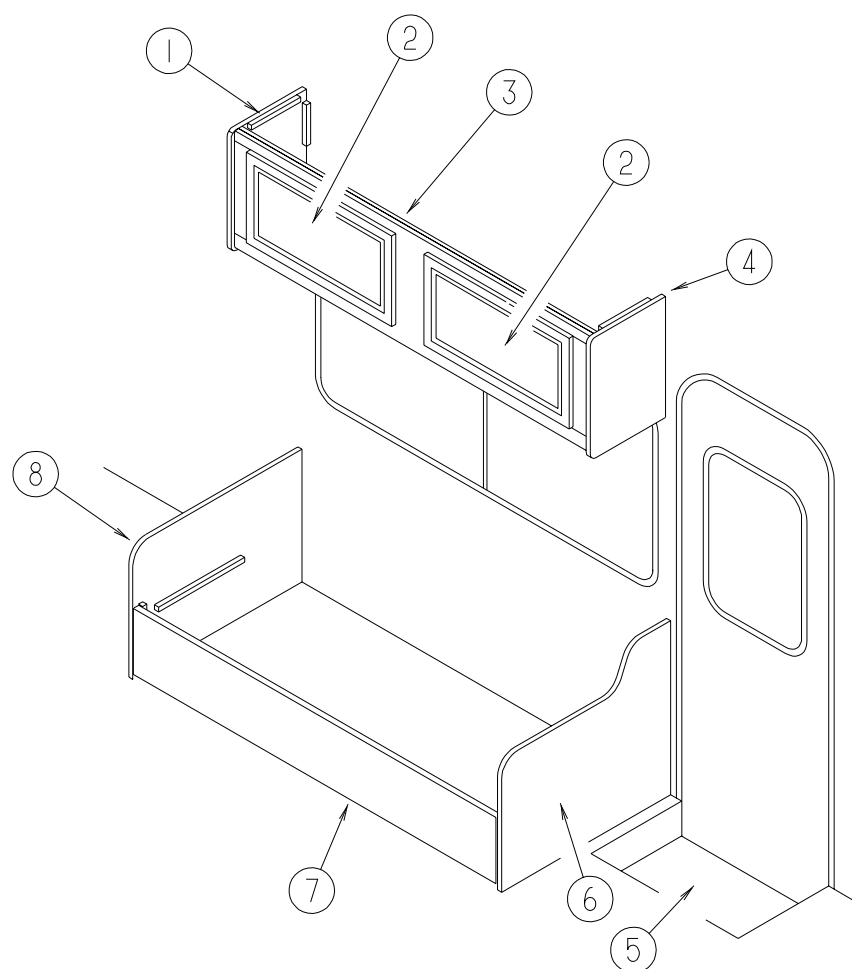


### PASSENGER SIDE HUTCH

KEY	PART NUMBER	U/M	DESCRIPTION
1	114796-15-G04	EA	TABLE - PULLOUT - HUTCH CABINET
2	114796-13-G04	EA	PANEL - OUTSIDE - FLIP UP TABLE CABINET
3	079921-01-000	EA	ROLLER - NYLON - W/STEEL SHAFT - BARBED
4	114796-11-J37	EA	COUNTERTOP - HUTCH CABINET (K50)
4	114796-11-J38	EA	COUNTERTOP - HUTCH CABINET (K51,K53)
4	114796-11-F02	EA	COUNTERTOP - HUTCH CABINET (K52)
5	114796-01-J37	EA	CABINET - HUTCH/FRONT/RH - W/COUNTERTOP-W/O DRS/DWRS/HDW (K50)
5	114796-01-J38	EA	CABINET - HUTCH/FRONT/RH - W/COUNTERTOP-W/O DRS/DWRS/HDW (K51,K53)
5	114796-01-GB1	EA	CABINET - HUTCH/FRONT/RH - W/COUNTERTOP-W/O DRS/DWRS/HDW (K52)
6	131995-N6-K20	EA	DOOR - SOLID PANEL - 14.3" X 17.9" - W/O HARDWARE
7	131995-N7-K20	EA	DOOR - SOLID PANEL - 10" X 25.1" - W/O HARDWARE
8	114796-12-G04	EA	PANEL - INSIDE - FLIP UP TABLE CABINET
9	049176-01-000	EA	HEDLOCK II - 3/4 DIAMETER SCREW MOUNT

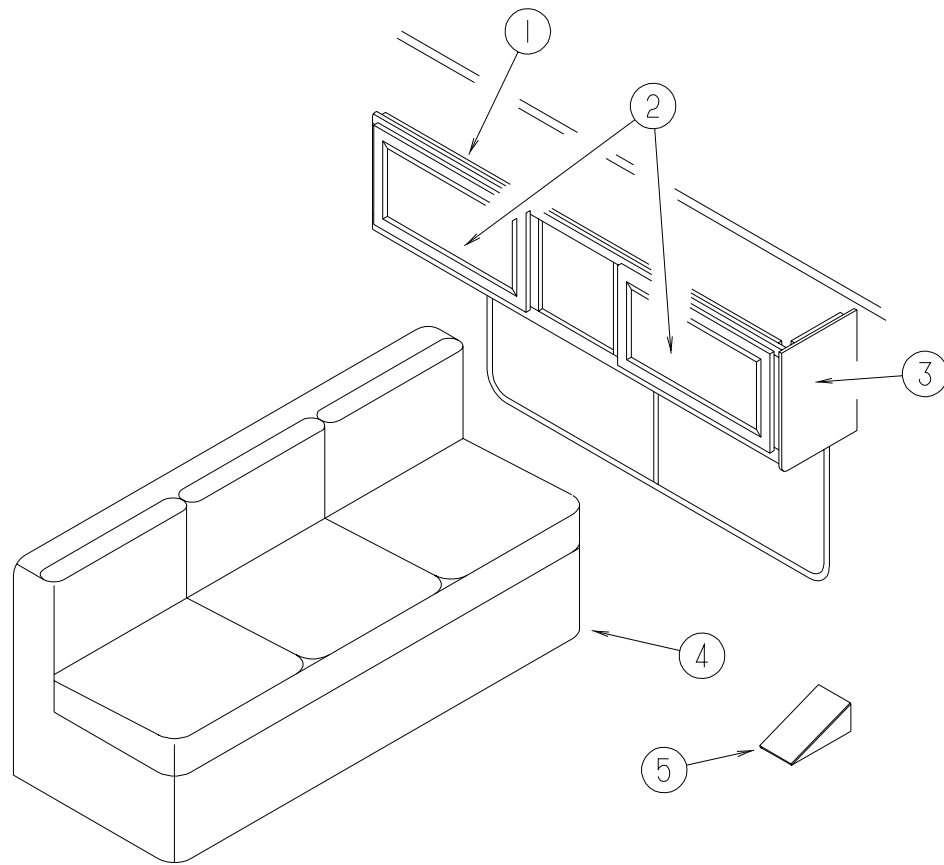
## LOUNGE GROUP (CONTINUED)

### PASSENGER SIDE OVERHEAD CABINET & SOFA BED CABINETS



KEY	PART NUMBER	U/M DESCRIPTION
1	103128-32-J37	EA END CAP - OVERHEAD CABINET - LEFT HAND
2	132141-56-K20	EA DOOR - RAIL/VENEER - 14.3" X 26.7" - W/O HARDWARE
3	130255-01-K20	EA CABINET - OVERHEAD/FRONT/RIGHT HAND - W/O DOORS/HDW (K50)
3	130255-01-K21	EA CABINET - OVERHEAD/FRONT/RIGHT HAND - W/O DOORS/HDW (K51)
3	130255-01-K22	EA CABINET - OVERHEAD/FRONT/RIGHT HAND - W/O DOORS/HDW (K52)
3	130255-01-K53	EA CABINET - OVERHEAD/FRONT/RIGHT HAND - W/O DOORS/HDW (K53)
3	130255-02-K20	EA CABINET - OVERHEAD/FRONT/RIGHT HAND - W/O DOORS/HDW (K50) COMFORT AND CONVENIENCE PACKAGE
3	130255-02-K21	EA CABINET - OVERHEAD/FRONT/RIGHT HAND - W/O DOORS/HDW (K51) COMFORT AND CONVENIENCE PACKAGE
3	130255-02-K22	EA CABINET - OVERHEAD/FRONT/RIGHT HAND - W/O DOORS/HDW (K52) COMFORT AND CONVENIENCE PACKAGE
3	130255-02-K53	EA CABINET - OVERHEAD/FRONT/RIGHT HAND - W/O DOORS/HDW (K53) COMFORT AND CONVENIENCE PACKAGE
4	103128-31-J37	EA END CAP - OVERHEAD CABINET - RIGHT HAND
5	120234-04-H13	EA LID - ENTRY STEP
	101222-01-04A	EA BRACKET - CATCH - LID - E-COATED
	116975-01-01A	EA LATCH - W/O STRIKE - BLACK - NEW STYLE
	116975-02-01A	EA KEEPER/STRIKE - BLACK - NEW STYLE
	064075-07-000	FT SEAL - BULB - W/WIRED U CHANNEL - .3" X .5" CHANNEL - BLK
	091257-10-000	EA HANDLE - ASSIST - WATERFORD OAK
6	127840-02-J24	EA PANEL - LEFT END - SOFA/BED - FABRIC COVERED (K50)
6	127840-02-K21	EA PANEL - LEFT END - SOFA/BED - FABRIC COVERED (K51)
6	127840-02-K22	EA PANEL - LEFT END - SOFA/BED - FABRIC COVERED (K52)
6	127840-02-K53	EA PANEL - LEFT END - SOFA/BED - FABRIC COVERED (K53)
7	120992-09-J24	EA PANEL - FRONT KICK - SOFA/BED - FABRIC COVERED (K50)
7	120992-09-K21	EA PANEL - FRONT KICK - SOFA/BED - FABRIC COVERED (K51)
7	120992-09-K22	EA PANEL - FRONT KICK - SOFA/BED - FABRIC COVERED (K52)
7	120992-09-K53	EA PANEL - FRONT KICK - SOFA/BED - FABRIC COVERED (K53)
	121906-01-02B	EA BRACKET - KICKBOARD - E-COATED
	116104-03-02B	EA BRACKET - ZEE W/HOLES - 5.9"
8	127840-01-J24	EA PANEL - RIGHT END - SOFA/BED - FABRIC COVERED (K50)
8	127840-01-K21	EA PANEL - RIGHT END - SOFA/BED - FABRIC COVERED (K51)
8	127840-01-K22	EA PANEL - RIGHT END - SOFA/BED - FABRIC COVERED (K52)
8	127840-01-K53	EA PANEL - RIGHT END - SOFA/BED - FABRIC COVERED (K53)
	101926-01-02A	EA BRACKET - ZEE - BLACK

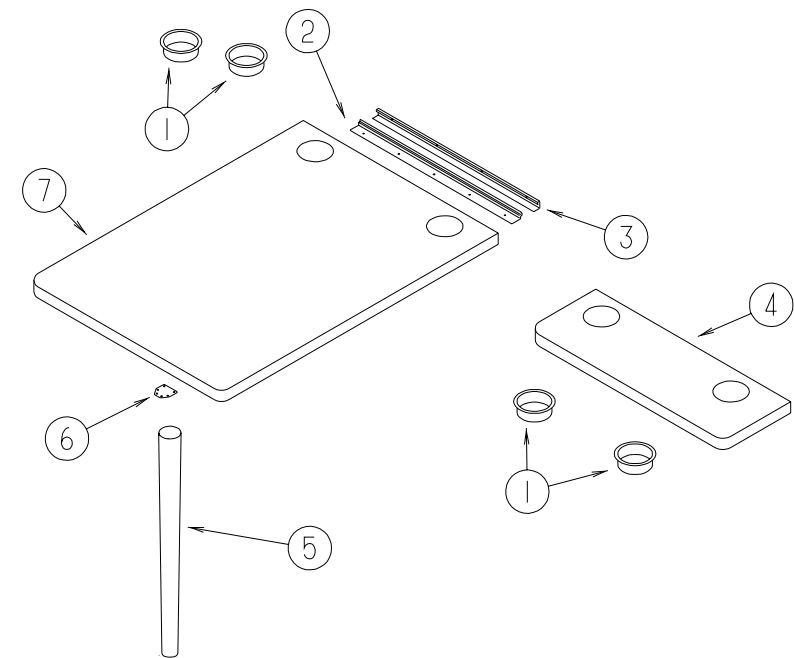
**LOUNGE GROUP (CONTINUED)**



**DRIVER SIDE OVERHEAD CABINET & SOFA BED CABINETS**

KEY	PART NUMBER	U/M	DESCRIPTION
1	130279-01-K20	EA	CABINET - OVERHEAD - W/O DOORS/HARDWARE (K50)
1	130279-01-K21	EA	CABINET - OVERHEAD - W/O DOORS/HARDWARE (K51)
1	130279-01-K22	EA	CABINET - OVERHEAD - W/O DOORS/HARDWARE (K52)
1	130279-01-K53	EA	CABINET - OVERHEAD - W/O DOORS/HARDWARE (K53)
	130279-13-K20	EA	SHELF - W/PLASTIC EDGE TRIM
2	132141-56-K20	EA	DOOR - RAIL/VENEER - 14.3" X 26.7" - W/O HARDWARE
3	103128-29-J37	EA	END CAP - OVERHEAD/CABINET - RIGHT HAND
4	M02634-01-J06	EA	PANEL - FRONT KICK - SOFA/BED - FABRIC COVERED (K50)
4	M02634-01-K21	EA	PANEL - FRONT KICK - SOFA/BED - FABRIC COVERED (K51)
4	M02634-01-K22	EA	PANEL - FRONT KICK - SOFA/BED - FABRIC COVERED (K52)
4	M02634-01-K23	EA	PANEL - FRONT KICK - SOFA/BED - FABRIC COVERED (K53)
	121906-01-02B	EA	BRACKET - KICKBOARD - E-COATED
	114693-01-01A	EA	SUPPORT - BLACK - RIGHT HAND
	114693-02-01A	EA	SUPPORT - BLACK - LEFT HAND
4	116110-03-J06	EA	PANEL - RIGHT END W/REGISTER - SOFA/BED - FABRIC COVERED (K50)
4	116110-03-K21	EA	PANEL - RIGHT END W/REGISTER - SOFA/BED - FABRIC COVERED (K51)
4	116110-03-K22	EA	PANEL - RIGHT END W/REGISTER - SOFA/BED - FABRIC COVERED (K52)
4	116110-03-K53	EA	PANEL - RIGHT END W/REGISTER - SOFA/BED - FABRIC COVERED (K53)
5	P27942-01-000	EA	CABINET - COVER - WATER FILL - W/O DOORS/HARDWARE - FORD

**LOUNGE GROUP (CONTINUED)**



**DRIVER SIDE LARGE AND SMALL TABLES**

KEY	PART NUMBER	U/M	DESCRIPTION
1	064781-06-000	EA	HOLDER - CUP - TWO STEP - OFF WHITE
2	102201-04-02A	EA	SUPPORT - HINGE CATCH - TABLE MOUNTED - OFF WHITE
3	118933-01-01A	EA	SUPPORT - HINGE LOCK
4	114681-01-J37	EA	TABLE TOP ONLY - SMALL - W/O HARDWARE (K50)
4	114681-01-J38	EA	TABLE TOP ONLY - SMALL - W/O HARDWARE (K51,K53)
4	114681-01-F02	EA	TABLE TOP ONLY - SMALL - W/O HARDWARE (K52)
4	114681-02-K20	EA	TABLE TOP ONLY (K50) COMFORT AND CONVENIENCE PACKAGE FROM: 11-23-98 THRU: 99-99-99
4	114681-02-K21	EA	TABLE TOP ONLY (K51,K53) COMFORT AND CONVENIENCE PACKAGE FROM: 11-23-98 THRU: 99-99-99
4	114681-02-K22	EA	TABLE TOP ONLY (K52) COMFORT AND CONVENIENCE PACKAGE FROM: 11-23-98 THRU: 99-99-99
5	114724-01-03A	EA	LEG - TABLE/TAPERED - WOOD - WATERFORD OAK
6	114724-02-000	EA	PLATE - TABLE LEG
7	081322-14-J37	EA	TABLE TOP ONLY (K50)
7	081322-14-G07	EA	TABLE TOP ONLY (K51,K53)
7	081322-14-H10	EA	TABLE TOP ONLY (K52)
	069726-02-000	EA	BUMPER - .88" OD X .40" THICK - BLACK
	114739-01-01A	EA	PAD - NON SKID - PSA - 1 EACH = PAIR



## SEALANTS & FASTENERS GROUP

### ADHESIVE

KEY	PART NUMBER	U/M DESCRIPTION	VENDOR NO.
	004020-01-000	QT ADHESIVE - ABS CEMENT - QUART	
	081377-01-700	EA ADHESIVE-CYANOACRYLATE 10 GM	
	087211-01-000	GL PROMOTER - ADHESIVE	
	004006-05-700	EA ADHESIVE-NAT. STARCH (5 GAL)	0802
	062917-03-000	EA ADHESIVE - LOCTITE 242	
	067788-01-000	EA ADHESIVE - SPRAY - 3M - 19.5 AEROSOL CAN	
	112901-02-000	EA ADHESIVE - PLEXUS - 50ML	
	131384-01-000	EA ADHESIVE - JET - WELD	

### NUTS

KEY	PART NUMBER	U/M DESCRIPTION
	000D24-10-00B	EA NUT - HEX - SELF LOCKING - 10-32 ZINC
	000D29-05-00B	EA NUT - HEX - LOCKING W/SERRATED FLANGE-NYLON WASHER INSERT
	000D34-04-00B	EA NUT - HEX - LOCKING - 1/4-20 ZINC
	000D34-06-00B	EA NUT - HEX - LOCKING - 3/8-16 GRADE C - ZINC-PREVAILING
	000D39-04-00B	EA NUT - HEX - LOCKING W/SERRATED FLANGE - 1/4-20 - ZINC
	000D39-05-00B	EA NUT - HEX - LOCKING W/SERRATED FLANGE - 5/16-18 - ZINC
	000D39-06-00B	EA NUT - HEX - LOCKING W/SERRATED FLANGE - 3/8-18 - ZINC
	000D39-06-00D	EA NUT - HEX - LOCKING W/SERRATED FLANGE - 3/8"-16 BLACK
	000D39-07-00B	EA NUT - HEX - LOCKING W/SERRATED FLANGE - 7/16-14 - ZINC
	000D39-08-00B	EA NUT - HEX - LOCKING W/SERRATED FLANGE - 1/2-13 - ZINC
	000D44-04-00B	EA NUT - HEX - LOCKING W/SERRATED FLANGE - 1/4-28 ZINC
	000D44-07-00B	EA NUT - HEX - LOCKING W/SERRATED FLANGE - 7/16-20 - ZINC
	000D46-04-00A	EA NUT - HEX - WELD - 1/4-20 - PLAIN
	000D65-08-00B	EA NUT - HEX/SERRATED FLANGE - 8-32 ZINC
	000D76-06-00B	EA NUT - HEX FLANGE - 3/8-16
	040921-01-000	EA NUT - SPEED - U TYPE - 10-24 BLACK
	040921-03-000	EA NUT - SPEED - U TYPE - #10
	040921-04-000	EA NUT - SPEED - U TYPE - 8-.59" LENGTH X .44" WIDTH
	040921-09-000	EA NUT - SPEED - U TYPE - 8
	044364-02-000	EA NUT - SPEED - FLAT - ROUND
	063253-07-000	EA NUT - J - #8A - .120 - .130 PNL THK
	083163-06-000	EA PUSHNUT - FLAT TYPE 3/8 STUD - FORD ONLY TO RETAIN THE AIR BAFFLE ON THE OIL DIPSTICK TUBE
	104369-01-000	EA NUT - HEX - HEAVY - 5/8-11 UNC

## SEALANTS & FASTENERS GROUP (CONTINUED)

### BOLTS

KEY	PART NUMBER	U/M DESCRIPTION
	000C12-05-16B	EA BOLT - HEX - 5/16-18 X 1 - ZINC 5
	000C12-06-16B	EA BOLT - HEX - 3/8-16 X 1 LG - ZINC 5
	000C12-08-16B	EA BOLT - HEX - 1/2-13 X 1.00 - GD5 - ZINC
	000C12-10-24B	EA BOLT - HEX - 5/8-11 X 1.50 - ZINC 5
	000C13-07-24B	EA BOLT - HEX - 7/16-20 X 1 1/2 GRADE 5
	000C13-07-48B	EA BOLT - HEX - 7/16-20 X 3 - ZINC 5
	000C18-06-56A	EA BOLT - ELEVATOR - 3/8-16 X 3 1/2 - GRADE 5
	000C26-04-18B	EA BOLT - HEX - SERRATED FLANGE - 1/4-20 X 1 1/8 - ZINC
	000C26-04-14B	EA BOLT - HEX - SERRATED FLANGE - 1/4-20 X 7/8 - ZINC
	000C26-04-10B	EA BOLT - HEX - SERRATED FLANGE - 1/4-20 X 5/8 - ZINC
	000C26-05-16B	EA BOLT - HEX - SERRATED FLANGE - 5/16-18 X 1 - ZINC
	000C26-05-12B	EA BOLT - HEX - SERRATED FLANGE - 5/16-18 X 3/4 - ZINC
	000C26-06-16B	EA BOLT - HEX - SERRATED FLANGE - 3/8-16 X 1 - ZINC
	000C26-06-12B	EA BOLT - HEX - SERRATED FLANGE - 3/8-16 X 3/4 - ZINC
	000C26-08-24B	EA BOLT - HEX - SERRATED FLANGE - 1/2-13 X 1 1/2 ZINC
	000C27-10-32B	EA BOLT - CARRIAGE - 5/8-11 X 2
	051387-06-000	EA BOLT - CARRIAGE W/O HOLE - 5/16-18 X 9.5 - ZINC
	102333-01-06A	EA BOLT - CARRIAGE - 7/16-14 STAINLESS STEEL CAP
	106166-01-000	EA BOLT/COLLARED HANGER - 8-32 X 1"
	106956-08-000	EA BOLT - HEX TAP - 1/2-13NC X 4 - GRADE 5 - FULL THREAD/ZINC
	088787-12-000	EA STUD - WELD - 1/4 - 20 X 1.0 LG - MN
	108067-03-000	EA STUD - WELD - 1/4 - 20 X 1/2 CD

### WASHERS

KEY	PART NUMBER	U/M DESCRIPTION
	000E11-07-00B	EA WASHER - LOCKING - 7/16 MED SPLIT - ZINC
	000E13-14-00B	EA WASHER - FLAT - 1/4 WIDE - ZINC
	000E13-18-00B	EA WASHER - FLAT - 3/8 WIDE - ZINC
	000E13-20-00B	EA WASHER - FLAT - 7/16 WIDE - ZINC
	000E13-22-00B	EA WASHER - FLAT - 1/2 WIDE - ZINC
	000E13-26-00B	EA WASHER - FLAT - 5/8 WIDE - ZINC
	000E14-10-00B	EA WASHER - LOCKING - #10 EXTERNAL TOOTH - ZINC
	044533-01-000	EA WASHER - PLASTIC - 1 3/8" OD - FOR BUTTONS
	058716-02-000	EA WASHER - FLAT NYLON
	107397-01-000	EA WASHER - FENDER - .25" ID X 1" OD

**SEALANTS & FASTENERS GROUP (CONTINUED)**

**SCREWS**

KEY	PART NUMBER	U/M	DESCRIPTION
	0G1108-12-170	EA	SCREW - 8-18 X .75 PPH - BRIGHT WHITE
	0G1208-12-170	EA	SCREW - 8-18 X .75 POH - BRIGHT WHITE
	0G3908-08-170	EA	SCREW - SF/DR - 8-18 X .50 PPH - BRIGHT WHITE
	0G3908-24-170	EA	SCREW - SF/DR - 8-18 X 1.50 PPH - BRIGHT WHITE
	0G3910-12-170	EA	SCREW - SF/DR - 10-16 X .75 PPH - BRIGHT WHITE
	0G5508-12-270	EA	SCREW - SF/DR - 8-18 X .75 PWH - TITANIUM
	0G6710-08-170	EA	SCREW - 10-12 X 1/2 PPH - BRIGHT WHITE
	0G6710-16-230	EA	SCREW - 10-12 X 1 PPH - BEIGE
	000G11-05-08B	EA	SCREW - 5-20 X .50 PPH - ZINC
	000G11-06-08B	EA	SCREW - 6-20 X 1/2 PPH - ZINC
	000G11-06-06B	EA	SCREW - 6-20 X 3/8 PPH - ZINC
	000G11-06-10J	EA	SCREW - 6-20 X 5/8 PPH - BRASS
	000G11-06-10B	EA	SCREW - 6-20 X 5/8 PPH - ZINC
	000G11-07-08B	EA	SCREW - 7-19 X 1/2 PPH - ZINC
	000G11-08-06B	EA	SCREW - 8-18 X 3/8 PPH - ZINC
	000G11-08-12D	EA	SCREW - 8-18 X 3/4 PPH - BLACK
	000G11-08-12B	EA	SCREW - 8-18 X 3/4 PPH - ZINC
	000G11-08-08T	EA	SCREW - 8-18 X 1/2 PPH - FLUOROCARBON COATING
	000G11-08-08B	EA	SCREW - 8-18 X 1/2 PPH - ZINC
	000G11-08-20B	EA	SCREW - 8-18 X 1 1/4 PPH - ZINC
	000G11-08-16S	EA	SCREW - 8-18 X 1 PPH - OFF WHITE
	000G11-08-16B	EA	SCREW-8-18X1 PPH ZN
	000G11-08-12T	EA	SCREW - 8-18 X 3/4 PPH - BLACK
	000G11-08-12P	EA	SCREW - 8-18 X 3/4 PPH - DARK BROWN
	000G11-10-12S	EA	SCREW - 10-16 X 3/4 PPH - OFF WHITE
	000G11-10-12D	EA	SCREW - 10-16 X 3/4 PPH - BLACK
	000G11-10-40B	EA	SCREW - 10-16 X 2 1/2 PPH CAD - 34927-01-000
	000G11-10-24P	EA	SCREW - 10-16 X 1 1/2 PPH - DARK BROWN
	000G11-10-16B	EA	SCREW - 10-16 X 1 PPH - ZINC
	000G12-06-08T	EA	SCREW - 6-20 X 1/2 POH - BLACK
	000G13-06-08B	EA	SCREW - 6-20 X 1/2 PFH - ZINC
	000G13-06-24J	EA	SCREW - 6-20 X 1 1/2 PFH - BRASS
	000G13-06-16J	EA	SCREW - 6-20 X 1 PFH - BRASS
	000G13-06-10G	EA	SCREW - 6-20 X 5/8 PFH - ANTIQUE BRASS
	000G13-06-08G	EA	SCREW - 6-20 X .50 PFH - ANTIQUE BRASS
	000G13-07-12B	EA	SCREW - 7-19 X 3/4 PFH - ZINC
	000G13-08-16B	EA	SCREW - 8-18 X 1 PFH - ZINC
	000G18-08-20B	EA	SCREW - MACHINE - 8-32 X 1 1/4 PPH - ZINC
	000G18-08-22B	EA	SCREW - MACHINE - 8-32 X 1 3/8 PPH - ZINC
	000G19-10-20B	EA	SCREW - MACHINE - 10-32 X 1 1/2 PPH - ZINC
	000G19-10-12F	EA	SCREW - MACHINE - 10-32 X 3/4 PPH - STAINLESS STEEL
	000G19-10-08B	EA	SCREW - MACHINE - 10-32 X 1/2 PPH - ZINC
	000G32-10-06B	EA	SCREW - 10-32 X 3/8 PPH - ZINC
	000G37-08-089	EA	SCREW - 8 X 18 X 1/2 PPH
	000G39-06-16T	EA	SCREW - SF/DR - 6-20 X 1 PPH - BLACK
	000G39-06-08B	EA	SCREW - SF/DR - 6-18 X 1/2 - ZINC
	000G39-06-10T	EA	SCREW - SF/DR - 6-20 X 5/8 PPH - BLACK
	000G39-08-16B	EA	SCREW - SF/DR - 8-18 X 1 PPH - ZINC
	000G39-08-12T	EA	SCREW - SF/DR - 8-18 X 3/4 PPH - BLACK
	000G39-08-12B	EA	SCREW - SF/DR - 8-18 X 3/4 PPH - ZINC
	000G39-08-08T	EA	SCREW - SF/DR - 8-18 X 1/2 PPH - BLACK
	000G39-08-08S	EA	SCREW - SF/DR - 8-18 X 1/2 PPH - OFF WHITE
	000G39-08-08B	EA	SCREW - SF/DR - 8-18 X 1/2 PPH - ZINC
	000G39-08-06B	EA	SCREW - SF/DR - 8-18 X 3/8 PPH - ZINC
	000G39-08-24B	EA	SCREW - SF/DR - 8-18 X 1 1/2 PPH - ZINC
	000G39-08-16T	EA	SCREW - SF/DR - 6-20 X 1 PPH - BLACK

**SEALANTS & FASTENERS GROUP (CONTINUED)**

**SCREWS (CONTINUED)**

KEY	PART NUMBER	U/M	DESCRIPTION
	000G39-10-08B	EA	SCREW - SF/DR - 10-16 X 1/2 PPH - ZINC
	000G39-10-209	EA	SCREW - SF/DR - 10-16 X 1 1/4 PPH - FLUOROCARBON SILVER
	000G39-10-20B	EA	SCREW - SF/DR - 10-16 X 1 1/4 PPH - ZINC
	000G39-10-129	EA	SCREW - SF/DR - 10-16 X 3/4 PPH - FLUOROCARBON SILVER
	000G39-10-12D	EA	SCREW - SF/DR - 10-16 X 3/4 PPH - BLACK
	000G39-10-12B	EA	SCREW - SF/DR - 10-16 X 3/4 PPH - ZINC
	000G39-10-10B	EA	SCREW - SF/DR - 10-16 X 5/8 - ZINC
	000G39-10-088	EA	SCREW - SF/DR - 10-16 X 1/2 PPH - FLEX FLUOROCARBON
	000G39-12-12E	EA	SCREW - SF/DR - 12-14 X 3/4 PPH - CHROME
	000G42-04-12B	EA	SCREW - SF/DR - 1/4-14 X 3/4 HWH - ZINC
	000G46-08-24T	EA	SCREW - MACHINE - 8-32 X 1 1/2 PFH - BLACK
	000G50-04-12B	EA	SCREW - MACHINE - 1/4-20 X 3/4 PPH - ZINC
	000G52-08-18B	EA	SCREW - MACHINE - 8-32 X 1 1/8 PTH - ZINC
	000G54-04-20B	EA	SCREW - 1/4-20 X 1.25 PTH - TYPE 23 - ZINC PLATED
	000G55-08-12S	EA	SCREW - SF/DR - 8-18 X 3/4 PWH - OFF WHITE
	000G55-08-16S	EA	SCREW - SF/DR - 8-18 X 1.00 - PWH - OFF WHITE
	000G56-12-48B	EA	SCREW - WOOD - 12-11 X 3 POH - SPECIAL HARDENED
	000G60-10-28T	EA	SCREW - SF/DR - 10-16 X 1 3/4 - BLACK
	000G60-10-20B	EA	SCREW - SF/DR - 10-16 X 1 1/4 POH - ZINC
	000G67-08-32B	EA	SCREW - 8-15 X 2 PPH - ZINC
	000G67-10-12P	EA	SCREW - 10-12 X 3/4 PPH - DARK BROWN
	000G67-10-12B	EA	SCREW - 10-12 X 3/4 PPH - ZINC
	000G67-10-10S	EA	SCREW - 10-12 X 5/8 PPH - OFF WHITE
	000G67-10-10D	EA	SCREW - 10-12 X 5/8 PPH - BLACK - TYPE A
	000G67-10-10B	EA	SCREW - 10-12 X 5/8 PPH - ZINC - TYPE A
	000G67-10-08S	EA	SCREW - 10-12 X 1/2 PPH - OFF WHITE
	000G67-10-08R	EA	SCREW - 10-12 X 1/2 PPH - BEIGE - TYPE A
	000G67-10-08B	EA	SCREW - 10-12 X 1/2 PPH - ZINC
	000G67-10-10P	EA	SCREW - 10-12X.62 PPH - DARK BROWN
	000G67-10-16B	EA	SCREW - 10-12 X 1 PPH - ZINC
	000G67-10-24B	EA	SCREW - 10-12 X 1.50 PPH - ZINC
	000G67-10-20D	EA	SCREW - 10-12 X 1.25 PPH - BLACK
	000G67-10-12S	EA	SCREW - 10-12 X 3/4 PPH - OFF/WHITE
	000G67-10-48B	EA	SCREW - 10-12 X 3 PPH - ZINC
	000G67-10-36T	EA	SCREW - 10-12 X 2 1/4 - PPH - BLACK
	000G67-10-32B	EA	SCREW - 10-12 X 2 PPH - ZINC
	000G68-06-12S	EA	SCREW - 6-18 X 3/4 POH
	000G68-06-10G	EA	SCREW - 6-18 X 5/8 POH - ANTIQUE BRASS
	000G68-10-20I	EA	SCREW - 10-12 X 1 1/4 POH - BLACK
	049465-01-000	EA	SCREW - 10-16 W/WASHER PTH - DARK BROWN
	049465-17-000	EA	SCREW - 10-16 X 1 POH W/WASHER - BRIGHT WHITE
	054434-02-000	EA	SCREW - SF/DR - 10-16 X 2 - ZINC
	054434-03-000	EA	SCREW - SF/DR - 10-16 X 2 - PWH - ZINC - W/O WINGS
	057671-01-000	EA	COVER - SCREW - #8 - PLASTIC - OFF WHITE
	057671-15-000	EA	COVER - SCREW - BRIGHT WHITE
	075908-01-000	EA	SCREW - MACHINE - 10-32 X .56 PTH - EXTERNAL TOOTH - ZINC
	076790-01-000	EA	SCREW - 6-20 X 1 1/4 PPH - BLACK
	083554-04-000	EA	SCREW - DRYWALL - 8 X 2.50
	086256-01-000	EA	SCREW - SF/DR - 8 X 3/4 HWH LONG
	097974-01-000	EA	SCREW - PARTICLE BOARD - 7-9 X 3/4 PPH
	101618-01-000	EA	SCREW - 1/4-20 X 3/4 HEX - TAPPING - STALGARD TYPE F
	113563-01-01A	EA	SCREW - 8 X .62 LONG SHOULDER/WASHER HEAD

**SEALANTS & FASTENERS GROUP (CONTINUED)**

**TAPES**

KEY	PART NUMBER	U/M	DESCRIPTION
	004363-01-000	FT	TAPE - ADHESIVE FOAM/1 SIDE - 3/16" X 1/2" X 50' - GRAY
	076314-02-000	FT	TAPE - CARPET SEAM - HEAT-BOND - 4" WIDE
	076322-01-000	FT	TAPE - DOUBLE COATED/ADHESIVE BACK - .025"THK X .75"W X18'
	076322-02-000	FT	TAPE - DOUBLE COATED/ADHESIVE BACK - .045"THK X 1"W X 108'
	076322-03-000	FT	TAPE - DOUBLE COATED/ADHESIVE BACK - .045"THK X .50"W X 9'
	076322-05-000	FT	TAPE - DOUBLE COATED/ADHESIVE BACK - .045"THK X .75"W X 9'
	076322-07-000	FT	TAPE - DOUBLE COATED/ADHESIVE BACK - .045"THK X .50"W X 9'
	088479-01-000	EA	TAPE - ALUMINUM - 3"
	110274-01-000	FT	TAPE - DOUBLE SIDED FOAM - .45" X 1"
	118085-02-01A	FT	TAPE - FOIL - 1"
	120534-01-01A	EA	TAPE - SCOTCH - 3M - 1/2" FINE LINE
	123244-01-000	FT	TAPE - DOUBLE SIDED FOAM - 5/64" THICK X .75" WIDE
	123244-02-000	FT	TAPE - DOUBLE SIDED FOAM - 5/64" THICK X .50" WIDE
	123816-01-000	FT	TAPE - DOUBLE SIDED - 1"
	123816-02-000	FT	TAPE - DOUBLE SIDED - 1/2" X 1 1/3" THICK
	123816-03-000	FT	TAPE - DOUBLE SIDED - 1/2" X 3/4" - THICK

**CLAMPS**

KEY	PART NUMBER	U/M	DESCRIPTION
	007161-01-000	EA	CLAMP - HOSE - SPRING TYPE - 1/2"
	010495-01-000	EA	CLAMP - CABLE - 9/16"
	010497-01-000	EA	CLAMP - CLOSED - 5/8" ID
	010497-03-000	EA	CLAMP - CLOSED - 1" ID - CUSHIONED
	010497-04-000	EA	CLAMP - CLOSED - 1.62" ID
	062401-01-000	EA	CLAMP - HOSE - WORMGEAR - .25" - 1"
	062401-02-000	EA	CLAMP - HOSE - WORMGEAR - 1.56" - 2.5"
	062401-03-000	EA	CLAMP - HOSE - WORMGEAR - .22" - 1"
	062401-04-000	EA	CLAMP - HOSE - WORMGEAR - .69" - 1.25"
	062401-05-000	EA	CLAMP - HOSE - WORMGEAR - 2" TO 3" ID
	062401-06-000	EA	CLAMP - HOSE - WORMGEAR - .22" - .62" ID
	062401-11-000	EA	CLAMP - HOSE - WORMGEAR - 3.50" - 4.50"
	075148-02-000	EA	CLAMP - GROUNDING - BRONZE SCREWS
	083609-01-000	EA	CLAMP - WIRE - DUAL - EQUAL DIAMETERS - 5/8"
	083610-01-000	EA	CLAMP - WIRE - DUAL - UNEQUAL DIAMETERS - 3/4" & 1 1/4"

**SEALANTS & FASTENERS GROUP (CONTINUED)**

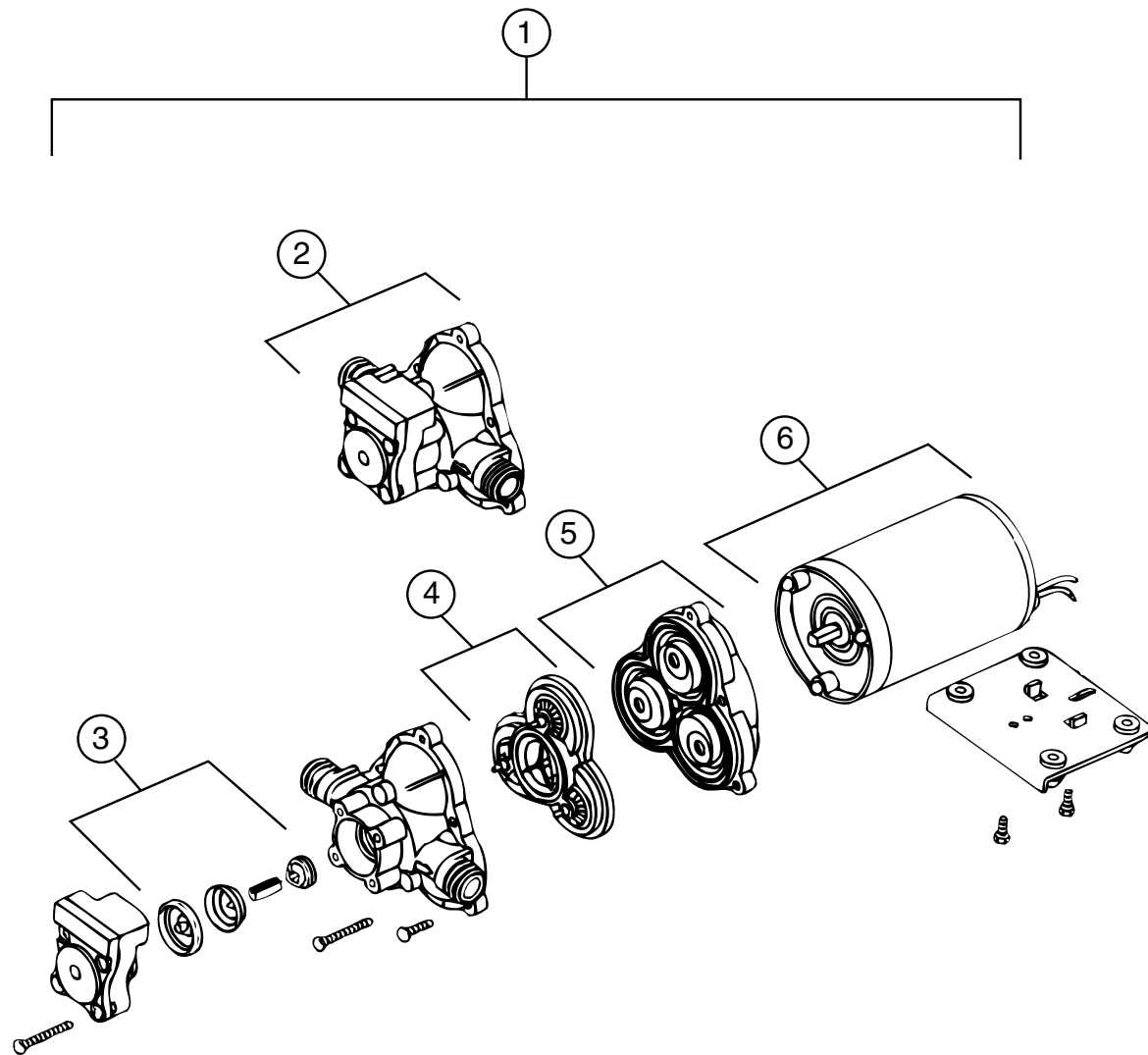
**SEALERS**

KEY	PART NUMBER	U/M	DESCRIPTION
	069640-01-000	FT	SEALER - RIBBON - 1/4" DIAMETER X 30' - BLACK
	069640-03-000	FT	SEALER - TAPE - .13"THICK X .75"WIDE X 60' - BLACK
	069640-09-000	FT	SEALER - TAPE - .032"THICK X 2.50"WIDE X 80' - GREY
	069640-11-000	FT	SEALER - TAPE - .19"THICK X .38"WIDE X 40' - BLACK
	069640-13-000	FT	SEALER - TAPE - .03"THICK X 2"WIDE X 45' - BLACK
	069640-15-000	FT	SEALER - TAPE - .06"THICK X .38"WIDE X 80' - GRAY
	069640-18-000	FT	SEALER - TAPE - .50"THICK X 1/8"WIDE X 60' - BRIGHT WHITE
	069640-19-000	FT	SEALER - TAPE - .75"THICK X 1/8"WIDE X 60' - BRIGHT WHITE
	900390-01-000	EA	TIP - 2 1/2" X 1/8" ORIFICE
	900390-03-000	EA	NOZZLE - SILICONE TUBE
	131264-01-01A	EA	SILICONE - W/O NOZZLE - BLACK
	131264-01-02A	EA	SILICONE - W/O NOZZLE - CLEAR
	131264-03-01A	EA	SILICONE - SELF LEVELING - W/O NOZZLE - BRIGHT WHITE
	053766-02-000	EA	BEDDING COMPOUND - TUBE - WHITE
	072889-11-000	EA	SEALANT - URETHANE - (TUBE) - GRAY
	072889-18-000	EA	SEALANT - URETHANE - BLACK (FOIL)
	072889-19-000	EA	SEALANT - URETHANE - (FOIL) - BLACK - 10 OUNCE
	072889-20-000	EA	SEALANT - URETHANE - (FOIL) - BRIGHT WHITE - 10 OUNCE
	072889-21-000	EA	SEALANT - URETHANE - (FOIL) - BRIGHT WHITE - 20 OUNCE
	102352-01-000	EA	SEALER - PUMPABLE - BLACK
	102352-02-000	EA	SEALER - PUMPABLE - CLEAR
	106206-01-000	EA	SEALER - PUMPABLE - MANUS 30A - BLACK
	091255-02-000	FT	SEAL - ADHESIVE BACKED/FOAM - .18" THICK X 1.5" WIDE
	104692-01-000	FT	SEAL - FOAM/ADHESIVE BACK - .75"THICK X .75"WIDE X 25'
	112864-01-000	FT	SEAL - FOAM/BUTYL COVERED - 3/8"
	110530-01-000	FT	SEAL - SPONGE - .31" X .62"
	111940-02-000	LB	SEALER - PUTTY - THUMBING
	120074-02-01A	EA	SEALANT - SILICONE - OFF WHITE

**RIVETS, GROMMETS AND MISCELLANEOUS FASTENERS**

KEY	PART NUMBER	U/M	DESCRIPTION
	000F10-06-32B	EA	PIN - COTTER - 3/16" X 2" - ZINC
	000H16-04-06R	EA	RIVET - POP ALUMINUM - 1/8 X .313 - .375
	000H16-06-10R	EA	RIVET - POP ALUMINUM - 3/16 X .501-.625
	069592-02-000	EA	RIVET-T - POP - 1/4 X .093 - .156
	118626-01-01A	EA	RIVET - POP - ALUMINUM 3/16 X .08-.375
	118626-02-01A	EA	RIVET - POP - ALUMINUM - 3/16 X .500-.750
	016188-03-000	EA	GROMMET - L/P LINE - 3/8" HOLE X 2 1/2" LONG - RUBBER
	016188-04-000	EA	GROMMET-GASLINE,.50,2.5 LONG
	023942-01-000	EA	GROMMET - RUBBER - 2" OD
	071015-11-000	EA	GROMMET - 1.00 ID - FITS .12 MATERIAL
	071015-26-000	EA	GROMMET - RUBBER - 1.5" ID X 2.1" OD W/.06" GROOVE-BLACK
	071015-30-000	EA	GROMMET - RUBBER - .31" ID X .81" OD W/.12" GROOVE - BLK
	008343-02-000	EA	TIE - WIRE - 14"
	108046-02-000	EA	CABLE TIE - SCREW MOUNT 15"
	029094-04-000	YD	VELCRO TAPE - LOOP - 1" WIDE - BLACK
	029096-03-000	YD	VELCRO TAPE - HOOK - 1" WIDE - BLACK
	088792-05-000	YD	VELCRO TAPE - LOOP - 5/8" - NON-ADHESIVE BACKED - WHITE
	081211-03-000	EA	PLUG - PLASTIC - .50 DIAMETER - BLACK
	081211-05-000	EA	PLUG - PLASTIC - .188 DIAMETER - NATURAL
	086285-01-000	EA	SPACER - NYLON - .5" OD X .257" ID
	085774-01-000	FT	FASTENER - DUAL LOCK - 1" WIDE - ADHESIVE BACK - BLACK
	085774-02-000	FT	FASTENER - DUAL HOOK - 1" WIDE - ADHESIVE BACK - BLACK
	110943-02-000	FT	FELTSTRIP - 3/8" - ADHESIVE BACK - WHITE
	080734-02-000	EA	CLIP - WIRE NYLON
	094362-02-000	EA	CLIP - XMAS TREE - BINDER HEAD - .9" LONG

## WATER & SEWAGE GROUP



### SHURFLO WATER PUMP

KEY	PART NUMBER	U/M DESCRIPTION	VENDOR NO.
1	098607-01-000	EA PUMP - WATER - W/.5" MPT FITTING - FLOW 2.8 GPM	
2	098607-01-706	EA HOUSING, W/SWITCH ONLY	94-231-20
3	098607-01-705	EA VALVE-CHECK, KIT	94-237-00
4	098607-01-703	EA VALVE KIT	94-232-00
5	098607-01-702	EA DIAPHRAGM/DRIVE ASSEMBLY KIT	94-238-04
6	098607-01-707	EA MOTOR W/BASEPLATE	11-148-04

### ATWOOD WATER HEATER W/MOTOR AID (GH6-8E)

KEY	PART NUMBER	U/M DESCRIPTION
*	051393-01-000	EA WATER HEATER - GH6-8E - ELECTRONIC IGNITION W/MOTOR AID

### ATWOOD WATER HEATER - ELECTRIC - EXPORT

KEY	PART NUMBER	U/M DESCRIPTION
*	111129-01-000	EA WATER HEATER - ELECTRIC IGNITION - 220 VOLTS

\*COMPONENT PARTS FOUND IN SERVICE PARTS LIBRARY

## WATER & SEWAGE GROUP (CONTINUED)

### EXTERIOR SHOWER

KEY	PART NUMBER	U/M DESCRIPTION
	075241-06-000	EA FAUCET - SHOWER CONTROL - BRIGHT WHITE
	131383-01-02A	EA SHOWER HEAD - W/HOSE & BRACKET - 60" - WHITE
	131383-02-02A	EA SHOWER HEAD - W/HOSE & BRACKET - 60" - CSA - WHITE
	093527-02-000	EA BRACKET - EXTERIOR SHOWER HEAD/SQUEEGEE
		FROM: 00-00-00 THRU: 10-27-98
	131732-01-12B	EA BRACKET - SQUEEGEE - BRIGHT WHITE
		FROM: 10-28-98 THRU: 99-99-99
	131383-03-02A	EA BRACKET - SHOWER HEAD - WHITE
	108357-08-000	EA SWITCH - ROCKER DPDT - ON/NONE/ON - 6 TERMINAL
	108356-02-01A	EA COVER/ACTUATOR SWITCH - 2 ROWS DIMPLES- CONTURA II - BLACK

### WATER TANKS

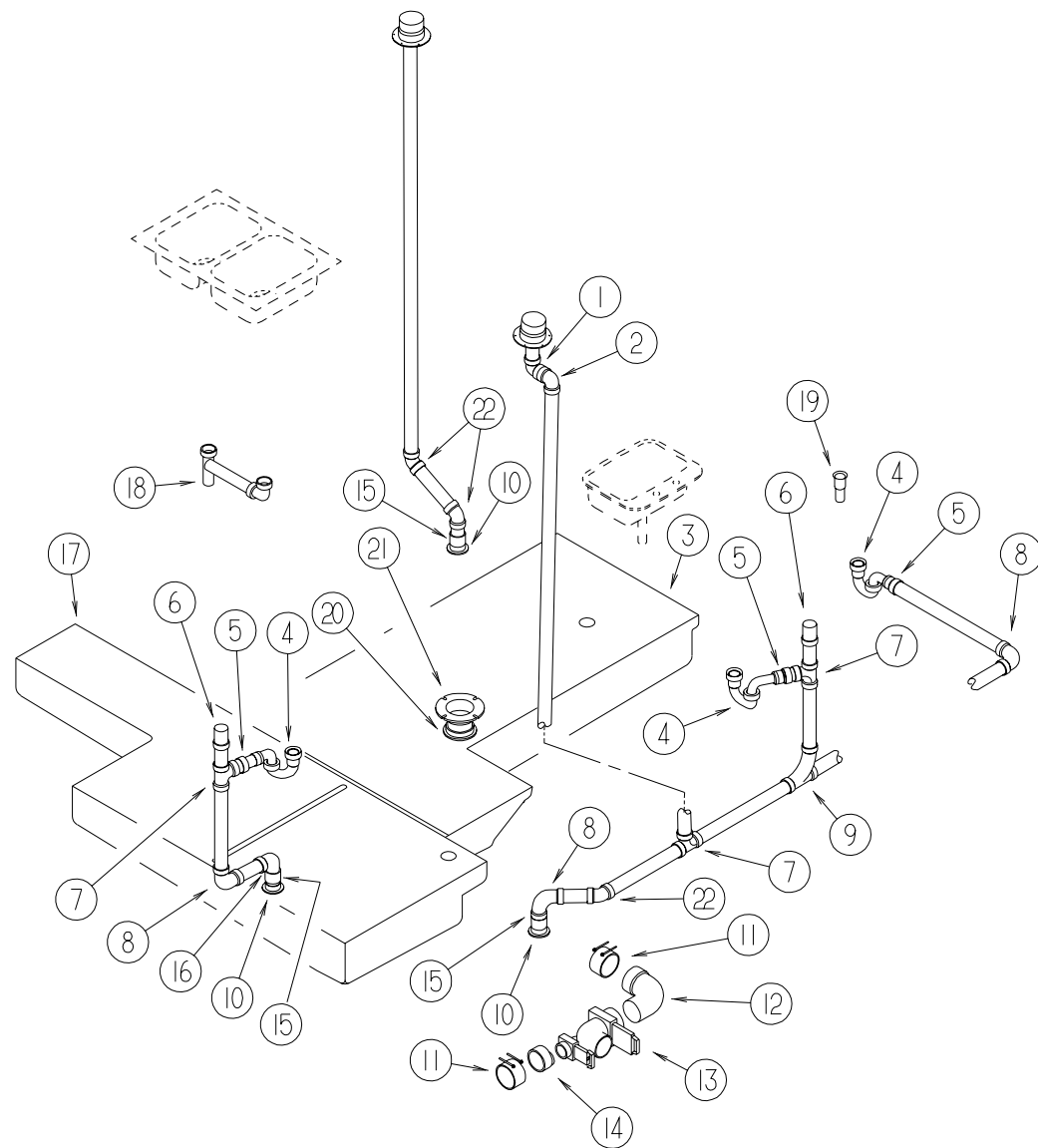
KEY	PART NUMBER	U/M DESCRIPTION
	116881-08-000	EA TANK - FRESH WATER - 48 GALLON W/NOTCHED CORNER/FITTINGS - CHEVY
	116881-15-000	EA TANK - FRESH WATER - 48 GALLON-W/NOTCHED CORNER/FITTINGS - FORD
	116881-01-000	EA TANK - FRESH WATER - 48 GALLON-W/NOTCHED CORNER-NO FITTING
	117217-02-000	EA TANK - FRESH WATER - 30 GALLON - W/FITTINGS - CHEVY
	117217-13-000	EA TANK - FRESH WATER - 30 GALLON - W/FITTINGS - FORD
	117217-01-000	EA TANK - FRESH WATER - 30 GALLON - W/O FITTINGS
	039861-01-000	EA SENDING UNIT - W/SCREW - WASHER - WELL NUT/TERMINAL RING
	010219-01-000	EA ELBOW - 1 1/4 MPT X 1 1/4 BARB - WATER FILL - PLASTIC
	010224-01-000	EA ADAPTER - HOSE TO PIPE - 3/8 MPT X 3/8 BARB - PLASTIC
	042989-03-000	EA FITTING - SPINWELD - 1 1/4"NPT - PLASTIC
	042989-05-000	EA FITTING - SPINWELD - 1/2"FPT - PLASTIC
	049032-01-000	EA PATCH - SPINWELD - 3/8" - PLASTIC
	077954-02-000	EA FILTER - WATER TANK - W/SCREEN IN TANK
	079381-01-000	FT TUBING - RIBBED FLEXIBLE - WATER FILL - 1.4" X 10"
	112628-01-02A	EA BRACKET - TIEDOWN - WATER TANK - E-COATED

### WATER SYSTEM

KEY	PART NUMBER	U/M DESCRIPTION
	110438-02-000	EA VALVE - CHECK - BRASS - 1/2 MPT X 1/2 MPT
	010230-06-000	EA FILL - CITY WATER - W/CHECK VALVE - MPT
	074462-02-000	FT TUBING - VINYL - 3/8 ID X 20' - CLEAR
	101814-01-000	EA COUPLING - FEMALE - 1/2" X 1/2" FPT - GRAY
	115029-01-000	FT HOSE - WATER - 3/8 ID
	111223-04-000	EA ELBOW - 1/2" MPT X 1/2" BARB - PLASTIC
	112176-01-000	FT TUBING - VINYL - REINFORCED - 1/2" ID
	113697-01-000	EA CAP - 3/8 FTG
	114427-01-000	EA CAP - 1/2" - FOR CAPPING FLAIR-IT MALE FITTINGS
	114428-01-000	EA TEE - 1/2"P X 1/2"P X 1/2"P
	114428-02-000	EA TEE - SWIVEL - 1/2"P X 1/2"P X 1/2"FPT
	114428-03-000	EA TEE - 1/2"P X 1/2"P X 1/2"MPT
	114429-01-000	EA ELBOW - 1/2"P X 1/2"P
	114429-02-000	EA ELBOW - 1/2"P X 1/2"MPT
	114429-03-000	EA ELBOW - SWIVEL - 1/2"P X 1/2"FPT
	114429-04-000	EA ELBOW - 1/2"P X 3/8"MPT
	114429-08-000	EA ELBOW - SWIVEL - 1/2"MPT X 1/2"FPT SWIVEL
	114430-02-000	EA ADAPTER - SWIVEL - 1/2"P X 1/2"FPT
	114430-03-000	EA ADAPTER - 1/2"P X 1/2"MPT
	114430-06-000	EA ADAPTER - 1/2"P X 3/8"FPT
	114431-01-000	EA VALVE - 180 DEGREE/CENTER DRAIN - 1/2"P - THREE WAY
	114431-02-000	EA VALVE - WATER BYPASS - 1/2"P - THREE WAY (WATER HEATER)
	114431-03-000	EA VALVE - 90 DEGREE DRAIN - 1/2"P
	118809-01-000	EA ADAPTER - PLASTIC - 1/2 MPT X 3/8 BARB
	118809-02-000	EA ADAPTER - 1/2" MPT X 1/2" BARB - PLASTIC
		FROM: 00-00-00 THRU: 11-18-98
	123150-01-000	EA ELBOW - 1/2 FPT X 1/2 BARB - SWIVEL
	123152-01-000	EA ADAPTER - 1/2 FPT X 1/2 BARB - SWIVEL
	124188-01-000	FT TUBING - PEX - 1/2" ID X 20' - BLUE(COLD)
	124188-02-000	FT TUBING - PEX - 1/2" ID X 20' - RED(HOT)

# WATER & SEWAGE GROUP (CONTINUED)

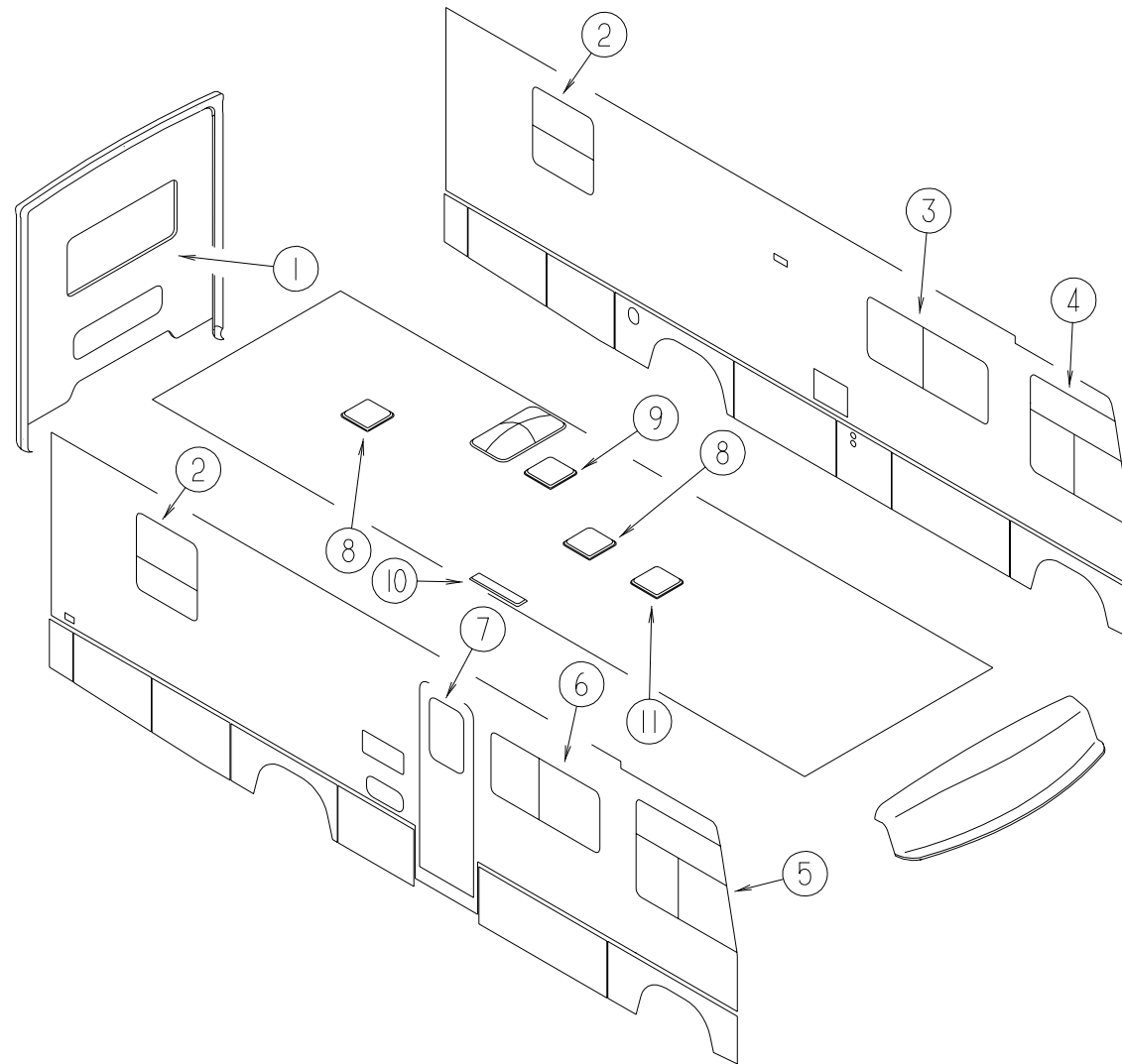
## DRAINAGE SYSTEM



KEY	PART NUMBER	U/M	DESCRIPTION	VENDOR NO.
1	034250-01-000	EA	ELBOW - 90 DEGREE - LONG TURN - 1 1/2" HUB X HUB - ABS	
2	010009-01-000	EA	ELBOW - 90 DEGREE - 1/4 BEND - 1 1/2" PLASTIC	
3	104351-01-000	EA	TANK - HOLDING - SEWAGE - 55 GALLON - W/O FITTINGS	
	039861-01-000	EA	SENDING UNIT - W/SCREW - WASHER - WELL NUT/TERMINAL RING	
4	107538-01-000	EA	P TRAP - PLASTIC - 1 1/4" W/EXTENSION ARM	
4	011071-01-000	EA	P-TRAP - PLASTIC - 1 1/2" - CSA	
5	109571-01-000	EA	ADAPTER - P TRAP - 1 1/2"P X 1 1/4"MPT	
6	079968-01-000	EA	VENT - MECHANICAL/TRAP ARM - ANTI-SIPHON-2" X 7.3" PLASTIC	
7	010071-01-000	EA	TEE - SANITARY - 1 1/2" HUB X HUB X HUB - PLASTIC	
8	010008-01-000	EA	ELBOW - 90 DEGREE - 1 1/2" HUB X HUB - PLASTIC	
9	031365-02-000	EA	TEE - PLASTIC - 1 1/2" EXT LG TURN	
10	061607-01-000	EA	GROMMET - HOLDING TANK - 1 1/2" NPS	
11	078406-01-000	EA	COUPLER - RUBBER - W/CLAMPS - 3" X 3"	
12	041956-01-000	EA	ELBOW - 3" STREET - 90 DEGREE PLASTIC	
13	070916-01-000	EA	VALVE - DUAL DUMP - W/CAP - 3" X 1 1/2"	
	070916-01-700	EA	VALVE ONLY (WASTE) 3"	T1003BU
	070916-01-701	EA	VALVE ONLY (WASTE) 1 1/2"	T1001BU
14	062422-01-000	EA	ADAPTER - OFFSET REDUCER - 3" X 1 1/2" - PLASTIC	
	010129-03-000	EA	NIPPLE - PLASTIC - 3" X 3" TOE	
15	010115-01-000	EA	COUPLING - 1 1/2" HUB X HUB - PLASTIC	
16	033761-01-000	EA	ELBOW - TURN - 90 DEGREE 1 1/2" HUB X 1 1/2" SPIGOT	
17	131389-01-000	EA	TANK - HOLDING - 56 GALLON - W/O FITTINGS	
	039861-01-000	EA	SENDING UNIT - W/SCREW - WASHER - WELL NUT/TERMINAL RING	
18	011091-02-000	EA	WASTE - CONTINUOUS - DOUBLE SINK	
19	011069-02-000	EA	TAILPIECE - TUB/SHOWER - 1 1/2" X 1 1/4" X 4" - BRASS	
	066729-01-000	EA	STRAINER - TUB/SHOWER W/PLUG - CHROME	
	127440-02-01A	EA	WASHER - RUBBER - 1.8" X .1"	
	130403-01-000	EA	NUT - SLIP - W/WINGS 1 1/2"	
20	061607-02-000	EA	GROMMET - HOLDING TANK - 3" NPS	
21	116644-01-000	EA	FLANGE - CLOSET - 4" X 3"	
22	010006-01-000	EA	ELBOW - 45 DEGREE - 1 1/2" HUB X HUB - PLASTIC	
	010201-01-000	EA	HOSE - SEWER - 3" ID X 8'	
	062416-01-000	EA	ADAPTER - SEWER HOSE TO 3" PIPE	
	094756-02-01A	EA	BRACKET - L - 6.1" LONG X 3.9" WIDE - STEEL	

# WINDOW, VENT & EXTERIOR DOOR GROUP

## WINDOWS AND ROOF VENTS



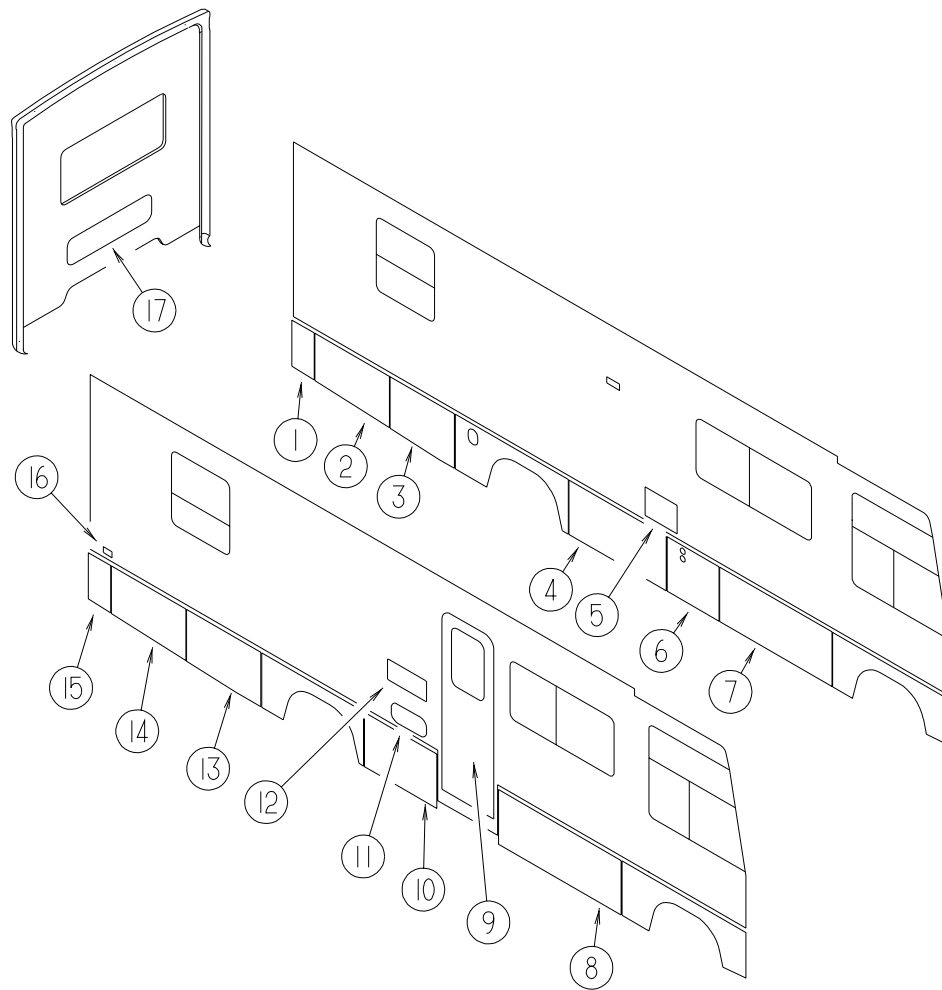
KEY	PART NUMBER	U/M	DESCRIPTION
1*	078528-06-E10	EA	WINDOW - ESCAPE - W/O RETAINER/TRIM - 48.5" X 24.5"
1*	113502-01-01A	EA	WINDOW - REAR/CENTER ESCAPE - THERMO - 24.8" X 48.7"
2*	112463-03-01A	EA	WINDOW - TIPOUT W/RETAINER TRIM - 33.3" X 30.2"
2*	129929-01-01A	EA	WINDOW - TORQUE - THERMO - 33.2" X 30.2"
3*	098647-22-01A	EA	WINDOW - DRIVER HORIZ SLIDER W/TRIM-TINTED - 26.1" X 59.7"
3*	112795-15-01A	EA	WINDOW - DRIVER HORIZONTAL SLIDER - THERMO - 26.4" X 60"
4*	125582-04-01A	EA	WINDOW - CAB - DRIVER
4*	125583-04-01A	EA	WINDOW - CAB DRVR-3 GLASS THERMO-31.8"T X 51.6"B X 42.6"H
5*	125582-03-01A	EA	WINDOW - CAB - PASSENGER
5*	125583-03-01A	EA	WINDOW - CAB PASS-3 GLASS THERMO- 31.8"T X 51.6"B X 42.6"H
6*	098647-24-01A	EA	WINDOW - PASS HORIZ SLIDER W/TRIM - TINTED - 26.1" X 53.8"
6*	112795-17-01A	EA	WINDOW - PASSENGER HORIZ SLIDER - THERMO - 26.4" X 54"
7*	117053-02-F36	EA	WINDOW - PICTURE - 60% TINTING - 17" X 26.4"
7*	113733-01-01A	EA	WINDOW - STATIONARY THERMOPANE - 17" X 26.4"

KEY	PART NUMBER	U/M	DESCRIPTION
8*	122882-01-01A	EA	VENT - ROOF - NONPOWERED - W/O INSIDE GARNISH
9*	122882-02-01A	EA	VENT - ROOF - W/FAN - W/O INSIDE GARNISH - UL
9*	122882-03-01A	EA	VENT - ROOF - W/FAN - W/O INSIDE GARNISH - CSA
10	084073-04-000	EA	BASE - ROOF VENT/REFRIGERATOR - BLACK - NORCOLD
10	084073-07-000	EA	VENT - ROOF/REFRIGERATOR - BRIGHT WHITE - NORCOLD
10	118369-02-02A	EA	BASE - REFRIGERATOR ROOF VENT - SIDE/SIDE - BRIGHT WHITE - EXPORT
10	118369-01-02A	EA	CAP - REFRIGERATOR ROOF VENT - SIDE/SIDE - BRIGHT WHITE - EXPORT
11*	122882-01-01A	EA	VENT - ROOF - NONPOWERED - W/O INSIDE GARNISH
11*	123780-03-01A	EA	VENT - ROOF - 3" TO 4" - W/FAN/POWER LIFT - W/O THERMOSTAT
	083558-06-000	EA	VENT - ROOF PLUMBING PIPE - COVERED
	084616-07-000	EA	SHROUD - EXHAUST VENT/RANGE HOOD - BRIGHT WHITE
	084878-09-000	EA	VENT - EXHAUST/RANGE HOOD - OFF WHITE
	117046-01-000	EA	BUMPER - RUBBER/ROUND END
	117046-02-000	EA	BUMPER - RUBBER/ROUND END - THERMOPANE WINDOW OPTION

\*COMPONENT PARTS FOUND IN SERVICE PARTS LIBRARY

# WINDOW, VENT & EXTERIOR DOOR GROUP (CONTINUED)

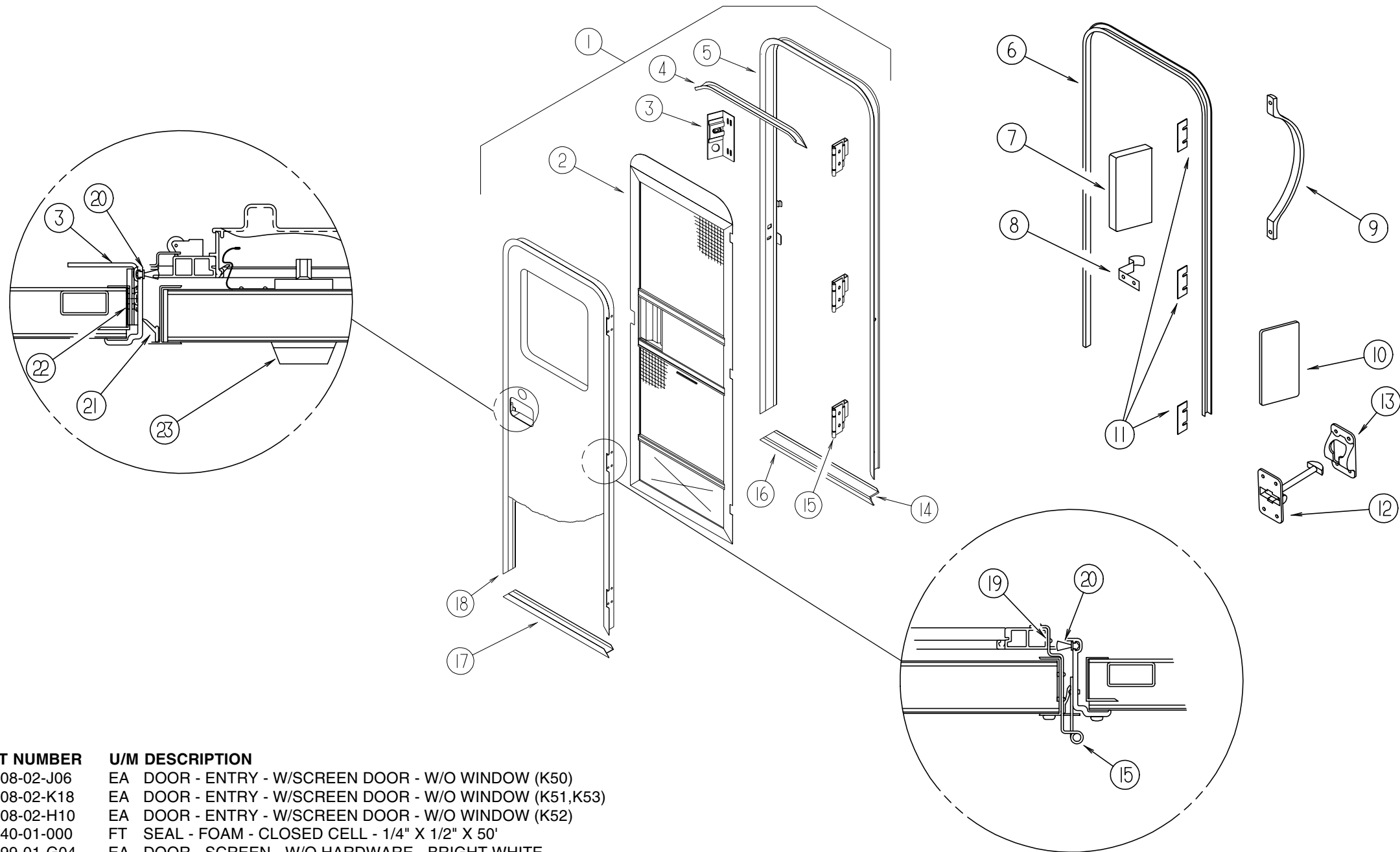
## EXTERIOR DOORS & PANELS



KEY	PART NUMBER	U/M DESCRIPTION	VENDOR NO.
1	126645-06-J37	EA VALANCE/PANEL - REAR DRIVER - W/O HARDWARE - 11.5"	
1	126645-17-K50	EA VALANCE/PANEL - REAR - W/O HARDWARE - EXPORT	
2	126647-07-J37	EA VALANCE/DOOR - DRIVER W/O LATCH - 22.4" X 38.6" X 20.6"	
2	122391-96-K50	EA VALANCE/DOOR - DRIVER W/O HDW - 22.4"F X 38.6"W X 20.6"R - EXPORT	
3	126647-09-J37	EA VALANCE/DOOR - DRIVER W/O LATCH - 23.7" X 33.4" X 22.5"	
3	122391-97-K50	EA VALANCE/DOOR - DRIVER W/O HDW - 23.7"F X 33.4"W X 22.5"R - EXPORT	
4	126646-21-J37	EA VALANCE/DOOR - W/O PADDLE LATCH - 48.6"	
4	122239-C0-K50	EA VALANCE/DOOR - W/O PADDLE LATCH/HINGE - 48.7"W X 23.7"H - EXPORT	
5	052009-06-000	EA DOOR - WATER HEATER - BRIGHT WHITE - 18" X 14.6"	
6	122776-26-K20	EA VALANCE/PANEL - 26.9" - W/O HARDWARE	
6	122776-41-K50	EA VALANCE/PANEL - W/O HARDWARE - 26.9"W X 24"H - EXPORT	
7	122239-C6-K20	EA VALANCE/DOOR - W/O PADDLE LATCH/HINGE	
7	122239-B9-K50	EA VALANCE/DOOR - W/O PADDLE/LATCH/HINGE - 58.2"W X 23.7"H - EXPORT	
8	122239-C3-K20	EA VALANCE/DOOR - W/O PADDLE LATCH/HINGE	
8	122239-C1-K50	EA VALANCE/DOOR - W/O PADDLE LATCH/HINGE - 63.6"W X 23.7"H - EXPORT	
9	115108-02-J06	EA DOOR - ENTRY - W/SCREEN DOOR - W/O WINDOW (K50)	
9	115108-02-K18	EA DOOR - ENTRY - W/SCREEN DOOR - W/O WINDOW (K51,K53)	
9	115108-02-H10	EA DOOR - ENTRY - W/SCREEN DOOR - W/O WINDOW (K52)	
10	126646-31-K20	EA VALANCE/DOOR - W/O PADDLE LATCH - 34.1"	
10	122239-C2-K50	EA VALANCE/DOOR - W/O PADDLE LATCH/HINGE - 34.1"W X 23.7"H - EXPORT	
11	126945-01-J22	EA DOOR/STORAGE - W/O HARDWARE - 18" X 8.3"	
12	084103-08-000	EA DOOR - VENT/REFRIGERATOR - W/O JAMB - BRIGHT WHITE	
	084104-01-700	EA LOCK-MALE, FASTENER	201-721-010
	084104-01-701	EA LOCK-FEMALE, FASTENER	201-802-010
12	084104-08-000	EA JAMB - VENT DOOR/REFRIGERATOR - BRIGHT WHITE	
12	125481-03-01A	EA DOOR - REFRIGERATOR VENT-3 VANE/13.8" X 21.6" BRIGHT WHITE - EXPORT	
13	126647-06-J37	EA VALANCE/DOOR - PASSENGER W/O LATCH - 22.5" X 38.6" X 23.7"	
13	122391-95-K50	EA VALANCE/DOOR - DRIVER W/O HDW - 23.7"F X 38.6"W X 22.5"R - EXPORT	
14	126647-08-J37	EA VALANCE/DOOR - PASSENGER W/O LATCH - 20.6" X 38.6" X 22.4"	
14	122391-94-K50	EA VALANCE/DOOR - DRIVER W/O HDW - 22.4"F X 38.6"W X 20.6"R - EXPORT	
15	126645-05-J37	EA VALANCE/PANEL - REAR PASSENGER - W/O HARDWARE - 11.5"	
15	126645-16-K50	EA VALANCE/PANEL - REAR - W/O HARDWARE - EXPORT	
16	081240-20-000	EA DOOR - WATER FILL - W/O LOCK - BRIGHT WHITE	
17	126944-02-J22	EA DOOR/STORAGE - W/O HARDWARE - 43.5" X 11.7"	
	117047-01-000	EA BUMPER - RUBBER - WASHER INSERT	

## WINDOW, VENT & EXTERIOR DOOR GROUP (CONTINUED)

### ENTRANCE DOOR



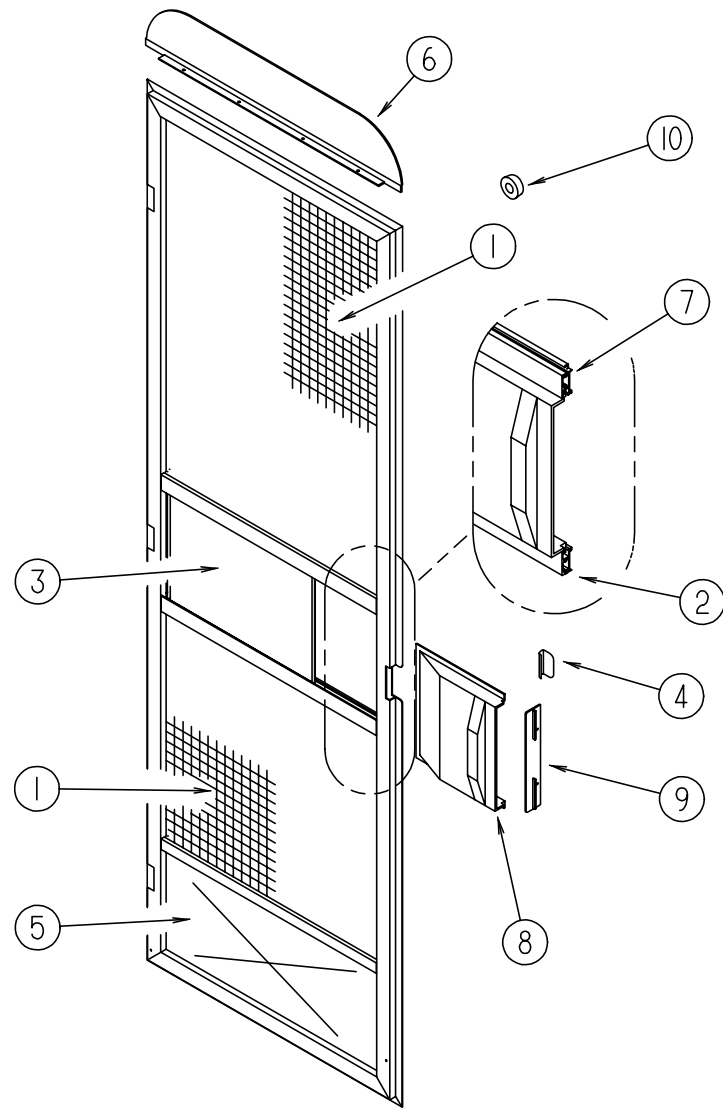
KEY	PART NUMBER	U/M DESCRIPTION
1	115108-02-J06	EA DOOR - ENTRY - W/SCREEN DOOR - W/O WINDOW (K50)
1	115108-02-K18	EA DOOR - ENTRY - W/SCREEN DOOR - W/O WINDOW (K51,K53)
1	115108-02-H10	EA DOOR - ENTRY - W/SCREEN DOOR - W/O WINDOW (K52)
	090340-01-000	FT SEAL - FOAM - CLOSED CELL - 1/4" X 1/2" X 50'
2	121899-01-G04	EA DOOR - SCREEN - W/O HARDWARE - BRIGHT WHITE
3	041546-07-000	EA BRACKET - DOOR ANGLE - OFF WHITE
4	044582-44-000	EA CAP - DRIP - JAMB - BRIGHT WHITE
5	121898-01-01A	EA JAMB - ENTRY DOOR
6	115222-02-01A	EA GARNISH - RADIUS - ENTRY DOOR
7	077461-03-000	EA COVER - STRIKE - ENTRY DOOR - 6.5" X 2.5" - WHITE PLASTIC
8	100412-01-000	EA CATCH - SCREEN DOOR
9	009126-03-000	EA HANDLE - ASSIST - BLACK TEXTURED
10	076725-02-000	EA COVER - HINGE - ENTRY DOOR - 6" X 3.2" - OFF WHITE
11	102248-01-000	EA SHIM - DOOR
12	104099-01-04A	EA CATCH - DOOR HOLDER - STRIKE - BRIGHT WHITE
13	104099-02-04A	EA CATCH - DOOR HOLDER - RETAINER - BRIGHT WHITE
14	038327-01-000	EA TAPE - ANTI-SLIP - 2" X 60'
15	106719-01-05A	EA HINGE - ENTRY DOOR - BRIGHT WHITE
15	106719-01-01A	EA HINGE - ENTRANCE DOOR - MILL
	116111-02-01A	EA SCREW - TAPTITE - 1/4-20 X 3/8 PPH - ZINC
	039715-01-000	EA NUT-SERT - 1/4" DIAMETER - 20 THREADS

KEY	PART NUMBER	U/M DESCRIPTION	VENDOR NO.
16	051049-01-000	EA JAMB - BOTTOM - ENTRY DOOR - 25.9" - UNPAINTED	
17	121893-01-01A	EA FRAME - ENTRY DOOR/BOTTOM - BRIGHT WHITE	
18	121894-03-01A	EA FRAME - ENTRY DOOR	
	098173-01-04A	EA STIFFENER - ENTRY DOOR - SUPPORTS LATCH/STRIKE/UNPAINTED	
19	100128-02-000	FT SEAL - FOAM/ADHESIVE BACK - .37" WIDE X .37" THICK	
20	118929-01-01A	FT SEAL - PILE - PUSH ON	
21	075671-04-000	FT SEAL - SPONGE - LAZY T - W/ADHESIVE STRIP - .5" WIDE	
22	104692-01-000	EA SEAL - FOAM/ADHESIVE BACK - .75" THICK X .75" WIDE X 25'	
23	101145-01-06A	EA DEADBOLT - ENTRY DOOR W/O SECURITY BOLT W/2 KEYS - BLACK	
	101147-01-000	EA BOLT - SECURITY - 4.12"	
	095229-01-700	EA KEY-BLANK, DEADBOLT	81205-03
	101145-01-701	EA CYLINDER-LOCK ASM., W/KEY	81306-03



WINDOW, VENT & EXTERIOR DOOR GROUP (CONTINUED)

WINDOW, VENT & EXTERIOR DOOR GROUP (CONTINUED)



SCREEN DOOR

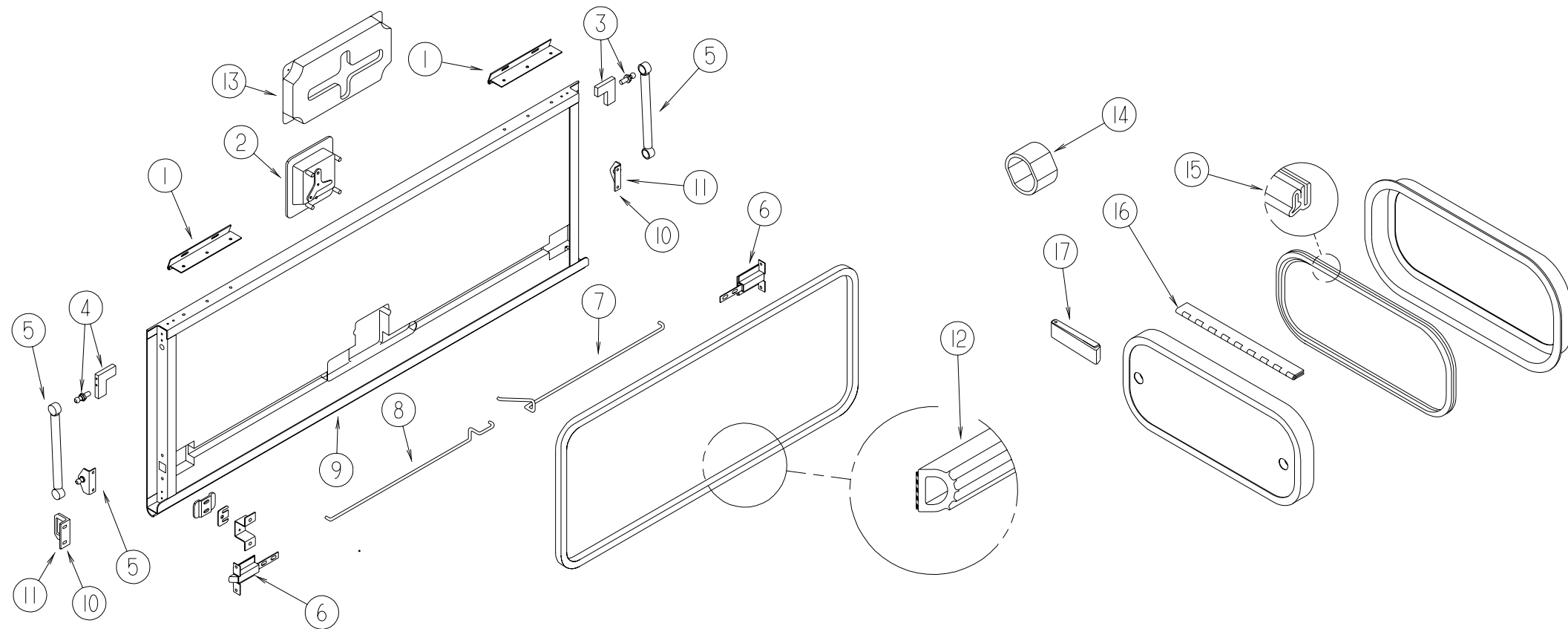
KEY	PART NUMBER	U/M	DESCRIPTION
	121899-01-G04	EA	DOOR - SCREEN - W/O HARDWARE - BRIGHT WHITE
1	002293-02-000	SF	SCREENING - WINDOW/DOOR - 26" - CHARCOAL
2	002294-01-000	FT	SPLINE - SCREENING - .135" X .138"
3	016454-01-000	EA	INSERT - CENTER - LEATHER GRAIN ALUMINUM - UNPAINTED
	001014-01-013	EA	INSERT - CENTER - 10.25" X 16.31" - UNPAINTED
4	050712-06-000	EA	HANDLE - SCREEN DOOR - BRIGHT WHITE
5	078552-03-000	EA	KICK PANEL - SCREEN DOOR - LOWER INSERT - UNPAINTED
6	078595-01-000	EA	TOP PLATE - SCREEN DOOR - CURVED TOP - 4.7" X 25.35"
7	078777-08-000	FT	CHANNEL - SLIDER
8	079086-03-000	EA	SLIDER - SCREEN DOOR - BRIGHT WHITE
9	079087-03-000	EA	STRIKE - SLIDER - SCREEN DOOR - BRIGHT WHITE
10	120863-05-000	EA	BUMPER - RUBBER - 3/4" X 3/8"
	075673-01-000	FT	SEAL - PILE - ADHESIVE BACK - GRAY
	075673-05-000	FT	SEAL - PILE - ADHESIVE BACK - BLACK

ENTRY DOOR LOCK

KEY	PART NUMBER	U/M	DESCRIPTION	VENDOR NO.
1	036618-02-000	EA	E-RING - EXTERNAL - 3/16" SHAFT DIAMETER - LYNOR DOOR LOCK	
2	039539-01-000	EA	STRIKE - LOCK - ENTRY DOOR - ROUND W/THREADED WASHER	
3	039540-01-000	EA	LATCH MECHANISM - HOOK - ENTRY DOOR - INTERIOR	
4	039979-06-000	EA	COVER - LATCH PLATE - RIGHT HAND - BLACK TEXTURED	
5	039984-01-000	EA	CAP - ROUND - VINYL - .28" ID X .62" - BLACK	
6	040921-01-000	EA	NUT - SPEED - U TYPE - 10-24 BLACK	
7	041546-07-000	EA	BRACKET - DOOR ANGLE - OFF WHITE	
8	045017-13-000	EA	LATCH - ENTRY DOOR - BLACK TEXTURED	
	045017-11-703	EA	CYLINDER-LOCK ASM. W/KEYS	81266-09
	045017-11-701	EA	KEY - BLANK (F1 SERIES) "K-104" - DOOR LOCK (TM 200 - 250)	
	130444-01-01A	EA	CAP - KEY IDENTIFIER - GRAY	
9	064075-07-000	FT	SEAL - BULB - W/WIRED U CHANNEL - .3" X .5" CHANNEL - BLACK	
10	086285-05-000	EA	SPACER - NYLON - .7" X .56"	
11	096810-01-01A	EA	PLATE - LATCH - ENTRY DOOR - BLACK	

# WINDOW, VENT & EXTERIOR DOOR GROUP (CONTINUED)

## EXTERIOR ACCESS DOOR COMPONENTS

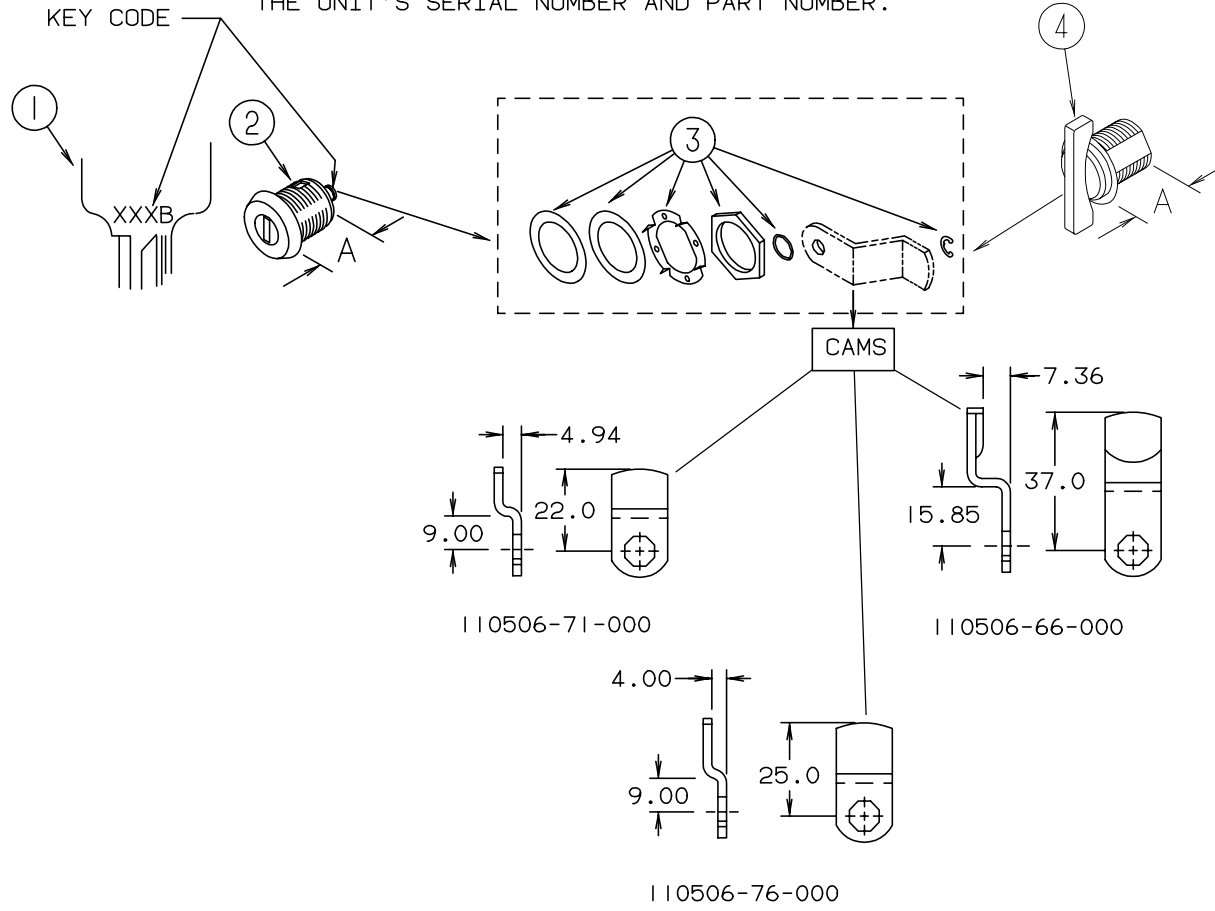


KEY	PART NUMBER	U/M	DESCRIPTION	KEY	PART NUMBER	U/M	DESCRIPTION
1	131271-01-04A	EA	HINGE - VALANCE DOOR - BRIGHT WHITE	10	123783-01-01A	EA	STRIKER - DOOR - MILL
2	112949-01-03A	EA	LATCH - PADDLE W/LOCK - W/O KEY - BRIGHT WHITE				FROM: 00-00-00 THRU: 02-01-99
	112949-03-000	EA	KEY - TRI-MARK #TM500	11	130053-01-01A	EA	STRIKER - LUGGAGE DOOR - FLUSH - BLACK
2	112949-02-04A	EA	LATCH - PADDLE NON-LOCKING - BRIGHT WHITE				FROM: 02-02-99 THRU: 99-99-99
3	123892-10-02B	EA	CORNER STABILIZER W/BALL STUD - RIGHT HAND - E-COATED	11	130053-02-01A	EA	STRIKER - LUGGAGE DOOR - OFF SET - BLACK
4	123892-12-02B	EA	CORNER STABILIZER W/BALL STUD - LEFT HAND - E-COATED				FROM: 02-02-99 THRU: 99-99-99
5	107796-20-000	EA	SPRING/GAS - 7" COMPRESSED/10" EXTENDED - 60 LB	12	107721-07-000	FT	SEAL - ACCESS DOOR
	126263-02-02B	EA	BRACKET - GAS SPRING	13	122277-02-01A	EA	COVER - LATCH - BLACK
6	121947-01-01A	EA	BOLT - SLIDE W/PLASTIC PLUNGER	14	107997-51-001	EA	SPACER - DOOR LOCK - .6" DEEP
7	122269-06-000	EA	ROD - LATCH - 24.07"	14	107997-51-002	EA	EXTRUDED - SPACER - 16'
7	122269-07-000	EA	ROD - LATCH - 16.63"	15	106850-02-000	FT	SEAL-E - SPONGE RUBBER - .43" X .75"
7	122269-16-000	EA	ROD - LATCH - 8.96"	16	081801-V3-000	EA	HINGE - ALUMINUM - 2" X 96" - BRIGHT WHITE
7	122269-17-000	EA	ROD - LATCH - 11.57"	16	115476-11-01A	EA	HINGE - CONTINUOUS - W/HOLES - BRIGHT WHITE - EXPORT
7	122269-44-000	EA	ROD - LATCH - 21.39"	17	102768-01-000	EA	HOLDER - COMPARTMENT/ENTRY DOOR - METAL - MILL FINISH
7	122269-66-000	EA	ROD - LATCH - 9.32"		076767-01-000	EA	CABLE - STEEL - 12"
8	122268-06-000	EA	ROD - LATCH - 24.07"		099069-01-000	FT	SEAL - RUBBER - CLOSED SPONGE - .5" WIDE X .12" THICK -BLK
8	122268-07-000	EA	ROD - LATCH - 16.63"		123512-01-02B	EA	BRACKET - VALANCE DOOR - E-COATED
8	122268-16-000	EA	ROD - LATCH - 8.96"		116424-01-000	EA	PROTECTOR - LATCH - WATER HEATER
8	122268-17-000	EA	ROD - LATCH - 11.57"		119143-02-02A	EA	SPACER/CENTER HINGE - COMPARTMENT DOOR - BRIGHT WHITE - 2"
8	122268-44-000	EA	ROD - LATCH - 21.39"		122614-55-001	EA	H-CHANNEL/EXTRUSION - 192" - BRIGHT WHITE
8	122268-66-000	EA	ROD - LATCH - 9.32"		122612-55-001	EA	U-CHANNEL/EXTRUSION - 192" - BRIGHT WHITE
9	122613-55-001	EA	ROCKER PANEL/EXTRUSION - 192" - BRIGHT WHITE		126694-55-001	EA	EXTRUSION - U-CHANNEL/HINGED - 191.7" - BRIGHT WHITE
					126516-01-01A	FT	TRIM - VINYL/EXTRUDED - 96"
					128298-01-12B	EA	CATCH - F/LOCK - COMPARTMENT DOORS

# WINDOW, VENT & EXTERIOR DOOR GROUP (CONTINUED)

## BRIGGS & STRATTON LOCKS & COMPONENTS

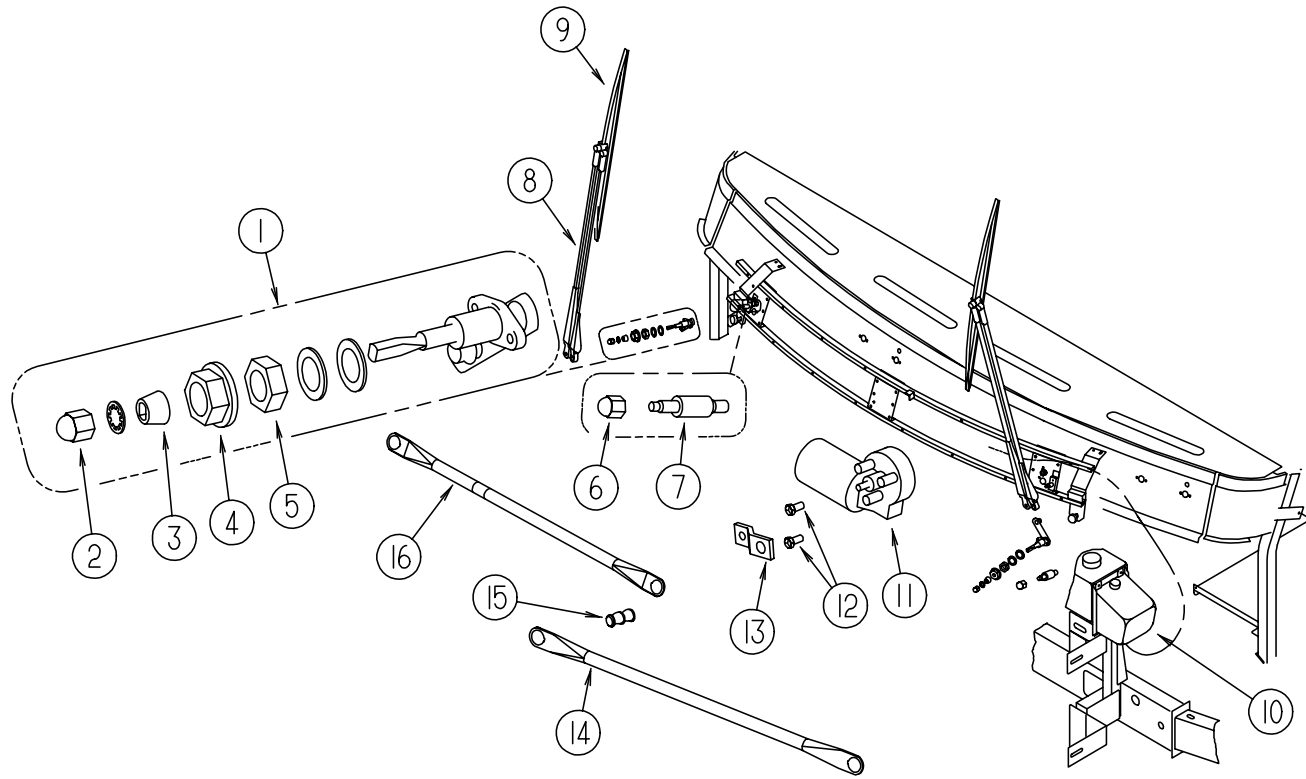
NOTE:  
 WHEN ORDERING THE LOCK CASE, THE KEY CODE MUST MATCH THE LAST DIGIT OF THE UNIT'S SERIAL NUMBER AND PART NUMBER; WHEN ORDERING THE KEYS, THE THIRD DIGIT OF THE KEY CODE MUST MATCH THE LAST DIGIT OF THE UNIT'S SERIAL NUMBER AND PART NUMBER.



KEY	PART NUMBER	U/M	DESCRIPTION	VENDOR NO.
1	110506-59-000	EA	KEYS - SET OF TWO	596720
2	110506-52-000	EA	CASE/CYLINDER - LOCKING W/O CAM - .65"	702370
2	110506-54-000	EA	CASE/CYLINDER - LOCKING W/O CAM OR KEY - 1 1/4"	703170
1	110506-59-001	EA	KEYS - SET OF TWO	596721
2	110506-52-001	EA	CASE/CYLINDER - LOCKING W/O CAM - .65"	702371
2	110506-54-001	EA	CASE/CYLINDER - LOCKING W/O CAM OR KEY - 1 1/4"	703171
1	110506-59-002	EA	KEYS - SET OF TWO	596722
2	110506-52-002	EA	CASE/CYLINDER - LOCKING W/O CAM - .65"	702372
2	110506-54-002	EA	CASE/CYLINDER - LOCKING W/O CAM OR KEY - 1 1/4"	703172
1	110506-59-003	EA	KEYS - SET OF TWO	596723
2	110506-52-003	EA	CASE/CYLINDER - LOCKING W/O CAM - .65"	702373
2	110506-54-003	EA	CASE/CYLINDER - LOCKING W/O CAM OR KEY - 1 1/4"	703173
1	110506-59-004	EA	KEYS - SET OF TWO	596724
2	110506-52-004	EA	CASE/CYLINDER - LOCKING W/O CAM - .65"	702374
2	110506-54-004	EA	CASE/CYLINDER - LOCKING W/O CAM OR KEY - 1 1/4"	703174
1	110506-59-005	EA	KEYS - SET OF TWO	596725
2	110506-52-005	EA	CASE/CYLINDER - LOCKING W/O CAM - .65"	702375
2	110506-54-005	EA	CASE/CYLINDER - LOCKING W/O CAM OR KEY - 1 1/4"	703175
1	110506-59-006	EA	KEYS - SET OF TWO	596726
2	110506-52-006	EA	CASE/CYLINDER - LOCKING W/O CAM - .65"	702376
2	110506-54-006	EA	CASE/CYLINDER - LOCKING W/O CAM OR KEY - 1 1/4"	703176
1	110506-59-007	EA	KEYS - SET OF TWO	596727
2	110506-52-007	EA	CASE/CYLINDER - LOCKING W/O CAM - .65"	702377
2	110506-54-007	EA	CASE/CYLINDER - LOCKING W/O CAM OR KEY - 1 1/4"	703177
1	110506-59-008	EA	KEYS - SET OF TWO	596728
2	110506-52-008	EA	CASE/CYLINDER - LOCKING W/O CAM - .65"	702378
2	110506-54-008	EA	CASE/CYLINDER - LOCKING W/O CAM OR KEY - 1 1/4"	703178
1	110506-59-009	EA	KEYS - SET OF TWO	596729
2	110506-52-009	EA	CASE/CYLINDER - LOCKING W/O CAM - .65"	702379
2	110506-54-009	EA	CASE/CYLINDER - LOCKING W/O CAM OR KEY - 1 1/4"	703179
3	110506-40-700	EA	HARDWARE PACKAGE-CYLINDER/CASE	596950AAL
	110506-59-701	EA	KEY BLANK (GOLD)	596728

# WINDSHIELD & WIPER GROUP

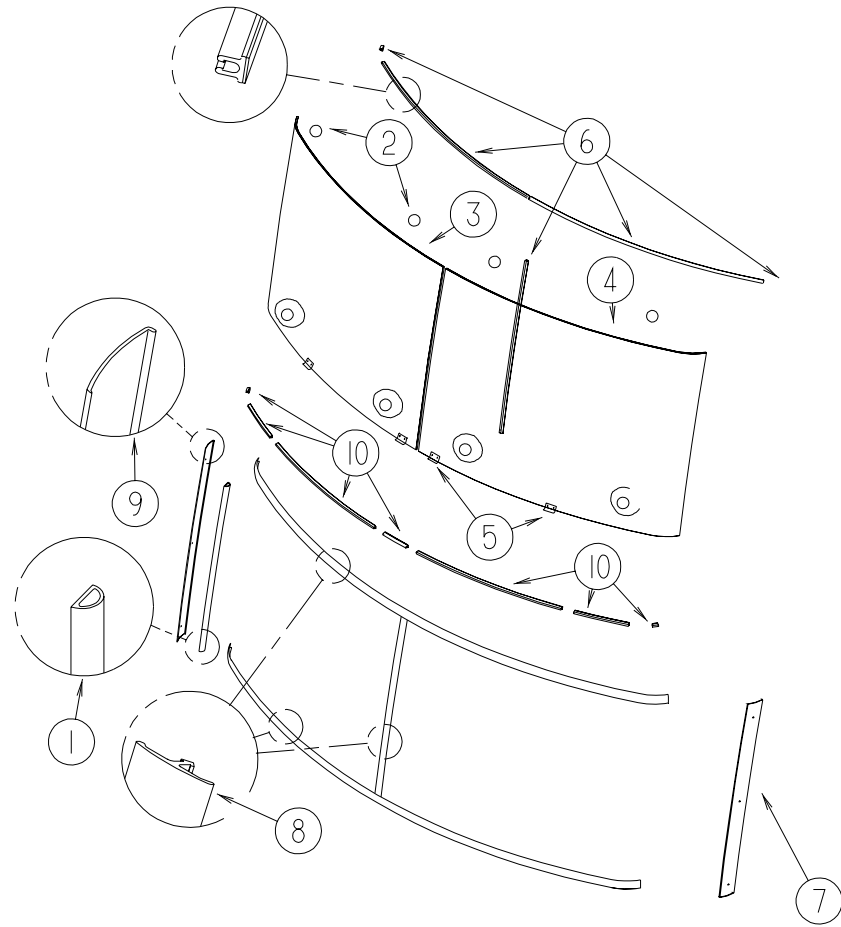
## WIPER & WASHER COMPONENTS



KEY	PART NUMBER	U/M	DESCRIPTION	VENDOR NO.
1	096505-09-000	EA	SHAFT/PIVOT - WINDSHIELD WIPER	
2	096505-02-703	EA	CAP-NUT(ACORN) HD W/.687 BRL	51065-40-NT27WC
3	096505-02-700	EA	DRIVER-KNURLED,(HD) BRL .687	NT721017
4	096505-02-702	EA	CAP-RUBBER (HD) BARREL .687	CP721084
5	096505-02-701	EA	NUT-HEX (HD) W/.687 BARREL	NT721021
6	077049-02-000	EA	NUT - ACORN - 10-32 BLACK/ANODIZED	
7	117768-01-000	EA	SHAFT - ADAPTER - PANTOGRAPH ARM	
8	117769-01-000	EA	ARM - WIPER - PANTOGRAPH - 28"	
	096931-01-700	FT	HOSE-WIPER	XTU-66-0001
	096931-01-701	EA	NOZZLE-HARDWARE KIT	
9	095964-01-000	EA	BLADE - WINDSHIELD WIPER - 24"	
	095964-01-700	EA	BLADE-REFILL 24" EA= 1 PAIR	12360
10	117766-02-000	EA	RESERVOIR/PUMP - WINDSHIELD WASHER	
	045794-01-000	FT	HOSE - WASHER - WINDSHIELD - 5/32" ID - BLACK	
	110605-01-000	EA	TEE - PLASTIC - BARBED - 1/8" X 1/8" X 3/16"	
	117765-03-000	EA	CONNECTOR - 5/32" - WINDSHIELD WASHER	
11	104346-05-000	EA	WIPER MOTOR - W/INTERNAL BREAKER - DYNAMIC PARK - FORD	
	125829-03-02B	EA	BRACKET ASM-WIPER MOTOR,E-CT	
11	104346-04-000	EA	WIPER MOTOR - "COAST TO PARK" W/BKR - W/GRN/RED/WHITE WIRE - CHEVY	
12	117322-01-000	EA	SCREW - 1/4-28 UNFINISHED - 2A - TORX	
13	104347-04-000	EA	ARM - DRIVE - WIPER MOTOR	
14	117770-01-000	EA	LINK - CONNECTING - 24" - CLOSED GROMMET/OPEN GROMMET	
15	067188-01-000	EA	STUD - CRANK - WIPER MOTOR	
16	117770-02-000	EA	LINK - CONNECTING - 24" - CLOSED GROMMET/CLOSED GROMMET	
	061603-01-000	EA	GROMMET - SNAP - 3/16"ID - 3/8" HOLE - PLASTIC BLACK	
	110742-02-000	EA	GASKET - NEOPRENE - WIPER ADAPTER SHAFT - .5" ID X .9" OD	

## WINDSHIELD & WIPER GROUP (CONTINUED)

### WINDSHIELD MOLDINGS & GLASS



KEY	PART NUMBER	U/M	DESCRIPTION
1	099418-01-000	FT	SEAL - D-SECTION/ADHESIVE BACK - .44" X .44"- BLK RUBBER
2	081914-01-000	EA	BUMPER - RUBBER - ROUND - .43" DIAMETER
3	124329-01-000	EA	WINDSHIELD - PASSENGER - 51.5" X 44.3" (CURVED)
4	124329-02-000	EA	WINDSHIELD - DRIVER - 51.5" X 44.3" (CURVED)
5	002328-02-000	EA	BLOCK - WINDSHIELD - .062" X .5" X .98"
6	127862-01-000	EA	CARRIER - REVEAL - WINDSHIELD - 47.2"
7	125384-04-02A	EA	TRIM - WINDSHIELD - A-PILLAR - DRIVER - BLACK
8	120533-01-000	FT	MOLDING - REVEAL - WINDSHIELD
9	125384-03-02A	EA	TRIM - WINDSHIELD - A-PILLAR - PASSENGER - BLACK
10	117335-01-000	EA	CARRIER/REVEAL - 94.6" W/ADHESIVE BACKING