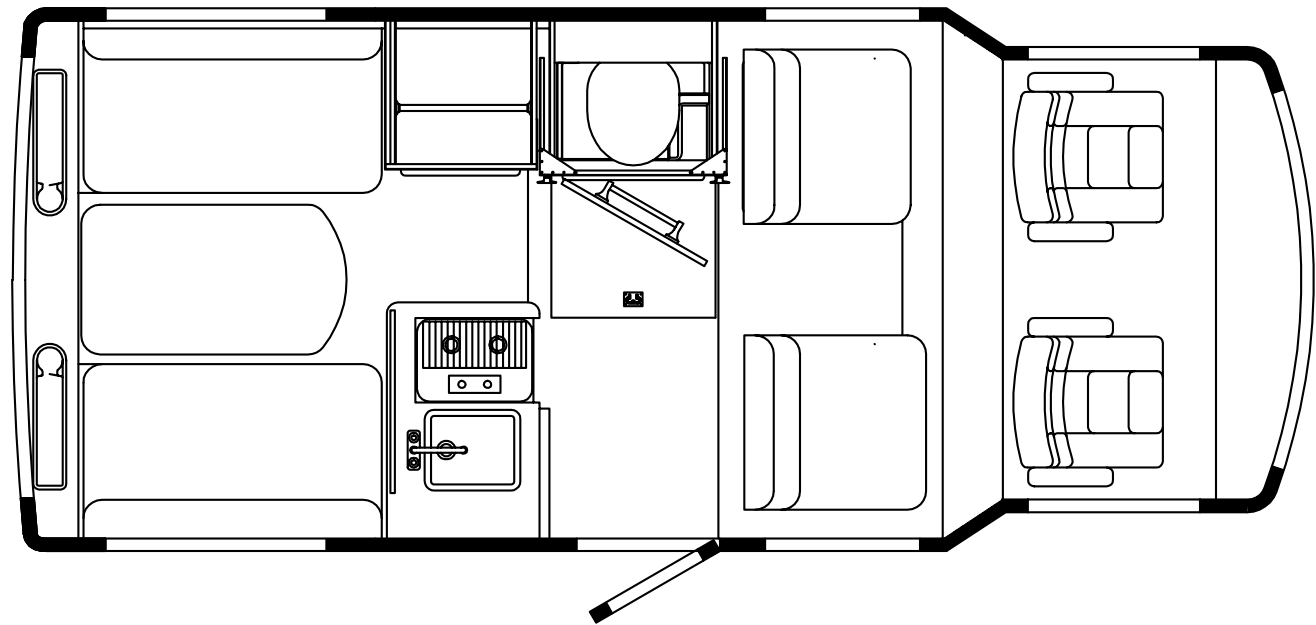
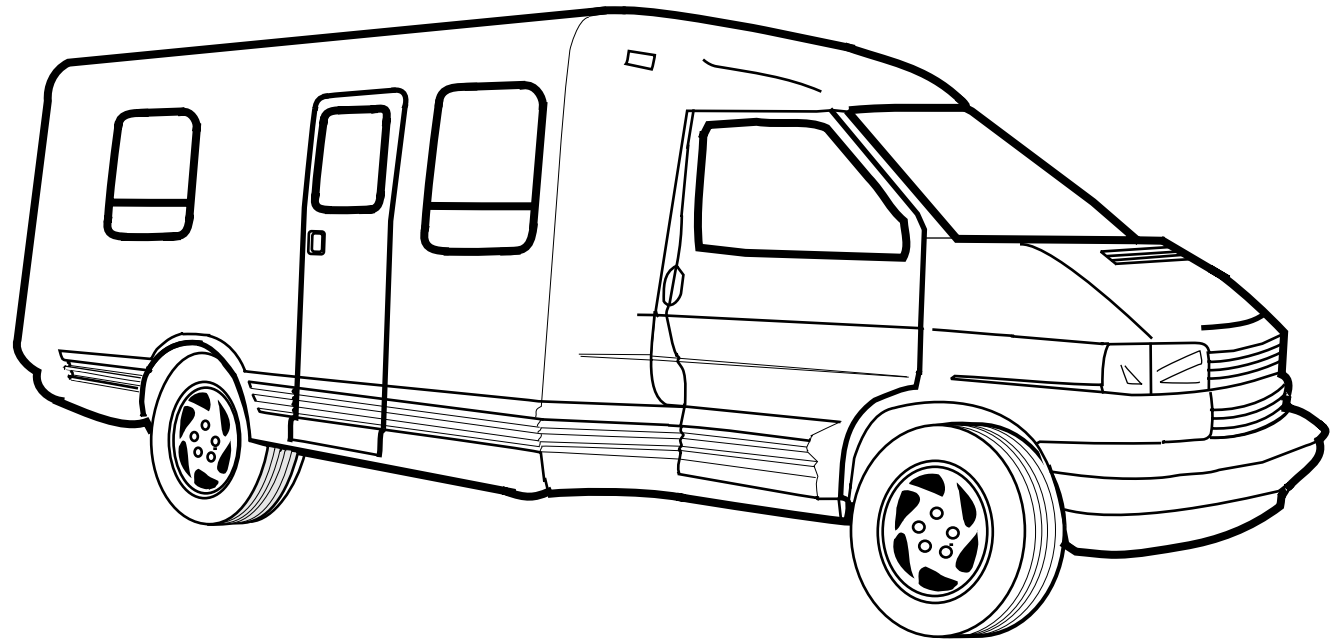


**1999
WV222QD**

**K76
CYBER**

**K78
SLATE**



ACCESSORIES GROUP

OPERATORS MANUAL & BINDER

KEY	PART NUMBER	U/M	DESCRIPTION
	054185-J7-000	EA	MANUAL - OPERATOR 99 RIALTA
	129079-01-01A	EA	CASE - VINYL/BLACK - EXPANDABLE ACCORDION SIDES - 7"W X 9"H X14"L
	130495-01-000	EA	TOP LEVEL-H,1999
	701674-48-000	EA	WIRING DIAGRAMS 1999 RIALTA
	701674-49-000	EA	PLUMBING DIAGRAMS 99 RIALTA

AUDIO VIDEO GROUP

RADIO SYSTEM COMPONENTS

KEY	PART NUMBER	U/M	DESCRIPTION	VENDOR NO.
	074979-19-000	EA	COVER - SPEAKER - VW DARK GRAY	
	074979-01-000	EA	SHIELD - SPEAKER - BACK - MOLDED PLASTIC - 8" X 9"	
	124881-01-000	EA	AMPLIFIER - AUDIO	
	124883-03-000	EA	SPEAKER - CUBE - W/O CASE	
	124883-04-000	EA	SPEAKER - GRILLE - CUBE	
	124884-01-000	EA	SPEAKER - 6" X 9" - SUB-WOOFER	
	124885-01-000	EA	GRILLE - SPEAKER - 6" X 9" - SUB-WOOFER	
	074014-01-000	EA	GRILLE - SPEAKER - ROUND	
	094097-01-000	EA	SPEAKER - RADIO/TV - W/O GRILLE - 5.25" DIAMETER	
	074979-01-000	EA	SHIELD - SPEAKER - BACK - MOLDED PLASTIC - 8" X 9"	
	127264-03-000	EA	RADIO - AM/FM STEREO/CASSETTE - EUROPEAN	
	114365-01-000	EA	ADAPTER - RADIO - POWER - SPEAKERS	
				FROM: 00-00-00 THRU: 08-15-99
	114365-02-000	EA	ADAPTER - RADIO POWER/SPEAKERS	
				FROM: 08-16-99 THRU: 99-99-99
	114366-01-000	EA	ADAPTER - RADIO - ANTENNA	
	127516-03-000	EA	RADIO - AM/FM STEREO - CD PLAYER - PANASONIC - CQ-DP930	
				FROM: 00-00-00 THRU: 07-11-99
	127516-03-700	EA	FACE - REMOVABLE	YEP0FX3300
	127516-05-000	EA	RADIO - AM/FM STEREO - CD PLAYER	
				FROM: 07-12-99 THRU: 99-99-99
	127264-01-000	EA	RADIO - AM/FM STEREO - CASSETTE - PANASONIC CQ-R111U	
	127264-01-700	EA	TRIM RING	YFC054C044ZB
	127264-01-701	EA	KNOB - VOLUME	YFE074C045ZA
	127264-01-702	EA	KNOB - FADER	YEFE074C026
	127264-01-703	EA	FACTORY HARNESS	YAJ024C048ZB

AUDIOVOX TELEVISION W/REMOTE CONTROL

KEY	PART NUMBER	U/M	DESCRIPTION	VENDOR NO.
	086231-09-000	EA	TV - COLOR - 9" DC - AUDIOVAX AVT-988	
	086231-08-700	EA	REMOTE-UNIVERSAL	0892325
	093214-01-01A	EA	GRILL - SPEAKER - 4" - BLACK	
	098819-01-000	EA	SPEAKER - 4" - 2 WATT - 8 OHM	
	120721-02-02B	EA	PLATE - ELECTRIC - CABLE	
	131698-01-02B	EA	STRAP - OVERHEAD/TV - E-COATED	
	086777-02-000	EA	WALLPLATE - TV CABLE - W/ANTENNA SWITCH - BROWN	
	121323-01-02B	EA	BRACKET - Z	
	082134-01-000	EA	ADAPTER - TV - CABLE TO CABLE WINEGARD FS-8200	
	082136-01-000	EA	NUT - HEX JAM - 3/8-32 WINEGARD	
	120663-01-000	EA	SWITCH - VIDEO A/B - WINNEGARD TV-0051	
	120721-02-02B	EA	PLATE - ELECTRIC - CABLE	
	093901-03-000	EA	PLATE - TV COAX - EXTERIOR - 1.8" X 2.5"	
	114870-02-000	EA	PLUG - .14" AUDIO W/LEADS	

AUDIOVOX VIDEO CASSETTE PLAYER, COVER, & SWITCH

KEY	PART NUMBER	U/M	DESCRIPTION	VENDOR NO.
	094487-04-000	EA	VIDEO CASSETTE PLAYER W/O REMOTE - AUDIOVOX	
	086231-08-700	EA	REMOTE-UNIVERSAL	8822325
	086231-08-701	EA	ADAPTER - WIRE	0891436
	120551-01-03A	EA	COVER - VIDEO CASSETTE PLAYER - VW LIGHT GRAY	
	120564-01-02B	EA	STRAP - VIDEO CASSETTE PLAYER - E-COATED	

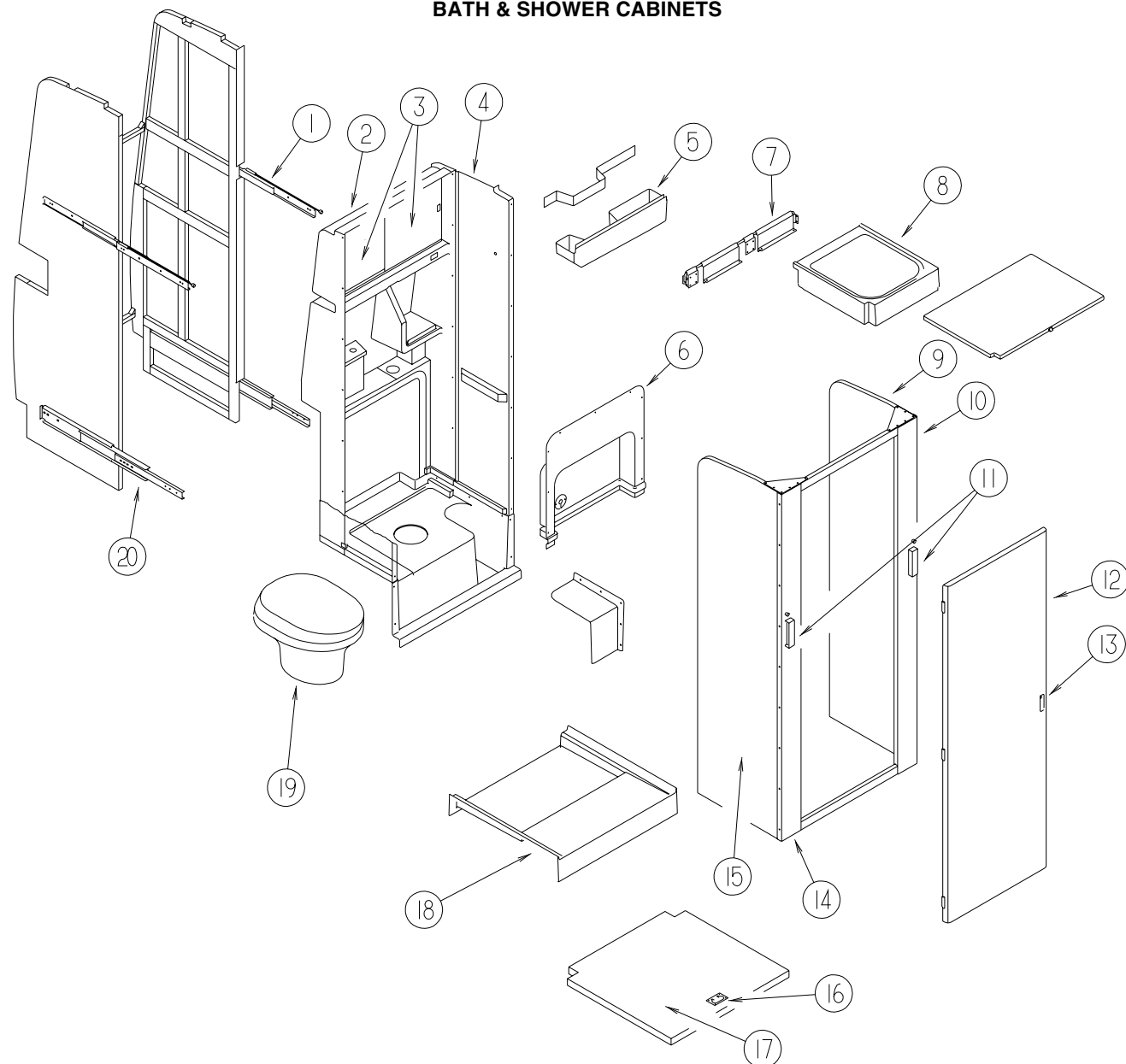
WINEGARD TV ANTENNA

KEY	PART NUMBER	U/M	DESCRIPTION
	076319-03-000	FT	CABLE - COAXIAL - 75 OHM
	076319-12-000	EA	CONNECTOR - COAXIAL - ONE PIECE
	076319-06-000	EA	ADAPTER - CABLE ROOF PLATE
*	076319-24-000	EA	ANTENNA - TV ROOF MOUNT - 25.5" MAST
*	076319-25-000	EA	KIT - HARDWARE INTERIOR

***COMPONENT PARTS FOUND IN SERVICE PARTS LIBRARY**

BATH GROUP

BATH & SHOWER CABINETS

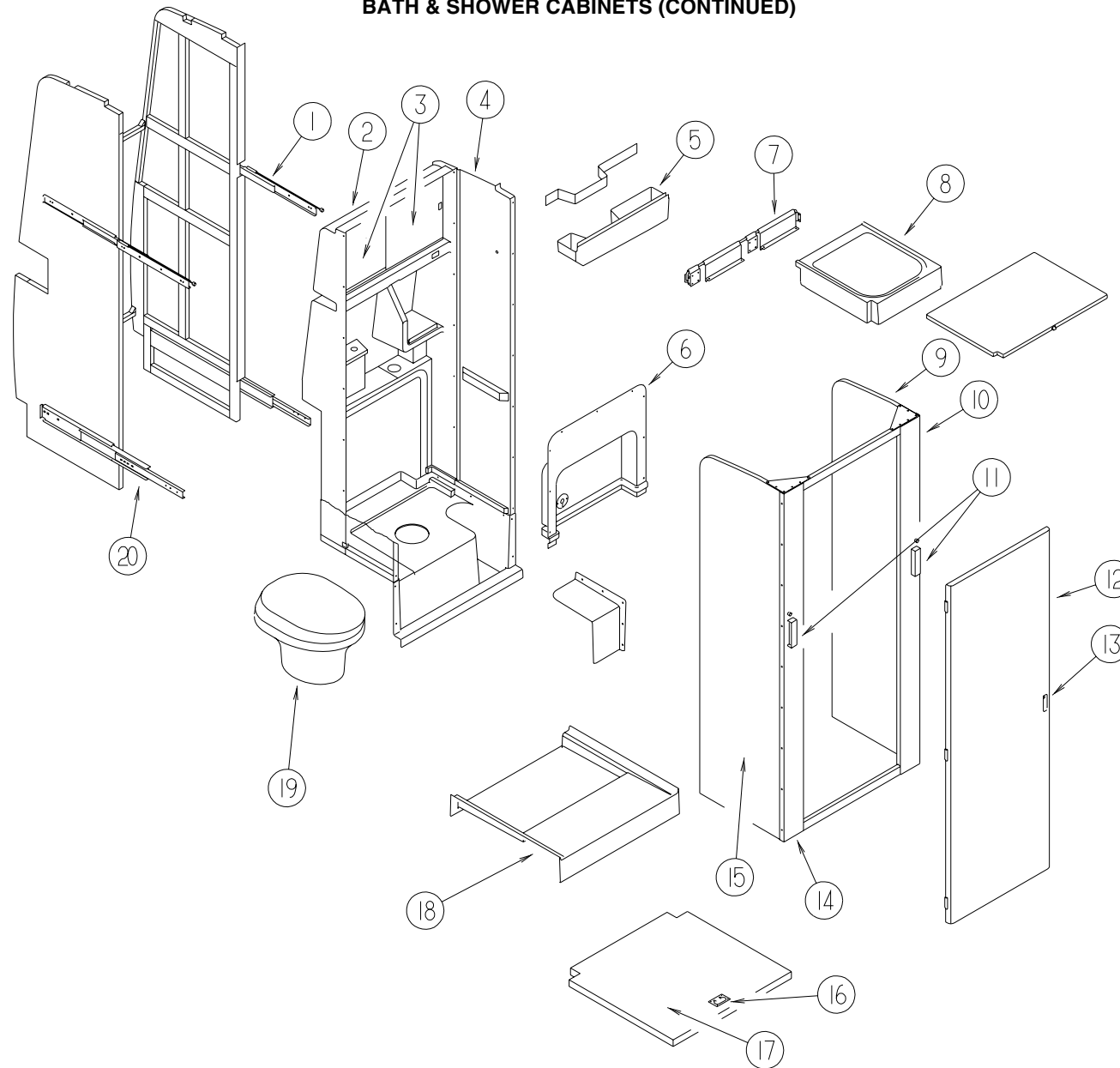


KEY	PART NUMBER	U/M	DESCRIPTION
1	116173-01-000	EA	SLIDE - LOCKING - LEFT HAND FACING CABINET
1	116173-02-000	EA	SLIDE - LOCKING - RIGHT HAND FACING CABINET
2	111950-01-02A	EA	SURROUND - SHOWER/BACK - VW LIGHT GRAY
3	058331-B0-000	EA	MIRROR - SAFETY GLASS - 12.6" X 12.6"
	023320-01-000	EA	PAD - FELT 3/8" DIAMETER
	074383-09-000	EA	TRACK - SLIDING DOOR - 24.5"
	002324-02-000	FT	CHANNEL - WEATHERSTRIP - GLASS RUN - U-SHAPED
4	111986-01-02A	EA	SURROUND - SHOWER/RIGHT HAND SIDE - VW LIGHT GRAY
	111986-02-02A	EA	SURROUND - SHOWER/LEFT HAND SIDE - VW LIGHT GRAY
5	P12114-01-02A	EA	BASIN - CATCH - W/STRAINER
	106116-01-01A	EA	STRAINER - SINK-W/STOPPER/TAILPIECE/GASKET & NUT - PLASTIC
	112114-01-02A	EA	BASIN - CATCH - LAVATORY - VW LIGHT GRAY

KEY	PART NUMBER	U/M	DESCRIPTION
6	112151-01-02A	EA	COVER - DRAINAGE ACCESS - VW LIGHT GRAY
	120591-01-02A	EA	COVER - DRAINAGE ACCESS - VW LIGHT GRAY - JAPAN
	057671-01-000	EA	COVER - SCREW - #8 - PLASTIC - OFF WHITE
	113183-02-K76	EA	PANEL - DOOR/SINK
7	113982-01-K76	EA	HINGE - FOLD UP SINK W/DOOR PANEL
	086235-03-000	EA	BEARING - SNAPIN - 5/16ID X 5/16
8	M06944-02-K76	EA	BATH SINK/FOLD UP - W/DOOR ATTACHED
	057534-02-000	EA	TIEBACK - CLEAR PLASTIC - 3"
	074453-01-000	EA	LATCH - PADDLE - SINK/MEDICINE CABINET - METAL
	057898-01-000	EA	LATCH - HIDDEN - BLACK PLASTIC
9	113929-01-K76	EA	CABINET - WALL - BATH SLIDER - W/O HARDWARE
10	116246-01-03A	EA	CORNER - BATH/RH - VW LT GRAY

BATH GROUP

BATH & SHOWER CABINETS (CONTINUED)

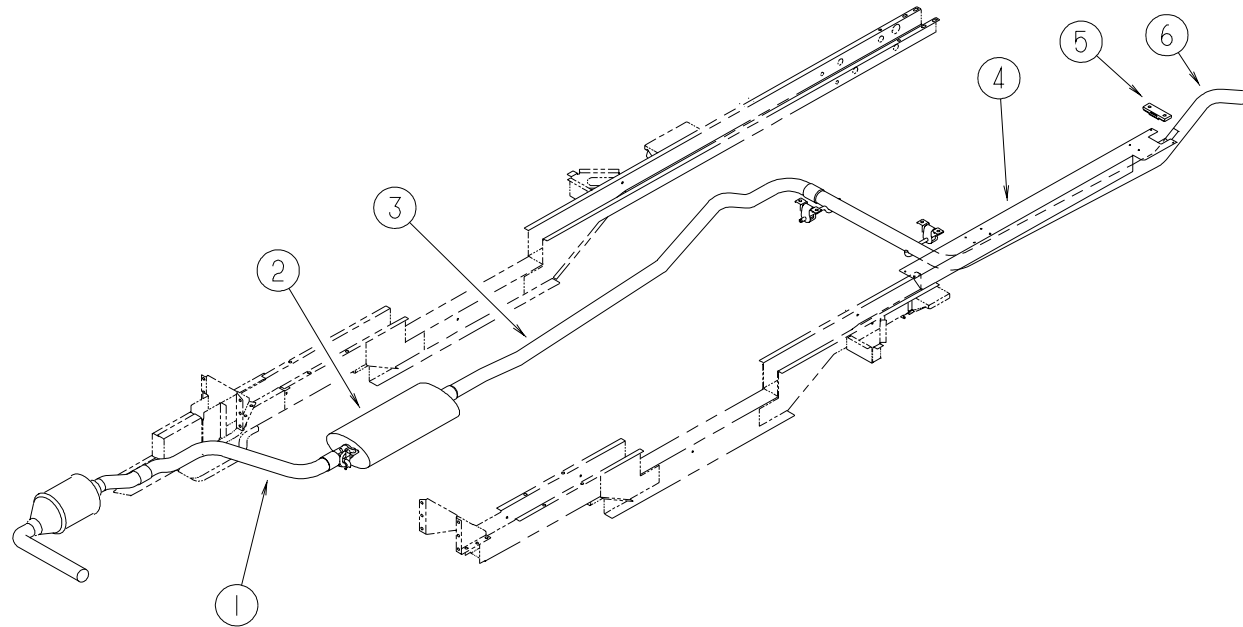


KEY	PART NUMBER	U/M	DESCRIPTION	VENDOR NO.
11	074762-01-000	EA	PULL - CABINET - 4.8" X .9" - BLACK PLASTIC	A-033-01-0004-40-0
	074317-01-700	EA	KNOB - F/SLIDE ASSEMBLY	
12	113756-01-K76	EA	DOOR - BATH	
13	058335-03-000	EA	LATCH - W/O LOCK - BATHROOM DOOR BLACK	
	075453-02-000	EA	BAR - TOWEL - 18" BRASS	
	075452-02-000	EA	HOLDER - TOILET TISSUE - BRASS	
14	116246-02-03A	EA	CORNER - BATH/LH - VW LT GRAY	
15	113929-02-K76	EA	CABINET - WALL - BATH SLIDER - W/O HARDWARE	
	116044-01-000	EA	BUMPER - MOLDED	
16	072871-01-000	EA	PULL - FLUSH - CHROME	
17	113092-02-H70	EA	COVER - SHOWER PAN - 24.5" X 25.5"	
17	113092-03-H70	EA	COVER - SHOWER PAN - 23" X 25.5" - JAPAN	
18	118605-01-02A	EA	SHOWER PAN - W/STRAINER - VW LIGHT GRAY	
18	120590-01-01A	EA	SHOWER PAN - OFF WHITE - JAPAN EXPORT	
	114974-01-000	EA	CONNECTOR - HULL - W/STRAINER	
	066436-01-000	EA	NUT - SLIP - TAILPIECE 1.5"	

KEY	PART NUMBER	U/M	DESCRIPTION	VENDOR NO.
19*	064076-03-000	EA	TOILET - STARLITE - LOW - WHITE	
19*	121003-01-01A	EA	TOILET - JAPAN EXPORT	
20	116174-01-000	EA	SLIDE - FULL EXTENDED	
	103092-01-000	EA	SHOWER HEAD - W/60" HOSE & BRACKET - IVORY	
	131383-01-01A	EA	SHOWER HEAD - W/HOSE & BRACKET - 60" - IVORY	FROM: 00-00-00 THRU: 07-12-98
	103092-02-000	EA	SHOWER HEAD - W/60" HOSE - CSA	
	103092-01-700	EA	BRACKET-F/SHOWER HEAD, CLEAR	2328028
	011048-03-700	EA	BRACKET - SHOWER HEAD/IVORY	2328029-I
	103092-01-702	EA	SEALS-SPRAY HEAD	24466
	114898-01-02A	FT	VINYL - 1.6" X 38.1" - VW LIGHT GRAY	
	P11998-01-01A	EA	PLATFORM - TOILET W/DRAIN FITTING	
	109800-01-02A	EA	FAUCET - LAVATORY - WHITE/SMOKE HANDLES	
	115000-01-02A	EA	FAUCET - LAVATORY/SHOWER - WHITE/CLEAR HANDLES	
	119282-01-01A	EA	RAIL - OVERHEAD - UPPER	

*COMPONENT PARTS FOUND IN SERVICE PARTS LIBRARY

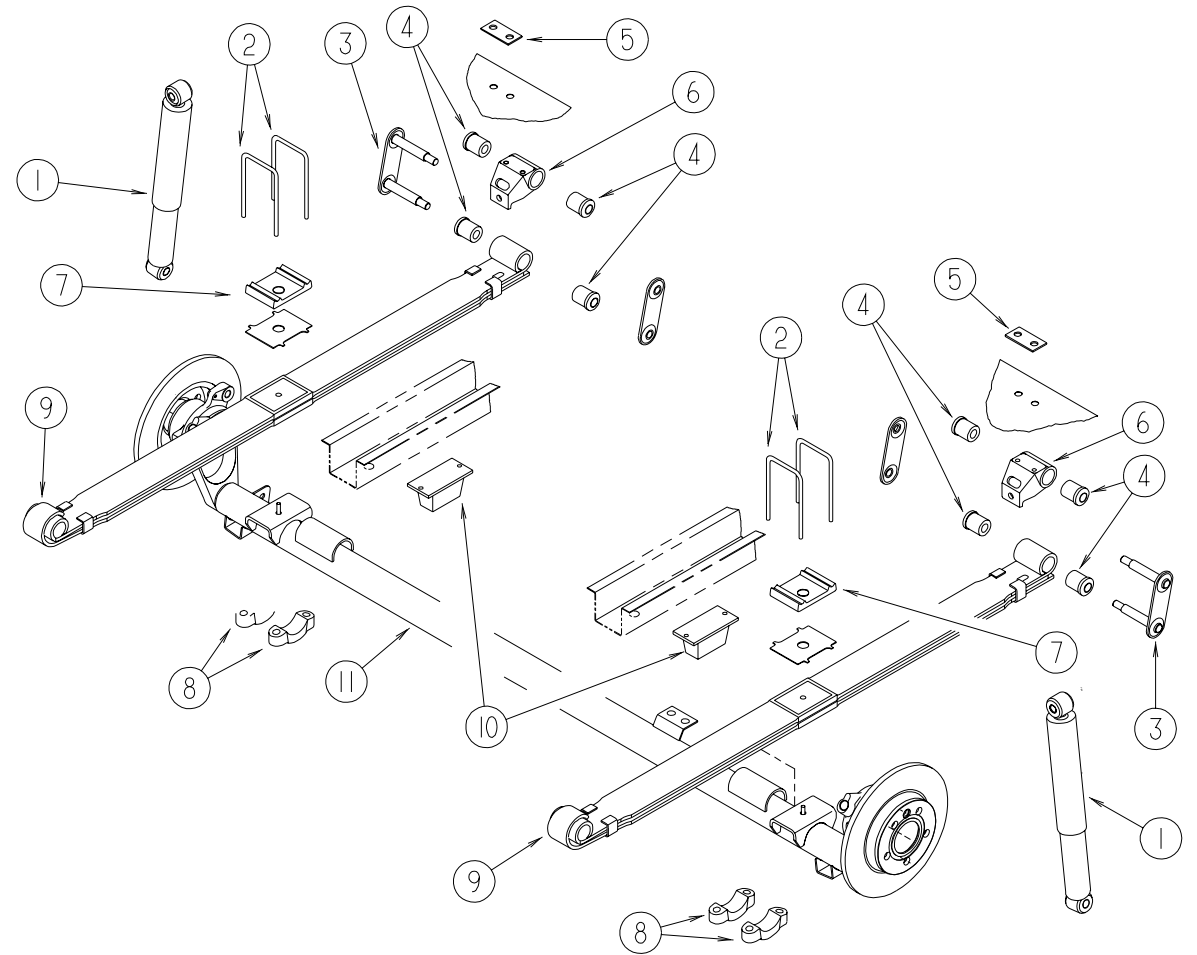
CHASSIS GROUP



EXHAUST SYSTEM COMPONENTS

KEY	PART NUMBER	U/M	DESCRIPTION
1	113098-02-000	EA	PIPE - EXHAUST/FRONT
2	121261-01-000	EA	MUFFLER - FRONT
3	113099-01-000	EA	PIPE - EXHAUST/MIDDLE
4	125075-01-09B	EA	SHIELD - EXHAUST - TAIL PIPE - GALVANIZED
5	095190-01-000	EA	HANGER - EXHAUST - 4" X 1.4"
6	113097-02-000	EA	PIPE - EXHAUST/TAIL
	082716-01-000	EA	CLAMP - EXHAUST - 2"
	082716-02-000	EA	CLAMP - EXHAUST - 2.24"

CHASSIS GROUP (CONTINUED)

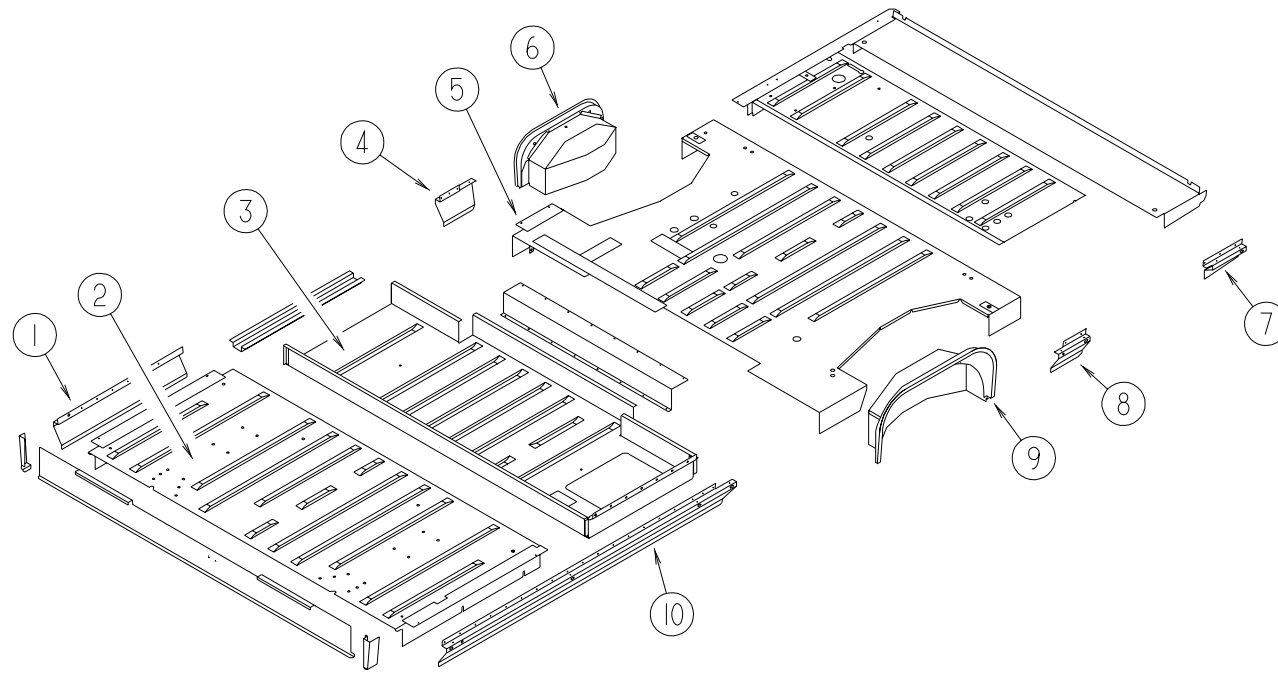


SUSPENSION COMPONENTS

KEY	PART NUMBER	U/M	DESCRIPTION
1	112033-02-000	EA	SHOCK ABSORBER - REAR VW H-BODY - NEW DESIGN
2	112410-01-000	EA	BOLT-U - REAR SPRING
3	112560-01-000	EA	SHACKLE - SPRING - REAR
4	112503-01-000	EA	BUSHING - SPRING - REAR
5	071231-01-000	EA	PLATE - FLOOR DOUBLER
6	112415-01-000	EA	SUPPORT - SHACKLE - REAR
7	112414-01-000	EA	PLATE - SPRING CLAMP
8	112413-01-000	EA	BRACKET - U BOLT - REAR SUSPENSION
9	112032-01-000	EA	SPRING - REAR LEAF W/O BUSHINGS
	116712-01-000	EA	BUSHING - SPRING - FRONT
10	113876-01-000	EA	PAD - JOUNCE - REAR SPRING
11	120493-01-01A	EA	AXLE - REAR - DISC BRAKE

CHASSIS GROUP (CONTINUED)

FLOOR COMPONENTS

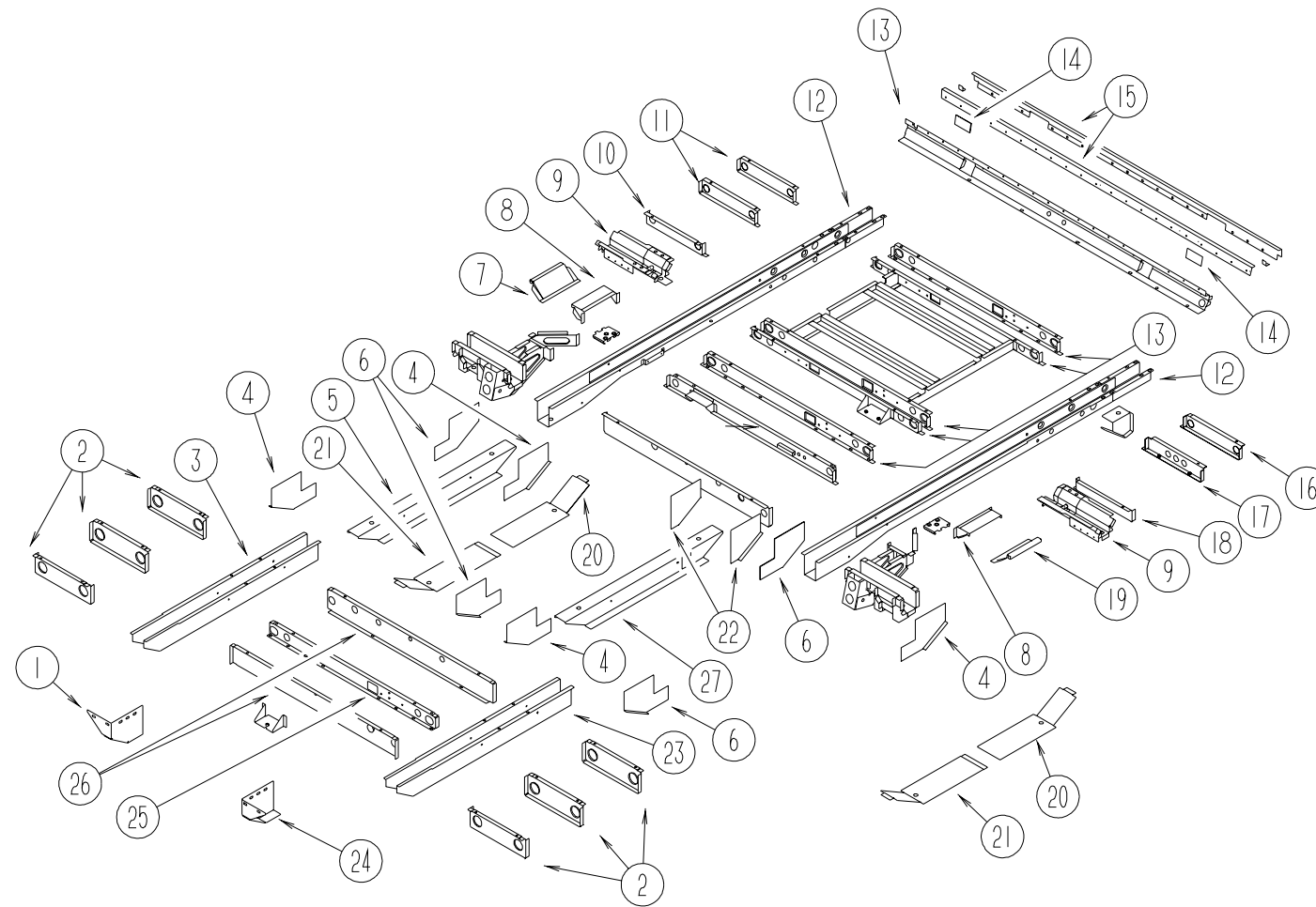


KEY	PART NUMBER	U/M	DESCRIPTION
1	113600-01-01B	EA	ROCKER ASM-FRONT,RH,MILL
2	110695-01-000	EA	PANEL-FLOOR,FRONT
3	112883-01-01B	EA	PANEL-FLOOR,LOWER,MILL
4	113601-01-01B	EA	ROCKER ASM-CENTER,RH,MILL
5	112222-01-000	EA	PANEL-FLOOR,REAR

KEY	PART NUMBER	U/M	DESCRIPTION
6	112345-01-000	EA	WHEELHOUSE W/SHOCK MOUNT - REAR PASSENGER SIDE - STEEL
7	112808-01-02B	EA	ROCKER - REAR - LEFT HAND
8	113005-01-01B	EA	ROCKER - REAR - LEFT HAND
9	112345-02-000	EA	WHEELHOUSE W/SHOCK MOUNT - REAR DRIVER SIDE - STEEL
10	071366-01-000	EA	ROCKER ASM-FRONT,LH
	112818-01-02B	EA	COMPARTMENT - REAR - LEFT HAND
	072877-03-000	EA	INSULATION - SOUND BARRIER - 1" X 36" X 57" - ADH BACK

CHASSIS GROUP (CONTINUED)

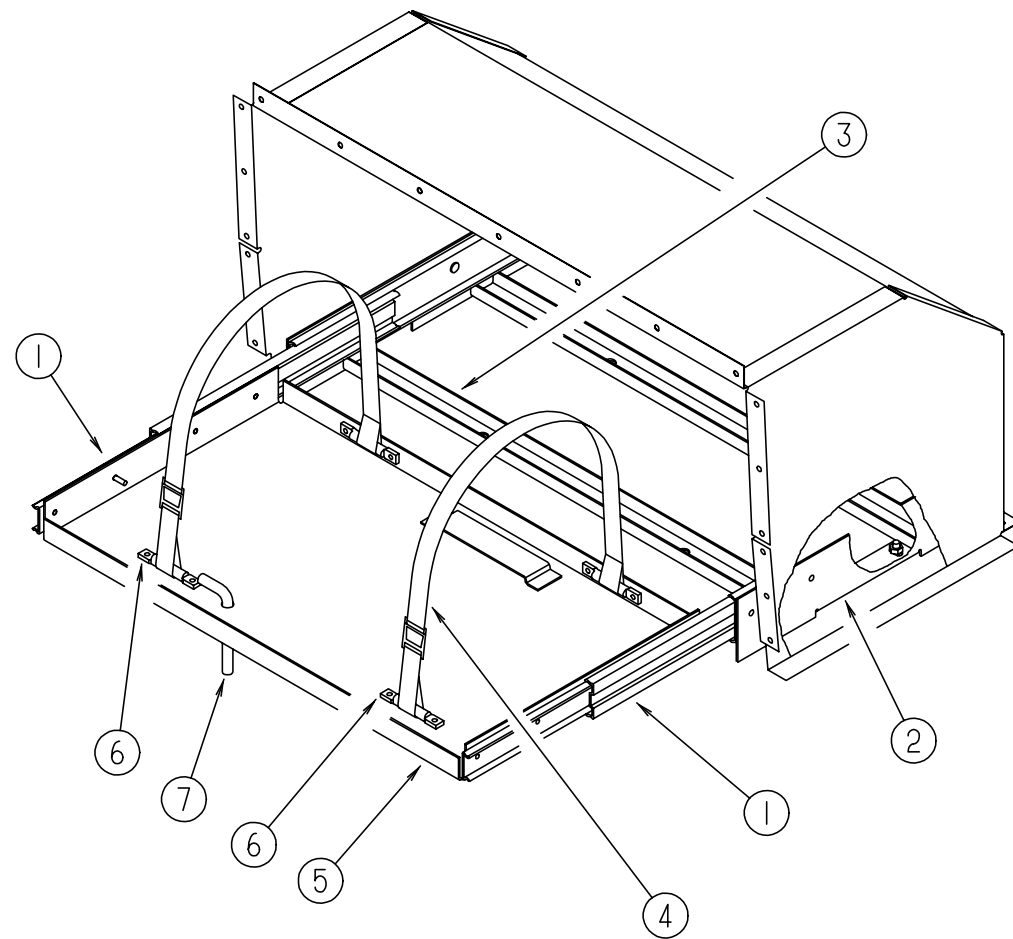
FLOOR FRAME ASM



KEY	PART NUMBER	U/M DESCRIPTION
1	117866-01-01B	EA BRACKET - FRAME - FLOOR - MILL - RIGHT HAND
2	071225-01-000	EA OUTRIGGER - FRONT
3	117865-03-01B	EA RAIL ASM - FRAME - FRONT - RIGHT HAND - MILL
4	071223-01-000	EA GUSSET - FRAME - LOWER RIGHT HAND
5	126977-02-01B	EA RAIL - FRAME - LOWER
6	071223-02-000	EA GUSSET - FRAME - LOWER - LEFT HAND
7	071188-01-000	EA BRACKET - SPRING MOUNT - FRONT - PASSENGER SIDE
8	112314-01-000	EA REINFORCEMENT - WHEELHOUSE
9	071162-01-000	EA STRUT - SPRING MTG
10	071232-02-000	EA OUTRIGGER - REAR - PASSENGER - 15.5" - STEEL
11	071232-01-000	EA OUTRIGGER - REAR - RIGHT HAND
12	071220-01-000	EA RAIL - FRAME - REAR
13	071229-01-000	EA CROSSMEMBER - REAR - CENTER - 45" LONG - STEEL
14	070579-13-000	EA PLATE - ANCHOR - W/1/5" WELD NUT - 2.5" X 3.3"
15	072382-01-000	EA CROSSMEMBER ASM - REAR
16	112726-01-01B	EA OUTRIGGER - GENERATOR - MILL
17	112726-03-01B	EA OUTRIGGER ASM - GENERATOR - RIGHT HAND - MILL
18	112726-04-01B	EA OUTRIGGER ASM - GENERATOR - LEFT HAND - MILL
19	071188-02-000	EA BRACKET - SPRING MOUNT - FRONT - DRIVER SIDE
20	071729-01-000	EA PLATE - RAIL - LOWER RIGHT
21	071212-01-000	EA PLATE - RAIL - LOWER
22	112315-01-000	EA OUTRIGGER - WHEELHOUSE - REAR
23	117865-03-01B	EA RAIL ASM - FRAME - FRONT - RIGHT HAND - MILL
24	117866-02-01B	EA BRACKET - FRAME - FLOOR - MILL - LEFT HAND
25	071774-01-000	EA CROSSMEMBER - FRONT
26	071226-01-000	EA CROSSMEMBER - STEPBOX
27	126977-01-01B	EA RAIL - FRAME - LOWER

KEY	PART NUMBER	U/M DESCRIPTION
	061420-05-000	EA PLUG-CAP, 1.8" DIAMETER
	061420-07-000	EA PLUG - PLASTIC - 1.8" DIAMETER
	061420-08-000	EA PLUG - PLASTIC - 2.5" DIAMETER
	112248-01-000	EA BRACKET - MOUNT - SHOCK - LOWER
	112248-02-000	EA BRACKET - MOUNT - SHOCK - LOWER
	112249-01-000	EA BRACKET-MOUNT - SHOCK - UPPER
	112250-01-000	EA PLATE - BACKING - MOUNT - SHOCK
	112312-01-000	EA MOUNT - UPPER REAR PASSENGER SHOCK - STEEL
	112312-02-000	EA MOUNT - UPPER REAR DRIVER SHOCK - STEEL
	112314-01-000	EA REINFORCEMENT - WHEELHOUSE
	072877-03-000	EA INSULATION - SOUND BARRIER - 1" X 36" X 57"
	121406-01-01A	EA BUSHING - THREADED - 2 PIECE NYLON
	071366-01-000	EA ROCKER ASM-FRONT,LH
	112883-01-01B	EA PANEL-FLOOR,LOWER,MILL
	113005-01-01B	EA ROCKER - REAR - LEFT HAND
	112808-01-02B	EA ROCKER - REAR - LEFT HAND
	113600-01-01B	EA ROCKER ASM-FRONT,RH,MILL
	113601-01-01B	EA ROCKER ASM-CENTER,RH,MILL
	112724-01-01B	EA PANEL - ROCKER - OUT REAR RIGHT HAND - MILL
	112725-01-01A	EA PANEL - ROCKER - INNER - REAR - RIGHT HAND - MILL
	110695-01-000	EA PANEL-FLOOR,FRONT
	112222-01-000	EA PANEL-FLOOR,REAR
	112345-01-000	EA WHEELHOUSE W/SHOCK MOUNT - REAR DRIVER SIDE - STEEL
	112345-02-000	EA WHEELHOUSE W/SHOCK MOUNT - REAR PASSENGER SIDE - STEEL
	071162-01-000	EA STRUT-SPRING MTG
	071188-01-000	EA BRACKET-SPRING MOUNT, FRONT - PASSENGER SIDE
	071188-02-000	EA BRACKET-SPRING MOUNT, FRONT - DRIVER SIDE

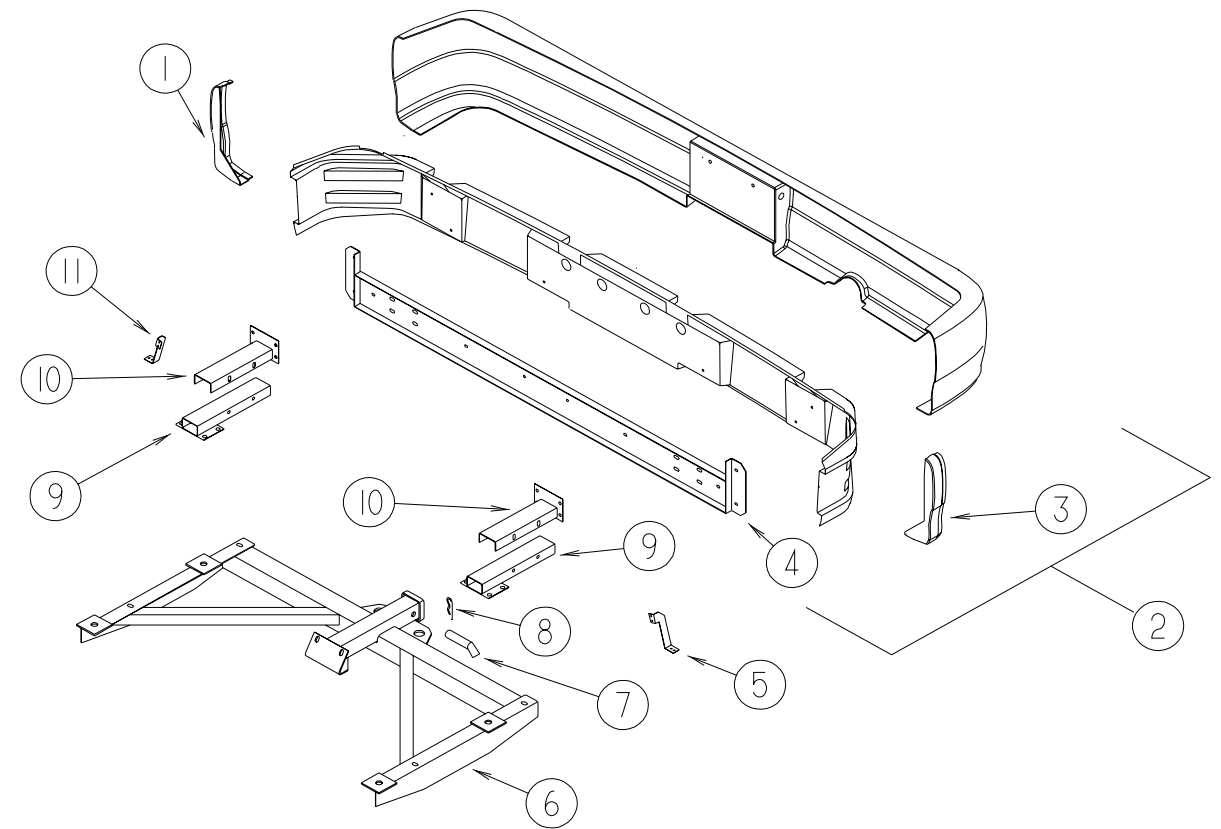
CHASSIS GROUP (CONTINUED)



LP COMPARTMENT COMPONENTS - JAPAN

KEY	PART NUMBER	U/M	DESCRIPTION
1	116985-01-000	EA	SLIDE - 3 SECTION - JOHNATHAN 310-12
2	116937-01-02B	EA	BRACKET - SUPPORT - LP TRAY
3	116935-01-04B	EA	SUPPORT - LP TRAY
4	099717-08-000	EA	STRAP - TV TIE DOWN W/7.9" FEMALE STRAP & 26" MALE STRAP
5	116955-01-02B	EA	TRAY - LP
6	064219-01-000	EA	RETAINER - 2.75" LONG, ALUMINUM - 2 PER TIEDOWN
7	015365-01-000	EA	PIN - TIRE CARRIER - CADMIUM PLATED

CHASSIS GROUP (CONTINUED)



REAR BUMPER, TRAILER HITCH & COMPONENTS

KEY	PART NUMBER	U/M	DESCRIPTION
1	130623-01-02A	EA	CAP - BUMPER END - PASSENGER - BLACK
2	130621-01-K76	EA	BUMPER - REAR
3	130623-02-02A	EA	CAP - BUMPER END - DRIVER - BLACK
4	087108-02-000	EA	SUPPORT - BUMPER/REAR
5	131451-02-02B	EA	BRACKET - SUPPORT/BUMPER - E-COATED
6	130339-06-000	EA	HITCH RECEIVER - BOLT ON CLASS I
7	034512-01-000	EA	PIN - LOCKING - DRAWBAR
8	034513-01-000	EA	PIN - HITCH - 3/16" WIRE
9	115947-01-02B	EA	SUPPORT - LOWER - BUMPER/REAR
10	115944-01-02B	EA	SUPPORT - UPPER - BUMPER/REAR
11	131451-01-02B	EA	BRACKET - BUMPER SUPPORT/OUTER - E-COATED
	113589-01-000	EA	CONNECTOR - PLUG - TRAILER
	113589-02-000	EA	CONNECTOR - SOCKET - TRAILER
	121681-01-000	EA	LAMP - LICENSE PLATE - HELLA 2KA004331067

CHASSIS GROUP (CONTINUED)

FUEL SYSTEM COMPONENTS

KEY	PART NUMBER	U/M	DESCRIPTION
	084884-01-000	EA	PLUG - BRASS - 3/8"
	007063-01-000	FT	HOSE - FUEL - 1/4"ID X 1/2"OD
			FROM: 00-00-00 THRU: 01-25-99
	128139-03-000	FT	HOSE - FUEL - LOW PERMEABILITY - 1/4" DIAMETER
			FROM: 01-26-99 THRU: 99-99-99
	113378-01-000	EA	FUEL LINE - GENERATOR - FRONT
	113378-02-000	EA	FUEL LINE - GENERATOR - REAR
	114253-01-000	EA	ELBOW - 1/4 SINGLE BARB X 1/8 MPT
			FROM: 00-00-00 THRU: 12-16-98
	114254-01-000	EA	ADAPTER - 1/4 BARB X 1/8 MPT
			FROM: 00-00-00 THRU: 12-16-98
	125187-02-000	FT	HOSE - FUEL - LOW PERM - 12.7 ID

DICOR 15" WHEEL COVERS

KEY	PART NUMBER	U/M	DESCRIPTION	VENDOR NO.
	114193-01-000	EA	COVER - WHEEL - 15" - SET OF 4	
	114193-01-700	EA	COVER-WHEEL(1 EA = 1 ONLY)	PC9054-15-COV
	077030-02-000	EA	EXTENSION - VALVE STEM - 1.25"	

FRONT & REAR MUDFLAP & RETAINER BRACKET

KEY	PART NUMBER	U/M	DESCRIPTION
	073905-01-000	EA	MUDFLAP - REAR - 10.1" X 19.3"
	073905-03-000	EA	MUDFLAP - FRONT - 12.2" X 7.9"
	073913-01-000	EA	RETAINER - MUDFLAP - METAL
	113573-01-02B	EA	BRACKET - MUDFLAP

LUG WRENCH , TIRE JACK & HANDLE

KEY	PART NUMBER	U/M	DESCRIPTION
	116209-01-000	EA	WRENCH - LUG - .75"
	114387-01-000	EA	JACK - SCREW - 4000 LB
	114387-02-000	EA	HANDLE - SCREW JACK - 1 PIECE

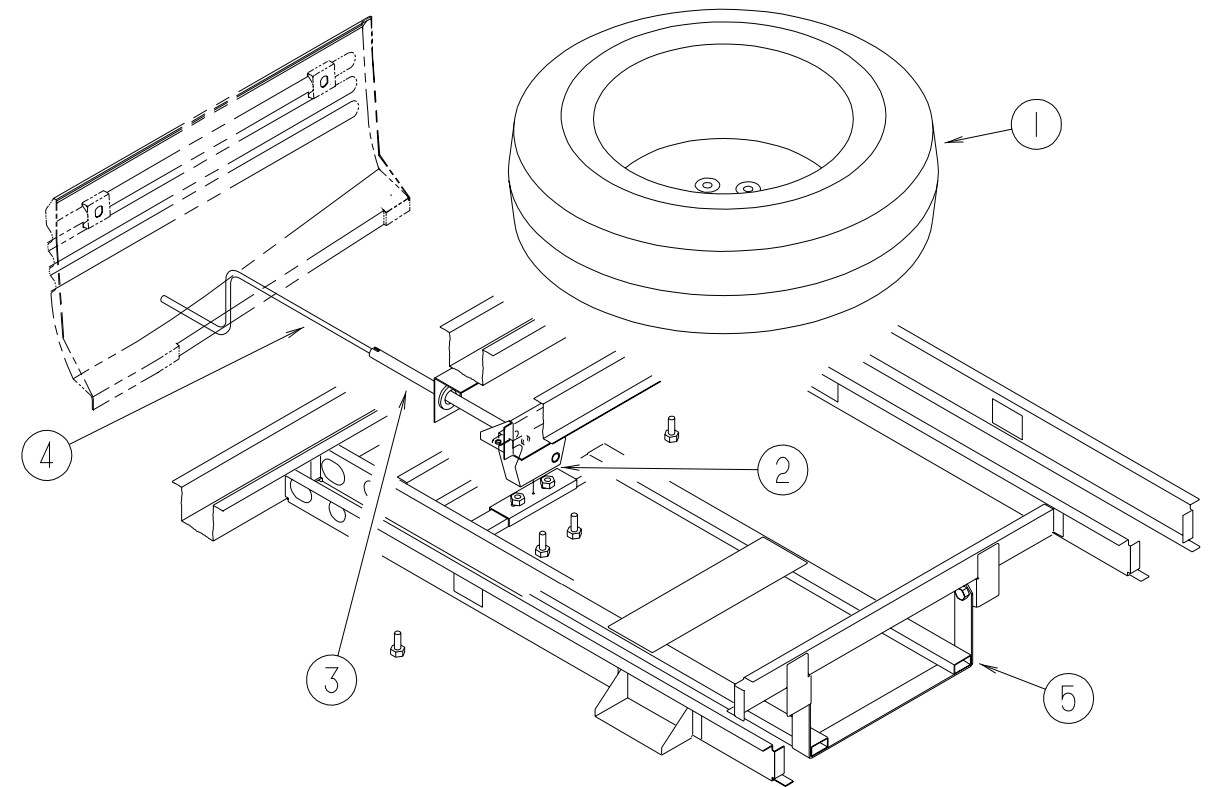
REAR AIR BAGS

KEY	PART NUMBER	U/M	DESCRIPTION
	701390-04-700	EA	AIR BAG SYSTEM - COMPLETE INSTALLATION - REAR VW H-BODY
	100293-03-700	EA	AIR BAG REPAIR KIT - VW H-BODY, LEFT HAND
	100293-03-701	EA	AIR BAG REPAIR KIT - VW H-BODY, RIGHT HAND

MISCELLANEOUS CHASSIS COMPONENTS

KEY	PART NUMBER	U/M	DESCRIPTION
	103491-02-000	EA	BRACKET - LICENSE PLATE - FRONT
	120406-02-02B	EA	ROD - THREADED - PARK BRAKE
	130075-01-02B	EA	BRACKET - PARK BRAKE CABLE/LEFT HAND - E-COATED
			FROM: 03-26-98 THRU: 99-99-99
	130075-02-02B	EA	BRACKET - PARK BRAKE CABLE/RIGHT HAND - E-COATED
			FROM: 03-26-98 THRU: 99-99-99
	112638-01-000	EA	HOSE - BRAKE LINE/REAR
	112638-02-000	EA	CLIP - SPRING - BRAKE HOSE
	100424-01-000	EA	ANGLE - BRAKE CABLE
	076776-02-000	EA	TEE - BEADED - 3/4 X 3/4 X 3/4
	130307-01-000	EA	FITTING - REDUCE - HOSE - 1/2-5/8
	111420-07-000	EA	PLATE - SUPPORT
	112081-02-000	EA	ANGLE - ROOF SUPPORT - CENTER
	112538-01-000	EA	PILLAR - RIGHT HAND
	112538-02-000	EA	PILLAR - LEFT HAND

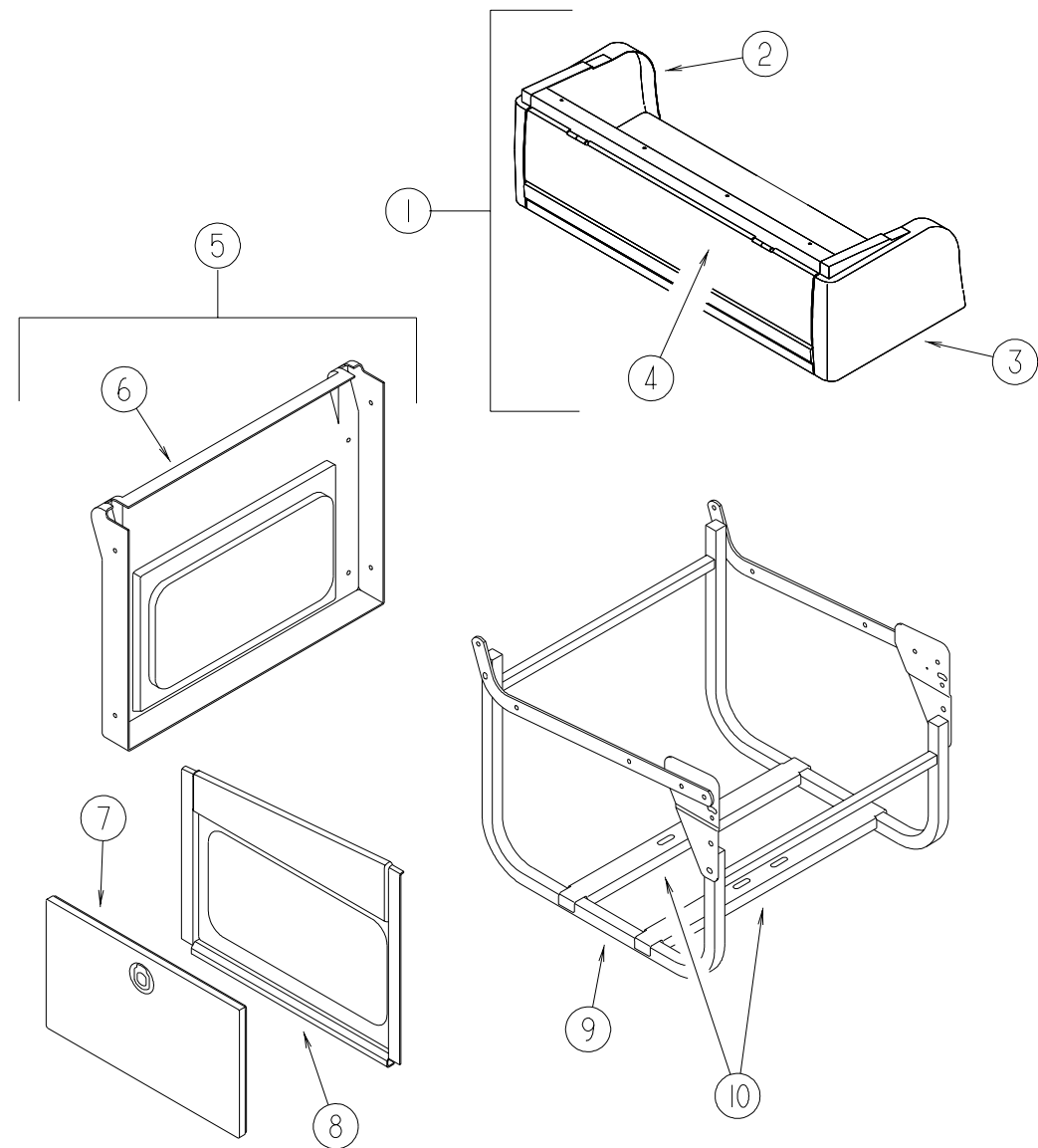
CHASSIS GROUP (CONTINUED)



SPARE TIRE/MOUNT & HOIST

KEY	PART NUMBER	U/M	DESCRIPTION
1	116271-01-000	EA	TIRE - LT 195/70T 15C 104/102P - F/Front & SPARE
1	116271-02-000	EA	TIRE - 215/70 R15 C 109/107P - F/REAR
	051377-04-000	EA	VALVE STEM - .5" X 2"
	077030-02-000	EA	EXTENSION - VALVE STEM - 1.25"
2	093267-03-000	EA	HOIST - SPARE TIRE - 100 LB
3	093375-15-000	EA	EXTENSION - TIRE HOIST
4	093376-02-000	EA	HANDLE - CRANK - TIRE HOIST
	114376-01-000	EA	PIN - DRIVE - .156 X .750 - TYPE E - TIRE HOIST
	113007-04-000	EA	PIN - SPRING - .007" X 1.25"
	015365-01-000	EA	PIN - TIRE CARRIER - CADMIUM PLATED
5	124645-01-02B	EA	CRADLE - SPARE TIRE
	116350-02-01B	EA	BRACKET - SPARE TIRE - E-COATED
	116209-01-000	EA	WRENCH - LUG - .75"

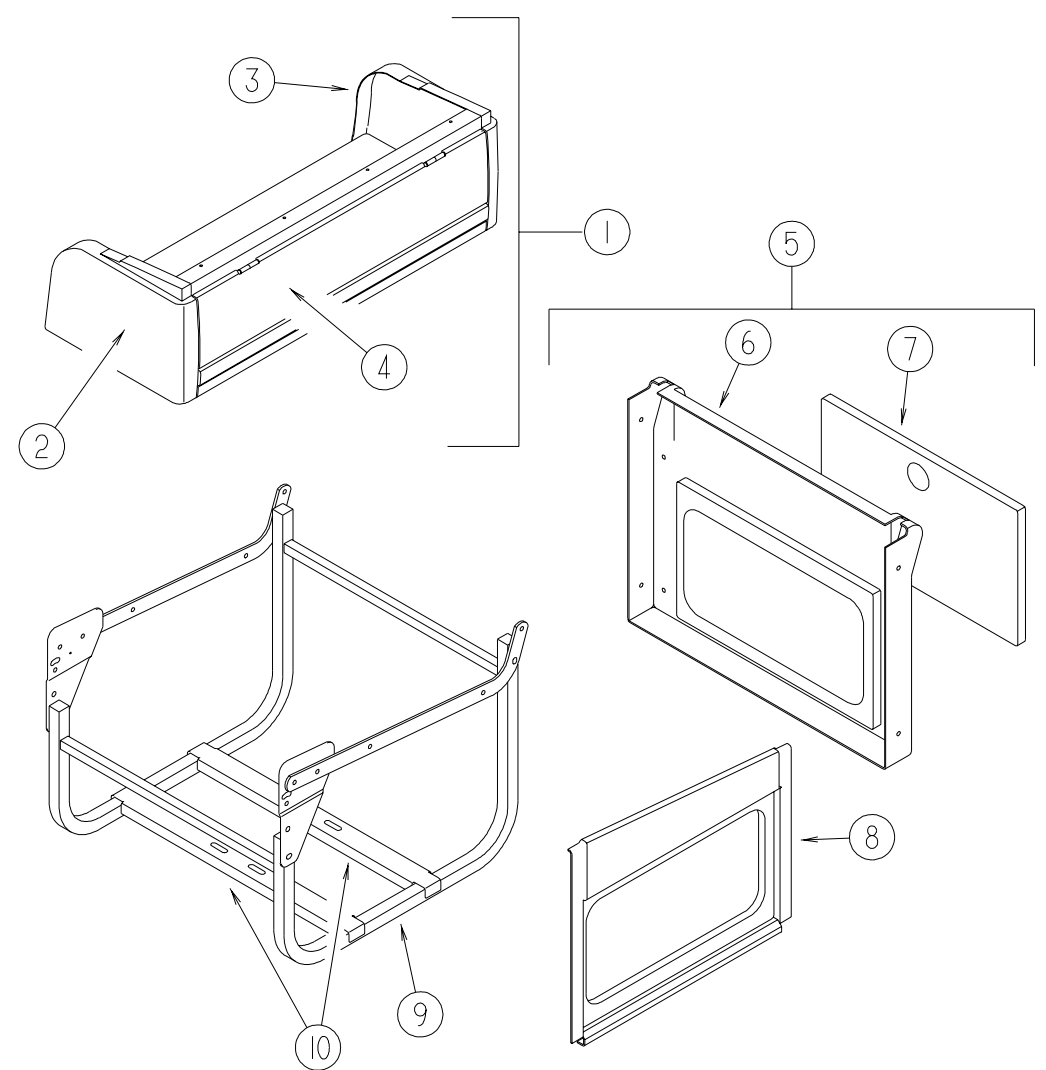
COMPANION SEAT GROUP



DRIVER SIDE

KEY	PART NUMBER	U/M	DESCRIPTION
1	116853-03-K76	EA	CABINET - OVERHEAD/COMPANION SEATS - LH/RH - W/O HARDWARE
2	112374-02-03A	EA	END CAP - OVERHEAD CABINET - LEFT HAND - VW LT GRAY
3	112374-01-03A	EA	END CAP - OVERHEAD CABINET - RIGHT HAND - VW LIGHT GRAY
4	116832-01-K76	EA	DOOR/PANEL - PLASTIC - W/O HARDWARE
5	M07459-07-K76	EA	PANEL - COMPANION/LEFT - W/DOOR/END PANELS
6	113441-01-03A	EA	END CAP/TRIM - COMPANION SEAT - REAR - VW LT GRAY
7	116854-01-K76	EA	DOOR/PANEL - COMPANION SEAT - W/O HARDWARE
8	117949-01-03A	EA	END CAP/TRIM - COMPANION SEAT - RIGHT HAND - VW LIGHT GRAY
9	113991-02-000	EA	FRAME/BASE - COMPANION/DRIVER
10	113283-01-02B	EA	CROSSMEMBER - COMPANION SEAT BASE
	116071-01-01A	EA	PLUG - PLASTIC/CAP
	114280-02-03A	EA	COVER - BRACKET/SEAT BELT - LH COMPANION SEAT - VW LT GRAY
	114279-03-02B	EA	BRACKET - D LOOP - RIGHT HAND
	109146-01-000	EA	BOLT - SHOULDER/SEAT BELT
	113375-05-01A	EA	LATCH - SLAM - BACK - .8" THICK
	113676-01-01A	EA	HINGE - OVERLAY - VARIABLE
	115987-01-03A	EA	PANEL - COMPANION SEAT BACK - MECHANISM COVER - VW LT GRAY

COMPANION SEAT GROUP (CONTINUED)



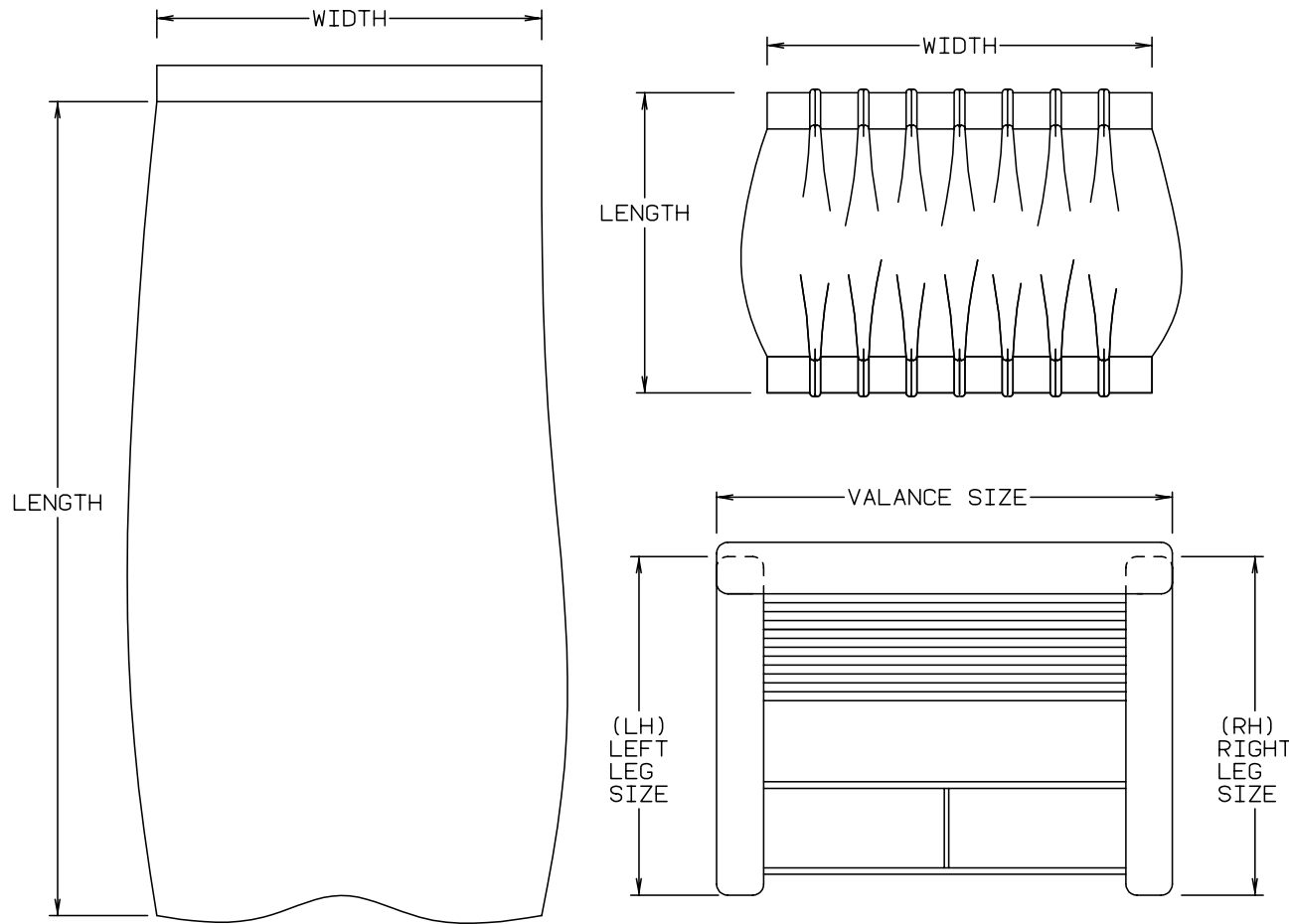
PASSENGER SIDE

KEY	PART NUMBER	U/M	DESCRIPTION
1	116853-03-K76	EA	CABINET - OVERHEAD/COMPANION SEATS - LH/RH - W/O HARDWARE
2	112374-02-03A	EA	END CAP - OVERHEAD CABINET - LEFT HAND - VW LT GRAY
3	112374-01-03A	EA	END CAP - OVERHEAD CABINET - RIGHT HAND - VW LIGHT GRAY
4	116832-01-K76	EA	DOOR/PANEL - PLASTIC - W/O HARDWARE
5	M07459-06-K76	EA	SEAT - COMPANION/RIGHT HAND - W/DOOR/END PANELS
6	113441-02-03A	EA	PANEL - TRIM - COMPANION SEAT - REAR - VW LT GRAY
7	116854-01-K76	EA	DOOR - COMPANION SEAT - W/O HARDWARE
8	117949-02-03A	EA	PANEL - TRIM - COMPARTMENT/LH - LT GRAY
9	113991-01-000	EA	FRAME - BASE - COMPANION/PASSENGER
10	113283-01-02B	EA	BRACKET - SEAT/COMPANION
	116071-01-01A	EA	PLUG - PLASTIC/CAP
	114280-01-03A	EA	COVER - BRACKET/SEAT BELT - RH COMPANION SEAT - VW LT GRAY
	114279-03-02B	EA	BRACKET - D LOOP - RIGHT HAND
	109146-01-000	EA	BOLT - SHOULDER/SEAT BELT
	113375-06-01A	EA	LATCH - SLAM - FACE - .7" THICK
	113676-01-01A	EA	HINGE - OVERLAY - VARIABLE

**CURTAIN & CUSHION GROUP
NOTICE**

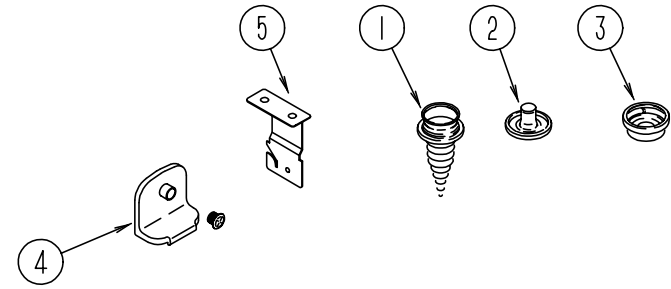
IN ORDER TO ASSIST OUR PARTS SALES DEPT. IN PROVIDING INTERIOR SOFTGOODS ITEMS, PLEASE INCLUDE THE SERIAL NUMBER AND THE COLOR CODE NUMBER FROM THE VEHICLE CERTIFICATION LABEL WHEN ORDERING. THIS LABEL IS LOCATED ON THE LEFT SIDEWALL AT THE END OF THE DASH (A-BODY),OR ON THE DRIVER'S DOOR LATCH PLATE (C-BODY).

AN EXAMPLE OF A COLOR CODE NUMBER IS B07, WHICH DESIGNATES AN OVERALL COLOR SCHEME OF A PARTICULAR UNIT. THE COLOR LISTED AFTER THE ITEM DESCRIPTION ON THE MICROFICHE, INDICATES THE OVERALL UNIT COLOR. ORDER THE ITEM YOU DESIRE ACCORDING TO UNIT COLOR CODE.



NOTE: USE THIS ILLUSTRATION WHEN DETERMINING LENGTH AND WIDTH MEASUREMENTS FOR CURTAINS. YOU WILL NOTE THE WIDTH MEASUREMENT IS TAKEN ON THE TOP OF THE CURTAIN WITH THE CURTAIN FULLY EXTENDED. THE LENGTH MEASUREMENT IS TAKEN FROM TOP TO BOTTOM. LEFT AND RIGHT WINDOW LEGS ARE DETERMINED WHEN FACING THE WINDOW.

CURTAIN & CUSHION GROUP (CONTINUED)

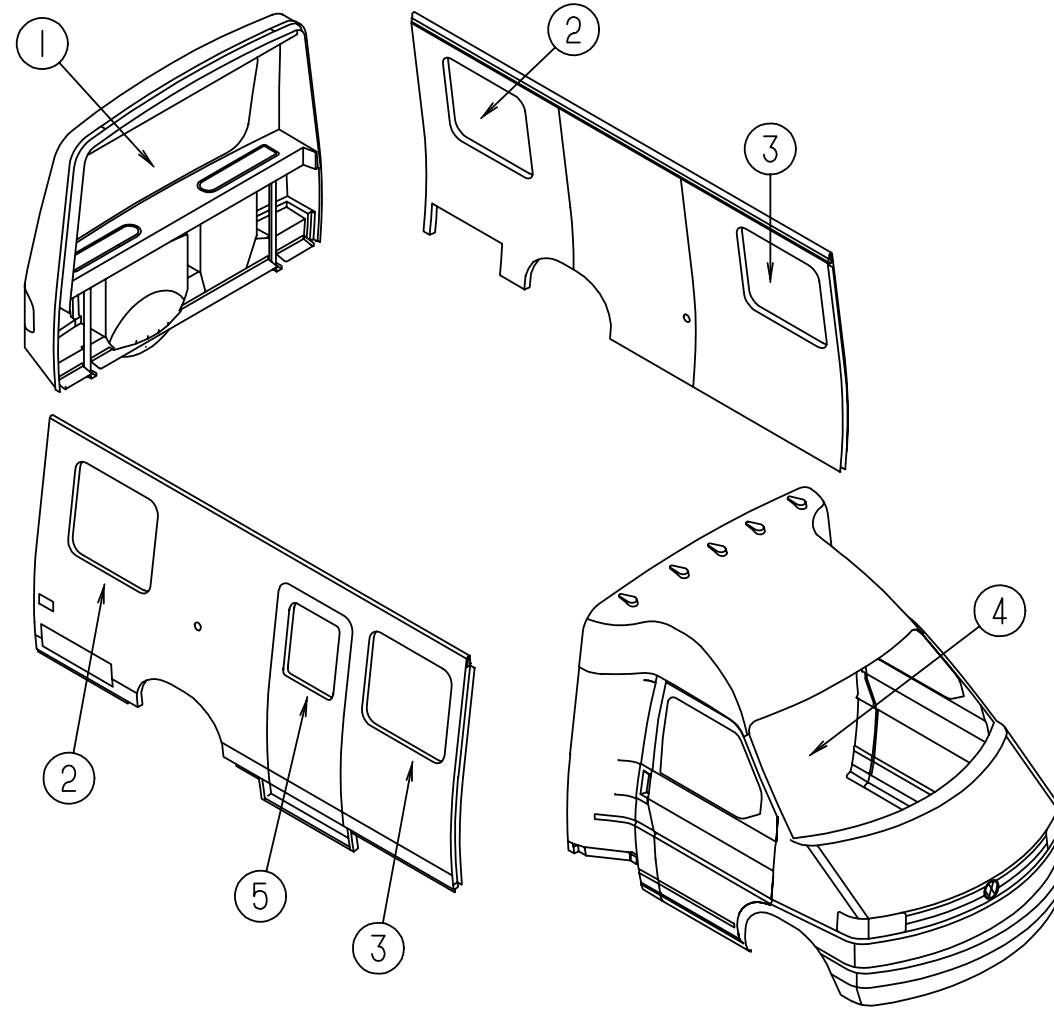


CURTAIN, BLIND & SHADE HARDWARE

KEY	PART NUMBER	U/M DESCRIPTION
1	029130-01-000	EA SCREW - SNAP SOCKET - #8 PH X 5/8"
1	029130-03-000	EA SCREW - SNAP SOCKET - #8 PH X 1"
2	029155-01-000	EA CAP - SNAP - 5/32" O.D. OF PIN
3	029156-01-000	EA SOCKET - SNAP - 9/16" O.D.
3	029156-02-000	EA SOCKET - SNAP - 27/64" OD
4	106544-01-000	EA PULL - SHADE/BRASS
4	106544-01-001	EA SCREW - SHADE/BRASS
5	084434-01-000	EA BRACKET - MOUNTING - ROLLER SHADE - 1 3/8"
	048394-02-000	YD VELCRO TAPE - HOOK - ADHESIVE BACK - .75" WIDE - BEIGE
	103242-01-000	EA VELCRO HOOK - BEIGE 7/8" ROUND W/CENTER HOLE
	103242-02-000	EA VELCRO HOOK - BLACK 7/8" ROUND W/CENTER HOLE
	086276-01-000	EA TAPE - DOUBLE SIDED - 1/2"
	094896-02-000	EA GROMMET - CORD/PLEATED BLIND - NYLON - GRAY
	094907-05-000	EA HARDWARE - END CAP - BOTTOM - PULL TYPE
	094907-05-700	EA END CAP - RIGHT HAND BOTTOM BLIND
	094907-05-701	EA END CAP - LEFT HAND BOTTOM BLIND
	094907-06-000	EA HARDWARE - END CAP - E-Z LIFT - TOP
	094908-03-000	FT HARDWARE - SEMI-RIDGED PVC - EZ LIFT
	097565-01-000	EA BRACKET - MOUNTING/PLEATED BLIND
	097591-01-000	EA SPRING - EXTENSION/PLEATED BLIND
	097592-01-000	EA SPOOL - CORD - ELEVATED BLIND HOLDUP - CLEAR PLASTIC
	097593-06-000	FT CORD - BLIND - PLEATED - PEWTER
	089275-01-000	FT STRIP - 3/4" X 96" - CLEAR POLYETHYLENE
	096843-01-000	EA SPRING - REWIND/ROLLER SHADE
	132504-01-K76	EA BRACKET - SHADE

CURTAIN & CUSHION GROUP (CONTINUED)

WINDOW TREATMENT & SHOWER CURTAIN

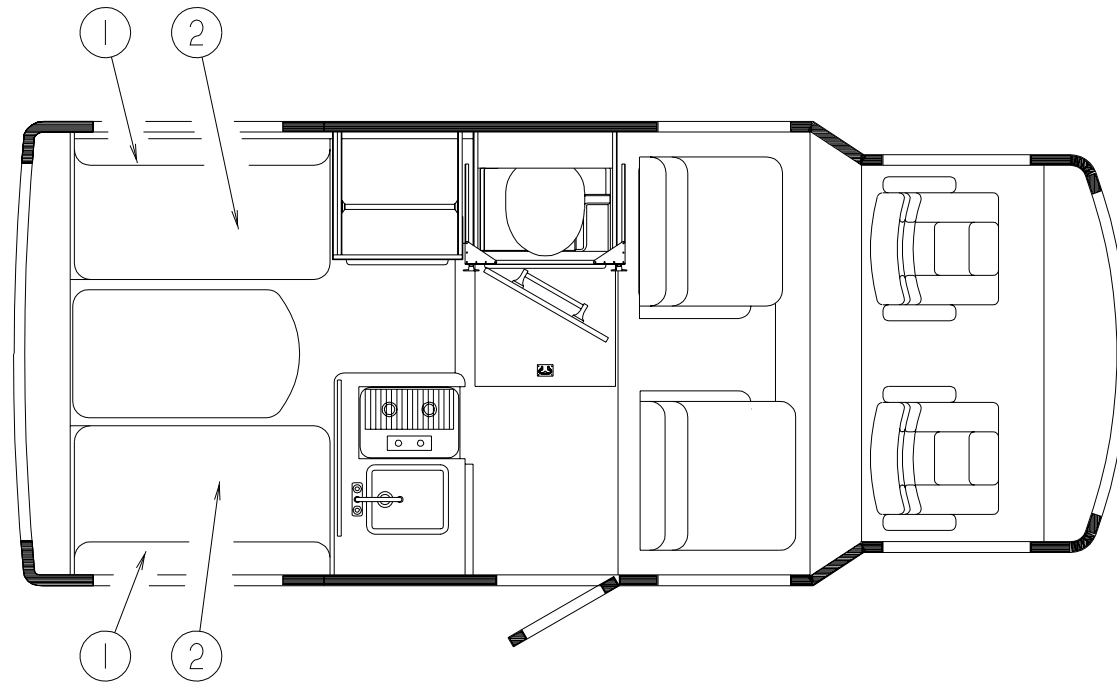


KEY	PART NUMBER	U/M	DESCRIPTION
1	119405-06-H70	EA	BLIND - MICRO PLEAT - 61" X 32"
2	113637-27-K76	EA	VALANCE - ROSEANNE - 40"
2	113637-27-K78	EA	VALANCE - ROSEANNE - 40"
2	119405-13-H70	EA	BLIND - MICRO PLEAT - 39" X 28.5"
3	113637-32-K77	EA	VALANCE - ROSEANNE - 30.5" (K76)
3	113637-32-K79	EA	VALANCE - ROSEANNE - 30.5" (K78)
3	119405-17-K76	EA	BLIND - MICRO PLEAT - 27" X 28.5"
4	077591-14-H70	EA	CURTAIN - 26" X 114"
5	113637-24-K76	EA	VALANCE - ROSEANNE - 27.5"
5	113637-24-K78	EA	VALANCE - ROSEANNE - 27.5"
5	084755-39-E01	EA	SHADE - PULL - 26.25"

KEY	PART NUMBER	U/M	DESCRIPTION
	117640-01-G46	EA	CURTAIN - SHOWER - RIGHT HAND - 33.75" FROM: 00-00-00 THRU: 09-15-98
	117640-03-G47	EA	CURTAIN - SHOWER - RIGHT HAND - 33.75" FROM: 09-16-98 THRU: 99-99-99
	117640-02-G46	EA	CURTAIN - SHOWER - LEFT HAND - 33.75" FROM: 00-00-00 THRU: 09-15-98
	117640-04-G47	EA	CURTAIN - SHOWER - LEFT HAND - 33.75" FROM: 09-16-98 THRU: 99-99-99
	057534-01-000	EA	TIEBACK/TIEDOWN - 6" CLEAR PLASTIC
	057534-02-000	EA	TIEBACK/TIEDOWN - 3" CLEAR PLASTIC
	089275-01-000	FT	STRIP - 3/4" X 96" - CLEAR POLYETHYLENE

CURTAIN & CUSHION GROUP (CONTINUED)

DINETTE CUSHIONS

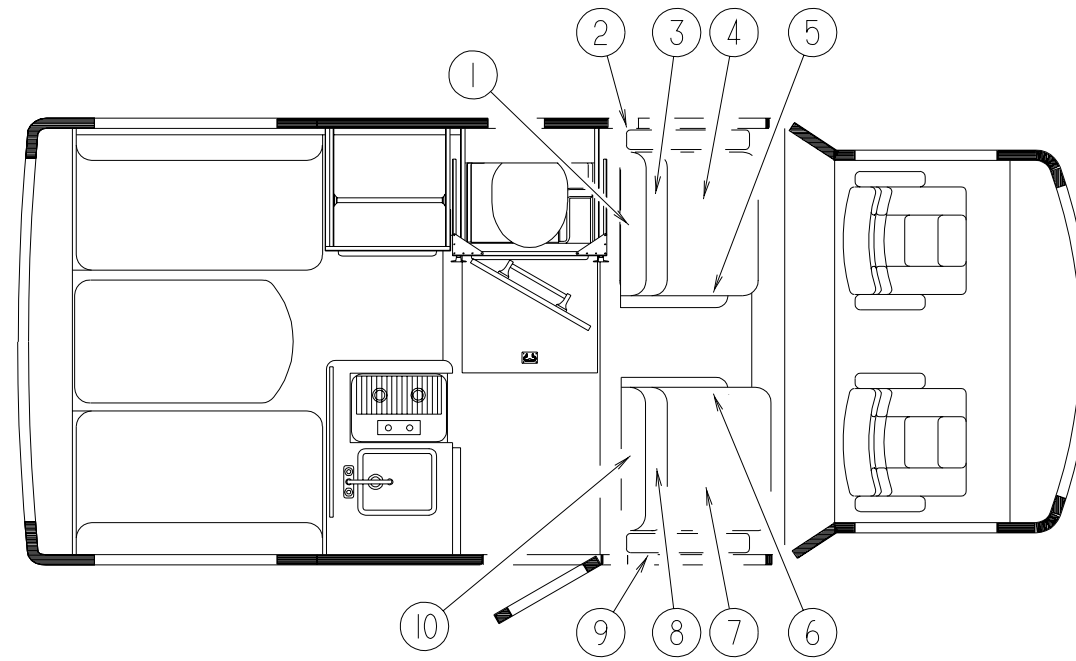


KEY	PART NUMBER	U/M	DESCRIPTION
1	114942-06-K76	EA	BACK - DINETTE SEAT (K76)
1	114942-06-K78	EA	BACK - DINETTE SEAT (K78)
1	127861-01-K76	EA	BACK - DINETTE CUSHION - LEATHER OPTION
1	P14942-06-K76	EA	COVER - BACK - DINETTE (K76)
1	P14942-06-K78	EA	COVER - BACK - DINETTE (K78)
1	P27861-01-K76	EA	COVER - DINETTE BACK - LEATHER OPTION
2	114942-05-K76	EA	SEAT - BOTTOM - DINETTE (K76)
2	114942-05-K78	EA	SEAT - BOTTOM - DINETTE (K78)
2	127861-02-K76	EA	SEAT - DINETTE CUSHION - LEATHER OPTION
2	P14942-05-K76	EA	COVER - BOTTOM - DINETTE (K76)
2	P14942-05-K78	EA	COVER - BOTTOM - DINETTE (K78)
2	P27861-02-K76	EA	COVER - DINETTE SEAT - LEATHER OPTION

KEY	PART NUMBER	U/M	DESCRIPTION
2	123241-01-000	EA	FRAME - DINETTE BASE
	123241-03-000	EA	FRAME - DINETTE BACK
	123241-02-000	EA	FRAME - DINETTE SEAT
	124309-05-K77	EA	PANEL - COVER - DINETTE/RIGHT HAND
	124309-02-K77	EA	PANEL - COVER - DINETTE/LEFT HAND
	124309-03-H70	EA	PANEL - COVER - DINETTE/LEFT HAND - JAPAN
	124309-04-H70	EA	PANEL - COVER - DINETTE/LEFT HAND - JAPAN
	M85358-07-K76	EA	COVER - REMOVABLE ARM - 5" X 5.5" X 16"
	M85358-07-K78	EA	COVER - REMOVABLE ARM - 5" X 5.5" X 16"

CURTAIN & CUSHION GROUP (CONTINUED)

COMPANION SEAT CUSHIONS



KEY	PART NUMBER	U/M	DESCRIPTION
1	121021-02-K76	EA	HEADREST - COMPANION CHAIR
	P21021-02-K76	EA	COVER - HEADREST
1	121021-02-K78	EA	HEADREST - COMPANION CHAIR
	P21021-02-K78	EA	COVER - HEADREST
1	121021-04-K76	EA	HEADREST - COMPANION CHAIR - LEATHER
	P21021-04-K76	EA	COVER - HEADREST - PASSENGER COMPANION
	113991-10-000	EA	FRAME - GROMMET
	113991-12-000	EA	FRAME - HEADREST BRACKET - LEFT HAND
2	114939-05-K76	EA	SEAT/CENTER - DRIVER COMPANION (K76,K78)
2	P14939-05-K76	EA	COVER - CENTER - DRIVER COMPANION (K76,K78)
2	113991-06-000	EA	FRAME - FILLER - COMPANION
2	113991-14-000	EA	aisle FILLER SUPPORT GUIDE
2	113991-15-000	EA	aisle FILLER CUSHION SUPPORT
2	113991-16-000	EA	aisle FILLER LOCATOR - DRIVER
2	115327-01-000	EA	PANEL - COMPANION - SEAT CENTER
3	114937-06-K76	EA	SEAT/BACK - DRIVER COMPANION
3	114937-06-K78	EA	SEAT/BACK - DRIVER COMPANION
3	127858-02-K76	EA	BACK - DRIVER COMPANION LEATHER
3	P14937-06-K76	EA	COVER - BACK - DRIVER COMPANION
3	P14937-06-K78	EA	COVER - BACK - DRIVER COMPANION
3	P27858-02-K76	EA	COVER - BACK - DRIVER COMPANION LEATHER
3	113991-05-000	EA	FRAME - BACK - COMPANION/DRIVER
4	114938-06-K76	EA	SEAT/BOTTOM - DRIVER COMPANION
4	114938-06-K78	EA	SEAT/BOTTOM - DRIVER COMPANION
4	127859-02-K76	EA	SEAT - DRIVER COMPANION LEATHER
4	P14938-06-K76	EA	COVER - SEAT - DRIVER COMPANION
4	P14938-06-K78	EA	COVER - SEAT - DRIVER COMPANION
4	P27859-02-K76	EA	COVER - SEAT - DRIVER COMPANION LEATHER
4	113991-04-000	EA	FRAME - BASE - COMPANION/DRIVER
5	114940-05-K76	EA	ARMREST - COMPANION - RIGHT HAND (K76,K78)
5	P14940-05-K76	EA	COVER - ARMREST - PASSENGER COMPANION (K76,K78)
5	113991-07-000	EA	FRAME/ARMREST BRACKET - RIGHT HAND/LEFT HAND
6	114940-06-K76	EA	ARMREST/COMPANION - LEFT HAND (K76,K78)
6	P14940-06-K76	EA	COVER - ARMREST - LEFT COMPANION (K76,K78)
6	113991-07-000	EA	FRAME/ARMREST BRACKET - RIGHT HAND/LEFT HAND

KEY	PART NUMBER	U/M	DESCRIPTION
	115987-01-03A	EA	PANEL - SEAT/BACK - VW LT GRAY
7	114938-05-K76	EA	SEAT/BOTTOM - PASSENGER COMPANION
7	114938-05-K78	EA	SEAT/BOTTOM - PASSENGER COMPANION
7	127859-01-K76	EA	SEAT - PASSENGER COMPANION LEATHER
7	P14938-05-K76	EA	COVER - SEAT - PASSENGER COMPANION
7	P14938-05-K78	EA	COVER - SEAT - PASSENGER COMPANION
7	P27859-01-K76	EA	COVER - SEAT - PASSENGER COMPANION LEATHER
7	113991-03-000	EA	FRAME - BASE - COMPANION/PASSENGER
8	114937-05-K76	EA	SEAT/BACK - PASSENGER COMPANION
8	114937-05-K78	EA	SEAT/BACK - PASSENGER COMPANION
8	127858-01-K76	EA	BACK - PASSENGER COMPANION LEATHER
8	P14937-05-K76	EA	COVER - BACK - PASSENGER COMPANION
8	P14937-05-K78	EA	COVER - BACK - PASSENGER COMPANION
8	P27858-01-K76	EA	COVER - BACK - COMPANION RIGHT HAND LEATHER
8	113991-11-000	EA	FRAME - BACK - COMPANION/PASSENGER
9	114939-06-K76	EA	SEAT/COMPANION - CENTER - PASSENGER (K76,K78)
9	127860-02-K76	EA	SEAT - CENTER - PASSENGER COMPANION - LEATHER
9	P14939-06-K76	EA	COVER - CENTER - PASSENGER COMPANION (K76,K78)
9	P27860-02-K76	EA	COVER - CENTER - PASSENGER COMPANION - LEATHER
9	113991-06-000	EA	FRAME - FILLER - COMPANION
	113991-14-000	EA	aisle FILLER SUPPORT GUIDE
	113991-15-000	EA	aisle FILLER CUSHION SUPPORT
	113991-17-000	EA	aisle FILLER LOCATOR - PASSENGER
	115327-01-000	EA	PANEL - COMPANION - SEAT CENTER
10	121021-02-K76	EA	HEADREST - COMPANION CHAIR
	P21021-02-K76	EA	COVER - HEADREST
10	121021-02-K78	EA	HEADREST - COMPANION CHAIR
	P21021-02-K78	EA	COVER - HEADREST
10	121021-03-K76	EA	HEADREST - PASSENGER COMPANION
	P21021-03-K76	EA	COVER - HEADREST - PASSENGER COMPANION
	113991-10-000	EA	FRAME - GROMMET
	113991-12-000	EA	FRAME - HEADREST BRACKET - LEFT HAND

CURTAIN & CUSHION GROUP (CONTINUED)

COMPANION AISLE FILLER SEAT

KEY	PART NUMBER	U/M	DESCRIPTION
	113991-06-000	EA	FRAME - FILLER - COMPANION
	113991-14-000	EA	AISLE FILLER SUPPORT GUIDE
	113991-15-000	EA	AISLE FILLER CUSHION SUPPORT
	113991-16-000	EA	AISLE FILLER LOCATOR - DRIVER SIDE
	113991-17-000	EA	AISLE FILLER LOCATOR - PASSENGER SIDE

SEATBELTS & WELTING

KEY	PART NUMBER	U/M	DESCRIPTION
	114258-01-01A	EA	SEAT BELT - 2" X 90" - BLACK
	114259-01-01A	EA	SEAT BELT - PASSENGER/COMPANION - 3 POINT
	114259-02-01A	EA	SEAT BELT - DRIVER/COMPANION - 3 POINT
	079349-04-H70	YD	WELT - NARROW

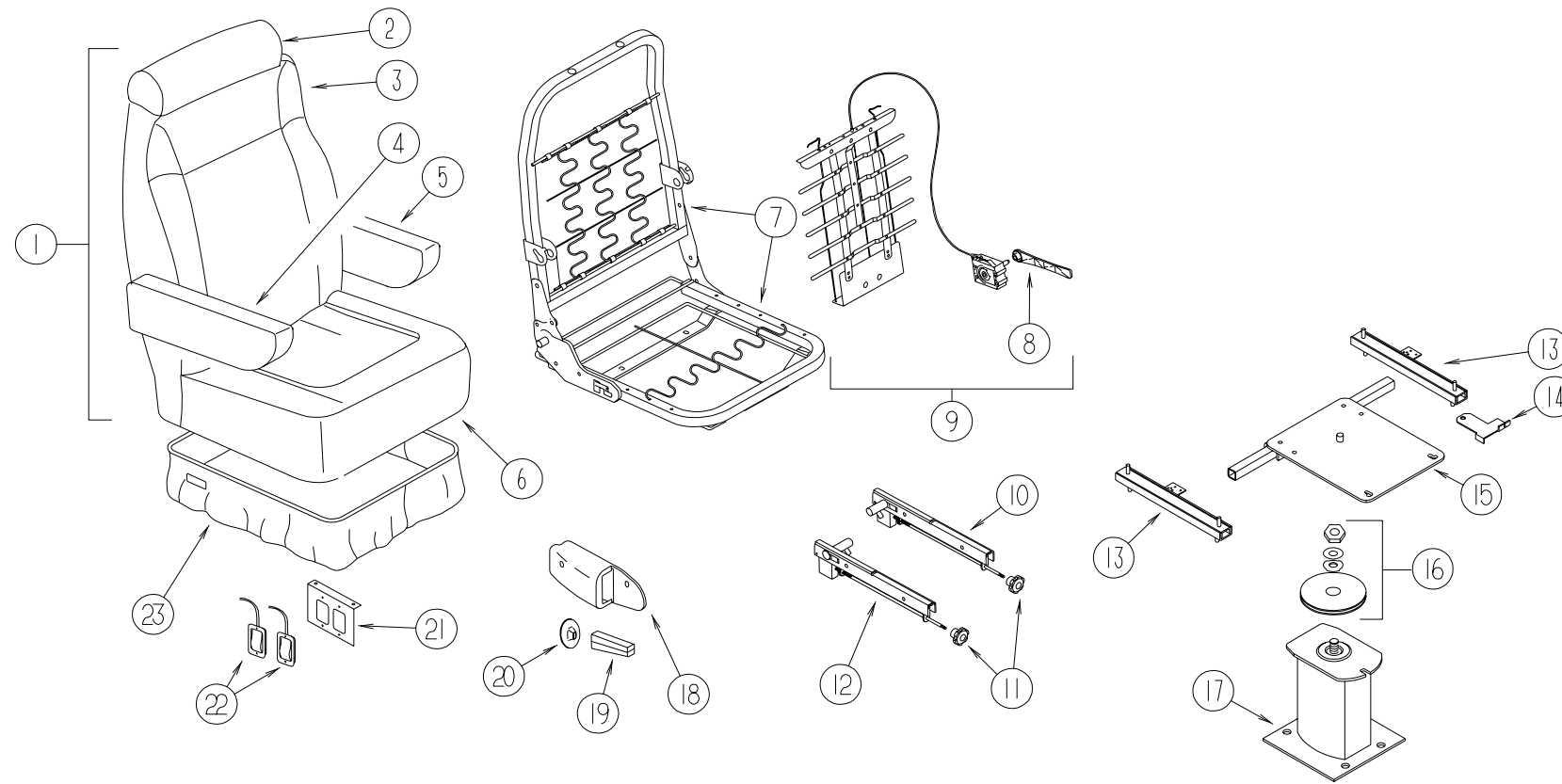
CURTAIN & CUSHION GROUP (CONTINUED)

1999 RIALTA		
COLOR CODES	K76	K78
COLORS	CYBER	SLATE
CEILING VINYL	113979-02-01A 113979-03-01A	113979-02-01A 113979-03-01A
VINYL	079680-30-000	079680-30-000
SHOWER CURTAIN VINYL	075244-10-000	075244-10-000
DRAPERY LINING	087272-03-000	087272-03-000
BUCKET SEATS	12883-30-000 079680-30-000 OPT.	126883-29-000 079680-30-000 OPT.
DINETTE	12883-30-000 079680-30-000 OPT.	126883-26-000 079680-30-000 OPT.
DINETTE WINDOWS	12883-30-000 079680-30-000	126883-29-000 079680-30-000
COMPAINION SEATS	12883-30-000 079680-30-000 OPT.	126883-29-000 079680-30-000 OPT.
COMPANION SEAT WINDOWS	12883-30-000 079680-30-000	126883-29-000 079680-30-000
SWIVEL CHAIR	126883-30-000	126883-29-000
BED COVER	126883-30-000	126883-29-000
PILLOW SHAMS	126883-30-000	126883-29-000
FRONT WRAP AROUND	072333-88-000	072333-88-000

NOTE: FABRIC LISTED FIRST, IN A BLOCK, IS THE LARGEST QUANTITY OF FABRIC USED.

CURTAIN & CUSHION GROUP (CONTINUED)

BUCKET SEAT - DRIVER SIDE

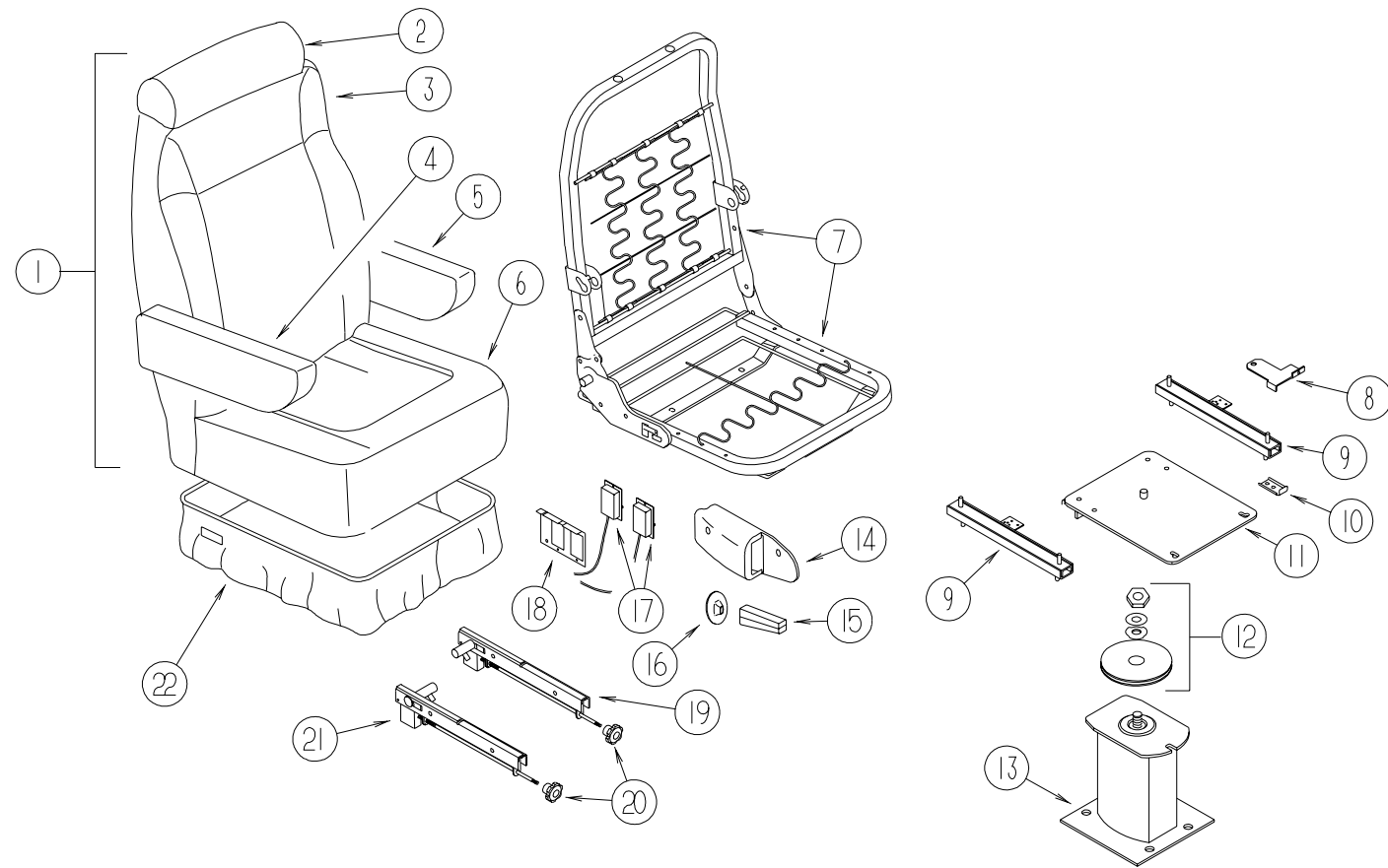


KEY	PART NUMBER	U/M	DESCRIPTION	VENDOR NO.
1	127540-08-K76	EA	SEAT - BUCKET - DRIVER-W/LUMBAR SUPPORT/ADJUSTABLE ARMREST (K76)	
1	127540-08-K78	EA	SEAT - BUCKET - DRIVER-W/LUMBAR SUPPORT/ADJUSTABLE ARMREST (K78)	
1	127851-01-K77	EA	SEAT - BUCKET - W/LUMBAR SUPPORT - ADJUSTABLE ARM - LEATHER OPTION	
2	119509-01-K76	EA	HEADREST - BUCKET SEAT	
2	119509-01-K78	EA	HEADREST - BUCKET SEAT	
2	119509-03-K76	EA	HEADREST - BUCKET SEAT - LEATHER OPTION	
2	P19509-01-K76	EA	COVER - HEADREST	
2	P19509-01-K78	EA	COVER - HEADREST	
2	P19509-03-K76	EA	COVER - HEADREST - LEATHER OPTION	
3	M05962-75-K76	EA	COVER - BACK	
3	M05962-75-K78	EA	COVER - BACK	
3	M05962-76-K77	EA	COVER - BACK - LEATHER OPTION	
4	129666-05-K76	EA	ARMREST - ADJUSTABLE/RIGHT HAND (K76,K78)	
4	129716-01-K77	EA	ARMREST - ADJUSTABLE RIGHT HAND - LEATHER OPTION	
4	P29666-05-K76	EA	COVER - ARMREST - RIGHT HAND (K76,K78)	
4	P29716-01-K77	EA	COVER - ARMREST - RIGHT HAND - LEATHER OPTION	
5	129666-06-K76	EA	ARMREST - ADJUSTABLE/LEFT HAND (K76,K78)	
5	129716-02-K77	EA	ARMREST - ADJUSTABLE/LEFT HAND - LEATHER OPTION	
5	P29666-06-K76	EA	COVER - ARMREST - LEFT HAND (K76,K78)	
5	P29716-02-K77	EA	COVER - ARMREST - LEFT HAND - LEATHER OPTION	
6	M05962-52-K76	EA	COVER - SEAT	
6	M05962-52-K78	EA	COVER - SEAT	
6	M05962-77-K77	EA	COVER - SEAT - LEATHER OPTION	
7	122695-02-01B	EA	FRAME - SEAT/BACK	
8	122611-02-701	EA	LUMBAR - LEVER	412
9	122611-02-000	EA	LUMBAR - W/LEVER	

KEY	PART NUMBER	U/M	DESCRIPTION
10	122622-05-000	EA	BRACKET - ADJUSTABLE/ARMREST - LEFT HAND
11	122622-06-000	EA	BRACKET - ADJUSTABLE KNOB - 3/8"
12	122622-04-000	EA	BRACKET - ADJUSTABLE/ARMREST - RIGHT HAND
13	119952-04-000	EA	SLIDE/SEAT - HEAVY DUTY LOCKING - 4 STUDS
	119952-07-000	EA	WIRE - LATCH RELEASE/ROTARY
14	117125-01-02B	EA	BRACKET - CABLE MOUNT - ADJUSTER W/LOCK
15	107921-08-000	EA	TOP PLATE - PEDESTAL - W/O SEAT BELT BAR
16	107921-06-000	EA	BEARING KIT - PEDESTAL
17	107921-12-000	EA	PEDESTAL - SEAT - 6"- DRIVER
18	080730-09-000	EA	SHIELD - RECLINER HANDLE
19	080730-08-000	EA	HANDLE - RECLINER
20	080730-11-000	EA	SHIELD - RUBBER BOOT
21	117125-01-02B	EA	BRACKET - CABLE MOUNT - ADJUSTER W/LOCK
22	108049-04-000	EA	CABLE - W/SWITCHES - W/26" MINI LEVER ACTION
23	071126-41-H70	EA	SKIRT - SINGLE - 7" W/SLOT (K76,K78)
23	071126-41-K77	EA	SKIRT - SINGLE - 7" W/SLOT - LEATHER OPTION
	113977-12-000	EA	HEADREST INSERT - W/O LOCK
	113977-13-000	EA	HEADREST INSERT - W/ LOCK

CURTAIN & CUSHION GROUP (CONTINUED)

BUCKET SEAT - PASSENGER SIDE

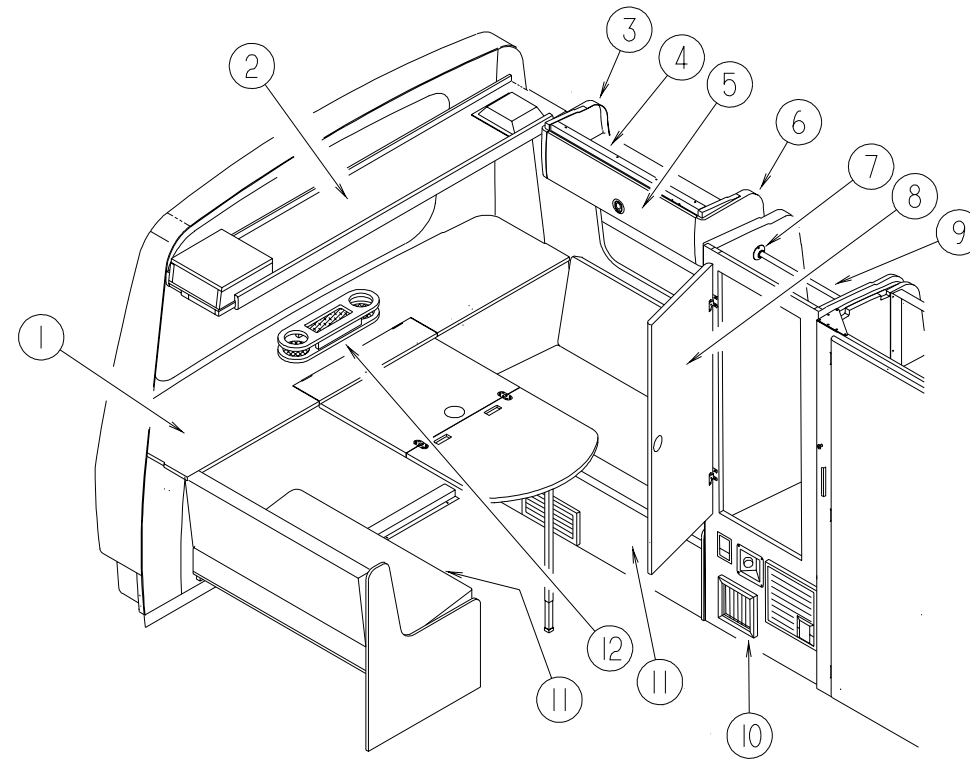


KEY	PART NUMBER	U/M	DESCRIPTION
1	127540-13-K76	EA	SEAT - BUCKET - ADJUSTABLE ARMREST/DRIVER
1	127540-13-K78	EA	SEAT - BUCKET - ADJUSTABLE ARMREST/DRIVER
1	127851-03-K77	EA	SEAT - BUCKET - ADJUSTABLE ARMREST - LEATHER OPTION
2	119509-01-K76	EA	HEADREST - BUCKET SEAT
2	119509-01-K78	EA	HEADREST - BUCKET SEAT
2	119509-03-K76	EA	HEADREST - BUCKET SEAT - LEATHER OPTION
3	M05962-75-K76	EA	COVER - BACK
3	M05962-75-K78	EA	COVER - BACK
3	M05962-76-K77	EA	COVER - BACK - LEATHER OPTION
4	129666-05-K76	EA	ARMREST - ADJUSTABLE RIGHT HAND (K76,K78)
4	129716-01-K77	EA	ARMREST - ADJUSTABLE RIGHT HAND - LEATHER OPTION
4	P29666-05-K76	EA	COVER - ARMREST - RIGHT HAND (K76,K78)
4	P29716-01-K77	EA	COVER - ARMREST - RIGHT HAND - LEATHER OPTION
5	129666-06-K76	EA	ARMREST - ADJUSTABLE LEFT HAND (K76,K78)
5	129716-02-K77	EA	ARMREST - ADJUSTABLE LEFT HAND - LEATHER OPTION
5	P29666-06-K76	EA	COVER - ARMREST - LEFT HAND (K76,K78)
5	P29716-02-K77	EA	COVER - ARMREST - LEFT HAND - LEATHER OPTION
6	M05962-52-K76	EA	COVER - SEAT
6	M05962-52-K78	EA	COVER - SEAT
6	M05962-77-K77	EA	COVER - SEAT - LEATHER OPTION

KEY	PART NUMBER	U/M	DESCRIPTION
7	122695-03-01B	EA	FRAME - SEAT/BACK
8	117125-01-02B	EA	BRACKET - CABLE MOUNT - ADJUSTER W/LOCK
9	119952-03-000	EA	SLIDE/SEAT - HEAVY DUTY LOCKING - 2 STUDS
	119952-07-000	EA	WIRE - LATCH RELEASE/ROTARY
10	114889-01-000	EA	STOP BAR - UNIVERSAL
11	107921-08-000	EA	TOP PLATE - PEDESTAL - W/O SEAT BELT BAR
12	107921-06-000	EA	BEARING KIT
13	107921-13-000	EA	PEDESTAL - SEAT - 6" - PASSENGER
14	080730-09-000	EA	SHIELD - RECLINER HANDLE
15	080730-08-000	EA	HANDLE - RECLINER
16	080730-11-000	EA	SHIELD - RUBBER BOOT
17	108049-03-000	EA	CABLE/CONTROL 25.5" SHEATH/28.5" CABLE W/DOG LEG
18	117125-01-02B	EA	BRACKET - CABLE MOUNT - ADJUSTER W/LOCK
19	122622-05-000	EA	BRACKET - ADJUSTABLE/ARMREST - LEFT HAND
20	122622-06-000	EA	BRACKET - ADJUSTABLE KNOB - 3/8"
21	122622-04-000	EA	BRACKET - ADJUSTABLE/ARMREST - RIGHT HAND
22	071126-41-H70	EA	SKIRT - SINGLE - 7" W/SLOT (K76,K78)
22	071126-41-K77	EA	SKIRT - SINGLE - 7" W/SLOT - LEATHER OPTION
	113977-12-000	EA	HEADREST INSERT - W/O LOCK
	113977-13-000	EA	HEADREST INSERT - W/ LOCK

DINETTE GROUP

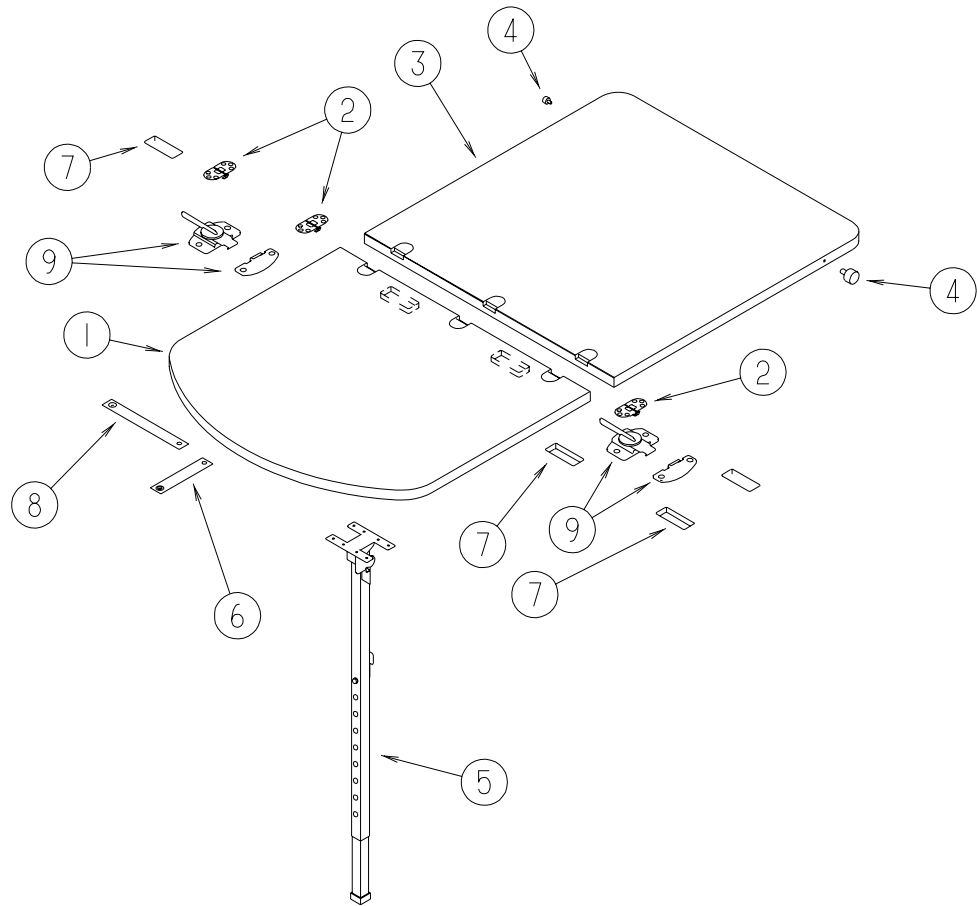
DINETTE CABINETRY



KEY	PART NUMBER	U/M	DESCRIPTION
1	124468-01-K76	EA	CABINET - REAR SHELF - W/O HARDWARE
	124468-16-J80	EA	SHELF - W/EDGE MOLDING
2	131581-01-K76	EA	CABINET - OVERHEAD/SHELF - W/O DOORS/HARDWARE
2	131581-01-K78	EA	CABINET - OVERHEAD/SHELF - W/O DOORS/HARDWARE
3	112374-02-03A	EA	END CAP - OVERHEAD CABINET - LEFT HAND - VW LT GRAY
4	116853-06-K76	EA	CABINET - OVERHEAD - W/O DOORS/HARDWARE - DRIVERS SIDE
	116853-05-K76	EA	CABINET - OVERHEAD - W/O DOORS/HARDWARE - PASSENGER SIDE
5	116832-02-K76	EA	DOOR/PANEL - PLASTIC - W/O HARDWARE
6	112374-05-03A	EA	END CAP - OVERHEAD CABINET - RIGHT HAND - VW LIGHT GRAY

KEY	PART NUMBER	U/M	DESCRIPTION
7	009112-01-000	EA	FLANGE - PLASTIC - 1" CLOTHES ROD - OFF WHITE
8	117437-01-K76	EA	PANEL - DOOR/WARDROBE - W/O HARDWARE
9	041953-03-000	FT	CONDUIT - CONVOLUTE SLIT - 1" ID (CLOTHES ROD COVER)
9	042438-01-000	EA	DOWEL - WOOD - CLOTHES ROD - 1" DIAMETER X 4'
10	119860-15-J80	EA	GRILL - WARDROBE CABINET
11	124309-02-H70	EA	PANEL - COVER - DINETTE/LEFT HAND
11	124309-03-H70	EA	PANEL - COVER - DINETTE/LEFT HAND - JAPAN OPTION
11	124309-02-K77	EA	PANEL - COVER - DINETTE/LEFT HAND - LEATHER
11	124309-05-K77	EA	PANEL - COVER - DINETTE/RIGHT HAND
	024283-01-000	EA	CLIP - LEG - 1" - 1.125" OD - BLACK
12	127567-01-J80	EA	TRAY - BEVERAGE

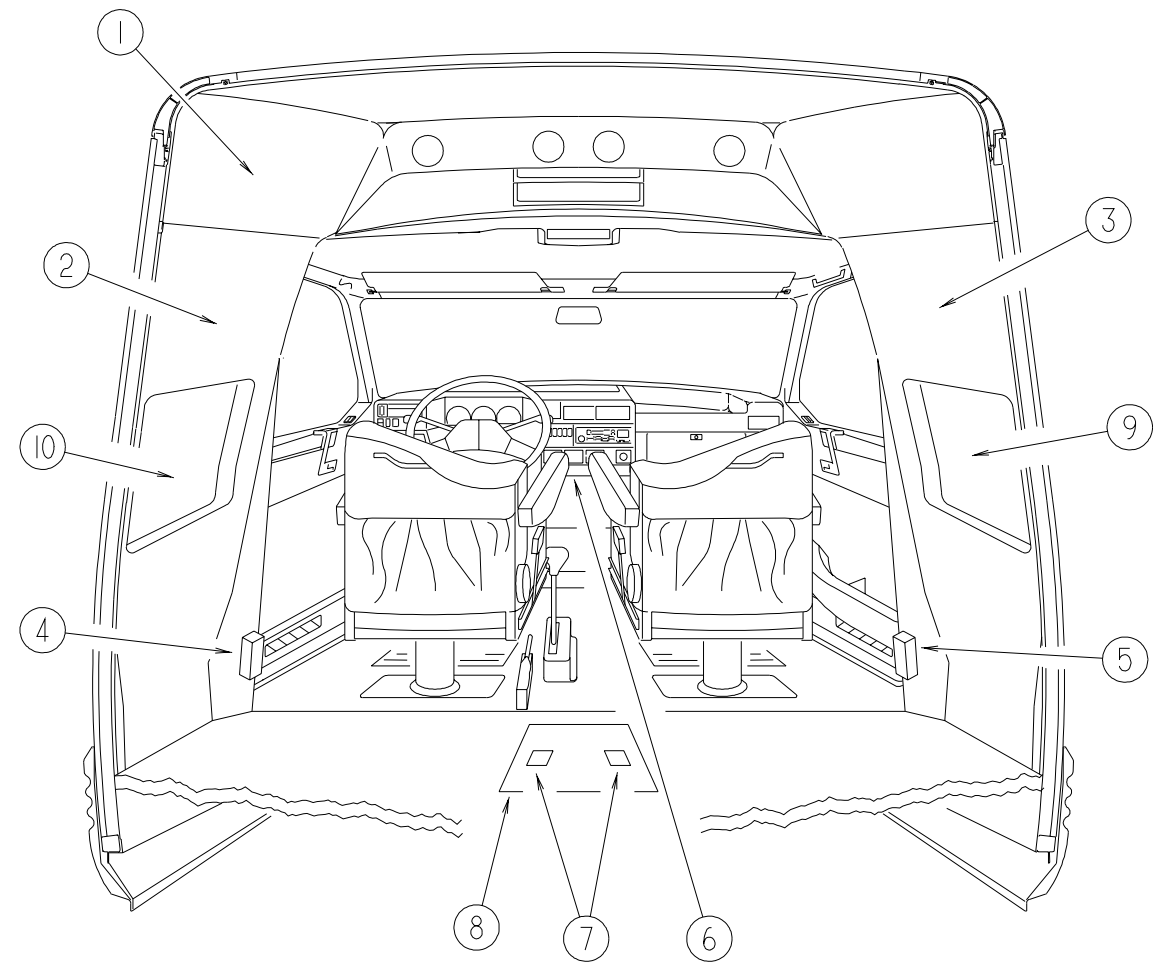
DINETTE GROUP (CONTINUED)



DINETTE TABLE

KEY	PART NUMBER	U/M	DESCRIPTION
1	124485-13-J80	EA	TABLE/FOLDING PORTION - W/O HARDWARE
2	111535-01-000	EA	HINGE - TABLE/FOLDING
3	124485-12-J80	EA	TABLE/WALL PORTION - W/O HARDWARE
4	079921-01-000	EA	ROLLER - NYLON - W/STEEL SHAFT - BARBED
5	108483-02-000	EA	LEG - TABLE - ADJUSTABLE 18.47" - 30.5"
	024283-01-000	EA	CLIP - LEG - 1" - 1.125" OD - BLACK
6	057534-02-000	EA	TIEBACK - CLEAR PLASIC - 3"
7	124311-01-01A	EA	HANDLE - RECESSED - BRASS
8	057534-01-000	EA	TIEBACK/TIEDOWN - 6" CLEAR PLASTIC
	029155-01-000	EA	CAP - SNAP - 5/32" OUTSIDE DIAMETER OF PIN
	029156-01-000	EA	SOCKET - SNAP - 9/16" O.D.
	029130-01-000	EA	SCREW - SNAP SOCKET - #8 PH X 5/8"
9	124753-01-000	EA	LOCK - SASH - TIGHT SEAL

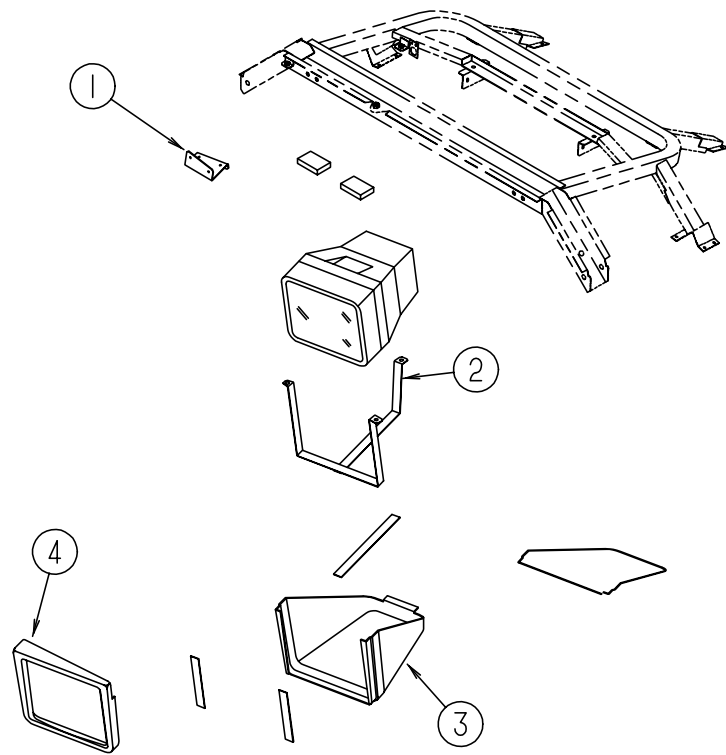
DRIVERS COMPARTMENT GROUP



DRIVERS COMPARTMENT

KEY	PART NUMBER	U/M	DESCRIPTION
1	117256-03-03A	EA	HEADLINER - CAB - VW LT GRAY ABS PLASTIC
1	117256-05-03A	EA	HEADLINER - CAB - VW LT GRAY ABS PLASTIC - W/9" TV
1	117256-07-03A	EA	HEADLINER - CAB - VW LT GRAY ABS PLASTIC - W/DELUXE SOUND
1	117256-06-03A	EA	HEADLINER - CAB - VW LT GRAY ABS PLASTIC - W/DELUXE SOUND & TV
2	P27844-02-02A	EA	PANEL - TRANSITION - INNER - VW LT GRAY
2	P27844-02-02A	EA	PANEL - TRANSITION - INNER - VW LT GRAY
3	P27844-01-02A	EA	PANEL - TRANSITION - INNER - VW LT GRAY
4	128914-01-01A	EA	COVER - RETRACTOR - DRIVER SIDE - BLACK
5	128914-02-01A	EA	COVER - RETRACTOR - PASSENGER SIDE - BLACK
6	126959-02-J80	EA	TRAY - FLIP-DOWN BEVERAGE W/CUP HOLDERS - MODIFIED/VW
	125807-01-01A	EA	COVER - BEVERAGE TRAY - VW BLACK
	125955-01-02B	EA	BRACKET - BEVERAGE TRAY - E-COATED
7	097111-02-04A	EA	POCKET - LOCK - REAR DOOR
	102330-01-000	EA	LATCH - VISE ACTION/KEY OPERATED
	102328-01-000	EA	KEY - BARREL - NICKEL PLATED
	064075-07-000	EA	SEAL - BULB - W/WIRED U CHANNEL - .3" X .5" CHANNEL - BLK
8	P18892-01-H70	EA	LID - COMPARTMENT/BATTERY - W/CARPET
	065450-08-000	EA	TIEDOWN - BATTERY
9	117555-01-K78	EA	PANEL-TRANSITION,RT.
10	117555-02-K78	EA	PANEL-TRANSITION,LT.

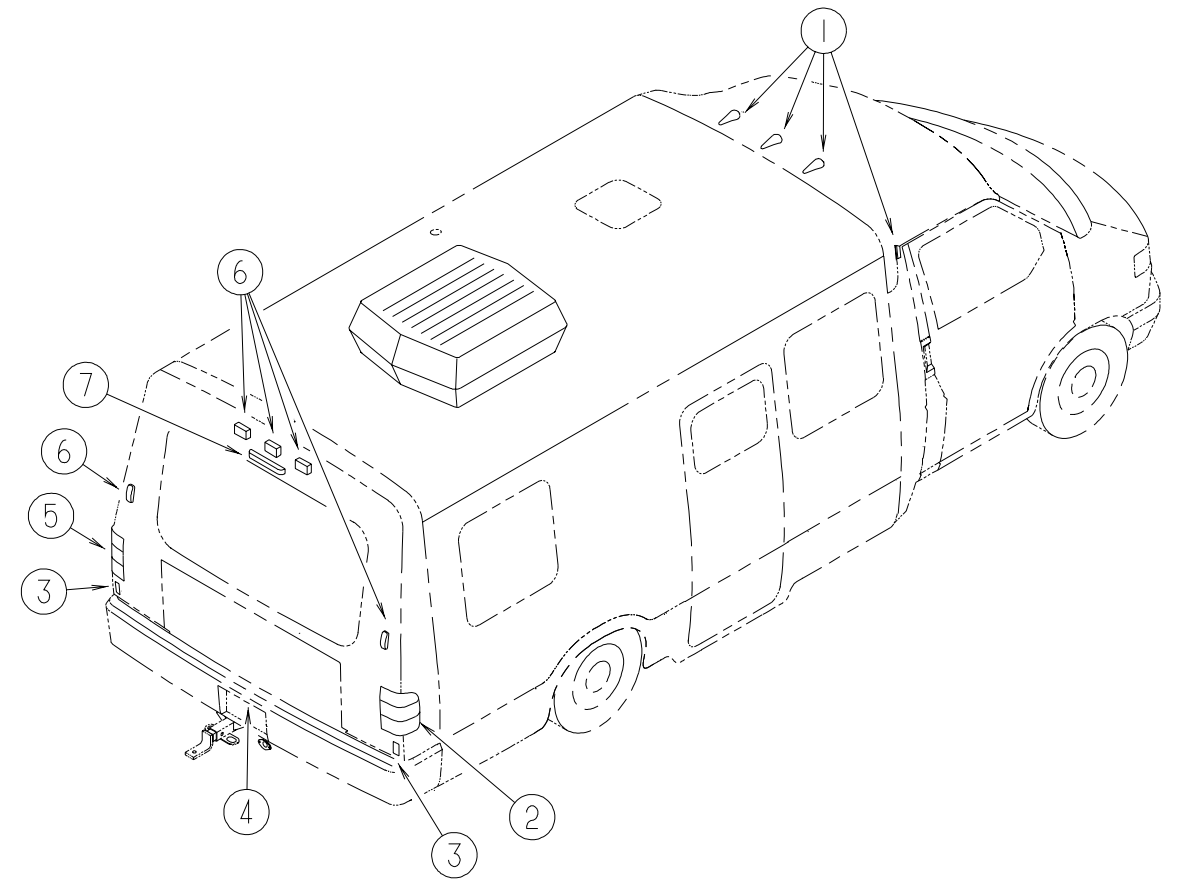
DRIVERS COMPARTMENT GROUP (CONTINUED)



TV COVERS & BRACKETS

KEY	PART NUMBER	U/M	DESCRIPTION
1	114325-01-02B	EA	BRACKET - TV - OVERHEAD
2	114705-01-02B	EA	STRAP - TV - OVERHEAD
	085774-03-000	FT	FASTENER - DUAL HOOK - 1/2" WIDE - ADHESIVE BACK - BLACK
	085774-04-000	FT	FASTENER - DUAL HOOK - 1/2" WIDE - ADHESIVE BACK - BLACK
3	114315-01-03A	EA	COVER - TV - OVERHEAD FRONT - W/O HARDWARE
4	114314-01-03A	EA	COVER - TV - OVERHEAD FRONT - VW LT GRAY
	131698-01-02B	EA	STRAP - OVERHEAD/TV - E-COATED
	118383-02-05A	EA	RETAINER - SCREW - .27" SCREW RECESS - VW LIGHT GRAY
	118383-04-05A	EA	CAP - RETAINER SCREW
	000G11-08-08B	EA	SCREW - 8-18 X 1/2 PPH - ZINC
	121323-01-02B	EA	BRACKET - Z

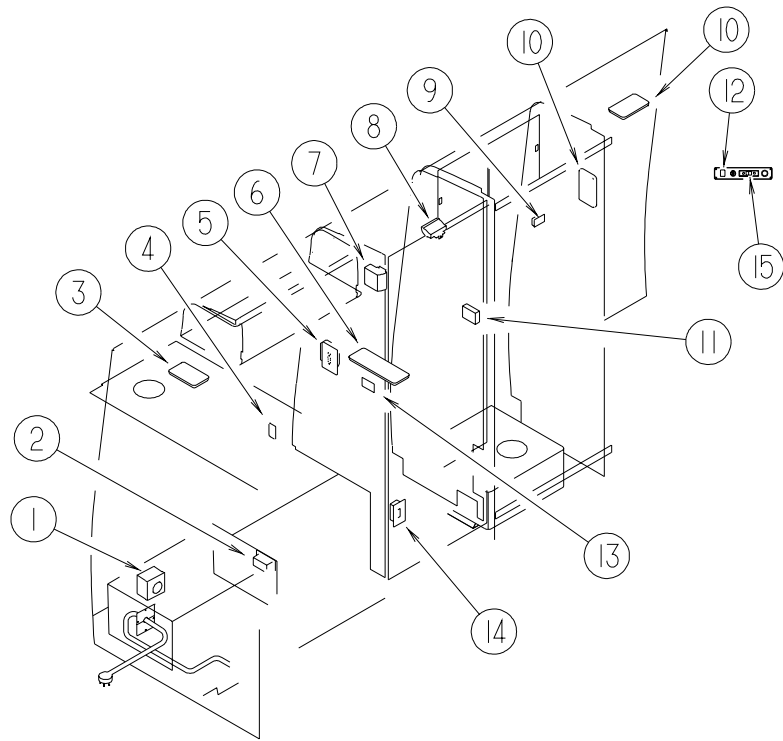
ELECTRICAL GROUP



EXTERIOR LIGHTS

KEY	PART NUMBER	U/M	DESCRIPTION
1	113709-01-000	EA	LAMP - CLEARANCE - AMBER
2	112126-03-000	EA	LAMP - REAR/RIGHT HAND
2	112709-01-000	EA	SOCKET - TURN LIGHT
2	112709-02-000	EA	SOCKET - BACK-UP LIGHT
2	112709-03-000	EA	SOCKET - BRAKE LIGHT/MARKER LIGHT
2	112707-01-000	EA	BULB - 12 VOLT - #3156 - 2.10 AMP
2	112708-01-000	EA	BULB - 12 VOLT - #3157 - .59/2.10 AMP
2	113777-01-02B	EA	BRACKET - TAIL LAMP - 7.7" LONG - E-COATED
3	106646-02-000	EA	REFLECTOR - STICK ON - RED USED ON JAPAN EXPORT ONLY
4	121681-01-000	EA	LAMP - LICENSE PLATE
5	112126-04-000	EA	LAMP - REAR/LEFT HAND
5	112709-01-000	EA	SOCKET - TURN LIGHT
5	112709-02-000	EA	SOCKET - BACK-UP LIGHT
5	112709-03-000	EA	SOCKET - BRAKE LIGHT/MARKER LIGHT
5	112707-01-000	EA	BULB - 12 VOLT - #3156 - 2.10 AMP
5	112708-01-000	EA	BULB - 12 VOLT - #3157 - .59/2.10 AMP
5	113777-01-02B	EA	BRACKET - TAIL LAMP - 7.7" LONG - E-COATED
6	111102-01-000	EA	BASE - MARKER LAMP
6	111102-03-000	EA	LENS - RED - MARKER LAMP
6	036196-01-000	EA	BULB - 12V - #194 - .27 AMP - BAYONETTE
7	121950-01-000	EA	LIGHT - BRAKE - CENTER MOUNT RUSSELL JI-100

ELECTRICAL GROUP (CONTINUED)

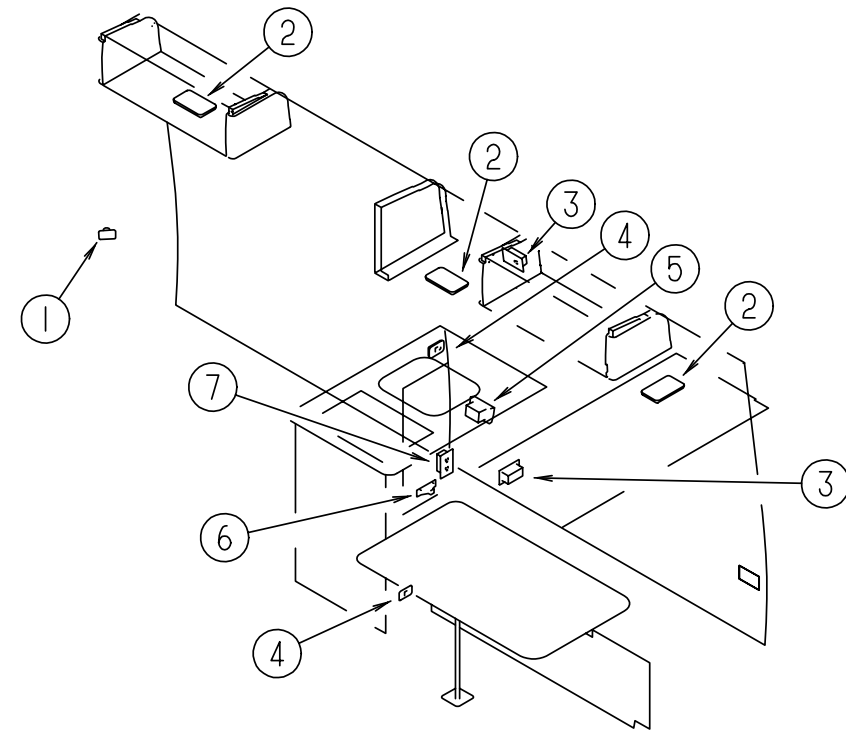


LIGHTS, RECEPTACLES & SWITCHES - DRIVER SIDE

KEY	PART NUMBER	U/M	DESCRIPTION
1	008289-01-000	EA	BOX - ELECTRIC/STEEL - 1/2" & 3/4" KNOCKOUTS - 4" X 4"
	024924-02-000	EA	RECEPTACLE - POWER CORD - W/PARTIAL PLATE
2	058707-01-000	EA	RECEPTACLE - ELECTRIC - SINGLE - BROWN
3	098024-05-02A	EA	LIGHT - DOME - 1 BULB - SKYLITE - WHITE
3	098024-01-701	EA	LENS - OPTI CLEAR - SKYLITE
3	008218-01-000	EA	BULB - DOME LIGHT - 12 VOLT - NO. 1141
4	111414-01-000	EA	RECEPTACLE - 12V - W/O BIMETAL
	111386-01-04B	EA	PLATE - RECEPTACLE - 12 VOLT - BLACK
5	084076-01-000	EA	RECEPTACLE - GFI - 15 AMP/125 VOLT - IVORY
6	098024-03-02A	EA	LIGHT - DOME - 2 BULB - WHITE PD 772WW US/CSA
6	098024-01-700	EA	LENS - DOME LIGHT
6	008218-01-000	EA	BULB - DOME LIGHT - 12V - NO. 1141
7	091910-02-000	EA	BOX - ELECTRIC - 2.2" X 3.5" X 1.7" - PLASTIC
	091927-01-000	EA	COVER - RECEPTACLE - DOUBLE - IVORY
	091923-01-000	EA	LABEL - A/C COVER "AIR CONDITIONING CIRCUIT ETC."
8	087694-01-000	EA	LIGHT - WARDROBE/CLOSET - W/SWITCH
8	087694-01-700	EA	BULB - WARDROBE/CLOSET LIGHT - GE 561
9	108356-10-01A	EA	COVER/ACTUATOR SWITCH-2 ROWS DIMPLES W/LIGHT-SHOWER DRAIN
9	108357-14-000	EA	SWITCH - ROCKER SPDT W/LIGHT - ON/NONE/OFF - 4 TERMINAL
10	098024-01-03A	EA	LIGHT - DOME - 1 BULB - WHITE
10	098024-01-700	EA	LENS - DOME LIGHT
10	008218-01-000	EA	BULB - DOME LIGHT - 12V - NO. 1141
11	108356-02-01A	EA	COVER/ACTUATOR SWITCH - 2 ROWS DIMPLES- CONTURA II - BLACK
11	108357-08-000	EA	SWITCH - ROCKER DPDT - ON/NONE/ON - 6 TERMINAL
12	079364-04-000	EA	SWITCH - ON/OFF ROCKER - 2 TERMINAL - BLACK
13 *	114014-02-02A	EA	PANEL - MONITOR 2 TANK W/REMOTE
14	084420-01-000	EA	SWITCH - TOGGLE - 15 AMP - 120 VOLT - BROWN
14	083588-01-000	EA	LABEL - ON/OFF - WATER HEATER
15	120663-01-000	EA	SWITCH - VIDEO A/B - WINNEGARD TV-0051
	108355-01-000	EA	HOUSING - SWITCH - CARLING VCH
	097734-01-02A	EA	EXTENSION - RECEPTACLE - 3.2" X 5" X .7" - BROWN PLASTIC

*COMPONENT PARTS FOUND IN SERVICE PARTS LIBRARY

ELECTRICAL GROUP (CONTINUED)



LIGHTS, RECEPTACLES & SWITCHES - PASSENGER SIDE

KEY	PART NUMBER	U/M	DESCRIPTION
1	111414-01-000	EA	RECEPTACLE - 12V - W/O BIMETAL
	111386-01-04B	EA	PLATE - RECEPTACLE - 12 VOLT - BLACK
2	098024-05-02A	EA	LIGHT - DOME - 1 BULB - SKYLITE - WHITE
2	098024-01-701	EA	LENS - OPTI CLEAR - SKYLITE
2	008218-01-000	EA	BULB - DOME LIGHT - 12V - #1141
3	058707-01-000	EA	RECEPTACLE - ELECTRIC - SINGLE - BROWN
4	079364-01-000	EA	SWITCH - ON/OFF ROCKER - 2 TERMINAL - BROWN
4	079364-04-000	EA	SWITCH - ON/OFF ROCKER - 2 TERMINAL - BLACK
4	098351-01-01A	EA	PLATE - SWITCH - 1 GANG POLISHED BRASS
5	112822-01-01A	EA	RECEPTACLE - DUPLEX - IVORY
5	112824-01-03A	EA	COVER - RECEPTACLE - EXTERIOR DUPLEX
6	061424-01-000	EA	LIGHT - AISLE - 12 VOLT - RECTANGULAR
6	008103-01-000	EA	BULB - DASH/AISLE LIGHT - #53 - 12 VOLT - .12 AMP
7	058708-01-000	EA	RECEPTACLE - ELECTRIC - DOUBLE - BROWN
7	058708-02-000	EA	RECEPTACLE - ELECTRIC - DOUBLE - IVORY
	097734-01-02A	EA	EXTENSION - RECEPTACLE - 3.2" X 5" X .7" - BROWN PLASTIC
	108355-01-000	EA	HOUSING - SWITCH - CARLING VCH
	123657-01-01A	EA	RECEPTACLE - DUPLEX - 16 AMP - EUROPEAN
	123659-01-000	EA	BOX - ELECTRIC - RECEPTACLE - EUROPEAN
	123660-01-01A	EA	RECEPTACLE - SINGLE - WC - EUROPEAN - IVORY
	123660-01-02A	EA	RECEPTACLE - SINGLE - WC - EUROPEAN - BROWN
	123661-01-01A	EA	FRAME - TRIM - SINGLE OUTLET - EXPORT - IVORY
	123661-01-02A	EA	FRAME - TRIM - SINGLE OUTLET - EXPORT - BROWN

ELECTRICAL GROUP (CONTINUED)**ELECTRICAL CONNECTORS**

KEY	PART NUMBER	U/M	DESCRIPTION
	007942-01-000	EA	TAB - WIRE 10 TO 14 AWG
	007956-05-000	EA	INSULATOR - SHRINK - .25 ID X 1.50
	008313-01-000	EA	CONNECTOR - WIRE NUT - INSULATED - YELLOW
	008314-01-000	EA	CONNECTOR - WIRE NUT - INSULATED - GRAY
	008326-01-000	EA	TERMINAL - RING - 16/14 WIRE - 3/8" STUD
	008328-01-000	EA	TERMINAL - RING - 12/10 WIRE - #10 STUD FIT
	008331-01-000	EA	TERMINAL - RING - TONGUE - #4 WIRE - 3/8" STUD - COPPER
	008348-01-000	EA	TERMINAL - RING - 3/8" STUD 2 GA. WIRE
	008355-01-000	EA	CONNECTOR - CABLE CLAMPING - 3/4"
	008356-01-000	EA	CONNECTOR - PLASTIC - 3/8" AVG
	008356-02-000	EA	CONNECTOR - PLASTIC - 21/32
	008394-01-000	FT	CONDUIT - FLEXIBLE - 1/2"
	035416-04-000	EA	TERMINAL - RING - #10 STUD FIT - INSULATED BARREL #16/14
	047443-01-000	EA	TERMINAL - .250 RECEPTACLE FIT - INSULATED - 16/14 AWG
	047443-02-000	EA	TERMINAL - .250 RECEPTACLE FIT - INSULATED - 12/10 AWG
	058028-01-000	EA	CONNECTOR - ELECTRICAL PIGTAIL - NYLON - CLEAR
	080015-02-000	EA	RECEPTACLE - FLAG - .185 - 16/14 GAUGE
	087225-01-000	FT	SLEEVEING - 1/2" - TYPE H
	088267-01-000	EA	TERMINAL - FEMALE - 1/4
	088473-01-000	EA	HOUSING - PIN - 12 CAVITY (3 ROWS OF 4)
	088473-02-000	EA	HOUSING - PIN - 15 CAVITY (3 ROWS OF 5)
	088473-03-000	EA	HOUSING - PIN - 9 CAVITY (3 ROWS OF 3)
	088473-06-000	EA	HOUSING - PIN - 6 CAVITY (2 ROWS OF 3)
	088473-07-000	EA	HOUSING - PIN - 5 CAVITY - IN-LINE
	088473-08-000	EA	HOUSING - PIN - 4 CAVITY - IN-LINE
	088473-09-000	EA	HOUSING - PIN - 3 CAVITY - IN-LINE
	088473-10-000	EA	HOUSING - PIN - 2 CAVITY - IN LINE
	088474-02-000	EA	HOUSING - SOCKET - 15 CAVITY
	088474-03-000	EA	HOUSING - SOCKET - 9 CAVITY
	088474-06-000	EA	HOUSING - SOCKET - 6 CAVITY
	088474-07-000	EA	HOUSING - SOCKET - 5 CAVITY
	088474-09-000	EA	HOUSING - ELECTRICAL - 3 TERMINAL
	088474-10-000	EA	HOUSING - SOCKET - 2 CAVITY
	088475-01-000	EA	PIN - CONNECTOR - 14-20 AWG
	088475-02-000	EA	PIN - CONNECTOR - 10 - 12 AWG
	088476-01-000	EA	TERMINAL - ELECTRICAL
	088476-02-000	EA	SOCKET - CONNECTOR - 12-10 GA - PRE-TIN
	098261-02-000	EA	SOCKET - CONNECTOR - WEATHERPACK - 14-18 AWG
	098262-01-000	EA	SEAL - CONNECTOR - WEATHERPACK
	098264-01-000	EA	HOUSING - 2 PIN - WEATHERPACK
	098264-02-000	EA	HOUSING - 2 PIN - WEATHERPACK
	098265-02-000	EA	PIN - CONNECTOR - WEATHERPACK
	106655-01-000	EA	TERMINAL - FUSE BLOCK - 14-16 AWG
	106655-02-000	EA	TERMINAL - FUSE BLOCK - 10-12 AWG
	110178-01-000	EA	HOUSING - WIPER MOTOR
	112721-01-000	EA	CONNECTOR - 3 PIN W/12" LEADS
	113072-01-000	EA	HOUSING - TAILLAMP/TURN
	113072-02-000	EA	HOUSING - TAILLAMP/BACKUP
	113072-03-000	EA	HOUSING - TAILLAMP/STOP/MARKER
	113073-01-000	EA	WEDGELOCK - HOUSING - TAILLAMP
	113074-01-000	EA	TERMINAL - TAILLAMP
	113468-01-000	EA	HOUSING - 2 POSITION - FEMALE
	116811-01-000	EA	TERMINAL - .110 RECEPTACLE - 16-14 AWG

ELECTRICAL MISCELANEOUS

KEY	PART NUMBER	U/M	DESCRIPTION
	063910-01-000	EA	HOUSING - RELAY
	114965-01-000	EA	RELAY/TIMER MOD - 12 V/2 AMP - DELAY OFF 10 MIN-RR DEFROST
	131801-01-000	EA	MODULE - WARNING - AUDIBLE

ELECTRICAL GROUP (CONTINUED)**SOLENOID, RELAYS, POWER CONVERTER, POWER CORDS & CABLE**

KEY	PART NUMBER	U/M	DESCRIPTION	VENDOR NO.
	008188-01-000	EA	SOLENOID - 3 POST - BATTERY CHANGE OVER	
	063912-02-000	EA	RELAY - CANISTER - SPDT	
	114965-01-000	EA	RELAY 12 VOLT - 2 AMP - DELAY OFF 10 MIN	
	083208-05-000	EA	CONTROL CENTER - 45 AMP - 100/12V	
	123058-02-000	EA	CONVERTER - 45 AMP - ELECTRONIC - 4 1/8"H X 7"W X 12 3/8"L	
	093257-02-000	EA	CONTROL CENTER - W/O CIRCUIT BREAKERS/FUSE	
	093257-02-700	EA	GROUND BAR - 8 POINT	13507201
	093257-02-701	EA	FUSE BLOCK - DC- 11 POINT	30507060
	093257-02-702	EA	STAB ASSEMBLY - BREAKER	M91500008
	093257-02-703	EA	DEAD FRT ASM.-AC BREAKER CVR	M91500011
	093257-02-704	EA	NEUTRAL BAR ASM.W/GROUND BAR	M91500009
	008052-01-000	EA	CORD - POWER - 10/3 - 30 AMP - 25' - CANADIAN	
	008054-02-000	EA	CORD - POWER - 10-3 - 30 AMP - 35'	
	092985-02-000	EA	BRACKET - POWER CORD	
	112593-01-000	FT	CABLE - 3 WIRE - 16A - FLEX RUBBER - EUROPEAN	
	112593-02-000	FT	CABLE - 3 WIRE - 25A - FLEX RUBBER - EUROPEAN	

BOXES, CONDUIT & COVERS

KEY	PART NUMBER	U/M	DESCRIPTION
	008289-01-000	EA	BOX - ELECTRIC/STEEL - 1/2" & 3/4" KNOCKOUTS - 4" X 4"
	091910-01-000	EA	BOX - ELECTRIC - 3.8" X 3.5" X 1.8" - PLASTIC
	091910-02-000	EA	BOX - ELECTRIC - 2.2" X 3.5" X 1.7" - PLASTIC
	041953-01-000	FT	CONDUIT - CONVOLUTE SLIT - .5" ID - POLYETHYLENE
	041953-03-000	FT	CONDUIT - CONVOLUTE SLIT - 1" ID (CLOTHES ROD COVER)
	041953-05-000	FT	CONDUIT - CONVOLUTE SOLID - .62" ID - POLYETHYLENE
	041953-06-000	FT	CONDUIT - CONVOLUTE SLIT - .375" ID - POLYETHYLENE
	041953-07-000	FT	CONDUIT - CONVOLUTE SLIT - .25" ID - POLYETHYLENE
	041953-08-000	FT	CONDUIT - CONVOLUTE SLIT - 1.50" ID - POLYETHYLENE
	041953-09-000	FT	CONDUIT - CONVOLUTE SLIT - .50" ID - NYLON
	008294-01-000	EA	COVER - ELECTRICAL BOX - BLANK/STEEL - 4" X 4" - GRAY
	069238-01-000	EA	COVER - ELECTRICAL BOX - W/HOLE - 4" X 4" - GRAY

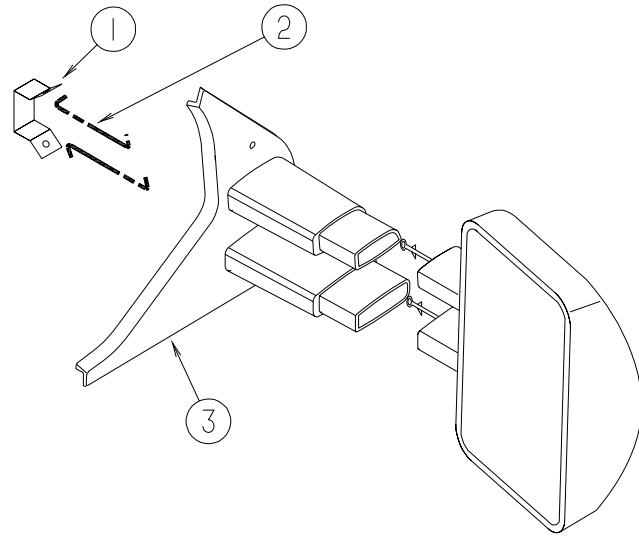
WIRE ASSEMBLIES

KEY	PART NUMBER	U/M	DESCRIPTION
	093057-04-000	EA	WIRE ASSEMBLY - POWER LOCK ENTRANCE
	096449-01-000	EA	WIRE ASSEMBLY - WATER TANK TO MONITOR PANEL
	097618-01-000	EA	WIRE ASSEMBLY - MONITOR PANEL- W/3 WIRES & ORANGE RESISTOR
	124843-01-000	EA	WIRE ASSEMBLY - SPEAKER ADAPTER

CIRCUIT BREAKERS & FUSES

KEY	PART NUMBER	U/M	DESCRIPTION
	062901-02-000	EA	FUSE - 05 AMPS - AUTOMOTIVE
	062901-05-000	EA	FUSE - 15 AMPS - AUTOMOTIVE
	062901-06-000	EA	FUSE - 20 AMPS - AUTOMOTIVE
	062901-07-000	EA	FUSE - 25 AMPS - AUTOMOTIVE
	083209-02-000	EA	CIRCUIT BREAKER - 15/15 AMP - 120 VOLT
	083209-03-000	EA	CIRCUIT BREAKER - 15/20 AMP - 120 VOLT
	083209-06-000	EA	CIRCUIT BREAKER - 30/15 AMP - 120 VOLT
	083209-07-000	EA	CIRCUIT BREAKER - 20/20 AMP - 120 VOLT
	097611-01-000	EA	CIRCUIT BREAKER - 10 AMP - 12 VOLT
	106656-01-000	EA	FUSE BLOCK - 4 CAVITY - AUTOFUSE
	108567-01-000	EA	CIRCUIT BREAKER - 40 AMP - 12 VOLT - TYPE II

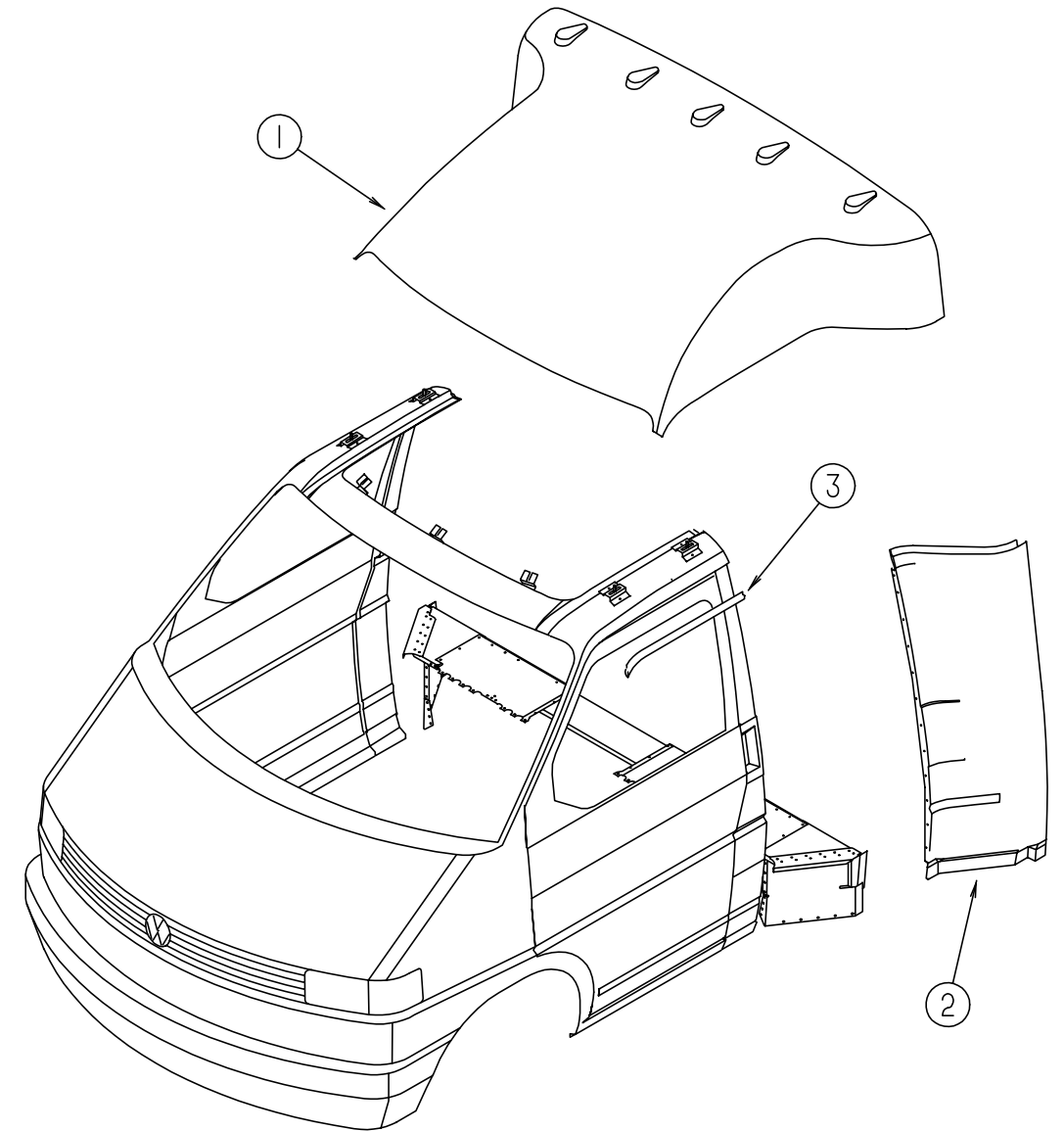
EXTERIOR BODY GROUP



MIRROR BRACKETS FOR VW EXTERIOR MIRRORS

KEY	PART NUMBER	U/M	DESCRIPTION
1	115334-01-02B	EA	HOOK - BRACKET - MIRROR
2	115752-02-01A	EA	MIRROR ROD - 3.3" LONG
3	114494-01-03A	EA	BRACKET - MIRROR - PASSENGER - VW WHITE
	114494-02-03A	EA	BRACKET - MIRROR - DRIVER - VW WHITE
	127984-01-01A	EA	SCREW - EXTERIOR MIRROR - VW WHITE

EXTERIOR BODY GROUP (CONTINUED)

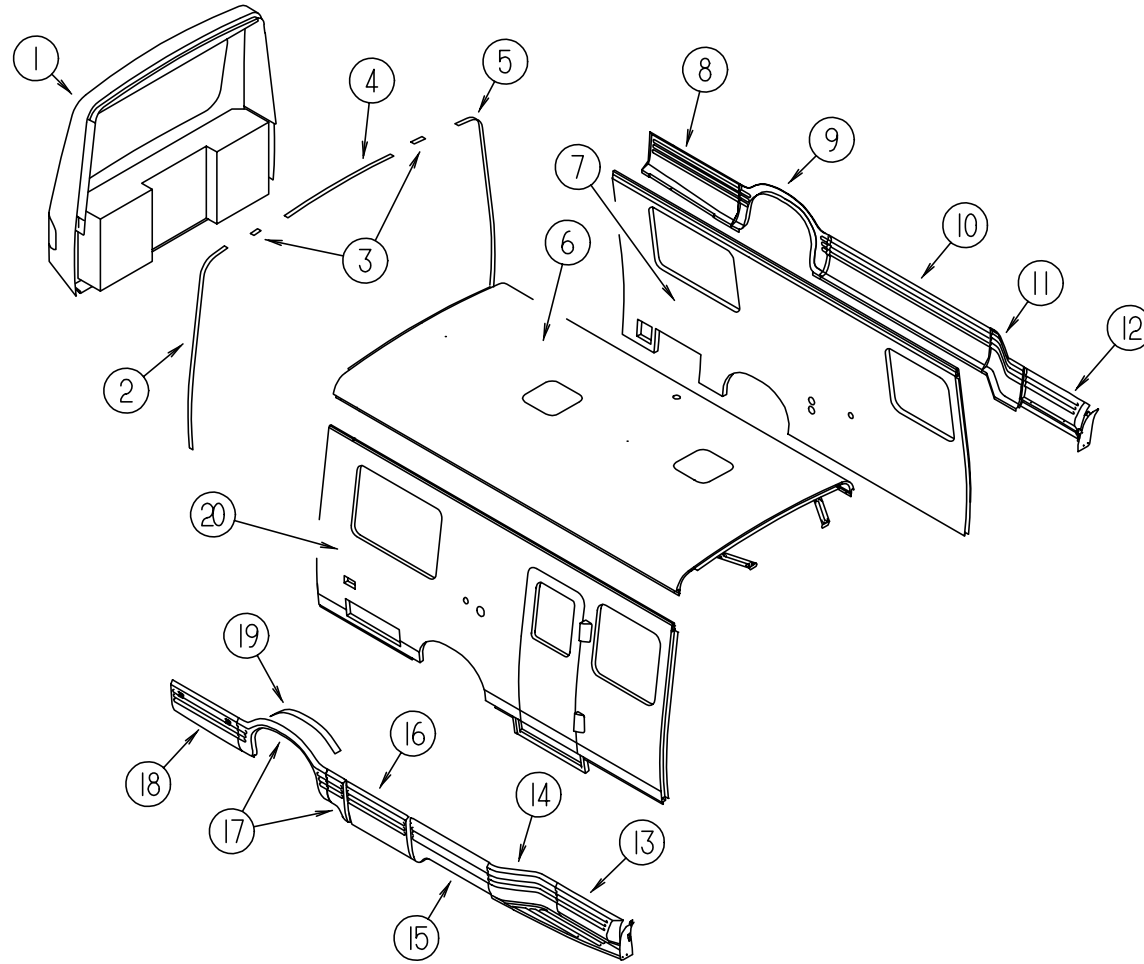


FRONT CAP & TRANSITION PANELS

KEY	PART NUMBER	U/M	DESCRIPTION
1	111207-06-K76	EA	CAP - ROOF
1	111207-04-H70	EA	CAP - ROOF - JAPAN
	070579-06-000	EA	PLATE - ANCHOR - W/7/16 WELD NUT - 1.5" X 3.3"
	070579-07-000	EA	PLATE - ANCHOR - W/O WELD NUT - 1.5" X 3.3"
	070579-10-000	EA	PLATE - ANCHOR - W/O WELD NUT - 1.5" X 8.9"
	070579-11-000	EA	PLATE - ANCHOR - W/7/16" WELD NUT - 1.5" X 8.9"
	070579-12-000	EA	PLATE - ANCHOR - W/1/5" WELD NUT - 2.5" X 3.3"
	070579-13-000	EA	PLATE - ANCHOR - W/O WELD NUT - 2.5" X 3.3"
	070579-14-000	EA	PLATE - ANCHOR - W/O WELD NUT - 2.5" X 3.9"
2	111276-04-F45	EA	PANEL - TRANSITION - LEFT - STEEL/FIBERGLASS - VW WHITE
	111276-03-F45	EA	PANEL - TRANSITION - RIGHT - STEEL/FIBERGLASS - VW WHITE
3	115022-02-01A	EA	RAIL - DRIP - LEFT HAND
	115022-01-01A	EA	RAIL - DRIP - RIGHT HAND

EXTERIOR BODY GROUP (CONTINUED)

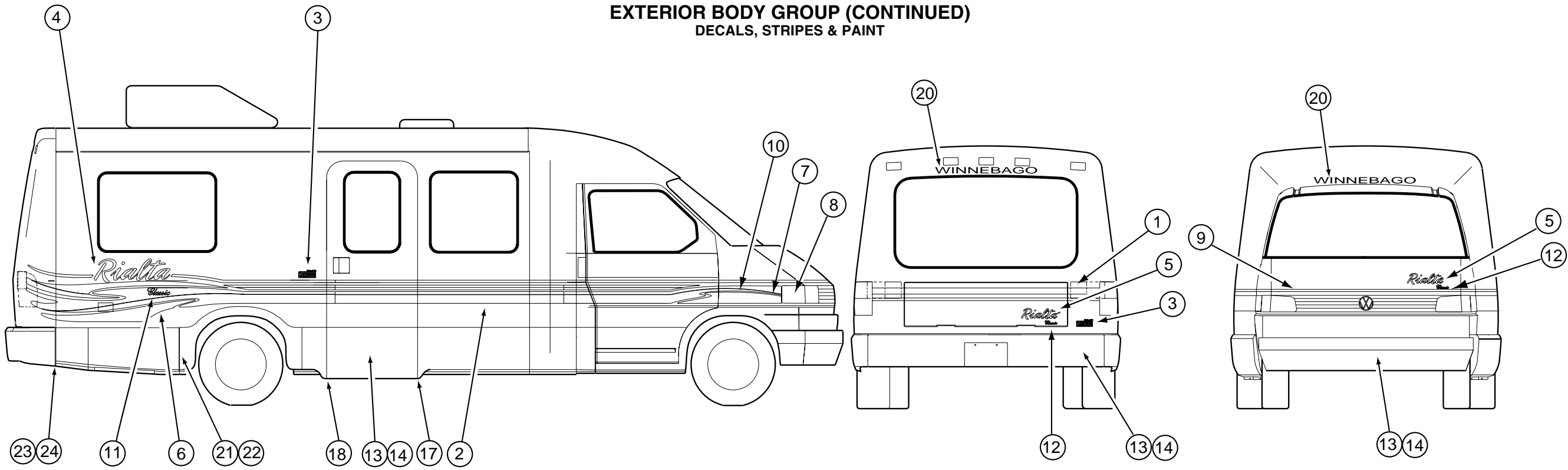
EXTERIOR BODY PANELS & TRIM



KEY	PART NUMBER	U/M	DESCRIPTION
1	P30529-01-K76	EA	CAP - REAR - W/O ANGLE
1	P30529-02-K76	EA	CAP - REAR - W/O ANGLE - JAPAN
2	112544-01-01A	EA	TRIM - SIDEWALL TO REAR CAP - RIGHT HAND
3	086754-10-000	EA	CAP - TRIM
4	112548-01-01A	EA	TRIM - ROOF TO REAR CAP
	124793-02-02B	EA	PLATE - STUD
	113778-03-02B	EA	BRACKET - TAIL LAMP - E-COATED
	073050-04-000	EA	MOUNTING CLIP - VALANCE PANEL
5	112544-02-01A	EA	TRIM - SIDEWALL TO REAR CAP - LEFT HAND
6	P24227-01-H70	EA	ROOF - W/O LIGHTS/VENTS - W/WIRING
7	124106-03-K76	EA	SIDEWALL - DRIVER - W/O WINDOWS/TRIMS
7	124106-04-K76	EA	SIDEWALL - DRIVER - W/O WINDOWS/TRIMS - JAPAN
8	130833-06-K76	EA	VALANCE/DOOR - DRIVER - 14.6"F X 38.2" X 12.8"R
8	130833-02-K76	EA	VALANCE/DOOR - DRIVER (GEN) - 14.6"F X 38.2"W X 12.8"R
	113752-02-01A	EA	JAMB - TRIM - GENERATOR - VW WHITE
9	130648-04-K76	EA	VALANCE/WHEEL LIP - DRIVER
10	130645-05-K76	EA	VALANCE/PANEL - FRONT/DRIVER - W/O HARDWARE
11	130611-04-K76	EA	VALANCE/PANEL - TRANSITION/DRIVER

KEY	PART NUMBER	U/M	DESCRIPTION
12	130612-04-K76	EA	VALANCE/PANEL - CAB DOOR/DRIVER - W/O HARDWARE
13	130612-03-K76	EA	VALANCE/PANEL - CAB DOOR/PASSENGER - W/O HARDWARE
14	130611-03-K76	EA	VALANCE/PANEL - TRANSITION/PASSENGER
	073050-04-000	EA	MOUNTING CLIP - VALANCE PANEL
15	130645-04-K76	EA	VALANCE/PANEL - FRONT/PASSENGER - W/O HARDWARE
16	130649-02-K76	EA	PANEL/VALANCE - ENTRANCE DOOR
17	130648-03-K76	EA	VALANCE/WHEEL LIP - PASSENGER
18	130833-01-K76	EA	VALANCE/DOOR - PASSENGER (LP) - 14.6"F X 38.2"W X 12.8"R
18	130833-03-K76	EA	VALANCE/PANEL - PASSENGER - JAPAN - 17.7"F X 38"W X 12.2"R
	113753-01-01A	EA	JAMB - TRIM - LP - VW WHITE
19	113012-02-01A	EA	TRIM - WHEELWELL - REAR - MILL
20	124107-03-K76	EA	SIDEWALL - PASSENGER - W/O WINDOWS/TRIMS
20	124107-04-K76	EA	SIDEWALL - PASSENGER - W/O WINDOWS/TRIMS - JAPAN
	073050-04-000	EA	MOUNTING CLIP - VALANCE PANEL
	081914-01-000	FT	BUMPER - RUBBER - ROUND - .43" DIAMETER

EXTERIOR BODY GROUP (CONTINUED)
DECALS, STRIPES & PAINT

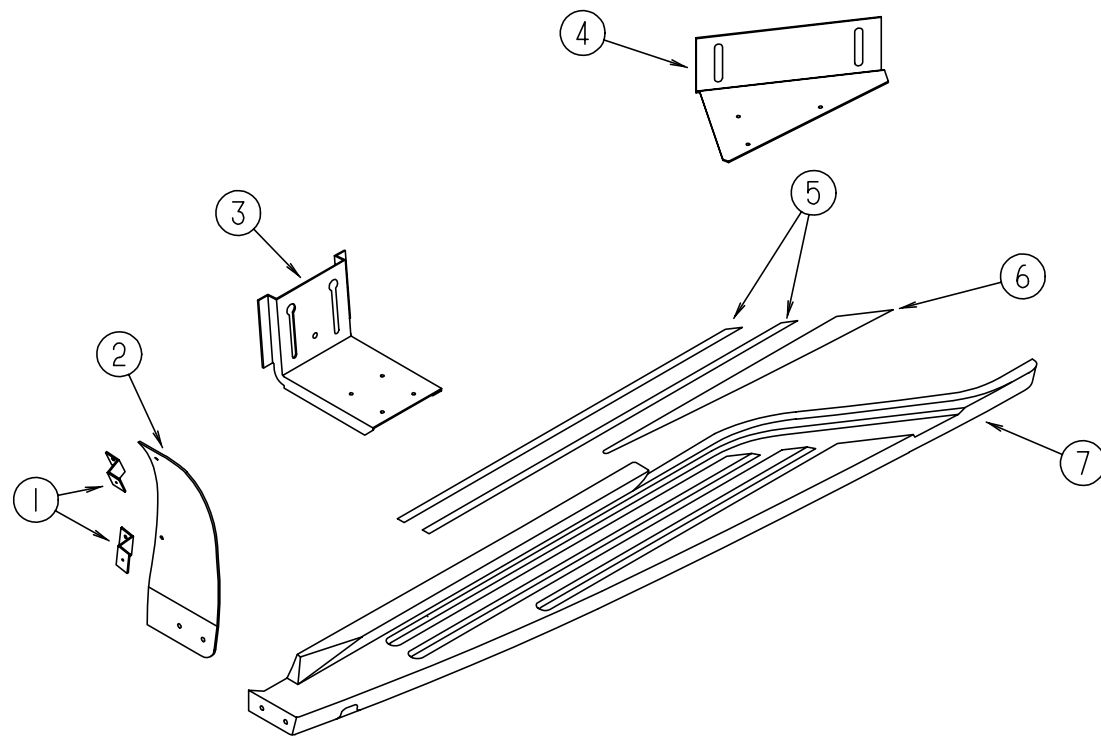


KEY	PART NUMBER	U/M	DESCRIPTION
1	105781-71-01A	FT	FILM - MULTISTRIPE - 4.1"
2	130780-01-01A	FT	FILM - OVERLAP - MULTISTRIPE
3	122770-02-17A	EA	DECAL - "BUILT PROUDLY BY WINNEBAGO INDUSTRIES"
4	122792-01-02A	EA	DECAL - LOGO - RIALTA/LARGE
5	122792-02-04A	EA	DECAL - LOGO - RIALTA/SMALL
6	130778-01-01A	EA	DECAL - WAVES - PASSENGER
6	130778-02-01A	EA	DECAL - WAVES - DRIVER
7	130779-01-01A	EA	DECAL - CAB - PASSENGER
	130779-02-01A	EA	DECAL - CAB - DRIVER
8	122797-01-02A	EA	DECAL - CORNER/FRONT/PASSENGER
	122797-02-02A	EA	DECAL - CORNER/FRONT/DRIVER
9	122798-01-02A	EA	DECAL - HOOD
10	093681-42-06A	FT	FILM - .75"
11	131024-01-01A	EA	DECAL - LOGO - LARGE CLASSIC
			FROM: 00-00-00 THRU: 10-15-98
12	131024-02-01A	EA	DECAL - LOGO - SMALL CLASSIC
			FROM: 00-00-00 THRU: 10-15-98
13	099399-59-000	GL	PAINT-SMOKE MET DUPONT F9417U
14	099399-58-000	GL	PAINT-PLUM HAZE MET DUPONT F6380U
	093681-14-24A	FT	FILM - 1.5"
	093681-14-25A	FT	FILM - 1.5"
17	131730-01-01A	EA	DECAL - VALANCE PANEL END/RIGHT HAND V-W/PLUM HAZE GRAPHIC PKG.
17	131730-01-02A	EA	DECAL - VALANCE PANEL END/RIGHT HAND V-W/SMOKE MET GRAPHIC PKG.
18	131730-02-01A	EA	DECAL - VALANCE PANEL END/LEFT HAND - PAINT-W/PLUM HAZE GRAPHIC PKG.
18	131730-02-02A	EA	DECAL - VALANCE PANEL END/LEFT HAND - PAINT-W/SMOKE MET GRAPHIC PKG.
	122886-02-01A	EA	DECAL - MOBILIE - SMALL - JAPAN
20	120702-03-07A	EA	DECAL - LOGO - WINNEBAGO/SMALL
21	132324-01-01A	EA	DECAL - VALANCE/DOOR END - LARGE/RIGHT HAND - PAINT-W/PLUM HAZE GRAPHIC PKG.
21	132324-01-02A	EA	DECAL - VALANCE/DOOR END - LARGE/RIGHT HAND - PAINT-W/SMOKE MET GRAPHIC PKG.
22	132324-02-01A	EA	DECAL - VALANCE/DOOR END - LARGE/LEFT HAND - PAINT-W/PLUM HAZE GRAPHIC PKG.
22	132324-02-02A	EA	DECAL - VALANCE/DOOR END - LARGE/LEFT HAND - PAINT-W/SMOKE MET GRAPHIC PKG.
23	132325-01-01A	EA	DECAL - VALANCE/DOOR END - SMALL/RIGHT HAND - PAINT-W/PLUM HAZE GRAPHIC PKG.
23	132325-01-02A	EA	DECAL - VALANCE/DOOR END - SMALL/RIGHT HAND - PAINT-W/SMOKE MET GRAPHIC PKG.
24	132325-02-01A	EA	DECAL - VALANCE/DOOR END - SMALL/LEFT HAND - PAINT-W/PLUM HAZE GRAPHIC PKG.
24	132325-02-02A	EA	DECAL - VALANCE/DOOR END - SMALL/LEFT HAND - PAINT-W/SMOKE MET GRAPHIC PKG.
	041561-03-000	EA	PAINT - 16 OUNCE SPRAY - OFF WHITE

DUPONT COLOR CODES

VW WHITE	W9670
PLUM & HAZE MET.	F6380U
SMOKE MET.	F9417U

EXTERIOR BODY GROUP (CONTINUED)



RUNNING BOARDS

KEY	PART NUMBER	U/M DESCRIPTION
1	112507-01-02B	EA BRACKET - MUD FLAP - FRONT
2	131135-01-02A	EA SUPPORT-MUD FLAP,RH VW WHT
	131135-02-02A	EA SUPPORT-MUD FLAP,LH VW/WHT
3	131573-01-02B	EA BRACKET ASM-RUNNING BD,E-C
4	131574-01-02B	EA BRACKET - RUNNING BOARD - DRIVER REAR - E-COATED
	131574-02-02B	EA BRACKET - RUNNING BOARD - PASSENGER REAR - E-COATED
5	038327-05-000	EA TAPE - ANTI SLIP - 5/8"X 60' - BLACK
6	102570-05-000	EA MAT - ANTI SLIP - UPPER/RIGHT HAND
	102570-06-000	EA MAT - ANTI SLIP - UPPER/LEFT HAND
7	130613-04-K76	EA RUNNING BOARD - FIBERGLASS/DRIVER - VW WHITE
	130613-03-K76	EA RUNNING BOARD - FIBERGLASS/PASSENGER - VW WHITE
	115003-01-01A	EA MOLDING - REVERSE COVE - VW WHITE

EXTERIOR BODY GROUP (CONTINUED)

ALUMINUM, STYROFOAM, & MISC.

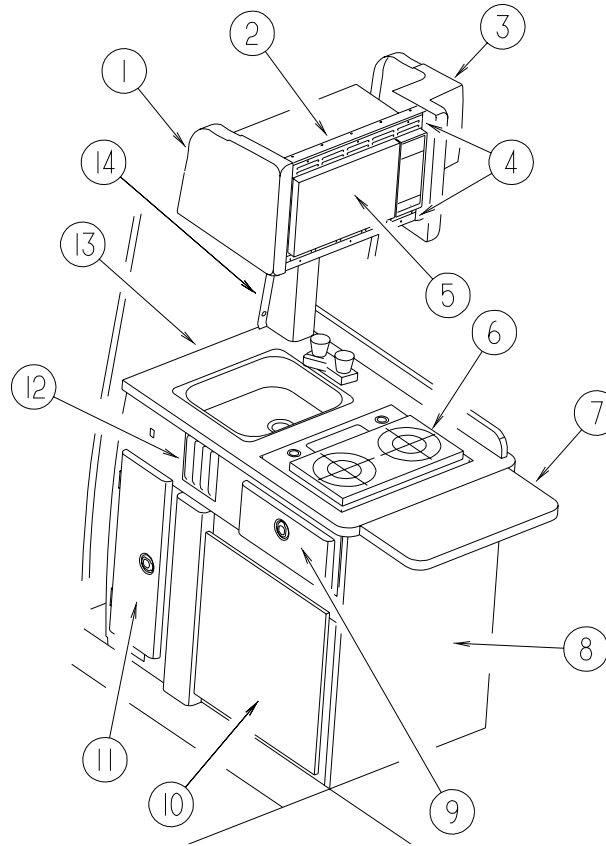
KEY	PART NUMBER	U/M DESCRIPTION
	000870-08-000	SF STYROFOAM - 3/4" X 48" X 96" PLANED EXPANDED BEAD BOARD
	100619-01-000	BF FOAM - EXPANDED POLYSTYRENE - 1.34" X 48" X 96"
	100619-04-000	BF FOAM - EXPANDED POLYSTYRENE - .5" X 48" X 96"
	100619-06-000	EA FOAM - EXPANDED POLYSTYRENE - .875" X 20.35" X 63.35"
	100619-07-000	EA FOAM - EXPANDED POLYSTYRENE - .63" X 48" X 96"
	100619-10-000	BF FOAM - EXPANDED POLYSTYRENE - 1.5" X 48" X 96"
	002754-01-001	EA ANGLE- EXTRUDED - .75" X .75" X 18' - MILL ALUMINUM
	033381-17-001	FT STEEL - TUBE - 16 GAUGE 1.5" X 1.5" X 16'
	092321-01-000	FT INSULATION - FIBERGLASS W/FOIL BACKING - 1/2" T X 28.38" W
	089297-01-000	SF PLYWOOD - LUAN - OVERLAY GRADE - 48" X 96"
	112695-02-700	EA ALUMINUM SKIN - VW WHITE - ROOF - 42.25" X 145.8"
	112696-02-700	EA ALUMINUM SKIN - VW WHITE - .032" X 58" X 145.8" W/CRIMP
	112696-02-701	EA ALUMINUM SKIN - VW WHITE - .032" X 58" X 145.8" - W/O CRIMP

EXTERIOR SHOWER

KEY	PART NUMBER	U/M DESCRIPTION
	120592-01-01A	EA COMPARTMENT - SHOWER - EXTERIOR - OFF WHITE - JAPAN
	121473-01-01A	EA COMPARTMENT - SHOWER - EXTERIOR

GALLEY GROUP

GALLEY CABINETS & COMPONENTS



KEY	PART NUMBER	U/M	DESCRIPTION	VENDOR NO.
1	112805-04-03A	EA	END PANEL - MICROWAVE	
2	M07494-24-K76	EA	CABINET - OVERHEAD/MICROWAVE - W/O DOORS/HARDWARE	
	112943-04-11B	EA	FRAME - MICROWAVE/OVERHEAD	
	112809-03-03A	EA	BOTTOM PANEL - JAPAN	
	112809-04-03A	EA	BOTTOM PANEL - MICROWAVE	
3	112805-05-03A	EA	END PANEL - MICROWAVE - RIGHT HAND	
4	128642-01-000	EA	TRIM KIT W/VENT - MICROWAVE - .9 CU FT - SAMSUNG	
5	128527-01-000	EA	OVEN - MICROWAVE - .9 CU FT - NON CONVECTION	
			FROM: 00-00-00 THRU: 07-19-98	
5	128527-03-000	EA	OVEN - MICROWAVE - .9 CUBIC FEET	
			FROM: 07-20-98 THRU: 99-99-99	
	128527-01-700	EA	TRIM RING-F/.9 CU.FT. MICRO	MC-5471-EA
5	116865-01-K76	EA	CABINET - OVERHEAD - W/O DOORS/HARDWARE - JAPAN	
5	116857-01-K76	EA	PANEL/DOOR - CABINET - LIGHT GRAY - JAPAN	
6*	113947-02-03A	EA	RANGE TOP - 2 BURNER W/COVER - VW LIGHT GRAY	
7	080812-07-H70	EA	EXTENSION - GALLEY	

KEY	PART NUMBER	U/M	DESCRIPTION
8	126543-01-K76	EA	CABINET - GALLEY - W/COUNTERTOP - W/O DOORS/DRAWERS/HDW
8	126543-02-K76	EA	CABINET - GALLEY - W/COUNTERTOP - W/O DOORS/DRAWERS/HDW (DELUXE SOUND)
	126545-01-H70	EA	COVER - SINK
	011029-03-000	EA	SINK - STAINLESS STEEL - SINGLE W/RAILS
	066437-02-000	EA	STRAINER - W/BASKET - SINK
	011069-03-000	EA	TAILPIECE - TUB/SHOWER - 1 1/2" X 1 3/4" - PLASTIC
	066436-01-000	EA	NUT - SLIP - TAILPIECE 1.5"
	069735-01-000	EA	WASHER - STRAINER TO TAILPIECE - PLASTIC - 1.5"
	113798-01-01A	EA	FAUCET - GALLEY - SINGLE CONTROL
9	P10163-L0-K76	EA	DRAWER - SQUARE EDGE - 16.5"W X 17.7"D-W/O SLIDES/HARDWARE
10*	113737-01-04A	EA	REFRIGERATOR - SMALL SINGLE DOOR - 3 WAY - VW LT GRAY
	086297-04-000	EA	GRILL - REFRIGERATOR VENT - VW LT GRAY
10*	113737-03-04A	EA	REFRIGERATOR - ONE DOOR/3-WAY - VW LIGHT GRAY - HIGH ALT.
11	116855-01-K76	EA	PANEL - GALLEY DOOR - W/O HARDWARE
12	109918-02-04A	EA	VENT - RETURN AIR - VW LT GRAY
13	126543-11-H70	EA	COUNTERTOP - GALLEY
14	121445-01-03A	EA	COVER - PIPE - VW LT GRAY

*COMPONENT PARTS FOUND IN SERVICE PARTS LIBRARY

GENERATOR GROUP

3,000 WATT GENERAC GENERATOR

KEY	PART NUMBER	U/M	DESCRIPTION
	113458-01-000	EA	GENERATOR - 3.0 KW GENERAC W/HOUR METER
	100258-10-01A	EA	GAUGE - HOUR METER W/SWITCH - SCREW ON STYLE
	100258-10-701	EA	GAUGE - HOUR METER - CLIP ON STYLE
	007067-01-000	SF	INSULATION - FIBERGLASS - 1" THICK X 4' - INCREMENTS/4 SF
	007125-03-000	EA	CLAMP - MUFFLER - 1.5" DIAMETER
	007125-04-000	EA	CLAMP - MUFFLER - 1.12" DIAMETER
	007131-01-000	EA	HANGER - TAILPIPE - 6 SLOTS
	113841-02-000	EA	PIPE - EXHAUST - GENERATOR
	113378-04-000	EA	FUEL LINE - GENERATOR - MIDDLE
	114276-01-000	EA	FUEL LINE - GENERATOR - IN TANK

3,000 WATT GENERAC GENERATOR - JAPAN GENERATOR OPTION

KEY	PART NUMBER	U/M	DESCRIPTION
	113458-02-000	EA	GENERATOR - 3.0 KW GENERAC W/HOUR METER - GENERAC NP30G, 9890
	007067-01-000	SF	INSULATION - FIBERGLASS - 1" THICK X 4' - INCREMENTS/4 SF
	007125-03-000	EA	CLAMP - MUFFLER - 1.5" DIA
	007125-04-000	EA	CLAMP - MUFFLER - 1.1" DIA
	007131-01-000	EA	HANGER - TAILPIPE - 6 SLOTS
	113841-02-000	EA	PIPE - EXHAUST - GENERATOR
	113378-04-000	EA	FUEL LINE - GENERATOR - MIDDLE
	114276-01-000	EA	FUEL LINE - GENERATOR - IN TANK

NOTE: ADDITIONAL GENERATOR COMPONENTS ARE FOUND IN THE CHASSIS GROUP

HEATING & AIR CONDITIONING GROUP

SUBURBAN FURNACE CABINET ASM & COMPONENTS - MODEL NT-20SG

KEY	PART NUMBER	U/M	DESCRIPTION
*	075697-07-000	EA	FURNACE - FORCED AIR - 20,000 BTU FROM: 00-00-00 THRU: 12-06-98
*	075697-08-000	EA	FURNACE - FORCED AIR - 20000 BTU - GRAY FROM: 12-07-98 THRU: 99-99-99
	115764-01-01A	EA	THERMOSTAT - FURNACE

*COMPONENT PARTS FOUND IN SERVICE PARTS LIBRARY

7,100 BTU ROOF A/C

KEY	PART NUMBER	U/M	DESCRIPTION
*	093306-01-02A	EA	A/C - ROOF - 7,100 BTU - ROTARY
*	093307-03-000	EA	CEILING ASSEMBLY - COOL ONLY - WHITE

*COMPONENT PARTS FOUND IN SERVICE PARTS LIBRARY

EVANS REAR HEATER

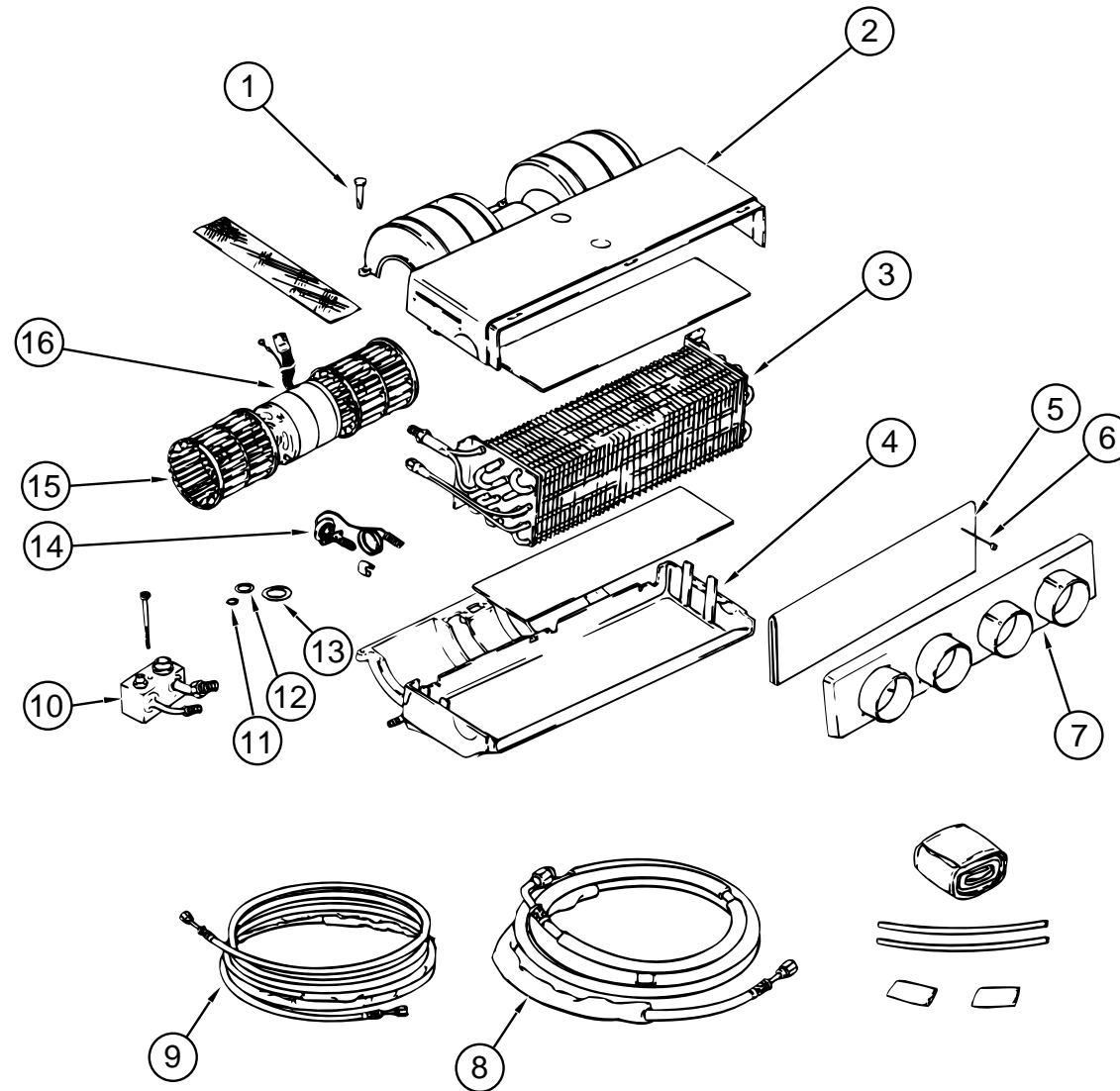
KEY	PART NUMBER	U/M	DESCRIPTION	VENDOR NO.
	049401-04-000	EA	HEATER - REAR - W/O SWITCH	
	084405-01-701	EA	FAN BLADES	HV029931
	049401-04-700	EA	CABLE-CONTROL	HV033639
	049401-04-701	EA	MOTOR 12V SS/PM	HV033107
	058893-01-000	EA	BRACKET - L-ANGLE - .75" X .75" X 2.25 - ALUMINUM	
	058906-08-000	EA	PANEL - CONTROL - AUXILIARY HEATER - VW LIGHT GRAY	

MOTOR AID COMPONENTS

KEY	PART NUMBER	U/M	DESCRIPTION
	083088-01-000	EA	PIPE - COOLANT RETURN - AUXILIARY REAR HEATER
	084190-01-000	EA	GUARD - MOTOR AID - 5.9" X 5.7" X 5.3" - ANGLED/GALV STEEL
	119081-01-000	EA	TUBE - MOTOR AID - 71.2"
	119081-02-000	EA	TUBE - MOTOR AID - 72.4"
	007108-01-000	FT	HOSE - HEATER - 5/8" ID - HI-TEMP - FORD ESE-M2D192-A
	007108-02-000	FT	HOSE - HEATER - 3/4" ID - HI-TEMP
	058893-01-000	EA	BRACKET - L-ANGLE - .75" X .75" X 2.25" - ALUMINUM

HEATING & AIR CONDITIONING GROUP (CONTINUED)

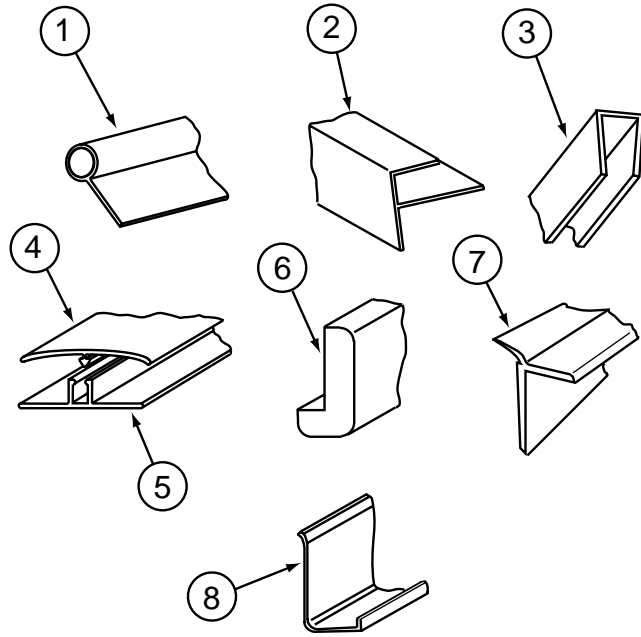
SCS AUTO A/C & COMPONENTS



KEY	PART NUMBER	U/M	DESCRIPTION	VENDOR NO.
	113245-01-000	EA	EVAPORATOR/AC - OVERHEAD - R134A - SCS - 090-00075	
1	113245-01-701	EA	PIN - PLASTIC	062-0027
	113245-01-702	EA	COVER - SLOT	062-0141
2	113245-01-717	EA	CASE - TOP ONLY	062-0139
3	113245-01-705	EA	COIL - EVAPORATOR	041-0034
4	113245-01-716	EA	BOTTOM CASE W/ 90 DEGREE DRAIN ELBOWS	062-0140
5	113245-01-713	EA	SCREEN - CONDENSATION	045-0173
6	113245-01-714	EA	PIN - SCREEN RETAINER	062-0164
7	113245-01-703	EA	BEZEL - W/4 OUTLETS	062-0142
8	113245-01-709	EA	HOSE ASSEMBLY - #10	085-0116
9	113245-01-708	EA	HOSE ASM #6 EVAPORATOR/DRIER	085-0115
10	113245-01-712	EA	FITTING BLOCK	050-0129
11	113245-01-711	EA	O'RING - #6	045-0129
12	103930-17-702	EA	O'RING - #10	045-0127

KEY	PART NUMBER	U/M	DESCRIPTION	VENDOR NO.
13	113245-01-710	EA	GASKET - #12	045-0128
14	113245-01-706	EA	VALVE - EXPANSION - 134 A I 5 TON	034-0026
15	113245-01-700	EA	WHEEL - BLOWER W/CLIP	062-0028
16	113245-01-704	EA	MOTOR - BLOWER, 12V3SP, DBL	030-0028
	113245-01-707	EA	O'RING - #8	045-0126
	007108-01-000	EA	HOSE - HEATER - 5/8" ID - HI-TEMP	
	007281-01-000	EA	HOSE - FLEXIBLE - PVC - 2.5"ID X 50' - ATCOFLEX A-182-355	
	049401-01-705	EA	VALVE - 3 PORT - 2WAY	HV032126
	049401-03-700	EA	HEATER CORE	FT200027
	049401-03-702	EA	RESISTOR	RV212103
	109918-01-05A	EA	VENT - RETURN AIR - 12.3" X 5.5" - BLACK	
	109918-03-01A	EA	VENT - RETURN AIR - 12.3" X 2.75" - BLACK	
	113244-01-01A	EA	LOUVER - BALL - 3" - BLACK	
	113245-02-000	EA	BLOWER - OVERHEAD	

INTERIOR FINISH GROUP



MOLDINGS & TRIMS

KEY	PART NUMBER	U/M DESCRIPTION
1	009767-12-000	FT WELTING - SIDEWALL/CEILING/CABINET - OFF/WHT
2	009812-34-000	EA MOLDING - CORNER - 1/2" W 1/4" CHAN X 84" - VW LIGHT GRAY
3	070504-50-000	FT U-CHANNEL - PLASTIC - .13" X 84" - WASHED MAPLE
	070504-51-000	FT U-CHANNEL - PLASTIC - .9" X 84" - WASHED MAPLE
4	086229-20-000	EA BATTEN - 1" X 96" - BEIGE
4	086229-15-000	EA BATTEN - 1" X 96" - MODERN IVORY
5	099571-03-01A	EA TRIM - ROOF COVE - 2.9" X 146.2" - SMOKEY WHITE
6	077840-01-J70	EA MOLDING - CAP/WALL - 8' WASHED MAPLE
7	022992-15-000	FT MOLDING - REVERSE COVE - VW GRAY
7	115003-01-01A	FT MOLDING - REVERSE COVE - VW WHITE
8	085746-04-000	FT TRIM-J - CARPET 1.2" X .5" ANGLE - 12' LONG - OFF WHITE

INTERIOR FINISH GROUP (CONTINUED)

FIRE EXTINGUISHER, SMOKE DETECTOR & CO DETECTOR

KEY	PART NUMBER	U/M DESCRIPTION
	094499-03-000	EA EXTINGUISHER/FIRE - DRY - 10BC - W/GAUGE - W/O BRACKET
	094499-04-000	EA BRACKET - FIRE EXTINGUISHER
	094499-02-000	EA EXTINGUISHER/FIRE - DRY - 1A10BC - CANADIAN
	094499-01-700	EA BRACKET - MOUNTING, W/PLASTIC STRAP - FIRE EXTINGUISHER
	094499-01-701	EA STRAP ONLY (METAL)
	072852-01-000	EA DETECTOR - SMOKE - W/9 VOLT BATTERY
	072852-02-000	EA DETECTOR - SMOKE - W/9 VOLT BATTERY - CANADIAN
	125136-01-000	EA DETECTOR - CO GAS - MODEL 9L-I - COSTAR

PANELING & LAMINATES

KEY	PART NUMBER	U/M DESCRIPTION
	034073-23-012	EA PLAS-ABS.125X41.00X080.00 IN
	034073-23-011	EA PLAS-ABS.125X45.00X045.00 IN
	034073-24-033	EA PLAS-ABS.150X35.00X050.00 IN
	034073-24-032	EA PLAS-ABS.150X21.00X032.00 IN
	034073-24-037	EA PLAS-ABS.150X45.00X058.00 IN
	034073-24-036	EA PLAS-ABS.150X58.00X058.00 IN
	052372-02-000	BF LUMBER - CLASS II - 1" X 48" X RL
	074498-65-000	SF LAMINATE - PLASTIC - MEDIUM GRAY - 4' X 8'
	074498-82-000	SF LAMINATE - PLASTIC - WASHED MAPLE - 4' X 8'
	076325-71-000	FT MOLDING - EDGE BAND - 1 5/16" X .038" - GREY
	076325-72-000	FT MOLDING - EDGE BAND - .93" X .024" - GREY
	088272-G1-000	SF PANELING - PEBBLE EMBOSSSED - ANTIQUE WHITE - 4' X 7'
	088272-H2-000	SF PANELING - TUSCAN MINK - 48" X 84"
	088272-J1-000	SF PANELING - DENVER CLOUD - VW LIGHT GRAY - 48" X 84"
	088272-J2-000	SF PANELING - BOSSANOVA/EMBOSSSED - LT GRAY - 48" X 84"
	074497-39-000	SF PANELING - WASHED MAPLE - 4' X 8'
	126339-01-000	SF BOARD - WHEAT - 60" X 72"

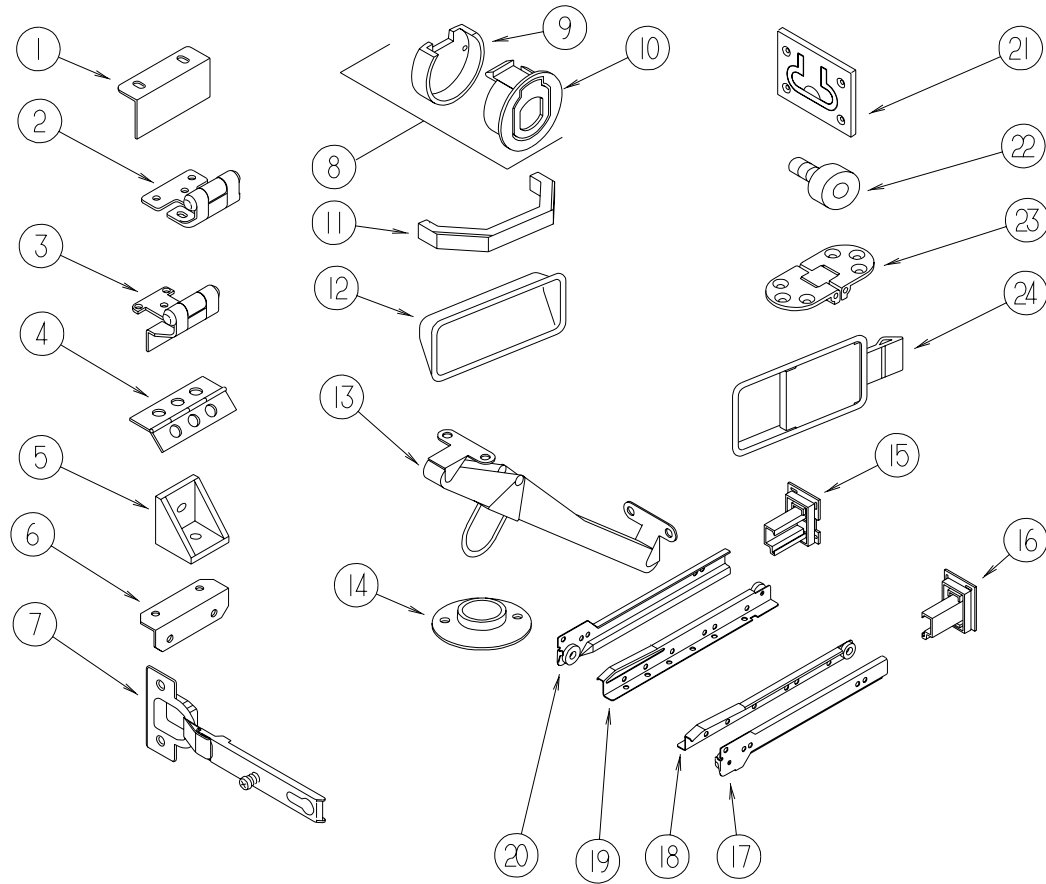
CARPETING & FLOOR MATS

KEY	PART NUMBER	U/M DESCRIPTION
	096060-D1-000	SY CARPET - JUBILATION - SEAL GRAY - INCREMENTS OF 4 SQ YDS
	102570-05-000	EA MAT - ANTI SLIP - UPPER/RIGHT HAND
	102570-06-000	EA MAT - ANTI SLIP - UPPER/LEFT HAND
	115381-01-01A	EA MAT - FLOOR - DRIVER - GRAY/BLACK
	115381-02-01A	EA MAT - FLOOR - PASSENGER - GRAY/BLACK
	117477-01-H70	EA CARPET CAB-RIALLTA

BATT STRIP & TAPES

KEY	PART NUMBER	U/M DESCRIPTION
	088263-F2-000	EA BATT STRIP - DECORATIVE - TUSCAN MINK - 8' LENGTHS
	088263-G2-000	EA BATT STRIP - DECORATIVE - BOSSANOVA EMBLEM - 8' LENGTHS
	069733-86-000	EA BATT STRIP - WOODGRAINED/WASHED MAPLE - 8'
	085284-E7-000	FT BATT TAPE - ADHESIVE BACKED - DECORATIVE - TUSCAN MINK
	085284-F5-000	FT BATT TAPE - ADHESIVE BACKED - WASHED MAPLE

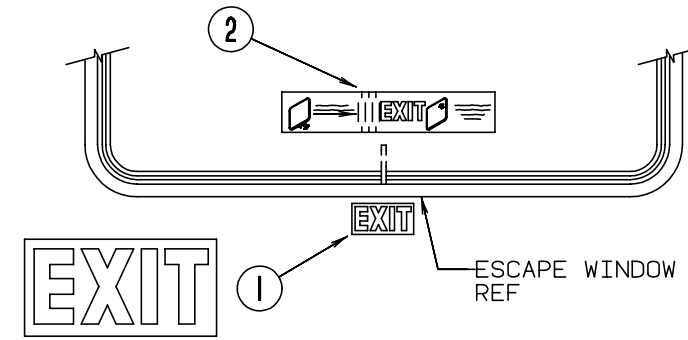
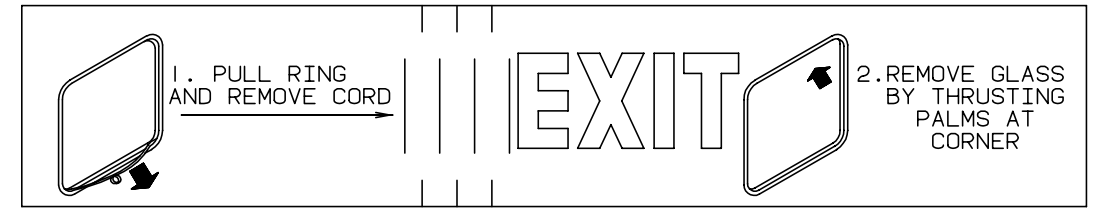
INTERIOR FINISH GROUP (CONTINUED)



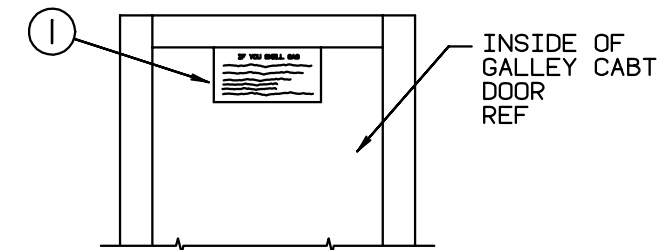
CABINET DOOR & DRAWER HARDWARE

KEY	PART NUMBER	U/M DESCRIPTION
1	113375-02-01A	EA STRIKE - DOOR - CHROME
2	113676-01-01A	EA HINGE - OVERLAY - VARIABLE
3	113677-01-01A	EA HINGE - SELF CLOSING
4	009059-01-000	EA HINGE - DOOR - 2" X 1.4" - BRASS
5	065740-01-000	EA BRACE - CABINET/CORNER - PLASTIC
6	016604-01-000	EA BRACE - CABINET - ANGLE - 2.5" - UNPAINTED METAL
7	114443-01-01A	EA HINGE - CABINET DOOR
8	113375-01-01A	EA LATCH - SLAM - CABINET DOOR
9	113375-05-01A	EA LATCH - SLAM - BACK - .8" THICK
10	113375-06-01A	EA LATCH - SLAM - FACE - .7" THICK
11	121891-01-01A	EA PULL - CABINET - BRASS
		FROM: 00-00-00 THRU: 06-06-99
11	131964-01-01A	EA PULL - CABINET - POLISHED BRASS
		FROM: 06-07-99 THRU: 99-99-99
12	115994-01-01A	EA HANDLE - POCKET
12	124311-01-01A	EA HANDLE - RECESSED - BRASS
13	104181-01-01A	EA SUPPORT - LEAF 5.3" EXTENDS TO 7.5" - SAFETY RING - METAL
14	009112-01-000	EA FLANGE - PLASTIC - 1" CLOTHES ROD - OFF WHITE
15	128811-01-01A	EA BACKSOCKET - ADJUSTABLE - LEFT
16	128811-02-01A	EA BACKSOCKET - ADJUSTABLE - RIGHT
17	128810-18-01A	EA SLIDE - DRAWER - 20" - RIGHT CABINET
18	128810-20-01A	EA SLIDE - DRAWER - 20" - RIGHT DRAWER
19	128810-19-01A	EA SLIDE - DRAWER - 20" - LEFT DRAWER
20	128810-17-01A	EA SLIDE - DRAWER - 20" - LEFT CABINET
21	072871-01-000	EA PULL - FLUSH - CHROME
22	079921-01-000	EA ROLLER - NYLON - W/STEEL SHAFT - BARBED
23	111535-01-000	EA HINGE - TABLE/FOLDING
24	127349-01-01A	EA LATCH - PADDLE
	023320-01-000	EA PAD - FELT 3/8" DIAMETER
	042438-01-000	EA DOWEL - WOOD - CLOTHES ROD - 1" DIAMETER X 4'
	104181-01-01A	EA SUPPORT - LEAF 5.3" EXTENDS TO 7.5" - SAFETY RING - METAL

LABELS GROUP



KEY	PART NUMBER	U/M DESCRIPTION
1	039290-01-000	EA LABEL - WARNING - EXIT
2	107571-01-000	EA LABEL - ESCAPE/EXIT WINDOW

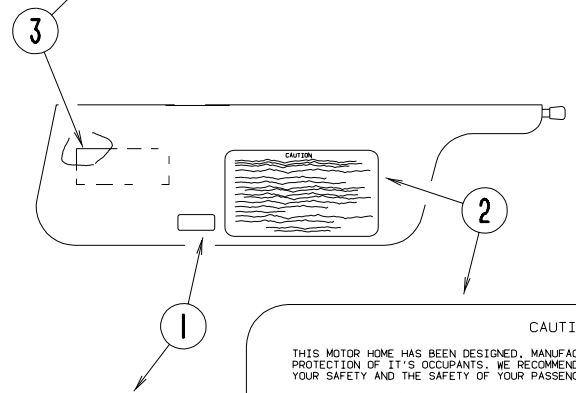
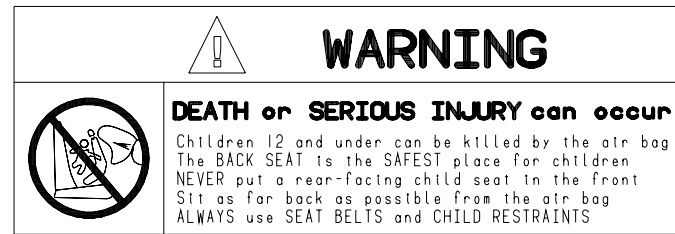


IF YOU SMELL GAS

1. EXTINGUISH ANY OPEN FLAME, PILOT LIGHTS AND ALL SMOKING MATERIALS.
2. SHUT OFF THE GAS SUPPLY AT THE TANK VALVE(OR GAS SUPPLY CONNECTION).
3. OPEN DOORS AND OTHER VENTILATING OPENINGS.
4. DO NOT TOUCH ELECTRICAL SWITCHES.
5. LEAVE THE AREA UNTIL ODOR CLEARS.
6. HAVE THE GAS SYSTEM CHECKED AND LEAKAGE SOURCE CORRECTED BEFORE USING AGAIN.

KEY	PART NUMBER	U/M DESCRIPTION
1	073998-01-000	EA LABEL - LPG ODOR WARNING

LABELS GROUP (CONTINUED)



WARNING
THIS VEHICLE, LIKE OTHER VEHICLES, MAY CONTAIN SMALL AMOUNTS OF ONE OR MORE SUBSTANCES WHICH ARE LISTED BY THE STATE OF CALIFORNIA FOR CAUSING CANCER OR REPRODUCTIVE TOXICITY.

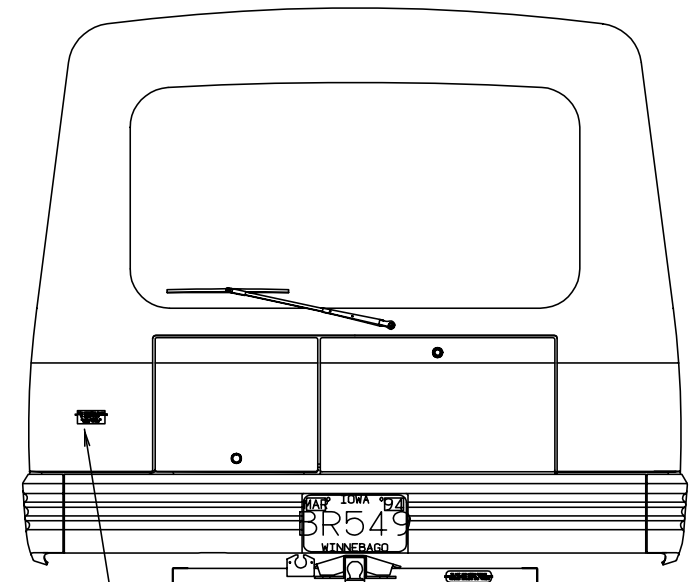
CAUTION
THIS MOTOR HOME HAS BEEN DESIGNED, MANUFACTURED AND TESTED WITH CONCERN FOR THE PROTECTION OF IT'S OCCUPANTS. WE RECOMMEND YOU PERFORM THE FOLLOWING INSPECTIONS FOR YOUR SAFETY AND THE SAFETY OF YOUR PASSENGERS BEFORE STARTING YOUR VEHICLE.

1. LP GAS SYSTEM- TURN OFF AT TANK FOR TRAVELING. TEST FOR LEAKS UPON ARRIVAL AT DESTINATION. BEFORE LIGHTING PILOTS.
2. WHEELS- INSPECT FOR DAMAGE AND CHECK LUG NUTS FOR TIGHTNESS.
3. TIRES- INSPECT FOR WEAR AND DAMAGE AND CHECK FOR RECOMMENDED AIR PRESSURE.
4. LIGHTING- TEST FOR PROPER OPERATION OF ALL INTERIOR AND EXTERIOR LIGHTS INCLUDING DASH LIGHTS, HEADLIGHTS, TAIL LIGHTS, BRAKE LIGHTS, CLEARANCE LIGHTS AND TURN SIGNALS.
5. EXITS- INSPECT RELEASE MECHANISM ON EMERGENCY EXIT WINDOW, TEST BOTH LOCKS ON MAIN ENTRANCE DOOR FOR EASE OF OPERATION AND INSTRUCT PASSENGERS HOW TO USE BOTH MEANS OF EXIT.
6. SEAT BELTS- DIRECT PASSENGERS TO DESIGNATED SEATS AND REQUIRE USE OF SEAT BELTS.
7. APPLIANCES- TURN OFF AND LATCH OR LOCK DOORS WHERE PROVIDED.
8. LOOSE PARCELS- STORE SECURELY.
9. UTILITY SUPPLY LINES- DISCONNECT ALL ELECTRIC, SEWER AND WATER LINES AND SECURE PROPERLY.
10. ENTRANCE DOOR STEP- PLACE IN RETRACTED POSITION FOR TRAVELING.

READ YOUR MOTOR HOME AND CHASSIS OWNER'S MANUAL FOR FURTHER PRECAUTIONS

KEY	PART NUMBER	U/M	DESCRIPTION
1	111802-01-000	EA	LABEL - CFC WARNING
2	056259-01-000	EA	LABEL - SAFETY CHECK LIST
3	126611-01-000	EA	LABEL - AIR BAG - VISOR

LABELS GROUP (CONTINUED)

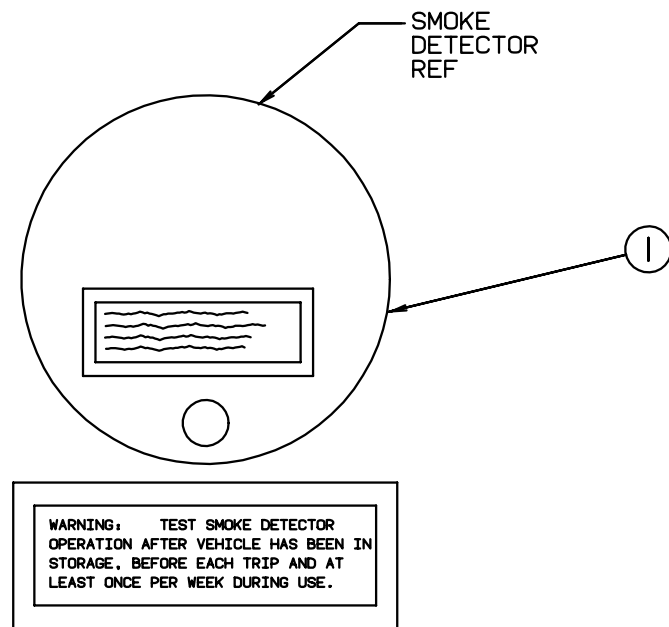


THIS CONNECTION IS FOR (B) VOLT AC, 3-POLE, 4 WIRE 60 HZ (CYCLES), (A) AMPERE SUPPLY
DO NOT CONNECT TO HIGHER VOLTAGE

DO NOT USE HITCH BEFORE READING OWNERS MANUAL REGARDING VEHICLE LOADING AND TOWING

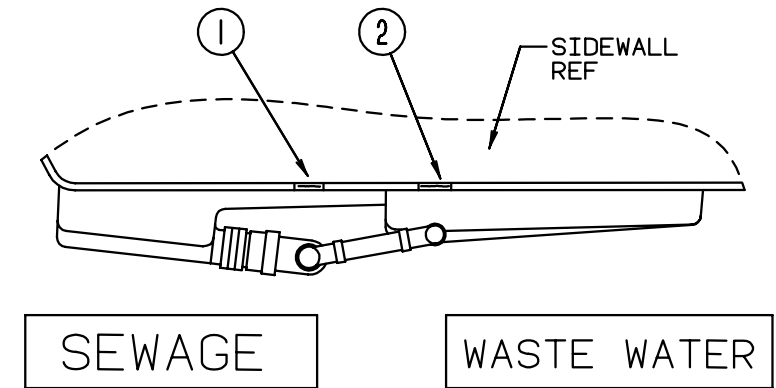
KEY	PART NUMBER	U/M	DESCRIPTION
1	125306-03-01A	EA	LABEL - ELECTRICAL ENTRANCE - 100 VOLT 30 AMP
2	111104-01-000	EA	LABEL - HITCH - READ MANUAL - WHITE

LABELS GROUP (CONTINUED)



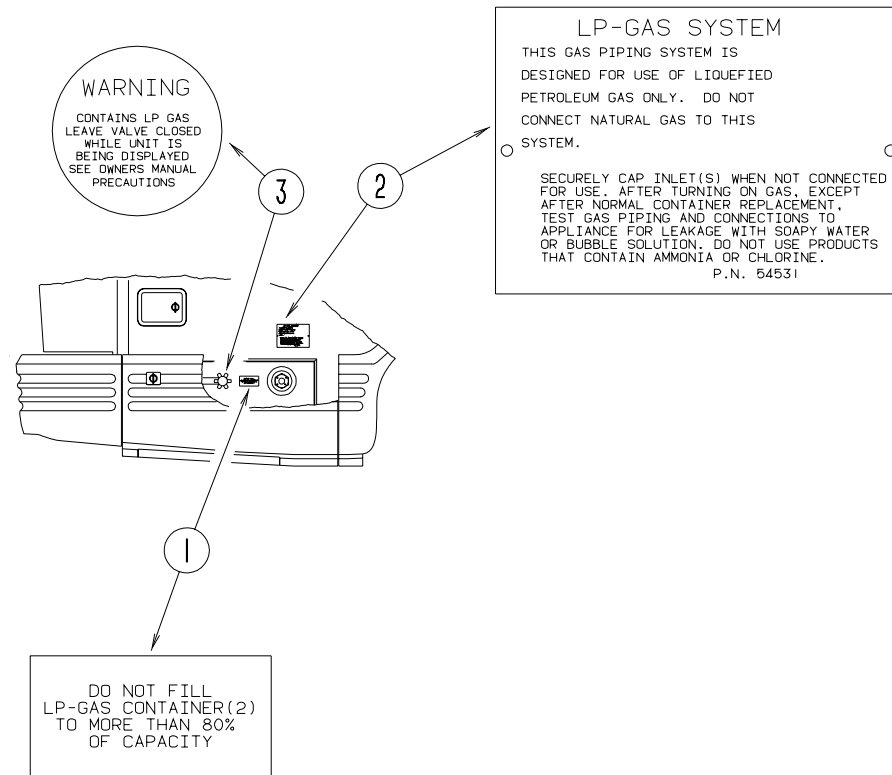
KEY	PART NUMBER	U/M DESCRIPTION
1	077956-01-000	EA LABEL - WARNING - SMOKE DETECTOR

LABELS GROUP (CONTINUED)

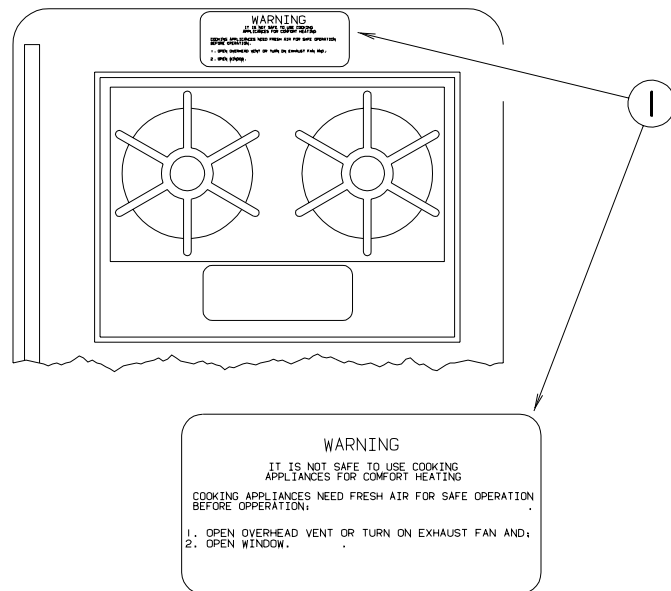


KEY	PART NUMBER	U/M DESCRIPTION
1	006187-01-000	EA LABEL - SEWAGE
2	006188-01-000	EA LABEL - WASTE WATER

LABELS GROUP (CONTINUED)

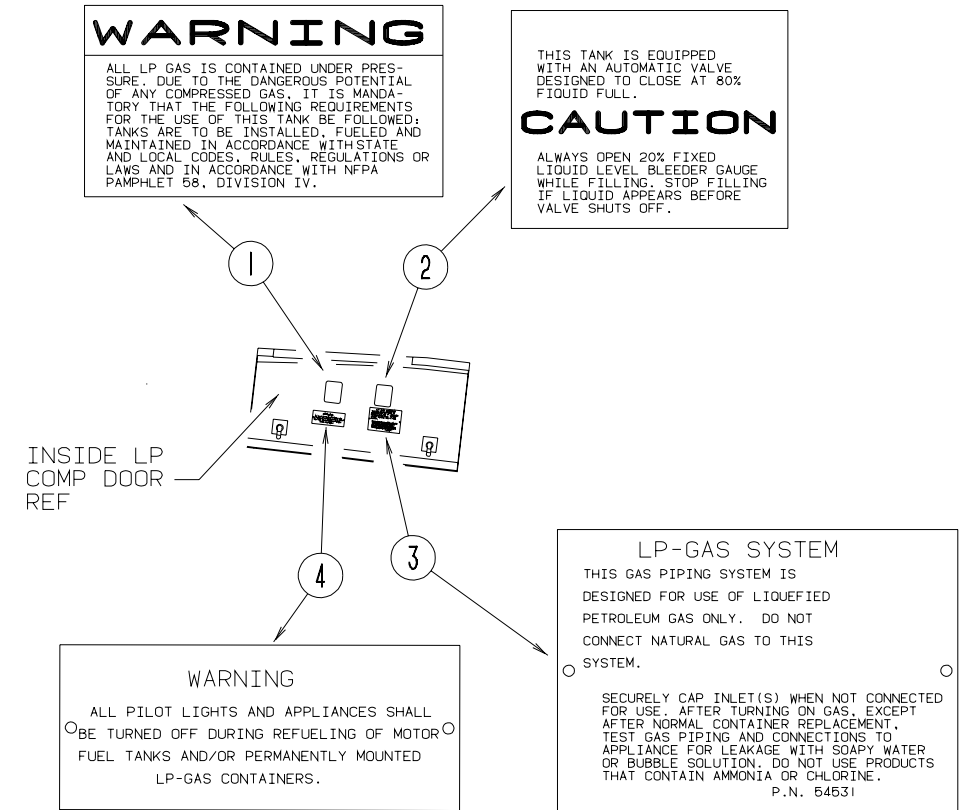


KEY	PART NUMBER	U/M DESCRIPTION
1	079965-01-000	EA LABEL - LPG 80% CAPACITY
2	124520-01-01A	EA LABEL - LP GAS ONLY - BLACK ON CLEAR
3	115600-01-000	EA LABEL - WARNING LPG VALVE

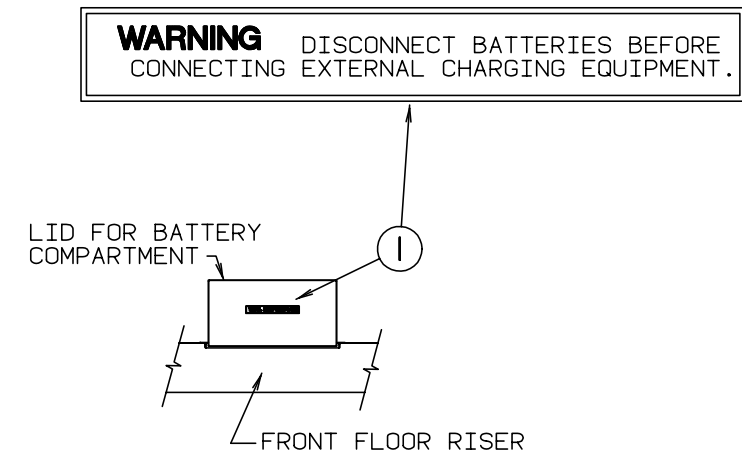


KEY	PART NUMBER	U/M DESCRIPTION
1	050225-01-000	EA LABEL - WARNING - STOVE VENT - US
1	050222-01-000	EA LABEL - WARNING - STOVE VENT - CANADIAN

LABELS GROUP (CONTINUED)

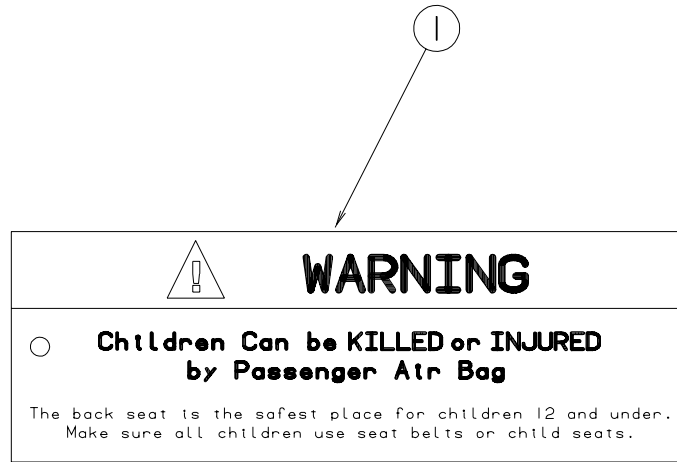


KEY	PART NUMBER	U/M DESCRIPTION
1	116112-01-000	EA LABEL - WARNING - LP
2	116113-01-000	EA LABEL - CAUTION - LP
3	023769-01-000	EA LABEL - WARNING - LPG ONLY - CANADIAN
4	124519-01-01A	EA TAG - WARNING - GAS REFUELING
	124519-02-01A	EA TAG - WARNING - GAS REFUELING - CANADIAN

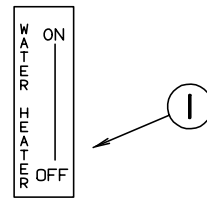


KEY	PART NUMBER	U/M DESCRIPTION
1	065748-01-000	EA LABEL - CAUTION - BATTERY CHARGING

LABELS GROUP (CONTINUED)

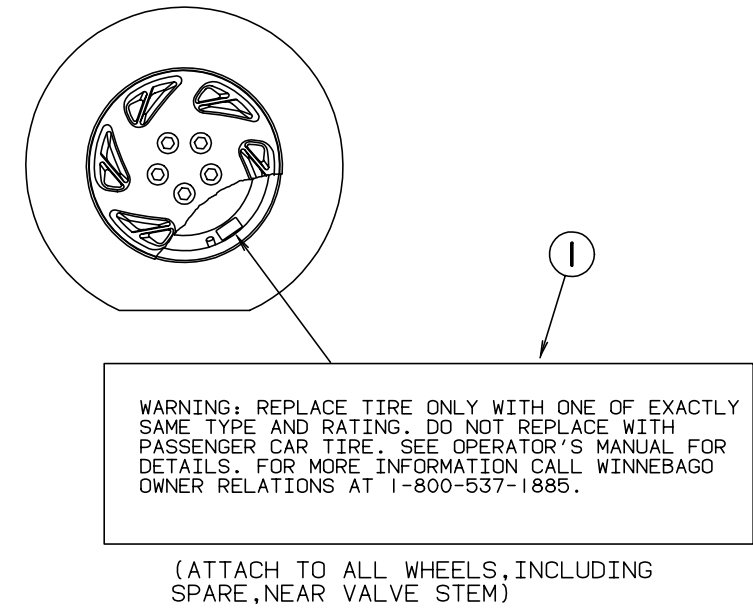


KEY	PART NUMBER	U/M DESCRIPTION
1	126612-01-000	EA LABEL - HANG TAG - AIR BAG - DASH

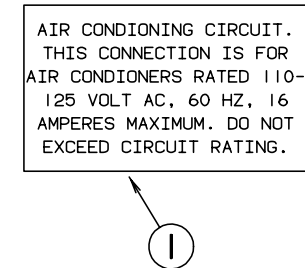


KEY	PART NUMBER	U/M DESCRIPTION
1	083588-01-000	EA LABEL - ON/OFF - WATER HEATER

LABELS GROUP (CONTINUED)



KEY	PART NUMBER	U/M DESCRIPTION
1	115869-01-000	EA LABEL - WARNING - TIRE

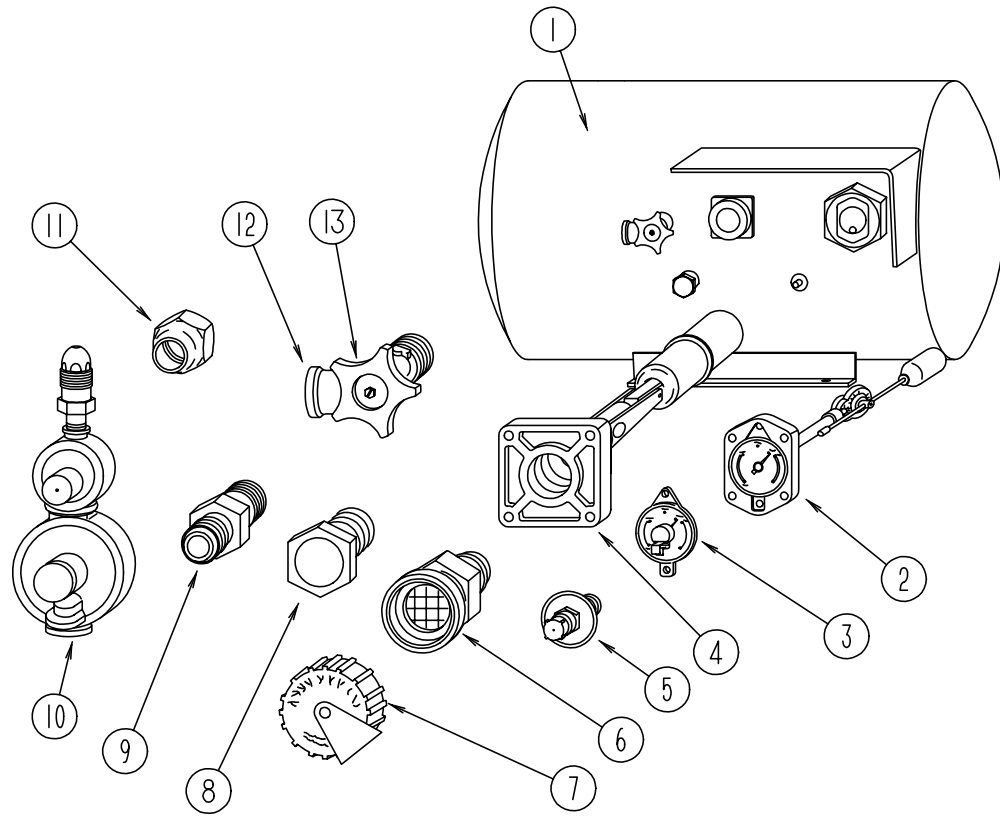


KEY	PART NUMBER	U/M DESCRIPTION
1	091243-01-000	EA LABEL - A/C COVER

MISCELLANEOUS LABELS

KEY	PART NUMBER	U/M DESCRIPTION
	120677-01-000	EA LABEL - TV
	087236-01-000	EA LABEL - CABLE - INPUT
	099689-01-000	EA LABEL - WARNING - CANCER/TOXICITY
	126024-01-000	EA LABEL - TIRE HANGER REMOVAL
	124572-01-000	EA LABEL - SWITCHES
	125306-03-01A	EA LABEL - ELECTRICAL ENTRANCE - 100 VOLT 30 AMP
	125306-01-01A	EA LABEL - ELECTRICAL ENTRANCE - 110 VOLT - 30 AMP
	129684-01-000	EA LABEL - TIRE ROTATION
	056259-01-000	EA LABEL - SAFETY CHECK LIST
	126611-01-000	EA LABEL - AIR BAG - VISOR

LP GROUP



BRUNNER LP TANK & COMPONENTS

KEY	PART NUMBER	U/M	DESCRIPTION	VENDOR NO.
1	074039-04-000	EA	TANK - LP - 28 LB - BOTTOM MOUNT - 10" DIAMETER X 23" LONG	
2	074039-01-700	EA	FLOAT ASM. (SIGHT GAUGE) BOLT	10C
3	040440-02-000	EA	TRANSMITTER - DIAL - 0-90 OHM -2 TERMINAL (POWER & GROUND)	
4	074039-04-700	EA	VALVE - 80% FILL W/AUTO STOP	LVTL290C9010
5	040421-01-700	EA	VALVE - LIQUID LEVEL, 20%	G-1013
6	040421-01-701	EA	VALVE - FILL - SHORT - LP	75478
7	040421-01-702	EA	CAP - FILL VALVE - PLASTIC	G-1014-A
8	040421-01-713	EA	VALVE - VAPOR ONLY	29000587
9	010323-01-000	EA	ADAPTER - BRASS - 3/8"F X 1/2" MPT	
10	106150-03-000	EA	REGULATOR -TWO STAGE-7/8-14 UNS2A LH INLET/3/8" FPT OUTLET	
11	010377-02-000	EA	NUT-BRASS - 3/8" FEMALE - FORGED	
12	040421-01-712	EA	VALVE - SERVICE - W/O VAPOR RELIEF	29000853
13	040421-01-708	EA	HANDWHEEL - SERVICE VALVE	G-1015-A
	074458-01-000	EA	ELBOW - 3/8 MALE FL TO 3/8 FEMALE FL SWIVEL	
	010252-01-000	EA	ELBOW - BRASS - 90 DEGREE - 3/8" F X 1/2" MPT	
	010265-01-000	EA	ELBOW - BRASS - 90 DEGREE - 3/8" F X 1/2" FPT	
	033759-01-000	EA	ELBOW - BRASS - 90 DEGREE - 3/8" F X 3/8" F	
	024250-01-000	EA	ADAPTER - BRASS - 3/8"F X 1/2" FPT	
	010329-01-000	FT	ADAPTER - BRASS - 1/2" F X 1/2" MPT	
	010281-01-000	EA	TEE - BRASS - 3/8F	
	103613-03-000	EA	DETECTOR - LP GAS - W/O SHUT-OFF VALVE	

SEALANTS & FASTENERS GROUP

NUTS, BOLTS AND WASHERS

KEY	PART NUMBER	U/M	DESCRIPTION
	0MC04K-06-016	EA	BOLT - HEX - M06 X 1 X 016
	0MC13K-14-070	EA	BOLT - HEX M14 X 2.00 X 2.75
	0MC31K-08-020	EA	BOLT - HEX - SERRATED FLANGE - M8 X 020
	0MC32K-10-030	EA	BOLT - HEX - SERRATED FLANGE - M10 X 1.50
	0MD16K-10-000	EA	NUT - HEX PREV TORQUE M10 X 1.50 CLASS 8
	0MD39K-12-000	EA	NUT - HEX W/NYLON LOCK - M12 X 1.75
	0MD40K-14-000	EA	NUT - HEX W/NYLON LOCK - M14 X 2.00
	0ME06K-14-280	EA	WASHER - FLAT - 14 ID X 28.00 OD
	000C12-04-12A	EA	BOLT - HEX - 1/4-20 X .75 - PLAIN 5
	000C12-05-64B	EA	BOLT - HEX - 5/16-18 X 4
	000C12-05-16B	EA	BOLT - HEX - 5/16-18 X 1 - ZINC 5
	000C12-06-16B	EA	BOLT - HEX - 3/8-16 X 1 LG - ZINC 5
	000C26-04-14B	EA	BOLT - HEX - SERRATED FLANGE - 1/4-20 X 7/8 - ZINC
	000C26-04-10B	EA	BOLT - HEX - SERRATED FLANGE - 1/4-20 X 5/8 - ZINC
	000C26-05-16B	EA	BOLT - HEX - SERRATED FLANGE - 5/16-18 X 1 - ZINC
	000C26-05-12B	EA	BOLT - HEX - SERRATED FLANGE - 5/16-18 X 3/4 - ZINC
	000C26-06-16B	EA	BOLT - HEX - SERRATED FLANGE - 3/8-16 X 1 - ZINC
	000C26-06-12B	EA	BOLT - HEX - SERRATED FLANGE - 3/8-16 X 3/4 - ZINC
	000C26-08-24B	EA	BOLT - HEX - SERRATED FLANGE - 1/2-13 X 1 1/2 ZINC
	000C27-05-16B	EA	BOLT - CARRIAGE - 5/16-18 X 1.0 ZINC
	000D24-10-00B	EA	NUT - HEX - SELF LOCKING - 10-32 ZINC
	000D34-04-00B	EA	NUT - HEX - LOCKING - 1/4-20 ZINC
	000D34-06-00B	EA	NUT - HEX - LOCKING - 3/8-16 GRADE C - ZINC-PREVAILING
	000D39-04-00B	EA	NUT - HEX - LOCKING W/SERRATED FLANGE - 1/4-20 - ZINC
	000D39-05-00B	EA	NUT - HEX - LOCKING W/SERRATED FLANGE - 5/16-18 - ZINC
	000D39-06-00B	EA	NUT - HEX - LOCKING W/SERRATED FLANGE - 3/8-18 - ZINC
	000D39-07-00B	EA	NUT - HEX - LOCKING W/SERRATED FLANGE - 7/16-14 - ZINC
	000D39-08-00B	EA	NUT - HEX - LOCKING W/SERRATED FLANGE - 1/2-13 - ZINC
	000D44-07-00B	EA	NUT - HEX - LOCKING W/SERRATED FLANGE - 7/16-20 - ZINC
	000D46-04-00A	EA	NUT - HEX - WELD - 1/4-20 - PLAIN
	000D65-08-00B	EA	NUT - HEX - LOCKING W/SERRATED FLANGE - 8-32 - ZINC
	000E11-08-00B	EA	WASHER - LOCKING - 1/2 MED SPLIT - ZINC
	000E13-14-00B	EA	WASHER - FLAT - 1/4 WIDE - ZINC
	000E13-17-00B	EA	WASHER - FLAT - 3/8" AR - ZINC
	000E13-18-00B	EA	WASHER - FLAT - 3/8 WIDE - ZINC
	000E13-18-00K	EA	WASHER - FLAT - 3/8" WIDE
	000E13-20-00B	EA	WASHER - FLAT - 7/16 WIDE - ZINC
	000E13-26-00B	EA	WASHER - FLAT - 5/8 WIDE - ZINC
	000E14-10-00B	EA	WASHER - LOCKING - #10 EXTERNAL TOOTH - ZINC
	041322-01-000	EA	WASHER - FLANGE - 15/32 ID X 2 3/8 OD - F/SEAT BELT MTG
	044364-02-000	EA	NUT - SPEED - FLAT - ROUND
	051387-06-000	EA	BOLT - CARRIAGE W/O HOLE - 5/16-18 X 9.5 - ZINC
	084406-01-000	EA	NUT - CAPPED - CROSS RECESSED - BLACK - 1/4-20 THD
	087234-01-000	EA	NUT - JACK - 1/4 X 20 THD - MOLLY
	087718-01-000	EA	MONOBOLT - STEEL - 3/16 DIAMETER
	103020-02-000	EA	BOLT-U - #8-32 - GRADE 5 ZINC
			FROM: 03-26-98 THRU: 99-99-99
	108067-03-000	EA	STUD - WELD - 1/4 - 20 X 1/2 CD
	113985-01-000	EA	BOLT - FLANGE - M10-1.5 X 40CL10.9
	113985-02-000	EA	BOLT - FLANGE - M10-1.5 X 30CL10.9
	114257-01-000	EA	GASKET - NEOPRENE RUBBER - .62" X 1.1" X .11"
			FROM: 00-00-00 THRU: 12-16-98
	131377-01-000	EA	NUT-HEX HEAD W/WASHER-1/4-20 X 2" STEEL W/3/4" OD WASHER

SEALANTS & FASTENERS GROUP (CONTINUED)

SCREWS

KEY	PART NUMBER	U/M	DESCRIPTION
	0G1308-10-240	EA	SCREW - 8-18 X 5/8 PFH - VW LIGHT GRAY
	0G6710-08-240	EA	SCREW - 10-12 X .50 PPH TAUPE - VW LIGHT GRAY
	000D29-04-00B	EA	NUT - HEX - SELF LOCKING - 1/4 X 20 - ZINC
	000G11-06-24B	EA	SCREW - 6-20 X 1.5 PPH ZINC
	000G11-06-10J	EA	SCREW - 6-20 X 5/8 PPH - BRASS
	000G11-08-08T	EA	SCREW - 8-18 X 1/2 PPH - FLUOROCARBON COATING
	000G11-08-08B	EA	SCREW - 8-18 X 1/2 PPH - ZINC
	000G11-08-12P	EA	SCREW - 8-18 X 3/4 PPH - DARK BROWN
	000G11-08-12D	EA	SCREW - 8-18 X 3/4 PPH - BLACK
	000G11-08-12B	EA	SCREW - 8-18 X 3/4 PPH - ZINC
	000G11-08-10B	EA	SCREW - 8-18 X .50 PPH - ZINC
	000G11-08-20B	EA	SCREW - 8-18 X 1 1/4 PPH - ZINC
	000G11-08-16B	EA	SCREW - 8-18 X 1 PPH - ZINC
	000G11-08-12T	EA	SCREW - 8-18 X 3/4 PPH - BLACK
	000G11-08-12P	EA	SCREW - 8-18 X 3/4 PPH - DARK BROWN
	000G11-10-12S	EA	SCREW - 10-16 X 3/4 PPH - OFF WHITE
	000G11-10-12D	EA	SCREW - 10-16 X 3/4 PPH - BLACK
	000G12-06-08T	EA	SCREW - 6-20 X 1/2 POH - BLACK
	000G13-06-08B	EA	SCREW - 6-20 X 1/2 PFH - ZINC
	000G13-06-16E	EA	SCREW - 6-20 X 1.00 PFH - CHROME
	000G13-06-08G	EA	SCREW - 6-20 X .50 PFH - ANTIQUE BRASS
	000G13-07-12B	EA	SCREW - 7-19 X 3/4 PFH - ZINC
	000G13-07-10H	EA	SCREW - 7-19 X 5/8 PFH - BLACK
	000G13-08-16B	EA	SCREW - 8-18 X 1 PFH - ZINC
	000G13-08-10S	EA	SCREW - 8-18 X 5/8 PFH - OFF WHITE
	000G13-10-12B	EA	SCREW, 10-16 X 3/4 PFH ZN
	000G16-04-24B	EA	SCREW - MACHINE - 1/4-20 X 1 1/2 PPH
	000G19-10-12F	EA	SCREW - MACHINE - 10-32 X 3/4 PPH - STAINLESS STEEL
	000G38-04-229	EA	SCREW - MACHINE - 1/4-20 X 1.38PFH
	000G39-06-10T	EA	SCREW - SF/DR - 6-20 X 5/8 PPH - BLACK
	000G39-06-08B	EA	SCREW - SF/DR - 6-18 X 1/2 - ZINC
	000G39-06-16T	EA	SCREW - SF/DR - 6-20 X 1 PPH - BLACK
	000G39-06-10T	EA	SCREW - SF/DR - 6-20 X 5/8 PPH - BLACK
	000G39-08-12B	EA	SCREW - SF/DR - 8-18 X 3/4 PPH - ZINC
	000G39-08-08T	EA	SCREW - SF/DR - 8-18 X 1/2 PPH - BLACK
	000G39-08-08B	EA	SCREW - SF/DR - 8-18 X 1/2 PPH - ZINC
	000G39-08-24B	EA	SCREW - SF/DR - 8-18 X 1 1/2 PPH - ZINC
	000G39-08-16T	EA	SCREW - SF/DR - 6-20 X 1 PPH - BLACK

SEALANTS & FASTENERS GROUP (CONTINUED)

SCREWS (CONTINUED)

KEY	PART NUMBER	U/M	DESCRIPTION
	000G39-08-16B	EA	SCREW - SF/DR - 8-18 X 1 PPH - ZINC
	000G39-08-12T	EA	SCREW - SF/DR - 8-18 X 3/4 PPH - BLACK
	000G39-10-12B	EA	SCREW - SF/DR - 10-16 X 3/4 PPH - ZINC
	000G39-10-10B	EA	SCREW - SF/DR - 10-16 X 5/8 - ZINC
	000G39-10-088	EA	SCREW - SF/DR - 10-16 X 1/2 PPH - FLEX FLUOROCARBON
	000G39-10-08B	EA	SCREW - SF/DR - 10-16 X 1/2 PPH - ZINC
	000G39-10-48B	EA	SCREW - SF/DR - 10-16 X 3 - PPH - ZINC
	000G39-10-32I	EA	SCREW - SF/DR - 10-16 X 2.00 PPH
	000G39-10-209	EA	SCREW - SF/DR - 10-16 X 1 1/4 PPH - FLUOROCARBON SILVER
	000G39-10-20B	EA	SCREW - SF/DR - 10-16 X 1 1/4 PPH - ZINC
	000G39-10-129	EA	SCREW - SF/DR - 10-16 X 3/4 PPH - FLUOROCARBON SILVER
	000G39-10-12D	EA	SCREW - SF/DR - 10-16 X 3/4 PPH - BLACK
	000G42-04-16B	EA	SCREW - SF/DR - 1/4-14 X 1 HWH - ZINC
	000G42-04-12B	EA	SCREW - SF/DR - 1/4-14 X 3/4 HWH - ZINC
	000G50-04-12B	EA	SCREW - MACHINE - 1/4-20 X 3/4 PPH - ZINC
	000G57-05-16J	EA	SCREW - 5-20 X 1 PFH - BRASS
	000G67-10-08B	EA	SCREW - 10-12 X 1/2 PPH - ZINC
	000G67-10-16B	EA	SCREW - 10-12 X 1 PPH - ZINC
	000G67-10-12B	EA	SCREW - 10-12 X 3/4 PPH - ZINC
	000G67-10-10D	EA	SCREW - 10-12 X 5/8 PPH - BLACK - TYPE A
	000G67-10-10B	EA	SCREW - 10-12 X 5/8 PPH - ZINC - TYPE A
	000G68-06-10G	EA	SCREW - 6-18 X 5/8 POH - ANTIQUE BRASS
	049465-18-000	EA	SCREW -10-16 X 1POH W/WASHER - VW GRAY
	057671-01-000	EA	COVER - SCREW - #8 - PLASTIC - OFF WHITE
	057671-13-000	EA	COVER - SCREW - DARK GRAY #8
	076790-01-000	EA	SCREW - 6-20 X 1 1/4 PPH - BLACK
	086256-01-000	EA	SCREW - SF/DR - 8 X 3/4 HWH LONG
	090033-02-000	EA	SCREW - 1/4-20 X 5/8 - ROUND WASHER HEAD - OFF/WHITE
	101618-01-000	EA	SCREW - 1/4-20 X 3/4 HEX - TAPPING - STALGARD TYPE F
	113563-01-01A	EA	SCREW - 8 X .62 LONG SHOULDER/WASHER HEAD
	117478-01-04A	EA	SCREW - 8-18 X .75 PPH W/WASHER - VW LIGHT GRAY

SEALANTS & FASTENERS GROUP (CONTINUED)

ADHESIVE AND SEALANTS

KEY	PART NUMBER	U/M DESCRIPTION	VENDOR NO.
	004001-05-000	EA EPOXY ADHESIVE (CLEAR) DP-100	
	004006-05-700	EA ADHESIVE-NAT. STARCH (5 GAL)	0802
	004020-01-000	QT ADHESIVE - ABS CEMENT - QUART	
	063642-01-000	FT TAPE - ADHESIVE - .4" X 1.5" X 180"	
	069640-02-000	FT SEALER - TAPE - .13"THICK X .5"WIDE X 60' - GRAY	
	072889-09-000	EA SEALANT - URETHANE - BLACK - TUBE	
	072889-13-000	EA SEALANT - URETHANE - VW WHITE - TUBE	
		FROM: 00-00-00 THRU: 09-20-98	
	072889-18-000	EA SEALANT - URETHANE - (FOIL) BLACK - 20 OZ	
		FROM: 09-07-98 THRU: 99-99-99	
	072889-19-000	EA SEALANT - URETHANE - (FOIL) BLACK - 10 OZ	
		FROM: 09-07-98 THRU: 99-99-99	
	072889-20-000	EA SEALANT - URETHANE - (FOIL) BRIGHT WHITE - 10 OUNCE	
		FROM: 09-07-98 THRU: 99-99-99	
	072889-22-000	EA SEALANT - URETHANE - (FOIL) VW WHITE - 10 OZ	
		FROM: 09-21-98 THRU: 99-99-99	
	076322-01-000	FT TAPE - FOAM - DOUBLE COATED - ADHESIVE BACKED - .75" X 216'	
	076322-02-000	FT TAPE - FOAM - DOUBLE COATED - ADHESIVE BACKED - 1" X 108'	
	076322-03-000	FT TAPE - FOAM - DOUBLE COATED - ADHESIVE BACKED - .5" X 108'	
	076322-05-000	FT TAPE - FOAM - DOUBLE COATED - .025" X 1.5"	
	076322-07-000	FT TAPE - FOAM - DOUBLE COATED - .045" X .50" - NORT V2000	
	087211-01-000	GL PROMOTER - ADHESIVE	
	102352-01-000	EA SEALER - PUMPABLE - TUBE - BLACK	
	103202-02-000	FT TAPE - FOAM/ADHESIVE ONE SIDE - GRAY	
	104692-01-000	FT SEAL - FOAM/ADHESIVE BACK - .75"THICK X .75"WIDE X 25'	
	107828-01-000	EA SEALANT - SB - 190 EVERSEAL	
	108353-01-000	FT SEAL - FOAM - 5/16" X 1/2" - ADHESIVE BACKED	
	112901-01-000	EA ADHESIVE - PLEXUS - 400 ML CARTRIDGE	
	112901-02-000	EA ADHESIVE - PLEXUS - 50ML	
	113366-01-000	EA ADHESIVE - INSTANT	
	123816-01-000	FT TAPE - DOUBLE SIDED - 1"	
	123816-02-000	FT TAPE - DOUBLE SIDED - 1/2" X 1 1/3" THICK	
	123816-03-000	FT TAPE - DOUBLE SIDED - 1/2" X 3/4" - THICK	
	120074-02-01A	EA SEALANT - W/O NOZZLE - OFF/WHITE	
	131264-01-01A	EA SILICONE - W/O NOZZLE - BLACK	
	131264-01-02A	EA SILICONE - W/O NOZZLE - CLEAR	
	131264-02-01A	EA SILICONE - W/O NOZZLE - VW GRAY - BATH ONLY	

SEALANTS & FASTENERS GROUP (CONTINUED)

MISCELLANEOUS FASTENERS

KEY	PART NUMBER	U/M DESCRIPTION
	000H14-04-08R	EA RIVET - MANDREL BLIND - 4/32 ALUMINUM
	000H16-04-06R	EA RIVET - POP ALUMINUM - 1/8 X .313 - .375
	000H16-06-10R	EA RIVET - POP ALUMINUM - 3/16 X .501-.625
	007161-01-000	EA CLAMP - HOSE - SPRING TYPE - 1/2"
	010495-02-000	EA CLAMP - CABLE - 3/8
	010497-01-000	EA CLAMP - CLOSED - 5/8" ID
	010497-04-000	EA CLAMP - CLOSED - 1.62" ID
	010497-05-000	EA CLAMP - CLOSED - 1/2 ID
	010497-07-000	EA CLAMP - CLOSED - 3/8" ID
	016188-03-000	EA GROMMET - L/P LINE - 3/8" HOLE X 2 1/2" LONG - RUBBER
	016188-04-000	EA GROMMET - GASLINE - .50 - 2.5 LONG
	023942-01-000	EA GROMMET - RUBBER - 2" OD
	062401-01-000	EA CLAMP - HOSE - WORMGEAR - .25" - 1"
	062401-02-000	EA CLAMP - HOSE - WORMGEAR - 1.56" - 2.5"
	062401-03-000	EA CLAMP - HOSE - WORMGEAR - .22" - 1"
	062401-04-000	EA CLAMP - HOSE - WORMGEAR - .69" - 1.25"
	062401-06-000	EA CLAMP - HOSE - WORMGEAR - .22" - .62" ID
	062401-12-000	EA CLAMP - HOSE - WORMGEAR - .79" X 1.26"
	069592-02-000	EA RIVET-T - POP - 1/4 X .093 - .156
	071015-11-000	EA GROMMET - 1.00 ID - FITS .12 MATERIAL
	071015-13-000	EA GROMMET - RUBBER - .62" ID X 1" OD W/.09" GROOVE - BLACK
	077953-01-000	EA GROMMET - EDGE LINER - FITS 1"
	077955-01-000	EA CLIP-J - VINYL COATED - 3/8"
	080734-02-000	EA CLIP - WIRE NYLON
	083610-01-000	EA CLAMP - WIRE - DUAL - UNEQUAL DIAMETERS - 3/4" & 1 1/4"
	088756-01-000	EA GROMMET - WEB - 1 1/8" I.D.
	114208-03-000	EA GROMMET - EDGE LINER - FITS 2.50"
	114208-04-000	EA GROMMET - EDGE LINER - FITS 1.00"
	008343-01-000	EA TIE - WIRE - 6"
	034141-02-000	EA PLUG - HOLE - 3/8" NYLON/BLACK
	061420-05-000	EA PLUG/PLASTIC - 1.8" DIAMETER
	085774-01-000	FT FASTENER - DUAL LOCK - 1" WIDE - ADHESIVE BACK - BLACK
	085774-02-000	FT FASTENER - DUAL HOOK - 1" WIDE - ADHESIVE BACK - BLACK
	085774-03-000	FT FASTENER - DUAL HOOK - 1/2" WIDE - ADHESIVE BACK - BLACK
	085774-04-000	FT FASTENER - DUAL HOOK - 1/2" WIDE - ADHESIVE BACK - BLACK
	088792-02-000	YD VELCRO TAPE - LOOP - ADHESIVE BACKED - .75" WIDE - BEIGE
	088792-04-000	YD VELCRO TAPE - LOOP - 5/8" - NON-ADHESIVE BACK - WHITE
	088792-05-000	YD VELCRO TAPE - LOOP - 5/8" - NON-ADHESIVE BACKED - WHITE
	108046-02-000	EA CABLE TIE - SCREW MOUNT 15"
		FROM: 05-28-97 THRU: 03-08-98
	110943-02-000	FT FELTSTRIP - 3/8" - ADHESIVE BACK - WHITE

WATER & SEWAGE GROUP

FRESH WATER TANK

KEY	PART NUMBER	U/M	DESCRIPTION
	074510-07-000	EA	TANK - WATER - 16 GALLON - W/FITTINGS - 33.4"X11.4" X 10"
	074510-01-000	EA	TANK - WATER - 16 GALLON - W/O FITTINGS - 33.4"X 11.4"X10"
	056337-21-000	EA	STRAP - RETAINING - WATER TANK
	077954-02-000	EA	FILTER - WATER TANK - W/SCREEN IN TANK
	079381-01-000	FT	TUBING - SMOOTH - FLEXIBLE - 1 1/4" ID
	042989-03-000	EA	FITTING - WATER TANK - SPINWELD - 1 1/4"NPT - PLASTIC
	042989-04-000	EA	FITTING - WATER TANK - SPINWELD - 3/8" FPT - PLASTIC
	042989-05-000	EA	FITTING - WATER TANK - SPINWELD - 1/2" FPT - PLASTIC
	049032-01-000	EA	PATCH - SPINWELD - 3/8" - PLASTIC
	039861-01-000	EA	SENDING UNIT W/SCREW - WASHER - WELL NUT AND TERMINAL RING
	035539-01-000	EA	ELBOW - PLASTIC - 3/8" MPT X 3/8" BARB
	039798-01-000	EA	TEE - 1/2" MPT X 1/2" MPT X 1/2" MPT - PLASTIC
	044927-01-000	EA	ADAPTER - HOSE TO PIPE - 1 1/4" MPT X 1 1/4" BARB - BLACK PLASTIC
	074462-02-000	FT	TUBING - VINYL - 3/8" ID - CLEAR

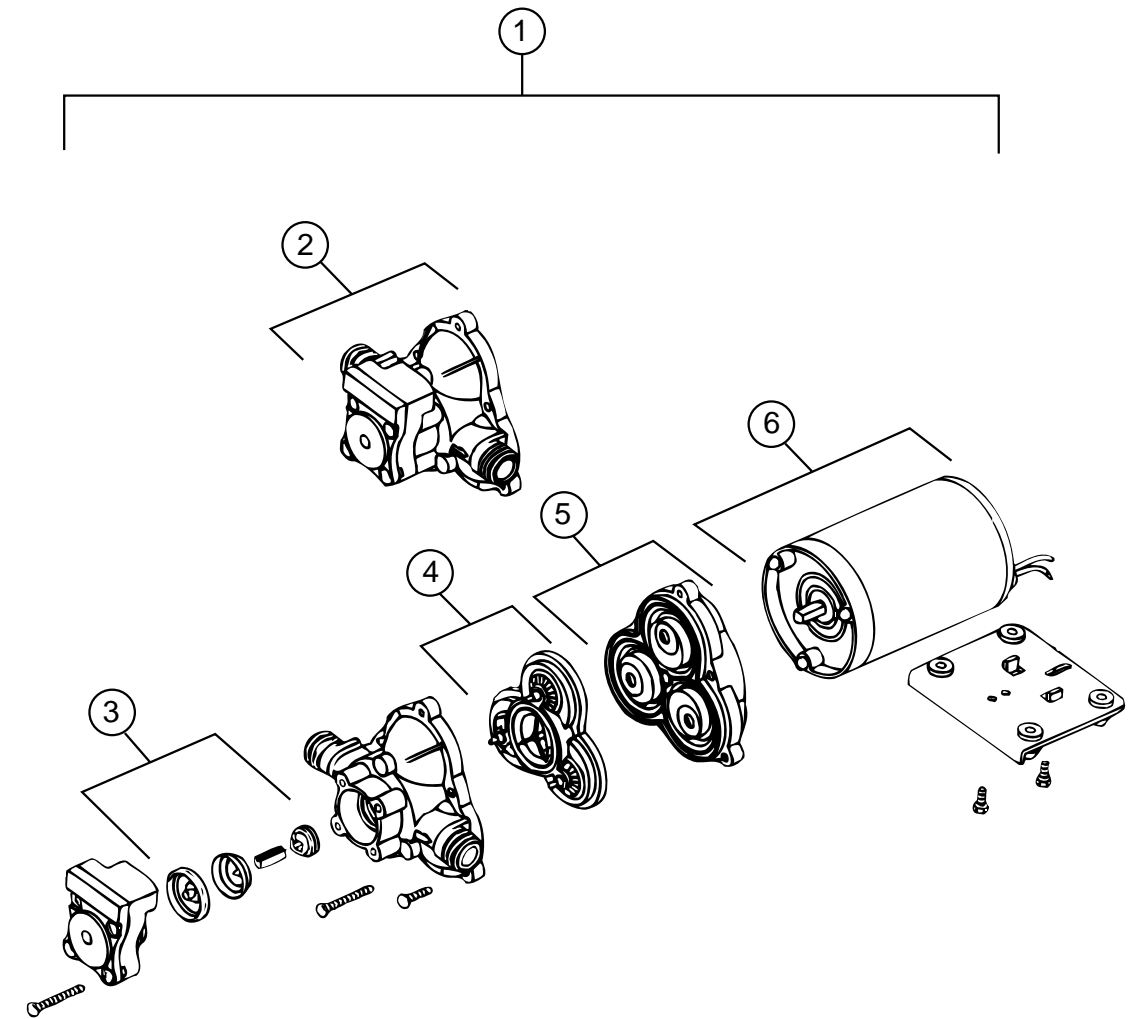
WATER SYSTEM

KEY	PART NUMBER	U/M	DESCRIPTION
	110915-01-01A	EA	FILL - WATER - CITY - CHROME - KEVCO 64713
	090338-03-000	EA	FITTING - HOSE - 3/4" ID - 2" LENGTH - BRASS
	111223-04-000	EA	ELBOW - 1/2" MPT X 1/2" BARB - PLASTIC
	114427-02-000	EA	PLUG - W/COMP NUT - 1/2" PLASTIC PIPE/1/2" FLAIR-IT
	114428-01-000	EA	TEE - 1/2"P X 1/2"P X 1/2"P
	114428-02-000	EA	TEE - SWIVEL - 1/2"P X 1/2"P X 1/2"FPT
	114428-03-000	EA	TEE - 1/2" P X 1/2" P X 1/2" MPT
	114429-01-000	EA	ELBOW - 1/2" P X 1/2" P
	114429-02-000	EA	ELBOW - 1/2" P X 1/2" MPT
	114429-03-000	EA	ELBOW - 1/2" P X 1/2" FPT - FLAIR-IT 02816
	114429-05-000	EA	ELBOW - 1/2" P X 3/4" MPT - FLAIR-IT 02812
	114429-06-000	EA	ELBOW - SWIVEL - 1/2 P X 3/4 FPT
	114429-08-000	EA	ELBOW - SWIVEL - 1/2"MPT X 1/2"FPT SWIVEL
	114430-01-000	EA	ADAPTER - 1/2" P X 1/2" P - FLAIR-IT 02840
	114430-02-000	EA	ADAPTER - SWIVEL - 1/2" P X 1/2" FPT - FLAIR-IT 02873
	114431-01-000	EA	VALVE - LINE DRAIN - 1/2" P - FLAIR-IT 02914
	114431-03-000	EA	VALVE - 1/2" P X 1/2" P - FLAIR-IT 02884
	114431-04-000	EA	VALVE - WATER - STRAIGHT THRU - "SHUT OFF VALVE"
	123150-01-000	EA	ELBOW - 1/2 FPT X 1/2 BARB - SWIVEL
	126589-01-000	EA	ELBOW - 1 1/2" 90 DEGREE SLIP X FEMALE
	111223-02-000	EA	ELBOW - PLASTIC - 1/2MPT X 3/8 BARB
	124188-01-000	FT	TUBING - PEX - 1/2" ID X 20' - BLUE
	124188-02-000	FT	TUBING - PEX - 1/2" ID X 20' - RED
	112176-01-000	FT	TUBING - VINYL - REINFORCED - 1/2" ID
	062421-03-000	EA	VALVE - 1.5 HUB X HUB - REMOTE
	062421-05-000	EA	CABLE - VALVE - REMOTE W/HANDLE - 48"
	114966-01-000	EA	FILTER - IN LINE - TWIST ON - 1/2"

EXTERIOR SHOWER

KEY	PART NUMBER	U/M	DESCRIPTION
	075241-06-000	EA	FAUCET/SHOWER - BRIGHT WHITE - 1/2"MPT X 1.9" INLET PIPES
	131383-01-02A	EA	SHOWER HEAD - W/60" HOSE & BRACKET - WHITE
	131383-02-02A	EA	SHOWER HEAD - W/60" HOSE & BRACKET - WHITE - CSA
	054250-04-000	EA	COVER/ANGLED - W/O HOLE 3.6" X 4.5" - PLASTIC
	108356-02-01A	EA	COVER/ACTUATOR SWITCH - 2 ROWS DIMPLES- CONTURA II - BLACK
	108357-08-000	EA	SWITCH - ROCKER DPDT - ON/NONE/ON - 6 TERMINAL
	121473-01-01A	EA	COMPARTMENT - SHOWER - EXTERIOR - OFF WHITE
	120592-01-01A	EA	COMPARTMENT - SHOWER - EXTERIOR - OFF WHITE - JAPAN

WATER & SEWAGE GROUP (CONTINUED)



SHURFLO WATER PUMP OR SUMP PUMP & COMPONENTS

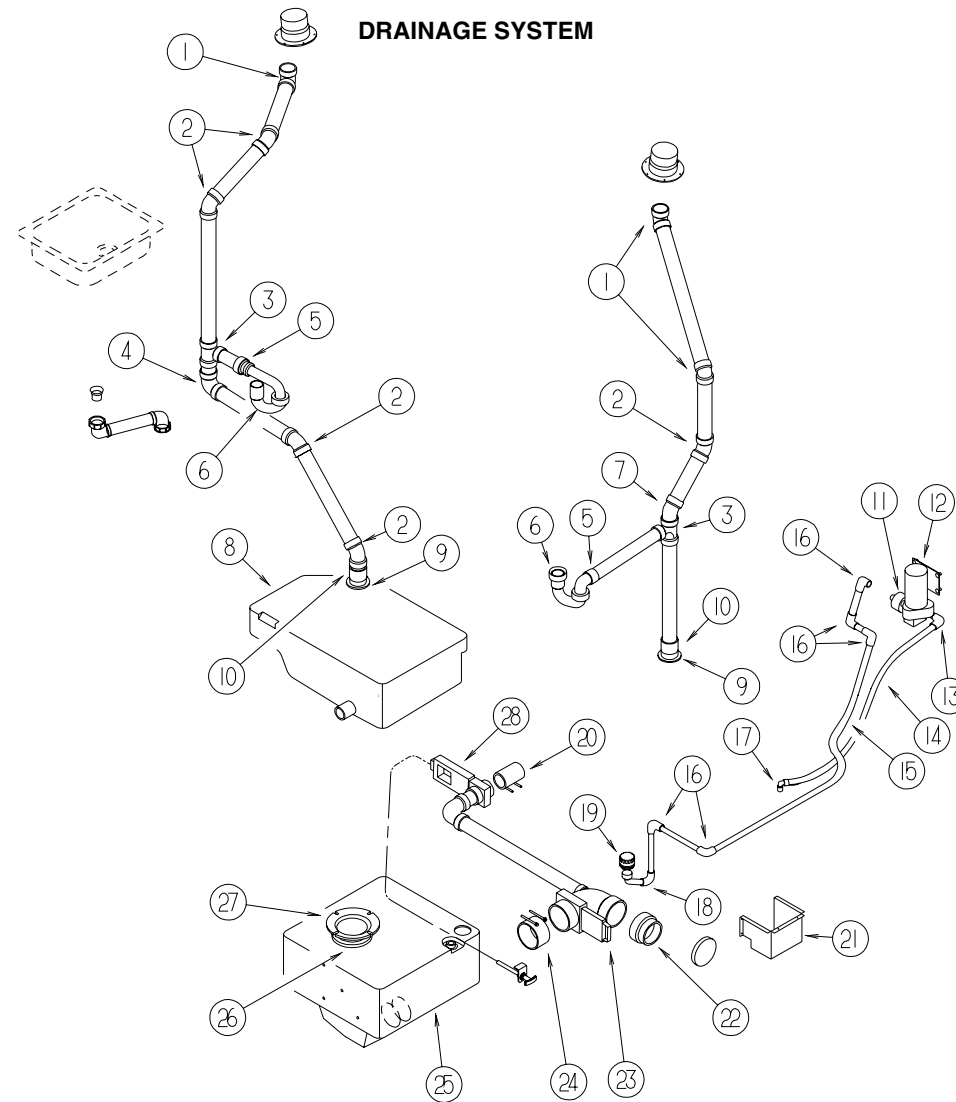
KEY	PART NUMBER	U/M	DESCRIPTION	VENDOR NO.
	1	098607-01-000	EA PUMP - WATER - W/.5" MPT FITTING - FLOW 2.8 GPM	
	2	098607-01-706	EA HOUSING - W/SWITCH ONLY	94-231-20
	3	098607-01-705	EA VALVE - CHECK, KIT	94-237-00
	4	098607-01-703	EA VALVE KIT	94-232-00
	5	098607-01-702	EA DIAPHRAM/DRIVE ASSEMBLY KIT	94-238-04
	6	098607-01-707	EA MOTOR W/BASEPLATE	94-234-03
		112176-01-000	FT TUBING - VINYL - REINFORCED - 1/2" ID	

ATWOOD ELECTRIC WATER HEATER

KEY	PART NUMBER	U/M	DESCRIPTION
*	113122-01-000	EA	WATER HEATER - ELECTRIC - 4 GALLON
*	113122-02-000	EA	WATER HEATER - 4 GALLON

***COMPONENT PARTS FOUND IN SERVICE PARTS LIBRARY**

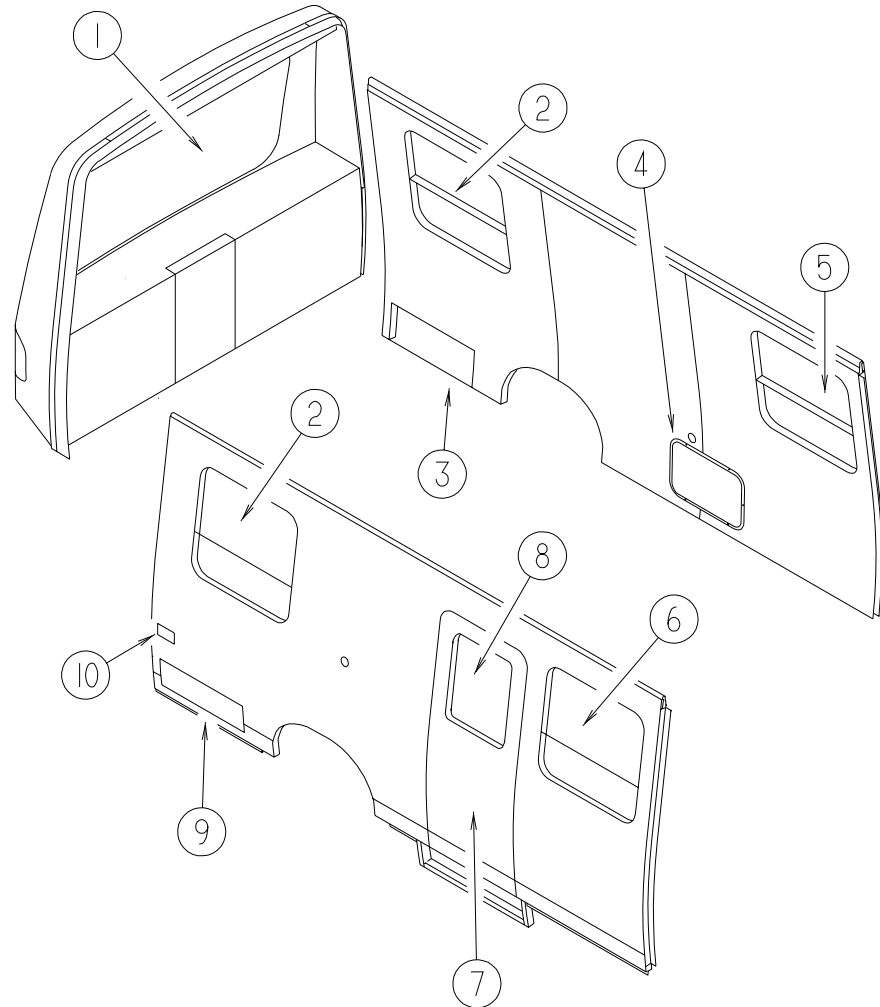
WATER & SEWAGE GROUP (CONTINUED)



KEY	PART NUMBER	U/M	DESCRIPTION
1	010005-01-000	EA	ELBOW - 22.5 DEGREE - 1 1/2" HUB X HUB - PLASTIC
2	010006-01-000	EA	ELBOW - 45 DEGREE - 1 1/2" HUB X HUB - PLASTIC
3	010071-01-000	EA	TEE - SANITARY - 1 1/2" HUB X HUB X HUB - PLASTIC
4	010008-01-000	EA	ELBOW - 90 DEGREE - 1 1/2" HUB X HUB - PLASTIC
5	109571-01-000	EA	ADAPTER - P TRAP - 1 1/2"P X 1 1/4"MPT
6	107538-01-000	EA	P TRAP - PLASTIC - 1 1/4" W/EXTENSION ARM
7	010051-01-000	EA	ELBOW - 45 DEGREE - 1 1/2" SPIGOT & HUB - PLASTIC
8	127086-01-000	EA	TANK - HOLDING - 9 GALLON - W/O FITTINGS
9	061607-01-000	EA	GROMMET - HOLDING TANK - 1 1/2" NPS
10	010115-01-000	EA	COUPLING - 1 1/2" HUB X HUB - PLASTIC
	010123-01-000	EA	BUSHING - 2" X 1 1/2" HUB - PLASTIC
11	114966-01-000	EA	FILTER - IN LINE - TWIST ON - 1/2"
12	098607-01-000	EA	PUMP - WATER - W/.5" MPT FITTING - FLOW 2.8 GPM
13	123150-01-000	EA	ELBOW - 1/2 FPT X 1/2 BARB - SWIVEL
14	112176-01-000	FT	TUBING - VINYL - REINFORCED - 1/2" ID
15	039800-02-000	FT	TUBING - POLYBUTYL - 5/8"OD X 20' - INC OF 20'
16	114429-01-000	EA	ELBOW - 1/2"P X 1/2"P
17	111223-02-000	EA	ELBOW - PLASTIC - 1/2MPT X 3/8 BARB
18	114429-06-000	EA	ELBOW - SWIVEL - 1/2"P X 3/4"FPT

KEY	PART NUMBER	U/M	DESCRIPTION
19	114974-01-000	EA	CONNECTOR - HULL - W/STRAINER
19	114427-02-000	EA	PLUG - W/COMP NUT - 1/2" PLASTIC PIPE/1/2" FLAIR-IT
20	089355-01-000	EA	COUPLER - RUBBER - 1 1/2" X 1 1/2"
21	114987-01-09B	EA	PANEL - COVER - SUMP - BOTTOM - GALVANIZED
21	114988-01-09B	EA	PANEL - COVER - SUMP - GALVANIZED
22	062416-01-000	EA	ADAPTER - SEWER HOSE TO 3" PIPE
	033761-01-000	EA	ELBOW - TURN - 90 DEGREE 1 1/2" HUB X 1 1/2" SPIGOT
23	072346-01-000	EA	VALVE ASM - 3" SLIP X 3" BAYONET W/CAP X 2" SOCKET-ABS
	010201-01-000	EA	HOSE - SEWER - 3" ID X 8'
	011069-03-000	EA	TAILPIECE - TUB/SHOWER - 1 1/2" X 1 3/4" - PLASTIC
24	078406-01-000	EA	COUPLER - RUBBER - W/CLAMPS - 3" X 3"
25	127074-01-000	EA	TANK - HOLDING - 13 GALLON - W/O FITTINGS
26	061607-02-000	EA	GROMMET - HOLDING TANK - 3" NPS
27	063641-01-000	EA	FLANGE - CLOSET - 4" X 3"
28	062421-03-000	EA	VALVE - DUMP - 1 1/2" HUB X 1 1/2" HUB - REMOTE
	062421-05-000	EA	CABLE - DUMP VALVE W/HANDLE - 48"
	126588-01-000	EA	ARM - WASTE - 1 1/2" X 9 1/2" - FEMALE
	126589-01-000	EA	ELBOW - 1 1/2" 90 DEGREE SLIP X FEMALE
	011071-01-000	EA	P-TRAP - PLASTIC - 1 1/2" - CSA

WINDOW, VENT & EXTERIOR DOOR GROUP

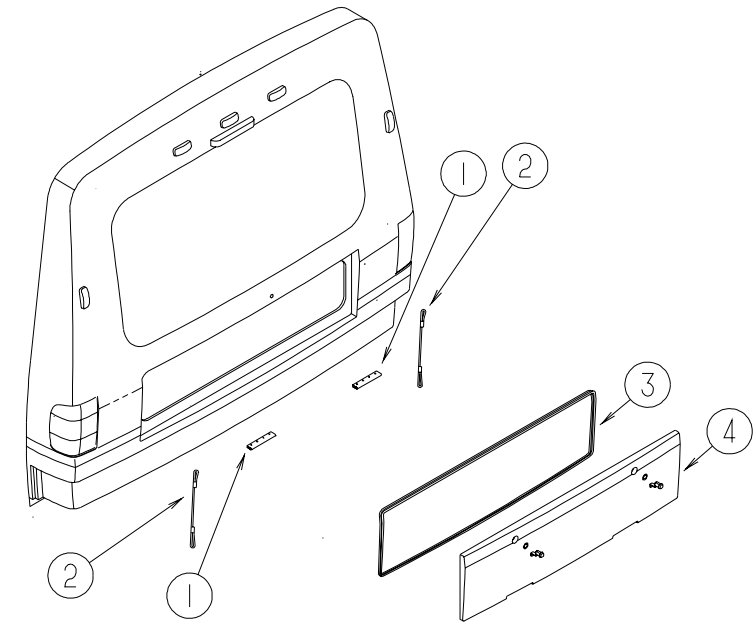


WINDOWS & DOORS

KEY	PART NUMBER	U/M	DESCRIPTION
1	084886-04-000	EA	WINDOW - REAR ESCAPE - 58.6" X 29"
1	084886-05-000	EA	WINDOW - REAR ESCAPE W/DEFROSTER - 58.6" X 29"
	002285-01-000	FT	FILLER - WEATHERSTRIP - RUBBER - BLACK
	084423-03-000	EA	WEATHERSTRIP - VULCANIZED - 1/2" W/LIP X 14'- BLACK RUBBER
	077066-01-702	EA	TAPE - RED - ESCAPE WINDOW
2*	104691-17-01A	EA	WINDOW - DOUBLE TIPOUT - TINTED - 36.2" X 24.5"
2*	112795-59-01A	EA	WINDOW - DRIVERS HORIZONTAL SLIDER/THERMO - 24.4" X 36.2"
2*	112795-58-01A	EA	WINDOW - PASSENGER HORIZ SLIDER - THERMO - 24.4" X 36.2"
3	130833-06-K76	EA	VALANCE/DOOR - DRIVER - 14.6"F X 38.2" X 12.8"R
3	130833-02-K76	EA	VALANCE/DOOR - DRIVER (GEN) - 14.6"F X 38.2"W X 12.8"R
	113752-01-01A	EA	JAMB - TRIM - GENERATOR - VW WHITE
	113752-03-01A	EA	JAMB - TRIM - GENERATOR - VW WHITE
4	130645-05-K76	EA	VALANCE/DOOR - FRONT/DRIVER - W/O HARDWARE
5*	104691-07-01A	EA	WINDOW - TIPOUT W/WHITE TRIM RING - 24 3/4" X 26 3/4"
5*	112898-12-01A	EA	WINDOW - VERTICAL SLIDER - THERMO/EXPORT - 27" X 25"
6*	098644-10-01A	EA	WINDOW - VERTICAL SLIDER 25" X 27"
	098644-10-703	EA	RETAINER - TRIM
6*	112898-12-01A	EA	WINDOW - VERTICAL SLIDER - THERMO/EXPORT - 27" X 25"
7	P13594-02-K76	EA	DOOR - ENTRY - W/SCREEN DOOR - W/O WINDOW
8*	117053-01-F45	EA	WINDOW - PICTURE - 60% TINTING - 17.1" X 24.8"
	114507-02-01A	EA	FRAME - WINDOW/INSIDE
8*	113733-04-01A	EA	WINDOW - STATIONARY THERMOPANE/EUROPEAN - 17.1"W X 24.5"H
	113733-04-700	EA	RETAINER - TRIM
9	130833-01-K76	EA	VALANCE/DOOR - PASSENGER (LP) - 14.6"F X 38.2"W X 12.8"R
9	130833-03-K76	EA	VALANCE/DOOR - PASSENGER - JAPAN - 17.7"F X 38"W X 12.2"R
10	081240-19-000	EA	DOOR - WATER FILL - W/O LOCK - VW WHITE

*COMPONENT PARTS FOUND IN SERVICE PARTS LIBRARY

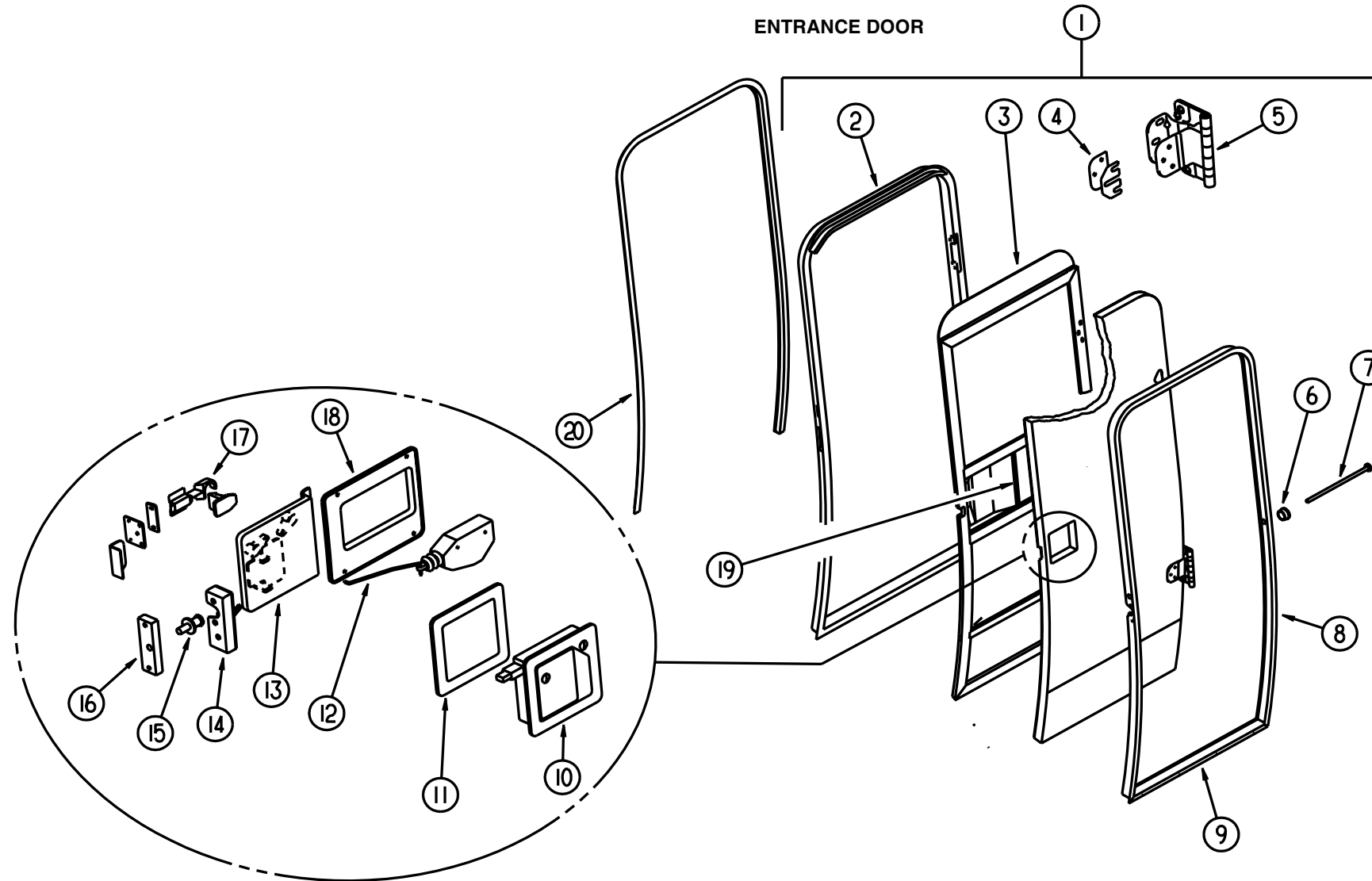
WINDOW, VENT & EXTERIOR DOOR GROUP (CONTINUED)



REAR LUGGAGE COMPARTMENT DOOR

KEY	PART NUMBER	U/M	DESCRIPTION
1	124242-01-02A	EA	HINGE - TRUNK DOOR - VW WHITE
	124242-01-01A	EA	HINGE - TRUNK DOOR
2	076767-05-000	EA	CABLE - STORAGE DOOR SUPPORT - 1/16" X 15.5"-STAINLESS STL
3	107721-07-000	EA	SEAL - ACCESS DOOR
4	124392-02-K76	EA	DOOR - COMPARTMENT/REAR - W/O HARDWARE
	009426-01-000	EA	HATCH - POWER CORD - WHITE

WINDOW, VENT & EXTERIOR DOOR GROUP (CONTINUED)



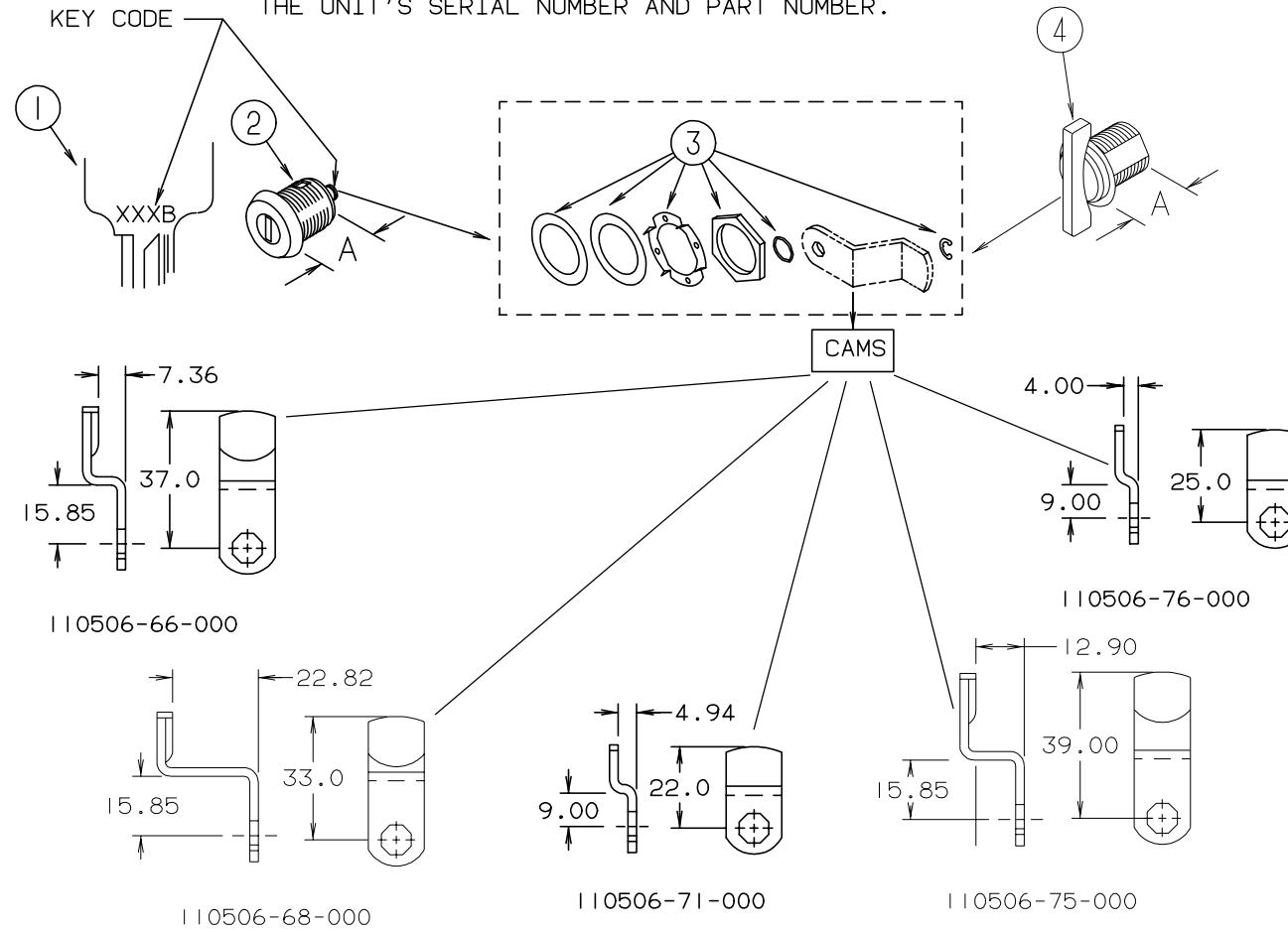
KEY	PART NUMBER	U/M	DESCRIPTION	VENDOR NO.
1	P13594-02-K76	EA	DOOR - ENTRY - W/SCREEN DOOR - W/O WINDOW	
2	113642-01-F45	EA	JAMB - DOOR/ENTRY	
	111536-03-000	FT	SEAL - ENTRY DOOR	
3	113621-01-01A	EA	DOOR - SCREEN	
	002293-02-000	SF	SCREEN - 26" - CHARCOAL	
	002294-01-000	FT	SPLINE - SCREENING - .135" X .138"	
	075673-01-000	FT	SEAL - PILE - ADHESIVE BACK - GRAY	
			FROM: 00-00-00 THRU: 11-23-98	
	075673-05-000	FT	SEAL - PILE - ADHESIVE BACK - BLACK	
			FROM: 11-24-98 THRU: 99-99-99	
	075673-04-000	FT	SEAL - PILE - ADHESIVE BACK	
	113616-01-01A	FT	EXTRUDED - VINYL - SEAL TRACK - 7'	
	116485-01-03B	EA	BRACKET - SCREEN DOOR - OFF WHITE	
	120863-07-000	EA	BUMPER - RUBBER - .7" DIA X .7" THICK	
4	113668-01-01A	EA	GASKET - HINGE - DOOR	
5	113460-01-02A	EA	HINGE - ENTRANCE DOOR/UPPER	
	113461-01-02A	EA	HINGE - ENTRANCE DOOR/LOWER	
	113680-01-01A	EA	COVER - ACCESS - DOOR HINGE	
6	068938-03-000	EA	BEARING - SNAP IN - .38"ID - TYPE 7	
7	077222-01-000	EA	SPRING - WIRE GUARD - ENTRY DOOR	
8	113376-02-01A	EA	TRIM - ENTRY DOOR - VW/WHITE	
9	113395-02-01A	EA	TRIM - ENTRY DOOR/BOTTOM - VW WHITE	
	112160-01-000	FT	SEAL - D SECTION - .2 X .3" - FOAM RUBBER - BOTTOM OF DOOR ONLY	
	038327-01-000	EA	TAPE - ANTI-SLIP - 2" X 60'	

KEY	PART NUMBER	U/M	DESCRIPTION	VENDOR NO.
10	113636-01-01A	EA	LATCH/PADDLE - ENTRY W/DEADBOLT - W/KEYS - OFF WHITE	
	045017-11-701	EA	KEY (F) BLANK - TM201-250	14264-01-2001
	113636-01-700	EA	KEY BLANK - DEADBOLT - "G" SERIES LOCK - #TRI 001-#TRI 099	
	130444-01-01A	EA	CAP - KEY IDENTIFIER - GRAY	
11	113669-01-01A	EA	GASKET - LATCH - DOOR	
12	113834-01-01A	EA	ROD - DOOR LATCH - POWER	
	114209-01-01A	EA	PUSHNUT - CAP - 1/8" - WHITE	
13	113636-02-01A	EA	PLATE - INSIDE - W/DEADBOLT	
	111203-06-01A	EA	SCREW - MOUNTING/PLATE - ZINC	
14	113636-03-01A	EA	LATCH - SINGLE ROTOR	
15	092927-03-000	EA	STRIKER - ROUND - JAMB MOUNTED	
16	113636-05-01A	EA	NUT - CAGED	
17	110529-01-000	EA	LATCH - BULLET - SCREEN DOOR	
18	113960-01-01A	EA	COVER - ACTUATOR - POWER LOCK	
19	079086-02-000	EA	SLIDER - SCREEN DOOR	
	078777-08-000	FT	CHANNEL - SLIDER	
	079087-02-000	EA	STRIKE- SLIDER W/LIP FOR ELBOW CATCH-1.5" X 8.6" - OFF WHT	
20	113658-01-01A	EA	GARNISH/TRIM - UPPER - OFF/WHITE	
	113750-01-04B	EA	PLATE - LATCH STRIKER	
	115750-01-02B	EA	BRACKET - LATCH - DOOR	
	016454-12-000	EA	INSERT - SCREEN DOOR - CENTER	
	110529-01-000	EA	LATCH - BULLET - SCREEN DOOR	
	117046-01-000	EA	BUMPER - RUBBER/ROUND END - .9"	
	117046-02-000	EA	BUMPER - RUBBER/ROUND END - 1.5"	
	116111-02-01A	EA	SCREW - TAPTITE - 1/4-20 X 3/8 PPH - ZINC	
	090340-01-000	FT	SEAL - FOAM - CLOSED CELL - 1/4" X 1/2" X 50'	

WINDOW, VENT & EXTERIOR DOOR GROUP (CONTINUED)

BRIGGS & STRATTON LOCKS & COMPONENTS

NOTE:
WHEN ORDERING THE LOCK CASE, THE KEY CODE MUST MATCH THE LAST DIGIT OF THE UNIT'S SERIAL NUMBER AND PART NUMBER; WHEN ORDERING THE KEYS, THE THIRD DIGIT OF THE KEY CODE MUST MATCH THE LAST DIGIT OF THE UNIT'S SERIAL NUMBER AND PART NUMBER.

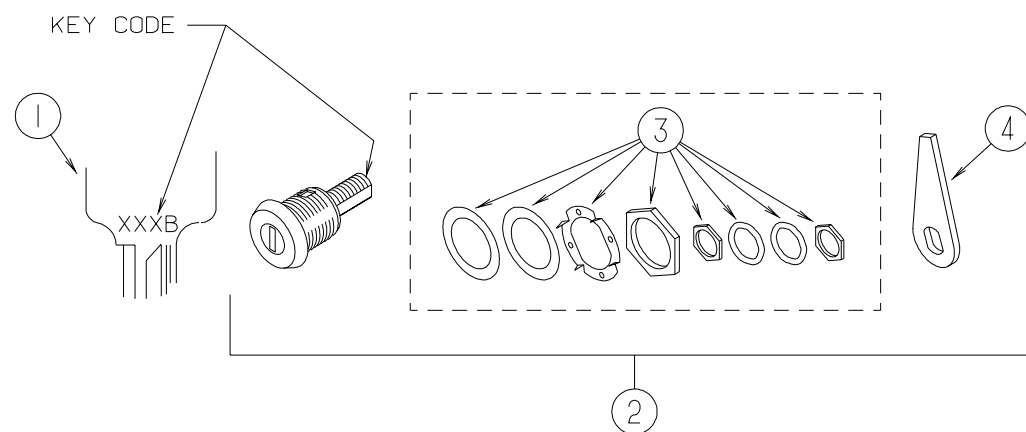


KEY	PART NUMBER	U/M	DESCRIPTION	VENDOR NO.	KEY	PART NUMBER	U/M	DESCRIPTION	VENDOR NO.
1	110506-59-000	EA	KEYS - SET OF 2	596720	1	110506-59-007	EA	KEYS - SET OF 2	596727
2	110506-52-000	EA	CASE/CYLINDER - LOCKING - W/O CAM/KEY - .65"	702370	2	110506-52-007	EA	CASE/CYLINDER - LOCKING - W/O CAM/KEY - .65"	702377
2	110506-54-000	EA	CASE/CYLINDER - LOCKING - W/O CAM/KEY - 1.25"	703170	2	110506-54-007	EA	CASE/CYLINDER - LOCKING - W/O CAM/KEY - 1.25"	703177
1	110506-59-001	EA	KEYS - SET OF 2	596721	1	110506-59-008	EA	KEYS - SET OF 2	596728
2	110506-52-001	EA	CASE/CYLINDER - LOCKING - W/O CAM/KEY - .65"	702371	2	110506-52-008	EA	CASE/CYLINDER - LOCKING - W/O CAM/KEY - .65"	702378
2	110506-54-001	EA	CASE/CYLINDER - LOCKING - W/O CAM/KEY - 1.25"	703171	2	110506-54-008	EA	CASE/CYLINDER - LOCKING - W/O CAM/KEY - 1.25"	703178
1	110506-59-002	EA	KEYS - SET OF 2	596722	1	110506-59-009	EA	KEYS - SET OF 2	596729
2	110506-52-002	EA	CASE/CYLINDER - LOCKING - W/O CAM/KEY - .65"	702372	2	110506-52-009	EA	CASE/CYLINDER - LOCKING - W/O CAM/KEY - .65"	702379
2	110506-54-002	EA	CASE/CYLINDER - LOCKING - W/O CAM/KEY - 1.25"	703172	2	110506-54-009	EA	CASE/CYLINDER - LOCKING - W/O CAM/KEY - 1.25"	703179
1	110506-59-003	EA	KEYS - SET OF 2	596723	3	110506-40-700	EA	HDWE KIT	596950AAL
2	110506-52-003	EA	CASE/CYLINDER - LOCKING - W/O CAM/KEY - .65"	702373		110506-59-701	EA	KEY BLANK (GOLD)	
2	110506-54-003	EA	CASE/CYLINDER - LOCKING - W/O CAM/KEY - 1.25"	703173	4	110506-55-000	EA	CASE/CYLINDER - TWIST LOCK - W/O CAM - 1.25"	597312AA1
1	110506-59-004	EA	KEYS - SET OF 2	596724		110506-66-000	EA	CAM - LATCHING - DOG LEGGED 1.5" LONG	
2	110506-52-004	EA	CASE/CYLINDER - LOCKING - W/O CAM/KEY - .65"	702374		110506-68-000	EA	CAM - LATCHING - DOG LEGGED 1.3" LONG	
2	110506-54-004	EA	CASE/CYLINDER - LOCKING - W/O CAM/KEY - 1.25"	703174		110506-71-000	EA	CAM - LATCHING - DOG LEGGED .86" LONG	
1	110506-59-005	EA	KEYS - SET OF 2	596725		110506-75-000	EA	CAM - LOCK	
2	110506-52-005	EA	CASE/CYLINDER - LOCKING - W/O CAM/KEY - .65"	702375		110506-76-000	EA	CAM - LOCK	
2	110506-54-005	EA	CASE/CYLINDER - LOCKING - W/O CAM/KEY - 1.25"	703175					
1	110506-59-006	EA	KEYS - SET OF 2	596726					
2	110506-52-006	EA	CASE/CYLINDER - LOCKING - W/O CAM/KEY - .65"	702376					
2	110506-54-006	EA	CASE/CYLINDER - LOCKING - W/O CAM/KEY - 1.25"	703176					

WINDOW, VENT & EXTERIOR DOOR GROUP (CONTINUED)

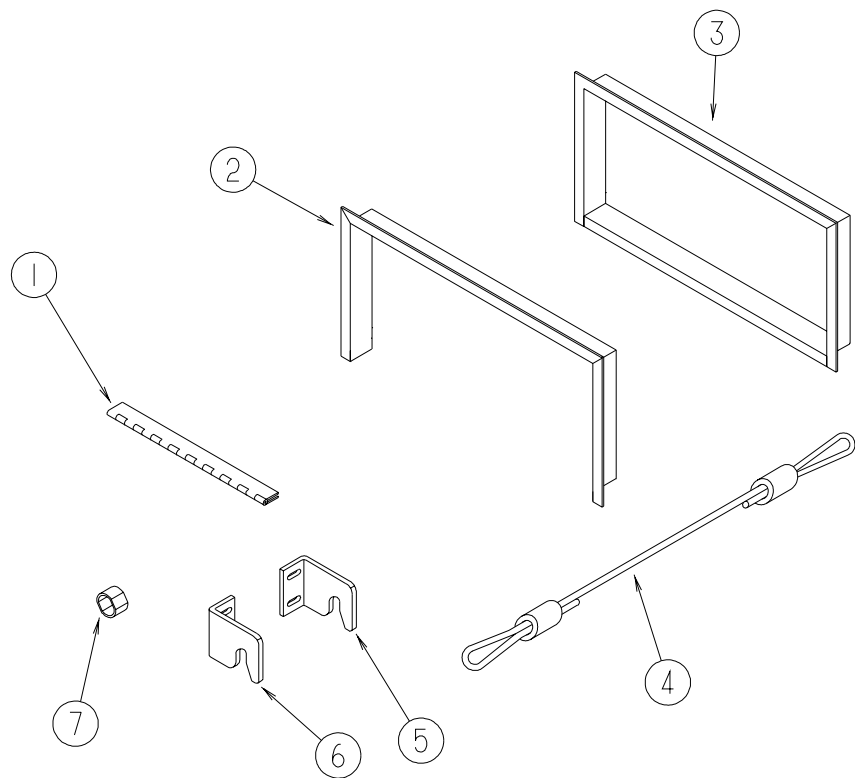
BRIGGS & STRATTON TRUNK DOOR LOCKS & COMPONENTS

NOTE:
 WHEN ORDERING THE LOCK ASM, THE KEY CODE MUST MATCH THE LAST DIGIT OF THE VEHICLE'S SERIAL NUMBER AND PART NUMBER; WHEN ORDERING THE KEYS, THE THIRD DIGIT OF THE KEY CODE MUST MATCH THE LAST DIGIT OF THE VEHICLE'S SERIAL NUMBER AND PART NUMBER



KEY	PART NUMBER	U/M	DESCRIPTION	VENDOR NO.	KEY	PART NUMBER	U/M	DESCRIPTION	VENDOR NO.
1	110506-59-000	EA	KEYS - SET OF 2	596720	1	110506-59-006	EA	KEYS - SET OF 2	596726
2	131035-01-710	EA	LOCK ASSEMBLY - KEYED		2	131035-01-706	EA	LOCK ASSEMBLY - KEYED	
1	110506-59-001	EA	KEYS - SET OF 2	596721	1	110506-59-007	EA	KEYS - SET OF 2	596727
2	131035-01-701	EA	LOCK ASSEMBLY - KEYED		2	131035-01-707	EA	LOCK ASSEMBLY - KEYED	
1	110506-59-002	EA	KEYS - SET OF 2	596722	1	110506-59-008	EA	KEYS - SET OF 2	596728
2	131035-01-702	EA	LOCK ASSEMBLY - KEYED		2	131035-01-708	EA	LOCK ASSEMBLY - KEYED	
1	110506-59-003	EA	KEYS - SET OF 2	596723	1	110506-59-009	EA	KEYS - SET OF 2	596729
2	131035-01-703	EA	LOCK ASSEMBLY - KEYED		2	131035-01-709	EA	LOCK ASSEMBLY - KEYED	
1	110506-59-004	EA	KEYS - SET OF 2	596724	3	131035-01-700	EA	HARDWARE PACKAGE STRATEC	
2	131035-01-704	EA	LOCK ASSEMBLY - KEYED			131035-01-700	EA	KEY BLANK (GOLD)	
1	110506-59-005	EA	KEYS - SET OF 2	596725	4	131035-60-000	EA	CAM - LOCK - COMPRESSION	
2	131035-01-705	EA	LOCK ASSEMBLY - KEYED						

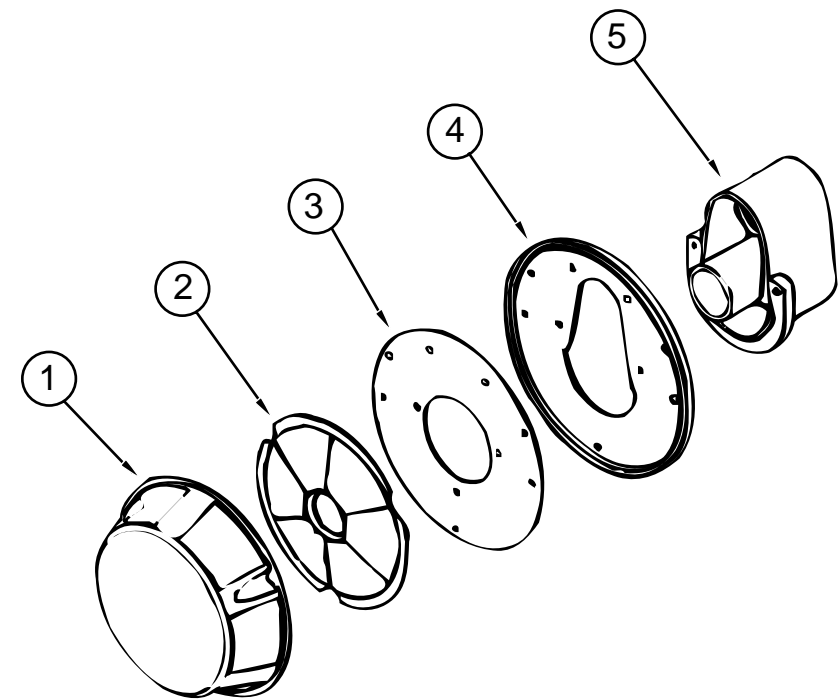
WINDOW, VENT & EXTERIOR DOOR GROUP (CONTINUED)



EXTERIOR ACCESS DOOR COMPONENTS

KEY	PART NUMBER	U/M	DESCRIPTION
1	081801-AF-000	EA	HINGE - ALUMINUM - 2" X 12.2"
1	112246-05-01A	EA	HINGE - VALANCE DOOR - VW WHITE
1	112246-06-01A	EA	HINGE - VALANCE DOOR - VW WHITE
2	113752-01-01A	EA	JAMB - TRIM - GENERATOR - VW WHITE
3	113752-03-01A	EA	JAMB - TRIM - GENERATOR - VW WHITE
3	113753-01-01A	EA	JAMB - TRIM - LP - VW WHITE
4	076767-05-000	EA	CABLE - STORAGE DOOR SUPPORT - 1/16" X 15.5"-STAINLESS STL
5	127289-02-02B	EA	BRACKET - LOCK CATCH - LH - E-COAT
6	127289-01-02B	EA	BRACKET - LOCK CATCH - RH - E-COAT
7	107997-51-001	EA	SPACER - DOOR LOCK - .6" DEEP
7	107997-51-002	EA	EXTRUDED - SPACER - 16'
	106850-02-000	FT	SEAL-E - SPONGE RUBBER - .43" X .75"
	112160-02-000	FT	SEAL - D SECTION - .2 X .3" - FOAM RUBBER
	057534-01-000	EA	TIEBACK/TIEDOWN - 6" CLEAR PLASTIC

WINDOW, VENT & EXTERIOR DOOR GROUP (CONTINUED)



NORCOLD REFRIGERATOR VENT

KEY	PART NUMBER	U/M	DESCRIPTION	VENDOR NO.
	113736-01-01A	EA	VENT KIT - REFRIGERATOR	
1	113736-01-700	EA	COVER - VENT	617920
2	113736-01-701	EA	DISK - EXHAUST	617921
3	113736-01-702	EA	PLATE - BACKING	617922
4	113736-01-703	EA	GASKET - VENT TERMINAL	617924
5	113736-01-704	EA	HOUSING - VENT TERMINAL	617923

ELIXIR POWERED ROOF VENT

KEY	PART NUMBER	U/M	DESCRIPTION
*	122882-02-01A	EA	VENT - ROOF - W/FAN - POWERED - W/O INSIDE GARNISH
*	122882-03-01A	EA	VENT - ROOF - W/FAN - W/O INSIDE GARNISH - CSA
	122882-06-01A	EA	GARNISH - ROOF VENT - 1" TO 2.5" - ELIXIR JRP2101 WHT

***COMPONENT PARTS FOUND IN SERVICE PARTS LIBRARY**

ELIXIR NONPOWERED ROOF VENT

KEY	PART NUMBER	U/M	DESCRIPTION
*	122882-01-01A	EA	VENT - ROOF - NONPOWERED - W/O INSIDE GARNISH
	122882-06-01A	EA	GARNISH - ROOF VENT - 1" TO 2.5" - ELIXIR JRP2101 WHT

***COMPONENT PARTS FOUND IN SERVICE PARTS LIBRARY**

FANTASTIC VENT - 4000-1

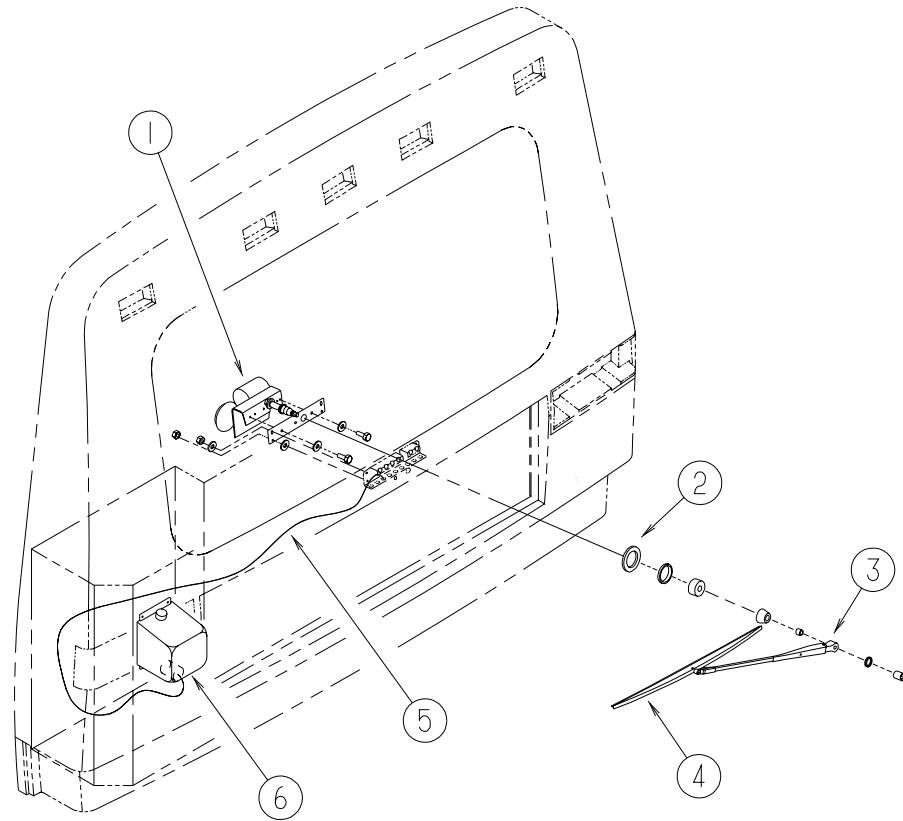
KEY	PART NUMBER	U/M	DESCRIPTION
*	123780-01-01A	EA	VENT - EXHAUST - 1" ROOF - 4000-1-WDW

***COMPONENT PARTS FOUND IN SERVICE PARTS LIBRARY**

PLUMBING VENTS

KEY	PART NUMBER	U/M	DESCRIPTION
	083558-06-000	EA	VENT - ROOF PLUMBING PIPE - COVERED

WIPER & WASHER GROUP



REAR WIPER & WASHER

KEY	PART NUMBER	U/M	DESCRIPTION	VENDOR NO.
1	085721-03-000	EA	MOTOR - WIPER - 108 DEGREE - REAR WINDOW	
	085721-02-700	EA	ARM-DRIVE,F/REAR MTR.108'DEG	6211140LE25WJ
	085721-03-700	EA	PIVOT	62714-40-SH25WJ
	085721-03-701	EA	LINK - CONNECTING	LK721014
	085721-03-702	EA	BRACKET	620570-40-BK25WJ
	085721-03-703	EA	CLIP-SPRING	17815
2	061603-01-000	EA	GROMMET - SNAP - 3/16"ID - 3/8" HOLE - PLASTIC BLACK	
3	096931-01-000	EA	ARM - WIPER - 20"	
	096931-01-700	FT	HOSE-WIPER	XTU-66-0001
	096931-01-701	EA	NOZZLE-HARDWARE KIT KIT CONTAINS: LOCK NUT,SCREWS,CAP,AND SPRAY NOZZLE	
4	097978-01-000	EA	BLADE - WIPER - FLEX 22 INCH	
5	045794-01-000	FT	HOSE - WASHER - WINDSHIELD - 5/32" ID - BLACK	
6	117766-02-000	EA	RESERVOIR/PUMP - WINDSHIELD WASHER	
	096057-02-000	EA	FITTING - WINDSHIELD WASHER	