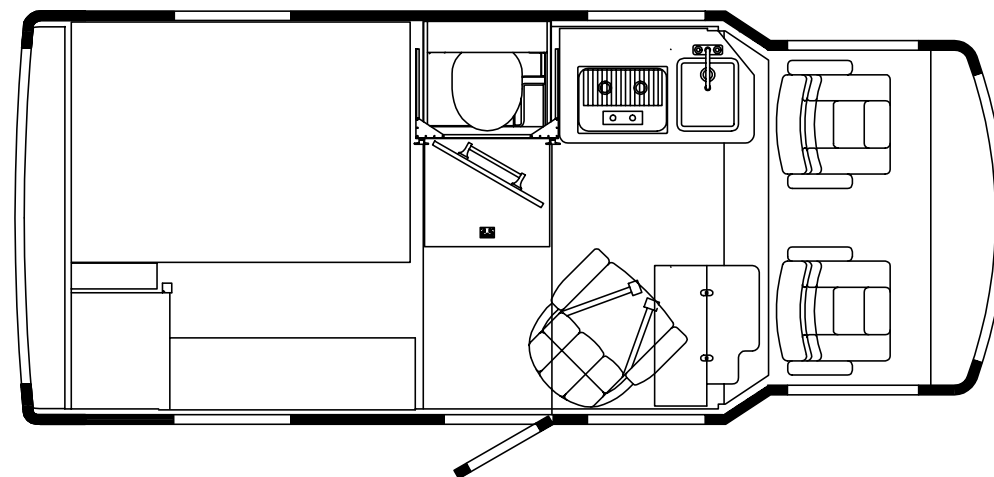
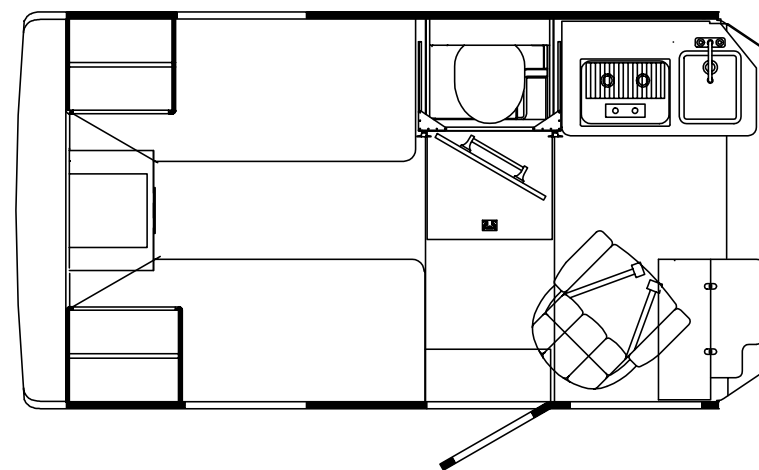
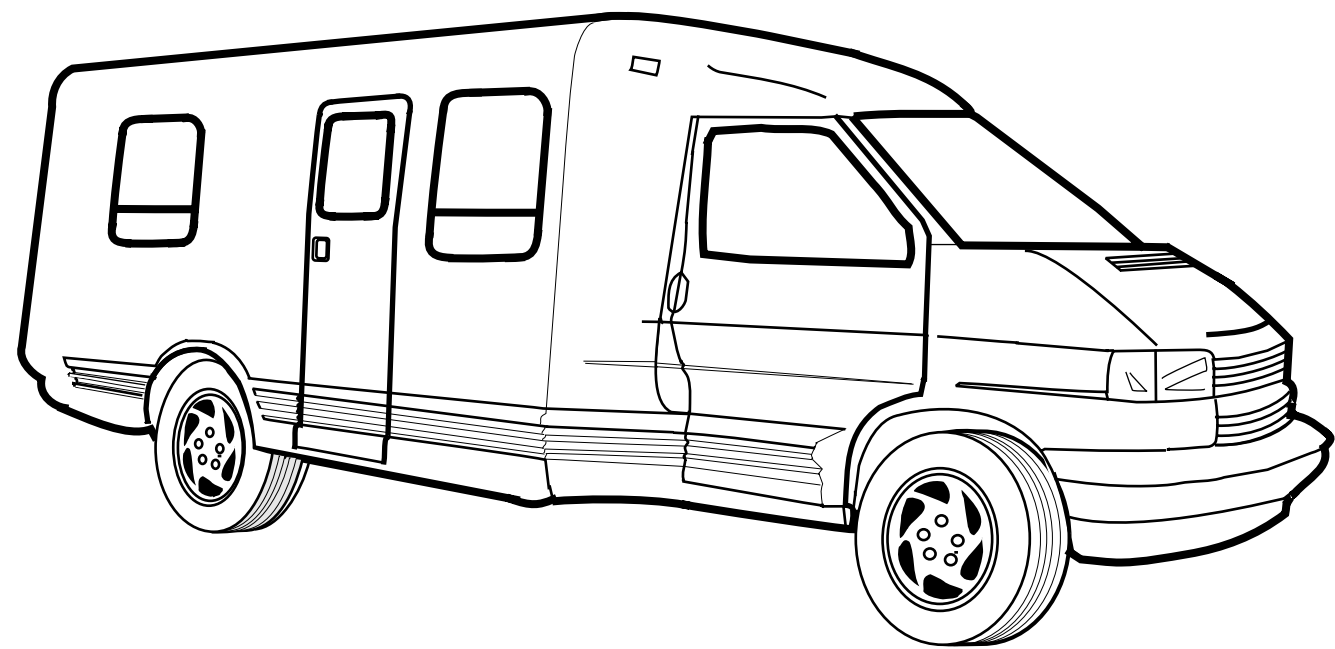


**1999  
WV222F**

**K73  
LAKEWOOD**

**K74  
DUSK**



## ACCESSORIES GROUP

### OPERATORS MANUAL & BINDER

KEY	PART NUMBER	U/M DESCRIPTION
	054185-J7-000	EA MANUAL - OPERATOR - 1999 RIALTA 200 SERIES
	129079-01-01A	EA CASE - VINYL/BLACK - EXPANDABLE ACCORDION SIDES - 7"W X 9"H X14"L

## AUDIO VIDEO GROUP

### RADIO SYSTEM COMPONENTS

KEY	PART NUMBER	U/M DESCRIPTION	VENDOR NO.
	074014-01-000	EA GRILLE - SPEAKER - ROUND	
	074979-01-000	EA SHIELD - SPEAKER - BACK - MOLDED PLASTIC - 8" X 9"	
	074979-18-000	EA COVER - SPEAKER - VW DARK GRAY	
	094097-01-000	EA SPEAKER - RADIO/TV - W/O GRILLE - 5.25" DIAMETER	
	114365-01-000	EA ADAPTER - RADIO - POWER - SPEAKERS	
	114366-01-000	EA ADAPTER - RADIO - ANTENNA	
	088473-01-000	EA HOUSING - PIN - 12 CAVITY (3 ROWS OF 4)	
	088475-01-000	EA PIN - CONNECTOR - 14 - 20 AWG	
	127264-01-000	EA RADIO - AM/FM STEREO - CASSETTE	
	127264-01-700	EA TRIM RING	YFC054C044ZB
	127264-01-701	EA KNOB - VOLUME	YFE074C045ZA
	127264-01-702	EA KNOB - FADER	YEFE074C026
	127264-01-703	EA FACTORY HARNESS	YAJ024C048ZB
	127516-03-000	EA RADIO - AM/FM STEREO - CD PLAYER	CQ-DP930
	127516-03-700	EA FACE - REMOVEABLE	YEPOFX3300
	127516-01-701	EA TRIM RING	YGFC025263
	127516-01-702	EA FACTORY HARNESS	YGAJ02719
	127516-01-703	EA CARRIER F/REMOVABLE FACE	YEFA131290

### AUDIOVOX TELEVISION W/REMOTE CONTROL

KEY	PART NUMBER	U/M DESCRIPTION	VENDOR NO.
	086231-07-000	EA TV - COLOR - 9" DC - AUDIOVOX AVT-975	
	086231-07-700	EA REMOTE	
	086231-08-700	EA REMOTE - UNIVERSAL	8822325
	086231-08-701	EA ADAPTER - WIRE	0891436

### AUDIOVOX VIDEO CASSETTE PLAYER, COVER, & SWITCH

KEY	PART NUMBER	U/M DESCRIPTION	VENDOR NO.
	094487-03-000	EA VIDEO CASSETTE PLAYER W/O REMOTE - AUDIOVOX AVP-6750	
	094487-03-700	EA WIRE - ADAPTER	0891436
	120551-01-02A	EA COVER - VIDEO CASSETTE PLAYER	
	120564-01-02B	EA STRAP - VIDEO PLAYER	
	120663-01-000	EA SWITCH - VIDEO A/B - WINNEGARD TV-0051	

### TV CABLE, CONNECTORS, & WALLPLATES

KEY	PART NUMBER	U/M DESCRIPTION
	082134-01-000	EA ADAPTER - TV - CABLE TO CABLE
	082136-01-000	EA NUT - HEX JAM - 3/8 - 32
	093901-03-000	EA PLATE - TV COAX - EXTERIOR - 1.8" X 2.5"
	076319-03-000	FT CABLE - COAXIAL - 75 OHM
	076319-06-000	EA ADAPTER - CABLE ROOF PLATE
	076319-12-000	EA CONNECTOR - COAXIAL - ONE PIECE
	086777-01-000	EA WALLPLATE - TV CABLE - W/ANTENNA SWITCH - IVORY
	086777-02-000	EA WALLPLATE - TV CABLE - W/ANTENNA SWITCH
	120721-02-02B	EA PLATE - ELECTRIC - CABLE
	121323-01-02B	EA BRACKET - Z

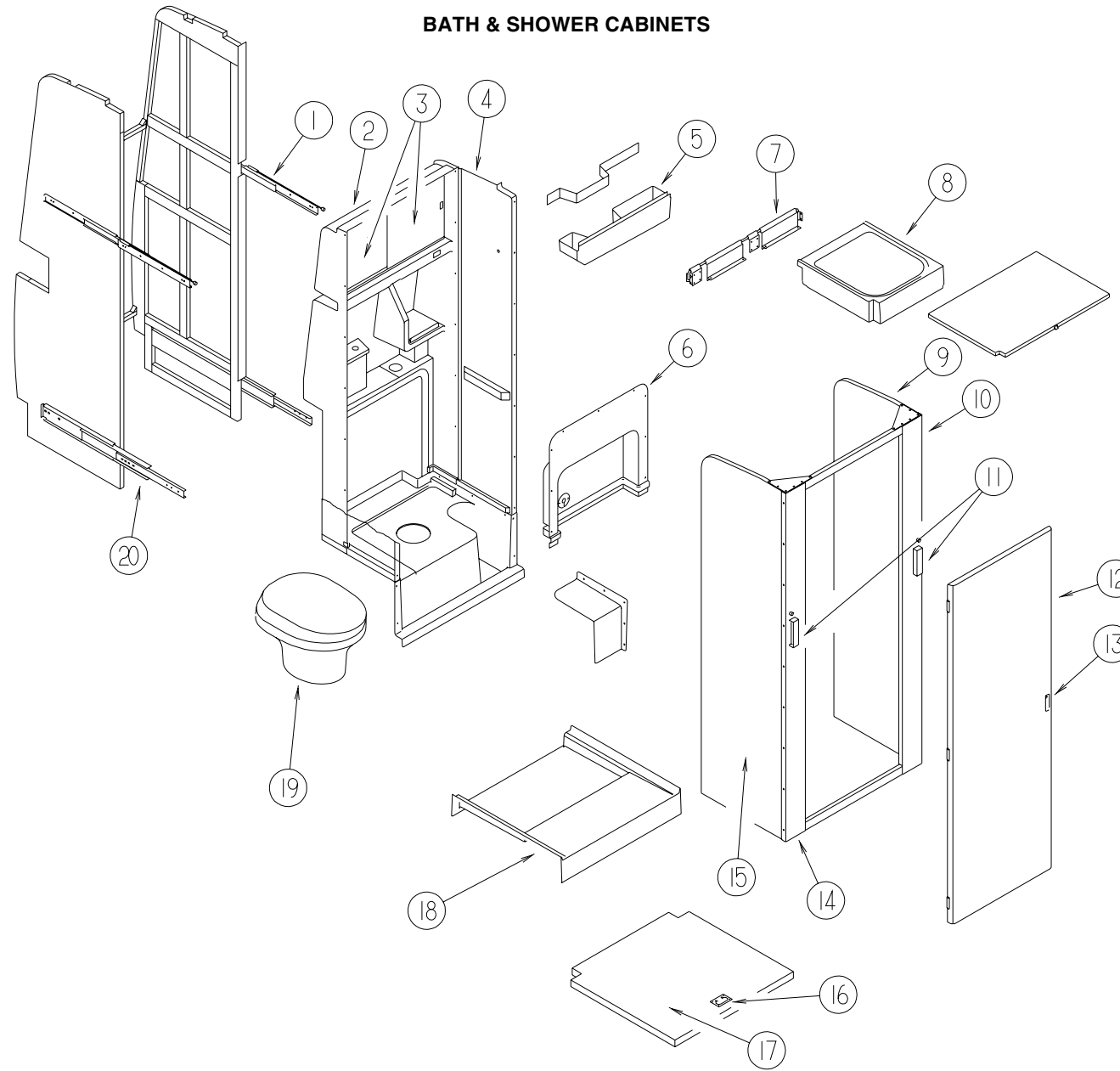
### WINEGARD TV ANTENNA

KEY	PART NUMBER	U/M DESCRIPTION
*	076319-24-000	EA ANTENNA-TV - ROOF MOUNT - 25.5" MAST

\*COMPONENT PARTS FOUND IN SERVICE PARTS LIBRARY

# BATH GROUP

## BATH & SHOWER CABINETS

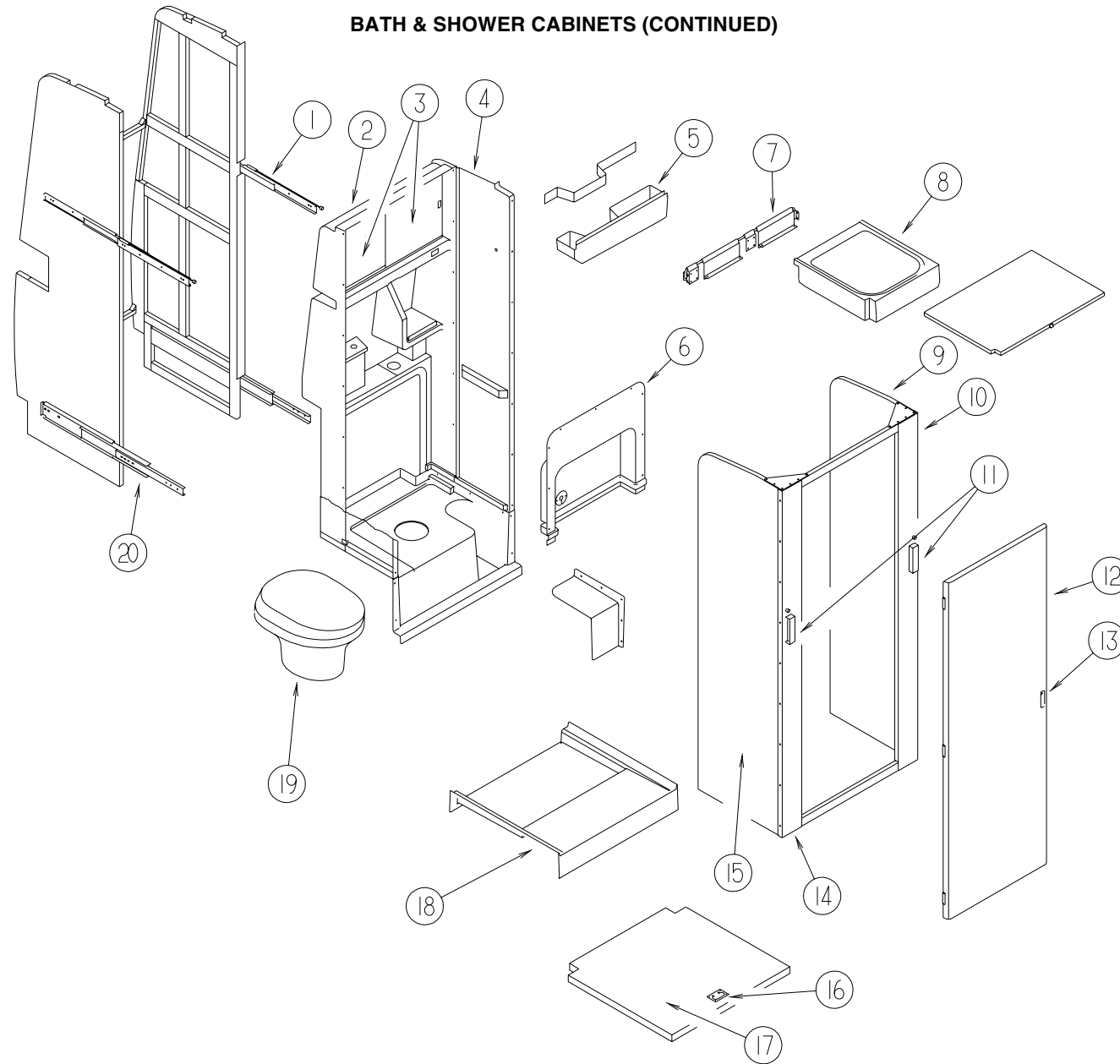


KEY	PART NUMBER	U/M	DESCRIPTION
1	116173-01-000	EA	SLIDE - LOCKING - RIGHT HAND
1	116173-02-000	EA	SLIDE - LOCKING - LEFT HAND
2	111950-01-01A	EA	SURROUND - SHOWER - BACK
3	058331-B0-000	EA	MIRROR - SAFETY GLASS - 12.6" X 12.6
	023320-01-000	EA	PAD - FELT 3/8" DIAMETER
	074383-09-000	EA	TRACK - SLIDING DOOR - 24.5"
	002324-02-000	FT	CHANNEL - WEATHERSTRIP - GLASS RUN - U-SHAPED
4	111986-01-01A	EA	SURROUND - SHOWER - RIGHT HAND SIDE
	111986-02-01A	EA	SURROUND - SHOWER - LEFT HAND SIDE
5	P12114-01-01A	EA	BASIN - CATCH - W/STRAINER
	106116-01-01A	EA	STRAINER - SINK - W/STOPPER,/TAILPIECE,/GASKET, & NUT - PLASTIC
	112114-01-01A	EA	BASIN - CATCH - LAVATORY
6	112151-01-01A	EA	COVER - ACCESS - DRAINAGE
	057671-01-000	EA	COVER - SCREW - #8 - PLASTIC - OFF WHITE
7	113982-01-F45	EA	HINGE - FOLD UP SINK W/DOOR PANEL
	086235-03-000	EA	BEARING - SNAPIN - 5/16ID X 5/16

KEY	PART NUMBER	U/M	DESCRIPTION	VENDOR NO.
8	M06944-02-H70	EA	BATH SINK/FOLD UP - W/DOOR ATTACHED	
8	112244-01-F45	EA	SINK - FOLD UP	
	057534-02-000	EA	TIEBACK - CLEAR PLASTIC - 3"	
	074453-01-000	EA	LATCH - PADDLE - SINK/MEDICINE CABINET - METAL	
	057898-01-000	EA	LATCH - HIDDEN - BLACK PLASTIC	
9	113929-01-H70	EA	CABINET - WALL - BATH SLIDER - W/O HARDWARE - RIGHT HAND	
10	116246-01-02A	EA	CORNER/EXTRUDED - BATH/RIGHT HAND - VW DARK GRAY	
11	074762-01-000	EA	PULL - CABINET - 4.8" X .9" - BLACK PLASTIC	
	074317-01-700	EA	KNOB - F/SLIDE ASSEMBLY	A-033-01-0004-40-0
12	113756-01-H70	EA	DOOR - BATH	
13	058335-03-000	EA	LATCH - W/O LOCK - BATHROOM DOOR BLACK	
	075453-02-000	EA	BAR - TOWEL - 18" BRASS	
	075452-02-000	EA	HOLDER - TOILET TISSUE - BRASS	
14	116246-02-02A	EA	CORNER/EXTRUDED - BATH - LEFT HAND - VW DARK GRAY	
15	113929-02-H70	EA	CABINET - WALL - BATH SLIDER - W/O HARDWARE - LEFT HAND	
	116044-01-000	EA	BUMPER - MOLDED	

## BATH GROUP

### BATH & SHOWER CABINETS (CONTINUED)

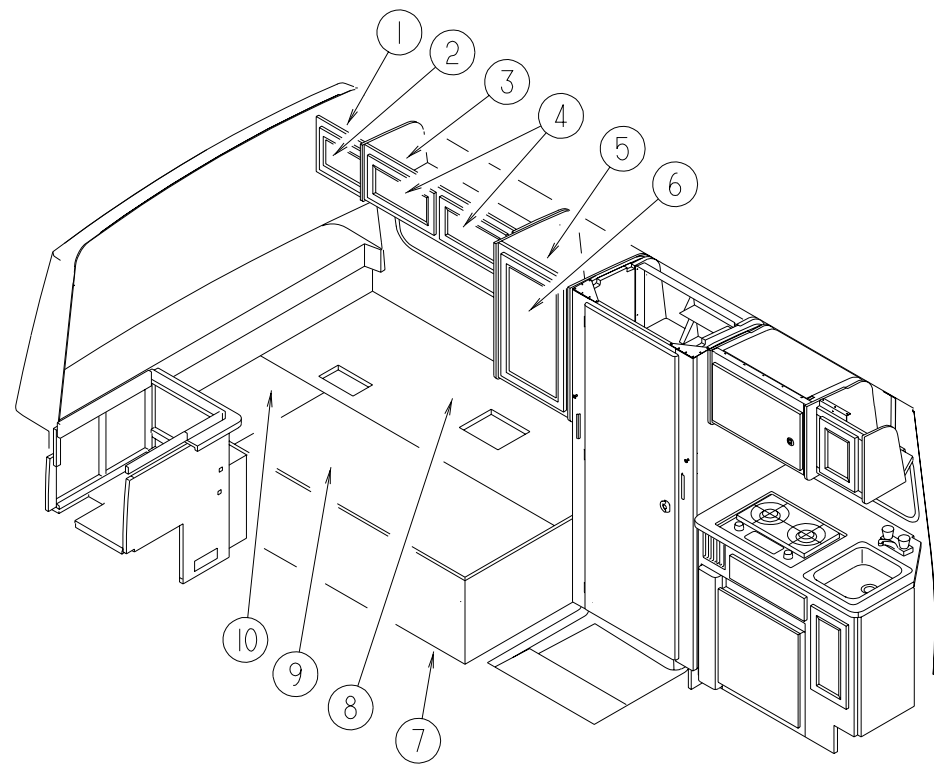


KEY	PART NUMBER	U/M	DESCRIPTION
16	072871-01-000	EA	PULL - FLUSH - CHROME
17	113092-02-H70	EA	COVER - SHOWER PAN - 24.5" X 25.5"
17	113092-03-H70	EA	COVER - SHOWER PAN - 23" X 25.5"
18	118605-01-01A	EA	SHOWER PAN - OFF WHITE
	114974-01-000	EA	CONNECTOR - HULL - W/STRAINER
	066436-01-000	EA	NUT - SLIP - TAILPIECE 1.5"
19*	064076-01-000	EA	TOILET - 11.25" TALL - IVORY - WATERSAVER
19*	121003-01-01A	EA	TOILET - JAPAN EXPORT
20	116174-01-000	EA	SLIDE - FULL EXTENDED

\*COMPONENT PARTS FOUND IN SERVICE PARTS LIBRARY

KEY	PART NUMBER	U/M	DESCRIPTION	VENDOR NO.
	103092-01-000	EA	SHOWER HEAD - W/60" HOSE - WHITE	
	103092-02-000	EA	SHOWER HEAD - W/60" HOSE - CSA	2328028
	103092-01-700	EA	BRACKET - F/SHOW HEAD - CLEAR	24466
	103092-01-702	EA	SEALS - SPRAY HEAD	2328029-1
	011048-03-700	EA	BRACKET - F/SHOWER HEAD	
	109800-01-01A	EA	FAUCET - LAVATORY	
	115000-01-01A	EA	FAUCET - LAVATORY/SHOWER - PARCHMENT	
	119282-01-01A	EA	RAIL - OVERHEAD - UPPER	
	114495-02-02A	EA	PANEL - SKYLITE - INNER	
	114496-02-02A	EA	PANEL - SKYLITE - OUTER	

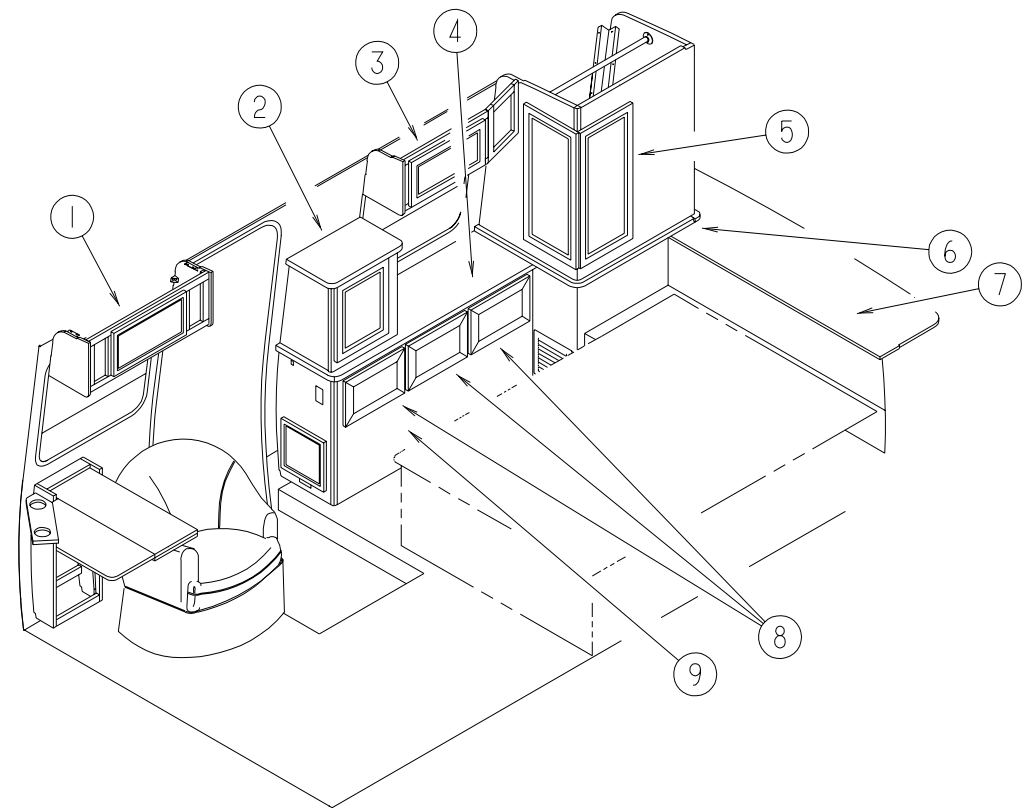
## BEDROOM GROUP



### DOUBLE BEDROOM CABINETRY (DRIVER SIDE)

KEY	PART NUMBER	U/M	DESCRIPTION
1	125053-01-J80	EA	CABINET - OVERHEAD REAR - W/O DOORS/HARDWARE
1	125053-01-J81	EA	CABINET - OVERHEAD REAR - W/O DOORS/HARDWARE
2	M06804-P0-J80	EA	DOOR - MITERED CORNER/RADIUS EDGE - 9.8" X 13" - W/O HDW
3	124929-01-J80	EA	CABINET - OVERHEAD/LEFT HAND - W/O DOORS/HARDWARE
4	M06804-04-J80	EA	DOOR - MITERED CORNER/RADIUS EDGE - 10.0" X 19.1" - W/O HDW
5	119095-01-J80	EA	CABINET-SHIRT CLOSET, W/O DOOR OR HARDWARE - LH
6	M06804-P3-J80	EA	DOOR-CABINET, W/O HARDWARE - 390 MM X 650 MM
	009112-01-000	EA	FLANGE - 1" ROD, CLOTHES - PLASTIC - OFF WHITE
	041953-03-000	EA	CONDUIT - CONVOLUTE SLIT - 1" ID (CLOTHES ROD COVER)
7	P24938-01-J80	EA	CABINET - DOUBLE BED - W/O DOORS/DRAWERS/HARDWARE
8	M07592-08-000	EA	TOP - DOUBLE BED - W/O HARDWARE
9	M07592-10-H70	EA	TOP-DOUBLE BED W/HINGE
10	M07592-09-000	EA	TOP - DOUBLE BED - W/O HARDWARE
	126259-01-000	EA	STUD - BALL
	107796-16-000	EA	SPRING - GAS - 9.5" - 65 LB
	107796-05-000	EA	BRACKET-GAS SPRING, FLAT - SPDI SPD-1020

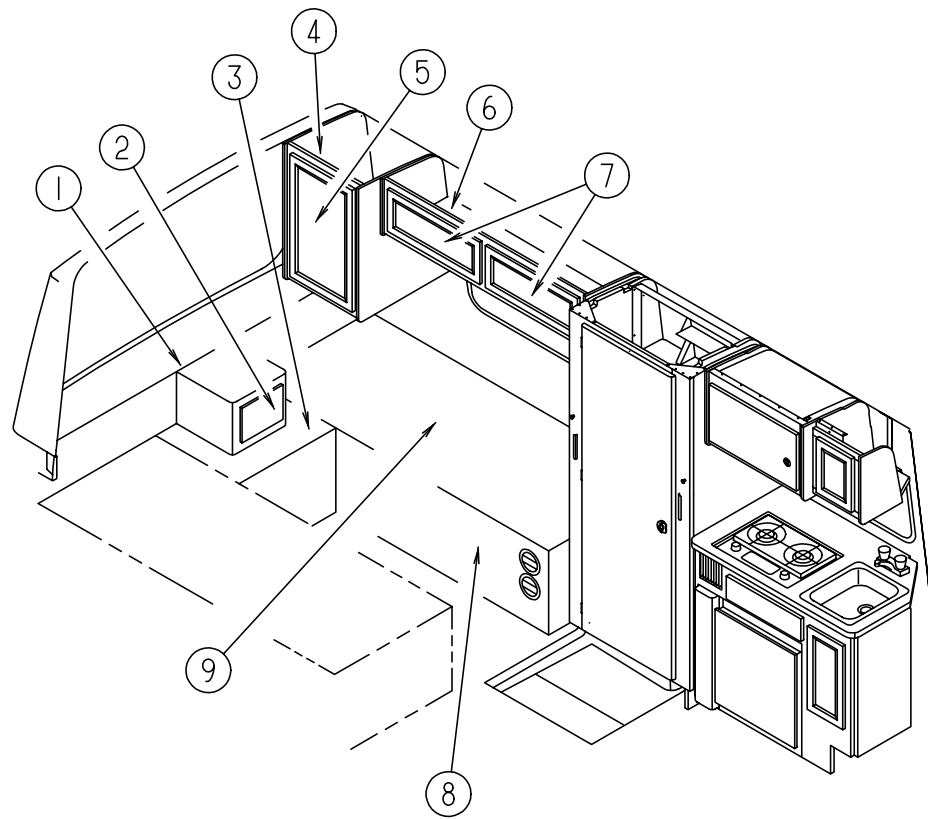
## BEDROOM GROUP (CONTINUED)



### DOUBLE BEDROOM CABINETRY (PASSENGER SIDE)

KEY	PART NUMBER	U/M	DESCRIPTION
1	124888-01-J80	EA	CABINET - OVERHEAD/RIGHT HAND/FRONT - W/O DOORS/HARDWARE
	M06804-04-J80	EA	DOOR - MITERED CORNER/RADIUS EDGE - 10.0" X 19.1" - W/O HDW
2	125005-01-J80	EA	CABINET - DRESSER - W/COUNTERTOP - W/O DRAWERS/HARDWARE
	M06804-X2-J80	EA	DOOR - MITERED CORNER/RADIUS EDGE - 14.2" X 17.9" - W/O HDW
	125005-11-H70	EA	COUNTERTOP - DRESSER
3	125022-01-J80	EA	CABINET - OVERHEAD - REAR/RIGHT HAND - W/O DOORS/HARDWARE
	M06804-04-J80	EA	DOOR - MITERED CORNER/RADIUS EDGE - 10.0" X 19.1" - W/O HDW
4	125023-11-H70	EA	COUNTERTOP - VANITY
5	M05992-R8-J80	EA	DOOR - STRAIGHT CORNER/OGEE EDGE - 13.6" X 30.3" - W/O HDW
6	125023-12-H70	EA	COUNTERTOP - VANITY
7	124953-01-H70	EA	CABINET - SHELF/REAR - W/O HARDWARE
	124953-14-J80	EA	SHELF - W/PLASTIC EDGE MOLDING
8	M05970-S9-J80	EA	DRAWER - RADIUS EDGE - 13.1"W X 13.8"D - W/O SLIDES/HDW
9	125023-01-J80	EA	CABINET - VANITY - W/COUNTERTOP - W/O DOORS/DRAWERS/HDW
	009112-01-000	EA	FLANGE - 1" ROD, CLOTHES - PLASTIC - OFF WHITE
	041953-03-000	EA	CONDUIT - CONVOLUTE SLIT - 1" ID (CLOTHES ROD COVER)

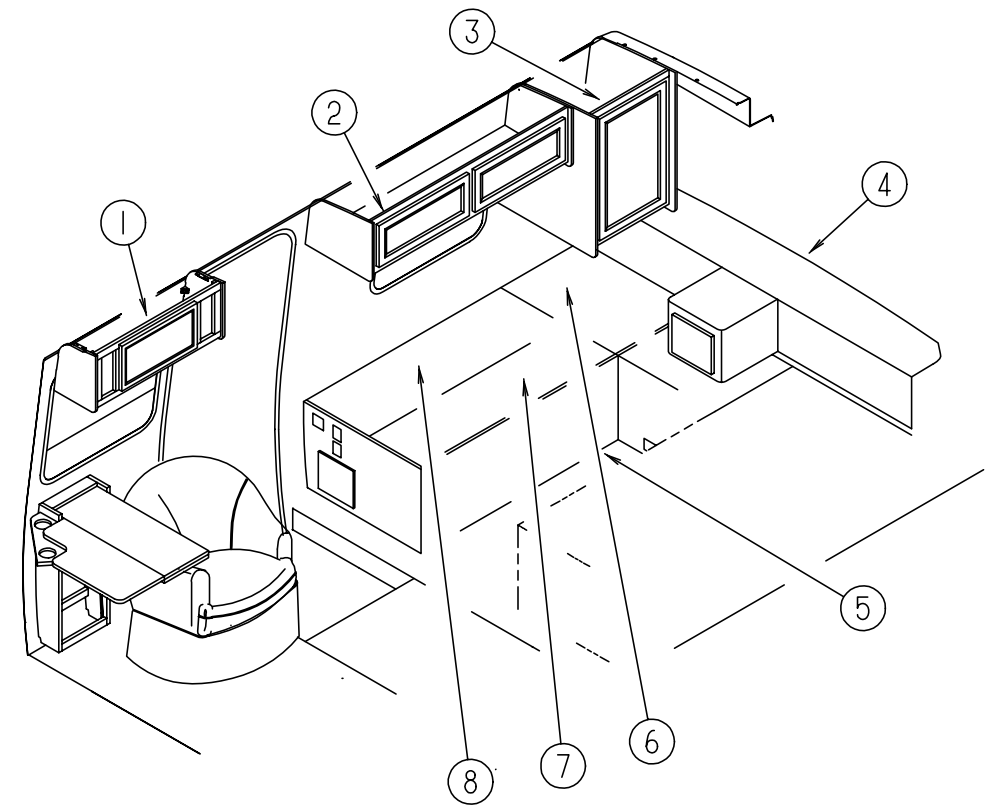
**BEDROOM GROUP (CONTINUED)**



**TWIN BEDROOM CABINETRY (DRIVER SIDE)**

KEY	PART NUMBER	U/M	DESCRIPTION
1	124930-01-J80	EA	CABINET - NIGHTSTAND - W/O DOORS/DRAWERS/HARDWARE
2	M05970-T6-J80	EA	DRAWER - RADIUS EDGE - 7.8"W X 13.8"D - W/O SLIDES/HDW
3	124930-11-H70	EA	COUNTERTOP - NIGHTSTAND
4	119590-01-J80	EA	CABINET - SHIRT CLOSET - LEFT HAND - W/O DOORS/HARDWARE
5	M06804-P3-J80	EA	DOOR - MITERED CORNER/RADIUS EDGE - 15.3" X 25.6"- W/O HARDWARE
	009112-01-000	EA	FLANGE - 1" ROD, CLOTHES - PLASTIC - OFF WHITE
	041953-03-000	EA	CONDUIT - CONVOLUTE SLIT - 1" ID (CLOTHES ROD COVER)
6	124889-01-J80	EA	CABINET - OVERHEAD/REAR - LEFT HAND - W/O DOORS/HARDWARE
7	M06804-01-J80	EA	DOOR - MITERED CORNER/RADIUS EDGE - 10.0" X 25.2"- W/O HARDWARE
8	P24936-01-J80	EA	CABINET - BASE - TWIN BED/LEFT HAND - W/O DOORS/DRAWERS/HARDWARE
9	M07592-11-000	EA	TOP - TWIN BED - W/O HARDWARE

**BEDROOM GROUP (CONTINUED)**

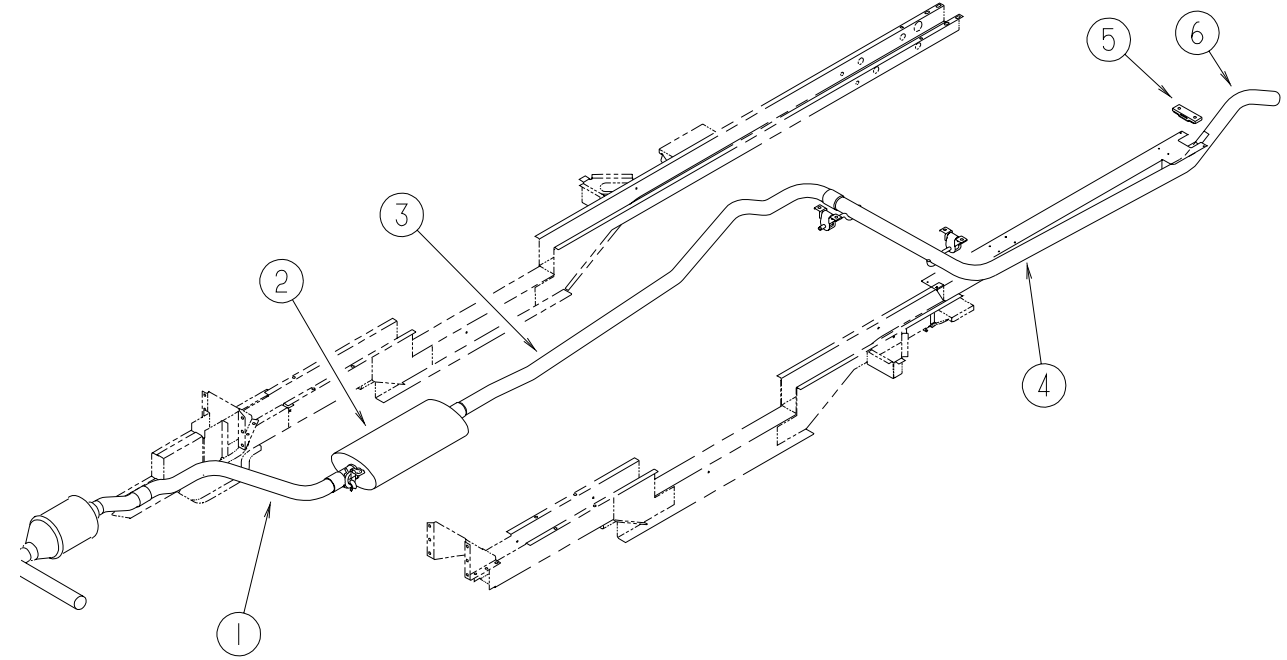
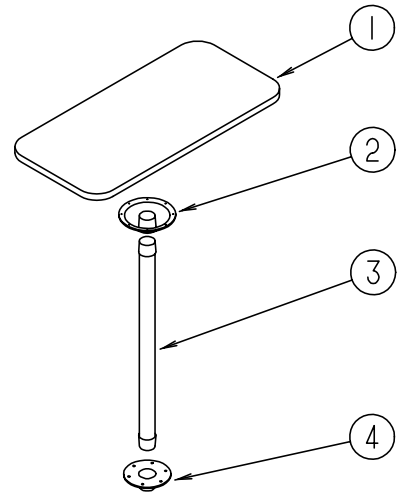


**TWIN BEDROOM CABINETRY (PASSENGER SIDE)**

KEY	PART NUMBER	U/M	DESCRIPTION
1	124888-01-H70	EA	CABINET - OVERHEAD/RIGHT HAND/Front - W/O DOORS/HARDWARE
	M06804-04-H70	EA	DOOR - MITERED CORNER/RADIUS EDGE - 10.0" X 19.1"- W/O HARDWARE
2	124890-01-H70	EA	CABINET - OVERHEAD/REAR - RIGHT HAND - W/O DOORS/HARDWARE
	M06804-01-H70	EA	DOOR - MITERED CORNER/RADIUS EDGE - 10.0" X 25.2"- W/O HARDWARE
3	119589-01-H70	EA	CABINET - SHIRT CLOSET - RIGHT HAND - W/O DOORS/HARDWARE
	M05992-R6-J80	EA	DOOR - STRAIGHT CORNER/OGEE EDGE - 15.3" X 25.6" - W/O HDW
	009112-01-000	EA	FLANGE - 1" ROD, CLOTHES - PLASTIC - OFF WHITE
	041953-03-000	EA	CONDUIT - CONVOLUTE SLIT - 1" ID (CLOTHES ROD COVER)
4	124953-01-H70	EA	CABINET - SHELF/REAR - W/O HARDWARE
	124953-14-J80	EA	SHELF - W/PLASTIC EDGE MOLDING
5	P24937-01-J80	EA	CABINET - BASE - TWIN BED/RIGHT HAND - W/O DOORS/DRAWERS/HARDWARE
6	M07592-12-000	EA	TOP - TWIN BED
7	M07592-13-H70	EA	TOP - TWIN BED - W/HINGE
8	M07592-14-000	EA	TOP - TWIN BED
	091952-01-000	EA	CLIP - GRIPPER - 1"
	097872-04-000	EA	DOWEL - WOOD - 1" DIAMETER X 1.38" LONG
	107796-16-000	EA	SPRING - GAS - 9.5" - 65 LB
	126259-01-000	EA	STUD - BALL

**BEDROOM GROUP (CONTINUED)**

**CHASSIS GROUP**



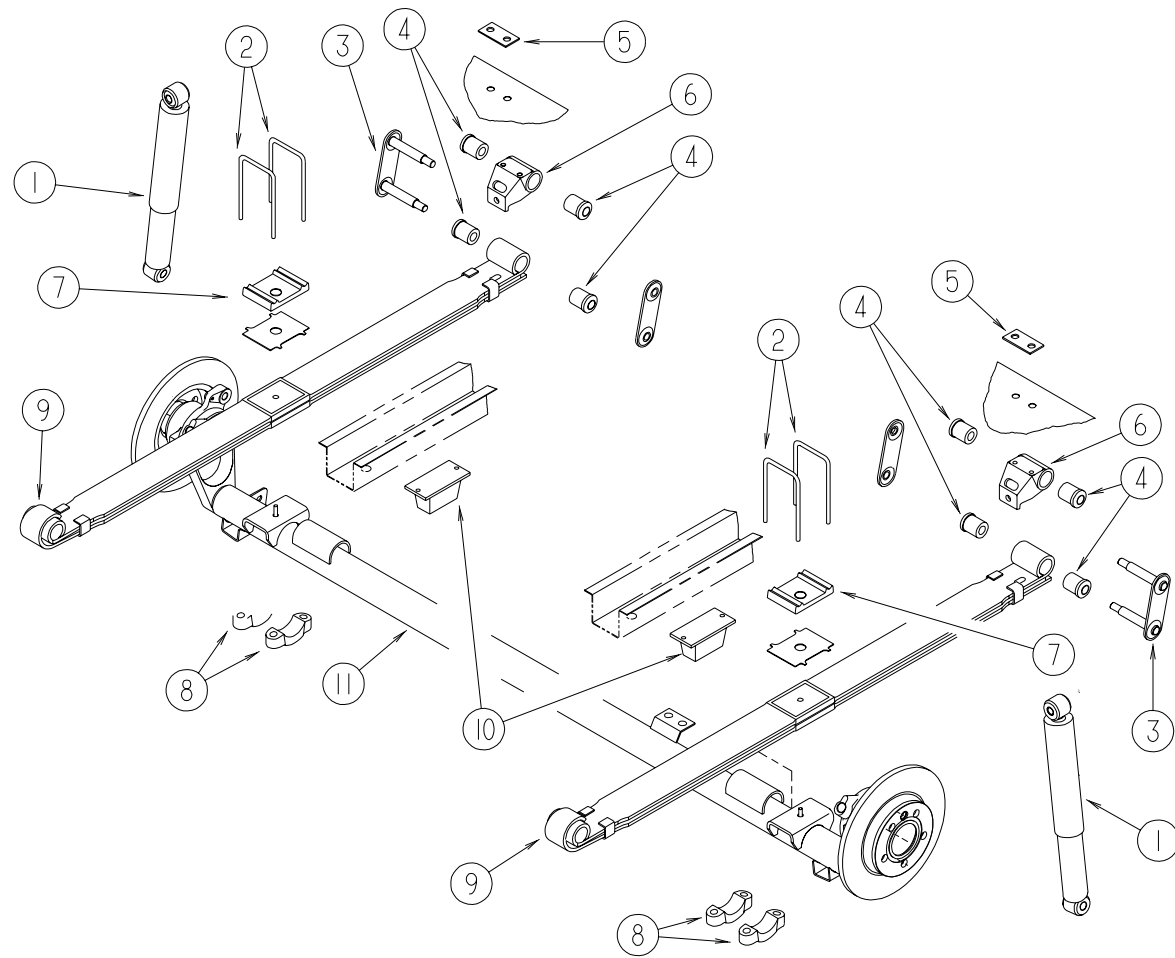
**DINETTE TABLE**

**EXHAUST SYSTEM COMPONENTS**

KEY	PART NUMBER	U/M	DESCRIPTION
1	081298-06-F45	EA	TABLE TOP ONLY
2	009040-03-000	EA	BASE - TABLE/RAISED - TABLE MOUNTED
3	009040-09-000	EA	LEG - PEDESTAL TABLE - 31.5"
4	041194-01-000	EA	BASE - TABLE/FLUSH - FLOOR MOUNTED
	062046-01-000	EA	CLIP - LEG - PEDESTAL - 1.7" X 2.2" - DIA FROM 2 - 2.5"
	077968-01-000	EA	RETAINER - NYLON - .5" X 1.6"
	076840-04-000	EA	HOLD DOWN CORD - BUNGEE 10"
	042438-02-000	EA	DOWEL - WOOD - 2" X 2"

KEY	PART NUMBER	U/M	DESCRIPTION
1	113098-02-000	EA	PIPE - EXHAUST/FRONT
2	121261-01-000	EA	MUFFLER - FRONT
3	113099-01-000	EA	PIPE - EXHAUST/ MIDDLE
4	115396-01-09B	EA	SHIELD - EXHAUST - TAIL PIPE - GALVANIZED
5	095190-01-000	EA	HANGER - EXHAUST - 4" X 1.4"
6	113097-02-000	EA	PIPE - EXHAUST/TAIL
	082716-01-000	EA	CLAMP - EXHAUST - 2"
	082716-02-000	EA	CLAMP - EXHAUST - 2.24"

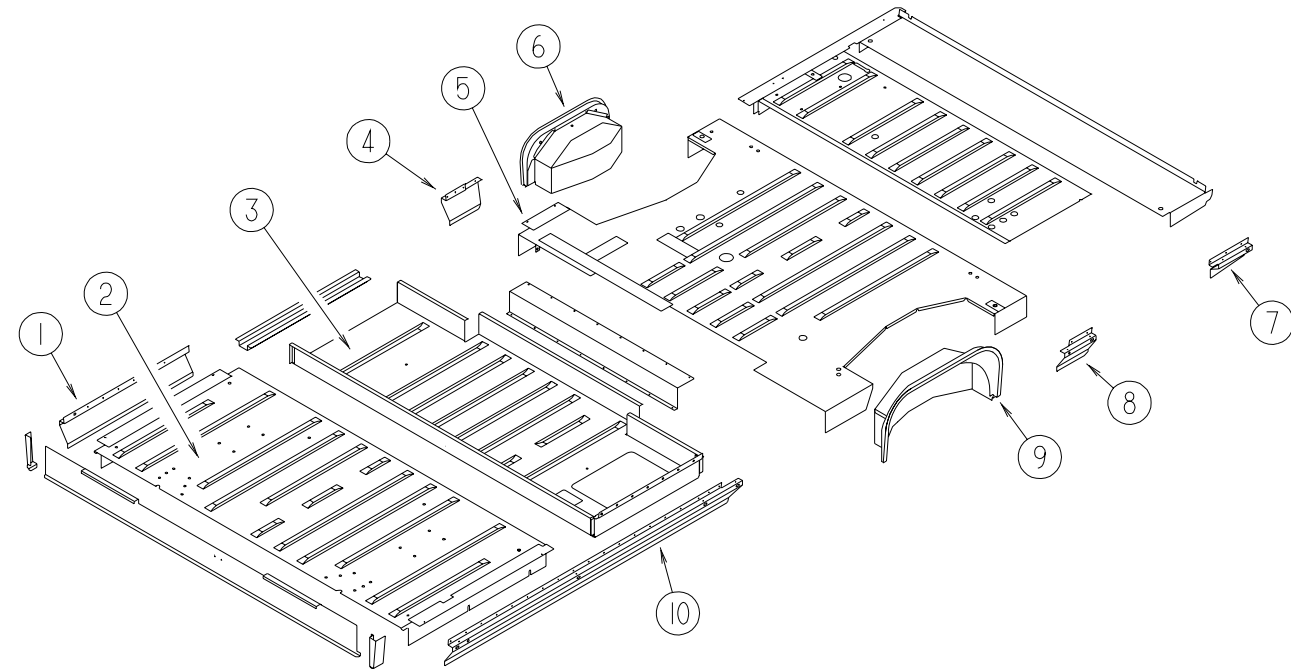
## CHASSIS GROUP (CONTINUED)



### SUSPENSION COMPONENTS

KEY	PART NUMBER	U/M	DESCRIPTION
1	112033-02-000	EA	SHOCK ABSORBER - REAR VW H-BODY - NEW DESIGN
2	112410-01-000	EA	BOLT-U - REAR SPRING
3	112560-01-000	EA	SHACKLE - SPRING - REAR
4	112503-01-000	EA	BUSHING - SPRING - REAR
5	071231-01-000	EA	PLATE - FLOOR DOUBLER
6	112415-01-000	EA	SUPPORT - SHACKLE - REAR
7	112414-01-000	EA	PLATE - SPRING CLAMP
8	112413-01-000	EA	BRACKET - U BOLT - REAR SUSPENSION
9	112032-01-000	EA	SPRING - REAR LEAF W/O BUSHINGS
	116712-01-000	EA	BUSHING - SPRING - FRONT
10	113876-01-000	EA	PAD - JOUNCE - REAR SPRING
11	120493-01-000	EA	AXLE - REAR - DISC BRAKE

## CHASSIS GROUP (CONTINUED)



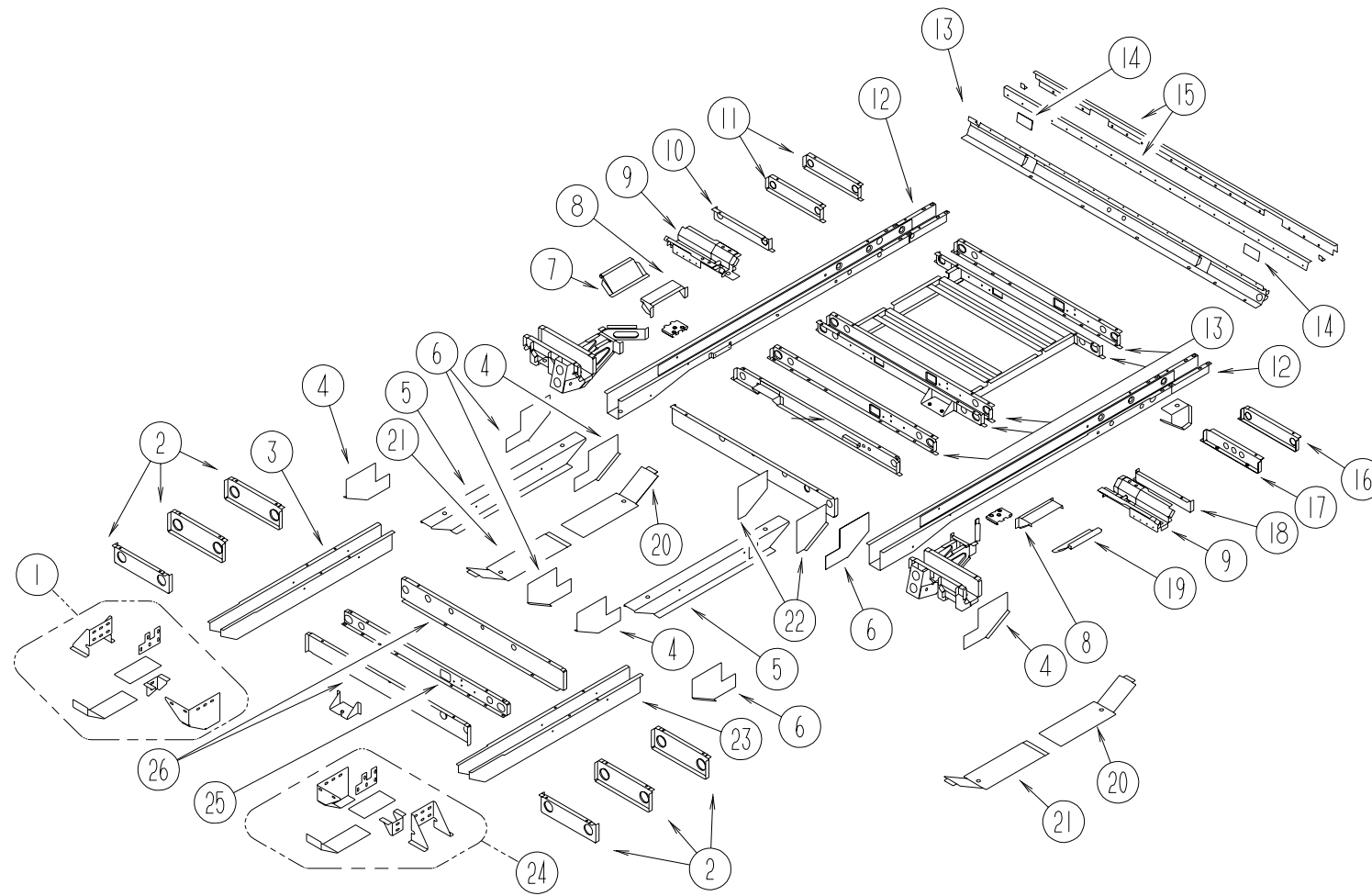
### FLOOR COMPONENTS

KEY	PART NUMBER	U/M	DESCRIPTION
1	113600-01-01B	EA	ROCKER ASM - FRONT - RIGHT HAND - MILL
2	110695-01-000	EA	PANEL - FLOOR - FRONT
3	112883-01-01B	EA	PANEL - FLOOR - LOWER - MILL
4	113601-01-01B	EA	ROCKER ASM - CENTER - RIGHT HAND - MILL
5	112222-01-000	EA	PANEL - FLOOR - REAR
6	112345-01-000	EA	WHEELHOUSE W/SHOCK MOUNT - REAR DRIVER SIDE - STEEL
7	112808-01-02B	EA	ROCKER - REAR - LEFT HAND
8	113005-01-01B	EA	ROCKER - REAR - LEFT HAND
9	112345-02-000	EA	WHEELHOUSE W/SHOCK MOUNT - REAR PASSENGER SIDE - STEEL
10	071366-01-000	EA	ROCKER ASM - FRONT - LEFT HAND
	112818-01-02B	EA	COMPARTMENT - REAR - LEFT HAND
	072877-03-000	EA	INSULATION - SOUND BARRIER - 1" X 36" X 57"



# CHASSIS GROUP (CONTINUED)

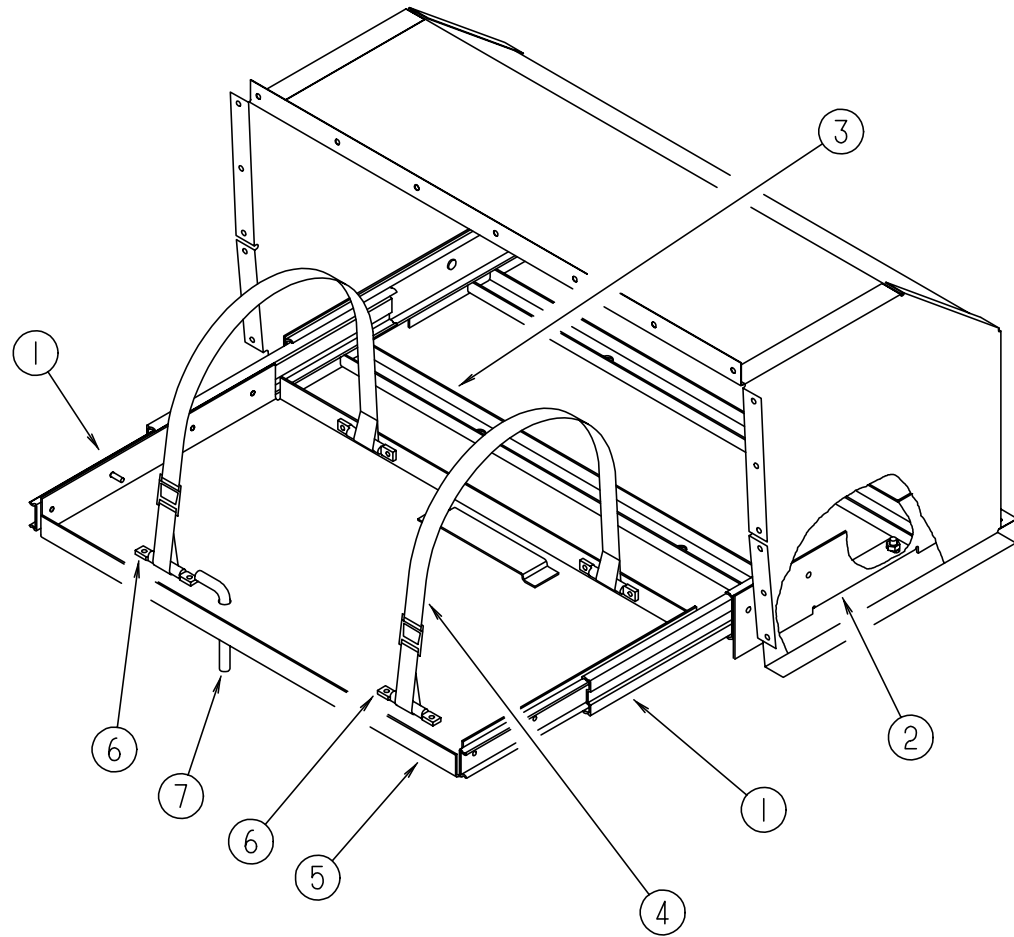
## FLOOR FRAME ASM



KEY	PART NUMBER	U/M	DESCRIPTION
1	117866-01-01B	EA	BRACKET - FRAME - FLOOR - MILL - RIGHT HAND
2	071225-01-000	EA	OUTRIGGER - FRONT
3	117865-03-01B	EA	RAIL ASM - FRAME - FRONT - RIGHT HAND - MILL
4	071223-01-000	EA	GUSSET - FRAME - LOWER RIGHT HAND
5	071200-01-000	EA	RAIL - FRAME - LOWER
6	071223-02-000	EA	GUSSET - FRAME - LOWER - LEFT HAND
7	071188-01-000	EA	BRACKET - SPRING MOUNT - FRONT - PASSENGER SIDE
8	112314-01-000	EA	REINFORCEMENT - WHEELHOUSE
9	071162-01-000	EA	STRUT - SPRING MTG
10	071232-02-000	EA	OUTRIGGER - REAR - PASSENGER - 15.5" - STEEL
11	071232-01-000	EA	OUTRIGGER - REAR - RIGHT HAND
12	071220-01-000	EA	RAIL - FRAME - REAR
13	071229-01-000	EA	CROSSMEMBER - REAR - CENTER - 45" LONG - STEEL
14	070579-13-000	EA	PLATE - ANCHOR - W/1/5" WELD NUT - 2.5" X 3.3"
15	072382-01-000	EA	CROSSMEMBER ASM - REAR
16	112726-01-01B	EA	OUTRIGGER - GENERATOR - MILL
17	112726-03-01B	EA	OUTRIGGER ASM - GENERATOR - RIGHT HAND - MILL
18	112726-04-01B	EA	OUTRIGGER ASM - GENERATOR - LEFT HAND - MILL
19	071188-02-000	EA	BRACKET - SPRING MOUNT - FRONT - DRIVER SIDE
20	071729-01-000	EA	PLATE - RAIL - LOWER RIGHT

KEY	PART NUMBER	U/M	DESCRIPTION
21	071212-01-000	EA	PLATE - RAIL - LOWER
22	112315-01-000	EA	OUTRIGGER - WHEELHOUSE - REAR
23	117865-04-01B	EA	RAIL ASM - FRAME - FRONT - LEFT HAND - MILL
24	117866-02-01B	EA	BRACKET - FRAME - FLOOR - MILL - LEFT HAND
25	071774-01-000	EA	CROSSMEMBER - FRONT
26	071226-01-000	EA	CROSSMEMBER - STEPBOX
	061420-04-000	EA	PLUG - CAP - 1.25" DIAMETER
	061420-05-000	EA	PLUG - CAP, 1.8" DIAMETER
	061420-07-000	EA	PLUG - PLASTIC - 1.8" DIAMETER
	061420-08-000	EA	PLUG - PLASTIC - 2.5" DIAMETER
	073913-01-000	EA	RETAINER - MUDFLAP - METAL
	112248-01-000	EA	BRACKET - MOUNT - SHOCK - LOWER
	112248-02-000	EA	BRACKET - MOUNT - SHOCK - LOWER
	112249-01-000	EA	BRACKET-MOUNT - SHOCK - UPPER
	112250-01-000	EA	PLATE - BACKING - MOUNT - SHOCK
	112312-01-000	EA	MOUNT - UPPER REAR PASSENGER SHOCK - STEEL
	112312-02-000	EA	MOUNT - UPPER REAR DRIVER SHOCK - STEEL
	112314-01-000	EA	REINFORCEMENT - WHEELHOUSE
	112724-01-01B	EA	PANEL - ROCKER - OUT REAR RIGHT HAND - MILL
	112725-01-01A	EA	PANEL - ROCKER - INNER - REAR - RIGHT HAND - MILL

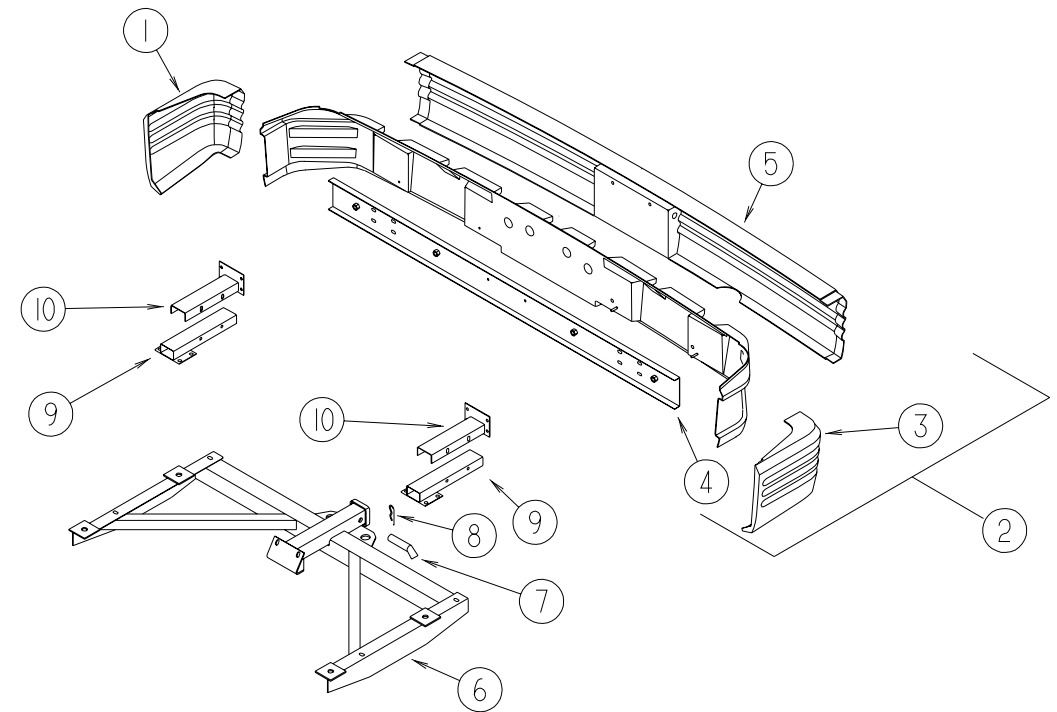
## CHASSIS GROUP (CONTINUED)



### LP COMPARTMENT COMPONENTS

KEY	PART NUMBER	U/M	DESCRIPTION
1	116985-01-000	EA	SLIDE - 3 SECTION - JOHNATHAN 310-12
2	116937-01-02B	EA	BRACKET - SUPPORT - LP TRAY
3	116935-01-04B	EA	SUPPORT - LP TRAY
4	099717-08-000	EA	STRAP - TV TIE DOWN W/7.9" FEMALE STRAP & 26" MALE STRAP
5	116955-01-02B	EA	TRAY - LP
6	064219-01-000	EA	RETAINER - 2.75" LONG, ALUMINUM - 2 PER TIEDOWN
7	015365-01-000	EA	PIN - TIRE CARRIER - CADMIUM PLATED

## CHASSIS GROUP (CONTINUED)



### REAR BUMPER, TRAILER HITCH & COMPONENTS

KEY	PART NUMBER	U/M	DESCRIPTION
1	113481-03-01A	EA	END CAP - BUMPER - PASSENGER REAR
2	113477-03-H70	EA	BUMPER - REAR
3	113481-04-01A	EA	END CAP - BUMPER - DRIVER REAR
4	087108-01-000	EA	SUPPORT - BUMPER - REAR
5	124246-01-01A	EA	BUMPER - REAR - CENTER OUTER
6	112600-02-04B	EA	DRAWBAR - CLASS I HITCH
7	034512-01-000	EA	PIN - LOCKING - DRAWBAR
8	034513-01-000	EA	PIN - HITCH - 3/16" WIRE
9	115947-01-02B	EA	SUPPORT - LOWER - BUMPER/REAR
10	115944-01-02B	EA	SUPPORT - UPPER - BUMPER/REAR
	113589-01-000	EA	CONNECTOR - PLUG - TRAILER
	113589-02-000	EA	CONNECTOR - SOCKET - TRAILER
	113588-02-01B	EA	BRACKET - CONNECTOR - TRAILER W/O LIP

## CHASSIS GROUP (CONTINUED)

### FUEL SYSTEM COMPONENTS

KEY	PART NUMBER	U/M	DESCRIPTION
	007063-01-000	FT	HOSE - FUEL - 1/4"ID X 1/2"OD
	084884-01-000	EA	PLUG - BRASS - 3/8"
	113378-01-000	EA	FUEL LINE - GENERATOR - FRONT
	113378-02-000	EA	FUEL LINE - GENERATOR - REAR
	113378-03-000	EA	FUEL LINE - GENERATOR - MIDDLE
	114253-01-000	EA	ELBOW - 1/4" SINGLE BARB X 1/8" MPT - WEATHERHEAD 1582
	114254-01-000	EA	ADAPTER - 1/4" BARB X 1/8" MPT

### DICOR 15" WHEEL COVERS

KEY	PART NUMBER	U/M	DESCRIPTION	VENDOR NO.
	114193-01-000	EA	COVER - WHEEL - 15" - SET OF 4 - DICOR PC9054-15	
	114193-01-700	EA	COVER-WHEEL, 15" - 1 ONLY - DICOR	PC9054-15-COV
	077030-02-000	EA	EXTENSION - VALVE STEM - 1.25"	

### FRONT & REAR MUDFLAP & RETAINER BRACKET

KEY	PART NUMBER	U/M	DESCRIPTION
	073905-01-000	EA	MUDFLAP - REAR - 10.1" X 19.3"
	073905-03-000	EA	MUDFLAP - REAR - 10.1" X 9.3"
	073913-01-000	EA	RETAINER - MUDFLAP - METAL

### LUG WRENCH , TIRE JACK & HANDLE

KEY	PART NUMBER	U/M	DESCRIPTION
	116209-01-000	EA	WRENCH - LUG - .75"
	114387-01-000	EA	JACK - SCREW - 4000 LB - AUSCO 95-55900
	114387-02-000	EA	HANDLE - SCREW JACK - 1 PIECE - AUSCO 1-55872

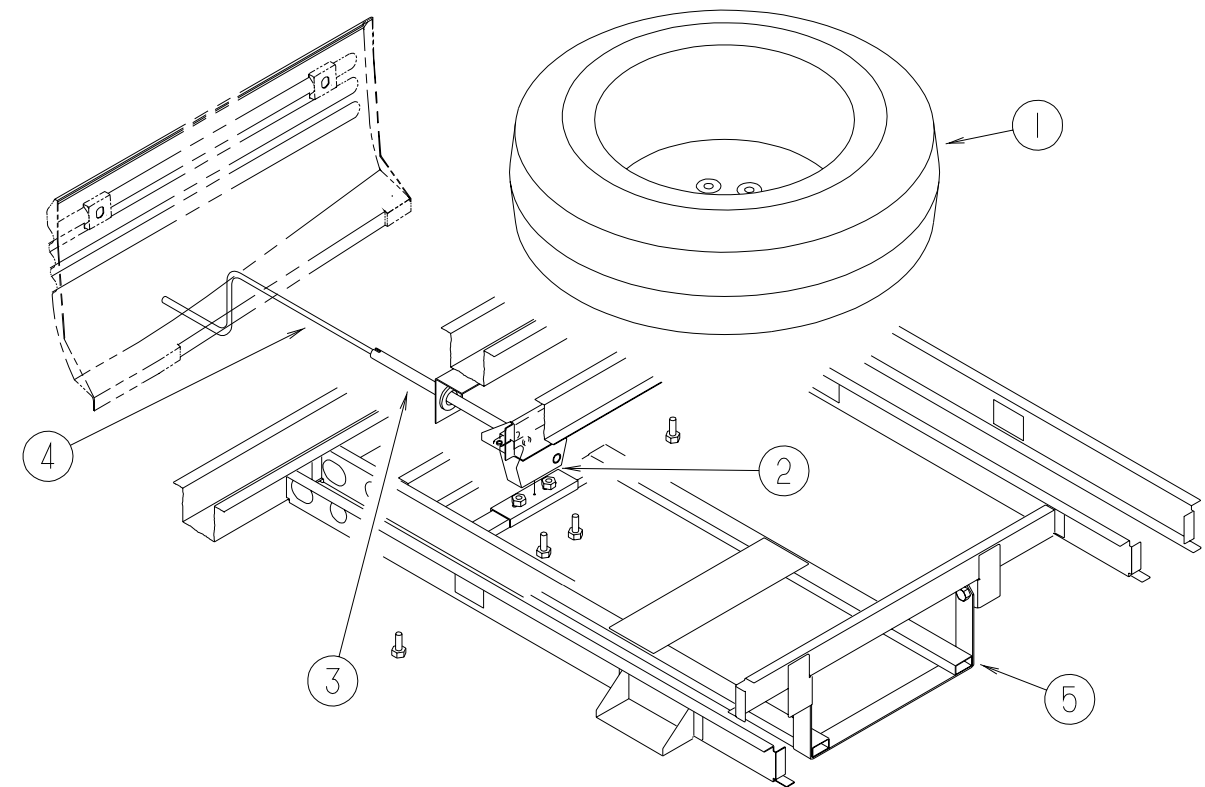
### REAR AIR BAGS

KEY	PART NUMBER	U/M	DESCRIPTION
	701390-04-700	EA	AIR BAG SYSTEM - COMPLETE INSTALLATION - REAR VW H-BODY
	100293-03-700	EA	AIR BAG REPAIR KIT - VW H-BODY, LEFT HAND KIT CONTAINS: (1) AIR BAG, (1) ELBOW FITTING, (1) ELBOW FILL VALVE, (1) 3' 1/4" AIR LINE, (1) INSTRUCTIONS
	100293-03-701	EA	AIR BAG REPAIR KIT - VW H-BODY, RIGHT HAND KIT CONTAINS: (1) AIR BAG, (1) ELBOW FITTING, (1) ELBOW FILL VALVE, (1) 3' 1/4" AIR LINE, (1) INSTRUCTIONS

### MISCELLANEOUS CHASSIS COMPONENTS

KEY	PART NUMBER	U/M	DESCRIPTION
	112638-01-000	EA	HOSE - BRAKE LINE/REAR - CONTINENTAL HOSE# 4106
	112638-02-000	EA	CLIP - SPRING - BRAKE HOSE - CONTINENTAL HOSE# 20A790
	100424-01-000	EA	ANGLE - BRAKE CABLE - MC-90
	121406-01-01A	EA	BUSHING - THREADED - 2 PIECE NYLON
	111420-07-000	EA	PLATE - SUPPORT - CAB ROOF - 30 MM X 30 MM - STEEL
	112081-02-000	EA	ANGLE - ROOF SUPPORT - CENTER
	112538-01-000	EA	PILLAR ASM - B - RIGHT HAND - STEEL
	112538-02-000	EA	PILLAR ASM - B - LEFT HAND - STEEL
	114254-01-000	EA	ADAPTER - 1/4" SINGLE BARB X 1/8" MPT - WEATHERHEAD 1537
	114255-01-000	EA	COUPLING - 5/8" THD X 1/8" FPT - PARKER 207ACBH-2
	076776-02-000	EA	TEE - BEADED - 3/4 X 3/4 X 3/4
	075243-01-000	EA	UNION - M10 X 1 - FLARE/FLARE - WHITEHEAD 112-06187
	010281-01-000	EA	TEE - BRASS - 3/8 F

## CHASSIS GROUP (CONTINUED)



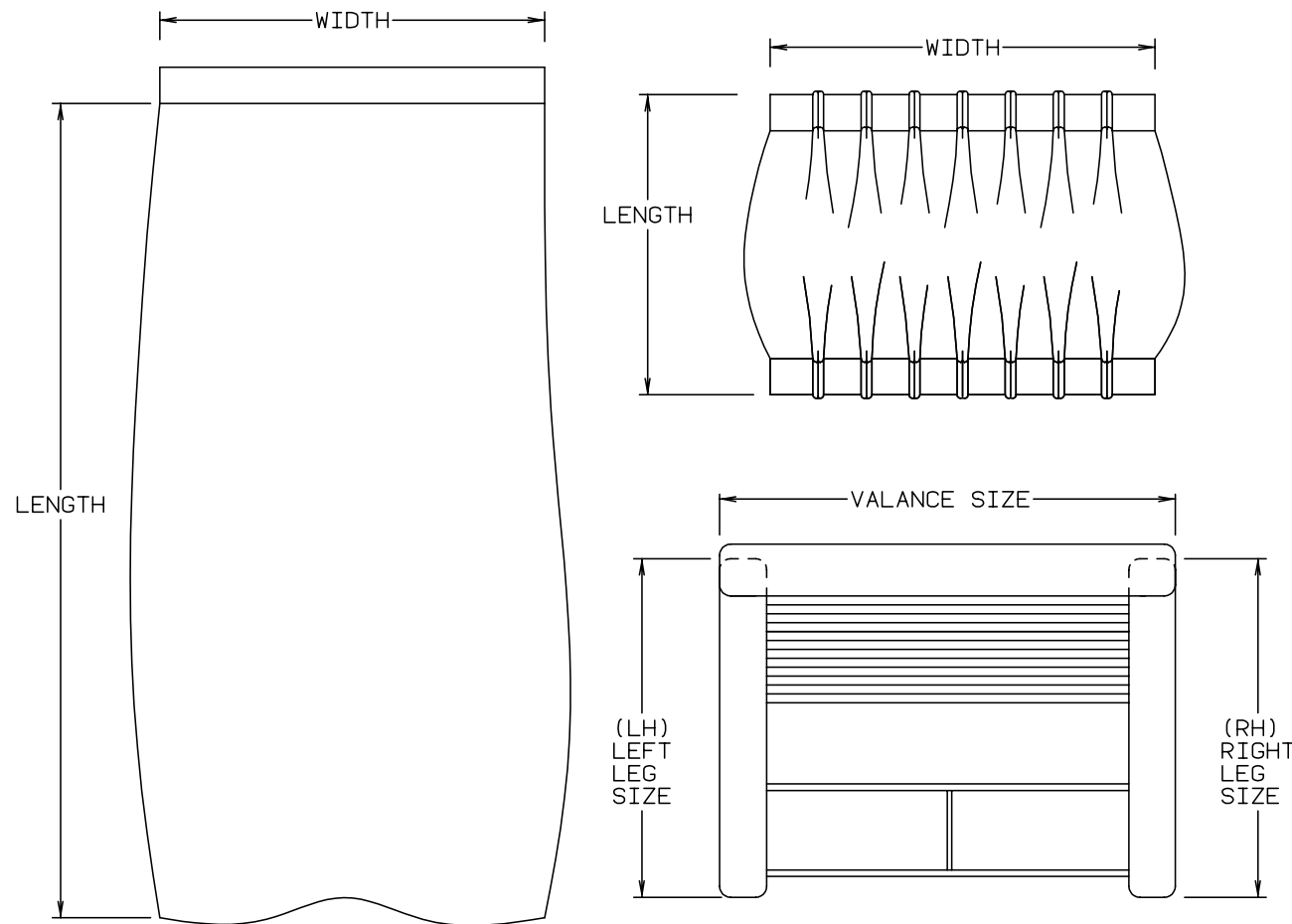
### SPARE TIRE/MOUNT & HOIST

KEY	PART NUMBER	U/M	DESCRIPTION
1	116271-01-000	EA	TIRE - LT 195/70T 15C 104/102P
2	093267-03-000	EA	HOIST - SPARE TIRE - #100 LB
3	093375-15-000	EA	EXTENSION - TIRE HOIST
4	093376-02-000	EA	HANDLE - CRANK - TIRE HOIST
	114376-01-000	EA	PIN - DRIVE - .156 X .750 - TYPE E - TIRE HOIST
5	124645-01-02B	EA	CRADLE - SPARE TIRE
	113007-04-000	EA	PIN - SPRING - .007" X 1.25"

**CURTAIN & CUSHION GROUP  
NOTICE**

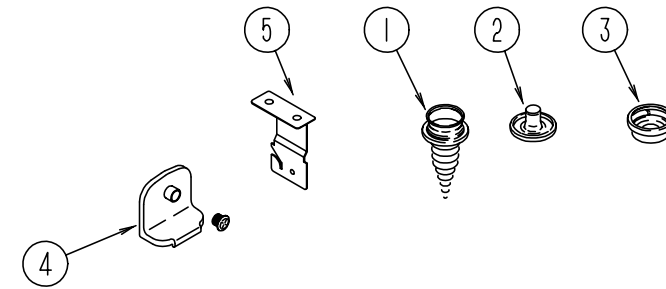
IN ORDER TO ASSIST OUR PARTS SALES DEPT. IN PROVIDING INTERIOR SOFTGOODS ITEMS, PLEASE INCLUDE THE SERIAL NUMBER AND THE COLOR CODE NUMBER FROM THE VEHICLE CERTIFICATION LABEL WHEN ORDERING. THIS LABEL IS LOCATED ON THE LEFT SIDEWALL AT THE END OF THE DASH (A-BODY), OR ON THE DRIVER'S DOOR LATCH PLATE (C-BODY).

AN EXAMPLE OF A COLOR CODE NUMBER IS B07, WHICH DESIGNATES AN OVERALL COLOR SCHEME OF A PARTICULAR UNIT. THE COLOR LISTED AFTER THE ITEM DESCRIPTION ON THE MICROFICHE, INDICATES THE OVERALL UNIT COLOR. ORDER THE ITEM YOU DESIRE ACCORDING TO UNIT COLOR CODE.



NOTE: USE THIS ILLUSTRATION WHEN DETERMINING LENGTH AND WIDTH MEASUREMENTS FOR CURTAINS. YOU WILL NOTE THE WIDTH MEASUREMENT IS TAKEN ON THE TOP OF THE CURTAIN WITH THE CURTAIN FULLY EXTENDED. THE LENGTH MEASUREMENT IS TAKEN FROM TOP TO BOTTOM. LEFT AND RIGHT WINDOW LEGS ARE DETERMINED WHEN FACING THE WINDOW.

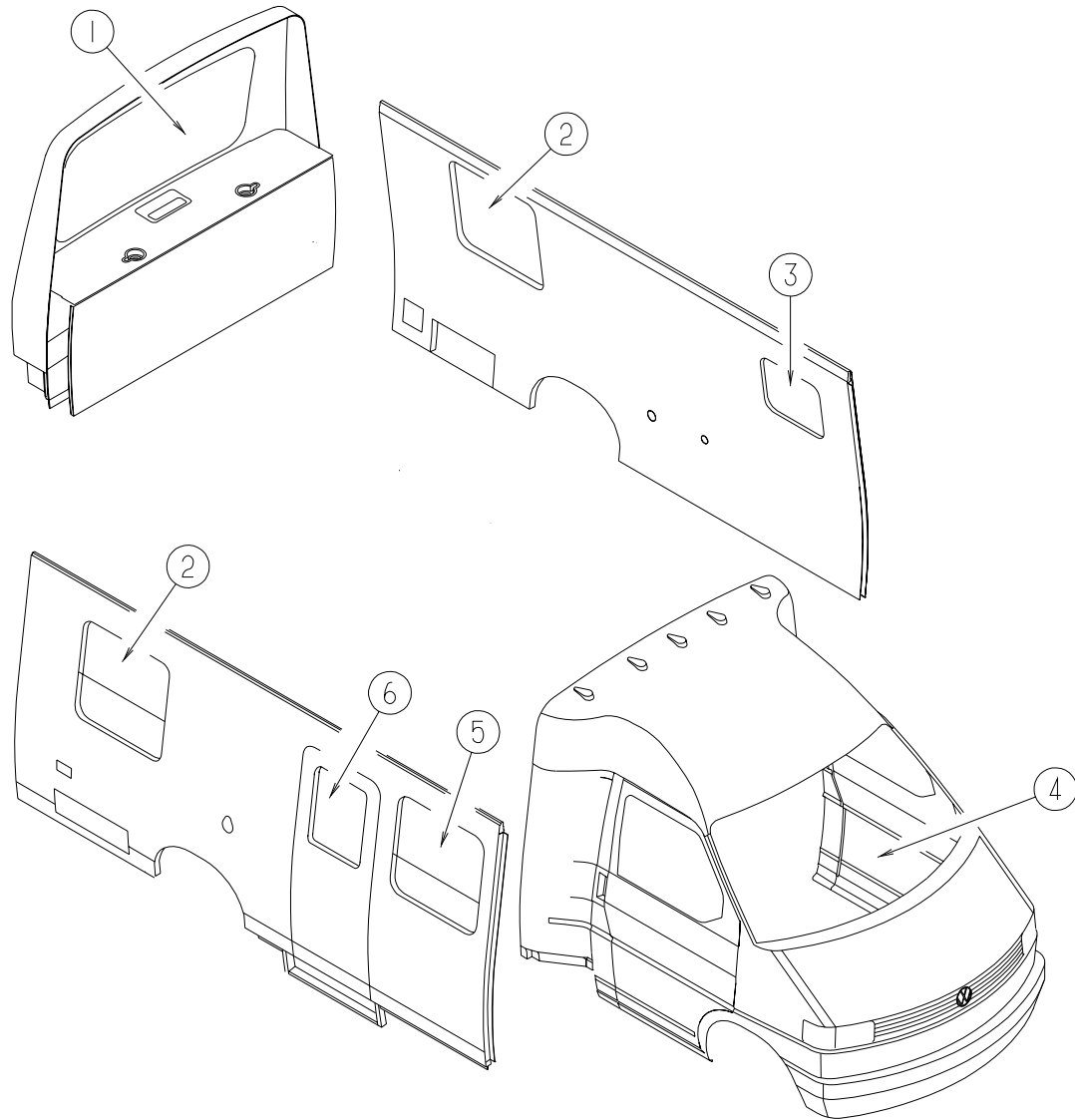
**CURTAIN & CUSHION GROUP (CONTINUED)**



**CURTAIN, BLIND & SHADE HARDWARE**

KEY	PART NUMBER	U/M DESCRIPTION
1	029130-01-000	EA SCREW - SNAP SOCKET - #8 PH X 5/8"
1	029130-03-000	EA SCREW - SNAP SOCKET - #8 PH X 1"
2	029155-01-000	EA CAP - SNAP - 5/32" O.D. OF PIN
3	029156-01-000	EA SOCKET - SNAP - 9/16" O.D.
3	029156-02-000	EA SOCKET - SNAP - 27/64" OD
4	106544-01-000	EA PULL - SHADE/BRASS
4	106544-01-001	EA SCREW - SHADE/BRASS
5	084434-01-000	EA BRACKET - MOUNTING - ROLLER SHADE - 1 3/8"
	048394-02-000	YD VELCRO TAPE - HOOK - ADHESIVE BACK - .75" WIDE - BEIGE
	083170-01-000	EA BRACKET - BLIND - LEFT SIDE WHEN FACING WINDOW
	083170-02-000	EA BRACKET - BLIND - RIGHT SIDE WHEN FACING WINDOW
	088792-02-000	YD VELCRO TAPE - LOOP - .75" - ADHESIVE BACKED - BEIGE
	088792-04-000	YD VELCRO TAPE - LOOP - 5/8" - NON-ADHESIVE BACK - WHITE
	088792-05-000	YD VELCRO TAPE - HOOK - 5/8" - NON-ADHESIVE BACK - WHITE
	088792-06-000	YD VELCRO TAPE - LOOP - .75" - NON-ADHESIVE BACKED - BUFF
	103242-01-000	EA VELCRO HOOK - BEIGE 7/8"
	086276-01-000	EA TAPE - DOUBLE SIDED - 1/2"
	094896-02-000	EA GROMMET - CORD/PLEATED BLIND - NYLON - GRAY
	094907-05-000	EA HARDWARE - END CAP - BOTTOM - PULL TYPE
	094907-05-700	EA END CAP - RIGHT HAND BOTTOM BLIND
	094907-05-701	EA END CAP - LEFT HAND BOTTOM BLIND
	094907-06-000	EA HARDWARE - END CAP - E-Z LIFT - TOP
	094908-03-000	FT HARDWARE - SEMI-RIDGED PVC - EZ LIFT
	097565-01-000	EA BRACKET - MOUNTING/PLEATED BLIND
	097591-01-000	EA SPRING - EXTENSION/PLEATED BLIND
	097592-01-000	EA SPOOL - CORD - ELEVATED BLIND HOLDUP - CLEAR PLASTIC
	097593-06-000	FT CORD - BLIND - PLEATED - PEWTER
	089275-01-000	FT STRIP - 3/4" X 96" - CLEAR POLYETHYLENE
	096843-01-000	EA SPRING - REWIND/ROLLER SHADE
	109441-01-000	EA HOLD DOWN - BLIND - HOOK
	109353-04-000	EA CLIP - VALANCE SLAT MOUNTING - CLEAR PLASTIC

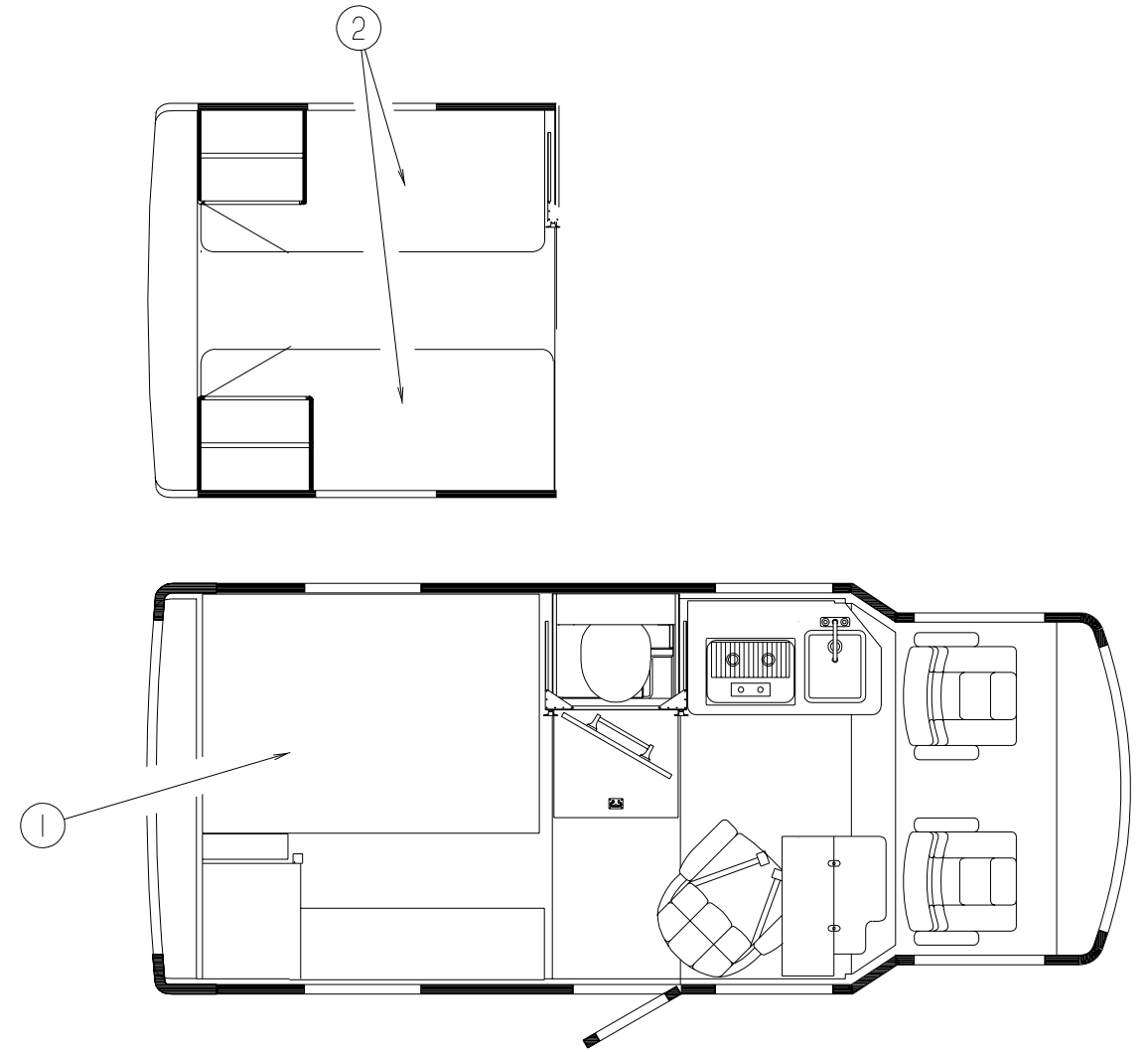
**CURTAIN & CUSHION GROUP (CONTINUED)**



**WINDOW TREATMENT**

KEY	PART NUMBER	U/M	DESCRIPTION
1	119405-06-H70	EA	BLIND - MICRO PLEAT - 61" X 32"
2	113637-16-H71	EA	VALANCE - ROSEANNE - 30" (K73)
2	113637-16-J81	EA	VALANCE - ROSEANNE - 30" (K74)
2	119405-04-J80	EA	BLIND - MICRO PLEAT - 29" X 28"
3	111861-08-01A	EA	BLIND - MICRO MINI - 21" X 18.5"
4	077591-14-H70	EA	CURTAIN - 26" X 114"
	103242-01-000	EA	VELCRO HOOK - BEIGE 7/8"
5	113637-16-H71	EA	VALANCE - ROSEANNE - 30" (K73)
5	113637-16-J81	EA	VALANCE - ROSEANNE - 30" (K74)
5	119405-04-J80	EA	BLIND - MICRO PLEAT - 29" X 28"
6	084755-39-E01	EA	SHADE - PULL - 26.25"
	117640-01-G46	EA	CURTAIN - SHOWER - RIGHT HAND
	117640-02-G46	EA	CURTAIN - SHOWER - LEFT HAND
	057534-01-000	EA	TIEBACK/TIEDOWN - 6" CLEAR PLASTIC
	057534-02-000	EA	TIEBACK/TIEDOWN - 3" CLEAR PLASTIC
	089275-01-000	FT	STRIP - 3/4" X 96" - CLEAR POLYETHYLENE

**CURTAIN & CUSHION GROUP (CONTINUED)**



**BED COVERINGS**

KEY	PART NUMBER	U/M	DESCRIPTION
1	101123-17-000	EA	MATTRESS - FOAM - 54" X 74" X 5"
1	P01123-17-000	EA	COVER - MATTRESS - 54" X 75"
1	117067-13-H70	EA	COVER - FITTED SHEET - 54" X 75" X 5" (K73)
1	117067-13-J81	EA	COVER - FITTED SHEET - 54" X 75" X 5" (K74)
2	117067-06-H70	EA	COVER - FITTED SHEET - RIGHT 5" (K73)
2	117067-06-J81	EA	COVER - FITTED SHEET - RIGHT 5" (K74)
2	101123-33-000	EA	MATTRESS - FOAM - 32" X 75" X 5"

**CURTAIN & CUSHION GROUP (CONTINUED)**

**SEATBELTS, WELTING & MISCELLANEOUS**

KEY	PART NUMBER	U/M	DESCRIPTION
	114258-01-01A	EA	SEAT BELT - 2" X 90" - BLACK
	079349-04-H70	YD	WELT - NARROW
	105924-02-J80	EA	MAT - FLOOR - 18" X 25"

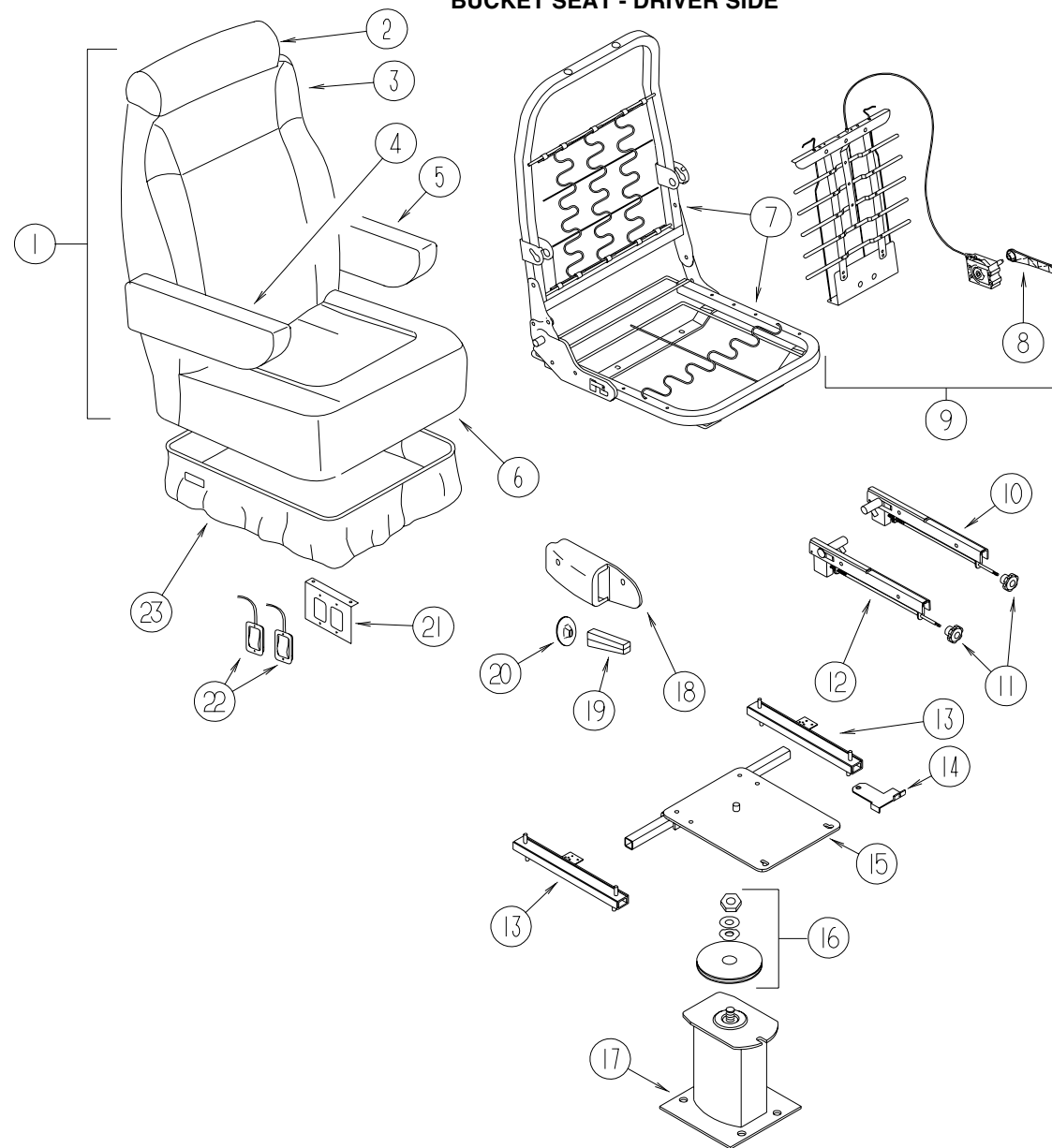
**CURTAIN & CUSHION GROUP (CONTINUED)**

<b>RIALTA FABRICS</b>		
Color Codes	K73	K74
	LAKEWOOD	DUSK
CEILING VINYL	113979-02-02A 113979-03-02A	113979-02-02A 113979-03-02A
VINYL	079680-25-000	079680-25-000
SHOWER CURTAIN	075244-10-000	075244-10-000
DRAPERY LINNING	087272-03-000	108446-U5-000
BUCKET SEAT LEATHER DRIVER LEATHER PASS.	108446-R6-000 125729-01-000 125729-02-000	108446-T6-000 125729-01-000 125729-02-000
DINETTE LEATHER	108446-R6-000 125729-01-000	108446-T6-000 125729-01-000
DINETTE WINDOWS	108446-R6-000	108446-T6-000
COMPANION SEATS LEATHER DRIVER LEATHER PASS.	108446-R6-000 125729-01-000 125729-02-000	108446-T6-000 125729-01-000 125729-02-000
COMPANION SEATS WINDOW	108446-R6-000	108446-T6-000
SWIVEL CHAIR	108446-R6-000	108446-T6-000
SWIVEL CHAIR WINDOW	108446-R6-000	108446-T6-000
ENTRY DOOR VALANCE	084416-29-000	084416-29-000
FITTED SHEET	108446-R6-000	108446-T6-000
PILLOW SHAMS	108446-R6-0000	108446-T6-000
FRONT WRAP AROUND	072333-88-000	072333-88-000

**NOTE:** FABRIC LISTED FIRST, IN A BLOCK, IS THE LARGEST QUANTITY OF FABRIC USED.

## CURTAIN & CUSHION GROUP (CONTINUED)

### BUCKET SEAT - DRIVER SIDE

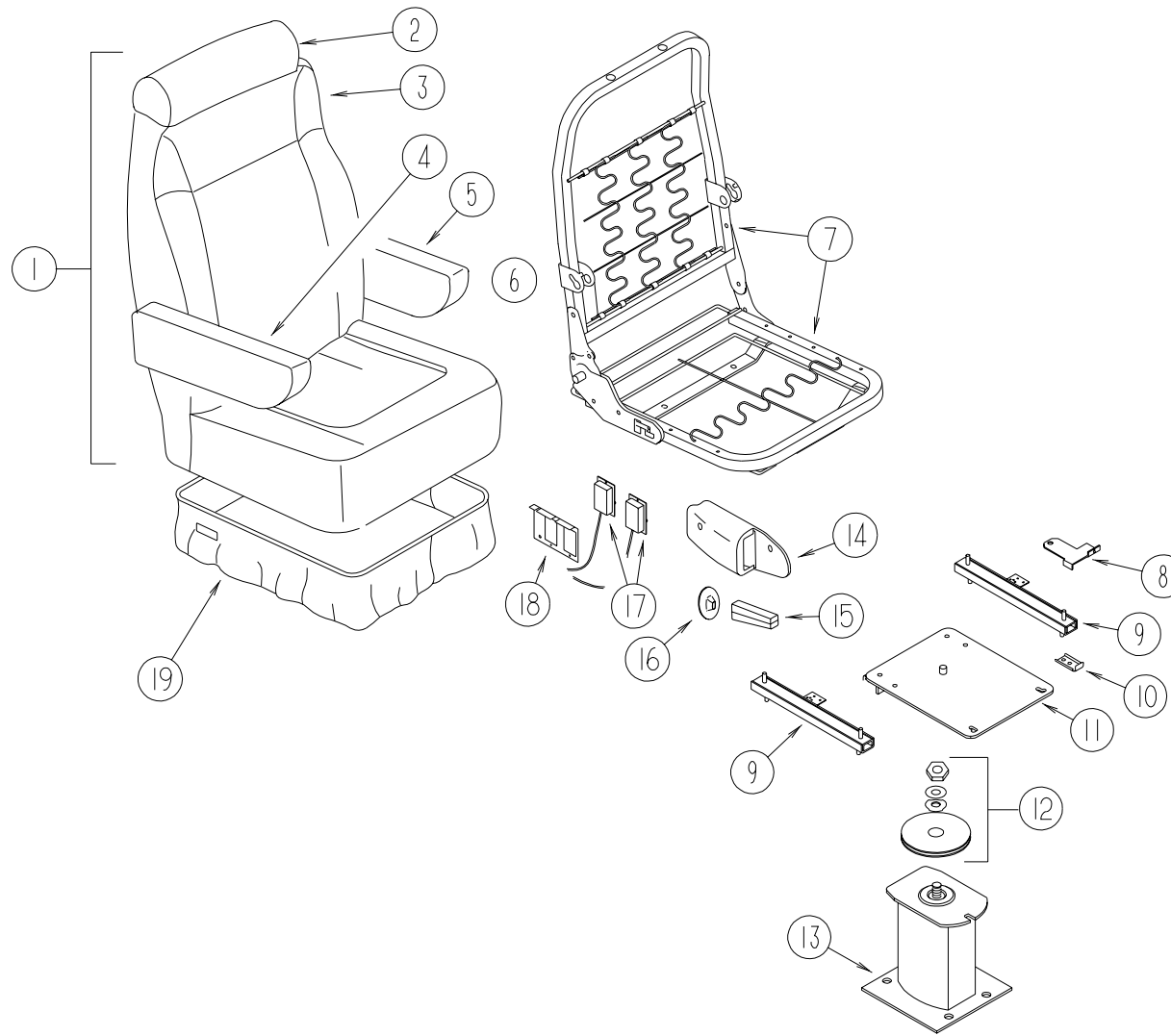


KEY	PART NUMBER	U/M	DESCRIPTION
1	127540-08-J80	EA	SEAT - BUCKET - W/LUMBAR SUPPORT (K73)
1	127540-08-J81	EA	SEAT - BUCKET - W/LUMBAR SUPPORT (K74)
1	127851-01-J80	EA	SEAT - BUCKET - W/LUMBAR SUPPORT - ADJUSTABLE ARM - LEATHER OPTION
2	119509-01-H70	EA	HEADREST - BUCKET SEAT
2	P19509-01-H70	EA	COVER - HEADREST
2	119509-03-H70	EA	HEADREST - BUCKET SEAT - LEATHER OPTION
2	P19509-03-H70	EA	COVER - HEADREST - LEATHER OPTION
3	M05962-75-J80	EA	COVER - BACK (K73)
3	M05962-75-J81	EA	COVER - BACK (K74)
3	M05962-76-J80	EA	COVER - BACK - LEATHER OPTION
4	127540-13-K73	EA	ARMREST - ADJUSTABLE/RIGHT HAND
4	127540-13-K74	EA	ARMREST - ADJUSTABLE/RIGHT HAND
4	123962-05-H70	EA	ARMREST - ADJUSTABLE/RIGHT HAND - LEATHER OPTION
4	P23962-05-H70	EA	COVER - ARMREST - RIGHT HAND - LEATHER OPTION
5	127540-13-K73	EA	ARMREST - ADJUSTABLE/LEFT HAND
5	127540-13-K74	EA	ARMREST - ADJUSTABLE/LEFT HAND
5	123962-06-H70	EA	ARMREST - ADJUSTABLE/LEFT HAND - LEATHER OPTION
5	P23962-06-H70	EA	COVER - ARMREST - LEFT HAND - LEATHER OPTION
6	M05962-52-H71	EA	COVER - SEAT (K73)
6	M05962-52-J81	EA	COVER - SEAT (K74)
6	M05962-77-J80	EA	COVER - SEAT - LEATHER OPTION
7	122695-02-01B	EA	FRAME - SEAT/BACK

KEY	PART NUMBER	U/M	DESCRIPTION
8	122611-02-701	EA	LUMBAR - LEVER
9	122611-02-000	EA	LUMBAR - W/LEVER
10	122622-05-000	EA	BRACKET - ADJUSTABLE/ARMREST - LEFT HAND
11	122622-06-000	EA	BRACKET - ADJUSTABLE KNOB - 3/8"
12	122622-04-000	EA	BRACKET - ADJUSTABLE/ARMREST - RIGHT HAND
13	119952-06-000	EA	SLIDE/SEAT - HEAVY DUTY LOCKING - 4 STUDS
	119952-07-000	EA	WIRE - LATCH RELEASE/ROTARY
14	117125-01-02B	EA	BRACKET - CABLE MOUNT - ADJUSTER W/LOCK
15	107921-08-000	EA	TOP PLATE - PEDESTAL - W/O SEAT BELT BAR
16	107921-06-000	EA	BEARING KIT - PEDESTAL
17	107921-12-000	EA	PEDESTAL - SEAT - 6"- DRIVER
18	080730-09-000	EA	SHIELD - RECLINER HANDLE
19	080730-08-000	EA	HANDLE - RECLINER
20	080730-11-000	EA	SHIELD - RUBBER BOOT
21	117125-01-02B	EA	BRACKET - CABLE MOUNT - ADJUSTER W/LOCK
22	108049-03-000	EA	CABLE/CONTROL 25.5" SHEATH/28.5" CABLE W/DOG LEG
23	071126-64-H70	EA	SKIRT ASM - 7", NO SLIT - LEATHER OPTION
23	M71126-64-H70	EA	COVER - LEATHER OPTION
	113977-12-000	EA	HEADREST INSERT - W/O LOCK
	113977-13-000	EA	HEADREST INSERT - W/ LOCK
	114889-01-000	EA	STOP BAR - UNIVERSAL

## CURTAIN & CUSHION GROUP (CONTINUED)

### BUCKET SEAT - PASSENGER SIDE



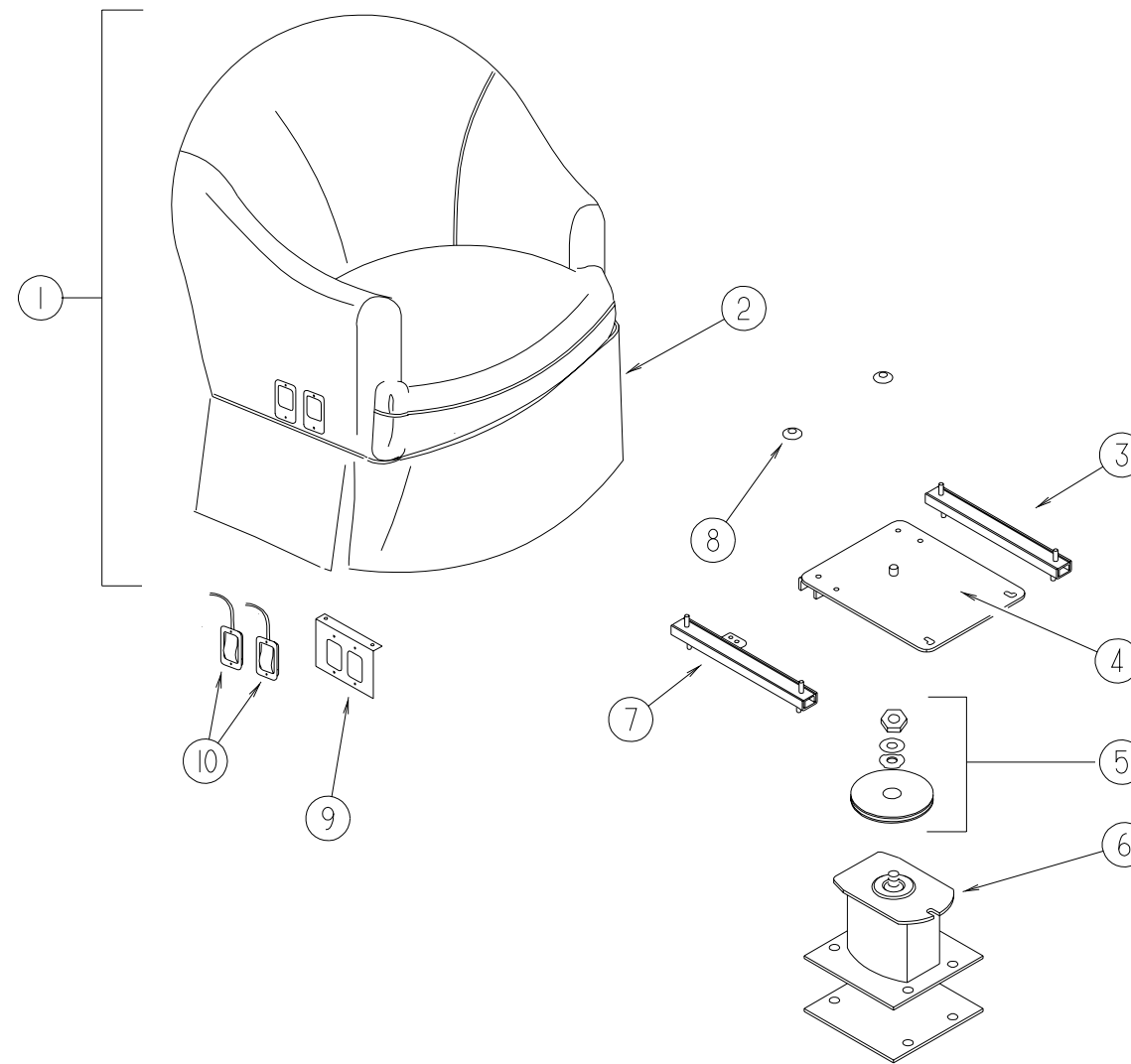
KEY	PART NUMBER	U/M	DESCRIPTION
1	127540-09-J80	EA	SEAT - BUCKET (K73)
1	127540-09-J81	EA	SEAT - BUCKET (K74)
1	127851-09-J80	EA	SEAT - BUCKET - LEATHER OPTION
2	119509-01-H71	EA	HEADREST - BUCKET SEAT
2	P19509-01-H70	EA	COVER - HEADREST
2	119509-03-H70	EA	HEADREST - BUCKET SEAT - LEATHER OPTION
2	P19509-03-H70	EA	COVER - HEADREST - LEATHER OPTION
3	M05962-75-H71	EA	COVER - BACK (K73)
3	M05962-75-J81	EA	COVER - BACK (K74)
3	M05962-76-J80	EA	COVER - BACK - LEATHER OPTION
4	123962-01-K73	EA	ARMREST - ADJUSTABLE/RIGHT HAND
4	123962-01-K74	EA	ARMREST - ADJUSTABLE/RIGHT HAND
4	123962-05-H70	EA	ARMREST - ADJUSTABLE/RIGHT HAND - LEATHER OPTION
4	P23962-05-H70	EA	COVER - ARMREST - RIGHT HAND - LEATHER OPTION
5	127540-13-K73	EA	ARMREST - ADJUSTABLE/LEFT HAND
5	127540-13-K74	EA	ARMREST - ADJUSTABLE/LEFT HAND
5	123962-13-H70	EA	ARMREST - ADJUSTABLE/LEFT HAND - LEATHER OPTION
5	P23962-06-H70	EA	COVER - ARMREST - LEFT HAND - LEATHER OPTION

KEY	PART NUMBER	U/M	DESCRIPTION
6	M05962-52-H71	EA	COVER - SEAT (K73)
6	M05962-52-J81	EA	COVER - SEAT (K74)
6	M05962-77-J80	EA	COVER - SEAT - LEATHER OPTION
7	122695-02-01B	EA	FRAME - SEAT/BACK
8	117125-01-02B	EA	BRACKET - CABLE MOUNT - ADJUSTER W/LOCK
9	119952-03-000	EA	SLIDE/SEAT - HEAVY DUTY LOCKING - 2 STUDS
	119952-07-000	EA	WIRE - LATCH RELEASE/ROTARY
10	114889-01-000	EA	STOP BAR - UNIVERSAL
11	107921-08-000	EA	TOP PLATE - PEDESTAL - W/O SEAT BELT BAR
12	107921-06-000	EA	BEARING KIT
13	107921-13-000	EA	PEDESTAL - SEAT - 6" - PASSENGER
14	080730-09-000	EA	SHIELD - RECLINER HANDLE
15	080730-08-000	EA	HANDLE - RECLINER
16	080730-11-000	EA	SHIELD - RUBBER BOOT
17	108049-03-000	EA	CABLE/CONTROL 25.5" SHEATH/28.5" CABLE W/DOG LEG
18	117125-01-02B	EA	BRACKET - CABLE MOUNT - ADJUSTER W/LOCK
19	071126-64-H70	EA	SKIRT ASM - 7", NO SLIT - LEATHER OPTION
19	M71126-64-H70	EA	COVER - LEATHER OPTION
	114889-01-000	EA	STOP BAR - UNIVERSAL



## CURTAIN & CUSHION GROUP (CONTINUED)

### CHAIR - SWIVEL

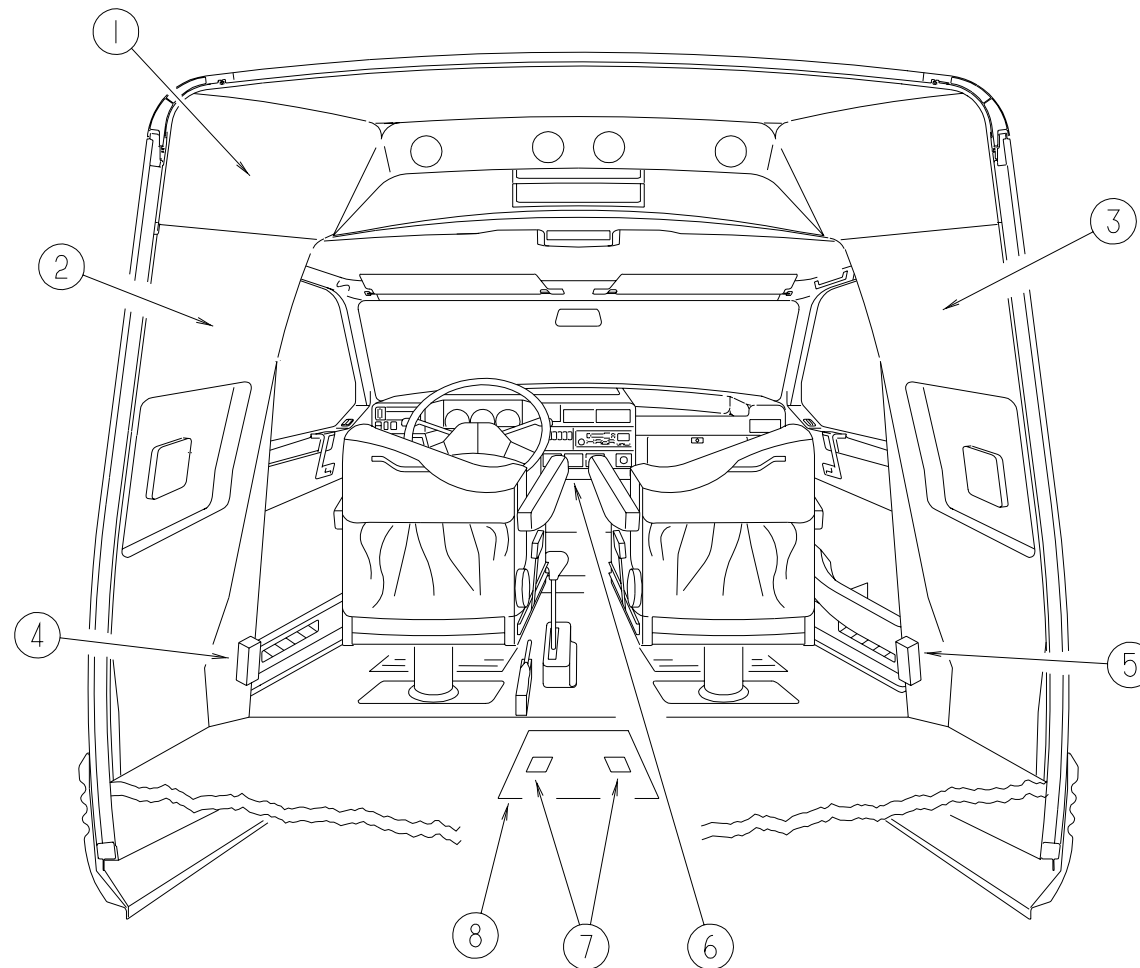


KEY	PART NUMBER	U/M	DESCRIPTION
1	115470-02-H71	EA	CHAIR - SWIVEL (K73)
1	115470-02-J81	EA	CHAIR - SWIVEL (K74)
1	P15470-02-H71	EA	COVER - CHAIR (K73)
1	P15470-02-J81	EA	COVER - CHAIR (K74)
2	P07977-03-H71	EA	COVER - SKIRT - DIPLOMAT CHAIR (K73)
2	P07977-03-J81	EA	COVER - SKIRT - DIPLOMAT CHAIR (K74)
3	119952-01-000	EA	SLIDE/SEAT - HEAVY DUTY NON LOCKING
4	107921-08-000	EA	TOP PLATE - PEDESTAL - W/O SEAT BELT BAR
5	107921-06-000	EA	BEARING KIT - PEDESTAL

KEY	PART NUMBER	U/M	DESCRIPTION
6	107921-15-000	EA	FLOOR MOUNTED PEDESTAL - W/9.75" EXTENSION
7	119952-03-000	EA	SLIDE/SEAT - HEAVY DUTY LOCKING - 2 STUDS
8	007221-01-000	EA	SPACER - SEAT/ADJUSTER
9	127159-02-02B	EA	BRACKET - SEAT RELEASE - DUAL REMOTE
10	108049-03-000	EA	CABLE - W/SWITCHES - 25.5" SHEATH/28.5" CABLE W/DOG LEG
	117125-01-02B	EA	BRACKET - CABLE MOUNT - ADJUSTER W/LOCK
	108049-02-000	EA	CLIP - CABLE/PEDESTAL
	010495-01-000	EA	CLAMP - CABLE - 9/16"
	007021-01-000	EA	SEAT BELT - 2" X 90" - BLACK
	057759-01-000	EA	WASHER - FLAT F/SEAT BELT - 4" DIAMETER

# DRIVERS COMPARTMENT GROUP

## DRIVERS COMPARTMENT

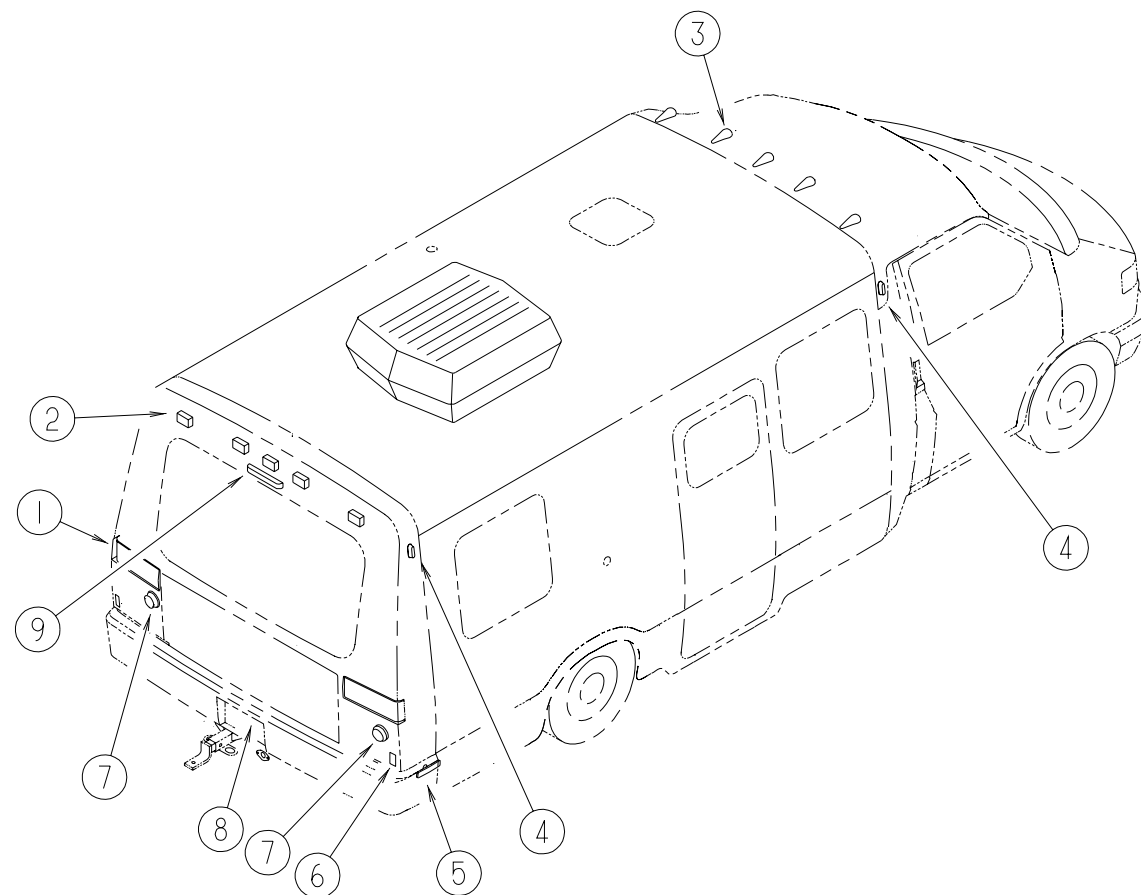


KEY	PART NUMBER	U/M DESCRIPTION
1	117256-03-02A	EA HEADLINER - CAB - ABS PLASTIC
3	117555-02-H71	EA PANEL - TRANSITION - LEFT HAND (K73)
3	117555-02-J81	EA PANEL - TRANSITION - LEFT HAND (K74)
3	117555-01-H71	EA PANEL - TRANSITION - RIGHT HAND (K73)
3	117555-01-J81	EA PANEL - TRANSITION - RIGHT HAND (K74)
4	128914-01-01A	EA COVER - RETRACTOR - DRIVER SIDE - BLACK
5	128914-02-01A	EA COVER - RETRACTOR - PASSENGER SIDE - BLACK
6	126959-02-J80	EA TRAY - FLIP-DOWN BEVERAGE W/CUP HOLDERS - MODIFIED/VW

KEY	PART NUMBER	U/M DESCRIPTION
	125807-01-01A	EA COVER - BEVERAGE TRAY - VW BLACK
	125955-01-02B	EA BRACKET - BEVERAGE TRAY - E-COATED
7	097111-02-04A	EA POCKET - LOCK - REAR DOOR
	102330-01-000	EA LATCH - VISE ACTION/KEY OPERATED
	102328-01-000	EA KEY - BARREL - NICKEL PLATED
	064075-07-000	EA SEAL - BULB - W/WIRED U CHANNEL - .3" X .5" CHANNEL - BLK
8	P18892-01-H70	EA LID - COMPARTMENT/BATTERY - W/CARPET
	065450-08-000	EA TIEDOWN - BATTERY

# ELECTRICAL GROUP

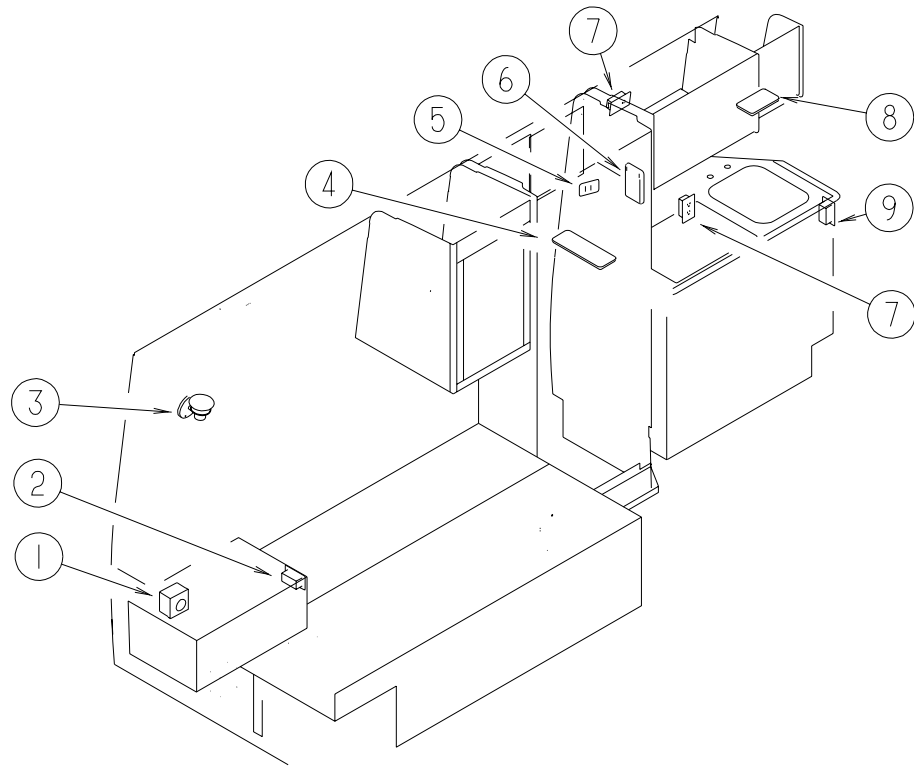
## EXTERIOR LIGHTS



KEY	PART NUMBER	U/M	DESCRIPTION
1	120742-02-000	EA	LIGHT - STOP/TURN/TAIL
2	102520-02-000	EA	LIGHT - CLEARANCE - W/O SOCKET/HOUSING - RED
	088474-09-000	EA	HOUSING - ELECTRICAL - 3 TERMINAL
	088476-01-000	EA	TERMINAL - ELECTRICAL
	036196-01-000	EA	BULB - 12 VOLT - #194 - .27 AMP - BAYONETTE
	067789-02-000	EA	SOCKET - LAMP
	102540-01-000	EA	SEAL - SCREW - ROUND - RUBBER
	102541-01-000	EA	GASKET - CLEARANCE LIGHT
3	113709-01-000	EA	LAMP - CLEARANCE - AMBER

KEY	PART NUMBER	U/M	DESCRIPTION
4	113709-02-000	EA	LAMP - CLEARANCE - RED
	121683-01-000	EA	LAMP - CLEARANCE - CLEAR
	124219-01-000	EA	BULB - 12 V - .83 AMP 10 WATT #5008
5	117826-01-000	EA	SIDE MARKER LAMP ASM - RED
	117826-02-000	EA	SIDE MARKER LAMP ASM - AMBER
	117826-03-000	EA	GASKET - MARKER LIGHT
7	124968-01-01A	EA	LIGHT - BACKUP - WHITE
8	121681-01-000	EA	LAMP - LICENCE PLATE
8	087201-01-000	EA	LIGHT - HALF ROUND - PLASTIC - BLACK
9	121950-01-000	EA	LIGHT - BRAKE - CENTER MOUNT

## ELECTRICAL GROUP (CONTINUED)

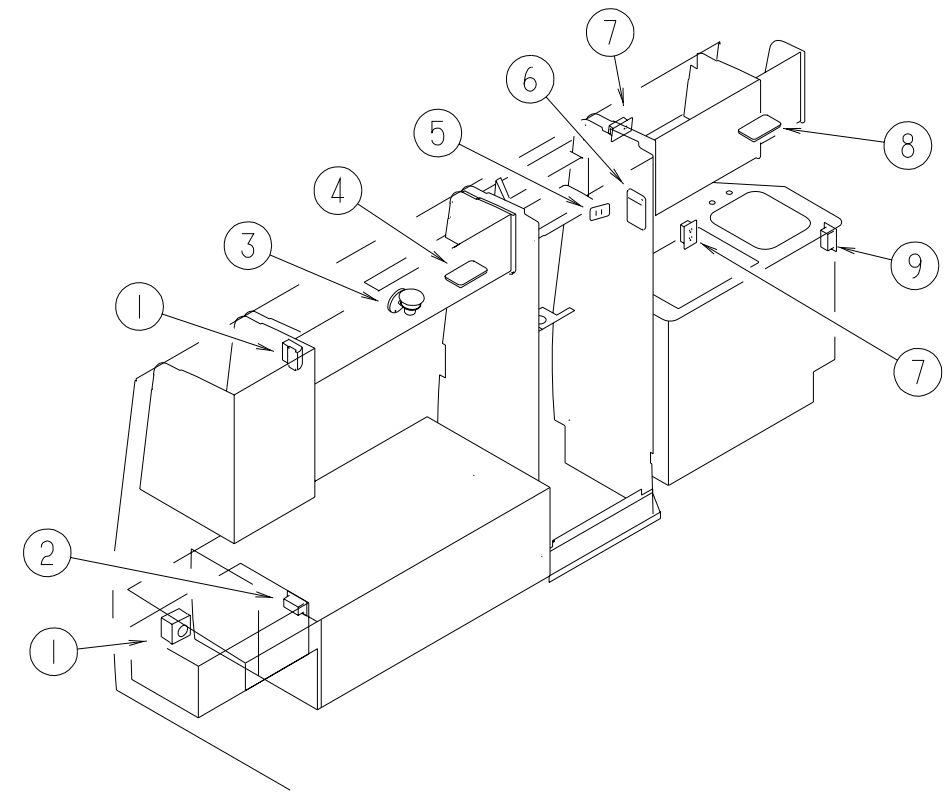


### LIGHTS, RECEPTACLES & SWITCHES - DRIVER SIDE - DOUBLE BED

KEY	PART NUMBER	U/M	DESCRIPTION
1	024924-02-000	EA	RECEPTACLE - POWER CORD - W/PARTIAL PLATE
	069238-01-000	EA	COVER - ELECTRICAL BOX - W/HOLE - 4" X 4" - GRAY
2	058708-05-000	EA	RECEPTACLE - ELECTRIC - SINGLE - BROWN
3	065202-37-000	EA	LAMP - WALL - BRASS SHORT - UL/CSA
3	117805-01-000	EA	BULB - 12 VOLT - NUMBER 921F - 1/4 AMPS
4	098024-03-02A	EA	LIGHT - DOME - 2 BULB - WHITE
	098024-01-700	EA	LENS - DOME LIGHT
5	108357-14-000	EA	SWITCH - ROCKER SPDT W/LIGHT - ON/NONE/OFF - 4 TERMINAL
6	098024-01-02A	EA	LIGHT - DOME - 1 BULB - GRAY
7	058707-01-000	EA	RECEPTACLE - ELECTRIC - SINGLE - BROWN
8	098024-05-02A	EA	LIGHT - DOME - 1 BULB - SKYLITE - WHITE
	098024-01-701	EA	LENS - OPTI CLEAR - SKYLITE
	008218-01-000	EA	BULB - DOME LIGHT - 12 VOLT - NO. 1141
9	058708-02-000	EA	RECEPTACLE - ELECTRIC - DOUBLE - IVORY
	091927-01-000	EA	COVER - RECEPTACLE - DOUBLE - IVORY
	108357-08-000	EA	SWITCH - ROCKER DPDT - ON/NONE/ON - 6 TERMINAL
*	114014-02-02A	EA	PANEL - MONITOR 2 TANK W/REMOTE

\*COMPONENT PARTS FOUND IN SERVICE PARTS LIBRARY

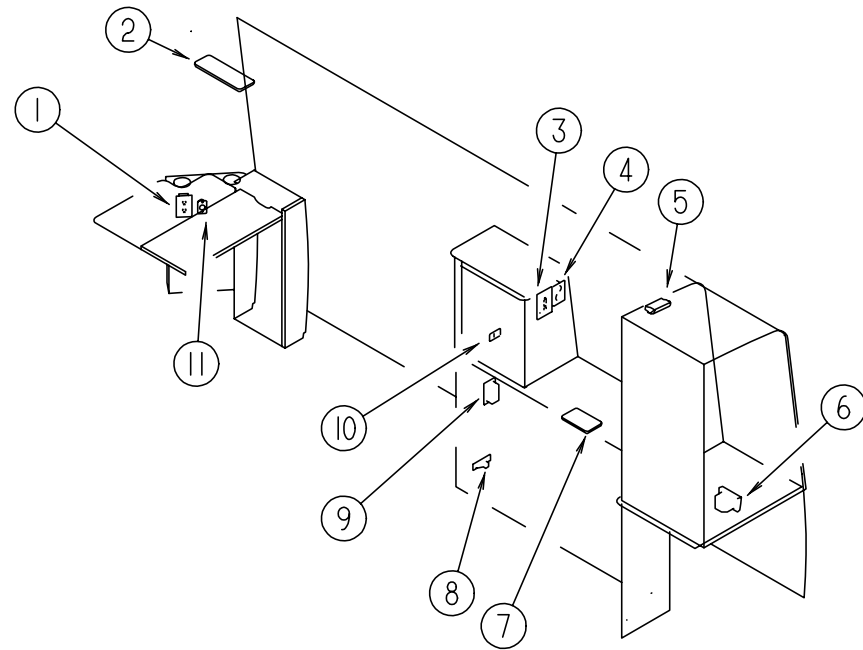
## ELECTRICAL GROUP (CONTINUED)



### LIGHTS, RECEPTACLES & SWITCHES - DRIVER SIDE - TWIN BEDS

KEY	PART NUMBER	U/M	DESCRIPTION
1	024924-02-000	EA	RECEPTACLE - POWER CORD - W/PARTIAL PLATE
	069238-01-000	EA	COVER - ELECTRICAL BOX - W/HOLE - 4" X 4" - GRAY
2	058708-05-000	EA	RECEPTACLE - ELECTRIC - SINGLE - BROWN
3	065202-37-000	EA	LAMP - WALL - BRASS SHORT - UL/CSA
	054250-02-000	EA	COVER - ANGLED - W/O HOLE - 3.6" X 4.5" - BEIGE PLASTIC
4	098024-03-02A	EA	LIGHT - DOME - 2 BULB - WHITE
	098024-01-700	EA	LENS - DOME LIGHT
5	108357-14-000	EA	SWITCH - ROCKER SPDT W/LIGHT - ON/NONE/OFF - 4 TERMINAL
6	098024-01-02A	EA	LIGHT - DOME - 1 BULB - GRAY
7	058707-01-000	EA	RECEPTACLE - ELECTRIC - SINGLE - BROWN
8	098024-05-02A	EA	LIGHT - DOME - 1 BULB - SKYLITE - WHITE
	098024-01-701	EA	LENS - OPTI CLEAR - SKYLITE
	008218-01-000	EA	BULB - DOME LIGHT - 12 VOLT - NO. 1141
9	058708-02-000	EA	RECEPTACLE - ELECTRIC - DOUBLE - IVORY
	091927-01-000	EA	COVER - RECEPTACLE - DOUBLE - IVORY
	108357-08-000	EA	SWITCH - ROCKER DPDT - ON/NONE/ON - 6 TERMINAL

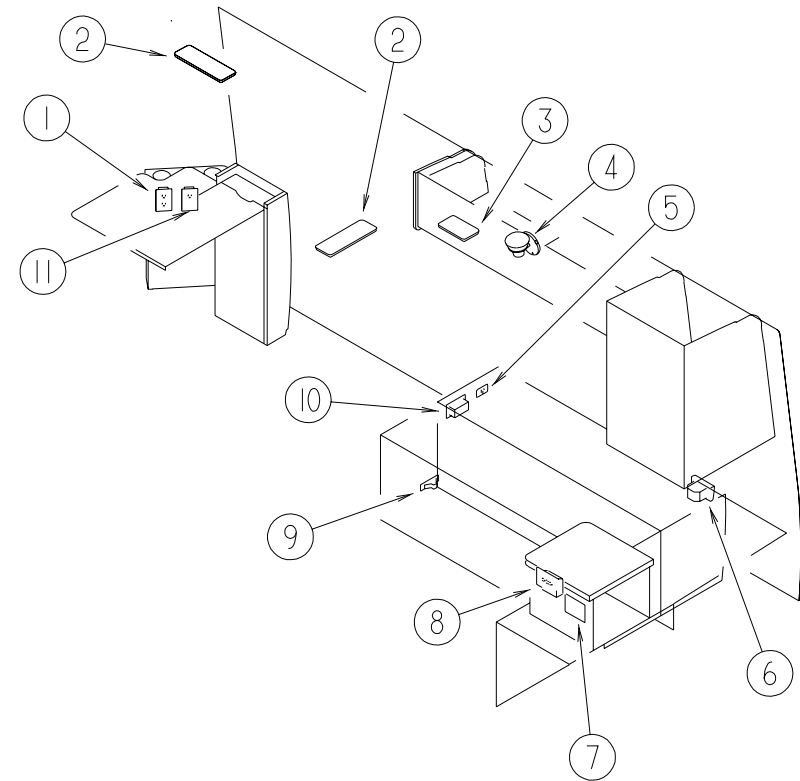
**ELECTRICAL GROUP (CONTINUED)**



**LIGHTS, RECEPTACLES & SWITCHES - PASSENGER SIDE - DOUBLE BED**

KEY	PART NUMBER	U/M	DESCRIPTION
1	058708-01-000	EA	RECEPTACLE - ELECTRIC - DOUBLE - BROWN
2	098024-03-02A	EA	LIGHT - DOME - 2 BULB - WHITE
3	084076-02-000	EA	RECEPTACLE - GFI - 15 AMP - 125 VOLT - BROWN
4	086777-02-000	EA	WALLPLATE - TV CABLE - W/ANTENNA SWITCH
5	087694-01-000	EA	LIGHT - WARDROBE/CLOSET - W/SWITCH
6	112822-01-01A	EA	RECEPTACLE - DUPLEX - IVORY
6	112824-01-01A	EA	COVER - RECEPTACLE - EXTERIOR DUPLEX
7	098024-05-000	EA	LIGHT - DOME - 1 BULB - SKYLITE - WHITE
7	098024-05-02A	EA	LIGHT - DOME - 1 BULB - SKYLITE - WHITE
7	008218-01-000	EA	BULB - DOME LIGHT - 12V - #1141
8	061424-01-000	EA	LIGHT - AISLE - 12 VOLT - RECTANGULAR
8	008103-01-000	EA	BULB - DASH/AISLE LIGHT - #53 - 12 VOLT - .12 AMP
9	084420-01-000	EA	SWITCH - TOGGLE - 15 AMP - 120 VOLT - BROWN
9	083588-01-000	EA	LABEL - ON/OFF - WATER HEATER
10	079364-01-000	EA	SWITCH - ON/OFF ROCKER - 2 TERMINAL - BROWN
10	098351-01-01A	EA	PLATE - SWITCH - 1 GANG POLISHED BRASS
11	111414-01-000	EA	RECEPTACLE - 12V - W/O BIMETAL
	111386-01-04B	EA	PLATE - RECEPTACLE - 12 VOLT - BLACK

**ELECTRICAL GROUP (CONTINUED)**



**LIGHTS, RECEPTACLES & SWITCHES - PASSENGER SIDE - TWIN BEDS**

KEY	PART NUMBER	U/M	DESCRIPTION
1	058708-01-000	EA	RECEPTACLE - ELECTRIC - DOUBLE - BROWN
2	098024-03-02A	EA	LIGHT - DOME - 2 BULB - WHITE
3	098024-05-02A	EA	LIGHT - DOME - 1 BULB - SKYLITE - WHITE
3	098024-01-701	EA	LENS - OPTI CLEAR - SKYLITE
3	008218-01-000	EA	BULB - DOME LIGHT - 12V - #1141
4	065202-37-000	EA	LAMP - WALL - BRASS SHORT - UL/CSA
4	117805-01-000	EA	BULB - 12 VOLT - NUMBER 921F - 1/4 AMPS
5	079364-01-000	EA	SWITCH - ON/OFF ROCKER - 2 TERMINAL - BROWN
5	098351-01-01A	EA	PLATE - SWITCH - 1 GANG POLISHED BRASS
6	112822-01-01A	EA	RECEPTACLE - DUPLEX - IVORY
6	112824-01-03A	EA	COVER - RECEPTACLE - EXTERIOR DUPLEX
7	086777-02-000	EA	WALLPLATE - TV CABLE - W/ANTENNA SWITCH
8	084076-02-000	EA	RECEPTACLE - GFI - 15 AMP - 125 VOLT - BROWN
9	061424-01-000	EA	LIGHT - AISLE - 12 VOLT - RECTANGULAR
9	008103-01-000	EA	BULB - DASH/AISLE LIGHT - #53 - 12 VOLT - .12 AMP
10	084420-01-000	EA	SWITCH - TOGGLE - 15 AMP - 120 VOLT - BROWN
10	083588-01-000	EA	LABEL - ON/OFF - WATER HEATER
11	111414-01-000	EA	RECEPTACLE - 12V - W/O BIMETAL
11	111386-01-04B	EA	PLATE - RECEPTACLE - 12 VOLT - BLACK

**ELECTRICAL GROUP (CONTINUED)****ELECTRICAL CONNECTORS**

KEY	PART NUMBER	U/M	DESCRIPTION
	080015-02-000	EA	RECEPTACLE - FLAG - .185 - 16/14 GAUGE
	008313-01-000	EA	CONNECTOR - WIRE NUT - INSULATED - YELLOW
	008314-01-000	EA	CONNECTOR - WIRE NUT - INSULATED - GRAY
	008355-01-000	EA	CONNECTOR - CABLE CLAMPING - 3/4"
	008356-01-000	EA	CONNECTOR - PLASTIC - 3/8" AVG
	112721-01-000	EA	CONNECTOR - 3 PIN W/12" LEADS COLE-HERSEE 11173-0
	058028-01-000	EA	CONNECTOR - ELECTRICAL PIGTAIL - NYLON - CLEAR
	007942-01-000	EA	TAB - WIRE - 18 TO 14 AWG
	008326-01-000	EA	TERMINAL - RING - 16/14 WIRE - 3/8" STUD
	008328-01-000	EA	TERMINAL - RING - 12/10 WIRE - #10 STUD FIT
	008331-01-000	EA	TERMINAL - RING,TONGUE - #4 WIRE - 3/8" STUD - COPPER
	008348-01-000	EA	TERMINAL - RING - 3/8" STUD - #2 WIRE CONNECTS CABLE TO DISCONNECT RELAY AND BATTERY
	035416-04-000	EA	TERMINAL - RING #10 STUD FIT - INSULATED BARREL #16/14
	047443-01-000	EA	TERMINAL - .250 RECEPTACLE FIT - INSULATED - 16/14 AWG
	047443-02-000	EA	TERMINAL - .250 RECEPTACLE FIT - INSULATED - 12/10 AWG
	088267-01-000	EA	TERMINAL - FEMALE - 1/4
	102777-02-000	EA	TERMINAL - RING - #6 STUD - 10 AWG
	106655-01-000	EA	TERMINAL - FUSE BLOCK - 14-16AWG - PACKARD 12020321
	106655-02-000	EA	TERMINAL - FUSE BLOCK - 10-12AWG - PACKARD 12020400
	098262-01-000	EA	SEAL - CONNECTOR - WEATHER PACK - PACKARD 12010293
	088473-01-000	EA	HOUSING - PIN - 12 CAVITY - AMP 1-480708-0
	088473-03-000	EA	HOUSING - PIN - 9 CAVITY - AMP 1-480706-0
	088473-06-000	EA	HOUSING - PIN - 6 CAVITY - AMP 1-480704-0
	088473-08-000	EA	HOUSING - PIN - 4 CAVITY - AMP 1-480702-0
	088473-09-000	EA	HOUSING - PIN - 3 CAVITY - AMP 1-480700-0
	088473-10-000	EA	HOUSING - PIN - 2 CAVITY - AMP 1-480698-0
	088474-01-000	EA	HOUSING - SOCKET - 12 CAVITY - AMP 1-480709-0
	088474-02-000	EA	HOUSING - SOCKET - 12 CAVITY - AMP 1-480711-0
	088474-03-000	EA	HOUSING - SOCKET - 9 CAVITY - AMP 1-480707-0
	088474-06-000	EA	HOUSING - SOCKET - 6 CAVITY - AMP 1-480705-0
	088474-08-000	EA	HOUSING - SOCKET - 4 CAVITY - AMP 1-480703-0
	088474-09-000	EA	HOUSING - SOCKET - 3 CAVITY - AMP 1-480701-0
	088474-10-000	EA	HOUSING - SOCKET - 2 CAVITY - AMP 1-480699-0
	098264-01-000	EA	HOUSING - 2 PIN - WEATHER PACK M - PACKARD 12015792
	098264-02-000	EA	HOUSING - 2 PIN - WEATHER PACK F - PACKARD-12010973
	110178-01-000	EA	HOUSING - WIPER MOTOR - UT6237440-EC25WJ
	113468-01-000	EA	HOUSING - 2 POSITION - FEMALE USED ON WIPER/WASHER WIRE ASM
	119222-01-000	EA	HOUSING - 3 POSITION - FEMALE
	088475-01-000	EA	PIN - CONNECTOR - 14 TO 20 AWG
	088475-02-000	EA	PIN - CONNECTOR - 10 TO 12 AWG
	098265-02-000	EA	PIN - CONNECTOR - WEATHER PACK - PACKARD 12089305
	088476-01-000	EA	SOCKET - CONNECTOR - BRASS - PRE-TIN
	088476-02-000	EA	SOCKET - CONNECTOR - 12-10 GA - PHOS. BRZ - PRE-TIN
	098261-02-000	EA	SOCKET - CONNECTOR - WEATHERPACK - PACKARD 12124580

**SOLENOID, RELAYS, POWER CONVERTER, POWER CORDS & CABLE**

KEY	PART NUMBER	U/M	DESCRIPTION
	008188-01-000	EA	SOLENOID - 3 POST - BATTERY CHANGE OVER
	063912-02-000	EA	RELAY - CANISTER - SPDT
	114965-01-000	EA	RELAY 12 VOLT - 2 AMP - DELAY OFF 10 MIN
	123058-02-000	EA	CONVERTER - 45 AMP - ELECTRONIC - 4 1/8"H X 7"W X 12 3/8"L
	083208-05-000	EA	CONTROL CENTER - 45 AMP - 100V/12V
	008052-01-000	EA	CORD - POWER - 10/3 - 30 AMP - 25' - CANADIAN
	008054-02-000	EA	CORD - POWER - 10-3 - 30 AMP - 35'

**ELECTRICAL GROUP (CONTINUED)****BOXES, CONDUIT & COVERS**

KEY	PART NUMBER	U/M	DESCRIPTION
	008289-01-000	EA	BOX - ELECTRIC/STEEL - 1/2" & 3/4" KNOCKOUTS - 4" X 4"
	091910-01-000	EA	BOX - ELECTRIC - 3.8" X 3.5" X 1.8" - PLASTIC
	091910-02-000	EA	BOX - ELECTRIC - 2.2" X 3.5" X 1.7" - PLASTIC
	093257-02-000	EA	BOX - ELECTRIC - CIRCUIT BREAKER
	041953-01-000	FT	CONDUIT - CONVOLUTE SLIT - .5" ID
	041953-03-000	FT	CONDUIT - CONVOLUTE SLIT - 1" ID
	041953-06-000	FT	CONDUIT - CONVOLUTE SLIT - .375"
	041953-07-000	FT	CONDUIT - CONVOLUTE SLIT - .25" ID
	041953-08-000	FT	CONDUIT - CONVOLUTE SLIT - 1.50" ID
	041953-09-000	FT	CONDUIT - CONVOLUTE SLIT - .50" ID - NYLON - BLACK W/GRAY STRIPE
	008294-01-000	EA	COVER - ELECTRICAL BOX - BLANK/STEEL - 4" X 4" - GRAY
	069238-01-000	EA	COVER - ELECTRICAL BOX - W/HOLE - 4" X 4" - GRAY

**WIRE ASSEMBLIES**

KEY	PART NUMBER	U/M	DESCRIPTION
	093057-04-000	EA	WIRE ASM - POWER LOCK ENTRANCE
	096449-01-000	EA	WIRE ASSEMBLY - WATER TANK TO MONITOR PANEL
	097618-01-000	EA	WIRE ASSEMBLY - MONITOR PANEL- W/3 WIRES & ORANGE RESISTOR
	127516-02-000	EA	WIRE ASSEMBLY - RADIO AM/FM CD

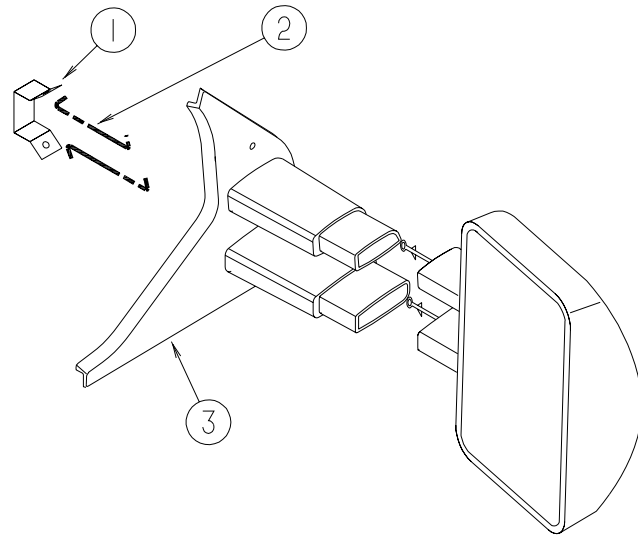
**CIRCUIT BREAKERS & FUSES**

KEY	PART NUMBER	U/M	DESCRIPTION
	062901-02-000	EA	FUSE - 5 AMPS, AUTOMOTIVE
	062901-05-000	EA	FUSE - 15 AMPS, AUTOMOTIVE
	062901-06-000	EA	FUSE - 20 AMPS, AUTOMOTIVE
	062901-07-000	EA	FUSE - 25 AMPS, AUTOMOTIVE
	106656-01-000	EA	FUSE BLOCK - 4 CAVITY AUTOFUSE - PACKARD 12004943
	108669-01-000	EA	HOUSING - AUTO FUSE HOLDER - PACKARD 12010105
	083209-02-000	EA	CIRCUIT BREAKER - 15/15 AMP - 120 V
	083209-03-000	EA	CIRCUIT BREAKER - 15/20 AMP - 120 V
	083209-05-000	EA	CIRCUIT BREAKER - 20 AMP - 120V
	083209-06-000	EA	CIRCUIT BREAKER - 30/15 AMP - 120
	083209-07-000	EA	CIRCUIT BREAKER - 20/20 AMP - 120 V
	092786-02-000	EA	BUSS BAR - 3.3"
	092786-03-000	EA	BUSS BAR - 6.9"
	093654-01-000	EA	CIRCUIT BREAKER - 6 AMP - 12 V
	093654-02-000	EA	CIRCUIT BREAKER - 15 AMP - 12 V
	093654-03-000	EA	CIRCUIT BREAKER - 20 AMP - 12 V
	097611-01-000	EA	CIRCUIT BREAKER - 10 AMP - 12 V
	108567-01-000	EA	CIRCUIT BREAKER - 40 AMP - 12 V

**ELECTRICAL MISCELLANEOUS**

KEY	PART NUMBER	U/M	DESCRIPTION
	007956-05-000	EA	INSULATOR - SHRINK - .25 ID X 1.50
	087225-01-000	FT	SLEEVING - 1/2" - TYPE H
	113494-01-000	EA	CONTACTOR - 25 AMP - 230V - 50 HZ

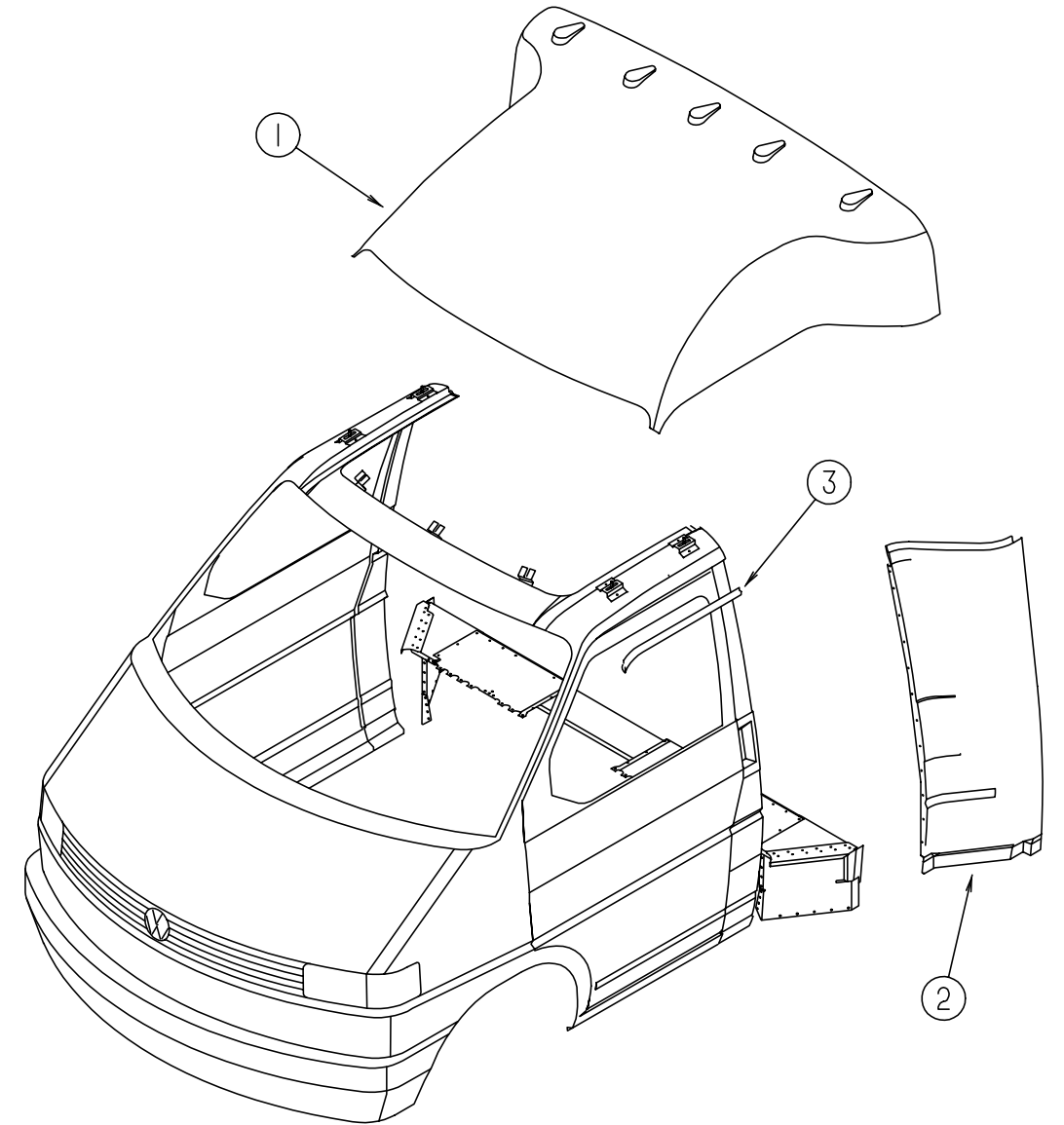
## EXTERIOR BODY GROUP



### MIRROR BRACKETS FOR VW EXTERIOR MIRRORS

KEY	PART NUMBER	U/M	DESCRIPTION
1	115334-01-02B	EA	HOOK - BRACKET - MIRROR
2	115752-02-01A	EA	MIRROR ROD - 3.3" LONG
3	114494-01-03A	EA	BRACKET - MIRROR - PASSENGER
	114494-02-01A	EA	BRACKET - MIRROR - DRIVER
	R77030-74-150	EA	PLUG - MIRROR - EXTERIOR
	074487-02-000	EA	PLUG - HOLE - .375 - .093 - .171 THICK

## EXTERIOR BODY GROUP (CONTINUED)

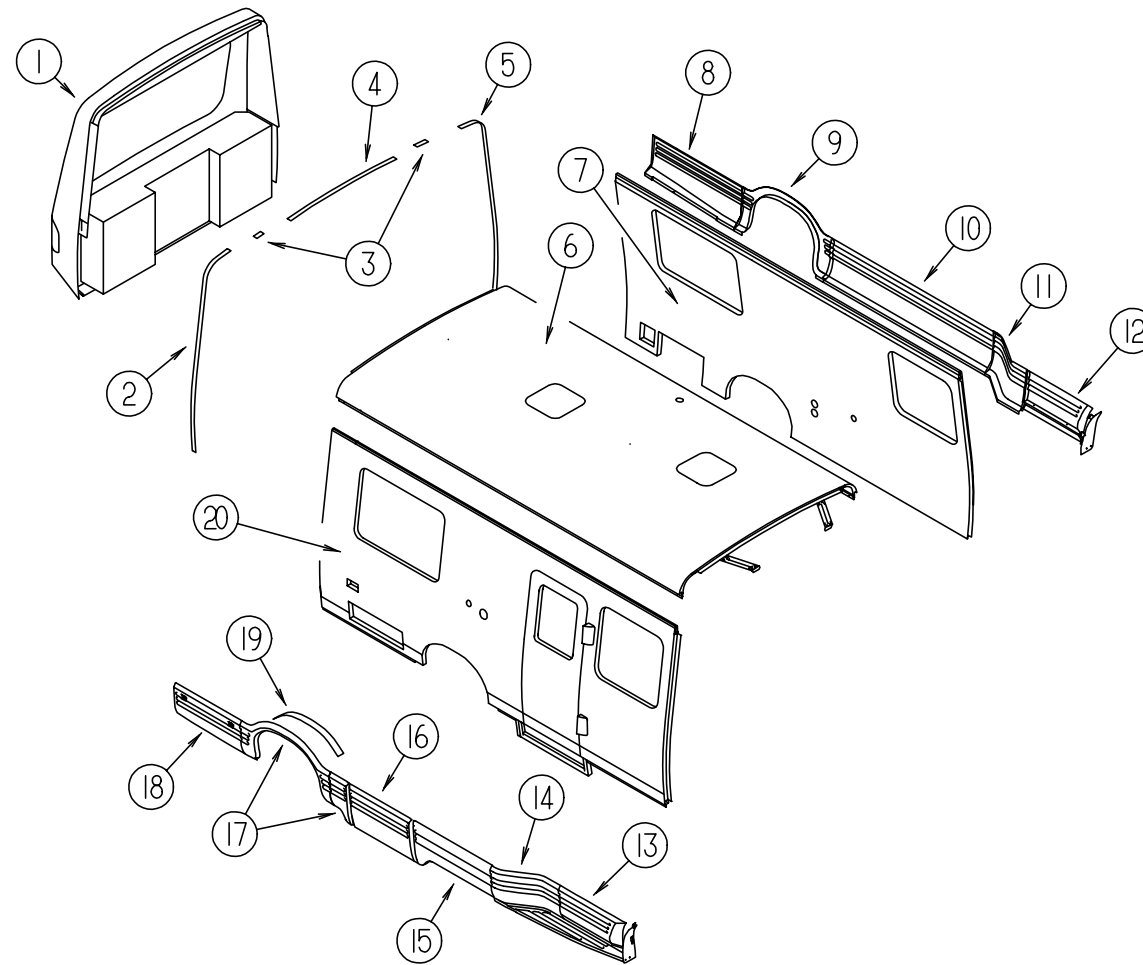


### FRONT CAP & TRANSITION PANELS

KEY	PART NUMBER	U/M	DESCRIPTION
1	111207-02-H70	EA	CAP - ROOF
1	111207-05-H70	EA	CAP - ROOF - CANADA
	070579-06-000	EA	PLATE - ANCHOR - W/7/16 WELD NUT - 1.5" X 3.3"
	070579-07-000	EA	PLATE - ANCHOR - W/O WELD NUT - 1.5" X 3.3"
	070579-10-000	EA	PLATE - ANCHOR - W/O WELD NUT - 1.5" X 8.9"
	070579-11-000	EA	PLATE - ANCHOR - W/7/16" WELD NUT - 1.5" X 8.9"
	070579-12-000	EA	PLATE - ANCHOR - W/1/5" WELD NUT - 2.5" X 3.3"
	070579-13-000	EA	PLATE - ANCHOR - W/O WELD NUT - 2.5" X 3.3"
	070579-14-000	EA	PLATE - ANCHOR - W/O WELD NUT - 2.5" X 3.9"
	070579-15-000	EA	PLATE - ANCHOR - W/7/16 WELD NUT - 2.5" X 3.9"
	112127-01-000	FT	MOLDING - REVEAL - FRONT CAP TO WINDSHIELD
2	111276-04-F45	EA	PANEL - TRANSITION - LEFT - STEEL/FIBERGLASS - VW WHITE
	111276-03-F45	EA	PANEL - TRANSITION - RIGHT - STEEL/FIBERGLASS - VW WHITE
3	115022-02-01A	EA	RAIL - DRIP - LEFT HAND
	115022-01-01A	EA	RAIL - DRIP - RIGHT HAND

## EXTERIOR BODY GROUP (CONTINUED)

### EXTERIOR BODY PANELS & TRIM



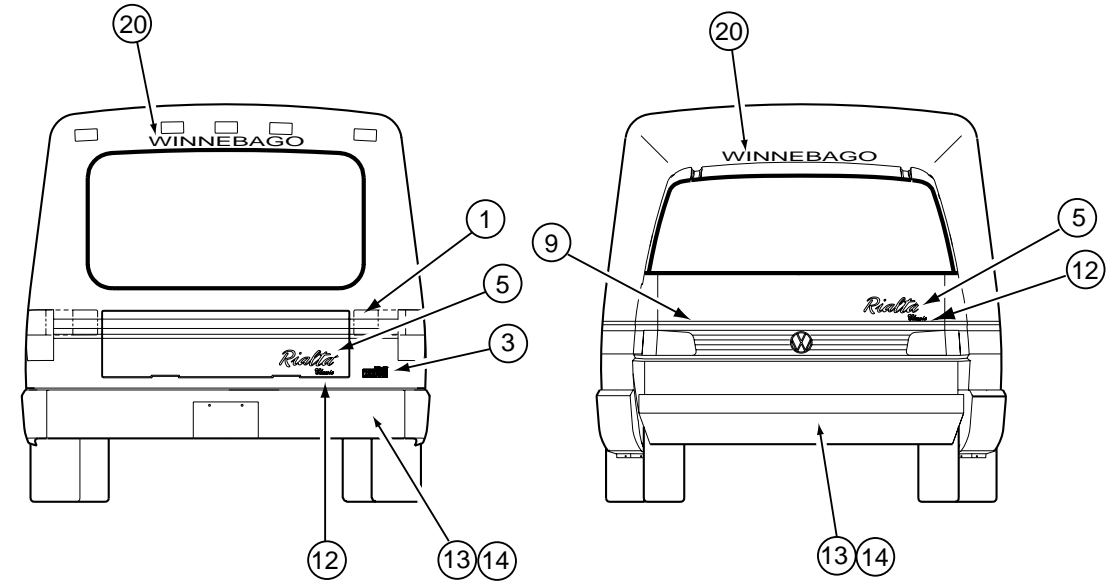
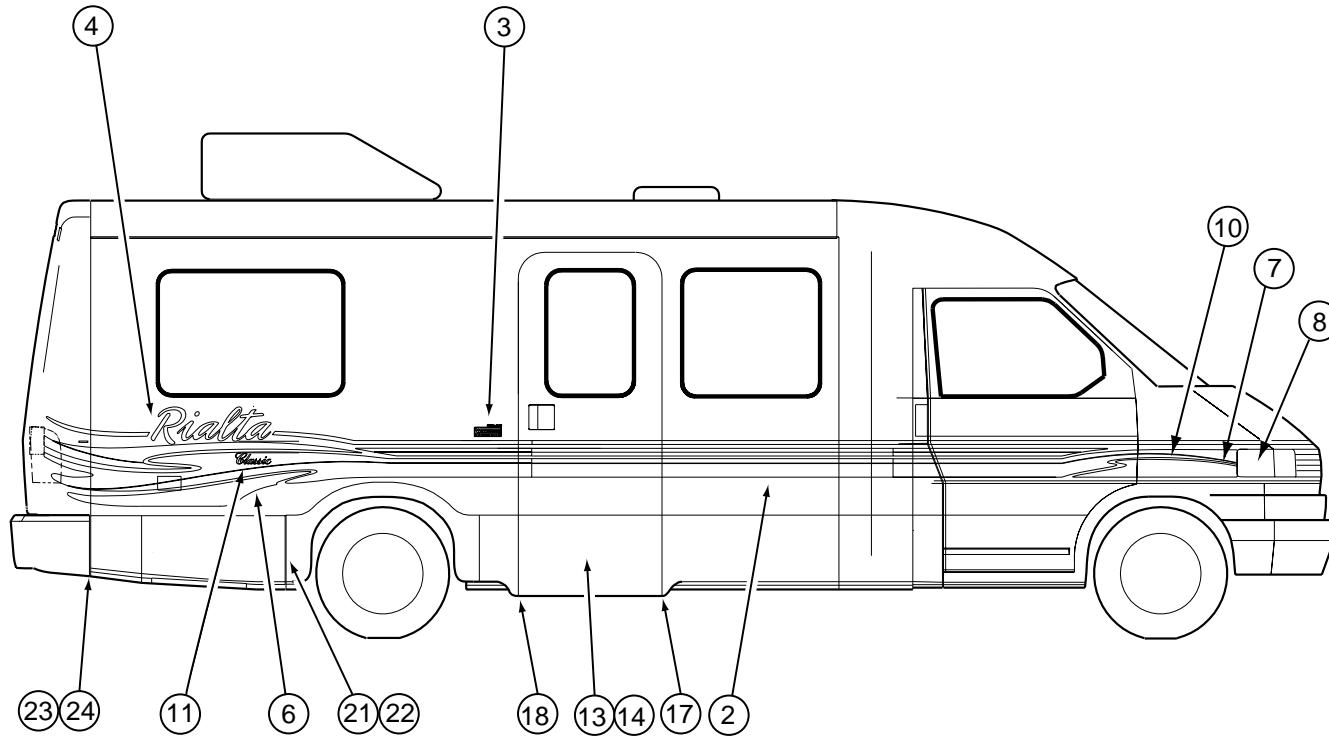
KEY	PART NUMBER	U/M	DESCRIPTION
1	P24434-91-H70	EA	CAP - REAR
1	P24434-93-H70	EA	CAP - REAR - CANADIAN
2	112544-01-01A	EA	TRIM - SIDEWALL TO REAR CAP - RIGHT HAND
3	086754-10-000	EA	CAP-TRIM
4	112548-01-01A	EA	TRIM - ROOF TO REAR CAP
5	112544-02-01A	EA	TRIM - SIDEWALL TO REAR CAP - LEFT HAND
6	P24810-01-H70	EA	ROOF - W/O LIGHTS/VENTS - W/WIRING
6	P24820-01-H70	EA	ROOF - W/O LIGHTS/VENTS - W/WIRING - TWIN BEDS
7	M08651-03-H70	EA	SIDEWALL - DRIVER - W/O WINDOWS/TRIMS
7	M08651-04-K73	EA	SIDEWALL - DRIVER - W/O WINDOWS/TRIMS - TWIN BED
8	112027-08-H70	EA	PANEL - VALANCE - REAR DRIVER - W/O LOCKS
8	112027-10-H70	EA	PANEL - VALANCE - REAR DRIVER - W/O LOCKS - W/O GENERATOR
9	112024-03-F45	EA	PANEL - WHEEL LIP VALANCE - DRIVER
10	112022-02-F45	EA	PANEL - VALANCE - FRONT/DRIVER
11	112020-03-F45	EA	PANEL - VALANCE - TRANSITION/DRIVER
12	112019-03-F45	EA	PANEL - VALANCE - CAB DOOR/LEFT HAND

KEY	PART NUMBER	U/M	DESCRIPTION
13	112019-04-F45	EA	PANEL - VALANCE - CAB DOOR/RIGHT HAND
14	112020-04-F45	EA	PANEL - VALANCE - TRANSITION/PASSENGER
15	112021-02-F45	EA	PANEL - VALANCE - FRONT/PASSENGER
16	112026-02-F45	EA	PANEL - VALANCE - ENTRY DOOR
17	M08029-01-F45	EA	PANEL - VALANCE WHEEL LIP/CENTER - PASSENGER
18	112027-07-H70	EA	PANEL - VALANCE - REAR PASSENGER - W/O LOCKS
19	113012-01-01A	EA	TRIM - WHEELWELL/REAR
20	M08651-01-H70	EA	SIDEWALL - PASSENGER - W/O WINDOWS/TRIMS
20	M08651-02-H70	EA	SIDEWALL - PASSENGER - W/O WINDOWS/TRIMS - TWIN BED
	073050-04-000	EA	MOUNTING CLIP - VALANCE PANEL
	081914-01-000	FT	BUMPER - RUBBER - ROUND - .43" DIAMETER
	113753-01-01A	EA	JAMB - TRIM - LP - VW WHITE
	113752-02-01A	EA	JAMB - TRIM



## EXTERIOR BODY GROUP (CONTINUED)

### DECALS, STRIPES & PAINT

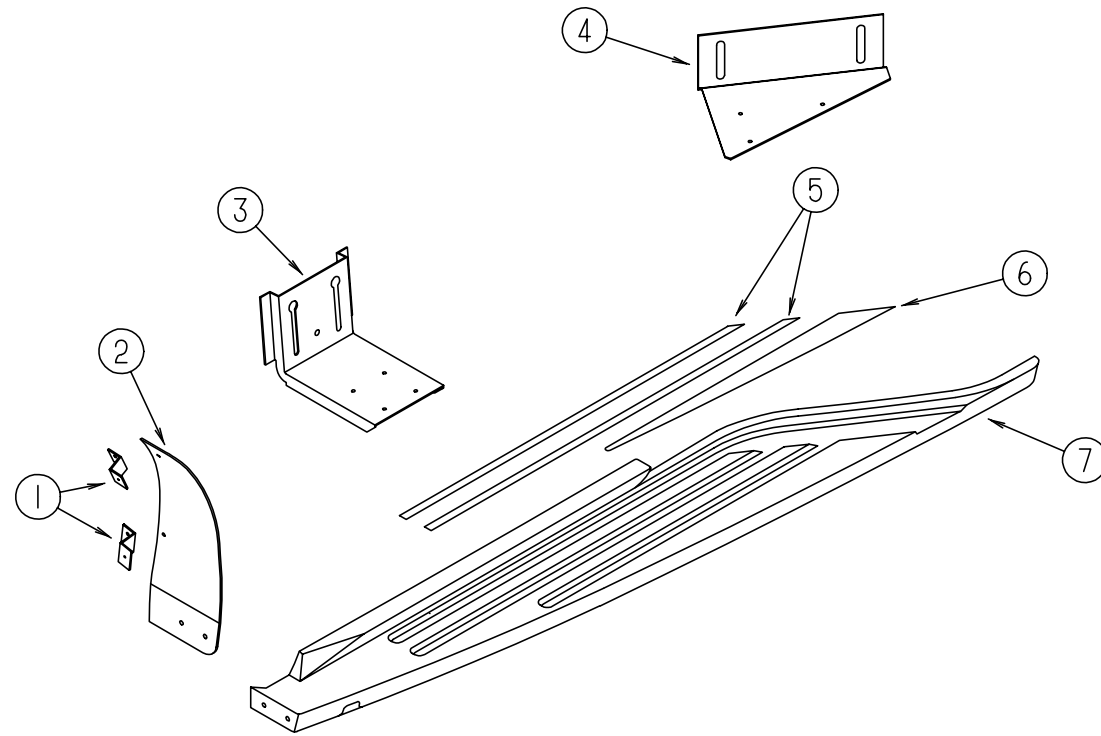


KEY	PART NUMBER	U/M	DESCRIPTION
1	105781-71-01A	FT	FILM - MULTISTRIPE - 4.1"
2	130780-01-01A	FT	FILM - OVERLAP - MULTISTRIPE
3	122770-02-17A	EA	DECAL - "BUILT PROUDLY BY WINNEBAGO INDUSTRIES"
4	122792-01-02A	EA	DECAL - LOGO - RIALTA/LARGE
5	122792-02-04A	EA	DECAL - LOGO - RIALTA/SMALL
6	130778-01-01A	EA	DECAL - WAVES - PASSENGER
6	130778-02-01A	EA	DECAL - WAVES - DRIVER
7	130779-01-01A	EA	DECAL - CAB - PASSENGER
	130779-02-01A	EA	DECAL - CAB - DRIVER
8	122797-01-02A	EA	DECAL - CORNER/FRONT/PASSENGER
	122797-02-02A	EA	DECAL - CORNER/FRONT/DRIVER
9	122798-01-02A	EA	DECAL - HOOD
10	093681-42-06A	FT	FILM - .75"
11	131024-01-01A	EA	DECAL - LOGO - LARGE CLASSIC
12	131024-02-01A	EA	DECAL - LOGO - SMALL CLASSIC
13	099399-59-000	GL	PAINT-SMOKE MET DUPONT F9417U
14	099399-58-000	GL	PAINT-PLUM HAZE MET DUPONT F6380U
17	131730-01-02A	EA	DECAL - VALANCE PANEL END/RIGHT HAND V-SMOKE MET
18	131730-02-02A	EA	DECAL - VALANCE PANEL END/LEFT HAND
20	120702-03-07A	EA	DECAL - LOGO - WINNEBAGO/SMALL
21	132324-01-02A	EA	DECAL - VALANCE/DOOR END - LARGE/RIGHT HAND
22	132324-02-02A	EA	DECAL - VALANCE/DOOR END - LARGE/LEFT HAND
23	132325-01-02A	EA	DECAL - VALANCE/DOOR END - SMALL/RIGHT HAND
24	132325-02-02A	EA	DECAL - VALANCE/DOOR END - SMALL/LEFT HAND
	041561-03-000	EA	PAINT - 16 OUNCE SPRAY - OFF WHITE

#### DUPONT COLOR CODES

VW WHITE	W9670
PLUM & HAZE MET.	F6380U
SMOKE MET.	F9417U

## EXTERIOR BODY GROUP (CONTINUED)



### RUNNING BOARDS

KEY	PART NUMBER	U/M DESCRIPTION
1	112507-01-02B	EA BRACKET - MUD FLAP - FRONT
2	112242-01-02A	EA SUPPORT - MUD FLAP - FRONT/DRIVER
	112242-02-01A	EA SUPPORT - MUD FLAP - FRONT/PASSENGER
	112242-02-02A	EA SUPPORT - MUD FLAP - FRONT/PASSENGER
3	112230-02-02B	EA BRACKET - RUNNING BOARD - DRIVER
	112230-04-02B	EA BRACKET - RUNNING BOARD - PASSENGER
4	112231-01-000	EA BRACKET - RUNNING BOARD - REAR - DRIVER
	112231-02-000	EA BRACKET - RUNNING BOARD - REAR - PASSENGER
5	038327-03-000	EA TAPE - ANTI SLIP - 1/2" X 60'
6	102570-04-000	EA MAT - ANTI SLIP - UPPER/LEFT HAND
	102570-03-000	EA MAT - ANTI SLIP - UPPER/RIGHT HAND
7	112233-03-F45	EA RUNNING BOARD - FIBERGLASS - DRIVER
	112233-04-F45	EA RUNNING BOARD - FIBERGLASS - PASSENGER
	115003-01-01A	EA MOLDING - REVERSE COVE - VW WHITE

## EXTERIOR BODY GROUP (CONTINUED)

### ALUMINUM, STYROFOAM, & MISC.

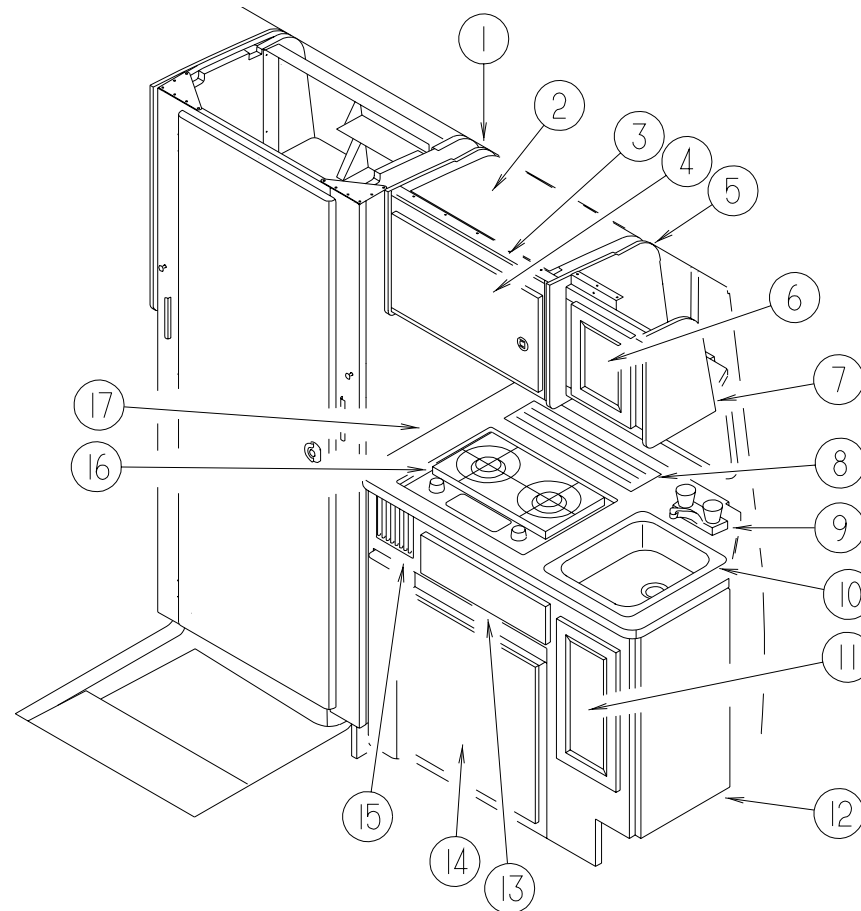
KEY	PART NUMBER	U/M DESCRIPTION
	000870-08-000	SF STYROFOAM - .75" X 48" X 96" PLANED EXPANDED BEAD BOARD
	100619-01-000	BF FOAM - EXPANDED POLYSTYRENE - 1.34" X 48" X 96"
	100619-04-000	BF FOAM - EXPANDED POLYSTYRENE - .5" X 48" X 96"
	100619-06-000	EA FOAM - EXPANDED POLYSTYRENE - .875" X 20.35" X 63.35"
	100619-07-000	EA FOAM - EXPANDED POLYSTYRENE - .630" X 48" X 96"
	100619-10-000	BF FOAM - EXPANDED POLYSTYRENE - 1.5" X 48" X 96"
	112695-02-700	LB ALUMINUM SKIN - VW WHITE - ROOF - 42.25" X 145.8"
	112696-02-700	LB ALUMINUM SKIN - VW WHITE - .032" X 58" X 145.8" W/CRIMP
	112686-02-701	LB ALUMINUM SKIN - VW WHITE -.032" X 58" X 145.8" - W/O CRIMP

### EXTERIOR SHOWER

KEY	PART NUMBER	U/M DESCRIPTION
	121473-01-01A	EA COMPARTMENT - SHOWER - EXTERIOR

# GALLEY GROUP

## GALLEY CABINETS & COMPONENTS



KEY	PART NUMBER	U/M	DESCRIPTION
1	119132-04-J80	EA	END CAP - OVERHEAD
2	M07494-23-J80	EA	CABINET - OVERHEAD MICROWAVE - W/O DOORS/HARDWARE
3	128642-01-000	EA	TRIM KIT W/VENT - MICROWAVE - .9 CU FT SAMSUNG
4	128527-01-000	EA	OVEN - MICROWAVE - .9 CU FT - NON CONVECTION
5	119132-06-J80	EA	END CAP - OVERHEAD
6	M05992-R7-J80	EA	DOOR - STRAIGHT CORNER/OGEE EDGE - 9.8" X 13" - W/O HDW
7	119213-01-J80	EA	CABINET - GALLEY/OVERHEAD - W/O DOORS/HARDWARE
8	086297-03-000	EA	GRILL - REFRIGERATOR VENT
9	113798-01-01A	EA	FAUCET - GALLEY - SINGLE CONTROL

KEY	PART NUMBER	U/M	DESCRIPTION
10	011029-03-000	EA	SINK - STAINLESS STEEL - SINGLE W/RAILS
	066437-02-000	EA	STRAINER - W/BASKET - SINK
	011069-03-000	EA	TAILPIECE - TUB/SHOWER - 1 1/2" X 1 3/4" - PLASTIC
	066436-01-000	EA	NUT - SLIP - TAILPIECE 1.5"
	069735-01-000	EA	WASHER - STRAINER TO TAILPIECE - PLASTIC - 1.5"
10	126545-01-H70	EA	COVER - SINK (K73, K74)
11	M05992-R9-J80	EA	DOOR - STRAIGHT CORNER/OGEE EDGE - 10" X 19.1" - W/O HDW
12	126544-01-J80	EA	CABINET - GALLEY - W/COUNTERTOP - W/O DOORS/DRAWERS/HDW
13	M05970-X0-J80	EA	DRAWER - RADIUS EDGE - 13.1"W X 17.7"D - W/O SLIDES/HDW
14*	113737-01-03A	EA	REFRIGERATOR - SMALL SINGLE DOOR - 3 WAY
15	109918-02-03A	EA	VENT - RETURN AIR
16*	113947-02-02A	EA	RANGE - 2 BURNER W/COVER
17	126544-13-H70	EA	COUNTERTOP - GALLEY (K73, K74)

## GENERATOR GROUP

### 3,000 WATT GENERAC GENERATOR

KEY	PART NUMBER	U/M	DESCRIPTION
	113458-01-000	EA	GENERATOR - 3.0 KW GENERAC W/HOUR METER
	100258-10-01A	EA	GAUGE - HOUR METER W/SWITCH - SCREW ON STYLE
	100258-10-701	EA	GAUGE - HOUR METER - CLIP ON STYLE
	007067-01-000	SF	INSULATION - FIBERGLASS - 1" THICK X 4' - INCREMENTS/4 SF
	007125-03-000	EA	CLAMP - MUFFLER - 1.5" DIAMETER
	007125-04-000	EA	CLAMP - MUFFLER - 1.12" DIAMETER
	007131-01-000	EA	HANGER - TAILPIPE - 6 SLOTS
	113841-02-000	EA	PIPE - EXHAUST - GENERATOR
	115112-01-02B	EA	BRACKET - MOUNT - GENERATOR - RIGHT
	115112-02-02B	EA	BRACKET - MOUNT - GENERATOR - LEFT
	113378-04-000	EA	FUEL LINE - GENERATOR - MIDDLE
	114276-01-000	EA	FUEL LINE - GENERATOR - IN TANK

NOTE: ADDITIONAL GENERATOR COMPONENTS ARE FOUND IN THE CHASSIS GROUP

## HEATING & AIR CONDITIONING GROUP

### SUBURBAN FURNACE CABINET ASM & COMPONENTS - MODEL NT-20SG

KEY	PART NUMBER	U/M	DESCRIPTION
*	101990-05-000	EA	FURNACE - 17,000 BTU - DUCTED
	115764-01-01A	EA	THERMOSTAT - FURNACE

#### \*COMPONENT PARTS FOUND IN SERVICE PARTS LIBRARY

#### 7,100 BTU ROOF A/C

KEY	PART NUMBER	U/M	DESCRIPTION
*	093306-01-02A	EA	A/C - ROOF - 7,100 BTU - ROTARY

#### \*COMPONENT PARTS FOUND IN SERVICE PARTS LIBRARY

#### EVANS REAR HEATER

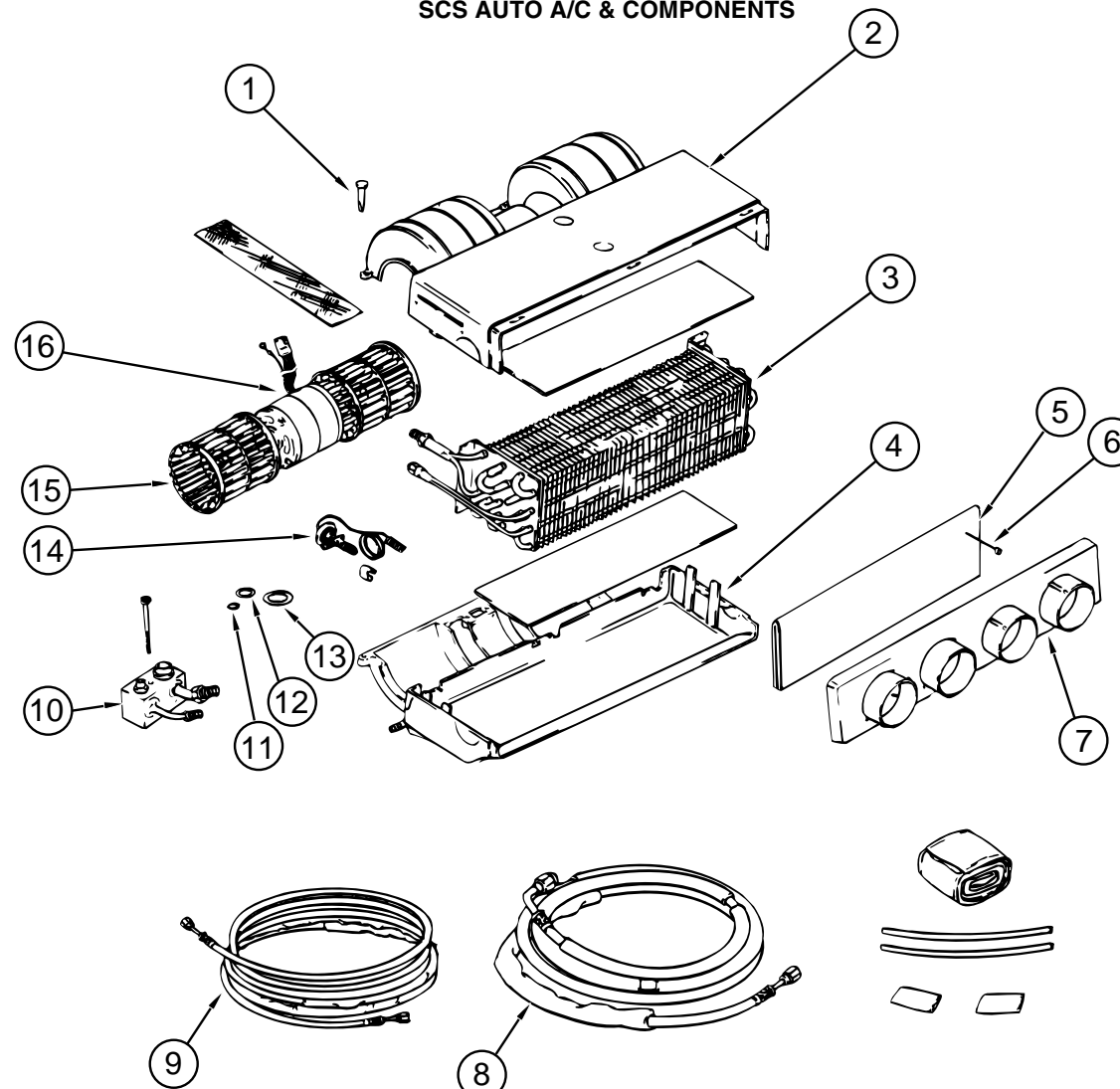
KEY	PART NUMBER	U/M	DESCRIPTION	VENDOR NO.
	084405-01-000	EA	HEATER - REAR/DUCTED - W/MOTOR AID	
	084405-01-700	EA	CORE - HEATER	FT200229
	084405-01-701	EA	FAN BLADES	HV029931
	084405-01-702	EA	MOTOR ASSEMBLY - 12 VOLT	RV010348
	069636-02-000	EA	CONNECTOR - DUCT - 4" ID	
	009198-01-000	EA	DUCT - HEAT - FLEXIBLE - 4" ID X 25'	

#### MOTOR AID COMPONENTS

KEY	PART NUMBER	U/M	DESCRIPTION
	083081-01-000	EA	HOSE - FORMED - 90 DEGREES - 5/8" ID
	007108-01-000	FT	HOSE - HEATER - 5/8" ID - HI-TEMP
	007108-02-000	FT	HOSE - HEATER - 3/4" ID - HI-TEMP
	058893-01-000	EA	BRACKET - L-ANGLE - .75" X .75" X 2.25 - ALUMINUM
	084190-01-000	EA	GUARD- MOTOR AID - 5.9" X 5.7" X 5.3" - ANGLED GALV STEEL

## HEATING & AIR CONDITIONING GROUP (CONTINUED)

### SCS AUTO A/C & COMPONENTS

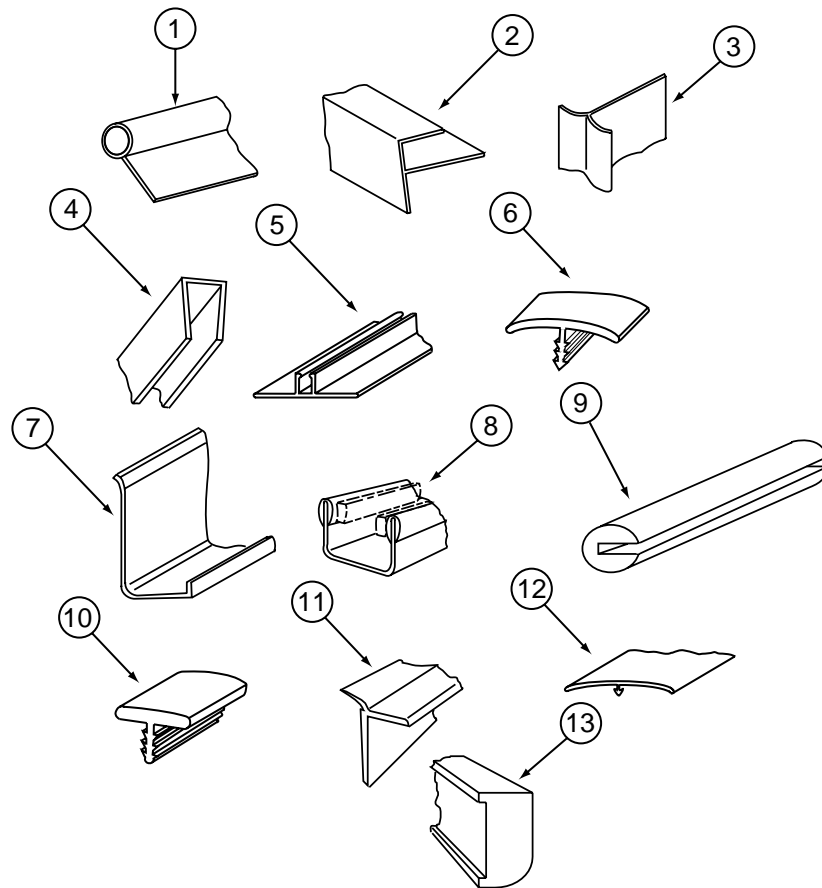


KEY	PART NUMBER	U/M	DESCRIPTION	VENDOR NO.
	113245-01-000	EA	EVAPORATOR/AC - OVERHEAD - R134A - SCS - 090-00075	
1	113245-01-701	EA	PIN - PLASTIC	062-0027
	113245-01-702	EA	COVER - SLOT	062-0141
2	113245-01-717	EA	CASE - TOP ONLY	062-0139
3	113245-01-705	EA	COIL - EVAPORATOR	041-0034
4	113245-01-716	EA	CASE - BOTTOM ONLY	062-0140
5	113245-01-713	EA	SCREEN - CONDENSATION	045-0173
6	113245-01-714	EA	PIN - SCREEN RETAINER	062-0164
7	113245-01-703	EA	BEZEL - W/4 OUTLETS	062-0142
8	113245-01-709	EA	HOSE ASSEMBLY - #10	085-0116
9	113245-01-708	EA	HOSE ASSEMBLY - #6 - EVAP-DRIER	085-0115
10	113245-01-712	EA	FITTING BLOCK	050-0129
11	113245-01-711	EA	O'RING - #6	045-0129
12	103930-17-702	EA	O'RING - #10	045-0127

KEY	PART NUMBER	U/M	DESCRIPTION	VENDOR NO.
13	113245-01-710	EA	GASKET - #12	045-0128
14	113245-01-706	EA	VALVE - EXPANSION - 134 A I 5 TON	034-0026
15	113245-01-700	EA	WHEEL - BLOWER W/CLIP	062-0028
16	113245-01-704	EA	MOTOR - BLOWER, 12V3SP, DBL	030-0028
	113245-01-707	EA	O'RING - #8	045-0126
	007108-01-000	EA	HOSE - HEATER - 5/8" ID - HI-TEMP - FORD	
	007281-01-000	EA	HOSE - FLEXIBLE - PVC - 2.5"ID X 50' - ATCOFLEX A-182-355	
	049401-01-705	EA	VALVE - 3 PORT - 2WAY	HV032126
	049401-03-700	EA	HEATER CORE	FT200027
	049401-03-702	EA	RESISTOR	RV212103
	109918-01-05A	EA	VENT - RETURN AIR - 12.3" X 5.5" - BLACK	
	109918-03-01A	EA	VENT - RETURN AIR - 12.3" X 2.75"	
	113244-01-01A	EA	LOUVER - BALL - 3" - BLACK	
	113245-02-000	EA	BLOWER - OVERHEAD	

# INTERIOR FINISH GROUP

## MOLDINGS & TRIMS

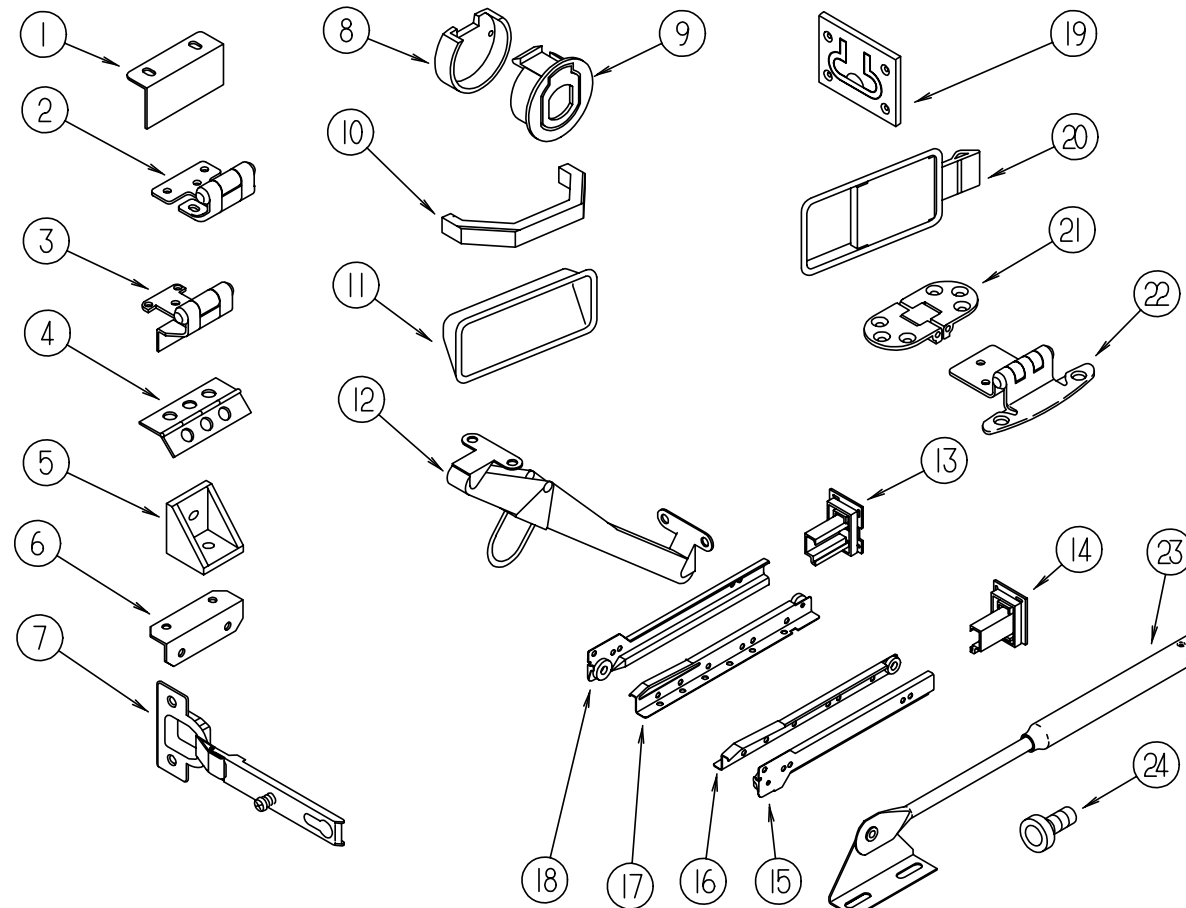


KEY	PART NUMBER	U/M DESCRIPTION
1	009767-12-000	FT WELTING - SIDEWALL/CEILING/CABINET - OFF/WHT
2	103186-01-08A	FT MOLDING - PLASTIC/3/8" U-CHANNEL W/3/4" FACE -WASHED MAPLE
2	009812-33-000	EA MOLDING - CORNER - 1/2" W/1/4" CHAN X 84" - WASHED MAPLE
2	009809-31-000	EA MOLDING - CORNER - OUTSIDE - 1" X 84" - WASHED MAPLE
3	022992-15-000	FT MOLDING - REVERSE COVE - VW GRAY
4	070504-50-000	FT U-CHANNEL - PLASTIC - .13" X 84" - WASHED MAPLE
4	070504-51-000	FT U-CHANNEL - PLASTIC - .9" X 84" - WASHED MAPLE
5	086229-11-000	EA RETAINER - OFFSET - 97.01"
	086229-16-000	EA RETAINER - 3/4" X 97.68" - IVORY
6	105709-01-000	FT MOLDING-T - 1" - MODERN IVORY
7	099571-03-01A	EA TRIM - ROOF COVE - 146.2" - SMOKEY WHITE
8	002324-02-000	FT U-CHANNEL - WEATHERSTRIP W/FUZZ - F/1/8" GLASS

KEY	PART NUMBER	U/M DESCRIPTION
9	085746-01-000	FT TRIM-J - CARPET - 1.2" X .5" ANGLE - 10' LONG - BEIGE PVC
10	104676-02-02A	FT MOLDING-T - 1/2" - PICKLED ASH
10	104676-02-06A	FT MOLDING-T - 1/2" - WASHED MAPLE
11	115003-01-01A	FT MOLDING - REVERSE COVE - VW WHITE
12	086229-15-000	EA BATTEN - 1" X 96" - MODERN IVORY
12	086229-20-000	EA BATTEN - 1" X 96" - BEIGE
13	126204-D2-134	EA MOLDING - VINYL WRAPPED - WASHED MAPLE - .7" X 1.6" X 84"
13	126204-F2-134	EA MOLDING - VINYL WRAPPED - WASHED MAPLE - .7" X 2.5" X 84"
	042357-18-000	EA MOLDING - CORNER - RADIUS/PLASTIC - PICKLED ASH
	080176-08-000	EA CAP - CORNER - RADIUS MOLDING - PLASTIC - WASHED MAPLE
	081521-02-007	EA MOUNT - METAL MOLDING - F/RADIUS CORNER MOLDING - 12/5" EA

## INTERIOR FINISH GROUP (CONTINUED)

### CABINET DOOR & DRAWER HARDWARE



**CABINET DOOR SLIDES & BACKSOCKETS - FROM: 00-00-00 THRU: 02-22-98**

KEY	PART NUMBER	U/M	DESCRIPTION
1	113375-02-01A	EA	STRIKE - DOOR - CHROME
2	113676-01-01A	EA	HINGE - OVERLAY - VARIABLE
3	113677-01-01A	EA	HINGE - SELF CLOSING
4	009059-01-000	EA	HINGE - DOOR - 2" X 1.4" - BRASS
5	065740-01-000	EA	BRACE - CABINET/CORNER - PLASTIC
6	016604-01-000	EA	BRACE - CABINET - ANGLE - 2.5" - UNPAINTED METAL
6	016604-05-000	EA	BRACE - CABINET - ANGLE - 2.5" - OFF WHITE METAL
7	114443-01-01A	EA	HINGE - CABINET DOOR
8	113375-05-01A	EA	LATCH - SLAM - BACK - .8" THICK
9	113375-06-01A	EA	LATCH - SLAM - FACE - .7" THICK
10	117801-01-01A	EA	PULL - CABINET - BRASS
11	115994-01-01A	EA	HANDLE - POCKET
12	104181-01-01A	EA	SUPPORT - LEAF 5.3" EXTENDS TO 7.5" - SAFETY RING - METAL
19	072871-01-000	EA	PULL - FLUSH - CHROME
20	127349-01-01A	EA	LATCH - PADDLE
21	111535-01-000	EA	HINGE - TABLE/FOLDING
22	108138-01-000	EA	HINGE - CABINET DOOR - BURNISHED BRASS
23	074493-02-000	EA	SUPPORT - PISTON SPRING - CABINET DOOR
24	079921-01-000	EA	ROLLER - NYLON - W/STEEL SHAFT - BARBED
	023320-01-000	EA	PAD - FELT 3/8" DIAMETER
	016604-07-000	EA	BRACE - SEAT ANGLE - 2.50" - VW GRAY
	042438-01-000	EA	DOWEL - WOOD - CLOTHES ROD - 1" DIAMETER X 4'
	042438-02-000	EA	DOWEL - WOOD - 2" X 2"

KEY	PART NUMBER	U/M	DESCRIPTION
13	114045-01-000	EA	BACKSOCKET - ADJUSTABLE LEFT
14	114045-02-000	EA	BACKSOCKET - ADJUSTABLE RIGHT
15	114031-06-000	EA	SLIDE - 14" - RIGHT SIDE/CABINET
15	114031-22-000	EA	SLIDE - 22" - RIGHT SIDE/CABINET
16	114031-08-000	EA	SLIDE - 14" - RIGHT SIDE/DRAWER
16	114031-20-000	EA	SLIDE - 20" - RIGHT SIDE/DRAWER
16	114031-24-000	EA	SLIDE - 22" - RIGHT SIDE/DRAWER
17	114031-07-000	EA	SLIDE - 14" - LEFT SIDE/DRAWER
17	114031-19-000	EA	SLIDE - 20" - LEFT SIDE/DRAWER
17	114031-23-000	EA	SLIDE - 22" - LEFT SIDE/DRAWER
18	114031-05-000	EA	SLIDE - 14" - LEFT SIDE/CABINET
18	114031-21-000	EA	SLIDE - 22" - LEFT SIDE/CABINET

**CABINET DOOR SLIDES & BACKSOCKETS - FROM: 02-22-98 THRU: 99-99-99**

KEY	PART NUMBER	U/M	DESCRIPTION
13	128811-01-01A	EA	BACKSOCKET - ADJUSTABLE LEFT
14	128811-02-01A	EA	BACKSOCKET - ADJUSTABLE RIGHT
15	128810-06-01A	EA	SLIDE - 14" - RIGHT SIDE/CABINET
15	128810-22-01A	EA	SLIDE - 22" - RIGHT SIDE/CABINET
16	128810-08-01A	EA	SLIDE - 14" - RIGHT SIDE/DRAWER
16	128810-20-01A	EA	SLIDE - 20" - RIGHT SIDE/DRAWER
16	128810-24-01A	EA	SLIDE - 22" - RIGHT SIDE/DRAWER
17	128810-07-01A	EA	SLIDE - 14" - LEFT SIDE/DRAWER
17	128810-19-01A	EA	SLIDE - 20" - LEFT SIDE/DRAWER
17	128810-23-01A	EA	SLIDE - 22" - LEFT SIDE/DRAWER
18	128810-05-01A	EA	SLIDE - 14" - LEFT SIDE/CABINET
18	128810-21-01A	EA	SLIDE - 22" - LEFT SIDE/CABINET

## INTERIOR FINISH GROUP (CONTINUED)

### FIRE EXTINGUISHER, SMOKE DETECTOR & CO DETECTOR

KEY	PART NUMBER	U/M	DESCRIPTION
	094499-03-000	EA	EXTINGUISHER/FIRE - DRY - 10B:C - W/O BRACKET
	094499-04-000	EA	BRACKET - FIRE EXTINGUISHER
	072852-01-000	EA	DETECTOR - SMOKE - W/9 VOLT BATTERY
	072852-02-000	EA	DETECTOR - SMOKE - W/9 VOLT BATTERY - CANADIAN
	125136-01-000	EA	DETECTOR - CO GAS - MODEL 9L-I - COSTAR

### PANELING & LAMINATES

KEY	PART NUMBER	U/M	DESCRIPTION
	000846-01-000	SF	PLYWOOD - 5/16" X 48" X 96" - CD GRADE
	000846-02-000	SF	PLYWOOD - 5/16" X 48" X 96" - SOLID CORE
	000885-90-000	SF	PARTICLE BOARD-1/2" X 48" X 96" - WASHED MAPLE - 2-SIDED
	074497-39-000	SF	PANELING - WASHED MAPLE - 4' X 8'
	074498-65-000	SF	LAMINATE - PLASTIC - MEDIUM GRAY
	074498-82-000	FT	LAMINATE - PLASTIC - WASHED MAPLE - 5' X 8'
	076325-71-000	FT	MOLDING - EDGE BAND - 1 5/16" X .038" - GREY
	083618-07-000	SF	PLYWOOD - MAPLE - 1 SIDE 3/16"
	088272-F8-000	SF	PANELING - BOLERO - AQUA FROST - MAIN WALL
	088272-G1-000	SF	PANELING - PEBBLE EMBOSS - ANTIQUE WHITE - 4' X 7'
	089297-01-000	SF	PLYWOOD - LUAN - OVERLAY GRADE - 4' X 8'
	095688-01-000	SF	VENEER - .14" X 4' X 8' UNFINISHED
	111133-D2-438	EA	LUMBER - VINYL WRAPPED - .27" X 1.5" X 96" - PICKLED ASH
	126205-D2-438	EA	LUMBER - VINYL WRAPPED - WASHED MAPLE - .7" X 1.5" X 96"
	126205-E2-438	EA	LUMBER - VINYL WRAPPED - WASHED MAPLE - .7" X 2" X 96"
	126205-G2-438	EA	LUMBER - VINYL WRAPPED - WASHED MAPLE - .7" X 3" X 96"
	126205-J2-438	EA	LUMBER - VINYL WRAPPED - WASHED MAPLE - .7" X 5.5" X 96"
	126339-01-000	SF	BOARD - WHEAT - 60" X 72"

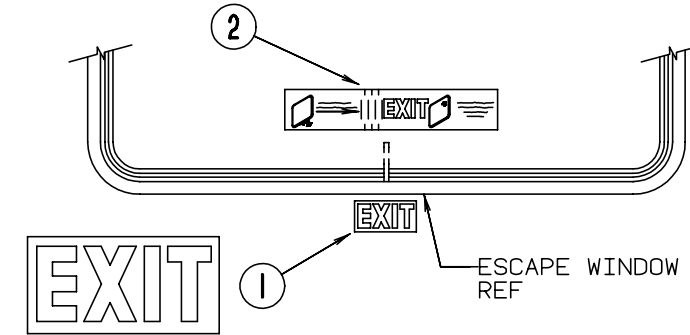
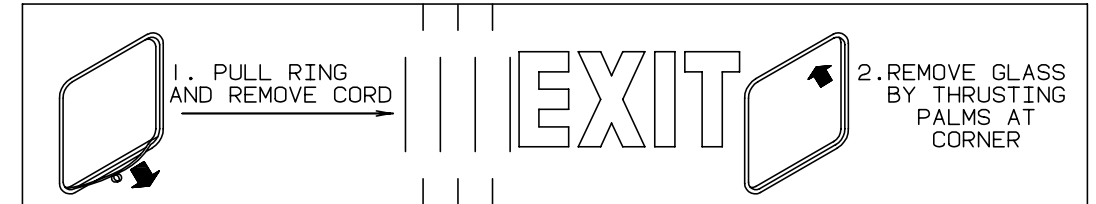
### BATT STRIPS

KEY	PART NUMBER	U/M	DESCRIPTION
	085284-D4-000	FT	BATT TAPE - ADHESIVE BACKED - DECORATIVE-BOLERO/AQUA FROST
	085284-D6-000	FT	BATT TAPE - ADHESIVE BACKED - DECORATIVE-EMBOSSED ANTIQUE
	085284-F5-000	FT	BATT TAPE - ADHESIVE BACKED - WASHED MAPLE
	069733-86-000	EA	BATT - STRIP - WOODGRAINED/WASHED MAPLE - 8'
	088263-E1-000	EA	BATT STRIP - DECORATIVE - BOLERO/AQUA FROST - 8' LONG
	088263-E3-000	EA	BATT STRIP - DECORATIVE - PEBBLE EMBOSSED/ANTIQUÉ - 8'
	088263-D4-000	EA	BATT STRIP - DECORATIVE - CARLS BAD - 8' LONG

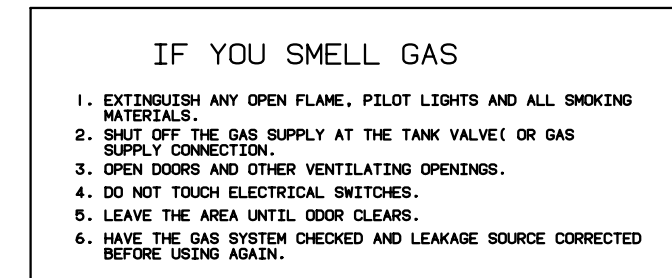
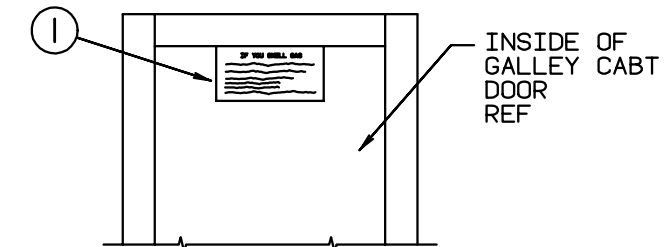
### CARPETING & FLOOR MATS

KEY	PART NUMBER	U/M	DESCRIPTION
	096060-D1-000	SY	CARPET - JUBILATION - SEAL GRAY
	105924-02-J80	EA	MAT - FLOOR - 18" X 25"
	091261-01-000	FT	SLIPNOT - ANTISLIP - 1' WIDE (100' ROLL)
	117477-01-J80	EA	CARPET - RIALTA CAB
	115381-01-01A	EA	MAT - FLOOR - DRIVER - BROWN/BLACK
	115381-02-01A	EA	MAT - FLOOR - PASSENGER - BROWN/BLACK

## LABELS GROUP




KEY	PART NUMBER	U/M	DESCRIPTION
1	039290-01-000	EA	LABEL - WARNING - EXIT
2	107571-01-000	EA	LABEL - ESCAPE/EXIT WINDOW




KEY	PART NUMBER	U/M	DESCRIPTION
1	073998-01-000	EA	LABEL - LPG ODOR WARNING



**LABELS GROUP (CONTINUED)**

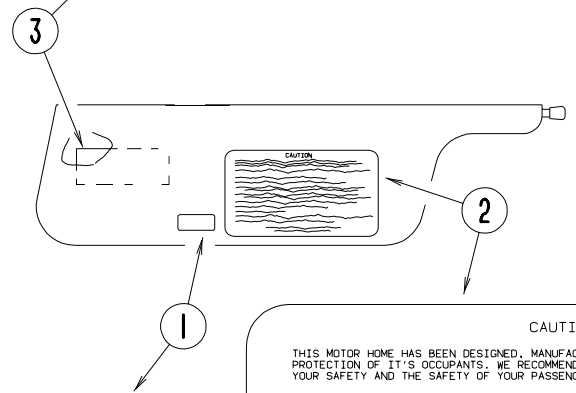


**WARNING**



**DEATH or SERIOUS INJURY can occur**

Children 12 and under can be killed by the air bag  
 The BACK SEAT is the SAFEST place for children  
 NEVER put a rear-facing child seat in the front  
 Sit as far back as possible from the air bag  
 ALWAYS use SEAT BELTS and CHILD RESTRAINTS



**WARNING**

THIS VEHICLE, LIKE OTHER VEHICLES, MAY CONTAIN SMALL AMOUNTS OF ONE OR MORE SUBSTANCES WHICH ARE LISTED BY THE STATE OF CALIFORNIA FOR CAUSING CANCER OR REPRODUCTIVE TOXICITY.

**CAUTION**

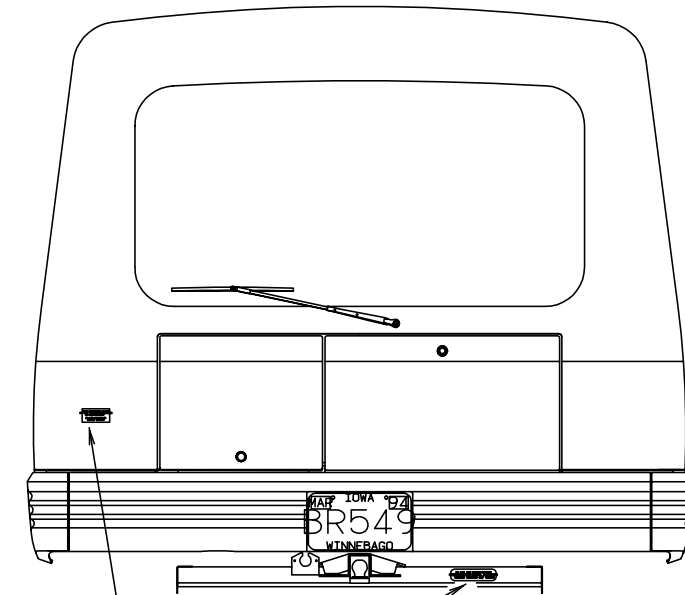
THIS MOTOR HOME HAS BEEN DESIGNED, MANUFACTURED AND TESTED WITH CONCERN FOR THE PROTECTION OF IT'S OCCUPANTS. WE RECOMMEND YOU PERFORM THE FOLLOWING INSPECTIONS FOR YOUR SAFETY AND THE SAFETY OF YOUR PASSENGERS BEFORE STARTING YOUR VEHICLE.

1. LP GAS SYSTEM- TURN OFF AT TANK FOR TRAVELING. TEST FOR LEAKS UPON ARRIVAL AT DESTINATION. BEFORE LIGHTING PILOTS.
2. WHEELS- INSPECT FOR DAMAGE AND CHECK LUG NUTS FOR TIGHTNESS.
3. TIRES- INSPECT FOR WEAR AND DAMAGE AND CHECK FOR RECOMMENDED AIR PRESSURE.
4. LIGHTING- TEST FOR PROPER OPERATION OF ALL INTERIOR AND EXTERIOR LIGHTS INCLUDING DASH LIGHTS, HEADLIGHTS, TAIL LIGHTS, BRAKE LIGHTS, CLEARANCE LIGHTS AND TURN SIGNALS.
5. EXITS- INSPECT RELEASE MECHANISM ON EMERGENCY EXIT WINDOW, TEST BOTH LOCKS ON MAIN ENTRANCE DOOR FOR EASE OF OPERATION AND INSTRUCT PASSENGERS HOW TO USE BOTH MEANS OF EXIT.
6. SEAT BELTS- DIRECT PASSENGERS TO DESIGNATED SEATS AND REQUIRE USE OF SEAT BELTS.
7. APPLIANCES- TURN OFF AND LATCH OR LOCK DOORS WHERE PROVIDED.
8. LOOSE PARCELS- STORE SECURELY.
9. UTILITY SUPPLY LINES- DISCONNECT ALL ELECTRIC, SEWER AND WATER LINES AND SECURE PROPERLY.
10. ENTRANCE DOOR STEP- PLACE IN RETRACTED POSITION FOR TRAVELING.

READ YOUR MOTOR HOME AND CHASSIS OWNER'S MANUAL FOR FURTHER PRECAUTIONS

KEY	PART NUMBER	U/M	DESCRIPTION
1	111802-01-000	EA	LABEL - CFC WARNING
2	056259-01-000	EA	LABEL - SAFETY CHECK LIST
3	126611-01-000	EA	LABEL - AIR BAG - VISOR

**LABELS GROUP (CONTINUED)**



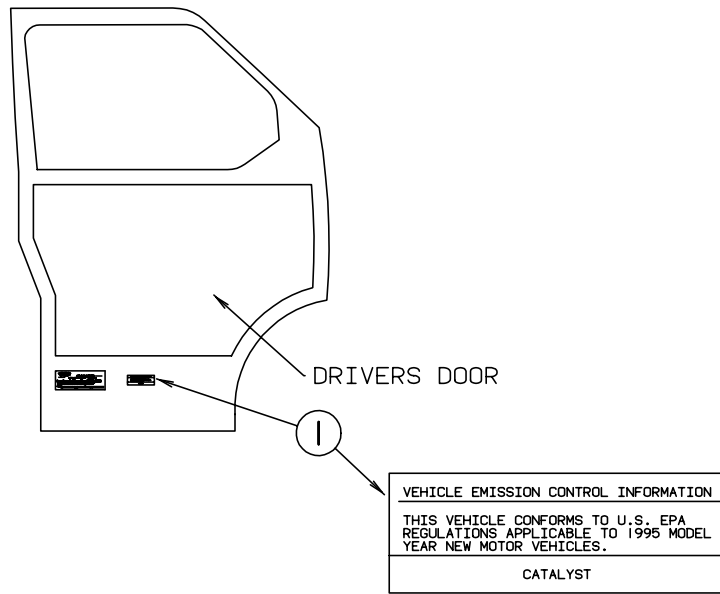
THIS CONNECTION IS FOR  
 (B) VOLT AC, 3-POLE, 4 WIRE  
 60 HZ (CYCLES), (A) AMPERE SUPPLY

DO NOT CONNECT TO  
 HIGHER VOLTAGE

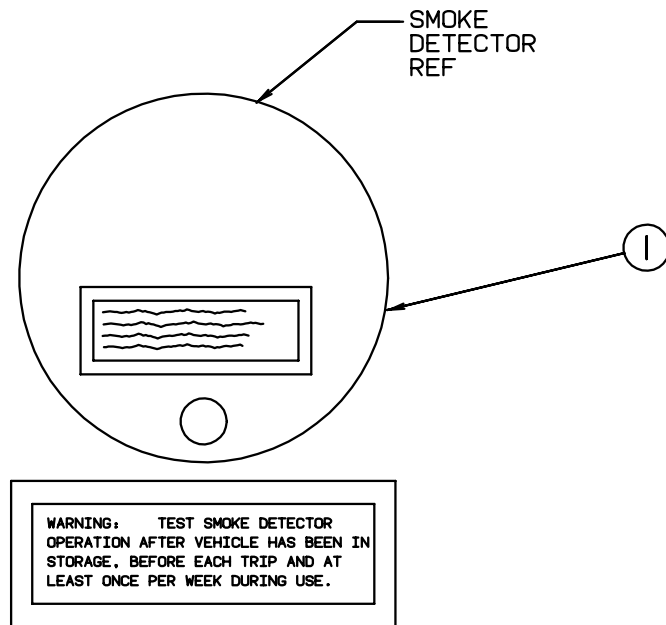
DO NOT USE HITCH BEFORE  
 READING OWNERS MANUAL REGARDING  
 VEHICLE LOADING AND TOWING

KEY	PART NUMBER	U/M	DESCRIPTION
1	125306-03-01A	EA	LABEL - ELECTRICAL ENTRANCE - 100 VOLT 30 AMP
2	111104-01-000	EA	LABEL - HITCH - READ MANUAL - WHITE

**LABELS GROUP (CONTINUED)**

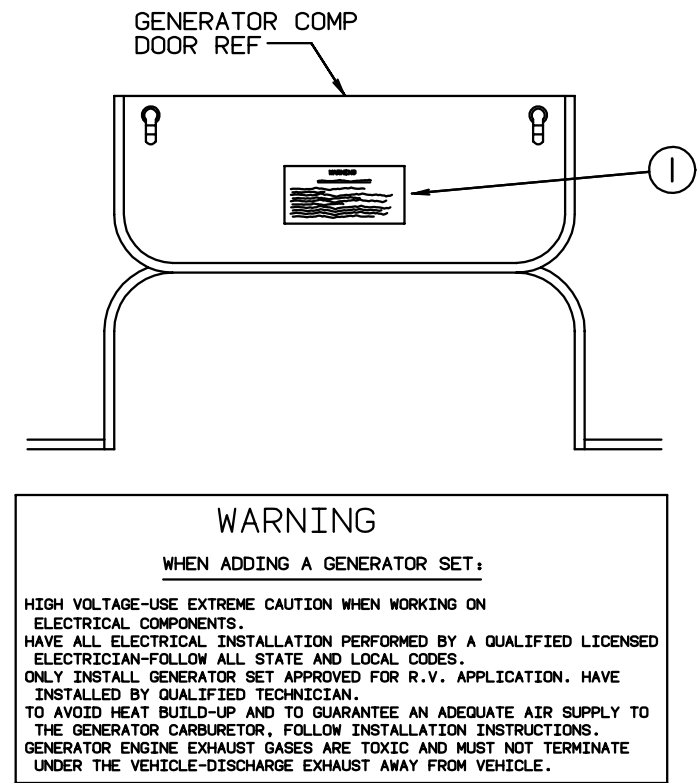


KEY	PART NUMBER	U/M DESCRIPTION
1	072887-09-000	EA LABEL - EPA - 1998 MODEL YEAR FROM: 00-00-00 THRU: 09-20-98
1	072887-10-000	EA LABEL - EPA - 1999 MODEL YEAR FROM: 09-21-98 THRU: 99-99-99

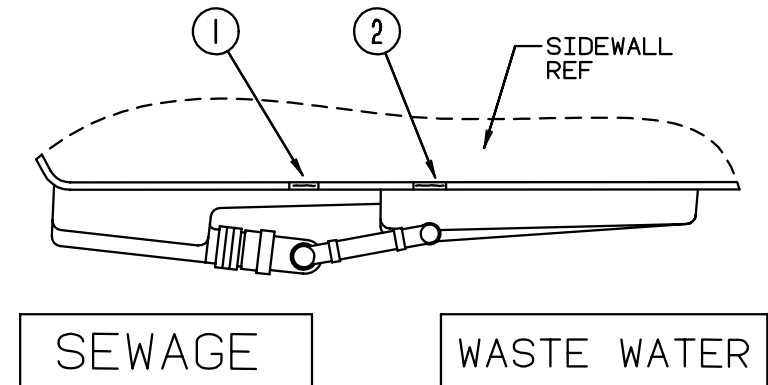


KEY	PART NUMBER	U/M DESCRIPTION
1	077956-01-000	EA LABEL - WARNING - SMOKE DETECTOR

**LABELS GROUP (CONTINUED)**

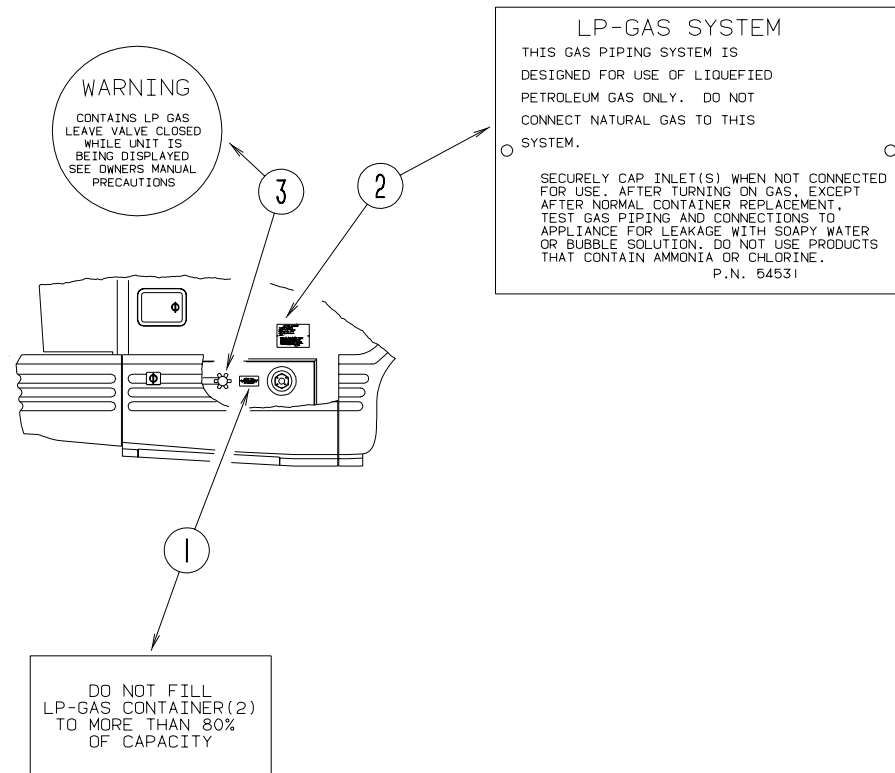


KEY	PART NUMBER	U/M DESCRIPTION
1	077510-01-000	EA LABEL - GENERATOR PREP

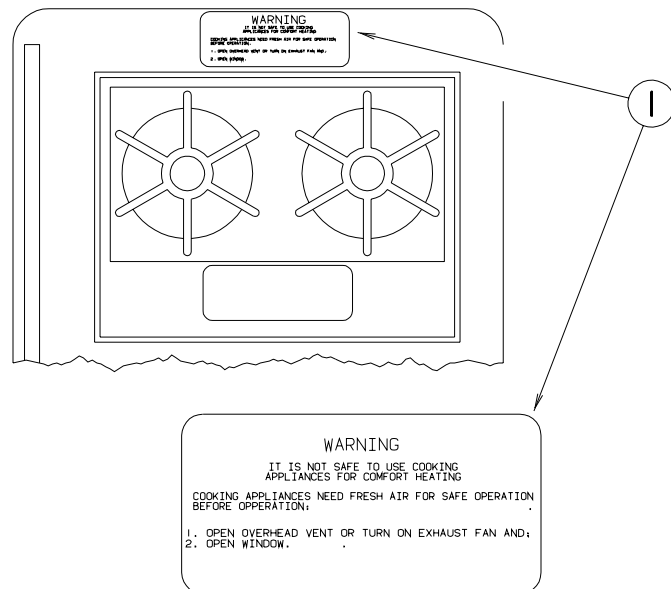


KEY	PART NUMBER	U/M DESCRIPTION
1	006187-01-000	EA LABEL - SEWAGE
2	006188-01-000	EA LABEL - WASTE WATER

## LABELS GROUP (CONTINUED)

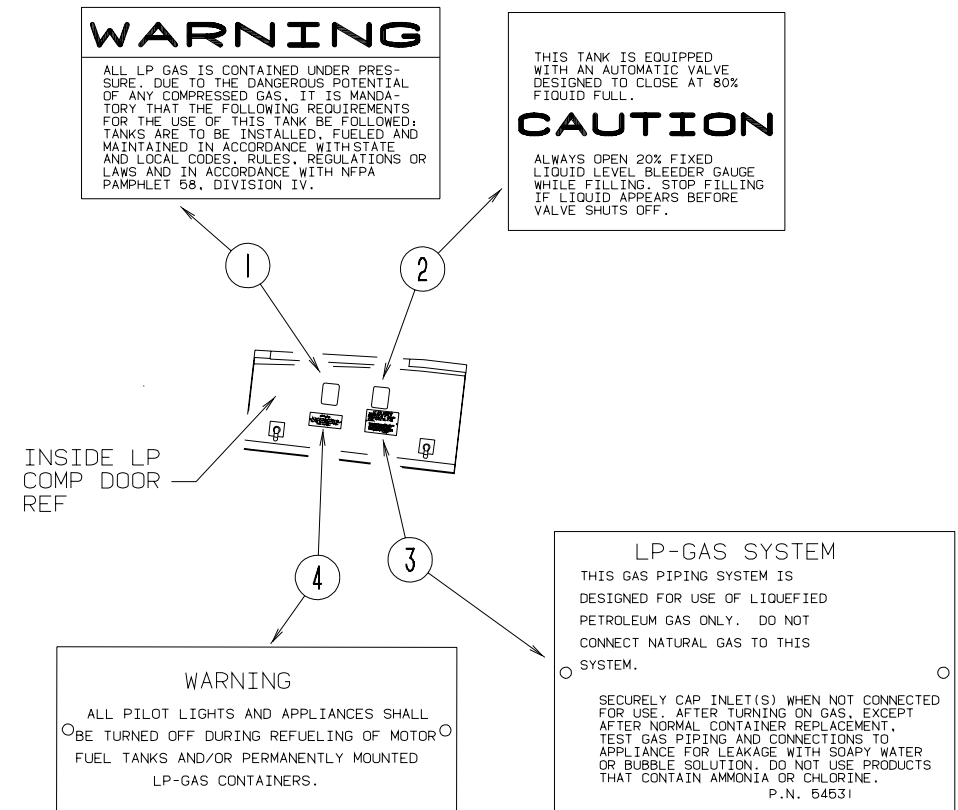


KEY	PART NUMBER	U/M DESCRIPTION
1	079965-01-000	EA LABEL - LPG 80% CAPACITY
2	124520-01-01A	EA LABEL - LP GAS ONLY - BLACK ON CLEAR
3	115600-01-000	EA LABEL - WARNING LPG VALVE

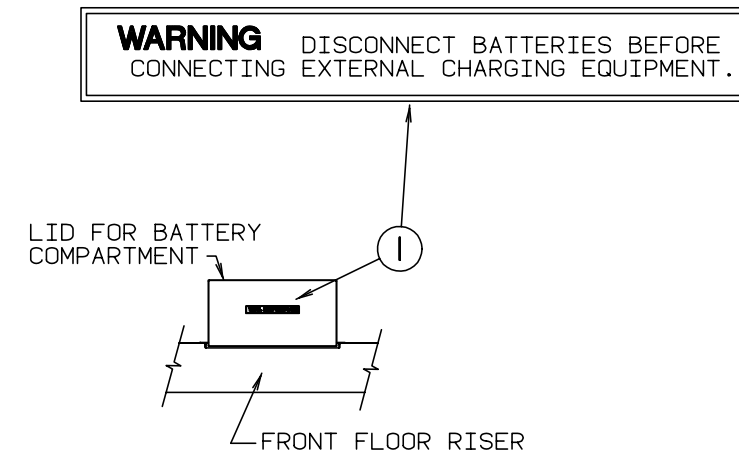


KEY	PART NUMBER	U/M DESCRIPTION
1	050225-01-000	EA LABEL - WARNING - STOVE VENT - US
1	050222-01-000	EA LABEL - WARNING - STOVE VENT - CANADIAN

## LABELS GROUP (CONTINUED)

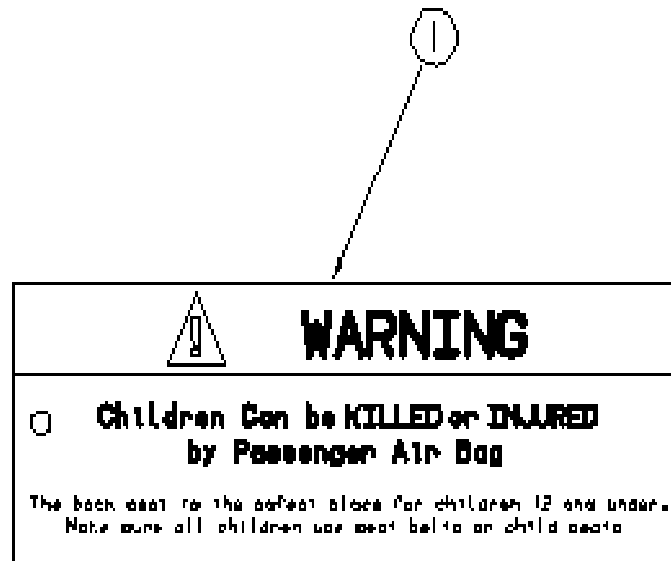


KEY	PART NUMBER	U/M DESCRIPTION
1	116112-01-000	EA LABEL - WARNING - LP
2	116113-01-000	EA LABEL - CAUTION - LP
3	023769-01-000	EA LABEL - WARNING - LPG ONLY - CANADIAN
4	124519-01-01A	EA TAG - WARNING - GAS REFUELING
	124519-02-01A	EA TAG - WARNING - GAS REFUELING - CANADIAN

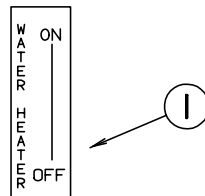


KEY	PART NUMBER	U/M DESCRIPTION
1	065748-01-000	EA LABEL - CAUTION - BATTERY CHARGING

**LABELS GROUP (CONTINUED)**

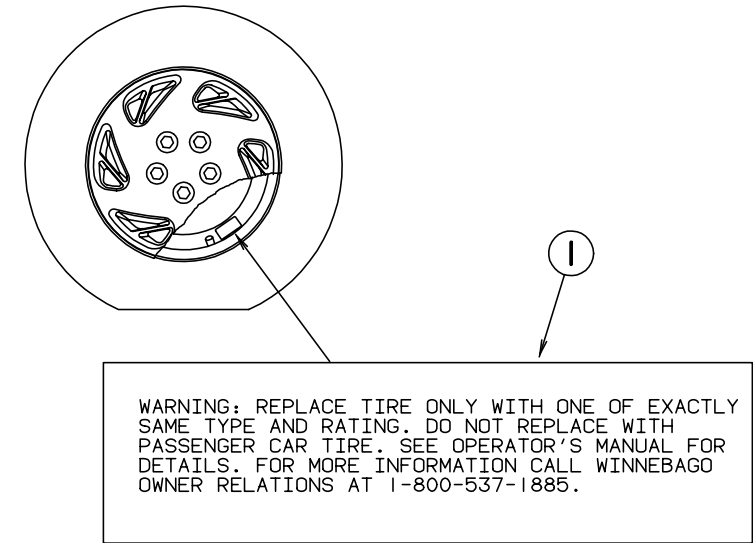


KEY	PART NUMBER	U/M DESCRIPTION
1	126612-01-000	EA LABEL - HANG TAG - AIR BAG - DASH



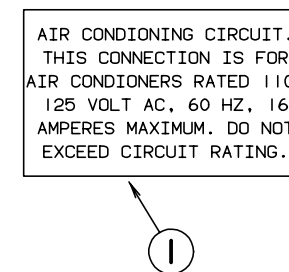
KEY	PART NUMBER	U/M DESCRIPTION
1	083588-01-000	EA LABEL - ON/OFF - WATER HEATER

**LABELS GROUP (CONTINUED)**



(ATTACH TO ALL WHEELS, INCLUDING SPARE, NEAR VALVE STEM)

KEY	PART NUMBER	U/M DESCRIPTION
1	115869-02-000	EA LABEL - WARNING - TIRE

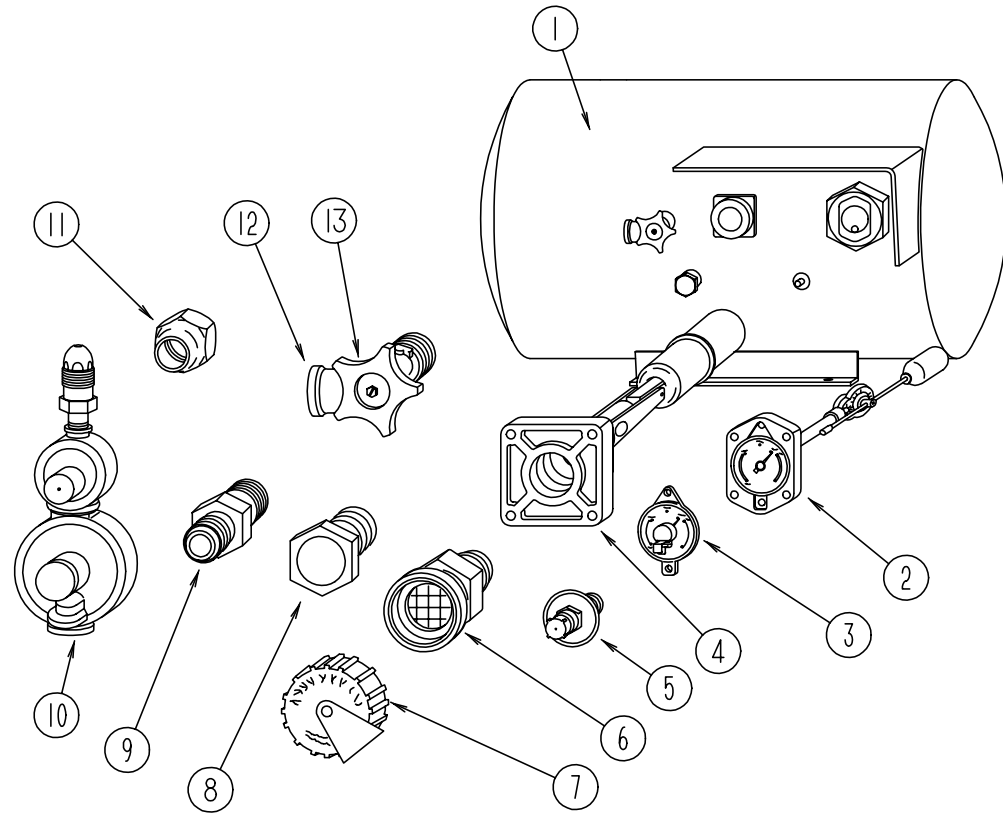


KEY	PART NUMBER	U/M DESCRIPTION
1	091243-01-000	EA LABEL - A/C COVER

**MISCELLANEOUS LABELS**

KEY	PART NUMBER	U/M DESCRIPTION
	120677-01-000	EA LABEL - TV
	087236-01-000	EA LABEL - CABLE - INPUT
	124709-02-000	EA LABEL - EMISSION CONTROL - DUAL
	126024-01-000	EA LABEL - TIRE HANGER REMOVAL
	124572-01-000	EA LABEL - SWITCHES
	124572-02-000	EA LABEL - SWITCHES W/O A/C
	129684-01-000	EA LABEL - TIRE ROTATION

**LP GROUP**



**LP TANK & COMPONENTS**

KEY	PART NUMBER	U/M DESCRIPTION	VENDOR NO.
1	074039-04-000	EA TANK - LP - 28 LB - BOTTOM MOUNT - 10" DIAMETER X 23" LONG	
2	074039-01-700	EA FLOAT ASM. (SIGHT GAUGE) BOLT	10C
3	040440-02-000	EA TRANSMITTER - DIAL - 0-90 OHM -2 TERMINAL (POWER & GROUND)	
4	074039-04-700	EA VALVE - 80% FILL W/AUTO STOP	LVTL290C9010
5	040421-01-700	EA VALVE - LIQUID LEVEL, 20%	G-1013
6	040421-01-701	EA VALVE - FILL - SHORT - LP	75478
7	040421-01-702	EA CAP - FILL VALVE - PLASTIC	G-1014-A
8	040421-01-713	EA VALVE - VAPOR ONLY	29000587
9	010323-01-000	EA ADAPTER - BRASS - 3/8"F X 1/2" MPT	
10	106150-03-000	EA REGULATOR -TWO STAGE-7/8-14 UNS2A LH INLET/3/8" FPT OUTLET	
11	010377-02-000	EA NUT-BRASS - 3/8" FEMALE - FORGED	
12	040421-01-712	EA VALVE - SERVICE - W/O VAPOR RELIEF	29000853
13	040421-01-708	EA HANDWHEEL - SERVICE VALVE	G-1015-A
	074458-01-000	EA ELBOW - 3/8 MALE FL TO 3/8 FEMALE FL SWIVEL	
	010252-01-000	EA ELBOW - BRASS - 90 DEGREE - 3/8" F X 1/2" MPT	
	010265-01-000	EA ELBOW - BRASS - 90 DEGREE - 3/8" F X 1/2" FPT	
	033759-01-000	EA ELBOW - BRASS - 90 DEGREE - 3/8" F X 3/8" F	
	024250-01-000	EA ADAPTER - BRASS - 3/8"F X 1/2" FPT	
	010329-01-000	FT ADAPTER - BRASS - 1/2" F X 1/2" MPT	
	010281-01-000	EA TEE - BRASS - 3/8F	

**SEALANTS & FASTENERS GROUP**

**NUTS, BOLTS AND WASHERS**

KEY	PART NUMBER	U/M DESCRIPTION
	044364-02-000	EA NUT - SPEED - FLAT - ROUND
	087234-01-000	EA NUT - JACK - 1/4 X 20 THD - MOLLY MOUNTS LICENSE PLATES
	0MD16K-10-000	EA NUT - HEX PREV TORQUE M10 X 1.50 CLASS 8
	0MD39K-12-000	EA NUT - HEX W/NYLON LOCK - M12 X 1.75
	0MD40K-14-000	EA NUT - HEX W/NYLON LOCK - M14 X 2.00
	000D24-10-00B	EA NUT - HEX - SELF LOCKING - 10-32 - ZN
	000D34-04-00B	EA NUT - HEX - LK 1/4 - 20 - ZN
	000D34-06-00B	EA NUT - HEX - LK 3/8 - 16 - GRADE C - ZN
	000D39-04-00B	EA NUT - HEX - SER FLG LK - 1/4 - 20 - ZN
	000D39-05-00B	EA NUT - HEX - SER FLG LK - 5/16 - 18 - ZN
	000D39-06-00B	EA NUT - HEX - SER FLG LK - 3/8 - 16 - ZN
	000D39-07-00B	EA NUT - HEX - SER FLG LK - 7/16 - 14 - ZN
	000D39-08-00B	EA NUT - HEX - SER FLG LK - 1/2 - 13 - ZN
	000D44-07-00B	EA NUT - HEX - SER FLG LK - 7/16 - 20 - ZN
	000D46-04-00A	EA NUT - HEX - WELD - 1/4 - 20 - PLAIN - SHORT PILOT
	084406-01-000	EA NUT - CAPPED - CROSS RECESS - BLACK - 1/4 - 20 THD
	0MC04K-06-016	EA BOLT - HEX - M06 X 1.00 X 016
	0MC13K-14-070	EA BOLT - HEX - M14 X 2.00 X 070
	0MC31K-08-020	EA BOLT - HEX - SERRATED FLANGE - M8 X 020
	0MC32K-10-030	EA BOLT - HEX - SERRATED FLANGE - M10 X 1,50 9
	000C12-04-12A	EA BOLT - HEX - 1/4-20 X .75 - PLAIN 5
	000C12-05-16B	EA BOLT - HEX - 5/16-18 X 1 - ZINC 5
	000C12-05-64B	EA BOLT - HEX - 5/16-18 X 4
	000C12-06-16B	EA BOLT - HEX - 3/8-16 X 1LG - ZINC 5
	000C12-08-24B	EA BOLT - HEX - 1/2-13 X 1 1/2 - ZINC 5
	000C26-04-14B	EA BOLT - HEX - 1/4-20 X 7/8 - SERRATED FLANGE - ZINC
	000C26-04-10B	EA BOLT - HEX - 1/4-20 X 5/8 - SERRATED FLANGE - ZINC
	000C26-05-12B	EA BOLT - HEX - 5/16-18 X 3/4 - SERRATED FLANGE - ZINC
	000C26-05-16B	EA BOLT - HEX - 5/16-18 X 1.0 - SERRATED FLANGE - ZINC
	000C26-06-12B	EA BOLT - HEX - 3/8-16 X 3/4 - SERRATED FLANGE - ZINC
	000C27-05-16B	EA BOLT - CARRIAGE - 5/16-18 X 1.0 - ZN
	000C27-06-16B	EA BOLT - CARRIAGE - 3/8-16 X 1.0 - ZN
	051387-06-000	EA BOLT - CARRIAGE - W/O HOLE - 5/16-18 X 9.5 - ZINC
	087718-01-000	EA MONOBOLT - 3/16" DIAMETER - STEEL
	113985-01-000	EA BOLT - FLANGE - M10-1.5 X 40CL10.9 - ZINC & CL
	113985-02-000	EA BOLT - FLANGE - M10-1.5 X 30CL10.9 - ZINC & CL
	0ME06K-14-280	EA WASHER - FLAT - 14 ID X 28,0 OD
	000E11-08-00B	EA WASHER - LK - 1/2 MED SPLIT - ZINC
	000E13-14-00B	EA WASHER - FL - 1/4 WIDE - ZINC
	000E13-17-00B	EA WASHER - FL - 3/8" AR - ZINC
	000E13-18-00B	EA WASHER - FL - 3/8" WIDE - ZINC
	000E13-18-00K	EA WASHER - FL - 3/8" WIDE - YELLOW CHROMATE
	000E13-20-00B	EA WASHER - FL - 7/16" WIDE - ZINC
	000E13-26-00B	EA WASHER - FL - 5/8" WIDE - ZINC
	000E14-10-00B	EA WASHER - LOCKING - #10 EXTERNAL TOOTH - ZINC
	041322-01-000	EA WASHER - FL - 15/32" ID X 2 3/8" OD
	108067-03-000	EA STUD - WELD - 1/4 - 20 X 1/2 CD

**SEALANTS & FASTENERS GROUP (CONTINUED)**

**SCREWS**

KEY	PART NUMBER	U/M DESCRIPTION
	000G11-08-12D	EA SCREW - 8-18 X 3/4 PPH - BLACK
	000G11-08-10B	EA SCREW - 8-18 X 5/8 PPH - ZINC
	000G11-10-12D	EA SCREW - 10-16 X 3/4 PPH - BLACK
	000G11-10-12S	EA SCREW - 10-16 X .75 PPH - OFF WHITE
	000G11-06-08B	EA SCREW - 6-20 X 1/2 PPH - ZINC
	000G11-06-10J	EA SCREW - 7-19 X 1/2 PPH - ZINC
	000G11-06-24B	EA SCREW - 6-20 X 1.5 PPH - ZINC
	000G11-07-08B	EA SCREW - 7-19 X 1/2 PPH - ZINC
	000G11-08-08B	EA SCREW - 8-18 X 1/2 PPH - ZINC
	000G11-08-08T	EA SCREW - 8-18 X 1/2 PPH - FLUROCARBON COATING
	000G11-08-12B	EA SCREW - 8-18 X 3/4 PPH - ZINC
	000G11-08-12D	EA SCREW - 8-18 X 3/4 PPH - BLACK
	000G11-08-12P	EA SCREW - 8-18 X 3/4 PPH - DARK BROWN
	000G11-08-12T	EA SCREW - 8-18 X .75 PPH - BLACK
	000G11-08-20B	EA SCREW - 8-18 X 1 1/4 PPH - ZINC
	000G12-06-08T	EA SCREW - 6-20 X .50 POH - BLACK
	000G13-06-08B	EA SCREW - 6-20 X 1/2 PFH - ZINC
	000G13-06-08G	EA SCREW - 6-20 X 1/2 PPH - ANTIQUE BRASS
	000G13-06-16E	EA SCREW - 6-20 X 1.00 PFH - CHROME
	000G13-07-10H	EA SCREW - 7-19 X 5/8 PFH - BLACK
	000G13-07-12B	EA SCREW - 7-19 X 3/4 PFH - ZINC
	000G13-08-10S	EA SCREW - 8-18 X 5/8 PFH - OFF WHITE
	000G13-08-16B	EA SCREW - 8-18 X 1 PFH - ZINC
	000G16-04-24B	EA SCREW - MACH - 1/4-20 X 1.5" PPH - ZINC
	000G19-10-12F	EA SCREW - MACH - 10-32 X 3/4" PPH - STAINLESS
	000G38-04-229	EA SCREW - MACH - 1/4-20 X 1.38 PFH - STALGARD
	000G39-06-08B	EA SCREW - DR - 6-18 X 1/2 - ZINC
	000G39-06-10T	EA SCREW - SF/DR - 6-20 X 5/8 PPH - BLACK
	000G39-08-08B	EA SCREW - SF/DR - 8-18 X 1/2 PPH - ZINC
	000G39-08-08S	EA SCREW - SF/DR - 8-18 X .50 PPH - OFF WHITE
	000G39-08-08T	EA SCREW - SF/DR - 8-18 X .50 PPH - BLACK
	000G39-08-12B	EA SCREW - SF/DR - 8-18 X 3/4 PPH - ZINC
	000G39-08-12T	EA SCREW - SF/DR - 8-18 X 3/4 PPH - BLACK
	000G39-08-16B	EA SCREW - SF/DR - 8-18 X 1.00 PPH - ZINC
	000G39-08-16R	EA SCREW - SF/DR - 8-18 X 1.00 PPH - BEIGE
	000G39-08-16T	EA SCREW - SF/DR - 8-18 X 1.00 PPH - BLACK

**SEALANTS & FASTENERS GROUP (CONTINUED)**

**SCREWS (CONTINUED)**

KEY	PART NUMBER	U/M DESCRIPTION
	000G39-08-24B	EA SCREW - SF/DR, 8-18 X 1 1/2 PPH - ZINC
	000G39-10-088	EA SCREW - SF/DR, 10-16 X 1/2 P&H - FLEX FLUOROCARBON
	000G39-10-08B	EA SCREW - SF/DR, 10-16 X 1/2 P&H - ZINC
	000G39-10-10B	EA SCREW - SF/DR, 10-16 X .625 - ZINC
	000G39-10-12B	EA SCREW - SF/DR, 10-16 X .75 PPH - ZINC
	000G39-10-129	EA SCREW - SF/DR, 10-16 X .75 PPH - FLUOROCARBON SILVER
	000G39-10-20B	EA SCREW - SF/DR, 10-16 X 1 1/4 PPH - ZINC
	000G39-10-32B	EA SCREW - SF/DR, 10-16 X 2.00 PPH - ZINC
	000G39-10-32I	EA SCREW - SF/DR, 10-16 X 2.00 PPH - ZINC
	000G39-10-48B	EA SCREW - SF/DR, 10-16 X 3.00 PPH - ZINC
	000G42-04-12B	EA SCREW - SF/DR, 1/4-14 X 3/4 HWH - ZINC
	000G42-04-16B	EA SCREW - SF/DR, 1/4-14 X 1 HWH - ZINC
	000G50-04-12B	EA SCREW - MACH, 1/4-20 X 3/4 PPH - ZINC
	000G55-08-16S	EA SCREW - SF/DR, 8-18 X 1.00 PWH - OFF WHITE
	000G57-05-16J	EA SCREW - 5-20 X 1 PFH - BRASS
	000G67-10-08B	EA SCREW - 10-12 X 1/2 PPH - ZINC
	000G67-10-10B	EA SCREW - 10-12 X 5/8 PPH - ZINC - TYPE A
	000G67-10-10D	EA SCREW - 10-12 X 5/8 PPH - BLACK - TYPE A
	000G67-10-12B	EA SCREW - 10-12 X 3/4 PPH - ZINC
	000G68-06-10G	EA SCREW - 6-18 X 5/8 POH - ANTIQUE BRASS
	0G1108-08-250	EA SCREW - 8-18 X 1/2 PPH
	0G1110-12-250	EA SCREW - 10-16 X .75 PPH
	0G3908-08-250	EA SCREW - SF/DR, 8-18 X .5 PWH
	0G3908-12-250	EA SCREW - SF/DR, 8-18 X .75 PWH
	0G3908-16-250	EA SCREW - SF/DR, 8-18 X 1.00 PPH
	0G3910-10-250	EA SCREW - SF/DR, 10-16 X .62 PPH
	0G6710-08-250	EA SCREW - 10-12 X 1/2 PPH
	0G6710-08-150	EA SCREW - 10-12 X 1/2 PPH - VW DK GRAY
	049465-03-000	EA SCREW - 10-16 X 1 POH W/WASHER - OFF WHITE
	101618-01-000	EA SCREW - 1/4-20 X 3/4 HEX/TAPPING - STALGARD TYPE F
	113563-01-01A	EA SCREW - 8 X .62 LG SHOULDER/WASHER HD
	086256-01-000	EA SCREW ASM - SF/DR 8 X .75 HWH LG - PL BODY PNL MT
	117478-01-02A	EA SCREW - 8-18 X .75" PPH W/WASHER
	117478-01-03A	EA SCREW - 18 X .75" PPH W/WASHER
	057671-01-000	EA COVER-SCREW - #8 - PLASTIC - OFF WHITE
	057671-13-000	EA COVER-SCREW - #8 - PLASTIC - DK GRAY
	061420-04-000	EA PLUG-PLASTIC - 1.25 DIA

**SEALANTS & FASTENERS GROUP (CONTINUED)**

**MISCELLANEOUS FASTENERS**

KEY	PART NUMBER	U/M DESCRIPTION
	000H14-04-08R	EA RIVET - MANDREL BLIND - 4/32 AL - CHERRY
	000H16-04-06R	EA RIVET - POP - AL 1/8" X .313 - .375
	000H16-06-10R	EA RIVET - POP - AL 3/16 X .501-.625
	069592-02-000	EA RIVET - T - POP - 1/4 X .093 - .156
	008384-01-000	EA GROMMET - SNAP - 3/4" DIAMETER - NYLON
	008386-01-000	EA GROMMET - SNAP, 3/8"
	016188-03-000	EA GROMMET - L/P LINE, 3/8" HOLE X 2 1/2" LONG - RUBBER
	023942-01-000	EA GROMMET - RUBBER - 2" OD
	071015-11-000	EA GROMMET - RUBBER - 1.00" ID FITS .12 MATL - MINOR RUBBER Z-3065
	071015-13-000	EA GROMMET - RUBBER - .62" ID X 1" OD W/.09" GROOVE - BLACK
	077953-01-000	EA GROMMET - EDGE LINER - FITS 1"
	088756-01-000	EA GROMMET - WEB - 1 1/8" I.D.
	114208-01-000	EA GROMMET - EDGE LINER - FITS 1.75" - HEYCO 2300
	114208-03-000	EA GROMMET - EDGE LINER - FITS 2.50" - HEYCO 2420
	007161-01-000	EA CLAMP - HOSE - SPRING TYPE - 1/2"
	010495-01-000	EA CLAMP - CABLE- 9/16"
	010495-02-000	EA CLAMP - CABLE - 3/8"
	010497-01-000	EA CLAMP - CLOSED - 5/8" ID
	010497-04-000	EA CLAMP - CLOSED - 1.62 ID - ADEL,945-2717
	010497-05-000	EA CLAMP - CLOSED - 1/2" ID
	010497-07-000	EA CLAMP - CLOSED - 3/8" ID
	062401-01-000	EA CLAMP - HOSE - WORMGEAR .25" - 1"
	062401-02-000	EA CLAMP - HOSE - WORMGEAR 1.56" - 2.5"
	062401-03-000	EA CLAMP - HOSE - WORMGEAR .22" - 1"
	062401-04-000	EA CLAMP - HOSE - WORMGEAR .69" - 1.25"
	062401-06-000	EA CLAMP - HOSE - WORMGEAR .22" - .62"
	062401-12-000	EA CLAMP - HOSE - WORMGEAR .79" - 1.26"
	083610-01-000	EA CLAMP - WIRE - DUAL - UNEQUAL DIAMETERS - .75" & 1.25"
	077955-01-000	EA CLIP - J - VINYL COATED - 3/8"
	080211-03-000	EA CLIP - MOUNTING - (CHRISTMAS TREE)
	080734-02-000	EA CLIP - WIRE - NYLON
	091952-02-000	EA CLIP - GRIPPER - 3/4"
	008343-01-000	EA TIE - WIRE - 6"
	108046-01-000	EA CABLE TIE - SCREW MOUNT - 8"
	034141-02-000	EA PLUG - HOLE - 3/8" - NYLON - BLACK
	061420-07-000	EA PLUG - 1.8" DIAMETER - PLASTIC - CAPLUG BP-1.8
	085774-01-000	FT FASTENER - DUAL HOOK - 1" WIDE - ADHESIVE BACK - BLACK
	085774-02-000	FT FASTENER - DUAL LOOP - 1" WIDE - ADHESIVE BACK - BLACK
	085774-03-000	FT FASTENER - DUAL LOCK - 1/2" WIDE - 3M-3541
	085774-04-000	FT FASTENER - DUAL LOCK - 1/2" WIDE - 3M-3541
	110943-02-000	FT FELTSTRIP - 3/8" - ADHESIVE BACK - WHITE

**WATER & SEWAGE GROUP**

**FRESH WATER TANK**

KEY	PART NUMBER	U/M DESCRIPTION
	074510-07-000	EA TANK - WATER - 16 GALLON - W/FITTINGS - 33.4"X11.4" X 10"
	074510-01-000	EA TANK - WATER - 16 GALLON - W/O FITTINGS - 33.4"X 11.4"X10"
	077954-02-000	EA FILTER - WATER TANK - W/SCREEN IN TANK
	079381-01-000	FT TUBING - SMOOTH - FLEXIBLE - 1 1/4" ID
	042989-03-000	EA FITTING - WATER TANK - SPINWELD - 1 1/4"NPT - PLASTIC
	042989-04-000	EA FITTING - WATER TANK - SPINWELD - 3/8" FPT - PLASTIC
	042989-05-000	EA FITTING - WATER TANK - SPINWELD - 1/2" FPT - PLASTIC
	049032-01-000	EA PATCH - SPINWELD - 3/8" - PLASTIC
	039861-01-000	EA SENDING UNIT W/SCREW - WASHER - WELL NUT AND TERMINAL RING
	035539-01-000	EA ELBOW - PLASTIC - 3/8" MPT X 3/8" BARB
	039798-01-000	EA TEE - 1/2" MPT X 1/2" MPT X 1/2" MPT - PLASTIC
	044927-01-000	EA ADAPTER - HOSE TO PIPE - 1 1/4" MPT X 1 1/4" BARB - BLACK PLASTIC
	074462-02-000	FT TUBING - VINYL - 3/8" ID - CLEAR
	056337-21-000	EA STRAP - RETAINING - WATER TANK

**WATER SYSTEM**

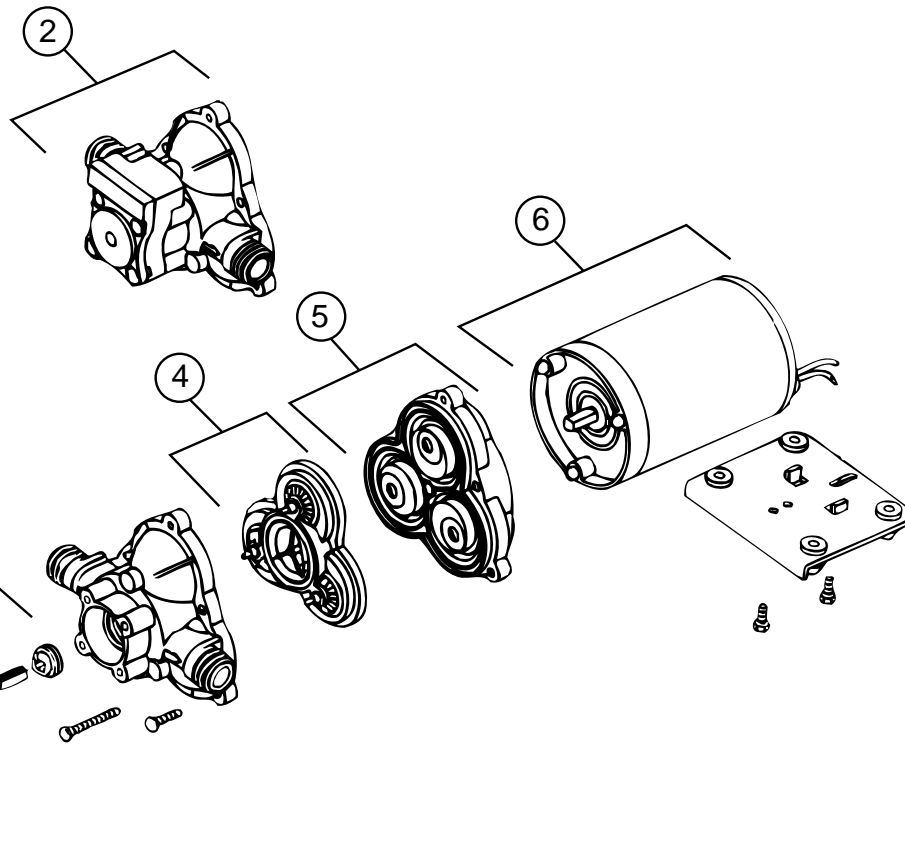
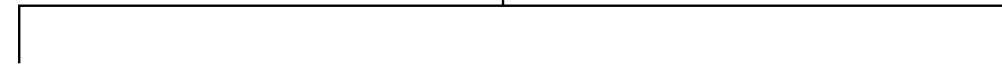
KEY	PART NUMBER	U/M DESCRIPTION
	110915-01-01A	EA FILL - WATER - CITY - CHROME - KEVCO 64713
	010219-01-000	EA ELBOW - 1 1/4 MPT X 1 1/4 BARB - WATER FILL - PLASTIC
	090338-03-000	EA FITTING - HOSE - 3/4" ID - 2" LENGTH - BRASS
	111223-04-000	EA ELBOW - 1/2" MPT X 1/2" BARB - PLASTIC
	114428-01-000	EA TEE - 1/2"P X 1/2"P X 1/2"P
	114428-03-000	EA TEE - 1/2" P X 1/2" P X 1/2" MPT
	114429-01-000	EA ELBOW - 1/2" P X 1/2" P
	114429-02-000	EA ELBOW - 1/2" P X 1/2" MPT
	114429-03-000	EA ELBOW - 1/2" P X 1/2" FPT - FLAIR-IT 02816
	114429-05-000	EA ELBOW - 1/2" P X 3/4" MPT - FLAIR-IT 02812
	114429-06-000	EA ELBOW - SWIVEL - 1/2 P X 3/4 FPT
	114430-02-000	EA ADAPTER - SWIVEL - 1/2" P X 1/2" FPT - FLAIR-IT 02873
	114431-01-000	EA VALVE - LINE DRAIN - 1/2" P - FLAIR-IT 02914
	114431-03-000	EA VALVE - 1/2" P X 1/2" P - FLAIR-IT 02884
	124188-01-000	FT TUBING - PEX - 1/2" ID X 20' - BLUE
	124188-02-000	FT TUBING - PEX - 1/2" ID X 20' - RED
	124184-01-000	EA SUPPORT - WATER LINE - BEND
	114966-01-000	EA FILTER - IN LINE - TWIST ON - 1/2"

**EXTERIOR SHOWER**

KEY	PART NUMBER	U/M DESCRIPTION	VENDOR NO.
	075241-05-000	EA FAUCET/SHOWER - BONE 3/4" MPT X 1.4" LONG INLET PIPES	
	103092-01-000	EA SHOWER HEAD - W/60" HOSE	
	103092-02-000	EA SHOWER HEAD - W/60" HOSE - CSA	
	103092-01-700	EA BRACKET ONLY - CLEAR - F/SHOW HEAD	2328028
	103092-01-702	EA SEALS - SPRAY HEAD	24466
	011048-03-700	EA BRACKET - F/SHOWER HEAD	2328029-3
	054250-04-000	EA COVER/ANGLED - W/O HOLE 3.6" X 4.5" - PLASTIC	
	108356-02-01A	EA COVER/ACTUATOR SWITCH - 2 ROWS DIMPLES- CONTURA II - BLACK	
	108357-08-000	EA SWITCH - ROCKER DPDT - ON/NONE/ON - 6 TERMINAL	
	121473-01-01A	EA COMPARTMENT - SHOWER - EXTERIOR - OFF WHITE	

**WATER & SEWAGE GROUP (CONTINUED)**

1



**SHURFLO WATER PUMP OR SUMP PUMP & COMPONENTS**

KEY	PART NUMBER	U/M DESCRIPTION	VENDOR NO.
1	098607-01-000	EA PUMP - WATER - W/.5" MPT FITTING - FLOW 2.8 GPM	
2	098607-01-706	EA HOUSING - W/SWITCH ONLY	94-231-20
3	098607-01-705	EA VALVE - CHECK, KIT	94-237-00
4	098607-01-703	EA VALVE KIT	94-232-00
5	098607-01-702	EA DIAPHRAM/DRIVE ASSEMBLY KIT	94-238-04
6	098607-01-707	EA MOTOR W/BASEPLATE	94-234-03

**WATER & SEWAGE GROUP (CONTINUED)**

**ATWOOD ELECTRIC WATER HEATER**

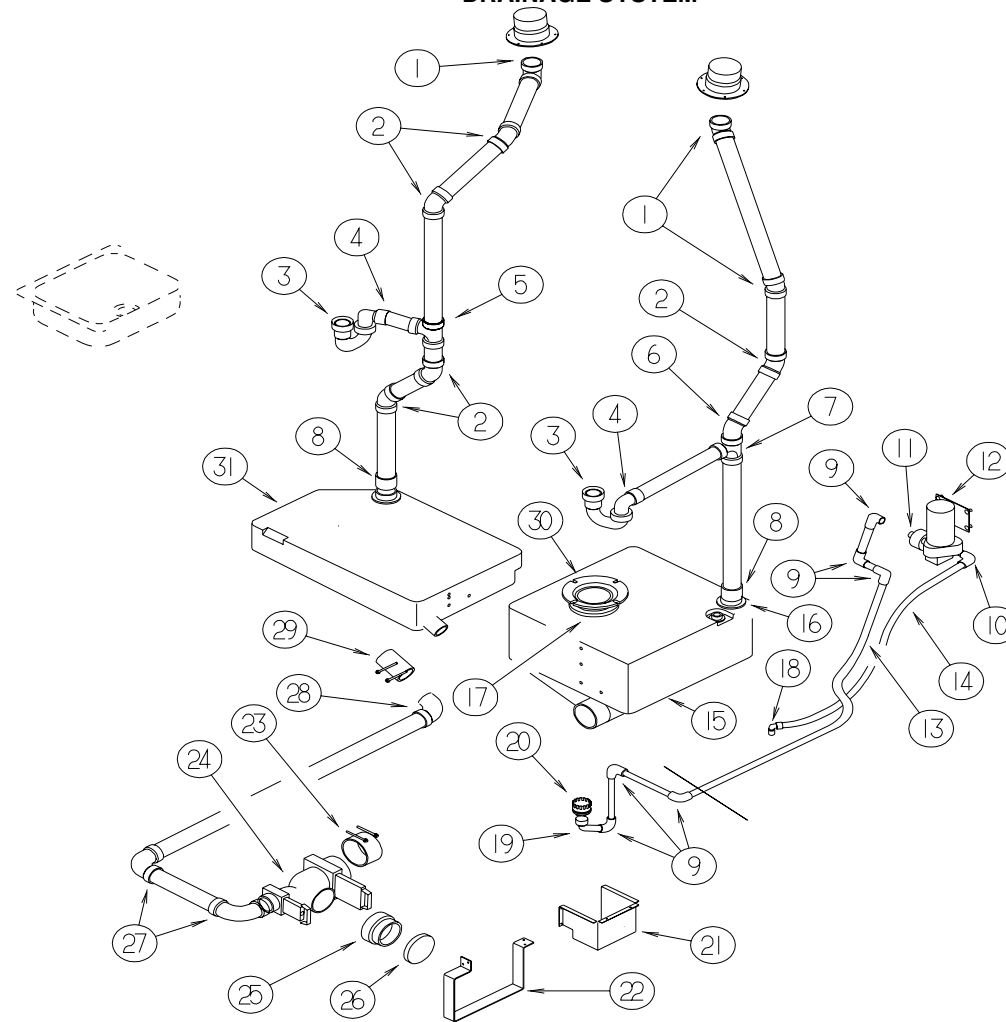
KEY	PART NUMBER	U/M DESCRIPTION
*	113122-01-000	EA WATER HEATER - EHM4 (ELECTRICAL/MOTOR AID) - 4 GAL
	113122-01-A00	EA WATER HEATER - ELECTRIC - EHM4SM

\*COMPONENT PARTS FOUND IN SERVICE PARTS LIBRARY



## WATER & SEWAGE GROUP (CONTINUED)

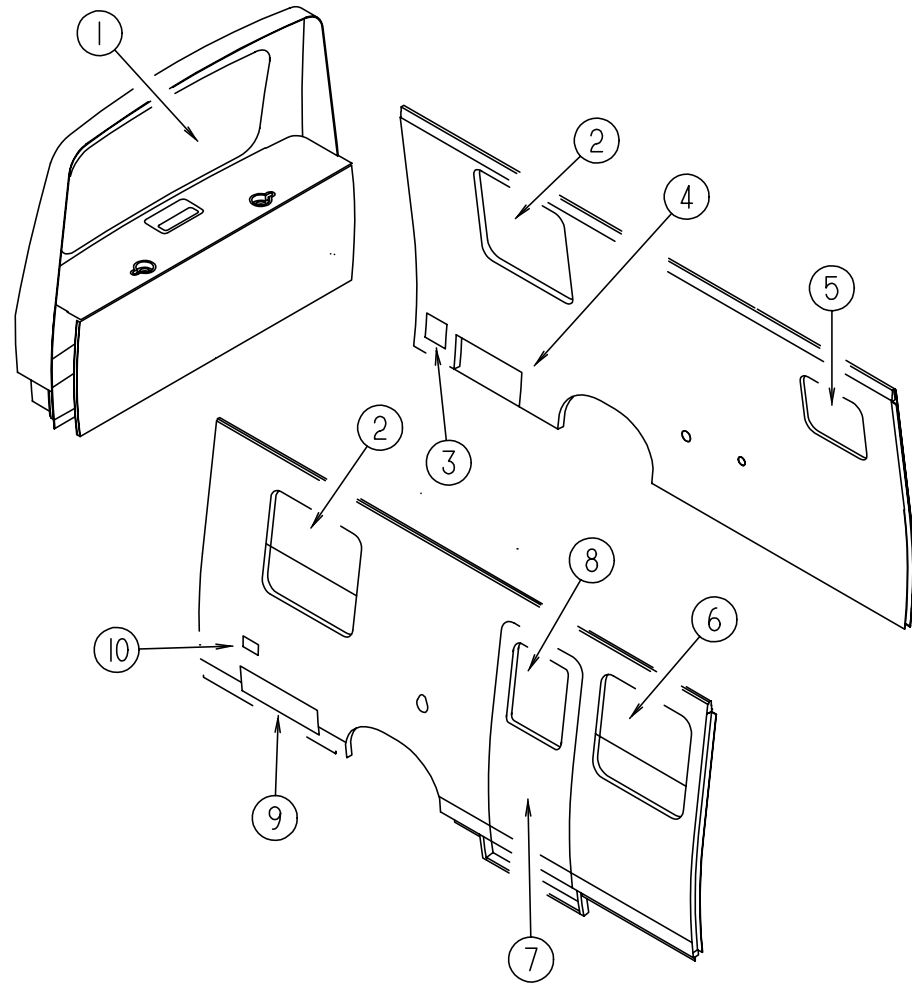
### DRAINAGE SYSTEM



KEY	PART NUMBER	U/M	DESCRIPTION
1	010005-01-000	EA	ELBOW - 22.5 DEGREE - 1 1/2" HUB X HUB - PLASTIC
2	010006-01-000	EA	ELBOW - 45 DEGREE - 1/8 BEND - 1 1/2" HUB X HUB - PLASTIC
3	107538-01-000	EA	P - TRAP - PLASTIC - 1 1/4" W/EXT ARM - US
3	011071-01-000	EA	P TRAP - PLASTIC - 1 1/2" OR 1.25" - CANADIAN
4	109571-01-000	EA	ADAPTER - P TRAP - 1 1/2" P X 1 1/4" MPT - US
5	010071-02-000	EA	TEE - SANITARY W/BAFFLE - 1 1/2" HUB X HUB X HUB - PLASTIC
6	010051-01-000	EA	ELBOW - 45 DEGREE - 1 1/2" SPIGOT AND HUB - PLASTIC
7	010071-01-000	EA	TEE - SANITARY - 1 1/2" HUB X HUB X HUB - PLASTIC
8	010115-01-000	EA	COUPLING - 1 1/2" HUB X HUB - PLASTIC
9	114429-01-000	EA	ELBOW - 1/2" P X 1/2" P - W/SHOWER OPTION
10	123150-01-000	EA	ELBOW - SWIVEL - 1/2" FPT X 1/2" BARB - W/SHOWER OPTION
11	114966-01-000	EA	FILTER - IN LINE - TWIST ON - 1/2" - W/SHOWER OPTION
12	098607-01-000	EA	PUMP - SUMP - W/.5" MPT FITTING - FLOW 2.8 GPM - UL - W/SHOWER OPTION
13	039800-02-000	FT	TUBING - POLYBUTY - 5/8OD X 20 FT TM3L10S (BLUE)
14	112176-01-000	FT	TUBING - VINYL - REINFORCED - 1/2ID CAST PROD HP135
15	111884-02-000	EA	TANK - HOLDING - 13 GALLON - W/FITTINGS
	039861-01-000	EA	SENDING UNIT - W/SCREW - WASHER - WELL NUT/TERMINAL RING
16	061607-01-000	EA	GROMMET - HOLDING TANK - 1 1/2" NPS
17	061607-02-000	EA	GROMMET - HOLDING TANK - 3" NPS
18	111223-02-000	EA	ELBOW - 3/8 BARB X 1/2" MPT

KEY	PART NUMBER	U/M	DESCRIPTION
19	114429-06-000	EA	ELBOW - SWIVEL - 1/2" P X 3/4" FPT - FLAIR-IT 02811
20	114974-01-000	EA	CONNECTOR - HULL - W/STRAINER - W/SHOWER OPTION
	069735-01-000	EA	WASHER - STRAINER TO TAILPIECE - 1.5" - PLASTIC
20	114427-02-000	EA	PUMP - 1/2P
21	114987-01-09B	EA	PANEL - COVER - SUMP - BOTTOM - GALVANIZED
21	114988-01-09B	EA	PANEL - COVER - SUMP - GALVANIZED
	092321-01-000	FT	INSULATION - FIBERGLASS W/FOIL BACKING
22	117271-01-02B	EA	SHROUD - DRAINAGE
23	078406-01-000	EA	COUPLER - RUBBER - W/CLAMPS - 3" X 3"
24	070916-01-000	EA	VALVE - DUAL DUMP - W/CAP - 3" X 1 1/2" - PLASTIC
	070916-01-700	EA	VALVE ONLY - 3"
	070916-01-701	EA	VALVE ONLY - 1 1/2"
25	062416-01-000	EA	ADAPTER - SEWER HOSE TO 3" PIPE
26	062415-01-000	EA	CAP - SEWER - 3" DIAMETER
	062415-01-700	EA	STRING - SEWER CAP
	010201-01-000	EA	HOSE - SEWER - 3" ID X 8'
27	010008-01-000	EA	ELBOW - 90 DEGREE - 1 1/2" HUB X HUB - PLASTIC
28	033761-01-000	EA	ELBOW - 90 DEGREE - 1 1/2" HUB X SPIGOT - PLASTIC
29	089355-01-000	EA	COUPLER - RUBBER - 1 1/2" X 1 1/2"
30	063641-01-000	EA	FLANGE - CLOSET - 4" X 3"
31	118979-01-000	EA	TANK - HOLDING - 6.4 GALLON - W/O FITTINGS

## WINDOW, VENT & EXTERIOR DOOR GROUP

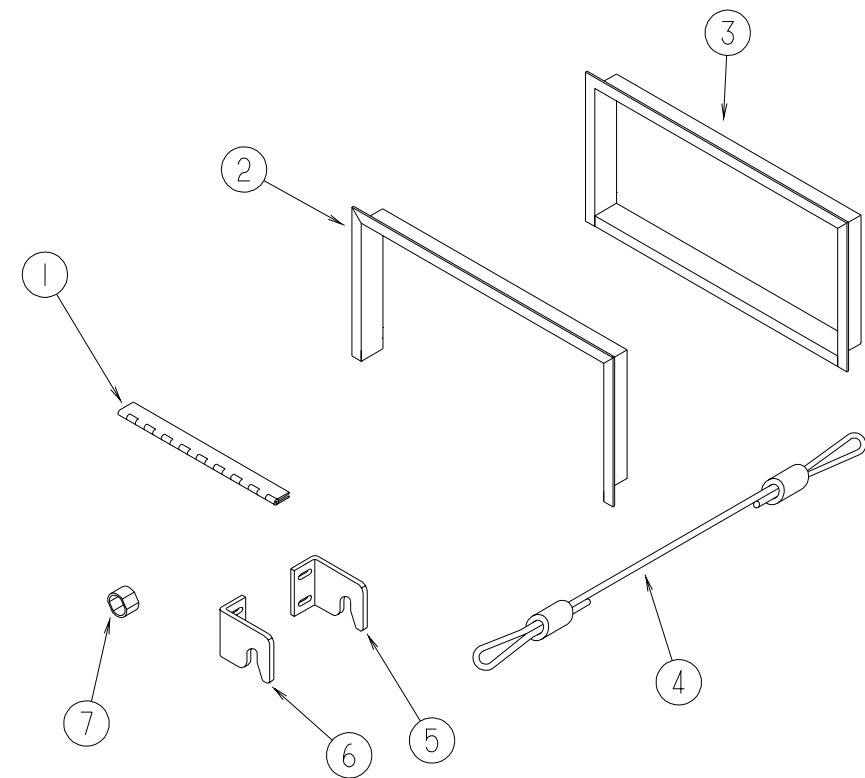


### WINDOWS & DOORS

KEY	PART NUMBER	U/M	DESCRIPTION
1	084886-04-000	EA	WINDOW - REAR ESCAPE - 58.6" X 29"
1	084886-05-000	EA	WINDOW - REAR ESCAPE W/DEFROSTER - 58.6" X 29"
2*	104691-07-01A	EA	WINDOW - TIPOUT W/WHITE TRIM RING - 24 3/4" X 26 3/4"
3	123664-01-01A	EA	COMPARTMENT - SEWER HOSE
4	112027-08-H70	EA	PANEL/VALANCE - REAR DRIVER - W/O LOCKS - W/GENERATOR OPTION
4	112027-10-H70	EA	PANEL/VALANCE - REAR DRIVER - W/O LOCKS - W/O GENERATOR OPTION
5*	098647-46-01A	EA	WINDOW - DRIVERS HORIZONTAL SLIDER - TINTED -15.2"X 18.3"
6*	098644-10-01A	EA	WINDOW - VERTICAL SLIDER 25" X 27"
7	113594-01-J80	EA	DOOR - ENTRY - W/SCREEN DOOR - W/O WINDOW
8*	117053-01-F45	EA	WINDOW - PICTURE - 17" X 26.4"
9	112027-07-H70	EA	PANEL/VALANCE - REAR PASSENGER - W/O LOCKS
10	081240-14-000	EA	FILL - WATER - LOCKABLE
	009426-01-000	EA	HATCH - POWER CORD - WHITE

\*COMPONENT PARTS FOUND IN SERVICE PARTS LIBRARY

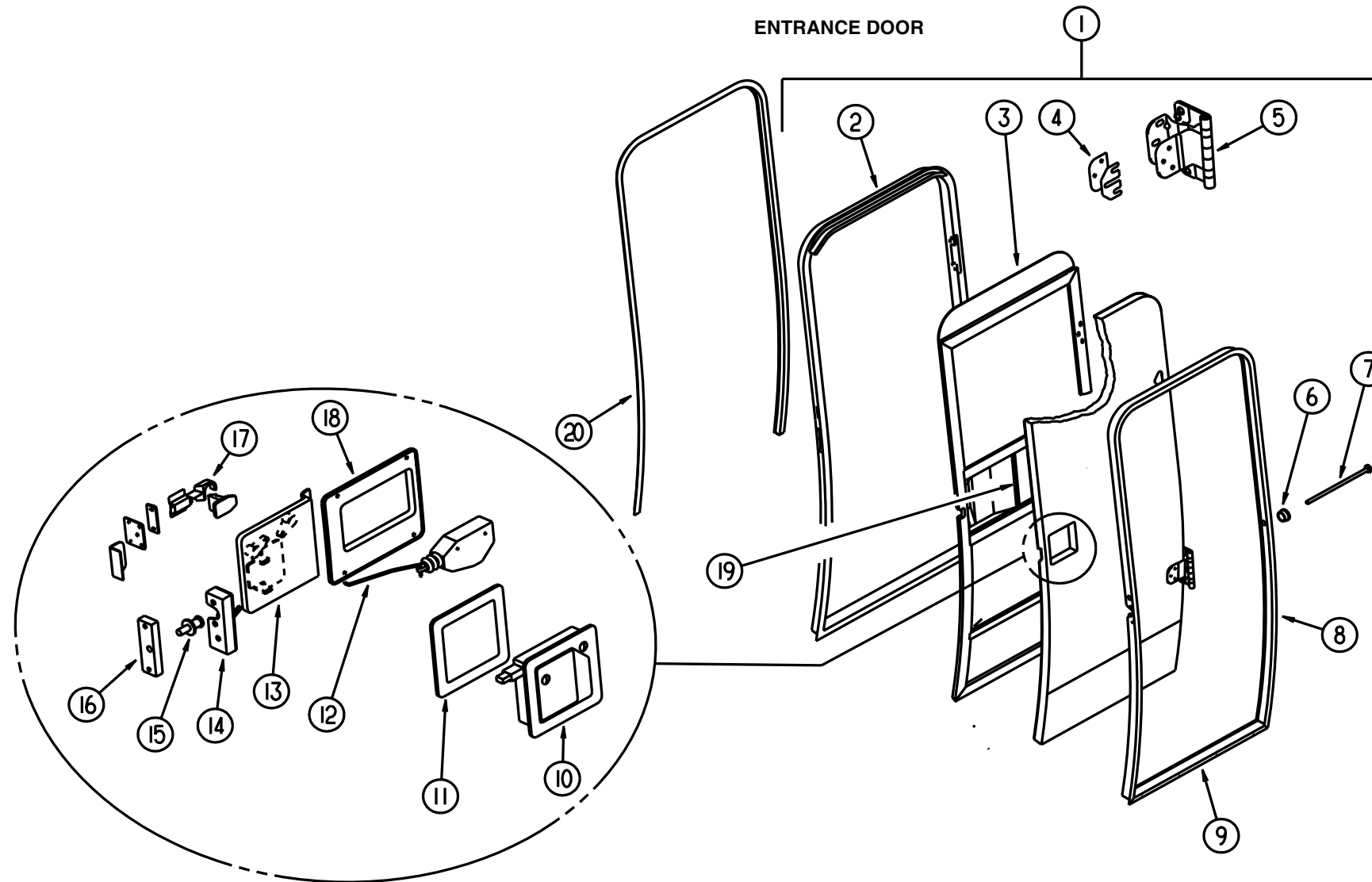
## WINDOW, VENT & EXTERIOR DOOR GROUP (CONTINUED)



### EXTERIOR ACCESS DOOR COMPONENTS

KEY	PART NUMBER	U/M	DESCRIPTION
1	081801-AF-000	EA	HINGE - ALUMINUM - 2" X 12.2"
1	112246-05-01A	EA	HINGE - VALANCE DOOR - VW WHITE
1	112246-06-01A	EA	HINGE - VALANCE DOOR - VW WHITE
2	113752-01-01A	EA	JAMB - TRIM - GENERATOR - VW WHITE
3	113752-03-01A	EA	JAMB - TRIM - GENERATOR - VW WHITE
3	113753-01-01A	EA	JAMB - TRIM - LP - VW WHITE
4	076767-05-000	EA	CABLE - STORAGE DOOR SUPPORT - 1/16" X 15.5"-STAINLESS STL
5	127289-02-02B	EA	BRACKET - LOCK CATCH - LH - E-COAT
6	127289-01-02B	EA	BRACKET - LOCK CATCH - RH - E-COAT
7	107997-51-001	EA	SPACER - DOOR LOCK - .6" DEEP
7	107997-51-002	EA	EXTRUDED - SPACER - 16'
	106850-02-000	FT	SEAL-E - SPONGE RUBBER - .43" X .75"
	112160-02-000	FT	SEAL - D SECTION - .2 X .3" - FOAM RUBBER
	057534-01-000	EA	TIEBACK/TIEDOWN - 6" CLEAR PLASTIC

WINDOW, VENT & EXTERIOR DOOR GROUP (CONTINUED)



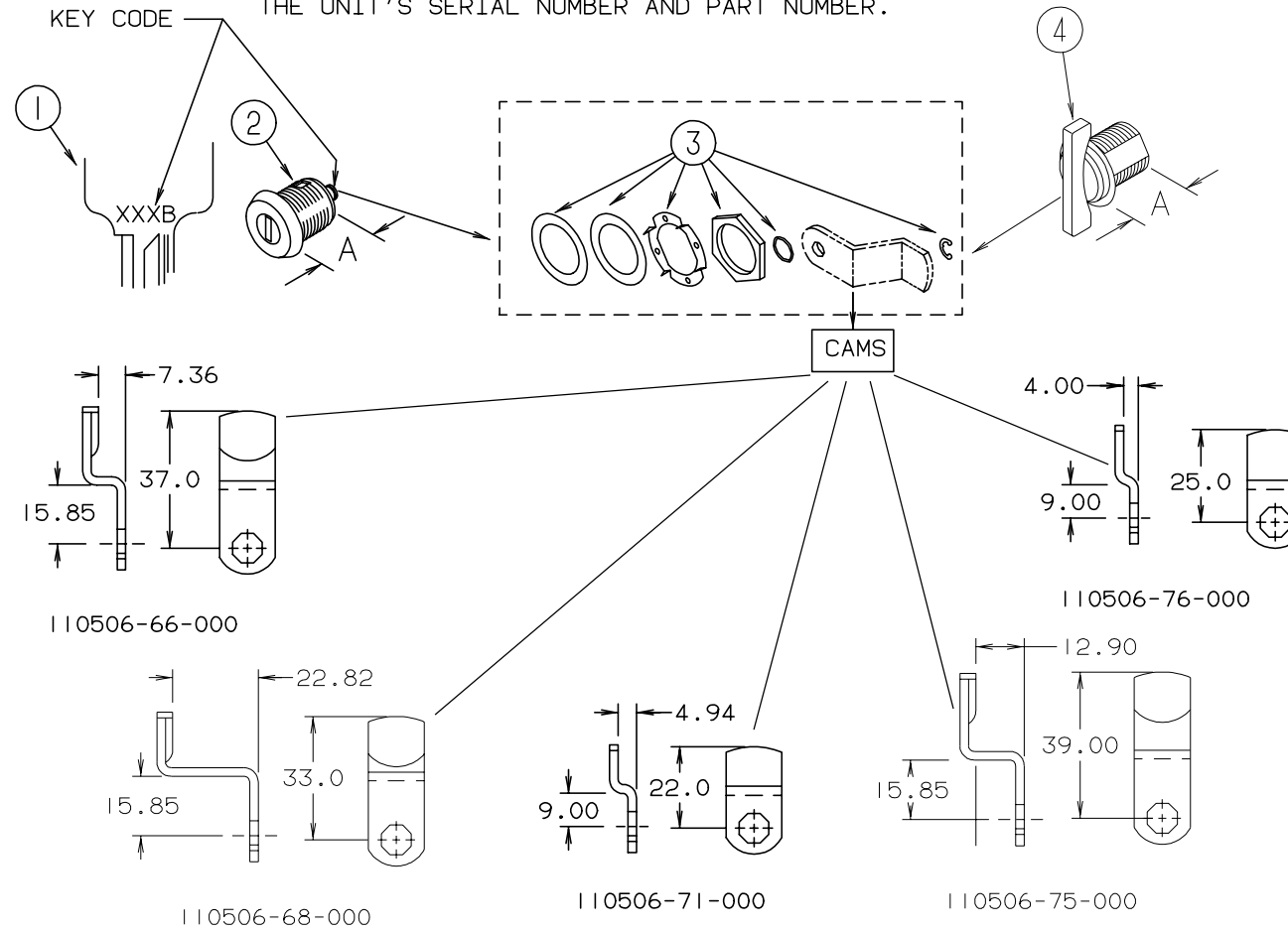
KEY	PART NUMBER	U/M	DESCRIPTION	VENDOR NO.
1	P13594-02-K76	EA	DOOR - ENTRY - W/SCREEN DOOR - W/O WINDOW	
2	113642-01-F45	EA	JAMB - DOOR/ENTRY	
	111536-03-000	FT	SEAL - ENTRY DOOR	
3	113621-01-01A	EA	DOOR - SCREEN	
	002293-02-000	SF	SCREEN - 26" - CHARCOAL	
	002294-01-000	FT	SPLINE - SCREENING - .135" X .138"	
	075673-01-000	FT	SEAL - PILE - ADHESIVE BACK - GRAY	
			FROM: 00-00-00 THRU: 11-23-98	
	075673-05-000	FT	SEAL - PILE - ADHESIVE BACK - BLACK	
			FROM: 11-24-98 THRU: 99-99-99	
	075673-04-000	FT	SEAL - PILE - ADHESIVE BACK	
	113616-01-01A	FT	EXTRUDED - VINYL - SEAL TRACK - 7"	
	116485-01-03B	EA	BRACKET - SCREEN DOOR - OFF WHITE	
	120863-07-000	EA	BUMPER - RUBBER - .7" DIA X .7" THICK	
4	113668-01-01A	EA	GASKET - HINGE - DOOR	
5	113460-01-02A	EA	HINGE - ENTRANCE DOOR/UPPER	
	113461-01-02A	EA	HINGE - ENTRANCE DOOR/LOWER	
	113680-01-01A	EA	COVER - ACCESS - DOOR HINGE	
6	068938-03-000	EA	BEARING - SNAP IN - .38"ID - TYPE 7	
7	077222-01-000	EA	SPRING - WIRE GUARD - ENTRY DOOR	
8	113376-02-01A	EA	TRIM - ENTRY DOOR - VW/WHITE	
9	113395-02-01A	EA	TRIM - ENTRY DOOR/BOTTOM - VW WHITE	
	112160-01-000	FT	SEAL - D SECTION - .2 X .3" - FOAM RUBBER - BOTTOM OF DOOR ONLY	
	038327-01-000	EA	TAPE - ANTI-SLIP - 2" X 60'	

KEY	PART NUMBER	U/M	DESCRIPTION	VENDOR NO.
10	113636-01-01A	EA	LATCH/PADDLE - ENTRY W/DEADBOLT - W/KEYS - OFF WHITE	
	045017-11-701	EA	KEY (F) BLANK - TM201-250	14264-01-2001
	113636-01-700	EA	KEY BLANK - DEADBOLT - "G" SERIES LOCK - #TRI 001-#TRI 099	
	130444-01-01A	EA	CAP - KEY IDENTIFIER - GRAY	
11	113669-01-01A	EA	GASKET - LATCH - DOOR	
12	113834-01-01A	EA	ROD - DOOR LATCH - POWER	
	114209-01-01A	EA	PUSHNUT - CAP - 1/8" - WHITE	
13	113636-02-01A	EA	PLATE - INSIDE - W/DEADBOLT	
	111203-06-01A	EA	SCREW - MOUNTING/PLATE - ZINC	
14	113636-03-01A	EA	LATCH - SINGLE ROTOR	
15	092927-03-000	EA	STRIKER - ROUND - JAMB MOUNTED	
16	113636-05-01A	EA	NUT - CAGED	
17	110529-01-000	EA	LATCH - BULLET - SCREEN DOOR	
18	113960-01-01A	EA	COVER - ACTUATOR - POWER LOCK	
19	079086-02-000	EA	SLIDER - SCREEN DOOR	
	078777-08-000	FT	CHANNEL - SLIDER	
	079087-02-000	EA	STRIKE- SLIDER W/LIP FOR ELBOW CATCH-1.5" X 8.6" - OFF WHT	
20	113658-01-01A	EA	GARNISH/TRIM - UPPER - OFF/WHITE	
	113750-01-04B	EA	PLATE - LATCH STRIKER	
	115750-01-02B	EA	BRACKET - LATCH - DOOR	
	016454-12-000	EA	INSERT - SCREEN DOOR - CENTER	
	110529-01-000	EA	LATCH - BULLET - SCREEN DOOR	
	117046-01-000	EA	BUMPER - RUBBER/ROUND END - .9"	
	117046-02-000	EA	BUMPER - RUBBER/ROUND END - 1.5"	
	116111-02-01A	EA	SCREW - TAPTITE - 1/4-20 X 3/8 PPH - ZINC	
	090340-01-000	FT	SEAL - FOAM - CLOSED CELL - 1/4" X 1/2" X 50'	

# WINDOW, VENT & EXTERIOR DOOR GROUP (CONTINUED)

## BRIGGS & STRATTON LOCKS & COMPONENTS

NOTE:  
WHEN ORDERING THE LOCK CASE, THE KEY CODE MUST MATCH THE LAST DIGIT OF THE UNIT'S SERIAL NUMBER AND PART NUMBER; WHEN ORDERING THE KEYS, THE THIRD DIGIT OF THE KEY CODE MUST MATCH THE LAST DIGIT OF THE UNIT'S SERIAL NUMBER AND PART NUMBER.

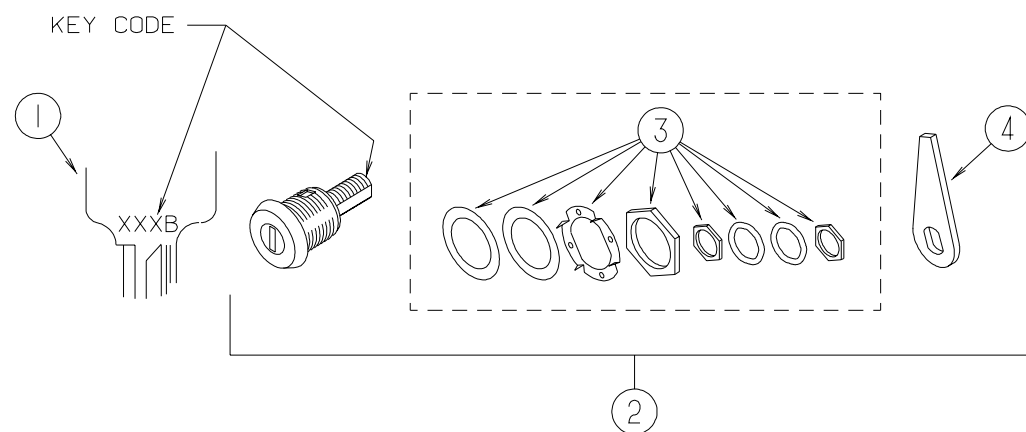


KEY	PART NUMBER	U/M	DESCRIPTION	VENDOR NO.	KEY	PART NUMBER	U/M	DESCRIPTION	VENDOR NO.
1	110506-59-000	EA	KEYS - SET OF 2	596720	1	110506-59-007	EA	KEYS - SET OF 2	596727
2	110506-52-000	EA	CASE/CYLINDER - LOCKING - W/O CAM/KEY - .65"	702370	2	110506-52-007	EA	CASE/CYLINDER - LOCKING - W/O CAM/KEY - .65"	702377
2	110506-54-000	EA	CASE/CYLINDER - LOCKING - W/O CAM/KEY - 1.25"	703170	2	110506-54-007	EA	CASE/CYLINDER - LOCKING - W/O CAM/KEY - 1.25"	703177
1	110506-59-001	EA	KEYS - SET OF 2	596721	1	110506-59-008	EA	KEYS - SET OF 2	596728
2	110506-52-001	EA	CASE/CYLINDER - LOCKING - W/O CAM/KEY - .65"	702371	2	110506-52-008	EA	CASE/CYLINDER - LOCKING - W/O CAM/KEY - .65"	702378
2	110506-54-001	EA	CASE/CYLINDER - LOCKING - W/O CAM/KEY - 1.25"	703171	2	110506-54-008	EA	CASE/CYLINDER - LOCKING - W/O CAM/KEY - 1.25"	703178
1	110506-59-002	EA	KEYS - SET OF 2	596722	1	110506-59-009	EA	KEYS - SET OF 2	596729
2	110506-52-002	EA	CASE/CYLINDER - LOCKING - W/O CAM/KEY - .65"	702372	2	110506-52-009	EA	CASE/CYLINDER - LOCKING - W/O CAM/KEY - .65"	702379
2	110506-54-002	EA	CASE/CYLINDER - LOCKING - W/O CAM/KEY - 1.25"	703172	2	110506-54-009	EA	CASE/CYLINDER - LOCKING - W/O CAM/KEY - 1.25"	703179
1	110506-59-003	EA	KEYS - SET OF 2	596723	3	110506-40-700	EA	HDWE KIT	596950AAL
2	110506-52-003	EA	CASE/CYLINDER - LOCKING - W/O CAM/KEY - .65"	702373		110506-59-701	EA	KEY BLANK (GOLD)	
2	110506-54-003	EA	CASE/CYLINDER - LOCKING - W/O CAM/KEY - 1.25"	703173	4	110506-55-000	EA	CASE/CYLINDER - TWIST LOCK - W/O CAM - 1.25"	597312AA1
1	110506-59-004	EA	KEYS - SET OF 2	596724		110506-66-000	EA	CAM - LATCHING - DOG LEGGED 1.5" LONG	
2	110506-52-004	EA	CASE/CYLINDER - LOCKING - W/O CAM/KEY - .65"	702374		110506-68-000	EA	CAM - LATCHING - DOG LEGGED 1.3" LONG	
2	110506-54-004	EA	CASE/CYLINDER - LOCKING - W/O CAM/KEY - 1.25"	703174		110506-71-000	EA	CAM - LATCHING - DOG LEGGED .86" LONG	
1	110506-59-005	EA	KEYS - SET OF 2	596725		110506-75-000	EA	CAM - LOCK	
2	110506-52-005	EA	CASE/CYLINDER - LOCKING - W/O CAM/KEY - .65"	702375		110506-76-000	EA	CAM - LOCK	
2	110506-54-005	EA	CASE/CYLINDER - LOCKING - W/O CAM/KEY - 1.25"	703175					
1	110506-59-006	EA	KEYS - SET OF 2	596726					
2	110506-52-006	EA	CASE/CYLINDER - LOCKING - W/O CAM/KEY - .65"	702376					
2	110506-54-006	EA	CASE/CYLINDER - LOCKING - W/O CAM/KEY - 1.25"	703176					

## WINDOW, VENT & EXTERIOR DOOR GROUP (CONTINUED)

### BRIGGS & STRATTON TRUNK DOOR LOCKS & COMPONENTS

NOTE:  
 WHEN ORDERING THE LOCK ASM, THE KEY CODE MUST MATCH THE LAST DIGIT OF THE VEHICLE'S SERIAL NUMBER AND PART NUMBER; WHEN ORDERING THE KEYS, THE THIRD DIGIT OF THE KEY CODE MUST MATCH THE LAST DIGIT OF THE VEHICLE'S SERIAL NUMBER AND PART NUMBER



KEY	PART NUMBER	U/M	DESCRIPTION	VENDOR NO.	KEY	PART NUMBER	U/M	DESCRIPTION	VENDOR NO.
1	110506-59-000	EA	KEYS - SET OF 2	596720	1	110506-59-006	EA	KEYS - SET OF 2	596726
2	131035-01-710	EA	LOCK ASSEMBLY - KEYED		2	131035-01-706	EA	LOCK ASSEMBLY - KEYED	
1	110506-59-001	EA	KEYS - SET OF 2	596721	1	110506-59-007	EA	KEYS - SET OF 2	596727
2	131035-01-701	EA	LOCK ASSEMBLY - KEYED		2	131035-01-707	EA	LOCK ASSEMBLY - KEYED	
1	110506-59-002	EA	KEYS - SET OF 2	596722	1	110506-59-008	EA	KEYS - SET OF 2	596728
2	131035-01-702	EA	LOCK ASSEMBLY - KEYED		2	131035-01-708	EA	LOCK ASSEMBLY - KEYED	
1	110506-59-003	EA	KEYS - SET OF 2	596723	1	110506-59-009	EA	KEYS - SET OF 2	596729
2	131035-01-703	EA	LOCK ASSEMBLY - KEYED		2	131035-01-709	EA	LOCK ASSEMBLY - KEYED	
1	110506-59-004	EA	KEYS - SET OF 2	596724	3	131035-01-700	EA	HARDWARE PACKAGE STRATEC	
2	131035-01-704	EA	LOCK ASSEMBLY - KEYED			131035-01-700	EA	KEY BLANK (GOLD)	
1	110506-59-005	EA	KEYS - SET OF 2	596725	4	131035-60-000	EA	CAM - LOCK - COMPRESSION	
2	131035-01-705	EA	LOCK ASSEMBLY - KEYED						

**WINDOW, VENT & EXTERIOR DOOR GROUP (CONTINUED)**

**ELIXIR POWERED ROOF VENT**

**KEY PART NUMBER U/M DESCRIPTION**  
 \* 122882-02-01A EA VENT - ROOF - W/FAN - POWERED - W/O INSIDE GARNISH

**ELIXIR NONPOWERED ROOF VENT**

**KEY PART NUMBER U/M DESCRIPTION**  
 \* 122882-01-01A EA VENT - ROOF - NONPOWERED - W/O INSIDE GARNISH

**FANTASTIC VENT - 1000B - US**

**KEY PART NUMBER U/M DESCRIPTION**  
 \* 084079-01-000 EA VENT - CEILING - EXHAUST - POWER - 1000B

**FANTASTIC VENT - 1000B - CANADIAN**

**KEY PART NUMBER U/M DESCRIPTION**  
 \* 084079-08-000 EA VENT - CEILING - POWERED EXHAUST - OFF WHITE

**FANTASTIC VENT - 4000-1**

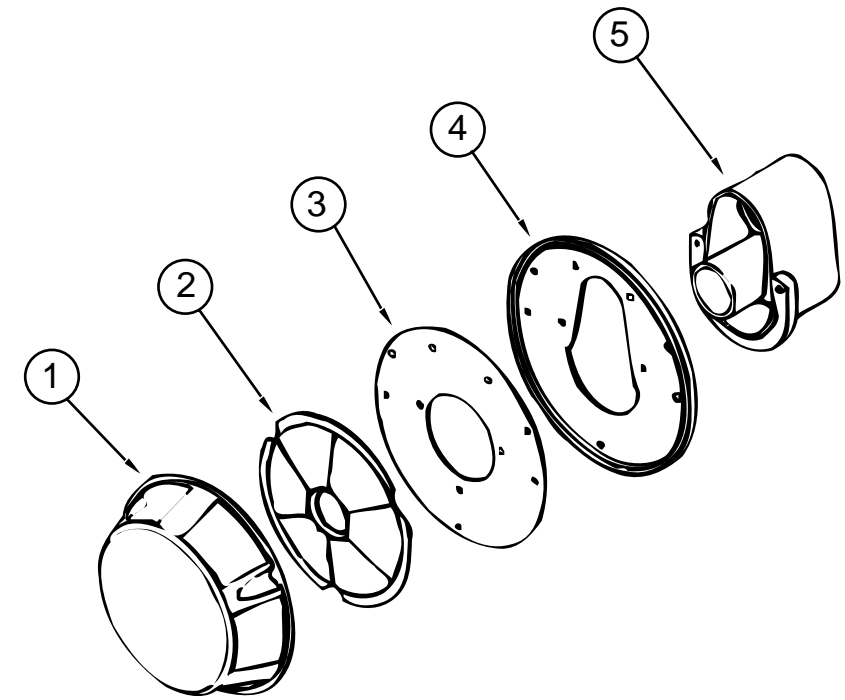
**KEY PART NUMBER U/M DESCRIPTION**  
 \* 123780-01-01A EA VENT - EXHAUST - 1" ROOF - 4000-1-WDW

**PLUMBING VENTS**

**KEY PART NUMBER U/M DESCRIPTION**  
 083558-06-000 EA VENT - ROOF PLUMBING PIPE - COVERED

**\*COMPONENT PARTS FOUND IN SERVICE PARTS LIBRARY**

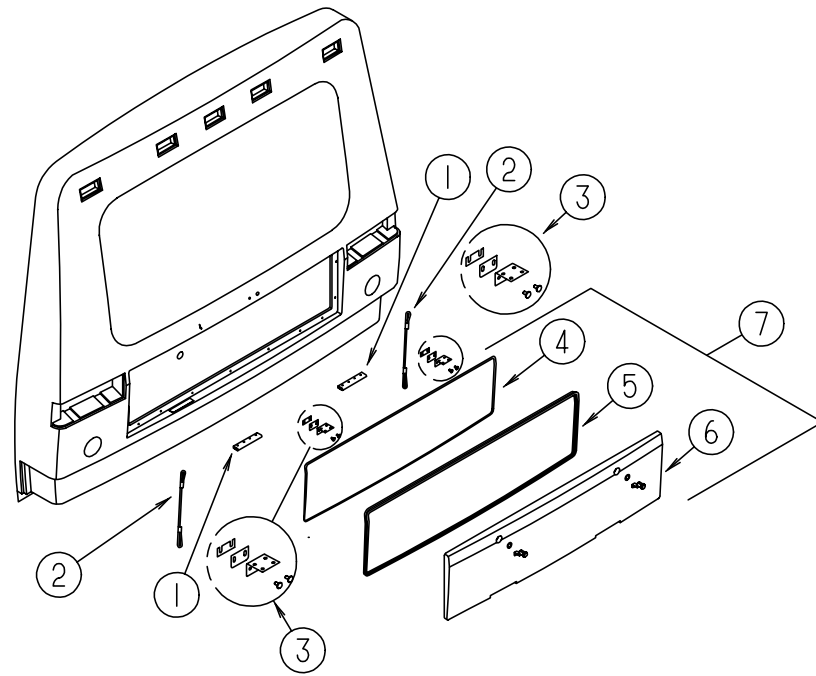
**WINDOW, VENT & EXTERIOR DOOR GROUP (CONTINUED)**



**NORCOLD REFRIGERATOR VENT**

KEY	PART NUMBER	U/M DESCRIPTION	VENDOR NO.
	113736-01-01A	EA VENT KIT - REFRIGERATOR	
1	113736-01-700	EA COVER - VENT	617920
2	113736-01-701	EA DISK - EXHAUST	617921
3	113736-01-702	EA PLATE - BACKING	617922
4	113736-01-703	EA GASKET - VENT TERMINAL	617924
5	113736-01-704	EA HOUSING - VENT TERMINAL	617923

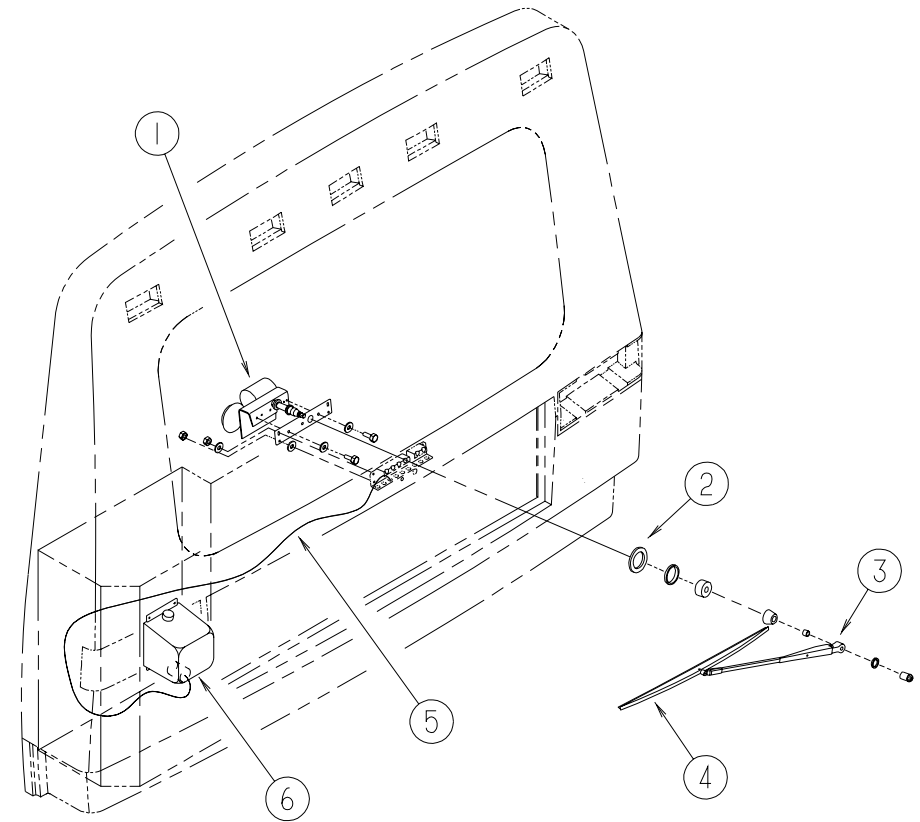
## WINDOW, VENT & EXTERIOR DOOR GROUP (CONTINUED)



**REAR LUGGAGE COMPARTMENT**

KEY	PART NUMBER	U/M	DESCRIPTION
1	124242-01-02A	EA	HINGE - TRUNK DOOR
2	076767-05-000	EA	CABLE - STORAGE DOOR SUPPORT - 1/16" X 15.5"-STAINLESS STL
3	120494-02-01B	EA	SHIM - STRIKER - MILL
3	124793-02-02B	EA	PLATE - STUD
3	124794-01-02B	EA	PLATE - STRIKE
4	124388-01-02B	EA	PANEL - DOOR - COMPT - REAR - INNER
5	112160-01-000	FT	SEAL - D SECTION - .2 X .3" - FOAM RUBBER - BOTTOM ONLY
5	115359-01-000	FT	SEAL - D SECTION - 10 X 12 SPONGE RUBBER - TOP & 2 SIDES
6	124180-01-01A	EA	PANEL-DOOR - COMPT - REAR - OUTER
7	124392-01-H70	EA	DOOR - COMPARTMENT/REAR - W/O LOCK/HARDWARE

## WIPER & WASHER (REAR) GROUP



**REAR WIPER & WASHER**

KEY	PART NUMBER	U/M	DESCRIPTION	VENDOR NO.
1	104346-01-000	EA	WIPER MOTOR - "CHEV CHASSIS" - COAST TO PARK	
1	085721-03-000	EA	MOTOR - WIPER - 108 DEGREE - REAR WINDOW	
	085721-02-700	EA	ARM - REAR WIPER MOTOR DRIVE - 3"	6211140LE25WJ
	085721-03-700	EA	PIVOT	62714-40-SH25WJ
	085721-03-701	EA	LINK - CONNECTING	LK721014
	085721-03-702	EA	BRACKET	620570-40-BK25WJ
	085721-03-703	EA	CLIP-SPRING	17815
2	061603-01-000	EA	GROMMET - SNAP - 3/16"ID - 3/8" HOLE - PLASTIC BLACK	
3	096931-01-000	EA	ARM - WIPER - 20"	
	096931-01-700	FT	HOSE - WASHER - 1/8" ID	
	096931-01-701	EA	NOZZLE - HARDWARE KIT	
	096931-01-702	EA	NUT - 52695-40-NT27WC	
	096931-01-703	EA	SHORT SCREW - 52696-40-SC27WC	
	096931-01-704	EA	LONG SCREW - 52697-40-SC27WC	
	096931-01-705	EA	PLASTIC CAP - 52699-40-CP27WC	
	096931-01-706	EA	SPRAY NOZZLE - 52698-40-NZ27WC	
4	097978-01-000	EA	BLADE - WIPER - FLEX 22 INCH	
5	045794-01-000	FT	HOSE - WASHER - WINDSHIELD - 5/32" ID - BLACK	
6	117766-02-000	EA	RESERVOIR/PUMP - WINDSHIELD WASHER	
	096057-02-000	EA	FITTING - WINDSHIELD WASHER	
	009426-01-000	EA	HATCH - POWER CORD - WHITE	