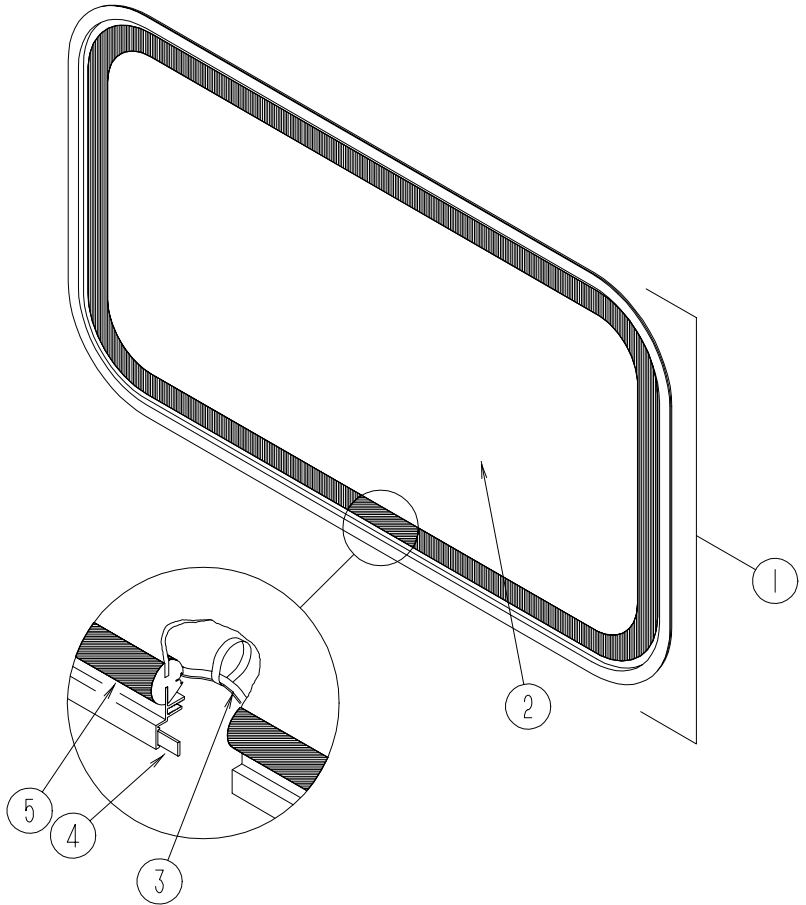
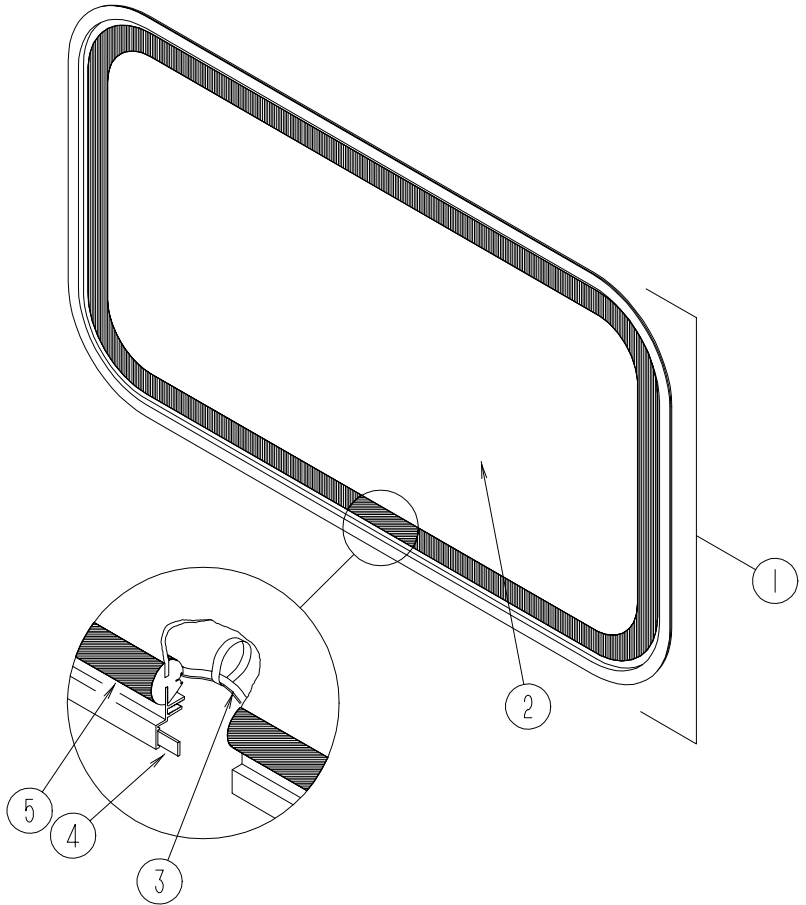


ESCAPE WINDOW



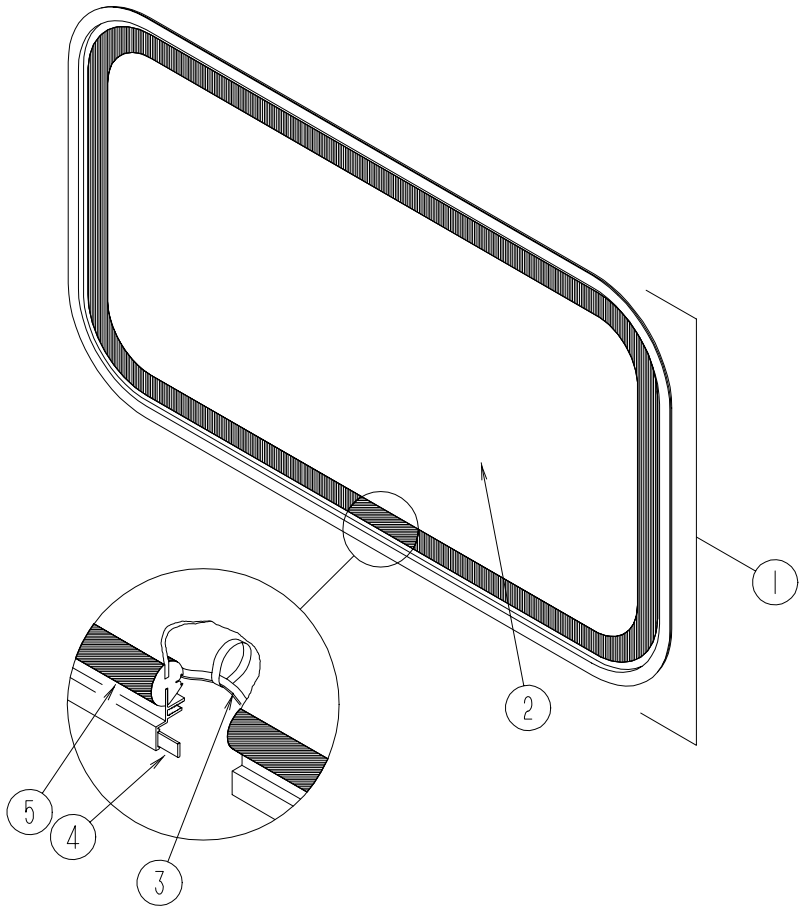
KEY	PART NUMBER	U/M	DESCRIPTION
1	078528-03-Y12	EA	WINDOW ASM - ESCAPE
2	076337-08-000	EA	GLASS - EGRESS - 1138.4 X 598.1
3	002285-01-000	FT	FILLER - WEATHERSTRIP - RUBBER - BLACK
4	069640-11-000	FT	SEALER - TAPE - .19"THICK X .38"WIDE X 40' - BLACK
5	002282-09-000	EA	W/STR-WINDOW,.125 BLK,130.53
	053752-09-000	GL	SEAM SEALER-5 GAL,CLEAR
	102922-01-000	FT	RED POLY.005X.500INX150'ROLL

ESCAPE WINDOW



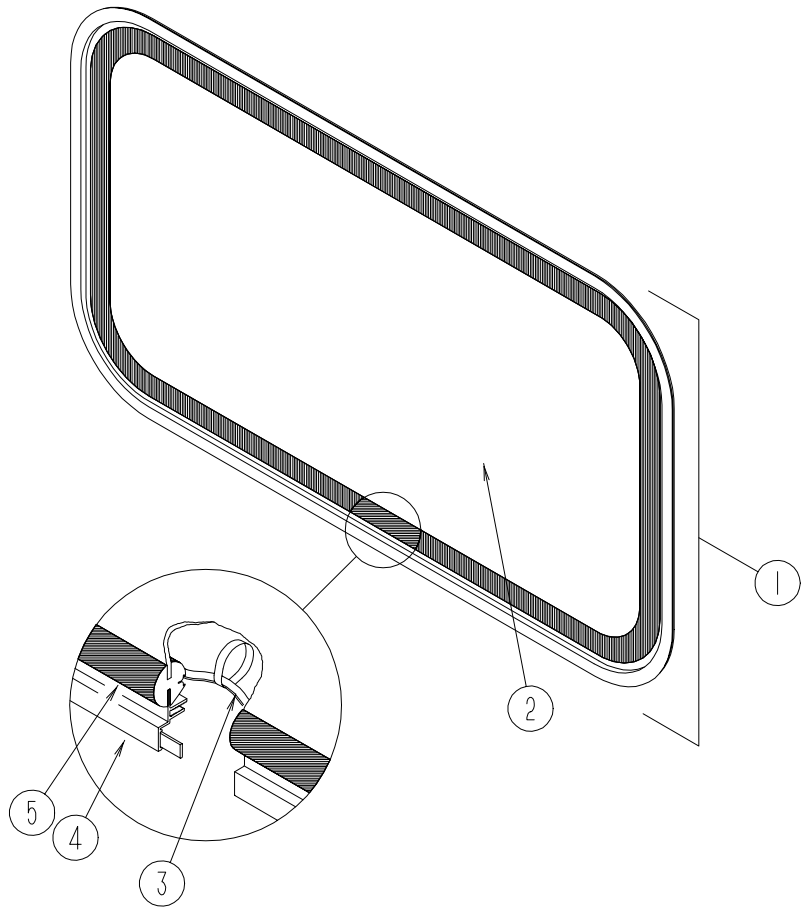
KEY	PART NUMBER	U/M	DESCRIPTION
1	078528-06-E10	EA	WINDOW ASM-ESCAPE
2	076337-12-000	EA	GLASS-EGRESS,1157.4 X 548.1
3	002285-01-000	FT	FILLER - WEATHERSTRIP - RUBBER - BLACK
4	069640-11-000	FT	SEALER - TAPE - .19"THICK X .38"WIDE X 40' - BLACK
5	002282-09-000	EA	W/STR-WINDOW,.125 BLK,130.53
	053752-09-000	GL	SEAM SEALER-5 GAL,CLEAR
	102922-01-000	FT	RED POLY.005X.500INX150'ROLL

ESCAPE WINDOW



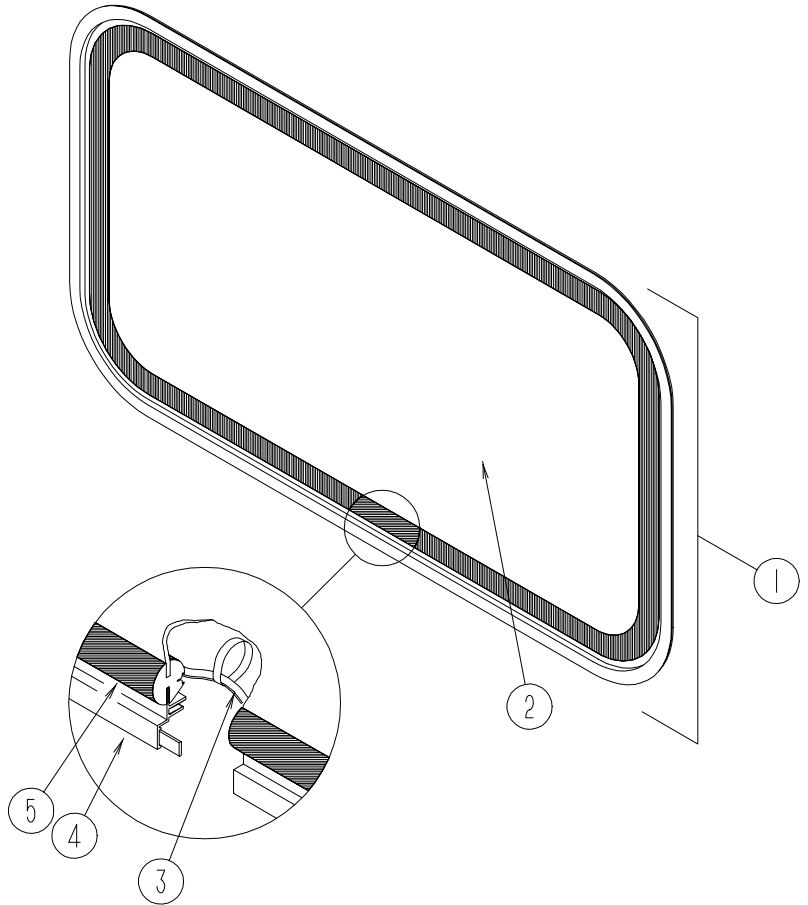
KEY	PART NUMBER	U/M	DESCRIPTION
1	078528-07-F15	EA	WINDOW ASM-ESCAPE CLEAR
2	076337-13-000	EA	GLASS-EGRESS 1157 X 548 CLR
3	002285-01-000	FT	FILLER - WEATHERSTRIP - RUBBER - BLACK
4	069640-11-000	FT	SEALER - TAPE - .19"THICK X .38"WIDE X 40' - BLACK
5	002282-09-000	EA	W/STR-WINDOW,.125 BLK,130.53
	004018-01-000	FT	ADHESIVE-COLDBOND
	053752-09-000	GL	SEAM SEALER-5 GAL,CLEAR
	102922-01-000	FT	RED POLY.005X.500INX150'ROLL

ESCAPE WINDOW



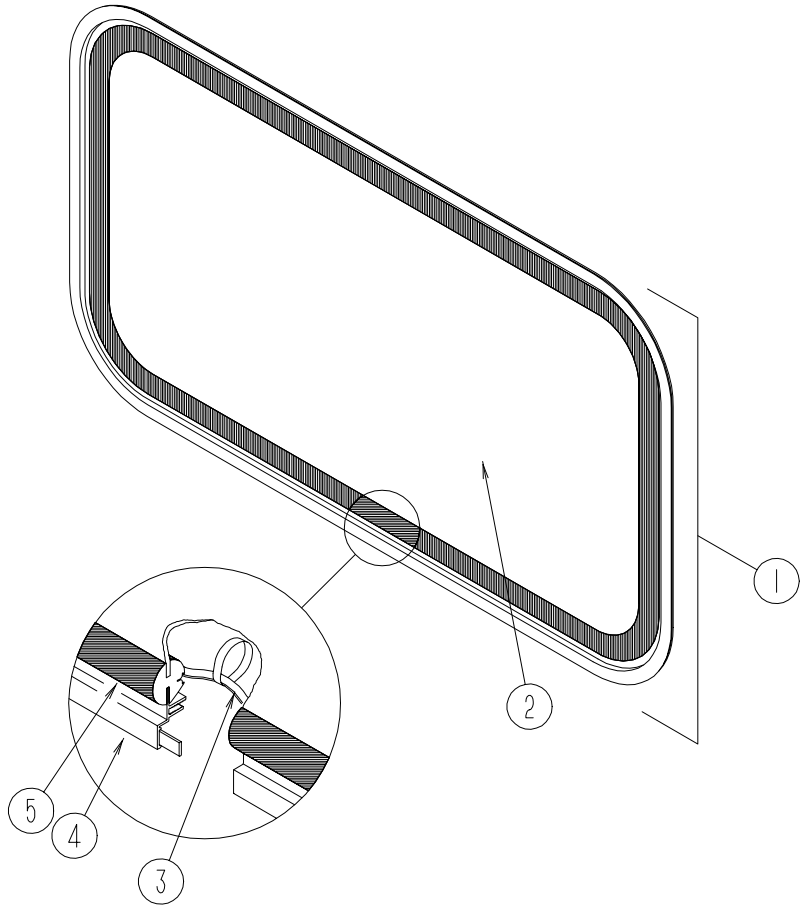
KEY	PART NUMBER	U/M	DESCRIPTION
1	078528-12-FB1	EA	WINDOW - ESCAPE - W/O INSIDE TRIM - TINTED - 35.6" X 26"
2	076337-17-000	EA	GLASS-EGRESS 589 X 830 GRAY
3	002285-01-000	FT	FILLER - WEATHERSTRIP - RUBBER - BLACK
4	074815-07-000	EA	FRAME - WINDOW - MAIN - ESCAPE - BLACK
5	002282-12-000	EA	WEATHERSTRIP - WINDOW - .125 BLACK - 108.75
	004018-01-000	FT	ADHESIVE - COLDBOND
	053752-02-000	GL	SEAM SEALER - 5 GALLON - BLACK
	102922-01-000	FT	RED POLY.005 X .500IN X 150' ROLL

ESCAPE WINDOW



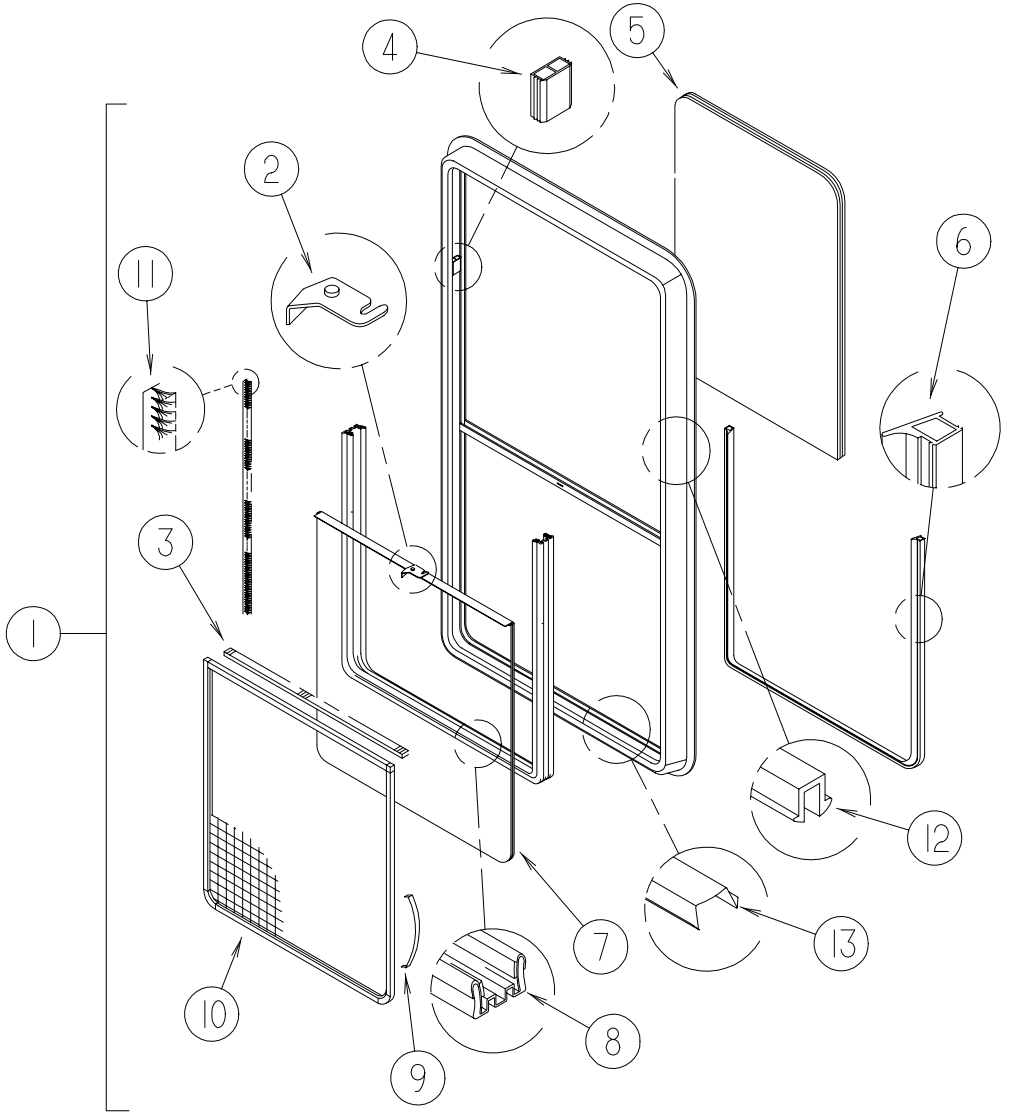
KEY	PART NUMBER	U/M	DESCRIPTION
1	078528-13-F11	EA	WINDOW ASSEMBLY - ESCAPE
2	076337-18-000	EA	GLASS-EGRESS 1443 X 589 GRAY
3	002285-01-000	FT	FILLER - WEATHERSTRIP - RUBBER - BLACK
4	004018-01-000	FT	ADHESIVE - COLDBOND
5	002282-13-000	EA	WEATHERSTRIP - WINDOW - .125 BLACK - 108.75
	053752-02-000	GL	SEAM SEALER - 5 GALLON - BLACK
	102922-01-000	FT	RED POLY.005 X .500IN X 150' ROLL

ESCAPE WINDOW



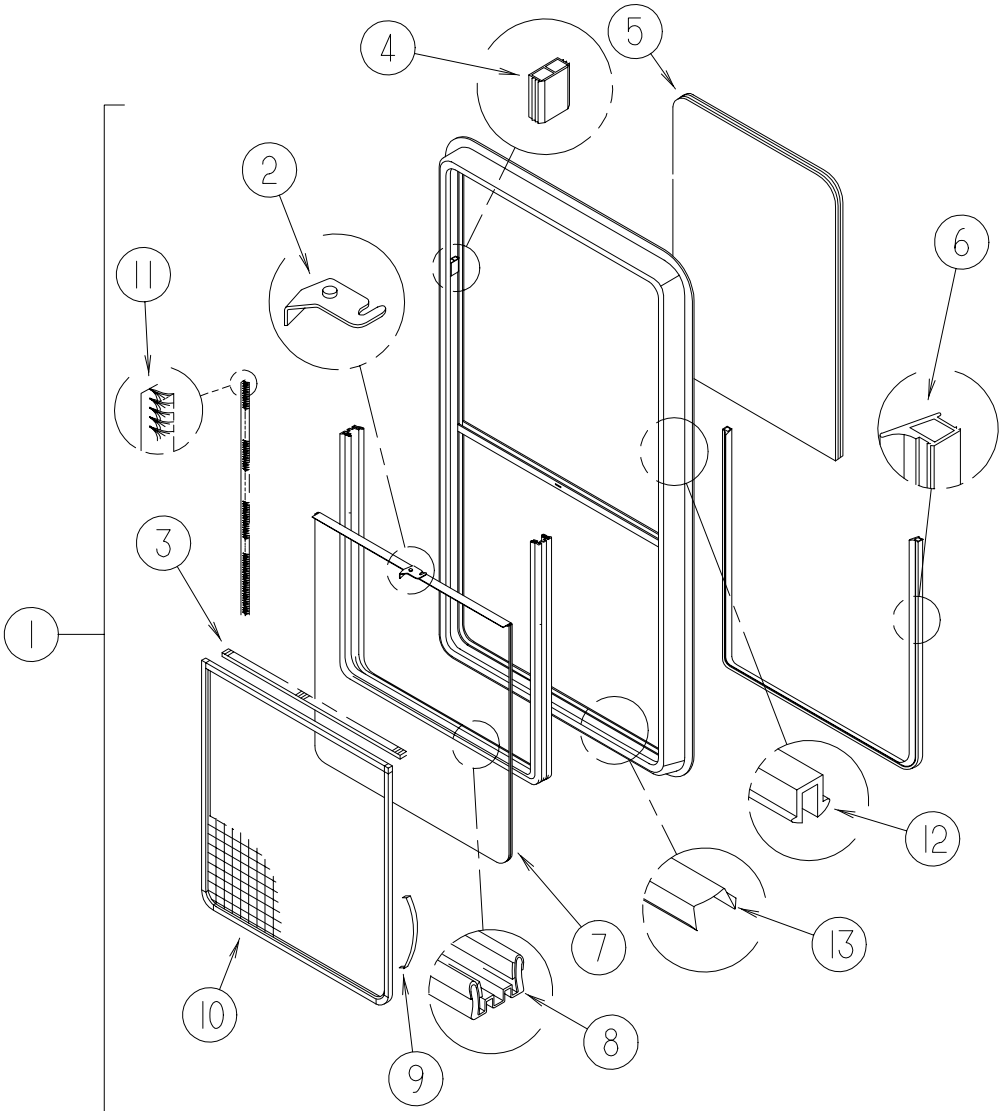
KEY	PART NUMBER	U/M	DESCRIPTION
1	087985-08-GV0	EA	WINDOW - ESCAPE - 28.5" X 47.5"
2	076337-16-000	EA	GLASS-EGRESS 1156 X 672 GRAY
3	002285-01-000	FT	FILLER - WEATHERSTRIP - RUBBER - BLACK
4	121130-01-01A	EA	FRAME - WINDOW - ESCAPE - BLACK
5	002282-11-000	EA	WEATHERSTRIP - WINDOW - .125 BLACK - 140.75
	004018-01-000	FT	ADHESIVE - COLDBOND
	053752-09-000	GL	SEAM SEALER - 5 GALLON - CLEAR
	102922-01-000	FT	RED POLY.005 X .500IN X 150' ROLL

**WINDOW - SLIDER
EXCEL H332-PR**



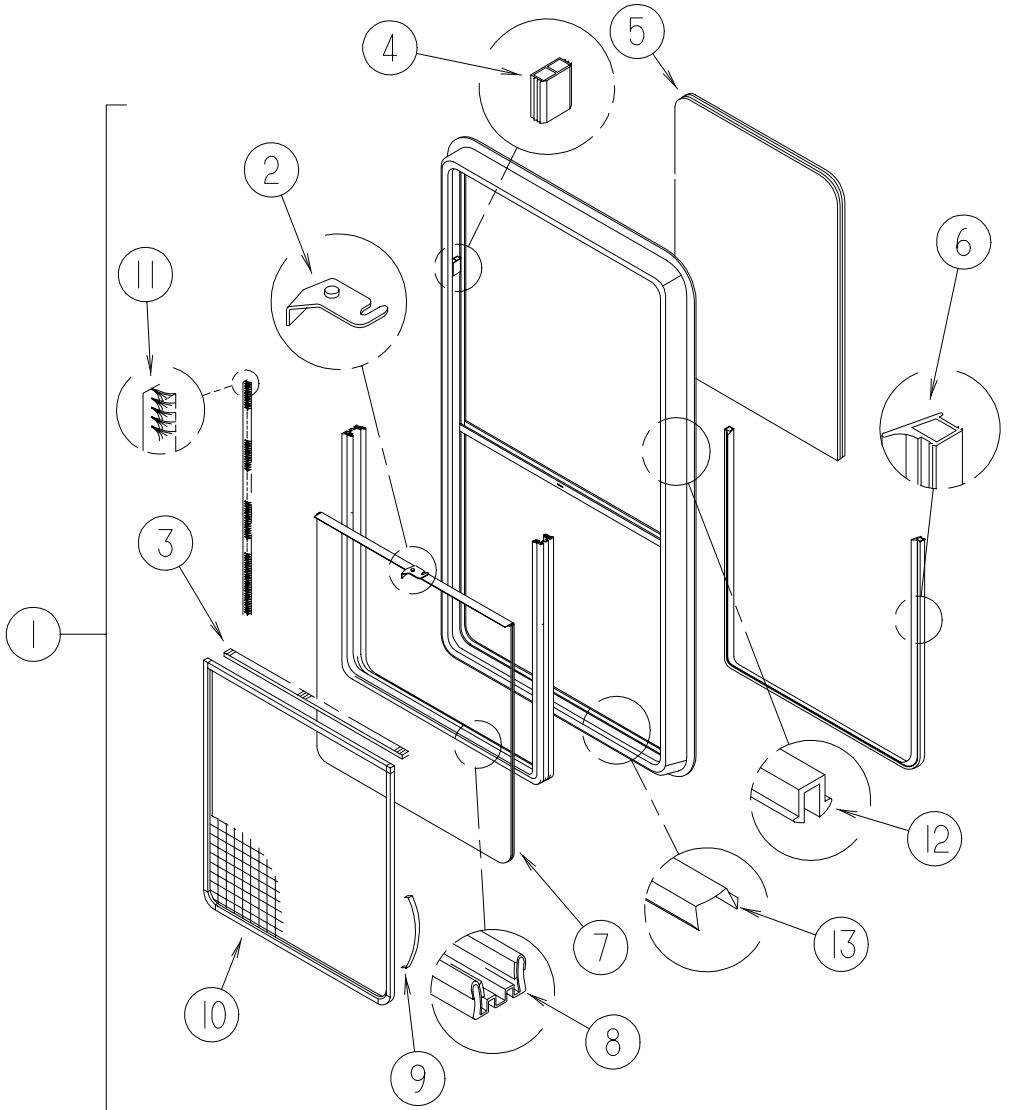
KEY	PART NUMBER	U/M	DESCRIPTION
1	098644-04-02A	EA	WINDOW - VERTICAL SLIDER W/TRIM - TINTED - 31.7" X 21.1"
2	098644-01-700	EA	LATCH - REPAIR KIT (BLACK)
3	098644-01-706	FT	WEATHERSTRIP - GLASS
4	098644-01-719	EA	STOP - SLIDER GLASS
5	098644-04-701	EA	GLASS - STATIONARY
6	098644-01-716	EA	PLUG - FILLER
7	098644-04-702	EA	GLASS - SLIDING - W/SASH & LATCH
8	098644-01-708	FT	CHANNEL - RUN - PIERCED
9	098644-01-713	EA	CLIP - SCREEN - METAL
10	098644-04-703	EA	SCREEN ASSEMBLY - W/SEALS & CLIPS
11	098644-01-711	EA	WEATHERSTRIP - SCREEN - BLACK
12	098644-01-705	FT	GLAZING - STRIP
13	098644-01-710	FT	TRACK - SCREEN SPACER - 12'
	098644-01-717	FT	SPLINE - SCREEN
	098644-04-700	EA	RETAINER - TRIM

**WINDOW - SLIDER
EXCEL H332-PR**



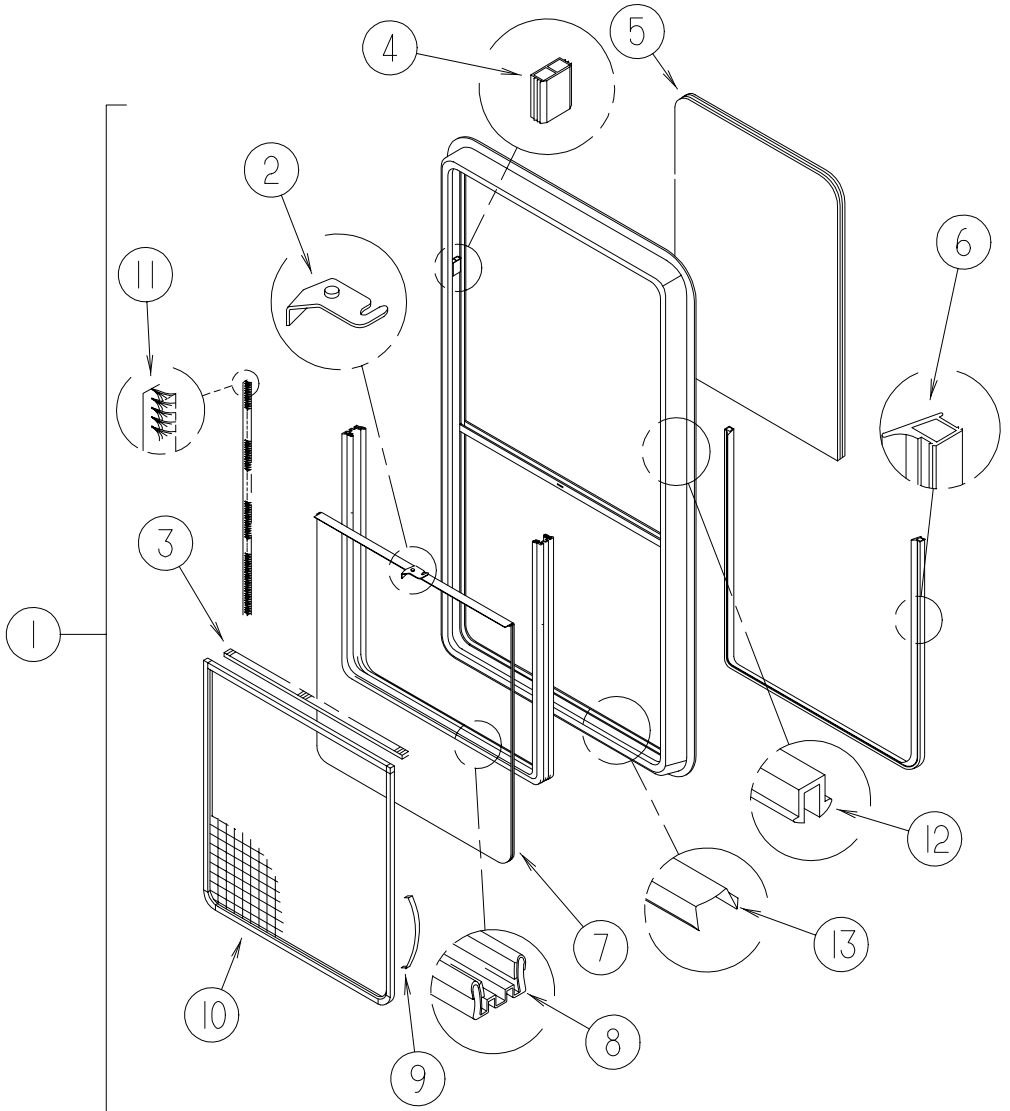
KEY	PART NUMBER	U/M	DESCRIPTION
1	098644-07-01A	EA	WINDOW - VERTICAL SLIDER W/TRIM - TINTED - 30.2" X 14.3"
2	098644-01-700	EA	LATCH ASSEMBLY - BOLT ON
3	098644-01-706	FT	WEATHERSTRIP - GLASS
4	098644-01-719	EA	STOP - SLIDER GLASS
5	098644-07-702	EA	GLASS - STATIONARY
6	098644-01-716	EA	PLUG - FILLER
7	098644-07-703	EA	GLASS - SLIDING - W/SASH & LATCH
8	098644-01-708	FT	CHANNEL - RUN - PIERCED
9	098644-01-713	EA	CLIP - SCREEN - METAL
10	098644-07-704	EA	SCREEN ASSEMBLY - W/SEALS & CLIPS
11	098644-01-711	EA	WEATHERSTRIP - SCREEN - BLACK
12	098644-01-705	FT	GLAZING - STRIP
13	098644-01-710	FT	TRACK - SCREEN SPACER - 12'
	098644-01-717	FT	SPLINE - SCREEN
	098644-07-701	EA	RETAINER - TRIM

**WINDOW - SLIDER
EXCEL H332-PR**



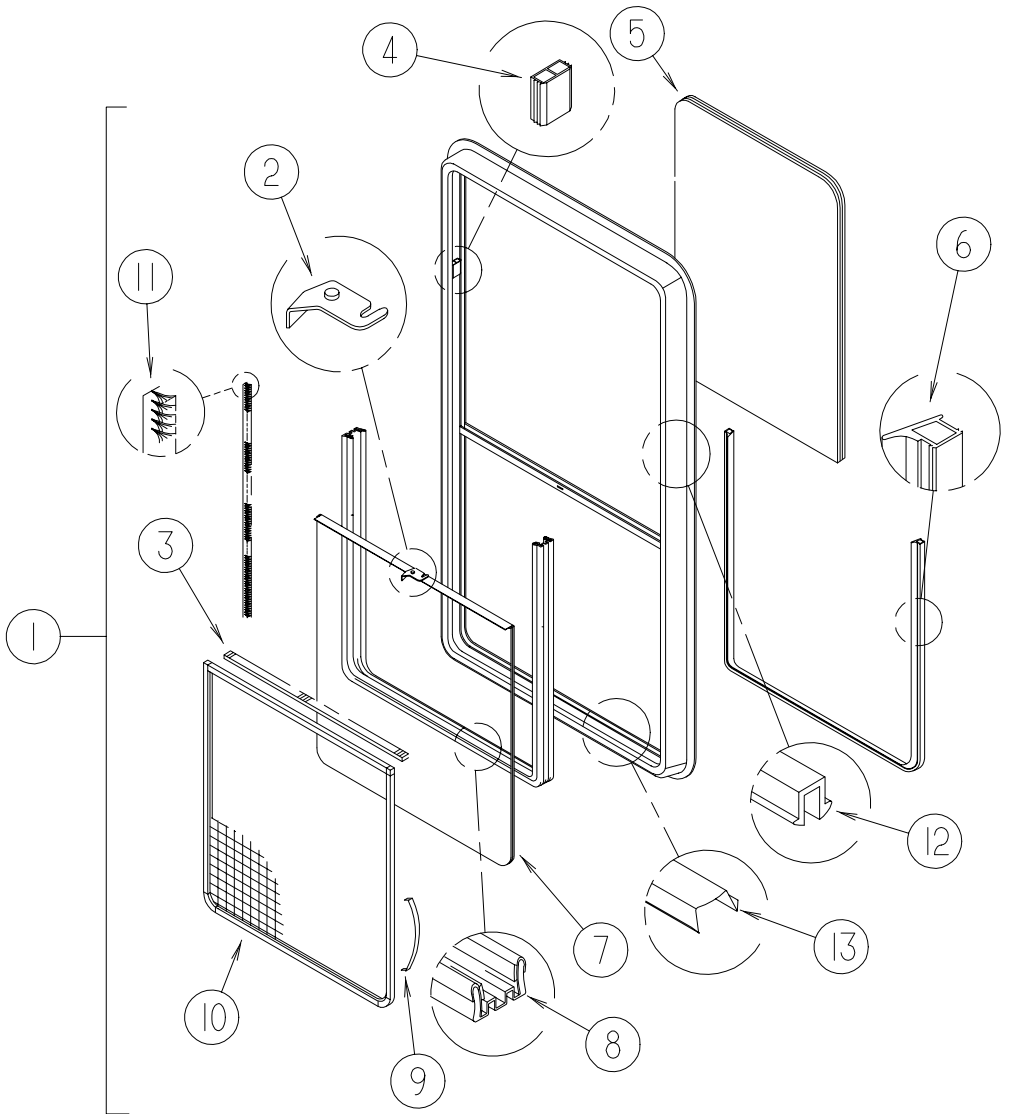
KEY	PART NUMBER	U/M	DESCRIPTION
1	098644-09-01A	EA	WINDOW - VERTICAL SLIDER W/TRIM - TINTED - 31.7" X 21.1"
2	098644-04-703	EA	VERTICAL LATCH (SASH KIT)
3	098644-01-706	FT	WEATHERSTRIP - GLASS
4	098644-01-719	EA	STOP - SLIDER GLASS
5	098644-09-702	EA	GLASS - STATIONARY
6	098644-01-716	EA	PLUG - FILLER
7	098644-09-703	EA	GLASS - SLIDING - W/SASH & LATCH
8	098644-01-708	FT	CHANNEL - RUN - PIERCED
9	098644-01-713	EA	CLIP - SCREEN - METAL
10	098644-09-704	EA	SCREEN ASSEMBLY - W/SEALS & CLIPS
11	098644-01-711	EA	WEATHERSTRIP - SCREEN - BLACK
12	098644-01-705	FT	GLAZING - STRIP
13	098644-01-710	FT	TRACK - SCREEN SPACER - 12'
	098644-01-717	FT	SPLINE - SCREEN
	098644-09-701	EA	RETAINER - TRIM

**WINDOW - SLIDER
EXCEL H464-G1W66**



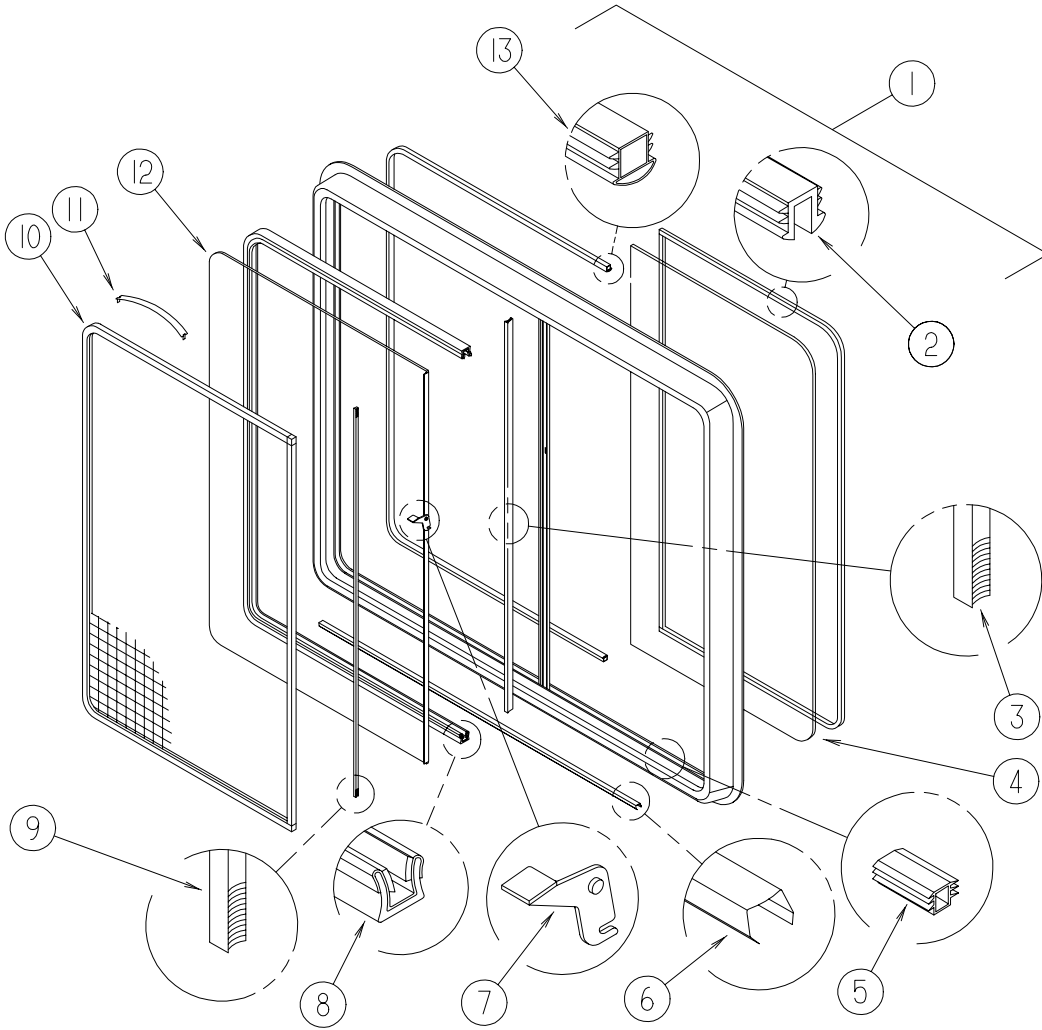
KEY	PART NUMBER	U/M	DESCRIPTION
1	098644-10-01A	EA	WINDOW - VERTICAL SLIDER W/TRIM - TINTED - 25" X 27"
2	098644-01-700	EA	LATCH - REPAIR KIT (BLACK)
3	098644-01-706	FT	WEATHERSTRIP - GLASS
4	098644-01-719	EA	STOP - SLIDER GLASS
5	098644-10-702	EA	GLASS - STATIONARY
6	098644-01-716	EA	PLUG - FILLER
7	098644-10-701	EA	GLASS - SLIDING - W/SASH & LATCH
8	098644-01-708	FT	CHANNEL - RUN - PIERCED
9	098644-01-713	EA	CLIP - SCREEN - METAL
10	098644-10-700	EA	SCREEN ASSEMBLY - W/SEALS & CLIPS
11	098644-01-711	EA	WEATHERSTRIP - SCREEN - BLACK
12	098644-01-705	FT	GLAZING - STRIP
13	098644-01-710	FT	TRACK - SCREEN SPACER - 12'
	098644-01-717	FT	SPLINE - SCREEN
	098644-10-703	EA	RETAINER - TRIM

WINDOW - SLIDER



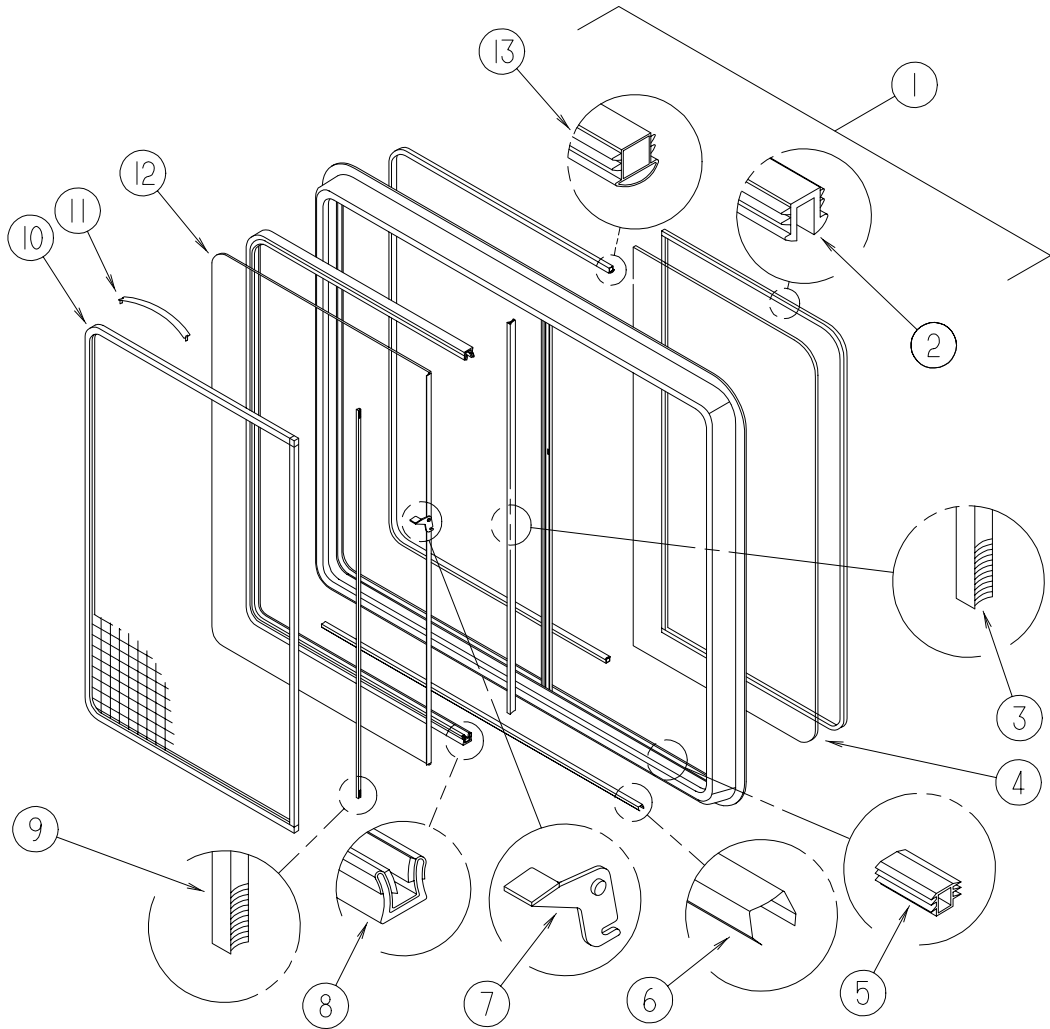
KEY	PART NUMBER	U/M	DESCRIPTION
1	098644-11-01A	EA	WINDOW - VERTICAL SLIDER W/TRIM - TINTED - 26.4" X 27"
2	098644-01-700	EA	LATCH - ASSEMBLY - BOLT ON
3	098644-01-706	FT	WEATHERSTRIP - GLASS
4	098644-01-719	EA	STOP - SLIDER GLASS
5	098644-11-700	EA	GLASS - STATIONARY
6	098644-01-716	EA	PLUG - FILLER
7	098644-11-701	EA	GLASS - SLIDING - W/SASH & LATCH
8	098644-01-708	FT	CHANNEL - RUN - PIERCED
9	098644-01-713	EA	CLIP - SCREEN - METAL
10	098644-19-702	EA	SCREEN ASSEMBLY - W/SEALS & CLIPS
11	098644-01-711	EA	WEATHERSTRIP - SCREEN - BLACK
12	098644-01-705	FT	GLAZING - STRIP
13	098644-01-710	FT	TRACK - SCREEN SPACER - 12'
	098644-01-717	FT	SPLINE - SCREEN
	098644-19-703	EA	RETAINER - TRIM

THERMOPANE



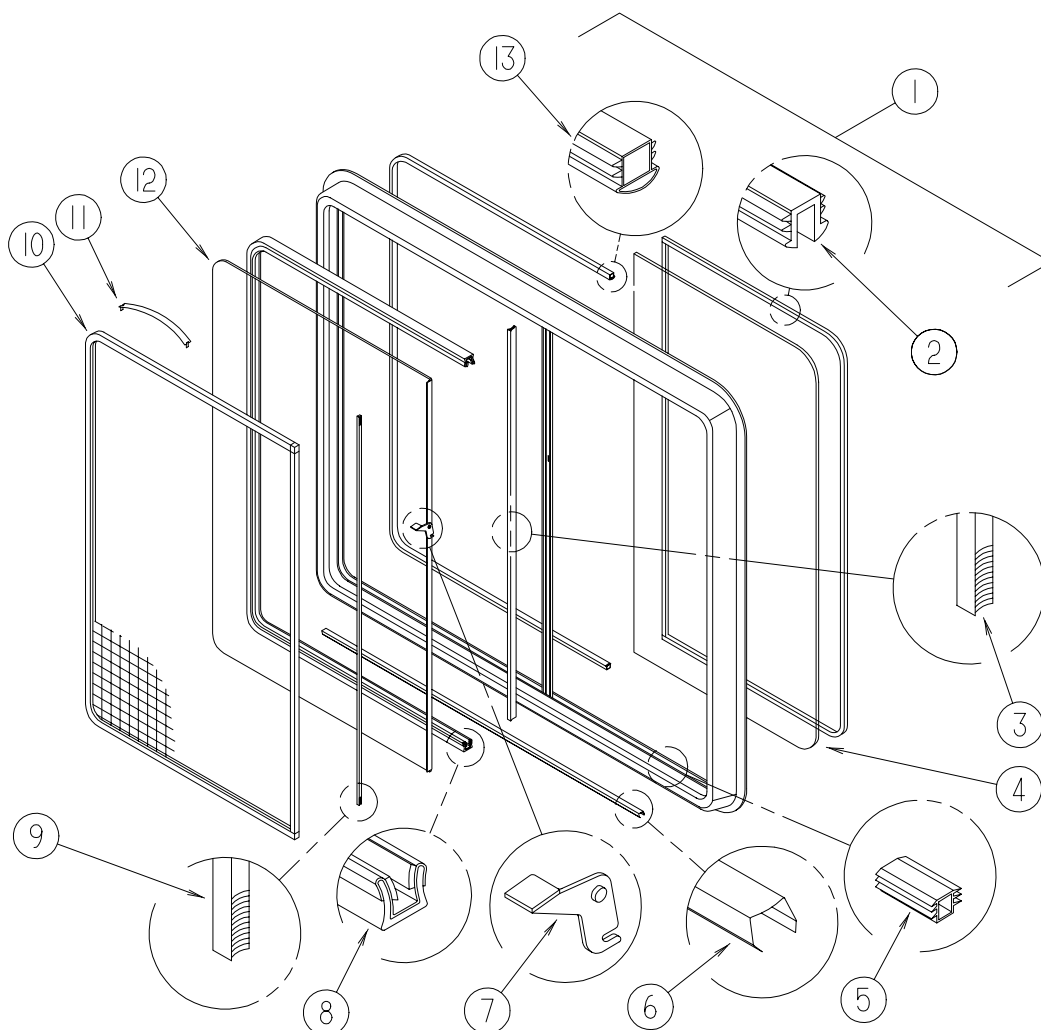
KEY	PART NUMBER	U/M	DESCRIPTION
1	098647-01-02A	EA	WINDOW - PASS HORIZ SLIDER W/TRIM - TINTED - 30.5" X 57.5"
2	098644-01-705	FT	GLAZING - STRIP
3	098644-01-706	FT	WEATHERSTRIP - GLASS
4	098647-01-700	EA	GLASS - STATIONARY 27.7X29.3
5	098644-01-719	EA	STOP - SLIDER GLASS
6	098644-01-710	FT	TRACK - SCREEN SPACER 12'
7	098644-01-700	EA	LATCH - REPAIR KIT (BLACK)
8	098644-01-708	FT	CHANNEL - RUN PIERCED
9	098644-01-711	FT	WEATHERSTRIP - SCREEN BLACK
10	098647-01-706	EA	SCREEN ASM - W/SEALS & CLIPS
11	125582-01-701	EA	CLIP - SCREEN - PLASTIC
11	098644-01-713	EA	CLIP - SCREEN - METAL
12	098647-01-702	EA	GLASS-SLIDING W/SASH & LATCH
13	098644-01-716	FT	PLUG - FILLER
	098644-01-717	FT	SPLINE - SCREEN
	098647-01-707	EA	RETAINER - TRIM

THERMOPANE



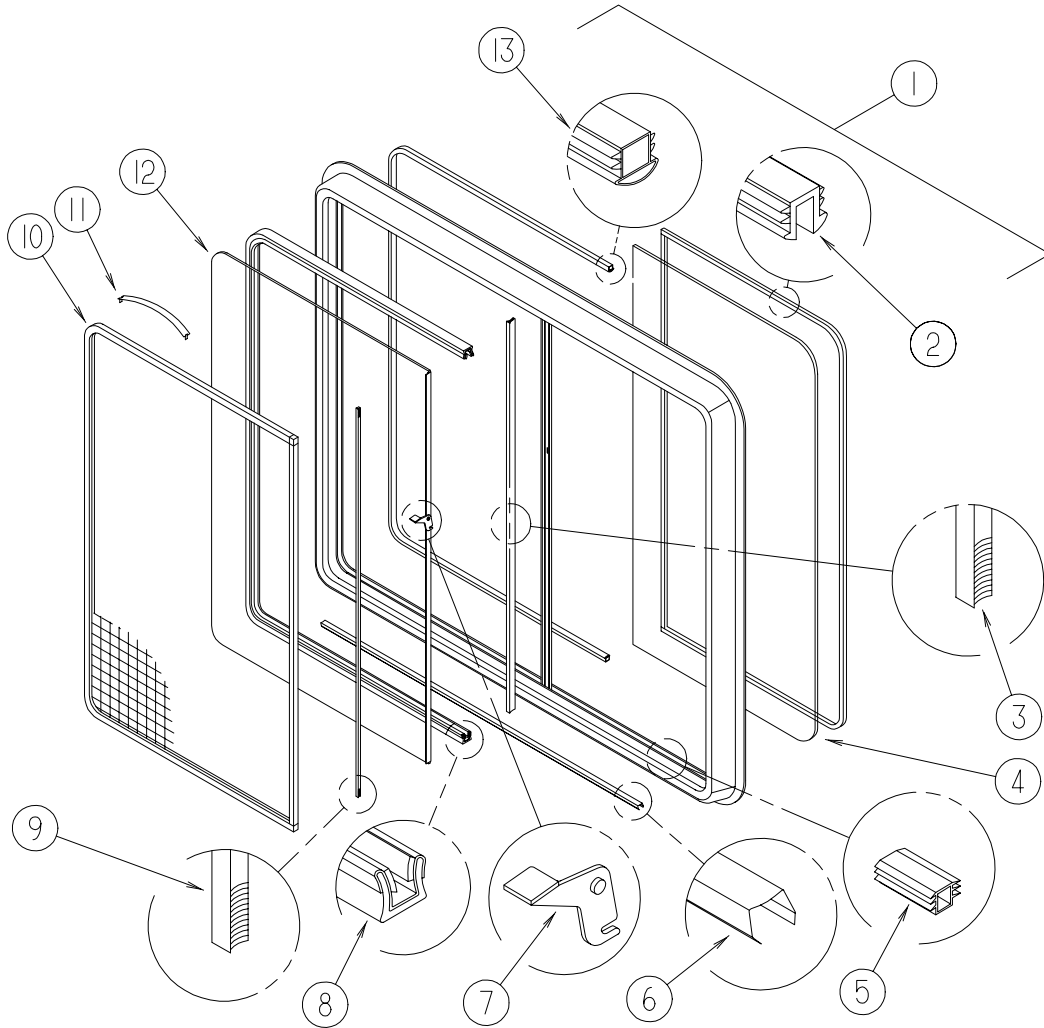
KEY	PART NUMBER	U/M	DESCRIPTION	VENDOR NO.
1	098647-07-01A	EA	WINDOW - DR HORIZ SLIDER W/TRIM - TINTED - 15" X 23.7"	
2	098644-01-705	FT	GLAZING - STRIP	132-010231
3	098644-01-706	FT	WEATHERSTRIP - GLASS	171-010668
4	098647-06-700	EA	GLASS - STATIONARY 10.9X13.8	106-016921
5	098644-01-719	EA	STOP - SLIDER GLASS	132-014203
6	098644-01-710	FT	TRACK - SCREEN SPACER 12'	132-017135
7	098644-01-700	EA	LATCH - REPAIR KIT (BLACK)	B801-CK
8	098644-01-708	FT	CHANNEL - RUN PIERCED	122-016543
9	098644-01-711	FT	WEATHERSTRIP - SCREEN BLACK	171-016965
10	098647-06-703	EA	SCREEN ASM - W/SEALS & CLIPS	410-016477
11	098644-01-713	EA	CLIP - SCREEN - METAL	226-016966
12	098647-06-702	EA	GLASS-SLIDING W/SASH & LATCH	B969-G9
13	098644-01-716	FT	PLUG - FILLER	132-014470
	098644-01-717	FT	SPLINE - SCREEN	132-004716
	098647-06-704	EA	RETAINER - TRIM	B969-67

THERMOPANE



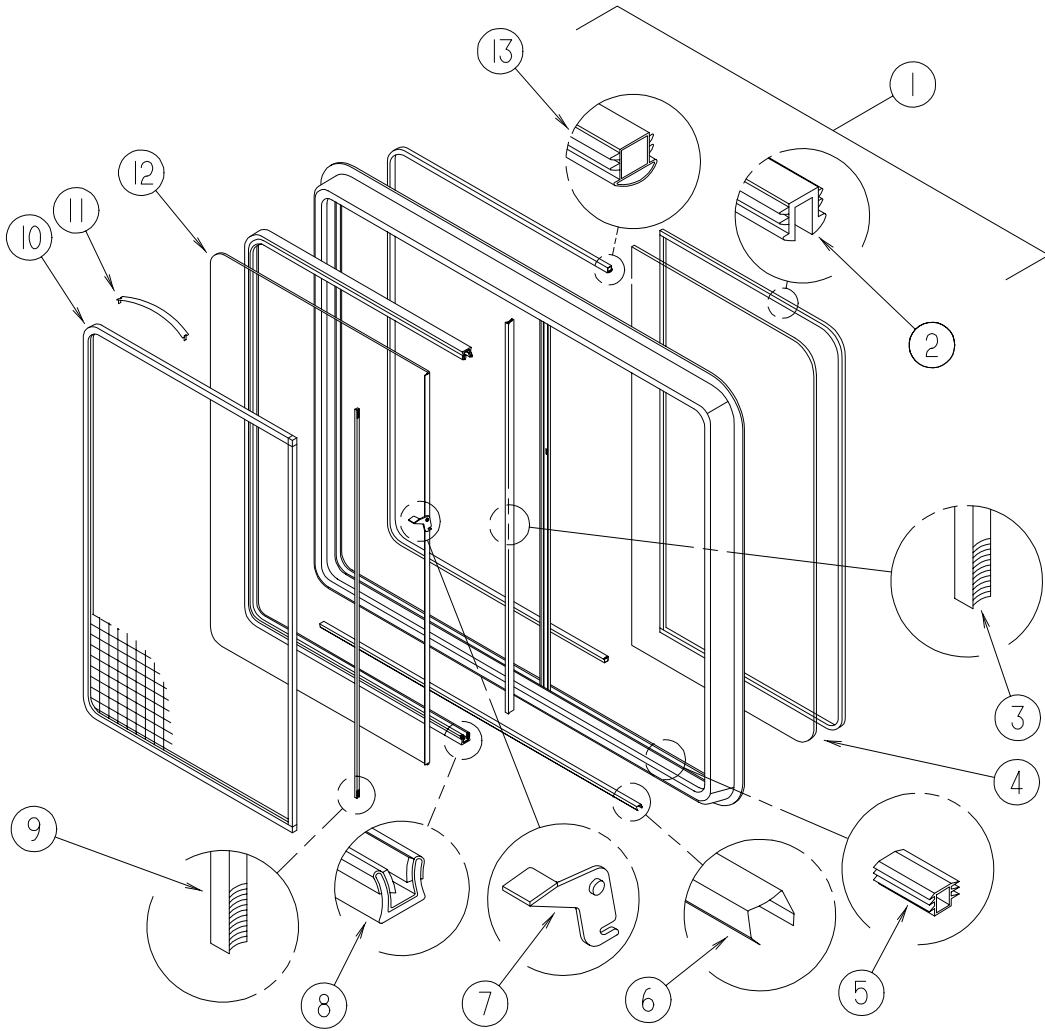
KEY	PART NUMBER	U/M	DESCRIPTION	VENDOR NO.
1	098647-07-02A	EA	WINDOW - DR HORIZ SLIDER W/TRIM - TINTED - 15" X 23.7"	B969G2W66L
2	098644-01-705	FT	GLAZING - STRIP	132-010231
3	098644-01-706	FT	WEATHERSTRIP - GLASS	171-010668
4	098647-06-700	EA	GLASS - STATIONARY 10.9X13.8	106-016921
5	098644-01-719	EA	STOP - SLIDER GLASS	132-014203
6	098644-01-710	FT	TRACK - SCREEN SPACER 12'	132-017135
7	098644-01-700	EA	LATCH - REPAIR KIT (BLACK)	B801-CK
8	098644-01-708	FT	CHANNEL - RUN PIERCED	122-016543
9	098644-01-711	FT	WEATHERSTRIP - SCREEN BLACK	171-016965
10	098647-06-703	EA	SCREEN ASM - W/SEALS & CLIPS	410-016477
11	125582-01-701	EA	CLIP - SCREEN - PLASTIC	130005153
11	098644-01-713	EA	CLIP - SCREEN - METAL	226-016966
12	098647-06-702	EA	GLASS-SLIDING W/SASH & LATCH	B969-G9
13	098644-01-716	FT	PLUG - FILLER	132-014470
	098647-06-701	EA	RAIL - LOCKING W/WEATHERSTRP	B938-17
	098644-01-717	FT	SPLINE - SCREEN	132-004716
	098647-06-706	EA	RETAINER - TRIM	V969-67

THERMOPANE



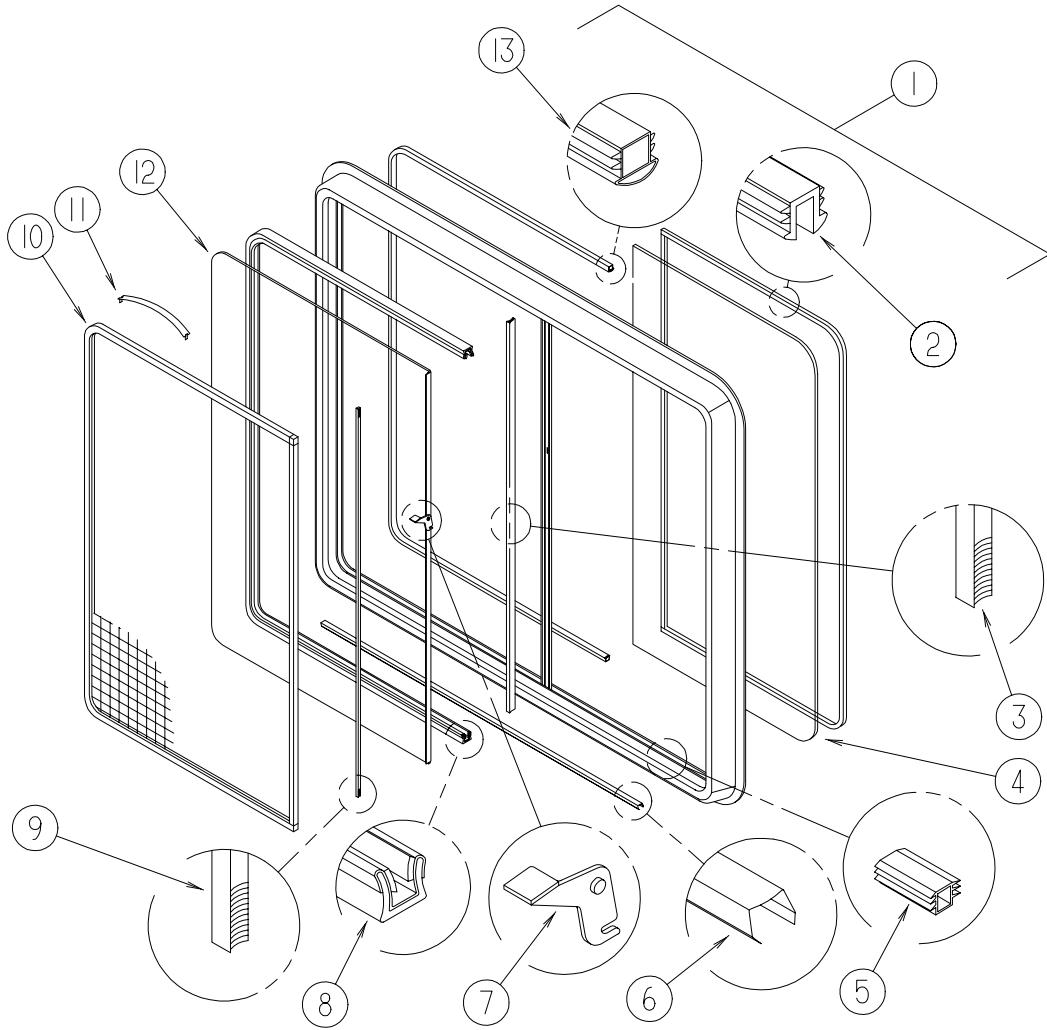
KEY	PART NUMBER	U/M	DESCRIPTION	VENDOR NO.
1	098647-22-01A	EA	WINDOW - DR HORIZ SLIDER W/TRIM - TINTED - 26.1" X 59.7"	132-010231
2	098644-01-705	FT	GLAZING - STRIP	171-010668
3	098644-01-706	FT	WEATHERSTRIP - GLASS	106-017622
4	098647-23-703	EA	GLASS - STATIONARY	132-014203
5	098644-01-719	EA	STOP - SLIDER GLASS	132-017135
6	098644-01-710	FT	TRACK - SCREEN SPACER 12'	B801-CK
7	098644-01-700	EA	LATCH - REPAIR KIT (BLACK)	122-016543
8	098644-01-708	FT	CHANNEL - RUN PIERCED	171-016965
9	098644-01-711	FT	WEATHERSTRIP - SCREEN BLACK	410-019066
10	098647-23-704	EA	SCREEN ASM - W/SEALS & CLIPS	130005153
11	125582-01-701	EA	CLIP - SCREEN - PLASTIC	226-016966
11	098644-01-713	EA	CLIP - SCREEN - METAL	H287-G9
12	098647-23-700	EA	GLASS SLIDING W/SASH & LATCH	132-014470
13	098644-01-716	FT	PLUG - FILLER	132-004716
	098644-01-717	FT	SPLINE - SCREEN	W287-66
	098647-23-702	EA	RETAINER - TRIM	

THERMOPANE



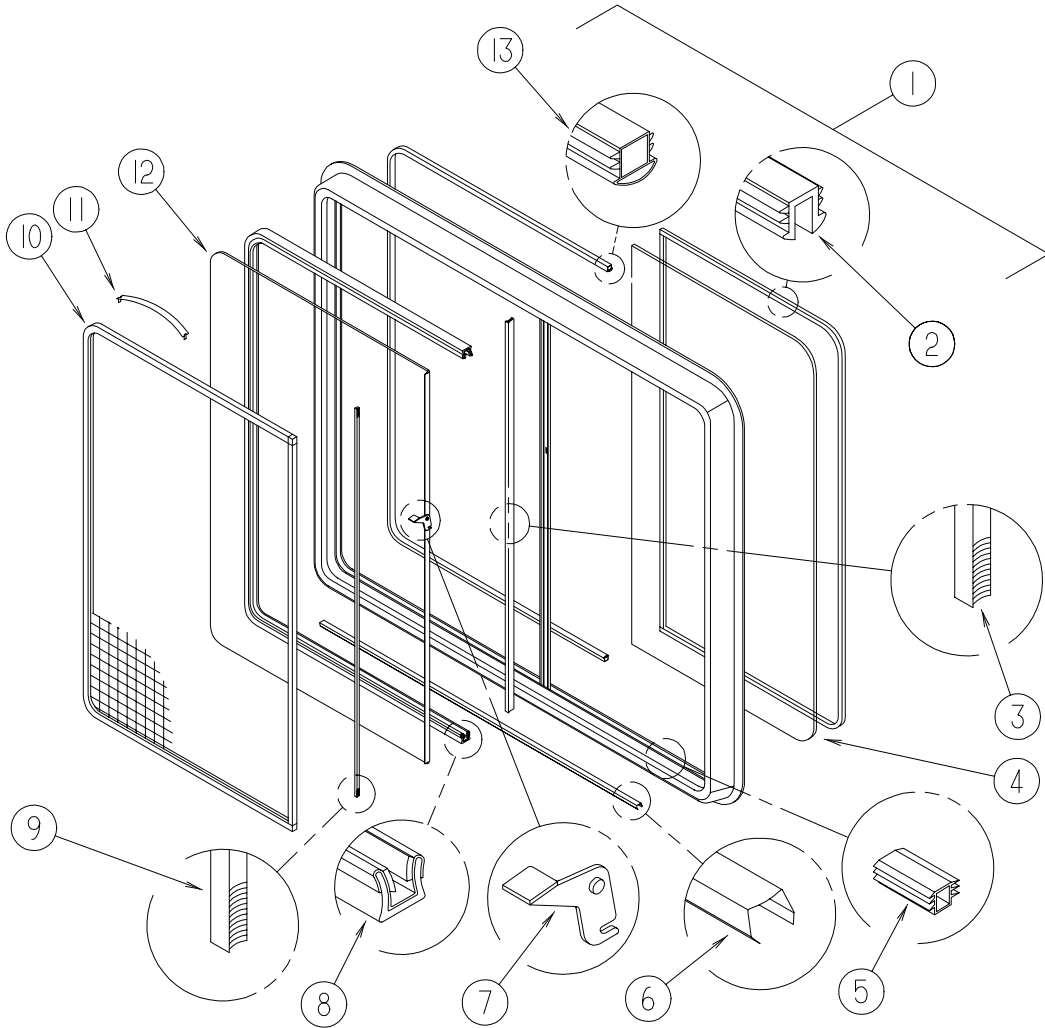
KEY	PART NUMBER	U/M	DESCRIPTION	VENDOR NO.
1	098647-23-01A	EA	WINDOW - PASS HORIZ SLIDER W/TRIM - TINTED - 26.1" X 59.7"	132-010231
2	098644-01-705	FT	GLAZING - STRIP	171-010668
3	098644-01-706	FT	WEATHERSTRIP - GLASS	106-017622
4	098647-23-703	EA	GLASS - STATIONARY	132-014203
5	098644-01-719	EA	STOP - SLIDER GLASS	132-017135
6	098644-01-710	FT	TRACK - SCREEN SPACER 12'	122-016543
7	098644-01-700	EA	LATCH - REPAIR KIT (BLACK)	B801-CK
8	098644-01-708	FT	CHANNEL - RUN PIERCED	122-016543
9	098644-01-711	FT	WEATHERSTRIP - SCREEN BLACK	171-016965
10	098647-23-704	EA	SCREEN ASM - W/SEALS & CLIPS	410-019066
11	125582-01-701	EA	CLIP - SCREEN - PLASTIC	130005153
11	098644-01-713	EA	CLIP - SCREEN - METAL	226-016966
12	098647-23-700	EA	GLASS SLIDING W/SASH & LATCH	H287-G9
13	098644-01-716	FT	PLUG - FILLER	132-014470
	098644-01-717	FT	SPLINE - SCREEN	132-004716
	098647-23-702	EA	RETAINER - TRIM	W287-66

WINDOW



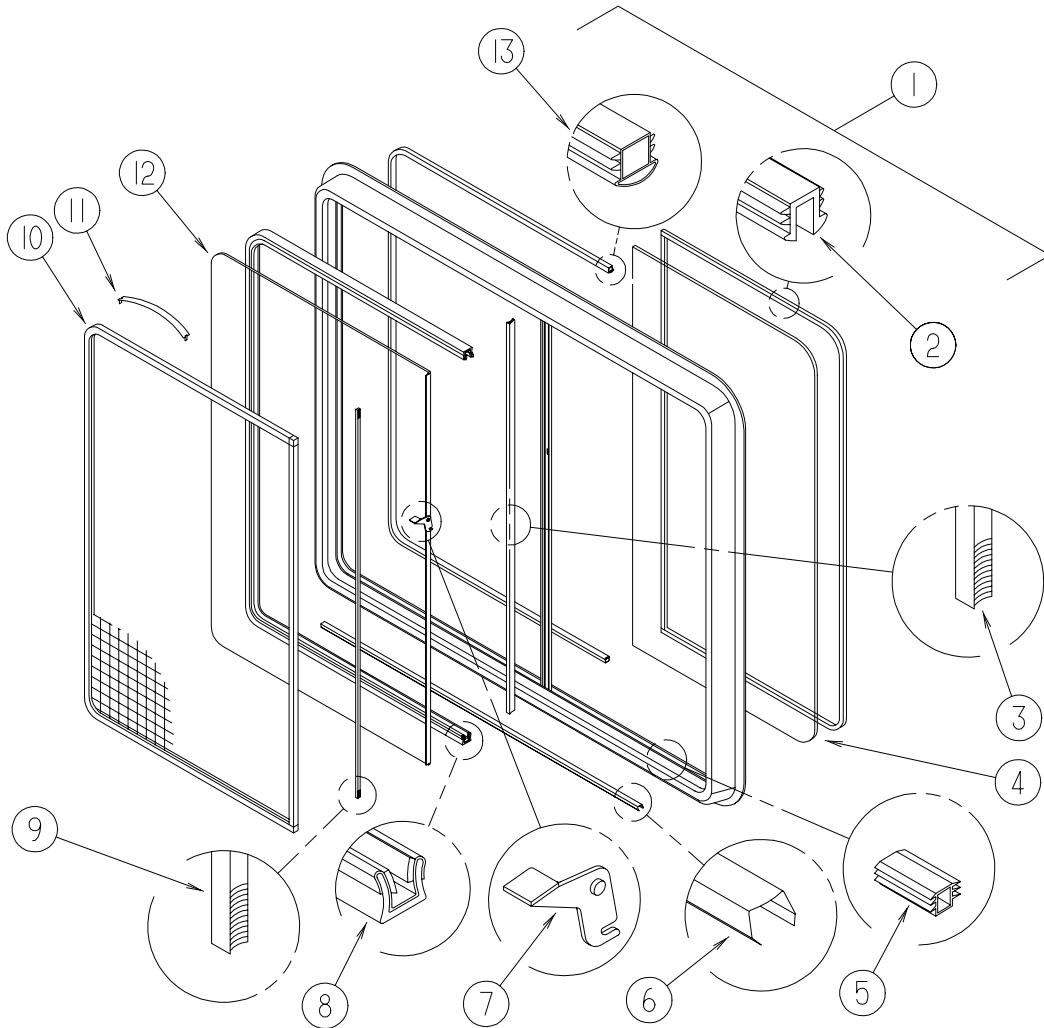
KEY	PART NUMBER	U/M	DESCRIPTION	VENDOR NO.
1	098647-24-01A	EA	WINDOW - PASS HORIZ SLIDER W/TRIM - TINTED - 26.1" X 53.8" H415-G2W66R	
2	098644-01-705	FT	GLAZING - STRIP	132-010231
3	098644-01-706	FT	WEATHERSTRIP - GLASS	171-010668
4	098647-35-701	EA	GLASS - STATIONARY	106-019119
5	098644-01-719	EA	STOP - SLIDER GLASS	132-014203
6	098644-01-710	FT	TRACK - SCREEN SPACER 12'	132-017135
7	098644-01-700	EA	LATCH - REPAIR KIT (BLACK)	B801-CK
8	098644-01-708	FT	CHANNEL - RUN PIERCED	122-016543
9	098644-01-711	FT	WEATHERSTRIP - SCREEN BLACK	171-016965
10	098647-36-704	EA	SCREEN ASM - W/SEALS & CLIPS	410-017750
11	098644-01-713	EA	CLIP - SCREEN - METAL	226-016966
12	098647-35-702	EA	GLASS-SLIDING W/SASH & LATCH	H279-G9
13	098644-01-716	FT	PLUG - FILLER	132-014470
	098644-01-717	FT	SPLINE - SCREEN	132-004716
	098647-36-701	EA	RETAINER - TRIM	CW80-66

THERMOPANE



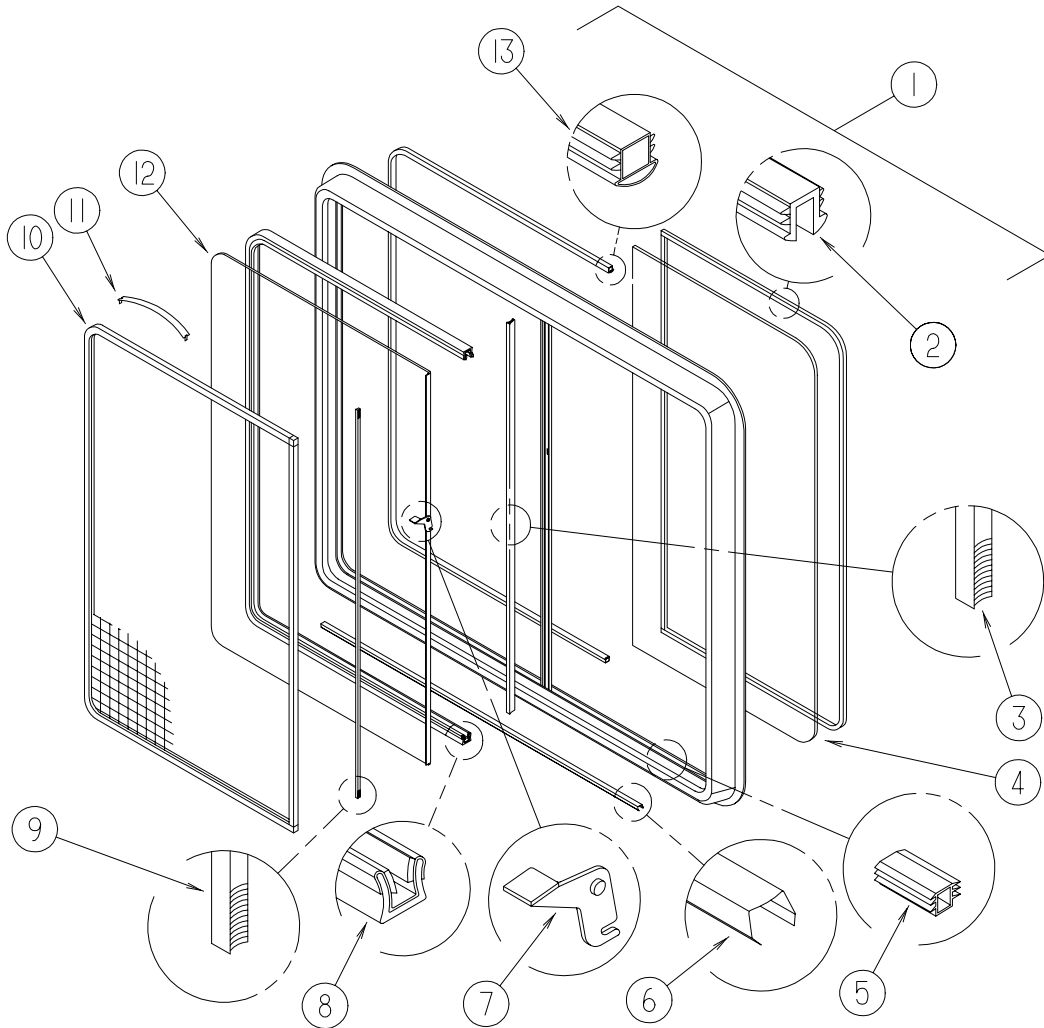
KEY	PART NUMBER	U/M	DESCRIPTION	VENDOR NO.
1	098647-25-01A	EA	WINDOW - PASS HORIZ SLIDER W/TRIM - TINTED - 26.1" X 29.6"	132-010231
2	098644-01-705	FT	GLAZING - STRIP	171-010668
3	098644-01-706	FT	WEATHERSTRIP - GLASS	106-017657
4	098647-25-702	EA	GLASS - STATIONARY	132-014203
5	098644-01-719	EA	STOP - SLIDER GLASS	132-017135
6	098644-01-710	FT	TRACK - SCREEN SPACER 12'	B801-CK
7	098644-01-700	EA	LATCH - REPAIR KIT (BLACK)	122-016543
8	098644-01-708	FT	CHANNEL - RUN PIERCED	171-016965
9	098644-01-711	FT	WEATHERSTRIP - SCREEN BLACK	410-019065
10	098647-25-704	EA	SCREEN ASM - W/SEALS & CLIPS	130005153
11	125582-01-701	EA	CLIP - SCREEN - PLASTIC	226-016966
11	098644-01-713	EA	CLIP - SCREEN - METAL	H286-G9
12	098647-25-703	EA	GLASS SLIDING W/SASH & LATCH	132-014470
13	098644-01-716	FT	PLUG - FILLER	132-004716
	098644-01-717	FT	SPLINE - SCREEN	W286-66
	098647-25-701	EA	RETAINER - TRIM	

**THERMOPANE
EXCEL H287-C1W66R**



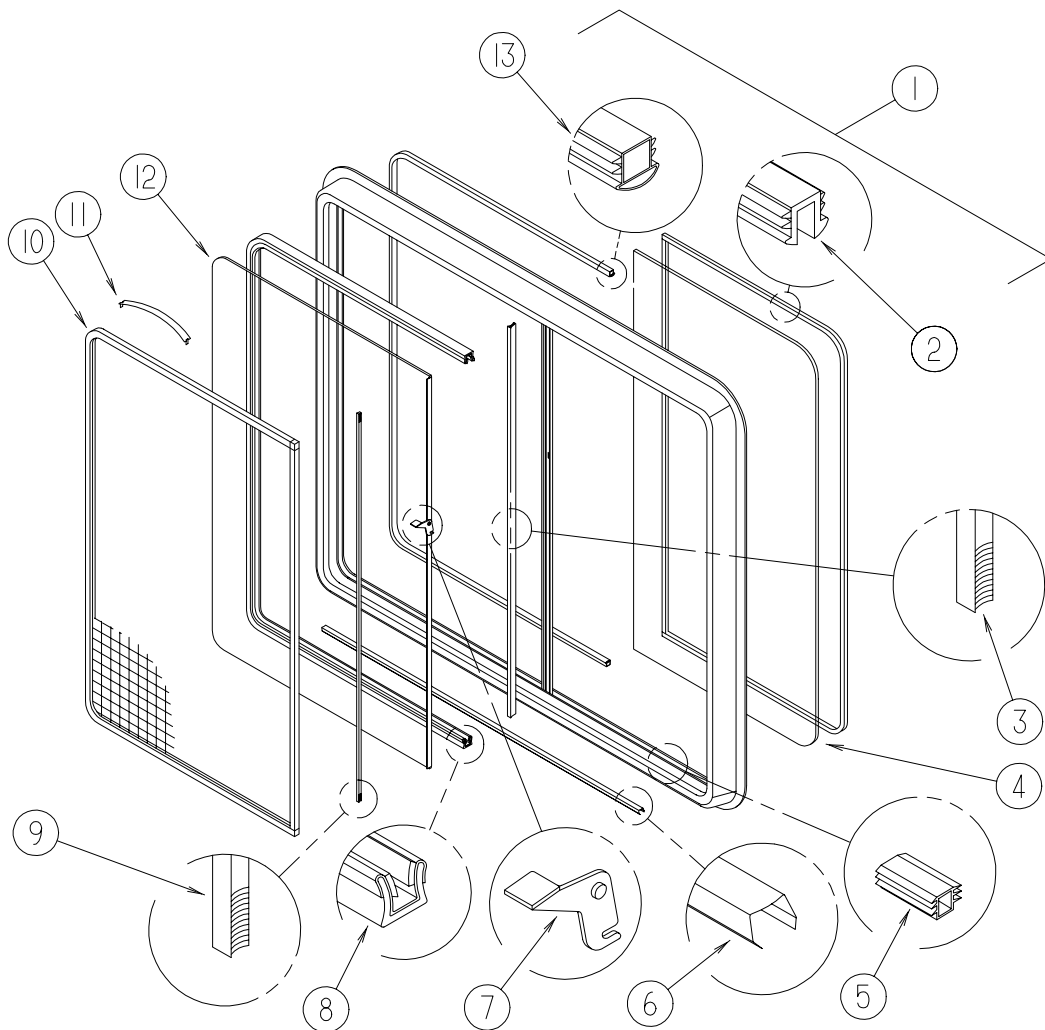
KEY	PART NUMBER	U/M	DESCRIPTION	VENDOR NO.
1	098647-27-01A	EA	WINDOW - PASS HORIZ SLIDER W/TRIM - CLEAR - 26.1" X 59.7"	
2	098644-01-705	FT	GLAZING - STRIP	132-010231
3	098644-01-706	FT	WEATHERSTRIP - GLASS	171-010668
4	098647-27-702	EA	GLASS - STATIONARY	096-017868
5	098644-01-719	EA	STOP - SLIDER GLASS	132-014203
6	098644-01-710	FT	TRACK - SCREEN SPACER 12'	132-017135
7	098644-01-700	EA	LATCH - REPAIR KIT (BLACK)	B801-CK
8	098644-01-708	FT	CHANNEL - RUN PIERCED	122-016543
9	098644-01-711	FT	WEATHERSTRIP - SCREEN BLACK	171-016965
10	098647-23-704	EA	SCREEN ASM - W/SEALS & CLIPS	410-019066
11	125582-01-701	EA	CLIP - SCREEN - PLASTIC	130005153
11	098644-01-713	EA	CLIP - SCREEN - METAL	226-016966
12	098647-27-703	EA	GLASS-SLIDING W/SASH & LATCH	H287-C8
13	098644-01-716	FT	PLUG - FILLER	132-014470
	098647-06-701	EA	RAIL - LOCKING W/WEATHERSTRP	B938-17
	098644-01-717	FT	SPLINE - SCREEN	132-004716
	098647-27-701	EA	RETAINER - TRIM	W287-66

THERMOPANE



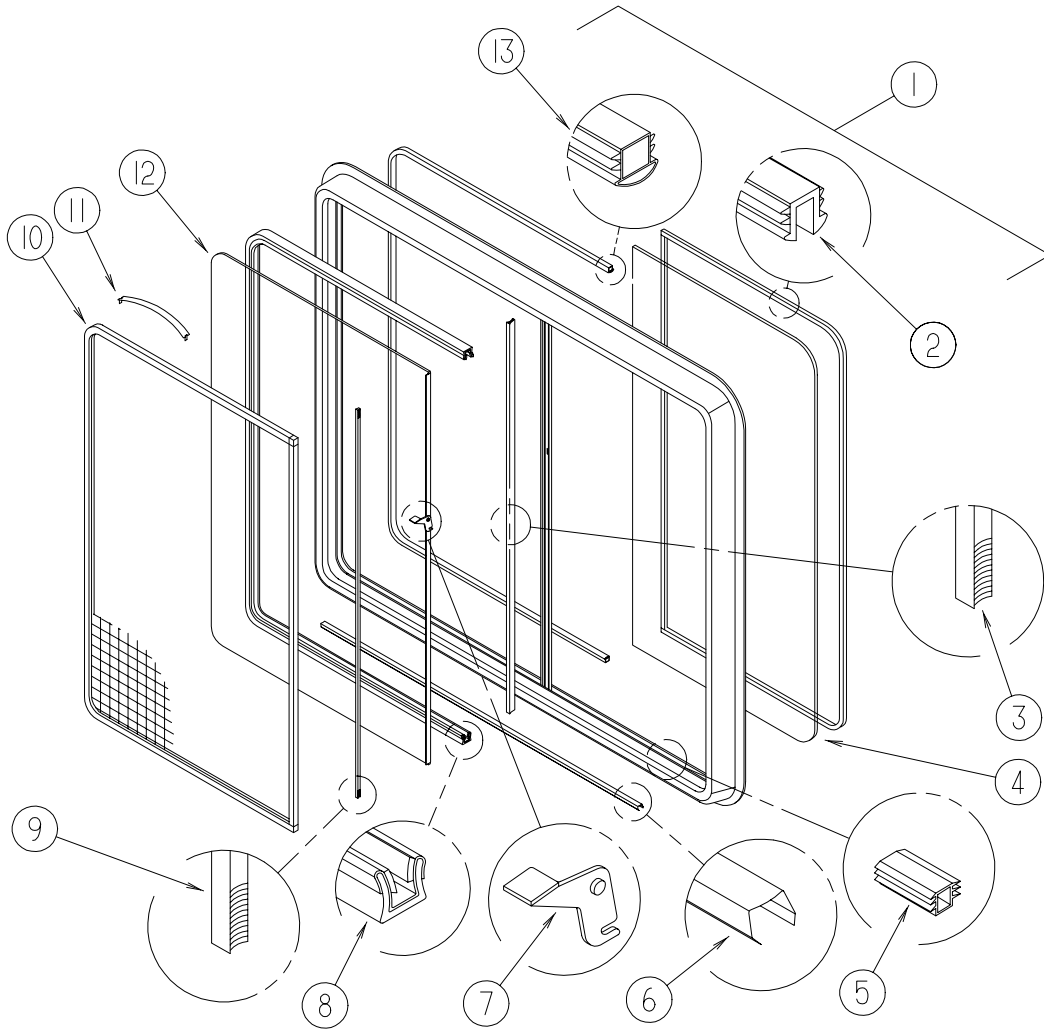
KEY	PART NUMBER	U/M	DESCRIPTION	VENDOR NO.
1	098647-28-01A	EA	WINDOW - DRVR HORIZ SLIDER W/TRIM - CLEAR - 26.1" X 59.7" H287-C1W66L	
2	098644-01-705	FT	GLAZING - STRIP	132-010231
3	098644-01-706	FT	WEATHERSTRIP - GLASS	171-010668
4	098647-27-702	EA	GLASS - STATIONARY	096-017868
5	098644-01-719	EA	STOP - SLIDER GLASS	132-014203
6	098644-01-710	FT	TRACK - SCREEN SPACER 12'	132-017135
7	098644-01-700	EA	LATCH - REPAIR KIT (BLACK)	B801-CK
8	098644-01-708	FT	CHANNEL - RUN PIERCED	122-016543
9	098644-01-711	FT	WEATHERSTRIP - SCREEN BLACK	171-016965
10	098647-23-704	EA	SCREEN ASM - W/SEALS & CLIPS	410-019066
11	125582-01-701	EA	CLIP - SCREEN - PLASTIC	130005153
11	098644-01-713	EA	CLIP - SCREEN - METAL	226-016966
12	098647-27-703	EA	GLASS-SLIDING W/SASH & LATCH	H287-C8
13	098644-01-716	FT	PLUG - FILLER	132-014470
	098647-06-701	EA	RAIL - LOCKING W/WEATHERSTRP	B938-17
	098644-01-717	FT	SPLINE - SCREEN	132-004716
	098647-27-701	EA	RETAINER - TRIM	W287-66

**THERMOPANE
EXCEL H172-C1W66R**



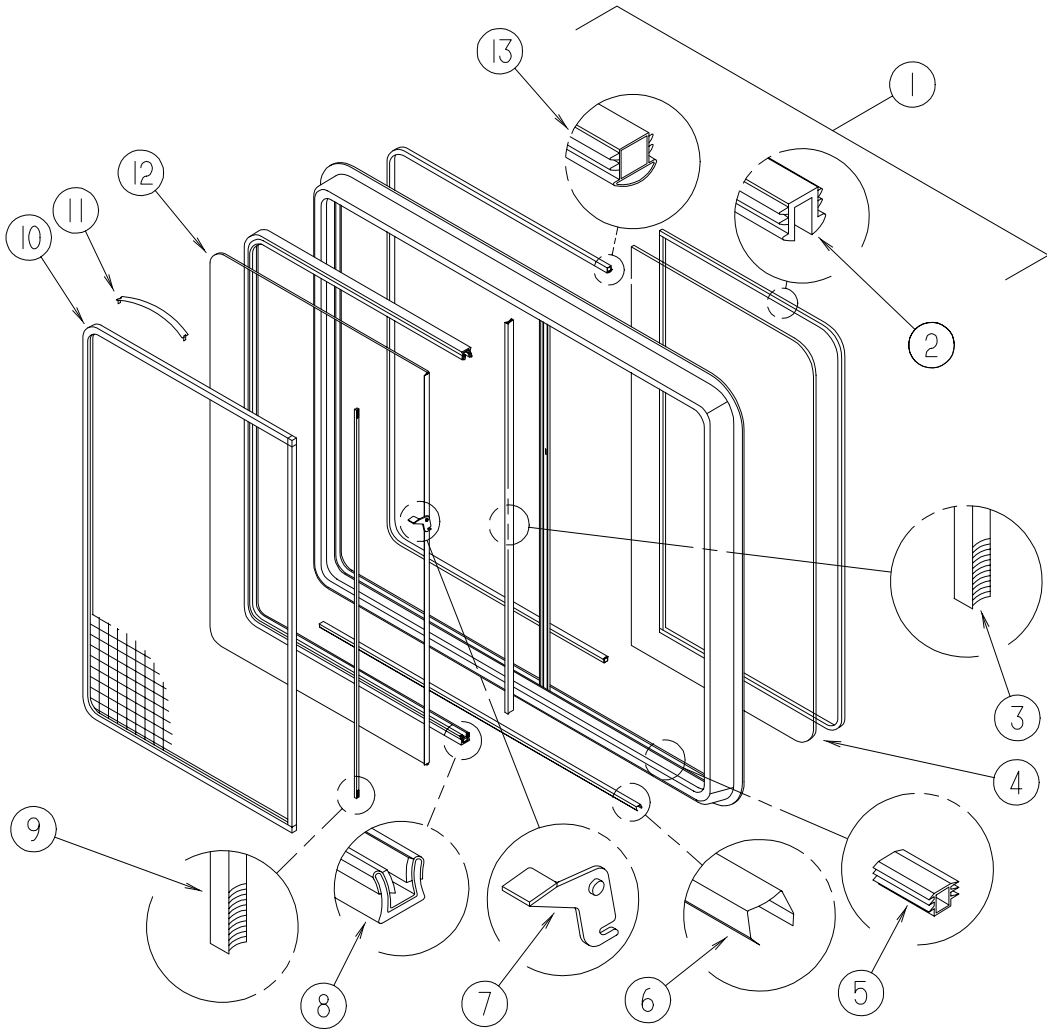
KEY	PART NUMBER	U/M	DESCRIPTION	VENDOR NO.
1	098647-29-01A	EA	WINDOW - PASS HORIZ SLIDER W/TRIM - CLEAR - 24.2" X 41"	
2	098644-01-705	FT	GLAZING - STRIP	132-010231
3	098644-01-706	FT	WEATHERSTRIP - GLASS	171-010668
4	098647-29-702	EA	GLASS - STATIONARY	096-019295
5	098644-01-719	EA	STOP - SLIDER GLASS	132-014203
6	098644-01-710	FT	TRACK - SCREEN SPACER 12'	132-017135
7	098644-01-700	EA	LATCH - REPAIR KIT (BLACK)	B801-CK
8	098644-01-708	FT	CHANNEL - RUN PIERCED	122-016543
9	098644-01-711	FT	WEATHERSTRIP - SCREEN BLACK	171-016965
10	098647-29-704	EA	SCREEN ASM - W/SEALS & CLIPS	410-018864
11	125582-01-701	EA	CLIP - SCREEN - PLASTIC	130005153
11	098644-01-713	EA	CLIP - SCREEN - METAL	226-016966
12	098647-29-703	EA	GLASS-SLIDING W/SASH & LATCH	H172-C8
13	098644-01-716	FT	PLUG - FILLER	132-014470
	098647-06-701	EA	RAIL - LOCKING W/WEATHERSTRP	B938-17
	098644-01-717	FT	SPLINE - SCREEN	132-004716
	098647-29-701	EA	RETAINER - TRIM	CW04-66

**THERMOPANE
EXCEL H172-C1W66L**



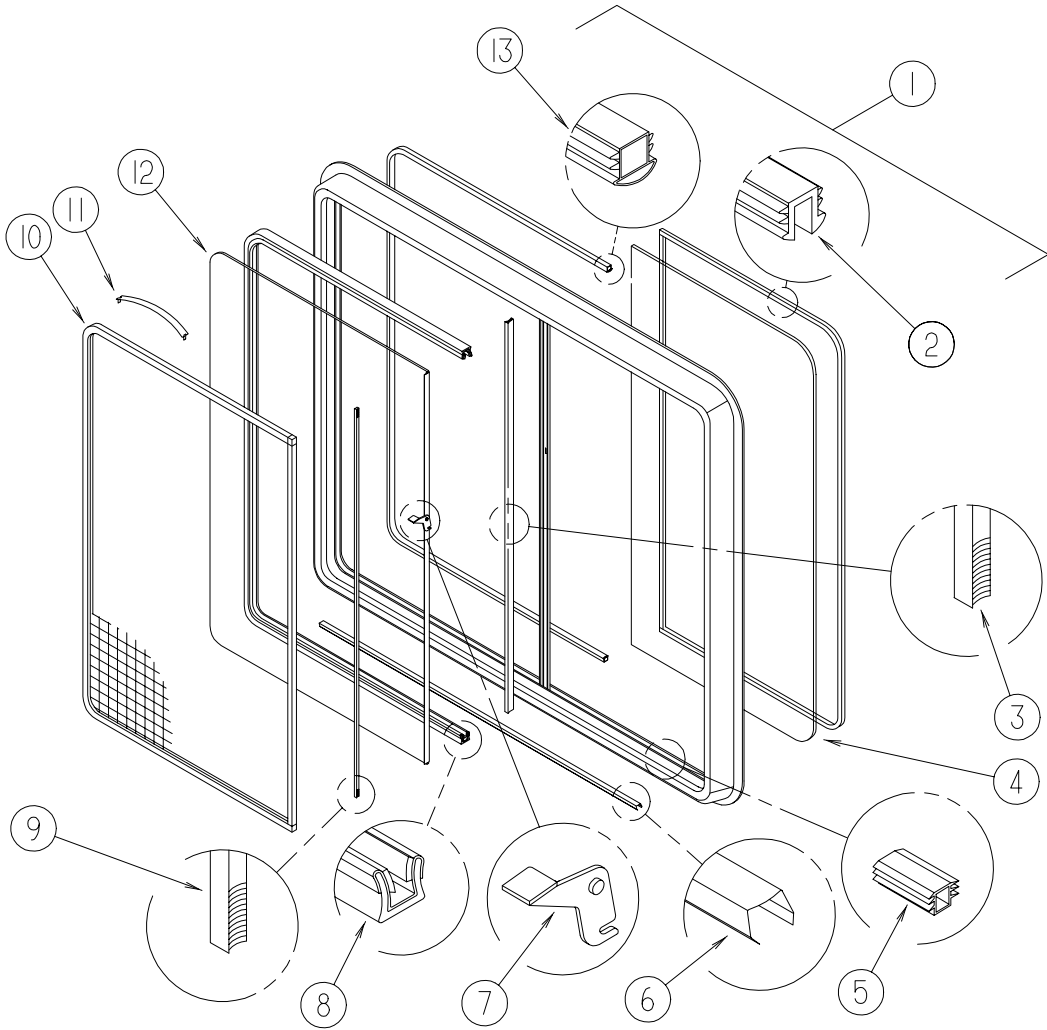
KEY	PART NUMBER	U/M	DESCRIPTION	VENDOR NO.
1	098647-30-01A	EA	WINDOW - DRVR HORIZ SLIDER W/TRIM - CLEAR - 24.2" X 41"	
2	098644-01-705	FT	GLAZING - STRIP	132-010231
3	098644-01-706	FT	WEATHERSTRIP - GLASS	171-010668
4	098647-29-702	EA	GLASS - STATIONARY	096-019295
5	098644-01-719	EA	STOP - SLIDER GLASS	132-014203
6	098644-01-710	FT	TRACK - SCREEN SPACER 12'	132-017135
7	098644-01-700	EA	LATCH - REPAIR KIT (BLACK)	B801-CK
8	098644-01-708	FT	CHANNEL - RUN PIERCED	122-016543
9	098644-01-711	FT	WEATHERSTRIP - SCREEN BLACK	171-016965
10	098647-29-704	EA	SCREEN ASM - W/SEALS & CLIPS	410-018864
11	125582-01-701	EA	CLIP - SCREEN - PLASTIC	130005153
11	098644-01-713	EA	CLIP - SCREEN - METAL	226-016966
12	098647-29-703	EA	GLASS-SLIDING W/SASH & LATCH	H172-C8
13	098644-01-716	FT	PLUG - FILLER	132-014470
	098647-06-701	EA	RAIL - LOCKING W/WEATHERSTRP	B938-17
	098644-01-717	FT	SPLINE - SCREEN	132-004716
	098647-29-701	EA	RETAINER - TRIM	CW04-66
	098647-30-700	EA	WINDOW - SLIDER	H172-C1L

THERMOPANE



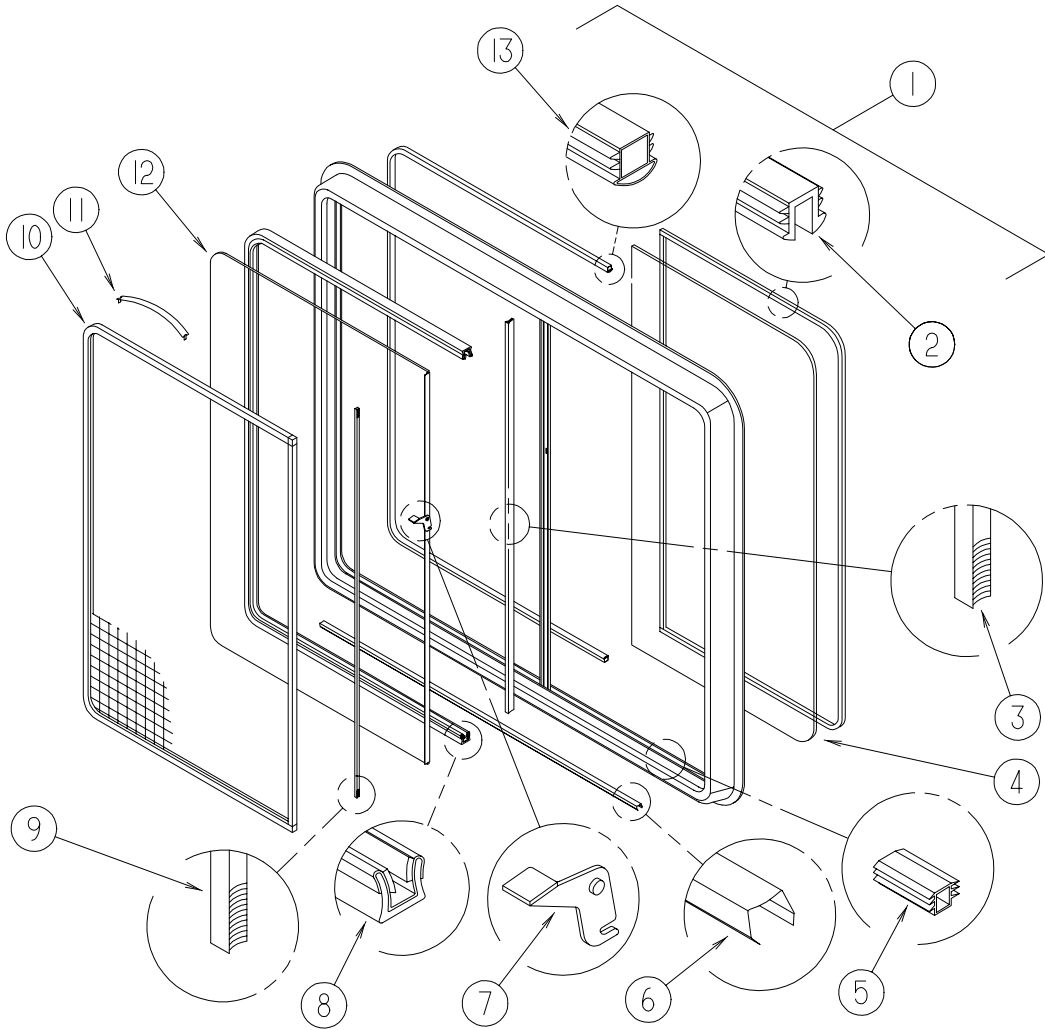
KEY	PART NUMBER	U/M	DESCRIPTION	VENDOR NO.
1	098647-31-01A	EA	WINDOW - PASS HORIZ SLIDER W/TRIM - CLEAR - 15.7" X 28.5"H425-C1W66R	
2	098644-01-705	FT	GLAZING - STRIP	132-010231
3	098644-01-706	FT	WEATHERSTRIP - GLASS	171-010668
4	098647-31-702	EA	GLASS - STATIONARY	096-019299
5	098644-01-719	EA	STOP - SLIDER GLASS	132-014203
6	098644-01-710	FT	TRACK - SCREEN SPACER 12'	132-017135
7	098644-01-700	EA	LATCH - REPAIR KIT (BLACK)	B801-CK
8	098644-01-708	FT	CHANNEL - RUN PIERCED	122-016543
9	098644-01-711	FT	WEATHERSTRIP - SCREEN BLACK	171-016965
10	098647-31-704	EA	SCREEN ASM - W/SEALS & CLIPS	410-019128
11	125582-01-701	EA	CLIP - SCREEN - PLASTIC	130005153
11	098644-01-713	EA	CLIP - SCREEN - METAL	226-016966
12	098647-31-703	EA	GLASS-SLIDING W/SASH & LATCH	H425-C8
13	098644-01-716	FT	PLUG - FILLER	132-014470
	098644-01-717	FT	SPLINE - SCREEN	132-004716
	098647-31-701	EA	RETAINER - TRIM	CW29-66

THERMOPANE



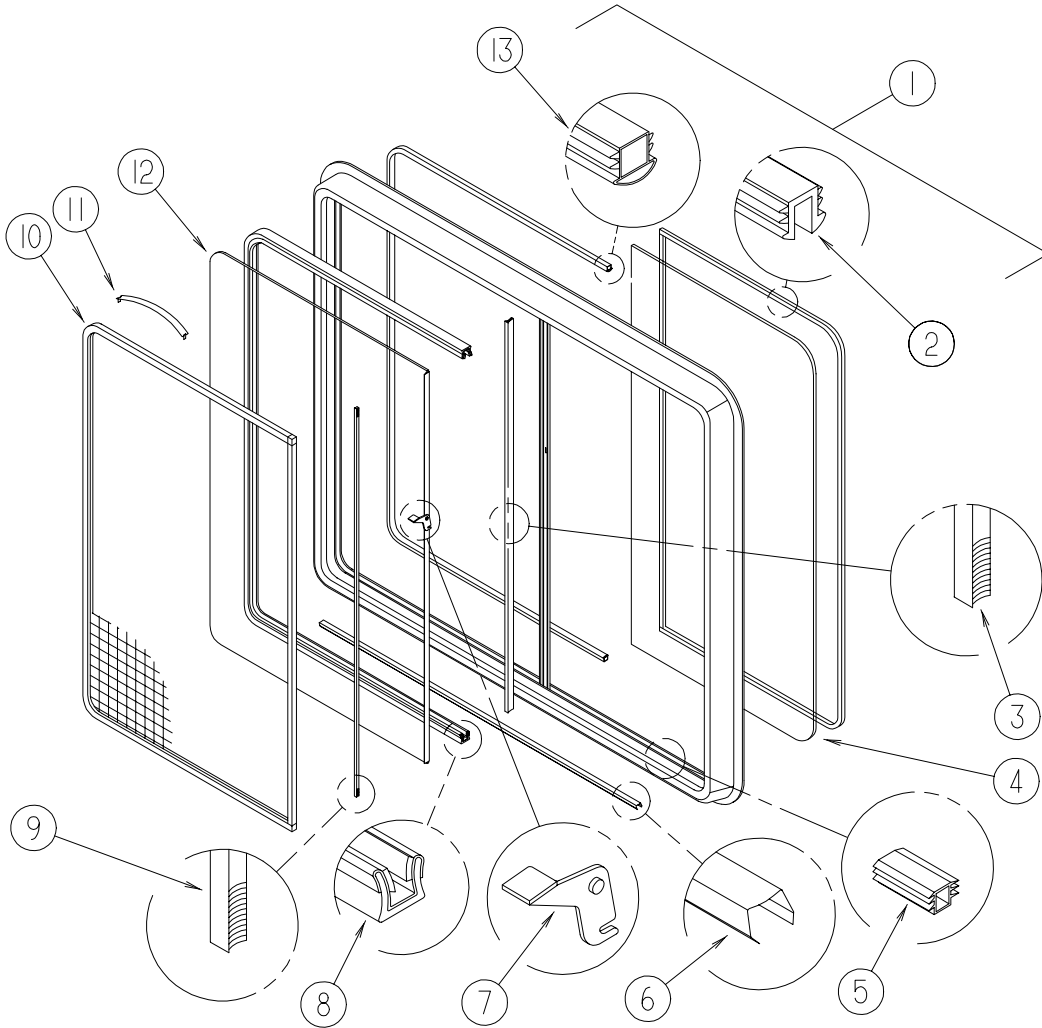
KEY	PART NUMBER	U/M	DESCRIPTION	VENDOR NO.
1	098647-32-01A	EA	WINDOW - DR HORIZ SLIDER W/TRIM - CLEAR - 15.7" X 28.5"	
2	098644-01-705	FT	GLAZING - STRIP	132-010231
3	098644-01-706	FT	WEATHERSTRIP - GLASS	171-010668
4	098647-31-702	EA	GLASS - STATIONARY	096-019299
5	098644-01-719	EA	STOP - SLIDER GLASS	132-014203
6	098644-01-710	FT	TRACK - SCREEN SPACER 12'	132-017135
7	098644-01-700	EA	LATCH - REPAIR KIT (BLACK)	B801-CK
8	098644-01-708	FT	CHANNEL - RUN PIERCED	122-016543
9	098644-01-711	FT	WEATHERSTRIP - SCREEN BLACK	171-016965
10	098647-31-704	EA	SCREEN ASM - W/SEALS & CLIPS	410-019128
11	125582-01-701	EA	CLIP - SCREEN - PLASTIC	130005153
11	098644-01-713	EA	CLIP - SCREEN - METAL	226-016966
12	098647-31-703	EA	GLASS SLIDING W/SASH & LATCH	H425-C8
13	098644-01-716	FT	PLUG - FILLER	132-014470
	098644-01-717	FT	SPLINE - SCREEN	132-004716
	098647-31-701	EA	RETAINER - TRIM	CW29-66

THERMOPANE



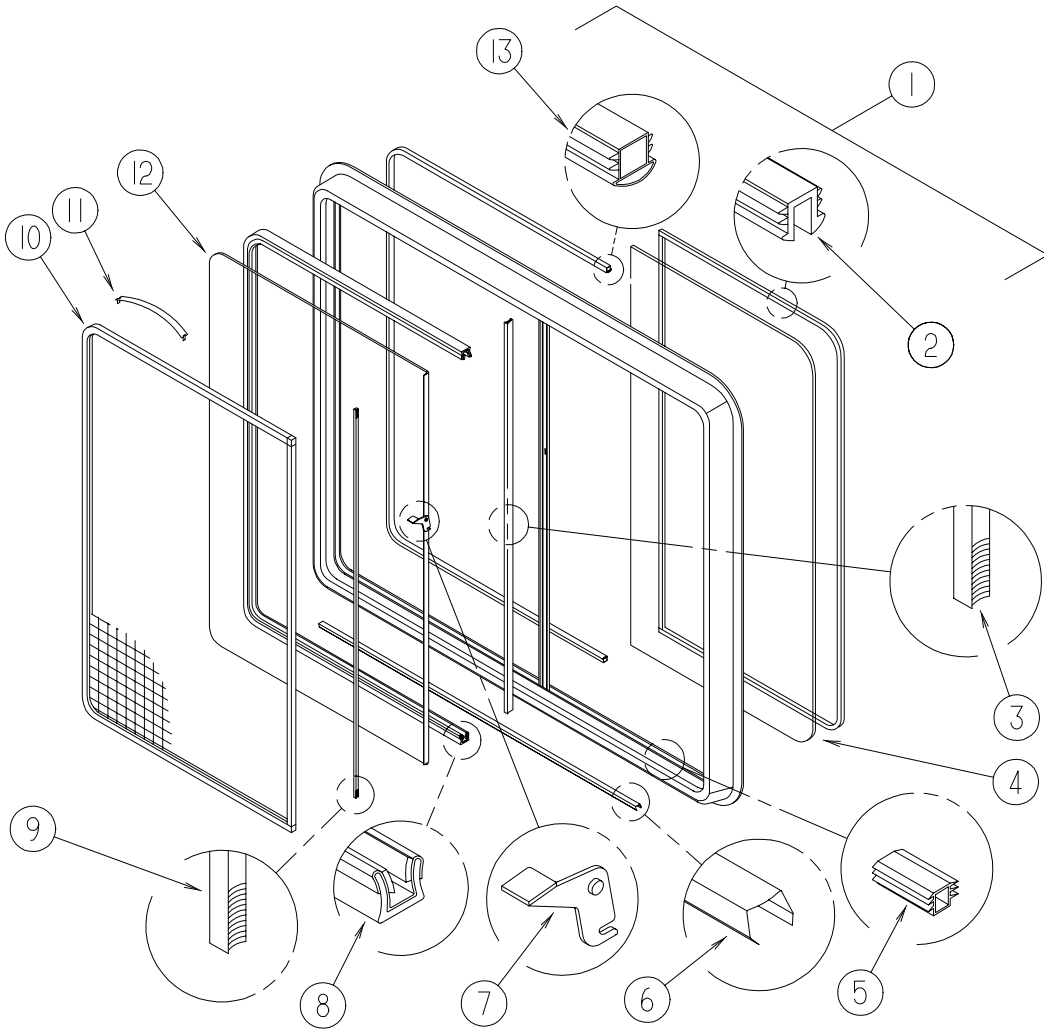
KEY	PART NUMBER	U/M	DESCRIPTION	VENDOR NO.
1	098647-33-01A	EA	WINDOW - PASS HORIZ SLIDER W/TRIM - TINTED - 15.7" X 28.5"	
2	098644-01-705	FT	GLAZING - STRIP	132-010231
3	098644-01-706	FT	WEATHERSTRIP - GLASS	171-010668
4	098647-33-702	EA	GLASS - STATIONARY	106-019297
5	098644-01-719	EA	STOP - SLIDER GLASS	132-014203
6	098644-01-710	FT	TRACK - SCREEN SPACER 12'	132-017135
7	098644-01-700	EA	LATCH - REPAIR KIT (BLACK)	B801-CK
8	098644-01-708	FT	CHANNEL - RUN PIERCED	122-016543
9	098644-01-711	FT	WEATHERSTRIP - SCREEN BLACK	171-016965
10	098647-33-704	EA	SCREEN ASM - W/SEALS & CLIPS	410-019134
11	125582-01-701	EA	CLIP - SCREEN - PLASTIC	130005153
11	098644-01-713	EA	CLIP - SCREEN - METAL	226-016966
12	098647-33-703	EA	GLASS SLIDING W/SASH & LATCH	H425-G9
13	098644-01-716	FT	PLUG - FILLER	132-014470
	098644-01-717	FT	SPLINE - SCREEN	132-004716
	098647-33-701	EA	RETAINER - TRIM	CW29-66

THERMOPANE



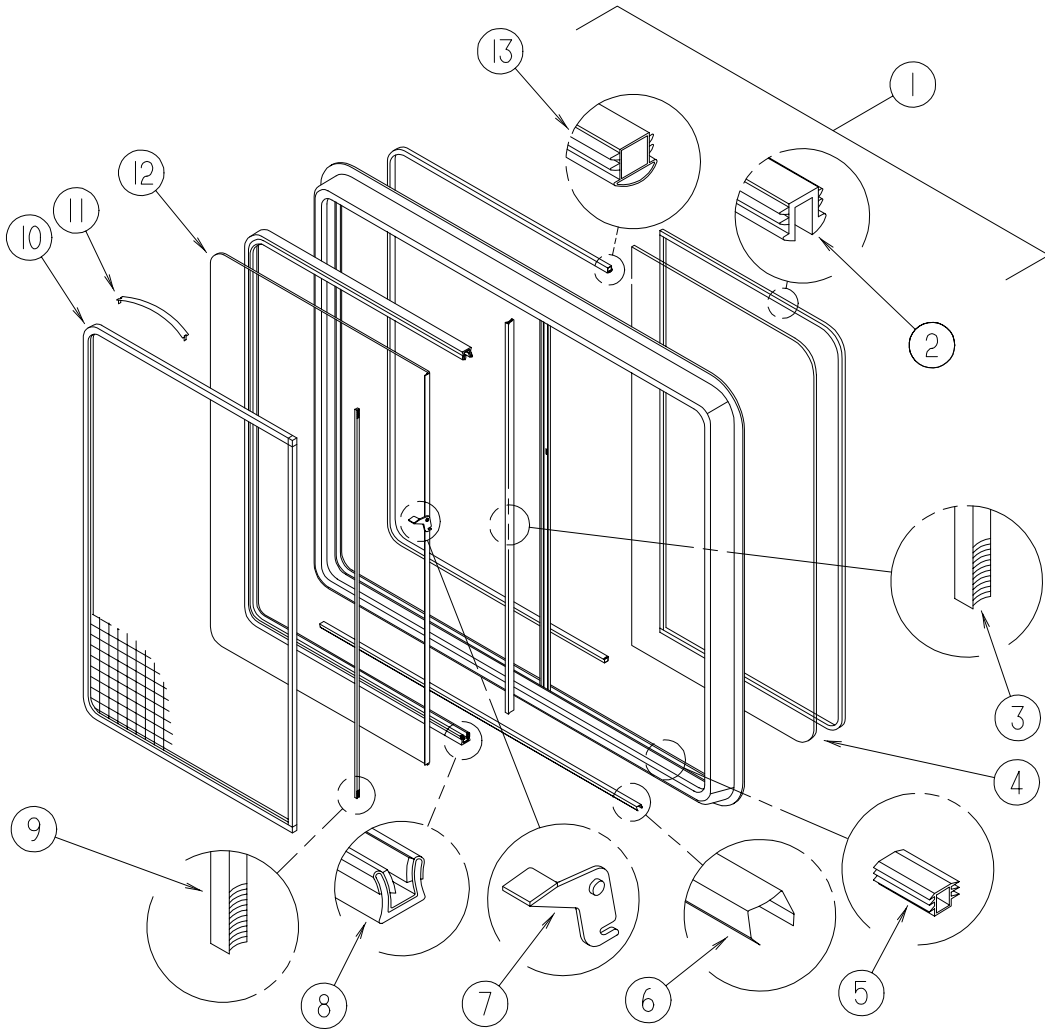
KEY	PART NUMBER	U/M	DESCRIPTION	VENDOR NO.
1	098647-34-01A	EA	WINDOW - DR HORIZ SLIDER W/TRIM - TINTED - 15.7" X 28.5"	132-010231
2	098644-01-705	FT	GLAZING - STRIP	171-010668
3	098644-01-706	FT	WEATHERSTRIP - GLASS	106-019297
4	098647-33-702	EA	GLASS - STATIONARY	132-014203
5	098644-01-719	EA	STOP - SLIDER GLASS	132-017135
6	098644-01-710	FT	TRACK - SCREEN SPACER 12'	B801-CK
7	098644-01-700	EA	LATCH - REPAIR KIT (BLACK)	122-016543
8	098644-01-708	FT	CHANNEL - RUN PIERCED	171-016965
9	098644-01-711	FT	WEATHERSTRIP - SCREEN BLACK	410-019134
10	098647-33-704	EA	SCREEN ASM - W/SEALS & CLIPS	130005153
11	125582-01-701	EA	CLIP - SCREEN - PLASTIC	226-016966
11	098644-01-713	EA	CLIP - SCREEN - METAL	H425-G9
12	098647-33-703	EA	GLASS SLIDING W/SASH & LATCH	132-014470
13	098644-01-716	FT	PLUG - FILLER	132-004716
	098644-01-717	FT	SPLINE - SCREEN	CW29-66
	098647-33-701	EA	RETAINER - TRIM	

THERMOPANE



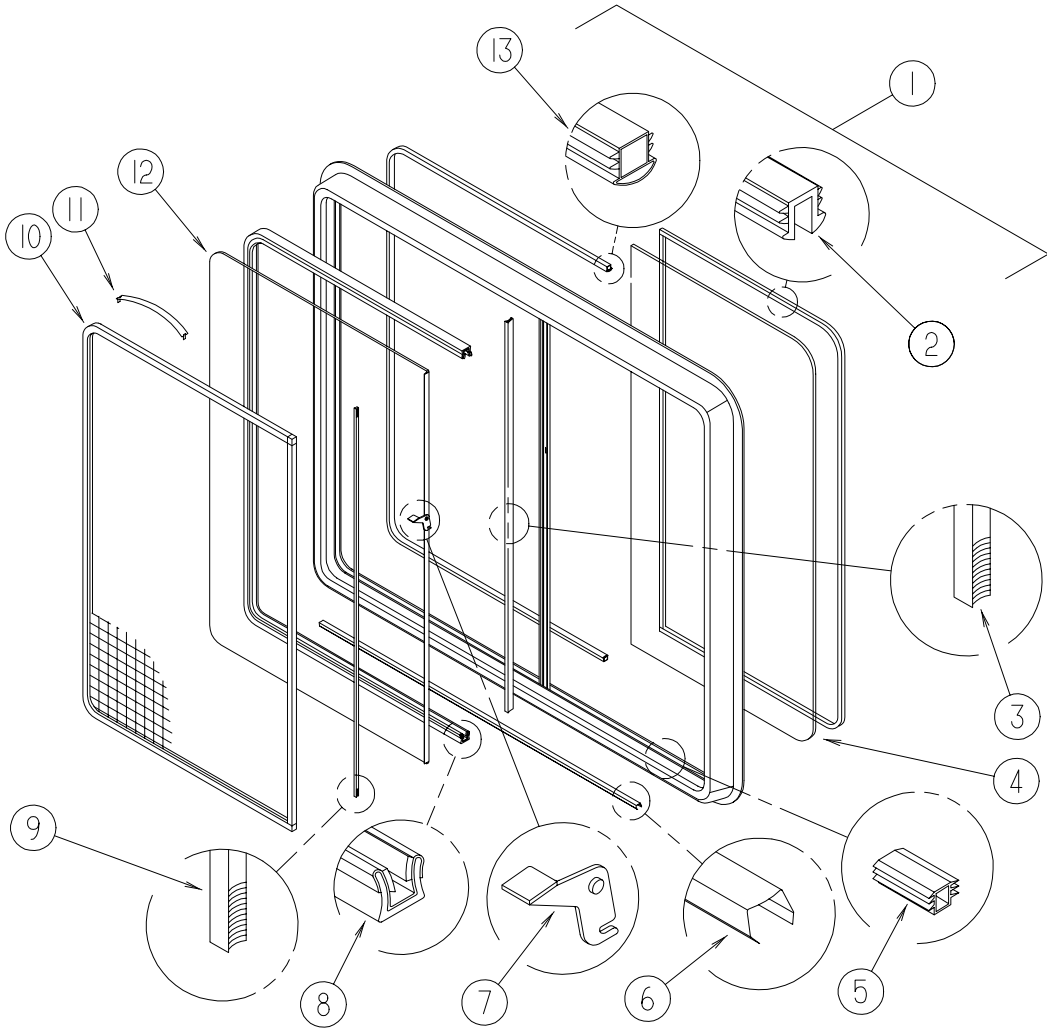
KEY	PART NUMBER	U/M	DESCRIPTION	VENDOR NO.
1	098647-38-01A	EA	WINDOW - PASS HORIZ SLIDER W/TRIM - CLEAR - 30.5" X 57.5"H320-C1W66R	
2	098644-01-705	FT	GLAZING - STRIP	132-010231
3	098644-01-706	FT	WEATHERSTRIP - GLASS	171-010668
4	098647-38-702	EA	GLASS - STATIONARY	096-017854
5	098644-01-719	EA	STOP - SLIDER GLASS	132-014203
6	098644-01-710	FT	TRACK - SCREEN SPACER 12'	132-017135
7	098644-01-700	EA	LATCH - REPAIR KIT (BLACK)	B801-CK
8	098644-01-708	FT	CHANNEL - RUN PIERCED	122-016543
9	098644-01-711	FT	WEATHERSTRIP - SCREEN BLACK	171-016965
10	098647-38-704	EA	SCREEN ASM - W/SEALS & CLIPS	410-019063
11	125582-01-701	EA	CLIP - SCREEN - PLASTIC	130005153
11	098644-01-713	EA	CLIP - SCREEN - METAL	226-016966
12	098647-38-703	EA	GLASS-SLIDING W/SASH & LATCH	H320-C8
13	098644-01-716	FT	PLUG - FILLER	132-014470
	098644-01-717	FT	SPLINE - SCREEN	132-004716
	098647-38-701	EA	RETAINER - TRIM	W303-66

THERMOPANE



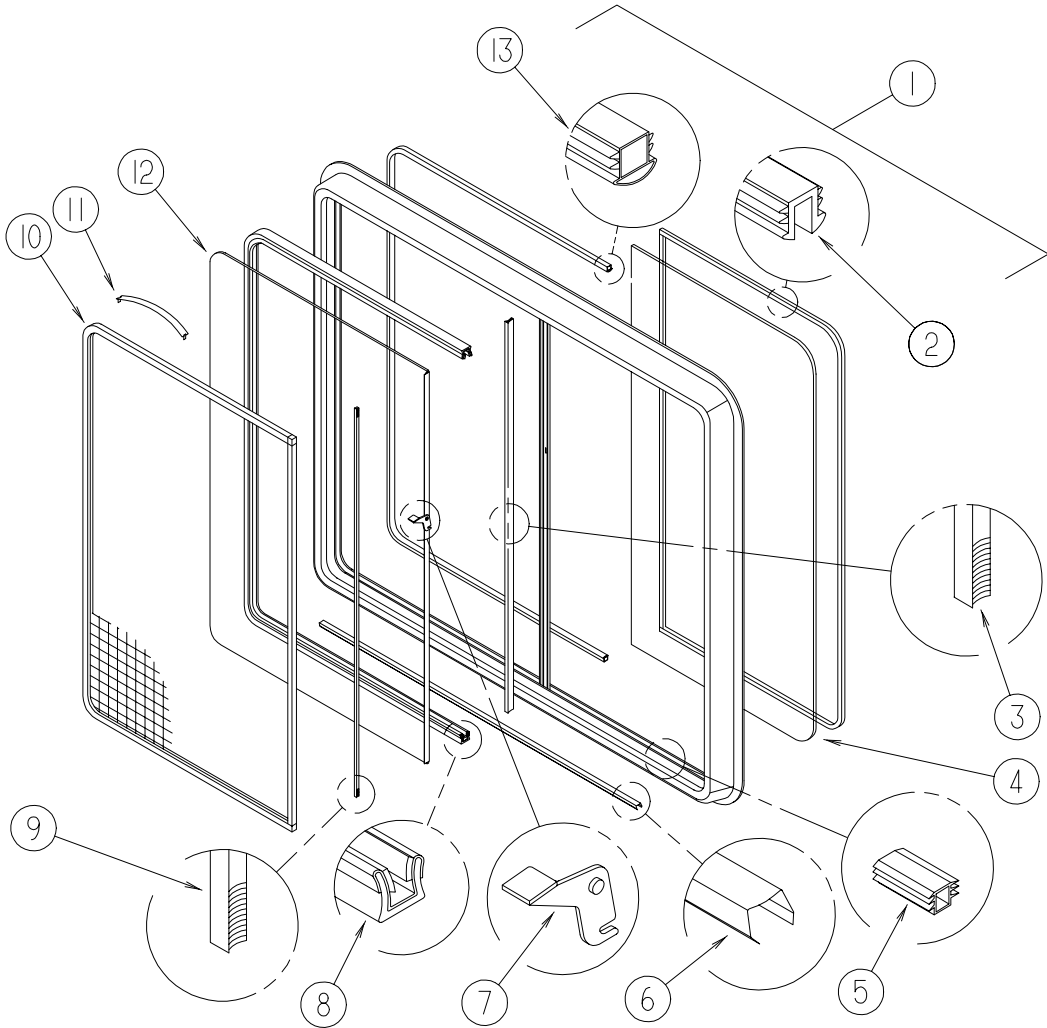
KEY	PART NUMBER	U/M	DESCRIPTION	VENDOR NO.
1	098647-40-01A	EA	WINDOW - PASS HORIZ SLIDER W/TRIM - TINTED - 29.5" X 41.3"	
2	098644-01-705	FT	GLAZING - STRIP	132-010231
3	098644-01-706	FT	WEATHERSTRIP - GLASS	171-010668
4	098647-40-701	EA	GLASS - STATIONARY	106-019914
5	098644-01-719	EA	STOP - SLIDER GLASS	132-014203
6	098644-01-710	FT	TRACK - SCREEN SPACER 12'	132-017135
7	098644-01-700	EA	LATCH - REPAIR KIT (BLACK)	B801-CK
8	098644-01-708	FT	CHANNEL - RUN PIERCED	122-016543
9	098644-01-711	FT	WEATHERSTRIP - SCREEN BLACK	171-016965
10	112795-31-704	EA	SCREEN ASM - W/SEALS & CLIPS	410-019068
11	125582-01-701	EA	CLIP - SCREEN - PLASTIC	130005153
11	098644-01-713	EA	CLIP - SCREEN - METAL	226-016966
12	098647-40-700	EA	GLASS-SLIDING W/SASH & LATCH	H291-G9
13	098644-01-716	FT	PLUG - FILLER	132-014470
	098644-01-717	FT	SPLINE - SCREEN	132-004716
	098647-31-701	EA	RETAINER - TRIM	CW29-66

THERMOPANE



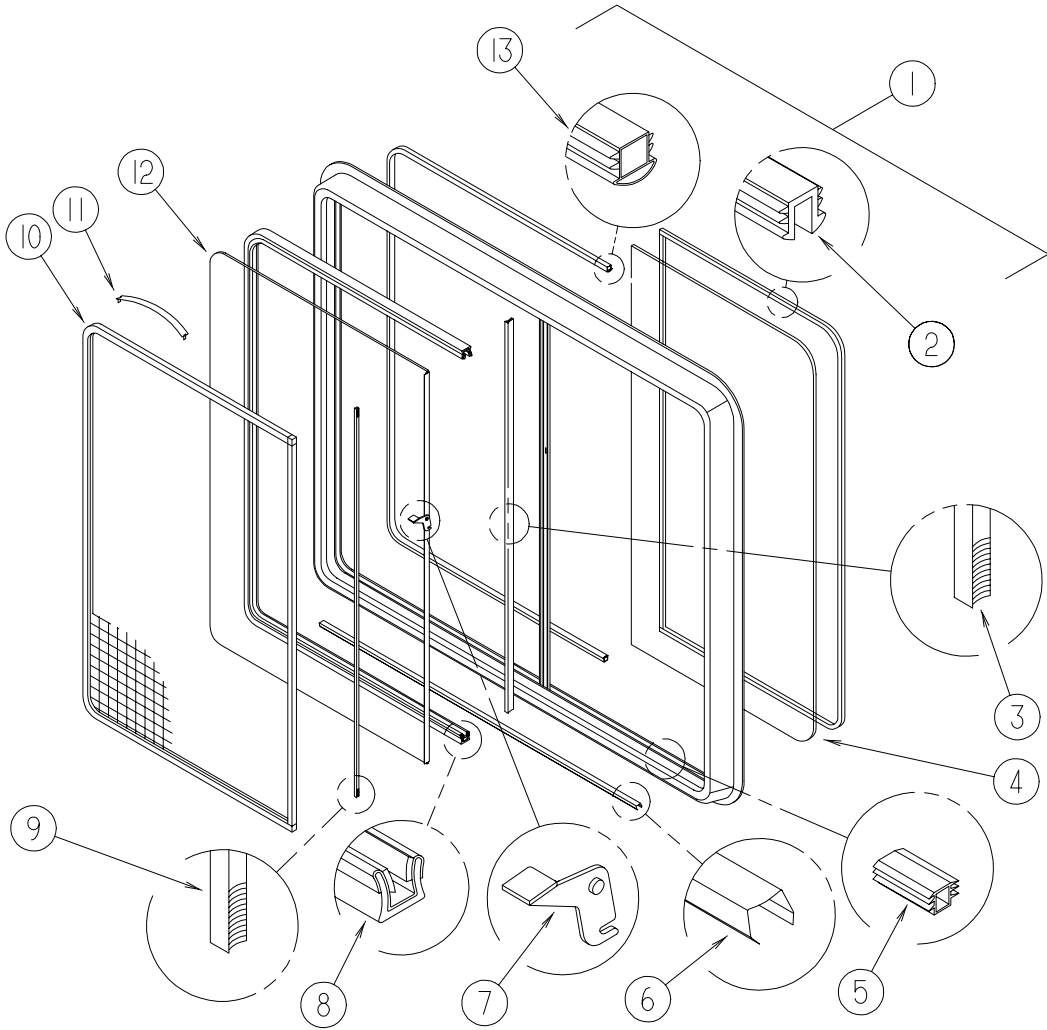
KEY	PART NUMBER	U/M	DESCRIPTION	VENDOR NO.
1	098647-41-01A	EA	WINDOW - PASS HORIZ SLIDER W/TRIM - TINTED - 24.2" X 41"	132-010231
2	098644-01-705	FT	GLAZING - STRIP	171-010668
3	098644-01-706	FT	WEATHERSTRIP - GLASS	106-015474
4	098647-41-701	EA	GLASS - STATIONARY	132-014203
5	098644-01-719	EA	STOP - SLIDER GLASS	132-017135
6	098644-01-710	FT	TRACK - SCREEN SPACER 12'	B801-CK
7	098644-01-700	EA	LATCH - REPAIR KIT (BLACK)	122-016543
8	098644-01-708	FT	CHANNEL - RUN PIERCED	171-016965
9	098644-01-711	FT	WEATHERSTRIP - SCREEN BLACK	410-018864
10	098647-29-704	EA	SCREEN ASM - W/SEALS & CLIPS	130005153
11	125582-01-701	EA	CLIP - SCREEN - PLASTIC	226-016966
11	098644-01-713	EA	CLIP - SCREEN - METAL	H172-G9
12	098647-41-700	EA	GLASS SLIDING W/SASH & LATCH	132-014470
13	098644-01-716	FT	PLUG - FILLER	132-004716
	098644-01-717	FT	SPLINE - SCREEN	CW04-66
	098647-29-701	EA	RETAINER - TRIM	

THERMOPANE



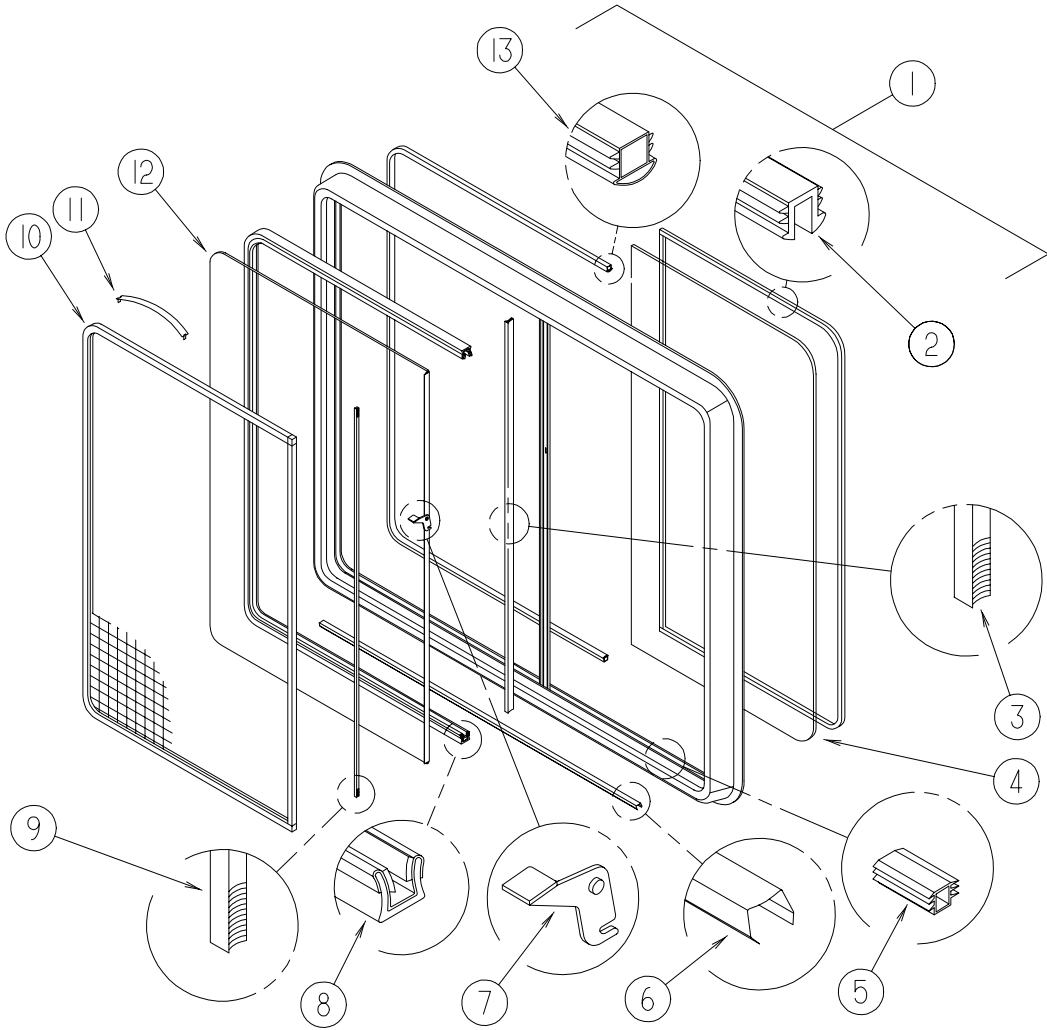
KEY	PART NUMBER	U/M	DESCRIPTION	VENDOR NO.
1	098647-45-01A	EA	WINDOW - PASS HORIZ SLIDER W/TRIM - TINTED - 23.6" X 24.5"	132-010231
2	098644-01-705	FT	GLAZING - STRIP	171-010668
3	098644-01-706	FT	WEATHERSTRIP - GLASS	106-025250
4	098647-45-700	EA	GLASS - STATIONARY	132-014203
5	098644-01-719	EA	STOP - SLIDER GLASS	132-017135
6	098644-01-710	FT	TRACK - SCREEN SPACER 12'	B801-CK
7	098644-01-700	EA	LATCH - REPAIR KIT (BLACK)	122-016543
8	098644-01-708	FT	CHANNEL - RUN PIERCED	171-016965
9	098644-01-711	FT	WEATHERSTRIP - SCREEN BLACK	410-025250
10	098647-45-703	EA	SCREEN ASM - W/SEALS & CLIPS	130005153
11	125582-01-701	EA	CLIP - SCREEN - PLASTIC	226-016966
11	098644-01-713	EA	CLIP - SCREEN - METAL	H467-G9
12	098647-45-701	EA	GLASS-SLIDING W/SASH & LATCH	132-014470
13	098644-01-716	FT	PLUG - FILLER	132-004716
	098644-01-717	FT	SPLINE - SCREEN	W467-66
	098647-45-704	EA	RETAINER - TRIM	

THERMOPANE



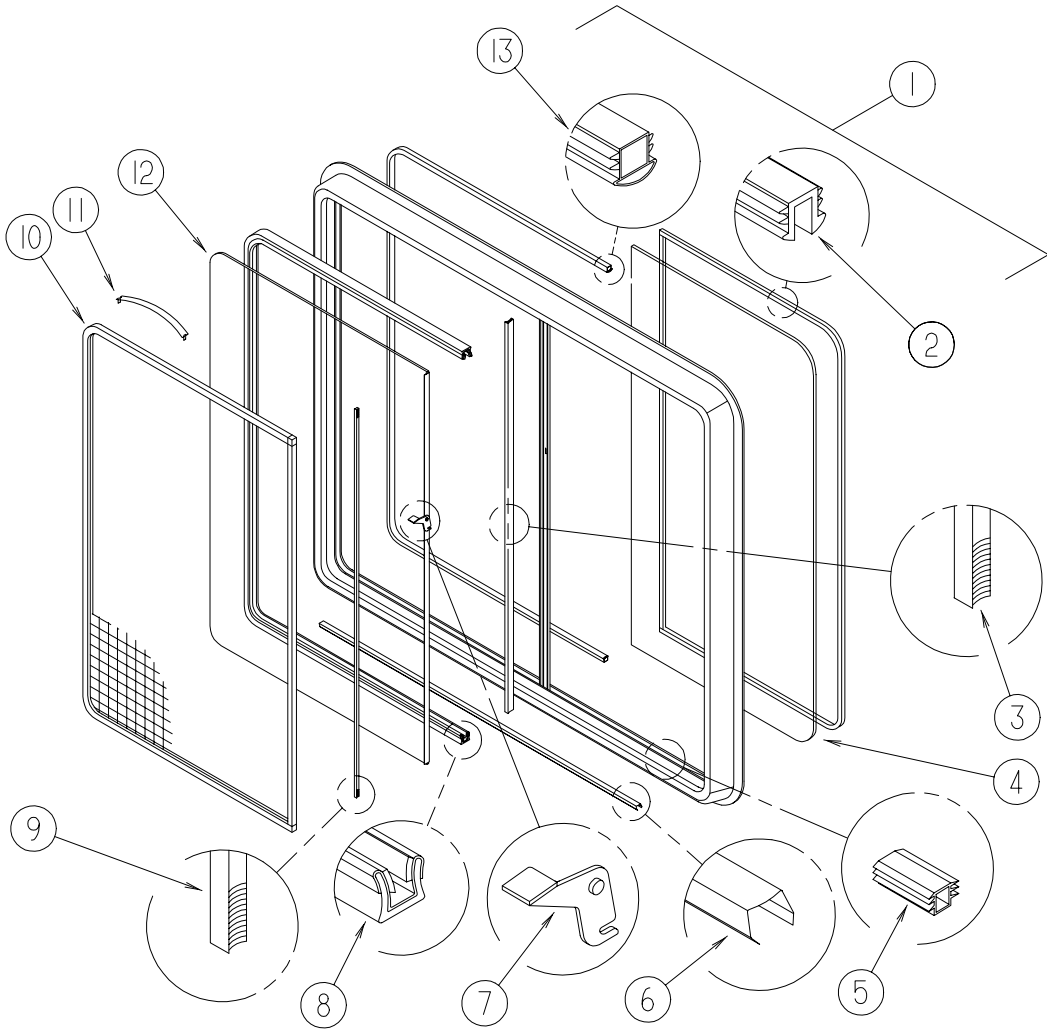
KEY	PART NUMBER	U/M	DESCRIPTION	VENDOR NO.
1	098647-46-01A	EA	WINDOW - PASS HORIZ SLIDER W/TRIM - TINTED - 15.2" X 18.3"	
2	098644-01-705	FT	GLAZING - STRIP	132-010231
3	098644-01-706	FT	WEATHERSTRIP - GLASS	171-010668
4	098647-46-700	EA	GLASS - STATIONARY	106-011181
5	098644-01-719	EA	STOP - SLIDER GLASS	132-014203
6	098644-01-710	FT	TRACK - SCREEN SPACER 12'	132-017135
7	098644-01-700	EA	LATCH - REPAIR KIT (BLACK)	B801-CK
8	098644-01-708	FT	CHANNEL - RUN PIERCED	122-016543
9	098644-01-711	FT	WEATHERSTRIP - SCREEN BLACK	171-016965
10	098647-46-702	EA	SCREEN ASM - W/SEALS & CLIPS	410-025286
11	125582-01-701	EA	CLIP - SCREEN - PLASTIC	130005153
11	098644-01-713	EA	CLIP - SCREEN - METAL	226-016966
12	098647-46-701	EA	GLASS-SLIDING W/SASH & LATCH	B809-G9
13	098644-01-716	FT	PLUG - FILLER	132-014470
	098644-01-717	FT	SPLINE - SCREEN	132-004716
	098647-46-703	EA	RETAINER - TRIM	V409-66

THERMOPANE



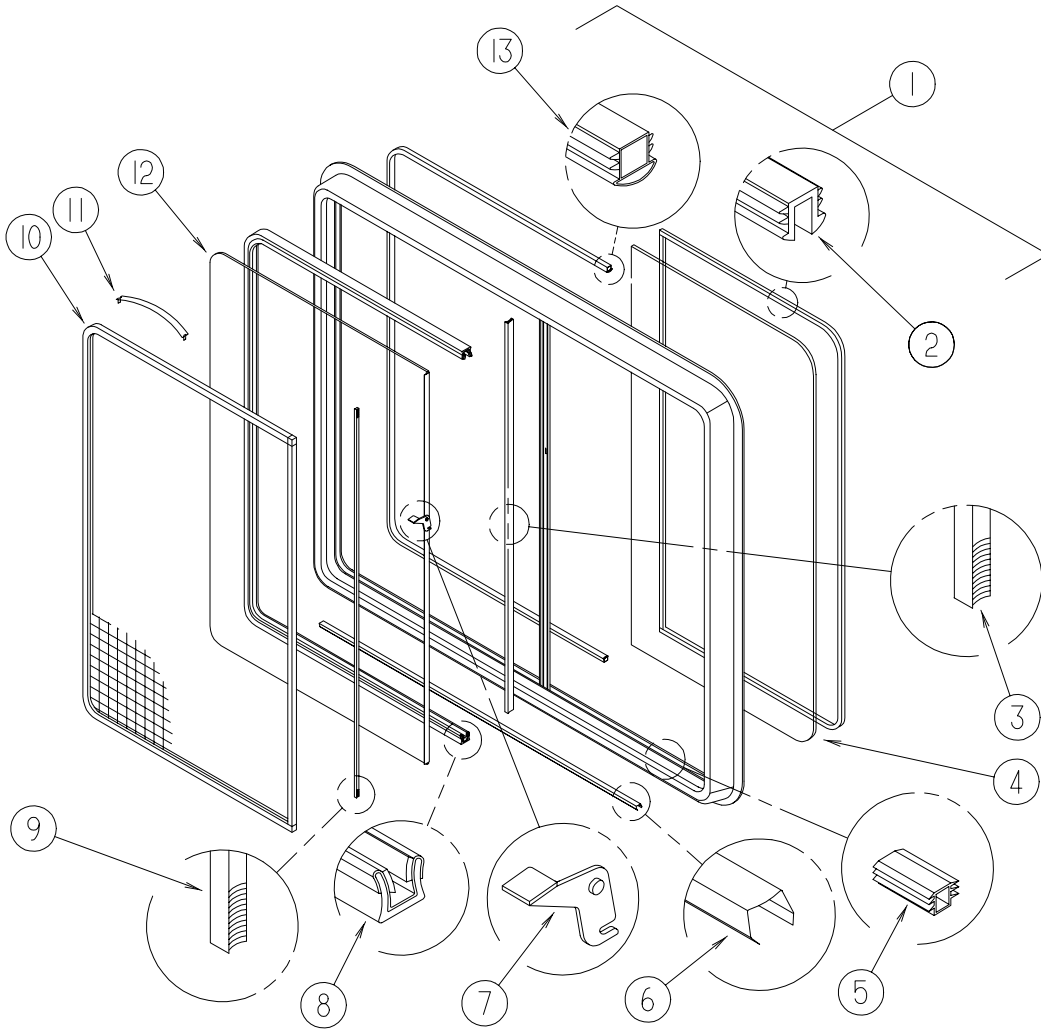
KEY	PART NUMBER	U/M	DESCRIPTION	VENDOR NO.
1	098647-47-01A	EA	WINDOW-DRVR HORIZ SLIDER W/TRIM - TINTED - 23.6" X 57.5"	
2	098644-01-705	FT	GLAZING - STRIP	132-010231
3	098644-01-706	FT	WEATHERSTRIP - GLASS	171-010668
4	098647-47-700	EA	GLASS - STATIONARY	106-025224
5	098644-01-719	EA	STOP - SLIDER GLASS	132-014203
6	098644-01-710	FT	TRACK - SCREEN SPACER 12'	132-017135
7	098644-01-700	EA	LATCH - REPAIR KIT (BLACK)	B801-CK
8	098644-01-708	FT	CHANNEL - RUN PIERCED	122-016543
9	098644-01-711	FT	WEATHERSTRIP - SCREEN BLACK	171-016965
10	098647-47-702	EA	SCREEN ASM - W/SEALS & CLIPS	410-025226
11	125582-01-701	EA	CLIP - SCREEN - PLASTIC	130005153
11	098644-01-713	EA	CLIP - SCREEN - METAL	226-016966
12	098647-47-701	EA	GLASS-SLIDING W/SASH & LATCH	H493-G9
13	098644-01-716	FT	PLUG - FILLER	132-014470
	098644-01-717	FT	SPLINE - SCREEN	132-004716
	098647-47-703	EA	RETAINER - TRIM	W493-66

THERMOPANE



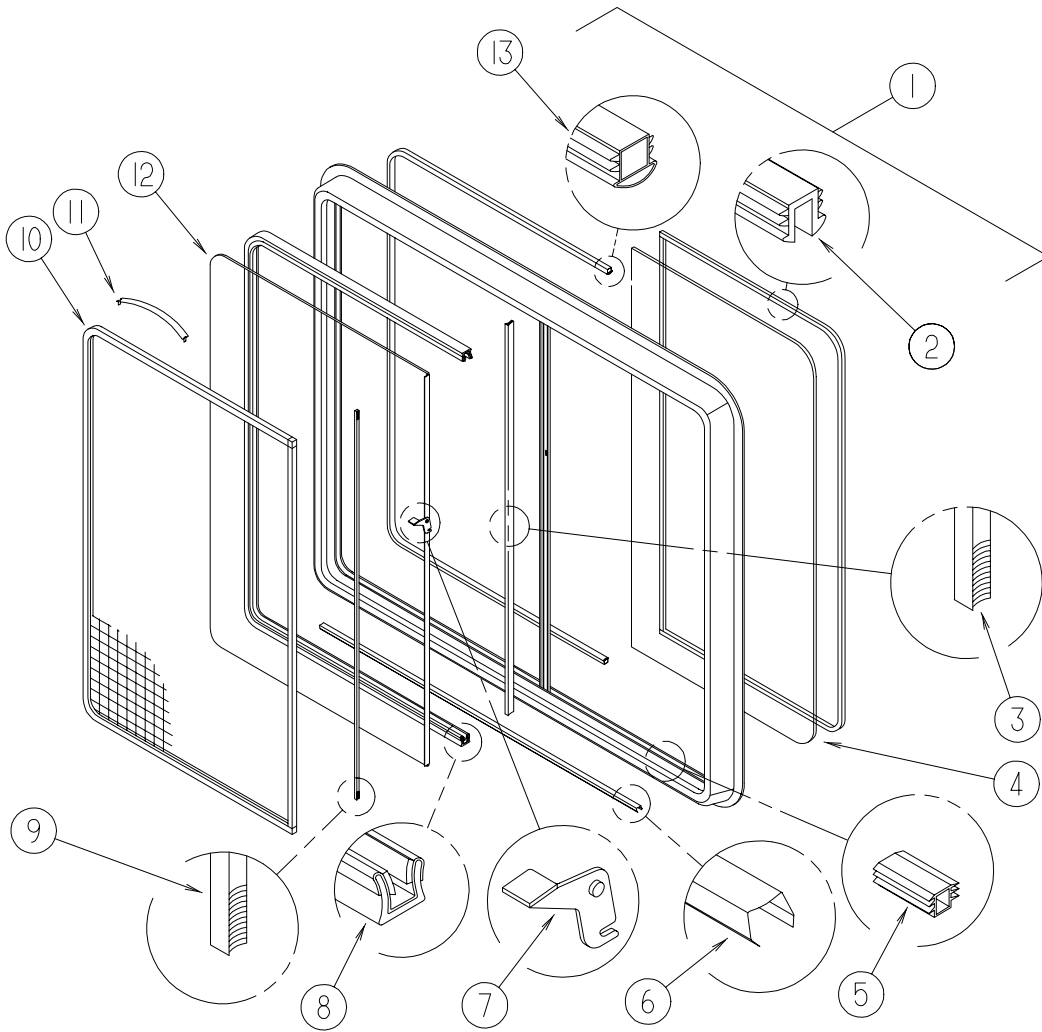
KEY	PART NUMBER	U/M	DESCRIPTION	VENDOR NO.
1	098647-48-01A	EA	WINDOW - DR HORIZ SLIDER W/TRIM - TINTED - 21.9" X 21.9"	132-010231
2	098644-01-705	FT	GLAZING - STRIP	171-010668
3	098644-01-706	FT	WEATHERSTRIP - GLASS	106-026129
4	098647-48-700	EA	GLASS - STATIONARY	132-014203
5	098644-01-719	EA	STOP - SLIDER GLASS	132-017135
6	098644-01-710	FT	TRACK - SCREEN SPACER 12'	B801-CK
7	098644-01-700	EA	LATCH - REPAIR KIT (BLACK)	122-016543
8	098644-01-708	FT	CHANNEL - RUN PIERCED	171-016965
9	098644-01-711	FT	WEATHERSTRIP - SCREEN BLACK	410-019188
10	098647-43-702	EA	SCREEN ASM - W/SEALS & CLIPS	130005153
11	125582-01-701	EA	CLIP - SCREEN - PLASTIC	226-016966
11	098644-01-713	EA	CLIP - SCREEN - METAL	H490-G9
12	098647-43-700	EA	GLASS-SLIDING W/SASH & LATCH	132-014470
13	098644-01-716	FT	PLUG - FILLER	132-004716
	098644-01-717	FT	SPLINE - SCREEN	W490-66
	098647-43-703	EA	RETAINER - TRIM	

**THERMOPANE
EXCEL B969C1W66R**



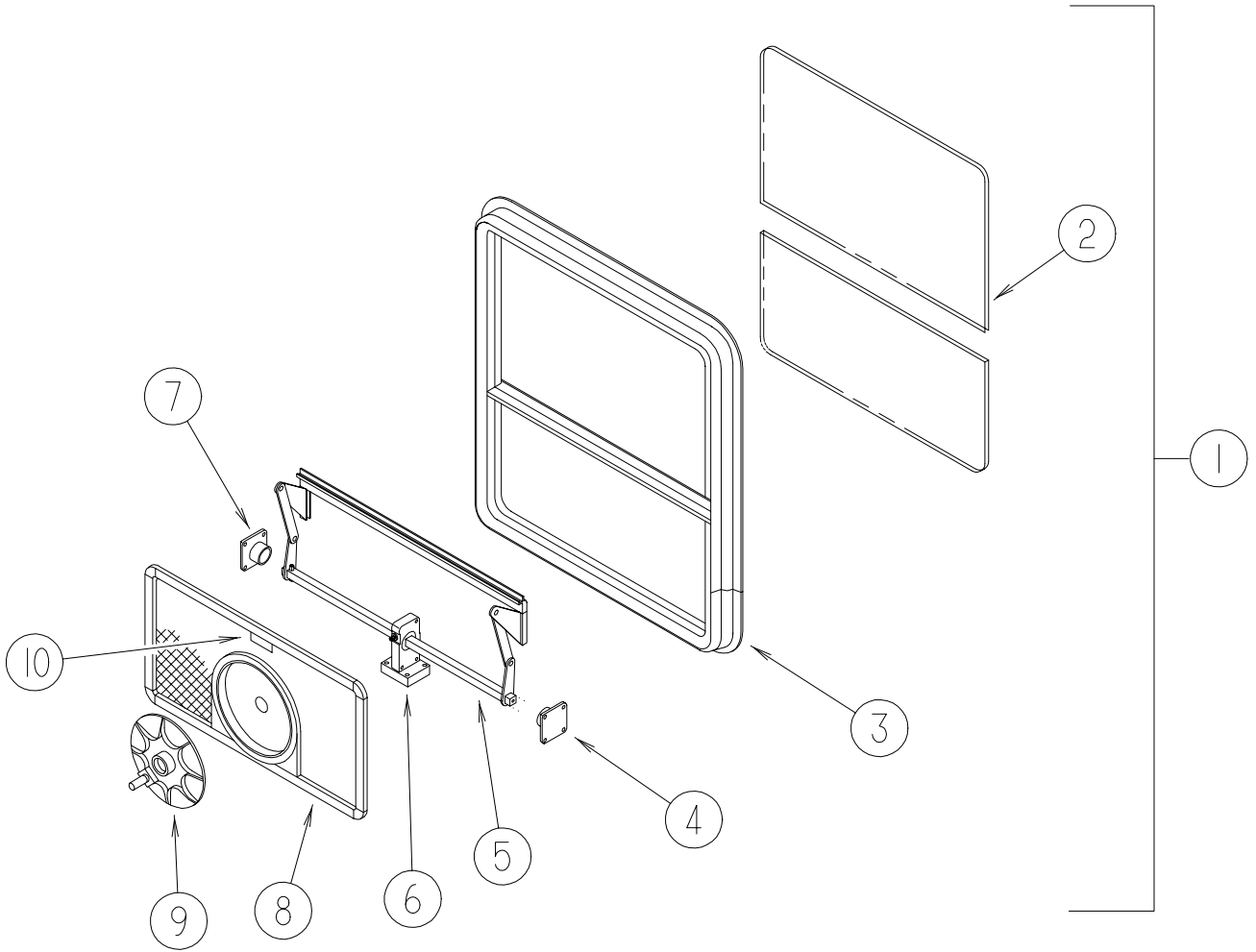
KEY	PART NUMBER	U/M	DESCRIPTION	VENDOR NO.
1	098647-49-01A	EA	WINDOW - PASS HORIZ SLIDER W/TRIM - CLEAR - 15" X 23.7"	
2	098644-01-705	FT	GLAZING - STRIP	132-010231
3	098644-01-706	FT	WEATHERSTRIP - GLASS	171-010668
4	098647-49-700	EA	GLASS - STATIONARY	096-012066
5	098644-01-719	EA	STOP - SLIDER GLASS	132-014203
6	098644-01-710	FT	TRACK - SCREEN SPACER 12'	132-017135
7	098644-01-700	EA	LATCH - REPAIR KIT (BLACK)	B801-CK
8	098644-01-708	FT	CHANNEL - RUN PIERCED	122-016543
9	098644-01-711	FT	WEATHERSTRIP - SCREEN BLACK	171-016965
10	112795-56-702	EA	SCREEN ASM - W/SEALS & CLIPS	410-019414
11	125582-01-701	EA	CLIP - SCREEN - PLASTIC	130005153
11	098644-01-713	EA	CLIP - SCREEN - METAL	226-016966
12	098647-49-700	EA	GLASS-SLIDING W/SASH & LATCH	B969-G8
13	098644-01-716	FT	PLUG - FILLER	132-014470
	098644-01-717	FT	SPLINE - SCREEN	132-004716
	112795-56-703	EA	RETAINER - TRIM	V969-66

THERMOPANE



KEY	PART NUMBER	U/M	DESCRIPTION	VENDOR NO.
1	099480-03-000	EA	WINDOW - PASSENGER SLIDER - TINTED - 27.8" X 30.8"	
2	098644-01-705	FT	GLAZING - STRIP	132-010231
3	098644-01-706	FT	WEATHERSTRIP - GLASS	171-010668
4	099480-03-701	EA	GLASS - STATIONARY	106-018291
5	098644-01-719	EA	STOP - SLIDER GLASS	132-014203
6	098644-01-710	FT	TRACK - SCREEN SPACER 12'	132-017135
7	099480-01-700	EA	LATCH - REPAIR KIT	B801-CK
8	098644-01-708	FT	CHANNEL - RUN PIERCED	122-016543
9	098644-01-711	FT	WEATHERSTRIP - SCREEN BLACK	171-016965
10	099480-03-703	EA	SCREEN ASM - W/SEALS & CLIPS	
11	098644-01-713	EA	CLIP - SCREEN - METAL	226-016966
12	099480-03-702	EA	GLASS-SLIDING W/SASH & LATCH	H150-G8
13	098644-01-716	FT	PLUG - FILLER	132-014470
	098644-01-717	FT	SPLINE - SCREEN	132-004716
	099480-03-700	EA	RETAINER - TRIM	W150-66

SINGLE TIPOUT

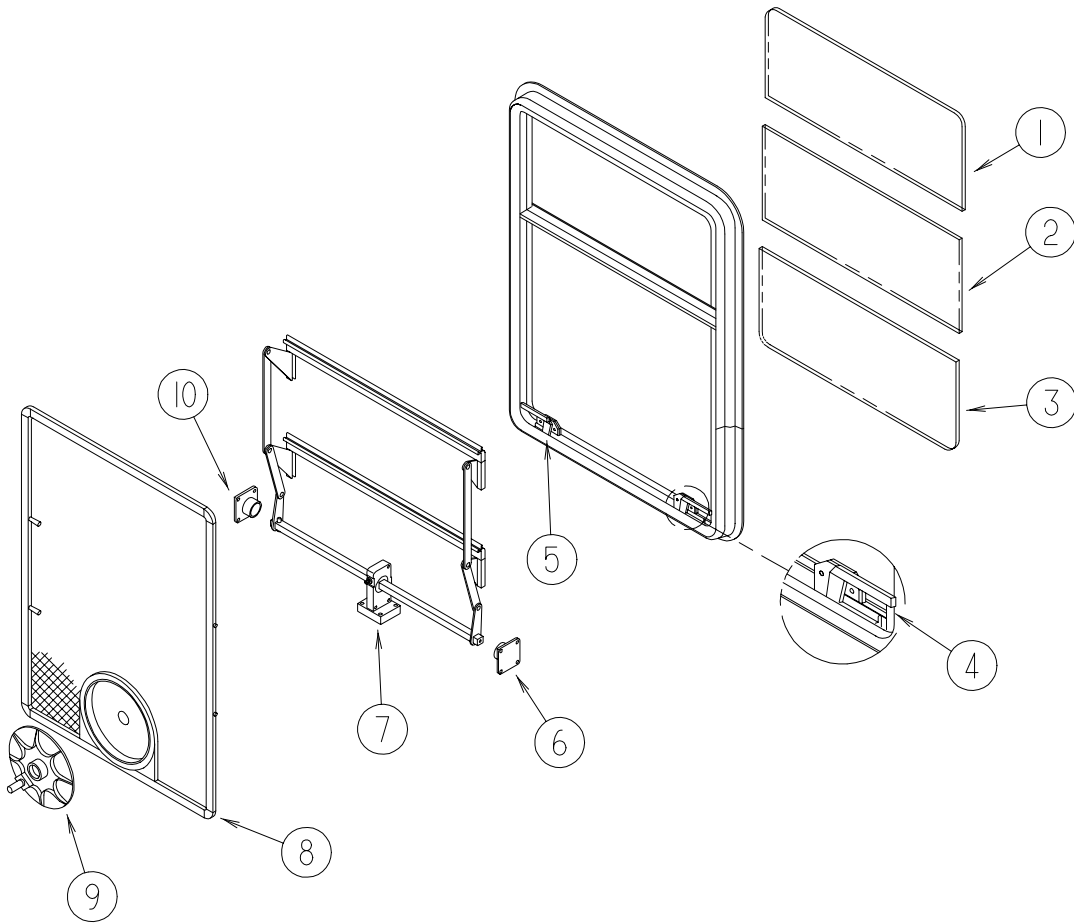


KEY	PART NUMBER	U/M	DESCRIPTION	VENDOR NO.
1	104691-07-01A	EA	WINDOW - SINGLE TIPOUT - TINTED - 27" X 25" - OFF/WHT TRIM	
2	104691-07-701	EA	GLASS - STATIONARY	106-018753
3	100322-01-703	FT	VINYL - GLAZING - BUTYL	132-010723
4	100322-01-715	EA	SUPPORT - TORQUE BAR - RH	130-015979
5	104691-15-703	EA	OPERATOR & BAR ASSEMBLY	CH56-15
6	112519-01-702	EA	OPERATOR - VENT	410-016123
7	100322-01-714	EA	SUPPORT - TORQUE BAR - LH	130-015978
8	104691-07-702	EA	SCREEN ASSEMBLY - W/SEALS & CLIPS	410-018755
9	100322-01-718	EA	HANDLE - DIAL	410-016081
10	112519-01-706	EA	CLIP - SCREEN	CH21-50
	100322-01-701	FT	SEAL - VENT	122-016071
	100322-01-702	EA	WEATHERSTRIP - HORIZONTAL RAIL	132-015976
	100322-01-704	EA	TAPE - BUTYL	154-016083
	104691-07-700	EA	GLASS - VENT ASSEMBLY - LOWER	CH78-D9
	116976-01-702	FT	FILLER - PLUG	132-016065

WINDOW - TIPOUT

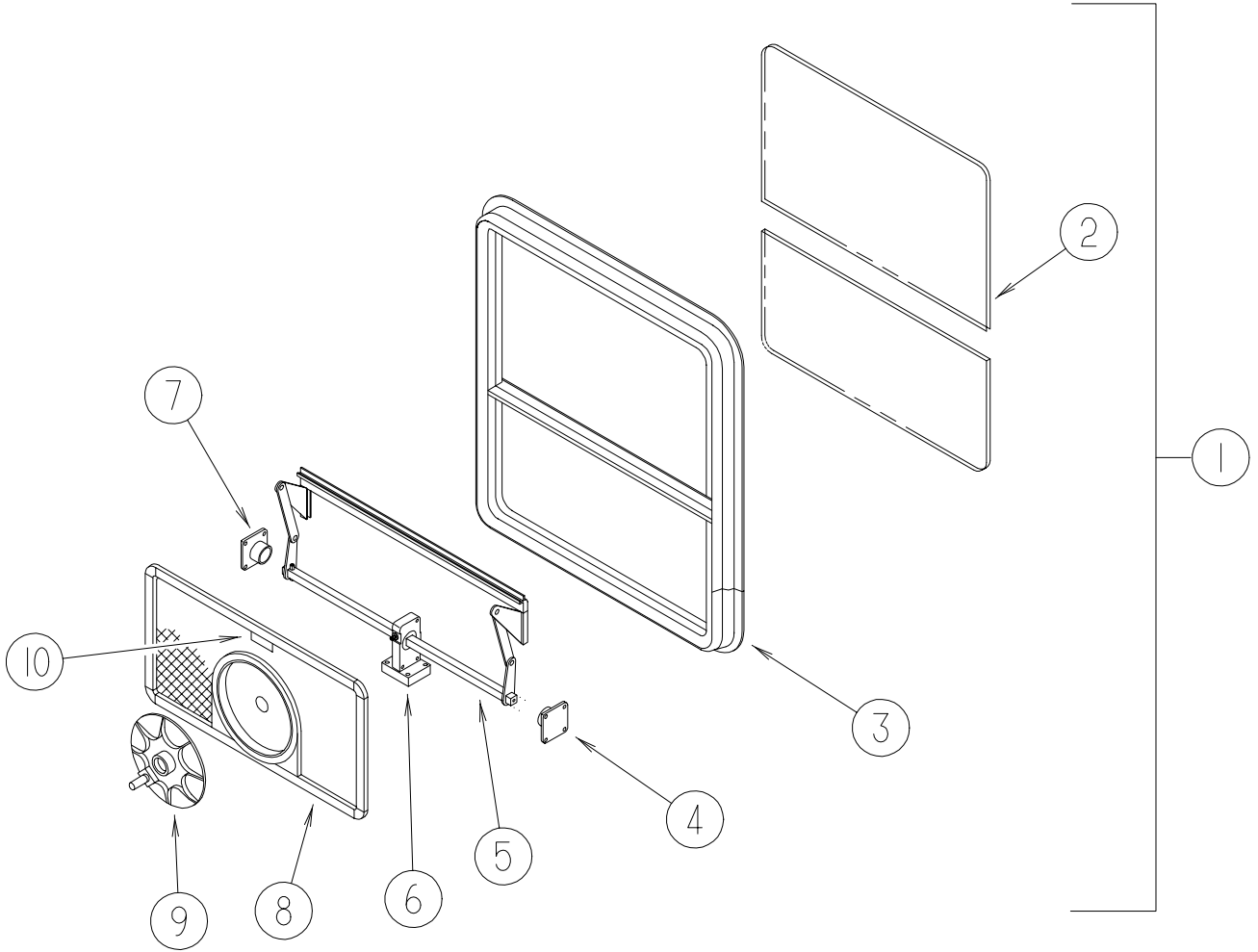
KEY	PART NUMBER	U/M DESCRIPTION	VENDOR NO.
	104691-13-01A	EA WINDOW ASM-TIPOUT BLK/OW	
	100322-01-701	FT SEAL-VENT	122-016071
	100322-01-702	EA WEATHERSTRIP-HORIZONTAL RAIL	132-015976
	100322-01-703	FT VINYL-GLAZING, BUTYL	132-010723
	100322-01-704	FT TAPE-BUTYL	154-016083
	100322-01-714	EA SUPPORT-TORQUE BAR, LH	130-015978
	100322-01-715	EA SUPPORT-TORQUE BAR, RH	130-015979
	100322-01-718	EA HANDLE-DIAL	410-016081
	104691-13-701	EA RETAINER - TRIM	W303-59
	104691-13-702	EA GLASS - STATIONARY	106-017670
	104691-13-703	EA GLASS-VENT ASSEMBLY	CH37-G9
	104691-13-704	EA OPERATOR & BAR ASSEMBLY	CH36-15
	104691-13-705	EA SCREEN ASM - W/SEALS & CLIPS	410-017763
	112519-01-702	EA OPERATOR-VENT	410-016123
	112519-01-706	EA CLIP-SCREEN	CH21-50
	116976-01-702	FT FILLER PLUG	132-016065

DOUBLE TIPOUT



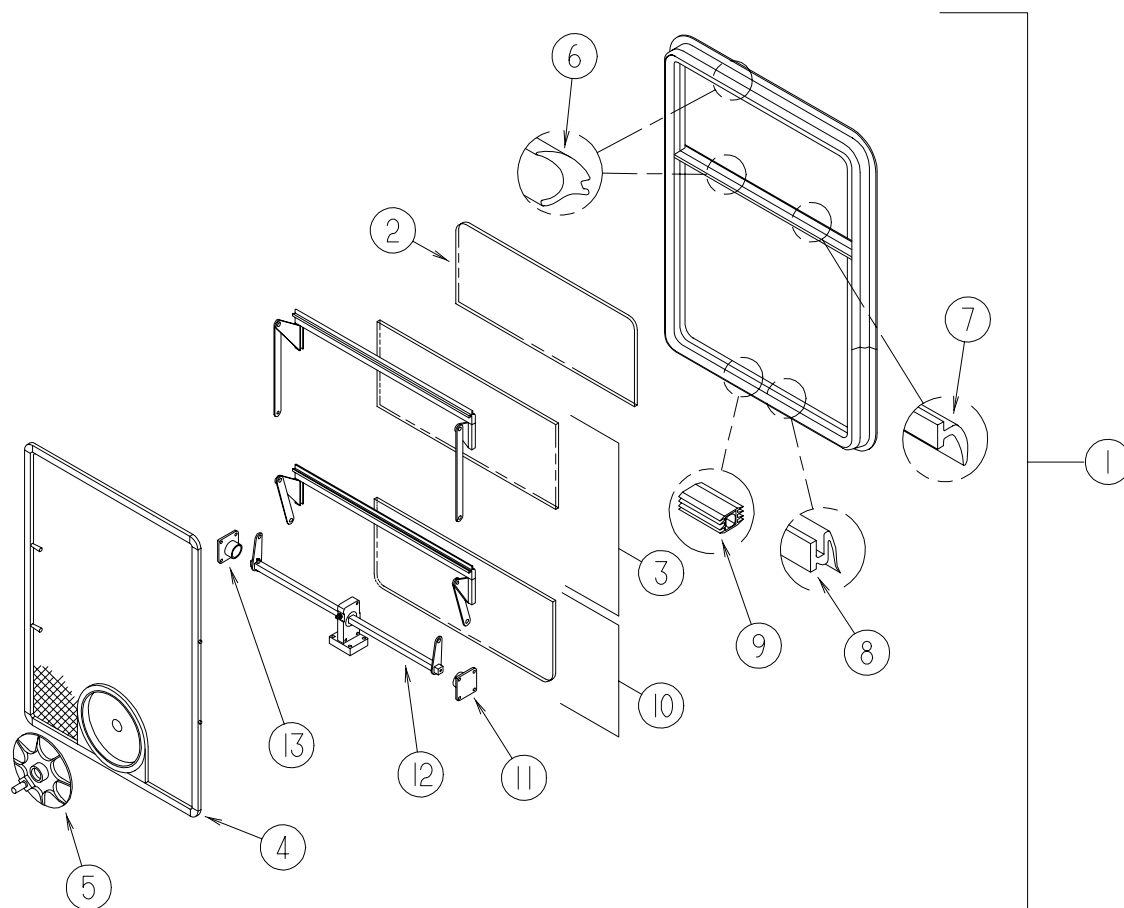
KEY	PART NUMBER	U/M	DESCRIPTION	VENDOR NO.
	104691-15-01A	EA	WINDOW - DOUBLE TIPOUT - TINTED - 25.7" X 30.2" - O/W TRIM	
1	104691-15-702	EA	GLASS - STATIONARY	106-019456
2	104691-15-704	EA	GLASS - VENT ASSEMBLY - UPPER	CH56-G7
3	104691-15-705	EA	GLASS - VENT ASSEMBLY - LOWER	CH56-G9
4	112898-06-704	FT	HANDLE - LATCH, RED-RH	182-11293
5	112898-06-705	EA	HANDLE - LATCH, RED-LH	182-11294
6	100322-01-715	EA	SUPPORT - TORQUE BAR - RH	130-015979
7	104691-15-703	EA	OPERATOR & BAR ASSEMBLY	CH56-15
	112519-01-702	EA	OPERATOR - VENT	410-016123
8	104691-15-706	EA	SCREEN ASSEMBLY - W/SEALS & CLIPS	410-018330
9	100322-01-718	EA	HANDLE - DIAL	410-016081
10	100322-01-714	EA	SUPPORT - TORQUE BAR - LH	130-015978
	100322-01-703	FT	VINYL - GLAZING - BUTYL	132-010723
	112519-01-706	EA	CLIP - SCREEN	CH21-50
	100322-01-701	FT	SEAL - VENT	122-016071
	100322-01-702	EA	WEATHERSTRIP - HORIZONTAL RAIL	132-015976
	100322-01-704	EA	TAPE - BUTYL	154-016083
	104691-15-701	EA	RETAINER - TRIM	CW56-59
	116976-01-702	FT	FILLER - PLUG	132-016065

SINGLE TIPOUT



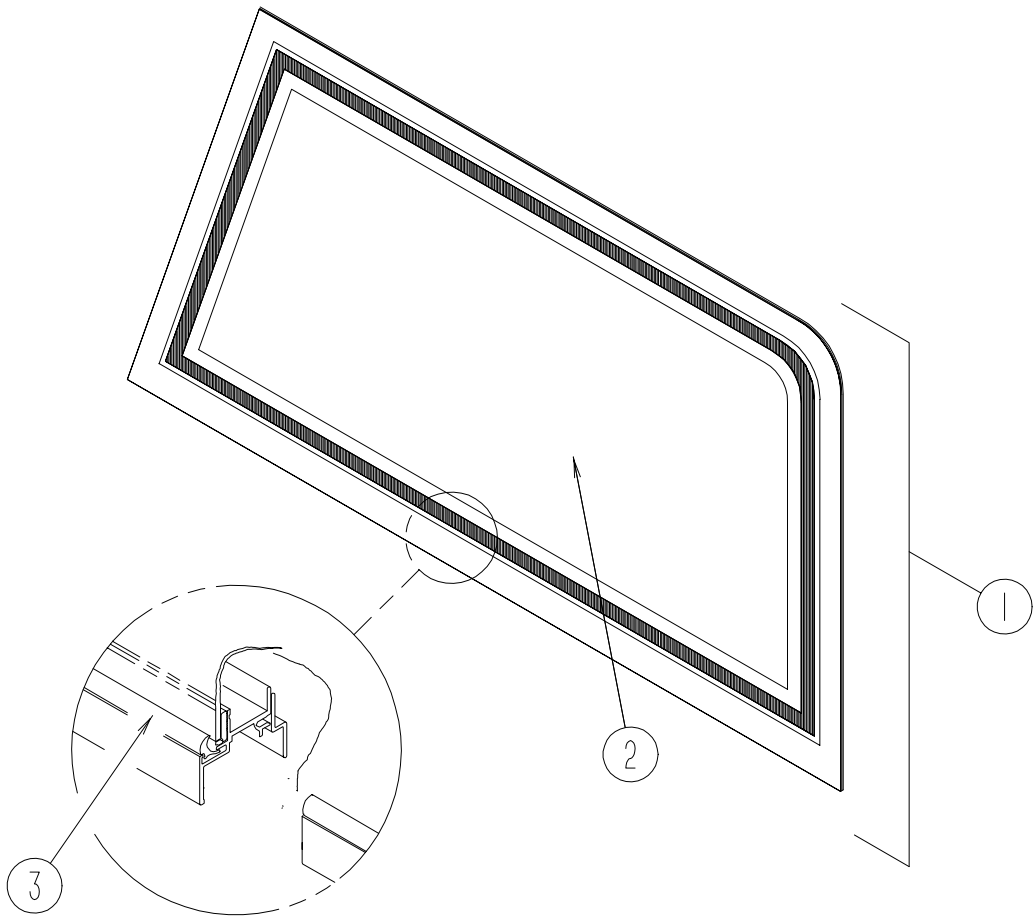
KEY	PART NUMBER	U/M	DESCRIPTION	VENDOR NO.
1	104691-16-01A	EA	WINDOW - SINGLE TIPOUT - TINTED - 22.8" X 21.1" - O/W TRIM	
2	104691-16-702	EA	GLASS - STATIONARY	106-019448
3	100322-01-703	FT	VINYL - GLAZING - BUTYL	132-010723
4	100322-01-715	EA	SUPPORT - TORQUE BAR - RH	130-015979
5	104691-16-703	EA	OPERATOR & BAR ASSEMBLY	CH91-18
6	100322-01-716	EA	SUPPORT - TORQUE BAR - CENTER RAIL	130-015980
7	100322-01-714	EA	SUPPORT - TORQUE BAR - LH	130-015978
8	104691-16-705	EA	SCREEN ASSEMBLY - W/SEALS & CLIPS	410-019479
9	100322-01-718	EA	HANDLE - DIAL	410-016081
10	112519-01-706	EA	CLIP - SCREEN	CH21-50
	100322-01-701	FT	SEAL - VENT	122-016071
	100322-01-702	EA	WEATHERSTRIP - HORIZONTAL RAIL	132-015976
	100322-01-704	EA	TAPE - BUTYL	154-016083
	104691-16-701	EA	RETAINER - TRIM	CW91-59
	104691-16-704	EA	GLASS - VENT ASSEMBLY	CH91-D9
	116976-01-702	FT	FILLER - PLUG	132-016065
	100322-01-717	EA	E - RING	245-015975
	112519-01-702	EA	OPERATOR - VENT	410-016123
	112898-06-704	EA	HANDLE - LATCH - RED - RH	182-11293
	112898-06-705	EA	HANDLE - LATCH - RED - LH	182-11294

**WINDOW - DOUBLE TIPOUT
EXCEL CH03-G1W59**



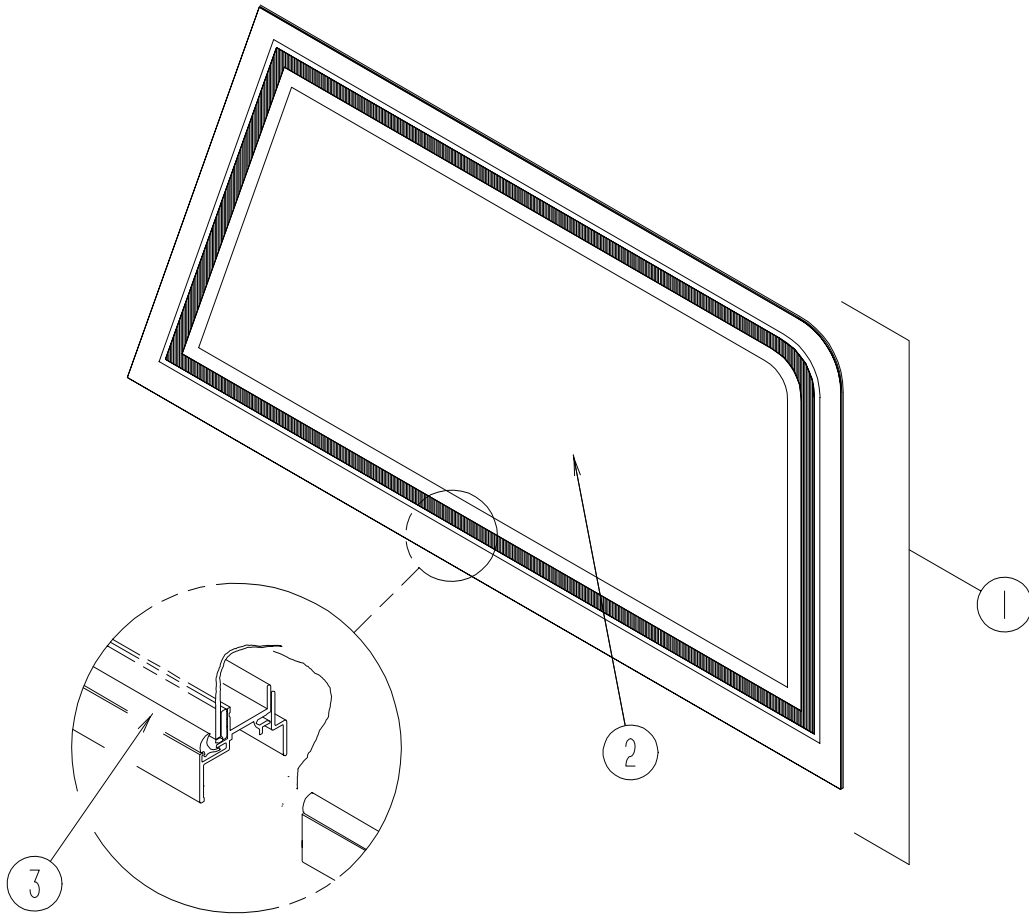
KEY	PART NUMBER	U/M	DESCRIPTION	VENDOR NO.
1	104691-17-01A	EA	WINDOW - DOUBLE TIPOUT - TINTED - 36.2" X 24.5"	
2	104691-17-703	EA	GLASS - STATIONARY	106-025766
3	104691-17-701	FT	GLASS - VENT ASSEMBLY - UPPER	CH03-G7
4	104691-17-702	EA	SCREEN ASSEMBLY - W/SEALS & CLIPS	410-016019
5	100322-01-718	EA	HANDLE - DIAL	410-016081
6	100322-01-703	EA	VINYL - GLAZING - BUTYL	132-010723
7	100322-01-702	EA	WEATHERSTRIP - HORIZONTAL RAIL	132-015976
8	100322-01-701	FT	SEAL - VENT	122-016071
9	116976-01-702	FT	FILLER - PLUG	132-016065
10	104691-17-700	EA	GLASS - VENT ASSEMBLY - LOWER	CH03-G9
11	100322-01-715	EA	SUPPORT - TORQUE BAR - RH	130-015979
12	100322-01-716	EA	SUPPORT - TORQUE BAR - CENTER RAIL	130-015980
13	100322-01-714	EA	SUPPORT - TORQUE BAR - LH	130-015978
	112519-01-706	EA	CLIP - SCREEN	CH21-50
	100322-01-704	EA	TAPE - BUTYL	154-016083
	100322-01-717	EA	E - RING	245-015975
	112519-01-702	EA	OPERATOR - VENT	410-016123

**EXCEL
THERMOPANE**



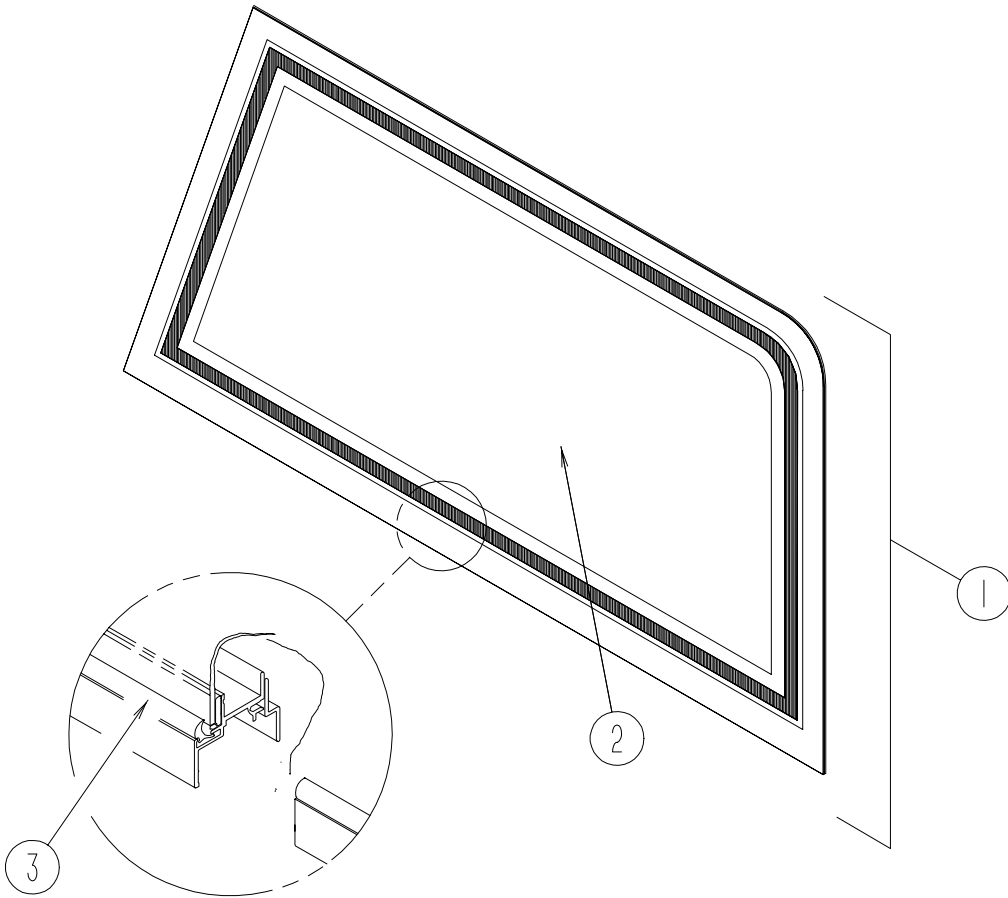
KEY	PART NUMBER	U/M	DESCRIPTION	VENDOR NO.
1	106467-04-01A	EA	WINDOW - DRIVER VISTA W/TRIM - 42.1"T X 44.9"B X 17.6"H	
2	106467-04-700	EA	GLASS - STATIONARY	106-019988
3	100322-01-703	FT	VINYL - GLAZING - BUTYL	132-010723
	106467-04-701	EA	RETAINER - TRIM - FRONT	H462-41L
	106467-04-702	EA	RETAINER - TRIM - FRONT	H462-42L

**EXCEL
THERMOPANE**



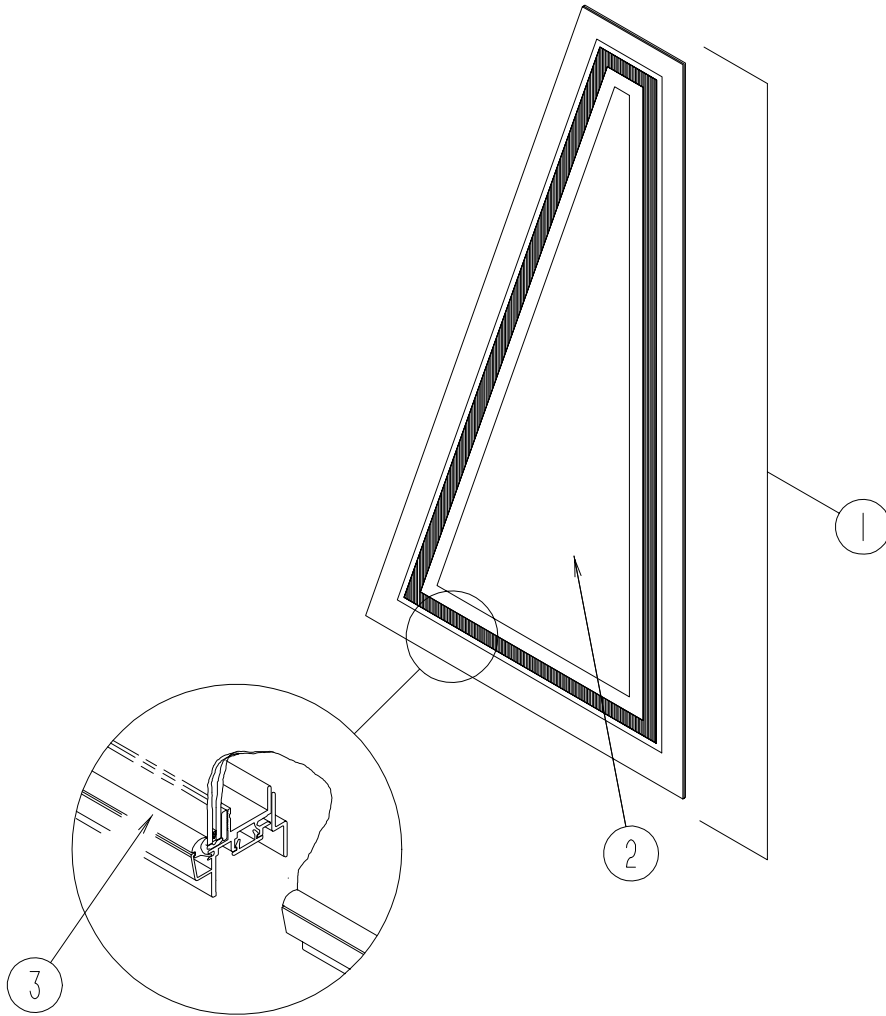
KEY	PART NUMBER	U/M	DESCRIPTION	VENDOR NO.
1	106467-06-01A	EA	WINDOW - DRIVER VISTA W/TRIM - 39.2"T X 40.6"B X 7.3"H	
2	106467-06-700	EA	GLASS - STATIONARY	106-025383
3	100322-01-703	FT	VINYL - GLAZING - BUTYL	132-010723
	116000-01-701	EA	RETAINER - TRIM RAIL - TOP/REAR	H508-41L
	116000-01-702	EA	RETAINER - TRIM RAIL - FRONT	H508-42L
	116000-01-703	EA	RETAINER - TRIM RAIL - BOTTOM	H508-43L

**EXCEL
THERMOPANE**



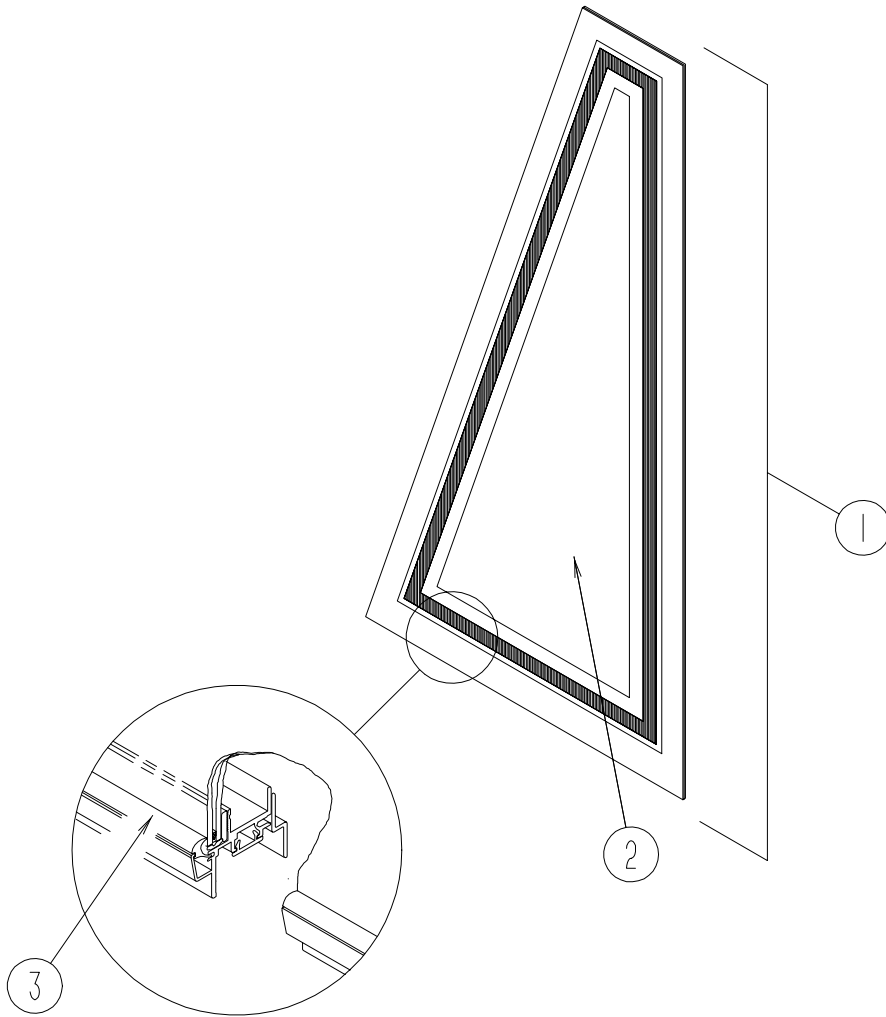
KEY	PART NUMBER	U/M	DESCRIPTION	VENDOR NO.
1	106467-08-01A	EA	WINDOW - PASSENGER VISTA/THERMO - 41.7"T X 44.2"B X 15.6"H	
2	106467-08-700	EA	GLASS - STATIONARY	390-025763
3	100322-01-703	FT	VINYL - GLAZING - BUTYL	132-010723
3	116000-01-704	FT	VINYL GLAZING	132-018161
	106467-08-701	EA	RETAINER - TRIM - BENT	H519-41R
	106467-08-702	EA	RETAINER - TRIM - BOTTOM	H519-42R
	106467-08-703	EA	RETAINER - TRIM - FRONT	H519-43R

**WINDOW
DRIVER WING**



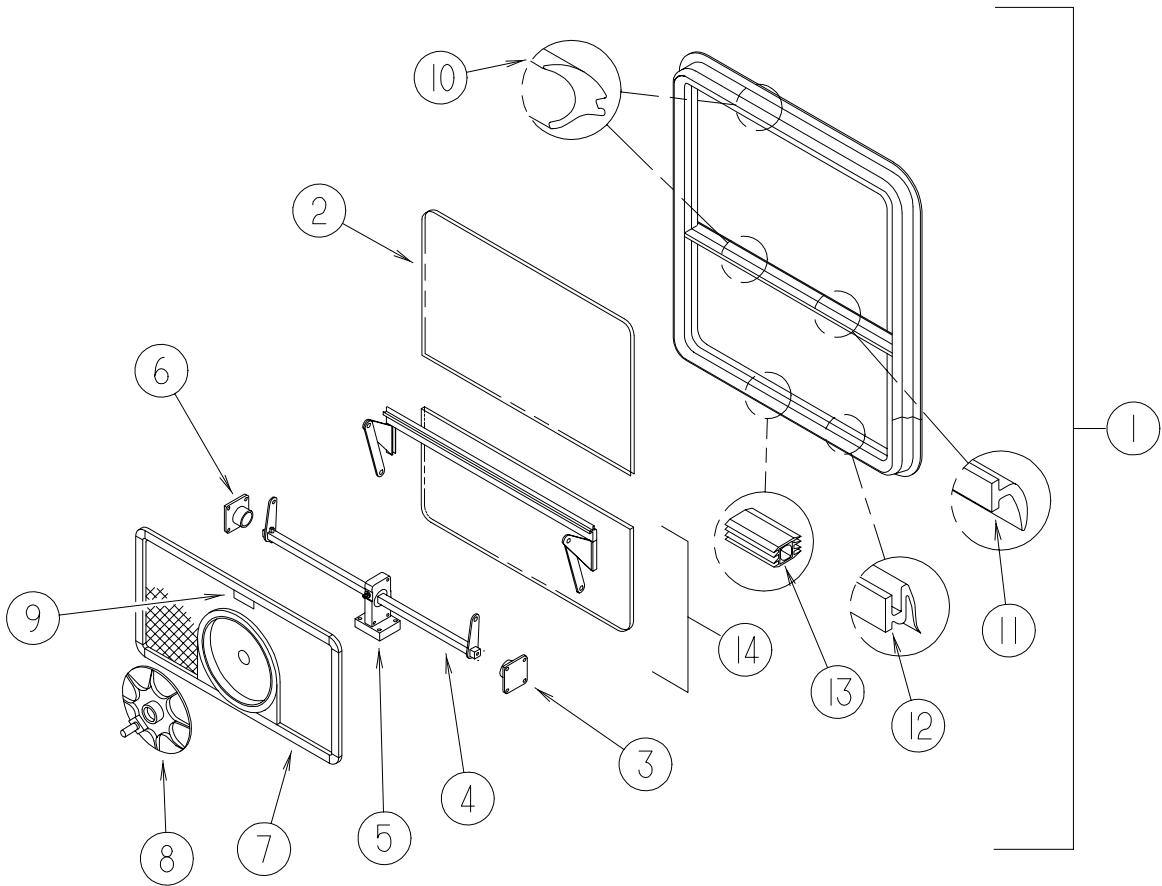
KEY	PART NUMBER	U/M	DESCRIPTION	VENDOR NO.
1	106468-03-01A	EA	WINDOW - DRIVER WING W/TRIM - 10.9"T X 14.2"B X 32.2"H	
2	106468-03-700	EA	GLASS - STATIONARY	106-019987
3	100322-01-703	FT	VINYL - GLAZING - BUTYL	132-010723
	106468-03-701	EA	RETAINER - TRIM - TOP	H463-42L
	106468-03-702	EA	RETAINER - TRIM - FRONT	H463-43L
	106468-03-703	EA	RETAINER - TRIM - REAR	H463-44L
	115999-03-703	EA	RETAINER - TRIM - RAIL REAR	H358-41L
	125582-01-708	EA	WEEPHOLE COVER - RIGHT HAND	130-026598
	125582-01-709	EA	WEEPHOLE COVER - LEFT HAND	130-026599

**WINDOW
DRIVER WING**



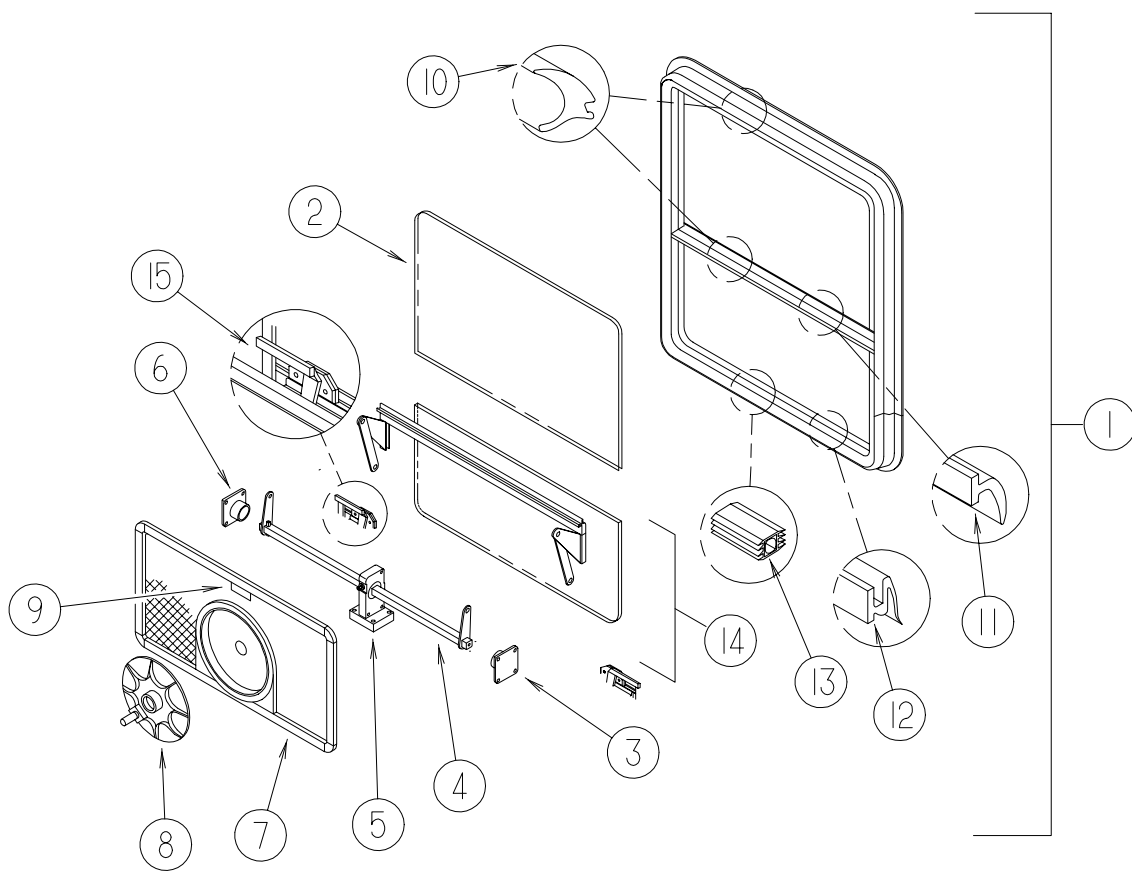
KEY	PART NUMBER	U/M	DESCRIPTION	VENDOR NO.
1	106468-05-01A	EA	WINDOW - DRIVER WING W/TRIM - 6.8" T X 12.2" B X 28.9" H	
2	106468-05-700	EA	GLASS - STATIONARY	106-025382
3	100322-01-703	FT	VINYL - GLAZING - BUTYL	132-010723
	115999-06-702	EA	RETAINER - TRIM RAIL - TOP	H507-42L
	115999-03-703	EA	RETAINER - TRIM RAIL - FRONT	H507-43L
	115999-03-704	EA	RETAINER - TRIM RAIL - BOTTOM	H463-44L
	115999-06-701	EA	RETAINER - TRIM RAIL - REAR	H507-41L
	125582-01-708	EA	WEEPHOLE COVER - RIGHT HAND	130-026598
	125582-01-709	EA	WEEPHOLE COVER - LEFT HAND	130-026599

THERMOPANE



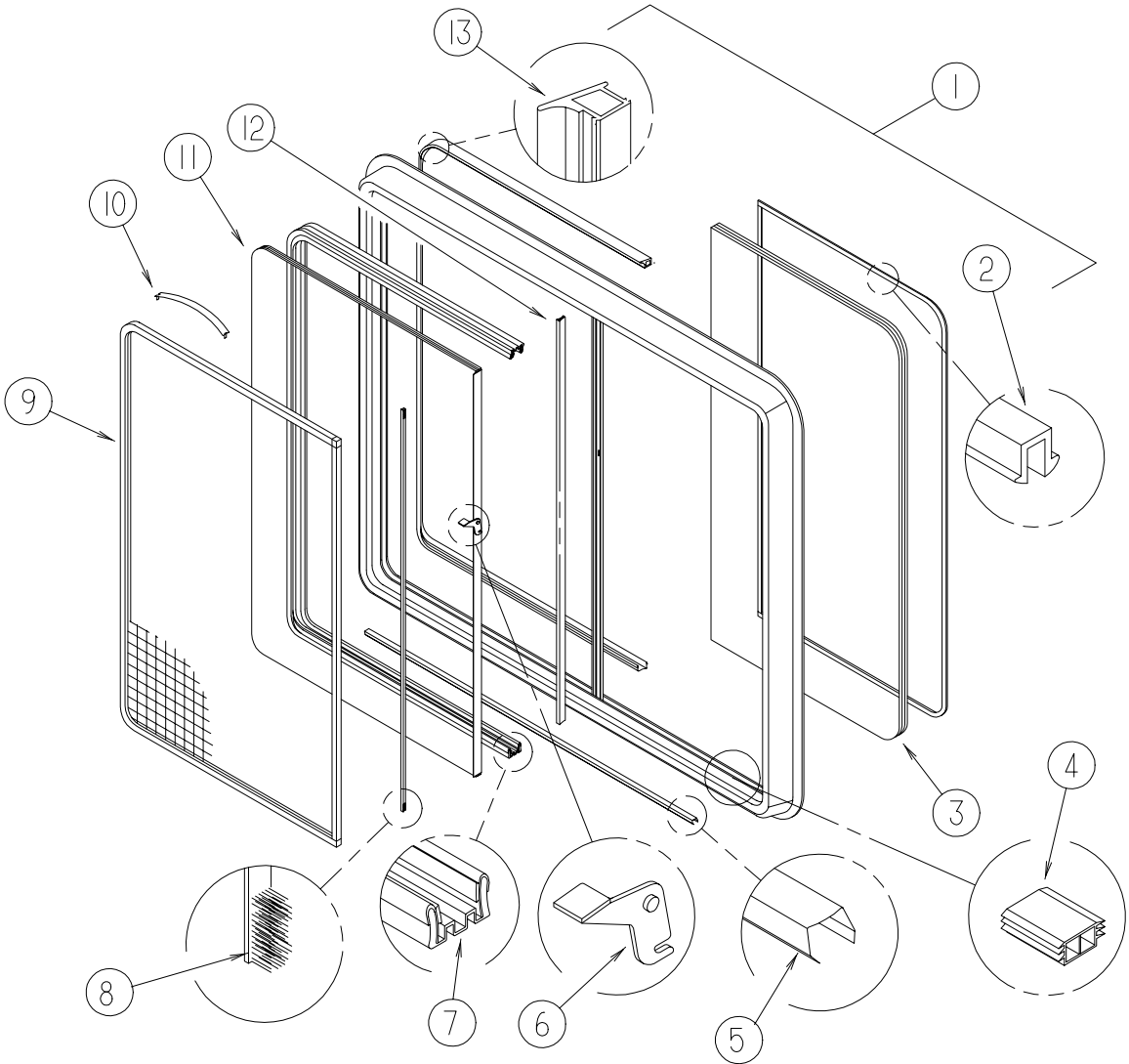
KEY	PART NUMBER	U/M	DESCRIPTION	VENDOR NO.
1	112463-03-01A	EA	WINDOW - TIPOUT W/RETAINER TRIM - 33.3" X 30.2"	
	113500-05-705	EA	RETAINER - TRIM	CW100-59
2	112463-03-701	EA	GLASS - STATIONARY	106-025377
3	100322-01-714	EA	SUPPORT - TORQUE BAR - LH	130-015978
4	112463-03-702	EA	OPERATOR & BAR ASSEMBLY	CH10-18
5	100322-01-716	EA	SUPPORT - TORQUE BAR - CTR RAIL	130-015980
6	100322-01-715	EA	SUPPORT - TORQUE BAR - RH	130-015979
7	112463-03-703	EA	SCREEN ASM - W/SEALS & CLIPS	410-018439
8	100322-01-718	EA	HANDLE - DIAL	410-016081
9	112519-01-706	EA	CLIP - SCREEN	CH21-50
10	100322-01-703	FT	VINYL - GLAZING - BUTYL	132-010723
11	100322-01-702	EA	WEATHERSTRIP - HORIZONTAL RAIL	132-015976
12	100322-01-701	FT	SEAL - VENT	122-016071
13	098644-01-716	FT	PLUG - FILLER	132-014470
14	112463-03-700	EA	VENT ASSEMBLY	CH100-G9
	100322-01-704	FT	TAPE - BUTYL	154-016083
	100322-01-717	EA	E-RING	245-015975

THERMOPANE



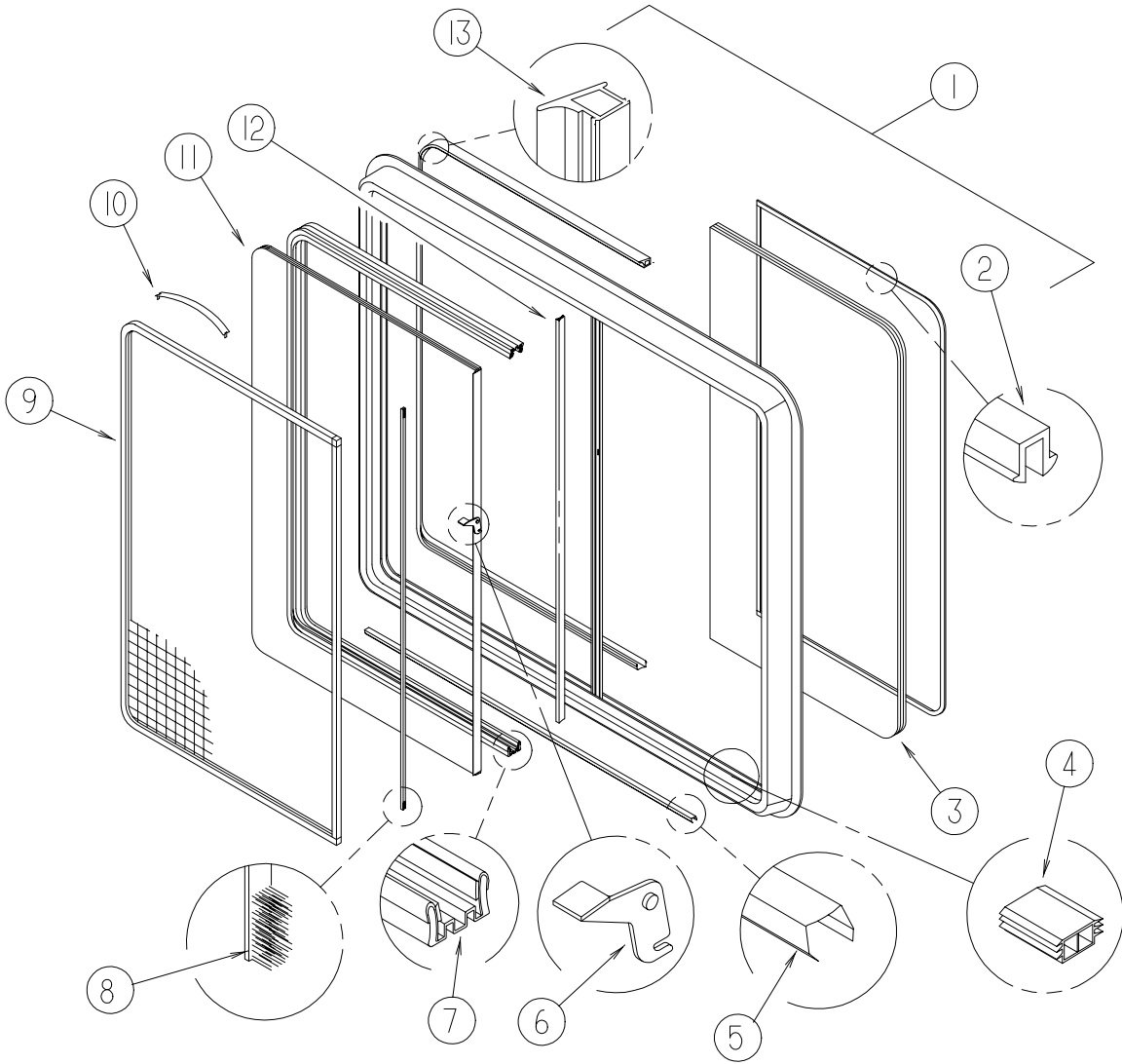
KEY	PART NUMBER	U/M	DESCRIPTION	VENDOR NO.
1	112463-05-01A	EA	WINDOW - TIPOUT/ESCAPE W/RETAINER TRIM - 33.3" X 30.2"	
	113500-06-705	EA	RETAINER - TRIM	CW101-59
2	112463-05-700	EA	GLASS - STATIONARY	106-025378
3	100322-01-714	EA	SUPPORT - TORQUE BAR - LH	130-015978
4	112463-05-702	EA	OPERATOR & BAR ASSEMBLY	CH65-18
5	100322-01-716	EA	SUPPORT - TORQUE BAR - CTR RAIL	130-015980
6	100322-01-715	EA	SUPPORT - TORQUE BAR - RH	130-015979
7	112463-05-701	EA	SCREEN ASM - W/SEALS & CLIPS	410-018441
8	100322-01-718	EA	HANDLE - DIAL	410-016081
9	112519-01-706	EA	CLIP - SCREEN	CH21-50
10	100322-01-703	EA	VINYL - GLAZING - BUTYL	132-010723
11	100322-01-702	EA	WEATHERSTRIP - HORIZONTAL RAIL	132-015976
12	100322-01-701	EA	SEAL - VENT	122-016071
13	098644-01-716	EA	PLUG - FILLER	132-014470
14	112463-05-703	EA	VENT- ASSEMBLY TIPOUT	106-018414
15	112898-06-705	EA	HANDLE - LATCH - RED - LH	182-11294
	112898-06-704	EA	HANDLE - LATCH - RED - RH	182-11293
	100322-01-704	EA	TAPE - BUTYL	154-016083
	100322-01-717	EA	E - RING	245-015975

THERMOPANE



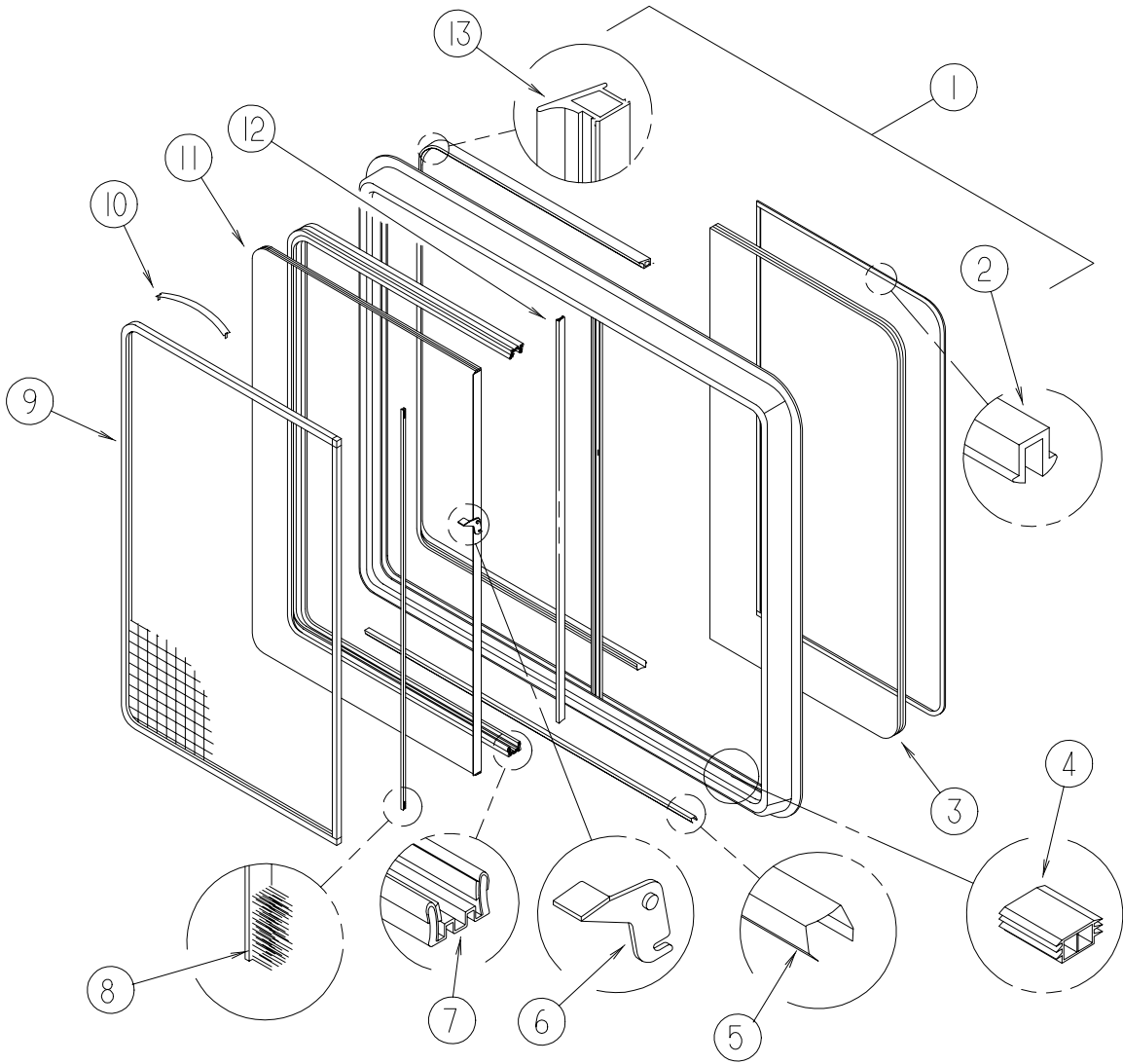
KEY	PART NUMBER	U/M	DESCRIPTION	VENDOR NO.
1	112795-15-01A	EA	WINDOW - DRIVER HORIZONTAL SLIDER - THERMO - 26.4" X 60"	
2	112795-01-705	FT	VINYL - GLAZING	132-025736
3	112795-15-701	EA	GLASS - STATIONARY	390-019045
4	112795-01-701	EA	SLIDE - STOP	132-019092
5	098644-01-710	FT	TRACK - SCREEN SPACER 12'	132-017135
6	112795-01-700	EA	LATCH ASSEMBLY - BLACK - (BOLT ON)	DH287-CK
7	112795-01-703	IN	CHANNEL - RUN (INCHES)	122-018736
8	098644-01-711	FT	WEATHERSTRIP - SCREEN BLACK	171-016965
9	098647-23-704	EA	SCREEN ASM - W/SEALS & CLIPS	410-019066
10	098644-01-713	EA	CLIP - SCREEN - METAL	226-016966
10	125582-01-701	EA	CLIP - SCREEN - PLASTIC	130005153
11	112795-15-702	EA	GLASS-SLIDING W/SASH & LATCH	DH287-G9
12	098644-01-706	FT	WEATHERSTRIP - GLASS	171-010668
13	112795-01-704	FT	PLUG - FILLER - (DOUBLE GLAZED)	122-018737
	098644-01-717	FT	SPLINE - SCREEN	132-004716
	098647-23-702	EA	RETAINER - TRIM	W287-66

THERMOPANE



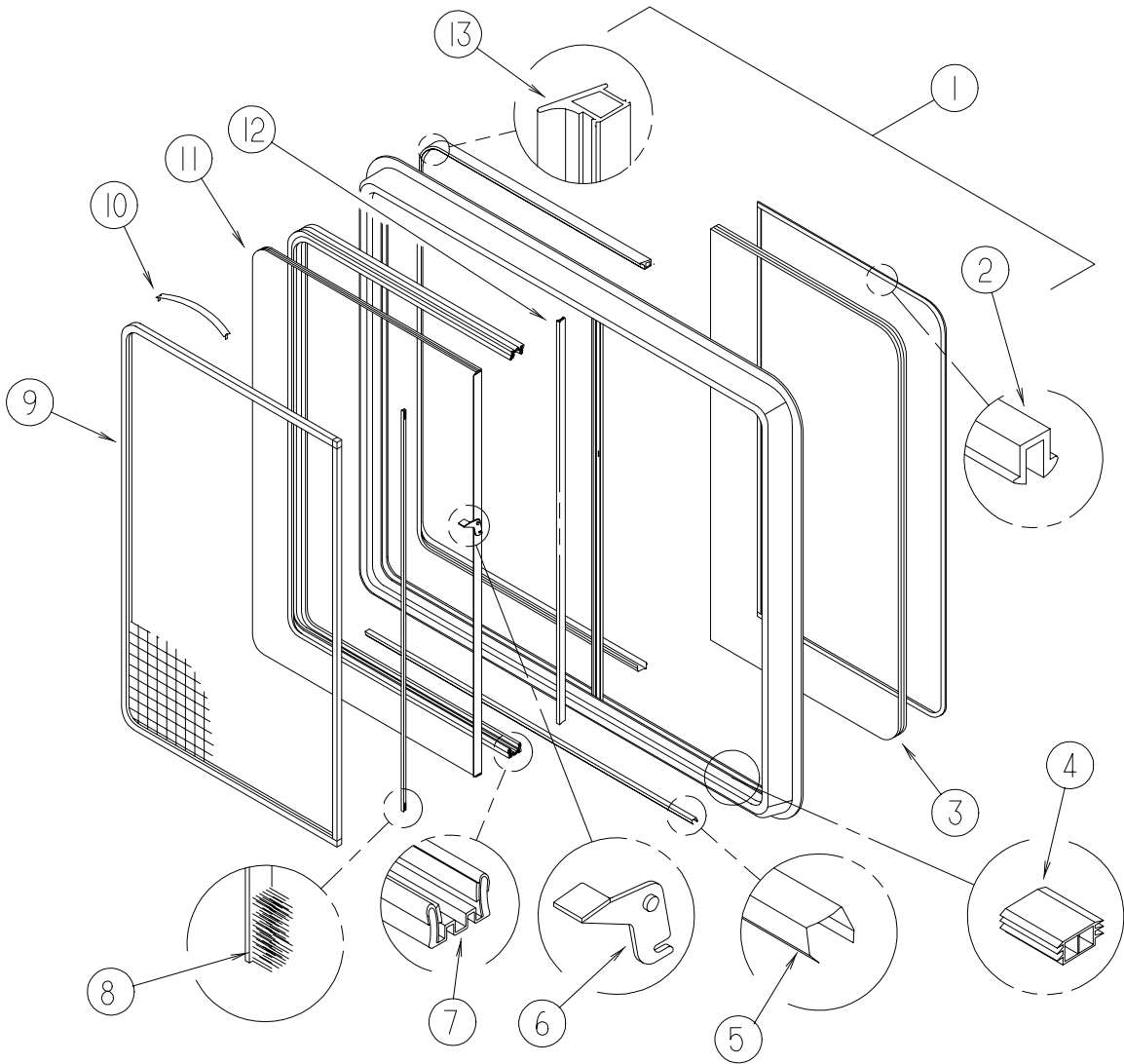
KEY	PART NUMBER	U/M	DESCRIPTION	VENDOR NO.
1	112795-16-01A	EA	WINDOW - PASSENGER HORIZ SLIDER - THERMO - 26.4" X 60"	
2	112795-01-705	FT	VINYL - GLAZING	132-025736
3	112795-15-701	EA	GLASS - STATIONARY	390-019045
4	112795-01-701	EA	SLIDE - STOP	132-019092
5	098644-01-710	FT	TRACK - SCREEN SPACER 12'	132-017135
6	112795-01-700	EA	LATCH ASSEMBLY - BLACK - (BOLT ON)	DH287-CK
7	112795-01-703	IN	CHANNEL - RUN (INCHES)	122-018736
8	098644-01-711	FT	WEATHERSTRIP - SCREEN BLACK	171-016965
9	098647-23-704	EA	SCREEN ASM - W/SEALS & CLIPS	410-019066
10	098644-01-713	EA	CLIP - SCREEN - METAL	226-016966
10	125582-01-701	EA	CLIP - SCREEN - PLASTIC	130005153
11	112795-15-702	EA	GLASS-SLIDING W/SASH & LATCH	DH287-G9
12	098644-01-706	FT	WEATHERSTRIP - GLASS	171-010668
13	112795-01-704	FT	PLUG - FILLER - (DOUBLE GLAZED)	122-018737
	098644-01-717	FT	SPLINE - SCREEN	132-004716
	098647-23-702	EA	RETAINER - TRIM	W287-66

THERMOPANE



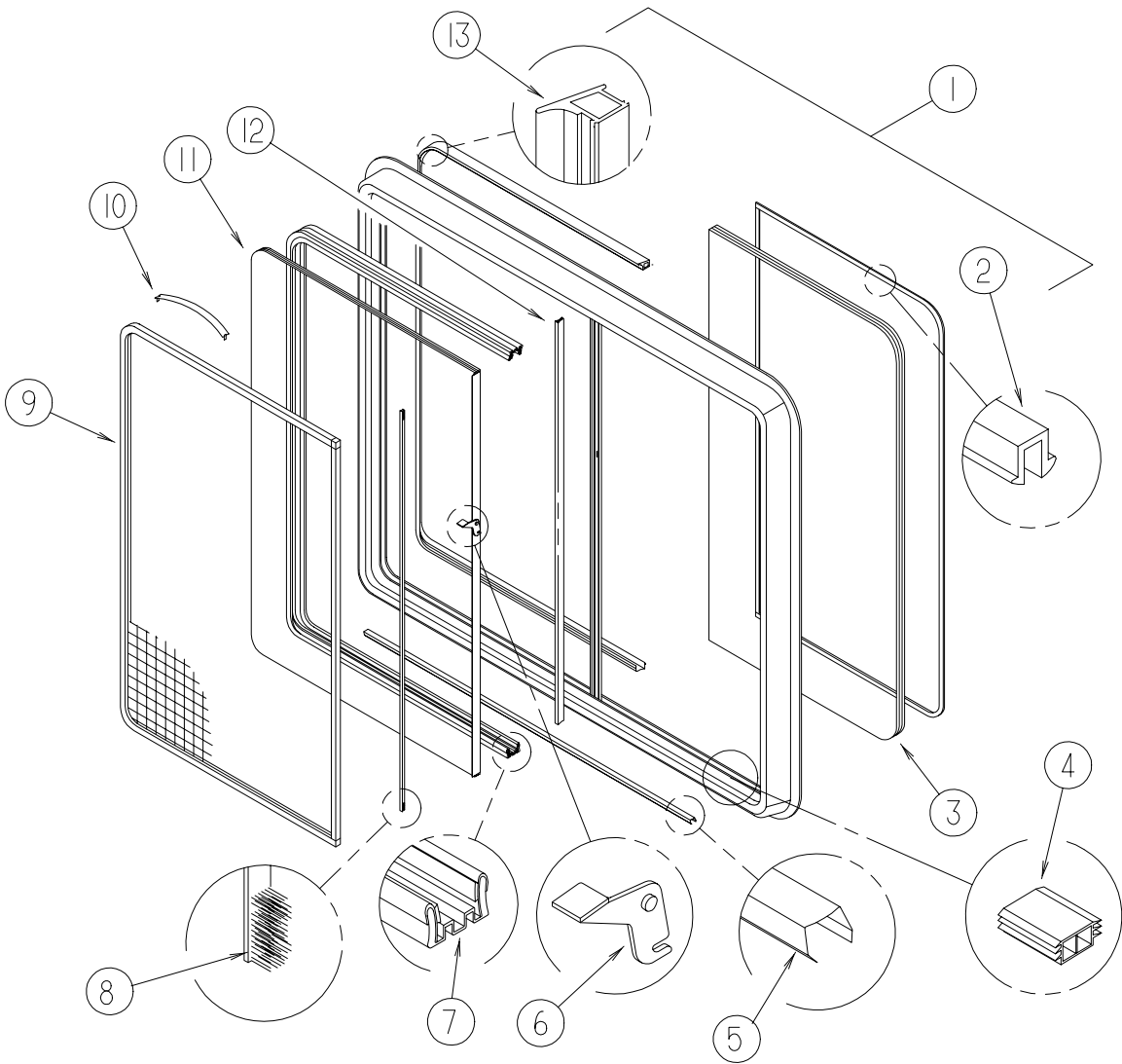
KEY	PART NUMBER	U/M	DESCRIPTION	VENDOR NO.
1	112795-17-01A	EA	WINDOW - PASSENGER HORIZ SLIDER - THERMO - 26.4" X 54" DC80-G2W66R	
2	112795-01-705	FT	VINYL - GLAZING	132-025736
3	112795-17-700	EA	GLASS - STATIONARY	390-019041
4	112795-01-701	EA	SLIDE - STOP	132-019092
5	098644-01-710	FT	TRACK - SCREEN SPACER 12'	132-017135
6	112795-01-700	EA	LATCH ASSEMBLY - BLACK - (BOLT ON)	DH287-CK
7	112795-01-703	IN	CHANNEL - RUN (INCHES)	122-018736
8	098644-01-711	FT	WEATHERSTRIP - SCREEN BLACK	171-016965
9	112795-17-702	EA	SCREEN ASM. W/SEALS & CLIPS	410-019064
10	098644-01-713	EA	CLIP - SCREEN - METAL	226-016966
10	125582-01-701	EA	CLIP - SCREEN - PLASTIC	130005153
11	112795-17-701	EA	GLASS-SLIDING W/SASH & LATCH	DC80-G9
12	098644-01-706	FT	WEATHERSTRIP - GLASS	171-010668
13	112795-01-704	FT	PLUG - FILLER - (DOUBLE GLAZED)	122-018737
	098644-01-717	FT	SPLINE - SCREEN	132-004716
	112795-17-703	EA	RETAINER - TRIM	CW80-66

THERMOPANE



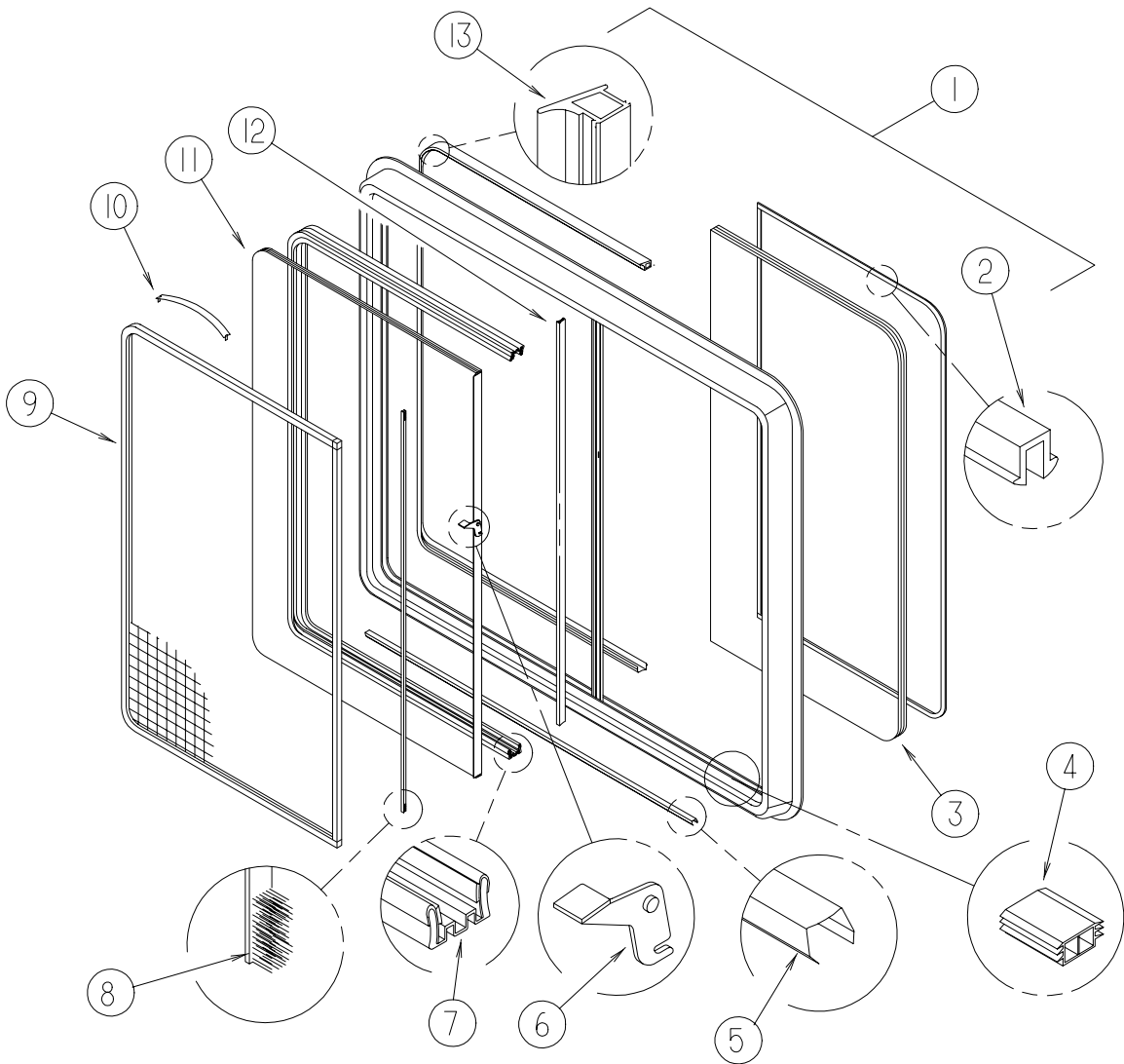
KEY	PART NUMBER	U/M	DESCRIPTION	VENDOR NO.
1	112795-18-01A	EA	WINDOW - PASSENGER HORIZ SLIDER - THERMO - 26.4" X 30"	
2	112795-01-705	FT	VINYL - GLAZING	132-025736
3	112795-18-700	EA	GLASS - STATIONARY	390-019043
4	112795-01-701	EA	SLIDE - STOP	132-019092
5	098644-01-710	FT	TRACK - SCREEN SPACER 12'	132-017135
6	112795-01-700	EA	LATCH ASSEMBLY - BLACK - (BOLT ON)	DH287-CK
7	112795-01-703	IN	CHANNEL - RUN (INCHES)	122-018736
8	098644-01-711	FT	WEATHERSTRIP - SCREEN BLACK	171-016965
9	098647-25-704	EA	SCREEN ASM - W/SEALS & CLIPS	410-019065
10	098644-01-713	EA	CLIP - SCREEN - METAL	226-016966
10	125582-01-701	EA	CLIP - SCREEN - PLASTIC	130005153
11	112795-18-701	EA	GLASS-SLIDING W/SASH & LATCH	DH286-G9
12	098644-01-706	FT	WEATHERSTRIP - GLASS	171-010668
13	112795-01-704	FT	PLUG - FILLER - (DOUBLE GLAZED)	122-018737
	098644-01-717	FT	SPLINE - SCREEN	132-004716
	098647-25-701	EA	RETAINER - TRIM	W286-66

THERMOPANE



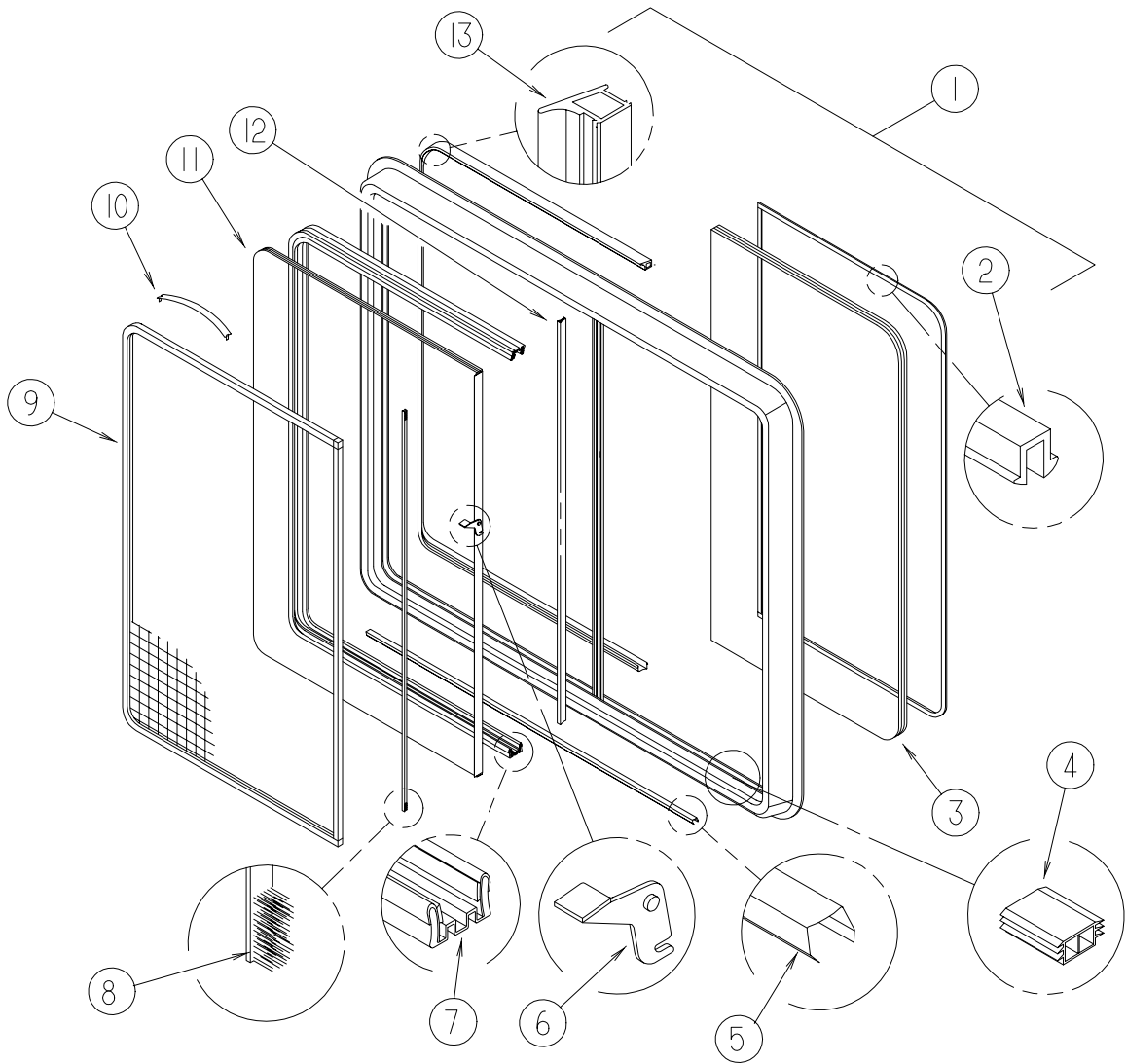
KEY	PART NUMBER	U/M	DESCRIPTION	VENDOR NO.
1	112795-19-01A	EA	WINDOW - PASSENGER HORIZ SLIDER - THERMO - 16" X 28.7"	
2	112795-01-705	FT	VINYL - GLAZING	132-025736
3	112795-19-701	EA	GLASS - STATIONARY	390-019134
4	112795-01-701	EA	SLIDE - STOP	132-019092
5	098644-01-710	FT	TRACK - SCREEN SPACER 12'	132-017135
6	112795-01-700	EA	LATCH ASSEMBLY - BLACK - (BOLT ON)	DH287-CK
7	112795-01-703	IN	CHANNEL - RUN (INCHES)	122-018736
8	098644-01-711	FT	WEATHERSTRIP - SCREEN BLACK	171-016965
9	098647-31-704	EA	SCREEN ASM - W/SEALS & CLIPS	410-019128
10	098644-01-713	EA	CLIP - SCREEN - METAL	226-016966
10	125582-01-701	EA	CLIP - SCREEN - PLASTIC	130005153
11	112795-19-702	EA	GLASS-SLIDING W/SASH & LATCH	DC29-G9
12	098644-01-706	FT	WEATHERSTRIP - GLASS	171-010668
13	112795-01-704	FT	PLUG - FILLER - (DOUBLE GLAZED)	122-018737
	098644-01-717	FT	SPLINE - SCREEN	132-004716
	098647-31-701	EA	RETAINER - TRIM	CW29-66

THERMOPANE



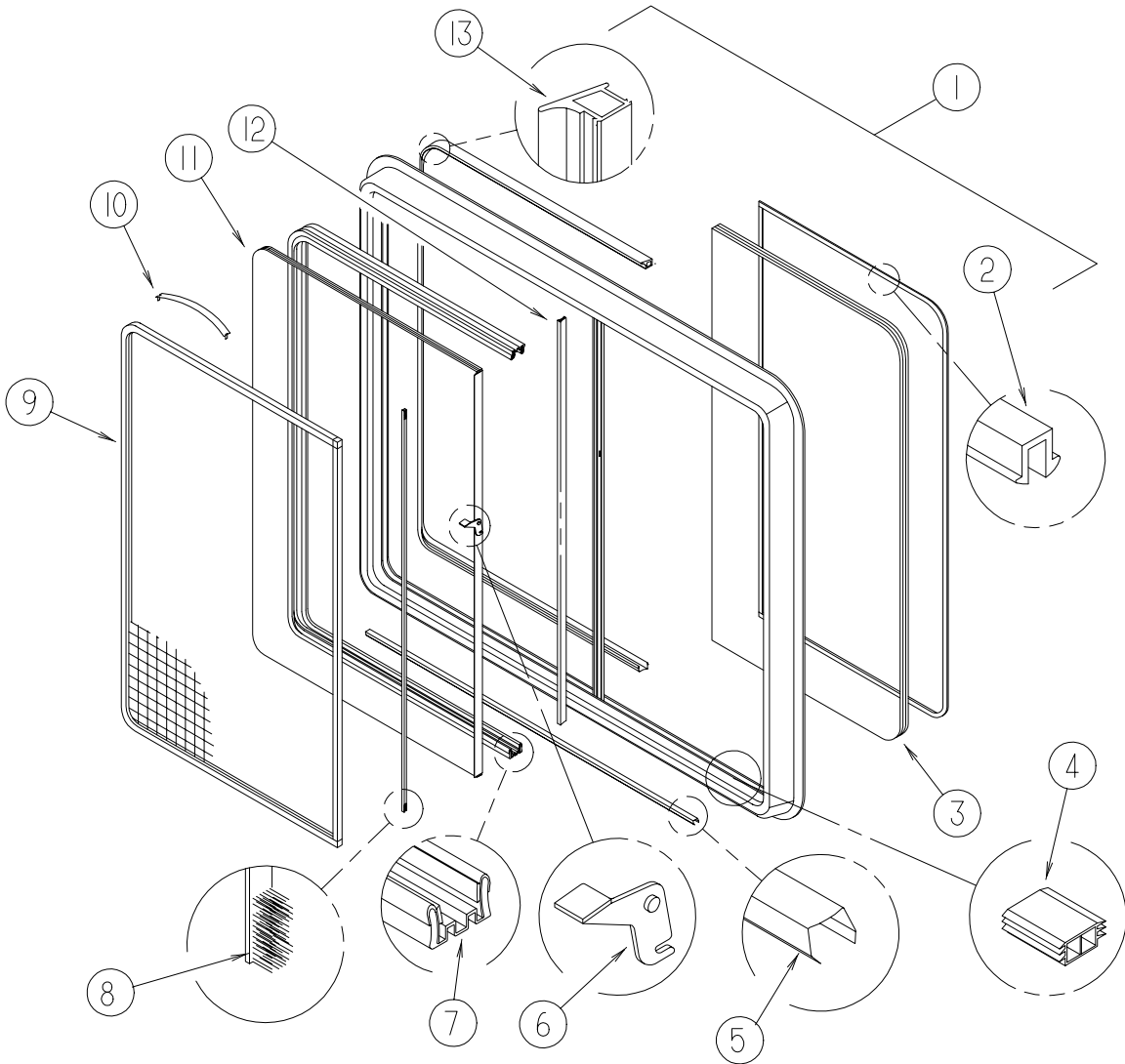
KEY	PART NUMBER	U/M	DESCRIPTION	VENDOR NO.
1	112795-20-01A	EA	WINDOW - DRIVER HORIZONTAL SLIDER - THERMO - 16" X 28.7"	
2	112795-01-705	FT	VINYL - GLAZING	132-025736
3	112795-19-701	EA	GLASS - STATIONARY	390-019134
4	112795-01-701	EA	SLIDE - STOP	132-019092
5	098644-01-710	FT	TRACK - SCREEN SPACER 12'	132-017135
6	112795-01-700	EA	LATCH ASSEMBLY - BLACK - (BOLT ON)	DH287-CK
7	112795-01-703	IN	CHANNEL - RUN (INCHES)	122-018736
8	098644-01-711	FT	WEATHERSTRIP - SCREEN BLACK	171-016965
9	098647-31-704	EA	SCREEN ASM - W/SEALS & CLIPS	410-019128
10	098644-01-713	EA	CLIP - SCREEN - METAL	226-016966
10	125582-01-701	EA	CLIP - SCREEN - PLASTIC	130005153
11	112795-19-702	EA	GLASS - SLIDING - W/SASH & LATCH	DC29-G9
12	098644-01-706	FT	WEATHERSTRIP - GLASS	171-010668
13	112795-01-704	FT	PLUG - FILLER - (DOUBLE GLAZED)	122-018737
	098644-01-717	FT	SPLINE - SCREEN	132-004716
	098647-31-701	EA	RETAINER - TRIM	CW29-66

THERMOPANE



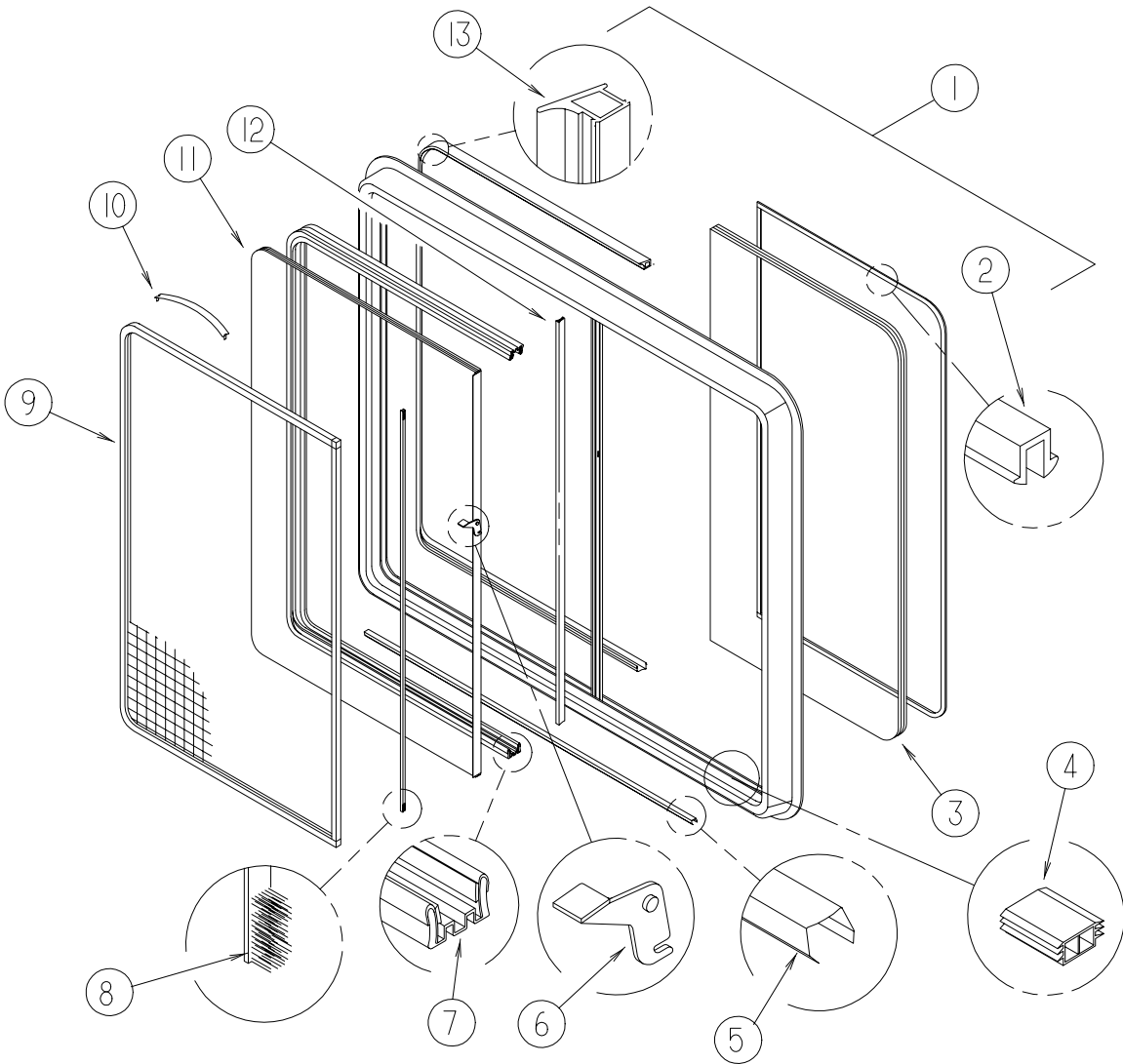
KEY	PART NUMBER	U/M	DESCRIPTION	VENDOR NO.
1	112795-21-01A	EA	WINDOW - PASSENGER HORIZ SLIDER - THERMO - 24.5" X 41.3"	
2	112795-01-705	FT	VINYL - GLAZING	132-025736
3	112795-21-701	EA	GLASS - STATIONARY	390-019132
4	112795-01-701	EA	SLIDE - STOP	132-019092
5	098644-01-710	FT	TRACK - SCREEN SPACER 12'	132-017135
6	112795-01-700	EA	LATCH ASSEMBLY - BLACK - (BOLT ON)	DH287-CK
7	112795-01-703	IN	CHANNEL - RUN (INCHES)	122-018736
8	098644-01-711	FT	WEATHERSTRIP - SCREEN BLACK	171-016965
9	098647-29-704	EA	SCREEN ASM - W/SEALS & CLIPS	410-018864
10	098644-01-713	EA	CLIP - SCREEN - METAL	226-016966
10	125582-01-701	EA	CLIP - SCREEN - PLASTIC	130005153
11	112795-21-702	EA	GLASS - SLIDING - W/SASH & LATCH	DC04-G9
12	098644-01-706	FT	WEATHERSTRIP - GLASS	171-010668
13	112795-01-704	FT	PLUG - FILLER - (DOUBLE GLAZED)	122-018737
	098644-01-717	FT	SPLINE - SCREEN	132-004716
	098647-29-701	EA	RETAINER - TRIM	CW04-66

THERMOPANE



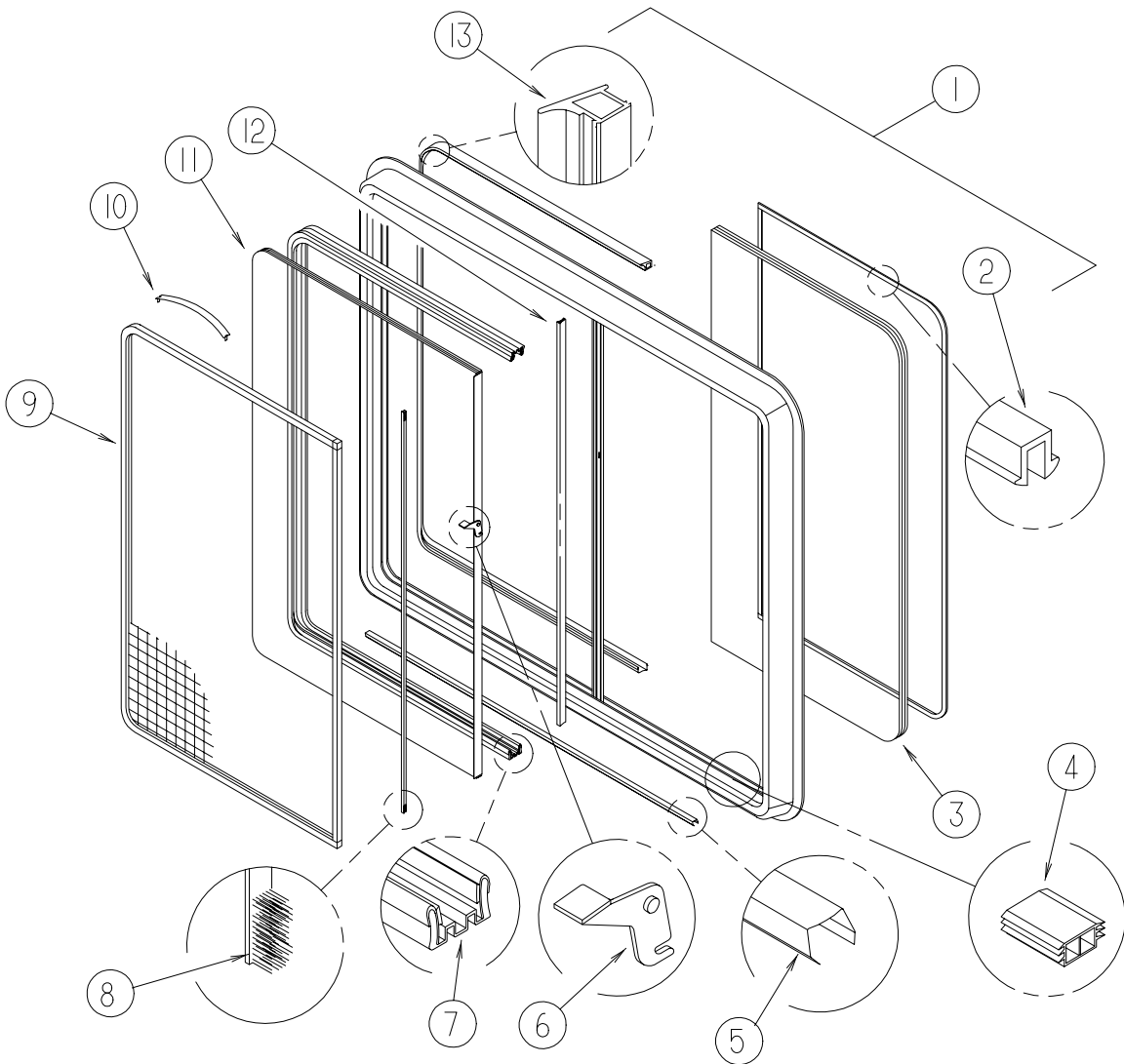
KEY	PART NUMBER	U/M	DESCRIPTION	VENDOR NO.
1	112795-22-01A	EA	WINDOW - PASSENGER HORIZONTAL SLIDER -THERMO-26.1" X 47.8"	
2	112795-01-705	FT	VINYL - GLAZING	132-025736
3	112795-22-702	EA	GLASS - STATIONARY	390-019039
4	112795-01-701	EA	SLIDE - STOP	132-019092
5	098644-01-710	FT	TRACK - SCREEN SPACER 12'	132-017135
6	112795-01-700	EA	LATCH ASSEMBLY - BLACK - (BOLT ON)	DH287-CK
7	112795-01-703	IN	CHANNEL - RUN (INCHES)	122-018736
8	098644-01-711	FT	WEATHERSTRIP - SCREEN BLACK	171-016965
9	098647-38-704	EA	SCREEN ASM - W/SEALS & CLIPS	410-019063
10	098644-01-713	EA	CLIP - SCREEN - METAL	226-016966
10	125582-01-701	EA	CLIP - SCREEN - PLASTIC	130005153
11	112795-22-703	EA	GLASS-SLIDING W/SASH & LATCH	DC48-G9
12	098644-01-706	FT	WEATHERSTRIP - GLASS	171-010668
13	112795-01-704	FT	PLUG - FILLER - (DOUBLE GLAZED)	122-018737
	098644-01-717	FT	SPLINE - SCREEN	132-004716
	112795-22-701	EA	RETAINER -	W303-66

THERMOPANE



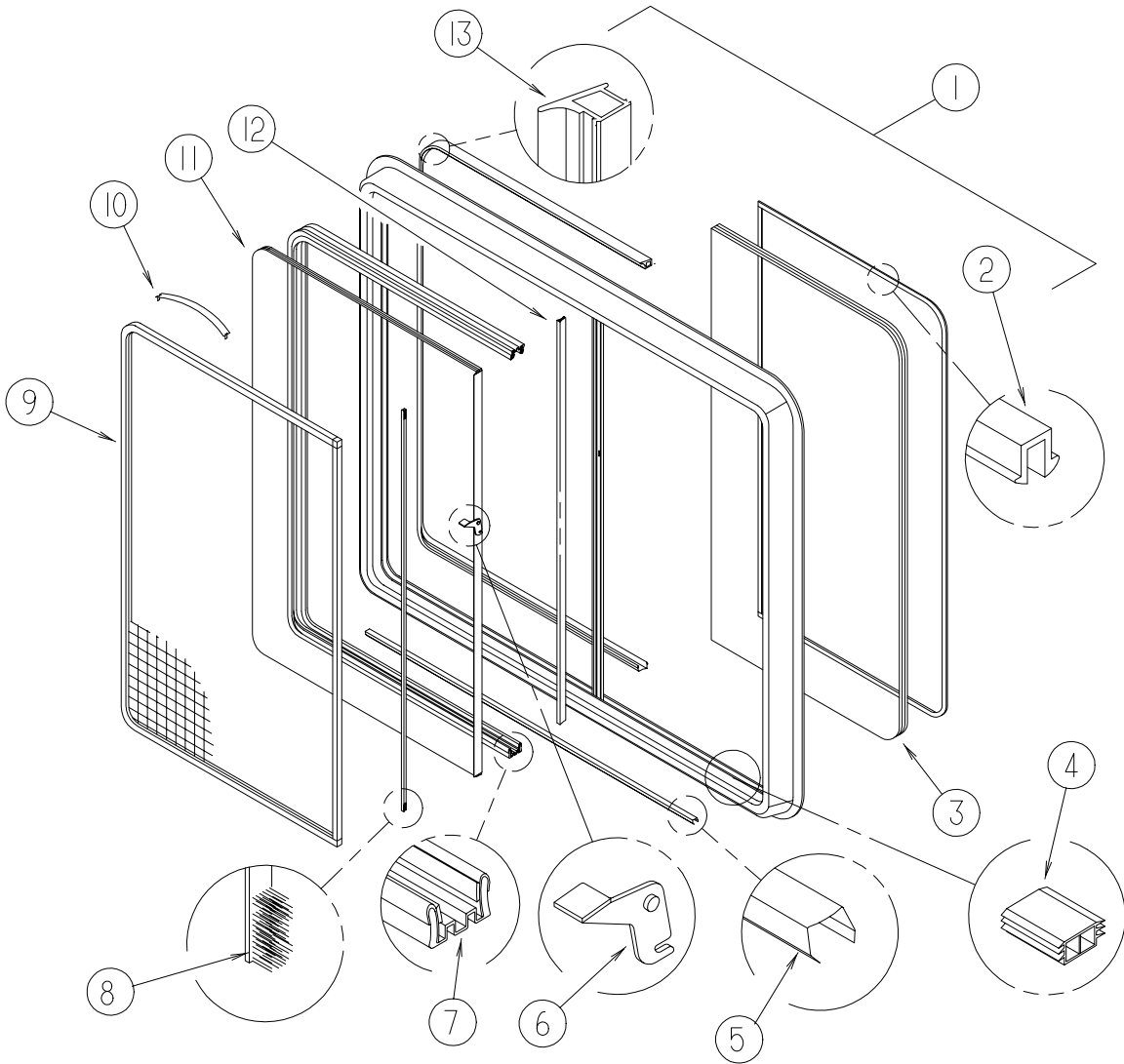
KEY	PART NUMBER	U/M	DESCRIPTION	VENDOR NO.
1	112795-23-01A	EA	WINDOW - DRIVER HORIZONTAL SLIDER - THERMO - 24.5" X 41.3"	
	098647-29-701	EA	RETAINER - TRIM	CW04-66
2	112795-01-705	FT	VINYL - GLAZING	132-025736
3	112795-21-701	EA	GLASS - STATIONARY	390-019132
4	112795-01-701	EA	SLIDE-STOP	132-019092
5	098644-01-710	FT	TRACK - SCREEN SPACER 12'	132-017135
6	112795-01-700	EA	LATCH ASM., BLK.,(BOLT ON)	DH287-CK
7	112795-01-703	IN	CHANNEL-RUN (INCHES)	122-018736
8	098644-01-711	FT	WEATHERSTRIP - SCREEN BLACK	171-016965
9	098647-29-704	EA	SCREEN ASM - W/SEALS & CLIPS	410-018864
10	098644-01-713	EA	CLIP - SCREEN - METAL	226-016966
10	125582-01-701	EA	CLIP - SCREEN - PLASTIC	130005153
11	112795-21-702	EA	GLASS-SLIDING W/SASH & LATCH	DC04-G9
12	098644-01-706	FT	WEATHERSTRIP - GLASS	171-010668
13	112795-01-704	FT	PLUG FILLER (DOUBLE GLAZED)	122-018737
	098644-01-717	FT	SPLINE - SCREEN	132-004716

THERMOPANE



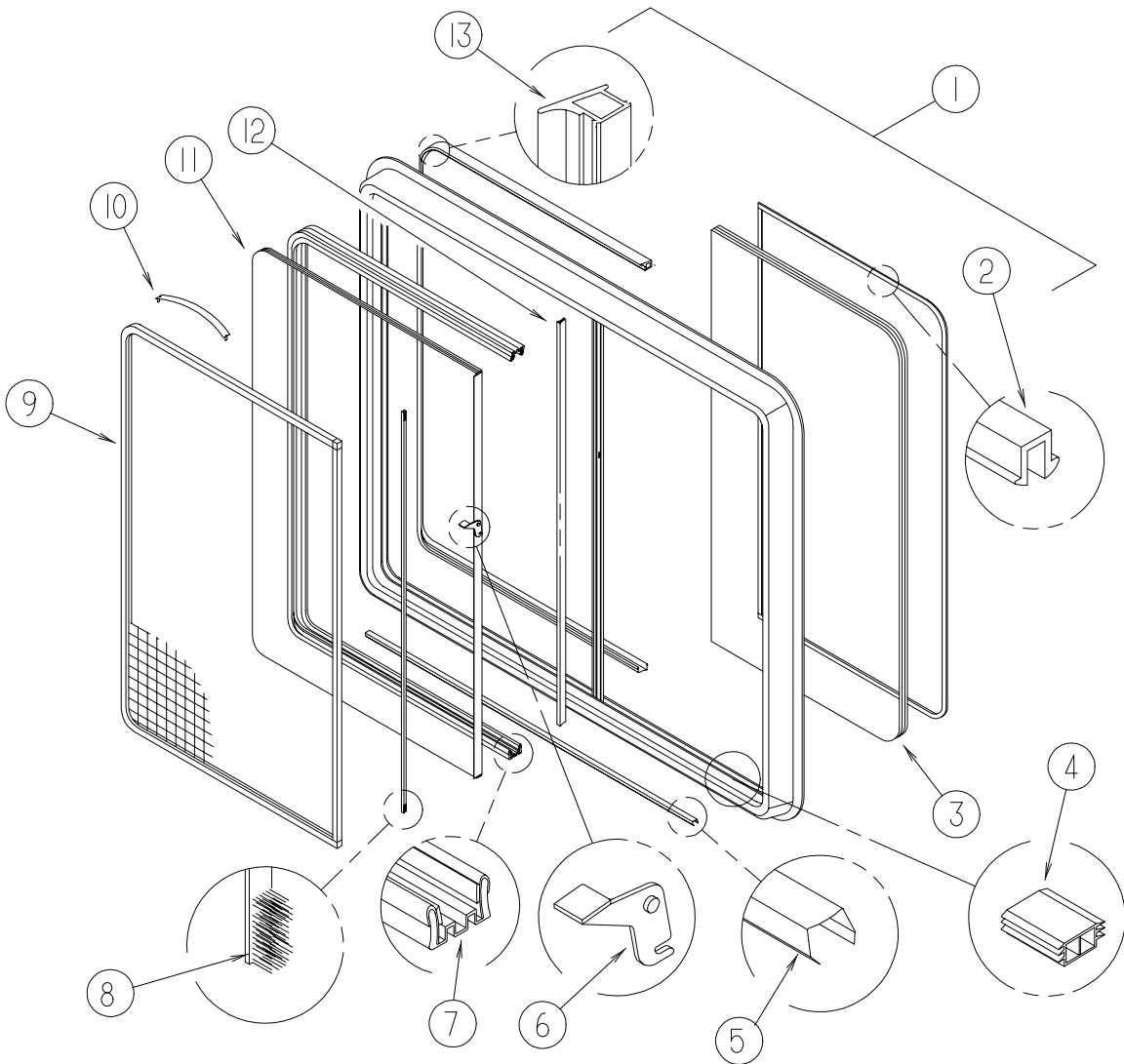
KEY	PART NUMBER	U/M	DESCRIPTION	VENDOR NO.
1	112795-25-01A	EA	WINDOW - DRIVER HORIZONTAL SLIDER - THERMO - 26.4" X 48"	
	112795-22-701	EA	RETAINER - TRIM	W303-66
2	112795-01-705	FT	VINYL - GLAZING	132-025736
3	112795-22-702	EA	GLASS - STATIONARY	390-019039
4	112795-01-701	EA	SLIDE-STOP	132-019092
5	098644-01-710	FT	TRACK - SCREEN SPACER 12'	132-017135
6	112795-01-700	EA	LATCH ASM., BLK., (BOLT ON)	DH287-CK
7	112795-01-703	IN	CHANNEL-RUN (INCHES)	122-018736
8	098644-01-711	FT	WEATHERSTRIP - SCREEN BLACK	171-016965
9	098647-38-704	EA	SCREEN ASM - W/SEALS & CLIPS	410-019063
10	098644-01-713	EA	CLIP - SCREEN - METAL	226-016966
10	125582-01-701	EA	CLIP - SCREEN - PLASTIC	130005153
11	112795-22-703	EA	GLASS-SLIDING W/SASH & LATCH	DC48-G9
12	098644-01-706	FT	WEATHERSTRIP - GLASS	171-010668
13	112795-01-704	FT	PLUG FILLER (DOUBLE GLAZED)	122-018737
	098644-01-717	FT	SPLINE - SCREEN	132-004716

THERMOPANE



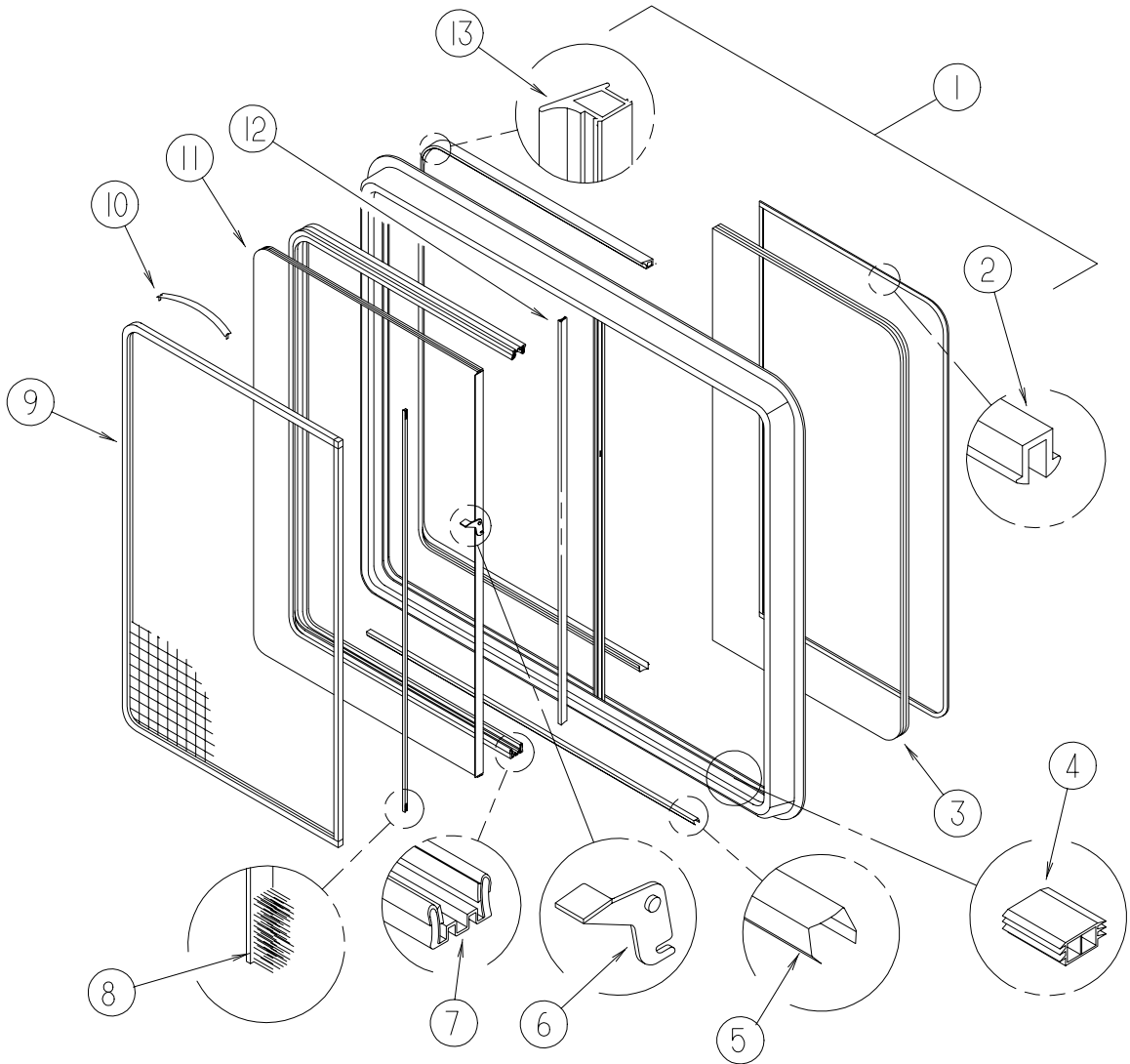
KEY	PART NUMBER	U/M	DESCRIPTION	VENDOR NO.
1	112795-26-01A	EA	WINDOW - DRIVER HORIZONTAL SLIDER - THERMO - 22" X 22"	
	112795-26-701	EA	RETAINER - TRIM	CW44-66
2	112795-01-705	FT	VINYL - GLAZING	132-025736
3	112795-26-702	EA	GLASS - STATIONARY	390-019168
4	112795-01-701	EA	SLIDE-STOP	132-019092
5	098644-01-710	FT	TRACK - SCREEN SPACER 12'	132-017135
6	112795-01-700	EA	LATCH ASM., BLK., (BOLT ON)	DH287-CK
7	112795-01-703	IN	CHANNEL-RUN (INCHES)	122-018736
8	098644-01-711	FT	WEATHERSTRIP - SCREEN BLACK	171-016965
9	112795-26-704	EA	SCREEN ASM - W/SEALS & CLIPS	410-019188
10	098644-01-713	EA	CLIP - SCREEN - METAL	226-016966
10	125582-01-701	EA	CLIP - SCREEN - PLASTIC	130005153
11	112795-26-703	EA	GLASS-SLIDING W/SASH & LATCH	DC44-G9
12	098644-01-706	FT	WEATHERSTRIP - GLASS	171-010668
13	112795-01-704	FT	PLUG FILLER (DOUBLE GLAZED)	122-018737
	098644-01-717	FT	SPLINE - SCREEN	132-004716

THERMOPANE



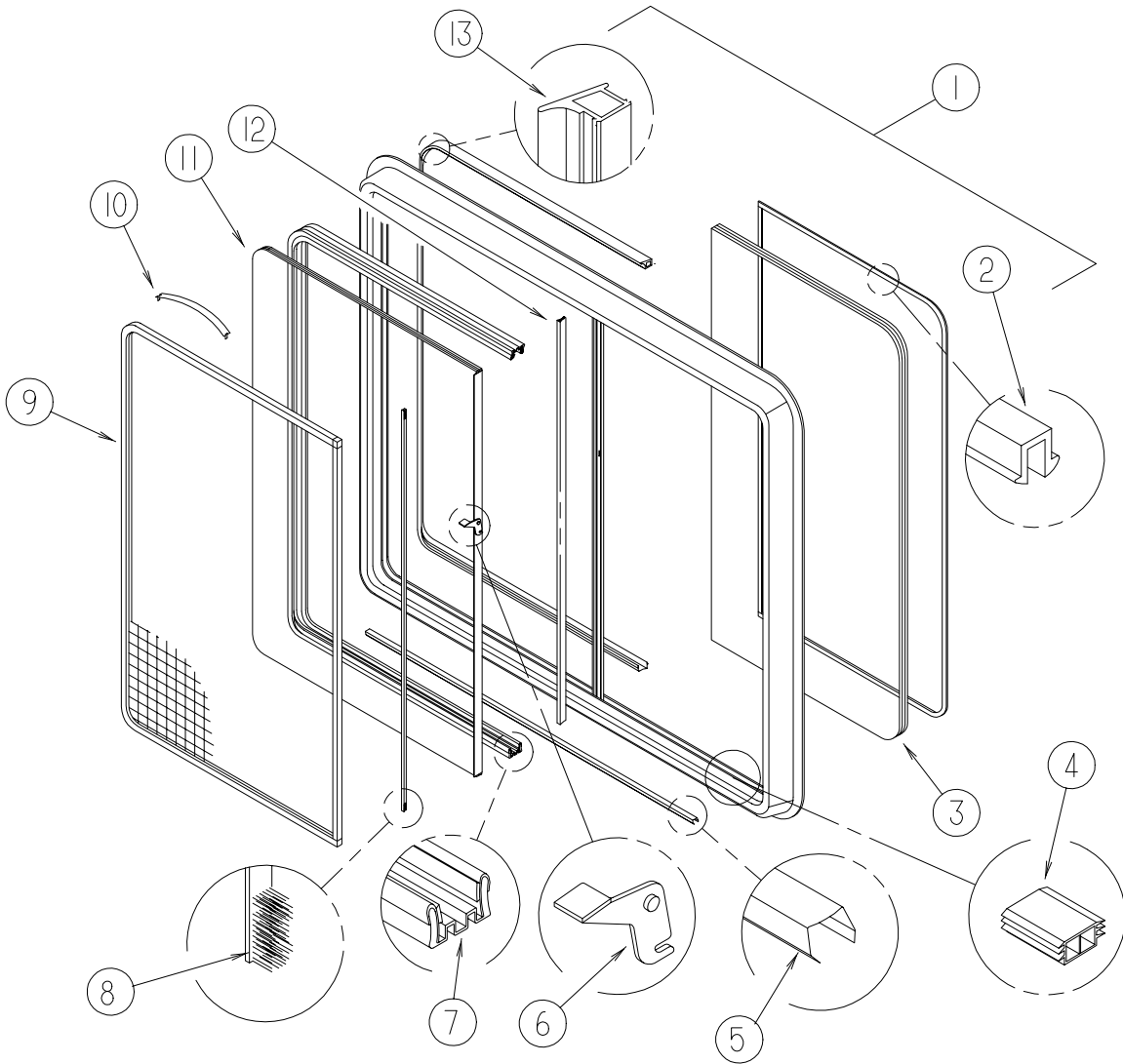
KEY	PART NUMBER	U/M	DESCRIPTION	VENDOR NO.
1	112795-29-01A	EA	WINDOW - PASS HORIZONTAL SLIDER - THERMO - 30.7" X 27.8"	
2	112795-01-705	FT	VINYL - GLAZING	132-025736
3	112795-29-702	EA	GLASS - STATIONARY	390-019178
4	112795-01-701	EA	SLIDE - STOP	132-019092
5	098644-01-710	FT	TRACK - SCREEN SPACER 12'	132-017135
6	112795-01-700	EA	LATCH ASSEMBLY - BLACK - (BOLT ON)	DH287-CK
7	112795-01-703	IN	CHANNEL - RUN (INCHES)	122-018736
8	098644-01-711	FT	WEATHERSTRIP - SCREEN BLACK	171-016965
9	112795-29-704	EA	SCREEN ASM - W/SEALS & CLIPS	410-019192
10	098644-01-713	EA	CLIP - SCREEN - METAL	226-016966
10	125582-01-701	EA	CLIP - SCREEN - PLASTIC	130005153
11	112795-29-703	EA	GLASS - SLIDING - W/SASH & LATCH	DH150-G9
12	098644-01-706	FT	WEATHERSTRIP - GLASS	171-010668
13	112795-01-704	FT	PLUG - FILLER - (DOUBLE GLAZED)	122-018737
	098644-01-717	FT	SPLINE - SCREEN	132-004716
	112795-29-701	EA	RETAINER - TRIM	W150-66

THERMOPANE



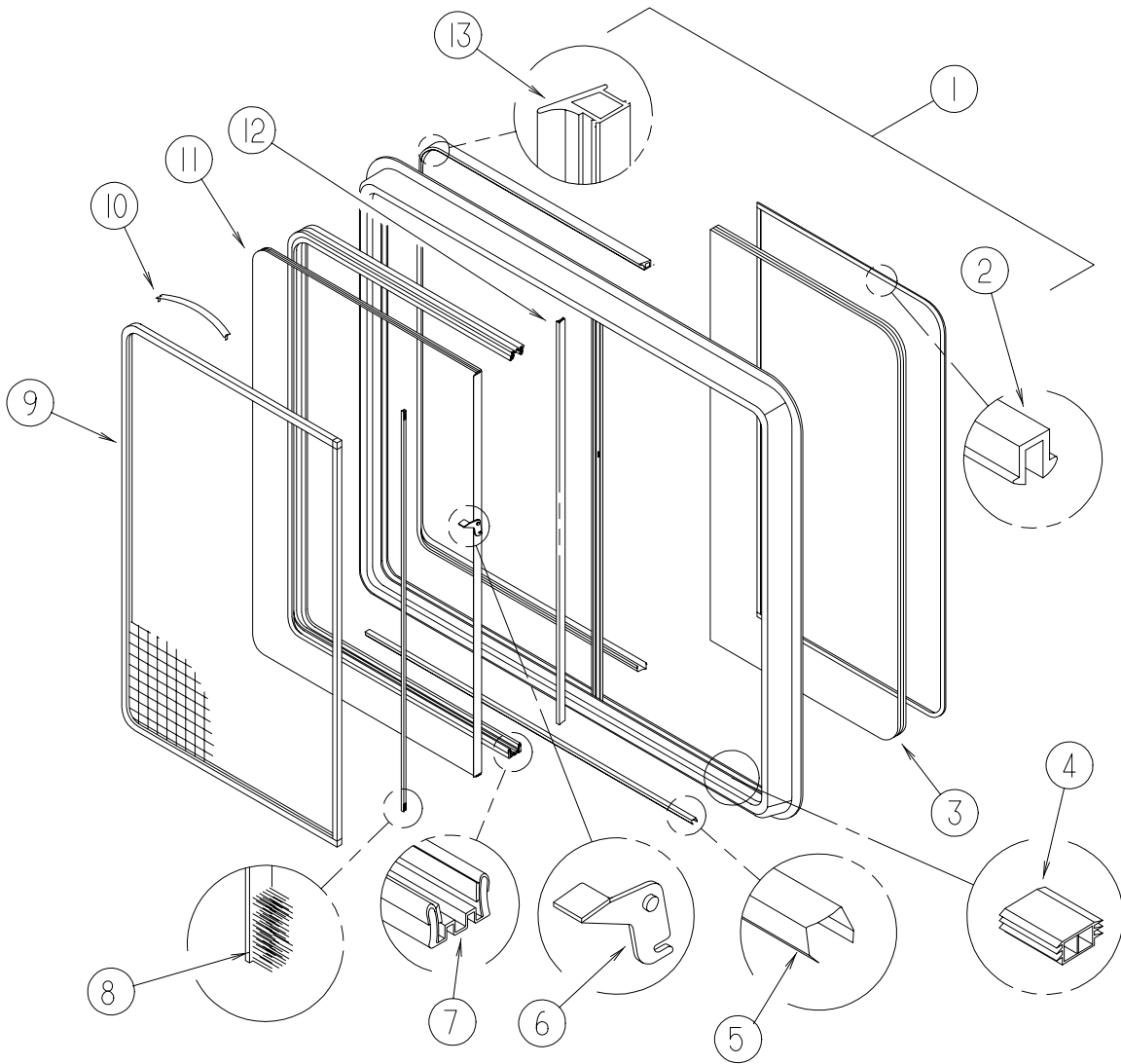
KEY	PART NUMBER	U/M	DESCRIPTION	VENDOR NO
1	112795-31-01A	EA	WINDOW - PASS HORIZONTAL SLIDER - THERMO - 29.8" X 41.5"	
2	112795-01-705	FT	VINYL - GLAZING	132-025736
3	112795-31-702	EA	GLASS - STATIONARY	390-019281
4	112795-01-701	EA	SLIDE - STOP	132-019092
5	098644-01-710	FT	TRACK - SCREEN SPACER 12'	132-017135
6	112795-01-700	EA	LATCH ASSEMBLY - BLACK - (BOLT ON)	DH287-CK
7	112795-01-703	IN	CHANNEL - RUN (INCHES)	122-018736
8	098644-01-711	FT	WEATHERSTRIP - SCREEN BLACK	171-016965
9	098647-31-704	EA	SCREEN ASM - W/SEALS & CLIPS	410-019068
10	098644-01-713	EA	CLIP - SCREEN - METAL	226-016966
10	125582-01-701	EA	CLIP - SCREEN - PLASTIC	130005153
11	112795-31-703	EA	GLASS-SLIDING W/SASH & LATCH	DH291-G9
12	098644-01-706	FT	WEATHERSTRIP - GLASS	171-010668
13	112795-01-704	FT	PLUG - FILLER - (DOUBLE GLAZED)	122-018737
	098644-01-717	FT	SPLINE - SCREEN	132-004716
	112795-31-701	EA	RETAINER - TRIM	W291-66

THERMOPANE



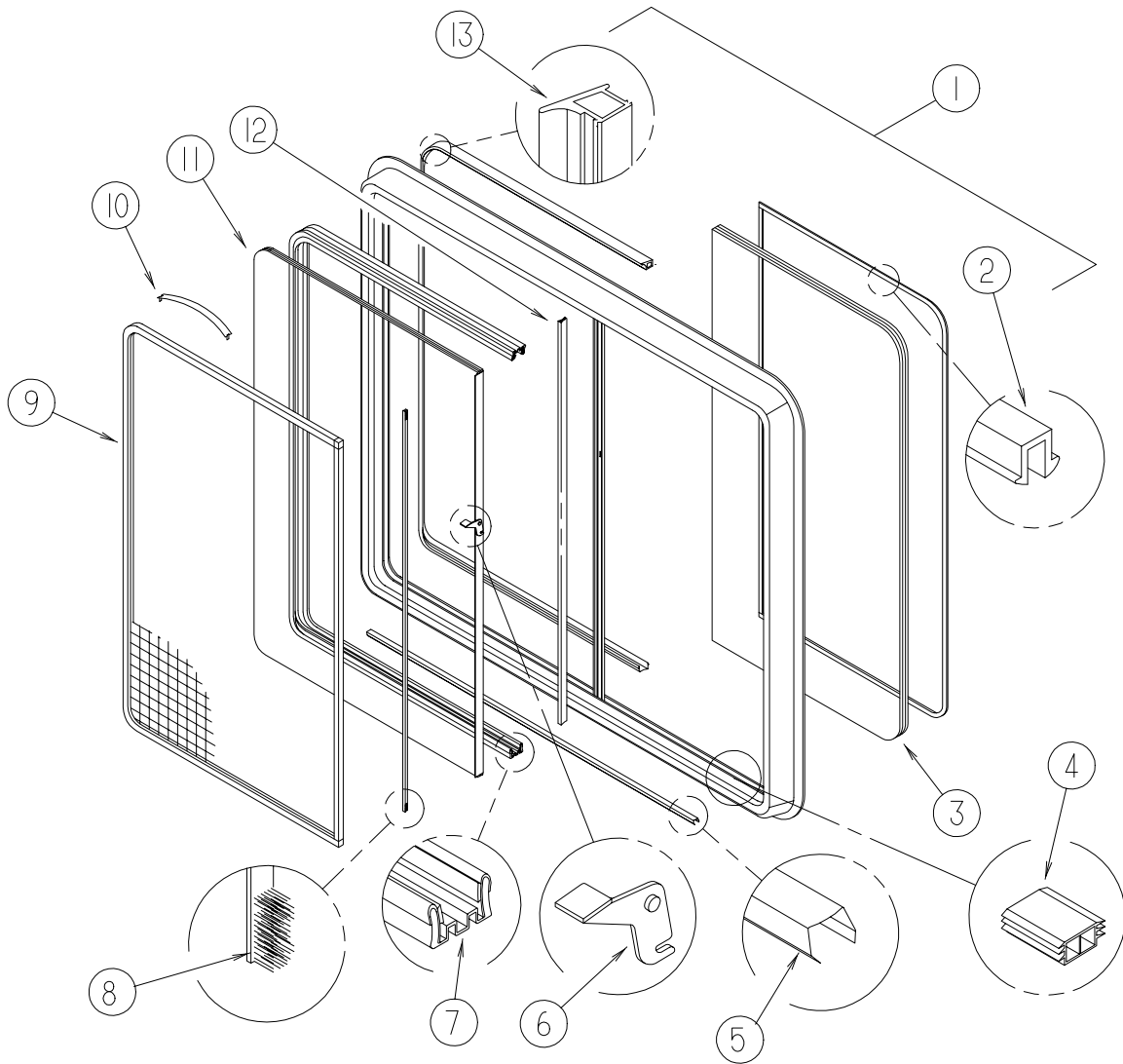
KEY	PART NUMBER	U/M	DESCRIPTION	VENDOR NO.
1	112795-33-01A	EA	WINDOW - PASS HORIZONTAL SLIDER - THERMO 30.7" X 57.8"	
2	112795-01-705	FT	VINYL - GLAZING	132-025736
3	112795-33-702	EA	GLASS - STATIONARY	390-019225
4	112795-01-701	EA	SLIDE - STOP	132-019092
5	098644-01-710	FT	TRACK - SCREEN SPACER 12'	132-017135
6	112795-01-700	EA	LATCH ASSEMBLY - BLACK - (BOLT ON)	DH287-CK
7	112795-01-703	IN	CHANNEL - RUN (INCHES)	122-018736
8	098644-01-711	FT	WEATHERSTRIP - SCREEN BLACK	171-016965
9	098647-33-704	EA	SCREEN ASM - W/SEALS & CLIPS	410-019134
10	098644-01-713	EA	CLIP - SCREEN - METAL	226-016966
10	125582-01-701	EA	CLIP - SCREEN - PLASTIC	130005153
11	112795-33-703	EA	GLASS - SLIDING - W/SASH & LATCH	DH112-G29
12	098644-01-706	FT	WEATHERSTRIP - GLASS	171-010668
13	112795-01-704	FT	PLUG - FILLER - (DOUBLE GLAZED)	122-018737
	098644-01-717	FT	SPLINE - SCREEN	132-004716
	112795-33-701	EA	RETAINER - TRIM	CW29-66

THERMOPANE



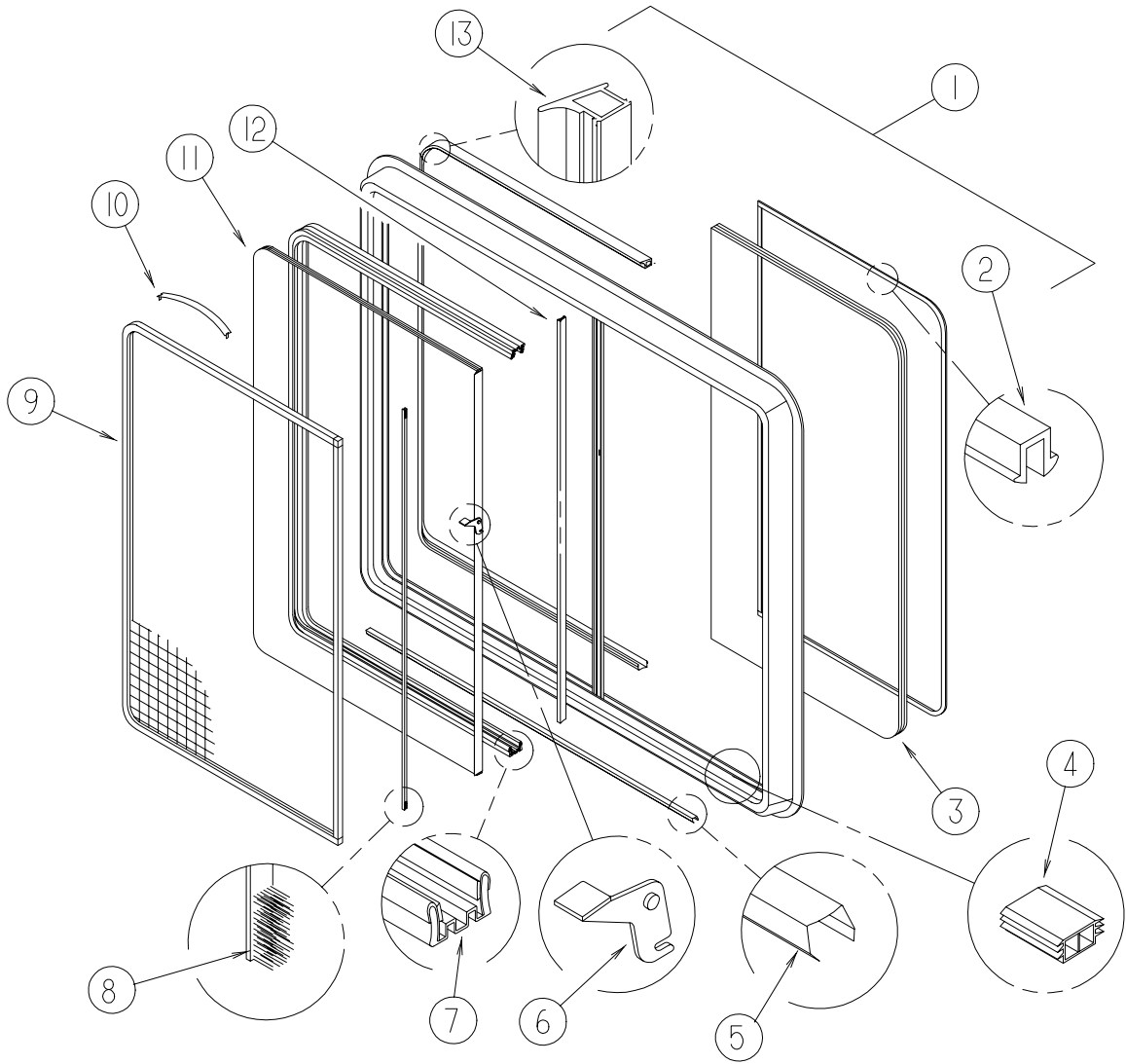
KEY	PART NUMBER	U/M	DESCRIPTION	VENDOR NO.
1	112795-34-01A	EA	WINDOW - DRIVER HORIZONTAL SLIDER - THERMO - 30.7" X 57.8"	
2	112795-01-705	FT	VINYL - GLAZING	132-025736
3	112795-33-702	EA	GLASS - STATIONARY	390-019225
4	112795-01-701	EA	SLIDE - STOP	132-019092
5	098644-01-710	FT	TRACK - SCREEN SPACER 12'	132-017135
6	112795-01-700	EA	LATCH ASSEMBLY - BLACK - (BOLT ON)	DH287-CK
7	112795-01-703	IN	CHANNEL - RUN (INCHES)	122-018736
8	098644-01-711	FT	WEATHERSTRIP - SCREEN BLACK	171-016965
9	112795-33-704	EA	SCREEN ASM - W/SEALS & CLIPS	410-019247
10	098644-01-713	EA	CLIP - SCREEN - METAL	226-016966
10	125582-01-701	EA	CLIP - SCREEN - PLASTIC	130005153
11	112795-33-703	EA	GLASS - SLIDING - W/SASH & LATCH	DH112-G29
12	098644-01-706	FT	WEATHERSTRIP - GLASS	171-010668
13	112795-01-704	FT	PLUG - FILLER - (DOUBLE GLAZED)	122-018737
	098644-01-717	FT	SPLINE - SCREEN	132-004716
	098647-33-701	EA	RETAINER - TRIM	CW29-66

THERMOPANE



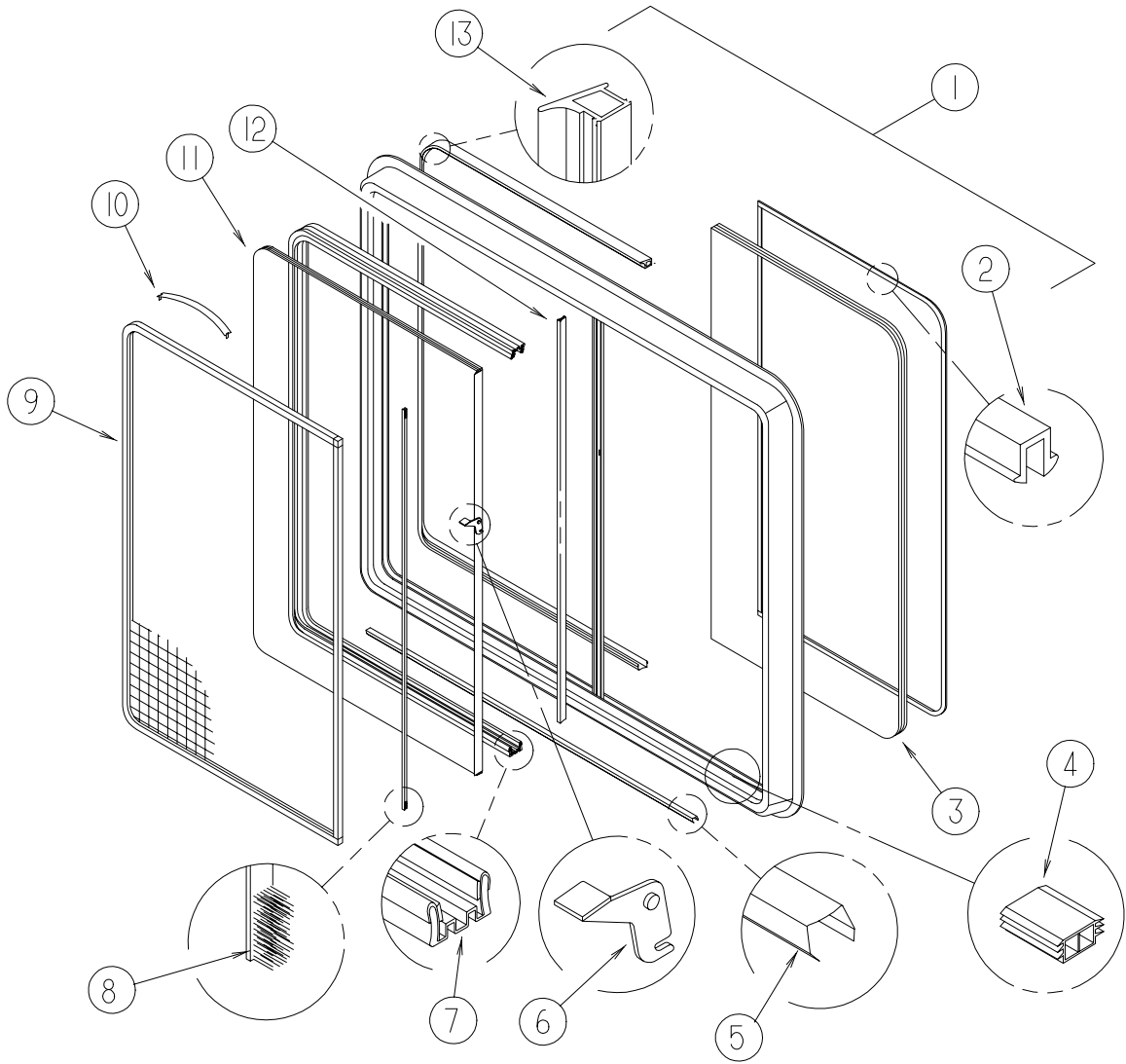
KEY	PART NUMBER	U/M	DESCRIPTION	VENDOR NO.
1	112795-37-01A	EA	WINDOW - DRIVER HORIZONTAL SLIDER - THERMO - 38" X 59.8"	
2	112795-01-705	FT	VINYL - GLAZING	132-025736
3	112795-37-702	EA	GLASS - STATIONARY	390-019499
4	112795-01-701	EA	SLIDE - STOP	132-019092
5	098644-01-710	FT	TRACK - SCREEN SPACER 12'	132-017135
6	112795-01-700	EA	LATCH ASSEMBLY - BLACK - (BOLT ON)	DH287-CK
7	112795-01-703	IN	CHANNEL - RUN (INCHES)	122-018736
8	098644-01-711	FT	WEATHERSTRIP - SCREEN BLACK	171-016965
9	112795-37-704	EA	SCREEN ASM - W/SEALS & CLIPS	410-019501
10	098644-01-713	EA	CLIP - SCREEN - METAL	226-016966
10	125582-01-701	EA	CLIP - SCREEN - PLASTIC	130005153
11	112795-37-703	EA	GLASS-SLIDING W/SASH & LATCH	DH442-G9
12	098644-01-706	FT	WEATHERSTRIP - GLASS	171-010668
13	112795-01-704	FT	PLUG - FILLER - (DOUBLE GLAZED)	122-018737
	098644-01-717	FT	SPLINE - SCREEN	132-004716
	098647-37-701	EA	RETAINER - TRIM	W288-66

THERMOPANE



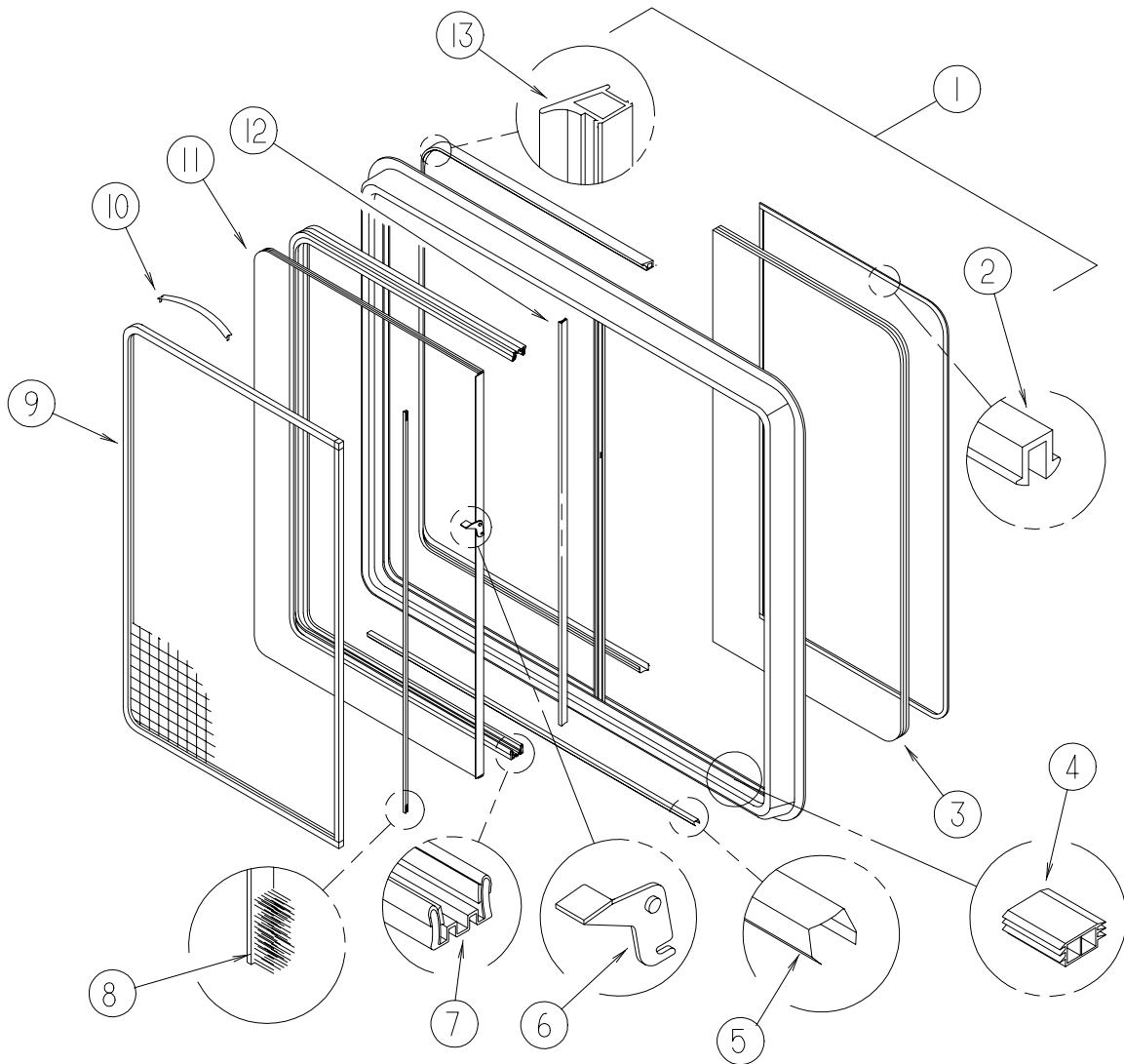
KEY	PART NUMBER	U/M	DESCRIPTION	VENDOR NO.
1	112795-39-01A	EA	WINDOW - PASSENGER HORIZONTAL SLDR - THERMO - 26.4" X 60"	
2	112795-01-705	FT	VINYL - GLAZING	132-025736
3	112795-39-701	EA	GLASS - STATIONARY	390-019792
4	112795-01-701	EA	SLIDE - STOP	132-019092
5	098644-01-710	FT	TRACK - SCREEN SPACER 12'	132-017135
6	112795-01-700	EA	LATCH ASSEMBLY - BLACK - (BOLT ON)	DH287-CK
7	112795-01-703	IN	CHANNEL - RUN (INCHES)	122-018736
8	098644-01-711	FT	WEATHERSTRIP - SCREEN BLACK	171-016965
9	098647-23-704	EA	SCREEN ASM - W/SEALS & CLIPS	410-019066
10	098644-01-713	EA	CLIP - SCREEN - METAL	226-016966
10	125582-01-701	EA	CLIP - SCREEN - PLASTIC	130005153
11	112795-39-700	EA	GLASS-SLIDING W/SASH & LATCH	DH287-EG9
12	098644-01-706	FT	WEATHERSTRIP - GLASS	171-010668
13	112795-01-704	FT	PLUG - FILLER - (DOUBLE GLAZED)	122-018737
	098644-01-717	FT	SPLINE - SCREEN	132-004716
	098647-27-701	EA	RETAINER - TRIM	W287-66

THERMOPANE



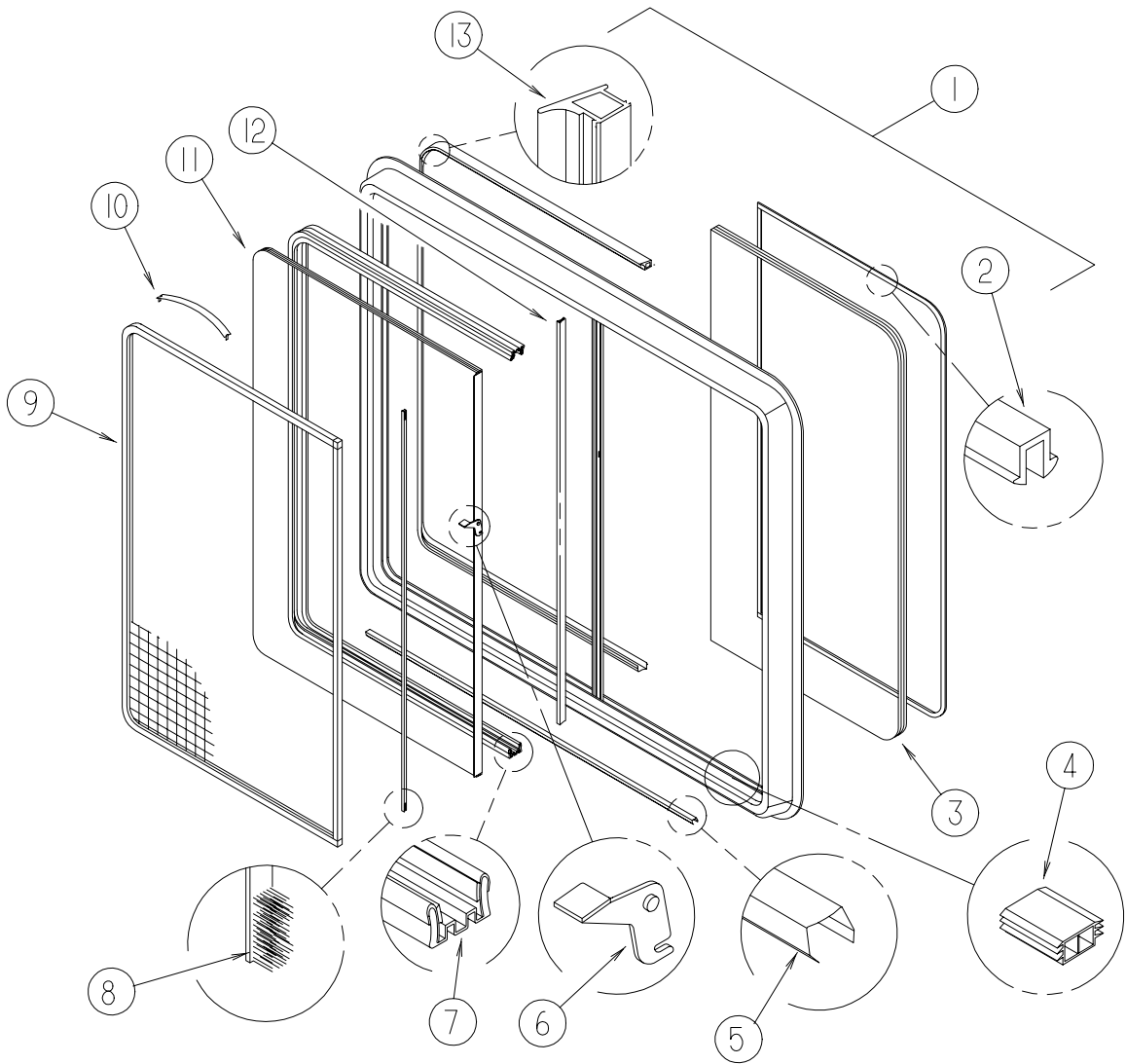
KEY	PART NUMBER	U/M	DESCRIPTION	VENDOR NO.
1	112795-40-01A	EA	WINDOW - DRVR HORIZONTAL SLDR - THERMO/EURO- 26.1" X 59.8"	
2	112795-01-705	FT	VINYL - GLAZING	132-025736
3	112795-39-701	EA	GLASS - STATIONARY	390-019792
4	112795-01-701	EA	SLIDE - STOP	132-019092
5	098644-01-710	FT	TRACK - SCREEN SPACER 12'	132-017135
6	112795-01-700	EA	LATCH ASSEMBLY - BLACK - (BOLT ON)	DH287-CK
7	112795-01-703	IN	CHANNEL - RUN (INCHES)	122-018736
8	098644-01-711	FT	WEATHERSTRIP - SCREEN BLACK	171-016965
9	098647-23-704	EA	SCREEN ASM - W/SEALS & CLIPS	410-019066
10	098644-01-713	EA	CLIP - SCREEN - METAL	226-016966
10	125582-01-701	EA	CLIP - SCREEN - PLASTIC	130005153
11	112795-39-700	EA	GLASS-SLIDING W/SASH & LATCH	DH287-EG9
12	098644-01-706	FT	WEATHERSTRIP - GLASS	171-010668
13	112795-01-704	FT	PLUG - FILLER - (DOUBLE GLAZED)	122-018737
	098644-01-717	FT	SPLINE - SCREEN	132-004716
	098647-27-701	EA	RETAINER - TRIM	W287-66

THERMOPANE



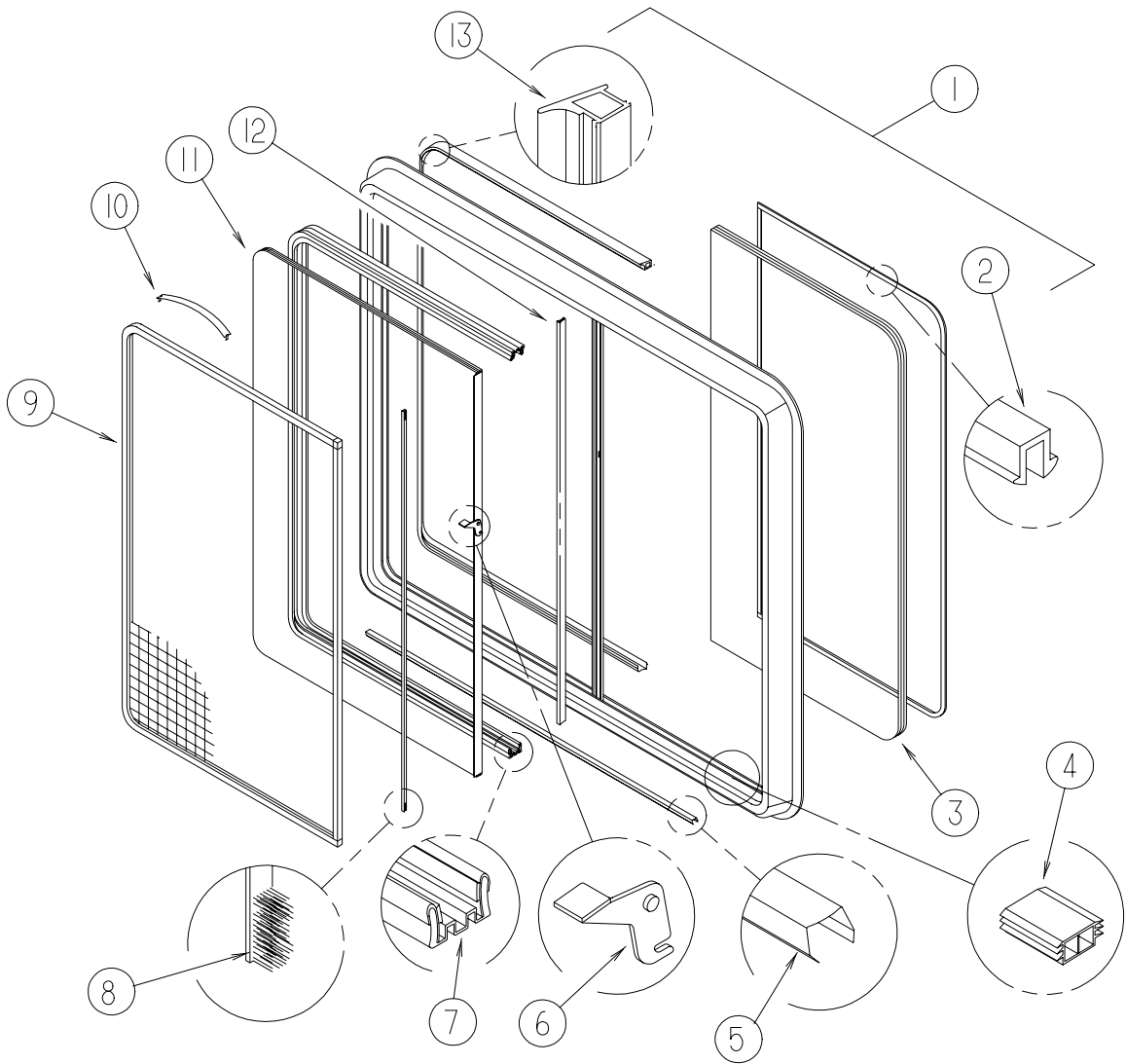
KEY	PART NUMBER	U/M	DESCRIPTION	VENDOR NO.
1	112795-41-01A	EA	WINDOW - PASSENGER HORIZONTAL SLIDER/THERMO - 16"X 28 3/4"	
2	112795-01-705	FT	VINYL - GLAZING	132-025736
3	112795-41-701	EA	GLASS - STATIONARY	390-019826
4	112795-01-701	EA	SLIDE - STOP	132-019092
5	098644-01-710	FT	TRACK - SCREEN SPACER 12'	132-017135
6	112795-01-700	EA	LATCH ASSEMBLY - BLACK - (BOLT ON)	DH287-CK
7	112795-01-703	IN	CHANNEL - RUN (INCHES)	122-018736
8	098644-01-711	FT	WEATHERSTRIP - SCREEN BLACK	171-016965
9	098647-31-704	EA	SCREEN ASM - W/SEALS & CLIPS	410-019128
10	098644-01-713	EA	CLIP - SCREEN - METAL	226-016966
10	125582-01-701	EA	CLIP - SCREEN - PLASTIC	130005153
11	112795-41-700	EA	GLASS-SLIDING W/SASH & LATCH	DC29-EG9
12	098644-01-706	FT	WEATHERSTRIP - GLASS	171-010668
13	112795-01-704	FT	PLUG - FILLER - (DOUBLE GLAZED)	122-018737
	098644-01-717	FT	SPLINE - SCREEN	132-004716
	098647-33-701	EA	RETAINER - TRIM	CW29-66

THERMOPANE



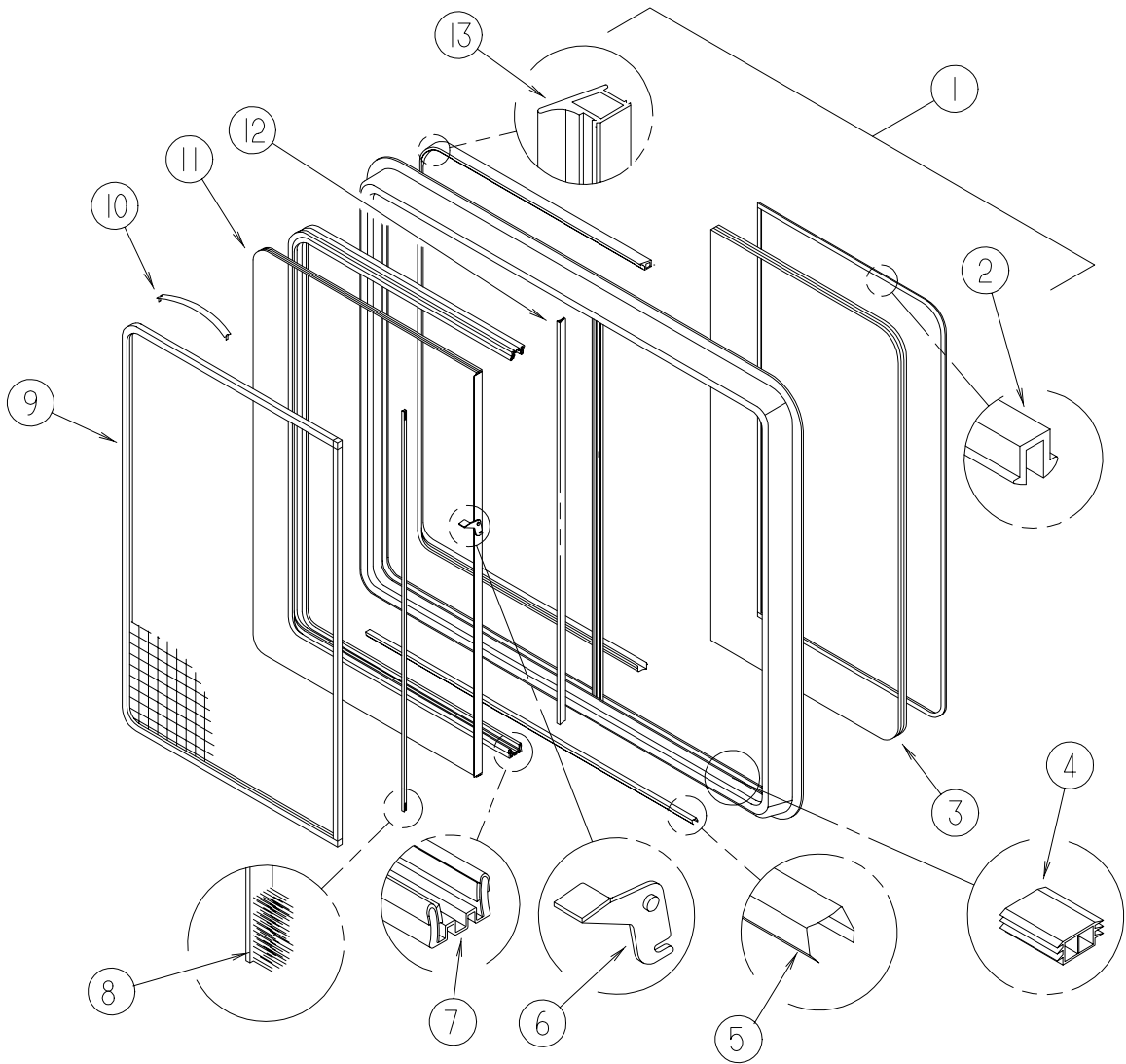
KEY	PART NUMBER	U/M	DESCRIPTION	VENDOR NO.
1	112795-42-01A	EA	WINDOW - DRVR HORIZONTAL SLIDER - THERMO/EURO-15.7"X 28.5"	
2	112795-01-705	FT	VINYL - GLAZING	132-025736
3	112795-41-701	EA	GLASS - STATIONARY	390-019826
4	112795-01-701	EA	SLIDE - STOP	132-019092
5	098644-01-710	FT	TRACK - SCREEN SPACER 12'	132-017135
6	112795-01-700	EA	LATCH ASSEMBLY - BLACK - (BOLT ON)	DH287-CK
7	112795-01-703	IN	CHANNEL - RUN (INCHES)	122-018736
8	098644-01-711	FT	WEATHERSTRIP - SCREEN BLACK	171-016965
9	098647-31-704	EA	SCREEN ASM - W/SEALS & CLIPS	410-019128
10	098644-01-713	EA	CLIP - SCREEN - METAL	226-016966
10	125582-01-701	EA	CLIP - SCREEN - PLASTIC	130005153
11	112795-41-700	EA	GLASS-SLIDING W/SASH & LATCH	DC29-EG9
12	098644-01-706	FT	WEATHERSTRIP - GLASS	171-010668
13	112795-01-704	FT	PLUG - FILLER - (DOUBLE GLAZED)	122-018737
	098644-01-717	FT	SPLINE - SCREEN	132-004716
	098647-33-701	EA	RETAINER - TRIM	CW29-66

**THERMOPANE
DC80-EG2W66R**



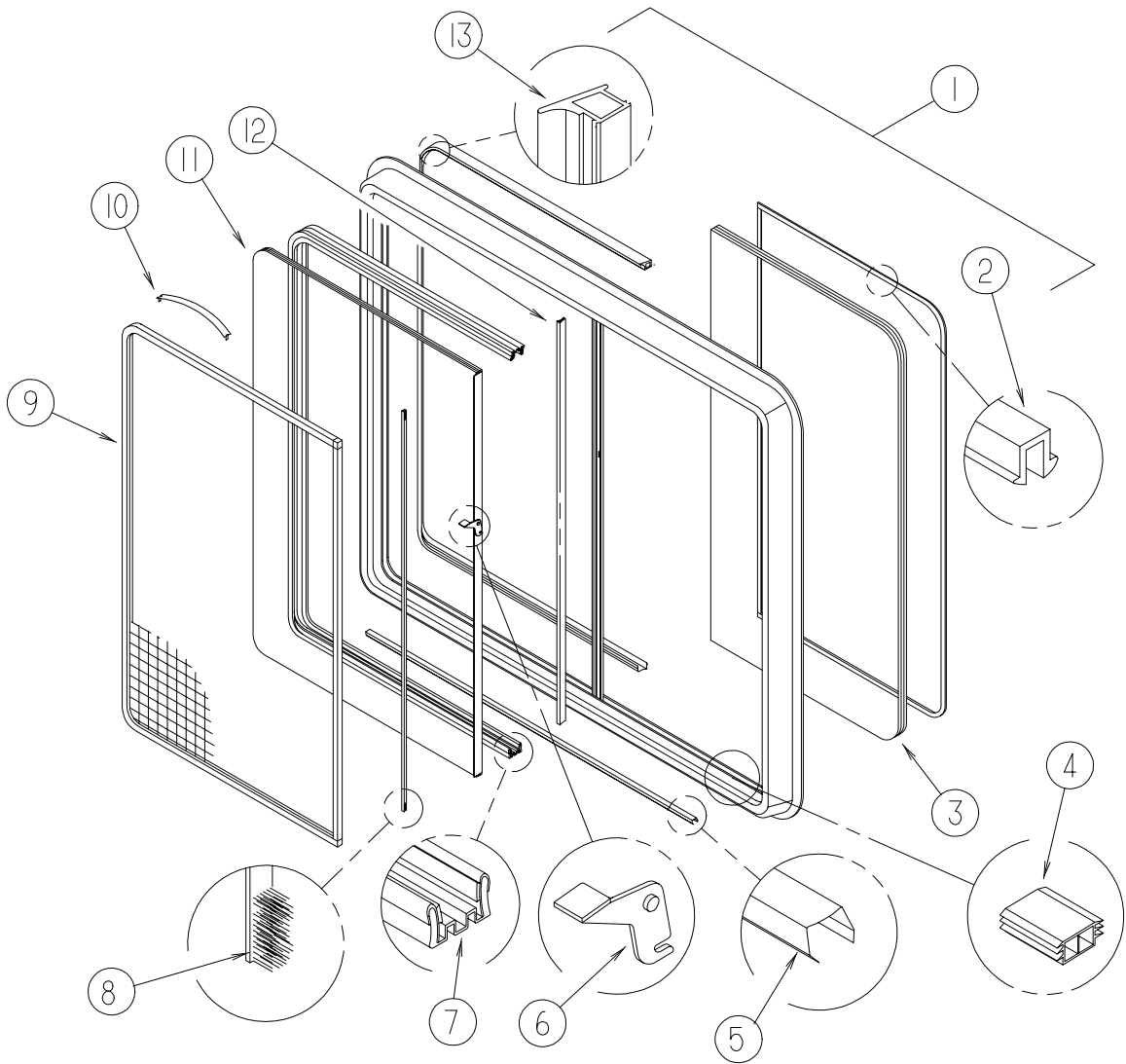
KEY	PART NUMBER	U/M	DESCRIPTION	VENDOR NO.
1	112795-43-01A	EA	WINDOW - PASSENGER - HORIZONTAL SLIDER - THERMO - 24.9" X 53.7"	
2	112795-01-705	FT	VINYL - GLAZING	132-025736
3	112795-43-701	EA	GLASS - STATIONARY	390-019784
4	112795-01-701	EA	SLIDE - STOP	132-019092
5	098644-01-710	FT	TRACK - SCREEN SPACER 12'	132-017135
6	112795-01-700	EA	LATCH ASSEMBLY - BLACK - (BOLT ON)	DH287-CK
7	112795-01-703	IN	CHANNEL - RUN (INCHES)	122-018736
8	098644-01-711	FT	WEATHERSTRIP - SCREEN BLACK	171-016965
9	112795-17-702	EA	SCREEN ASM - W/SEALS & CLIPS	410-019064
10	098644-01-713	EA	CLIP - SCREEN - METAL	226-016966
10	125582-01-701	EA	CLIP - SCREEN - PLASTIC	130005153
11	112795-43-700	EA	GLASS-SLIDING W/SASH & LATCH	DC80-EG9
12	098644-01-706	FT	WEATHERSTRIP - GLASS	171-010668
13	112795-01-704	FT	PLUG - FILLER - (DOUBLE GLAZED)	122-018737
	098644-01-717	FT	SPLINE - SCREEN	132-004716
	112795-17-703	EA	RETAINER - TRIM	CW80-66

**THERMOPANE
DC04-EG2W66R**



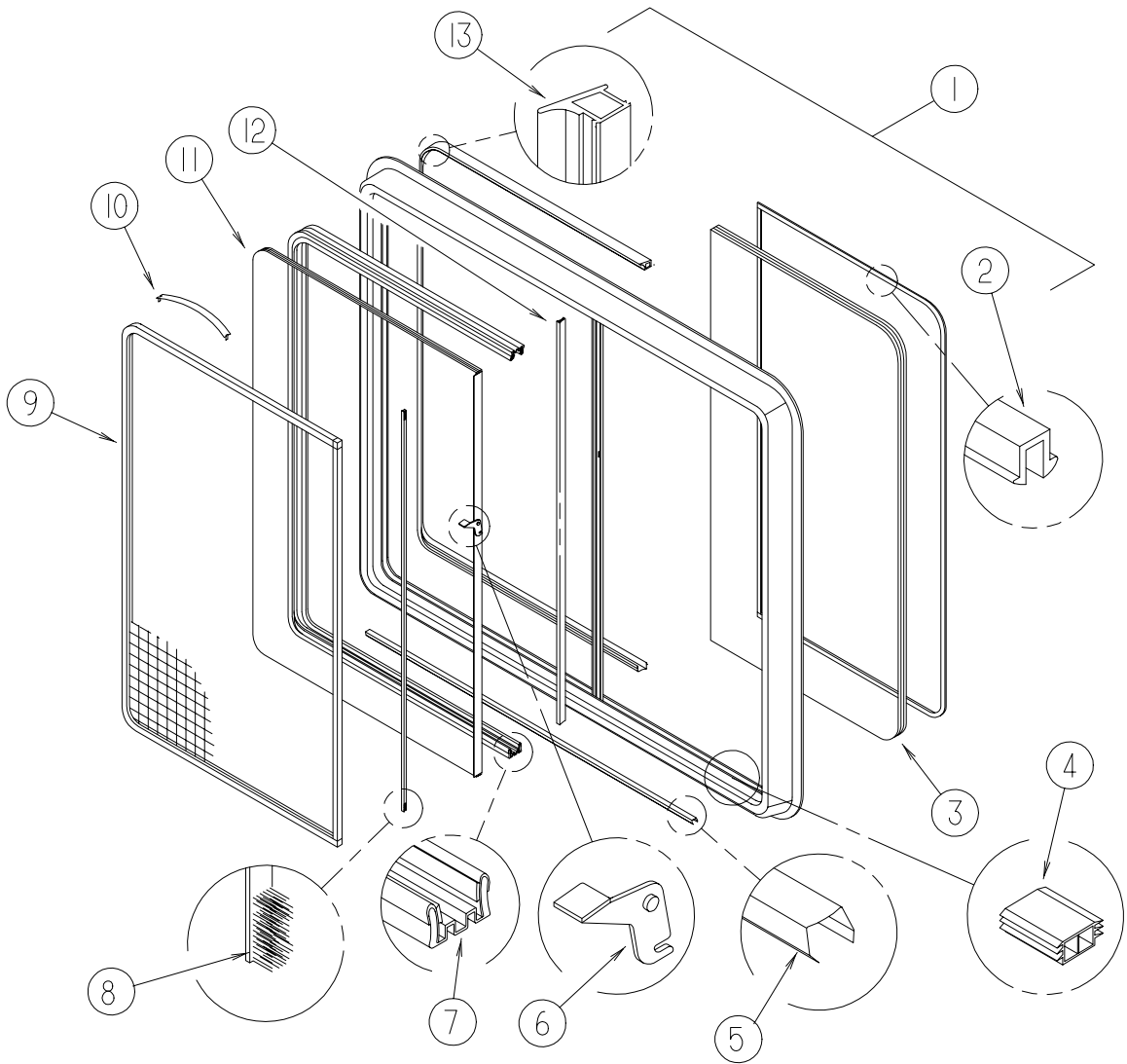
KEY	PART NUMBER	U/M	DESCRIPTION	VENDOR NO.
1	112795-44-01A	EA	WINDOW - PASSENGER - HORIZONTAL SLIDER - THERMO - 24.3" X 41"	
2	112795-01-705	FT	VINYL - GLAZING	132-025736
3	112795-44-701	EA	GLASS - STATIONARY	390-019780
4	112795-01-701	EA	SLIDE - STOP	132-019092
5	098644-01-710	FT	TRACK - SCREEN SPACER 12'	132-017135
6	112795-01-700	EA	LATCH ASSEMBLY - BLACK - (BOLT ON)	DH287-CK
7	112795-01-703	IN	CHANNEL - RUN (INCHES)	122-018736
8	098644-01-711	FT	WEATHERSTRIP - SCREEN BLACK	171-016965
9	098647-29-704	EA	SCREEN ASM - W/SEALS & CLIPS	410-018864
10	098644-01-713	EA	CLIP - SCREEN - METAL	226-016966
10	125582-01-701	EA	CLIP - SCREEN - PLASTIC	130005153
11	112795-44-700	EA	GLASS-SLIDING W/SASH & LATCH	DC04-EG9
12	098644-01-706	FT	WEATHERSTRIP - GLASS	171-010668
13	112795-01-704	FT	PLUG - FILLER - (DOUBLE GLAZED)	122-018737
	098644-01-717	FT	SPLINE - SCREEN	132-004716
	098647-29-701	EA	RETAINER - TRIM	CW04-66

**THERMOPANE
DC04-EG2W66L**



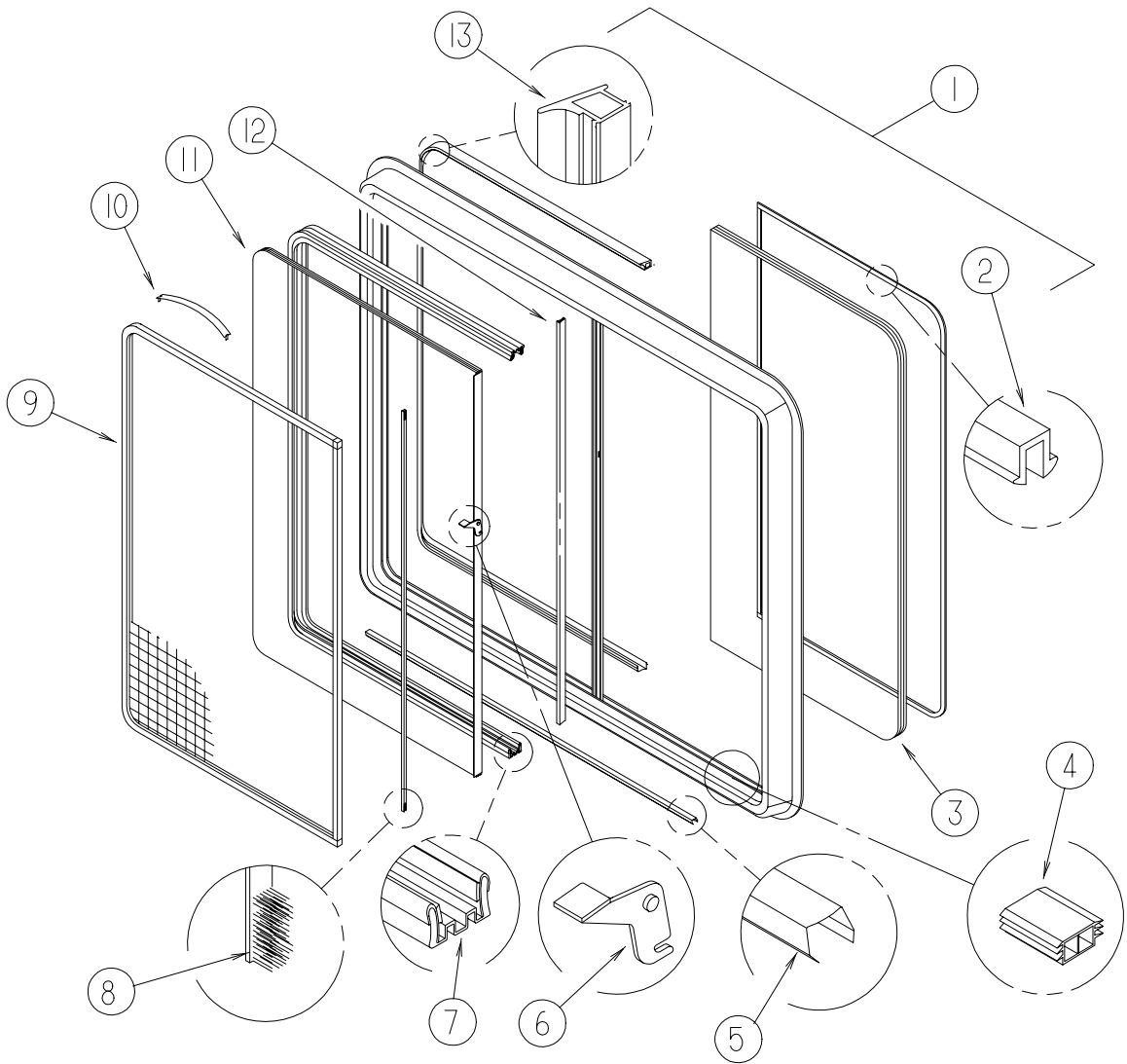
KEY	PART NUMBER	U/M	DESCRIPTION	VENDOR NO.
1	112795-45-01A	EA	WINDOW - DRIVER - HORIZONTAL SLIDER - THERMO - 24.2" X 40.9"	
2	112795-01-705	FT	VINYL - GLAZING	132-025736
3	112795-44-701	EA	GLASS - STATIONARY	390-019780
4	112795-01-701	EA	SLIDE - STOP	132-019092
5	098644-01-710	FT	TRACK - SCREEN SPACER 12'	132-017135
6	112795-01-700	EA	LATCH ASSEMBLY - BLACK - (BOLT ON)	DH287-CK
7	112795-01-703	IN	CHANNEL - RUN (INCHES)	122-018736
8	098644-01-711	FT	WEATHERSTRIP - SCREEN BLACK	171-016965
9	098647-29-704	EA	SCREEN ASM - W/SEALS & CLIPS	410-018864
10	098644-01-713	EA	CLIP - SCREEN - METAL	226-016966
10	125582-01-701	EA	CLIP - SCREEN - PLASTIC	130005153
11	112795-44-700	EA	GLASS-SLIDING W/SASH & LATCH	DC04-EG9
12	098644-01-706	FT	WEATHERSTRIP - GLASS	171-010668
13	112795-01-704	FT	PLUG - FILLER - (DOUBLE GLAZED)	122-018737
	098644-01-717	FT	SPLINE - SCREEN	132-004716
	098647-29-701	EA	RETAINER - TRIM	CW04-66

THERMOPANE



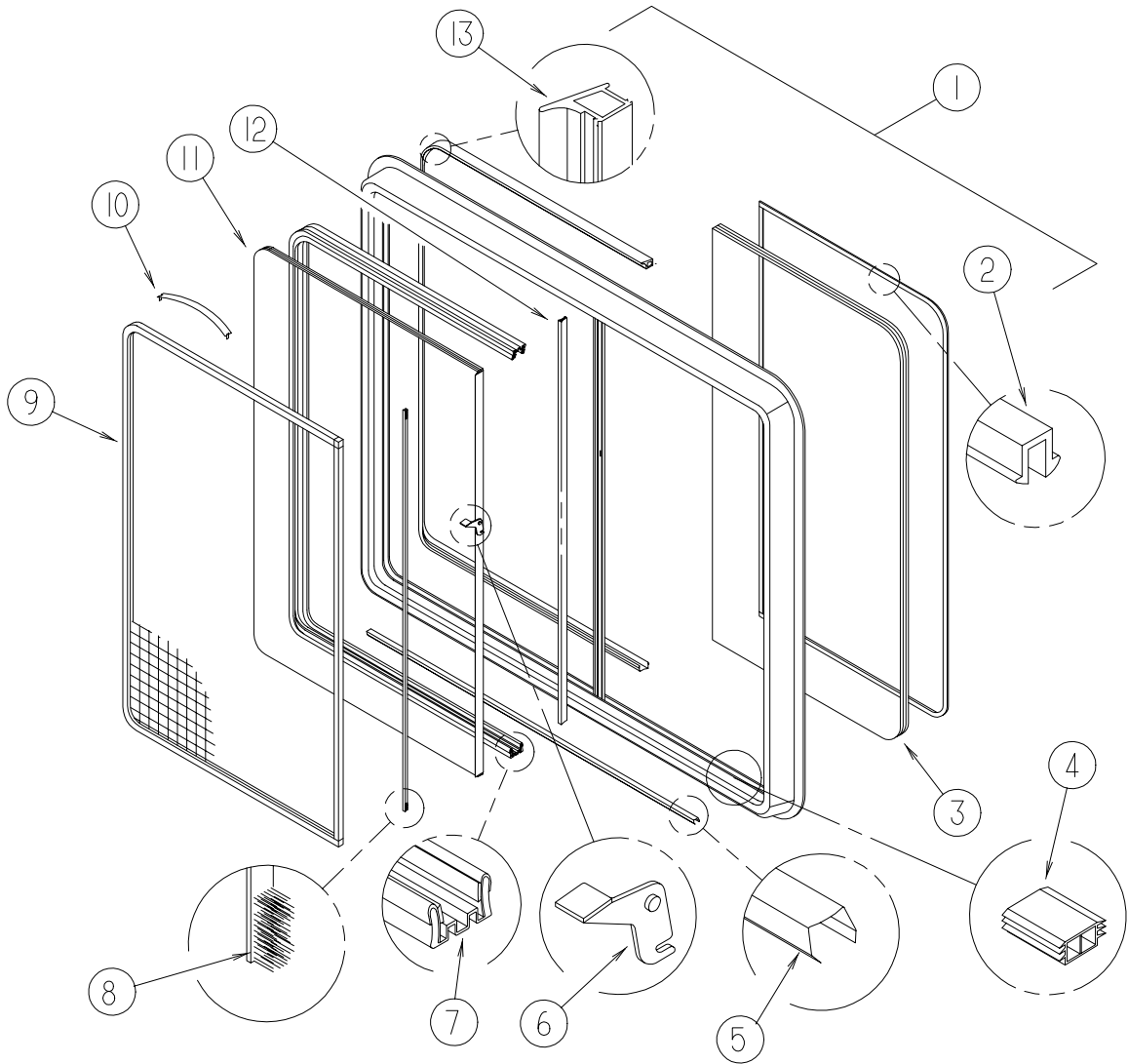
KEY	PART NUMBER	U/M	DESCRIPTION	VENDOR NO.
1	112795-46-01A	EA	WINDOW-PASSENGER HORIZONTAL SLIDER THERMO - 26 3/8" X 48"	
2	112795-01-705	FT	VINYL - GLAZING	132-025736
3	112795-46-701	EA	GLASS - STATIONARY	390-019830
4	112795-01-701	EA	SLIDE - STOP	132-019092
5	098644-01-710	FT	TRACK - SCREEN SPACER 12'	132-017135
6	112795-01-700	EA	LATCH ASSEMBLY - BLACK - (BOLT ON)	DH287-CK
7	112795-01-703	IN	CHANNEL - RUN (INCHES)	122-018736
8	098644-01-711	FT	WEATHERSTRIP - SCREEN BLACK	171-016965
9	098647-38-704	EA	SCREEN ASM - W/SEALS & CLIPS	410-019063
10	098644-01-713	EA	CLIP - SCREEN - METAL	226-016966
10	125582-01-701	EA	CLIP - SCREEN - PLASTIC	130005153
11	112795-46-700	EA	GLASS-SLIDING W/SASH & LATCH	DC48-EG9
12	098644-01-706	FT	WEATHERSTRIP - GLASS	171-010668
13	112795-01-704	FT	PLUG - FILLER - (DOUBLE GLAZED)	122-018737
	098644-01-717	FT	SPLINE - SCREEN	132-004716
	112795-22-701	EA	RETAINER - TRIM	W303-66

THERMOPANE



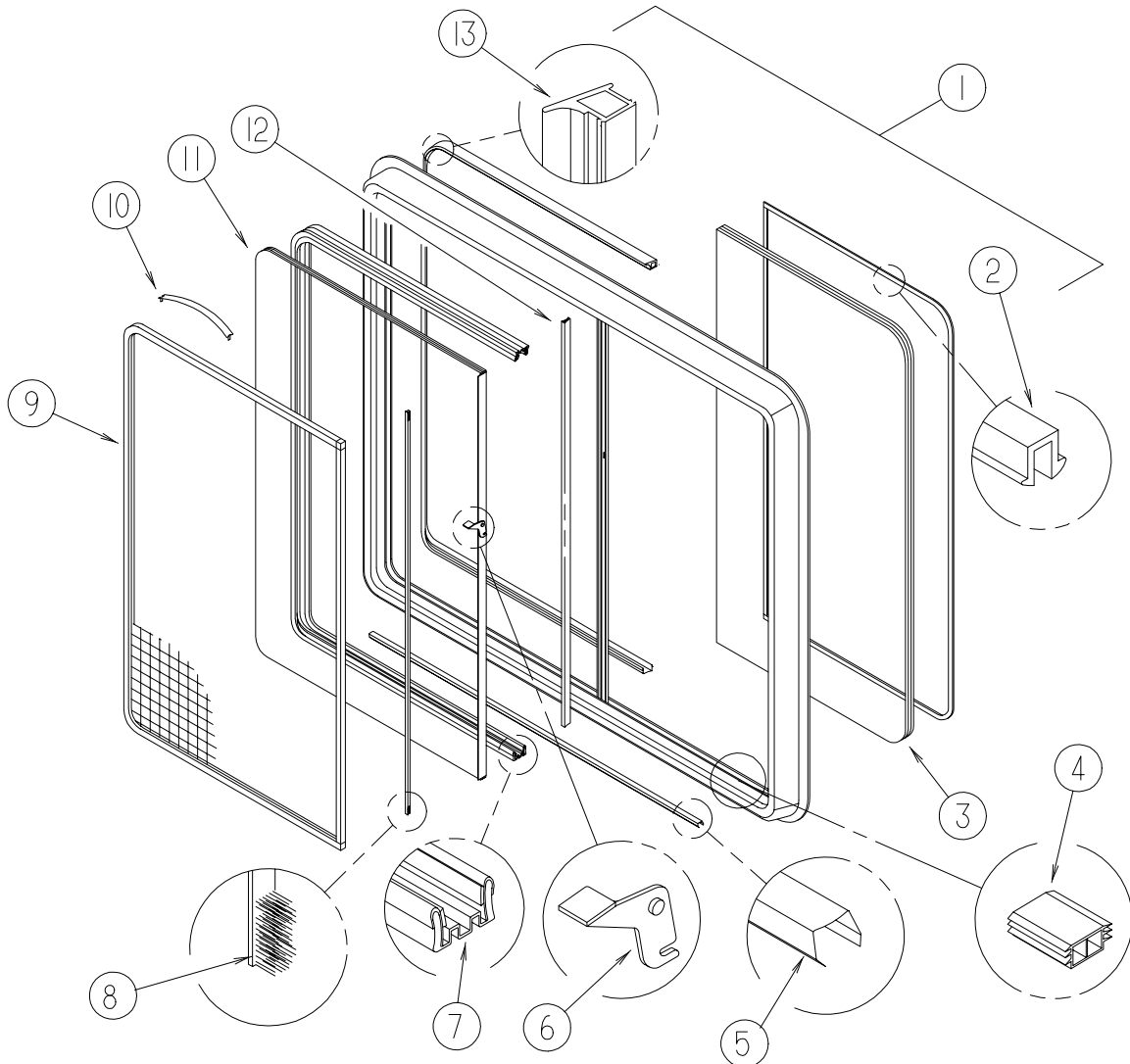
KEY	PART NUMBER	U/M	DESCRIPTION	VENDOR NO.
1	112795-47-01A	EA	WINDOW-PASSENGER HORIZONTAL SLIDE THERMO 30 1/4" X 25 3/4"	
2	112795-01-705	FT	VINYL - GLAZING	132-025736
3	112795-47-701	EA	GLASS - STATIONARY	390-019218
4	112795-01-701	EA	SLIDE - STOP	132-019092
5	098644-01-710	FT	TRACK - SCREEN SPACER 12'	132-017135
6	112795-01-700	EA	LATCH ASSEMBLY - BLACK - (BOLT ON)	DH287-CK
7	112795-01-703	IN	CHANNEL - RUN (INCHES)	122-018736
8	098644-01-711	FT	WEATHERSTRIP - SCREEN BLACK	171-016965
9	112898-05-704	EA	SCREEN ASM - W/SEALS & CLIPS	410-018862
10	098644-01-713	EA	CLIP - SCREEN - METAL	226-016966
10	125582-01-701	EA	CLIP - SCREEN - PLASTIC	130005153
11	112795-47-700	EA	GLASS-SLIDING W/SASH & LATCH	DC56-G9
12	098644-01-706	FT	WEATHERSTRIP - GLASS	171-010668
13	112795-01-704	FT	PLUG - FILLER - (DOUBLE GLAZED)	122-018737
	098644-01-717	FT	SPLINE - SCREEN	132-004716
	112795-47-702	EA	RETAINER - TRIM	CW56-66

THERMOPANE



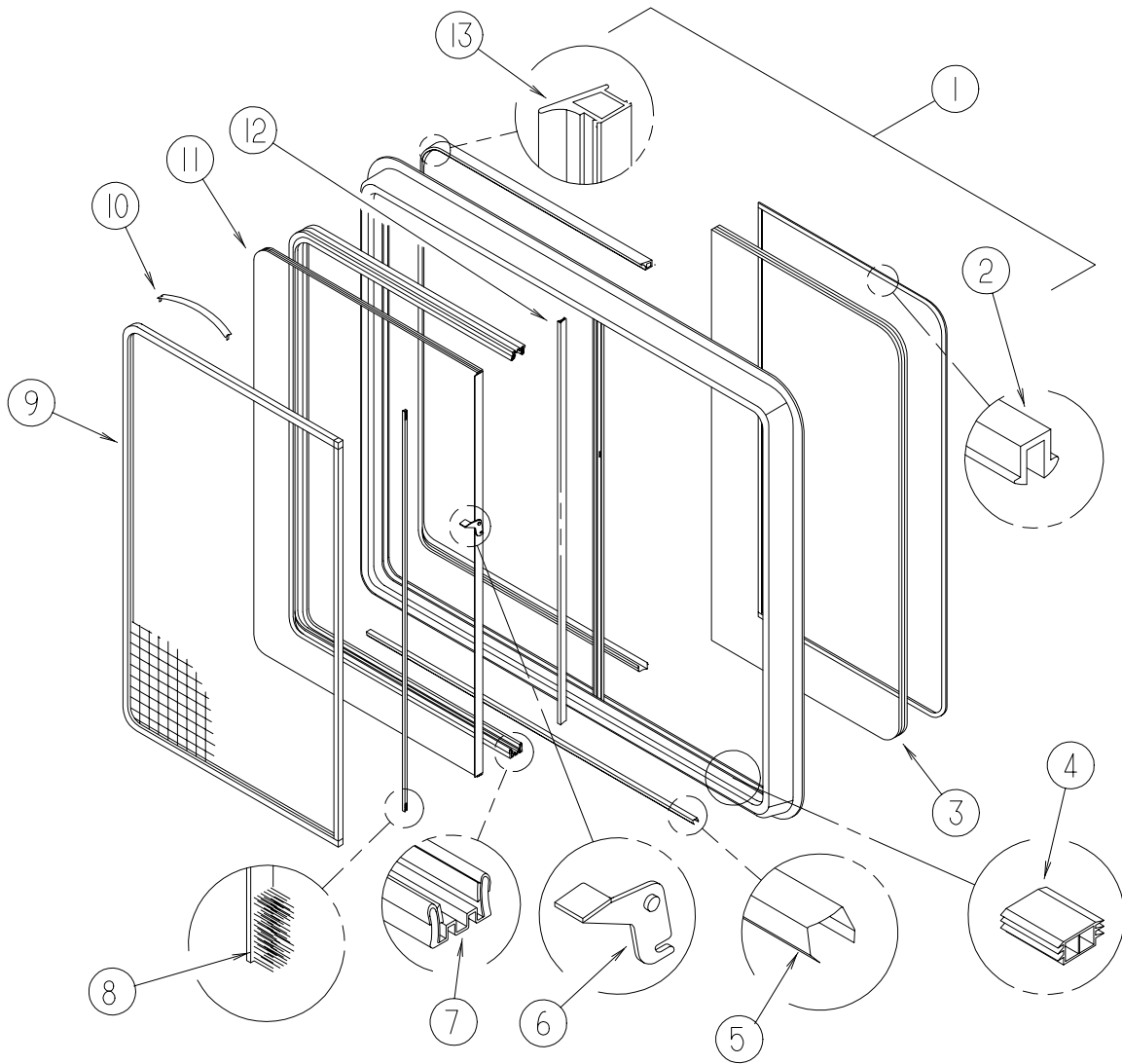
KEY	PART NUMBER	U/M	DESCRIPTION	VENDOR NO.
1	112795-50-01A	EA	WINDOW-PASSENGER HORIZONTAL SLIDE THERMO 30 3/4" X 57 3/4"	
2	112795-01-705	FT	VINYL - GLAZING	132-025736
3	112795-50-701	EA	GLASS - STATIONARY	390-025131
4	112795-01-701	EA	SLIDE - STOP	132-019092
5	098644-01-710	FT	TRACK - SCREEN SPACER 12'	132-017135
6	112795-01-700	EA	LATCH ASSEMBLY - BLACK - (BOLT ON)	DH287-CK
7	112795-01-703	IN	CHANNEL - RUN (INCHES)	122-018736
8	098644-01-711	FT	WEATHERSTRIP - SCREEN BLACK	171-016965
9	112795-33-704	EA	SCREEN ASM - W/SEALS & CLIPS	410-019247
10	098644-01-713	EA	CLIP - SCREEN - METAL	226-016966
10	125582-01-701	EA	CLIP - SCREEN - PLASTIC	130005153
11	112795-50-700	EA	GLASS-SLIDING W/SASH & LATCH	DH112-EG9
12	098644-01-706	FT	WEATHERSTRIP - GLASS	171-010668
13	112795-01-704	FT	PLUG - FILLER - (DOUBLE GLAZED)	122-018737
	098644-01-717	FT	SPLINE - SCREEN	132-004716
	112795-33-701	EA	RETAINER - TRIM	W112-66

THERMOPANE



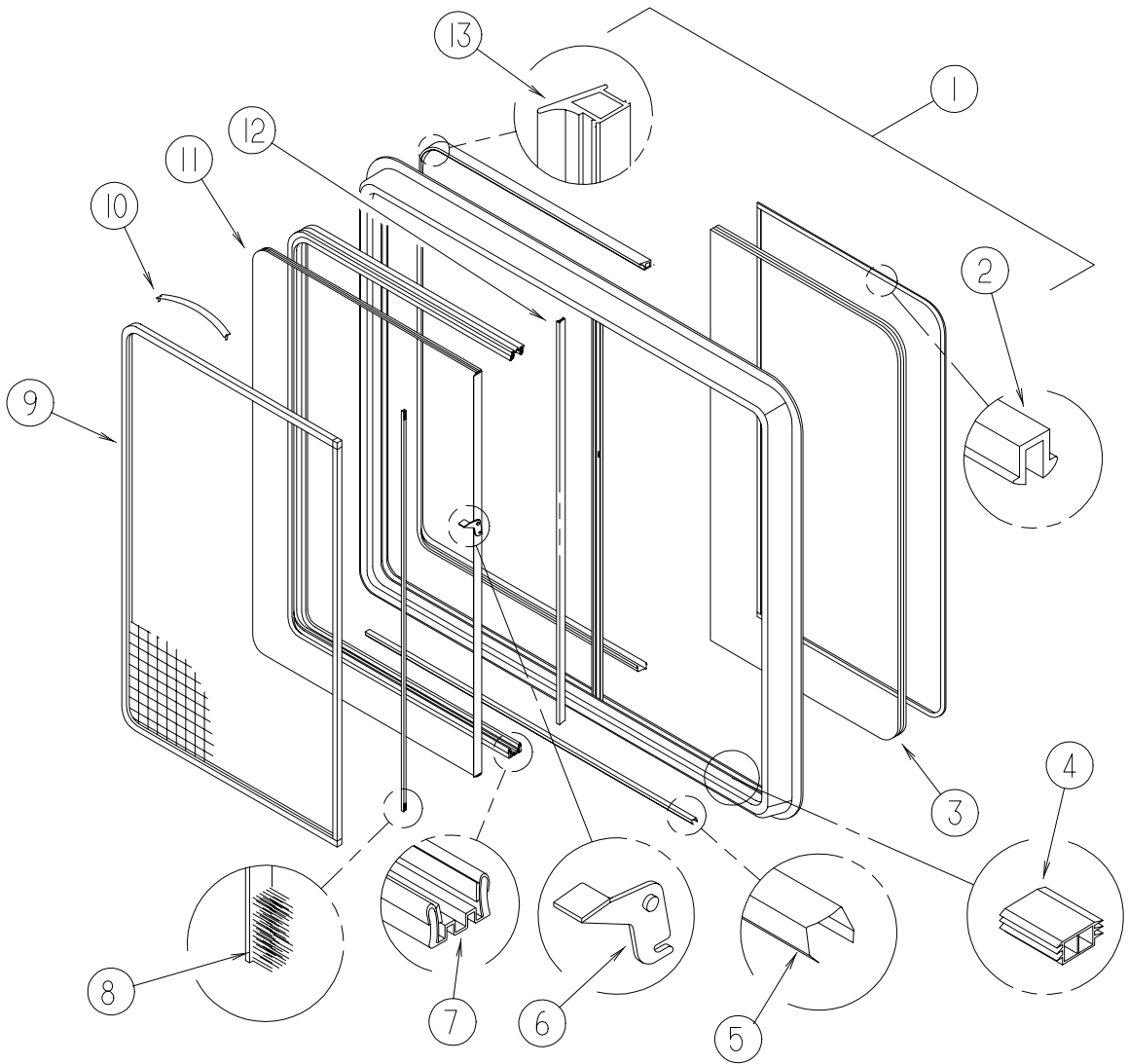
KEY	PART NUMBER	U/M	DESCRIPTION	VENDOR NO.
1	112795-53-01A	EA	WINDOW-DRIVER HORIZONTAL SLIDE THERMO 38 3/4" X 57 3/4"	
2	112795-01-705	FT	VINYL - GLAZING	132-025736
3	112795-53-702	EA	GLASS - STATIONARY	390-025207
4	112795-01-701	EA	SLIDE - STOP	132-019092
5	098644-01-710	FT	TRACK - SCREEN SPACER 12'	132-017135
6	112795-01-700	EA	LATCH ASSEMBLY - BLACK - (BOLT ON)	DH287-CK
7	112795-01-703	IN	CHANNEL - RUN (INCHES)	122-018736
8	098644-01-711	FT	WEATHERSTRIP - SCREEN BLACK	171-016965
9	098647-53-700	EA	SCREEN ASM - W/SEALS & CLIPS	410-025209
10	098644-01-713	EA	CLIP - SCREEN - METAL	226-016966
10	125582-01-701	EA	CLIP - SCREEN - PLASTIC	130005153
11	112795-53-701	EA	GLASS-SLIDING W/SASH & LATCH	DC97-G9
12	098644-01-706	FT	WEATHERSTRIP - GLASS	171-010668
13	112795-01-704	FT	PLUG - FILLER - (DOUBLE GLAZED)	122-018737
	098644-01-717	FT	SPLINE - SCREEN	132-004716
	112795-53-703	EA	RETAINER - TRIM	CW97-66

THERMOPANE



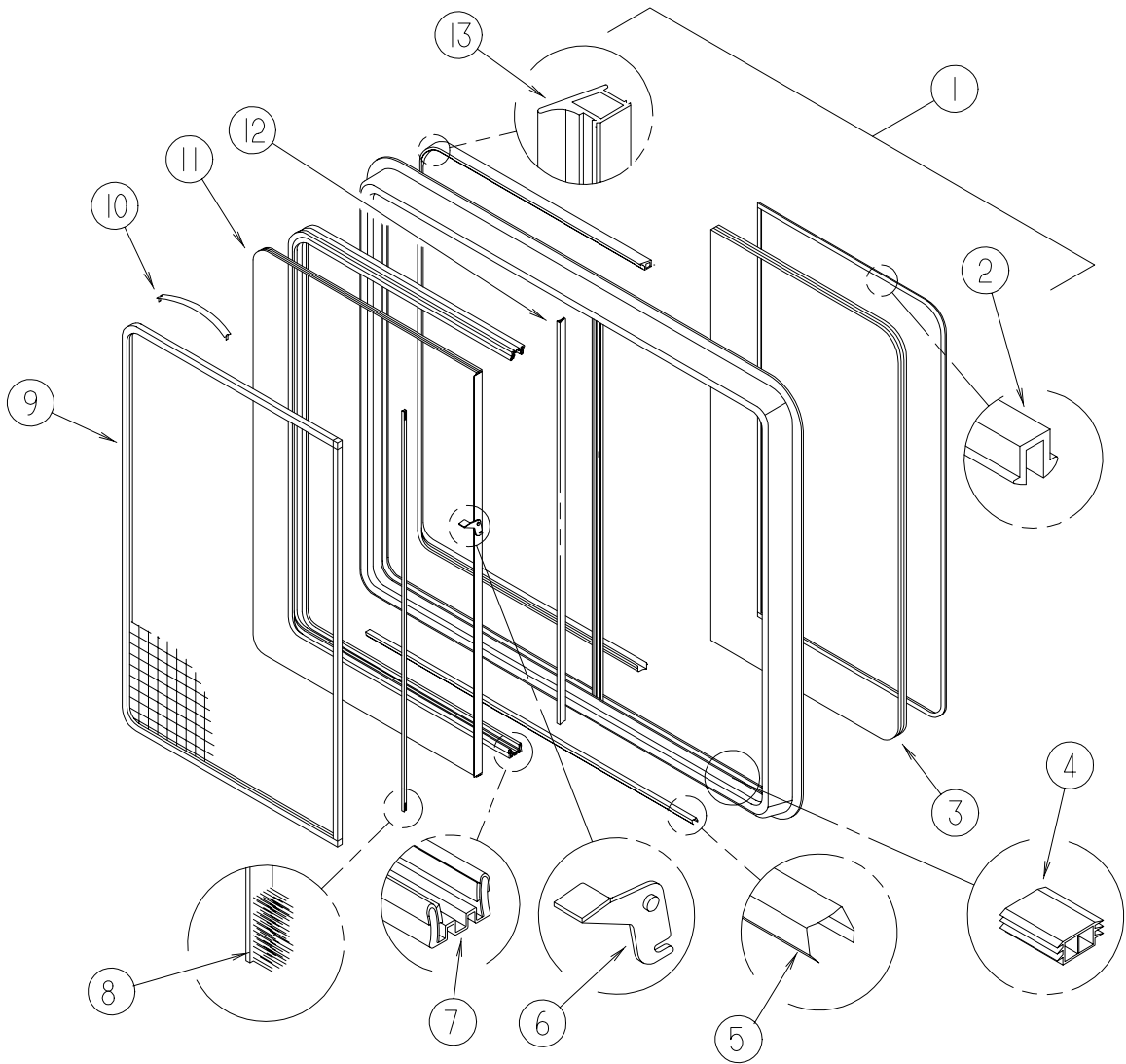
KEY	PART NUMBER	U/M	DESCRIPTION	VENDOR NO.
1	112795-54-01A	EA	WINDOW - DRIVER HORIZONTAL SLIDER - THERMO - 23.9" X 57.8"	DH493-G2W66L
2	112795-01-705	FT	VINYL - GLAZING	132-025736
3	112795-54-700	EA	GLASS-SLIDING W/SASH & LATCH	DH493-G9
4	112795-01-701	EA	SLIDE - STOP	132-019092
5	098644-01-710	FT	TRACK - SCREEN SPACER 12'	132-017135
6	112795-01-700	EA	LATCH ASSEMBLY - BLACK - (BOLT ON)	DH287-CK
7	112795-01-703	IN	CHANNEL - RUN (INCHES)	122-018736
8	098644-01-711	FT	WEATHERSTRIP - SCREEN BLACK	171-016965
9	098647-47-702	EA	SCREEN ASM - W/SEALS & CLIPS	410-025226
10	098644-01-713	EA	CLIP - SCREEN - METAL	226-016966
10	125582-01-701	EA	CLIP - SCREEN - PLASTIC	130005153
11	112795-54-700	EA	GLASS-SLIDING W/SASH & LATCH	DH493-G9
12	098644-01-706	FT	WEATHERSTRIP - GLASS	171-010668
13	112795-01-704	FT	PLUG - FILLER - (DOUBLE GLAZED)	122-018737
	098644-01-717	FT	SPLINE - SCREEN	132-004716
	098647-47-703	EA	RETAINER - TRIM	W493-66

**THERMOPANE
DB809-EG2W66**



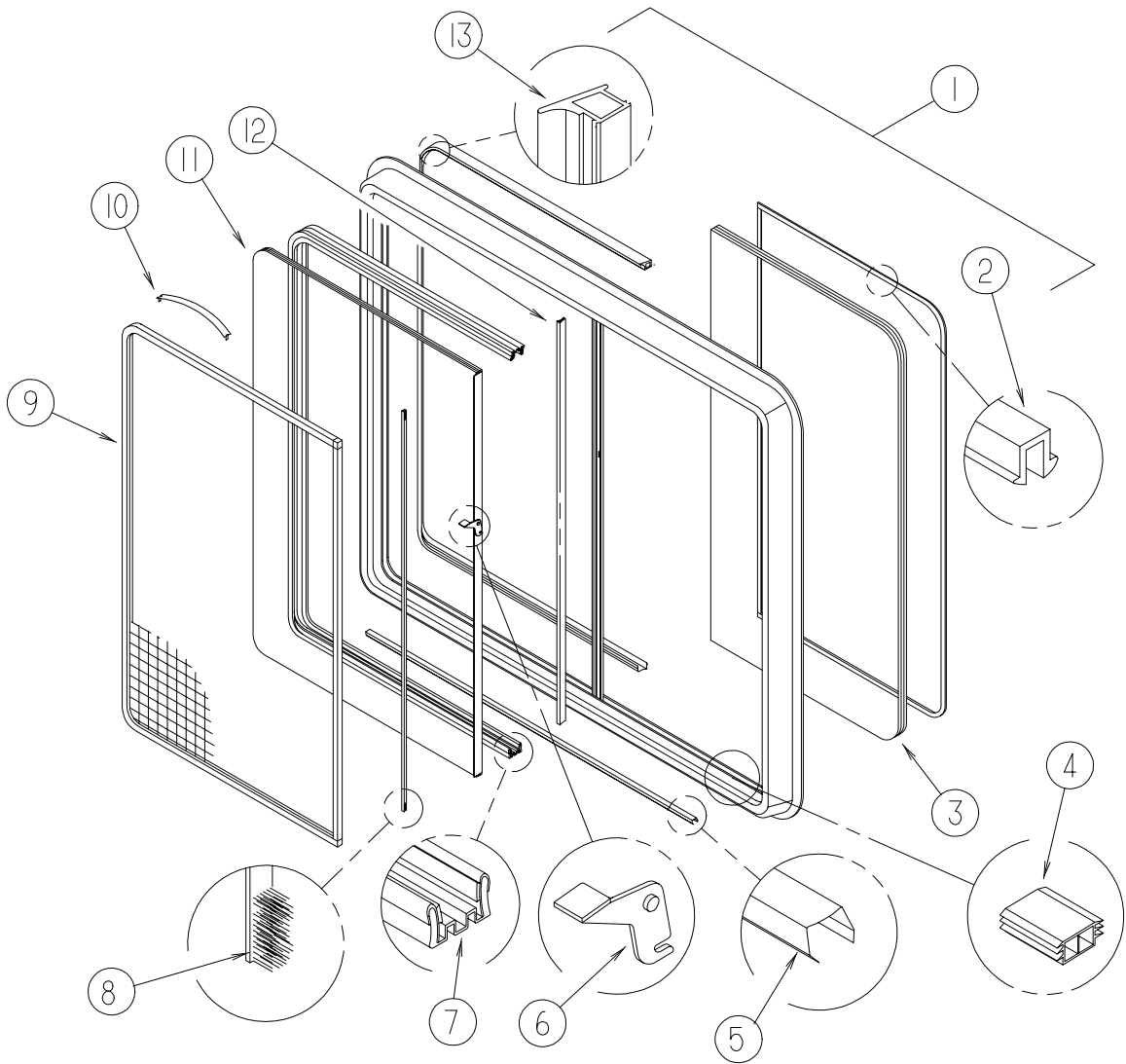
KEY	PART NUMBER	U/M	DESCRIPTION	VENDOR NO.
1	112795-55-01A	EA	WINDOW - DRIVER HORIZONTAL SLIDER - THERMO - 15.5" X 18.5"	
2	112795-01-705	FT	VINYL - GLAZING	132-025736
3	112795-55-701	EA	GLASS - STATIONARY	390-025284
4	112795-01-701	EA	SLIDE - STOP	132-019092
5	098644-01-710	FT	TRACK - SCREEN SPACER 12'	132-017135
6	112795-01-700	EA	LATCH ASSEMBLY - BLACK - (BOLT ON)	DH287-CK
7	112795-01-703	IN	CHANNEL - RUN (INCHES)	122-018736
8	098644-01-711	FT	WEATHERSTRIP - SCREEN BLACK	171-016965
9	112795-56-702	EA	SCREEN ASM - W/SEALS & CLIPS	410-019414
10	098644-01-713	EA	CLIP - SCREEN - METAL	226-016966
10	125582-01-701	EA	CLIP - SCREEN - PLASTIC	130005153
11	112795-55-700	EA	GLASS-SLIDING W/SASH & LATCH	DC809-EG9
12	098644-01-706	FT	WEATHERSTRIP - GLASS	171-010668
13	112795-01-704	FT	PLUG - FILLER - (DOUBLE GLAZED)	122-018737
	098644-01-717	FT	SPLINE - SCREEN	132-004716
	112795-56-703	EA	RETAINER - TRIM	V969-66

THERMOPANE



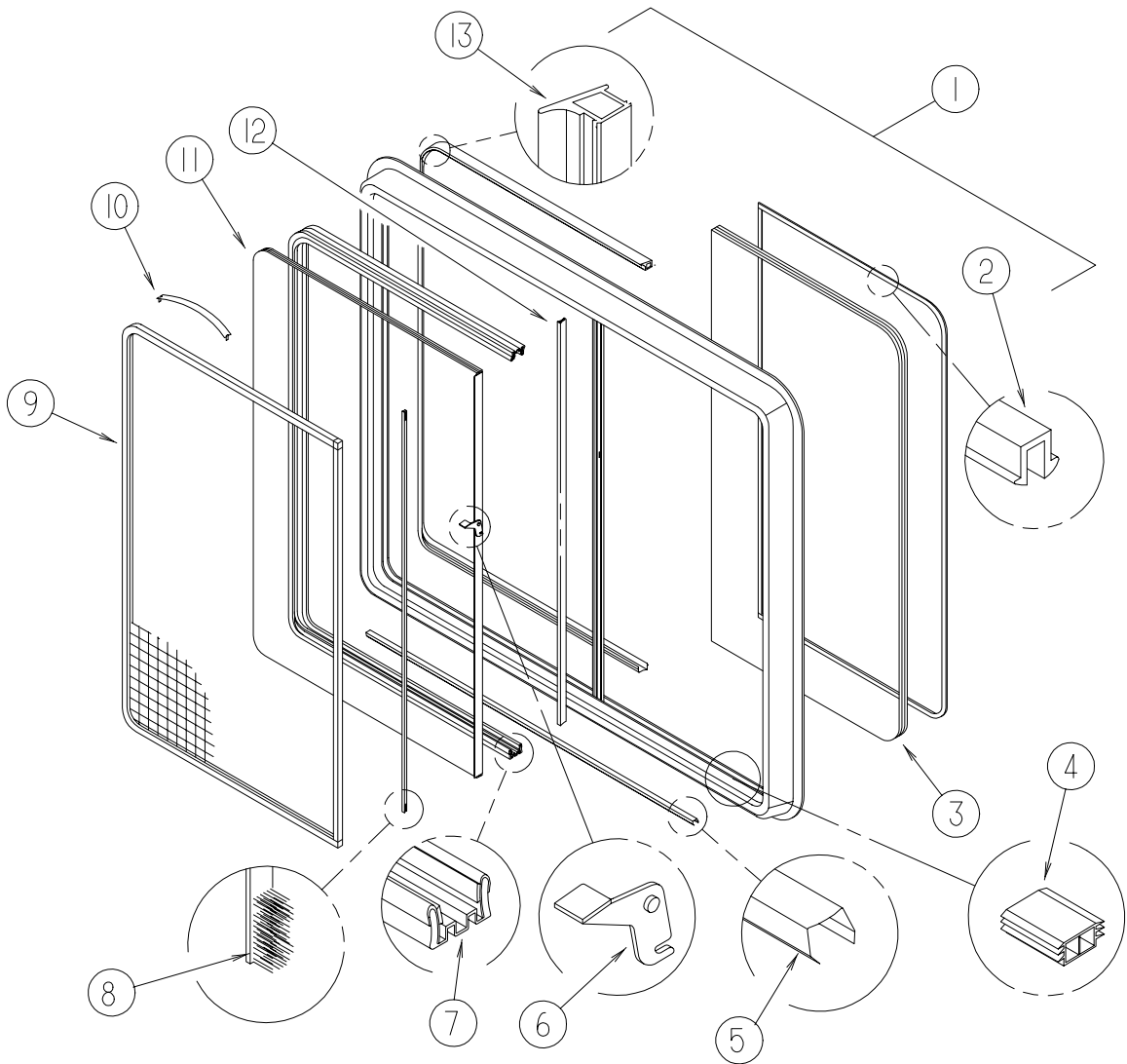
KEY	PART NUMBER	U/M	DESCRIPTION	VENDOR NO.
1	112795-56-01A	EA	WINDOW - DRIVER HORIZONTAL SLIDER - THERMO - 15.2" X 24" DB969G2W66L	
	112795-56-703	EA	RETAINER - TRIM	V969-66
2	112795-01-705	FT	VINYL - GLAZING	132-025736
3	112795-56-701	EA	GLASS - STATIONARY	390-019412
4	112795-01-701	EA	SLIDE-STOP	132-019092
5	098644-01-710	FT	TRACK - SCREEN SPACER 12'	132-017135
6	112795-01-700	EA	LATCH ASM., BLK.,(BOLT ON)	DH287-CK
7	112795-01-703	IN	CHANNEL-RUN (INCHES)	112795-01-703
8	098644-01-711	FT	WEATHERSTRIP - SCREEN BLACK	171-016965
9	112795-56-702	EA	SCREEN ASM - W/SEALS & CLIPS	410-019414
10	098644-01-713	EA	CLIP - SCREEN - METAL	226-016966
10	125582-01-701	EA	CLIP - SCREEN - PLASTIC	130005153
11	112795-56-700	EA	GLASS-SLIDING W/SASH & LATCH	DB969-G9
12	098644-01-706	FT	WEATHERSTRIP - GLASS	171-010668
13	112795-01-704	FT	PLUG FILLER (DOUBLE GLAZED)	122-018737
	098644-01-717	FT	SPLINE - SCREEN	132-004716

THERMOPANE



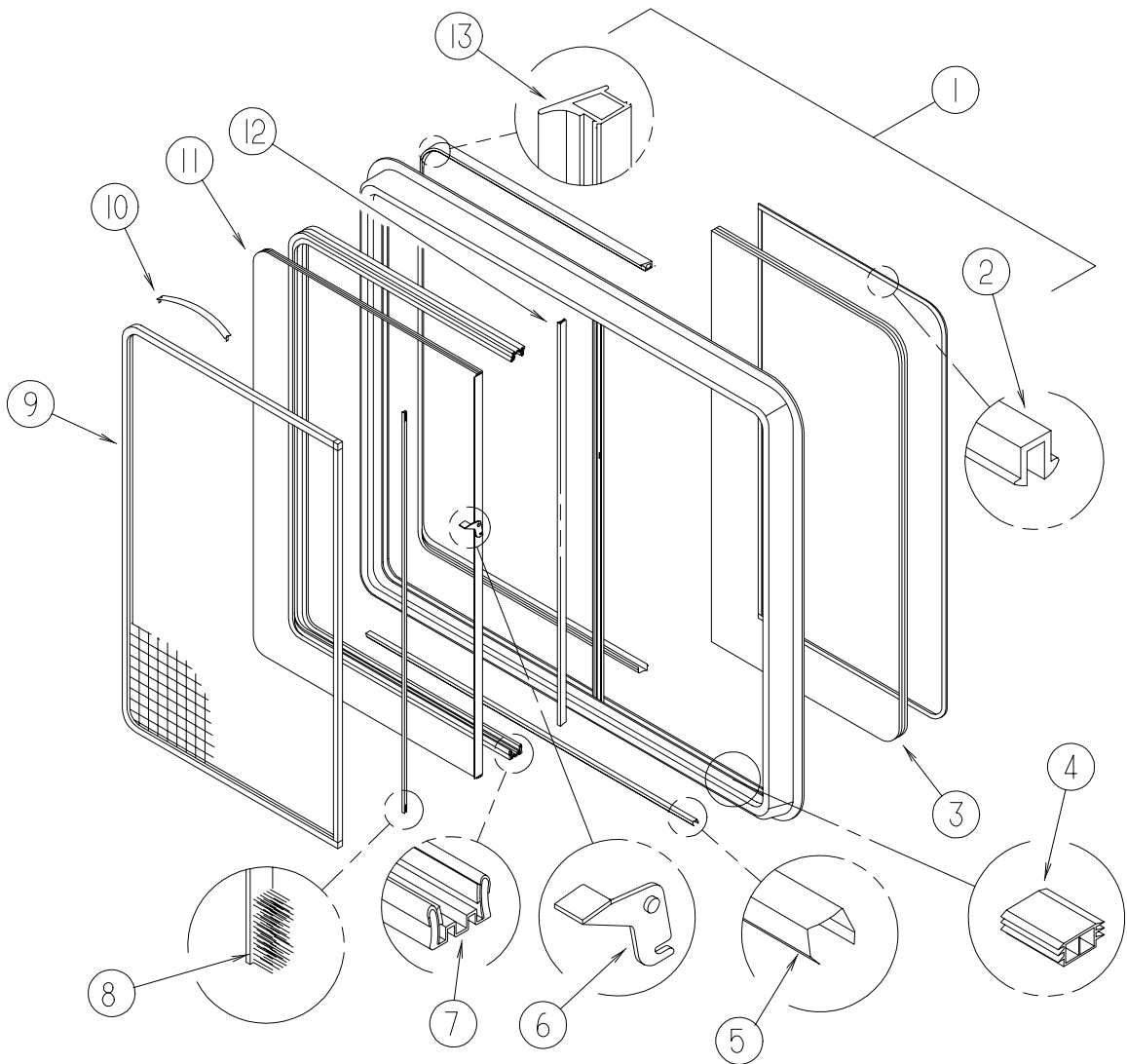
KEY	PART NUMBER	U/M	DESCRIPTION	VENDOR NO.
1	112795-57-01A	EA	WINDOW-PASSENGER HORIZONTAL SLIDE THERMO 24" X 57 3/4"	
	112795-47-703	EA	RETAINER - TRIM	W493-66
2	112795-01-705	FT	VINYL - GLAZING	132-025736
3	112795-54-701	EA	GLASS - STATIONARY	390-025248
4	112795-01-701	EA	SLIDE-STOP	132-019092
5	098644-01-710	FT	TRACK - SCREEN SPACER 12'	132-017135
6	112795-01-700	EA	LATCH ASM., BLK.,(BOLT ON)	DH287-CK
7	112795-01-703	IN	CHANNEL-RUN (INCHES)	112795-01-703
8	098644-01-711	FT	WEATHERSTRIP - SCREEN BLACK	171-016965
9	112795-47-702	EA	SCREEN ASM - W/SEALS & CLIPS	410-025226
10	098644-01-713	EA	CLIP - SCREEN - METAL	226-016966
10	125582-01-701	EA	CLIP - SCREEN - PLASTIC	130005153
11	112795-54-700	EA	GLASS-SLIDING W/SASH & LATCH	DH493-G9
12	098644-01-706	FT	WEATHERSTRIP - GLASS	171-010668
13	112795-01-704	FT	PLUG FILLER (DOUBLE GLAZED)	122-018737
	098644-01-717	FT	SPLINE - SCREEN	132-004716

THERMOPANE



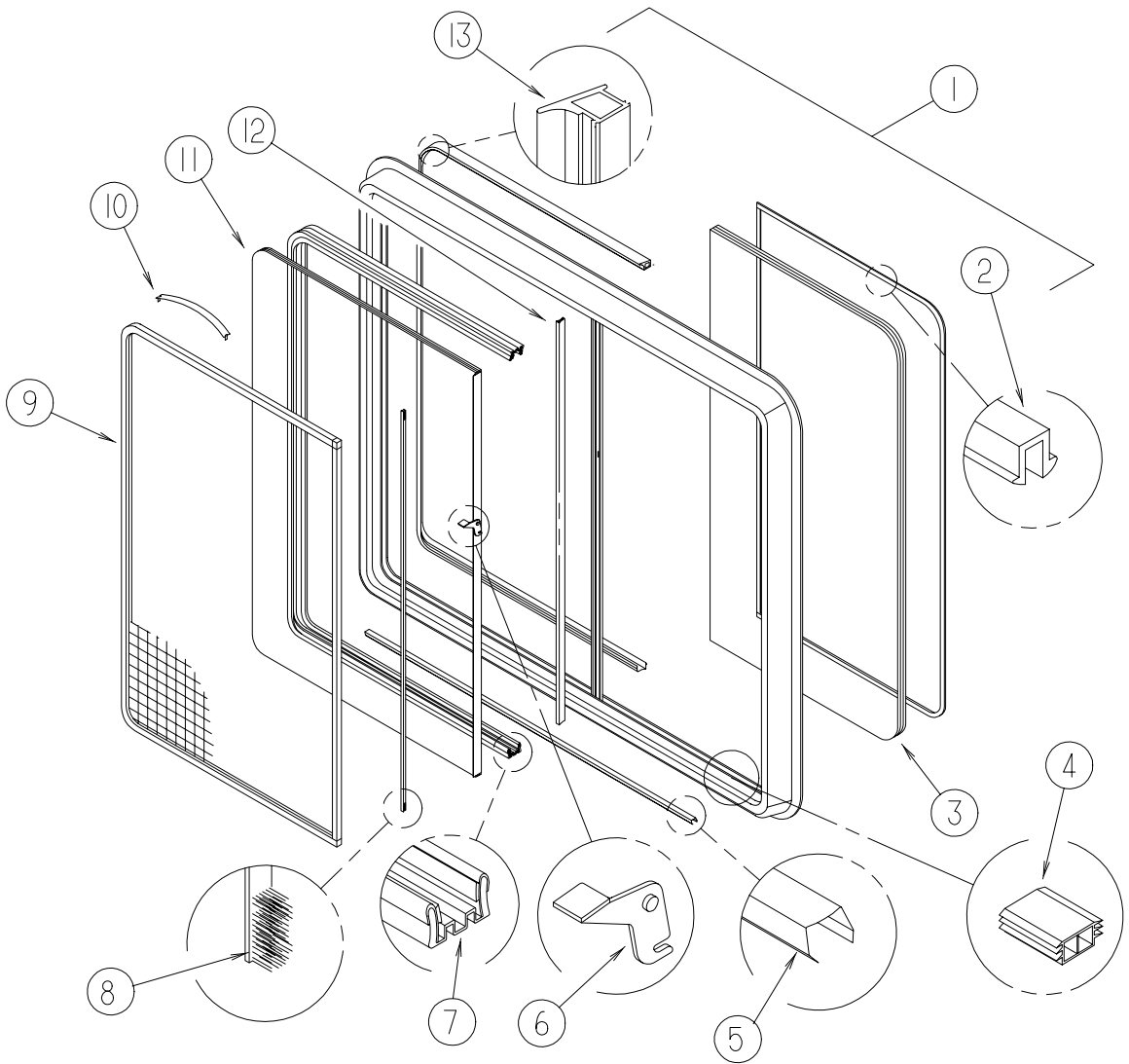
KEY	PART NUMBER	U/M	DESCRIPTION	VENDOR NO.
1	112795-58-01A	EA	WINDOW - PASSENGER HORIZ SLIDER - THERMO - 24.4" X 36.2"	
	112795-58-702	EA	RETAINER - TRIM	CW03-66
2	112795-01-705	FT	VINYL - GLAZING	132-025736
3	112795-58-701	EA	GLASS - STATIONARY	390-025875
4	112795-01-701	EA	SLIDE-STOP	132-019092
5	098644-01-710	FT	TRACK - SCREEN SPACER 12'	132-017135
6	112795-01-700	EA	LATCH ASSEMBLY - BLACK - (BOLT ON)	DH287-CK
7	112795-01-703	IN	CHANNEL-RUN (INCHES)	112795-01-703
8	098644-01-711	FT	WEATHERSTRIP - SCREEN BLACK	171-016965
9	112795-58-703	EA	SCREEN ASSEMBLY - W/SEALS & CLIPS	410-025877
10	098644-01-713	EA	CLIP - SCREEN - METAL	226-016966
10	125582-01-701	EA	CLIP - SCREEN - PLASTIC	130005153
11	112795-58-700	EA	GLASS - SLIDING W/SASH & LATCH	DC03-EG9
12	098644-01-706	FT	WEATHERSTRIP - GLASS	171-010668
13	112795-01-704	FT	PLUG - FILLER (DOUBLE GLAZED)	122-018737
	098644-01-717	FT	SPLINE - SCREEN	132-004716

THERMOPANE



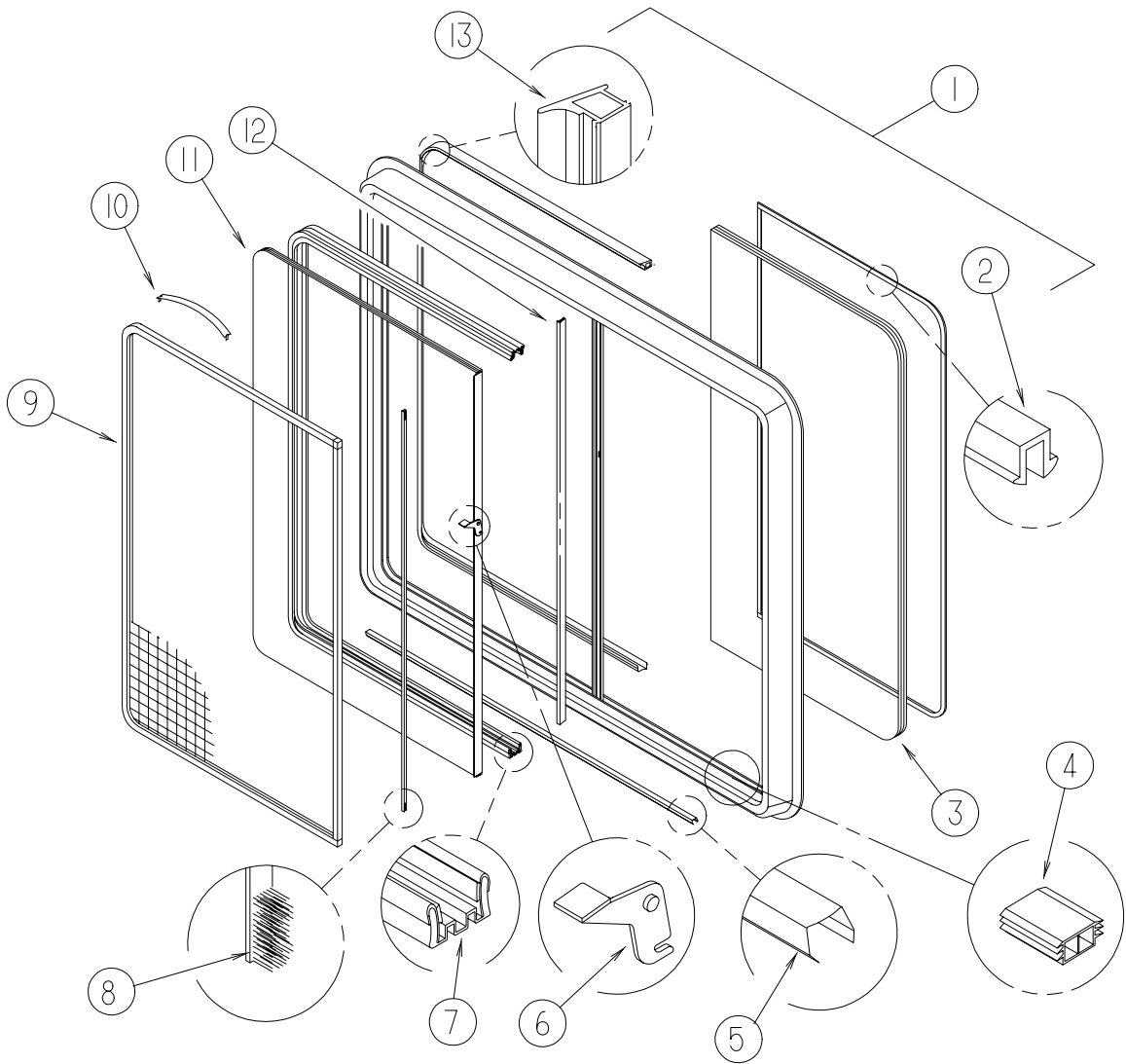
KEY	PART NUMBER	U/M	DESCRIPTION	VENDOR NO.
1	112795-59-01A	EA	WINDOW - DRIVER HORIZONTAL SLIDER - THERMO - 24.4" X 36.2"	
	112795-58-702	EA	RETAINER - TRIM	CW03-66
2	112795-01-705	FT	VINYL - GLAZING	132-025736
3	112795-58-701	EA	GLASS - STATIONARY	390-025875
4	112795-01-701	EA	SLIDE-STOP	132-019092
5	098644-01-710	FT	TRACK - SCREEN SPACER 12'	132-017135
6	112795-01-700	EA	LATCH ASSEMBLY - BLACK - (BOLT ON)	DH287-CK
7	112795-01-703	IN	CHANNEL-RUN (INCHES)	112795-01-703
8	098644-01-711	FT	WEATHERSTRIP - SCREEN BLACK	171-016965
9	112795-58-703	EA	SCREEN ASSEMBLY - W/SEALS & CLIPS	410-025877
10	098644-01-713	EA	CLIP - SCREEN - METAL	226-016966
10	125582-01-701	EA	CLIP - SCREEN - PLASTIC	130005153
11	112795-58-700	EA	GLASS - SLIDING W/SASH & LATCH	DC03-EG9
12	098644-01-706	FT	WEATHERSTRIP - GLASS	171-010668
13	112795-01-704	FT	PLUG - FILLER (DOUBLE GLAZED)	122-018737
	098644-01-717	FT	SPLINE - SCREEN	132-004716

THERMOPANE



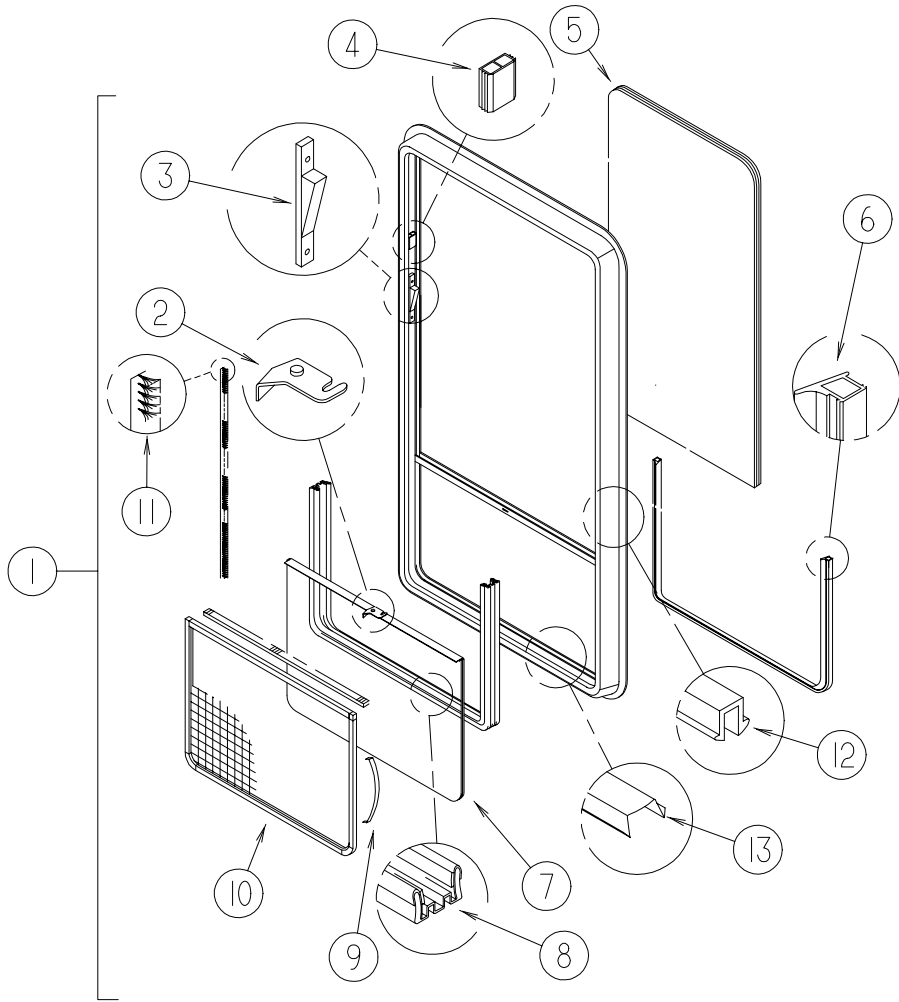
KEY	PART NUMBER	U/M	DESCRIPTION	VENDOR NO.
1	112795-60-01A	EA	WINDOW - SLIDER - HORIZONTAL THERMO - 30.5" X 41.2"	
2	112795-01-705	FT	VINYL - GLAZING	132-025736
3	112795-60-702	EA	GLASS-SLIDING W/SASH & LATCH	DH560-G9
4	112795-01-701	EA	SLIDE - STOP	132-019092
5	098644-01-710	FT	TRACK - SCREEN SPACER 12'	132-017135
6	112795-01-700	EA	LATCH ASSEMBLY - BLACK - (BOLT ON)	DH287-CK
7	112795-01-703	IN	CHANNEL - RUN (INCHES)	122-018736
8	098644-01-711	FT	WEATHERSTRIP - SCREEN BLACK	171-016965
9	112795-60-701	EA	SCREEN ASM W/SEALS & CLIP	410-025968
10	098644-01-713	EA	CLIP - SCREEN - METAL	226-016966
10	125582-01-701	EA	CLIP - SCREEN - PLASTIC	130005153
11	112795-60-703	EA	GLASS - STATIONARY	390-025966
12	098644-01-706	FT	WEATHERSTRIP - GLASS	171-010668
13	112795-01-704	FT	PLUG - FILLER - (DOUBLE GLAZED)	122-018737
	098644-01-717	FT	SPLINE - SCREEN	132-004716
	112795-60-700	EA	RETAINER - TRIM	W560-66

THERMOPANE



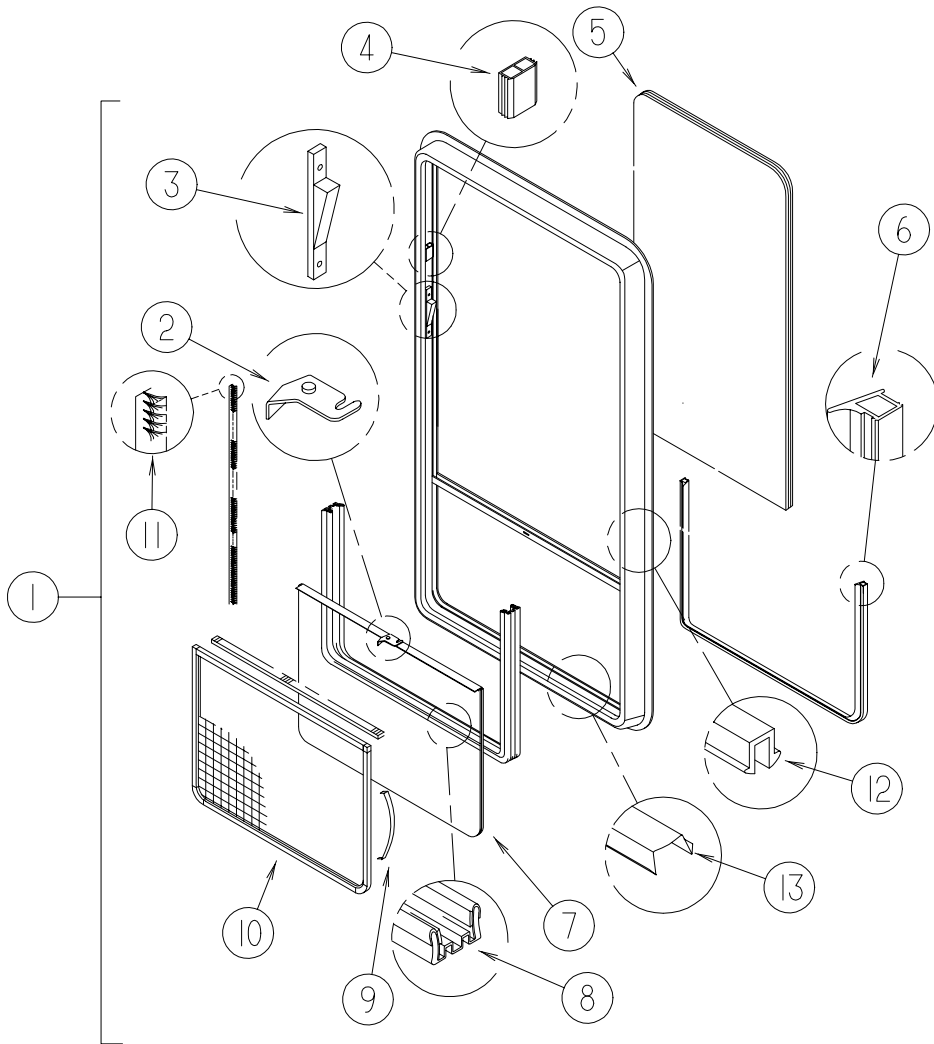
KEY	PART NUMBER	U/M	DESCRIPTION	VENDOR NO.
1	112795-61-01A	EA	WINDOW - SLIDER - HORIZONTAL - THERMO - 15.2" X 24"	
	112795-61-700	EA	RETAINER - TRIM	V969
2	112795-01-705	FT	VINYL - GLAZING	132-025736
3	112795-56-702	EA	GLASS - SLIDING W/SASH & LATCH	DB969-G9
4	112795-01-701	EA	SLIDE-STOP	132-019092
5	098644-01-710	FT	TRACK - SCREEN SPACER 12'	132-017135
6	112795-01-700	EA	LATCH ASSEMBLY - BLACK - (BOLT ON)	DH287-CK
7	112795-01-703	IN	CHANNEL-RUN (INCHES)	112795-01-703
8	098644-01-711	FT	WEATHERSTRIP - SCREEN BLACK	171-016965
9	112795-56-702	EA	SCREEN ASM - W/SEALS & CLIPS	410-019414
10	098644-01-713	EA	CLIP - SCREEN - METAL	226-016966
10	125582-01-701	EA	CLIP - SCREEN - PLASTIC	130005153
11	112795-56-701	EA	GLASS - STATIONARY	390-19412
12	098644-01-706	FT	WEATHERSTRIP - GLASS	171-010668
13	112795-01-704	FT	PLUG FILLER (DOUBLE GLAZED)	122-018737
	098644-01-717	FT	SPLINE - SCREEN	132-004716

THERMOPANE



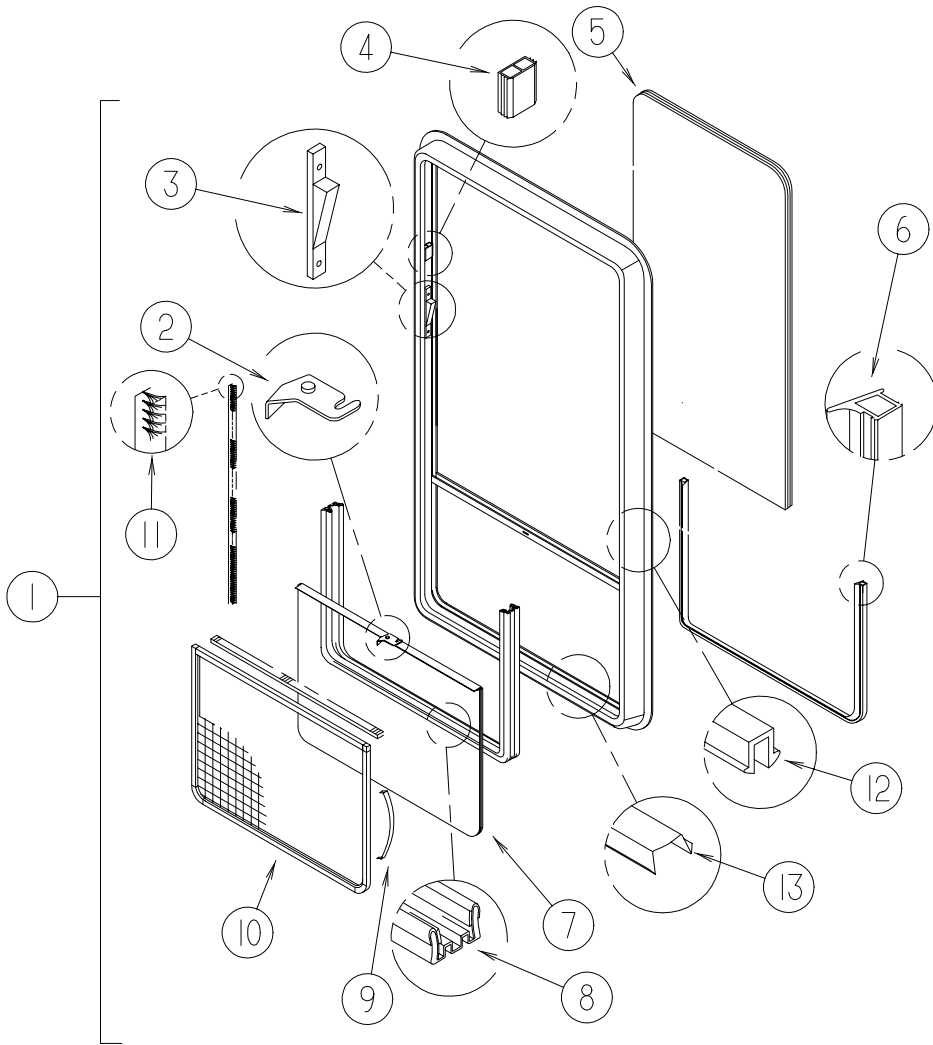
KEY	PART NUMBER	U/M	DESCRIPTION	VENDOR NO.
1	112898-04-01A	EA	WINDOW - VERTICAL SLIDER	
	098644-07-701	EA	RETAINER - TRIM	CW02-66
2	112795-01-700	EA	LATCH ASM., BLK.,(BOLT ON)	DH287-CK
3	112898-04-703	EA	SASH LATCH KIT, RAISED	DH343-CK
4	112795-01-701	EA	SLIDE-STOP	132-019092
5	112898-04-701	EA	GLASS - STATIONARY	390-019130
6	112795-01-704	FT	PLUG FILLER (DOUBLE GLAZED)	122-018737
7	112898-04-702	EA	GLASS SLIDING W/SASH & LATCH	DC02-G9
8	112795-01-703	IN	CHANNEL-RUN (INCHES)	122-018736
9	098644-01-713	EA	CLIP - SPRING - METAL	226-016966
10	098644-07-704	EA	SCREEN ASM - W/SEALS & CLIPS	410-018863
11	098644-01-711	FT	WEATHERSTRIP - SCREEN BLACK	171-016965
12	112795-01-705	FT	VINYL - GLAZING	132-025736
13	098644-01-710	FT	TRACK - SCREEN SPACER 12'	132-017135

THERMOPANE



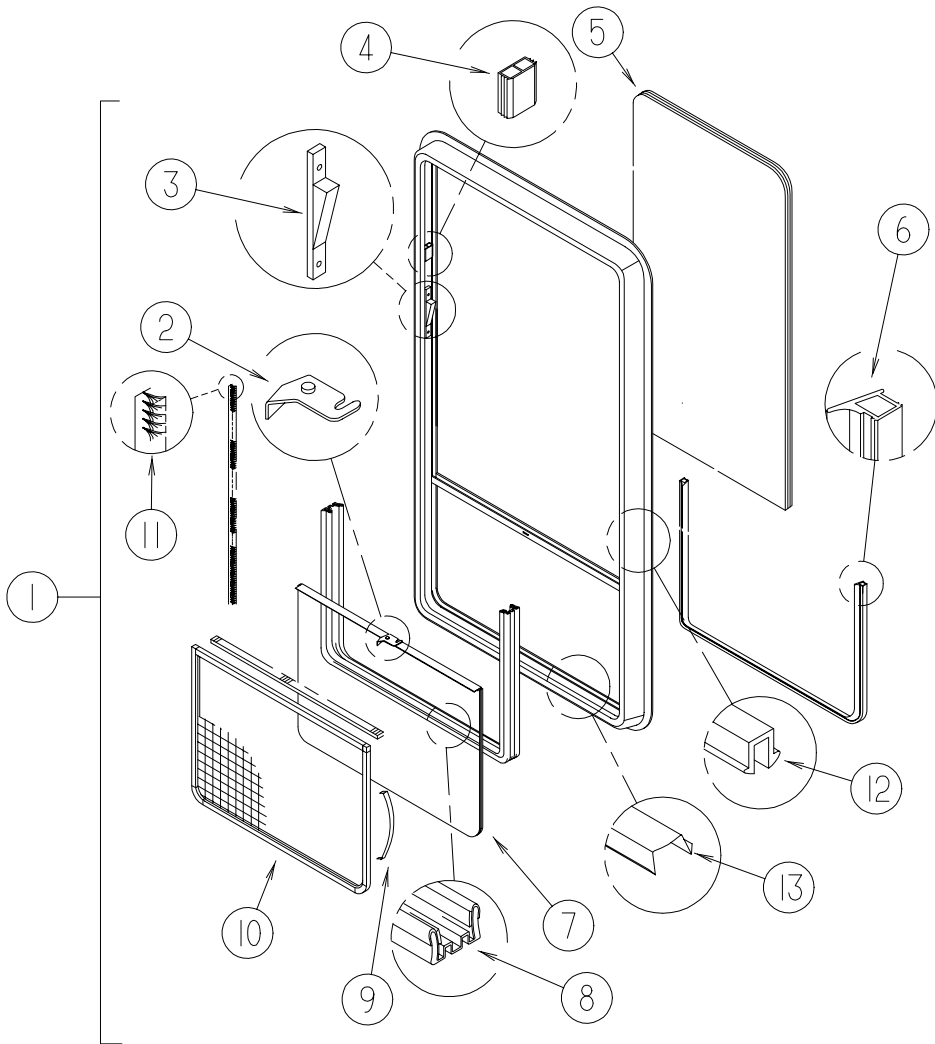
KEY	PART NUMBER	U/M	DESCRIPTION	VENDOR NO.
1	112898-05-01A	EA	WINDOW-SLIDING, VERTICAL	
	112898-05-701	EA	RETAINER - TRIM	CW61-66
2	112795-01-700	EA	LATCH ASM., BLACK	DH287-CK
3	112898-04-703	EA	SASH LATCH KIT, RAISED	DH343-CK
4	112795-01-701	EA	SLIDE-STOP	132-019092
5	112898-05-702	EA	GLASS - STATIONARY	390-019170
6	112795-01-704	FT	PLUG FILLER (DOUBLE GLAZED)	122-018737
7	112898-05-703	EA	GLASS-SLIDING W/SASH & LATCH	DC61-G9
8	112795-01-703	IN	CHANNEL-RUN (INCHES)	122-018736
9	098644-01-713	EA	CLIP - SPRING - METAL	226-016966
10	112898-05-704	EA	SCREEN ASM - W/SEALS & CLIPS	410-018862
11	098644-01-711	EA	WEATHERSTRIP-SCREEN, BLACK	171-016965
12	112795-01-705	FT	VINYL-GLAZING	132-019702
13	098644-01-710	FT	TRACK-SCREEN SPACER, 12'	132-017135

THERMOPANE



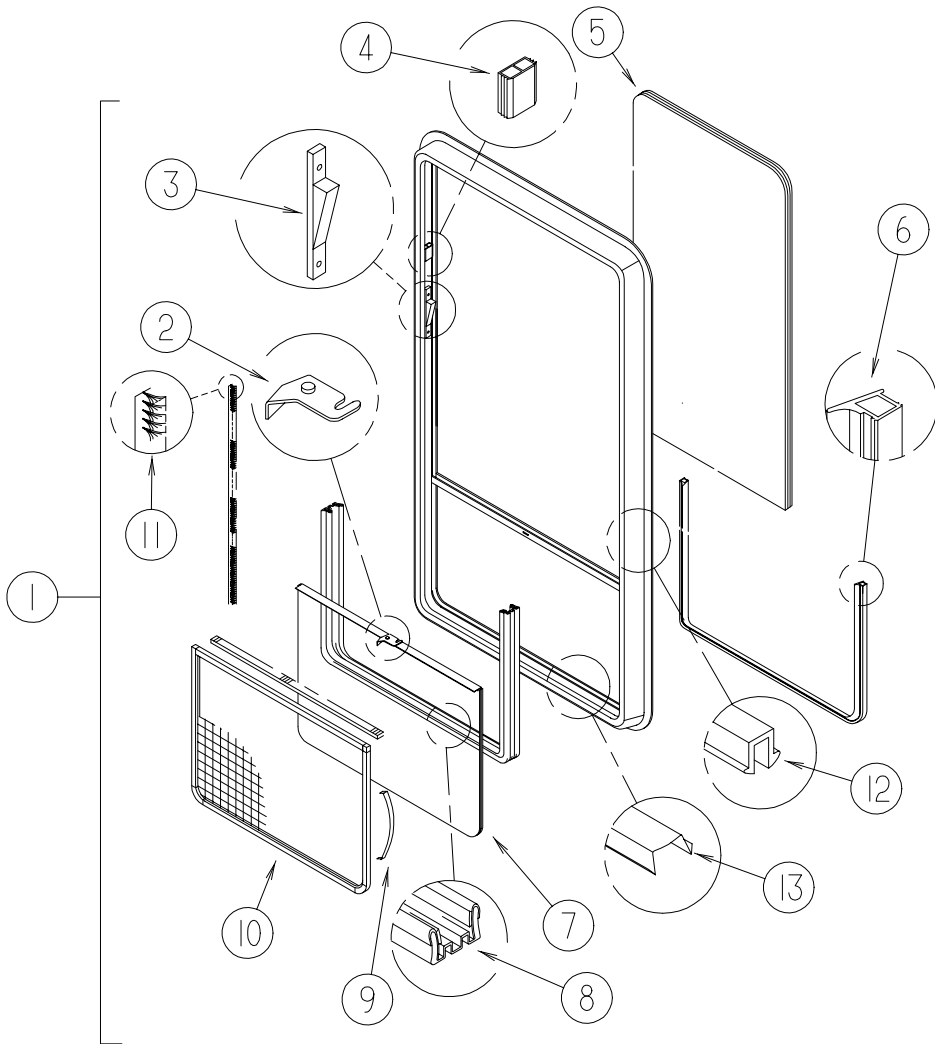
KEY	PART NUMBER	U/M	DESCRIPTION	VENDOR NO.
1	112898-06-01A	EA	WINDOW-SLIDING, VERTICLE	
	112898-06-701	EA	RETAINER - TRIM	W421-64
2	112795-01-700	EA	LATCH ASM., BLK.,(BOLT ON)	DH287-CK
3	112898-04-703	EA	SASH LATCH KIT, RAISED	DH343-CK
4	112795-01-701	EA	SLIDE-STOP	132-019092
5	112898-06-702	EA	GLASS - STATIONARY	390-019172
6	112795-01-704	FT	PLUG FILLER (DOUBLE GLAZED)	122-018737
7	112898-06-703	EA	GLASS-SLIDING W/SASH & LATCH	DH421-G9
8	112795-01-703	IN	CHANNEL-RUN (INCHES)	122-018736
9	098644-01-713	EA	CLIP - SPRING - METAL	226-016966
10	112898-06-706	EA	SCREEN ASM - W/SEALS & CLIPS	410-019189
11	098644-01-711	FT	WEATHERSTRIP - SCREEN BLACK	171-016965
12	112795-01-705	FT	VINYL - GLAZING	132-025736
13	098644-01-710	FT	TRACK - SCREEN SPACER 12'	132-017135
	112898-06-704	EA	HANDLE-LATCH, RED-RH	182-11293
	112898-06-705	EA	HANDLE-LATCH, RED-LH	182-11294

THERMOPANE



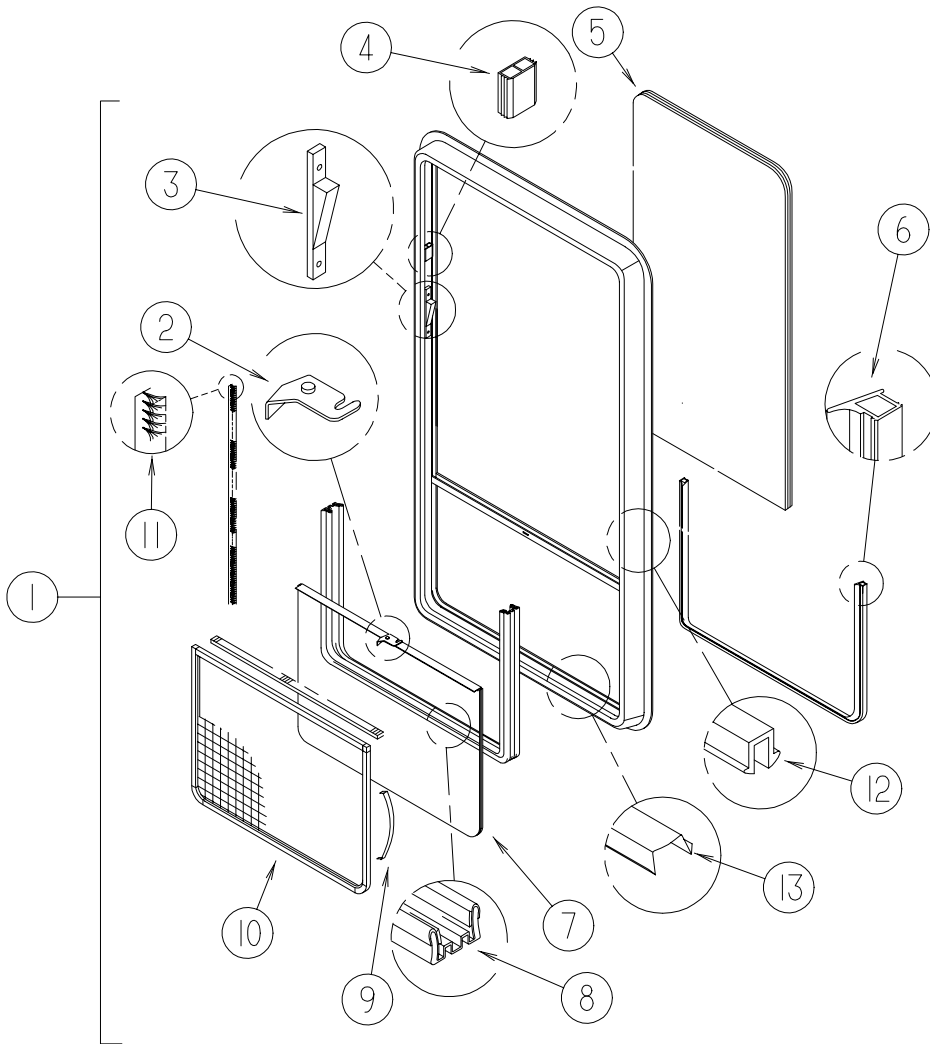
KEY	PART NUMBER	U/M	DESCRIPTION	VENDOR NO.
1	112898-07-01A	EA	WINDOW - VERTICAL SLIDER - THERMO - 22.8" X 21.1"	DH439-G2W66
	112898-07-701	EA	RETAINER - TRIM	CW91-66
2	112795-01-700	EA	LATCH ASM., BLK.,(BOLT ON)	DH287-CK
3	112898-04-703	EA	VERTICAL LATCH (SASH KIT)	DH343-CK
4	112795-01-701	EA	SLIDE-STOP	132-019092
5	112898-07-702	EA	GLASS (STATIONARY)	390-019468
6	112795-01-704	FT	PLUG FILLER (DOUBLE GLAZED)	122-018737
7	112898-07-703	EA	GLASS SLIDING W/SASH & LATCH	DH439-G9
8	112795-01-703	IN	CHANNEL-RUN (INCHES)	122-018736
9	098644-01-713	EA	CLIP - SPRING - METAL	226-016966
10	112898-07-704	EA	SCREEN ASM - W/SEALS & CLIPS	410-019475
11	098644-01-711	FT	WEATHERSTRIP - SCREEN BLACK	171-016965
12	112795-01-705	FT	VINYL - GLAZING	132-025736
13	098644-01-710	FT	TRACK - SCREEN SPACER 12'	132-017135
	112795-01-700	EA	LATCH ASM., BLK.,(BOLT ON)	DH287-CK

THERMOPANE



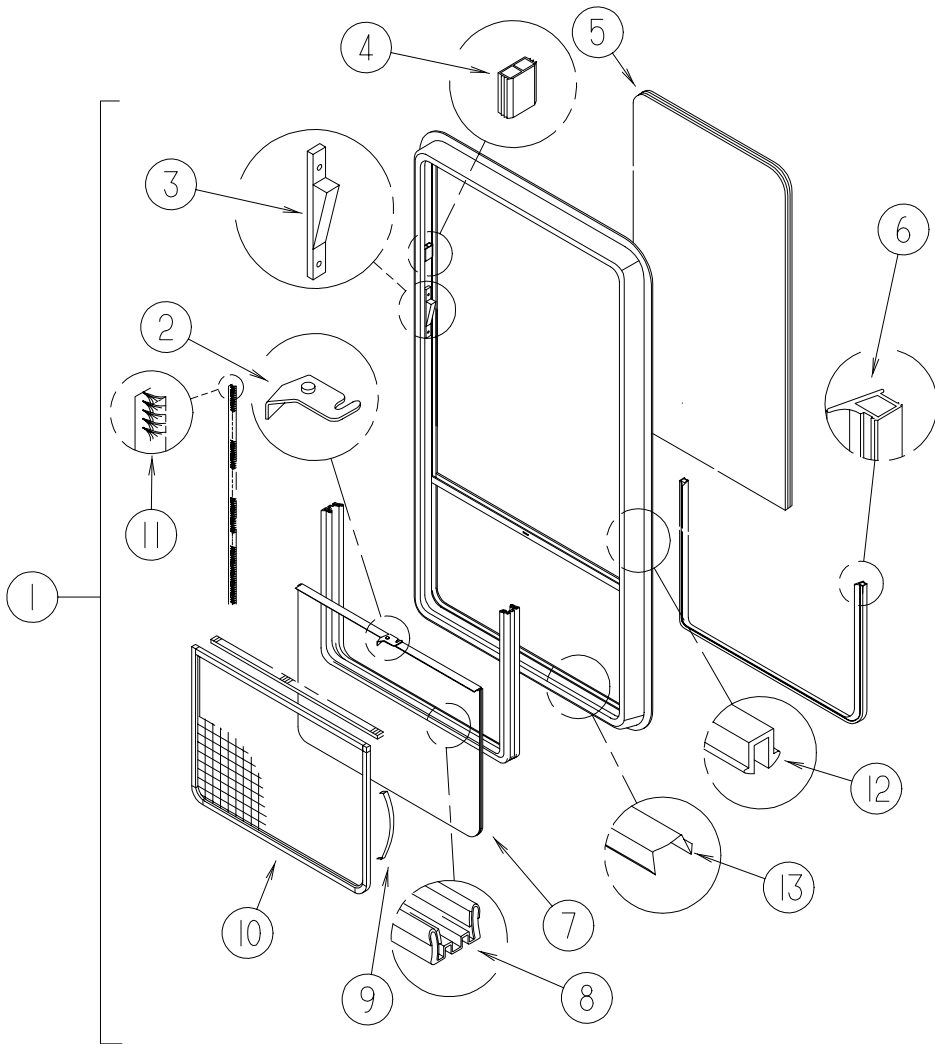
KEY	PART NUMBER	U/M	DESCRIPTION	VENDOR NO.
1	112898-10-01A	EA	WINDOW - VERTICAL SLIDER - THERMO/EXPORT - 14.3" X 30.2"	
	098644-07-701	EA	RETAINER - TRIM	CW02-66
2	112795-01-700	EA	LATCH ASM., BLK.,(BOLT ON)	DH287-CK
3	112898-04-703	EA	VERTICAL LATCH (SASH KIT)	DH343-CK
4	112795-01-701	EA	SLIDE-STOP	132-019092
5	112898-10-700	EA	GLASS - STATIONARY	390-019776
6	112795-01-704	FT	PLUG FILLER (DOUBLE GLAZED)	122-018737
7	112898-10-701	EA	GLASS - SLIDING W/SASH & LATCH	DC02-EG9
8	112795-01-703	IN	CHANNEL-RUN (INCHES)	122-018736
9	098644-01-713	EA	CLIP - SPRING - METAL	226-016966
10	098644-07-704	EA	SCREEN ASM - W/SEALS & CLIPS	410-018863
11	098644-01-711	FT	WEATHERSTRIP - SCREEN BLACK	171-016965
12	112795-01-705	FT	VINYL - GLAZING	132-025736
13	098644-01-710	FT	TRACK - SCREEN SPACER 12'	132-017135
	112795-01-700	EA	LATCH ASM., BLK.,(BOLT ON)	DH287-CK

THERMOPANE



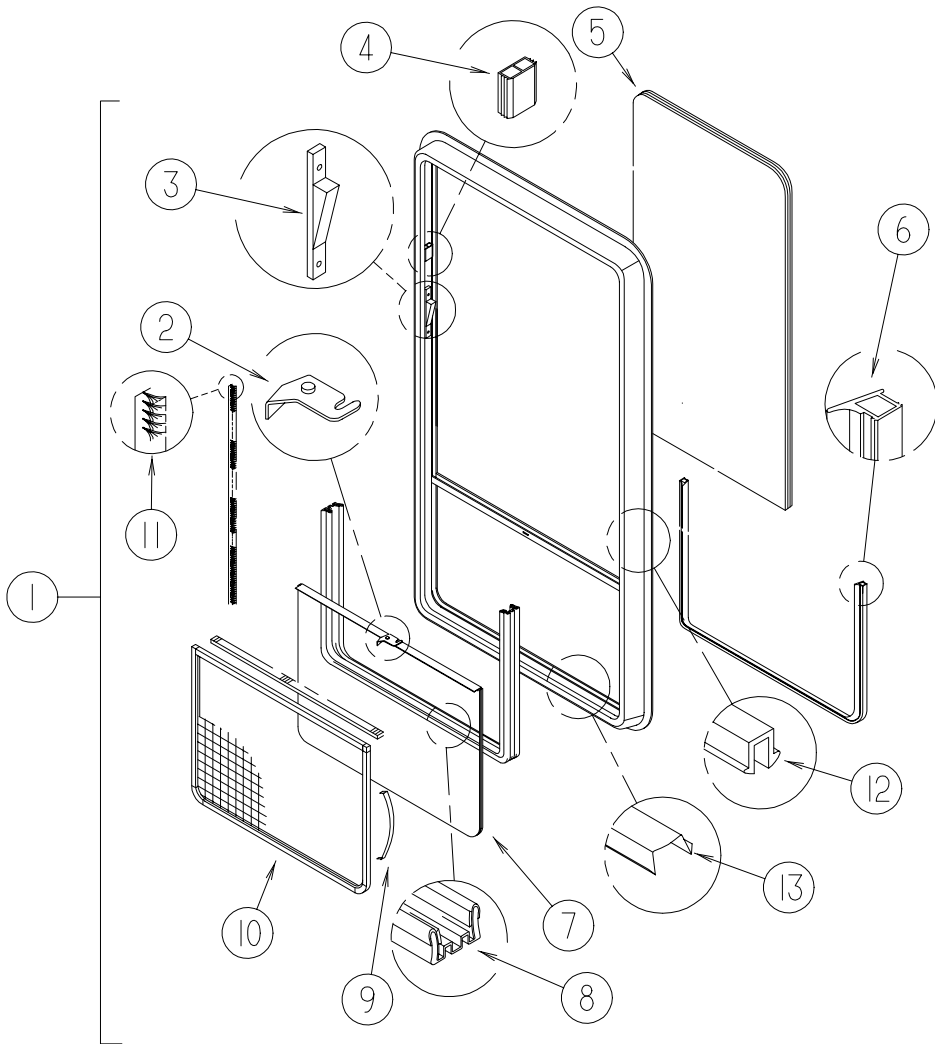
KEY	PART NUMBER	U/M	DESCRIPTION	VENDOR NO.
1	112898-11-01A	EA	WINDOW - VERTICAL SLIDER - THERMO - 22.1" X 55.5"	
	112898-09-701	EA	RETAINER - TRIM	W446-66
2	112795-01-700	EA	LATCH ASM., BLK.,(BOLT ON)	DH287-CK
3	112898-04-703	EA	VERTICAL LATCH (SASH KIT)	DH343-CK
4	112795-01-701	EA	SLIDE-STOP	132-019092
5	112898-11-701	EA	GLASS (STATIONARY)	390-019648
6	112795-01-704	FT	PLUG FILLER (DOUBLE GLAZED)	122-018737
7	112898-11-702	EA	GLASS SLIDING W/SASH & LATCH	DH446-G9
8	112795-01-703	IN	CHANNEL-RUN (INCHES)	122-018736
9	098644-01-713	EA	CLIP - SPRING - METAL	226-016966
10	112898-09-704	EA	SCREEN ASM - W/SEALS & CLIPS	410-019511
11	098644-01-711	FT	WEATHERSTRIP - SCREEN BLACK	171-016965
12	112795-01-705	FT	VINYL - GLAZING	132-025736
13	098644-01-710	FT	TRACK - SCREEN SPACER 12'	132-017135
	112795-01-700	EA	LATCH ASM., BLK.,(BOLT ON)	DH287-CK

THERMOPANE



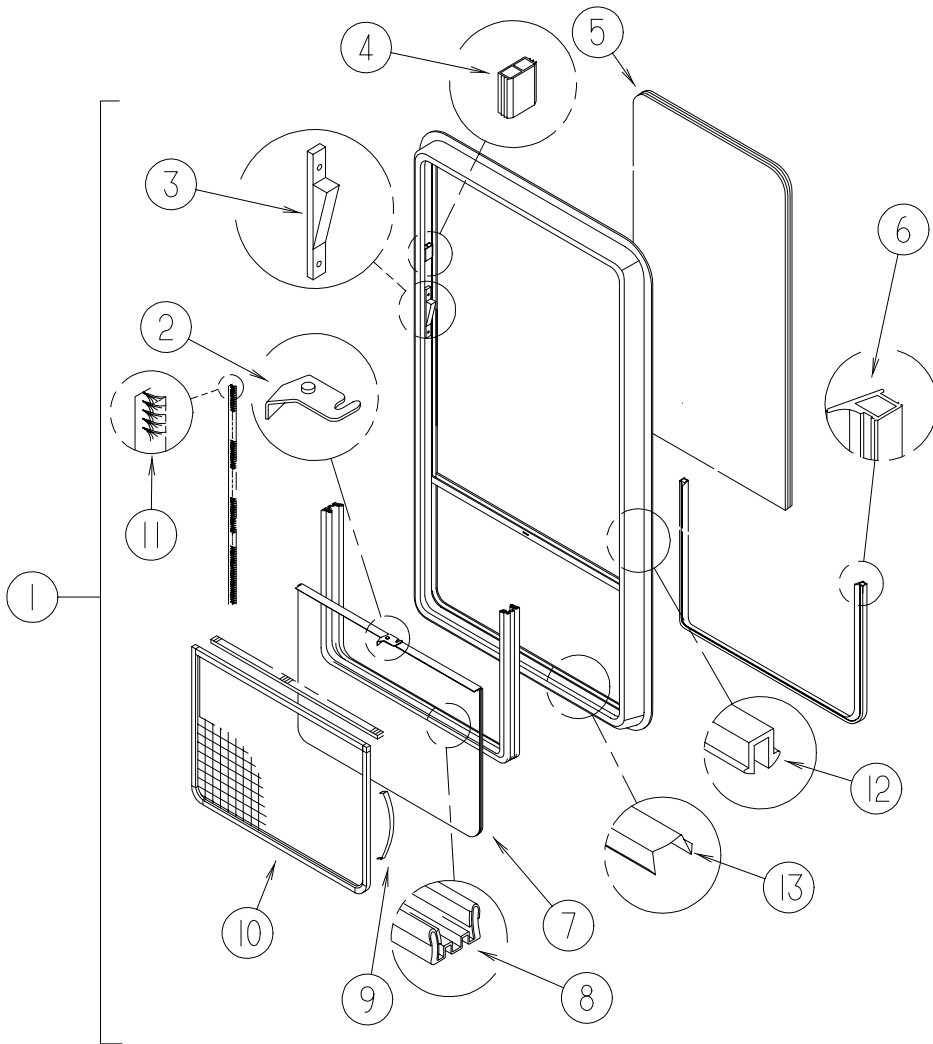
KEY	PART NUMBER	U/M	DESCRIPTION	VENDOR NO.
1	112898-12-01A	EA	WINDOW - VERTICAL SLIDER - THERMO/EXPORT - 27" X 25"	
	098644-10-703	EA	RETAINER - TRIM	CW78-66
2	112795-01-700	EA	LATCH ASM., BLK.,(BOLT ON)	DH287-CK
3	112898-04-703	EA	VERTICAL LATCH (SASH KIT)	DH343-CK
4	112795-01-701	EA	SLIDE-STOP	132-019092
5	112898-12-701	EA	GLASS (STATIONARY)	390-019681
6	112795-01-704	FT	PLUG FILLER (DOUBLE GLAZED)	122-018737
7	112898-12-700	EA	GLASS SLIDING W/SASH & LATCH	DC78-EG9
8	112795-01-703	IN	CHANNEL-RUN (INCHES)	122-018736
9	098644-01-713	EA	CLIP - SPRING - METAL	226-016966
10	098644-10-700	EA	SCREEN ASM - W/SEALS & CLIPS	410-019683
11	098644-01-711	FT	WEATHERSTRIP - SCREEN BLACK	171-016965
12	112795-01-705	FT	VINYL - GLAZING	132-025736
13	098644-01-710	FT	TRACK - SCREEN SPACER 12'	132-017135
	112795-01-700	EA	LATCH ASM., BLK.,(BOLT ON)	DH287-CK
	112795-24-706	FT	SEAL - SPLINE/GRAY - ESCAPE	132-010481

THERMOPANE



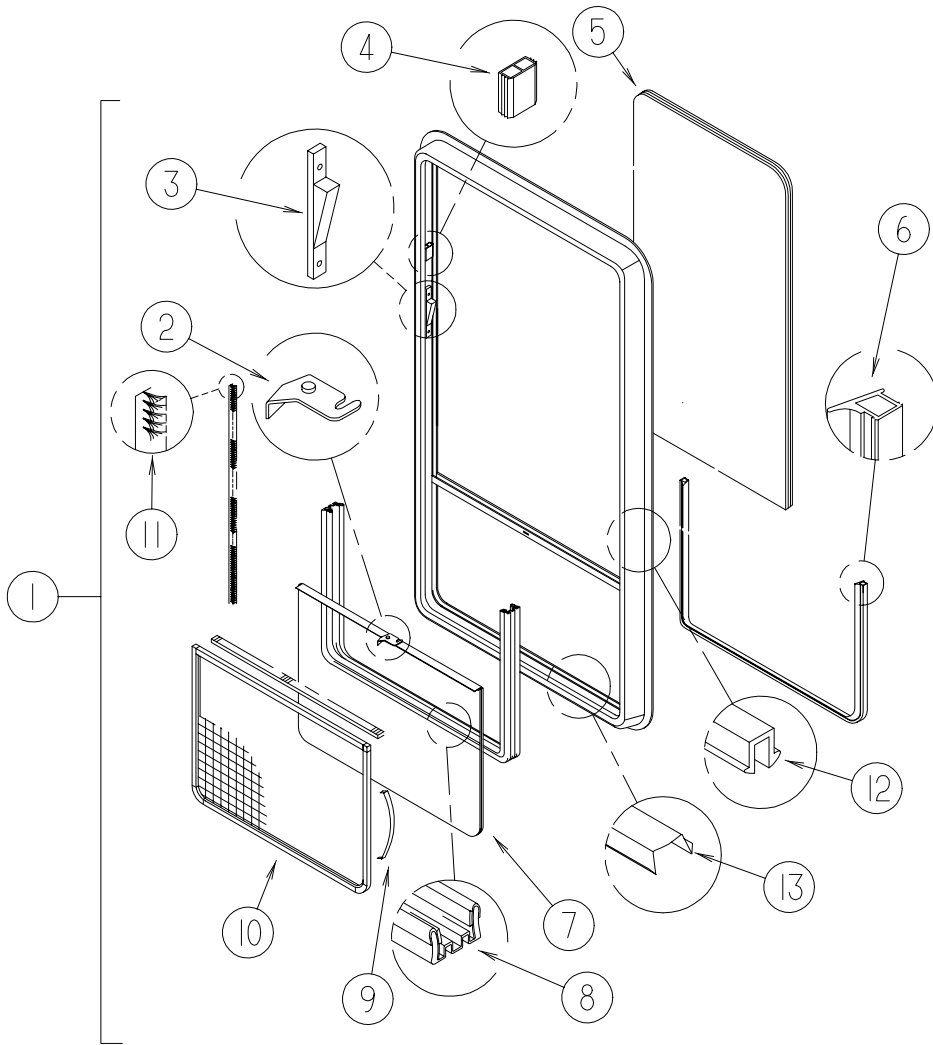
KEY	PART NUMBER	U/M	DESCRIPTION	VENDOR NO.
1	112898-16-01A	EA	WINDOW-SLIDING, VERTICAL	
	112898-16-701	EA	RETAINER - TRIM	
2	112795-01-700	EA	LATCH ASM., BLACK	DH287-CK
3	112898-04-703	EA	SASH LATCH KIT, RAISED	DH343-CK
4	112795-01-701	EA	SLIDE-STOP	132-019092
5	112898-05-702	EA	GLASS - STATIONARY	
6	112795-01-704	FT	PLUG FILLER (DOUBLE GLAZED)	122-018737
7	112898-16-703	EA	GLASS-SLIDING W/SASH & LATCH	
8	112795-01-703	IN	CHANNEL-RUN (INCHES)	122-018736
9	098644-01-713	EA	CLIP - SPRING - METAL	226-016966
10	112898-16-704	EA	SCREEN ASM - W/SEALS & CLIPS	
11	098644-01-711	EA	WEATHERSTRIP-SCREEN, BLACK	171-016965
12	112795-01-705	FT	VINYL-GLAZING	132-019702
13	098644-01-710	FT	TRACK-SCREEN SPACER, 12'	132-017135

THERMOPANE



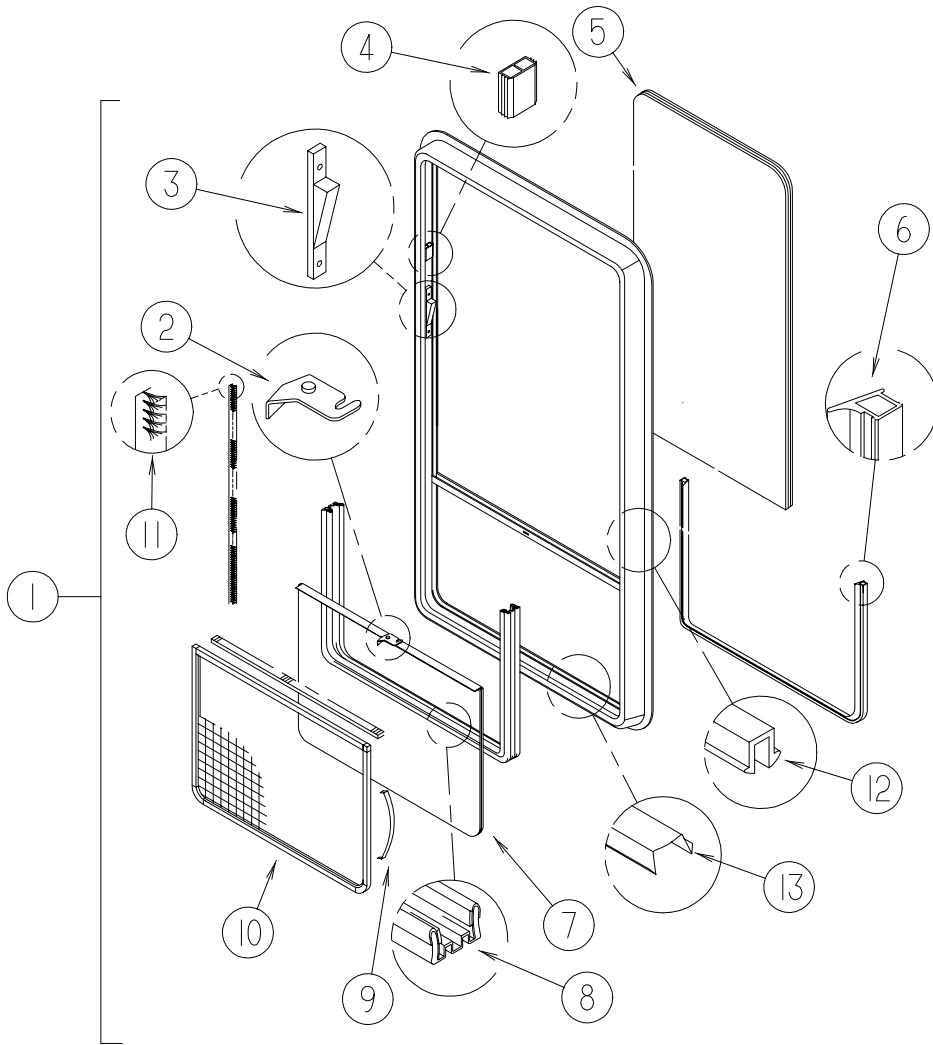
KEY	PART NUMBER	U/M	DESCRIPTION	VENDOR NO.
1	112898-17-01A	EA	WINDOW - VERTICAL SLIDER - THERMO/EXPORT - 30.2" X 33.2"	
	112898-16-702	EA	RETAINER - TRIM	CW100-66
2	112795-01-700	EA	LATCH ASSEMBLY - BLACK	DH287-CK
3	112898-04-703	EA	SASH LATCH KIT - RAISED	DH343-CK
4	112795-01-701	EA	SLIDE-STOP	132-019092
5	112898-17-701	EA	GLASS - STATIONARY	390-025437
6	112795-01-704	FT	PLUG FILLER (DOUBLE GLAZED)	122-018737
7	112898-17-700	EA	GLASS - SLIDING W/SASH & LATCH	DH510-EG9
8	112795-01-703	IN	CHANNEL - RUN (INCHES)	122-018736
9	098644-01-713	EA	CLIP - SPRING - METAL	226-016966
10	112898-05-704	EA	SCREEN ASM - W/SEALS & CLIPS	410-018862
11	098644-01-711	EA	WEATHERSTRIP - SCREEN - BLACK	171-016965
12	112795-01-705	FT	VINYL - GLAZING	132-019702
13	098644-01-710	FT	TRACK - SCREEN SPACER - 12'	132-017135

THERMOPANE



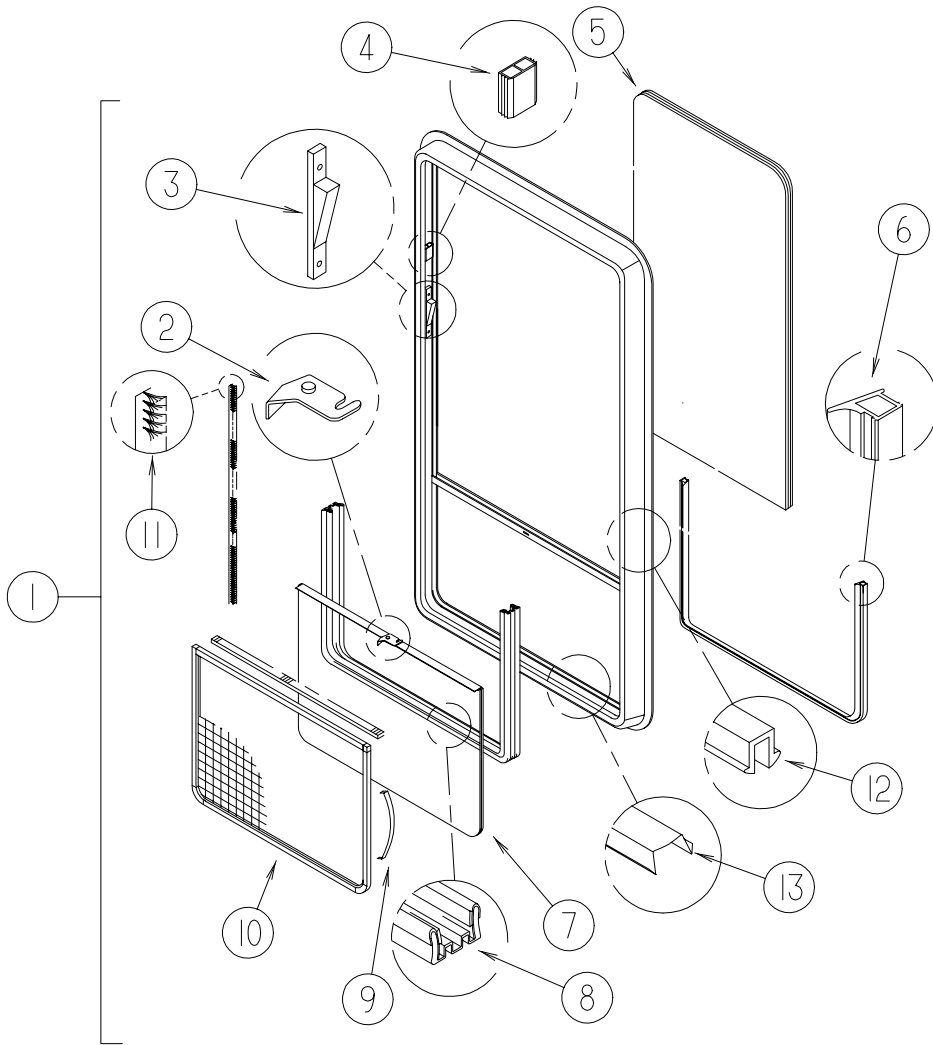
KEY	PART NUMBER	U/M	DESCRIPTION	VENDOR NO.
1	112898-18-01A	EA	WINDOW - VERTICAL SLIDER - THERMO - ESCAPE - 33.2" X 30.2"	
	112898-18-702	EA	RETAINER - TRIM	W511-64
2	112795-01-700	EA	LATCH - BLACK - (BOLT ON)	DH287-CK
3	112898-04-703	EA	SASH - LATCH KIT - RAISED	DH343-CK
4	112795-01-701	EA	SLIDE - STOP	132-019092
5	112898-18-701	EA	GLASS - STATIONARY	390-025500
6	112795-01-704	FT	PLUG - FILLER - (DOUBLE GLAZED)	122-018737
7	112898-18-700	EA	GLASS - SLIDING - W/SASH & LATCH	DH511-G9
8	112795-01-703	IN	CHANNEL - RUN (INCHES)	122-018736
9	098644-01-713	EA	CLIP - SCREEN - METAL	226-016966
10	112898-06-706	EA	SCREEN ASM - W/SEALS & CLIPS	410-019189
	098644-01-717	FT	SPLINE - SCREEN	132-004716
11	098644-01-711	FT	WEATHERSTRIP - SCREEN BLACK	171-016965
12	112795-01-705	FT	VINYL - GLAZING	132-025736
13	098644-01-710	FT	TRACK - SCREEN SPACER 12'	132-017135
	098644-01-706	FT	WEATHERSTRIP - GLASS	171-010668

**THERMOPANE
DH564G2W66**



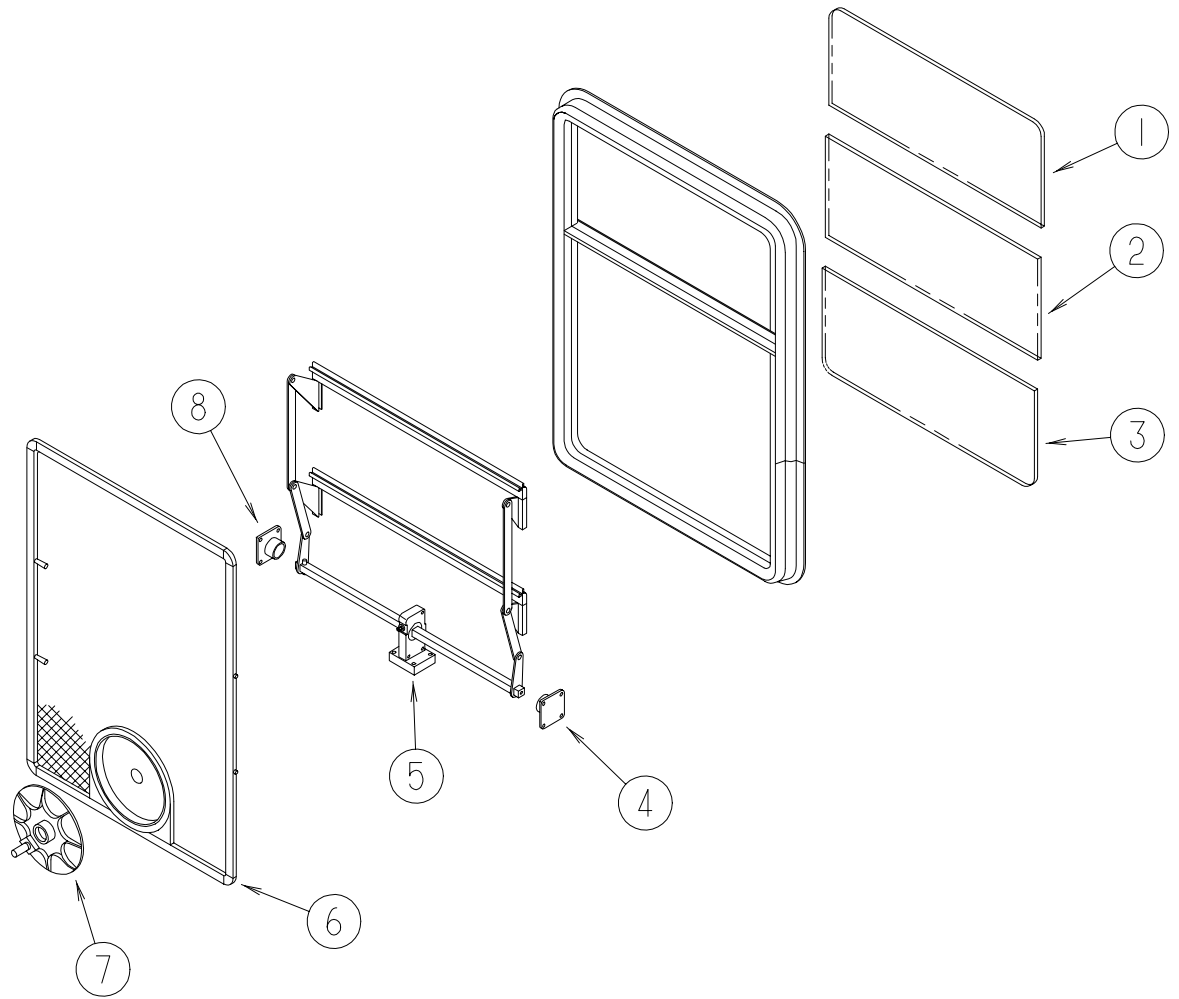
KEY	PART NUMBER	U/M	DESCRIPTION	VENDOR NO.
1	112898-19-01A	EA	WINDOW - VERTICAL SLIDER - THERMO - 27" X 26.4"	
	112898-19-703	EA	RETAINER - TRIM	W564-66
2	112795-01-700	EA	LATCH - BLACK - (BOLT ON)	DH287-CK
3	112898-04-703	EA	SASH - LATCH KIT - RAISED	DH343-CK
4	112795-01-701	EA	SLIDE - STOP	132-019092
5	112898-19-700	EA	GLASS - STATIONARY	390-026277
6	112795-01-704	FT	PLUG - FILLER - (DOUBLE GLAZED)	122-018737
7	112898-19-701	EA	GLASS - SLIDING - W/SASH & LATCH	DH564-G9
8	112795-01-703	IN	CHANNEL - RUN (INCHES)	122-018736
9	098644-01-713	EA	CLIP - SCREEN - METAL	226-016966
10	112898-19-702	EA	SCREEN ASM - W/SEALS & CLIPS	410-026279
	098644-01-717	FT	SPLINE - SCREEN	132-004716
11	098644-01-711	FT	WEATHERSTRIP - SCREEN BLACK	171-016965
12	112795-01-705	FT	VINYL - GLAZING	132-025736
13	098644-01-710	FT	TRACK - SCREEN SPACER 12'	132-017135
	098644-01-706	FT	WEATHERSTRIP - GLASS	171-010668

THERMOPANE



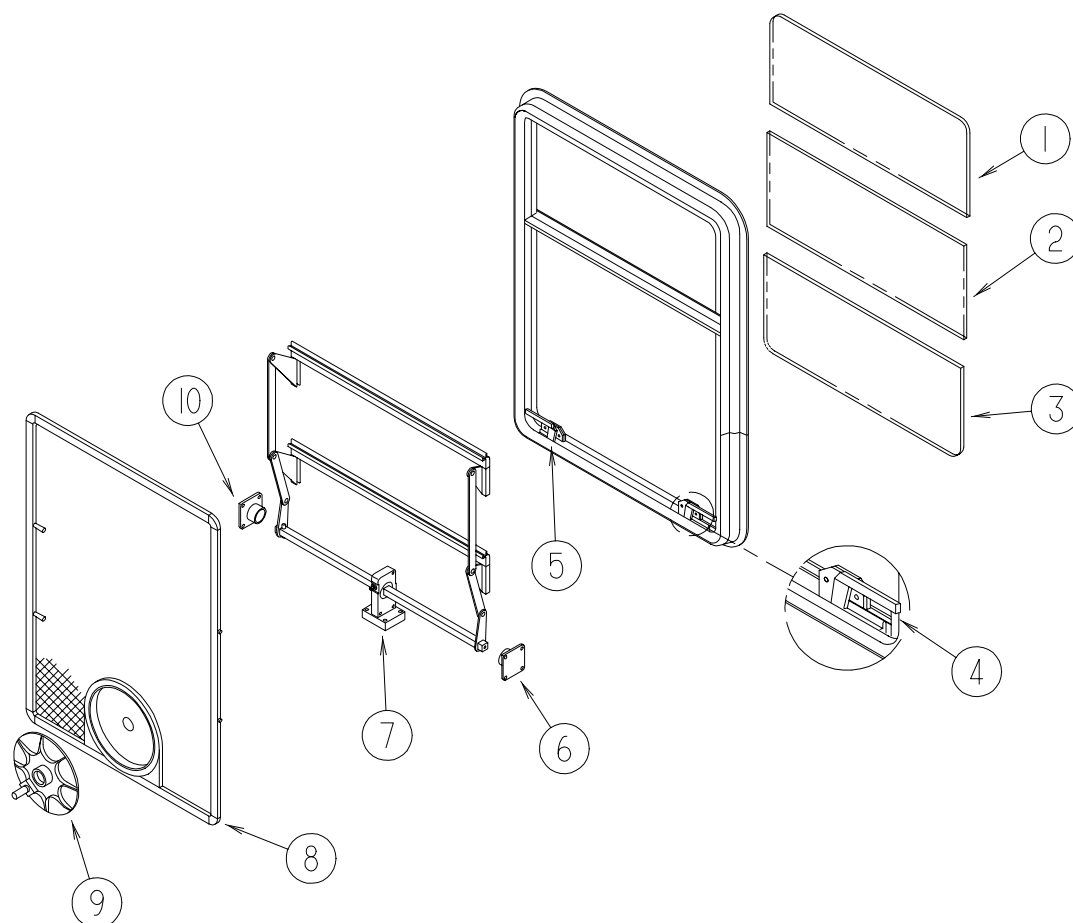
KEY	PART NUMBER	U/M	DESCRIPTION	VENDOR NO.
1	112898-20-01A	EA	WINDOW - VERTICAL SLIDER - THERMO - 21.1" X 31.7" DH33	
	098644-04-700	EA	RETAINER - TRIM	W332-67
2	112795-01-700	EA	LATCH - BLACK - (BOLT ON)	DH287-CK
3	112898-04-703	EA	VERTICAL LATCH (SASH KIT)	DH343-CK
4	112795-01-701	EA	SLIDE - STOP	132-019092
5	112898-20-700	EA	GLASS - STATIONARY	390-026624
6	112795-01-704	FT	PLUG - FILLER - (DOUBLE GLAZED)	122-018737
7	112898-20-701	EA	GLASS-SLIDING W/SASH & LATCH	DH332-G9
8	112795-01-703	IN	CHANNEL - RUN (INCHES)	122-018736
9	098644-01-713	EA	CLIP - SCREEN - METAL	226-016966
10	098644-04-703	EA	SCREEN ASM - W/SEALS & CLIPS	410-017955
	098644-01-717	FT	SPLINE - SCREEN	132-004716
11	098644-01-711	FT	WEATHERSTRIP - SCREEN BLACK	171-016965
12	112795-01-705	FT	VINYL - GLAZING	132-025736
13	098644-01-710	FT	TRACK - SCREEN SPACER 12'	132-017135
	098644-01-706	FT	WEATHERSTRIP - GLASS	171-010668

**DOUBLE TIPOUT
CH04-G2W59**



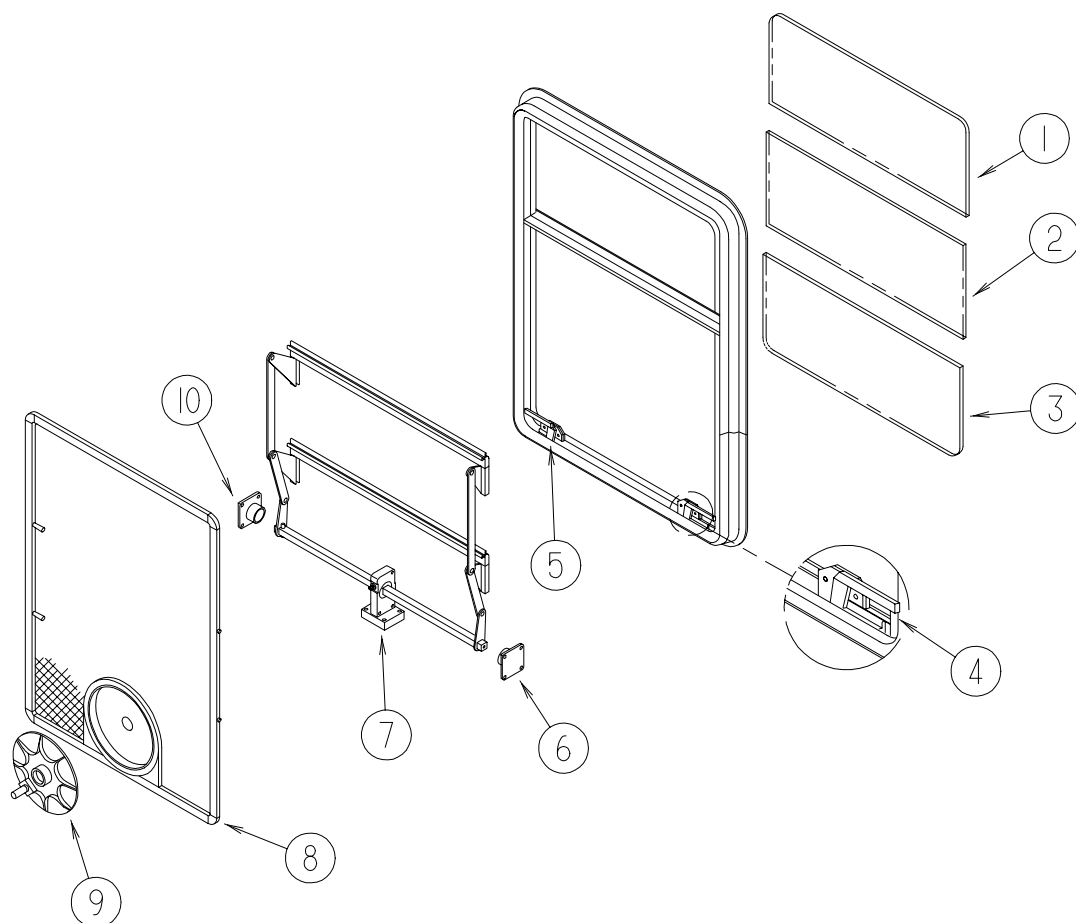
KEY	PART NUMBER	U/M	DESCRIPTION	VENDOR NO.
	113500-01-01A	EA	WINDOW - DOUBLE TIPOUT - TINTED - 24.5" X 41.3"	CH04-G2W59
	113500-01-702	EA	RETAINER - TRIM	CW04-59
1	113500-01-703	EA	GLASS - TOP STATIONARY	106-015970
2	113500-01-704	EA	GLASS - UPPER VENT ASSEMBLY	CH04-G7
3	113500-01-705	EA	GLASS - LOWER VENT ASSEMBLY	CH04-G9
4	113500-01-707	EA	SUPPORT - TORQUE BAR RH	130-015979
5	113500-01-706	EA	OPERATOR & BAR ASSEMBLY	CH04-15
	112519-01-702	EA	OPERATOR-VENT	410-016123
6	113500-01-700	EA	SCREEN ASM - W/SEALS & CLIPS	410-016020
7	100322-01-718	EA	HANDLE-DIAL	410-016081
8	113500-01-708	EA	SUPPORT - TORQUE BAR LH	130-015978
	098644-01-716	FT	PLUG - FILLER	132-014470
	100322-01-701	FT	SEAL-VENT	122-016071
	100322-01-702	EA	WEATHERSTRIP-HORIZONTAL RAIL	132-015976
	100322-01-703	FT	VINYL-GLAZING, BUTYL	132-010723
	100322-01-704	FT	TAPE-BUTYL	154-016083
	100322-01-717	EA	E-RING	245-015975

**DOUBLE TIPOUT
WITH ESCAPE**



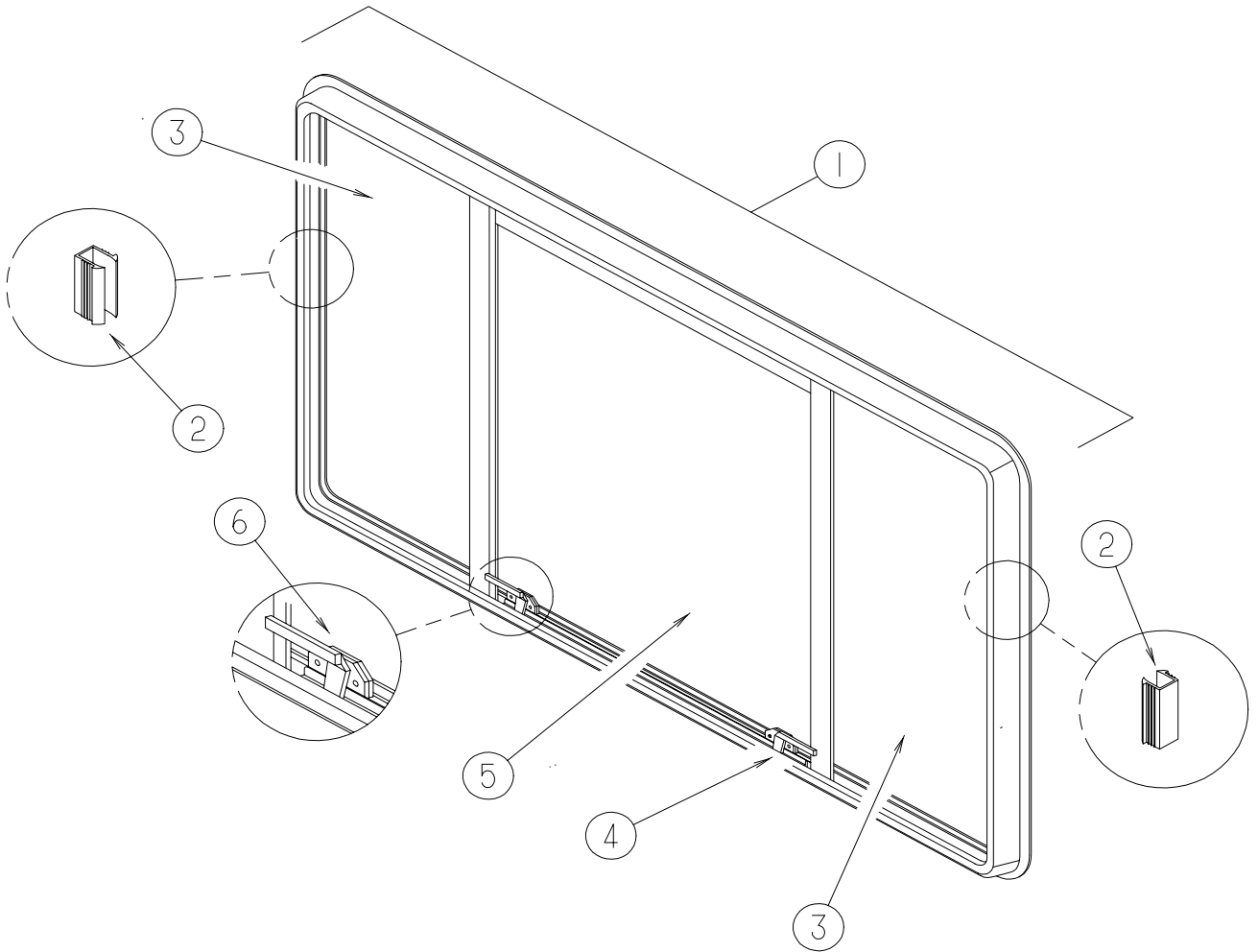
KEY	PART NUMBER	U/M	DESCRIPTION	VENDOR NO.
	113500-05-01A	EA	WINDOW - DOUBLE TIPOUT - TINTED - 33.2" X 30.2"	
	113500-05-705	EA	RETAINER - TRIM	CW100-59
1	113500-05-700	EA	GLASS - STATIONARY	106-025654
2	113500-05-701	EA	VENT ASM (UPPER)	CH104-D7
3	113500-05-702	EA	VENT ASM (LOWER)	CH104-D9
4	112898-06-704	EA	HANDLE-LATCH, RED-RH	182-11293
5	112898-06-705	EA	HANDLE-LATCH, RED-LH	182-11294
6	113500-01-707	EA	SUPPORT - TORQUE BAR RH	130-015979
7	113500-05-703	EA	OPERATOR BAR ASSEMBLY	CH10-15
	112519-01-702	EA	OPERATOR-VENT	410-016123
8	113500-05-704	EA	SCREEN ASM - W/SEALS & CLIPS	410-025657
9	100322-01-718	EA	HANDLE-DIAL	410-016081
10	113500-01-708	EA	SUPPORT - TORQUE BAR LH	130-015978
	098644-01-716	FT	PLUG - FILLER	132-014470
	100322-01-701	FT	SEAL-VENT	122-016071
	100322-01-702	EA	WEATHERSTRIP-HORIZONTAL RAIL	132-015976
	100322-01-703	FT	VINYL-GLAZING, BUTYL	132-010723
	100322-01-704	FT	TAPE-BUTYL	154-016083
	100322-01-717	EA	E-RING	245-015975
	112463-02-706	FT	SEAL - FOAM RUBBER	140-014727

**DOUBLE TIPOUT
WITH ESCAPE**



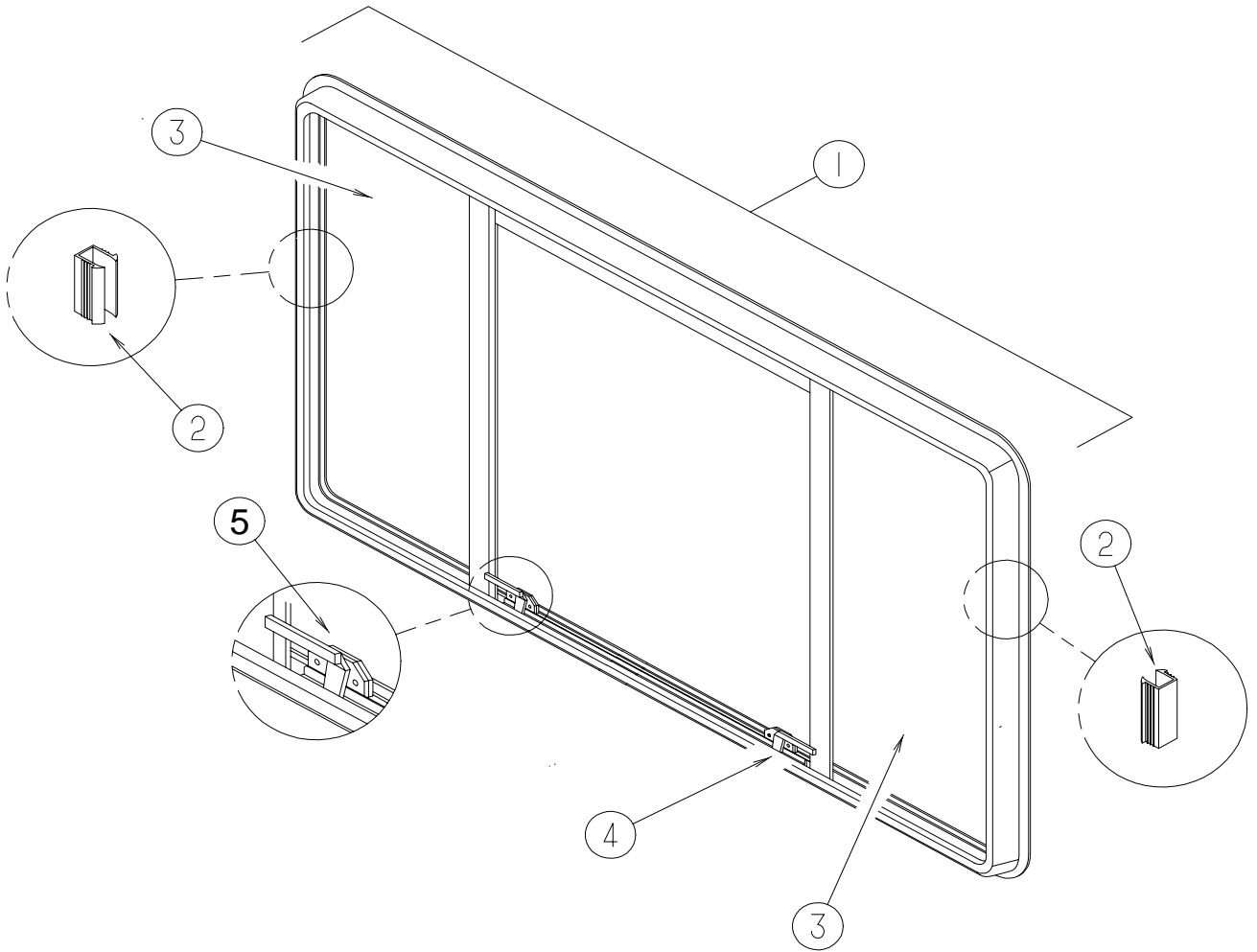
KEY	PART NUMBER	U/M	DESCRIPTION	VENDOR NO.
	113500-06-01A	EA	WINDOW - DOUBLE TIPOUT W/ESCAPE - TINTED - 33.2" X 30.2"	
	113500-06-705	EA	RETAINER - TRIM	CW101-59
1	113500-06-700	EA	GLASS - STATIONARY	106-025658
2	113500-06-701	EA	VENT ASM (UPPER)	CH105-D7
3	113500-06-702	EA	VENT ASM (LOWER)	CH105-D9
4	112898-06-704	EA	HANDLE-LATCH, RED-RH	182-11293
5	112898-06-705	EA	HANDLE-LATCH, RED-LH	182-11294
6	113500-01-707	EA	SUPPORT - TORQUE BAR RH	130-015979
7	113500-06-703	EA	OPERATOR BAR ASSEMBLY	CH65-15
	112519-01-702	EA	OPERATOR-VENT	410-016123
8	113500-06-704	EA	SCREEN ASM - W/SEALS & CLIPS	410-025661
9	100322-01-718	EA	HANDLE-DIAL	410-016081
10	113500-01-708	EA	SUPPORT - TORQUE BAR LH	130-015978
	098644-01-716	FT	PLUG - FILLER	132-014470
	100322-01-701	FT	SEAL-VENT	122-016071
	100322-01-702	EA	WEATHERSTRIP-HORIZONTAL RAIL	132-015976
	100322-01-703	FT	VINYL-GLAZING, BUTYL	132-010723
	100322-01-704	FT	TAPE-BUTYL	154-016083
	100322-01-717	EA	E-RING	245-015975
	112463-02-706	FT	SEAL - FOAM RUBBER	140-014727

**WINDOW
REAR ESCAPE B/OW**



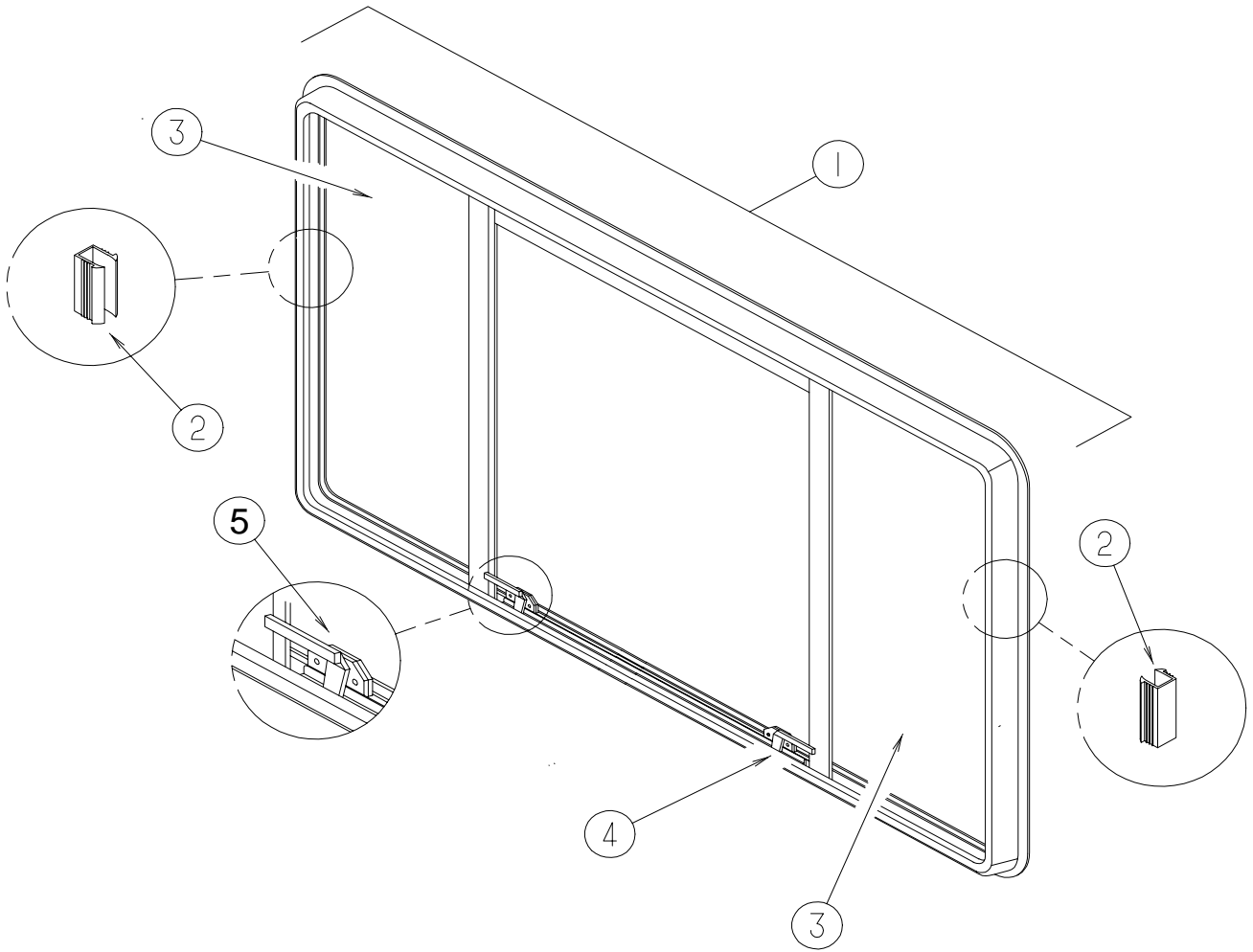
KEY	PART NUMBER	U/M	DESCRIPTION	VENDOR NO.
1	113502-01-01A	EA	WINDOW - REAR/CENTER ESCAPE - THERMO - 24.8" X 48.7"	
2	098644-01-705	FT	GLAZING - STRIP	132-010231
3	113502-01-703	EA	GLASS - STATIONARY - RH/LH	390-019083
4	112898-06-704	EA	HANDLE-LATCH, RED-RH	182-11293
5	113502-01-704	EA	GLASS - EGRESS CENTER - ESCP	DH153-G9
6	112898-06-705	EA	HANDLE-LATCH, RED-LH	182-11294

**WINDOW
REAR ESCAPE B/OW**



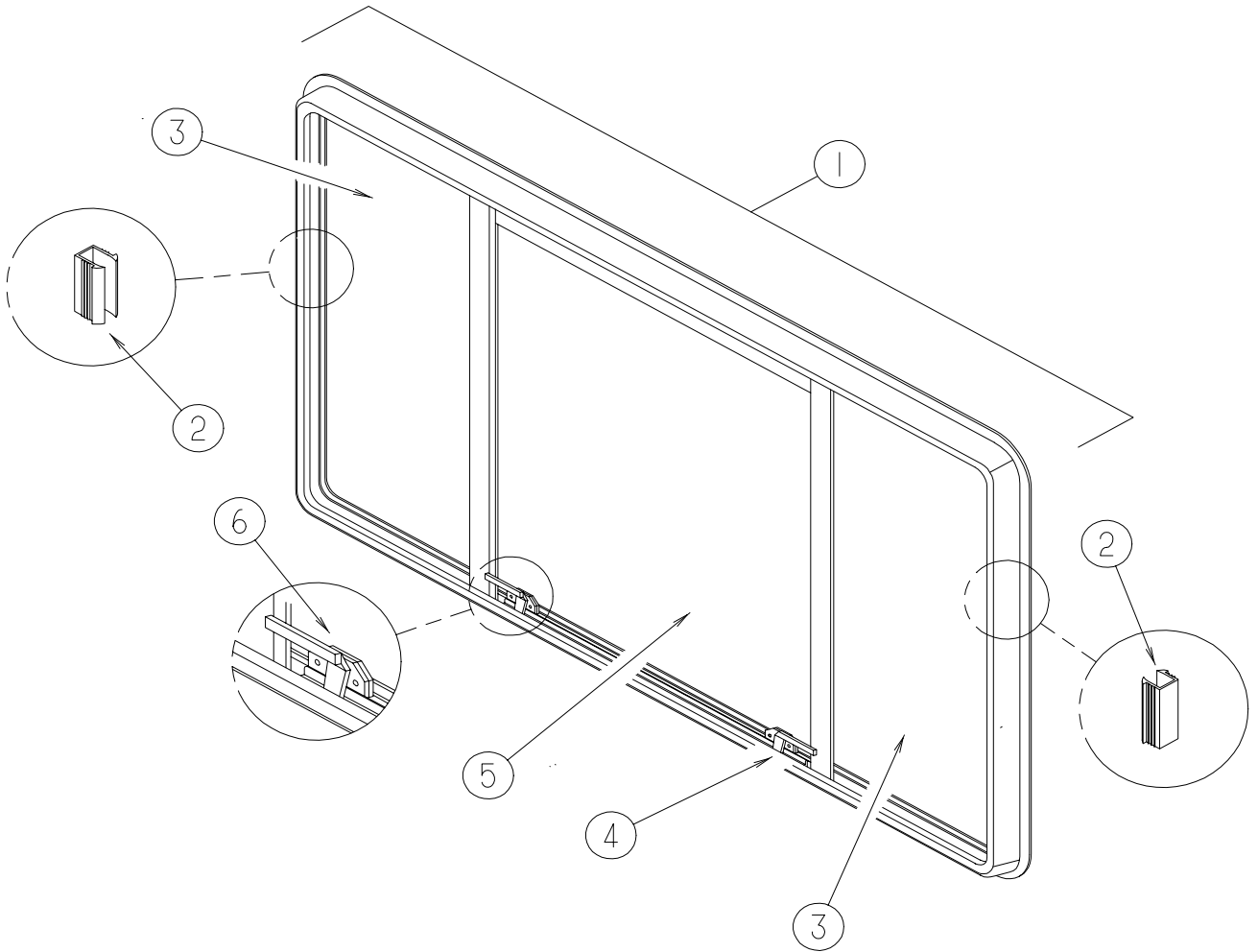
KEY	PART NUMBER	U/M	DESCRIPTION	VENDOR NO.
1	113502-03-01A	EA	WINDOW - REAR/CENTER ESCAPE - THERMO - 26.4" X 35.9"	
2	098644-01-705	FT	GLAZING - STRIP	132-010231
3	113502-03-702	EA	GLASS - STATIONARY	390-019466
4	112898-06-704	EA	HANDLE - LATCH - RED - RH	182-11293
5	112898-06-705	EA	HANDLE - LATCH - RED - LH	182-11294
	113502-03-701	EA	RETAINER - TRIM	W306-58

**WINDOW
THERMOPANE
REAR ESCAPE B/OW**



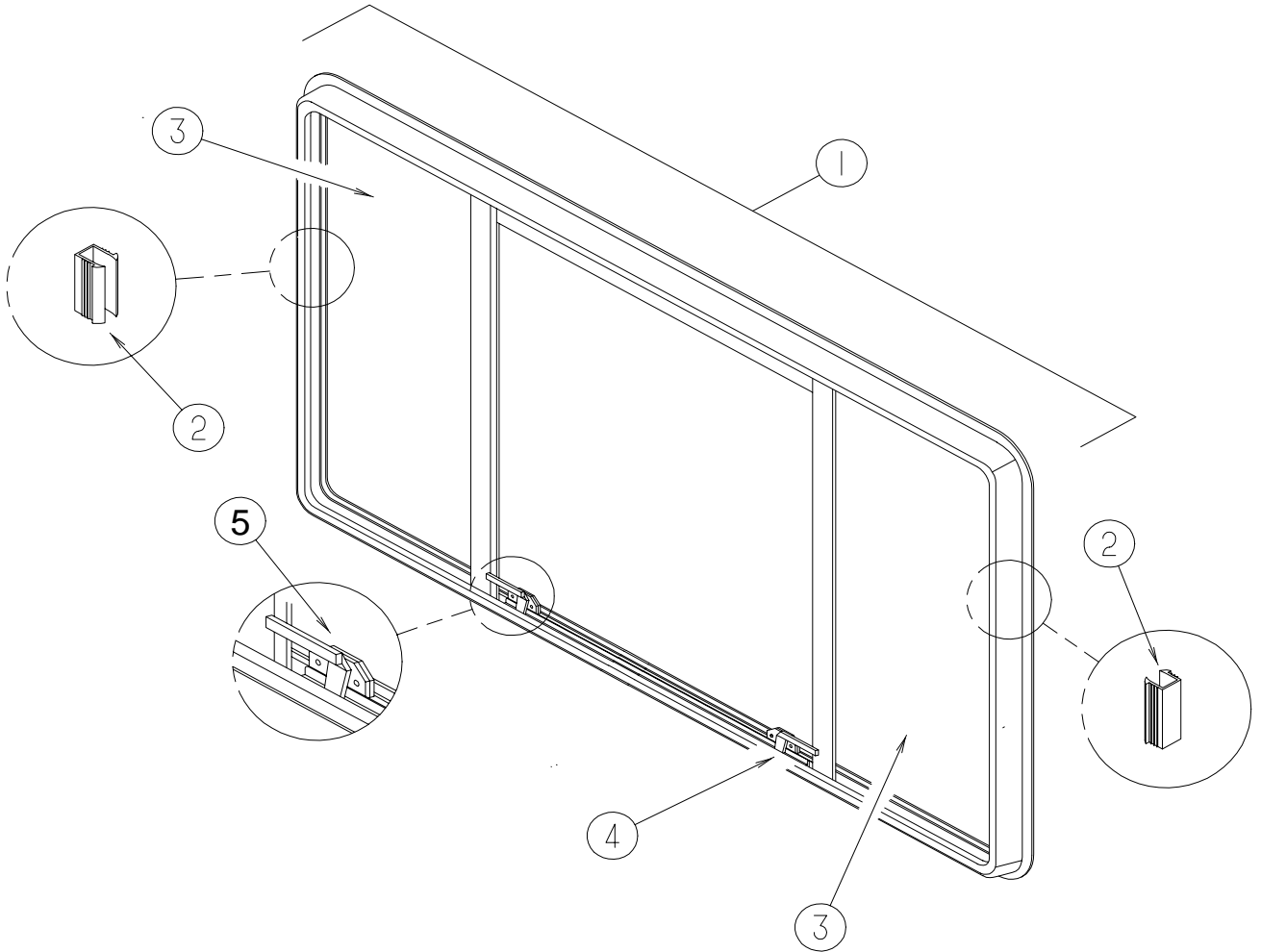
KEY	PART NUMBER	U/M	DESCRIPTION	VENDOR NO.
1	113502-04-01A	EA	WINDOW - REAR ESCAPE - THERMO - 26.4" X 26.3"	
	113502-04-701	EA	RETAINER - TRIM	W449-58
2	098644-01-705	FT	GLAZING - STRIP	132-010231
3	113502-04-702	EA	GLASS - STATIONARY	390-019460
4	112898-06-704	EA	HANDLE-LATCH, RED-RH	182-11293
5	112898-06-705	EA	HANDLE-LATCH, RED-LH	182-11294
	112795-24-706	FT	SEAL - SPLINE/GRAY - ESCAPE	132-010481

**ESCAPE WINDOW
DH153-EG2W58**



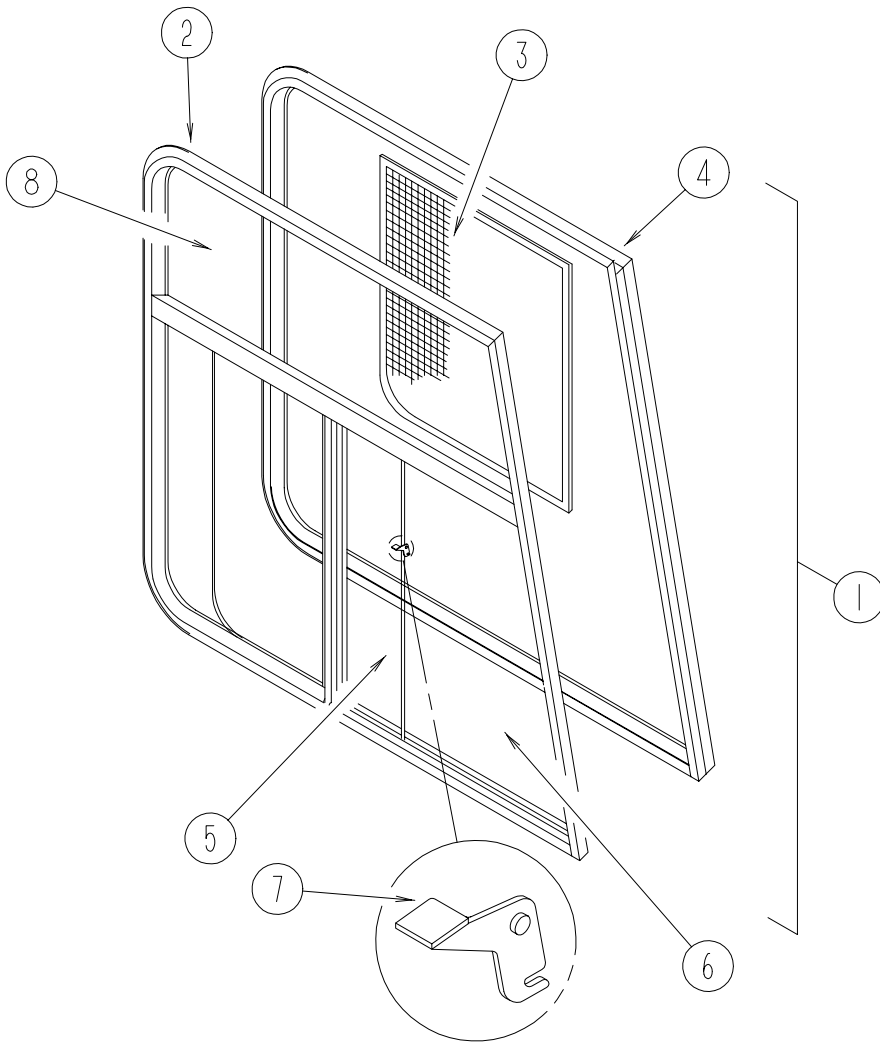
KEY	PART NUMBER	U/M	DESCRIPTION	VENDOR NO.
1	113502-06-01A	EA	WINDOW - REAR/CENTER ESCAPE - THERMO/EURO - 24.8" X 38.7"	
2	098644-01-705	FT	GLAZING - STRIP	132-010231
3	113502-06-702	EA	GLASS - STATIONARY (RT/LT)	390-019788
4	112898-06-704	EA	HANDLE-LATCH, RED-RH	182-11293
5	113502-06-703	EA	GLASS - STATIONARY CTR EGRESS	390-019789
6	112898-06-705	EA	HANDLE-LATCH, RED-LH	182-11294
	113502-06-701	EA	RETAINER - TRIM	W096-80

**WINDOW - REAR ESCAPE
DH437-EG2W60**



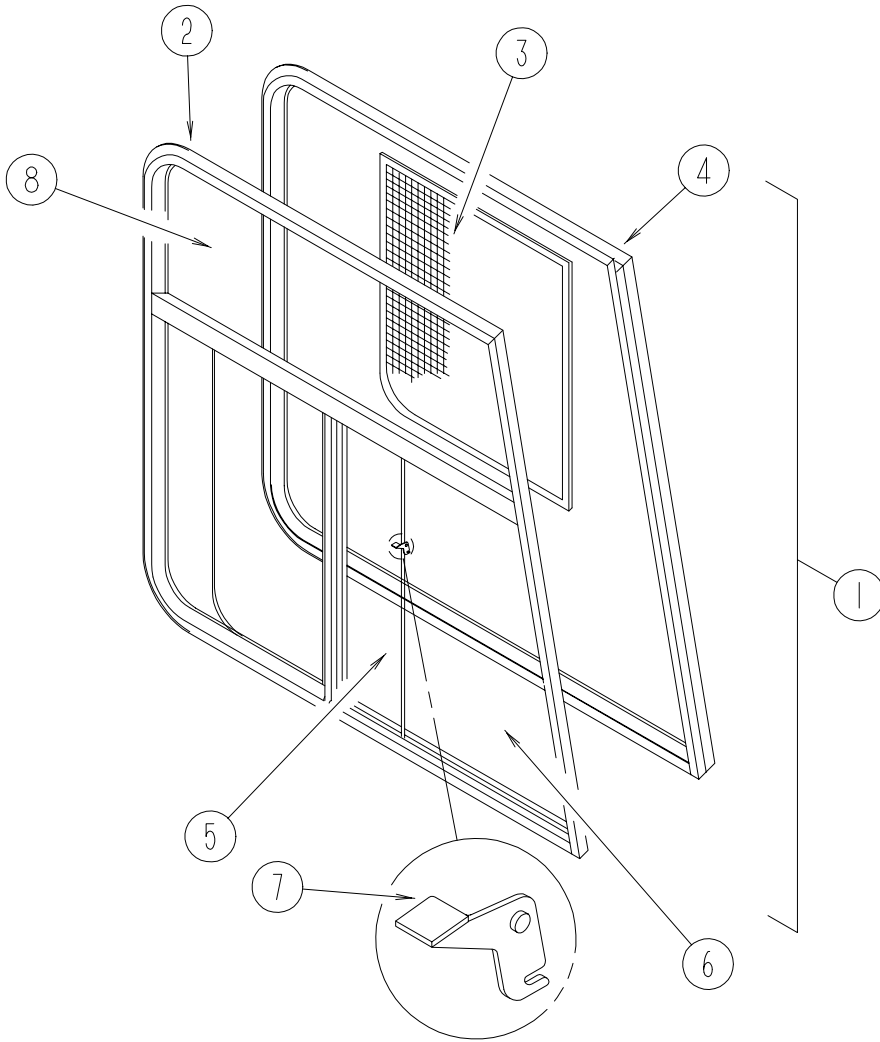
KEY	PART NUMBER	U/M	DESCRIPTION	VENDOR NO.
1	113502-07-01A	EA	WINDOW - REAR ESCAPE - THERMO/EURO - 26.4" X 35.9"	
2	098644-01-705	FT	GLAZING - STRIP	132-010231
3	113502-07-700	EA	GLASS - STATIONARY	390-025072
4	112898-06-704	EA	HANDLE - LATCH - RED - RH	182-11293
5	112898-06-705	EA	HANDLE - LATCH - RED - LH	182-11294
	112795-24-706	EA	SEAL - SPLINE/GRAY - ESCAPE	132-010481
	113502-07-701	EA	RETAINER - TRIM	W306-60

THERMOPANE



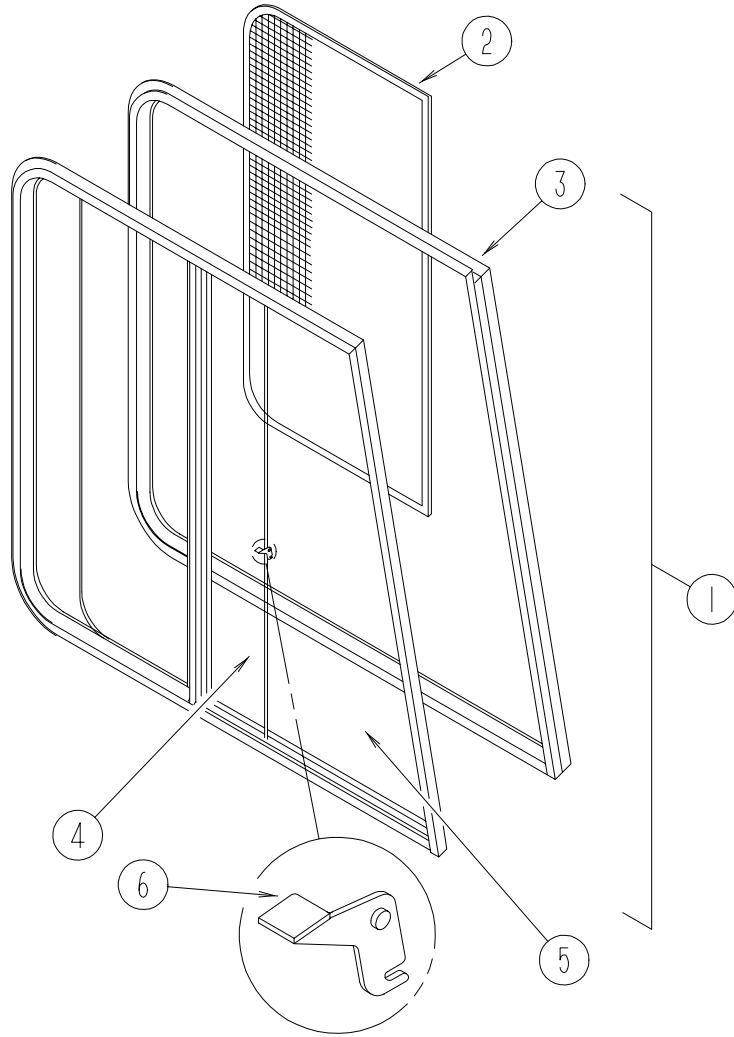
KEY	PART NUMBER	U/M	DESCRIPTION	VENDOR NO.
1	103658-07-01A	EA	WINDOW - DRIVER CAB 3 GLASS 25.3"T X 45.4"B X 45.2"H	
2	N/A	EA	WINDOW ASM. - W/O TRIM - DRIVER SIDE	H374-A2L
3	103658-01-700	EA	SCREEN ASM - W/ SEALS & CLIPS - DRIVER SIDE	H322-03L
4	103658-07-700	EA	RETAINER - TRIM - DRIVER SIDE	H374-66 &76L
5	103658-01-703	EA	GLASS - SLIDING - W/ SASH & LATCH - DRIVER SIDE	H322-A9L
6	103658-01-702	EA	GLASS - STATIONARY - BOTTOM - DRIVER SIDE	106-017700
7	098644-01-700	EA	LATCH - REPAIR KIT (BLACK)	B801-CK
8	103658-07-701	EA	GLASS - STATIONARY TOP	106-018481
	098644-01-706	FT	WEATHERSTRIP - GLASS	171-010668
	098644-01-708	FT	CHANNEL - RUN PIERCED	122-016543
	098644-01-710	FT	TRACK - SCREEN SPACER 12'	132-017135
	098644-01-711	FT	WEATHERSTRIP - SCREEN BLACK	171-016965
	098644-01-713	EA	CLIP - SPRING - METAL	226-016966
	098644-01-716	FT	PLUG - FILLER	132-014470
	098644-01-717	FT	SPLINE - SCREEN	132-004716

THERMOPANE



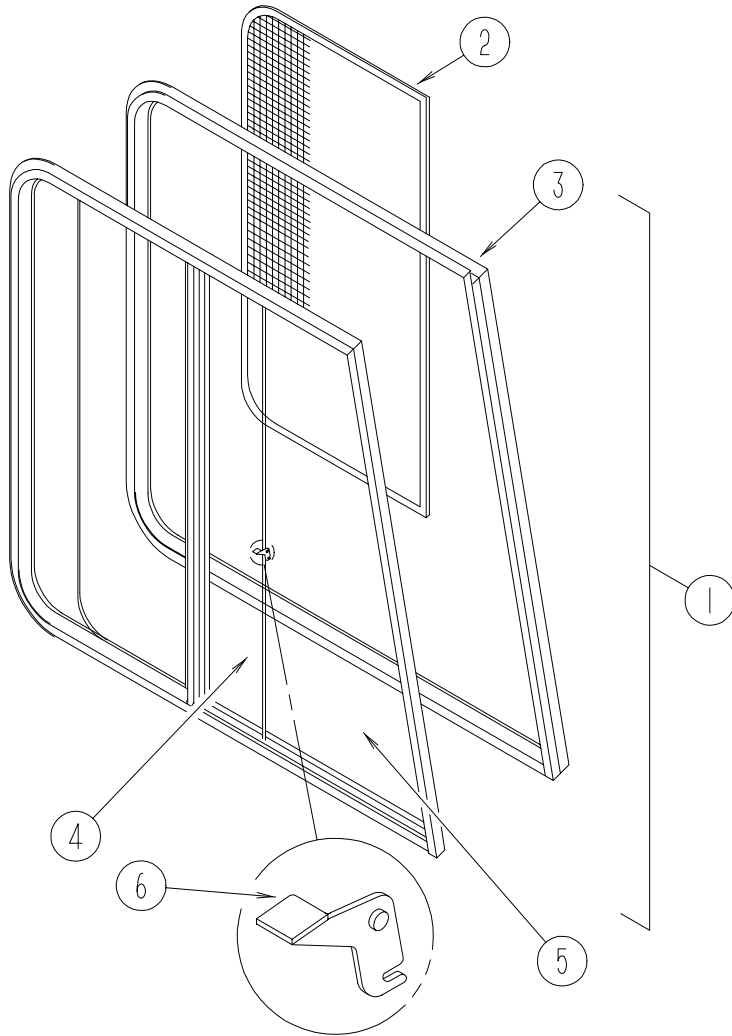
KEY	PART NUMBER	U/M	DESCRIPTION	VENDOR NO.
1	103658-08-01A	EA	WINDOW - PASSENGER CAB 3 GLASS 25.3"T X 45.4"B X 45.2"H	
2	N/A	EA	WINDOW ASM. - W/O TRIM - PASSENGER SIDE	H374-A2R
3	103658-02-700	EA	SCREEN ASM - W/ SEALS & CLIPS - PASSENGER SIDE	H322-03R
4	103658-08-701	EA	RETAINER - TRIM - PASSENGER SIDE	H374-66 &76R
5	103658-02-701	EA	GLASS - SLIDING - W/ SASH & LATCH - PASSENGER SIDE	322-A9R
6	103658-01-702	EA	GLASS - STATIONARY - BOTTOM - PASSENGER SIDE	106-017700
7	098644-01-700	EA	LATCH - REPAIR KIT (BLACK)	B801-CK
8	103658-07-701	EA	GLASS - STATIONARY TOP	106-018481
	098644-01-706	FT	WEATHERSTRIP - GLASS	171-010668
	098644-01-708	FT	CHANNEL - RUN PIERCED	122-016543
	098644-01-710	FT	TRACK - SCREEN SPACER 12'	132-017135
	098644-01-711	FT	WEATHERSTRIP - SCREEN BLACK	171-016965
	098644-01-713	EA	CLIP - SPRING - METAL	226-016966
	098644-01-716	FT	PLUG - FILLER	132-014470
	098644-01-717	FT	SPLINE - SCREEN	132-004716

THERMOPANE



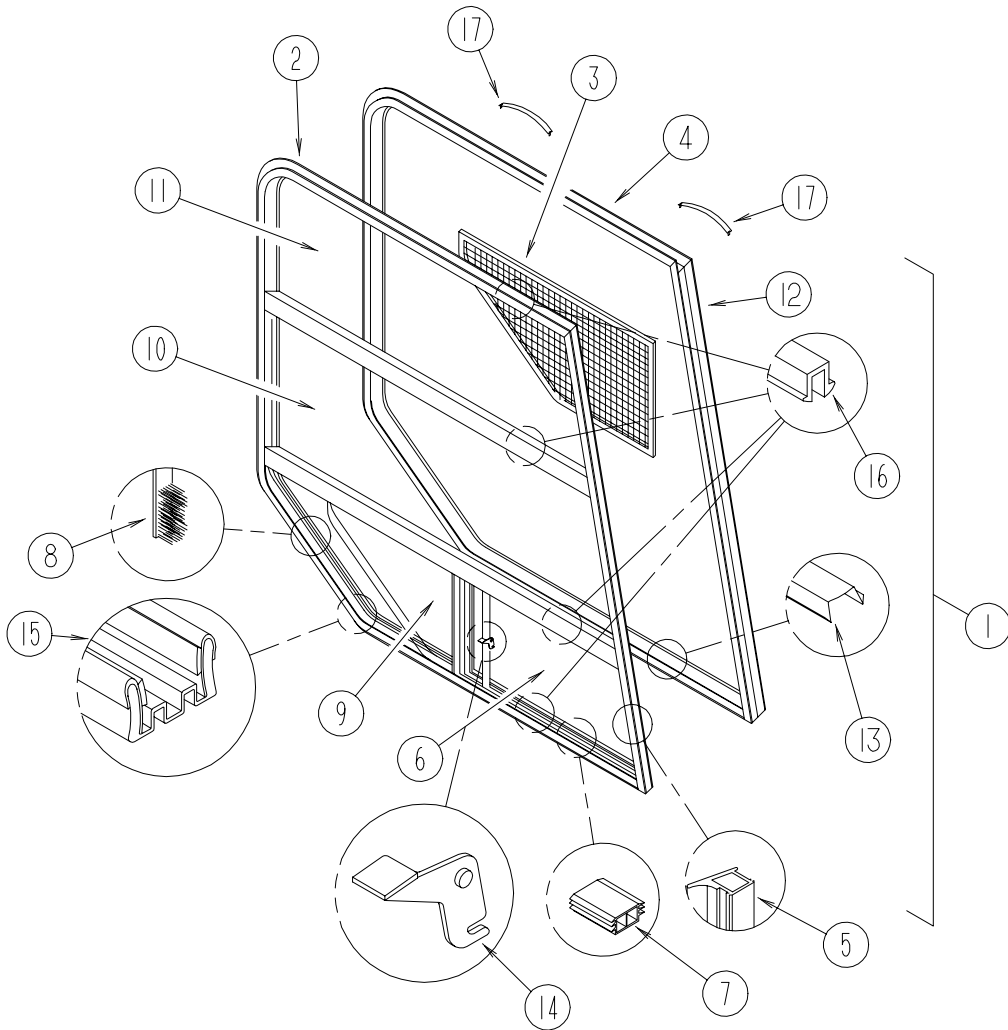
KEY	PART NUMBER	U/M	DESCRIPTION	VENDOR NO.
1	103658-11-01A	EA	WINDOW - DRIVER CAB	
2	113501-09-702	EA	SCREEN ASSEMBLY - W/SEALS & CLIPS	410-025381
	098644-01-717	FT	SPLINE-SCREEN	132-004716
	098644-01-713	EA	CLIP-SPRING, METAL	226-016966
	098644-01-710	FT	TRACK-SCREEN SPACER, 12' LENGTH	132-017135
	098644-01-711	FT	WEATHERSTRIP-SCREEN, BLACK	171-016965
3	113501-10-702	EA	RETAINER-TRIM, DRIVERS SIDE	H506-41L & H506-42L
4	103658-11-701	EA	GLASS - SLIDING - W/SASH & LATCH	H506-A9
5	103658-11-700	EA	GLASS - STATIONARY - RH/LH	106-025379
6	098644-01-700	EA	LATCH-REPAIR KIT, BLACK	B801-CK
	098644-01-706	FT	WEATHERSTRIP-GLASS	171-010668
	098644-01-708	FT	CHANNEL-RUN, PIERCED	122-016543
	098644-01-716	FT	PLUG-FILLER	132-014470

THERMOPANE



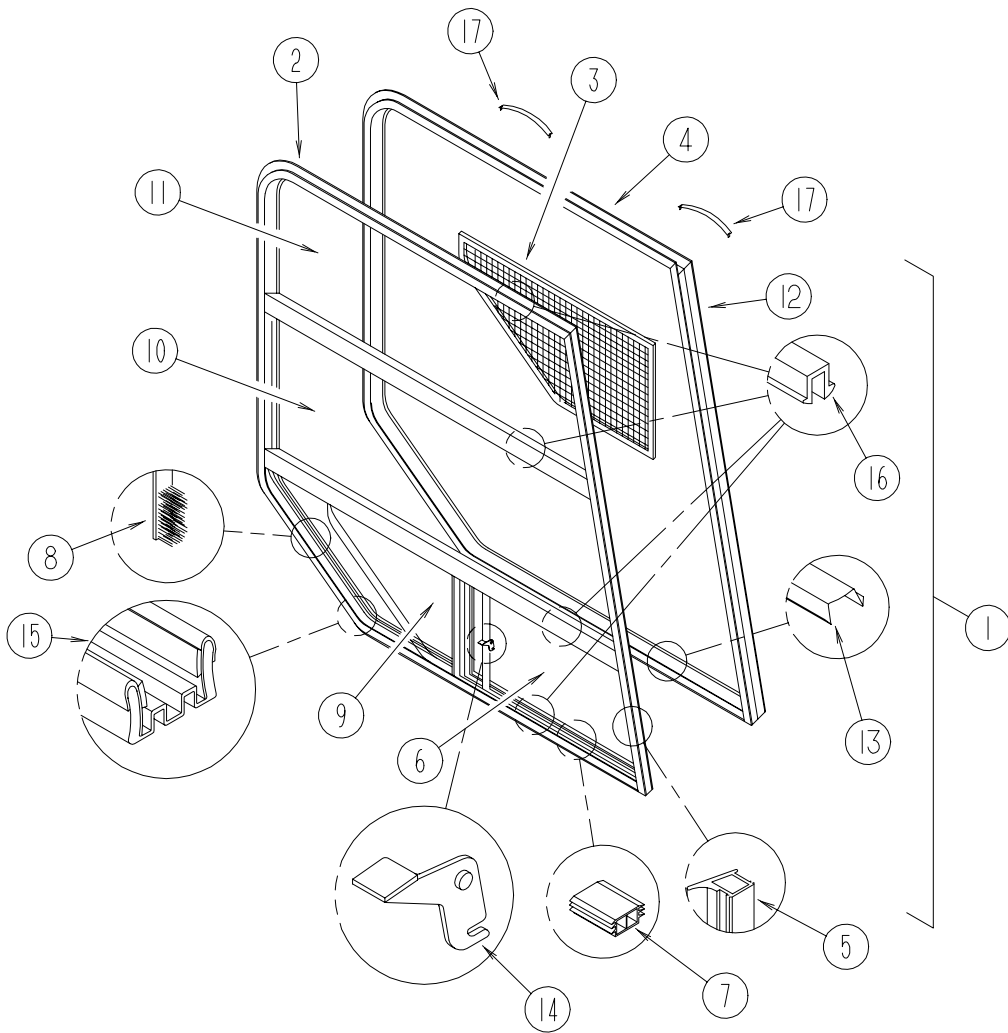
KEY	PART NUMBER	U/M	DESCRIPTION	VENDOR NO.
1	103658-12-01A	EA	WINDOW - PASSENGER CAB	
2	113501-09-702	EA	SCREEN ASSEMBLY - W/SEALS & CLIPS	410-025381
	098644-01-717	FT	SPLINE-SCREEN	132-004716
	098644-01-713	EA	CLIP-SPRING, METAL	226-016966
	098644-01-710	FT	TRACK-SCREEN SPACER, 12' LENGTH	132-017135
	098644-01-711	FT	WEATHERSTRIP-SCREEN, BLACK	171-016965
3	113501-09-703	EA	RETAINER-TRIM, PASSENGERS SIDE	H506-41R & H506-42R
4	103658-11-701	EA	GLASS - SLIDING - W/SASH & LATCH	H506-A9
5	103658-11-700	EA	GLASS - STATIONARY - RH/LH	106-025379
6	098644-01-700	EA	LATCH-REPAIR KIT, BLACK	B801-CK
	098644-01-706	FT	WEATHERSTRIP-GLASS	171-010668
	098644-01-708	FT	CHANNEL-RUN, PIERCED	122-016543
	098644-01-716	FT	PLUG-FILLER	132-014470

THERMOPANE



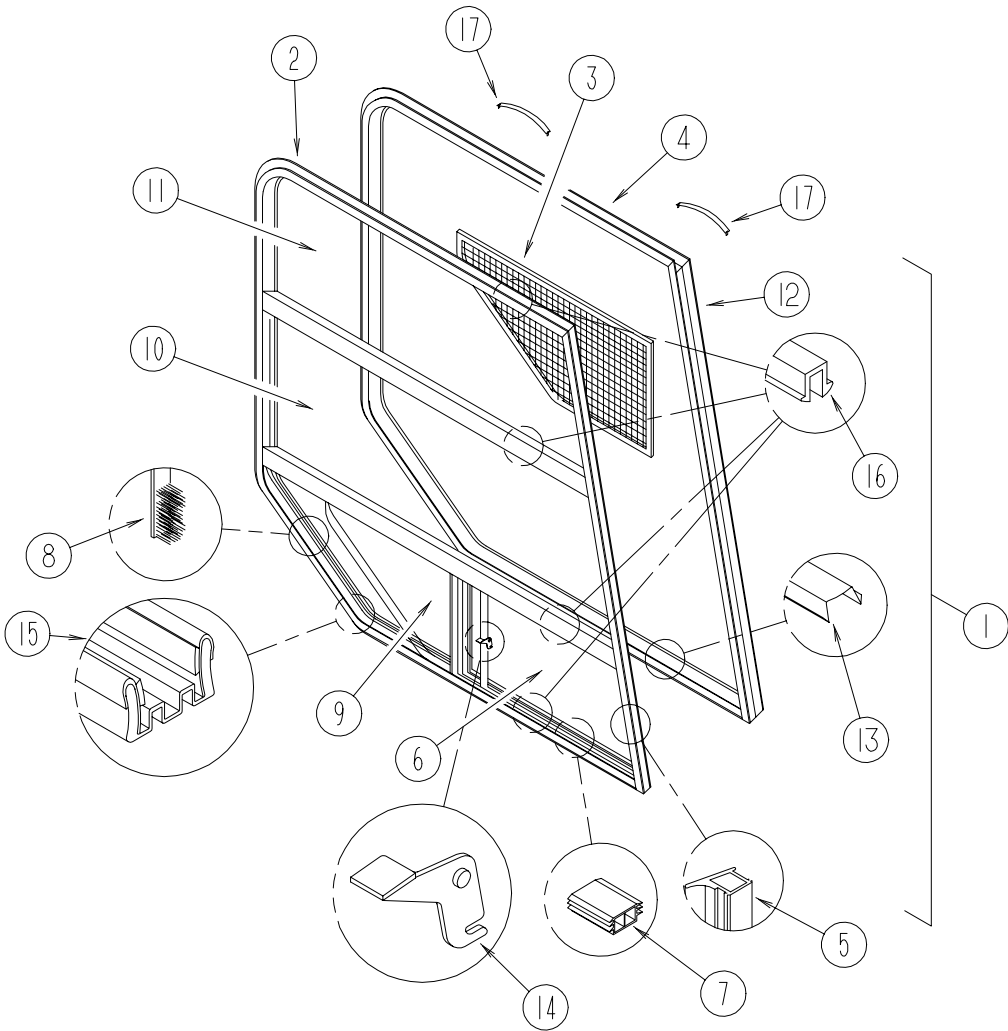
KEY	PART NUMBER	U/M	DESCRIPTION	VENDOR NO.
1	106466-04-01A	EA	WINDOW - PASSENGER CAB - 42.1"TW X 48.3"CW X 50.3"H	
2	098644-01-706	FT	WEATHERSTRIP - GLASS	171-010668
3	106466-08-704	EA	SCREEN ASSEMBLY - W/SEALS & CLIPS	H461-03L
4	106466-04-702	EA	RETAINER - TRIM - CURVED	H461-42R
5	098644-01-716	FT	PLUG - FILLER	132-014470
6	106466-04-700	EA	GLASS - SLIDING - W/SASH & LATCH	H461A9R
7	098644-01-719	EA	STOP - SLIDER GLASS	132-014203
8	098644-01-711	FT	WEATHERSTRIP - SCREEN - BLACK	171-016965
9	106466-08-701	EA	GLASS - STATIONARY - LOWER	106-019986
10	106466-08-702	EA	GLASS - STATIONARY - MIDDLE	106-019985
11	106466-08-700	EA	GLASS - STATIONARY - UPPER	106-019984
12	106466-04-701	EA	RETAINER - TRIM - FRONT RAIL	H461-41R
13	098644-01-710	FT	TRACK - SCREEN SPACER - 12' LENGTH	132-017135
14	098644-01-700	EA	LATCH - REPAIR KIT (BLACK)	B801-CK
15	098644-01-708	FT	CHANNEL - RUN - PIERCED	122-016543
16	098644-01-705	FT	GLAZING - STRIP	132-010231
17	098644-01-713	EA	CLIP - SPRING - METAL	226-016966
	098644-01-717	FT	SPLINE - SCREEN	132-004716

THERMOPANE



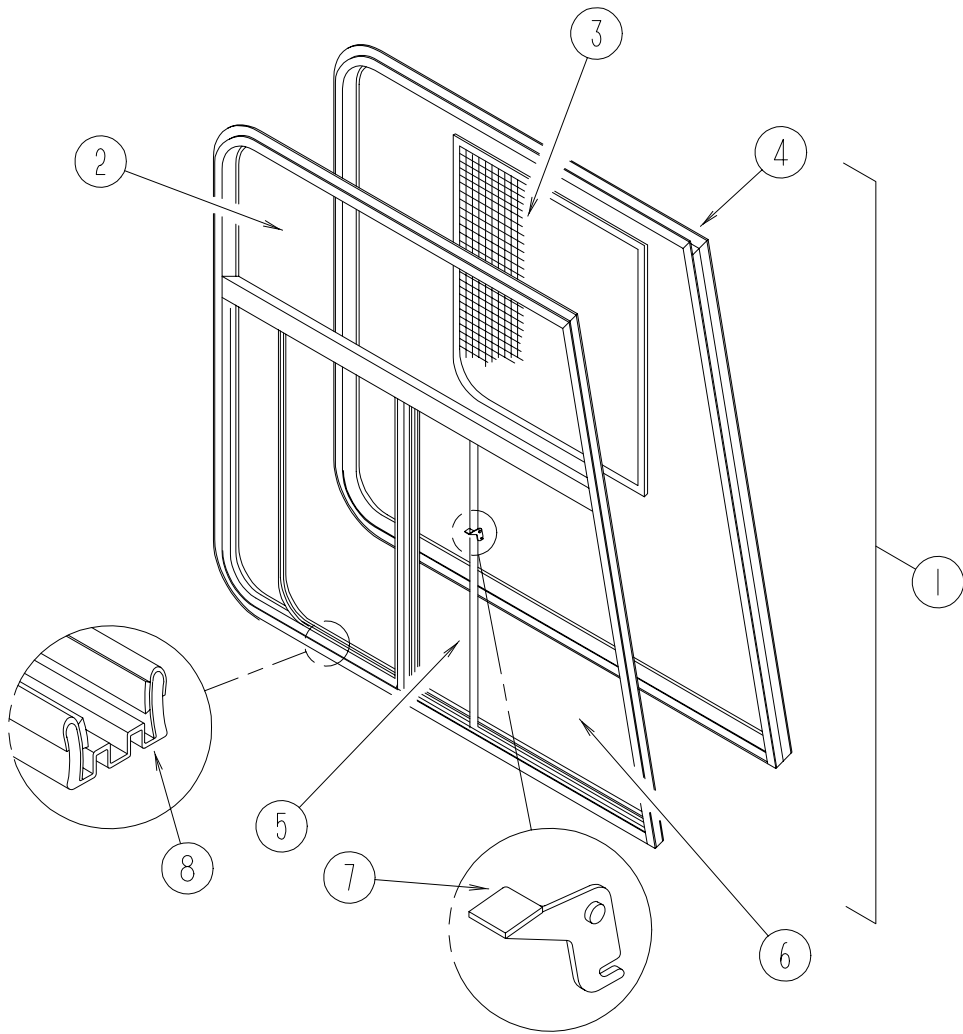
KEY	PART NUMBER	U/M	DESCRIPTION	VENDOR NO.
1	106466-06-01A	EA	WINDOW - PASSENGER CAB - THERMO-42.1"TW X 48.3"CW X 50.3"H	
2	098644-01-706	FT	WEATHERSTRIP-GLASS	171-010668
3	106466-08-704	EA	SCREEN ASSEMBLY - W/SEALS & CLIPS	H461-03L
4	106466-08-706	EA	RETAINER - TRIM - CURVED	H461-42L
5	112795-01-704	FT	PLUG-FILLER - DOUBLE GLAZED	132-018737
6	106466-09-703	EA	GLASS - SLIDING - W/SASH & LATCH	DH461A9L
7	112795-01-701	EA	SLIDE - STOP	132-019092
8	098644-01-711	FT	WEATHERSTRIP-SCREEN, BLACK	171-016965
9	106466-09-702	EA	GLASS - STATIONARY - LOWER	390-025906
10	106466-09-701	EA	GLASS - STATIONARY - MIDDLE	390-025905
11	106466-09-700	EA	GLASS - STATIONARY - UPPER	390-025904
12	106466-08-705	EA	RETAINER - TRIM - FRONT RAIL	H461-41L
13	098644-01-710	FT	TRACK-SCREEN SPACER, 12' LENGTH	132-017135
14	112795-01-700	EA	LATCH ASSEMBLY - BLACK - BOLT ON	DH287-CK
15	112795-01-703	FT	CHANNEL - RUN - INCHES	122-018736
16	112795-01-705	FT	VINYL - GLAZING	132-025736
17	098644-01-713	EA	CLIP-SPRING, METAL	226-016966

THERMOPANE



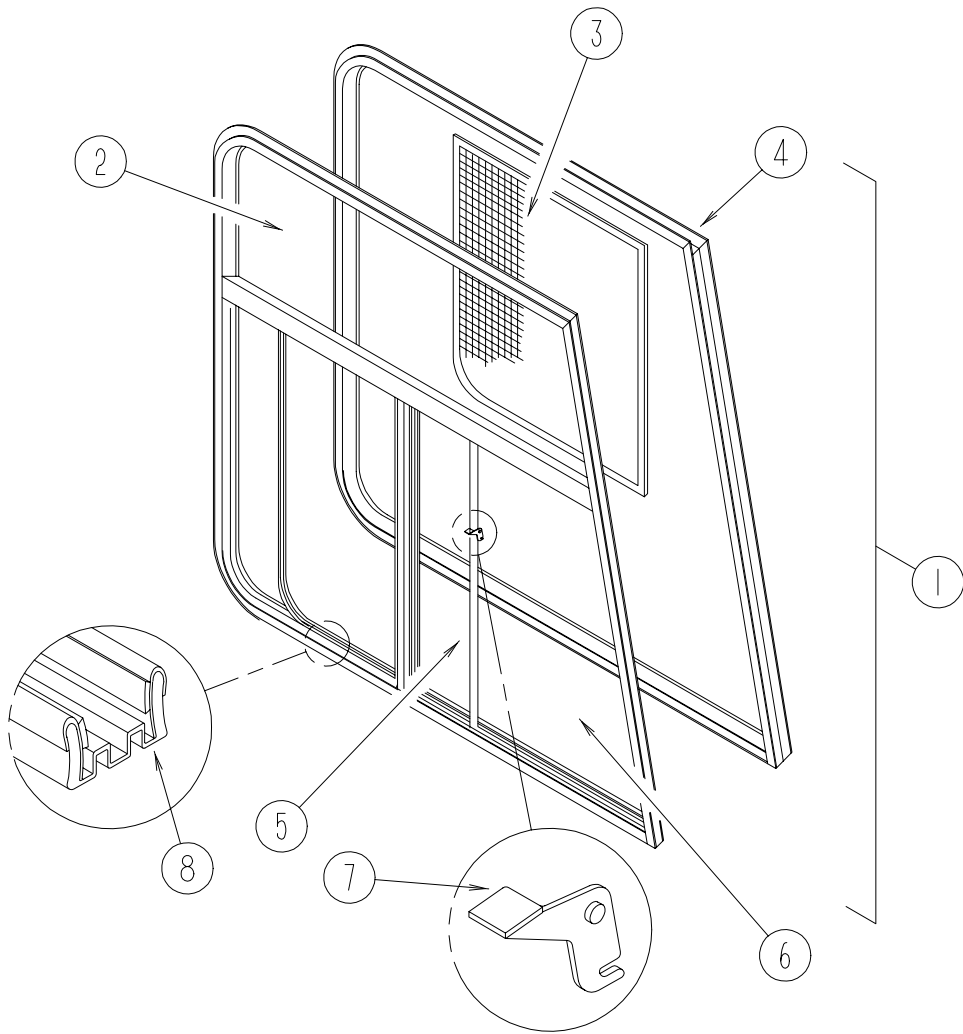
KEY	PART NUMBER	U/M	DESCRIPTION	VENDOR NO.
1	106466-09-01A	EA	WINDOW - DRIVER CAB - THERMO - 42.1"TW X 48.3"CW X 50.3"H	
2	098644-01-706	FT	WEATHERSTRIP-GLASS	171-010668
3	106466-08-704	EA	SCREEN ASSEMBLY - W/SEALS & CLIPS	H461-03L
4	106466-08-706	EA	RETAINER - TRIM - CURVED	H461-42L
5	112795-01-704	FT	PLUG-FILLER - DOUBLE GLAZED	132-018737
6	106466-09-703	EA	GLASS - SLIDING - W/SASH & LATCH	DH461A9L
7	112795-01-701	EA	SLIDE - STOP	132-019092
8	098644-01-711	FT	WEATHERSTRIP-SCREEN, BLACK	171-016965
9	106466-09-702	EA	GLASS - STATIONARY - LOWER	390-025906
10	106466-09-701	EA	GLASS - STATIONARY - MIDDLE	390-025905
11	106466-09-700	EA	GLASS - STATIONARY - UPPER	390-025904
12	106466-08-705	EA	RETAINER - TRIM - FRONT RAIL	H461-41L
13	098644-01-710	FT	TRACK-SCREEN SPACER, 12' LENGTH	132-017135
14	112795-01-700	EA	LATCH ASSEMBLY - BLACK - BOLT ON	DH287-CK
15	112795-01-703	FT	CHANNEL - RUN - INCHES	122-018736
16	112795-01-705	FT	VINYL - GLAZING	132-025736
17	098644-01-713	EA	CLIP-SPRING, METAL	226-016966

THERMOPANE



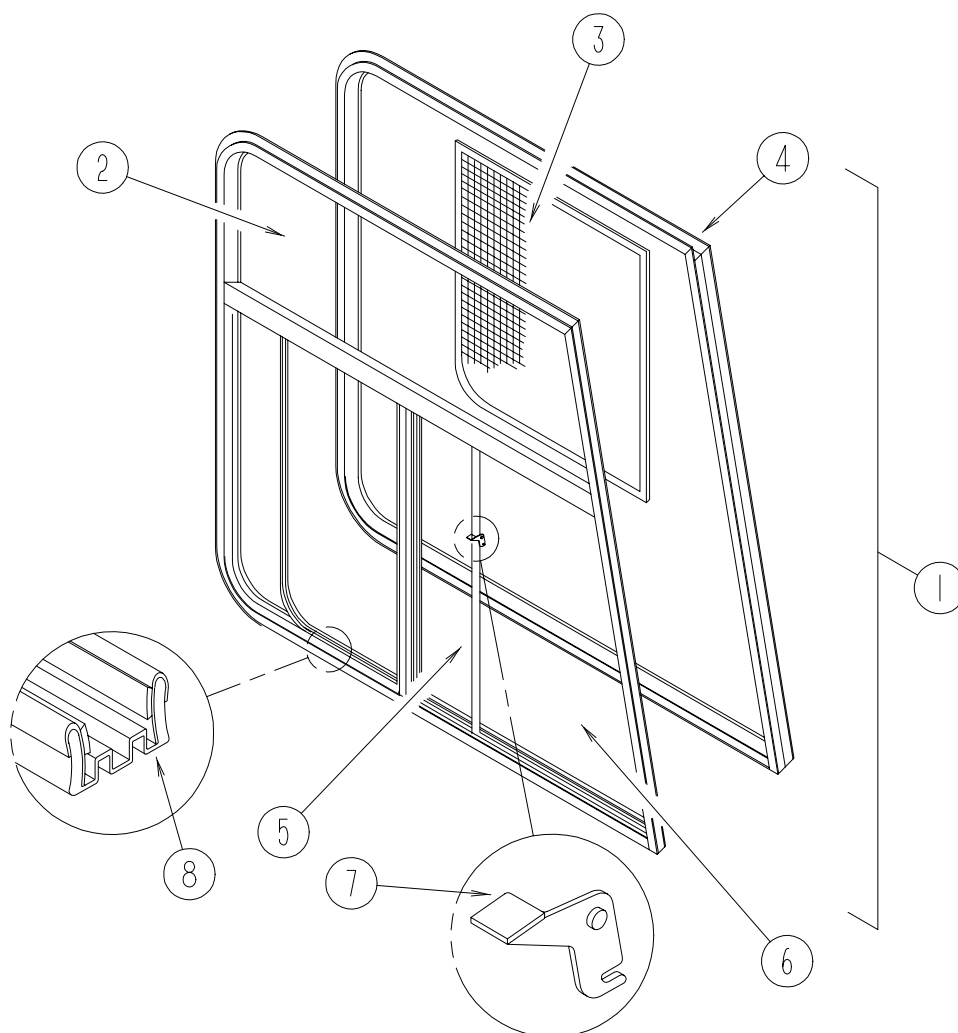
KEY	PART NUMBER	U/M	DESCRIPTION	VENDOR NO.
1	113501-01-01A	EA	WINDOW - DRIVER CAB THERMO (3 WINDOW) 44.3" X 24.4" X 44.1"	
2	N/A	EA	GLASS - STATIONARY - UPPER - DRIVER OR PASSENGER SIDE	390-019137
3	103658-01-700	EA	SCREEN ASM - W/ SEALS & CLIPS - DRIVER SIDE	H322-03L
	098644-01-717	FT	SPLINE - SCREEN	32-004716
	098644-01-713	EA	CLIP - SPRING - METAL	226-016966
4	103658-05-702	EA	RETAINER - TRIM - DRIVER SIDE	H373-66 & 76L
5	113501-01-703	EA	GLASS-SLIDING W/ SASH & LATCH - DRIVER SIDE	DH374-A9L
6	113501-01-702	EA	GLASS - STATIONARY - LOWER - DRIVER SIDE	390-019139L
7	112795-01-700	EA	LATCH ASM. - BLACK (BOLT ON)	DH287-CK
8	112795-01-703	IN	CHANNEL - RUN (INCHES)	122-018736
	098644-01-711	FT	WEATHERSTRIP - SCREEN BLACK	171-016965
	112795-01-701	EA	SLIDE - STOP	132-019092
	112795-01-704	FT	PLUG FILLER (DOUBLE GLAZED)	122-018737
	112795-01-705	FT	VINYL - GLAZING	132-09702
	112898-04-703	EA	SASH LATCH KIT - RAISED	DH343-CK

THERMOPANE



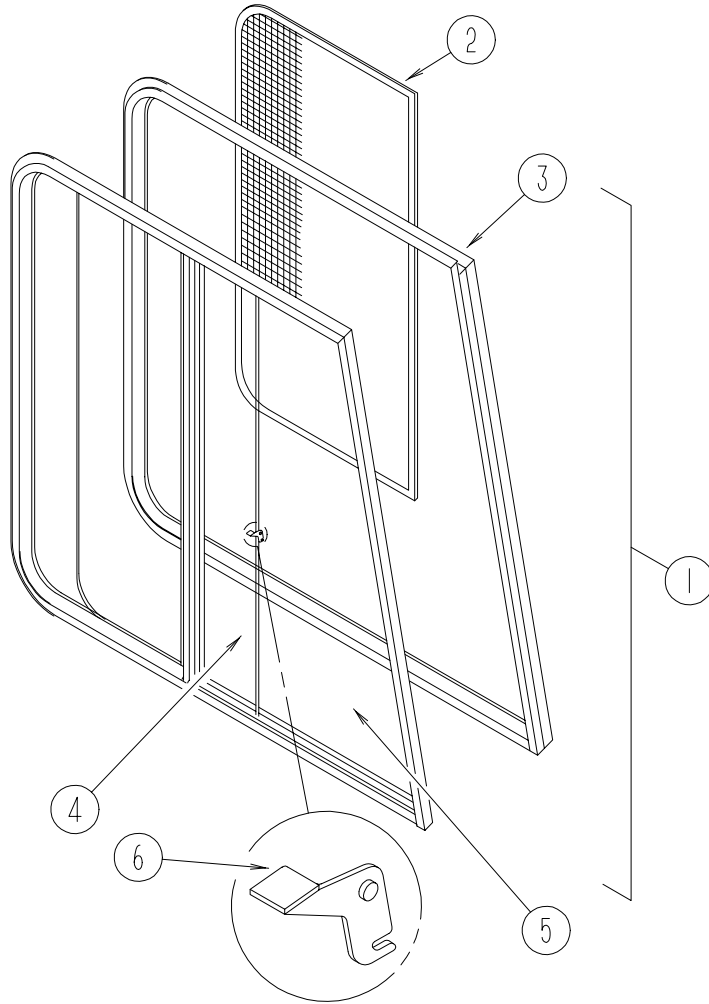
KEY	PART NUMBER	U/M	DESCRIPTION	VENDOR NO.
1	113501-02-01A	EA	WINDOW - PASS CAB THERMO (3 WINDOW) 44.3" X 24.4" X 44.1"	
2	N/A	EA	GLASS - STATIONARY - UPPER - DRIVER OR PASSENGER SIDE	390-019137
3	103658-02-700	EA	SCREEN ASM - W/ SEALS & CLIPS - PASSENGER SIDE	H322-03R
	098644-01-717	FT	SPLINE - SCREEN	32-004716
	098644-01-713	EA	CLIP - SPRING - METAL	226-016966
4	103658-10-701	EA	RETAINER - TRIM - PASSENGER SIDE	H373-66 & 76R
5	113501-02-702	EA	GLASS-SLIDING W/ SASH & LATCH - PASSENGER SIDE	DH374-A9R
6	113501-02-701	EA	GLASS - STATIONARY - LOWER - PASSENGER SIDE	390-019138R
7	112795-01-700	EA	LATCH ASM. - BLACK (BOLT ON)	DH287-CK
8	112795-01-703	IN	CHANNEL - RUN (INCHES)	122-018736
	098644-01-711	FT	WEATHERSTRIP - SCREEN BLACK	171-016965
	112795-01-701	EA	SLIDE - STOP	132-019092
	112795-01-704	FT	PLUG FILLER (DOUBLE GLAZED)	122-018737
	112795-01-705	FT	VINYL - GLAZING	132-09702
	112898-04-703	EA	SASH LATCH KIT - RAISED	DH343-CK

THERMOPANE



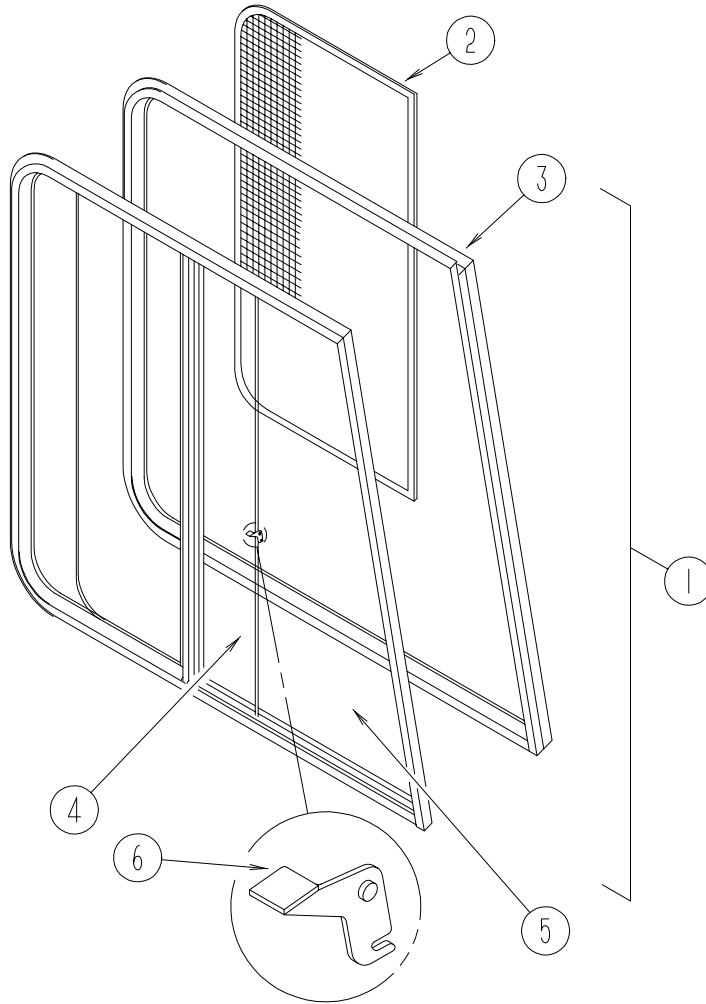
KEY	PART NUMBER	U/M	DESCRIPTION	VENDOR NO.
1	113501-05-01A	EA	WINDOW - PASS/CAB/THERMO/EURO(3 WINDOW) 24.4" T X 44.1" B X 44.3"	
2	113501-05-700	EA	GLASS - STATIONARY - UPPER	395-019799R&L
3	103658-02-700	EA	SCREEN ASM - W/ SEALS & CLIPS	H322-03R
	098644-01-717	FT	SPLINE - SCREEN	132-004716
	098644-01-713	EA	CLIP - SPRING - METAL	226-016966
4	103658-08-701	EA	RETAINER - TRIM - PASSENGER SIDE	H374-66 & 76R
5	113501-06-701	EA	GLASS-SLIDING W/ SASH & LATCH	DH374-EA9R
6	113501-06-700	EA	GLASS - STATIONARY - LOWER	395-019800R
7	112795-01-700	EA	LATCH ASM. - BLACK (BOLT ON)	DH287-CK
8	112795-01-703	IN	CHANNEL - RUN (INCHES)	122-018736
	098644-01-711	FT	WEATHERSTRIP - SCREEN BLACK	171-016965
	112795-01-701	EA	SLIDE - STOP	132-019092
	112795-01-704	FT	PLUG FILLER (DOUBLE GLAZED)	122-018737
	112795-01-705	FT	VINYL - GLAZING	132-025736
	112898-04-703	EA	VERTICAL LATCH (SASH KIT)	DH343-CK
	125582-01-708	EA	WEEPHOLE COVER - RIGHT HAND	130-026598
	125582-01-709	EA	WEEPHOLE COVER - LEFT HAND	130-026599

THERMOPANE



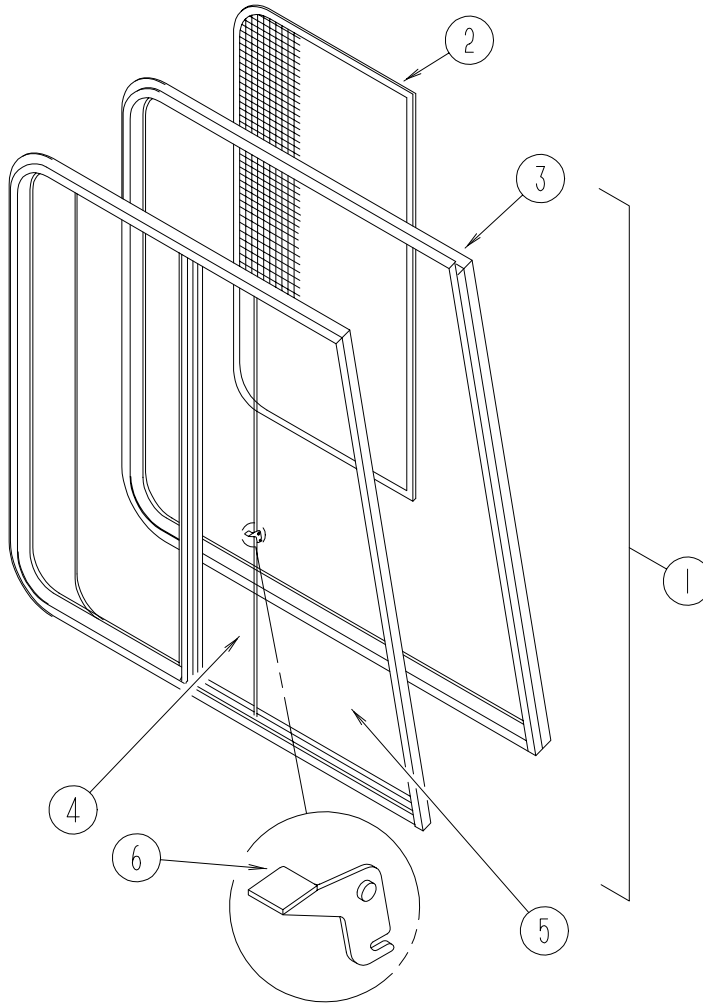
KEY	PART NUMBER	U/M	DESCRIPTION	VENDOR NO.
1	113501-09-01A	EA	WINDOW ASM-CAB, W/RETAINER - 35.7" X 37.2" X 43.9"	410-025381
2	103501-09-702	EA	SCREEN ASM-W/SEALS & CLIPS	H506-41R & H506-42R
3	113501-09-703	EA	RETAINER-TRIM, OFF WHITE	DH506-A9R
4	113501-09-701	EA	GLASS-SLIDING, W/SASH & LATCH	390-025839
5	113501-09-700	EA	GLASS-STATIONARY	DH287-CK
6	112795-01-700	EA	LATCH ASM-BLACK, BOLT ON	171-016965
	098644-01-711	FT	WEATHERSTRIP-SCREEN, BLACK	226-016966
	098644-01-713	EA	CLIP-SPRING, METAL	132-004716
	098644-01-717	FT	SPLINE-SCREEN	132-019092
	112795-01-701	FT	SLIDE-STOP	122-018736
	112795-01-703	IN	CHANNEL-RUN (INCHES)	122-018737
	112795-01-704	FT	PLUG FILLER (DOUBLE GLAZED)	132-025736
	112795-01-705	FT	VINYL-GLAZING	DH343-CK
	112898-04-703	EA	SASH LATCH KIT, RAISED	

THERMOPANE



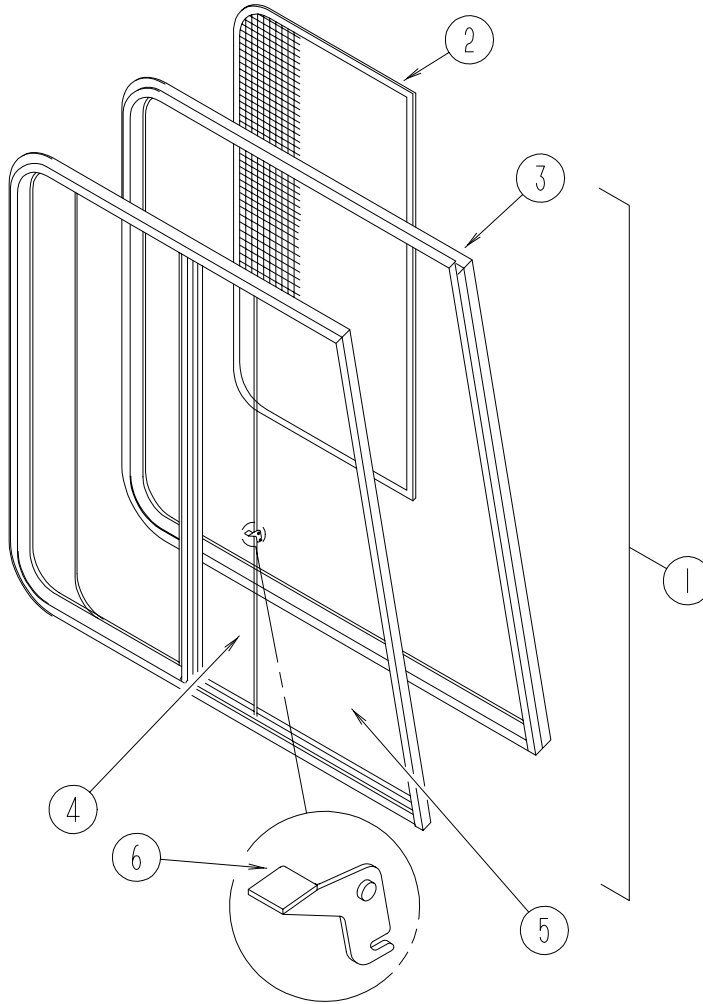
KEY	PART NUMBER	U/M	DESCRIPTION	VENDOR NO.
1	113501-10-01A	EA	WINDOW ASM-CAB, W/RETAINER	410-025381
2	103501-09-702	EA	SCREEN ASM-W/SEALS & CLIPS	H506-41L & H506-42L
3	113501-10-702	EA	RETAINER-TRIM, OFF WHITE	DH506-A9L
4	113501-10-701	EA	GLASS-SLIDING, W/SASH & LATCH	390-025388
5	113501-10-700	EA	GLASS-STATIONARY	DH287-CK
6	112795-01-700	EA	LATCH ASM-BLACK, BOLT ON	171-016965
	098644-01-711	FT	WEATHERSTRIP-SCREEN, BLACK	226-016966
	098644-01-713	EA	CLIP-SPRING, METAL	132-004716
	098644-01-717	FT	SPLINE-SCREEN	132-019092
	112795-01-701	FT	SLIDE-STOP	122-018736
	112795-01-703	IN	CHANNEL-RUN (INCHES)	122-018737
	112795-01-704	FT	PLUG FILLER (DOUBLE GLAZED)	132-025736
	112795-01-705	FT	VINYL-GLAZING	DH343-CK
	112898-04-703	EA	SASH LATCH KIT, RAISED	

THERMOPANE



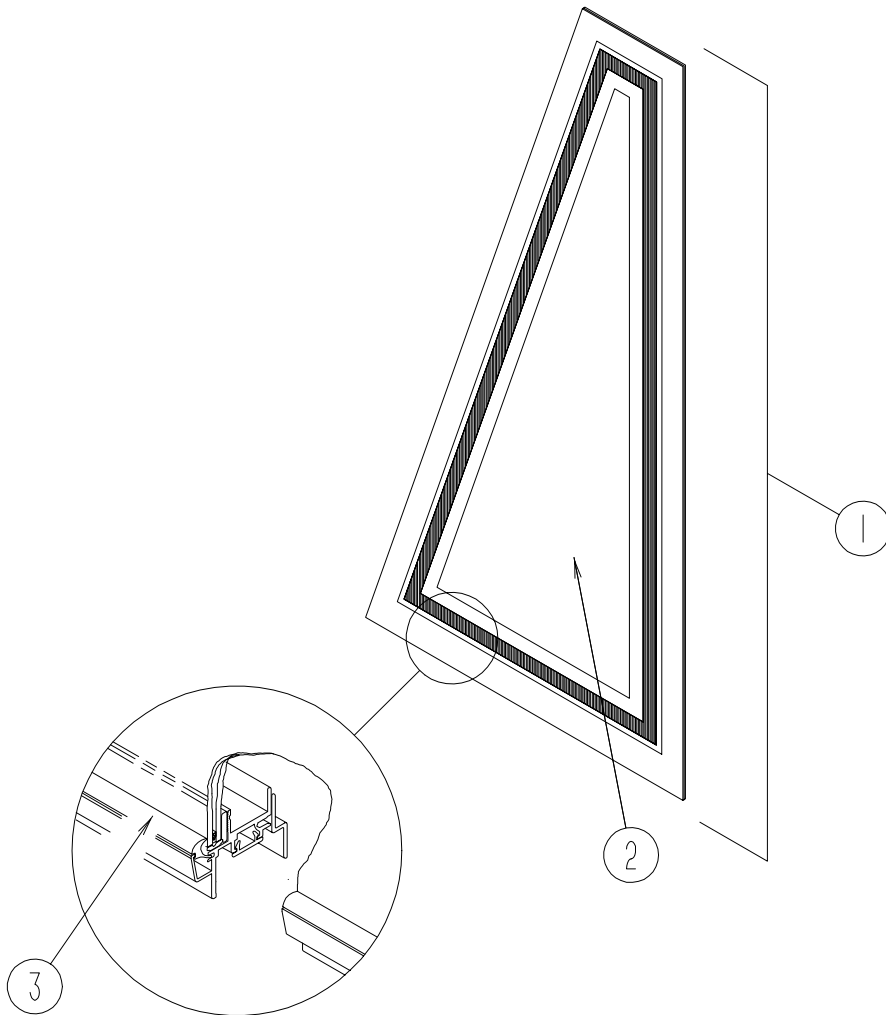
KEY	PART NUMBER	U/M	DESCRIPTION	VENDOR NO.
1	113501-11-01A	EA	WINDOW - PASS CAB THERMO (2 WINDOW)-35.7" X 37.2" X 43.9"	
2	113501-09-702	EA	SCREEN ASM - W/SEALS & CLIPS	410-025381
3	113501-09-703	EA	RETAINER - TRIM	H506-41R & 42R
4	113501-11-701	EA	GLASS ASM - W/SASH & LATCH	DH506-EA9R
5	113501-11-700	EA	GLASS - STATIONARY	390-025769
6	112795-01-700	EA	LATCH ASM. - BLK. (BOLT ON)	DH287-CK
	098644-01-711	FT	WEATHERSTRIP - SCREEN BLACK	171-016965
	098644-01-713	EA	CLIP - SPRING - METAL	226-016966
	098644-01-717	FT	SPLINE - SCREEN	132-004716
	112795-01-701	EA	SLIDE - STOP	132-019092
	112795-01-703	IN	CHANNEL - RUN (INCHES)	122-018736
	112795-01-704	FT	PLUG FILLER (DOUBLE GLAZED)	122-018737
	112795-01-705	FT	VINYL - GLAZING	132-025736
	112898-04-703	EA	SASH LATCH KIT - RAISED	DH343-CK

THERMOPANE



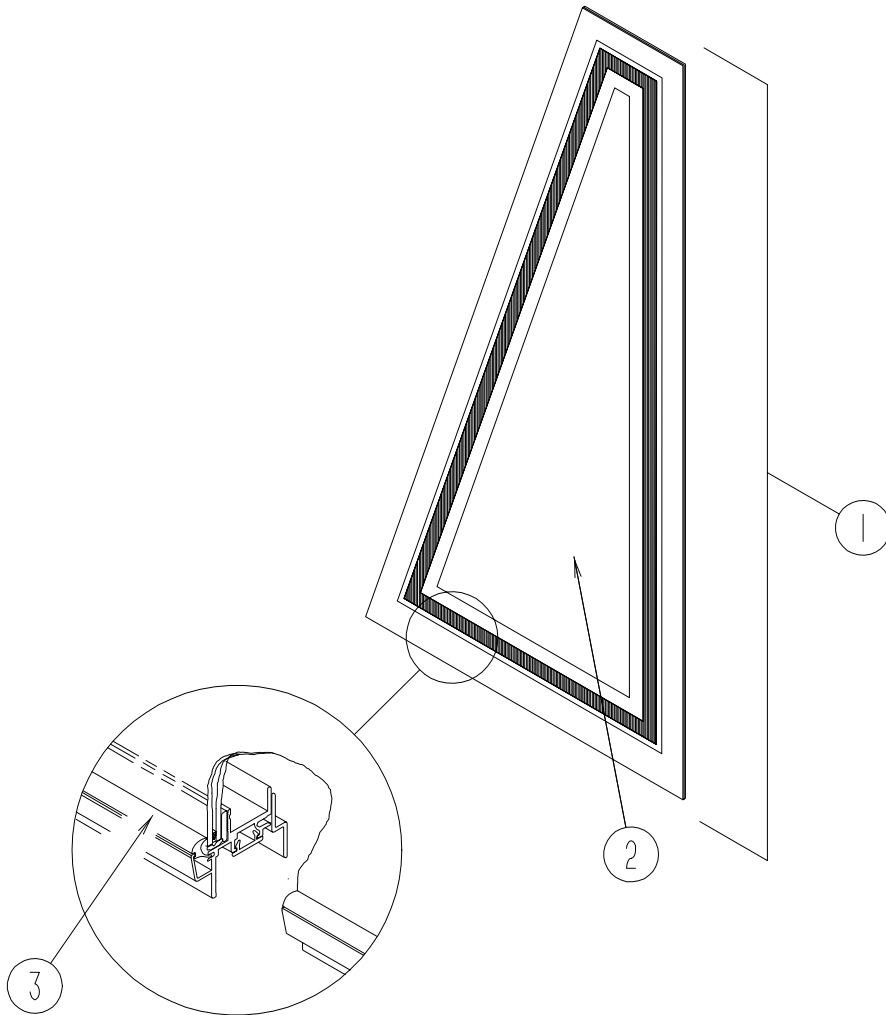
KEY	PART NUMBER	U/M	DESCRIPTION	VENDOR NO.
1	113501-12-01A	EA	WINDOW - DRIVER CAB THERMO (2 WINDOW)-35.7" X 37.2" X 43.9"	
2	113501-09-702	EA	SCREEN ASM - W/SEALS & CLIPS	410-025381
3	113501-10-702	EA	RETAINER - TRIM	H506-41L & 42L
4	113501-12-701	EA	GLASS ASM - W/SASH & LATCH	DH506-EA9L
5	113501-12-700	EA	GLASS - STATIONARY	390-025770
6	112795-01-700	EA	LATCH ASM. - BLK. (BOLT ON)	DH287-CK
	098644-01-711	FT	WEATHERSTRIP - SCREEN BLACK	171-016965
	098644-01-713	EA	CLIP - SPRING - METAL	226-016966
	098644-01-717	FT	SPLINE - SCREEN	132-004716
	112795-01-701	EA	SLIDE - STOP	132-019092
	112795-01-703	IN	CHANNEL - RUN (INCHES)	122-018736
	112795-01-704	FT	PLUG FILLER (DOUBLE GLAZED)	122-018737
	112795-01-705	FT	VINYL - GLAZING	132-025736
	112898-04-703	EA	SASH LATCH KIT - RAISED	DH343-CK

**WINDOW - DRIVER WING
DH383-EA2B27**



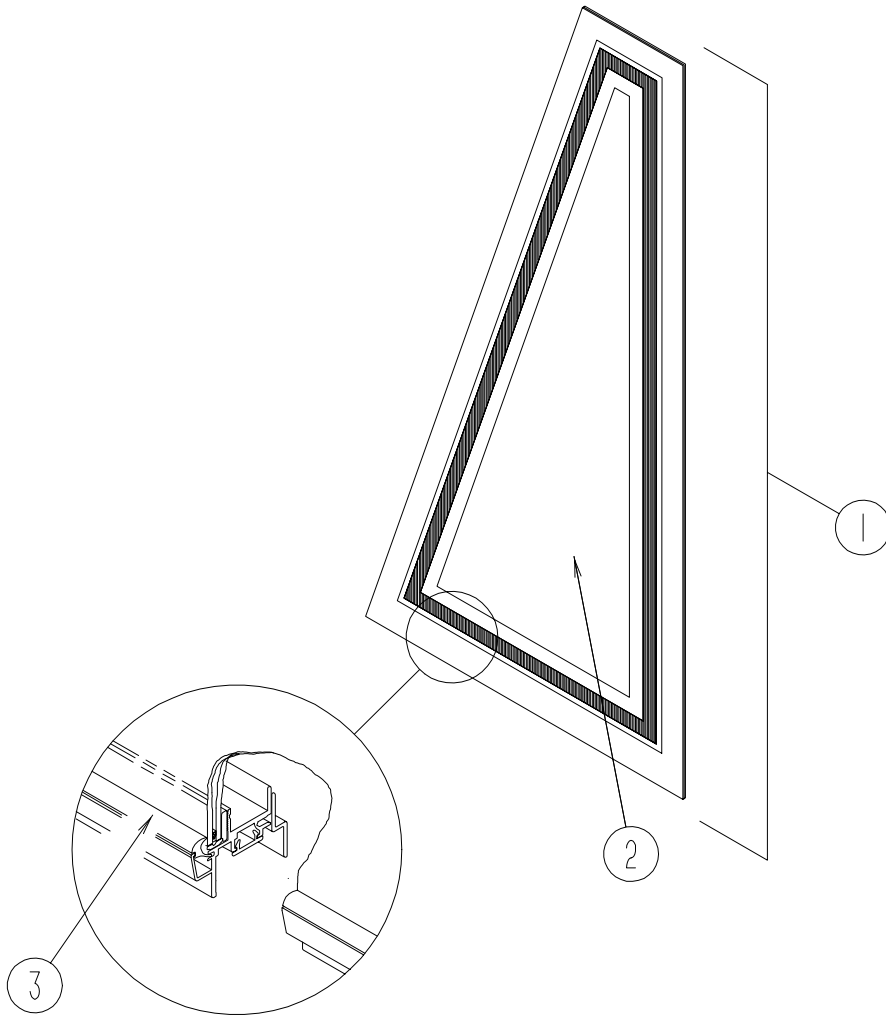
KEY	PART NUMBER	U/M	DESCRIPTION	VENDOR NO.
1	115999-03-01A	EA	WINDOW - DRIVER WING - TRI/THERMO/EURO -11.1"B X 28"F X 25.5"H	390-019550
2	115999-03-701	EA	GLASS - STATIONARY	132-018161
3	116000-01-704	FT	VINYL - GLAZING - BUTYL	H383-43L
	115999-02-702	EA	RETAINER - TRIM RAIL - FRONT	H358-41L
	115999-01-703	EA	RETAINER - TRIM RAIL - REAR	

**WINDOW - DRIVER WING
DH507-A2B27L**



KEY	PART NUMBER	U/M	DESCRIPTION	VENDOR NO.
1	115999-06-01A	EA	WINDOW - DRIVER WING - THERMO -5.8"T X 11"B X 27.9"H	
2	115999-06-700	EA	GLASS - STATIONARY	106-025392
3	116000-01-704	FT	VINYL - GLAZING - BUTYL	132-018161
	115999-06-702	EA	RETAINER - TRIM RAIL - TOP	H507-42L
	115999-06-701	EA	RETAINER - TRIM RAIL - REAR	H507-41L

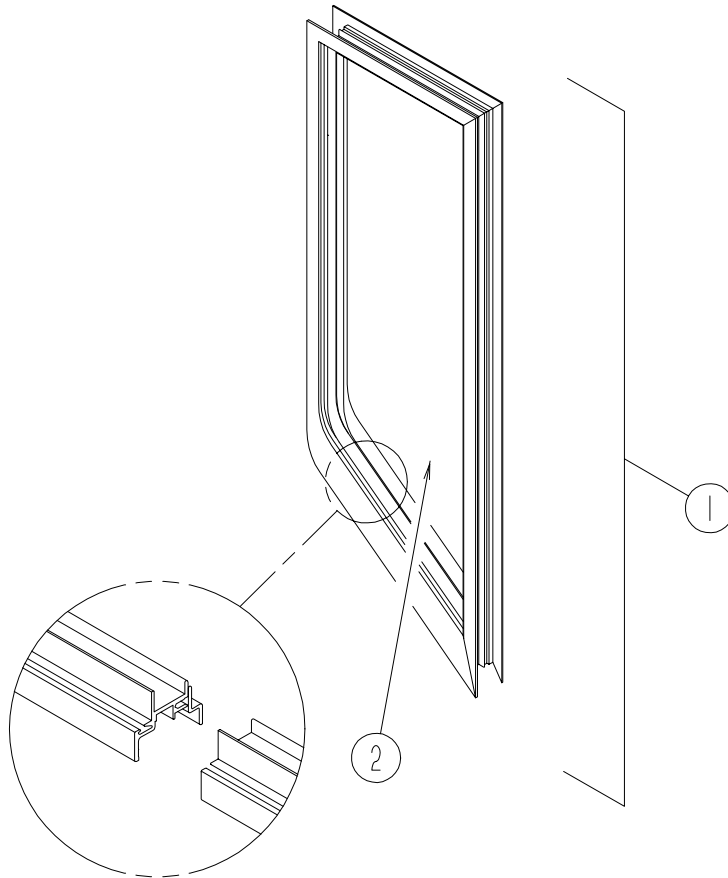
**WINDOW - DRIVER WING
SH507-EA2B27**



KEY	PART NUMBER	U/M	DESCRIPTION
1	115999-07-01A	EA	WINDOW - DRIVER WING - THERMO -5.8" T X 11" B X 27.9" H
2	115999-07-700	EA	GLASS - STATIONARY
3	116000-01-704	FT	VINYL - GLAZING - BUTYL
	115999-07-701	EA	RETAINER - TRIM

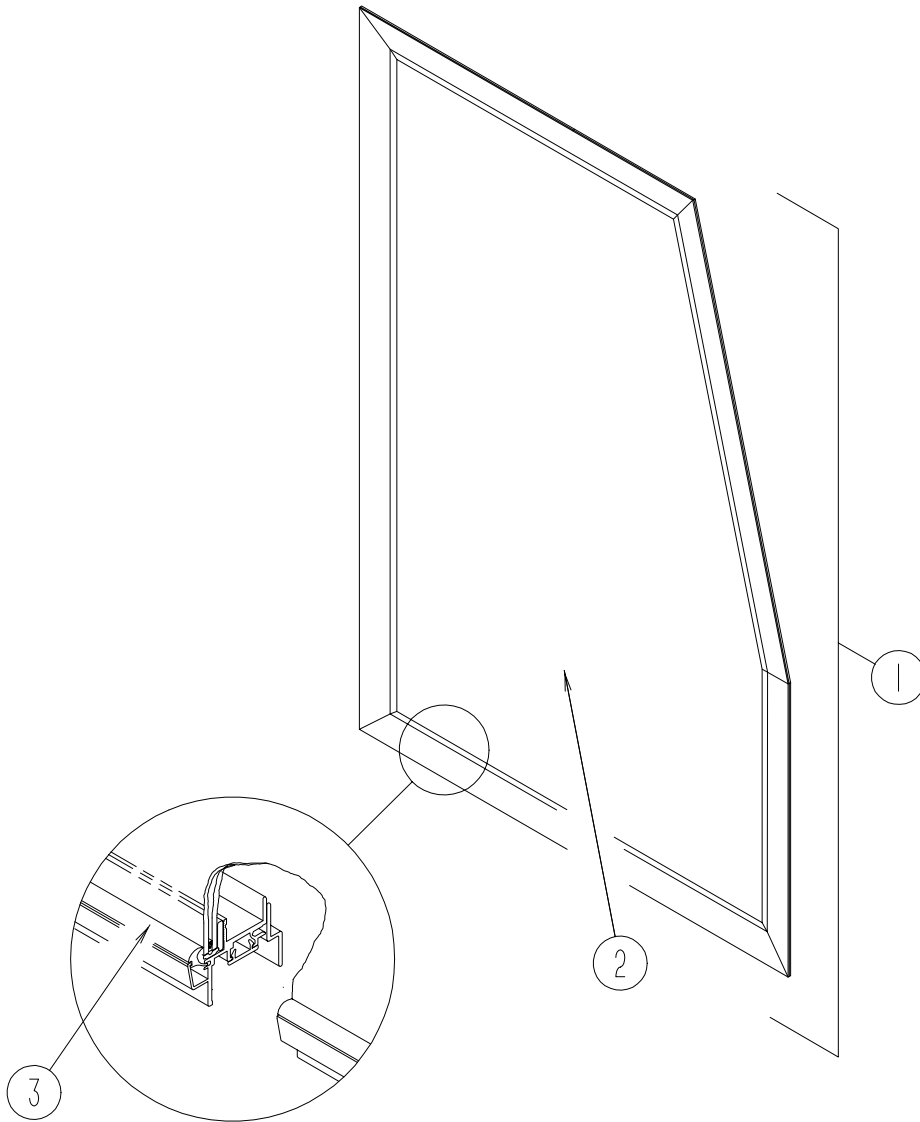
VENDOR NO.
390-025776
132-018161
H507-27L

**EXCEL
THERMOPANE**



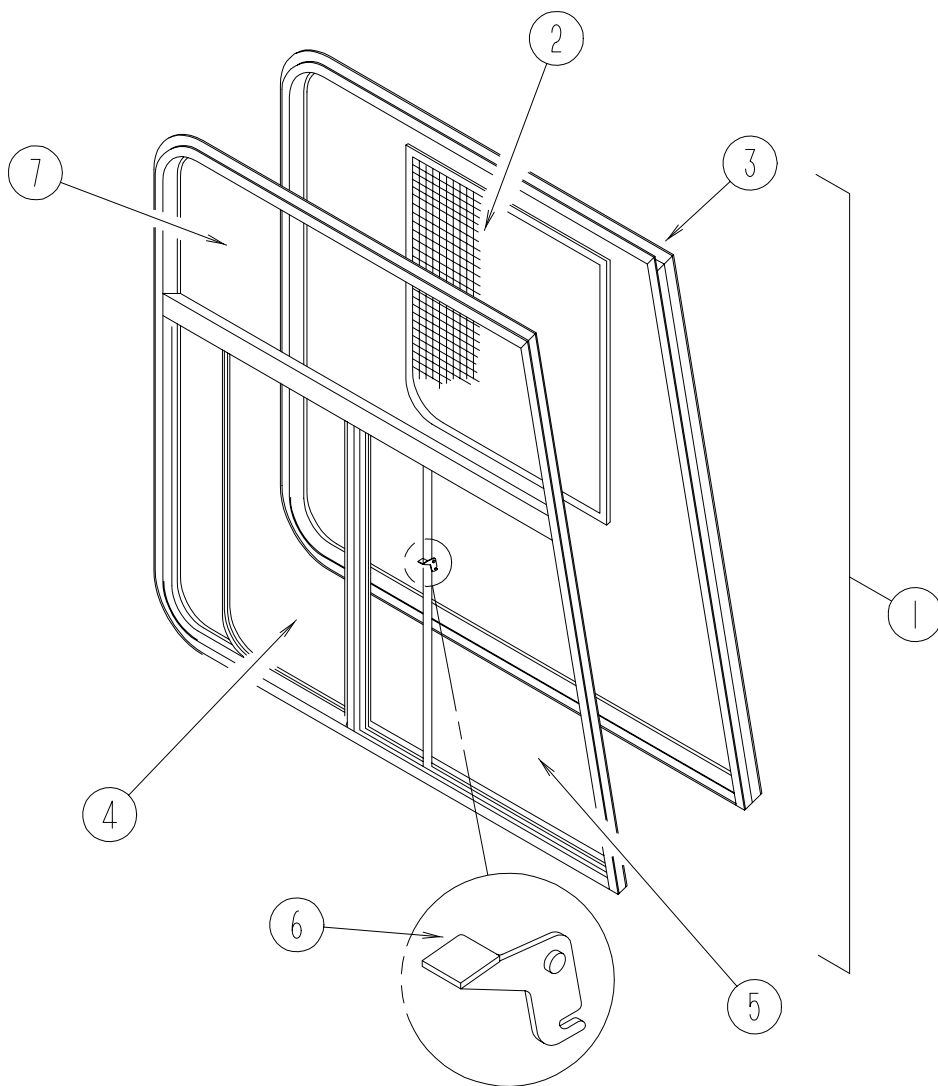
KEY	PART NUMBER	U/M	DESCRIPTION	VENDOR NO.
1	122757-02-01A	EA	WINDOW - REAR SLANT THERMO - PASSENGER	
2	122757-02-700	EA	GLASS - STATIONARY	390-025761
	116000-01-704	FT	VINYL - GLAZING	132-018161
	122757-02-701	EA	RETAINER - TRIM - BENT	H518-41R
	122757-02-702	EA	RETAINER - TRIM - FRONT	H518-42R
	122757-02-703	EA	RETAINER - TRIM - TOP	H518-43R

**EXCEL
THERMOPANE**



KEY	PART NUMBER	U/M	DESCRIPTION	VENDOR NO.
1	122758-02-01A	EA	WINDOW - ENTRANCE DOOR - THERMO 31.2"H X 27"TW X 29.2"BW	
2	122758-02-700	EA	GLASS - STATIONARY	390-025759
3	116000-01-704	FT	VINYL - GLAZING	132-018161
	122758-02-701	EA	RETAINER - TRIM - FRONT	H517-41R
	122758-02-702	EA	RETAINER - TRIM - TOP	H517-42R
	122758-02-703	EA	RETAINER - TRIM - REAR	H517-43R
	122758-02-704	EA	RETAINER - TRIM - BOTTOM	H517-43R

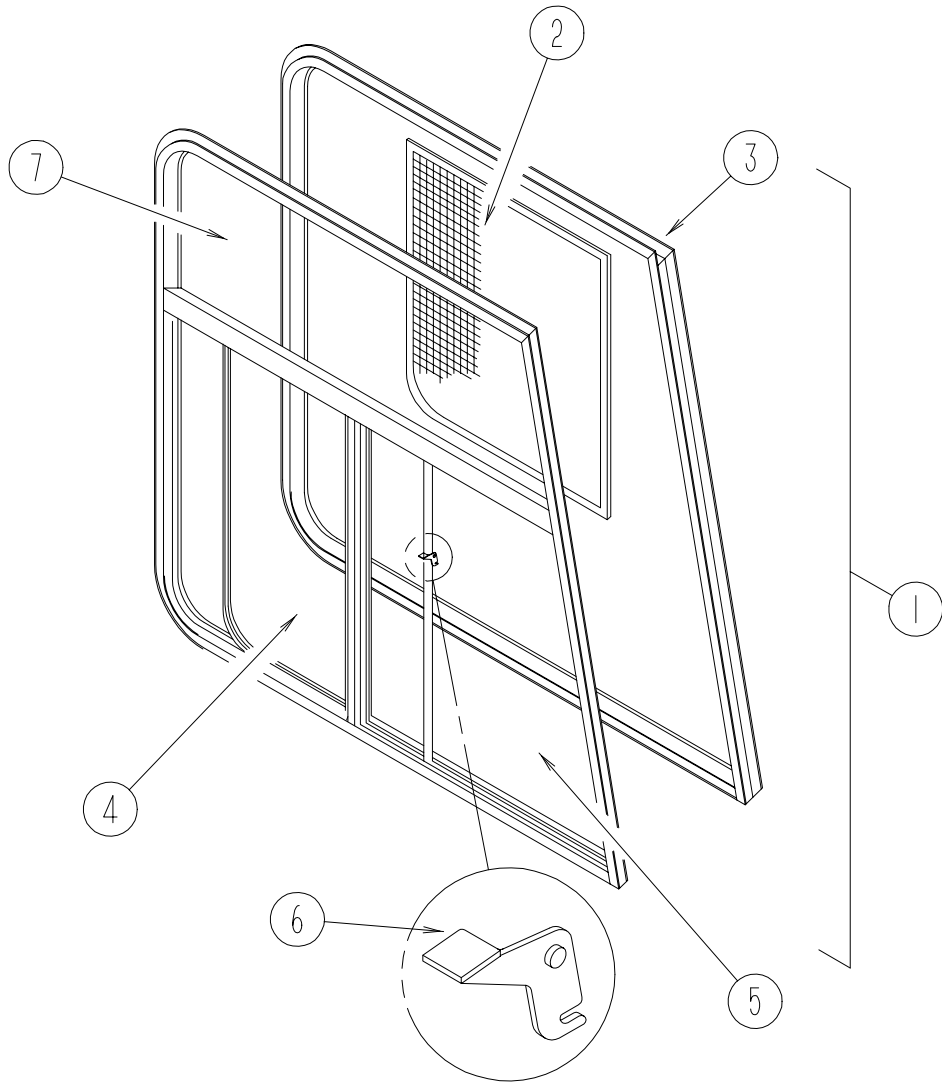
CAB WINDOW



PASSENGERS SIDE

KEY	PART NUMBER	U/M	DESCRIPTION	VENDOR NO.
1	125582-01-01A	EA	WINDOW - CAB - PASSENGER	
2	125582-01-705	EA	SCREEN ASM - W/SEALS & CLIPS	H57303R
3	125582-01-706	EA	RETAINER - TRIM	H57327R
4	125582-01-704	EA	GLASS - SLIDING - W/SASH & LATCH	H573A9R
5	125582-01-703	EA	GLASS - STATIONARY	106-026083
6	098644-01-700	EA	LATCH - REPAIR KIT (BLACK)	B801-CK
7	125582-01-702	EA	GLASS - STATIONARY - UPPER	106-026082
	098644-01-716	EA	PLUG - FILLER	132-014470
	098644-01-705	EA	GLAZING - STRIP	132-010231
	098644-01-706	EA	WEATHERSTRIP - GLASS	171-010668
	098644-01-708	EA	CHANNEL - RUN PIERCED	122-016543
	098644-01-710	EA	TRACK - SCREEN SPACER 12'	132-017135
	098644-01-711	EA	WEATHERSTRIP - SCREEN BLACK	171-016965
	098644-01-717	EA	SPLINE - SCREEN	132-004716
	098644-01-719	EA	STOP - SLIDER GLASS	132-014203
	112520-01-706	EA	WEATHERSTRIP - SCREEN - (FUZZY)	171-017245
	125582-01-701	EA	CLIP - SCREEN - PLASTIC	130005153

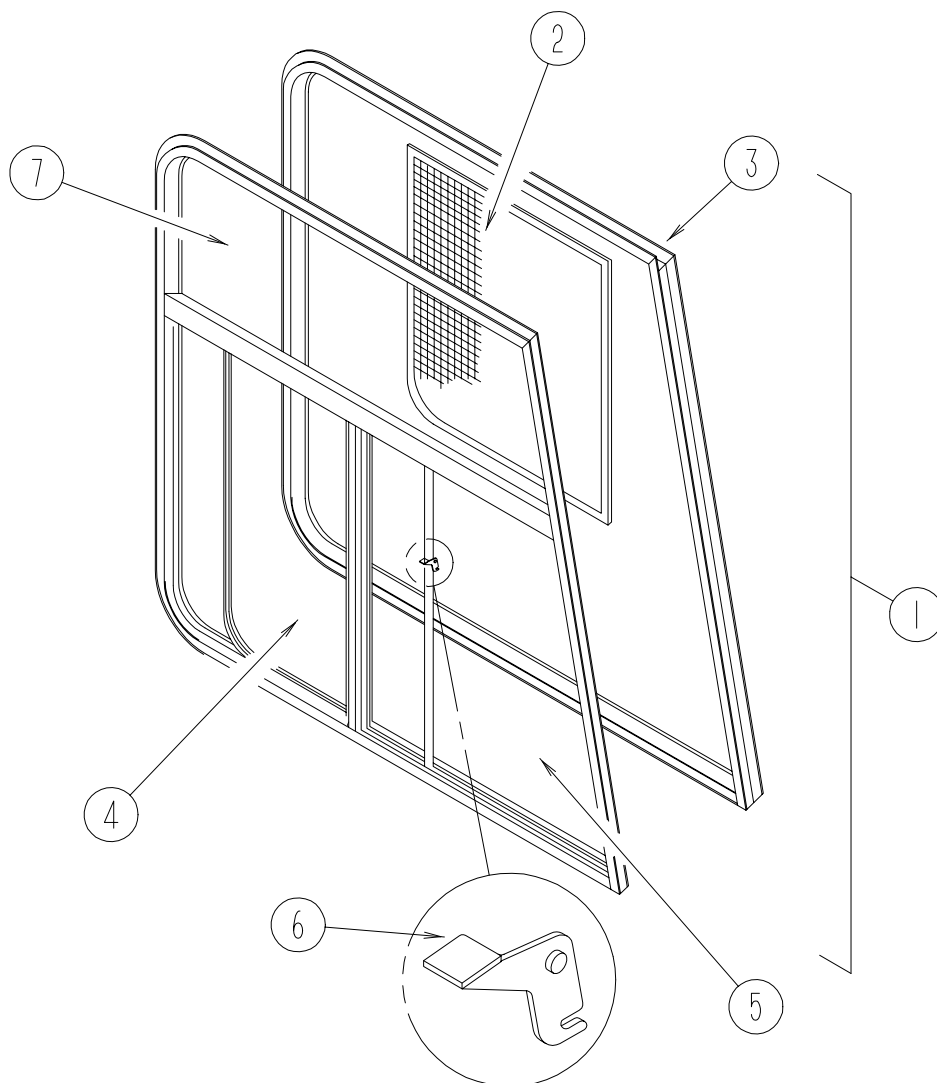
CAB WINDOW



DRIVERS SIDE

KEY	PART NUMBER	U/M	DESCRIPTION	VENDOR NO.
1	125582-02-01A	EA	WINDOW - CAB - DRIVER - H573A2B27L	
2	125582-02-701	EA	SCREEN ASM - W/SEALS & CLIPS	410-026546
3	125582-02-702	EA	RETAINER - TRIM	H573-27L
4	125582-02-700	EA	GLASS-SLIDING W/SASH & LATCH	H573-A9L
5	125582-01-703	EA	GLASS - STATIONARY - LOWER	106-026083
6	098644-01-700	EA	LATCH - REPAIR KIT (BLACK)	B801-CK
7	125582-01-702	EA	GLASS - STATIONARY - UPPER	106-026082
	098644-01-705	FT	GLAZING - STRIP	132-010231
	098644-01-706	FT	WEATHERSTRIP - GLASS	171-010668
	098644-01-708	FT	CHANNEL - RUN PIERCED	122-016543
	098644-01-710	FT	TRACK - SCREEN SPACER 12'	132-017135
	098644-01-711	FT	WEATHERSTRIP - SCREEN BLACK	171-016965
	098644-01-716	FT	PLUG - FILLER	132-014470
	098644-01-717	FT	SPLINE - SCREEN	132-004716
	098644-01-719	EA	STOP - SLIDER GLASS	132-014203
	112520-01-706	EA	WEATHERSTRIP-SCREEN, (FUZZY)	171-017245
	125582-01-701	EA	CLIP - SCREEN - PLASTIC	130-005153

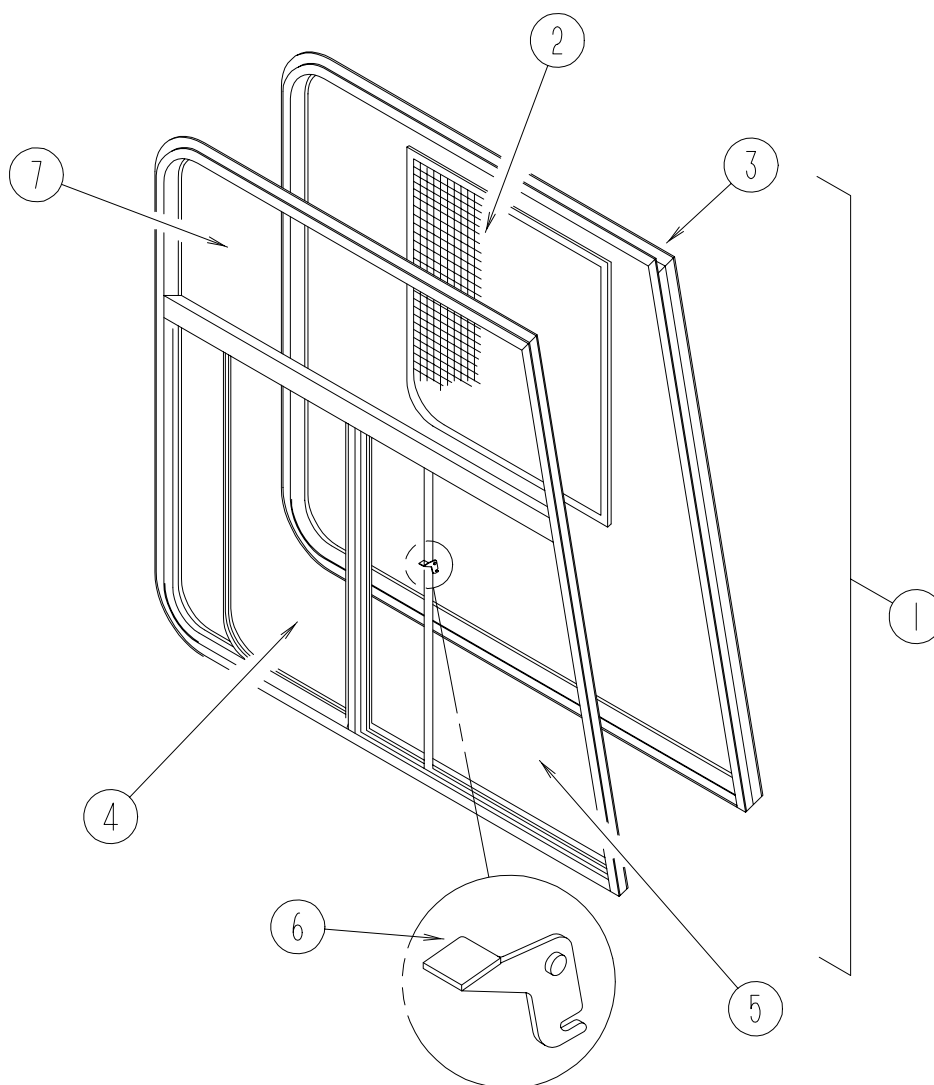
CAB WINDOW



PASSENGERS SIDE

KEY	PART NUMBER	U/M	DESCRIPTION	VENDOR NO.
1	125582-03-01A	EA	WINDOW - CAB - PASSENGER	
2	125582-03-703	EA	SCREEN ASM - W/SEALS & CLIPS	410-026543
3	125582-03-704	EA	RETAINER - TRIM	H56727R
4	125582-03-702	EA	GLASS - SLIDING - W/SASH & LATCH	H567A9R
5	125582-03-701	EA	GLASS - STATIONARY	106026060
6	098644-01-700	EA	LATCH - REPAIR KIT (BLACK)	B801-CK
7	125582-03-700	EA	GLASS - STATIONARY	106026059
	098644-01-716	EA	PLUG - FILLER	132-014470
	098644-01-705	EA	GLAZING - STRIP	132-010231
	098644-01-706	EA	WEATHERSTRIP - GLASS	171-010668
	098644-01-708	EA	CHANNEL - RUN PIERCED	122-016543
	098644-01-710	EA	TRACK - SCREEN SPACER 12'	132-017135
	098644-01-711	EA	WEATHERSTRIP - SCREEN BLACK	171-016965
	098644-01-717	EA	SPLINE - SCREEN	132-004716
	098644-01-719	EA	STOP - SLIDER GLASS	132-014203
	112520-01-706	EA	WEATHERSTRIP - SCREEN - (FUZZY)	171-017245
	125582-01-701	EA	CLIP - SCREEN - PLASTIC	130005153

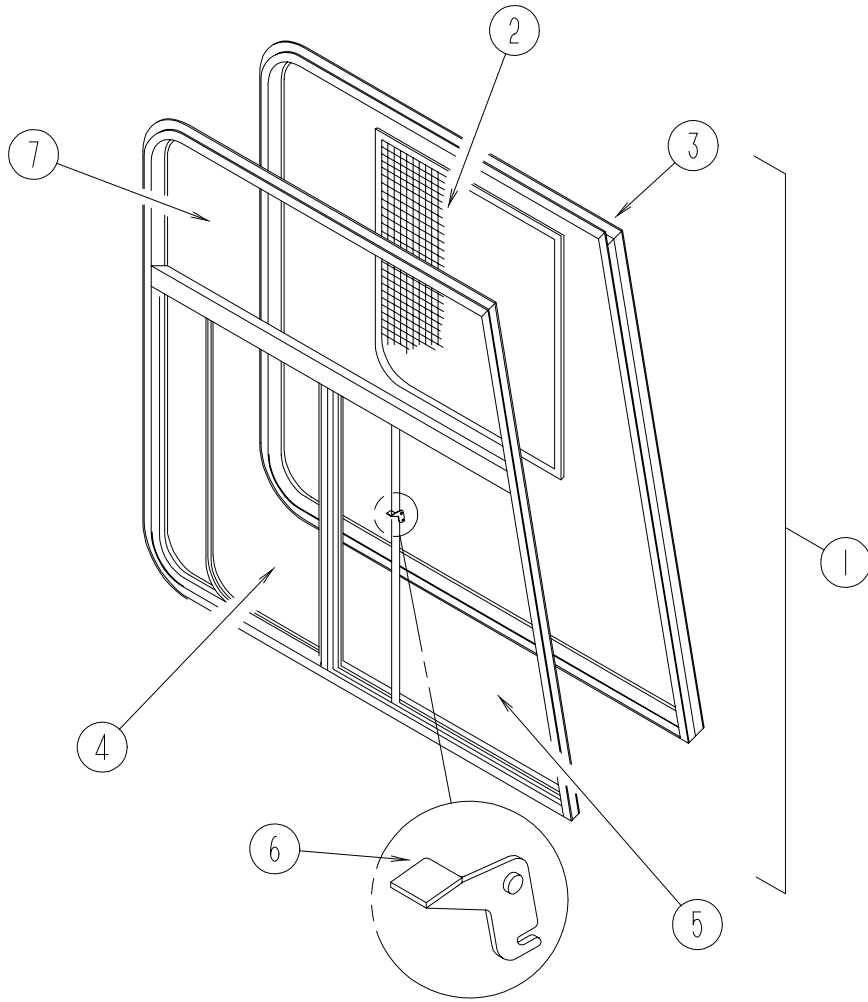
CAB WINDOW



DRIVERS SIDE

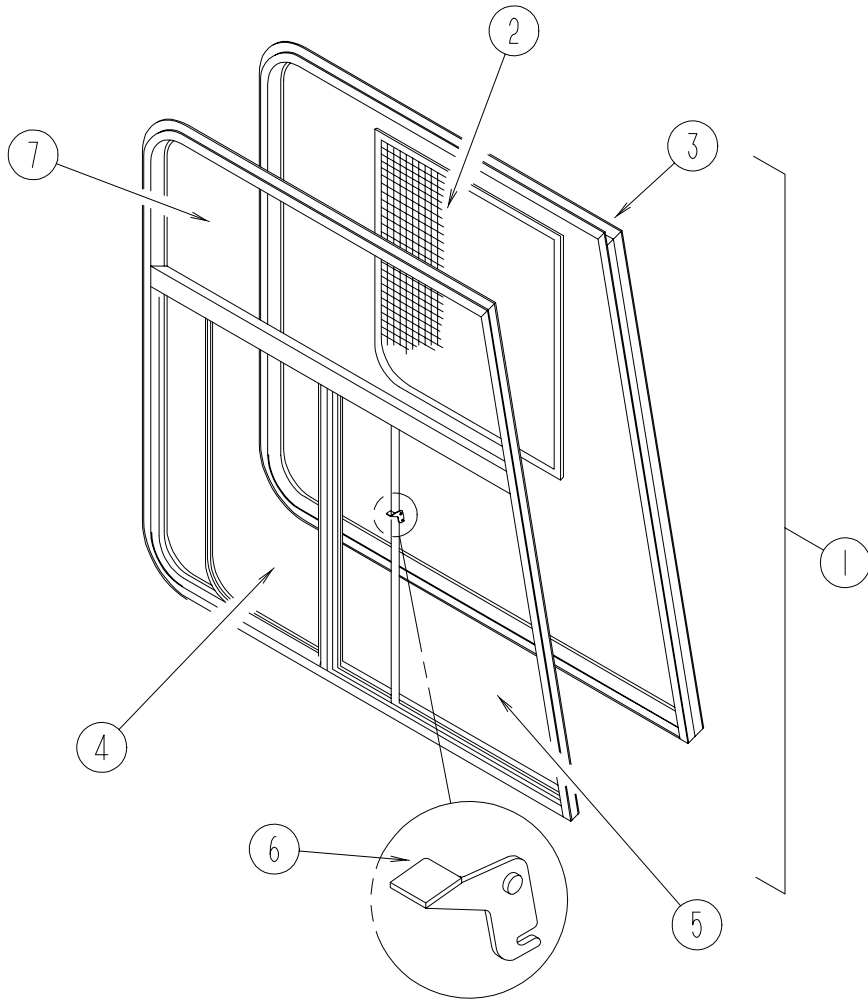
KEY	PART NUMBER	U/M	DESCRIPTION	VENDOR NO.
1	125582-04-01A	EA	WINDOW - CAB - DRIVER - H567A2B27L	
2	125582-04-701	EA	SCREEN ASM - W/SEALS & CLIPS	410-026544
3	125582-04-702	EA	RETAINER - TRIM	H567-27L
4	125582-04-700	EA	GLASS-SLIDING W/SASH & LATCH	H567-A9L
5	125582-03-701	EA	GLASS - STATIONARY	106-026060
6	098644-01-700	EA	LATCH - REPAIR KIT (BLACK)	B801-CK
7	125582-03-700	EA	GLASS - STATIONARY - TOP	106-026059
	098644-01-705	FT	GLAZING - STRIP	132-010231
	098644-01-706	FT	WEATHERSTRIP - GLASS	171-010668
	098644-01-708	FT	CHANNEL - RUN PIERCED	122-016543
	098644-01-710	FT	TRACK - SCREEN SPACER 12'	132-017135
	098644-01-711	FT	WEATHERSTRIP - SCREEN BLACK	171-016965
	098644-01-716	FT	PLUG - FILLER	132-014470
	098644-01-717	FT	SPLINE - SCREEN	132-004716
	098644-01-719	EA	STOP - SLIDER GLASS	132-014203
	112520-01-706	EA	WEATHERSTRIP-SCREEN, (FUZZY)	171-017245
	125582-01-701	EA	CLIP - SCREEN - PLASTIC	130-005153

**CAB WINDOW
PASSENGER SIDE**



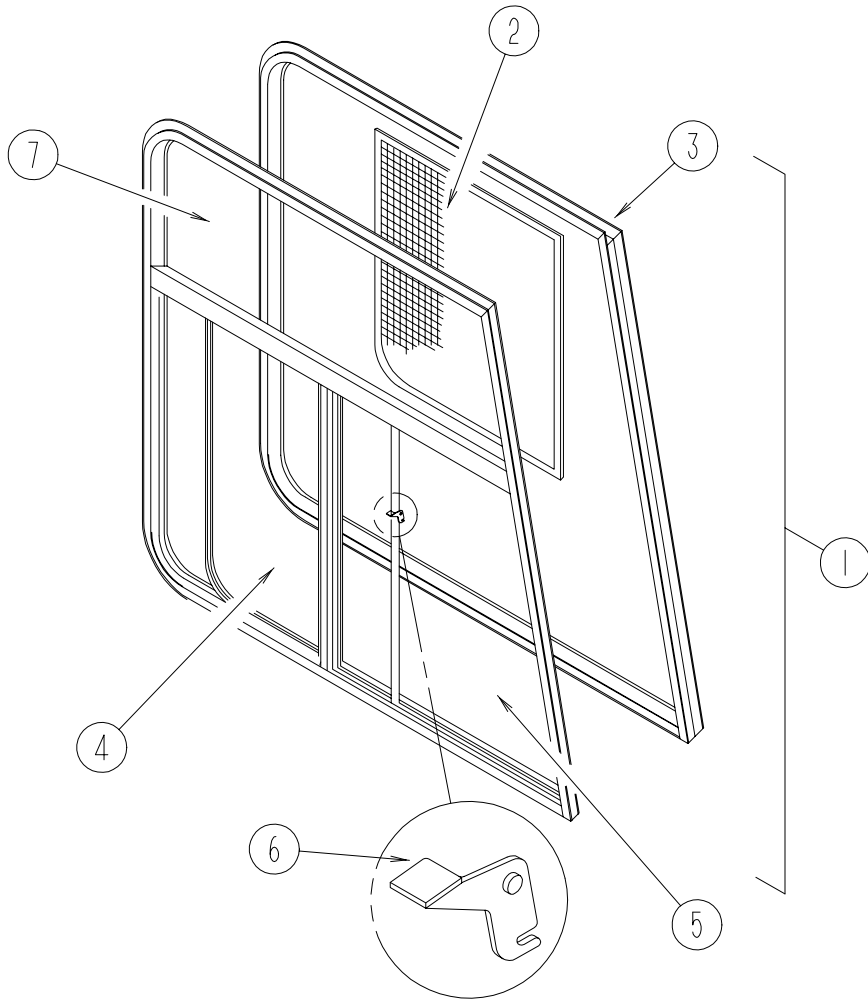
KEY	PART NUMBER	U/M	DESCRIPTION	VENDOR NO.
1	125582-07-01A	EA	WINDOW - CAB - PASSENGER - H574A2B27R	
2	125582-01-705	EA	SCREEN ASM - W/SEALS & CLIPS	410-026545
3	125582-07-701	EA	RETAINER - TRIM	H574-27R
5	125582-01-703	EA	GLASS - STATIONARY - LOWER	106-026083
6	098644-01-700	EA	LATCH - REPAIR KIT (BLACK)	B801-CK
7	125582-07-700	EA	GLASS - STATIONARY	106-026085
	098644-01-705	FT	GLAZING - STRIP	132-010231
	098644-01-706	FT	WEATHERSTRIP - GLASS	171-010668
	098644-01-708	FT	CHANNEL - RUN PIERCED	122-016543
	098644-01-710	FT	TRACK - SCREEN SPACER 12'	132-017135
	098644-01-711	FT	WEATHERSTRIP - SCREEN BLACK	171-016965
	098644-01-716	FT	PLUG - FILLER	132-014470
	098644-01-717	FT	SPLINE - SCREEN	132-004716
	098644-01-719	EA	STOP - SLIDER GLASS	132-014203
	112520-01-706	EA	WEATHERSTRIP-SCREEN, (FUZZY)	171-017245
	125582-01-701	EA	CLIP - SCREEN - PLASTIC	130-005153

**CAB WINDOW
DRIVERS SIDE**



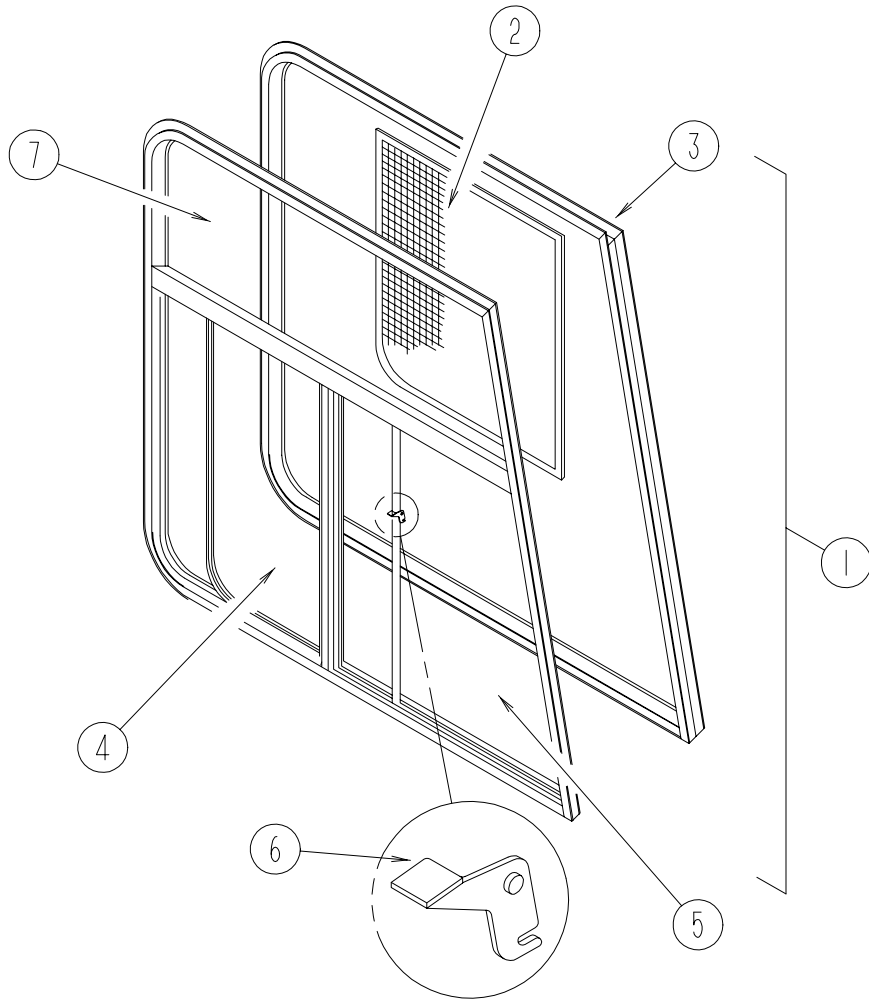
KEY	PART NUMBER	U/M	DESCRIPTION	VENDOR NO.
1	125582-08-01A	EA	WINDOW - CAB - DRIVER - H574A2B27L	
2	125582-02-701	EA	SCREEN ASM - W/SEALS & CLIPS	410-026546
3	125582-07-701	EA	RETAINER - TRIM	H574-27R
4	125582-02-700	EA	GLASS-SLIDING W/SASH & LATCH	H573-A9L
5	125582-01-703	EA	GLASS - STATIONARY - LOWER	106-026083
6	098644-01-700	EA	LATCH - REPAIR KIT (BLACK)	B801-CK
7	125582-07-700	EA	GLASS - STATIONARY	106-026085
	098644-01-705	FT	GLAZING - STRIP	132-010231
	098644-01-706	FT	WEATHERSTRIP - GLASS	171-010668
	098644-01-708	FT	CHANNEL - RUN PIERCED	122-016543
	098644-01-710	FT	TRACK - SCREEN SPACER 12'	132-017135
	098644-01-711	FT	WEATHERSTRIP - SCREEN BLACK	171-016965
	098644-01-716	FT	PLUG - FILLER	132-014470
	098644-01-717	FT	SPLINE - SCREEN	132-004716
	098644-01-719	EA	STOP - SLIDER GLASS	132-014203
	112520-01-706	EA	WEATHERSTRIP-SCREEN, (FUZZY)	171-017245
	125582-01-701	EA	CLIP - SCREEN - PLASTIC	130-005153

**CAB WINDOW
PASSENGER SIDE**



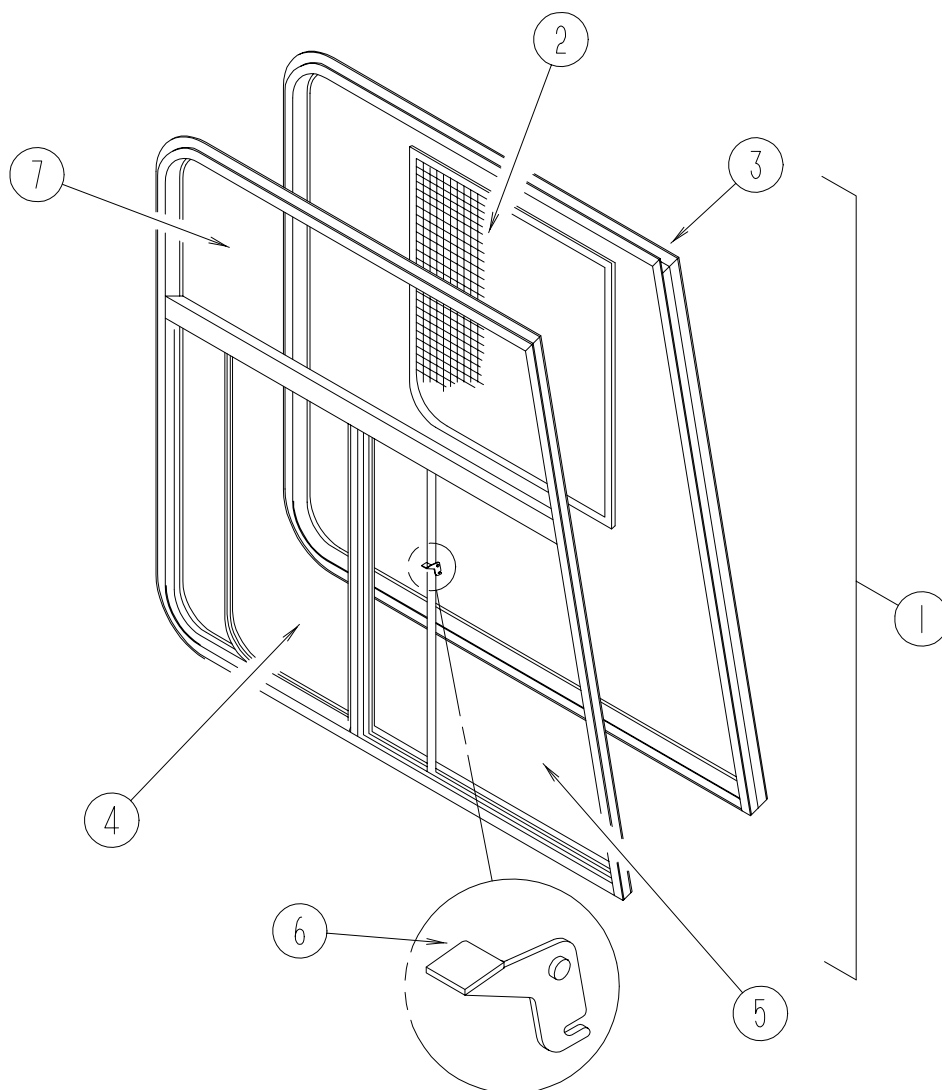
KEY	PART NUMBER	U/M	DESCRIPTION	VENDOR NO.
1	125582-09-01A	EA	WINDOW - PASSENGER CAB - 3 WINDOW - 34.7"T X 37"H X 51.6"B	
2	125582-03-703	EA	SCREEN ASM - W/SEALS & CLIPS	410-026543
3	125582-09-701	EA	RETAINER - TRIM	H575-27R
4	125582-03-702	EA	GLASS-SLIDING W/SASH & LATCH	H567-A9R
5	125582-01-700	EA	GLASS - STATIONARY	106-026086
6	098644-01-700	EA	LATCH - REPAIR KIT (BLACK)	B801-CK
7	125582-03-701	EA	GLASS - STATIONARY	106-026060
	098644-01-705	FT	GLAZING - STRIP	132-010231
	098644-01-706	FT	WEATHERSTRIP - GLASS	171-010668
	098644-01-708	FT	CHANNEL - RUN PIERCED	122-016543
	098644-01-710	FT	TRACK - SCREEN SPACER 12'	132-017135
	098644-01-711	FT	WEATHERSTRIP - SCREEN BLACK	171-016965
	098644-01-716	FT	PLUG - FILLER	132-014470
	098644-01-717	FT	SPLINE - SCREEN	132-004716
	098644-01-719	EA	STOP - SLIDER GLASS	132-014203
	112520-01-706	EA	WEATHERSTRIP-SCREEN, (FUZZY)	171-017245
	125582-01-701	EA	CLIP - SCREEN - PLASTIC	130-005153
	125582-01-708	EA	WEEPHOLE COVER - RIGHT HAND	130-026598
	125582-01-709	EA	WEEPHOLE COVER - LEFT HAND	130-026599

**CAB WINDOW
PASSENGER SIDE**



KEY	PART NUMBER	U/M	DESCRIPTION	VENDOR NO.
1	125582-10-01A	EA	WINDOW - DRIVER CAB/3 WINDOW - 34.7"T X 37"H X 51.6"B	
2	125582-04-701	EA	SCREEN ASM - W/SEALS & CLIPS	410-026544
3	125582-10-701	EA	RETAINER - TRIM	H575-27L
4	125582-04-700	EA	GLASS-SLIDING W/SASH & LATCH	H567-A9L
5	125582-09-700	EA	GLASS - STATIONARY	106-026086
6	098644-01-700	EA	LATCH - REPAIR KIT (BLACK)	B801-CK
7	125582-03-701	EA	GLASS - STATIONARY	106-026060
	098644-01-705	FT	GLAZING - STRIP	132-010231
	098644-01-706	FT	WEATHERSTRIP - GLASS	171-010668
	098644-01-708	FT	CHANNEL - RUN PIERCED	122-016543
	098644-01-710	FT	TRACK - SCREEN SPACER 12'	132-017135
	098644-01-711	FT	WEATHERSTRIP - SCREEN BLACK	171-016965
	098644-01-716	FT	PLUG - FILLER	132-014470
	098644-01-717	FT	SPLINE - SCREEN	132-004716
	098644-01-719	EA	STOP - SLIDER GLASS	132-014203
	112520-01-706	EA	WEATHERSTRIP-SCREEN, (FUZZY)	171-017245
	125582-01-701	EA	CLIP - SCREEN - PLASTIC	130-005153
	125582-01-708	EA	WEEPHOLE COVER - RIGHT HAND	130-026598
	125582-01-709	EA	WEEPHOLE COVER - LEFT HAND	130-026599

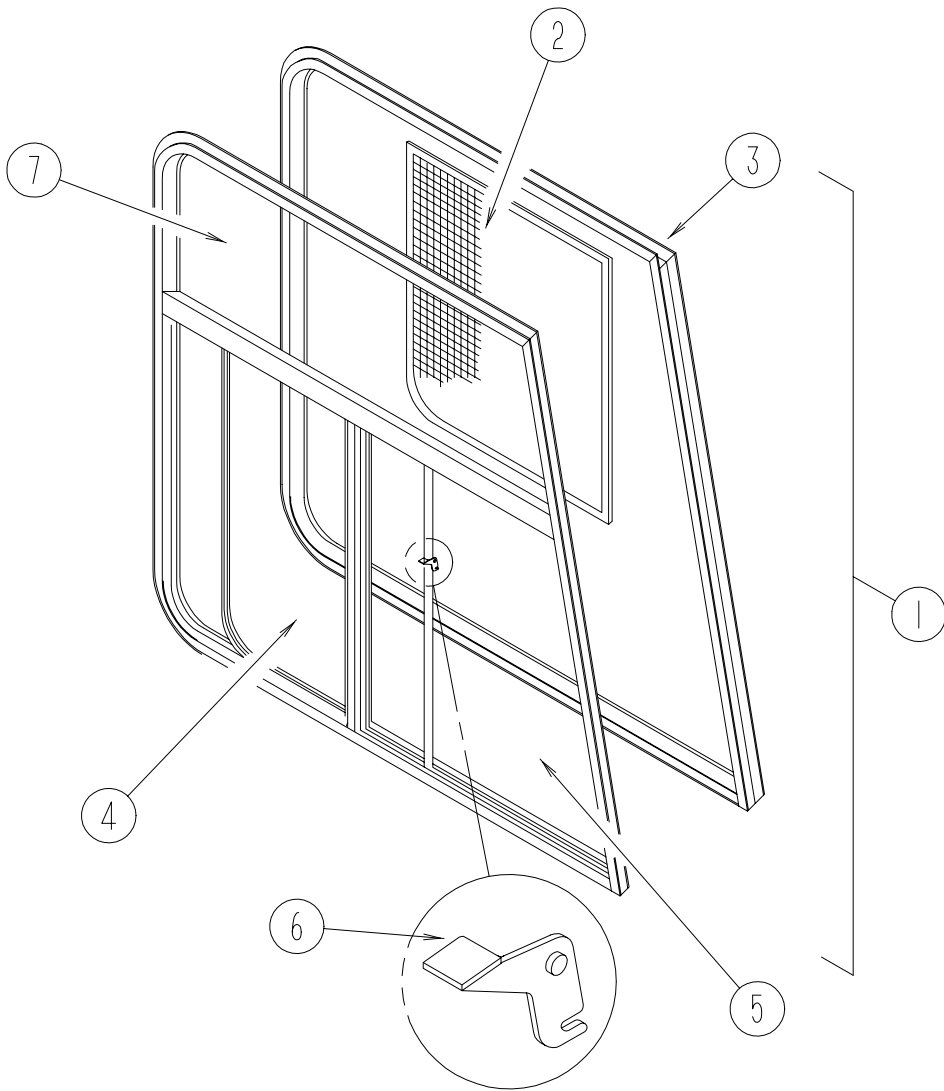
CAB WINDOW



PASSENGERS SIDE

KEY	PART NUMBER	U/M	DESCRIPTION	VENDOR NO.
1	125583-01-01A	EA	WINDOW - PASS CAB-3 GLASS THERMO- 42.9"X 51.2"B X 42.6"H	
2	125582-01-705	EA	SCREEN ASM - W/SEALS & CLIPS	H57303R
3	125582-01-706	EA	RETAINER - TRIM	H57327R
4	125583-01-700	EA	GLASS - SLIDING W/SASH & LATCH	DH573A9R
5	125583-01-702	EA	GLASS - STATIONARY	390026101
6	112795-01-700	EA	LATCH - BLACK - (BOLT ON)	DH287-CK
7	125583-01-701	EA	GLASS - STATIONARY	390026100
	098644-01-716	EA	PLUG - FILLER	132-014470
	098644-01-710	EA	TRACK - SCREEN SPACER 12'	132-017135
	098644-01-711	EA	WEATHERSTRIP - SCREEN BLACK	171-016965
	098644-01-713	EA	CLIP - SCREEN - METAL	226-016966
	098644-01-717	EA	SPLINE - SCREEN	132-004716
	112795-01-701	EA	SLIDE - STOP	132-019092
	112795-01-703	EA	CHANNEL - RUN - (INCHES)	122-018736
	112795-01-704	EA	PLUG - FILLER - (DOUBLE GLAZED)	122-018737
	125582-01-701	EA	CLIP - SCREEN - PLASTIC	130005153

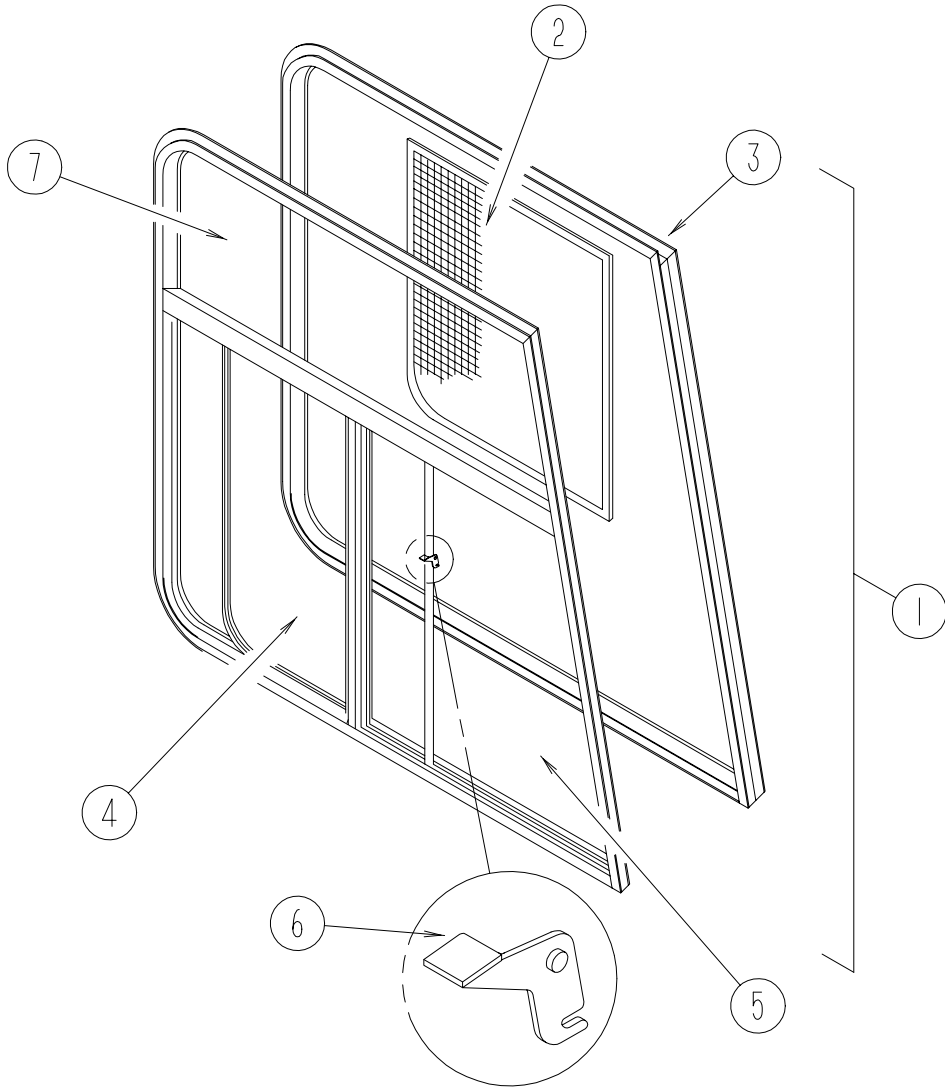
CAB WINDOW



DRIVERS SIDE

KEY	PART NUMBER	U/M	DESCRIPTION	VENDOR NO.
1	125583-02-01A	EA	WINDOW - DRVR CAB-3 GLASS THERMO-42.9" T X 51.2" B X 42.6" H	DH573A2B27L
2	125582-02-701	EA	SCREEN ASM - W/SEALS & CLIPS	410-026546
3	125582-02-702	EA	RETAINER - TRIM	H573-27L
4	125583-02-700	EA	GLASS-SLIDING W/SASH & LATCH	DH573-A9L
5	125583-02-701	EA	GLASS - STATIONARY	390-026102
6	112795-01-700	EA	LATCH ASM., BLK., (BOLT ON)	DH287-CK
7	125583-01-701	EA	GLASS - STATIONARY - UPPER	390-026100
	098644-01-706	FT	WEATHERSTRIP - GLASS	171-010668
	098644-01-710	FT	TRACK - SCREEN SPACER 12'	132-017135
	098644-01-711	FT	WEATHERSTRIP - SCREEN BLACK	171-016965
	098644-01-713	EA	CLIP - SCREEN - METAL	226-016966
	098644-01-717	FT	SPLINE - SCREEN	132-004716
	112795-01-701	EA	SLIDE-STOP	132-019092
	112795-01-703	IN	CHANNEL-RUN (INCHES)	122-018736
	112795-01-704	FT	PLUG FILLER (DOUBLE GLAZED)	122-018737
	112795-01-705	FT	VINYL - GLAZING	132-025736
	125582-01-701	EA	CLIP - SCREEN - PLASTIC	130-005153

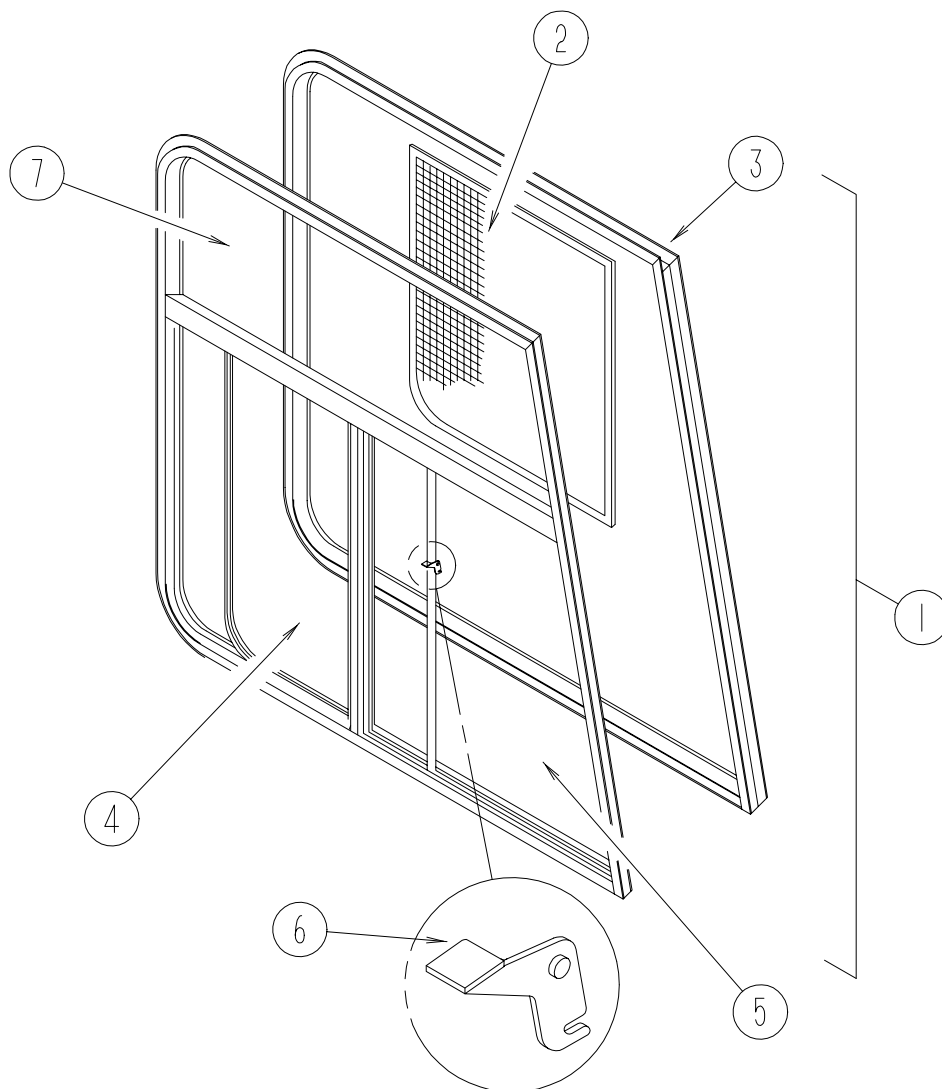
CAB WINDOW



PASSENGERS SIDE

KEY	PART NUMBER	U/M	DESCRIPTION	VENDOR NO.
1	125583-03-01A	EA	WINDOW - PASS CAB-3 GLASS THERMO- 31.8"T X 51.6"B X 42.6"H	
2	125582-03-703	EA	SCREEN ASM - W/SEALS & CLIPS	H56703R
3	125582-03-704	EA	RETAINER - TRIM	H56727R
4	125583-03-700	EA	GLASS - SLIDING - W/SASH & LATCH	DH567A9R
5	125583-03-702	EA	GLASS - STATIONARY	390026094
6	112795-01-700	EA	LATCH - BLACK - (BOLT ON)	DH287-CK
7	125583-03-701	EA	GLASS - STATIONARY	390026093
	098644-01-706	EA	WEATHERSTRIP - GLASS	171-010668
	098644-01-710	EA	TRACK - SCREEN SPACER 12'	132-017135
	098644-01-711	EA	WEATHERSTRIP - SCREEN BLACK	171-016965
	098644-01-713	EA	CLIP - SCREEN - METAL	226-016966
	098644-01-717	EA	SPLINE - SCREEN	132-004716
	112795-01-701	EA	SLIDE - STOP	132-019092
	112795-01-703	EA	CHANNEL - RUN - (INCHES)	122-018736
	112795-01-704	EA	PLUG - FILLER - (DOUBLE GLAZED)	122-018737
	125582-01-701	EA	CLIP - SCREEN - PLASTIC	130005153

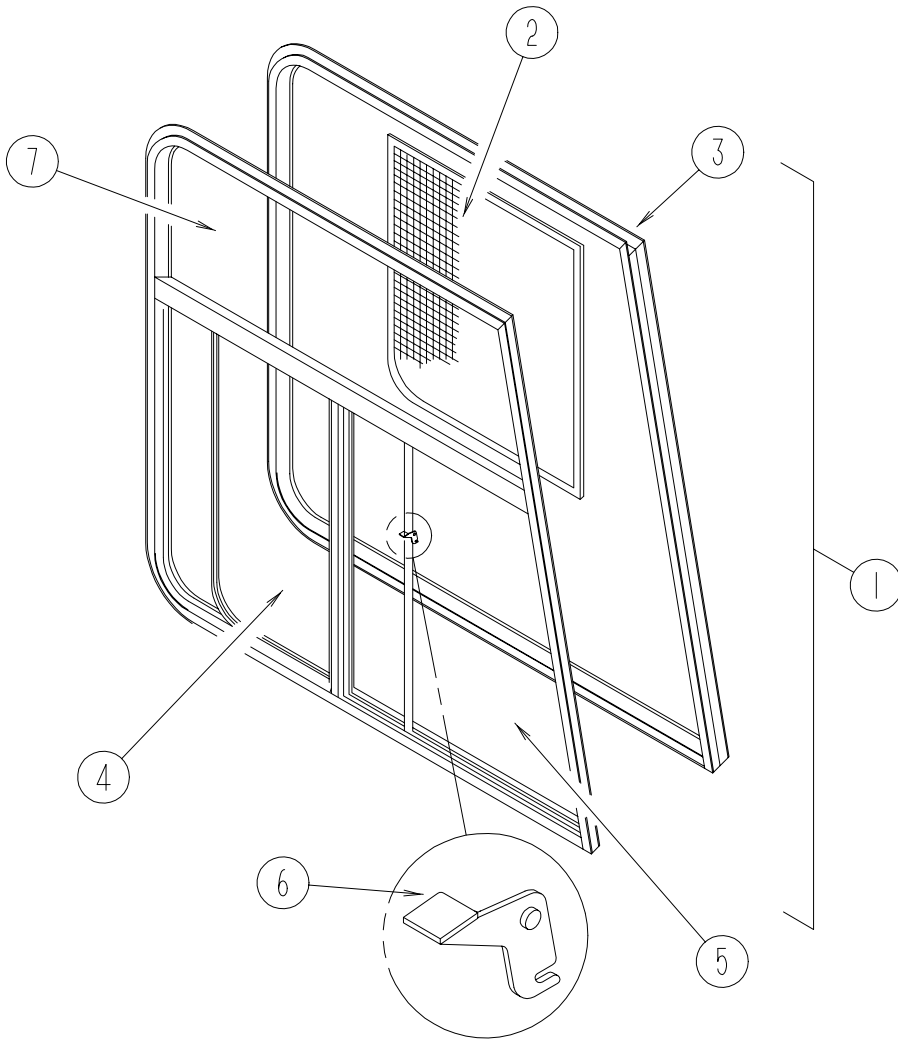
CAB WINDOW



DRIVERS SIDE

KEY	PART NUMBER	U/M	DESCRIPTION	VENDOR NO.
1	125583-04-01A	EA	WINDOW - DRVR CAB-3 GLASS THERMO-31.8" T X 51.6" B X 42.6" H	I,BSMT
2	125582-04-701	EA	SCREEN ASM - W/SEALS & CLIPS	410-026544
3	125582-04-702	EA	RETAINER - TRIM	H567-27L
4	125583-04-700	EA	GLASS-SLIDING W/SASH & LATCH	DH567-A9L
5	125583-04-701	EA	GLASS - STATIONARY	390-026095
6	112795-01-700	EA	LATCH ASM., BLK.,(BOLT ON)	DH287-CK
7	125583-03-701	EA	GLASS - STATIONARY - UPPER	390-026093
	098644-01-706	FT	WEATHERSTRIP - GLASS	171-010668
	098644-01-710	FT	TRACK - SCREEN SPACER 12'	132-017135
	098644-01-711	FT	WEATHERSTRIP - SCREEN BLACK	171-016965
	098644-01-713	EA	CLIP - SCREEN - METAL	226-016966
	098644-01-717	FT	SPLINE - SCREEN	132-004716
	112795-01-701	EA	SLIDE-STOP	132-019092
	112795-01-703	IN	CHANNEL-RUN (INCHES)	122-018736
	112795-01-704	FT	PLUG FILLER (DOUBLE GLAZED)	122-018737
	112795-01-705	FT	VINYL - GLAZING	132-025736
	125582-01-701	EA	CLIP - SCREEN - PLASTIC	130-005153

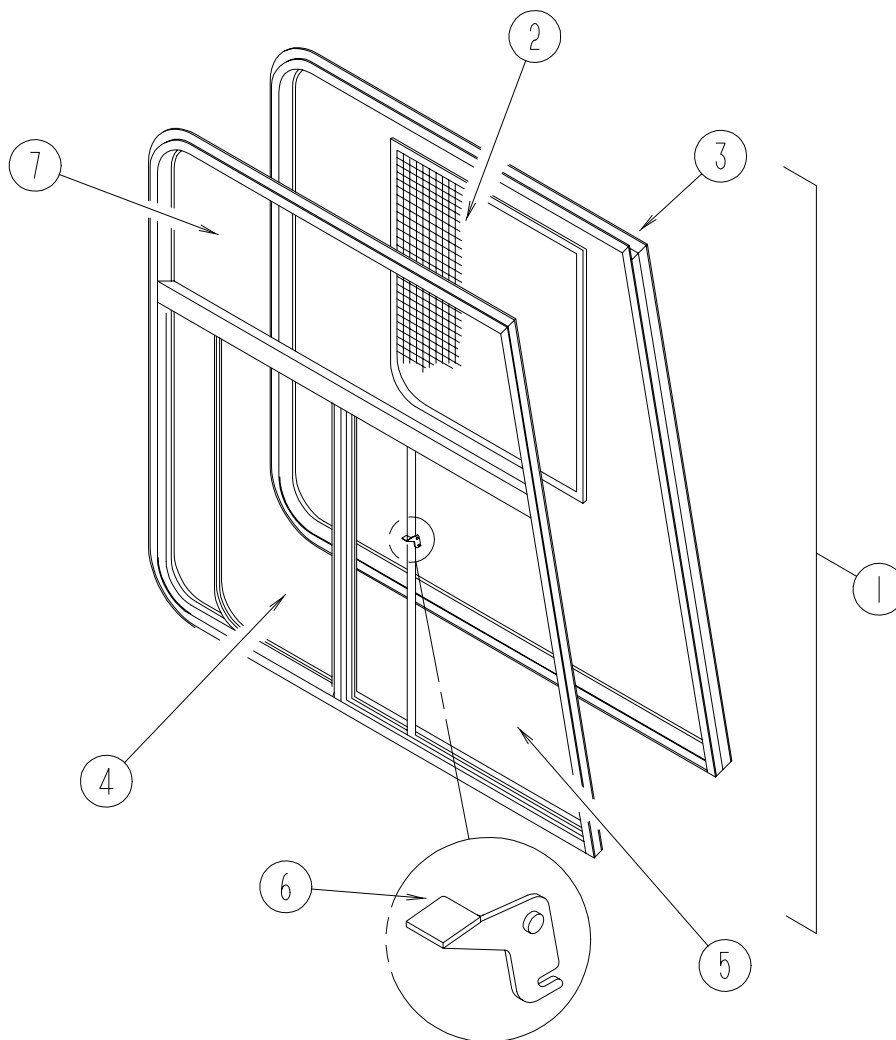
THERMO CAB WINDOW



PASSENGERS SIDE

KEY	PART NUMBER	U/M	DESCRIPTION	VENDOR NO.
1	125583-07-01A	EA	WINDOW - PASS CAB-3 GLASS THERMO-44.2"T X 51.2"B X 37"H	410-026545
2	125582-01-705	EA	SCREEN ASM - W/SEALS & CLIPS	H574-27R
3	125582-07-701	EA	RETAINER - TRIM	DH573-A9R
4	125583-01-700	EA	GLASS-SLIDING W/SASH & LATCH	390-026101
5	125583-01-702	EA	GLASS - STATIONARY - R.H.	DH287-CK
6	112795-01-700	EA	LATCH ASM., BLK.,(BOLT ON)	390-026287
7	125583-08-700	EA	GLASS - STATIONARY/TOP	171-010668
	098644-01-706	FT	WEATHERSTRIP - GLASS	132-017135
	098644-01-710	FT	TRACK - SCREEN SPACER 12'	171-016965
	098644-01-711	FT	WEATHERSTRIP - SCREEN BLACK	226-016966
	098644-01-713	EA	CLIP - SCREEN - METAL	132-004716
	098644-01-717	FT	SPLINE - SCREEN	132-019092
	112795-01-701	EA	SLIDE-STOP	122-018736
	112795-01-703	IN	CHANNEL-RUN (INCHES)	122-018737
	112795-01-704	FT	PLUG FILLER (DOUBLE GLAZED)	132-025736
	112795-01-705	FT	VINYL - GLAZING	130-005153
	125582-01-701	EA	CLIP - SCREEN - PLASTIC	

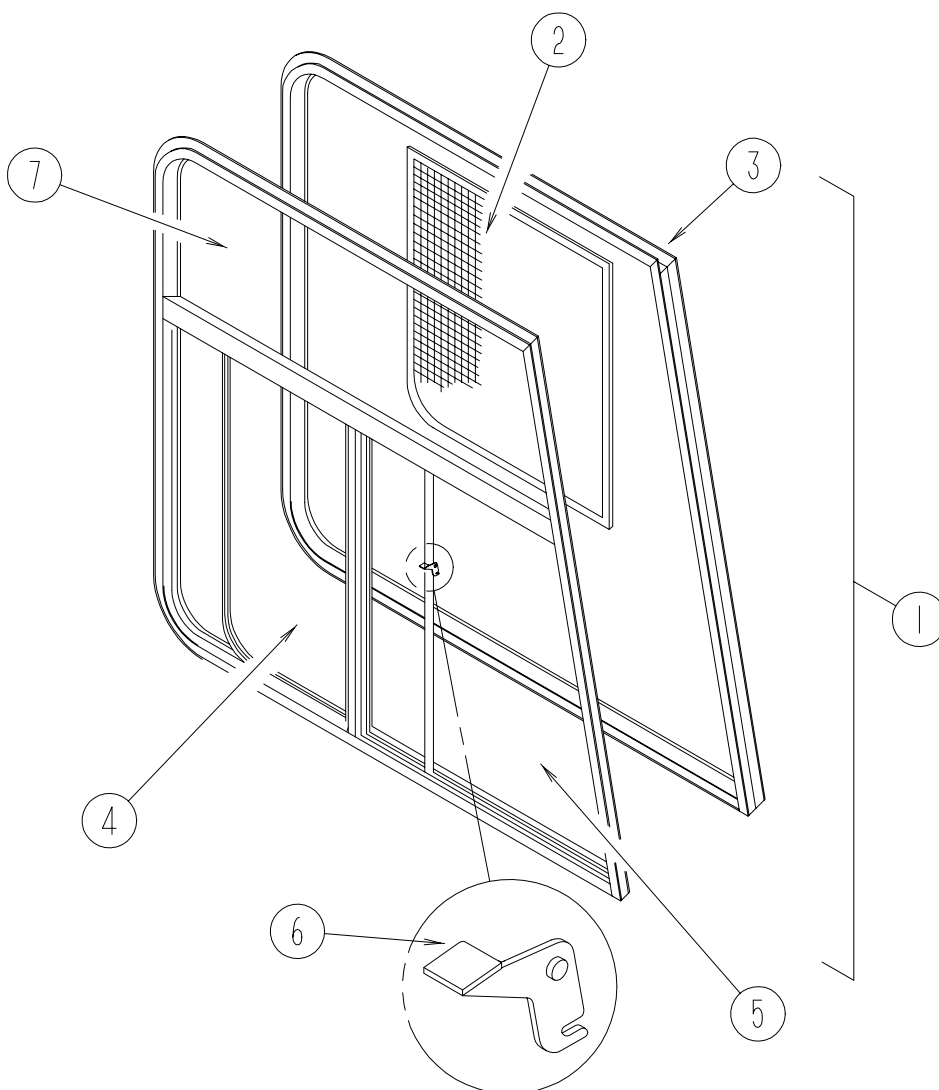
THERMO CAB WINDOW



DRIVERS SIDE

KEY	PART NUMBER	U/M	DESCRIPTION	VENDOR NO.
1	125583-08-01A	EA	WINDOW - DRVR CAB-3 GLASS THERMO-44.2"T X 51.2"B X 37"H	410-026546
2	125582-02-701	EA	SCREEN ASM - W/SEALS & CLIPS	H567-27L
3	125582-04-702	EA	RETAINER - TRIM	DH573-A9L
4	125583-02-700	EA	GLASS-SLIDING W/SASH & LATCH	390-026102
5	125583-02-701	EA	GLASS - STATIONARY	DH287-CK
6	112795-01-700	EA	LATCH ASM., BLK.,(BOLT ON)	390-026287
7	125583-08-700	EA	GLASS - STATIONARY/TOP	171-010668
	098644-01-706	FT	WEATHERSTRIP - GLASS	132-017135
	098644-01-710	FT	TRACK - SCREEN SPACER 12'	171-016965
	098644-01-711	FT	WEATHERSTRIP - SCREEN BLACK	226-016966
	098644-01-713	EA	CLIP - SCREEN - METAL	132-004716
	098644-01-717	FT	SPLINE - SCREEN	132-019092
	112795-01-701	EA	SLIDE-STOP	122-018736
	112795-01-703	IN	CHANNEL-RUN (INCHES)	122-018737
	112795-01-704	FT	PLUG FILLER (DOUBLE GLAZED)	132-025736
	112795-01-705	FT	VINYL - GLAZING	130-005153
	125582-01-701	EA	CLIP - SCREEN - PLASTIC	

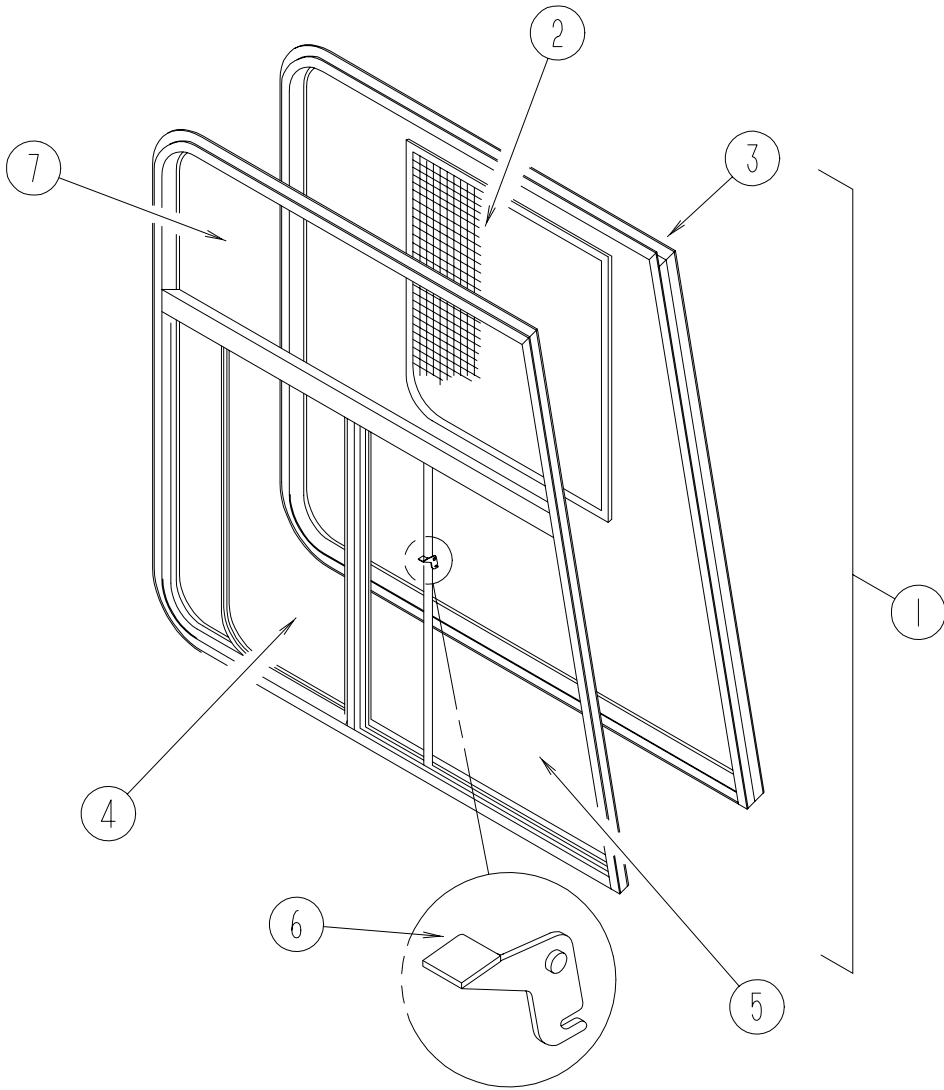
CAB WINDOW



PASSENGERS SIDE

KEY	PART NUMBER	U/M	DESCRIPTION	VENDOR NO.
1	125583-09-01A	EA	WINDOW - CAB PASS-3 GLASS THERMO- 34.7"T X 51.6"B X 37"H	
2	125582-03-703	EA	SCREEN ASM - W/SEALS & CLIPS	410-026543
3	125582-09-701	EA	RETAINER - TRIM	H575-27R
4	125583-03-700	EA	GLASS - SLIDING - W/SASH & LATCH	DH567-A9R
5	125583-09-700	EA	GLASS - STATIONARY	390-026323
6	112795-01-700	EA	LATCH - BLACK - (BOLT ON)	DH287-CK
7	125583-03-702	EA	GLASS - STATIONARY	390-026094
	098644-01-706	EA	WEATHERSTRIP - GLASS	171-010668
	098644-01-710	EA	TRACK - SCREEN SPACER 12'	132-017135
	098644-01-711	EA	WEATHERSTRIP - SCREEN BLACK	171-016965
	098644-01-713	EA	CLIP - SCREEN - METAL	226-016966
	098644-01-717	EA	SPLINE - SCREEN	132-004716
	112795-01-701	EA	SLIDE - STOP	132-019092
	112795-01-703	EA	CHANNEL - RUN - (INCHES)	122-018736
	112795-01-704	EA	PLUG - FILLER - (DOUBLE GLAZED)	122-018737
	125582-01-701	EA	CLIP - SCREEN - PLASTIC	130-005153
	125582-01-708	EA	WEEPHOLE COVER - RIGHT HAND	130-026598
	125582-01-709	EA	WEEPHOLE COVER - LEFT HAND	130-026599

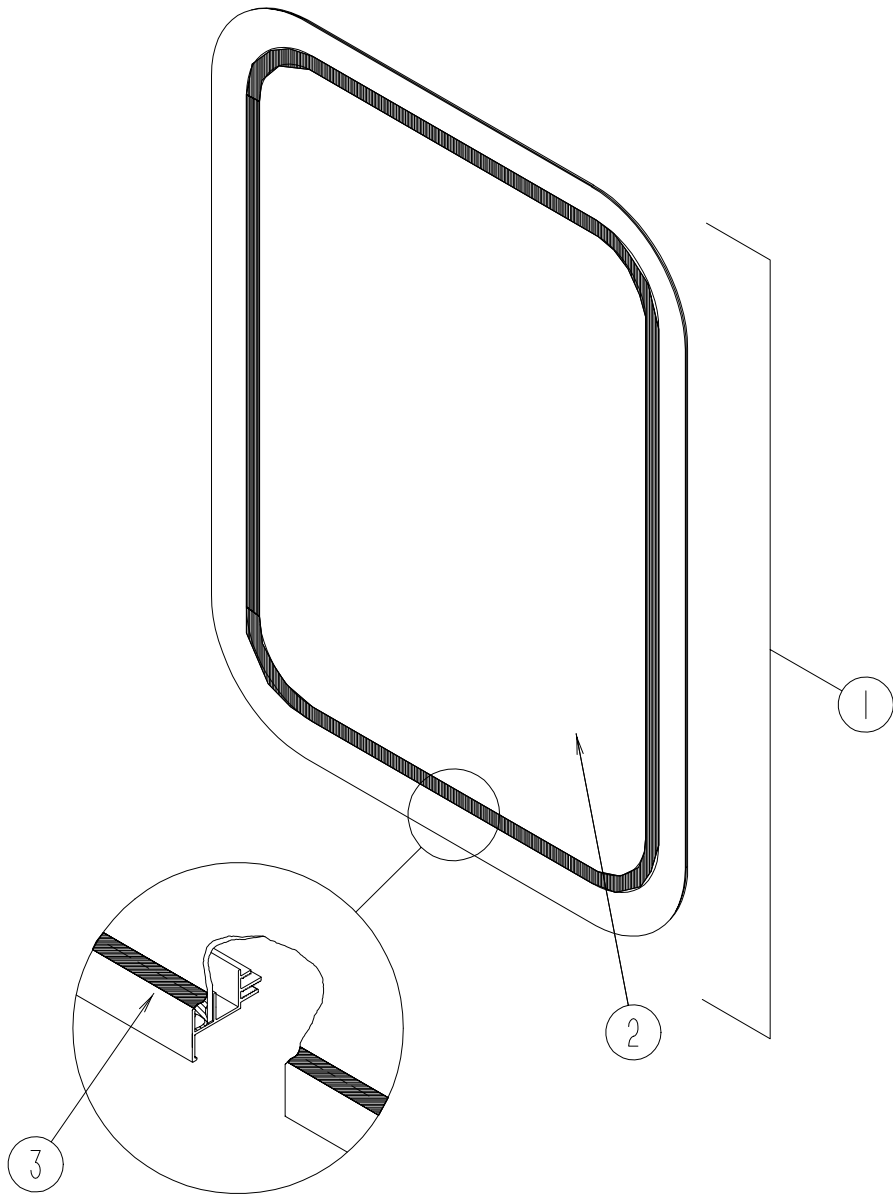
CAB WINDOW



PASSENGERS SIDE

KEY	PART NUMBER	U/M	DESCRIPTION	VENDOR NO.
1	125583-10-01A	EA	WINDOW-CAB DRVR-3 GLASS THERMO-34.7" T X 51.6" B X 37" H	410-026544
2	125582-04-701	EA	SCREEN ASM - W/SEALS & CLIPS	H575-27L
3	125582-10-700	EA	RETAINER - TRIM	DH567-A9L
4	125583-04-700	EA	GLASS - SLIDING - W/SASH & LATCH	390-026323
5	125583-09-700	EA	GLASS - STATIONARY	DH287-CK
6	112795-01-700	EA	LATCH - BLACK - (BOLT ON)	390-026095
7	125583-04-701	EA	GLASS - STATIONARY	171-010668
	098644-01-706	EA	WEATHERSTRIP - GLASS	132-017135
	098644-01-710	EA	TRACK - SCREEN SPACER 12'	171-016965
	098644-01-711	EA	WEATHERSTRIP - SCREEN BLACK	226-016966
	098644-01-713	EA	CLIP - SCREEN - METAL	132-004716
	098644-01-717	EA	SPLINE - SCREEN	132-019092
	112795-01-701	EA	SLIDE - STOP	122-018736
	112795-01-703	EA	CHANNEL - RUN - (INCHES)	122-018737
	112795-01-704	EA	PLUG - FILLER - (DOUBLE GLAZED)	130-005153
	125582-01-701	EA	CLIP - SCREEN - PLASTIC	130-026598
	125582-01-708	EA	WEEPHOLE COVER - RIGHT HAND	130-026599
	125582-01-709	EA	WEEPHOLE COVER - LEFT HAND	

THERMOPANE

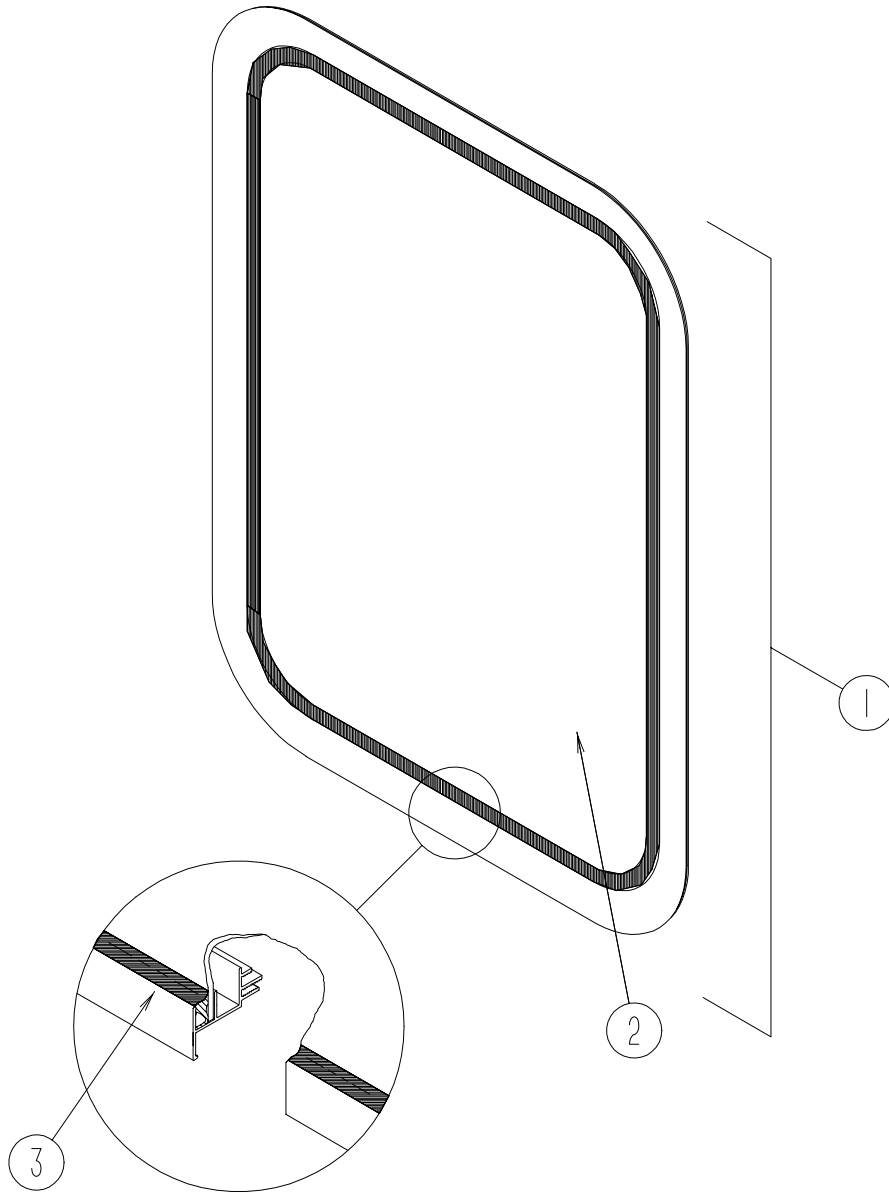


KEY	PART NUMBER	U/M	DESCRIPTION
1	113733-01-01A	EA	WINDOW - STATIONARY - THERMOPANE - 17" X 26.4"
2	113733-01-702	EA	GLASS - STATIONARY
3	112795-01-705	FT	VINYL-GLAZING

VENDOR NO.

390-019187
132-025736

THERMOPANE

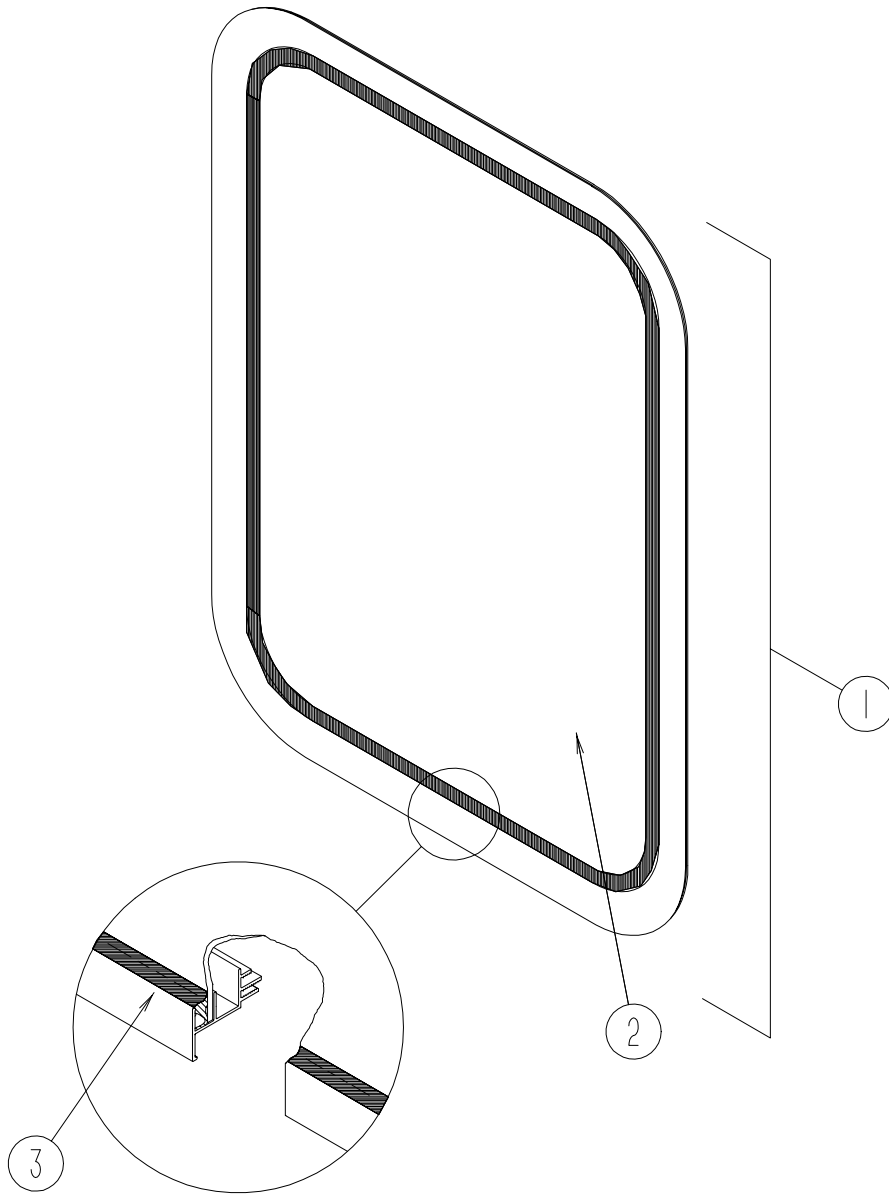


KEY	PART NUMBER	U/M	DESCRIPTION
1	113733-02-01A	EA	WINDOW - STATIONARY - THERMOPANE - 26.4" X 26.25"
2	113733-02-702	EA	GLASS - STATIONARY
3	112795-01-705	FT	VINYL-GLAZING

VENDOR NO.

390-019461
132-025736

THERMOPANE

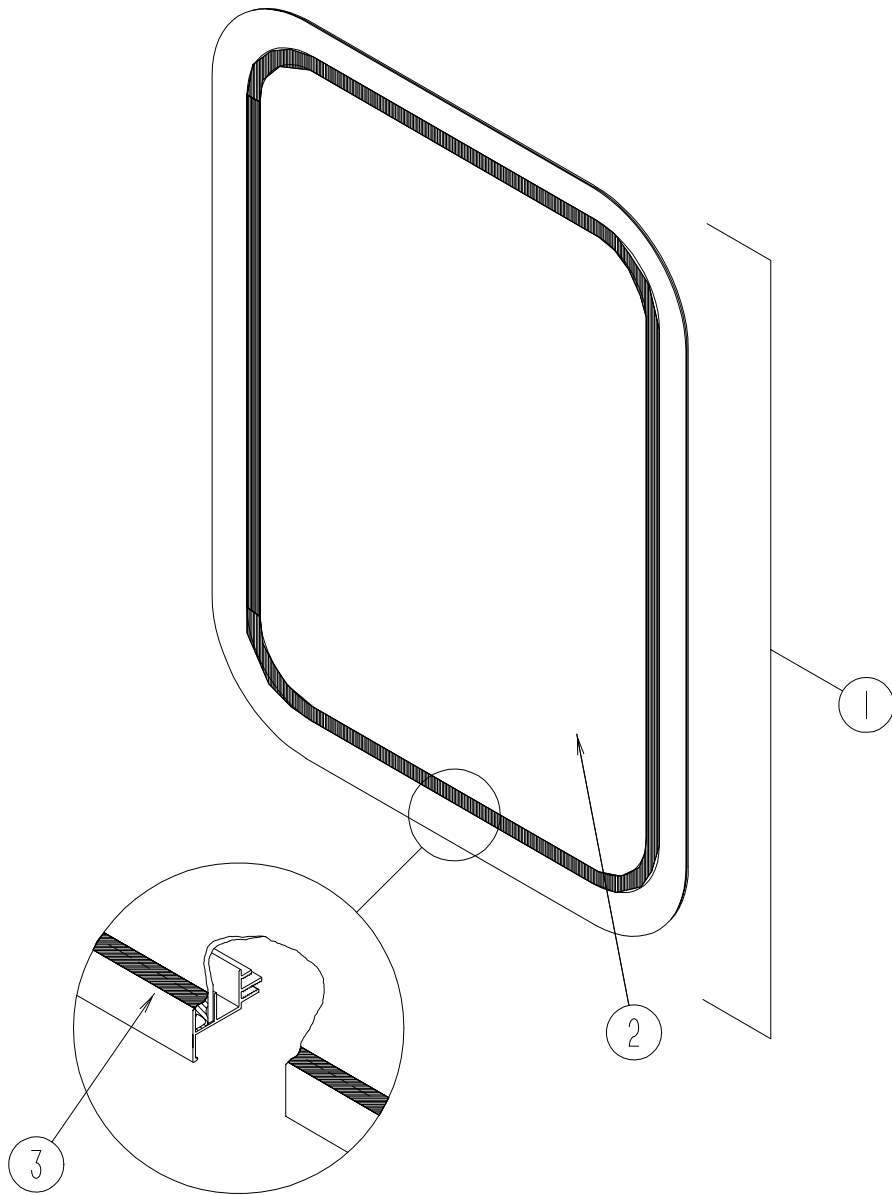


KEY	PART NUMBER	U/M	DESCRIPTION
1	113733-03-01A	EA	WINDOW - STATIONARY THERMOPANE - 26.4" X 17"
2	113733-03-700	EA	GLASS - STATIONARY
3	112795-01-705	FT	VINYL-GLAZING

VENDOR NO.

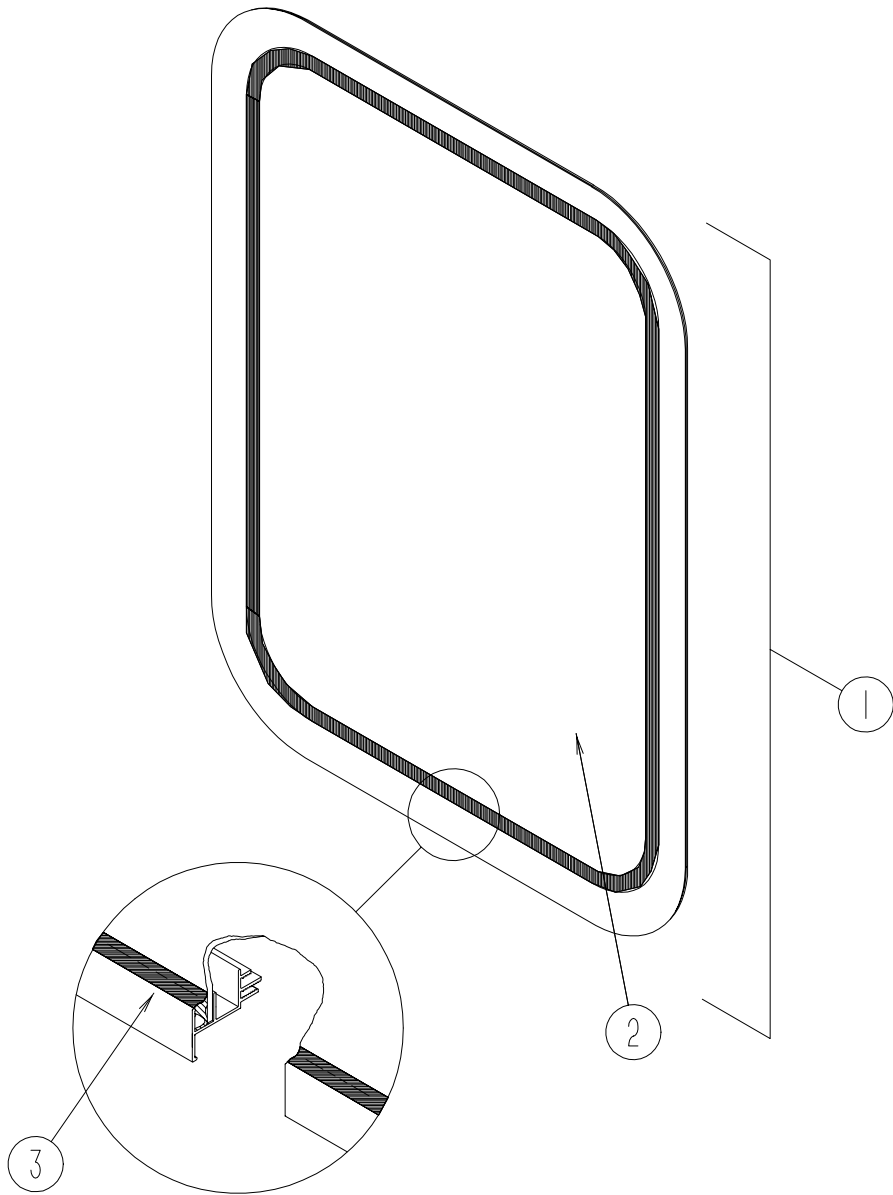
390-019685
132-025736

THERMOPANE



KEY	PART NUMBER	U/M	DESCRIPTION	VENDOR NO.
1	113733-04-01A	EA	WINDOW-STATIONARY THERMOPANE/EUROPEAN - 24.8" X 17.1"	
2	113733-04-701	EA	GLASS - STATIONARY	390-019687
3	112795-01-705	FT	VINYL-GLAZING	132-025736

THERMOPANE

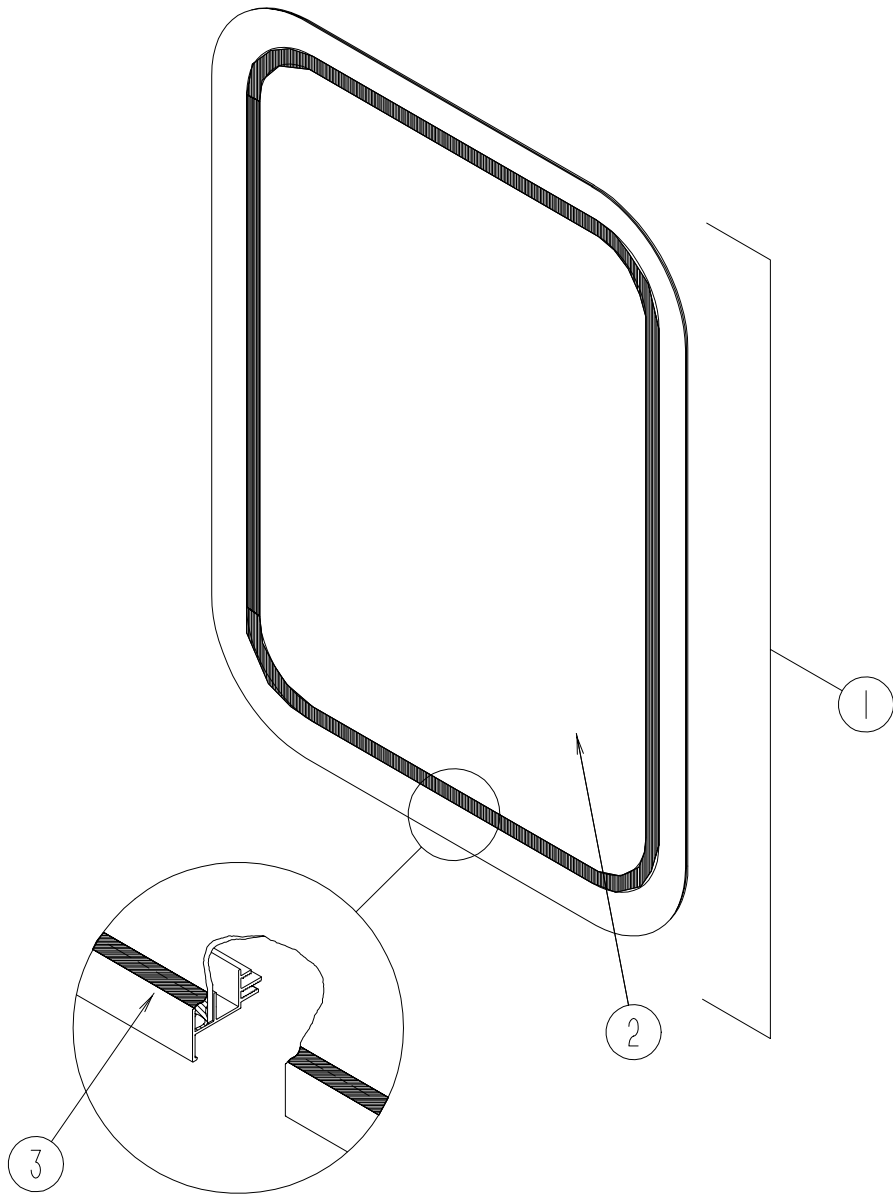


KEY	PART NUMBER	U/M	DESCRIPTION
1	113733-05-01A	EA	WINDOW - STATIONARY - THERMOPANE - 26.1" X 17"
2	113733-01-702	EA	GLASS - STATIONARY
3	112795-01-705	FT	VINYL-GLAZING
	113733-05-700	EA	RETAINER - TRIM

VENDOR NO.

390-019187
132-025736
W45559

THERMOPANE

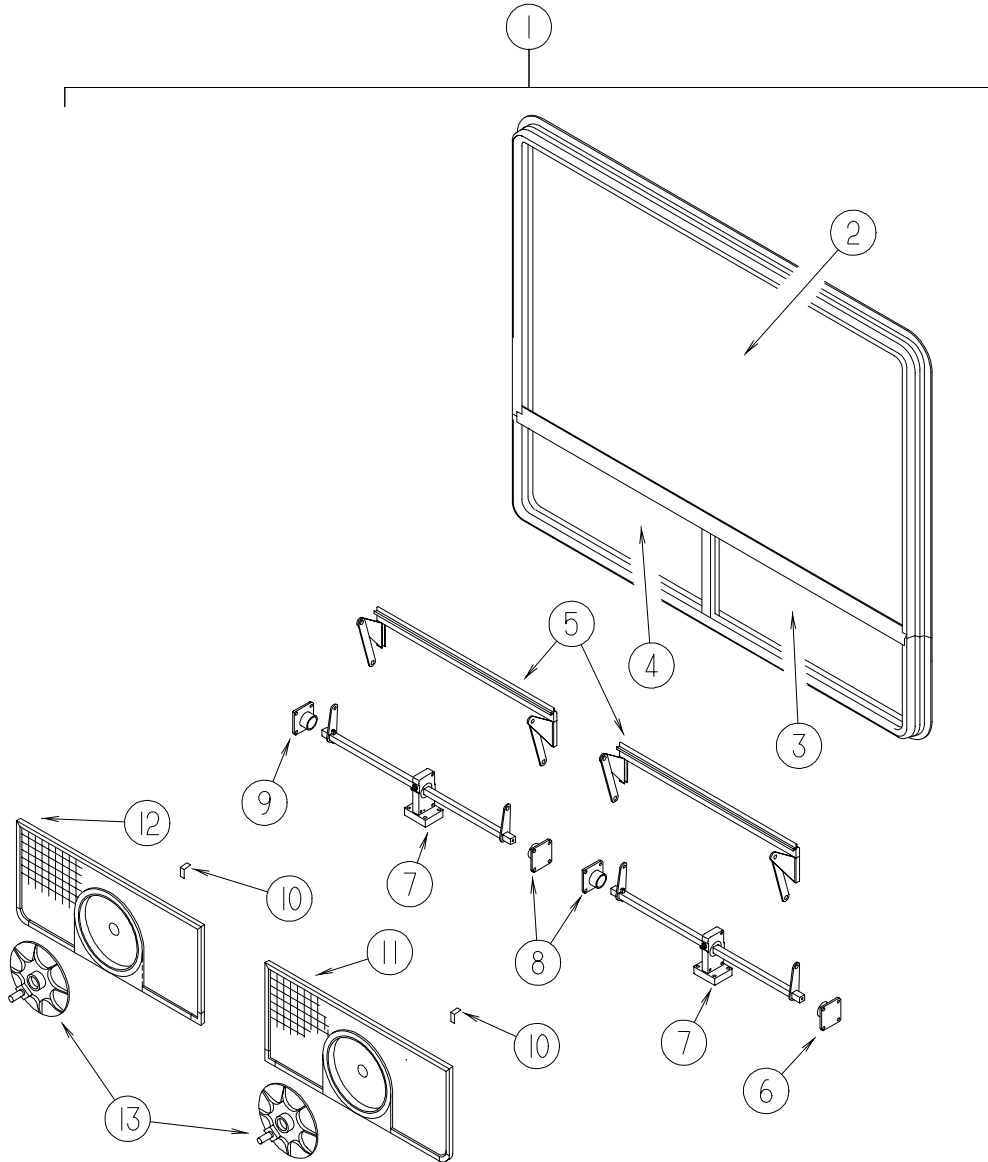


KEY	PART NUMBER	U/M	DESCRIPTION
1	113733-07-01A	EA	WINDOW - STATIONARY/THERMOPANE - 26.4" X 60"
2	113733-07-702	EA	GLASS - STATIONARY
3	112795-01-705	FT	VINYL-GLAZING

VENDOR NO.

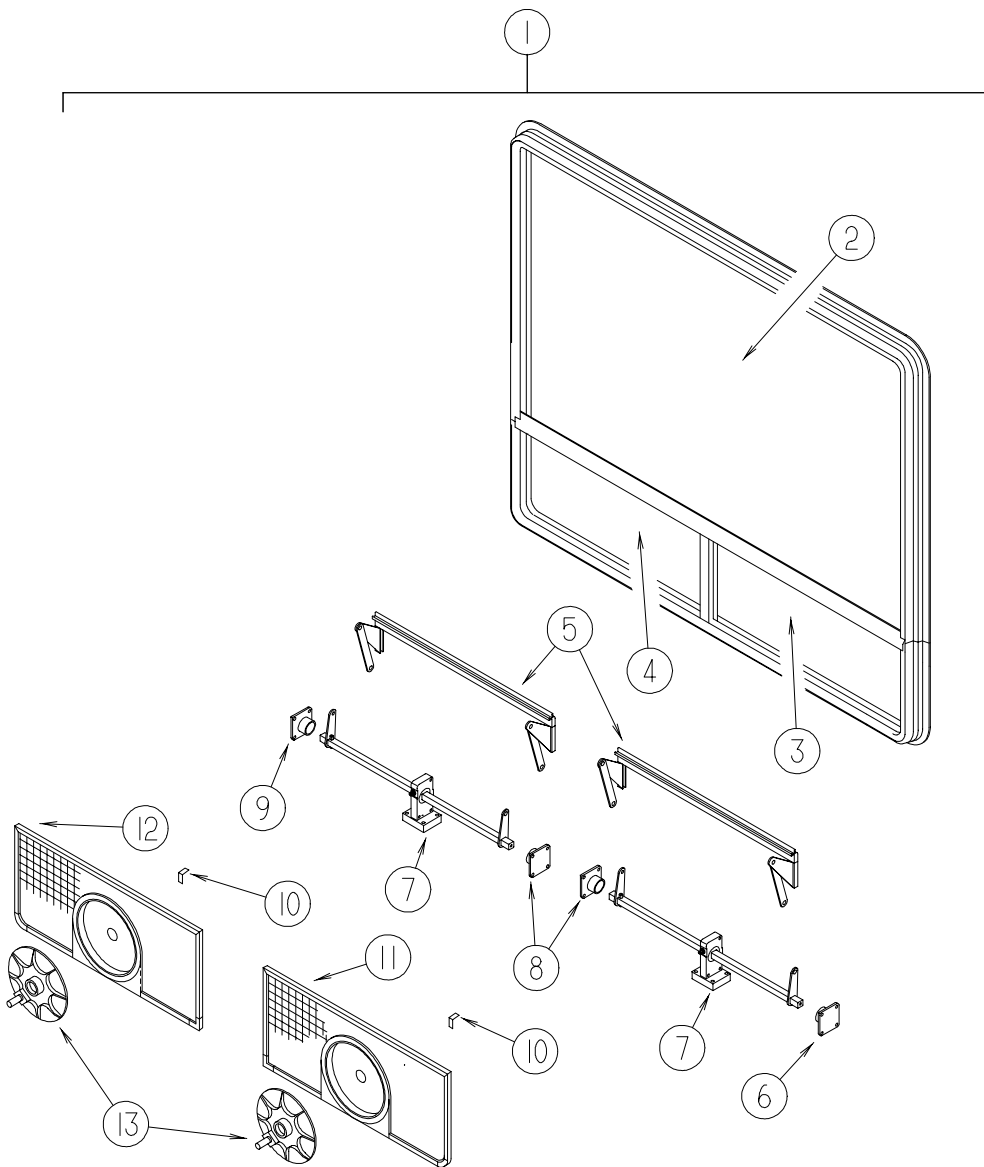
390-019051
132-025736

**WINDOW
DOUBLE TIPOUT**



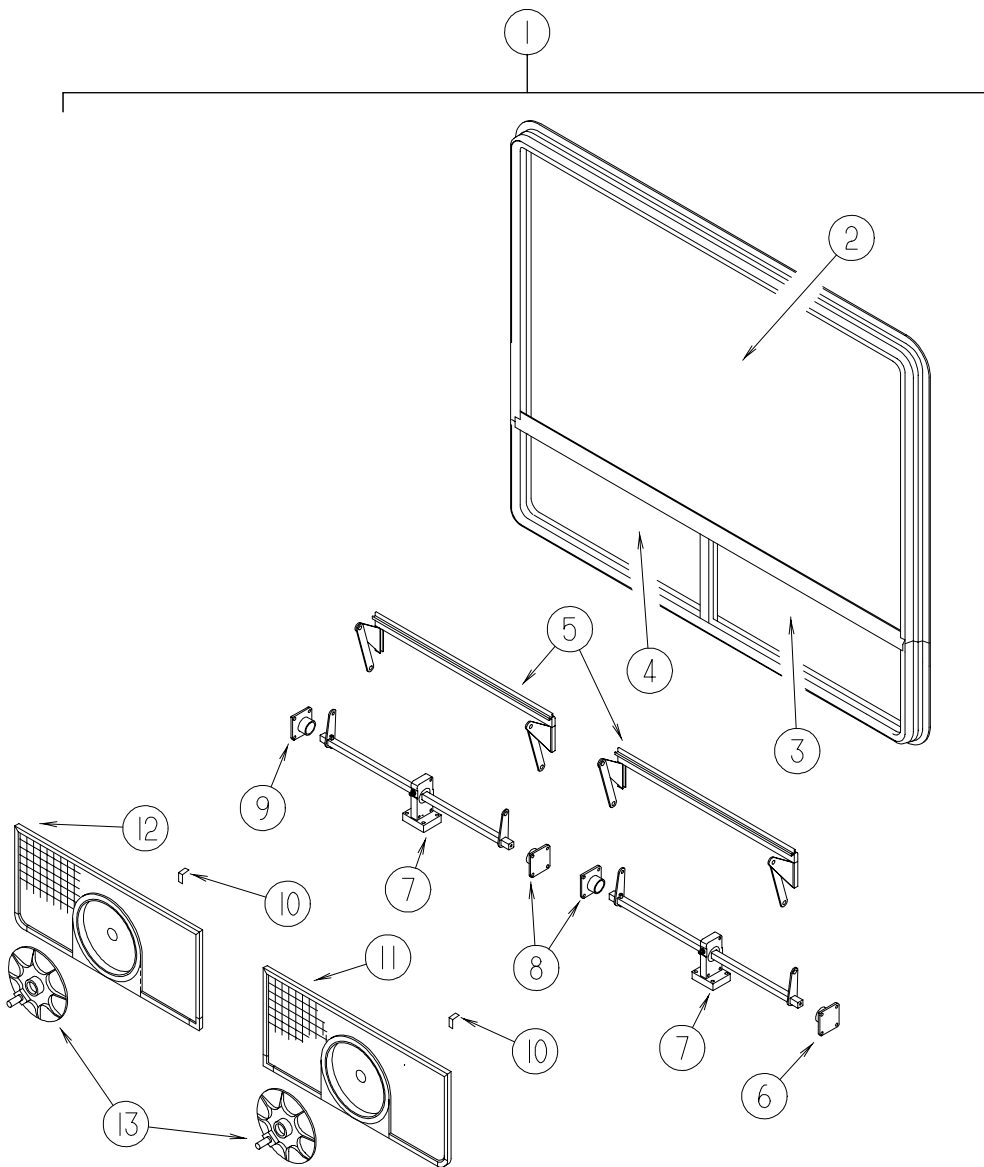
KEY	PART NUMBER	U/M	DESCRIPTION	VENDOR NO.
1	115360-01-01A	EA	WINDOW - DOUBLE HORIZONTAL TIPOUT - 30.8" X 56.5"	
2	115360-01-700	EA	GLASS STATIONARY	106-025022
3	115360-01-704	EA	GLASS - VENT ASM - RH-I/S	CH90-D9R
4	115360-01-703	EA	GLASS - VENT ASM - LH-I/S	CH90-D9L
5	100322-01-712	EA	RAIL - HORIZONTAL - RH OR LH	CH05-19
6	100322-01-715	EA	SUPPORT - TORQUE BAR - RH	130-015979
7	112519-01-702	EA	OPERATOR - VENT	410-016123
8	100322-01-716	EA	SUPPORT - TORQUE BAR - CTR RAIL	130-015980
9	100322-01-714	EA	SUPPORT - TORQUE BAR - LH	130-015978
10	112519-01-706	EA	CLIP - SCREEN	CH21-50
11	115360-01-702	EA	SCREEN W/SEAL/CLIPS - RH-I/S	410-019478R
12	115360-01-701	EA	SCREEN W/SEAL/CLIPS - LH-I/S	410-019477L
13	100322-01-718	EA	HANDLE - DIAL	410-016081
	098644-01-716	FT	PLUG - FILLER	132-014470
	100322-01-701	FT	SEAL-VENT	122-016071
	100322-01-702	EA	WEATHERSTRIP - HORIZONTAL RAIL	132-015976
	100322-01-703	FT	VINYL - GLAZING - BUTYL	132-010723
	100322-01-704	FT	TAPE - BUTYL	154-016083
	100322-01-713	EA	BAR - DIVISION - VERTICAL - RH & LH	HH19-20
	100322-01-717	EA	E - RING	245-015975
	115360-01-705	EA	RETAINER - TRIM	W112-59

**WINDOW
DOUBLE TIPOUT**



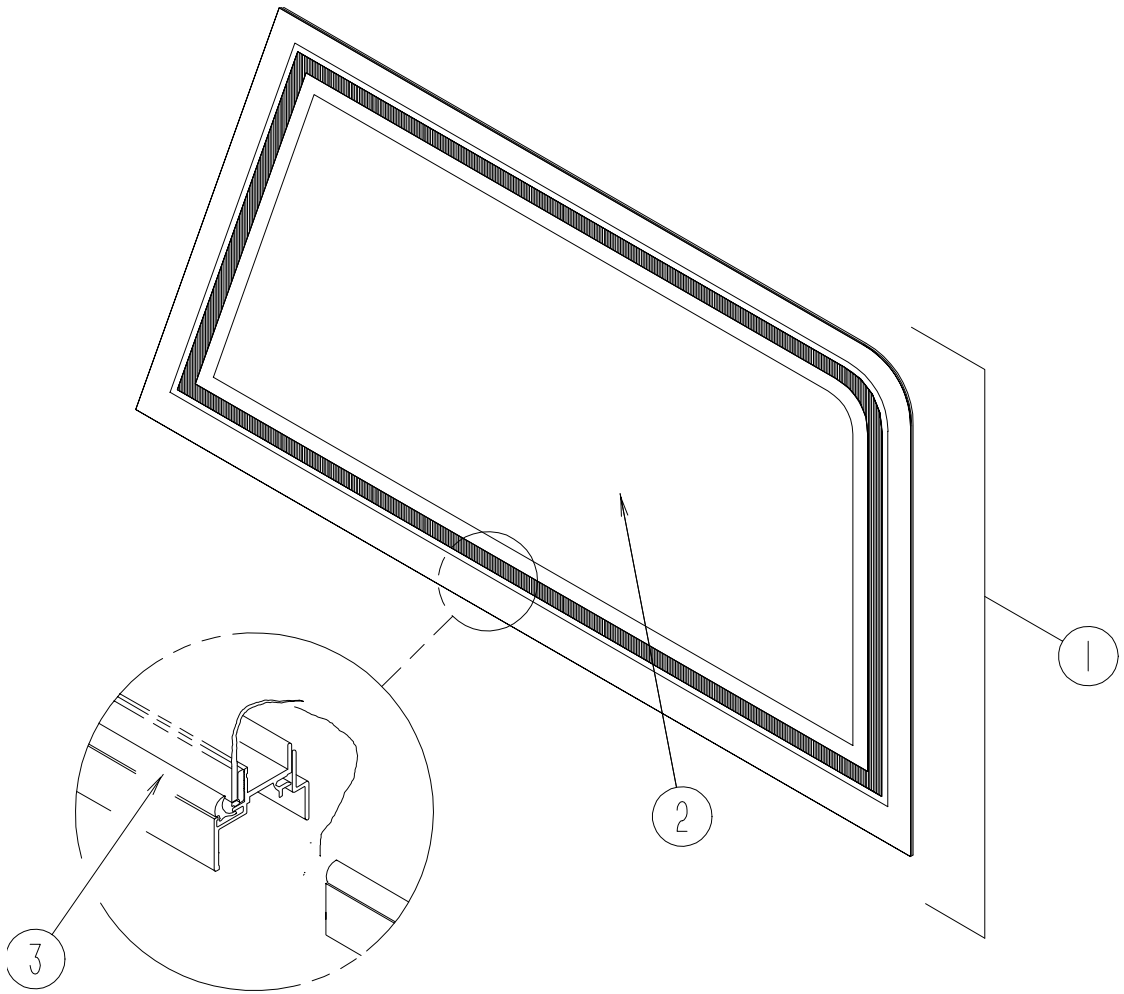
KEY	PART NUMBER	U/M	DESCRIPTION	VENDOR NO.
1	115360-02-01A	EA	WINDOW - DOUBLE HORIZONTAL TIPOUT - 38.7" X 56.5"	
2	115360-02-700	EA	GLASS STATIONARY	106-025022
3	115360-01-704	EA	GLASS - VENT ASM - RH-I/S	CH90-D9R
4	115360-01-703	EA	GLASS - VENT ASM - LH-I/S	CH90-D9L
5	100322-01-712	EA	RAIL - HORIZONTAL - RH OR LH	CH05-19
6	100322-01-715	EA	SUPPORT - TORQUE BAR - RH	130-015979
7	112519-01-702	EA	OPERATOR - VENT	410-016123
8	100322-01-716	EA	SUPPORT - TORQUE BAR - CTR RAIL	130-015980
9	100322-01-714	EA	SUPPORT - TORQUE BAR - LH	130-015978
10	112519-01-706	EA	CLIP - SCREEN	CH21-50
11	115360-01-702	EA	SCREEN W/SEAL/CLIPS - RH-I/S	410-019478R
12	115360-01-701	EA	SCREEN W/SEAL/CLIPS - LH-I/S	410-019477L
13	100322-01-718	EA	HANDLE - DIAL	410-016081
	098644-01-716	FT	PLUG - FILLER	132-014470
	100322-01-701	FT	SEAL-VENT	122-016071
	100322-01-702	EA	WEATHERSTRIP - HORIZONTAL RAIL	132-015976
	100322-01-703	FT	VINYL - GLAZING - BUTYL	132-010723
	100322-01-704	FT	TAPE - BUTYL	154-016083
	100322-01-713	EA	BAR - DIVISION - VERTICAL - RH & LH	HH19-20
	100322-01-717	EA	E - RING	245-015975
	115360-02-701	EA	RETAINER - TRIM	CW97-59

**WINDOW
DOUBLE TIPOUT**



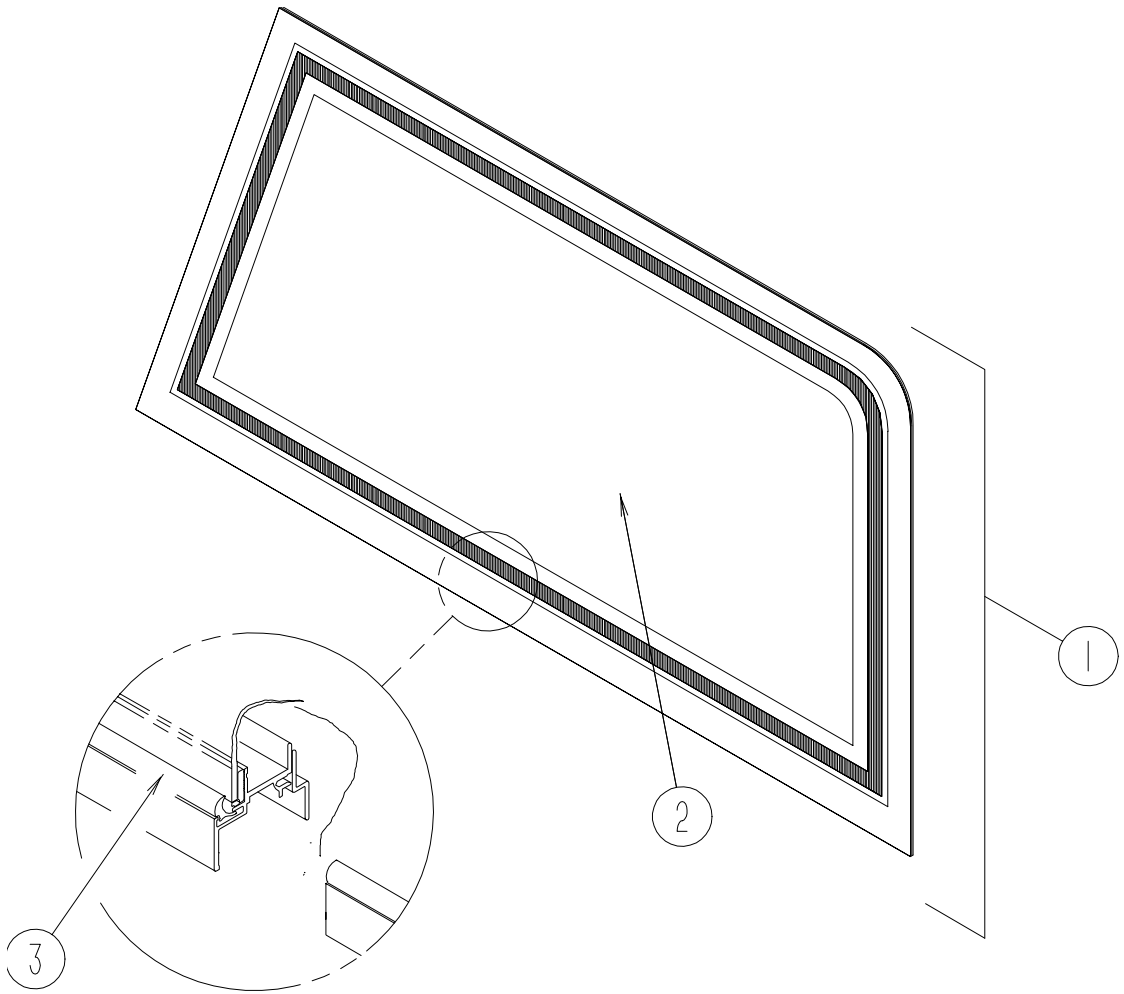
KEY	PART NUMBER	U/M	DESCRIPTION	VENDOR NO.
1	115360-03-01A	EA	WINDOW - DOUBLE HORIZONTAL TIPOUT - 22.6" X 56.5"	
2	115360-03-700	EA	GLASS STATIONARY	106-025250
3	115360-01-704	EA	GLASS - VENT ASM - RH-I/S	CH90-D9R
4	115360-01-703	EA	GLASS - VENT ASM - LH-I/S	CH90-D9L
5	100322-01-712	EA	RAIL - HORIZONTAL - RH OR LH	CH05-19
6	100322-01-715	EA	SUPPORT - TORQUE BAR - RH	130-015979
7	112519-01-702	EA	OPERATOR - VENT	410-016123
8	100322-01-716	EA	SUPPORT - TORQUE BAR - CTR RAIL	130-015980
9	100322-01-714	EA	SUPPORT - TORQUE BAR - LH	130-015978
10	112519-01-706	EA	CLIP - SCREEN	CH21-50
11	115360-01-702	EA	SCREEN W/SEAL/CLIPS - RH-I/S	410-019478R
12	115360-01-701	EA	SCREEN W/SEAL/CLIPS - LH-I/S	410-019477L
13	100322-01-718	EA	HANDLE - DIAL	410-016081
	098644-01-716	FT	PLUG - FILLER	132-014470
	100322-01-701	FT	SEAL-VENT	122-016071
	100322-01-702	EA	WEATHERSTRIP - HORIZONTAL RAIL	132-015976
	100322-01-703	FT	VINYL - GLAZING - BUTYL	132-010723
	100322-01-704	FT	TAPE - BUTYL	154-016083
	100322-01-713	EA	BAR - DIVISION - VERTICAL - RH & LH	HH19-20
	100322-01-717	EA	E - RING	245-015975
	115360-02-701	EA	RETAINER - TRIM	CW97-59

THERMOPANE



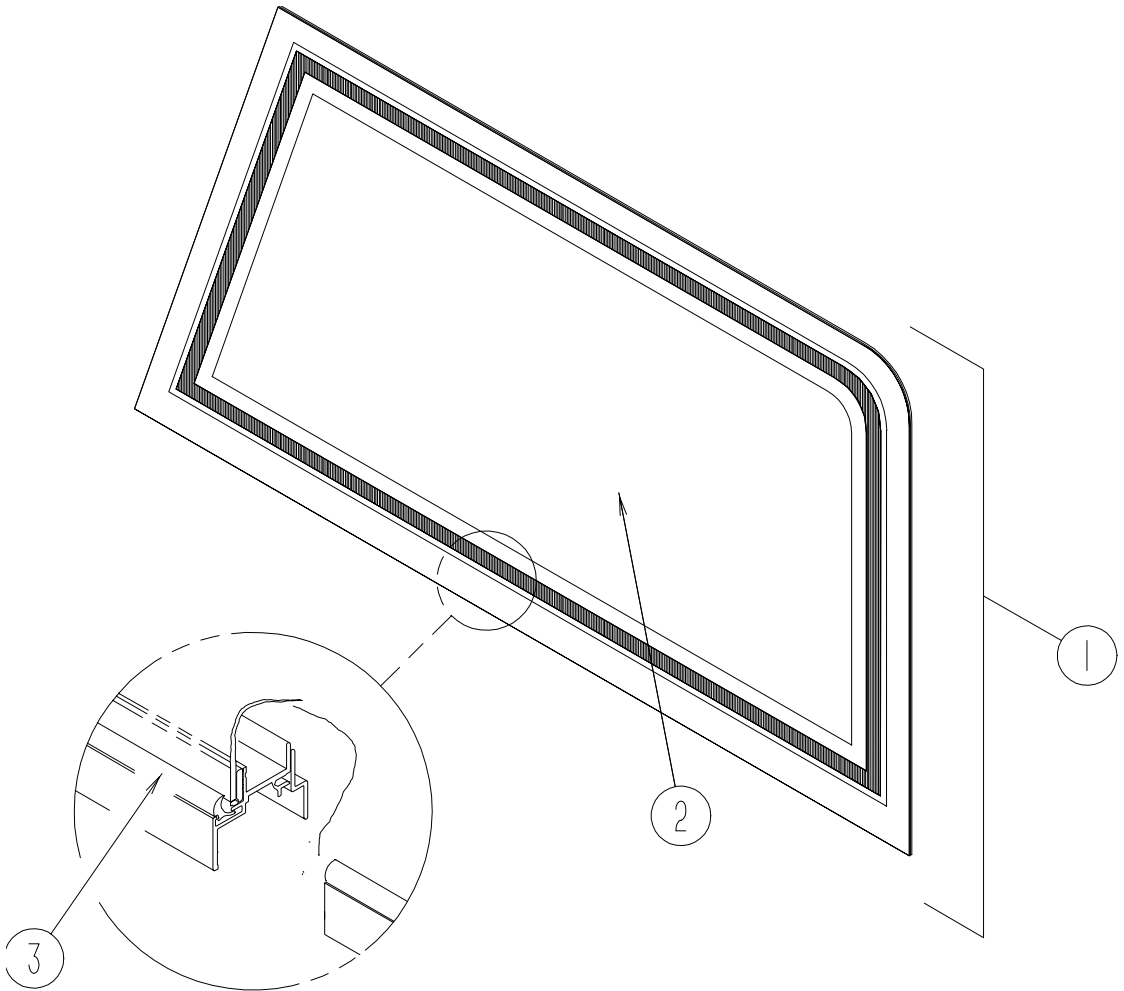
KEY	PART NUMBER	U/M	DESCRIPTION	VENDOR NO.
1	116000-01-01A	EA	WINDOW-VISTA, LEFT - W/INSIDE FRAME	390-019459
2	116000-01-702	EA	GLASS STATIONARY	132-018161
3	116000-01-704	FT	VINYL - GLAZING	H359-41L
	116000-01-706	EA	RETAINER -TRIM TOP/REAR RAIL	H359-42L
	116000-01-707	EA	RETAINER - TRIM RAIL FRONT	H359-43L
	116000-01-708	EA	RETAINER - TRIM RAIL BOTTOM	

THERMOPANE



KEY	PART NUMBER	U/M	DESCRIPTION	VENDOR NO.
1	116000-02-01A	EA	WINDOW-VISTA, LEFT - W/INSIDE FRAME	390-019551
2	116000-03-701	EA	GLASS STATIONARY	132-018161
3	116000-01-704	FT	VINYL - GLAZING	H388-41L
	116000-02-700	EA	RETAINER -TRIM TOP/REAR RAIL	H388-42L
	116000-02-701	EA	RETAINER - TRIM RAIL FRONT	H388-43L
	116000-02-702	EA	RETAINER - TRIM RAIL BOTTOM	

THERMOPANE

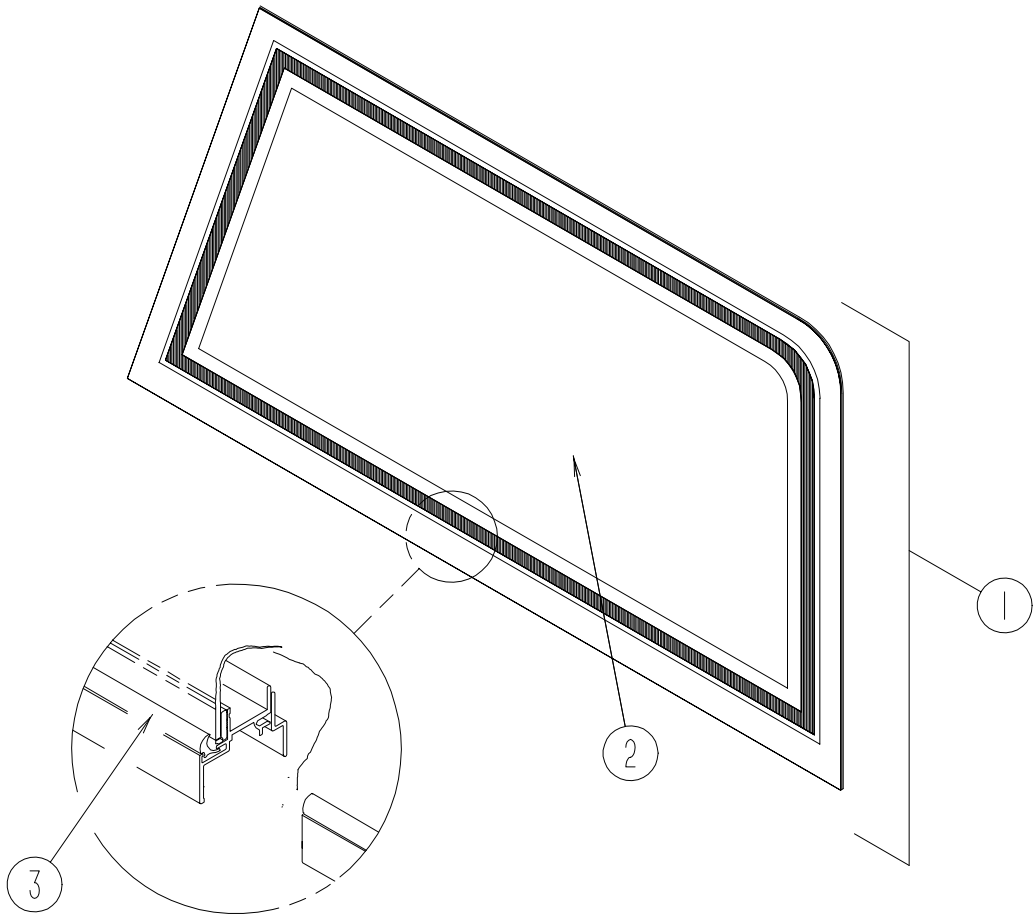


KEY	PART NUMBER	U/M	DESCRIPTION
1	116000-03-01A	EA	WINDOW - DRIVER VISTA - THERMO/EURO - 25.7" T X 32.2" B X 14.8"
2	116000-03-701	EA	GLASS STATIONARY
3	116000-01-704	FT	VINYL - GLAZING
	116000-03-702	EA	RETAINER - TRIM

VENDOR NO.

390-019551
 132-018161
 H388-27L

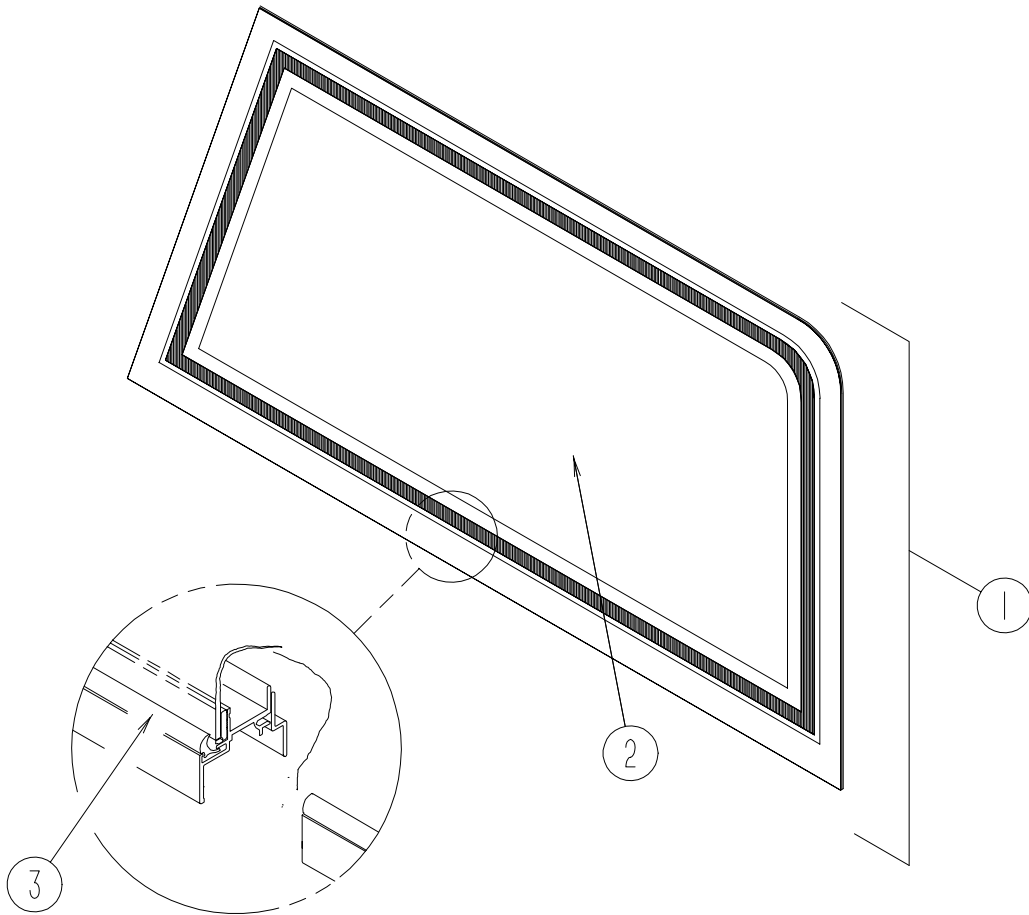
EXCEL
THERMOPANE



KEY	PART NUMBER	U/M	DESCRIPTION
1	116000-07-01A	EA	WINDOW - DRIVER VISTA - THERMO - 42.4"T X 45.2"B X 17.9"H
3	116000-01-704	FT	VINYL - GLAZING

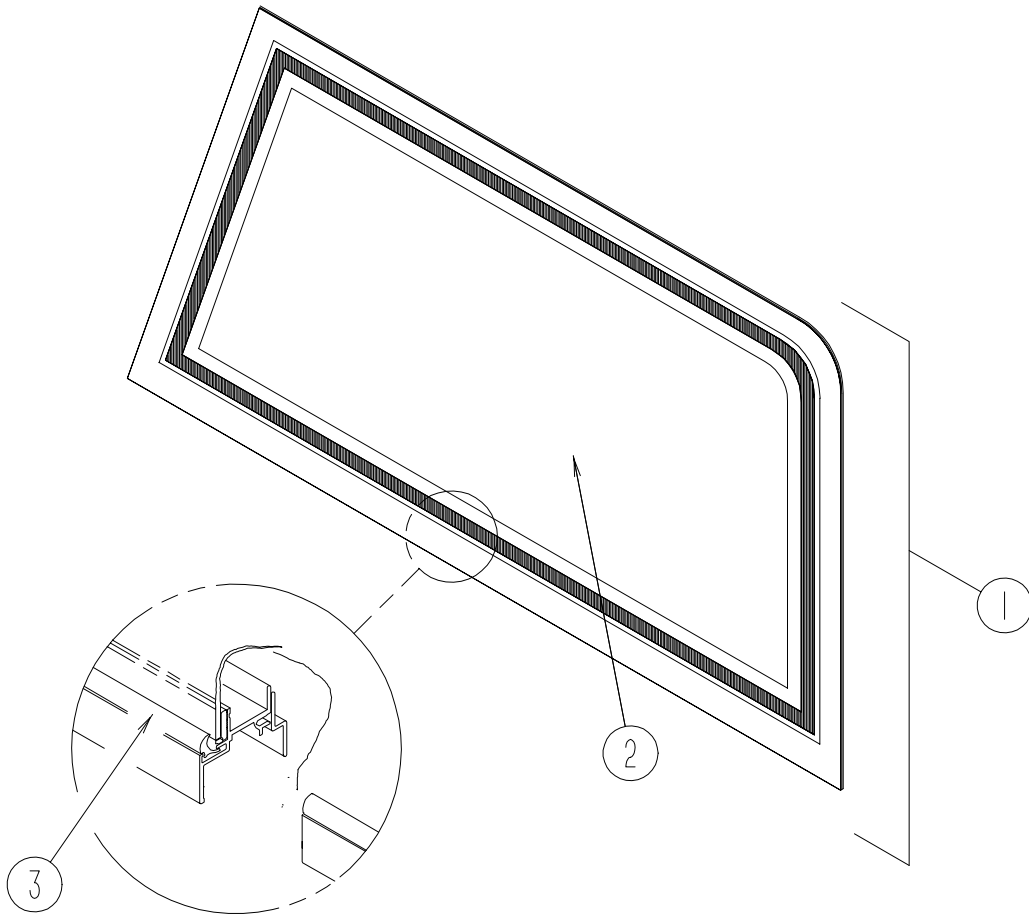
VENDOR NO.
132-018161

**EXCEL - THERMOPANE
SH508G2B27L**



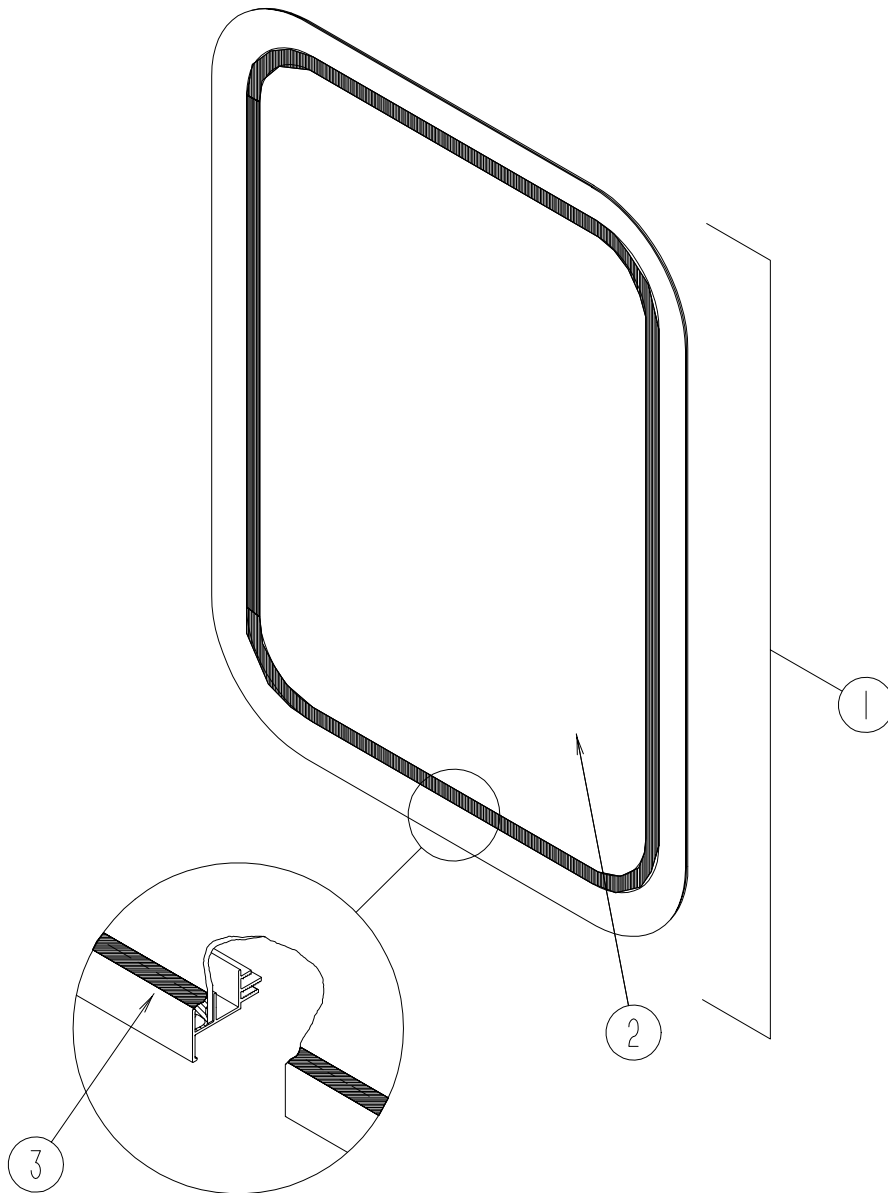
KEY	PART NUMBER	U/M	DESCRIPTION	VENDOR NO.
1	116000-08-01A	EA	WINDOW - DRIVER VISTA - THERMO - 38.2"T X 39.4"B X 6.3"H	390-025393
2	116000-08-700	EA	GLASS - STATIONARY	132-018161
3	116000-01-704	FT	VINYL - GLAZING	H508-41L
	116000-01-701	EA	RETAINER - TRIM RAIL - TOP/REAR	H508-42L
	116000-01-702	EA	RETAINER - TRIM RAIL - FRONT	H508-43L
	116000-01-703	EA	RETAINER - TRIM RAIL - BOTTOM	

**EXCEL - THERMOPANE
DH508-EG2B27**



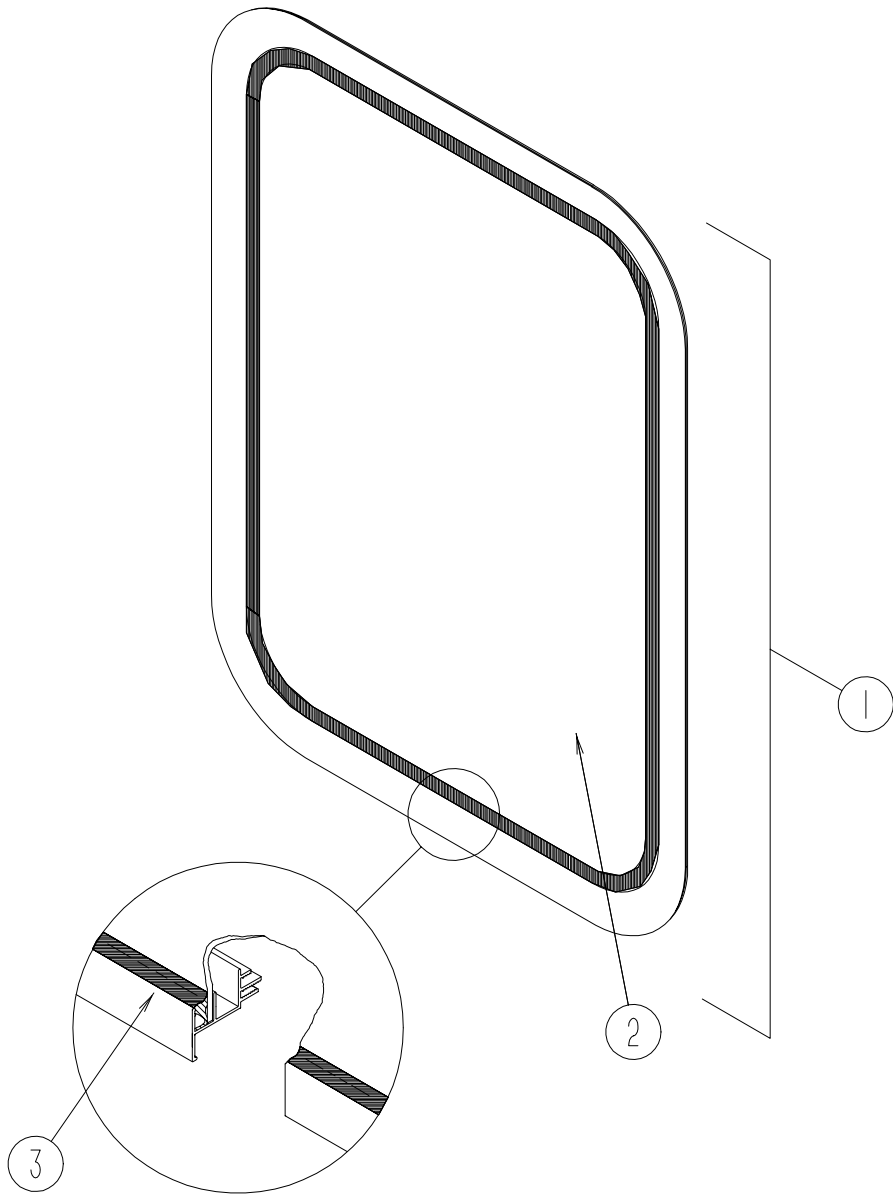
KEY	PART NUMBER	U/M	DESCRIPTION	VENDOR NO.
1	116000-09-01A	EA	WINDOW - DRIVER VISTA - THERMO/EURO - 38.2"T X 39.4"B X 6.3"H	390-025178
2	116000-09-700	EA	GLASS - STATIONARY	132-018161
3	116000-01-704	FT	VINYL - GLAZING	H508-41L
	116000-01-701	EA	RETAINER - TRIM RAIL - TOP/REAR	H508-42L
	116000-01-702	EA	RETAINER - TRIM RAIL - FRONT	H508-43L
	116000-01-703	EA	RETAINER - TRIM RAIL - BOTTOM	

THERMOPANE



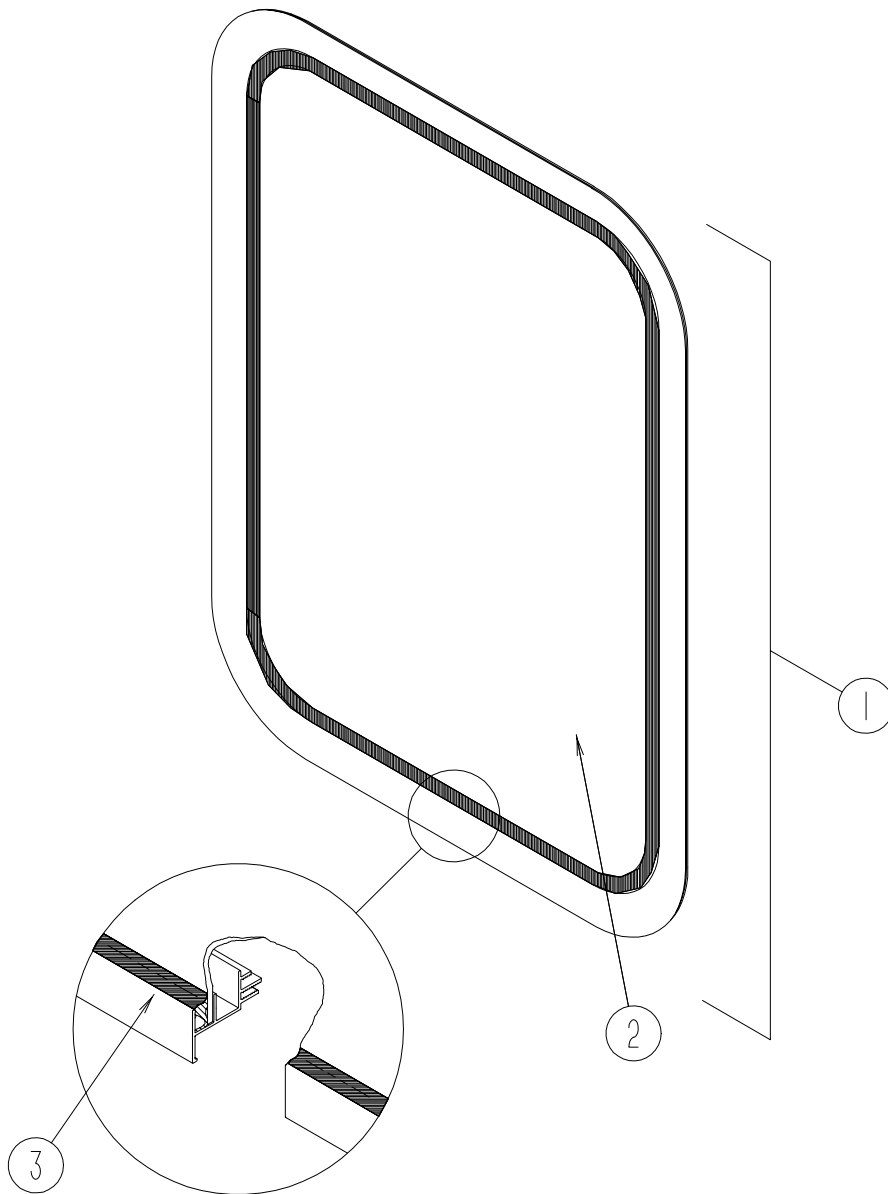
KEY	PART NUMBER	U/M	DESCRIPTION
1	117053-01-F45	EA	WINDOW - PICTURE - 60% TINTING - 17.1" X 24.8"
2	002181-28-000	EA	GLASS - PICTURE - 23.9" X 16.19"
3	087561-01-000	FT	SEAL - GLASS - EXTERIOR - .5" WIDE - VINYL BLACK
	114507-02-01A	EA	FRAME - WINDOW - INSIDE

THERMOPANE



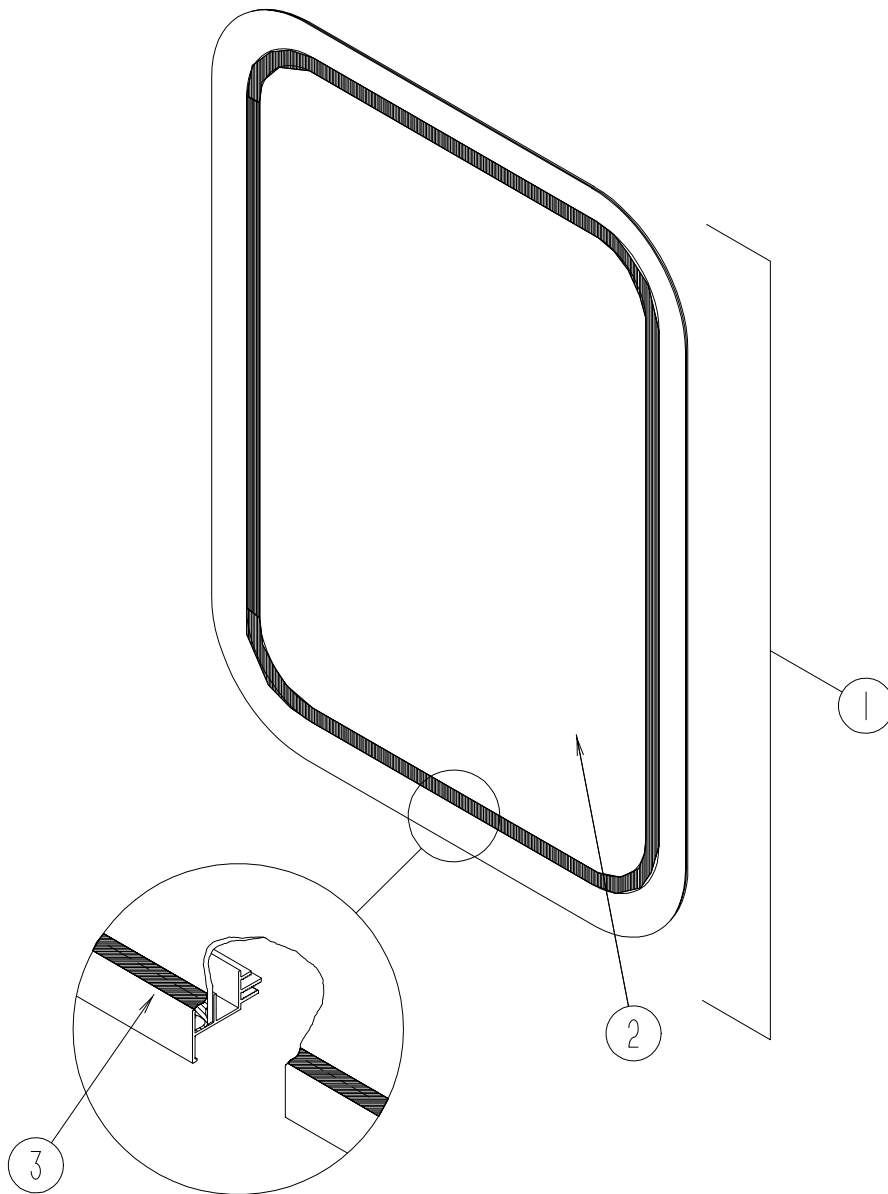
KEY	PART NUMBER	U/M	DESCRIPTION
1	117053-02-F36	EA	WINDOW - PICTURE - 60% TINTING - 17" X 26.4"
2	002181-25-000	EA	GLASS - PICTURE - 25.7" X 16.4"
3	087561-01-000	FT	SEAL - GLASS - EXTERIOR - .5" WIDE - VINYL BLACK

THERMOPANE



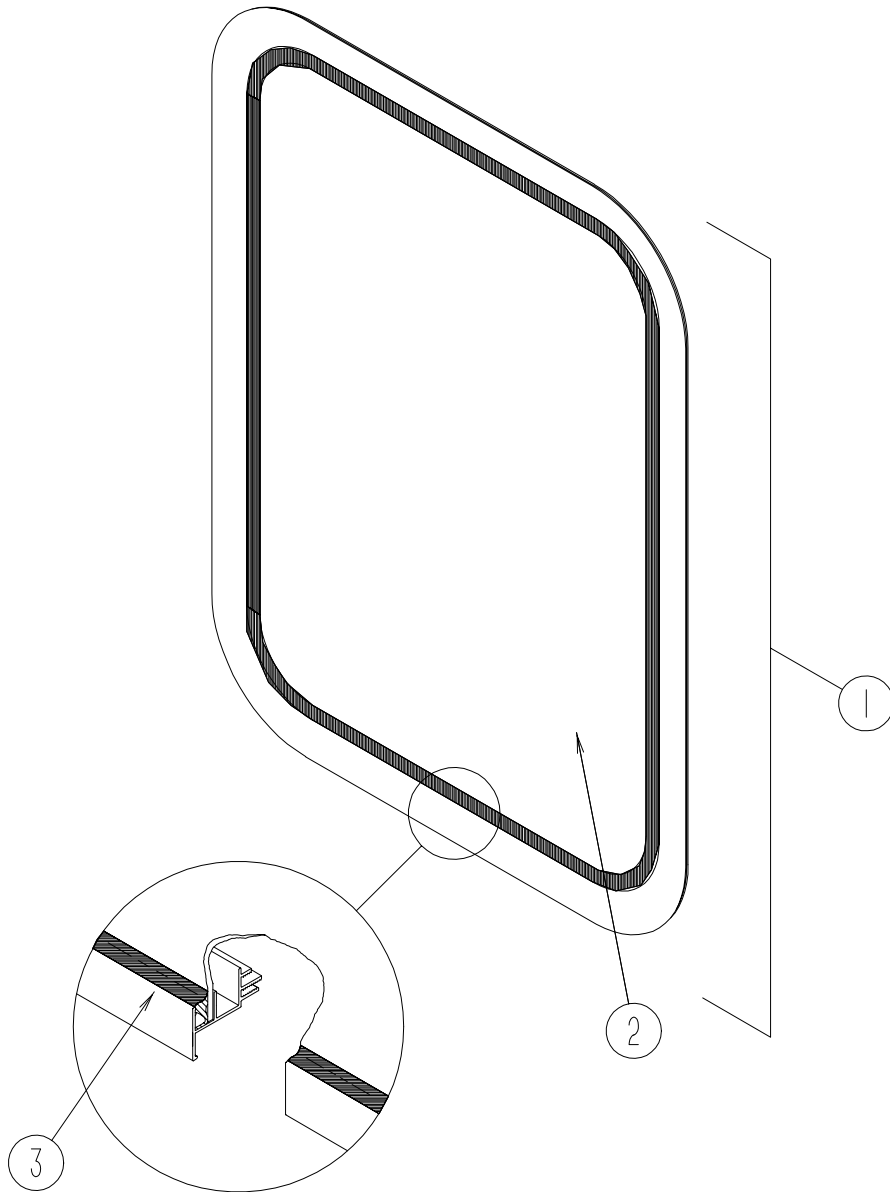
KEY	PART NUMBER	U/M	DESCRIPTION
1	117053-03-F31	EA	WINDOW - PICTURE - 31% TINTING - 17" X 26.4"
2	002181-26-000	EA	GLASS - PICTURE - 25.7" X 16.39"
3	087561-01-000	FT	SEAL - GLASS - EXTERIOR - .5" WIDE - VINYL BLACK

THERMOPANE



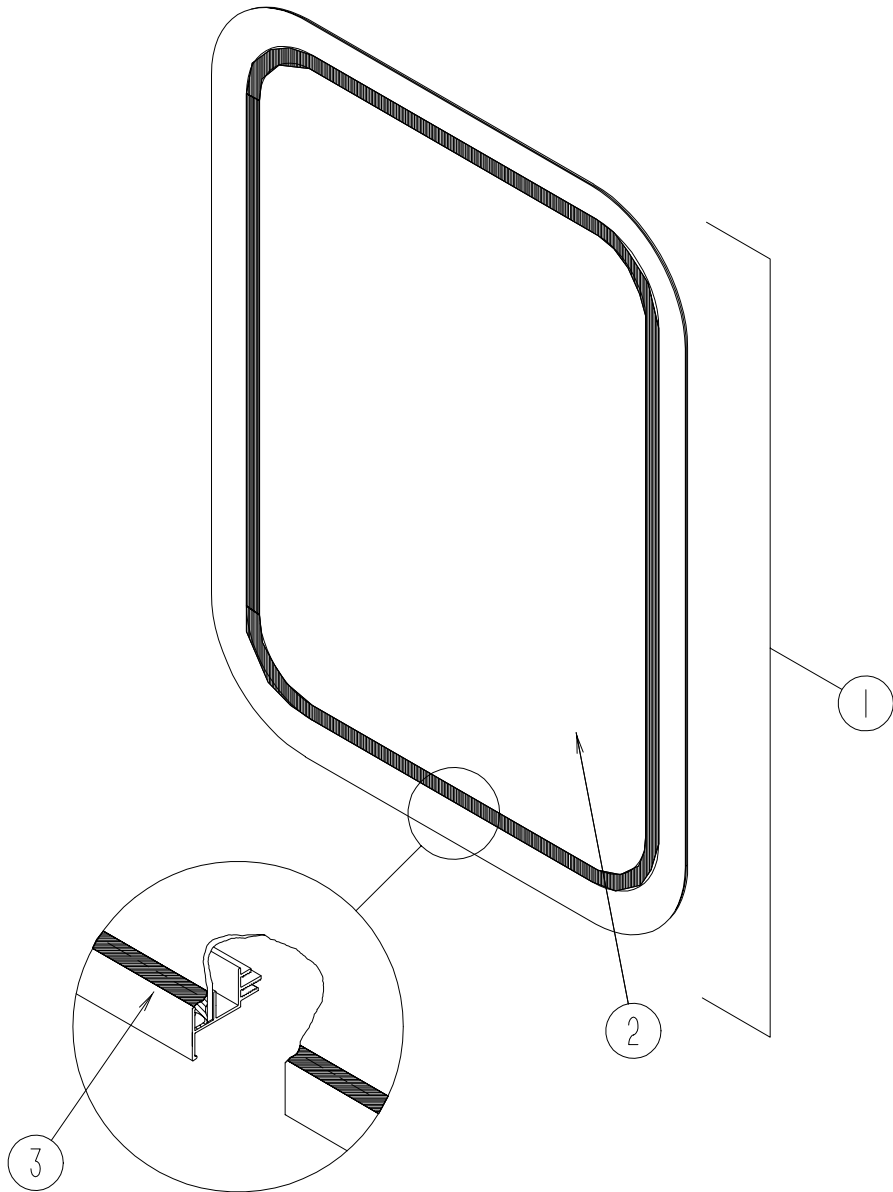
KEY	PART NUMBER	U/M	DESCRIPTION
1	117053-04-FB1	EA	WINDOW - PICTURE - CLEAR - 17" X 26.4"
2	002181-25-000	EA	GLASS - PICTURE - 25.7" X 16.4"
3	087561-01-000	FT	SEAL - GLASS - EXTERIOR - .5" WIDE - VINYL BLACK

THERMOPANE

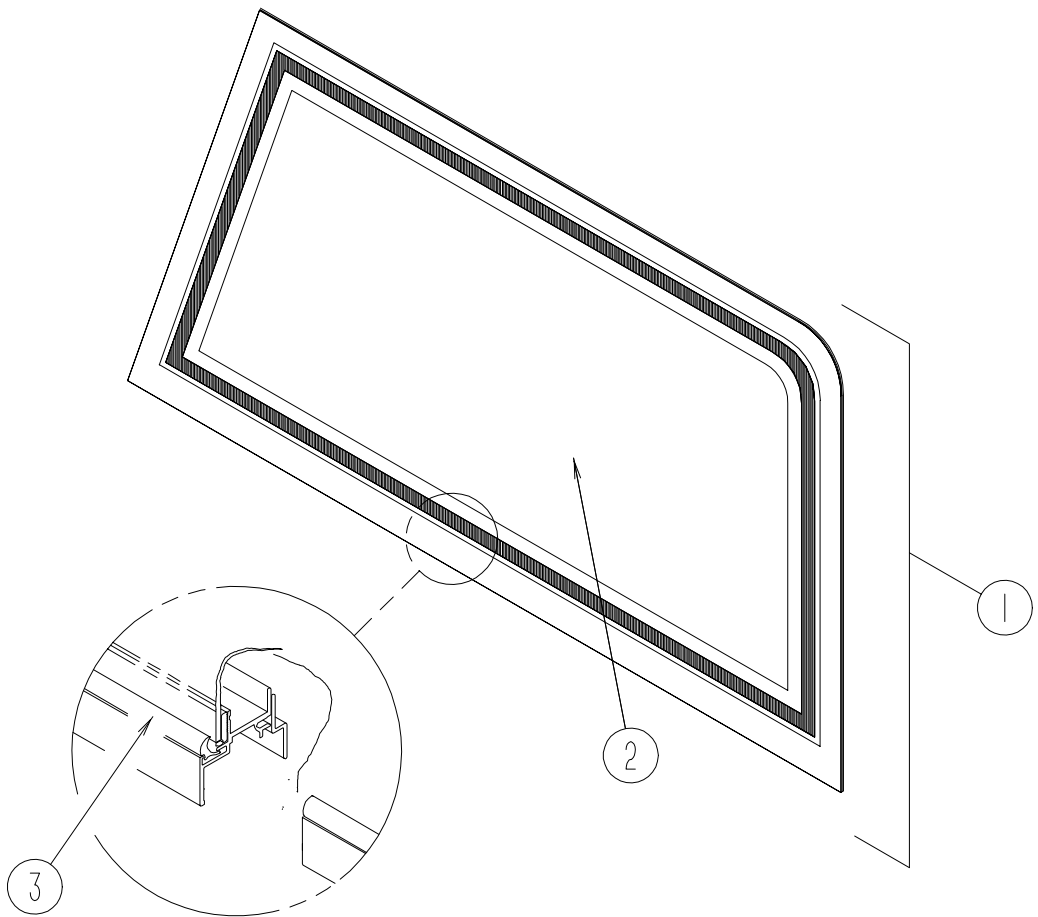


KEY	PART NUMBER	U/M	DESCRIPTION
1	117053-05-FB1	EA	WINDOW - PICTURE - 60% TINTING - 13" X 24"
2	002181-30-000	EA	GLASS - PICTURE - 23.4" X 12.4"
3	087561-01-000	FT	SEAL - GLASS - EXTERIOR - .5" WIDE - VINYL BLACK

WINDOW - PICTURE

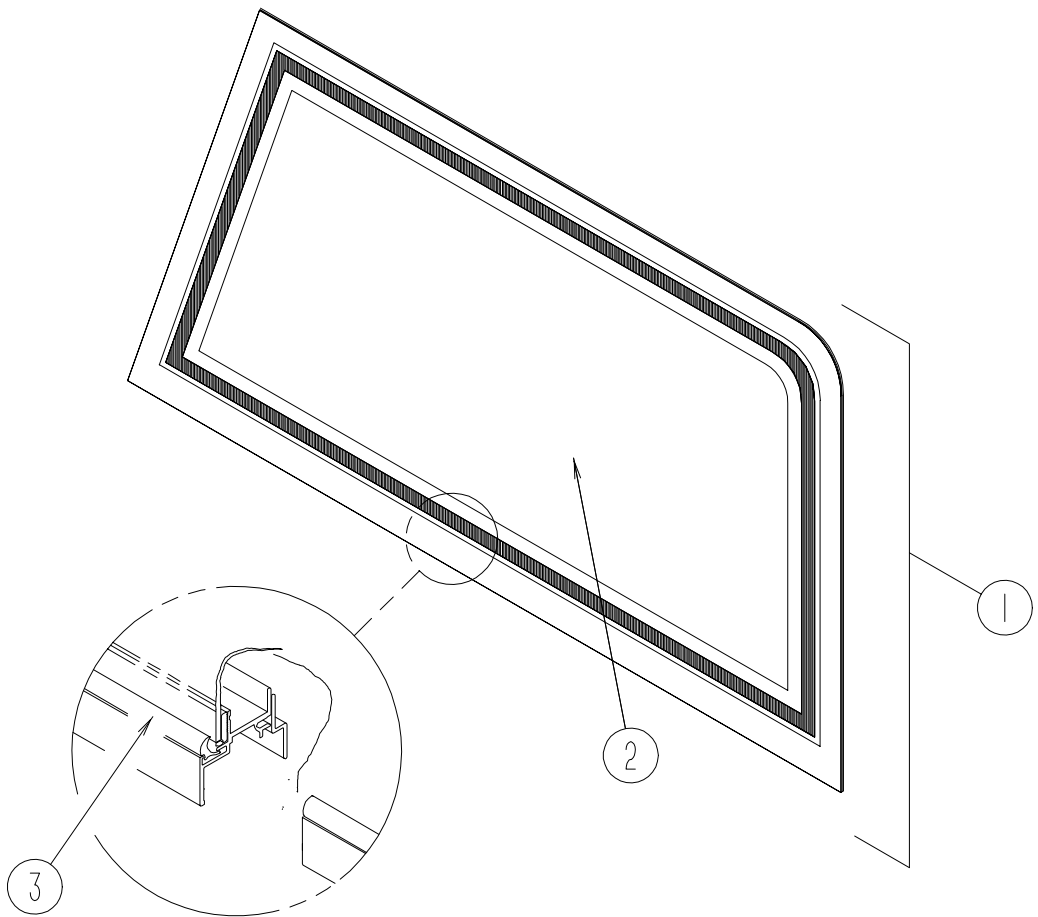


KEY	PART NUMBER	U/M	DESCRIPTION
1	103313-03-F15	EA	WINDOW ASM-PICTURE
2	002181-29-000	EA	GLASS-PICTURE 1803 X 411 65R
3	099154-01-000	FT	CHANNEL-GLAZING
	117054-01-01A	EA	RETAINER - TRIM - WHITE



THERMOPANE

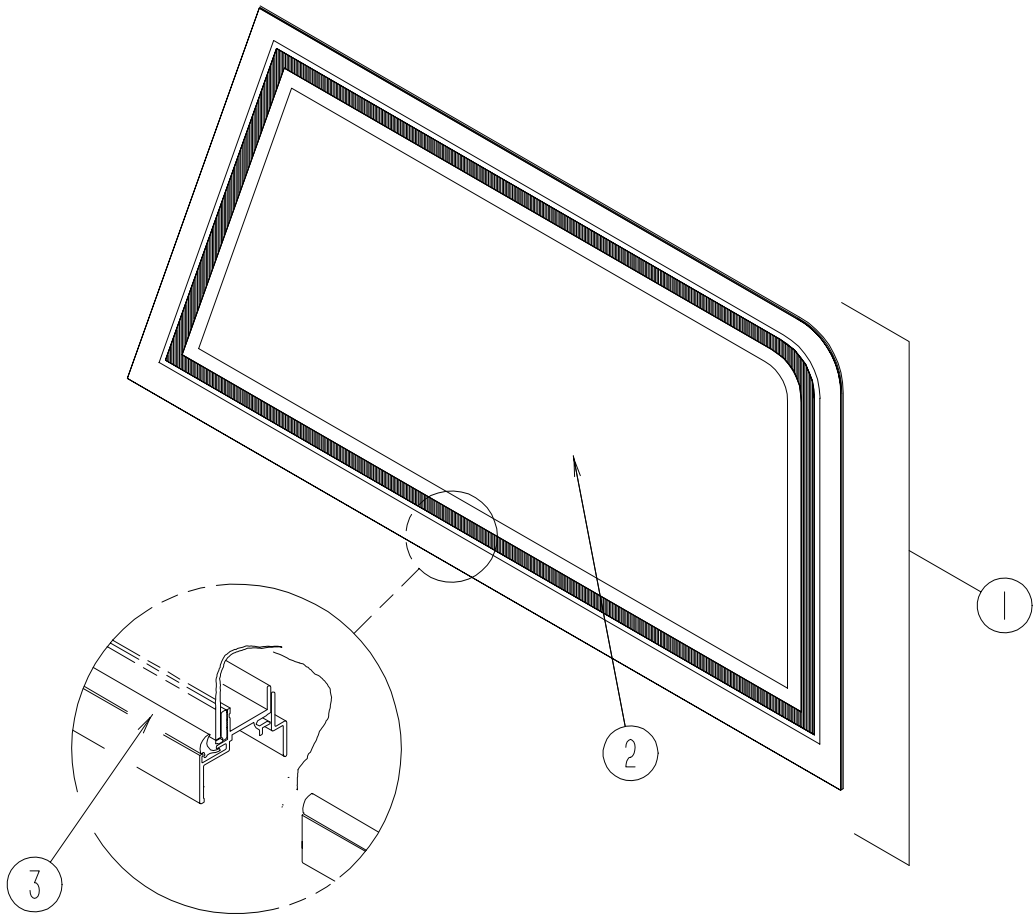
KEY	PART NUMBER	U/M	DESCRIPTION	VENDOR NO.
1	125586-01-01A	EA	WINDOW - VISTA	106026079
2	125586-01-700	EA	GLASS - STATIONARY	132-010723
3	100322-01-703	EA	VINYL - GLAZING, BUTYL	H57027L
	125586-01-701	EA	RETAINER - TRIM	



THERMOPANE

KEY	PART NUMBER	U/M	DESCRIPTION	VENDOR NO.
1	125584-02-01A	EA	WINDOW - FRONT SLANT - DRIVER	106026058
2	125584-02-700	EA	GLASS - STATIONARY	132-010723
3	100322-01-703	EA	VINYL - GLAZING, BUTYL	H56627L
	125584-02-701	EA	RETAINER - TRIM	

EXCEL
H471G1B27L

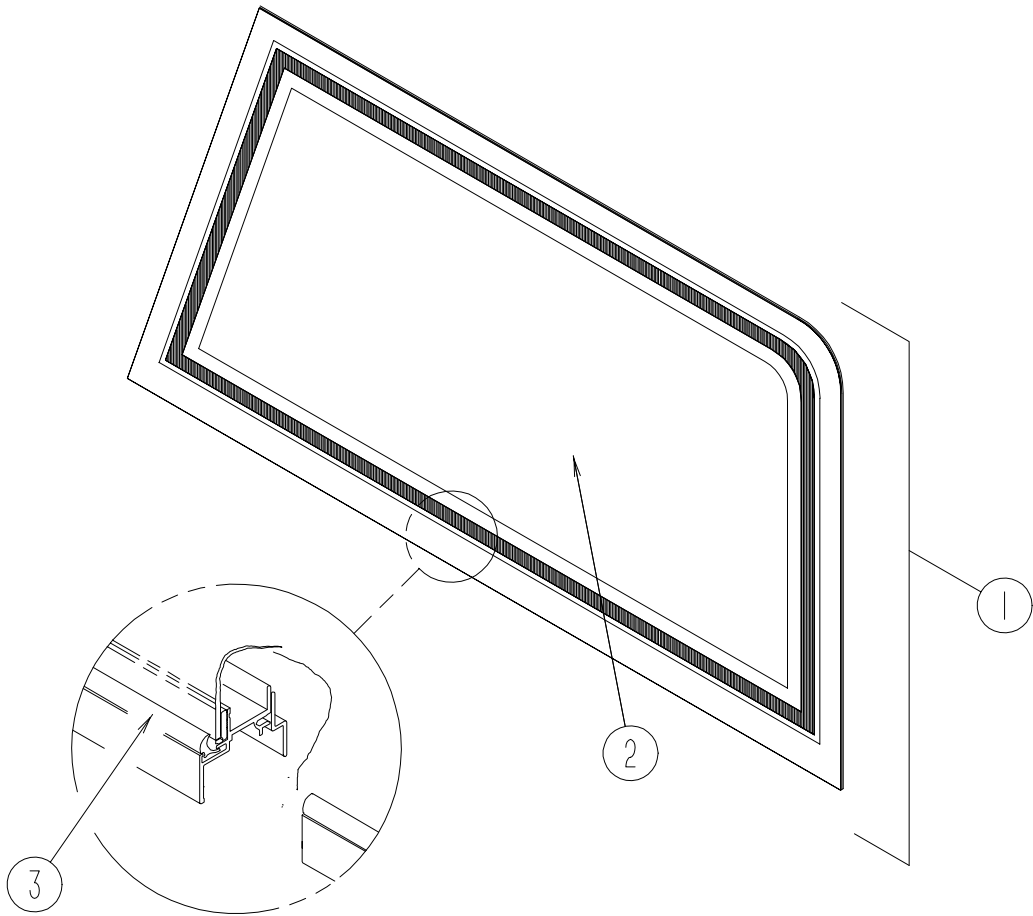


KEY	PART NUMBER	U/M	DESCRIPTION
1	125586-03-01A	EA	WINDOW - VISTA
2	125586-03-700	EA	GLASS - STATIONARY
3	100322-01-703	FT	VINYL - GLAZING - BUTYL
	125586-03-701	EA	RETAINER - TRIM

VENDOR NO.

106-026080
132-010723
H571-27L

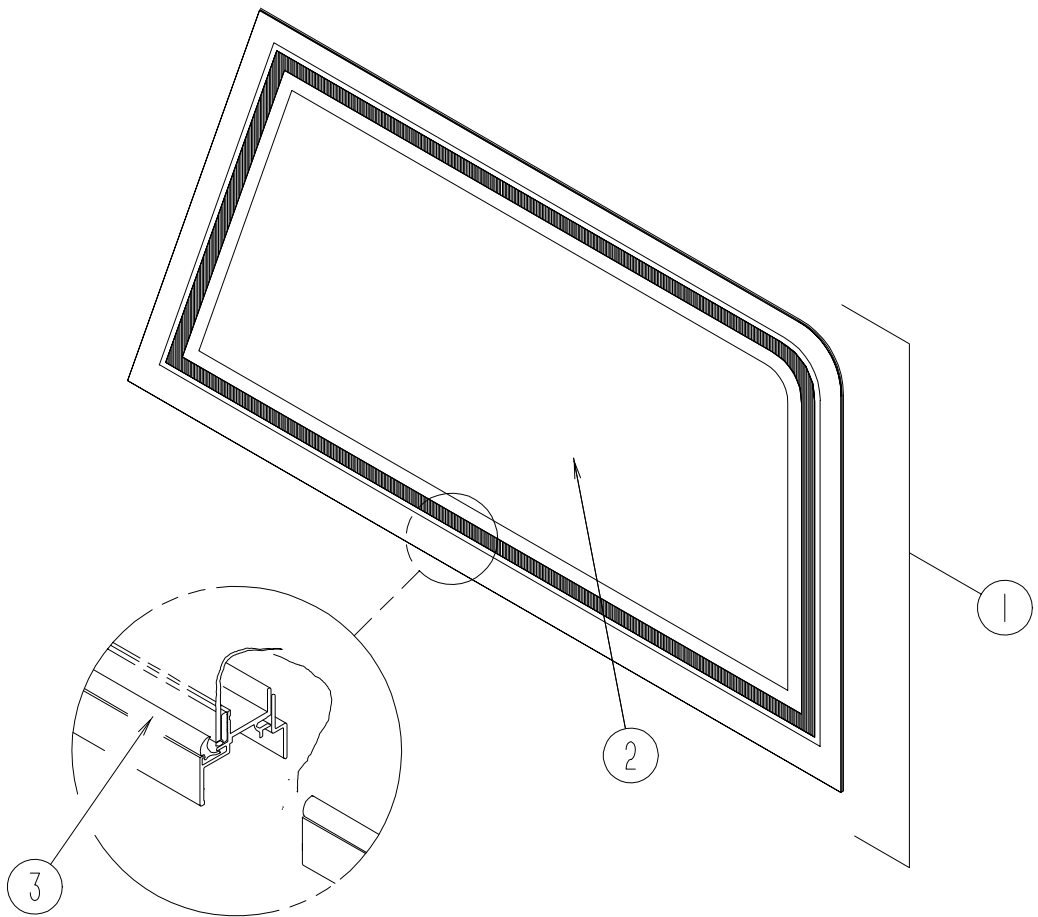
EXCEL
H572G1B27L



KEY	PART NUMBER	U/M	DESCRIPTION
1	125586-04-01A	EA	WINDOW - VISTA
2	125586-04-700	EA	GLASS - STATIONARY
3	100322-01-703	FT	VINYL - GLAZING - BUTYL
	125586-04-701	EA	RETAINER - TRIM

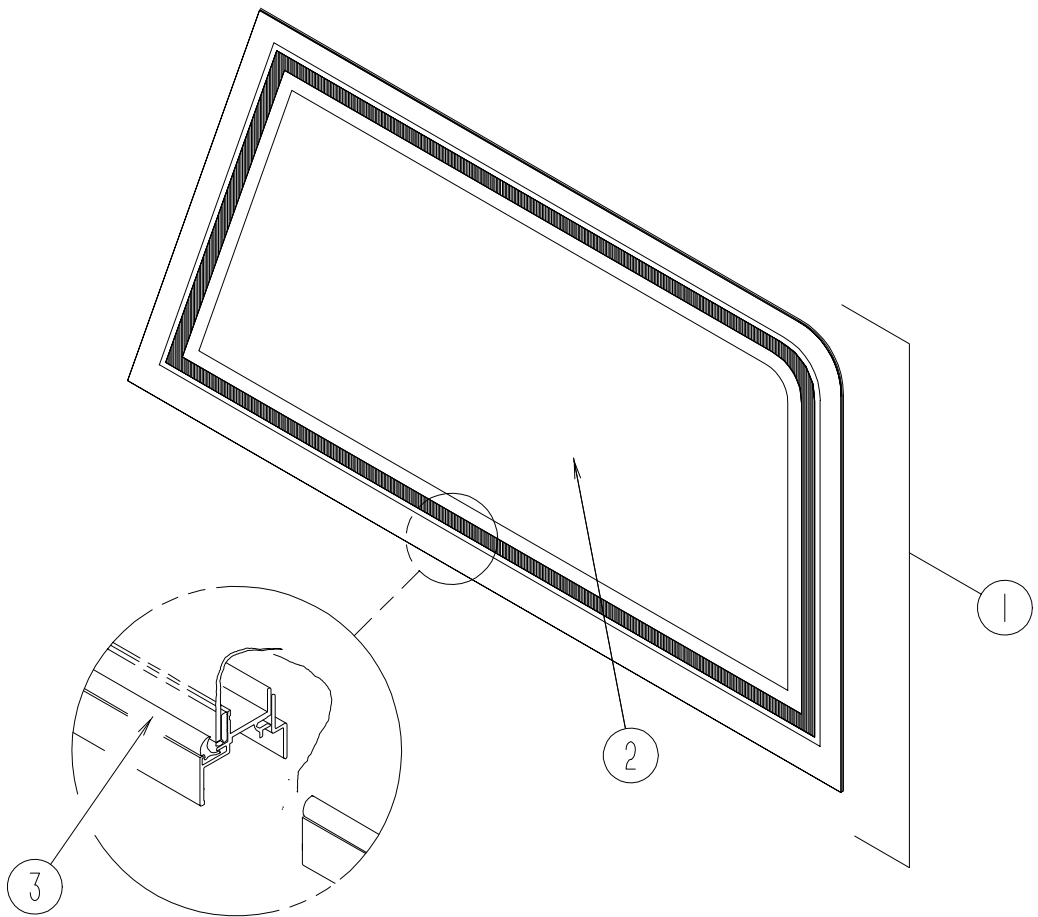
VENDOR NO.

106-026081
132-010723
H572-27L



THERMOPANE

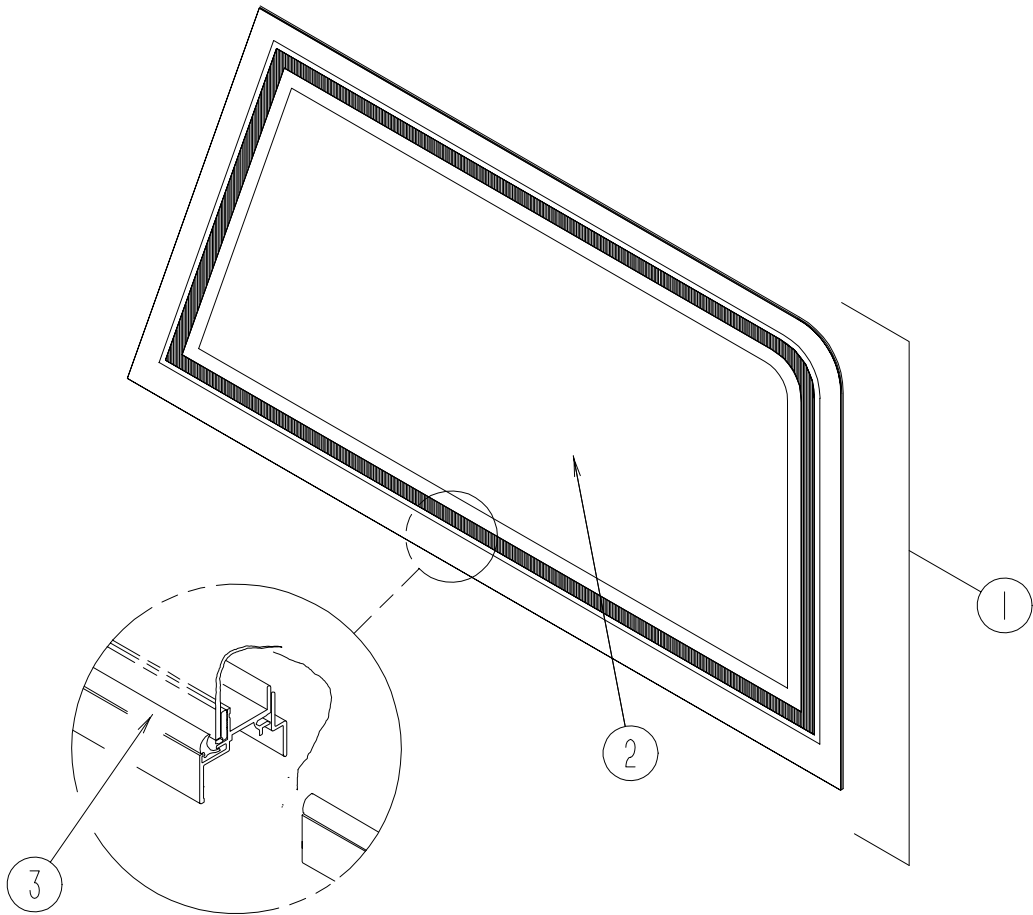
KEY	PART NUMBER	U/M	DESCRIPTION	VENDOR NO.
	125600-01-01A	EA	WINDOW - VISTA - THERMOPANE	
	116000-01-704	EA	VINYL - GLAZING	132-018161
	125586-01-701	EA	RETAINER - TRIM	H57027L
	125600-01-700	EA	GLASS - STATIONARY	390026099



THERMOPANE

KEY	PART NUMBER	U/M	DESCRIPTION	VENDOR NO.
	125600-02-01A	EA	WINDOW - VISTA - THERMOPANE	
	116000-01-704	EA	VINYL - GLAZING	132-018161
	125586-02-701	EA	RETAINER - TRIM	H56527L
	125600-02-700	EA	GLASS - STATIONARY	390026091

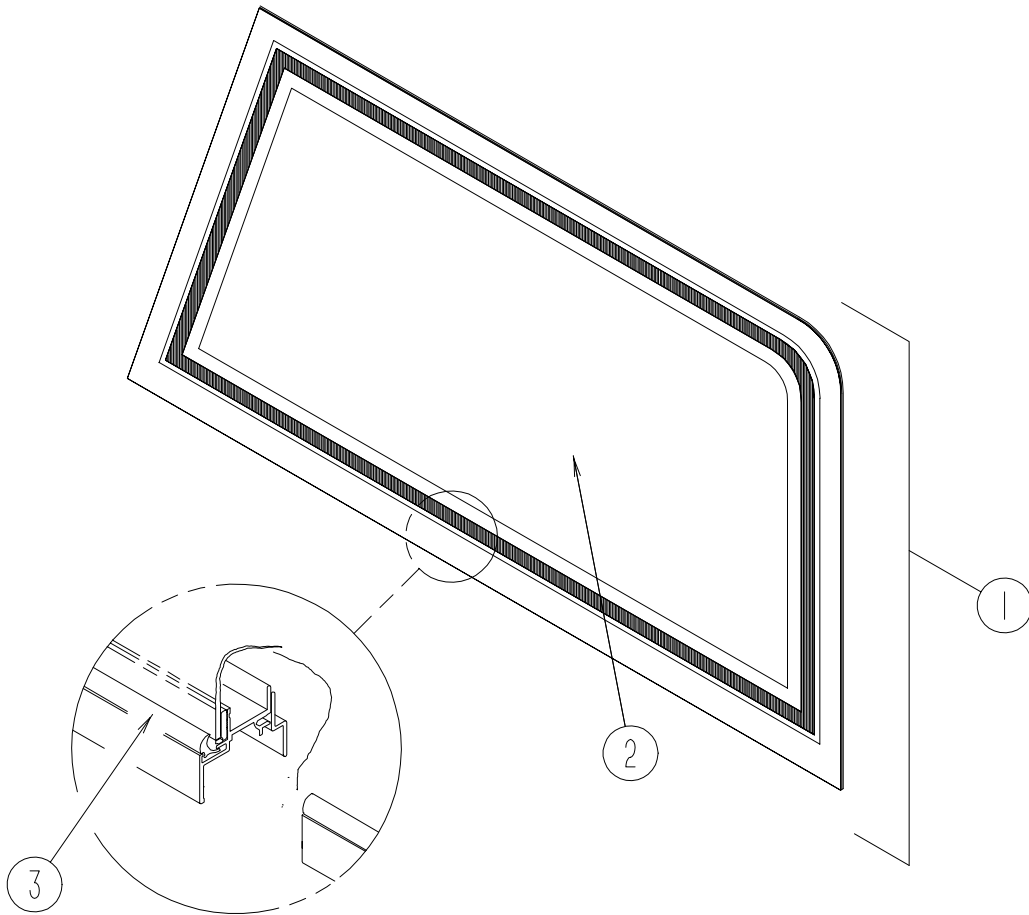
**EXCEL
THERMOPANE**



KEY	PART NUMBER	U/M	DESCRIPTION
1	125600-03-01A	EA	WINDOW - VISTA - THERMOPANE
2	125600-03-700	EA	GLASS - STATIONARY
3	116000-01-704	FT	VINYL - GLAZING
	125586-01-701	EA	RETAINER - TRIM

VENDOR NO.
390-026288
132-018161
H570-27L

**EXCEL
THERMOPANE**



KEY	PART NUMBER	U/M	DESCRIPTION	VENDOR NO.
1	125600-04-01A	EA	WINDOW - VISTA - THERMOPANE	390-026322
2	125600-04-700	EA	GLASS - STATIONARY	132-010723
3	100322-01-703	FT	VINYL - GLAZING - BUTYL	K564-43L
	125600-04-701	EA	RETAINER - TRIM - BOTTOM	H572-41L
	125600-04-702	EA	RETAINER - TRIM - BENT	H572-41L
	125600-04-703	EA	RETAINER - TRIM - FRONT	H572-42L

WINDOW - THERMOPANE

KEY	PART NUMBER	U/M	DESCRIPTION	VENDOR NO.
	115630-01-01A	EA	WINDOW - STATIONARY/THERMOPANE - 17.2" X 72" DH438-G2W58	
	098644-01-705	FT	GLAZING - STRIP	132-010231
	115630-01-701	EA	RETAINER - TRIM	W438-58
	115630-01-702	EA	GLASS - STATIONARY -THERMO	390-019467

**WINDOW - THERMOPANE
EXCEL DH153-EG2W58**

KEY	PART NUMBER	U/M	DESCRIPTION	VENDOR NO.
	115630-02-01A	EA	WINDOW - STATIONARY/THERMOPANE - EURO - 17.2" X 72"	
	116000-01-704	FT	VINYL - GLAZING	132-018161
	115630-01-701	EA	RETAINER - TRIM	W438-58
	115630-02-700	EA	GLASS - STATIONARY - EUROPEAN	390-019848

WINDOW - THERMOPANE

KEY	PART NUMBER	U/M	DESCRIPTION	VENDOR NO.
	116976-01-01A	EA	WINDOW - PICTURE/TINTED/ESCAPE - 26.4" X 26.3" H386-G2W53	
	100322-01-701	FT	SEAL-VENT	122-016071
	112898-06-704	EA	HANDLE-LATCH, RED-RH	182-11293
	112898-06-705	EA	HANDLE-LATCH, RED-LH	182-11294
	116976-01-701	EA	RETAINER - TRIM	W386-53
	116976-01-702	FT	FILLER PLUG	132-016065
	116976-01-700	EA	GLASS - STATIONARY	106-018786

WINDOW - THERMOPANE

KEY	PART NUMBER	U/M	DESCRIPTION	VENDOR NO.
	116976-02-01A	EA	WINDOW - PICTURE/TINTED/ESCAPE - 26.4" X 25.3" H386-G2W53	
	100322-01-701	FT	SEAL-VENT	122-016071
	112898-06-704	EA	HANDLE-LATCH, RED-RH	182-11293
	112898-06-705	EA	HANDLE-LATCH, RED-LH	182-11294
	116976-01-701	EA	RETAINER - TRIM	W386-53
	116976-01-702	FT	FILLER PLUG	132-016065
	116976-02-700	EA	GLASS - STATIONARY	106-018785

WINDOW

KEY	PART NUMBER	U/M	DESCRIPTION	VENDOR NO.
	116976-04-01A	EA	WINDOW - PICTURE/TINTED - 26.4" X 26.3" H400-G2W60	
	113733-02-701	EA	RETAINER - TRIM	W386-60
	116976-03-701	FT	GLAZING VINYL	132-016071
	116976-04-700	EA	GLASS	106-019678

THERMOPANE

KEY	PART NUMBER	U/M	DESCRIPTION	VENDOR NO.
	125584-01-01A	EA	WINDOW - FRONT SLANT - LEFT HAND	
	100322-01-703	EA	VINYL - GLAZING, BUTYL	132-010723
	125584-01-700	EA	GLASS - STATIONARY	106026078
	125584-01-701	EA	RETAINER - TRIM	H56927L B969 GRL

THERMOPANE

KEY	PART NUMBER	U/M	DESCRIPTION	VENDOR NO.
	125585-01-01A	EA	WINDOW - FRONT SLANT - THERMO	
	116000-01-704	EA	VINYL - GLAZING	132-018161
	125584-01-701	EA	RETAINER - TRIM	106026078
	125585-01-700	EA	GLASS - STATIONARY	390026092

THERMOPANE

KEY	PART NUMBER	U/M	DESCRIPTION	VENDOR NO.
	125585-02-01A	EA	WINDOW - FRONT SLANT - THERMO	
	116000-01-704	EA	VINYL - GLAZING	132-018161
	125584-02-701	EA	RETAINER - TRIM	H566-27L
	125585-02-700	EA	GLASS - STATIONARY	390026092