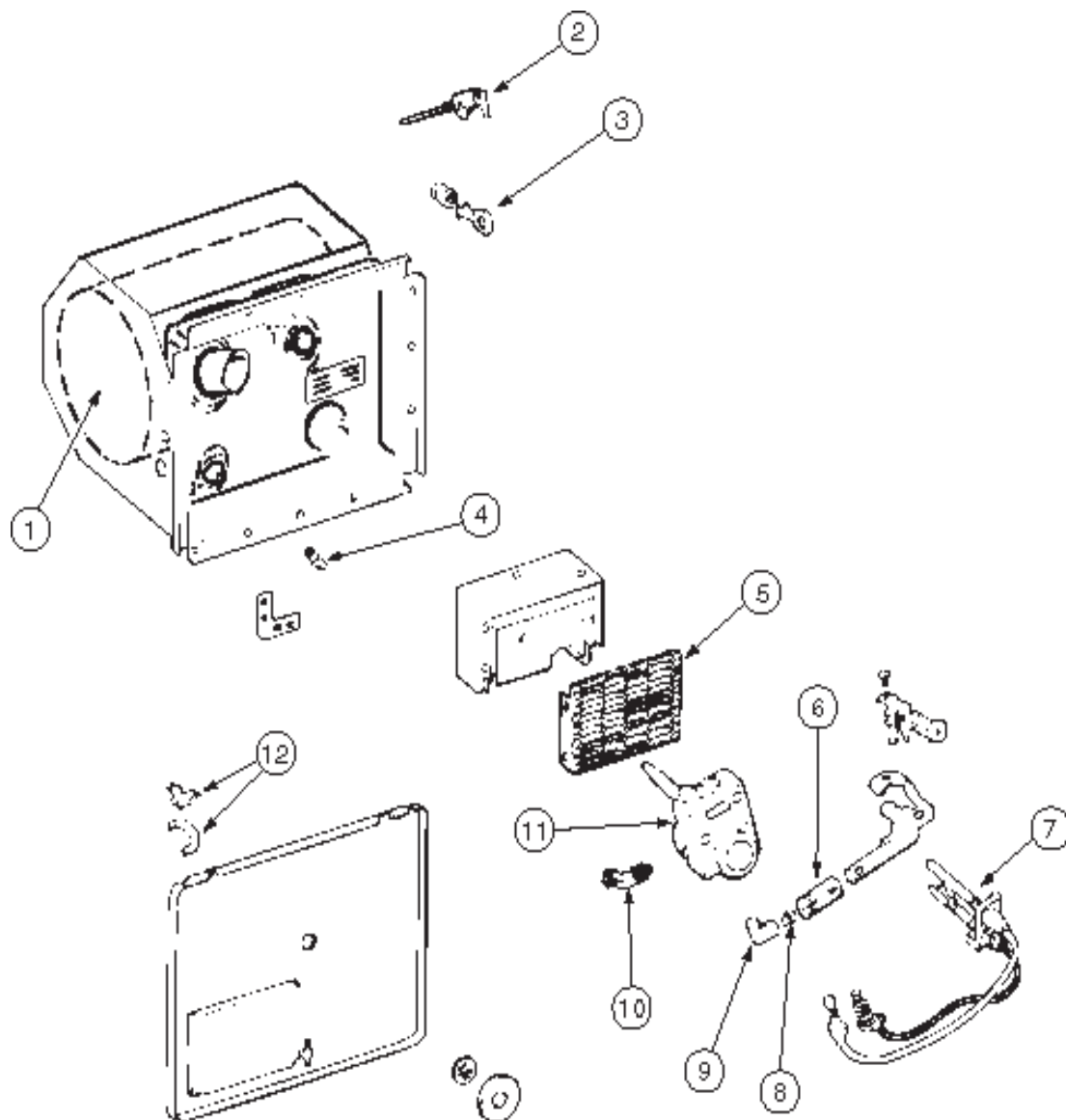
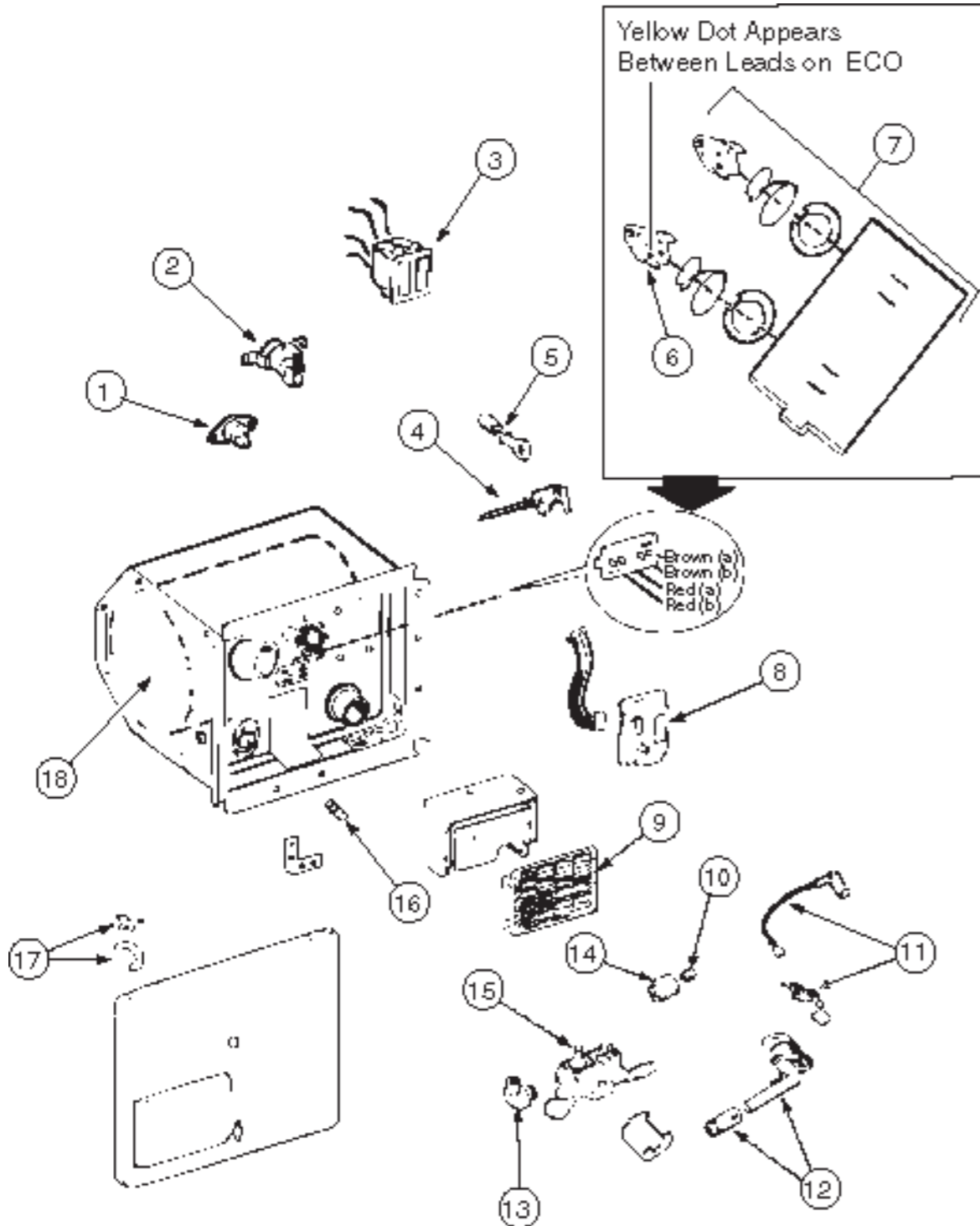


**ATWOOD  
MODEL G6A-7**



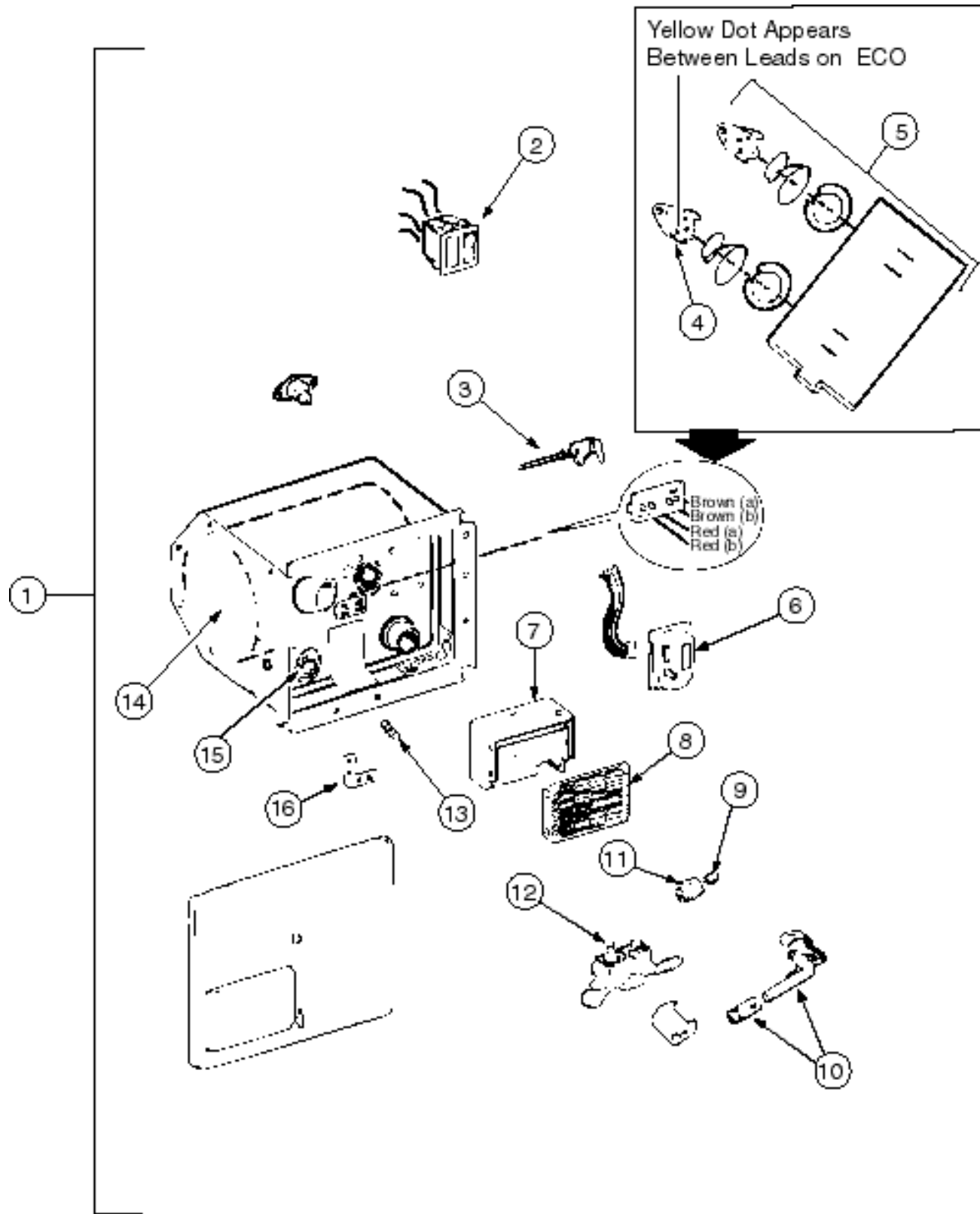
KEY	PART NUMBER	U/M	DESCRIPTION	VENDOR NO.
	051391-01-000	EA	WATER HEATER-ATWOOD G6A-7	
1	051391-01-702	EA	TANK-INNER F/G6A-2E-3E-6E	91412
2	051391-01-704	EA	VALVE-RELIEF, 1/2" FITTING	91604
3	051391-01-705	EA	FASTENER-CAMLOCK	92609
4	051391-01-715	EA	PLUG-DRAIN, 1 EA = 2 PER PKG	91857
5	051391-01-706	EA	KIT-EXHAUST, (FLUE & GASKET)	92787
6	051391-01-708	EA	BURNER-M051391-01-000AIN/PILOT MODEL	92615
7	051391-01-709	EA	PILOT ASM. W/THERMOCOUPLER	91603
8	051391-01-710	EA	ORIFICE-MAIN BURNER	92742
9	051391-01-711	EA	ELBOW-ORIFICE,MAIN BURNER	92741
10	051391-01-714	EA	FITTING-ELBOW 45,3/8F X 3/8	MPT 1044
11	051391-01-712	EA	THERMOSTAT-3/8"NPT INLET	91601
12	051391-01-700	EA	HINGE KIT, (PIN & CLIP)	92568&92559
	051391-03-700	EA	HOLDER-ORIFICE	91563

**ATWOOD  
MODEL G6A-8E**



KEY	PART NUMBER	U/M	DESCRIPTION	VENDOR NO.
	051391-03-000	EA	WATER HEATER G6A-8E ELECTRONIC IGNITION	
1	051393-01-702	EA	SWITCH - ENERGY/CUT-OFF	91951
2	051393-01-703	EA	THERMOSTAT-12VDC-140 PRESET	91952
3	051393-01-701	EA	SWITCH - REMOTE - W/LIGHT	91959
4	051391-01-704	EA	VALVE-RELIEF, 1/2" FITTING	91604
5	051391-01-705	EA	FASTENER-CAMLOCK	92609
6	051391-04-701	EA	THERMOSTAT 12V DC-120 PRESET	91470
7	051393-01-721	EA	THERMOSTAT W/ECO, 140 FRT MT	91447
8	051393-01-704	EA	BOARD-CIRCUIT	93865
9	051391-01-706	EA	KIT-EXHAUST, (FLUE & GASKET)	92787
10	051391-01-710	EA	ORIFICE-MAIN BURNER	92742
11	051393-01-716	EA	SPARK & PROBE ASSEMBLY	91606
12	051391-01-708	EA	BURNER-MAIN/PILOT MODEL	92615
12	051391-04-703	EA	BURNER-MAIN/ELECTRONIC	91638
13	051391-01-714	EA	FITTING-ELBOW 45,3/8F X 3/8	MPT 1044
14	051391-03-700	EA	HOLDER-ORIFICE	91563
14	051393-01-705	EA	HOLDER-ORIFICE	91925
15	051393-01-718	EA	VALVE-GAS, DUAL SOLENOID	91605
16	051391-01-715	EA	PLUG-DRAIN, 1 EA = 2 PER PKG	91857
17	051391-01-700	EA	HINGE KIT, (PIN & CLIP)	92568&92559
18	051391-04-700	EA	TANK-INNER (G6A-3E) FRT MT	91608
18	051391-04-706	EA	TANK-INNER,G6A-4E&6E FRT. MT	91641
18	051393-03-700	EA	TANK-INNER (G6A-3E) REAR MT	91409
	051393-01-723	EA	SWITCH - THERMAL CUTOUT 2/PK	93866
	051393-01-724	EA	BOARD-CIRCUIT, SPADE TERMINAL	93865
	051393-01-725	EA	ELECTRODE-SGL SPADE CONNECT.	93868
	051393-01-726	EA	VALVE-SOLENOID, W/O BRACKET	93870

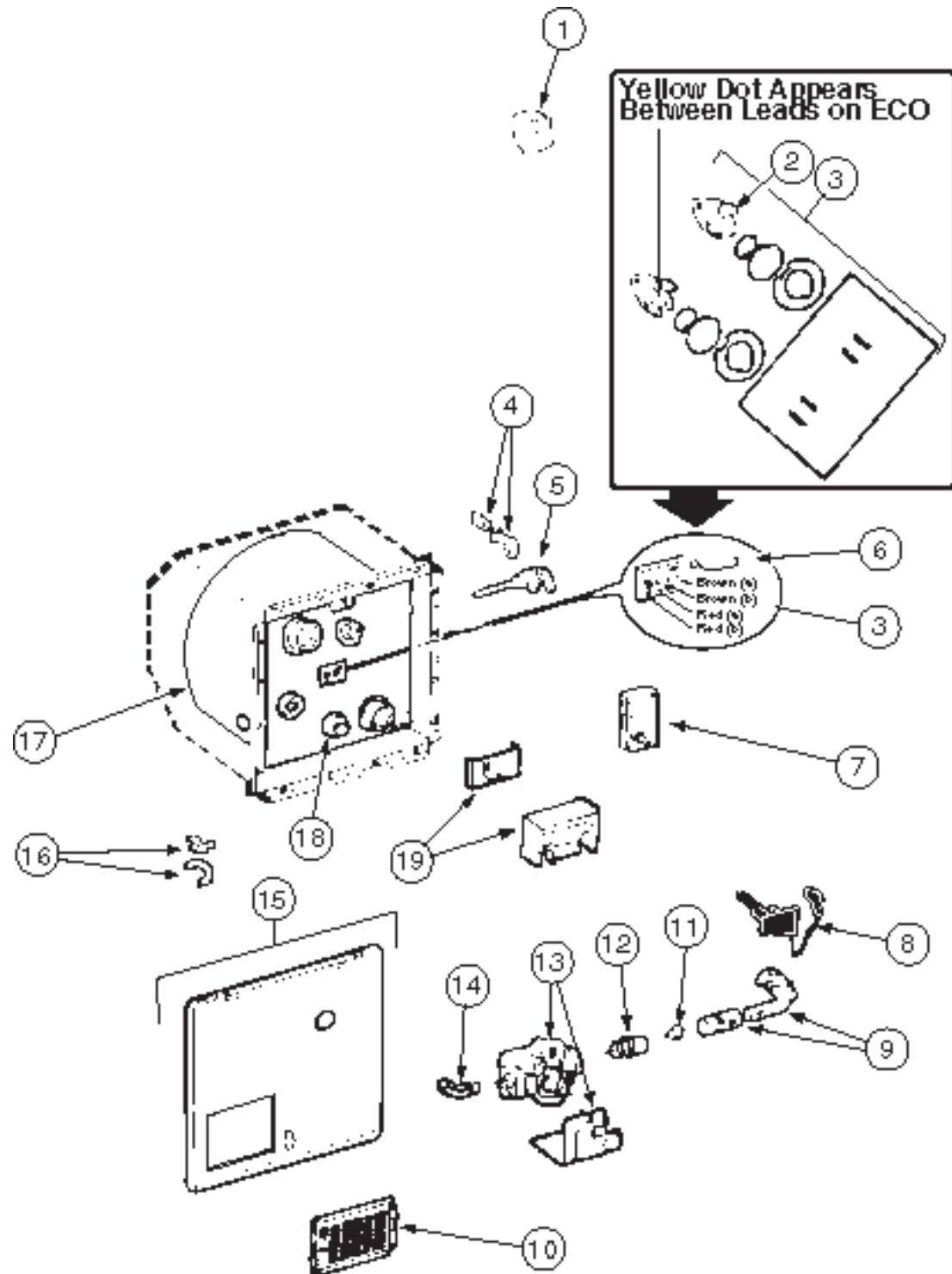
**ATWOOD  
MODEL GCH10A-3E**



KEY	PART NUMBER	U/M	DESCRIPTION	VENDOR NO.
1	051391-05-000	EA	WATER HEATER - ELECTRONIC IGNITION - GCH10A-3E	
2	051393-01-701	EA	SWITCH - REMOTE - W/LIGHT	91959
3	051391-01-704	EA	VALVE - RELIEF - 1/2" FITTING	91604
4	051391-04-701	EA	THERMOSTAT - 12V DC-120 PRESET	91470
5	051393-01-721	EA	THERMOSTAT W/ECO - 140 FRT MT	91447
5	051391-05-707	EA	THERMOSTAT W/ECO - 110 VOLT	91873
6	051393-01-704	EA	BOARD - CIRCUIT	93865
7	051391-05-707	EA	KIT - EXHAUST - FLUE & GASKET	90960
8	051391-01-717	EA	GRILL - WATER HEATER DOOR	92640
9	051391-05-701	EA	ORIFICE - MAIN BURNER	93914
10	051391-05-700	EA	BURNER - MAIN	93221
11	051391-03-700	EA	HOLDER - ORIFICE	91563
12	051393-05-702	EA	VALVE-GAS - W/BRACKET	93869
13	051391-01-715	EA	PLUG - DRAIN - 1 EA = 2 PER PKG	91857
14	051391-05-704	EA	TANK - INNER	91594
15	051391-05-706	EA	ELEMENT - HEATING - 1500 WATT	91160
16	111129-01-711	EA	BRACKET - CORNER - SET OF 4	91928
	051393-01-723	EA	SWITCH - THERMAL CUTOUT 2/PK	93866
	051393-01-725	EA	ELECTRODE - SGL SPADE CONNECT.	93868

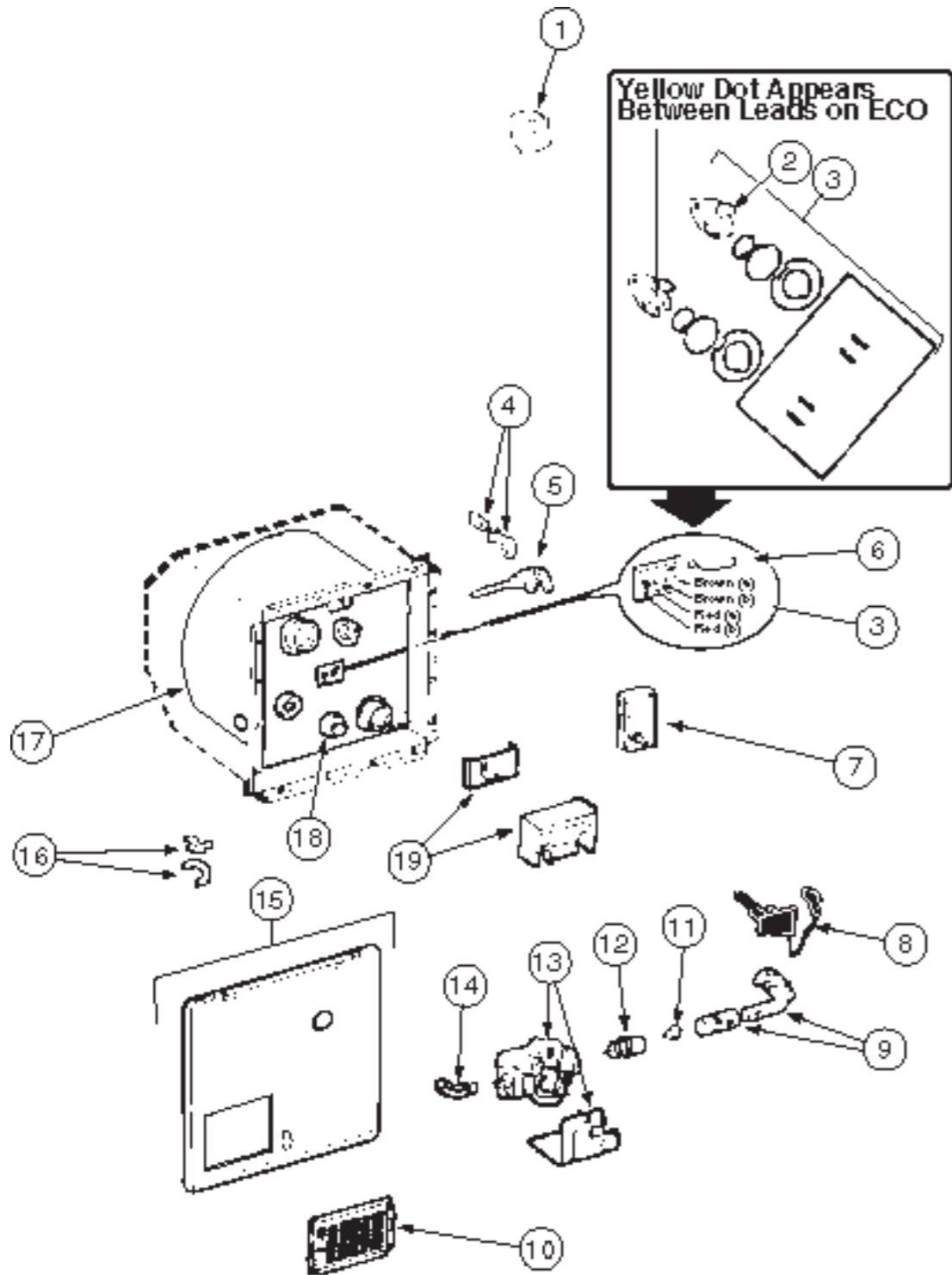
**ATWOOD  
MODEL GH6-8E**

KEY	PART NUMBER	U/M	DESCRIPTION	VENDOR NO.
	051393-01-000	EA	WATER HEATER - W/ MOTOR AID - PILOTLESS IGNITION	
1	051393-01-701	EA	SWITCH PACKAGE	91959
2	051391-04-701	EA	THERMOSTAT 12V DC-120 PRESET	91470
3	051393-01-721	EA	ECO & THERMOSTAT ASM - FRONT MOUNT - 140°	91447
4	051391-01-705	EA	FASTENER - CAMLOC	92609
5	051391-01-704	EA	VALVE - RELIEF - 1/2" FITTING	91604
6	051393-01-723	EA	SWITCH - ENERGY CUT-OFF	93866
7	051393-01-724	EA	CIRCUIT BOARD - W/ SPADE TERMINAL	93867
8	051393-01-725	EA	ELECTRODE - SINGLE SPADE CONNECTION	93868
9	051391-04-703	EA	BURNER - MAIN	91638
10	051391-01-717	EA	GRILLE	92640
11	051391-01-710	EA	ORIFICE - MAIN BURNER	92742
12	051391-03-700	EA	ORIFICE HOLDER	91563
13	051393-01-726	EA	SOLENOID VALVE & BRACKET	93870
14	051391-01-714	EA	ELBOW - 45 DEGREE - 3/8"F X 3/8"MPT	91044
15	052009-06-000	EA	DOOR-WATER HEATER W/O LATCHES, BRIGHT WHITE	
16	051391-01-700	EA	HINGE KIT - W/CLIP	92568&92559
17	051391-04-704	EA	TANK - INNER	91642
18	051391-01-715	EA	DRAIN PLUG	91857
19	051391-04-707	EA	FLUE & GASKET	90960
	111129-01-711	EA	BRACKET-CORNER, SET OF FOUR	91928

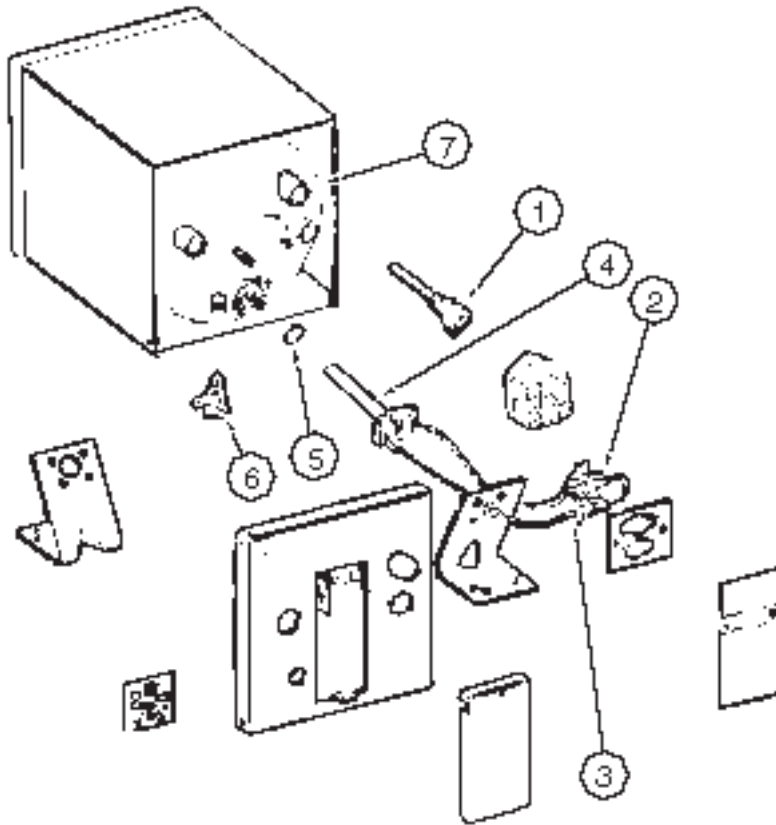


**ATWOOD WATER HEATER W/ELECTRIC IGNITION  
MODEL ICH6-6E - (EUROPEAN)**

KEY	PART NUMBER	U/M	DESCRIPTION	VENDOR NO.
	111129-01-000	EA	WATER HEATER - ELECTRIC IGNITION - 220 VOLTS	
1	111129-01-700	EA	SWITCH - WALL PACKAGE	91208
2	111129-01-714	EA	THERMOSTAT - ELECTRIC - 220V	91287
3	111129-01-703	EA	THERMOSTAT (60*) ECO (82*) KIT	91191
4	051391-01-705	EA	FASTENER - CAMLOC	92609
5	111129-01-702	EA	VALVE - DRAIN PRESSURE - 3.5 BAR	91898
6	051393-01-723	EA	SWITCH - ENERGY CUT-OFF	93866
7	111129-01-704	EA	BOARD - IGNITION	91194
8	111129-01-708	EA	IGNITION KIT - SPARK & PROBE	91196
9	111129-01-707	EA	BURNER KIT - MAIN	91204
10	051391-01-717	EA	GRILLE	92640
11	111129-01-706	EA	ORIFICE - MAIN BURNER COMPLETE	91017
12	051391-03-700	EA	ORIFICE HOLDER	91563
13	051393-01-726	EA	SOLENOID VALVE & BRACKET	93870
14	051391-01-714	EA	ELBOW - 45 DEGREE - 3/8" F X 3/8" MPT	91044
15	111129-01-710	EA	DOOR - ACCESS - W/LOCK	91203
16	111129-01-712	EA	HARDWARE KIT - W/LOCK	91193
17	111129-01-713	EA	TANK INNER ICH6-6E	91188
18	051391-01-715	EA	DRAIN PLUG	91857
19	111129-01-709	EA	FLUE ASSEMBLY	91045
	111129-01-705	EA	REGULATOR - GAS PRESSURE #10	91198
	111129-01-711	EA	BRACKET - CORNER - SET OF FOUR	91928
	111129-01-715	EA	RELAY - 220 V/12 VDC	91206
	111129-01-716	EA	ELEMENT - HEATING - 220V/500WATT	91081
	111129-01-717	EA	BUSHING - STRAIN RELIEF	91372

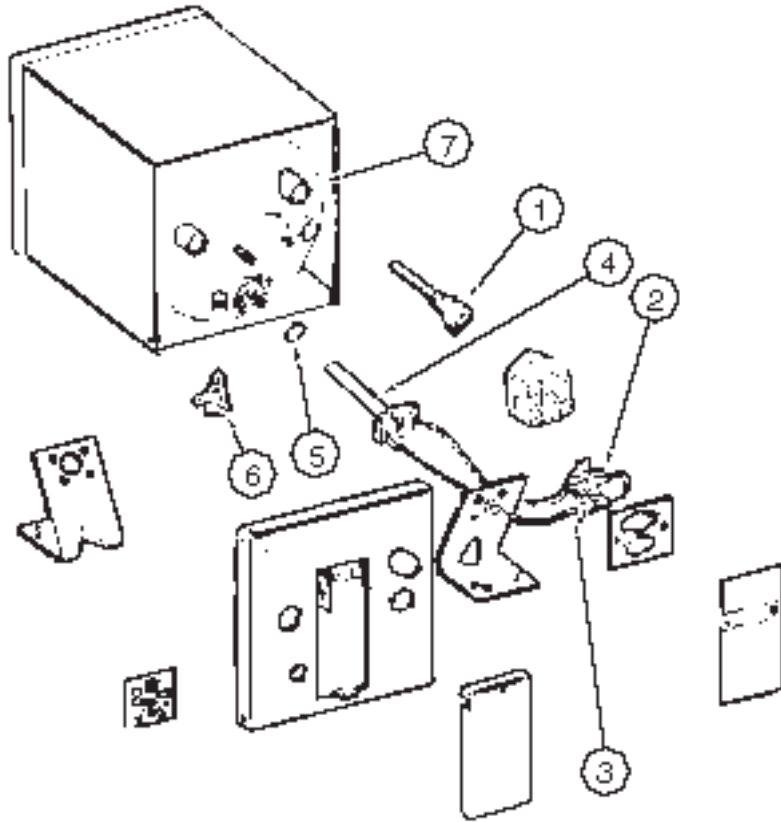


**ATWOOD  
MODEL EHM4 - SM**



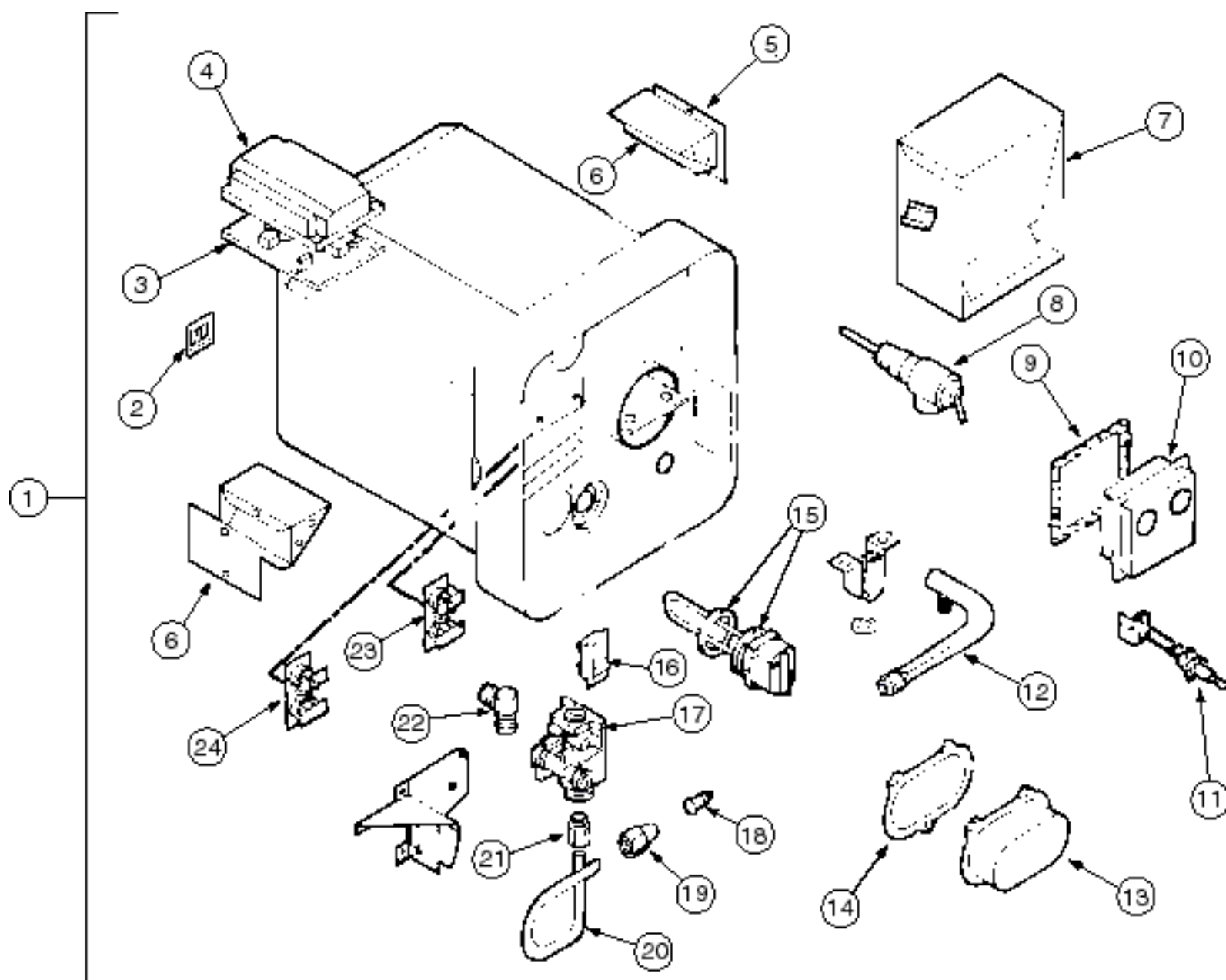
KEY	PART NUMBER	U/M	DESCRIPTION	VENDOR NO.
	113122-01-000	EA	WATER HEATER - ELECTRIC - 4 GALLON	
1	051391-01-704	EA	VALVE - RELIEF - 1/2" FITTING	91604
2	074034-01-700	EA	SWITCH	92942
3	074034-01-701	EA	THERMOSTAT	92943
4	074034-01-702	EA	ELEMENT - IMMERSION - 1500 W	93089
5	074034-01-703	EA	GASKET	92679
6	074034-01-704	EA	VALVE - DRAIN - PETCOCK - NADA	93755
7	113122-01-700	EA	TANK - INNER	92245

**ATWOOD  
MODEL EHM4 - 220**



KEY	PART NUMBER	U/M	DESCRIPTION	VENDOR NO.
	113122-02-000	EA	WATER HEATER - 4 GALLON	
1	051391-01-704	EA	VALVE - RELIEF - 1/2" FITTING	91604
2	113122-02-700	EA	SWITCH - ECO 220 V	91740
3	074034-01-701	EA	THERMOSTAT	92943
4	113122-02-701	EA	ELEMENT - HEATING - 220 V	91097
5	113122-02-702	EA	GASKET - 220 V	91098
6	074034-01-704	EA	VALVE - DRAIN - PETCOCK - NADA	93755
7	113122-01-700	EA	TANK - INNER	92245

**SUBURBAN  
MODEL SW10DE/5050A**



KEY	PART NUMBER	U/M	DESCRIPTION	VENDOR NO.	KEY	PART NUMBER	U/M	DESCRIPTION	VENDOR NO.
1	128994-01-000	EA	WATER HEATER - 10 GALLON - 110/GAS		13	128994-01-713	EA	COVER - ELEMENT	090445
2	128994-01-700	EA	SWITCH - LAMP - PLATE - ASSEMBLED	232229	14	128994-01-714	EA	GASKET - ELEMENT COVER	070988
3	128994-01-701	EA	MODULE BOARD	232391	15	128994-01-719	EA	ELEMENT - ELECTRIC - W/GASKET	520789
4	128994-01-702	EA	COVER - MODULE BOARD	090487	16	128994-01-717	EA	SWITCH - ELECTRIC ELEMENT	232259
5	128994-01-703	EA	COVER - JUNCTION BOX	090447	17	128994-01-720	EA	VALVE - GAS - LP	161109
6	128994-01-704	EA	JUNCTION BOX ASSEMBLY - DC	090498	18	128994-01-711	EA	ORFICE - CUP - 1.15MM	180300
7	128994-01-705	EA	COLLECTOR - FLUE - BACK - COMPLETE	101679	19	128994-01-722	EA	NUT - LOXIT - MANIFOLD/BURNER - 1/4"	171463
8	128994-01-706	EA	VALVE - PRESSURE RELIEF	160926	20	128994-01-721	EA	MANIFOLD OUTLET	171420
9	128994-01-707	EA	GASKET - THERMOSTAT COVER	070987	21	128994-01-712	EA	NUT - LOXIT - MANIFOLD/VALVE - 1/4"	171475
10	128994-01-708	EA	COVER - THERMOSTAT	090467	22	128994-01-718	EA	FITTING - GAS	170374
11	128994-01-709	EA	ELECTRODE	232258	23	128994-01-716	EA	SWITCH - HI-LIMIT - 120 V.D.C.	232319
12	128994-01-710	EA	BURNER	010815	24	128994-01-715	EA	SWITCH - HI-LIMIT - 120 V.A.C.	