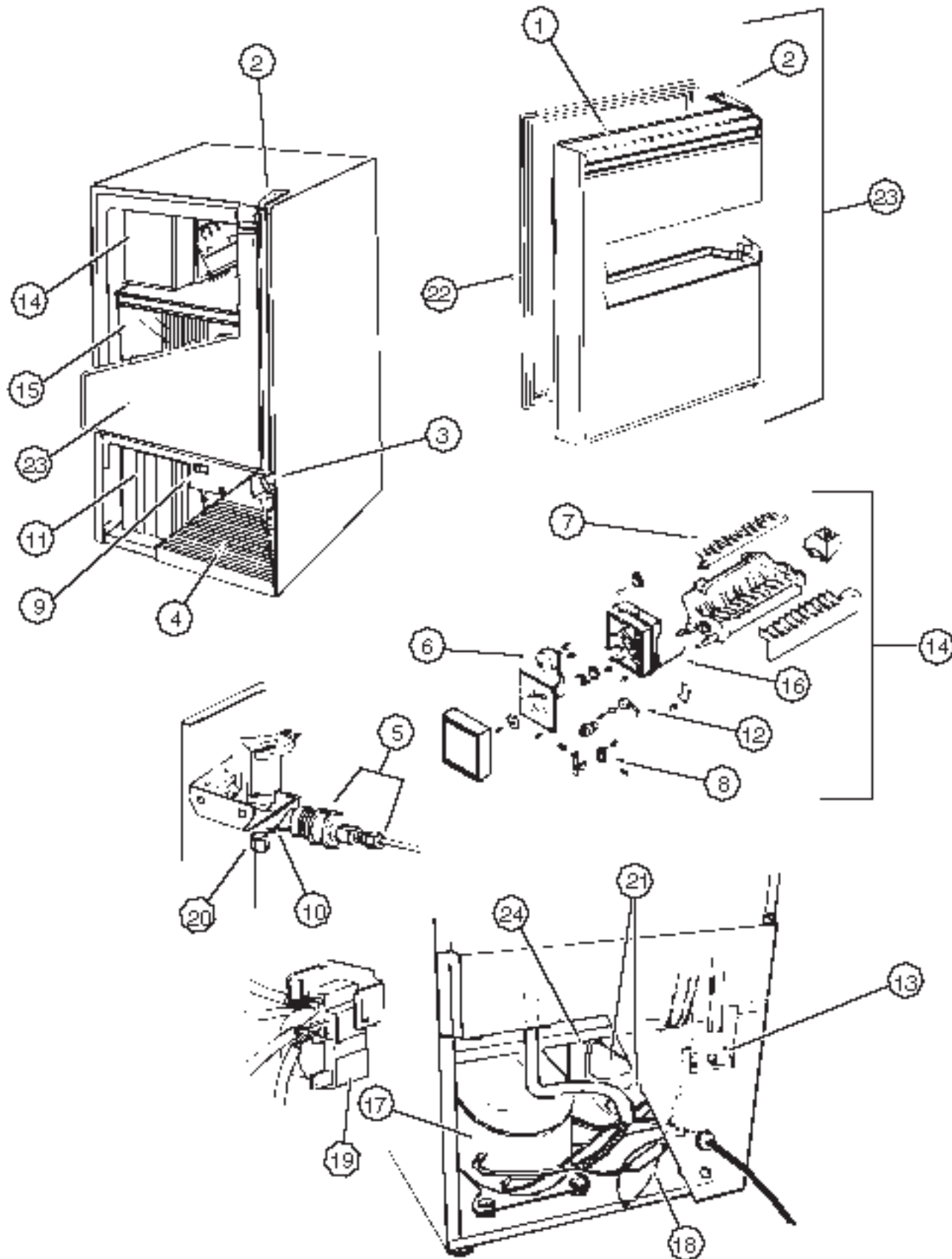
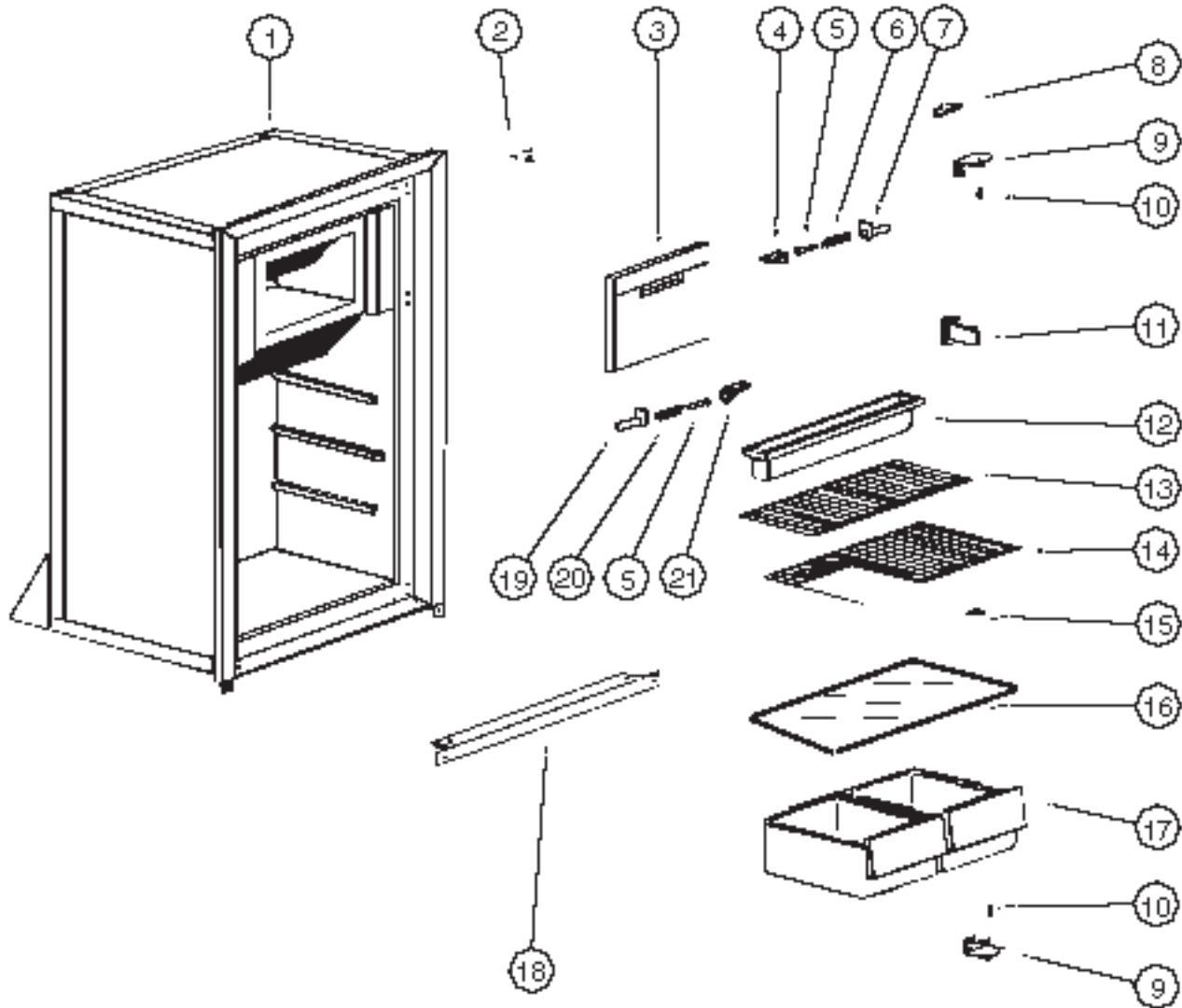


**U-LINE DOMETIC
DI23BG
ICE MAKER**

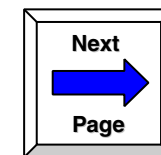


KEY	PART NUMBER	U/M DESCRIPTION	VENDOR NO.
	076799-01-000	EA ICE MAKER-- 14" X 14.5" X 24.5"	
1	076799-01-701	EA HANDLE - DOOR	31489-1
2	076799-01-704	EA HINGE - PIVOT - UPPER - BLACK	11697-S
3	076799-01-705	EA HINGE - PIVOT - LOWER - BLACK	11695-S
4	076799-01-706	EA GRILLE - VINYL COATED - BLACK	11662
5	076799-01-707	EA CONNECTION - WATER LINE	405
	076799-01-710	EA TRAVEL PIN ASSEMBLY	5000
6	076799-01-711	EA MOTOR	627973
7	076799-01-712	EA EJECTOR - 12 CAVITY	627375
8	076799-01-713	EA SWITCH - MICRO - SPDT	2506
9	076799-01-714	EA SWITCH - SPST	2053
10	076799-01-716	EA VALVE - SOLENOID	2552A
11	076799-01-717	EA CONDENSER ASSEMBLY	2628S
12	076799-01-718	EA SWITCH - LIMIT	2579
13	076799-01-719	EA CONTROL	4548
14	076799-01-720	EA ICE MAKER ASSEMBLY	402
15	076799-01-721	EA BUCKET - ICE	31429
16	076799-01-722	EA ARM - SHUT OFF	2603
17	076799-01-723	EA COMPRESSOR	5266S U-LINE
18	076799-01-724	EA DRYER	2544
19	076799-01-725	EA RELAY - OVERLOAD	5239
20	076799-01-726	EA PLASTIC NUT & SLEEVE ASM.	41254
21	076799-01-727	EA BLADE - FAN	5188
22	076799-01-728	EA GASKET - DOOR - GRAY (SVC3002)	31493-1
23	076799-01-729	EA DOOR ASSEMBLY - COMPLETE	95BG
24	076799-01-730	EA MOTOR - FAN	5263
	077841-01-000	EA BRACKET - TIEDOWN/RIGHT HAND - TRIANGULAR STEEL	
	077841-02-000	EA BRACKET - TIEDOWN/LEFT HAND - TRIANGULAR STEEL	

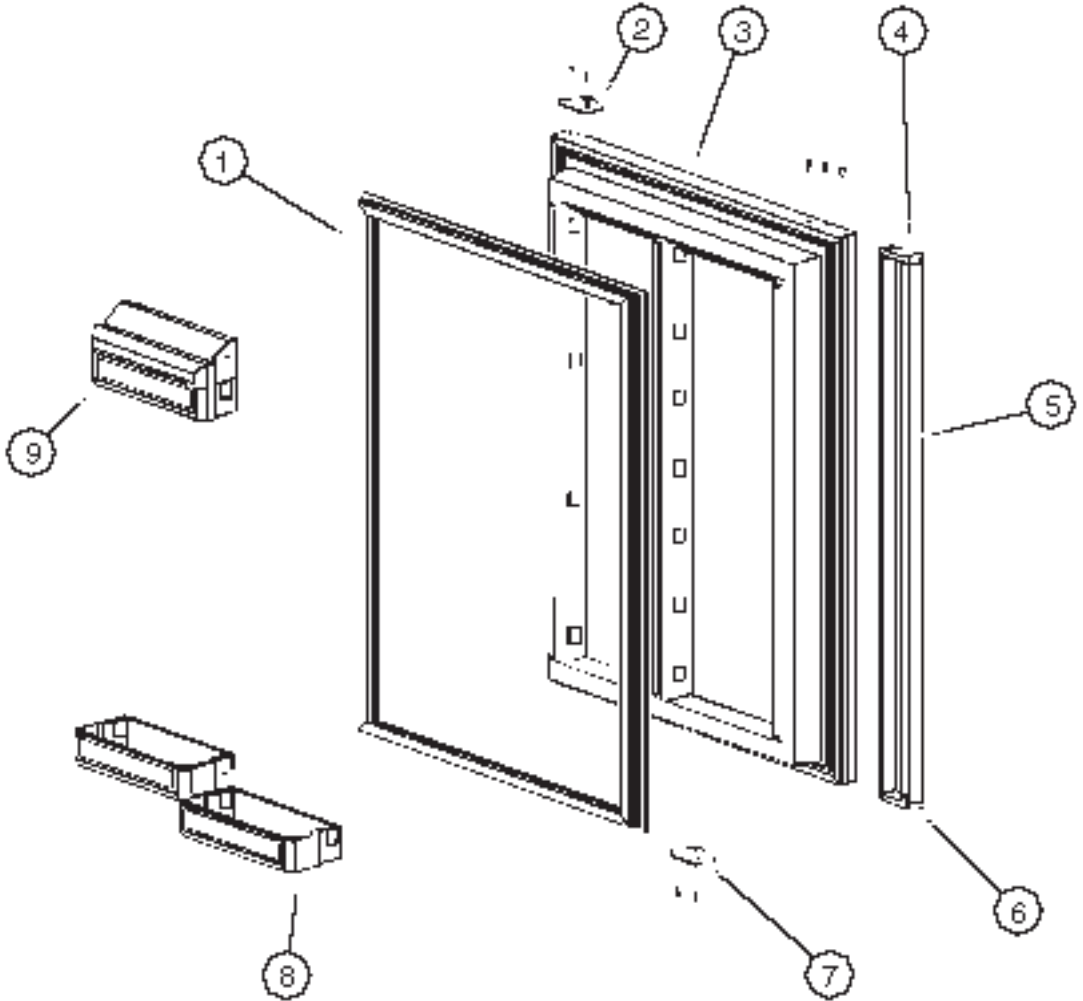
NORCOLD REFRIGERATOR 2-WAY
MODEL 6052 RH



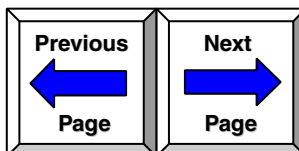
KEY	PART NUMBER	U/M	DESCRIPTION	VENDOR NO.
1	102621-04-01A	EA	REFRIGERATOR - LARGE SINGLE DOOR - 2-WAY	
2	102621-01-701	EA	CABINET - FOAMED - BLACK	61620238
3	094039-01-722	EA	HOLE PLUG - HINGE HOLES - BLACK	61582030
4	102621-01-700	EA	DOOR - EVAPORATOR ASSEMBLY	61620738
5	102621-04-709	EA	CLIP - MOUNTING - EVAPORATOR DOOR - RH - WHITE	61632930
6	102621-04-710	EA	SPRING - PIN	61632622
7	102621-04-711	EA	SPRING TORSION - EVAPORATOR DOOR - RH	61633222
8	102621-04-703	EA	HOLDER - SPRING - RH - WHITE	61632830
9	084880-01-760	EA	CLIP - THERMISTER	61689122
10	094039-01-723	EA	BRACKET - HINGE - TOP RH - BOTTOM LH - BLACK	61580838
11	094039-01-724	EA	BRACKET - HINGE TOP LH - BOTTOM RH - BLACK	61580938
12	094039-01-725	EA	PIN - HINGE - MALE - BLACK	61578130
13	094039-01-730	EA	PIN - HINGE - CENTER - BLACK	61566730
14	084880-03-702	EA	PIN - HINGE - TOP/BOTTOM - FEMALE	61580630
15	084880-01-732	EA	LATCH	61578522
16	102621-04-704	EA	TRAY - DRIP - WHITE	61619930
17	104137-06-706	EA	WIRE SHELF - SHORT	61718222
18	094039-01-739	EA	SHELF - CUTOUT	61646722
19	102621-04-705	EA	RETAINER - GLASS SHELF	61580322
20	084880-01-722	EA	COVER - CRISPER	61564122
21	104137-06-707	EA	CRISPER - WHITE	61571325
	094039-01-732	EA	FRONT COVER - BOTTOM TRIM - BLACK	61622130
	102621-04-707	EA	HOLDER - SPRING - EVAPORATOR DOOR - LH	61632730
	102621-04-706	EA	SPRING - EVAPORATOR DOOR - TORSION - LH	61633122
	102621-04-708	EA	CLIP - MOUNTING - EVAPORATOR DOOR - LH	61633030
	064472-01-749	EA	PLUG 1/8"	61445322
	104137-06-725	EA	SHELF - SHORT - WHITE - W/O RISER	618059
	104137-06-730	EA	SHELF - BOTTOM - W/CUTOUT - WHITE	618055
	054450-01-000	EA	LEVEL - REFRIGERATOR	



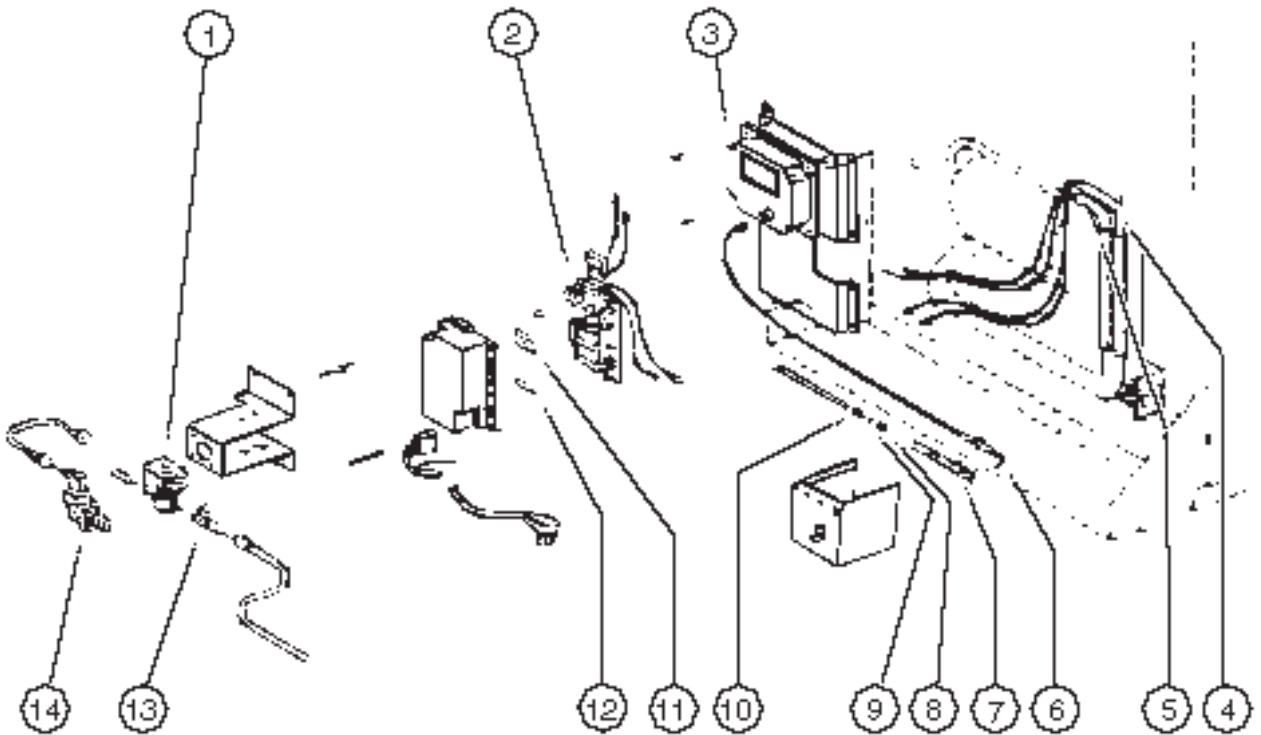
**NORCOLD REFRIGERATOR - 2-WAY
MODEL 6052 RH**



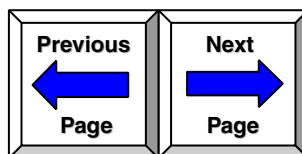
KEY	PART NUMBER	U/M	DESCRIPTION	VENDOR NO.
	102621-04-01A	EA	REFRIGERATOR - LARGE SINGLE DOOR - 2-WAY	
1	094039-01-713	EA	DOOR GASKET - LOWER - GRAY	61568030
2	094039-01-710	EA	PLATE - HINGE - BLACK	61631330
3	094039-01-715	EA	LINER - LOWER DOOR - FOAMED BLACK/WHITE	61581738-B
4	084880-01-761	EA	END CAP - SPRING CATCH - UPPER - BLACK	61593730
5	094039-01-717	EA	HANDLE - W/CAP & SPRING - BLACK	61649938
	084880-01-720	EA	SPRING - DOOR HANDLE	61558822
6	084880-01-740	EA	END CAP - STOP CATCH	61593830
7	094039-01-704	EA	PLATE - HINGE - BLACK	61631430
8	104137-06-703	EA	BIN - DOOR SHELF - WHITE	61564025
9	104137-06-704	EA	BIN - MILK - WHITE	61579425



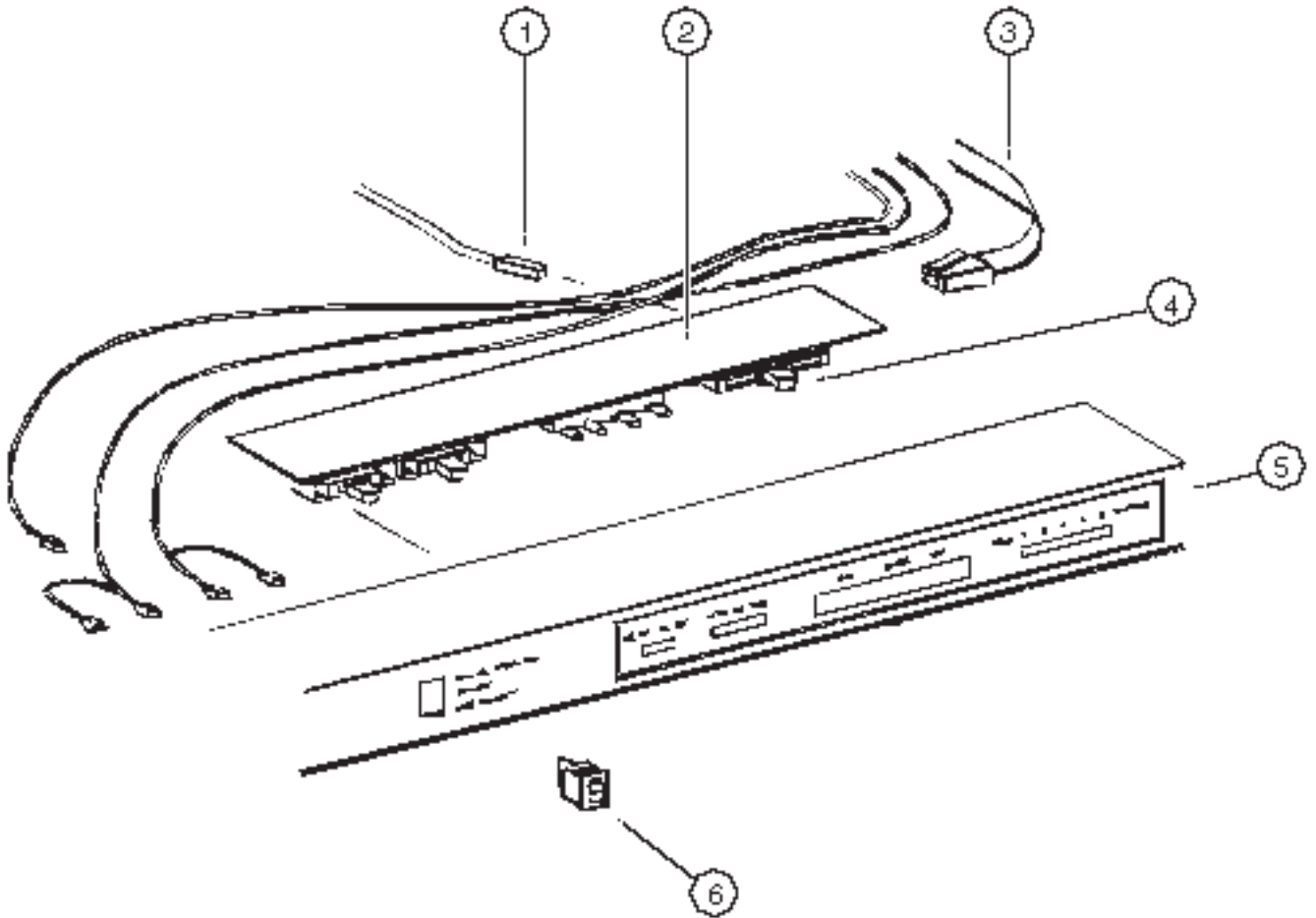
**NORCOLD REFRIGERATOR
MODEL 6052**



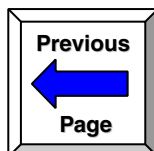
KEY	PART NUMBER	U/M	DESCRIPTION	VENDOR NO.
	102621-04-01A	EA	REFRIGERATOR - LARGE SINGLE DOOR - 2-WAY	
1	084880-01-718	EA	VALVE - GAS	61551822
2	094039-04-702	EA	POWER SUPPLY - 2 WAY	61647422
3	102621-01-702	EA	MODULE - IGNITION	61688922
	104137-02-700	EA	MODULE - CONTROL - CHANNEL - NORCOLD	61717037
4	102621-04-712	EA	HEATER - DC - HORIZONTAL BURNER	61562622
5	064473-03-701	EA	HEATER - AC - HORIZONTAL BURNER	61562522
	064473-03-718	EA	COOLING UNIT - HORIZONTAL BURNER	61687137
6	104137-06-715	EA	SPARK/SENSE ELECTRODE - SINGLE	61692222
7	104137-06-714	EA	BURNER ASSEMBLY - 5-SLOT	61705222
8	064473-01-702	EA	ORIFICE - 6EG-2	61452122
9	104137-06-713	EA	GASKET - ORIFICE	61475122
10	104137-06-712	EA	FITTING - GAS TUBE CONNECTION	61692722
11	075217-01-734	EA	FUSE - 3 AMP	61538822
	104137-06-711	EA	FUSE - 5 AMP	61611622
13	104137-06-710	EA	PRESSURE TAP	61594422
14	104137-06-709	EA	VALVE - SHUT OFF - MANUAL	61694922



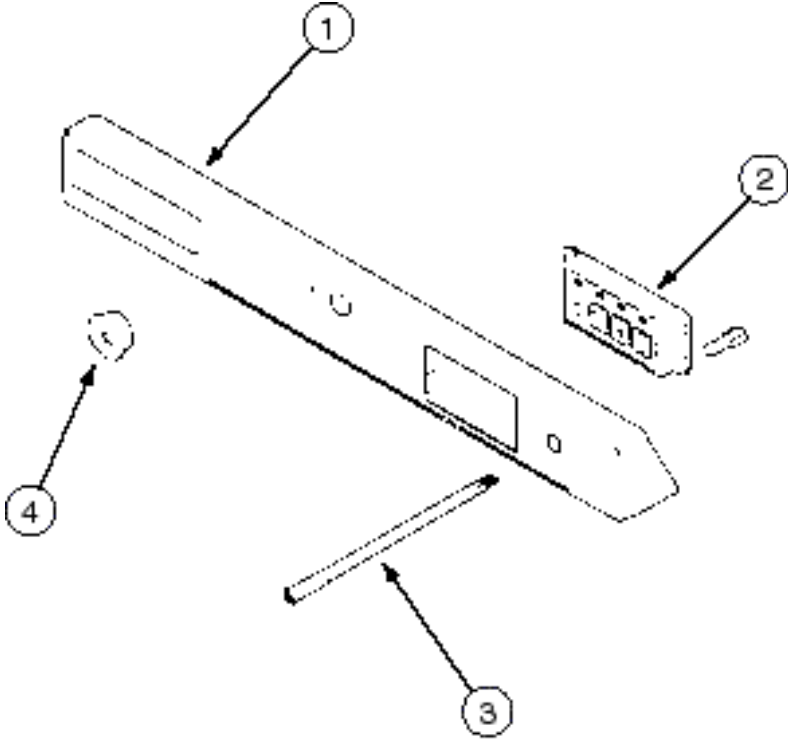
**NORCOLD REFRIGERATOR
MODEL 6052**



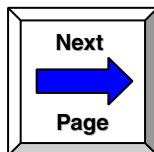
KEY	PART NUMBER	U/M	DESCRIPTION	VENDOR NO.
	102621-04-01A	EA	REFRIGERATOR - LARGE SINGLE DOOR - 2-WAY	
1	084880-01-753	EA	THERMISTER 78"	61693822
	084880-01-760	EA	CLIP - THERMISTER	61689122
2	094039-04-700	EA	PRINTED CIRCUIT BOARD - 2 WAY	61647322
3	084880-01-746	EA	CABLE - NORCOLD	61571522
4	102621-01-703	EA	BUTTON - THERMOSTAT - ADJUSTABLE	61587422
5	094039-04-701	EA	EYEBROW SHELL - 2-WAY - W/O HUMIDITY SWITCH HOLE	61669822
5	104137-06-700	EA	EYEBROW SHELL - 2-WAY - W/HUMIDITY SWITCH HOLE	61726622
6	075217-01-738	EA	SWITCH - HUMIDITY	61525922



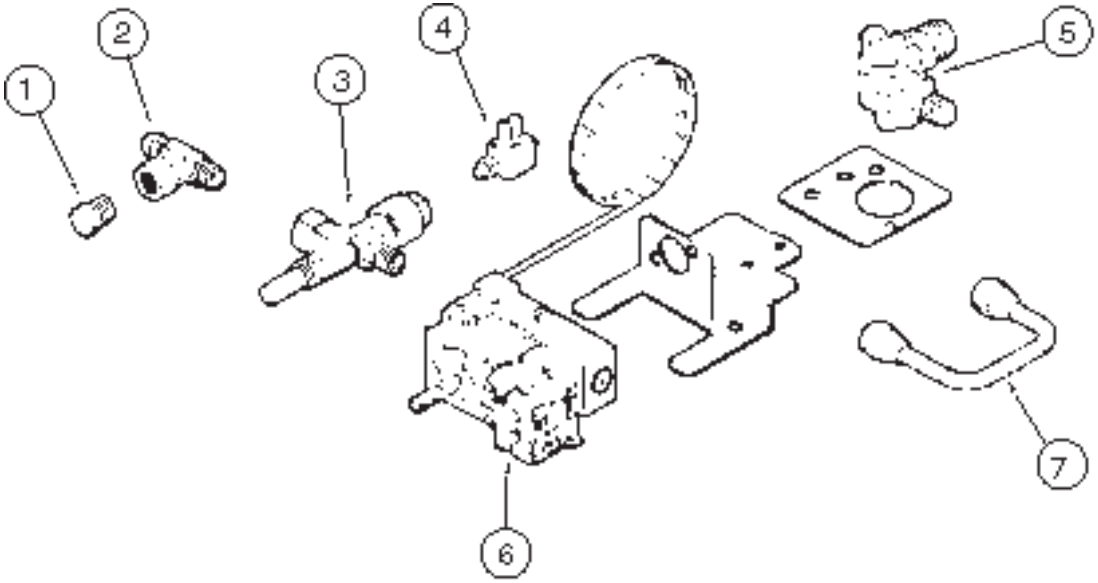
**REFRIGERATOR
SINGLE DOOR - VW
NORCOLD**



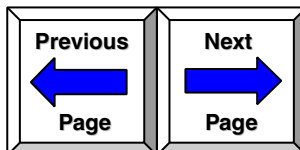
KEY	PART NUMBER	U/M	DESCRIPTION	VENDOR NO.
	113737-01-03A	EA	REFRIGERATOR - SMALL SINGLE DOOR - 3 WAY	
1	113737-01-723	EA	PANEL - CONTROL	617913
2	113737-01-729	EA	SWITCH - SELECTION - MODE	617945
3	113737-01-703	EA	LIGHT - FLAME INDICATOR - GREEN/RED	61609022
4	113737-01-713	EA	PLUG - HOLE - 1" - BLACK	617981



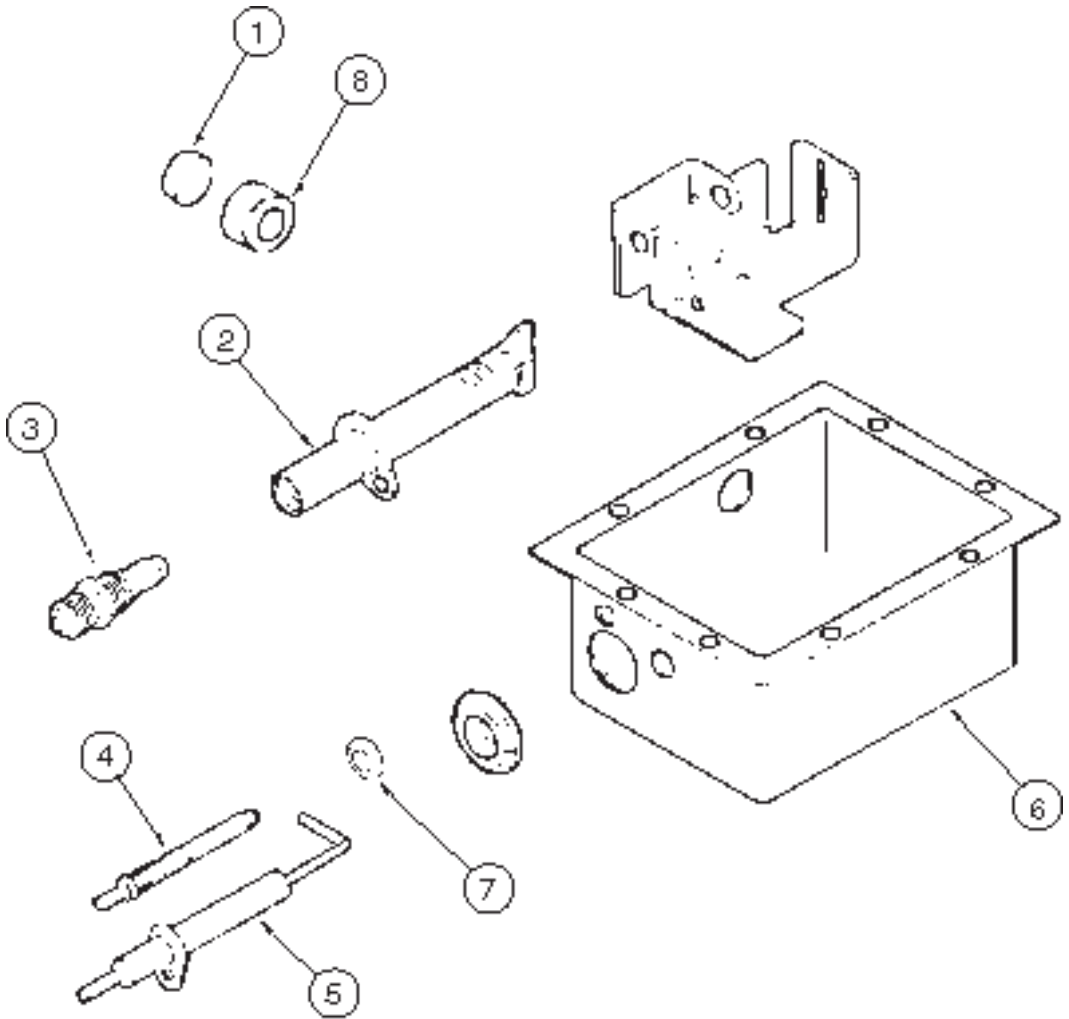
**REFRIGERATOR
SINGLE DOOR - VW
NORCOLD**



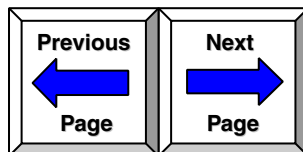
KEY	PART NUMBER	U/M	DESCRIPTION	VENDOR NO.
	113737-01-03A	EA	REFRIGERATOR - SMALL SINGLE DOOR - 3 WAY	
1	113737-01-702	EA	PLUG 1/8" - F/PRESSURE TAP	61445322
2	113737-01-716	EA	TAP - PRESSURE	61594422
3	113737-01-730	EA	VALVE - SAFETY IGNITION	617965
4	113737-01-709	EA	INTERRUPTER	61750522
5	113737-01-719	EA	VALVE - SHUT - OFF - MANUAL	617976
6	113737-01-735	EA	THERMOSTAT - GAS VALVE	617944
7	113737-01-750	EA	TUBE - UNION	61694622



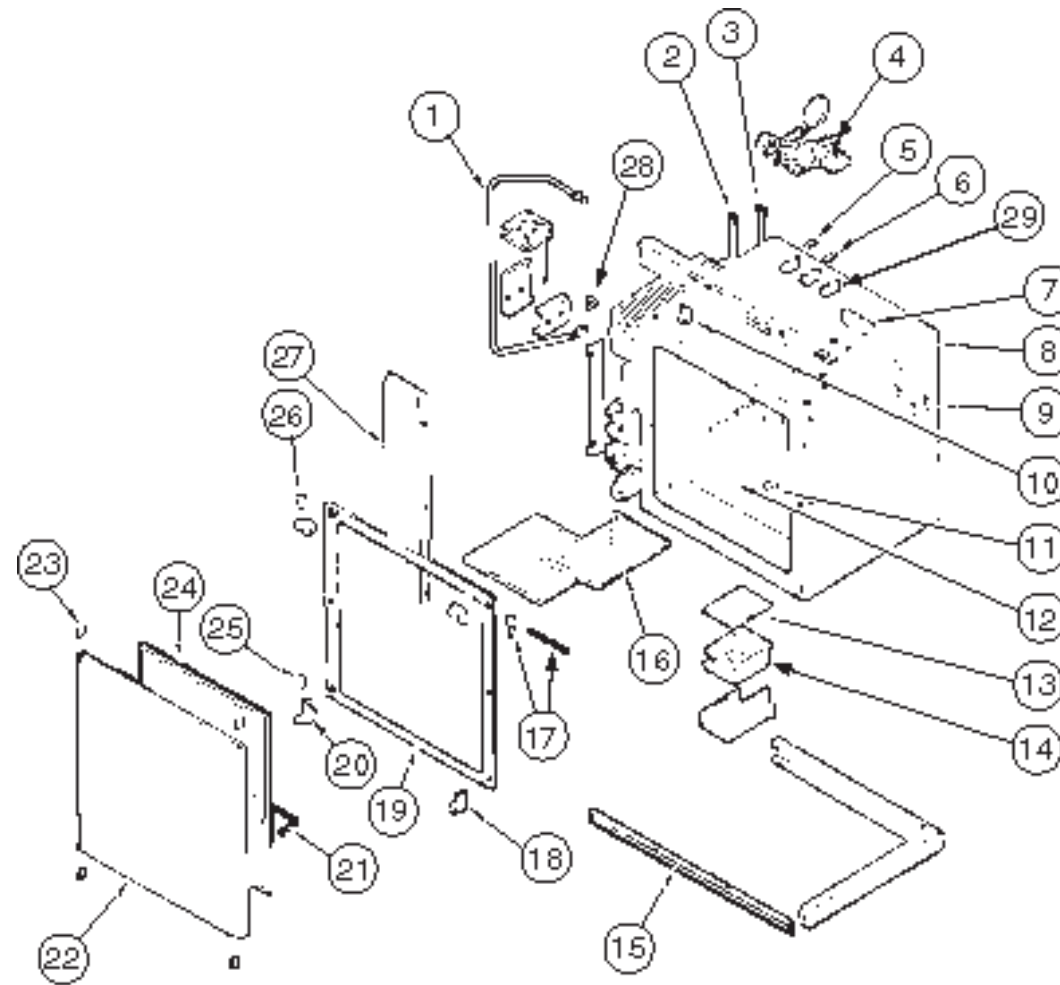
**REFRIGERATOR
SINGLE DOOR - VW
NORCOLD**



KEY	PART NUMBER	U/M	DESCRIPTION	VENDOR NO.
	113737-01-03A	EA	REFRIGERATOR - SMALL SINGLE DOOR - 3 WAY	
1	113737-01-732	EA	GLASS - SIGHT	617995
2	113737-01-726	EA	BURNER ASSEMBLY	617936
3	113737-01-727	EA	ORIFICE - ADAPTER ASSEMBLY	61753137
4	113737-01-717	EA	THERMOCOUPLE	617983
5	113737-01-715	EA	ELECTRODE - SPARK IGNITION	617966
6	113737-01-747	EA	BOX - BOTTOM F/BURNER	617925
7	113737-01-755	EA	THERMOCOUPLE GROMMET	617997
8	113737-01-751	EA	GROMMET F/SIGHT GLASS	617933

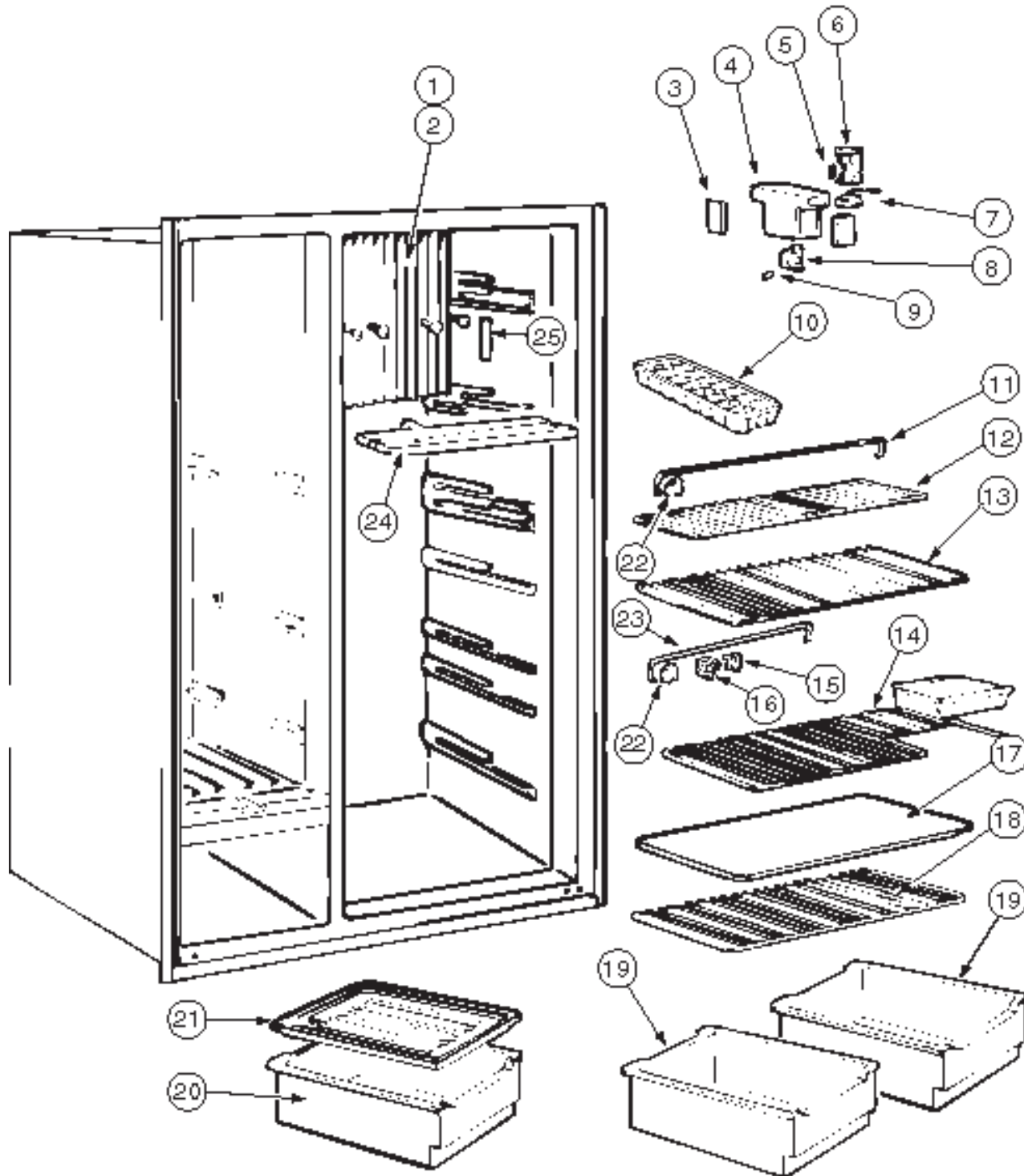


**REFRIGERATOR
SINGLE DOOR - VW
NORCOLD**

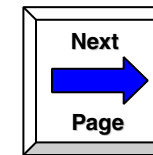


KEY	PART NUMBER	U/M DESCRIPTION	VENDOR NO.	KEY	PART NUMBER	U/M DESCRIPTION	VENDOR NO.
	113737-01-03A	EA REFRIGERATOR - SMALL SINGLE DOOR - 3 WAY		16	113737-01-711	EA SHELF - L-SHAPED - WHITE	618063
1	113737-01-746	EA TUBE - BURNER	617989	17	113737-01-753	EA PIN - TRAVEL LATCH	618046
2	113737-01-722	EA HEATER - DC (3-WAY)	61745422	17	113737-01-752	EA CHAIN - TRAVEL LATCH	618047
3	113737-01-721	EA HEATER - AC	61745322	18	113737-01-725	EA HINGE (LH BOTTOM & RH TOP)	617911
4	113737-01-718	EA CONTROL ASSEMBLY - THERMOSTAT	617998	19	113737-01-712	EA BREAKER - BLACK TRIM	617912
5	113737-01-714	EA FUSE - 20 AMP (3-WAY)	61440522	20	113737-01-724	EA HINGE (RH BOTTOM & LH TOP)	617910
6	113737-01-720	EA FUSE - 3 AMP (32V OR LESS)	61654622	21	113737-01-733	EA DOOR - RAIL - WHITE POWDER	618064
7	113737-01-731	EA BLOCK - TERMINAL	617979	22	113737-01-757	EA DOOR COMPLETE - VWG DARK GRAY	618678
8	113737-01-707	EA CABINET - COOLING UNIT (FOAMED)	617993	23	113737-01-701	EA BUSHING - HINGE	61742022
9	113737-01-728	EA RELIGHTER	617964	24	113737-01-704	EA GASKET - DOOR - GRAY	617906
10	113737-01-740	EA KNOB - THERMOSTAT	617971	25	113737-01-710	EA PIN - HINGE - BOTTOM	61550722
11	113737-01-705	EA CLIP - FIN	61728722	26	113737-01-708	EA PIN - HINGE - TOP	61114600
12	113737-01-706	EA FIN ASSEMBLY	617948	27	113737-01-756	EA SYSTEM COVER - VWG DARK GRAY	618676
13	113737-01-748	EA GASKET - BURNER BOX	617977	28	113737-01-754	EA THERMOSTAT - FAN - 12VDC	618093
14	113737-01-749	EA BURNER BOX ASSEMBLY	617937	29	113737-01-759	EA FUSE HOLDER	61584222
15	113737-01-734	EA GRILL - AIR INLET - BLACK	617938		113737-01-758	EA LINER - FOAMED - VWG DARK GRAY	618679

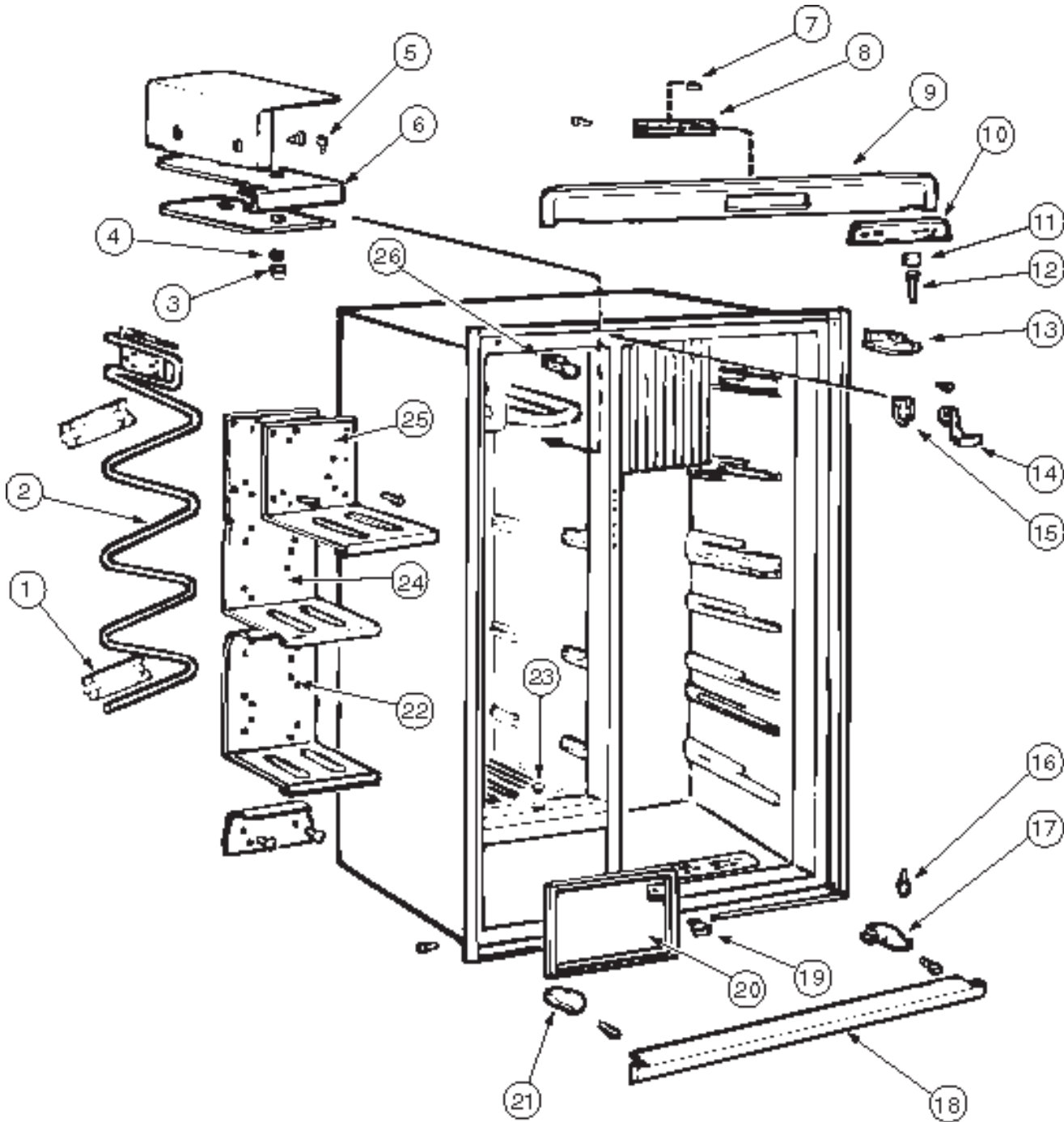
**DOMETIC RM 7732IM
REFRIGERATOR**



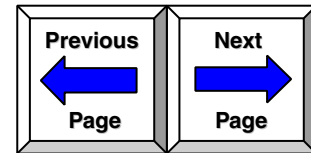
KEY	PART NUMBER	U/M	DESCRIPTION	VENDOR NO.
	118367-01-01A	EA	REFRIGERATOR - SIDE BY SIDE DOOR - 2 WAY	DOMETIC RM 7732IM
1	118367-01-739	EA	FLANGE-COOLING COIL, LEFT	293 16 61-02/5
2	118367-01-740	EA	FLANGE-COOLING COIL, RIGHT	293 16 61-03/3
3	118367-01-757	EA	CAP-END LAMP PROTECTION	200 40 43-00/2
4	118367-01-753	EA	COVER-SWITCH & LIGHT	200 40 44-09/1
5	118367-01-759	EA	LAMP, 10W-12VOLT	200 72 90-00/6
6	118367-01-758	EA	LIGHTING	293 07 44-01/2
7	118367-01-754	EA	SWITCH-DOOR	294 08 25 00/9
8	118367-01-756	EA	SUPPORT-THERMOSTAT	200 40 42-00/4
9	118367-01-763	EA	PIN-LOCKING	200 12 81-01/9
10	118367-01-746	EA	TRAY-ICE	293 04 00-00/3
11	118367-01-760	EA	RACK-UPPER	200 73 37-15/3
12	118367-01-741	EA	SHELF-UPPER, (REFRIG)	293 15 41-05/2
13	118367-01-742	EA	SHELF #2, (REFRIG)	293 15 41-04/5
14	118367-01-743	EA	SHELF #3, (REFRIG)	293 15 42-02/7
15	118367-01-748	EA	LOCK-FLAP, OUTER	200 73 93-02/4
16	118367-01-747	EA	LOCK-FLAP, INNER	200 73 92-02/6
17	118367-01-744	EA	SHELF #4, (REFRIG)	293 11 17-06/9
18	118367-01-745	EA	SHELF #5, (REFRIG)	293 15 41-06/0
19	118367-01-749	EA	BOX-VEGETABLE	293 14 71-02/9
20	118367-01-750	EA	BOX-VEGETABLE	293 14 71-03/7
21	118367-01-751	EA	LID-VEGETABLE	293 26 93-01/9
22	118367-01-762	EA	RETAINER-RACKS	293 06 93-04/5
23	118367-01-761	EA	RACK-LOWER	200 73 37-16/1
24	118367-01-752	EA	PAN-DRIP	293 61 63-01/3
25	118367-01-755	EA	RETAINER-PROBE	293 19 76-01/9



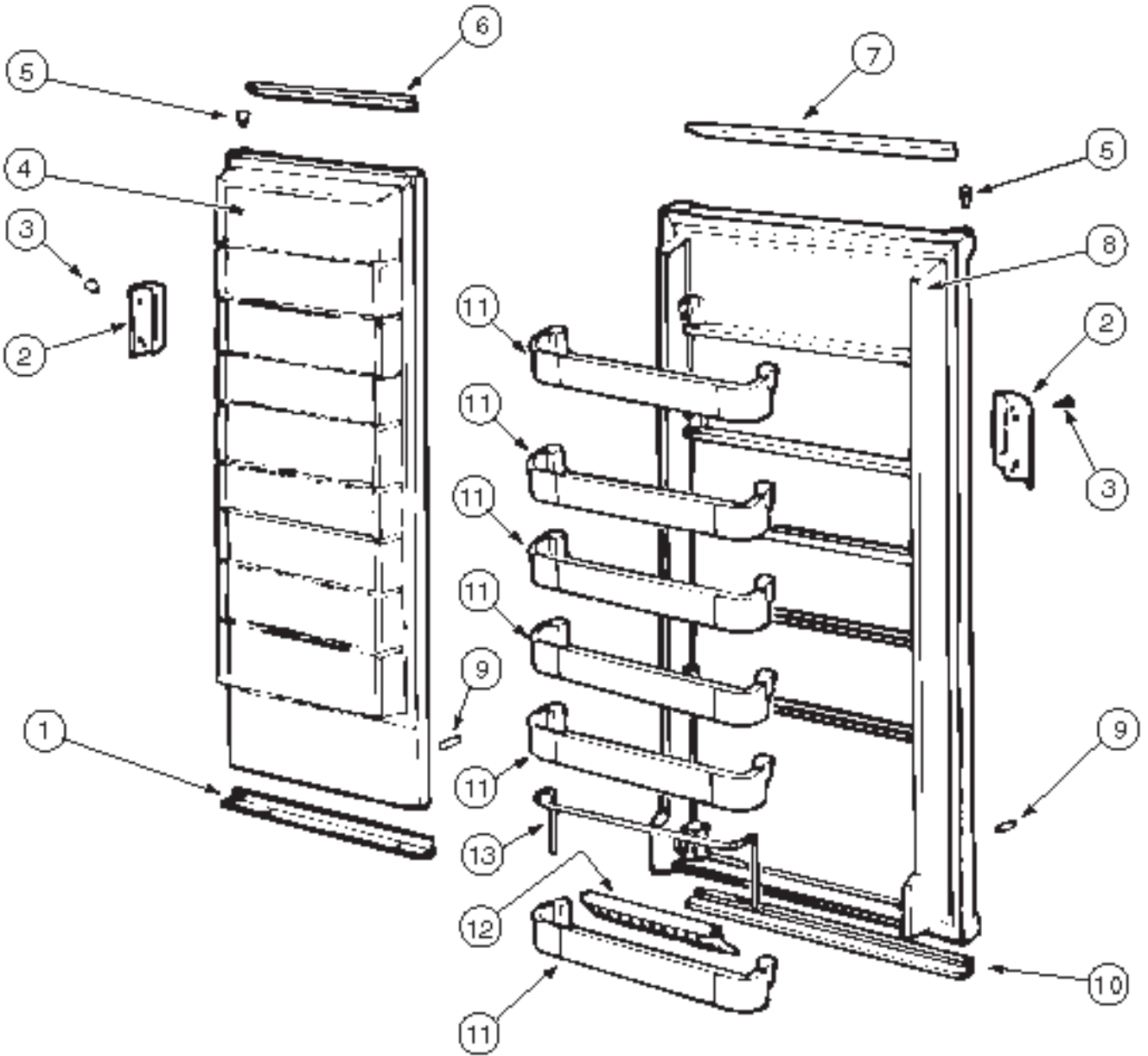
**DOMETIC RM 7732IM
REFRIGERATOR**



KEY	PART NUMBER	U/M	DESCRIPTION	VENDOR NO.
1	118367-01-738	EA	BRACKET-SHELF, FREEZER	293 14 84-01/4
2	118367-01-734	EA	COIL-FREEZER	293 14 74-01/5
3	118367-01-729	EA	PLUG - UPPER	293 04 87-00/0
4	118367-01-718	EA	NUT, M5, BRASS, FN	731 43 14-13/4
5	118367-01-717	EA	SCREW, M6S,5X20,FN	725 23 30-13/4
6	118367-01-733	EA	SHELF-UPPER, FREEZER	293 14 77-02/6
7	118367-01-721	EA	BUTTON	95 50 24-13/8
8	118367-01-719	EA	BOARD-CIRCUIT, AES ASM.	293 26 97-05/1
9	118367-01-722	EA	DECORATION-FRONT	293 26 63-01/2
10	118367-01-720	EA	DECORATION	95 50 24-53/4
11	118367-01-713	EA	PLUG	293 27 36-01/6
12	118367-01-714	EA	PIN-HINGE, UPPER	293 26 47-01/5
13	118367-01-716	EA	HINGE-UPPER, RIGHT	293 26 46-02/5
14	118367-01-723	EA	BOW-LOCKING	293 27 45-01/7
15	118367-01-724	EA	RETAINER	293 27 46-01/5
16	118367-01-727	EA	PIN-HINGE, LOWER	293 26 49-02/9
17	118367-01-726	EA	HINGE-LOWER, RIGHT (REFRIG)	293 26 45-02/7
18	118367-01-730	EA	STRIP-FRONT	293 26 64-01/0
19	118367-01-732	EA	SWITCH-DOOR	293 26 80-01/6
20	118367-01-731	EA	FLAP	293 26 55-01/8
21	118367-01-725	EA	HINGE-LOWER, LEFT (FREEZER)	293 26 45-01/9
22	118367-01-737	EA	SHELF-#4, FREEZER	293 14 82-02/6
23	118367-01-728	EA	PLUG - LOWER	293 17 15-01/1
24	118367-01-736	EA	SHELF-#3, FREEZER	293 19 82-02/5
25	118367-01-735	EA	SHELF-#2, FREEZER	293 19 83-02/3
26	118367-01-715	EA	HINGE-UPPER, LEFT(FREEZER)	293 26 46-01/7



DOMETIC RM 7732IM
REFRIGERATOR

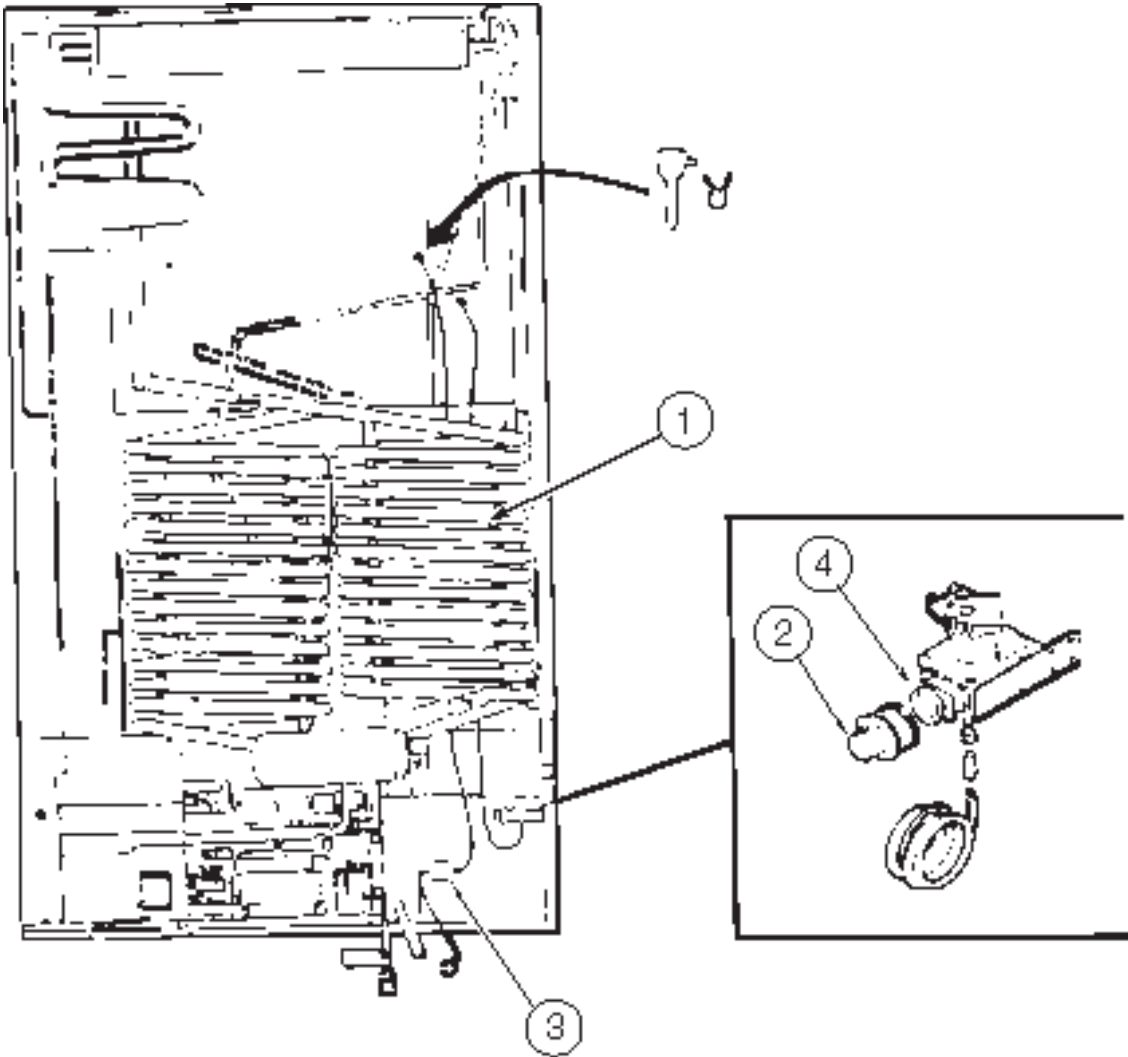


KEY	PART NUMBER
1	118367-01-709
2	118367-01-704
3	118367-01-705
4	118367-01-701
5	118367-01-702
6	118367-01-708
7	118367-01-706
8	118367-01-700
9	118367-01-703
10	118367-01-707
11	118367-01-711
12	118367-01-710
13	118367-01-712

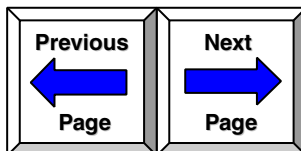
U/M	DESCRIPTION
EA	DECORATION-DOOR, FREEZER LWR
EA	HANDLE, FREEZER-REFRIGERATOR
EA	SCREW-HANDLE, FREEZER-REFRIG
EA	DOOR-FREEZER
EA	BUSHING-HINGE, FREEZER-REFRIG
EA	DECORATION-DOOR FREEZER, UPR
EA	DECORATION-DOOR, REFRIG. UPR
EA	DOOR-REFRIGERATOR
EA	STOP-LOWER, FREEZER-REFRIG)
EA	DECORATION-DOOR, REFRIG. LWR
EA	SHELF-DOOR, REFRIGERATOR
EA	HOLDER-BOTTLE, DOOR, REFRIG.
EA	RACK-DOOR, REFRIGERATOR

VENDOR NO.
293 26 42-02/4
293 27 29-01/1
724 13 23-61/2
293 25 89-11/8
293 11 71-01/7
293 26 42-12/3
293 26 42-08/1
293 25 90-11/6
293 25 88-01/1
293 26 42-03/2
293 25 83-02/0
293 26 58-01/2
293 25 85-04/1

**DOMETIC RM 7732IM
REFRIGERATOR(CONTINUED)**

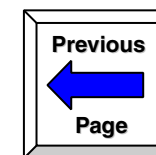
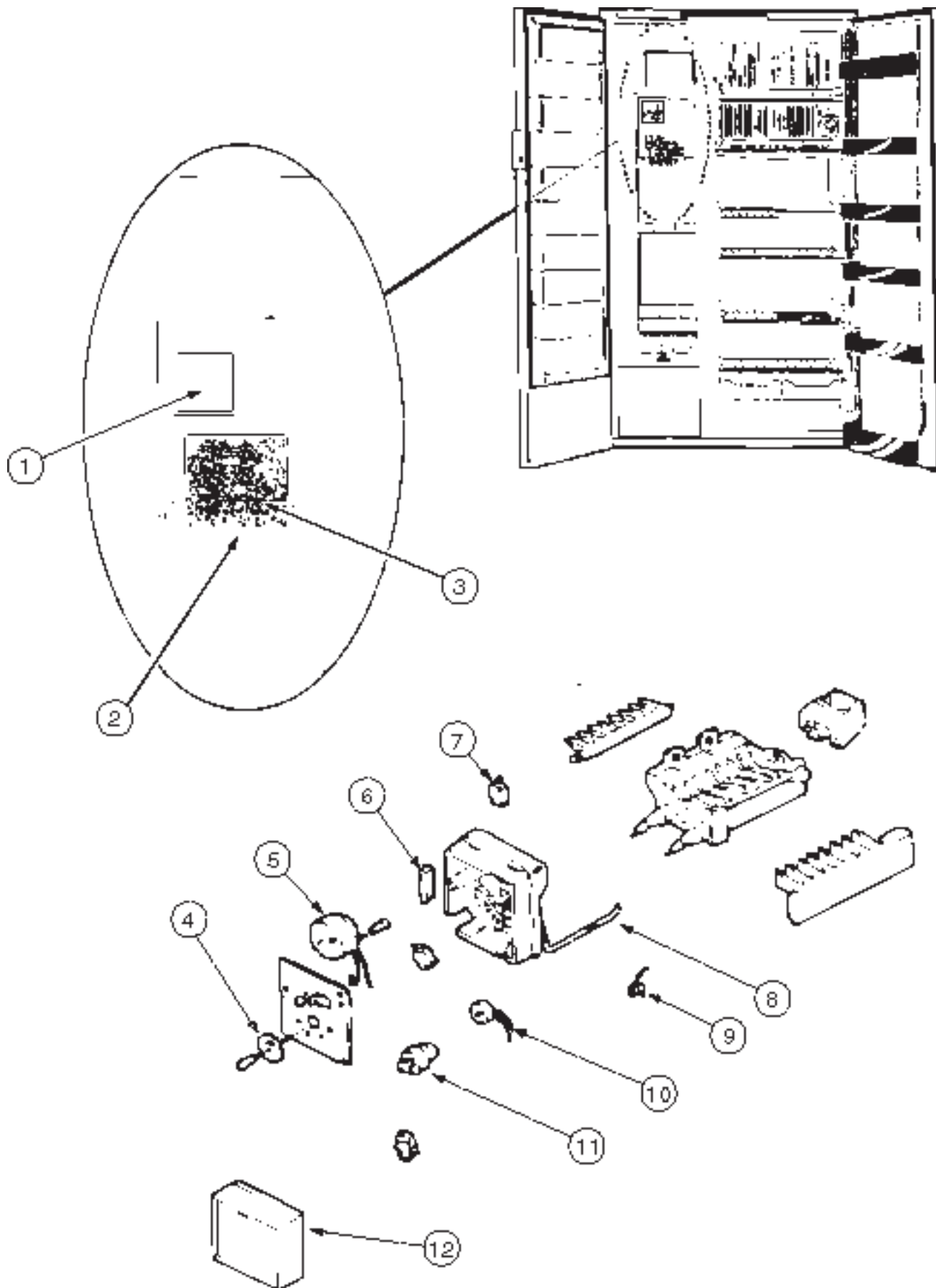


KEY	PART NUMBER	U/M	DESCRIPTION	VENDOR NO.
1	118367-01-783	EA	COIL-COOLING	293 49 45-09/4
2	118367-01-785	EA	CONNECTION-WATER, COMPLETE	2930916024
3	118367-01-788	EA	BLOCK-TERMINAL	2931963017
4	118367-01-790	EA	VALVE-WATER	2931972026



**DOMETIC RM 7732IM
REFRIGERATOR(CONTINUED)**

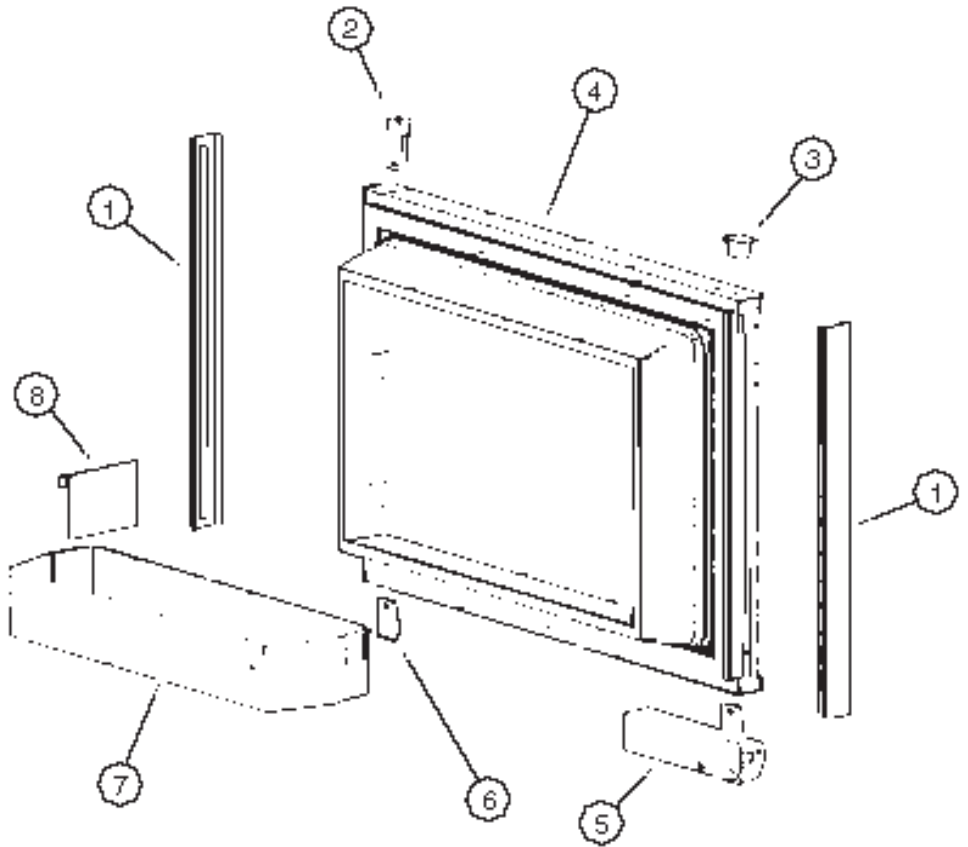
KEY	PART NUMBER	U/M	DESCRIPTION	VENDOR NO.
1	118367-01-789	EA	ICEMAKER	3108703.517
2	118367-01-787	EA	SHELF-ICE BUCKET WIRE	293 19 85010
3	118367-01-784	EA	BUCKET-ICE	3108702.998
4	118367-01-795	EA	GEAR	3108703.491
5	118367-01-793	EA	MOTOR	3108703.475
6	118367-01-799	EA	PLUG, 4 PRONG FEMALE	3108702.907
7	118367-01-791	EA	SWITCH (3 REQ)	8108703.459
8	118367-01-797	EA	ARM, SHUT OFF	3108702.881
9	118367-01-798	EA	SPRING, SHUT OFF ARM	3108702.899
10	118367-01-792	EA	THERMOSTAT, MOLDING	3108703.467
11	118367-01-794	EA	CAM	3108703.483
12	118367-01-796	EA	COVER, CYCLE FRONT	2930874025
	118367-01-786	EA	STRIP-DOOR DECORATION	293 1163-11
	118367-01-800	EA	BOARD-CIRCUIT	293 26 95-01/4
	118367-01-764	EA	CONDUCTOR-ELECTRODE	200 76 68-04/5
	118367-01-765	EA	NIPPLE	293 20 63-01/5
	118367-01-766	EA	HOUSING-BURNER	293 21 61-01/7
	118367-01-767	EA	VALVE-SOLENOID	294 3298-03/0
	118367-01-768	EA	ELECTRODE	293 14 95-01/0
	118367-01-769	EA	GAS SHUTOFF	293 26 16-01/0
	118367-01-770	EA	NIPPLE	293 18 24-01/1
	118367-01-771	EA	THERMOSTAT	293 18 26-01/6
	118367-01-772	EA	BOARD-CIRCUIT, COMPLETE	293 18 42-03/9
	118367-01-773	EA	CONDUCTOR-CIRCUIT BOARD	293 18 62-02/9
	118367-01-774	EA	CONDUCTOR-THERMISTOR	293 18 63-02/7
	118367-01-775	EA	CONDUCTOR-GAS VALVE	295 44 37-02/2
	118367-01-776	EA	ORFICE-JET, NR76	200 74 19-33/2
	118367-01-777	EA	HEATER-210WATT, 120VOLT	17 37 58-03/8
	118367-01-778	EA	RETAINER	293 06 60-01/0
	118367-01-779	EA	WASHER	200 74 57-00/1
	118367-01-780	EA	BLOCK-TERMINAL	293 04 63-01/9
	118367-01-781	EA	SCREW,RXS,B6X25,STAINLESS	729 52 87-40/8
	118367-01-782	EA	IGNITION-SPARK	293 11 32-01/9



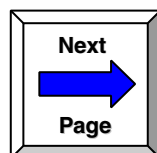
NORCOLD FREEZER MRFT-340

KEY	PART NUMBER	U/M DESCRIPTION	VENDOR NO.
	119296-01-01A	EA FREEZER - PORTABLE NORCOLD #MRFT-340	
	119296-01-700	EA DOOR ASSEMBLY	1600 262 00
	119296-01-701	EA LATCH ASSEMBLY	6260 005 00
	119296-01-702	EA HANDLE-DOOR	4225 004 01
	119296-01-703	EA GASKET-DOOR	4148 016 00
	119296-01-704	EA COVER ASM.,F/CLG & TEMP CONT	1602 092 00
	119296-01-705	EA BASKET, MRFT-340D	5230 008 00
	119296-01-706	EA CASE-INNER, MRFT-340D	4332 011 40
	119296-01-707	EA HANDLE-CARRYING	3233 005 50
	119296-01-708	EA CABINET-EXTERIOR, MRFT-340D	1600 255 00
	119296-01-709	EA DIAL ASSEMBLY, THERMOSTAT	1602 067 00
	119296-01-710	EA PLATE-MARKING, THERMOSTAT	5450 261 05
	119296-01-711	EA COVER ASM., REAR, MRFT-340D	1609 221 00
	119296-01-712	EA TRANSFORMER ASSEMBLY	1960 131 00
	119296-01-713	EA OSCILLATOR ASSEMBLY	1630 081 00
	119296-01-714	EA CUSHION-CORNER	4274 009 00
	119296-01-715	EA BLOCK-TERMINAL	1632 055 02
	119296-01-716	EA CORD ASSEMBLY, DC	1912 223 00
	119296-01-717	EA THERMISTOR-EVAPORATOR	6055 032 00
	119296-01-718	EA WIRE-CONDENSER, THERMISTOR	6055 033 01
	119296-01-719	EA CONTROL ASSEMBLY,TEMPERATURE	1601 072 50
	119296-01-720	EA COIL-COOLING, HFC-134A	1610 077 10

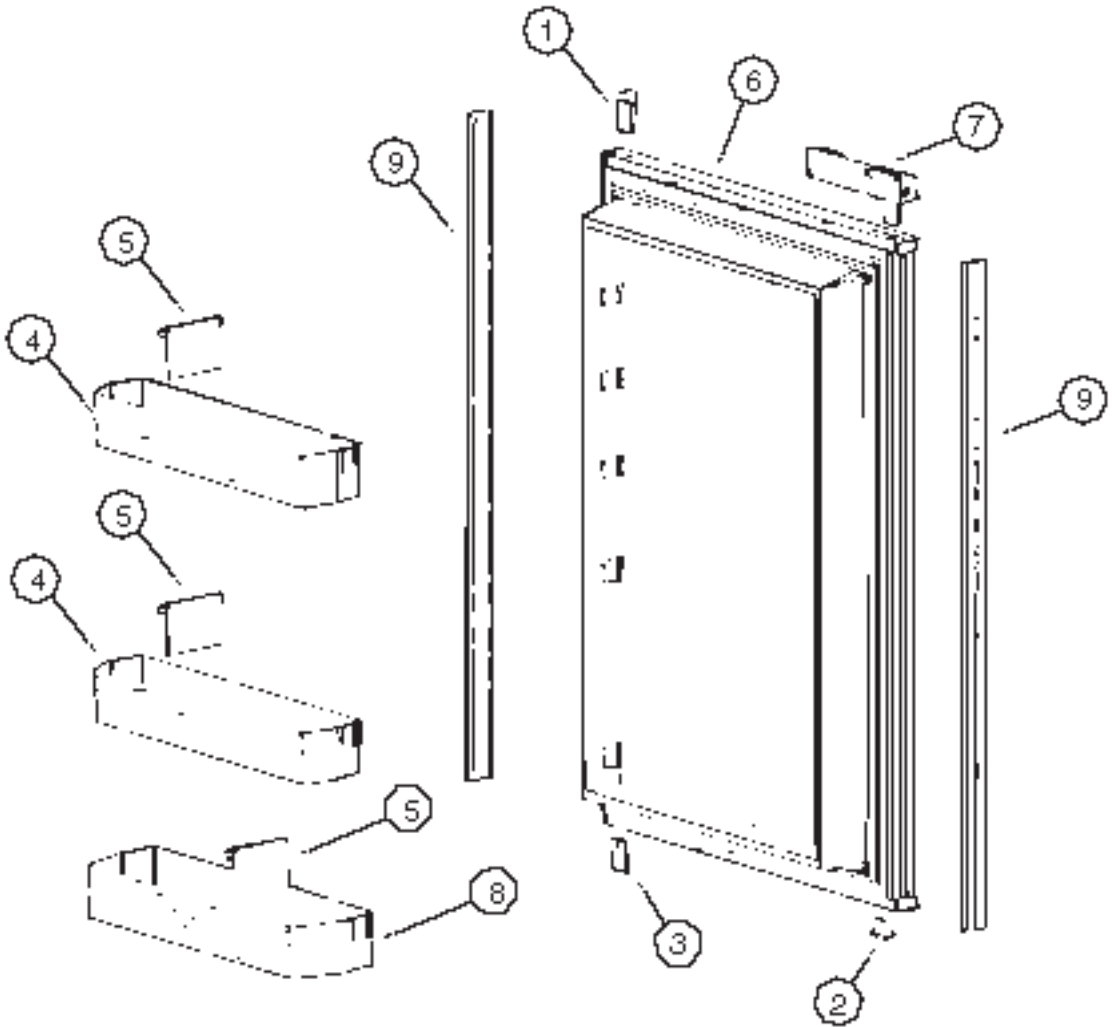
NORCOLD
MODEL 982



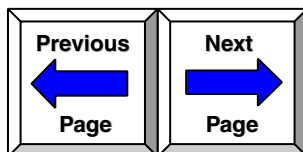
KEY	PART NUMBER	U/M	DESCRIPTION	VENDOR NO.
	120075-01-01A	EA	REFRIGERATOR - LARGE DOUBLE DOOR/RIGHT HAND - 2-WAY	
1	120075-01-700	EA	RETAINER - DOOR DECOR PANEL	618128
2	120075-01-701	EA	HINGE - TOP RH/BOTTOM LH	618511
3	120075-01-702	EA	CAP - (HINGE PLUG)	618160
4	120075-01-703	EA	DOOR ASM. - FOAMED - W/GASKET	618205
5	120075-01-704	EA	DOOR HANDLE - UPR RH/LWR LH	618230
6	120075-01-705	EA	HINGE - TOP LH/BOTTOM RH	618510
7	120075-01-706	EA	BIN - DOOR	618635
8	120075-01-707	EA	DIVIDER - DOOR BIN	618637



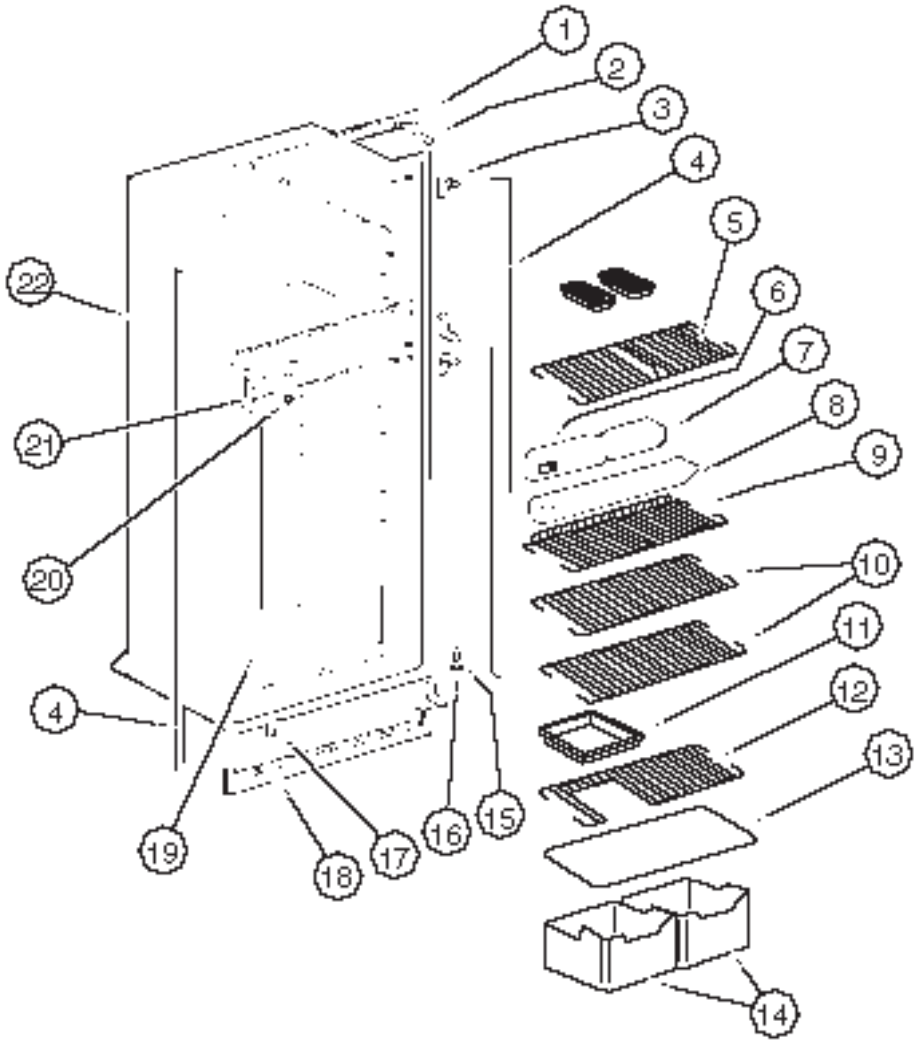
**NORCOLD
MODEL 982**



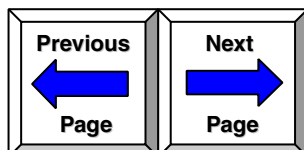
KEY	PART NUMBER	U/M	DESCRIPTION	VENDOR NO.
	120075-01-01A	EA	REFRIGERATOR - LARGE DOUBLE DOOR/RIGHT HAND - 2-WAY	
1	120075-01-701	EA	HINGE - TOP RH/BOTTOM LH	618511
2	120075-01-702	EA	CAP - (HINGE PLUG)	618160
3	120075-01-705	EA	HINGE - TOP LH/BOTTOM RH	618510
4	120075-01-706	EA	BIN - DOOR	618635
5	120075-01-707	EA	DIVIDER - DOOR BIN	618637
6	120075-01-710	EA	DOOR - LOWER - FOAMED - W/GASKET	618270
7	120075-01-704	EA	DOOR HANDLE - UPR RH/LWR LH	618230
8	120075-01-712	EA	BIN - DOOR/BOTTOM - LARGE	618634
9	121568-01-703	EA	RETAINER - PANEL LOWER DOOR	618129



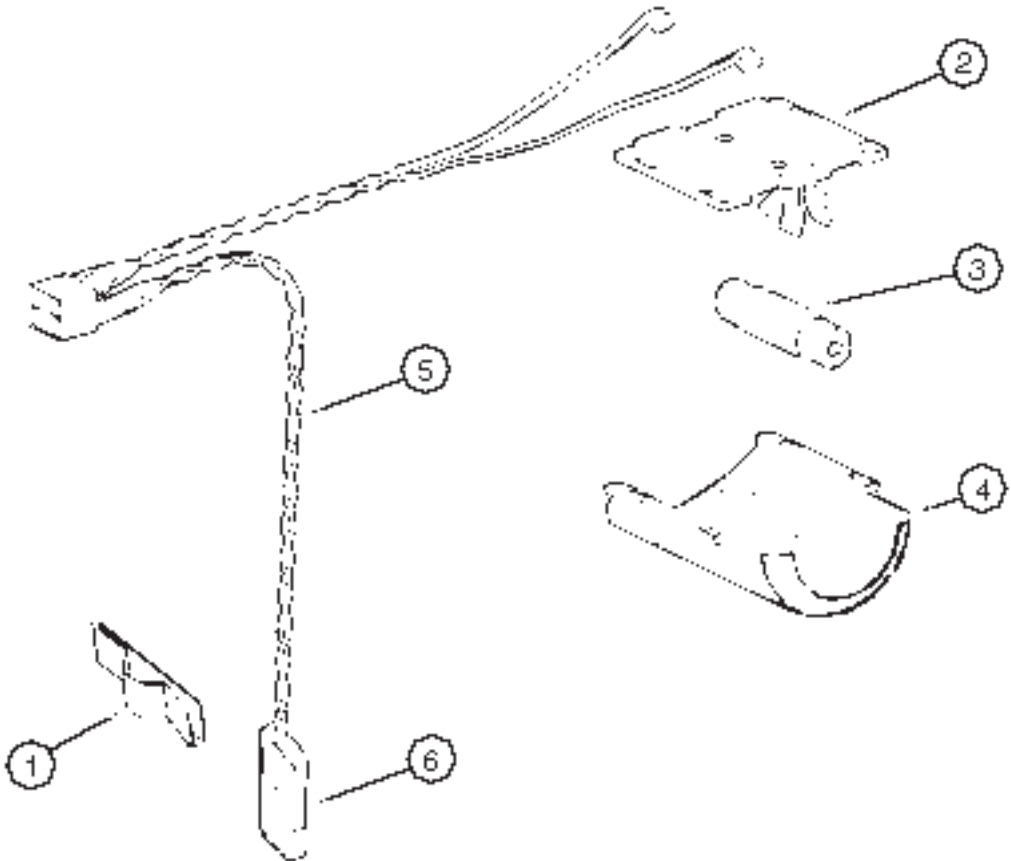
**NORCOLD
MODEL982**



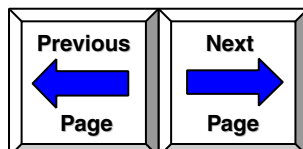
KEY	PART NUMBER	U/M	DESCRIPTION	VENDOR NO.
	120075-01-01A	EA	REFRIGERATOR - LARGE DOUBLE DOOR/RIGHT HAND - 2-WAY	
1	120075-01-713	EA	TRIM - TOP PIECE	618124
2	120075-01-714	EA	PLUG - HOLE	618170
3	120075-01-715	EA	HINGE - CABINET	618512
4	120075-01-716	EA	TRIM - SIDE PIECE	618134
5	120075-01-717	EA	SHELF - FREEZER - WIRE	618172
6	120075-01-719	EA	OPTICAL CONTROL BOX ASSEMBLY	618245
7	120075-01-718	EA	BOX - FILLER	618112
8	120075-01-720	EA	TRAY - DRIP	618137
	120075-01-721	EA	LOUVER - DRIP TRAY	618176
9	120075-01-722	EA	SHELF - WIRE - SHORT	618239
10	120075-01-723	EA	SHELF - WIRE	618114
11	104137-06-718	EA	SHELF - TRAY - WHITE - W/CUTOUT	617756
12	120075-01-724	EA	SHELF - WIRE - W/CUTOUT	618177
13	120075-01-725	EA	COVER - CRISPER	618158
14	120075-01-726	EA	CRISPER	618154
15	120075-01-727	EA	PIN - HINGE	618145
16	120075-01-708	EA	BUSHING - DOOR HINGE	618144
17	120075-01-728	EA	COVER - HINGE HOLE	618171
18	120075-01-729	EA	TRIM - BOTTOM PIECE	618136
19	120075-01-730	EA	RETAINER - SHELF	618181
20	120075-01-731	EA	PLUG - FACADE	618184
21	120075-01-732	EA	PLATE - STRIKE	618167
22	120075-01-733	EA	CABINET - FOAMED	618265



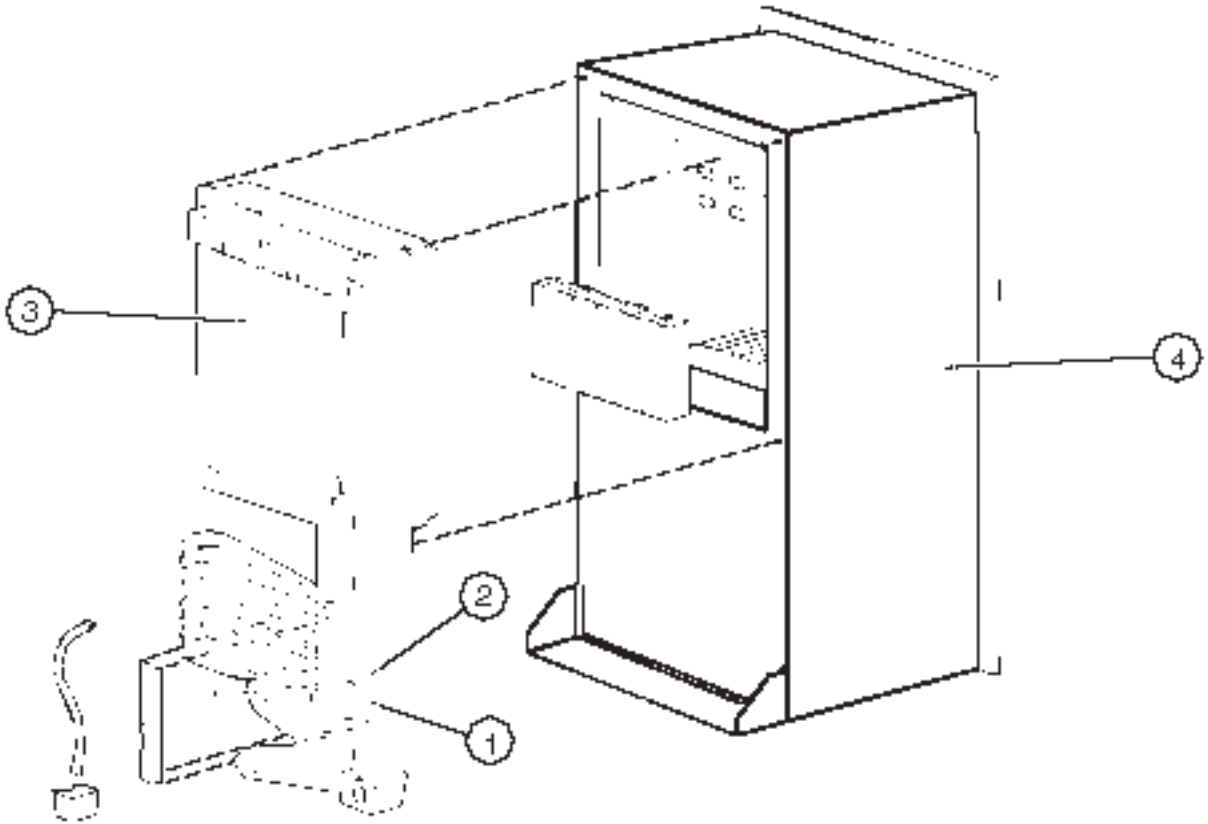
**NORCOLD
MODEL 982**



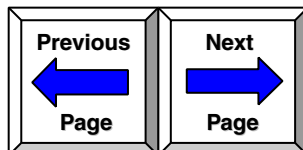
KEY	PART NUMBER	U/M	DESCRIPTION	VENDOR NO.
	120075-01-01A	EA	REFRIGERATOR - LARGE DOUBLE DOOR/RIGHT HAND - 2-WAY	
1	084880-01-760	EA	CLIP (THERMISTER)	61689122
2	084880-03-705	EA	BRACKET - LIGHT - INTERIOR	61629722
3	084880-03-706	EA	BULB - LAMP	61628922
4	120075-01-734	EA	COVER - LENS	618190
5	120075-01-735	EA	THERMISTER W/LAMP & WIRE/ASM	618548
6	120075-01-742	EA	THERMISTER ONLY	618288



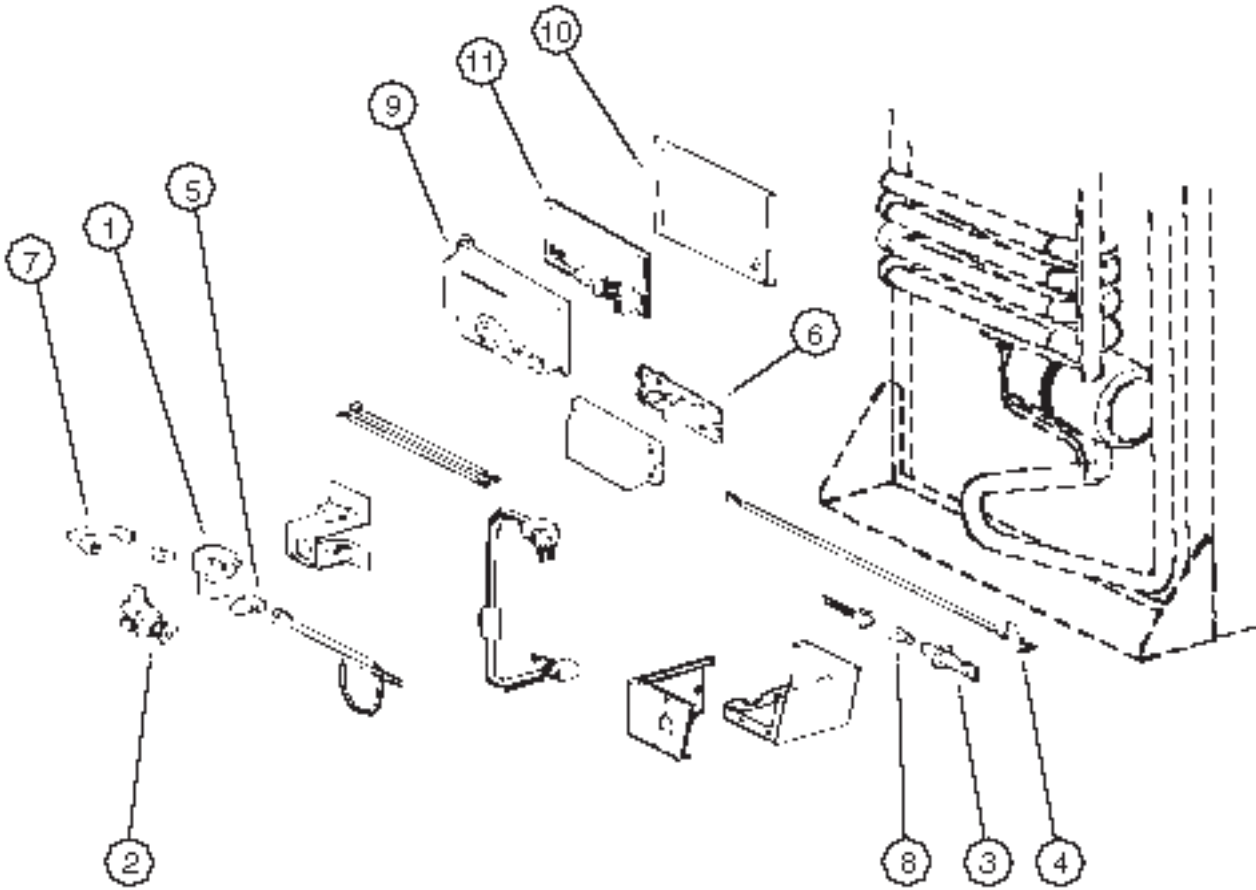
**NORCOLD
MODEL 982**



KEY	PART NUMBER	U/M	DESCRIPTION	VENDOR NO.
	120075-01-01A	EA	REFRIGERATOR - LARGE DOUBLE DOOR/RIGHT HAND - 2-WAY	
1	088248-01-709	EA	HEATER - AC (HORIZONTAL)	61562722
2	088248-01-710	EA	HEATER DC (HORIZONTAL)	61562822
3	120075-01-736	EA	COOLING UNIT - SERVICE PACK	618542
4	120075-03-700	EA	CABINET - FOAMED	618285

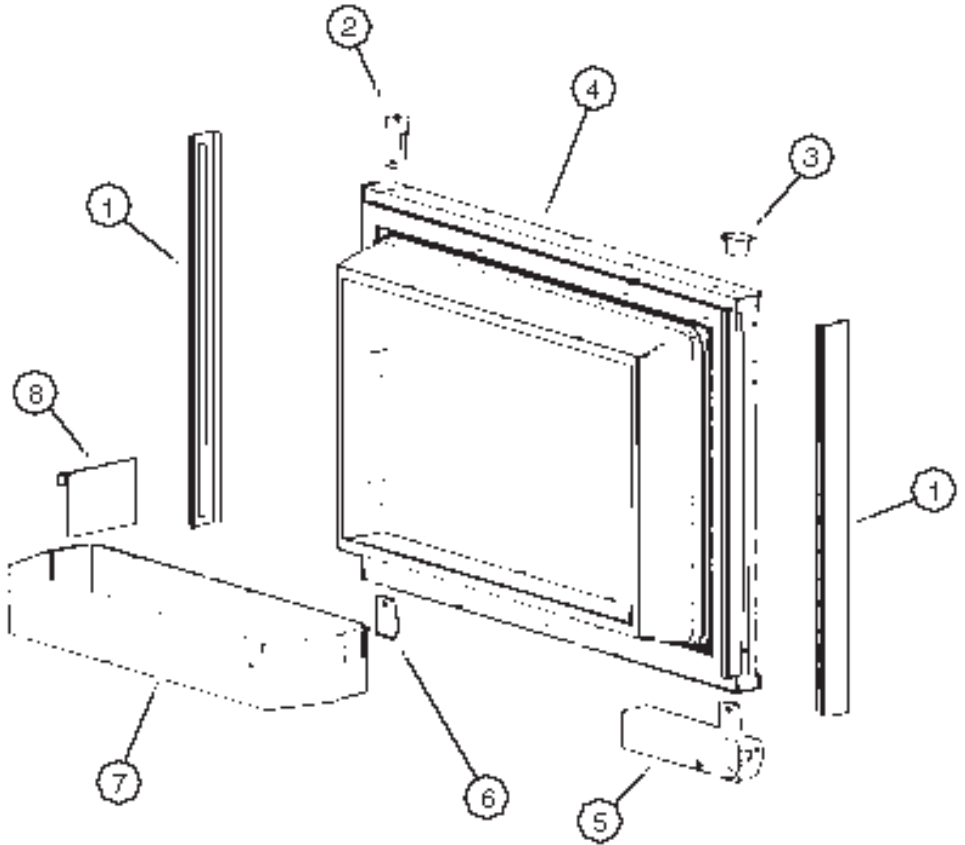


**NORCOLD
MODEL 982**

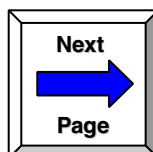


KEY	PART NUMBER	U/M	DESCRIPTION	VENDOR NO.
	120075-01-01A	EA	REFRIGERATOR - LARGE DOUBLE DOOR/RIGHT HAND - 2-WAY	
1	084880-01-718	EA	VALVE - GAS - (ASCO)	61551822
2	104137-06-709	EA	VALVE - SHUT OFF - MANUAL	61694922
3	104137-06-714	EA	BURNER ASSEMBLY - 5-SLOT	61705222
4	104137-06-715	EA	ELECTRODE - SPARK/SENSOR - SGL	61692222
5	113737-01-716	EA	TAP - PRESSURE	61594422
6	113737-01-702	EA	PLUG 1/8" F/PRESSURE TAP	61445322
7	113737-01-750	EA	TUBE - UNION	61694622
8	120075-01-737	EA	ORFICE - JEWEL - .0155	618284
9	120075-01-738	EA	COVER - POWER BOARD	618185
10	120075-01-739	EA	BOARD - POWER - 2-WAY	618198
11	120075-01-740	EA	COVER - BASE - POWER BOARD	618186

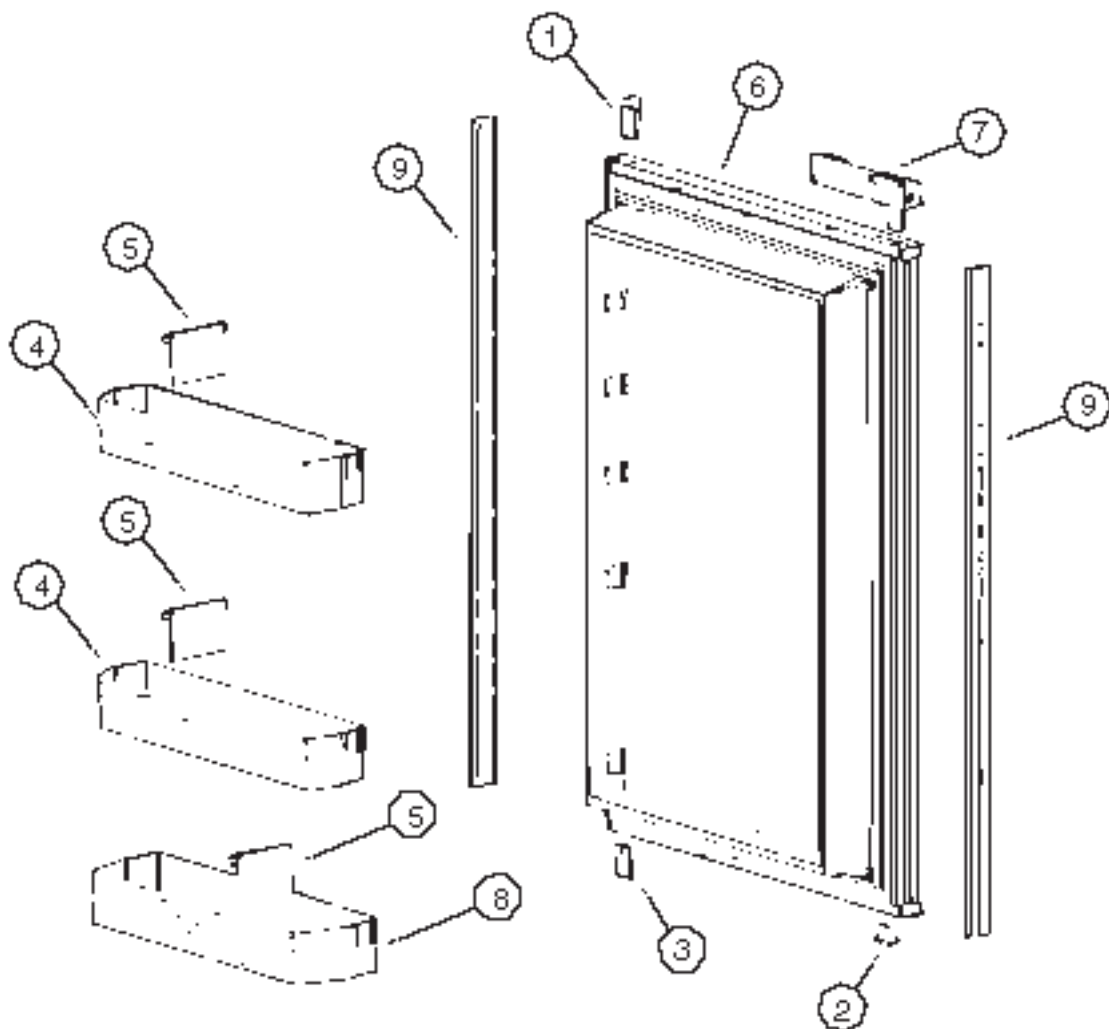
**NORCOLD
MODEL 982**



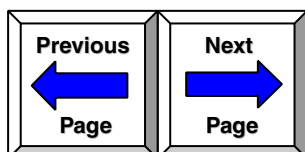
KEY	PART NUMBER	U/M	DESCRIPTION	VENDOR NO.
	120075-02-01A	EA	REFRIGERATOR - LARGE DOUBLE DOOR/LEFT HAND - 2-WAY	
1	120075-01-700	EA	RETAINER - DOOR DECOR PANEL	618128
2	120075-01-701	EA	HINGE - TOP RH/BOTTOM LH	618511
3	120075-01-702	EA	CAP - (HINGE PLUG)	618160
4	120075-01-703	EA	DOOR ASM. - FOAMED - W/GASKET	618205
5	120075-01-704	EA	DOOR HANDLE - UPR RH/LWR LH	618230
6	120075-01-705	EA	HINGE - TOP LH/BOTTOM RH	618510
7	120075-01-706	EA	BIN - DOOR	618635
8	120075-01-707	EA	DIVIDER - DOOR BIN	618637



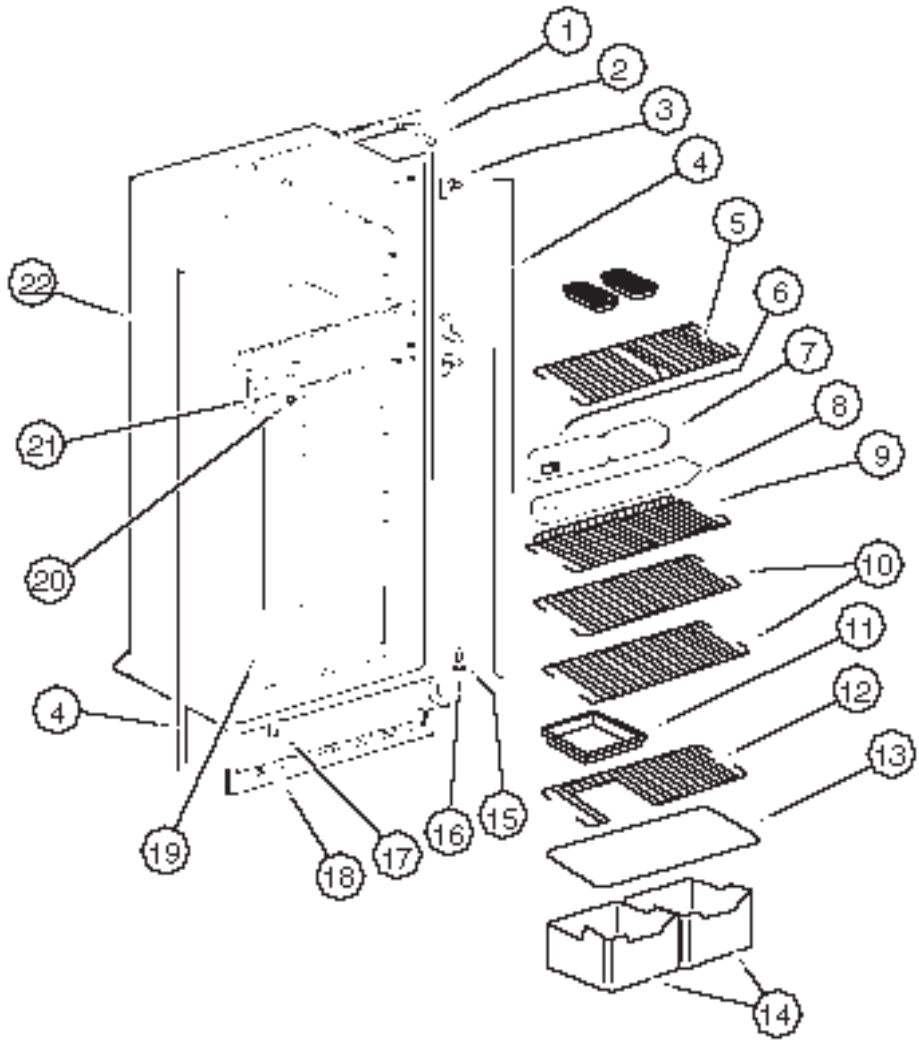
**NORCOLD
MODEL 982**



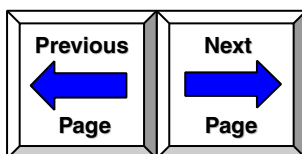
KEY	PART NUMBER	U/M	DESCRIPTION	VENDOR NO.
	120075-02-01A	EA	REFRIGERATOR - LARGE DOUBLE DOOR/LEFT HAND - 2-WAY	
1	120075-01-701	EA	HINGE - TOP RH/BOTTOM LH	618511
2	120075-01-702	EA	CAP - (HINGE PLUG)	618160
3	120075-01-705	EA	HINGE - TOP LH/BOTTOM RH	618510
4	120075-01-706	EA	BIN - DOOR	618635
5	120075-01-707	EA	DIVIDER - DOOR BIN	618637
6	120075-01-710	EA	DOOR - LOWER - FOAMED - W/GASKET	618270
7	120075-01-704	EA	DOOR HANDLE - UPR RH/LWR LH	618230
8	120075-01-712	EA	BIN - DOOR/BOTTOM - LARGE	618634
9	121568-01-703	EA	RETAINER - PANEL LOWER DOOR	618129



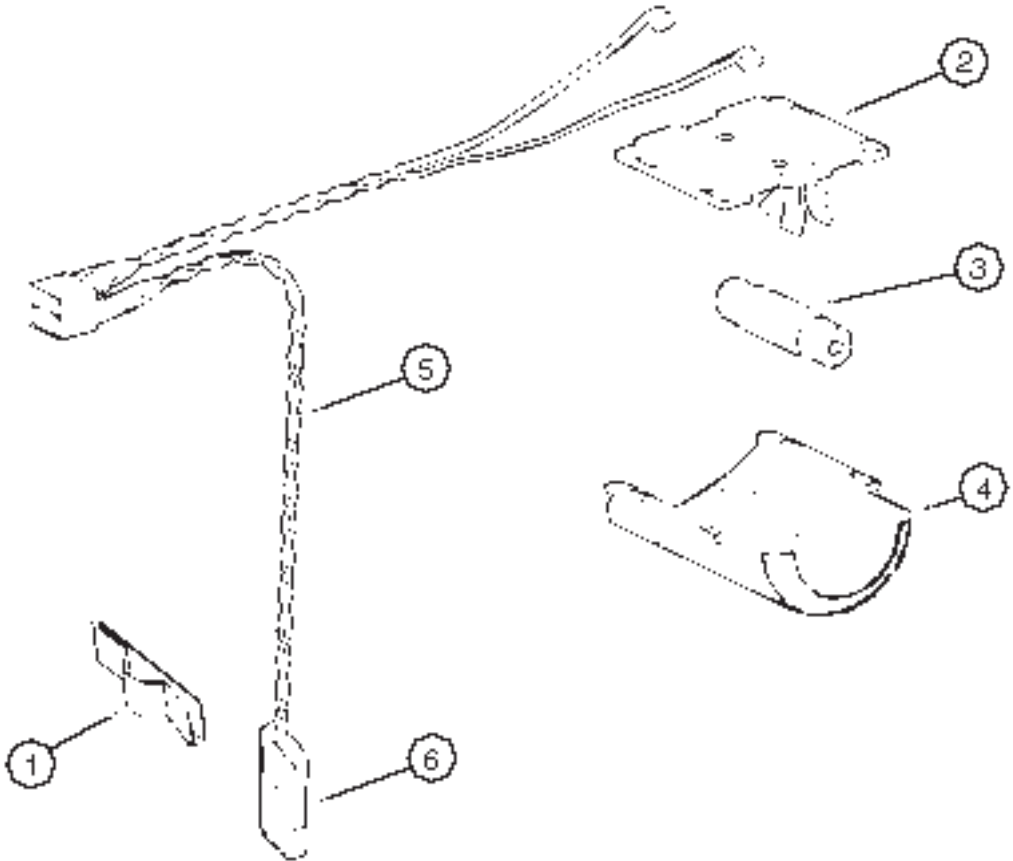
NORCOLD
MODEL982



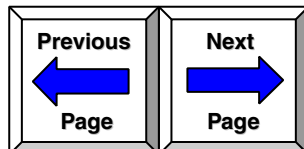
KEY	PART NUMBER	U/M	DESCRIPTION	VENDOR NO.
	120075-02-01A	EA	REFRIGERATOR - LARGE DOUBLE DOOR/LEFT HAND - 2-WAY	
1	120075-01-713	EA	TRIM - TOP PIECE	618124
2	120075-01-714	EA	PLUG - HOLE	618170
3	120075-01-715	EA	HINGE - CABINET	618512
4	120075-01-716	EA	TRIM - SIDE PIECE	618134
5	120075-01-717	EA	SHELF - FREEZER - WIRE	618172
6	120075-01-719	EA	OPTICAL CONTROL BOX ASSEMBLY	618245
7	120075-01-718	EA	BOX - FILLER	618112
8	120075-01-720	EA	TRAY - DRIP	618137
	120075-01-721	EA	LOUVER - DRIP TRAY	618176
9	120075-01-722	EA	SHELF - WIRE - SHORT	618239
10	120075-01-723	EA	SHELF - WIRE	618114
11	104137-06-718	EA	SHELF - TRAY - WHITE - W/CUTOUT	617756
12	120075-01-724	EA	SHELF - WIRE - W/CUTOUT	618177
13	120075-01-725	EA	COVER - CRISPER	618158
14	120075-01-726	EA	CRISPER	618154
15	120075-01-727	EA	PIN - HINGE	618145
16	120075-01-708	EA	BUSHING - DOOR HINGE	618144
17	120075-01-728	EA	COVER - HINGE HOLE	618171
18	120075-01-729	EA	TRIM - BOTTOM PIECE	618136
19	120075-01-730	EA	RETAINER - SHELF	618181
20	120075-01-731	EA	PLUG - FACADE	618184
21	120075-01-732	EA	PLATE - STRIKE	618167
22	120075-01-733	EA	CABINET - FOAMED	618265



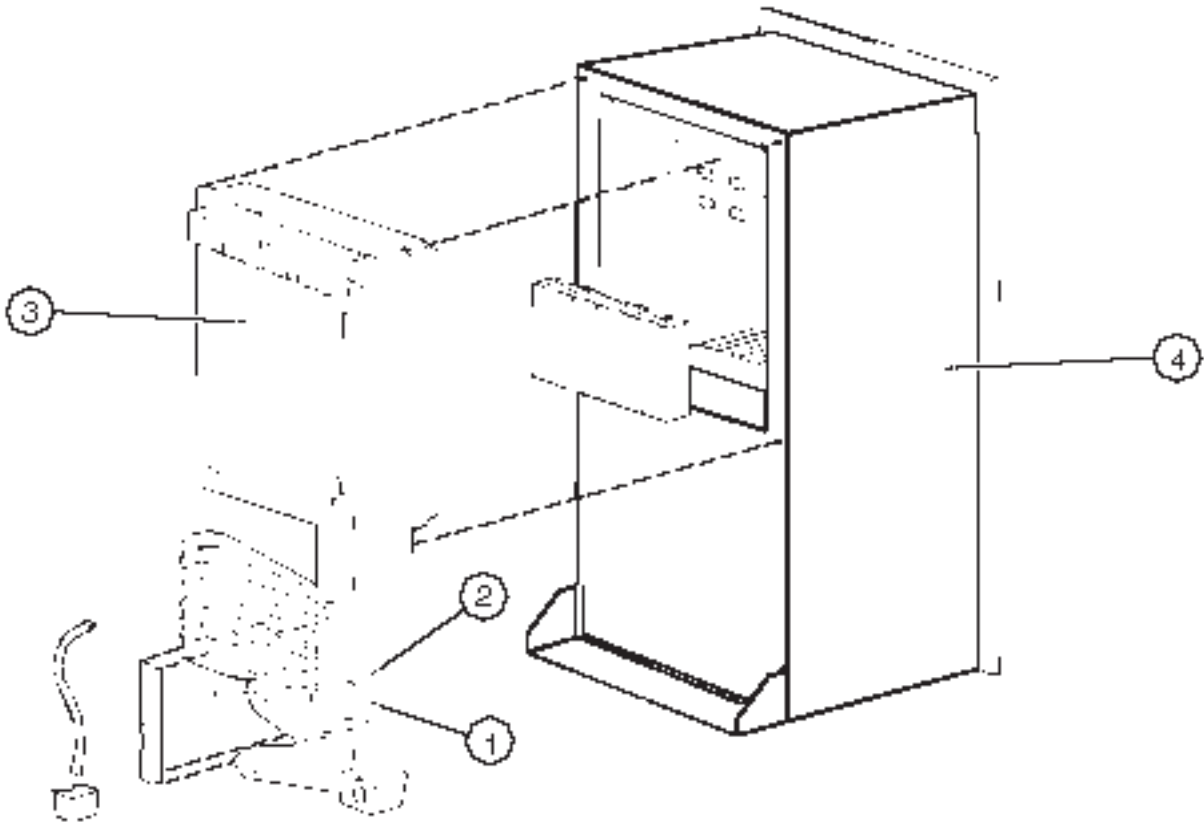
NORCOLD
MODEL 982



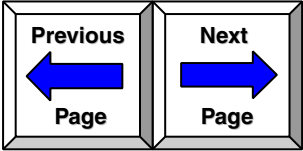
KEY	PART NUMBER	U/M	DESCRIPTION	VENDOR NO.
	120075-02-01A	EA	REFRIGERATOR - LARGE DOUBLE DOOR/LEFT HAND - 2-WAY	
1	084880-01-760	EA	CLIP (THERMISTER)	61689122
2	084880-03-705	EA	BRACKET - LIGHT - INTERIOR	61629722
3	084880-03-706	EA	BULB - LAMP	61628922
4	120075-01-734	EA	COVER - LENS	618190
5	120075-01-735	EA	THERMISTER W/LAMP & WIRE/ASM	618548
6	120075-01-742	EA	THERMISTER ONLY	618288



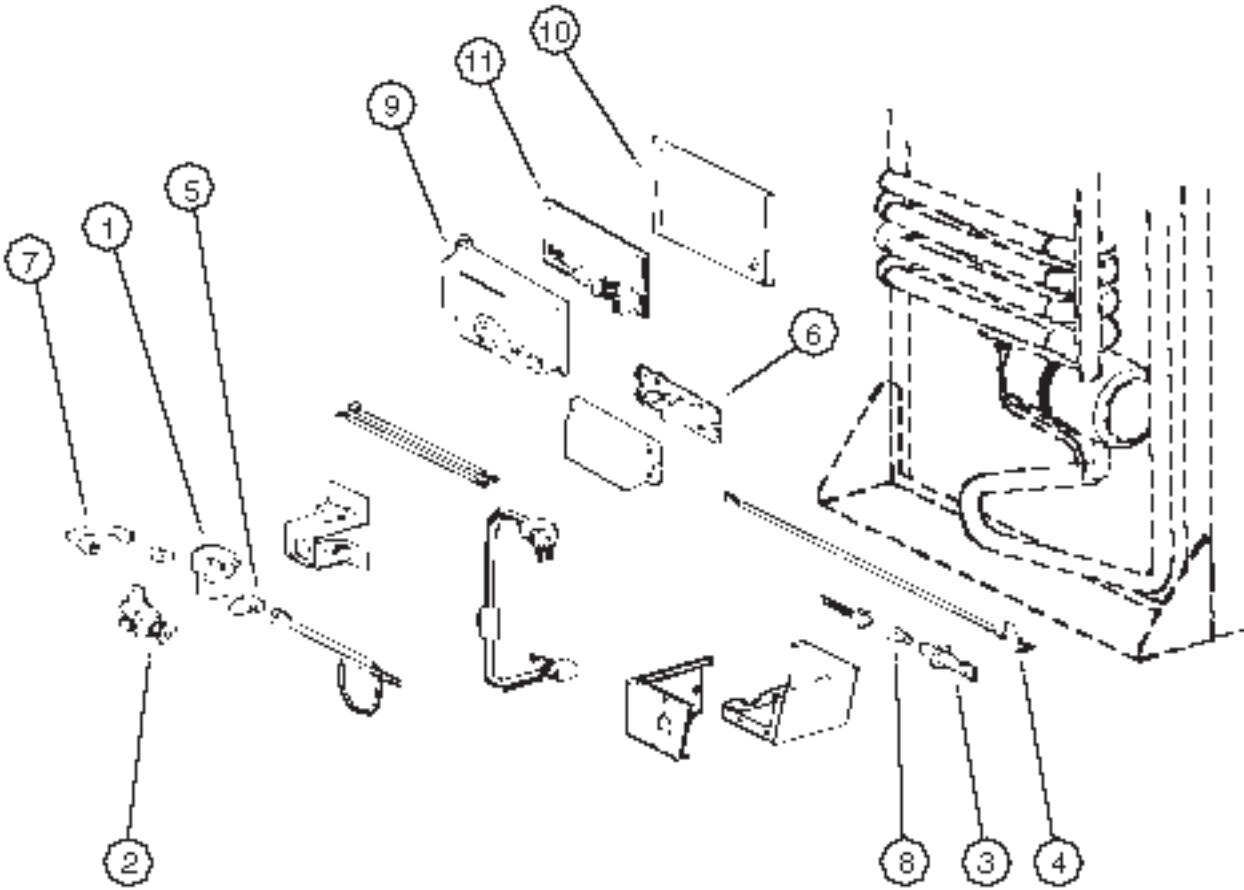
**NORCOLD
MODEL 982**



KEY	PART NUMBER	U/M	DESCRIPTION	VENDOR NO.
	120075-02-01A	EA	REFRIGERATOR - LARGE DOUBLE DOOR/LEFT HAND - 2-WAY	
1	088248-01-709	EA	HEATER - AC (HORIZONTAL)	61562722
2	088248-01-710	EA	HEATER DC (HORIZONTAL)	61562822
3	120075-01-736	EA	COOLING UNIT - SERVICE PACK	618542
4	120075-03-700	EA	CABINET - FOAMED	618285

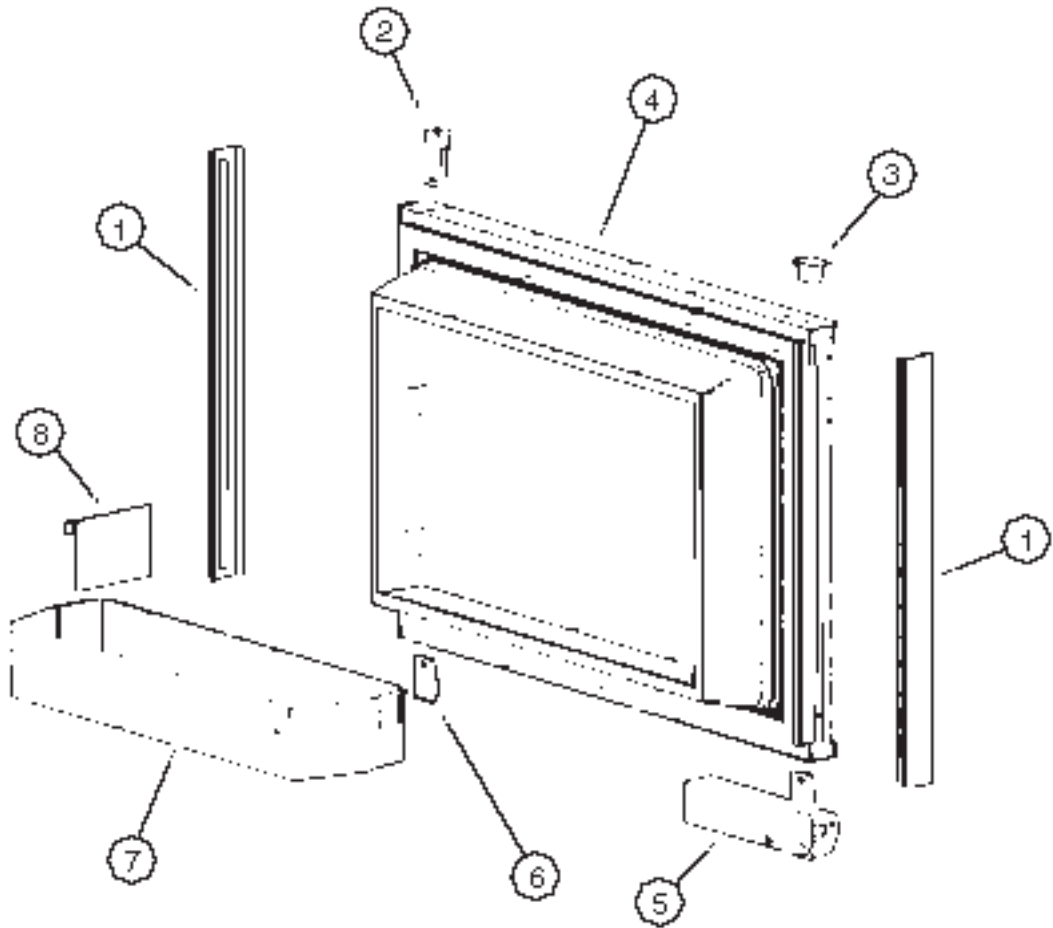


NORCOLD
MODEL 982

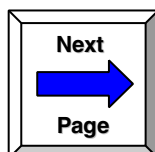


KEY	PART NUMBER	U/M	DESCRIPTION	VENDOR NO.
	120075-02-01A	EA	REFRIGERATOR - LARGE DOUBLE DOOR/LEFT HAND - 2-WAY	
1	084880-01-718	EA	VALVE - GAS - (ASCO)	61551822
2	104137-06-709	EA	VALVE - SHUT OFF - MANUAL	61694922
3	104137-06-714	EA	BURNER ASSEMBLY - 5-SLOT	61705222
4	104137-06-715	EA	ELECTRODE - SPARK/SENSOR - SGL	61692222
5	113737-01-716	EA	TAP - PRESSURE	61594422
6	113737-01-702	EA	PLUG 1/8" F/PRESSURE TAP	61445322
7	113737-01-750	EA	TUBE - UNION	61694622
8	120075-01-737	EA	ORFICE - JEWEL - .0155	618284
9	120075-01-738	EA	COVER - POWER BOARD	618185
10	120075-01-739	EA	BOARD - POWER - 2-WAY	618198
11	120075-01-740	EA	COVER - BASE - POWER BOARD	618186

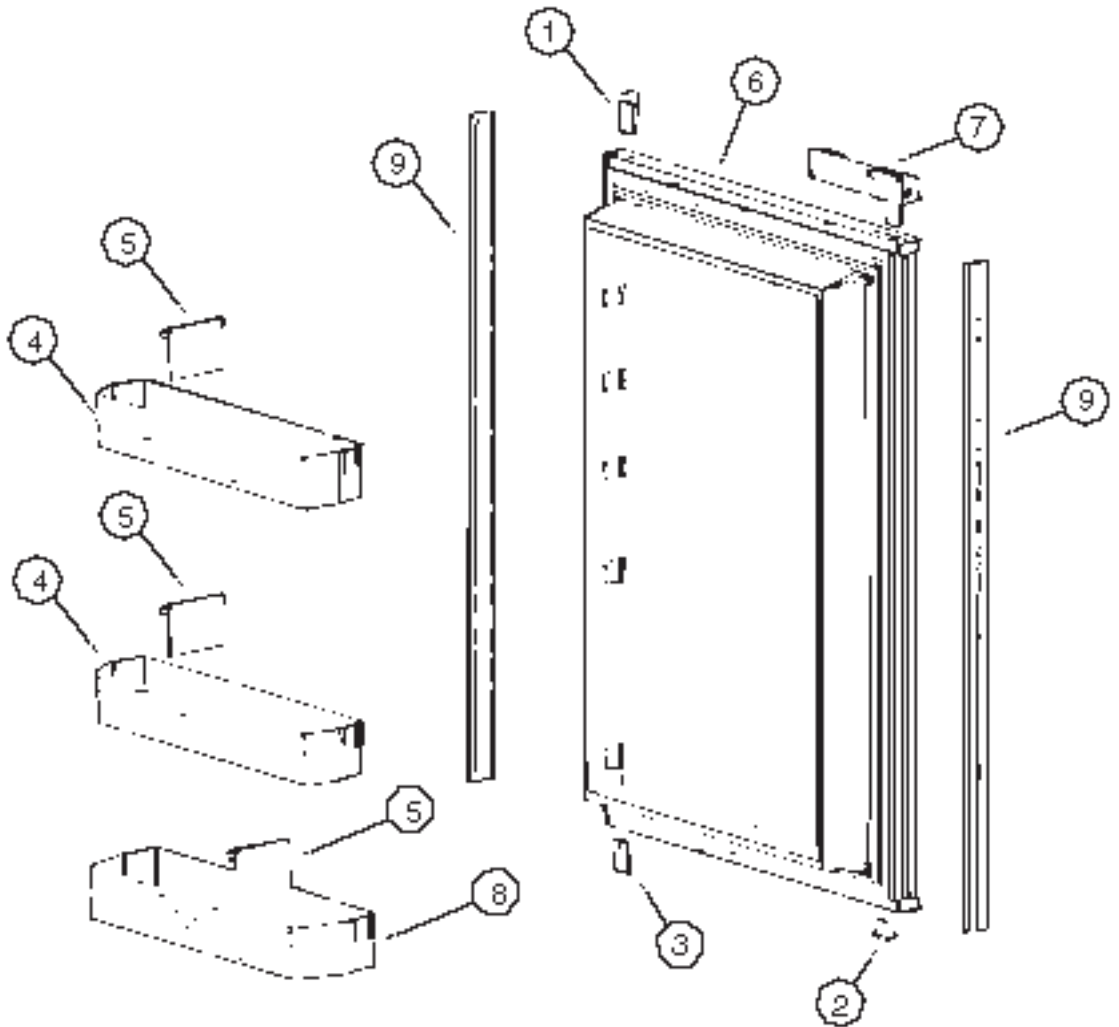
**NORCOLD
2-WAY W/ ICEMAKER
MODEL 982 RIM**



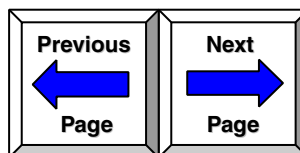
KEY	PART NUMBER	U/M	DESCRIPTION	VENDOR NO.
	120075-03-01A	EA	REFRIGERATOR - LARGE DOUBLE DOOR/RIGHT HAND - 2-WAY W/ICE	
1	120075-01-700	EA	RETAINER - DOOR DECOR PANEL	618128
2	120075-01-701	EA	HINGE - TOP RH/BOTTOM LH	618511
3	120075-01-702	EA	CAP - (HINGE PLUG)	618160
4	120075-01-703	EA	DOOR ASM. - FOAMED, W/GASKET	618205
5	120075-01-704	EA	DOOR HANDLE - UPR RH/LWR LH	618230
6	120075-01-705	EA	HINGE - TOP LH/BOTTOM RH	618510
7	120075-01-706	EA	BIN - DOOR	618635
8	120075-01-707	EA	DIVIDER - DOOR BIN	618637
	103251-07-01A	EA	INSERT - ACRYLIC/BLACK - 21.60" X 14.53"	



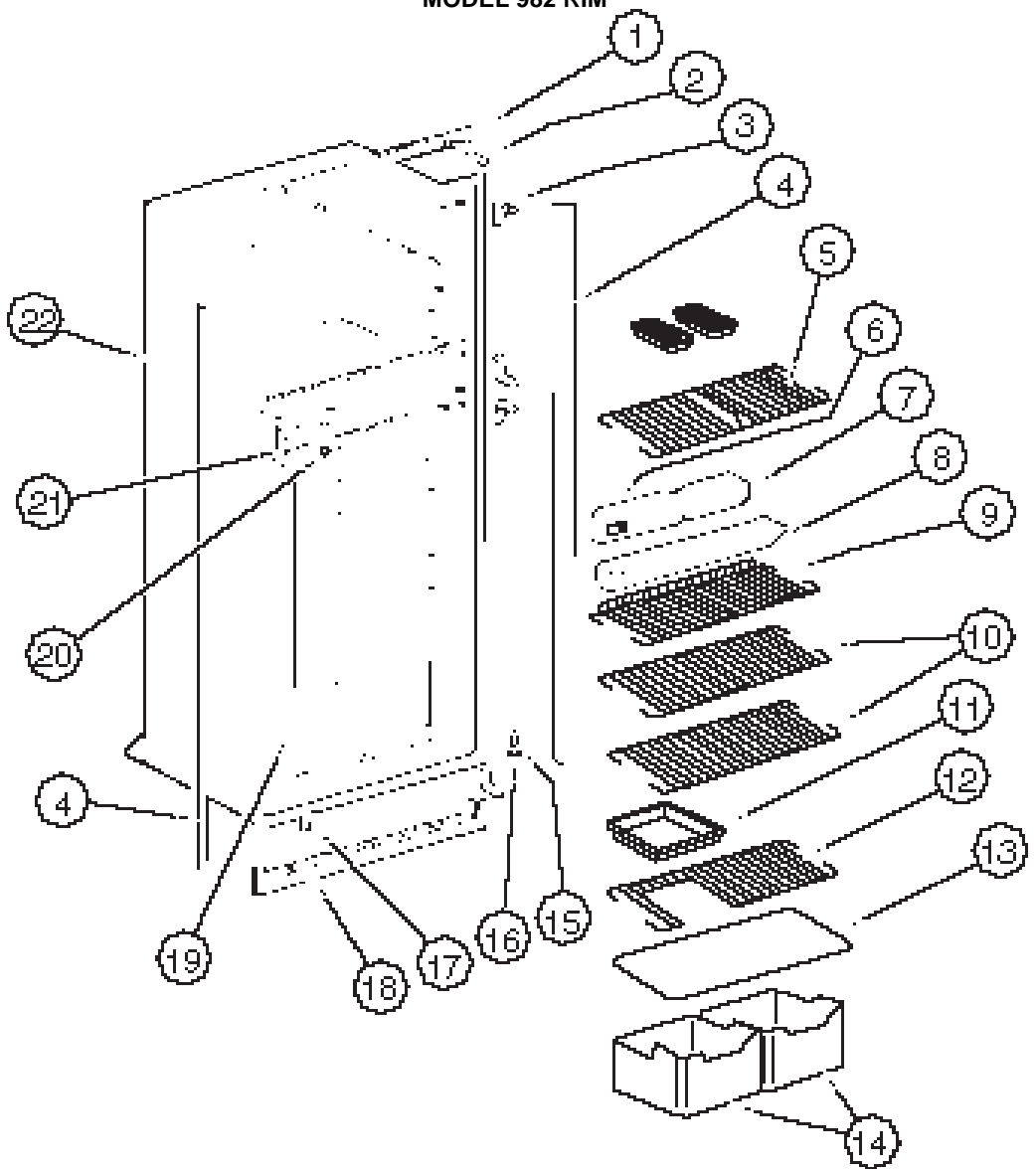
**NORCOLD
2-WAY W/ ICEMAKER
MODEL 982 RIM**



KEY	PART NUMBER	U/M	DESCRIPTION	VENDOR NO.
	120075-03-01A	EA	REFRIGERATOR - LARGE DOUBLE DOOR/RIGHT HAND - 2-WAY W/ICE	
1	120075-01-701	EA	HINGE - TOP RH/BOTTOM LH	618511
2	120075-01-702	EA	CAP - (HINGE PLUG)	618160
3	120075-01-705	EA	HINGE - TOP LH/BOTTOM RH	618510
4	120075-01-706	EA	BIN - DOOR	618635
5	120075-01-707	EA	DIVIDER -DOOR BIN	618637
6	120075-01-710	EA	DOOR - LOWER - FOAMED - W/GASKET	618270
7	120075-01-704	EA	DOOR HANDLE - UPR RH/LWR LH	618230
8	120075-01-712	EA	BIN - DOOR/BOTTOM - LARGE	618634
9	121568-01-703	EA	RETAINER - PANEL LOWER DOOR	618129
	103251-09-01A	EA	INSERT - ACRYLIC/BLACK - 21.60" X 38.62"	

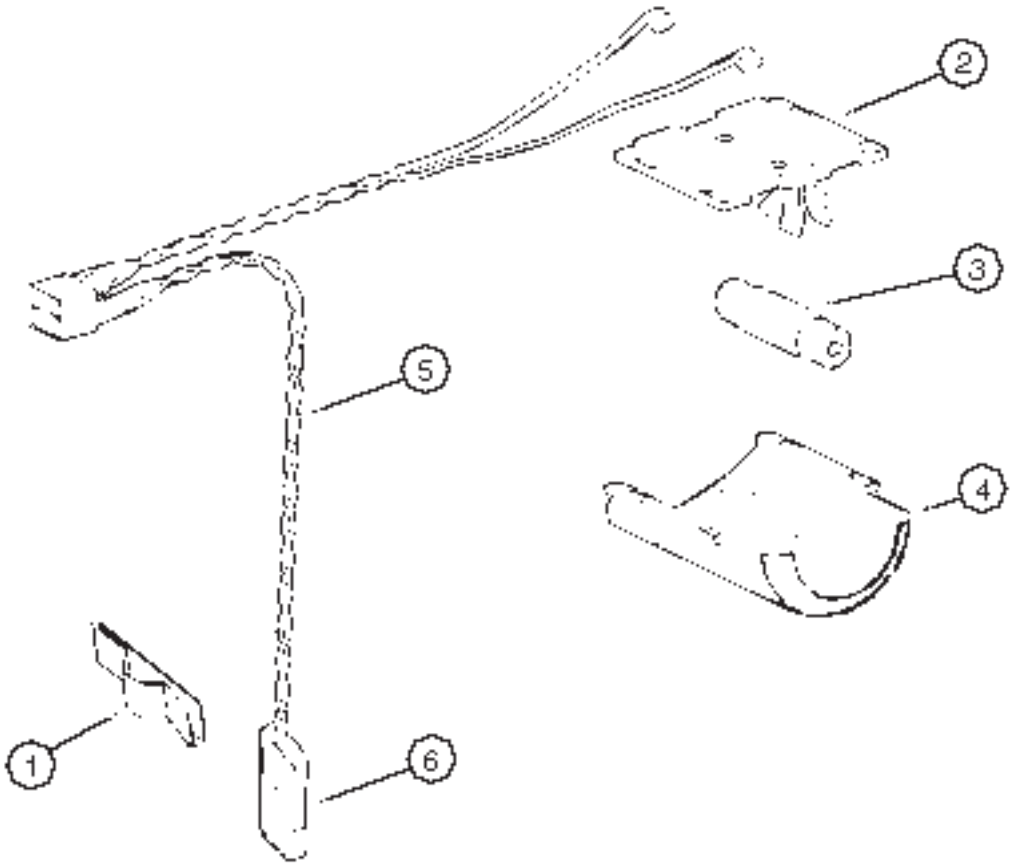


**NORCOLD
2-WAY W/ ICEMAKER
MODEL 982 RIM**

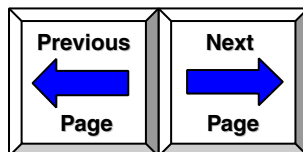


KEY	PART NUMBER	U/M	DESCRIPTION	VENDOR NO.
	120075-03-01A	EA	REFRIGERATOR - LARGE DOUBLE DOOR/RIGHT HAND - 2-WAY W/ICE	
1	120075-01-713	EA	TRIM - TOP PIECE	618124
2	120075-01-714	EA	PLUG - HOLE	618170
3	120075-01-715	EA	HINGE - CABINET	618512
4	120075-01-716	EA	TRIM - SIDE PIECE	618134
5	120075-01-717	EA	SHELF - FREEZER - WIRE	618172
6	120075-01-719	EA	OPTICAL CONTROL BOX ASSEMBLY	618245
7	120075-01-718	EA	BOX - FILLER	618112
8	120075-01-720	EA	TRAY - DRIP	618137
	120075-01-721	EA	LOUVER - DRIP TRAY	618176
9	120075-01-722	EA	SHELF - WIRE - SHORT	618239
10	120075-01-723	EA	SHELF - WIRE	618114
11	104137-06-718	EA	SHELF - TRAY - WHITE - W/CUTOUT	617756
12	120075-01-724	EA	SHELF - WIRE - W/CUTOUT	618177
13	120075-01-725	EA	COVER - CRISPER	618158
14	120075-01-726	EA	CRISPER	618154
15	120075-01-727	EA	PIN - HINGE	618145
16	120075-01-708	EA	BUSHING - DOOR HINGE	618144
17	120075-01-728	EA	COVER - HINGE HOLE	618171
18	120075-01-729	EA	TRIM - BOTTOM PIECE	618136
19	120075-01-730	EA	RETAINER - SHELF	618181
20	120075-01-731	EA	PLUG - FACADE	618184
21	120075-01-732	EA	PLATE - STRIKE	618167
22	120075-01-733	EA	CABINET - FOAMED	618265

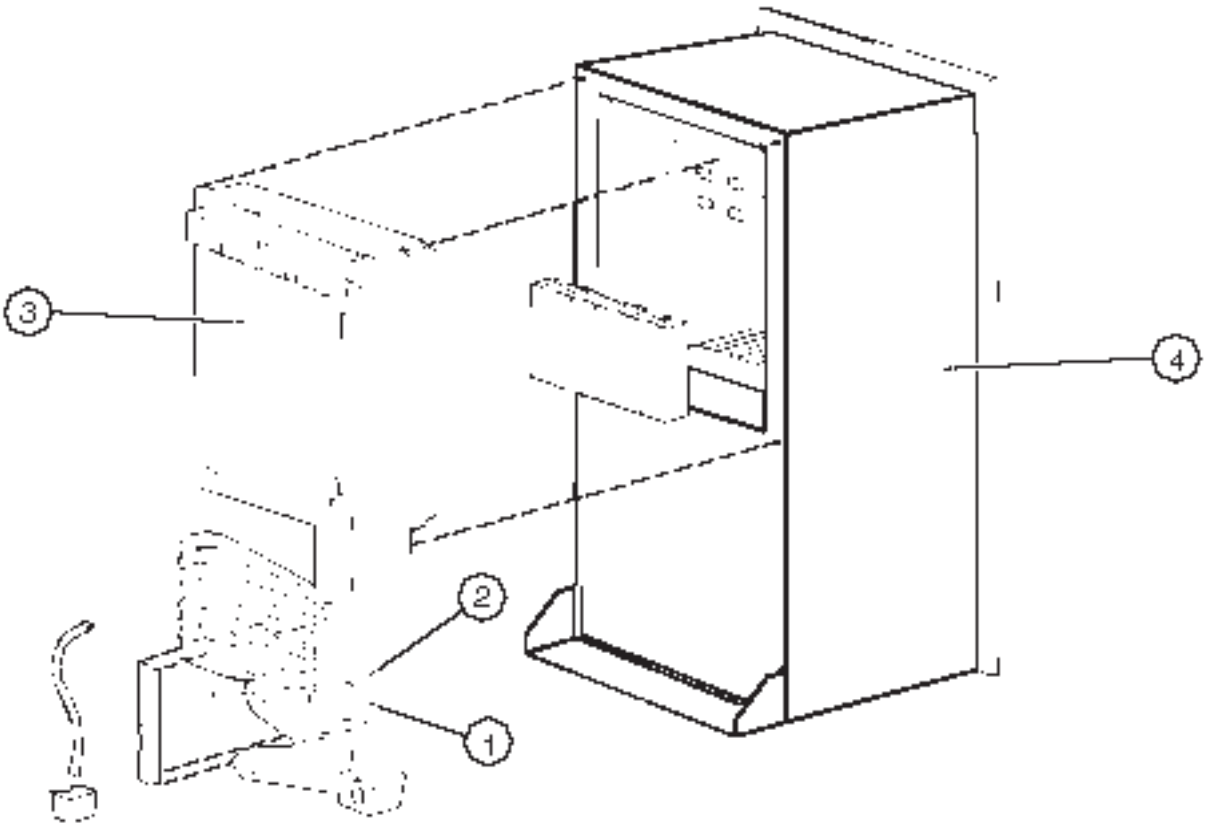
**NORCOLD
2-WAY W/ ICEMAKER
MODEL 982 RIM**



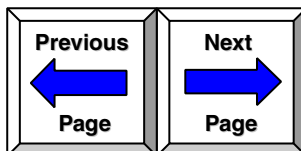
KEY	PART NUMBER	U/M	DESCRIPTION	VENDOR NO.
	120075-03-01A	EA	REFRIGERATOR - LARGE DOUBLE DOOR/RIGHT HAND - 2-WAY W/ICE	
1	084880-01-760	EA	CLIP (THERMISTER)	61689122
2	084880-03-705	EA	BRACKET - LIGHT-INTERIOR	61629722
3	084880-03-706	EA	BULB - LAMP	61628922
4	120075-01-734	EA	COVER - LENS	618190
5	120075-01-735	EA	THERMISTER W/LAMP & WIRE/ASM	618548
6	120075-01-742	EA	THERMISTER ONLY	618288



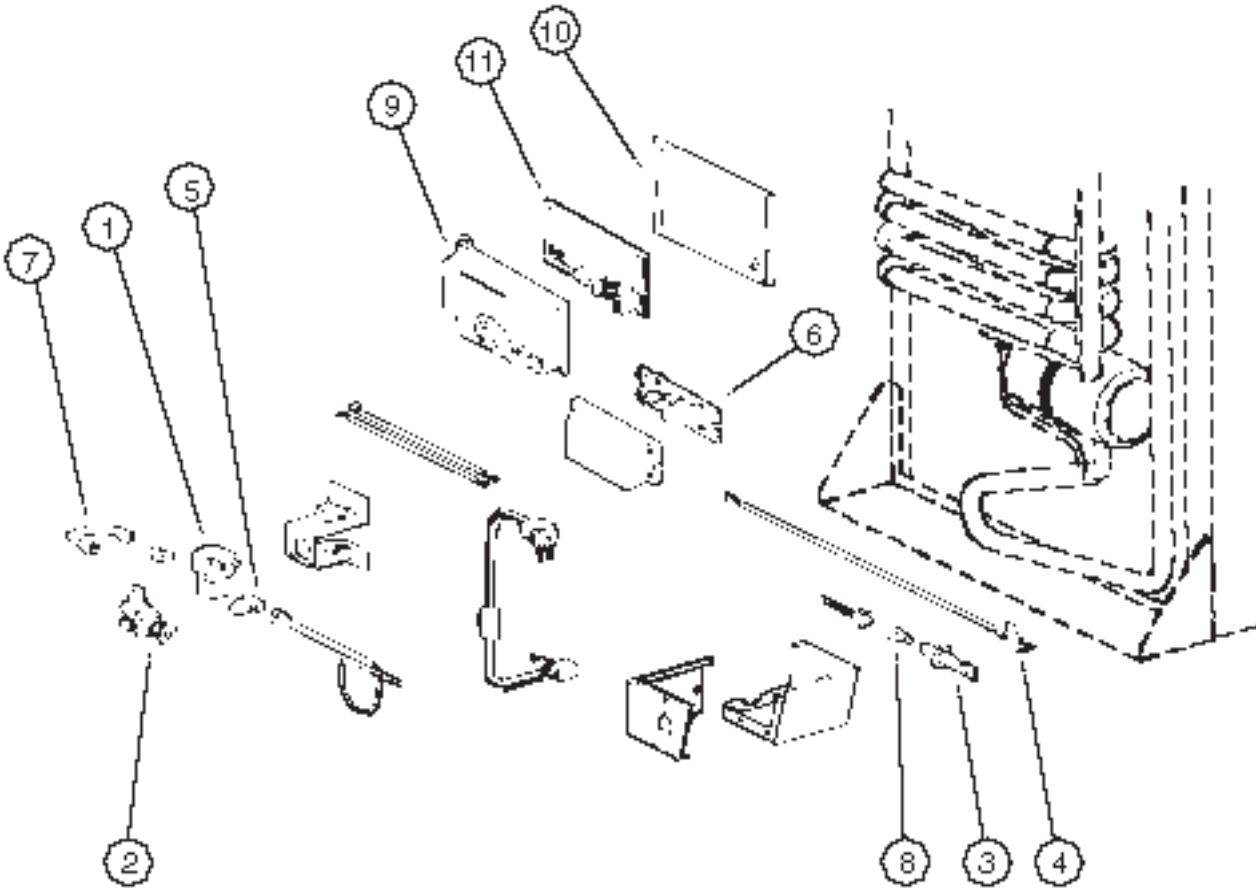
**NORCOLD
2-WAY W/ ICEMAKER
MODEL 982 RIM**



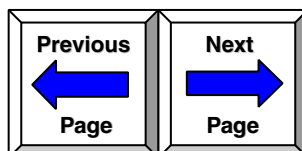
KEY	PART NUMBER	U/M	DESCRIPTION	VENDOR NO.
	120075-03-01A	EA	REFRIGERATOR - LARGE DOUBLE DOOR/RIGHT HAND - 2-WAY W/ICE	
1	088248-01-709	EA	HEATER - AC (HORIZONTAL)	61562722
2	088248-01-710	EA	HEATER - DC (HORIZONTAL)	61562822
3	120075-01-736	EA	COOLING UNIT - SERVICE PACK	618542
4	120075-03-700	EA	CABINET - FOAMED	618285



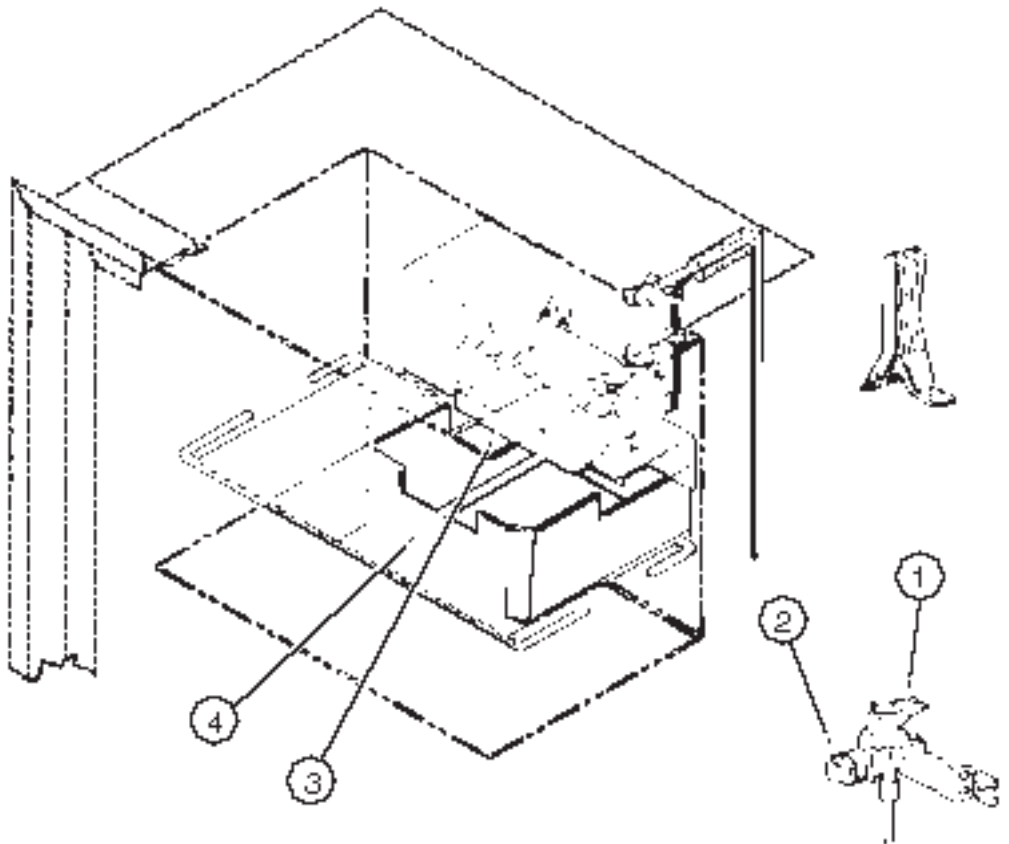
**NORCOLD
2-WAY W/ ICEMAKER
MODEL 982 RIM**



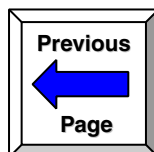
KEY	PART NUMBER	U/M	DESCRIPTION	VENDOR NO.
	120075-03-01A	EA	REFRIGERATOR - LARGE DOUBLE DOOR/RIGHT HAND - 2-WAY W/ICE	
1	084880-01-718	EA	VALVE - GAS - (ASCO)	61551822
2	104137-06-709	EA	VALVE - SHUT OFF - MANUAL	61694922
3	104137-06-714	EA	BURNER ASSEMBLY - 5-SLOT	61705222
4	104137-06-715	EA	ELECTRODE - SPARK/SENSOR - SGL	61692222
5	113737-01-702	EA	PLUG 1/8" F/PRESSURE TAP	61445322
6	113737-01-716	EA	TAP - PRESSURE	61594422
7	113737-01-750	EA	TUBE - UNION	61694622
8	120075-01-737	EA	ORFICE - JEWEL - .0155	618284
9	120075-01-738	EA	COVER - POWER BOARD	618185
10	120075-01-739	EA	BOARD - POWER - 2-WAY	618198
11	120075-01-740	EA	COVER - BASE - POWER BOARD	618186



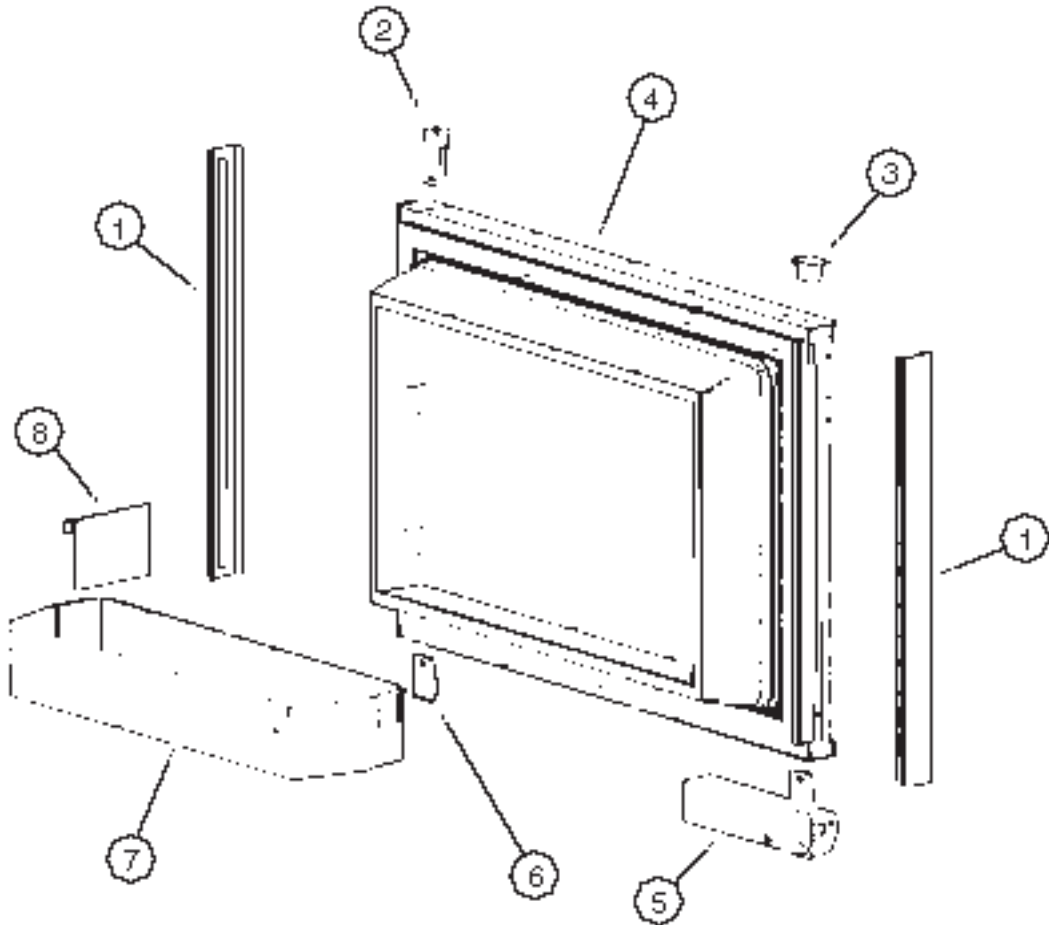
**NORCOLD
2-WAY W/ ICEMAKER
MODEL 982 RIM**



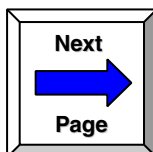
KEY	PART NUMBER	U/M	DESCRIPTION	VENDOR NO.
	120075-03-01A	EA	REFRIGERATOR - LARGE DOUBLE DOOR/RIGHT HAND - 2-WAY W/ICE	
1	120075-03-701	EA	VALVE ASM. - WATER - W/BACKET	618253
2	120075-03-702	EA	NUT/COMPRESSION - FITTING	61678722
3	120075-03-703	EA	ARM - SHUT OFF	61656922
4	120075-03-704	EA	BIN - ICE CUBE	618154



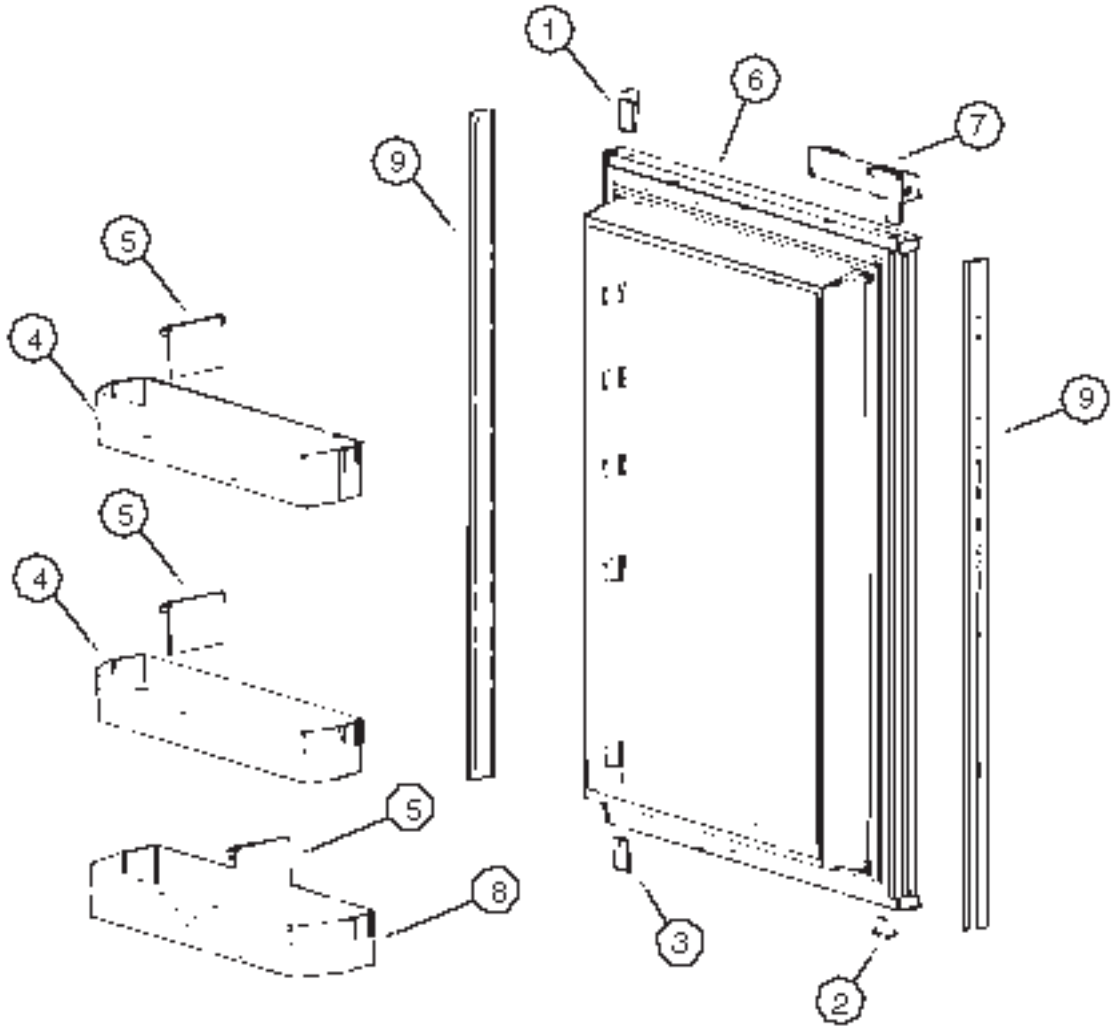
**NORCOLD
2-WAY W/ ICEMAKER
MODEL 982 LIM**



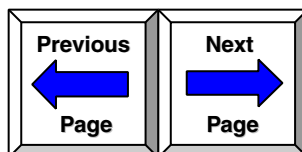
KEY	PART NUMBER	U/M	DESCRIPTION	VENDOR NO.
	120075-04-01A	EA	REFRIGERATOR - LARGE DOUBLE DOOR/LEFT HAND - 2-WAY W/ICE	
1	120075-01-700	EA	RETAINER - DOOR DECOR PANEL	618128
2	120075-01-701	EA	HINGE - TOP RH/BOTTOM LH	618511
3	120075-01-702	EA	CAP - (HINGE PLUG)	618160
4	120075-01-703	EA	DOOR ASM. - FOAMED, W/GASKET	618205
5	120075-01-704	EA	DOOR HANDLE - UPR RH/LWR LH	618230
6	120075-01-705	EA	HINGE - TOP LH/BOTTOM RH	618510
7	120075-01-706	EA	BIN - DOOR	618635
8	120075-01-707	EA	DIVIDER - DOOR BIN	618637
	103251-07-01A	EA	INSERT - ACRYLIC/BLACK - 21.60" X 14.53"	



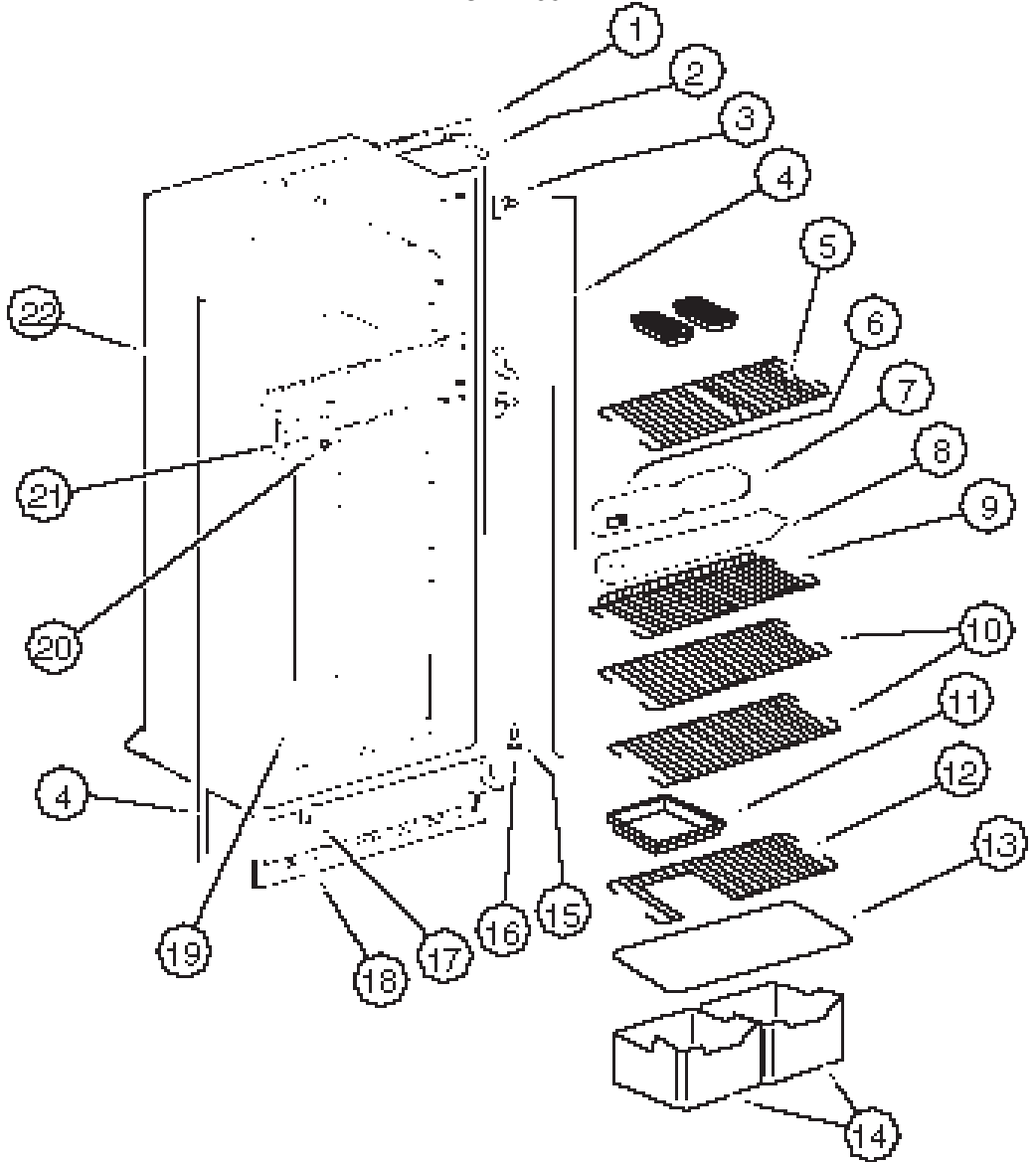
**NORCOLD
2-WAY W/ ICEMAKER
MODEL 982 LIM**



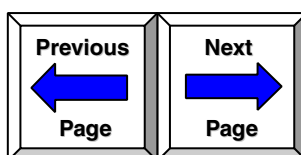
KEY	PART NUMBER	U/M	DESCRIPTION	VENDOR NO.
	120075-04-01A	EA	REFRIGERATOR - LARGE DOUBLE DOOR/LEFT HAND - 2-WAY W/ICE	
1	120075-01-701	EA	HINGE - TOP RH/BOTTOM LH	618511
2	120075-01-702	EA	CAP - (HINGE PLUG)	618160
3	120075-01-705	EA	HINGE - TOP LH/BOTTOM RH	618510
4	120075-01-706	EA	BIN - DOOR	618635
5	120075-01-707	EA	DIVIDER -DOOR BIN	618637
6	120075-01-710	EA	DOOR - LOWER - FOAMED - W/GASKET	618270
7	120075-01-704	EA	DOOR HANDLE - UPR RH/LWR LH	618230
8	120075-01-712	EA	BIN - DOOR/BOTTOM - LARGE	618634
9	121568-01-703	EA	RETAINER - PANEL LOWER DOOR	618129
	103251-09-01A	EA	INSERT - ACRYLIC/BLACK - 21.60" X 38.62"	



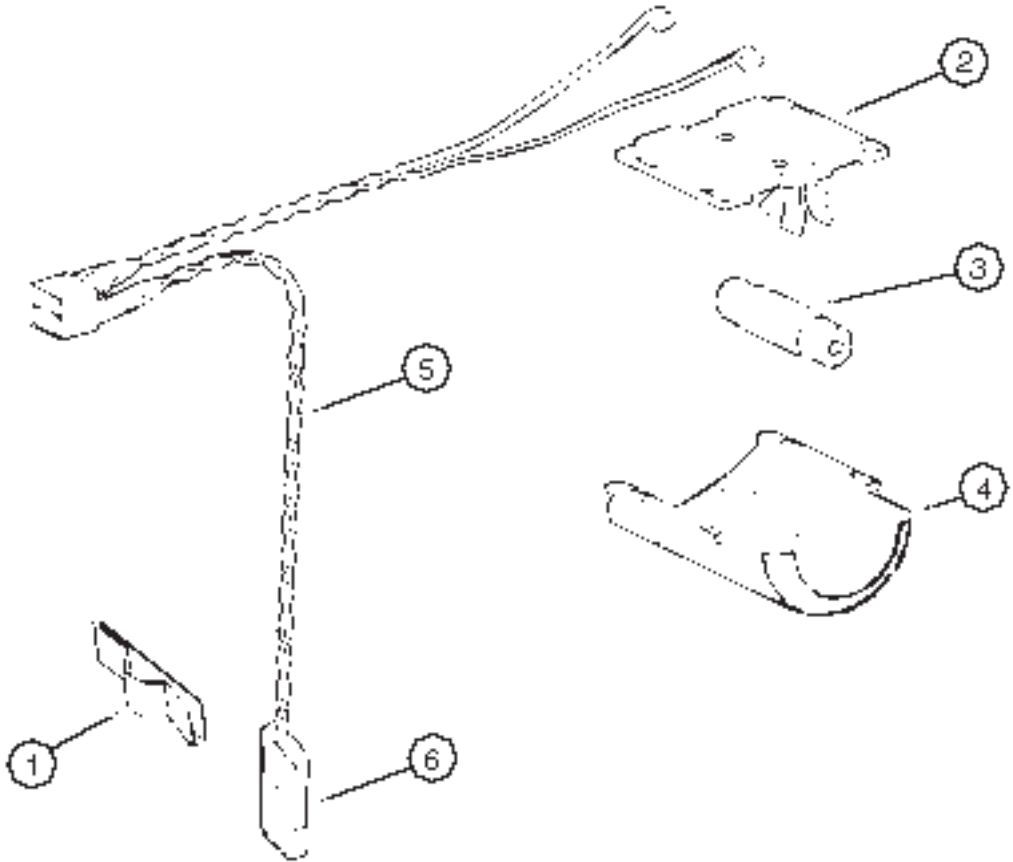
NORCOLD
2-WAY W/ ICEMAKER
MODEL 982 LIM



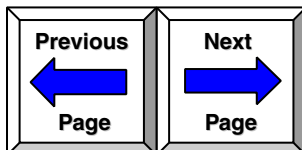
KEY	PART NUMBER	U/M	DESCRIPTION	VENDOR NO.
	120075-04-01A	EA	REFRIGERATOR - LARGE DOUBLE DOOR/LEFT HAND - 2-WAY W/ICE	
1	120075-01-713	EA	TRIM - TOP PIECE	618124
2	120075-01-714	EA	PLUG - HOLE	618170
3	120075-01-715	EA	HINGE - CABINET	618512
4	120075-01-716	EA	TRIM - SIDE PIECE	618134
5	120075-01-717	EA	SHELF - FREEZER - WIRE	618172
6	120075-01-719	EA	OPTICAL CONTROL BOX ASSEMBLY	618245
7	120075-01-718	EA	BOX - FILLER	618112
8	120075-01-720	EA	TRAY - DRIP	618137
	120075-01-721	EA	LOUVER - DRIP TRAY	618176
9	120075-01-722	EA	SHELF - WIRE - SHORT	618239
10	120075-01-723	EA	SHELF - WIRE	618114
11	104137-06-718	EA	SHELF - TRAY - WHITE - W/CUTOUT	617756
12	120075-01-724	EA	SHELF - WIRE - W/CUTOUT	618177
13	120075-01-725	EA	COVER - CRISPER	618158
14	120075-01-726	EA	CRISPER	618154
15	120075-01-727	EA	PIN - HINGE	618145
16	120075-01-708	EA	BUSHING - DOOR HINGE	618144
17	120075-01-728	EA	COVER - HINGE HOLE	618171
18	120075-01-729	EA	TRIM - BOTTOM PIECE	618136
19	120075-01-730	EA	RETAINER - SHELF	618181
20	120075-01-731	EA	PLUG - FACADE	618184
21	120075-01-732	EA	PLATE - STRIKE	618167
22	120075-01-733	EA	CABINET - FOAMED	618265



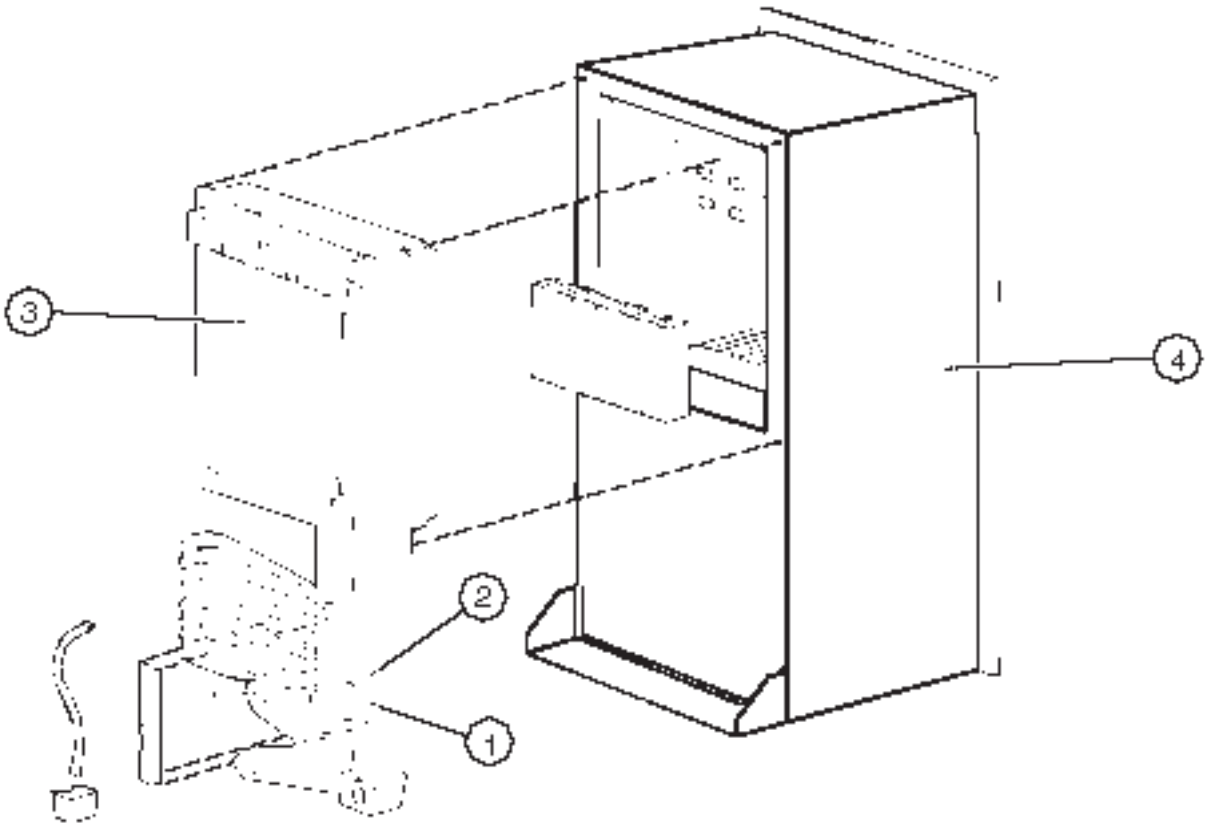
**NORCOLD
2-WAY W/ ICEMAKER
MODEL 982 LIM**



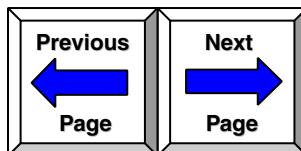
KEY	PART NUMBER	U/M	DESCRIPTION	VENDOR NO.
	120075-04-01A	EA	REFRIGERATOR - LARGE DOUBLE DOOR/LEFT HAND - 2-WAY W/ICE	
1	084880-01-760	EA	CLIP (THERMISTER)	61689122
2	084880-03-705	EA	BRACKET - LIGHT-INTERIOR	61629722
3	084880-03-706	EA	BULB - LAMP	61628922
4	120075-01-734	EA	COVER - LENS	618190
5	120075-01-735	EA	THERMISTER W/LAMP & WIRE/ASM	618548
6	120075-01-742	EA	THERMISTER ONLY	618288



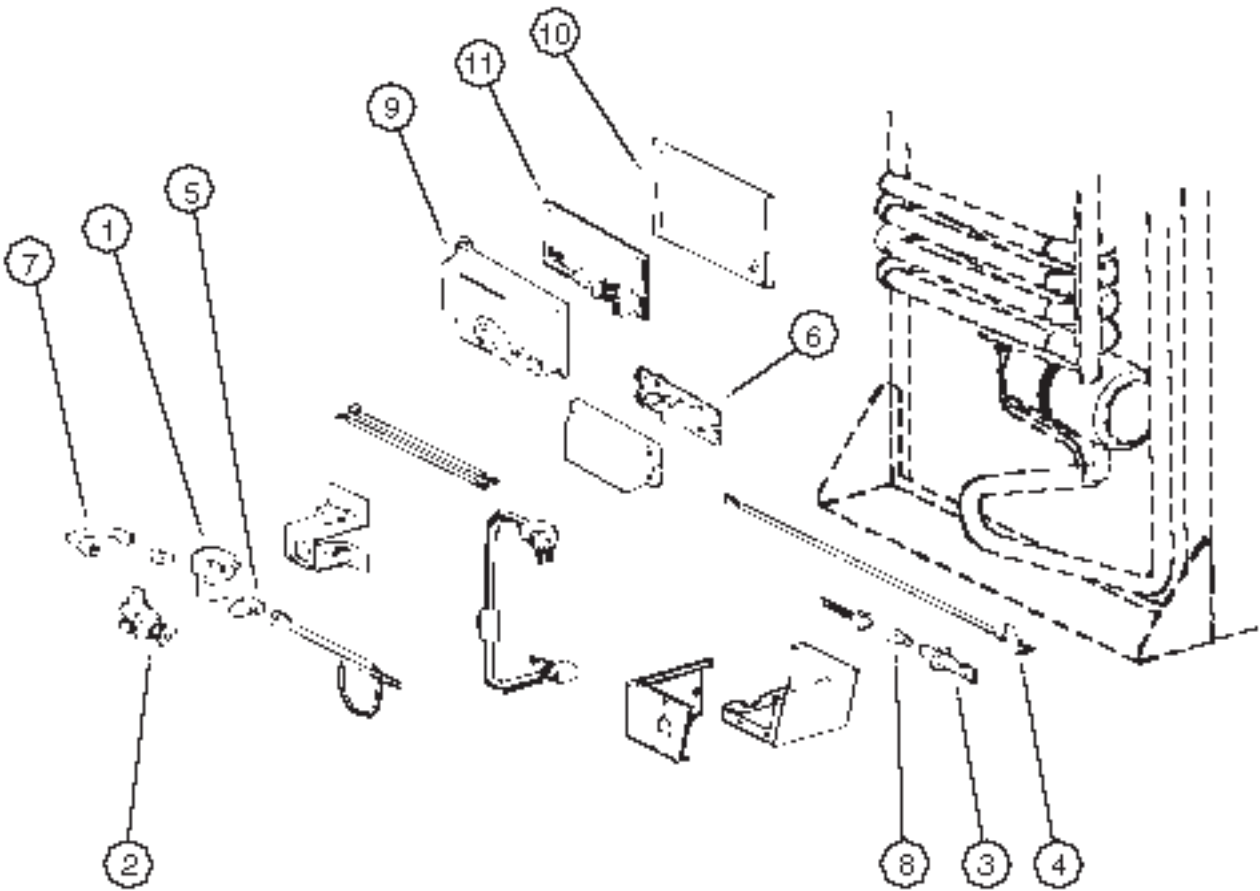
**NORCOLD
2-WAY W/ ICEMAKER
MODEL 982 LIM**



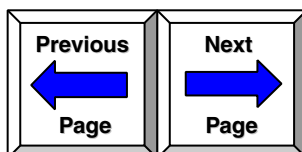
KEY	PART NUMBER	U/M	DESCRIPTION	VENDOR NO.
	120075-04-01A	EA	REFRIGERATOR - LARGE DOUBLE DOOR/LEFT HAND - 2-WAY W/ICE	
1	088248-01-709	EA	HEATER - AC (HORIZONTAL)	61562722
2	088248-01-710	EA	HEATER - DC (HORIZONTAL)	61562822
3	120075-01-736	EA	COOLING UNIT - SERVICE PACK	618542
4	120075-03-700	EA	CABINET - FOAMED	618285



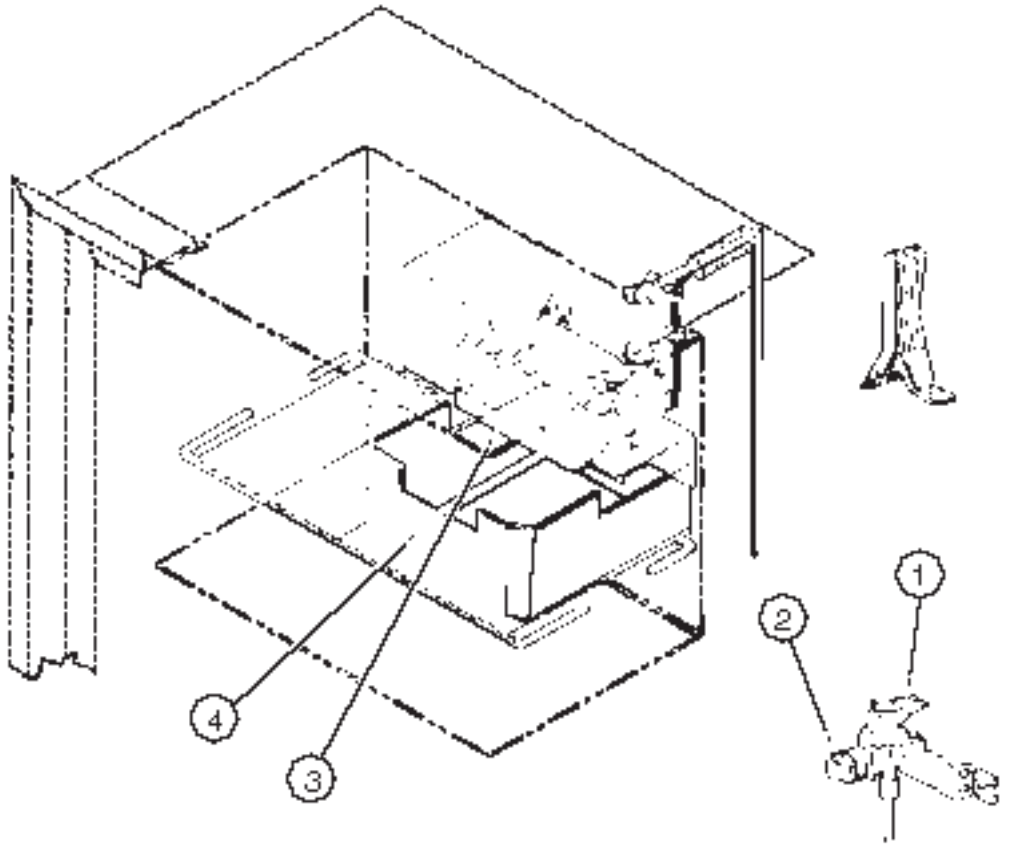
**NORCOLD
2-WAY W/ ICEMAKER
MODEL 982 LIM**



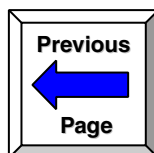
KEY	PART NUMBER	U/M	DESCRIPTION	VENDOR NO.
	120075-04-01A	EA	REFRIGERATOR - LARGE DOUBLE DOOR/LEFT HAND - 2-WAY W/ICE	
1	084880-01-718	EA	VALVE - GAS - (ASCO)	61551822
2	104137-06-709	EA	VALVE - SHUT OFF - MANUAL	61694922
3	104137-06-714	EA	BURNER ASSEMBLY - 5-SLOT	61705222
4	104137-06-715	EA	ELECTRODE - SPARK/SENSOR - SGL	61692222
5	113737-01-702	EA	PLUG 1/8" F/PRESSURE TAP	61445322
6	113737-01-716	EA	TAP - PRESSURE	61594422
7	113737-01-750	EA	TUBE - UNION	61694622
8	120075-01-737	EA	ORFICE - JEWEL - .0155	618284
9	120075-01-738	EA	COVER - POWER BOARD	618185
10	120075-01-739	EA	BOARD - POWER - 2-WAY	618198
11	120075-01-740	EA	COVER - BASE - POWER BOARD	618186



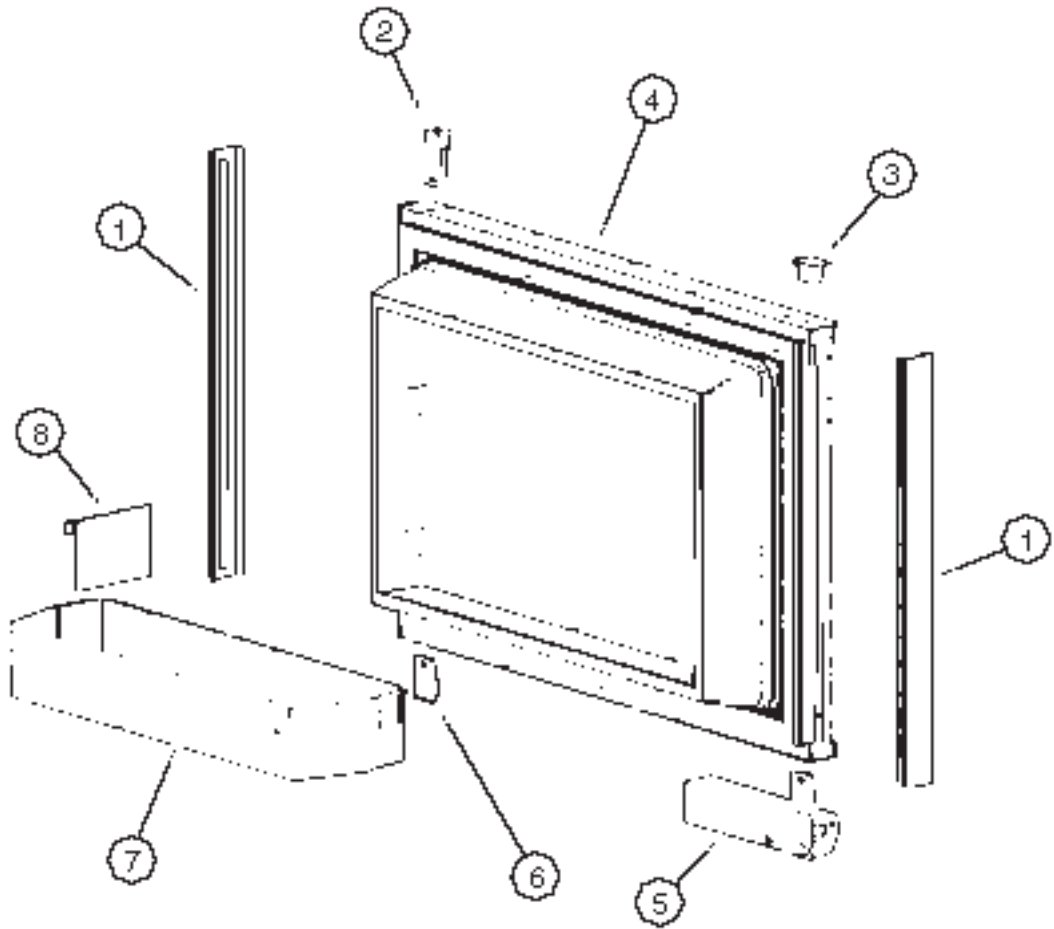
**NORCOLD
2-WAY W/ ICEMAKER
MODEL 982 LIM**



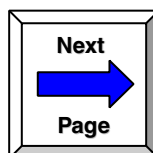
KEY	PART NUMBER	U/M	DESCRIPTION	VENDOR NO.
	120075-04-01A	EA	REFRIGERATOR - LARGE DOUBLE DOOR/LEFT HAND - 2-WAY W/ICE	
1	120075-03-701	EA	VALVE ASM. - WATER - W/BACKET	618253
2	120075-03-702	EA	NUT/COMPRESSION - FITTING	61678722
3	120075-03-703	EA	ARM - SHUT OFF	61656922
4	120075-03-704	EA	BIN - ICE CUBE	618154



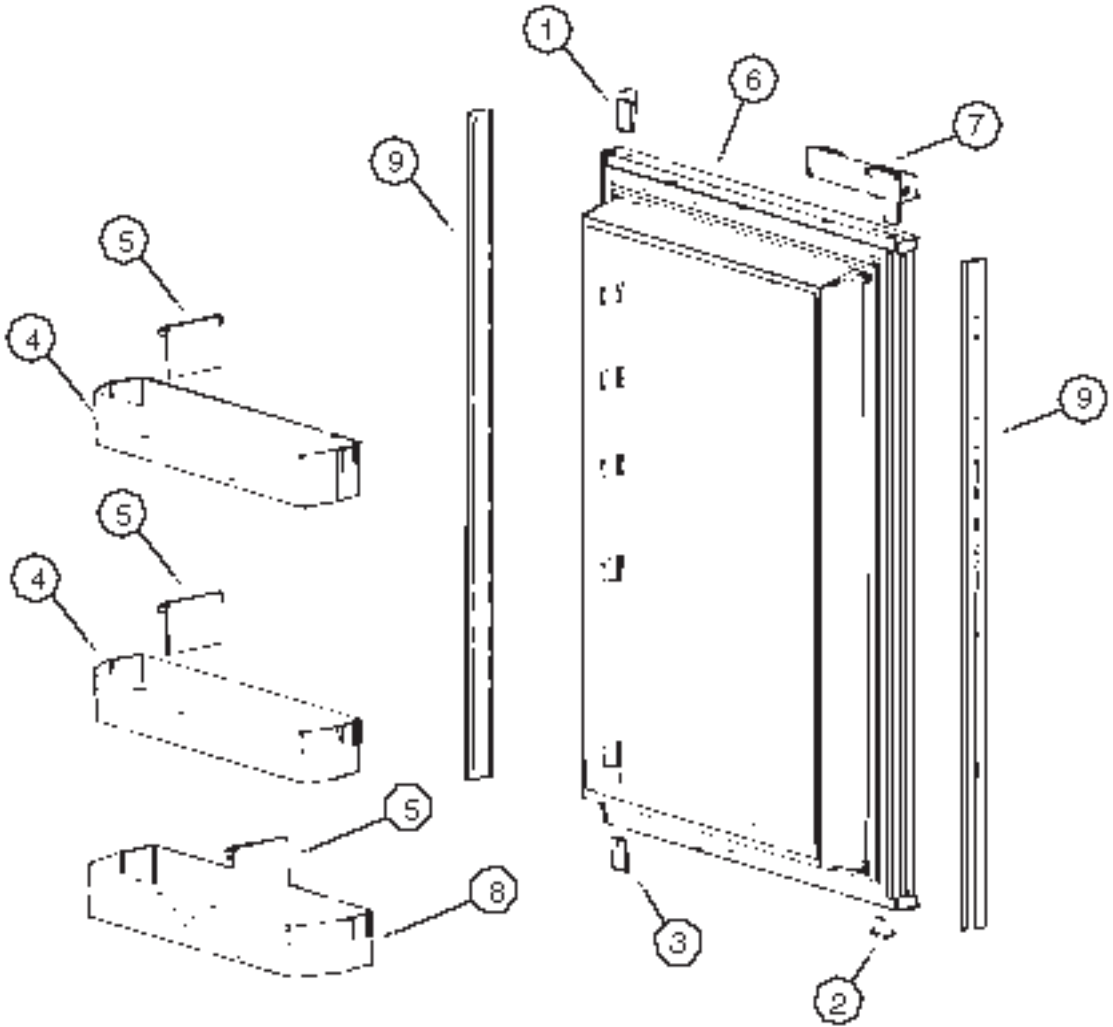
**NORCOLD
3-WAY W/ ICEMAKER
MODEL 983 LH**



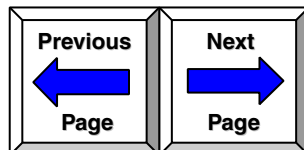
KEY	PART NUMBER	U/M	DESCRIPTION	VENDOR NO.
	120075-06-01A	EA	REFRIGERATOR - DOUBLE DOOR - BLACK	
1	120075-01-700	EA	RETAINER - DOOR DECOR PANEL	618128
2	120075-01-701	EA	HINGE - TOP RH/BOTTOM LH	618511
3	120075-01-702	EA	CAP - (HINGE PLUG)	618160
4	120075-01-703	EA	DOOR ASM. - FOAMED, W/GASKET	618205
5	120075-01-704	EA	DOOR HANDLE - UPR RH/LWR LH	618230
6	120075-01-705	EA	HINGE - TOP LH/BOTTOM RH	618510
7	120075-01-706	EA	BIN - DOOR	618635
8	120075-01-707	EA	DIVIDER - DOOR BIN	618637
	120075-01-708	EA	BUSHING - DOOR HINGE	618144
	103251-07-01A	EA	INSERT - ACRYLIC/BLACK - 21.60" X 14.53"	



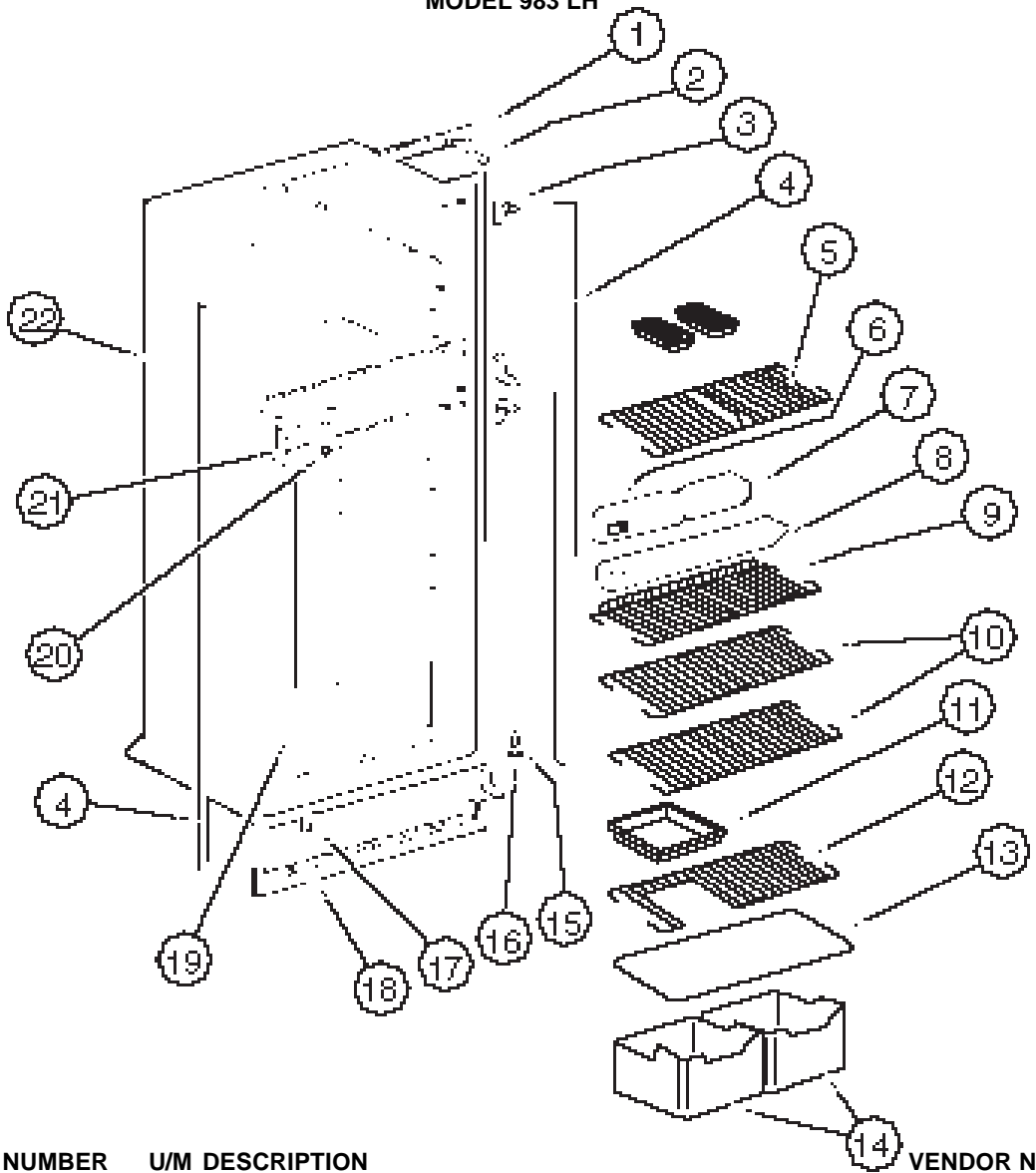
**NORCOLD
3-WAY W/ ICEMAKER
MODEL 983 LH**



KEY	PART NUMBER	U/M	DESCRIPTION	VENDOR NO.
	120075-06-01A	EA	REFRIGERATOR - DOUBLE DOOR - BLACK	
1	120075-01-701	EA	HINGE - TOP RH/BOTTOM LH	618511
2	120075-01-702	EA	CAP - (HINGE PLUG)	618160
3	120075-01-705	EA	HINGE - TOP LH/BOTTOM RH	618510
4	120075-01-706	EA	BIN - DOOR	618635
5	120075-01-707	EA	DIVIDER -DOOR BIN	618637
6	120075-01-710	EA	DOOR - LOWER - FOAMED - W/GASKET	618270
7	120075-01-704	EA	DOOR HANDLE - UPR RH/LWR LH	618230
8	120075-01-712	EA	BIN - DOOR/BOTTOM - LARGE	618634
9	121568-01-703	EA	RETAINER - PANEL LOWER DOOR	618129
	103251-09-01A	EA	INSERT - ACRYLIC/BLACK - 21.60" X 38.62"	

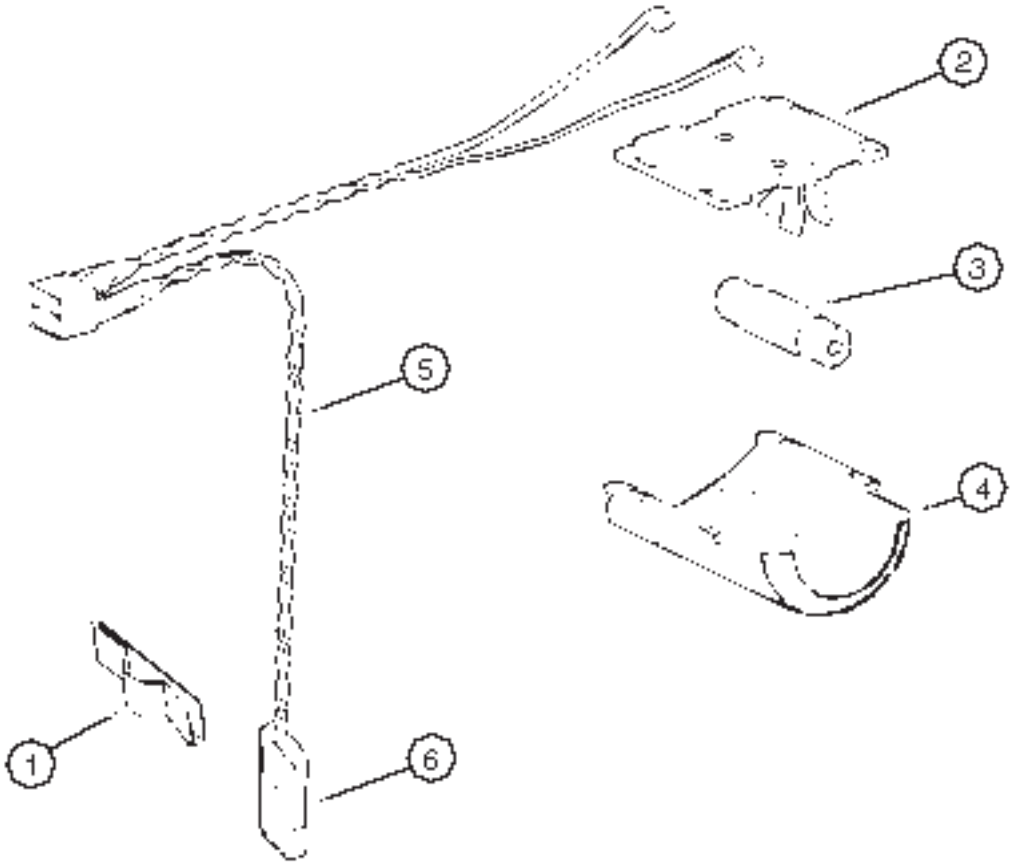


NORCOLD
3-WAY W/ ICEMAKER
MODEL 983 LH

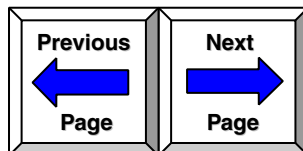


KEY	PART NUMBER	U/M	DESCRIPTION	VENDOR NO.
	120075-06-01A	EA	REFRIGERATOR - DOUBLE DOOR - BLACK	
1	120075-01-713	EA	TRIM - TOP PIECE	618124
1	120075-01-743	EA	TRIM - TOP W/GOLD INSERTS	619568
2	120075-01-714	EA	PLUG - HOLE	618170
3	121568-01-712	EA	HINGE - SLOTTED/ADJUSTABLE - (CABINET)	618988
4	120075-01-716	EA	TRIM - SIDE PIECE	618134
5	120075-01-717	EA	SHELF - FREEZER - WIRE	618172
6	120075-01-719	EA	OPTICAL CONTROL BOX ASSEMBLY	618245
7	120075-01-718	EA	BOX - FILLER	618112
8	120075-01-720	EA	TRAY - DRIP	618137
	120075-01-721	EA	LOUVER - DRIP TRAY	618176
9	120075-01-722	EA	SHELF - WIRE - SHORT	618239
10	120075-01-723	EA	SHELF - WIRE	618114
11	104137-06-718	EA	SHELF - TRAY - WHITE - W/CUTOUT	617756
12	120075-01-724	EA	SHELF - WIRE - W/CUTOUT	618177
13	120075-01-725	EA	COVER - CRISPER	618158
14	120075-01-726	EA	CRISPER	618154
	120075-01-727	EA	PIN - HINGE	618145
16	120075-01-708	EA	BUSHING - DOOR HINGE	618144
17	120075-01-728	EA	COVER - HINGE HOLE	618171
18	120075-01-729	EA	TRIM - BOTTOM PIECE	618136
19	120075-01-730	EA	RETAINER - SHELF	618181
20	120075-01-731	EA	PLUG - FACADE	618184
21	120075-01-732	EA	PLATE - STRIKE	618167
22	120075-03-700	EA	CABINET - FOAMED	618285

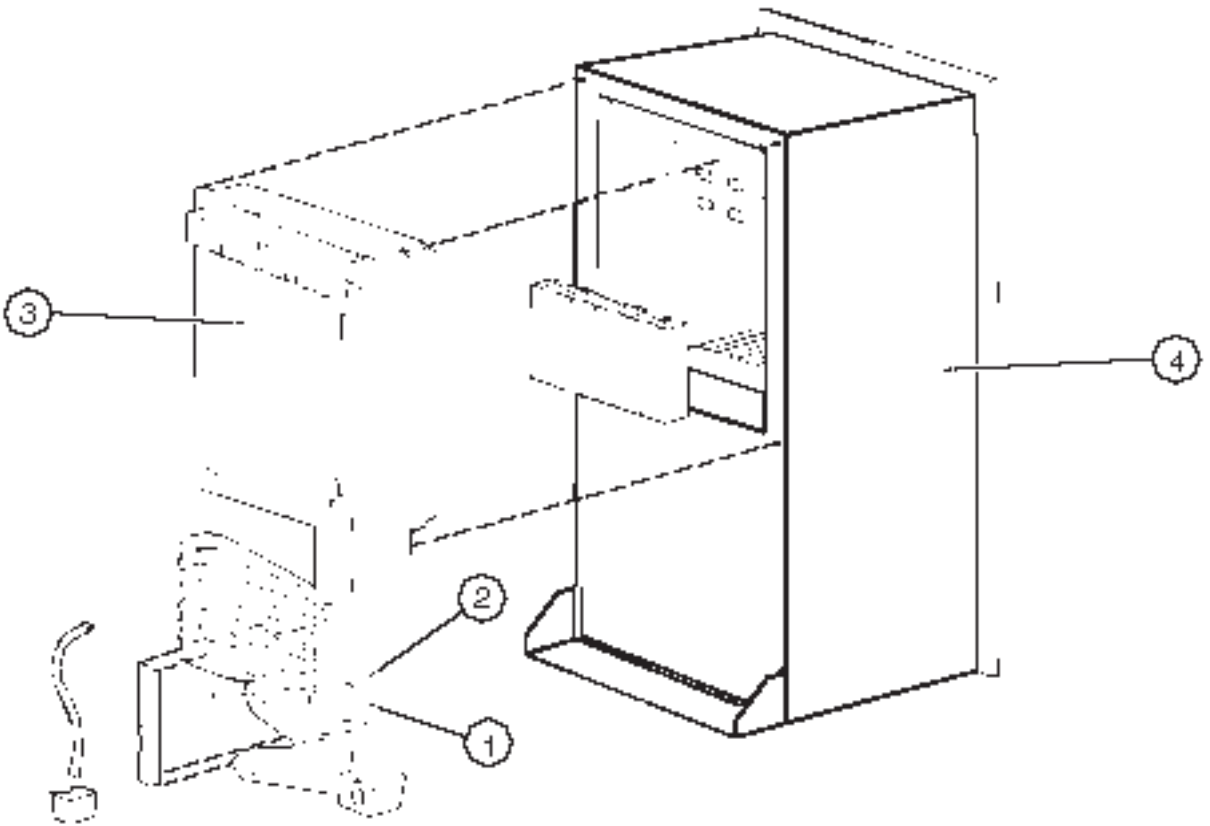
**NORCOLD
3-WAY W/ ICEMAKER
MODEL 983 LH**



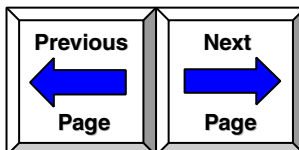
KEY	PART NUMBER	U/M	DESCRIPTION	VENDOR NO.
	120075-06-01A	EA	REFRIGERATOR - DOUBLE DOOR - BLACK	
1	084880-01-760	EA	CLIP (THERMISTER)	61689122
2	084880-03-705	EA	BRACKET - LIGHT-INTERIOR	61629722
3	084880-03-706	EA	BULB - LAMP	61628922
4	120075-01-734	EA	COVER - LENS	618190
5	120075-01-735	EA	THERMISTER W/LAMP & WIRE/ASM	618548
6	120075-01-742	EA	THERMISTER ONLY	618288



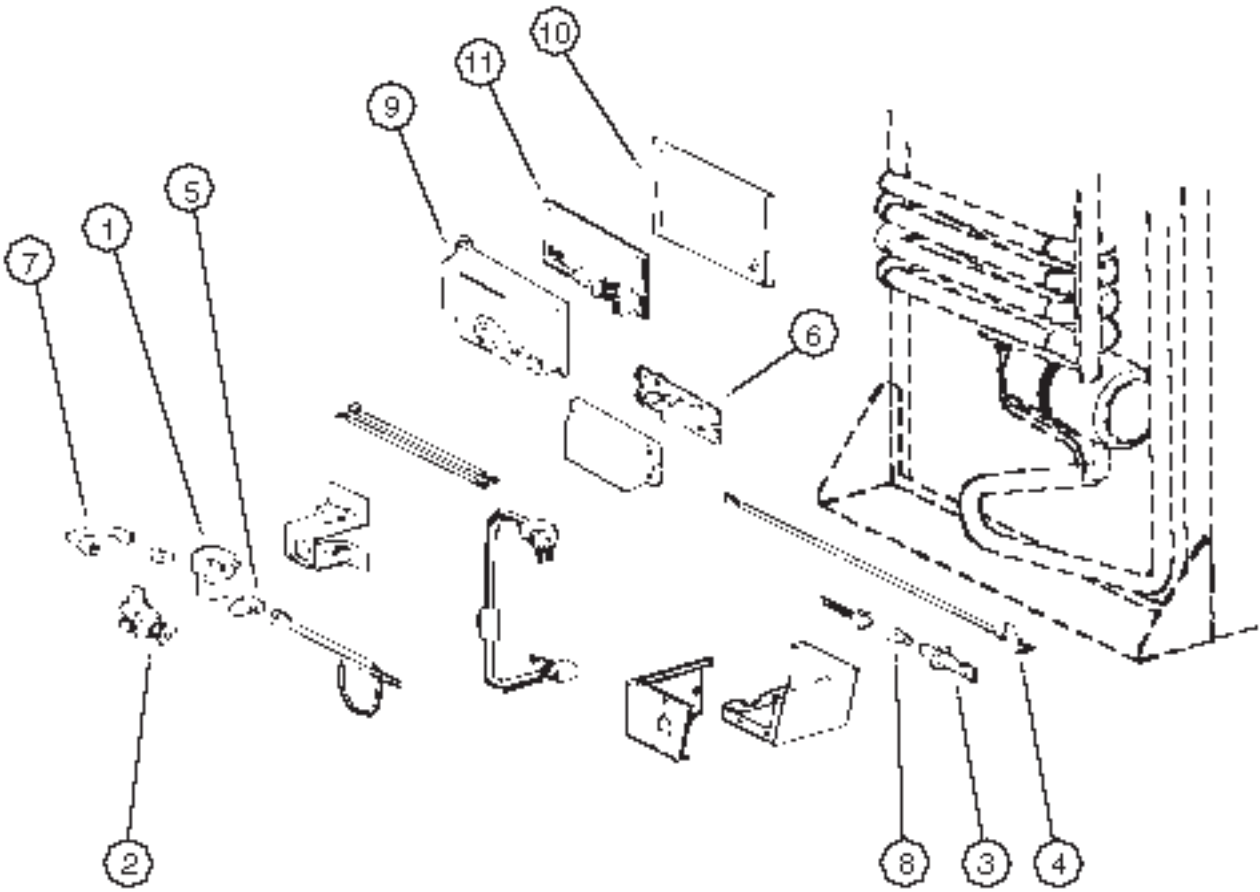
**NORCOLD
3-WAY W/ ICEMAKER
MODEL 983 LH**



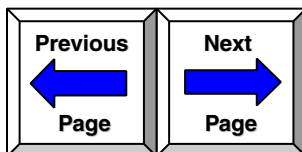
KEY	PART NUMBER	U/M	DESCRIPTION	VENDOR NO.
	120075-06-01A	EA	REFRIGERATOR - DOUBLE DOOR - BLACK	
1	088248-01-709	EA	HEATER - AC (HORIZONTAL)	61562722
2	088248-01-710	EA	HEATER - DC (HORIZONTAL)	61562822
3	120075-01-736	EA	COOLING UNIT - SERVICE PACK	618542
4	120075-03-700	EA	CABINET - FOAMED	618285



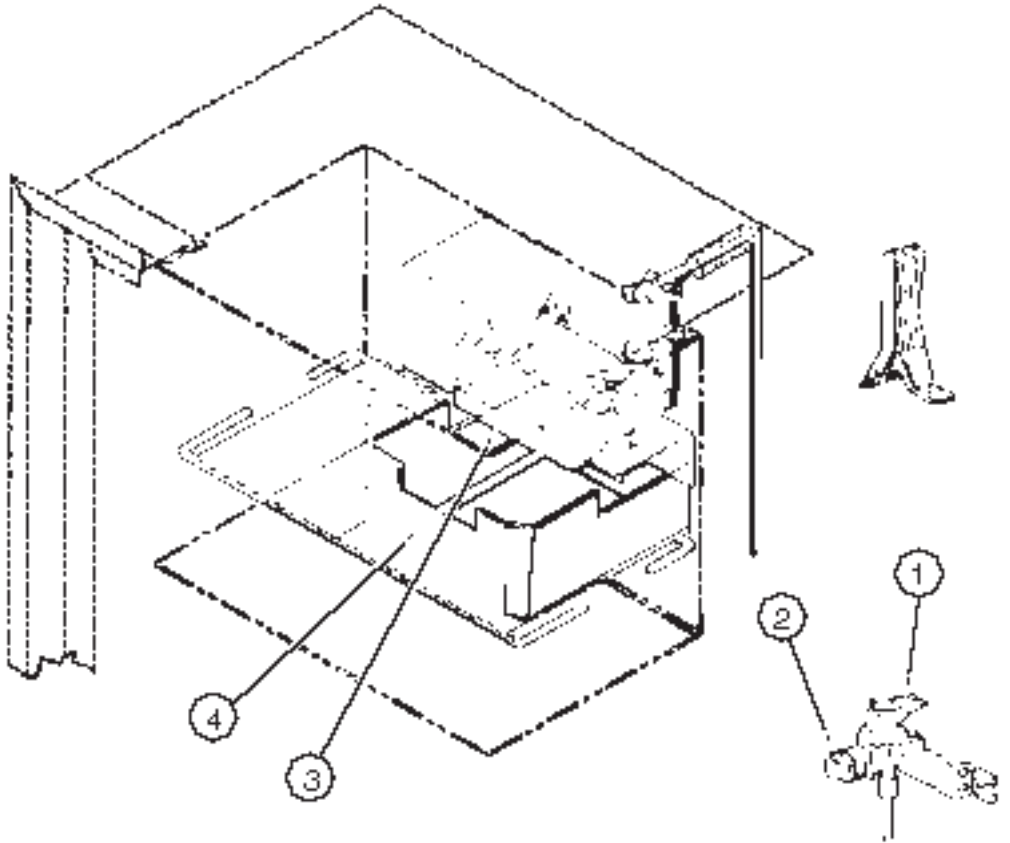
**NORCOLD
3-WAY W/ ICEMAKER
MODEL 983 LH**



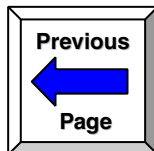
KEY	PART NUMBER	U/M	DESCRIPTION	VENDOR NO.
	120075-06-01A	EA	REFRIGERATOR - DOUBLE DOOR - BLACK	
1	084880-01-718	EA	VALVE - GAS - (ASCO)	61551822
2	104137-06-709	EA	VALVE - SHUT OFF - MANUAL	61694922
3	104137-06-714	EA	BURNER ASSEMBLY - 5-SLOT	61705222
4	104137-06-715	EA	ELECTRODE - SPARK/SENSOR - SGL	61692222
5	113737-01-702	EA	PLUG 1/8" F/PRESSURE TAP	61445322
6	113737-01-716	EA	TAP - PRESSURE	61594422
7	113737-01-750	EA	TUBE - UNION	61694622
8	120075-01-737	EA	ORFICE - JEWEL - .0155	618284
9	120075-01-738	EA	COVER - POWER BOARD	618185
10	120076-03-700	EA	BOARD - POWER - 3-WAY	618224
11	120075-01-740	EA	COVER - BASE - POWER BOARD	618186



**NORCOLD
3-WAY W/ ICEMAKER
MODEL 983 LH**



KEY	PART NUMBER	U/M	DESCRIPTION	VENDOR NO.
	120075-06-01A	EA	REFRIGERATOR - DOUBLE DOOR - BLACK	
1	120075-03-701	EA	VALVE ASM. - WATER - W/BRACKET	618253
2	120075-03-702	EA	NUT/COMPRESSION - FITTING	61678722
3	120075-03-703	EA	ARM - SHUT OFF	61656922
4	120075-01-726	EA	CRISPER/ICE CUBE BIN	618154



**NORCOLD REFRIGERATOR
NORCOLD N841 RIM**

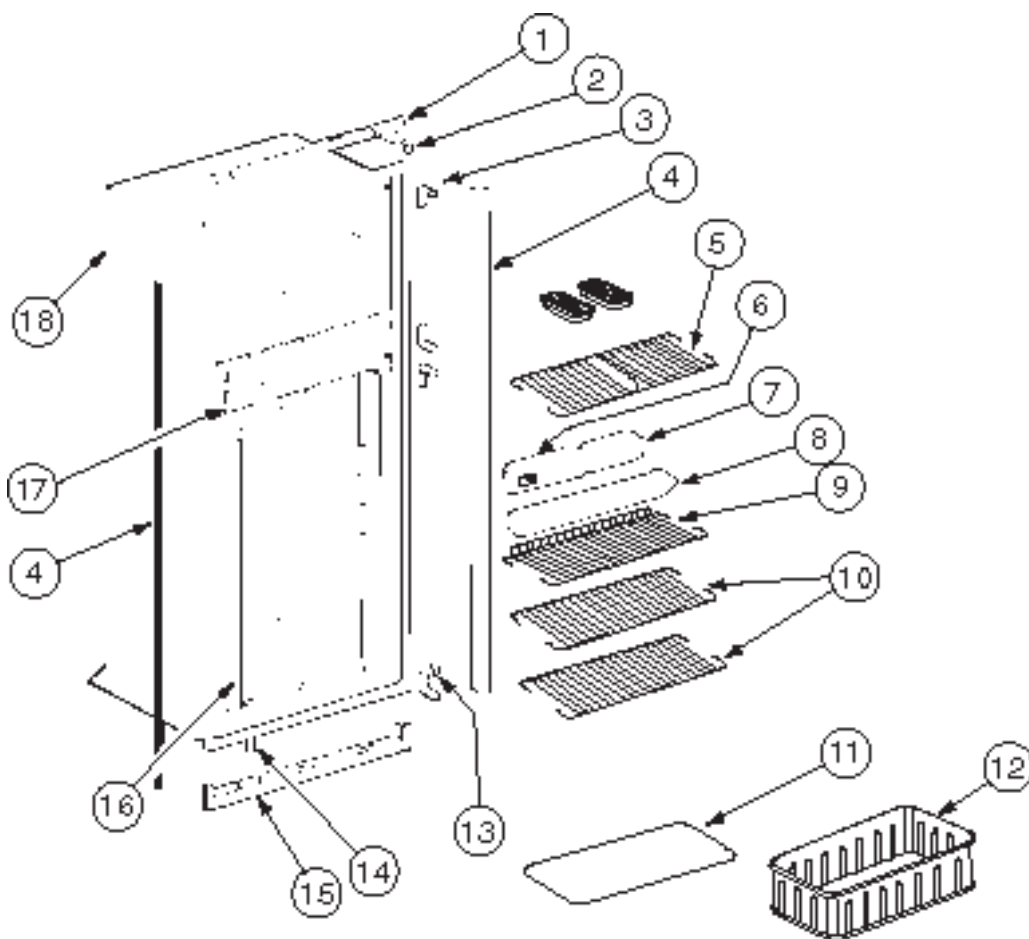
KEY	PART NUMBER	U/M	DESCRIPTION	VENDOR NO.	KEY	PART NUMBER	U/M	DESCRIPTION	VENDOR NO.
	120075-09-01A	EA	REFRIGERATOR - LARGE DBL DOOR RH - W/ICE MAKER-BLACK 2-WAY			120075-07-701	EA	DIVIDER - DOOR - BIN - CLEAR	619008
	104137-06-718	EA	SHELF-TRAY, WHITE, W/CUTOUT	617756		120075-01-707	EA	DIVIDER - DOOR BIN	618637
	121568-03-710	EA	HINGE/CABINET-TOP/RH-LWR/LH	619335		121568-03-702	EA	DOOR LINER - W/TRIM - BLACK	619627
	121568-03-715	EA	HINGE/CABINET-TOP/LH-LWR/RH	619336		120075-07-704	EA	DOOR - BIN - LARGE - CLEAR	619005
	121568-03-716	EA	COVER - HINGE HOLES	619301		121568-03-700	EA	RETAINER - DOOR PANEL - BLACK	619558
	121568-03-717	EA	HOLE PLUG - WHITE	619561		084880-01-760	EA	CLIP (THERMISTER)	61689122
	121568-03-704	EA	TRAVEL LATCH - GRAY	619647		084880-03-705	EA	BRACKET-LIGHT-INTERIOR	61629722
	121568-03-705	EA	STORAGE LATCH - GRAY	619648		084880-03-706	EA	BULB-LAMP	61628922
	121568-03-708	EA	HANDLE ASM - TOP/LH-LWR/RH	619866		120075-01-734	EA	COVER-LENS	618190
	121568-03-709	EA	TRIM - TOP - BLACK	619687		120075-01-735	EA	THERMISTER W/LAMP & WIRE/ASM	618548
	120075-01-714	EA	PLUG-HOLE	618170		088248-01-709	EA	HEATER-AC (HORIZONTAL)	61562722
	120075-07-705	EA	TRIM - SIDE - BLACK	619802		120075-09-703	EA	THERMOSTAT	620240
	120075-01-717	EA	SHELF-FREEZER, WIRE	618172		120075-01-736	EA	COOLING UNIT, SERVICE PACK	618542
	120075-01-720	EA	TRAY-DRIP	618137		084880-01-718	EA	VALVE-GAS, (ASCO)	61551822
	120075-01-721	EA	LOUVER-DRIP TRAY	618176		104137-06-709	EA	VALVE-SHUT OFF, MANUAL	61694922
	120075-01-722	EA	SHELF-WIRE, SHORT	618239		104137-06-714	EA	BURNER ASSEMBLY, 5-SLOT	61705222
	120075-01-723	EA	SHELF-WIRE	618114		104137-06-715	EA	ELECTRODE - SPARK/SENSOR, SGL	61692222
	120075-01-724	EA	SHELF-WIRE, W/CUTOUT	618177		113737-01-702	EA	PLUG 1/8" F/PRESSURE TAP	61445322
	120075-01-725	EA	COVER-CRISPER	618158		113737-01-705	EA	CLIP - FIN	61728722
	120075-07-708	EA	CRISPER/ICE CUBE BIN	619007		113737-01-716	EA	TAP-PRESSURE	61594422
	120075-01-727	EA	PIN-HINGE	618145		113737-01-750	EA	TUBE-UNION	61694622
	120075-01-729	EA	TRIM-BOTTOMPIECE	618136		120075-01-737	EA	ORIFICE - JEWEL - .0155	618284
	120075-01-730	EA	RETAINER-SHELF	618181		120075-01-738	EA	COVER-POWER BOARD	618185
	120075-07-702	EA	RETAINER - DOOR PANEL - BLACK	619560		120075-07-707	EA	CONTROL BOX - BLACK	619665
	120075-07-703	EA	DOOR LINER - BLACK	619631		120076-07-710	EA	BOARD - POWER - 2-WAY	619360
	120075-01-732	EA	PLATE-STRIKE	618167		094039-07-706	EA	ICE MAKER W/O PLATES	61656522
	120075-09-700	EA	CABINET-FOAMED	619660		120075-07-706	EA	SHELF - WIRE - FREEZER	620249
	120075-01-701	EA	HINGE-TOP RH/BOTTOM LH(DOOR)	618511		104137-06-724	EA	ICE TRAY	617756
	120075-01-702	EA	CAP, (HINGE PLUG)	618160		120075-09-701	EA	WATER VALVE - W/BRACKET	618253
	121568-03-701	EA	BUSHING - HINGE PIN/GRAY	619671		120075-03-702	EA	NUT/COMPRESSION - FITTING	61678722
	121568-03-703	EA	DOOR HANDLE - UPR RH/LWR LH	619865		120075-03-703	EA	ARM-SHUT OFF	61656922
	120075-01-705	EA	HINGE-TOP LH/BOTTOM RH(DOOR)	618510		120075-09-702	EA	RELAY - 12 VOLT	620239
	120075-07-700	EA	BIN - DOOR - CLEAR	619006					

REFRIGERATORS

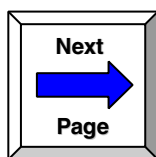
NORCOLD REFRIGERATOR SMALL DOUBLE DOOR - MODEL 633 RH - JAPAN EXPORT

KEY	PART NUMBER	U/M	DESCRIPTION	VENDOR NO.
	120076-03-01A	EA	REFRIG-SMALL DBL DR BL 3-WAY - RH	
	084880-01-718	EA	VALVE-GAS, (ASCO)	61551822
	084880-01-760	EA	CLIP (THERMISTER)	61689122
	084880-03-705	EA	BRACKET-LIGHT-INTERIOR	61629722
	084880-03-706	EA	BULB-LAMP	61628922
	088248-01-709	EA	HEATER-AC (HORIZONTAL)	61562722
	088248-01-710	EA	HEATER DC (HORIZONTAL)	61562822
	104137-06-709	EA	VALVE-SHUT OFF, MANUAL	61694922
	104137-06-714	EA	BURNER ASSEMBLY, 5-SLOT	61705222
	104137-06-715	EA	ELECTRODE-SPARK/SENSOR, SINGLE	61692222
	104137-06-718	EA	SHELF-TRAY, WHITE, W/CUTOUT	617756
	113737-01-702	EA	PLUG 1/8" F/PRESSURE TAP	61445322
	113737-01-716	EA	TAP-PRESSURE	61594422
	113737-01-750	EA	TUBE-UNION	61694622
	120075-01-700	EA	RETAINER-DOOR, DECOR PANEL	618128
	120075-01-701	EA	HINGE-TOP RH/BTM LH, PAINTED	618511
	120075-01-702	EA	CAP, (HINGE PLUG)	618160
	120075-01-703	EA	DOOR ASM., FOAMED, W/GASKET	618205
	120075-01-704	EA	HANDLE ASM, UPPER L./BTM RT	618230
	120075-01-705	EA	HINGE, PAINTED, TOP LH/BTM RT	618510
	120075-01-706	EA	BIN-DOOR	618635
	120075-01-707	EA	DIVIDER-DOOR BIN	618637
	120075-01-708	EA	BUSHING-DOOR HINGE	618144
	120075-01-711	EA	HANDLE ASM, UPPER RH/LOWER LH	618235
	120075-01-712	EA	BIN-DOOR/BOTTOM-LARGE	618634
	120075-01-713	EA	TRIM-TOP PIECE	618124
	120075-01-714	EA	PLUG-HOLE	618170
	120075-01-715	EA	HINGE-CABINET SIDE-PAINTED	618512
	120075-01-717	EA	SHELF-FREEZER, WIRE	618172
	120075-01-718	EA	BOX-FILLER	618112
	120075-01-719	EA	OPTICAL CONTROL BOX ASSEMBLY	618245
	120075-01-720	EA	TRAY-DRIP	618137
	120075-01-721	EA	LOUVER-DRIP TRAY	618176
	120075-01-722	EA	SHELF-WIRE, SHORT	618239
	120075-01-723	EA	SHELF-WIRE	618114
	120075-01-724	EA	SHELF-WIRE, W/CUTOUT	618177
	120075-01-725	EA	COVER-CRISPER	618158
	120075-01-726	EA	CRISPER	618154
	120075-01-727	EA	PIN-HINGE	618145
	120075-01-728	EA	COVER-HINGE HOLE	618171
	120075-01-729	EA	TRIM-BOTTOM PIECE	618136
	120075-01-730	EA	RETAINER-SHELF	618181
	120075-01-731	EA	PLUG-FACADE	618184
	120075-01-732	EA	PLATE-STRIKE	618167
	120075-01-734	EA	COVER-LENS	618190
	120075-01-735	EA	WIRE ASM.-LAMP	618548
	120076-01-700	EA	RETAINER-LOWER DOOR PANEL	618132
	120076-03 700	EA	BOARD - POWER/3-WAY	618224
	116751-01-01A	EA	TRAY-REFRIGERATOR BLK	
	054450-01-000	EA	LEVEL-REFRIGERATOR	

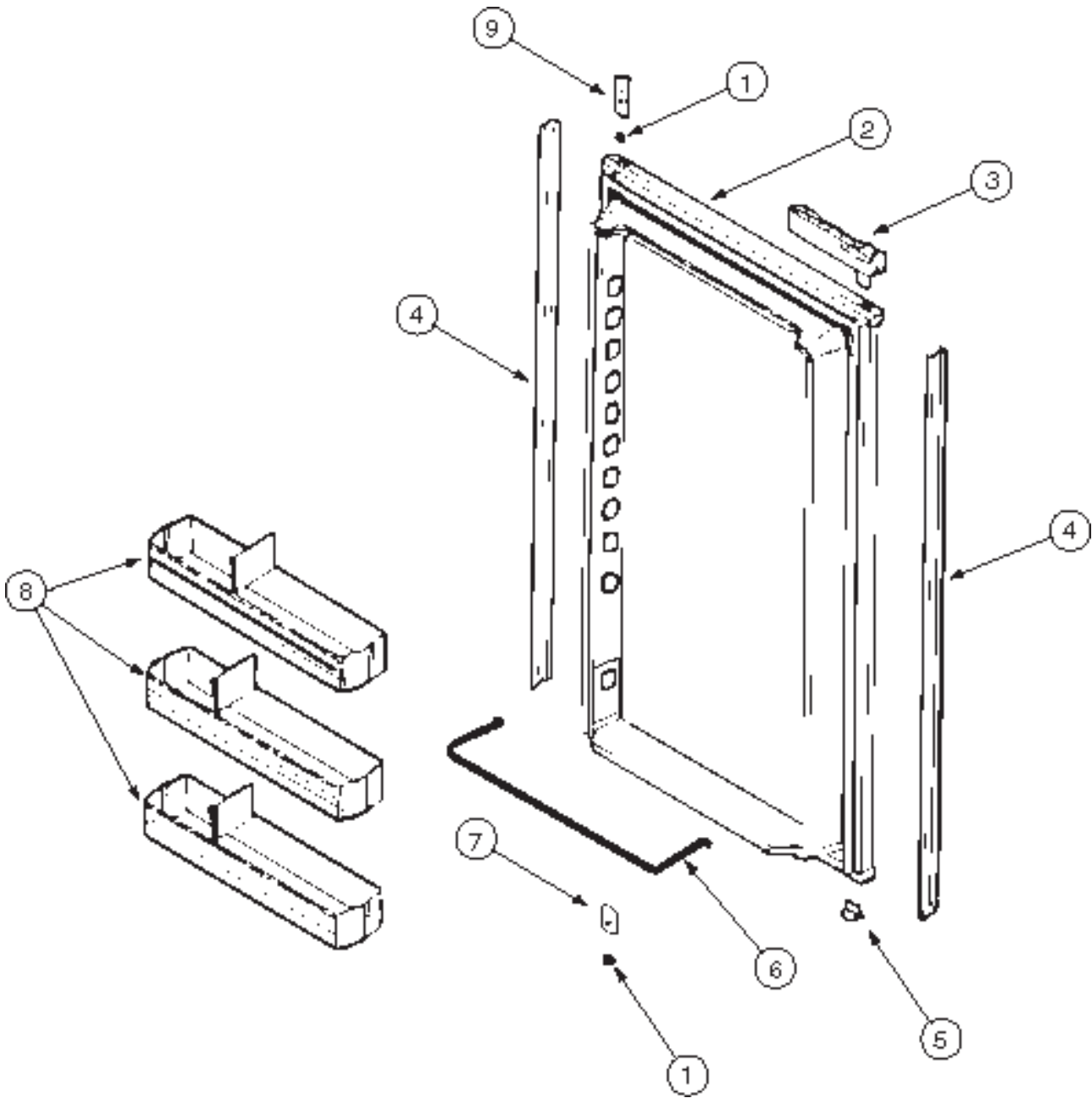
NORCOLD
MODEL 9162



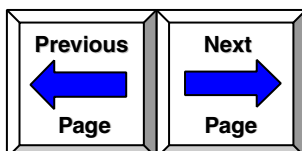
KEY	PART NUMBER	U/M	DESCRIPTION	VENDOR NO.
	121568-01-01A	EA	REFRIGERATOR - SMALL DOUBLE DOOR - RIGHT HAND - 2-WAY	
1	120075-01-713	EA	TRIM-TOP PIECE	618124
2	120075-01-714	EA	PLUG-HOLE	618170
3	120075-01-715	EA	HINGE-CABINET SIDE, PAINTED	618512
	120075-01-708	EA	BUSHING-DOOR HINGE	618144
4	120076-01-702	EA	TRIM, SIDE PIECE	618133
5	121568-01-705	EA	SHELF-WIRE, FREEZER	618620
6	121568-01-706	EA	CONTROL BOX ASSEMBLY	618588
7	120075-01-718	EA	BOX-FILLER	618112
8	120075-01-720	EA	TRAY-DRIP	618137
	120075-01-721	EA	LOUVER-DRIP TRAY	618176
9	121568-01-707	EA	SHELF-WIRE, SHORT	618624
10	121568-01-708	EA	SHELF-WIRE	618589
11	120075-01-725	EA	COVER-CRISPER	618158
12	121568-01-709	EA	CRISPER	618571
13	120075-01-727	EA	PIN-HINGE	618145
14	120075-01-728	EA	COVER-HINGE HOLE	618171
15	120075-01-729	EA	TRIM-BOTTOMPIECE	618136
16	120075-01-730	EA	RETAINER-SHELF	618181
17	120075-01-732	EA	PLATE-STRIKE	618167
18	120076-01-703	EA	CABINET-FOAMED	618260
	120075-01-731	EA	PLUG-FACADE	618184
	116751-06-01A	EA	TRAY-REFRIGERATOR	



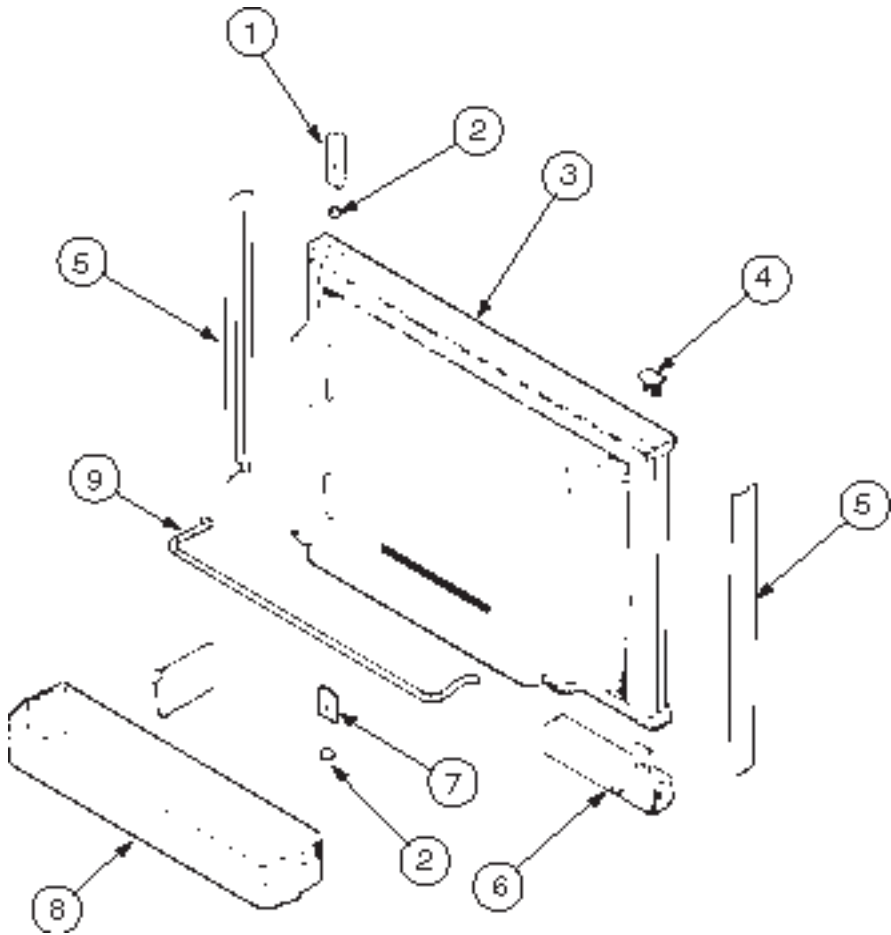
NORCOLD
MODEL 9162



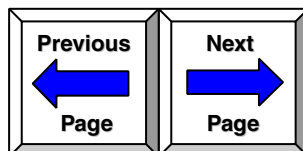
KEY	PART NUMBER	U/M	DESCRIPTION	VENDOR NO.
	121568-01-01A	EA	REFRIGERATOR - SMALL DOUBLE DOOR - RIGHT HAND - 2-WAY	
1	120075-01-708	EA	BUSHING-DOOR HINGE	618144
2	120076-01-701	EA	DOOR-LOWER-FOAMED, W/GASKET	618210
3	120075-01-711	EA	DOOR HANDLE - UPR LH/LWR RH	618235
3	121568-01-702	EA	DOOR HANDLE - UPR RH/LWR LH	18230
4	120076-01-700	EA	RETAINER-LOWER DOOR PANEL	618132
5	120075-01-702	EA	CAP-HINGE PLUG	618160
6	121568-01-704	EA	RAIL-DOOR, LOWER	618578
7	120075-01-705	EA	HINGE-PAINTED, TOP LH/BOTTOM RH	618510
8	121568-01-701	EA	BIN-DOOR, WHITE	618619
9	120075-01-701	EA	HINGE-TOP RH/BOTTOM LH, PAINTED	618511



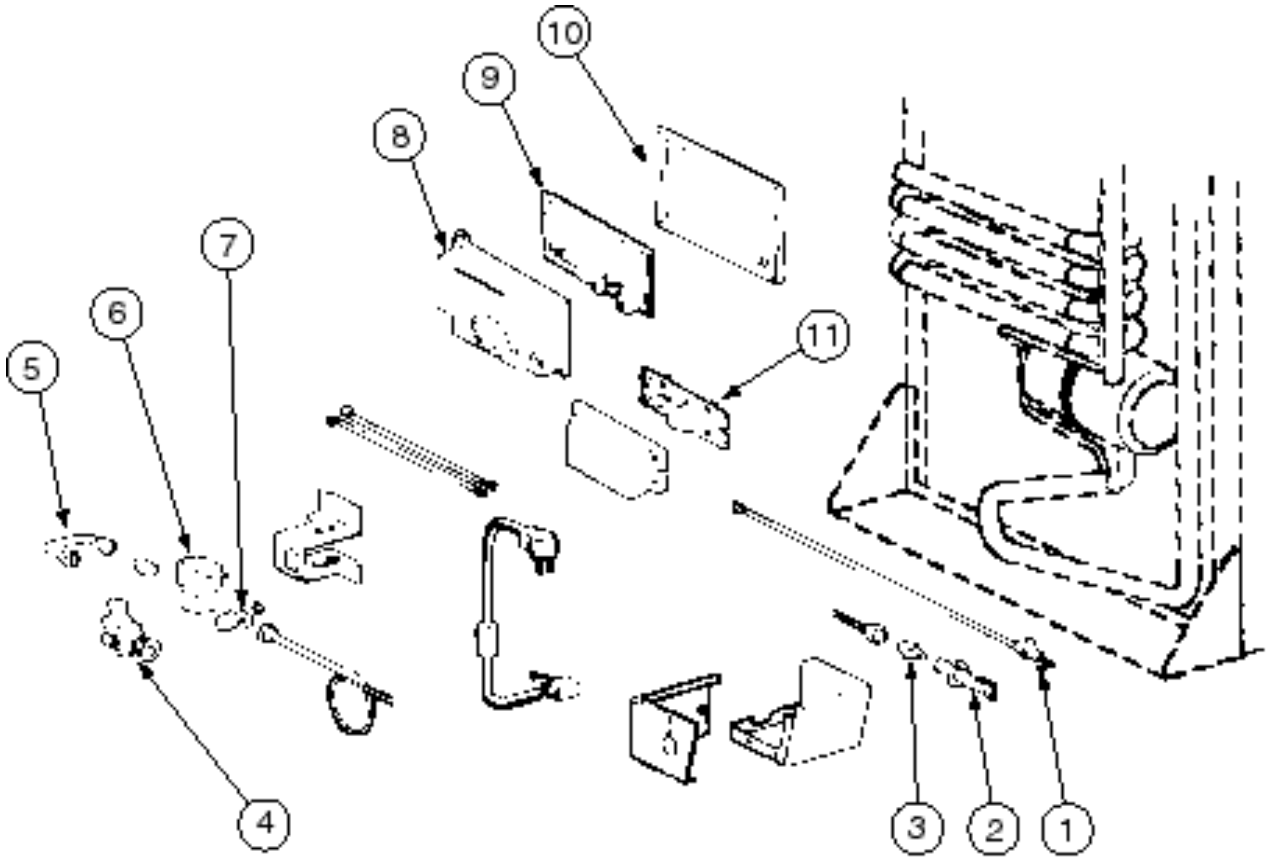
NORCOLD
MODEL 9162



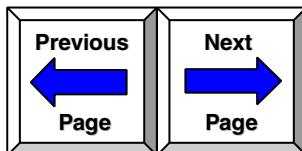
KEY	PART NUMBER	U/M DESCRIPTION	VENDOR NO.
	121568-01-01A	EA REFRIGERATOR - SMALL DOUBLE DOOR - RIGHT HAND - 2-WAY	
1	120075-01-701	EA HINGE-TOP RH/BOTTOM LH, PAINTED	618511
2	120075-01-708	EA BUSHING-DOOR HINGE	618144
3	120075-01-703	EA DOOR ASSEMBLY-FOAMED, W/GASKET	618205
4	120075-01-702	EA CAP-HINGE PLUG	618160
5	120075-01-700	EA RETAINER-DOOR, DECOR PANEL	618128
6	121568-01-702	EA DOOR HANDLE - UPR RH/LWR LH FROM: 00-00-00 THRU: 02-26-97	618230
6	120075-01-711	EA DOOR HANDLE - UPR LH/LWR RH FROM: 02-27-97 THRU: 99-99-99	618235
7	120075-01-705	EA HINGE-PAINTED, TOP LH/BOTTOM RH	618510
8	121568-01-701	EA BIN-DOOR, WHITE	618619
9	121568-01-700	EA RAIL-DOOR, UPPER	618618



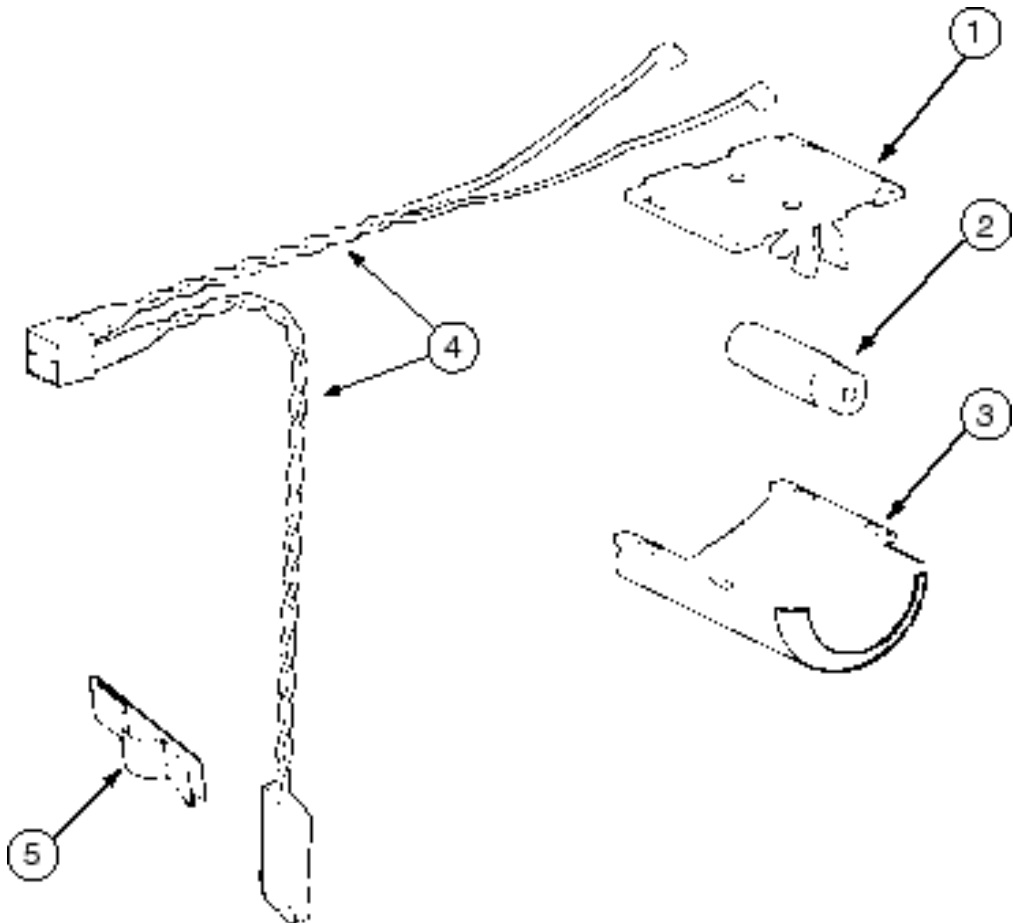
**NORCOLD
MODEL 9162**



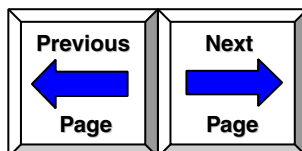
KEY	PART NUMBER	U/M	DESCRIPTION	VENDOR NO.
	121568-01-01A	EA	REFRIGERATOR - SMALL DOUBLE DOOR - RIGHT HAND - 2-WAY	
1	084880-01-718	EA	VALVE-GAS, ASCO	61551822
2	104137-06-709	EA	VALVE-SHUT OFF, MANUAL	61694922
3	104137-06-714	EA	BURNER ASSEMBLY, 5 SLOT	61705222
4	104137-06-715	EA	ELECTRODE-SPARK/SENSOR, SGL	61692222
5	113737-01-716	EA	TAP-PRESSURE	61594422
6	113737-01-702	EA	PLUG - 1/8" F/PRESSURE TAP	61445322
7	113737-01-750	EA	TUBE-UNION	61694622
8	120076-01-705	EA	ORIFICE-JEWEL, .015	618283
9	120075-01-738	EA	COVER-POWER BOARD	618185
10	120075-01-741	EA	BOARD-POWER, 2-WAY	618574
11	120075-01-740	EA	COVER-BASE, POWER BOARD	618186



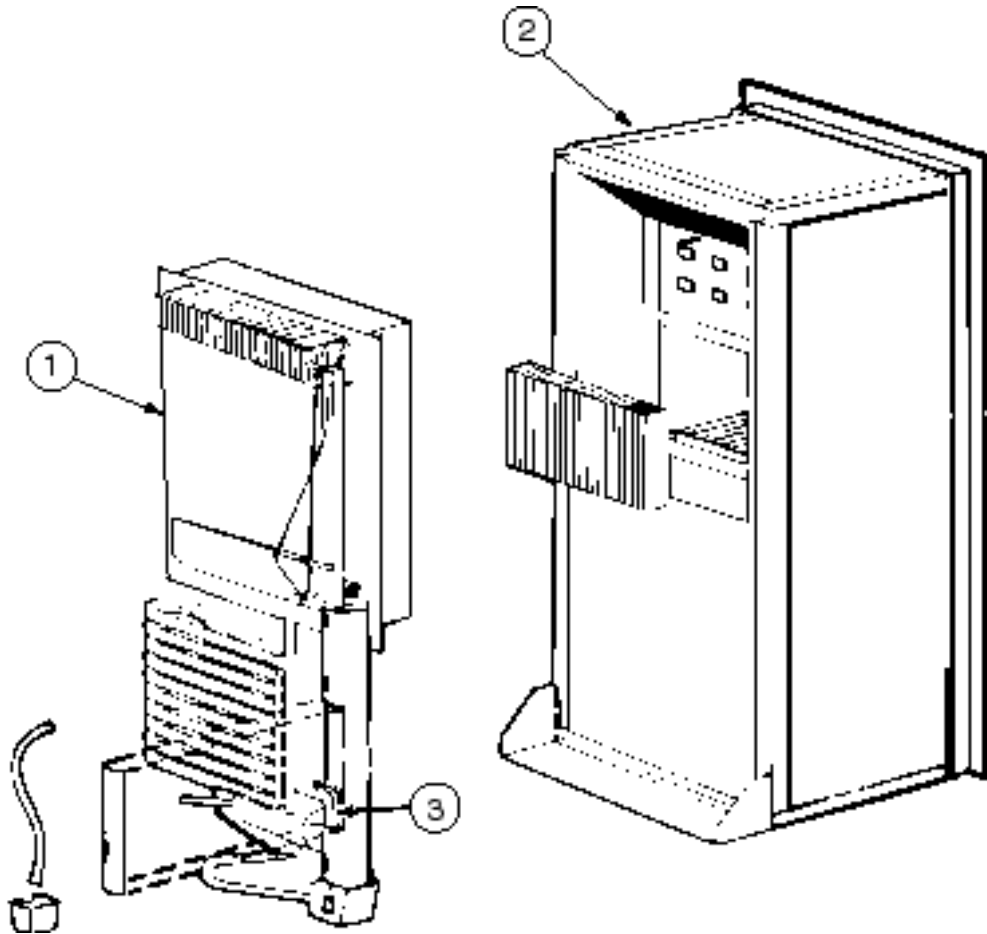
NORCOLD
MODEL 9162



KEY	PART NUMBER	U/M	DESCRIPTION	VENDOR NO.
	121568-01-01A	EA	REFRIGERATOR - SMALL DOUBLE DOOR - RIGHT HAND - 2-WAY	
1	084880-03-705	EA	BRACKET-LIGHT, INTERIOR	61629722
2	084880-03-706	EA	BULB-LAMP	61628922
3	084880-03-707	EA	COVER-LAMP, LENS	61627922
4	120075-01-735	EA	THERMISTER W/LAMP & WIRE/ASM	618548
5	084880-01-760	EA	CLIP-THERMISTER	61689122

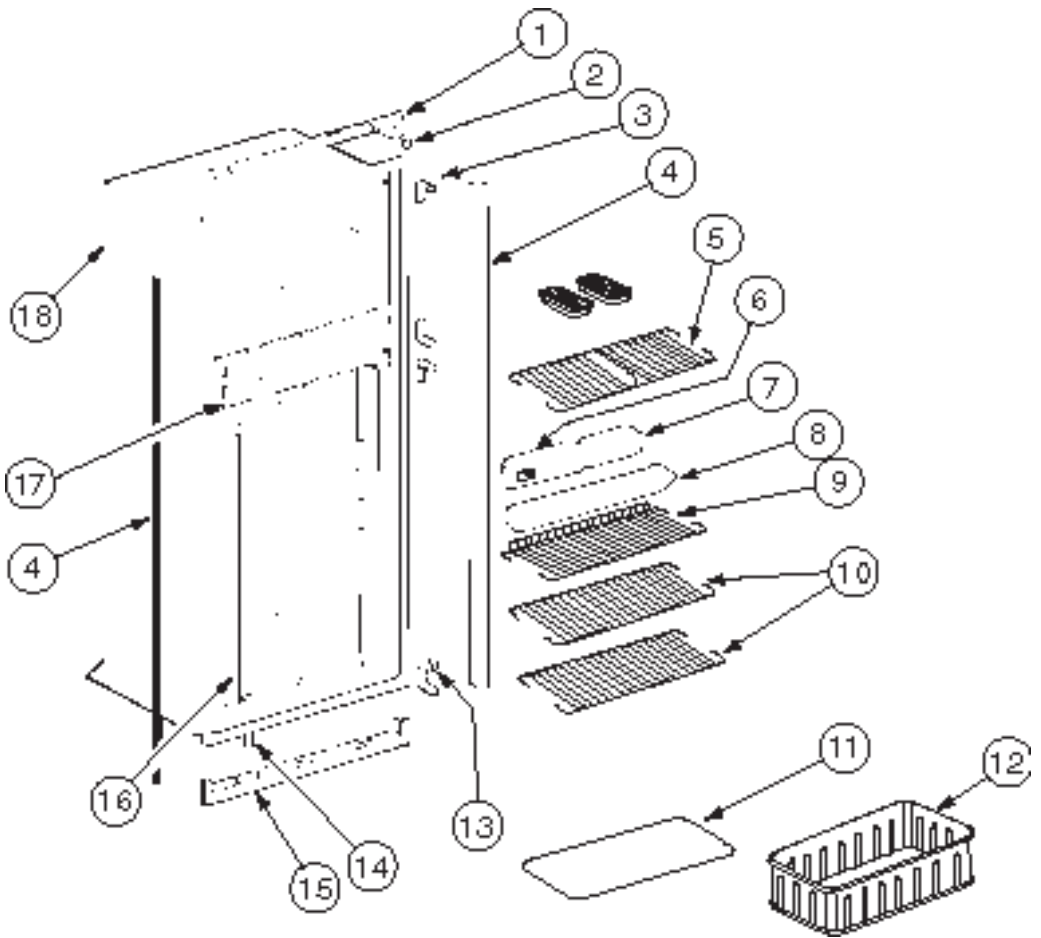


NORCOLD
MODEL 9162

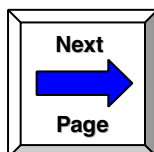


KEY	PART NUMBER	U/M	DESCRIPTION	VENDOR NO.
	121568-01-01A	EA	REFRIGERATOR - SMALL DOUBLE DOOR - RIGHT HAND - 2-WAY	
1	120076-01-704	EA	COOLING UNIT-SERVICE PACK	618543
2	120076-01-703	EA	CABINET-FOAMED	618260
3	088248-01-709	EA	HEATER-AC, HORIZONTAL	61562722

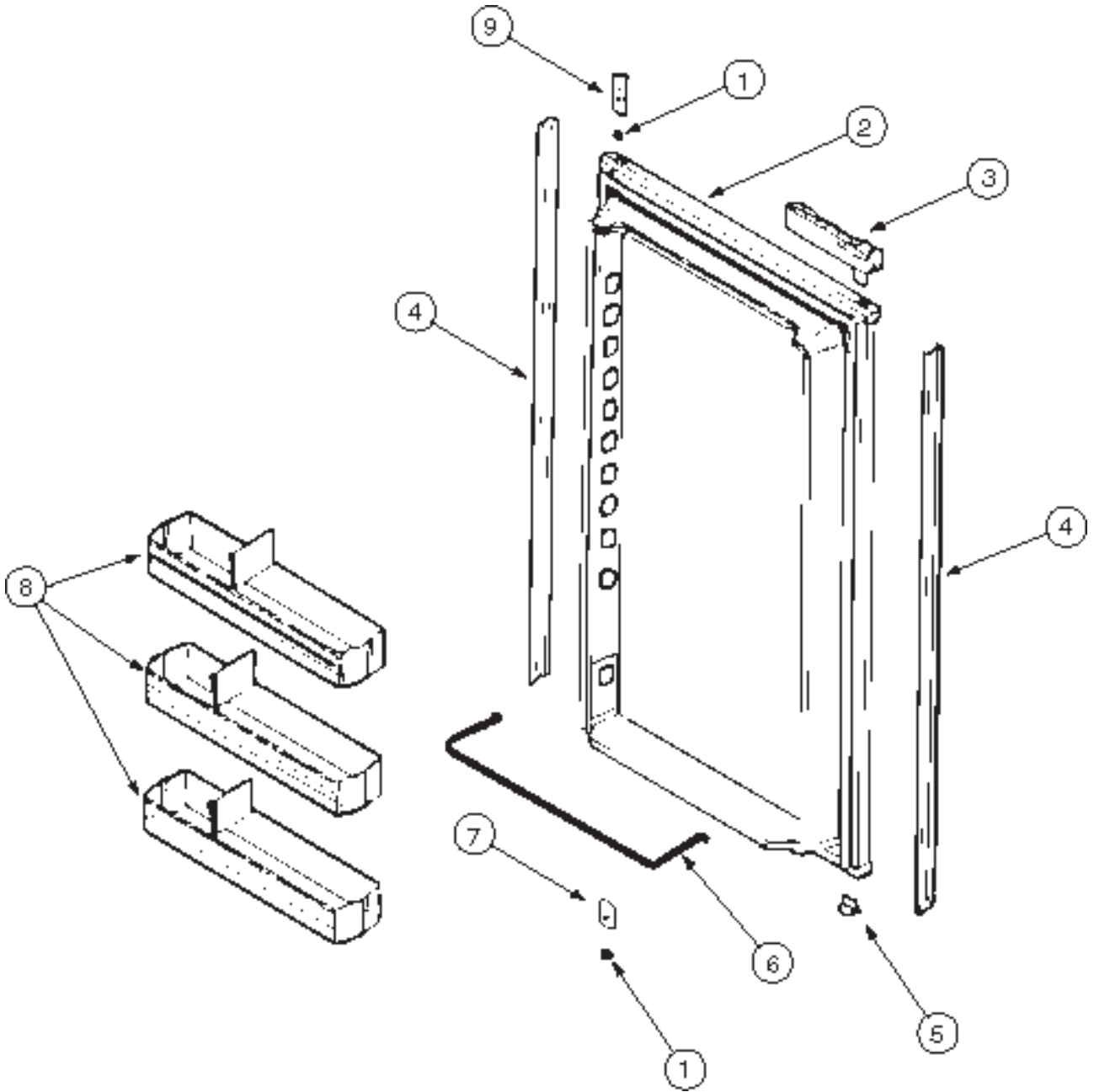
NORCOLD
MODEL 9162



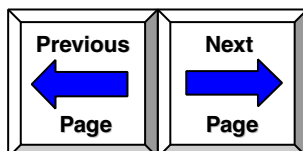
KEY	PART NUMBER	U/M	DESCRIPTION	VENDOR NO.
	121568-02-01A	EA	REFRIGERATOR - SMALL DOUBLE DOOR - LEFT HAND - 2-WAY	
1	120075-01-713	EA	TRIM-TOP PIECE	618124
2	120075-01-714	EA	PLUG-HOLE	618170
3	120075-01-715	EA	HINGE-CABINET SIDE, PAINTED	618512
	120075-01-708	EA	BUSHING-DOOR HINGE	618144
4	120076-01-702	EA	TRIM, SIDE PIECE	618133
5	121568-01-705	EA	SHELF-WIRE, FREEZER	618620
6	121568-01-706	EA	CONTROL BOX ASSEMBLY	618588
7	120075-01-718	EA	BOX-FILLER	618112
8	120075-01-720	EA	TRAY-DRIP	618137
	120075-01-721	EA	LOUVER-DRIP TRAY	618176
9	121568-01-707	EA	SHELF-WIRE, SHORT	618624
10	121568-01-708	EA	SHELF-WIRE	618589
11	120075-01-725	EA	COVER-CRISPER	618158
12	121568-01-709	EA	CRISPER	618571
13	120075-01-727	EA	PIN-HINGE	618145
14	120075-01-728	EA	COVER-HINGE HOLE	618171
15	120075-01-729	EA	TRIM-BOTTOMPIECE	618136
16	120075-01-730	EA	RETAINER-SHELF	618181
17	120075-01-732	EA	PLATE-STRIKE	618167
18	120076-01-703	EA	CABINET-FOAMED	618260
	120075-01-731	EA	PLUG-FACADE	618184
	116751-06-01A	EA	TRAY-REFRIGERATOR	



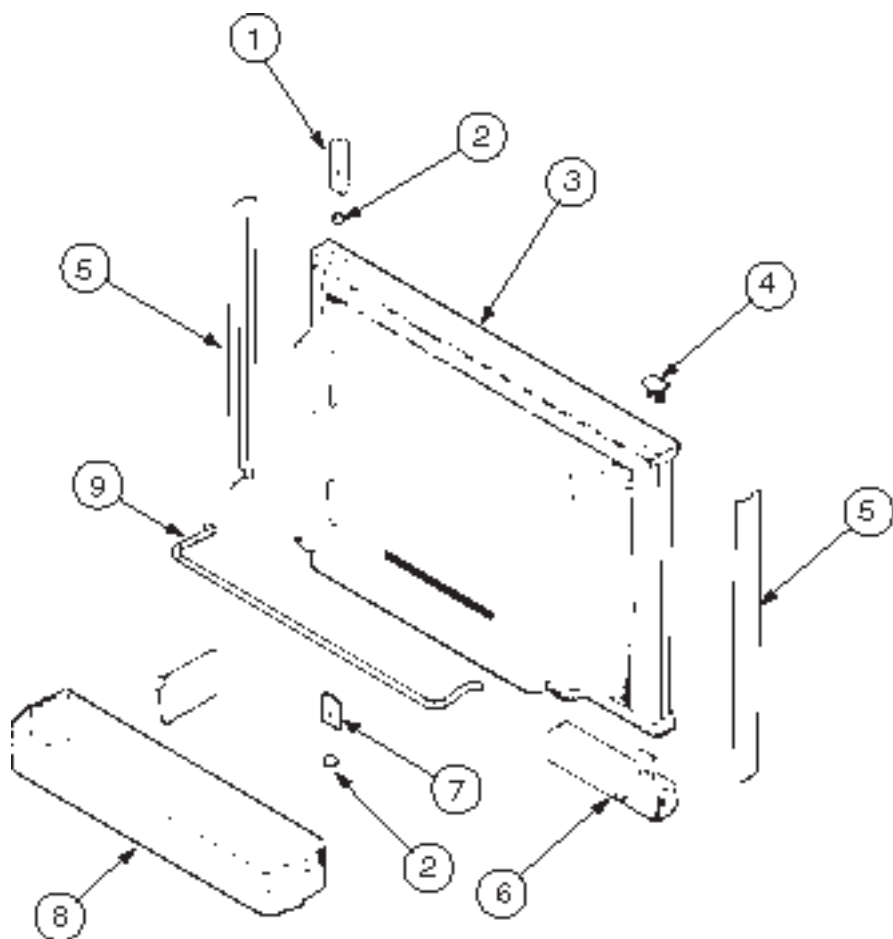
NORCOLD
MODEL 9162



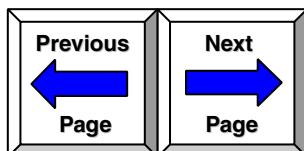
KEY	PART NUMBER	U/M	DESCRIPTION	VENDOR NO.
	121568-02-01A	EA	REFRIGERATOR - SMALL DOUBLE DOOR - LEFT HAND - 2-WAY	
1	120075-01-708	EA	BUSHING-DOOR HINGE	618144
2	120076-01-701	EA	DOOR-LOWER-FOAMED, W/GASKET	618210
3	120075-01-711	EA	DOOR HANDLE - UPR LH/LWR RH	618235
3	121568-01-702	EA	DOOR HANDLE - UPR RH/LWR LH	18230
4	120076-01-700	EA	RETAINER-LOWER DOOR PANEL	618132
5	120075-01-702	EA	CAP-HINGE PLUG	618160
6	121568-01-704	EA	RAIL-DOOR, LOWER	618578
7	120075-01-705	EA	HINGE-PAINTED, TOP LH/BOTTOM RH	618510
8	121568-01-701	EA	BIN-DOOR, WHITE	618619
9	120075-01-701	EA	HINGE-TOP RH/BOTTOM LH, PAINTED	618511



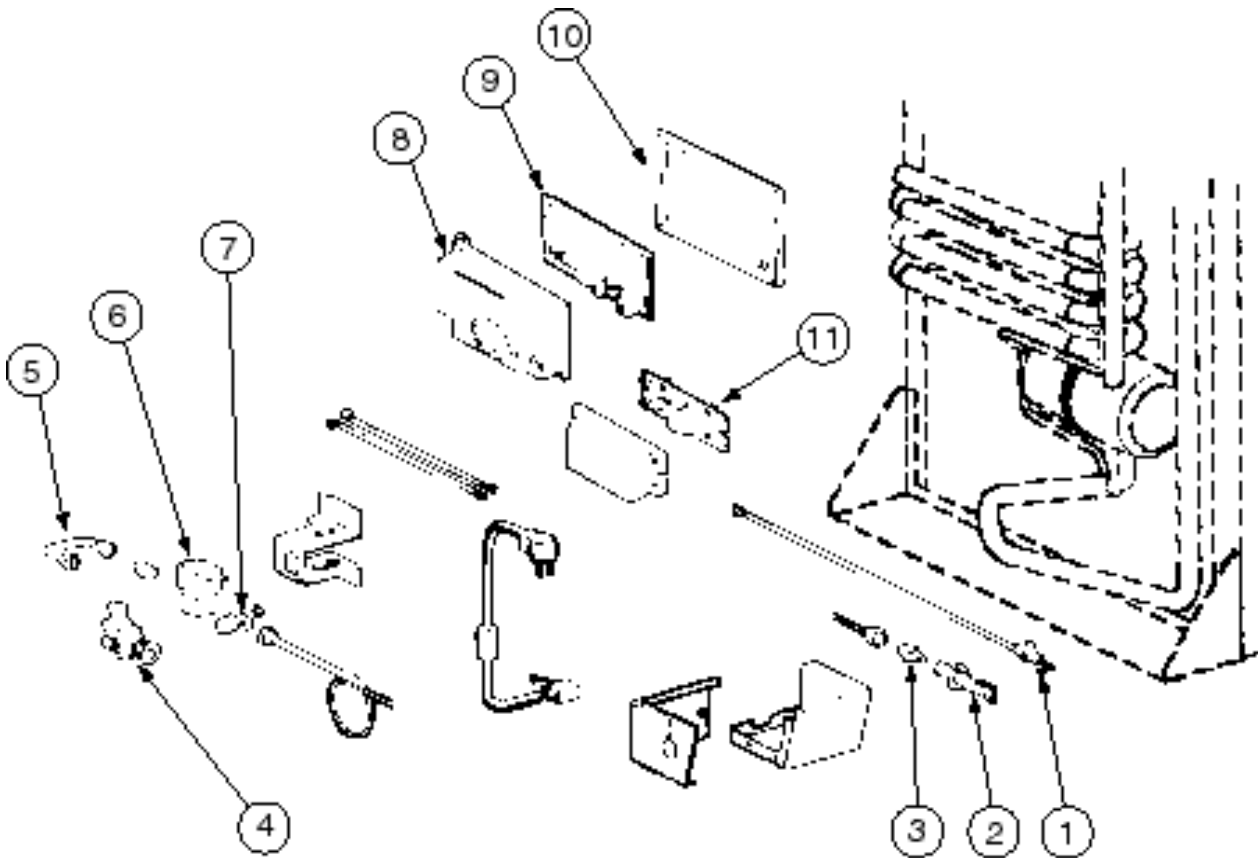
**NORCOLD
MODEL 9162**



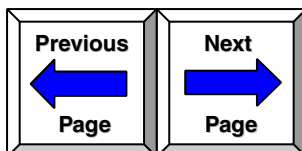
KEY	PART NUMBER	U/M	DESCRIPTION	VENDOR NO.
	121568-02-01A	EA	REFRIGERATOR - SMALL DOUBLE DOOR - LEFT HAND - 2-WAY	
1	120075-01-701	EA	HINGE-TOP RH/BOTTOM LH, PAINTED	618511
2	120075-01-708	EA	BUSHING-DOOR HINGE	618144
3	120075-01-703	EA	DOOR ASSEMBLY-FOAMED, W/GASKET	618205
4	120075-01-702	EA	CAP-HINGE PLUG	618160
5	120075-01-700	EA	RETAINER-DOOR, DECOR PANEL	618128
6	121568-01-702	EA	DOOR HANDLE - UPR RH/LWR LH	618230
			FROM: 00-00-00 THRU: 02-26-97	
6	120075-01-711	EA	DOOR HANDLE - UPR LH/LWR RH	618235
			FROM: 02-27-97 THRU: 99-99-99	
7	120075-01-705	EA	HINGE-PAINTED, TOP LH/BOTTOM RH	618510
8	121568-01-701	EA	BIN-DOOR, WHITE	618619
9	121568-01-700	EA	RAIL-DOOR, UPPER	618618



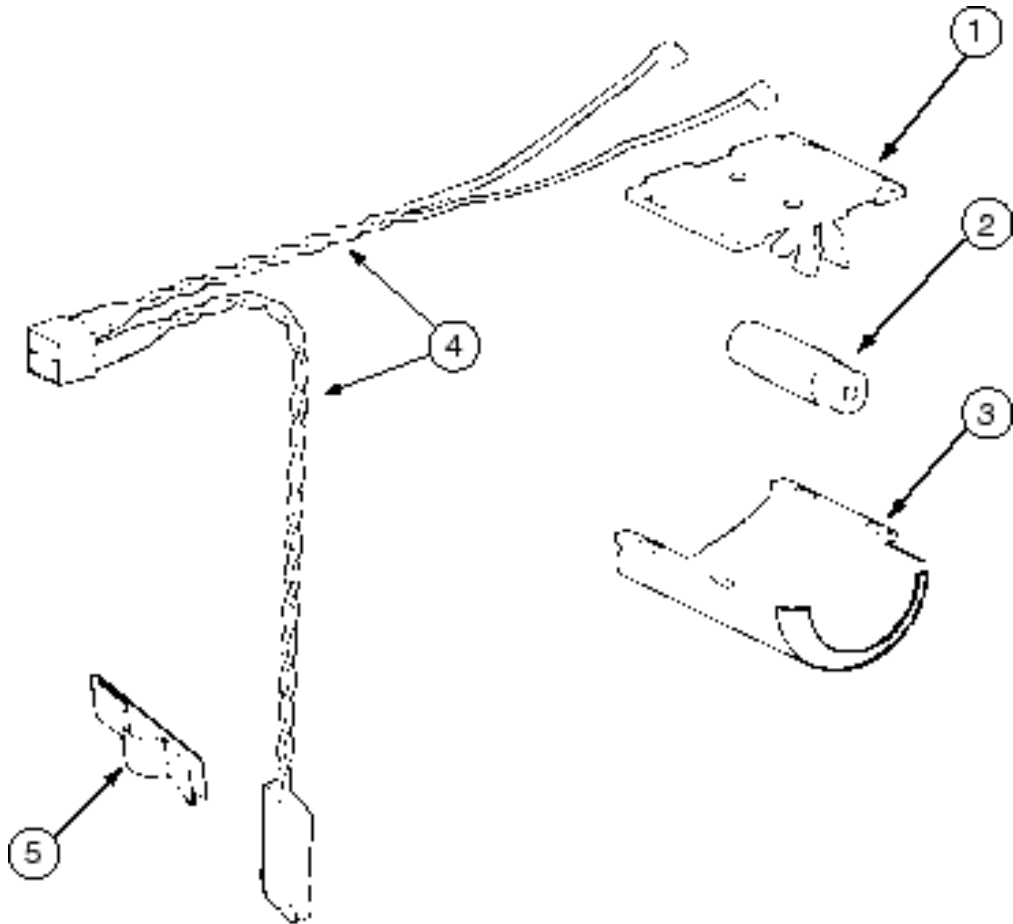
NORCOLD
MODEL 9162



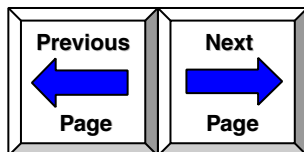
KEY	PART NUMBER	U/M	DESCRIPTION	VENDOR NO.
	121568-02-01A	EA	REFRIGERATOR - SMALL DOUBLE DOOR - LEFT HAND - 2-WAY	
1	084880-01-718	EA	VALVE-GAS, ASCO	61551822
2	104137-06-709	EA	VALVE-SHUT OFF, MANUAL	61694922
3	104137-06-714	EA	BURNER ASSEMBLY, 5 SLOT	61705222
4	104137-06-715	EA	ELECTRODE-SPARK/SENSOR, SGL	61692222
5	113737-01-716	EA	TAP-PRESSURE	61594422
6	113737-01-702	EA	PLUG - 1/8" F/PRESSURE TAP	61445322
7	113737-01-750	EA	TUBE-UNION	61694622
8	120076-01-705	EA	ORIFICE-JEWEL, .015	618283
9	120075-01-738	EA	COVER-POWER BOARD	618185
10	120075-01-741	EA	BOARD-POWER, 2-WAY	618574
11	120075-01-740	EA	COVER-BASE, POWER BOARD	618186



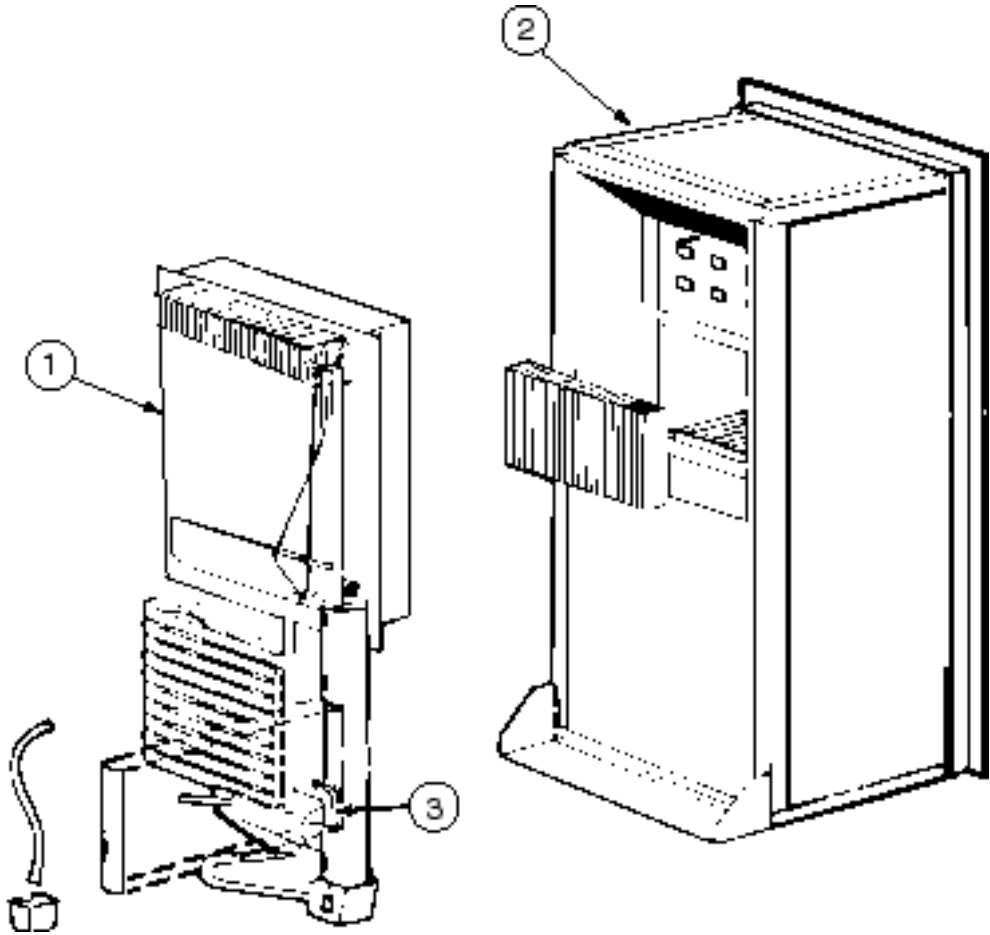
NORCOLD
MODEL 9162



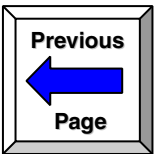
KEY	PART NUMBER	U/M	DESCRIPTION	VENDOR NO.
	121568-02-01A	EA	REFRIGERATOR - SMALL DOUBLE DOOR - LEFT HAND - 2-WAY	
1	084880-03-705	EA	BRACKET-LIGHT, INTERIOR	61629722
2	084880-03-706	EA	BULB-LAMP	61628922
3	084880-03-707	EA	COVER-LAMP, LENS	61627922
4	120075-01-735	EA	THERMISTER W/LAMP & WIRE/ASM	618548
5	084880-01-760	EA	CLIP-THERMISTER	61689122



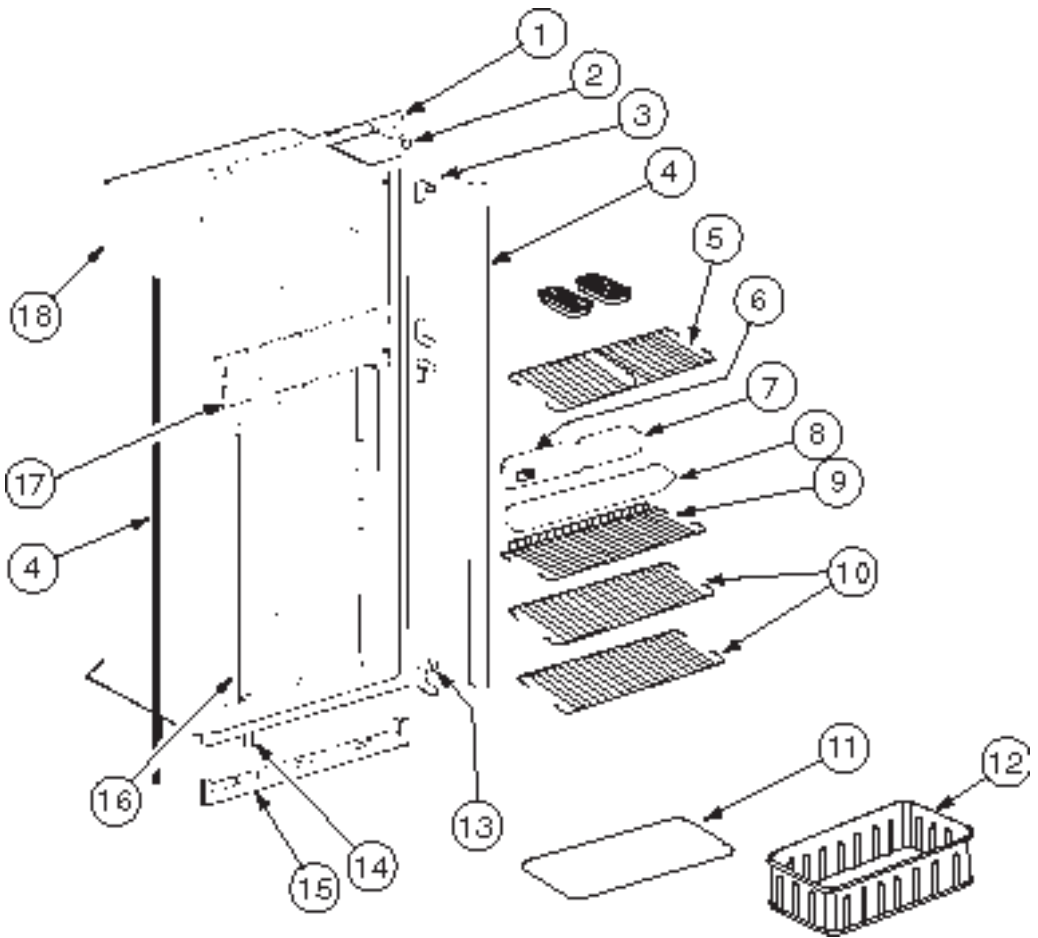
NORCOLD
MODEL 9162



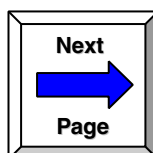
KEY	PART NUMBER	U/M	DESCRIPTION	VENDOR NO.
	121568-02-01A	EA	REFRIGERATOR - SMALL DOUBLE DOOR - LEFT HAND - 2-WAY	
1	120076-01-704	EA	COOLING UNIT-SERVICE PACK	618543
2	120076-01-703	EA	CABINET-FOAMED	618260
3	088248-01-709	EA	HEATER-AC, HORIZONTAL	61562722



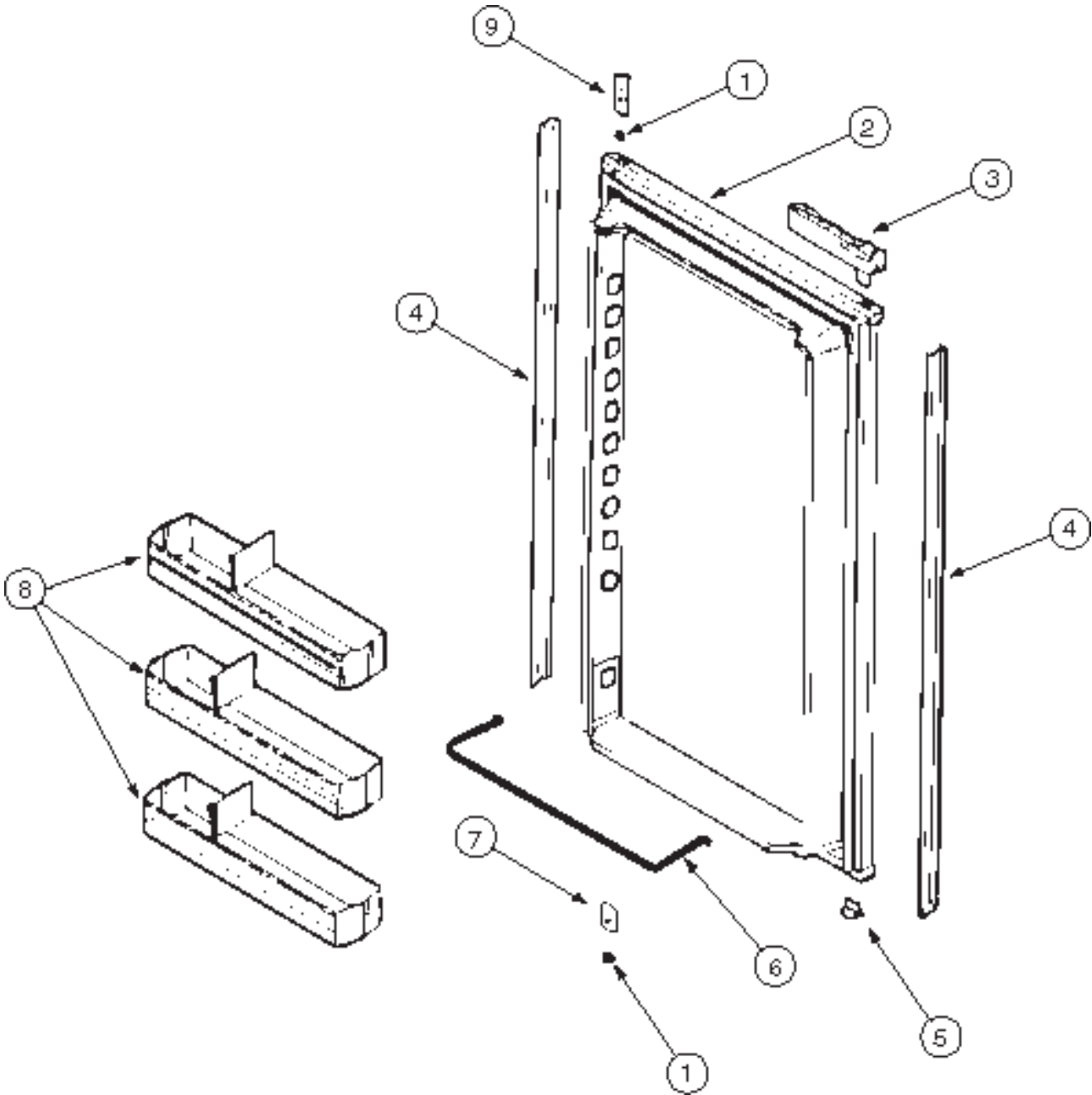
**NORCOLD
MODEL 9162**



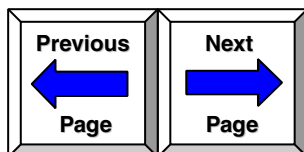
KEY	PART NUMBER	U/M	DESCRIPTION	VENDOR NO.
	121568-03-01A	EA	REFRIGERATOR - SMALL DBL DOOR/BLK-52.8"HX23.5"WX24"D-2-WAY	
1	121568-03-709	EA	TRIM - TOP/BLACK	619687
2	120075-01-714	EA	PLUG-HOLE	618170
3	121568-03-710	EA	HINGE/CABINET - TOP/RH - LOWER/LH	619335
	121568-03-701	EA	BUSHING - HINGE PIN/GRAY	619671
4	121568-03-711	EA	TRIM - SIDE/BLACK	619801
5	121568-03-712	EA	SHELF - WIRE/ FREEZER	620250
6	121568-03-714	EA	CONTROL ASSEMBLY - 2 WAY - BLACK	619350
7	121568-03-713	EA	FRONT BOX/DECORATIVE - BLACK	619282
8	120075-01-720	EA	TRAY-DRIP	618137
	120075-01-721	EA	LOUVER-DRIP TRAY	618176
9	121568-01-707	EA	SHELF-WIRE, SHORT	618624
10	121568-01-708	EA	SHELF-WIRE	618589
11	120075-01-725	EA	COVER-CRISPER	618158
12	121568-01-709	EA	CRISPER	618571
13	120075-01-727	EA	PIN-HINGE	618145
14	121568-03-716	EA	COVER - HINGE HOLES	619301
15	120075-01-729	EA	TRIM-BOTTOMPIECE	618136
16	120075-01-730	EA	RETAINER-SHELF	618181
17	120075-01-732	EA	PLATE-STRIKE	618167
18	121568-03-718	EA	CABINET - FOAMED - N62	619658
	121568-03-717	EA	HOLE PLUG - WHITE	619561
	121568-03-704	EA	TRAVEL LATCH - GRAY	619647
	121568-03-705	EA	STORAGE LATCH - GRAY	619648



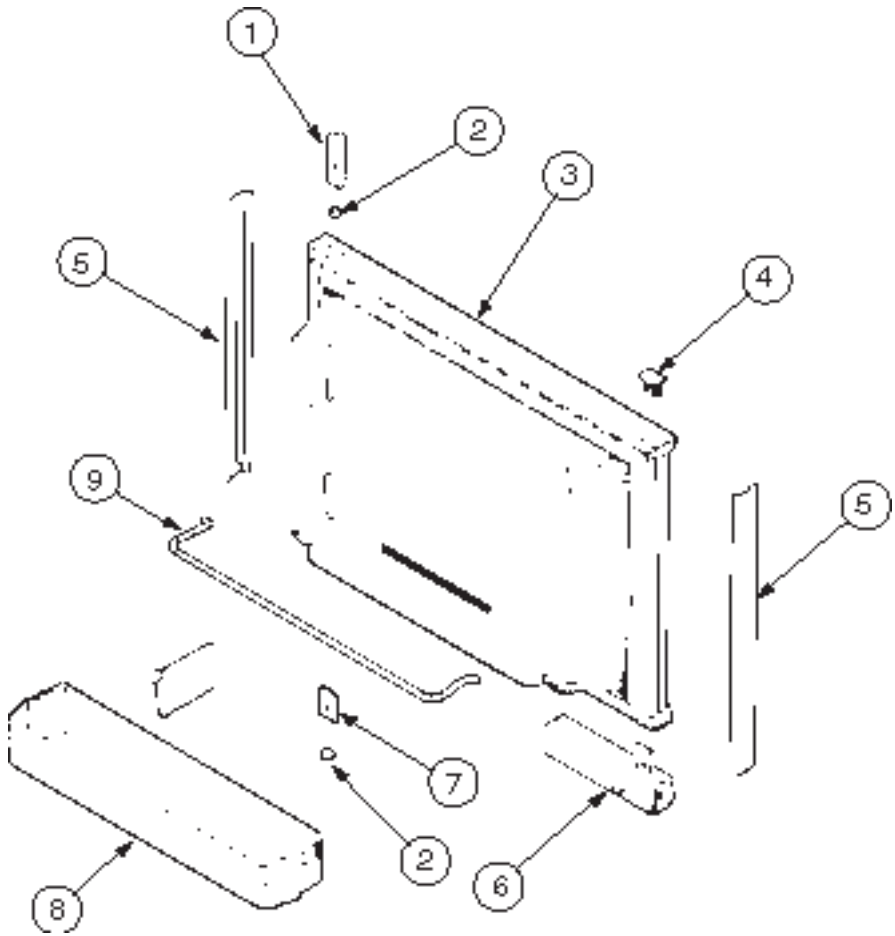
NORCOLD
MODEL 9162



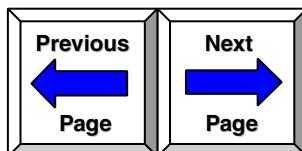
KEY	PART NUMBER	U/M	DESCRIPTION	VENDOR NO.
	121568-03-01A	EA	REFRIGERATOR - SMALL DBL DOOR/BLK-52.8"HX23.5"WX24"D-2-WAY	
1	121568-03-701	EA	BUSHING - HINGE PIN/GRAY	619671
2	121568-03-702	EA	DOOR LINER - W/TRIM/BLACK	619627
3	121568-03-708	EA	HANDLE ASSEMBLY - TOP/LH - LOWER/RH	619866
3	121568-03-703	EA	HANDLE ASSEMBLY - TOP/RH- LOWER/LH	619865
4	121568-03-706	EA	RETAINER - DOOR PANEL - BLACK	619559
5	120075-01-714	EA	PLUG - HOLE	618170
6	121568-01-704	EA	RAIL-DOOR, LOWER	618578
7	121568-03-715	EA	HINGE/CABINET - TOP/LH - LOWER/RH	619336
8	121568-01-701	EA	BIN-DOOR, WHITE	618619
9	121568-03-710	EA	HINGE/CABINET - TOP/RH - LOWER/LH	619335



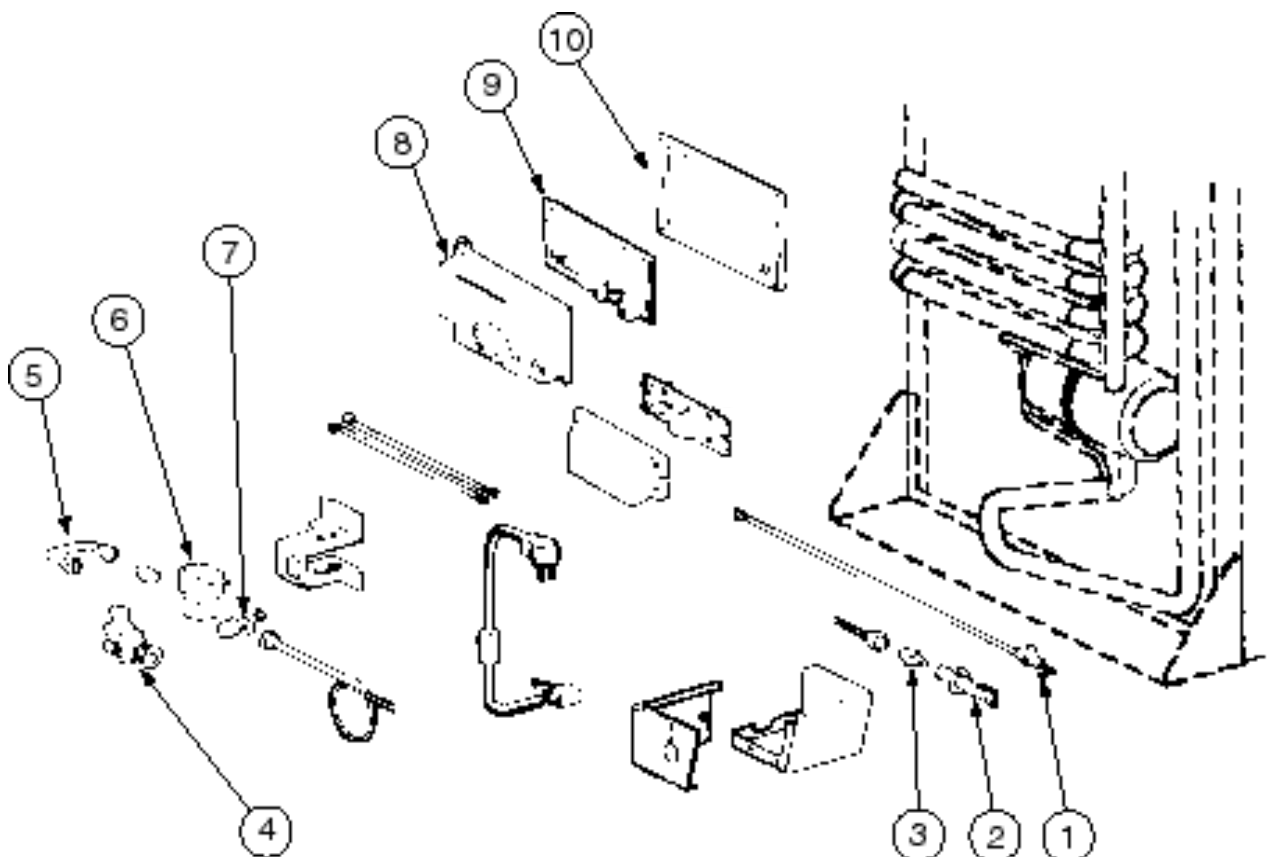
**NORCOLD
MODEL 9162**



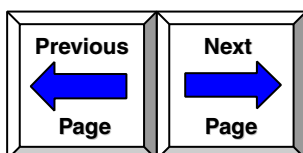
KEY	PART NUMBER	U/M	DESCRIPTION	VENDOR NO.
	121568-03-01A	EA	REFRIGERATOR - SMALL DBL DOOR/BLK-52.8"HX23.5"WX24"D-2-WAY	
1	120075-01-701	EA	HINGE-TOP RH/BOTTOM LH, PAINTED	618511
2	121568-03-701	EA	BUSHING - HINGE PIN/GRAY	619671
3	121568-03-707	EA	DOOR LINER - BLACK	619629
4	120075-01-702	EA	CAP-HINGE PLUG	618160
5	121568-03-700	EA	RETAINER - DOOR PANEL/BLACK	619558
6	121568-03-703	EA	HANDLE ASM - TOP/RH - LOWER/LH BLACK	619865
7	120075-01-705	EA	HINGE-PAINTED, TOP LH/BOTTOM RH	618510
8	121568-01-701	EA	BIN-DOOR, WHITE	618619
9	121568-01-704	EA	RAIL - DOOR LOWER	618578



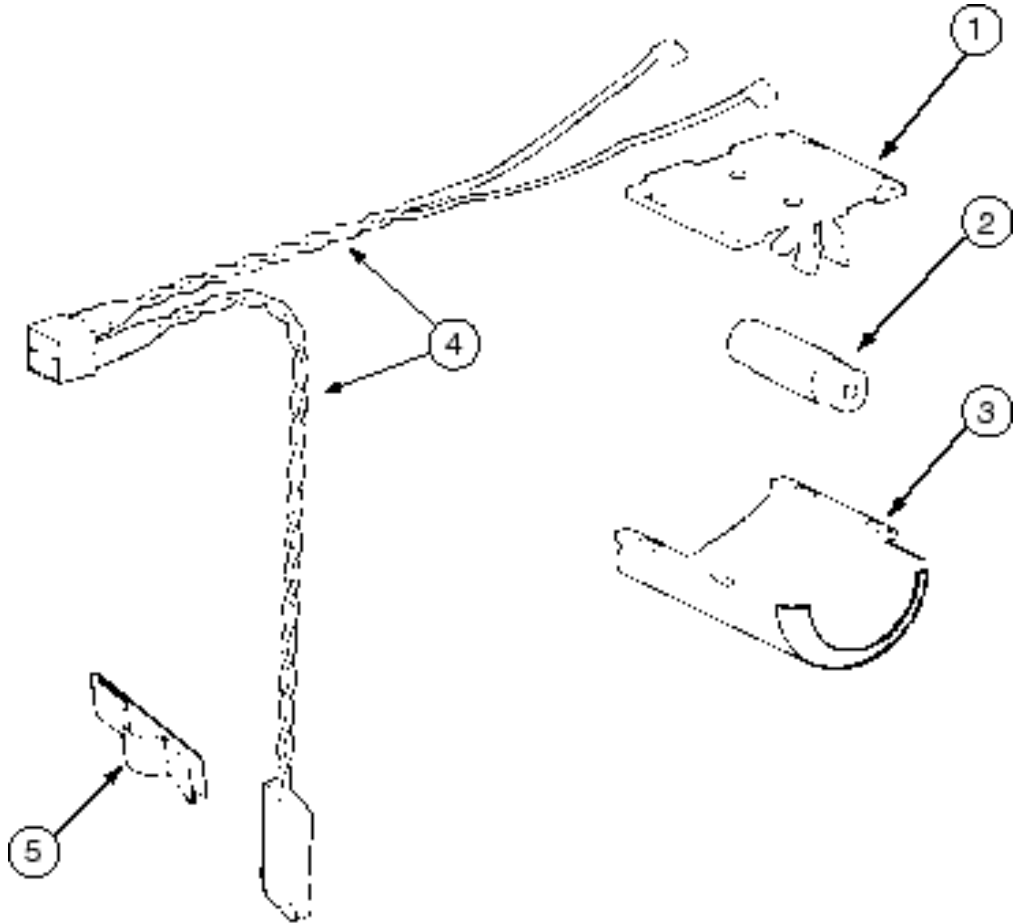
NORCOLD
MODEL 9162



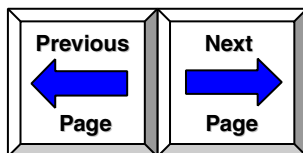
KEY	PART NUMBER	U/M	DESCRIPTION	VENDOR NO.
	121568-03-01A	EA	REFRIGERATOR - SMALL DBL DOOR/BLK-52.8"HX23.5"WX24"D-2-WAY	
1	084880-01-718	EA	VALVE-GAS, ASCO	61551822
2	104137-06-709	EA	VALVE-SHUT OFF, MANUAL	61694922
3	104137-06-714	EA	BURNER ASSEMBLY, 5 SLOT	61705222
4	104137-06-715	EA	ELECTRODE-SPARK/SENSOR, SGL	61692222
5	113737-01-716	EA	TAP-PRESSURE	61594422
6	113737-01-702	EA	PLUG - 1/8" F/PRESSURE TAP	61445322
7	113737-01-750	EA	TUBE-UNION	61694622
8	120076-01-705	EA	ORIFICE-JEWEL, .015	618283
9	120075-01-738	EA	COVER-POWER BOARD	618185
10	121568-03-719	EA	POWER - BOARD - 2 WAY	619353



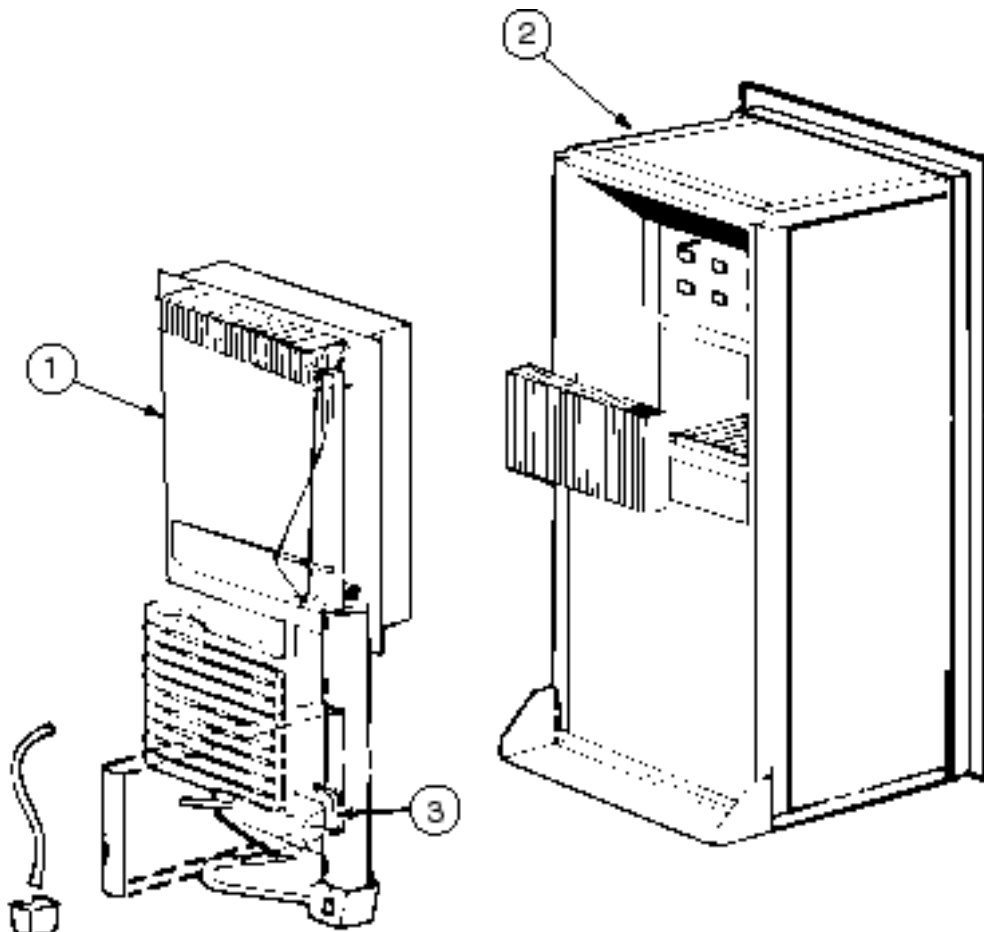
NORCOLD
MODEL 9162



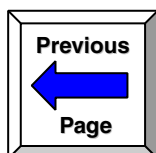
KEY	PART NUMBER	U/M	DESCRIPTION	VENDOR NO.
	121568-03-01A	EA	REFRIGERATOR - SMALL DBL DOOR/BLK-52.8"HX23.5"WX24"D-2-WAY	
1	084880-03-705	EA	BRACKET-LIGHT, INTERIOR	61629722
2	084880-03-706	EA	BULB-LAMP	61628922
3	084880-03-707	EA	COVER-LAMP, LENS	61627922
4	120075-01-735	EA	THERMISTER W/LAMP & WIRE/ASM	618548
5	084880-01-760	EA	CLIP-THERMISTER	61689122



NORCOLD
MODEL 9162



KEY	PART NUMBER	U/M	DESCRIPTION	VENDOR NO.
	121568-03-01A	EA	REFRIGERATOR - SMALL DBL DOOR/BLK-52.8"HX23.5"WX24"D-2-WAY	
1	120076-01-704	EA	COOLING UNIT-SERVICE PACK	618543
2	121568-03-718	EA	CABINET - FOAMED - N62	619658
3	088248-01-709	EA	HEATER-AC, HORIZONTAL	61562722



**NORCOLD REFRIGERATOR
NORCOLD 9182 R**

KEY	PART NUMBER	U/M DESCRIPTION	VENDOR NO.	KEY	PART NUMBER	U/M DESCRIPTION	VENDOR NO.
	121569-01-01A	EA REFRIGERATOR - LARGE DOUBLE DOOR - RIGHT HAND - 2-WAY	9182 R		088248-01-709	EA HEATER-AC (HORIZONTAL)	61562722
	120075-01-700	EA RETAINER - DOOR DECOR PANEL	618128		120075-01-733	EA CABINET-FOAMED	618265
	120075-01-701	EA HINGE-TOP RH/BOTTOM LH(DOOR)	618511		120075-01-736	EA COOLING UNIT, SERVICE PACK	618542
	120075-01-702	EA CAP, (HINGE PLUG)	618160		084880-01-718	EA VALVE-GAS, (ASCO)	61551822
	120075-01-703	EA DOOR ASM., FOAMED, W/GASKET	618205		104137-06-709	EA VALVE-SHUT OFF, MANUAL	61694922
	120075-01-705	EA HINGE-TOP LH/BOTTOM RH(DOOR)	618510		104137-06-714	EA BURNER ASSEMBLY, 5-SLOT	61705222
	120075-01-708	EA BUSHING-DOOR HINGE	618144		104137-06-715	EA ELECTRODE-SPARK/SENSOR, SGL	61692222
	121568-01-700	EA RAIL - DOOR UPPER	618618		113737-01-702	EA PLUG 1/8" F/PRESSURE TAP	61445322
	121568-01-701	EA BIN - DOOR WHITE	618619		113737-01-716	EA TAP-PRESSURE	61594422
	121568-01-702	EA DOOR HANDLE - UPR/RH-LWR/LH	618230		113737-01-750	EA TUBE-UNION	61694622
	120075-01-700	EA RETAINER - DOOR DECOR PANEL	618128		120075-01-737	EA ORIFICE - JEWEL - .0155	618284
	120075-01-701	EA HINGE-TOP RH/BOTTOM LH(DOOR)	618511		120075-01-738	EA COVER-POWER BOARD	618185
	120075-01-702	EA CAP, (HINGE PLUG)	618160		120075-01-740	EA COVER-BASE, POWER BOARD	618186
	120075-01-703	EA DOOR ASM., FOAMED, W/GASKET	618205		120075-01-741	EA BOARD-POWER, 2-WAY	618574
	120075-01-705	EA HINGE-TOP LH/BOTTOM RH(DOOR)	618510				
	120075-01-708	EA BUSHING-DOOR HINGE	618144				
	121568-01-700	EA RAIL - DOOR UPPER	618618				
	121568-01-701	EA BIN - DOOR WHITE	618619				
	121568-01-702	EA DOOR HANDLE - UPR/RH-LWR/LH	618230				
	120075-01-704	EA DOOR HANDLE - UPR RH/LWR LH	618230				
	084880-01-760	EA CLIP (THERMISTER)	61689122				
	084880-03-705	EA BRACKET-LIGHT-INTERIOR	61629722				
	084880-03-706	EA BULB-LAMP	61628922				
	084880-03-707	EA COVER-LAMP, LENS	61627922				
	120075-01-735	EA THERMISTER W/LAMP & WIRE/ASM	618548				
	120075-01-701	EA HINGE-TOP RH/BOTTOM LH(DOOR)	618511				
	120075-01-702	EA CAP, (HINGE PLUG)	618160				
	120075-01-705	EA HINGE-TOP LH/BOTTOM RH(DOOR)	618510				
	120075-01-708	EA BUSHING-DOOR HINGE	618144				
	120075-01-710	EA DOOR-LOWER-FOAMED, W/GASKET	618270				
	120075-01-711	EA DOOR HANDLE- UPR LH/LOWER RH	618235				
	120076-01-700	EA RETAINER-LOWER DOOR PANEL	618132				
	121568-01-701	EA BIN - DOOR WHITE	618619				
	121568-01-703	EA RETAINER - PANEL LOWER DOOR	618129				
	121568-01-704	EA RAIL - DOOR LOWER	618578				
	120075-01-708	EA BUSHING-DOOR HINGE	618144				
	120075-01-713	EA TRIM-TOP PIECE	619568				
	120075-01-714	EA PLUG-HOLE	618170				
	120075-01-716	EA TRIM-SIDE PIECE	618134				
	120075-01-718	EA BOX-FILLER	618112				
	120075-01-720	EA TRAY-DRIP	618137				
	120075-01-721	EA LOUVER-DRIP TRAY	618176				
	120075-01-725	EA COVER-CRISPER	618158				
	120075-01-727	EA PIN-HINGE	618145				
	120075-01-728	EA COVER-HINGE HOLE	618171				
	120075-01-729	EA TRIM-BOTTOMPIECE	618136				
	120075-01-730	EA RETAINER-SHELF	618181				
	120075-01-731	EA PLUG-FACADE	618184				
	120075-01-732	EA PLATE-STRIKE	618167				
	120075-01-733	EA CABINET-FOAMED	618265				
	120075-01-743	EA TRIM - TOP W/GOLD INSERTS	619568				
	120076-01-700	EA RETAINER-LOWER DOOR PANEL	618132				
	121568-01-705	EA SHELF - WIRE FREEZER	618620				
	121568-01-706	EA CONTROL BOX ASSEMBLY	618588				
	121568-01-708	EA SHELF - WIRE	618589				
	121568-01-709	EA CRISPER	618571				
	121568-01-712	EA HINGE - SLOTTED/ADJ(CABINET)	618988				

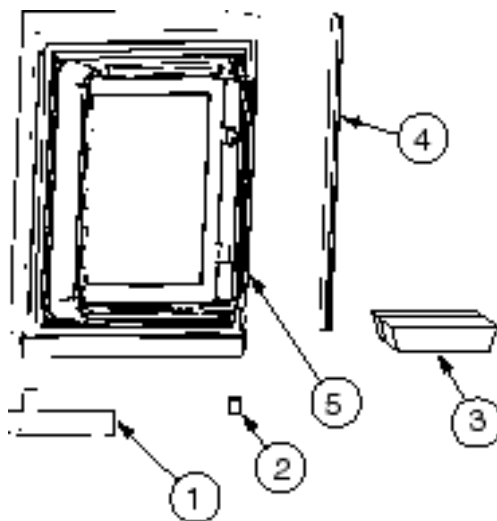
**NO.NORCOLD REFRIGERATOR
NORCOLD 9182 L**

KEY	PART NUMBER	U/M	DESCRIPTION	VENDOR NO.
	121569-02-01A	EA	REFRIGERATOR - LARGE DOUBLE DOOR/2-WAY	NORCOLD 9182 L
	120075-01-700	EA	RETAINER - DOOR DECOR PANEL	618128
	120075-01-701	EA	HINGE-TOP RH/BOTTOM LH(DOOR)	618511
	120075-01-702	EA	CAP, (HINGE PLUG)	618160
	120075-01-703	EA	DOOR ASM., FOAMED, W/GASKET	618205
	120075-01-705	EA	HINGE-TOP LH/BOTTOM RH(DOOR)	618510
	120075-01-708	EA	BUSHING-DOOR HINGE	618144
	121568-01-700	EA	RAIL - DOOR UPPER	618618
	121568-01-701	EA	BIN - DOOR WHITE	618619
	120075-01-704	EA	DOOR HANDLE - UPR RH/LWR LH	618230
	084880-01-760	EA	CLIP (THERMISTER)	61689122
	084880-03-705	EA	BRACKET-LIGHT-INTERIOR	61629722
	084880-03-706	EA	BULB-LAMP	61628922
	084880-03-707	EA	COVER-LAMP, LENS	61627922
	120075-01-735	EA	THERMISTER W/LAMP & WIRE/ASM	618548
	120075-01-701	EA	HINGE-TOP RH/BOTTOM LH(DOOR)	618511
	120075-01-702	EA	CAP, (HINGE PLUG)	618160
	120075-01-705	EA	HINGE-TOP LH/BOTTOM RH(DOOR)	618510
	120075-01-708	EA	BUSHING-DOOR HINGE	618144
	120075-01-710	EA	DOOR-LOWER-FOAMED, W/GASKET	618270
	120075-01-711	EA	DOOR HANDLE- UPR LH/LOWER RH	618235
	120076-01-700	EA	RETAINER-LOWER DOOR PANEL	618132
	121568-01-701	EA	BIN - DOOR WHITE	618619
	121568-01-703	EA	RETAINER - PANEL LOWER DOOR	618129
	121568-01-704	EA	RAIL - DOOR LOWER	618578
	120075-01-708	EA	BUSHING-DOOR HINGE	618144
	120075-01-713	EA	TRIM-TOP PIECE	619568
			FROM: 00-00-00 THRU: 06-15-98	
	120075-01-714	EA	PLUG-HOLE	618170
	120075-01-716	EA	TRIM-SIDE PIECE	618134
	120075-01-718	EA	BOX-FILLER	618112
	120075-01-720	EA	TRAY-DRIP	618137
	120075-01-721	EA	LOUVER-DRIP TRAY	618176
	120075-01-725	EA	COVER-CRISPER	618158
	120075-01-727	EA	PIN-HINGE	618145
	120075-01-728	EA	COVER-HINGE HOLE	618171
	120075-01-729	EA	TRIM-BOTTOM PIECE	618136
	120075-01-730	EA	RETAINER-SHELF	618181
	120075-01-731	EA	PLUG-FACADE	618184
	120075-01-732	EA	PLATE-STRIKE	618167
	120075-01-733	EA	CABINET-FOAMED	618265
	120075-01-743	EA	TRIM - TOP W/GOLD INSERTS	619568
			FROM: 06-16-98 THRU: 99-99-99	
	120076-01-700	EA	RETAINER-LOWER DOOR PANEL	618132
	121568-01-705	EA	SHELF - WIRE FREEZER	618620
	121568-01-706	EA	CONTROL BOX ASSEMBLY	618588
	121568-01-708	EA	SHELF - WIRE	618589
	121568-01-709	EA	CRISPER	618571
	121568-01-712	EA	HINGE - SLOTTED/ADJ(CABINET)	618988
	088248-01-709	EA	HEATER-AC (HORIZONTAL)	61562722
	120075-01-733	EA	CABINET-FOAMED	618265
	120075-01-736	EA	COOLING UNIT, SERVICE PACK	618542
	084880-01-718	EA	VALVE-GAS, (ASCO)	61551822
	104137-06-709	EA	VALVE-SHUT OFF, MANUAL	61694922
	104137-06-714	EA	BURNER ASSEMBLY, 5-SLOT	61705222
	104137-06-715	EA	ELECTRODE-SPARK/SENSOR, SGL	61692222
	113737-01-702	EA	PLUG 1/8" F/PRESSURE TAP	61445322
	113737-01-716	EA	TAP-PRESSURE	61594422
	113737-01-750	EA	TUBE-UNION	61694622
	120075-01-737	EA	ORIFICE - JEWEL - .0155	618284
	120075-01-738	EA	COVER-POWER BOARD	618185
	120075-01-740	EA	COVER-BASE, POWER BOARD	618186
	120075-01-741	EA	BOARD-POWER, 2-WAY	

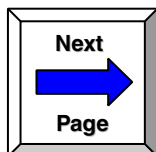
**REFRIGERATOR
NORCOLD N821R**

KEY	PART NUMBER	U/M	DESCRIPTION	VENDOR NO.
	121569-03-01A	EA	REFRIGERATOR - LARGE DOUBLE DOOR/RIGHT HAND - 2-WAY-BLACK #N821R	
	084880-01-718	EA	VALVE-GAS, (ASCO)	61551822
	084880-01-760	EA	CLIP (THERMISTER)	61689122
	084880-03-705	EA	BRACKET-LIGHT-INTERIOR	61629722
	084880-03-706	EA	BULB-LAMP	61628922
	084880-03-707	EA	COVER-LAMP, LENS	61627922
	088248-01-709	EA	HEATER-AC (HORIZONTAL)	61562722
	104137-06-709	EA	VALVE-SHUT OFF, MANUAL	61694922
	104137-06-714	EA	BURNER ASSEMBLY, 5-SLOT	61705222
	104137-06-715	EA	ELECTRODE-SPARK/SENSOR, SGL	61692222
	113737-01-702	EA	PLUG 1/8" F/PRESSURE TAP	61445322
	113737-01-716	EA	TAP-PRESSURE	61594422
	113737-01-750	EA	TUBE-UNION	61694622
	120075-01-701	EA	HINGE-TOP RH/BOTTOM LH(DOOR	618511
	120075-01-702	EA	CAP, (HINGE PLUG)	618160
	120075-01-705	EA	HINGE-TOP LH/BOTTOM RH(DOOR	618510
	120075-01-714	EA	PLUG-HOLE	618170
	120075-01-720	EA	TRAY-DRIP	618137
	120075-01-721	EA	LOUVER-DRIP TRAY	618176
	120075-01-725	EA	COVER-CRISPER	618158
	120075-01-727	EA	PIN-HINGE	618145
	120075-01-729	EA	TRIM-BOTTOM PIECE	618136
	120075-01-730	EA	RETAINER-SHELF	618181
	120075-01-732	EA	PLATE-STRIKE	618167
	120075-01-735	EA	THERMISTER W/LAMP & WIRE/ASM	618548
	120075-01-736	EA	COOLING UNIT, SERVICE PACK	618542
	120075-01-737	EA	ORIFICE - JEWEL - .0155	618284
	120075-01-738	EA	COVER-POWER BOARD	618185
	120075-07-705	EA	TRIM - SIDE - BLACK	619802
	120075-07-709	EA	CABINET - FOAMED	619347
	121568-01-707	EA	SHELF - WIRE - SHORT	618624
	121568-01-708	EA	SHELF - WIRE	618589
	121568-01-709	EA	CRISPER	618571
	121568-03-700	EA	RETAINER - DOOR PANEL/BLACK	619558
	121568-03-701	EA	BUSHING - HINGE PIN/GRAY	619671
	121568-03-702	EA	DOOR LINER - W/TRIM/BLACK	619627
	121568-03-703	EA	HANDLE ASM TOP/RH-LWR/LH BLK	619865
	121568-03-704	EA	TRAVEL LATCH - GRAY	619647
	121568-03-705	EA	STORAGE LATCH - GRAY	619648
	121568-03-709	EA	TRIM - TOP/BLACK	619687
	121568-03-710	EA	HINGE/CABINET-TOP/RH-LWR/LH	619335
	121568-03-712	EA	SHELF - WIRE/FREEZER	620250
	121568-03-713	EA	FRONT BOX/DECORATIVE-BLACK	619282
	121568-03-714	EA	CONTROL ASM - 2 WAY BLACK	619350
	121568-03-715	EA	HINGE/CABINET-TOP/LH-LWR/RH	619336
	121568-03-716	EA	COVER - HINGE HOLES	619301
	121568-03-717	EA	HOLE PLUG - WHITE	619561
	121568-03-719	EA	POWER - BOARD - 2-WAY	619353

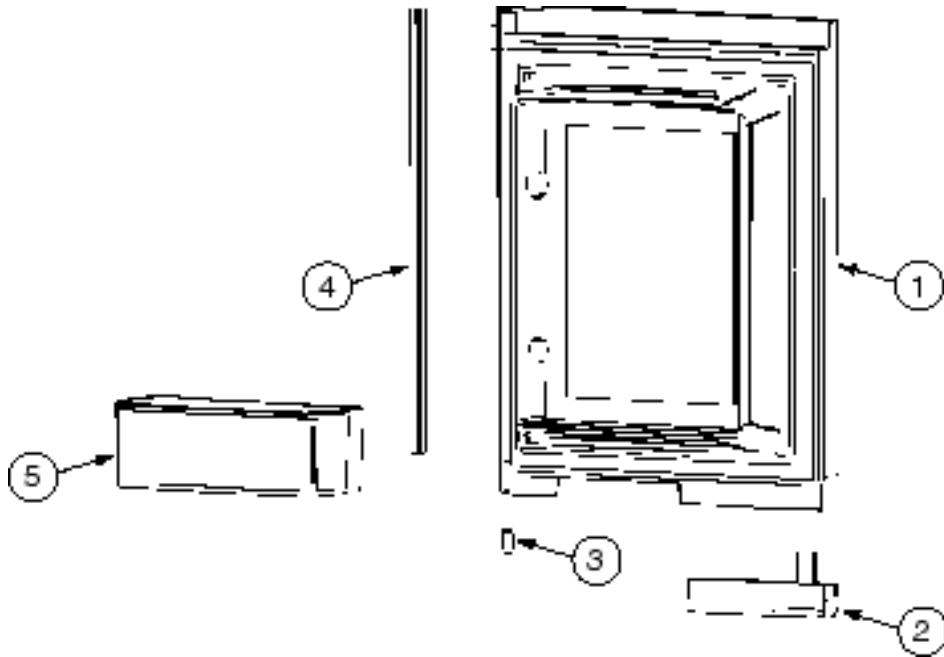
**NORCOLD
MODEL 1200 W/ICE MAKER**



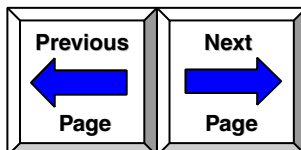
KEY	PART NUMBER	U/M	DESCRIPTION	VENDOR NO.
	125242-01-01A	EA	REFRIGERATOR - 4 DOOR W/ICE MAKER	
1	121568-01-702	EA	DOOR HANDLE - UPR/RH-LWR/LH	618230
2	125242-01-704	EA	BUSHING - HINGE MIDDLE	618746
3	125242-01-711	EA	DOOR BIN	618765
4	125242-01-719	EA	RETAINER - UPPER PANEL	618825
5	125242-01-702	EA	LINER - DOOR - FOAMED - UPPER LH	618730



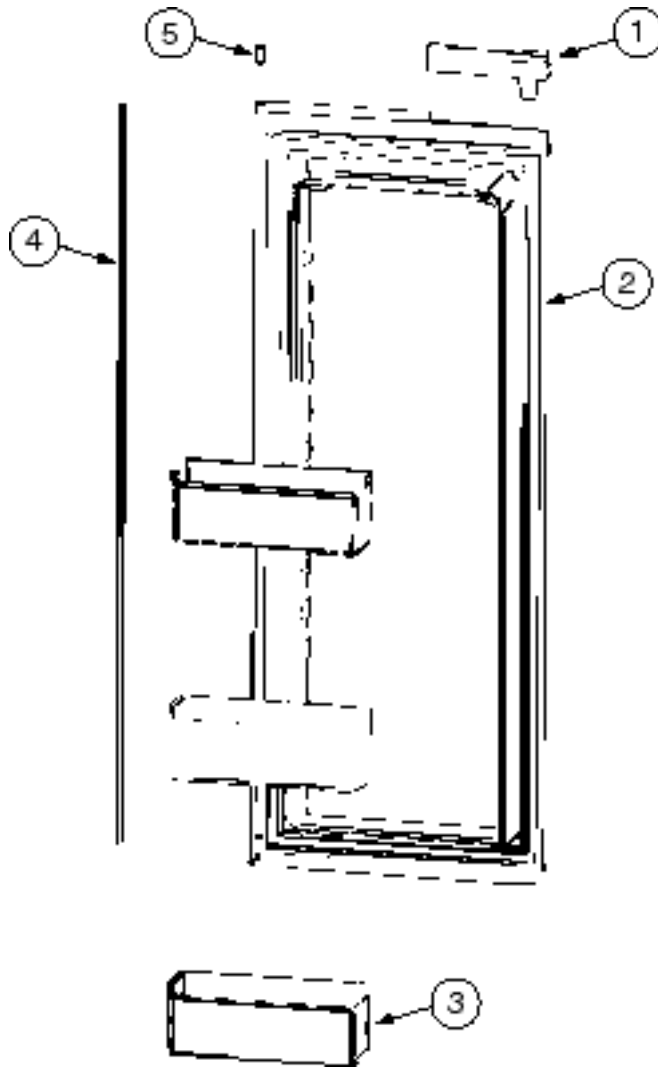
**NORCOLD
MODEL 1200 W/ICE MAKER (CONTINUED)**



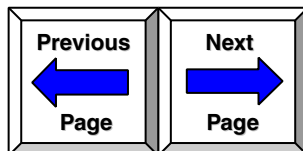
KEY	PART NUMBER	U/M	DESCRIPTION	VENDOR NO.
	125242-01-01A	EA	REFRIGERATOR - 4 DOOR W/ICE MAKER	
1	125242-01-703	EA	LINER - DOOR FOAMED UPPER RH	618731
2	120075-01-711	EA	DOOR HANDLE - UPR LH/LOWER RH	618235
3	125242-01-704	EA	BUSHING - HINGE MIDDLE	618746
4	125242-01-719	EA	RETAINER - UPPER PANEL	618825
5	125242-01-711	EA	DOOR BIN	618765



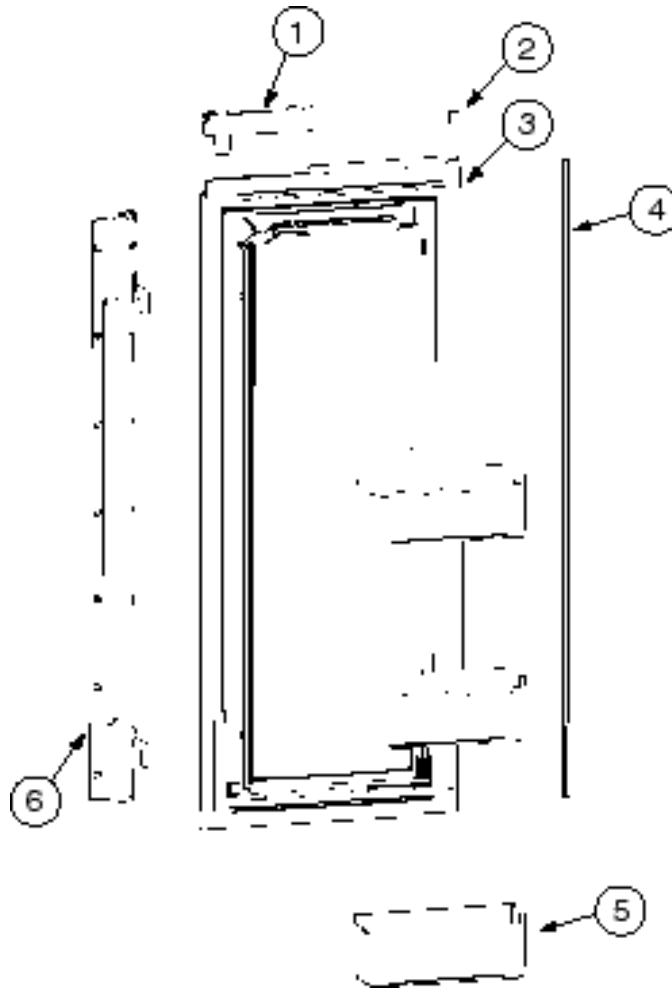
**NORCOLD
MODEL 1200 W/ICE MAKER (CONTINUED)**



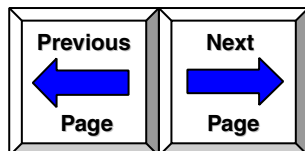
KEY	PART NUMBER	U/M	DESCRIPTION	VENDOR NO.
	125242-01-01A	EA	REFRIGERATOR - 4 DOOR W/ICE MAKER	
1	121568-01-702	EA	DOOR HANDLE - UPR/RH - LWR/LH	618230
2	125242-01-701	EA	LINER - DOOR - FOAMED - LWR RH	618729
3	125242-01-711	EA	DOOR BIN	618765
4	125242-01-718	EA	RETAINER - LOWER PANEL	618824
5	125242-01-704	EA	BUSHING - HINGE MIDDLE	618746



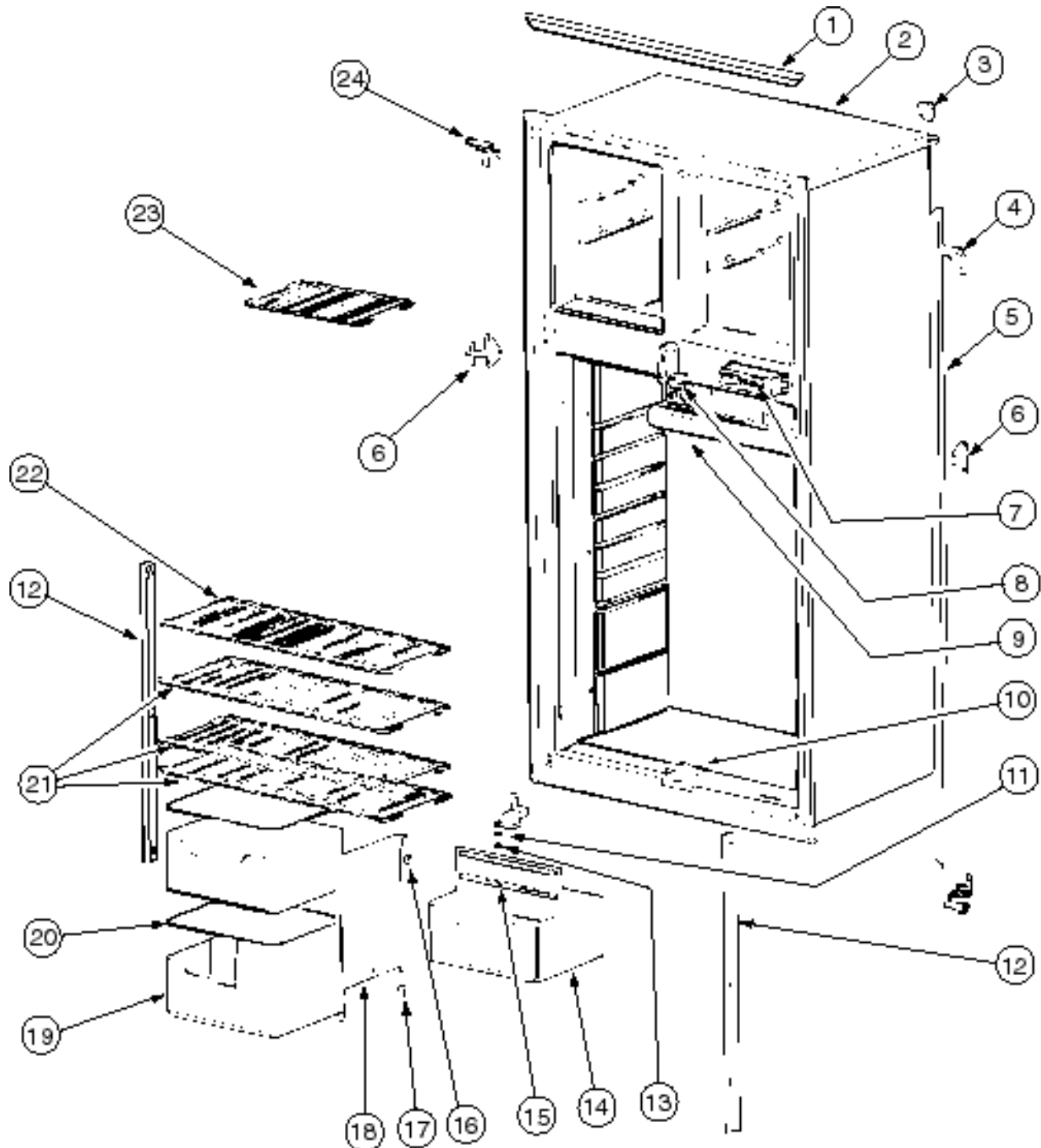
**NORCOLD
MODEL 1200 W/ICE MAKER (CONTINUED)**



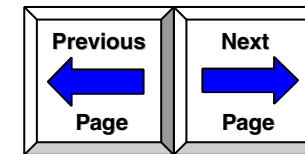
KEY	PART NUMBER	U/M	DESCRIPTION	VENDOR NO.
	125242-01-01A	EA	REFRIGERATOR - 4 DOOR W/ICE MAKER	
1	120075-01-711	EA	DOOR HANDLE - UPR LH/LOWER RH	618235
2	125242-01-704	EA	BUSHING - HINGE MIDDLE	618746
3	125242-01-700	EA	LINER - DOOR - FOAMED - LWR LH	618728
4	125242-01-718	EA	RETAINER - LOWER PANEL	618824
5	125242-01-711	EA	DOOR BIN	618765
6	125242-01-747	EA	SEAL/RETRACTABLE (DOOR ASM)	618787



**NORCOLD
MODEL 1200 W/ICE MAKER (CONTINUED)**

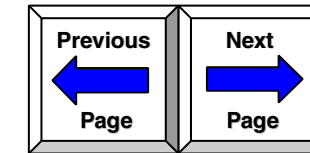
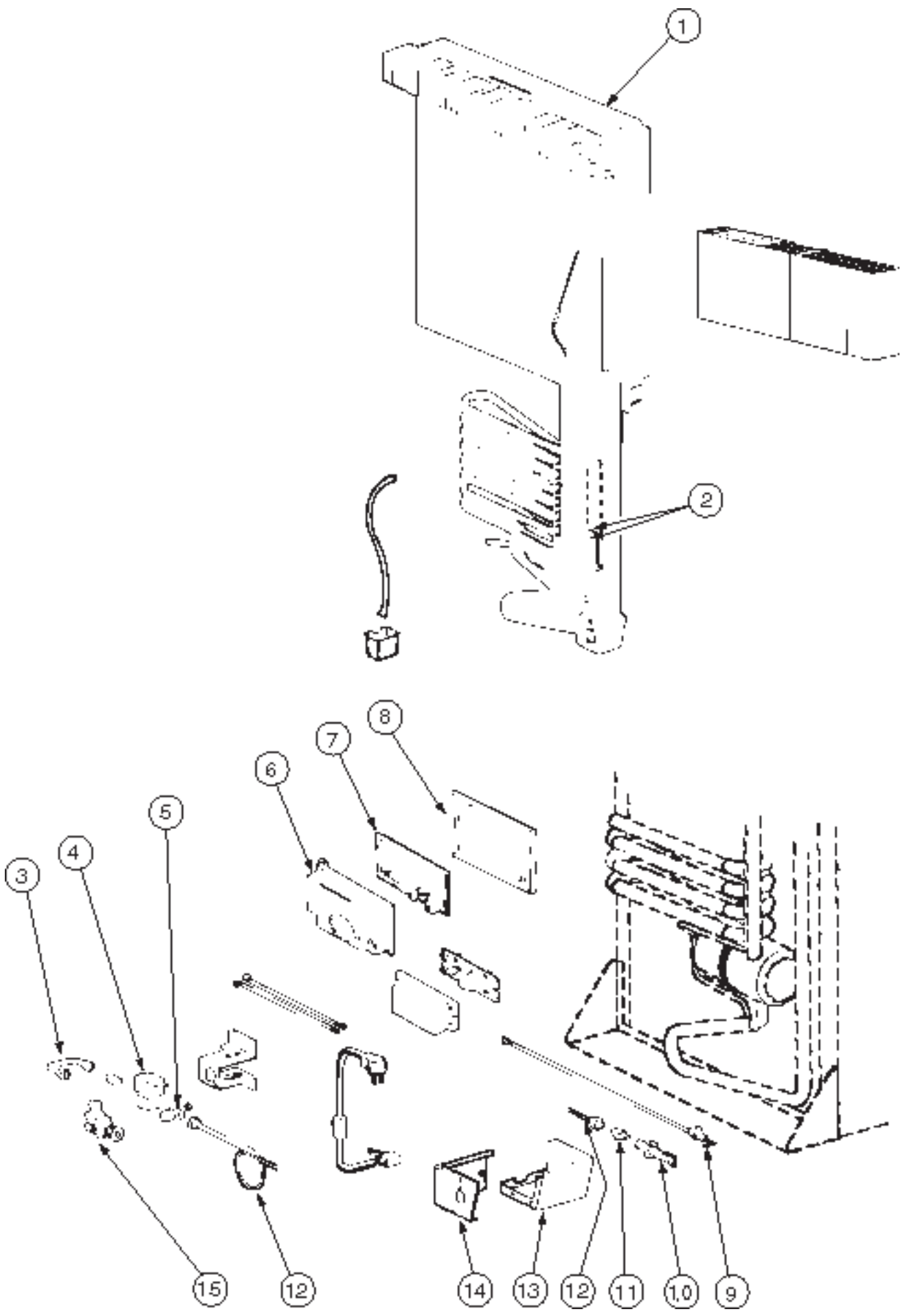


KEY	PART NUMBER	U/M	DESCRIPTION	VENDOR NO.
	125242-01-01A	EA	REFRIGERATOR - 4 DOOR W/ICE MAKER	
1	125242-01-723	EA	TRIM - HORIZONTAL	618845
2	125242-01-748	EA	CABINET/FOAMED ASSEMBLY	618748
3	125242-01-722	EA	TRIM - CORNER	618844
4	125242-01-715	EA	HINGE - TOP RH/BOTTOM LH	618798
5	125242-01-724	EA	TRIM - SIDE	618846
6	125242-01-713	EA	HINGE-MIDDLE (PAINTED)	618794
7	125242-01-705	EA	CONTROL ASM - OPTICAL	618750
8	125242-01-751	EA	BLOCK - GUIDE - UPPER	618789
9	125242-01-712	EA	DRIP TRAY	618774
10	125242-01-752	EA	BLOCK - GUIDE - LOWER	618788
11	120075-01-708	EA	BUSHING - DOOR HINGE	618144
12	120075-01-730	EA	RETAINER - SHELF	618181
13	120075-01-727	EA	PIN - HINGE	618145
14	125242-01-734	EA	CRISPER/BOTTLE BIN	618878
15	125242-01-733	EA	DIVIDER - BOTTLE CRISPER	618877
16	125242-01-750	EA	CLIP	61409622
17	113737-01-701	EA	BUSHING - HINGE	61742022
18	125242-01-749	EA	SUPPORT - WALL	618840
19	125242-01-734	EA	CRISPER/BOTTLE BIN	618878
20	125242-01-706	EA	COVER - CRISPER	618757
21	125242-01-726	EA	SHELF - WIRE (LONG)	618848
22	125242-01-727	EA	SHELF - WIRE (SHORT)	618849
23	125242-01-725	EA	SHELF - FREEZER (WIRE)	618847
24	125242-01-714	EA	HINGE - TOP LH/BOTTOM RH	618796
	125242-01-735	EA	SWITCH - DOOR LIGHT	618884

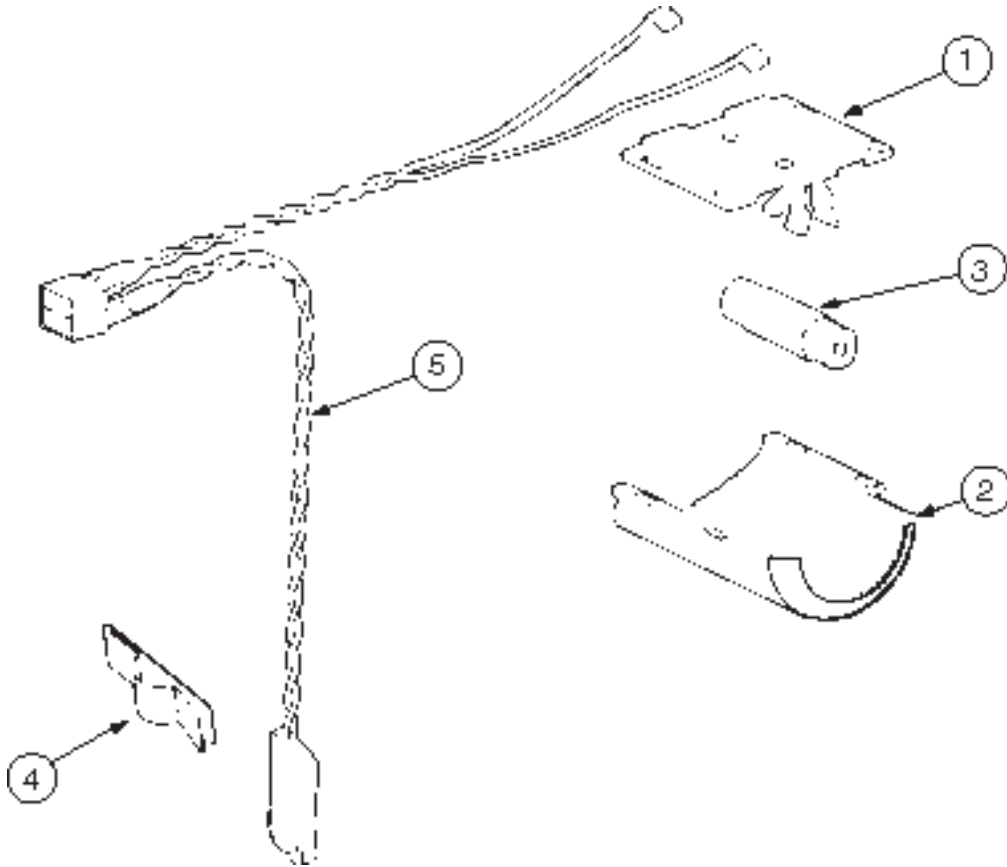


**NORCOLD
MODEL 1200 W/ICE MAKER (CONTINUED)**

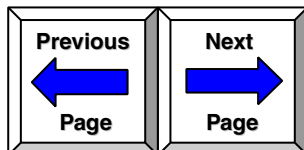
KEY	PART NUMBER	U/M	DESCRIPTION	VENDOR NO.
	125242-01-01A	EA	REFRIGERATOR - 4 DOOR W/ICE MAKER	
1	125242-01-746	EA	COOLING UNIT - 1200	618964
2	125242-01-732	EA	HEATER AC - 225W/110VAC	618872
3	113737-01-750	EA	TUBE - UNION	61694622
4	084880-01-718	EA	VALVE - GAS - (ASCO)	61551822
5	113737-01-716	EA	TAP - PRESSURE	61594422
6	120075-01-738	EA	COVER - POWER BOARD	618185
7	125242-01-720	EA	POWER BOARD	618828
8	120075-01-740	EA	COVER - BASE - POWER BOARD	618186
9	104137-06-715	EA	ELECTRODE - SPARK/SENSOR - SGL	61692222
10	125242-01-743	EA	BURNER - 8 SLOT	618932
11	125242-01-717	EA	ORIFICE - JEWELLED	618814
12	125242-01-744	EA	BURNER TUBE	618937
13	125242-01-739	EA	BASE - BURNER BOX	618902
14	125242-01-740	EA	COVER - BURNER BOX	618910
15	104137-06-709	EA	VALVE - SHUT OFF - MANUAL	61694922



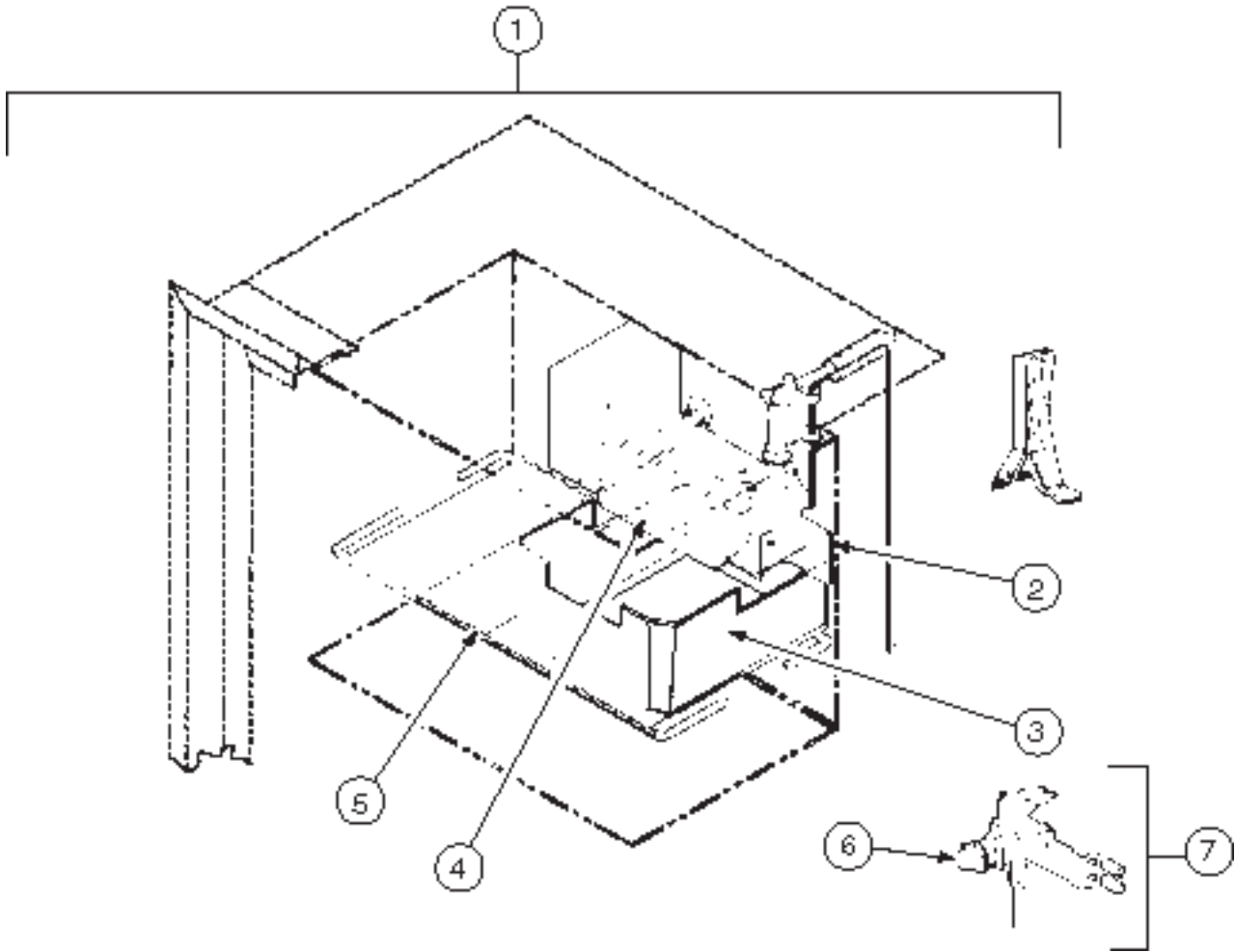
**NORCOLD
MODEL 1200 W/ICE MAKER (CONTINUED)**



KEY	PART NUMBER	U/M	DESCRIPTION	VENDOR NO.
	125242-01-01A	EA	REFRIGERATOR - 4 DOOR W/ICE MAKER	
1	084880-03-705	EA	BRACKET - LIGHT - INTERIOR	61629722
2	120075-01-734	EA	COVER - LENS	618190
3	084880-03-706	EA	BULB - LAMP	61628922
4	084880-01-760	EA	CLIP (THERMISTER)	61689122
5	120075-01-735	EA	THERMISTER W/LAMP & WIRE/ASM	618548



**NORCOLD
MODEL 1200 W/ICE MAKER (CONTINUED)**



KEY	PART NUMBER	U/M	DESCRIPTION	VENDOR NO.
1	125242-01-01A	EA	REFRIGERATOR - 4 DOOR W/ICE MAKER	
2	094039-07-706	EA	ICE MAKER W/O PLATES	61656522
3	125242-01-737	EA	BRACKET - MOUNTING (ICE MAKER)	618894
4	125242-01-716	EA	ICE BIN	618803
5	120075-03-703	EA	ARM - SHUT OFF	61656922
6	125242-01-725	EA	SHELF - FREEZER (WIRE)	618847
7	120075-03-702	EA	NUT/COMPRESSION - FITTING	61678722
	120075-03-701	EA	VALVE - WATER - W/BRACKET	618523