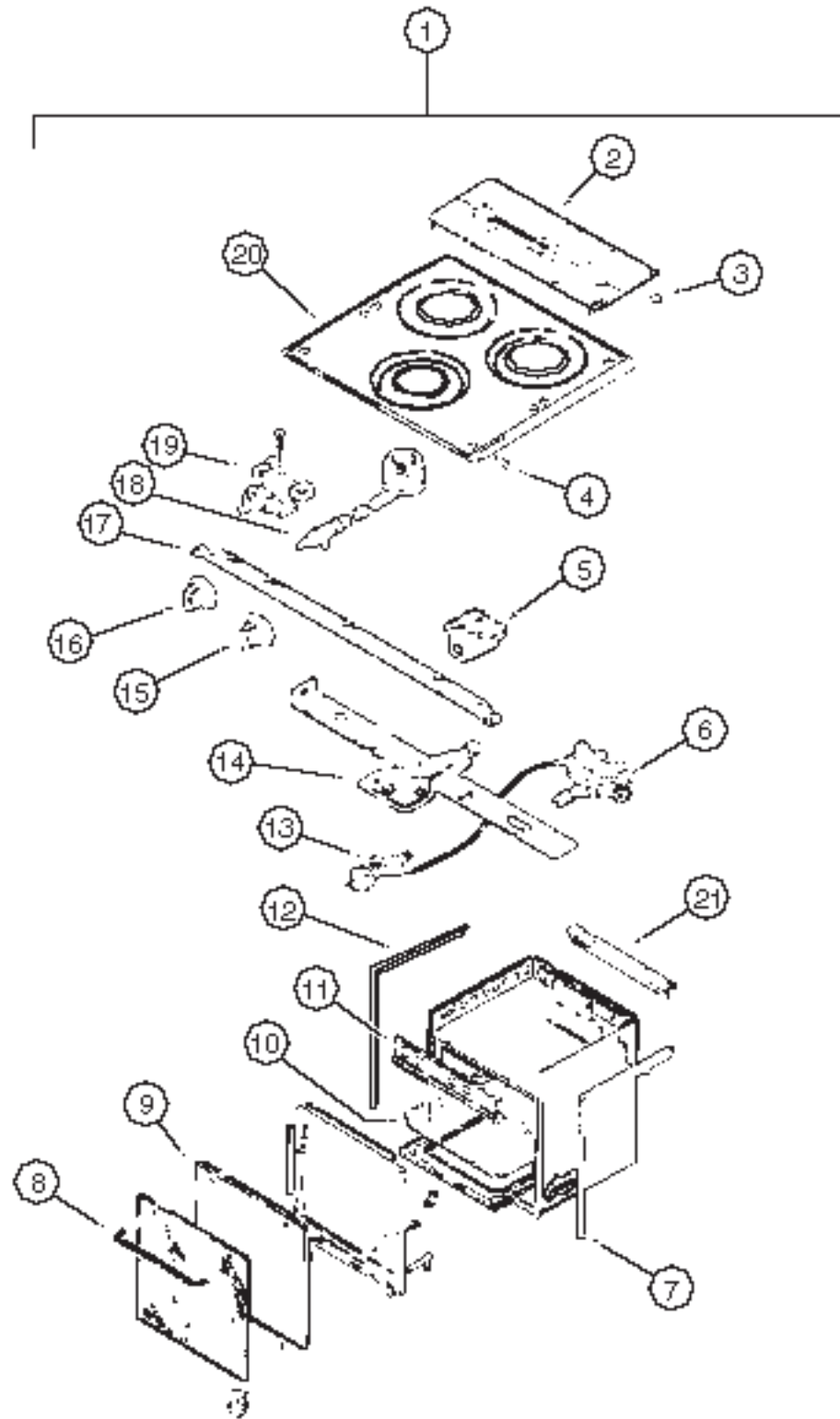


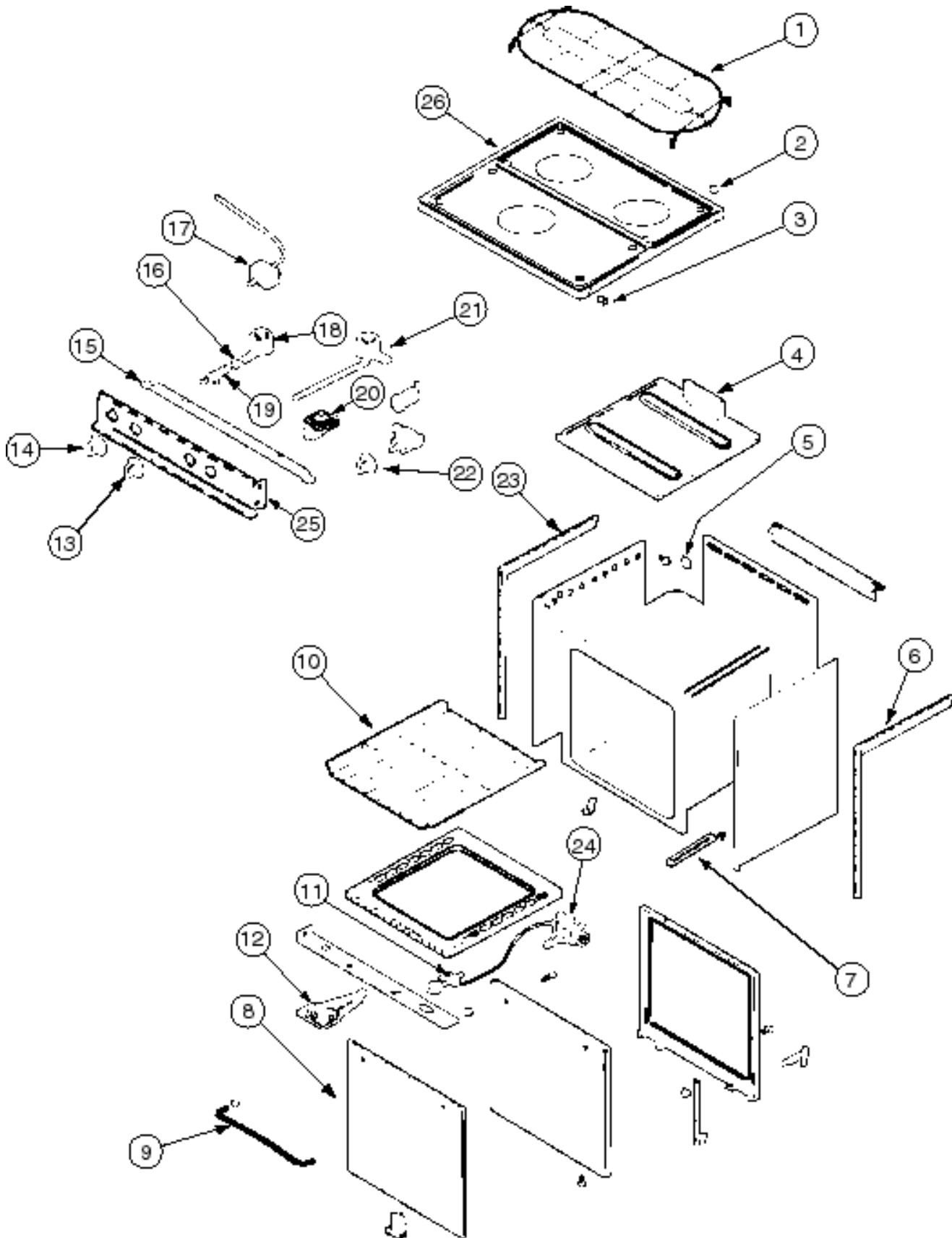
**MAGIC CHEF RANGE  
MODEL 16TB-3B**



KEY	PART NUMBER	U/M	DESCRIPTION	VENDOR NO.
1	112881-01-04A	EA	RANGE - 16", 3 BURNER	
2	102020-01-711	EA	GRATE-TOP	7518P012-60
3	102020-01-709	EA	BUMPER-GRATE	8007-P020-60
4	102020-01-724	EA	BUMPER-MAIN TOP	8003P008-60
5	102022-01-708	EA	REGULATOR-PRESSURE, 1/4 IN 1/2 OUT	7510P041-60
6	112881-01-702	EA	VALVE-MERCURY, SAFETY VALVE	7501-P121-60
7	112881-01-720	EA	TRIM-FLAT, RIGHT - BLACK TEXTURED	74002813
8	102020-01-701	EA	HANDLE-DOOR	7701P092-60
9	112881-01-713	EA	DOOR-OVEN, TEXTURED	2401F079-70
10	102020-01-700	EA	SHELF-OVEN	7801-P027-60
11	112881-01-701	EA	MANIFOLD PANEL	2616F091-70
12	112881-01-719	EA	TRIM-FLAT, LEFT - BLACK TEXTURED	74002813
13	112881-01-710	EA	PILOT-OVEN	7505P202-60
14	112881-01-711	EA	BURNER ASSEMBLY-OVEN	3404W025045
15	112881-01-705	EA	KNOB-TOP BURNER	7733P072-60
15	112881-01-718	EA	KNOB-HIGH OUTPUT, FLAME INDICATOR	74001794
16	112881-01-704	EA	KNOB-THERMOSTAT	7731P067-60
16	112881-01-716	EA	KNOB-THERMOSTAT, REF. SER. # 03C	7731P107-60
17	112881-01-709	EA	PIPE-MANIFOLD	7513P097-60
18	102020-01-722	EA	VALVE-TOP BURNER	7502P181-60
18	112881-01-703	EA	VALVE-TOP BURNER, HI-OUTPUT	7502P180-60
19	112881-01-706	EA	THERMOSTAT - REF. SER. # 02C	12400026
19	112881-01-715	EA	THERMOSTAT - REF. SER. # 03C	7515P037-60
19	112881-01-722	EA	THERMOSTAT - REF. SER. # 01C, 11, 12, 13, ETC.	7515P029-60
20	112881-01-712	EA	TOP-MAIN, BLACK	740101486
21	112881-01-721	EA	DEFLECTOR-FLUE, BLACK TEXTURED	74002809

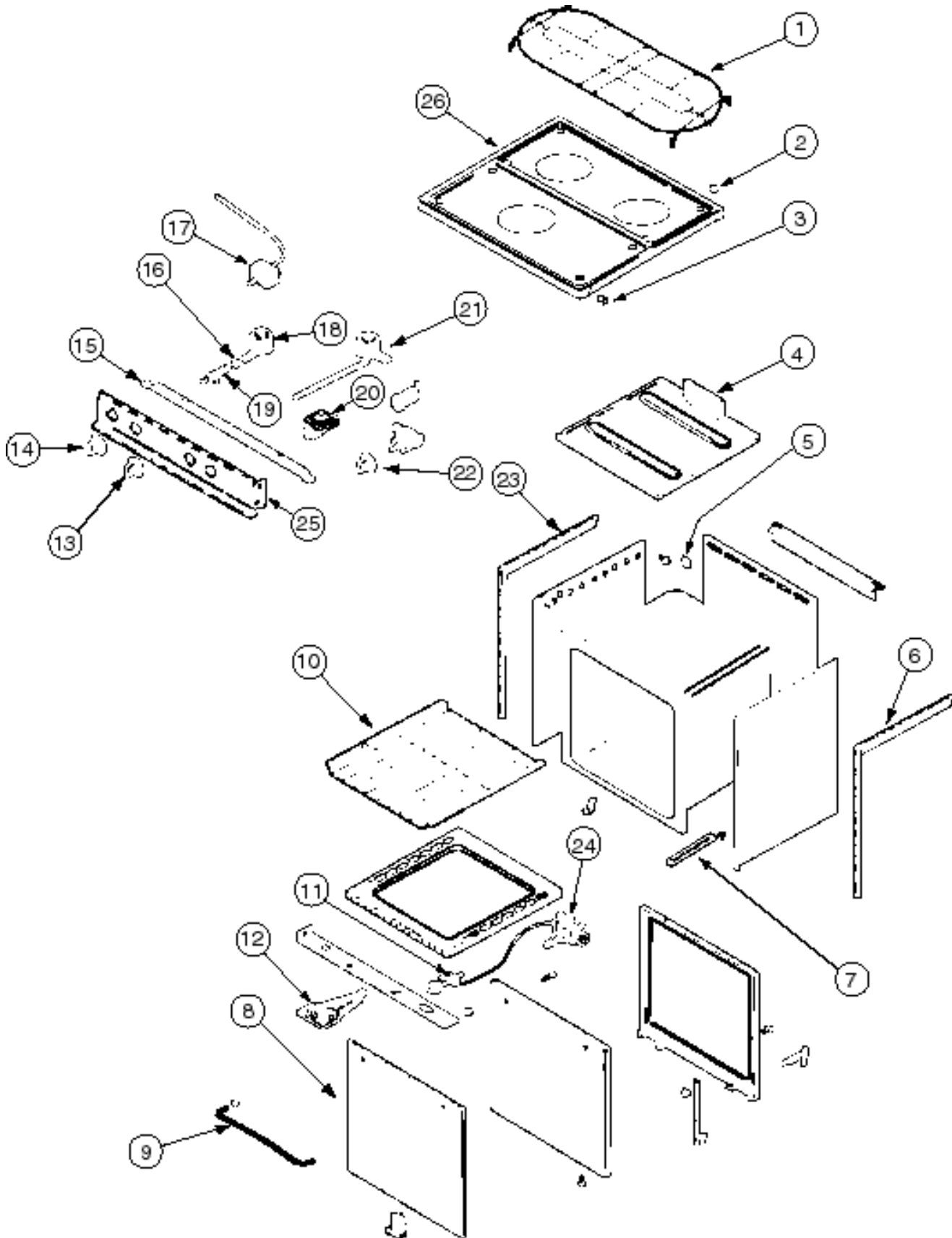
NOTE: (REF. SER. #) REFERS TO THE FIRST THREE CHARACTERS OF THE RANGE'S SERIAL NUMBER

MAGIC CHEF RANGE  
CLY1631BDL



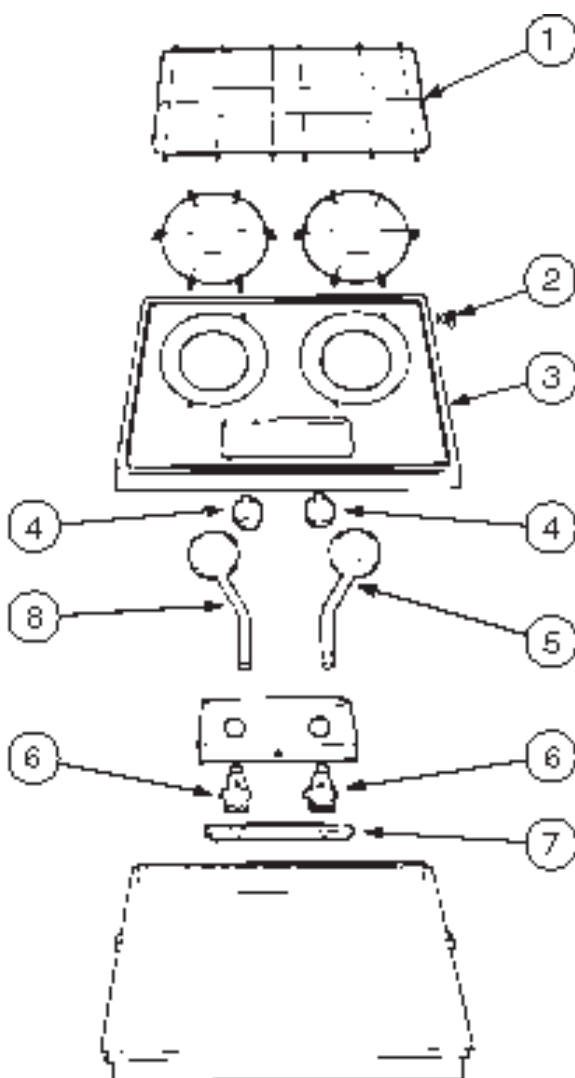
KEY	PART NUMBER	U/M	DESCRIPTION	VENDOR NO.
	112881-02-02A	EA	RANGE - 16" - 3 BURNER - ALMOND	
1	126023-01-703	EA	GRATE - TOP	74003358
2	102020-01-709	EA	BUMPER - GRATE	8007-P020-60
3	102020-01-724	EA	BUMPER - MAIN TOP	8003P008-60
4	126023-01-718	EA	FLUE BOX ASSEMBLY	4006W075-80
5	112881-02-701	EA	CLIP - MAIN TOP - REAR	7112P071-60
6	112881-01-720	EA	TRIM - FLAT - RIGHT - BLACK TEXTURED	74002813
7	112881-02-702	EA	SPRING - OVEN DOOR	7803P051-60
8	112881-01-713	EA	DOOR - OVEN - TEXTURED - BLACK	2401F126-70
9	102020-01-701	EA	HANDLE - DOOR	7701P092-60
10	126023-01-716	EA	SHELF - OVEN	74003106
11	102020-01-714	EA	PILOT - OVEN	968-143
12	126023-01-717	EA	BURNER - OVEN	74003343
13	112881-01-705	EA	KNOB - TOP BURNER	7733P072-60
13	112881-01-718	EA	KNOB - HIGH OUTPUT - FLAME INDICATOR	74001794
14	126023-01-704	EA	KNOB - THERMOSTAT	7731P109-60
15	126023-01-705	EA	PIPE - MANIFOLD	7513P161-60
16	098507-02-701	EA	INSERT - BURNER - SLOTTED VENT	7214P015-60
17	112881-01-722	EA	THERMOSTAT	7515P029-60
18	126023-01-710	EA	VALVE - BURNER - FRONT	74003349
19	126023-01-709	EA	VALVE - BURNER - REAR	74003348
20	102022-01-708	EA	REGULATOR - PRESSURE - 1/4 IN 1/2 OUT	7510P041-60
21	112881-01-717	EA	BURNER - TOP - REAR	7505P181-60
22	112881-02-703	EA	BURNER - TOP - HIGH OUTPUT	7505P142-60
23	112881-01-719	EA	TRIM - FLAT - LEFT - BLACK - TEXTURED	74002813
24	112881-02-700	EA	VALVE - OVEN	7501P056-60
25	126023-01-715	EA	MANIFOLD PANEL	74003350
26	126023-01-707	EA	TOP - MAIN - BLACK	74003323

MAGIC CHEF RANGE  
CLY1631BDL



KEY	PART NUMBER	U/M	DESCRIPTION	VENDOR NO.
	112881-02-03A	EA	RANGE - 16" - 3 BURNER - ALMOND	
1	126023-01-703	EA	GRATE - TOP	74003358
2	102020-01-709	EA	BUMPER - GRATE	8007-P020-60
3	102020-01-724	EA	BUMPER - MAIN TOP	8003P008-60
4	126023-01-718	EA	FLUE BOX ASSEMBLY	4006W075-80
5	112881-02-701	EA	CLIP - MAIN TOP - REAR	7112P071-60
6	112881-01-720	EA	TRIM - FLAT - RIGHT - BLACK TEXTURED	74002813
7	112881-02-702	EA	SPRING - OVEN DOOR	7803P051-60
8	112881-01-713	EA	DOOR - OVEN - TEXTURED - BLACK	2401F126-70
9	102020-01-701	EA	HANDLE - DOOR	7701P092-60
10	126023-01-716	EA	SHELF - OVEN	74003106
11	102020-01-714	EA	PILOT - OVEN	968-143
12	126023-01-717	EA	BURNER - OVEN	74003343
13	112881-01-705	EA	KNOB - TOP BURNER	7733P072-60
13	112881-01-718	EA	KNOB - HIGH OUTPUT - FLAME INDICATOR	74001794
14	126023-01-704	EA	KNOB - THERMOSTAT	7731P109-60
15	126023-01-705	EA	PIPE - MANIFOLD	7513P161-60
16	098507-02-701	EA	INSERT - BURNER - SLOTTED VENT	7214P015-60
17	112881-01-722	EA	THERMOSTAT	7515P029-60
18	126023-01-710	EA	VALVE - BURNER - FRONT	74003349
19	126023-01-709	EA	VALVE - BURNER - REAR	74003348
20	102022-01-708	EA	REGULATOR - PRESSURE - 1/4 IN 1/2 OUT	7510P041-60
21	112881-01-717	EA	BURNER - TOP - REAR	7505P181-60
22	112881-02-703	EA	BURNER - TOP - HIGH OUTPUT	7505P142-60
23	112881-01-719	EA	TRIM - FLAT - LEFT - BLACK - TEXTURED	74002813
24	112881-02-700	EA	VALVE - OVEN	7501P056-60
25	126023-01-715	EA	MANIFOLD PANEL	74003350
26	126023-01-708	EA	TOP - MAIN - ALMOND	74003324

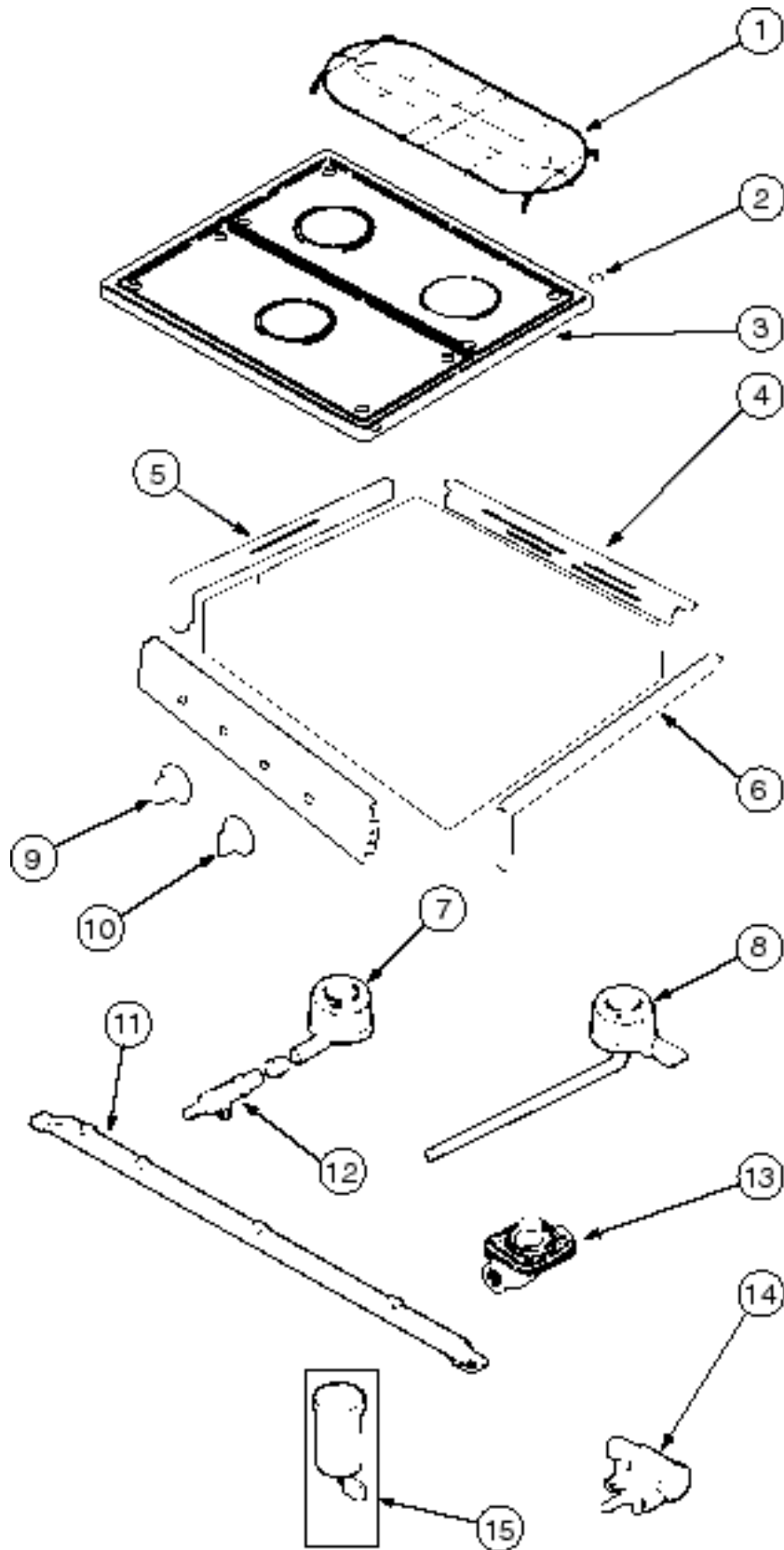
**WEDGEWOOD RANGE  
MODEL D26SG - ST G**



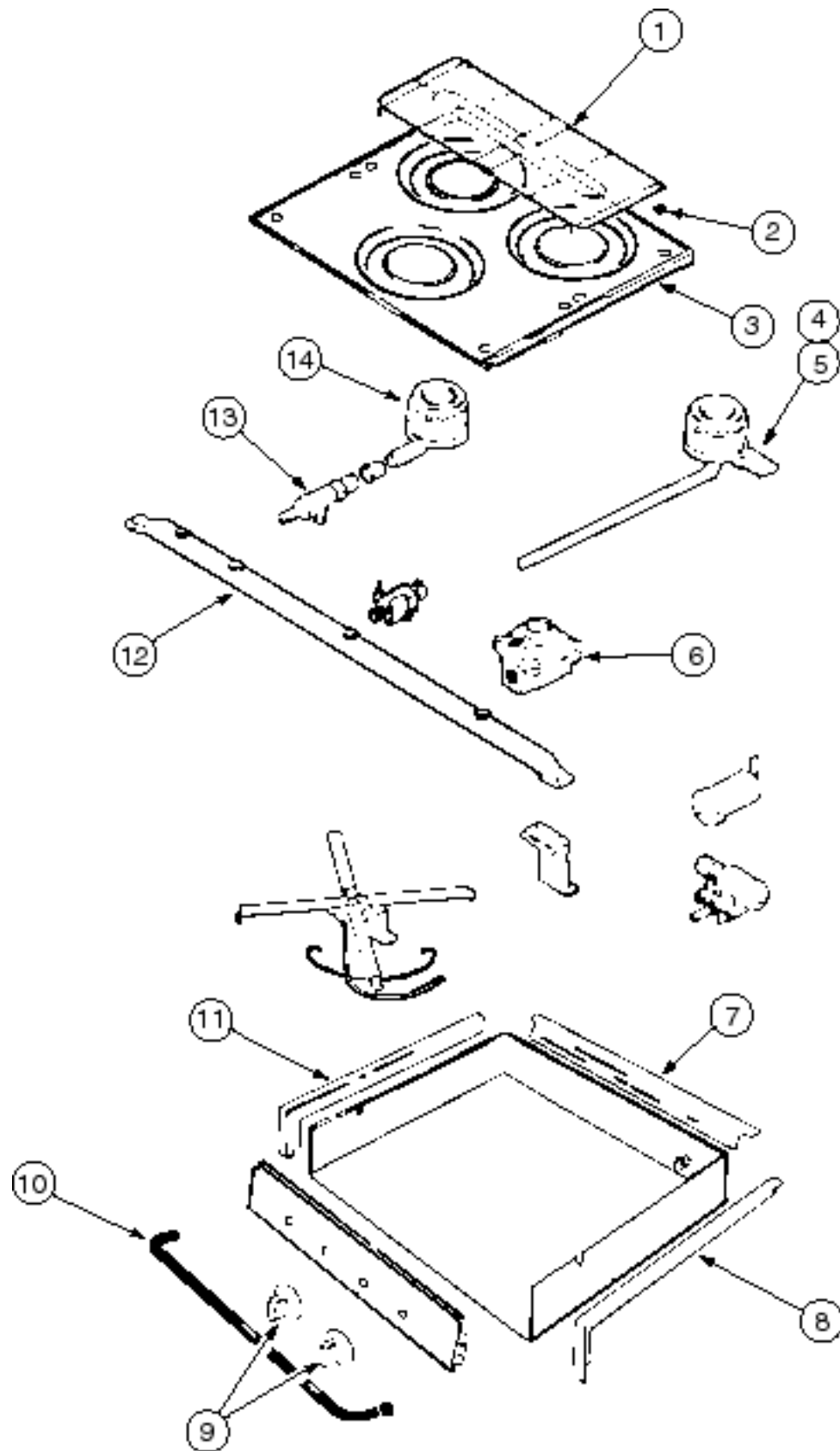
KEY	PART NUMBER	U/M	DESCRIPTION	VENDOR NO.
	113947-02-02A	EA	RANGE - 2 BURNER W/COVER	
1	101593-01-700	EA	GRATE, DESIGNER STYLE	53304
2	101593-01-701	EA	THUMB SCREW	52537
3	113947-02-701	EA	COVER - STOVE TOP, GRAY	56204
4	101593-01-703	EA	BURNER KNOB	53000
5	113947-02-702	EA	BURNER - RIGHT	56076
6	113947-02-700	EA	BURNER VALVE	56089
7	113948-02-702	EA	MANIFOLD	56079
8	113947-02-703	EA	BURNER - LEFT	56075
	107323-01-711	EA	CUSHION-GRATE, RUBBER	53008
	106689-01-704	EA	REGULATOR	51062
	113948-01-702	EA	DECAL- BURNER CONTROL	51454
	113948-01-703	EA	TOP - STOVE, W/GRATE & BAR	51443

**MAGIC CHEF RANGE**  
**MODEL 85TB-3BK**

KEY	PART NUMBER	U/M	DESCRIPTION	VENDOR NO.
	114030-02-01A	EA	RANGE - 3 BURNER TOP - W/O OVEN - BLACK	
1	126023-01-703	EA	GRATE - TOP	74003358
2	102020-01-709	EA	BUMPER - GRATE	8007-P020-60
3	126023-01-706	EA	TOP - MAIN (WHITE)	74003322
3	126023-01-707	EA	TOP - MAIN (BLACK)	74003323
3	126023-01-708	EA	TOP - MAIN (ALMOND)	74003324
4	114030-01-706	EA	TRIM - REAR/BLACK TEXTURED	74002841
5	114030-01-705	EA	TRIM - LEFT/BLACK TEXTURED	74002840
6	114030-01-704	EA	TRIM - RIGHT/BLACK TEXTURED	74002839
7	126023-01-702	EA	BURNER - TOP (FRONT)	7505P144-60
8	126023-01-700	EA	BURNER - TOP (RT-REAR)	7505P195-60
8	126023-01-701	EA	BURNER - TOP (LT-REAR)	7505P196-60
9	112881-01-705	EA	KNOB - TOP BURNER	7733P072-60
9	112881-01-718	EA	KNOB - TOP BURNER HI-OUTPUT	74001794
10	126023-01-720	EA	KNOB - IGNITER	74002414
11	126023-01-705	EA	PIPE - MANIFOLD	7513P161-60
12	126023-01-709	EA	VALVE - BURNER (REAR)	74003348
12	126023-01-710	EA	VALVE - BURNER (FRONT)	74003349
13	102020-01-729	EA	REGULATOR - PRESSURE	7510P043-60
14	126023-01-719	EA	IGNITER - TOP BURNER	74002413
15	126023-01-711	EA	ELECTRODE - IGNITER	7432P077-60
	114030-02-700	EA	GUARD/FABRIC - TOWEL BAR	3609F006-70

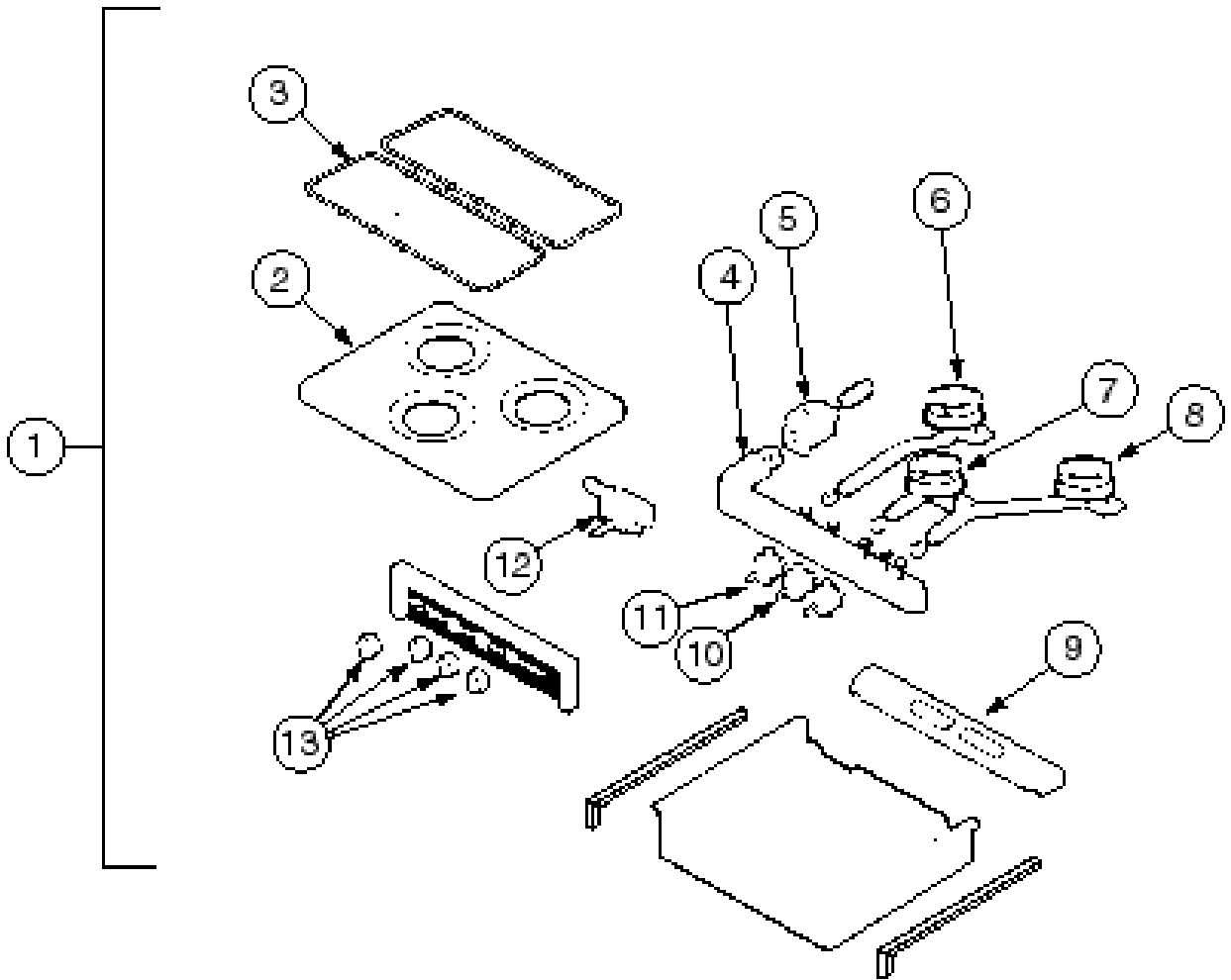


**MAGIC CHEF RANGE**  
**MODEL CLZ8508 BDB**



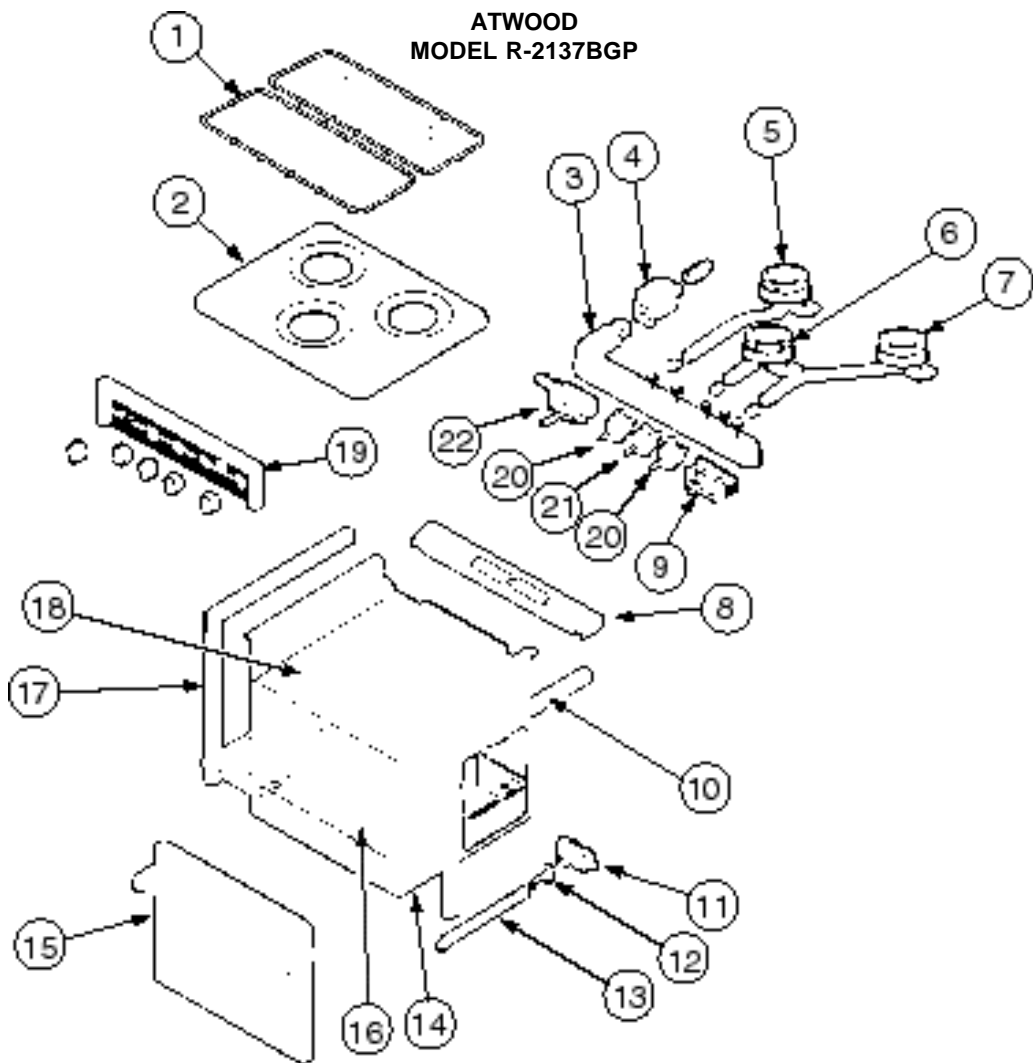
KEY	PART NUMBER	U/M	DESCRIPTION	VENDOR NO.
	114030-03-01A	EA	RANGE - 3 BURNER TOP - W/O OVEN - BLACK - CSA	
1	126023-01-703	EA	GRATE - TOP	74003358
2	102020-01-709	EA	BUMPER - GRATE	8007-P020-60
3	126023-01-706	EA	TOP - MAIN (WHITE)	74003322
3	126023-01-707	EA	TOP - MAIN (BLACK)	74003323
3	126023-01-708	EA	TOP - MAIN (ALMOND)	74003324
4	126023-01-701	EA	BURNER - TOP (LT-REAR)	7505P196-60
5	126023-01-700	EA	BURNER - TOP (RT-REAR)	7505P195-60
6	102020-01-729	EA	REGULATOR - PRESSURE	7510P043-60
7	114030-01-706	EA	TRIM - REAR/BLACK TEXTURED	74002841
8	114030-01-704	EA	TRIM - RIGHT/BLACK TEXTURED	74002839
9	112881-01-718	EA	KNOB - TOP BURNER HI-OUTPUT	74001794
9	112881-01-705	EA	KNOB - TOP BURNER	7733P072-60
10	114030-02-700	EA	GUARD/FABRIC - TOWEL BAR	3609F006-70
11	114030-01-705	EA	TRIM - LEFT/BLACK TEXTURED	74002840
12	126023-01-705	EA	PIPE - MANIFOLD	7513P161-60
13	126023-01-709	EA	VALVE - BURNER (REAR)	74003348
13	126023-01-710	EA	VALVE - BURNER (FRONT)	74003349
14	126023-01-702	EA	BURNER - TOP (FRONT)	7505P144-60
	126023-01-711	EA	ELECTRODE - IGNITER	7432P077-60
	126023-01-719	EA	IGNITER - TOP BURNER	74002413
	126023-01-720	EA	KNOB - IGNITER	74002414

MAGIC CHEF RANGE  
MODEL C-37BP



KEY	PART NUMBER	U/M	DESCRIPTION	VENDOR NO.
1	121757-01-01A	EA	RANGE TOP - 3 BURNER/BLACK ATWOOD C-37BP	
2	107246-01-700	EA	TOP - MAIN - BLK 3-BURNER	53083
3	121758-02-700	EA	GRATE - SINGLE	56261
4	121757-01-700	EA	MANIFOLD - 3 BURNER	56072
5	106689-01-704	EA	REGULATOR-EXTREME PRESSURE	51062
6	121758-01-707	EA	BURNER LEFT REAR PIEZO	56066
7	121758-01-708	EA	BURNER CENTER (HIGH OUTPUT)	56068
8	121758-01-706	EA	BURNER RIGHT REAR PIEZO	56067
9	107323-01-705	EA	TRIM-VENT	53525
10	121758-01-705	EA	VALVE HIGH OUTPUT	56087
11	121758-01-710	EA	VALVE - BURNER	56086
12	121758-01-701	EA	IGNITOR PIEZO (ROTARY)	56096
13	121757-01-701	EA	KNOB KIT - MODEL C37	51129
	121758-01-702	EA	ELECTRODE WIRE/PIEZO IGNITOR	56097
	107323-01-711	EA	CUSHION - GRATE BOOTS-RUBBER	53008
	121758-02-701	EA	CLIP - GRATE - BLACK	56117

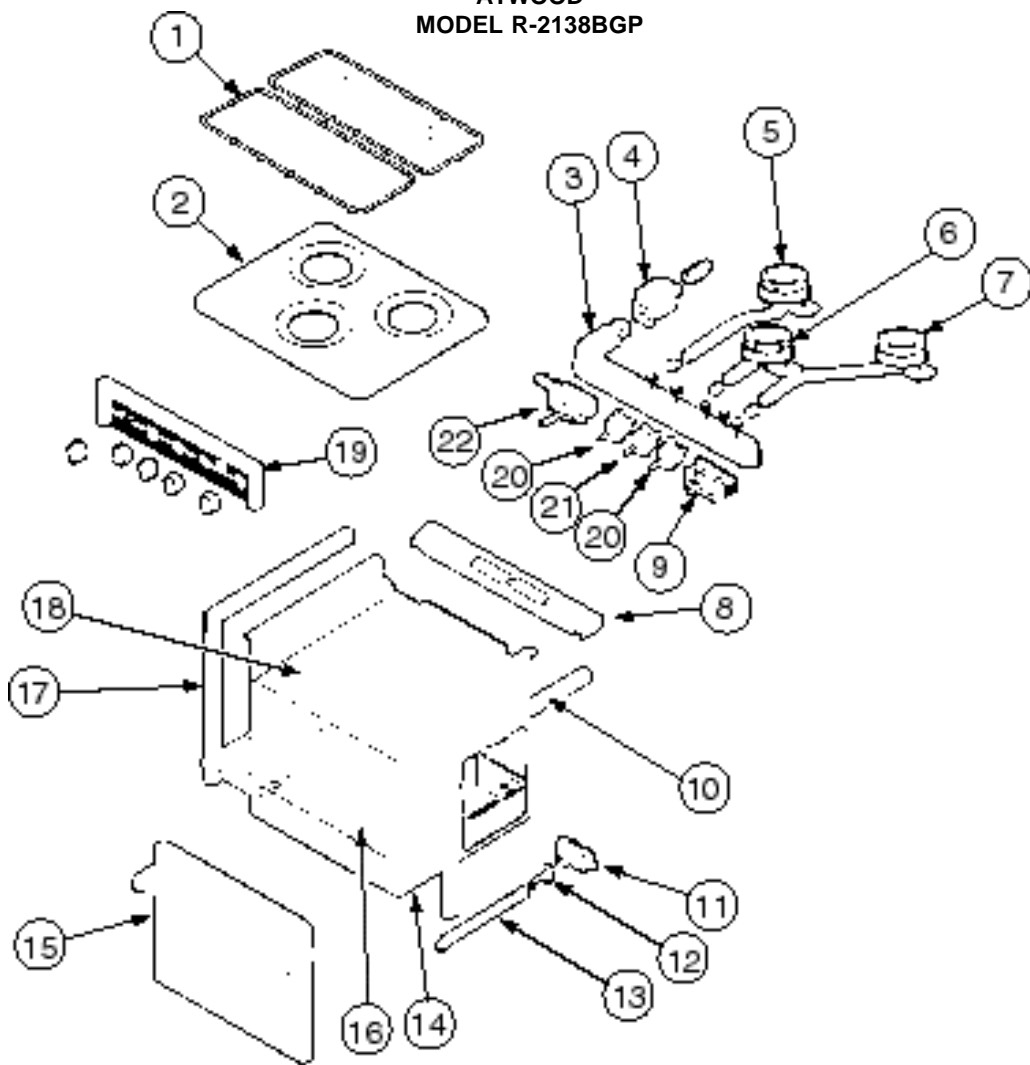
**ATWOOD  
MODEL R-2137BGP**



KEY	PART NUMBER	U/M	DESCRIPTION	VENDOR NO.
	121758-01-01A	EA	RANGE-W/OVEN, 21" 3 BURNER	
1	121758-02-700	EA	GRATE-SINGLE	56261
	107323-01-711	EA	CUSHION-GRATE, RUBBER	53008
	121758-02-701	EA	CLIP-GRATE	56117
2	121758-01-714	EA	RANGE-TOP, ALMOND	53082
3	121758-01-709	EA	MANIFOLD - 3 BURNER	51272
4	106689-01-704	EA	REGULATOR-EXTREME PRESSURE	51062
5	121758-01-707	EA	BURNER-LEFT REAR PIEZO	56066
6	121758-01-708	EA	BURNER-CENTER (HIGH OUTPUT)	56068
7	121758-01-706	EA	BURNER-RIGHT REAR PIEZO	56067
8	107323-01-705	EA	TRIM-VENT	53525
9	107246-01-703	EA	THERMOSTAT, ROBERT SHAW	52122
10	107323-01-703	EA	TRIM-RIGHT	53024
12	107246-01-706	EA	PILOT ASM, ONLY (OVEN)	51065
13	107246-01-721	EA	BURNER-OVEN	52017
14	107323-01-706	EA	TRIM-BOTTOM	53526
15	107323-01-714	EA	HANDLE ASM. DESIGNER STYLE	51112
16	107246-01-704	EA	RACK-OVEN	51069
	107246-01-708	EA	SHELF-OVEN, LOWER	51657
17	107323-01-702	EA	TRIM-LEFT	53023
	121758-01-715	EA	KNOB-KIT	51128
	107323-01-713	EA	GLASS-BLACK, INSERT OVEN DOOR	3426
18	121758-01-711	EA	BURNER BOX	51684
19	121758-01-713	EA	COVER-MANIFOLD	56107
20	121758-01-710	EA	VALVE, BURNER (2)	56086
21	121758-01-705	EA	VALVE-HIGH OUTPUT	56087
22	121758-01-701	EA	IGNITOR PIEZO (R11 OTARY)	56096
	121758-01-702	EA	ELECTRODE WIRE-PIEZO IGNITOR	56097
	107246-01-707	EA	VALVE-SAFETY W/PILOT COMP.	51063

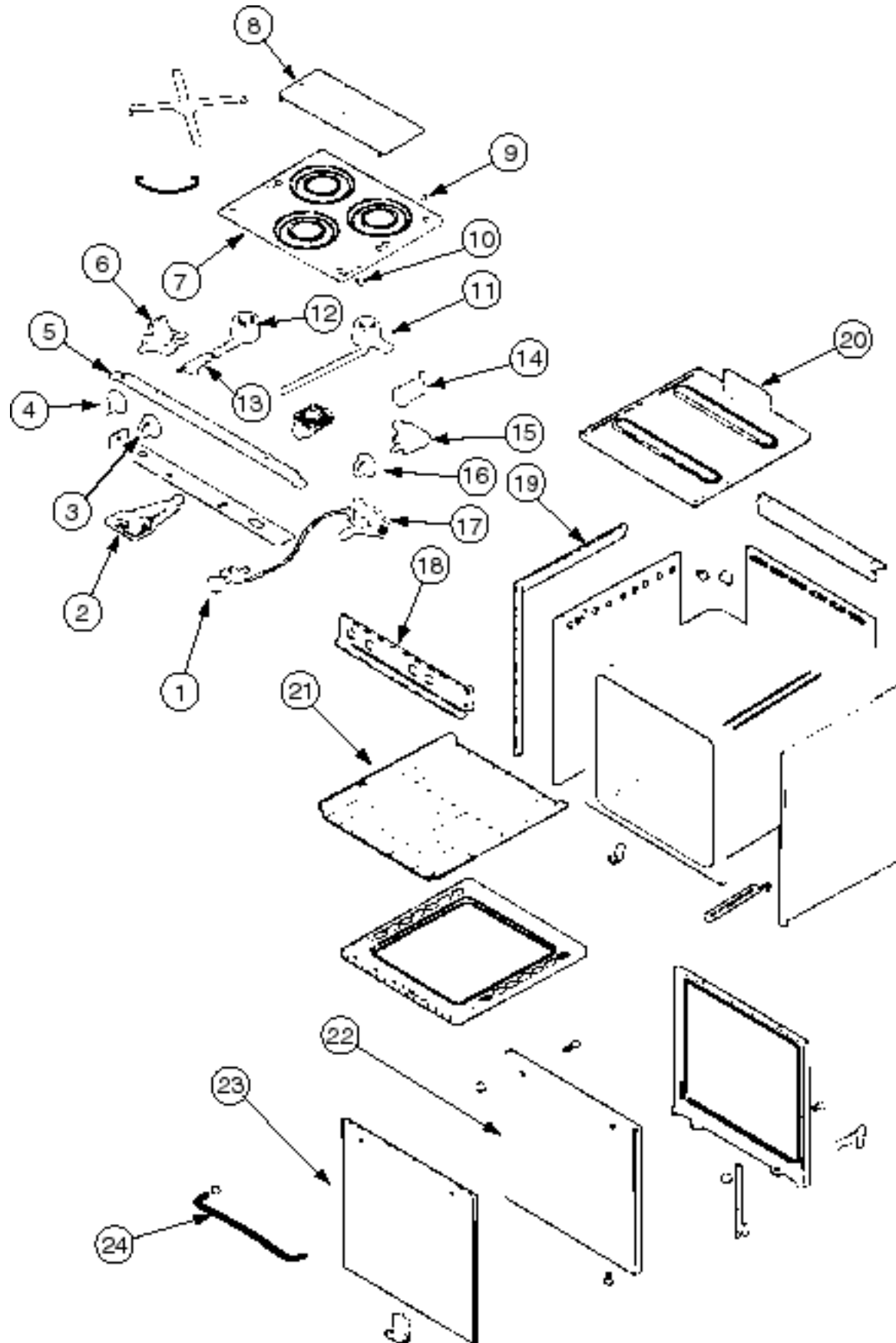


**ATWOOD  
MODEL R-2138BGP**



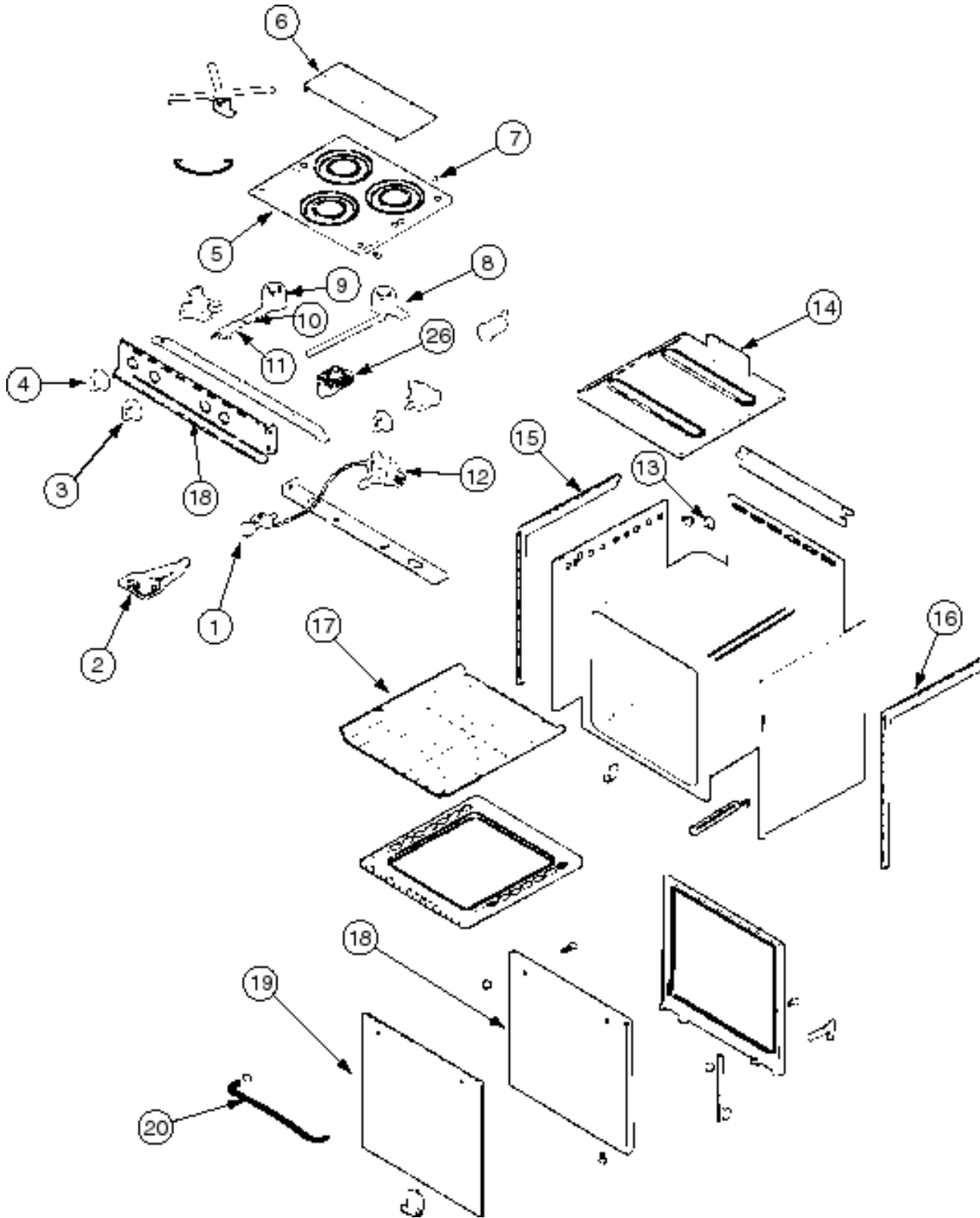
KEY	PART NUMBER	U/M	DESCRIPTION	VENDOR NO.
	121758-02-01A	EA	RANGE-W/OVEN, 21" 3 BURNER	
1	121758-02-700	EA	GRATE-SINGLE	56261
	107323-01-711	EA	CUSHION-GRATE, RUBBER	53008
	121758-02-701	EA	CLIP-GRATE	56117
2	107246-01-700	EA	TOP - MAIN - BLK 3-BURNER	53083
3	121758-01-709	EA	MANIFOLD - 3 BURNER	51272
4	106689-01-704	EA	REGULATOR-EXTREME PRESSURE	51062
5	121758-01-707	EA	BURNER-LEFT REAR PIEZO	56066
6	121758-01-708	EA	BURNER-CENTER (HIGH OUTPUT)	56068
7	121758-01-706	EA	BURNER-RIGHT REAR PIEZO	56067
8	107323-01-705	EA	TRIM-VENT	53525
9	107246-01-703	EA	THERMOSTAT, ROBERT SHAW	52122
10	107323-01-703	EA	TRIM-RIGHT	53024
12	107246-01-706	EA	PILOT ASM, ONLY (OVEN)	51065
13	107246-01-721	EA	BURNER-OVEN	52017
14	107323-01-706	EA	TRIM-BOTTOM	53526
15	107323-01-714	EA	HANDLE ASM. DESIGNER STYLE	51112
16	107246-01-704	EA	RACK-OVEN	51069
	107246-01-708	EA	SHELF-OVEN, LOWER	51657
17	107323-01-702	EA	TRIM-LEFT	53023
	121758-01-715	EA	KNOB-KIT	51128
	107323-01-713	EA	GLASS-BLACK, INSERT OVEN DOOR	3426
18	121758-01-711	EA	BURNER BOX	51684
19	121758-01-713	EA	COVER-MANIFOLD	56107
20	121758-01-710	EA	VALVE, BURNER (2)	56086
21	121758-01-705	EA	VALVE-HIGH OUTPUT	56087
22	121758-01-701	EA	IGNITOR PIEZO (R11 OTARY)	56096
	121758-01-702	EA	ELECTRODE WIRE-PIEZO IGNITOR	56097
	107246-01-707	EA	VALVE-SAFETY W/PILOT COMP.	51063

**MAGIC CHEF  
MODEL #22TB-3BKZ**



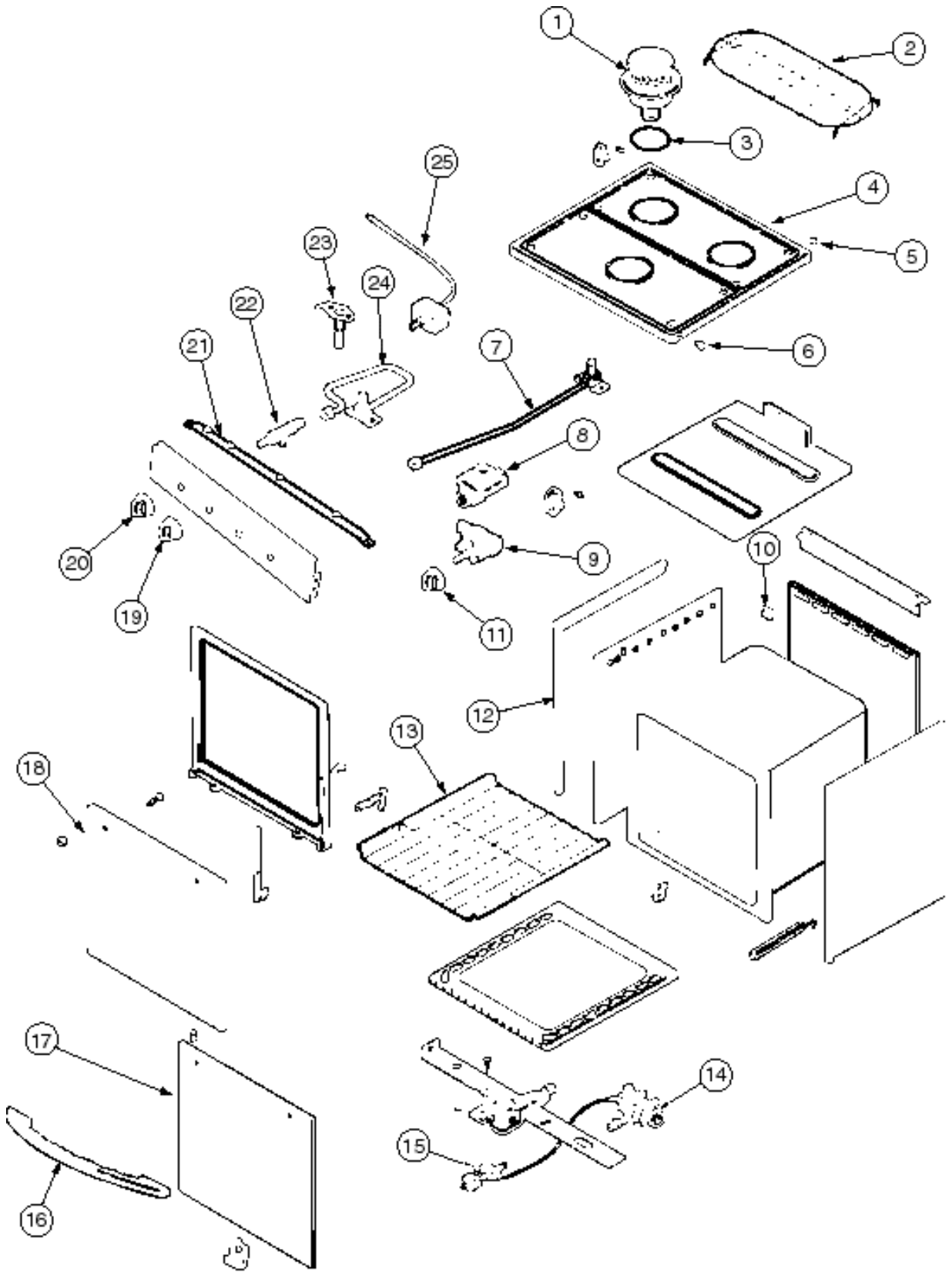
KEY	PART NUMBER	U/M	DESCRIPTION	VENDOR NO.
	126023-01-01A	EA	RANGE - W/OVEN 22" - 3 BURNER/BLACK GLASS DOOR	
1	102020-01-714	EA	PILOT - OVEN	968-143
2	112881-01-711	EA	BURNER - OVEN	3403W025045
3	112881-01-705	EA	KNOB-TOP BURNER	7733P072-60
3	112881-01-718	EA	KNOB - TOP BURNER HI-OUTPUT	74001794
4	126023-01-704	EA	KNOB - THERMOSTAT	7731P109-60
5	126023-01-705	EA	PIPE - MANIFOLD	7513P161-60
6	112881-01-722	EA	THERMOSTAT	7515P029-60K
7	126023-01-722	EA	TOP - MAIN (WHITE)	74001333
7	126023-01-723	EA	TOP - MAIN (BLACK)	74001486
7	126023-01-724	EA	TOP - MAIN (ALMOND)	74001503
8	102020-01-711	EA	GRATE - TOP	7518P012-60
9	102020-01-709	EA	BUMPER - GRATE	8007-P020-60
10	102020-01-724	EA	BUMPER - MAIN TOP	8003P008-60
11	126023-01-700	EA	BURNER - TOP (RT-REAR)	7505P195-60
11	126023-01-701	EA	BURNER - TOP (LT-REAR)	7505P196-60
12	126023-01-721	EA	BURNER - TOP FRONT	74001746
13	126023-01-725	EA	VALVE - TOP BURNER	74001795
14	126023-01-711	EA	ELECTRODE - IGNITER	7432P077-60
15	126023-01-719	EA	IGNITER - TOP BURNER	74002413
16	126023-01-720	EA	KNOB - IGNITER	74002414
17	102020-01-720	EA	VALVE - MERCURY CONTROL	7501P056-60
18	126023-01-726	EA	PANEL - MANIFOLD	2616F116-70
18	102020-01-729	EA	REGULATOR - PRESSURE	7510P043-60
19	126023-01-713	EA	TRIM - SIDE (RIGHT)	74002827
19	126023-01-714	EA	TRIM - SIDE (LEFT)	74002828
20	126023-01-718	EA	FLUE BOX ASSEMBLY	4006W075-80
21	102020-01-700	EA	SHELF - OVEN	7801-P027-60
22	126023-01-712	EA	PANEL - DOOR (BLACK)	74001190
23	102020-01-725	EA	GLASS - OUTER	7902P266-60
24	102020-01-701	EA	HANDLE - DOOR	7701P092-60

**MAGIC CHEF  
MODEL CLY2248 BDB**



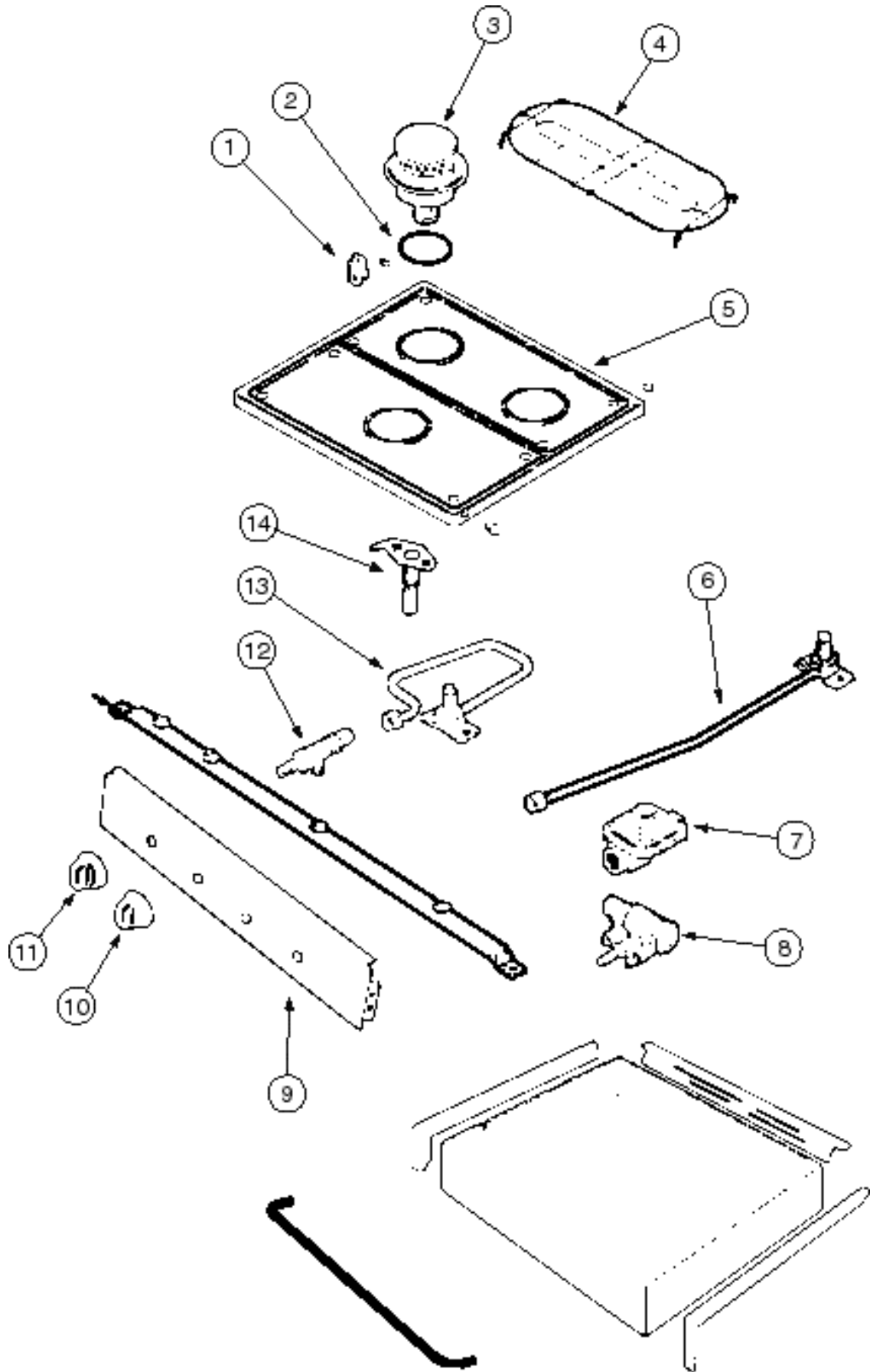
KEY	PART NUMBER	U/M	DESCRIPTION	VENDOR NO.
	126023-02-01A	EA	RANGE-W/OVEN 22"3BUR BLK CGA	
1	102020-01-714	EA	PILOT - OVEN	968-143
2	126023-01-717	EA	BURNER - OVEN	74003343
3	112881-01-705	EA	KNOB-TOP BURNER	7733P072-60
3	112881-01-718	EA	KNOB - TOP BURNER - HI-OUTPUT	74001794
4	126023-01-704	EA	KNOB - THERMOSTAT	7731P109-60
5	126023-01-728	EA	TOP - MAIN (BLACK) W/BRACE	74003323
6	126023-01-703	EA	GRATE - TOP	74003358
7	102020-01-709	EA	BUMPER - GRATE	8007-P020-60
8	126023-01-701	EA	BURNER - TOP (LT-REAR) - 5100 BTU	7505P196-60
8	126023-01-700	EA	BURNER - TOP (RT-REAR) - 5100 BTU	7505P195-60
9	126023-01-702	EA	BURNER - TOP (FRONT)	7505P144-60
10	098507-02-701	EA	INSERT - BURNER - SLOTTED VENT	7214P015-60
11	126023-01-709	EA	VALVE - BURNER (REAR)	74003348
11	126023-01-710	EA	VALVE - BURNER (FRONT)	74003349
12	102020-01-720	EA	VALVE - MERCURY CONTROL	7501P056-60
12	126023-02-700	EA	VALVE - OVEN	7501P056-60
13	126023-02-701	EA	CLIP - MAIN TOP (REAR)	7112P071-60
14	126023-01-718	EA	FLUE BOX ASSEMBLY	4006W075-80
15	126023-01-714	EA	TRIM - SIDE (LEFT)	74002828
16	126023-01-713	EA	TRIM - SIDE (RIGHT)	74002827
17	126023-01-716	EA	RACK - OVEN	74003106
18	126023-01-712	EA	PANEL - DOOR (BLACK)	74001190
19	102020-01-725	EA	GLASS - OUTER	7902P266-60
20	102020-01-701	EA	HANDLE - DOOR	7701P092-60
	126023-01-711	EA	ELECTRODE - IGNITER	7432P077-60
	126023-01-719	EA	IGNITER - TOP BURNER	74002413
	126023-01-720	EA	KNOB - IGNITER	74002414
	128728-01-703	EA	T-NUT - F/HINGE	7103P109-60

**MAYTAG  
MODEL MLY2245ADB**



KEY	PART NUMBER	U/M	DESCRIPTION	VENDOR NO.
	128727-01-01A	EA	RANGE - 3 BURNER W/OVEN - 22" BLACK GLASS DOOR	MAYTAG MLY2245ADB
1	128728-01-715	EA	BURNER ASSEMBLY	74003949
2	128728-01-700	EA	GRATE - BURNER	74003948
3	128728-01-711	EA	GASKET - BURNER	74002745
4	128728-01-705	EA	TOP - MAIN - BLACK	74003928
4	128728-01-706	EA	TOP - MAIN - WHITE	74003955
5	102020-01-709	EA	BUMPER-GRATE	8007-P020-60
6	102020-01-724	EA	BUMPER-MAIN TOP	8003P008-60
7	128728-01-708	EA	FITTING - ORFICE TUBE - REAR	74003931
8	102020-01-729	EA	REGULATOR-PRESS. (SER. #04C)	7510P043-60
8	128728-01-712	EA	FITTING - HALF UNION	7507P083-60
9	128728-01-716	EA	BURNER - IGNITOR	74003946
10	112881-02-701	EA	CLIP - MAIN TOP (REAR)	7112P071-60
11	128728-01-707	EA	KNOB - IGNITOR	74003944
12	126023-01-713	EA	TRIM - SIDE (RIGHT)	74002827
12	126023-01-714	EA	TRIM - SIDE (LEFT)	74002828
13	126023-01-716	EA	RACK - OVEN	74003106
14	112881-02-700	EA	VALVE - OVEN	7501P056-60
15	102020-01-714	EA	PILOT-OVEN	968-143
16	128727-01-701	EA	HANDLE - OVEN DOOR	74003929
17	102020-01-725	EA	GLASS OUTER	7902P266-60
18	126023-01-712	EA	PANEL - DOOR (BLACK)	74001190
19	128728-01-701	EA	KNOB - BURNER - REAR	74003941
19	128728-01-702	EA	KNOB - BURNER - FRONT	74003942
20	128727-01-700	EA	KNOB - THERMOSTAT	74003943
21	126023-01-705	EA	PIPE - MANIFOLD	7513P161-60
22	128728-01-713	EA	VALVE - BURNER - REAR	74003932
22	128728-01-714	EA	VALVE - BURNER - FRONT	74003933
23	128728-01-709	EA	ELECTRODE - IGNITOR	7432P073-60
24	128728-01-710	EA	FITTING - ORFICE TUBE - FRT	74003930
25	112881-01-722	EA	THERMOSTAT	7515P029-60K
	128728-01-717	EA	WIRES - IGNITOR	74003947

**MAYTAG RANGE  
#MLZ8505ADB**



KEY	PART NUMBER	U/M	DESCRIPTION	VENDOR NO.
	128728-01-01A	EA	RANGE - 3 BURNER W/O OVEN - BLACK MAYTAG #MLZ8505ADB	
1	128728-01-703	EA	T-NUT - F/HINGE	7103P109-60
2	128728-01-711	EA	GASKET - BURNER	74002745
3	128728-01-715	EA	BURNER ASSEMBLY	74003949
4	128728-01-700	EA	GRATE - BURNER	74003948
5	128728-01-705	EA	TOP - MAIN - BLACK	74003928
5	128728-01-706	EA	TOP - MAIN - WHITE	74003955
6	128728-01-708	EA	FITTING - ORFICE TUBE	74003931
7	128728-01-712	EA	FITTING - HALF UNION	7507P083-60
8	128728-01-716	EA	BURNER - IGNITOR	74003946
9	128728-01-704	EA	PANEL - MANIFOLD	74003957
10	128728-01-707	EA	KNOB - IGNITOR	74003944
11	128728-01-701	EA	KNOB - BURNER - REAR	74003941
11	128728-01-702	EA	KNOB - BURNER - FRONT	74003942
12	128728-01-713	EA	VALVE - BURNER - REAR	74003932
12	128728-01-714	EA	VALVE - BURNER - FRONT	74003933
13	128728-01-710	EA	FITTING - ORFICE TUBE - FRT	74003930
14	128728-01-709	EA	ELECTRODE - IGNITOR	7432P073-60