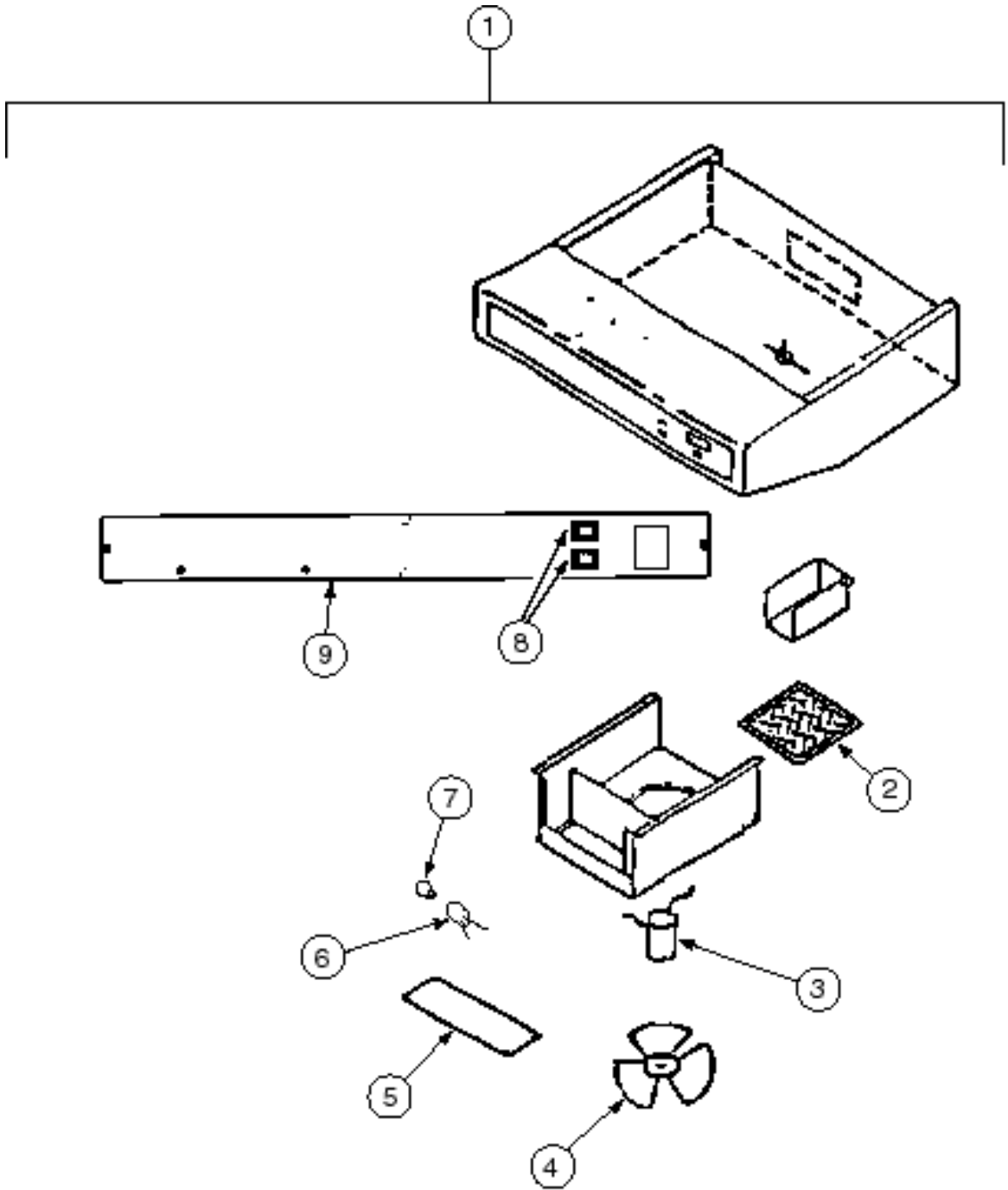
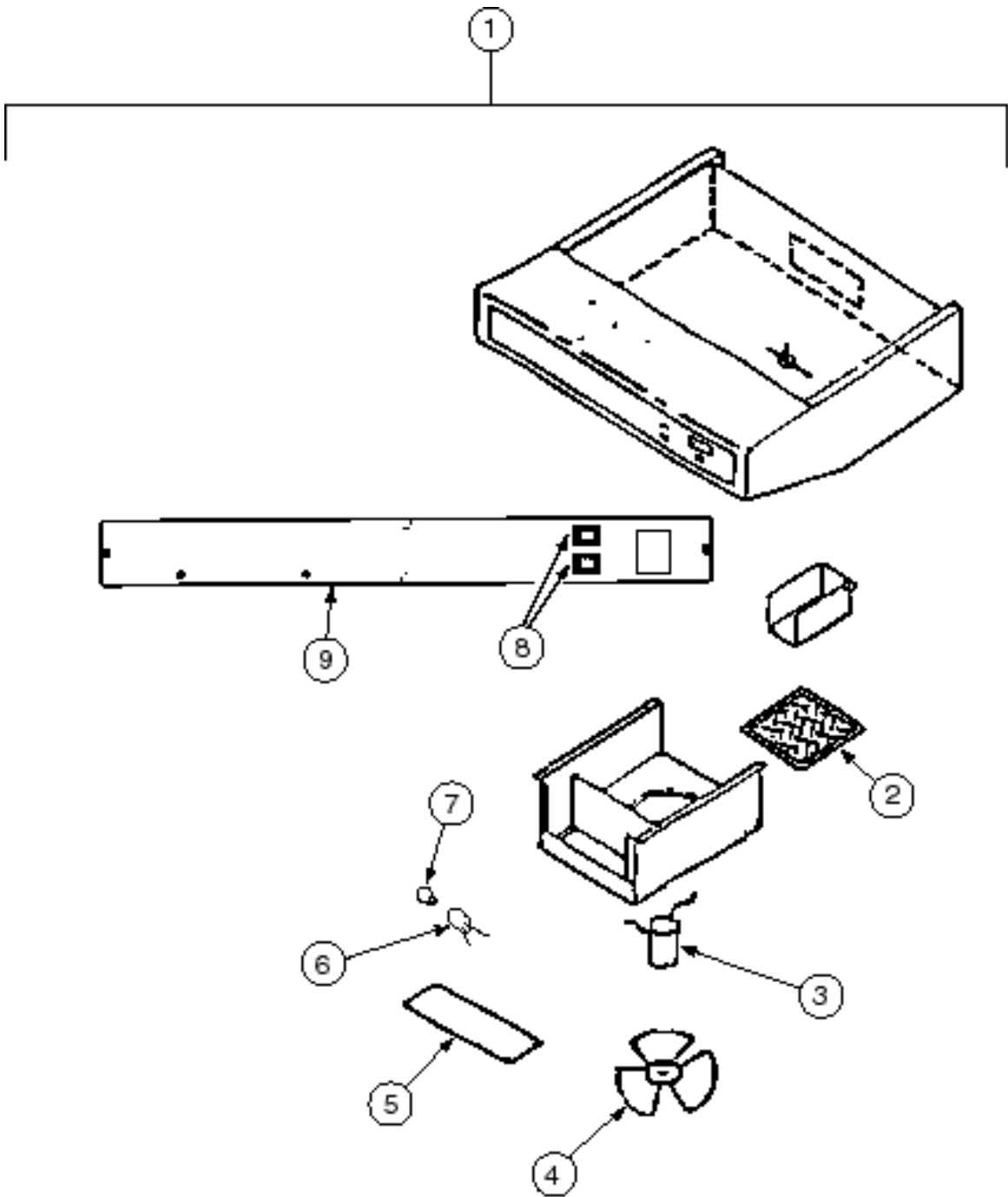


VENTLINE
MODEL TCS-5008-NBDLG



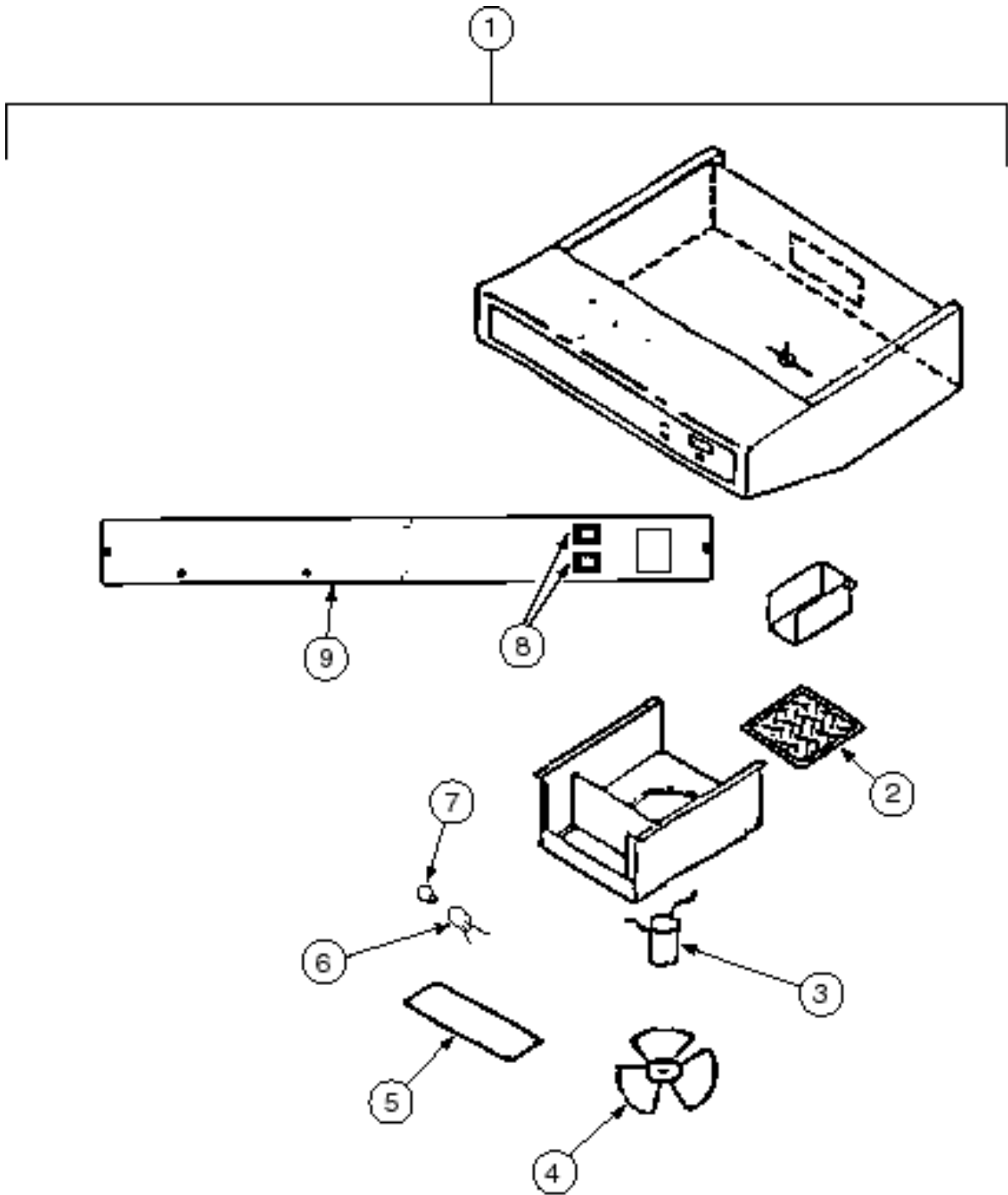
KEY	PART NUMBER	U/M	DESCRIPTION	VENDOR NO.
1	100258-16-03A	EA	HOOD - RANGE - W/O MONITOR PANEL - W/O HOUR METER & SWITCH	
2	096983-01-707	EA	FILTER-MESH	CC246
3	090973-01-700	EA	MOTOR-12 VOLT, CSA & UL	CA508-1
4	090973-01-702	EA	BLADE-FAN	VA183-1
5	092696-02-701	EA	LENS-LAMP	CC179-2
6	092696-01-710	EA	HOLDER-LAMP	CB267-2
7	092696-01-709	EA	LAMP #912	VA415
8	096983-01-700	EA	SWITCH-ON/OFF	108
9	100258-01-700	EA	LABEL-HOOD NOSE	CC428

VENTLINE
MODEL TCS-5008-NBDLG



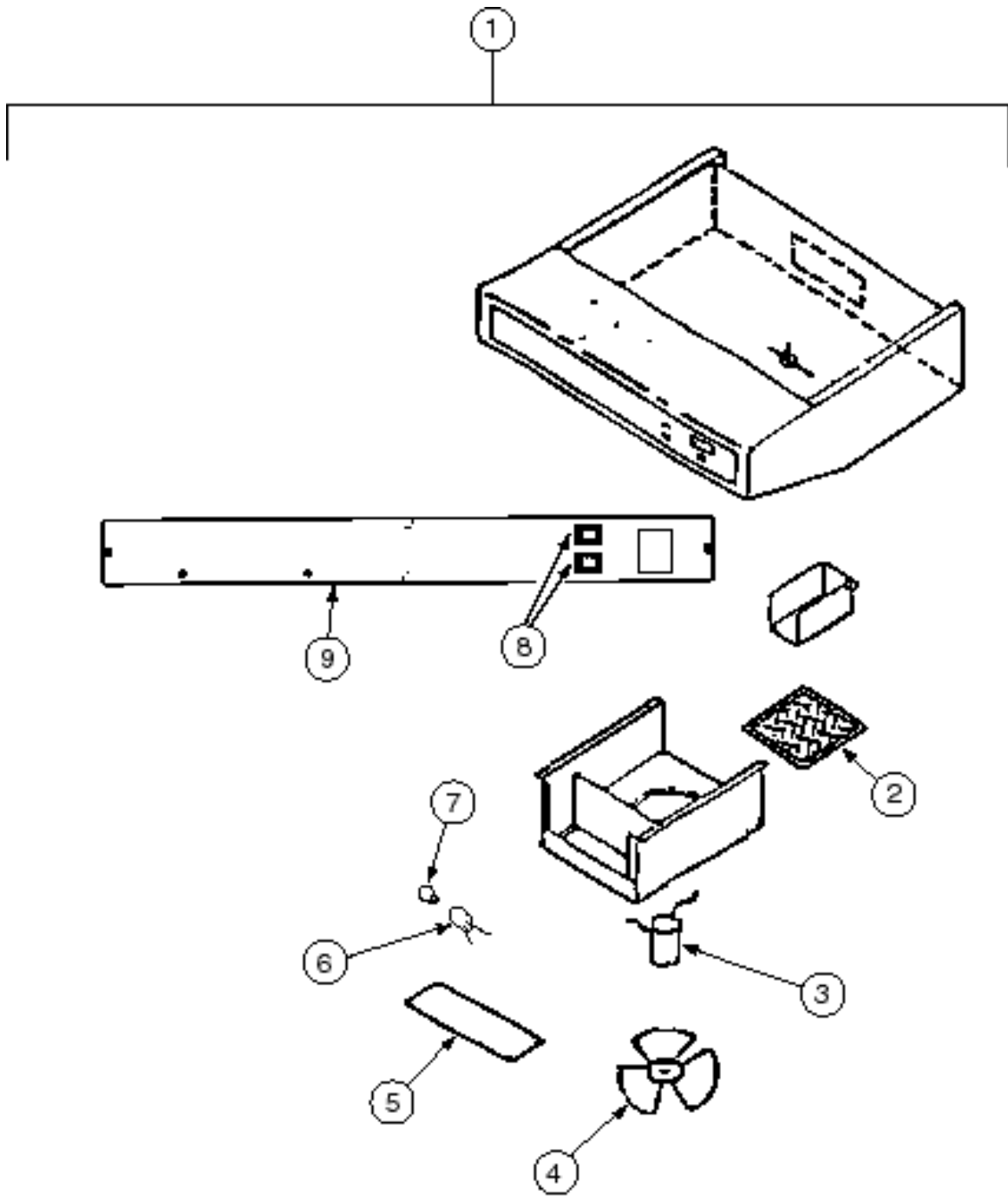
KEY	PART NUMBER	U/M	DESCRIPTION	VENDOR NO.
1	100258-16-04A	EA	HOOD - RANGE - W/O MONITOR PANEL-W/O HOUR METER/SWITCH-US	
2	096983-01-707	EA	FILTER-MESH	CC246
3	090973-01-700	EA	MOTOR-12 VOLT, CSA & UL	CA508-1
4	090973-01-702	EA	BLADE-FAN	VA183-1
5	092696-02-701	EA	LENS-LAMP	CC179-2
6	092696-01-710	EA	HOLDER-LAMP	CB267-2
7	092696-01-709	EA	LAMP #912	VA415
8	096983-01-700	EA	SWITCH-ON/OFF	108
9	100258-01-700	EA	LABEL-HOOD NOSE	CC428

VENTLINE
MODEL TCS-5008-NBDLG



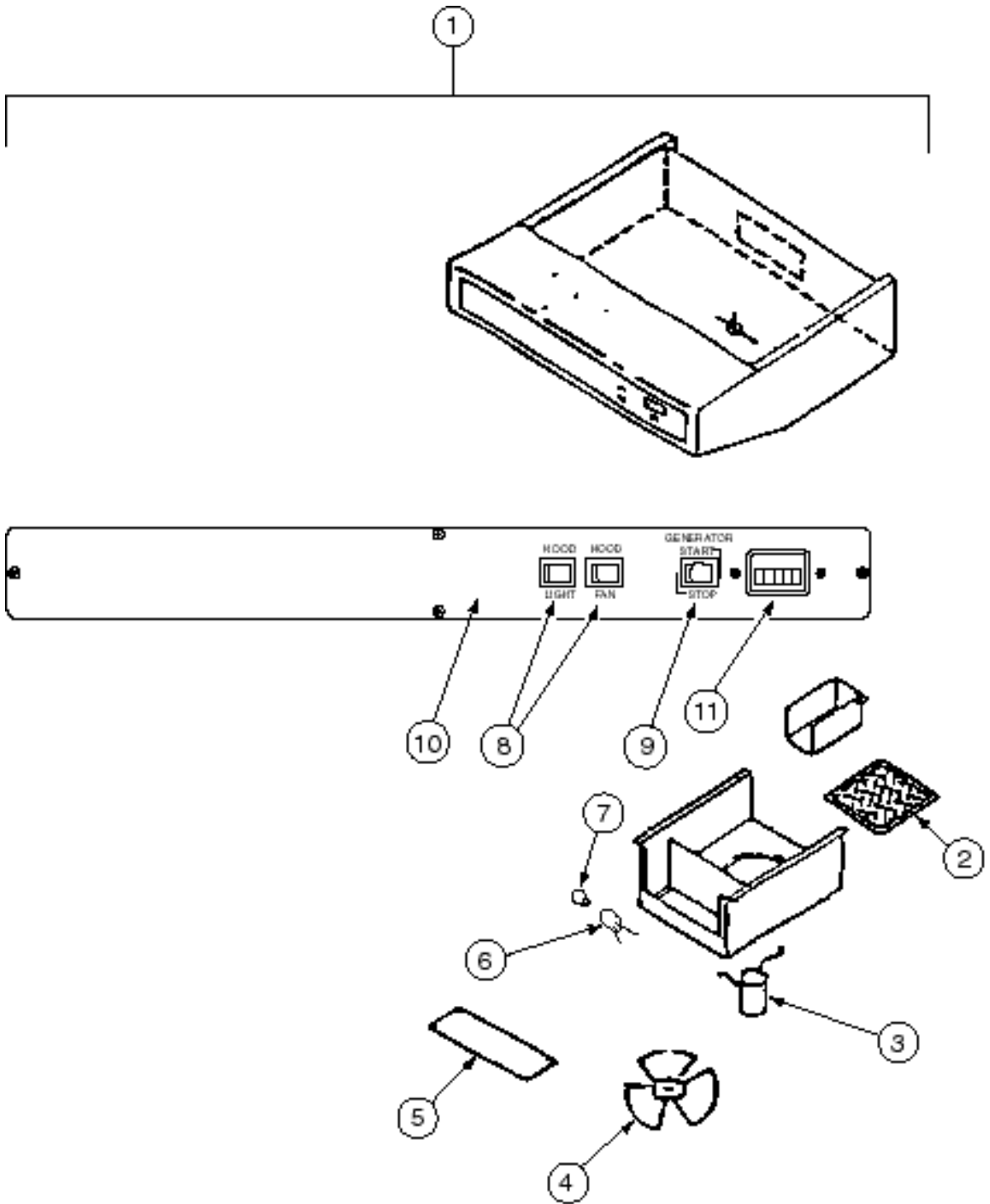
KEY	PART NUMBER	U/M	DESCRIPTION	VENDOR NO.
1	100258-17-03A	EA	HOOD - RANGE - W/O MONITOR PANEL - W/O HOUR METER & SWITCH	
2	096983-01-707	EA	FILTER-MESH	CC246
3	090973-01-700	EA	MOTOR-12 VOLT, CSA & UL	CA508-1
4	090973-01-702	EA	BLADE-FAN	VA183-1
5	092696-02-701	EA	LENS-LAMP	CC179-2
6	092696-01-710	EA	HOLDER-LAMP	CB267-2
7	092696-01-709	EA	LAMP #912	VA415
8	096983-01-700	EA	SWITCH-ON/OFF	108
9	100258-01-700	EA	LABEL-HOOD NOSE	CC428

VENTLINE
MODEL TCS-5008-NBDLG



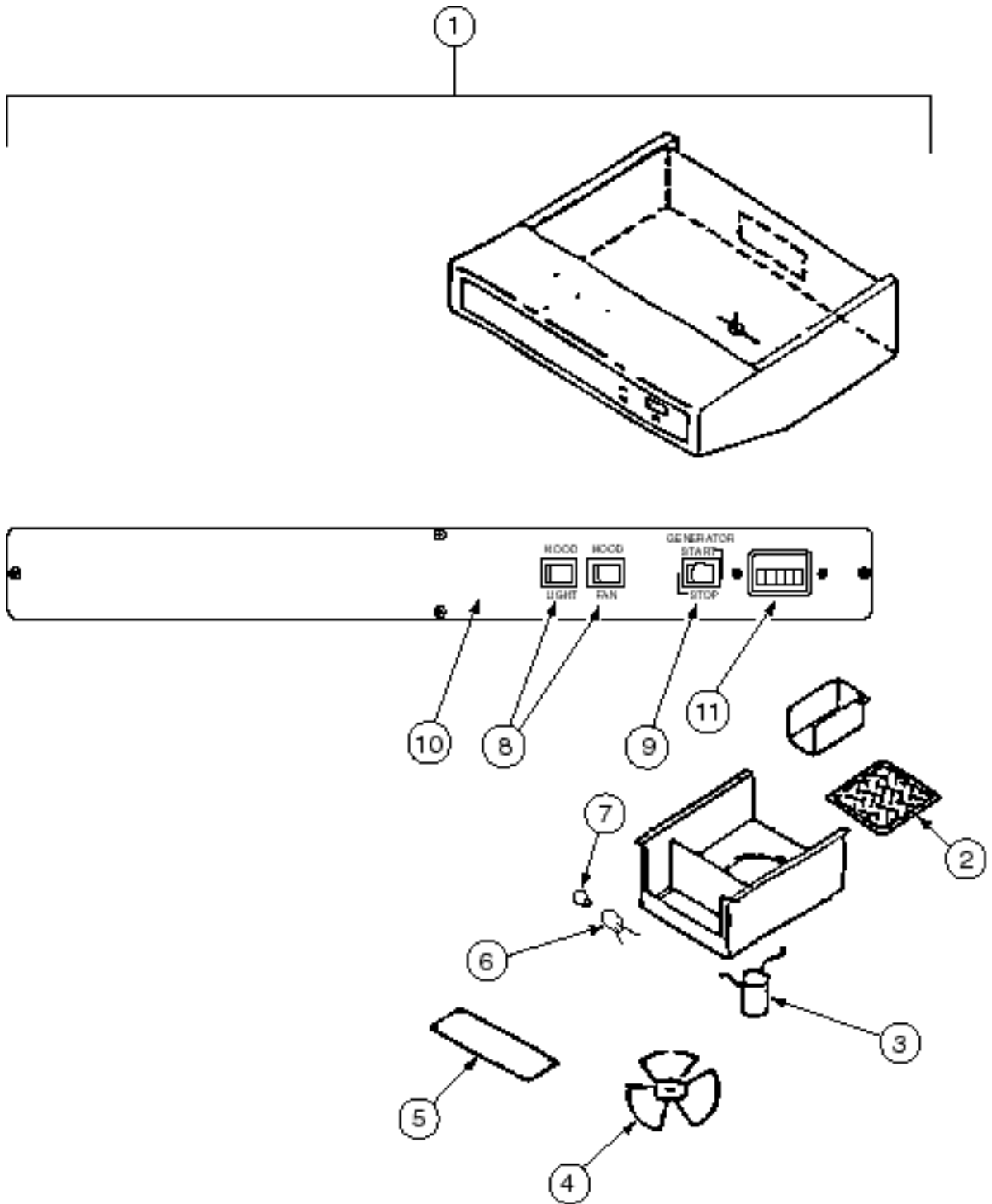
KEY	PART NUMBER	U/M	DESCRIPTION	VENDOR NO.
1	100258-17-04A	EA	HOOD - RANGE - W/O MONITOR PANEL-W/O HOUR METER/SWITCH-CSA	
2	096983-01-707	EA	FILTER-MESH	CC246
3	090973-01-700	EA	MOTOR-12 VOLT, CSA & UL	CA508-1
4	090973-01-702	EA	BLADE-FAN	VA183-1
5	092696-02-701	EA	LENS-LAMP	CC179-2
6	092696-01-710	EA	HOLDER-LAMP	CB267-2
7	092696-01-709	EA	LAMP #912	VA415
8	096983-01-700	EA	SWITCH-ON/OFF	108
9	100258-01-700	EA	LABEL-HOOD NOSE	CC428

VENTLINE
MODEL TPS-5009-SADL



KEY	PART NUMBER	U/M	DESCRIPTION	VENDOR NO.
1	100258-18-02A	EA	HOOD - RANGE - W/O MONITOR PANEL - W/HOUR METER & SWITCH	
2	096983-01-707	EA	FILTER-MESH	CC246
3	090973-01-700	EA	MOTOR-12 VOLT, CSA & UL	CA508-1
4	090973-01-702	EA	BLADE-FAN	VA183-1
5	092696-02-701	EA	LENS-LAMP	CC179-2
6	092696-01-709	EA	LAMP #912	VA415
7	092696-01-710	EA	HOLDER-LAMP	CB267-2
8	096983-01-700	EA	SWITCH - ON/OFF	L0108-00
9	096983-01-702	EA	SWITCH - MOM/OFF/MOM/3 TERM	L0112-00
10	100258-01-700	EA	LABEL-HOOD NOSE	CC428
11	100258-10-01A	EA	HOUR METER 150	

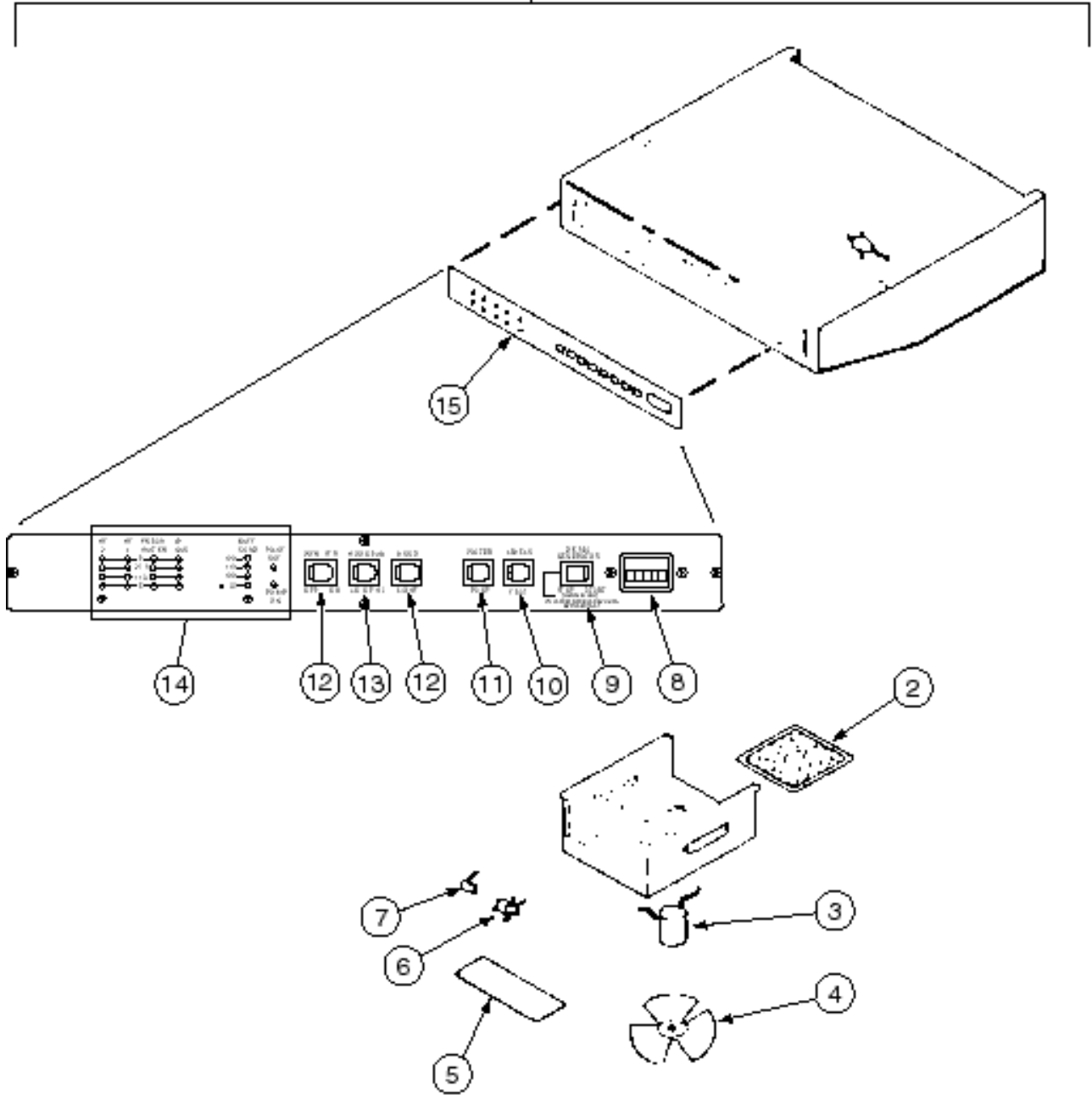
VENTLINE
MODEL TCS 500-NBCLG



KEY	PART NUMBER	U/M	DESCRIPTION	VENDOR NO.
1	100258-18-03A	EA	HOOD - RANGE - W/O MONITOR PANEL-W/HOUR METER/SWITCH - US	
2	096983-01-707	EA	FILTER-MESH	CC246
3	090973-01-700	EA	MOTOR-12 VOLT, CSA & UL	CA508-1
4	090973-01-702	EA	BLADE-FAN	VA183-1
5	092696-02-701	EA	LENS-LAMP	CC179-2
6	092696-01-709	EA	LAMP #912	VA415
7	092696-01-710	EA	HOLDER-LAMP	CB267-2
8	096983-01-700	EA	SWITCH - ON/OFF	L0108-00
9	096983-01-702	EA	SWITCH - MOM/OFF/MOM/3 TERM	L0112-00
10	100258-01-700	EA	LABEL-HOOD NOSE	CC428
11	100258-10-01A	EA	HOUR METER 150	

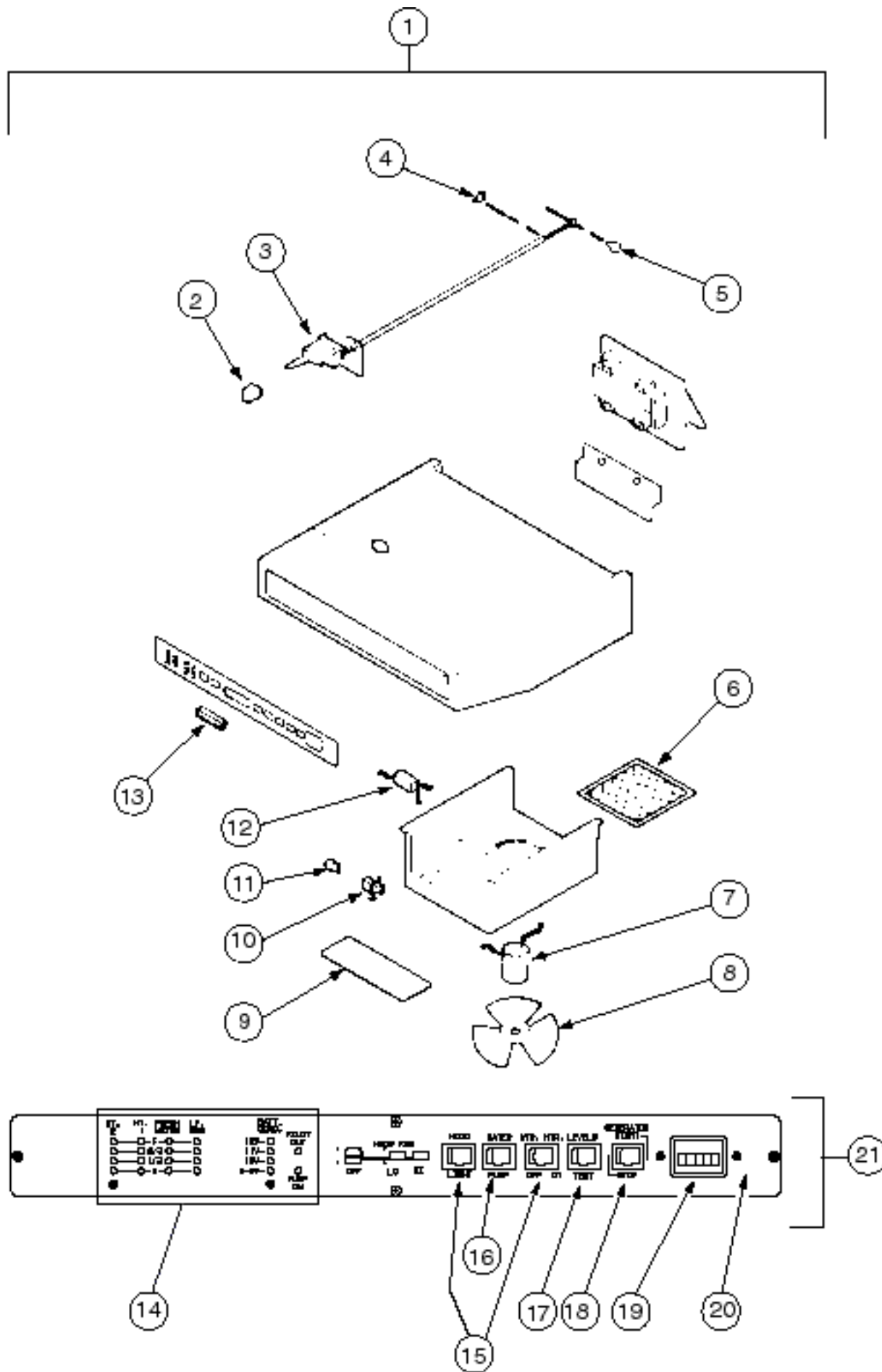
VENTLINE
MODEL TMR-5040 SBDL

1



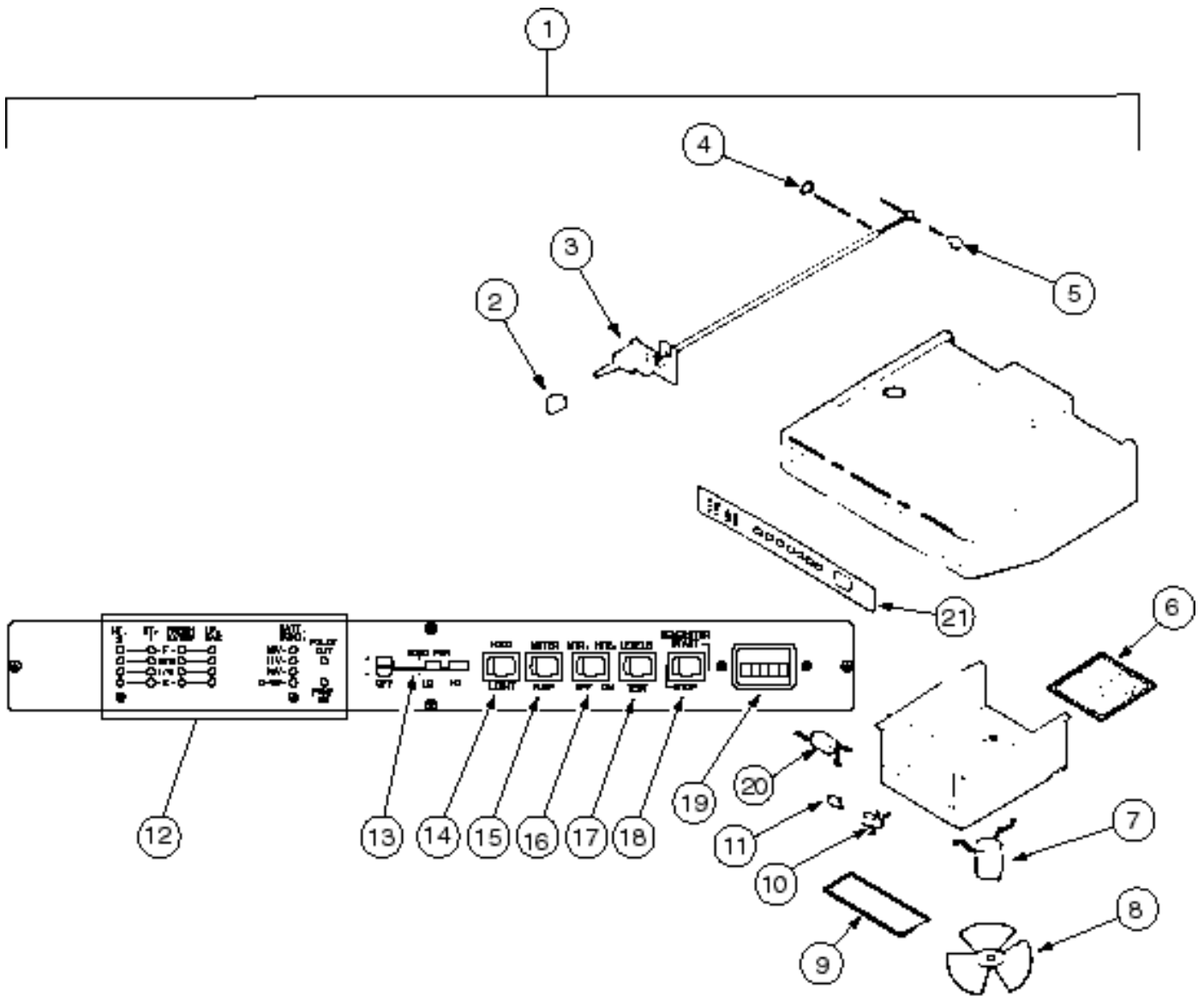
KEY	PART NUMBER	U/M	DESCRIPTION	VENDOR NO.
1	100258-21-02A	EA	HOOD - RANGE - 22" - W/MONITOR PANEL	
2	096983-01-707	EA	FILTER-MESH	CC246
3	090973-01-700	EA	MOTOR-12 VOLT, CSA & UL	CA508-1
4	090973-01-702	EA	BLADE-FAN	VA183-1
5	092696-02-701	EA	LENS-LAMP	CC179-2
6	092696-01-710	EA	HOLDER-LAMP	CB267-2
7	092696-01-709	EA	LAMP #912	VA415
8	100258-10-01A	EA	HOUR METER 150	
9	096983-01-702	EA	SWITCH - MOM/OFF/MOM/3 TERM	L0112-00
10	075470-01-703	EA	SWITCH - ON/MOMENTARY	RP1016
11	096983-01-703	EA	SWITCH - ON/ON	L0115-00
12	096983-01-700	EA	SWITCH - ON/OFF	L0108-00
13	100258-08-701	EA	SWITCH - FAN/2 SPEED	L122-00
14	100258-11-700	EA	BOARD-CIRCUIT	L5099-01
15	100258-11-701	EA	PANEL-CONTROL ASSEMBLY	LA9080
	092698-02-700	EA	FASTENER - PUSH	VB430

**VENTLINE
MODEL TMS-5012-SBDL**



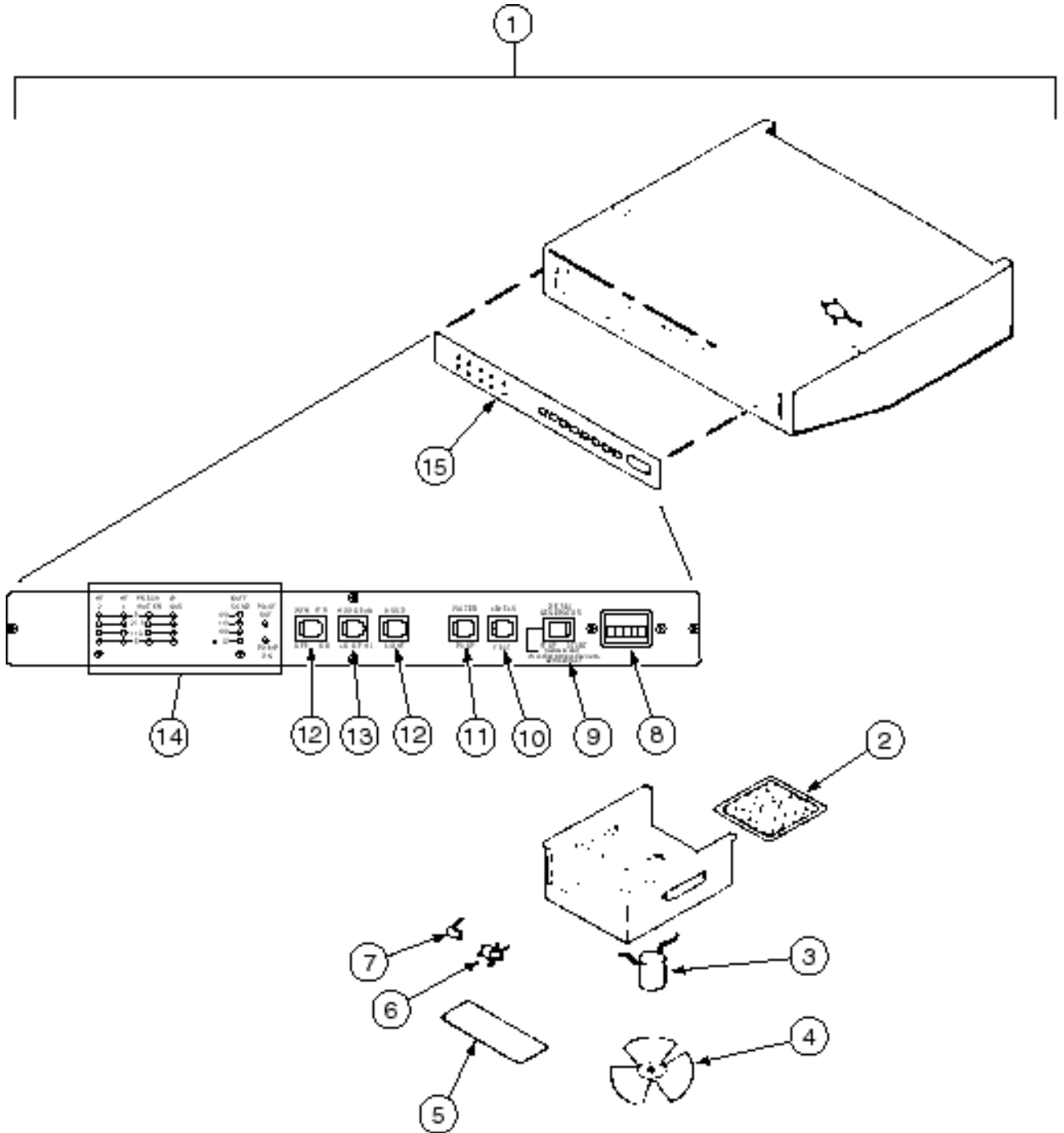
KEY	PART NUMBER	U/M	DESCRIPTION	VENDOR NO.
1	100258-22-03A	EA	HOOD - RANGE - 22" - W/MONITOR PANEL	
2	092696-01-701	EA	KNOB - PLASTIC	CC 225
3	100258-04-702	EA	SWITCH - LEVER - W/CABLE	CB547-1
4	092698-02-701	EA	CLAMP - CONDUIT	VB334
5	092698-02-700	EA	FASTENER - PUSH	VB430
6	096983-01-707	EA	FILTER - MESH	CC246
7	090973-01-700	EA	MOTOR - 12 VOLT - CSA & UL	CA508-1
8	090973-01-702	EA	BLADE - FAN	VA183-1
9	092696-02-701	EA	LENS - LAMP	CC179-2
10	092696-01-710	EA	HOLDER - LAMP	CB267-2
11	092696-01-709	EA	LAMP - #912	VA415
12	092696-01-702	EA	RESISTER - WIRE	L7314
13	100258-04-701	EA	BEZEL - SWITCH LEVER	CC116
14	100258-11-700	EA	BOARD - CIRCUIT - ADJUSTABLE POTENTIOMETER	L5099-01
15	096983-01-703	EA	SWITCH - ON/ON	L0115-00
16	096983-01-700	EA	SWITCH - ON/OFF	L0108-00
17	096983-01-701	EA	SWITCH - SPST/MOM 2 TERMINAL	L0111-00
18	096983-01-702	EA	SWITCH - MOM/OFF/MOM/3 TERM	L0112-00
19	100258-10-700	EA	GAUGE - HOUR METER - SCREW ON	150
19	100258-10-701	EA	GAUGE - HOUR METER - CLIP ON	L0775-00
20	100258-14-700	EA	PLATE - FACE - SCREENED	9077
21	100258-12-700	EA	PANEL - CONTROL ASSEMBLY	LA9076

**VENTLINE
MODEL TMS-5012-SBCL**



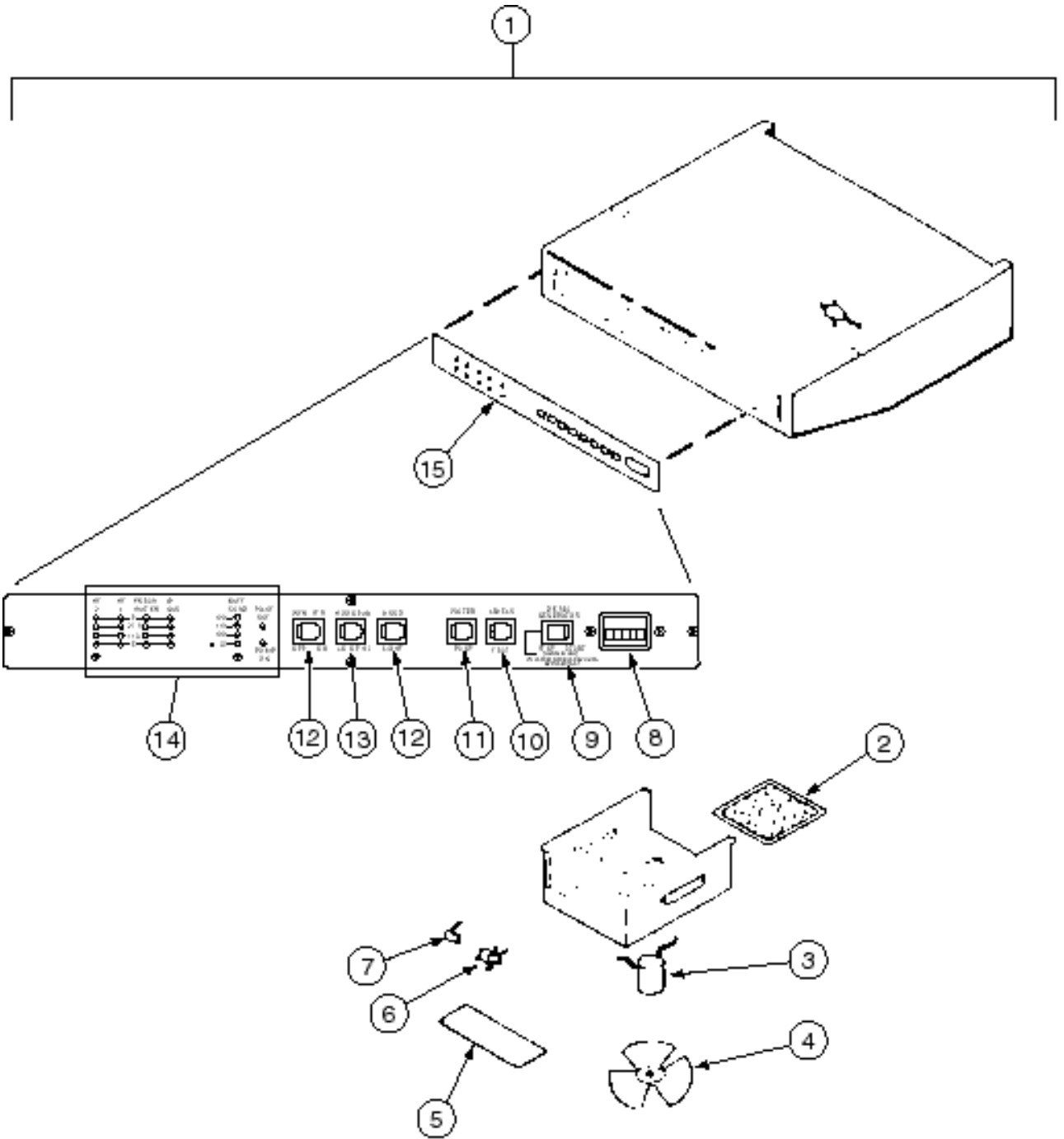
KEY	PART NUMBER	U/M	DESCRIPTION	VENDOR NO.
1	100258-23-03A	EA	HOOD - RANGE - 22" - W/MONITOR PANEL	VENT TMS-5012-SBCL
2	092696-01-701	EA	KNOB-PLASTIC	CC 225
3	100258-04-702	EA	SWITCH - LEVER - W/CABLE	CB547-1
4	092698-02-701	EA	CLAMP-CONDUIT	VB334
5	092698-02-700	EA	FASTENER - PUSH	VB430
6	096983-01-707	EA	FILTER-MESH	CC246
7	090973-01-700	EA	MOTOR-12 VOLT, CSA & UL	CA508-1
8	090973-01-702	EA	BLADE-FAN	VA183-1
9	092696-02-701	EA	LENS-LAMP	CC179-2
10	092696-01-710	EA	HOLDER-LAMP	CB267-2
11	092696-01-709	EA	LAMP #912	VA415
13	100258-04-701	EA	BEZEL-SWITCH LEVER	CC116
14	096983-01-700	EA	SWITCH - ON/OFF	L0108-00
15	100258-11-700	EA	BOARD-CIRCUIT	L5099-01
16	096983-01-703	EA	SWITCH - ON/ON	L0115-00
17	096983-01-700	EA	SWITCH - ON/OFF	L0108-00
18	075470-01-703	EA	SWITCH - ON/MOMENTARY	RP1016
19	096983-01-702	EA	SWITCH - MOM/OFF/MOM/3 TERM	L0112-00
20	100258-10-700	EA	GAUGE-HOUR METER, SCREW ON	150
21	092696-01-702	EA	RESISTER-WIRE	L7314
	100258-12-700	EA	PANEL-CONTROL ASSEMBLY	LA9076

VENTLINE
MODEL TMR-5-52 SBCL



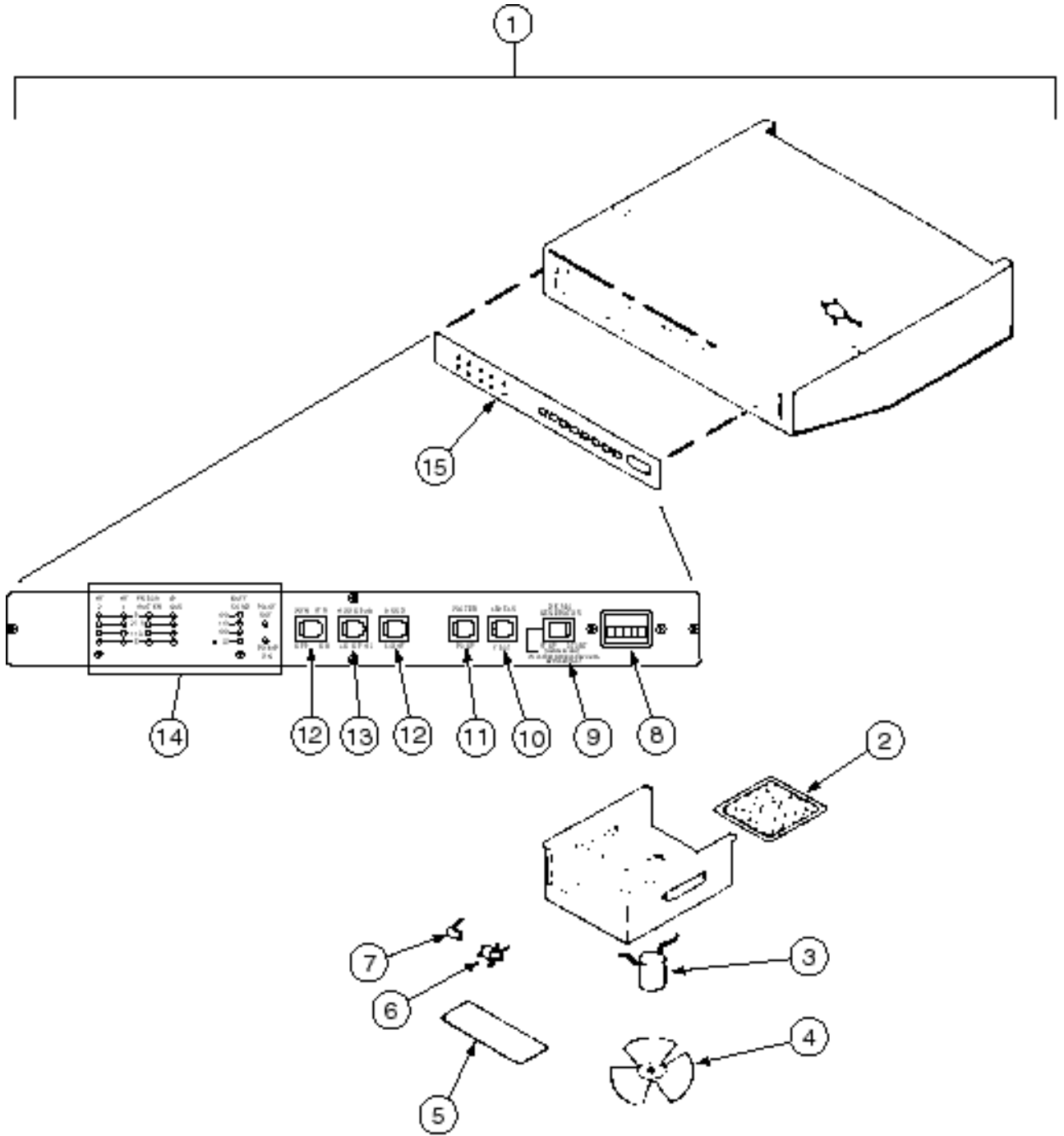
KEY	PART NUMBER	U/M	DESCRIPTION	VENDOR NO.
1	100258-24-02A	EA	HOOD - RANGE - 22" - W/MONITOR PANEL	
2	096983-01-707	EA	FILTER-MESH	CC246
3	090973-01-700	EA	MOTOR-12 VOLT, CSA & UL	CA508-1
4	090973-01-702	EA	BLADE-FAN	VA183-1
5	092696-02-701	EA	LENS-LAMP	CC179-2
6	092696-01-710	EA	HOLDER-LAMP	CB267-2
7	092696-01-709	EA	LAMP #912	VA415
8	100258-10-01A	EA	HOUR METER 150	
9	096983-01-702	EA	SWITCH - MOM/OFF/MOM/3 TERM	L0112-00
10	075470-01-703	EA	SWITCH - ON/MOMENTARY	RP1016
11	096983-01-703	EA	SWITCH - ON/ON	L0115-00
12	096983-01-700	EA	SWITCH - ON/OFF	L0108-00
13	100258-08-701	EA	SWITCH - FAN/2 SPEED	L122-00
14	100258-11-700	EA	BOARD-CIRCUIT	L5099-01
15	100258-11-701	EA	PANEL-CONTROL ASSEMBLY	LA9080
	092698-02-700	EA	FASTENER - PUSH	VB430

VENTLINE
MODEL TMR-5053-SBDL



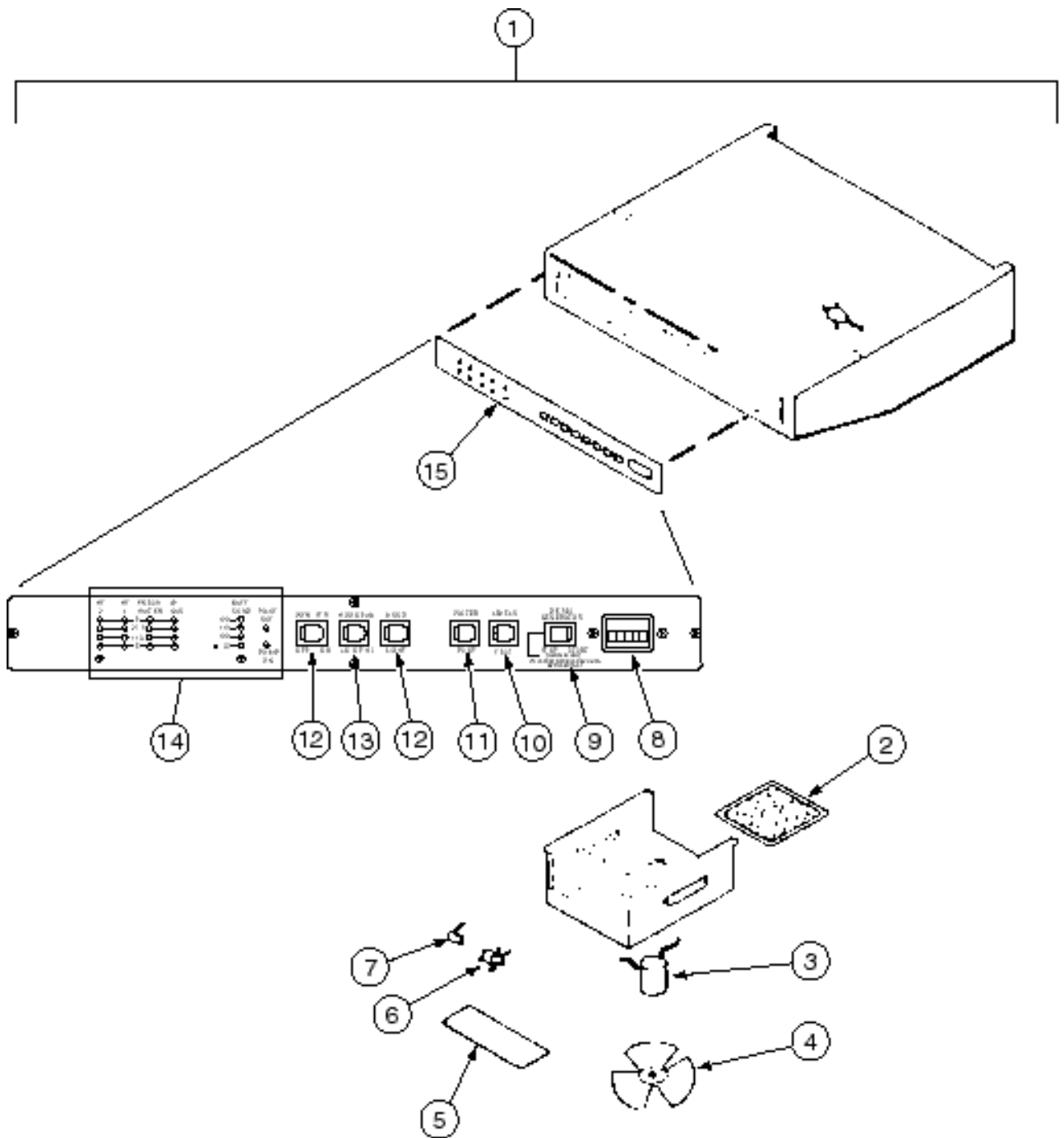
KEY	PART NUMBER	U/M	DESCRIPTION	VENDOR NO.
1	100258-25-02A	EA	HOOD - RANGE - 22" - W/MONITOR PANEL	
2	100258-05-700	EA	FILTER - CHARCOAL	CC248
3	090973-01-700	EA	MOTOR-12 VOLT, CSA & UL	CA508-1
4	090973-01-702	EA	BLADE-FAN	VA183-1
5	092696-02-701	EA	LENS-LAMP	CC179-2
6	092696-01-710	EA	HOLDER-LAMP	CB267-2
7	092696-01-709	EA	LAMP #912	VA415
8	100258-10-01A	EA	HOUR METER 150	
9	096983-01-702	EA	SWITCH - MOM/OFF/MOM/3 TERM	L0112-00
10	096983-01-701	EA	SWITCH - SPST/MOMENTARY 2 TERMINAL	L0111-00
11	096983-01-703	EA	SWITCH - ON/ON	L0115-00
12	075470-01-702	EA	SWITCH - ON/OFF - (VARIOUS)	L0108
13	100258-05-701	EA	SWITCH - FAN/2 SPEED	117
14	100258-11-700	EA	BOARD-CIRCUIT	L5099-01
15	100258-14-701	EA	PANEL-CONTROL ASSEMBLY	LA9078

**VENTLINE
MODEL TMR-5053-SBCL**



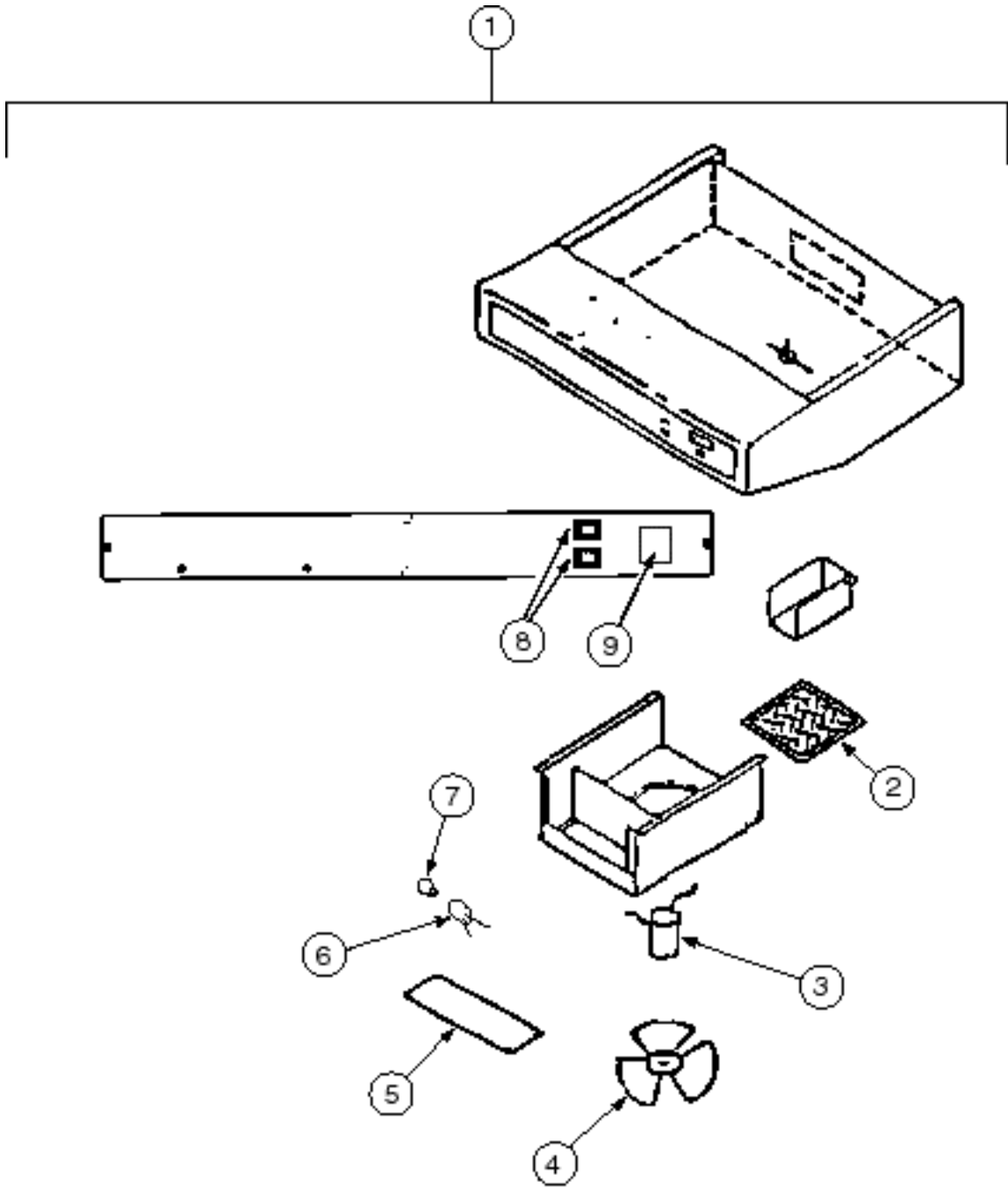
KEY	PART NUMBER	U/M	DESCRIPTION	VENDOR NO.
1	100258-26-02A	EA	HOOD - RANGE - 22" - W/MONITOR PANEL	
2	100258-05-700	EA	FILTER - CHARCOAL	CC248
3	090973-01-700	EA	MOTOR-12 VOLT, CSA & UL	CA508-1
4	090973-01-702	EA	BLADE-FAN	VA183-1
5	092696-02-701	EA	LENS-LAMP	CC179-2
6	092696-01-710	EA	HOLDER-LAMP	CB267-2
7	092696-01-709	EA	LAMP #912	VA415
8	100258-10-01A	EA	HOUR METER 150	
9	096983-01-702	EA	SWITCH - MOM/OFF/MOM/3 TERM	L0112-00
10	096983-01-701	EA	SWITCH - SPST/MOMENTARY 2 TERMINAL	L0111-00
11	096983-01-703	EA	SWITCH - ON/ON	L0115-00
12	075470-01-702	EA	SWITCH - ON/OFF - (VARIOUS)	L0108
13	100258-05-701	EA	SWITCH - FAN/2 SPEED	117
14	100258-11-700	EA	BOARD-CIRCUIT	L5099-01
15	100258-14-701	EA	PANEL-CONTROL ASSEMBLY	LA9078

**VENTLINE
MODEL TMR-5040 SBDL**



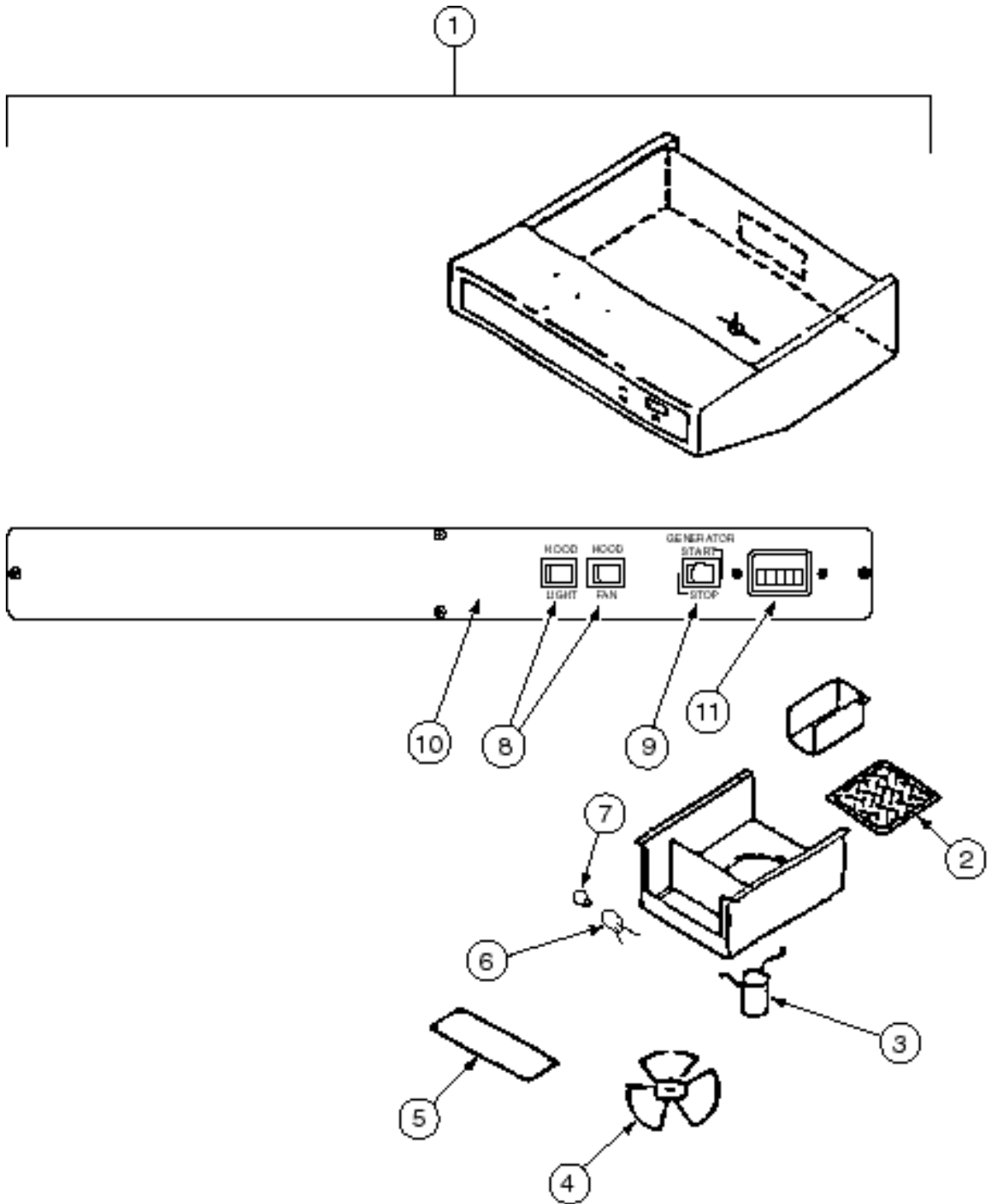
KEY	PART NUMBER	U/M	DESCRIPTION	VENDOR NO.
1	100258-29-01A	EA	HOOD-RANGE 22 W/MON TMR-5040 SBDL	
2	100258-05-700	EA	FILTER-CHARCOAL	CC248
3	090973-01-700	EA	MOTOR-12 VOLT, CSA & UL	CA508-1
4	090973-01-702	EA	BLADE-FAN	VA183-1
5	092696-02-701	EA	LENS-LAMP	CC179-2
6	092696-01-710	EA	HOLDER-LAMP	CB267-2
7	092696-01-709	EA	LAMP #912	VA415
8	100258-10-01A	EA	HOUR METER	150
9	096983-01-702	EA	SWITCH - MOM/OFF/MOM/3 TERM	L0112-00
10	075470-01-703	EA	SWITCH - ON/MOMENTARY	RP1016
11	096983-01-703	EA	SWITCH - ON/ON	L0115-00
12	096983-01-700	EA	SWITCH - ON/OFF	L0108-00
13	100258-05-701	EA	SWITCH - FAN/2 SPEED	117
14	100258-11-700	EA	BOARD-CIRCUIT	L5099-01
15	100258-29-700	EA	PANEL-CONTROL ASSEMBLY	LA9170

**VENTLINE
MODEL TCR 5041 NADL**



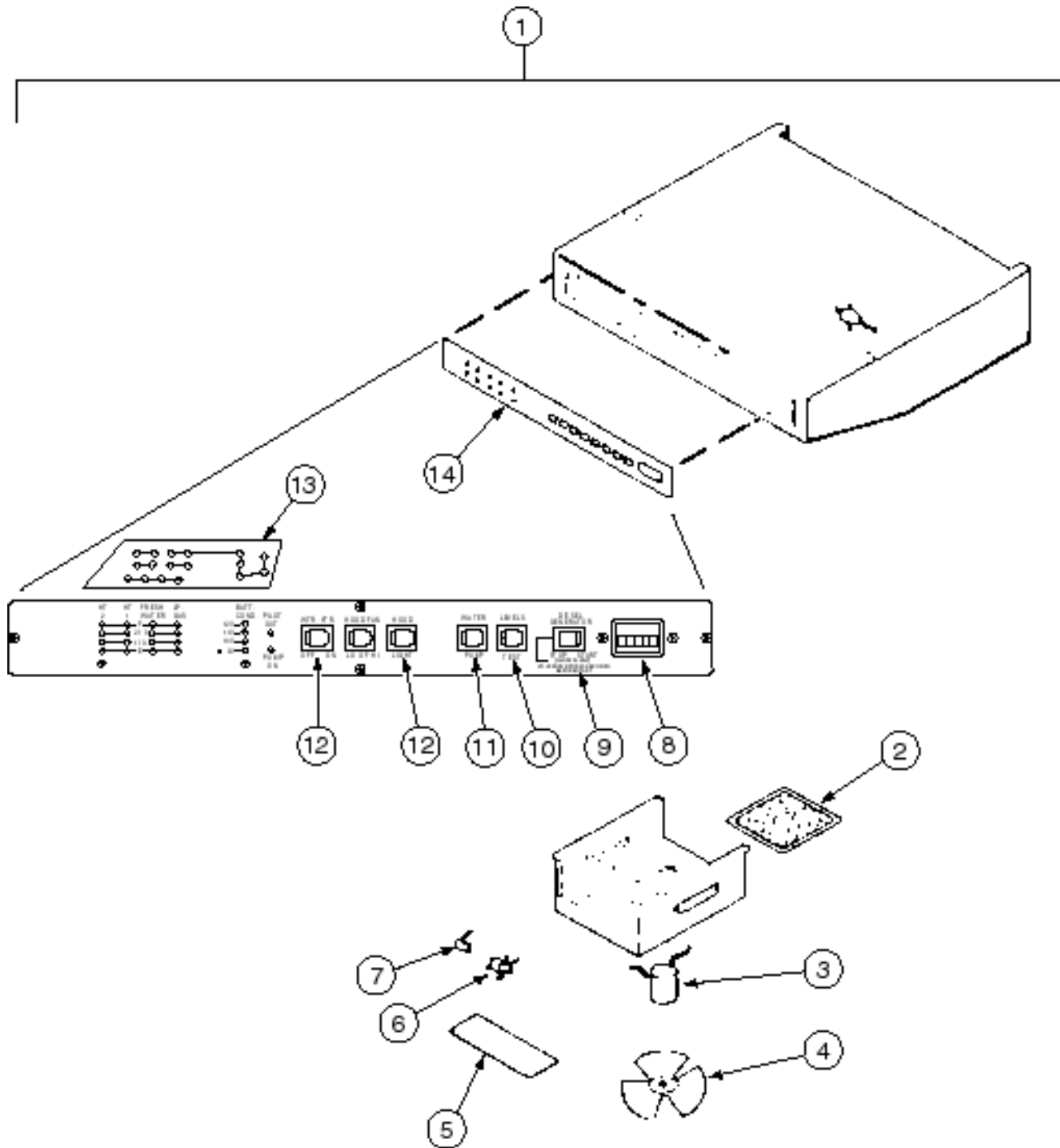
KEY	PART NUMBER	U/M	DESCRIPTION	VENDOR NO.
1	100258-31-01A	EA	HOOD - RANGE - 22" - W/O MONITOR PANEL/HOUR METER	
2	100258-05-700	EA	FILTER - CHARCOAL	CC246
3	090973-01-700	EA	MOTOR-12 VOLT, CSA & UL	CA508-1
4	090973-01-702	EA	BLADE-FAN	VA183-1
5	092696-02-701	EA	LENS-LAMP	CC179-2
6	092696-01-710	EA	HOLDER-LAMP	CB267-2
7	092696-01-709	EA	LAMP #912	VA415
8	096983-01-700	EA	SWITCH-ON/OFF	108
9	100258-03-700	EA	PLATE - COVER - HOUR METER	L6052

VENTLINE
MODEL TPR 5042 NADL



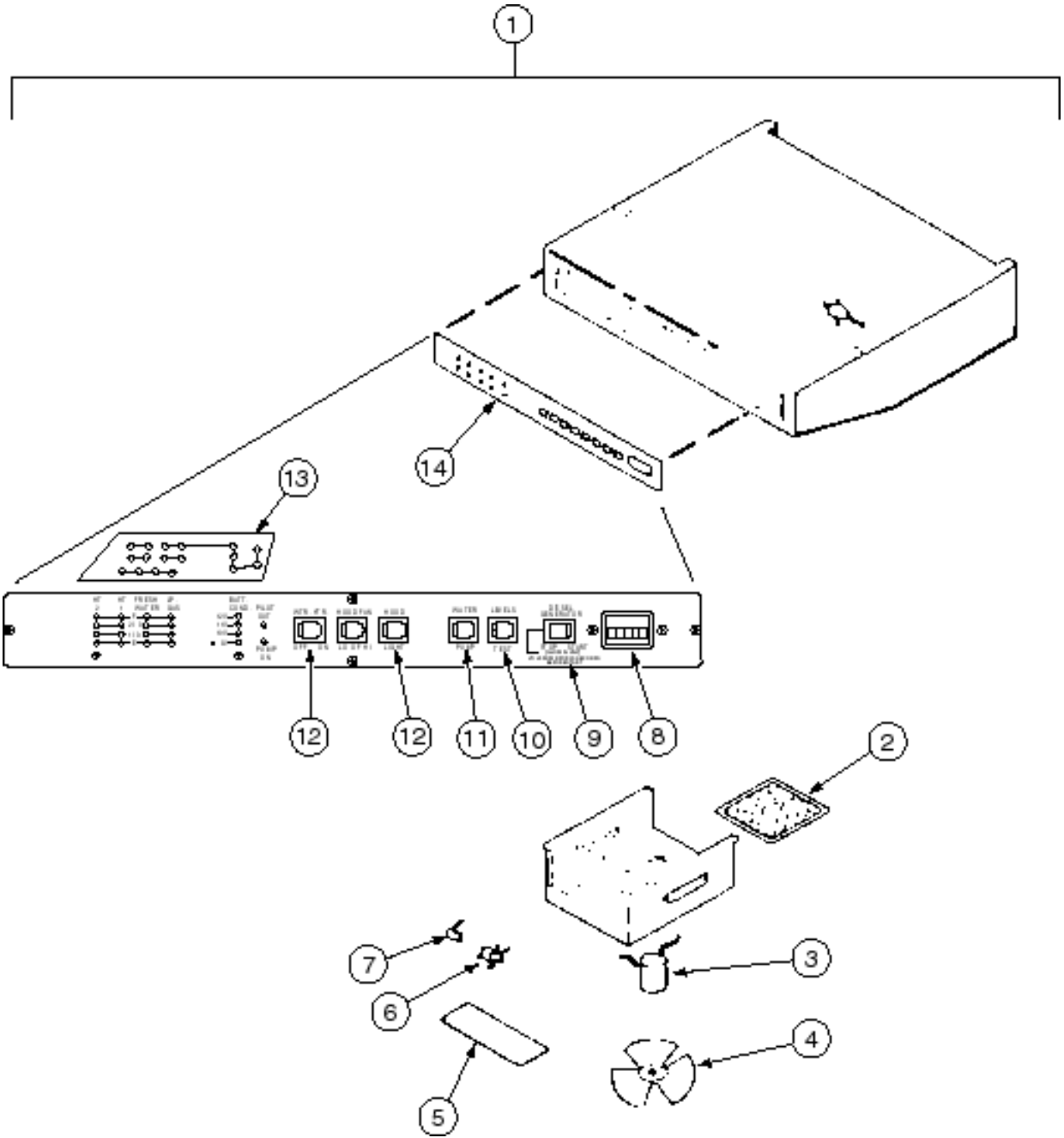
KEY	PART NUMBER	U/M	DESCRIPTION	VENDOR NO.
1	100258-33-01A	EA	HOOD - RANGE - 22" - W/O MONITOR PANEL - W/HOUR METER	
2	100258-05-700	EA	FILTER - CHARCOAL	CC248
3	090973-01-700	EA	MOTOR-12 VOLT, CSA & UL	CA508-1
4	090973-01-702	EA	BLADE-FAN	VA183-1
5	092696-02-701	EA	LENS - LAMP	CC179-2
6	092696-01-709	EA	LAMP #912	VA415
7	092696-01-710	EA	HOLDER - LAMP	CB267-2
8	096983-01-700	EA	SWITCH - ON/OFF	L0108-00
9	096983-01-702	EA	SWITCH - MOM/OFF/MOM - 3 TERM INAL	L0112-00
10	100258-01-700	EA	LABEL-HOOD NOSE	CC428
11	100258-10-01A	EA	HOUR METER 150	

**RANGE HOOD
VENTLINE
TMS 5057-SBDL**



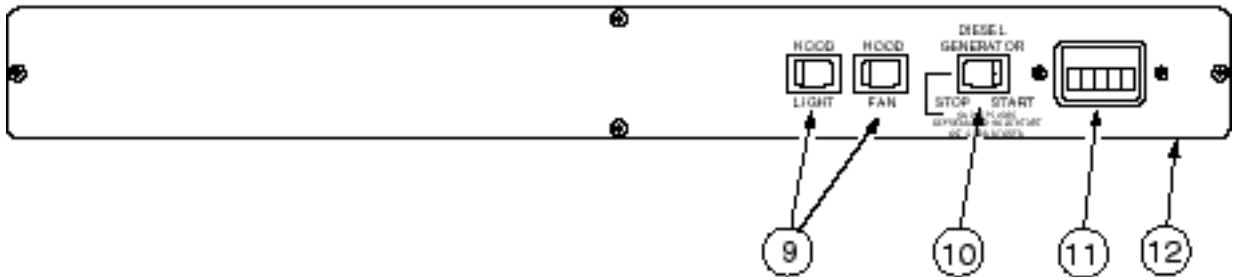
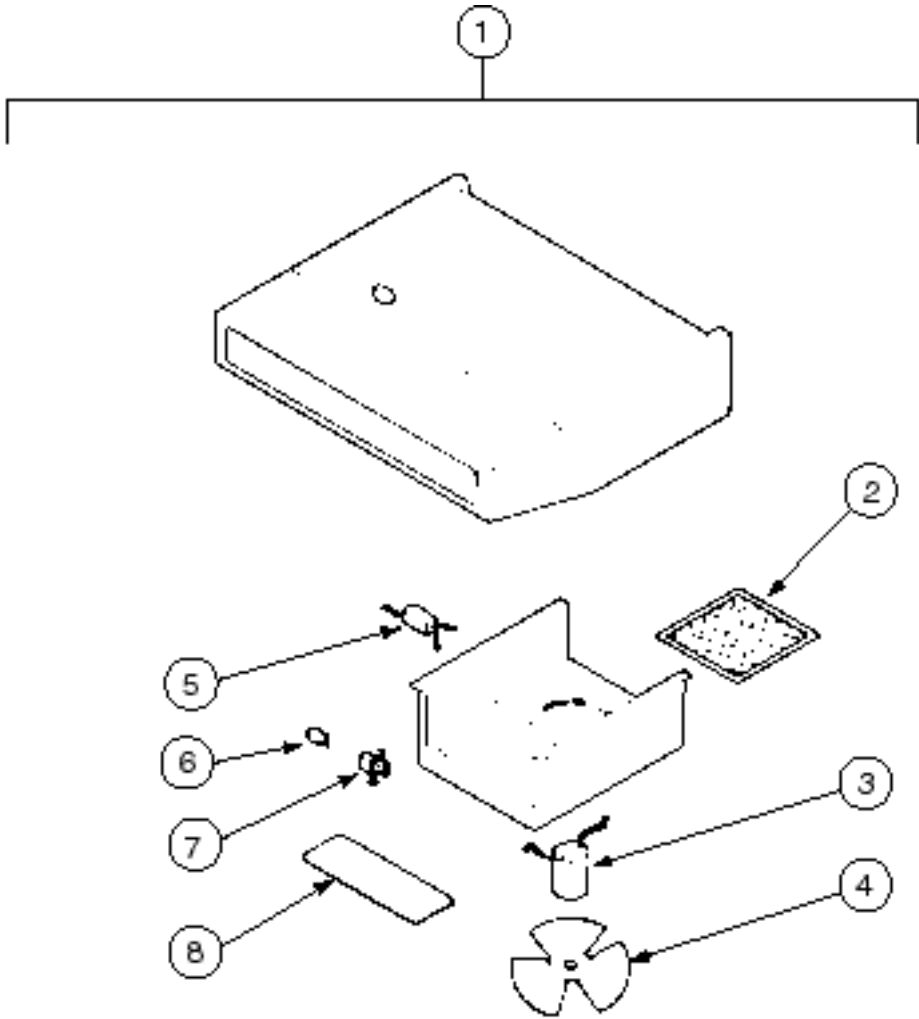
KEY	PART NUMBER	U/M	DESCRIPTION	VENDOR NO.
1	100258-34-01A	EA	HOOD - RANGE 22 W/MONITOR PANEL	
2	096983-01-707	EA	FILTER - MESH	CC246
3	090973-01-700	EA	MOTOR - 12 VOLT - CSA & UL	CA508-1
4	090973-01-702	EA	BLADE - FAN	VA183-1
5	092696-02-701	EA	LENS - LAMP	CC179-2
6	092696-01-710	EA	HOLDER - LAMP	CB267-2
7	092696-01-709	EA	LAMP #912	VA415
8	100258-10-701	EA	GAUGE - HOUR METER - CLIP ON	L0775-00
9	096983-01-702	EA	SWITCH - MOM/OFF/MOM - 3 TERMINAL	L0112-00
10	096983-01-701	EA	SWITCH - SPST/MOM - 2 TERMINAL	L0111-00
11	096983-01-703	EA	SWITCH - ON/ON	L0115-00
12	096983-01-700	EA	SWITCH - ON/OFF	L0108-00
13	100258-11-700	EA	BOARD - CIRCUIT	L5099-01
14	100258-34-700	EA	CHASSIS - SILKSCREENED	CC531
	092696-01-702	EA	RESISTER - WIRE	L7314

RANGE HOOD
VENTLINE
TMS 5057-SBCL



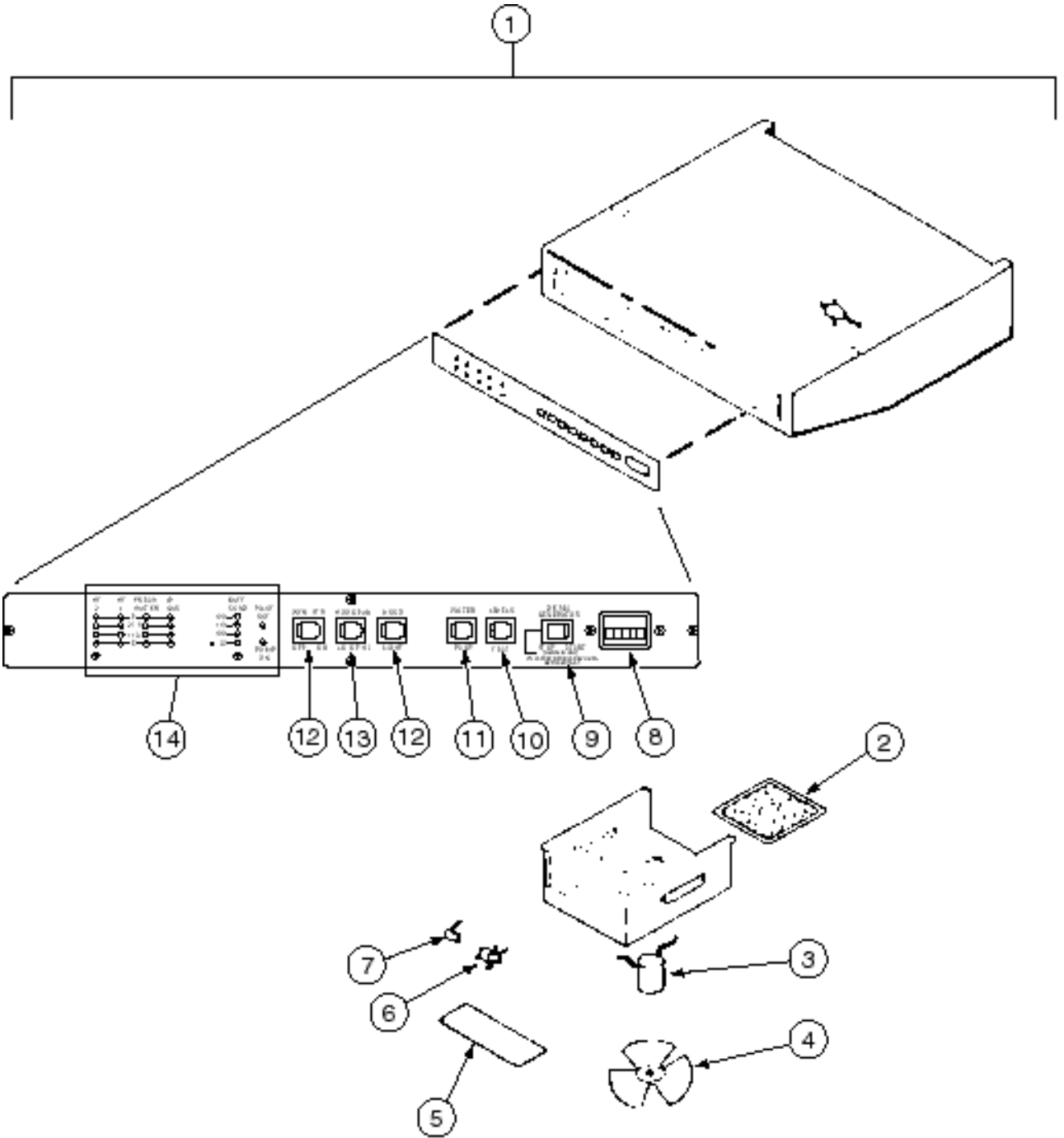
KEY	PART NUMBER	U/M	DESCRIPTION	VENDOR NO.
1	100258-35-01A	EA	HOOD - RANGE 22 W/MONITOR PANEL	
2	096983-01-707	EA	FILTER - MESH	CC246
3	090973-01-700	EA	MOTOR - 12 VOLT - CSA & UL	CA508-1
4	090973-01-702	EA	BLADE - FAN	VA183-1
5	092696-02-701	EA	LENS - LAMP	CC179-2
6	092696-01-710	EA	HOLDER - LAMP	CB267-2
7	092696-01-709	EA	LAMP #912	VA415
8	100258-10-701	EA	GAUGE - HOUR METER - CLIP ON	L0775-00
9	096983-01-702	EA	SWITCH - MOM/OFF/MOM - 3 TERMINAL	L0112-00
10	096983-01-701	EA	SWITCH - SPST/MOM - 2 TERMINAL	L0111-00
11	096983-01-703	EA	SWITCH - ON/OFF	L0115-00
12	096983-01-700	EA	SWITCH - ON/OFF	L0108-00
13	100258-11-700	EA	BOARD - CIRCUIT	L5099-01
14	100258-34-700	EA	CHASSIS - SILKSCREENED	CC531
	092696-01-702	EA	RESISTER - WIRE	L7314

RANGE HOOD
VENTLINE
TPS-5056-SBDL



KEY	PART NUMBER	U/M	DESCRIPTION	VENDOR NO.
1	100258-36-01A	EA	HOOD - RANGE - W/O MONITOR PANEL-W/HOUR METER/SWITCH - US	
2	096983-01-707	EA	FILTER - MESH	CC246
3	090973-01-700	EA	MOTOR - 12 VOLT - CSA & UL	CA508-1
4	090973-01-702	EA	BLADE - FAN	VA183-1
5	092696-02-701	EA	LENS - LAMP	CC179-2
6	092696-01-709	EA	LAMP #912	VA415
7	092696-01-710	EA	HOLDER - LAMP	CB267-2
8	096983-01-700	EA	SWITCH - ON/OFF	L0108-00
9	096983-01-702	EA	SWITCH - MOM/OFF/MOM - 3 TERMINAL	L0112-00
10	100258-01-700	EA	LABEL - HOOD NOSE	CC428
11	100258-10-01A	EA	HOUR METER 150	
12	100258-36-700	EA	CHASSIS - SILKSCREENED	CC530
	092696-01-702	EA	RESISTER - WIRE	L7314

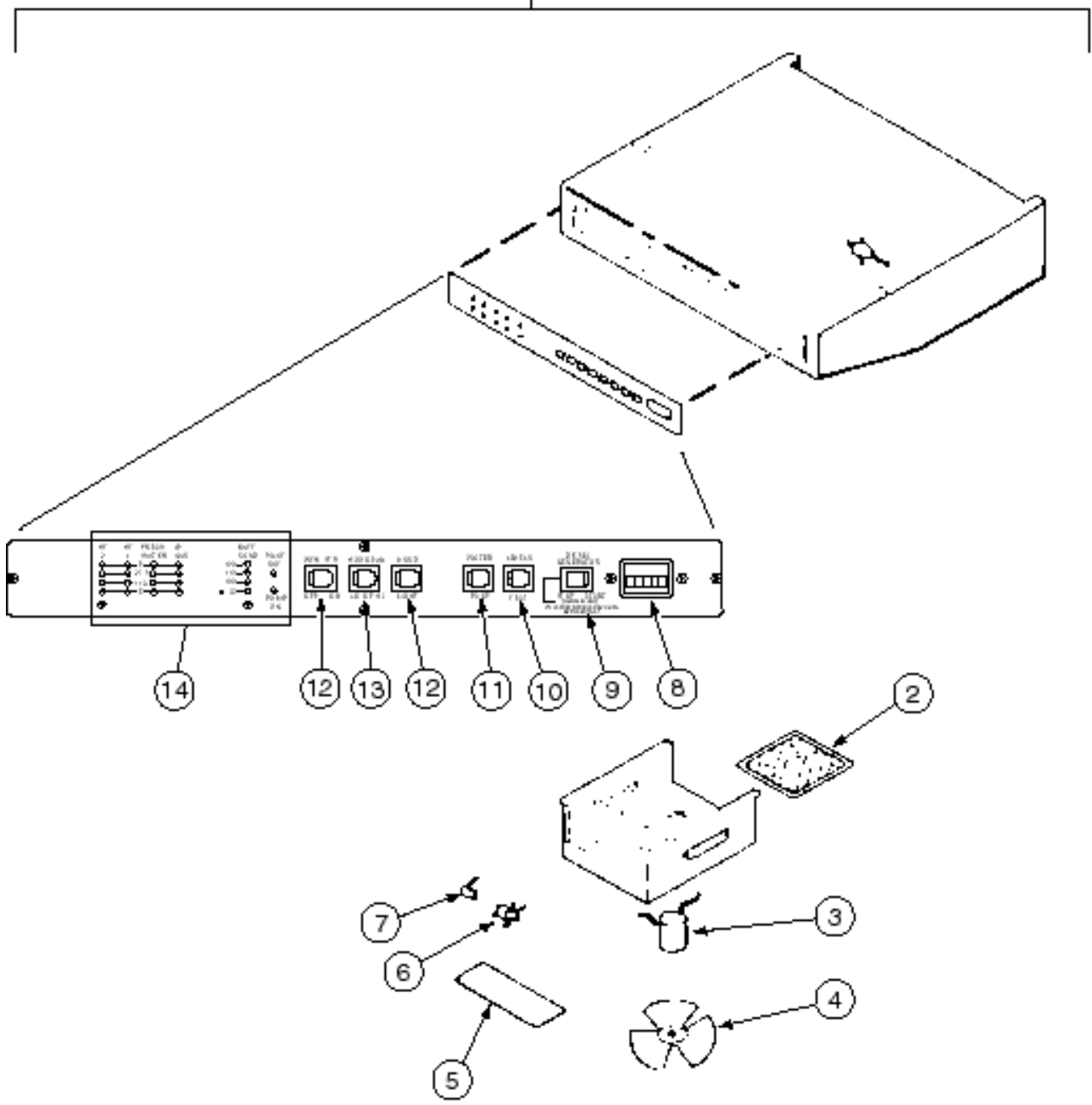
**VENTLINE
MODEL TMR-5059-SBDL**



KEY	PART NUMBER	U/M	DESCRIPTION	VENDOR NO.
1	100258-38-01A	EA	HOOD - RANGE - 22" W/MONITOR PANEL	
2	100258-05-700	EA	FILTER - CHARCOAL	CC248
3	090973-01-700	EA	MOTOR-12 VOLT, CSA & UL	CA508-1
4	090973-01-702	EA	BLADE-FAN	VA183-1
5	092696-02-701	EA	LENS-LAMP	CC179-2
6	092696-01-710	EA	HOLDER-LAMP	CB267-2
7	092696-01-709	EA	LAMP #912	VA415
8	100258-10-01A	EA	HOUR METER 150	
9	096983-01-702	EA	SWITCH - MOM/OFF/MOM/3 TERM	L0112-00
10	096983-01-701	EA	SWITCH - SPST/MOMENTARY 2 TERMINAL	L0111-00
11	096983-01-703	EA	SWITCH - ON/ON	L0115-00
12	075470-01-700	EA	SWITCH - ON/OFF	L0108-00
13	100258-05-701	EA	SWITCH - FAN/2 SPEED	117
14	100258-11-700	EA	BOARD-CIRCUIT	L5099-01

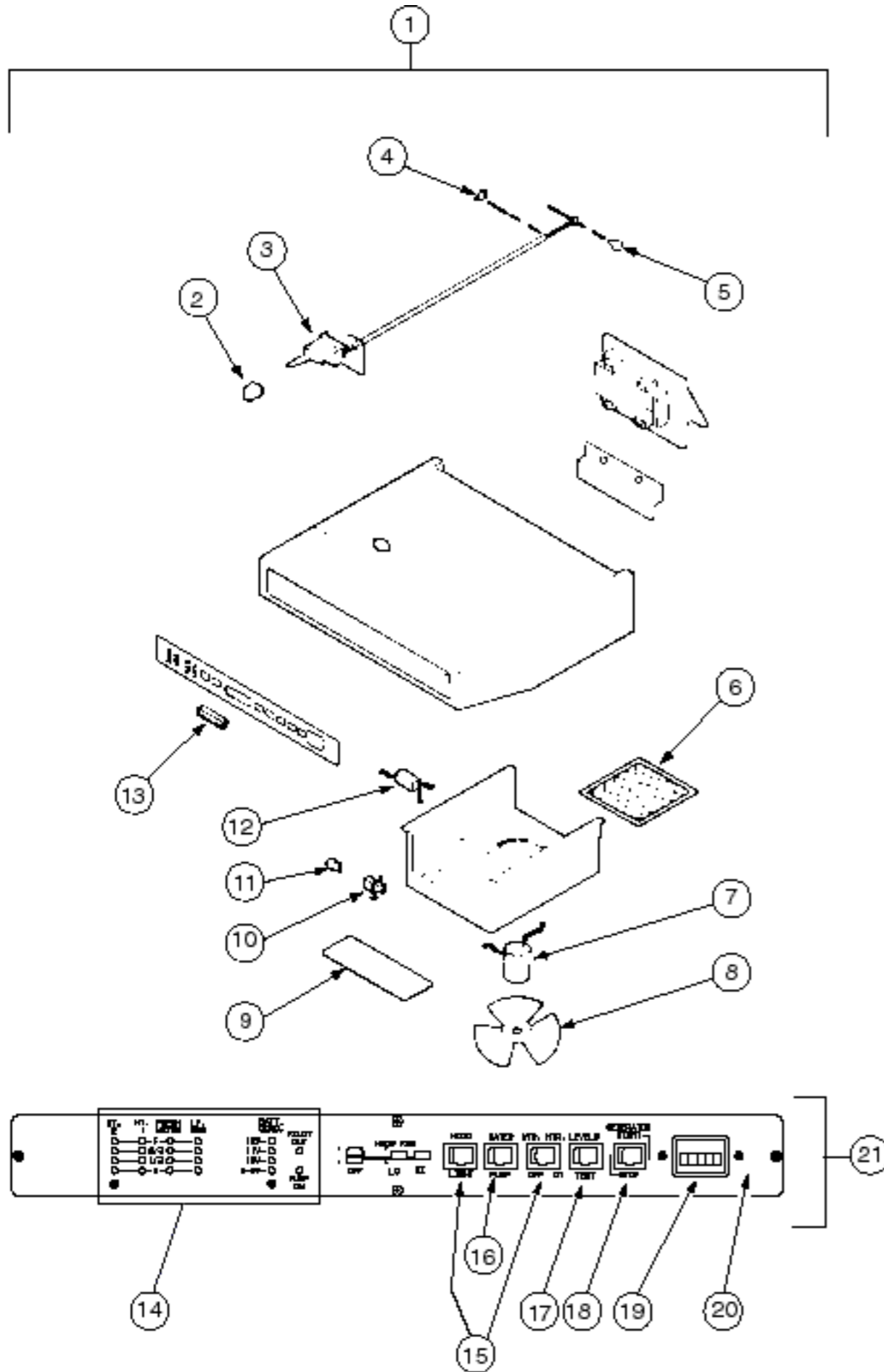
VENTLINE
MODEL TMR-5059-SBCL

1



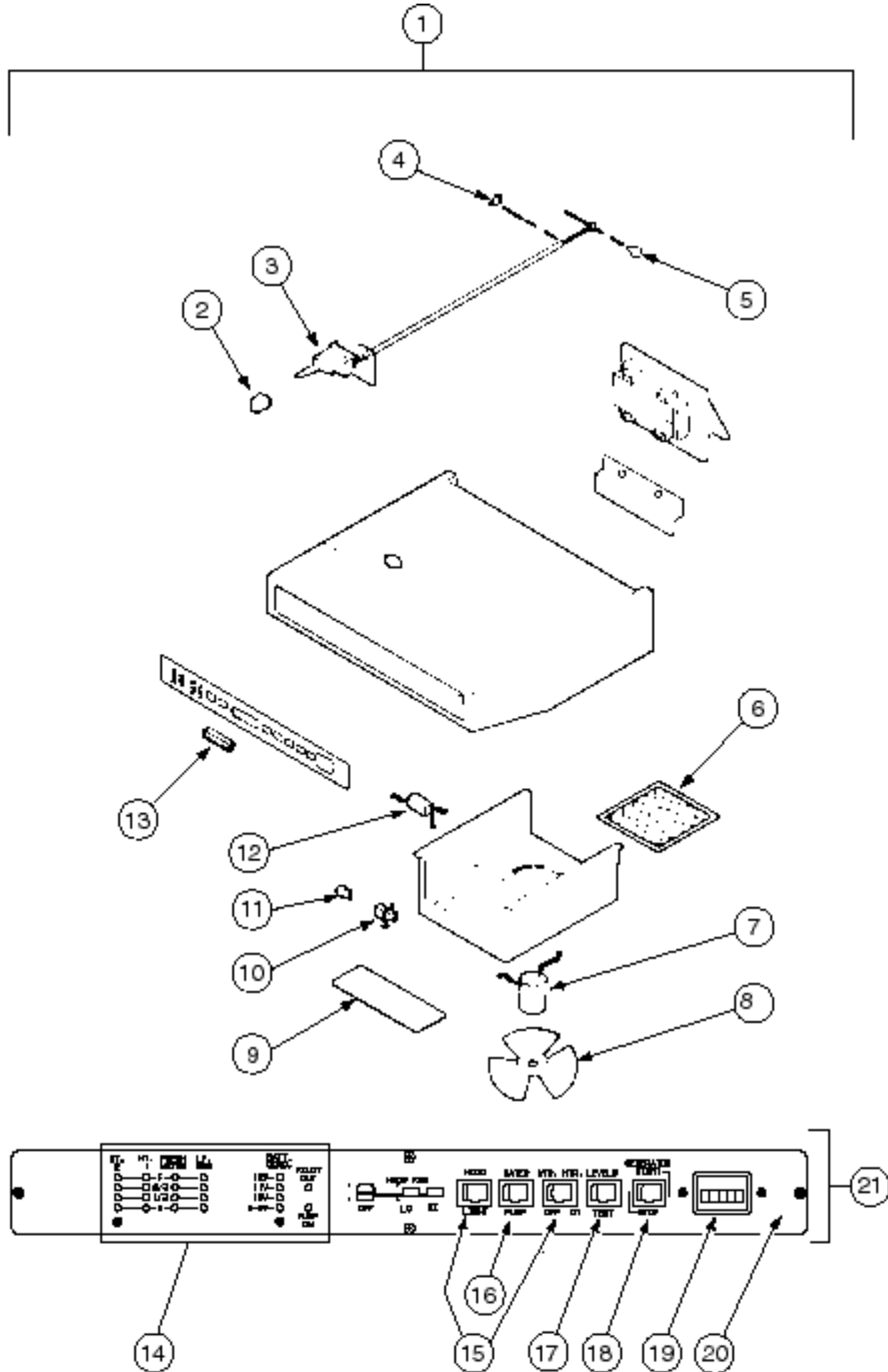
KEY	PART NUMBER	U/M	DESCRIPTION	VENDOR NO.
1	100258-39-01A	EA	HOOD - RANGE - 22" W/MONITOR PANEL	
2	100258-05-700	EA	FILTER - CHARCOAL	CC248
3	090973-01-700	EA	MOTOR-12 VOLT, CSA & UL	CA508-1
4	090973-01-702	EA	BLADE-FAN	VA183-1
5	092696-02-701	EA	LENS-LAMP	CC179-2
6	092696-01-710	EA	HOLDER-LAMP	CB267-2
7	092696-01-709	EA	LAMP #912	VA415
8	100258-10-01A	EA	HOUR METER 150	
9	096983-01-702	EA	SWITCH - MOM/OFF/MOM/3 TERM	L0112-00
10	096983-01-701	EA	SWITCH - SPST/MOMENTARY 2 TERMINAL	L0111-00
11	096983-01-703	EA	SWITCH - ON/ON	L0115-00
12	075470-01-700	EA	SWITCH - ON/OFF	L0108-00
13	100258-05-701	EA	SWITCH - FAN/2 SPEED	117
14	100258-11-700	EA	BOARD-CIRCUIT	L5099-01

**VENTLINE
MODEL TMS-5062-SBDLG**



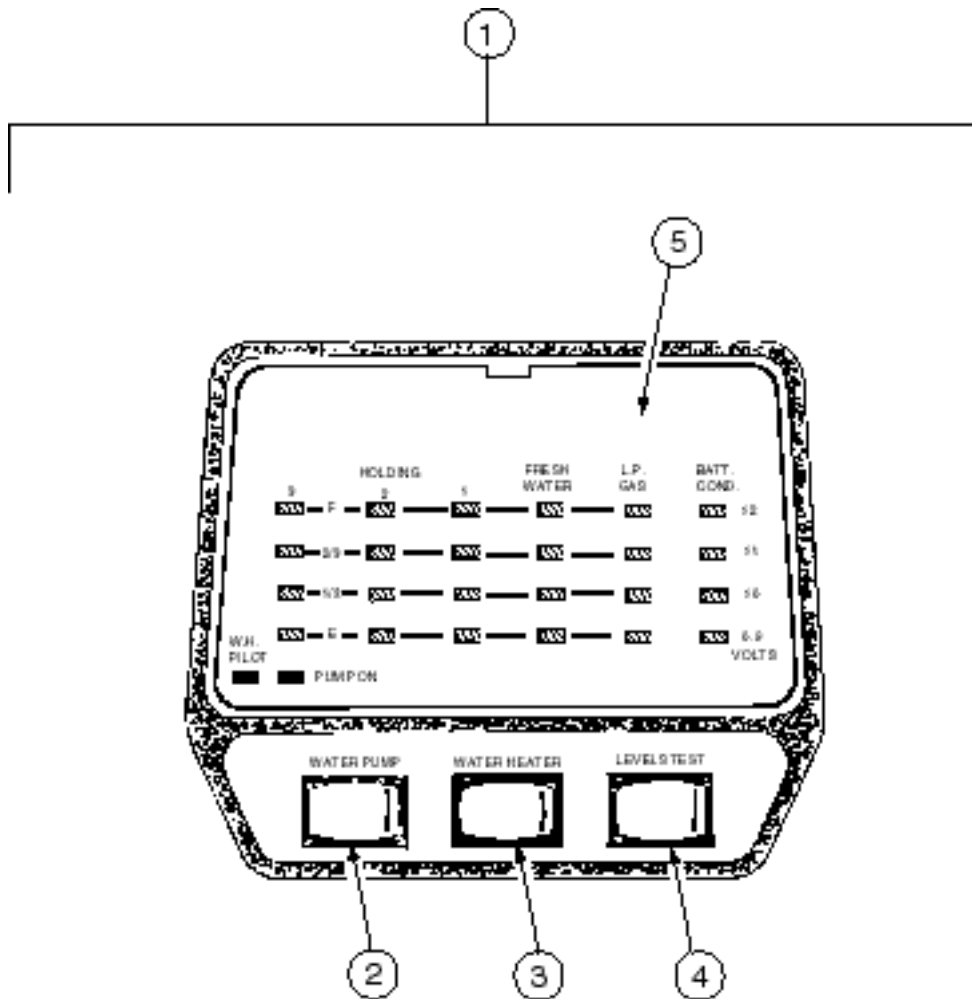
KEY	PART NUMBER	U/M	DESCRIPTION	VENDOR NO.
1	100258-40-01A	EA	HOOD - RANGE 22" - W/MONITOR PANEL - BLACK TEXTURED	
2	092696-01-701	EA	KNOB - PLASTIC	CC 225
3	100258-40-700	EA	SWITCH/LEVER CABLE ASSEMBLY	CB0547-03
4	092698-02-701	EA	CLAMP - CONDUIT	VB334
5	092698-02-700	EA	FASTENER - PUSH	VB430
6	096983-01-707	EA	FILTER - MESH	CC246
7	090973-01-700	EA	MOTOR - 12 VOLT - CSA & UL	CA508-1
8	090973-01-702	EA	BLADE - FAN	VA183-1
9	092696-02-701	EA	LENS - LAMP	CC179-2
10	092696-01-710	EA	HOLDER - LAMP	CB267-2
11	092696-01-709	EA	LAMP - #912	VA415
12	092696-01-702	EA	RESISTER - WIRE	L7314
13	100258-04-701	EA	BEZEL - SWITCH LEVER	CC116
14	100258-11-700	EA	BOARD - CIRCUIT - ADJUSTABLE POTENTIOMETER	L5099-01
15	096983-01-703	EA	SWITCH - ON/ON	L0115-00
16	096983-01-700	EA	SWITCH - ON/OFF	L0108-00
17	096983-01-701	EA	SWITCH - SPST/MOM 2 TERMINAL	L0111-00
18	096983-01-702	EA	SWITCH - MOM/OFF/MOM/3 TERM	L0112-00
19	100258-10-700	EA	GAUGE - HOUR METER - SCREW ON	150
19	100258-10-701	EA	GAUGE - HOUR METER - CLIP ON	L0775-00
20	100258-14-700	EA	PLATE - FACE - SCREENED	9077
21	100258-12-700	EA	PANEL - CONTROL ASSEMBLY	LA9076

**VENTLINE
MODEL TMS-5062-SBCLG**



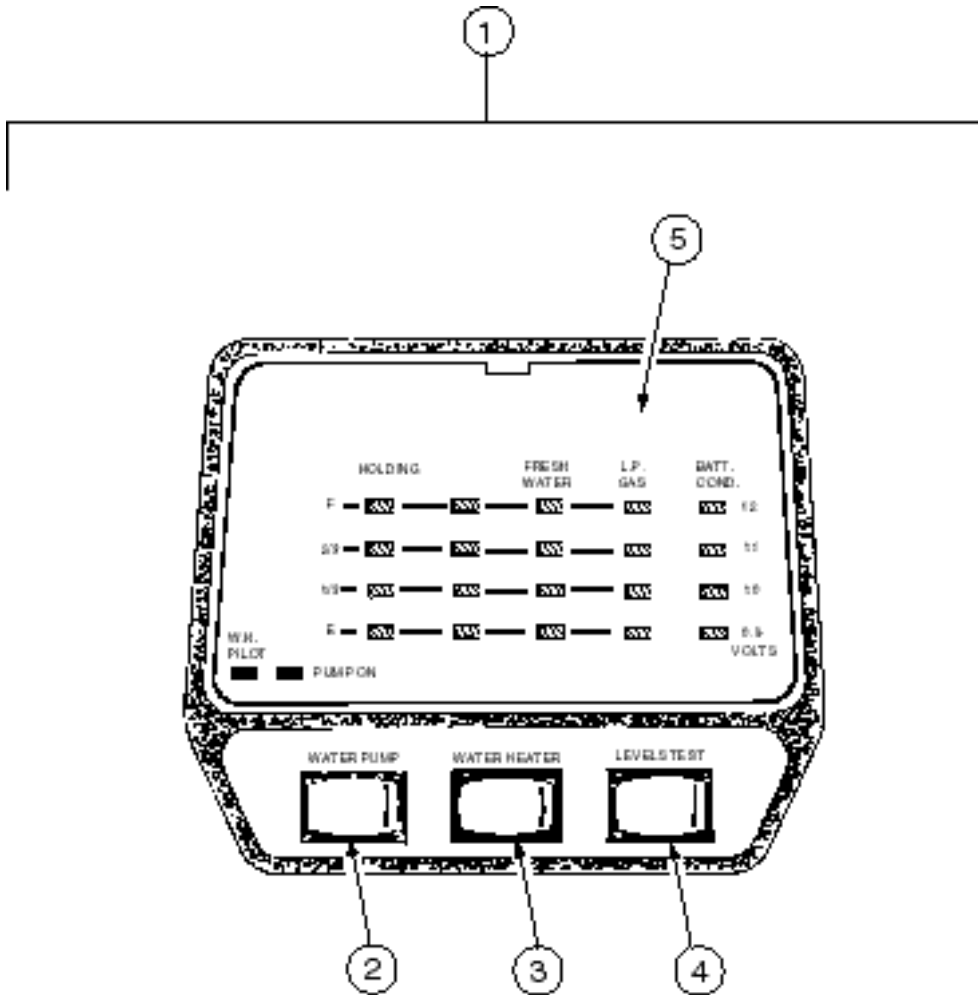
KEY	PART NUMBER	U/M	DESCRIPTION	VENDOR NO.
1	100258-41-01A	EA	HOOD - RANGE 22" - W/MONITOR PANEL - BLACK TEXTURED - CSA	CC 225
2	092696-01-701	EA	KNOB - PLASTIC	CB0547-03
3	100258-40-700	EA	SWITCH/LEVER CABLE ASSEMBLY	VB334
4	092698-02-701	EA	CLAMP - CONDUIT	VB430
5	092698-02-700	EA	FASTENER - PUSH	CC246
6	096983-01-707	EA	FILTER - MESH	CA508-1
7	090973-01-700	EA	MOTOR - 12 VOLT - CSA & UL	VA183-1
8	090973-01-702	EA	BLADE - FAN	CC179-2
9	092696-02-701	EA	LENS - LAMP	CB267-2
10	092696-01-710	EA	HOLDER - LAMP	VA415
11	092696-01-709	EA	LAMP - #912	L7314
12	092696-01-702	EA	RESISTER - WIRE	CC116THETFORD
13	100258-04-701	EA	BEZEL - SWITCH LEVER	L5099-01
14	100258-11-700	EA	BOARD - CIRCUIT - ADJUSTABLE POTENTIOMETER	L0115-00
15	096983-01-703	EA	SWITCH - ON/ON	L0108-00
16	096983-01-700	EA	SWITCH - ON/OFF	L0111-00
17	096983-01-701	EA	SWITCH - SPST/MOM 2 TERMINAL	L0112-00
18	096983-01-702	EA	SWITCH - MOM/OFF/MOM/3 TERM	150
19	100258-10-700	EA	GAUGE - HOUR METER - SCREW ON	L0775-00
19	100258-10-701	EA	GAUGE - HOUR METER - CLIP ON	9077
20	100258-14-700	EA	PLATE - FACE - SCREENED	LA9076
21	100258-12-700	EA	PANEL - CONTROL ASSEMBLY	

**LVS MONITOR PANEL
W/PLUG ALMOND
(3 HOLDING TANK)**



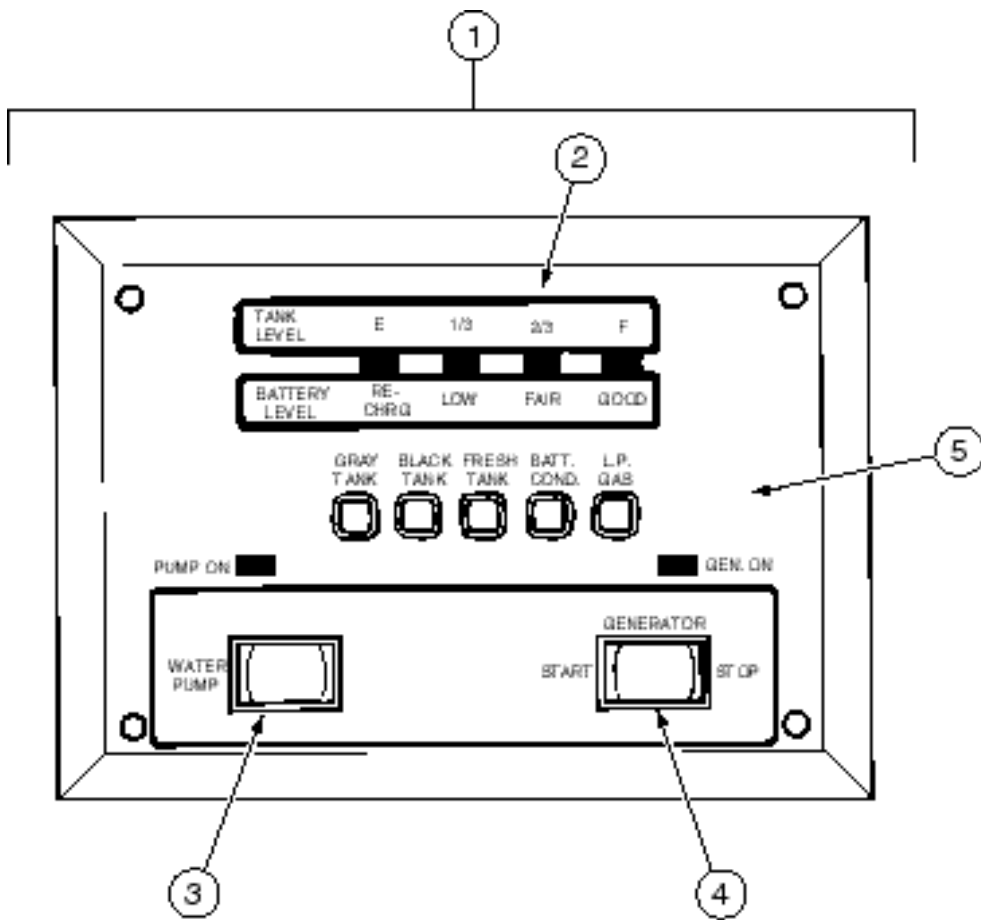
KEY	PART NUMBER	U/M	DESCRIPTION	VENDOR NO
1	102765-03-01A	EA	PANEL - MONITOR - 3 TANK/WATER HEATER	LVS W/PLUG ALMOND
2	097617-01-702	EA	SWITCH (ALMOND)	107
3	097617-01-701	EA	SWITCH - ON/OFF - ALMOND	106
4	102765-01-700	EA	SWITCH - ON/ON - ALMOND	110-01
5	102765-03-700	EA	BOARD-CIRCUIT,3 HOLDING TANK	L5097-42

**LVS MONITOR PANEL
W/PLUG ALMOND
(2 HOLDING TANK)**



KEY	PART NUMBER	U/M	DESCRIPTION	VENDOR NO
1	102765-04-01A	EA	PANEL - MONITOR - 2 HOLDING TANKS - ADJUSTABLE	
2	097617-01-702	EA	SWITCH (ALMOND)	107
3	097617-01-701	EA	SWITCH - ON/OFF - ALMOND	106
4	102765-01-700	EA	SWITCH - ON/ON - ALMOND	110-01
5	102765-04-700	EA	BOARD-CIRCUIT,2 HOLDING TANK	L5097-41

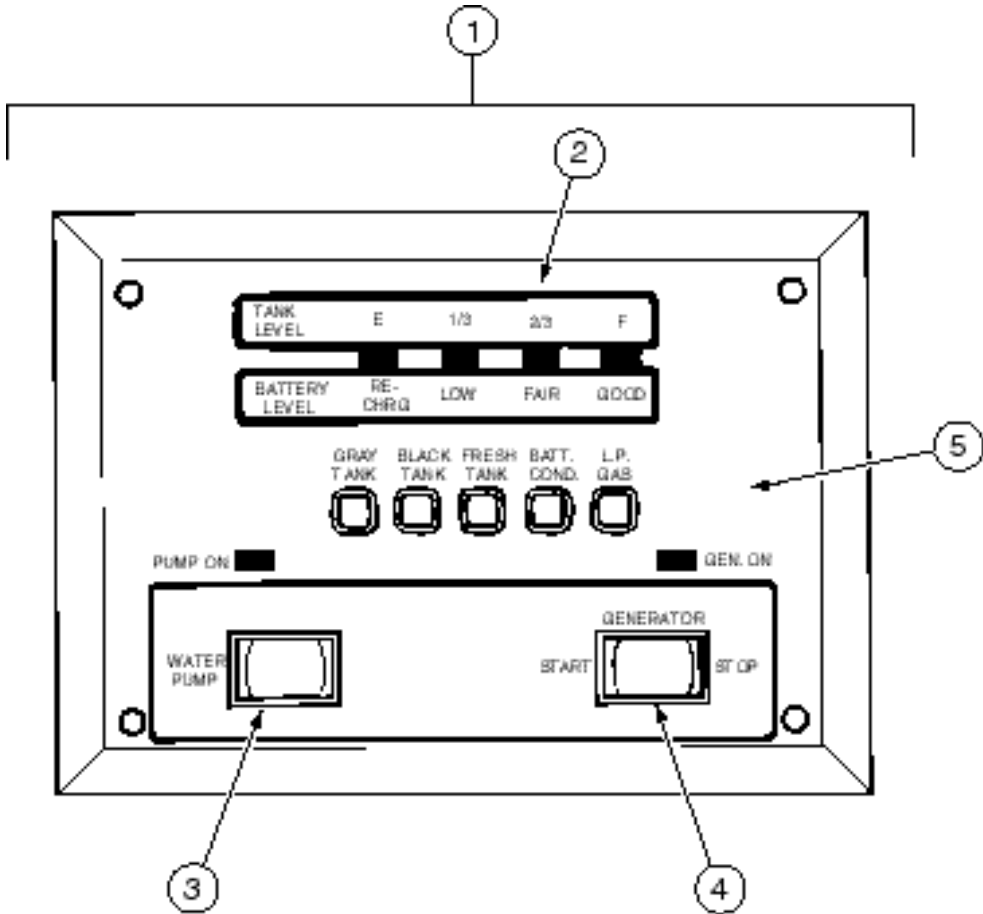
**MONITOR PANEL
VENTLINE LA1023-00**



KEY	PART NUMBER	U/M	DESCRIPTION
1	114014-01-01A	EA	PANEL - MONITOR 2 TANK W/REMOTE
2	114014-01-700	EA	OVERLAY-SILKSCREEN
3	096983-01-700	EA	SWITCH - ON/OFF
4	096983-01-702	EA	SWITCH - MOM/OFF/MOM/3 TERM
5	114014-01-701	EA	BOARD-CIRCUIT
	113566-01-701	EA	RESISTOR-TANK HARNESS

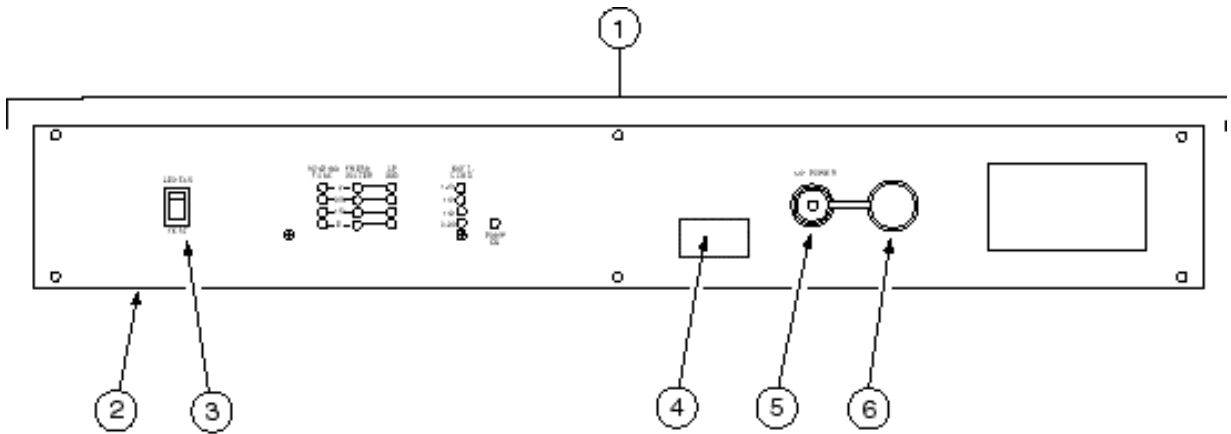
VENDOR NO
CD212
L0108-00
L0112-00
5070-06SPC
L7306

**MONITOR PANEL
VENTLINE LA1023-00**



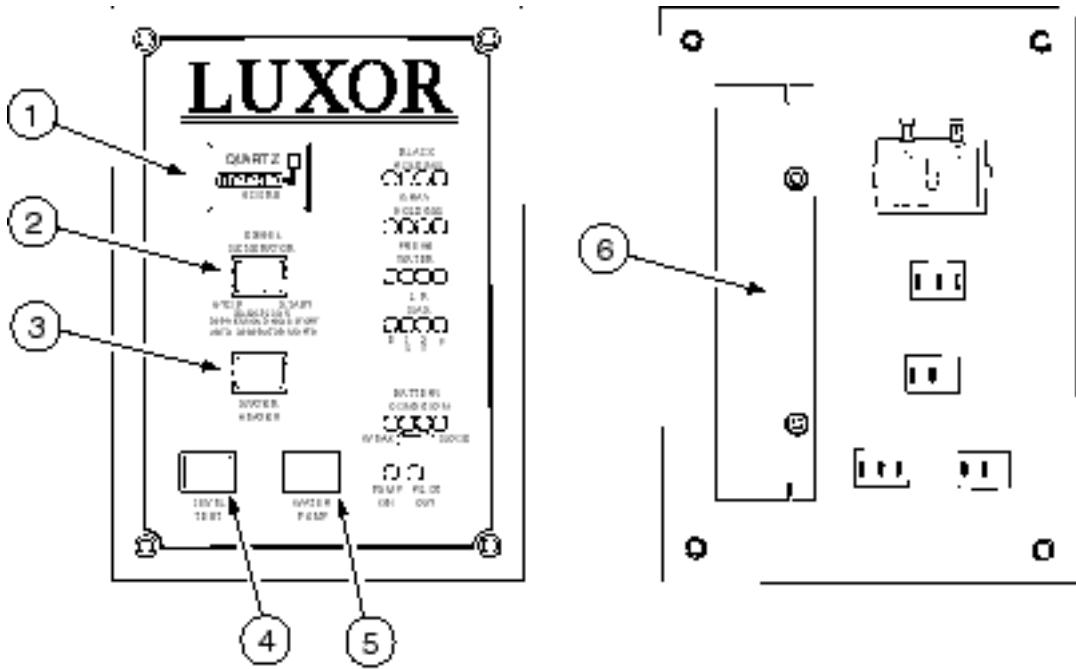
KEY	PART NUMBER	U/M	DESCRIPTION	VENDOR NO
1	114014-02-02A	EA	PANEL - MONITOR 2 TANK W/REMOTE	
2	114014-01-700	EA	OVERLAY-SILKSCREEN	CD212
3	096983-01-700	EA	SWITCH - ON/OFF	L0108-00
4	096983-01-702	EA	SWITCH - MOM/OFF/MOM/3 TERM	L0112-00
5	114014-01-701	EA	BOARD-CIRCUIT	5070-06SPC
	113566-01-701	EA	RESISTOR-TANK HARNESS	L7306

**VENTLINE
MODEL LA1032-00**



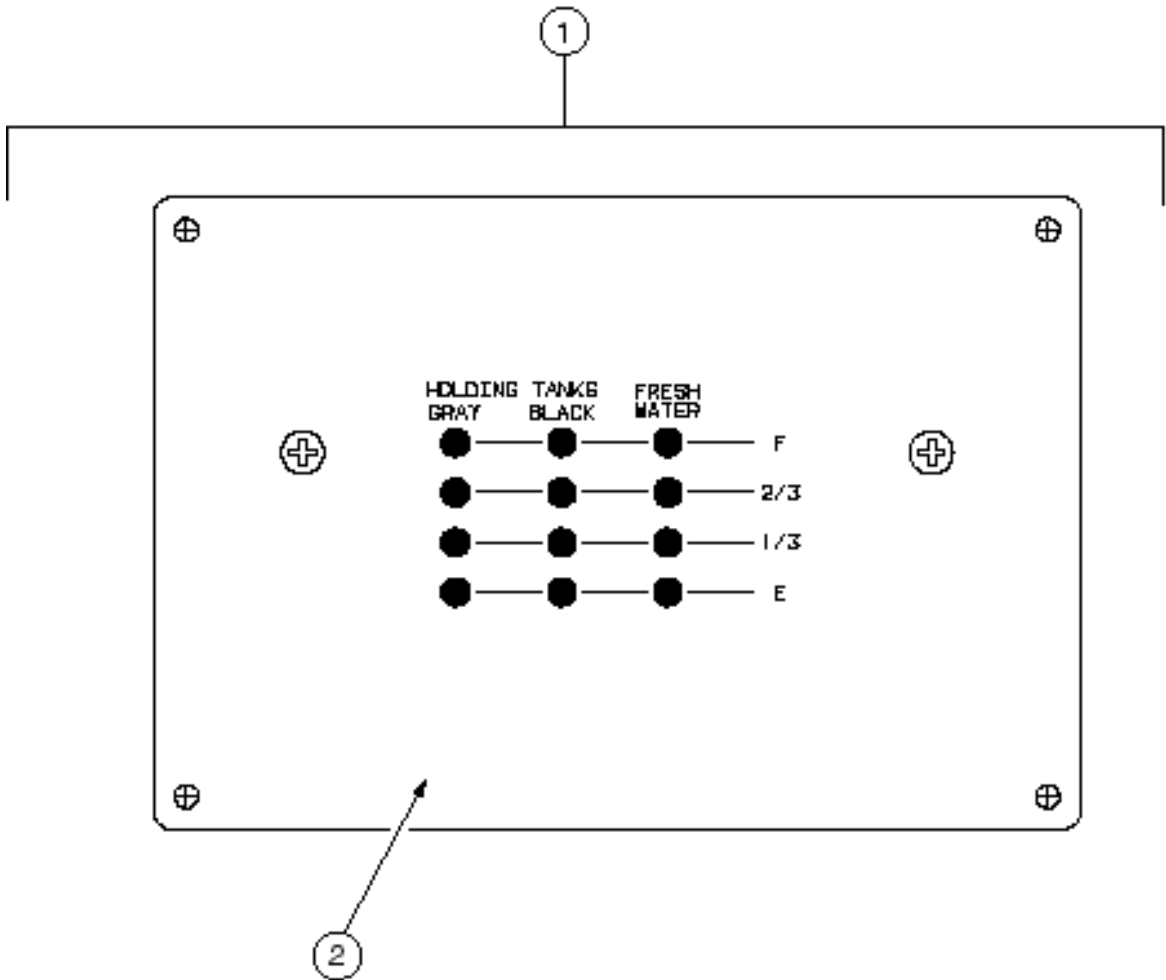
KEY	PART NUMBER	U/M	DESCRIPTION	VENDOR NO.
1	113566-03-01A	EA	PANEL - MONITOR - 1 TANK	VENTLINE LA1032-00
2	113566-03-703	EA	SILKSCREENED CHASSIS	CD0438-00
3	113566-01-707	EA	SWITCH - OFF/MOM	L0111-00
4	113566-03-702	EA	LABEL	L0451-00
5	113566-03-705	EA	RECEPTACLE - 12V	L0444-01
6	113566-03-704	EA	CAP - RUBBER 12V RECEPTACLE	L0444-02
	113566-03-700	EA	HARNESS	L7702-00
	113566-03-701	EA	PC BOARD	L5099-122

**MONITOR PANEL
PHILLIPS - 2 TANK PUMP**



KEY	PART NUMBER	U/M	DESCRIPTION	VENDOR NO.
	121148-03-01A	EA	PANEL - MONITOR - 2 TANK PUMP	
1	100258-10-701	EA	GAUGE - HOUR METER - CLIP ON	L0775-00
2	096983-01-702	EA	SWITCH - MOM/OFF/MOM/3 TERMINAL	L0112-00
3	096983-01-700	EA	SWITCH - ON/OFF	L0108-00
4	096983-01-701	EA	SWITCH - SPST/MOM - 2 TERMINAL	L0111-00
5	096983-01-703	EA	SWITCH - ON/ON	L0115-00
6	121148-02-700	EA	BOARD - CIRCUIT	L5099-20

**VENTLINE
MODEL LA1029-00**



KEY	PART NUMBER	U/M	DESCRIPTION	VENDOR NO.
1	129561-01-01A	EA	PANEL/MONITOR - READ OUT ONLY - HOLDING/WATER TANK	VENT #LA1029-00
2	129561-01-701	EA	CHASSIS SCREENED	C00399
	129561-01-700	EA	PC BOARD	L5097-09
	129561-01-702	EA	LABLE	L0451-00
	129561-01-703	EA	HARNES	L7694-00