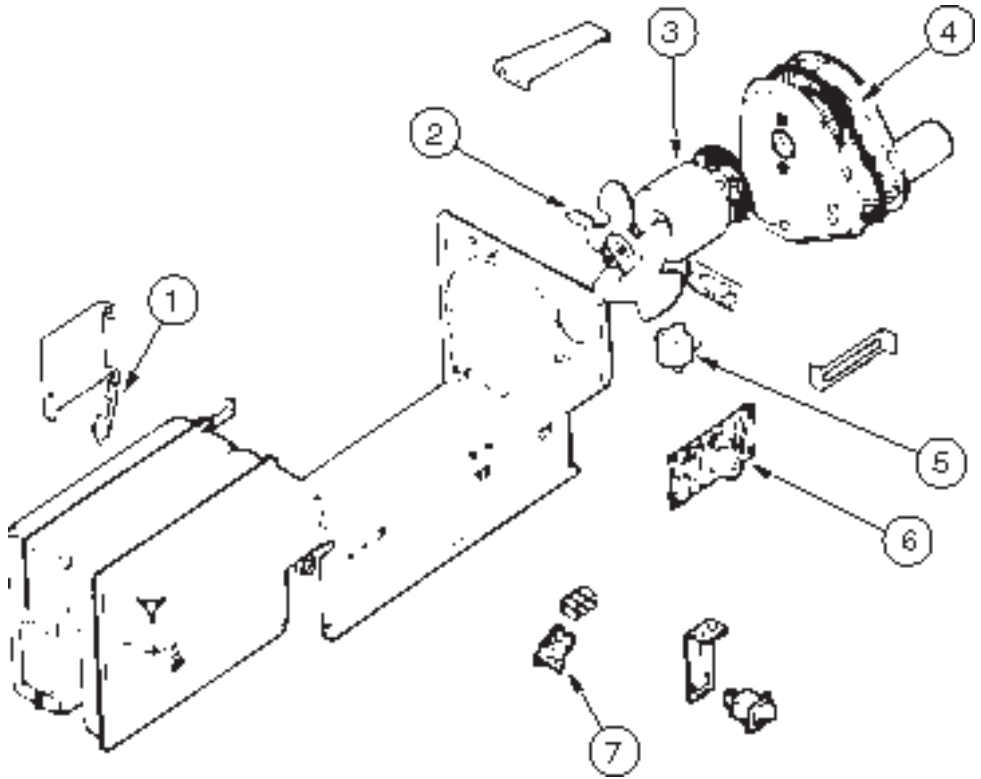
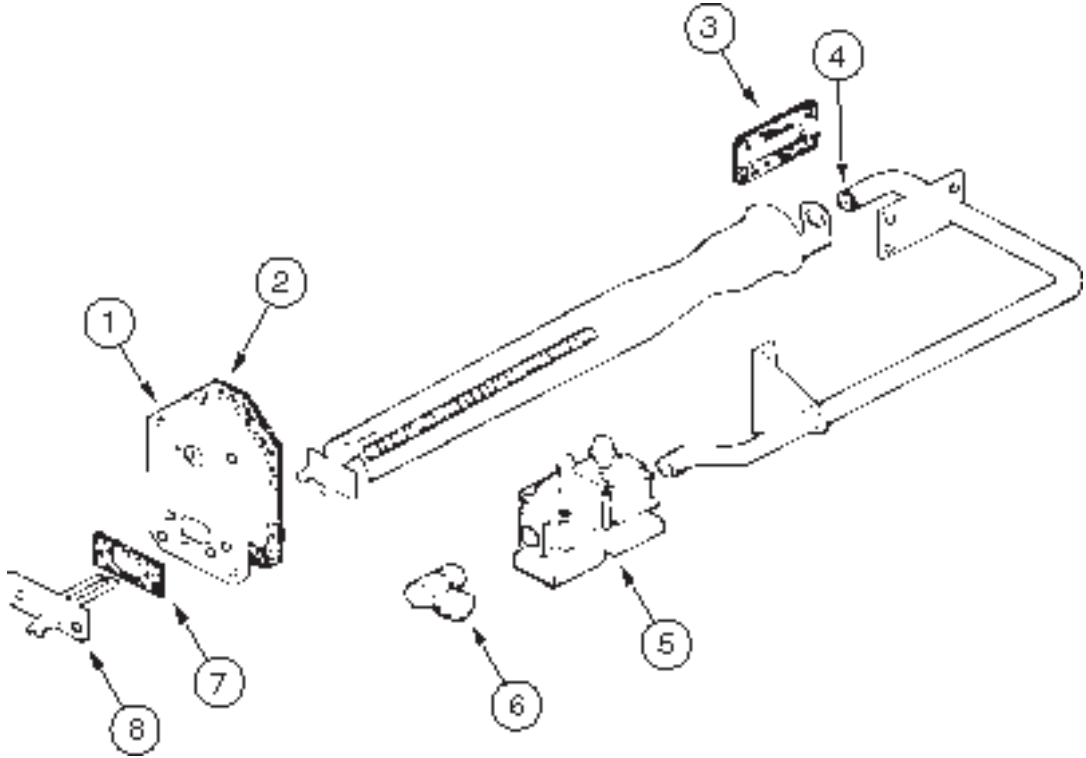


**SUBURBAN
BLOWER MOTOR & COMPONENTS
MODEL NT-20SE**



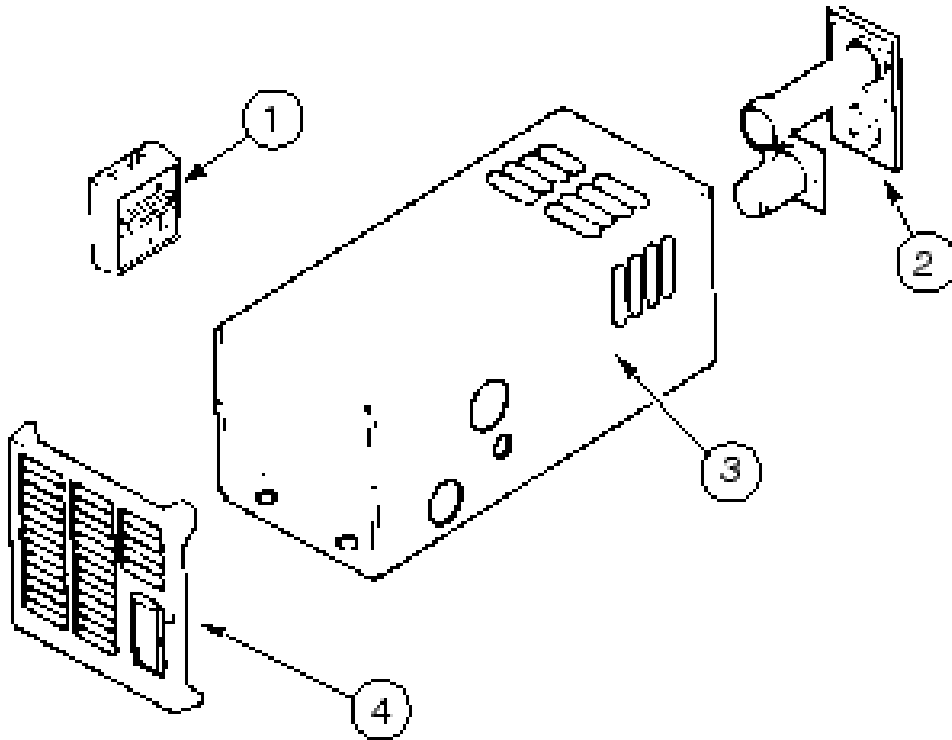
KEY	PART NUMBER	U/M	DESCRIPTION	VENDOR NO.
	075697-01-000	EA	FURNACE FORCED AIR 20000 BTU	
1	075697-05-701	EA	MICRO SWITCH ASSEMBLY - SUBURBAN	230933
2	075697-04-702	EA	IMPELLER - ROOM AIR - SUBURBAN	350083
3	075697-04-701	EA	MOTOR - SUBURBAN	230634
4	074035-01-706	EA	WHEEL - COMBUSTION AIR - SUBURBAN	350082
5	074466-01-702	EA	RELAY - TIME DELAY - SUBURBAN	230625
6	098668-01-712	EA	MODULE BOARD - SUBURBAN	520741
7	074035-01-707	EA	SWITCH - LIMIT - SUBURBAN	230849

**SUBURBAN
GAS VALVE & COMPONENTS
MODEL NT-20SE**



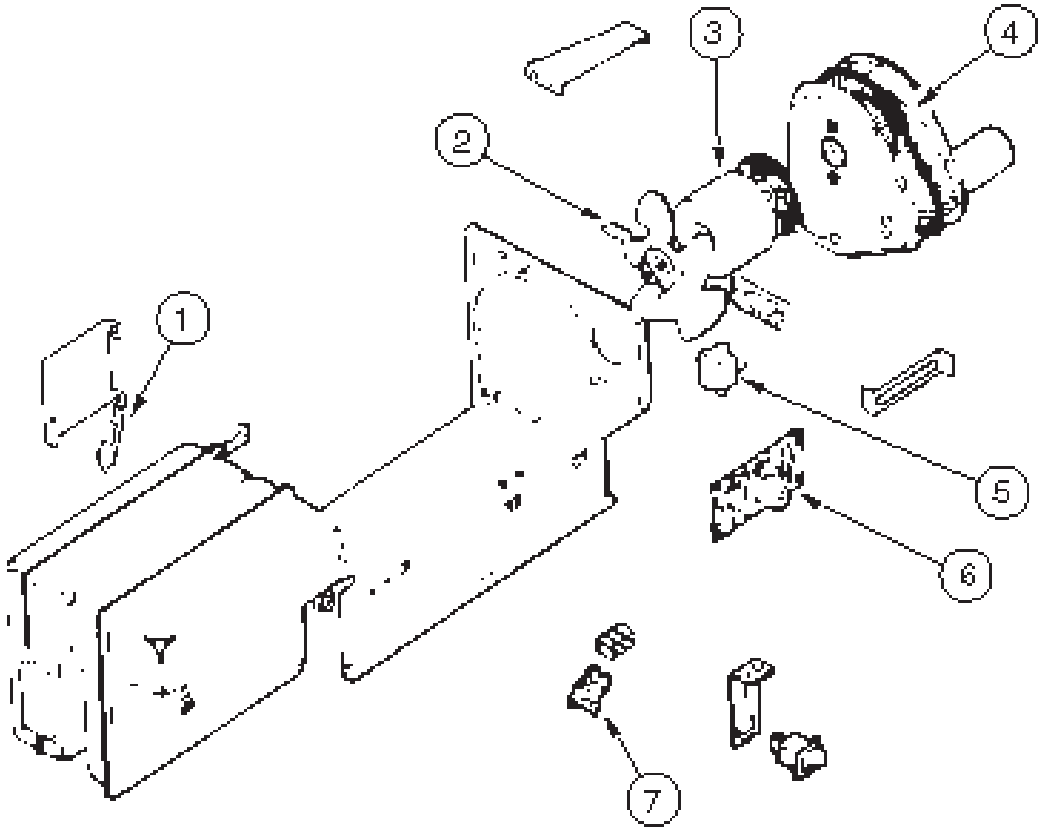
KEY	PART NUMBER	U/M	DESCRIPTION	VENDOR NO.
	075697-01-000	EA	FURNACE FORCED AIR 20000 BTU	
1	075697-04-704	EA	DOOR - BURNER ACCESS - SUBURBAN	030621
2	069634-01-732	EA	GASKET - BURNER ACCESS DOOR - SUBURBAN	070398
3	075697-01-709	EA	GASKET - MANIFOLD - SUBURBAN	070449
4	074035-01-709	EA	ORIFICE - SUBURBAN	180231
5	069634-01-729	EA	VALVE-GAS - JOHNSON - SUBURBAN	161078
6	092300-01-718	EA	ELBOW - 90 - SUBURBAN	170374
7	092300-01-704	EA	GASKET - ELECTRODE - SUBURBAN	070163
8	075697-01-708	EA	ELECTRODE - SINGLE PROBE - SUBURBAN	231931

**SUBURBAN
MODEL NT-20SE**



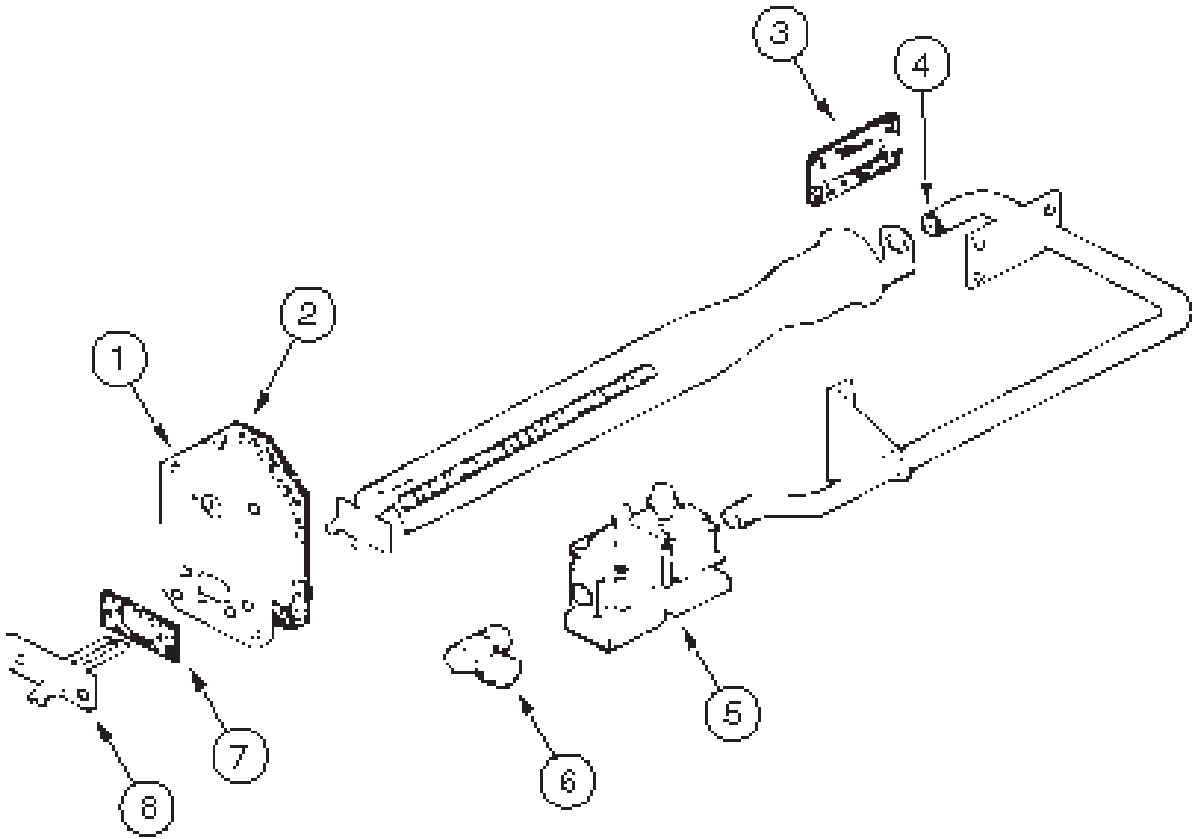
KEY	PART NUMBER	U/M	DESCRIPTION	VENDOR NO.
	075697-01-000	EA	FURNACE FORCED AIR 20000 BTU	
1	115764-01-01A	EA	THERMOSTAT - WALL, FURNACE - SUBURBAN - 160902	
2	075697-01-701	EA	VENT CAP & EXHUST ASSEMBLY - SUBURBAN	260098
3	075697-01-707	EA	CABINET ASSEMBLY - SUBURBAN	100957
4	075697-07-700	EA	CABINET - FRONT - SUBURBAN	030785

**SUBURBAN
BLOWER MOTOR & COMPONENTS
MODEL NT-20SE**



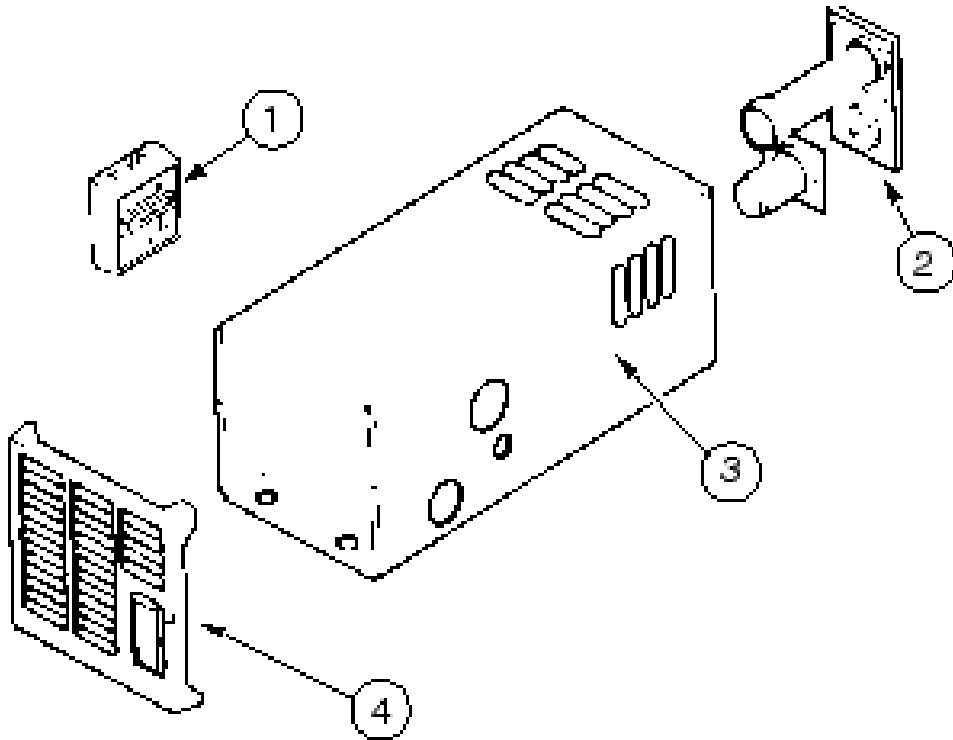
KEY	PART NUMBER	U/M	DESCRIPTION	VENDOR NO.
	075697-07-000	EA	FURNACE FORCED AIR 20000 BTU	
1	075697-05-701	EA	MICRO SWITCH ASSEMBLY - SUBURBAN	230933
2	075697-04-702	EA	IMPELLER - ROOM AIR - SUBURBAN	350083
3	075697-04-701	EA	MOTOR - SUBURBAN	230634
4	074035-01-706	EA	WHEEL - COMBUSTION AIR - SUBURBAN	350082
5	074466-01-702	EA	RELAY - TIME DELAY - SUBURBAN	230625
6	098668-01-712	EA	MODULE BOARD - SUBURBAN	520741
7	074035-01-707	EA	SWITCH - LIMIT - SUBURBAN	230849

**SUBURBAN
GAS VALVE & COMPONENTS
MODEL NT-20SE**



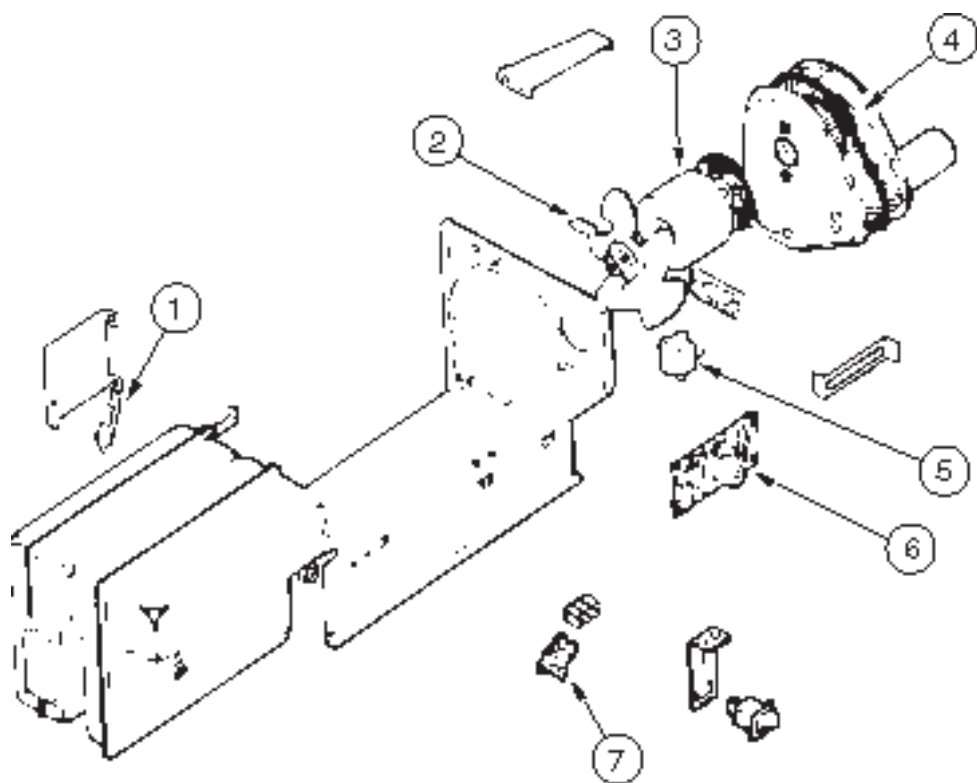
KEY	PART NUMBER	U/M	DESCRIPTION	VENDOR NO.
	075697-07-000	EA	FURNACE FORCED AIR 20000 BTU	
1	075697-04-704	EA	DOOR - BURNER ACCESS - SUBURBAN	030621
2	069634-01-732	EA	GASKET - BURNER ACCESS DOOR - SUBURBAN	070398
3	075697-01-709	EA	GASKET - MANIFOLD - SUBURBAN	070449
4	074035-01-709	EA	ORIFICE - SUBURBAN	180231
5	069634-01-729	EA	VALVE-GAS - JOHNSON - SUBURBAN	161078
6	092300-01-718	EA	ELBOW - 90 - SUBURBAN	170374
7	092300-01-704	EA	GASKET - ELECTRODE - SUBURBAN	070163
8	075697-01-708	EA	ELECTRODE - SINGLE PROBE - SUBURBAN	231931

**SUBURBAN
MODEL NT-20SE**



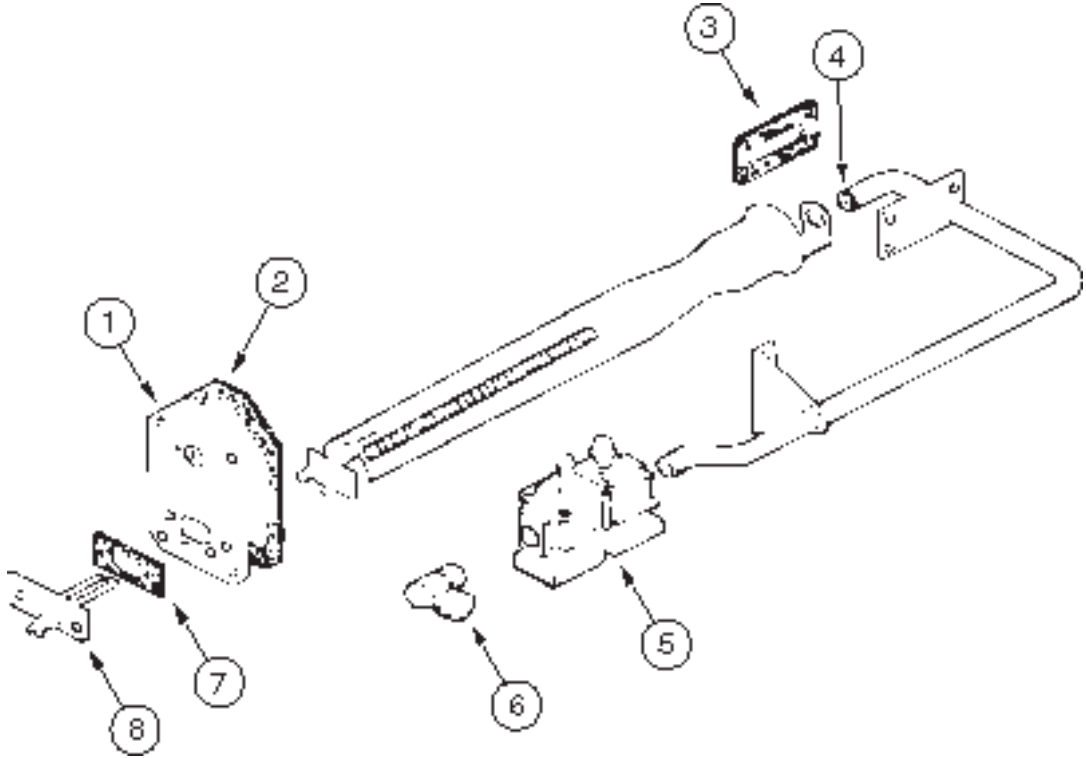
KEY	PART NUMBER	U/M	DESCRIPTION	VENDOR NO.
	075697-07-000	EA	FURNACE FORCED AIR 20000 BTU	
1	115764-01-01A	EA	THERMOSTAT - WALL, FURNACE - SUBURBAN - 160902	
2	075697-01-701	EA	VENT CAP & EXHUST ASSEMBLY - SUBURBAN	260098
3	075697-01-707	EA	CABINET ASSEMBLY - SUBURBAN	100957
4	075697-07-700	EA	CABINET - FRONT - SUBURBAN	030785

**SUBURBAN
BLOWER MOTOR & COMPONENTS**



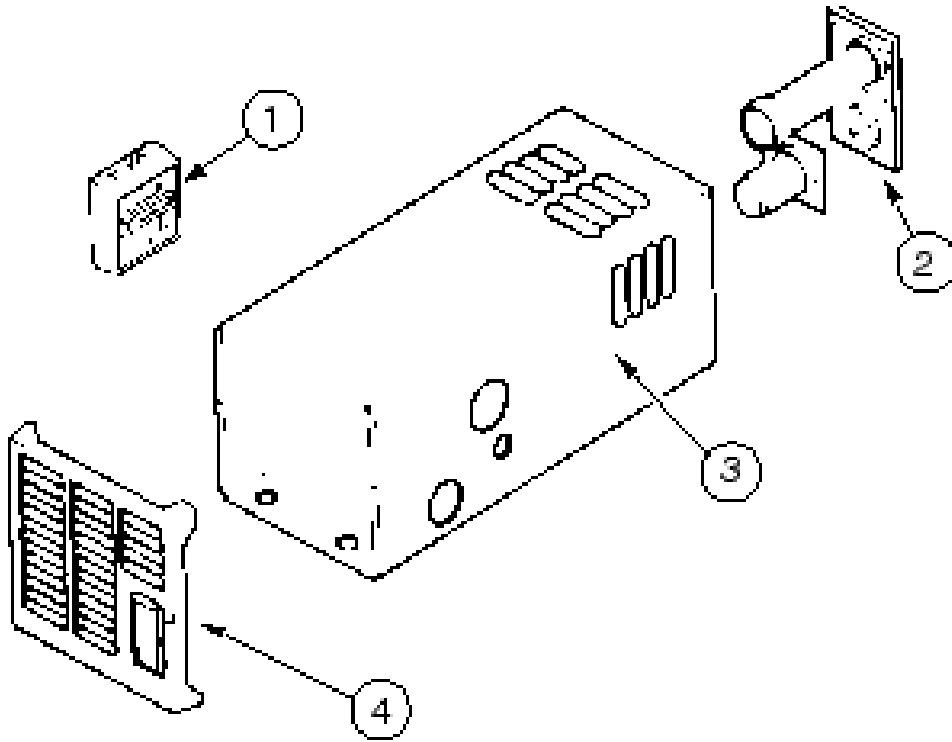
KEY	PART NUMBER	U/M	DESCRIPTION	VENDOR NO.
	075697-08-000	EA	FURNACE FORCED AIR 20000 BTU	
1	075697-05-701	EA	MICRO SWITCH ASSEMBLY - SUBURBAN	230933
2	075697-04-702	EA	IMPELLER - ROOM AIR - SUBURBAN	350083
3	075697-01-705	EA	MOTOR - SUBURBAN	230634
4	074035-01-706	EA	WHEEL - COMBUSTION AIR - SUBURBAN	350082
5	074466-01-702	EA	RELAY - TIME DELAY - SUBURBAN	230625
6	098668-01-712	EA	MODULE BOARD - SUBURBAN	520741
7	074035-01-707	EA	SWITCH - LIMIT - SUBURBAN	230849

**SUBURBAN
GAS VALVE & COMPONENTS**



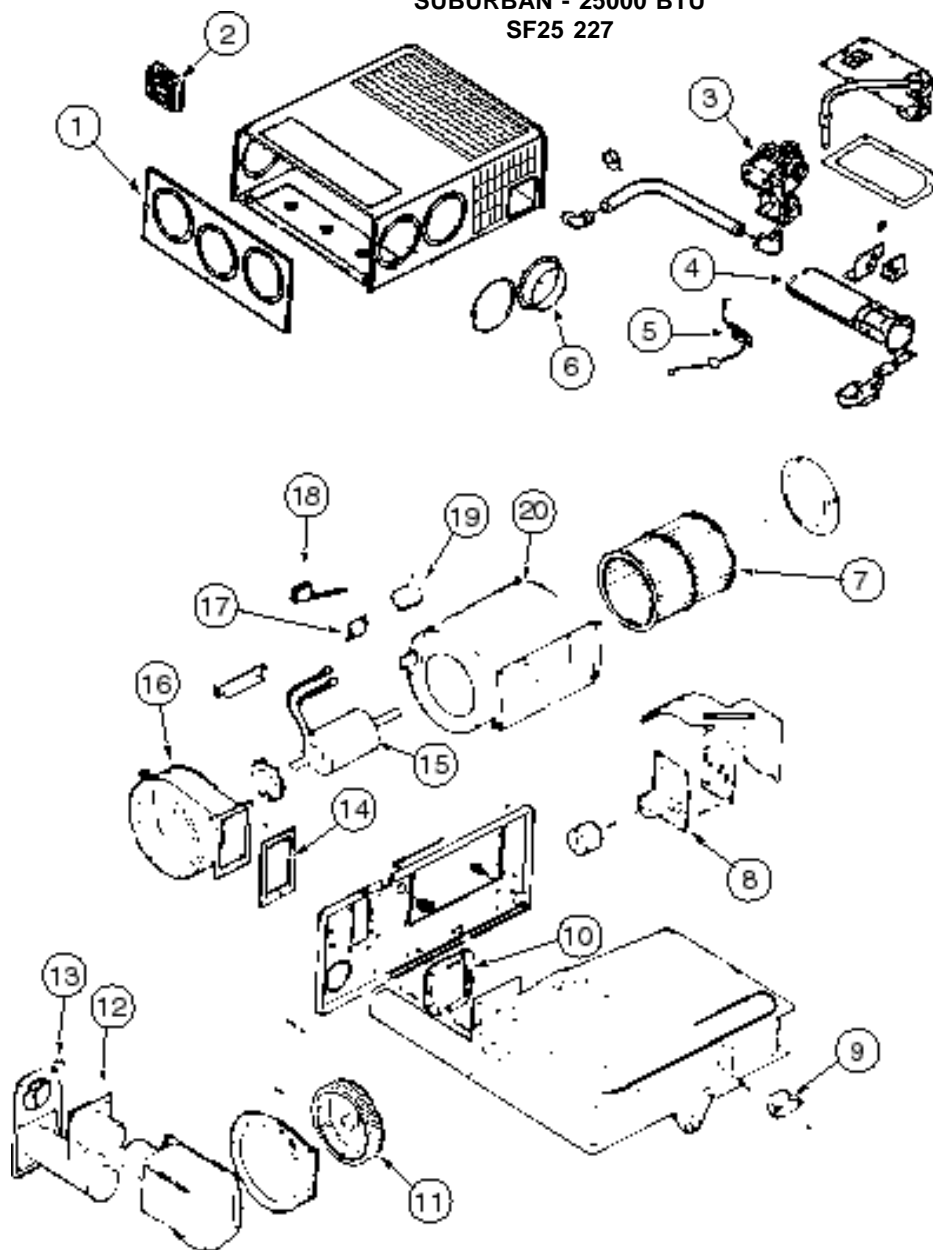
KEY	PART NUMBER	U/M	DESCRIPTION	VENDOR NO.
	075697-08-000	EA	FURNACE FORCED AIR 20000 BTU	
1	075697-04-704	EA	DOOR - BURNER ACCESS - SUBURBAN	030621
2	069634-01-732	EA	GASKET - BURNER ACCESS DOOR - SUBURBAN	070398
3	075697-01-709	EA	GASKET - MANIFOLD - SUBURBAN	070449
4	074035-01-709	EA	ORIFICE - SUBURBAN	180231
5	069634-01-729	EA	VALVE-GAS - JOHNSON - SUBURBAN	161078
6	092300-01-718	EA	ELBOW - 90 - SUBURBAN	170374
7	092300-01-704	EA	GASKET - ELECTRODE - SUBURBAN	070163
8	075697-01-708	EA	ELECTRODE - SINGLE PROBE - SUBURBAN	231931

**SUBURBAN
MODEL NT-20SE**



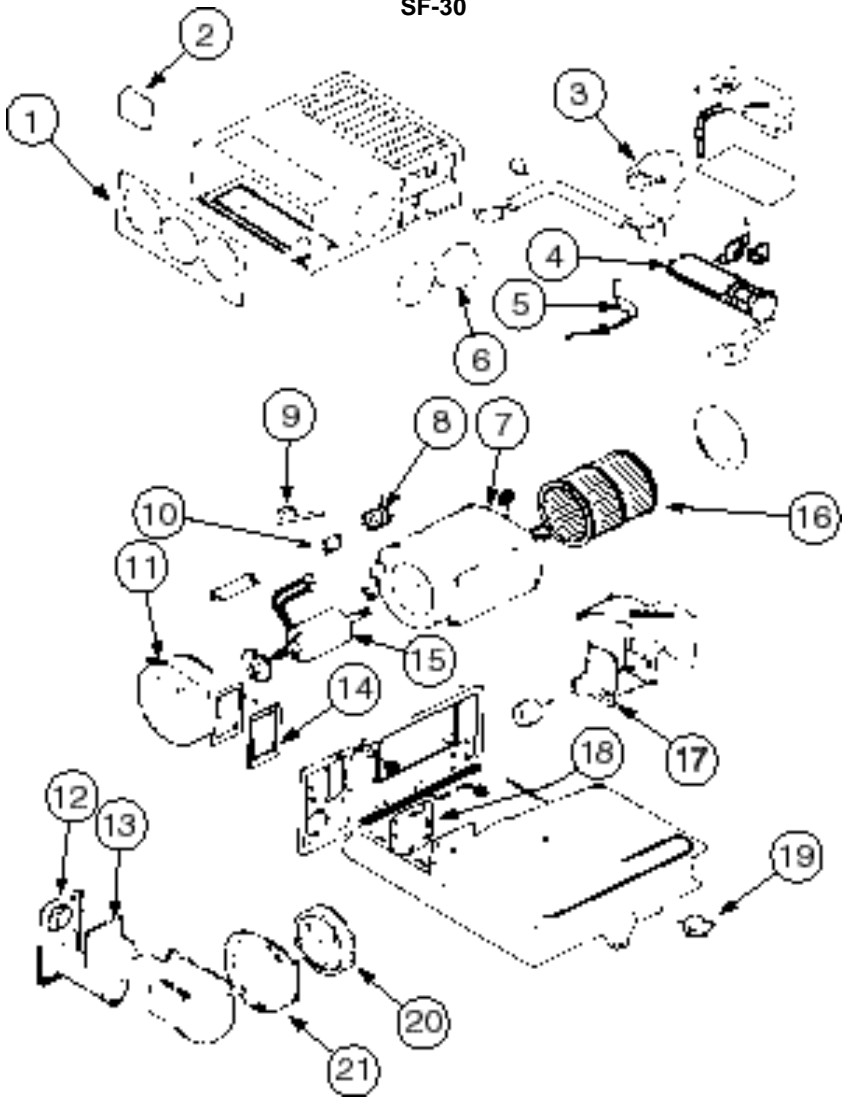
KEY	PART NUMBER	U/M	DESCRIPTION	VENDOR NO.
	075697-08-000	EA	FURNACE FORCED AIR 20000 BTU	
1	115764-01-01A	EA	THERMOSTAT - WALL, FURNACE - SUBURBAN - 160902	
2	075697-01-701	EA	VENT CAP & EXHUST ASSEMBLY - SUBURBAN	260098
3	075697-01-707	EA	CABINET ASSEMBLY - SUBURBAN	100957
4	075697-01-704	EA	CABINET - FRONT - SUBURBAN	030785

**SUBURBAN - 25000 BTU
SF25 227**



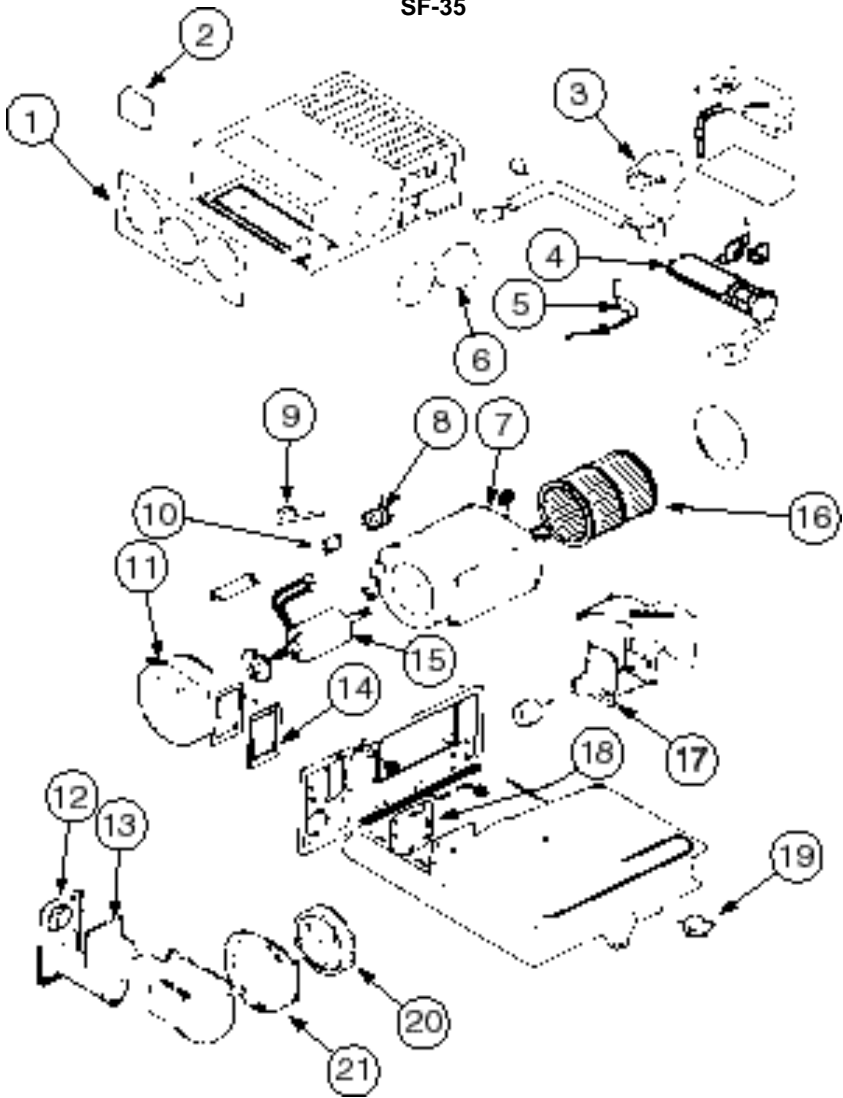
KEY	PART NUMBER	U/M	DESCRIPTION	VENDOR NO.
	098668-19-000	EA	FURNACE - 25000 BTU SUBURBAN SF-25 227	
	098039-01-703	EA	ORIFICE-MAIN BURNER	180193
1	098668-01-700	EA	CABINET FRONT	101242
2	115764-01-01A	EA	THERMOSTAT-FURNACE,SUBURBAN	
3	098668-01-714	EA	VALVE-GAS,SF S.N. 921401821	161070
4	098668-01-703	EA	BURNER ASSEMBLY	010762
5	098668-01-715	EA	ELECTRODE ASM., SINGLE PROBE	232166
6	075696-02-703	EA	COLLAR-DUCT	050715
7	098668-01-708	EA	HOUSING-BLOWER, COMBUSTION	390441
8	098668-01-712	EA	BOARD-MODULE	520741
9	098668-21-701	EA	SWITCH - LIMIT	231799
10	098668-01-717	EA	GASKET-FIREWALL, BLOWER SIDE	070809
11	098668-01-706	EA	WHEEL-COMBUSTION AIR	350184
12	098668-01-713	EA	TUBE ASSEMBLY, INTAKE	051248
13	098668-01-707	EA	TUBE ASSEMBLY, EXHAUST W/CAP	260231
14	098668-01-716	EA	GASKET-FIREWALL,CHAMBER SIDE	070808
15	098668-01-709	EA	MOTOR ASM., F/SF-25, SF-30	231706
16	098668-01-711	EA	WHEEL-BLOWER, ROOM AIR	350129
17	101990-01-714	EA	GASKET-MICROSWITCH	230877
18	098668-21-700	EA	SWITCH-MICRO-W/O FLAG 3 1/4"	232261
19	074466-01-702	EA	RELAY, TIME DELAY	230625
20	098668-01-710	EA	HOUSING-BLOWER, ROOM AIR	390440
	098668-01-702	EA	ELECTRODE	231740

**SUBURBAN - 30,000 BTU
SF-30**



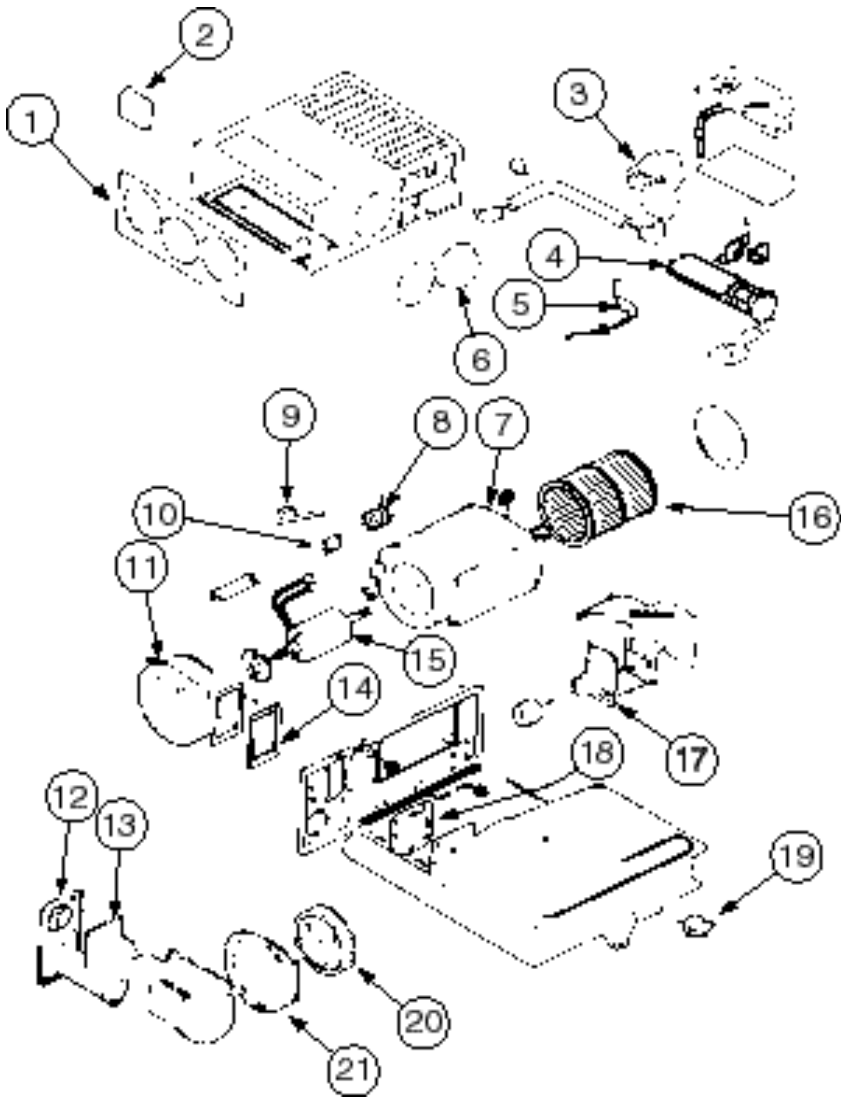
KEY	PART NUMBER	U/M	DESCRIPTION	VENDOR NO.
	098668-20-000	EA	FURNACE-30,000 BTU	
	092300-02-701	EA	ORIFICE-MAIN BURNER (NT-30BW)	180214
1	098668-01-700	EA	CABINET FRONT	101242
2	115764-01-01A	EA	THERMOSTAT-FURNACE, SUBURBAN 160902	
2	117238-01-01A	EA	THERMOSTAT - A/C - FURNACE - COLEMAN 7330-3371	
2	117238-02-01A	EA	THERMOSTAT - A/C ONLY 7330-3381	
3	098668-01-714	EA	VALVE-GAS,SF S.N. 921401821	161070
4	098668-02-700	EA	BURNER ASSEMBLY,SF-30 & SF35	010745
5	098668-01-715	EA	ELECTRODE ASM., SINGLE PROBE	232166
6	075696-02-703	EA	COLLAR-DUCT	050715
7	098668-01-710	EA	HOUSING-BLOWER, ROOM AIR	390440
8	074466-01-702	EA	RELAY, TIME DELAY	230625
9	098668-21-700	EA	SWITCH-MICRO-W/O FLAG 3 1/4"	232261
10	101990-01-714	EA	GASKET-MICROSWITCH	230877
11	098668-01-708	EA	HOUSING-BLOWER, COMBUSTION	390441
12	098668-01-707	EA	TUBE ASSEMBLY, EXHAUST W	260231
13	098668-01-713	EA	TUBE ASSEMBLY, INTAKE	051248
14	098668-01-717	EA	GASKET-FIREWALL, BLOWER SIDE	070809
15	098668-01-709	EA	MOTOR ASM., F/SF-25, SF-30	231706
16	098668-01-711	EA	WHEEL-BLOWER, ROOM AIR	350129
17	098668-01-712	EA	BOARD-MODULE	520741
18	098668-01-716	EA	GASKET-FIREWALL,CHAMBER SIDE	070808
19	098668-21-701	EA	SWITCH - LIMIT	231799
20	098668-01-706	EA	WHEEL-COMBUSTION	350184
21	098668-22-703	EA	GASKET	070811

**SUBURBAN - 35,000 BTU
SF-35**



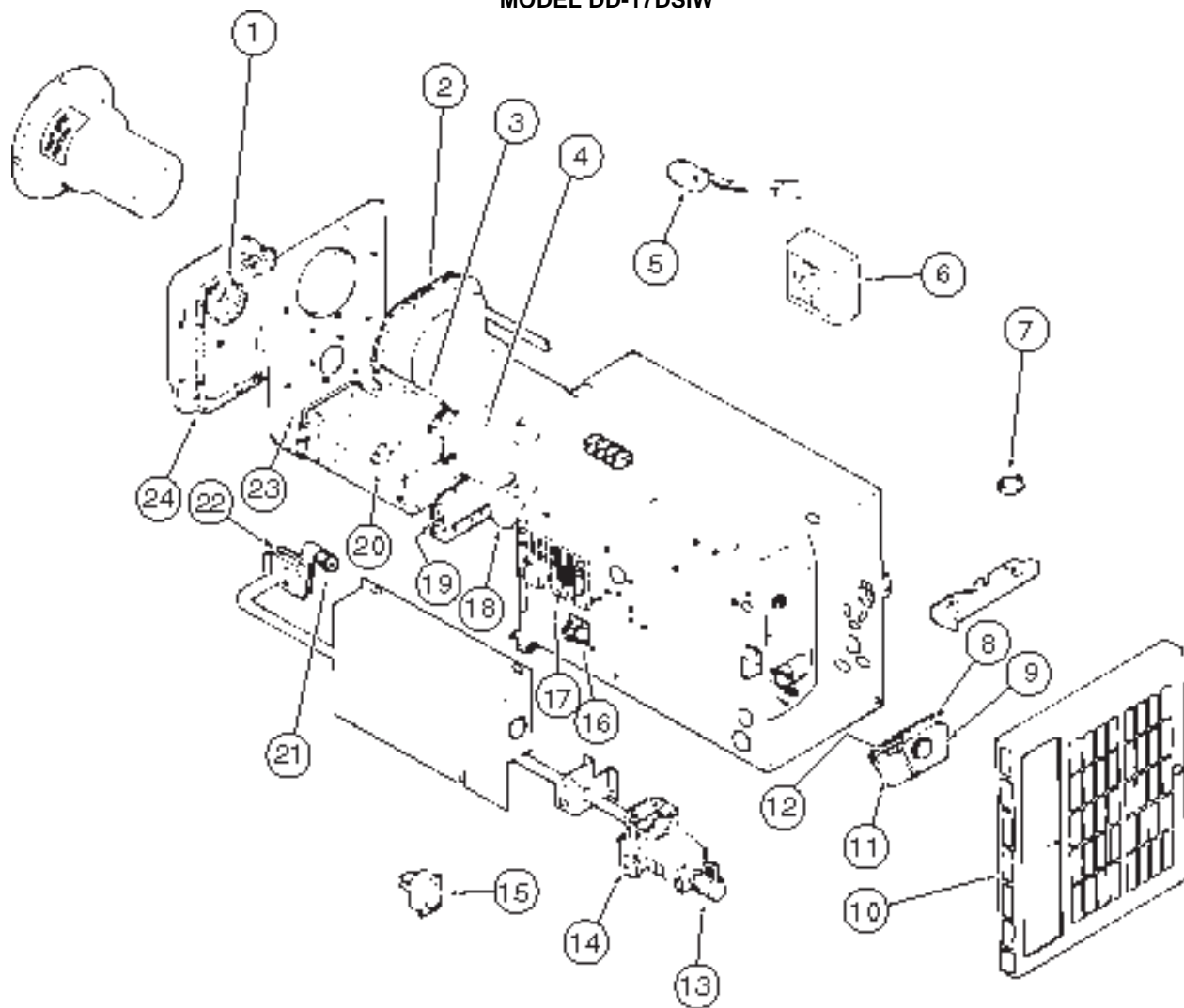
KEY	PART NUMBER	U/M	DESCRIPTION	VENDOR NO.
	098668-21-000	EA	FURNACE - 35,000 BTU	
	069634-01-720	EA	ORIFICE - MAIN BURNER	180222
1	098668-01-700	EA	CABINET FRONT	101242
2	115764-01-01A	EA	THERMOSTAT - FURNACE - SUBURBAN 160902	
2	117238-01-01A	EA	THERMOSTAT - A/C - FURNACE - COLEMAN 7330-3371	
3	098668-01-714	EA	VALVE - GAS - SF S.N. 921401821	161070
4	098668-02-700	EA	BURNER ASSEMBLY - SF-30 & SF35	010745
5	098668-01-715	EA	ELECTRODE ASSEMBLY - SINGLE PROBE	232166
6	075696-02-703	EA	COLLAR - DUCT	050715
7	098668-01-710	EA	HOUSING - BLOWER - ROOM AIR	390440
8	074466-01-702	EA	RELAY - TIME DELAY	230625
9	098668-21-700	EA	SWITCH - MICRO - W/O FLAG 3 1/4"	232261
10	101990-01-714	EA	GASKET - MICROSWITCH	230877
11	098668-01-708	EA	HOUSING - BLOWER - COMBUSTION	390441
12	098668-01-707	EA	TUBE ASSEMBLY - EXHAUST	260231
13	098668-01-713	EA	TUBE ASSEMBLY - INTAKE	051248
14	098668-01-717	EA	GASKET - FIREWALL - BLOWER SIDE	070809
15	098668-03-700	EA	MOTOR ASSEMBLY - SF-35	231707
16	098668-01-711	EA	WHEEL - BLOWER - ROOM AIR	350129
17	098668-01-712	EA	BOARD - MODULE	520741
18	098668-01-716	EA	GASKET - FIREWALL - CHAMBER SIDE	070808
19	098668-21-701	EA	SWITCH - LIMIT	231799
20	098668-01-706	EA	WHEEL - COMBUSTION	350184
21	098668-22-703	EA	GASKET	070811

**SUBURBAN - 40,000 BTU
MODEL SF-42**



KEY	PART NUMBER	U/M	DESCRIPTION	VENDOR NO.
	098668-22-000	EA	FURNACE, 40,000 BTU., SUBURBAN SF-42	
1	098668-01-700	EA	CABINET FRONT	101242
2	115764-01-01A	EA	THERMOSTAT-FURNACE, SUBURBAN 160902	
2	117238-01-01A	EA	THERMOSTAT - A/C - FURNACE - COLEMAN 7330-3371	
2	117238-02-01A	EA	THERMOSTAT - A/C ONLY - 7330-3381	
3	098668-01-714	EA	VALVE-GAS, SF	161070
4	098668-11-701	EA	BURNER ASSEMBLY, SF-42F	010799
5	098668-01-715	EA	ELECTRODE ASM., SINGLE PROBE	232166
6	075696-02-703	EA	COLLAR-DUCT	050715
7	098668-11-704	EA	BLOWER ASM., ROOM AIR SF-42F	390698
8	074466-01-702	EA	RELAY, TIME DELAY	230625
9	098668-11-703	EA	SWITCH-SAIL, SF-42F	232216
10	101990-01-714	EA	GASKET-MICROSWITCH	230877
11	098668-01-708	EA	HOUSING-BLOWER, COMBUSTION	390441
12	098668-01-707	EA	TUBE ASSEMBLY, EXHAUST W/CAP	260231
13	098668-01-713	EA	TUBE ASSEMBLY, INTAKE	051248
14	098668-01-717	EA	GASKET-FIREWALL, BLOWER SIDE	070809
	098668-11-700	EA	ORIFICE-MAIN BURNER, SF-42F	180216
15	098668-11-702	EA	MOTOR ASSEMBLY, SF-42F	232212
16	098668-01-711	EA	WHEEL-BLOWER, ROOM AIR	350129
17	098668-01-712	EA	BOARD-MODULE	520741
18	098668-01-716	EA	GASKET-FIREWALL, CHAMBER SIDE	070808
19	098668-11-706	EA	SWITCH-LIMIT, SF42 & SF42F	232217
20	098668-22-702	EA	WHEEL-COMBUSTION AIR	350183
21	098668-22-703	EA	GASKET	070811

**SUBURBAN - 17,000 BTU
MODEL DD-17DSIW**



KEY	PART NUMBER	U/M	DESCRIPTION	VENDOR NO.
	101990-05-000	EA	FURNACE - 17,000 BTU - DUCTED	
1	101990-05-700	EA	GASKET - FRONT - COMBUSTION AIR	070862
2	101990-01-713	EA	GASKET - MOTOR	070849
3	101990-05-702	EA	MOTOR	231916
4	101990-01-703	EA	WHEEL - ROOM AIR	350125
5			N/A	
6	101990-01-720	EA	SWITCH - SAIL/NEW STYLE - BEND	231930
7			N/A	
8	101990-01-710	EA	SWITCH - LIMIT	231768
9	101990-01-718	EA	GASKET - BURNER DOOR - ACCESS	070850
10	101990-05-708	EA	DOOR - BURNER ACCESS	030767
11	101990-05-707	EA	GRILLE ASSEMBLY	030966
12	101990-05-706	EA	ELECTRODE	231934
13	101990-01-721	EA	GASKET - ELECTRODE	070851
14	092300-01-718	EA	ELBOW - 90 DEG	170374
15	101990-05-705	EA	VALVE	161071
16	101990-05-704	EA	SWITCH - ON/OFF	023251
17	101990-01-705	EA	RELAY - TIME DELAY	231769
18	098668-01-712	EA	BOARD-MODULE	520741
19	101990-05-703	EA	GASKET - BURNER - TUNNEL - END	070848
20	101990-01-711	EA	ORIFACE	530415
21	101990-01-717	EA	GASKET - MANIFOLD	070847
22	101990-01-702	EA	BURNER	010763
23	101990-01-722	EA	GASKET - BURNER TUNNEL	070859
24	101990-05-701	EA	GASKET - REAR - COMBUSTION AIR	070906
	101990-01-701	EA	WHEEL - COMBUSTION AIR	350126