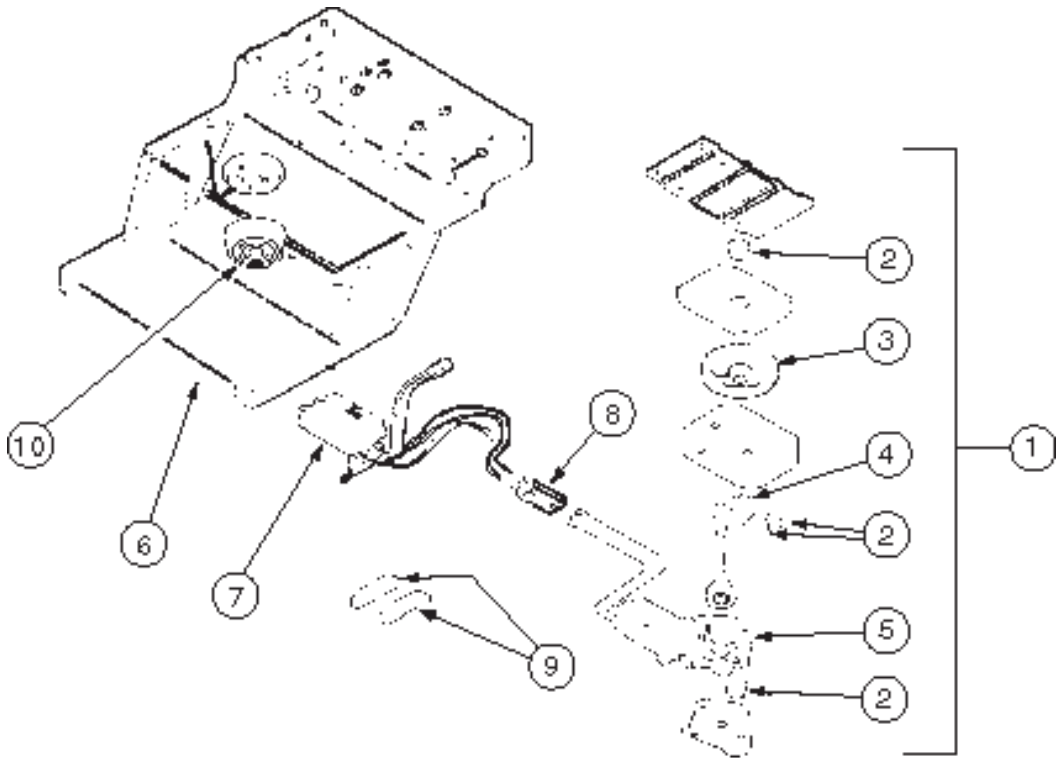
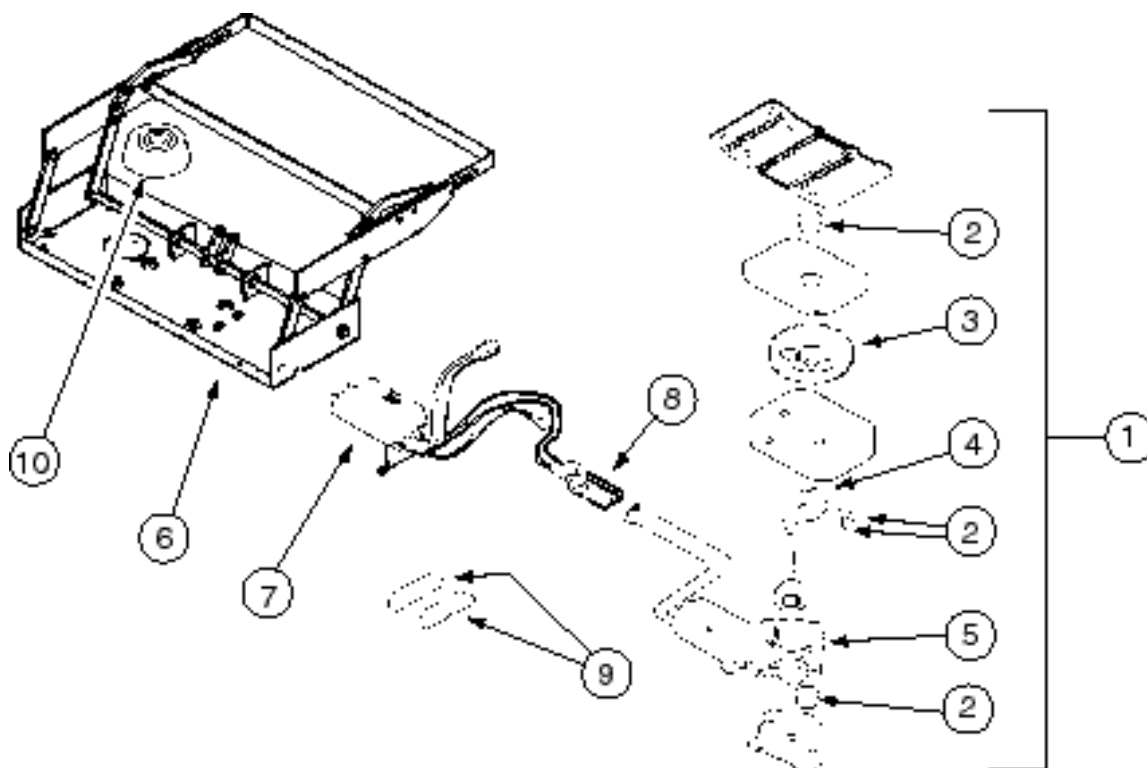


**KWIKEE  
MODEL 3200 SERIES**



KEY	PART NUMBER	U/M	DESCRIPTION	VENDOR NO.
1	094707-01-01A	EA	STEP ASSEMBLY W/O SWITCH	
2	094707-02-703	EA	BEARINGS & PINS	909530
3	094707-02-702	EA	GEAR KIT - W/ BEARINGS & PIN-CASE	909525
4	094707-02-701	EA	LINKAGE ASSEMBLY - W/ BEARINGS & PINS	909523
5	094707-02-700	EA	MOTOR ASSEMBLY - W/ BEARINGS & PINS	909520
6	094707-01-702	EA	FRAME W/DOUBLE STEP	908032
7	094707-02-705	EA	CONTROL UNIT - WHITE	909513
8	094707-02-704	EA	CONNECTOR - MOTOR ASSEMBLY - W/ PLATES	909537
10	088746-01-705	EA	LIGHT - UNDER STEP	9004
	088733-01-700	EA	BULB	9004
	094707-02-707	EA	TREAD - NON SKID - BLACK - 6"X21"	909333
	094707-02-708	EA	TREAD - NON-SKID - YELLOW	909331

**KWIKEE  
MODEL 2800 SERIES**



KEY	PART NUMBER	U/M	DESCRIPTION	VENDOR NO.
1	094708-01-01A	EA	STEP - ENTRY DOOR - ELECTRIC - SINGLE - W/O DOOR SWITCH	
2	094707-02-703	EA	BEARINGS & PINS	909530
3	094707-02-702	EA	GEAR KIT - W/ BEARINGS & PIN-CASE	909525
4	094708-03-700	EA	LINKAGE ASSEMBLY - SERIES 28	909533
5	094707-02-700	EA	MOTOR ASSEMBLY - W/ BEARINGS & PINS	909520
6	088746-01-709	EA	FRAME W/SINGLE STEP - SERIES 2800	908028
7	094707-02-705	EA	CONTROL UNIT - WHITE	909513
8	094707-02-704	EA	CONNECTOR - MOTOR ASSEMBLY - W/ PLATES	909537
10	088746-01-705	EA	LIGHT - UNDER STEP	9004
	088733-01-700	EA	BULB	9004
	094707-02-707	EA	TREAD - NON SKID - BLACK - 6"X21"	909333
	094707-02-708	EA	TREAD - NON-SKID - YELLOW	909331