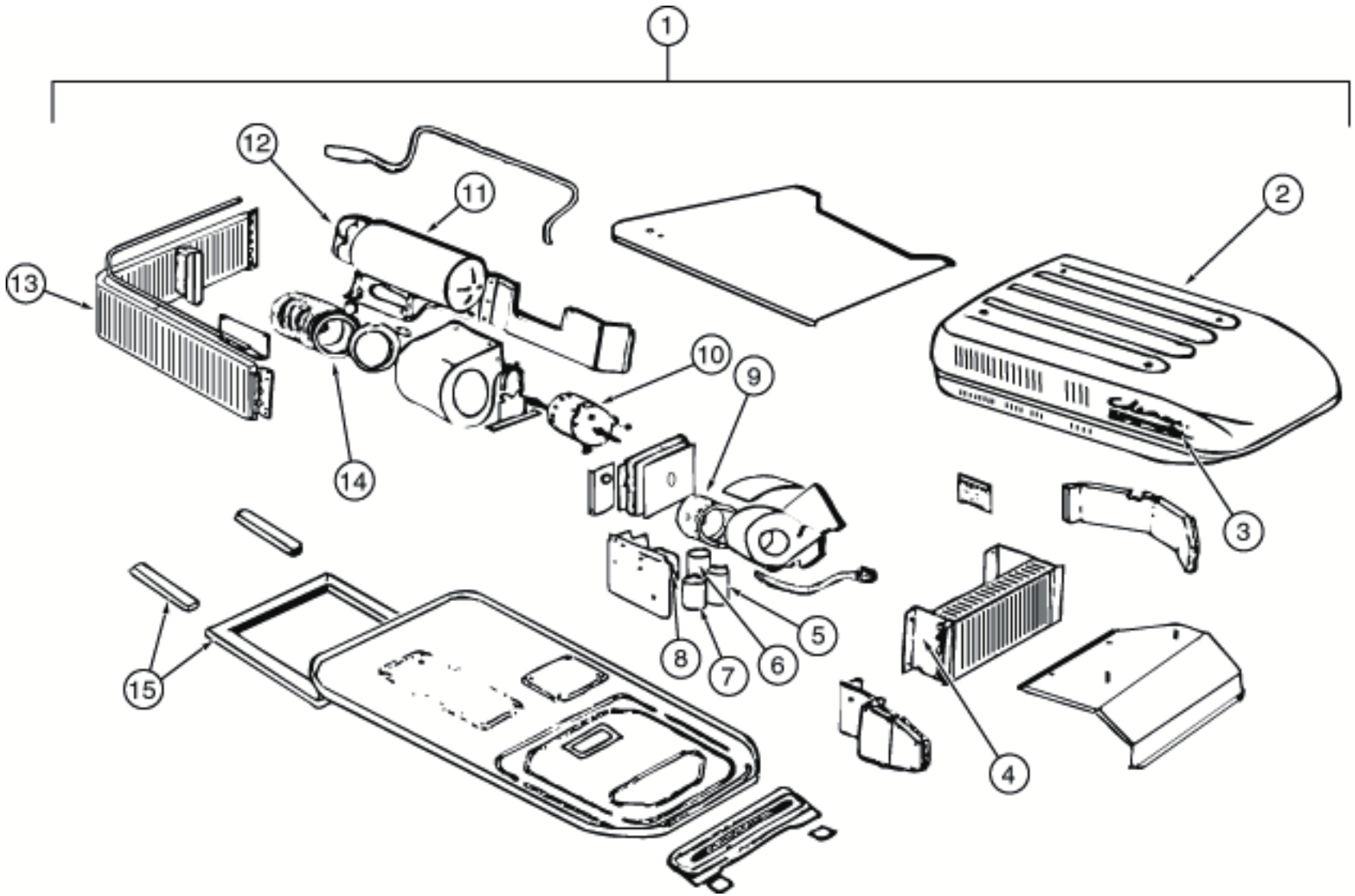
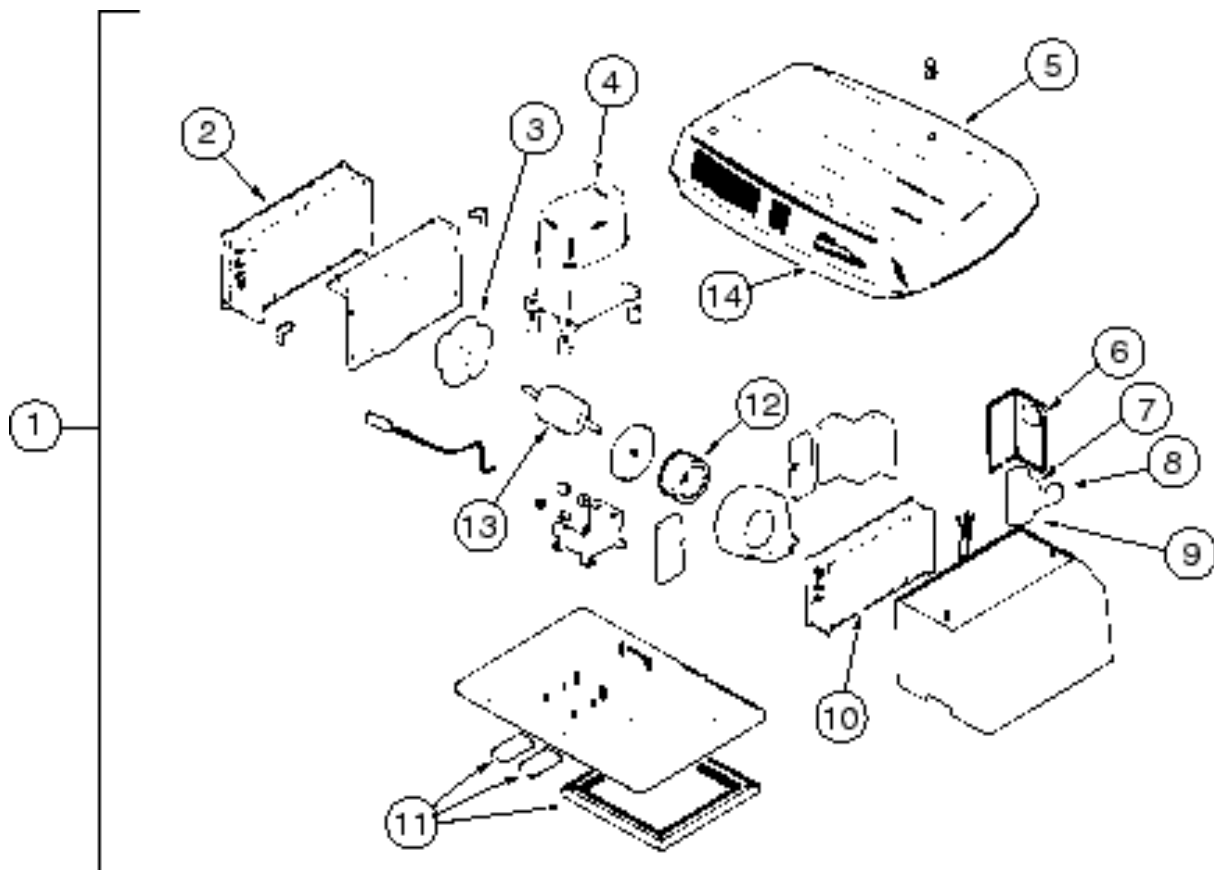


**AIR CONDITIONER
COLEMAN 6799-806**



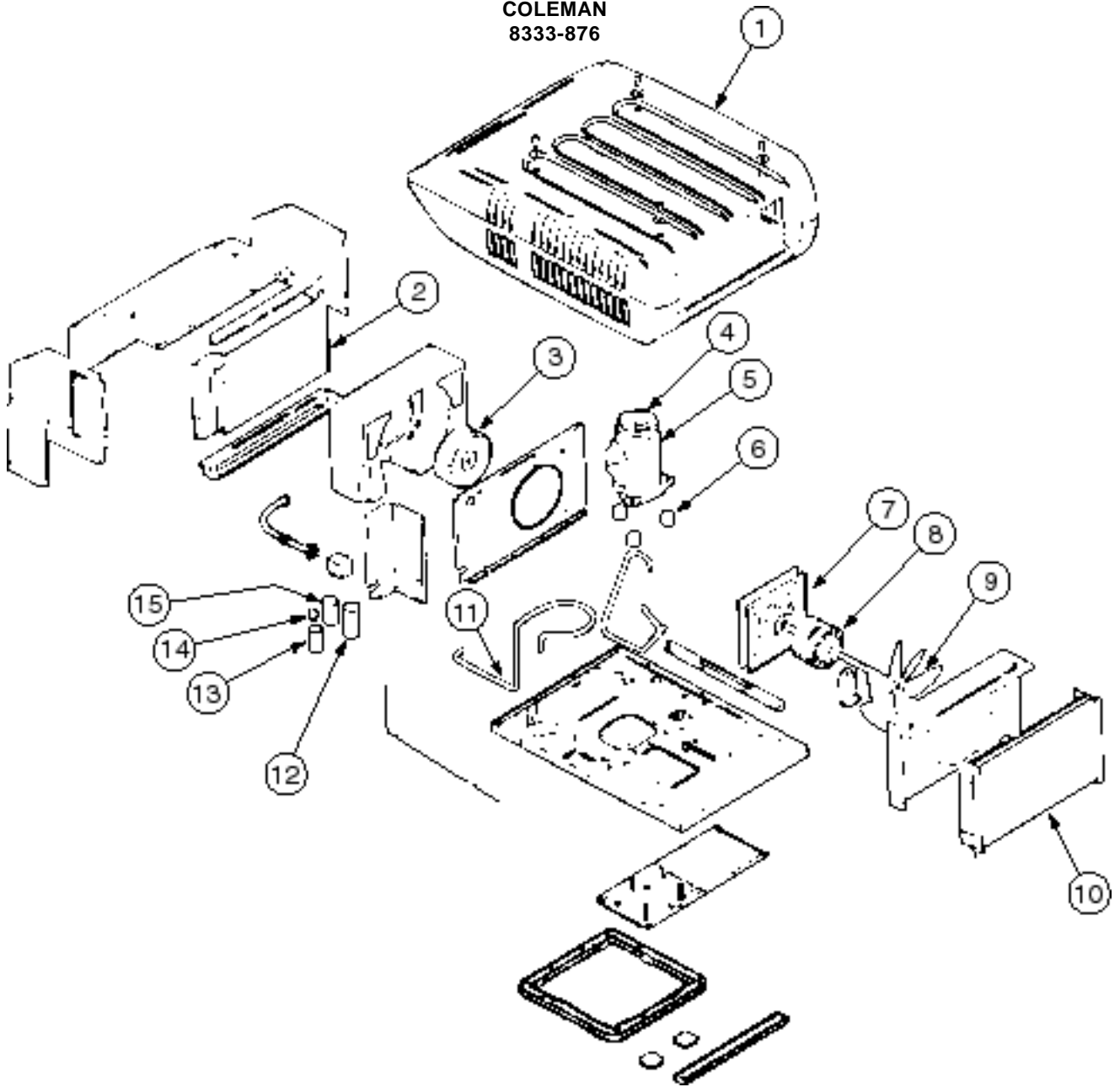
KEY	PART NUMBER	U/M	DESCRIPTION	VENDOR NO.
1	091225-08-000	EA	A/C - ROOF - 13500 - SUPER MAC - BRIGHT/WHITE	
2	091225-08-700	EA	SHROUD - ARTIC WHITE - LESS LOGO	0799-4761
3	093306-01-701	EA	DECAL PACKAGE - LEFT & RIGHT	6798B3591
4	093765-01-702	EA	COIL - EVAPORATOR	1452-1381
5	105620-01-718	EA	CAPACITOR - FAN - 12.5 MFD/370V	1499-5631
6	091225-07-703	EA	CAPACITOR - COMPRESSOR - RUN	1499-5681
7	091225-01-710	EA	CAPACITOR - COMPRESSOR - START	1497-0881
8	091225-01-709	EA	RELAY - START	1497-4131
9	091225-01-708	EA	WHEEL - BLOWER - EVAPORATOR	6799-3391
10	091225-01-707	EA	MOTOR - 115V - 2.8A - 1650 RPM	6799-3199
11	091225-07-701	EA	COMPRESSOR - TECUMSEH	6798A3609
12	091225-07-702	EA	OVERLOAD	6746-3991
13	091225-01-704	EA	COIL - CONDENSER	1452A1271
14	091225-01-705	EA	WHEEL - BLOWER - CONDENSER	6799-3381
15	037648-01-714	EA	GASKET PACKAGE	6759-3281

**COLEMAN
MODEL 6727-736**



KEY	PART NUMBER	U/M	DESCRIPTION	VENDOR NO.
1	093306-01-02A	EA	A/C - ROOF - 7,100 BTU - ROTARY	
2	093306-01-711	EA	COIL - CONDENSER	14520701
3	093306-01-703	EA	FAN - 4 BLADE - 9" DIAMETER	67073321
4	093306-01-717	EA	COMPRESSOR - PANASONIC	1450-2019
	093306-01-719	EA	OVERLOAD	1450A0011
5	093306-01-722	EA	SHROUD - ARCTIC WHITE - NO LOGO	6727-5761
6	093306-01-721	EA	RELAY - START	1497-5051
7	093306-01-720	EA	CAPACITOR - START - 21-25 MFD/33 - COLEMAN	1497-3351
8	093306-01-718	EA	CAPACITOR - FAN - 5MFD/370V	1499-5421
9	108889-01-707	EA	CAPACITOR - RUN - COMPRESSOR - 25MFD/370	1499-5661
10	093306-01-713	EA	COIL - EVAPORATOR	14520601
11	037648-01-714	EA	GASKET PACKAGE	6759-3281
12	093306-01-706	EA	WHEEL - BLOWER - 6 5/16" X 2 7/8"	67073281
13	093306-01-705	EA	MOTOR - (115V1 6A60H2-RPM)	67273119
14	093306-01-701	EA	DECAL PACKAGE - LEFT & RIGHT	6798B3591

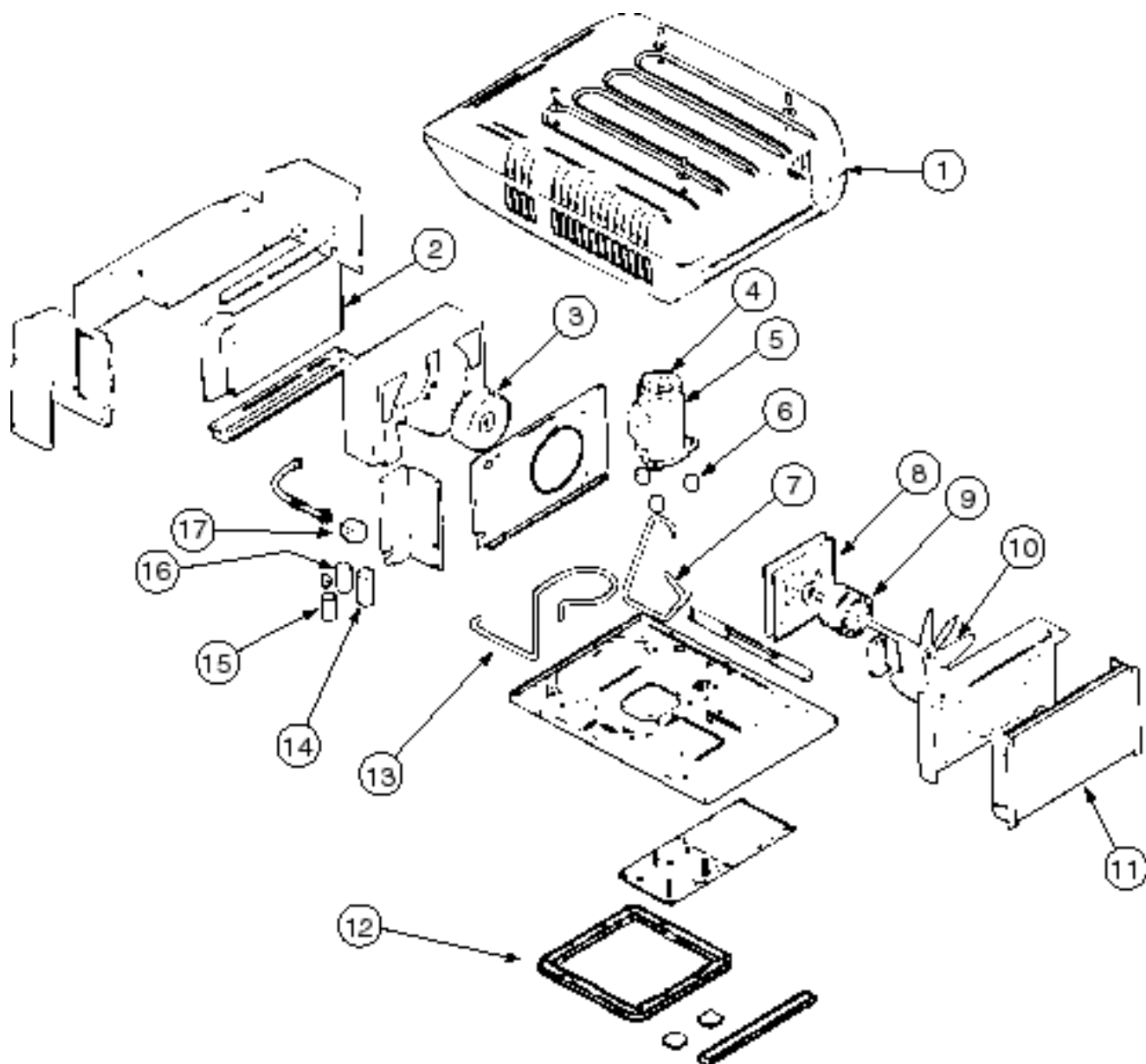
AIR CONDITIONER
COLEMAN
8333-876



KEY	PART NUMBER	U/M	DESCRIPTION	VENDOR NO.
	131185-01-01A	EA	A/C - ROOF - 13,500 BTU - WHITE	
1	108889-05-700	EA	SHROUD BRIGHT/WHITE W/O LOGO	7333-4601
2	131185-01-703	EA	EVAPORATOR COIL	1452-1491
3	131185-01-702	EA	IMPELLOR	1472-1091
4	105620-01-705	EA	OVERLOAD PROTECTOR - RH/LH	6759-3791
5	108889-01-722	EA	COMPRESSOR - TSR3 C&D ONLY	1450-2099
6	105620-01-706	EA	MOUNTING PACKAGE - COMPRESSOR - 3 PER	6759-3081
7	131185-01-704	EA	MOTOR MOUNT & SEAL KIT	8333-5151
8	131185-01-701	EA	MOTOR - 115V - 60HZ	1468-3069
9	093763-01-712	EA	BLADE - FAN - CONDENSER	6733-3221
10	131185-01-700	EA	COIL - CONDENSER	1452A1451
11	131185-01-705	EA	LINE - SUCTION	6792B130
12	108889-01-707	EA	CAPACITOR - RUN - COMPRESSOR - 25MFD/370	1499-5661
13	105620-10-704	EA	CAPACITOR - START	1497-0861
14	105620-10-705	EA	PTCR (START DEVICE)	1497-9021
15	108889-01-708	EA	CAPACITOR - FAN - 7.5 MFD/370U	1499-5461
	093306-01-701	EA	DECAL PACKAGE - LEFT & RIGHT	6798B3591
	108889-01-710	EA	PAD - FILLER - CONDENSER SEAL	6759B3971
	131185-01-706	EA	DISCHARGE LINE	7333A136

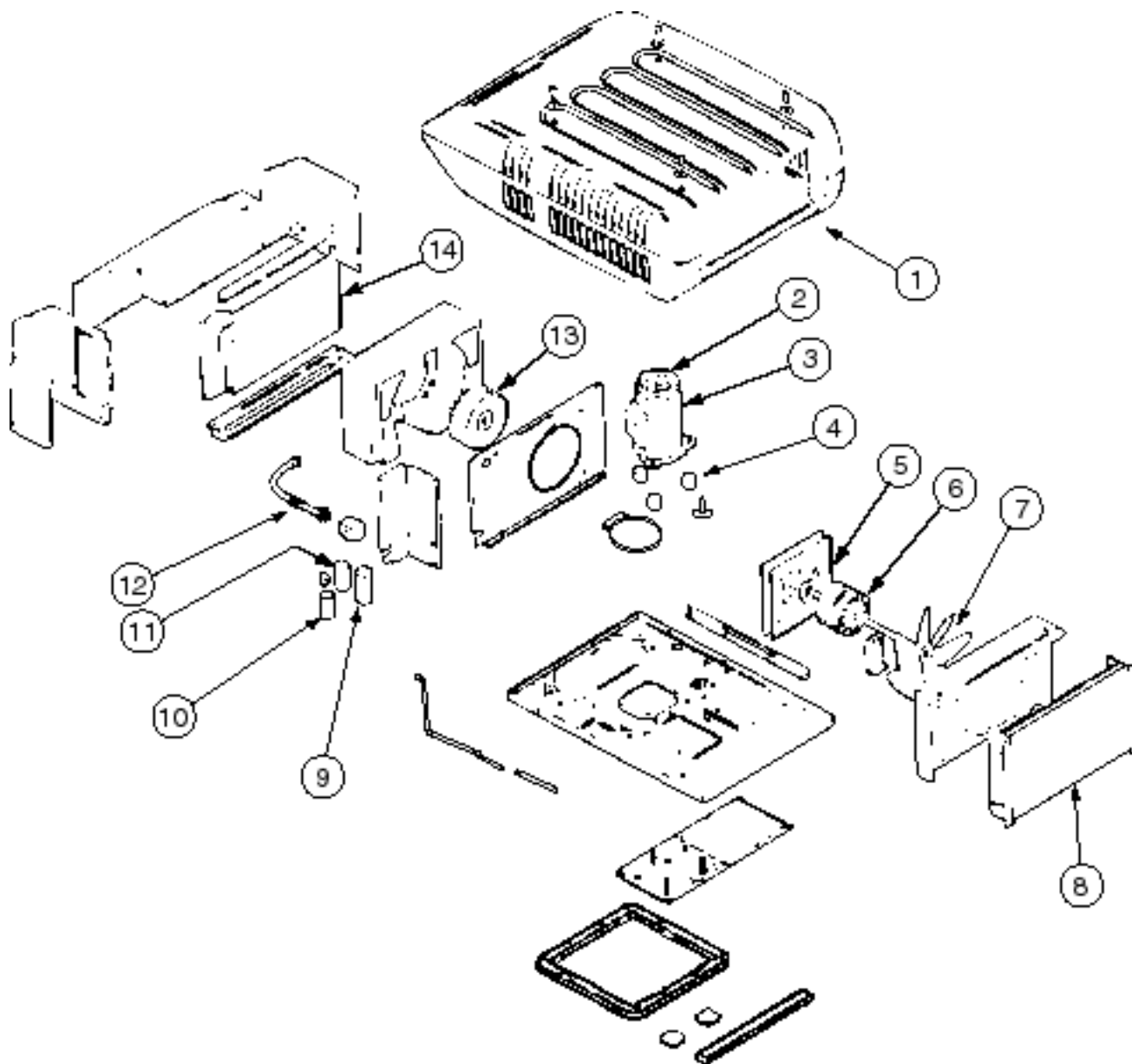
AIR CONDITIONING

13,500 BTU 220V
COLEMAN 8373-897



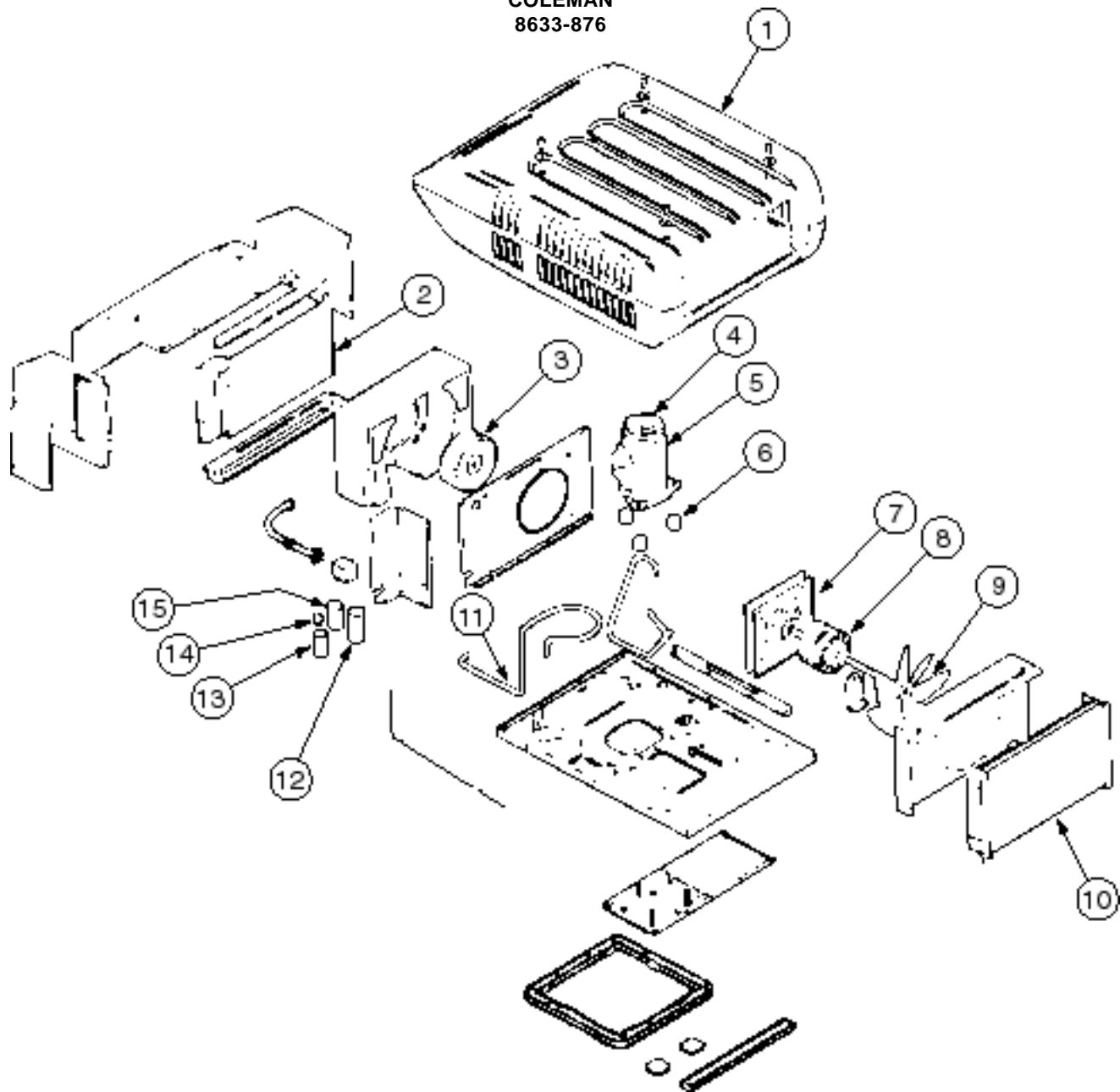
KEY	PART NUMBER	U/M DESCRIPTION	VENDOR NO.
	131185-02-01A	EA A/C - ROOF - 13,500 BTU - 220V - WHITE	
1	108889-05-700	EA SHROUD BRIGHT/WHITE W/O LOGO	7333-4601
2	131185-01-703	EA EVAPORATOR COIL	1452-1491
3	131185-01-702	EA IMPELLOR	1472-1091
4	105620-01-705	EA OVERLOAD PROTECTOR - RH/LH	6759-3791
5	108889-02-700	EA COMPRESSOR - TECUMSEH	1450A2029
6	105620-01-706	EA MOUNTING PACKAGE - COMPRESSOR - 3 PER	6759-3081
7	131185-02-703	EA LINE - DISCHARGE	6792B131
8	131185-01-704	EA MOTOR MOUNT & SEAL KIT	8333-5151
9	131185-02-701	EA MOTOR - 115V - 60HZ	1468-3069
10	093763-01-712	EA BLADE - FAN - CONDENSER	6733-3221
11	131185-01-700	EA COIL - CONDENSER	1452A1451
12	037648-01-714	EA GASKET PACKAGE	8332-3301
13	131185-01-705	EA LINE - SUCTION	6792B130
14	108889-01-707	EA CAPACITOR - RUN - COMPRESSOR - 25MFD/370	1499-5661
15	105620-10-704	EA CAPACITOR - START	1497-0861
16	093763-01-704	EA CAPACITOR - FAN	1499-5461
17	108889-02-703	EA RELAY - START	1497-4141
	093306-01-701	EA DECAL PACKAGE - LEFT & RIGHT	6798B3591
	108889-01-710	EA PAD - FILLER - CONDENSER SEAL	6759B3971

**AIR CONDITIONER
COLEMAN
8632-876**



KEY	PART NUMBER	U/M	DESCRIPTION	VENDOR NO.
	131186-01-01A	EA	A/C - ROOF MACH 1 POWERSAVER - WHITE	
1	108889-05-700	EA	SHROUD BRIGHT/WHITE W/O LOGO	7333-4601
2	126859-01-701	EA	OVERLOAD PROTECTOR - RA#4761	1450-0061
3	126859-01-700	EA	COMPRESSOR - RK124AT-001-A4Y	1450-0061
4	105620-01-706	EA	MOUNTING PACKAGE - COMPRESSOR - 3 PER	6759-3081
5	131185-01-704	EA	MOTOR MOUNT & SEAL KIT	8333-5151
6	131186-01-700	EA	MOTOR - 115V - 60HZ	1468-3109
7	093763-01-712	EA	BLADE - FAN - CONDENSER	6733-3221
8	115219-01-700	EA	COIL - CONDENSER	1452A1321
9	126859-01-703	EA	CAPACITOR - RUN	1499-5671
10	093763-01-704	EA	CAPACITOR - FAN	1499-5461
11	105620-10-704	EA	CAPACITOR - START	1497-0861
12	105620-10-705	EA	PTCR (START DEVICE)	1497-9021
13	131185-01-702	EA	IMPELLOR	1472-1091
14	131186-01-701	EA	EVAPORATOR COIL	1452-1521
	093306-01-701	EA	DECAL PACKAGE - LEFT & RIGHT	6798B3591
	108889-01-710	EA	PAD - FILLER - CONDENSER SEAL	6759B3971
	126859-01-706	EA	LINE - SUCTION	7532A130

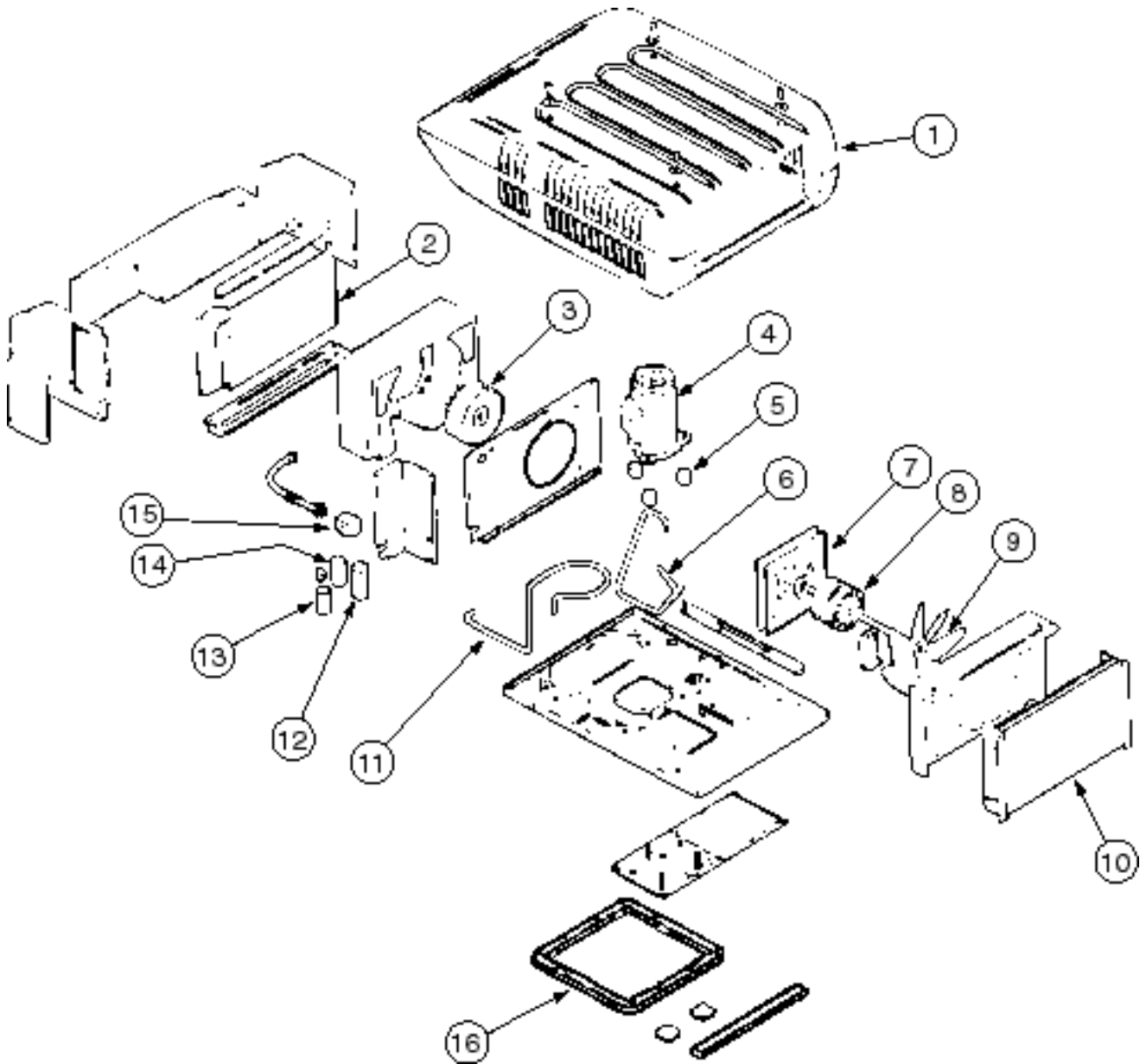
**AIR CONDITIONER
COLEMAN
8633-876**



KEY	PART NUMBER	U/M	DESCRIPTION	VENDOR NO.
	131187-01-01A	EA	A/C - ROOF MACH 3 POWERSAVER - WHITE	
1	108889-05-700	EA	SHROUD BRIGHT/WHITE W/O LOGO	7333-4601
2	131186-01-701	EA	EVAPORATOR COIL	1452-1521
3	131185-01-702	EA	IMPELLOR	1472-1091
4	126860-01-701	EA	OVERLOAD PROTECTOR - MRA#1460	1450-0071
5	126860-01-700	EA	COMPRESSOR - RK136AT-002-A4Y	1450-2119
6	105620-01-706	EA	MOUNTING PACKAGE - COMPRESSOR - 3 PER	6759-3081
7	131185-01-704	EA	MOTOR MOUNT & SEAL KIT	8333-5151
8	131186-01-700	EA	MOTOR - 115V - 60HZ	1468-3109
9	093763-01-712	EA	BLADE - FAN - CONDENSER	6733-3221
10	115219-01-700	EA	COIL - CONDENSER	1452A1321
11	126859-01-706	EA	LINE - SUCTION	7532A130
12	126859-01-703	EA	CAPACITOR - RUN	1499-5671
13	105620-10-704	EA	CAPACITOR - START	1497-0861
14	105620-10-705	EA	PTCR (START DEVICE)	1497-9021
	093306-01-701	EA	DECAL PACKAGE - LEFT & RIGHT	6798B3591
	108889-01-710	EA	PAD - FILLER - CONDENSER SEAL	6759B3971

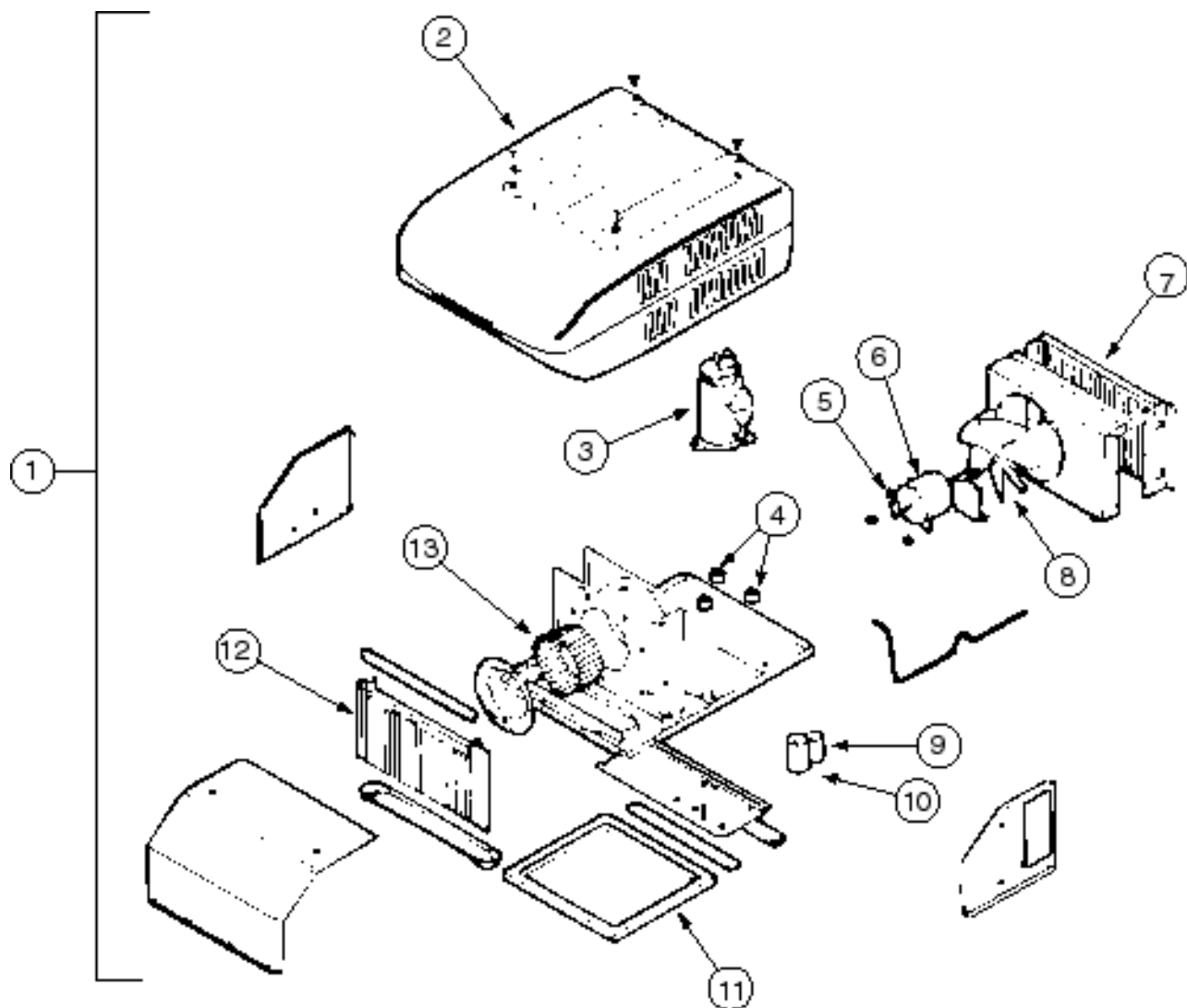
AIR CONDITIONING

14,800 BTU
COLEMAN 8335-896



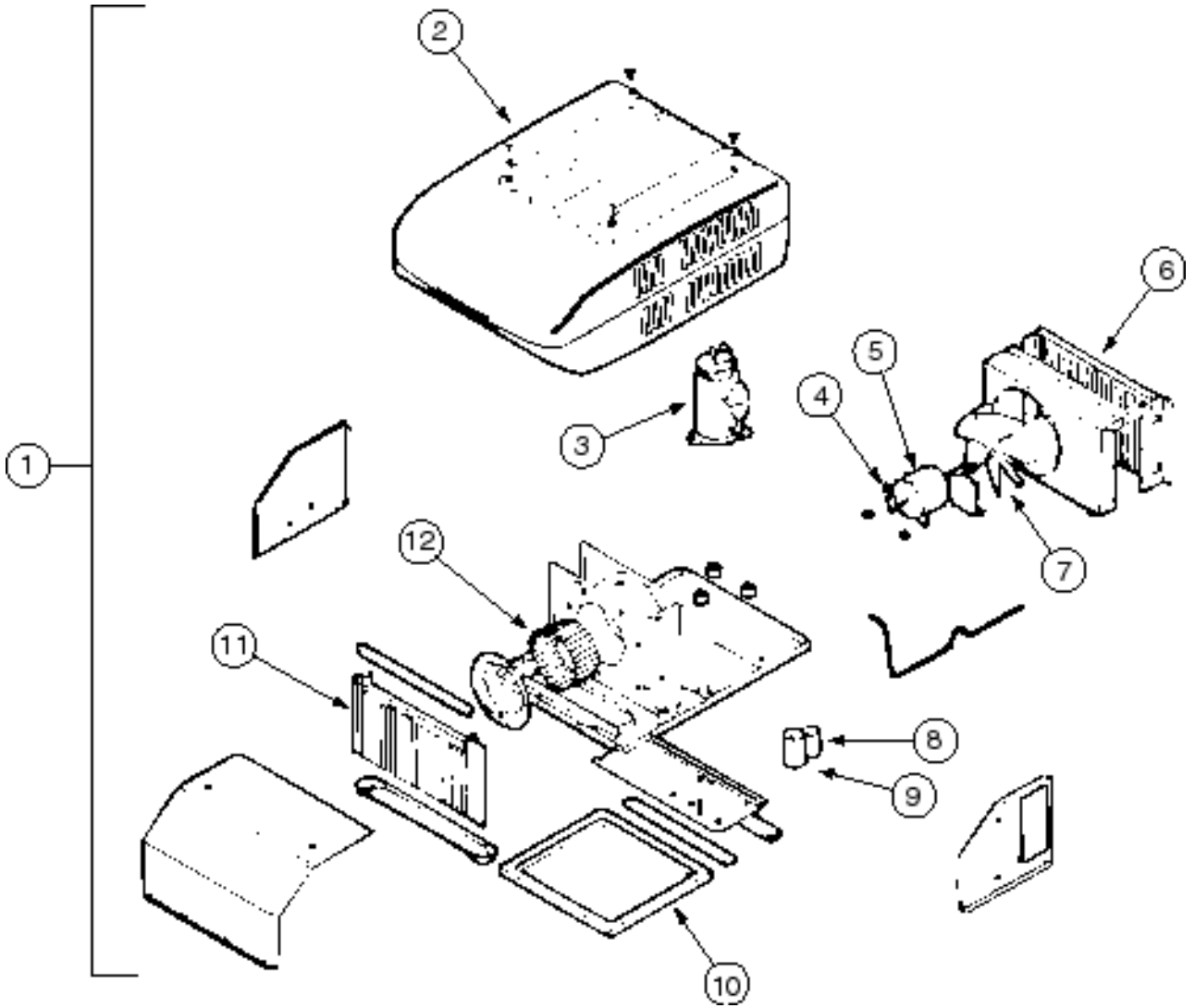
KEY	PART NUMBER	U/M DESCRIPTION	VENDOR NO.
	131188-01-01A	EA A/C - ROOF - 14,800 MACH 15 - WHITE	
1	108889-05-700	EA SHROUD BRIGHT/WHITE W/O LOGO	7333-4601
2	131186-01-701	EA EVAPORATOR COIL	1452-1521
3	131185-01-702	EA IMPELLOR	1472-1091
4	131188-01-700	EA COMPRESSOR - TECUMSEH	1450A2609
5	105620-01-706	EA MOUNTING PACKAGE - COMPRESSOR - 3 PER	6759-3081
6	131188-01-703	EA LINE DISCHARGE	7335A135
7	131185-01-704	EA MOTOR MOUNT & SEAL KIT	8333-5151
8	131185-01-701	EA MOTOR - 115V - 60HZ	1468-3069
9	093763-01-712	EA BLADE - FAN - CONDENSER	6733-3221
10	115219-01-700	EA COIL - CONDENSER	1452A1321
11	131188-01-702	EA LINE - SUCTION	7335A134
12	131188-01-701	EA CAPACITOR - COMPRESSOR - RUN - 40 MFD 370V	1499-5721
13	126859-01-704	EA CAPACITOR - COMPRESSOR - START	1497-0871
14	108889-01-708	EA CAPACITOR - FAN - 7.5 MFD 370V	1499-5461
15	091225-01-709	EA RELAY - START	1497-4131
16	037648-01-714	EA GASKET PACKAGE	8332-3301
	093306-01-701	EA DECAL PACKAGE - LEFT & RIGHT	6798B3591
	108889-01-710	EA PAD - FILLER - CONDENSER SEAL	6759B3971

**COLEMAN
MODEL 7333A886**



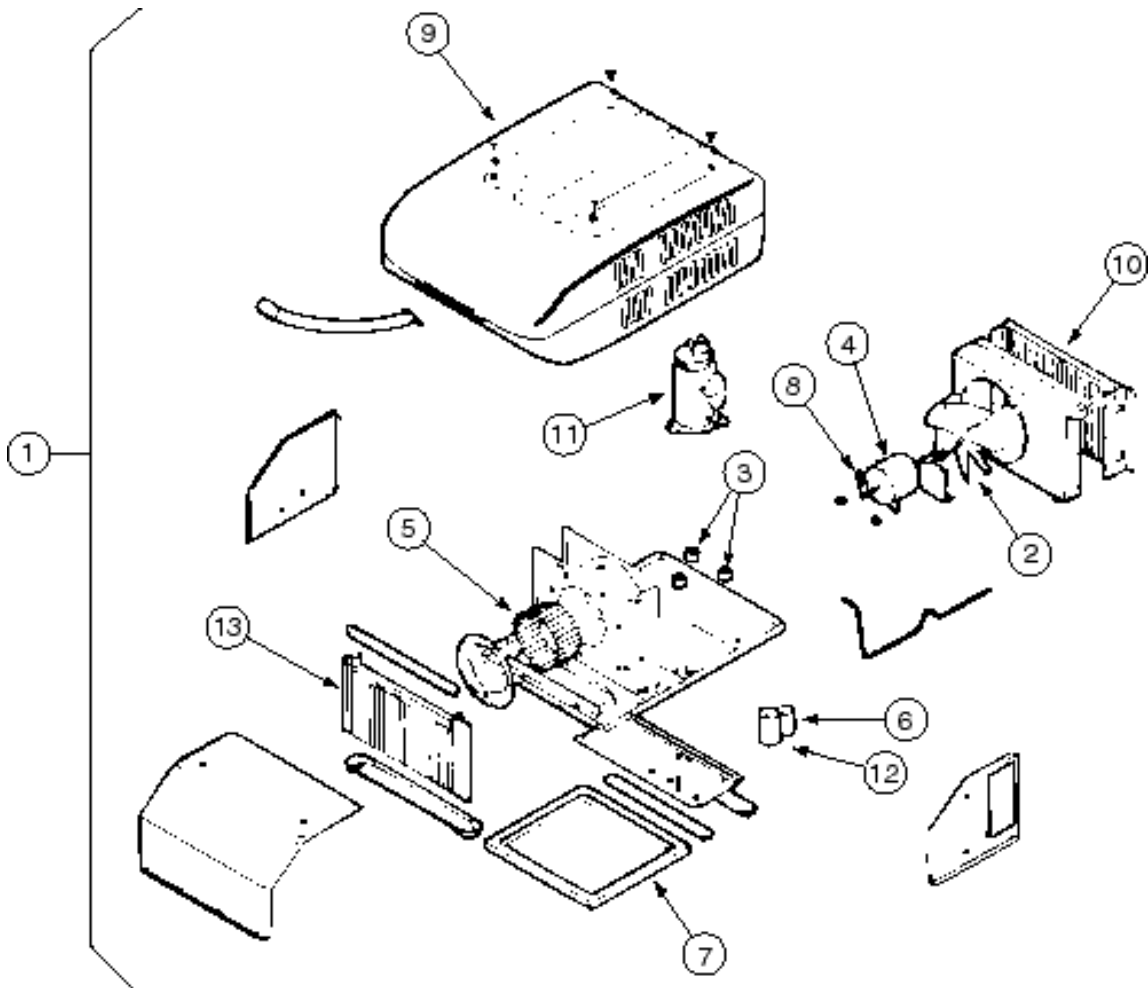
KEY	PART NUMBER	U/M	DESCRIPTION	VENDOR NO.
1	108889-01-05A	EA	A/C - ROOF - 13,500 TSR	7333-4601
2	108889-05-700	EA	SHROUD-BRIGHT/WHT. W/O LOGO	1450-2099
3	108889-01-722	EA	COMPRESSOR TSR3 C & D ONLY	6759-3081
4	105620-01-706	EA	MOUNTING PKG.,COMP., 3 PER	6792A3361
5	108889-01-715	EA	MOTOR MOUNT & SHAFT SEAL KIT	1468-3049
6	108889-01-705	EA	MOTOR (115, 60HZ)	1452A1301
7	108889-01-703	EA	COIL-CONDENSER	6733-3221
8	093763-01-712	EA	BLADE-FAN-CONDENSER	1499-5461
9	093763-01-704	EA	CAPACITOR-FAN	1499-5661
10	108889-01-707	EA	CAPACITOR-RUN,COMP-25MFD/370	6792A3301
11	108889-01-711	EA	GASKET PKG	1452A1311
12	108889-01-709	EA	COIL-EVAPORATOR	1472-1041
13	108889-01-706	EA	IMPELLOR	1497-4131
	091225-01-709	EA	RELAY-START	1497-0881
	091225-01-710	EA	CAPACITOR-START	6798B3591
	093306-01-701	EA	DECAL PACKAGE, LEFT & RIGH	6749-3541
	108889-01-704	EA	OVERLOAD (MRA#98693)	6759B3971
	108889-01-710	EA	PAD-FILLER, CONDENSER SEAL	1215-2161
	108889-01-712	EA	LINE-SUCTION,REDUCER 3/8X1/2	6792-130
	108889-01-713	EA	LINE-SUCTION, 3/8ODX032 WALL	6792-531
	108889-01-714	EA	LINE ASSEMBLY-DISCHARGE	6792-1351
	108889-01-720	EA	TUBE-CAP	1450-2079
	108889-01-721	EA	COMPRESSOR TSR3'S A & B'S	

COLEMAN
MODEL 7373A891



KEY	PART NUMBER	U/M	DESCRIPTION	VENDOR NO.
1	108889-02-03A	EA	A/C-ROOF, 13,500 BTU - TSR - 220 VOLT - BRIGHT WHITE	
	093306-01-701	EA	DECAL PACKAGE-LEFT & RIGHT	6798B3591
2	108889-05-700	EA	SHROUD-BRIGHT/WHT. W/O LOGO	7333-4601
3	108889-02-700	EA	COMPRESSOR-TECUMSEH	1450A2029
	105620-01-706	EA	FOOT PACKAGE-COMPRESSOR, 3 PER PKG	6759-3081
4	108889-01-715	EA	MOTOR MOUNT & SHAFT SEAL KIT	6792A3361
5	108889-02-701	EA	MOTOR	1468-3059
6	108889-01-703	EA	COIL-CONDENSER	1452A1301
7	093763-01-712	EA	FAN BLADE-CONDENSER	6733-3221
8	093763-01-704	EA	CAPACITOR-FAN	1499-5461
9	108889-01-707	EA	CAPACITOR-RUN, COMPRESSOR-25MFD/370	1499-5661
10	108889-01-711	EA	GASKET PACKAGE	6792A3301
11	108889-01-709	EA	COIL-EVAPORATOR	1452A1311
12	108889-01-706	EA	IMPELLOR	1472-1041
	105620-01-705	EA	PROTECTOR-OVERLOAD, RH & LH	6759-3791
	108889-01-710	EA	PAD-FILLER, CONDENSER SEAL	6759B3971
	108889-01-713	EA	SUCTION LINE, 3/8" OD X .032" WALL	6792-130
	108889-01-714	EA	LINE ASSEMBLY-DISCHARGE	6792-531
	108889-02-702	EA	CAPACITOR-START	1497-0891
	108889-02-703	EA	RELAY-START	1497-4141

COLEMAN
COLEMAN 7335B896

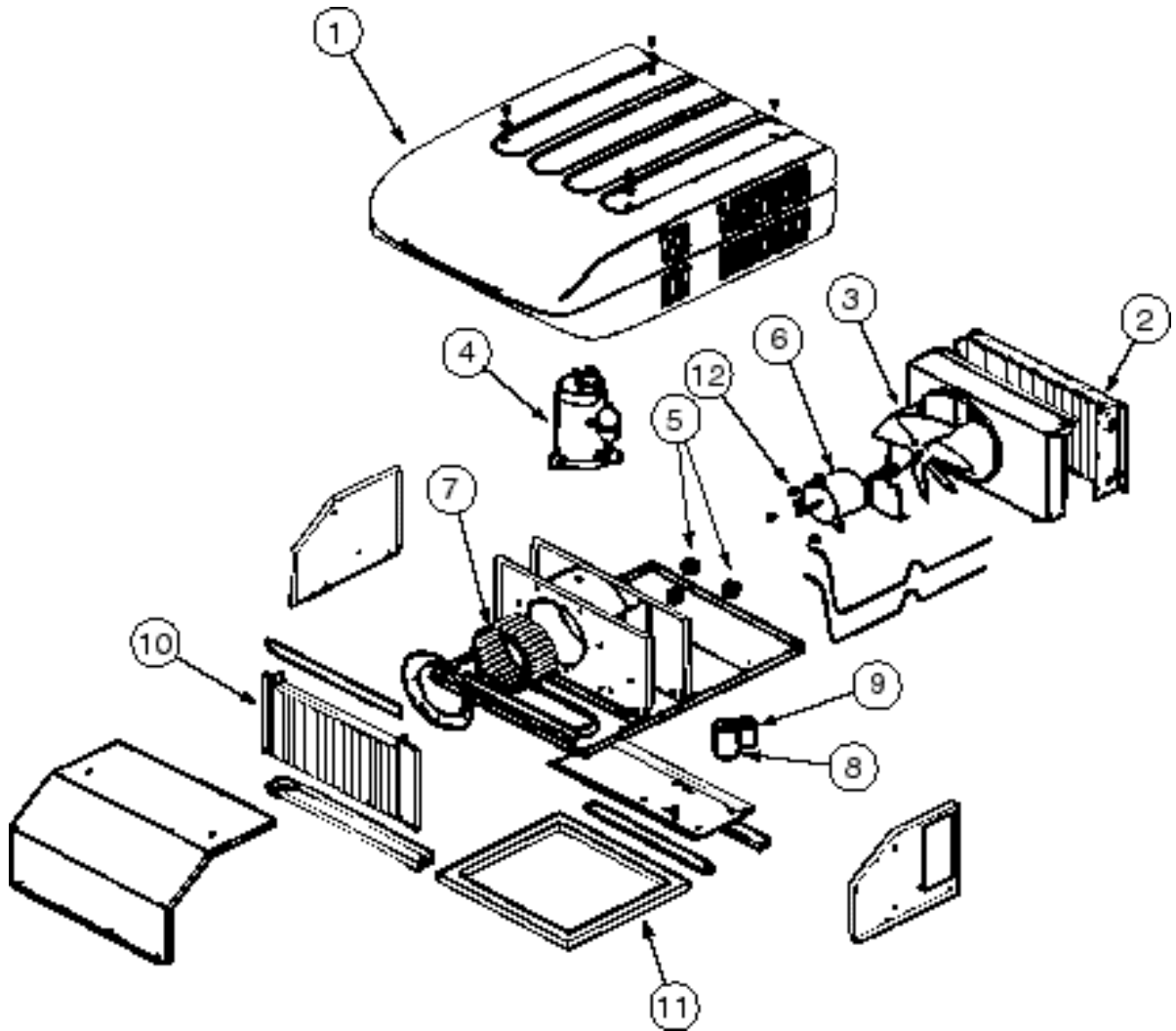


KEY	PART NUMBER	U/M	DESCRIPTION	VENDOR NO.
1	115219-01-03A	EA	A/C-ROOF,14,800 MACH 15 B/WT - *COLEMAN 7335B896	
2	093763-01-712	EA	BLADE-FAN-CONDENSER	6733-3221
3	105620-01-706	EA	MOUNTING PKG.,COMP., 3 PER	6759-3081
4	108889-01-705	EA	MOTOR (115, 60HZ)	1468-3049
5	108889-01-706	EA	IMPELLOR	1472-1041
6	093763-01-704	EA	CAPACITOR-FAN	1499-5461
	108889-01-710	EA	PAD-FILLER, CONDENSER SEAL	6759A3971
7	108889-01-711	EA	GASKET PKG	6792-3301
8	108889-01-715	EA	MOTOR MOUNT & SHAFT SEAL KIT	6792-3361
9	108889-05-700	EA	SHROUD-BRIGHT/WHT. W/O LOGO	7333-4601
10	115219-01-700	EA	COIL-CONDENSER	1452-1321
11	N/A	EA	COMPRESSOR - PANASONIC	1450-2039
12	115219-01-702	EA	CAPACITOR-RUN, COMPRESSOR	1499-5741
	115219-01-703	EA	RELAY-START	1497-4151
13	115219-01-704	EA	COIL-EVAPORATOR	1452-1331
	115219-01-705	EA	LINE-SUCTION, LOWER	7335-130
	115219-01-706	EA	LINE-SUCTION, UPPER	7335-131
	115219-01-707	EA	LINE ASSEMBLY, DISCHARGE	7335A132
	093306-01-701	EA	DECAL PACKAGE, LEFT & RIGHT	6798B3591
	093306-01-720	EA	CAPACITOR-START, 21-25 MFD33	1497-3351
	102289-01-000	EA	SPRING - SCREW - ROOF A/C GASKET	
	084077-03-000	EA	COVER-BLANK, ROOF A/C - 5.2" X 3.5" - IVORY	
	092633-01-02A	EA	FRAME - PLATE - ROOF A/C - 5.7" X 3.9" ANY COLOR	

FROM: 10-14-96 THRU: 99-99-99

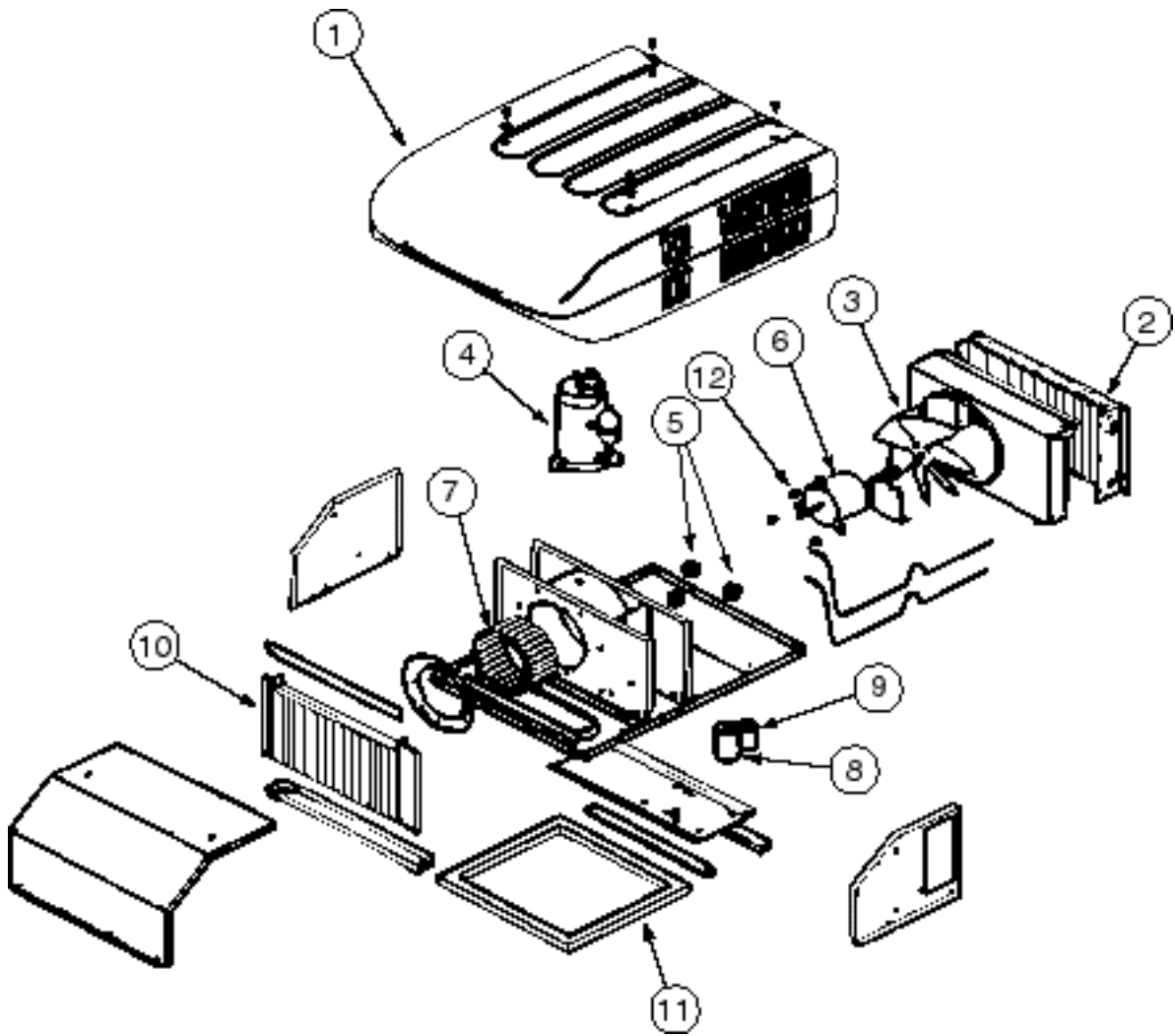
117238-01-01A EA THERMOSTAT - A/C AND FURNACE

COLEMAN
MODEL 7632A8964



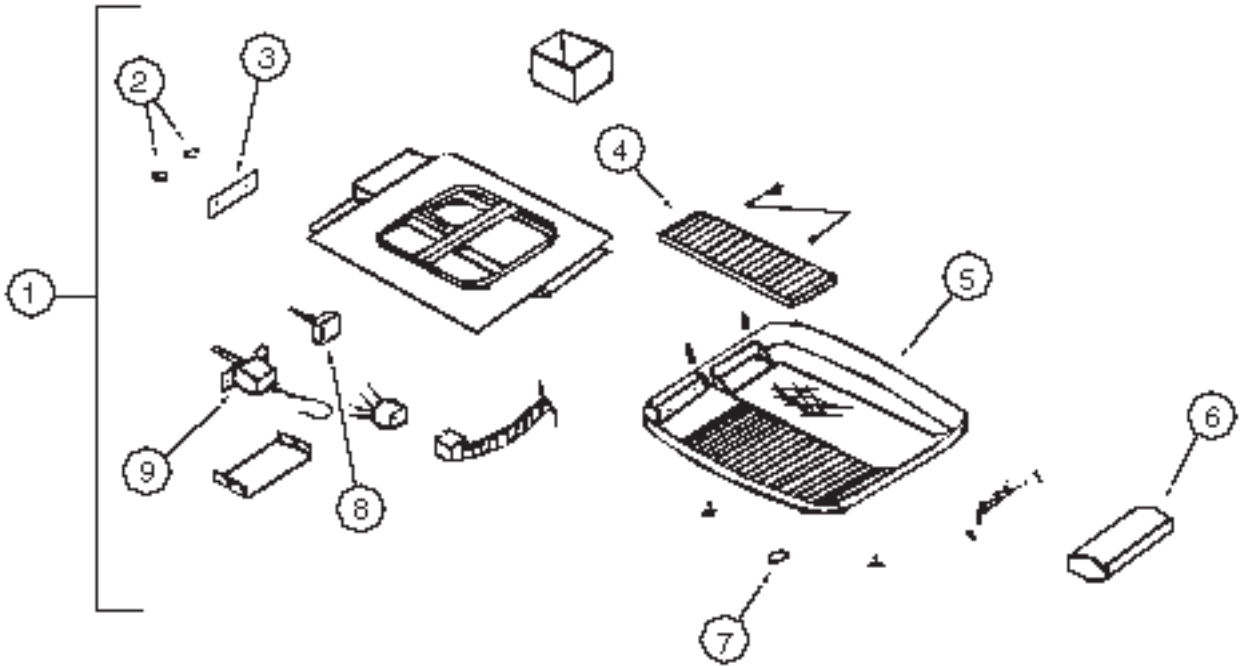
KEY	PART NUMBER	U/M	DESCRIPTION	VENDOR NO.
	126859-01-01A	EA	A/C - ROOF MACH 1 POWERSAVER	
1	063903-01-700	EA	SHROUD	6759-4601
1	108889-05-700	EA	SHROUD - BRIGHT/WHT. W/O LOGO	7333-4601
2	115219-01-700	EA	COIL - CONDENSER	1452A1321
3	093763-01-712	EA	BLADE - FAN - CONDENSER	6733-3221
4	126859-01-700	EA	COMPRESSOR - RK124AT-001-A4Y	1450-2109
5	105620-01-706	EA	MOUNTING PACKAGE - COMPRESSOR - (3 PER)	6759-3081
6	126859-01-702	EA	MOTOR - 115V, 60HZ	1468-3099
7	093306-01-706	EA	WHEEL - BLOWER - 6 5/16" X 2 7/8"	6707-3281
8	126859-01-703	EA	CAPACITOR - RUN	1499-5671
9	093763-01-704	EA	CAPACITOR - FAN	1499-5461
10	126859-01-705	EA	COIL - EVAPORATOR	1452B1331
11	108889-01-711	EA	GASKET PACKAGE	6792A3301
12	108889-01-715	EA	MOTOR MOUNT & SHAFT SEAL KIT	6792A3361
	091225-01-709	EA	RELAY - START	1497-4131
	093306-01-701	EA	DECAL PACKAGE, LEFT & RIGHT	6798B3591
	108892-01-703	EA	FILTER	6798A3761
	108892-01-705	EA	SMALL PARTS PACKAGE	7330A6101
	126859-01-701	EA	OVERLOAD PROTECTOR - MRA# 4761	1450-0061
	126859-01-704	EA	CAPACITOR - START	1497-0871
	126859-01-706	EA	LINE - SUCTION	7532A130
	126859-01-707	EA	LINE ASSEMBLY - DISCHARGE	7633-131

COLEMAN
MODEL 7633A8964



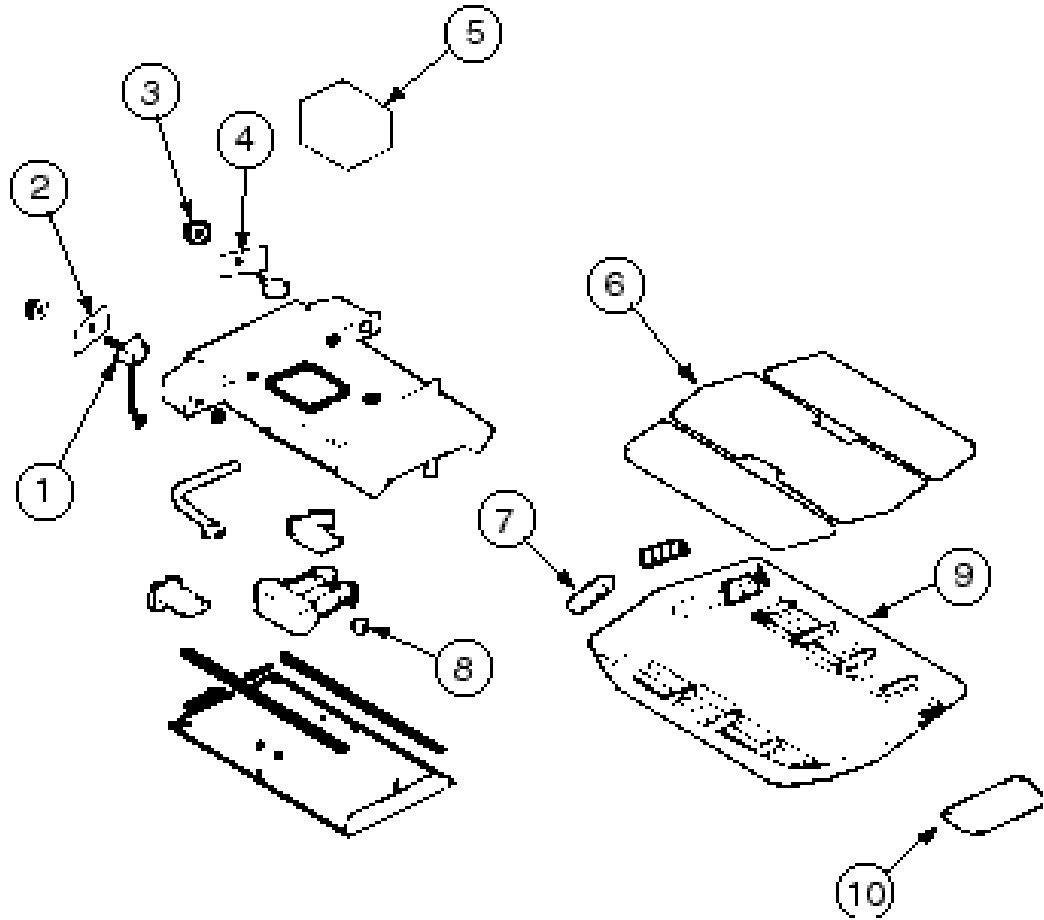
KEY	PART NUMBER	U/M	DESCRIPTION	VENDOR NO.
	126860-01-01A	EA	A/C - ROOF MACH 3 POWERSAVER	
1	063903-01-700	EA	SHROUD	6759-4601
1	108889-05-700	EA	SHROUD - BRIGHT/WHT. W/O LOGO	7333-4601
2	115219-01-700	EA	COIL - CONDENSER	1452A1321
3	093763-01-712	EA	BLADE - FAN - CONDENSER	6733-3221
4	126860-01-700	EA	COMPRESSOR RK136AT-002-A4Y	1450-2119
5	105620-01-706	EA	MOUNTING PACKAGE - COMPRESSOR - (3 PER)	6759-3081
6	126859-01-702	EA	MOTOR - 115V, 60HZ	1468-3099
7	093306-01-706	EA	WHEEL - BLOWER - 6 5/16" X 2 7/8"	6707-3281
8	126859-01-703	EA	CAPACITOR - RUN	1499-5671
9	093763-01-704	EA	CAPACITOR - FAN	1499-5461
10	126859-01-705	EA	COIL - EVAPORATOR	1452B1331
11	108889-01-711	EA	GASKET PACKAGE	6792A3301
12	108889-01-715	EA	MOTOR MOUNT & SHAFT SEAL KIT	6792A3361
	091225-01-709	EA	RELAY - START	1497-4131
	093306-01-701	EA	DECAL PACKAGE, LEFT & RIGHT	6798B3591
	108892-01-703	EA	FILTER	6798A3761
	108892-01-705	EA	SMALL PARTS PACKAGE	7330A6101
	126860-01-701	EA	OVERLOAD PROTECTOR - MRA# 1460	1450-0071
	126859-01-704	EA	CAPACITOR - START	1497-0871
	126859-01-706	EA	LINE - SUCTION	7532A130
	126859-01-707	EA	LINE ASSEMBLY - DISCHARGE	7633-131

**COLEMAN
MODEL 6727E713**



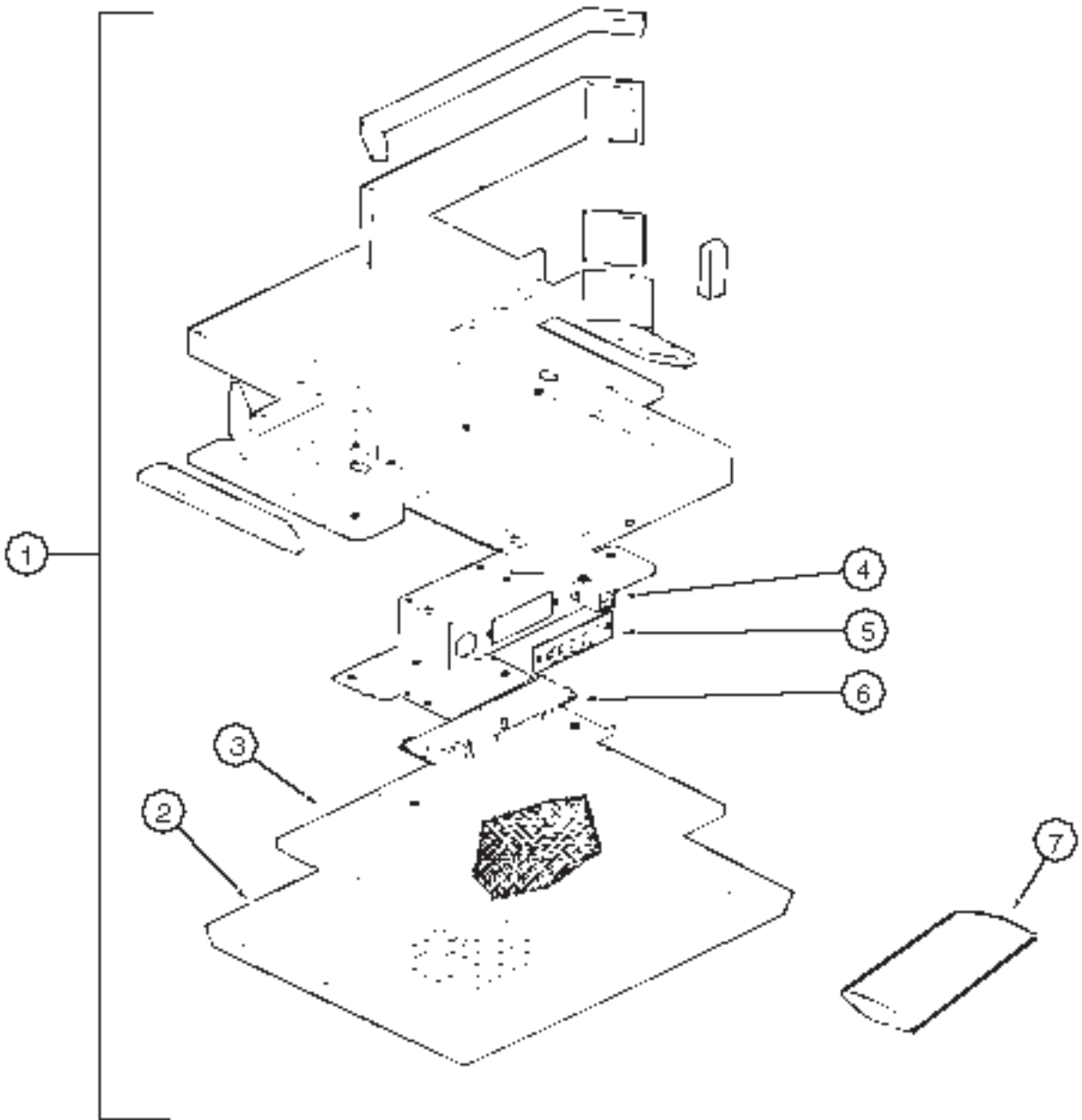
KEY	PART NUMBER	U/M	DESCRIPTION	VENDOR NO.
1	093307-03-000	EA	CEILING ASSEMBLY - COOL ONLY - WHITE	
2	076303-01-701	EA	KNOB - CONTROL	6733A3241
3	093306-01-709	EA	DECAL - SELECTOR - THERMOSTAT	6727A3341
4	093766-02-702	EA	FILTER - PACKAGE OF 2 - 6 X 14.5 X 1/8	67033303
5	093306-03-700	EA	SHROUD - CEILING - WHITE-DECAL	67273511
6	076303-01-708	EA	KNOB & BOLT PACKAGE	67275841
7	093307-01-700	EA	DECAL PACKAGE	6733A3331
8	093306-01-714	EA	SWITCH - SELECTOR	67273251
9	076303-01-710	EA	THERMOSTAT	67333411
	091227-01-700	EA	WASHER PACKAGE - PLASTIC	6250-3241 6703A3341

COLEMAN
COLEMAN 7330-713 W



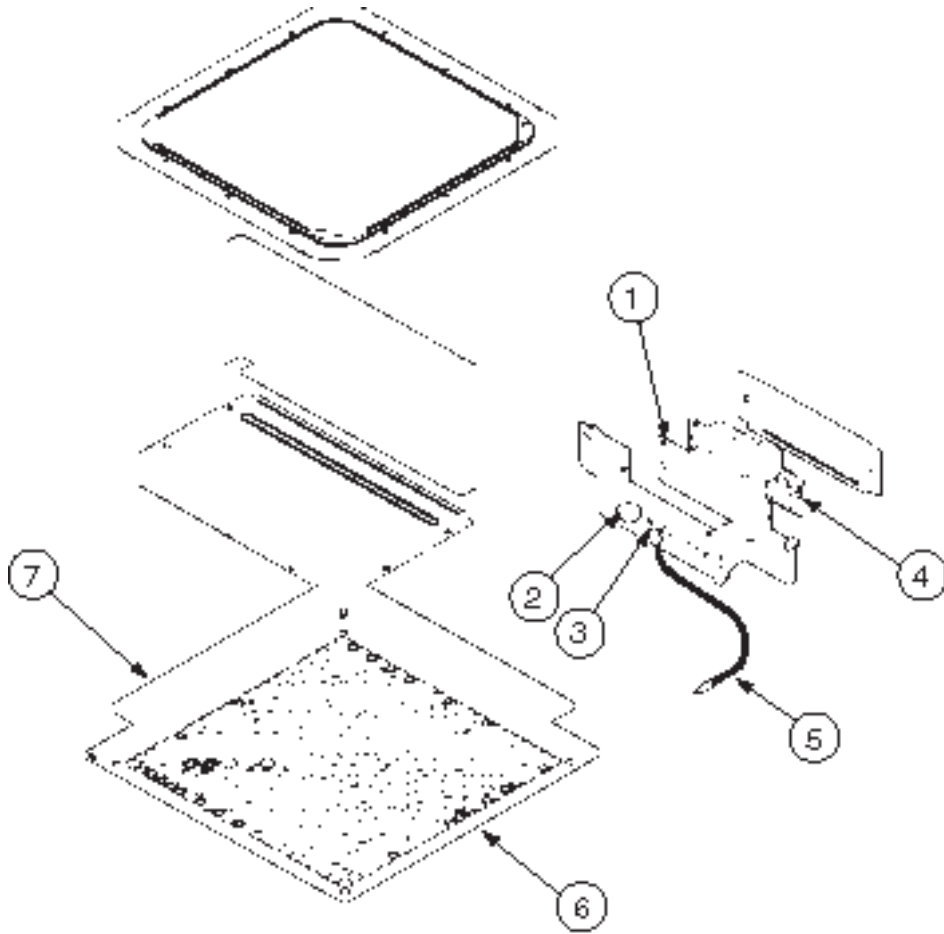
KEY	PART NUMBER	U/M	DESCRIPTION	VENDOR NO.
	108891-01-02A	EA	CEILING ASSEMBLY - A/C COOL	
1	042204-01-709	EA	THERMOSTAT-IN 64 OUT 58	6701-3401
2	091225-01-717	EA	DECAL-THERMOSTAT, COOL ONLY	6799A3441
3	091225-01-713	EA	KNOB	6701-3351
4	073742-01-702	EA	DECAL-COOL ONLY	6759C3431
5	108891-01-702	EA	COLLAR-DUCT, W/METL FLANGE	6792-4541
6	076303-01-707	EA	FILTER-6" X 143/4 X 1/2(24)	6703-A3151
	093766-02-701	EA	DECAL-LEFT	6799-3971
7	063903-01-702	EA	LOUVER	6703A5191
8	073742-01-701	EA	SWITCH - SELECTOR/5 TERMINAL	6759-3251
9	108891-01-703	EA	SHROUD - CEILING WHITE	6769-5051
10	108891-01-700	EA	PARTS PKG. SGL (KNOB & NUTS)	6792-5991
	108891-01-701	EA	CLIP-FILTER RETAINER, 6 PER	6799-3141

COLEMAN 7330-730 I



KEY	PART NUMBER	U/M	DESCRIPTION	VENDOR NO.
1	108892-01-01A	EA	CEILING ASM-A/C DUCTED	6798-3041
2	108892-01-704	EA	GRILLE (PLASTIC)	6798A3761
3	108892-01-703	EA	FILTER	7330-540
4	108892-01-700	EA	PLUG ASSEMBLY	7330-3201
5	108892-01-701	EA	BOARD-TERMINAL	7330A3211
6	108892-01-702	EA	BOARD-P.C.	7330A6101
7	108892-01-705	EA	SMALL PARTS PKG	

**CEILING ASSEMBLY
COLEMAN 8330-7332**



KEY	PART NUMBER	U/M	DESCRIPTION	VENDOR NO.
	131184-01-01A	EA	CEILING ASSEMBLY - A/C DUCTED - WHITE	COLEMAN 8330-7332
1	131184-01-702	EA	ISOLATOR - BLANK	7330A365
2	131184-01-700	EA	PLUG ASSEMBLY	7330A389
3	131184-01-701	EA	TERMINAL BOARD	7330B3201
4	108892-01-702	EA	BOARD-P.C.	7330A3211
5	131184-01-704	EA	COIL SENSOR	7330-6111
6	108892-01-704	EA	GRILLE 16 3/8X16 3/8 RETURN	6798-3041
7	108892-01-703	EA	FILTER	6798A3761
	131184-01-703	EA	SMALL PARTS PKG	8330-5961
	131184-01-705	EA	JUNCTION BOX ASSEMBLY	7330B5551