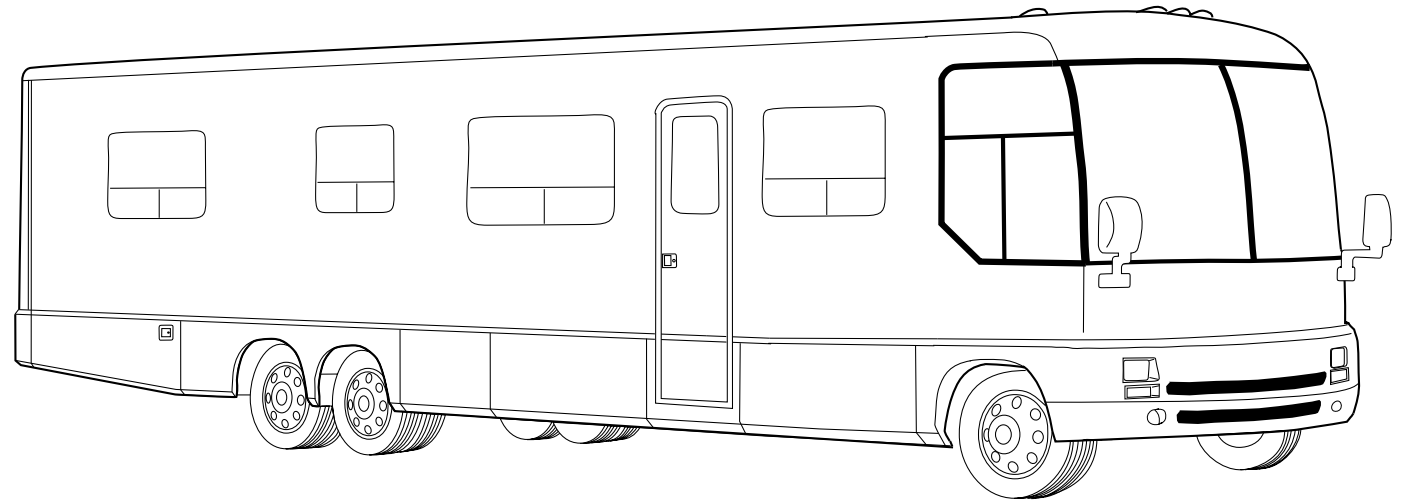


1998 WCM36WQ



J70 **COVENTRY (TAUPE)**
SOLAR MAPLE

J71 **COVENTRY (TAUPE)**
SALEM CHERRY

J72 **DEVON (BURGUNDY)**
SOLAR MAPLE

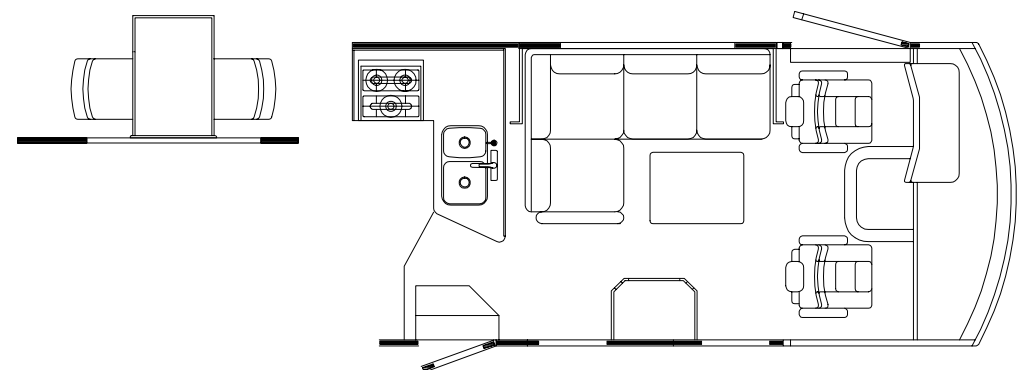
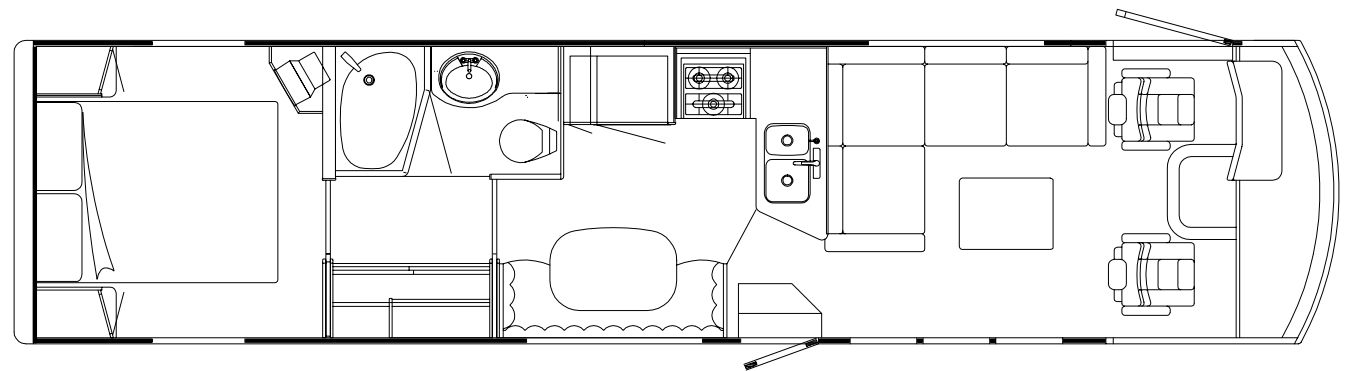
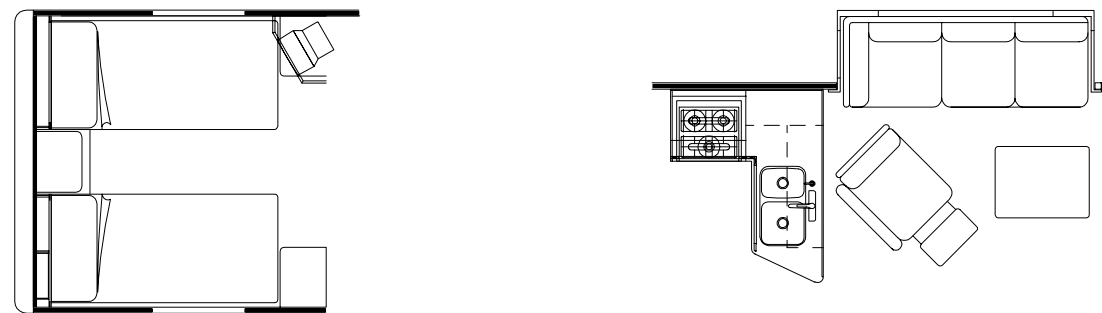
J73 **DEVON (BURGUNDY)**
SALEM CHERRY

J74 **HEMINGWAY (TAN)**
SOLAR MAPLE

J75 **HEMINGWAY (TAN)**
SALEM CHERRY

J76 **GULF MIST (GREEN)**
SOLAR MAPLE

J77 **GULF MIST (GREEN)**
SALEM CHERRY



ACCESSORIES GROUP

OPERATORS MANUAL

KEY	PART NUMBER	U/M DESCRIPTION
	054185-H4-000	EA MANUAL- OPERATOR 98 VECTRA - GRAND TOUR/M SERIES
	092318-01-000	EA BINDER - 3 RING - MOTOR HOME MANUAL FROM: 00-00-00 THRU: 01-11-98
	129079-01-01A	EA CASE - VINYL/BLACK - EXPANDABLE ACCORDION SIDES - 7"W X 9"H X 14"L FROM: 01-12-98 THRU: 99-99-99
	092319-01-000	EA POCKET PAGE - 3 RING BINDER - PLASTIC - (50 PER PKG) FROM: 00-00-00 THRU: 02-15-98
	126177-01-000	DW TOP LEVEL - M - 1998

VACUUM CLEANER

KEY	PART NUMBER	U/M DESCRIPTION	VENDOR NO.
	108186-03-000	EA VACUUM CLEANER - BUILT IN	
	092304-02-700	EA BRUSH - POWER - VACUUM (RUGRAT)	6970
	092304-02-701	EA TOOL - DUSTING	1142
	092304-02-702	EA TOOL - RUG	4982
	092304-02-707	EA TOOL - UPHOLSTERY	7029
	092304-02-708	EA WAND - PLASTIC	4978
	092304-02-709	EA HOSE ASM. - 30" COMPLETE	4988-30
	092304-02-710	EA SECONDARY FILTER	4929
	108186-03-700	EA PAPER BAG - 3-PKG	7767
	108186-03-701	EA MOTOR F/RV2000	7756
	108186-03-702	EA REDUCER	5531

AUDIO VIDEO GROUP

RADIO & CD SYSTEM

KEY	PART NUMBER	U/M DESCRIPTION	VENDOR NO.
	109053-02-000	EA RADIO - AM/FM CASSETTE - WALL MOUNT	
	127516-01-000	EA RADIO - AM/FM STEREO - CD PLAYER	
	127516-01-700	EA FACE - REMOVEABLE	YEPOFX3114
	127516-01-701	EA TRIM RING	YGFC025263
	127516-01-702	EA FACTORY HARNESS	YGAJ02719
	127516-01-703	EA CARRIER F/REMOVEABLE FACE	YEFA131290
	127264-01-000	EA RADIO - AM/FM STEREO - CASSETTE	
	127264-01-700	EA TRIM RING	YFC054C044ZB
	127264-01-701	EA KNOB - VOLUME	YFE074C045ZA
	127264-01-702	EA KNOB - FADER	YEFE074C026
	127264-01-703	EA FACTORY HARNESS	YAJ024C048ZB
	125322-02-000	EA RADIO - AM-FM STEREO - CASSETTE - AUDIOVOX	
	127515-01-000	EA CHANGER - COMPACT DISC FROM: 00-00-00 THRU: 10-23-97	
	127515-02-000	EA CHANGER - COMPACT DISC FROM: 10-24-97 THRU: 99-99-99	
	127515-02-700	EA POWER CABLE	YEAJ071117
	127515-02-701	EA OWNERS MANUAL	OM-CXDP601
	127515-03-000	EA CHANGER - CONTROL/FM MODULATOR	
	127515-03-700	EA REMOTE CONTROL	YFX994C047D
	127515-03-701	EA OWNERS MANUAL	OM-CYRM600
	124881-01-000	EA AMPLIFIER - AUDIO	
	124882-01-000	EA WIRE ASSEMBLY - AMPLIFIER	
	110469-01-000	EA SPEAKER - 4" X 6" OVAL - COAXIAL	
	110470-01-01A	EA GRILLE - 4" X 6" OVAL - BLACK	
	124883-02-000	EA SPEAKER - CUBE - W/BACKET	
	126387-01-000	EA BRACKET - SPEAKER MOUNTING	
	124884-01-000	EA SPEAKER - 6" X 9" - SUB-WOOFER	
	124885-01-000	EA GRILLE - SPEAKER - 6" X 9" - SUB-WOOFER	
	094097-01-000	EA SPEAKER - RADIO/TV - W/O GRILLE - 5.25" DIAMETER	
	118165-01-GV0	EA GRILLE - SPEAKER	
	118144-01-02B	EA GRILLE - SPEAKER	
	089340-02-000	EA GRILLE - SPEAKER - 6.5" SQUARE	
	128074-01-000	EA FILTER - NOISE - 12VOLT D.C. FROM: 01-30-98 THRU: 99-99-99	

RADIO & CB ANTENNA

KEY	PART NUMBER	U/M DESCRIPTION
	123256-01-000	EA ANTENNA - CB - W/O CABLE
	123256-02-000	EA CABLE - CB COAX
	090944-01-000	EA ANTENNA - RADIO - 16" RUBBER
	108847-01-000	EA BRACKET - ANTENNA GROUND
	109889-04-000	EA EXTENDER - ANTENNA SHAFT - 3"
	077069-02-000	EA CABLE - ANTENNA/EXTENSION - RADIO - 96"

TELEPHONE SYSTEM

KEY	PART NUMBER	U/M DESCRIPTION
	093253-01-01A	EA PLATE - WALL - TELEPHONE - BEIGE
	093254-01-000	EA HOUSING - TELEPHONE

AUDIO VIDEO GROUP (CONTINUED)

AUDIO VIDEO GROUP (CONTINUED)

TV & VCR SYSTEMS

KEY	PART NUMBER	U/M DESCRIPTION	VENDOR NO.
	124075-03-000	EA TV - 19" COLOR W/1/8" JACK - UL/CSA - RCA	
	124074-02-000	EA TV - 13" COLOR W/1/8" JACK - AC/DC - UL/CSA - RCA	
	124075-03-700	EA REMOTE	226551
	124073-03-000	EA VCR - VHS - W/REMOTE CABLE READY - RCA	
	124073-03-700	EA REMOTE	237698
	124437-01-000	EA SLIDE - TV SWIVEL	
	086757-03-000	EA CONTROL CENTER - SWITCH - VCR/TV	
	093214-01-02A	EA GRILLE - SPEAKER - 4" - BROWN	
	098819-01-000	EA SPEAKER - 4" - 2 WATT - 8 OHM	
	115540-01-000	EA AMPLIFIER - TV SPEAKERS	
	115539-01-000	EA RELAY - RADIO/TV SPEAKER - SWITCH	
	082134-01-000	EA ADAPTER - TV - CABLE TO CABLE	
	076319-03-000	FT CABLE - COAXIAL - 75 OHM	
	076319-12-000	EA CONNECTOR - COAXIAL - ONE PIECE	
	076319-09-000	EA WALLPLATE - CABLE RECEPTACLE - TV - SINGLE - BROWN	
	086777-02-000	EA WALLPLATE - TV CABLE - W/ANTENNA SWITCH - BROWN	
	086777-06-000	EA WALLPLATE - TV CABLE - ANTENNA/1 OUTPUT - BROWN	
	082136-01-000	EA NUT - HEX JAM - 3/8 - 32	
	086756-01-000	EA SPLITTER - TV - 2 WAY	
	093901-06-000	EA PLATE - TV	
	114870-01-000	EA PLUG - 3.5MM AUDIO W/LEADS	
	114870-02-000	EA PLUG - .14" AUDIO W/LEADS	
	115466-10-02B	EA STRAP - TIEDOWN/TV	

SATELLITE DISH

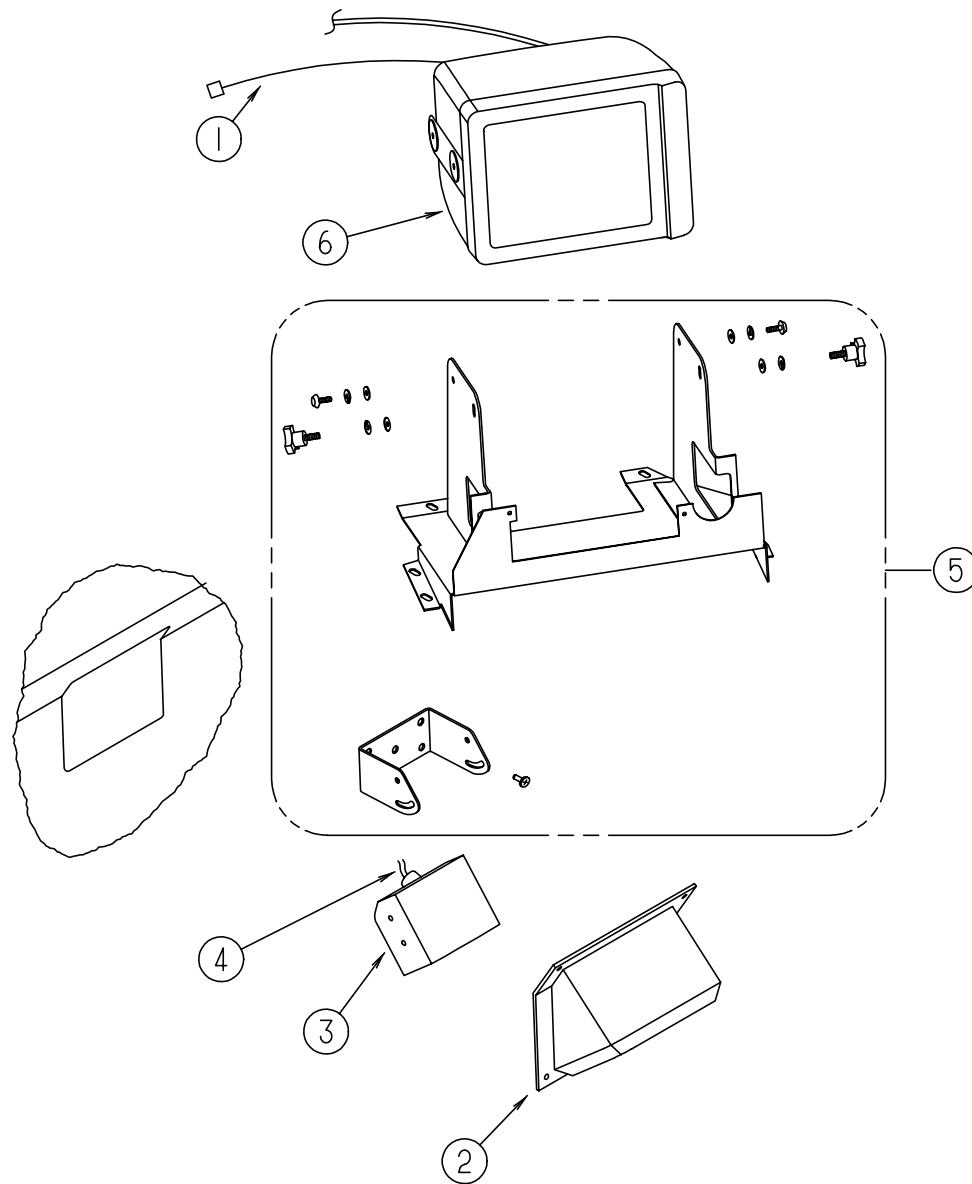
KEY	PART NUMBER	U/M DESCRIPTION
*	120233-01-000	EA ANTENNA - SATELLITE (DISH & HDW) W/O RECEIVER - MANUAL
	120233-03-000	EA CERTIFICATE - SATELLITE RECEIVER DISH

*** COMPONENT PARTS FOUND IN SERVICE PARTS LIBRARY**

TV ANTENNA

KEY	PART NUMBER	U/M DESCRIPTION
*	076319-21-000	EA ANTENNA-TV - ROOF MOUNT - 3" ROOF FROM: 00-00-00 THRU: 12-07-97
*	076319-23-000	EA ANTENNA-TV - ROOF MOUNT - 44.5" MAST FROM: 12-08-97 THRU: 99-99-99
	076319-25-000	EA KIT - HARDWARE INTERIOR

*** COMPONENT PARTS FOUND IN SERVICE PARTS LIBRARY**

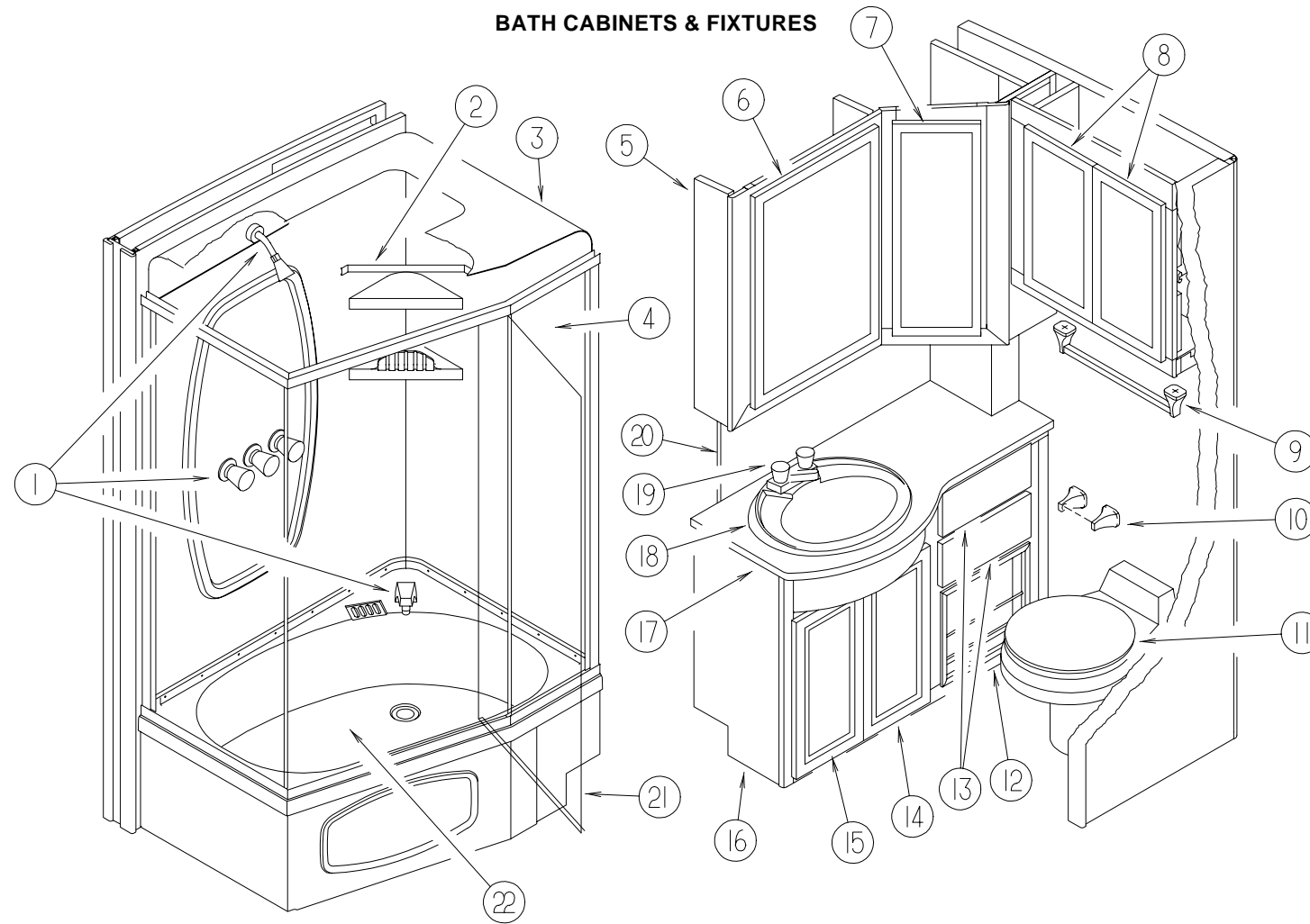


REAR MONITOR SYSTEM

KEY	PART NUMBER	U/M DESCRIPTION	VENDOR NO.
	093040-08-000	EA MONITOR SYSTEM - REAR VIEW 7" - W/AUDIO JACK - SONY FROM: 00-00-00 THRU: 07-27-97	
	093040-10-000	EA MONITOR - 7" REAR VIEW - W/BRACKET - SONY FROM: 07-28-97 THRU: 99-99-99	
1	096717-03-000	EA WIRE - REAR MONITOR - AFTER MARKET INSTALLATION	
	093040-06-000	EA WIRE ASM-MONITOR- F/NON PREWIRED AFTER MARKET INSTALLATION	
2	117669-01-02A	EA SHROUD - CAMERA - OUTER	
	108529-01-01A	EA SHROUD - CAMERA - INNER	
3	093040-09-000	EA CAMERA - REAR VIEW - W/BRACKET - SONY	

BATH GROUP

BATH CABINETS & FIXTURES



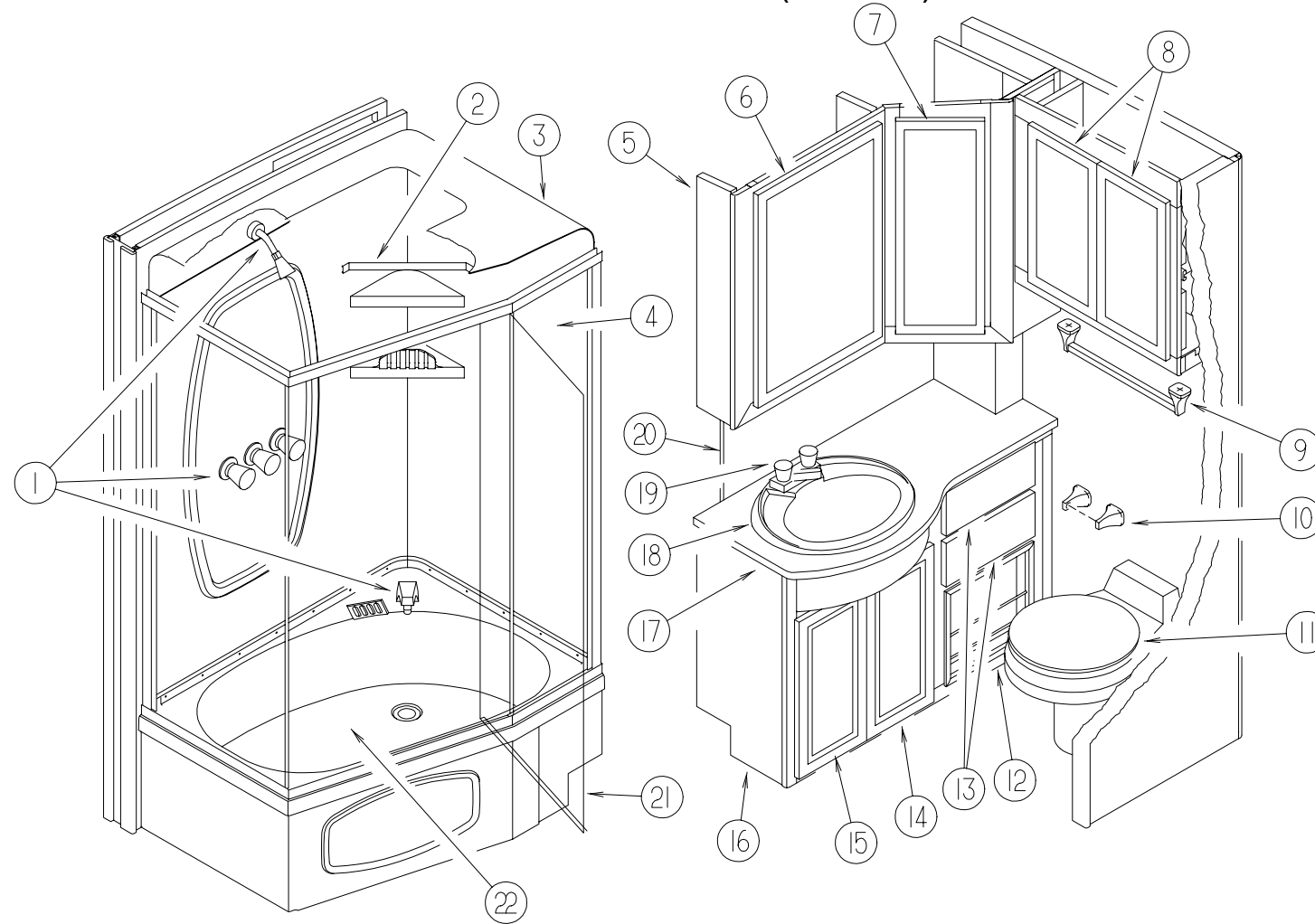
KEY	PART NUMBER	U/M	DESCRIPTION	VENDOR NO.
1	119677-01-01A	EA	SHOWER - 3 PIECES - HEAD/FAUCET/SPOUT	
	119677-01-700	EA	HANDLE - SHOWER/BATH CLEAR	38-9
	119677-01-701	EA	SHOWERHEAD ONLY 1/2"	34PB
	119677-01-702	EA	SPOUT - BATH	39-7PB-0
	119677-01-703	EA	DIVERTER KIT	639-5-0
	119677-01-704	EA	STEM & BONNET	61-5-0
	119677-01-705	EA	PLATE - STRAINER (SHOWER HEAD)	34-3PL
	119677-01-706	EA	ARM - SHOWER HEAD	61-10-PB
	119677-01-707	EA	BUTTON	38-16A
	119677-01-708	EA	BUTTON - COLD	38-16C
	119677-01-709	EA	BUTTON - HOT	38-16H
	119677-01-710	EA	FLANGE - SHOWERHEAD	60-10-8PB
	119677-01-711	EA	FLANGE - AROUND TURN HANDLE	38-8PB
2	113714-01-01A	EA	RETAINER - SHELF/SHOWER	
3	119338-01-01A	EA	CAP - TUB/SHOWER	
4	119336-01-01A	EA	ENCLOSURE - SHOWER	
5	120878-01-J70	EA	CABINET - MEDICINE - W/O DOORS/HARDWARE (WASHED MAPLE)	
5	120878-01-H57	EA	CABINET - MEDICINE - W/O DOORS/HARDWARE (SALEM CHERRY)	
6	M06803-AC-J70	EA	DOOR - MITERED CORNER/OGEE EDGE - 19.6" X 29.5" - W/O HDW (WASHED MAPLE)	
6	M06803-AC-J71	EA	DOOR - MITERED CORNER/OGEE EDGE - 19.6" X 29.5" - W/O HDW (SALEM CHERRY)	
	113195-17-01A	EA	MIRROR - BEVELED SAFETY GLASS - CLEAR - 16.6" X 26.2"	
	120878-11-J70	EA	SHELF - W/PLASTIC EDGE TRIM (WASHED MAPLE)	
	120878-11-H57	EA	SHELF - W/PLASTIC EDGE TRIM (SALEM CHERRY)	

KEY	PART NUMBER	U/M	DESCRIPTION
7	M06803-AD-J70	EA	DOOR - MITERED CORNER/OGEE EDGE - 10.1" X 29.5" - W/O HDW (WASHED MAPLE)
7	M06803-AD-J70	EA	DOOR - MITERED CORNER/OGEE EDGE - 10.1" X 29.5" - W/O HDW (SALEM CHERRY)
	113195-18-01A	EA	MIRROR - BEVELED SAFETY GLASS - CLEAR - 6.7" X 26.2"
	120878-13-J70	EA	SHELF - W/PLASTIC EDGE TRIM (WASHED MAPLE)
	120878-13-H57	EA	SHELF - W/PLASTIC EDGE TRIM (SALEM CHERRY)
8	M06803-BP-J70	EA	DOOR - MITERED CORNER/OGEE EDGE - 11" X 21.8" - W/O HDW (WASHED MAPLE)
8	M06803-BP-J71	EA	DOOR - MITERED CORNER/OGEE EDGE - 11" X 21.8" - W/O HDW (SALEM CHERRY)
	113195-19-01A	EA	MIRROR - BEVELED SAFETY GLASS - CLEAR - 7.7" X 18.6"
	120878-12-J70	EA	SHELF - W/PLASTIC EDGE TRIM (WASHED MAPLE)
	120878-12-H57	EA	SHELF - W/PLASTIC EDGE TRIM (SALEM CHERRY)
9	075453-02-000	EA	BAR - TOWEL - 18" BRASS
10	075452-02-000	EA	HOLDER - TOILET TISSUE - BRASS
11*	085330-02-000	EA	TOILET - STANDARD BONE CHINA (STANDARD)
11*	085330-06-000	EA	TOILET - STANDARD CHINA W/SPRAYER - BONE (OPTIONAL)
12	097208-07-J70	EA	MAGAZINE RACK (WASHED MAPLE)
12	097208-07-J71	EA	MAGAZINE RACK (SALEM CHERRY)
13	M05971-65-J70	EA	DRAWER - OGEE EDGE - 12.2"W X 11.8"D - W/O SLIDES/HARDWARE (WASHED MAPLE)
13	M05971-65-H57	EA	DRAWER - OGEE EDGE - 12.2"W X 11.8"D - W/O SLIDES/HARDWARE (SALEM CHERRY)
14	M05992-G6-J70	EA	DOOR - STRAIGHT CORNER/OGEE EDGE - 10.7" X 21.7" - W/O HDW (WASHED MAPLE)
14	M05992-G6-GV1	EA	DOOR - OGEE EDGE - 10.7" X 21.7" - W/O HARDWARE (SALEM CHERRY)
15	M05992-G5-J70	EA	DOOR - STRAIGHT CORNER/OGEE EDGE - 10.7" X 21.7" - W/O HDW (SOLAR MAPLE)
15	M05992-G5-GV1	EA	DOOR - OGEE EDGE - 10.7" X 21.7" - W/O HARDWARE (SALEM CHERRY)

* COMPONENT PARTS FOUND IN SERVICE PARTS LIBRARY

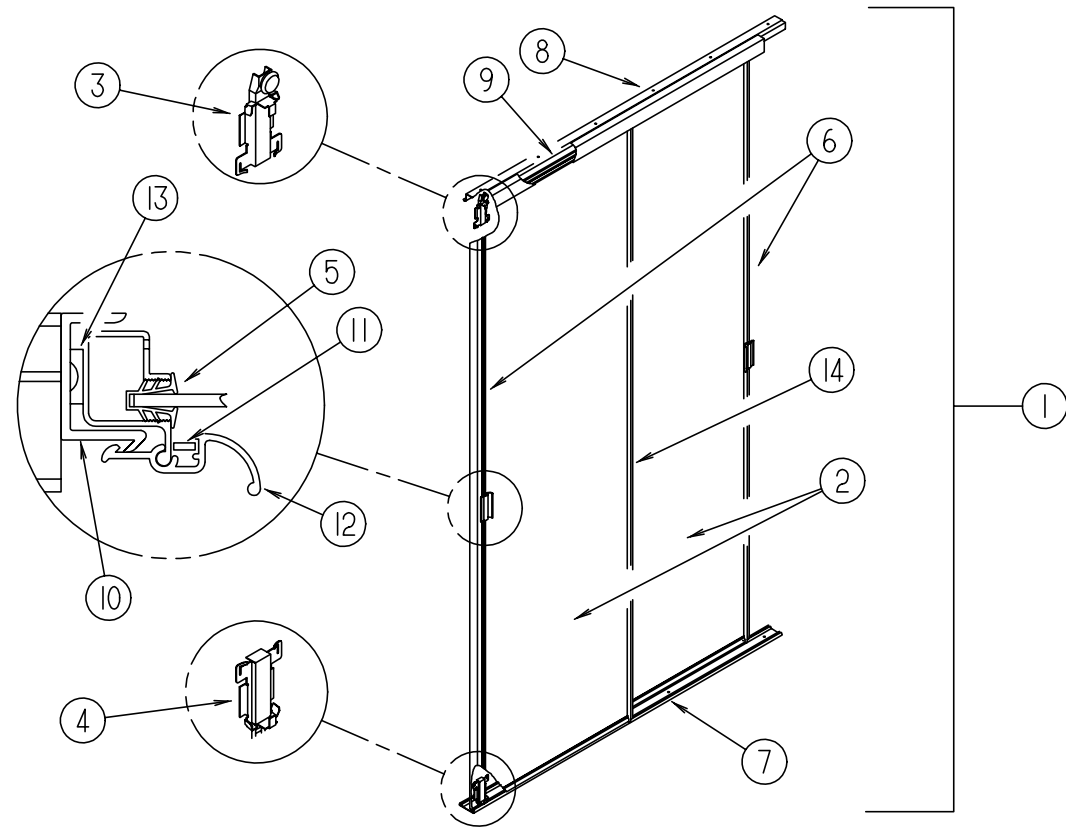
BATH GROUP (CONTINUED)

BATH CABINETS & FIXTURES (CONTINUED)



KEY	PART NUMBER	U/M	DESCRIPTION
16	121372-02-J70	EA	CABINET - LAVATORY - W/O DOORS/DRAWERS/HARDWARE (J70)
16	121372-02-J71	EA	CABINET - LAVATORY - W/O DOORS/DRAWERS/HARDWARE (J71)
16	121372-02-J72	EA	CABINET - LAVATORY - W/O DOORS/DRAWERS/HARDWARE (J72)
16	121372-02-J73	EA	CABINET - LAVATORY - W/O DOORS/DRAWERS/HARDWARE (J73)
16	121372-02-J74	EA	CABINET - LAVATORY - W/O DOORS/DRAWERS/HARDWARE (J74,J76)
16	121372-02-J75	EA	CABINET - LAVATORY - W/O DOORS/DRAWERS/HARDWARE (J75,J77)
	121372-14-J70	EA	SHELF - W/PLASTIC EDGE TRIM (WASHED MAPLE)
	121372-14-H57	EA	SHELF - W/PLASTIC EDGE TRIM (SALEM CHERRY)
17	121372-20-J70	EA	COUNTERTOP - LAVATORY (J70,J71)
17	121372-20-J72	EA	COUNTERTOP - LAVATORY (J72,J73)
17	121372-20-J74	EA	COUNTERTOP - LAVATORY (J74,J75,J76,J77)
18	105921-01-01A	EA	SINK - LAVATORY - LARGE/OVAL - 17" X 20" PLASTIC/OFF WHITE
	106116-01-01A	EA	STRAINER - SINK - W/STOPPER/TAILPIECE/GASKET & NUT - PLASTIC
19	075240-05-000	EA	FAUCET - LAVATORY - BRASS
	105218-01-01A	EA	SPACER - FAUCET/LAVATORY SINK - 2" X 5.9" - ABS PLASTIC
20	093606-13-000	EA	MIRROR - BEVELED PANEL - 13.4" X 36.9"
21	119622-01-01A	EA	DOOR - SOLID PANEL SHOWER
22	M02630-31-GV0	EA	TUB/SHOWER - W/SPRING LOADED DRAIN PLUNGER
	066436-01-000	EA	NUT - SLIP - TAILPIECE 1.5"

BATH GROUP (CONTINUED)



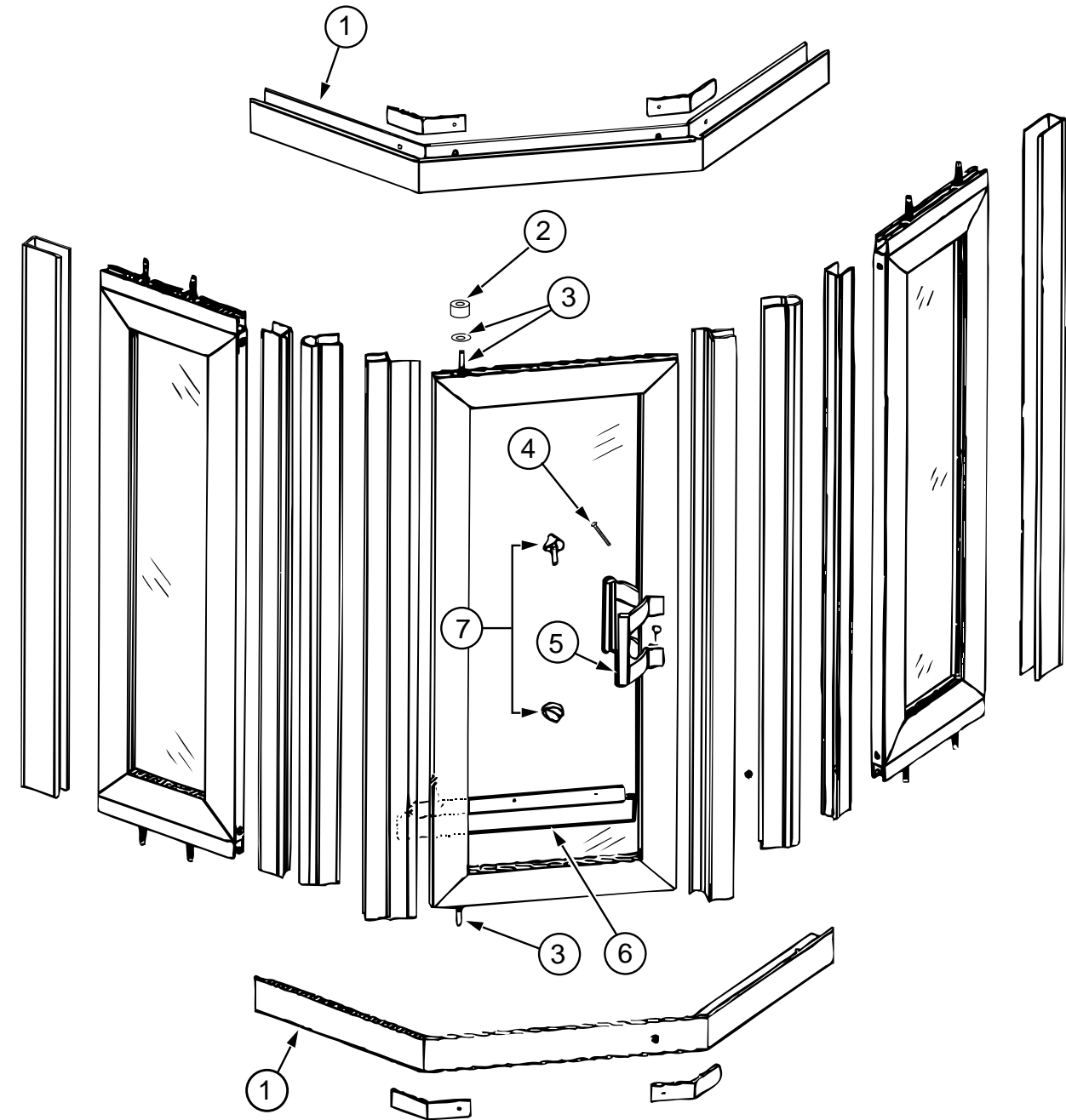
MIRRORED SLIDING DOOR

KEY	PART NUMBER	U/M	DESCRIPTION
1	114149-12-H56	EA	DOOR - WARDROBE - MIRRORED
2	058331-F3-000	EA	MIRROR - SAFETY GLASS - 25.4" X 76"
3	107390-01-000	EA	CORNER HANGER (SINGLE ROLLER W/BRACKET) (SOLD AS A PAIR)
4	107391-01-000	EA	GUIDE - BOTTOM - BY-PASS (PAIR)
5	111575-01-01A	FT	CHANNEL - GLAZING - SWING DOOR
6	114104-06-01A	EA	STILE - DOOR - SLIDING
7	114105-08-01A	EA	TRACK - DOOR - SLIDING/LOWER
8	114106-08-01A	EA	TRACK - DOOR - SLIDING/UPPER
9	114107-07-01A	EA	RAIL - SLIDING DOOR
10	115538-03-01A	EA	JAMB - DOOR - WARDROBE/MIRRORED
11	115541-01-000	EA	SPRING - DOOR - SLIDING
12	115553-01-01A	EA	LATCH - DOOR - WARDROBE/MIRRORED
13	123655-01-000	FT	SEAL - CLOSED CELL/FOAM
14	114104-02-01A	EA	STILE - DOOR - SLIDING

BATH SLIDING PRIVACY DOOR

KEY	PART NUMBER	U/M	DESCRIPTION
	104013-03-J70	EA	DOOR - SLIDING - W/O HARDWARE (WASHED MAPLE)
	104013-03-E41	EA	DOOR - SLIDING - W/O HARDWARE (SALEM CHERRY)
	104013-08-J70	EA	DOOR - SLIDING - W/O HARDWARE (WASHED MAPLE)
	104013-08-GV1	EA	DOOR - SLIDING - W/O HARDWARE (SALEM CHERRY)
	098410-01-01A	EA	PULL - FINGER - BRASS
	103874-01-000	EA	HANGER - SLIDING DOOR

BATH GROUP (CONTINUED)

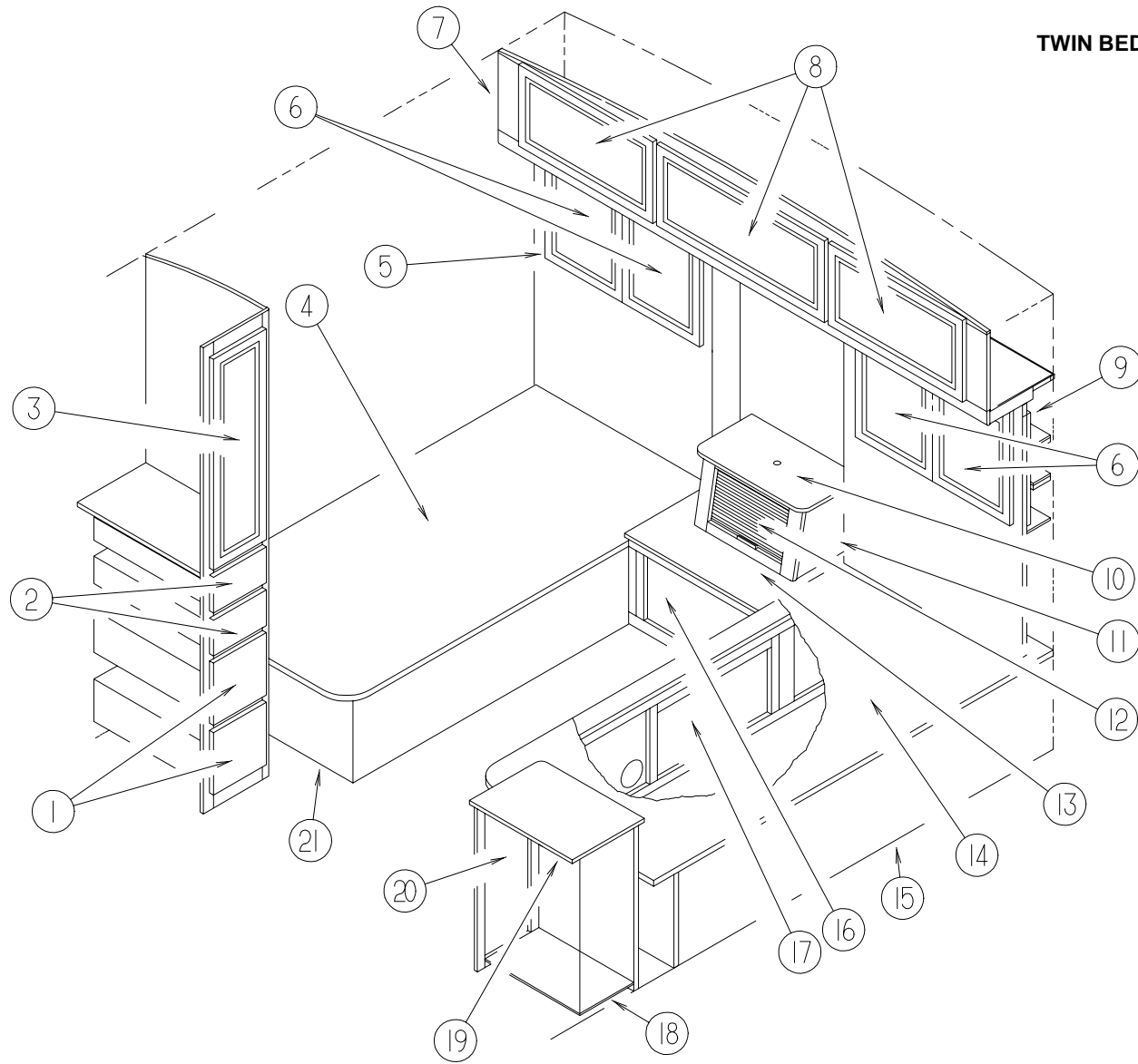


COASTAL SHOWER DOOR

KEY	PART NUMBER	U/M	DESCRIPTION	VENDOR NO.
	119622-01-01A	EA	DOOR - SOLID PANEL SHOWER	
1	107878-01-704	EA	HEADER OR SILL	70
2	092574-01-707	EA	BUSHING - PIVOT - TOP	18712B
3	089318-01-704	EA	BOLT - PIVOT - TOP OR BOTTOM	1428B
4	092574-01-710	EA	SCREW - GOLD - FOR TOWEL BAR	832G
5	092574-01-703	EA	PULL - DOOR - GOLD (INSIDE)	8149G
5	092574-01-711	EA	PULL - DOOR - GOLD (OUTSIDE)	8153G
6	089318-01-701	FT	SWEEP - VINYL	C171G
7	107878-01-703	EA	CAP - DRIP - PLUG SET	DCP2
	092574-01-700	EA	KNOB - SAFETY LATCH	9728G
	092574-01-705	EA	STRIP - MAGNETIC - 56 7/8"	98-41G
	119622-01-700	EA	TOWEL BAR KIT	WINN-33TBL

BEDROOM GROUP

TWIN BEDROOM CABINETS

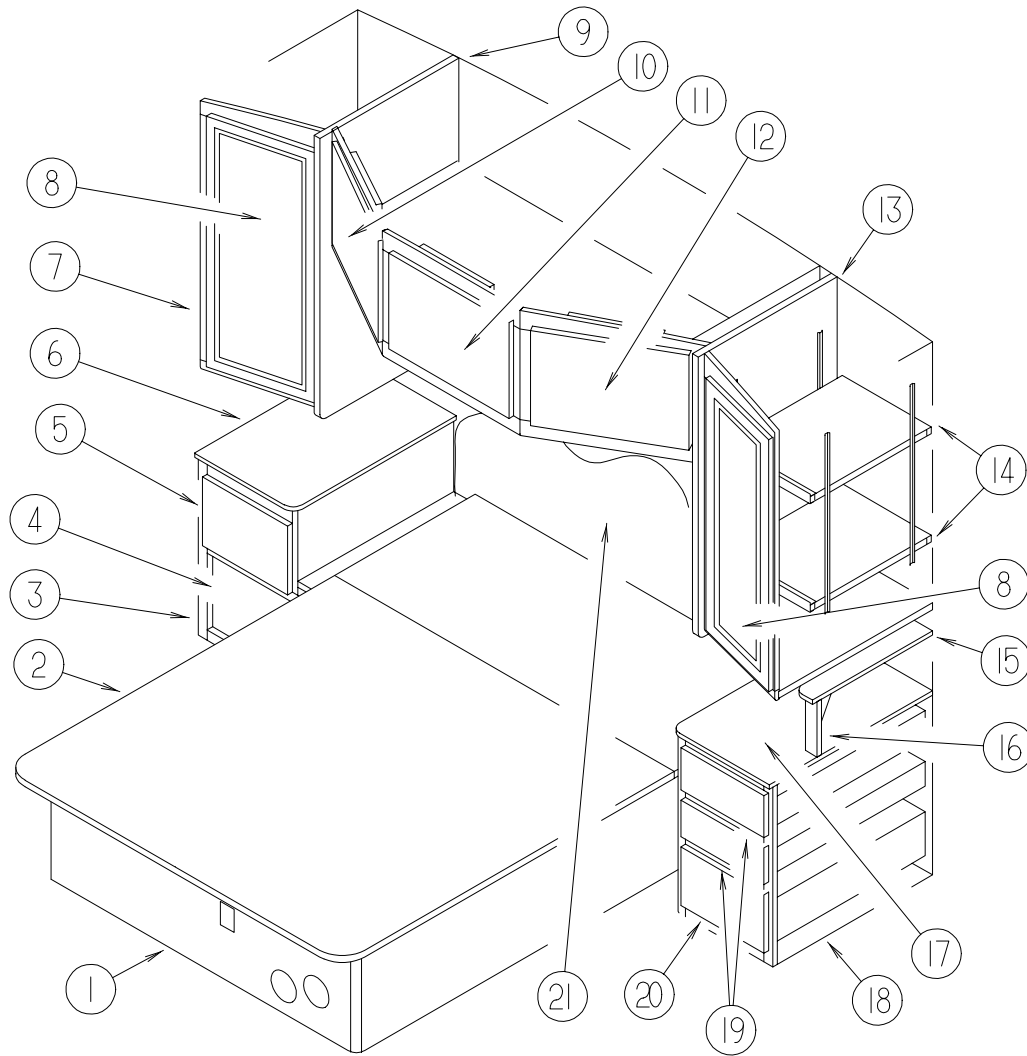


KEY	PART NUMBER	U/M	DESCRIPTION
1	M05971-Y5-J70	EA	DRAWER - OGEE EDGE - 8.5" X 21.6" - W/O SLIDES/HARDWARE (WASHED MAPLE)
1	M05971-Y5-H57	EA	DRAWER - OGEE EDGE - 8.5" X 21.6" - W/O SLIDES/HARDWARE (SALEM CHERRY)
2	M05971-Y4-J70	EA	DRAWER - OGEE EDGE - 8.5" X 21.6" - W/O SLIDES/HARDWARE (WASHED MAPLE)
2	M05971-Y4-H57	EA	DRAWER - OGEE EDGE - 8.5" X 21.6" - W/O SLIDES/HARDWARE (SALEM CHERRY)
3	M05990-33-J70	EA	DOOR - OGEE EDGE - 36.3" X 10.8" - W/O HARDWARE (WASHED MAPLE)
3	M05990-33-H57	EA	DOOR - OGEE EDGE - 36.3" X 10.8" - W/O HARDWARE (SALEM CHERRY)
4	M05087-29-000	EA	TOP - TWIN BED - W/O HARDWARE
5	123138-01-J70	EA	CABINET - HEADBOARD/RIGHT HAND - W/O HARDWARE (WASHED MAPLE)
5	123138-01-H57	EA	CABINET - HEADBOARD/RIGHT HAND - W/O HARDWARE (SALEM CHERRY)
	123138-11-J70	EA	SHELF - W/PLASTIC EDGE MOLDING (WASHED MAPLE)
	123138-11-H57	EA	SHELF - W/PLASTIC EDGE MOLDING (SALEM CHERRY)
6	M06803-CB-J70	EA	DOOR - MIRROR/MTRD CRNR/OGEE EDGE - 15.7" X 20.4" - W/O HDW (WASHED MAPLE)
6	M06803-CB-J71	EA	DOOR - MIRROR/MTRD CRNR/OGEE EDGE - 15.7" X 20.4" - W/O HDW (SALEM CHERRY)
	113195-21-01A	EA	MIRROR - BEVELED SAFETY GLASS - CLEAR - 12.5" X 17.2"
7	P23119-01-J70	EA	CABINET - OVERHEAD/REAR TWIN - W/O DOORS/HARDWARE (WASHED MAPLE)
7	P23119-01-H57	EA	CABINET - OVERHEAD/REAR TWIN - W/O DOORS/HARDWARE (SALEM CHERRY)

KEY	PART NUMBER	U/M	DESCRIPTION
8	M05990-01-J70	EA	DOOR - ARCHED/OGEE EDGE - 14.3" X 26.7" - W/O HARDWARE (WASHED MAPLE)
8	M05990-01-GV1	EA	DOOR - ARCHED/OGEE EDGE - 14.3" X 26.7" - W/O HARDWARE (SALEM CHERRY)
9	123139-01-J70	EA	CABINET - HEADBOARD LH - W/O DOORS/DRAWERS/HARDWARE (WASHED MAPLE)
9	123139-01-H57	EA	CABINET - HEADBOARD LH - W/O DOORS/DRAWERS/HARDWARE (SALEM CHERRY)
	123139-11-J70	EA	SHELF - W/PLASTIC EDGE TRIM (WASHED MAPLE)
	123139-11-H57	EA	SHELF - W/PLASTIC EDGE TRIM (SALEM CHERRY)
10	123120-18-J70	EA	COUNTERTOP - NIGHTSTAND (J70,J71)
10	123120-18-J72	EA	COUNTERTOP - NIGHTSTAND (J72,J73)
10	123120-18-J74	EA	COUNTERTOP - NIGHTSTAND (J74,J75,J76,J77)
11	123120-03-J70	EA	CABINET - NIGHTSTAND - W/COUNTERTOP - W/O DOORS/DWRS/HDW (J70)
11	123120-03-J71	EA	CABINET - NIGHTSTAND - W/COUNTERTOP - W/O DOORS/DWRS/HDW (J71)
11	123120-03-J72	EA	CABINET - NIGHTSTAND - W/COUNTERTOP - W/O DOORS/DWRS/HDW (J72)
11	123120-03-J73	EA	CABINET - NIGHTSTAND - W/COUNTERTOP - W/O DOORS/DWRS/HDW (J73)
11	123120-03-J74	EA	CABINET - NIGHTSTAND - W/COUNTERTOP - W/O DOORS/DWRS/HDW (J74,J76)
11	123120-03-J75	EA	CABINET - NIGHTSTAND - W/COUNTERTOP - W/O DOORS/DWRS/HDW (J75,J77)
11	123120-04-J70	EA	CABINET - NIGHTSTAND - W/COUNTERTOP - W/O DOORS/DWRS/HDW - RADIO OPT (J70)
11	123120-04-J71	EA	CABINET - NIGHTSTAND - W/COUNTERTOP - W/O DOORS/DWRS/HDW - RADIO OPT (J71)
11	123120-04-J72	EA	CABINET - NIGHTSTAND - W/COUNTERTOP - W/O DOORS/DWRS/HDW - RADIO OPT (J72)
11	123120-04-J73	EA	CABINET - NIGHTSTAND - W/COUNTERTOP - W/O DOORS/DWRS/HDW - RADIO OPT (J73)
11	123120-04-J74	EA	CABINET - NIGHTSTAND - W/COUNTERTOP - W/O DOORS/DWRS/HDW - RADIO OPT (J74,J76)
11	123120-04-J75	EA	CABINET - NIGHTSTAND - W/COUNTERTOP - W/O DOORS/DWRS/HDW - RADIO OPT (J75,J77)
12	057882-05-700	EA	TAMBOUR - 4' X 4' SHEET - UNFINISHED (WASHED MAPLE)
12	057882-04-700	EA	TAMBOUR - 4' X 4' SHEET - UNFINISHED (SALEM CHERRY)
	097191-01-J70	EA	HANDLE - TAMBOUR DOOR (WASHED MAPLE)
	097191-01-E41	EA	HANDLE - TAMBOUR DOOR (SALEM CHERRY)
13	123120-19-J70	EA	COUNTERTOP - NIGHTSTAND (J70,J71)
13	123120-19-J72	EA	COUNTERTOP - NIGHTSTAND (J72,J73)
13	123120-19-J74	EA	COUNTERTOP - NIGHTSTAND (J74,J75,J76,J77)
14	M05087-30-000	EA	TOP - TWIN BED - W/O HARDWARE
15	P19271-02-J70	EA	CABINET - BASE - TWIN BED/LEFT HAND - W/O DRS/DWRS/HDW (WASHED MAPLE)
15	P19271-02-H57	EA	CABINET - BASE - TWIN BED/LEFT HAND - W/O DRS/DWRS/HDW (SALEM CHERRY)
16	M07411-10-J70	EA	DOOR - LOUVERED/OGEE EDGE - 28.3" X 13.2" - W/O HARDWARE (WASHED MAPLE)
16	M07411-10-H57	EA	DOOR - LOUVERED/OGEE EDGE - 28.3" X 13.2" - W/O HARDWARE (SALEM CHERRY)
17	M05971-P5-J70	EA	DRAWER - OGEE EDGE - 21.4"W X 23.5"D - W/O SLIDES/HDW (WASHED MAPLE)
17	M05971-P5-GV1	EA	DRAWER - OGEE EDGE - 21.4"W X 23.5"D - W/O SLIDES/HDW (SALEM CHERRY)
18	121713-02-J70	EA	CABINET - HAMPER - W/COUNTERTOP - W/O DOORS/HARDWARE (J70)
18	121713-02-J71	EA	CABINET - HAMPER - W/COUNTERTOP - W/O DOORS/HARDWARE (J71)
18	121713-02-J72	EA	CABINET - HAMPER - W/COUNTERTOP - W/O DOORS/HARDWARE (J72)
18	121713-02-J73	EA	CABINET - HAMPER - W/COUNTERTOP - W/O DOORS/HARDWARE (J73)
18	121713-02-J74	EA	CABINET - HAMPER - W/COUNTERTOP - W/O DOORS/HARDWARE (J74,J76)
18	121713-02-J75	EA	CABINET - HAMPER - W/COUNTERTOP - W/O DOORS/HARDWARE (J75,J77)
19	121713-12-J70	EA	COUNTERTOP - HAMPER (J70,J71)
19	121713-12-J72	EA	COUNTERTOP - HAMPER (J72,J73)
19	121713-12-J73	EA	COUNTERTOP - HAMPER (J74,J75,J76,J77)
20	121711-01-J70	EA	DRAWER - HAMPER - W/O HARDWARE (WASHED MAPLE)
20	121711-01-H57	EA	DRAWER - HAMPER - W/O HARDWARE (SALEM CHERRY)
21	P23118-01-J70	EA	CABINET - BASE - BED/RIGHT HAND TWIN - W/O DRS/DWRS/HDW (WASHED MAPLE)
21	P23118-01-H57	EA	CABINET - BASE - BED/RIGHT HAND TWIN - W/O DRS/DWRS/HDW (SALEM CHERRY)
	117059-02-J70	EA	HEADBOARD - TWIN - 36" - W/O HARDWARE (J70,J71)
	117059-05-J72	EA	HEADBOARD - TWIN - 36" - W/O HARDWARE (J72,J73)
	117059-02-J74	EA	HEADBOARD - TWIN - 36" - W/O HARDWARE (J74,J75)
	117059-06-J76	EA	HEADBOARD - TWIN - 36" - W/O HARDWARE (J76,J77)

BEDROOM GROUP (CONTINUED)

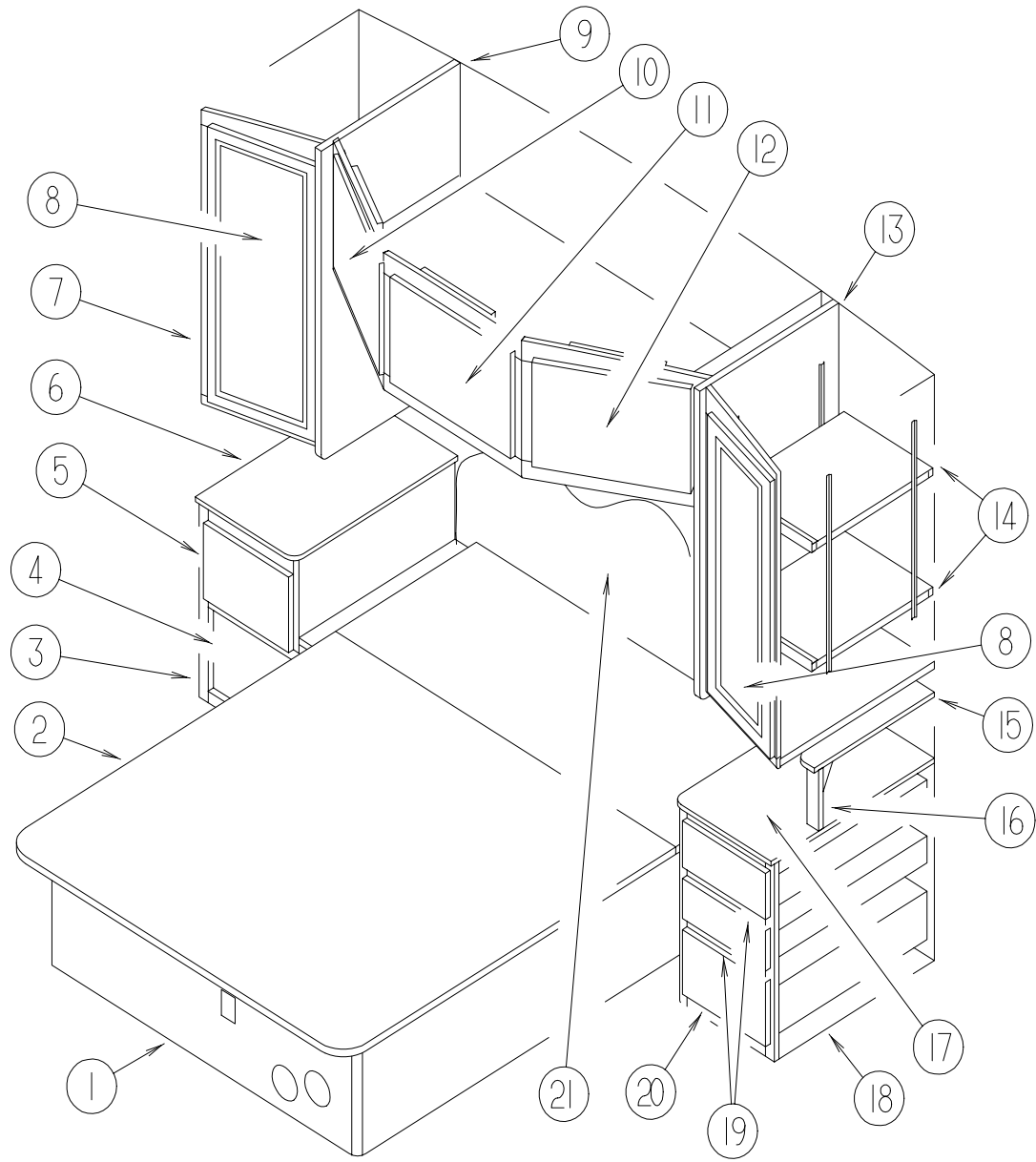
QUEEN BEDROOM CABINETS



KEY	PART NUMBER	U/M	DESCRIPTION
1	P23043-02-J70	EA	CABINET - BASE/QUEEN BED - W/O DOORS/DRAWERS/HARDWARE (WASHED MAPLE)
1	P23043-02-J71	EA	CABINET - BASE/QUEEN BED - W/O DOORS/DRAWERS/HARDWARE (SALEM CHERRY)
2	M08110-03-H56	EA	TOP - BED - QUEEN - W/O HARDWARE
3	123041-02-J70	EA	CABINET - NIGHTSTAND/RH - W/COUNTERTOP - W/O DRS/DWRS/HDW (J70)
3	123041-02-J71	EA	CABINET - NIGHTSTAND/RH - W/COUNTERTOP - W/O DRS/DWRS/HDW (J71)
3	123041-02-J72	EA	CABINET - NIGHTSTAND/RH - W/COUNTERTOP - W/O DRS/DWRS/HDW (J72)
3	123041-02-J73	EA	CABINET - NIGHTSTAND/RH - W/COUNTERTOP - W/O DRS/DWRS/HDW (J73)
3	123041-02-J74	EA	CABINET - NIGHTSTAND/RH - W/COUNTERTOP - W/O DRS/DWRS/HDW (J74,J76)
3	123041-02-J75	EA	CABINET - NIGHTSTAND/RH - W/COUNTERTOP - W/O DRS/DWRS/HDW (J75,J77)
4	M07411-09-J70	EA	DOOR - LOUVERED/OGEE EDGE - 20.4" X 13.8" - W/O HARDWARE (WASHED MAPLE)
4	M07411-09-H57	EA	DOOR - LOUVERED/OGEE EDGE - 20.4" X 13.8" - W/O HARDWARE (SALEM CHERRY)
5	M05971-BE-J70	EA	DRAWER - OGEE EDGE - 12.1" X 13.7" - W/O SLIDES/HARDWARE (WASHED MAPLE)
5	M05971-BE-H57	EA	DRAWER - OGEE EDGE - 12.1" X 13.7" - W/O SLIDES/HARDWARE (SALEM CHERRY)
6	123041-12-J70	EA	COUNTERTOP - NIGHTSTAND/RIGHT HAND (J70,J71)
6	123041-12-J72	EA	COUNTERTOP - NIGHTSTAND/RIGHT HAND (J72,J73)
6	123041-12-J74	EA	COUNTERTOP - NIGHTSTAND/RIGHT HAND (J74,J75,J76,J77)
6	122980-01-J70	EA	CABINET - SHIRT CLOSET/RIGHT HAND - W/O DOORS/HARDWARE (WASHED MAPLE)
7	122980-01-H57	EA	CABINET - SHIRT CLOSET/RIGHT HAND - W/O DOORS/HARDWARE (SALEM CHERRY)

KEY	PART NUMBER	U/M	DESCRIPTION
8	M06803-P7-J70	EA	DOOR - MIRROR/MTRD CRNR/OGEE EDGE - 14.3" X 36.4" - W/O HDW (WASHED MAPLE)
8	M06803-P7-GV1	EA	DOOR - MIRROR/MTRD CRNR/OGEE EDGE - 14.3" X 36.4" - W/O HDW (SALEM CHERRY)
	113195-16-01A	EA	MIRROR - BEVELED SAFETY GLASS - CLEAR - 11.1" X 33.1"
	122980-11-J70	EA	SHELF - W/PLASTIC EDGE TRIM (WASHED MAPLE)
	122980-11-H57	EA	SHELF - W/PLASTIC EDGE TRIM (SALEM CHERRY)
9	122979-01-J70	EA	CABINET - OVERHEAD - REAR QUEEN BED - W/O DOORS/HARDWARE (WASHED MAPLE)
9	122979-01-H57	EA	CABINET - OVERHEAD - REAR QUEEN BED - W/O DOORS/HARDWARE (SALEM CHERRY)
10	120035-10-J70	EA	DOOR - FABRIC WRAPPED - 14.3" X 22" - W/O HARDWARE (J70)
10	120035-10-H59	EA	DOOR - FABRIC WRAPPED - 14.3" X 22" - W/O HARDWARE (J71)
10	120035-10-J72	EA	DOOR - FABRIC WRAPPED - 14.3" X 22" - W/O HARDWARE (J72)
10	120035-10-H61	EA	DOOR - FABRIC WRAPPED - 14.3" X 22" - W/O HARDWARE (J73)
10	120035-10-J74	EA	DOOR - FABRIC WRAPPED - 14.3" X 22" - W/O HARDWARE (J74)
10	120035-10-J75	EA	DOOR - FABRIC WRAPPED - 14.3" X 22" - W/O HARDWARE (J75)
10	120035-10-J76	EA	DOOR - FABRIC WRAPPED - 14.3" X 22" - W/O HARDWARE (J76)
10	120035-10-J77	EA	DOOR - FABRIC WRAPPED - 14.3" X 22" - W/O HARDWARE (J77)
11	120035-08-J70	EA	DOOR - FABRIC WRAPPED - 14.3" X 22.8" - W/O HARDWARE (J70)
11	120035-08-H59	EA	DOOR - FABRIC WRAPPED - 14.3" X 22.8" - W/O HARDWARE (J71)
11	120035-08-J72	EA	DOOR - FABRIC WRAPPED - 14.3" X 22.8" - W/O HARDWARE (J72)
11	120035-08-H61	EA	DOOR - FABRIC WRAPPED - 14.3" X 22.8" - W/O HARDWARE (J73)
11	120035-08-J74	EA	DOOR - FABRIC WRAPPED - 14.3" X 22.8" - W/O HARDWARE (J74)
11	120035-08-J75	EA	DOOR - FABRIC WRAPPED - 14.3" X 22.8" - W/O HARDWARE (J75)
11	120035-08-J76	EA	DOOR - FABRIC WRAPPED - 14.3" X 22.8" - W/O HARDWARE (J76)
11	120035-08-J77	EA	DOOR - FABRIC WRAPPED - 14.3" X 22.8" - W/O HARDWARE (J77)
12	120035-09-J70	EA	DOOR - FABRIC WRAPPED - 14.3" X 22" - W/O HARDWARE (J70)
12	120035-09-H59	EA	DOOR - FABRIC WRAPPED - 14.3" X 22" - W/O HARDWARE (J71)
12	120035-09-J72	EA	DOOR - FABRIC WRAPPED - 14.3" X 22" - W/O HARDWARE (J72)
12	120035-09-H61	EA	DOOR - FABRIC WRAPPED - 14.3" X 22" - W/O HARDWARE (J73)
12	120035-09-J74	EA	DOOR - FABRIC WRAPPED - 14.3" X 22" - W/O HARDWARE (J74)
12	120035-09-J75	EA	DOOR - FABRIC WRAPPED - 14.3" X 22" - W/O HARDWARE (J75)
12	120035-09-J76	EA	DOOR - FABRIC WRAPPED - 14.3" X 22" - W/O HARDWARE (J76)
12	120035-09-J77	EA	DOOR - FABRIC WRAPPED - 14.3" X 22" - W/O HARDWARE (J77)
13	122981-01-J70	EA	CABINET - SHIRT CLOSET/LEFT HAND - W/O DOORS/HARDWARE (WASHED MAPLE)
13	122981-01-H57	EA	CABINET - SHIRT CLOSET/LEFT HAND - W/O DOORS/HARDWARE (SALEM CHERRY)
14	122981-11-J70	EA	SHELF - W/PLASTIC EDGE TRIM (WASHED MAPLE)
14	122981-11-H57	EA	SHELF - W/PLASTIC EDGE TRIM (SALEM CHERRY)
15	118202-13-J70	EA	SHELF - F/RADIO (J70,J71)
15	118202-13-J72	EA	SHELF - F/RADIO (J72,J73)
15	118202-13-J74	EA	SHELF - F/RADIO (J74,J75,J76,J77)
16	118202-02-J70	EA	CABINET - F/RADIO - W/O DOORS/HARDWARE (J70)
16	118202-02-J71	EA	CABINET - F/RADIO - W/O DOORS/HARDWARE (J71)
16	118202-02-J72	EA	CABINET - F/RADIO - W/O DOORS/HARDWARE (J72)
16	118202-02-J73	EA	CABINET - F/RADIO - W/O DOORS/HARDWARE (J73)
16	118202-02-J74	EA	CABINET - F/RADIO - W/O DOORS/HARDWARE (J74,J76)
16	118202-02-J75	EA	CABINET - F/RADIO - W/O DOORS/HARDWARE (J75,J77)
17	123042-12-J70	EA	COUNTERTOP - NIGHTSTAND/LEFT HAND (J70,J71)
17	123042-12-J72	EA	COUNTERTOP - NIGHTSTAND/LEFT HAND (J72,J73)
17	123042-12-J74	EA	COUNTERTOP - NIGHTSTAND/LEFT HAND (J74,J75,J76,J77)
18	123042-02-J70	EA	CABINET - NIGHTSTAND/LH - W/CTRTP - W/O DOORS/DRAWERS/HDW (J70)
18	123042-02-J71	EA	CABINET - NIGHTSTAND/LH - W/CTRTP - W/O DOORS/DRAWERS/HDW (J71)
18	123042-02-J72	EA	CABINET - NIGHTSTAND/LH - W/CTRTP - W/O DOORS/DRAWERS/HDW (J72)
18	123042-02-J73	EA	CABINET - NIGHTSTAND/LH - W/CTRTP - W/O DOORS/DRAWERS/HDW (J73)
18	123042-02-J74	EA	CABINET - NIGHTSTAND/LH - W/CTRTP - W/O DOORS/DRAWERS/HDW (J74,J76)
18	123042-02-J75	EA	CABINET - NIGHTSTAND/LH - W/CTRTP - W/O DOORS/DRAWERS/HDW (J75,J77)

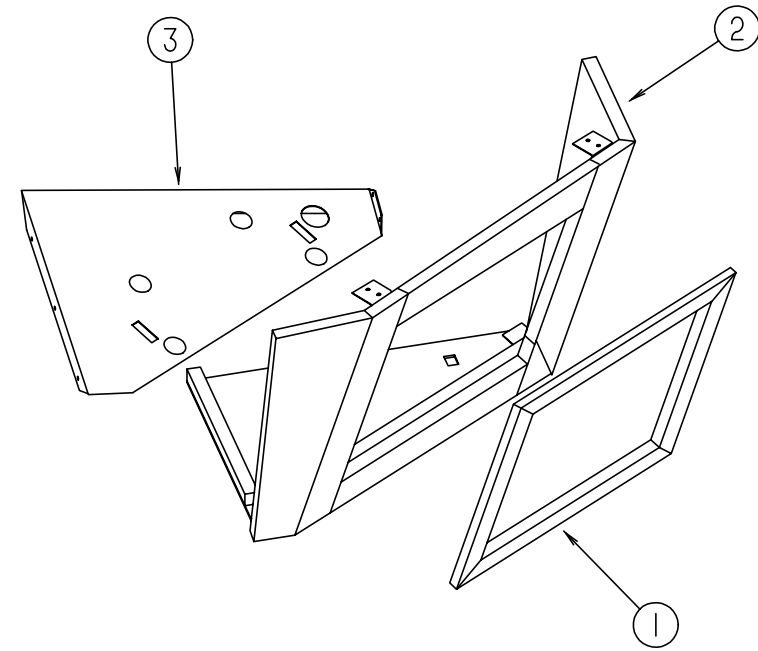
BEDROOM GROUP (CONTINUED)



QUEEN BEDROOM CABINETS (CONTINUED)

KEY	PART NUMBER	U/M DESCRIPTION
19	M05971-D9-J70	EA DRAWER - OGEE EDGE - 16.9"W X 19.7"D - W/O SLIDES/HARDWARE (WASHED MAPLE)
19	M05971-D9-J71	EA DRAWER - OGEE EDGE - 16.9"W X 19.7"D - W/O SLIDES/HARDWARE (SALEM CHERRY)
20	M05971-R0-J70	EA DRAWER - OGEE EDGE - 12.1"W X 23.5"D - W/O SLIDES/HARDWARE (WASHED MAPLE)
20	M05971-R0-GV1	EA DRAWER - OGEE EDGE - 12.1"W X 23.5"D - W/O SLIDES/HARDWARE (SALEM CHERRY)
21	126477-01-J70	EA HEADBOARD - ERIN - F/QUEEN BED (J70,J71)
21	126477-01-J72	EA HEADBOARD - ERIN - F/QUEEN BED (J72,J73)
21	126477-01-J74	EA HEADBOARD - ERIN - F/QUEEN BED (J74,J75)
21	126477-04-J76	EA HEADBOARD - ERIN - F/QUEEN BED (J76,J77)
	057460-04-000	EA SPRING - GAS - BALL STUD STYLE
	089025-01-000	EA SUPPORT - SPRING TO BED - ANGLE 1.5" X 11.8"
	109645-01-000	EA BRACKET - SUPPORT FLOOR TO BED - F/GAS SPRING
	107796-06-000	EA SPRING/GAS - 12" COMPRESSED/20" EXTENDED - 120 LB.
	107796-07-000	EA BRACKET - SUPPORT - GAS SPRING TO BED - ANGLE(UPPER)

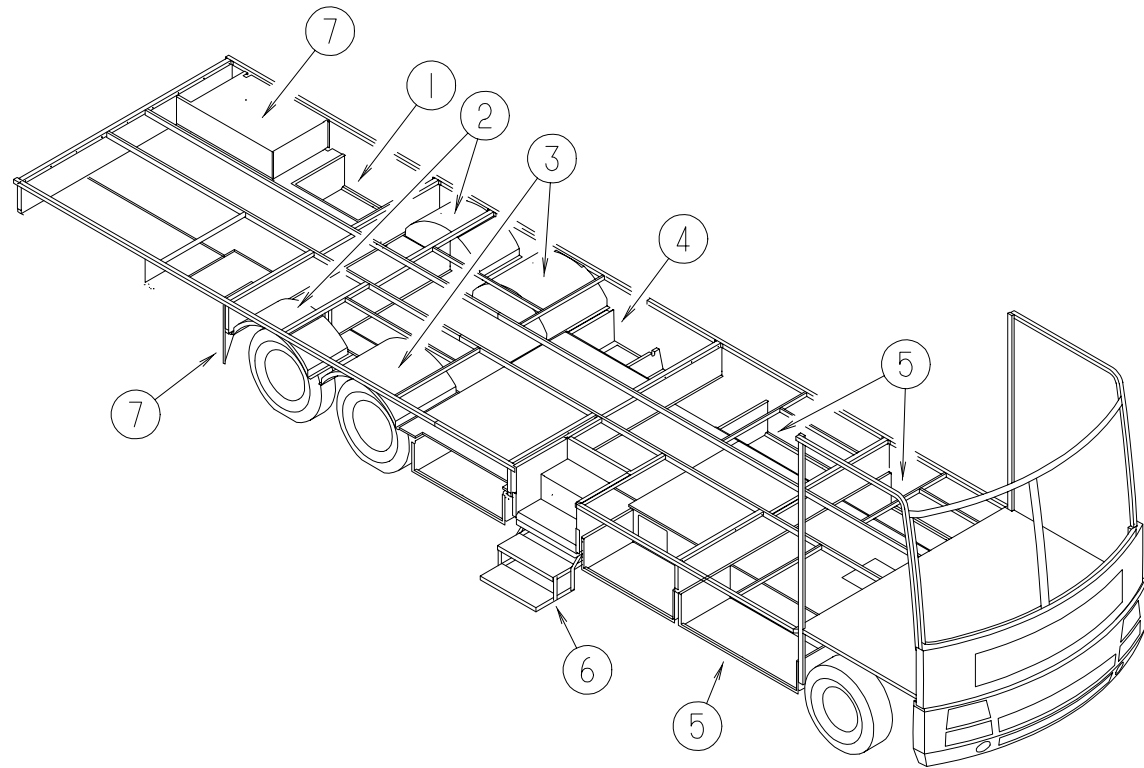
BEDROOM GROUP (CONTINUED)



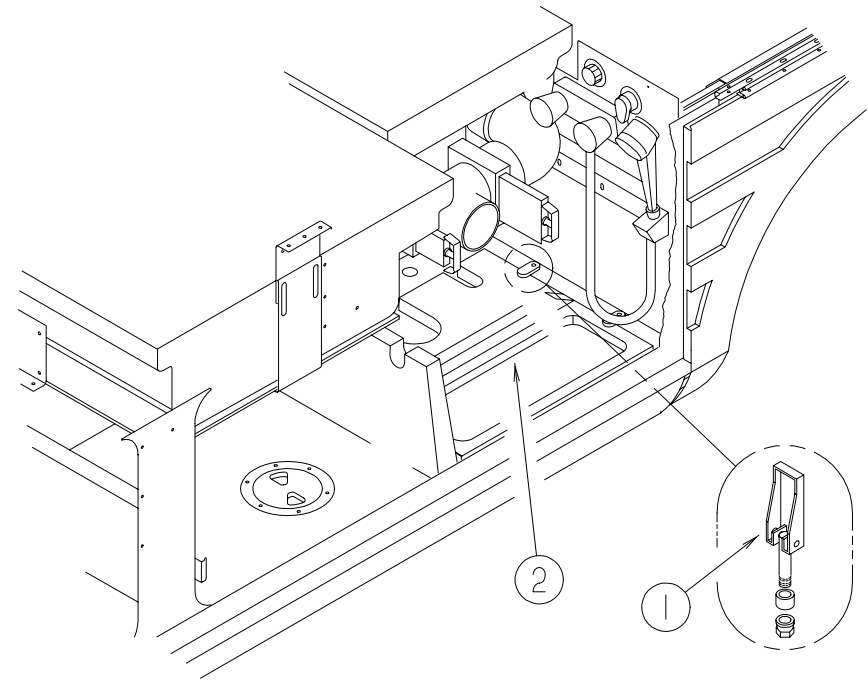
REAR OVERHEAD TV CABINET

KEY	PART NUMBER	U/M DESCRIPTION
1	113106-17-J70	EA TRIM (WASHED MAPLE)
	074045-12-000	EA PLUG - OAK - 1/2" DIAMETER - SOLAR MAPLE
1	113106-17-FQ1	EA TRIM (SALEM CHERRY)
	074045-08-000	EA PLUG - OAK - 1/2" DIAMETER - SALEM CHERRY
2	113106-01-H56	EA CABINET - OVERHEAD/TV - REAR - W/O DOORS/HARDWARE (WASHED MAPLE)
2	113106-01-FQ1	EA CABINET - OVERHEAD/TV - REAR - W/O DOORS/HARDWARE (SALEM CHERRY)
3	113107-01-02B	EA SHELF - SUPPORT/TV - REAR
	123655-01-000	FT SEAL - CLOSED CELL FOAM

CHASSIS GROUP



CHASSIS GROUP (CONTINUED)



COMPARTMENTS, WHEEL WELLS & MUD FLAPS

KEY	PART NUMBER	U/M	DESCRIPTION
1	117595-01-01A	EA	COMPARTMENT - STORAGE
2	055374-05-000	EA	WHEELWELL - PLASTIC
3	055374-03-000	EA	WHEELWELL - PLASTIC
4	114676-04-G38	EA	COMPARTMENT - STORAGE - 14.4" X 48.9"
5	117928-05-01A	EA	COMPARTMENT - STORAGE - 23.4" X 53.6"
6*	094707-01-01A	EA	STEP - DOUBLE - ELECTRIC - KWIKEE
7	017516-01-000	EA	MUD FLAP - 14" X 18" - BLACK
7	020167-05-000	EA	DIRT GUARD - STEEL - 14.9" LONG

* COMPONENT PARTS FOUND IN SERVICE PARTS LIBRARY

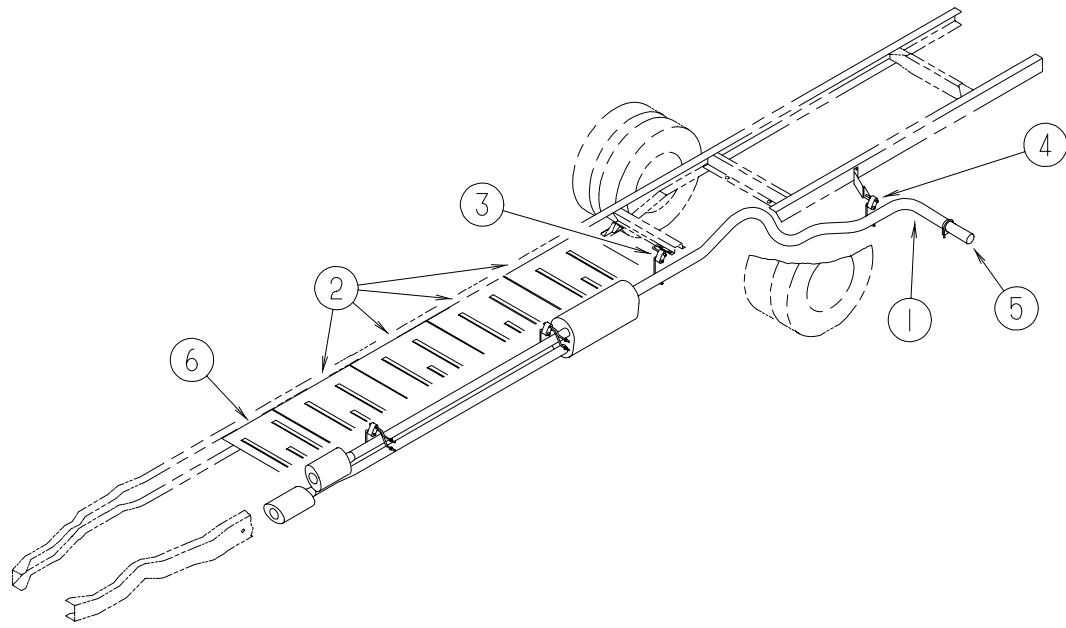
AIR DUCT & ELBOWS - VORTEC 285 HP GAS ENGINE (CHEVY)

KEY	PART NUMBER	U/M	DESCRIPTION
	123361-01-000	EA	DUCT - AIR INTAKE
	123362-01-000	EA	ELBOW - AIR INTAKE - RUBBER - 90 DEGREE 3.5" I.D.

STORAGE COMPARTMENT

KEY	PART NUMBER	U/M	DESCRIPTION
1	121175-01-01A	EA	LATCH - SWELL - BLACK
2	M06991-05-G38	EA	HATCH - W/FOAM

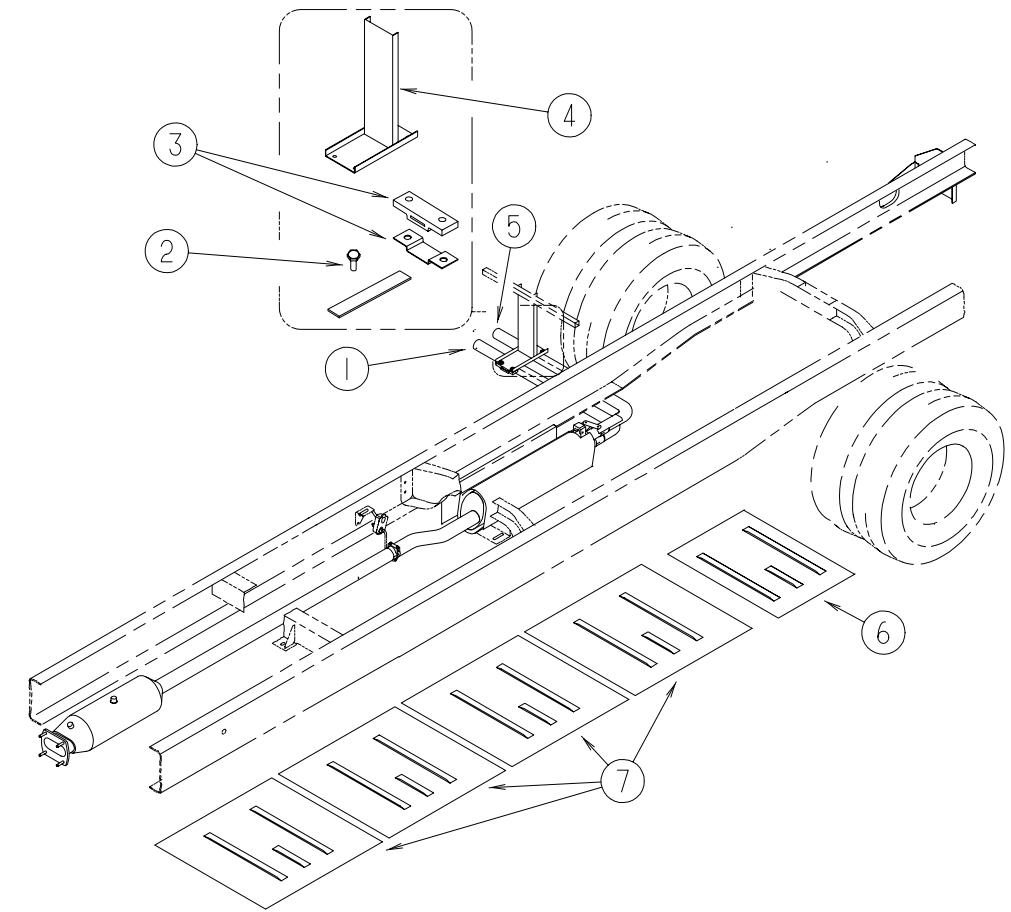
CHASSIS GROUP (CONTINUED)



CHEVY EXHAUST SYSTEM

KEY	PART NUMBER	U/M DESCRIPTION
1	094918-01-000	EA CLAMP - EXHAUST - 3" - GUILLOTINE STYLE
2	101544-02-000	EA SHIELD - HEAT/EXHAUST - 30" X 29.1"
3	122392-01-02B	EA HANGER - TAILPIPE
4	122392-03-02B	EA HANGER - TAILPIPE - REAR
5	122529-02-000	EA PIPE - EXHAUST
6	101544-01-000	EA SHIELD - HEAT/EXHAUST - 19.7" X 29.1"

CHASSIS GROUP (CONTINUED)

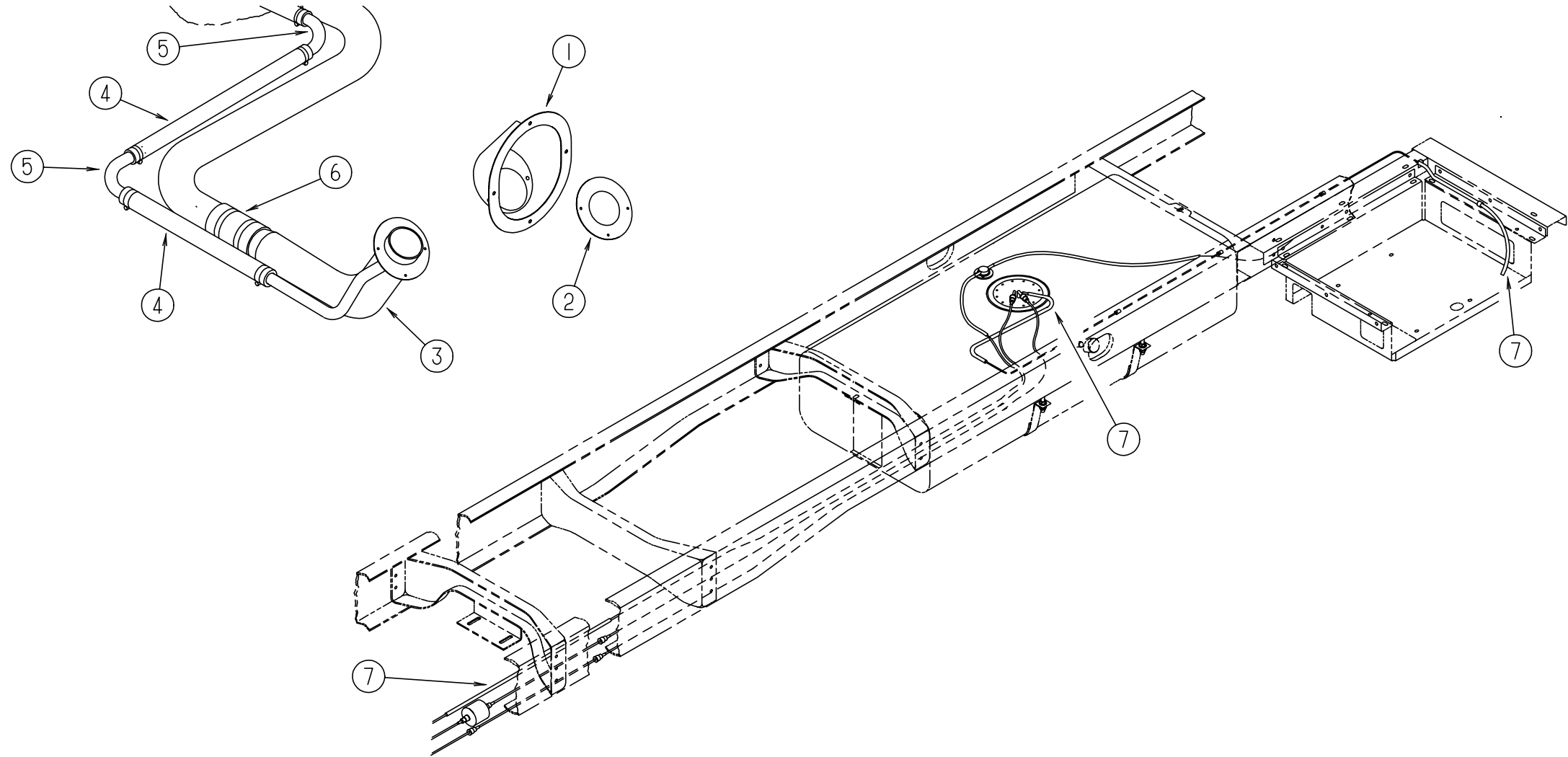


FORD EXHAUST SYSTEM

KEY	PART NUMBER	U/M DESCRIPTION
1	129206-02-000	EA PIPE/TAIL - EXHAUST - FORD
2	096055-06-000	EA SUPPORT - EXHAUST PIPE
3	095190-01-000	EA HANGER - EXHAUST - 4" X 1.4"
4	118000-04-02B	EA HANGER - TAILPIPE - E-COATED
5	129206-01-000	EA PIPE/TAIL - EXHAUST - FORD
6	101544-01-000	EA SHIELD - HEAT/EXHAUST - 19.7" X 29.1"
7	101544-06-000	EA SHIELD - HEAT/EXHAUST - 33.9" X 29.1"
	007125-05-000	EA CLAMP - MUFFLER - 2" DIAMETER
	094918-06-000	EA CLAMP - EXHAUST - 3" - HEAVY DUTY
	099307-05-000	EA PANEL - HEATSHIELD - BOTTOM
	120740-01-02B	EA BRACKET - SUPPORT - SHIELD

CHASSIS GROUP (CONTINUED)

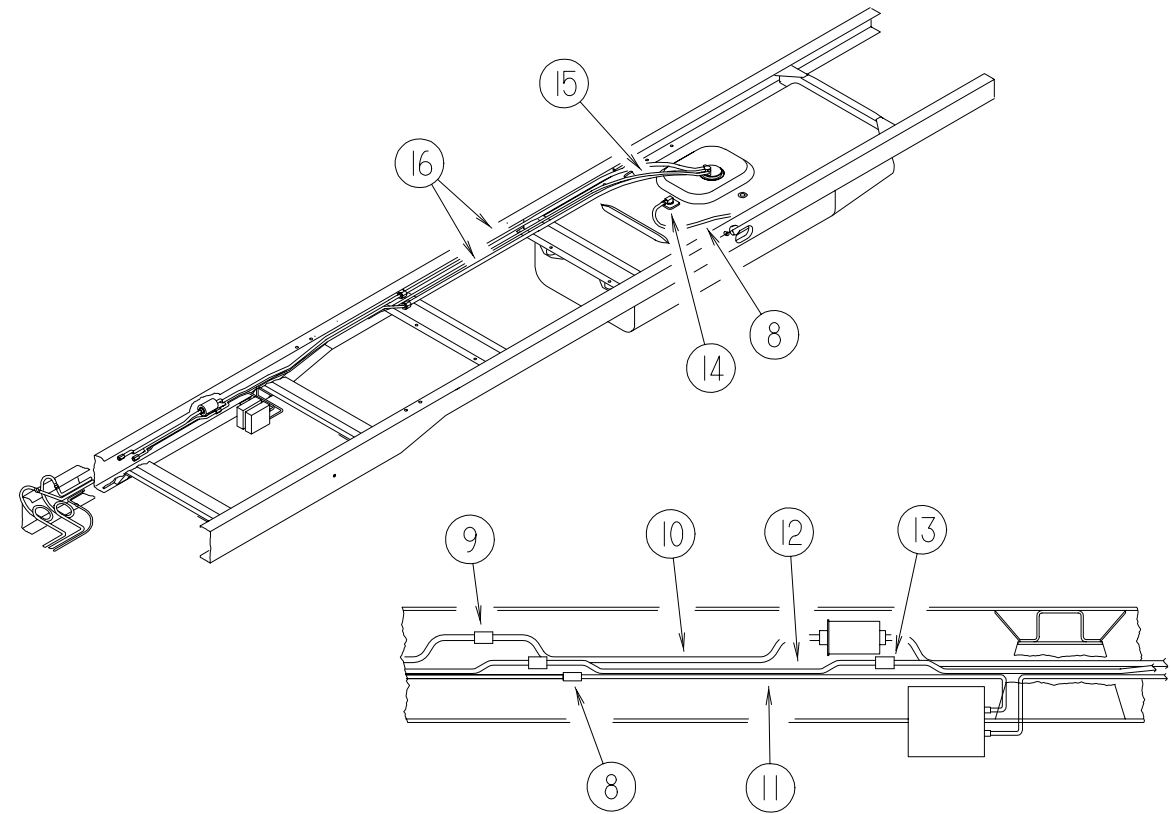
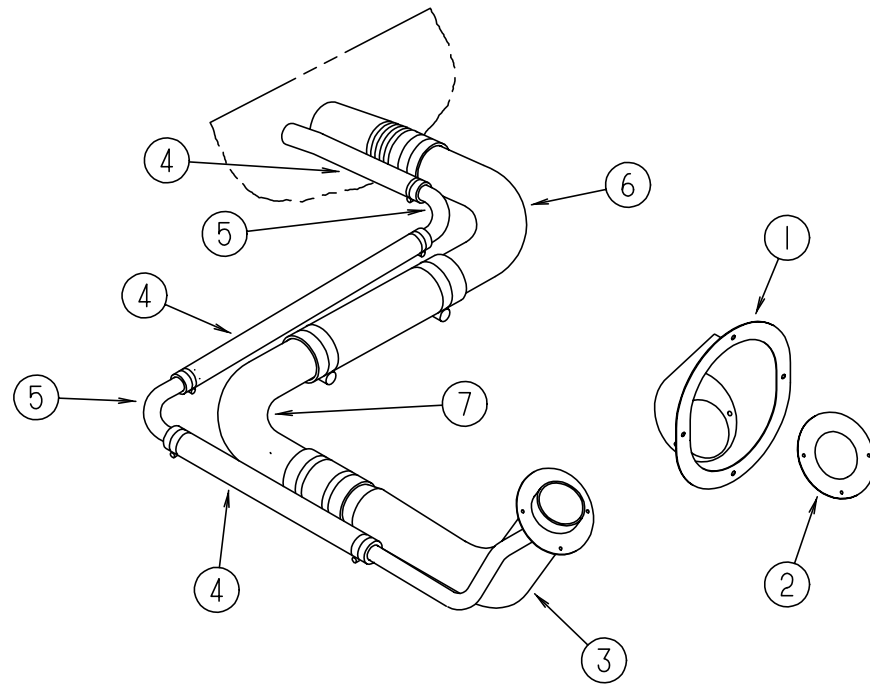
FORD FUEL SYSTEM



KEY	PART NUMBER	U/M	DESCRIPTION
1	102951-01-01A	EA	SHROUD - FUEL FILL - UNFINISHED
			FROM: 00-00-00 THRU: 01-05-98
1	095854-01-01A	EA	SHROUD - FUEL FILL - PLASTIC
			FROM: 01-06-98 THRU: 99-99-99
2	078200-01-000	EA	GASKET - FUEL FILL - 3.5" OD X 2" ID
3	087256-07-000	EA	NECK - FUEL FILL - FORD
4	066732-01-000	FT	HOSE - FUEL - .62" ID
5	098806-01-000	EA	PIPE - FILL VENT - 90 DEGREE BEND - .635 OD - STEEL
6	007111-02-000	EA	HOSE - FUEL FILL - 2" ID
	100140-02-000	EA	TUBE - FUEL INLET
7	007063-01-000	FT	HOSE - FUEL - 1/4" ID X 1/2" OD
	084884-01-000	EA	PLUG - BRASS - 3/8"
	062401-06-000	EA	CLAMP - HOSE - WORMGEAR - .22" - .62" ID

CHASSIS GROUP (CONTINUED)

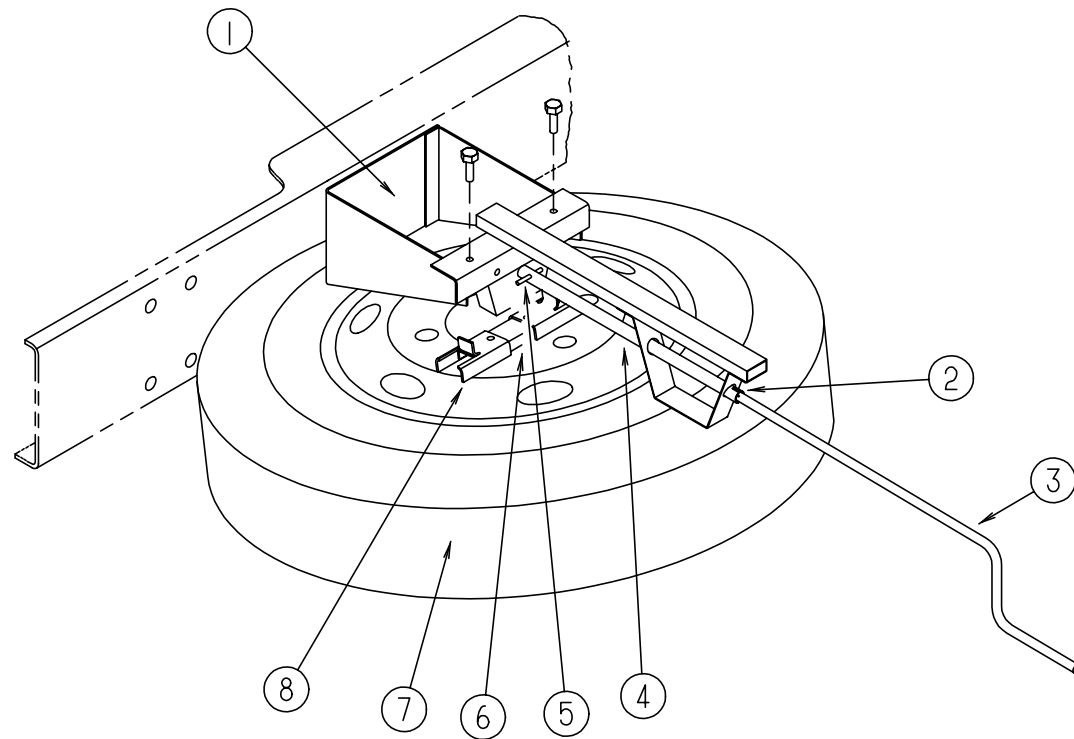
CHEVY FUEL SYSTEM



KEY	PART NUMBER	U/M	DESCRIPTION
1	102951-01-01A	EA	SHROUD - FUEL FILL - UNFINISHED FROM: 00-00-00 THRU: 01-05-98
1	095854-01-04A	EA	SHROUD - FUEL FILL - BRIGHT WHITE FROM: 01-06-98 THRU: 99-99-99
2	078200-01-000	EA	GASKET - FUEL FILL - 3.5" OD X 2" ID
3	087256-02-000	EA	NECK - FUEL FILL FROM: 00-00-00 THRU: 10-02-97
3	127301-03-000	EA	NECK - FUEL FILL FROM: 10-03-97 THRU: 99-99-99
4	066732-01-000	FT	HOSE - FUEL - .62" ID
5	098806-01-000	EA	PIPE - FILL VENT - 90 DEGREE BEND - .635 OD - STEEL
6	098803-01-000	EA	PIPE - FUEL FILL - 90 DEGREE BEND - 13.2" - 1 3/4" OD
7	098807-01-000	EA	PIPE - FUEL FILL - 90 DEGREE BEND - 6.6" - 1 3/4" OD
8	007063-01-000	FT	HOSE - FUEL - 1/4" ID X 1/2" OD
	084884-01-000	EA	PLUG - BRASS - 3/8"
	062401-06-000	EA	CLAMP - HOSE - WORMGEAR - .22" - .62" ID
9	098779-02-000	EA	COUPLER - FUEL LINE - 1.2" LONG X 16MM THREAD

KEY	PART NUMBER	U/M	DESCRIPTION
10	098759-02-000	EA	FUEL LINE - SUPPLY - 3/8" STEEL X 22" LONG W/16MM NUTS
11	074800-18-000	EA	TUBE - EXTENSION - MAIN FUEL
12	098758-02-000	EA	FUEL LINE - RETURN - 5/16" STEEL X 22" LONG W/14MM NUTS
13	098779-01-000	EA	COUPLER - FUEL LINE - 1.2" LONG X 14MM THREAD
14	114254-01-000	EA	ADAPTER - 1/4 BARB X 1/8 MPT
15	127393-01-000	EA	HOSE - FUEL VAPOR/EMMISION - 64" - GM CHASSIS
16	127391-01-000	EA	FUEL LINE - DOUBLE (3/8" FEED/5/16" RETURN) 70" - GM CHASSIS
	068382-06-000	EA	BUSHING - BRASS - 3/8 MPT X 1/8 FPT
	024138-01-000	FT	HOSE - FUEL - 5/16" ID
	044317-01-000	FT	HOSE - FUEL - 3/8" ID
	075466-01-000	EA	UNION - INVERTED FL TUBE, 1/4"

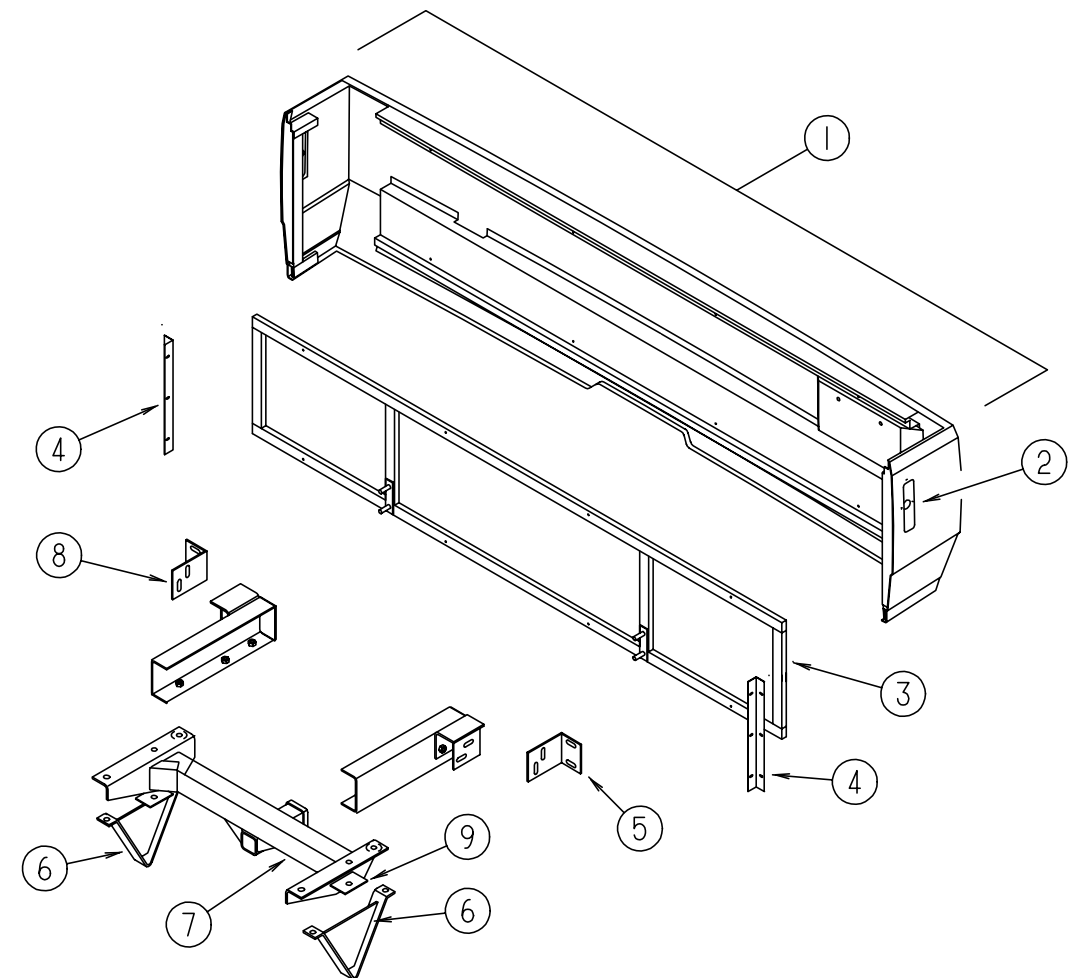
CHASSIS GROUP (CONTINUED)



SPARE TIRE & HOIST

KEY	PART NUMBER	U/M	DESCRIPTION
1	112534-01-E37	EA	BRACKET - TIRE HOIST
2	112539-02-01B	EA	SUPPORT - HANDLE - TIRE HOIST
3	093376-02-000	EA	HANDLE - CRANK - TIRE HOIST
4	093375-09-000	EA	EXTENSION - TIRE HOIST
			FROM: 00-00-00 THRU: 09-01-97
4	093375-05-000	EA	EXTENSION - TIRE HOIST
			FROM: 09-02-97 THRU: 99-99-99
5	114376-01-000	EA	PIN - DRIVE - .156 X .750 - TYPE E - TIRE HOIST
6	093267-03-000	EA	HOIST - SPARE TIRE - #100 LB
7	095853-02-000	EA	WHEEL - STEEL - 16" X 6K (FORD ONLY)
7	064963-01-000	EA	WHEEL - STEEL - 19.5" X 6" - GM 14005758
7	091673-01-000	EA	TIRE - 225.70 R19.5 LRF - XZA (CHEVY)
	051377-01-000	EA	VALVE STEM
7	083425-05-000	EA	TIRE - MICHELIN - LT 235/85R16 - LOAD RANGE E (FORD)
	077030-02-000	EA	EXTENSION - VALVE STEM - 1.25"
	051377-05-000	EA	VALVE STEM
	095012-03-000	EA	EXTENSION - VALVE STEM - DUAL WHEEL (FORD)
	095012-04-000	EA	STABILIZER - VALVE EXTENSION
8	105499-01-000	EA	BRACKET - TIRE HOIST
	080208-06-000	EA	LUG WRENCH - 1" X 1.06" W/DEEP SOCKET ENDS

CHASSIS GROUP (CONTINUED)



REAR BUMPER & TRAILER HITCH

KEY	PART NUMBER	U/M	DESCRIPTION
1	P18217-02-GV0	EA	BUMPER - REAR - W/INNER FRAME - W/O HITCH
	117511-01-GV0	EA	PANEL - BUMPER - REAR - W/O FRAME/ANGLE MOUNTS
	104319-51-007	EA	EXTRUDED - FRAME - GRILLE - 4"
2	118374-01-01A	EA	POCKET - SIDE MARKER LIGHT
3	118833-01-02B	EA	FRAME - BUMPER - REAR
4	113041-03-02B	EA	ANGLE - BUMPER MOUNT
5	107524-02-000	EA	ANGLE - BUMPER - INNER/LEFT HAND
6	111742-01-000	EA	PLATE - SKID
7	107707-01-000	EA	HITCH RECEIVER - BOLT-ON CLASS II
	034512-01-000	EA	PIN - LOCKING - DRAWBAR
	034513-01-000	EA	PIN - HITCH - 3/16" WIRE
8	107524-01-000	EA	ANGLE - BUMPER - INNER/RIGHT HAND
9	070579-09-000	EA	PLATE - ANCHOR
	113588-02-01B	EA	BRACKET - CONNECTOR - TRAILER W/O LIP
	113589-01-000	EA	CONNECTOR - PLUG - TRAILER
	113589-02-000	EA	CONNECTOR - SOCKET - TRAILER

CHASSIS GROUP (CONTINUED)
SHOCK & STABILIZER

KEY	PART NUMBER	U/M	DESCRIPTION	VENDOR NO.
	701390-29-000	EA	SHOCK & STABILIZER KIT - FRONT END P-30 CHASSIS	
	122756-02-700	EA	BRACKET ASM - DRIVERS SIDE	T818L
	122756-02-701	EA	BRACKET ASM - PASSENGER SIDE	T818R
	122756-02-702	EA	BRACKET ONLY - DRIVERS SIDE	T818L
	122756-02-703	EA	BRACKET ONLY -PASSENGER SIDE	T818R
	122756-02-704	EA	BOLT PACKAGE -BOLTS/NUTS ETC	T818R
	122756-02-705	EA	SHOCK	T818SH
	122756-02-706	EA	STUD - SHOCK MOUNTING	T818S
	122756-02-707	EA	DAMPNER - STEERING	T818SD
	122756-02-708	EA	BOOT - STEERING DAMPNER	T818SDB
	122756-02-709	EA	BUSHING PKG-STEERING DAMPNER	T818SDBSH
	122756-02-710	EA	BOLT PKG - STEERING DAMPNER	T818S

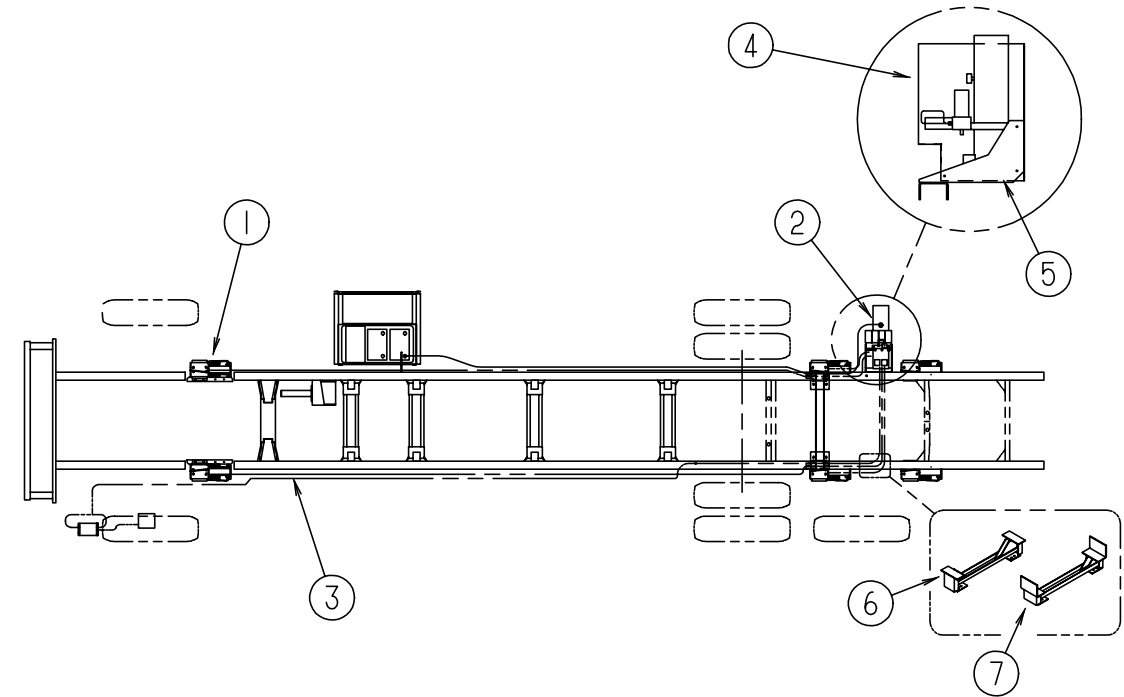
WHEEL LINERS FORD

KEY	PART NUMBER	U/M	DESCRIPTION	VENDOR NO.
	110435-08-000	EA	LINER - WHEEL SET (SET=4) 16"	
	110435-01-711	EA	DECAL - CENTER CAP - 2"	
	110435-02-702	EA	STUD EXTENDER	V160SD-STX
	110435-02-703	EA	NUT (JAMB)	V160SD-JNT
	110435-02-704	EA	COVER - LUG NUT	V160F0-LNC
	110435-02-705	EA	TOOL F/ JAMB NUT - INSTALL.	V160FO-TOL
	110435-08-700	EA	LINER - WHEEL - FRONT	V160SD-FWC
	110435-08-701	EA	LINER - WHEEL - REAR	V160SD-RWC
	110435-09-000	EA	LINER - WHEEL - SET/2 - REAR 16"	
	110435-01-711	EA	DECAL - CENTER CAP - 2"	
	110435-02-702	EA	STUD EXTENDER	V160SD-STX
	110435-02-703	EA	NUT (JAMB)	V160SD-JNT
	110435-02-704	EA	COVER - LUG NUT	V160F0-LNC
	110435-02-705	EA	TOOL F/ JAMB NUT - INSTALL.	V160FO-TOL
	110435-08-701	EA	LINER - WHEEL - REAR	V160SD-RWC

WHEEL LINERS CHEVY

KEY	PART NUMBER	U/M	DESCRIPTION	VENDOR NO.
	110435-10-000	EA	LINER - WHEEL - SET 4 - 19.5"	
	110435-10-700	EA	LINER - WHEEL - FRONT - 1 PC	V195P7-FWC
	110435-10-701	EA	LINER - WHEEL - REAR - 1 PC.	V195P7-RWC
	110435-10-702	EA	JAMB NUT - ENCLOSED/LNC	V195P7-EJN
	110435-10-703	EA	STUD - PLASTIC	V195P7-PST
	110435-10-704	EA	JAMB NUT - PLASTIC/LNC	V195P7-PJN
	110435-10-705	EA	TOOL - INSTALLATION	V195P7-TOL
	110435-11-000	EA	LINER - WHEEL - SET 2 - 19.5"	

CHASSIS GROUP (CONTINUED)



FRONT & REAR HWH HYDRAULIC LEVELING SYSTEM

KEY	PART NUMBER	U/M	DESCRIPTION	VENDOR NO.
1	107890-01-000	EA	ELBOW - STEEL - 90 D - 1/4 X 37 D - FLARE	
1	100533-05-000	EA	BRACKETS - FRONT LEVELING JACK - CHEVY	
1	100533-06-000	EA	BRACKETS - FRONT LEVELING JACKS - FORD	
2	100532-07-000	EA	LEVELING SYSTEM - HYDRAULIC - CHEVY & FORD	
2	100532-27-000	EA	LEVELING SYSTEM - HYDRAULIC - FORD	
2	100532-36-000	EA	LEVELING SYSTEM - HYDRAULIC - CHEVY	
			FROM: 00-00-00 THRU: 08-17-97	
2	100532-46-000	EA	LEVELING SYSTEM - HYDRAULIC - CHEVY	
			FROM: 08-18-97 THRU: 99-99-99	
3	100536-16-000	EA	HOSE KIT - HWH #AP0397	
3	100536-08-000	EA	HOSE KIT - HWH #AP9446	
4	108629-01-000	EA	SHIELD - PUMP	
5	107938-07-000	EA	BRACKET - PUMP	
6	100534-14-000	EA	BRACKETS - REAR LEVELING JACKS (CHEVY)	
7	100534-13-000	EA	BRACKETS - REAR LEVELING JACKS (FORD)	
	111619-01-000	EA	WIRE ASSEMBLY - HWH JACKS/JET AIR RIDE	
	100536-31-000	EA	HOSE KIT - LEVELING JACKS	
	100536-09-701	EA	HOSE - HYDRAULIC - 60"	RAP4073
	100536-31-700	EA	HOSE - HYDRAULIC - 360"	RAP4163
	100536-31-701	EA	HOSE - HYDRAULIC - 96"	RAP5352

CHASSIS GROUP (CONTINUED)

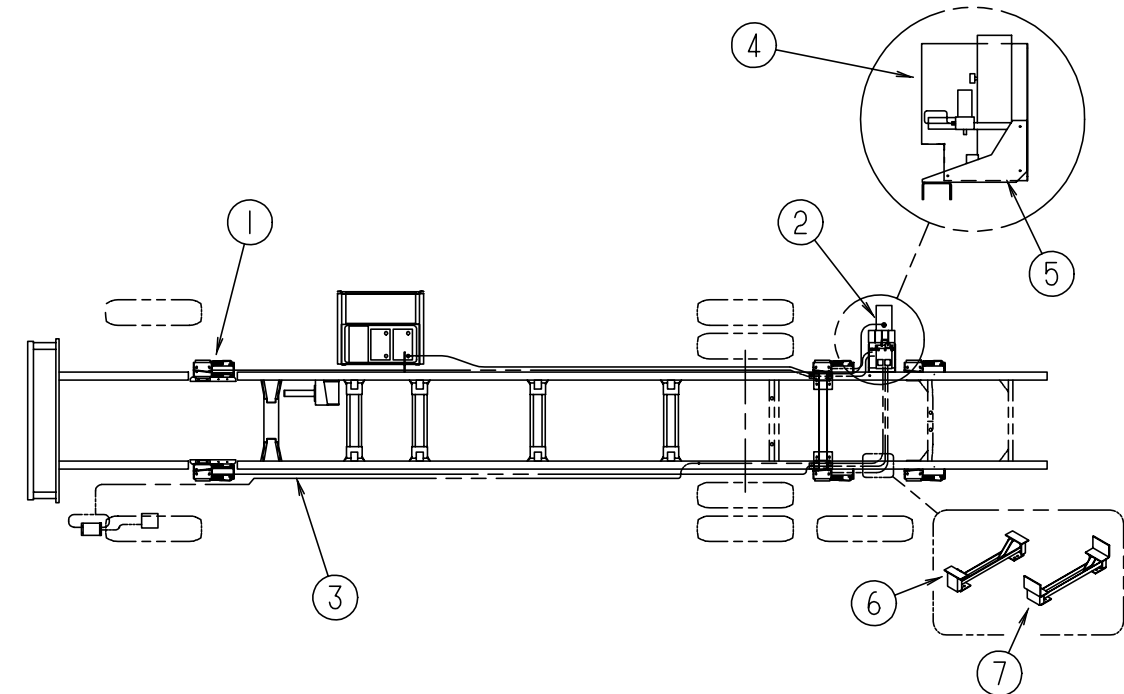
WHEEL LINERS - 19.5" - SET OF 2

KEY	PART NUMBER	U/M	DESCRIPTION
	110435-11-000	EA	LINER - WHEEL - SET 2 - 19.5"

CHEVY FRONT SHOCKS

KEY	PART NUMBER	U/M	DESCRIPTION	VENDOR NO.
	104993-02-000	EA	SHOCK ABSORBER-GAS, P30 FRONT-BILSTEIN B46-2317 (SINGLE-1)	
	122756-01-000	EA	SHOCK & STABILIZER KIT, FRONT END P30 CHASSIS	
			FROM: 00-00-00 THRU: 12-11-96	
	122756-02-000	EA	SHOCK AND STABILIZER (BLUE BOOT) KIT - FRONT END P30 CHASSIS	
			FROM: 12-12-96 THRU: 99-99-99	
	122756-02-700	EA	BRACKET ASM - DRIVERS SIDE	T818L
	122756-02-701	EA	BRACKET ASM - PASSENGER SIDE	T818R
	122756-02-702	EA	BRACKET ONLY - DRIVERS SIDE	T818L
	122756-02-703	EA	BRACKET ONLY -PASSENGER SIDE	T818R
	122756-02-704	EA	BOLT PACKAGE -BOLTS/NUTS ETC	T818R
	122756-02-705	EA	SHOCK	T818SH
	122756-02-706	EA	STUD - SHOCK MOUNTING	T818S
	122756-02-707	EA	DAMPENER - STEERING	T818SD
	122756-02-708	EA	BOOT - STEERING DAMPNER	T818SDB
	122756-02-709	EA	BUSHING PKG-STEERING DAMPNER	T818SDBSH
	122756-02-710	EA	BOLT PKG - STEERING DAMPENER	T818S

CHASSIS GROUP (CONTINUED)

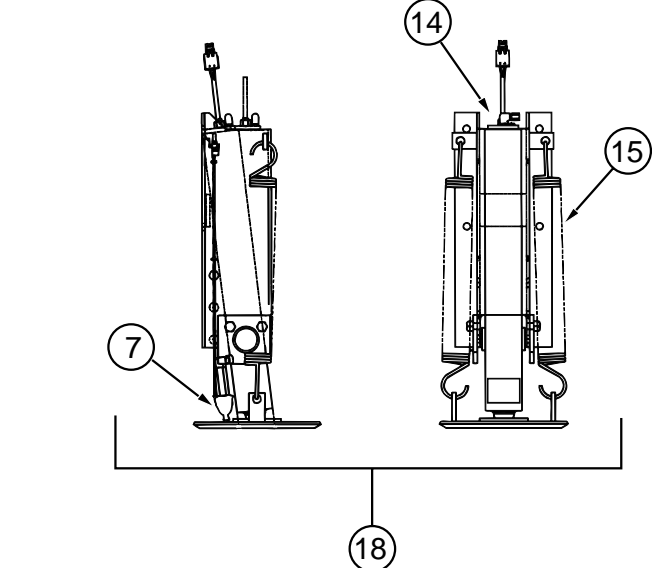
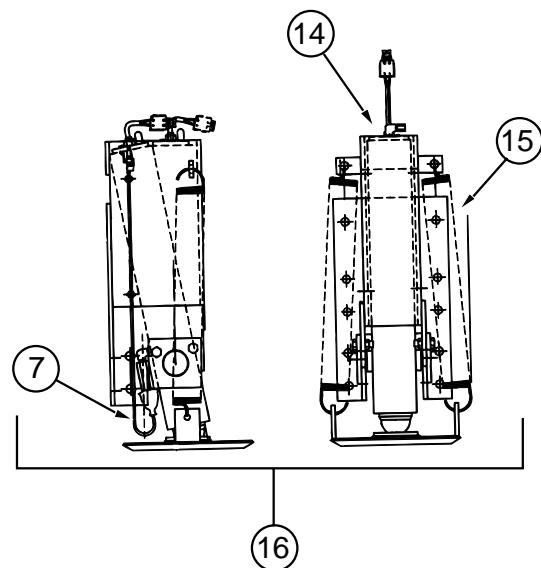
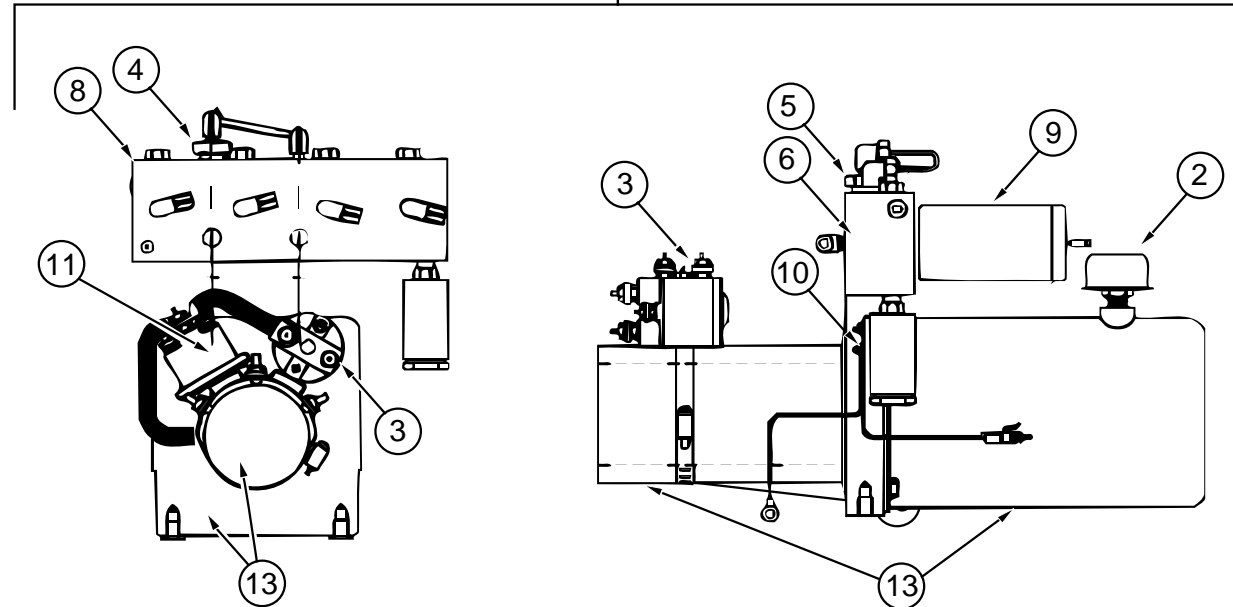
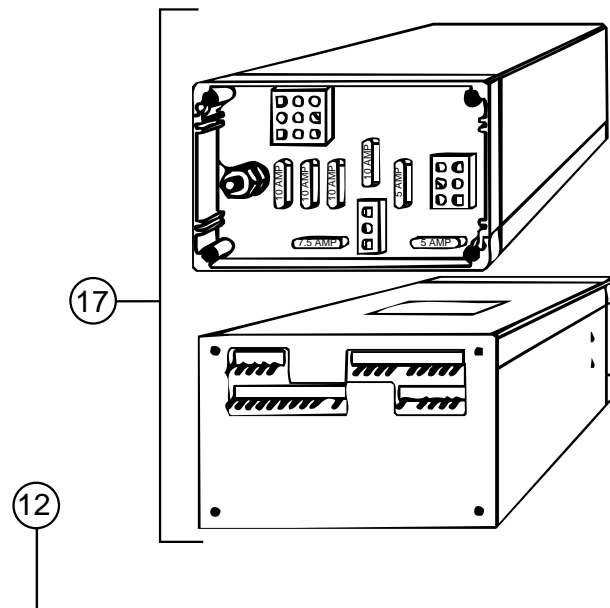
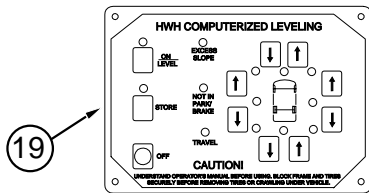
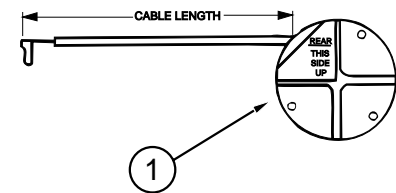


FRONT & REAR HWH HYDRAULIC LEVELING SYSTEM

KEY	PART NUMBER	U/M	DESCRIPTION
1	107890-01-000	EA	ELBOW - STEEL - 90 D - 1/4 X 37 D - FLARE
1	100533-05-000	EA	BRACKETS - FRONT LEVELING JACK - KICKDOWN - CHEVY
1	100533-06-000	EA	BRACKETS - FRONT LEVELING JACKS - KICKDOWN - FORD
2	100532-07-000	EA	LEVELING SYSTEM/HYDRAULIC - 2 FRONT KICKDOWN JACKS ONLY
2	100532-27-000	EA	LEVELING SYSTEM - HYDRAULIC - FORD - STRAIGHT ACTING JACKS
2	100532-36-000	EA	LEVELING SYSTEM - HYDRAULIC - CHEV - STRAIGHT ACTING JACKS
			FROM: 00-00-00 THRU: 08-17-97
2	100532-46-000	EA	LEVELING SYSTEM - HYDRAULIC - CHEVY
			FROM: 08-18-97 THRU: 99-99-99
3	100536-16-000	EA	HOSE KIT - HWH #AP0397
3	100536-08-000	EA	HOSE KIT - HWH #AP9446
4	108629-01-000	EA	SHIELD - PUMP
5	107938-07-000	EA	BRACKET - PUMP
6	100534-14-000	EA	BRACKETS - REAR LEVELING JACKS (CHEVY)
7	100534-13-000	EA	BRACKETS - REAR LEVELING JACKS (FORD)
	111619-01-000	EA	WIRE ASSEMBLY - HWH JACKS/JET AIR RIDE

CHASSIS GROUP (CONTINUED)

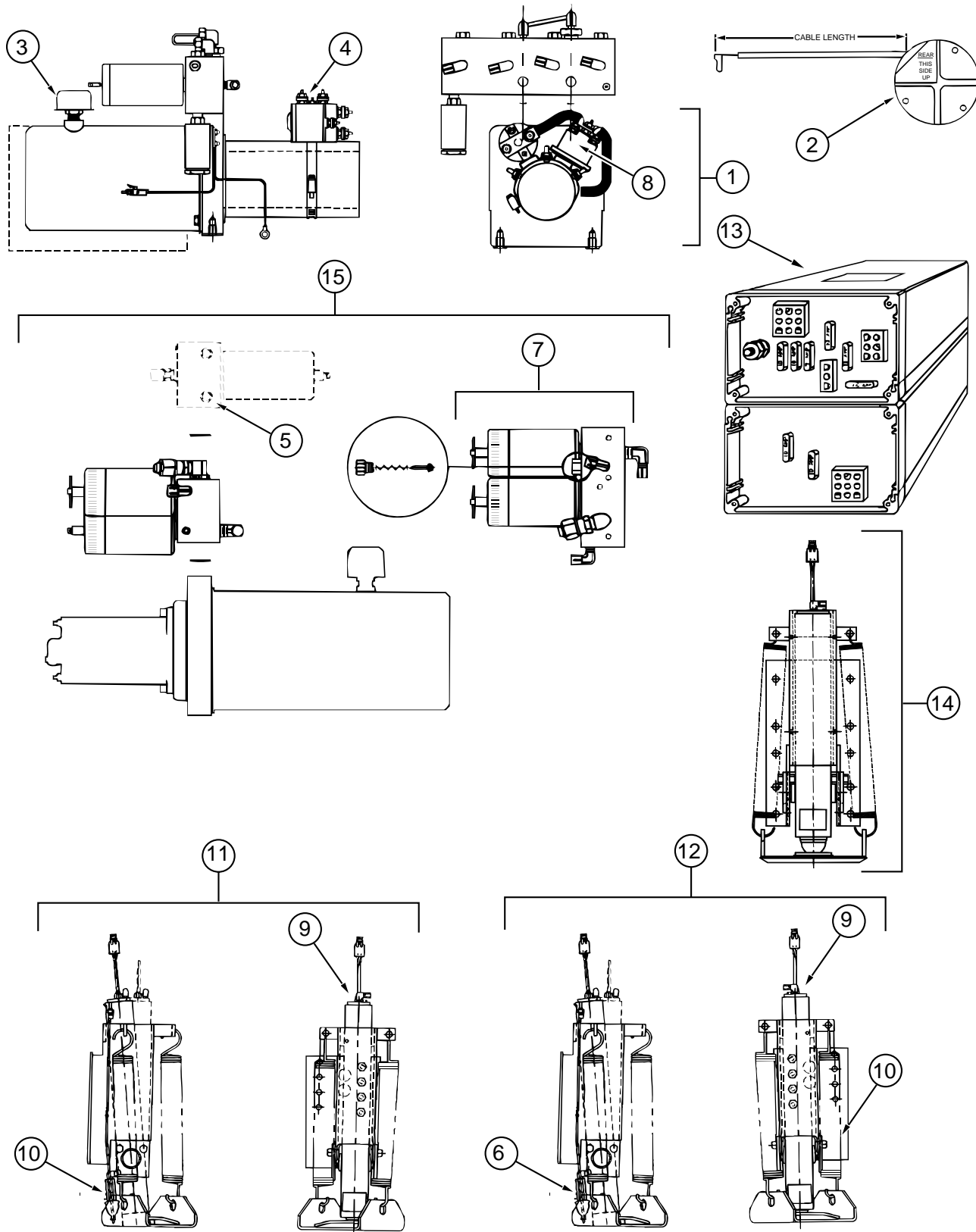
FRONT & REAR HWH HYDRAULIC LEVELING SYSTEM (FORD)



KEY	PART NUMBER	U/M DESCRIPTION	VENDOR NO.
	100532-27-000	EA LEVELING SYSTEM - HYDRAULIC	
1	100532-03-710	EA SENSING UNIT 21' MTA	RAP6798
2	100532-03-715	EA CAP - BREATHER W/DIPSTICK	RAP7876
3	100532-03-716	EA SOLENOID - CONTINUOUS DUTY	RAP7505
4	100532-03-717	EA VALVE - PRESS. - RETURN SHUTTLE	RAP7964
5	100532-03-721	EA VALVE - CHECK KIT (SGL)	RAP7944
6	100532-03-723	EA MANIFOLD HDWE MTG KIT	RAP9171
7	100532-03-726	EA SWITCH - PRESSURE	RAP8003
8	100532-09-703	EA MANIFOLD ASM. - COMPLETE	RAP0959
9	100532-09-704	EA VALVE - PRESSURE SOLENOID	RAP0642
10	100532-09-705	EA SWITCH - PRESS - W/HEAD -3000#	RAP0993
11	100532-09-710	EA SOLENOID - INTERMITTENT DUTY	RAP0533
12	100532-12-700	EA VALVE ASM. 18" - POWER UNIT	RAP1124
13	100532-12-701	EA PUMP & MOTOR W/TANK 1.7	RAP0588
14	100532-12-706	EA SWITCH - WARNING/MAGNETIC	RAP1008
15	100532-12-707	EA SPRING KIT	R3847
16	100532-21-700	EA JACK - FRONT - W/SWITCHES 6K	
17	100532-26-700	EA CONTROL BOX ASM.	RAP1111
18	100532-27-700	EA JACK - 9K STRAIGHT ACTING	RAP10793
19	100532-09-700	EA PANEL ASM. - TOUCH CONTROL	RAP1002
	100532-09-702	EA CABLE - MODULAR 5'	RAP1020
	100532-01-714	EA SCREW KIT (LEVELING JACKS)	R1280

CHASSIS GROUP (CONTINUED)

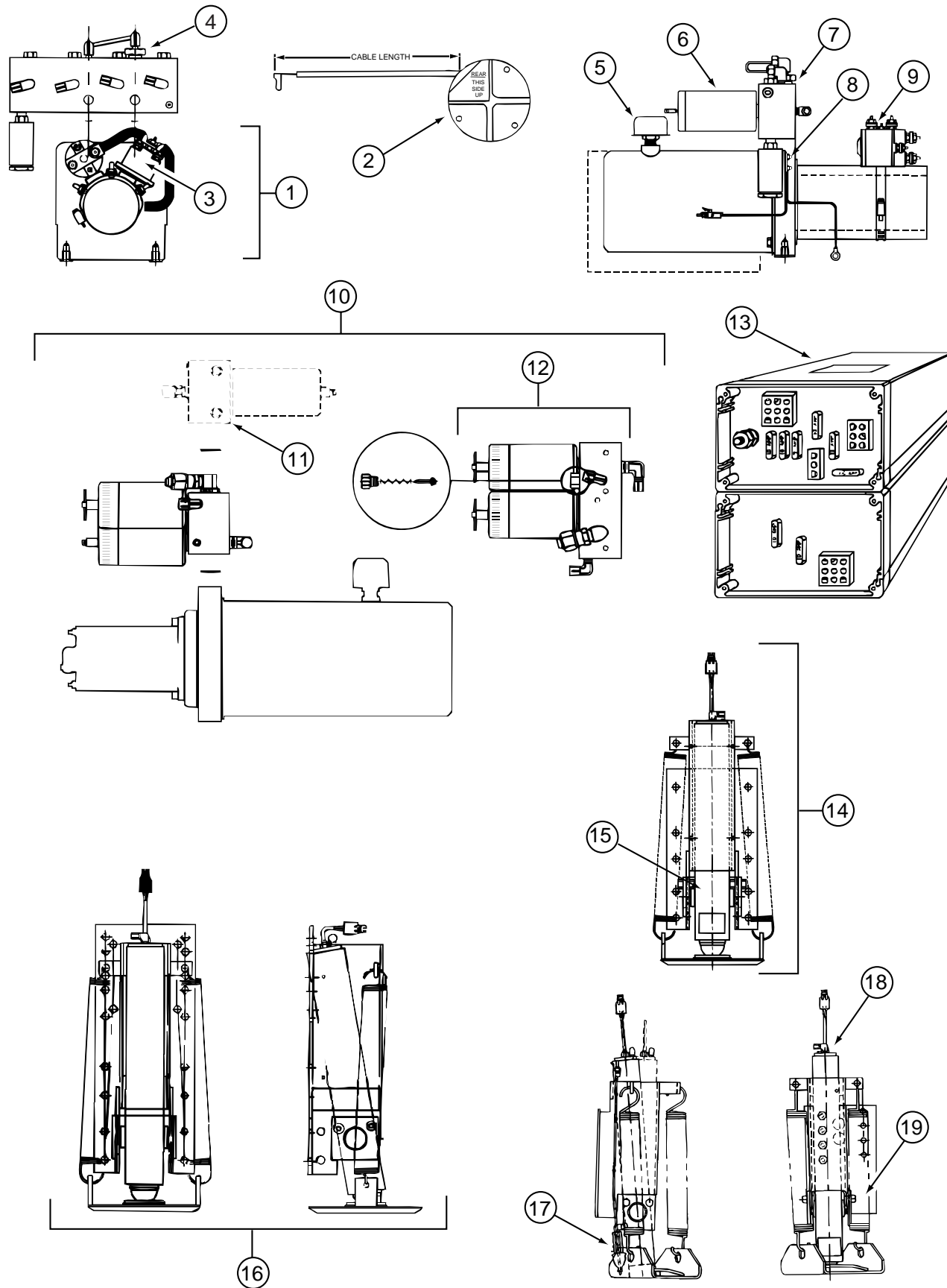
FRONT & REAR HWH HYDRAULIC LEVELING SYSTEM (CHEVY) (FROM: 00-00-00 THRU: 08-17-97)



KEY	PART NUMBER	U/M DESCRIPTION	VENDOR NO.
1	100532-36-000	EA LEVELING SYSTEM - HYDRAULIC	
1	100532-01-713	EA PUMP - RESERVOIR ASM. - MONARCH	RAP90014
2	100532-03-710	EA SENSING UNIT 21' MTA	RAP6798
3	100532-03-715	EA CAP - BREATHER W/DIPSTICK	RAP7876
4	100532-03-716	EA SOLENOID - CONTINUOUS DUTY	RAP7505
5	100532-03-723	EA MANIFOLD HDWE MTG KIT	RAP9171
6	100532-03-726	EA SWITCH - PRESSURE	RAP8003
7	100532-09-703	EA MANIFOLD ASM. - COMPLETE	RAP0959
8	100532-09-710	EA SOLENOID - INTERMITTENT DUTY	RAP0533
9	100532-12-706	EA SWITCH - WARNING/MAGNETIC	RAP1008
10	100532-12-707	EA SPRING KIT	R3847
11	100532-20-701	EA JACK - FRONT LH - 6K	RAP2023
12	100532-20-702	EA JACK - FRONT RH - 6K	RAP2024
13	100532-26-700	EA CONTROL BOX ASM.	RAP1111
14	100532-27-700	EA JACK - 9K STRAIGHT ACTING	RAP10793
	100532-32-701	EA BUZZER - JACK DOWN WARNING	RAP0325
15	100532-36-700	EA PUMP/RESERVOIR/MANIFOLD ASM	RAP10472
	100532-01-714	EA SCREW KIT (LEVELING JACKS)	R1280

CHASSIS GROUP (CONTINUED)

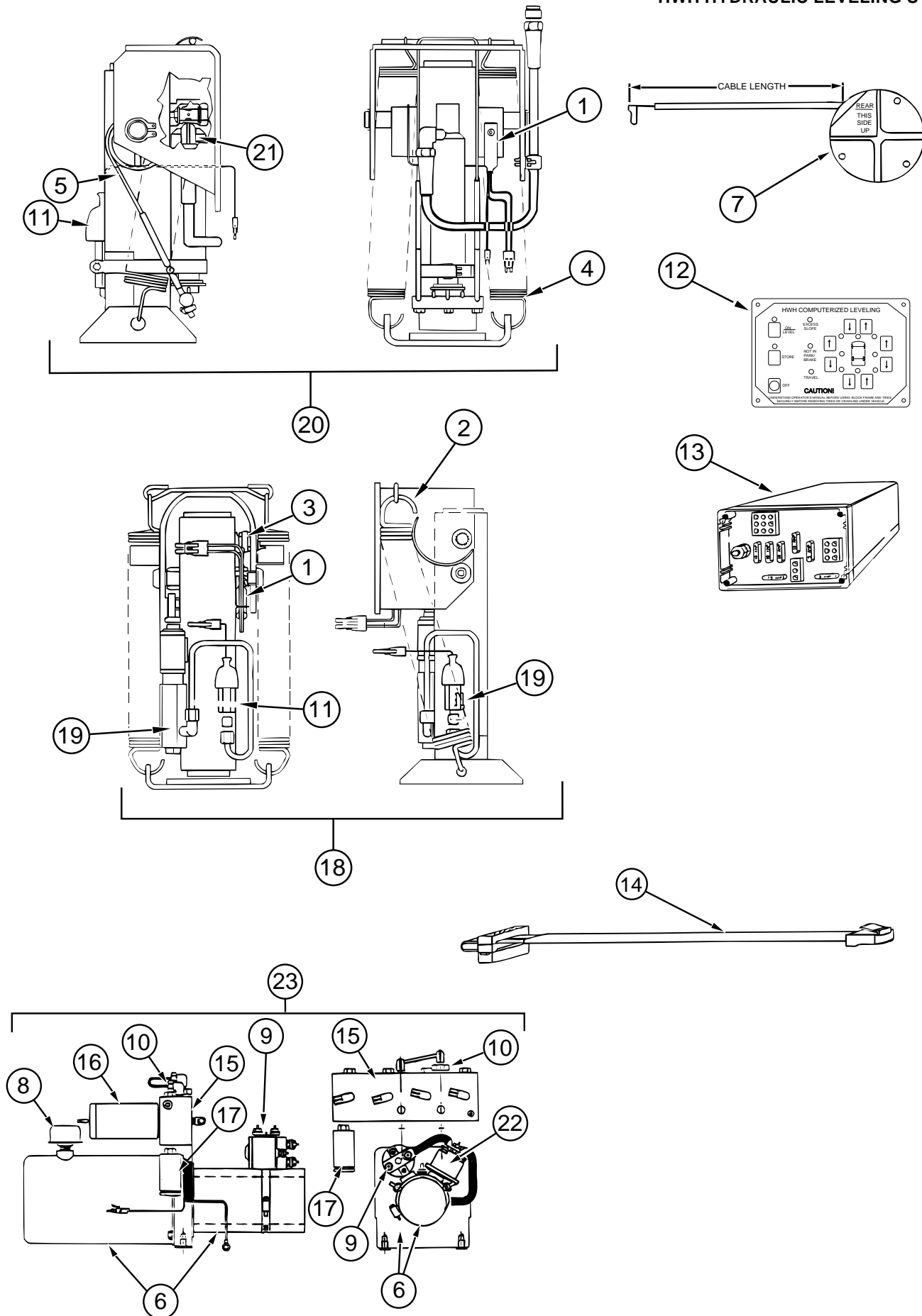
FRONT & REAR HWH HYDRAULIC LEVELING SYSTEM (CHEVY) (FROM: 08-18-97 THRU: 99-99-99)



KEY	PART NUMBER	U/M DESCRIPTION	VENDOR NO.
	100532-46-000	EA LEVELING SYSTEM - HYDRAULIC	
1	100532-01-713	EA PUMP - RESERVOIR ASM. - MONARCH	RAP90014
2	100532-03-710	EA SENSING UNIT 21' MTA	RAP6798
3	100532-09-710	EA SOLENOID - INTERMITTENT DUTY	RAP0533
4	100532-03-717	EA VALVE - PRESS. - RETURN SHUTTLE	RAP7964
5	100532-03-715	EA CAP - BREATHER W/DIPSTICK	RAP7876
6	100532-09-704	EA VALVE - PRESSURE SOLENOID	RAP0642
7	100532-03-721	EA VALVE - CHECK KIT (SGL)	RAP7944
8	100532-09-705	EA SWITCH - PRESS - W/HEAD -3000#	RAP0993
9	100532-03-716	EA SOLENOID - CONTINUOUS DUTY	RAP7505
10	100532-36-700	EA PUMP/RESERVOIR/MANIFOLD ASM	RAP10472
11	100532-03-723	EA O-RING/SEAL KIT	RAP9171
12	100532-09-703	EA MANIFOLD ASM. - COMPLETE	RAP0959
13	100532-26-700	EA CONTROL BOX ASM.	RAP1111
14	100532-27-700	EA JACK - 9K STRAIGHT ACTING	RAP90223
15	100532-32-702	EA CYLINDER ONLY F/9000 LB JACK	RAP1927
16	100532-37-700	EA JACK - 12K STRAIGHT ACTING	RAP11804
17	100532-03-726	EA SWITCH - PRESSURE	RAP8003
18	100532-12-706	EA SWITCH - WARNING/MAGNETIC	RAP1008
19	100532-12-707	EA SPRING KIT	R3847
	100532-03-719	EA TUBE ASM. (SHORT SHUTTLE)	RAP8088
	100532-32-701	EA BUZZER - JACK DOWN WARNING	RAP0325

CHASSIS GROUP (CONTINUED)

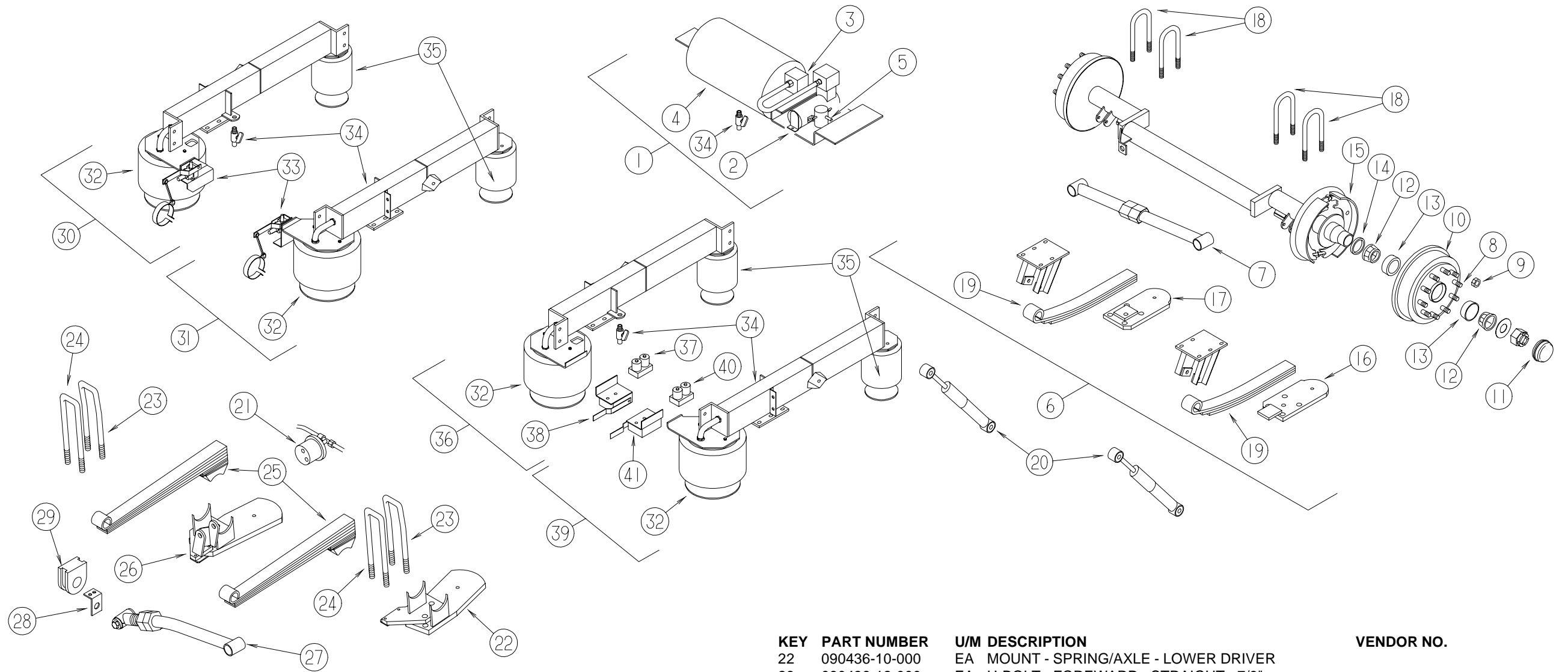
HWH HYDRAULIC LEVELING SYSTEM FOR FRONT WHEELS ONLY



KEY	PART NUMBER	U/M DESCRIPTION	VENDOR NO.
	100533-05-000	EA BRACKETS - FRONT LEVELING JACK - CHEVY	
	100533-06-000	EA BRACKETS - FRONT LEVELING JACK - FORD	
	100536-16-000	EA HOSE KIT - HWH #AP0397	
	100532-07-000	EA LEVELING SYSTEM - HYDRAULIC	
1	100532-03-725	EA SWITCH WARNING W/RESISTOR	RAP0995
4	100532-02-701	EA SPRING KIT - 6K JACK	RAP6824
5	100532-02-704	EA CABLE - ACTUATOR - 6K JACK	RAP7194
6	100532-03-706	EA PUMP ASM. HYD. .75 STONE 3"	RAP0195
7	100532-03-710	EA SENSING UNIT 21' MTA	RAP6798
9	100532-03-716	EA SOLENOID - SINGLE - ESSEX	RAP7505
10	100532-03-717	EA VALVE - PRESS. - RETURN SHUTTLE	RAP7964
11	100532-03-726	EA VALVE - PRESSURE SOLENOID	RAP8003
12	100532-03-711	EA PANEL ASM. - CONTROL - TOUCH MOD	RAP7868
13	100532-03-701	EA CONTROL BOX - W/JET AIR 2 JACK	RAP9800
14	100532-03-713	EA MODULAR CABLE 7'	RAP8002
15	100532-03-708	EA MANIFOLD ASM. 2 VALVE W/JET	RAP0033
16	100532-09-704	EA VALVE - PRESSURE SOLENOID	RAP0642
17	100532-03-720	EA SWITCH - PRESS 300PSI W/PIGTAL	RAP8355
20	100532-03-703	EA JACK ASM - 6K - W/PRESS. SW.TALL	RAP8130
21	100532-02-702	EA ACTUATOR KIT - 6K JACK	RAP7062
22	100532-03-727	EA SOLENOID KIT	R7572
23	100532-06-700	EA PUMP/TANK/MANIFOLD ASM	RAP0032
	100532-03-721	EA VALVE - CHECK KIT (SGL)	RAP7944
	100532-03-723	EA MANIFOLD HDWE MTG KIT	RAP9171
	100532-09-703	EA MANIFOLD ASM. - COMPLETE	RAP0959
	100532-01-714	EA SCREW KIT (LEVELING JACKS)	R1280
	111619-01-000	EA WIRE ASM - JACKS/AIR RIDE	

CHASSIS GROUP (CONTINUED)

CHEVY JET AIR SUSPENSION W/PARK & LEVEL

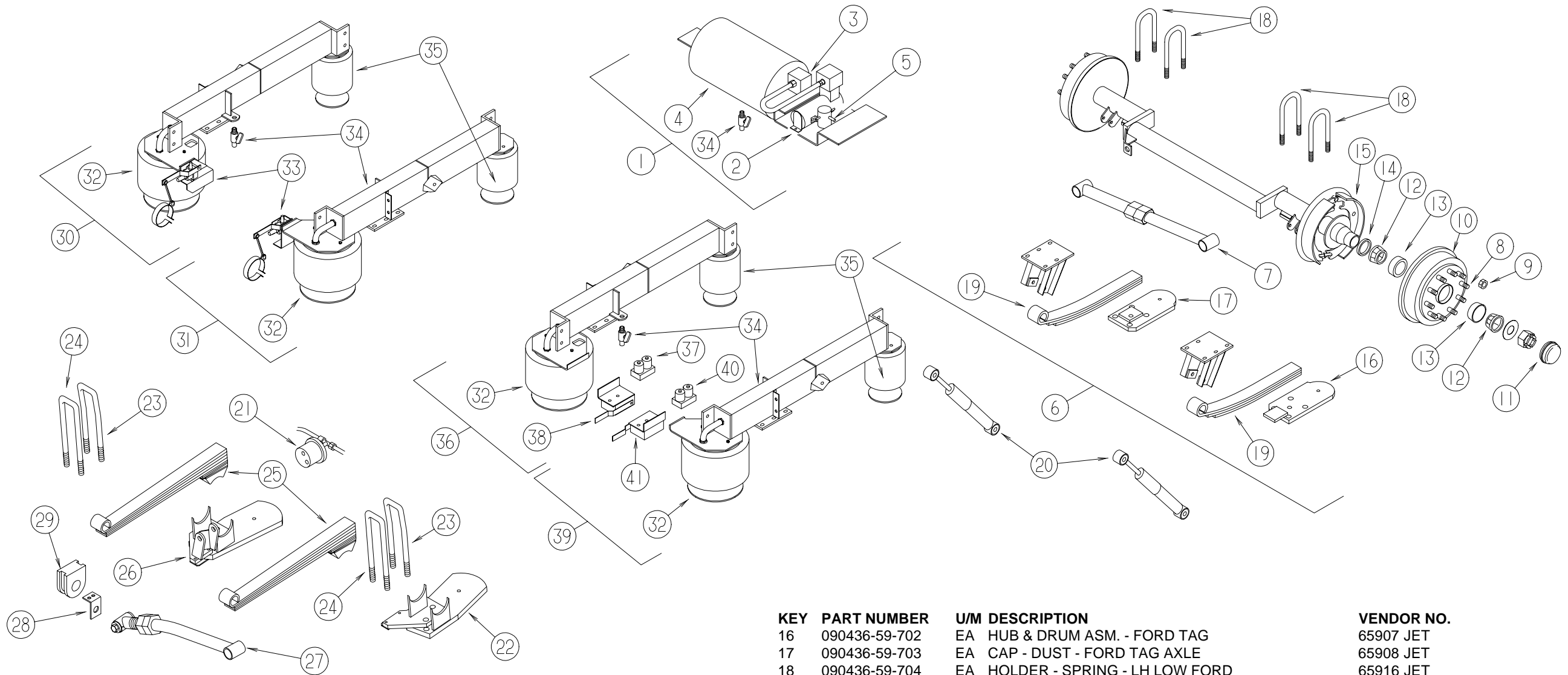


KEY	PART NUMBER	U/M DESCRIPTION	VENDOR NO.
1	090436-35-000	EA COMPRESSOR - TANK - W/O WIRING (W/O PARK & LEVEL)	
1	090436-54-000	EA COMPRESSOR - TANK - W/O WIRING (W/ PARK & LEVEL)	
	090436-40-000	EA FILTER - AIR INTAKE - COMPRESSOR	
2	090436-07-700	EA COMPRESSOR ONLY	50701 JET
3	090436-07-701	EA SWITCH - AIR PRESSURE	50732
4	090436-07-702	EA TANK - AIR - ALL MODELS	50703 JET
5	090436-07-704	EA SOLENOID - ELECTRONIC	50702 JET
6	090436-84-000	EA AXLE - OFFSET TAG WIDE P-30	
7	090436-31-000	EA BAR - TRACK - W/BOLTS & BRACKETS	
8	090436-42-700	EA STUD	55906 JET
9	090436-42-701	EA NUT	55905
10	090436-42-702	EA HUB & DRUM ASM. - CHEVY TAG	55907 JET
11	090436-42-703	EA CAP - DUST - CHEVY TAG	55908 JET
12	090436-42-704	EA BEARING - WHEEL - TAG AXLE	55911 JET
13	090436-42-705	EA BEARING - WHEEL - RACE TAG AXLE	55912 JET
14	090436-42-706	EA SEAL GREASE - TAG AXLE	55913 JET
15	090436-42-707	EA BRAKE ASM W/BACK PLATE LH	55914 JET
	090436-42-708	EA BRAKE ASM W/BACK PLATE RH	55915 JET
16	090436-42-709	EA HOLDER - SPRING - LH LOW CHEVY	55916 JET
17	090436-42-710	EA HOLDER - SPRING - RH LOW CHEVY	55917 JET
18	090436-42-711	EA BOLT - U 7/8" X 8" - TAG AXLE	55918 JET
19	090436-42-712	EA LEAF - SPRING - 3 LEAF CHEVY TAG	55919 JET
20	090436-42-714	EA SHOCK ABSORBER - TAG AXLE	55924 JET
21	085758-01-000	EA SWITCH - "LOW AIR" - HENSCHEN 510650-00 (CLOSES @ 30 PSI)	

KEY	PART NUMBER	U/M DESCRIPTION	VENDOR NO.
22	090436-10-000	EA MOUNT - SPRING/AXLE - LOWER DRIVER	
23	090436-12-000	EA U-BOLT - FORWARD - STRAIGHT - 7/8"	
24	090436-13-000	EA U-BOLT - REARWARD - BENT - 7/8"	
25	090436-80-000	EA SPRING - 95 - P30 - 14/16500	
26	090436-46-000	EA MOUNT - SPRING/AXLE - LOWER PASSENGER - CHEVY	
27	090436-47-000	EA BAR - TRACK - W/PIVOT BOLTS	
28	090436-52-000	EA BRACKET - TRACK BAR - STANDARD - 3.25	
29	091250-03-000	EA BUSHING - SWAY BAR - 1.75" CUT	
30	090436-45-000	EA MOUNT - SPRING - CHEVY TAG - RIGHT HAND/UPPER (W/O PARK & LEVEL)	
31	090436-53-000	EA MOUNT - SPRING - CHEVY/TAG - LEFT HAND/UPPER (W/ PARK & LEVEL)	
32	090436-15-704	EA BAG - AIR - BELLOWS - 1EA=1 ONLY	50752
33	090436-15-706	EA VALVE - HEIGHT CONTROL	55923
34	090436-36-700	EA PET COCK - AIR TANK F/SPRING	50720
35	090436-42-716	EA BAG - AIR - TAG AXLE	55930 JET
	090436-49-000	EA WIRING ASSEMBLY - TAG - W/O PARK/LEVEL	
	071389-02-000	EA TEE - MALE BRANCH - 1/4" OD - BLK WEATHERHEAD(BRKS & HORN)	
36	090436-74-000	EA MOUNT - SPRING - W/LIGHT - TAG - RIGHT HAND/UPPER (W/ PARK & LEVEL)	
37	090436-15-710	EA VALVE - ELECTRONIC - RH	50786 JET
38	090436-15-712	EA BOX - HEIGHT CONT. - RH W/LIGHT	50872
	090436-15-713	EA LOOM - WIRE - F/AXLE POS. LIGHT	50875
	090436-15-714	EA LOCK OUT KIT	
39	090436-75-000	EA MOUNT - SPRING - W/LIGHT - TAG - LEFT HAND/UPPER (W/ PARK & LEVEL)	
40	090436-15-709	EA VALVE - ELECTRONIC - LH	50785 JET
41	090436-15-711	EA BOX - HEIGHT CONT. - LH W/LIGHT	50871
	090436-15-713	EA LOOM - WIRE - F/AXLE POS. LIGHT	50875
	090436-15-714	EA LOCK OUT KIT	
	090436-68-000	EA WIRING ASSEMBLY - ELECTRIC - W/TAG - LIGHT	

CHASSIS GROUP (CONTINUED)

FORD JET AIR SUSPENSION W/PARK & LEVEL

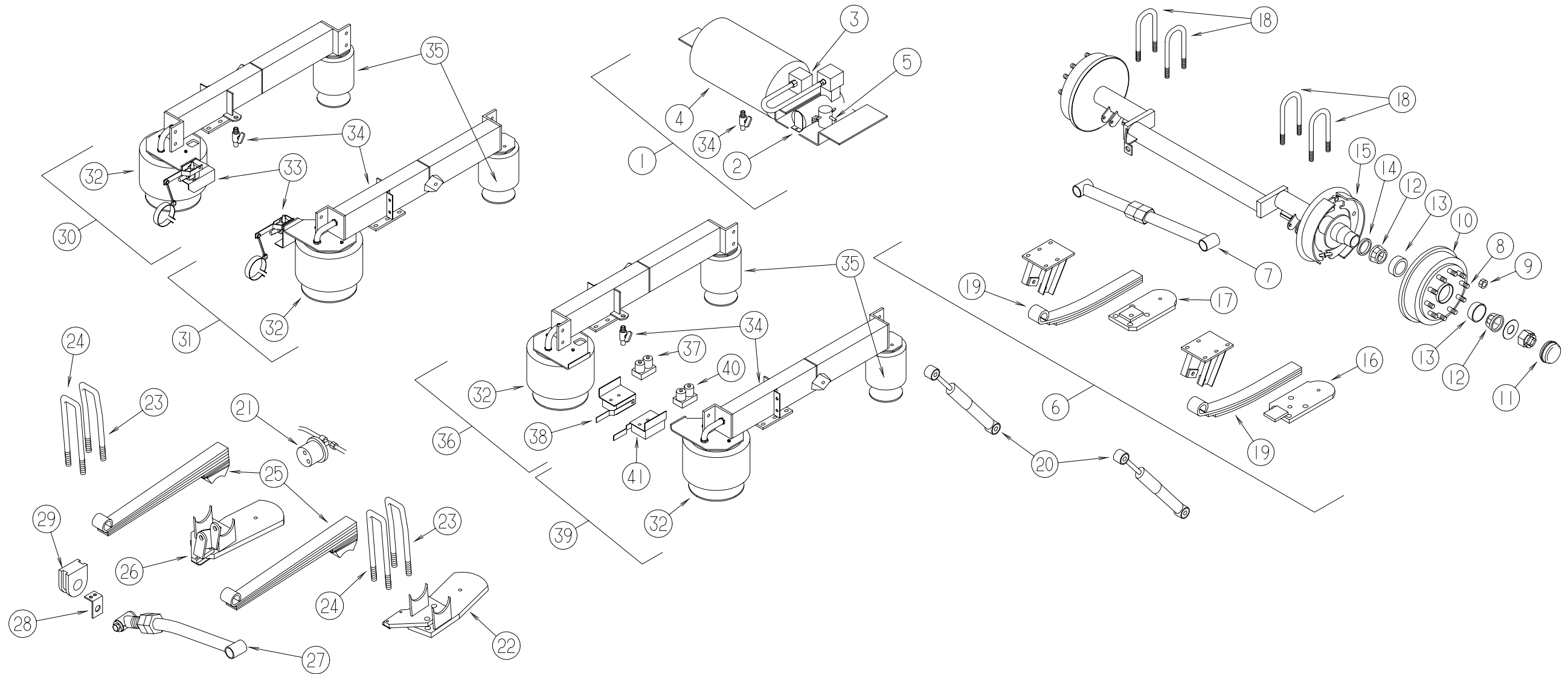


KEY	PART NUMBER	U/M DESCRIPTION	VENDOR NO.
1	090436-35-000	EA COMPRESSOR - TANK - W/O WIRING (W/O PARK & LEVEL)	
1	090436-54-000	EA COMPRESSOR - TANK - W/O WIRING (W/ PARK & LEVEL)	
	090436-40-000	EA FILTER - AIR INTAKE - COMPRESSOR	
2	090436-07-700	EA COMPRESSOR ONLY	50701 JET
3	090436-07-701	EA SWITCH - AIR PRESSURE	50732
4	090436-07-702	EA TANK - AIR - ALL MODELS	50703 JET
5	090436-07-704	EA SOLENOID - ELECTRONIC	50702 JET
6	090436-64-000	EA AXLE - TAG - OFFSET/FORD	
7	090436-31-000	EA BAR - TRACK - W/BOLTS & BRACKETS	
8	090436-42-704	EA BEARING - WHEEL - TAG AXLE	55911 JET
9	090436-42-705	EA BEARING - WHEEL - RACE TAG AXLE	55912 JET
10	090436-42-706	EA SEAL GREASE - TAG AXLE	55913 JET
11	090436-42-707	EA BRAKE ASM W/BACK PLATE LH	55914 JET
	090436-42-708	EA BRAKE ASM W/BACK PLATE RH	55915 JET
12	090436-42-711	EA BOLT - U 7/8" X 8" - TAG AXLE	55918 JET
13	090436-42-714	EA SHOCK ABSORBER - TAG AXLE	55924 JET
14	090436-59-700	EA NUT - LUG - FORD - TAG AXLE	65905 JET
15	090436-59-701	EA STUD - WHEEL - FORD TAG AXLE	65906 JET

KEY	PART NUMBER	U/M DESCRIPTION	VENDOR NO.
16	090436-59-702	EA HUB & DRUM ASM. - FORD TAG	65907 JET
17	090436-59-703	EA CAP - DUST - FORD TAG AXLE	65908 JET
18	090436-59-704	EA HOLDER - SPRING - LH LOW FORD	65916 JET
19	090436-59-705	EA HOLDER - SPRING - RH LOW FORD	65917 JET
20	090436-59-706	EA SPRING LEAF - FORD TAG AXLE	65919 JET
21	085758-01-000	EA SWITCH - "LOW AIR" - HENSCHEN 510650-00 (CLOSES @ 30 PSI)	
22	090436-20-000	EA MOUNT - SPRING/AXLE - LOWER DRIVER	
23	090436-21-000	EA MOUNT - SPRING/AXLE - LOWER PASSENGER	
24	090436-22-000	EA U-BOLT - 1-14 X 4 X 14 - W/NUTS	
25	090436-81-000	EA SPRING - LEAF	
26	090436-25-000	EA U-BOLT - 1-14 X 4" X 15" - W/NUTS	
27	090436-26-000	EA BAR - STABILIZER - REAR - JET# 60698 / FORD CHASSIS	
28	090436-28-000	EA SHIELD - HEAT - FUEL TANK	
29	090436-29-000	EA BRACKET - BRAKE HOSE/FRAME	
30	090436-82-000	EA BRACKET - BRAKE HOSE/CALIPER	
31	090436-31-000	EA BAR - TRACK - W/BOLTS & BRKTS	
32	090436-79-000	EA STABILIZER BUSHING KIT F/FRONT AND REAR BARS 11/28/94 & UP	
33	091250-03-000	EA BUSHING - SWAY BAR - 1.75" CUT	
34	090436-65-000	EA MOUNT - SPRING - FORD/TAG - RIGHT HAND/UPPER	
35	090436-60-000	EA MOUNT - SPRING - FORD TAG - LH UPR	
36	090436-15-704	EA BAG - AIR - BELLOWS - 1EA=1 ONLY	50752
37	090436-36-700	EA PET COCK - AIR TANK F/SPRING	50720
38	090436-15-706	EA VALVE - HEIGHT CONTROL	55923
39	090436-42-716	EA BAG - AIR - TAG AXLE	55930 JET
	090436-49-000	EA WIRING ASSEMBLY - TAG - W/O PARK/LEVEL	
	071389-02-000	EA TEE - MALE BRANCH - 1/4" OD - BLK WEATHERHEAD(BRKS & HORN)	
40	090436-78-000	EA MOUNT - SPRING - W/LT TAG RH UPR (W/ PARK & LEVEL)	

CHASSIS GROUP (CONTINUED)

FORD JET AIR SUSPENSION W/PARK & LEVEL (CONTINUED)

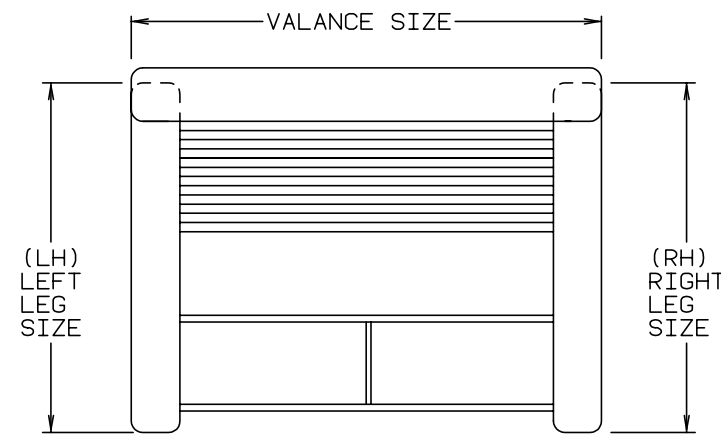
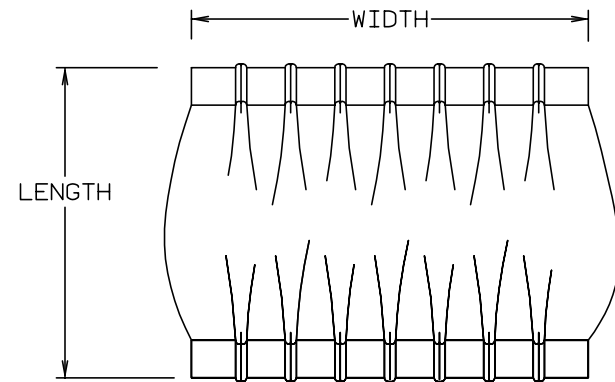
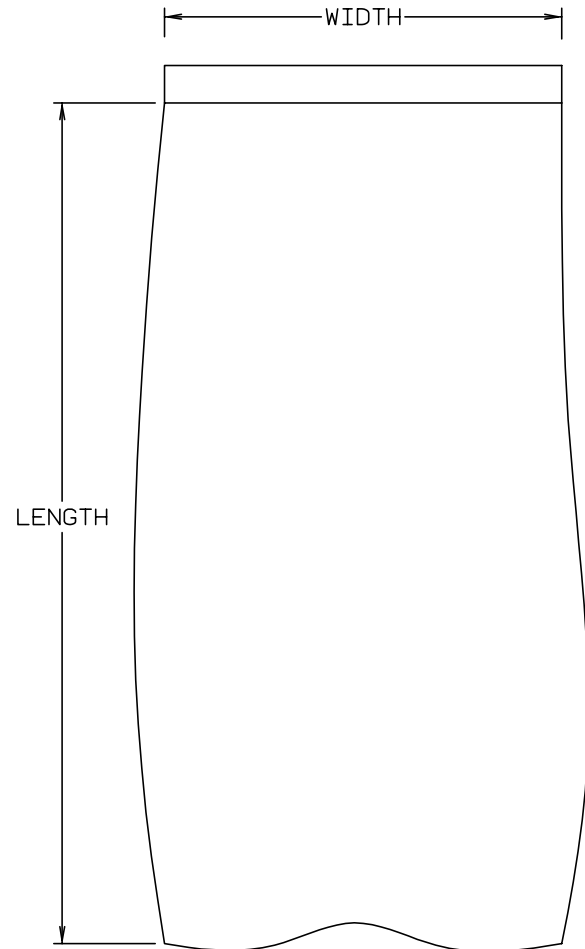


KEY	PART NUMBER	U/M DESCRIPTION	VENDOR NO.
41	090436-15-710	EA VALVE - ELECTRONIC - RH	50786 JET
42	090436-15-712	EA BOX - HEIGHT CONT. - RH W/LIGHT	50872
	090436-15-713	EA LOOM - WIRE - F/AXLE POS. LIGHT	50875
	090436-15-714	EA LOCK OUT KIT	
43	090436-76-000	EA MOUNT - SPRING - W/LIGHT - TAG - LEFT HAND/UPPER (W/ PARK & LEVEL)	
44	090436-15-709	EA VALVE - ELECTRONIC - LH	50785 JET
45	090436-15-711	EA BOX - HEIGHT CONT. - LH W/LIGHT	50871
	090436-15-713	EA LOOM - WIRE - F/AXLE POS. LIGHT	50875
	090436-15-714	EA LOCK OUT KIT	
	090436-49-000	EA WIRING ASSEMBLY - TAG - W/O PARK/LEVEL	
	071389-02-000	EA TEE - MALE BRANCH - 1/4" OD - BLK WEATHERHEAD(BRKS & HORN)	
	090436-68-000	EA WIRING ASSEMBLY - ELECTRIC - W/TAG - LIGHT	
	090436-42-716	EA BAG - AIR - TAG AXLE	55930 JET

**CURTAIN & CUSHION GROUP
NOTICE**

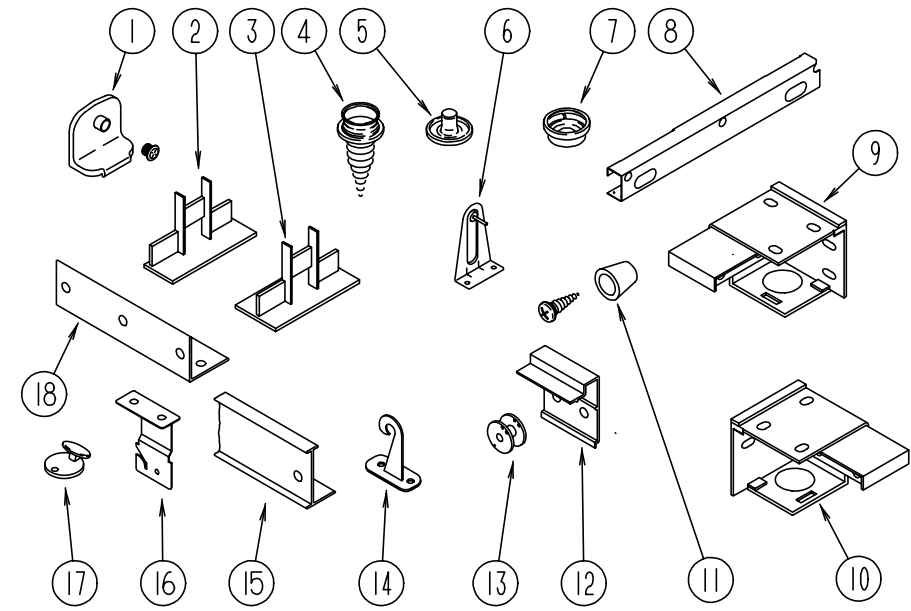
IN ORDER TO ASSIST OUR PARTS SALES DEPT. IN PROVIDING INTERIOR SOFTWARE ITEMS, PLEASE INCLUDE THE SERIAL NUMBER AND THE COLOR CODE NUMBER FROM THE VEHICLE CERTIFICATION LABEL WHEN ORDERING. THIS LABEL IS LOCATED ON THE LEFT SIDEWALL AT THE END OF THE DASH (A-BODY), OR ON THE DRIVER'S DOOR LATCH PLATE (C-BODY).

AN EXAMPLE OF A COLOR CODE NUMBER IS B07, WHICH DESIGNATES AN OVERALL COLOR SCHEME OF A PARTICULAR UNIT. THE COLOR LISTED AFTER THE ITEM DESCRIPTION ON THE MICROFICHE, INDICATES THE OVERALL UNIT COLOR. ORDER THE ITEM YOU DESIRE ACCORDING TO UNIT COLOR CODE. IF ALL COLORS USE THE SAME ITEM NO COLOR CODE WILL BE NOTED.



NOTE: USE THIS ILLUSTRATION WHEN DETERMINING LENGTH AND WIDTH MEASUREMENTS FOR CURTAINS. YOU WILL NOTE THE WIDTH MEASUREMENT IS TAKEN ON THE TOP OF THE CURTAIN WITH THE CURTAIN FULLY EXTENDED. THE LENGTH MEASUREMENT IS TAKEN FROM TOP TO BOTTOM. LEFT AND RIGHT WINDOW LEGS ARE DETERMINED WHEN FACING THE WINDOW.

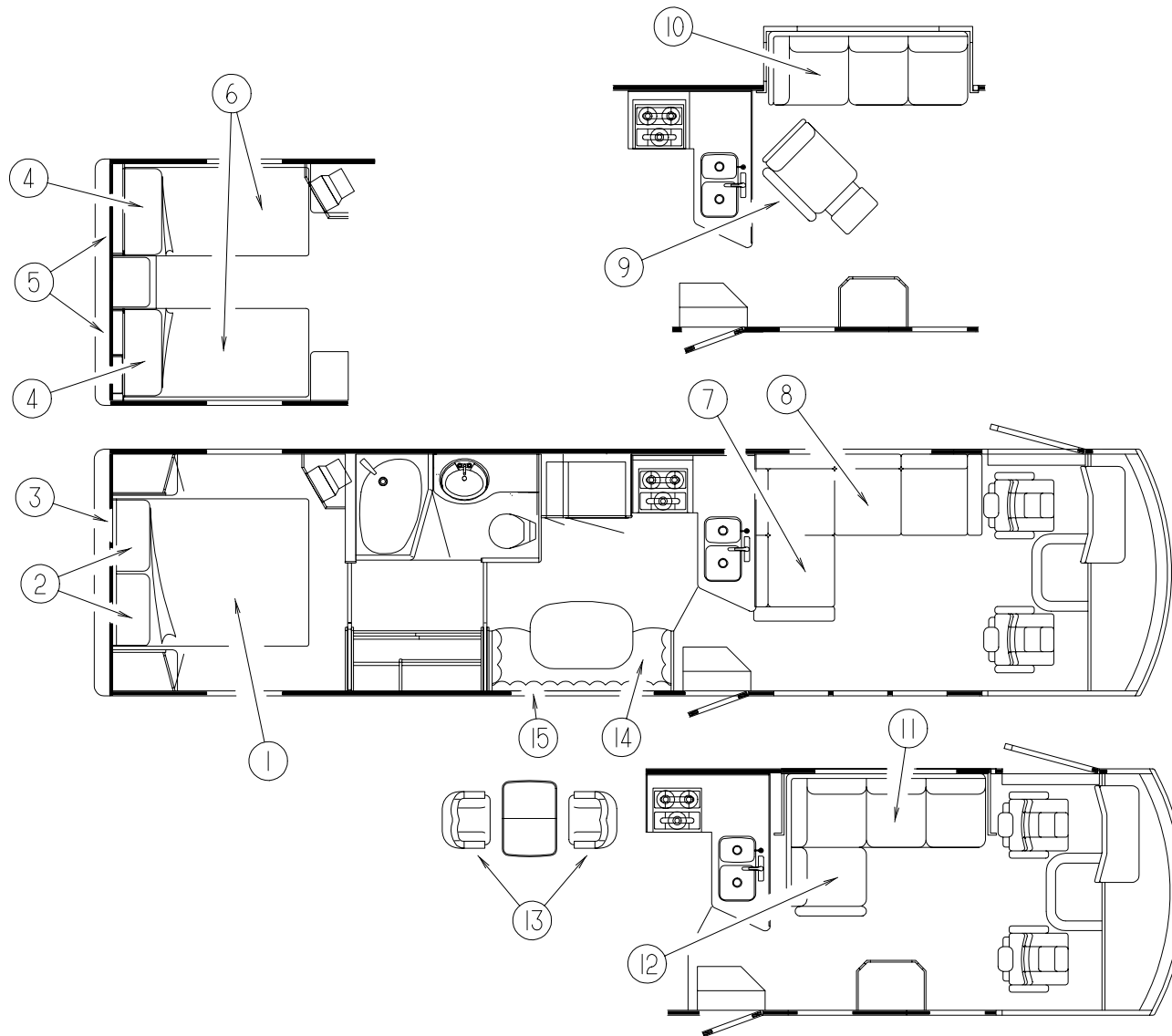
CURTAIN & CUSHION GROUP (CONTINUED)



CURTAIN HARDWARE

KEY	PART NUMBER	U/M DESCRIPTION
1	106544-01-000	EA PULL - SHADE/BRASS
	106544-01-001	EA SCREW - SHADE/BRASS
2	094907-02-000	EA END CAP - TOP/PLEATED BLIND - PLASTIC - GRAY
3	094907-05-000	EA HARDWARE - END CAP - BOTTOM - PULL TYPE
	094907-05-700	EA END CAP - RH - BOTTOM BLIND
	094907-05-701	EA END CAP - LH - BOTTOM BLIND
	094907-06-000	EA HARDWARE - END CAP - E-Z LIFT - TOP
	094908-03-000	FT HARDWARE - SEMI-RIDGED PVC - EZ LIFT
	094908-04-000	FT STRAP - FLAT POLY VINYL
	097591-01-000	EA SPRING - EXTENSION/PLEATED BLIND
	097593-02-000	FT CORD - BLIND/PLEATED - GRAY (J70,J71,J74,J75,J76,J77)
	097593-10-000	FT CORD - .047" X 4.9" - VANILLA (J72,J73)
	094896-02-000	EA GROMMET - CORD/PLEATED BLIND - NYLON - GRAY
4	029130-01-000	EA SCREW - SNAP SOCKET - #8 PH X 5/8"
5	029155-01-000	EA CAP - SNAP - 5/32" OUTSIDE DIAMETER OF PIN
6	095591-02-000	EA BRACKET - BLIND - HOLD DOWN W/PIN - METAL
7	029156-01-000	EA SOCKET - SNAP - 9/16" O.D.
8	110597-01-000	EA BRACKET - SHADE - CAB/RIGHT SIDE
8	110597-02-000	EA BRACKET - SHADE - CAB/LEFT SIDE
9	083170-01-000	EA BRACKET - BLIND - LEFT SIDE WHEN FACING WINDOW
10	083170-02-000	EA BRACKET - BLIND - RIGHT SIDE WHEN FACING WINDOW
11	097564-01-000	EA HANDLE - KNOB - E-Z LIFT SHADE - SMOKED
		FROM: 00-00-00 THRU: 10-19-97
11	097564-03-000	EA HANDLE - KNOB - E-Z LIFT SHADE - TAN
		FROM: 10-20-97 THRU: 99-99-99
12	097565-01-000	EA BRACKET - MOUNTING/PLEATED BLIND
13	097592-01-000	EA SPOOL - CORD - ELEVATED BLIND HOLDUP - CLEAR PLASTIC
		FROM: 00-00-00 THRU: 11-23-97
13	097592-02-000	EA BRACKET - HOLDDOWN ADJUSTER
		FROM: 11-24-97 THRU: 99-99-99
14	109441-03-000	EA HOLD DOWN - BLIND (CLOUDY)
15	118896-01-01A	EA TRACK - CURTAIN - RIGHT HAND
15	118897-01-01A	EA TRACK - CURTAIN - LEFT HAND
16	084434-01-000	EA BRACKET - MOUNTING - ROLLER SHADE - 1 3/8"
17	102555-01-000	EA CLEAT - BLIND CORD - CLEAR PLASTIC
	102555-03-000	EA CLEAT - BLIND CORD - MILKY WHITE PLASTIC
18	105648-01-02A	EA BRACE - VALANCE - OFF/WHITE - 14"
	046867-03-000	EA GROMMET - HANDY BUTTON #3
	048394-02-000	YD VELCRO TAPE - HOOK - ADHESIVE BACK - .75" WIDE - BEIGE
	086276-01-000	EA TAPE - DOUBLE SIDED - 1/2"
	088792-02-000	YD VELCRO TAPE - LOOP - .75" - ADHESIVE BACKED - BEIGE
	096843-01-000	EA SPRING - REWIND/ROLLER SHADE

CURTAIN & CUSHION GROUP (CONTINUED)



TWIN BEDSPREAD, PILLOWS & MATTRESS

KEY	PART NUMBER	U/M DESCRIPTION
4	104565-06-H58	EA PILLOW SHAM - 22" X 37" (J70,J71)
4	104565-07-J72	EA PILLOW SHAM - 22" X 37" (J72,J73)
4	126211-02-J74	EA PILLOW SHAM - 22" X 37" (J74,J75)
4	126211-04-J76	EA PILLOW SHAM - 22" X 37" (J76,J77)
5	117059-02-J70	EA HEADBOARD - TWIN - 36" - W/O HARDWARE (J70,J71)
5	117059-05-J72	EA HEADBOARD - TWIN - 35" - W/O HARDWARE (J72,J73)
5	117059-02-J74	EA HEADBOARD - TWIN - 36" - W/O HARDWARE (J74,J75)
5	117059-06-J76	EA HEADBOARD - TWIN - 36" - W/O HARDWARE (J76,J77)
6	114222-13-J70	EA BEDSPREAD/THROW - 39" X 75" (J70,J71)
6	114222-14-J72	EA BEDSPREAD/THROW - 39" X 75" (J72,J73,J76,J77)
6	114222-15-J74	EA BEDSPREAD/THROW - 39" X 75" (J74,J75)
6	123015-03-000	EA MATTRESS - INNERSPRING - 36" X 74.5"

BEDROOM THROW PILLOWS

KEY	PART NUMBER	U/M DESCRIPTION
	104166-05-H58	EA PILLOW - 14" X 14" (J70,J71)
	104166-05-J72	EA PILLOW - 14" X 14" (J72,J73)
	104166-05-J74	EA PILLOW - 14" X 14" (J74,J75)
	104166-06-J76	EA PILLOW - 14" X 14" (J76,J77)

LOUNGE THROW PILLOWS

KEY	PART NUMBER	U/M DESCRIPTION
	106728-02-H58	EA PILLOW - 9" X 20" (J70,J71)
	106728-03-H60	EA PILLOW - 9" X 20" (J72,J73)
	106728-03-J74	EA PILLOW - 9" X 20" (J74,J75)
	106728-03-J76	EA PILLOW - 9" X 20" (J76,J77)

CHAIR & SOFA FABRIC (NON-SLIDE)

KEY	PART NUMBER	U/M DESCRIPTION
7	123459-02-000	EA CHAIR - REMOVABLE W/SECTIONAL (J70,J71)
7	123459-03-000	EA CHAIR - REMOVABLE W/SECTIONAL (J72,J73)
7	123459-07-000	EA CHAIR - REMOVABLE W/SECTIONAL (J74,J75)
7	123459-09-000	EA CHAIR - REMOVABLE W/SECTIONAL (J76,J77)
8	123458-02-000	EA SOFA - SECTIONAL - W/REMOVEABLE CHAIR - NON-SLIDE (J70,J71)
8	123458-03-000	EA SOFA - SECTIONAL - W/REMOVEABLE CHAIR - NON-SLIDE (J72,J73)
8	123458-07-000	EA SOFA - SECTIONAL - W/REMOVEABLE CHAIR - NON-SLIDE (J74,J75)
8	123458-09-000	EA SOFA - SECTIONAL - W/REMOVEABLE CHAIR - NON-SLIDE (J76,J77)

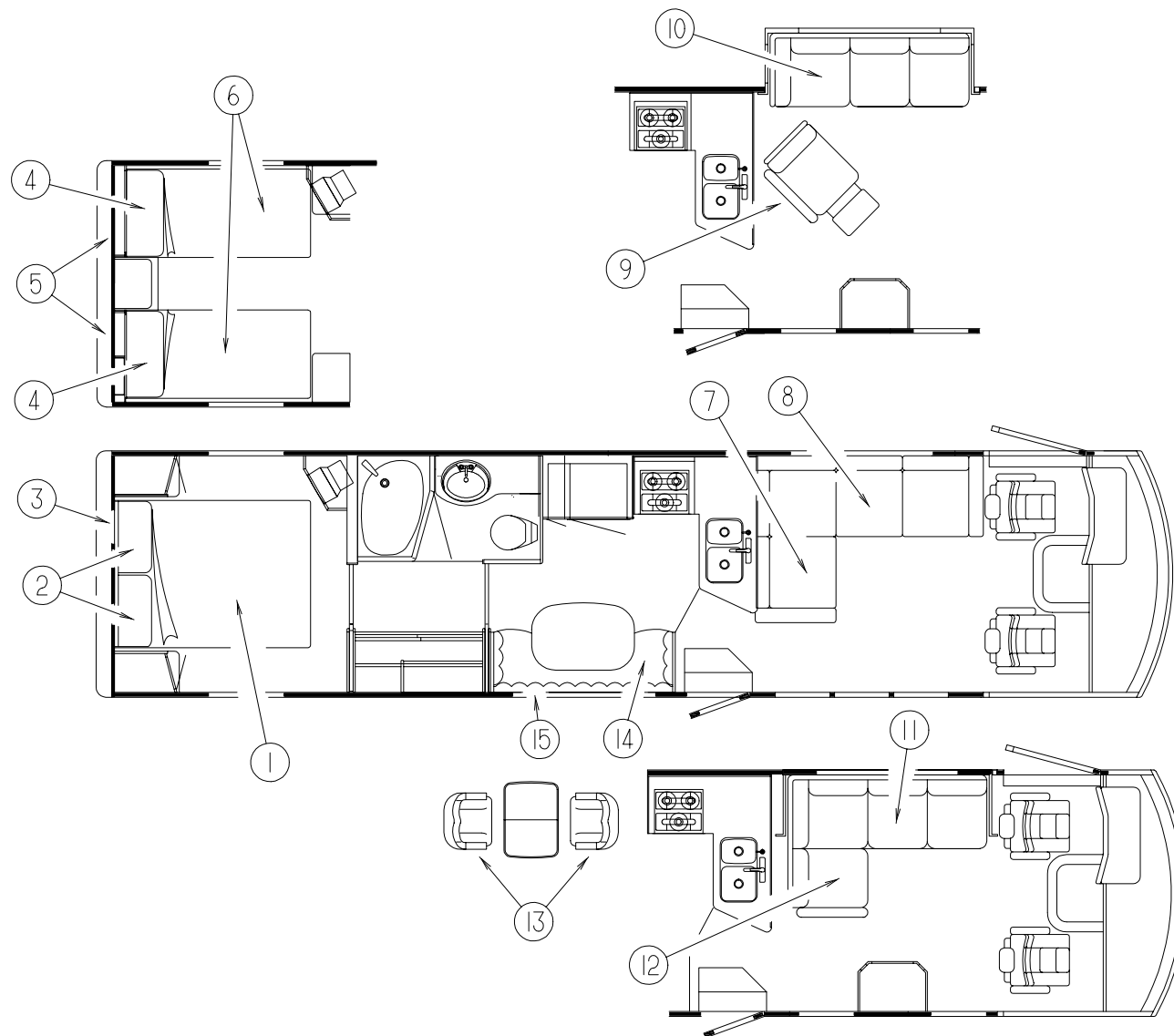
CHAIR & SOFA LEATHER (SLIDE)

KEY	PART NUMBER	U/M DESCRIPTION
9	123466-05-000	EA CHAIR - W/SECTIONAL - NON-REMOVABLE (J70,J71)
9	123466-06-000	EA CHAIR - W/SECTIONAL - NON-REMOVABLE (J72,J73)
9	123466-08-000	EA CHAIR - W/SECTIONAL - NON-REMOVABLE (J74,J75)
9	123466-10-000	EA CHAIR - W/SECTIONAL - NON-REMOVABLE (J76,J77)
10	123460-05-000	EA SOFA - SECTIONAL W/O REMOVABLE CHAIR (J70,J71)
10	123460-06-000	EA SOFA - SECTIONAL W/O REMOVABLE CHAIR (J72,J73)
10	123460-08-000	EA SOFA - SECTIONAL W/O REMOVABLE CHAIR (J74,J75)
10	123460-10-000	EA SOFA - SECTIONAL W/O REMOVABLE CHAIR (J76,J77)

QUEEN BEDSPREAD, PILLOWS & MATTRESS

KEY	PART NUMBER	U/M DESCRIPTION
1	114222-01-H58	EA BEDSPREAD/THROW - 60" X 80" (J70,J71)
1	114222-10-J72	EA BEDSPREAD/THROW - 60" X 80" (J72,J73)
1	114222-06-J74	EA BEDSPREAD/THROW - 60" X 80" (J74,J75)
1	114222-06-J76	EA BEDSPREAD/THROW - 60" X 80" (J76,J77)
1	123015-07-000	EA MATTRESS - INNERSPRING - 60" X 79.5"
2	104565-04-H58	EA PILLOW SHAM - 20" X 33" (J70,J71)
2	104565-11-J72	EA PILLOW SHAM - 20" X 33" (J72,J73)
2	126211-01-J74	EA PILLOW SHAM - 20" X 33" (J74,J75)
2	126211-01-J76	EA PILLOW SHAM - 20" X 33" (J76,J77)
3	126477-01-J70	EA HEADBOARD - ERIN - F/QUEEN BED (J70,J71)
3	126477-01-J72	EA HEADBOARD - ERIN - F/QUEEN BED (J72,J73)
3	126477-01-J74	EA HEADBOARD - ERIN - F/QUEEN BED (J74,J75)
3	126477-04-J76	EA HEADBOARD - ERIN - F/QUEEN BED (J76,J77)

CURTAIN & CUSHION GROUP (CONTINUED)



CHAIR & SOFA FABRIC (SLIDE)

KEY	PART NUMBER	U/M DESCRIPTION
9	123466-02-000	EA CHAIR - W/SECTIONAL - NON-REMOVABLE (J70,J71)
9	123466-03-000	EA CHAIR - W/SECTIONAL - NON-REMOVABLE (J72,J73)
9	123466-07-000	EA CHAIR - W/SECTIONAL - NON-REMOVABLE (J74,J75)
9	123466-09-000	EA CHAIR - W/SECTIONAL - NON-REMOVABLE (J76,J77)
10	123460-02-000	EA SOFA - SECTIONAL W/O REMOVABLE CHAIR (J70,J71)
10	123460-03-000	EA SOFA - SECTIONAL W/O REMOVABLE CHAIR (J72,J73)
10	123460-07-000	EA SOFA - SECTIONAL W/O REMOVABLE CHAIR (J74,J75)
10	123460-09-000	EA SOFA - SECTIONAL W/O REMOVABLE CHAIR (J76,J77)

CHAIR & SOFA LEATHER (NON-SLIDE)

KEY	PART NUMBER	U/M DESCRIPTION
11	123458-05-000	EA SOFA - SECTIONAL, W/REMOVEABLE CHAIR (J70,J71)
11	123458-06-000	EA SOFA - SECTIONAL, W/REMOVEABLE CHAIR (J72,J73)
11	123458-08-000	EA SOFA - SECTIONAL, W/REMOVEABLE CHAIR (J74,J75)
11	123458-10-000	EA SOFA - SECTIONAL, W/REMOVEABLE CHAIR (J76,J77)
12	123459-05-000	EA CHAIR - REMOVABLE W/SECTIONAL (J70,J71)
12	123459-06-000	EA CHAIR - REMOVABLE W/SECTIONAL (J72,J73)
12	123459-08-000	EA CHAIR - REMOVABLE W/SECTIONAL (J74,J75)
12	123459-10-000	EA CHAIR - REMOVABLE W/SECTIONAL (J76,J77)

DINETTE CHAIRS

KEY	PART NUMBER	U/M DESCRIPTION
13	116058-10-000	EA CHAIR - DINETTE - FLEXSTEEL (J70,J71)
13	116058-14-000	EA CHAIR - DINETTE - FLEXSTEEL (J72,J73)
13	116058-15-000	EA CHAIR - DINETTE - FLEXSTEEL (J74,J75)
13	116058-16-000	EA CHAIR - DINETTE - FLEXSTEEL (J76,J77)
	116080-03-J70	EA COVER - CHAIR LEG - 6.4" WASHED MAPLE
	116080-03-G39	EA COVER - CHAIR LEG - 6.4" SALEM CHERRY
	074045-12-000	EA PLUG - 1/2" DIAMETER (WASHED MAPLE)
	074045-08-000	EA PLUG - 1/2" DIAMETER (SALEM CHERRY)

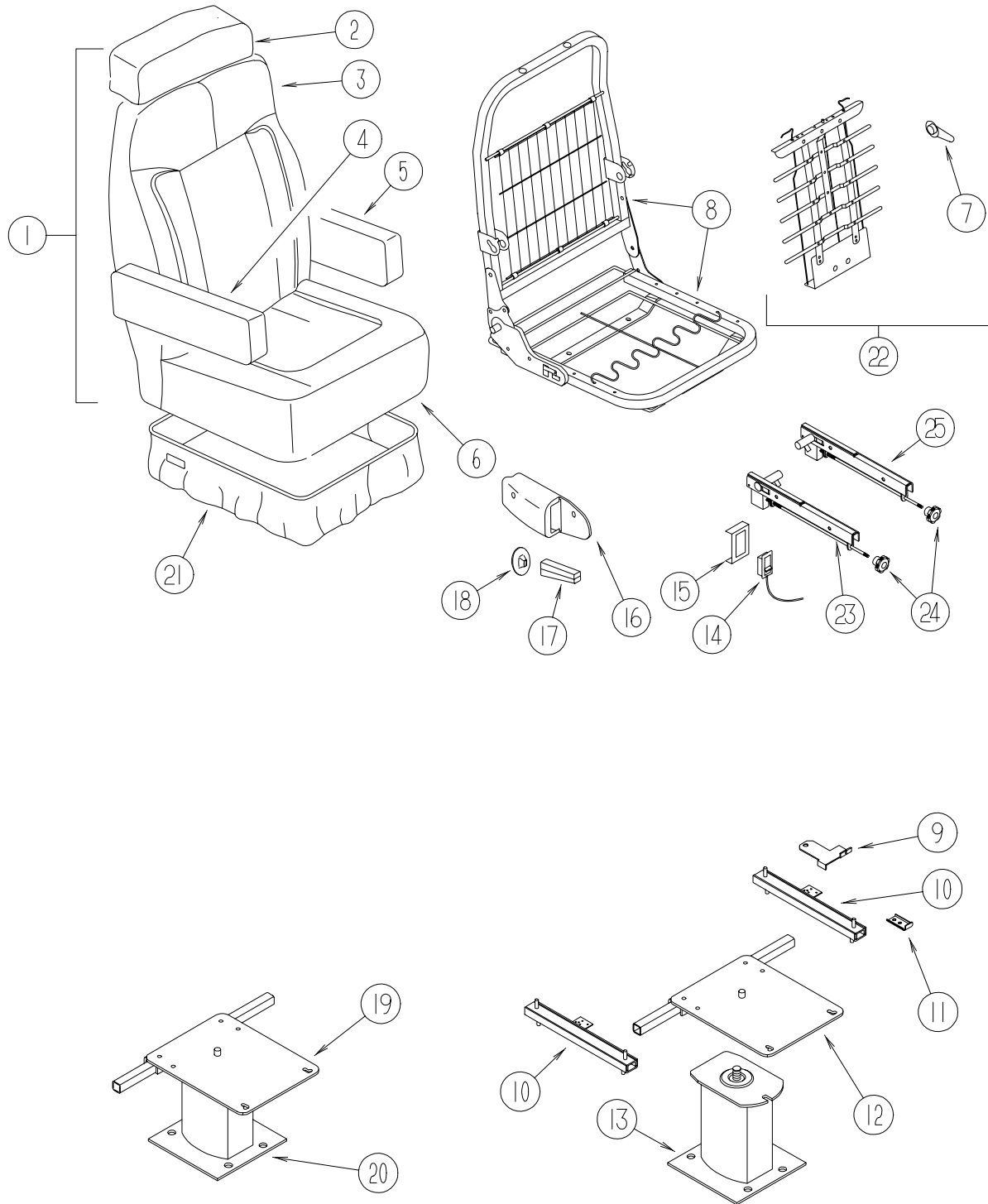
FOLDING CHAIRS

KEY	PART NUMBER	U/M DESCRIPTION
	101604-01-06A	EA CHAIR - FOLDING/DINETTE - W/O FABRIC (WASHED MAPLE)
	101604-01-02A	EA CHAIR - FOLDING/DINETTE - W/O FABRIC (SALEM CHERRY)

DINETTE BOOTH

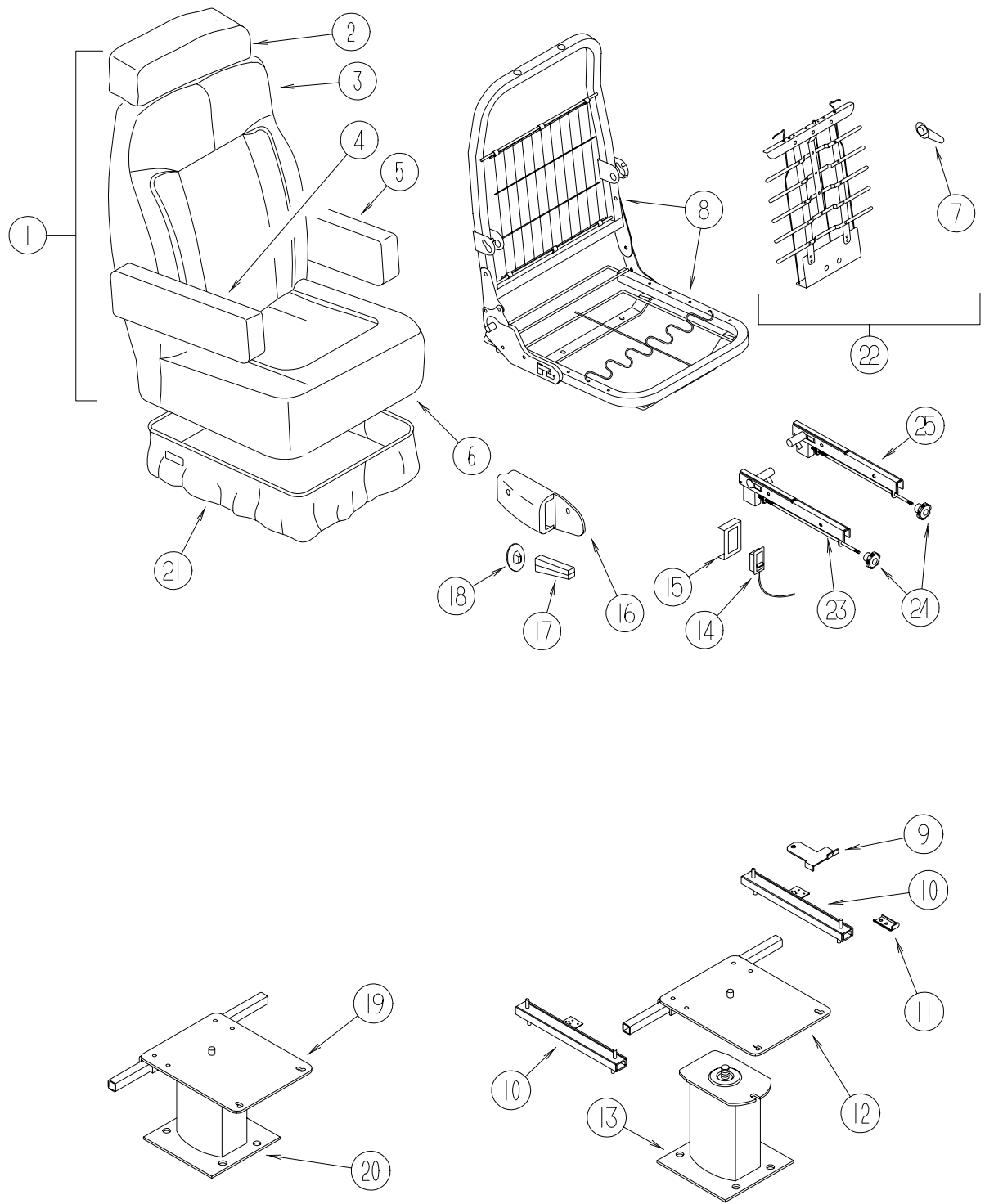
KEY	PART NUMBER	U/M DESCRIPTION
14	123853-03-J70	EA SEAT - DINETTE (J70,J71)
14	P23853-03-J70	EA COVER - SEAT (J70,J71)
14	123853-03-J72	EA SEAT - DINETTE (J72,J73)
14	P23853-03-J72	EA COVER - SEAT (J72,J73)
14	123853-03-J74	EA SEAT - DINETTE (J74,J75)
14	P23853-03-J74	EA COVER - SEAT (J74,J75)
14	123853-03-J76	EA SEAT - DINETTE (J76,J77)
14	P23853-03-J76	EA COVER - SEAT (J76,J77)
15	123853-04-J70	EA BACK - DINETTE (J70,J71)
15	P23853-04-J70	EA COVER - BACK (J70,J71)
15	123853-04-J72	EA BACK - DINETTE (J72,J73)
15	P23853-04-J72	EA COVER - BACK (J72,J73)
15	123853-04-J74	EA BACK - DINETTE (J74,J75)
15	P23853-04-J74	EA COVER - BACK (J74,J75)
15	123853-04-J76	EA BACK - DINETTE (J76,J77)
15	P23853-04-J76	EA COVER - BACK (J76,J77)

CURTAIN & CUSHION GROUP (CONTINUED)
BUCKET SEATS



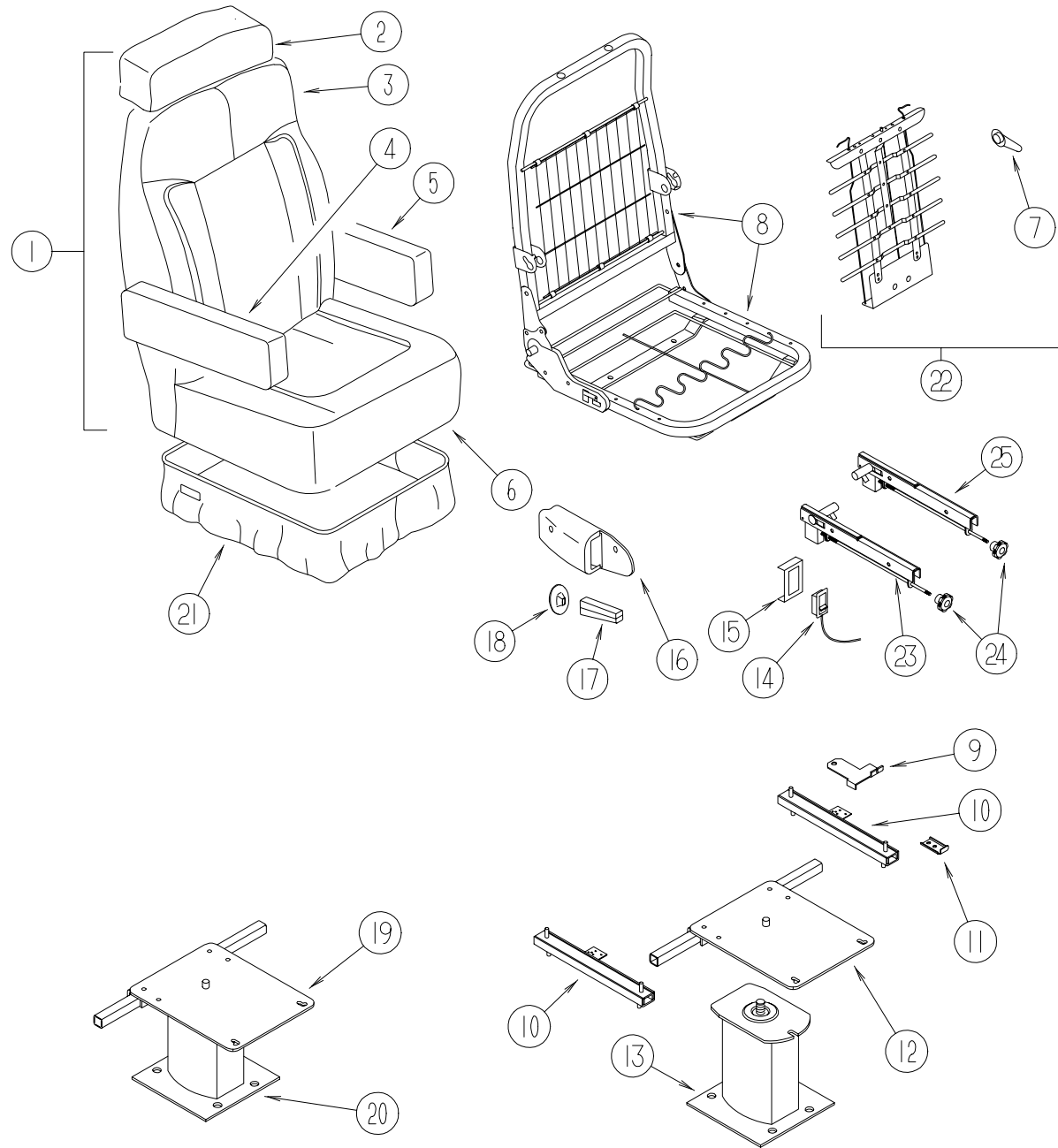
KEY	PART NUMBER	U/M	DESCRIPTION
1	123820-05-J70	EA	SEAT - BUCKET - W/LUMBAR SUPPORT (DRIVER) (J70,J71)
1	123820-05-J72	EA	SEAT - BUCKET - W/LUMBAR SUPPORT (DRIVER) (J72,J73)
1	123820-05-J74	EA	SEAT - BUCKET - W/LUMBAR SUPPORT (DRIVER) (J74,J75)
1	123820-05-J76	EA	SEAT - BUCKET - W/LUMBAR SUPPORT (DRIVER) (J76,J77)
1	123609-07-000	EA	SEAT - BUCKET - DRIVERS - 6-WAY - LEATHER OPTION (J70,J71) FROM: 00-00-00 THRU: 12-07-97
1	129192-02-000	EA	SEAT - BUCKET - DRIVERS - 6-WAY - LEATHER OPTION (J70,J71) FROM: 12-08-97 THRU: 99-99-99
1	123609-05-000	EA	SEAT - BUCKET - DRIVERS - 6-WAY - LEATHER OPTION (J72,J73) FROM: 00-00-00 THRU: 12-07-97
1	129192-03-000	EA	SEAT - BUCKET - DRIVERS - 6-WAY - LEATHER OPTION (J72,J73) FROM: 12-08-97 THRU: 99-99-99
1	123609-09-000	EA	SEAT - BUCKET - DRIVERS - 6-WAY - LEATHER OPTION (J74,J75) FROM: 00-00-00 THRU: 12-07-97
1	129192-01-000	EA	SEAT - BUCKET - DRIVERS - 6-WAY - LEATHER OPTION (J74,J75) FROM: 12-08-97 THRU: 99-99-99
1	123609-11-000	EA	SEAT - BUCKET - DRIVERS - 6-WAY - LEATHER OPTION (J76,J77) FROM: 00-00-00 THRU: 12-07-97
1	129192-04-000	EA	SEAT - BUCKET - DRIVERS - 6-WAY - LEATHER OPTION (J76,J77) FROM: 12-08-97 THRU: 99-99-99
1	123820-02-J70	EA	SEAT - BUCKET (PASSENGER) (J70,J71)
1	123820-02-J72	EA	SEAT - BUCKET (PASSENGER) (J72,J73)
1	123820-02-J74	EA	SEAT - BUCKET (PASSENGER) (J74,J75)
1	123820-02-J76	EA	SEAT - BUCKET (PASSENGER) (J76,J77)
1	123609-08-000	EA	SEAT - BUCKET - PASSENGERS - LEATHER OPTION (J70,J71)
1	123609-06-000	EA	SEAT - BUCKET - PASSENGERS - LEATHER OPTION (J72,J73)
1	123609-10-000	EA	SEAT - BUCKET - PASSENGERS - LEATHER OPTION (J74,J75)
1	123609-12-000	EA	SEAT - BUCKET - PASSENGERS - LEATHER OPTION (J76,J77)
2	124682-01-H58	EA	HEADREST (J70,J71)
2	124682-01-H60	EA	HEADREST (J72,J73)
2	124682-01-J74	EA	HEADREST (J74,J75)
2	124682-01-J76	EA	HEADREST (J76,J77)
2	P24682-01-H58	EA	COVER - HEADREST (J70,J71)
2	P24682-01-H60	EA	COVER - HEADREST (J72,J73)
2	P24682-01-J74	EA	COVER - HEADREST (J74,J75)
2	P24682-01-J76	EA	COVER - HEADREST (J76,J77)
2	113977-12-000	EA	HEADREST INSERT - W/O LOCK
2	113977-13-000	EA	HEADREST INSERT - W/LOCK
2	114791-03-000	EA	FRAME - HEADREST
3	M05962-47-H58	EA	COVER - BACK (J70,J71)
3	M05962-47-H60	EA	COVER - BACK (J72,J73)
3	M05962-47-J74	EA	COVER - BACK (J74,J75)
3	M05962-47-J76	EA	COVER - BACK (J76,J77)
3	089323-01-000	FT	STRIP - POLYENTHYLENE - J-CHANNEL
4	123962-01-H58	EA	ARMREST - ADJUSTABLE/RIGHT HAND (DRIVER) (J70,J71)
4	123962-01-H60	EA	ARMREST - ADJUSTABLE/RIGHT HAND (DRIVER) (J72,J73)
4	123962-01-J74	EA	ARMREST - ADJUSTABLE/RIGHT HAND (DRIVER) (J74,J75)
4	123962-01-J76	EA	ARMREST - ADJUSTABLE/RIGHT HAND (DRIVER) (J76,J77)
4	P23962-01-H58	EA	COVER - ARMREST - RIGHT HAND (DRIVER) (J70,J71)
4	P23962-01-H60	EA	COVER - ARMREST - RIGHT HAND (DRIVER) (J72,J73)
4	P23962-01-J74	EA	COVER - ARMREST - RIGHT HAND (DRIVER) (J74,J75)
4	P23962-01-J76	EA	COVER - ARMREST - RIGHT HAND (DRIVER) (J76,J77)
4	122780-01-J70	EA	ARMREST - RIGHT HAND (PASSENGER) (J70,J71)
4	122780-01-J72	EA	ARMREST - RIGHT HAND (PASSENGER) (J72,J73)
4	122780-01-J74	EA	ARMREST - RIGHT HAND (PASSENGER) (J74,J75)
4	122780-01-J76	EA	ARMREST - RIGHT HAND (PASSENGER) (J76,J77)
4	P22780-01-J70	EA	COVER - ARMREST - RIGHT HAND (PASSENGER) (J70,J71)
4	P22780-01-J72	EA	COVER - ARMREST - RIGHT HAND (PASSENGER) (J72,J73)
4	P22780-01-J74	EA	COVER - ARMREST - RIGHT HAND (PASSENGER) (J74,J75)
4	P22780-01-J76	EA	COVER - ARMREST - RIGHT HAND (PASSENGER) (J76,J77)
4	115617-03-000	EA	ARMREST - W/O COVER - RIGHT HAND

CURTAIN & CUSHION GROUP (CONTINUED)
BUCKET SEATS (CONTINUED)



KEY	PART NUMBER	U/M	DESCRIPTION	VENDOR NO.
5	123962-02-H58	EA	ARMREST - ADJUSTABLE/LEFT HAND (DRIVER) (J70,J71)	
5	123962-02-H60	EA	ARMREST - ADJUSTABLE/LEFT HAND (DRIVER) (J72,J73)	
5	123962-02-J74	EA	ARMREST - ADJUSTABLE/LEFT HAND (DRIVER) (J74,J75)	
5	123962-02-J76	EA	ARMREST - ADJUSTABLE/LEFT HAND (DRIVER) (J76,J77)	
5	P23962-02-H58	EA	COVER - ARMREST - LEFT HAND (DRIVER) (J70,J71)	
5	P23962-02-H60	EA	COVER - ARMREST - LEFT HAND (DRIVER) (J72,J73)	
5	P23962-02-J74	EA	COVER - ARMREST - LEFT HAND (DRIVER) (J74,J75)	
5	P23962-02-J76	EA	COVER - ARMREST - LEFT HAND (DRIVER) (J76,J77)	
5	122780-02-H59	EA	ARMREST - LEFT HAND (PASSENGER) (J70,J71)	
5	122780-02-H60	EA	ARMREST - LEFT HAND (PASSENGER) (J72,J73)	
5	122780-02-J74	EA	ARMREST - LEFT HAND (PASSENGER) (J74,J75)	
5	122780-02-J76	EA	ARMREST - LEFT HAND (PASSENGER) (J76,J77)	
5	P22780-02-H59	EA	COVER - ARMREST - LEFT HAND (PASSENGER) (J70,J71)	
5	P22780-02-H60	EA	COVER - ARMREST - LEFT HAND (PASSENGER) (J72,J73)	
5	P22780-02-J74	EA	COVER - ARMREST - LEFT HAND (PASSENGER) (J74,J75)	
5	P22780-02-J76	EA	COVER - ARMREST - LEFT HAND (PASSENGER) (J76,J77)	
5	115617-04-000	EA	ARMREST - W/O COVER - LEFT HAND	
6	M05962-48-H58	EA	COVER - BOTTOM (J70,J71)	
6	M05962-48-H60	EA	COVER - BOTTOM (J72,J73)	
6	M05962-48-J74	EA	COVER - BOTTOM (J74,J75)	
6	M05962-48-J76	EA	COVER - BOTTOM (J76,J77)	
6	089323-01-000	FT	STRIP - POLYETHYLENE - J-CHANNEL	
7	122611-02-701	EA	LUMBAR - LEVER (DRIVER)	412
8	122695-01-01B	EA	FRAME - SEAT/BACK	
9	117125-01-02B	EA	BRACKET - CABLE MOUNT - ADJUSTER W/LOCK	
10	119952-06-000	EA	SLIDE/SEAT - HEAVY DUTY LOCKING - 4 STUDS	
			FROM: 00-00-00 THRU: 11-02-97	
10	119952-04-000	EA	SLIDE/SEAT - HEAVY DUTY LOCKING - 4 STUDS	
			FROM: 11-03-97 THRU: 99-99-99	
10	119952-07-000	EA	WIRE - LATCH RELEASE/ROTARY	
10	007221-01-000	EA	SPACER - SEAT/ADJUSTER	
11	114889-01-000	EA	STOP BAR - UNIVERSAL	
12	107921-05-000	EA	PLATE - TOP - W/SEAT BELT BAR	
12	107921-06-000	EA	BEARING KIT - PEDESTAL	
13	107921-01-000	EA	PEDESTAL/FLOOR MOUNTED - W/9.75" EXTENSION	
			FROM: 00-00-00 THRU: 01-04-98	
13	107921-14-000	EA	PEDESTAL/FLOOR MOUNTED - W/5.75" EXTENSION - MANUAL SEAT	
			FROM: 01-05-98 THRU: 99-99-99	
14	108049-02-000	EA	CLIP - CABLE/PEDESTAL	
14	108049-04-000	EA	CABLE - W/SWITCHES - W/26" MINI LEVER ACTION	
15	108049-05-000	EA	FRAME - CABLE - REMOTE RECLINE - W/MINI LEVER ACTION	
16	080730-09-000	EA	SHIELD - RECLINER HANDLE	
17	080730-08-000	EA	HANDLE - RECLINER	
18	080730-11-000	EA	SHIELD - RUBBER BOOT	
19	119739-90-000	EA	TOP PLATE- F/VILLA BUCKET SEAT (DRIVER)	
			FROM: 00-00-00 THRU: 12-07-97	
19	119739-90-000	EA	TOP PLATE- F/VILLA BUCKET SEAT (DRIVER)	
			FROM: 12-08-97 THRU: 99-99-99	
20	119730-92-000	EA	PEDESTAL - VILLA - 6.2" (DRIVER)	
			FROM: 00-00-00 THRU: 12-07-97	
20	129190-03-000	EA	PEDESTAL (DRIVER)	
			FROM: 12-08-97 THRU: 99-99-99	
20	119730-96-000	EA	PEDESTAL - VILLA - 8" (PASSENGER)	

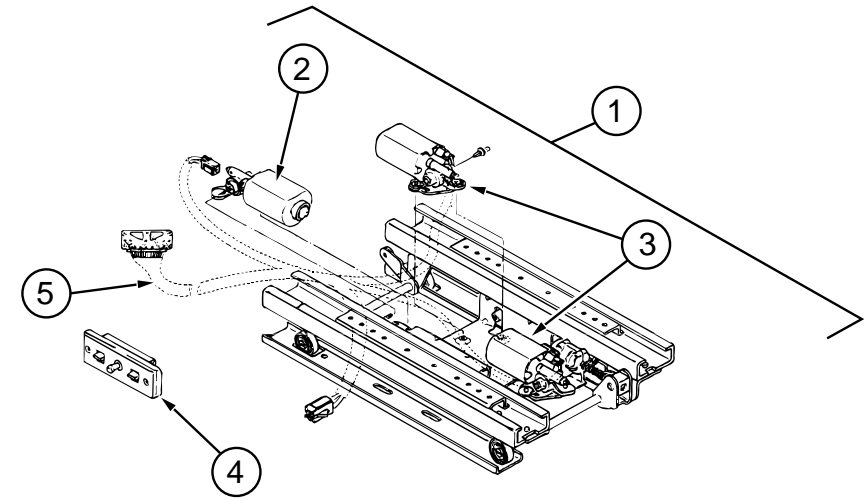
CURTAIN & CUSHION GROUP (CONTINUED)



KEY	PART NUMBER	U/M DESCRIPTION
21	071126-58-H58	EA SKIRT - SINGLE - W/SEAT BELT SLOT (J70,J71)
21	071126-58-H60	EA SKIRT - SINGLE - W/SEAT BELT SLOT (J72,J73)
21	071126-58-J74	EA SKIRT - SINGLE - W/SEAT BELT SLOT (J74,J75)
21	071126-58-J76	EA SKIRT - SINGLE - W/SEAT BELT SLOT (J76,J77)
22	122611-02-000	EA LUMBAR - W/LEVER
23	122622-04-000	EA BRACKET - ADJUSTABLE RIGHT ARM - 3/8"
24	122622-06-000	EA BRACKET - ADJUSTABLE KNOB - 3/8"
25	122622-05-000	EA BRACKET - ADJUSTABLE LEFT ARM - 3/8"

CURTAIN & CUSHION GROUP (CONTINUED)

DELCO POWER SEAT - 6 WAY



KEY	PART NUMBER	U/M DESCRIPTION	VENDOR NO.
1	081373-03-000	EA SEAT - POWER 6 WAY	
2	081373-02-703	EA MOTOR PACKAGE - ADJUST HORIZONTAL	22063237 & H-195
3	081373-02-704	EA MOTOR PACKAGE - ADJUST VERTICAL	22063238 & H-196
4	081373-03-700	EA SWITCH ASM - FLAT - BROWN - GRAY	22138182 & H-441
	081373-02-700	EA SWITCH W/CLEAR MOLDED CONN.	22063234
	081373-01-700	EA BRACKET - L - CONTROL SWITCH	H-171
5	081373-03-701	EA WIRE HARNESS ASM. - LH SIDE	6000
	081373-03-702	EA WIRE HARNESS ASM. - RH SIDE	6001

FABRIC TRIMS & BUTTONS

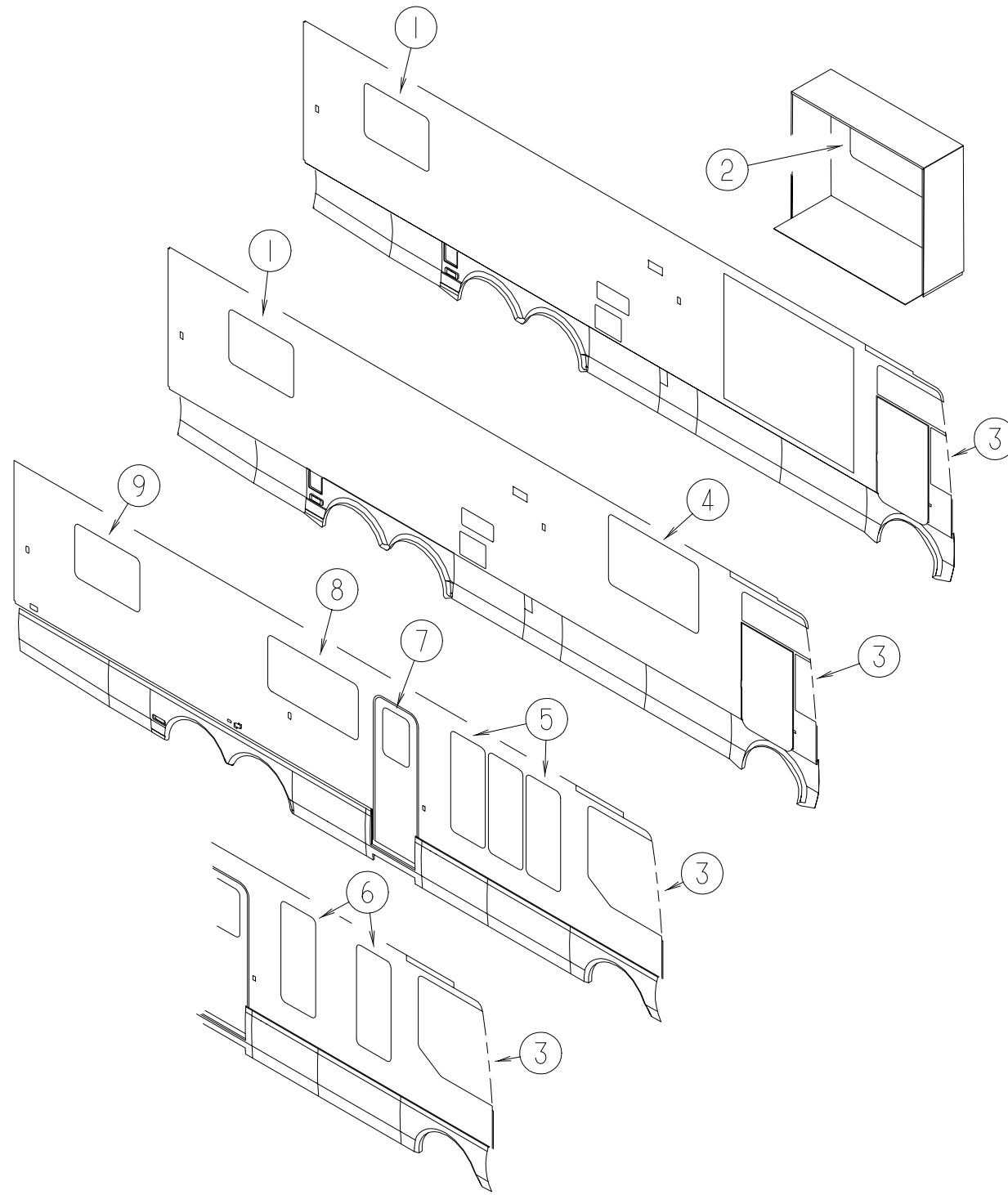
KEY	PART NUMBER	U/M DESCRIPTION
	070578-02-FQ0	EA BUTTON - #30 - VINYL
	070578-02-E37	EA BUTTON - #30 - VINYL
	074494-02-000	EA BUTTON - RETAINING PIVOT - #60
	074494-03-000	EA BUTTON - SERRATED PIVOT - W/3/8 TACK
	074494-04-000	EA BUTTON - JOINED/PIVOT - W 3/4 TACK
	118337-02-H58	EA BUTTON - #60 - DOUBLE SIDED (J70,J71,J74,J75,J76,J77)
	118337-02-HQ2	EA BUTTON - #60 - DOUBLE SIDED (J72,J73)
	079349-04-H58	YD WELT - NARROW (J70,J71)
	079349-04-H60	YD WELT - NARROW (J72,J73)
	079349-04-J74	YD WELT - NARROW (J74,J75)
	079349-04-J76	YD WELT - NARROW (J76,J77)
	084415-78-000	YD TRIM - BRAID - CORD (J70,J71)
	084415-79-000	YD TRIM - BRAID - SHELL (J72,J73)
	084415-89-000	YD TRIM - BRAID (J72,J73)
	084415-80-000	YD TRIM - BRAID - COZUMEL (J74,J75)
	084415-A1-000	YD TRIM - BRAID - CD-15346 - 5" CORD (J76,J77)
	084415-99-000	YD TRIM - BRAID - FR-15346 - BR FRING (J76,J77)
	057534-03-000	EA TIEBACK - PLASTIC - 7.50" - CLEAR

SEATBELTS & ASSIST HANDLE

KEY	PART NUMBER	U/M DESCRIPTION
	057759-01-000	EA WASHER BRACKET - SEAT BELT - 4" DIAMETER
	007021-01-000	EA SEAT BELT - 2" X 90" - BLACK
	069178-02-000	EA BRACKET - MOUNTING/ASSIST HANDLE - GRAY
	000C16-07-16B	EA BOLT - CARRIAGE - ASSIST HANDLE - 7/16" - 14 X 1"
	000D20-07-00B	EA NUT - ACORN - ASSIST HANDLE - 7/16 - 14
	053552-02-AA8	EA HANDLE - ASSIST - INTERIOR/ENTRY DOOR - VINYL/OFF WHITE

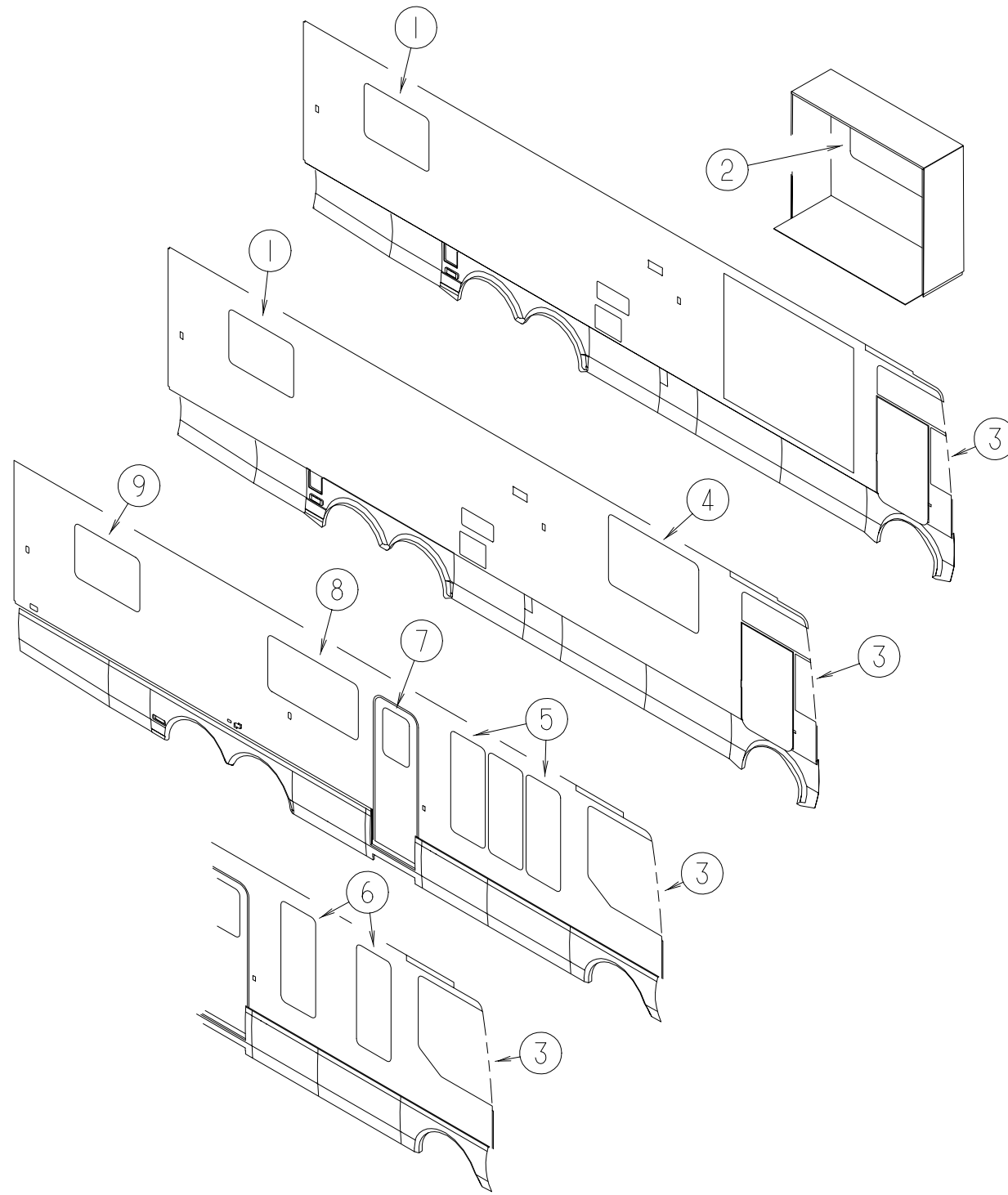
CURTAIN & CUSHION GROUP (CONTINUED)

CURTAINS & WINDOW TREATMENT



KEY	PART NUMBER	U/M DESCRIPTION
1	117657-08-H58	EA VALANCE - KINGSTON - 34" (J70,J71)
	117844-06-H58	EA COVER - KINGSTON - 40" (J70,J71)
1	119138-40-J72	EA VALANCE - BELLINI - 34" (J72,J73)
1	117657-08-J74	EA VALANCE - KINGSTON - 34" (J74,J75)
	117844-06-J74	EA COVER - KINGSTON - 40" (J74,J75)
1	117657-12-J76	EA VALANCE - KINGSTON - 34" (J76,J77)
	117844-06-J76	EA COVER - KINGSTON - 40" (J76,J77)
1	123910-15-J70	EA LEG - RIGHT - 34" (J70,J71)
1	123910-25-J72	EA LEG - RIGHT - 34" (J72,J73)
1	123910-15-J74	EA LEG - RIGHT - 34" (J74,J75)
1	123910-15-J76	EA LEG - RIGHT - 34" (J76,J77)
1	123910-16-J70	EA LEG - LEFT - 34" (J70,J71)
1	123910-26-J72	EA LEG - LEFT - 34" (J72,J73)
1	123910-16-J74	EA LEG - LEFT - 34" (J74,J75)
1	123910-16-J76	EA LEG - LEFT - 34" (J76,J77)
1	123964-04-HB6	EA BLIND - MICRO - DAY/NIGHTER - 29" X 37" (J70,J71,J74,J75,J76,J77)
1	123964-04-HD6	EA BLIND - MICRO - DAY/NIGHTER - 29" X 37" (J72,J73)
2	121410-23-H58	EA VALANCE - MODERATE - 62.5" (J70,J71)
2	121410-24-H60	EA VALANCE - MODERATE - 62.5" (J72,J73)
2	127329-01-J74	EA VALANCE - ABBEY - 62.5" (J74,J75)
2	127329-01-J76	EA VALANCE - ABBEY - 62.5" (J76,J77)
2	127017-01-J70	EA LEG - RIGHT - TAPERED - 25" (J70,J71)
2	127017-11-J72	EA LEG - RIGHT - TAPERED - 25" (J72,J73)
2	127017-01-J74	EA LEG - RIGHT - TAPERED - 25" (J74,J75)
2	127017-01-J76	EA LEG - RIGHT - TAPERED - 25" (J76,J77)
2	127017-02-J70	EA LEG - LEFT - TAPERED - 25" (J70,J71)
2	127017-12-J72	EA LEG - LEFT - TAPERED - 25" (J72,J73)
2	127017-02-J74	EA LEG - LEFT - TAPERED - 25" (J74,J75)
2	127017-02-J76	EA LEG - LEFT - TAPERED - 25" (J76,J77)
2	123964-06-HB6	EA BLIND - MICRO - DAY/NIGHTER - 59" X 26.5" (J70,J71,J74,J75,J76,J77)
2	123964-06-HD6	EA BLIND - MICRO - DAY/NIGHTER - 59" X 26.5" (J72,J73)
3	093487-12-01A	EA WRAP AROUND - FRONT - LEFT HAND/PLEATED - 51" X 108"
3	093487-11-01A	EA WRAP AROUND - FRONT - RIGHT HAND/PLEATED - 51" X 108"
4	121410-23-H58	EA VALANCE - MODERATE - 62.5" (J70,J71)
4	121410-24-H60	EA VALANCE - MODERATE - 62.5" (J72,J73)
4	127329-01-J74	EA VALANCE - ABBEY - 62.5" (J74,J75)
4	127329-01-J76	EA VALANCE - ABBEY - 62.5" (J76,J77)
4	127017-25-J70	EA LEG - RIGHT - 38" (J70,J71)
4	127017-27-J72	EA LEG - RIGHT - 38" (J72,J73)
4	127017-25-J74	EA LEG - RIGHT - 38" (J74,J75)
4	127017-25-J76	EA LEG - RIGHT - 38" (J76,J77)
4	127017-26-J70	EA LEG - LEFT - 38" (J70,J71)
4	127017-28-J72	EA LEG - LEFT - 38" (J72,J73)
4	127017-26-J74	EA LEG - LEFT - 38" (J74,J75)
4	127017-26-J76	EA LEG - LEFT - 38" (J76,J77)
4	123964-03-HB6	EA BLIND - MICRO - DAY/NIGHTER - 59" X 41" (J70,J71,J74,J75,J76,J77)
4	123964-03-HD6	EA BLIND - MICRO - DAY/NIGHTER - 59" X 41" (J72,J73)
5	121410-25-H58	EA VALANCE - MODERATE - 75" (J70,J71)
5	121410-26-H60	EA VALANCE - MODERATE - 75" (J72,J73)
5	127329-05-J74	EA VALANCE - ABBEY - 75" (J74,J75)
5	127329-05-J76	EA VALANCE - ABBEY - 75" (J76,J77)
5	127017-37-J70	EA LEG - RIGHT - 57" (J70,J71)
5	127017-39-J72	EA LEG - RIGHT - 57" (J72,J73)
5	127017-37-J74	EA LEG - RIGHT - 57" (J74,J75)
5	127017-37-J76	EA LEG - RIGHT - 57" (J76,J77)
5	127017-38-J70	EA LEG - LEFT - 57" (J70,J71)
5	127017-40-J72	EA LEG - LEFT - 57" (J72,J73)
5	127017-38-J74	EA LEG - LEFT - 57" (J74,J75)
5	127017-38-J76	EA LEG - LEFT - 57" (J76,J77)
5	123964-01-HB6	EA BLIND - MICRO - DAY/NIGHTER - 70" X 58.5" (J70,J71,J74,J75,J76,J77)
5	123964-01-HD6	EA BLIND - MICRO - DAY/NIGHTER - 70" X 58.5" (J72,J73)

CURTAIN & CUSHION GROUP (CONTINUED)
CURTAINS & WINDOW TREATMENT (CONTINUED)



KEY	PART NUMBER	U/M	DESCRIPTION
6	121410-41-H58	EA	VALANCE - MODERATE - 26.5" (J70,J71)
6	121410-42-H60	EA	VALANCE - MODERATE - 26.5" (J72,J73)
6	127329-06-J74	EA	VALANCE - ABBEY - 26.5" (J74,J75)
6	127329-06-J76	EA	VALANCE - ABBEY - 26.5" (J76,J77)
6	127017-37-J70	EA	LEG - RIGHT - 57" (J70,J71)
6	127017-39-J72	EA	LEG - RIGHT - 57" (J72,J73)
6	127017-37-J74	EA	LEG - RIGHT - 57" (J74,J75)
6	127017-37-J76	EA	LEG - RIGHT - 57" (J76,J77)
6	127017-38-J70	EA	LEG - LEFT - 57" (J70,J71)
6	127017-40-J72	EA	LEG - LEFT - 57" (J72,J73)
6	127017-38-J74	EA	LEG - LEFT - 57" (J74,J75)
6	127017-38-J76	EA	LEG - LEFT - 57" (J76,J77)
6	123964-10-HB6	EA	BLIND - MICRO - DAY/NIGHTER - 23" X 58.5" (J70,J71,J74,J75,J76,J77)
6	123964-10-HD6	EA	BLIND - MICRO - DAY/NIGHTER - 23" X 58.5" (J72,J73)
7	120820-07-H58	EA	VALANCE - FLAT W/CLOCK OPENING - 16" X 32" (J70,J71)
7	120820-08-H60	EA	VALANCE - FLAT W/CLOCK OPENING - 16" X 32" (J72,J73)
7	120820-07-J74	EA	VALANCE - FLAT W/CLOCK OPENING - 16" X 32" (J74,J75)
7	120820-07-J76	EA	VALANCE - FLAT W/CLOCK OPENING - 16" X 32" (J76,J77)
7	084755-57-E07	EA	SHADE - PULL - 27.25"
8	121410-27-H58	EA	VALANCE - MODERATE - 62.5" (J70,J71)
8	121410-28-H60	EA	VALANCE - MODERATE - 62.5" (J72,J73)
8	127329-03-J74	EA	VALANCE - ABBEY - 62.5" (J74,J75)
8	127329-03-J76	EA	VALANCE - ABBEY - 62.5" (J76,J77)
8	127017-41-J70	EA	LEG - RIGHT - 23.5" (J70,J71)
8	127017-43-J72	EA	LEG - RIGHT - 23.5" (J72,J73)
8	127017-41-J74	EA	LEG - RIGHT - 23.5" (J74,J75)
8	127017-41-J76	EA	LEG - RIGHT - 23.5" (J76,J77)
8	127017-29-J70	EA	LEG - RIGHT - 30" (J70,J71) (W/TABLE & CHAIR OPTION)
8	127017-31-J72	EA	LEG - RIGHT - 30" (J72,J73) (W/TABLE & CHAIR OPTION)
8	127017-29-J74	EA	LEG - RIGHT - 30" (J74,J75) (W/TABLE & CHAIR OPTION)
8	127017-29-J76	EA	LEG - RIGHT - 30" (J76,J77) (W/TABLE & CHAIR OPTION)
8	127017-42-J70	EA	LEG - LEFT - 23.5" (J70,J71)
8	127017-44-J72	EA	LEG - LEFT - 23.5" (J72,J73)
8	127017-42-J74	EA	LEG - LEFT - 23.5" (J74,J75)
8	127017-42-J76	EA	LEG - LEFT - 23.5" (J76,J77)
8	127017-30-J70	EA	LEG - LEFT - 30" (J70,J71) (W/TABLE & CHAIR OPTION)
8	127017-32-J72	EA	LEG - LEFT - 30" (J72,J73) (W/TABLE & CHAIR OPTION)
8	127017-30-J74	EA	LEG - LEFT - 30" (J74,J75) (W/TABLE & CHAIR OPTION)
8	127017-30-J76	EA	LEG - LEFT - 30" (J76,J77) (W/TABLE & CHAIR OPTION)
8	123964-02-HB6	EA	BLIND - MICRO - DAY/NIGHTER - 59" X 24.5" (J70,J71,J74,J75,J76,J77)
8	123964-02-HD6	EA	BLIND - MICRO - DAY/NIGHTER - 59" X 24.5" (J72,J73)
9	117657-08-H58	EA	VALANCE - KINGSTON - 34" (J70,J71)
	117844-06-H58	EA	COVER - KINGSTON - 40" (J70,J71)
9	119138-40-J72	EA	VALANCE - BELLINI - 34" (J72,J73)
9	117657-08-J74	EA	VALANCE - KINGSTON - 34" (J74,J75)
	117844-06-J74	EA	COVER - KINGSTON - 40" (J74,J75)
9	117657-12-J76	EA	VALANCE - KINGSTON - 34" (J76,J77)
	117844-06-J76	EA	COVER - KINGSTON - 40" (J76,J77)
9	127017-09-J70	EA	LEG - RIGHT - 34" (J70,J71)
9	127017-05-J72	EA	LEG - RIGHT - 34" (J72,J73)
9	127017-09-J74	EA	LEG - RIGHT - 34" (J74,J75)
9	127017-09-J76	EA	LEG - RIGHT - 34" (J76,J77)
9	127017-10-J70	EA	LEG - LEFT - 34" (J70,J71)
9	127017-06-J72	EA	LEG - LEFT - 34" (J72,J73)
9	127017-10-J74	EA	LEG - LEFT - 34" (J74,J75)
9	127017-10-J76	EA	LEG - LEFT - 34" (J76,J77)
9	123964-04-HB6	EA	BLIND - MICRO - DAY/NIGHTER - 29" X 37" (J70,J71,J74,J75,J76,J77)
9	123964-04-HD6	EA	BLIND - MICRO - DAY/NIGHTER - 29" X 37" (J72,J73)

CURTAIN & CUSHION GROUP (CONTINUED)

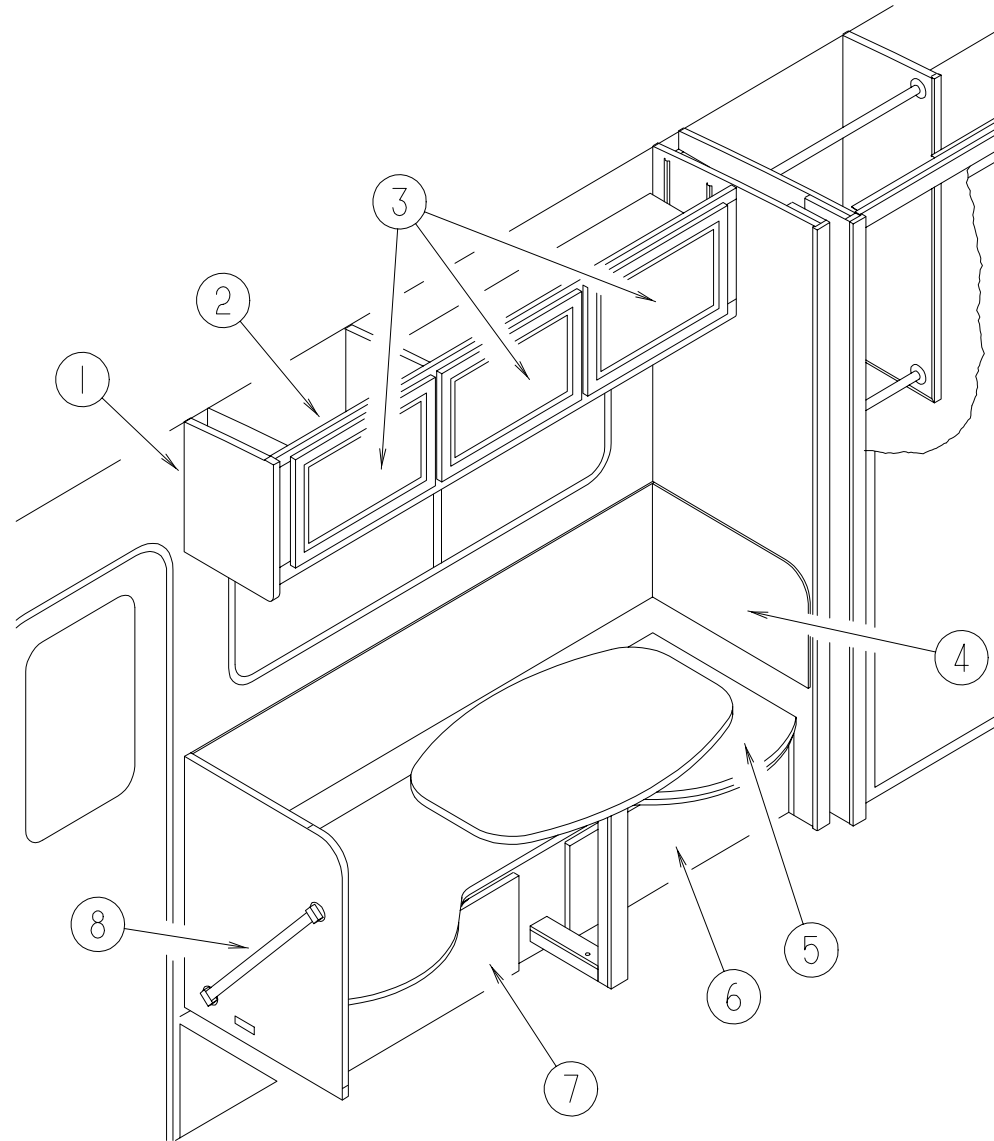
FABRICS

COLOR CODES	J70,J71	J72,J73	J74,J75	J76,J77		COLOR CODES	J70,J71	J72,J73	J74,J75	J76,J77
	COVENTRY	DEVON	HEMMINGWAY	GULF MIST			COVENTRY	DEVON	HEMMINGWAY	GULF MIST
BUCKETSEAT	108446-P5-000	108446-N8-000	108446-T9-000	108446-X2-000		BEDROOM WINDOWS	105745-F4-000 105745-F5-000	105745-F7-000 108446-R4-000	105745-G9-000 105745-E7-000	105745-J1-000
DINETTE	108446-N6-000	108446-N7-000	108446-T7-000	108446-W9-000		SHAMS	105745-F4-000 105745-F5-000	105745-F7-000 108446-R4-000	105745-G9-000 105745-E7-000	105745-J1-000
SOFA	108446-N6-000	108446-N7-000	108446-T7-000	108446-W9-000		DINETTE CHAIRS	108446-P6-000	108446-T8-000	108446-T9-000	108446-X2-000
LOUNGE CHAIR	108446-P6-000	108446-T8-000	108446-T9-000	108446-X2-000		BEDROOM PILLOWS	105745-F5-000	108446-R4-000	105745-G9-000 105745-E7-000	105745-J1-000 084415-99-000
LOUNGE WINDOWS	108446-N6-000 084415-78-000	108446-N7-000 108446-N8-000	108446-T7-000 108446-T9-000	108446-W9-000 108446-X2-000		BED BOARD	105745-F5-000	108446-R4-000	105745-E7-000	105745-J1-000
BEDSPREAD	105745-F4-000 084415-78-000	105745-F7-000 084415-89-000	105745-G9-000 105745-E7-000	105745-J1-000 084415-A1-000		LOUNGE CABINET INSERTS	108446-P6-000	108446-T8-000	108446-T9-000	108446-X2-000
MICRO DAY-NITERS	094911-44-000 094911-51-000	094911-48-000 094911-51-000	094911-44-000 094911-51-000	094911-44-000 094911-51-000		BEDROOM CABINET INSERTS	105745-F4-000	105745-F7-000	105745-G9-000	105745-J1-000
DINETTE PAD	108446-P5-000	108446-N8-000	108446-T9-000	108446-X2-000		SLIDE OUT CABINET INSERTS	108446-N6-000	108446-N7-000	108446-T7-000	108446-W9-000
LOUNGE PILLOW	108446-P6-000 084415-78-000	108446-N7-000 084415-79-000	108446-T7-000 084415-80-000	108446-W9-000 084415-99-000		HEADBOARD	105745-F4-000 105745-F5-000	105745-F7-000 084415-89-000	105745-G9-000 105745-E7-000	105745-J1-000 108446-X2-000

NOTE: FABRIC LISTED FIRST IN A BLOCK, IS THE LARGEST QUANTITY OF FABRIC USED

DINETTE GROUP

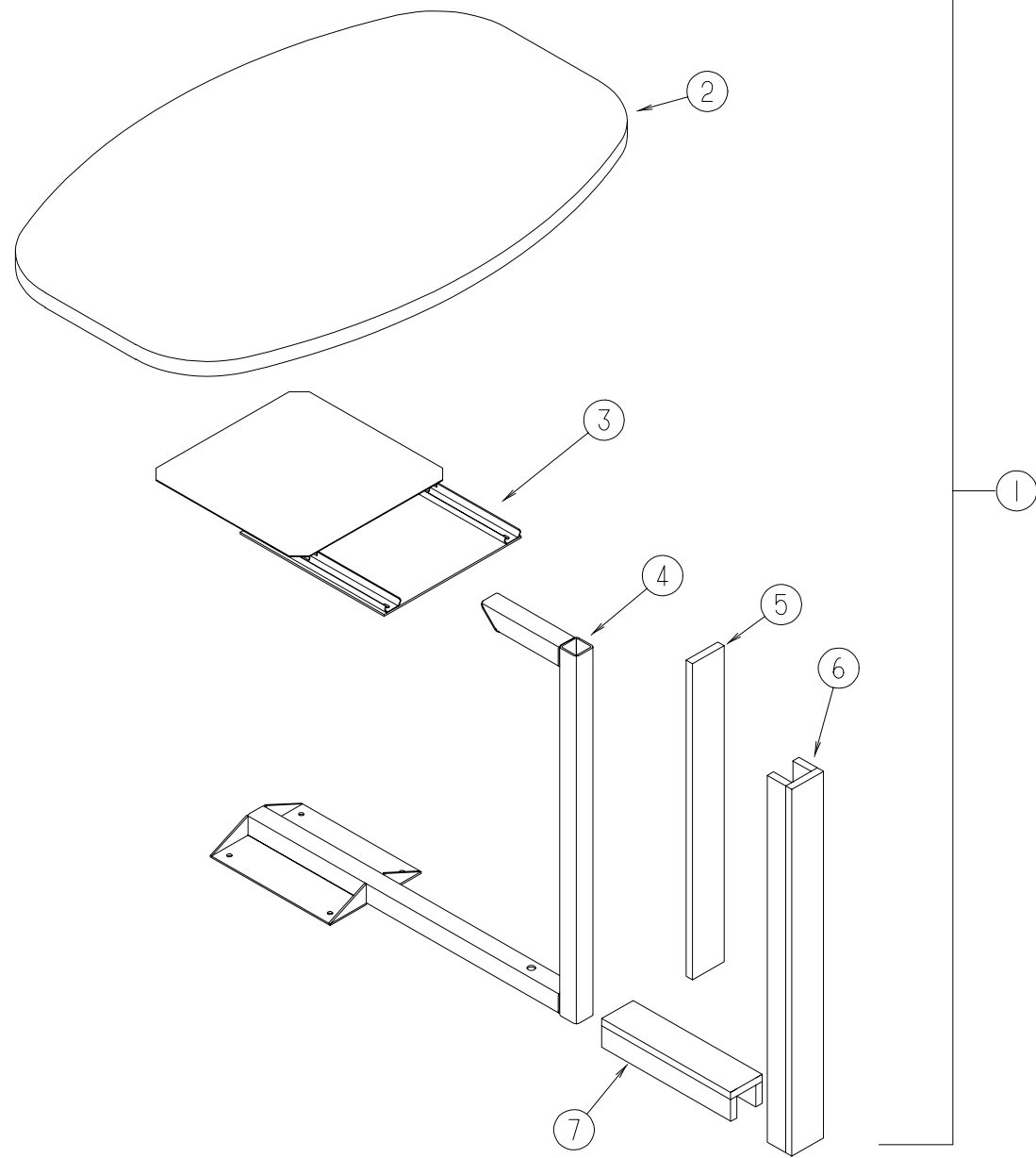
DINETTE CABINETS



KEY	PART NUMBER	U/M	DESCRIPTION
1	107494-20-J70	EA	END CAP - LEFT HAND (WASHED MAPLE)
1	107494-20-GV1	EA	END CAP - LEFT HAND (SALEM CHERRY)
2	121578-01-J70	EA	CABINET - OVERHEAD/DINETTE - W/O DOORS/HARDWARE (WASHED MAPLE)
2	121578-01-H57	EA	CABINET - OVERHEAD/DINETTE - W/O DOORS/HARDWARE (SALEM CHERRY)
	121578-11-J70	EA	SHELF - W/PLASTIC EDGE TRIM (WASHED MAPLE)
	121578-11-H57	EA	SHELF - W/PLASTIC EDGE TRIM (SALEM CHERRY)
3	M05990-03-J70	EA	DOOR - ARCHED/OGEE EDGE - 14.3" X 21.8" - W/O HARDWARE (WASHED MAPLE)
3	M05990-03-GV1	EA	DOOR - ARCHED/OGEE EDGE - 14.3" X 21.8" - W/O HARDWARE (SALEM CHERRY)
4	123853-04-J70	EA	BACK - DINETTE (J70,J71)
4	123853-04-J72	EA	BACK - DINETTE (J72,J73)
4	123853-04-J74	EA	BACK - DINETTE (J74,J75)
4	123853-04-J76	EA	BACK - DINETTE (J76,J77)
5	123853-03-J70	EA	SEAT - DINETTE (J70,J71)
5	123853-03-J72	EA	SEAT - DINETTE (J72,J73)
5	123853-03-J74	EA	SEAT - DINETTE (J74,J75)
5	123853-03-J76	EA	SEAT - DINETTE (J76,J77)
6	P27054-03-J70	EA	DRAWER - MITERED CORNER - 15.7"W X 28.3"D - W/O SLIDES/HDW
6	P27054-03-J71	EA	DRAWER - MITERED CORNER - 15.7"W X 28.3"D - W/O SLIDES/HDW
6	P27054-03-J72	EA	DRAWER - MITERED CORNER - 15.7"W X 28.3"D - W/O SLIDES/HDW
6	P27054-03-J73	EA	DRAWER - MITERED CORNER - 15.7"W X 28.3"D - W/O SLIDES/HDW
6	P27054-03-J74	EA	DRAWER - MITERED CORNER - 15.7"W X 28.3"D - W/O SLIDES/HDW
6	P27054-03-J75	EA	DRAWER - MITERED CORNER - 15.7"W X 28.3"D - W/O SLIDES/HDW
6	P27054-03-J76	EA	DRAWER - MITERED CORNER - 15.7"W X 28.3"D - W/O SLIDES/HDW
6	P27054-03-J77	EA	DRAWER - MITERED CORNER - 15.7"W X 28.3"D - W/O SLIDES/HDW
7	P27054-04-J70	EA	DRAWER - MITERED CORNER - 15.7"W X 28.3"D - W/O SLIDES/HDW
7	P27054-04-J71	EA	DRAWER - MITERED CORNER - 15.7"W X 28.3"D - W/O SLIDES/HDW
7	P27054-04-J72	EA	DRAWER - MITERED CORNER - 15.7"W X 28.3"D - W/O SLIDES/HDW
7	P27054-04-J73	EA	DRAWER - MITERED CORNER - 15.7"W X 28.3"D - W/O SLIDES/HDW
7	P27054-04-J74	EA	DRAWER - MITERED CORNER - 15.7"W X 28.3"D - W/O SLIDES/HDW
7	P27054-04-J75	EA	DRAWER - MITERED CORNER - 15.7"W X 28.3"D - W/O SLIDES/HDW
7	P27054-04-J76	EA	DRAWER - MITERED CORNER - 15.7"W X 28.3"D - W/O SLIDES/HDW
7	P27054-04-J77	EA	DRAWER - MITERED CORNER - 15.7"W X 28.3"D - W/O SLIDES/HDW
8	P02786-03-J70	EA	HANDRAIL ONLY - W/O BRACKETS (WASHED MAPLE)
8	P02786-03-E41	EA	HANDRAIL ONLY - W/O BRACKETS (SALEM CHERRY)

DINETTE GROUP (CONTINUED)

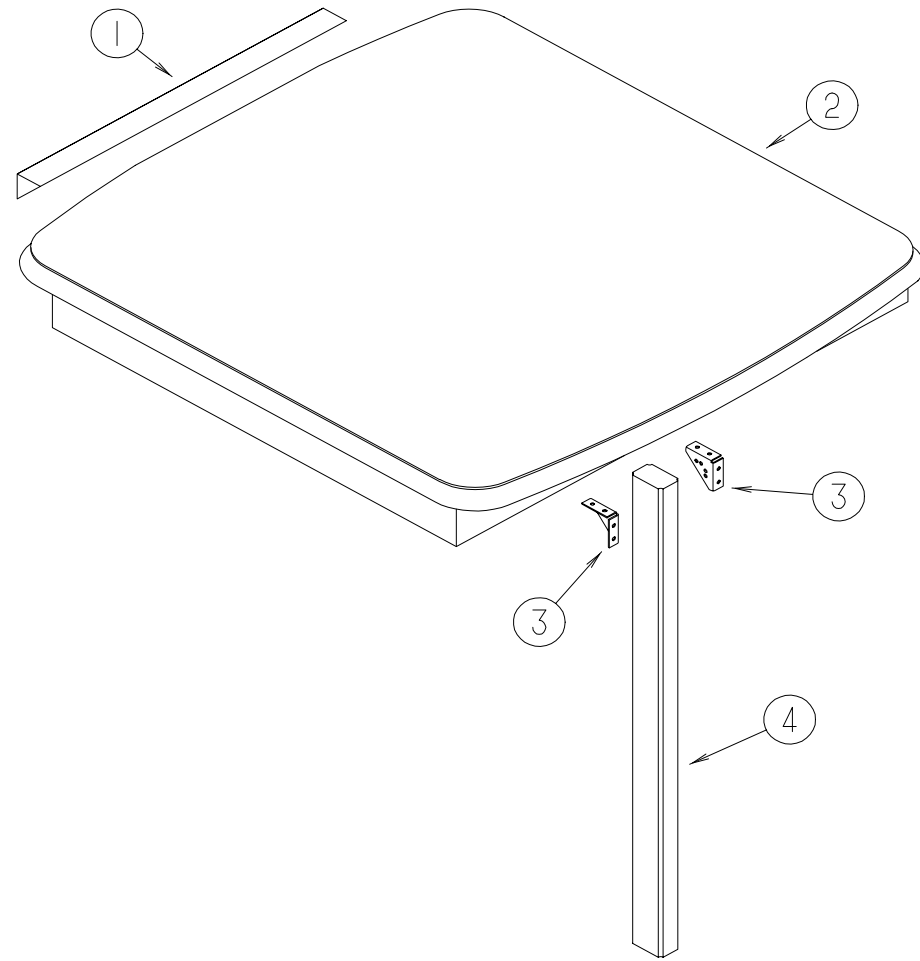
DINETTE SLIDEOUT TABLE



KEY	PART NUMBER	U/M	DESCRIPTION
1	P23046-01-H56	EA	TABLE - DINETTE - W/O HARDWARE (J70)
1	P23046-01-H57	EA	TABLE - DINETTE - W/O HARDWARE (J71)
1	P23046-01-H60	EA	TABLE - DINETTE - W/O HARDWARE (J72)
1	P23046-01-H61	EA	TABLE - DINETTE - W/O HARDWARE (J73)
1	P23046-01-J74	EA	TABLE - DINETTE - W/O HARDWARE (J74,J76)
1	P23046-01-J75	EA	TABLE - DINETTE - W/O HARDWARE (J75,J77)
2	123046-11-H56	EA	COUNTERTOP - TABLE (J70)
2	123046-11-H57	EA	COUNTERTOP - TABLE (J71)
2	123046-11-H60	EA	COUNTERTOP - TABLE (J72)
2	123046-11-H61	EA	COUNTERTOP - TABLE (J73)
2	123046-11-J74	EA	COUNTERTOP - TABLE (J74,J76)
2	123046-11-J75	EA	COUNTERTOP - TABLE (J75,J77)
3	124437-01-000	EA	SLIDE - TV SWIVEL
4	123539-01-02B	EA	SUPPORT - DINETTE
5	123046-14-H56	EA	COLUMN/LEG - UPPER (WASHED MAPLE)
5	123046-14-H57	EA	COLUMN/LEG - UPPER (SALEM CHERRY)
6	123046-13-H56	EA	COVER - COLUMN/LEG (WASHED MAPLE)
6	123046-13-H57	EA	COVER - COLUMN/LEG (SALEM CHERRY)
7	123046-16-H56	EA	COLUMN/LEG - LOWER (WASHED MAPLE)
7	123046-16-H57	EA	COLUMN/LEG - LOWER (SALEM CHERRY)

DINETTE GROUP (CONTINUED)

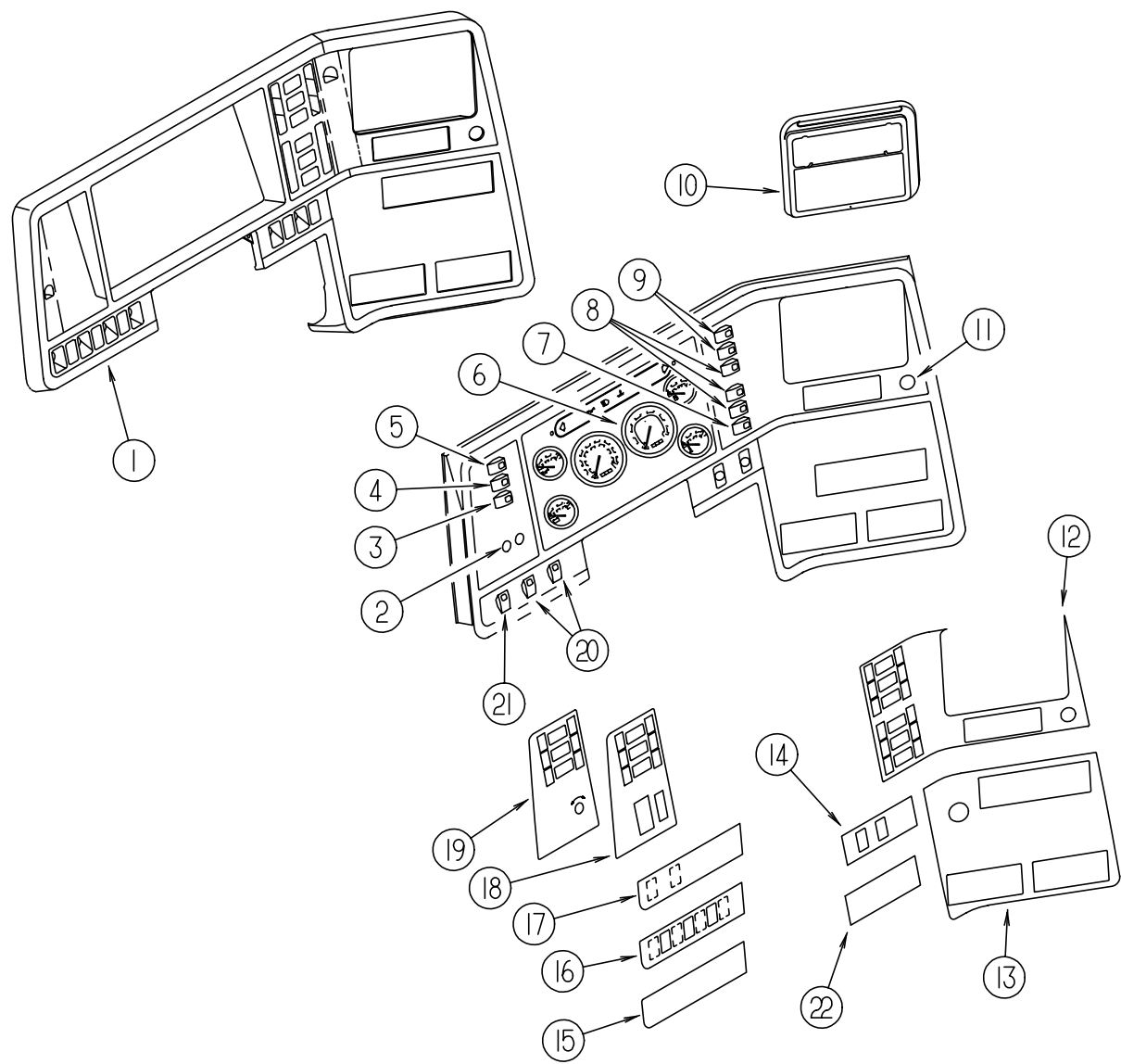
DINETTE TABLE



KEY	PART NUMBER	U/M	DESCRIPTION
1	125698-01-03B	EA	ANGLE - FORMED - W/HOLES
2	124483-11-H37	EA	TABLE - TOP ONLY (J70)
2	124483-11-J71	EA	TABLE - TOP ONLY (J71)
2	124483-11-H60	EA	TABLE - TOP ONLY (J72)
2	124483-11-J73	EA	TABLE - TOP ONLY (J73)
2	124483-11-J74	EA	TABLE - TOP ONLY (J74,J76)
2	124483-11-J75	EA	TABLE - TOP ONLY (J75,J77)
3	102810-01-04A	EA	BRACE - TABLE LEG - BLACK
4	092707-07-08A	EA	MOLDING - TABLE LEG - 27.8" - WASHED MAPLE
4	092707-07-03A	EA	MOLDING - TABLE LEG - 27.8" - CHERRY/CHERRY

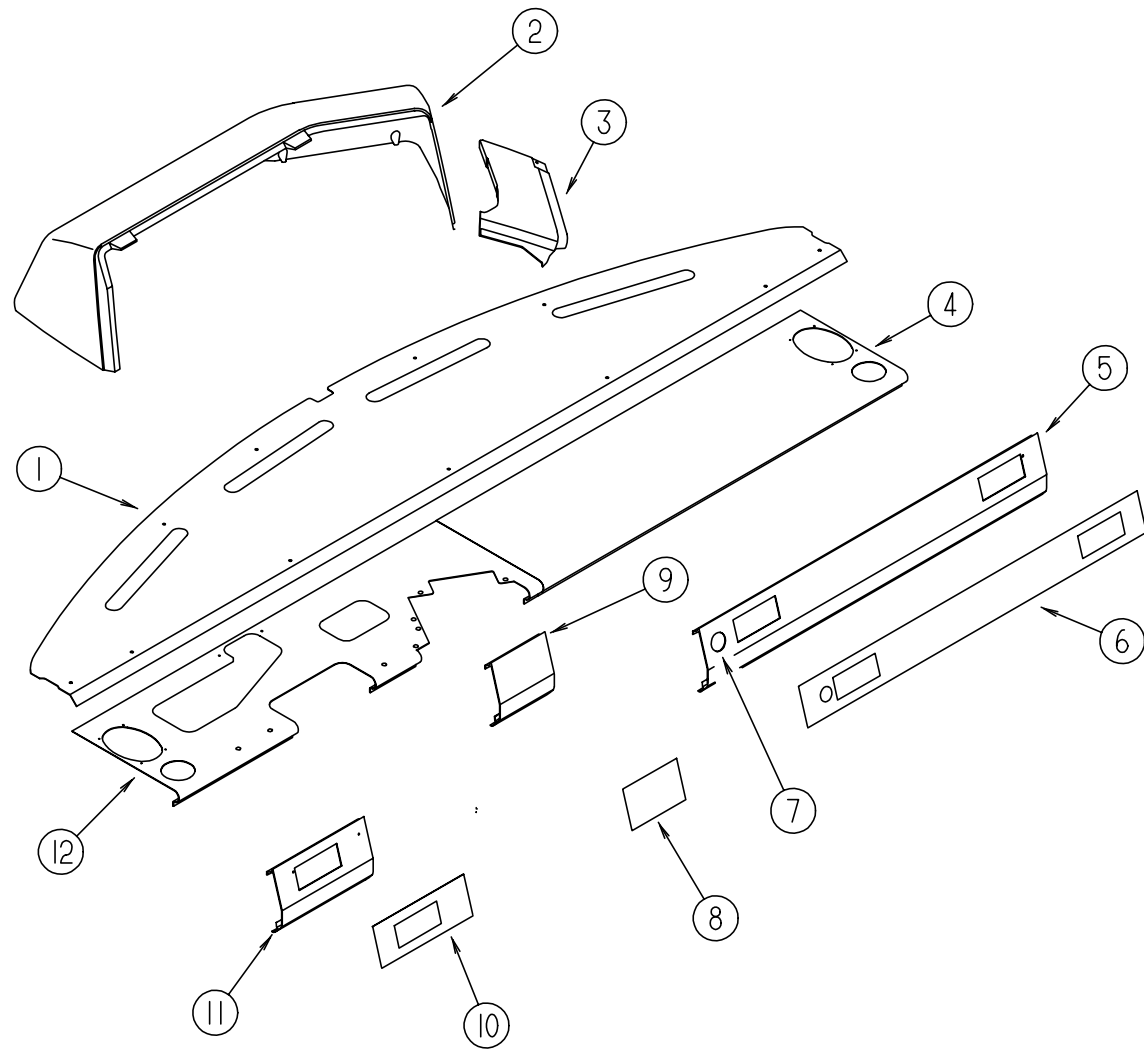
DRIVERS COMPARTMENT GROUP

INSTRUMENT PANEL



KEY	PART NUMBER	U/M	DESCRIPTION
1	107031-07-02A	EA	BEZEL - INSTRUMENT PANEL - FORD
1	107031-10-02A	EA	BEZEL - INSTRUMENT PANEL - FORD (99 CHASSIS)
1	107031-06-02A	EA	BEZEL - INSTRUMENT PANEL - GM
1	107031-09-02A	EA	BEZEL - INSTRUMENT PANEL - GM (99 CHASSIS)
2			HEADLIGHT & DIMMER SWITCHES ARE CHASSIS SUPPLIED
	096674-01-000	EA	NUT - HEADLAMP KNOB - BLACK - FORD
	096675-01-000	EA	KNOB - HEADLAMP - W/SHAFT - FORD
3	108357-06-000	EA	SWITCH - ROCKER DPDT - MOM/OFF/MOM - 6 TERMINAL
	108356-01-02A	EA	COVER/ACTUATOR SWITCH - 3 GROOVES - CONTURA III - TAN
	108355-01-000	EA	HOUSING - SWITCH
4	108357-09-000	EA	SWITCH - ROCKER SPDT - ON/NONE/MOM - 3 TERMINAL
	108356-01-02A	EA	COVER/ACTUATOR SWITCH - 3 GROOVES - CONTURA III - TAN
	108355-01-000	EA	HOUSING - SWITCH
5	108357-08-000	EA	SWITCH - ROCKER DPDT - ON/NONE/ON - 6 TERMINAL
	108356-01-02A	EA	COVER/ACTUATOR SWITCH - 3 GROOVES - CONTURA III - TAN
	108355-01-000	EA	HOUSING - SWITCH
6	N/A	EA	CLUSTER - INSTRUMENT PANEL - US - CSA - GM OBTAIN FROM YOUR LOCAL GM DEALER
6	N/A	EA	CLUSTER - INSTRUMENT PANEL - US - CSA - FORD OBTAIN FROM YOUR LOCAL FORD DEALER
7	108357-10-000	EA	SWITCH - ROCKER SPDT W/LIGHT - MOM/NONE/MOM - 5 TERMINAL
	108356-03-02A	EA	COVER/ACTUATOR SWITCH-3 GROOVES W/LIGHT-CONTURA III-BLACK
	108355-01-000	EA	HOUSING - SWITCH
8	108357-01-000	EA	SWITCH - ROCKER SPST - ON/OFF - 2 TERMINAL
8	096241-08-000	EA	SWITCH - BLANK - HAMPTON TAN
	108356-01-02A	EA	COVER/ACTUATOR SWITCH - 3 GROOVES - CONTURA III - TAN
	108355-01-000	EA	HOUSING - SWITCH
9	108357-03-000	EA	SWITCH - ROCKER SPDT - ON/OFF/ON - 3 TERMINAL
9	096241-08-000	EA	SWITCH - BLANK - HAMPTON TAN
	108356-01-02A	EA	COVER/ACTUATOR SWITCH - 3 GROOVES - CONTURA III - TAN
	108355-01-000	EA	HOUSING - SWITCH
10	111337-01-01A	EA	POCKET - INSTRUMENT PANEL - UPPER RIGHT
	096776-02-000	EA	BOX - CASSETTE - 4 TAPE HOLDER
11	089294-01-000	EA	LIGHTER - CIGARETTE - W/SOCKET & WIRE
12	104056-20-02A	EA	APPLIQUE - BEZEL - UPPER/RIGHT HAND - 6 SWITCH
13	104056-14-02A	EA	APPLIQUE - BEZEL - LOWER/RIGHT/WING
14	104056-28-02A	EA	APPLIQUE - BEZEL - LOWER/RIGHT HAND - PARK AND LEVEL
15	104056-09-02A	EA	APPLIQUE - BEZEL - LOWER/LEFT HAND
16	104056-10-02A	EA	APPLIQUE - BEZEL - LOWER/LEFT HAND - PARK AND LEVEL
17	104056-29-01A	EA	APPLIQUE - BEZEL - LOWER/LEFT HAND - PARK AND LEVEL
18	104056-25-02A	EA	APPLIQUE - BEZEL - SWITCH - DRIVER - GM
19	104056-27-02A	EA	APPLIQUE - BEZEL - SWITCH - FORD
20	108357-07-000	EA	SWITCH - ROCKER SPDT - MOM/OFF/MOM - 3 TERMINAL
	108356-01-02A	EA	COVER/ACTUATOR SWITCH - 3 GROOVES - CONTURA III - TAN
	108355-01-000	EA	HOUSING - SWITCH
21	108357-05-000	EA	SWITCH - ROCKER SPDT - ON/NONE/ON - 3 TERMINAL
	108356-01-02A	EA	COVER/ACTUATOR SWITCH - 3 GROOVES - CONTURA III - TAN
	108355-01-000	EA	HOUSING - SWITCH
22	104056-11-02A	EA	APPLIQUE - BEZEL - LOWER/RIGHT HAND
	100138-01-000	EA	MODULE - DAYTIME/RUNNING LIGHT
	103603-01-000	EA	BULB - 12 VOLT - #74 - .12A WEDGE - GE 22-25 USED IN DASH

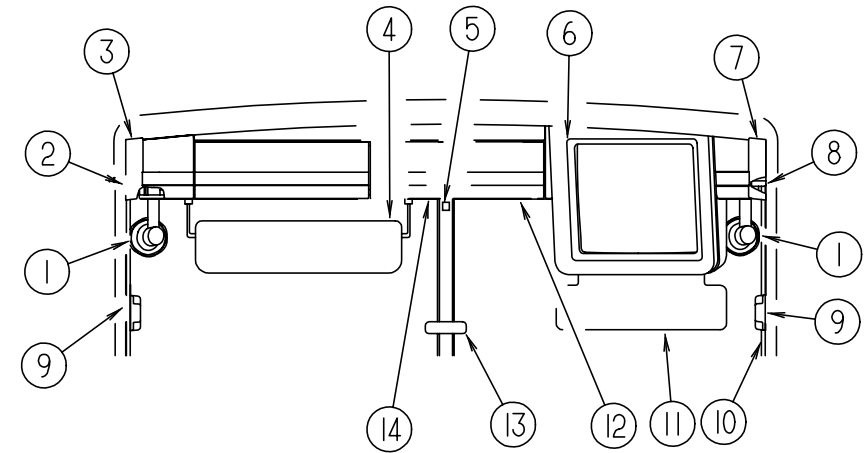
DRIVERS COMPARTMENT GROUP (CONTINUED)



DASH PANELS

KEY	PART NUMBER	U/M	DESCRIPTION
1	P18164-01-000	EA	DASH - W/O VINYL
	106569-09-01A	EA	VINYL - LAMINATE - MADRID - HAMPTON TAN - 1/4" X 25" X 100"
	077539-01-000	EA	BRACKET - MOUNTING/DASH PANEL - L/SHAPED - 2.5" X 1" X 1.5"
2	118256-01-01A	EA	POD - INSTRUMENT PANEL - HAMPTON TAN
2	118256-02-01A	EA	POD - INSTRUMENT PANEL - HAMPTON TAN - W/REAR MONITOR
3	118292-01-01A	EA	POD - LOWER DASH - HAMPTON TAN
4	112297-02-000	EA	PANEL - DASH - BOTTOM
5	117991-01-01A	EA	EXTENSION - DASH - PASSENGER/LOWER
5	118024-01-01A	EA	TRIM - DASH - PASSENGER - LOWER
6	118377-01-02A	EA	APPLIQUE - LOWER DASH - PASSENGER
6	120059-01-01A	EA	DECAL - VECTRA - GRAND TOUR - DASH - CENTERED ON APPLIQUE
7	111414-01-000	EA	RECEPTACLE - 12V - W/O BIMETAL
8	118377-02-01A	EA	APPLIQUE - LOWER DASH - DRIVER (FORD)
8	118377-03-02A	EA	APPLIQUE - LOWER DASH - DRIVER (GM)
9	117991-02-01A	EA	EXTENSION - DASH - DRIVER - LOWER/RIGHT HAND (FORD)
9	118024-02-01A	EA	TRIM - DASH - DRIVER - LOWER/RIGHT HAND (FORD)
9	117991-04-01A	EA	EXTENSION - DASH - DRIVER - LOWER/RIGHT HAND (GM)
9	118024-04-01A	EA	TRIM - DASH - DRIVER - LOWER/RIGHT HAND (GM)
10	118377-04-02A	EA	APPLIQUE - LOWER DASH - DRIVER - FORD
10	118377-06-04A	EA	APPLIQUE - LOWER DASH - GM/SPARTON/OSH GOSH
11	117991-03-01A	EA	EXTENSION - DASH - DRIVER - LOWER/LEFT HAND (FORD)
11	118024-03-01A	EA	TRIM - DASH - DRIVER - LOWER/LEFT HAND (FORD)
11	117991-05-01A	EA	EXTENSION - DASH - DRIVER - LOWER/LEFT HAND (GM)
11	118024-05-01A	EA	TRIM - DASH - DRIVER - LOWER/LEFT HAND (GM)
12	112296-04-000	EA	PANEL - DASH - BOTTOM
	077031-01-000	EA	FILM - BLACK - 1" X 1.75"
	077031-03-000	EA	FILM - WHITE - .75" X 1.00"
	077031-04-000	EA	FILM - 1" X 1.74" - INSTRUMENT PANEL

DRIVERS COMPARTMENT GROUP (CONTINUED)

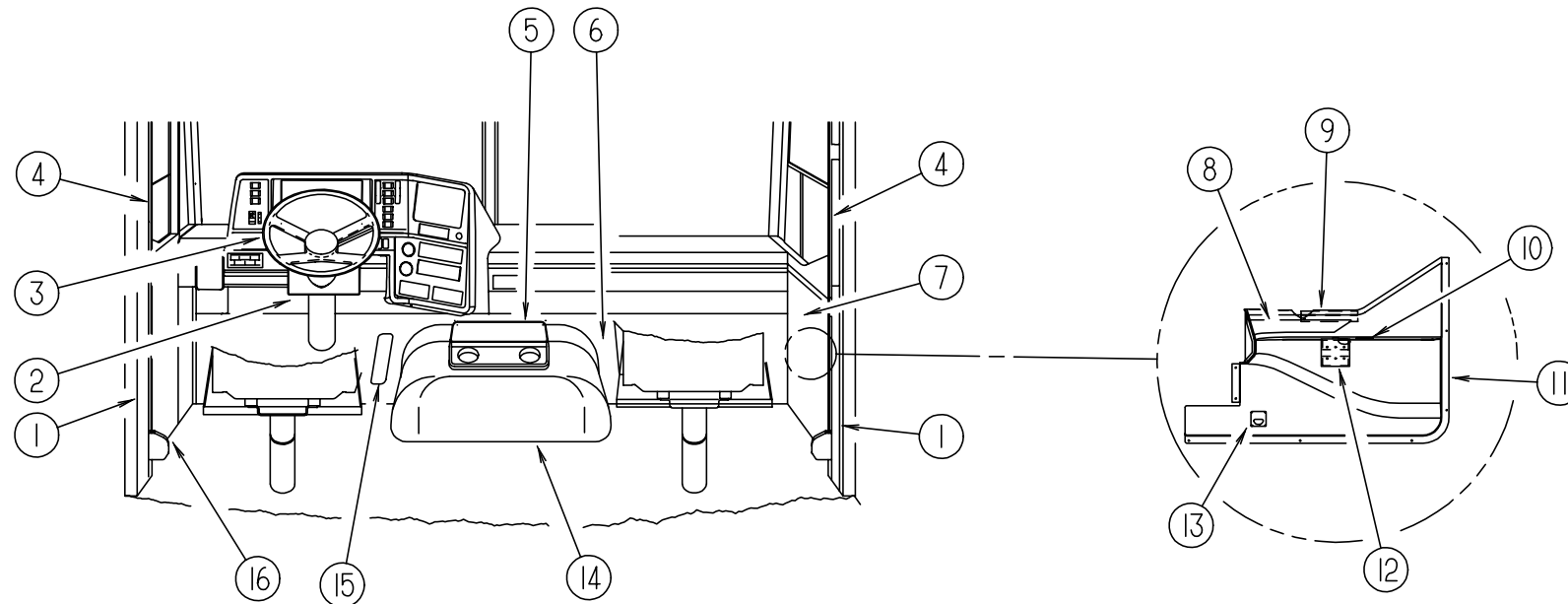


UPPER DRIVERS COMPARTMENT

KEY	PART NUMBER	U/M	DESCRIPTION	VENDOR NO.
1	122856-01-01A	EA	FAN - DEFROSTER - 2 SPEED W/SWIVEL BASE - CHROME	
2	118138-02-H56	EA	PANEL - HEADLINER	
3	118466-02-01A	EA	PANEL - TRIM UPPER SIDE	
4	123298-02-03A	EA	SUNVISOR - DRIVER - 10.5" X 28.5"	
5	118452-01-01A	EA	TRIM - CENTER WINDSHIELD	
6	116734-08-01A	EA	COVER - TV - OVERHEAD FRONT RIGHT HAND - HAMPTON TAN	
7	118466-01-01A	EA	PANEL - TRIM UPPER SIDE	
8	118693-02-J70	EA	PANEL - HEADLINER - RH	
9	103961-03-01A	EA	COVER - BRACKET - SEATBELT/OFF WHITE - F/DRVRS DOOR OPTION	
	091990-04-01A	EA	SEAT BELT/SHOULDER HARNESS - DRIVERS/PASSENGER - BLACK	FROM: 00-00-00 THRU: 07-29-97
	091990-05-01A	EA	SEAT BELT/SHOULDER HARNESS - DRIVERS/PASSENGER - BLACK	FROM: 07-30-97 THRU: 99-99-99
	091990-01-701	EA	EXTENDER 9" FOR A8408 3 PT	I-1331-02
	109146-01-000	EA	BOLT - SHOULDER/SEAT BELT	
10	118431-01-01A	EA	TRIM - A-PILLAR - INTERIOR/PASSENGER	
10	118431-02-01A	EA	TRIM - A-PILLAR - INTERIOR/DRIVER	
11	123450-01-01A	EA	SUNVISOR - W/PULLOUTS - PASSENGER	
12	118453-01-01A	EA	TRIM - WINDSHIELD - INTERIOR - TOP/PASSENGER	
13	040714-01-000	EA	MIRROR - REAR VIEW/ARM MOUNT & SET SCREW	
	067490-01-000	EA	BUTTON - MIRROR/REAR VIEW	
14	118453-02-01A	EA	TRIM - WINDSHIELD - INTERIOR - TOP/DRIVER	

DRIVERS COMPARTMENT GROUP (CONTINUED)

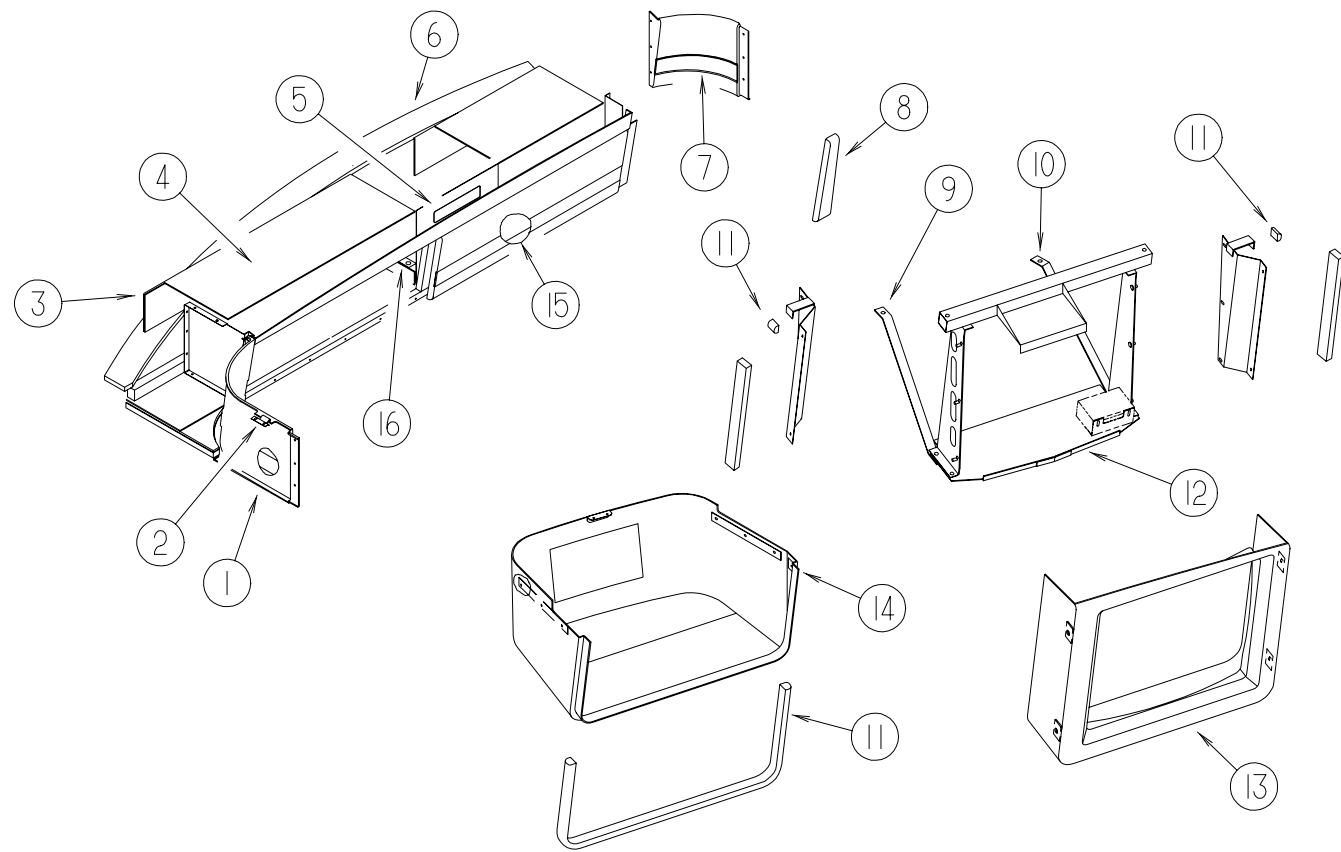
LOWER DRIVERS COMPARTMENT



KEY	PART NUMBER	U/M DESCRIPTION
1	024700-44-000	EA COVER - ROLL BAR - 53" - LOWER - DRIVER/PASSENGER FROM: 00-00-00 THRU: 07-29-97
1	024700-56-000	EA COVER - ROLL BAR - SIDEWALL - 19.1" OFF WHITE FROM: 07-30-97 THRU: 99-99-99
1	024700-57-000	EA COVER - ROLL BAR - SIDEWALL - 8.5" - OFF WHITE FROM: 07-30-97 THRU: 99-99-99
1	024700-58-000	EA COVER - ROLL BAR - SIDEWALL - 16.5" - OFF WHITE FROM: 07-30-97 THRU: 99-99-99
2	109832-03-01A	EA COVER - STEERING COLUMN - CHEVY
	110002-02-000	EA PATCH - COLUMN - Q-SERIES - 4.25" X 7.5"
2	103498-09-000	EA BOOT - STEERING COLUMN - W/1/2 CIRCLE
2	112832-01-01A	EA COVER - STEERING COLUMN - LOWER (FORD)
2	117709-01-01A	EA COVER - STEERING COMUMN - UPPER (FORD)
3	120340-01-01A	EA WHEEL - STEERING - LEATHER/CHEVY
4	024700-55-000	EA COVER - ROLL BAR - SIDEWALL - 15" OFF WHITE FROM: 00-00-00 THRU: 07-29-97
4	024700-57-000	EA COVER - ROLL BAR - SIDEWALL - 8.5" - OFF WHITE FROM: 07-30-97 THRU: 99-99-99
4	024700-59-000	EA COVER - ROLL BAR - SIDEWALL - 44.1" - OFF WHITE FROM: 07-30-97 THRU: 99-99-99
5	M06889-02-GV0	EA TRAY - BEVERAGE - ABS PLASTIC
5	122681-01-H50	EA LID - BEVERAGE COMPARTMENT
6	095757-06-H58	EA COVER - HEATER (J70,J71)
6	095757-06-H60	EA COVER - HEATER (J72,J73,J74,J75)
6	095757-06-J76	EA COVER - HEATER (J76,J77)
7	P18720-01-000	EA PANEL - INNER - CAB/PASSENGER
8	118377-07-01A	EA APPLIQUE - LOWER DASH - RIGHT HAND/INNER PANEL
9	106105-02-000	EA CLIP - VALANCE/RETAINING

KEY	PART NUMBER	U/M DESCRIPTION
10	118719-01-01A	EA ASHTRAY - TOP MOUNT - BLACK PLASTIC
11	118287-01-01A	EA PANEL - TRIM - INNER/PASSENGER
12	118718-01-01A	EA HOLDER - COLLAPSIBLE MUG/DRINK - BLACK PLASTIC
13	108354-01-01A	EA LIGHT - COURTESY
14	115840-01-01A	EA COVER - MOTOR - W/O CARPET
14	115840-02-01A	EA COVER - MOTOR - W/O CARPET - CHEVY
	115860-01-01A	EA TRIM - MOTOR COVER
	115850-01-02B	EA RETAINER - LATCH - MOTOR COVER - RIGHT HAND - E-COAT
	115850-02-02B	EA RETAINER - LATCH - MOTOR COVER - LEFT HAND - E-COAT
	116581-01-000	EA LATCH - MOTOR COVER
	115852-01-02B	EA STRIKE ASM-MOTOR COVER, E-COAT
	116833-01-02B	EA WRENCH - HEX MOTOR COVER - E-COATED
15	116993-01-01A	EA COVER - PEDALS - BLACK
16	118654-01-01A	EA PANEL - TOEKICK - DRIVER

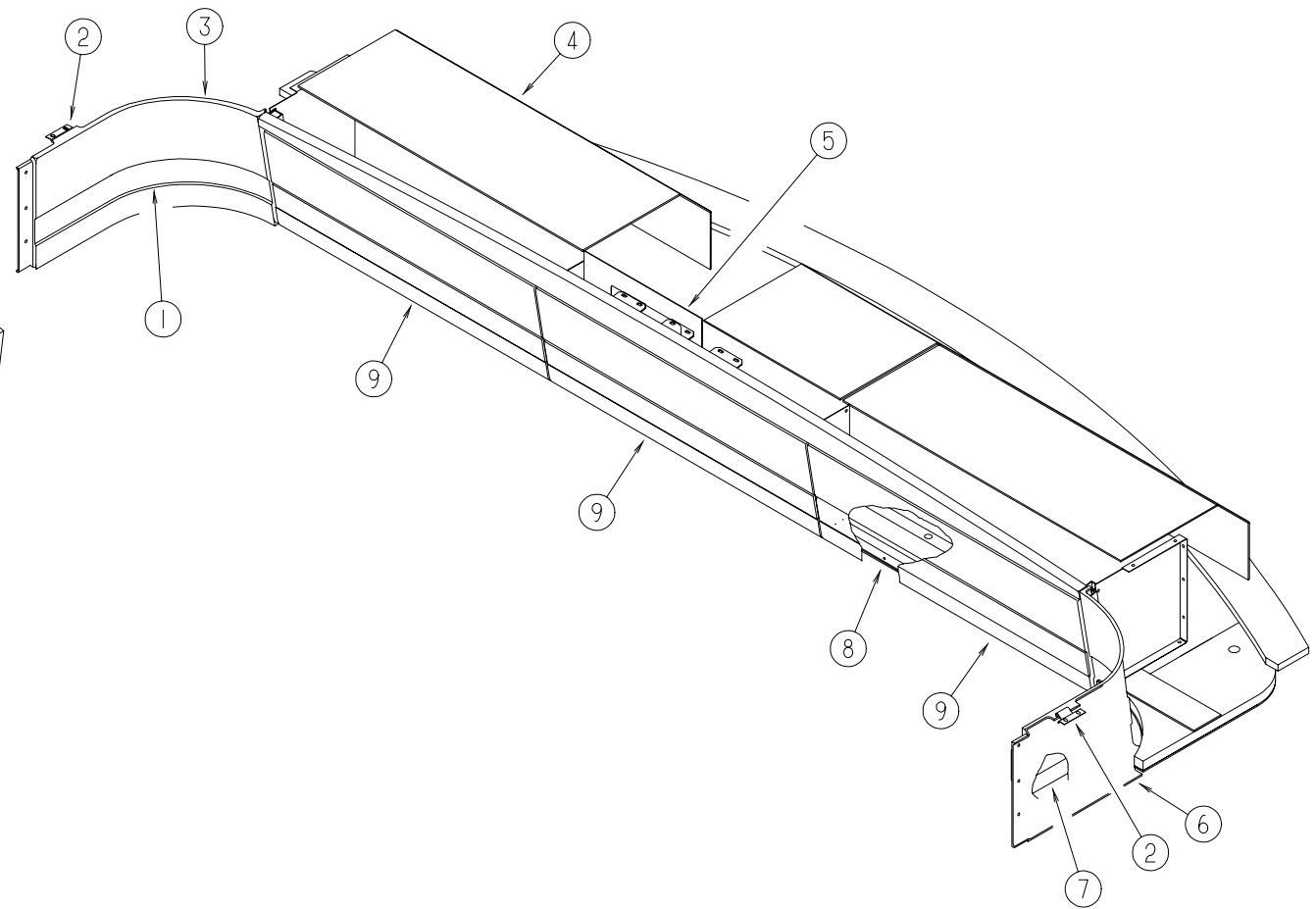
DRIVERS COMPARTMENT GROUP (CONTINUED)



OVERHEAD TV & VCR CABINETS

KEY	PART NUMBER	U/M	DESCRIPTION
1	118465-02-01A	EA	PANEL - TRIM - UPPER/CORNER LEFT HAND W/O INSERT
2	073050-03-000	EA	MOUNTING CLIP - VALANCE PANEL
3	118836-02-H56	EA	PANEL - BACK - VINYL COVERED
4	118215-02-H56	EA	PANEL - TOP - VINYL COVERED
5	118208-05-H56	EA	PANEL - VINYL COVERED (STANDARD TV)
5	118208-06-H56	EA	PANEL - VINYL COVERED (W/VCR)
5	118208-08-H56	EA	PANEL - VINYL COVERED (W/CONVERTER)
5	118208-09-H56	EA	PANEL - VINYL COVERED (W/CONVERTER & VCR)
6	118305-02-J70	EA	CABINET - OVERHEAD/FRONT - W/O DOORS/HARDWARE (WASHED MAPLE)
6	118305-02-J71	EA	CABINET - OVERHEAD/FRONT - W/O DOORS/HARDWARE (SALEM CHERRY)
7	118852-02-01A	EA	PANEL - TRIM - INSERT/PASSENGER
8	120485-02-01A	EA	PANEL - TRIM - TRANSITION - TV
9	124090-01-02B	EA	SUPPORT - SHELF - TV
10	124090-01-02B	EA	SUPPORT - SHELF - TV
11	112160-02-000	FT	SEAL - D SECTION - .2 X .3" - FOAM RUBBER
12	116747-07-02B	EA	SHELF - TV - W/O HARDWARE
13	116734-08-01A	EA	COVER - TV - OVERHEAD/FRONT RIGHT HAND - HAMPTON TAN
14	118566-06-01A	EA	COVER - TV - OVERHEAD/LOWER RIGHT HAND - HAMPTON TAN
15	118836-03-H56	EA	PANEL - BACK - VINYL COVERED
16	118835-01-H56	EA	PANEL - RIGHT HAND - VINYL COVERED

DRIVERS COMPARTMENT GROUP (CONTINUED)

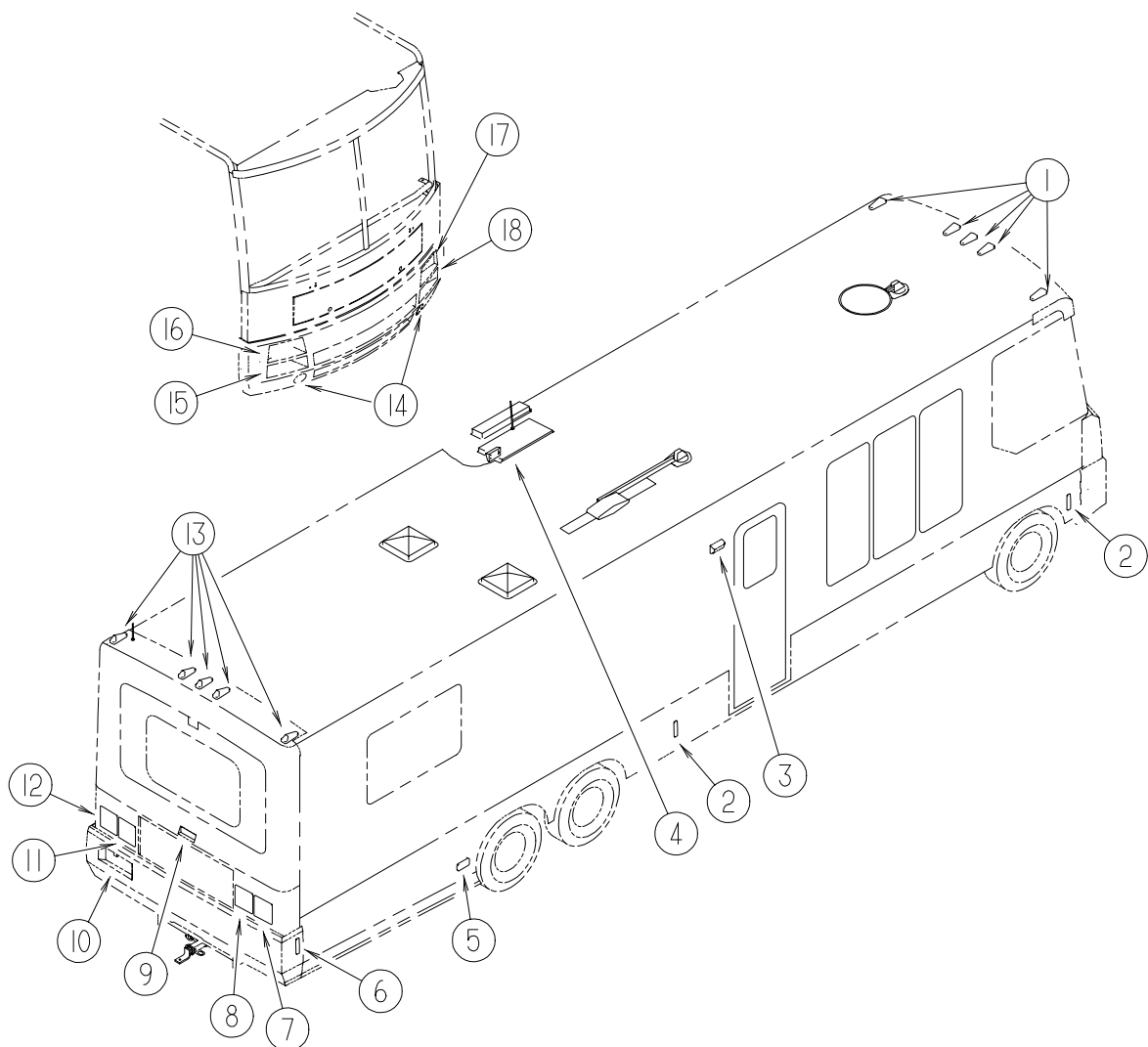


OVERHEAD CABINETS W/ENTERTAINMENT OPTION

KEY	PART NUMBER	U/M	DESCRIPTION
1	118465-02-01A	EA	PANEL - TRIM - UPPER/CORNER LEFT HAND W/O INSERT
2	073050-03-000	EA	MOUNTING CLIP - VALANCE PANEL
3	P18465-02-GV0	EA	PANEL - TRIM - UPPER/CORNER LEFT HAND W/INSERT
4	118215-02-H56	EA	PANEL - TOP - VINYL COVERED (W/O SATELLITE DISH)
4	118836-02-H56	EA	PANEL - TOP - VINYL COVERED (W/SATELLITE DISH)
5	118208-05-H56	EA	PANEL - VINYL COVERED (STANDARD TV)
5	118208-06-H56	EA	PANEL - VINYL COVERED (W/VCR)
6	P18465-01-GV0	EA	PANEL - TRIM - UPPER/CORNER RIGHT HAND W/INSERT
7	118465-01-01A	EA	PANEL - TRIM - UPPER/CORNER RIGHT HAND W/O INSERT
8	118836-04-H56	EA	PANEL - VINYL COVERED
9	118898-02-H56	EA	DOOR - PANEL - OVERHEAD CABINET - W/O HARDWARE

ELECTRICAL GROUP

EXTERIOR LIGHTS

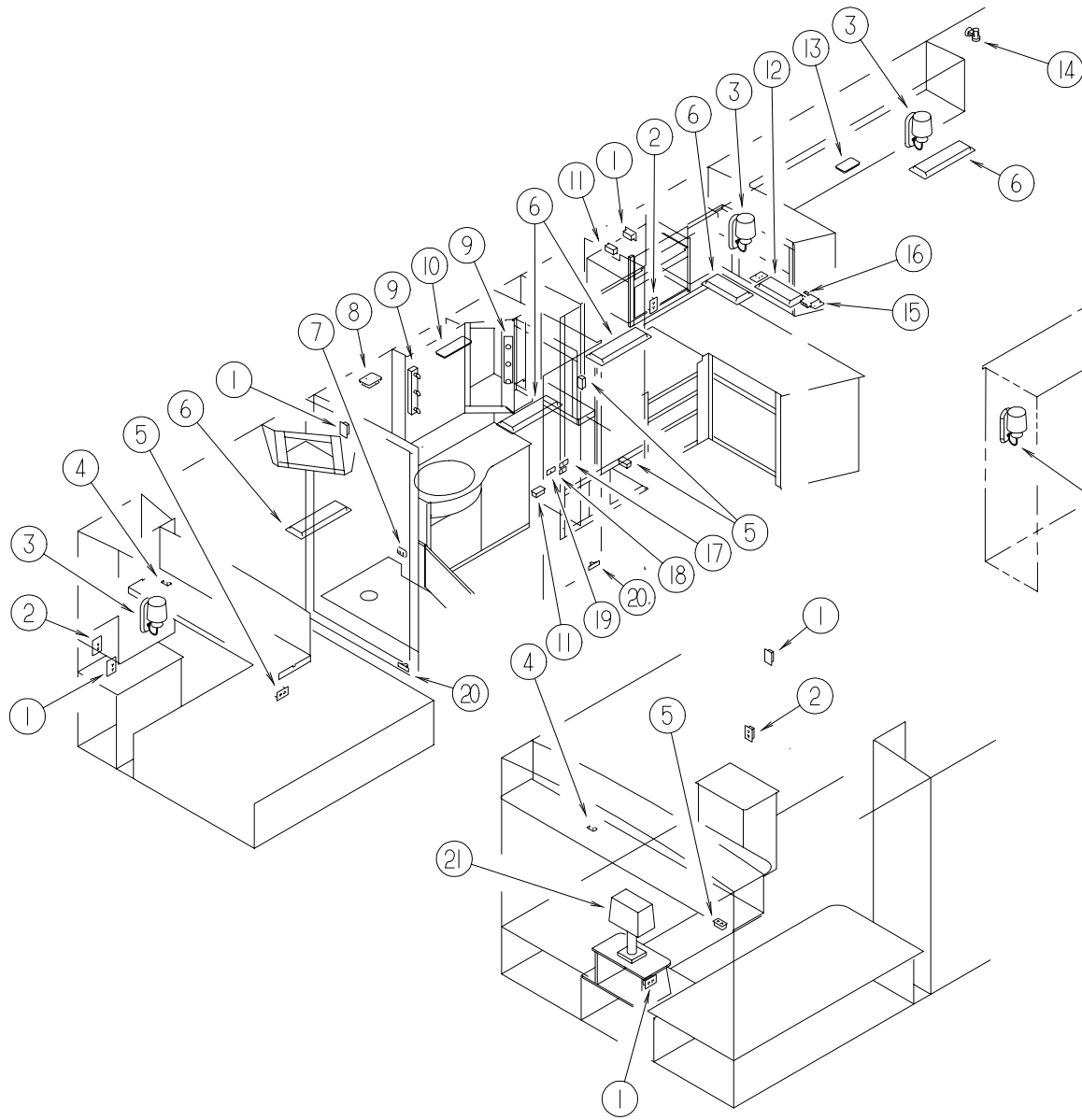


KEY	PART NUMBER	U/M DESCRIPTION	VENDOR NO.
1	107749-01-000	EA LIGHT - CAB MARKER - AMBER	30-78-021
	036196-01-000	EA BULB - 12 VOLT - #194 - .27 AMP - BAYONETTE	
	037934-01-000	EA BULB - 12V - #1156 - 2.1 AMP CLEAR GLASS	
2	117826-02-000	EA SIDE MARKER LAMP ASSEMBLY - AMBER	30-78-021
	036196-01-000	EA BULB - 12 VOLT - #194 - .27 AMP - BAYONETTE	
	067789-02-000	EA SOCKET - LAMP	
	117826-03-000	EA GASKET - MARKER LIGHT	
3	097917-01-06A	EA LIGHT - PORCH - BRIGHT WHITE	30-78-021
	008215-01-000	EA BULB - 12 VOLT - #1003 - .94 AMP	
	058028-01-000	EA CONNECTOR - ELECTRICAL PIGTAIL - NYLON - CLEAR	
	097917-01-700	EA LENS - LIGHT - CLEAR	
	008089-02-000	EA LIGHT - PORCH - RECESSED - CANADIAN	
3	008214-01-000	EA BULB - 12 VOLT NO 67 - 0.59 AMP	30-78-021
	058028-01-000	EA CONNECTOR - ELECTRICAL PIGTAIL - NYLON - CLEAR	
	008089-01-700	EA LENS - LIGHT - RECESSED - PORCH	
	091981-01-000	EA GASKET - PORCH LIGHT	
	115504-01-000	EA PANEL - SOLAR 10 WATT	
4	115504-01-700	EA PLUG & CABLE - 10 WATT PANEL	600-016
	115505-01-000	EA LIGHT - MONITOR/SOLAR PANEL - RED LED INDICATOR	
	037934-01-000	EA BULB - 12V - #1156 - 2.1 AMP CLEAR GLASS	

KEY	PART NUMBER	U/M DESCRIPTION
6	117826-01-000	EA SIDE MARKER LAMP ASSEMBLY - RED
	036196-01-000	EA BULB - 12 VOLT - #194 - .27 AMP - BAYONETTE
	067789-02-000	EA SOCKET - LAMP
	117826-03-000	EA GASKET - MARKER LIGHT
7	117831-01-000	EA LAMP - STOP/TURN/TAILO/BACKUP
	106687-01-000	EA SOCKET - LIGHT - 2-WIRE
	106687-02-000	EA SOCKET - LIGHT - 3-WIRE
	067789-02-000	EA SOCKET - LAMP
	119157-01-000	EA SOCKET - SINGLE CONTACT
	119158-01-000	EA SOCKET - DOUBLE CONTACT
	037934-01-000	EA BULB - 12V - #1156 - 2.1 AMP CLEAR GLASS
	037935-01-000	EA BULB - 12V - #1157 OR #2057 - 2.1 AMP - CLEAR GLASS
8	117831-03-000	EA LAMP - TURN - AMBER RIGHT HAND
	106687-01-000	EA SOCKET - LIGHT - 2-WIRE
	106687-02-000	EA SOCKET - LIGHT - 3-WIRE
	067789-02-000	EA SOCKET - LAMP
	119157-01-000	EA SOCKET - SINGLE CONTACT
	119158-01-000	EA SOCKET - DOUBLE CONTACT
	037935-01-000	EA BULB - 12V - #1157 OR #2057 - 2.1 AMP - CLEAR GLASS
	106688-03-000	EA LIGHT - RED STOP/TURN (LENS/BACK PAN)
9	037934-01-000	EA BULB - 12V - #1156 - 2.1 AMP CLEAR GLASS
	107221-06-01A	EA COVER - LATCH - VALANCE DR., BLK
	107221-06-01A	EA COVER - LATCH - VALANCE DR., BLK
10	087201-01-000	EA LIGHT - HALF ROUND - 1" X 1.7" - PLASTIC - BLACK
	087201-01-000	EA LIGHT - HALF ROUND - 1" X 1.7" - PLASTIC - BLACK
11	117831-04-000	EA LAMP - TURN - AMBER LEFT HAND
	106687-01-000	EA SOCKET - LIGHT - 2-WIRE
	106687-02-000	EA SOCKET - LIGHT - 3-WIRE
	067789-02-000	EA SOCKET - LAMP
	119157-01-000	EA SOCKET - SINGLE CONTACT
	119158-01-000	EA SOCKET - DOUBLE CONTACT
	037935-01-000	EA BULB - 12V - #1157 OR #2057 - 2.1 AMP - CLEAR GLASS
	117831-02-000	EA LAMP - STOP/TURN/TAILO/BACKUP
12	106687-01-000	EA SOCKET - LIGHT - 2-WIRE
	106687-02-000	EA SOCKET - LIGHT - 3-WIRE
	067789-02-000	EA SOCKET - LAMP
	119157-01-000	EA SOCKET - SINGLE CONTACT
	119158-01-000	EA SOCKET - DOUBLE CONTACT
	037934-01-000	EA BULB - 12V - #1156 - 2.1 AMP CLEAR GLASS
	037935-01-000	EA BULB - 12V - #1157 OR #2057 - 2.1 AMP - CLEAR GLASS
	107749-02-000	EA LIGHT - CAB MARKER - RED
13	036196-01-000	EA BULB - 12 VOLT - #194 - .27 AMP - BAYONETTE
	036196-01-000	EA BULB - 12 VOLT - #194 - .27 AMP - BAYONETTE
14	117827-01-000	EA LAMP - FOG - CLEAR LENS - RED
	117827-01-000	EA LAMP - FOG - CLEAR LENS - RED
15	113294-03-000	EA LAMP - PARK/TURN - AMBER - RIGHT HAND
	037935-01-000	EA BULB - 12V - #1157 OR #2057 - 2.1 AMP - CLEAR GLASS
16	118056-01-000	EA HEADLAMP ASSEMBLY - RIGHT HAND - (PASSENGER SIDE)
	118054-01-000	EA BULB-HEADLAMP REPLACEMENT-#9004 G.E.,SYLVANIA,WESTINGHOUSE
	088758-01-000	EA HOUSING - HEADLAMP - CONNECTOR TERMINAL W/3 WIRES
17	118056-02-000	EA HEADLAMP ASSEMBLY - LEFT HAND (DRIVERS)
	118054-01-000	EA BULB-HEADLAMP REPLACEMENT-#9004 G.E.,SYLVANIA,WESTINGHOUSE
	088758-01-000	EA HOUSING - HEADLAMP - CONNECTOR TERMINAL W/3 WIRES
18	113294-04-000	EA LAMP - PARK/TURN - AMBER - LEFT HAND
	037935-01-000	EA BULB - 12V - #1157 OR #2057 - 2.1 AMP - CLEAR GLASS

ELECTRICAL GROUP (CONTINUED)

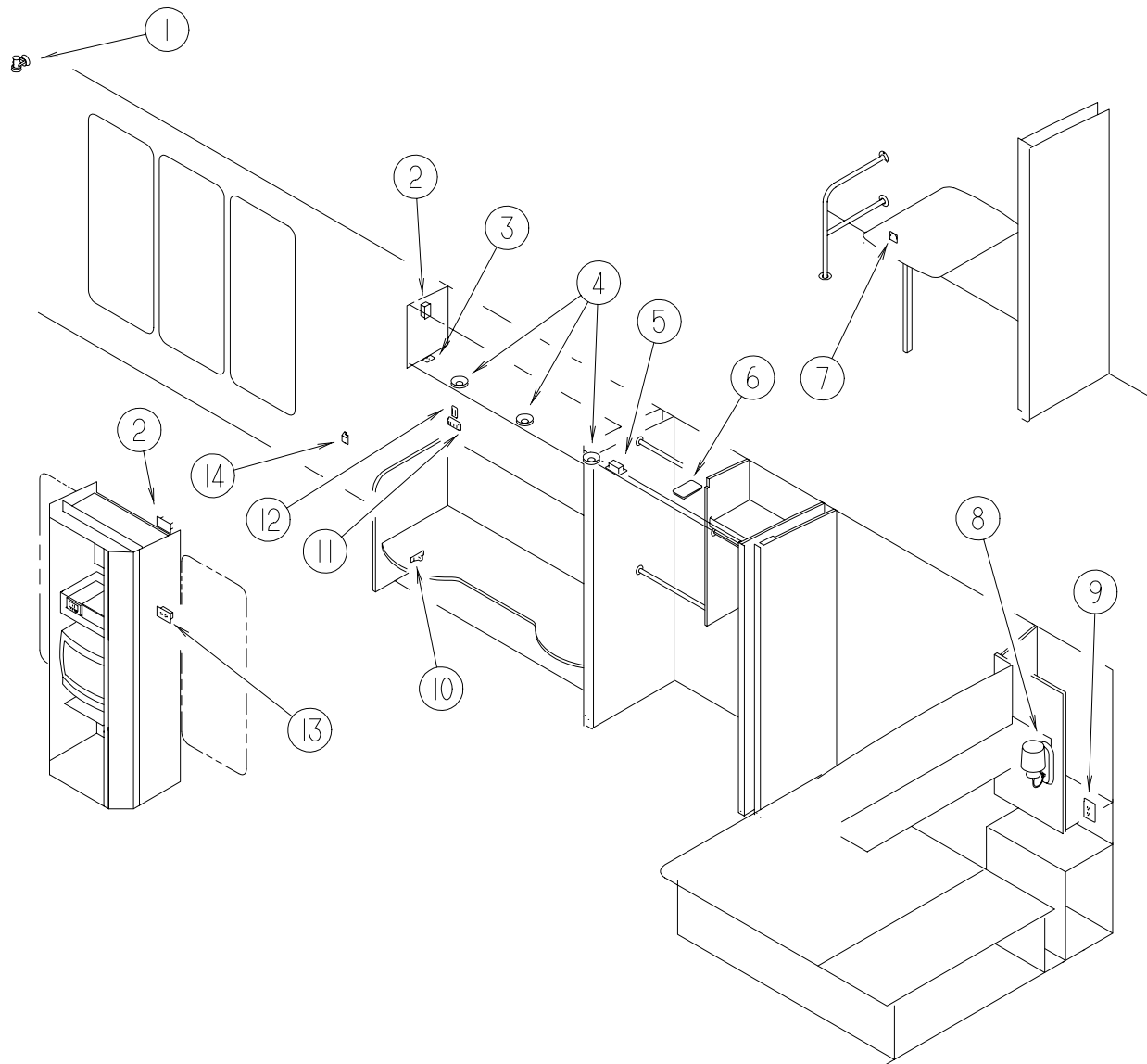
DRIVER SIDE LIGHTS, SWITCHES & RECEPTACLES



KEY	PART NUMBER	U/M	DESCRIPTION	VENDOR NO.
1	058708-01-000	EA	RECEPTACLE - ELECTRIC - DOUBLE - BROWN	
2	058708-02-000	EA	RECEPTACLE - ELECTRIC - DOUBLE - IVORY	
	102568-01-J70	EA	SPACER - RECEPTACLE - SIDEWALL (WASHED MAPLE)	
	102568-01-E41	EA	SPACER - RECEPTACLE - SIDEWALL (SALEM CHERRY)	
3	119258-01-01A	EA	LAMP - WALL	
	119258-01-700	EA	FINEAL	12-0322
	067479-01-000	EA	BULB - 12 VOLT - #1076 - 1.80 AMP	
	119257-01-01A	EA	SHADE - LAMP - POTPOUM (J70,J71)	
	065201-17-000	EA	SHADE - LAMP - SAHARA SUNRISE (J72,J73,J74,J75,J76,J77)	
4	098351-07-01A	EA	PLATE - SWITCH - GENERATOR - POLISHED BRASS	
4	108357-10-000	EA	SWITCH - ROCKER SPDT W/LIGHT - MOM/NONE/MOM - 5 TERMINAL	
4	108356-05-01A	EA	COVER/ACTUATOR SWITCH-3 GROOVES W/LENS-GEN SET-CONTURA III	
4	095188-01-01A	EA	SPACER - SWITCH - 2.3" X 3.4" - PLASTIC - DARK BROWN	
5	058707-01-000	EA	RECEPTACLE - ELECTRIC - DOUBLE - BROWN	
6	098024-03-02A	EA	LIGHT - DOME - 2 BULB - WHITE	
	008218-01-000	EA	BULB - DOME LIGHT - 12 VOLT - NO. 1141	
	098024-01-700	EA	LENS - LIGHT	807877
6	091937-05-000	EA	LIGHT - FLUORESCENT - 12V/16 WATT - 15" LONG - THIN LITE	
	091937-05-701	EA	LENS - LIGHT - FLUORESCENT	D-732
7	079364-02-000	EA	SWITCH - ON/OFF ROCKER - 3 TERMINAL - BLACK	
7	079364-01-000	EA	SWITCH - ON/OFF ROCKER - 2 TERMINAL - BROWN	
	098351-03-01A	EA	PLATE - SWITCH - 3 GANG POLISHED BRASS	
	095188-02-01A	EA	SPACER - SWITCH - 2.3" X 4.1" - PLASTIC - DARK BROWN	
8	121935-01-01A	EA	LIGHT - DOME - SHOWER	
9	110235-01-01A	EA	LIGHT - MAKE UP - 3 BULB	
	081633-01-700	EA	BULB - LIGHT - MAKE-UP	RP1041
10	098024-03-02A	EA	LIGHT - DOME - 2 BULB - WHITE	
	008218-01-000	EA	BULB - DOME LIGHT - 12 VOLT - NO. 1141	
	098024-01-700	EA	LENS - LIGHT	807877
11	058707-02-000	EA	RECEPTACLE - BLANK JUNCTION BOX	
12	091937-05-000	EA	LIGHT - FLUORESCENT - 12V/16 WATT - 15" LONG - THIN LITE	
	091937-05-701	EA	LENS - LIGHT - FLUORESCENT	D-732
13	098024-05-02A	EA	LIGHT - DOME - 1 BULB - SKYLITE - WHITE	
	008218-01-000	EA	BULB - DOME LIGHT - 12 VOLT - NO. 1141	
	098024-01-701	EA	LENS - OPTI CLEAR - SKYLITE	809902
14	104173-01-01A	EA	LIGHT - DESIGNER - BRASS (US)	
	104173-01-700	EA	BULB	81900
14	104172-01-01A	EA	LIGHT - BULLET - BULB #93 12V (CSA)	
15	084076-02-000	EA	RECEPTACLE - GFI - 15 AMP - 125 VOLT - BROWN	
16	079364-02-000	EA	SWITCH - ON/OFF ROCKER - 3 TERMINAL - BLACK	
17	079364-03-000	EA	SWITCH - ON/OFF ROCKER - 3 TERMINAL - BROWN	
18	079364-01-000	EA	SWITCH - ON/OFF ROCKER - 2 TERMINAL - BROWN	
18	079364-03-000	EA	SWITCH - ON/OFF ROCKER - 3 TERMINAL - BROWN	
19	109294-01-01A	EA	SWITCH PANEL - W/SWITCHES - VENT FAN	
	095188-02-01A	EA	SPACER - SWITCH - 2.3" X 4.1" - PLASTIC - DARK BROWN	
20	061424-01-000	EA	LIGHT - AISLE - 12 VOLT - RECTANGULAR	
	008103-01-000	EA	BULB - DASH/AISLE LIGHT - #53 - 12 VOLT - .12 AMP	
21	082686-11-000	EA	LAMP-TABLE, BRASS	
	065201-11-000	EA	SHADE - LAMP - FABRIC - WHITE SWIRL	

ELECTRICAL GROUP (CONTINUED)

PASSENGER SIDE LIGHTS, SWITCHES & RECEPTACLES



KEY	PART NUMBER	U/M	DESCRIPTION	VENDOR NO.
1	104173-01-01A	EA	LIGHT - DESIGNER - BRASS (US)	
	104173-01-700	EA	BULB	81900
1	104172-01-01A	EA	LIGHT - BULLET - BULB #93 12V (CSA)	
2	058707-02-000	EA	RECEPTACLE - BLANK JUNCTION BOX	
3	079364-01-000	EA	SWITCH - ON/OFF ROCKER - 2 TERMINAL - BROWN	
	098351-01-01A	EA	PLATE - SWITCH - 1 GANG POLISHED BRASS	
4	123775-01-01A	EA	LIGHT - HALOGEN - ROUND	
	123775-01-700	EA	BULB - 10 WATT - HALOGEN	71-JC10
5	058707-01-000	EA	RECEPTACLE - ELECTRIC - DOUBLE - BROWN	
6	098024-01-03A	EA	LIGHT - DOME - 1 BULB - WHITE	
	008218-01-000	EA	BULB - DOME LIGHT - 12 VOLT - NO. 1141	
	098024-01-700	EA	LENS - LIGHT	807877
7	108354-01-01A	EA	LIGHT - COURTESY	
	108354-01-700	EA	BULB - COURTESY LIGHT	395-B
8	119258-01-01A	EA	LAMP - WALL	
	119258-01-700	EA	FINEAL	12-0322
	067479-01-000	EA	BULB - 12 VOLT - #1076 - 1.80 AMP	
	119257-01-01A	EA	SHADE - LAMP - POTPOUM (J70,J71)	
	065201-17-000	EA	SHADE - LAMP - SAHARA SUNRISE (J72,J73,J74,J75,J76,J77)	
9	058708-02-000	EA	RECEPTACLE - ELECTRIC - DOUBLE - IVORY	
	102568-01-J70	EA	SPACER - RECEPTACLE - SIDEWALL (WASHED MAPLE)	
	102568-01-E41	EA	SPACER - RECEPTACLE - SIDEWALL (SALEM CHERRY)	
10	061424-01-000	EA	LIGHT - AISLE - 12 VOLT - RECTANGULAR	
	008103-01-000	EA	BULB - DASH/AISLE LIGHT - #53 - 12 VOLT - .12 AMP	
11	079364-01-000	EA	SWITCH - ON/OFF ROCKER - 2 TERMINAL - BROWN	
	098351-05-01A	EA	PLATE - SWITCH - 3 GANG POLISHED BRASS	
12	094086-01-01A	EA	PLATE - SWITCH - SINGLE GANG - 1.8" X 3" - BLACK PLASTIC	
12	093132-02-000	EA	SWITCH - ROCKER - 5 TERM - KEY LOCK/ARROW F/POWER DOOR LOCK	
13	058708-01-000	EA	RECEPTACLE - ELECTRIC - DOUBLE - BROWN	
14	116995-01-000	EA	SWITCH/MAGNET - ELECTRIC STEP	

ELECTRICAL GROUP (CONTINUED)

CIRCUIT BREAKERS & FUSES

KEY	PART NUMBER	U/M	DESCRIPTION
	083209-01-000	EA	CIRCUIT BREAKER - 15 AMP - 120 VOLT - CANADIAN
	083209-02-000	EA	CIRCUIT BREAKER - 15/15 AMP - 120 VOLT
	083209-03-000	EA	CIRCUIT BREAKER - 15/20 AMP - 120 VOLT
	083209-04-000	EA	CIRCUIT BREAKER - 30 AMP - 120 VOLT
	083209-06-000	EA	CIRCUIT BREAKER - 30/15 AMP - 120 VOLT
	093654-01-000	EA	CIRCUIT BREAKER - 6 AMP - 12 VOLT
	093654-02-000	EA	CIRCUIT BREAKER - 15 AMP - 12 VOLT
	093654-03-000	EA	CIRCUIT BREAKER - 20AMP - 12 VOLT
	093655-01-000	EA	CIRCUIT BREAKER - 25 AMP - 12 VOLT
	093655-02-000	EA	CIRCUIT BREAKER - 30 AMP - 12 VOLT
	093655-03-000	EA	CIRCUIT BREAKER - 40 AMP - 12 VOLT
	113482-01-000	EA	CIRCUIT BREAKER - 55AMP
	122811-01-000	EA	CIRCUIT BREAKER - 20/50/50/20
	097611-01-000	EA	CIRCUIT BREAKER - 10 AMP - 12 VOLT
	093674-01-000	EA	PLATE - CIRCUIT BREAKER - HOUSE - 8.4" X 4.1" - STEEL
	062037-01-000	EA	HOUSING - AUTO FUSE - NATURAL
	062037-02-000	EA	HOUSING - AUTO FUSE - GREEN
	062037-06-000	EA	HOUSING - AUTO FUSE - BROWN
	062037-07-000	EA	HOUSING - AUTO FUSE - RED
	062901-02-000	EA	FUSE - 05 AMPS - AUTOMOTIVE
	062901-05-000	EA	FUSE - 15 AMPS - AUTOMOTIVE
	100341-01-000	EA	FUSE HOLDER - IN LINE TYPE
	008235-01-000	EA	FUSE - 15 AMP/12VOLT - AUTOMOTIVE

CONVERTERS, INVERTER & LOAD CENTERS

KEY	PART NUMBER	U/M	DESCRIPTION
	099048-03-000	EA	INVERTER - 130 WATT
	108915-02-000	EA	LOAD CENTER - 120/240 VOLT - 100 AMP
	123058-01-000	EA	CONVERTER - 55 AMP - ELECTRONIC - 4 1/8"H X 7"W X 12 3/8"L
	109677-01-000	EA	LOAD CENTER - 120 VOLT - 40 AMP
	113132-01-000	EA	LOAD CENTER - 120/240 VOLT - 60 AMP
	106071-01-000	EA	SWITCH - AUTOMATIC TRANSFER - 30 AMP - MAGNETEK
	106071-02-000	EA	SWITCH - AUTOMATIC TRANSFER - 50 AMP - MAGNETEK

FLASHER, SOLENOID, DIODE & RELAYS

KEY	PART NUMBER	U/M	DESCRIPTION
	007093-01-000	EA	SIGNAL FLASHER
	008188-01-000	EA	SOLENOID - 3 POST - BATTERY CHANGE OVER
	063910-01-000	EA	HOUSING - RELAY
	063912-02-000	EA	RELAY - CANISTER - SPDT
	086273-01-000	EA	RELAY - BATTERY DISCONNECT
	086233-01-000	EA	STUD - ISOLATED - 3/8" X 7/8" LONG

SOLAR PANEL

KEY	PART NUMBER	U/M	DESCRIPTION	VENDOR NO.
	115504-01-000	EA	PANEL - SOLAR 10 WATT	
	115504-01-700	EA	PLUG & CABLE, 10 WATT PANEL	600-016
	115505-01-000	EA	LIGHT - MONITOR/SOLAR PANEL - RED LED INDICATOR	

ELECTRICAL GROUP (CONTINUED)

CONNECTORS & HOUSINGS

KEY	PART NUMBER	U/M	DESCRIPTION
	008311-01-000	EA	CONNECTOR - WIRE NUT - INSULATED - RED
	008312-01-000	EA	CONNECTOR - WIRE NUT - INSULATED - BLUE
	008313-01-000	EA	CONNECTOR - WIRE NUT - INSULATED - YELLOW
	008355-01-000	EA	CONNECTOR - CABLE CLAMPING - 3/4"
	008356-01-000	EA	CONNECTOR - PLASTIC - 3/8" AVG
	008356-02-000	EA	CONNECTOR - PLASTIC - 21/32
	041480-01-000	EA	CONNECTOR - STRAIGHT - 1/2" FLEX CONDUIT
	058028-01-000	EA	CONNECTOR - ELECTRICAL PIGTAIL - NYLON - CLEAR
	088476-02-000	EA	SOCKET - CONNECTOR - 12-10 GA - PRE-TIN
	098261-02-000	EA	SOCKET - CONNECTOR - WEATHERPACK
	098262-01-000	EA	SEAL - CONNECTOR - WEATHERPACK
	098262-05-000	EA	SEAL - CAVITY
	098262-06-000	EA	SEAL - CONNECTOR - M/P - 10 GAUGE
	098265-02-000	EA	PIN - CONNECTOR - WEATHERPACK
	115931-01-000	EA	COVER - CONNECTOR - W/LOCK RING
	115931-02-000	EA	COVER - CONNECTOR
	115932-01-000	EA	CONNECTOR - FEMALE - 30 AMP - 120 VOLT
	115932-02-000	EA	CONNECTOR - FEMALE - 50 AMP - 240 VOLT
	118571-01-000	EA	CONNECTOR - 3-WAY - MALE/SEALED
	118571-02-000	EA	CONNECTOR - 3-WAY - FEMALE/SEALED
	088475-01-000	EA	PIN - CONNECTOR - 14 - 20 AWG
	088475-02-000	EA	PIN - CONNECTOR - 10 - 12 AWG
	082109-01-000	EA	HOUSING - CONNECTOR - PACKARD
	088473-01-000	EA	HOUSING - PIN - 12 CAVITY (3 ROWS OF 4)
	088473-02-000	EA	HOUSING - PIN - 15 CAVITY (3 ROWS OF 5)
	088473-03-000	EA	HOUSING - PIN - 9 CAVITY (3 ROWS OF 3)
	088473-06-000	EA	HOUSING - PIN - 6 CAVITY (2 ROWS OF 3)
	088473-07-000	EA	HOUSING - PIN - 5 CAVITY - IN-LINE
	088473-08-000	EA	HOUSING - PIN - 4 CAVITY - IN-LINE
	088473-09-000	EA	HOUSING - PIN - 3 CAVITY - IN-LINE
	088473-10-000	EA	HOUSING - PIN - 2 CAVITY - IN-LINE
	088474-01-000	EA	HOUSING - SOCKET - 12 CAVITY
	088474-02-000	EA	HOUSING - SOCKET - 15 CAVITY
	088474-03-000	EA	HOUSING - SOCKET - 9 CAVITY
	088474-06-000	EA	HOUSING - SOCKET - 6 CAVITY
	088474-07-000	EA	HOUSING - SOCKET - 5 CAVITY
	088474-08-000	EA	HOUSING - SOCKET - 4 CAVITY
	088474-09-000	EA	HOUSING - ELECTRICAL - 3 TERMINAL
	088474-10-000	EA	HOUSING - SOCKET - 2 CAVITY
	098264-01-000	EA	HOUSING - 2 PIN - WEATHERPACK
	098264-02-000	EA	HOUSING - 2 PIN - WEATHERPACK
	100690-01-000	EA	HOUSING - 5 POSITON - MALE - WEATHERPACK
	100690-02-000	EA	HOUSING - 5 POSITION - FEMALE - WEATHERPACK
	101571-01-000	EA	HOUSING - 2 POSITION - MALE
	101751-01-000	EA	HOUSING - 1 PIN - WEATHER PACK
	104100-01-000	EA	HOUSING - 1 POSITION - 75 AMPS
	106006-01-000	EA	HOUSING - 1 POSITION - FEMALE
	110178-01-000	EA	HOUSING - WIPER MOTOR
	113131-01-000	EA	HOUSING - 3 PIN
	113468-01-000	EA	HOUSING - 2 POSITION - FEMALE USED ON WIPER/WASHER WIRE ASM
	117700-01-000	EA	HOUSING - 2 POSITION - METRI-PACK - FEMALE
	119248-02-000	EA	HOUSING - 7 POSITION - FEMALE
	125323-02-000	EA	HOUSING - 8 POSITION - MALE
	007954-01-000	EA	RECEPTACLE - HOUSING - 6 POSITION

ELECTRICAL GROUP (CONTINUED)**TERMINALS & MISC.**

KEY	PART NUMBER	U/M	DESCRIPTION
	008326-01-000	EA	TERMINAL - RING - 16/14 WIRE - 3/8" STUD
	008328-01-000	EA	TERMINAL - RING - 12/10 WIRE - #10 STUD FIT
	008331-01-000	EA	TERMINAL - RING - TONGUE - #4 WIRE - 3/8" STUD - COPPER
	008348-01-000	EA	TERMINAL - RING - 3/8" STUD 2 GA. WIRE
	035416-04-000	EA	TERMINAL - RING - #10 STUD FIT - INSULATED BARREL #16/14
	047443-01-000	EA	TERMINAL - .250 RECEPTACLE FIT - INSULATED - 16/14 AWG
	047443-02-000	EA	TERMINAL - .250 RECEPTACLE FIT - INSULATED - 12/10 AWG
	062036-01-000	EA	TERMINAL - PACK - CON - 12/10 AWG
	062036-02-000	EA	TERMINAL - PACK - CON - 16/14 AWG
	088267-01-000	EA	TERMINAL - FEMALE - 1/4
	088476-01-000	EA	TERMINAL - ELECTRICAL
	098260-01-000	EA	TERMINAL - MALE - 56 SERIES
	102777-02-000	EA	TERMINAL - RING - #6 STUD - 10 AWG
	104100-03-000	EA	TERMINAL - 75 AMP
	106007-01-000	EA	TERMINAL - FEMALE - 14-16 AWG
	113135-01-000	EA	TERMINAL - FEMALE- M/P - 14-16
	113306-01-000	EA	TERMINAL - FEMALE - M/P - 14-16
	113306-02-000	EA	TERMINAL - FEMALE - M/P - 10-12 - 480
	113307-01-000	EA	TERMINAL - FEMALE - M/P - 16-20
	113308-01-000	EA	TERMINAL - FEMALE - M/P - 14-16 - 280
	116811-01-000	EA	TERMINAL - .110 RECEPTACLE - 16-14 AWG
	118597-01-000	EA	TERMINAL - MALE - M/P - 480 - 14-16
	118599-01-000	EA	TERMINAL - MALE - M/P - 280 - 14-16
	125324-01-000	EA	TERMINAL - MALE - METRI-PACK - 150
	118820-01-000	EA	INSULATOR - TERMINAL
	007956-05-000	EA	INSULATOR - SHRINK - .25 ID X 1.50
	080015-02-000	EA	RECEPTACLE - FLAG - .185 - 16/14 GAUGE
	085724-01-000	EA	SOCKET - DOUBLE CONTACT - TAILLIGHT
	087225-01-000	FT	SLEEVING - 1/2" - TYPE H
	087949-01-000	EA	BUSS BAR - 2 POSITION - .6" X 1.5"
	087949-02-000	EA	BUSS BAR - 3 POSITION - .6" X 2.4"
	087949-03-000	EA	BUSS BAR - 4 POSITION
	092786-03-000	EA	BUSS BAR - 6.9" LONG
	103608-01-000	EA	SOCKET - WEDGE BASE W/LEADS
	112823-01-000	EA	SPLICE - REDUCER - 16-14 TO 18-22
	118571-03-000	EA	BRACKET - MOUNTING
	118571-04-000	EA	GASKET
	118571-05-000	EA	LOCK - SECONDARY - FEMALE
	118571-06-000	EA	LOCK - SECONDARY - MALE
	125323-03-000	EA	LOCK - SECONDARY 8 POSITION
	125325-01-000	EA	SEAL - CAVITY

ELECTRICAL GROUP (CONTINUED)**CONDUIT**

KEY	PART NUMBER	U/M	DESCRIPTION
	008394-01-000	FT	CONDUIT - FLEXIBLE - 1/2"
	041953-01-000	FT	CONDUIT - CONVOLUTE SLIT - .5" ID
	041953-03-000	FT	CONDUIT - CONVOLUTE SLIT - 1" ID (CLOTHES ROD COVER)
	041953-05-000	FT	CONDUIT - CONVOLUTE SOLID - .62" ID
	041953-06-000	FT	CONDUIT - CONVOLUTE SLIT - .375" ID
	041953-07-000	FT	CONDUIT - CONVOLUTE SLIT - .25" ID
	041953-08-000	FT	CONDUIT - CONVOLUTE SLIT - 1.50" ID
	041953-09-000	FT	CONDUIT - CONVOLUTE SLIT - .50" ID
	041953-10-000	FT	CONDUIT - CONVOLUTE SLIT - .75" ID
	041953-11-000	FT	CONDUIT - CONVOLUTE SLIT - 1.06" ID

BATTERY BOOT & STUD

KEY	PART NUMBER	U/M	DESCRIPTION
	077479-01-000	EA	BOOT - BATTERY TERMINAL - DOUBLE CABLE
	077479-02-000	EA	BOOT - BATTERY TERMINAL - SINGLE CABLE
	086233-01-000	EA	STUD - ISOLATED - 3/8" X 7/8" LONG
	086273-01-000	EA	RELAY - BATTERY DISCONNECT

ELECTRIC BOXES

KEY	PART NUMBER	U/M	DESCRIPTION
	008054-01-000	EA	CORD - POWER - 10/3 - 30 AMP - 25'
	008289-01-000	EA	BOX - ELECTRIC/STEEL - 1/2" & 3/4" KNOCKOUTS - 4" X 4"
	008289-02-000	EA	BOX - ELECTRIC/STEEL - 1/2" & 3/4" KNOCKOUTS - 4" X 4" - CAN
	008294-01-000	EA	COVER - ELECTRICAL BOX - BLANK/STEEL - 4" X 4" - GRAY
	091910-01-000	EA	BOX - ELECTRIC - 3.8" X 3.5" X 1.8" - PLASTIC
	091910-02-000	EA	BOX - ELECTRIC - 2.2" X 3.5" X 1.7" - PLASTIC
	098196-01-000	EA	LATCH - 1/4 TURN - T-BAR
	108934-01-000	EA	POWER CORD - 36'/50 AMP - 4 WIRE
	113088-01-000	EA	BOX - ELECTRIC - 3" X 2" X 2.75"
	118507-01-01A	EA	BOX - ELECTRIC
	118653-01-02B	EA	DOOR - ELECTRIC BOX - 10.6" X 15.2"
	118905-02-02B	EA	DOOR - ELECTRIC - 6.1" X 11.1" - CHEVY/FORD
	120454-01-01B	EA	PANEL - ELECTRICAL - BACK - MILL FINISH
	120455-01-01B	EA	PANEL - ELECTRICAL - SIDE - MILL FINISH

ELECTRICAL GROUP (CONTINUED)**WIRE ASSEMBLIES**

KEY	PART NUMBER	U/M	DESCRIPTION
	P27264-02-000	EA	WIRE ASSEMBLY - RADIO AM/FM CASSETTE
	P27516-02-000	EA	WIRE ASSEMBLY - RADIO AM/FM/CD
	073328-B4-000	EA	CABLE ASSEMBLY - BATTERY - W/TERMINALS
	090986-01-000	EA	WIRE ASSEMBLY - ELECTRIC STEP
	093057-05-000	EA	WIRE ASSEMBLY - POWER LOCK - ENTRANCE
	096449-01-000	EA	WIRE ASSEMBLY - WATER TANK TO MONITOR PANEL
	096717-03-000	EA	WIRE ASSEMBLY - REAR MONITOR - AFTER MARKET INSTALLATION
	097618-01-000	EA	WIRE ASSEMBLY - MONITOR PANEL - W/3 WIRES & ORANGE RESISTOR
	103330-02-000	EA	WIRE ASSEMBLY - OVERHEAD SPEAKERS
	107306-01-000	EA	WIRE ASSEMBLY - INSTRUMENT PANEL - DOCKING LAMPS
	107597-02-000	EA	WIRE ASSEMBLY - INSTRUMENT PANEL - FOG LAMPS
	108029-01-000	EA	WIRE ASSEMBLY - POWER DRIVER SEAT
	108242-01-000	EA	WIRE ASSEMBLY - CAB DOOR - DRIVER
	108303-01-000	EA	WIRE ASSEMBLY - REAR AUTO HEATER
	108304-01-000	EA	WIRE ASSEMBLY - INSTRUMENT PANEL - AUXILIARY FANS
	110256-01-000	EA	WIRE ASSEMBLY - INSTRUMENT PANEL - GENERATOR
	111581-01-000	EA	WIRE ASSEMBLY - AIR HORN
	111619-01-000	EA	WIRE ASSEMBLY - HWH JACKS/JET AIR RIDE
	111643-01-000	EA	WIRE ASSEMBLY - PARK/LEVEL WARNING
	113134-03-000	EA	WIRE ASSEMBLY - WIPER/WASHER
	118649-01-000	EA	WIRE ASSEMBLY - AIR HORNS
	119131-01-000	EA	WIRE ASSEMBLY - SLIDEOUT CONTROL
	124336-01-000	EA	WIRE - REAR STEREO - 12 PIN

EXTERIOR BODY GROUP**HADLEY AIR HORN**

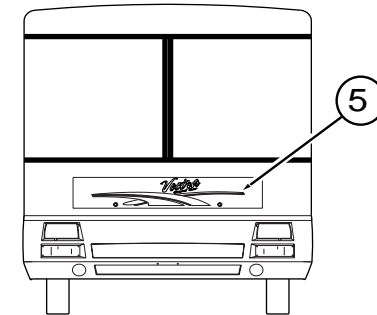
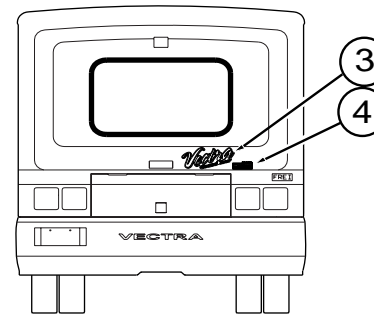
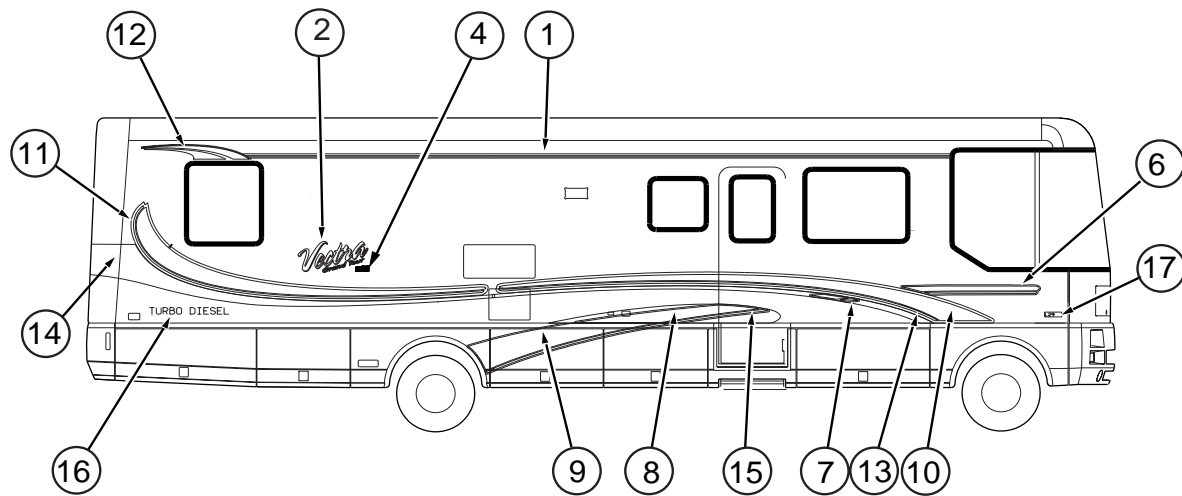
KEY	PART NUMBER	U/M	DESCRIPTION	VENDOR NO.
	077497-06-000	EA	HORN - AIR - CHROME - TWIN	
	077497-01-701	EA	SWITCH - COMPRESSOR	13940-S
	077497-01-702	EA	SWITCH - TOGGLE - W/WIRE	12949-S
	081407-01-000	EA	PLATE - MOUNTING - AIR HORN	
	071390-04-000	FT	TUBING - AIR BRAKE - 1/4" OD-BLK WEATHERHEAD (BRKS & HORN)	
	077497-03-000	EA	FITTING KIT - HOSE/HOSE FITTING/AIR GAUGE - F/AUX HORN	
	077497-01-710	EA	GAUGE-AIR PRESSURE	14212S
	077497-05-000	EA	COMPRESSOR/TANK/SOLENOID KIT, HADLEY 852EB	
	077497-01-700	EA	SOLENOID - AIR TANK	550B
	077497-01-703	EA	TANK - AIR	751-N
	077497-01-704	EA	COMPRESSOR W/SWITCH	852EC
	077497-01-706	EA	VALVE & HEAD REPAIR - COMPRESSOR	H00852HV
	077497-01-707	EA	BELT & SCREW COVER - COMPRESSOR	H00852BR
	077497-01-708	EA	FILTER & MOUNTING HARDWARE - COMPRESSOR	H00852FM
	077497-01-709	EA	PLUNGER & SPRING - SOLENOID	H136215
	077497-02-000	EA	HOSE - AUXILIARY AIR HORN	
	081404-01-000	EA	BRACKET - MOUNTING - COMPRESSOR - L SHAPED - 4" X 7.5"	
	108114-01-000	EA	BRACKET - TANK/AIR HORN - CHEVY	
	115024-01-02B	EA	BRACKET - TANK/AIR HORN - FORD	

FIBERGLASS, STYROFOAM & STEEL CHANNEL

KEY	PART NUMBER	U/M	DESCRIPTION
	076054-Y5-000	EA	FIBERGLASS SHEET - 79" X 425" - BRIGHT WHITE
	076054-Z2-000	EA	FIBERGLASS SHEET - 30" X 69.9" - BRIGHT WHITE
	076054-U4-000	EA	FIBERGLASS SHEET - 101" X 104" - BRIGHT WHITE
	076054-X9-000	EA	FIBERGLASS SHEET - 22.1" X 70.6" - BRIGHT WHITE
	108535-06-700	EA	FIBERGLASS SHEET - 102" X 102" BRIGHT WHITE
	108535-05-702	EA	FIBERGLASS SHEET - FLAT - 110" X 396" BRIGHT WHITE - ROOF
	000870-08-000	SF	STYROFOAM - .75" X 48" X 96" PLANED EXPANDED BEAD BOARD
	083574-06-000	SF	STYROFOAM - .75 X 48" X 108" - INCREMENTS OF 14 SF
	115301-01-000	SF	STYROFOAM - .34" X 48" X 600"
	002726-01-001	EA	GARNISH - U-CHANNEL - 1.38" X 19' - SERRATED
	002754-01-001	EA	ANGLE- EXTRUDED - .75" X .75" X 18' - MILL ALUMINUM
	065747-01-000	SF	INSULATION - MICROFOAM - .5" THICK X 72" X 112' ROLL
	068716-01-001	EA	BRACE - 90 DEGREE L-ANGLE - 16'
	089297-01-000	SF	PLYWOOD - LUAN - OVERLAY GRADE - 48" X 96"
	100619-01-000	BF	FOAM - EXPANDED POLYSTYRENE - 1.34" X 48" X 96"
	100619-02-000	BF	FOAM - EXPANDED POLYSTYRENE - 1.5" X 48" X 96"
	100619-05-000	BF	FOAM - EXPANDED POLYSTYRENE - .75" X 48" X 96"
	100619-11-000	BF	FOAM - EXPANDED POLYSTYRENE - 2" X 48" X 96"
	100619-13-000	BF	FOAM - EXPANDED POLYSTYRENE - .34" X 34.65" X 96"
	100619-16-000	BF	FOAM - EXPANDED POLYSTYRENE - .75" X 48" X 96"
	120107-01-000	EA	FOAM - COVE - ROOF - 2.8" X 96" LONG
	120107-02-000	EA	FOAM - PLUG - ROOF TUBE - 2.2" X 2.9" X 1.8" LONG
	120107-03-000	EA	FOAM - PLUG - SIDEWALL TUBE - 1.2" X 2.1" X 1.8" LONG
	125838-01-001	EA	ACRYLIC SHEET - .125" X 1.49" X 2"
	116942-03-01A	EA	ALUMINUM - .7" X 40" X 158"

EXTERIOR BODY GROUP (CONTINUED)

DECALS, STRIPES & PAINTS



KEY	PART NUMBER	U/M	DESCRIPTION
1	105781-65-01A	FT	FILM - MULTISTRIFE - 1.75"
2	126196-01-02A	EA	DECAL - LOGO - VECTRA GRAND TOUR (L. AQUA/LAGO BLUE)
2	126196-01-01A	EA	DECAL - LOGO - VECTRA GRAND TOUR (GREEN/LAGO BLUE)
3	126196-02-02A	EA	DECAL - LOGO - VECTRA GRAND TOUR/SMALL (BRTWT/LAGO/LTAQUA)
3	126196-02-01A	EA	DECAL - LOGO - VECTRA GRAND TOUR/SMALL (BRTWT/LAGO/GREEN)
4	122770-02-08A	EA	DECAL - "BUILT PROUDLY BY WINNEBAGO INDUSTRIES"
5	126195-01-02A	EA	DECAL - HOOD (LTAQ/LAGO/LTRS/B)
5	126195-01-01A	EA	DECAL - HOOD (GRN/LAGO/LRSE/BW)
6	126190-01-01A	EA	DECAL - SLASH - FRONT/RIGHT HAND
6	126190-02-01A	EA	DECAL - SLASH - FRONT/LEFT HAND
7	126189-01-01A	EA	DECAL - SLASH - MIDDLE/RIGHT HAND
7	126189-02-01A	EA	DECAL - SLASH - MIDDLE/LEFT HAND
8	126188-01-01A	EA	DECAL - SLASH - REAR/RIGHT HAND/UPPER #1
8	126188-02-01A	EA	DECAL - SLASH - REAR/LEFT HAND/UPPER #1
9	126187-01-01A	EA	DECAL - SLASH - REAR/RIGHT HAND/LOWER #2
9	126187-02-01A	EA	DECAL - SLASH - REAR/LEFT HAND/LOWER #2
10	126186-01-01A	EA	DECAL - FLARE - FRONT/RIGHT HAND
10	126186-02-01A	EA	DECAL - FLARE - FRONT/LEFT HAND
11	126185-01-01A	EA	DECAL - FLARE - REAR/RIGHT HAND
11	126185-02-01A	EA	DECAL - FLARE - REAR/LEFT HAND
12	126194-01-02A	EA	DECAL - FLARES - SMALL/RIGHT HAND (LTAQ/LAGBL/LTRSE)
12	126194-01-01A	EA	DECAL - FLARES - SMALL/RIGHT HAND (GREEN/LAGO/LTRSE)
12	126194-02-02A	EA	DECAL - FLARES - SMALL/LEFT HAND (LTAQ/LAGBL/LTRSE)
12	126194-02-01A	EA	DECAL - FLARES - SMALL/LEFT HAND (GREEN/LAGO/LTRSE)
13	126193-01-01A	EA	DECAL - PAINT MASK - FRONT/LEFT HAND
13	126193-02-01A	EA	DECAL - PAINT MASK - FRONT/LEFT HAND
14	126191-01-01A	EA	DECAL - PAINT MASK - REAR/RIGHT HAND
14	126191-02-01A	EA	DECAL - PAINT MASK - REAR/LEFT HAND
15	126192-01-01A	EA	DECAL - PAINT MASK - HOLE/LEFT HAND
15	126192-02-01A	EA	DECAL - PAINT MASK - HOLE/LEFT HAND
16	111318-03-03A	EA	DECAL - TURBO DIESEL
17	122312-02-01A	EA	DECAL - VORTEC 7400 FUEL INJECTED

FROM: 09-15-97 THRU: 99-99-99

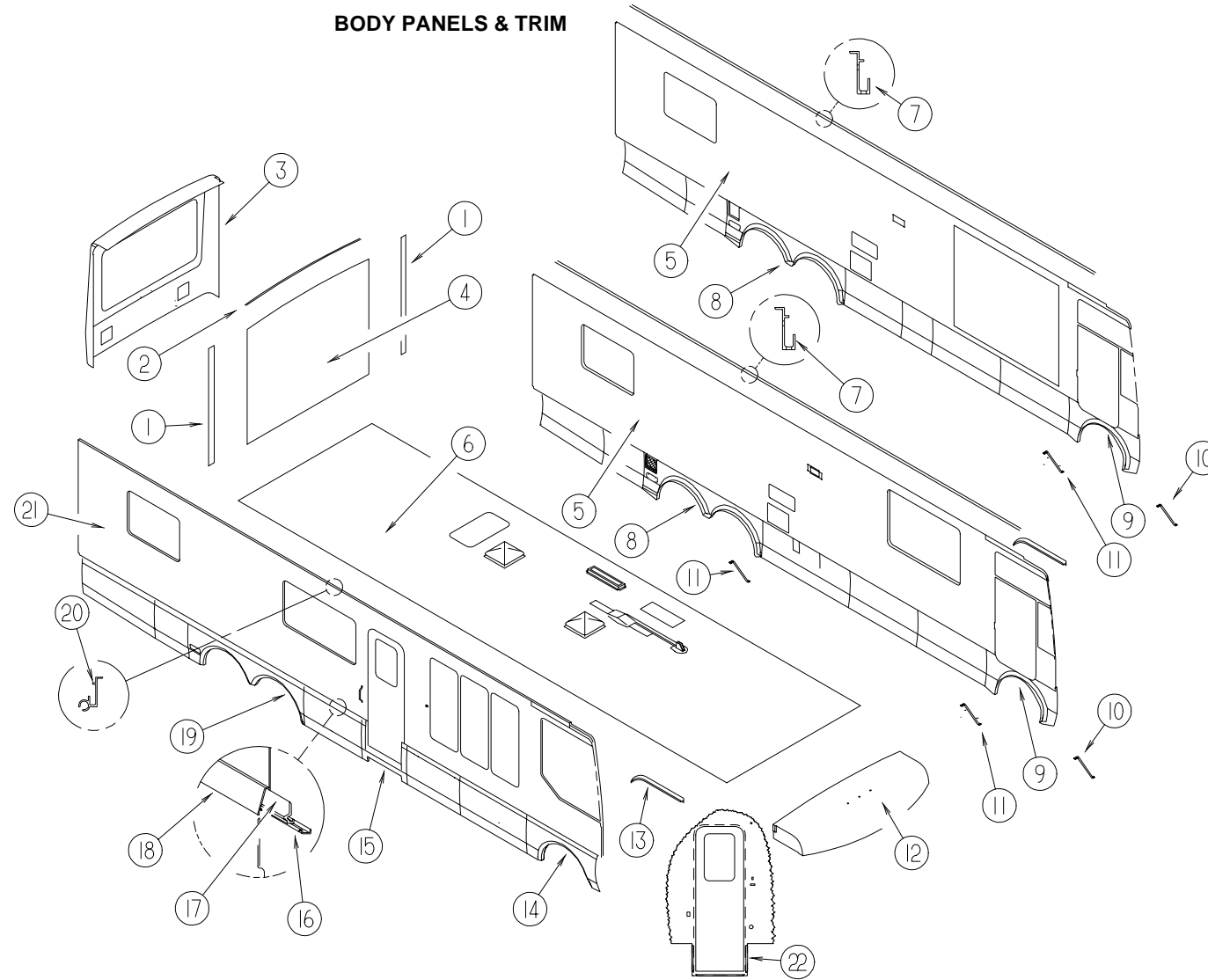
DUPONT PAINT COLOR CODES

LAGO BLUE MET.	W9212
LT. ROSE MET.	F4575
LT. AQUA	F3325U
WINTER GREEN MET.	F3326U
LT. SILVER	F2573U
BRIGHT WHITE	B8951

126197-01-02A	EA	DECAL - SLIDEOUT EXTENSION (AQUA)
126197-01-01A	EA	DECAL - SLIDEOUT EXTENSION (GREEN)
126196-01-02A	EA	DECAL - LOGO - VECTRA GRAND TOUR
041561-03-000	EA	PAINT - 16 OUNCE SPRAY - OFF WHITE

EXTERIOR BODY GROUP (CONTINUED)

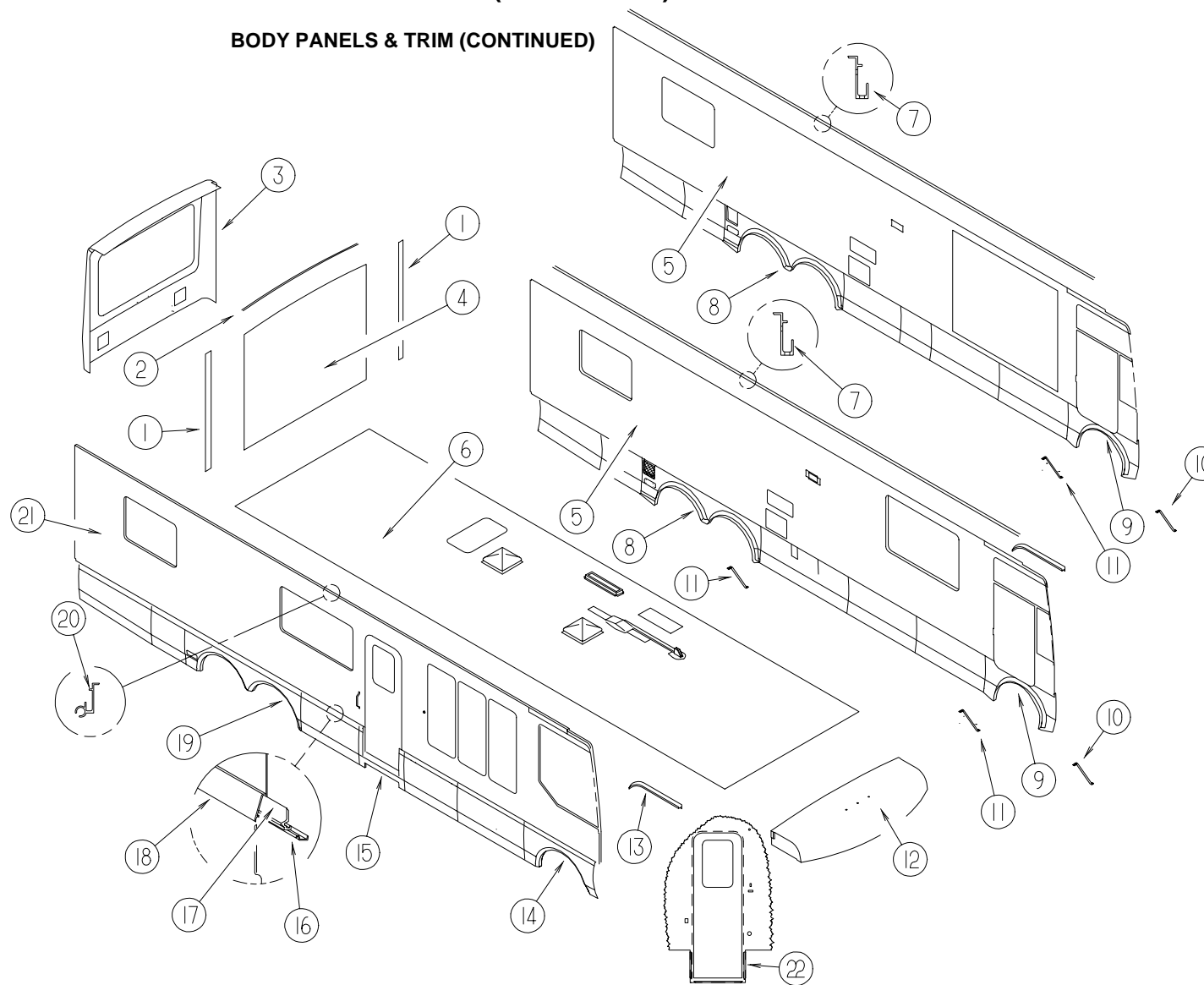
BODY PANELS & TRIM



KEY	PART NUMBER	U/M	DESCRIPTION	KEY	PART NUMBER	U/M	DESCRIPTION
1	092041-02-03A	EA	TRIM - REAR - CAP TO SIDEWALL	5	M07430-13-J70	EA	SIDEWALL - DRVR - W/O WINDOWS/TRIMS - F/SLIDEOUT/WAINSCOT (QUEEN BED) (J70)
2	083805-23-000	EA	TRIM - CAP - ROOF - 92"	5	M07430-13-J71	EA	SIDEWALL - DRVR - W/O WINDOWS/TRIMS - F/SLIDEOUT/WAINSCOT (QUEEN BED) (J71)
3	117513-01-02A	EA	CAP - REAR - W/O LIGHTS/DOOR (TWIN BED)	5	M07430-13-J72	EA	SIDEWALL - DRVR - W/O WINDOWS/TRIMS - F/SLIDEOUT/WAINSCOT (QUEEN BED) (J72,J74)
3	117514-01-02A	EA	CAP - REAR - W/O DOOR/LIGHTS - BRIGHT WHITE (QUEEN BED)	5	M07430-13-J73	EA	SIDEWALL - DRVR - W/O WINDOWS/TRIMS - F/SLIDEOUT/WAINSCOT (QUEEN BED) (J73,J75)
4	P21369-02-H58	EA	BACKWALL - W/O WINDOW/TRIM - QUEEN BED (J70,J71)	5	M07430-13-J76	EA	SIDEWALL - DRVR - W/O WINDOWS/TRIMS - F/SLIDEOUT/WAINSCOT (QUEEN BED) (J76)
4	P21369-02-H60	EA	BACKWALL - W/O WINDOW/TRIM - QUEEN BED (J72,J73,J74,J75)	5	M07430-13-J77	EA	SIDEWALL - DRVR - W/O WINDOWS/TRIMS - F/SLIDEOUT/WAINSCOT (QUEEN BED) (J77)
4	P21369-02-J76	EA	BACKWALL - W/O WINDOW/TRIM - QUEEN BED (J76,J77)	5	M07430-14-J70	EA	SIDEWALL - DRIVER - W/O WINDOWS/TRIMS - F/SLIDEOUT/TWIN BD (J70,J71)
4	P21369-03-H58	EA	BACKWALL - W/O WINDOW/TRIM - TWIN BED (J70,J71)	5	M07430-14-J72	EA	SIDEWALL - DRIVER - W/O WINDOWS/TRIMS - F/SLIDEOUT/TWIN BD (J72,J73,J74,J75)
4	P21369-03-H60	EA	BACKWALL - W/O WINDOW/TRIM - TWIN BED (J72,J73,J74,J75)	5	M07430-14-J76	EA	SIDEWALL - DRIVER - W/O WINDOWS/TRIMS - F/SLIDEOUT/TWIN BD (J76,J77)
4	P21369-03-J76	EA	BACKWALL - W/O WINDOW/TRIM - TWIN BED (J76,J77)	6	P22344-01-J70	EA	ROOF - W/O LIGHTS/VENTS - W/WIRING
5	M06902-17-J70	EA	SIDEWALL - DRIVER - W/O WINDOWS/TRIMS - W/WAINSCOTING (QUEEN BED) (J70)	7	120091-02-02A	EA	TRIM - ROOF
5	M06902-17-J71	EA	SIDEWALL - DRIVER - W/O WINDOWS/TRIMS - W/WAINSCOTING (QUEEN BED) (J71)	8	P18962-01-GV0	EA	WHEEL LIP - TAG AXLE - DRIVER
5	M06902-17-J72	EA	SIDEWALL - DRIVER - W/O WINDOWS/TRIMS - W/WAINSCOTING (QUEEN BED) (J72,J74)		107865-13-000	EA	ROD - SUPPORT - VALANCE PANEL - 6"
5	M06902-17-J73	EA	SIDEWALL - DRIVER - W/O WINDOWS/TRIMS - W/WAINSCOTING (QUEEN BED) (J73,J75)	9	118842-01-GV0	EA	PANEL - WHEELWELL - FRONT/DRIVER
5	M06902-17-J76	EA	SIDEWALL - DRIVER - W/O WINDOWS/TRIMS - W/WAINSCOTING (QUEEN BED) (J76)	10	107865-07-000	EA	ROD - SUPPORT - VALANCE PANEL - 14.3"
5	M06902-17-J77	EA	SIDEWALL - DRIVER - W/O WINDOWS/TRIMS - W/WAINSCOTING (QUEEN BED) (J77)	11	107865-12-000	EA	ROD - SUPPORT - VALANCE PANEL - 16.2"
5	M06902-18-J70	EA	SIDEWALL - DRIVER - W/O WINDOWS/TRIMS - W/O WAINSCOTING (TWIN BED) (J70,J71)				
5	M06902-18-J72	EA	SIDEWALL - DRIVER - W/O WINDOWS/TRIMS - W/O WAINSCOTING (TWIN BED) (J72,J73,J74,J75)				
5	M06902-18-J76	EA	SIDEWALL - DRIVER - W/O WINDOWS/TRIMS - W/O WAINSCOTING (TWIN BED) (J76,J77)				

EXTERIOR BODY GROUP (CONTINUED)

BODY PANELS & TRIM (CONTINUED)

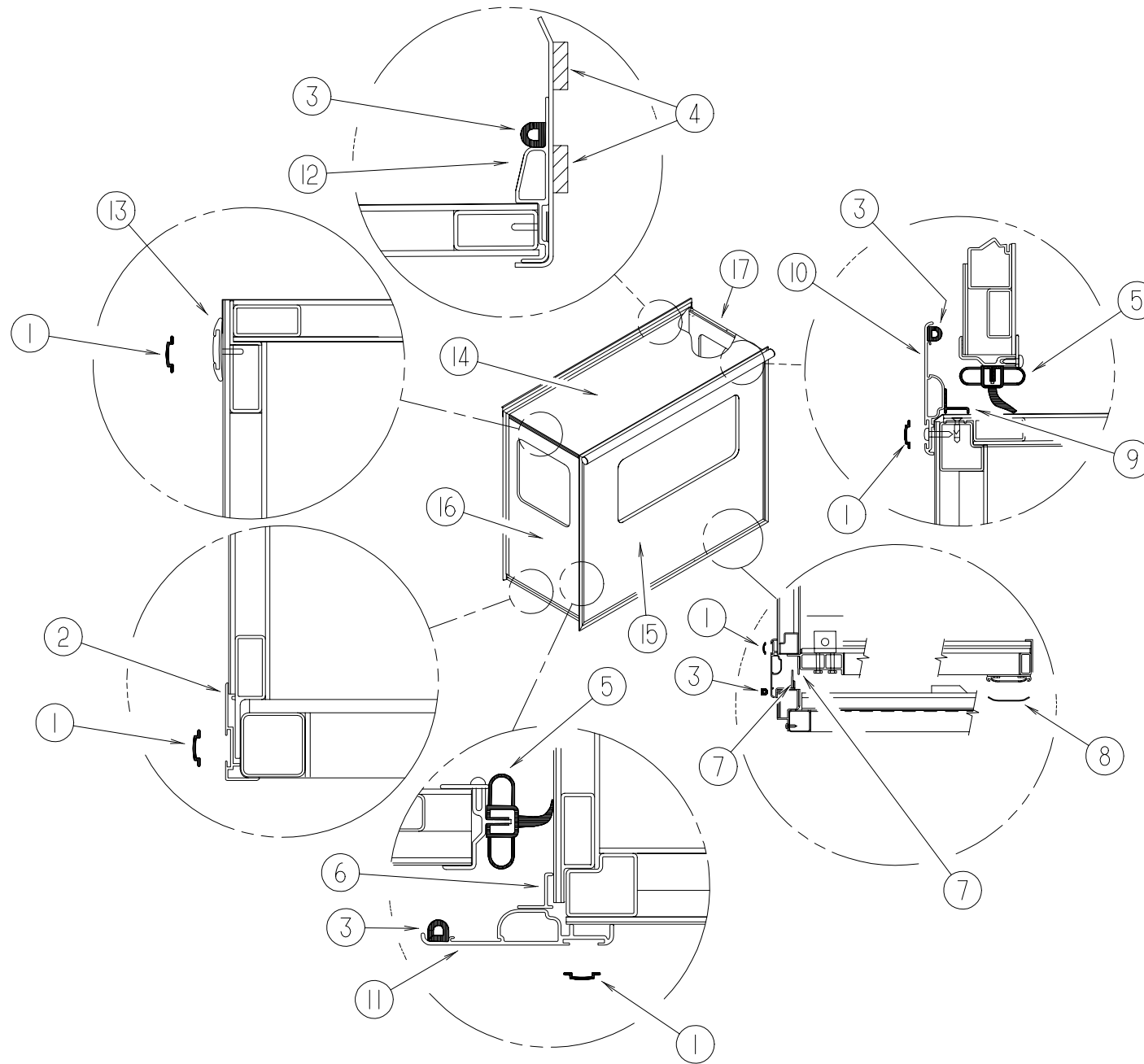


KEY	PART NUMBER	U/M DESCRIPTION
12	118027-01-02A	EA CAP - ROOF - BRIGHT WHITE
13	108274-07-02A	EA RAIL - DRIP - FRONT/PASSENGER - BRIGHT WHITE
13	108274-08-02A	EA RAIL - DRIP - FRONT/DRIVER - BRIGHT WHITE
14	118843-01-GV0	EA PANEL - WHEELWELL - FRONT/PASSENGER
15	113119-01-01A	EA PANEL - VALANCE - ENTRANCE DOOR
	121091-09-01A	EA ANGLE - ENTRANCE DOOR - 55" HAMPTON TAN
	106105-03-000	EA CLIP - VALANCE/RETAINING
	118394-01-GV0	EA PANEL - VALANCE - HORSESHOE
16	118547-01-01A	EA RETAINER - TRIM - 12"
16	118547-02-01A	EA RETAINER - TRIM - 4"
16	118547-03-01A	EA RETAINER - TRIM - 2"
	118359-51-001	EA EXTRUDED - RETAINER - TRIM - 191"
17	118546-01-01A	EA HANGER - VALANCE
	118358-51-001	EA EXTRUDED - SIDEWALL/LOWER - 182"
18	113161-01-01A	EA TRIM - PANEL - VALANCE - RIGHT HAND
18	113161-02-01A	EA TRIM - PANEL - VALANCE - LEFT HAND
	118540-01-01A	EA TRIM - COVER
	108497-01-01A	EA END CAP - COVER TRIM - LIGHT GRAY - LEFT
	108497-02-01A	EA END CAP - COVER TRIM - LIGHT GRAY - RIGHT
19	124429-02-H56	EA WHEEL LIP - TAG AXLE - PASSENGER
20	120092-01-02A	EA RAIL - AWNING - BRIGHT WHITE

KEY	PART NUMBER	U/M DESCRIPTION
21	M06901-09-J70	EA SIDEWALL - PASSENGER - W/O WINDOWS/TRIM - W/WAINSCOTING (QUEEN BED) (J70)
21	M06901-09-J71	EA SIDEWALL - PASSENGER - W/O WINDOWS/TRIM - W/WAINSCOTING (QUEEN BED) (J71)
21	M06901-09-J72	EA SIDEWALL - PASSENGER - W/O WINDOWS/TRIM - W/WAINSCOTING (QUEEN BED) (J72,J74)
21	M06901-09-J73	EA SIDEWALL - PASSENGER - W/O WINDOWS/TRIM - W/WAINSCOTING (QUEEN BED) (J73,J75)
21	M06901-09-J76	EA SIDEWALL - PASSENGER - W/O WINDOWS/TRIM - W/WAINSCOTING (QUEEN BED) (J76)
21	M06901-09-J77	EA SIDEWALL - PASSENGER - W/O WINDOWS/TRIM - W/WAINSCOTING (QUEEN BED) (J77)
21	M06901-10-J70	EA SIDEWALL - PASSENGER - W/O WINDOWS/TRIM/WAINSCOTING (TWIN BED) (J70,J71)
21	M06901-10-J72	EA SIDEWALL - PASSENGER - W/O WINDOWS/TRIM/WAINSCOTING (TWIN BED) (J72,J73,J74,J75)
21	M06901-10-J76	EA SIDEWALL - PASSENGER - W/O WINDOWS/TRIM/WAINSCOTING (TWIN BED) (J76,J77)
22	113119-01-01A	EA PANEL - VALANCE - ENTRANCE DOOR
	121091-09-01A	EA ANGLE - ENTRANCE DOOR - 55" HAMPTON TAN
	106105-03-000	EA CLIP - VALANCE/RETAINING
	118394-01-GV0	EA PANEL - VALANCE - HORSESHOE

EXTERIOR BODY GROUP (CONTINUED)

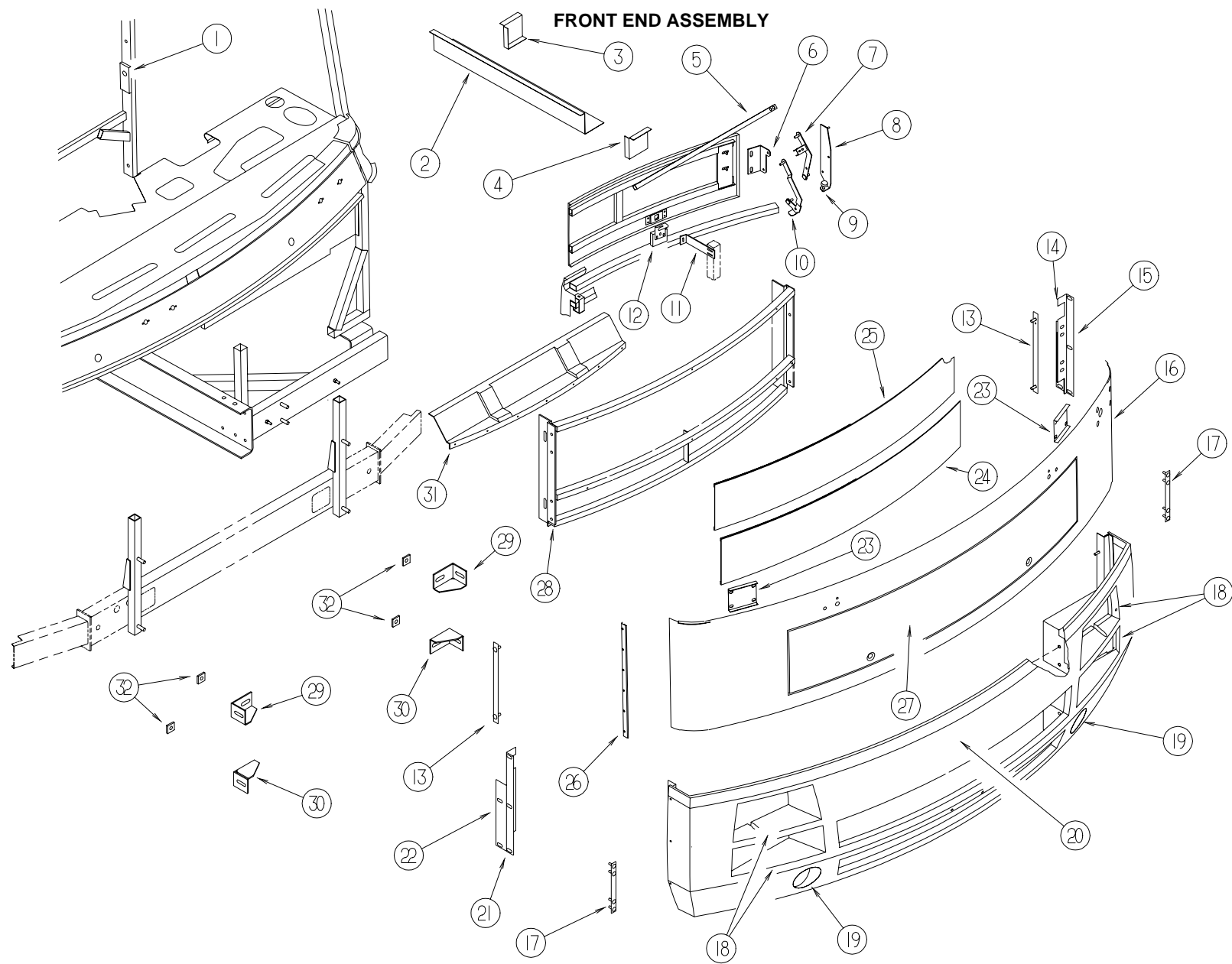
EXTERIOR SLIDEOUT TRIMS & SEALS



KEY	PART NUMBER	U/M	DESCRIPTION
1	105312-01-07A	FT	INSERT - VINYL FEATURE STRIP - BRIGHT WHITE
2	125051-01-01A	EA	STRIP - FEATURE - LOWER - BRIGHT WHITE
3	099418-01-000	FT	SEAL - D-SECTION/ADHESIVE BACK - .44" X .44"- BLK RUBBER
4	100128-02-000	FT	SEAL - FOAM - ADHESIVE BACK - .37" WIDE X .37" THICK
5	115076-01-000	FT	SEAL - SLIDEOUT
6	116933-05-01A	EA	TRIM - SEAL
7	123012-01-000	FT	SEAL - SLIDEOUT
8	115661-01-000	FT	POLYETHYLENE - HIGH DENSITY - 1/16" X 3'
9	116933-04-01A	EA	TRIM - SEAL
10	119992-04-02A	EA	TRIM - SEAL - W/MITERED ENDS
11	119992-05-02A	EA	TRIM - SEAL - W/MITERED ENDS

KEY	PART NUMBER	U/M	DESCRIPTION
12	117004-07-03A	EA	TRIM - SEAL - INNER - BRIGHT WHITE
	117004-06-03A	EA	TRIM - SEAL - INNER - BRIGHT WHITE
	117004-04-03A	EA	TRIM - SEAL - INNER - BRIGHT WHITE
13	108688-01-03A	EA	STRIP - FEATURE - 15'
14	121400-01-H56	EA	ROOF - SLIDEOUT - W/O LIGHTS/VENTS - W/WIRING
15	121403-01-J70	EA	PANEL - SLIDEOUT - OUTER
16	121401-01-J70	EA	PANEL - SLIDEOUT/FRONT
17	121402-01-J70	EA	PANEL - SLIDEOUT/REAR

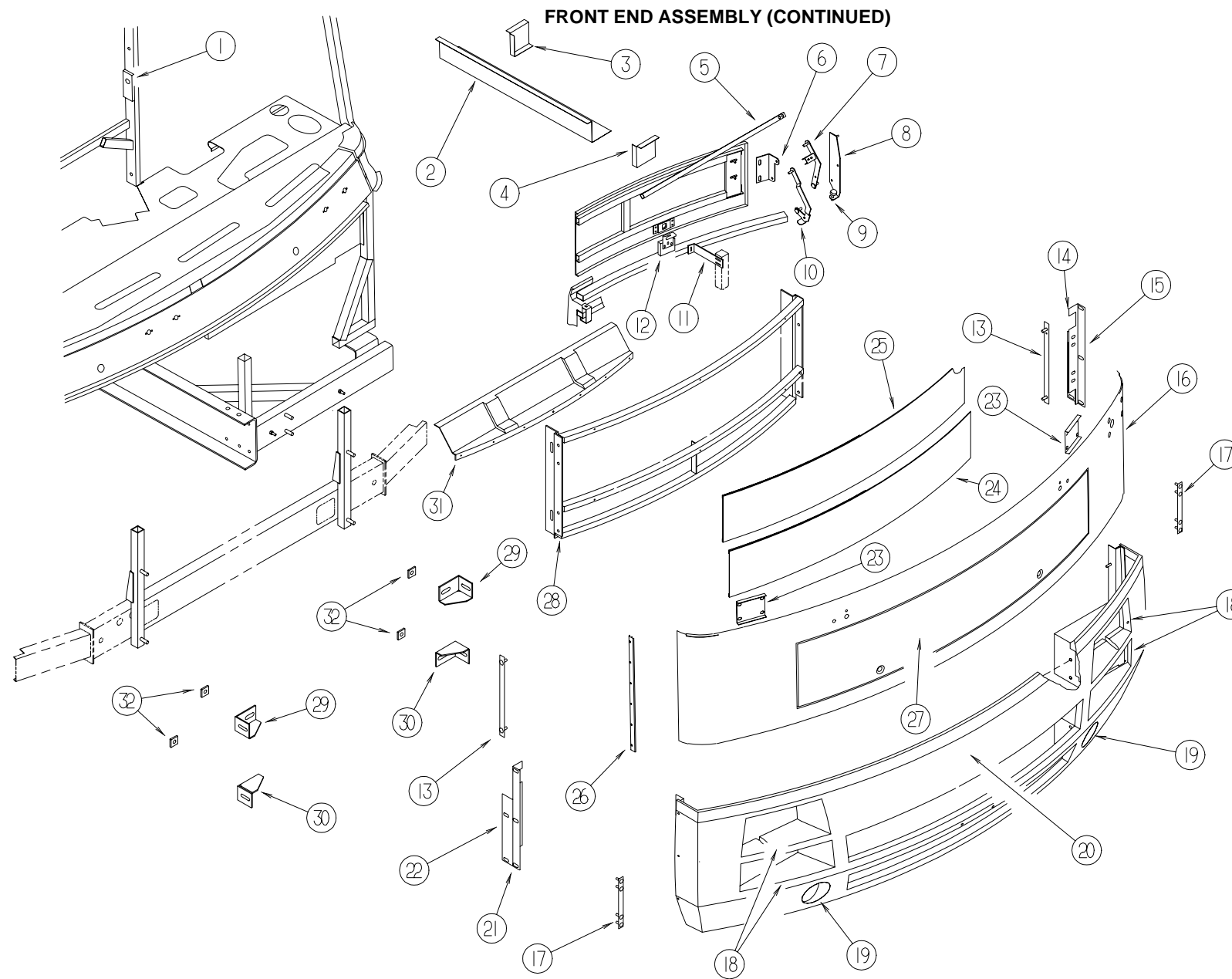
EXTERIOR BODY GROUP (CONTINUED)



KEY	PART NUMBER	U/M	DESCRIPTION
1	070579-06-000	EA	PLATE - ANCHOR - W/7/16 WELD NUT - 1.5" X 3.3"
	070579-07-000	EA	PLATE - ANCHOR - W/O WELD NUT - 1.5" X 3.3"
2	106746-02-000	EA	PANEL - STEPWELL
3	106747-03-000	EA	PANEL - STEPWELL - RIGHT HAND END
4	106747-04-000	EA	PANEL - STEPWELL - LEFT HAND END
5	105096-10-000	EA	TUBE - HOOD HINGE TIMING W/WELDNUTS - CHEVY
5	120466-02-02B	EA	TUBE - HOOD HINGE TIMING W/WELDNUTS - FORD
6	109927-05-000	EA	ANGLE - LINK - HOOD/RIGHT HAND
6	109927-06-000	EA	ANGLE - LINK - HOOD/LEFT HAND
7	118156-01-02B	EA	LINK - HOOD HINGE - UPPER/RIGHT HAND
7	118156-02-02B	EA	LINK - HOOD HINGE - UPPER/LEFT HAND
8	109926-11-000	EA	BRACKET - LINK - HINGE/RIGHT HAND
8	109926-12-000	EA	BRACKET - LINK - HINGE/LEFT HAND
9	058786-01-000	EA	BOLT - ADJUSTING HOOD - W/BLACK PAD
10	118154-03-02B	EA	LINK - HOOD HINGE - LOWER/RIGHT HAND
10	118154-04-02B	EA	LINK - HOOD HINGE - LOWER/LEFT HAND
11	118607-01-02B	EA	BRACE - FRONT END
12	106748-03-000	EA	LATCH - HOOD - FRONT END
13	106730-02-000	EA	PLATE - STUD
14	120932-02-02B	EA	ANGLE - WHEEL LIP - LEFT HAND
15	120933-02-02B	EA	ANGLE - BUMPER - LEFT HAND
	117979-17-02B	EA	SUPPORT - BUMPER - FORD - RIGHT HAND

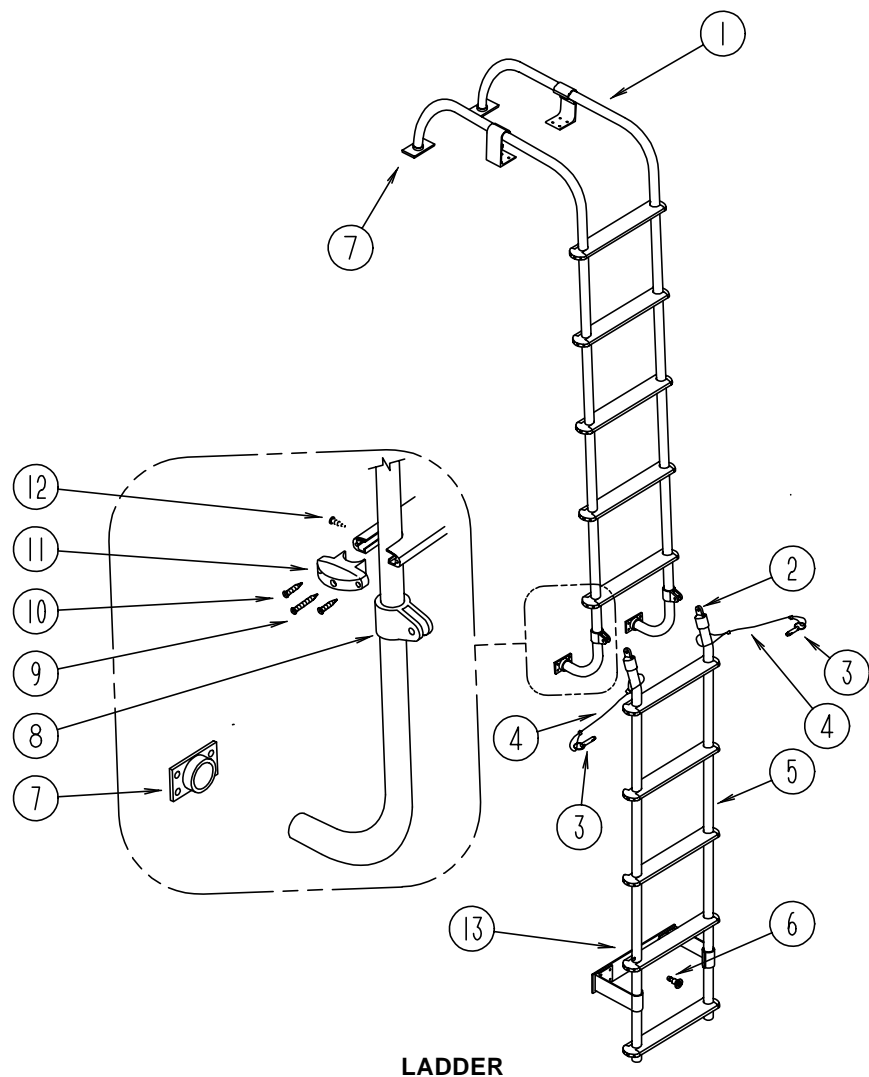
KEY	PART NUMBER	U/M	DESCRIPTION
16	117499-02-G85	EA	FRONT END - FIBERGLASS - BRIGHT WHITE/WIDE
	002328-02-000	EA	BLOCK - WINDSHIELD - .062" X .5" X .98"
	119445-01-02B	EA	PLATE - W/HOLES
17	120934-02-02B	EA	PLATE - STUD
18	117777-01-02B	EA	FRAME - HEADLAMP - PASSENGER
18	117777-02-02B	EA	FRAME - HEADLAMP - DRIVER
19	117503-01-01A	EA	HOUSING - FOG LAMP
	118650-01-02B	EA	SUPPORT - FOG LAMP
	118651-03-02B	EA	SUPPORT - RIGHT HAND - BUMPER/FOG LAMP
	118651-04-02B	EA	SUPPORT - LEFT HAND - BUMPER/FOG LAMP
20	M08089-01-GV0	EA	PANEL - FRONT BUMPER - CHEVY
20	M08089-02-GV0	EA	PANEL - FRONT BUMPER - FORD
	106730-06-000	EA	PLATE - STUD
	106730-05-000	EA	PLATE - STUD
21	120933-01-02B	EA	ANGLE - BUMPER - RIGHT HAND
22	120932-01-02B	EA	ANGLE - WHEEL LIP - RIGHT HAND
23	120331-01-02B	EA	BRACKET - SUPPORT - FRONT END
24	115924-07-02A	EA	WIRE MESH - F/GRILLE - FLAT BLACK

EXTERIOR BODY GROUP (CONTINUED)



KEY	PART NUMBER	U/M	DESCRIPTION
25	115924-02-02A	EA	WIRE MESH - F/GRILLE - FLAT BLACK
26	114422-01-02A	EA	TRIM - PANEL - FIBERGLASS
27	117496-01-G85	EA	PANEL - HOOD - BRIGHT WHITE
	106730-02-000	EA	PLATE - STUD (HOOD/INNER)
	102330-01-000	EA	LATCH - VISE ACTION/KEY OPERATED
	102328-01-000	EA	KEY - BARREL - NICKEL PLATED
28	118117-01-GV0	EA	FRAME - FRONT BUMPER
29	117611-01-02B	EA	BRACKET - BUMPER - RIGHT HAND UPPER/LEFT HAND LOWER
29	117611-02-02B	EA	BRACKET - BUMPER - LEFT HAND UPPER/RIGHT HAND LOWER
30	117611-01-02B	EA	BRACKET - BUMPER - RIGHT HAND UPPER/LEFT HAND LOWER
30	117611-02-02B	EA	BRACKET - BUMPER - LEFT HAND UPPER/RIGHT HAND LOWER
31	120665-02-01A	EA	SPOILER - RADIATOR - FRONT - FORD
31	P20665-01-01A	EA	SPOILER - RADIATOR - FRONT - CHEVY
32	116617-02-02B	EA	SPACER - BUMPER
	120481-01-02B	EA	ANGLE - W/SLOTS

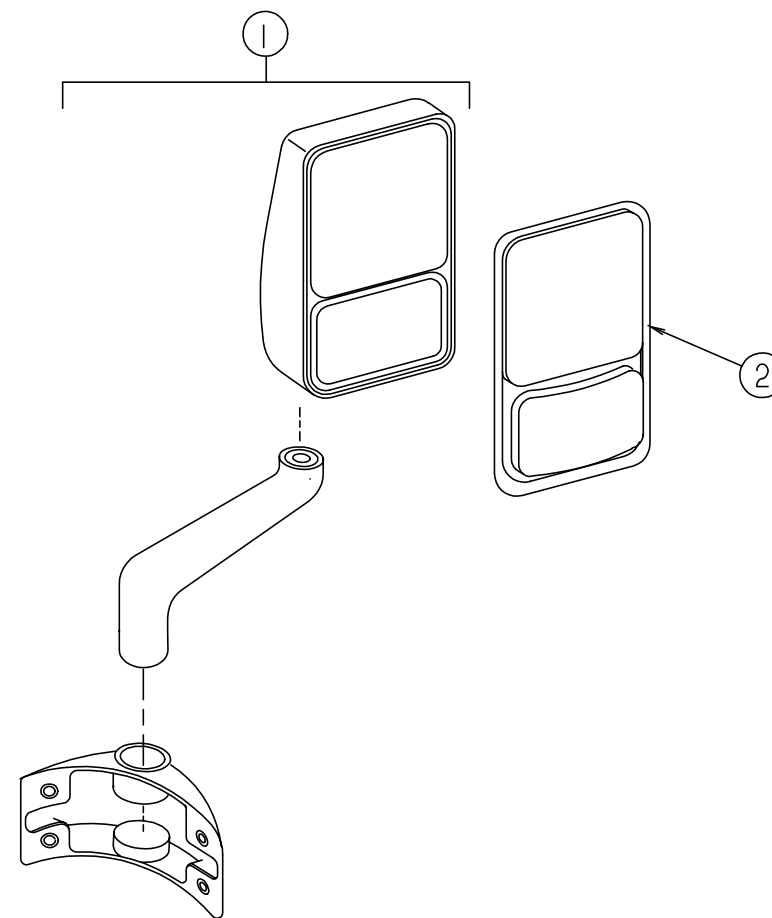
EXTERIOR BODY GROUP (CONTINUED)



LADDER

KEY	PART NUMBER	U/M DESCRIPTION
1	118841-01-GV0	EA LADDER - UPPER
2	081115-01-000	EA TOP CAP - RACK & LADDER - 1"
3	081056-01-000	EA PIN - QUICK RELEASE - SINGLE ACTION - LADDER
4	076767-11-000	EA CABLE - 1/16" X 5.9"
5	118840-01-GV0	EA LADDER - LOWER
6	114834-01-000	EA PIN - QUICK RELEASE
7	067165-01-000	EA BRACKET - MOUNTING - RACK & LADDER
8	081116-01-000	EA SLIDE - TOP - RACK & LADDER - 1"
9	000G67-10-36T	EA SCREW - 10-12 X 2.25 PPH, BLACK
10	000G39-06-10T	EA SCREW-SF/DR, 6-20 X 5/8 PPH
11	076980-02-000	EA END CAP - STEP - BLACK
12	000G39-10-16U	EA SCREW-SF/DR, 10-16 X 1.00 PPH
13	108423-01-02A	EA PLATE - BUMPER - LOWER LADDER
	081114-01-000	EA CAP - INSERT - ROUND - 1" DIAMETER - BLACK PLASTIC
	038327-01-000	EA TAPE - ANTI-SLIP - 2" X 60'
	081055-01-000	EA SPRING GRIP - INTERNAL TOOTH - LADDER

EXTERIOR BODY GROUP (CONTINUED)



VELVAC EXTERIOR MIRRORS

KEY	PART NUMBER	U/M DESCRIPTION	VENDOR NO.
1	119774-09-02A	EA MIRROR - EXTERIOR REMOTE/HEAT - PASSENGER	
2	086261-01-704	EA MIRROR KIT - EXTERIOR - PASS. SIDE	709268
	106015-12-700	EA GLASS - FLAT W/HEAT & CLIP	709448
1	119774-10-02A	EA MIRROR - EXTERIOR REMOTE/HEAT - DRIVER	
	106015-12-701	EA GLASS - CONVEX W/HEAT & CLIP	709449
	108825-02-000	EA GASKET - MIRROR	
	088246-01-000	EA SWITCH - REMOTE - EXTERIOR - SQUARE PUSH	
	087695-02-000	EA SWITCH - HEATER - EXTERIOR MIRROR	
	087695-03-000	EA CONNECTOR - ASSEMBLY	

SQUEEGEE

KEY	PART NUMBER	U/M DESCRIPTION
	091955-02-000	EA SQUEEGEE - EXTENDED HANDLE
	110429-03-D18	EA BRACKET - SQUEEGEE

EXTERIOR AWNING (A & E)

KEY	PART NUMBER	U/M DESCRIPTION
	113874-09-09A	EA AWNING - W/O HARDWARE - 20' - VINYL (SEA SPRAY)
	113874-09-10A	EA AWNING - W/O HARDWARE - 20' - VINYL (TURQUOISE)
*	113874-01-02A	EA HARDWARE KIT - AWNING - W/O STANDOFF BRACKET - BRIGHT WHT
	111037-01-01A	EA SPACER - AWNING - UPPER - BLACK
	119496-01-02A	EA SPACER/ZEE - AWNING

* COMPONENT PARTS FOUND IN SERVICE PARTS LIBRARY

GALLEY GROUP**STOVE TOP COVERS**

KEY	PART NUMBER	U/M	DESCRIPTION
	M05904-04-J70	EA	COVER - STOVE - W/COUNTERTOP (J70,J71)
	M05904-04-J72	EA	COVER - STOVE - W/COUNTERTOP (J72,J73)
	M05904-04-J74	EA	COVER - STOVE - W/COUNTERTOP (J74,J75,J76,J77)

MICROWAVE OVEN

KEY	PART NUMBER	U/M	DESCRIPTION
	122753-01-000	EA	OVEN - MICROWAVE - .9 CU. FT - NON CONVECTION - SHARP - UL
	122753-02-000	EA	OVEN - MICROWAVE - .9 CU. FT - CONVECTION - SHARP - UL
	122753-04-000	EA	OVEN - MICROWAVE - .9 CU FT - CONVECTION - SHARP - CSA
	082227-06-000	EA	TRIM - BOTTOM/MICROWAVE - BLACK
	102486-13-01A	EA	TRIM - MICROWAVE - VERTICAL - BLACK
	102482-09-H56	EA	FRAME - MICROWAVE
	094756-03-G15	EA	BRACKET - ANGLE - W/HOLES
	122799-01-02B	EA	SUPPORT - MICROWAVE
	122799-02-02B	EA	SUPPORT - MICROWAVE

COFFEE MAKER - BLACK & DECKER SDC2B

KEY	PART NUMBER	U/M	DESCRIPTION	VENDOR NO.
	126019-01-01A	EA	COFFEEMAKER - OPTIMA - W/BRACKETS - BLACK & DECKER	
	126019-01-700	EA	GLASS CARAFE	172547-00
	126019-01-701	EA	RESERVOIR - WATER	172554
	126019-01-702	EA	BASKET - FILTER	172553-00
	126019-01-703	EA	HARDWARE - MOUNTING	172174-00

GALLEY GROUP (CONTINUED)**RANGE W/OVEN**

KEY	PART NUMBER	U/M	DESCRIPTION
*	126023-01-01A	EA	RANGE - W/OVEN 22" - 3 BURNER/BLACK GLASS DOOR

*** COMPONENT PARTS FOUND IN SERVICE PARTS LIBRARY****RANGE TOP**

KEY	PART NUMBER	U/M	DESCRIPTION
*	114030-02-01A	EA	RANGE - 3 BURNER TOP - W/O OVEN - BLACK

*** COMPONENT PARTS FOUND IN SERVICE PARTS LIBRARY****RANGE HOOD**

KEY	PART NUMBER	U/M	DESCRIPTION
*	100258-21-02A	EA	HOOD - RANGE - 22" - W/MONITOR PANEL
*	100258-24-02A	EA	HOOD - RANGE - 22" - W/MONITOR PANEL - CSA

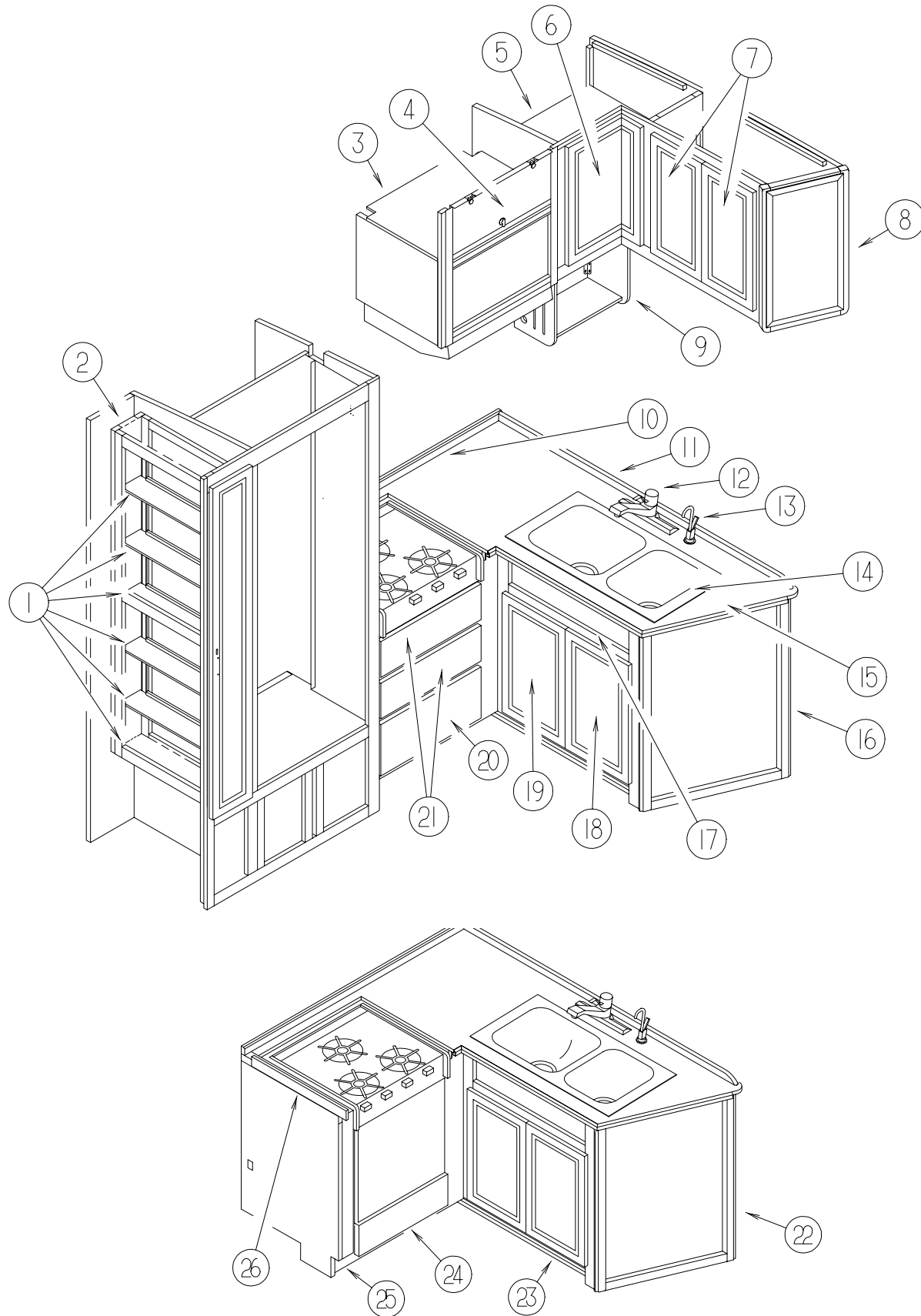
*** COMPONENT PARTS FOUND IN SERVICE PARTS LIBRARY****REFRIGERATOR**

KEY	PART NUMBER	U/M	DESCRIPTION
*	120075-04-01A	EA	REFRIGERATOR - LARGE DOUBLE DOOR - BLK W/ICE MAKER
*	120075-02-01A	EA	REFRIGERATOR - LARGE DOUBLE DOOR - 2 WAY/BLACK
*	118367-01-01A	EA	REFRIGERATOR - SIDE BY SIDE DOOR - 2 WAY
	118871-02-01A	EA	TRAY - REFRIGERATOR - SIDE/SIDE
	065225-01-000	EA	PLATE - TIEDOWN - REFRIGERATOR
	090195-08-000	EA	BAFFLE - REFRIGERATOR - LOWER
	093369-03-000	EA	STRAP - REFRIGERATOR
	093646-01-000	EA	BRACKET - TIEDOWN/REFRIGERATOR - RIGHT HAND
	093646-02-000	EA	BRACKET - TIEDOWN/REFRIGERATOR - LEFT HAND
	054450-01-000	EA	LEVEL - REFRIGERATOR

*** COMPONENT PARTS FOUND IN SERVICE PARTS LIBRARY**

GALLEY GROUP (CONTINUED)

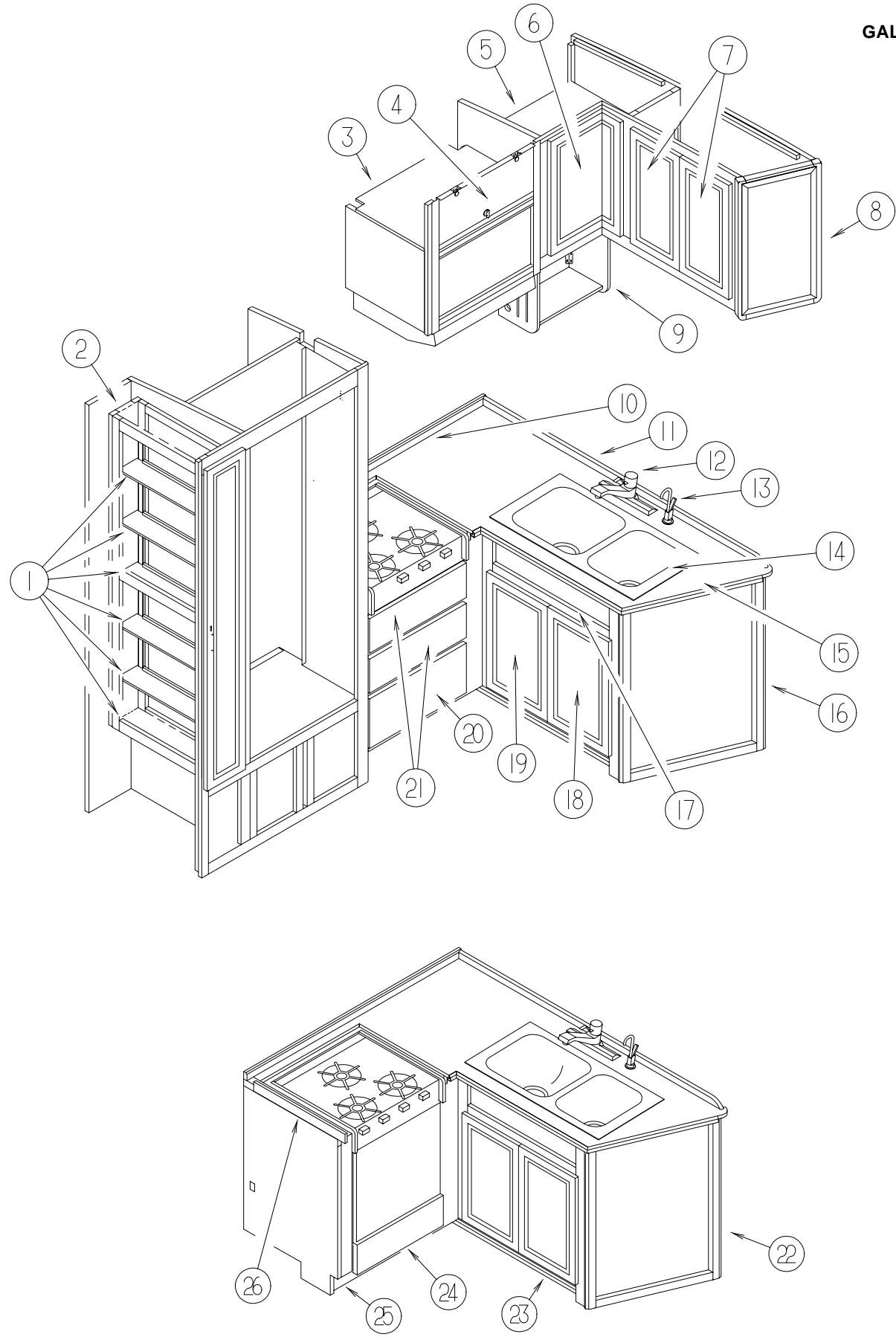
GALLEY CABINETS



KEY	PART NUMBER	U/M	DESCRIPTION
1	122325-11-J70	EA	SHELF - W/EDGE MOLDING (WASHED MAPLE)
1	122325-11-H57	EA	SHELF - W/EDGE MOLDING (SALEM CHERRY)
2	122325-02-J70	EA	CABINET - PANTRY - SLIDING/LEFT HAND - W/O SLIDES/HDW (WASHED MAPLE)
2	122325-02-H57	EA	CABINET - PANTRY - SLIDING/LEFT HAND - W/O SLIDES/HDW (SALEM CHERRY)
	122360-01-000	EA	SLIDE - PANTRY - W/LOCK - LEFT HAND
	122360-02-000	EA	SLIDE - PANTRY - W/O LOCK - RIGHT & LEFT HAND
	122360-03-000	EA	SLIDE - PANTRY - W/LOCK - RIGHT HAND
	123673-01-01A	EA	KNOB - PANTRY SLIDE
3	P21374-01-J70	EA	CABINET - OVERHEAD MICROWAVE - W/O DOORS/DRAWERS/HARDWARE (WASHED MAPLE)
3	P21374-01-H57	EA	CABINET - OVERHEAD MICROWAVE - W/O DOORS/DRAWERS/HARDWARE (SALEM CHERRY)
	119685-01-J70	EA	CABINET - FUSE PANEL - W/O HARDWARE (WASHED MAPLE)
	119685-01-GV1	EA	CABINET - FUSE PANEL - W/O HARDWARE (SALEM CHERRY)
4	100708-05-000	EA	DOOR - GLASS - TV CABINET - 8.5" X 23.4" - W/O HARDWARE
	100710-01-01A	EA	LOCK - GLASS DOOR/TWIST TYPE - BRASS
	100711-01-01A	EA	HINGE - GLASS DOOR
	100707-01-000	EA	SPACER - GLASS DOOR - .8" DIA - .3" HOLE - PLASTIC
5	122496-01-J70	EA	CABINET - OVERHEAD/GALLEY - W/O DOORS/HARDWARE (J70)
5	122496-01-H59	EA	CABINET - OVERHEAD/GALLEY - W/O DOORS/HARDWARE (J71)
5	122496-01-J72	EA	CABINET - OVERHEAD/GALLEY - W/O DOORS/HARDWARE (J72)
5	122496-01-J73	EA	CABINET - OVERHEAD/GALLEY - W/O DOORS/HARDWARE (J73)
5	122496-01-J74	EA	CABINET - OVERHEAD/GALLEY - W/O DOORS/HARDWARE (J74)
5	122496-01-J75	EA	CABINET - OVERHEAD/GALLEY - W/O DOORS/HARDWARE (J75)
5	122496-01-J76	EA	CABINET - OVERHEAD/GALLEY - W/O DOORS/HARDWARE (J76)
5	122496-01-J77	EA	CABINET - OVERHEAD/GALLEY - W/O DOORS/HARDWARE (J77)
5	122496-02-J70	EA	CABINET - OVERHEAD/GALLEY - W/O DOORS/HARDWARE (J70) (W/WINDOW EXCHANGE)
5	122496-02-H59	EA	CABINET - OVERHEAD/GALLEY - W/O DOORS/HARDWARE (J71) (W/WINDOW EXCHANGE)
5	122496-02-J72	EA	CABINET - OVERHEAD/GALLEY - W/O DOORS/HARDWARE (J72) (W/WINDOW EXCHANGE)
5	122496-02-J73	EA	CABINET - OVERHEAD/GALLEY - W/O DOORS/HARDWARE (J73) (W/WINDOW EXCHANGE)
5	122496-02-J74	EA	CABINET - OVERHEAD/GALLEY - W/O DOORS/HARDWARE (J74) (W/WINDOW EXCHANGE)
5	122496-02-J75	EA	CABINET - OVERHEAD/GALLEY - W/O DOORS/HARDWARE (J75) (W/WINDOW EXCHANGE)
5	122496-02-J76	EA	CABINET - OVERHEAD/GALLEY - W/O DOORS/HARDWARE (J76) (W/WINDOW EXCHANGE)
5	122496-02-J77	EA	CABINET - OVERHEAD/GALLEY - W/O DOORS/HARDWARE (J77) (W/WINDOW EXCHANGE)
5	122496-03-J70	EA	CABINET - OVERHEAD GALLEY - W/O DOORS/HARDWARE (J70) (W/SOUND SYSTEM)
5	122496-03-H59	EA	CABINET - OVERHEAD GALLEY - W/O DOORS/HARDWARE (J71) (W/SOUND SYSTEM)
5	122496-03-J72	EA	CABINET - OVERHEAD GALLEY - W/O DOORS/HARDWARE (J72) (W/SOUND SYSTEM)
5	122496-03-J73	EA	CABINET - OVERHEAD GALLEY - W/O DOORS/HARDWARE (J73) (W/SOUND SYSTEM)
5	122496-03-J74	EA	CABINET - OVERHEAD GALLEY - W/O DOORS/HARDWARE (J74) (W/SOUND SYSTEM)
5	122496-03-J75	EA	CABINET - OVERHEAD GALLEY - W/O DOORS/HARDWARE (J75) (W/SOUND SYSTEM)
5	122496-03-J76	EA	CABINET - OVERHEAD GALLEY - W/O DOORS/HARDWARE (J76) (W/SOUND SYSTEM)
5	122496-03-J77	EA	CABINET - OVERHEAD GALLEY - W/O DOORS/HARDWARE (J77) (W/SOUND SYSTEM)

GALLEY GROUP (CONTINUED)

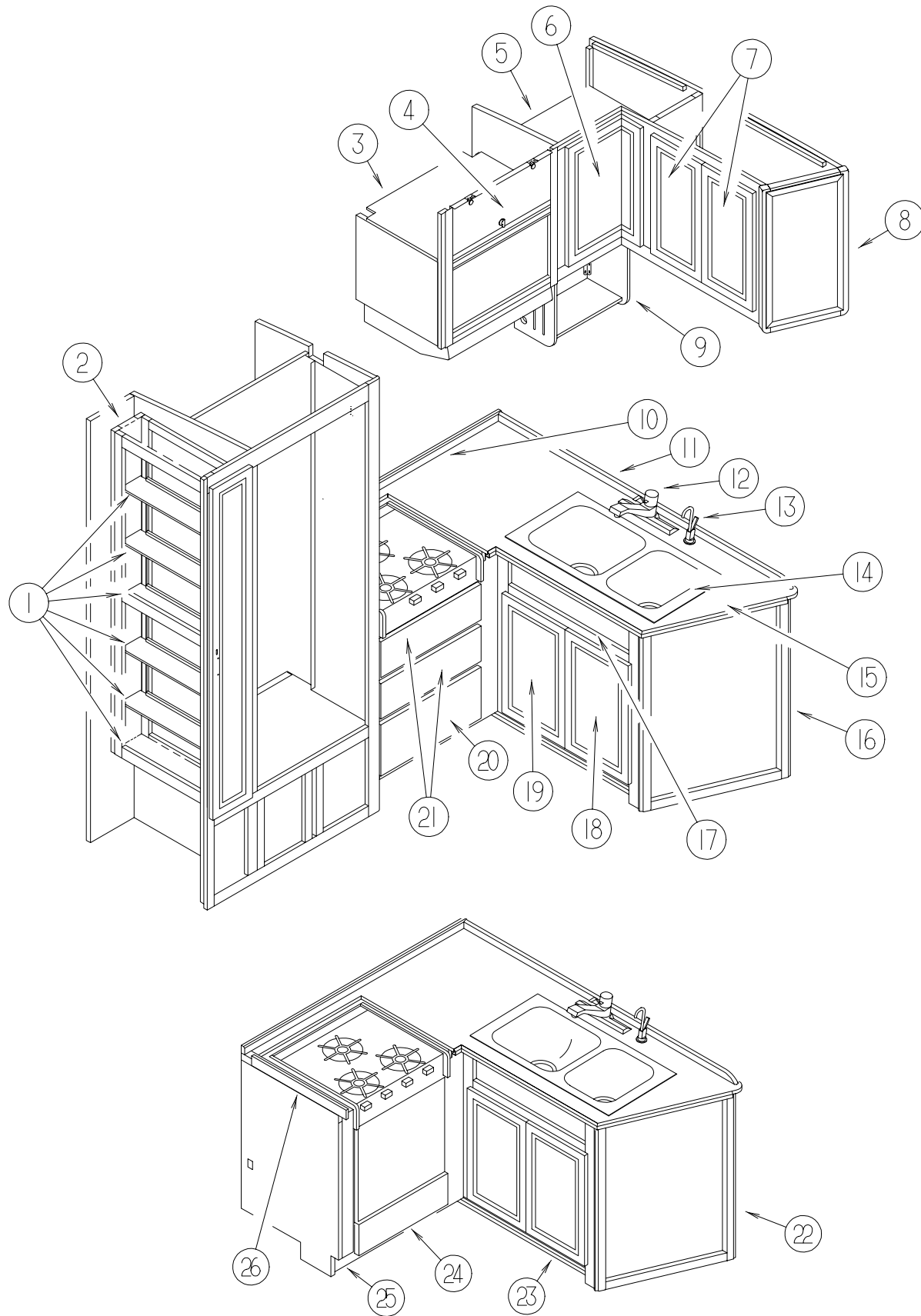
GALLEY CABINETS (CONTINUED)



KEY	PART NUMBER	U/M	DESCRIPTION	VENDOR NO.
5	122496-04-J70	EA	CABINET - OVERHEAD/GALLEY - W/O DOORS/HARDWARE (J70) (W/WINDOW EXCHANGE & SOUND SYSTEM)	
5	122496-04-H59	EA	CABINET - OVERHEAD/GALLEY - W/O DOORS/HARDWARE (J71) (W/WINDOW EXCHANGE & SOUND SYSTEM)	
5	122496-04-J72	EA	CABINET - OVERHEAD/GALLEY - W/O DOORS/HARDWARE (J72) (W/WINDOW EXCHANGE & SOUND SYSTEM)	
5	122496-04-J73	EA	CABINET - OVERHEAD/GALLEY - W/O DOORS/HARDWARE (J73) (W/WINDOW EXCHANGE & SOUND SYSTEM)	
5	122496-04-J74	EA	CABINET - OVERHEAD/GALLEY - W/O DOORS/HARDWARE (J74) (W/WINDOW EXCHANGE & SOUND SYSTEM)	
5	122496-04-J75	EA	CABINET - OVERHEAD/GALLEY - W/O DOORS/HARDWARE (J75) (W/WINDOW EXCHANGE & SOUND SYSTEM)	
5	122496-04-J76	EA	CABINET - OVERHEAD/GALLEY - W/O DOORS/HARDWARE (J76) (W/WINDOW EXCHANGE & SOUND SYSTEM)	
5	122496-04-J77	EA	CABINET - OVERHEAD/GALLEY - W/O DOORS/HARDWARE (J77) (W/WINDOW EXCHANGE & SOUND SYSTEM)	
	122496-24-J70	EA	SHELF - W/PLASTIC EDGE TRIM (WASHED MAPLE)	
	122496-24-H57	EA	SHELF - W/PLASTIC EDGE TRIM (SALEM CHERRY)	
6	M08109-01-J70	EA	DOOR - ARCHED/OGEE EDGE - 9.4" X 21.8" - W/O HARDWARE (WASHED MAPLE)	
6	M08109-01-H57	EA	DOOR - ARCHED/OGEE EDGE - 9.4" X 21.8" - W/O HARDWARE (SALEM CHERRY)	
7	M05990-34-J70	EA	DOOR - ARCHED/OGEE EDGE - 21.8" X 11" - W/O HARDWARE (WASHED MAPLE)	
7	M05990-34-H57	EA	DOOR - ARCHED/OGEE EDGE - 21.8" X 11" - W/O HARDWARE (SALEM CHERRY)	
8	113195-20-01A	EA	MIRROR - BEVELED SAFETY GLASS - CLEAR - 12.5" X 25"	
9	126048-01-J70	EA	CABINET - W/O DOORS/HARDWARE - F/COFFEE MAKER (WASHED MAPLE)	
9	126048-01-J71	EA	CABINET - W/O DOORS/HARDWARE - F/COFFEE MAKER (SALEM CHERRY)	
10	127604-12-J70	EA	BACKSPLASH - GALLEY (J70)	
10	127604-12-J71	EA	BACKSPLASH - GALLEY (J71)	
10	127604-12-J72	EA	BACKSPLASH - GALLEY (J72)	
10	127604-12-J73	EA	BACKSPLASH - GALLEY (J73)	
10	127604-12-J74	EA	BACKSPLASH - GALLEY (J74,J76)	
10	127604-12-J75	EA	BACKSPLASH - GALLEY (J75,J77)	
11	127604-13-J70	EA	BACKSPLASH - GALLEY (J70)	
11	127604-13-J71	EA	BACKSPLASH - GALLEY (J71)	
11	127604-13-J72	EA	BACKSPLASH - GALLEY (J72)	
11	127604-13-J73	EA	BACKSPLASH - GALLEY (J73)	
11	127604-13-J74	EA	BACKSPLASH - GALLEY (J74,J76)	
11	127604-13-J75	EA	BACKSPLASH - GALLEY (J75,J77)	
12	064952-01-000	EA	FAUCET - GALLEY - SINGLE CONTROL - 8"	
13	103635-01-000	EA	FAUCET - SINGLE CONTROL	
	103635-01-700	EA	FITTING KIT - FAUCET REPAIR	3071-70
	103635-01-701	EA	TUBING - PLASTIC	3019-20
	103635-01-702	EA	FAUCET REPAIR KIT	3026-46
14	110654-01-000	EA	SINK - STAINLESS STEEL/DOUBLE BASIN (1 LG-1 SM BASIN)	
	092303-01-000	EA	STRAINER - SINK	
	108464-03-GV4	EA	COVER - SINK - 15" X 11" - LAMINATE ON BOTH SIDES (J70,J71)	
	108464-03-E39	EA	COVER - SINK - 15" X 11" - LAMINATE ON BOTH SIDES (J72,J73)	
	108464-03-J74	EA	COVER - SINK - 15" X 11" - LAMINATE ON BOTH SIDES (J74,J75,J76,J77)	
	108464-04-F32	EA	COVER - SINK - 15" X 15" - LAMINATE ON BOTH SIDES (J70,J71)	
	108464-04-J72	EA	COVER - SINK - 15" X 15" - LAMINATE ON BOTH SIDES (J72,J73)	
	108464-04-J23	EA	COVER - SINK - 15" X 15" - LAMINATE ON BOTH SIDES (J74,J75,J76,J77)	
15	127604-11-J70	EA	COUNTERTOP - GALLEY (J70)	
15	127604-11-J71	EA	COUNTERTOP - GALLEY (J71)	
15	127604-11-J72	EA	COUNTERTOP - GALLEY (J72)	
15	127604-11-J73	EA	COUNTERTOP - GALLEY (J73)	
15	127604-11-J74	EA	COUNTERTOP - GALLEY (J74,J76)	
15	127604-11-J75	EA	COUNTERTOP - GALLEY (J75,J77)	

GALLEY GROUP (CONTINUED)

GALLEY CABINETS (CONTINUED)



KEY	PART NUMBER	U/M	DESCRIPTION
16	127604-01-J70	EA	CABINET - GALLEY - W/COUNTERTOP - W/O DRS/DWRS/HDW (J70)
16	127604-01-J71	EA	CABINET - GALLEY - W/COUNTERTOP - W/O DRS/DWRS/HDW (J71)
16	127604-01-J72	EA	CABINET - GALLEY - W/COUNTERTOP - W/O DRS/DWRS/HDW (J72)
16	127604-01-J73	EA	CABINET - GALLEY - W/COUNTERTOP - W/O DRS/DWRS/HDW (J73)
16	127604-01-J74	EA	CABINET - GALLEY - W/COUNTERTOP - W/O DRS/DWRS/HDW (J74,J76)
16	127604-01-J75	EA	CABINET - GALLEY - W/COUNTERTOP - W/O DRS/DWRS/HDW (J75,J77)
	116382-01-01A	EA	SHELF - ROUND - PLASTIC
	116590-01-02B	EA	BASE - SHELF
	116591-01-01A	EA	SPACER - NYLON
17	M06810-07-H56	EA	DRAWER - OGEE EDGE - W/TIP OUT TRAY (WASHED MAPLE)
17	M06810-07-GV1	EA	DRAWER - OGEE EDGE - W/TIP OUT TRAY (SALEM CHERRY)
	100081-01-01A	EA	TRAY - SILVERWARE - 9" X 13.3" RUBBERMAID ALMOND PLASTIC
18	M05992-G7-J70	EA	DOOR - STRAIGHT CORNER/OGEE EDGE - 13.3" X 21.8" - W/O HDW (WASHED MAPLE)
18	M05992-G7-GV1	EA	DOOR - OGEE EDGE - 13.3" X 21.8" - W/O HARDWARE (SALEM CHERRY)
19	M05992-G8-J70	EA	DOOR - STRAIGHT CORNER/OGEE EDGE - 13.3" X 21.8" - W/O HDW (WASHED MAPLE)
19	M05992-G8-GV1	EA	DOOR - OGEE EDGE - 13.3" X 21.8" - W/O HARDWARE (SALEM CHERRY)
	102238-01-000	EA	CONTAINER - TRASH - W/HDW - 8"X13"X15.2" - WIRE BASKET
20	M05971-HF-J70	EA	DRAWER - OGEE EDGE - 19.6"W X 17.7"D - W/O SLIDES/HARDWARE (WASHED MAPLE)
20	M05971-HF-J71	EA	DRAWER - OGEE EDGE - 19.6"W X 17.7"D - W/O SLIDES/HARDWARE (SALEM CHERRY)
21	M05971-HE-J70	EA	DRAWER - OGEE EDGE - 19.6"W X 17.7"D - W/O SLIDES/HARDWARE (WASHED MAPLE)
21	M05971-HE-J71	EA	DRAWER - OGEE EDGE - 19.6"W X 17.7"D - W/O SLIDES/HARDWARE (SALEM CHERRY)
22	127604-02-J70	EA	CABINET - GALLEY - W/COUNTERTOP - W/O DRS/DWRS/HDW - W/OVEN (J70)
22	127604-02-J71	EA	CABINET - GALLEY - W/COUNTERTOP - W/O DRS/DWRS/HDW - W/OVEN (J71)
22	127604-02-J72	EA	CABINET - GALLEY - W/COUNTERTOP - W/O DRS/DWRS/HDW - W/OVEN (J72)
22	127604-02-J73	EA	CABINET - GALLEY - W/COUNTERTOP - W/O DRS/DWRS/HDW - W/OVEN (J73)
22	127604-02-J74	EA	CABINET - GALLEY - W/COUNTERTOP - W/O DRS/DWRS/HDW - W/OVEN (J74,J76)
22	127604-02-J75	EA	CABINET - GALLEY - W/COUNTERTOP - W/O DRS/DWRS/HDW - W/OVEN (J75,J77)
23	127604-19-J70	EA	TOE KICK - GALLEY CABINET
	118200-01-01A	SF	MESH - PLASTIC - 1/2 INCH
24	M05971-JC-J70	EA	DRAWER - OGEE EDGE - 19.6"W X 17.7"D - W/O SLIDES/HARDWARE (WASHED MAPLE)
24	M05971-JC-J71	EA	DRAWER - OGEE EDGE - 19.6"W X 17.7"D - W/O SLIDES/HARDWARE (SALEM CHERRY)
25	127604-18-J70	EA	TOE KICK - GALLEY CABINET
	118200-01-01A	SF	MESH - PLASTIC - 1/2 INCH
26	127604-14-J70	EA	BACKSPLASH - GALLEY (J70,J71)
26	127604-14-J72	EA	BACKSPLASH - GALLEY (J72,J73)
26	127604-14-J74	EA	BACKSPLASH - GALLEY (J74,J75,J76,J77)
	090329-01-000	FT	SEAL/T - REFRIGERATOR CABINET

GENERATOR GROUP
7 KW ONAN MARQUIS GENERATOR (U.S.)

KEY	PART NUMBER	U/M	DESCRIPTION
	105559-03-000	EA	GENERATOR - 7 KW MARQUIS 30/30
	109677-01-000	EA	LOAD CENTER - 120 VOLT - 40 AMP
	106071-01-000	EA	SWITCH - AUTOMATIC TRANSFER - 30 AMP
	083209-03-000	EA	CIRCUIT BREAKER - 15/20 AMP - 120 VOLT
	083209-06-000	EA	CIRCUIT BREAKER - 30/15 AMP - 120 VOLT
	008054-01-000	EA	CORD-POWER, 10/3 - 30 AMP - 25'
	106235-01-000	EA	ADAPTOR-EXHAUST, GENERATOR
	007125-03-000	EA	CLAMP-MUFFLER - 1.5" DIAMETER
	007131-01-000	EA	HANGER-TAILPIPE, 6 SLOTS
	008401-01-000	EA	STRAP-CONDUIT, 3/4" - 1 HOLE - GALVANIZED STEEL
	105958-04-000	EA	PIPE - EXHAUST - 1.4" INLET X 1.5" O.D. - 4.9" X 66.9" FROM: 00-00-00 THRU: 08-29-97
	105958-15-000	EA	PIPE - EXHAUST - GENERATOR FROM: 08-30-97 THRU: 99-99-99

7 KW ONAN MARQUIS GENERATOR (CANADIAN)

KEY	PART NUMBER	U/M	DESCRIPTION
	105559-03-000	EA	GENERATOR - 7KW MARQUIS 30/30, ONAN NHM FA/26105 W/ONAN TRAY 403-2893
	109677-01-000	EA	LOAD CENTER - 120V, 40 AMP - WESCO TT120FLGNM
	113132-01-000	EA	LOAD CENTER - 120/240V, 60 AMP - WESCO 2460SGNM
	106071-01-000	EA	SWITCH-AUTOMATIC TRANSFER, MAGNETEK ATS 30 AMP
	083209-02-000	EA	CIRCUIT BREAKER, 15/15 AMP 120V - BW H-15/15
	083209-03-000	EA	CIRCUIT BREAKER, 15/20 AMP 120V - BW 0-15/20
	083209-06-000	EA	CIRCUIT BREAKER, 30/15 AMP 120V - BW D-30/15
	108916-01-000	EA	CIRCUIT BREAKER, 50 AMP 120V, WESTINGHOUSE BR250
	008054-01-000	EA	CORD-POWER, 10/3 - 30 AMP - 25'
	106235-01-000	EA	ADAPTOR-EXHAUST, GENERATOR
	007125-03-000	EA	CLAMP-MUFFLER - 1.5" DIAMETER
	007131-01-000	EA	HANGER-TAILPIPE, 6 SLOTS
	008401-01-000	EA	STRAP-CONDUIT, 3/4" - 1 HOLE - GALVANIZED STEEL
	105958-04-000	EA	PIPE - EXHAUST - 1.4" INLET X 1.5" O.D. - 4.9" X 66.9" FROM: 00-00-00 THRU: 08-29-97
	105958-15-000	EA	PIPE - EXHAUST - GENERATOR FROM: 08-30-97 THRU: 99-99-99

GENERATOR GROUP (CONTINUED)
7 KW ONAN MARQUIS GENERATOR - 50 AMP (U.S.)

KEY	PART NUMBER	U/M	DESCRIPTION
	105559-03-000	EA	GENERATOR - 7KW MARQUIS 30/30, ONAN NHM FA/26105 W/ONAN TRAY 403-2893
	112365-03-000	EA	BREAKER-30 AMP, GENERATOR - ONAN 320-1572
	083209-02-000	EA	CIRCUIT BREAKER, 15/15 AMP 120V - BW H-15/15
	083209-03-000	EA	CIRCUIT BREAKER, 15/20 AMP 120V - BW 0-15/20
	108916-01-000	EA	CIRCUIT BREAKER, 50AMP 120V, WESTINGHOUSE BR250
	108915-01-000	EA	LOAD CENTER - 120/240V, 125 AMP - WESTINGHOUSE S816CG
	113132-01-000	EA	LOAD CENTER - 120/240V, 60 AMP - WESCO 2460SGNM
	108934-01-000	EA	CORD-POWER, 50 AMP, 4 WIRE, 36FT - WESCO K3536
	106235-01-000	EA	ADAPTOR-EXHAUST, GENERATOR
	007125-03-000	EA	CLAMP-MUFFLER - 1.5" DIAMETER
	007131-01-000	EA	HANGER-TAILPIPE, 6 SLOTS
	008401-01-000	EA	STRAP-CONDUIT, 3/4" - 1 HOLE - GALVANIZED STEEL
	105958-04-000	EA	PIPE - EXHAUST - 1.4" INLET X 1.5" O.D. - 4.9" X 66.9" FROM: 00-00-00 THRU: 08-29-97
	105958-15-000	EA	PIPE - EXHAUST - GENERATOR FROM: 08-30-97 THRU: 99-99-99

7 KW ONAN MARQUIS GENERATOR - 50 AMP (CANADIAN)

KEY	PART NUMBER	U/M	DESCRIPTION
	105559-03-000	EA	GENERATOR - 7KW MARQUIS 30/30, ONAN NHM FA/26105 W/ONAN TRAY 403-2893
	083209-01-000	EA	CIRCUIT BREAKER, 15 AMP 120V - BW G-15 - CANADIAN
	083209-02-000	EA	CIRCUIT BREAKER, 15/15 AMP 120V - BW H-15/15
	083209-03-000	EA	CIRCUIT BREAKER, 15/20 AMP 120V - BW 0-15/20
	108916-01-000	EA	CIRCUIT BREAKER, 50AMP 120V, WESTINGHOUSE BR250
	108915-01-000	EA	LOAD CENTER - 120/240V, 125 AMP - WESTINGHOUSE S816CG
	113132-01-000	EA	LOAD CENTER - 120/240V, 60 AMP - WESCO 2460SGNM
	112365-03-000	EA	BREAKER - 30AMP, GENERATOR - ONAN 320-1572
	113096-01-000	EA	CORD-POWER, 50 AMP, 4 WIRE, 36', CSA - WESCO 4243
	106235-01-000	EA	ADAPTOR-EXHAUST, GENERATOR
	007125-03-000	EA	CLAMP-MUFFLER - 1.5" DIAMETER
	007131-01-000	EA	HANGER-TAILPIPE, 6 SLOTS
	008401-01-000	EA	STRAP-CONDUIT, 3/4" - 1 HOLE - GALVANIZED STEEL
	105958-04-000	EA	PIPE - EXHAUST - 1.4" INLET X 1.5" O.D. - 4.9" X 66.9" FROM: 00-00-00 THRU: 08-29-97
	105958-15-000	EA	PIPE - EXHAUST - GENERATOR FROM: 08-30-97 THRU: 99-99-99

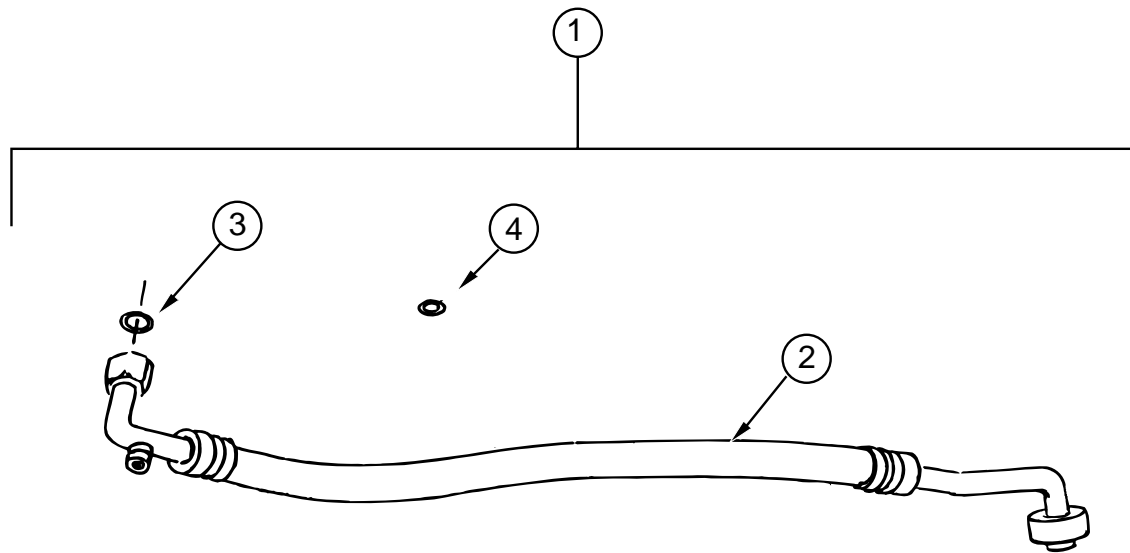
HEATING & AIR CONDITIONING GROUP

AUTO A/C & HEAT SYSTEM

KEY	PART NUMBER	U/M DESCRIPTION
	007281-01-000	EA HOSE - FLEXIBLE PVC - 2.5" ID X 50'
	024990-05-000	EA OUTLET - DEFROSTER - 4" DIAMETER W/SWIVEL DEFLECTORS
	024990-07-000	EA OUTLET - DEFROSTER - W/SWIVEL - 2"
	056464-10-000	EA REGISTER - 4" DIAMETER - PLASTIC - W/O DAMPER - BEIGE
	056402-05-000	EA BRACKET - HEATER VENT - ROUND W/BEND - BLACK
	056402-06-000	EA BRACKET - HEATER/BLACK
	103016-01-000	EA PLENUM - TRANSITION
	103558-01-08A	EA VENT - DEFROSTER - 2" X 14.4" X 1.4" - HAMPTON TAN
	103796-01-01A	EA LOUVER - A/C
	077075-01-000	EA GASKET - INSTRUMENT PANEL TO DEFROSTER PLENUM
	103017-03-000	EA PLENUM - DEFROSTER
	103930-23-000	EA VALVE - WATER - 2 PORT

EVANS REAR HEATER SYSTEM

KEY	PART NUMBER	U/M DESCRIPTION	VENDOR NO.
	084405-01-000	EA HEATER - REAR/DUCTED - W/MOTOR AID	
	084405-01-700	EA CORE - HEATER	FT200229
	084405-01-701	EA FAN BLADES	HV029931
	084405-01-702	EA MOTOR ASSEMBLY - 12 VOLT	RV010348
	007076-01-000	EA HOSE - FLEXIBLE PVC - 2" ID - INCREMENTS OF 50'	
	007108-01-000	FT HOSE - HEATER - 5/8" ID - HI-TEMP - FORD	
	009198-01-000	FT DUCT - HEAT - FLEXIBLE - 4" ID X 25'	
	079059-02-000	EA HOSE - 90 DEGREE - .61" ID X 4" X 6"	
	079059-01-000	EA HOSE - 90 DEGREE - 5/8" ID X 4" X 36"	
	076776-01-000	EA TEE - BEADED - 5/8" X 5/8" X 5/8"	

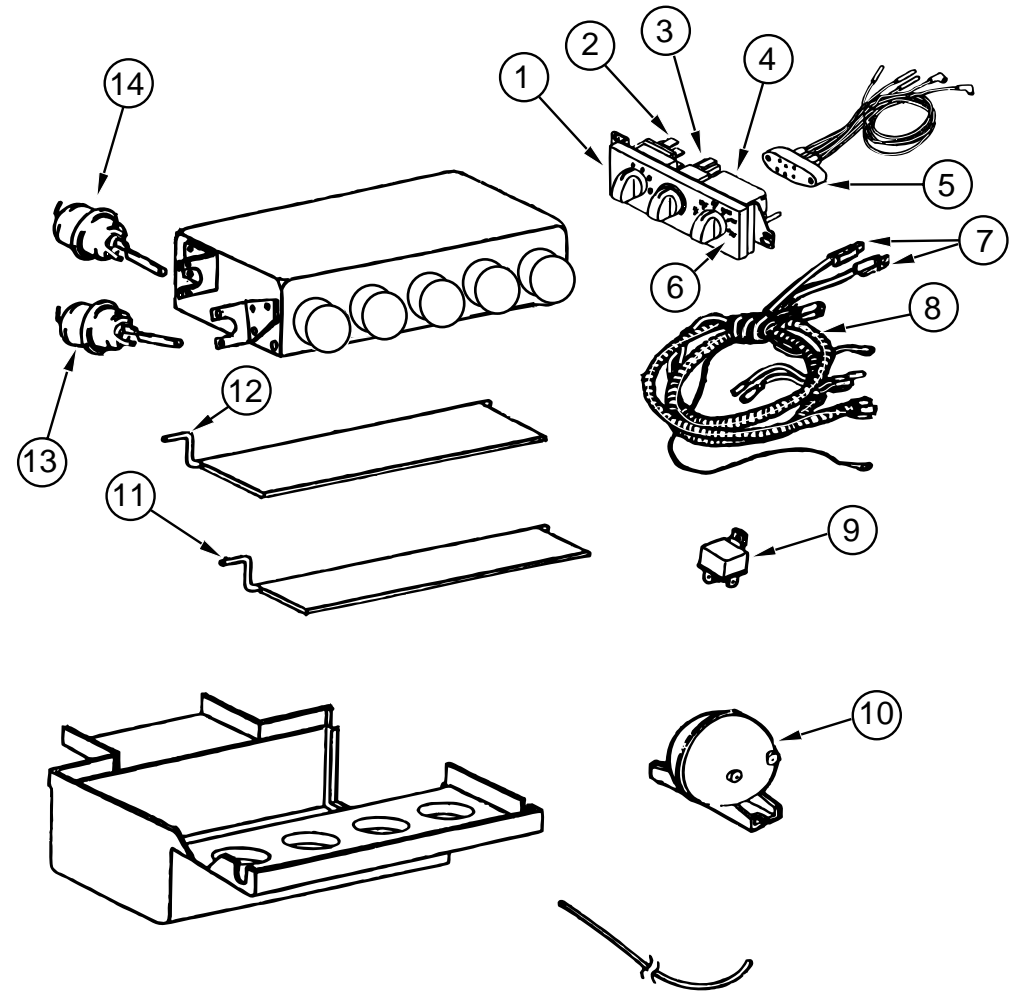


CHEVY HOSE KIT - VORTEC GAS OR DIESEL OPTION

KEY	PART NUMBER	U/M DESCRIPTION	VENDOR NO.
1	103930-29-000	EA HOSE KIT - #10 W/GM L-29 & L-65 CHASSIS	
2	103930-29-700	EA HOSE ASSM #10 W/HARRISON COMP	085-0348
3	103930-17-702	EA O-RING #10	045-0127
4	103930-29-701	EA GASKET-GMLP SW 1996	045-0483

HEATING & AIR CONDITIONING GROUP (CONTINUED)

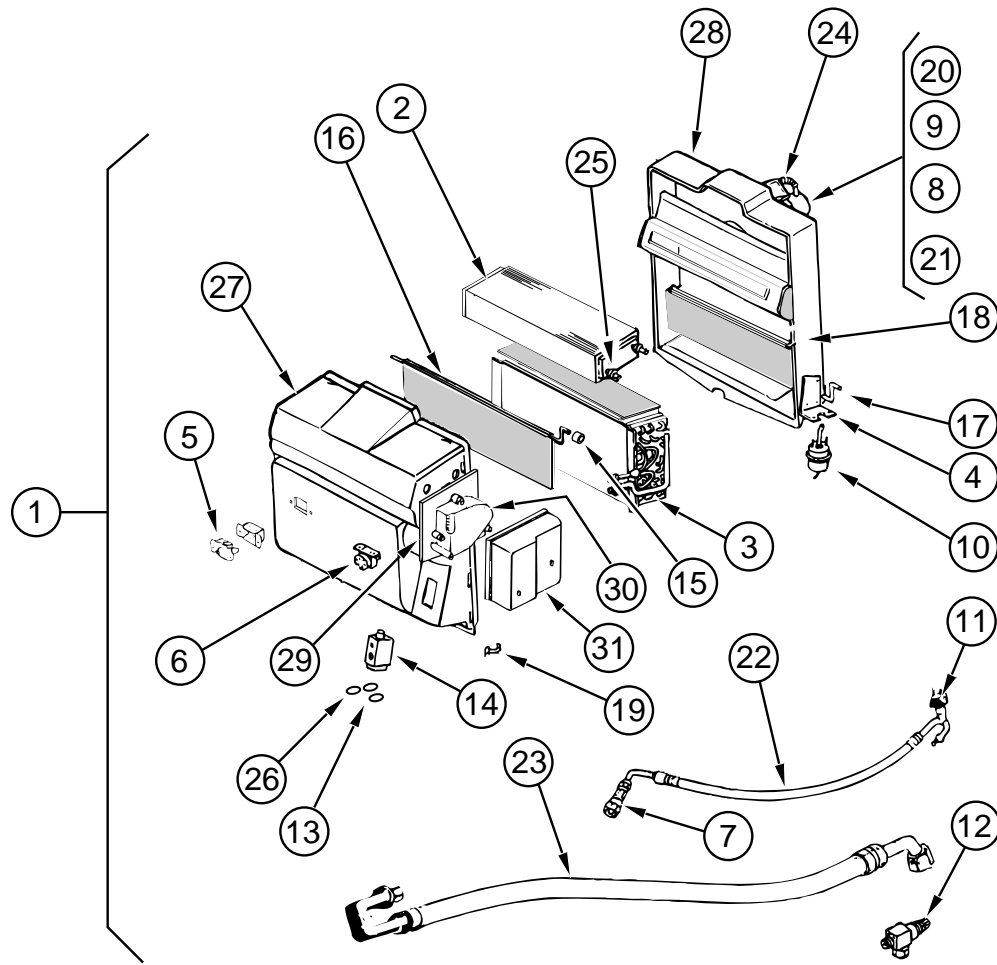
CONTROL/PLENUM - ROTARY CONTROL HEAD



KEY	PART NUMBER	U/M DESCRIPTION	VENDOR NO.
	103930-35-000	EA CONTROL/PLENUM - ROTARY CONTROL HEAD	
1	103930-33-702	EA CONTROL PANEL	083-0169
2	103930-33-707	EA SWITCH - BLOWER	032-0186
3	103930-33-708	EA SWITCH - POTENTIOMETER	032-0184
4	103930-33-709	EA SWITCH - VACUUM	032-0183
5	103930-33-703	EA VACUUM HARNESS	036-0465
6	103930-33-710	EA DECAL F/CONTROL HEAD	058-0102
7	103930-33-705	EA LIGHT BULBS	035-0030
8	103930-33-711	EA WIRE HARNESS - MAIN	036-0496
9	103930-02-707	EA RELAY - BOSCH W/RESISTER	031-0001
10	103930-02-710	EA CANISTER - VACUUM	054-0002
11	103930-33-700	EA ROD - DOOR DEFROSTER/AC	073-0028
12	103930-33-706	EA ROD - DOOR AC/DEFROST	073-0060
13	103930-02-708	EA MOTOR - VACUUM SERVO - A/C	030-0025
14	103930-33-701	EA MOTOR - VACUUM - 3 STAGE	030-0105
	103930-33-712	EA KNOB - BLOWER	062-00539
	103930-33-713	EA KNOB	062-00540

HEATING & AIR CONDITIONING GROUP (CONTINUED)

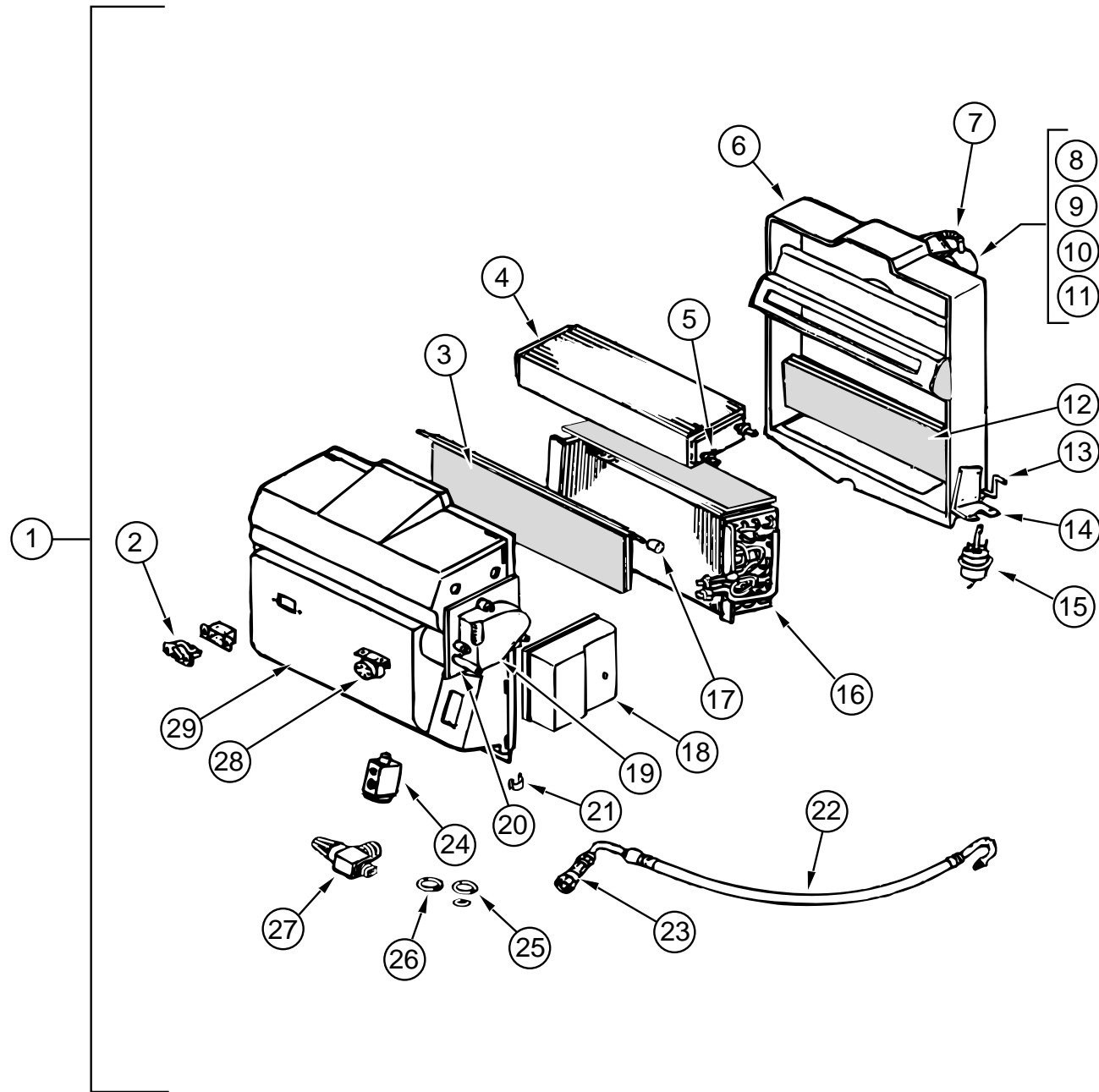
FORD EVAPORATOR/HEATER ASSEMBLY



KEY	PART NUMBER	U/M DESCRIPTION	VENDOR NO.
1	103930-31-000	EA EVAPORATOR/HEATER - FORD - SERVO MOTOR CONTROLLED	
2	103930-01-703	EA CORE - HEATER	042-0010
3	103930-01-704	EA COIL - EVAPORATOR	041-0017
4	103930-01-708	EA BRACKET - VACUUM MOTOR	070-0113
5	103930-01-710	EA RESISTOR - FUSED - A/C	035-0006
6	103930-01-711	EA THERMOSTAT	033-0003
7	103930-01-713	EA FITTING - QUICK CONNECT - #4	050-0030
8	103930-01-717	EA WHEEL - BLOWER - CLOCKWISE	062-0010
9	103930-30-706	EA MOTOR - BLOWER W/PIGTAIL HARNESS	030-0109
10	103930-02-708	EA MOTOR - VACUUM SERVO - A/C	030-0025
11	103930-12-708	EA SWITCH - BINARY - HI-LOW CUTOUT	032-0048
12	103930-13-702	EA VALVE - SERVICE - W/O COMP.	050-0152
13	103930-17-702	EA O'RING #10	045-0127
14	103930-20-700	EA VALVE - EXPANSION - BLOCK - 2 TON	034-0032
15	103930-30-702	EA BUSHING - BLEND AIR DOOR	062-0168
16	103930-30-705	EA DOOR - BLEND AIR	071-0568
17	103930-20-704	EA ROD - DOOR - RECIRCULATING	073-0018
18	103930-20-705	EA PANEL - DOOR - RECIRCULATING	071-0213
19	103930-20-706	EA CLIP - RETAINER	022-0057
20	103930-20-707	EA HOUSING - BLOWER	062-0145
21	103930-20-708	EA CLIP - MOTOR SHAFT	022-0001
22	103930-21-700	EA HOSE ASM. #6 EXP. VALVE - DRIER	085-0139
23	103930-21-701	EA HOSE ASM #10, EXP. VALVE - COMP	085-0149
24	110279-01-703	EA HOSE - VENT - BLOWER MOTOR	051-0034
25	110279-01-712	EA FITTING - HEATER	050-0076
26	113245-01-707	EA O'RING #8	045-0126
27	103930-30-700	EA CASE - FRONT	062-0542
28	103930-20-711	EA CASE - BACK - SUB-ASSEMBLY	062-0147
29	103930-30-701	EA PLATE - MOTOR MOUNT	062-0544
30	103930-30-703	EA MOTOR - SERVO	030-0104
31	103930-30-704	EA COVER - SERVO	062-0545

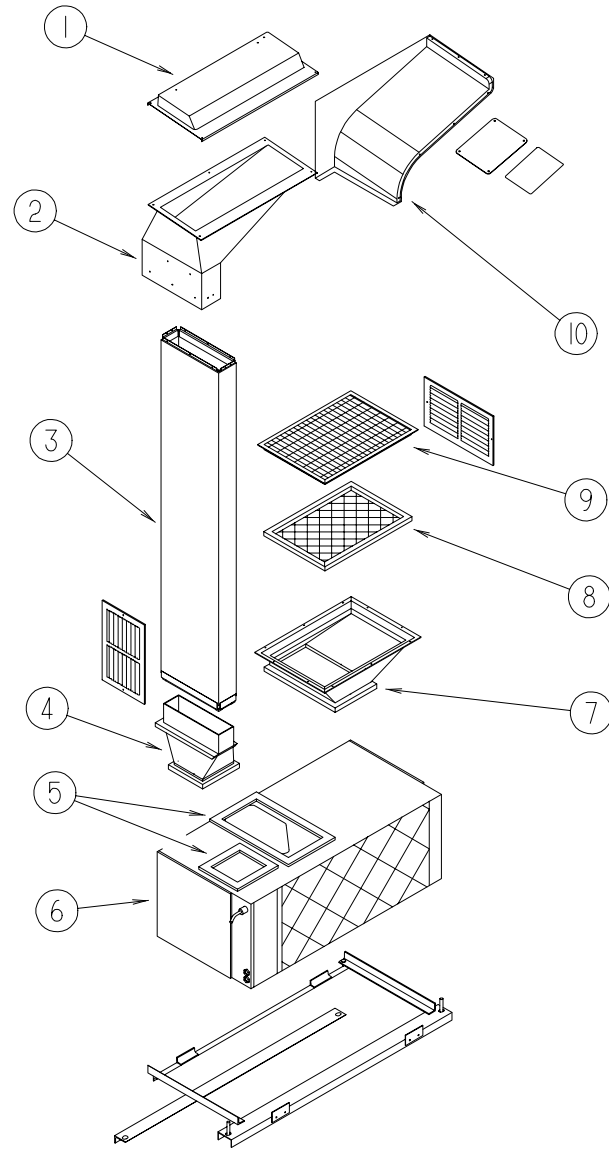
HEATING & AIR CONDITIONING GROUP (CONTINUED)

CHEVY EVAPORATOR/HEATER ASSEMBLY



KEY	PART NUMBER	U/M DESCRIPTION	VENDOR NO.
1	103930-30-000	EA EVAPORATOR/HEATER - CHEVY - SERVO MOTOR CONTROLLED	
2	103930-01-710	EA RESISTOR - FUSED - A/C	035-0006
3	103930-30-705	EA DOOR - BLEND AIR	071-0568
4	103930-01-703	EA CORE - HEATER	042-0010
5	110279-01-712	EA FITTING - HEATER	050-0076
6	103930-20-711	EA CASE - BACK - SUB-ASSEMBLY	062-0147
7	110279-01-703	EA HOSE - VENT - BLOWER MOTOR	051-0034
8	103930-20-707	EA HOUSING - BLOWER	062-0145
9	103930-30-706	EA MOTOR - BLOWER W/PIGTAIL HARNESS	030-0109
10	103930-01-717	EA WHEEL - BLOWER - CLOCKWISE	062-0010
11	103930-20-708	EA CLIP - MOTOR SHAFT	022-0001
12	103930-20-705	EA PANEL - DOOR - RECIRCULATING	071-0213
13	103930-20-704	EA ROD - DOOR - RECIRCULATING	073-0018
14	103930-01-708	EA BRACKET - VACUUM MOTOR	070-0113
15	103930-02-708	EA MOTOR - VACUUM SERVO - A/C	030-0025
16	103930-01-704	EA COIL - EVAPORATOR	041-0017
17	103930-30-702	EA BUSHING - BLEND AIR DOOR	062-0168
18	103930-30-704	EA COVER - SERVO	062-0545
19	103930-30-703	EA MOTOR - SERVO	030-0104
20	103930-30-701	EA PLATE - MOTOR MOUNT	062-0544
21	103930-20-706	EA CLIP - RETAINER	022-0057
22	103930-25-700	EA HOSE ASM. - #6 EVAP TO DRIER	085-0350
23	103930-12-709	EA FITTING - QUICK CONNECT	050-0120
24	103930-20-700	EA VALVE - EXPANSION - BLOCK - 2 TON	034-0032
25	103930-17-702	EA O'RING #10	045-0127
26	113245-01-707	EA O'RING #8	045-0126
27	103930-20-709	EA VALVE - SERVICE	050-0159
28	103930-01-711	EA THERMOSTAT	033-0003
29	103930-30-700	EA CASE - FRONT	062-0542

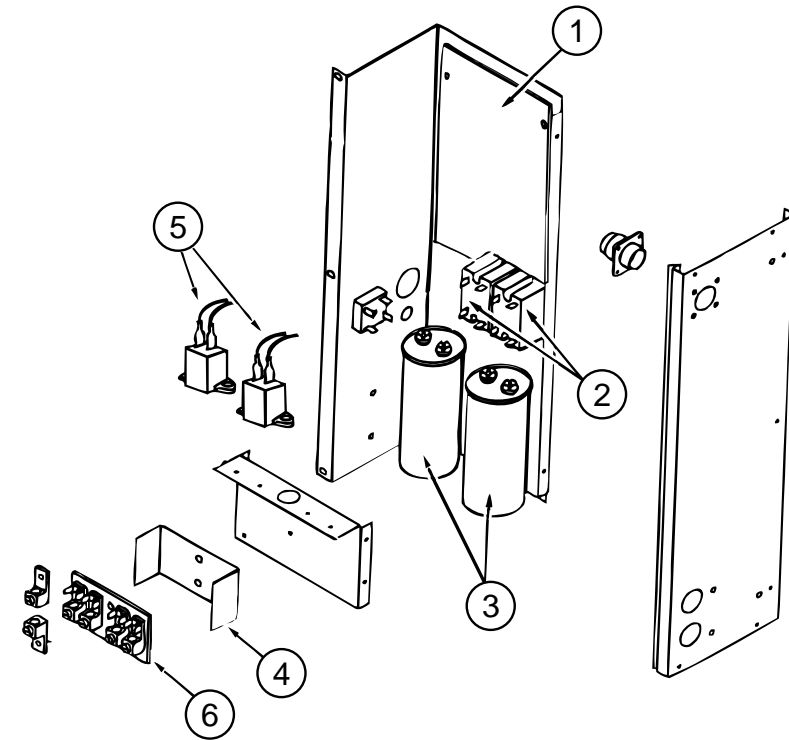
HEATING & AIR CONDITIONING GROUP (CONTINUED)



PLENUMS, INSULATION & FILTER - COLEMAN 6795B832

KEY	PART NUMBER	U/M	DESCRIPTION
1	109009-01-000	EA	DEFLECTOR - A/C - ROOF
	104692-01-000	FT	SEAL - FOAM/ADHESIVE BACK - .75"THICK X .75"WIDE X 25'
2	P18218-01-000	EA	PLENUM - A/C - SUPPLY - UPPER W/FOAM
3	117870-01-01A	EA	PLENUM - A/C - 67"
4	P17384-01-000	EA	PLENUM - A/C - LOWER
	105290-01-000	SF	INSULATION - AIR POCKET W/FOIL
5	100128-02-000	FT	SEAL - FOAM - ADHESIVE BACK - .37" WIDE X .37" THICK
6	105620-05-000	EA	A/C - CENTRAL PACKAGE UNIT - LEFT HAND
	105620-09-000	EA	THERMOSTAT - A/C & FURNACE - HORIZONTAL MOUNT 4.25" X 2.5"
	105620-07-000	EA	WIRE ASSEMBLY - THERMOSTAT
7	117389-01-000	EA	PLENUM - A/C - RETURN AIR
	105290-01-000	SF	INSULATION - AIR POCKET W/FOIL
8	109050-02-000	EA	FILTER - FIBERGLASS - 1" X 14" X 20"
9	109859-01-000	EA	FRAME ASSEMBLY - FILTER - A/C
10	117570-01-01A	EA	COVER - PLENUM - A/C - UPPER OFF WHT

HEATING & AIR CONDITIONING GROUP (CONTINUED)

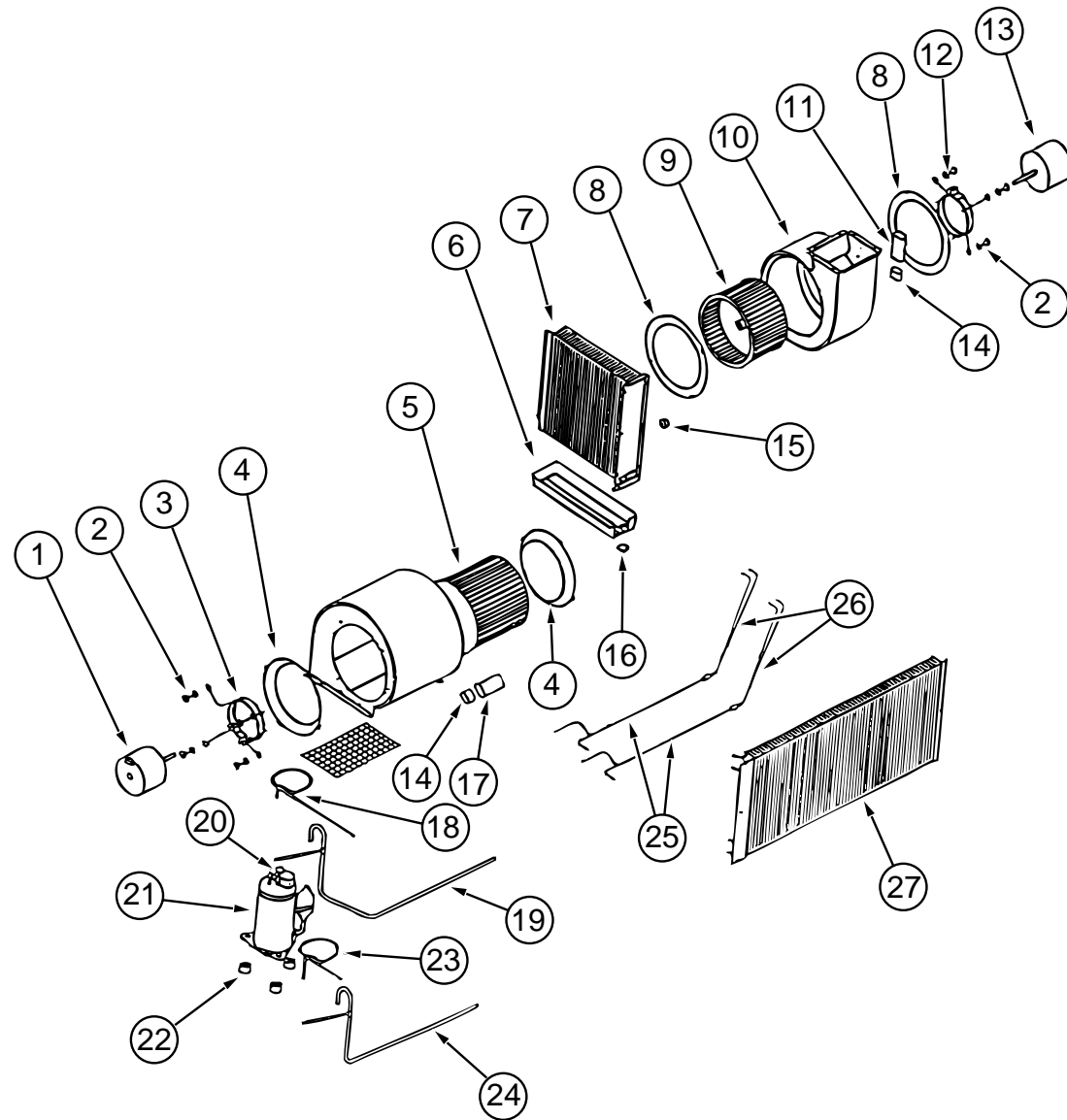


ELECTRICAL COMPONENTS - COLEMAN 6795B832 (CONTINUED)

KEY	PART NUMBER	U/M	DESCRIPTION	VENDOR NO.
1	105620-05-700	EA	BOARD - PRINTED CIRCUIT - 2 TON	6795-3201
2	105620-01-729	EA	RELAY - COMPRESSOR	1460-1011
3	108889-01-707	EA	CAPACITOR - RUN - COMPRESSOR - 25MFD/370	1499-5661
4	105620-01-733	EA	ISOLATOR - HIGH VOLTAGE	6795-117
5	105620-01-739	EA	START ASSIST	9011
6	105620-01-738	EA	HIGH VOLTAGE TERMINAL BOARD	6795-315

HEATING & AIR CONDITIONING GROUP (CONTINUED)

BLOWER MOTOR, COMPRESSOR AND COMPONENTS - COLEMAN 6795B832 (CONTINUED)



KEY	PART NUMBER	U/M	DESCRIPTION	VENDOR NO.
1	105620-01-717	EA	MOTOR - BLOWER - O.D.	1468-302
2	105620-01-716	EA	PACKAGE - SLEEVE & GROMMET - 4 PER PKG	6795-3031
3	105620-01-715	EA	MOUNT - BLOWER - O.D.	6795-3011
4	105620-01-714	EA	VENTURI - BLOWER - O.D.	6795-150
5	105620-01-713	EA	WHEEL - BLOWER - O.D.	1472-1011
6	105620-02-702	EA	PAN - DRAIN - LH	6795-225
7	105620-02-701	EA	COIL - EVAPORATOR - LEFT	1452-1431
8	105620-01-722	EA	VENTURI - BLOWER - I.D.	6795-151
9	105620-02-709	EA	WHEEL - BLOWER - I.D.	1472-1021
10	105620-02-708	EA	HOUSING - BLOWER - I.D.	6795-519
11	108889-01-708	EA	CAPACITOR - BLOWER	1499-5461
12	105620-01-723	EA	MOUNT - MOTOR - BLOWER I.D.	6795-3021
13	105620-01-724	EA	MOTOR - BLOWER - I.D.,	1468-3129
14	105620-01-719	EA	BOOT - CAPACITOR - RUBBER	1499-950
15	N/A	EA	SWITCH - FREEZE - COLEMAN 6795A330 (NOT USED ON THIS MODEL)	
16	105620-01-703	EA	DRAIN VALVE	6795-300
17	105620-01-718	EA	BLOWER CAPACITOR - O.D. (12.5)	1499-5631
18	105620-01-708	EA	LINE - DISCHARGE - 2 - LEFT	6795-133
19	105620-02-703	EA	LINE ASM - SUCTION - 2 - LEFT	6795-507
20	105620-01-705	EA	OVERLOAD PROTECTOR (RH & LH)	6759-3791
21	105620-01-704	EA	COMPRESSOR - TECUMSEH	RK157 AT-010A4
22	105620-01-706	EA	MOUNTING PACKAGE - COMPRESSOR - 3 PER	6759-3081
23	105620-02-706	EA	LINE ASM. - LIQUID - CKT #1 (LH)	6795-234
24	105620-02-705	EA	LINE ASM. - SUCTION - CKT #1 (LH)	6795-508
25	105620-02-707	EA	LINE ASM. - LIQUID - COMPRESSOR (LH)	6795-503
26	105620-01-712	EA	CAP TUBE ASM - DISTRIBUTOR - R & L	6795-5141
27	105620-02-700	EA	COIL - CONDENSER - (LH)	1452-1421
	105620-07-000	EA	WIRE ASSEMBLY - THERMOSTAT	
	120134-01-02A	EA	REGISTER - 4" TO 5" IN DIAMETER W/DAMPER	

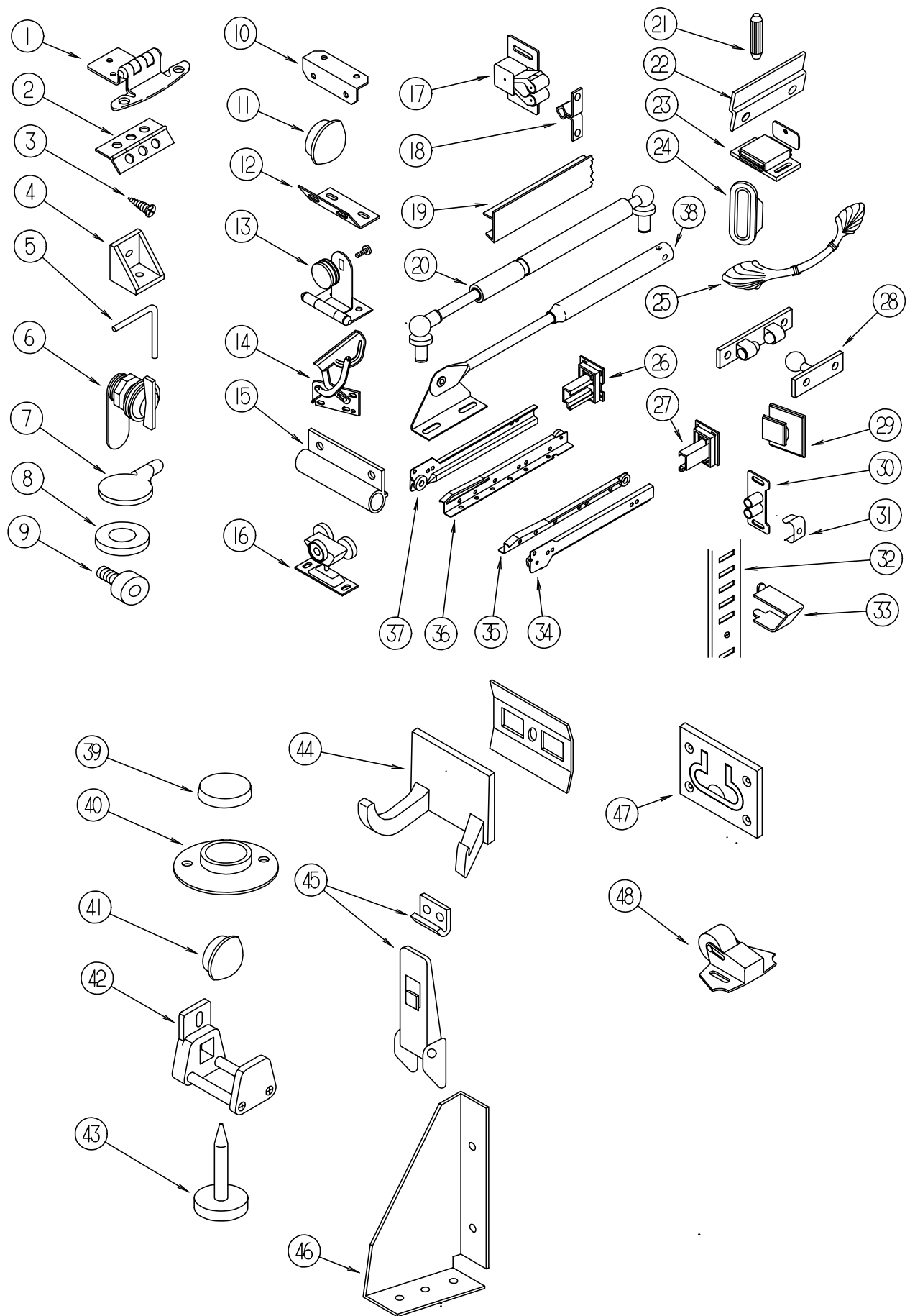
FURNACE-SUBURBAN - 40,000 BTU - SF-422275

KEY	PART NUMBER	U/M	DESCRIPTION
*	098668-22-000	EA	FURNACE - 40,000 BTU
	094600-05-01A	EA	REGISTER W/O DAMPER-3.6" X 11.3" FACE/2.1" X 9.9" RO-BEIGE
	094600-06-01A	EA	REGISTER W/DAMPER-3.6" X 11.3" FACE/2.1" X 9.9" RO-BEIGE
	056464-10-000	EA	REGISTER - 4" DIAMETER - PLASTIC - W/O DAMPER - BEIGE
	120773-01-02A	EA	SHROUD - FURNACE
	009198-02-000	FT	DUCT - FLEXIBLE - 2" ID X 25'
	009198-01-000	FT	DUCT - HEAT - FLEXIBLE - 4" ID X 25'
	076776-01-000	EA	TEE - BEADED - 5/8" X 5/8" X 5/8"
	093614-06-02A	EA	GRILLE - RETURN AIR - BEIGE - 20" X 14"
	093614-01-02A	EA	GRILLE - RETURN AIR - 15.6" X 7.6" - BEIGE
	093614-03-02A	EA	GRILLE - RETURN AIR - 14" X 8" - BEIGE
	009200-01-000	EA	TAPE - FURNACE - 1 1/2"

* COMPONENT PARTS FOUND IN SERVICE PARTS LIBRARY

INTERIOR FINISH GROUP

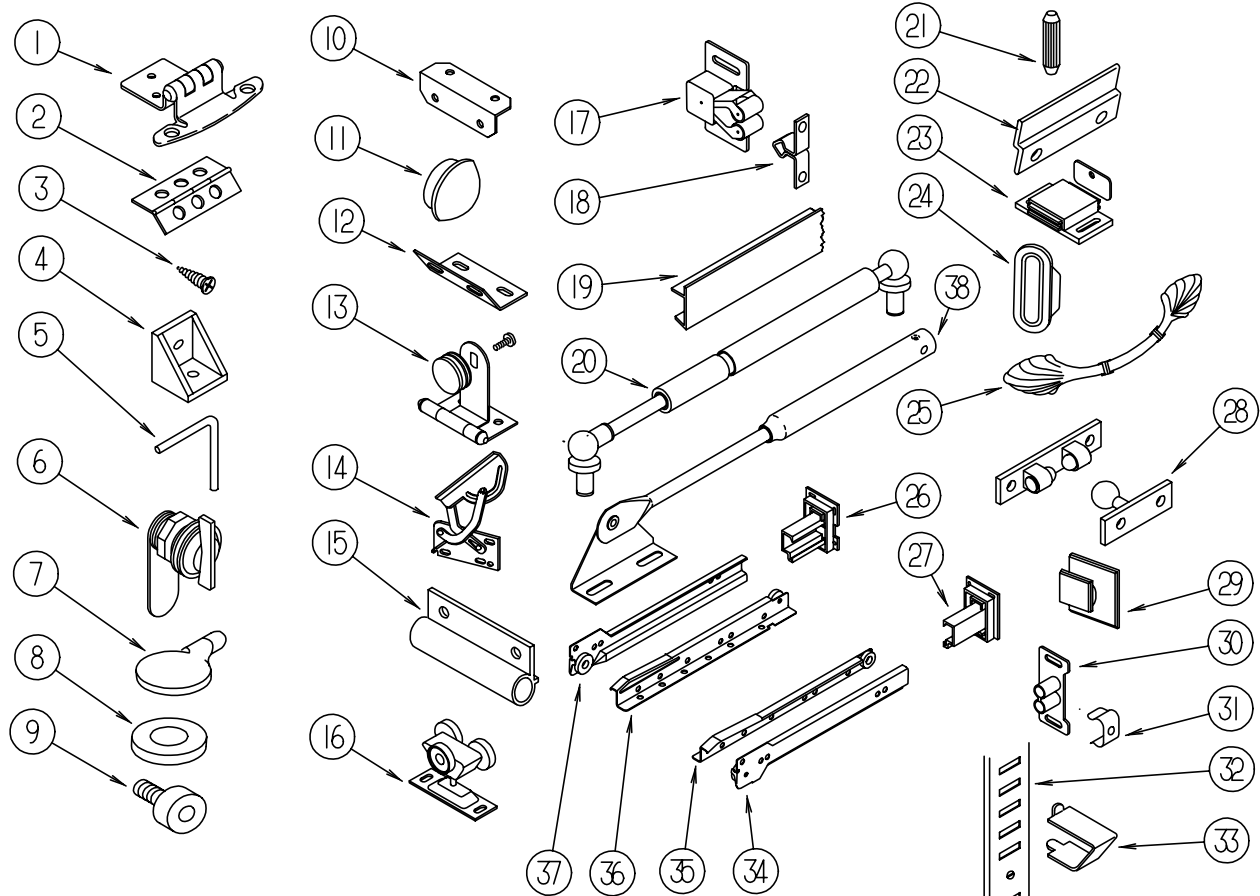
CABINET HARDWARE



KEY	PART NUMBER	U/M	DESCRIPTION
1	108138-01-000	EA	HINGE - CABINET DOOR - BURNISHED BRASS
2	009059-01-000	EA	HINGE - DOOR - 2" X 1.4" - BRASS
2	009059-02-000	EA	HINGE - DOOR - 2" X 2.7" - BRASS
2	009065-01-000	EA	HINGE - ALUMINUM - 1 1/2" X 96" - UNPAINTED
2	112556-01-01A	EA	HINGE - BRASS - 1 1/2"
3	000G13-06-10G	EA	SCREW - 6-20 X 5/8 PFH - ANTIQUE BRASS
3	000G13-06-08G	EA	SCREW - 6-20 X .50 PFH - ANTIQUE BRASS
4	065740-01-000	EA	BRACE - CABINET/CORNER - PLASTIC
5	108487-01-01A	EA	SUPPORT - PROP ROD - OVERHEAD - BLACK
6	100710-01-01A	EA	LOCK - GLASS DOOR/TWIST TYPE - BRASS
7	101766-02-000	EA	PIN - SUPPORT/GLASS DOOR
8	100707-01-000	EA	SPACER - GLASS DOOR - .8" DIA - .3" HOLE - PLASTIC
9	079921-01-000	EA	ROLLER - NYLON - W/STEEL SHAFT - BARBED
10	016604-01-000	EA	BRACE - CABINET - ANGLE - 2.5" - UNPAINTED METAL
10	016604-05-000	EA	BRACE - CABINET - ANGLE - 2.5" - OFF WHITE METAL
11	074045-10-000	EA	PLUG - OAK - 1/2" DIAMETER (WASHED MAPLE)
11	074045-08-000	EA	PLUG - OAK - 1/2" DIAMETER (SALEM CHERRY)
12	111866-01-01A	EA	BRACE - SEAT - ANGLE
13	100711-01-01A	EA	HINGE - GLASS DOOR
14	108126-01-000	EA	TRAY HINGE SET (QTY. 2 PER SET)
15	108486-01-01A	EA	BRACKET - PROP ROD/OVERHEAD - BLACK
16	103874-01-000	EA	HANGER - SLIDING DOOR
17	093586-06-000	EA	CATCH - SPRING - ROLLER
18	093586-05-000	EA	STRIKE - SPRING STEEL
19	103186-01-08A	FT	MOLDING - PLASTIC/3/8" U-CHANNEL W/3/4" FACE - WASHED MAPLE
19	103186-01-04A	FT	MOLDING - PLASTIC/3/8" U-CHANNEL W/3/4" FACE - CHERRY
19	103186-02-08A	FT	MOLDING - PLASTIC/1" U-CHANNEL W/1 3/8" FACE - WASHED MAPLE
19	103186-02-04A	FT	MOLDING - PLASTIC/1" U-CHANNEL W/1 3/8" FACE - CHERRY
20	057460-04-000	EA	SPRING - GAS - BALL STUD STYLE "SPD6209"
21	110072-01-000	EA	DOWEL - 5/16" X 1 3/16" - BIRCH
22	101272-01-000	EA	CATCH - GLASS DOOR
23	088254-01-000	EA	CATCH - MAGNETIC - 1.8" X .7"
24	098410-01-01A	EA	PULL - FINGER - OVAL - BRASS
25	113202-01-000	EA	PULL - CABINET - BRASS
26	114045-01-000	EA	BACKSOCKET - ADJUSTABLE LEFT
26	128811-01-01A	EA	BACKSOCKET - ADJUSTABLE LEFT
26			FROM: 00-00-00 THRU: 02-22-98
27	114045-02-000	EA	BACKSOCKET - ADJUSTABLE RIGHT
27	128811-02-01A	EA	BACKSOCKET - ADJUSTABLE RIGHT
27			FROM: 02-23-98 THRU: 99-99-99
27			FROM: 00-00-00 THRU: 02-22-98
27			FROM: 02-23-98 THRU: 99-99-99
28	084451-02-000	EA	CATCH - BRASS
29	102327-01-01A	EA	PULL - MIRROR - W/SQUARE HANDLE
30	009021-01-000	EA	CATCH - GRILLE - NYLON
31	009021-02-000	EA	STRIKE - SPRING STEEL
32	098980-01-000	EA	PILASTER - ADJUSTABLE SHELF - 18"
32	098980-02-000	EA	PILASTER - ADJUSTABLE SHELF - 12"
32	098980-03-000	EA	PILASTER - ADJUSTABLE SHELF - 9"
32	098980-04-000	EA	PILASTER - ADJUSTABLE SHELF - 48"
32	098980-06-000	EA	PILASTER - ADJUSTABLE SHELF - 24"
33	098979-01-000	EA	CLIP - ADJUSTABLE SHELF

INTERIOR FINISH GROUP (CONTINUED)

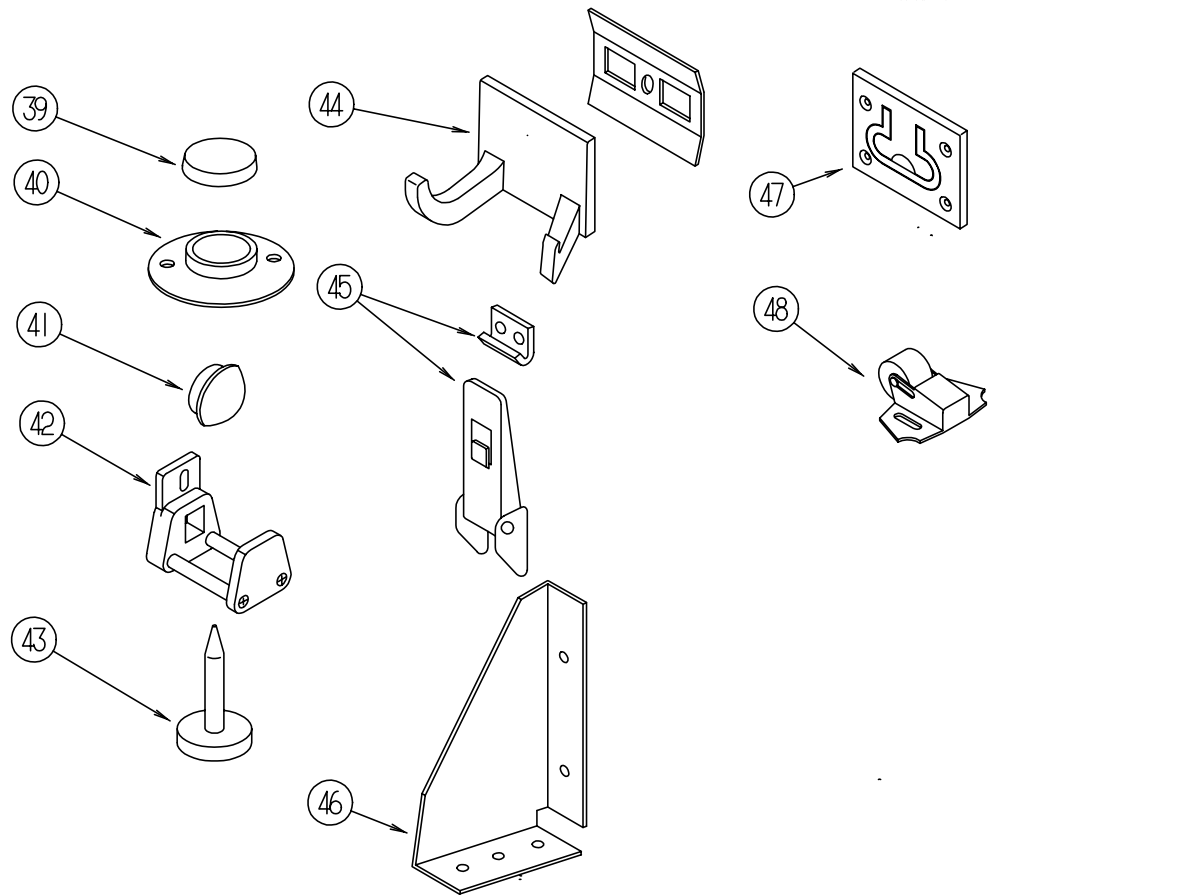
CABINET HARDWARE (CONTINUED)



CABINET DRAWER SLIDES - FROM: 00-00-00 THRU: 02-22-98

KEY	PART NUMBER	U/M DESCRIPTION
34	114031-02-000	EA SLIDE - 12" - RIGHT SIDE/CABINET
34	114031-14-000	EA SLIDE - 18" - RIGHT SIDE/CABINET
34	114031-18-000	EA SLIDE - 20" - RIGHT SIDE/CABINET
34	114031-22-000	EA SLIDE - 22" - RIGHT SIDE/CABINET
34	114031-26-000	EA SLIDE - 24" - RIGHT SIDE/CABINET
35	114031-04-000	EA SLIDE - 12" - RIGHT SIDE/DRAWER
35	114031-16-000	EA SLIDE - 18" - RIGHT SIDE/DRAWER
35	114031-20-000	EA SLIDE - 20" - RIGHT SIDE/DRAWER
35	114031-24-000	EA SLIDE - 22" - RIGHT SIDE/DRAWER
35	114031-28-000	EA SLIDE - 24" - RIGHT SIDE/DRAWER
36	114031-03-000	EA SLIDE - 12" - LEFT SIDE/DRAWER
36	114031-15-000	EA SLIDE - 18" - LEFT SIDE/DRAWER
36	114031-19-000	EA SLIDE - 20" - LEFT SIDE/DRAWER
36	114031-23-000	EA SLIDE - 22" - LEFT SIDE/DRAWER
36	114031-27-000	EA SLIDE - 24" - LEFT SIDE/DRAWER
37	114031-01-000	EA SLIDE - 12" - LEFT SIDE/CABINET
37	114031-13-000	EA SLIDE - 18" - LEFT SIDE/CABINET
37	114031-17-000	EA SLIDE - 20" - LEFT SIDE/CABINET
37	114031-21-000	EA SLIDE - 22" - LEFT SIDE/CABINET
37	114031-25-000	EA SLIDE - 24" - LEFT SIDE/CABINET

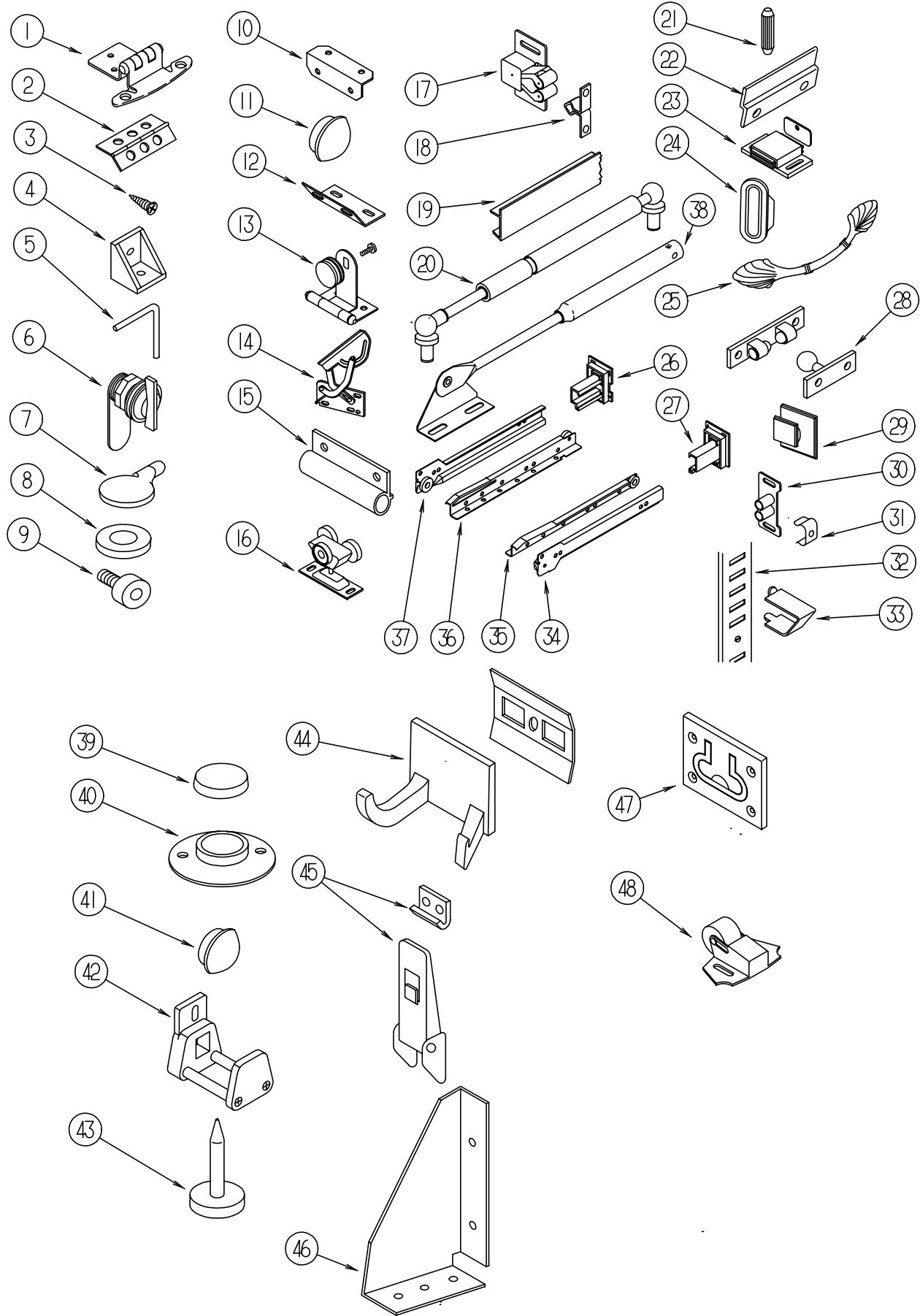
CABINET DRAWER SLIDES - FROM: 02-23-98 THRU: 99-99-99



KEY	PART NUMBER	U/M DESCRIPTION
34	128810-02-01A	EA SLIDE - DRAWER - 12" - RIGHT CABINET
34	128810-06-01A	EA SLIDE - DRAWER - 18" - RIGHT CABINET
34	128810-18-01A	EA SLIDE - DRAWER - 20" - RIGHT CABINET
34	128810-22-01A	EA SLIDE - DRAWER - 22" - RIGHT CABINET
34	128810-26-01A	EA SLIDE - DRAWER - 24" - RIGHT CABINET
35	128810-04-01A	EA SLIDE - DRAWER - 12" - RIGHT DRAWER
35	128810-16-01A	EA SLIDE - DRAWER - 18" - RIGHT DRAWER
35	128810-20-01A	EA SLIDE - DRAWER - 20" - RIGHT DRAWER
35	128810-24-01A	EA SLIDE - DRAWER - 22" - RIGHT DRAWER
35	128810-28-01A	EA SLIDE - DRAWER - 24" - RIGHT DRAWER
36	128810-03-01A	EA SLIDE - DRAWER - 12" - LEFT DRAWER
36	128810-15-01A	EA SLIDE - DRAWER - 18" - LEFT DRAWER
36	128810-19-01A	EA SLIDE - DRAWER - 20" - LEFT DRAWER
36	128810-23-01A	EA SLIDE - DRAWER - 22" - LEFT DRAWER
36	128810-27-01A	EA SLIDE - DRAWER - 24" - LEFT DRAWER
37	128810-01-01A	EA SLIDE - DRAWER - 12" - LEFT CABINET
37	128810-13-01A	EA SLIDE - DRAWER - 18" - LEFT CABINET
37	128810-17-01A	EA SLIDE - DRAWER - 20" - LEFT CABINET
37	128810-21-01A	EA SLIDE - DRAWER - 22" - LEFT CABINET
37	128810-25-01A	EA SLIDE - DRAWER - 24" - LEFT CABINET

INTERIOR FINISH GROUP (CONTINUED)

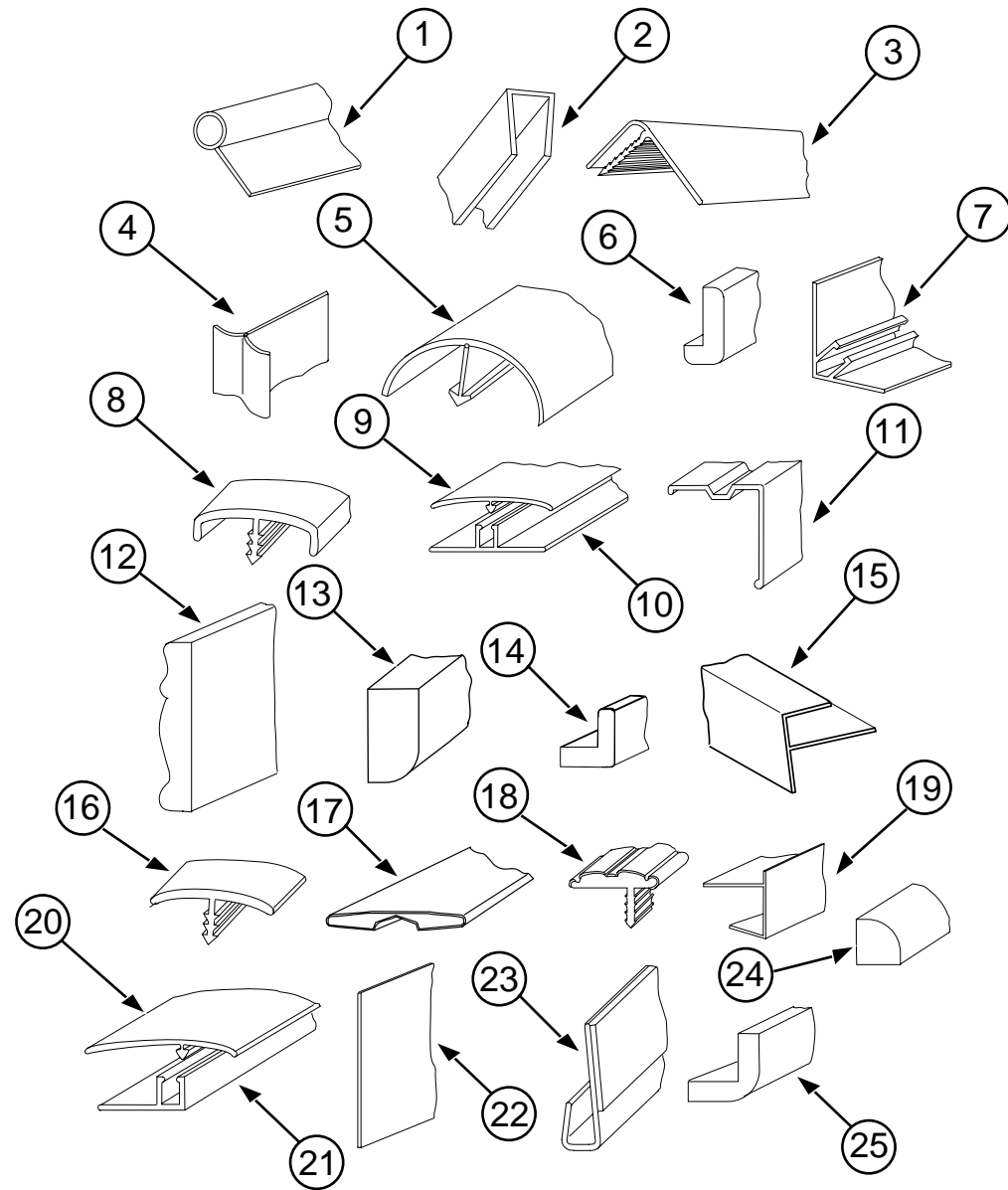
CABINET HARDWARE (CONTINUED)



KEY	PART NUMBER	U/M	DESCRIPTION
38	074493-02-000	EA	SUPPORT - PISTON SPRING - CABINET DOOR - 26 LBS
38	074493-03-000	EA	SUPPORT - PISTON SPRING - CABINET DOOR - 12 LBS
39	004354-01-000	EA	BUMPER - RUBBER - .5" DIA - BROWN
40	009112-01-000	EA	FLANGE - PLASTIC - 1" CLOTHES ROD - OFF WHITE
41	042356-01-000	EA	PLUG - BUTTON - MAHOGANY - 3/8" DIAMETER - WOOD
42	064467-01-000	EA	GUIDE - POCKET - SLIDING DOOR - WALL MOUNTED
43	102194-01-000	EA	GUIDE - PLASTIC
44	104174-01-000	EA	HOOK - ROBE - DOUBLE
45	116975-01-01A	EA	LATCH - W/O STRIKE - BLACK - NEW STYLE
	116975-02-01A	EA	KEEPER/STRIKE - BLACK - NEW STYLE
46	116978-01-03B	EA	GUSSET - SLIDEOUT ROOM - OFF/WHITE
47	072871-01-000	EA	PULL - FLUSH - CHROME
48	109403-01-000	EA	CATCH - SINGLE ROLLER - SCREEN DOOR
	076790-01-000	EA	SCREW - 6-20 X 1 1/4 PPH - BLACK
	M97191-01-H56	EA	HANDLE - TAMBOUR DOOR - MAPLE
	M97191-01-E41	EA	HANDLE - TAMBOUR DOOR - CHERRY
	112053-01-01A	EA	STOP - DRAWER - BLACK
	023320-01-000	EA	PAD - FELT 3/8" DIAMETER
	042438-01-000	EA	DOWEL - WOOD - CLOTHES ROD - 1" DIAMETER X 4'
	042438-06-000	EA	DOWEL - WOOD - 1.5" X 26" - OAK
	080728-01-000	EA	HANDLE - PULL - 1.25" X 4.4" - BROWN PLASTIC
	041389-25-000	EA	HINGE - PIANO - 1.50" X 55"
	073151-02-000	EA	HINGE - CONTINUOUS - 22.3" OFF WHITE METAL
	097141-02-700	EA	KIT - TRACK - TAMBOUR DOOR - W/ONE RT & ONE LEFT TRACK
	118802-01-02A	EA	HINGE - DOOR/CAB - OVERHEAD - HAMPTON TAN
	084071-04-000	EA	ROD - BRASS - 11.9"
	084071-05-000	EA	ROD - BRASS - 15"
	084071-23-000	EA	ROD - BRASS - 13.12"

INTERIOR FINISH GROUP (CONTINUED)

MOLDINGS & TRIMS



KEY	PART NUMBER	U/M DESCRIPTION
1	009767-12-000	FT WELTING - SIDEWALL/CEILING/CABINET - OFF/WH
2	009778-27-000	FT U-CHANNEL - 1" - WASHED MAPLE (WASHED MAPLE) FROM: 00-00-00 THRU: 11-09-97
2	009778-30-000	FT U-CHANNEL - 1" - VILLAGE OAK (WASHED MAPLE) FROM: 11-10-97 THRU: 99-99-99
2	009778-18-000	FT U-CHANNEL - 1" - CHERRY-CHERRY (SALEM CHERRY) FROM: 00-00-00 THRU: 11-09-97
2	009778-31-000	FT U-CHANNEL - 1" - GRADY BROWN (SALEM CHERRY) FROM: 11-10-97 THRU: 99-99-99
2	070504-50-000	FT U-CHANNEL - PLASTIC - .13" X 84" - WASHED MAPLE (WASHED MAPLE)
2	070504-51-000	FT U-CHANNEL - PLASTIC - .87" X 84" - WASHED MAPLE (WASHED MAPLE)
2	070504-30-000	FT U-CHANNEL - PLASTIC - .13" X 84" - CHERRY (SALEM CHERRY)
2	070504-31-000	FT U-CHANNEL - PLASTIC - .87" X 84" - CHERRY (SALEM CHERRY) FROM: 00-00-00 THRU: 09-21-97
2	070504-03-000	FT U-CHANNEL PLASTIC - .87" X 84" - GRADY BROWN (SALEM CHERRY) FROM: 09-22-97 THRU: 99-99-99
3	009809-31-000	EA MOLDING - CORNER - OUTSIDE - 1" X 84" - WASHED MAPLE (WASHED MAPLE)
3	009809-27-000	EA MOLDING - CORNER - OUTSIDE - 1" X 84" - CHERRY (SALEM CHERRY)
4	022992-11-000	FT MOLDING - REVERSE COVE - T-SHAPED VINYL - IVORY
5	042357-25-000	EA MOLDING - CORNER - RADIUS/PLASTIC - WASHED MAPLE
5	042357-19-000	EA MOLDING - CORNER - RADIUS/PLASTIC - CHERRY
6	077840-01-J70	EA MOLDING - CAP/WALL - 8' WASHED MAPLE
6	077840-01-E41	EA MOLDING - CAP/WALL - 8' SALEM CHERRY
7	081521-02-007	EA MOUNT - METAL MOLDING - F/RADIUS CORNER MOLDING - 12/5" EA
8	083620-14-000	FT MOLDING-T - END CAP EDGE - W/EDGE LIPS - .75" - WASHED MAPLE
8	083620-11-000	FT MOLDING-T - END CAP EDGE - W/EDGE LIPS - .75" - SALEM CHERRY
9	086229-14-000	EA RETAINER - 3/4" X 98.43" - ANY COLOR
10	086229-13-000	EA BATTEN - 1" X 96" - IVORY
10	086229-20-000	EA BATTEN - 1" X 96" - BEIGE
11	093873-01-01A	EA TRIM - CARPET - L-ANGLE 1.1" X 1.3" X 12' - GRAY VINYL
12	100182-10-J70	EA TRIM - RAIL (WASHED MAPLE)
12	100182-10-E41	EA TRIM - RAIL (SALEM CHERRY)
13	100818-01-08A	EA MOLDING - VINYL WRAPPED - 1.65" X .4" X 7' (WASHED MAPLE)
13	100818-01-04A	EA MOLDING - VINYL WRAPPED - 1.65" X .4" X 7' (SALEM CHERRY)
14	100819-01-08A	EA MOLDING - VINYL WRAPPED - L-SHAPED - 1.5" X 1.5" X 7' (WASHED MAPLE)
14	100819-01-04A	EA MOLDING - VINYL WRAPPED - L-SHAPED - 1.5" X 1.5" X 7' (SALEM CHERRY)
15	009812-30-000	EA MOLDING - CORNER - OUTSIDE - 1/2" PLASTIC (WASHED MAPLE)
15	009812-26-000	EA MOLDING - PLASTIC - 1/2" O/S CORNER (SALEM CHERRY)
16	105709-01-000	FT T-MOLDING - 1" - MODERN IVORY
17	079653-35-000	EA BATT STRIP - KERFED - TRANQUIL - 8'
18	109736-01-01A	FT T-MOLDING - 1" - BRASS/BLACK
19	103186-01-08A	FT MOLDING - PLASTIC/3/8" U-CHANNEL W/3/4" FACE - WASHED MAPLE
19	103186-01-04A	FT MOLDING - PLASTIC/3/8" U-CHANNEL W/3/4" FACE - CHERRY
19	103186-02-08A	FT MOLDING - PLASTIC/1" U-CHANNEL W/1 3/8" FACE - WASHED MAPLE
19	103186-02-04A	FT MOLDING - PLASTIC/1" U-CHANNEL W/1 3/8" FACE - CHERRY
20	086229-10-000	EA BATTEN - 1.5" OFFSET X 90.16"
21	086229-09-000	EA RETAINER - OFFSET - 90.16"
22	101957-01-05A	EA EXTRUDED - PLASTIC (WASHED MAPLE)
22	101957-01-04A	EA EXTRUDED - PLASTIC (SALEM CHERRY)
23	109332-02-01A	FT TRIM-J - W/O ADHESIVE - BRASS
24	109410-01-H37	EA MOLDING - TRIM - 8' (WASHED MAPLE)
24	109410-01-E41	EA MOLDING - TRIM - 8' (SALEM CHERRY)
25	080176-08-000	EA CAP - CORNER - RADIUS CORNER - PLASTIC (WASHED MAPLE)
25	080176-06-000	EA CAP - CORNER - RADIUS CORNER - PLASTIC (SALEM CHERRY)
	104676-01-01A	FT MOLDING-T - 5/16" RIGID GOLD
	009767-16-000	FT WELTING - REBER BIRCH (WASHED MAPLE)
	009767-14-000	FT WELTING - CHERRY (SALEM CHERRY)
	109831-01-J70	EA LUMBER - MIRROR STOP - 24" (WASHED MAPLE)
	109831-01-E41	EA LUMBER - MIRROR STOP - 24" (SALEM CHERRY)
	120492-01-01A	FT STRIP - TRIM - IVORY
	116280-02-J70	EA MOLDING - CAP - WASHED MAPLE (WASHED MAPLE)
	116280-02-GV1	EA MOLDING - CAP - SALEM CHERRY (SALEM CHERRY)

INTERIOR FINISH GROUP (CONTINUED)

PANELING & LUMBER

KEY	PART NUMBER	U/M	DESCRIPTION
	080215-13-000	SF	PANELING - 2 SIDED - WASHED MAPLE - .2" X 4' X 8" (WASHED MAPLE)
	080215-09-000	SF	PANELING - 2 SIDED - .2" X 48" X 96" - CHERRY (SALEM CHERRY)
	074497-39-000	SF	PANELING - WASHED MAPLE - 4' X 8' (WASHED MAPLE)
	074497-23-000	SF	PANELING - CHERRY - 1/8" X 48" X 96" (SALEM CHERRY)
	088272-G8-000	SF	PANELING - BENTLEY - 48" X 96" - MAIN WALL (J70,J71)
	088272-G9-000	SF	PANELING - GAZEBO - PEARL - MAIN WALL (J72,J73,J74,J75)
	088272-H6-000	SF	PANELING - ARTESIA SPRING - 48" X 96" - MAIN WALL (J76,J77)
	088272-G1-000	SF	PANELING - PEBBLE EMBOSSED - ANTIQUE WHITE - 4' X 7' - WET BATH
	000885-82-000	SF	PARTICLE BOARD - 1/2" X 48" X 96" - 2 SIDED (WASHED MAPLE)
	000885-72-000	SF	PARTICLE BOARD - 1/2" X 48" X 96" - CHERRY/VINYL 2 SIDED (SALEM CHERRY)
	000885-91-000	SF	PARTICLE BOARD - 3/4" X 48" X 96" - WASHED MAPLE - 2-SIDED (WASHED MAPLE)
	000885-73-000	SF	PARTICLE BOARD - 3/4" X 48" X 96" - CHERRY/VINYL 2 SIDED (SALEM CHERRY)
	000885-89-000	SF	PARTICLE BOARD - 3/8" X 48" X 96" - WASHED MAPLE - 2-SIDED (WASHED MAPLE)
	000885-71-000	SF	PARTICLE BOARD - 3/8" X 48" X 96" - CHERRY/VINYL 1 SIDED (SALEM CHERRY)
	098531-04-000	SF	PLYWOOD - 1/2" (WASHED MAPLE)
	098531-02-000	SF	PLYWOOD - CHERRY 1/2" (SALEM CHERRY)
	083618-07-000	SF	PLYWOOD - MAPLE - 1 SIDE 3/16" (WASHED MAPLE)
	083618-04-000	SF	PLYWOOD - MAPLE - 1 SIDE 3/16" (SALEM CHERRY)
	000846-01-000	SF	PLYWOOD - 5/16" X 48" X 96" - CD GRADE
	000846-02-000	SF	PLYWOOD/UNDERLAYMENT - 5/16" X 48" X 96"

LAMINATES & EDGE BAND

KEY	PART NUMBER	U/M	DESCRIPTION
	074498-71-000	SF	LAMINATE - PLASTIC - NEUTRAL SANTOS - 5' X 8' - INC OF 40 SF
	074498-72-000	SF	LAMINATE - PLASTIC - PEBBLE SANTOS - 5' X 8' INC OF 40 SF (J70,J71)
	074498-59-000	SF	LAMINATE - PLASTIC - SAND CHROMA (J72,J73)
	074498-81-000	SF	LAMINATE - PLASTIC - ALMOND JAGUARD - 5' X 8' INCR OF 40SF (J74,J75,J76,J77)
	074498-82-000	SF	LAMINATE - PLASTIC - WASHED MAPLE - 5' X 8' - INC OF 40 SF (J70,J72,J74,J76)
	074498-58-000	SF	LAMINATE - PLASTIC - CHERRY - 5' X 8' - INC OF 40 SF (J71,J73,J75,J77)
	074498-40-000	SF	LAMINATE - PLASTIC - OFF WHITE - 5' X 8' - INC OF 40 SF
	076325-74-000	FT	MOLDING - EDGE BAND - 1 5/16" X 38" - WASHED MAPLE (WASHED MAPLE)
	076325-50-000	FT	MOLDING - EDGE BAND - 1 5/16" X .030" - CHERRY (SALEM CHERRY)
	076325-37-000	FT	MOLDING - EDGE BAND - 1 5/16" X .030" (J70,J71)
	076325-53-000	FT	MOLDING - EDGE BAND - 1 5/16" X .030" - NEUTRAL (J72,J73)
	076325-39-000	FT	MOLDING - EDGE BAND - 1 5/16" X .030" (J74,J75,J76,J77)
	076325-38-000	FT	MOLDING - EDGE BAND - .875" X .024" (J70,J71)
	076325-54-000	FT	MOLDING - EDGE BAND - .875" X .024" - NEUTRAL (J72,J73,J74,J75,J76,J77)
	076325-73-000	FT	MOLDING - EDGE BAND - .93" X .024" - OFF WHITE

BATT STRIPS

KEY	PART NUMBER	U/M	DESCRIPTION
	088263-F0-000	EA	BATT STRIP - DECORATIVE - BENTLEY/PATINA - 8' LONG - MAIN WALL (J70,J71)
	088263-F1-000	EA	BATT STRIP - DECORATIVE - GAZEBO/PEARL - 8' LONG - MAIN WALL (J72,J73,J74,J75)
	088263-F6-000	EA	BATT - STRIP - DECORATIVE - ARTESIA/SPRING - INC OF 8' - MAIN WALL (J76,J77)
	088263-E3-000	EA	BATT STRIP - DECORATIVE - PEBBLE EMBOSSED/ANTIQU-8' LONG - WET BATH
	085284-E4-000	FT	BATT TAPE - ADHESIVE BACKED - DECORATIVE - BENTLEY/PATINA (J70,J71)
	085284-E5-000	FT	BATT TAPE - ADHESIVE BACKED - DECORATIVE - GAXEBO PEARL (J72,J73,J74,J75)
	085284-F2-000	FT	BATT TAPE - ADHESIVE BACKED - DECORATIVE ARTESIA/SPRING (J76,J77)
	085284-D6-000	FT	BATT TAPE - ADHESIVE BACKED - DECORATIVE - EMBOSSED ANTIQUE

INTERIOR FINISH GROUP (CONTINUED)

FIRE EXTINGUISHER, DETECTORS & CLOCK

KEY	PART NUMBER	U/M	DESCRIPTION	VENDOR NO.
	094499-01-000	EA	EXTINGUISHER/FIRE - DRY W/MOUNTING BRACKET	
	094499-02-000	EA	EXTINGUISHER/FIRE - DRY - 1A10BC - CANADIAN	
	094499-01-700	EA	BRACKET - MOUNTING - W/PLASTIC STRAP	294039
	094499-01-701	EA	STRAP ONLY (METAL)	320351
	072852-01-000	EA	DETECTOR - SMOKE - W/9 VOLT BATTERY - US	
	072852-02-000	EA	DETECTOR - SMOKE - W/9 VOLT BATTERY - CANADIAN	
	125136-01-000	EA	CO DETECTOR - GAS - ROUND W/2 SCREWS - 9 VOLT	
	100793-02-01A	EA	CLOCK - WALL - QUARTZ/11" - BRASS	
	103613-02-000	EA	DETECTOR - LP GAS	

FLOOR COVERINGS

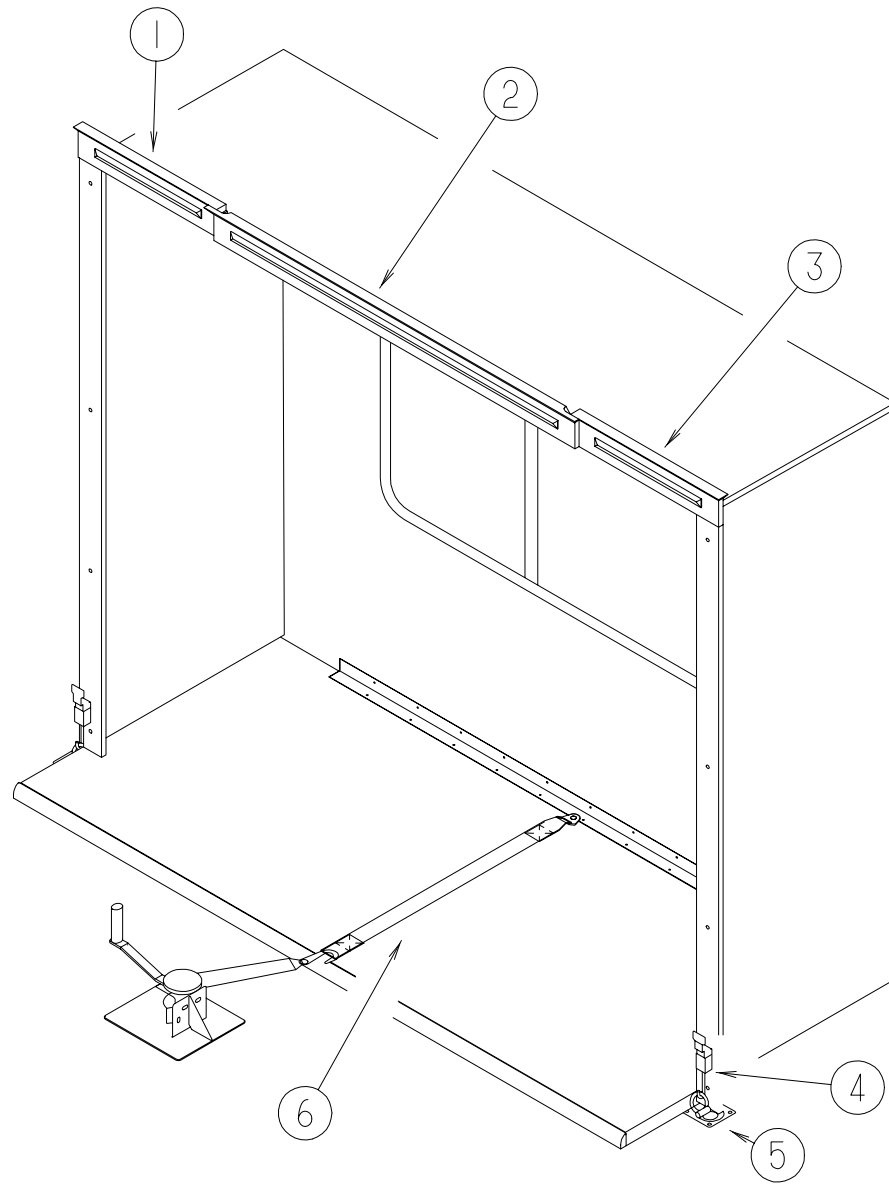
KEY	PART NUMBER	U/M	DESCRIPTION
	096060-C6-000	SY	CARPET - CHOCOLATE - INCREMENTS OF 4 SQ. YARDS (J70,J71)
	096060-C7-000	SY	CARPET - BAMBOO - INCREMENTS OF 4 SQ. YARDS (J72,J73,J74,J75)
	096060-D7-000	SY	CARPET - EXCALIBUR - GULF MIST (J76,J77)
	124253-01-02A	EA	VINYL - FLOOR PLANK - 3" X 12" - MAPLE - WASHED MAPLE
	124253-01-01A	EA	VINYL - FLOOR PLANK - 3" X 12" - CHERRY - SALEM CHERRY
	093486-01-000	SY	CARPET - COMPARTMENT - 72" WIDE - DARK GRAY

FLOOR MATS

KEY	PART NUMBER	U/M	DESCRIPTION
	108151-01-000	EA	MAT - FLOOR - ENTRANCE
	108152-01-000	EA	MAT - FLOOR - PASSENGER
	108152-02-000	EA	MAT - FLOOR - DRIVER

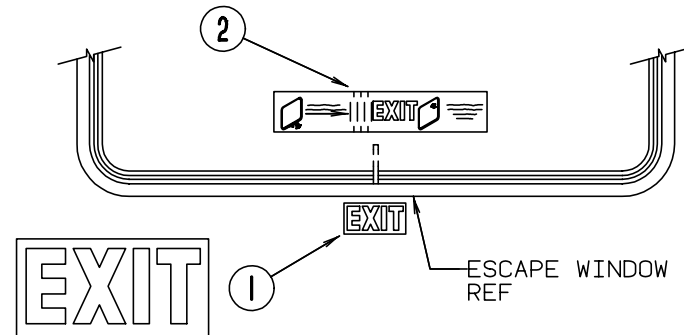
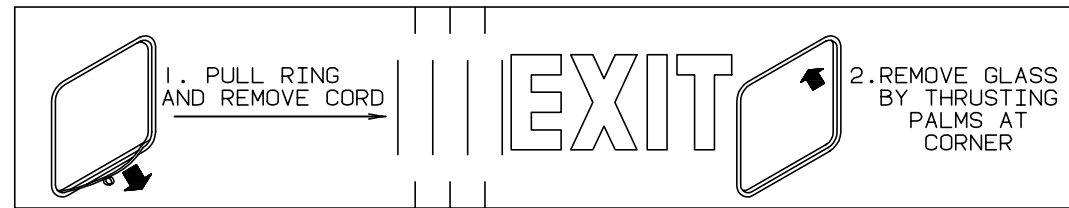
INTERIOR FINISH GROUP (CONTINUED)

SLIDEOUT INTERIOR TRIMS

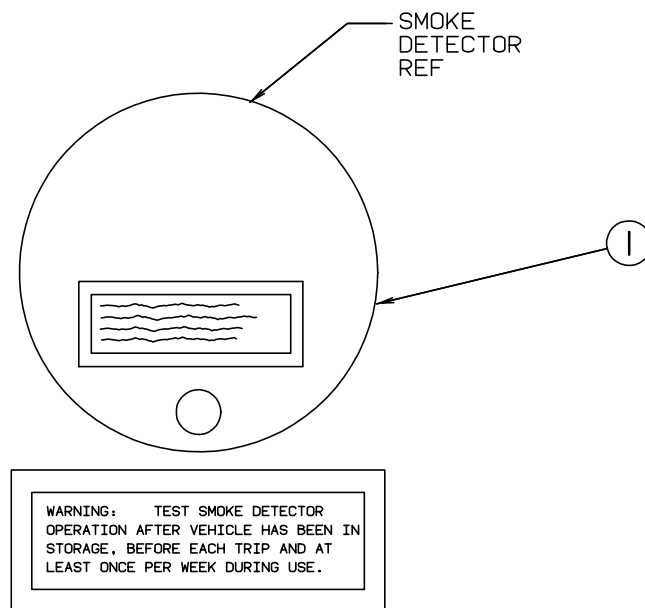


KEY	PART NUMBER	U/M	DESCRIPTION
1	120514-06-J70	EA	TRIM - SLIDEOUT/UPPER (WASHED MAPLE)
1	120514-06-H57	EA	TRIM - SLIDEOUT/UPPER (SALEM CHERRY)
2	120514-04-J70	EA	TRIM - SLIDEOUT/UPPER (WASHED MAPLE)
2	120514-04-H57	EA	TRIM - SLIDEOUT/UPPER (SALEM CHERRY)
3	120514-05-J70	EA	TRIM - SLIDEOUT/UPPER (WASHED MAPLE)
3	120514-05-H57	EA	TRIM - SLIDEOUT/UPPER (SALEM CHERRY)
4	116737-01-01A	EA	LATCH - DRAW - ADJUSTABLE - ZINC
5	116736-01-01A	EA	TIEDOWN - DROP/D - ZINC
6	116101-02-F31	EA	STRAP - WINCH
7	115767-02-000	EA	WINCH - SLIDEOUT

LABELS GROUP

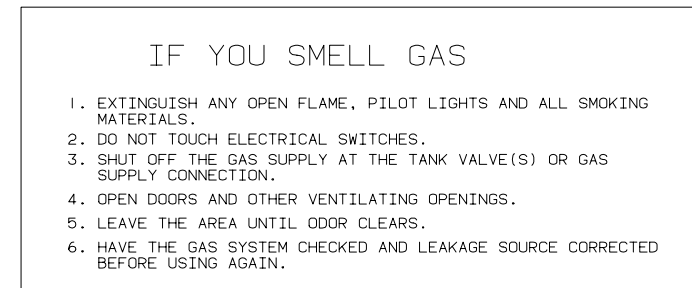


KEY	PART NUMBER	U/M DESCRIPTION
1	039290-01-000	EA LABEL - WARNING - EXIT
2	107571-01-000	EA LABEL - ESCAPE EXIT - WINDOW

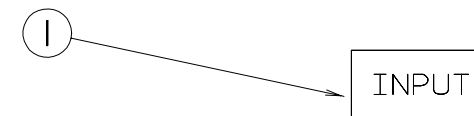


KEY	PART NUMBER	U/M DESCRIPTION
1	077956-01-000	EA LABEL - WARNING - SMOKE DETECTOR

LABELS GROUP (CONTINUED)



KEY	PART NUMBER	U/M DESCRIPTION
1	073998-01-000	EA LABEL - LPG ODOR WARNING



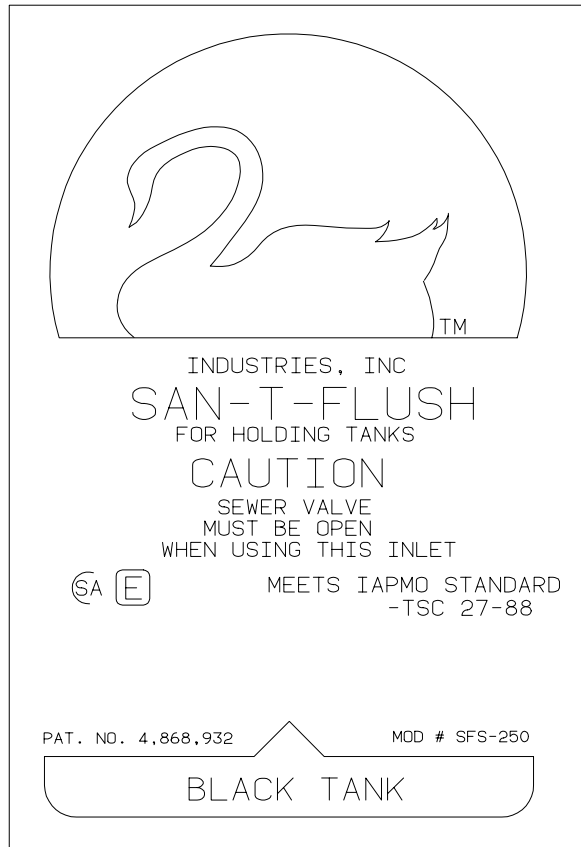
KEY	PART NUMBER	U/M DESCRIPTION
1	087236-01-000	EA LABEL - CABLE - INPUT

WARNING: DISCONNECT BATTERIES BEFORE CONNECTING EXTERNAL CHARGING EQUIPMENT.



KEY	PART NUMBER	U/M DESCRIPTION
1	065748-01-000	EA LABEL - CAUTION - BATTERY CHARGING

LABELS GROUP (CONTINUED)



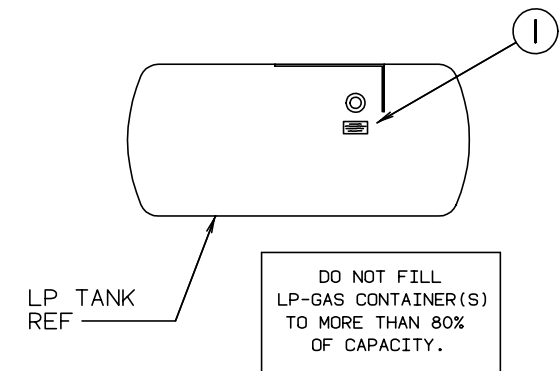
KEY PART NUMBER U/M DESCRIPTION
 1 125697-07-000 EA LABEL - CAUTION - FLUSHING SYSTEM



AUTOMOTIVE AND COACH
 CIRCUIT BREAKERS

KEY PART NUMBER U/M DESCRIPTION
 1 098379-01-000 EA LABEL - FRONT BOX - CIRCUIT BREAKER

LABELS GROUP (CONTINUED)



KEY PART NUMBER U/M DESCRIPTION
 1 079965-01-000 EA LABEL - LPG 80 CAPACITY



WARNING
 MUST BE STOWED
 IN LATCHED POSITION
 WHILE VEHICLE IS IN MOTION

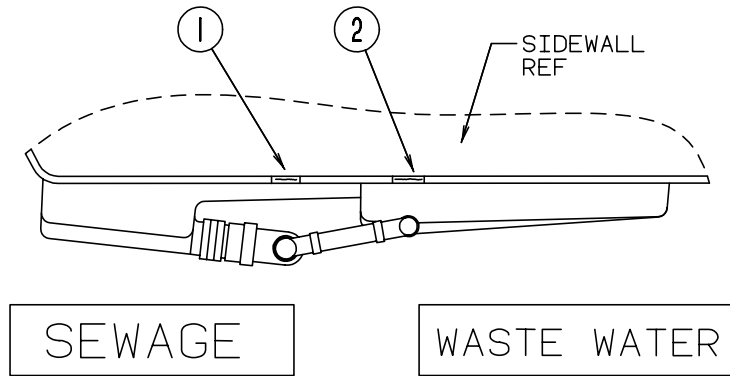
KEY PART NUMBER U/M DESCRIPTION
 1 079966-01-000 EA LABEL - WARNING - STOWED - MOTION



DO NOT USE HITCH BEFORE
 READING OWNERS MANUAL REGARDING
 VEHICLE LOADING AND TOWING

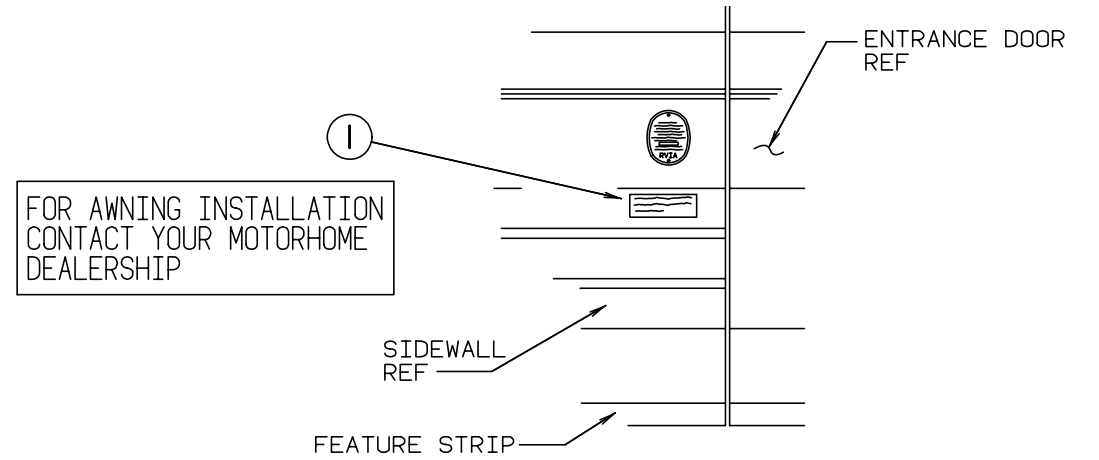
KEY PART NUMBER U/M DESCRIPTION
 1 111104-01-000 EA LABEL - HITCH - READ MANUAL

LABELS GROUP (CONTINUED)

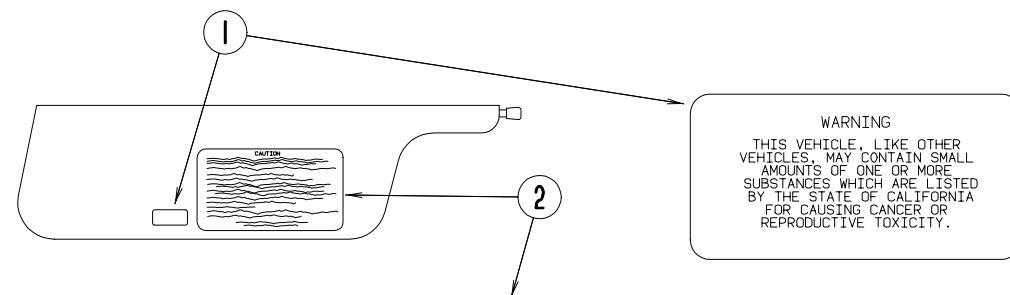


KEY	PART NUMBER	U/M DESCRIPTION
1	006187-01-000	EA LABEL - SEWAGE
2	006188-01-000	EA LABEL - WASTE WATER

LABELS GROUP (CONTINUED)



KEY	PART NUMBER	U/M DESCRIPTION
1	099509-01-000	EA LABEL - AWNING INSTALLATION



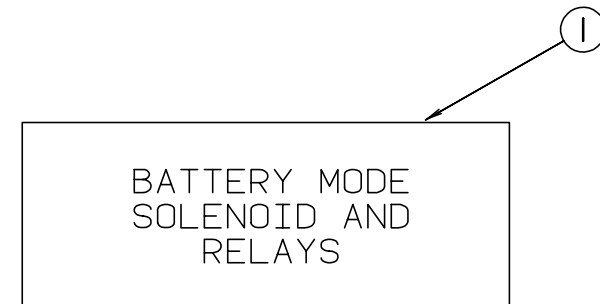
CAUTION

THIS MOTOR HOME HAS BEEN DESIGNED, MANUFACTURED AND TESTED WITH CONCERN FOR THE PROTECTION OF IT'S OCCUPANTS. WE RECOMMEND YOU PERFORM THE FOLLOWING INSPECTIONS FOR YOUR SAFETY AND THE SAFETY OF YOUR PASSENGERS BEFORE STARTING YOUR VEHICLE.

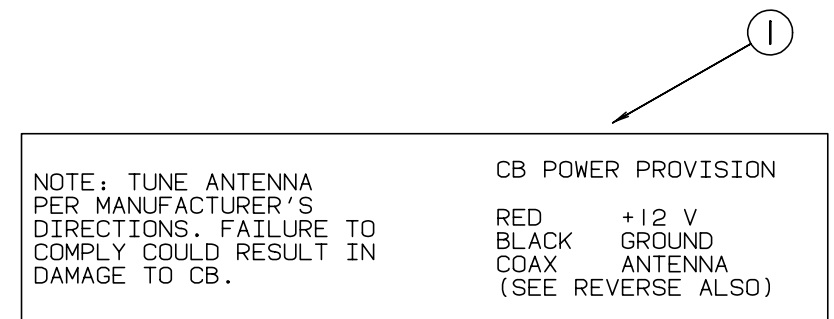
1. LP GAS SYSTEM- TURN OFF AT TANK FOR TRAVELING. TEST FOR LEAKS UPON ARRIVAL AT DESTINATION. BEFORE LIGHTING PILOTS.
2. WHEELS- INSPECT FOR DAMAGE AND CHECK LUG NUTS FOR TIGHTNESS.
3. TIRES- INSPECT FOR WEAR AND DAMAGE AND CHECK FOR RECOMMENDED AIR PRESSURE.
4. LIGHTING- TEST FOR PROPER OPERATION OF ALL INTERIOR AND EXTERIOR LIGHTS INCLUDING DASH LIGHTS, HEADLIGHTS, TAIL LIGHTS, BRAKE LIGHTS, CLEARANCE LIGHTS AND TURN SIGNALS.
5. EXITS- INSPECT RELEASE MECHANISM ON EMERGENCY EXIT WINDOW, TEST BOTH LOCKS ON MAIN ENTRANCE DOOR FOR EASE OF OPERATION AND INSTRUCT PASSENGERS HOW TO USE BOTH MEANS OF EXIT.
6. SEAT BELTS- DIRECT PASSENGERS TO DESIGNATED SEATS AND REQUIRE USE OF SEAT BELTS.
7. APPLIANCES- TURN OFF AND LATCH OR LOCK DOORS WHERE PROVIDED.
8. LOOSE PARCELS- STORE SECURELY.
9. UTILITY SUPPLY LINES- DISCONNECT ALL ELECTRIC, SEWER AND WATER LINES AND SECURE PROPERLY.
10. ENTRANCE DOOR STEP- PLACE IN RETRACTED POSITION FOR TRAVELING.

READ YOUR MOTOR HOME AND CHASSIS OWNER'S MANUAL FOR FURTHER PRECAUTIONS

KEY	PART NUMBER	U/M DESCRIPTION
1	099689-01-000	EA LABEL - WARNING - CANCER/TOXICITY
2	056259-01-000	EA LABEL - SAFETY CHECK LIST



KEY	PART NUMBER	U/M DESCRIPTION
1	098379-04-000	EA LABEL - ELECTRICAL BOX - SIDE



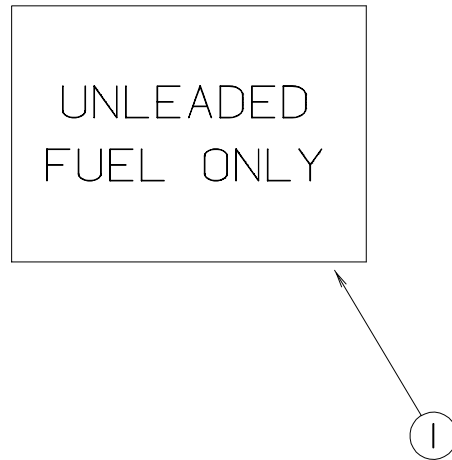
KEY	PART NUMBER	U/M DESCRIPTION
1	104678-01-000	EA LABEL - CB PREP

NOTE: TUNE ANTENNA PER MANUFACTURER'S DIRECTIONS. FAILURE TO COMPLY COULD RESULT IN DAMAGE TO CB.

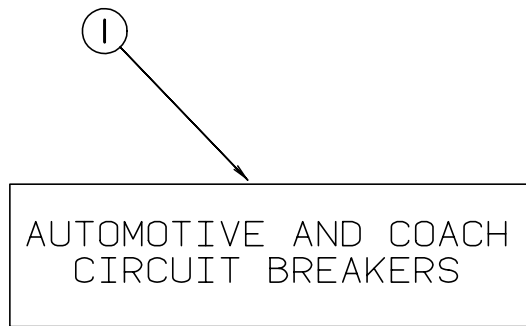
CB POWER PROVISION

RED +12 V
 BLACK GROUND
 COAX ANTENNA
 (SEE REVERSE ALSO)

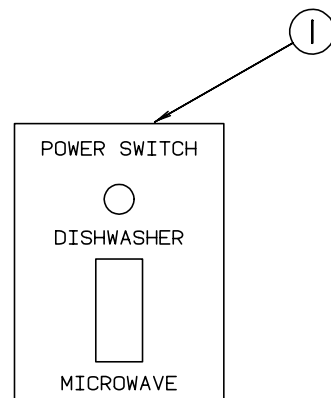
LABELS GROUP (CONTINUED)



KEY	PART NUMBER	U/M DESCRIPTION
1	098641-01-000	EA LABEL - FUEL - UNLEADED - DASH

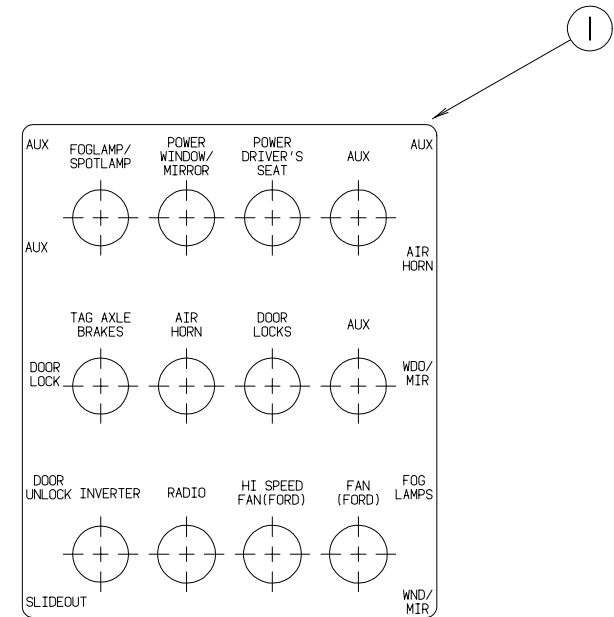


KEY	PART NUMBER	U/M DESCRIPTION
1	098379-03-000	EA LABEL - ELECTRICAL BOX - FRONT

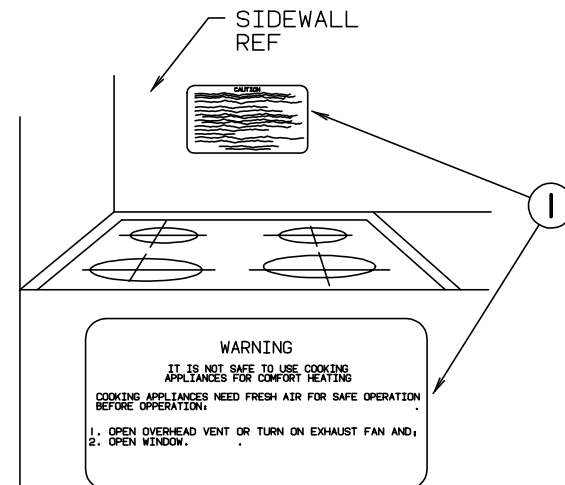


KEY	PART NUMBER	U/M DESCRIPTION
1	109051-02-000	EA LABEL - SWITCH - 50A POWER (DISHWASHER)

LABELS GROUP (CONTINUED)

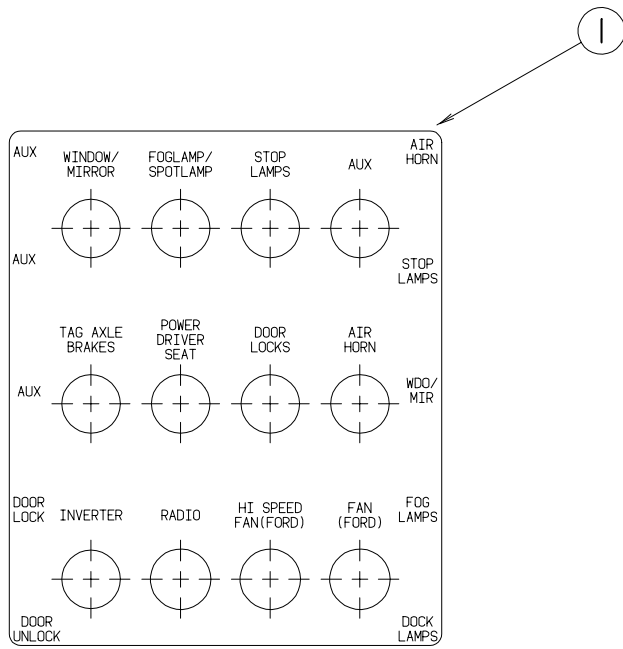


KEY	PART NUMBER	U/M DESCRIPTION
1	093236-16-000	EA LABEL - CIRCUIT BREAKER

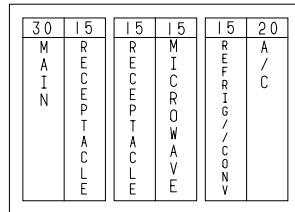


KEY	PART NUMBER	U/M DESCRIPTION
1	050225-01-000	EA LABEL - WARNING - STOVE VENT - US
1	050222-01-000	EA LABEL - WARNING - STOVE VENT - CANADIAN

LABELS GROUP (CONTINUED)



KEY PART NUMBER U/M DESCRIPTION
 1 093236-14-000 EA LABEL - CIRCUIT BREAKER

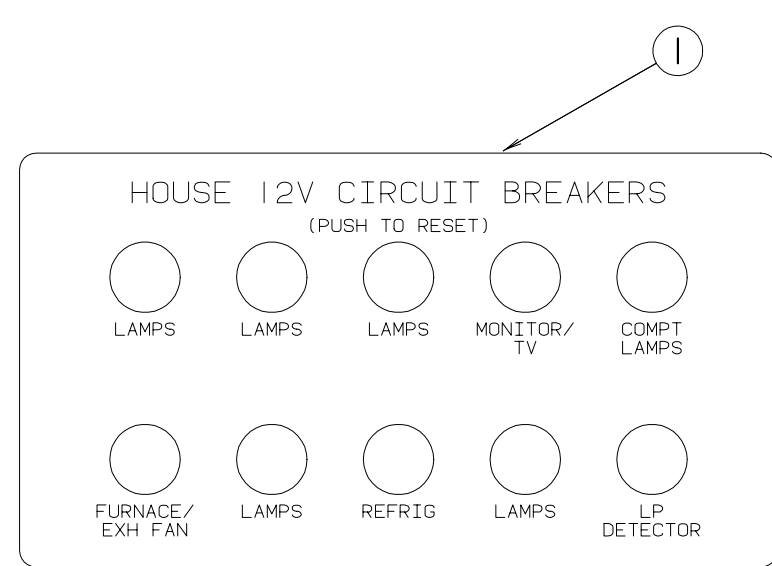


KEY PART NUMBER U/M DESCRIPTION
 1 095721-14-000 EA LABEL - CONTROL CENTER (30A)

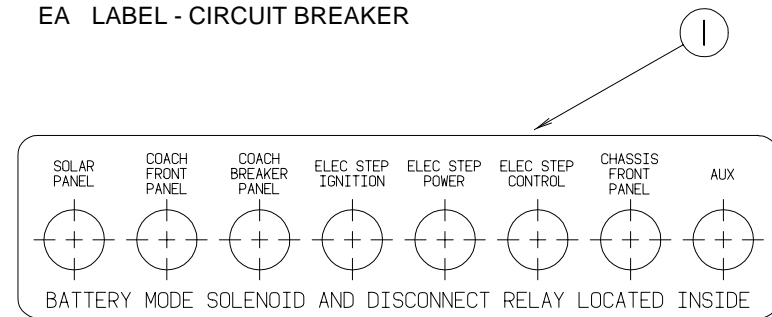
WARNING: CONTAINS "CFC" A SUBSTANCE WHICH HARMS PUBLIC HEALTH AND ENVIRONMENT BY DESTROYING OZONE IN THE UPPER ATMOSPHERE.

KEY PART NUMBER U/M DESCRIPTION
 1 111802-01-000 EA LABEL - CFC WARNING

LABELS GROUP (CONTINUED)



KEY PART NUMBER U/M DESCRIPTION
 1 092547-06-000 EA LABEL - CIRCUIT BREAKER



KEY PART NUMBER U/M DESCRIPTION
 1 093236-13-000 EA LABEL - CIRCUIT BREAKER

WARNING
 ALL PILOT LIGHTS, APPLIANCES AND THIER IGNITORS (SEE OPERATING INSTRUCTIONS) SHALL BE TURNED OFF DURING REFUELING OF MOTOR FUEL TANKS AND/OR LP GAS CONTAINERS

KEY PART NUMBER U/M DESCRIPTION
 1 124519-01-01A EA LABEL - WARNING/REFUELING - BLACK ON CLEAR
 1 124519-01-02A EA LABEL - WARNING/REFUELING - WHITE ON CLEAR

LABELS GROUP (CONTINUED)

LP-GAS SYSTEM
 THIS GAS PIPING SYSTEM IS DESIGNED FOR USE OF LIQUIFIED PETROLEUM GAS ONLY. DO NOT CONNECT NATURAL GAS TO THIS SYSTEM.
 SECURE CAP INLET(S) WHEN NOT CONNECTED FOR USE AFTER TURNING ON GAS. EXCEPT AFTER NORMAL CONTAINER REPLACEMENT, TEST GAS PIPING AND CONNECTIONS TO APPLIANCES FOR LEAKAGE WITH SOAPY WATER OR BUBBLE SOLUTION. DO NOT USE PRODUCTS THAT CONTAIN AMMONIA OR CHLORINE.

KEY PART NUMBER U/M DESCRIPTION
 1 124520-01-02A EA LABEL - LP GAS ONLY

30	15	15	15	15	20
M A I N	R E C E P T A C L E	R E C E P T A C L E	M I C R O W A V E	R E F R I G / C O N V	A / C

KEY PART NUMBER U/M DESCRIPTION
 1 095721-10-000 EA LABEL - CONTROL CENTER (30A) CSA

THIS CHAIR IS NOT INTENDED FOR OCCUPANCY WHEN VEHICLE IS IN MOTION AND MUST BE RETURNED TO STOWED POSITION

KEY PART NUMBER U/M DESCRIPTION
 1 102267-01-000 EA LABEL - NO OCCUPANCY - US

LABELS GROUP (CONTINUED)

DTS ISICE SIEGE N/EST PAS DESTINE A ETRE OCCUPE LORSQUE LE VEHICULE EST EN MOUVEMENT ET IL FAUT QUE LE RANGER

THIS CHAIR IS NOT INTENDED FOR OCCUPANCY WHEN VEHICLE IS IN MOTION AND MUST BE RETURNED TO STOWED POSITION

KEY PART NUMBER U/M DESCRIPTION
 1 102267-02-000 EA LABEL - NO OCCUPANCY - CSA

A / C C I R C U I T 1	M A I N	M A I N	A / C C I R C U I T 2	R E F R I G / C O N V	R E F R I G / C O N V	M I C R O W A V E	A P P L I A N C E 1	A P P L I A N C E 2	G E N E R A L R E C O R D S	W A S H E R D R Y E R
-----------------------------------------------------	------------------	------------------	-----------------------------------------------------	-----------------------------------------------------	-----------------------------------------------------	-------------------------------------------	------------------------------------------------	------------------------------------------------	--------------------------------------------------------------------	-----------------------------------------------------

KEY PART NUMBER U/M DESCRIPTION
 1 095721-18-000 EA LABEL - CONTROL CENTER - 50 AMP - CSA

A / C C I R C U I T 1	M A I N	M A I N	A / C C I R C U I T 2	R E F R I G / C O N V	R E F R I G / C O N V	M I C R O W A V E	G E N E R A L R E C O R D S	W A S H E R D R Y E R	D I S H W A S H E R O R	I C E M A K E R	G E N E R A L R E C O R D S
-----------------------------------------------------	------------------	------------------	-----------------------------------------------------	-----------------------------------------------------	-----------------------------------------------------	-------------------------------------------	--------------------------------------------------------------------	-----------------------------------------------------	----------------------------------------------------------	--------------------------------------	--------------------------------------------------------------------

KEY PART NUMBER U/M DESCRIPTION
 1 095721-17-000 EA LABEL - CONTROL CENTER - 50 AMP - US

LABELS GROUP (CONTINUED)

CAUTION	TO HELP AVOID PERSONAL INJURY DURING REMOVAL OF FUEL FILLER CAP, SLOWLY LOOSEN CAP 1/2 TURN TO ALLOW ANY FUEL PRESSURE TO BE RELIEVED BEFORE TURNING CAP FURTHER.
FUEL SPRAY MAY CAUSE PERSONAL INJURY	STOP ADDING FUEL AFTER FIRST SHUTOFF BY AUTOMATIC NOZZLE WHEN TANK IS NEARLY FULL. DO NOT OVERFILL FUEL TANK. SEE OWNERS MANUAL FOR ADDITIONAL INFORMATION. PRINTED IN U.S.A. WLC PT NO 15611763



KEY	PART NUMBER	U/M DESCRIPTION
1	087207-05-000	EA LABEL - FUEL CAP REMOVAL

WARNING

POTABLE WATER ONLY
SANITIZE, FLUSH, AND
DRAIN BEFORE USING.
SEE INSTRUCTION MANUAL



KEY	PART NUMBER	U/M DESCRIPTION
1	128725-01-02A	EA LABEL - POTABLE WATER ONLY

WARNING

ROOF SURFACE MAY BE SLIPPERY
ESPECIALLY WHERE MOISTURE IS PRESENT
SLIPPING MAY RESULT IN PERSONAL INJURY.

128218-01



KEY	PART NUMBER	U/M DESCRIPTION
1	128218-01-01A	EA LABEL - WARNING - ROOF SLIPPERY

REMOVE PRIMARY TIRE HANGER BEFORE USING
SPARE TIRE HOIST-SEE OWNERS MANUAL- PERSONAL
INJURY MAY RESULT IF NOT FOLLOWED



KEY	PART NUMBER	U/M DESCRIPTION
1	126024-01-01A	EA LABEL - TIRE HANGER REMOVAL

LABELS GROUP (CONTINUED)

(I)

WARNING:

ALL PILOT LIGHTS AND APPLIANCES SHALL BE TURNED OFF DURING REFUELING OF MOTOR FUEL TANKS AND/OR PROPANE CONTAINERS.

AVERTISSEMENT:

FERMER TOUTES LES VEILLEUSES AINSI QUE TOUS LES APPAREILS LORSQU'ON FAIT LE PLEIN DES RESERVOIRS A CARBURANT OU A PROPANE.

124519-02

KEY	PART NUMBER	U/M DESCRIPTION
1	124519-02-02A	EA LABEL - WARNING/REFUELING - CSA



THIS CONNECTION IS FOR
(B) VOLT AC, 60 HZ (CYCLES)
(A) AMPERE SUPPLY

DO NOT CONNECT TO
HIGHER VOLTAGE

KEY	PART NUMBER	U/M DESCRIPTION
1	125306-01-01A	EA LABEL - ELECTRICAL ENTRANCE - 110VOLT 30AMP FROM: 00-00-00 THRU: 07-13-97



THIS CONNECTION IS FOR
(B) VOLT AC, 3-POLE, 4 WIRE
60 HZ (CYCLES), (A) AMPERE SUPPLY

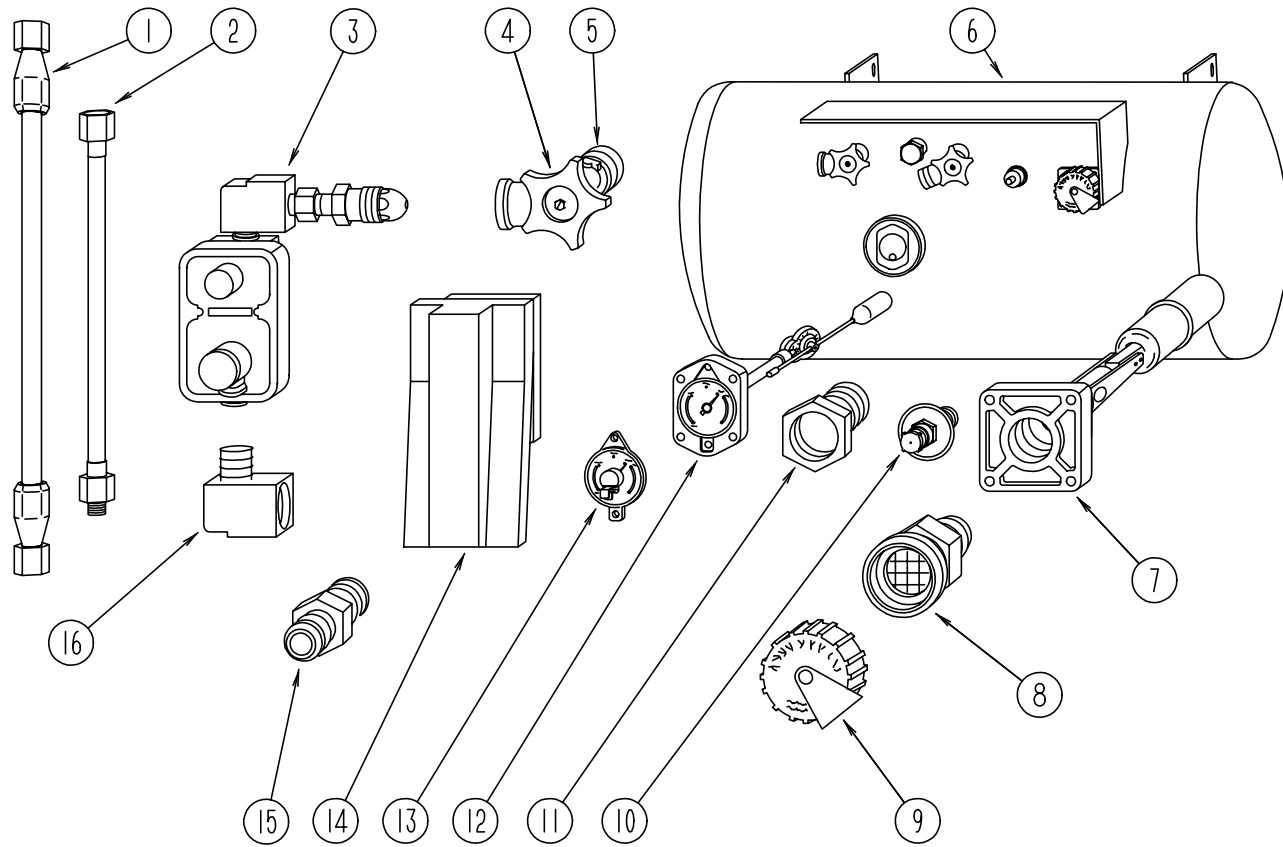
DO NOT CONNECT TO
HIGHER VOLTAGE

KEY	PART NUMBER	U/M DESCRIPTION
1	125306-04-01A	EA LABEL - ELECTRICAL ENTRANCE - 120 VOLT 240 AMP FROM: 07-14-97 THRU: 99-99-99

MISCELLANEOUS LABELS

KEY	PART NUMBER	U/M DESCRIPTION
1	023769-01-000	EA LABEL - WARNING - LPG - CANADIAN

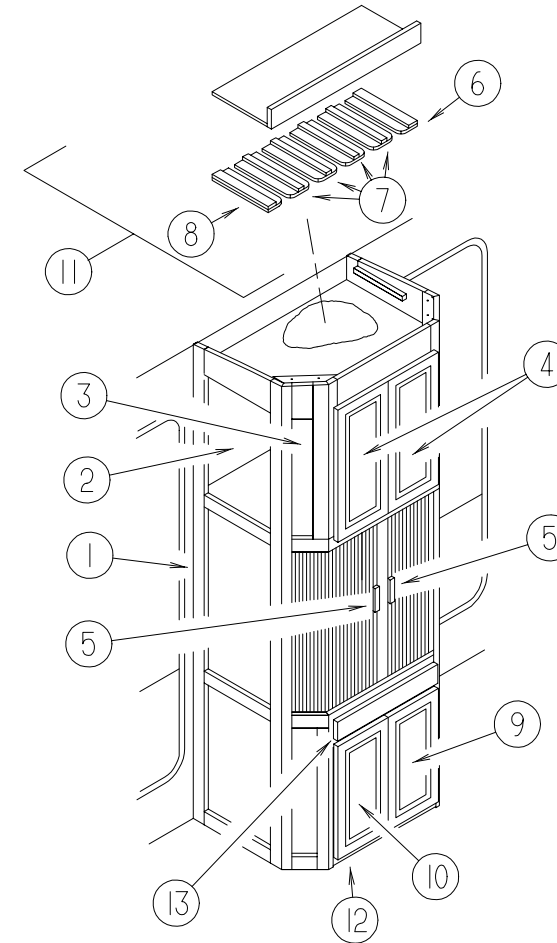
LP GROUP



BRUNNER LP TANK & COMPONENTS

KEY	PART NUMBER	U/M	DESCRIPTION	VENDOR NO.
1	045703-02-000	EA	HOSE - LP - 3/8"ID X 24" - 3/8"MPT X 1/2"F SWIVEL - CANADA	
2	045703-01-000	EA	HOSE - LP - 3/8"ID X 24" - 3/8"MPT X 1/2"F SWIVEL - U.S.	
3	106150-01-000	EA	REGULATOR - TWO STAGE - W/90 DEGREE ELBOW & 3/8" FPT OUTLET	
4	040421-01-708	EA	HANDWHEEL - SERVICE VALVE	G-1015-A
5	040421-01-712	EA	VALVE - SERVICE - W/O VAPOR RELIEF	29000853
6	088253-03-000	EA	TANK - LP - 100 LB - 16"DIAMETER X 36" LONG - SPL	
7	040421-01-711	EA	VALVE - 80% FILL - W/AUTO STOP	
8	040421-01-701	EA	VALVE - FILL - SHORT, LP	75478
9	040421-01-702	EA	CAP - FILL VALVE - PLASTIC	G-1014-A
10	040421-01-700	EA	VALVE - LIQUID LEVEL - 20%	G-1013
11	040421-01-713	EA	VALVE - VAPOR ONLY	29000587
12	088253-01-700	EA	GAUGE - FLOAT ASSEMBLY - L.P.	16C
13	040440-02-000	EA	TRANSMITTER - DIAL - 0-90 OHM -2 TERMINAL (POWER & GROUND)	
14	105658-01-000	EA	COMPARTMENT - LP REGULATOR	
15	010323-01-000	EA	ADAPTER - BRASS - 3/8"F X 1/2"MPT	
15	010329-01-000	EA	ADAPTER - BRASS - 1/2" F X 1/2" MPT	
16	010252-01-000	EA	ELBOW - BRASS - 90 DEGREE - 3/8"F X 1/2"MPT	
	024250-01-000	EA	ADAPTER - BRASS - 3/8"F X 1/2"FPT	
	010326-01-000	EA	ADAPTER - FLARE - W/CONE GASKET - 3/8"FEMALE X 1/2"MALE	
	010377-02-000	EA	NUT - BRASS - 3/8" FLARE - FORGED	
	010380-02-000	EA	NUT - BRASS - 1/2" FLARE - FORGED	
	010495-01-000	EA	CLAMP - CABLE - 9/16"	
	010497-03-000	EA	CLAMP - CLOSED - 1" ID - CUSHIONED	
	016188-05-000	EA	GROMMET - L/P LINE - 3/8" HOLE X 1 1/4" LONG - RUBBER	
	109778-02-000	EA	SHIELD - TANK - LP	
	103613-03-000	EA	DETECTOR - LP GAS - W/O SHUT-OFF VALVE	

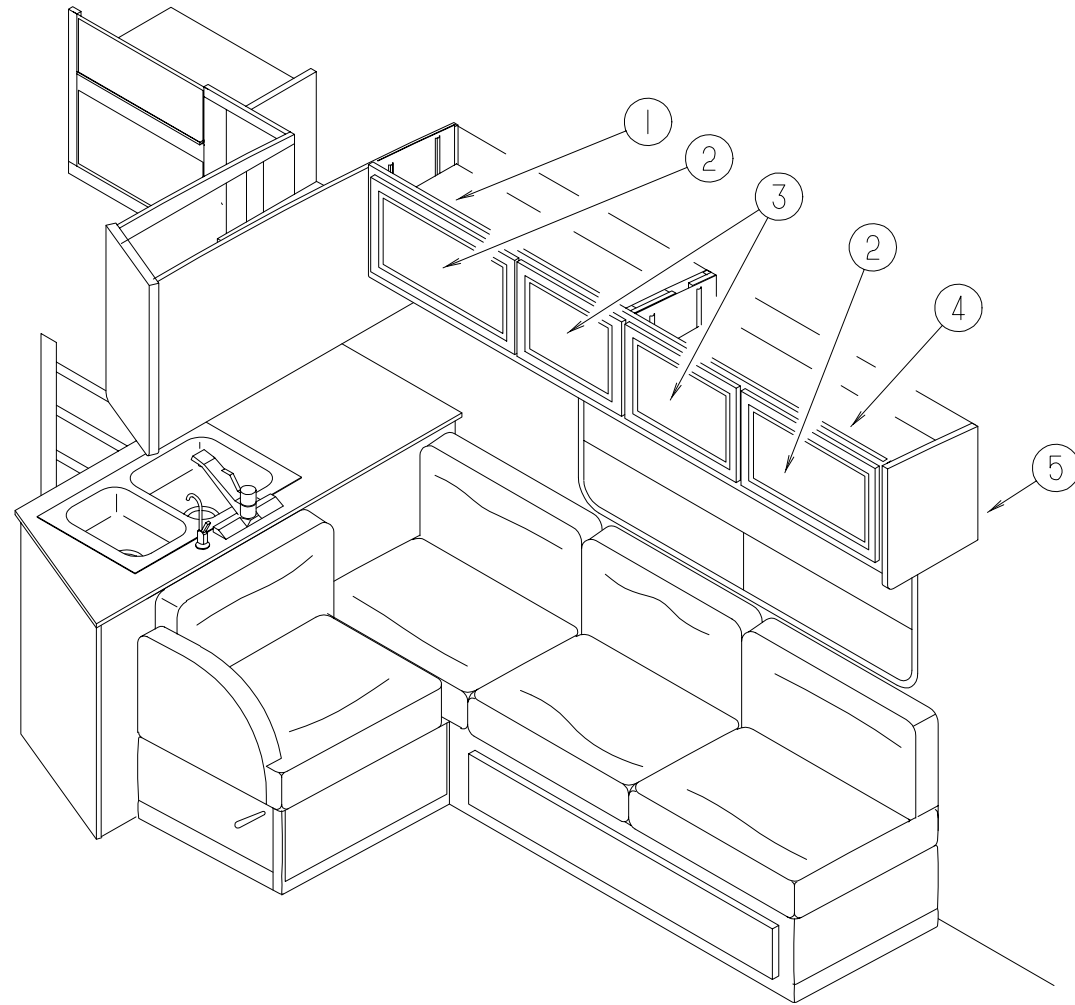
LOUNGE GROUP



PASSENGER SIDE LOUNGE TV CABINET

KEY	PART NUMBER	U/M	DESCRIPTION
1	124124-04-J70	EA	CABINET - TV - W/O DOORS/HARDWARE - W/INVERTER (WASHED MAPLE)
1	124124-04-J71	EA	CABINET - TV - W/O DOORS/HARDWARE - W/INVERTER (SALEM CHERRY)
1	124124-03-J70	EA	CABINET - TV - W/O DOORS/HARDWARE (WASHED MAPLE)
1	124124-03-J71	EA	CABINET - TV - W/O DOORS/HARDWARE (SALEM CHERRY)
2	114205-01-01A	EA	GLASS - BEVELED - TEMPERED - CLEAR - 16.7" X 43.6"
3	111835-06-000	EA	GLASS - CLEAR TEMPERED
4	M06803-CC-J70	EA	DOOR - MITERED CORNER/OGEE EDGE - 9" X 20.6" - W/O HDW (WASHED MAPLE)
4	M06803-CC-J71	EA	DOOR - MITERED CORNER/OGEE EDGE - 9" X 20.6" - W/O HDW (SALEM CHERRY)
	114205-03-01A	EA	GLASS - BEVELED TEMPERED
5	124124-44-J70	EA	HANDLE - TAMBOUR DOOR/WOOD (WASHED MAPLE)
5	124124-44-H57	EA	HANDLE - TAMBOUR DOOR/WOOD (SALEM CHERRY)
	057882-05-700	EA	TAMBOUR - 4' X 4' SHEET - UNFINISHED (WASHED MAPLE)
	057882-04-700	EA	TAMBOUR - 4' X 4' SHEET - UNFINISHED (SALEM CHERRY)
6	124124-30-J70	EA	GLASS HOLDER (WASHED MAPLE)
6	124124-30-H57	EA	GLASS HOLDER (SALEM CHERRY)
7	124124-32-J70	EA	GLASS HOLDER (WASHED MAPLE)
7	124124-32-H57	EA	GLASS HOLDER (SALEM CHERRY)
8	124124-28-J70	EA	GLASS HOLDER (WASHED MAPLE)
8	124124-28-H57	EA	GLASS HOLDER (SALEM CHERRY)
9	M05992-K6-J70	EA	DOOR - OGEE EDGE - 9" X 17.7" - W/O HARDWARE (WASHED MAPLE)
9	M05992-K6-H57	EA	DOOR - OGEE EDGE - 9" X 17.7" - W/O HARDWARE (SALEM CHERRY)
10	M05992-K7-J70	EA	DOOR - OGEE EDGE - 9" X 17.7" - W/O HARDWARE (WASHED MAPLE)
10	M05992-K7-H57	EA	DOOR - OGEE EDGE - 9" X 17.7" - W/O HARDWARE (SALEM CHERRY)
11	124124-27-J70	EA	GLASS RACK (WASHED MAPLE)
11	124124-27-H57	EA	GLASS RACK (SALEM CHERRY)
12	124124-40-J70	EA	TOE KICK - TV CABINET (WASHED MAPLE)
12	124124-40-H57	EA	TOE KICK - TV CABINET (SALEM CHERRY)
13	P24207-01-J70	EA	DRAWER - SLIDEOUT ENTERTAINMENT CENTER - W/O SLIDES/HDW (WASHED MAPLE)
13	P24207-01-H57	EA	DRAWER - SLIDEOUT ENTERTAINMENT CENTER - W/O SLIDES/HDW (SALEM CHERRY)

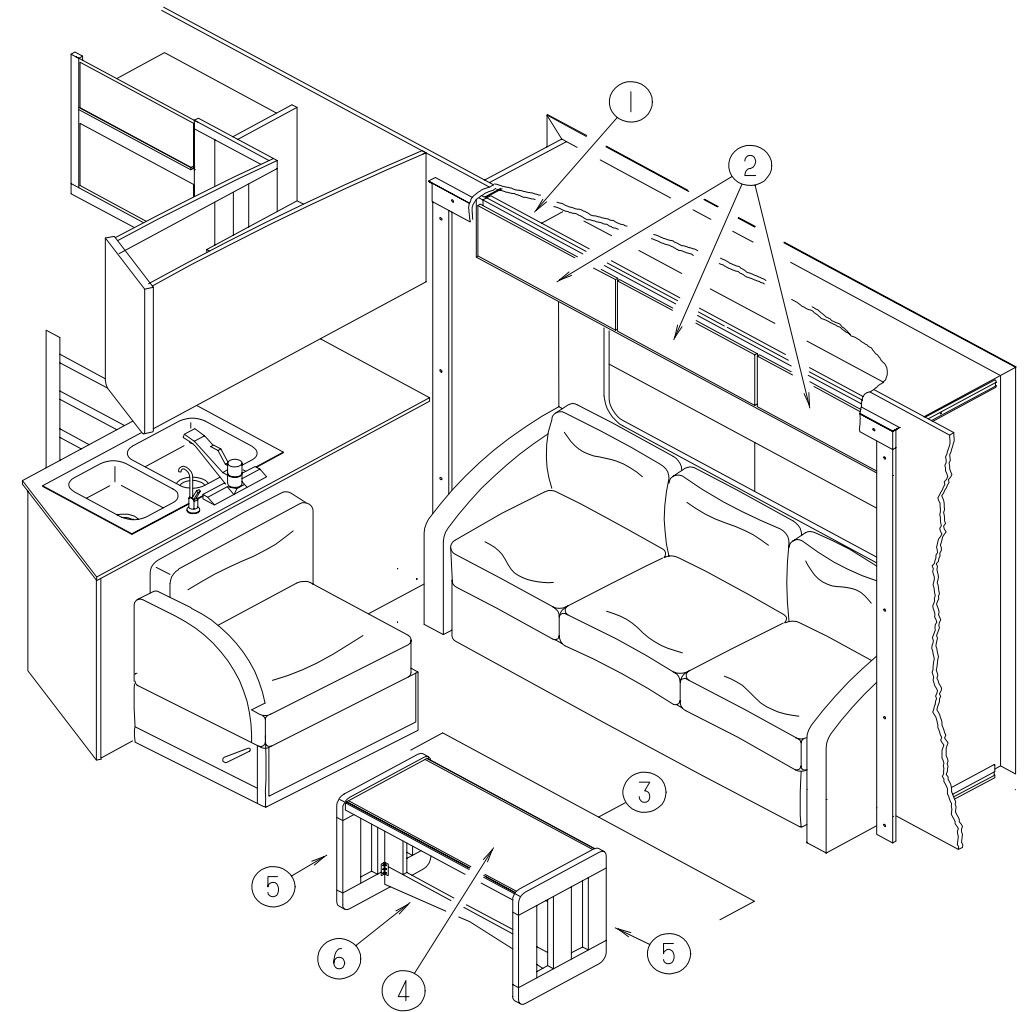
LOUNGE GROUP (CONTINUED)



DRIVERS SIDE LOUNGE CABINET W/O SLIDEOUT

KEY	PART NUMBER	U/M	DESCRIPTION
1	121602-01-J70	EA	CABINET - FRONT OVERHEAD/LEFT HAND - W/O DOORS/HARDWARE (WASHED MAPLE)
1	121602-01-H57	EA	CABINET - FRONT OVERHEAD/LEFT HAND - W/O DOORS/HARDWARE (SALEM CHERRY)
2	M05990-03-J70	EA	DOOR - ARCHED/OGEE EDGE - 14.3" X 21.8" - W/O HARDWARE (WASHED MAPLE)
2	M05990-03-GV1	EA	DOOR - ARCHED/OGEE EDGE - 14.3" X 21.8" - W/O HARDWARE (SALEM CHERRY)
3	M05990-04-J70	EA	DOOR - ARCHED/OGEE EDGE - 14.3" X 17.8" - W/O HARDWARE (WASHED MAPLE)
3	M05990-04-H57	EA	DOOR - ARCHED/OGEE EDGE - 14.3" X 17.8" - W/O HARDWARE (SALEM CHERRY)
4	121602-11-J70	EA	SHELF - W/PLASTIC EDGE TRIM (WASHED MAPLE)
4	121602-11-H57	EA	SHELF - W/PLASTIC EDGE TRIM (SALEM CHERRY)
5	107494-18-J70	EA	END CAP - RIGHT HAND (WASHED MAPLE)
5	107494-18-GV1	EA	END CAP - RIGHT HAND (SALEM CHERRY)

LOUNGE GROUP (CONTINUED)



DRIVERS SIDE LOUNGE CABINET W/SLIDEOUT

KEY	PART NUMBER	U/M	DESCRIPTION
1	121712-01-J70	EA	CABINET - OVERHEAD/FRONT/LEFT HAND - W/O DOORS/HARDWARE (WASHED MAPLE)
1	121712-01-H57	EA	CABINET - OVERHEAD/FRONT/LEFT HAND - W/O DOORS/HARDWARE (SALEM CHERRY)
2	M05990-35-J70	EA	DOOR - ARCHED/OGEE EDGE - 9" X 26.5" - W/O HARDWARE (WASHED MAPLE)
2	M05990-35-J71	EA	DOOR - ARCHED/OGEE EDGE - 9" X 26.5" - W/O HARDWARE (SALEM CHERRY)
3	116957-01-J70	EA	TABLE - FOLDING - W/O HARDWARE (WASHED MAPLE)
3	116957-01-G39	EA	TABLE - FOLDING - W/O HARDWARE (SALEM CHERRY)
4	116957-12-J70	EA	TABLE TOP - FOLDING (WASHED MAPLE)
4	116957-12-G39	EA	TABLE TOP - FOLDING (SALEM CHERRY)
5	116957-15-H23	EA	LEG - FOR NEW STYLE TABLE (WASHED MAPLE)
5	116957-15-G39	EA	LEG - FOR NEW STYLE TABLE (SALEM CHERRY)
6	116957-11-H23	EA	BRACE - FOLDING TABLE - SOFA/BED (WASHED MAPLE)
6	116957-11-G39	EA	BRACE - FOLDING TABLE - SOFA/BED (SALEM CHERRY)

SEALANTS & FASTENERS GROUP

SEALANTS & ADHESIVES

KEY	PART NUMBER	U/M	DESCRIPTION
	004006-05-700	EA	ADHESIVE-NAT. STARCH (5 GAL) 0802
	004020-01-000	QT	ADHESIVE - ABS CEMENT - QUART
	034552-02-000	EA	SILICONE - TUBE - 300 ML - W/O NOZZLE - CLEAR ALSO ORDER P.N.#900390-03-000 NOZZLE SEPARATELY
	039518-01-000	EA	SILICONE - TUBE - 300 ML - BLACK - W/O NOZZLE ALSO ORDER P.N.#900390-03-000 NOZZLE SEPARATELY
	053766-02-000	EA	BEDDING COMPOUND - TUBE - WHITE
	053766-08-000	EA	BEDDING COMPOUND - TUBE/GRAY
	063642-01-000	FT	TAPE - ADHESIVE - .4" X 1.5" X 180"
	067788-01-000	EA	ADHESIVE - SPRAY - 3M - 19.5 AEROSOL CAN
	069640-01-000	FT	SEALER - RIBBON - 1/4" DIAMETER X 30'
	069640-02-000	FT	SEALER - TAPE - 1/8"THICK X .50"WIDE X 60'
	069640-03-000	FT	SEALER - TAPE - 1/8"THICK X .75"WIDE X 60' - BLACK
	069640-09-000	FT	SEALER - TAPE - 1/32"THICK X 2.50"WIDE X 80' - GREY
	069640-11-000	FT	SEALER - TAPE - 3/16"THICK X 3/8"WIDE X 40'
	069640-14-000	FT	SEALER - TAPE - 1/16"THICK X 1"WIDE X 100'
	069640-15-000	FT	SEALER - TAPE - 1/16"THICK X 3/8"WIDE X 100' - GREY
	069640-18-000	FT	SEALER - TAPE - 1/2"THICK X 1/8"WIDE X 60' - BRT/WHITE
	069640-19-000	FT	SEALER - TAPE - 3/4" X 1/8" X 60' - BRIGHT WHITE
	069640-20-000	FT	SEALER - TAPE - 1/2" X 1/8" X 60' - BLACK
	069640-21-000	FT	SEALER - TAPE - 1/2" X 1/16" X 100' - BRIGHT WHITE
	072889-01-000	EA	SEALANT - URETHANE - BLACK - 1/10
	072889-09-000	EA	SEALANT - URETHANE - BLACK (TUBE)
	072889-10-000	EA	SEALANT - URETHANE (HV) - BRIGHT WHITE
	072889-11-000	EA	SEALANT - URETHANE - (TUBE) - GRAY
	076322-01-000	FT	TAPE - DOUBLE COATED/ADHESIVE BACK - .025"THK X .75"W X 18'
	076322-02-000	FT	TAPE - DOUBLE COATED/ADHESIVE BACK - .045"THK X 1"W X 108'
	076322-03-000	FT	TAPE - DOUBLE COATED/ADHESIVE BACK - .045"THK X .50"W X 9'
	076322-05-000	FT	TAPE - DOUBLE COATED/ADHESIVE BACK - .045"THK X .75"W X 9'
	076322-05-000	FT	TAPE - DOUBLE COATED/ADHESIVE BACK - .045"THK X .75"W X 9'
	076322-07-000	FT	TAPE - DOUBLE COATED/ADHESIVE BACK - .045"THK X .50"W X 9'
	076322-11-000	FT	TAPE - DOUBLE COATED/ADHESIVE BACK - .020"THK X 1"W X 9'
	087211-01-000	GL	PROMOTER - ADHESIVE
	091255-02-000	FT	SEAL - ADHESIVE BACKED/FOAM - .18" THICK X 1.5" WIDE
	102352-01-000	EA	SEALER - PUMPABLE - BLACK
	102352-02-000	EA	SEALER - PUMPABLE - CLEAR
	106206-01-000	EA	SEALER - PUMPABLE - MANUS 30A - BLACK
	107828-01-000	EA	SEALANT - SB - 190 EVERSEAL
	108353-01-000	FT	SEAL - FOAM - 5/16" X 1/2" - ADHESIVE BACKED
	108716-03-000	EA	SILICONE - TUBE - BRIGHT WHITE/SELF LEVELING - W/O NOZZLE
	110274-01-000	FT	TAPE - DOUBLE SIDED FOAM - .45" X 1"
	112864-01-000	FT	SEAL - FOAM/BUTYL COVERED - 3/8"
	112901-02-000	EA	ADHESIVE - PLEXUS - 50ML
	118085-02-01A	FT	TAPE - FOIL - 1"
	120074-02-01A	EA	SEALANT - SILICONE - OFF WHITE
	123816-01-000	FT	TAPE - DOUBLE SIDED - 1"
	123816-02-000	FT	TAPE - DOUBLE SIDED - 1/2" X 35 MIL THICK
	123816-03-000	FT	TAPE - DOUBLE SIDED - 1/2" X 20 MIL THICK
	900390-01-000	EA	TIP - 2 1/2" X 1/8" ORIFICE
	900390-03-000	EA	NOZZLE - SILICONE TUBE

BOLTS, NUTS & WASHERS

KEY	PART NUMBER	U/M	DESCRIPTION
	OMC04K-06-016	EA	BOLT - HEX - M06 X 1 X 016
	000C12-05-16B	EA	BOLT - HEX - 5/16-18 X 1 - ZINC 5
	000C12-06-16B	EA	BOLT - HEX - 3/8-16 X 1 LG - ZINC 5
	000C12-06-20B	EA	BOLT - HEX - 3/8 - 16 X 1 1/4 - ZINC #5
	000C12-07-20B	EA	BOLT - HEX - 7/16-14 X 1 1/4 - ZINC 5
	000C12-08-28B	EA	BOLT - HEX - 1/2-13 X 1 3/4 - ZINC 5
	000C12-08-24B	EA	BOLT - HEX - 1/2-13 X 1.50 - ZINC 5
	000C12-10-24B	EA	BOLT - HEX - 5/8-11 X 1.50 - ZINC 5
	000C13-07-48B	EA	BOLT - HEX - 7/16-20 X 3 - ZINC 5

SEALANTS & FASTENERS GROUP (CONTINUED)

BOLTS, NUTS & WASHERS (CONTINUED)

KEY	PART NUMBER	U/M	DESCRIPTION
	000C18-05-40A	EA	BOLT - ELEVATOR - 5/16-18 X 2.50 - PL
	000C18-06-48B	EA	BOLT - ELEVATOR - 3/8-16 X 3 - ZINC - GRADE 5
	000C26-04-18B	EA	BOLT - HEX - SERRATED FLANGE - 1/4-20 X 1 1/8 - ZINC
	000C26-04-10B	EA	BOLT - HEX - SERRATED FLANGE - 1/4-20 X 5/8 - ZINC
	000C26-05-12B	EA	BOLT - HEX - SERRATED FLANGE - 5/16-18 X 3/4 - ZINC
	000C26-05-20B	EA	BOLT - HEX - SERRATED FLANGE - 5/16-18 X 1 1/4 - ZINC
	000C26-05-16B	EA	BOLT - HEX - SERRATED FLANGE - 5/16-18 X 1 - ZINC
	000C26-06-16B	EA	BOLT - HEX - SERRATED FLANGE - 3/8-16 X 1 - ZINC
	000C26-06-12B	EA	BOLT - HEX - SERRATED FLANGE - 3/8-16 X 3/4 - ZINC
	000C26-06-40B	EA	BOLT - HEX - SER FLG 3/8-16 X 2 1/2 - ZINC
	000C26-08-24B	EA	BOLT - HEX - SERRATED FLANGE - 1/2-13 X 1.5 ZINC FROM: 10-07-97 THRU: 99-99-99
	000D24-10-00B	EA	NUT - HEX - SELF LOCKING - 10-32 ZINC
	000D29-05-00B	EA	NUT - 5/16 - 18 UNC - SF/LOCKING - NYLON WASHER INSERT
	000D29-06-00B	EA	NUT - HEX - W/NYLON LOCK - 3/8-16 - ZINC
	000D34-04-00B	EA	NUT - HEX - LOCKING - 1/4-20 ZINC FROM: 02-22-98 THRU: 99-99-99
	000D34-06-00B	EA	NUT - HEX - LOCKING - 3/8 - 16 GRADE C - ZINC-PREVAILING T
	000D39-04-00B	EA	NUT - HEX - LOCKING W/SERRATED FLANGE - 1/4-20 - ZINC
	000D39-05-00B	EA	NUT - HEX - LOCKING W/SERRATED FLANGE - 5/16-18 - ZINC
	000D39-06-00B	EA	NUT - HEX - LOCKING W/SERRATED FLANGE - 3/8-18 - ZINC
	000D39-07-00B	EA	NUT - HEX - LOCKING W/SERRATED FLANGE - 7/16-14 - ZINC
	000D39-08-00B	EA	NUT - HEX - LOCKING W/SERRATED FLANGE - 1/2-13 - ZINC
	000D44-07-00B	EA	NUT - HEX - SERRATED FLANGE/LOCKING - 7/16-20 - ZINC
	000D46-04-00A	EA	NUT - HEX - WELD - 1/4 - 20 - PLAIN
	000D60-05-00A	EA	NUT - HEX - WELD/LOCK 5/16 - 18 UNLCUT
	000D73-07-00C	EA	NUT - HEX FLANGE - 7/16 - 14 - GRADE G
	000D73-08-00C	EA	NUT - HEX FLANGE - 1/2-13
	000D76-06-00B	EA	NUT - HEX FLANGE - 3/8-16 FROM: 08-30-96 THRU: 02-21-98
	000E11-08-00B	EA	WASHER - LOCKING - 1/2 MED SPLIT - ZINC
	000E13-14-00B	EA	WASHER - FLAT - 1/4 WIDE - ZINC
	000E13-17-00B	EA	WASHER - FLAT - 3/8" AR - ZINC
	000E13-18-00B	EA	WASHER - FLAT - 3/8 WIDE - ZINC
	000E13-20-00B	EA	WASHER - FLAT - 7/16 WIDE - ZINC
	000E13-21-00B	EA	WASHER - FLAT - W/2 NAR - ZINC FROM: 10-07-97 THRU: 99-99-99
	000E13-22-00B	EA	WASHER - FLAT - 1/2 WIDE - ZINC
	000E14-10-00B	EA	WASHER - LOCKING - #10 EXTERNAL TOOTH - ZINC
	000G45-04-24F	EA	BOLT - LAG - 1/4" #9 X 1 1/2SS FROM: 01-02-98 THRU: 99-99-99
	000G45-04-24B	EA	BOLT - LAG - 1/4-9 X 1.50 ZINC FROM: 00-00-00 THRU: 01-01-98
	040921-03-000	EA	NUT - SPEED - U TYPE - #10
	040921-05-000	EA	NUT - SPEED - U-TYPE #8 - .67" X .44" WIDE
	044364-02-000	EA	NUT - SPEED - FLAT - ROUND
	051387-06-000	EA	BOLT - CARRIAGE W/O HOLE - 5/16-18 X 9.5 - ZINC
	058716-02-000	EA	WASHER - FLAT NYLON
	063253-07-000	EA	NUT - J - #8A - .120 - .130 PNL THK
	077071-01-000	EA	WASHER - FENDER - 3/16"ID X 1" OD
	083163-06-000	EA	PUSHNUT - FLAT TYPE 3/8 STUD - FORD ONLY TO RETAIN THE AIR BAFFLE ON THE OIL DIPSTICK TUBE
	087234-01-000	EA	NUT - JACK - 1/4 X 20 THD - MOLLY MOUNTS LICENSE PLATES
	088787-12-000	EA	STUD - WELD - 1/4 - 20 X 1.0 LG - MN
	091274-03-000	EA	BOLT-J - 3/8-16 X 12.0 FROM: 08-30-96 THRU: 02-21-98
	102540-02-000	EA	SEAL - SCREW
	106956-03-000	EA	BOLT - HEX TAP - 1/2-12NC X 3 - GRADE 5 - FULL THREAD/ZINC
	107397-01-000	EA	WASHER - FENDER - .25" ID X 1" OD
	108067-03-000	EA	STUD - WELD - 1/4 - 20 X 1/2 CD
	120506-01-01A	EA	RIVET - PLASTIC - 3/16 DIAMETER

SEALANTS & FASTENERS GROUP (CONTINUED)

SCREWS

KEY	PART NUMBER	U/M DESCRIPTION
	0G3908-08-170	EA SCREW - SF/DR - 8-18 X .50 PPH - BRIGHT WHITE
	0G3908-20-170	EA SCREW - SF/DR - 8-18 X 1.25 PPH - BRIGHT WHITE
		FROM: 12-01-97 THRU: 01-25-98
	0G3908-24-170	EA SCREW - SF/DR - 8-18 X 1.50 PPH - BRIGHT WHITE
		FROM: 01-26-98 THRU: 99-99-99
	0G3910-12-170	EA SCREW - SF/DR - 10-16 X .75 PPH - BRIGHT WHITE
	0G5508-12-110	EA SCREW - SF/DR-8-18 X .75 PWH
	000G11-05-08B	EA SCREW - 5-20 X .50 PPH - ZINC
	000G11-06-06B	EA SCREW - 6-20 X 3/8 PPH - ZINC
	000G11-06-10J	EA SCREW - 6-20 X 5/8 PPH - BRASS
	000G11-06-10B	EA SCREW - 6-20 X 5/8 PPH - ZINC
	000G11-06-08B	EA SCREW - 6-20 X .50 PPH - ZINC
	000G11-07-08B	EA SCREW - 7-19 X .50 PPH - ZINC
	000G11-08-20B	EA SCREW - 8-18 X 1.25 PPH - ZINC
	000G11-08-16S	EA SCREW - 8-18 X 1 PPH - OFF WHITE
	000G11-08-12T	EA SCREW - 8-18 X .75 PPH - BLACK
	000G11-08-12P	EA SCREW - 8-18 X .75 PPH - DARK BROWN
	000G11-08-12P	EA SCREW - 8-18 X .75 PPH - DARK BROWN
	000G11-08-12D	EA SCREW - 8-18 X .75 PPH - BLACK
	000G11-08-12B	EA SCREW - 8-18 X .75 PPH - ZINC
	000G11-08-10B	EA SCREW - 8-18 X .50 PPH - ZINC
	000G11-08-08T	EA SCREW - 8-18 X 1/5 PPH - FLUOROCARBON COATING
	000G11-08-08B	EA SCREW - 8-18 X .50 PPH - ZINC
	000G11-08-06B	EA SCREW - 8-18 X 3/8 PPH - ZINC
	000G11-10-12D	EA SCREW - 10-16 X .75 PPH - BLACK
	000G11-10-40B	EA SCREW - 10-16 X 2 1/2 PPH CAD - 34927-01-000
	000G11-10-16B	EA SCREW - 10-16 X 1 PPH - ZINC
	000G11-10-12S	EA SCREW - 10-16 X .75 PPH - OFF WHITE
	000G12-06-08T	EA SCREW - 6-20 X 1/2 POH - BLACK
	000G13-06-24J	EA SCREW - 6-20 X 1.50 PFH - BRASS
	000G13-06-16J	EA SCREW - 6-20 X 1 PFH - BRASS
	000G13-06-10G	EA SCREW - 6-20 X 5/8 PFH - ANTIQUE BRASS
	000G13-06-08G	EA SCREW - 6-20 X .50 PFH - ANTIQUE BRASS
	000G13-07-12B	EA SCREW - 7-19 X .75 PFH - ZINC
	000G13-07-10H	EA SCREW - 7-19 X 5/8 PFH - BLACK
	000G13-08-16B	EA SCREW - 8-18 X 1 PFH - ZINC
	000G13-08-109	EA SCREW - 8-18 X 5/8 PFH
	000G18-08-22B	EA SCREW - MACHINE - 8-32 X 1 3/8 PPH - ZINC
	000G19-10-20B	EA SCREW - MACHINE - 10-32 X 1.25 PPH - ZINC
	000G19-10-12F	EA SCREW - MACHINE - 10-32 X .75 - PPH - STAINLESS STEEL
	000G32-10-06B	EA SCREW - 10-32 X 3/8 PPH - ZINC
	000G39-06-10T	EA SCREW - SF/DR - 6-20 X 5/8 PPH - BLACK
	000G39-06-10T	EA SCREW - SF/DR - 6-20 X 5/8 PPH - BLACK
	000G39-08-32B	EA SCREW - SF/DR - 8-18 X 2 PPH - ZINC
	000G39-08-24B	EA SCREW - SF/DR - 8-18 X 1 1/2 PPH - ZINC
	000G39-08-16T	EA SCREW - SF/DR - 6-20 X 1 PPH - BLACK
	000G39-08-16R	EA SCREW - SF/DR - 8-18 X 1 PPH - BEIGE
		N/A USE #000G390816T AND PAINT
	000G39-08-16B	EA SCREW - SF/DR - 8-18 X 1 PPH - ZINC
	000G39-08-12T	EA SCREW - SF/DR - 8-18 X .75 PPH - BLACK
	000G39-08-12B	EA SCREW - SF/DR - 8-18 X .75 PPH - ZINC
	000G39-08-08T	EA SCREW - SF/DR - 8-18 X 1/2 PPH - BLACK
	000G39-08-08S	EA SCREW - SF/DR - 8-18 X .50 PPH - OFF WHITE
	000G39-08-08B	EA SCREW - SF/DR - 8-18 X 1.50 PPH - ZINC
	000G39-08-06B	EA SCREW - SF/DR - 8-18 X 3/8 PPH - ZINC
	000G39-10-209	EA SCREW - SF/DR - 10-16 X 1 1/4 PPH - FLUOROCARBON SILVER
	000G39-10-20B	EA SCREW - SF/DR - 10-16 X 1.25 PPH - ZINC
	000G39-10-129	EA SCREW - SF/DR - 10-16 X .75 PPH - FLUOROCARBON SILVER
	000G39-10-12D	EA SCREW - SF/DR - 10-16 X .75 PPH - BLACK
	000G39-10-12B	EA SCREW - SF/DR - 10-16 X .75 PPH - ZINC
	000G39-10-10B	EA SCREW - SF/DR - 10-16 X .625 - ZINC

SEALANTS & FASTENERS GROUP (CONTINUED)

SCREWS (CONTINUED)

KEY	PART NUMBER	U/M DESCRIPTION
	000G39-10-088	EA SCREW - SF/DR - 10-16 X 1/2 PPH - FLEX FLUOROCARBON
	000G39-10-08B	EA SCREW - SF/DR - 10-16 X .50 PPH - ZINC
	000G39-10-48T	EA SCREW - SF/DR - 10-16 X 3.00 PPH - BLACK
	000G39-10-48B	EA SCREW - SF/DR - 10-16 X 3 - PPH - ZINC
	000G39-10-40D	EA SCREW - SF/DR - 10-16 X 2 1/2 PPH - BLACK
	000G39-10-32B	EA SCREW - SF/DR - 10-16 X 2 - PPH - ZINC
	000G42-04-16B	EA SCREW - SF/DR - 1/4-14 X 1 HWH - ZINC
	000G42-04-12B	EA SCREW - SF/DR - 1/4-14 X .75 HWH - ZINC
	000G50-04-12B	EA SCREW - MACHINE - 1/4-20 X .75 PPH - ZINC
	000G51-08-08B	EA SCREW - 8-18 X 1/2 PTH - ZINC
	000G52-08-18B	EA SCREW - MACHINE - 8-32 X 1 1/8 PTH - ZINC
	000G52-08-06B	EA SCREW - MACHINE - 8-32 X 3/8 PTH - ZINC
	000G54-04-20B	EA SCREW - 1/4-20 X 1.25 PTH - TYPE 23 - ZINC PLATED
	000G55-08-12S	EA SCREW - SF/DR - 8-18 X .75 PWH - OFF WHITE
	000G56-10-24J	EA SCREW - WOOD - 10-13 X 1 1/2 POH - BRIGHT BRASS
	000G57-05-16J	EA SCREW - 5-20 X 1 PFH - BRASS
	000G60-10-20I	EA SCREW - SF/DR - 10-16 X 1.25 POH - BLACK
	000G60-10-16J	EA SCREW - SF/DR - 10-16 X 1 POH - BRIGHT BRASS
	000G67-08-32B	EA SCREW - 8-15 X 2 PPH - ZINC
	000G67-10-36T	EA SCREW - 10-12 X 2.25 PPH - BLACK
	000G67-10-32B	EA SCREW - 10-12 X 2 PPH - ZINC
	000G67-10-20D	EA SCREW - 10-12 X 1.25 PPH - BLACK
	000G67-10-16B	EA SCREW - 10-12 X 1 PPH - ZINC
	000G67-10-12B	EA SCREW - 10-12 X .75 PPH - ZINC
	000G67-10-10D	EA SCREW - 10-12 X 5/8 PPH - BLACK - TYPE A
	000G67-10-10B	EA SCREW - 10-12 X 5/8 PPH - ZINC - TYPE A
	000G67-10-08B	EA SCREW - 10-12 X .50 PPH - ZINC
	000G68-06-12S	EA SCREW - 6-18 X 3/4 POH
	000G68-06-10G	EA SCREW - 6-18 X 5/8 POH - ANTIQUE BRASS
	049465-01-000	EA SCREW - 10-16 W/WASHER PTH - DARK BROWN
	049465-04-000	EA SCREW - 10-16 X 1 PTH W/WASHER - BEIGE
	049465-17-000	EA SCREW - 10-16 X 1 POH W/WASHER
	049465-22-000	EA SCREW - 10-16 A 1 1/2 POH W/WASHER - SABLE
	057671-01-000	EA COVER - SCREW - #8 - PLASTIC - OFF WHITE
	057671-11-000	EA COVER - SCREW - HAMPTON TAN - #8
	057671-15-000	EA COVER - SCREW - BRIGHT WHITE
		FROM: 02-06-97 THRU: 99-99-99
	075908-01-000	EA SCREW - MACHINE - 10-32 X .56 PTH - EXTERNAL TOOTH - ZINC
	076790-01-000	EA SCREW - 6-20 X 1 1/4 PPH - BLACK
	086256-01-000	EA SCREW - SF/DR - 8 X 3/4 HWH LONG
	109152-03-000	EA SCREW - 3/8-16 X 2 - FLAT SOC - STAINLESS STEEL - BLACK
	113563-01-01A	EA SCREW - 8 X .62 LONG SHOULDER/WASHER HEAD

SEALANTS & FASTENERS GROUP (CONTINUED)

GROMMETS, CLAMPS & CLIPS

KEY	PART NUMBER	U/M DESCRIPTION
	000F10-06-32B	EA PIN - COTTER - 3/16" X 2" - ZINC FROM: 02-22-98 THRU: 99-99-99
	000H16-04-06R	EA RIVET - POP ALUMINUM - 1/8" X .313 - .375
	000H16-06-10R	EA RIVET - POP ALUMINUM - 3/16 X .501-.625
	008380-01-000	EA GROMMET - RUBBER - 5/8" HOLE X 1 1/2" DIAMETER - BLACK
	010495-01-000	EA CLAMP - CABLE - 9/16"
	010495-02-000	EA CLAMP - CABLE - 3/8"
	010497-01-000	EA CLAMP - CLOSED - 5/8" ID
	010497-03-000	EA CLAMP - CLOSED - 1" ID - CUSHIONED
	010497-04-000	EA CLAMP - CLOSED - 1.62" ID FROM: 09-19-97 THRU: 99-99-99
	010497-05-000	EA CLAMP - CLOSED - 1/2 ID
	010497-06-000	EA CLAMP - CLOSED - 11/16" ID
	010499-01-000	EA CLAMP - CLOSED - 3/8" ID
	016188-03-000	EA GROMMET - L/P LINE - 3/8" HOLE X 2 1/2" LONG - RUBBER
	016188-05-000	EA GROMMET - L/P LINE - 3/8" HOLE X 1 1/4" LONG - RUBBER
	023942-01-000	EA GROMMET - RUBBER - 2" OD
	062401-01-000	EA CLAMP - HOSE - WORMGEAR - .25" - 1"
	062401-03-000	EA CLAMP - HOSE - WORMGEAR - .22"- 1"
	062401-04-000	EA CLAMP - HOSE - WORMGEAR - .69" - 1.25"
	062401-05-000	EA CLAMP - HOSE - WORMGEAR - 2" TO 3" ID
	062401-06-000	EA CLAMP - HOSE - WORMGEAR - .22" - .62" ID
	062401-09-000	EA CLAMP - HOSE - WORMGEAR - 2.8" - 3.75"
	062401-11-000	EA CLAMP - HOSE - WORMGEAR - 3.50" - 4.50"
	071015-11-000	EA GROMMET - 1.00 ID - FITS .12 MATERIAL
	071015-19-000	EA GROMMET - .38 ID - FITS .06 MATERIAL
	071015-29-000	EA GROMMET - RUBBER - 1/4 ID X 1 1/4 OD W .12 GROOVE - BLK
	071015-32-000	EA GROMMET - RUBBER - .75" ID X 1.375" OD W/.187" GROOVE-BLK
	075148-02-000	EA CLAMP - GROUNDING - BRONZE SCREWS
	075312-02-000	EA CLIP-U - .75 LONG X .50 WIDE- F/1/8"-3/16" THICK MATERIAL
	083609-01-000	EA CLAMP - WIRE - DUAL - EQUAL DIAMETERS - 5/8"
	083610-01-000	EA CLAMP - WIRE - DUAL - UNEQUAL DIAMETERS - 3/4" & 1 1/4"
	083610-02-000	EA CLAMP - WIRE - DUAL - UNEQUAL DIAMETERS
	083610-03-000	EA CLAMP - DUAL WIRE
	088756-01-000	EA GROMMET - WEB - 1 1/8 " I.D.
	091952-01-000	EA CLIP - GRIPPER - 1"
	091952-02-000	EA CLIP - GRIPPER - 3/4"
	094362-02-000	EA CLIP - XMAS TREE - BINDER HEAD - .9" LONG
	101447-01-000	EA CLIP - U TYPE HOLDS SHOWER SURROUND TOGETHER
	114208-02-000	EA GROMMET - EDGE LINER - FITS .625 FROM: 00-00-00 THRU: 08-19-97

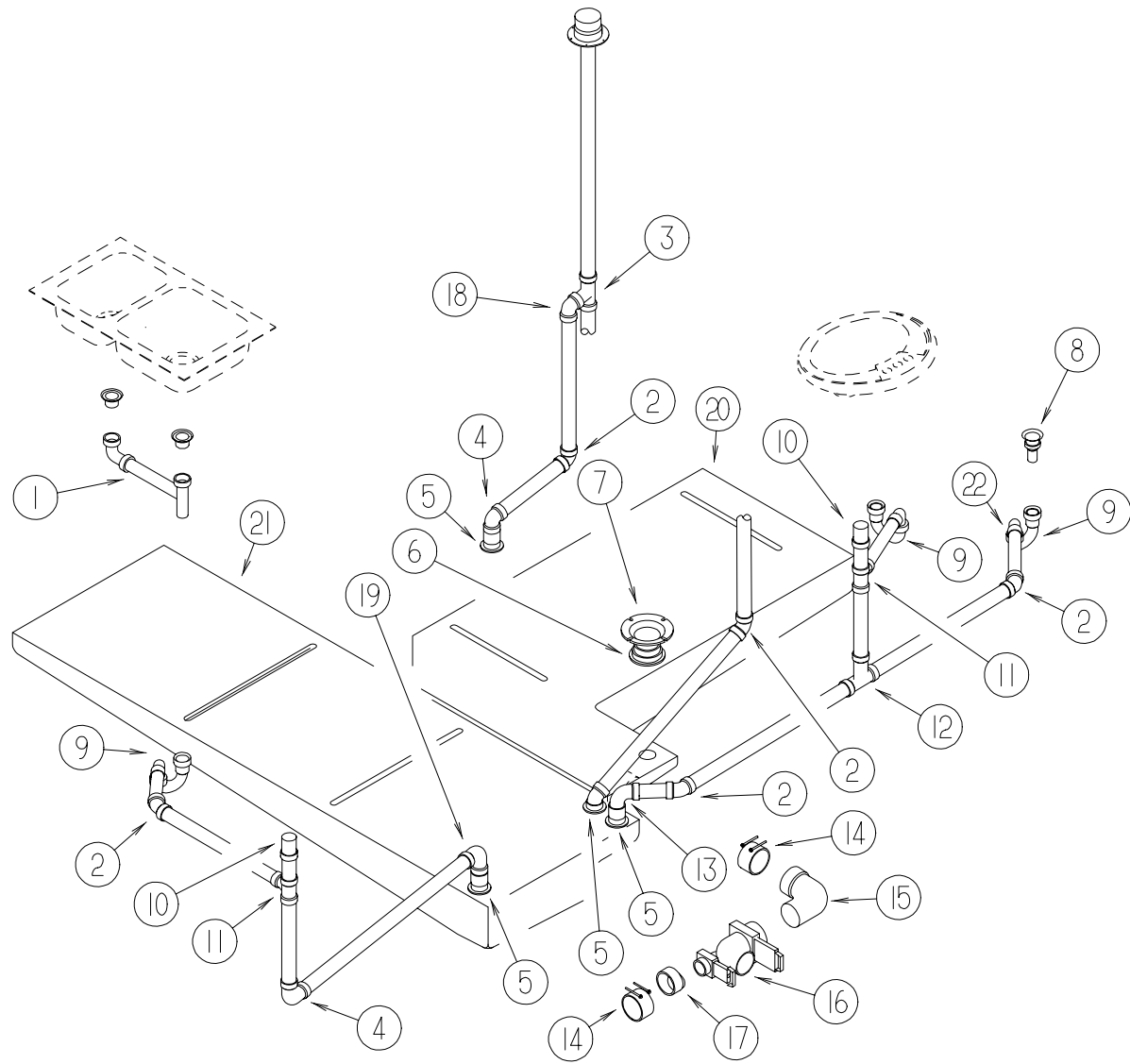
SEALANTS & FASTENERS GROUP (CONTINUED)

WIRE TIES, FASTENERS, & VELCRO TAPE

KEY	PART NUMBER	U/M DESCRIPTION
	008343-01-000	EA TIE - WIRE - 6"
	008343-02-000	EA TIE - WIRE - 14"
	008343-03-000	EA TIE - WIRE - 7 1/2" - BLACK
	029094-04-000	YD VELCRO TAPE - LOOP - 1" WIDE - BLACK
	029094-06-000	YD VELCRO TAPE - LOOP - 2" WIDE - BLACK
	029096-03-000	YD VELCRO TAPE - HOOK - 1" WIDE - BLACK
	029096-04-000	YD TAPE - HOOK - VELCRO - 1" WIDE - BLACK
	081211-04-000	EA PLUG - PLASTIC - .46" DIAMETER - BLACK USED IN HOUSE CIRCUIT BREAKER PANELS
	085774-01-000	FT FASTENER - DUAL HOOK - 1" WIDE - ADHESIVE BACK - BLACK
	085774-02-000	FT FASTENER - DUAL HOOK - 1" WIDE - ADHESIVE BACK - BLACK
	085774-03-000	FT FASTENER - DUAL HOOK - 1/2" WIDE - ADHESIVE BACK - BLACK
	085774-04-000	FT FASTENER - DUAL HOOK - 1/2" WIDE - ADHESIVE BACK - BLACK
	086285-01-000	EA SPACER - NYLON - .5" OD X .257" ID
	088792-02-000	YD VELCRO TAPE - LOOP - .75" - ADHESIVE BACKED - BEIGE
	110943-02-000	FT FELTSTRIP - 3/8" - ADHESIVE BACK - WHITE

WATER & SEWAGE GROUP

DRAINAGE SYSTEM



KEY	PART NUMBER	U/M	DESCRIPTION	VENDOR NO.
1	011091-02-000	EA	WASTE - CONTINUOUS - DOUBLE SINK	
1	011091-03-000	EA	WASTE - CONTINUOUS - DOUBLE SINK - CSA	
2	010006-01-000	EA	ELBOW - 45 DEGREE - 1 1/2" HUB X HUB - PLASTIC	
3	010073-01-000	EA	WYE - 45 DEGREE - 1 1/2" HUB X HUB X HUB - PLASTIC	
4	010008-01-000	EA	ELBOW - 90 DEGREE - 1 1/2" HUB X HUB - PLASTIC	
5	010115-01-000	EA	COUPLING - 1 1/2" HUB X HUB - PLASTIC	
	061607-01-000	EA	GROMMET - HOLDING TANK - 1 1/2" NPS	
6	061607-02-000	EA	GROMMET - HOLDING TANK - 3" NPS	
7	116644-01-000	EA	FLANGE - CLOSET - 4" X 3" - SEALAND 345892	
8	011069-02-000	EA	TAILPIECE - TUB/SHOWER - 1 1/2" X 1 1/4" X 4" - BRASS	
9	107538-01-000	EA	P TRAP - PLASTIC - 1 1/4" W/EXTENSION ARM	
9	011066-02-000	EA	P TRAP - 1 1/4" HUB X SLIP JOINT - W/UNION - ABS - CANADIAN	
9	109571-01-000	EA	ADAPTER - P TRAP - 1 1/2" P X 1 1/4" MPT	
10	079968-01-000	EA	VENT - MECHANICAL/TRAP ARM - ANTI-SIPHON - 2" X 7.3" PLASTIC	
11	010071-01-000	EA	TEE - SANITARY - 1 1/2 HUB X HUB X HUB - PLASTIC	
12	031365-02-000	EA	TEE - PLASTIC - 1 1/2" EXT LG TURN	
13	033761-01-000	EA	ELBOW - TURN - 90 DEGREE 1 1/2" HUB X 1 1/2" SPIGOT	
14	078406-01-000	EA	COUPLER - RUBBER - W/CLAMPS - 3" X 3"	
15	041956-01-000	EA	ELBOW - STREET - 1/4" BARB X 90 DEGREE X 3 XLT	
16	070916-01-000	EA	VALVE - DUAL DUMP - W/CAP - 3" X 1 1/2"	
	070916-01-700	EA	VALVE ONLY (WASTE) 3"	T1003BU
	070916-01-701	EA	VALVE ONLY (WASTE) 1 1/2"	T1001BU
17	062422-01-000	EA	ADAPTER - OFFSET REDUCER - 3" X 1 1/2" - PLASTIC	
18	010051-01-000	EA	ELBOW - 45 DEGREE - 1 1/2" SPIGOT & HUB - PLASTIC	
19	034250-01-000	EA	ELBOW - 90 DEGREE - LONG TURN - 1 1/2" HUB X HUB - ABS	
20	112789-01-000	EA	TANK - HOLDING - 46 GALLON - W/O FITTINGS (SEWAGE)	
21	112788-01-700	EA	TANK - HOLDING - 59 GALLON W/3" OUTLET NIPPLE	
22	109571-01-000	EA	ADAPTER - P TRAP - 1 1/2" P X 1 1/4" MPT	
	010201-01-000	EA	HOSE - SEWER - 3" ID X 8'	
	062416-01-000	EA	ADAPTER - SEWER HOSE TO 3" PIPE	

WATER & SEWAGE GROUP (CONTINUED)

FRESH WATER TANK

KEY	PART NUMBER	U/M	DESCRIPTION
	122315-03-000	EA	TANK - WATER - 80 GALLON - W/FITTINGS (TWIN BED)
	122315-02-000	EA	TANK - WATER - 80 GALLON - W/FITTINGS (QUEEN BED)
	122315-01-000	EA	TANK - WATER - 80 GALLON - W/O FITTINGS
	049032-01-000	EA	PATCH-SPINWELD, 3/8" - PLASTIC
	042989-03-000	EA	FITTING - WATER TANK - SPINWELD - 1 1/4"NPT-WHITE PLASTIC
	042989-05-000	EA	FITTING - WATER TANK - SPINWELD - 1/2"FPT - WHITE PLASTIC
	077954-02-000	EA	FILTER-WATER TANK, SCREEN IN TANK
	079381-01-000	FT	TUBING-SMOOTH FLEXIBLE, 1 3/8" ID X 20'
	039861-01-000	EA	SENDING UNIT-W/SCREW, WASHER, WELL NUT & TERMINAL RING

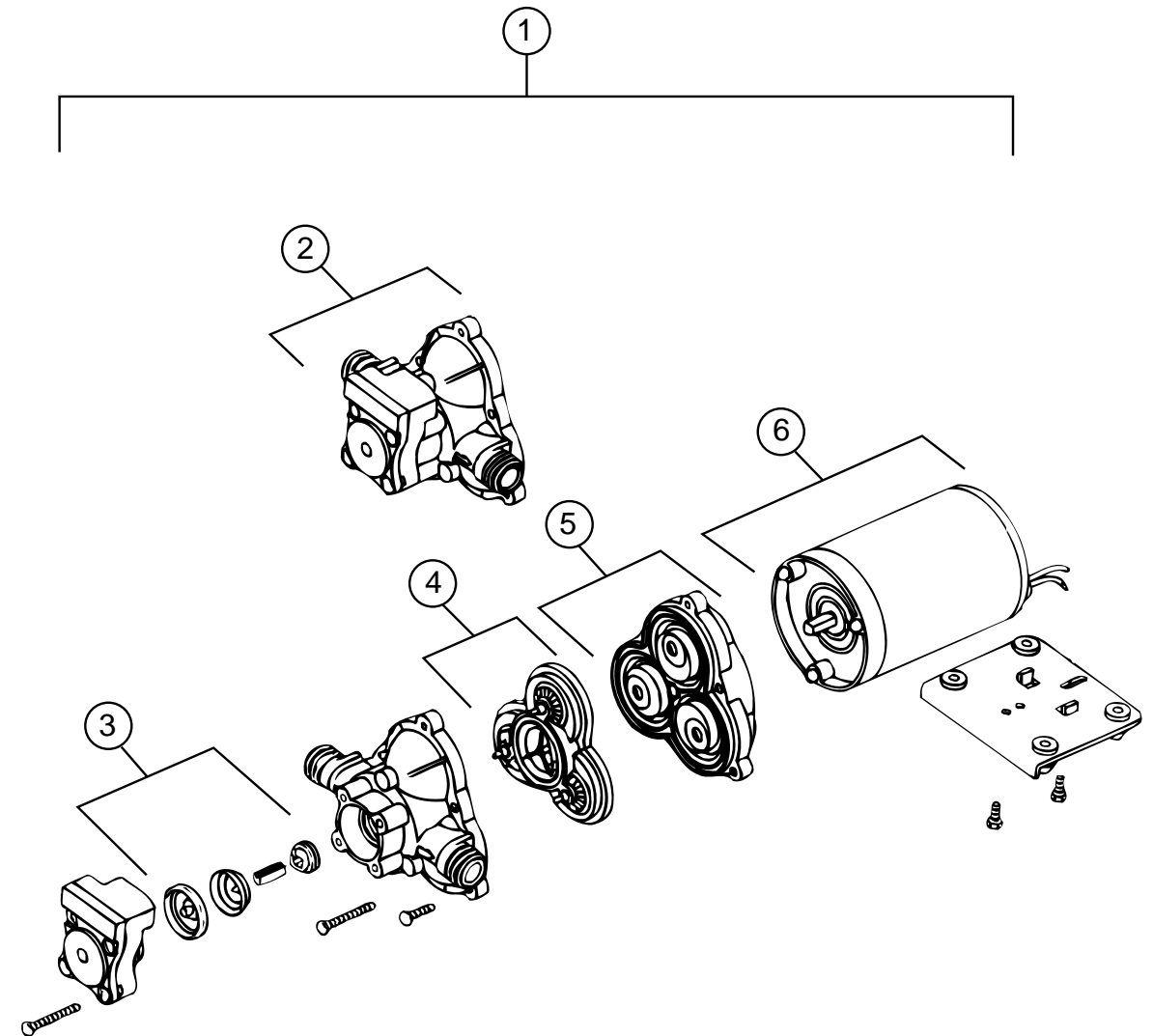
WATER SYSTEM

KEY	PART NUMBER	U/M	DESCRIPTION
	114428-01-000	EA	TEE - 1/2"P X 1/2"P X 1/2"P
	114428-03-000	EA	TEE - 1/2"P X 1/2"P X 1/2"MPT
	114428-02-000	EA	TEE - SWIVEL - 1/2"P X 1/2"P X 1/2"FPT
	118423-01-000	EA	FITTING - BRASS-TEE - 1/4C X 1/4C X 1/4C
	114429-01-000	EA	ELBOW - 1/2"P X 1/2"P
	114429-02-000	EA	ELBOW - 1/2"P X 1/2"MPT
	114429-03-000	EA	ELBOW - FLAIR-IT SWIVEL - 1/2"P X 1/2"FPT
	114429-05-000	EA	ELBOW - 1/2"P X 3/4"MPT
	114429-04-000	EA	ELBOW - 1/2"P X 3/8"MPT
	114429-06-000	EA	ELBOW - SWIVEL - 1/2"P X 3/4"FPT
	111223-03-000	EA	ELBOW - 3/4" MPT X 1/2" BARB - PLASTIC
	111223-04-000	EA	ELBOW - 1/2" MPT X 1/2" BARB - PLASTIC
	010219-01-000	EA	ELBOW - 1 1/4 MPT X 1 1/4 BARB - WATER FILL - PLASTIC
	114430-08-000	EA	ADAPTER - 1/2P X 3/4MPT
	114430-02-000	EA	ADAPTER - SWIVEL - 1/2"P X 1/2"FPT
	114430-03-000	EA	ADAPTER - 1/2"P X 1/2"MPT
	114430-06-000	EA	ADAPTER - 1/2"P X 3/8"FPT
	039800-04-000	FT	TUBING - POLYBUTYL - 1/4"OD
	111888-01-000	EA	FERRULE - PLASTIC - .250 ID X .375 OD
	111888-02-000	EA	INSERT - BRASS - 1/4 COMP
	120868-01-000	EA	VALVE - NEEDLE - 1/4" COMPRESSION X 1/4" COMPRESSION
	114431-02-000	EA	VALVE - WATER BYPASS - 1/2"P - THREE WAY (WATER HEATER)
	114431-03-000	EA	VALVE - 90 DEGREE DRAIN - 1/2"P

WINTERIZATION KIT

KEY	PART NUMBER	U/M	DESCRIPTION	
	118569-01-000	EA	WINTERIZATION SYSTEM	
	118569-01-700	EA	VALVE/SOLENOID-ELECT CONTROL	NO VDR#
	118569-01-701	EA	SWITCH - ELECTRIC	NO VDR#
	118569-01-702	EA	PLATE - SWITCH	NO VDR#
	118569-01-703	EA	TANK - 2 GALLON	NO VDR#
	118569-01-704	EA	PLUG - 3/4 MPT	NO VDR#
	118569-01-705	EA	PLUG - 1/2 MPT	NO VDR#
	118569-01-706	EA	SCREEN - WHITE	NO VDR#
	115029-01-000	FT	HOSE - WATER - 3/8 ID	
	099717-08-000	EA	STRAP - TV TIE DOWN W/7.9" FEMALE STRAP & 26" MALE STRAP	
	039800-04-000	FT	TUBING - POLYBUTYL - 1/4"OD	
	114428-01-000	EA	TEE - 1/2"P X 1/2"P X 1/2"P	
	114428-03-000	EA	TEE - 1/2"P X 1/2"P X 1/2"MPT	
	114429-05-000	EA	ELBOW - 1/2"P X 3/4"MPT	
	111223-03-000	EA	ELBOW - 3/4" MPT X 1/2" BARB - PLASTIC	
	101814-01-000	EA	COUPLING - FEMALE - 1/2" X 1/2" FPT - GRAY	
	110438-02-000	EA	VALVE - CHECK - BRASS - 1/2 MPT X 1/2 MPT	
	114430-08-000	EA	ADAPTER - 1/2P X 3/4MPT	
	114430-02-000	EA	ADAPTER - SWIVEL - 1/2"P X 1/2"FPT	
	114430-03-000	EA	ADAPTER - 1/2"P X 1/2"MPT	
	118809-01-000	EA	ADAPTER - PLASTIC - 1/2 MPT X 3/8 BARB	

WATER & SEWAGE GROUP (CONTINUED)



WATER PUMP-SHURFLO

KEY	PART NUMBER	U/M	DESCRIPTION	VENDOR NO.
1	098607-01-000	EA	PUMP - WATER - W/.5" MPT FITTING - FLOW 2.8 GPM	
2	098607-01-706	EA	UPPER HOUSING/SWITCH-KIT	94-231-20
3	098607-01-705	EA	CHECK VALVE-KIT	94-237-00
4	098607-01-703	EA	VALVE ASSEMBLY	94-232-00
5	098607-01-702	EA	DIAPHRAGM-KIT	94-238-04
6	098607-01-707	EA	MOTOR/BASEPLATE REPLACEMENT	94-235-03

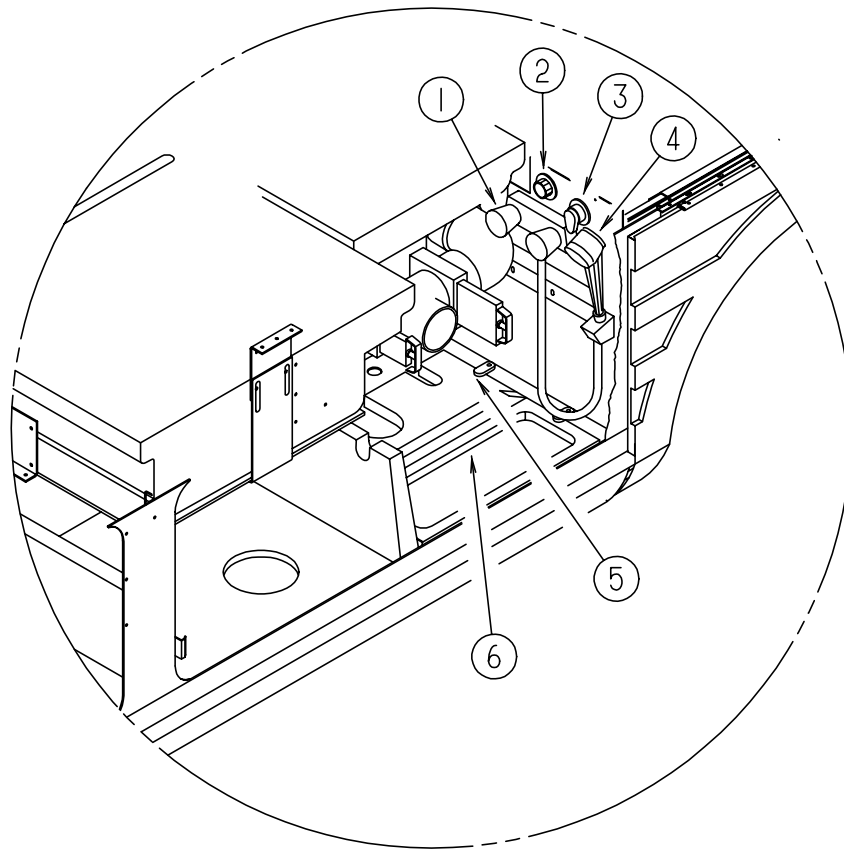
WATER & SEWAGE GROUP (CONTINUED)

WATER & SEWAGE GROUP (CONTINUED)

WATER HEATER W/MOTOR AID - ATWOOD GH6-8E

KEY	PART NUMBER	U/M	DESCRIPTION
*	051393-01-000	EA	WATER HEATER - GH6-8E - ELECTRONIC IGNITION W/MOTOR AID

* COMPONENT PARTS FOUND IN SERVICE PARTS LIBRARY

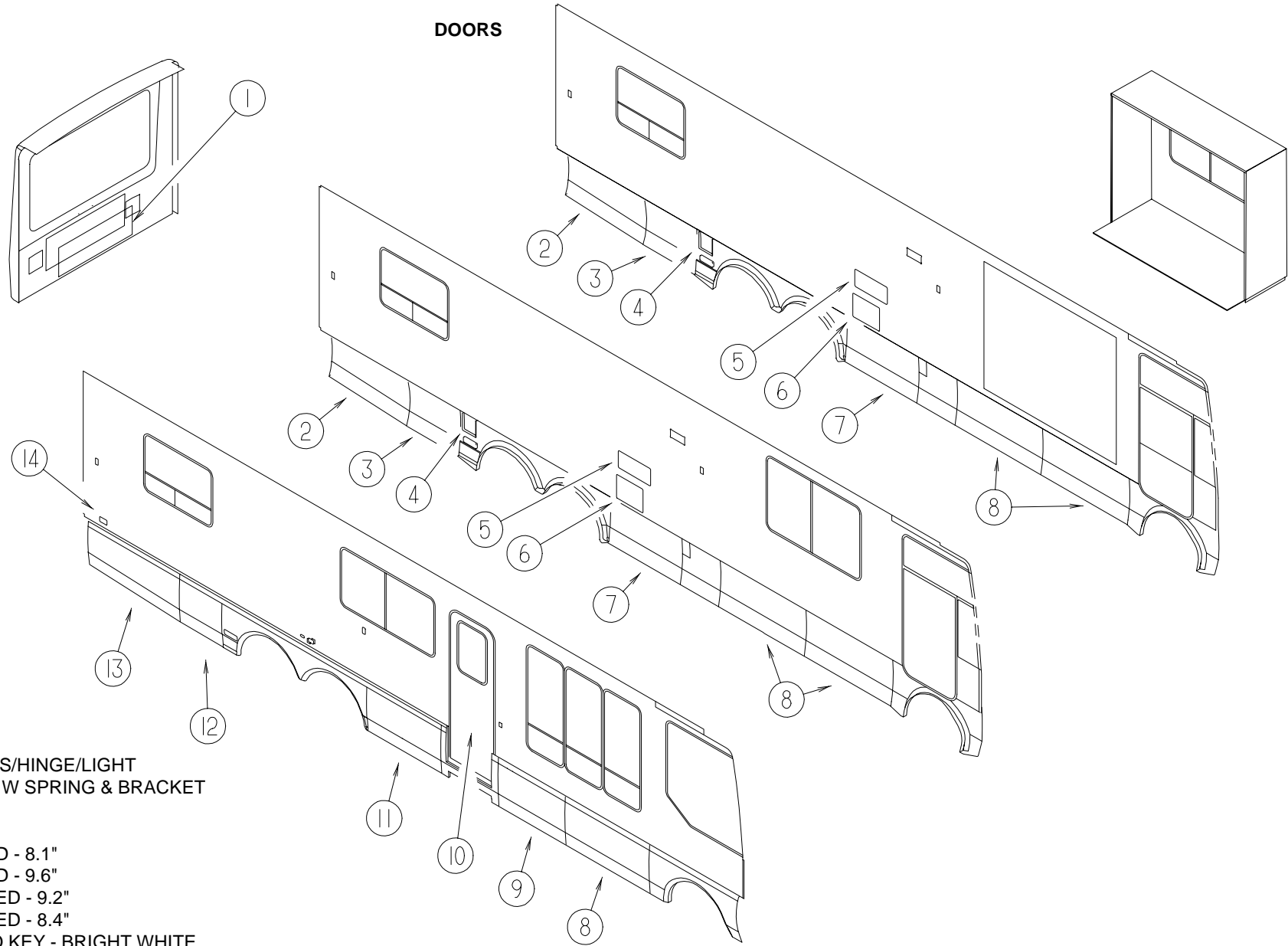


EXTERIOR SHOWER COMPONENTS

KEY	PART NUMBER	U/M	DESCRIPTION	VENDOR NO.
1	075241-05-000	EA	FAUCET-SHOWER - BONE W/ 3/4" MPT X 1.4" LONG INLET PIPES	
	114430-02-000	EA	ADAPTER - SWIVEL - 1/2" P X 1/2" FPT	
2	010230-06-000	EA	FILL - CITY WATER - W/CHECK VALVE - MPT	
3	114431-02-000	EA	WATER VALVE - 2 POSITION - "BYPASS VALVE"	
	010497-03-000	EA	CLAMP-CLOSED - 1" ID - CUSHIONED	
	114428-01-000	EA	TEE - 1/2 P X 1/2 P X 1/2 P - FLAIR-IT 02820	
4	103092-02-000	EA	SHOWER HEAD - W/60" HOSE - CSA	
4	103092-03-000	EA	SHOWER HEAD - W/HOSE/BRACKET - BRASS	
	103092-01-700	EA	BRACKET-SHOWER HEAD - CLEAR	2328028
	103092-01-702	EA	SEALS - SPRAY HEAD	24466
	011048-03-700	EA	BRACKET-SHOWER HEAD	2328029-3
5	121175-01-01A	EA	LATCH - SWELL - BLACK	
6	M06991-05-G38	EA	HATCH - W/FOAM	

WINDOW, VENT & EXTERIOR DOOR GROUP

DOORS

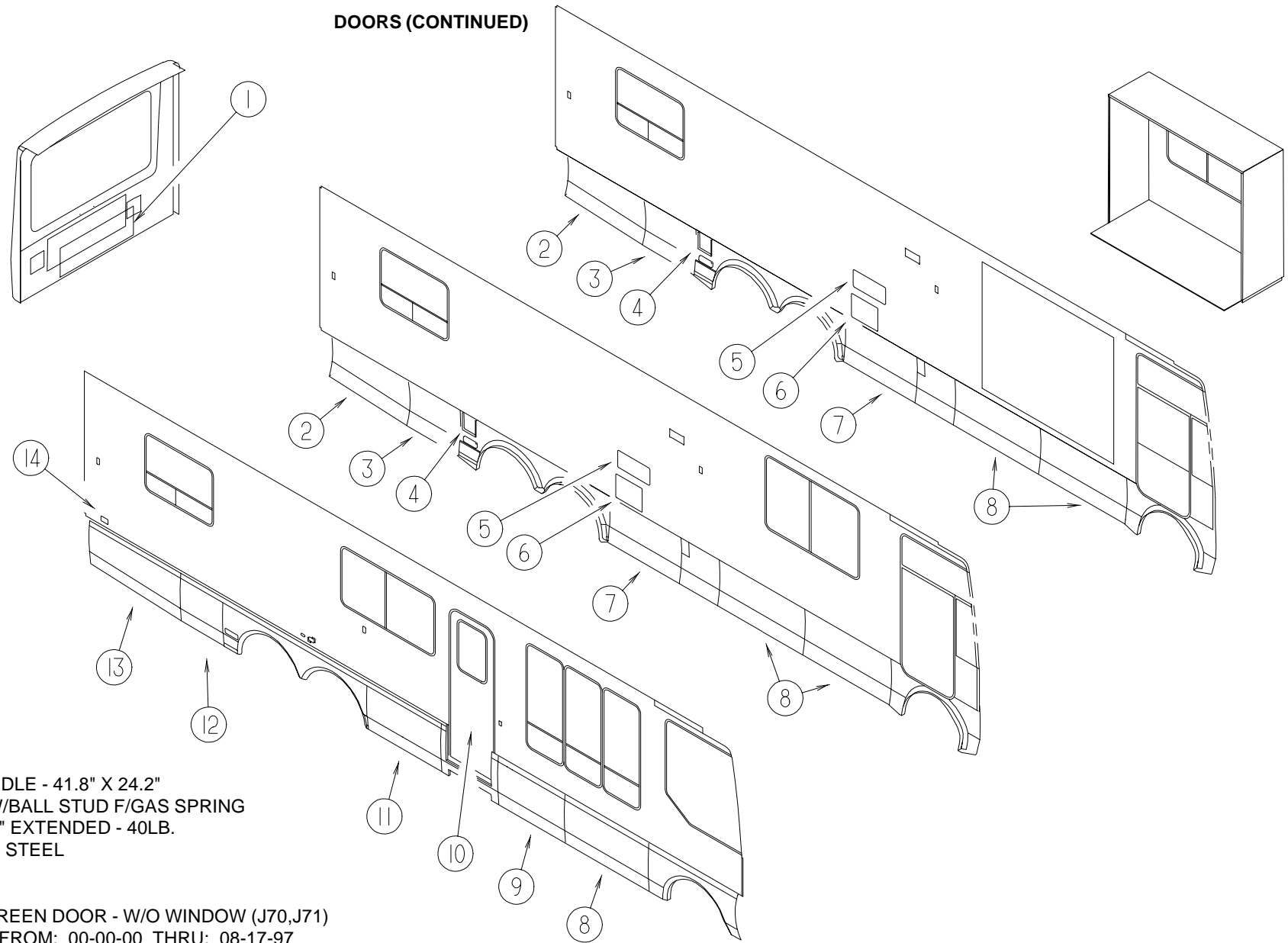


KEY	PART NUMBER	U/M DESCRIPTION
1	117593-01-J70	EA DOOR - REAR CAP - W/LATCHES/HINGE/LIGHT
	101348-01-000	EA BOLT/SLIDE - LATCH - NYLON - W SPRING & BRACKET
	102325-02-07A	EA HINGE - TRUNK DOOR
	108561-01-000	EA TURNBUCKLE - 10-24 THREAD
	108562-14-000	EA ROD - LATCH - LEFT THREADED - 8.1"
	108562-28-000	EA ROD - LATCH - LEFT THREADED - 9.6"
	108562-29-000	EA ROD - LATCH - RIGHT THREADED - 9.2"
	108562-33-000	EA ROD - LATCH - RIGHT THREADED - 8.4"
	112949-01-03A	EA LATCH - PADDLE W/LOCK - W/O KEY - BRIGHT WHITE
	114268-03-02B	EA BRACKET - GAS SPRING - 14 GAUGE
	057460-02-000	EA STUD BALL - GAS SPRING - .39" - 5/16"-18
	108998-01-000	EA SPRING - GAS 12" COMPRESSED/20" EXTENDED - 30 LB
	107796-05-000	EA BRACKET - SUPPORT - GAS SPRING TO BED - FLAT (LOWER)
	107719-01-01A	EA STRIKE - VALANCE DOOR
	112949-03-000	EA KEY - TRI-MARK #TM500
	120619-01-000	FT SEAL - .8" X 1.6" - PSA ONE SIDE
2	120152-02-GV0	EA DOOR - VALANCE - W/LOCKING LATCH - 56.7" X 21.2" X 23.9"
	107796-02-000	EA BRACKET - "L" MOUNT BRACKET - W/BALL STUD F/GAS SPRING
	107796-01-000	EA GAS SPRING - 11" COMPRESSED/17" EXTENDED - 40LB.
	118037-01-01A	EA HINGE - DOUBLE PIVOT
	119443-01-01A	EA COVER - LATCH - VALANCE DOOR
3	120151-04-GV0	EA DOOR - VALANCE - W/LOCKING PADDLE - 31.5" X 24.2" X 23.8"
	107796-02-000	EA BRACKET - "L" MOUNT BRACKET - W/BALL STUD F/GAS SPRING
	107796-01-000	EA GAS SPRING - 11" COMPRESSED/17" EXTENDED - 40LB.
	118037-01-01A	EA HINGE - DOUBLE PIVOT
	119443-01-01A	EA COVER - LATCH - VALANCE DOOR
4	118392-01-GV0	EA DOOR - FUEL FILL
	110506-04-000	EA LOCK ASM-KEYED, 26.45MM
	076322-02-000	EA TAPE-DOUBLE COATED, .045 X 1.0
	118036-01-01A	EA HINGE - DOUBLE PIVOT
	118037-02-02B	EA HINGE-DOUBLE PIVOT, 90 DEGREE - W/TS - E-COAT
	118037-02-01A	EA HINGE-DOUBLE PIVOT, 90 DEGREE - W/TS - MILL

KEY	PART NUMBER	U/M DESCRIPTION	VENDOR NO.
5	084103-08-000	EA DOOR - REFRIGERATOR - VENTED - W/O JAMB	
	084104-08-000	EA JAMB - REFRIGERATOR DOOR	
	084104-01-700	EA LOCK - MALE - FASTENER	201-721-010
	084104-01-701	EA LOCK - FEMALE - FASTENER	201-802-010
5	125481-01-02A	EA DOOR - REFRIGERATOR VENT (SIDE BY SIDE REFRIGERATOR)	
6	052009-06-000	EA DOOR - WATER HEATER - BRIGHT WHITE - 18" X 14.6"	
	116424-01-000	EA PROTECTOR - LATCH - WATER HEATER	
7	120150-04-GV0	EA DOOR - VALANCE - W/LIGHT CUTOUT/LOCKING PADDLE - 45.5" X 24.2"	
	107796-02-000	EA BRACKET - "L" MOUNT BRACKET - W/BALL STUD F/GAS SPRING	
	107796-01-000	EA SPRING/GAS - 11" COMPRESSED/17" EXTENDED - 40LB.	
	118037-01-01A	EA HINGE - DOUBLE PIVOT	
	119443-01-01A	EA COVER - LATCH - VALANCE DOOR	
8	120150-05-GV0	EA DOOR - VALANCE - W/LOCKING PADDLE - 53.4" X 24.2"	
	107796-02-000	EA BRACKET - "L" MOUNT BRACKET - W/BALL STUD F/GAS SPRING	
	107796-01-000	EA SPRING/GAS - 11" COMPRESSED/17" EXTENDED - 40LB.	
	076767-04-000	EA CABLE - SUPPORT - 5.9" STAINLESS STEEL	
	118037-01-01A	EA HINGE - DOUBLE PIVOT	
	119443-01-01A	EA COVER - LATCH - VALANCE DOOR	

WINDOW, VENT & EXTERIOR DOOR GROUP (CONTINUED)

DOORS (CONTINUED)

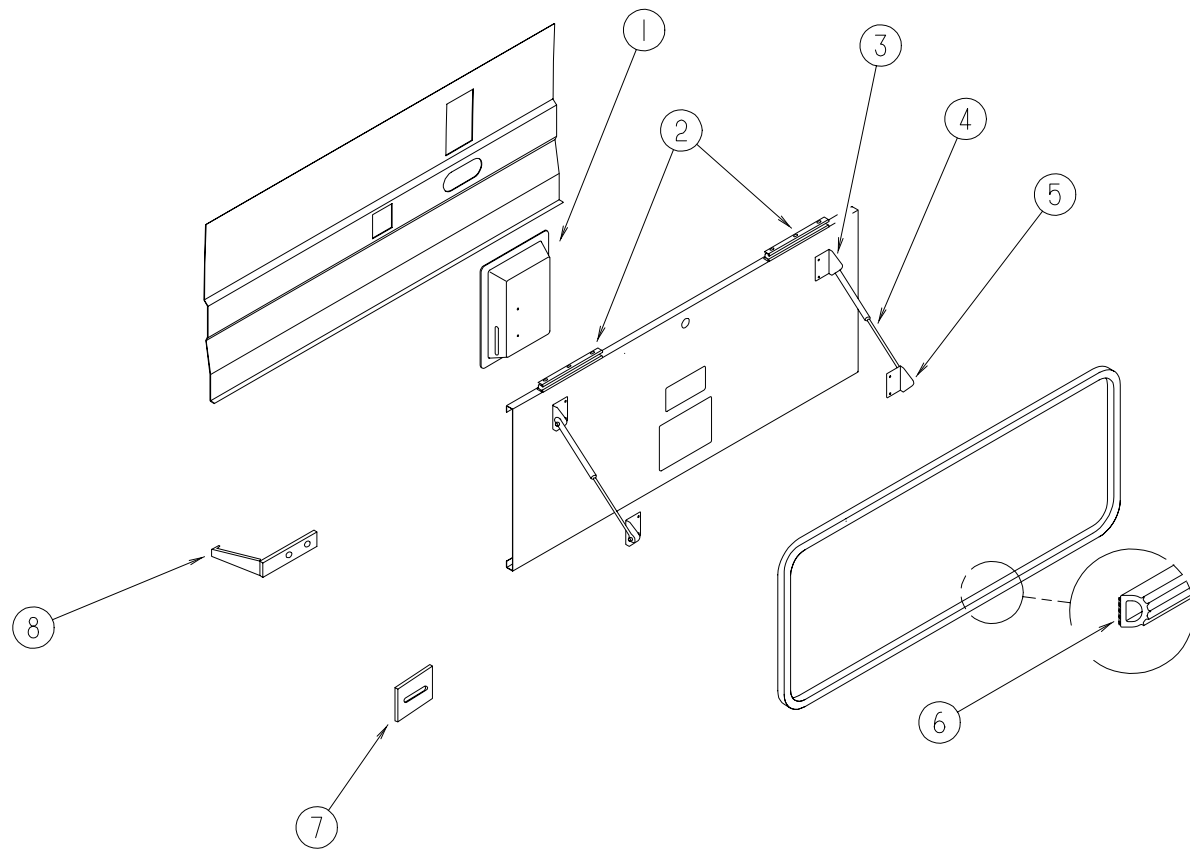


KEY	PART NUMBER	U/M	DESCRIPTION
9	120150-02-GV0	EA	DOOR - VALANCE - W/LOCKING PADDLE - 41.8" X 24.2"
	107796-02-000	EA	BRACKET - "L" MOUNT BRACKET - W/BALL STUD F/GAS SPRING
	107796-01-000	EA	SPRING/GAS - 11" COMPRESSED/17" EXTENDED - 40LB.
	076767-04-000	EA	CABLE - SUPPORT - 5.9" STAINLESS STEEL
	118037-01-01A	EA	HINGE - DOUBLE PIVOT
	119443-01-01A	EA	COVER - LATCH - VALANCE DOOR
10	115108-07-J70	EA	DOOR - ENTRY W/POWER LOCK/SCREEN DOOR - W/O WINDOW (J70,J71) FROM: 00-00-00 THRU: 08-17-97
10	115108-07-J72	EA	DOOR - ENTRY W/POWER LOCK/SCREEN DOOR - W/O WINDOW (J72,J73,J74,J75) FROM: 00-00-00 THRU: 08-17-97
10	115108-07-J76	EA	DOOR - ENTRY W/POWER LOCK/SCREEN DOOR - W/O WINDOW (J76,J77) FROM: 00-00-00 THRU: 08-17-97
10	115108-12-J70	EA	DOOR - ENTRY W/POWER LOCK/SCREEN DOOR - W/O WINDOW (J70,J71) FROM: 08-18-97 THRU: 99-99-99
10	115108-12-J72	EA	DOOR - ENTRY W/POWER LOCK/SCREEN DOOR - W/O WINDOW (J72,J73,J74,J75) FROM: 08-18-97 THRU: 99-99-99
10	115108-12-J76	EA	DOOR - ENTRY W/POWER LOCK/SCREEN DOOR - W/O WINDOW (J76,J77) FROM: 08-18-97 THRU: 99-99-99
10	115108-08-J70	EA	DOOR - ENTRY - W/SCREEN DOOR - W/O WINDOW (J70,J71) FROM: 00-00-00 THRU: 08-17-97
10	115108-08-J72	EA	DOOR - ENTRY - W/SCREEN DOOR - W/O WINDOW (J72,J73,J74,J75) FROM: 00-00-00 THRU: 08-17-97
10	115108-08-J76	EA	DOOR - ENTRY - W/SCREEN DOOR - W/O WINDOW (J76,J77) FROM: 00-00-00 THRU: 08-17-97
10	115108-13-J70	EA	DOOR - ENTRY - W/SCREEN DOOR - W/O WINDOW (J70,J71) FROM: 08-18-97 THRU: 99-99-99
10	115108-13-J72	EA	DOOR - ENTRY - W/SCREEN DOOR - W/O WINDOW (J72,J73,J74,J75) FROM: 08-18-97 THRU: 99-99-99
10	115108-13-J76	EA	DOOR - ENTRY - W/SCREEN DOOR - W/O WINDOW (J76,J77) FROM: 08-18-97 THRU: 99-99-99

KEY	PART NUMBER	U/M	DESCRIPTION
11	120150-08-H56	EA	DOOR - VALANCE - W/LT CUTOUT/NON-LOCK PADDLE - 45.5" X 24.2"
	107796-02-000	EA	BRACKET - "L" MOUNT BRACKET - W/BALL STUD F/GAS SPRING
	107796-01-000	EA	SPRING/GAS - 11" COMPRESSED/17" EXTENDED - 40LB.
	118037-01-01A	EA	HINGE - DOUBLE PIVOT
	119443-01-01A	EA	COVER - LATCH - VALANCE DOOR
12	120151-05-H56	EA	DOOR - VALANCE - W/NON-LOCK PADDLE - 39" X 23.5" X 24.2"
	107796-02-000	EA	BRACKET - "L" MOUNT BRACKET - W/BALL STUD F/GAS SPRING
	107796-01-000	EA	SPRING/GAS - 11" COMPRESSED/17" EXTENDED - 40LB.
	118037-01-01A	EA	HINGE - DOUBLE PIVOT
	119443-01-01A	EA	COVER - LATCH - VALANCE DOOR
13	122435-02-H56	EA	DOOR - VALANCE - PASSENGER W/FINS - 49.3" X 21.2" X 23.5"
	104692-03-000	FT	SEAL - FOAM/ADHESIVE BACK - 1"THICK X 1.25"WIDE X 15'
	118037-01-01A	EA	HINGE - DOUBLE PIVOT
14	081240-16-000	EA	DOOR - WATER FILL - LOCKABLE W/O LOCK - 4" X 4 5/8"
	110506-02-000	EA	LOCK - KEYED - 13.64MM

WINDOW, VENT & EXTERIOR DOOR GROUP (CONTINUED)

EXTERIOR COMPARTMENT DOOR COMPONENTS

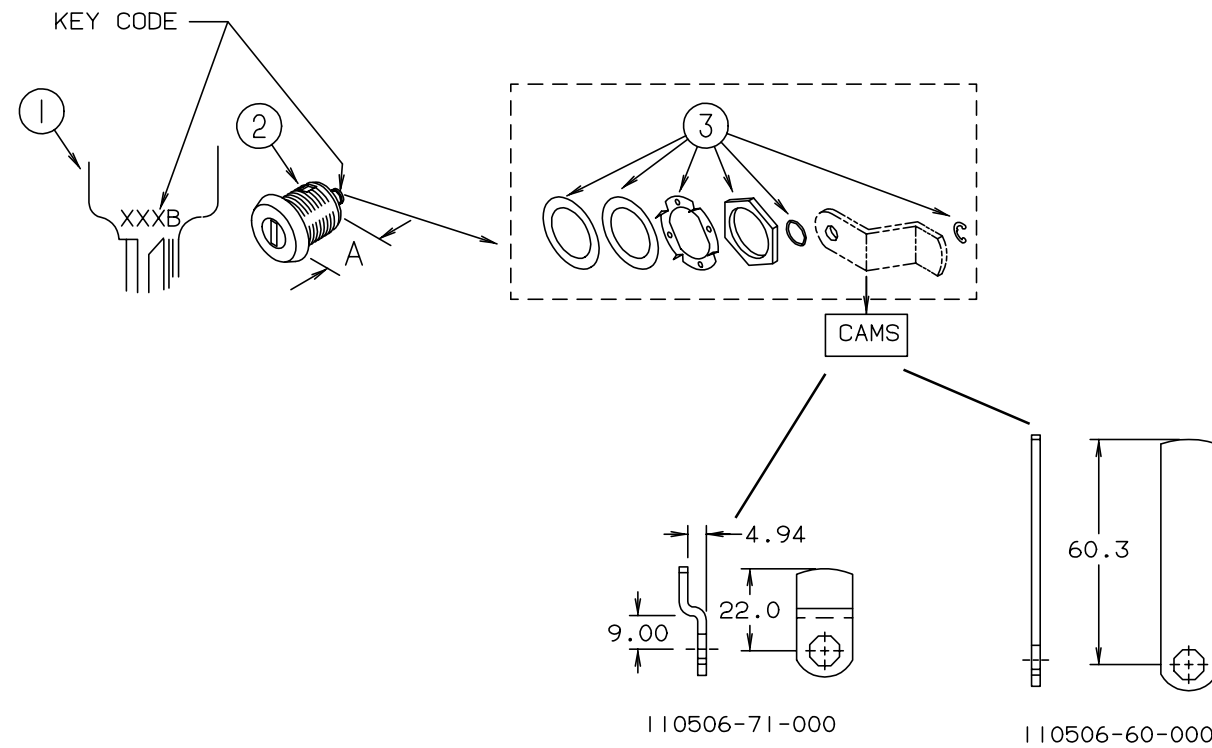


KEY	PART NUMBER	U/M	DESCRIPTION
1	119443-01-01A	EA	COVER - LATCH - VALANCE DOOR
	100128-02-000	FT	SEAL - FOAM/ADHESIVE BACK - .37" WIDE X .37" THICK
2	118037-01-01A	EA	HINGE - DOUBLE PIVOT
2	118037-02-02B	EA	HINGE - DOUBLE PIVOT - 90 DEGREE (FUEL DOOR)
2	118037-02-01A	EA	HINGE - DOUBLE PIVOT - 90 DEGREE (FUEL DOOR)
3	107796-02-000	EA	BRACKET - "L" MOUNT BRACKET - W/BALL STUD F/GAS SPRING
4	107796-01-000	EA	GAS SPRING - 11" COMPRESSED/17" EXTENDED - 40LB.
4	107796-08-000	EA	SPRING/GAS - 11" COMPRESSED/17" EXTENDED - 60 LB
5	107796-05-000	EA	BRACKET - SUPPORT - GAS SPRING TO BED - FLAT (LOWER)
6	107721-01-000	FT	BULB SEAL - "D" SHAPED W/ADHESIVE ON FLAT SIDE
7	110415-01-01A	EA	SHIM - LATCH - VALANCE DOOR
8	102768-01-000	EA	HOLDER - COMPARTMENT/ENTRY DOOR - METAL - MILL FINISH
	091876-01-000	EA	RETAINER - DOOR - 1.9" X .8" - METAL

WINDOW, VENT & EXTERIOR DOOR GROUP (CONTINUED)

BRIGGS & STRATTON LOCKS & COMPONENTS

NOTE:
 WHEN ORDERING THE LOCK CASE, THE KEY CODE MUST MATCH THE LAST DIGIT OF THE VEHICLE'S SERIAL NUMBER AND PART NUMBER; WHEN ORDERING THE KEYS, THE THIRD DIGIT OF THE KEY CODE MUST MATCH THE LAST DIGIT OF THE VEHICLE'S SERIAL NUMBER AND PART NUMBER

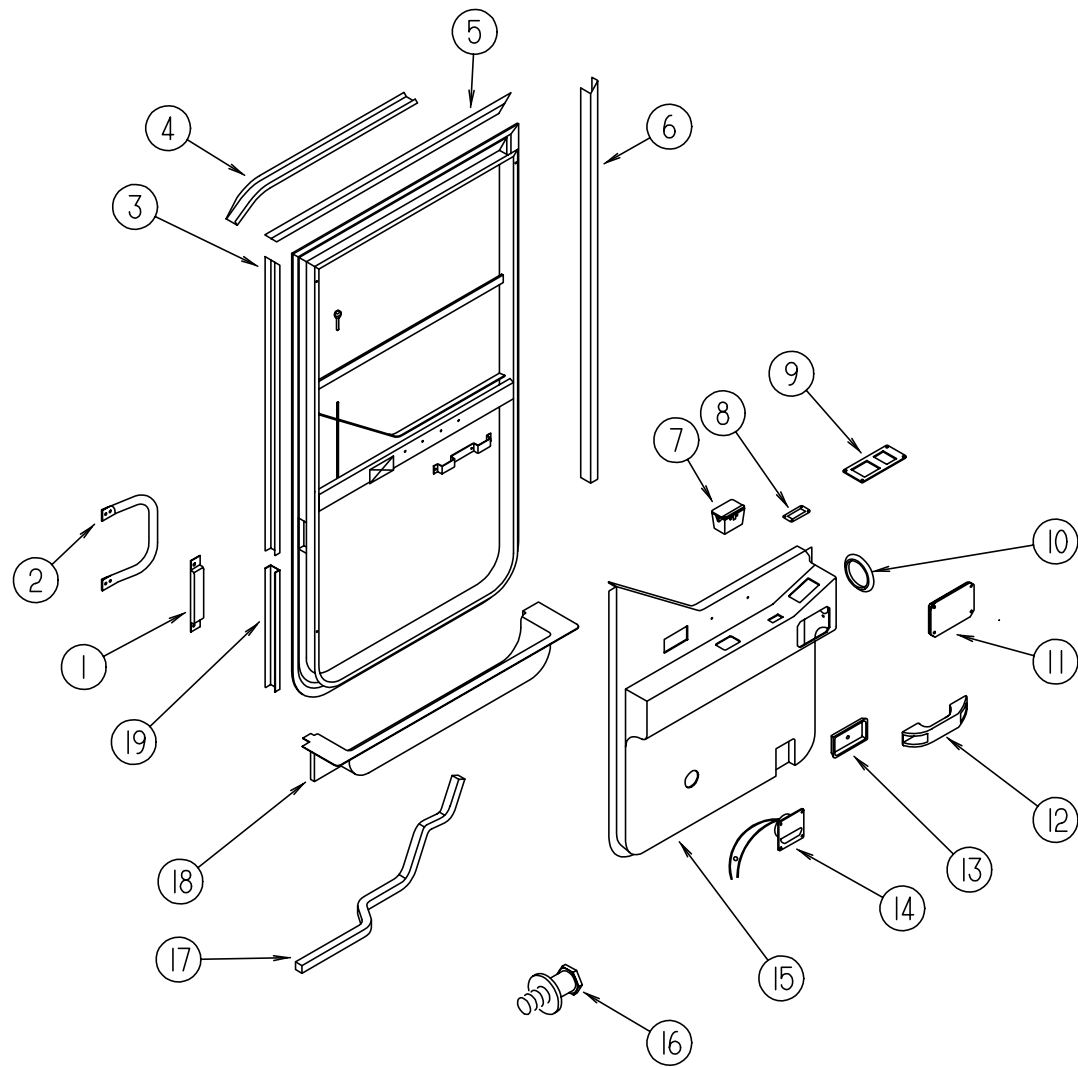


KEY	PART NUMBER	U/M	DESCRIPTION	VENDOR NO.
1	110506-59-000	EA	KEYS-SET OF TWO	596720
2	110506-52-000	EA	CASE-LOCK, A = 17 MM	702370
2	110506-53-000	EA	CASE-LOCK, A = 25 MM	702380
1	110506-59-001	EA	KEYS-SET OF TWO	596721
2	110506-52-001	EA	CASE-LOCK, A = 17 MM	702371
2	110506-53-001	EA	CASE-LOCK, A = 25 MM	702381
1	110506-59-002	EA	KEYS-SET OF TWO	596722
2	110506-52-002	EA	CASE-LOCK, A = 17 MM	702372
2	110506-53-002	EA	CASE-LOCK, A = 25 MM	702382
1	110506-59-003	EA	KEYS-SET OF TWO	596723
2	110506-52-003	EA	CASE-LOCK, A = 17 MM	702373
2	110506-53-003	EA	CASE-LOCK, A = 25 MM	702383
1	110506-59-004	EA	KEYS-SET OF TWO	596724
2	110506-52-004	EA	CASE-LOCK, A = 17 MM	702374
2	110506-53-004	EA	CASE-LOCK, A = 25 MM	702384
1	110506-59-005	EA	KEYS-SET OF TWO	596725
2	110506-52-005	EA	CASE-LOCK, A = 17 MM	702375
2	110506-53-005	EA	CASE-LOCK, A = 25 MM	702385
1	110506-59-006	EA	KEYS-SET OF TWO	596726
2	110506-52-006	EA	CASE-LOCK, A = 17 MM	702376
2	110506-53-006	EA	CASE-LOCK, A = 25 MM	702386

KEY	PART NUMBER	U/M	DESCRIPTION	VENDOR NO.
1	110506-59-007	EA	KEYS-SET OF TWO	596727
2	110506-52-007	EA	CASE-LOCK, A = 17 MM	702377
2	110506-53-007	EA	CASE-LOCK, A = 25 MM	702387
1	110506-59-008	EA	KEYS-SET OF TWO	596728
2	110506-52-008	EA	CASE-LOCK, A = 17 MM	702378
2	110506-53-008	EA	CASE-LOCK, A = 25 MM	702388
1	110506-59-009	EA	KEYS-SET OF TWO	596729
2	110506-52-009	EA	CASE-LOCK - A = 17 MM	702379
2	110506-53-009	EA	CASE-LOCK - A = 25 MM	702389
3	110506-40-700	EA	HARDWARE KIT - INCLUDES GASKET, WASHERS, NUT & CLIP	
	110506-60-000	EA	CAM - LOCK - BRIGGS & STRATTON 322276 (FUEL FILL)	
	110506-71-000	EA	CAM - LOCK - BRIGGS & STRATTON 322287 (WATER FILL)	
	110506-59-701	EA	KEY BLANK (GOLD)	

WINDOW, VENT & EXTERIOR DOOR GROUP (CONTINUED)

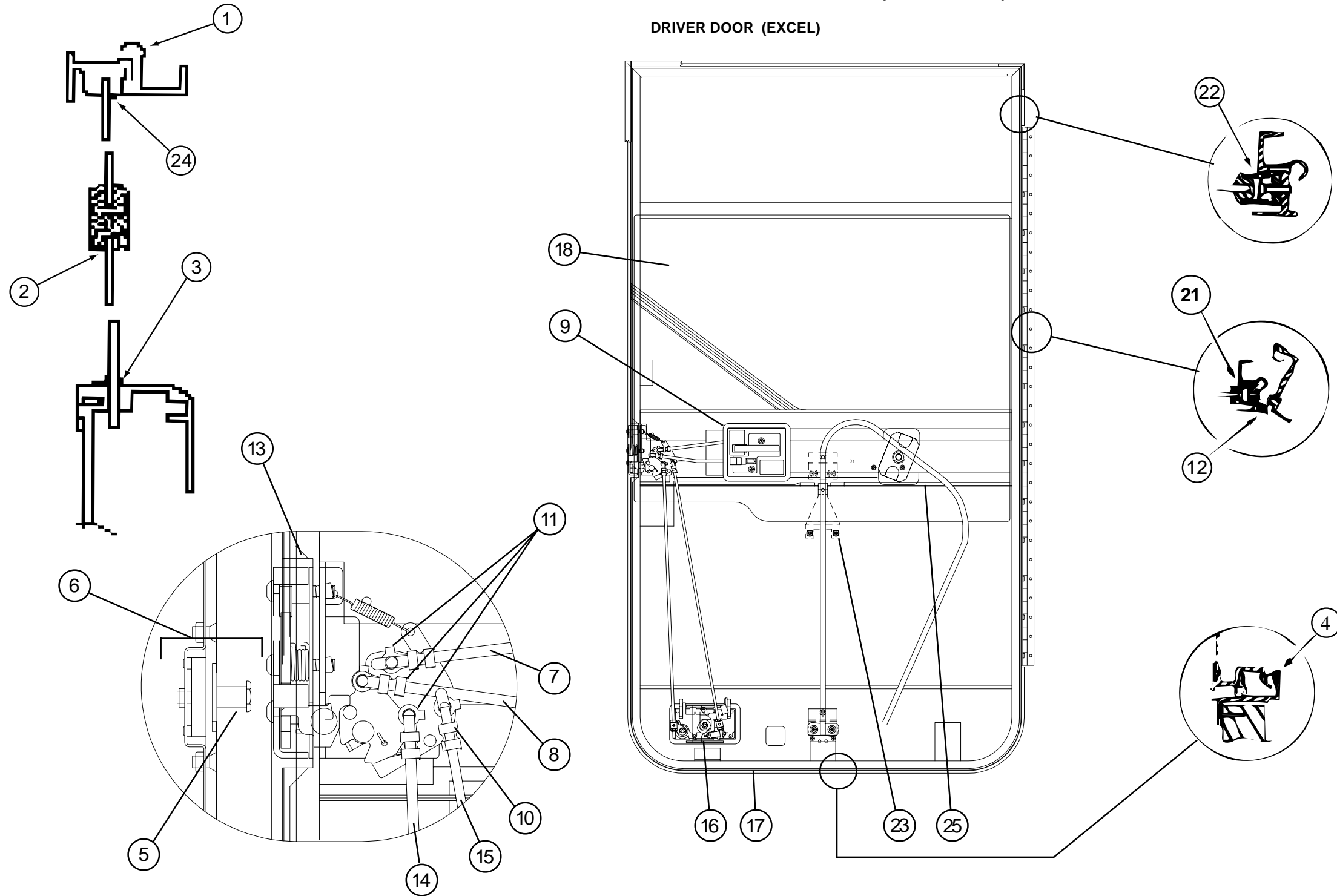
DRIVERS DOOR



KEY	PART NUMBER	U/M	DESCRIPTION	VENDOR NO.
	106469-10-01A	EA	DOOR - DRIVERS - POWER WINDOW	
	106469-11-01A	EA	DOOR - DRIVERS - POWER WINDOWS/LOCKS	
1	108654-01-01A	EA	COVER - STRIKE - DRIVER DOOR	
2	108832-02-01A	EA	HANDLE - ASSIST - DOOR/DRIVER	
3	108129-01-01A	EA	GARNISH - DRIVERS DOOR	
4	108274-08-02A	EA	RAIL - DRIP - FRONT/DRIVER - BRIGHT WHITE	
5	108107-01-01A	EA	GARNISH - DRIVERS DOOR - MILL	
6	108108-03-01A	EA	GARNISH - DRIVERS DOOR - MILL	
	108119-03-F36	EA	GARNISH - DRIVER DOOR	
7	118719-01-01A	EA	ASHTRAY - TOP MOUNT - BLACK PLASTIC	
8	093132-01-000	EA	SWITCH - ROCKER - 5 TERMINAL - W/ARROWS F/POWER WINDOWS	
	094086-01-01A	EA	PLATE - SWITCH - SINGLE GANG - 1.8" X 3" - BLACK PLASTIC	
9	087695-02-000	EA	SWITCH - HEATER - EXTERIOR MIRROR	
9	088246-01-000	EA	SWITCH - REMOTE - EXTERIOR - SQUARE PUSH	
10	093145-01-000	EA	SLEEVE - WIRE - 10" LONG	
	093146-01-000	EA	GROMMET - WIRE - 1.7" X 3.1" - OVAL SHAPED - BLACK PLASTIC	
11	107889-02-000	EA	CONTROL PANEL KIT - ELECTRONIC SOFT TOUCH	
	100532-09-700	EA	PANEL ASM. - TOUCH CONTROL	RAP1002
	100532-09-702	EA	CABLE - MODULAR - 5'	AP1020
12	102710-01-01A	EA	HANDLE - ASSIST - ENTRY DOOR - 6.6" LONG	
	118640-01-01B	EA	BRACKET - HANDLE	
13	N/A	EA	COVER-LATCH, DOOR (SUPPLIED W/DRIVERS DOOR)	
14	108354-01-01A	EA	LIGHT - COURTESY	
	108354-01-700	EA	BULB - COURTESY LIGHT	395-B
15	118582-01-01A	EA	PANEL - TRIM - INNER/LEFT HAND	
15	118582-02-01A	EA	PANEL - TRIM - INNER/LEFT HAND - F/LEVELING JACKS	
16	N/A	EA	STRIKER ASSEMBLY, (SUPPLIED W/DRIVERS DOOR)	
17	063977-14-000	EA	STEP - DRIVER DOOR - LEFT HAND	
18	126069-01-01A	EA	TRIM - STEP - DRIVER	
	102569-02-000	EA	MAT - ANTI SLIP - LOWER	
	109506-01-000	EA	FILM - URETHANE - PROTECTANT - 4.25" X 26.75"	
	109235-01-01A	FT	COVER - SCREW - MAT BLACK	
19	108897-02-01A	EA	GARNISH - DRIVER DOOR - REAR LOWER	
	109378-01-000	EA	STRAP - CHECK - DRIVER DOOR - 12.8"	
	064219-01-000	EA	RETAINER - CHECK STRAP - DRIVER DOOR	

WINDOW, VENT & EXTERIOR DOOR GROUP (CONTINUED)

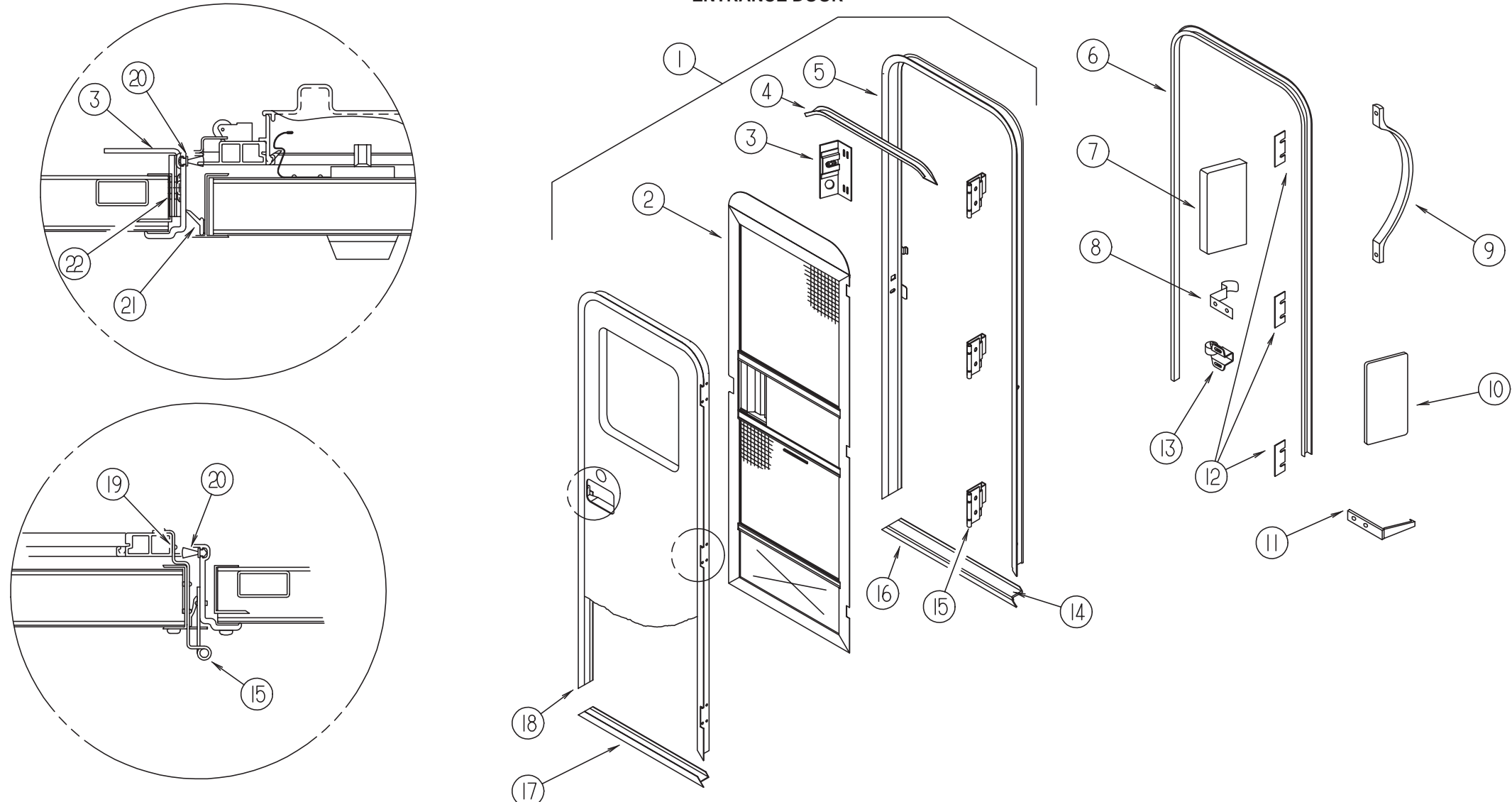
DRIVER DOOR (EXCEL)



KEY	PART NUMBER	U/M	DESCRIPTION	VENDOR NO.
1	106469-01-702	EA	DOOR SEAL	122-040984
2	106469-01-705	FT	CHANNEL - RUN - SLIDING	122-010850
3	106469-01-709	FT	WEATHERSTRIP - FUZZY	171-040630
4	106469-01-723	EA	SEAL - BULB ASM. (JAMB)	171-040985
5	106469-04-703	EA	BOLT - STRIKER (W/ WASHER)	248-041152
6	106469-04-704	EA	NUT ASSEMBLY - CAGED - W/STRIKER	248-041151
7	106469-04-705	EA	LATCH ROD - HORIZONTAL	203-041139
8	106469-04-711	EA	LOCK ROD - HORIZONTAL	203-041137
9	106469-04-712	EA	HANDLE/DOOR - INNER W/HARDWARE	248-041402
10	106469-04-713	EA	ROD CLIP L.H.	248-041154
11	106469-04-714	EA	ROD CLIP R.H.	248-041153
12	106469-05-702	EA	HINGE - 42"	211-041194
13	106469-05-706	EA	LATCH - ROTARY - W/LINKAGE	248-041150

KEY	PART NUMBER	U/M	DESCRIPTION	VENDOR NO.
14	125581-04-700	EA	ROD - LATCH/VERTICAL ADJUST.	203041767
15	125581-04-701	EA	ROD - LOCK/VERTICAL ADJUST.	203-041768
16	125581-04-702	EA	PADDLE RH-W/COLLAR BLACK TEX	248-041403
17	125581-04-703	EA	FRAME - MOUNTING - BLACK	V180-35L
18	125581-04-704	EA	GLASS - ROLL-UP	106-041821
19	125581-04-705	EA	GLASS - STATIONARY	106-041547
20	125581-04-706	EA	FRAME - DOOR - SUB-ASSEMBLY	V180-94L
21	125581-04-707	EA	CHANNEL - ROLL UP GLASS	V156-60
22	125581-04-708	EA	CHANNEL - STATIONARY GLASS	V156-61
23	125581-04-709	EA	REGULATOR - MANUAL	410-08389
24	125581-04-710	EA	VINYL - GLAZING	132-041484
25	125581-04-711	EA	CHANNEL- GLASS	N135-66
	106469-04-701	EA	TUMBLER & KEYS (TRI-MARK)	248-041179
	106469-04-702	EA	KEYS (BLANK)	248-041180

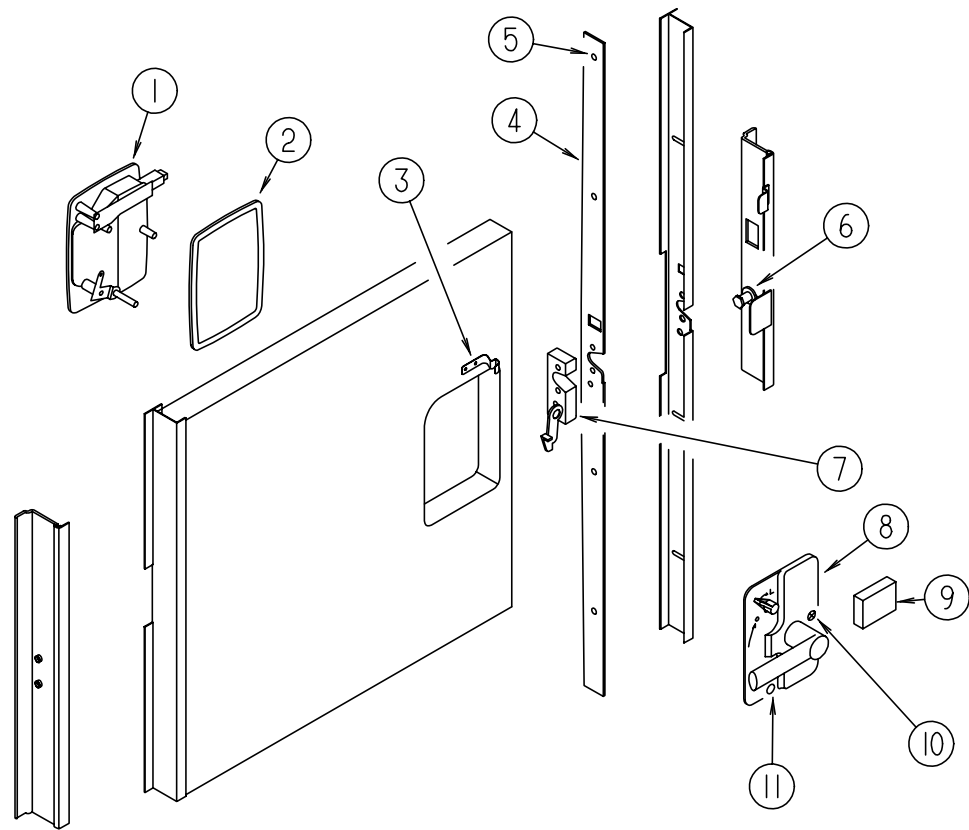
WINDOW, VENT & EXTERIOR DOOR GROUP (CONTINUED)
ENTRANCE DOOR



KEY	PART NUMBER	U/M DESCRIPTION
1	115108-07-J70	EA DOOR - ENTRY W/POWER LOCK/SCREEN DOOR - W/O WINDOW (J70,J71) FROM: 00-00-00 THRU: 08-17-97
1	115108-07-J72	EA DOOR - ENTRY W/POWER LOCK/SCREEN DOOR - W/O WINDOW (J72,J73,J74,J75) FROM: 00-00-00 THRU: 08-17-97
1	115108-07-J76	EA DOOR - ENTRY W/POWER LOCK/SCREEN DOOR - W/O WINDOW (J76,J77) FROM: 00-00-00 THRU: 08-17-97
1	115108-12-J70	EA DOOR - ENTRY W/POWER LOCK/SCREEN DOOR - W/O WINDOW (J70,J71) FROM: 08-18-97 THRU: 99-99-99
1	115108-12-J72	EA DOOR - ENTRY W/POWER LOCK/SCREEN DOOR - W/O WINDOW (J72,J73,J74,J75) FROM: 08-18-97 THRU: 99-99-99
1	115108-12-J76	EA DOOR - ENTRY W/POWER LOCK/SCREEN DOOR - W/O WINDOW (J76,J77) FROM: 08-18-97 THRU: 99-99-99
1	115108-08-J70	EA DOOR - ENTRY - W/SCREEN DOOR - W/O WINDOW (J70,J71) FROM: 00-00-00 THRU: 08-17-97
1	115108-08-J72	EA DOOR - ENTRY - W/SCREEN DOOR - W/O WINDOW (J72,J73,J74,J75) FROM: 00-00-00 THRU: 08-17-97
1	115108-08-J76	EA DOOR - ENTRY - W/SCREEN DOOR - W/O WINDOW (J76,J77) FROM: 00-00-00 THRU: 08-17-97
1	115108-13-J70	EA DOOR - ENTRY - W/SCREEN DOOR - W/O WINDOW (J70,J71) FROM: 08-18-97 THRU: 99-99-99
1	115108-13-J72	EA DOOR - ENTRY - W/SCREEN DOOR - W/O WINDOW (J72,J73,J74,J75) FROM: 08-18-97 THRU: 99-99-99
1	115108-13-J76	EA DOOR - ENTRY - W/SCREEN DOOR - W/O WINDOW (J76,J77) FROM: 08-18-97 THRU: 99-99-99
2	117077-02-J70	EA DOOR - SCREEN

KEY	PART NUMBER	U/M DESCRIPTION
3	041546-08-000	EA BRACKET - DOOR ANGLE O/W
4	044582-49-000	EA CAP - DRIP - JAMB MITERED
5	121898-06-02A	EA JAMB - ENTRY DOOR
5	121898-07-02A	EA JAMB - ENTRY DOOR - POWERED DOOR
	092927-03-000	EA STRIKER - ROUND - JAMB MOUNTED
6	115222-02-01A	EA GARNISH - RADIUS - ENTRY DOOR
6	115222-08-01A	EA GARNISH - RADIUS - ENTRY DOOR - POWERED DOOR
7	077461-03-000	EA COVER - STRIKE - ENTRY DOOR - 6.5" X 2.5" - WHITE PLASTIC
8	100412-01-000	EA CATCH - SCREEN DOOR
9	102710-01-01A	EA HANDLE - ASSIST - ENTRY DOOR - 6.6" LONG
10	076725-02-000	EA COVER - ACCESS - HINGE - ENTRY DOOR - 6" X 3.2"
11	102768-01-000	EA HOLDER - COMPARTMENT/ENTRY DOOR - METAL - MILL FINISH
12	102248-01-000	EA SHIM - DOOR
13	109403-01-000	EA CATCH - SINGLE ROLLER - SCREEN DOOR
14	038327-01-000	EA TAPE - ANTI-SLIP - 2" X 6'
15	106719-01-05A	EA HINGE - ENTRANCE DOOR - BRIGHT WHITE
	039715-01-000	EA NUT-SERT - 1/4" DIAMETER - 20 THREADS
	116111-02-01A	EA SCREW - TAPTITE - 1/4-20 X 3/8 PPH - ZINC
16	051049-01-000	EA JAMB - BOTTOM - ENTRY DOOR - 25.9" - UNPAINTED
17	089748-21-000	EA FRAME - DOOR/ENTRY BOTTOM
18	122102-02-02A	EA FRAME - ENTRY DOOR
18	122102-01-02A	EA FRAME - ENTRY DOOR - W/POWER LOCK
19	100128-02-000	FT SEAL - FOAM - ADHESIVE BACK - .37" WIDE X .37" THICK
20	118929-01-01A	FT SEAL - PILE - PUSH ON
21	075671-04-000	FT SEAL - SPONGE - LAZY T - W/ADHESIVE STRIP - .5" WIDE
22	104692-01-000	FT SEAL - FOAM/ADHESIVE BACK - .75" THICK X .75" WIDE X 25'

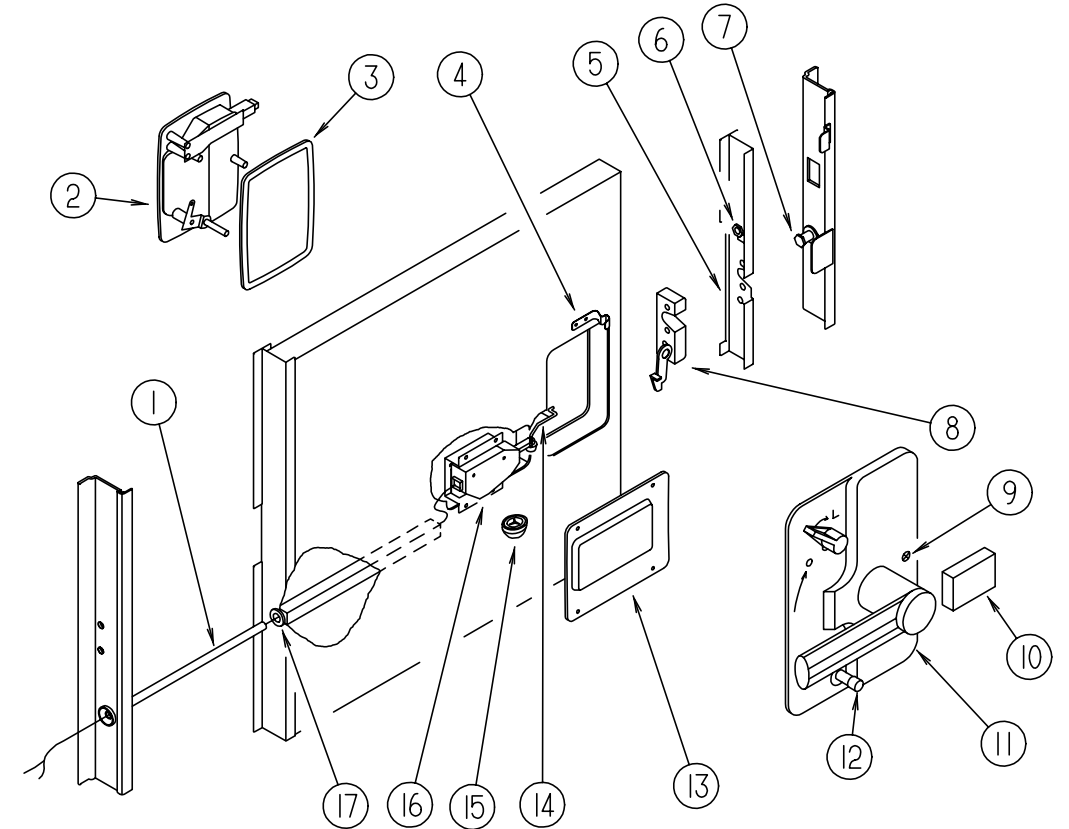
WINDOW, VENT & EXTERIOR DOOR GROUP (CONTINUED)



ENTRANCE DOOR LATCH COMPONENTS W/O POWER LOCKS

KEY	PART NUMBER	U/M	DESCRIPTION	VENDOR NO.
1	112782-01-01A	EA	LATCH - EXTERIOR HOUSING	
	112782-01-700	EA	KEY - BLANK - DEADBOLT - TM100-150	81535
	112782-01-701	EA	KEY - BLANK - DEADBOLT - TM151-200	81536
	112782-01-703	EA	CYLINDER - LOCK ASM. W/KEYS	081465-09
2	112782-04-01A	EA	GASKET	
3	100412-01-000	EA	CATCH - SCREEN DOOR	
4	121334-03-01A	EA	STIFFENER - DOOR - MILL	
5	072893-04-000	EA	NUTSERT - 10-32	
	075908-01-000	EA	SCREW - MACHINE - 10-32 X .56 PTH - EXTERNAL TOOTH - ZINC	
6	092927-03-000	EA	STRIKER - ROUND - JAMB MOUNTED	
7	112782-03-01A	EA	LATCH - SINGLE ROTOR	
8	112782-02-01A	EA	LATCH - INTERIOR PLATE	
9	122241-01-01A	EA	BUMPER - FOAM RUBBER W/ADH BACK - .5" X .5" X .25" - BLACK	
10	112782-06-01A	EA	SCREW - F/MOUNTING PLATE - ZINC	
11	112782-05-01A	EA	CAP - VINYL - RED	

WINDOW, VENT & EXTERIOR DOOR GROUP (CONTINUED)



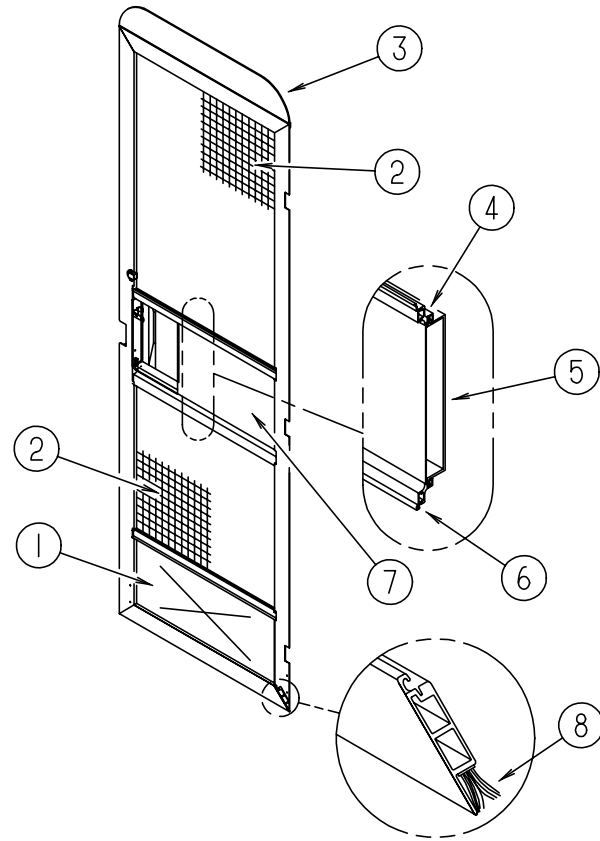
ENTRANCE DOOR LATCH COMPONENTS W/POWER LOCKS

KEY	PART NUMBER	U/M	DESCRIPTION	VENDOR NO.
1	077222-01-000	EA	SPRING - WIRE GUARD - ENTRY DOOR	
	093057-05-000	EA	WIRE ASSEMBLY - POWER LOCK - ENTRANCE	
2	112782-01-01A	EA	LATCH - EXTERIOR HOUSING	
	112782-01-700	EA	KEY - BLANK - DEADBOLT - TM 100-150	81535
	112782-01-701	EA	KEY - BLANK - DEADBOLT - TM 151-200	81536
	112782-01-703	EA	CYLINDER - LOCK ASM. W/KEYS	081465-09
3	112782-04-01A	EA	GASKET	
4	100412-01-000	EA	CATCH - SCREEN DOOR	
5	121334-03-01A	EA	STIFFENER - DOOR - MILL	
6	072893-04-000	EA	NUTSERT - 10-32	
7	092927-03-000	EA	STRIKER - ROUND - JAMB MOUNTED	
8	112782-03-01A	EA	LATCH - SINGLE ROTOR	
9	112782-06-01A	EA	SCREW - F/MOUNTING PLATE - ZINC	
10	122241-01-01A	EA	BUMPER - FOAM RUBBER W/ADH BACK - .5" X .5" X .25" - BLACK	
11	112782-02-01A	EA	LATCH - INTERIOR PLATE	
12	112782-05-01A	EA	CAP - VINYL - RED	
13	113960-01-01A	EA	COVER - ACTUATOR - POWER LOCK	
14	113651-01-01A	EA	ROD - CONTROL - MOTOR/LOCK	
15	114209-01-01A	EA	PUSHNUT - CAP - 1/8" - WHITE	
16	113638-01-000	EA	ACTUATOR - POWER DOOR LOCK	
	113638-02-000	EA	CONNECTOR - ACTUATOR	
17	008384-01-000	EA	GROMMET - SNAP - 3/4 DIAMETER - NYLON	

POWER DOOR LOCKS W/REMOTE

KEY	PART NUMBER	U/M	DESCRIPTION	VENDOR NO.
	102756-02-000	EA	REMOTE KEYLESS ENTRY SYSTEM	
	102756-01-700	EA	REMOTE - KEYLESS ENTRY	412-1016-011
	102756-01-701	EA	BATTERY-12 V F/TRANSMITTER	402-1004
	102756-01-704	EA	HARNESS - MAIN	203-6638
	102756-02-700	EA	REMOTE (TRANSMITTER) KEYLESS	412-1036
	102756-02-701	EA	BOARD - MODULE - NEW SYSTEM	202-3153

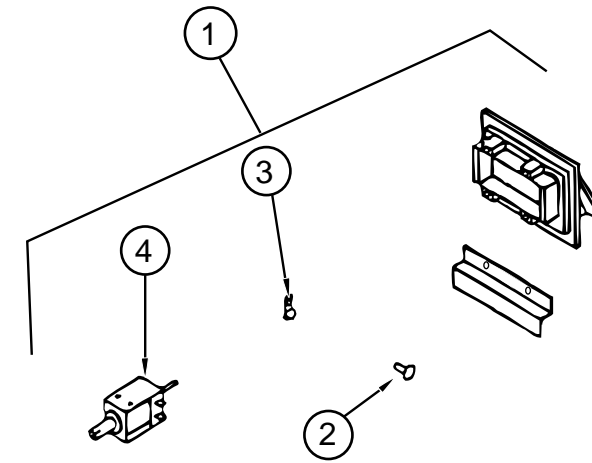
WINDOW, VENT & EXTERIOR DOOR GROUP (CONTINUED)



SCREEN DOOR COMPONENTS

KEY	PART NUMBER	U/M DESCRIPTION
1	078552-03-000	EA KICK PANEL - SCREEN DOOR - LOWER INSERT - UNPAINTED
2	002293-02-000	SF SCREENING - WINDOW/DOOR - 26" - CHARCOAL
3	078595-01-000	EA TOP PLATE - SCREEN DOOR - CURVED TOP - 4.7" X 25.35"
4	078777-01-000	EA CHANNEL - SLIDER - SCREEN DOOR CENTER SLIDER COVER FROM: 00-00-00 THRU: 02-22-98
4	078777-08-000	EA CHANNEL SLIDER FROM: 02-23-98 THRU: 99-99-99
5	079086-02-000	EA SLIDER - SCREEN DOOR
6	002294-01-000	FT SPLINE - SCREENING - .135" X .138"
7	001014-01-013	EA INSERT - CENTER - 10.25" X 16.31" - UNPAINTED
8	075673-01-000	FT SEAL - PILE - ADHESIVE BACK - GRAY

WINDOW, VENT & EXTERIOR DOOR GROUP (CONTINUED)



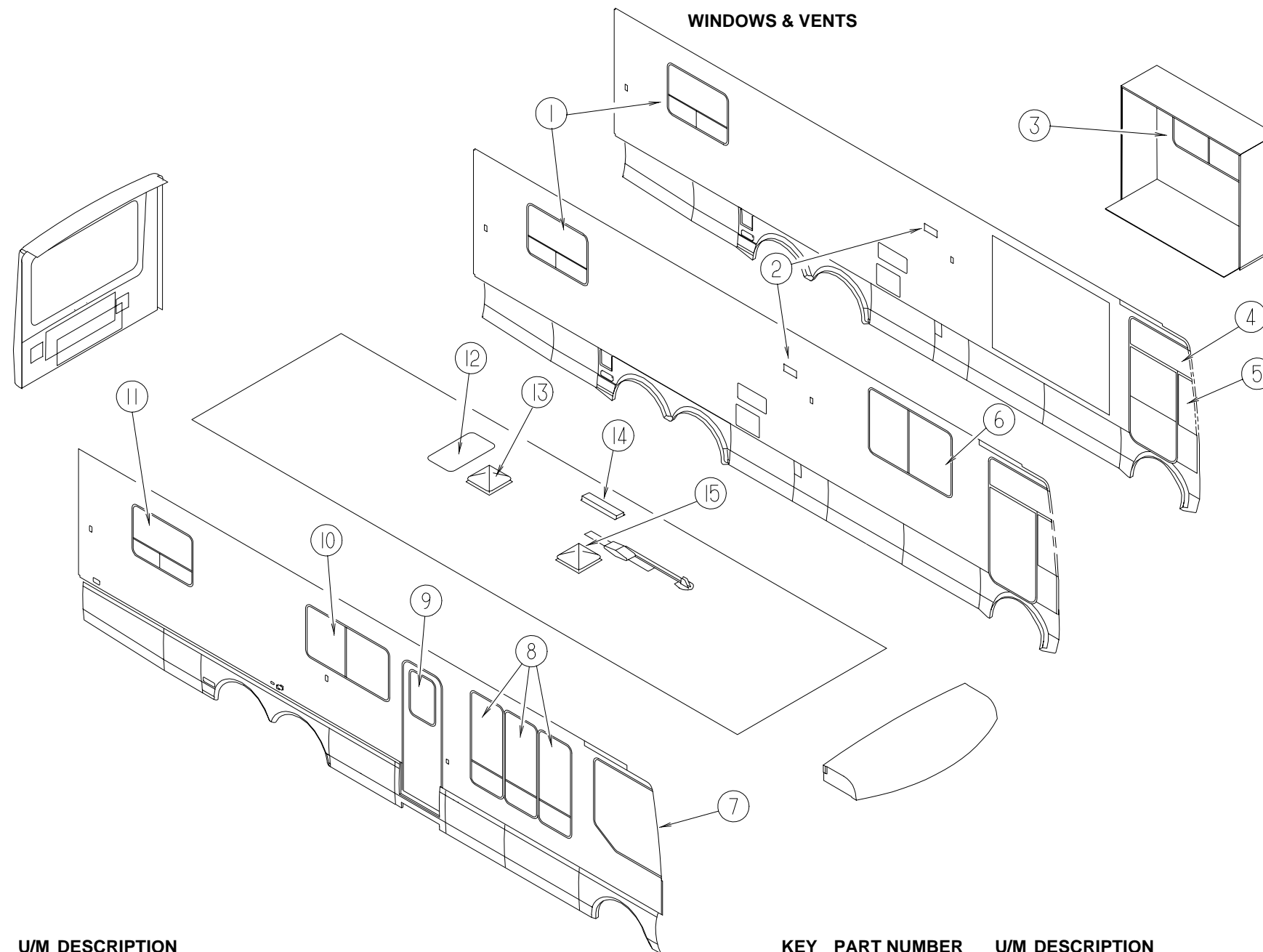
RANGE HOOD VENT

KEY	PART NUMBER	U/M DESCRIPTION	VENDOR NO.
1	092698-03-06A	EA VENT - W/DOOR AND SOLENOID - BRIGHT WHITE	
2	092698-02-700	EA FASTENER - PUSH - EXTERIOR RANGE HOOD VENT VB430	
3	092698-02-701	EA CLAMP - CONDUIT - EXTERIOR RANGE HOOD VENT VB334	
4	092698-03-706	EA SOLENOID - RANGE HOOD - VENTLINE	UB530
	096983-01-709	EA MODULE - SWITCH & LEVER - 17 1/2"	CB547-4
	100258-04-702	EA SWITCH - LEVER - W/CABLE	CB547-1
	092696-01-701	EA KNOB - PLASTIC	CC 225

PLUMBING & REFRIGERATOR ROOF VENTS

KEY	PART NUMBER	U/M DESCRIPTION
	083558-06-000	EA VENT - ROOF PLUMBING PIPE - COVERED
	084073-07-000	EA VENT - ROOF/REFRIGERATOR - BRIGHT WHITE - NORCOLD
	084073-04-000	EA BASE - ROOF VENT/REFRIGERATOR - BLACK - NORCOLD
	118369-01-02A	EA CAP - REFRIGERATOR ROOF VENT - SIDE/SIDE - BRIGHT WHITE
	118369-02-02A	EA BASE - REFRIGERATOR ROOF VENT - SIDE/SIDE - BRIGHT WHITE

WINDOW, VENT & EXTERIOR DOOR GROUP (CONTINUED)



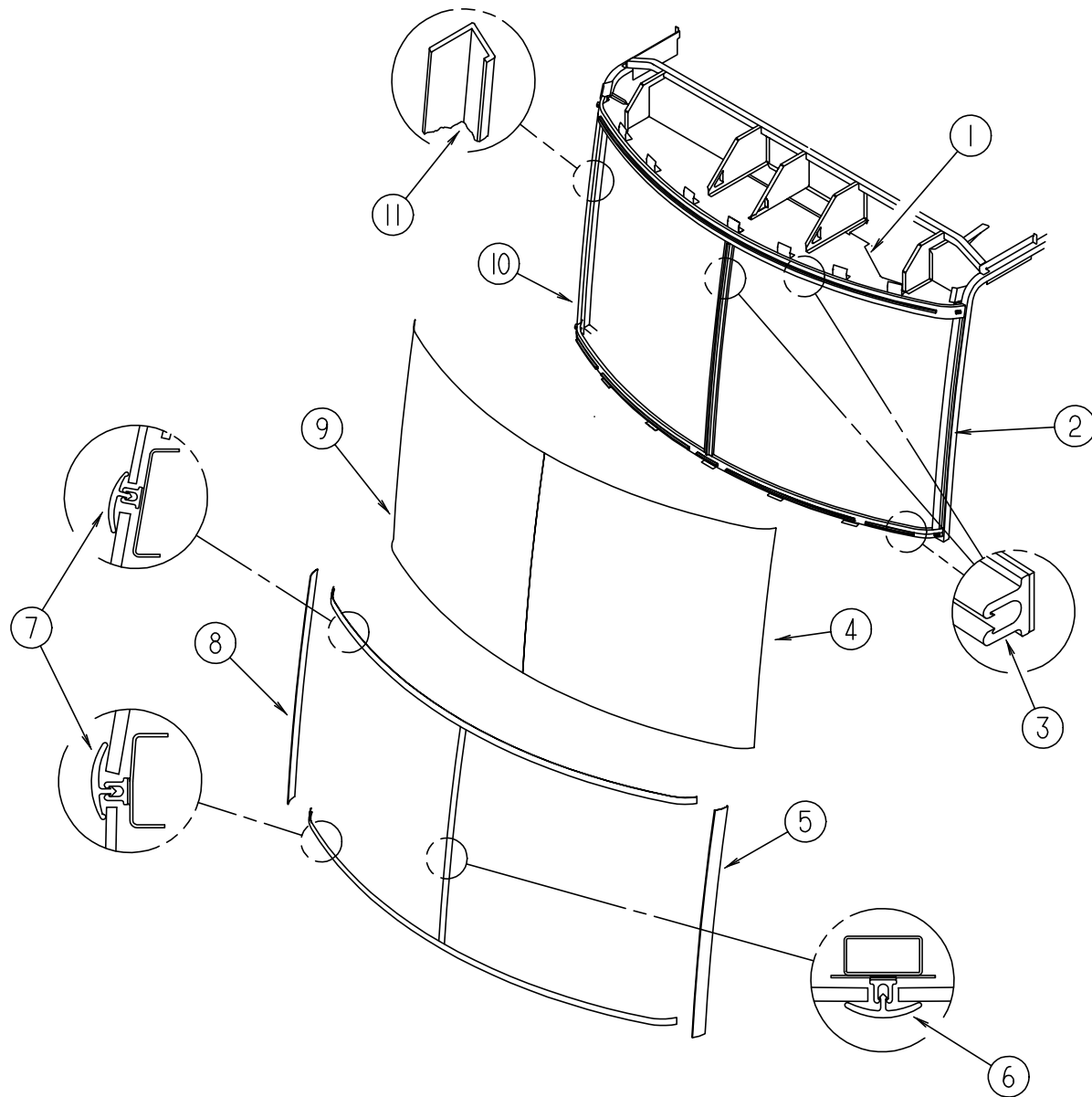
KEY	PART NUMBER	U/M DESCRIPTION
1*	113500-06-01A	EA WINDOW - DOUBLE TIPOUT W/ESCAPE - TINTED - 33.2" X 30.2"
1*	112898-18-01A	EA WINDOW - VERTICAL SLIDER - THERMO - ESCAPE - 33.2" X 30.2"
2	092698-03-06A	EA VENT - W/DOOR AND SOLENOID - BRIGHT WHITE
3*	115360-03-01A	EA WINDOW - DOUBLE HORIZONTAL TIPOUT - 22.6" X 56.5"
3*	112795-54-01A	EA WINDOW - DRIVER/HORIZONTAL SLIDER - THERMO - 23.9" X 57.8"
4*	106467-04-01A	EA WINDOW - DRIVER VISTA (ABOVE DR DOOR) 42.1"T X 44.9"B X 17.6"H
5*	106468-03-01A	EA WINDOW - DRIVER WING - 10.9"T X 14.2"B X 32.2"H
6*	115360-01-01A	EA WINDOW - DOUBLE HORIZONTAL TIPOUT - 30.75" X 56.5"
6*	112795-33-01A	EA WINDOW - PASS HORIZONTAL SLIDER - THERMO 30.7" X 57.8"
6*	115360-02-01A	EA WINDOW - DOUBLE HORIZONTAL TIPOUT - 38.7" X 56.5"
6*	112795-53-01A	EA WINDOW - DRIVER HORIZONTAL SLIDE THERMO 38 3/4" X 57 3/4"
7*	106466-04-01A	EA WINDOW - PASSENGER CAB - 42.1"TW X 48.3" CW X 50.3" H
8*	098644-09-01A	EA WINDOW - VERTICAL SLIDER W/TRIM - TINTED - 55.5" X 22.1"
8*	112898-11-01A	EA WINDOW - VERTICAL SLIDER - THERMO - 55.5" X 22.1"

KEY	PART NUMBER	U/M DESCRIPTION
9*	117053-03-F31	EA WINDOW - PICTURE - 31% TINTING - 17" X 26.4"
9*	113733-01-01A	EA WINDOW - STATIONARY THERMOPANE - 26.4" X 17"
10*	115360-03-01A	EA WINDOW - DOUBLE HORIZONTAL TIPOUT - 22.6" X 56.5"
11*	112795-57-01A	EA WINDOW - PASSENGER HORIZONTAL SLIDE THERMO 24" X 57 3/4"
11*	113500-05-01A	EA WINDOW - DOUBLE TIPOUT - TINTED - 33.2" X 30.2"
11*	112898-17-01A	EA WINDOW - VERTICAL SLIDER - THERMO/EURO - 33.2" X 30.2"
12	114496-01-02A	EA PANEL - SKYLIGHT - OUTER - 22" X 37"
12	122191-01-02A	EA PANEL - SKYLIGHT - INNER W/LIGHT CUTOUT - 20.7" X 35.4"
13*	122882-04-01A	EA VENT - ROOF - W/FAN/POWER LIFT - W/O INSIDE GARNISH - UL
13*	122882-05-01A	EA VENT - ROOF - W/FAN/POWER LIFT - W/O INSIDE GARNISH - CSA
14	084073-07-000	EA VENT - ROOF/REFRIGERATOR - BRIGHT WHITE - NORCOLD
14	084073-04-000	EA BASE - ROOF VENT/REFRIGERATOR - BLACK - NORCOLD
14	118369-01-02A	EA CAP - REFRIGERATOR ROOF VENT - SIDE/SIDE - BRIGHT WHITE
14	118369-02-02A	EA BASE - REFRIGERATOR ROOF VENT - SIDE/SIDE - BRIGHT WHITE
15*	122882-01-01A	EA VENT - ROOF - NONPOWERED - W/O INSIDE GARNISH
15*	123780-05-01A	EA VENTILATOR - ROOF/3"-4" - W/THERMOSTAT/POWER LIFT
15*	123780-06-01A	EA VENTILATOR - ROOF/3"-4" - CSA - W/THERMOSTAT/POWER LIFT

* COMPONENT PARTS FOUND IN SERVICE PARTS LIBRARY

WINDSHIELD & WIPER GROUP

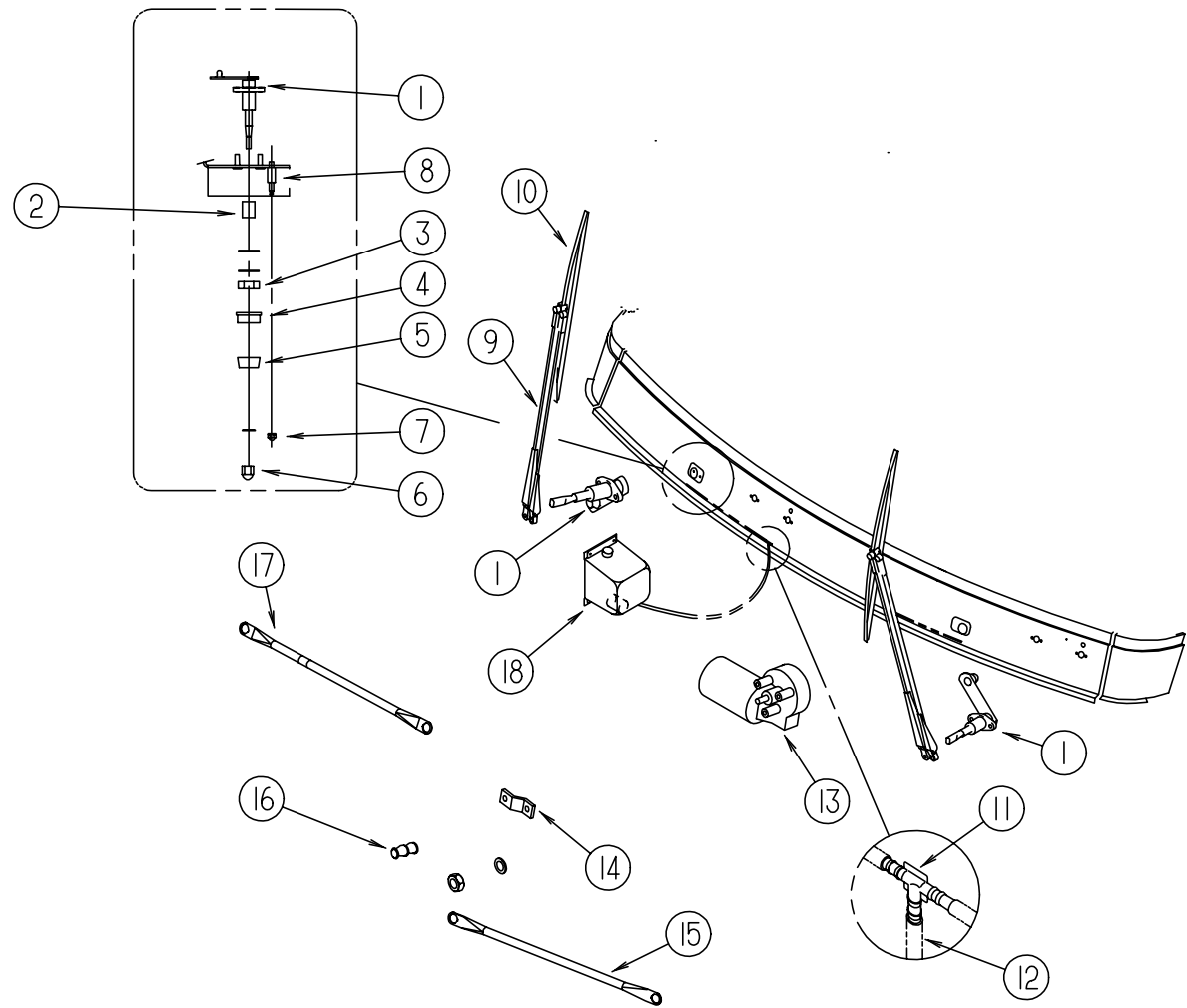
WINDSHIELD



KEY	PART NUMBER	U/M	DESCRIPTION
1	117730-01-01B	EA	HEADER - WINDSHIELD
2	117203-02-01B	EA	FRAME - WINDSHIELD - A PILLAR - LEFT HAND
3	117335-01-000	EA	REVEAL CARRIER - 94.6"
4	116996-04-000	EA	WINDSHIELD - DRIVERS - CURVED - 52"W X 49"H
5	120352-01-02A	EA	TRIM - WINDSHIELD - A-PILLAR - DRIVER
6	118586-01-000	FT	MOLDING - REVEAL - WINDSHIELD
7	120533-01-000	FT	MOLDING - REVEAL - WINDSHIELD
8	120352-02-02A	EA	TRIM - WINDSHIELD - A-PILLAR - PASSENGER
9	116996-03-000	EA	WINDSHIELD - PASSENGER - CURVED - 52"W X 49"H
10	117203-01-01B	EA	FRAME - WINDSHIELD - A PILLAR - RIGHT HAND
11	098788-06-000	EA	CHANNEL - 49" PVC
	107285-01-000	EA	BRACKET - SUPPORT - WINDSHIELD
	002328-02-000	EA	BLOCK - WINDSHIELD - .062" X .5" X .98"

WINDSHIELD & WIPER GROUP (CONTINUED)

WIPER & WASHER



KEY	PART NUMBER	U/M	DESCRIPTION	VENDOR NO.
1	096505-09-000	EA	SHAFT/PIVOT - WINDSHIELD WIPER (PASSENGER)	
1	096505-05-000	EA	SHAFT/PIVOT - WINDSHIELD WIPER (DRIVER)	
2	061603-01-000	EA	GROMMET - SNAP - 3/16"ID - 3/8" HOLE - PLASTIC BLACK	
3	096505-02-701	EA	NUT - HEX - (HD) W/.687 BARREL	NT721021
4	096505-02-702	EA	CAP - RUBBER - (HD) BARREL .687	CP721084
5	096505-02-700	EA	DRIVER - KNURLED - (HD) BARREL .687	NT721017
6	096505-02-703	EA	CAP - NUT (ACORN) HD W/.687 BARREL	51065-40-NT27WC
7	077049-02-000	EA	NUT - ACORN - 10-32 BLACK/ANODIZED	
8	117768-01-000	EA	SHAFT - ADAPTER - PANTOGRAPH ARM	
	107397-01-000	EA	WASHER - FENDER - .25" ID X 1" OD	
9	117769-01-000	EA	ARM - WIPER - PANTOGRAPH - 28"	
	096931-01-701	EA	NOZZLE - HARDWARE KIT (NOZZLE-NUT-LONG SCREW-SHORT SCREW)	
10	095964-01-000	EA	BLADE - WINDSHIELD WIPER - 24"	
	095964-01-700	EA	BLADE - REFILL 24" EA = 1 PAIR	12360
11	110605-01-000	EA	TEE - PLASTIC - BARBED - 1/8" X 1/8" X 3/16"	
	117765-03-000	EA	CONNECTOR - 5/32" - WINDSHIELD WASHER	
12	045794-01-000	FT	HOSE - WASHER - WINDSHIELD - 5/32" ID - BLACK	
13	104346-05-000	EA	MOTOR - WIPER W/INTERNAL BREAKER - DYNAMIC PARK (FORD)	
13	104346-04-000	EA	MOTOR - WIPER W/INTERNAL BREAKER (CHEVY)	
14	104347-04-000	EA	ARM - DRIVE - WIPER MOTOR	
15	117770-02-000	EA	LINK - CONNECTING - DRIVER - 24"	
16	067188-01-000	EA	STUD - CRANK - WIPER MOTOR	
17	117770-01-000	EA	LINK - CONNECTING - PASSENGER - 24"	
18	117766-02-000	EA	RESERVOIR/PUMP - WINDSHIELD WASHER	
	096931-01-700	FT	HOSE - WASHER - 1/8" ID	
	000D28-10-00B	EA	NUT - HEX - W/NYLON LOCK - 10-32 ZINC	