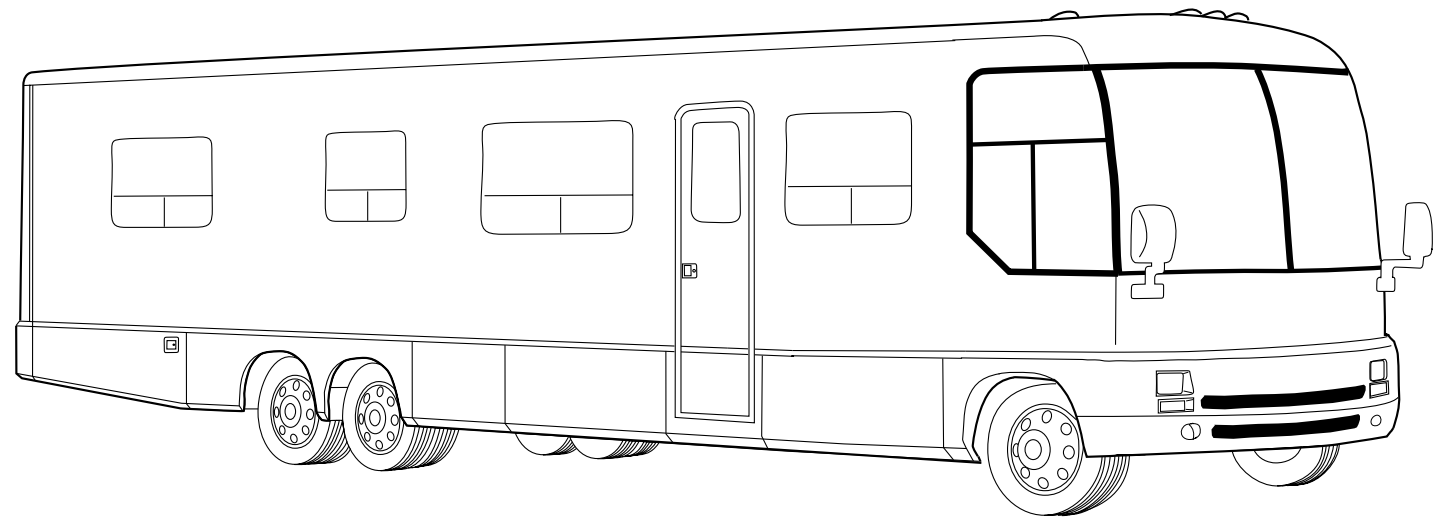


# 1998 WCM36WA



**J70**      **COVENTRY (TAUPE)**  
**SOLAR MAPLE**

**J71**      **COVENTRY (TAUPE)**  
**SALEM CHERRY**

**J72**      **DEVON (BURGUNDY)**  
**SOLAR MAPLE**

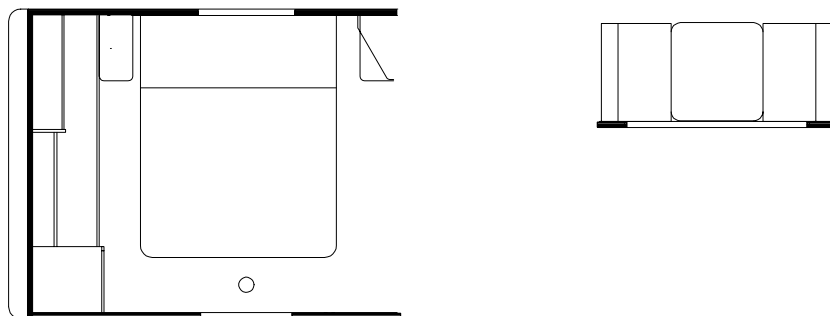
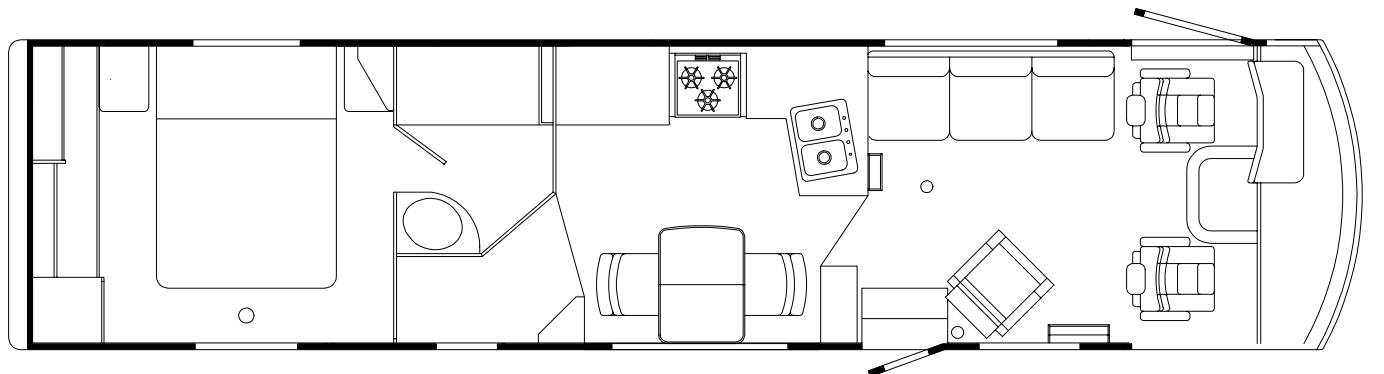
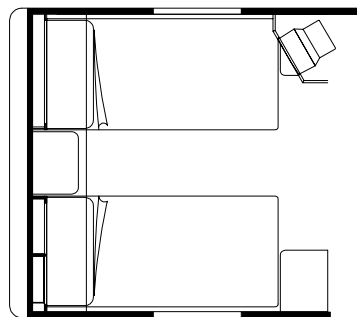
**J73**      **DEVON (BURGUNDY)**  
**SALEM CHERRY**

**J74**      **HEMMINGWAY (TAN)**  
**SOLAR MAPLE**

**J75**      **HEMMINGWAY (TAN)**  
**SALEM CHERRY**

**J76**      **GULF MIST (GREEN)**  
**SOLAR MAPLE**

**J77**      **GULF MIST (GREEN)**  
**SALEM CHERRY**



## ACCESSORIES GROUP

### OPERATORS MANUAL

KEY	PART NUMBER	U/M DESCRIPTION
	054185-H4-000	EA MANUAL- OPERATOR 98 VECTRA - GRAND TOUR/M SERIES
	092318-01-000	EA BINDER - 3 RING - MOTOR HOME MANUAL FROM: 00-00-00 THRU: 01-11-98
	129079-01-01A	EA CASE - VINYL/BLACK - EXPANDABLE ACCORDION SIDES - 7"W X 9"H X 14"L FROM: 01-12-98 THRU: 99-99-99
	092319-01-000	EA POCKET PAGE - 3 RING BINDER - PLASTIC - (50 PER PKG) FROM: 00-00-00 THRU: 02-15-98
	126177-01-000	DW TOP LEVEL - M - 1998

### VACUUM CLEANER

KEY	PART NUMBER	U/M DESCRIPTION	VENDOR NO.
	108186-01-000	EA VACUUM CLEANER - BUILT IN FROM: 00-00-00 THRU: 06-15-97	
	092304-01-700	EA BAG - VACUUM - REPLACEMENT PKG 5	4908
	092304-02-704	EA MOTOR W/RELAY	5098
	092304-02-710	EA SECONDARY FILTER	4929
	108186-02-000	EA TOOL SET - VACUUM W/O POWER BRUSH - HP W/30" HOSE	
	092304-02-701	EA TOOL - DUSTING	1142
	092304-02-702	EA TOOL - RUG	4982
	092304-02-703	EA TOOL - CREVICE	1141
	092304-02-707	EA TOOL - UPHOLSTERY	7029
	092304-02-708	EA WAND - PLASTIC	4978
	092304-02-709	EA HOSE ASM. - 30" COMPLETE	4988-30
	108186-03-000	EA VACUUM CLEANER - BUILT IN FROM: 06-16-97 THRU: 99-99-99	
	092304-02-700	EA BRUSH - POWER - VACUUM (RUGRAT)	6970
	092304-02-701	EA TOOL - DUSTING	1142
	092304-02-702	EA TOOL - RUG	4982
	092304-02-707	EA TOOL - UPHOLSTERY	7029
	092304-02-708	EA WAND - PLASTIC	4978
	092304-02-709	EA HOSE ASM. - 30" COMPLETE	4988-30
	092304-02-710	EA SECONDARY FILTER	4929
	108186-03-700	EA PAPER BAG - 3-PKG	7767
	108186-03-701	EA MOTOR F/RV2000	7756
	108186-03-702	EA REDUCER	5531

## AUDIO VIDEO GROUP

### RADIO & CD SYSTEM

KEY	PART NUMBER	U/M DESCRIPTION	VENDOR NO.
	109053-02-000	EA RADIO - AM/FM CASSETTE - WALL MOUNT	
	127516-01-000	EA RADIO - AM/FM STEREO - CD PLAYER	
	127516-01-700	EA FACE - REMOVEABLE	YEPOFX3114
	127516-01-701	EA TRIM RING	YGFC025263
	127516-01-702	EA FACTORY HARNESS	YGAJ02719
	127516-01-703	EA CARRIER F/REMOVEABLE FACE	YEFA131290
	127264-01-000	EA RADIO - AM/FM STEREO - CASSETTE	
	127264-01-700	EA TRIM RING	YFC054C044ZB
	127264-01-701	EA KNOB - VOLUME	YFE074C045ZA
	127264-01-702	EA KNOB - FADER	YEFE074C026
	127264-01-703	EA FACTORY HARNESS	YAJ024C048ZB
	125322-02-000	EA RADIO - AM-FM STEREO - CASSETTE - AUDIOVOX	
	127515-01-000	EA CHANGER - COMPACT DISC FROM: 00-00-00 THRU: 10-23-97	
	127515-02-000	EA CHANGER - COMPACT DISC FROM: 10-24-97 THRU: 99-99-99	
	127515-02-700	EA POWER CABLE	YEAJ071117
	127515-02-701	EA OWNERS MANUAL	OM-CXDP601
	127515-03-000	EA CHANGER - CONTROL/FM MODULATOR	
	127515-03-700	EA REMOTE CONTROL	YFX994C047D
	127515-03-701	EA OWNERS MANUAL	OM-CYRM600
	124881-01-000	EA AMPLIFIER - AUDIO	
	124882-01-000	EA WIRE ASSEMBLY - AMPLIFIER	
	110469-01-000	EA SPEAKER - 4" X 6" OVAL - COAXIAL	
	110470-01-01A	EA GRILLE - 4" X 6" OVAL - BLACK	
	124883-01-000	EA SPEAKER - CUBE FROM: 00-00-00 THRU: 05-31-97	
	124883-02-000	EA SPEAKER - CUBE - W/BACKET FROM: 06-01-97 THRU: 99-99-99	
	126387-01-000	EA BRACKET - SPEAKER MOUNTING	
	124884-01-000	EA SPEAKER - 6" X 9" - SUB-WOOFER	
	124885-01-000	EA GRILLE - SPEAKER - 6" X 9" - SUB-WOOFER	
	094097-01-000	EA SPEAKER - RADIO/TV - W/O GRILLE - 5.25" DIAMETER	
	118165-01-GV0	EA GRILLE - SPEAKER	
	118144-01-02B	EA GRILLE - SPEAKER	
	089340-02-000	EA GRILLE - SPEAKER - 6.5" SQUARE	
	128074-01-000	EA FILTER - NOISE - 12VOLT D.C. FROM: 01-30-98 THRU: 99-99-99	

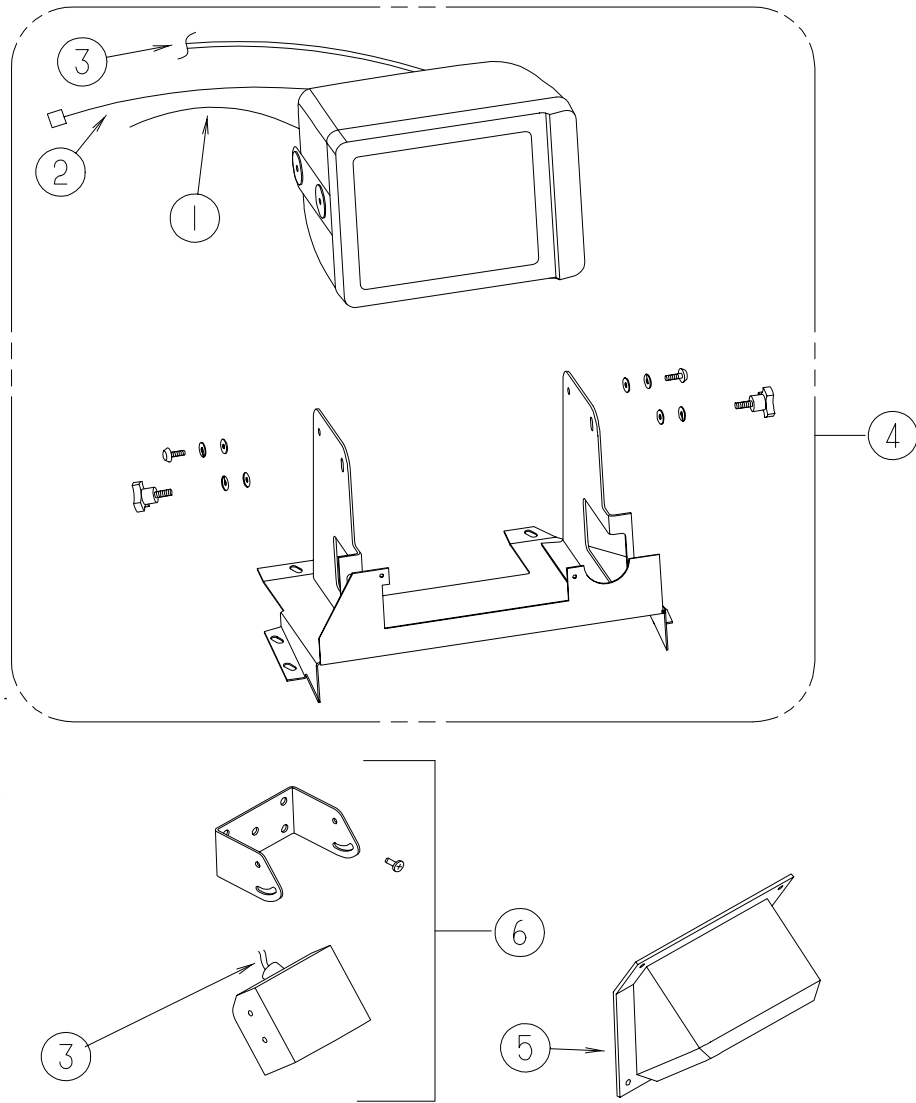
### CB ANTENNA

KEY	PART NUMBER	U/M DESCRIPTION
	123256-01-000	EA ANTENNA - CB - W/O CABLE
	123256-02-000	EA CABLE - CB COAX
	090944-01-000	EA ANTENNA - RADIO - 16" RUBBER
	108847-01-000	EA BRACKET - ANTENNA GROUND
	109889-04-000	EA EXTENDER - ANTENNA SHAFT - 3"
	077069-02-000	EA CABLE - ANTENNA/EXTENSION - RADIO - 96"

### TELEPHONE SYSTEM

KEY	PART NUMBER	U/M DESCRIPTION
	093253-01-01A	EA PLATE - WALL - TELEPHONE - BEIGE
	093254-01-000	EA HOUSING - TELEPHONE

**AUDIO VIDEO GROUP (CONTINUED)**



**REAR MONITOR**

KEY	PART NUMBER	U/M DESCRIPTION
1	114870-01-000	EA PLUG - 3.5MM AUDIO W/LEADS
2	096717-03-000	EA WIRE ASSEMBLY - REAR MONITOR - AFTER MARKET INSTALLATION
3	093041-01-000	EA CABLE - MONITOR/CAMERA - INTERNAL USE - 65.6'
4	093040-08-000	EA MONITOR SYSTEM - REAR VIEW 7" - W/AUDIO JACK - SONY FROM: 00-00-00 THRU: 07-27-97
4	093040-10-000	EA MONITOR - 7" REAR VIEW - W/BRACKET - SONY FROM: 07-28-97 THRU: 99-99-99
5	117669-01-02A	EA SHROUD - CAMERA - OUTER
6	093040-09-000	EA CAMERA - REAR VIEW - W/BRACKET - SONY
	093040-06-000	EA WIRE ASM - MONITOR - F/NON-PREWIRED AFTER MARKET INSTALLATION
	093041-02-000	EA CABLE - MONITOR/CAMERA - EXTERNAL USE - 59.1'

**AUDIO VIDEO GROUP (CONTINUED)**

**TV & VCR SYSTEMS**

KEY	PART NUMBER	U/M DESCRIPTION	VENDOR NO.
	124075-03-000	EA TV - 19" COLOR W/1/8" JACK - UL/CSA - RCA	
	124074-02-000	EA TV - 13" COLOR W/1/8" JACK - AC/DC - UL/CSA - RCA	
	124073-01-000	EA VCR - VHS - W/REMOTE CABLE READY - RCA	
			FROM: 00-00-00 THRU: 05-25-97
	124073-01-700	EA REMOTE	221347
	124073-03-000	EA VCR - VHS - W/REMOTE CABLE READY - RCA	
			FROM: 05-26-97 THRU: 99-99-99
	124073-03-700	EA REMOTE	237698
	086757-03-000	EA CONTROL CENTER - SWITCH - VCR/TV	
	093214-01-02A	EA GRILLE - SPEAKER - 4" - BROWN	
	098819-01-000	EA SPEAKER - 4" - 2 WATT - 8 OHM	
	115540-01-000	EA AMPLIFIER - TV SPEAKERS	
	115539-01-000	EA RELAY - RADIO/TV SPEAKER - SWITCH	
	082134-01-000	EA ADAPTER - TV - CABLE TO CABLE	
	076319-03-000	FT CABLE - COAXIAL - 75 OHM	
	076319-12-000	EA CONNECTOR - COAXIAL - ONE PIECE	
	076319-09-000	EA WALLPLATE - CABLE RECEPTACLE - TV - SINGLE - BROWN	
	086777-02-000	EA WALLPLATE - TV CABLE - W/ANTENNA SWITCH - BROWN	
	086777-06-000	EA WALLPLATE - TV CABLE - ANTENNA/1 OUTPUT - BROWN	
	082136-01-000	EA NUT - HEX JAM - 3/8 - 32	
	086756-01-000	EA SPLITTER - TV - 2 WAY	
	093901-06-000	EA PLATE - TV	
	114870-01-000	EA PLUG - 3.5MM AUDIO W/LEADS	
	114870-02-000	EA PLUG - .14" AUDIO W/LEADS	
	115466-10-02B	EA STRAP - TIEDOWN/TV	

**SATELLITE DISH**

KEY	PART NUMBER	U/M DESCRIPTION
*	120233-01-000	EA ANTENNA - SATELLITE (DISH & HDW) W/O RECEIVER - MANUAL

\* COMPONENT PARTS FOUND IN SERVICE PARTS LIBRARY

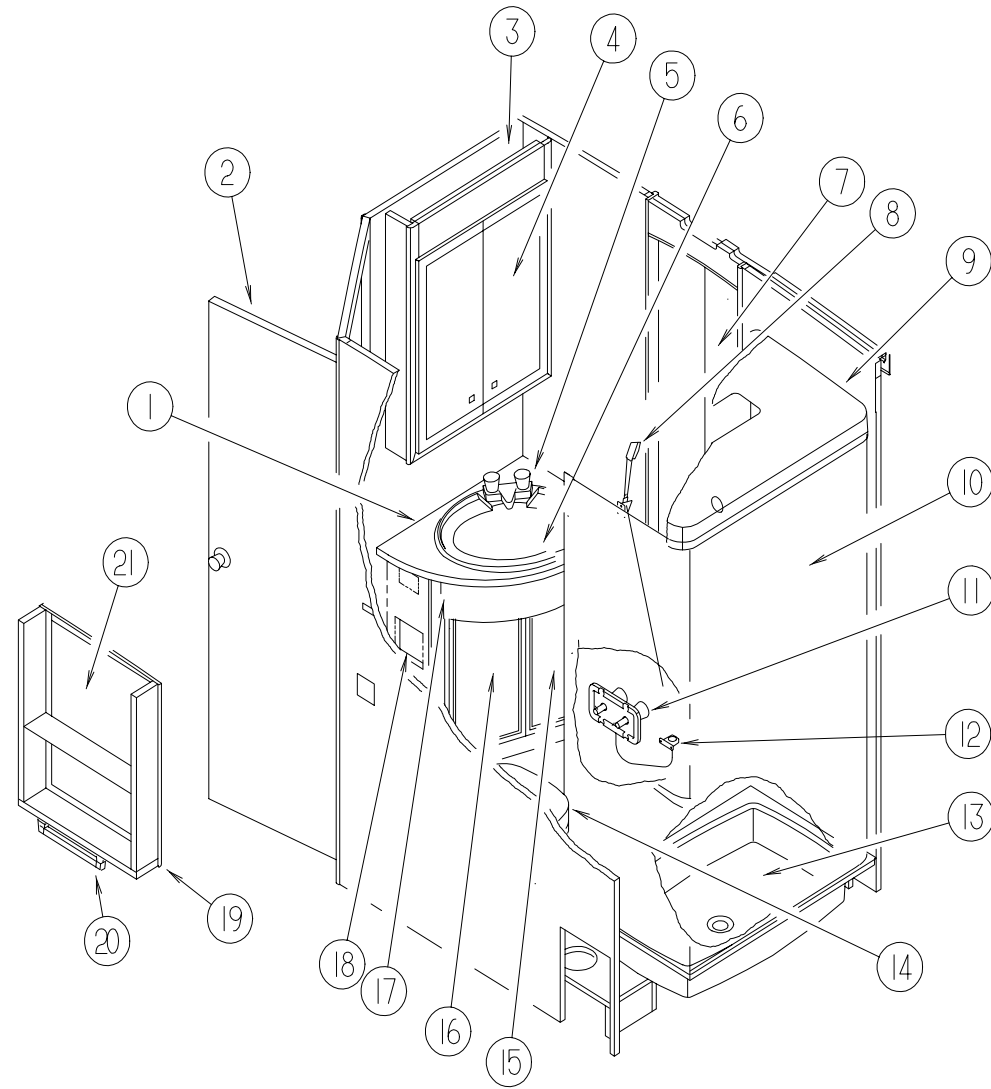
**TV ANTENNA**

KEY	PART NUMBER	U/M DESCRIPTION
*	076319-21-000	EA ANTENNA-TV - ROOF MOUNT - 3" ROOF FROM: 00-00-00 THRU: 12-07-97
*	076319-23-000	EA ANTENNA-TV - ROOF MOUNT - 44.5" MAST FROM: 12-08-97 THRU: 99-99-99
	076319-25-000	EA KIT - HARDWARE INTERIOR

\* COMPONENT PARTS FOUND IN SERVICE PARTS LIBRARY

# BATH GROUP

## BATH CABINETS & FIXTURES



KEY	PART NUMBER	U/M	DESCRIPTION
1	119642-14-J70	EA	COUNTERTOP - LAVATORY (J70)
1	119642-14-J71	EA	COUNTERTOP - LAVATORY (J71)
1	119642-14-J72	EA	COUNTERTOP - LAVATORY (J72)
1	119642-14-J73	EA	COUNTERTOP - LAVATORY (J73)
1	119642-14-J74	EA	COUNTERTOP - LAVATORY (J74,J76)
1	119642-14-J75	EA	COUNTERTOP - LAVATORY (J75,J77)
2	121449-29-J70	EA	DOOR - BATH (WASHED MAPLE)
2	121449-29-H57	EA	DOOR - BATH (SALEM CHERRY)
	111155-01-01A	EA	LOCK - PRIVACY - POLISHED BRASS
	121449-12-J70	EA	RACK - TOWEL - BATH DOOR (WASHED MAPLE)
	121449-12-G07	EA	RACK - TOWEL - BATH DOOR (SALEM CHERRY)
	100357-01-000	EA	ROD - F/TOWEL BAR - BRASS
3	119721-01-H56	EA	CABINET - OVERHEAD MEDICINE - W/O DOORS/HARDWARE (WASHED MAPLE)
3	119721-01-GV1	EA	CABINET - OVERHEAD MEDICINE - W/O DOORS/HARDWARE (SALEM CHERRY)
	119721-11-J70	EA	SHELF - W/PLASTIC EDGE TRIM (WASHED MAPLE)
	119721-11-GV1	EA	SHELF - W/PLASTIC EDGE TRIM (SALEM CHERRY)
4	M08061-02-J70	EA	DOOR - MEDICINE CABINET - 12" X 28" - SET OF TWO (WASHED MAPLE)
4	M08061-02-J71	EA	DOOR - MEDICINE CABINET - 12" X 28" - SET OF TWO (SALEM CHERRY)
	102327-01-01A	EA	PULL-MIRROR - W/SQUARE HANDLE

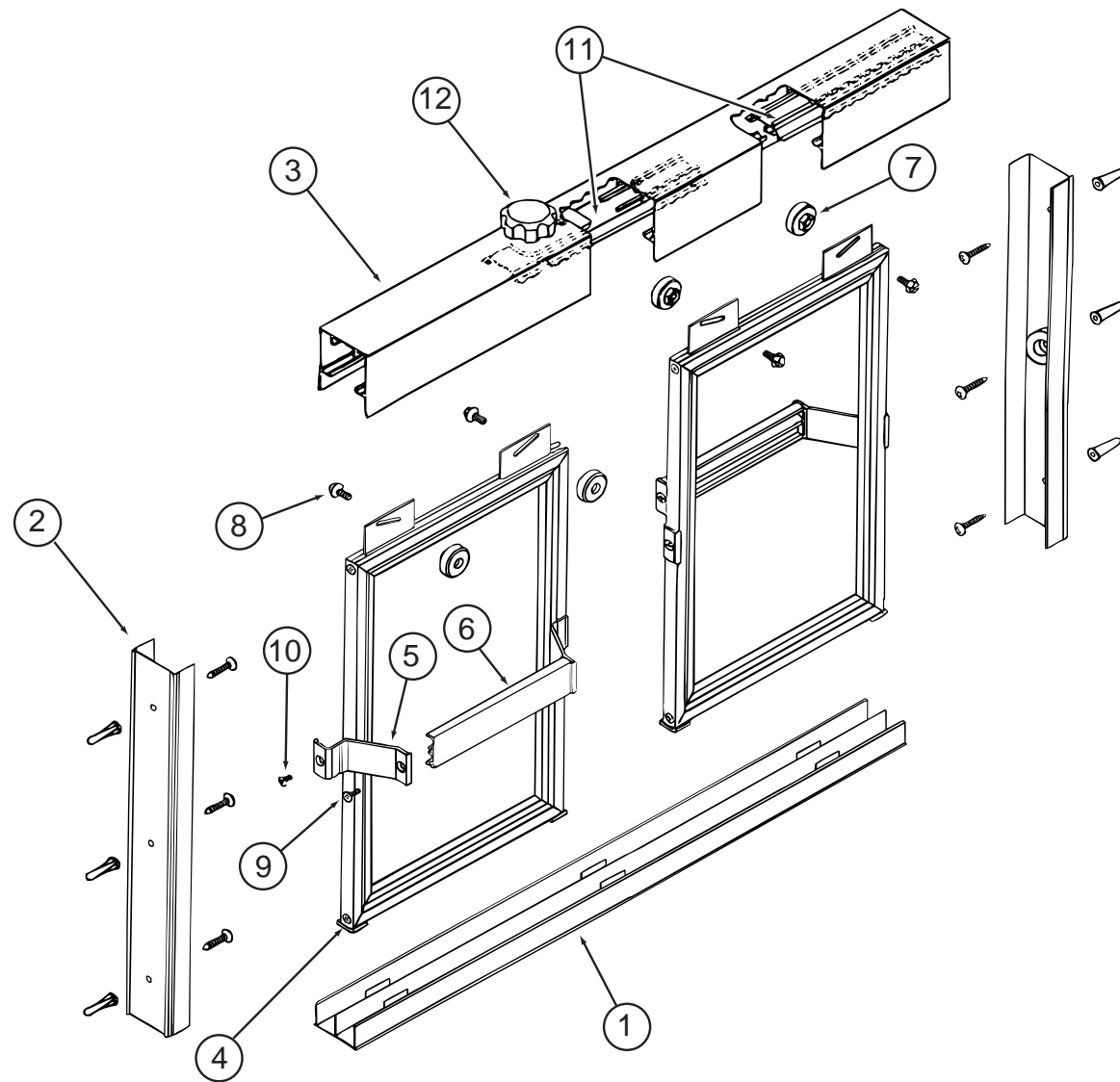
KEY	PART NUMBER	U/M	DESCRIPTION	VENDOR NO.
5	075240-05-000	EA	FAUCET - LAVATORY - BRASS	
	091253-01-000	EA	GASKET - FAUCET - LAVATORY/GALLEY	
6	105921-01-01A	EA	SINK - LAVATORY - LARGE/OVAL - 17" X 20" PLASTIC/OFF WHITE	
	106116-01-01A	EA	STRAINER - SINK-W/STOPPER/TAILPIECE/GASKET & NUT - PLASTIC	
7	M87868-34-J70	EA	DOOR - BATH - 20.4" X 73.5" (WASHED MAPLE)	
7	M87868-34-GV1	EA	DOOR - BATH - 20.4" X 73.5" (SALEM CHERRY)	
	102920-01-01A	EA	HINGE - SPRING LOADED/BRASS	
	110496-01-01A	EA	HINGE - BRASS	
	111155-01-01A	EA	LOCK - PRIVACY - POLISHED BRASS	
8	103092-03-000	EA	SHOWER HEAD - W/HOSE/BRACKET - BRASS	
8	103092-02-000	EA	SHOWER HEAD - W/60" HOSE - CSA	
	103092-01-700	EA	BRACKET - F/SHOWER HEAD - CLEAR	2328028
	103092-01-702	EA	SEALS - SPRAY HEAD	24466
	011048-03-700	EA	BRACKET - F/SHOWER HEAD	2328029-3
9	113671-01-01A	EA	CAP - TUB/SHOWER (NEW STYLE)	
10	110541-01-01A	EA	SURROUND - SHOWER/TUB W/MOLDED ROD BRACKETS	
	104462-01-01A	EA	CADDY - SHOWER - O/W	
	115793-01-01A	EA	ANGLE - PLASTIC	
	111035-01-01A	EA	PANEL - FILLER - TUB/SHOWER	
11	075242-03-000	EA	FAUCET - TUB/SHOWER - BRASS	
	075606-01-000	EA	PANEL - PLASTIC - FAUCET BACK - 5" X 9"	
12	115363-01-01A	EA	RING - GUIDE - SHOWER HOSE	
13	M02630-33-GV0	EA	SHOWER PAN	
	066729-01-000	EA	STRAINER - TUB/SHOWER - W/PLUG	
14*	085330-02-000	EA	TOILET-STANDARD, BONE CHINA	
14*	085330-06-000	EA	TOILET-STANDARD, CHINA W/SPRAYER, BONE	
15	M05992-G0-J70	EA	DOOR - STRAIGHT CORNER/OGEE EDGE - 11.2" X 19.7" - W/O HDW (WASHED MAPLE)	
15	M05992-G0-GV1	EA	DOOR - OGEE EDGE - 11.2" X 19.7" - W/O HARDWARE (SALEM CHERRY)	
16	M05992-G1-J70	EA	DOOR - STRAIGHT CORNER/OGEE EDGE - 11.2" X 19.7" - W/O HDW (WASHED MAPLE)	
16	M05992-G1-GV1	EA	DOOR - OGEE EDGE - 11.2" X 19.7" - W/O HARDWARE (SALEM CHERRY)	
17	119642-02-J70	EA	CABINET - LAVATORY - W/O DOORS/DRAWERS/HARDWARE (J70)	
17	119642-02-J71	EA	CABINET - LAVATORY - W/O DOORS/DRAWERS/HARDWARE (J71)	
17	119642-02-J72	EA	CABINET - LAVATORY - W/O DOORS/DRAWERS/HARDWARE (J72)	
17	119642-02-J73	EA	CABINET - LAVATORY - W/O DOORS/DRAWERS/HARDWARE (J73)	
17	119642-02-J74	EA	CABINET - LAVATORY - W/O DOORS/DRAWERS/HARDWARE (J74,J76)	
17	119642-02-J75	EA	CABINET - LAVATORY - W/O DOORS/DRAWERS/HARDWARE (J75,J77)	
18	085278-01-000	EA	HOLDER - TOILET PAPER - RECESSED - BRASS	
19	119722-01-J70	EA	CABINET - OVERHEAD MEDICINE - W/O DOORS/HARDWARE (WASHED MAPLE)	
19	119722-01-GV1	EA	CABINET - OVERHEAD MEDICINE - W/O DOORS/HARDWARE (SALEM CHERRY)	
	119722-11-J70	EA	SHELF - W/PLASTIC EDGE TRIM (WASHED MAPLE)	
	119722-11-GV1	EA	SHELF - W/PLASTIC EDGE TRIM (SALEM CHERRY)	
20	075453-02-000	EA	BAR - TOWEL - 18" BRASS	
	126344-01-02B	EA	BRACKET - TOWEL DISPENSER	
21	M06803-X7-J70	EA	DOOR - MITERED CORNER/OGEE EDGE - 10" X 25.2" - W/O HDW (WASHED MAPLE)	
21	M06803-X7-J71	EA	DOOR - MITERED CORNER/OGEE EDGE - 10" X 25.2" - W/O HDW (SALEM CHERRY)	
	120760-01-000	EA	BUMPER - RUBBER - CLEAR	
	122192-01-02A	EA	PANEL - SKYLITE - OUTER - 16.4" X 27.8"	
	122193-01-02A	EA	PANEL - SKYLITE - INNER	

\* COMPONENT PARTS FOUND IN SERVICE PARTS LIBRARY

## BATH GROUP (CONTINUED)

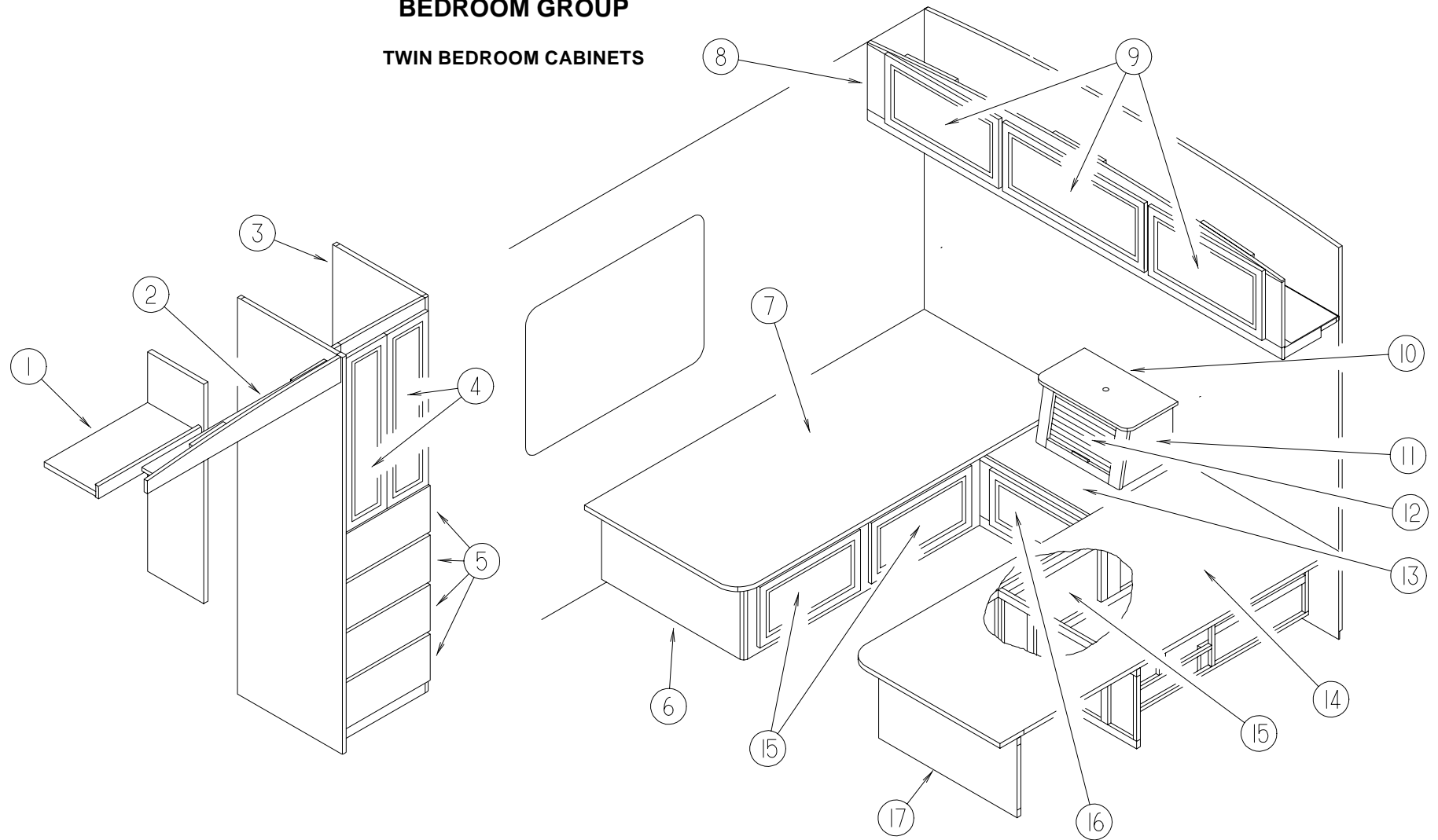
### COASTAL SHOWER DOOR

KEY	PART NUMBER	U/M DESCRIPTION	VENDOR NO.
	115011-01-01A	EA SHOWER DOOR - BYPASS W/50" LOWER TRACK	
1	115011-01-709	EA TRACK-BOTTOM- 50"	90
2	115011-01-713	EA JAMB - WALL SHOWER DOOR	126
3	115011-01-700	EA HEADER, W/O ANTI JUMP GUARD	120G
4	115011-01-701	EA GUIDE-NYLON, (W-TRACK)	1104
5	115011-01-702	EA BRACKET-TOWEL BAR	135
6	115011-01-703	EA BAR-TOWEL	136
7	115011-01-704	EA ROLLERS	PN193
8	115011-01-705	EA SCREW-ROLLER, (HEX HEAD)	832HEX
9	115011-01-707	EA SCREW F/TOWEL BAR	612F
10	115011-01-708	EA SCREW F/TOWEL BAR BRKTS	638F
11	115011-01-710	EA GUARD-ANTI JUMP	130
12	115011-01-711	EA KNOB-TENSION,(HEADER W/BOLT)	1420K-1420S
	115011-01-712	EA BOLT-TENSION, (HEADER) USE #11501101711 TENSION KNOB W/TENSION BOLT	1420S
	115011-01-706	EA GLAZING VINYL	C 169



## BEDROOM GROUP

### TWIN BEDROOM CABINETS

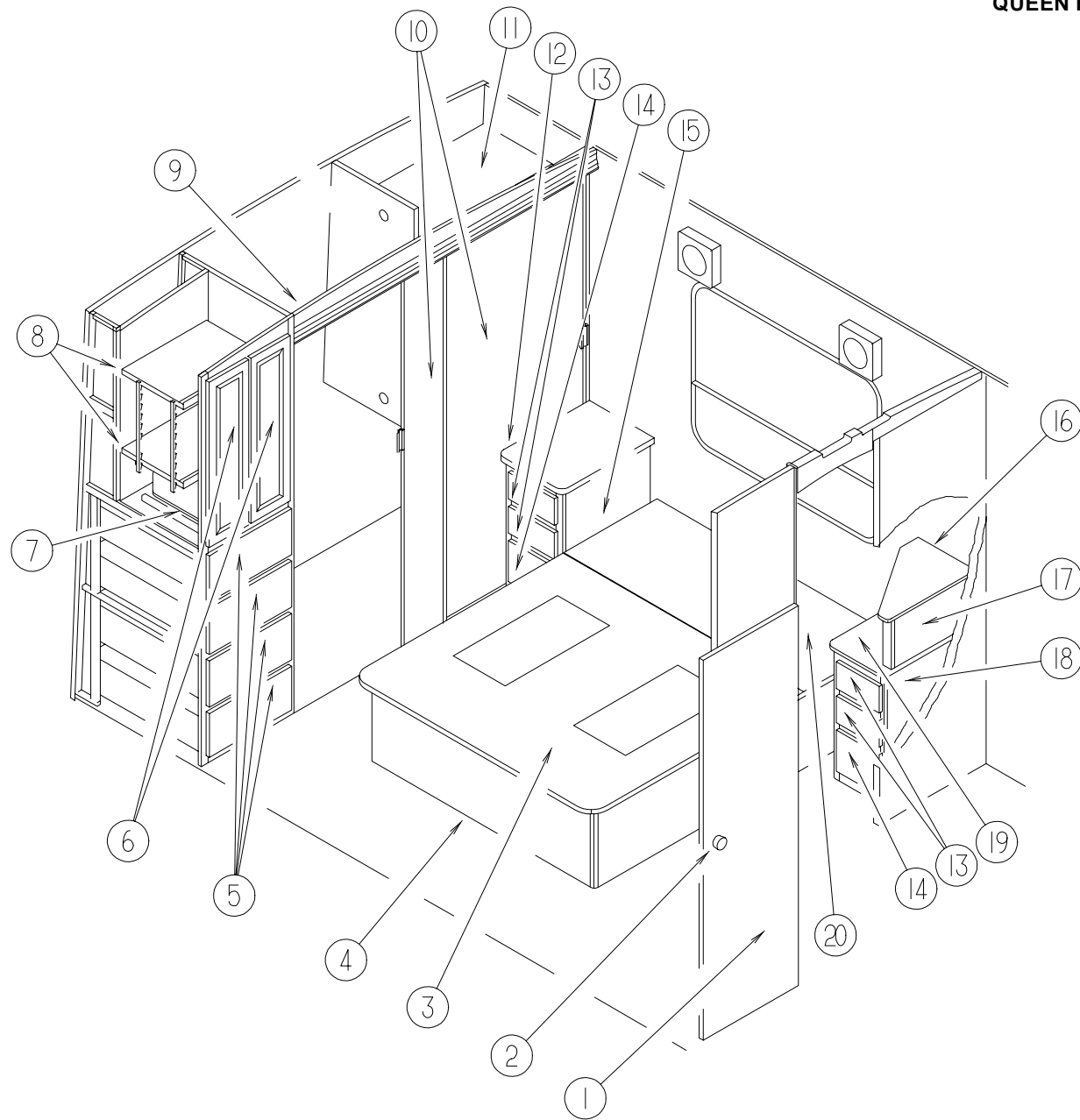


KEY	PART NUMBER	U/M	DESCRIPTION
1	119897-02-J70	EA	SHELF/WARDROBE - W/PLASTIC EDGE TRIM (WASHED MAPLE)
1	119897-02-GV1	EA	SHELF/WARDROBE - W/PLASTIC EDGE TRIM (SALEM CHERRY)
2	119921-01-J70	EA	HEADER - WARDROBE - TWIN REAR (WASHED MAPLE)
2	119921-01-GV1	EA	HEADER - WARDROBE - TWIN REAR (SALEM CHERRY)
3	P19951-02-J70	EA	CABINET - WARDROBE - REAR/TWIN - W/O DOORS/HARDWARE (WASHED MAPLE)
3	P19951-02-H57	EA	CABINET - WARDROBE - REAR/TWIN - W/O DOORS/HARDWARE (SALEM CHERRY)
4	M05992-H6-J70	EA	DOOR - STRAIGHT CORNER/OGEE EDGE - 9.8" X 33.4" - W/O HDW (WASHED MAPLE)
4	M05992-H6-GV1	EA	DOOR - OGEE EDGE - 9.8" X 33.4" - W/O HARDWARE (SALEM CHERRY)
5	M05971-U3-J70	EA	DRAWER - OGEE EDGE - 18.5"W X 19.7"D - W/O SLIDES/HARDWARE (WASHED MAPLE)
5	M05971-U3-J71	EA	DRAWER - OGEE EDGE - 18.5"W X 19.7"D - W/O SLIDES/HARDWARE (SALEM CHERRY)
6	P19270-01-J70	EA	CABINET - BASE - TWIN BED/RIGHT HAND - W/O DRS/DWRS/HDW (WASHED MAPLE)
6	P19270-01-GV1	EA	CABINET - BASE - TWIN BED/RIGHT HAND - W/O DRS/DWRS/HDW (SALEM CHERRY)
7	M05087-26-000	EA	TOP - TWIN BED - W/O HARDWARE
8	119758-01-J70	EA	CABINET - OVERHEAD/REAR - W/O DOORS/HARDWARE - TWIN BED (WASHED MAPLE)
8	119758-01-GV1	EA	CABINET - OVERHEAD/REAR - W/O DOORS/HARDWARE - TWIN BED (SALEM CHERRY)
9	M05990-01-J70	EA	DOOR - ARCHED/OGEE EDGE - 14.3" X 26.7" - W/O HARDWARE (WASHED MAPLE)
9	M05990-01-GV1	EA	DOOR - ARCHED/OGEE EDGE - 14.3" X 26.7" - W/O HARDWARE (SALEM CHERRY)
10	117872-19-J70	EA	COUNTERTOP - NIGHTSTAND (J70,J71)
10	117872-19-J72	EA	COUNTERTOP - NIGHTSTAND (J72,J73)
10	117872-19-J74	EA	COUNTERTOP - NIGHTSTAND (J74,J75,J76,J77)

KEY	PART NUMBER	U/M	DESCRIPTION
11	P17872-03-J70	EA	CABINET - NIGHTSTAND - W/O STEREO - W/O DOORS/DWRS/HDW (J70)
11	P17872-03-J71	EA	CABINET - NIGHTSTAND - W/O STEREO - W/O DOORS/DWRS/HDW (J71)
11	P17872-03-J72	EA	CABINET - NIGHTSTAND - W/O STEREO - W/O DOORS/DWRS/HDW (J72)
11	P17872-03-J73	EA	CABINET - NIGHTSTAND - W/O STEREO - W/O DOORS/DWRS/HDW (J73)
11	P17872-03-J74	EA	CABINET - NIGHTSTAND - W/O STEREO - W/O DOORS/DWRS/HDW (J74,J76)
11	P17872-03-J75	EA	CABINET - NIGHTSTAND - W/O STEREO - W/O DOORS/DWRS/HDW (J75,J77)
11	P17872-04-J70	EA	CABINET - NIGHTSTAND - F/STEREO - W/O DOORS/DRAWERS/HDW (J70)
11	P17872-04-J71	EA	CABINET - NIGHTSTAND - F/STEREO - W/O DOORS/DRAWERS/HDW (J71)
11	P17872-04-J72	EA	CABINET - NIGHTSTAND - F/STEREO - W/O DOORS/DRAWERS/HDW (J72)
11	P17872-04-J73	EA	CABINET - NIGHTSTAND - F/STEREO - W/O DOORS/DRAWERS/HDW (J73)
11	P17872-04-J74	EA	CABINET - NIGHTSTAND - F/STEREO - W/O DOORS/DRAWERS/HDW (J74,J76)
11	P17872-04-J75	EA	CABINET - NIGHTSTAND - F/STEREO - W/O DOORS/DRAWERS/HDW (J75,J77)
12	057882-05-700	SF	TAMBOUR - 4' X 4' SHEET - UNFINISHED (WASHED MAPLE)
12	057882-04-700	SF	TAMBOUR - 4' X 4' SHEET - UNFINISHED (SALEM CHERRY)
	097191-01-J70	EA	HANDLE - TAMBOUR DOOR (WASHED MAPLE)
	097191-01-E41	EA	HANDLE - TAMBOUR DOOR (SALEM CHERRY)
13	117872-18-J70	EA	COUNTERTOP - NIGHTSTAND (J70,J71)
13	117872-18-J72	EA	COUNTERTOP - NIGHTSTAND (J72,J73)
13	117872-18-J74	EA	COUNTERTOP - NIGHTSTAND (J74,J75,J76,J77)
14	M05087-25-000	EA	TOP - TWIN BED - W/O HARDWARE
15	M05971-P5-J70	EA	DRAWER - OGEE EDGE - 21.4"W X 23.5"D - W/O SLIDES/HARDWARE (WASHED MAPLE)
15	M05971-P5-GV1	EA	DRAWER - OGEE EDGE - 21.4"W X 23.5"D - W/O SLIDES/HARDWARE (SALEM CHERRY)
16	M05971-P6-J70	EA	DRAWER - OGEE EDGE - 23.1"W X 17.7"D - W/O SLIDES/HDW (WASHED MAPLE)
16	M05971-P6-GV1	EA	DRAWER - OGEE EDGE - 23.1"W X 17.7"D - W/O SLIDES/HDW (SALEM CHERRY)
17	P19271-01-J70	EA	CABINET - BASE - TWIN BED/LEFT HAND - W/O DOORS/DRAWERS/HDW (WASHED MAPLE)
17	P19271-01-GV1	EA	CABINET - BASE - TWIN BED/LEFT HAND - W/O DOORS/DRAWERS/HDW (SALEM CHERRY)

## BEDROOM GROUP (CONTINUED)

### QUEEN BEDROOM CABINETS

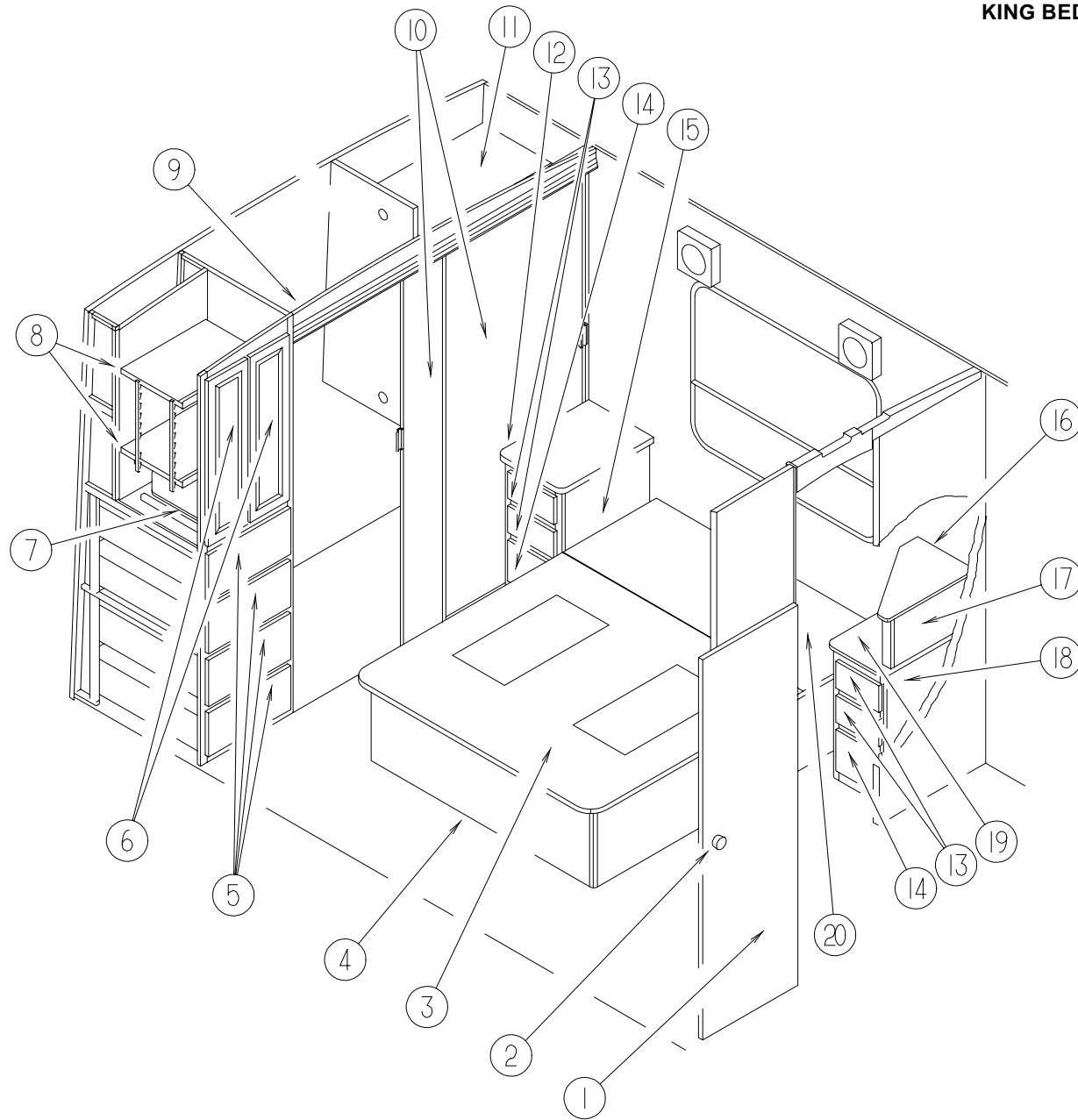


KEY	PART NUMBER	U/M DESCRIPTION
1	M87868-33-J70	EA DOOR - BATH - 23" X 73.7" (WASHED MAPLE)
1	M87868-33-GV1	EA DOOR - BATH - 23" X 73.7" (SALEM CHERRY)
	102920-01-01A	EA HINGE - SPRING LOADED/BRASS
	110496-01-01A	EA HINGE - BRASS
2	111155-01-01A	EA LOCK - PRIVACY - POLISHED BRASS
3	M05087-27-000	EA TOP - QUEEN BED - W/O HARDWARE
4	P19268-02-J70	EA CABINET - BASE - QUEEN BED - W/O DOORS/DRAWERS/HARDWARE (WASHED MAPLE)
4	P19268-02-J71	EA CABINET - BASE - QUEEN BED - W/O DOORS/DRAWERS/HARDWARE (SALEM CHERRY)
	057460-04-000	EA SPRING - GAS - BALL STUD STYLE "SPD6209"
	089025-01-000	EA SUPPORT - SPRING TO BED - ANGLE 1.5" X 11.8"
	109645-01-000	EA BRACKET - SUPPORT FLOOR TO BED - F/GAS SPRING

KEY	PART NUMBER	U/M DESCRIPTION
5	M05971-15-J70	EA DRAWER - OGEE EDGE - 17.4"W X 21.6"D - W/O SLIDES/HARDWARE (WASHED MAPLE)
5	M05971-15-GV1	EA DRAWER - OGEE EDGE - 17.4"W X 21.6"D - W/O SLIDES/HARDWARE (SALEM CHERRY)
6	M05990-01-J70	EA DOOR - ARCHED/OGEE EDGE - 14.3" X 26.7" - W/O HARDWARE (WASHED MAPLE)
6	M05990-01-GV1	EA DOOR - ARCHED/OGEE EDGE - 14.3" X 26.7" - W/O HARDWARE (SALEM CHERRY)
7	119554-18-J70	EA SHELF - W/EDGE MOLDING (WASHED MAPLE)
7	119554-18-J71	EA SHELF - W/EDGE MOLDING (SALEM CHERRY)
	116773-02-000	EA SWIVEL/SLIDES - F/TV SHELF
8	119554-13-J70	EA SHELF - W/PLASTIC EDGE TRIM (WASHED MAPLE)
8	119554-13-GV1	EA SHELF - W/PLASTIC EDGE TRIM (SALEM CHERRY)
9	119543-01-H56	EA HEADER - REAR WARDROBE (WASHED MAPLE)
9	119543-01-GV1	EA HEADER - REAR WARDROBE (SALEM CHERRY)
10	114149-08-GV0	EA DOOR - WARDROBE/MIRRORED
11	119897-01-J70	EA SHELF/WARDROBE - W/VINYL MOLDING (WASHED MAPLE)
11	119897-01-GV1	EA SHELF/WARDROBE - W/VINYL MOLDING (SALEM CHERRY)
12	119288-13-J70	EA COUNTERTOP - NIGHTSTAND (J70,J71)
12	119288-13-J72	EA COUNTERTOP - NIGHTSTAND (J72,J73)
12	119288-13-J74	EA COUNTERTOP - NIGHTSTAND (J74,J75,J76,J77)
13	M05971-33-J70	EA DRAWER - OGEE EDGE - 11.4"W X 17.7"D - W/O SLIDES/HARDWARE (WASHED MAPLE)
13	M05971-33-GV1	EA DRAWER - OGEE EDGE - 11.4"W X 17.7"D - W/O SLIDES/HARDWARE (SALEM CHERRY)
14	M05971-UO-J70	EA DRAWER - OGEE EDGE - 11.4"W X 17.7"D - W.O SLIDES/HARDWARE (WASHED MAPLE)
14	M05971-UO-H57	EA DRAWER - OGEE EDGE - 11.4"W X 17.7"D - W/O SLIDES/HARDWARE (SALEM CHERRY)
15	119288-02-J70	EA CABINET - NIGHTSTAND - QUEEN/REAR - W/O DOORS/DRAWERS/HDW (J70)
15	119288-02-J71	EA CABINET - NIGHTSTAND - QUEEN/REAR - W/O DOORS/DRAWERS/HDW (J71)
15	119288-02-J72	EA CABINET - NIGHTSTAND - QUEEN/REAR - W/O DOORS/DRAWERS/HDW (J72)
15	119288-02-J73	EA CABINET - NIGHTSTAND - QUEEN/REAR - W/O DOORS/DRAWERS/HDW (J73)
15	119288-02-J74	EA CABINET - NIGHTSTAND - QUEEN/REAR - W/O DOORS/DRAWERS/HDW (J74,J76)
15	119288-02-J75	EA CABINET - NIGHTSTAND - QUEEN/REAR - W/O DOORS/DRAWERS/HDW (J75,J77)
16	118202-13-J70	EA SHELF - F/RADIO (J70,J71)
16	118202-13-J70	EA SHELF - F/RADIO (J72,J73)
16	118202-13-J70	EA SHELF - F/RADIO (J74,J75,J76,J77)
17	118202-02-J70	EA CABINET - F/RADIO - W/O DOORS/HARDWARE (J70)
17	118202-02-J71	EA CABINET - F/RADIO - W/O DOORS/HARDWARE (J71)
17	118202-02-J72	EA CABINET - F/RADIO - W/O DOORS/HARDWARE (J72)
17	118202-02-J73	EA CABINET - F/RADIO - W/O DOORS/HARDWARE (J73)
17	118202-02-J74	EA CABINET - F/RADIO - W/O DOORS/HARDWARE (J74,J76)
17	118202-02-J75	EA CABINET - F/RADIO - W/O DOORS/HARDWARE (J75,J77)
18	119289-02-J70	EA CABINET - NIGHTSTAND - QUEEN/FOOT - W/O DOORS/DRAWERS/HDW (J70)
18	119289-02-J71	EA CABINET - NIGHTSTAND - QUEEN/FOOT - W/O DOORS/DRAWERS/HDW (J71)
18	119289-02-J72	EA CABINET - NIGHTSTAND - QUEEN/FOOT - W/O DOORS/DRAWERS/HDW (J72)
18	119289-02-J73	EA CABINET - NIGHTSTAND - QUEEN/FOOT - W/O DOORS/DRAWERS/HDW (J73)
18	119289-02-J74	EA CABINET - NIGHTSTAND - QUEEN/FOOT - W/O DOORS/DRAWERS/HDW (J74,J76)
18	119289-02-J75	EA CABINET - NIGHTSTAND - QUEEN/FOOT - W/O DOORS/DRAWERS/HDW (J75,J77)
19	119289-13-J70	EA COUNTERTOP - NIGHTSTAND (J70,J71)
19	119289-13-J72	EA COUNTERTOP - NIGHTSTAND (J72,J73)
19	119289-13-J74	EA COUNTERTOP - NIGHTSTAND (J74,J75,J76,J77)
20	M05087-28-000	EA TOP - QUEEN BED - W/O HARDWARE
	M79284-02-A54	EA EXTRUSION - U-CHANNEL - .03" X 96" - VILLAGE OAK

# BEDROOM GROUP (CONTINUED)

## KING BEDROOM CABINETS



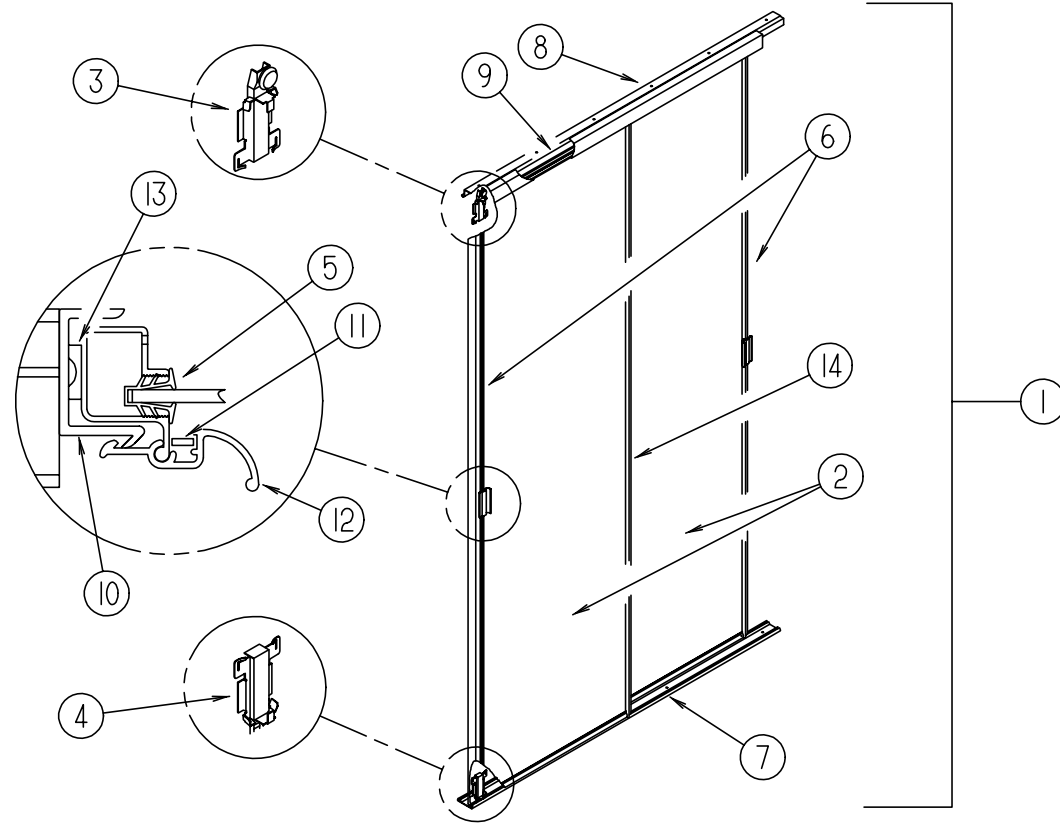
1	M87868-33-J70	EA	DOOR - BATH - 23" X 73.7" (WASHED MAPLE)
1	M87868-33-GV1	EA	DOOR - BATH - 23" X 73.7" (SALEM CHERRY)
	102920-01-01A	EA	HINGE - SPRING LOADED/BRASS
	110496-01-01A	EA	HINGE - BRASS
2	111155-01-01A	EA	LOCK - PRIVACY - POLISHED BRASS
3	M05087-23-000	EA	TOP - KING BED - W/O HARDWARE
4	P19269-01-J70	EA	CABINET - BASE - KING BED - W/O DOORS/DRAWERS/HARDWARE (WASHED MAPLE)
4	P19269-01-GV1	EA	CABINET - BASE - KING BED - W/O DOORS/DRAWERS/HARDWARE (SALEM CHERRY)
	057460-04-000	EA	SPRING - GAS - BALL STUD STYLE "SPD6209"
	089025-01-000	EA	SUPPORT - SPRING TO BED - ANGLE 1.5" X 11.8"
	109645-01-000	EA	BRACKET - SUPPORT FLOOR TO BED - F/GAS SPRING

KEY	PART NUMBER	U/M	DESCRIPTION
5	M05971-15-J70	EA	DRAWER - OGEE EDGE - 17.4"W X 21.6"D - W/O SLIDES/HARDWARE (WASHED MAPLE)
5	M05971-15-GV1	EA	DRAWER - OGEE EDGE - 17.4"W X 21.6"D - W/O SLIDES/HARDWARE (SALEM CHERRY)
6	M05990-01-J70	EA	DOOR - ARCHED/OGEE EDGE - 14.3" X 26.7" - W/O HARDWARE (WASHED MAPLE)
6	M05990-01-GV1	EA	DOOR - ARCHED/OGEE EDGE - 14.3" X 26.7" - W/O HARDWARE (SALEM CHERRY)
7	119554-16-J70	EA	SHELF - W/PLASTIC EDGE TRIM (WASHED MAPLE)
7	119554-16-J71	EA	SHELF - W/PLASTIC EDGE TRIM (SALEM CHERRY)
7	119554-18-J70	EA	SHELF - WARDROBE CABINET (WASHED MAPLE)
7	119554-18-J71	EA	SHELF - W/PLASTIC EDGE MOLDING (SALEM CHERRY)
	116773-02-000	EA	SWIVEL/SLIDES - F/TV SHELF
8	119554-13-J70	EA	SHELF - W/PLASTIC EDGE TRIM (WASHED MAPLE)
8	119554-13-GV1	EA	SHELF - W/PLASTIC EDGE TRIM (SALEM CHERRY)
9	119543-01-H56	EA	HEADER - REAR WARDROBE (WASHED MAPLE)
9	119543-01-GV1	EA	HEADER - REAR WARDROBE (SALEM CHERRY)
10	114149-08-GV0	EA	DOOR - WARDROBE/MIRRORED
11	119897-01-J70	EA	SHELF/WARDROBE - W/VINYL MOLDING (WASHED MAPLE)
11	119897-01-GV1	EA	SHELF/WARDROBE - W/VINYL MOLDING (SALEM CHERRY)
12	119291-13-J70	EA	COUNTERTOP - NIGHTSTAND (J70,J71)
12	119291-13-J72	EA	COUNTERTOP - NIGHTSTAND (J72,J73)
12	119291-13-J74	EA	COUNTERTOP - NIGHTSTAND (J74,J75,J76,J77)
13	M05971-U2-J70	EA	DRAWER - OGEE EDGE - 6.9"W X 17.7"D - W/O SLIDES/HARDWARE (WASHED MAPLE)
13	M05971-U2-GV1	EA	DRAWER - OGEE EDGE - 6.9"W X 17.7"D - W/O SLIDES/HARDWARE (SALEM CHERRY)
14	M05971-U1-J70	EA	DRAWER - OGEE EDGE - 6.9"W X 15.7"D - W/O SLIDES/HARDWARE (WASHED MAPLE)
14	M05971-U1-GV1	EA	DRAWER - OGEE EDGE - 6.9"W X 15.7"D - W/O SLIDES/HARDWARE (SALEM CHERRY)
15	119291-02-J70	EA	CABINET - NIGHTSTAND - KING/REAR - W/O DOORS/DRAWERS/HDW (J70)
15	119291-02-J71	EA	CABINET - NIGHTSTAND - KING/REAR - W/O DOORS/DRAWERS/HDW (J71)
15	119291-02-J72	EA	CABINET - NIGHTSTAND - KING/REAR - W/O DOORS/DRAWERS/HDW (J72)
15	119291-02-J73	EA	CABINET - NIGHTSTAND - KING/REAR - W/O DOORS/DRAWERS/HDW (J73)
15	119291-02-J74	EA	CABINET - NIGHTSTAND - KING/REAR - W/O DOORS/DRAWERS/HDW (J74,J76)
15	119291-02-J75	EA	CABINET - NIGHTSTAND - KING/REAR - W/O DOORS/DRAWERS/HDW (J75,J77)
16	118202-13-J70	EA	SHELF - F/RADIO (J70,J71)
16	118202-13-J70	EA	SHELF - F/RADIO (J72,J73)
16	118202-13-J70	EA	SHELF - F/RADIO (J74,J75,J76,J77)
17	118202-02-J70	EA	CABINET - F/RADIO - W/O DOORS/HARDWARE (J70)
17	118202-02-J71	EA	CABINET - F/RADIO - W/O DOORS/HARDWARE (J71)
17	118202-02-J72	EA	CABINET - F/RADIO - W/O DOORS/HARDWARE (J72)
17	118202-02-J73	EA	CABINET - F/RADIO - W/O DOORS/HARDWARE (J73)
17	118202-02-J74	EA	CABINET - F/RADIO - W/O DOORS/HARDWARE (J74,J76)
17	118202-02-J75	EA	CABINET - F/RADIO - W/O DOORS/HARDWARE (J75,J77)
18	119290-02-J70	EA	CABINET - NIGHTSTAND - KING/FOOT - W/O DOORS/DRAWERS/HDW (J70)
18	119290-02-J71	EA	CABINET - NIGHTSTAND - KING/FOOT - W/O DOORS/DRAWERS/HDW (J71)
18	119290-02-J72	EA	CABINET - NIGHTSTAND - KING/FOOT - W/O DOORS/DRAWERS/HDW (J72)
18	119290-02-J73	EA	CABINET - NIGHTSTAND - KING/FOOT - W/O DOORS/DRAWERS/HDW (J73)
18	119290-02-J74	EA	CABINET - NIGHTSTAND - KING/FOOT - W/O DOORS/DRAWERS/HDW (J74,J76)
18	119290-02-J75	EA	CABINET - NIGHTSTAND - KING/FOOT - W/O DOORS/DRAWERS/HDW (J75,J77)
19	119290-13-J70	EA	COUNTERTOP - NIGHTSTAND (J70,J71)
19	119290-13-J72	EA	COUNTERTOP - NIGHTSTAND (J72,J73)
19	119290-13-J74	EA	COUNTERTOP - NIGHTSTAND (J74,J75,J76,J77)
20	M05087-24-000	EA	TOP - KING BED/HEAD/AREA - W/O HARDWARE
	M79284-02-A54	EA	EXTRUSION - U-CHANNEL - .03" X 96" - VILLAGE OAK



## BEDROOM GROUP (CONTINUED)

### TWIN MIRRORED SLIDING DOOR

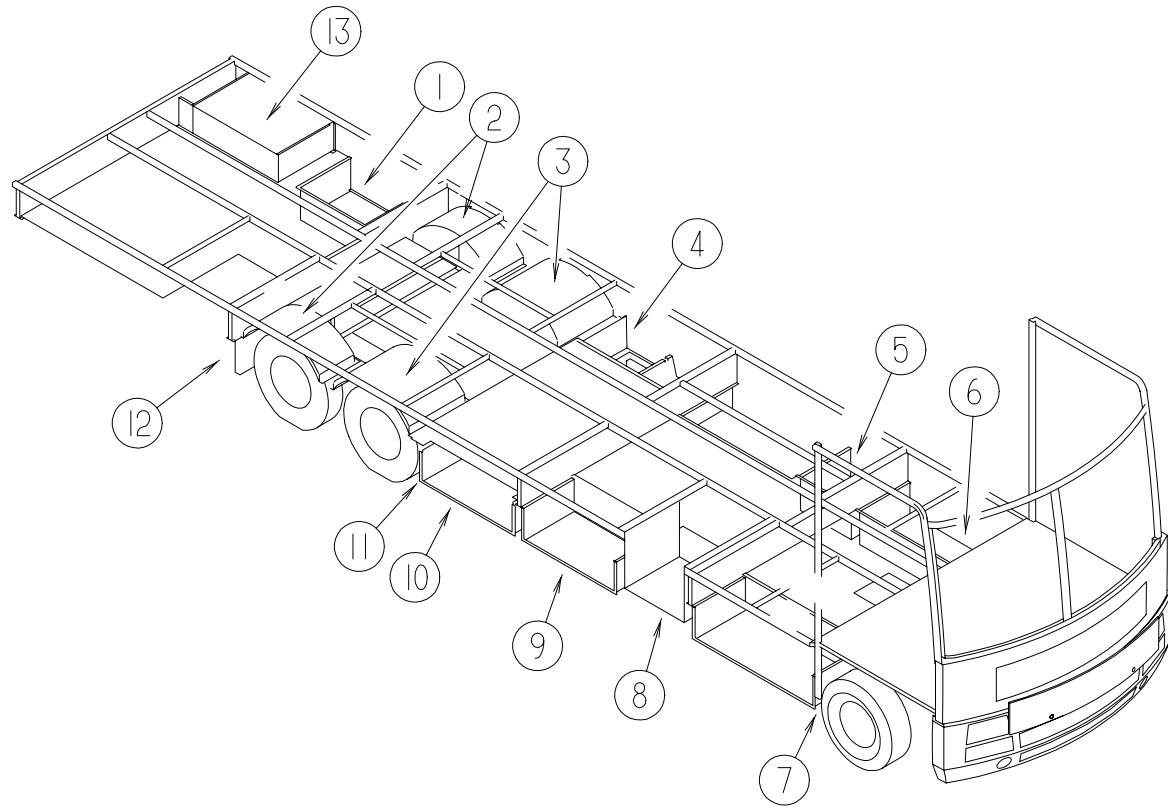


KEY	PART NUMBER	U/M	DESCRIPTION
1	114149-10-GV0	EA	DOOR - WARDROBE/MIRRORED
2	058331-E4-000	EA	MIRROR - SAFETY GLASS - 21.9" X 73.7"
3	107390-01-000	EA	HANGER-CORNER CONNECT
4	107391-01-000	EA	GUIDE - BOTTOM - BY-PASS (PAIR)
5	111575-01-01A	FT	CHANNEL - GLAZING - SWING DOOR
6	114104-06-01A	EA	STILE - DOOR - SLIDING
7	114105-08-01A	EA	TRACK - DOOR - SLIDING/LOWER
8	114106-08-01A	EA	TRACK - DOOR - SLIDING/UPPER
9	114107-07-01A	EA	RAIL - SLIDING DOOR
10	115538-03-01A	EA	JAMB - DOOR - WARDROBE/MIRRORED
11	115541-01-000	EA	SPRING - DOOR - SLIDING
12	115553-01-01A	EA	LATCH-MIRRORED WARDROBE DOOR - TERRATONE
13	114104-02-01A	EA	STILE - DOOR - SLIDING
14	123655-01-000	FT	SEAL-CLOSED CELL/FOAM
	120974-01-000	EA	SLIDE - POCKET DOOR - RIGHT HAND
	120974-02-000	EA	SLIDE - POCKET DOOR - LEFT HAND

### KING & QUEEN MIRRORED SLIDING DOOR

KEY	PART NUMBER	U/M	DESCRIPTION
1	114149-08-GV0	EA	DOOR - WARDROBE/MIRRORED
2	058331-E1-000	EA	MIRROR - SAFETY GLASS - 36.6" X 73.7"
3	107390-01-000	EA	HANGER-CORNER CONNECT
4	107391-01-000	EA	GUIDE - BOTTOM - BY-PASS (PAIR)
5	111575-01-01A	FT	CHANNEL-GLAZING, SWING DOOR
6	114104-06-01A	EA	STILE - DOOR - SLIDING
7	114105-08-01A	EA	TRACK - DOOR - SLIDING/LOWER
8	114106-08-01A	EA	TRACK - DOOR - SLIDING/UPPER
9	114107-07-01A	EA	RAIL - SLIDING DOOR
10	115538-03-01A	EA	JAMB - DOOR - WARDROBE/MIRRORED
11	115541-01-000	EA	SPRING - DOOR - SLIDING
12	115553-01-01A	EA	LATCH-MIRRORED WARDROBE DOOR - TERRATONE
13	114104-02-01A	EA	STILE - DOOR - SLIDING
14	123655-01-000	FT	SEAL-CLOSED CELL/FOAM
	120974-01-000	EA	SLIDE - POCKET DOOR - RIGHT HAND
	120974-02-000	EA	SLIDE - POCKET DOOR - LEFT HAND

## CHASSIS GROUP



### COMPARTMENTS, WHEEL WELLS & MUD FLAPS

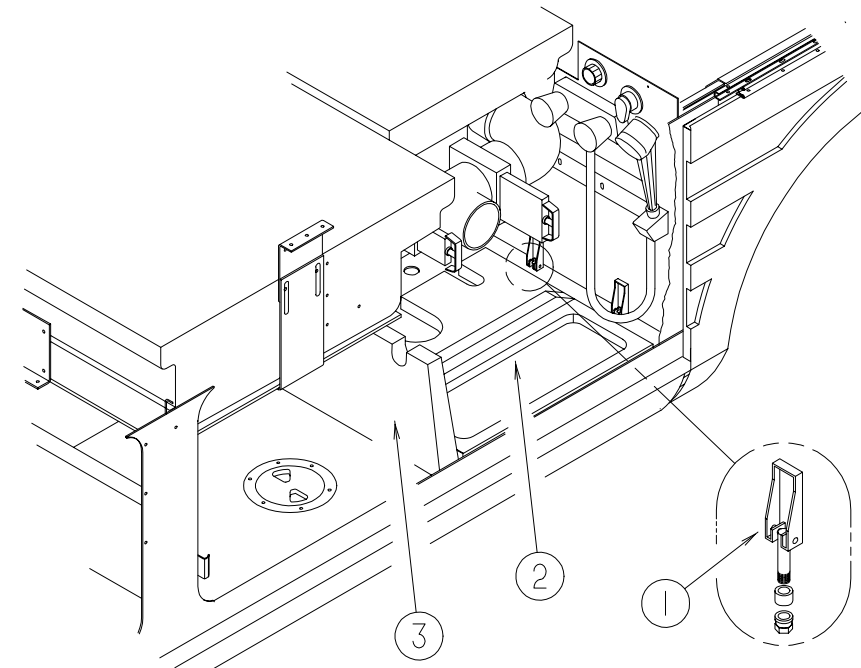
KEY	PART NUMBER	U/M	DESCRIPTION
1	117595-01-01A	EA	COMPARTMENT - STORAGE
2	055374-05-000	EA	WHEELWELL - PLASTIC
3	055374-03-000	EA	WHEELWELL - PLASTIC
4	M07452-04-G38	EA	COMPARTMENT - STORAGE - 14.4" X 48.9"
5	117928-03-01A	EA	COMPARTMENT - STORAGE
6	117928-05-01A	EA	COMPARTMENT - STORAGE - 23.4" X 53.6"
7	117928-02-01A	EA	COMPARTMENT - STORAGE
8*	094707-01-01A	EA	STEP - DOUBLE - ELECTRIC - KWIKEE
	116995-01-000	EA	SWITCH/MAGNET - ELECTRIC STEP
9	117928-01-01A	EA	COMPARTMENT - STORAGE
10	117928-04-01A	EA	COMPARTMENT - STORAGE
11	020167-05-000	EA	DIRT GUARD - STEEL - 14.9" LONG
12	017516-01-000	EA	MUD FLAP - 14" X 18" - BLACK
12	020167-05-000	EA	DIRT GUARD - STEEL - 14.9" LONG
13	106152-01-000	EA	PANEL - COMPARTMENT - GENERATOR
	119845-01-01A	EA	PLUG - PLASTIC - BLACK
	061420-10-000	EA	PLUG/PLASTIC - 1.50" DIAMETER - BLACK
	108986-01-000	EA	TUBE - SUPPORT - LADDER/LOWER
	115392-01-01A	EA	STRAP - VELCRO (LUG WRENCH HOLDER)

\* COMPONENT PARTS FOUND IN SERVICE PARTS LIBRARY

### AIR DUCT & ELBOWS - VORTEC 285 HP GAS ENGINE (CHEVY)

KEY	PART NUMBER	U/M	DESCRIPTION
	123361-01-000	EA	DUCT-AIR INTAKE
	123362-01-000	EA	ELBOW-RUBBER, 90 DEGREE - 3.5" ID

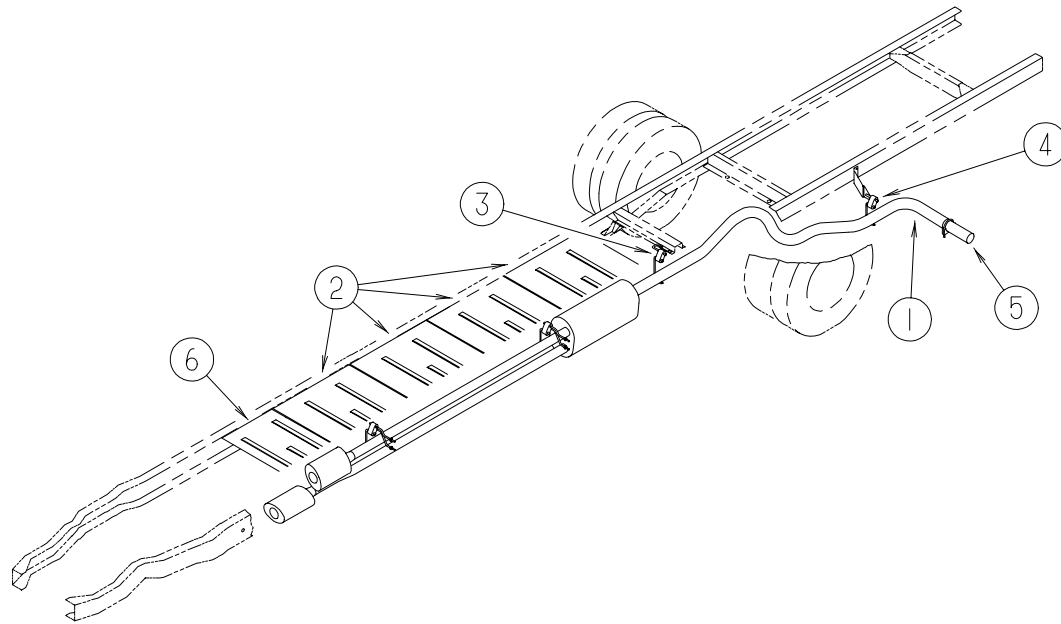
## CHASSIS GROUP (CONTINUED)



### DRAINAGE COMPARTMENT

KEY	PART NUMBER	U/M	DESCRIPTION
1	121175-01-01A	EA	LATCH - SWELL - BLACK
2	M06991-05-G38	EA	HATCH - W/FOAM
3	117758-02-01A	EA	HATCH - COMPARTMENT - STORAGE

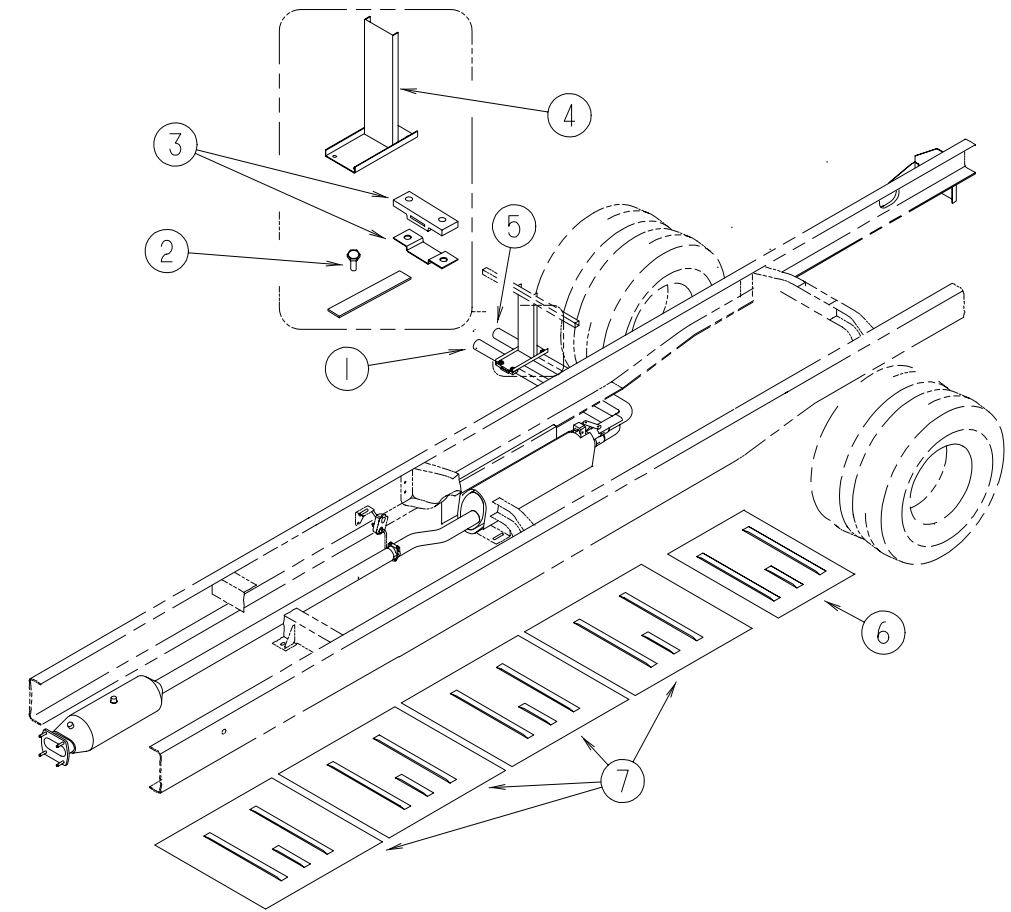
### CHASSIS GROUP (CONTINUED)



**CHEVY EXHAUST SYSTEM**

KEY	PART NUMBER	U/M	DESCRIPTION
1	094918-01-000	EA	CLAMP - EXHAUST - 3" - GUILLOTINE STYLE
2	101544-02-000	EA	SHIELD - HEAT/EXHAUST - 30" X 29.1"
3	122392-01-02B	EA	HANGER - TAILPIPE
4	122392-03-02B	EA	HANGER - TAILPIPE - REAR
5	122529-02-000	EA	PIPE - EXHAUST
6	101544-01-000	EA	SHIELD - HEAT/EXHAUST - 19.7" X 29.1"

### CHASSIS GROUP (CONTINUED)

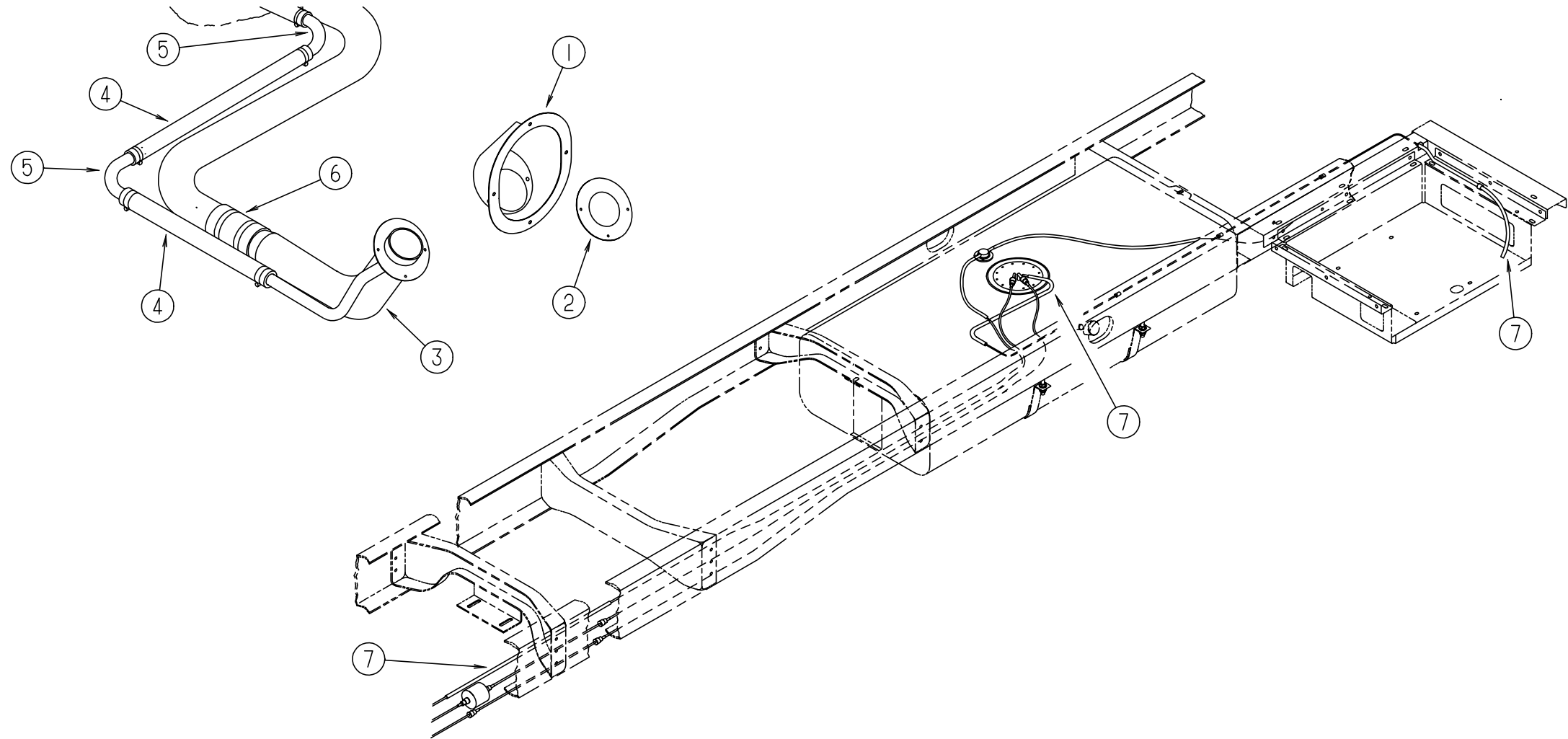


**FORD EXHAUST SYSTEM**

KEY	PART NUMBER	U/M	DESCRIPTION
1	129206-02-000	EA	PIPE/TAIL - EXHAUST - FORD
2	096055-06-000	EA	SUPPORT - EXHAUST PIPE
3	095190-01-000	EA	HANGER - EXHAUST - 4" X 1.4"
4	118000-04-02B	EA	HANGER - TAILPIPE - E-COATED
5	129206-01-000	EA	PIPE/TAIL - EXHAUST - FORD
6	101544-01-000	EA	SHIELD - HEAT/EXHAUST - 19.7" X 29.1"
7	101544-06-000	EA	SHIELD - HEAT/EXHAUST - 33.9" X 29.1"
	007125-05-000	EA	CLAMP - MUFFLER - 2" DIAMETER
	094918-06-000	EA	CLAMP - EXHAUST - 3" - HEAVY DUTY
	099307-05-000	EA	PANEL - HEATSHIELD - BOTTOM
	120740-01-02B	EA	BRACKET - SUPPORT - SHIELD

# CHASSIS GROUP (CONTINUED)

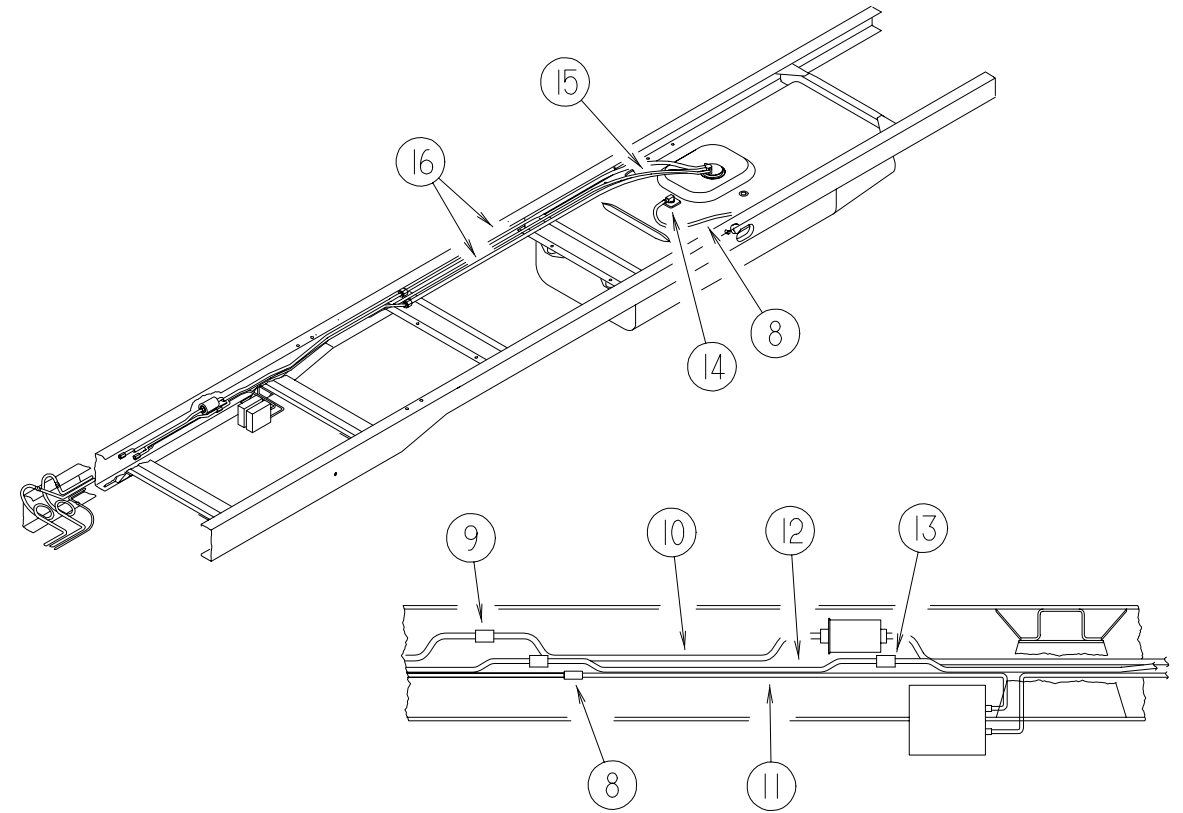
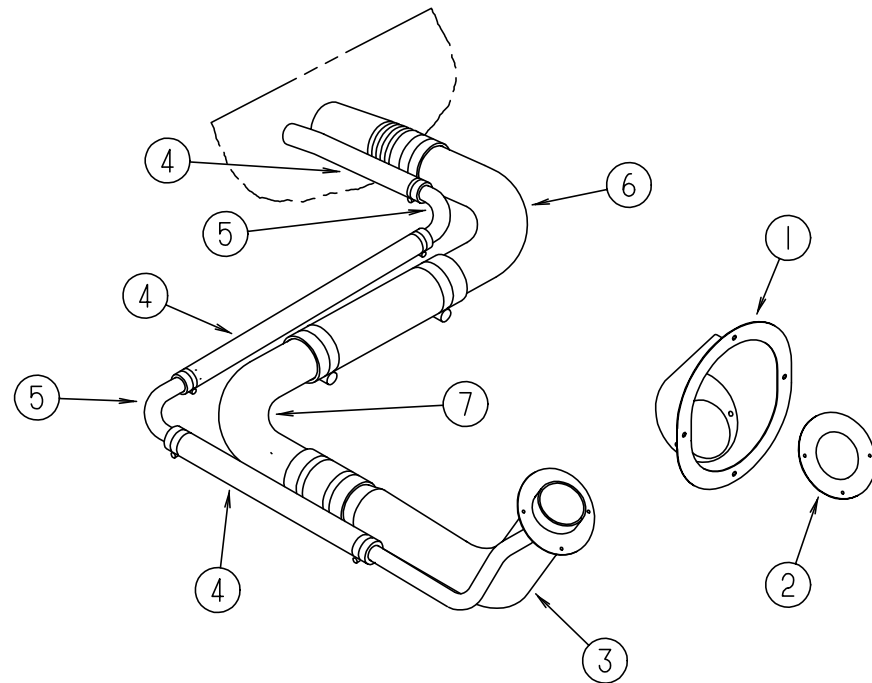
## FORD FUEL SYSTEM



KEY	PART NUMBER	U/M	DESCRIPTION
1	102951-01-01A	EA	SHROUD - FUEL FILL - UNFINISHED FROM: 00-00-00 THRU: 01-05-98
1	095854-01-01A	EA	SHROUD - FUEL FILL - PLASTIC FROM: 01-06-98 THRU: 99-99-99
2	078200-01-000	EA	GASKET - FUEL FILL - 3.5" OD X 2" ID
3	087256-07-000	EA	NECK - FUEL FILL - FORD
4	066732-01-000	FT	HOSE - FUEL - .62" ID
5	098806-01-000	EA	PIPE - FILL VENT - 90 DEGREE BEND - .635 OD - STEEL
6	007111-02-000	EA	HOSE - FUEL FILL - 2" ID
	100140-03-000	EA	TUBE - FUEL INLET
7	007063-01-000	FT	HOSE - FUEL - 1/4"ID X 1/2"OD
	084884-01-000	EA	PLUG - BRASS - 3/8"
	062401-06-000	EA	CLAMP - HOSE - WORMGEAR - .22" - .62" ID

## CHASSIS GROUP (CONTINUED)

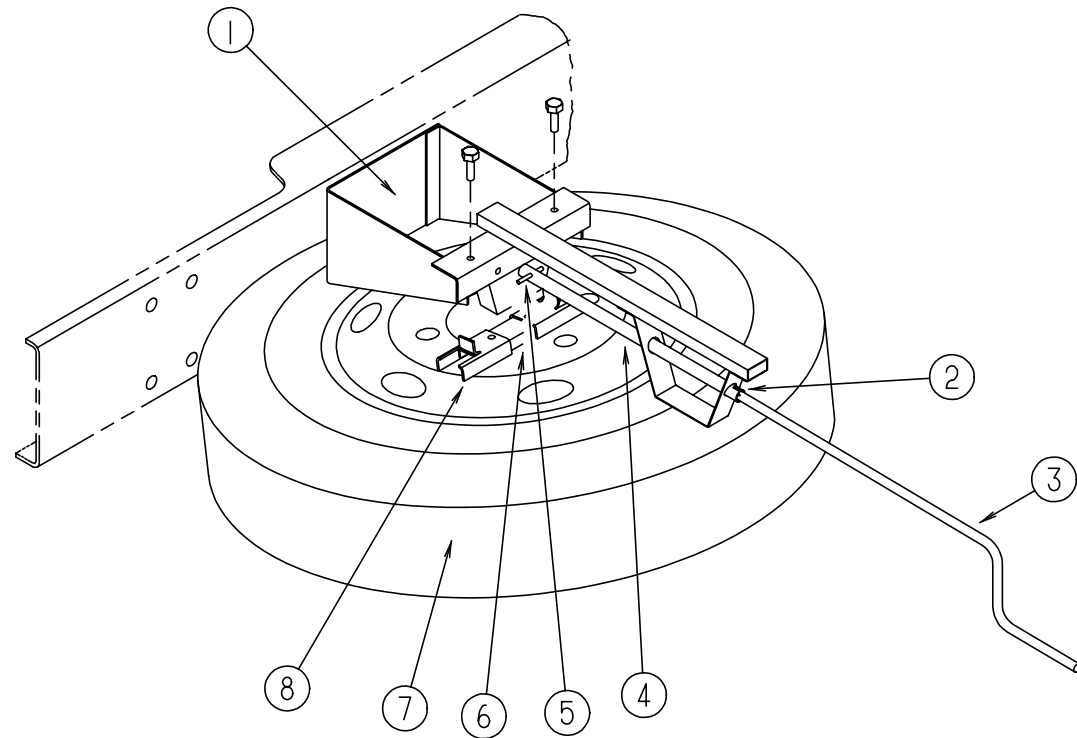
### CHEVY FUEL SYSTEM



KEY	PART NUMBER	U/M	DESCRIPTION
1	102951-01-01A	EA	SHROUD - FUEL FILL - UNFINISHED FROM: 00-00-00 THRU: 01-05-98
1	095854-01-04A	EA	SHROUD - FUEL FILL - BRIGHT WHITE FROM: 01-06-98 THRU: 99-99-99
2	078200-01-000	EA	GASKET - FUEL FILL - 3.5" OD X 2" ID
3	087256-02-000	EA	NECK - FUEL FILL FROM: 00-00-00 THRU: 10-02-97
3	127301-03-000	EA	NECK - FUEL FILL FROM: 10-03-97 THRU: 99-99-99
4	066732-01-000	FT	HOSE - FUEL - .62" ID
5	098806-01-000	EA	PIPE - FILL VENT - 90 DEGREE BEND - .635 OD - STEEL
6	098803-01-000	EA	PIPE - FUEL FILL - 90 DEGREE BEND - 13.2" - 1 3/4" OD
7	098807-01-000	EA	PIPE - FUEL FILL - 90 DEGREE BEND - 6.6" - 1 3/4" OD
8	007063-01-000	FT	HOSE - FUEL - 1/4" ID X 1/2" OD
	084884-01-000	EA	PLUG - BRASS - 3/8"
	062401-06-000	EA	CLAMP - HOSE - WORMGEAR - .22" - .62" ID
9	098779-02-000	EA	COUPLER - FUEL LINE - 1.2" LONG X 16MM THREAD

KEY	PART NUMBER	U/M	DESCRIPTION
10	098759-02-000	EA	FUEL LINE - SUPPLY - 3/8" STEEL X 22" LONG W/16MM NUTS
11	074800-18-000	EA	TUBE - EXTENSION - MAIN FUEL
12	098758-02-000	EA	FUEL LINE - RETURN - 5/16" STEEL X 22" LONG W/14MM NUTS
13	098779-01-000	EA	COUPLER - FUEL LINE - 1.2" LONG X 14MM THREAD
14	114254-01-000	EA	ADAPTER - 1/4 BARB X 1/8 MPT
15	127393-01-000	EA	HOSE - FUEL VAPOR/EMMISSION - 64" - GM CHASSIS
16	127391-01-000	EA	FUEL LINE - DOUBLE (3/8" FEED/5/16" RETURN) 70" - GM CHASSIS
	068382-06-000	EA	BUSHING - BRASS - 3/8 MPT X 1/8 FPT
	024138-01-000	FT	HOSE - FUEL - 5/16" ID
	044317-01-000	FT	HOSE - FUEL - 3/8" ID
	075466-01-000	EA	UNION - INVERTED FL TUBE, 1/4"

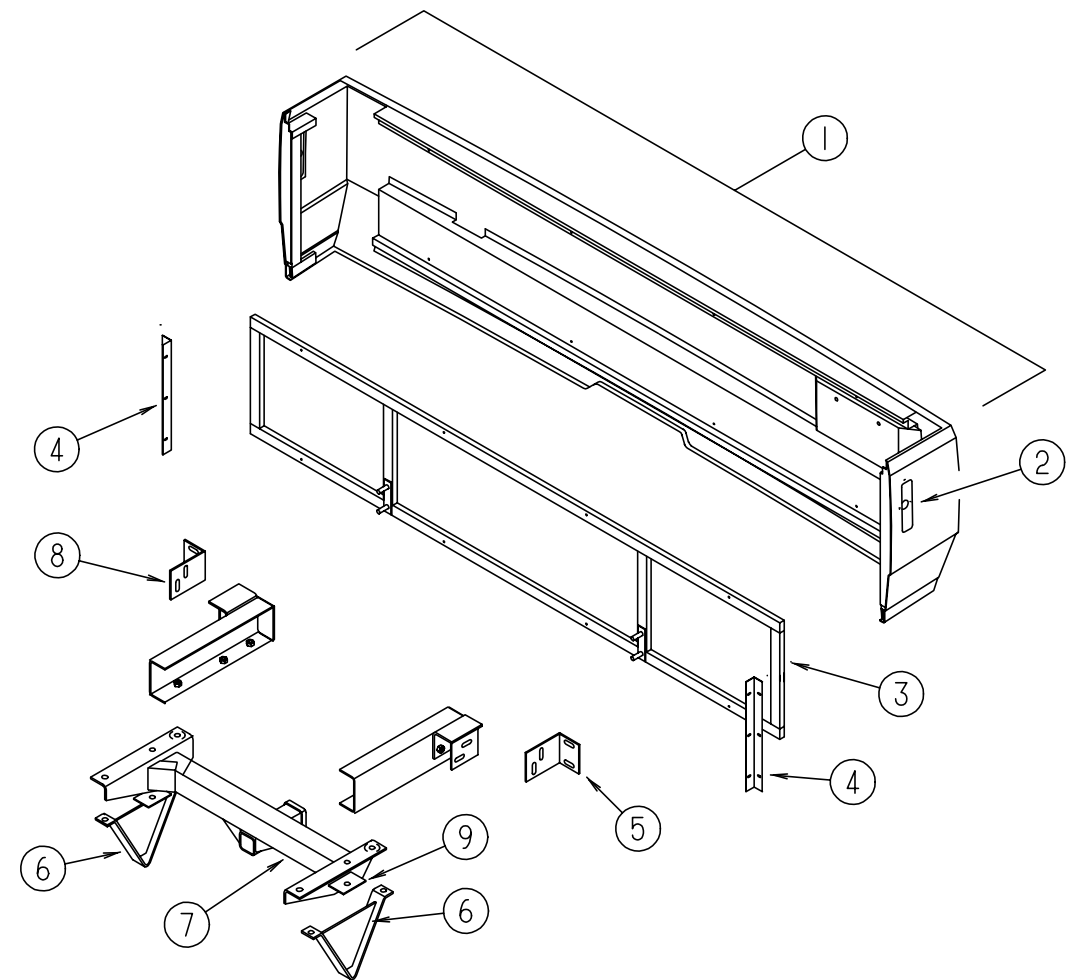
### CHASSIS GROUP (CONTINUED)



#### SPARE TIRE & HOIST

KEY	PART NUMBER	U/M	DESCRIPTION
1	112534-01-E37	EA	BRACKET - TIRE HOIST
2	112539-02-01B	EA	SUPPORT - HANDLE - TIRE HOIST
3	093376-02-000	EA	HANDLE - CRANK - TIRE HOIST
4	093375-09-000	EA	EXTENSION - TIRE HOIST
			FROM: 00-00-00 THRU: 09-01-97
4	093375-05-000	EA	EXTENSION - TIRE HOIST
			FROM: 09-02-97 THRU: 99-99-99
5	114376-01-000	EA	PIN - DRIVE - .156 X .750 - TYPE E - TIRE HOIST
6	093267-03-000	EA	HOIST - SPARE TIRE - #100 LB
7	095853-02-000	EA	WHEEL - STEEL - 16" X 6K (FORD ONLY)
7	064963-01-000	EA	WHEEL - STEEL - 19.5" X 6" - GM 14005758
7	091673-01-000	EA	TIRE - 225.70 R19.5 LRF - XZA (CHEVY)
	051377-01-000	EA	VALVE STEM
7	083425-05-000	EA	TIRE - MICHELIN - LT 235/85R16 - LOAD RANGE E (FORD)
	077030-02-000	EA	EXTENSION - VALVE STEM - 1.25"
	051377-05-000	EA	VALVE STEM
	095012-03-000	EA	EXTENSION - VALVE STEM - DUAL WHEEL (FORD)
	095012-04-000	EA	STABILIZER - VALVE EXTENSION
8	105499-01-000	EA	BRACKET - TIRE HOIST
	080208-01-000	EA	LUG WRENCH - 1.06 X 1.00 W/SHALLOW SOCKET ENDS (CHEVY)
	080208-06-000	EA	LUG WRENCH - 1" X 1.06" W/DEEP SOCKET ENDS (CHEVY)

### CHASSIS GROUP (CONTINUED)



#### REAR BUMPER & TRAILER HITCH

KEY	PART NUMBER	U/M	DESCRIPTION
1	P18217-02-GV0	EA	BUMPER - REAR - W/INNER FRAME - W/O HITCH
	117511-01-GV0	EA	PANEL - BUMPER - REAR - W/O FRAME/ANGLE MOUNTS
	104319-51-007	EA	EXTRUDED - FRAME - GRILLE - 4"
2	118374-01-01A	EA	POCKET - SIDE MARKER LIGHT
3	118833-01-02B	EA	FRAME - BUMPER - REAR
4	113041-03-02B	EA	ANGLE - BUMPER MOUNT
5	107524-02-000	EA	ANGLE - BUMPER - INNER/LEFT HAND
6	111742-01-000	EA	PLATE - SKID
7	107707-01-000	EA	HITCH RECEIVER - BOLT-ON CLASS II
	034512-01-000	EA	PIN - LOCKING - DRAWBAR
	034513-01-000	EA	PIN - HITCH - 3/16" WIRE
8	107524-01-000	EA	ANGLE - BUMPER - INNER/RIGHT HAND
9	070579-09-000	EA	PLATE - ANCHOR
	113588-02-01B	EA	BRACKET - CONNECTOR - TRAILER W/O LIP
	113589-01-000	EA	CONNECTOR - PLUG - TRAILER
	113589-02-000	EA	CONNECTOR - SOCKET - TRAILER

**CHASSIS GROUP (CONTINUED)**  
**SHOCK & STABILIZER**

KEY	PART NUMBER	U/M	DESCRIPTION	VENDOR NO.
	701390-29-000	EA	SHOCK & STABILIZER KIT - FRONT END P-30 CHASSIS	
	122756-02-700	EA	BRACKET ASM - DRIVERS SIDE	T818L
	122756-02-701	EA	BRACKET ASM - PASSENGER SIDE	T818R
	122756-02-702	EA	BRACKET ONLY - DRIVERS SIDE	T818L
	122756-02-703	EA	BRACKET ONLY -PASSENGER SIDE	T818R
	122756-02-704	EA	BOLT PACKAGE -BOLTS/NUTS ETC	T818R
	122756-02-705	EA	SHOCK	T818SH
	122756-02-706	EA	STUD - SHOCK MOUNTING	T818S
	122756-02-707	EA	DAMPNER - STEERING	T818SD
	122756-02-708	EA	BOOT - STEERING DAMPNER	T818SDB
	122756-02-709	EA	BUSHING PKG-STEERING DAMPNER	T818SDBSH
	122756-02-710	EA	BOLT PKG - STEERING DAMPNER	T818S

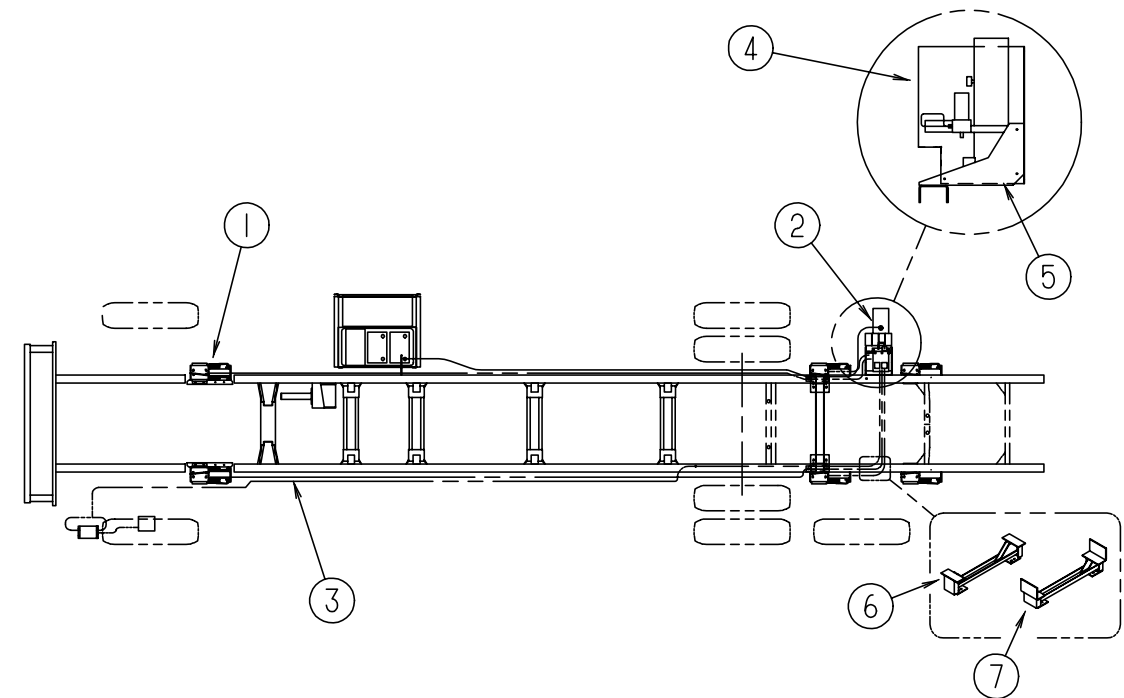
**WHEEL LINERS FORD**

KEY	PART NUMBER	U/M	DESCRIPTION	VENDOR NO.
	110435-08-000	EA	LINER - WHEEL SET (SET=4) 16"	
	110435-01-711	EA	DECAL - CENTER CAP - 2"	
	110435-02-702	EA	STUD EXTENDER	V160SD-STX
	110435-02-703	EA	NUT (JAMB)	V160SD-JNT
	110435-02-704	EA	COVER - LUG NUT	V160FO-LNC
	110435-02-705	EA	TOOL F/ JAMB NUT - INSTALL.	V160FO-TOL
	110435-08-700	EA	LINER - WHEEL - FRONT	V160SD-FWC
	110435-08-701	EA	LINER - WHEEL - REAR	V160SD-RWC
	110435-09-000	EA	LINER - WHEEL - SET/2 - REAR 16"	
	110435-01-711	EA	DECAL - CENTER CAP - 2"	
	110435-02-702	EA	STUD EXTENDER	V160SD-STX
	110435-02-703	EA	NUT (JAMB)	V160SD-JNT
	110435-02-704	EA	COVER - LUG NUT	V160FO-LNC
	110435-02-705	EA	TOOL F/ JAMB NUT - INSTALL.	V160FO-TOL
	110435-08-701	EA	LINER - WHEEL - REAR	V160SD-RWC

**WHEEL LINERS CHEVY**

KEY	PART NUMBER	U/M	DESCRIPTION	VENDOR NO.
	110435-06-000	EA	LINER - WHEEL SET (SET=4) 19.5" R/GM W/LONG STUDS FROM: 00-00-00 THRU: 05-06-97	
	110435-01-711	EA	DECAL - CENTER CAP - 2"	
	110435-02-703	EA	NUT (JAMB)	V160SD-JNT
	110435-02-704	EA	COVER - LUG NUT	V160FO-LNC
	110435-02-705	EA	TOOL F/ JAMB NUT - INSTALL.	V160FO-TOL
	110435-06-700	EA	LINER - WHEEL - FRONT	V195P5-FWC
	110435-06-701	EA	LINER - WHEEL - REAR	V195P5-RWC
	110435-06-702	EA	BRACKET - BRIDGE	V195P5-BRK
	110435-06-703	EA	NUT - JAM - BRIDGE BRKT 1 1/16	V195P5-BJN
	110435-06-704	EA	STUD EXTENDERS - P30	V195P5-STX
	110435-10-000	EA	LINER - WHEEL - SET 4 - 19.5" FROM: 05-07-97 THRU: 99-99-99	
	110435-10-700	EA	LINER - WHEEL - FRONT - 1 PC	V195P7-FWC
	110435-10-701	EA	LINER - WHEEL - REAR - 1 PC.	V195P7-RWC
	110435-10-702	EA	JAMB NUT - ENCLOSED/LNC	V195P7-EJN
	110435-10-703	EA	STUD - PLASTIC	V195P7-PST
	110435-10-704	EA	JAMB NUT - PLASTIC/LNC	V195P7-PJN
	110435-10-705	EA	TOOL - INSTALLATION	V195P7-TOL
	110435-07-000	EA	LINER - WHEEL - SET/2 - RR19.5" FROM: 00-00-00 THRU: 05-06-97	
	110435-01-711	EA	DECAL - CENTER CAP - 2"	
	110435-02-703	EA	NUT (JAMB)	V160SD-JNT
	110435-02-704	EA	COVER - LUG NUT	V160FO-LNC
	110435-02-705	EA	TOOL F/ JAMB NUT - INSTALL.	V160FO-TOL
	110435-06-701	EA	LINER - WHEEL - REAR	V195P5-RWC
	110435-06-704	EA	STUD EXTENDERS - P30	V195P5-STX
	110435-11-000	EA	LINER - WHEEL - SET 2 - 19.5" FROM: 05-07-97 THRU: 99-99-99	

**CHASSIS GROUP (CONTINUED)**

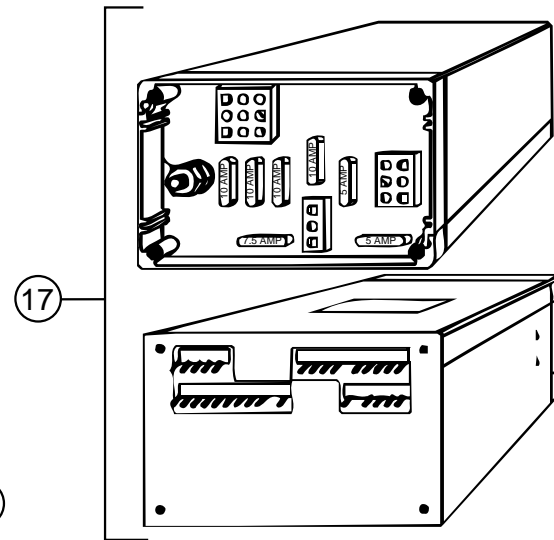
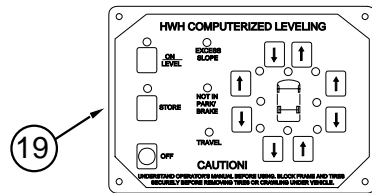
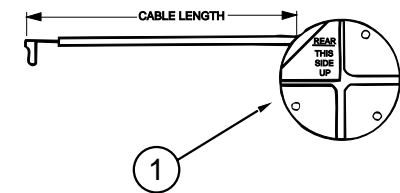


**FRONT & REAR HWH HYDRAULIC LEVELING SYSTEM**

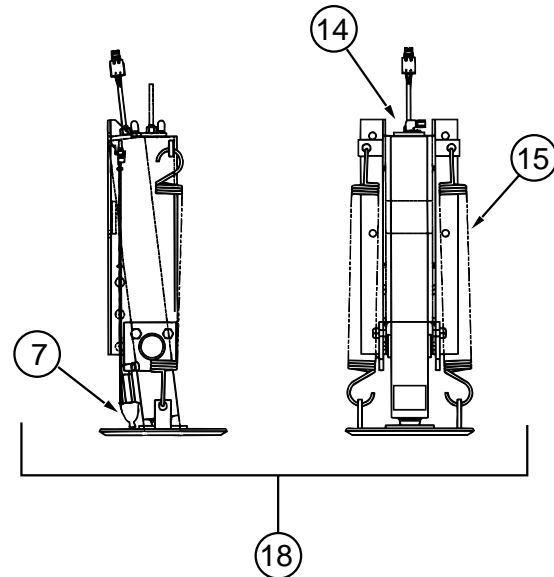
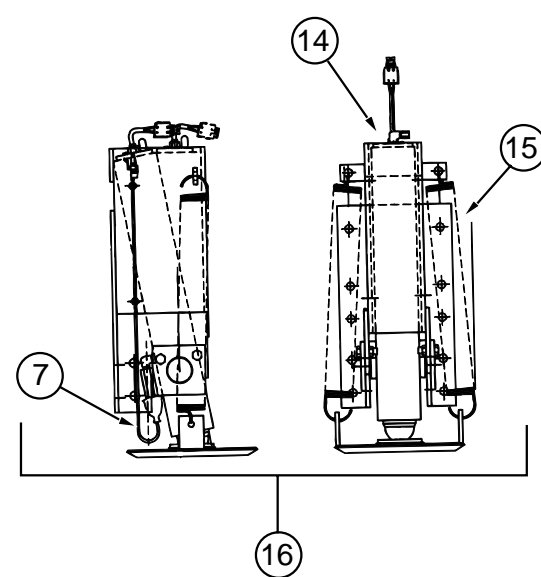
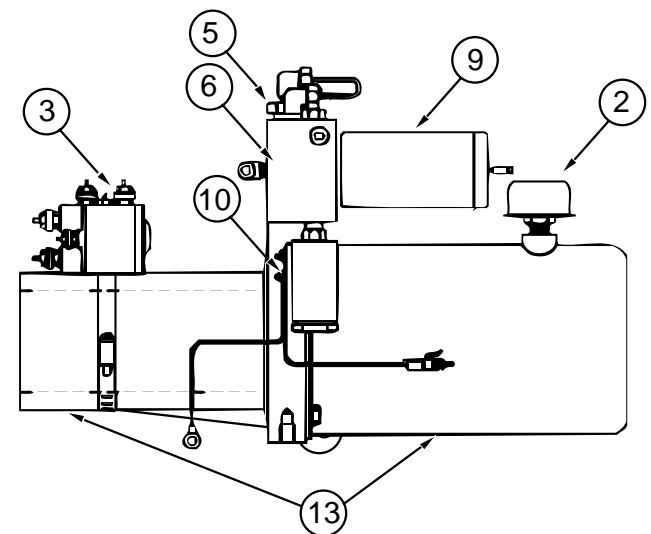
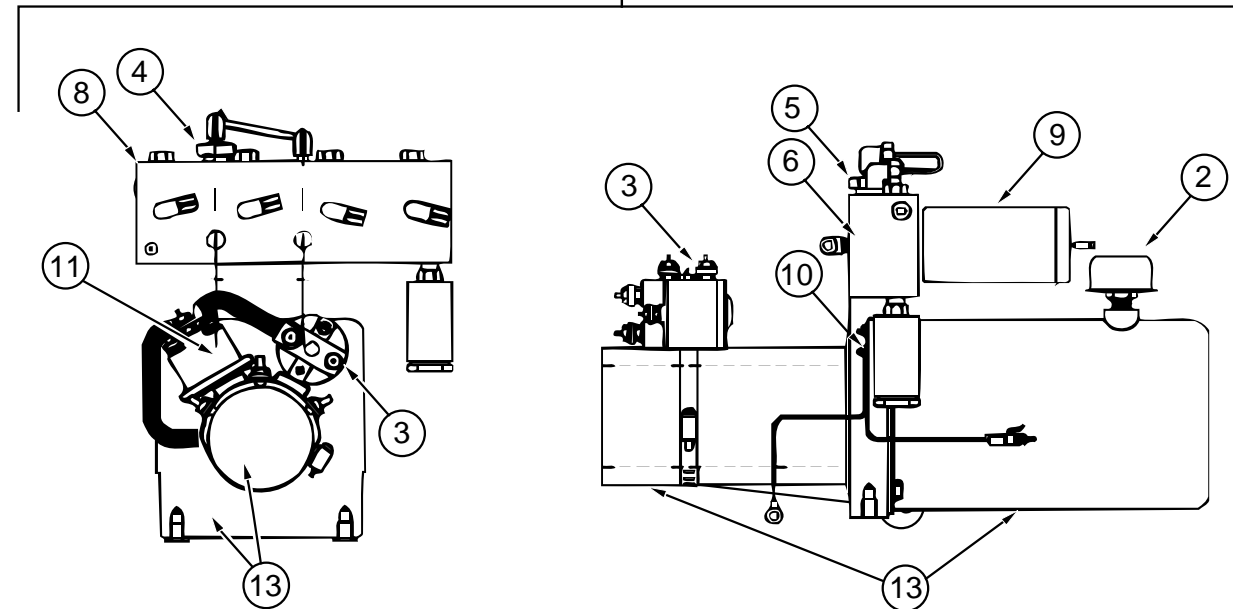
KEY	PART NUMBER	U/M	DESCRIPTION
1	107890-01-000	EA	ELBOW - STEEL - 90 D - 1/4 X 37 D - FLARE
1	100533-05-000	EA	BRACKETS - FRONT LEVELING JACK - KICKDOWN - CHEVY
1	100533-06-000	EA	BRACKETS - FRONT LEVELING JACKS - KICKDOWN - FORD
2	100532-07-000	EA	LEVELING SYSTEM/HYDRAULIC - 2 FRONT KICKDOWN JACKS ONLY
2	100532-27-000	EA	LEVELING SYSTEM - HYDRAULIC - FORD - STRAIGHT ACTING JACKS
2	100532-36-000	EA	LEVELING SYSTEM - HYDRAULIC - CHEV - STRAIGHT ACTING JACKS FROM: 00-00-00 THRU: 08-17-97
2	100532-46-000	EA	LEVELING SYSTEM - HYDRAULIC - CHEVY FROM: 08-18-97 THRU: 99-99-99
3	100536-16-000	EA	HOSE KIT - HWH #AP0397
3	100536-08-000	EA	HOSE KIT - HWH #AP9446
4	108629-01-000	EA	SHIELD - PUMP
5	107938-07-000	EA	BRACKET - PUMP
6	100534-14-000	EA	BRACKETS - REAR LEVELING JACKS (CHEVY)
7	100534-13-000	EA	BRACKETS - REAR LEVELING JACKS (FORD )
	111619-01-000	EA	WIRE ASSEMBLY - HWH JACKS/JET AIR RIDE

# CHASSIS GROUP (CONTINUED)

## FRONT & REAR HWH HYDRAULIC LEVELING SYSTEM (FORD)



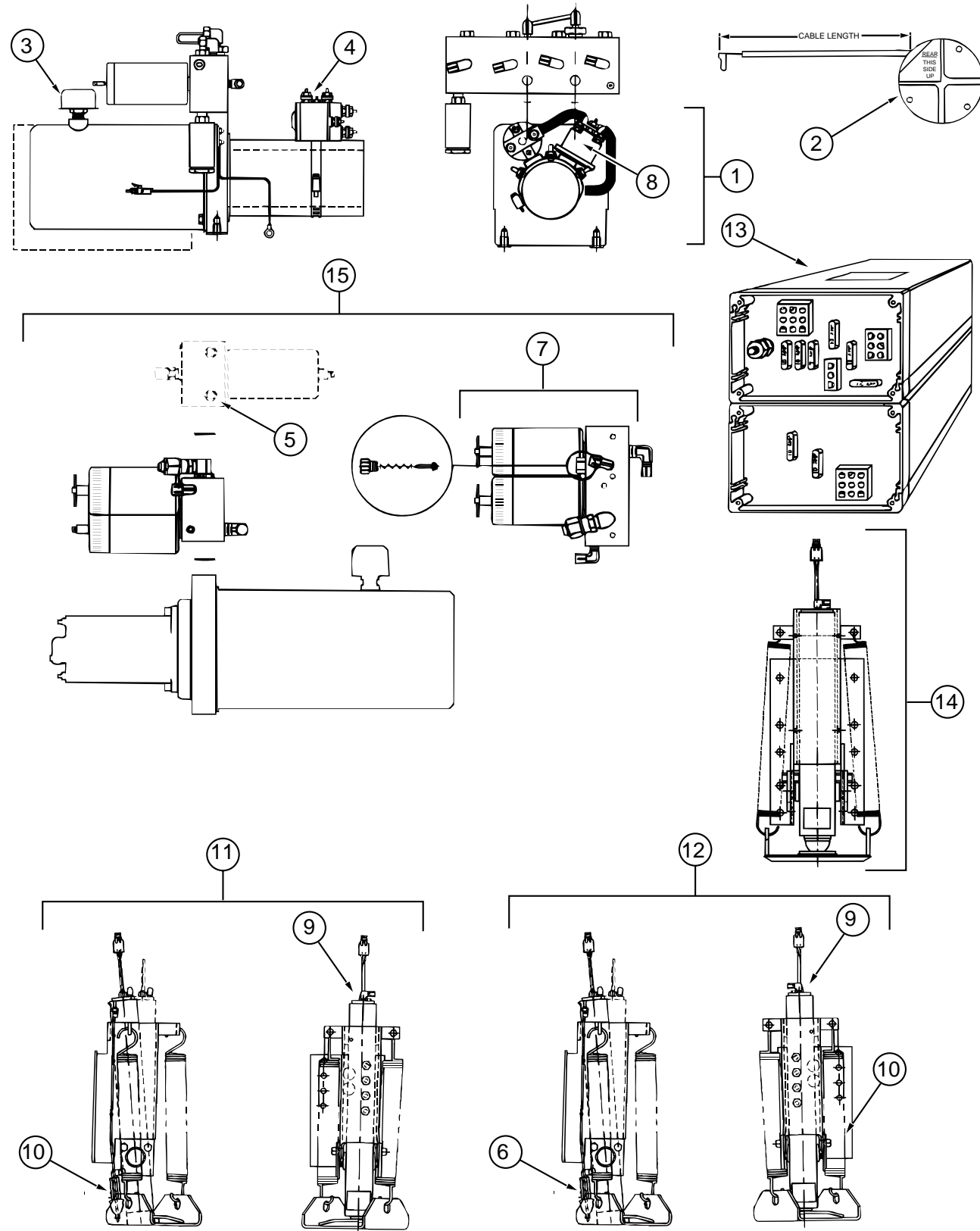
KEY	PART NUMBER	U/M DESCRIPTION	VENDOR NO.
1	100532-27-000	EA LEVELING SYSTEM - HYDRAULIC	
2	100532-03-710	EA SENSING UNIT 21' MTA	RAP6798
3	100532-03-715	EA CAP - BREATHER W/DIPSTICK	RAP7876
4	100532-03-716	EA SOLENOID - CONTINUOUS DUTY	RAP7505
5	100532-03-717	EA VALVE - PRESS. - RETURN SHUTTLE	RAP7964
6	100532-03-721	EA VALVE - CHECK KIT (SGL)	RAP7944
7	100532-03-723	EA MANIFOLD HDWE MTG KIT	RAP9171
8	100532-03-726	EA SWITCH - PRESSURE	RAP8003
9	100532-09-703	EA MANIFOLD ASM. - COMPLETE	RAP0959
10	100532-09-704	EA VALVE - PRESSURE SOLENOID	RAP0642
11	100532-09-705	EA SWITCH - PRESS - W/HEAD -3000#	RAP0993
12	100532-09-710	EA SOLENOID - INTERMITTENT DUTY	RAP0533
13	100532-12-700	EA VALVE ASM. 18" - POWER UNIT	RAP1124
14	100532-12-701	EA PUMP & MOTOR W/TANK 1.7	RAP0588
15	100532-12-706	EA SWITCH - WARNING/MAGNETIC	RAP1008
16	100532-12-707	EA SPRING KIT	R3847
17	100532-21-700	EA JACK - FRONT - W/SWITCHES 6K	
18	100532-26-700	EA CONTROL BOX ASM.	RAP1111
19	100532-27-700	EA JACK - 9K STRAIGHT ACTING	RAP10793
	100532-09-700	EA PANEL ASM. - TOUCH CONTROL	RAP1002
	100532-09-702	EA CABLE - MODULAR 5'	RAP1020
	100532-01-714	EA SCREW KIT (LEVELING JACKS)	R1280





# CHASSIS GROUP (CONTINUED)

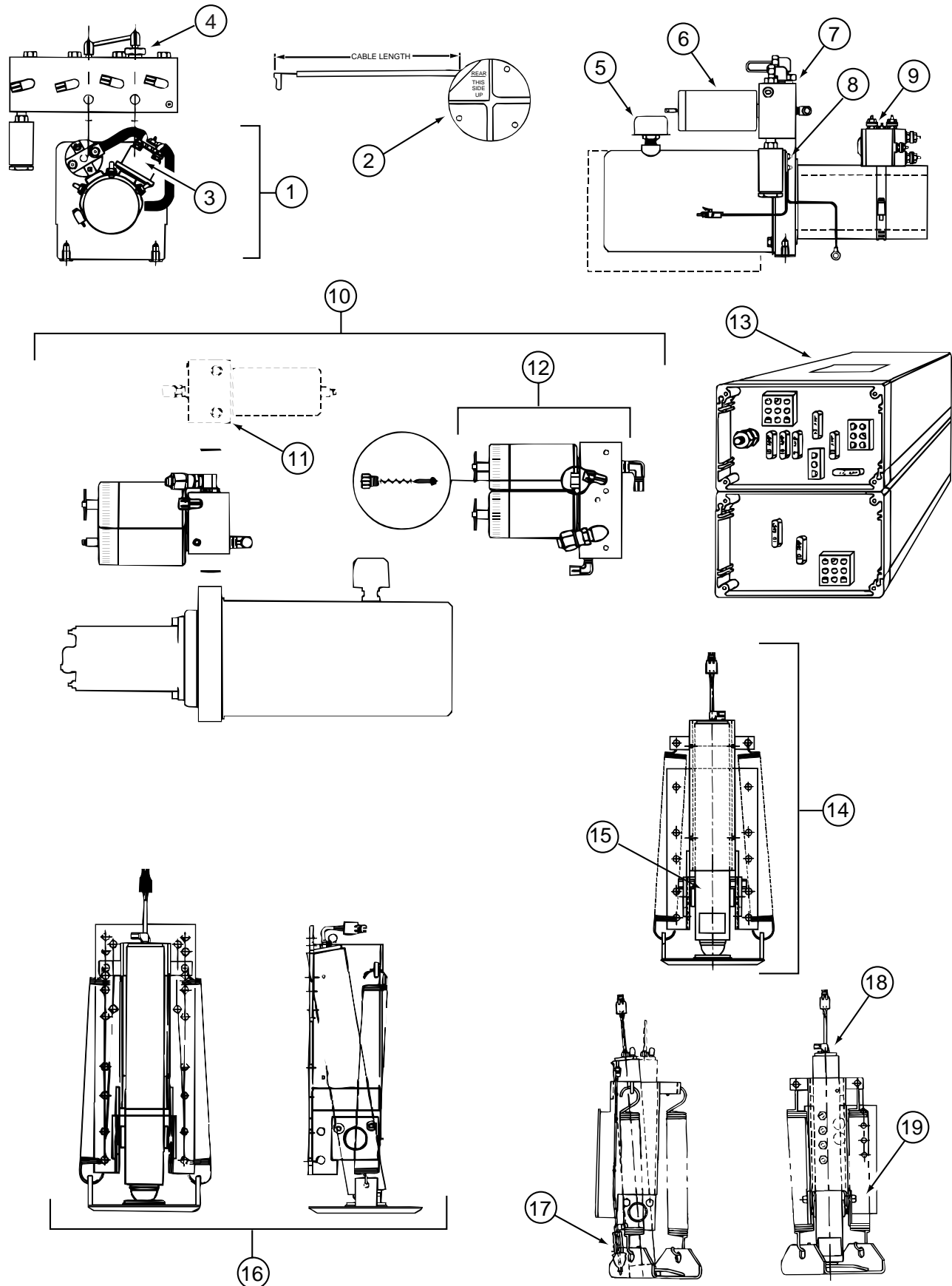
FRONT & REAR HWH HYDRAULIC LEVELING SYSTEM (CHEVY) (FROM: 00-00-00 THRU: 08-17-97)



KEY	PART NUMBER	U/M DESCRIPTION	VENDOR NO.
	100532-36-000	EA LEVELING SYSTEM - HYDRAULIC	
1	100532-01-713	EA PUMP - RESERVOIR ASM. - MONARCH	RAP90014
2	100532-03-710	EA SENSING UNIT 21' MTA	RAP6798
3	100532-03-715	EA CAP - BREATHER W/DIPSTICK	RAP7876
4	100532-03-716	EA SOLENOID - CONTINUOUS DUTY	RAP7505
5	100532-03-723	EA MANIFOLD HDWE MTG KIT	RAP9171
6	100532-03-726	EA SWITCH - PRESSURE	RAP8003
7	100532-09-703	EA MANIFOLD ASM. - COMPLETE	RAP0959
8	100532-09-710	EA SOLENOID - INTERMITTENT DUTY	RAP0533
9	100532-12-706	EA SWITCH - WARNING/MAGNETIC	RAP1008
10	100532-12-707	EA SPRING KIT	R3847
11	100532-20-701	EA JACK - FRONT LH - 6K	RAP2023
12	100532-20-702	EA JACK - FRONT RH - 6K	RAP2024
13	100532-26-700	EA CONTROL BOX ASM.	RAP1111
14	100532-27-700	EA JACK - 9K STRAIGHT ACTING	RAP10793
	100532-32-701	EA BUZZER - JACK DOWN WARNING	RAP0325
15	100532-36-700	EA PUMP/RESERVOIR/MANIFOLD ASM	RAP10472
	100532-01-714	EA SCREW KIT (LEVELING JACKS)	R1280

# CHASSIS GROUP (CONTINUED)

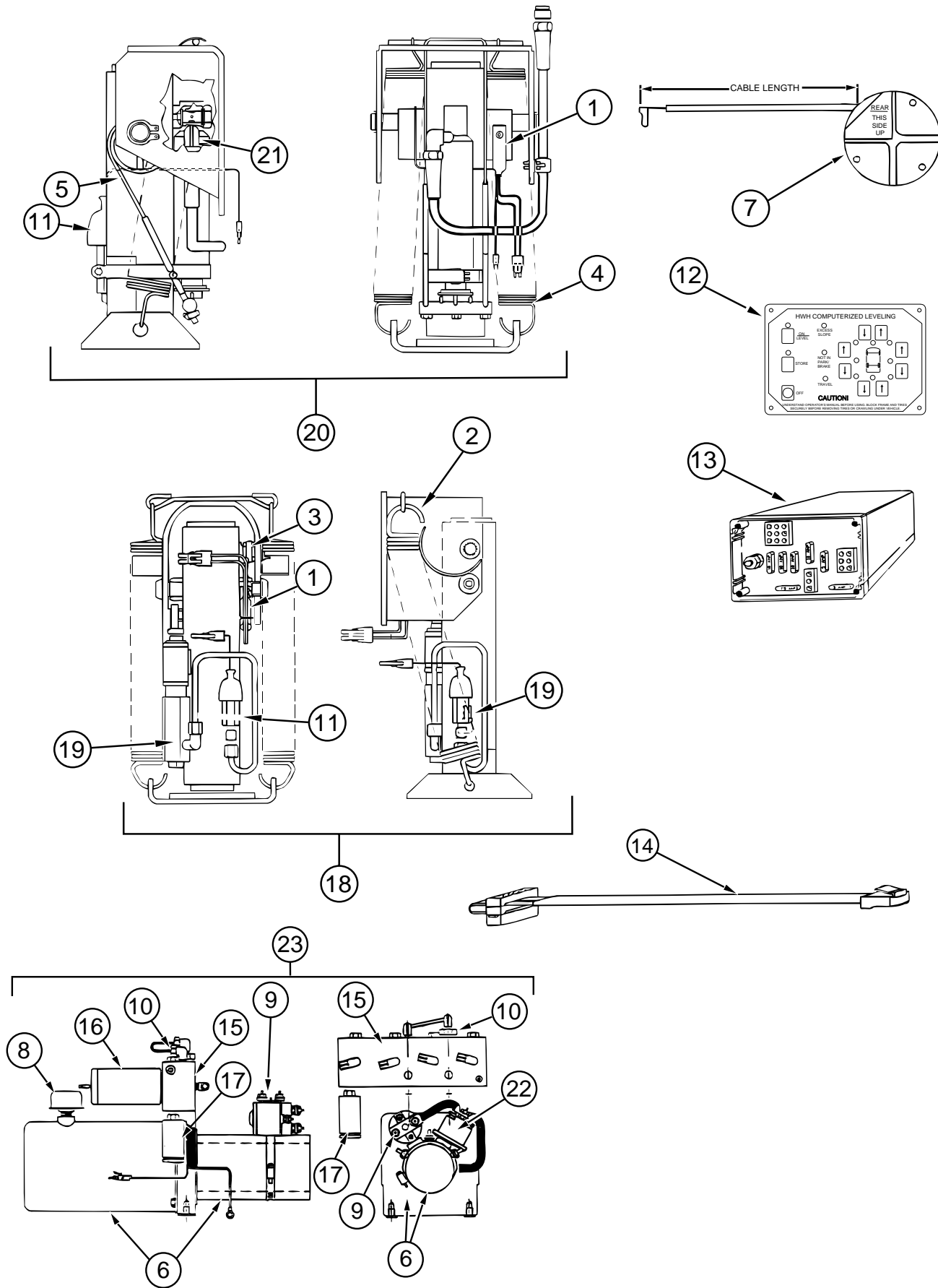
FRONT & REAR HWH HYDRAULIC LEVELING SYSTEM (CHEVY) (FROM: 08-18-97 THRU: 99-99-99)



KEY	PART NUMBER	U/M DESCRIPTION	VENDOR NO.
	100532-46-000	EA LEVELING SYSTEM - HYDRAULIC	
1	100532-01-713	EA PUMP - RESERVOIR ASM. - MONARCH	RAP90014
2	100532-03-710	EA SENSING UNIT 21' MTA	RAP6798
3	100532-09-710	EA SOLENOID - INTERMITTENT DUTY	RAP0533
4	100532-03-717	EA VALVE - PRESS. - RETURN SHUTTLE	RAP7964
5	100532-03-715	EA CAP - BREATHER W/DIPSTICK	RAP7876
6	100532-09-704	EA VALVE - PRESSURE SOLENOID	RAP0642
7	100532-03-721	EA VALVE - CHECK KIT (SGL)	RAP7944
8	100532-09-705	EA SWITCH - PRESS - W/HEAD -3000#	RAP0993
9	100532-03-716	EA SOLENOID - CONTINUOUS DUTY	RAP7505
10	100532-36-700	EA PUMP/RESERVOIR/MANIFOLD ASM	RAP10472
11	100532-03-723	EA O-RING/SEAL KIT	RAP9171
12	100532-09-703	EA MANIFOLD ASM. - COMPLETE	RAP0959
13	100532-26-700	EA CONTROL BOX ASM.	RAP1111
14	128285-02-000	EA JACK/CROSSMEMBER ASSEMBLY - FRONT - CHEVY	
15	100532-45-700	EA CYLINDER W/O FOOT - 6K FRONT	RAP90490
16	100532-37-700	EA JACK - 12K STRAIGHT ACTING	RAP11804
17	100532-03-726	EA SWITCH - PRESSURE	RAP8003
18	100532-12-706	EA SWITCH - WARNING/MAGNETIC	RAP1008
19	100532-12-707	EA SPRING KIT	R3847
	100532-03-719	EA TUBE ASM. (SHORT SHUTTLE)	RAP8088
	100532-32-701	EA BUZZER - JACK DOWN WARNING	RAP0325

# CHASSIS GROUP (CONTINUED)

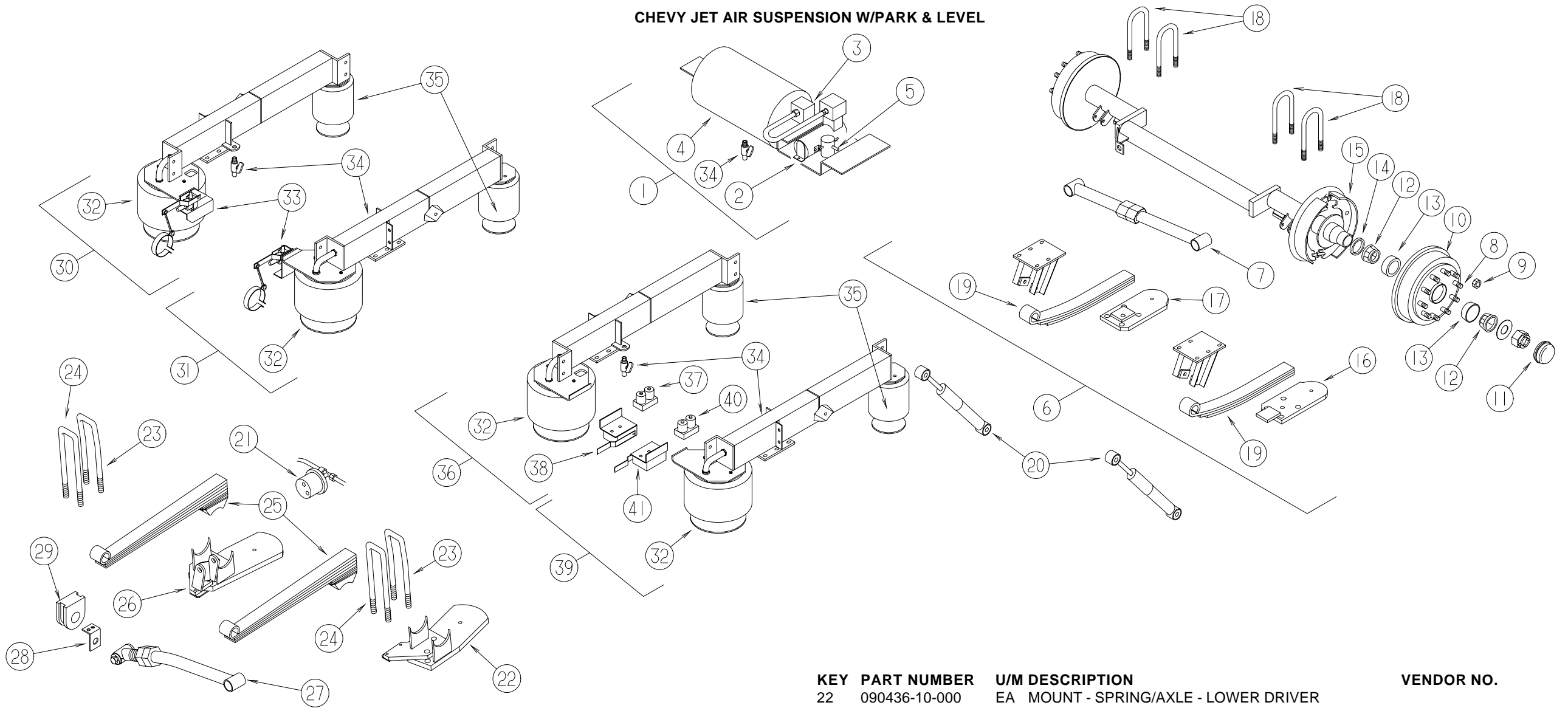
## HWH HYDRAULIC LEVELING SYSTEM FOR FRONT WHEELS ONLY



KEY	PART NUMBER	U/M DESCRIPTION	VENDOR NO.
	100533-05-000	EA BRACKETS - FRONT LEVELING JACK - CHEVY	
	100533-06-000	EA BRACKETS - FRONT LEVELING JACK - FORD	
	100536-16-000	EA HOSE KIT - HWH #AP0397	
	100532-07-000	EA LEVELING SYSTEM - HYDRAULIC	
	100532-03-725	EA SWITCH WARNING W/RESISTOR	RAP0995
1	100532-03-725	EA SWITCH WARNING W/RESISTOR	RAP0995
2	N/A		
3	N/A		
4	100532-02-701	EA SPRING KIT - 6K JACK	RAP6824
5	100532-02-704	EA CABLE - ACTUATOR - 6K JACK	RAP7194
6	100532-03-706	EA PUMP ASM. HYD. .75 STONE 3"	RAP0195
7	100532-03-710	EA SENSING UNIT 21' MTA	RAP6798
8	N/A		
9	100532-03-716	EA SOLENOID - SINGLE - ESSEX	RAP7505
10	100532-03-717	EA VALVE - PRESS. - RETURN SHUTTLE	RAP7964
11	100532-03-726	EA SWITCH - PRESSURE	RAP8003
12	100532-03-711	EA PANEL ASM. - CONTROL - TOUCH MOD	RAP7868
13	100532-03-701	EA CONTROL BOX - W/JET AIR 2 JACK	RAP9800
14	100532-03-713	EA MODULAR CABLE 7'	RAP8002
15	100532-03-708	EA MANIFOLD ASM. 2 VALVE W/JET	RAP0033
16	100532-09-704	EA VALVE - PRESSURE SOLENOID	RAP0642
17	100532-03-720	EA SWITCH - PRESS 300PSI W/PIGTAL	RAP8355
18	N/A		
19	N/A		
20	100532-03-703	EA JACK ASM - 6K - W/PRESS. SW.TALL	RAP8130
21	100532-02-702	EA ACTUATOR KIT - 6K JACK	RAP7062
22	100532-03-727	EA SOLENOID KIT	R7572
23	100532-06-700	EA PUMP/TANK/MANIFOLD ASM	RAP0032
	100532-03-721	EA VALVE - CHECK KIT (SGL)	RAP7944
	100532-03-723	EA MANIFOLD HDWE MTG KIT	RAP9171
	100532-09-703	EA MANIFOLD ASM. - COMPLETE	RAP0959
	100532-01-714	EA SCREW KIT (LEVELING JACKS)	R1280
	111619-01-000	EA WIRE ASM - JACKS/AIR RIDE	

# CHASSIS GROUP (CONTINUED)

## CHEVY JET AIR SUSPENSION W/PARK & LEVEL

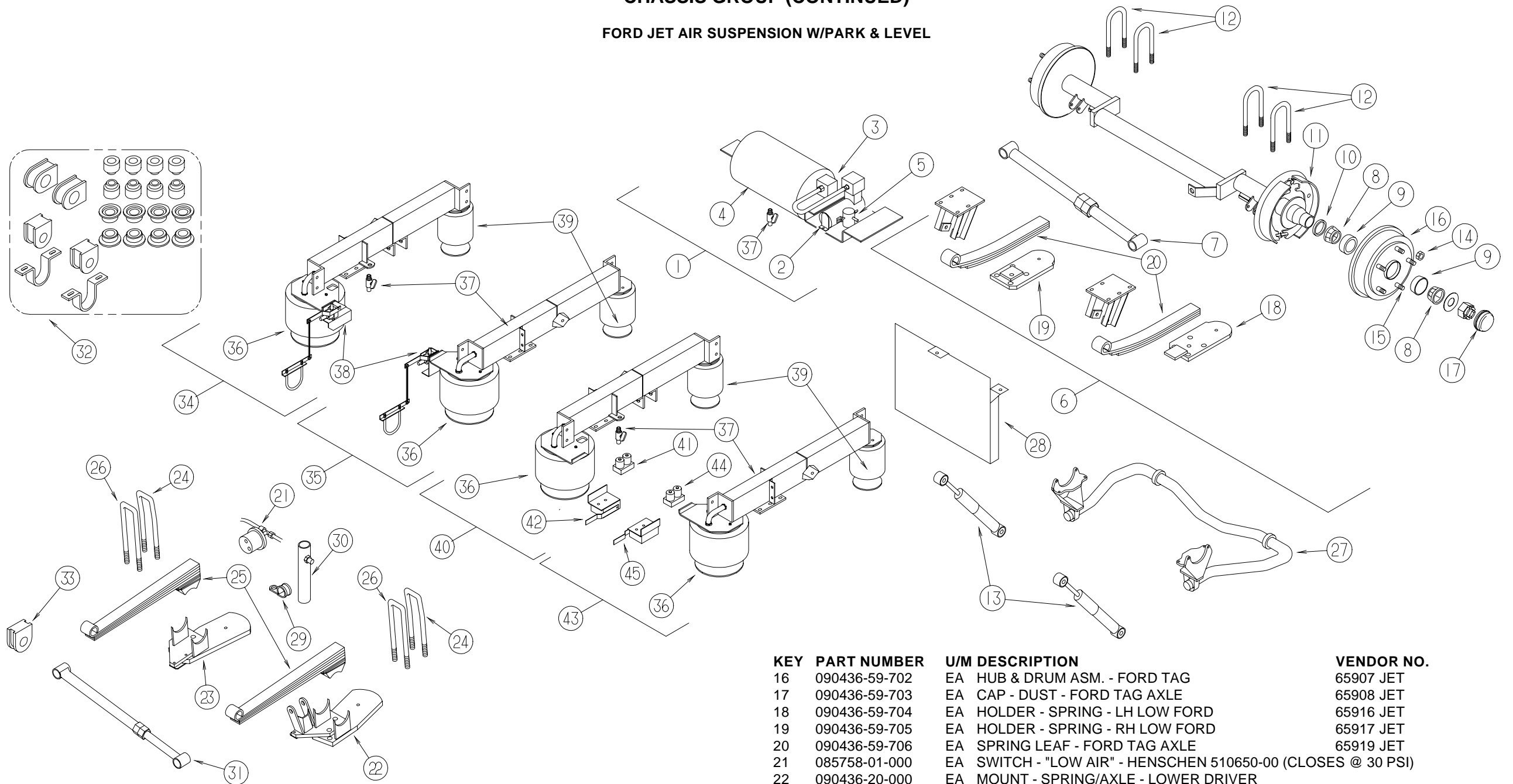


KEY	PART NUMBER	U/M DESCRIPTION	VENDOR NO.
1	090436-35-000	EA COMPRESSOR - TANK - W/O WIRING (W/O PARK & LEVEL)	
1	090436-54-000	EA COMPRESSOR - TANK - W/O WIRING (W/ PARK & LEVEL)	
	090436-40-000	EA FILTER - AIR INTAKE - COMPRESSOR	
2	090436-07-700	EA COMPRESSOR ONLY	50701 JET
3	090436-07-701	EA SWITCH - AIR PRESSURE	50732
4	090436-07-702	EA TANK - AIR - ALL MODELS	50703 JET
5	090436-07-704	EA SOLENOID - ELECTRONIC	50702 JET
6	090436-84-000	EA AXLE - OFFSET TAG WIDE P-30	
7	090436-31-000	EA BAR - TRACK - W/BOLTS & BRACKETS	
8	090436-42-700	EA STUD	55906 JET
9	090436-42-701	EA NUT	55905
10	090436-42-702	EA HUB & DRUM ASM. - CHEVY TAG	55907 JET
11	090436-42-703	EA CAP - DUST - CHEVY TAG	55908 JET
12	090436-42-704	EA BEARING - WHEEL - TAG AXLE	55911 JET
13	090436-42-705	EA BEARING - WHEEL - RACE TAG AXLE	55912 JET
14	090436-42-706	EA SEAL GREASE - TAG AXLE	55913 JET
15	090436-42-707	EA BRAKE ASM W/BACK PLATE LH	55914 JET
	090436-42-708	EA BRAKE ASM W/BACK PLATE RH	55915 JET
16	090436-42-709	EA HOLDER - SPRING - LH LOW CHEVY	55916 JET
17	090436-42-710	EA HOLDER - SPRING - RH LOW CHEVY	55917 JET
18	090436-42-711	EA BOLT - U 7/8" X 8" - TAG AXLE	55918 JET
19	090436-42-712	EA LEAF - SPRING - 3 LEAF CHEVY TAG	55919 JET
20	090436-42-714	EA SHOCK ABSORBER - TAG AXLE	55924 JET
21	085758-01-000	EA SWITCH - "LOW AIR" - HENSCHEN 510650-00 (CLOSES @ 30 PSI)	

KEY	PART NUMBER	U/M DESCRIPTION	VENDOR NO.
22	090436-10-000	EA MOUNT - SPRING/AXLE - LOWER DRIVER	
23	090436-12-000	EA U-BOLT - FORWARD - STRAIGHT - 7/8"	
24	090436-13-000	EA U-BOLT - REARWARD - BENT - 7/8"	
25	090436-80-000	EA SPRING - 95 - P30 - 14/16500	
26	090436-46-000	EA MOUNT - SPRING/AXLE - LOWER PASSENGER - CHEVY	
27	090436-47-000	EA BAR - TRACK - W/PIVOT BOLTS	
28	090436-52-000	EA BRACKET - TRACK BAR - STANDARD - 3.25	
29	091250-03-000	EA BUSHING - SWAY BAR - 1.75" CUT	
30	090436-45-000	EA MOUNT - SPRING - CHEVY TAG - RIGHT HAND/UPPER (W/O PARK & LEVEL)	
31	090436-53-000	EA MOUNT - SPRING - CHEVY/TAG - LEFT HAND/UPPER (W/ PARK & LEVEL)	
32	090436-15-704	EA BAG - AIR - BELLOWS - 1EA=1 ONLY	50752
33	090436-15-706	EA VALVE - HEIGHT CONTROL	55923
34	090436-36-700	EA PET COCK - AIR TANK F/SPRING	50720
35	090436-42-716	EA BAG - AIR - TAG AXLE	55930 JET
	090436-49-000	EA WIRING ASSEMBLY - TAG - W/O PARK/LEVEL	
	071389-02-000	EA TEE - MALE BRANCH - 1/4" OD - BLK WEATHERHEAD(BRKS & HORN)	
36	090436-74-000	EA MOUNT - SPRING - W/LIGHT - TAG - RIGHT HAND/UPPER (W/ PARK & LEVEL)	
37	090436-15-710	EA VALVE - ELECTRONIC - RH	50786 JET
38	090436-15-712	EA BOX - HEIGHT CONT. - RH W/LIGHT	50872
	090436-15-713	EA LOOM - WIRE - F/AXLE POS. LIGHT	50875
	090436-15-714	EA LOCK OUT KIT	
39	090436-75-000	EA MOUNT - SPRING - W/LIGHT - TAG - LEFT HAND/UPPER (W/ PARK & LEVEL)	
40	090436-15-709	EA VALVE - ELECTRONIC - LH	50785 JET
41	090436-15-711	EA BOX - HEIGHT CONT. - LH W/LIGHT	50871
	090436-15-713	EA LOOM - WIRE - F/AXLE POS. LIGHT	50875
	090436-15-714	EA LOCK OUT KIT	
	090436-68-000	EA WIRING ASSEMBLY - ELECTRIC - W/TAG - LIGHT	

# CHASSIS GROUP (CONTINUED)

## FORD JET AIR SUSPENSION W/PARK & LEVEL

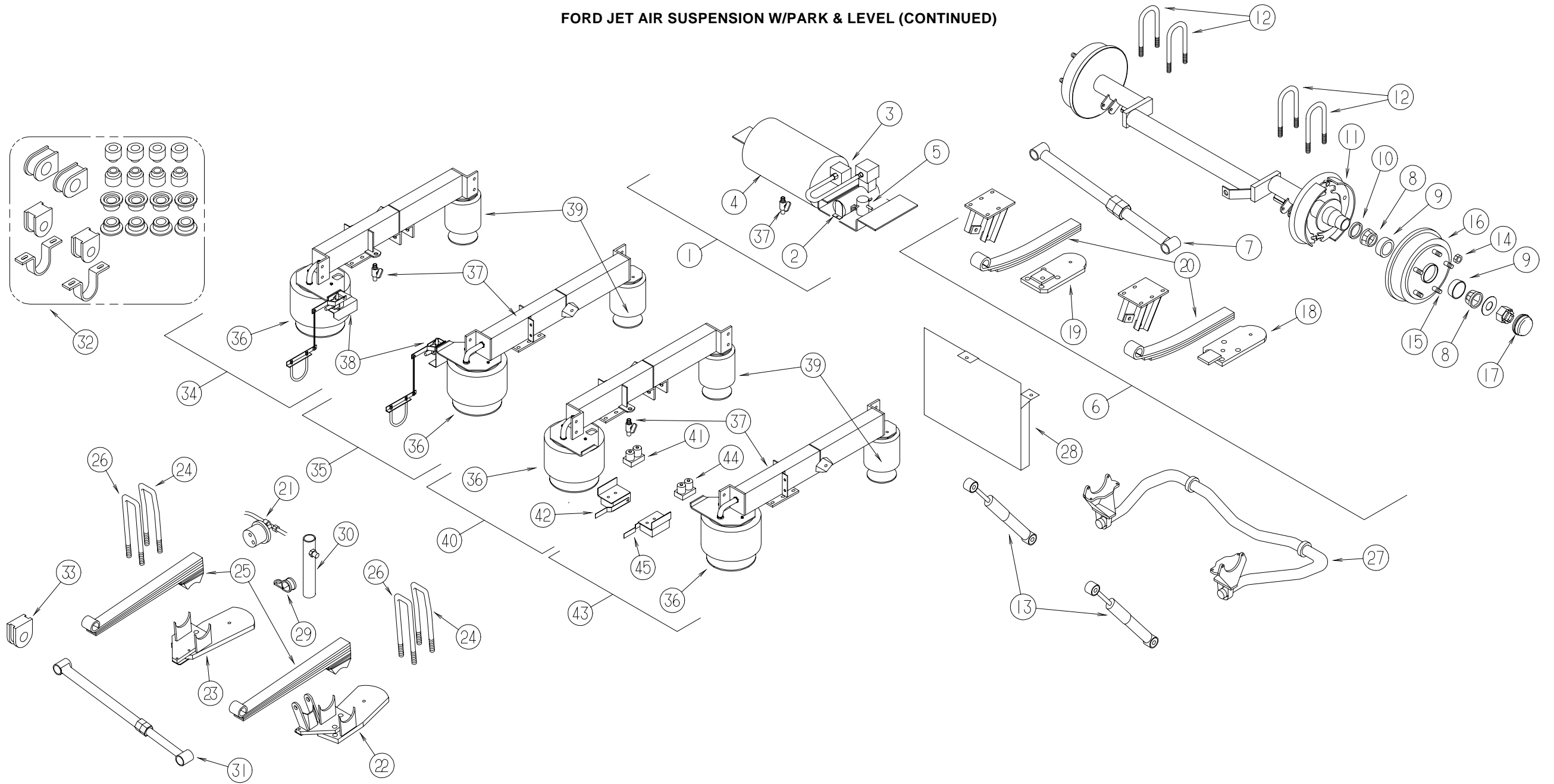


KEY	PART NUMBER	U/M DESCRIPTION	VENDOR NO.
1	090436-35-000	EA COMPRESSOR - TANK - W/O WIRING (W/O PARK & LEVEL)	
1	090436-54-000	EA COMPRESSOR - TANK - W/O WIRING (W/ PARK & LEVEL)	
	090436-40-000	EA FILTER - AIR INTAKE - COMPRESSOR	
2	090436-07-700	EA COMPRESSOR ONLY	50701 JET
3	090436-07-701	EA SWITCH - AIR PRESSURE	50732
4	090436-07-702	EA TANK - AIR - ALL MODELS	50703 JET
5	090436-07-704	EA SOLENOID - ELECTRONIC	50702 JET
6	090436-64-000	EA AXLE - TAG - OFFSET/FORD	
7	090436-31-000	EA BAR - TRACK - W/BOLTS & BRACKETS	
8	090436-42-704	EA BEARING - WHEEL - TAG AXLE	55911 JET
9	090436-42-705	EA BEARING - WHEEL - RACE TAG AXLE	55912 JET
10	090436-42-706	EA SEAL GREASE - TAG AXLE	55913 JET
11	090436-42-707	EA BRAKE ASM W/BACK PLATE LH	55914 JET
	090436-42-708	EA BRAKE ASM W/BACK PLATE RH	55915 JET
12	090436-42-711	EA BOLT - U 7/8" X 8" - TAG AXLE	55918 JET
13	090436-42-714	EA SHOCK ABSORBER - TAG AXLE	55924 JET
14	090436-59-700	EA NUT - LUG - FORD - TAG AXLE	65905 JET
15	090436-59-701	EA STUD - WHEEL - FORD TAG AXLE	65906 JET

KEY	PART NUMBER	U/M DESCRIPTION	VENDOR NO.
16	090436-59-702	EA HUB & DRUM ASM. - FORD TAG	65907 JET
17	090436-59-703	EA CAP - DUST - FORD TAG AXLE	65908 JET
18	090436-59-704	EA HOLDER - SPRING - LH LOW FORD	65916 JET
19	090436-59-705	EA HOLDER - SPRING - RH LOW FORD	65917 JET
20	090436-59-706	EA SPRING LEAF - FORD TAG AXLE	65919 JET
21	085758-01-000	EA SWITCH - "LOW AIR" - HENSCHEN 510650-00 (CLOSES @ 30 PSI)	
22	090436-20-000	EA MOUNT - SPRING/AXLE - LOWER DRIVER	
23	090436-21-000	EA MOUNT - SPRING/AXLE - LOWER PASSENGER	
24	090436-22-000	EA U-BOLT - 1-14 X 4" X 14" - W/NUTS	
25	090436-81-000	EA SPRING - LEAF	
26	090436-25-000	EA U-BOLT - 1-14 X 4" X 15" - W/NUTS	
27	090436-26-000	EA BAR - STABILIZER - REAR - JET# 60698 / FORD CHASSIS	
28	090436-28-000	EA SHIELD - HEAT - FUEL TANK	
29	090436-29-000	EA BRACKET - BRAKE HOSE/FRAME	
30	090436-82-000	EA BRACKET - BRAKE HOSE/CALIPER	
31	090436-31-000	EA BAR - TRACK - W/BOLTS & BRKTS	
32	090436-79-000	EA STABILIZER BUSHING KIT F/FRONT AND REAR BARS 11/28/94 & UP	
33	091250-03-000	EA BUSHING - SWAY BAR - 1.75" CUT	
34	090436-65-000	EA MOUNT - SPRING - FORD/TAG - RIGHT HAND/UPPER	
35	090436-60-000	EA MOUNT - SPRING - FORD TAG - LH UPR	
36	090436-15-704	EA BAG - AIR - BELLOWS - 1EA=1 ONLY	50752
37	090436-36-700	EA PET COCK - AIR TANK F/SPRING	50720
38	090436-15-706	EA VALVE - HEIGHT CONTROL	55923
39	090436-42-716	EA BAG - AIR - TAG AXLE	55930 JET
	090436-49-000	EA WIRING ASSEMBLY - TAG - W/O PARK/LEVEL	
	071389-02-000	EA TEE - MALE BRANCH - 1/4" OD - BLK WEATHERHEAD(BRKS & HORN)	
40	090436-78-000	EA MOUNT - SPRING - W/LT TAG RH UPR (W/ PARK & LEVEL)	

# CHASSIS GROUP (CONTINUED)

## FORD JET AIR SUSPENSION W/PARK & LEVEL (CONTINUED)

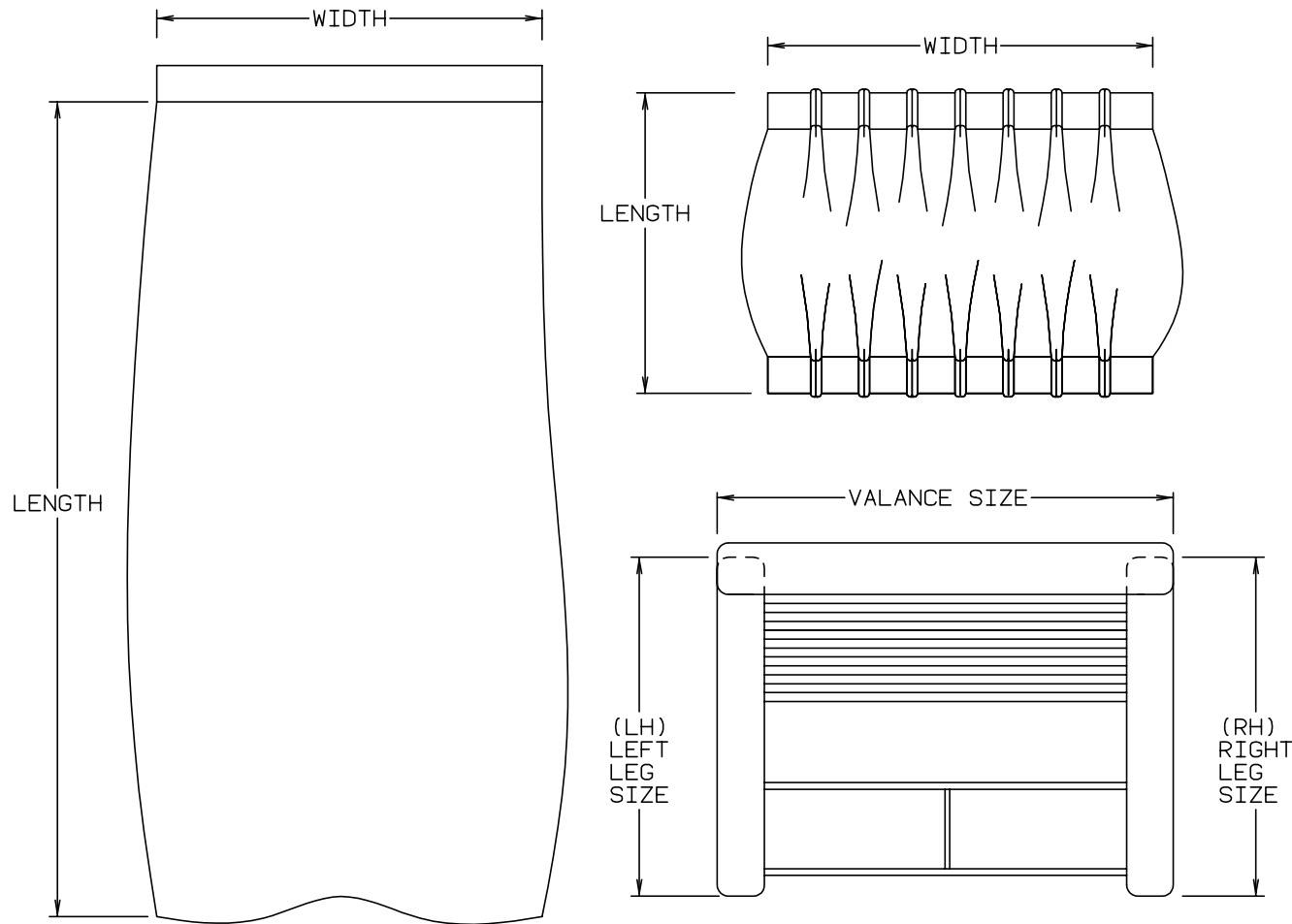


KEY	PART NUMBER	U/M DESCRIPTION	VENDOR NO.
41	090436-15-710	EA VALVE - ELECTRONIC - RH	50786 JET
42	090436-15-712	EA BOX - HEIGHT CONT. - RH W/LIGHT	50872
	090436-15-713	EA LOOM - WIRE - F/AXLE POS. LIGHT	50875
	090436-15-714	EA LOCK OUT KIT	
43	090436-76-000	EA MOUNT - SPRING - W/LIGHT - TAG - LEFT HAND/UPPER (W/ PARK & LEVEL)	
44	090436-15-709	EA VALVE - ELECTRONIC - LH	50785 JET
45	090436-15-711	EA BOX - HEIGHT CONT. - LH W/LIGHT	50871
	090436-15-713	EA LOOM - WIRE - F/AXLE POS. LIGHT	50875
	090436-15-714	EA LOCK OUT KIT	
	090436-49-000	EA WIRING ASSEMBLY - TAG - W/O PARK/LEVEL	
	071389-02-000	EA TEE - MALE BRANCH - 1/4" OD - BLK WEATHERHEAD(BRKS & HORN)	
	090436-68-000	EA WIRING ASSEMBLY - ELECTRIC - W/TAG - LIGHT	
	090436-42-716	EA BAG - AIR - TAG AXLE	55930 JET

**CURTAIN & CUSHION GROUP**  
NOTICE

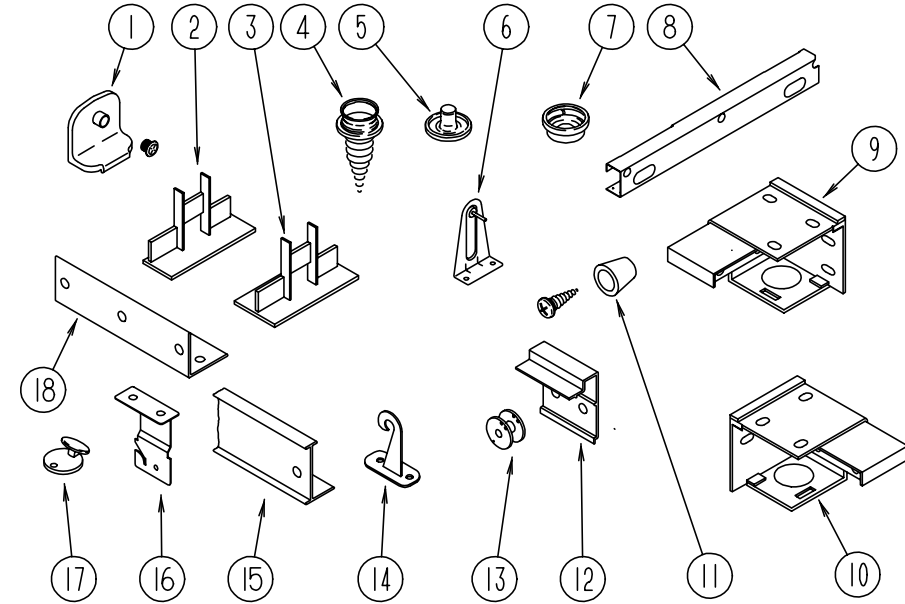
IN ORDER TO ASSIST OUR PARTS SALES DEPT. IN PROVIDING INTERIOR SOFTWARE ITEMS, PLEASE INCLUDE THE SERIAL NUMBER AND THE COLOR CODE NUMBER FROM THE VEHICLE CERTIFICATION LABEL WHEN ORDERING. THIS LABEL IS LOCATED ON THE LEFT SIDEWALL AT THE END OF THE DASH (A-BODY), OR ON THE DRIVER'S DOOR LATCH PLATE (C-BODY).

AN EXAMPLE OF A COLOR CODE NUMBER IS B07, WHICH DESIGNATES AN OVERALL COLOR SCHEME OF A PARTICULAR UNIT. THE COLOR LISTED AFTER THE ITEM DESCRIPTION ON THE MICROFICHE, INDICATES THE OVERALL UNIT COLOR. ORDER THE ITEM YOU DESIRE ACCORDING TO UNIT COLOR CODE. IF ALL COLORS USE THE SAME ITEM NO COLOR CODE WILL BE NOTED.



NOTE: USE THIS ILLUSTRATION WHEN DETERMINING LENGTH AND WIDTH MEASUREMENTS FOR CURTAINS. YOU WILL NOTE THE WIDTH MEASUREMENT IS TAKEN ON THE TOP OF THE CURTAIN WITH THE CURTAIN FULLY EXTENDED. THE LENGTH MEASUREMENT IS TAKEN FROM TOP TO BOTTOM. LEFT AND RIGHT WINDOW LEGS ARE DETERMINED WHEN FACING THE WINDOW.

**CURTAIN & CUSHION GROUP (CONTINUED)**



**CURTAIN HARDWARE**

KEY	PART NUMBER	U/M	DESCRIPTION
1	106544-01-000	EA	PULL - SHADE/BRASS
	106544-01-001	EA	SCREW - SHADE/BRASS
2	094907-02-000	EA	END CAP - TOP/PLEATED BLIND - PLASTIC - GRAY
3	094907-05-000	EA	HARDWARE - END CAP - BOTTOM - PULL TYPE
	094907-05-700	EA	END CAP - RH - BOTTOM BLIND
	094907-05-701	EA	END CAP - LH - BOTTOM BLIND
	094907-06-000	EA	HARDWARE - END CAP - E-Z LIFT - TOP
	094908-03-000	FT	HARDWARE - SEMI-RIDGED PVC - EZ LIFT
	094908-04-000	FT	STRAP - FLAT POLY VINYL
	097591-01-000	EA	SPRING - EXTENSION/PLEATED BLIND
	097593-02-000	FT	CORD - BLIND/PLEATED - GRAY (J70,J71,J74,J75,J76,J77)
	097593-10-000	FT	CORD - .047" X 4.9" - VANILLA (J72,J73)
	094896-02-000	EA	GROMMET - CORD/PLEATED BLIND - NYLON - GRAY
4	029130-01-000	EA	SCREW - SNAP SOCKET - #8 PH X 5/8"
5	029155-01-000	EA	CAP - SNAP - 5/32" OUTSIDE DIAMETER OF PIN
6	095591-02-000	EA	BRACKET - BLIND - HOLD DOWN W/PIN - METAL
7	029156-01-000	EA	SOCKET - SNAP - 9/16" O.D.
8	110597-01-000	EA	BRACKET - SHADE - CAB/RIGHT SIDE
8	110597-02-000	EA	BRACKET - SHADE - CAB/LEFT SIDE
9	083170-01-000	EA	BRACKET - BLIND - LEFT SIDE WHEN FACING WINDOW
10	083170-02-000	EA	BRACKET - BLIND - RIGHT SIDE WHEN FACING WINDOW
11	097564-01-000	EA	HANDLE - KNOB - E-Z LIFT SHADE - SMOKED
			FROM: 00-00-00 THRU: 10-19-97
11	097564-03-000	EA	HANDLE - KNOB - E-Z LIFT SHADE - TAN
			FROM: 10-20-97 THRU: 99-99-99
12	097565-01-000	EA	BRACKET - MOUNTING/PLEATED BLIND
13	097592-01-000	EA	SPOOL - CORD - ELEVATED BLIND HOLDUP - CLEAR PLASTIC
			FROM: 00-00-00 THRU: 11-23-97
13	097592-02-000	EA	BRACKET - HOLDDOWN ADJUSTER
			FROM: 11-24-97 THRU: 99-99-99
14	109441-03-000	EA	HOLD DOWN - BLIND (CLOUDY)
15	118896-01-01A	EA	TRACK - CURTAIN - RIGHT HAND
15	118897-01-01A	EA	TRACK - CURTAIN - LEFT HAND
16	084434-01-000	EA	BRACKET - MOUNTING - ROLLER SHADE - 1 3/8"
17	102555-01-000	EA	CLEAT - BLIND CORD - CLEAR PLASTIC
	102555-03-000	EA	CLEAT - BLIND CORD - MILKY WHITE PLASTIC
18	105648-01-02A	EA	BRACE - VALANCE - OFF/WHITE - 14"
	046867-03-000	EA	GROMMET - HANDY BUTTON #3
	048394-02-000	YD	VELCRO TAPE - HOOK - ADHESIVE BACK - .75" WIDE - BEIGE
	086276-01-000	EA	TAPE - DOUBLE SIDED - 1/2"
	088792-02-000	YD	VELCRO TAPE - LOOP - .75" - ADHESIVE BACKED - BEIGE
	096843-01-000	EA	SPRING - REWIND/ROLLER SHADE

## CURTAIN & CUSHION GROUP (CONTINUED)

### QUEEN BEDSPREAD, PILLOWS & MATTRESS

KEY	PART NUMBER	U/M DESCRIPTION
1	114222-01-H58	EA BEDSPREAD/THROW - 60" X 80" (J70,J71)
1	114222-10-J72	EA BEDSPREAD/THROW - 60" X 80" (J72,J73)
1	114222-06-J74	EA BEDSPREAD/THROW - 60" X 80" (J74,J75)
1	114222-10-J76	EA BEDSPREAD/THROW - 60" X 80" (J76,J77)
1	123015-07-000	EA MATTRESS - INNERSPRING - 60" X 79.5"
2	102161-55-H58	EA SHAM - 2" FLANGE (J70,J71)
2	104565-11-J72	EA PILLOW SHAM - 20" X 33" (J72,J73)
2	126211-01-J74	EA PILLOW SHAM - 20" X 33" (J74,J75)
2	126211-03-J76	EA PILLOW SHAM - 20" X 33" (J76,J77)

### TWIN BEDSPREAD, PILLOWS & MATTRESS

KEY	PART NUMBER	U/M DESCRIPTION
3	114222-07-J70	EA BEDSPREAD/THROW - 39" X 80" (J70,J71)
3	114222-11-J72	EA BEDSPREAD/THROW - 39" X 80" (J72,J73)
3	114222-08-J74	EA BEDSPREAD/THROW - 39" X 80" (J74,J75)
3	114222-11-J76	EA BEDSPREAD/THROW - 39" X 80" (J76,J77)
3	123015-11-000	EA MATTRESS - INNERSPRING - 39" X 79.5"
4	102161-57-H58	EA SHAM - 2" FLANGE (J70,J71)
4	104565-12-J72	EA PILLOW SHAM - 22" X 37" (J72,J73)
4	126211-02-J74	EA SHAM - BED PILLOW - 22" X 37" (J74,J75)
4	126211-04-J76	EA PILLOW SHAM - 22" X 37" (J76,J77)

### BEDROOM THROW PILLOWS

KEY	PART NUMBER	U/M DESCRIPTION
	104166-05-H58	EA PILLOW - 14" X 14" (J70,J71)
	104166-05-J72	EA PILLOW - 14" X 14" (J72,J73)
	124773-02-J74	EA PILLOW - 14" X 17" (J74,J75)
	104166-06-J76	EA PILLOW - 14" X 14" (J76,J77)

### LOUNGE THROW PILLOWS

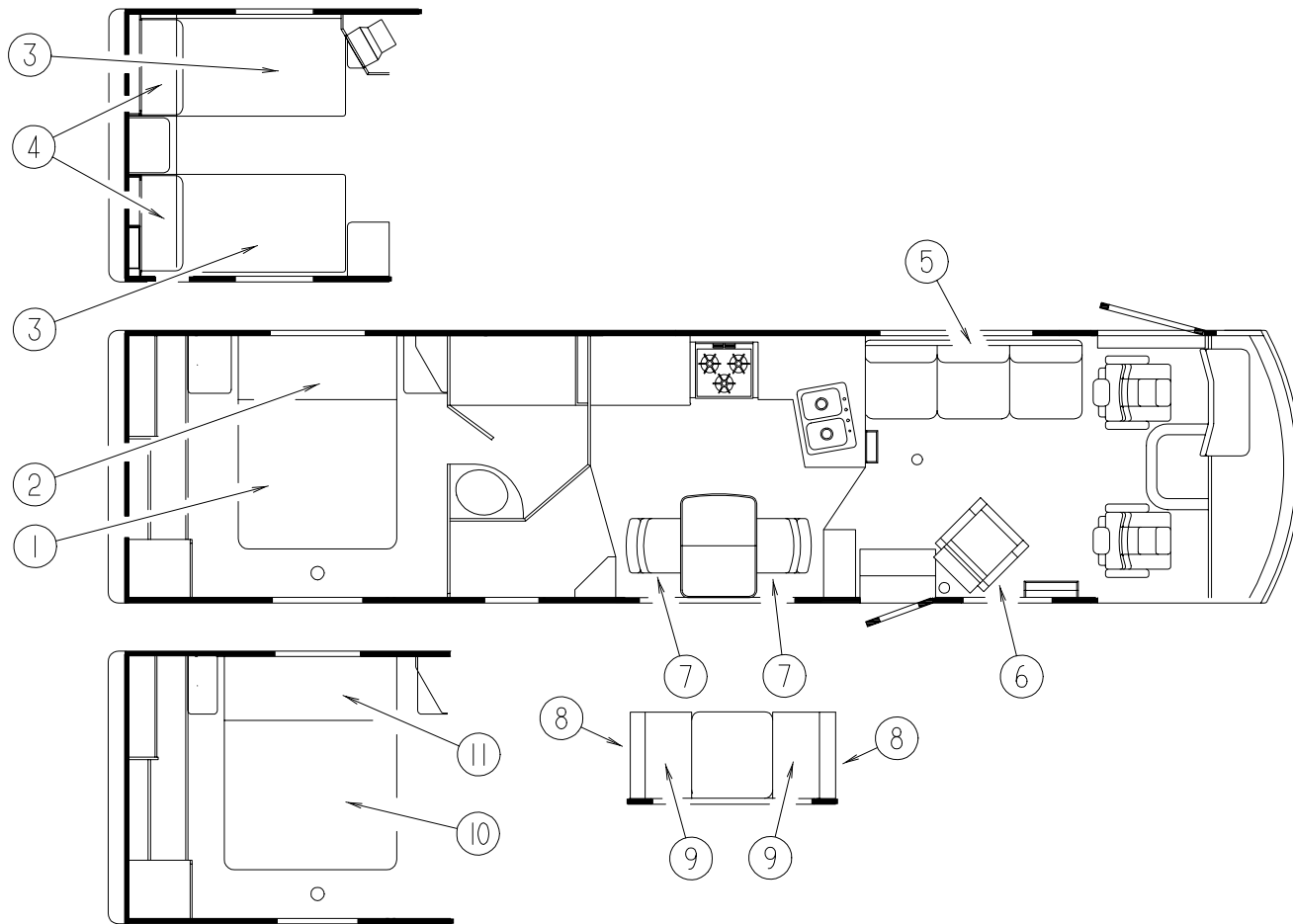
KEY	PART NUMBER	U/M DESCRIPTION
	106728-02-H58	EA PILLOW - 9" X 20" (J70,J71)
	106728-03-H60	EA PILLOW - 9" X 20" (J72,J73)
	106728-03-J74	EA PILLOW - 9" X 20" (J74,J75)
	106728-03-J76	EA PILLOW - 9" X 20" (J76,J77)

### COUCH LEATHER

KEY	PART NUMBER	U/M DESCRIPTION
5	121885-05-000	EA SOFA - VILLA (J70,J71)
5	121885-06-000	EA SOFA - VILLA (J72,J73)
5	121885-07-000	EA SOFA - VILLA (J74,J75)
5	121885-08-000	EA SOFA - VILLA (J76,J77)

### COUCH FABRIC

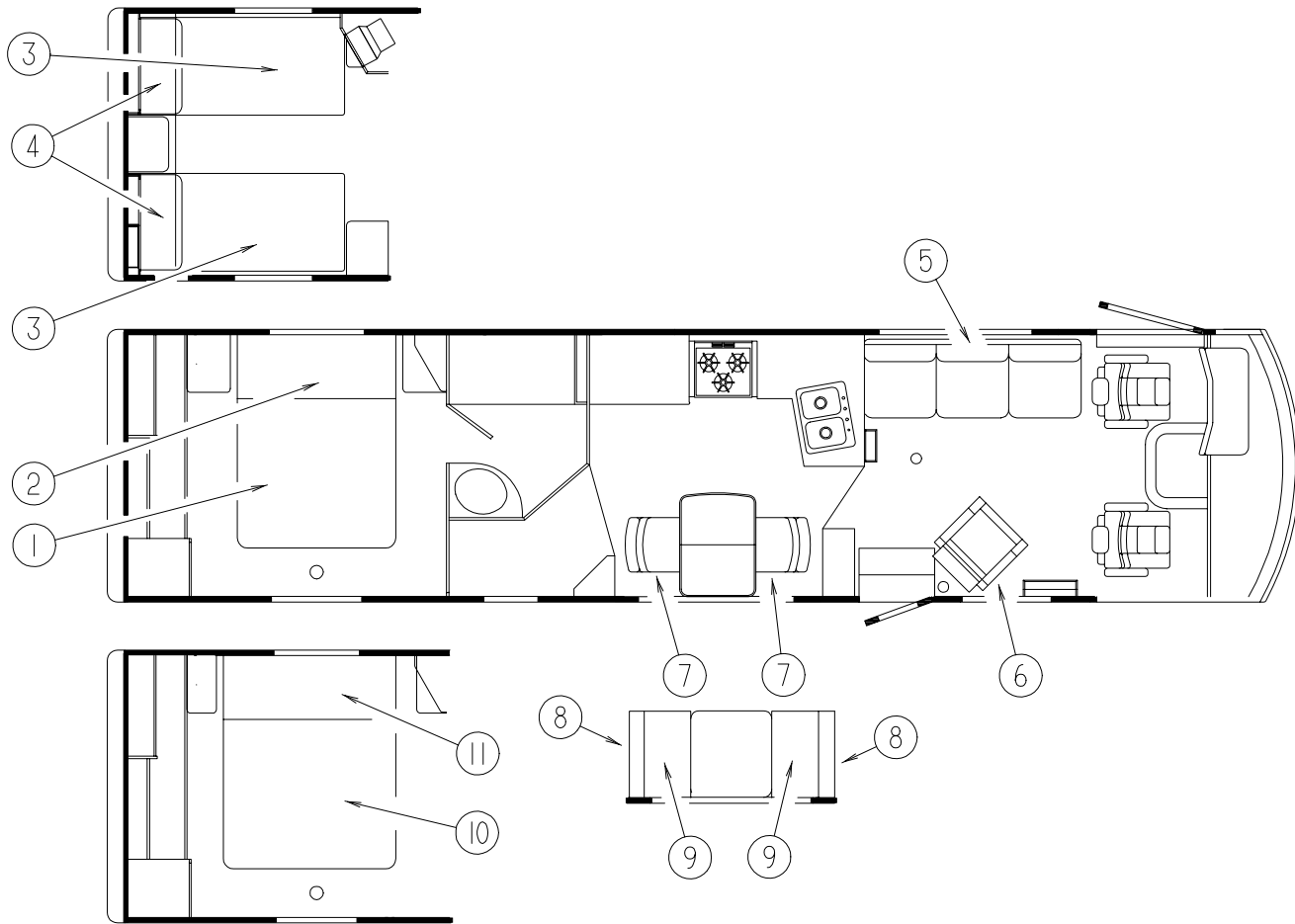
KEY	PART NUMBER	U/M DESCRIPTION
5	119729-04-000	EA SOFA - VILLA 80" - W/ARMRESTS/KICKBOARD (J70,J71)
5	119729-05-000	EA SOFA - VILLA 80" - W/ARMRESTS/KICKBOARD (J72,J73)
5	119727-04-000	EA SOFA - VILLA 80" - W/FLAIR ARMRESTS/KICKBOARD (J74,J75)
5	119729-06-000	EA SOFA - VILLA 80" - W/ARMRESTS/KICKBOARD (J76,J77)





**CURTAIN & CUSHION GROUP (CONTINUED)**

**LOUNGE CHAIR FABRIC**

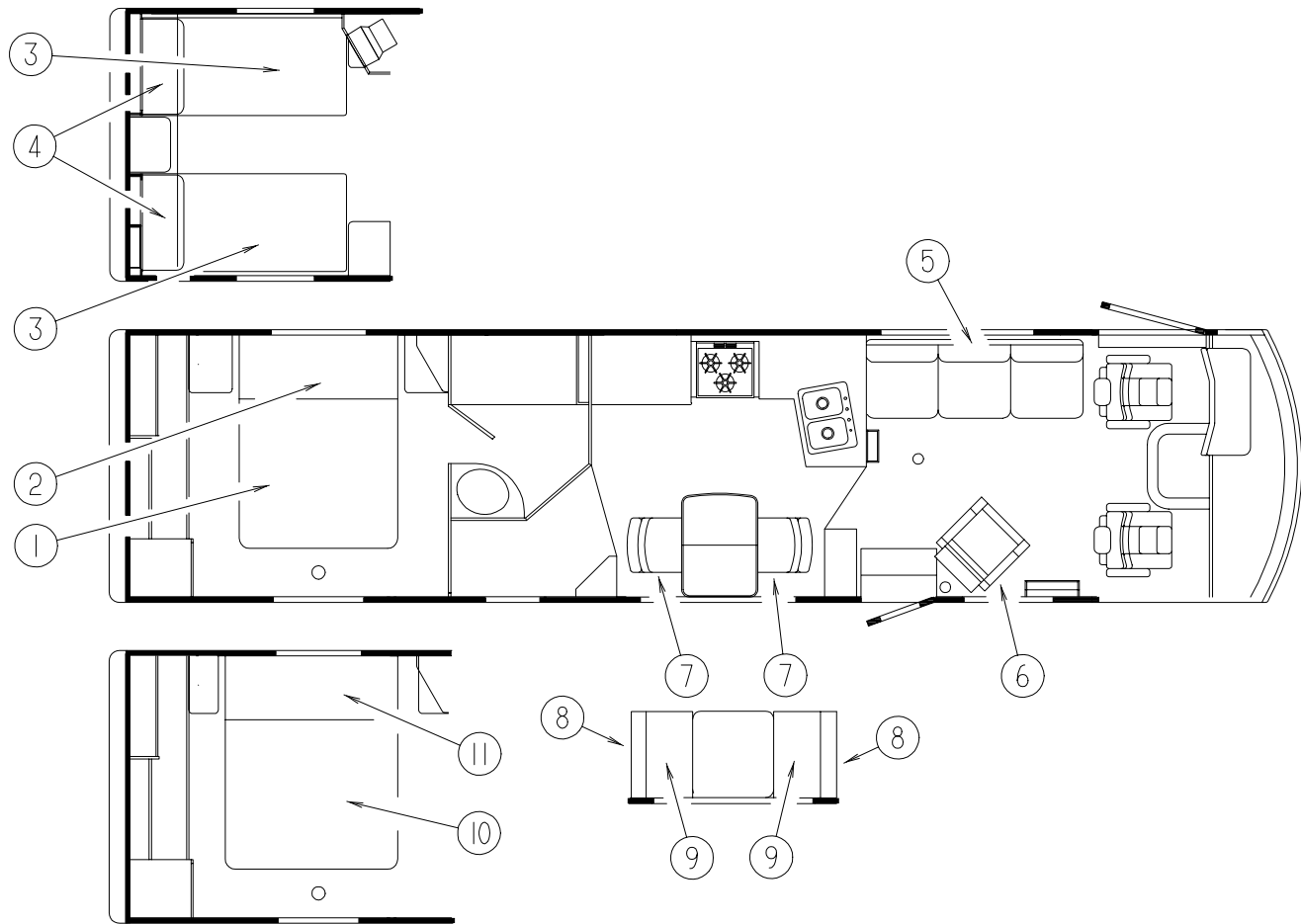


KEY	PART NUMBER	U/M DESCRIPTION
6	118821-01-H58	EA CHAIR - SWIVEL/RECLINER W/FOOTREST (J70) FROM: 00-00-00 THRU: 11-02-97
6	118821-02-J70	EA CHAIR - RECLINER/HIGHBACK - W/FOOTREST (J70) FROM: 11-03-97 THRU: 01-04-98
6	129327-01-J70	EA CHAIR - INCLINER W/FOOTREST (J70) FROM: 01-05-98 THRU: 99-99-99
6	118821-01-H59	EA CHAIR - SWIVEL/RECLINER W/FOOTREST (J71) FROM: 00-00-00 THRU: 11-02-97
6	118821-02-J70	EA CHAIR - RECLINER/HIGHBACK - W/FOOTREST (J71) FROM: 11-03-97 THRU: 01-04-98
6	129327-01-J70	EA CHAIR - INCLINER W/FOOTREST (J71) FROM: 01-05-98 THRU: 99-99-99
6	118821-01-J72	EA CHAIR - SWIVEL/RECLINER - W/FOOTREST (J72) FROM: 00-00-00 THRU: 11-02-97
6	118821-02-J72	EA CHAIR - RECLINER/HIGHBACK - W/FOOTREST (J72) FROM: 11-03-97 THRU: 01-04-98
6	129327-01-J72	EA CHAIR - INCLINER W/FOOTREST (J72) FROM: 01-05-98 THRU: 99-99-99
6	118821-01-J73	EA CHAIR - SWIVEL/RECLINER - W/FOOTREST (J73) FROM: 00-00-00 THRU: 11-02-97
6	118821-02-J72	EA CHAIR - RECLINER/HIGHBACK - W/FOOTREST (J73) FROM: 11-03-97 THRU: 01-04-98
6	129327-01-J72	EA CHAIR - INCLINER W/FOOTREST (J73) FROM: 01-05-98 THRU: 99-99-99
6	118821-01-J74	EA CHAIR - SWIVEL/RECLINER - W/FOOTREST (J74) FROM: 00-00-00 THRU: 11-02-97
6	118821-02-J74	EA CHAIR - RECLINER/HIGHBACK - W/FOOTREST (J74) FROM: 11-03-97 THRU: 01-04-98
6	129327-01-J74	EA CHAIR - INCLINER W/FOOTREST (J74) FROM: 01-05-98 THRU: 99-99-99
6	118821-01-J75	EA CHAIR - SWIVEL/RECLINER - W/FOOTREST (J75) FROM: 00-00-00 THRU: 11-02-97
6	118821-02-J74	EA CHAIR - RECLINER/HIGHBACK - W/FOOTREST (J75) FROM: 11-03-97 THRU: 01-04-98
6	129327-01-J74	EA CHAIR - INCLINER W/FOOTREST (J75) FROM: 01-05-98 THRU: 99-99-99
6	118821-01-J76	EA CHAIR - SWIVEL/RECLINER - W/FOOTREST (J76) FROM: 00-00-00 THRU: 11-02-97
6	118821-02-J76	EA CHAIR - RECLINER/HIGHBACK - W/FOOTREST (J76) FROM: 11-03-97 THRU: 01-04-98
6	129327-01-J76	EA CHAIR - INCLINER W/FOOTREST (J76) FROM: 01-05-98 THRU: 99-99-99
6	118821-01-J77	EA CHAIR - SWIVEL/RECLINER - W/FOOTREST (J77) FROM: 00-00-00 THRU: 11-02-97
6	118821-02-J76	EA CHAIR - RECLINER/HIGHBACK - W/FOOTREST (J77) FROM: 11-03-97 THRU: 01-04-98
6	129327-01-J76	EA CHAIR - INCLINER W/FOOTREST (J77) FROM: 01-05-98 THRU: 99-99-99

**LOUNGE CHAIR LEATHER**

KEY	PART NUMBER	U/M DESCRIPTION
6	121883-06-000	EA CHAIR - VILLA - RICHARD PETTY (J70,J71)
6	121883-05-000	EA CHAIR - VILLA - DEVON (J72,J73)
6	121883-07-000	EA CHAIR - VILLA - HEMINGWAY (J74,J75)
6	121883-08-000	EA CHAIR - VILLA (J76,J77)

## CURTAIN & CUSHION GROUP (CONTINUED)



### DINETTE CHAIRS

KEY	PART NUMBER	U/M DESCRIPTION
7	116058-10-000	EA CHAIR - DINETTE - FLEXSTEEL (J70,J71)
7	116058-14-000	EA CHAIR - DINETTE - FLEXSTEEL (J72,J73)
7	116058-15-000	EA CHAIR - DINETTE - FLEXSTEEL (J74,J75)
7	116058-16-000	EA CHAIR - DINETTE - FLEXSTEEL (J76,J77)
	116080-03-H56	EA COVER - CHAIR LEG - 6.4" WASHED MAPLE
	116080-03-G39	EA COVER - CHAIR LEG - 6.4" - SALEM CHERRY
	074045-12-000	EA PLUG - OAK - 1/2" DIAMETER - WASHED MAPLE
	074045-08-000	EA PLUG - OAK - 1/2" DIAMETER - SALEM CHERRY

### FOLDING CHAIRS

KEY	PART NUMBER	U/M DESCRIPTION
	101604-01-04A	EA CHAIR - FOLDING/DINETTE - W/O FABRIC - WASHED MAPLE
	101604-01-02A	EA CHAIR - FOLDING/DINETTE - W/O FABRIC - SALEM CHERRY

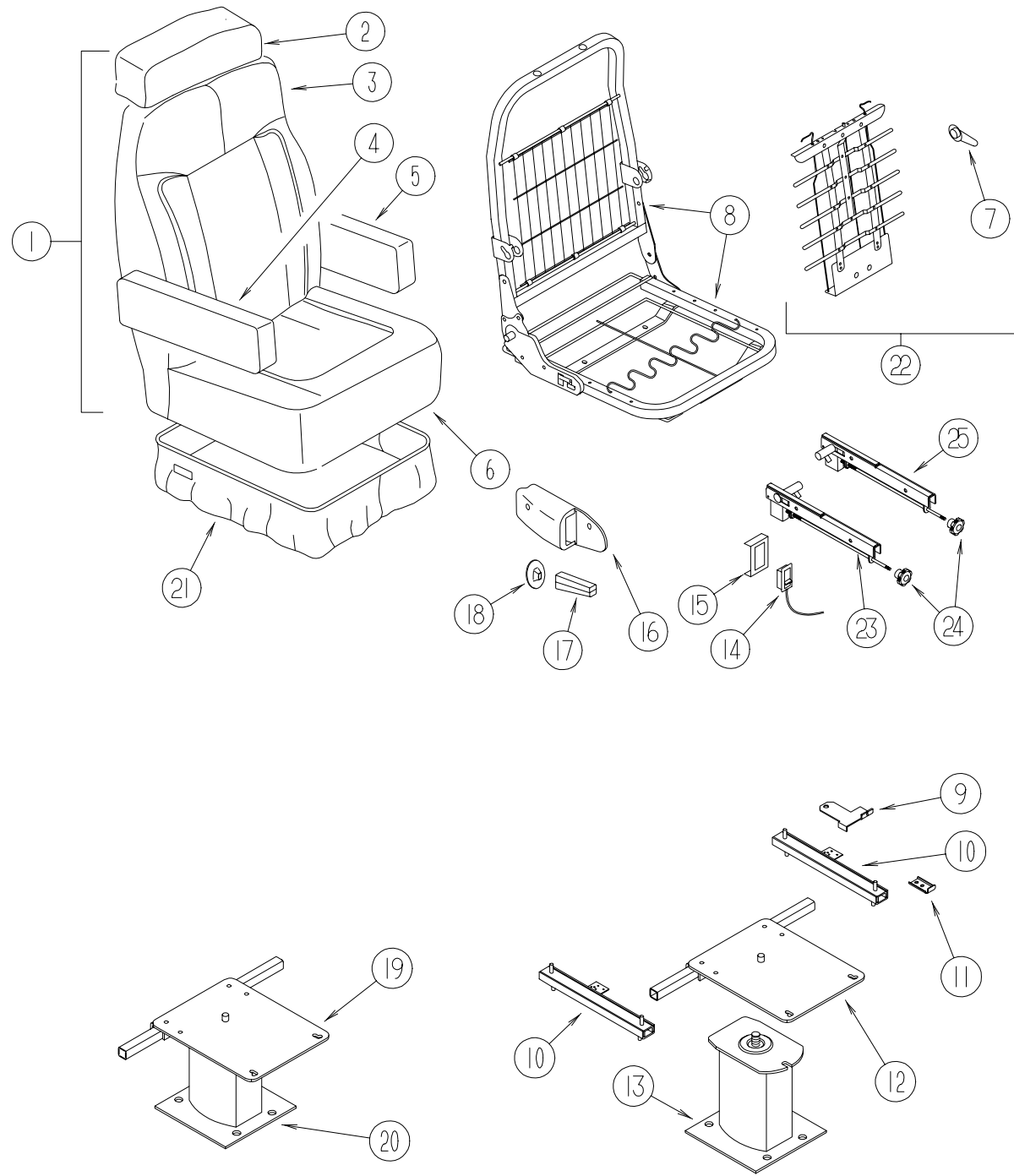
### DINETTE BOOTH

KEY	PART NUMBER	U/M DESCRIPTION
8	111897-07-H58	EA CUSHION - BACK - 13.5" X 30" X 5" (J70,J71)
8	P11897-07-H58	EA COVER - BACK - 13.5" X 30" X 5" (J70,J71)
8	111897-07-H60	EA CUSHION - BACK - 13.5" X 30" X 5" (J72,J73)
8	P11897-07-H60	EA COVER - BACK - 13.5" X 30" X 5" (J72,J73)
8	111897-07-J74	EA CUSHION - BACK - 13.5" X 30" X 5" (J74,J75)
8	P11897-07-J74	EA COVER - BACK - 13.5" X 30" X 5" (J74,J75)
8	111897-07-J76	EA CUSHION - BACK - 13.5" X 30" X 5" (J76,J77)
8	P11897-07-J76	EA COVER - BACK - 13.5" X 30" X 5" (J76,J77)
9	105603-17-H58	EA CUSHION - SEAT - 23" X 30" X 5" (J70,J71)
9	P05603-17-H58	EA COVER - SEAT - 23" X 30" X 5" (J70,J71)
9	105603-17-H60	EA CUSHION - SEAT - 23" X 30" X 5" (J72,J73)
9	P05603-17-H60	EA COVER - SEAT - 23" X 30" X 5" (J72,J73)
9	105603-17-J74	EA CUSHION - SEAT - 23" X 30" X 5" (J74,J75)
9	P05603-17-J74	EA COVER - SEAT - 23" X 30" X 5" (J74,J75)
9	105603-17-J76	EA CUSHION - SEAT - 23" X 30" X 5" (J76,J77)
9	P05603-17-J76	EA COVER - SEAT - 23" X 30" X 5" (J76,J77)

### KING BEDSPREAD, PILLOWS & MATTRESS

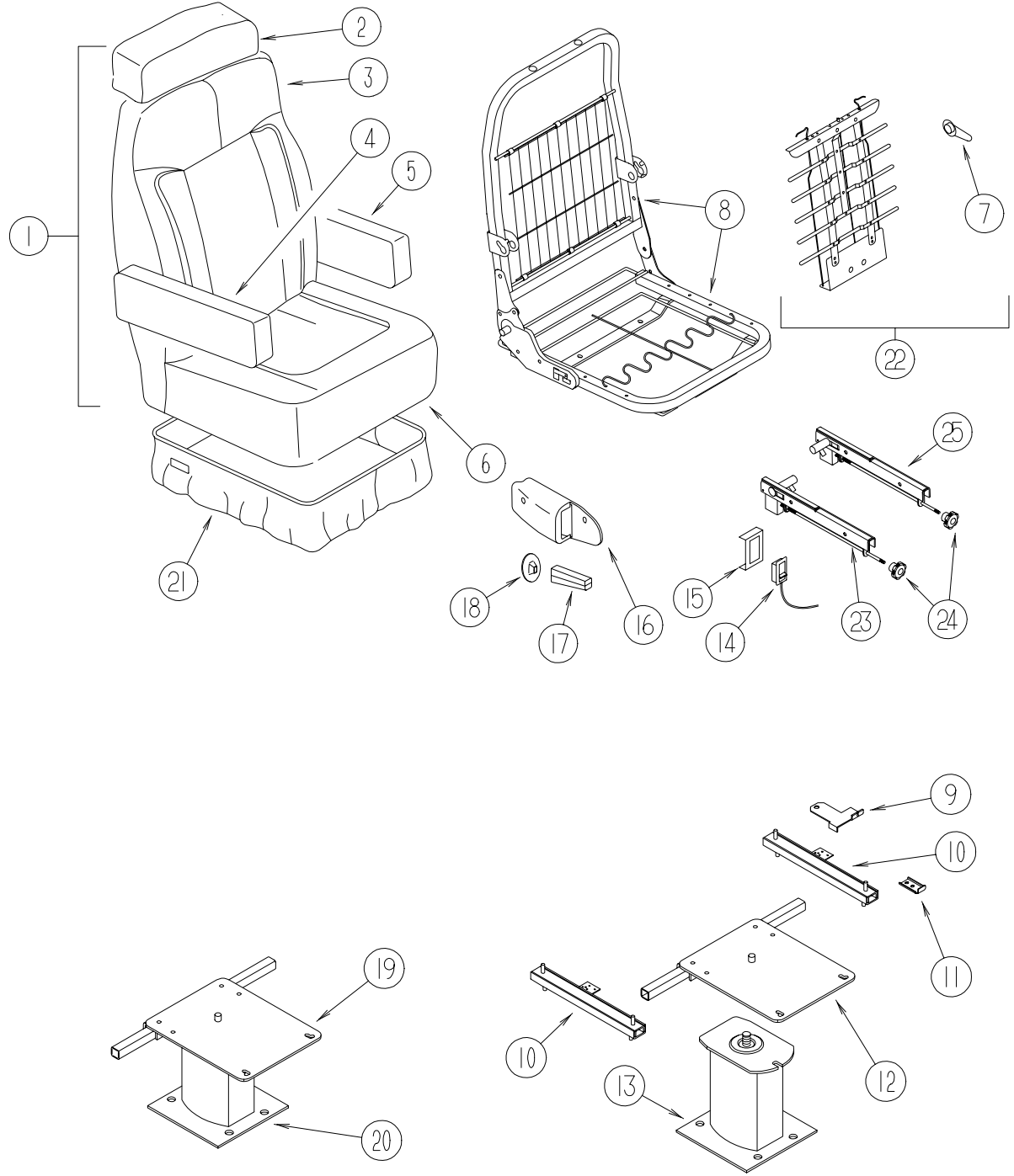
KEY	PART NUMBER	U/M DESCRIPTION
10	114222-04-H58	EA BEDSPREAD/THROW - 72" X 80" (J70,J71)
10	114222-12-J72	EA BEDSPREAD/THROW - 72" X 80" (J72,J73)
10	114222-09-J74	EA BEDSPREAD/THROW - 72" X 80" (J74,J75)
10	114222-12-J76	EA BEDSPREAD/THROW - 72" X 80" (J76,J77)
10	123015-09-000	EA MATTRESS - INNERSPRING - 72" X 79.5"
11	104565-06-H58	EA PILLOW SHAM - 22" X 37" (J70,J71)
11	104565-12-J72	EA PILLOW SHAM - 22" X 37" (J72,J73)
11	126211-02-J74	EA PILLOW SHAM - 22" X 37" (J74,J75)
11	126211-04-J76	EA PILLOW SHAM - 22" X 37" (J76,J77)

**CURTAIN & CUSHION GROUP (CONTINUED)**  
**BUCKET SEATS**



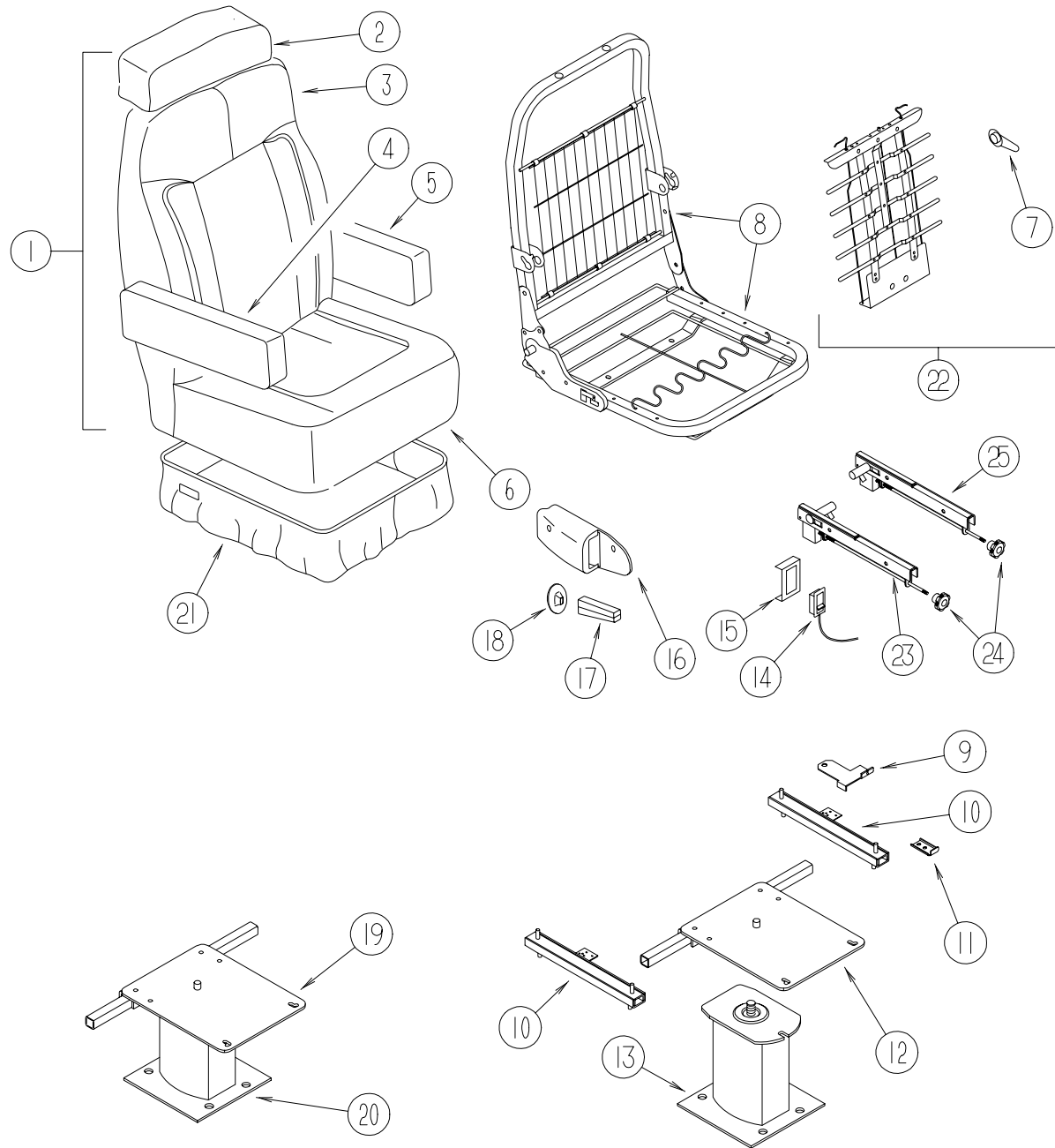
KEY	PART NUMBER	U/M	DESCRIPTION
1	123820-05-J70	EA	SEAT - BUCKET - W/LUMBAR SUPPORT (DRIVER) (J70,J71)
1	123820-05-J72	EA	SEAT - BUCKET - W/LUMBAR SUPPORT (DRIVER) (J72,J73)
1	123820-05-J74	EA	SEAT - BUCKET - W/LUMBAR SUPPORT (DRIVER) (J74,J75)
1	123820-05-J76	EA	SEAT - BUCKET - W/LUMBAR SUPPORT (DRIVER) (J76,J77)
1	123609-07-000	EA	SEAT - BUCKET - DRIVERS - 6-WAY - LEATHER OPTION (J70,J71) FROM: 00-00-00 THRU: 12-07-97
1	129192-02-000	EA	BUCKET - WIDE - 6-WAY - LEATHER OPTION (J70,J71) FROM: 12-08-97 THRU: 99-99-99
1	123609-05-000	EA	SEAT - BUCKET - DRIVERS - 6-WAY - LEATHER OPTION (J72,J73) FROM: 00-00-00 THRU: 12-07-97
1	129192-03-000	EA	BUCKET - WIDE - 6-WAY - LEATHER OPTION (J72,J73) FROM: 12-08-97 THRU: 99-99-99
1	123609-09-000	EA	SEAT - BUCKET - DRIVERS - 6-WAY - LEATHER OPTION (J74,J75) FROM: 00-00-00 THRU: 12-07-97
1	129192-01-000	EA	BUCKET - WIDE - 6-WAY - LEATHER OPTION (J74,J75) FROM: 12-08-97 THRU: 99-99-99
1	123609-11-000	EA	SEAT - BUCKET - DRIVERS - 6-WAY - LEATHER OPTION (J76,J77) FROM: 00-00-00 THRU: 12-07-97
1	129192-04-000	EA	BUCKET - WIDE - 6-WAY - LEATHER OPTION (J76,J77) FROM: 12-08-97 THRU: 99-99-99
1	123820-02-J70	EA	SEAT - BUCKET (PASSENGER) (J70,J71)
1	123820-02-J72	EA	SEAT - BUCKET (PASSENGER) (J72,J73)
1	123820-02-J74	EA	SEAT - BUCKET (PASSENGER) (J74,J75)
1	123820-02-J76	EA	SEAT - BUCKET (PASSENGER) (J76,J77)
1	123609-08-000	EA	SEAT - BUCKET - PASSENGERS - LEATHER OPTION (J70,J71)
1	123609-06-000	EA	SEAT - BUCKET - PASSENGERS - LEATHER OPTION (J72,J73)
1	123609-10-000	EA	SEAT - BUCKET - PASSENGERS - LEATHER OPTION (J74,J75)
1	123609-12-000	EA	SEAT - BUCKET - PASSENGERS - LEATHER OPTION (J76,J77)
2	124682-01-H58	EA	HEADREST (J70,J71)
2	124682-01-H60	EA	HEADREST (J72,J73)
2	124682-01-J74	EA	HEADREST (J74,J75)
2	124682-01-J76	EA	HEADREST (J76,J77)
2	P24682-01-H58	EA	COVER - HEADREST (J70,J71)
2	P24682-01-H60	EA	COVER - HEADREST (J72,J73)
2	P24682-01-J74	EA	COVER - HEADREST (J74,J75)
2	P24682-01-J76	EA	COVER - HEADREST (J76,J77)
2	113977-12-000	EA	HEADREST INSERT - W/O LOCK
2	113977-13-000	EA	HEADREST INSERT - W/LOCK
2	114791-03-000	EA	FRAME - HEADREST
3	M05962-47-H58	EA	COVER - BACK (J70,J71)
3	M05962-47-H60	EA	COVER - BACK (J72,J73)
3	M05962-47-J74	EA	COVER - BACK (J74,J75)
3	M05962-47-J76	EA	COVER - BACK (J76,J77)
3	089323-01-000	FT	STRIP - POLYETHYLENE - J-CHANNEL
4	123962-01-H58	EA	ARMREST - ADJUSTABLE/RIGHT HAND (DRIVER) (J70,J71)
4	123962-01-H60	EA	ARMREST - ADJUSTABLE/RIGHT HAND (DRIVER) (J72,J73)
4	123962-01-J74	EA	ARMREST - ADJUSTABLE/RIGHT HAND (DRIVER) (J74,J75)
4	123962-01-J76	EA	ARMREST - ADJUSTABLE/RIGHT HAND (DRIVER) (J76,J77)
4	P23962-01-H58	EA	COVER - ARMREST - RIGHT HAND (DRIVER) (J70,J71)
4	P23962-01-H60	EA	COVER - ARMREST - RIGHT HAND (DRIVER) (J72,J73)
4	P23962-01-J74	EA	COVER - ARMREST - RIGHT HAND (DRIVER) (J74,J75)
4	P23962-01-J76	EA	COVER - ARMREST - RIGHT HAND (DRIVER) (J76,J77)
4	122780-01-J70	EA	ARMREST - RIGHT HAND (PASSENGER) (J70,J71)
4	122780-01-J72	EA	ARMREST - RIGHT HAND (PASSENGER) (J72,J73)
4	122780-01-J74	EA	ARMREST - RIGHT HAND (PASSENGER) (J74,J75)
4	122780-01-J76	EA	ARMREST - RIGHT HAND (PASSENGER) (J76,J77)
4	P22780-01-J70	EA	COVER - ARMREST - RIGHT HAND (PASSENGER) (J70,J71)
4	P22780-01-J72	EA	COVER - ARMREST - RIGHT HAND (PASSENGER) (J72,J73)
4	P22780-01-J74	EA	COVER - ARMREST - RIGHT HAND (PASSENGER) (J74,J75)
4	P22780-01-J76	EA	COVER - ARMREST - RIGHT HAND (PASSENGER) (J76,J77)
4	115617-03-000	EA	ARMREST - W/O COVER - RIGHT HAND

**CURTAIN & CUSHION GROUP (CONTINUED)**  
**BUCKET SEATS (CONTINUED)**



KEY	PART NUMBER	U/M	DESCRIPTION	VENDOR NO.
5	123962-02-H58	EA	ARMREST - ADJUSTABLE/LEFT HAND (DRIVER) (J70,J71)	
5	123962-02-H60	EA	ARMREST - ADJUSTABLE/LEFT HAND (DRIVER) (J72,J73)	
5	123962-02-J74	EA	ARMREST - ADJUSTABLE/LEFT HAND (DRIVER) (J74,J75)	
5	123962-02-J76	EA	ARMREST - ADJUSTABLE/LEFT HAND (DRIVER) (J76,J77)	
5	P23962-02-H58	EA	COVER - ARMREST - LEFT HAND (DRIVER) (J70,J71)	
5	P23962-02-H60	EA	COVER - ARMREST - LEFT HAND (DRIVER) (J72,J73)	
5	P23962-02-J74	EA	COVER - ARMREST - LEFT HAND (DRIVER) (J74,J75)	
5	P23962-02-J76	EA	COVER - ARMREST - LEFT HAND (DRIVER) (J76,J77)	
5	122780-02-H59	EA	ARMREST - LEFT HAND (PASSENGER) (J70,J71)	
5	122780-02-H60	EA	ARMREST - LEFT HAND (PASSENGER) (J72,J73)	
5	122780-02-J74	EA	ARMREST - LEFT HAND (PASSENGER) (J74,J75)	
5	122780-02-J76	EA	ARMREST - LEFT HAND (PASSENGER) (J76,J77)	
5	P22780-02-H59	EA	COVER - ARMREST - LEFT HAND (PASSENGER) (J70,J71)	
5	P22780-02-H60	EA	COVER - ARMREST - LEFT HAND (PASSENGER) (J72,J73)	
5	P22780-02-J74	EA	COVER - ARMREST - LEFT HAND (PASSENGER) (J74,J75)	
5	P22780-02-J76	EA	COVER - ARMREST - LEFT HAND (PASSENGER) (J76,J77)	
5	115617-04-000	EA	ARMREST - W/O COVER - LEFT HAND	
6	M05962-48-H58	EA	COVER - BOTTOM (J70,J71)	
6	M05962-48-H60	EA	COVER - BOTTOM (J72,J73)	
6	M05962-48-J74	EA	COVER - BOTTOM (J74,J75)	
6	M05962-48-J76	EA	COVER - BOTTOM (J76,J77)	
6	089323-01-000	FT	STRIP - POLYETHYLENE - J-CHANNEL	
7	122611-02-701	EA	LUMBAR - LEVER (DRIVER)	412
8	122695-01-01B	EA	FRAME - SEAT/BACK	
9	117125-01-02B	EA	BRACKET - CABLE MOUNT - ADJUSTER W/LOCK	
10	119952-06-000	EA	SLIDE/SEAT - HEAVY DUTY LOCKING - 4 STUDS	
			FROM: 00-00-00 THRU: 11-02-97	
10	119952-04-000	EA	SLIDE/SEAT - HEAVY DUTY LOCKING - 4 STUDS	
			FROM: 11-03-97 THRU: 99-99-99	
10	119952-07-000	EA	WIRE - LATCH RELEASE/ROTARY	
10	007221-01-000	EA	SPACER - SEAT/ADJUSTER	
11	114889-01-000	EA	STOP BAR - UNIVERSAL	
12	107921-05-000	EA	PLATE - TOP - W/SEAT BELT BAR	
12	107921-06-000	EA	BEARING KIT - PEDESTAL	
13	107921-01-000	EA	PEDESTAL/FLOOR MOUNTED - W/9.75" EXTENSION	
			FROM: 00-00-00 THRU: 01-04-98	
13	107921-14-000	EA	PEDESTAL/FLOOR MOUNTED - W/5.75" EXTENSION - MANUAL SEAT	
			FROM: 01-05-98 THRU: 99-99-99	
14	108049-02-000	EA	CLIP - CABLE/PEDESTAL	
14	108049-04-000	EA	CABLE - W/SWITCHES - W/26" MINI LEVER ACTION	
15	097683-03-000	EA	BRACKET - REMOTE/SIDE MOUNT - SINGLE	
			FROM: 00-00-00 THRU: 05-31-97	
15	108049-05-000	EA	FRAME - CABLE - REMOTE RECLINE - W/MINI LEVER ACTION	
			FROM: 06-01-97 THRU: 99-99-99	
16	080730-09-000	EA	SHIELD - RECLINER HANDLE	
17	080730-08-000	EA	HANDLE - RECLINER	
18	080730-11-000	EA	SHIELD - RUBBER BOOT	
19	119730-90-000	EA	TOP PLATE- F/VILLA BUCKET SEAT	
			FROM: 00-00-00 THRU: 12-07-97	
19	119730-90-000	EA	TOP PLATE- F/VILLA BUCKET SEAT (DRIVER)	
			FROM: 12-08-97 THRU: 99-99-99	
20	119730-92-000	EA	PEDESTAL - VILLA - 6.2" (DRIVER)	
			FROM: 00-00-00 THRU: 12-07-97	
20	129190-03-000	EA	PEDESTAL - VILLA	
			FROM: 12-08-97 THRU: 99-99-99	
20	119730-96-000	EA	PEDESTAL - VILLA - 8" (PASSENGER)	

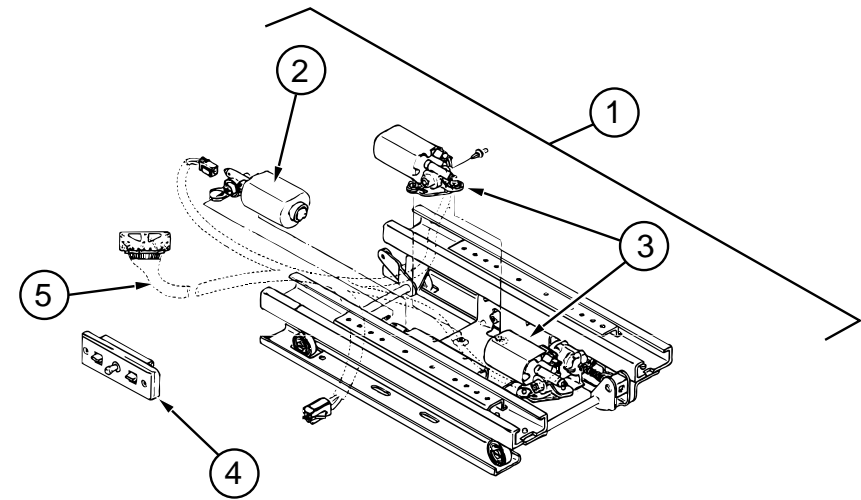
**CURTAIN & CUSHION GROUP (CONTINUED)**



**BUCKET SEATS (CONTINUED)**

KEY	PART NUMBER	U/M DESCRIPTION
21	071126-58-H58	EA SKIRT - SINGLE - W/SEAT BELT SLOT (J70,J71)
21	071126-58-H60	EA SKIRT - SINGLE - W/SEAT BELT SLOT (J72,J73)
21	071126-58-J74	EA SKIRT - SINGLE - W/SEAT BELT SLOT (J74,J75)
21	071126-58-J76	EA SKIRT - SINGLE - W/SEAT BELT SLOT (J76,J77)
22	122611-02-000	EA LUMBAR - W/LEVER
23	122622-04-000	EA BRACKET - ADJUSTABLE RIGHT ARM - 3/8"
24	122622-06-000	EA BRACKET - ADJUSTABLE KNOB - 3/8"
25	122622-05-000	EA BRACKET - ADJUSTABLE LEFT ARM - 3/8"

**CURTAIN & CUSHION GROUP (CONTINUED)**

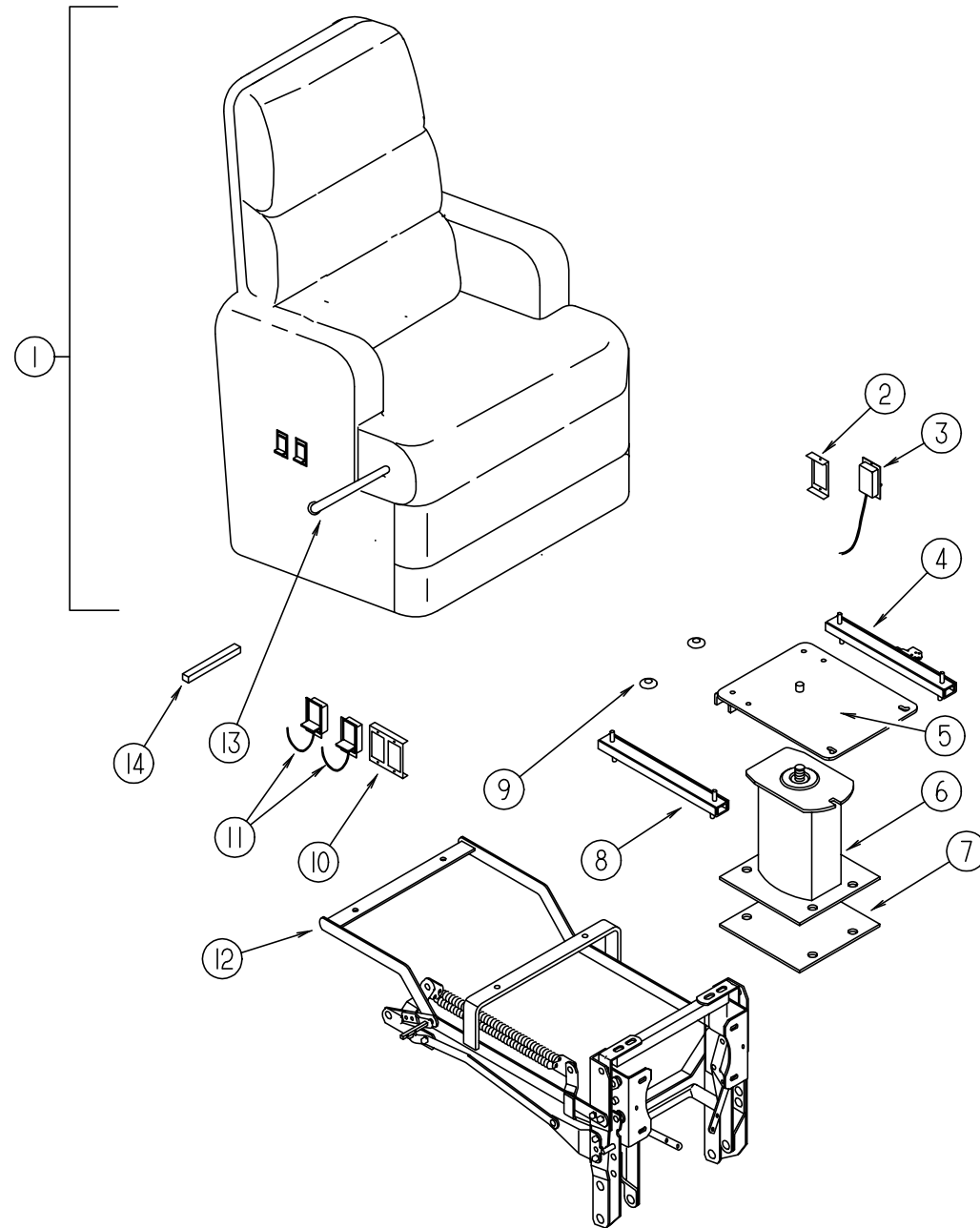


**DELCO POWER SEAT - 6 WAY**

KEY	PART NUMBER	U/M DESCRIPTION	VENDOR NO.
1	081373-03-000	EA SEAT - POWER 6 WAY	
2	081373-02-703	EA MOTOR PACKAGE - ADJUST HORIZONTAL	22063237 & H-195
3	081373-02-704	EA MOTOR PACKAGE - ADJUST VERTICAL	22063238 & H-196
4	081373-03-700	EA SWITCH ASM - FLAT - BROWN - GRAY	22138182 & H-441
	081373-02-700	EA SWITCH W/CLEAR MOLDED CONN.	22063234
	081373-01-700	EA BRACKET - L - CONTROL SWITCH	H-171
5	081373-03-701	EA WIRE HARNESS ASM. - LH SIDE	6000
	081373-03-702	EA WIRE HARNESS ASM. - RH SIDE	6001

## CURTAIN & CUSHION GROUP (CONTINUED)

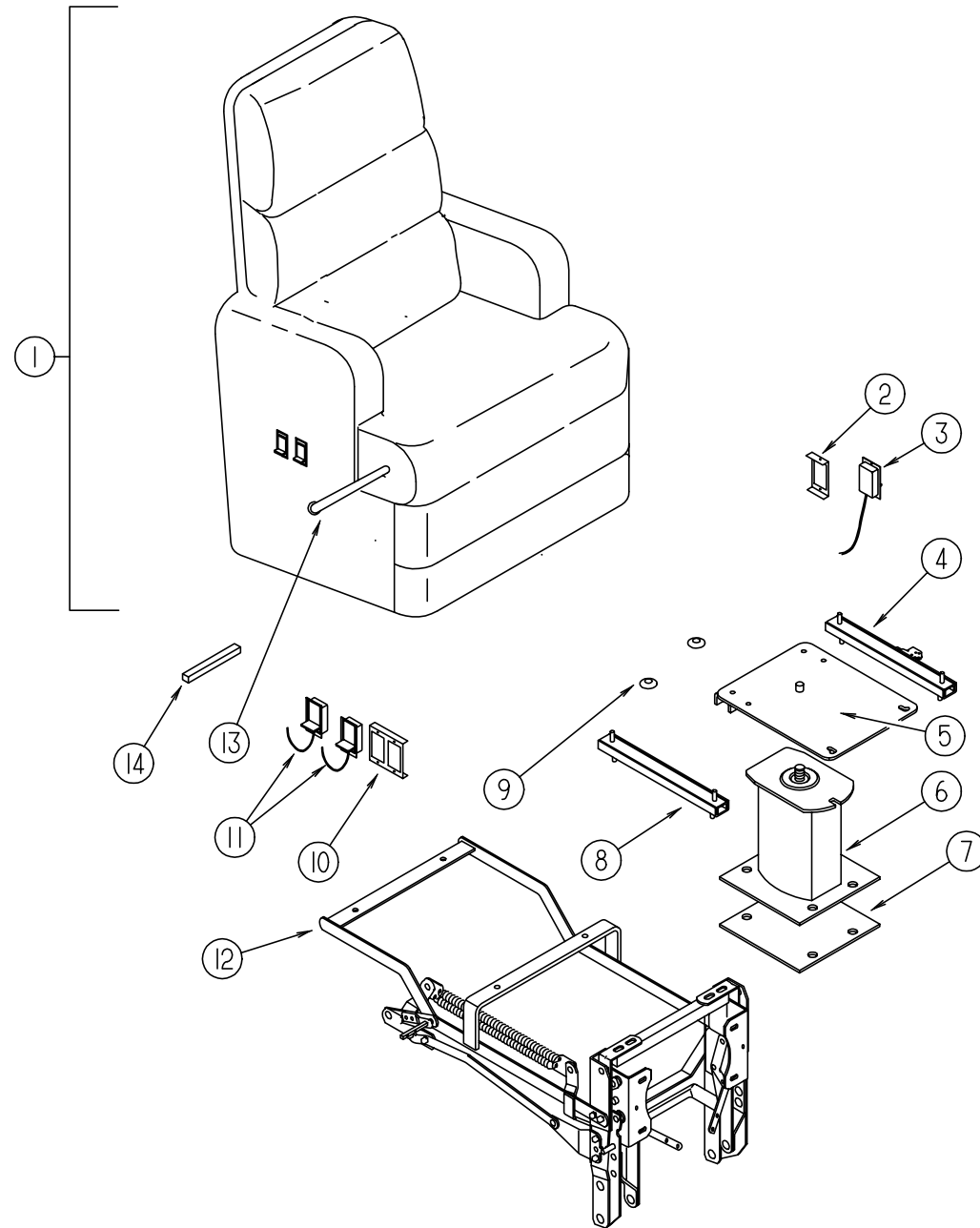
### CHAIR - SWIVEL/RECLINER W/FOOTREST



KEY	PART NUMBER	U/M	DESCRIPTION	VENDOR NO.
1	118821-01-H58	EA	CHAIR - SWIVEL/RECLINER W/FOOTREST (J70) FROM: 00-00-00 THRU: 11-02-97	
1	118821-01-H59	EA	CHAIR - SWIVEL/RECLINER W/FOOTREST (J71) FROM: 00-00-00 THRU: 11-02-97	
1	118821-01-J72	EA	CHAIR - SWIVEL/RECLINER W/FOOTREST (J72) FROM: 00-00-00 THRU: 11-02-97	
1	118821-01-J73	EA	CHAIR - SWIVEL/RECLINER W/FOOTREST (J73) FROM: 00-00-00 THRU: 11-02-97	
1	118821-01-J74	EA	CHAIR - SWIVEL/RECLINER W/FOOTREST (J74) FROM: 00-00-00 THRU: 11-02-97	
1	118821-01-J75	EA	CHAIR - SWIVEL/RECLINER W/FOOTREST (J75) FROM: 00-00-00 THRU: 11-02-97	
1	118821-01-J76	EA	CHAIR - SWIVEL/RECLINER W/FOOTREST (J76) FROM: 00-00-00 THRU: 11-02-97	
1	118821-01-J77	EA	CHAIR - SWIVEL/RECLINER W/FOOTREST (J77) FROM: 00-00-00 THRU: 11-02-97	
	P18821-01-H58	EA	COVER - CHAIR - W/RECLINER & FOOTREST (J70,J71)	
	P18821-01-J72	EA	COVER - CHAIR - W/RECLINER & FOOTREST (J72,J73)	
	P18821-01-J74	EA	COVER - CHAIR - W/RECLINER & FOOTREST (J74,J75)	
	P18821-01-J76	EA	COVER - CHAIR - W/RECLINER & FOOTREST (J76,J77)	
	P18821-27-J70	EA	COVER - RIGHT/LEFT ARMREST (J70,J71)	
	P18821-27-J72	EA	COVER - RIGHT/LEFT ARMREST (J72,J73)	
	P18821-27-J74	EA	COVER - RIGHT/LEFT ARMREST (J74,J75)	
	P18821-27-J76	EA	COVER - RIGHT/LEFT ARMREST (J76,J77)	
2	097683-03-000	EA	BRACKET - REMOTE/SIDE MOUNT - SINGLE FROM: 00-00-00 THRU: 05-31-97	
2	108049-05-000	EA	FRAME - CABLE - REMOTE RECLINE - W/MINI LEVER ACTION FROM: 06-01-97 THRU: 99-99-99	
3	089368-05-000	EA	CABLE - W/SWITCH 25.5" SHEATH-29 3/4" CABLE W/DOG LEG FROM: 00-00-00 THRU: 05-31-97	
3	108049-04-000	EA	CABLE - W/SWITCHES - W/26" MINI LEVER ACTION FROM: 06-01-97 THRU: 99-99-99	
4	119952-04-000	EA	SLIDE/SEAT - HEAVY DUTY LOCKING - 4 STUDS	
	117125-01-02B	EA	BRACKET - CABLE MOUNT - ADJUSTER W/LOCK	
	108049-02-000	EA	CLIP - CABLE/PEDESTAL	
5	107921-08-000	EA	TOP PLATE - PEDESTAL - W/O SEAT BELT BAR	
6	107921-01-000	EA	PEDESTAL/FLOOR MOUNTED - W/9.75" EXTENSION	
7	108445-02-000	EA	PLATE/FLOOR MOUNTED - PEDESTAL SEAT	
	107921-06-000	EA	BEARING KIT - PEDESTAL	
8	119952-02-000	EA	SLIDE/SEAT - HEAVY DUTY NON LOCKING	
9	007221-01-000	EA	SPACER - SEAT/ADJUSTER	
10	097683-02-000	EA	BRACKET - REMOTE/SIDE MOUNT - DOUBLE	
11	108049-03-000	EA	CABLE - W/SWITCHES - 25.5" SHEATH/28.5" CABLE W/DOG LEG	
12	119106-01-000	EA	FRAME - FOOTREST MECHANIC - COMPLETE	
13	119106-01-701	EA	HANDLE	92596
14	119106-01-700	EA	TUBE - EXTENSION - RECTANGULAR	92859

## CURTAIN & CUSHION GROUP (CONTINUED)

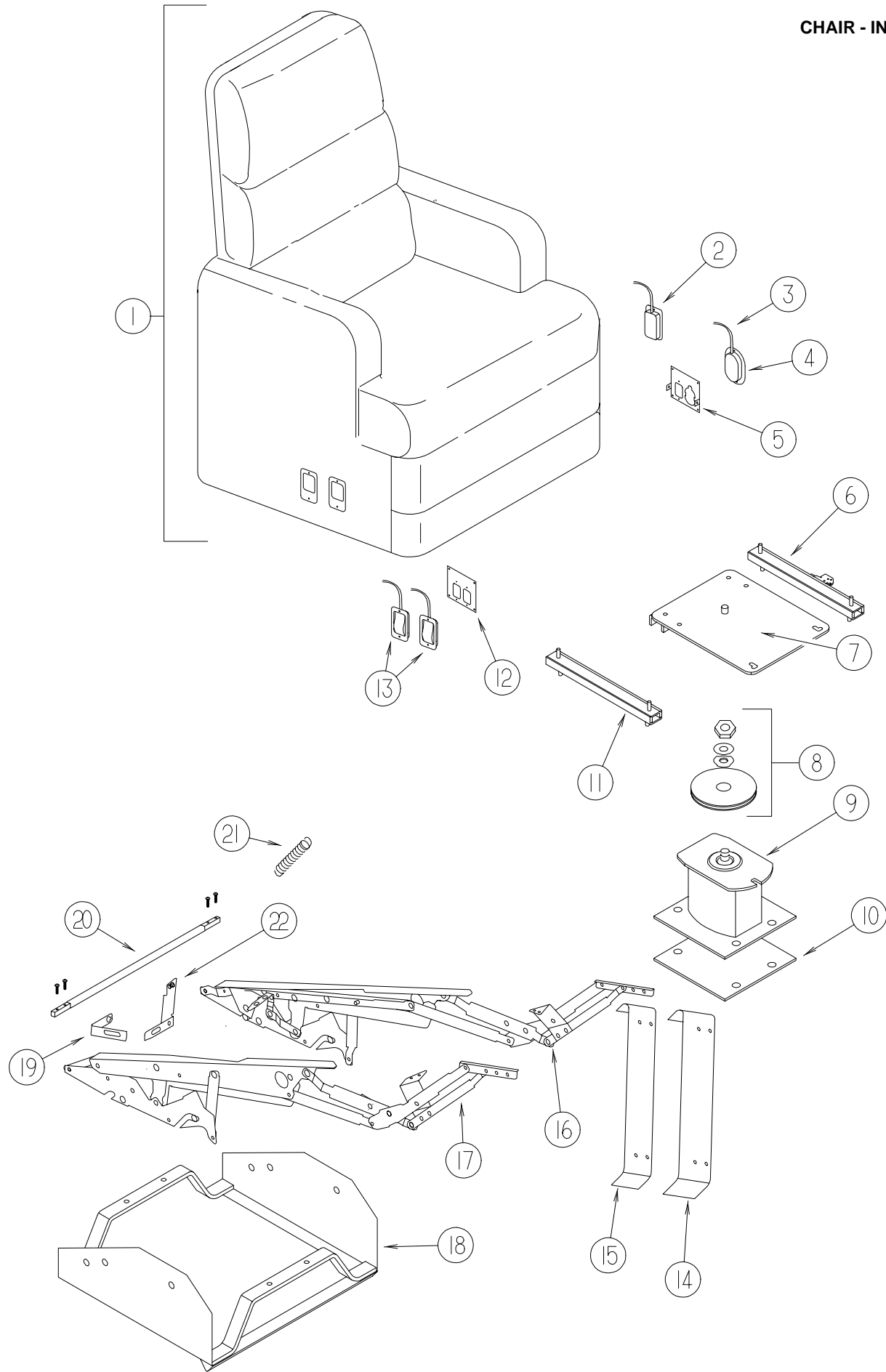
### CHAIR - RECLINER/HIGHBACK - W/FOOTREST



KEY	PART NUMBER	U/M DESCRIPTION	VENDOR NO.
1	118821-02-J70	EA CHAIR - RECLINER/HIGHBACK - W/FOOTREST (J70,J71) FROM: 11-03-97 THRU: 01-04-98	
1	118821-02-J72	EA CHAIR - RECLINER/HIGHBACK - W/FOOTREST (J72,J73) FROM: 11-03-97 THRU: 01-04-98	
1	118821-02-J74	EA CHAIR - RECLINER/HIGHBACK - W/FOOTREST (J74,J75) FROM: 11-03-97 THRU: 01-04-98	
1	118821-02-J76	EA CHAIR - RECLINER/HIGHBACK - W/FOOTREST (J76,J77) FROM: 11-03-97 THRU: 01-04-98	
	P18821-02-J70	EA COVER - RECLINER/HIGHBACK - W/FOOTREST (J70,J71)	
	P18821-02-J72	EA COVER - RECLINER/HIGHBACK - W/FOOTREST (J72,J73)	
	P18821-02-J74	EA COVER - RECLINER/HIGHBACK - W/FOOTREST (J74,J75)	
	P18821-02-J76	EA COVER - RECLINER/HIGHBACK - W/FOOTREST (J76,J77)	
	P18821-27-J70	EA COVER - RIGHT/LEFT ARMREST (J70,J71)	
	P18821-27-J72	EA COVER - RIGHT/LEFT ARMREST (J72,J73)	
	P18821-27-J74	EA COVER - RIGHT/LEFT ARMREST (J74,J75)	
	P18821-27-J76	EA COVER - RIGHT/LEFT ARMREST (J76,J77)	
2	108049-05-000	EA FRAME - CABLE - REMOTE RECLINE - W/MINI LEVER ACTION	
3	108049-04-000	EA CABLE - W/SWITCHES - W/26" MINI LEVER ACTION	
4	119952-04-000	EA SLIDE/SEAT - HEAVY DUTY LOCKING - 4 STUDS	
	117125-01-02B	EA BRACKET - CABLE MOUNT - ADJUSTER W/LOCK	
	108049-02-000	EA CLIP - CABLE/PEDESTAL	
5	107921-08-000	EA TOP PLATE - PEDESTAL - W/O SEAT BELT BAR	
6	107921-01-000	EA PEDESTAL/FLOOR MOUNTED - W/9.75" EXTENSION	
7	108445-02-000	EA PLATE/FLOOR MOUNTED - PEDESTAL SEAT	
	107921-06-000	EA BEARING KIT - PEDESTAL	
8	119952-02-000	EA SLIDE/SEAT - HEAVY DUTY NON LOCKING	
9	007221-01-000	EA SPACER - SEAT/ADJUSTER	
10	097683-02-000	EA BRACKET - REMOTE/SIDE MOUNT - DOUBLE	
11	108049-03-000	EA CABLE - W/SWITCHES - 25.5" SHEATH/28.5" CABLE W/DOG LEG	
12	119106-01-000	EA FRAME - FOOTREST MECHANIC - COMPLETE	
13	119106-01-701	EA HANDLE	92596
14	119106-01-700	EA TUBE - EXTENSION - RECTANGULAR	92859

# CURTAIN & CUSHION GROUP (CONTINUED)

## CHAIR - INCLINER W/FOOTREST

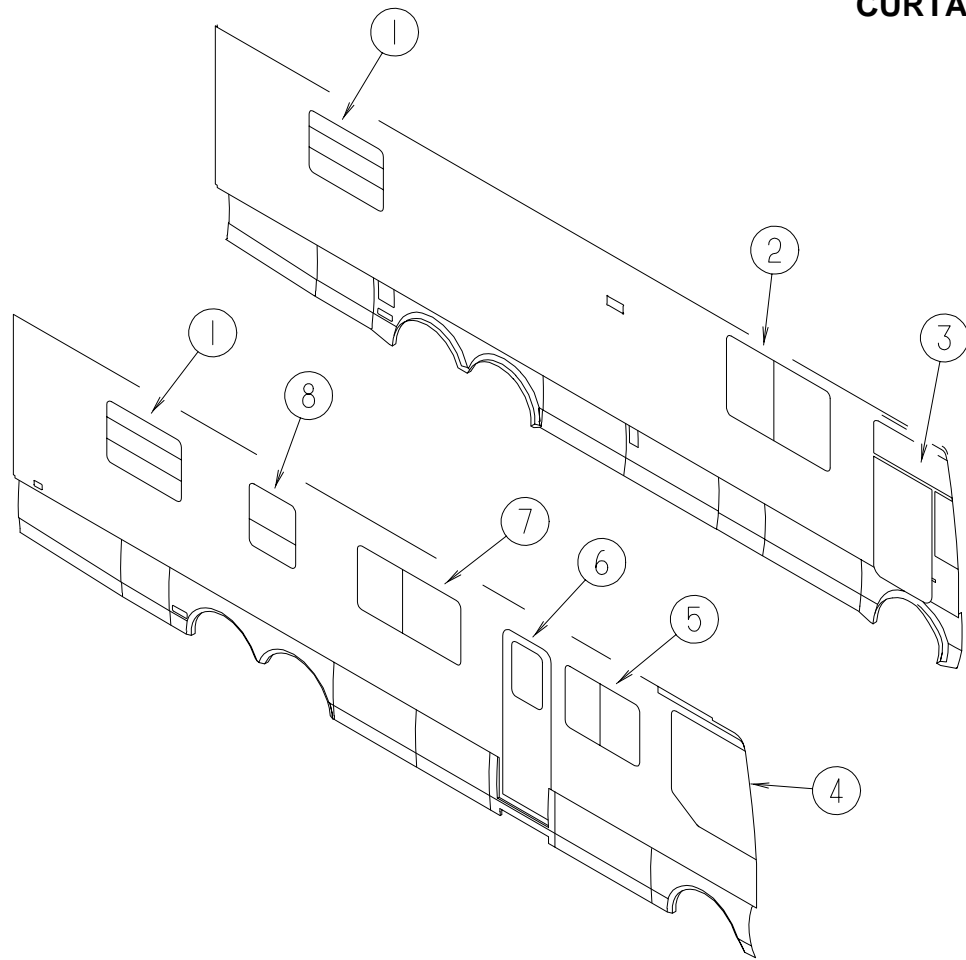


KEY	PART NUMBER	U/M	DESCRIPTION
1	129327-01-J70	EA	CHAIR - INCLINER W/FOOTREST (J70,J71) FROM: 01-05-98 THRU: 99-99-99
1	129327-01-J72	EA	CHAIR - INCLINER W/FOOTREST (J72,J73) FROM: 01-05-98 THRU: 99-99-99
1	129327-01-J74	EA	CHAIR - INCLINER W/FOOTREST (J74,J75) FROM: 01-05-98 THRU: 99-99-99
1	129327-01-J76	EA	CHAIR - INCLINER W/FOOTREST (J76,J77) FROM: 01-05-98 THRU: 99-99-99
	P29327-01-J70	EA	COVER - CHAIR - INCLINE W/FOOTREST (J70,J71)
	P29327-01-J72	EA	COVER - CHAIR - INCLINE W/FOOTREST (J72,J73)
	P29327-01-J74	EA	COVER - CHAIR - INCLINE W/FOOTREST (J74,J75)
	P29327-01-J76	EA	COVER - CHAIR - INCLINE W/FOOTREST (J76,J77)
2	108049-05-000	EA	FRAME - CABLE - REMOTE RECLINE - W/MINI LEVER ACTION
3	129148-05-000	EA	INCLINER - CABLE - 30"
4	129148-06-000	EA	INCLINER - LEVER F/CABLE
5	129164-01-02B	EA	BRACKET - SEAT RELEASE - REMOTE
6	119952-04-000	EA	SLIDE/SEAT - HEAVY DUTY LOCKING - 4 STUDS
7	107921-08-000	EA	TOP PLATE - PEDESTAL - W/O SEAT BELT BAR
8	107921-06-000	EA	BEARING KIT - PEDESTAL
9	107921-14-000	EA	PEDESTAL - SEAT W/5.75" EXTENSION - F/MANUAL SEAT
10	108445-02-000	EA	PLATE/FLOOR MOUNTED - PEDESTAL SEAT
11	119952-02-000	EA	SLIDE/SEAT - HEAVY DUTY NON LOCKING
12	129162-01-02B	EA	BRACKET - SEAT RELEASE - REMOTE
13	108049-04-000	EA	CABLE - W/SWITCHES - 25.5" SHEATH/28.5" CABLE W/DOG LEG
14	119901-04-000	EA	FOOT REST - RECLINER
15	119901-05-000	EA	FOOT REST - RECLINER
16	129148-01-000	EA	INCLINER - LEFT
17	129148-02-000	EA	INCLINER - RIGHT
18	129173-01-02B	EA	FRAME - INCLINER - E-COATED
19	129148-08-000	EA	INCLINER - CLIP F/CABLE
20	129148-10-000	EA	INCLINER TUBE - MODIFIED
21	129148-03-000	EA	SPRING - INCLINER
22	129148-07-000	EA	INCLINER - CABLE F/BREAK RELEASE



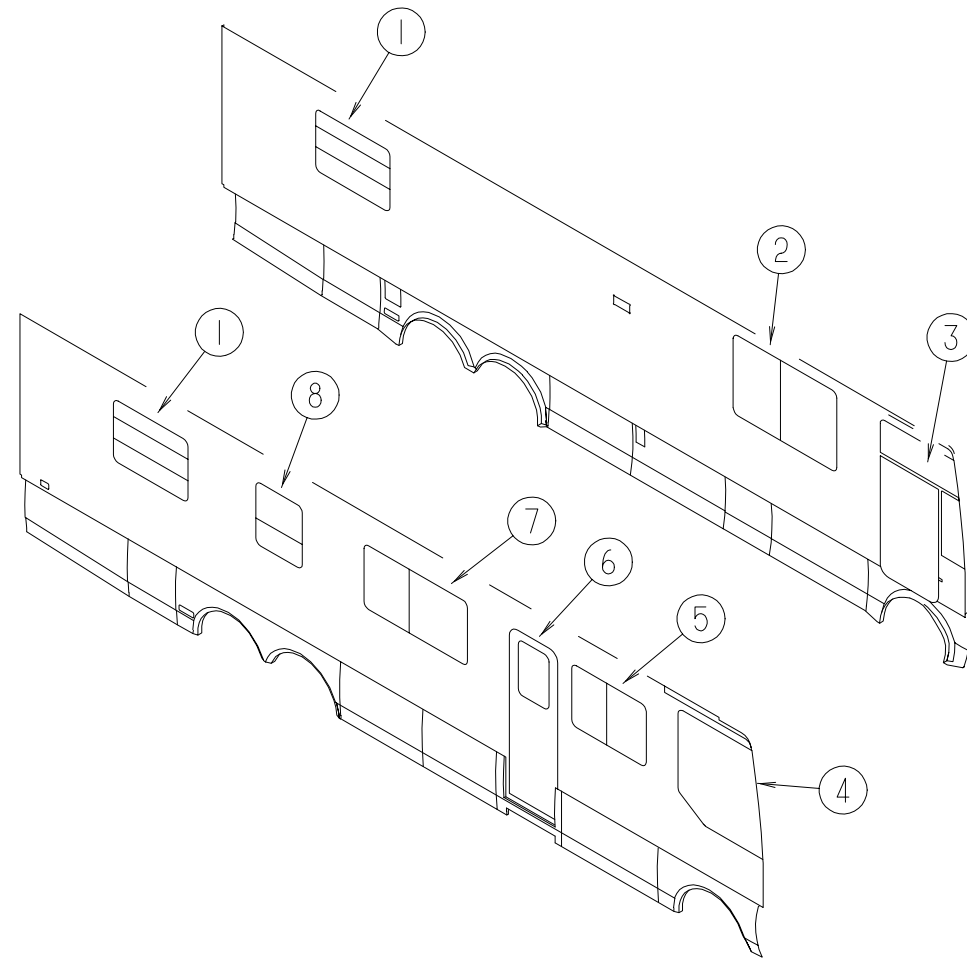
## CURTAIN & CUSHION GROUP (CONTINUED)

### CURTAINS & WINDOW TREATMENT



KEY	PART NUMBER	U/M	DESCRIPTION
1	117657-09-H58	EA	VALANCE - KINGSTON - 34" (J70,J71)
	117844-05-H58	EA	COVER - KINGSTON - 51" (J70,J71)
1	119138-41-J72	EA	VALANCE - BELLINI - 34" (J72,J73)
1	117657-09-J74	EA	VALANCE - KINGSTON - 34" (J74,J75)
	117844-05-J74	EA	COVER - KINGSTON - 51" (J74,J75)
1	117657-14-J76	EA	VALANCE - KINGSTON - 34" (J76,J77)
	117844-10-J76	EA	COVER - KINGSTON - 40" (J76,J77)
1	117657-08-H58	EA	VALANCE - KINGSTON - 34" (J70,J71) (TWIN BED)
	117844-06-H58	EA	COVER - KINGSTON - 40" (J70,J71) (TWIN BED)
1	119138-40-J72	EA	VALANCE - BELLINI - 34" (J72,J73) (TWIN BED)
1	117657-08-J74	EA	VALANCE - KINGSTON - 34" (J74,J75) (TWIN BED)
	117844-06-J74	EA	COVER - KINGSTON - 40" (J74,J75) (TWIN BED)
1	117657-12-J76	EA	VALANCE - KINGSTON - 34" (J76,J77) (TWIN BED)
	117844-09-J76	EA	COVER - KINGSTON - 40" (J76,J77) (TWIN BED)
1	123910-15-J70	EA	LEG - RIGHT - 34" (J70,J71)
1	123910-25-J72	EA	LEG - RIGHT - 34" (J72,J73)
1	123910-15-J74	EA	LEG - RIGHT - 34" (J74,J75)
1	123910-15-J76	EA	LEG - RIGHT - 34" (J76,J77)
1	127017-09-J70	EA	LEG - RIGHT - 34" (J70,J71) (TWIN BED)
1	127017-05-J72	EA	LEG - RIGHT - 34" (J72,J73) (TWIN BED)
1	127017-09-J74	EA	LEG - RIGHT - 34" (J74,J75) (TWIN BED)
1	127017-09-J76	EA	LEG - RIGHT - 34" (J76,J77) (TWIN BED)
1	123910-16-J70	EA	LEG - LEFT - 34" (J70,J71)
1	123910-26-J72	EA	LEG - LEFT - 34" (J72,J73)
1	123910-16-J74	EA	LEG - LEFT - 34" (J74,J75)
1	123910-16-J76	EA	LEG - LEFT - 34" (J76,J77)
1	127017-10-J70	EA	LEG - LEFT - 34" (J70,J71) (TWIN BED)
1	127017-06-J72	EA	LEG - LEFT - 34" (J72,J73) (TWIN BED)
1	127017-09-J74	EA	LEG - LEFT - 34" (J74,J75) (TWIN BED)
1	123910-10-J76	EA	LEG - LEFT - 34" (J76,J77) (TWIN BED)
1	123964-04-HB6	EA	BLIND - MICRO - DAY/NIGHTER - 29" X 37" (J70,J71,J74,J75,J76,J77)
1	123964-04-HD6	EA	BLIND - MICRO - DAY/NIGHTER - 28" X 37" (J72,J73)
1	123910-16-J70	EA	LEG - LEFT - 34" (J70,J71)
1	123910-26-J72	EA	LEG - LEFT - 34" (J72,J73)
1	123910-16-J74	EA	LEG - LEFT - 34" (J74,J75)
1	123910-16-J76	EA	LEG - LEFT - 34" (J76,J77)
1	127017-10-J70	EA	LEG - LEFT - 34" (J70,J71) (TWIN BED)
1	127017-06-J72	EA	LEG - LEFT - 34" (J72,J73) (TWIN BED)
1	127017-09-J74	EA	LEG - LEFT - 34" (J74,J75) (TWIN BED)
1	123910-10-J76	EA	LEG - LEFT - 34" (J76,J77) (TWIN BED)
1	123964-04-HB6	EA	BLIND - MICRO - DAY/NIGHTER - 29" X 37" (J70,J71,J74,J75,J76,J77)
1	123964-04-HD6	EA	BLIND - MICRO - DAY/NIGHTER - 28" X 37" (J72,J73)
2	121410-23-H58	EA	VALANCE - MODERATE - 62.5" (J70,J71)
2	121410-24-H60	EA	VALANCE - MODERATE - 62.5" (J72,J73)
2	127329-01-J74	EA	VALANCE - ABBEY - 62.5" (J74,J75)
2	127329-01-J76	EA	VALANCE - ABBEY - 62.5" (J76,J77)
2	127017-25-J70	EA	LEG - RIGHT - 38" (J70,J71)
2	127017-27-J72	EA	LEG - RIGHT - 38" (J72,J73)
2	127017-25-J74	EA	LEG - RIGHT - 38" (J74,J75)
2	127017-25-J76	EA	LEG - RIGHT - 38" (J76,J77)
2	127017-26-J70	EA	LEG - LEFT - 38" (J70,J71)
2	123910-26-J72	EA	LEG - LEFT - 38" (J72,J73)
2	127017-26-J74	EA	LEG - LEFT - 38" (J74,J75)
2	127017-26-J76	EA	LEG - LEFT - 38" (J76,J77)
2	123964-03-HB6	EA	BLIND - MICRO - DAY/NIGHTER - 59" X 41" (J70,J71,J74,J75,J76,J77)
2	123964-03-HD6	EA	BLIND - MICRO - DAY/NIGHTER - 59" X 41" (J72,J73)
2	121410-27-H58	EA	VALANCE - MODERATE - 62.5" (J70,J71) (WINDOW EXCHANGE)
2	121410-28-H60	EA	VALANCE - MODERATE - 62.5" (J72,J73) (WINDOW EXCHANGE)
2	127329-03-J74	EA	VALANCE - ABBEY - 62.5" (J74,J75) (WINDOW EXCHANGE)
2	127329-03-J76	EA	VALANCE - ABBEY - 62.5" (J76,J77) (WINDOW EXCHANGE)
2	127017-29-J70	EA	LEG - RIGHT - 30" (J70,J71) (WINDOW EXCHANGE)
2	127017-31-J72	EA	LEG - RIGHT - 30" (J72,J73) (WINDOW EXCHANGE)
2	127017-29-J74	EA	LEG - RIGHT - 30" (J74,J75) (WINDOW EXCHANGE)
2	127017-29-J76	EA	LEG - RIGHT - 30" (J76,J77) (WINDOW EXCHANGE)
2	127017-30-J70	EA	LEG - LEFT - 30" (J70,J71) (WINDOW EXCHANGE)
2	127017-32-J72	EA	LEG - LEFT - 30" (J72,J73) (WINDOW EXCHANGE)
2	127017-30-J74	EA	LEG - LEFT - 30" (J74,J75) (WINDOW EXCHANGE)
2	127017-30-J76	EA	LEG - LEFT - 30" (J76,J77) (WINDOW EXCHANGE)
2	123964-05-HB6	EA	BLIND - MICRO - DAY/NIGHTER - 59" X 33" (J70,J71,J74,J75,76,J77) (WINDOW EXCHANGE)
2	123964-05-HD6	EA	BLIND - MICRO - DAY/NIGHTER - 59" X 33" (J72,J73) (WINDOW EXCHANGE)
3	093487-12-01A	EA	WRAP AROUND - FRONT - LEFT HAND/PLEATED - 51" X 108"
4	093487-11-01A	EA	WRAP AROUND - FRONT - RIGHT HAND/PLEATED - 51" X 108"
5	121410-29-H58	EA	VALANCE - MODERATE - 46.5" (J70,J71)
5	121410-30-H60	EA	VALANCE - MODERATE - 46.5" (J72,J73)
5	127329-02-J74	EA	VALANCE - ABBEY - 46.5" (J74,J75)
5	127329-02-J76	EA	VALANCE - ABBEY - 46.5" (J76,J77)
5	127017-29-J70	EA	LEG - RIGHT - 30" (J70,J71)
5	127017-31-J72	EA	LEG - RIGHT - 30" (J72,J73)
5	127017-29-J74	EA	LEG - RIGHT - 30" (J74,J75)
5	127017-29-J76	EA	LEG - RIGHT - 30" (J76,J77)
5	127017-30-J70	EA	LEG - LEFT - 30" (J70,J71)
5	127017-32-J72	EA	LEG - LEFT - 30" (J72,J73)
5	127017-30-J74	EA	LEG - LEFT - 30" (J74,J75)
5	127017-30-J76	EA	LEG - LEFT - 30" (J76,J77)
5	123964-07-HB6	EA	BLIND - MICRO - DAY/NIGHTER - 42.5" X 32" (J70,J71,J74,J75,76,J77)
5	123964-07-HD6	EA	BLIND - MICRO - DAY/NIGHTER - 42.5" X 32" (J72,J73)
6	120820-01-H58	EA	VALANCE - FLAT - 15" X 30.5" - W/CLOCK CUTOUT (J70,J71)
6	120820-11-H60	EA	VALANCE - FLAT - 15" X 30.5" - W/CLOCK CUTOUT (J72,J73)
6	120820-01-J74	EA	VALANCE - FLAT - 15" X 30.5" - W/CLOCK CUTOUT (J74,J75)
6	120820-01-J76	EA	VALANCE - FLAT - 15" X 30.5" - W/CLOCK CUTOUT (J76,J77)
6	084755-57-E07	EA	SHADE - PULL - 27.25"

**CURTAIN & CUSHION GROUP (CONTINUED)**



**CURTAINS & WINDOW TREATMENT (CONTINUED)**

KEY	PART NUMBER	U/M DESCRIPTION
7	121410-27-H58	EA VALANCE - MODERATE - 62.5" (J70,J71)
7	121410-28-H60	EA VALANCE - MODERATE - 62.5" (J72,J73)
7	127329-03-J74	EA VALANCE - ABBEY - 62.5" (J74,J75)
7	127329-03-J76	EA VALANCE - ABBEY - 62.5" (J76,J77)
7	127017-29-J70	EA LEG - RIGHT - 30" (J70,J71)
7	127017-31-J72	EA LEG - RIGHT - 30" (J72,J73)
7	127017-29-J74	EA LEG - RIGHT - 30" (J74,J75)
7	127017-29-J76	EA LEG - RIGHT - 30" (J76,J77)
7	127017-30-J70	EA LEG - LEFT - 30" (J70,J71)
7	127017-32-J72	EA LEG - LEFT - 30" (J72,J73)
7	127017-30-J74	EA LEG - LEFT - 30" (J74,J75)
7	127017-30-J76	EA LEG - LEFT - 30" (J76,J77)
7	123964-05-HB6	EA BLIND - MICRO - DAY/NIGHTER - 59" X 33" (J70,J71,J74,J75,76,J77)
7	123964-05-HD6	EA BLIND - MICRO - DAY/NIGHTER - 59" X 33" (J72,J73)
8	121410-36-H58	EA VALANCE - MODERATE - 30" (J70,J71)
8	121410-37-H60	EA VALANCE - MODERATE - 30" (J72,J73)
8	127329-04-J74	EA VALANCE - ABBEY - 30" (J74,J75)
8	127329-04-J76	EA VALANCE - ABBEY - 30" (J76,J77)
8	123964-09-HB6	EA BLIND - MICRO - DAY/NIGHTER - 29" X 31" (J70,J71,J74,J75,76,J77)
8	123964-09-HD6	EA BLIND - MICRO - DAY/NIGHTER - 29" X 31" (J72,J73)

**CURTAIN & CUSHION GROUP (CONTINUED)**

**FABRIC TRIMS & BUTTONS**

KEY	PART NUMBER	U/M DESCRIPTION
	070578-02-FQ0	EA BUTTON - #30 - VINYL
	070578-02-E37	EA BUTTON - #30 - VINYL
	074494-02-000	EA BUTTON - RETAINING PIVOT - #60
	074494-03-000	EA BUTTON - SERRATED PIVOT - W/3/8 TACK
	074494-04-000	EA BUTTON - JOINED/PIVOT - W 3/4 TACK
	118337-02-H58	EA BUTTON - #60 - DOUBLE SIDED (J70,J71,J74,J75,J76,J77)
	118337-02-HQ2	EA BUTTON - #60 - DOUBLE SIDED (J72,J73)
	079349-04-H58	YD WELT - NARROW (J70,J71)
	079349-04-H60	YD WELT - NARROW (J72,J73)
	079349-04-J74	YD WELT - NARROW (J74,J75)
	079349-04-J76	YD WELT - NARROW (J76,J77)
	084415-78-000	YD TRIM - BRAID - CORD (J70,J71)
	084415-79-000	YD TRIM - BRAID - SHELL (J72,J73)
	084415-89-000	YD TRIM - BRAID (J72,J73)
	084415-80-000	YD TRIM - BRAID - COZUMEL (J74,J75)
	084415-A1-000	YD TRIM - BRAID - CD-15346 - 5" CORD (J76,J77)
	084415-99-000	YD TRIM - BRAID - FR-15346 - BR FRING (J76,J77)
	057534-03-000	EA TIEBACK - PLASTIC - 7.50" - CLEAR

**SEATBELTS & ASSIST HANDLE**

KEY	PART NUMBER	U/M DESCRIPTION
	057759-01-000	EA WASHER BRACKET - SEAT BELT - 4" DIAMETER
	007021-01-000	EA SEAT BELT - 2" X 90" - BLACK
	069178-02-000	EA BRACKET - MOUNTING/ASSIST HANDLE - GRAY
	000C16-07-16B	EA BOLT - CARRIAGE - ASSIST HANDLE - 7/16" - 14 X 1"
	000D20-07-00B	EA NUT - ACORN - ASSIST HANDLE - 7/16 - 14
	053552-02-AA8	EA HANDLE - ASSIST - INTERIOR/ENTRY DOOR - VINYL/OFF WHITE

**CURTAIN & CUSHION GROUP (CONTINUED)**

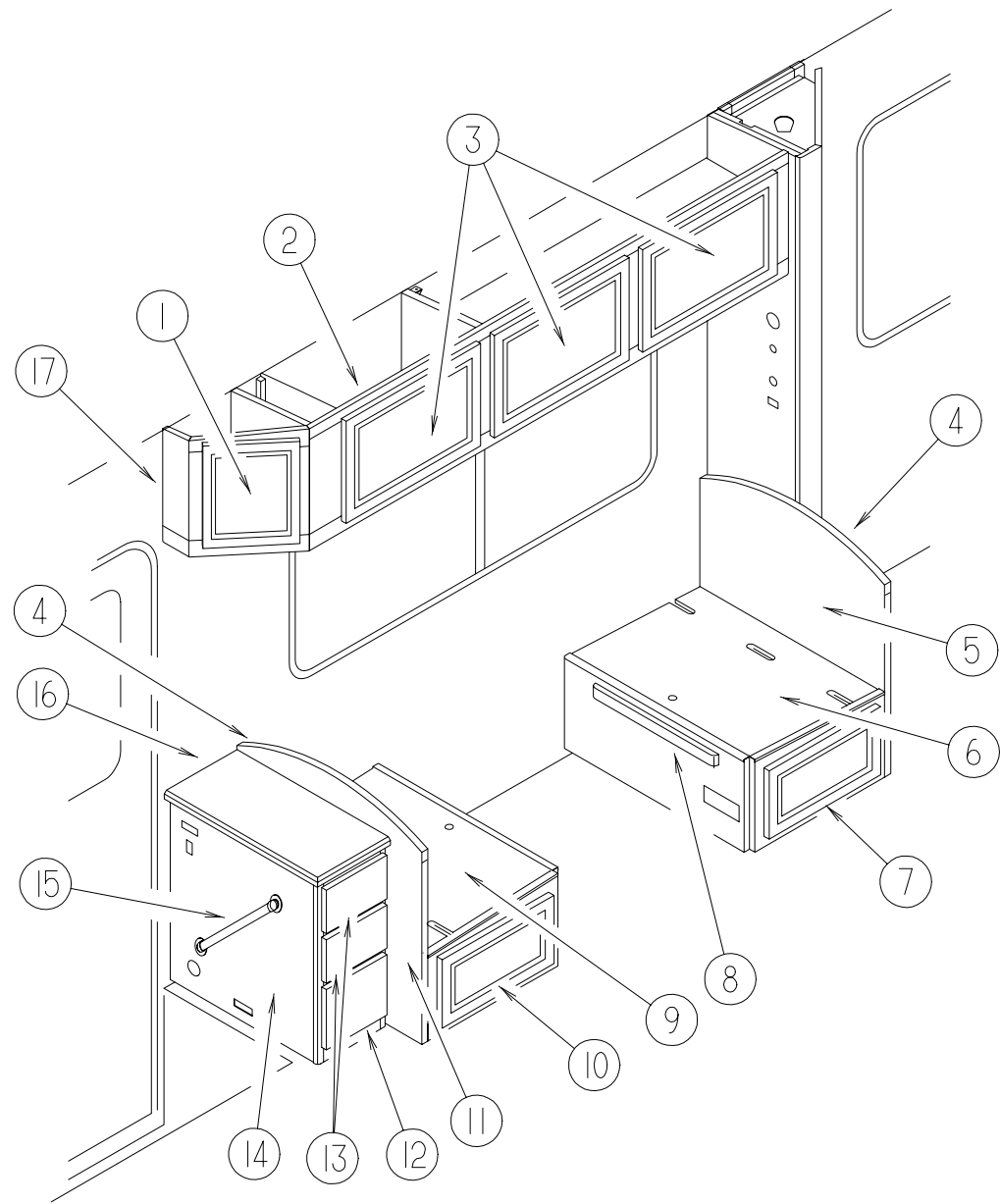
**FABRICS**

<b>COLOR CODES</b>	<b>J70,J71</b>	<b>J72,J73</b>	<b>J74,J75</b>	<b>J76,J77</b>	<b>COLOR CODES</b>	<b>J70,J71</b>	<b>J72,J73</b>	<b>J74,J75</b>	<b>J76,J77</b>
	<b>COVENTRY</b>	<b>DEVON</b>	<b>HEMMINGWAY</b>	<b>GULF MIST</b>		<b>COVENTRY</b>	<b>DEVON</b>	<b>HEMMINGWAY</b>	<b>GULF MIST</b>
<b>BUCKETSEAT</b>	108446-P5-000	108446-N8-000	108446-T9-000	108446-X2-000	<b>BEDROOM WINDOWS</b>	105745-F4-000 105745-F5-000	105745-F7-000 108446-R4-000	105745-G9-000 105745-E7-000	105745-J1-000
<b>DINETTE</b>	108446-N6-000	108446-N7-000	108446-T7-000	108446-W9-000	<b>SHAMS</b>	105745-F4-000 105745-F5-000	105745-F7-000 108446-R4-000	105745-G9-000 105745-E7-000	105745-J1-000
<b>SOFA</b>	108446-N6-000	108446-N7-000	108446-T7-000	108446-W9-000	<b>DINETTE CHAIRS</b>	108446-P6-000	108446-T8-000	108446-T9-000	108446-X2-000
<b>LOUNGE CHAIR</b>	108446-P6-000	108446-T8-000	108446-T9-000	108446-X2-000	<b>BEDROOM PILLOWS</b>	105745-F5-000	108446-R4-000	105745-G9-000 105745-E7-000	105745-J1-000 084415-99-000
<b>LOUNGE WINDOWS</b>	108446-N6-000 084415-78-000	108446-N7-000 108446-N8-000	108446-T7-000 108446-T9-000	108446-W9-000 108446-X2-000	<b>BED BOARD</b>	105745-F5-000	108446-R4-000	105745-E7-000	105745-J1-000
<b>BEDSPREAD</b>	105745-F4-000 084415-78-000	105745-F7-000 084415-89-000	105745-G9-000 105745-E7-000	105745-J1-000 084415-A1-000	<b>LOUNGE CABINET INSERTS</b>	108446-P6-000	108446-T8-000	108446-T9-000	108446-X2-000
<b>MICRO DAY-NITERS</b>	094911-44-000 094911-51-000	094911-48-000 094911-51-000	094911-44-000 094911-51-000	094911-44-000 094911-51-000	<b>BEDROOM CABINET INSERTS</b>	105745-F4-000	105745-F7-000	105745-G9-000	105745-J1-000
<b>DINETTE PAD</b>	108446-P5-000	108446-N8-000	108446-T9-000	108446-X2-000	<b>SLIDE OUT CABINET INSERTS</b>	108446-N6-000	108446-N7-000	108446-T7-000	108446-W9-000
<b>LOUNGE PILLOW</b>	108446-P6-000 084415-78-000	108446-N7-000 084415-79-000	108446-T7-000 084415-80-000	108446-W9-000 084415-99-000	<b>HEADBOARD</b>	105745-F4-000 105745-F5-000	105745-F7-000 084415-89-000	105745-G9-000 105745-E7-000	105745-J1-000 108446-X2-000

**NOTE: FABRIC LISTED FIRST IN A BLOCK, IS THE LARGEST QUANTITY OF FABRIC USED**

# DINETTE GROUP

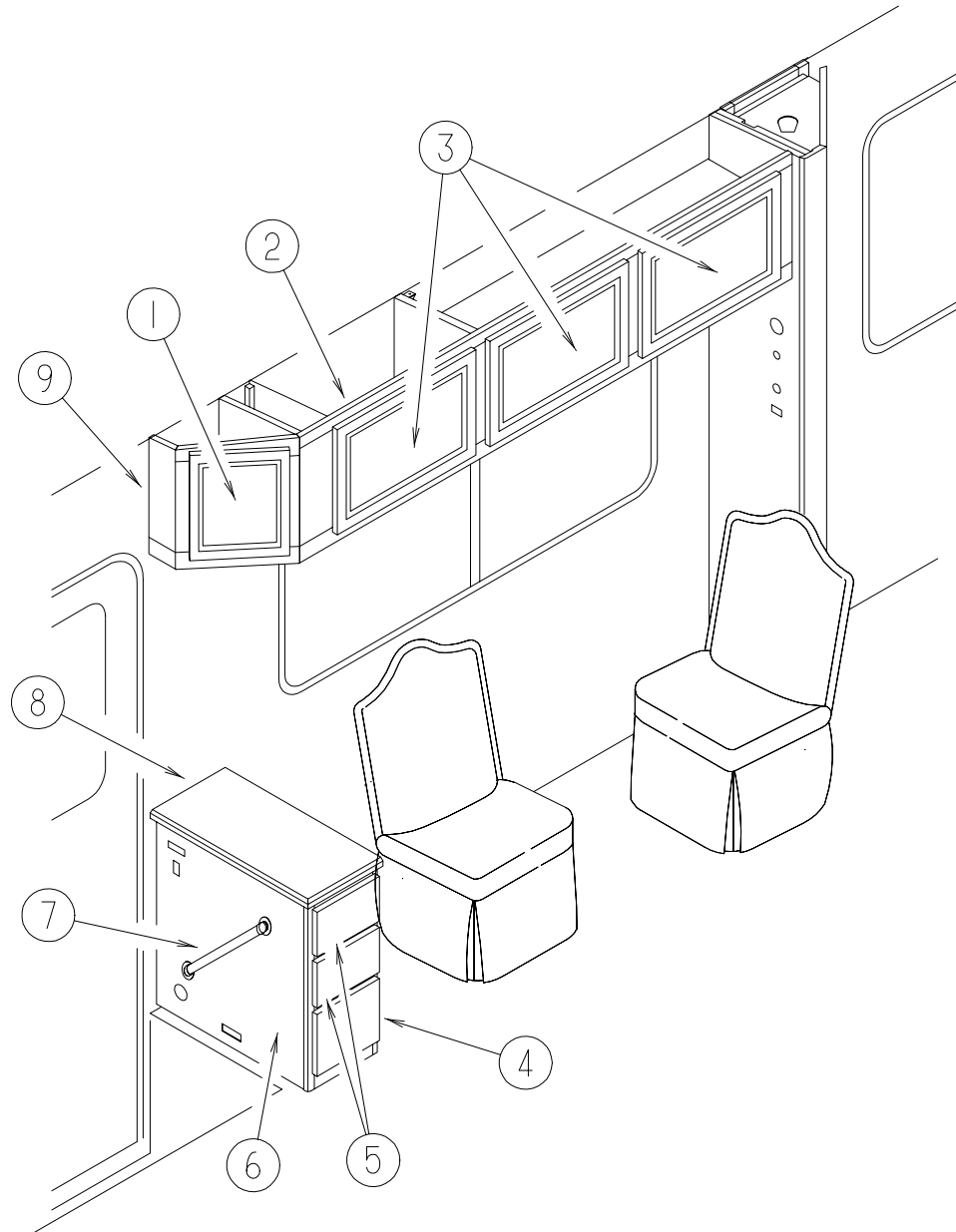
## OPTIONAL DINETTE CABINETS



KEY	PART NUMBER	U/M DESCRIPTION
1	M05990-27-J70	EA DOOR - ARCHED/OGEE EDGE - 10.8" X 14.3" - W/O HARDWARE (WASHED MAPLE)
1	M05990-27-H57	EA DOOR - OGEE EDGE - 10.8" X 14.3" - W/O HARDWARE (SALEM CHERRY)
2	120348-02-J70	EA CABINET - OVERHEAD/DINETTE - W/O DOORS/HARDWARE (WASHED MAPLE)
2	120348-02-H57	EA CABINET - OVERHEAD/DINETTE - W/O DOORS/HARDWARE (SALEM CHERRY)
2	119694-02-J70	EA CABINET - OVERHEAD/RIGHT HAND - W/O DOORS/HARDWARE (WASHED MAPLE)
		(DELUXE SOUND)
2	119694-02-H57	EA CABINET - OVERHEAD/RIGHT HAND - W/O DOORS/HARDWARE (SALEM CHERRY)
		(DELUXE SOUND)
3	M05990-03-J70	EA DOOR - ARCHED/OGEE EDGE - 14.3" X 21.8" - W/O HARDWARE (WASHED MAPLE)
3	M05990-03-GV1	EA DOOR - OGEE EDGE - 14.3" X 21.8" - W/O HARDWARE (SALEM CHERRY)
4	104787-11-H58	EA PAD - DINETTE (J70,J71)
4	104787-11-H60	EA PAD - DINETTE (J72,J73)
4	104787-11-J74	EA PAD - DINETTE (J74,J75)
4	104787-11-J76	EA PAD - DINETTE (J76,J77)
5	M04174-53-J70	EA CABINET - SEATBACK/RIGHT HAND - W/O HARDWARE (WASHED MAPLE)
5	M04174-53-E41	EA CABINET - SEATBACK/RIGHT HAND - W/O HARDWARE (SALEM CHERRY)
6	M04175-55-J70	EA CABINET - SEAT BOTTOM/RIGHT HAND - W/O DOORS/DRAWERS/HDW
		(WASHED MAPLE)
6	M04175-55-E41	EA CABINET - SEAT BOTTOM/RIGHT HAND - W/O DOORS/DRAWERS/HDW
		(SALEM CHERRY)
7	M05971-35-J70	EA DRAWER - OGEE EDGE - 17"W X 21.6"D - W/O SLIDES/HARDWARE
		(WASHED MAPLE)
7	M05971-35-GV1	EA DRAWER - OGEE EDGE - 17"W X 21.6"D - W/O SLIDES/HARDWARE
		(SALEM CHERRY)
8	081295-09-E37	EA SUPPORT - BED/DINETTE - 20" LONG (WASHED MAPLE)
8	081295-09-E41	EA SUPPORT - BED/DINETTE - 20" LONG (SALEM CHERRY)
9	M04175-88-J70	EA CABINET - SEAT BOTTOM/LEFT HAND-W/O DOORS/DRAWERS/HARDWARE
		(WASHED MAPLE)
9	M04175-88-GV1	EA CABINET - SEAT BOTTOM/LEFT HAND-W/O DOORS/DRAWERS/HARDWARE
		(SALEM CHERRY)
10	M05971-Y2-J70	EA DRAWER - OGEE EDGE - 16.9"W X 15.7"D - W/O SLIDES/HARDWARE
		(WASHED MAPLE)
10	M05971-Y2-GV1	EA DRAWER - OGEE EDGE - 16.9"W X 15.7"D - W/O SLIDES/HARDWARE
		(SALEM CHERRY)
11	M04174-88-J70	EA CABINET - SEATBACK/LEFT HAND - W/O HARDWARE (WASHED MAPLE)
11	M04174-88-GV1	EA CABINET - SEATBACK/LEFT HAND - W/O HARDWARE (SALEM CHERRY)
12	M05971-T9-J70	EA DRAWER - OGEE EDGE - 8.1"W X 17.7"D - W/O SLIDES/HARDWARE
		(WASHED MAPLE)
12	M05971-T9-GV1	EA DRAWER - OGEE EDGE - 8.1"W X 17.7"D - W/O SLIDES/HARDWARE
		(SALEM CHERRY)
13	M05971-T8-J70	EA DRAWER - OGEE EDGE - 8.1"W X 17.7"D - W/O SLIDES/HARDWARE
		(WASHED MAPLE)
13	M05971-T8-GV1	EA DRAWER - OGEE EDGE - 8.1"W X 17.7"D - W/O SLIDES/HARDWARE
		(SALEM CHERRY)
14	119581-01-J70	EA CABINET - LOUNGE - W/O DRAWERS/HARDWARE (J70)
14	119581-01-H57	EA CABINET - LOUNGE - W/O DRAWERS/HARDWARE (J71)
14	119581-01-J72	EA CABINET - LOUNGE - W/O DRAWERS/HARDWARE (J72)
14	119581-01-H61	EA CABINET - LOUNGE - W/O DRAWERS/HARDWARE (J73)
14	119581-01-J74	EA CABINET - LOUNGE - W/O DRAWERS/HARDWARE (J74,J76)
14	119581-01-J75	EA CABINET - LOUNGE - W/O DRAWERS/HARDWARE (J75,J77)
15	P02786-03-J70	EA HANDRAIL ONLY - W/O BRACKETS (WASHED MAPLE)
15	P02786-03-E41	EA HANDRAIL ONLY - W/O BRACKETS (SALEM CHERRY)
16	119581-12-GV4	EA COUNTERTOP - LOUNGE CABINET (J70,J71)
16	119581-12-H60	EA COUNTERTOP - LOUNGE CABINET (J72,J73)
16	119581-12-J74	EA COUNTERTOP - LOUNGE CABINET (J74,J75,J76,J77)
17	107494-20-J70	EA END CAP - LEFT HAND (WASHED MAPLE)
17	107494-20-GV1	EA END CAP - LEFT HAND (SALEM CHERRY)

## DINETTE GROUP (CONTINUED)

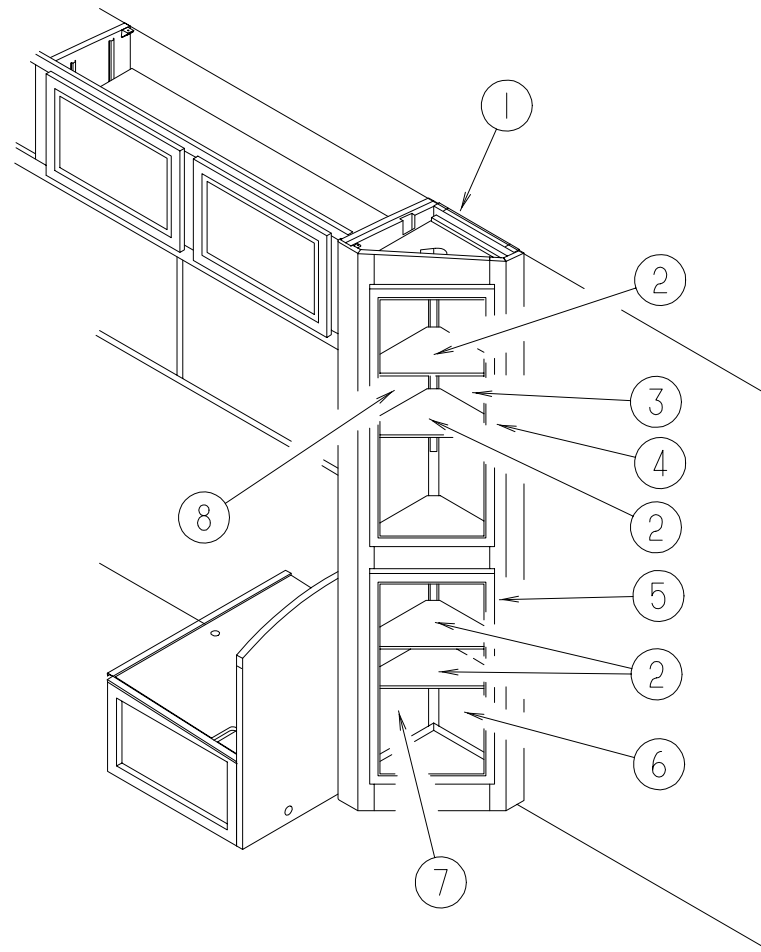
### STANDARD DINETTE CABINETS



KEY	PART NUMBER	U/M	DESCRIPTION
1	M05990-27-J70	EA	DOOR - ARCHED/OGEE EDGE - 10.8" X 14.3" - W/O HARDWARE (WASHED MAPLE)
1	M05990-27-H57	EA	DOOR - ARCHED/OGEE EDGE - 10.8" X 14.3" - W/O HARDWARE (SALEM CHERRY)
2	120348-02-J70	EA	CABINET - OVERHEAD/DINETTE - W/O DOORS/HARDWARE (WASHED MAPLE)
2	120348-02-H57	EA	CABINET - OVERHEAD/DINETTE - W/O DOORS/HARDWARE (SALEM CHERRY)
2	119694-02-J70	EA	CABINET - OVERHEAD/RIGHT HAND - W/O DOORS/HARDWARE (WASHED MAPLE)
			(DELUXE SOUND)
2	119694-02-H57	EA	CABINET - OVERHEAD/RIGHT HAND - W/O DOORS/HARDWARE (SALEM CHERRY)
			(DELUXE SOUND)
3	M05990-03-J70	EA	DOOR - ARCHED/OGEE EDGE - 14.3" X 21.8" - W/O HARDWARE (WASHED MAPLE)
3	M05990-03-GV1	EA	DOOR - ARCHED/OGEE EDGE - 14.3" X 21.8" - W/O HARDWARE (SALEM CHERRY)
4	M05971-T9-J70	EA	DRAWER - OGEE EDGE - 8.1"W X 17.7"D - W/O SLIDES/HARDWARE (WASHED MAPLE)
4	M05971-T9-GV1	EA	DRAWER - OGEE EDGE - 8.1"W X 17.7"D - W/O SLIDES/HARDWARE (SALEM CHERRY)
5	M05971-T8-J70	EA	DRAWER - OGEE EDGE - 8.1"W X 17.7"D - W/O SLIDES/HARDWARE (WASHED MAPLE)
5	M05971-T8-GV1	EA	DRAWER - OGEE EDGE - 8.1"W X 17.7"D - W/O SLIDES/HARDWARE (SALEM CHERRY)
6	119582-01-J70	EA	CABINET - LOUNGE - W/O DOORS/HARDWARE (J70)
6	119582-01-H57	EA	CABINET - LOUNGE - W/O DOORS/HARDWARE (J71)
6	119582-01-J72	EA	CABINET - LOUNGE - W/O DOORS/HARDWARE (J72)
6	119582-01-H61	EA	CABINET - LOUNGE - W/O DOORS/HARDWARE (J73)
6	119582-01-J74	EA	CABINET - LOUNGE - W/O DOORS/HARDWARE (J74,J76)
6	119582-01-J75	EA	CABINET - LOUNGE - W/O DOORS/HARDWARE (J75,J77)
7	P02786-03-J70	EA	HANDRAIL ONLY - W/O BRACKETS (WASHED MAPLE)
7	P02786-03-E41	EA	HANDRAIL ONLY - W/O BRACKETS (SALEM CHERRY)
8	119582-11-H56	EA	COUNTERTOP - LOUNGE CABINET (J70,J71)
8	119582-11-H60	EA	COUNTERTOP - LOUNGE CABINET (J72,J73)
8	119582-11-J74	EA	COUNTERTOP - LOUNGE CABINET (J74,J75,J76,J77)
9	107494-20-J70	EA	END CAP - LEFT HAND (WASHED MAPLE)
9	107494-20-GV1	EA	END CAP - LEFT HAND (SALEM CHERRY)

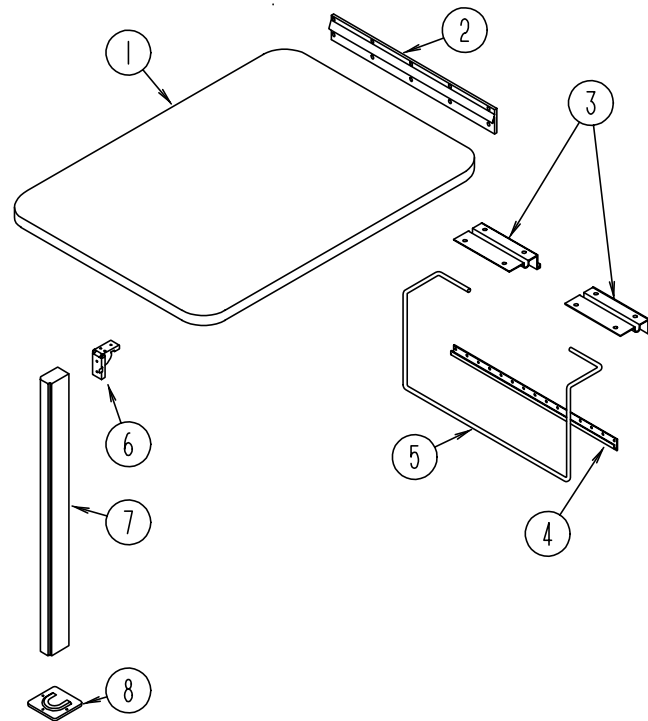
## DINETTE GROUP (CONTINUED)

### HUTCH



KEY	PART NUMBER	U/M DESCRIPTION
1	P19328-01-J70	EA CABINET - HUTCH - W/O DOORS/DRAWERS/HARDWARE (WASHED MAPLE)
1	P19328-01-GV1	EA CABINET - HUTCH - W/O DOORS/DRAWERS/HARDWARE (SALEM CHERRY)
2	119328-21-000	EA SHELF - PLEXIGLASS - CORNER CABINET
3	058331-98-000	EA MIRROR - SAFETY GLASS - 10.6" X 37"
4	M06823-01-J70	EA DOOR - ARCHED/OGEE EDGE - 13.9" X 36.4" - W/O HARDWARE (WASHED MAPLE)
4	M06823-01-GV1	EA DOOR - ARCHED/OGEE EDGE - 13.9" X 36.4" - W/O HARDWARE (SALEM CHERRY)
5	M06823-02-J70	EA DOOR - ARCHED/OGEE EDGE - 13.9" X 29.7" - W/O HARDWARE (WASHED MAPLE)
5	M06823-02-GV1	EA DOOR - ARCHED/OGEE EDGE - 13.9" X 29.7" - W/O HARDWARE (SALEM CHERRY)
6	058331-99-000	EA MIRROR - GLASS - SAFETY - 10.6" X 29.5"
7	058331-97-000	EA MIRROR - GLASS - SAFETY - 12.2" X 29.5"
8	058331-96-000	EA MIRROR - GLASS - SAFETY - 12.2" X 36.9"

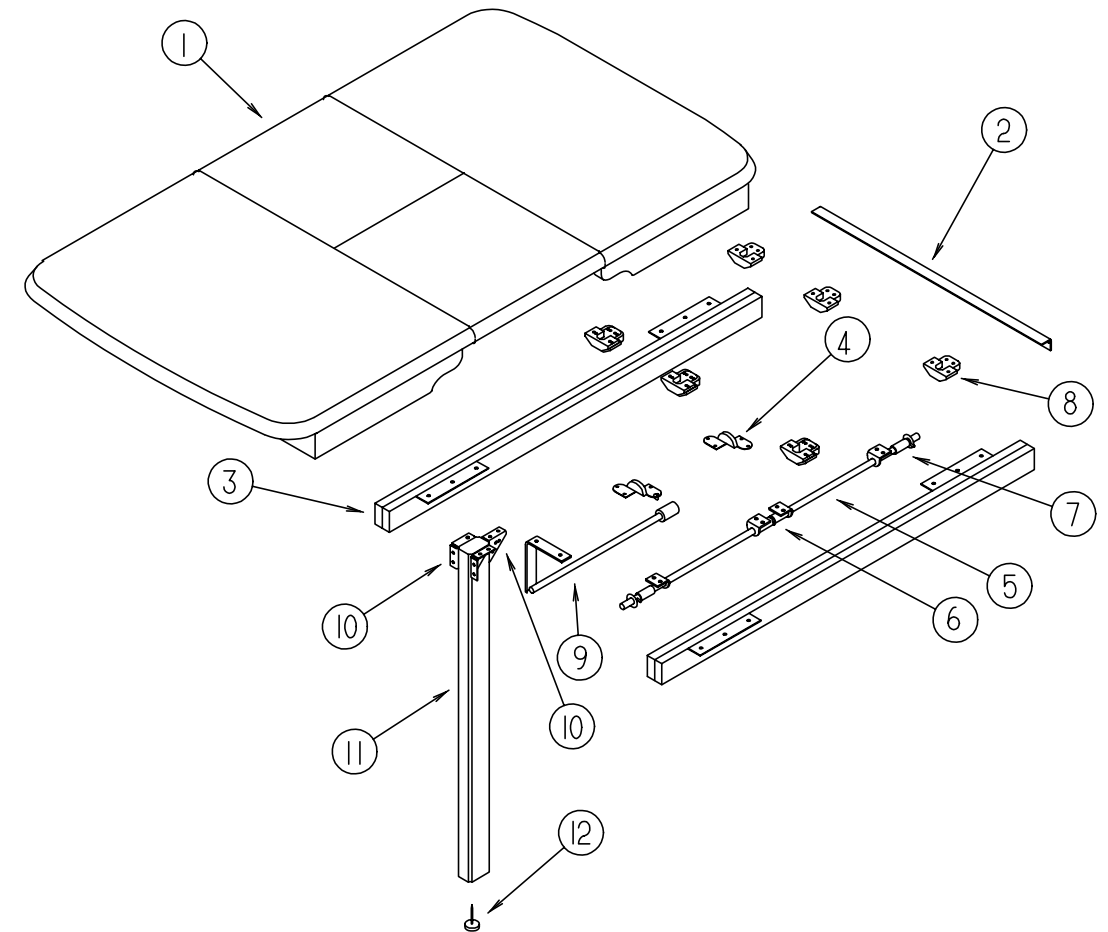
## DINETTE GROUP (CONTINUED)



**DINETTE TABLE**

KEY	PART NUMBER	U/M DESCRIPTION
1	088913-10-J70	EA TABLE - DINETTE - W/O LEG/CUPHOLDERS (J70)
1	088913-10-J71	EA TABLE - DINETTE - W/O LEG/CUPHOLDERS (J71)
1	088913-10-J72	EA TABLE - DINETTE - W/O LEG/CUPHOLDERS (J72)
1	088913-10-J73	EA TABLE - DINETTE - W/O LEG/CUPHOLDERS (J73)
1	088913-10-J74	EA TABLE - DINETTE - W/O LEG/CUPHOLDERS (J74,J76)
1	088913-10-J75	EA TABLE - DINETTE - W/O LEG/CUPHOLDERS (J75,J77)
2	053200-12-000	EA BRACKET - TABLE SUPPORT - UPPER WALL MOUNTED - 23.50"
3	088410-02-000	EA BRACKET - LIFT - TABLE MOUNTED
4	024281-14-000	EA BRACKET - LIFT ROD/LOWER WALL MOUNTED - 22.12"
5	024275-12-000	EA ROD - TABLE LIFT
6	093550-01-000	EA BRACKET - HINGE - MOUNTS TO LEG & TABLE TOP - 1.7" X 2.6"
7	092708-11-J70	EA LEG - TABLE - W/O HARDWARE (WASHED MAPLE)
7	092708-11-E41	EA LEG - TABLE - W/O HARDWARE (SALEM CHERRY)
	092707-04-04A	EA MOLDING - TABLE LEG - 27" (SALEM CHERRY)
8	049493-12-000	EA CATCH - TABLE LEG/FLOOR MOUNTED - OFF WHITE
	049493-11-700	EA CATCH-LEG - FLOOR MOUNTED - 2.5" X 2.7" - METAL - E-COAT

## DINETTE GROUP (CONTINUED)

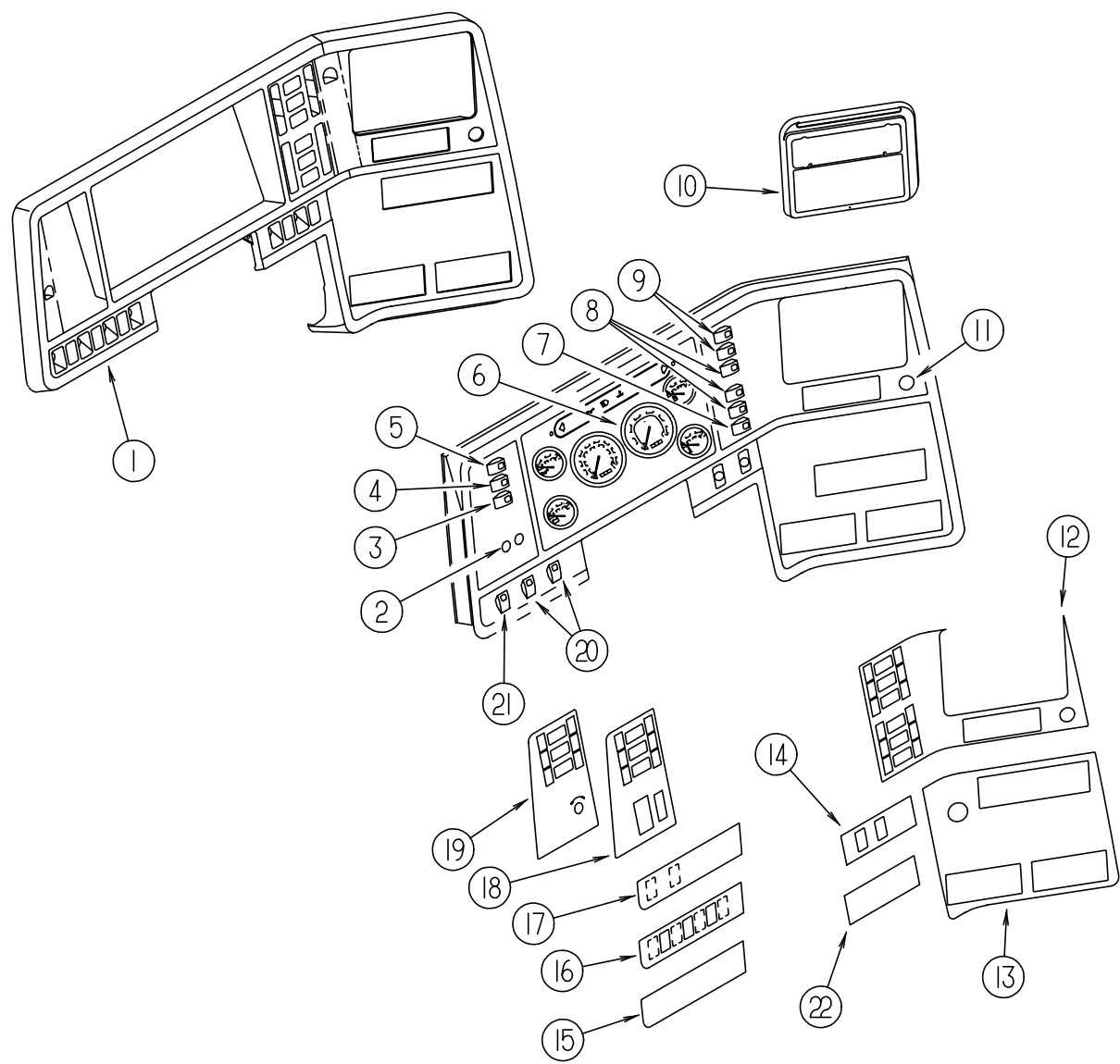


**DINETTE PULLOUT TABLE**

KEY	PART NUMBER	U/M DESCRIPTION
1	118322-11-J70	EA TABLE TOP ONLY - PULLOUT (WASHED MAPLE)
1	118322-11-H57	EA TABLE TOP ONLY - PULLOUT (SALEM CHERRY)
2	009065-01-000	EA HINGE - ALUMINUM - 1 1/2" X 96" - UNPAINTED
3	110749-01-000	EA SLIDE/EXTENSION - 19 3/4" TO 33 1/4"
4	108663-01-000	EA HINGE - LEAF - FOLDING
5	108932-01-000	EA ROD - PIVOT
	000F10-04-16B	EA PIN - COTTER - 1/8" X 1" - ZINC
6	108874-01-000	EA BRACKET - HINGE - TABLE LEAF
7	108664-01-000	EA SPRING - COMPRESSION - .51" X 1.96"
8	009050-02-000	EA LEVELER - TABLE TOP - MALE END W/4 SCREWS - PLASTIC
8	009050-03-000	EA LEVELER - TABLE TOP - FEMALE END W/2 SCREWS - PLASTIC
9	108905-01-000	EA SUPPORT - TABLE LEAF
10	102810-01-04A	EA BRACE - TABLE LEG - BLACK
	102810-01-03A	EA BRACE - TABLE LEG - MILL
11	092707-07-08A	EA MOLDING - TABLE LEG - 27.8" (WASHED MAPLE)
11	092707-07-03A	EA MOLDING/TABLE LEG - 27.8" (SALEM CHERRY)
12	102194-01-000	EA GUIDE - PLASTIC

# DRIVERS COMPARTMENT GROUP

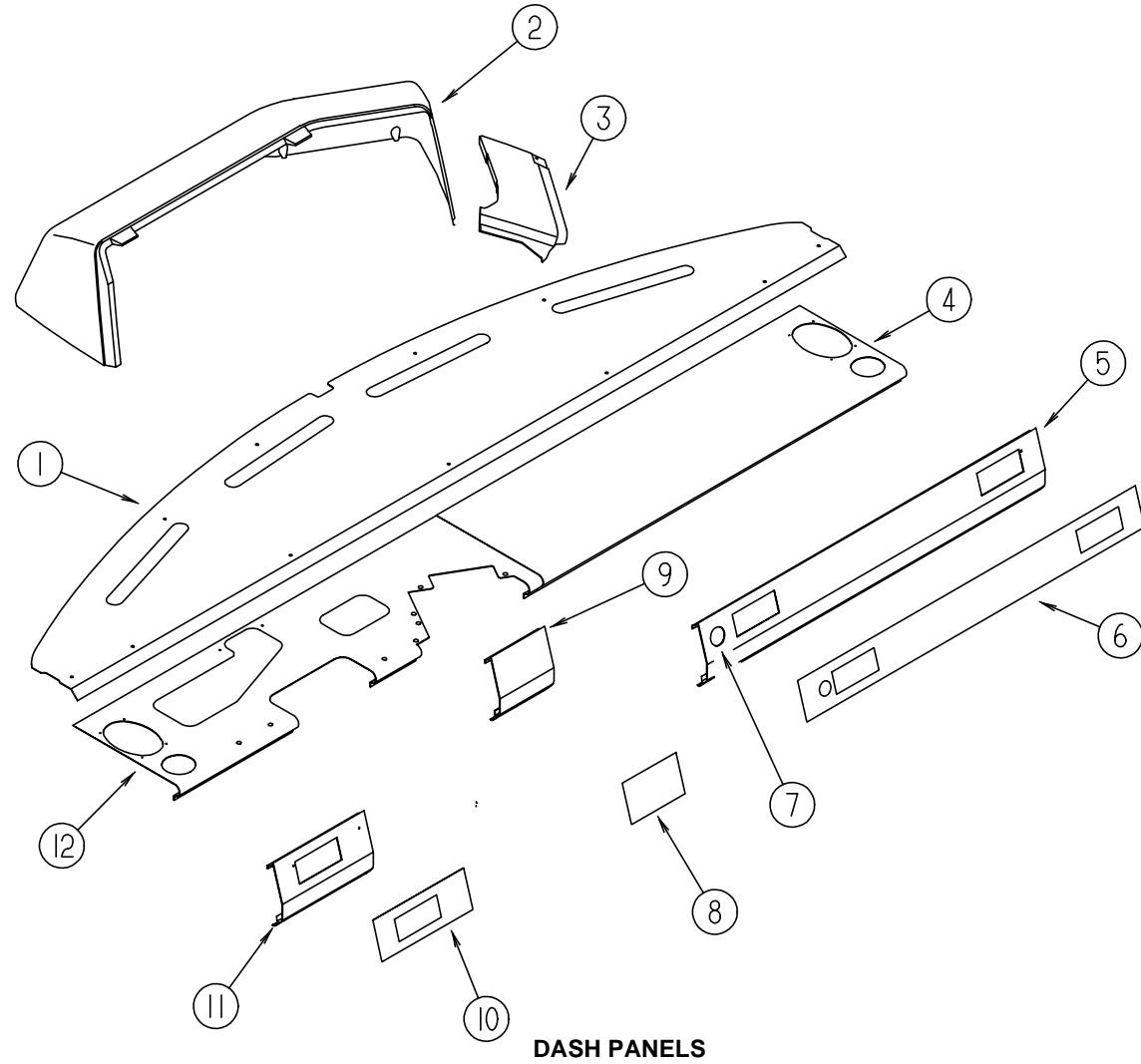
## INSTRUMENT PANEL



KEY	PART NUMBER	U/M DESCRIPTION
1	107031-07-02A	EA BEZEL - INSTRUMENT PANEL - FORD
1	107031-10-02A	EA BEZEL - INSTRUMENT PANEL - FORD (99 CHASSIS)
1	107031-06-02A	EA BEZEL - INSTRUMENT PANEL - GM
1	107031-09-02A	EA BEZEL - INSTRUMENT PANEL - GM (99 CHASSIS)
2		HEADLIGHT & DIMMER SWITCHES ARE CHASSIS SUPPLIED
	096674-01-000	EA NUT - HEADLAMP KNOB - BLACK - FORD
	096675-01-000	EA KNOB - HEADLAMP - W/SHAFT - FORD
3	108357-06-000	EA SWITCH - ROCKER DPDT - MOM/OFF/MOM - 6 TERMINAL
	108356-01-02A	EA COVER/ACTUATOR SWITCH - 3 GROOVES - CONTURA III - TAN
	108355-01-000	EA HOUSING - SWITCH
4	108357-09-000	EA SWITCH - ROCKER SPDT - ON/NONE/MOM - 3 TERMINAL
	108356-01-02A	EA COVER/ACTUATOR SWITCH - 3 GROOVES - CONTURA III - TAN
	108355-01-000	EA HOUSING - SWITCH
5	108357-08-000	EA SWITCH - ROCKER DPDT - ON/NONE/ON - 6 TERMINAL
	108356-01-02A	EA COVER/ACTUATOR SWITCH - 3 GROOVES - CONTURA III - TAN
	108355-01-000	EA HOUSING - SWITCH
6	N/A	EA CLUSTER - INSTRUMENT PANEL - US - CSA - GM OBTAIN FROM YOUR LOCAL GM DEALER
6	N/A	EA CLUSTER - INSTRUMENT PANEL - US - CSA - FORD OBTAIN FROM YOUR LOCAL FORD DEALER
7	108357-10-000	EA SWITCH - ROCKER SPDT W/LIGHT - MOM/NONE/MOM - 5 TERMINAL
	108356-03-02A	EA COVER/ACTUATOR SWITCH-3 GROOVES W/LIGHT-CONTURA III-BLACK
	108355-01-000	EA HOUSING - SWITCH
8	108357-01-000	EA SWITCH - ROCKER SPST - ON/OFF - 2 TERMINAL
8	096241-08-000	EA SWITCH - BLANK - HAMPTON TAN
	108356-01-02A	EA COVER/ACTUATOR SWITCH - 3 GROOVES - CONTURA III - TAN
	108355-01-000	EA HOUSING - SWITCH
9	108357-03-000	EA SWITCH - ROCKER SPDT - ON/OFF/ON - 3 TERMINAL
9	096241-08-000	EA SWITCH - BLANK - HAMPTON TAN
	108356-01-02A	EA COVER/ACTUATOR SWITCH - 3 GROOVES - CONTURA III - TAN
	108355-01-000	EA HOUSING - SWITCH
10	111337-01-01A	EA POCKET - INSTRUMENT PANEL - UPPER RIGHT
	096776-02-000	EA BOX - CASSETTE - 4 TAPE HOLDER
11	089294-01-000	EA LIGHTER - CIGARETTE - W/SOCKET & WIRE
12	104056-20-02A	EA APPLIQUE - BEZEL - UPPER/RIGHT HAND - 6 SWITCH
13	104056-14-02A	EA APPLIQUE - BEZEL - LOWER/RIGHT/WING
14	104056-28-02A	EA APPLIQUE - BEZEL - LOWER/RIGHT HAND - PARK AND LEVEL
15	104056-09-02A	EA APPLIQUE - BEZEL - LOWER/LEFT HAND
16	104056-10-02A	EA APPLIQUE - BEZEL - LOWER/LEFT HAND - PARK AND LEVEL
17	104056-29-01A	EA APPLIQUE - BEZEL - LOWER/LEFT HAND - PARK AND LEVEL
18	104056-25-02A	EA APPLIQUE - BEZEL - SWITCH - DRIVER - GM
19	104056-27-02A	EA APPLIQUE - BEZEL - SWITCH - FORD
20	108357-07-000	EA SWITCH - ROCKER SPDT - MOM/OFF/MOM - 3 TERMINAL
	108356-01-02A	EA COVER/ACTUATOR SWITCH - 3 GROOVES - CONTURA III - TAN
	108355-01-000	EA HOUSING - SWITCH
21	108357-05-000	EA SWITCH - ROCKER SPDT - ON/NONE/ON - 3 TERMINAL
	108356-01-02A	EA COVER/ACTUATOR SWITCH - 3 GROOVES - CONTURA III - TAN
	108355-01-000	EA HOUSING - SWITCH
22	104056-11-02A	EA APPLIQUE - BEZEL - LOWER/RIGHT HAND
	100138-01-000	EA MODULE - DAYTIME/RUNNING LIGHT
	103603-01-000	EA BULB - 12 VOLT - #74 - .12A WEDGE - GE 22-25 USED IN DASH



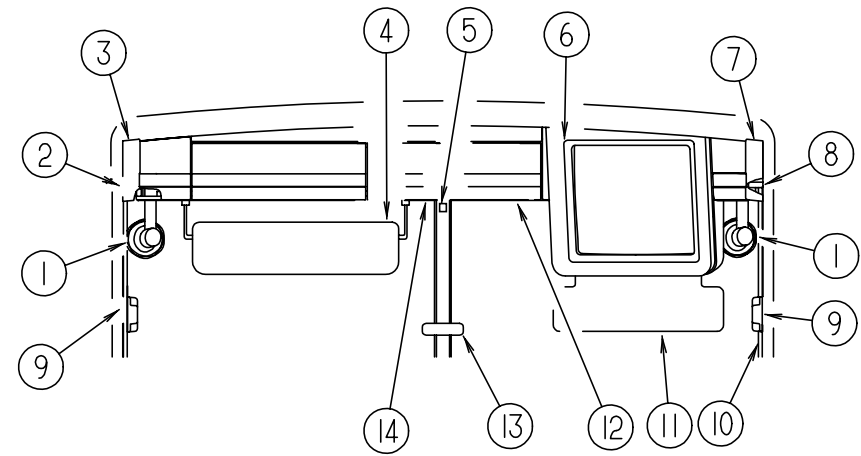
**DRIVERS COMPARTMENT GROUP (CONTINUED)**



**DASH PANELS**

KEY	PART NUMBER	U/M DESCRIPTION
1	P18164-01-000	EA DASH - W/O VINYL
	106569-09-01A	EA VINYL - LAMINATE - MADRID - HAMPTON TAN - 1/4" X 25" X 100"
	077539-01-000	EA BRACKET - MOUNTING/DASH PANEL - L/SHAPED - 2.5" X 1" X 1.5"
2	118256-01-01A	EA POD - INSTRUMENT PANEL - HAMPTON TAN
2	118256-02-01A	EA POD - INSTRUMENT PANEL - HAMPTON TAN - W/REAR MONITOR
3	118292-01-01A	EA POD - LOWER DASH - HAMPTON TAN
4	112297-02-000	EA PANEL - DASH - BOTTOM
5	117991-01-01A	EA EXTENSION - DASH - PASSENGER/LOWER
5	118024-01-01A	EA TRIM - DASH - PASSENGER - LOWER
6	118377-01-02A	EA APPLIQUE - LOWER DASH - PASSENGER
6	120059-01-01A	EA DECAL - VECTRA - GRAND TOUR - DASH - CENTERED ON APPLIQUE
7	111414-01-000	EA RECEPTACLE - 12V - W/O BIMETAL
8	118377-02-01A	EA APPLIQUE - LOWER DASH - DRIVER (FORD)
8	118377-03-02A	EA APPLIQUE - LOWER DASH - DRIVER (GM)
9	117991-02-01A	EA EXTENSION - DASH - DRIVER - LOWER/RIGHT HAND (FORD)
9	118024-02-01A	EA TRIM - DASH - DRIVER - LOWER/RIGHT HAND (FORD)
9	117991-04-01A	EA EXTENSION - DASH - DRIVER - LOWER/RIGHT HAND (GM)
9	118024-04-01A	EA TRIM - DASH - DRIVER - LOWER/RIGHT HAND (GM)
10	118377-04-02A	EA APPLIQUE - LOWER DASH - DRIVER - FORD
10	118377-06-04A	EA APPLIQUE - LOWER DASH - GM/SPARTON/OSH GOSH
11	117991-03-01A	EA EXTENSION - DASH - DRIVER - LOWER/LEFT HAND (FORD)
11	118024-03-01A	EA TRIM - DASH - DRIVER - LOWER/LEFT HAND (FORD)
11	117991-05-01A	EA EXTENSION - DASH - DRIVER - LOWER/LEFT HAND (GM)
11	118024-05-01A	EA TRIM - DASH - DRIVER - LOWER/LEFT HAND (GM)
12	112296-04-000	EA PANEL - DASH - BOTTOM
	077031-01-000	EA FILM - BLACK - 1" X 1.75"
	077031-03-000	EA FILM - WHITE - .75" X 1.00"
	077031-04-000	EA FILM - 1" X 1.74" - INSTRUMENT PANEL

**DRIVERS COMPARTMENT GROUP (CONTINUED)**

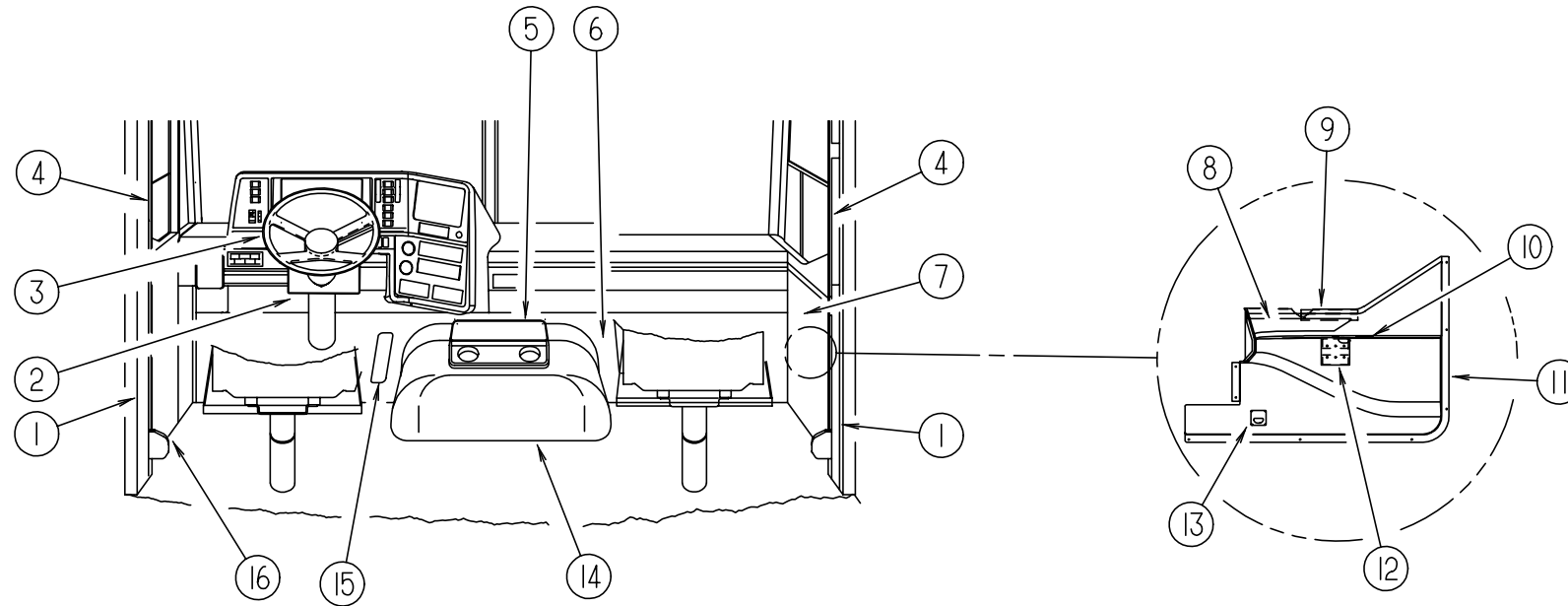


**UPPER DRIVERS COMPARTMENT**

KEY	PART NUMBER	U/M DESCRIPTION	VENDOR NO.
1	122856-01-01A	EA FAN - DEFROSTER - 2 SPEED W/SWIVEL BASE - CHROME	
2	118138-02-H56	EA PANEL - HEADLINER	
3	118466-02-01A	EA PANEL - TRIM UPPER SIDE	
4	123298-02-03A	EA SUNVISOR - DRIVER - 10.5" X 28.5"	
5	118452-01-01A	EA TRIM - CENTER WINDSHIELD	
6	116734-08-01A	EA COVER - TV - OVERHEAD FRONT RIGHT HAND - HAMPTON TAN	
7	118466-01-01A	EA PANEL - TRIM UPPER SIDE	
8	118693-02-J70	EA PANEL - HEADLINER - RH	
9	103961-03-01A	EA COVER - BRACKET - SEATBELT/OFF WHITE - F/DRVRS DOOR OPTION	
	091990-04-01A	EA SEAT BELT/SHOULDER HARNESS - DRIVERS/PASSENGER - BLACK	FROM: 00-00-00 THRU: 07-29-97
	091990-05-01A	EA SEAT BELT/SHOULDER HARNESS - DRIVERS/PASSENGER - BLACK	FROM: 07-30-97 THRU: 99-99-99
	091990-01-701	EA EXTENDER 9" FOR A8408 3 PT	I-1331-02
	109146-01-000	EA BOLT - SHOULDER/SEAT BELT	
10	118431-01-01A	EA TRIM - A-PILLAR - INTERIOR/PASSENGER	
10	118431-02-01A	EA TRIM - A-PILLAR - INTERIOR/DRIVER	
11	123450-01-01A	EA SUNVISOR - W/PULLOUTS - PASSENGER	
12	118453-01-01A	EA TRIM - WINDSHIELD - INTERIOR - TOP/PASSENGER	
13	040714-01-000	EA MIRROR - REAR VIEW/ARM MOUNT & SET SCREW	
	067490-01-000	EA BUTTON - MIRROR/REAR VIEW	
14	118453-02-01A	EA TRIM - WINDSHIELD - INTERIOR - TOP/DRIVER	

## DRIVERS COMPARTMENT GROUP (CONTINUED)

### LOWER DRIVERS COMPARTMENT

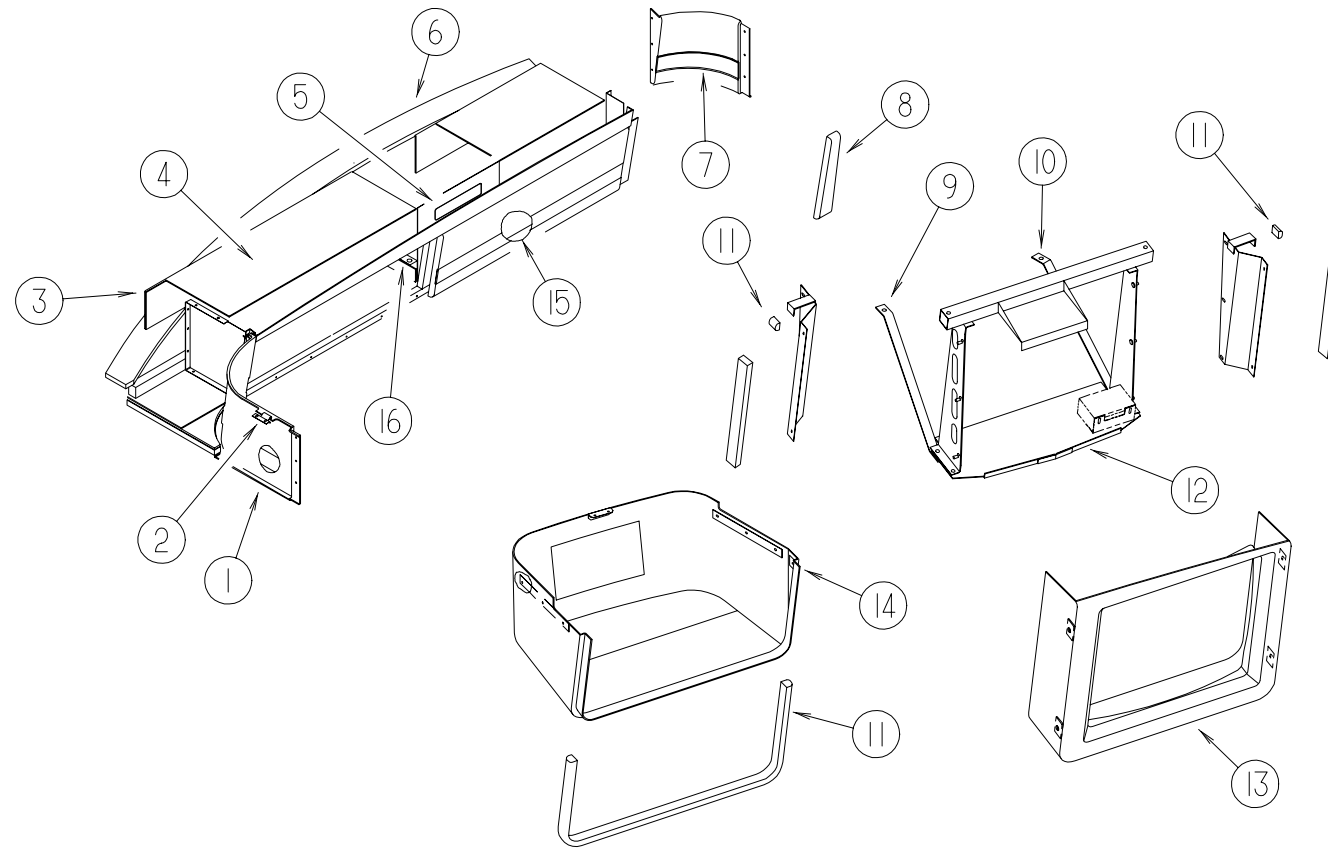


KEY	PART NUMBER	U/M DESCRIPTION
1	024700-44-000	EA COVER - ROLL BAR - 53" - LOWER - DRIVER/PASSENGER FROM: 00-00-00 THRU: 07-29-97
1	024700-56-000	EA COVER - ROLL BAR - SIDEWALL - 19.1" OFF WHITE FROM: 07-30-97 THRU: 99-99-99
1	024700-57-000	EA COVER - ROLL BAR - SIDEWALL - 8.5" - OFF WHITE FROM: 07-30-97 THRU: 99-99-99
1	024700-58-000	EA COVER - ROLL BAR - SIDEWALL - 16.5" - OFF WHITE FROM: 07-30-97 THRU: 99-99-99
2	109832-03-01A	EA COVER - STEERING COLUMN - CHEVY
	110002-02-000	EA PATCH - COLUMN - Q-SERIES - 4.25" X 7.5"
2	103498-09-000	EA BOOT - STEERING COLUMN - W/1/2 CIRCLE
2	112832-01-01A	EA COVER - STEERING COLUMN - LOWER (FORD)
2	117709-01-01A	EA COVER - STEERING COMUMN - UPPER (FORD)
3	120340-01-01A	EA WHEEL - STEERING - LEATHER/CHEVY
4	024700-55-000	EA COVER - ROLL BAR - SIDEWALL - 15" OFF WHITE FROM: 00-00-00 THRU: 07-29-97
4	024700-57-000	EA COVER - ROLL BAR - SIDEWALL - 8.5" - OFF WHITE FROM: 07-30-97 THRU: 99-99-99
4	024700-59-000	EA COVER - ROLL BAR - SIDEWALL - 44.1" - OFF WHITE FROM: 07-30-97 THRU: 99-99-99
5	M06889-02-GV0	EA TRAY - BEVERAGE - ABS PLASTIC
5	122681-01-H50	EA LID - BEVERAGE COMPARTMENT
6	095757-06-H58	EA COVER - HEATER (J70,J71)
6	095757-06-H60	EA COVER - HEATER (J72,J73,J74,J75)
6	095757-06-J76	EA COVER - HEATER (J76,J77)
7	P18720-01-000	EA PANEL - INNER - CAB/PASSENGER
8	118377-07-01A	EA APPLIQUE - LOWER DASH - RIGHT HAND/INNER PANEL
9	106105-02-000	EA CLIP - VALANCE/RETAINING

KEY	PART NUMBER	U/M DESCRIPTION
10	118719-01-01A	EA ASHTRAY - TOP MOUNT - BLACK PLASTIC
11	118287-01-01A	EA PANEL - TRIM - INNER/PASSENGER
12	118718-01-01A	EA HOLDER - COLLAPSIBLE MUG/DRINK - BLACK PLASTIC
13	108354-01-01A	EA LIGHT - COURTESY
14	115840-01-01A	EA COVER - MOTOR - W/O CARPET
14	115840-02-01A	EA COVER - MOTOR - W/O CARPET - CHEVY
	115860-01-01A	EA TRIM - MOTOR COVER
	115850-01-02B	EA RETAINER - LATCH - MOTOR COVER - RIGHT HAND - E-COAT
	115850-02-02B	EA RETAINER - LATCH - MOTOR COVER - LEFT HAND - E-COAT
	116581-01-000	EA LATCH - MOTOR COVER
	115852-01-02B	EA STRIKE ASM-MOTOR COVER, E-COAT
	116833-01-02B	EA WRENCH - HEX MOTOR COVER - E-COATED
15	116993-01-01A	EA COVER - PEDALS - BLACK
16	118654-01-01A	EA PANEL - TOEKICK - DRIVER

## DRIVERS COMPARTMENT GROUP (CONTINUED)

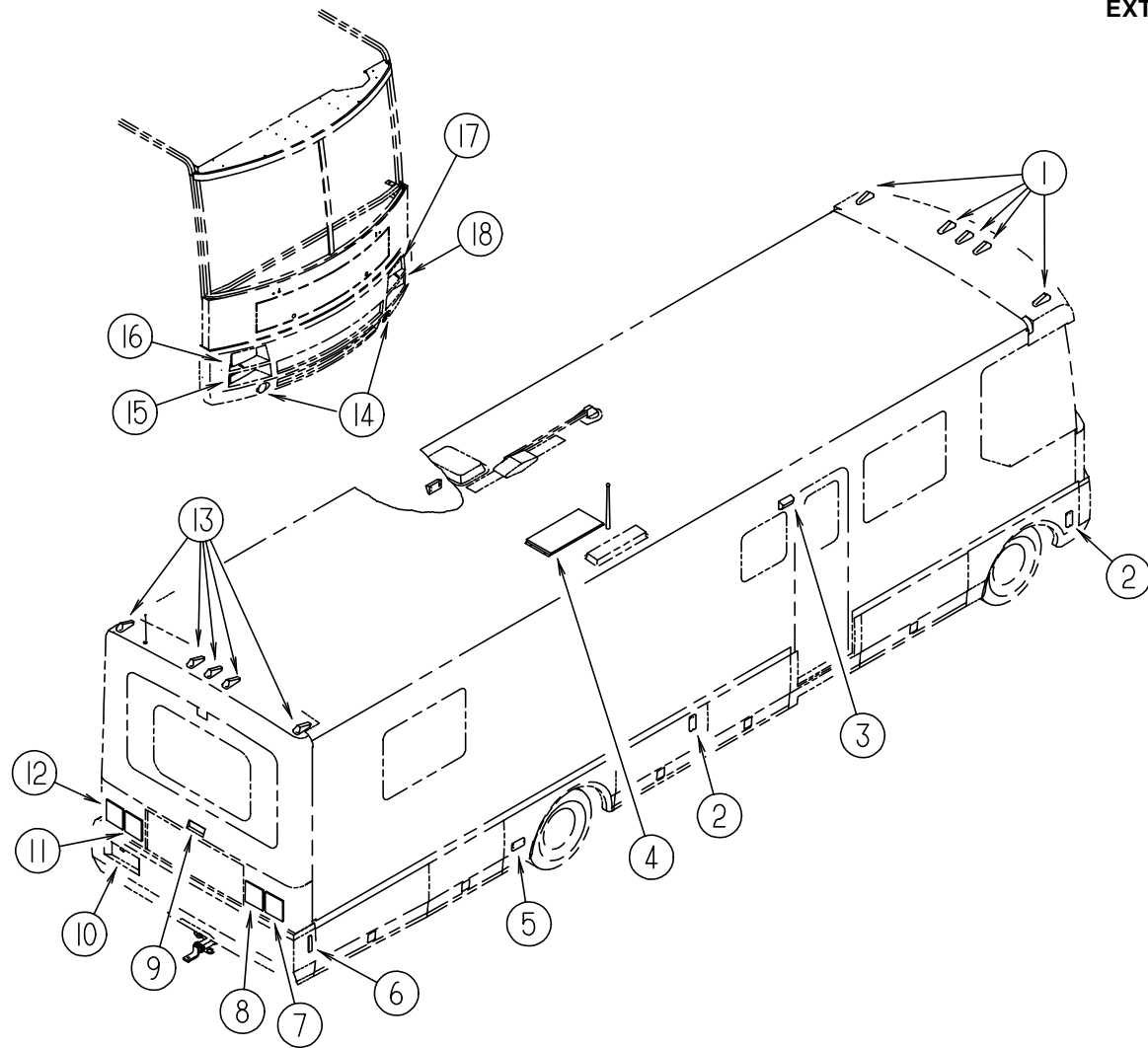
### OVERHEAD TV & VCR CABINETS



KEY	PART NUMBER	U/M	DESCRIPTION
1	118465-02-01A	EA	PANEL - TRIM - UPPER LEFT HAND CORNER
2	073050-03-000	EA	MOUNTING CLIP - VALANCE PANEL
3	118836-02-H56	EA	PANEL - BACK - VINYL COVERED
4	118215-02-H56	EA	PANEL - TOP - VINYL COVERED
5	118208-05-H56	EA	PANEL - VINYL COVERED (STANDARD TV)
5	118208-06-H56	EA	PANEL - VINYL COVERED (W/VCR)
5	118208-08-H56	EA	PANEL - VINYL COVERED (W/CONVERTER)
5	118208-09-H56	EA	PANEL - VINYL COVERED (W/CONVERTER & VCR)
6	118305-02-J70	EA	CABINET - OVERHEAD/FRONT - W/O DOORS/HARDWARE (WASHED MAPLE)
6	118305-02-J71	EA	CABINET - OVERHEAD/FRONT - W/O DOORS/HARDWARE (SALEM CHERRY)
7	118852-02-01A	EA	PANEL - TRIM - INSERT/PASSENGER
8	120485-02-01A	EA	PANEL - TRIM - TRANSITION - TV
9	124090-01-02B	EA	SUPPORT - SHELF - TV
10	124090-01-02B	EA	SUPPORT - SHELF - TV
11	112160-02-000	FT	SEAL - D SECTION - .2 X .3" - FOAM RUBBER
12	116747-07-02B	EA	SHELF - TV - W/O HARDWARE
13	116734-08-01A	EA	COVER - TV - OVERHEAD FRONT RIGHT HAND - HAMPTON TAN
14	118566-06-01A	EA	COVER - TV - OVERHEAD/LOWER RIGHT HAND - HAMPTON TAN
15	118836-03-H56	EA	PANEL - BACK - VINYL COVERED
16	118835-01-H56	EA	PANEL - RIGHT HAND - VINYL COVERED

# ELECTRICAL GROUP

## EXTERIOR LIGHTS

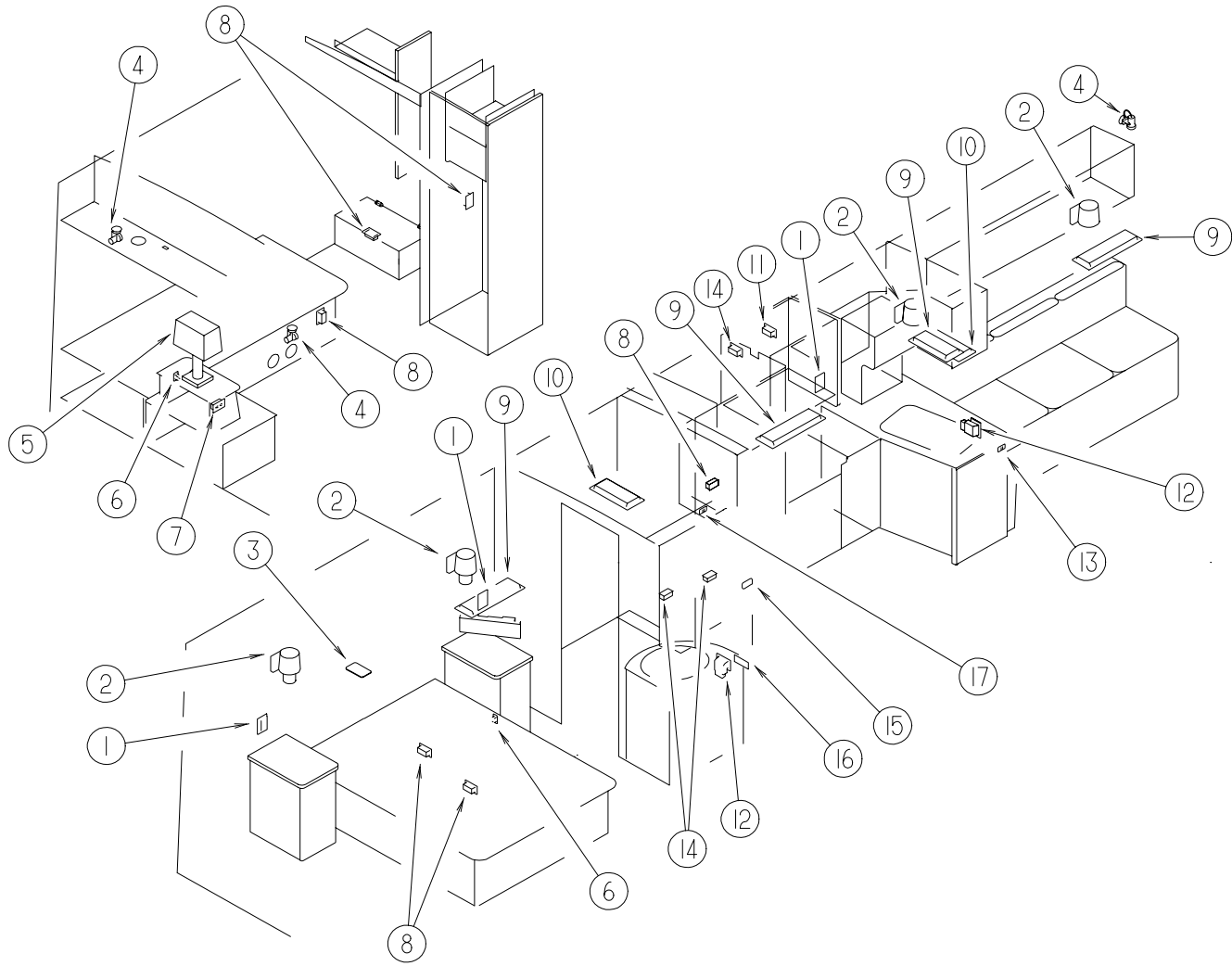


KEY	PART NUMBER	U/M DESCRIPTION	VENDOR NO.
1	107749-01-000	EA LIGHT - CAB MARKER - AMBER	
	036196-01-000	EA BULB - 12 VOLT - #194 - .27 AMP - BAYONETTE	
	037934-01-000	EA BULB - 12V - #1156 - 2.1 AMP CLEAR GLASS	
2	117826-02-000	EA SIDE MARKER LAMP ASSEMBLY - AMBER	
	036196-01-000	EA BULB - 12 VOLT - #194 - .27 AMP - BAYONETTE	
	067789-02-000	EA SOCKET - LAMP	
3	117826-03-000	EA GASKET - MARKER LIGHT	
	097917-01-07A	EA LIGHT - PORCH	
	008215-01-000	EA BULB - 12 VOLT - #1003 - .94 AMP	
3	058028-01-000	EA CONNECTOR - ELECTRICAL PIGTAIL - NYLON - CLEAR	
	097917-01-700	EA LENS - LIGHT - CLEAR	30-78-021
	008089-02-000	EA LIGHT - PORCH - RECESSED - CANADIAN	
	008214-01-000	EA BULB - 12 VOLT NO 67 - 0.59 AMP	
	058028-01-000	EA CONNECTOR - ELECTRICAL PIGTAIL - NYLON - CLEAR	
4	008089-01-700	EA LENS - LIGHT - RECESSED - PORCH	
	091981-01-000	EA GASKET - PORCH LIGHT	
	115504-01-000	EA PANEL - SOLAR 10 WATT	
	115504-01-700	EA PLUG & CABLE - 10 WATT PANEL	600-016
5	115505-01-000	EA LIGHT - MONITOR/SOLAR PANEL - RED LED INDICATOR	
	106688-04-000	EA LIGHT - CLEAR AUXILIARY (LENS/BACK PAN)	
	037934-01-000	EA BULB - 12V - #1156 - 2.1 AMP CLEAR GLASS	

KEY	PART NUMBER	U/M DESCRIPTION
6	117826-01-000	EA SIDE MARKER LAMP ASSEMBLY - RED
	036196-01-000	EA BULB - 12 VOLT - #194 - .27 AMP - BAYONETTE
	067789-02-000	EA SOCKET - LAMP
7	117826-03-000	EA GASKET - MARKER LIGHT
	117831-01-000	EA LAMP - STOP/TURN/TAILO/BACKUP
	106687-01-000	EA SOCKET - LIGHT - 2-WIRE
8	106687-02-000	EA SOCKET - LIGHT - 3-WIRE
	067789-02-000	EA SOCKET - LAMP
	119157-01-000	EA SOCKET - SINGLE CONTACT
	119158-01-000	EA SOCKET - DOUBLE CONTACT
	037934-01-000	EA BULB - 12V - #1156 - 2.1 AMP CLEAR GLASS
	037935-01-000	EA BULB - 12V - #1157 OR #2057 - 2.1 AMP - CLEAR GLASS
	117831-03-000	EA LAMP - TURN - AMBER RIGHT HAND
	106687-01-000	EA SOCKET - LIGHT - 2-WIRE
	106687-02-000	EA SOCKET - LIGHT - 3-WIRE
	067789-02-000	EA SOCKET - LAMP
9	119157-01-000	EA SOCKET - SINGLE CONTACT
	119158-01-000	EA SOCKET - DOUBLE CONTACT
	037935-01-000	EA BULB - 12V - #1157 OR #2057 - 2.1 AMP - CLEAR GLASS
	106688-03-000	EA LIGHT - RED STOP/TURN (LENS/BACK PAN)
	037934-01-000	EA BULB - 12V - #1156 - 2.1 AMP CLEAR GLASS
10	107221-06-01A	EA COVER - LATCH - VALANCE DR., BLK
	087201-01-000	EA LIGHT - HALF ROUND - 1" X 1.7" - PLASTIC - BLACK
11	117831-04-000	EA LAMP - TURN - AMBER LEFT HAND
	106687-01-000	EA SOCKET - LIGHT - 2-WIRE
	106687-02-000	EA SOCKET - LIGHT - 3-WIRE
12	067789-02-000	EA SOCKET - LAMP
	119157-01-000	EA SOCKET - SINGLE CONTACT
	119158-01-000	EA SOCKET - DOUBLE CONTACT
	037935-01-000	EA BULB - 12V - #1157 OR #2057 - 2.1 AMP - CLEAR GLASS
	117831-02-000	EA LAMP - STOP/TURN/TAILO/BACKUP
	106687-01-000	EA SOCKET - LIGHT - 2-WIRE
	106687-02-000	EA SOCKET - LIGHT - 3-WIRE
	067789-02-000	EA SOCKET - LAMP
	119157-01-000	EA SOCKET - SINGLE CONTACT
	119158-01-000	EA SOCKET - DOUBLE CONTACT
13	037934-01-000	EA BULB - 12V - #1156 - 2.1 AMP CLEAR GLASS
	037935-01-000	EA BULB - 12V - #1157 OR #2057 - 2.1 AMP - CLEAR GLASS
	107749-02-000	EA LIGHT - CAB MARKER - RED
14	036196-01-000	EA BULB - 12 VOLT - #194 - .27 AMP - BAYONETTE
	117827-01-000	EA LAMP - FOG - CLEAR LENS - RED
15	113294-03-000	EA LAMP - PARK/TURN - AMBER - RIGHT HAND
	037935-01-000	EA BULB - 12V - #1157 OR #2057 - 2.1 AMP - CLEAR GLASS
	118056-01-000	EA HEADLAMP ASSEMBLY - RIGHT HAND (PASSENGER SIDE)
16	118054-01-000	EA BULB-HEADLAMP REPLACEMENT-#9004 G.E.,SYLVANIA,WESTINGHOUSE
	088758-01-000	EA HOUSING - HEADLAMP - CONNECTOR TERMINAL W/3 WIRES
	118056-02-000	EA HEADLAMP ASSEMBLY - LEFT HAND (DRIVERS)
17	118054-01-000	EA BULB-HEADLAMP REPLACEMENT-#9004 G.E.,SYLVANIA,WESTINGHOUSE
	088758-01-000	EA HOUSING - HEADLAMP - CONNECTOR TERMINAL W/3 WIRES
	113294-04-000	EA LAMP - PARK/TURN - AMBER - LEFT HAND
18	037935-01-000	EA BULB - 12V - #1157 OR #2057 - 2.1 AMP - CLEAR GLASS

## ELECTRICAL GROUP (CONTINUED)

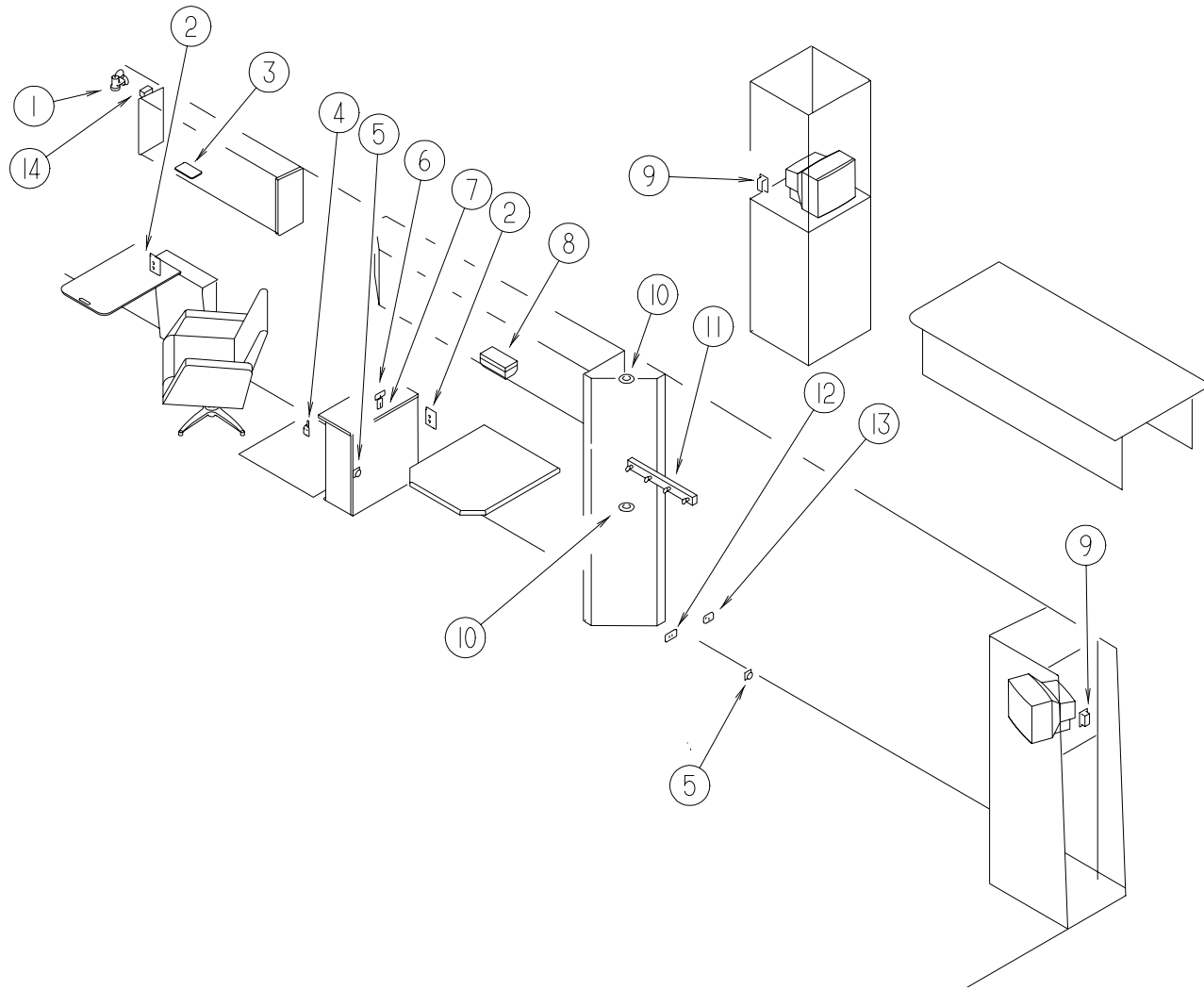
### DRIVER SIDE INTERIOR LIGHTS, SWITCHES & RECEPTACLES



KEY	PART NUMBER	U/M	DESCRIPTION	VENDOR NO.
1	058708-02-000	EA	RECEPTACLE - ELECTRIC - DOUBLE - IVORY	
	102568-01-J70	EA	SPACER - RECEPTACLE - SIDEWALL (WASHED MAPLE)	
	102568-01-E41	EA	SPACER - RECEPTACLE - SIDEWALL (SALEM CHERRY)	
2	119258-01-01A	EA	LAMP - WALL	
	119258-01-700	EA	FINEAL	12-0322
	067479-01-000	EA	BULB - 12 VOLT - #1076 - 1.80 AMP	
	119257-01-01A	EA	SHADE - LAMP - POTPOUM (J70,J71,J76,J77)	
	065201-17-000	EA	SHADE - LAMP - SAHARA SUNRISE (J72,J73,J74,J75)	
3	098024-01-03A	EA	LIGHT - DOME - 1 BULB - WHITE	
	008218-01-000	EA	BULB - DOME LIGHT - 12 VOLT - NO. 1141	
	098024-01-700	EA	LENS - LIGHT	807877
4	104173-01-01A	EA	LIGHT - DESIGNER - BRASS - US	
	104173-01-700	EA	BULB	81900
4	104172-01-01A	EA	LIGHT - BULLET - BULB #93 12V - CSA	
	117806-01-000	EA	BULB - 12 VOLT #912 - 1.0 AMPS	
5	082686-13-000	EA	LAMP - TABLE - BRASS PIANO	
	065201-11-000	EA	SHADE - LAMP - FABRIC - WHITE SWIRL	
6	108357-10-000	EA	SWITCH - ROCKER SPDT W/LIGHT - MOM/NONE/MOM - 5 TERMINAL	
	098351-07-01A	EA	PLATE - SWITCH - GENERATOR - POLISHED BRASS	
	108356-05-01A	EA	COVER/ACTUATOR SWITCH-3 GROOVES W/LENS-GEN SET-CONTURA III	
7	058708-01-000	EA	RECEPTACLE-ELECTRIC, DOUBLE - BROWN	
8	058707-01-000	EA	RECEPTACLE - ELECTRIC - SINGLE - BROWN	
9	098024-03-02A	EA	LIGHT-DOME - 2 BULB - WHITE	
	008218-01-000	EA	BULB-DOME LIGHT - 12V - NUMBER 1141	
	098024-01-700	EA	LENS-LIGHT	807877
9	091937-04-000	EA	LIGHT-FLUORESCENT - 12V/30 WATT - 20.8" LONG - THIN LITE	
10	091937-05-000	EA	LIGHT - FLUORESCENT - 12V/16 WATT - 15" LONG - THIN LITE	
	091937-05-701	EA	LENS-LIGHT, FLUORESCENT	D-732
11	058708-05-000	EA	RECEPTACLE - SINGLE - BROWN	
12	084076-02-000	EA	RECEPTACLE - GFI - 15 AMP - 125 VOLT - BROWN	
	084077-02-000	EA	PLATE - COVER - RECEPTACLE - GFI - BROWN	
13	079364-03-000	EA	SWITCH - ON/OFF ROCKER - 3 TERMINAL - BROWN	
	098351-01-01A	EA	PLATE - SWITCH - 1 GANG POLISHED BRASS	
14	058707-02-000	EA	RECEPTACLE - BLANK JUNCTION BOX	
15	109294-01-01A	EA	SWITCH PANEL - W/SWITCHES - VENT FAN	
	095188-02-01A	EA	SPACER - SWITCH - 2.3" X 4.1" - PLASTIC - DARK BROWN	
16	108354-01-01A	EA	LIGHT - COURTESY	
	108354-01-700	EA	BULB-COURTESY LIGHT	395-B
17	079364-04-000	EA	SWITCH - ON/OFF ROCKER - 2 TERMINAL - BLACK	
	098351-02-01A	EA	PLATE - SWITCH - 2 GANG POLISHED BRASS	

## ELECTRICAL GROUP (CONTINUED)

### PASSENGER SIDE INTERIOR LIGHTS, SWITCHES & RECEPTACLES



KEY	PART NUMBER	U/M	DESCRIPTION	VENDOR NO.
1	104173-01-01A	EA	LIGHT - DESIGNER - BRASS - US	81900
	104173-01-700	EA	BULB	
1	104172-01-01A	EA	LIGHT - BULLET - BULB #93 12V - CSA	807877
	117806-01-000	EA	BULB - 12 VOLT #912 - 1.0 AMPS	
	058708-02-000	EA	RECEPTACLE-ELECTRIC, DOUBLE - IVORY	
2	102568-01-J70	EA	SPACER - RECEPTACLE - BETWEEN SIDEWALL & PLATE - WOOD (WASHED MAPLE)	395-B
	102568-01-E41	EA	SPACER - RECEPTACLE - BETWEEN SIDEWALL & PLATE - WOOD (SALEM CHERRY)	
3	098024-03-02A	EA	LIGHT - DOME - 2 BULB - WHITE	807877
	008218-01-000	EA	BULB - DOME LIGHT - 12 VOLT - NO. 1141	
	098024-01-700	EA	LENS-LIGHT	
4	116995-01-000	EA	SWITCH/MAGNET - ELECTRIC STEP	
5	108354-01-01A	EA	LIGHT - COURTESY	395-B
	108354-01-700	EA	BULB-COURTESY LIGHT	
6	079364-01-000	EA	SWITCH-ON/OFF ROCKER, 2 PRONGS - BROWN	
6	098351-05-01A	EA	PLATE - SWITCH - 3 GANG POLISHED BRASS	
6	095188-02-01A	EA	SPACER - SWITCH - 2.3" X 4.1" - PLASTIC - DARK BROWN	
7	094086-01-01A	EA	PLATE - SWITCH - SINGLE GANG - 1.8" X 3" - BLACK PLASTIC	
7	093132-02-000	EA	SWITCH-ROCKER, 5 TERM W/KEY LOCK & ARROW F/POWER DOOR LOCK	
8	093575-09-01A	EA	LIGHT - CEILING - DOUBLE	RP1041
	098024-01-03A	EA	LIGHT - DOME - 1 BULB - WHITE	
	008218-01-000	EA	BULB - DOME LIGHT - 12 VOLT - NO. 1141	
9	058707-01-000	EA	RECEPTACLE - ELECTRIC - SINGLE - BROWN	
10	072353-14-000	EA	LIGHT-READING,SWIVEL,ROUND - INTERTEK Y-605-20	
11	110235-02-01A	EA	LIGHT - MAKE UP - 4 BULB PANLESS	RP1041
	081633-01-700	EA	BULB-LIGHT, MAKE-UP	
12	079364-01-000	EA	SWITCH - ON/OFF ROCKER - 2 TERMINAL - BROWN	
12	079364-03-000	EA	SWITCH - ON/OFF ROCKER - 3 TERMINAL - BROWN	
12	098351-05-01A	EA	PLATE - SWITCH - 3 GANG POLISHED BRASS	
12	095188-02-01A	EA	SPACER - SWITCH - 2.3" X 4.1" - PLASTIC - DARK BROWN	
13	079364-01-000	EA	SWITCH - ON/OFF ROCKER - 2 TERMINAL - BROWN	
13	079364-03-000	EA	SWITCH - ON/OFF ROCKER - 3 TERMINAL - BROWN	
13	098351-02-01A	EA	PLATE - SWITCH - 2 GANG POLISHED BRASS	
13	095188-01-01A	EA	SPACER - SWITCH - 2.3" X 3.4" - PLASTIC - DARK BROWN	
14	058707-02-000	EA	RECEPTACLE - BLANK JUNCTION BOX	

**ELECTRICAL GROUP (CONTINUED)****CIRCUIT BREAKERS & FUSES**

KEY	PART NUMBER	U/M DESCRIPTION
	062037-01-000	EA HOUSING - AUTO FUSE - NATURAL
	062037-02-000	EA HOUSING - AUTO FUSE - GREEN
	062037-06-000	EA HOUSING - AUTO FUSE - BROWN
	062037-07-000	EA HOUSING - AUTO FUSE - RED
	108669-01-000	EA HOUSING - AUTO FUSE HOLDER
	062901-02-000	EA FUSE - 05 AMPS - AUTOMOTIVE
	062901-05-000	EA FUSE - 15 AMPS - AUTOMOTIVE
	083209-01-000	EA CIRCUIT BREAKER - 15 AMP - 120 VOLT - CANADIAN
	083209-02-000	EA CIRCUIT BREAKER - 15/15 AMP - 120 VOLT
	083209-03-000	EA CIRCUIT BREAKER - 15/20 AMP - 120 VOLT
	083209-04-000	EA CIRCUIT BREAKER - 30 AMP - 120 VOLT
	083209-06-000	EA CIRCUIT BREAKER - 30/15 AMP - 120 VOLT
	083209-07-000	EA CIRCUIT BREAKER - 20/20 AMP - 120 VOLT
	093654-01-000	EA CIRCUIT BREAKER - 6 AMP - 12 VOLT
	093654-02-000	EA CIRCUIT BREAKER - 15 AMP - 12 VOLT
	093654-03-000	EA CIRCUIT BREAKER - 20 AMP - 12 VOLT
	093655-01-000	EA CIRCUIT BREAKER - 25 AMP - 12 VOLT
	093655-02-000	EA CIRCUIT BREAKER - 30 AMP - 12 VOLT
	093655-03-000	EA CIRCUIT BREAKER - 40 AMP - 12 VOLT
	093674-01-000	EA PLATE - CIRCUIT BREAKER - HOUSE - 8.4" X 4.1" - STEEL
	097611-01-000	EA CIRCUIT BREAKER - 10 AMP - 12 VOLT
	113482-01-000	EA CIRCUIT BREAKER - 55AMP
	122811-01-000	EA CIRCUIT BREAKER - 20/50/50/20

**CONVERTERS, INVERTER & LOAD CENTERS**

KEY	PART NUMBER	U/M DESCRIPTION
	099048-03-000	EA INVERTER - 130 WATT
	106071-01-000	EA SWITCH - AUTOMATIC TRANSFER - 30 AMP - MAGNETEK
	106071-02-000	EA SWITCH - AUTOMATIC TRANSFER - 50 AMP - MAGNETEK
	108915-02-000	EA LOAD CENTER - 120/240 VOLT - 100 AMP
	109677-01-000	EA LOAD CENTER - 120 VOLT - 40 AMP
	113132-01-000	EA LOAD CENTER - 120/240 VOLT - 60 AMP
	123058-01-000	EA CONVERTER - 55 AMP - ELECTRONIC - 4 1/8"H X 7"W X 12 3/8"L

**FLASHER, SOLENOID, DIODE & RELAYS**

KEY	PART NUMBER	U/M DESCRIPTION
	007093-01-000	EA SIGNAL FLASHER
	008188-01-000	EA SOLENOID - 3 POST - BATTERY CHANGE OVER
	063910-01-000	EA HOUSING - RELAY
	063912-02-000	EA RELAY - CANISTER - SPDT
	086233-01-000	EA STUD - ISOLATED - 3/8" X 7/8" LONG
	086273-01-000	EA RELAY - BATTERY DISCONNECT

**SOLAR PANEL**

KEY	PART NUMBER	U/M DESCRIPTION	VENDOR NO.
	115504-01-700	EA PLUG & CABLE, 10 WATT PANEL	600-016
	115504-01-000	EA PANEL - SOLAR 10 WATT	
	115505-01-000	EA LIGHT - MONITOR/SOLAR PANEL - RED LED INDICATOR	

**ELECTRICAL GROUP (CONTINUED)****CONNECTORS & HOUSINGS**

KEY	PART NUMBER	U/M DESCRIPTION
	008311-01-000	EA CONNECTOR - WIRE NUT - INSULATED - RED
	008312-01-000	EA CONNECTOR - WIRE NUT - INSULATED - BLUE
	008313-01-000	EA CONNECTOR - WIRE NUT - INSULATED - YELLOW
	008355-01-000	EA CONNECTOR - CABLE CLAMPING - 3/4"
	008356-01-000	EA CONNECTOR - PLASTIC - 3/8" AVG
	008356-02-000	EA CONNECTOR - PLASTIC - 21/32
	041480-01-000	EA CONNECTOR - STRAIGHT - 1/2' FLEX CONDUIT
	058028-01-000	EA CONNECTOR - ELECTRICAL PIGTAIL - NYLON - CLEAR
	115931-01-000	EA COVER - CONNECTOR - W/LOCK RING
	115931-02-000	EA COVER - CONNECTOR
	115932-01-000	EA CONNECTOR - FEMALE - 30 AMP - 120 VOLT
	115932-02-000	EA CONNECTOR - FEMALE - 50 AMP - 240 VOLT
	118571-01-000	EA CONNECTOR - 30WAY - MALE/SEALED
	118571-02-000	EA CONNECTOR - 30WAY - FEMALE/SEALED
	088475-01-000	EA PIN - CONNECTOR - 14 - 20 AWG
	088475-02-000	EA PIN - CONNECTOR - 10-12 AWG
	098262-06-000	EA SEAL - CONNECTOR - M/P - 10 GAUGE
	098265-02-000	EA PIN - CONNECTOR - WEATHERPACK
	098261-02-000	EA SOCKET - CONNECTOR - WEATHERPACK
	098262-01-000	EA SEAL - CONNECTOR - WEATHERPACK
	088473-01-000	EA HOUSING - PIN - 12 CAVITY (3 ROWS OF 4)
	088473-02-000	EA HOUSING - PIN - 15 CAVITY (3 ROWS OF 5)
	088473-03-000	EA HOUSING - PIN - 9 CAVITY (3 ROWS OF 3)
	088473-06-000	EA HOUSING - PIN - 6 CAVITY (2 ROWS OF 3)
	088473-07-000	EA HOUSING - PIN - 5 CAVITY IN-LINE
	088473-08-000	EA HOUSING - PIN - 4 CAVITY - IN-LINE
	088473-09-000	EA HOUSING - PIN - 3 CAVITY IN-LINE
	088473-10-000	EA HOUSING - PIN - 2 CAVITY
	088474-01-000	EA HOUSING - SOCKET - 12 CAVITY
	088474-02-000	EA HOUSING - SOCKET - 15 CAVITY
	088474-03-000	EA HOUSING - SOCKET - 9 CAVITY
	088474-06-000	EA HOUSING - SOCKET - 6 CAVITY
	088474-07-000	EA HOUSING - SOCKET - 5 CAVITY
	088474-08-000	EA HOUSING - SOCKET - 4 CAVITY
	088474-09-000	EA HOUSING - ELECTRICAL - 3 TERMINAL
	088474-10-000	EA HOUSING - SOCKET - 2 CAVITY
	082109-01-000	EA HOUSING - CONNECTOR - PACKARD
	098264-01-000	EA HOUSING - 2 PIN - WEATHERPACK
	098264-02-000	EA HOUSING - 2 PIN - WEATHERPACK
	100690-01-000	EA HOUSING - 5 POSITION - MALE - WEATHERPACK
	100690-02-000	EA HOUSING - 5 POSITION - FEMALE - WEATHERPACK
	101571-01-000	EA HOUSING - 2 POSITION - MALE
	106006-01-000	EA HOUSING - 1 POSITION - FEMALE
	110178-01-000	EA HOUSING - WIPER MOTOR
	113131-01-000	EA HOUSING - 3 PIN
	104100-01-000	EA HOUSING - 1 POSITION - 75 AMPS
	117700-01-000	EA HOUSING - 2 POSITION - METRI-PACK - FEMALE
	113468-01-000	EA HOUSING - 2 POSITION - FEMALE USED ON WIPER/WASHER WIRE ASM
	119248-02-000	EA HOUSING - 7 POSITION - FEMALE
	125323-02-000	EA HOUSING - 8 POSITION - MALE

**ELECTRICAL GROUP (CONTINUED)****TERMINALS & MISC.**

KEY	PART NUMBER	U/M DESCRIPTION
	008326-01-000	EA TERMINAL - RING - 16/14 WIRE - 3/8" STUD
	008328-01-000	EA TERMINAL - RING - 12/10 WIRE - #10 STUD FIT
	008331-01-000	EA TERMINAL - RING - TONGUE - #4 WIRE - 3/8" STUD - COPPER
	008348-01-000	EA TERMINAL - RING - 3/8" STUD 2 GA. WIRE
	035416-04-000	EA TERMINAL - RING - #10 STUD FIT - INSULATED BARREL #16/14
	047443-01-000	EA TERMINAL - .250 RECEPTACLE FIT - INSULATED - 16/14 AWG
	047443-02-000	EA TERMINAL - .250 RECEPTACLE FIT - INSULATED - 12/10 AWG
	062036-01-000	EA TERMINAL - PACK - CON - 12/10 AWG
	062036-02-000	EA TERMINAL - PACK - CON - 16/14 AWG
	088267-01-000	EA TERMINAL - FEMALE - 1/4
	098260-01-000	EA TERMINAL - MALE - 56 SERIES
	088476-01-000	EA TERMINAL - ELECTRICAL
	104100-03-000	EA TERMINAL - 75 AMP
	106007-01-000	EA TERMINAL - FEMALE - 14-16 AWG
	106655-01-000	EA TERMINAL - FUSE BLOCK - 14-16 AWG
	113135-01-000	EA TERMINAL - FEMALE- M/P - 14-16
	113306-01-000	EA TERMINAL - FEMALE - M/P - 14-16
	113306-02-000	EA TERMINAL - FEMALE - M/P - 10-12 - 480
	113307-01-000	EA TERMINAL - FEMALE - M/P - 16-20
	113308-01-000	EA TERMINAL - FEMALE - M/P - 14-16 - 280
	102777-02-000	EA TERMINAL - RING - #6 STUD - 10 AWG
	116811-01-000	EA TERMINAL - .110 RECEPTACLE - 16-14 AWG
	118597-01-000	EA TERMINAL - MALE - M/P - 480 - 14-16
	118599-01-000	EA TERMINAL - MALE - M/P - 280 - 14-16
	125324-01-000	EA TERMINAL - MALE - METRI-PACK - 150
	080015-02-000	EA RECEPTACLE - FLAG - .185 - 16/14 GAUGE
	085724-01-000	EA SOCKET - DOUBLE CONTACT - TAILLIGHT
	087225-01-000	FT SLEEVING - 1/2" - TYPE H
	087949-01-000	EA BUSS BAR - 2 POSITION - .6" X 1.5"
	087949-02-000	EA BUSS BAR - 3 POSITION - .6" X 2.4"
	087949-03-000	EA BUSS BAR - 4 POSITION
	092786-03-000	EA BUSS BAR - 6.9" LONG
	007954-01-000	EA RECEPTACLE - HOUSING - 6 POSITION
	007956-05-000	EA INSULATOR - SHRINK - .25 ID X 1.50
	088476-02-000	EA SOCKET - CONNECTOR - 12-10 GA - PRE-TIN
	098262-05-000	EA SEAL - CAVITY
	103608-01-000	EA SOCKET - WEDGE BASE W/LEADS
	112823-01-000	EA SPLICE - REDUCER - 16-14 TO 18-22
	118571-03-000	EA BRACKET - MOUNTING
	118571-04-000	EA GASKET
	118571-05-000	EA LOCK - SECONDARY - FEMALE
	118571-06-000	EA LOCK - SECONDARY - MALE
	118820-01-000	EA INSULATOR - TERMINAL
	125325-01-000	EA SEAL - CAVITY

**ELECTRICAL GROUP (CONTINUED)****CONDUIT**

KEY	PART NUMBER	U/M DESCRIPTION
	008394-01-000	FT CONDUIT - FLEXIBLE - 1/2"
	041953-01-000	FT CONDUIT - CONVOLUTE SLIT - .5" ID
	041953-01-000	FT CONDUIT - CONVOLUTE SLIT - .5" ID
	041953-03-000	FT CONDUIT - CONVOLUTE SLIT - 1" ID (CLOTHES ROD COVER)
	041953-05-000	FT CONDUIT - CONVOLUTE SOLID - .62" ID
	041953-06-000	FT CONDUIT - CONVOLUTE SLIT - .375" ID
	041953-07-000	FT CONDUIT - CONVOLUTE SLIT - .25" ID
	041953-08-000	FT CONDUIT - CONVOLUTE SLIT - 1.50" ID
	041953-09-000	FT CONDUIT - CONVOLUTE SLIT - .50" ID
	041953-10-000	FT CONDUIT - CONVOLUTE SLIT - .75" ID
	041953-11-000	FT CONDUIT - CONVOLUTE SLIT - 1.06" ID

**BATTERY BOOT & STUD**

KEY	PART NUMBER	U/M DESCRIPTION
	077479-01-000	EA BOOT - BATTERY TERMINAL - DOUBLE CABLE
	077479-02-000	EA BOOT - BATTERY TERMINAL - SINGLE CABLE
	086233-01-000	EA STUD-ISOLATED, 3/8" X 7/8" LONG
	086273-01-000	EA RELAY-BATTERY DISCONNECT

**ELECTRIC BOXES**

KEY	PART NUMBER	U/M DESCRIPTION
	008289-01-000	EA BOX - ELECTRIC/STEEL - 1/2" & 3/4" KNOCKOUTS - 4" X 4"
	008289-02-000	EA BOX - ELECTRIC/STEEL - 1/2" & 3/4" KNOCKOUTS - 4" X 4"-CAN
	008294-01-000	EA COVER - ELECTRICAL BOX - BLANK/STEEL - 4" X 4" - GRAY
	008294-02-000	EA COVER - ELECTRICAL BOX - BLANK STEEL - 4" X 4" - CANADIAN
	091910-01-000	EA BOX - ELECTRIC - 3.8" X 3.5" X 1.8" - PLASTIC
	091910-02-000	EA BOX - ELECTRIC - 2.2" X 3.5" X 1.7" - PLASTIC
	098196-01-000	EA LATCH - 1/4 TURN - T-BAR
	113088-01-000	EA BOX - ELECTRIC - 3" X 2" X 2.75"
	008054-01-000	EA CORD - POWER - 10/3 - 30 AMP - 25'
	108934-01-000	EA CORD - POWER - 50 AMP - 4 WIRE - 36'
	113096-01-000	EA CORD - POWER - 50 AMP - 4 WIRE - 36' - CSA
	118507-01-01A	EA BOX - ELECTRIC
	118653-01-02B	EA DOOR - ELECTRIC BOX - 10.6" X 15.2"
	118905-02-02B	EA DOOR - ELECTRIC - 6.1" X 11.1" - CHEVY/FORD
	120454-01-01B	EA PANEL - ELECTRICAL - BACK - MILL FINISH
	120455-01-01B	EA PANEL - ELECTRICAL - SIDE - MILL FINISH



**ELECTRICAL GROUP (CONTINUED)****POWER CORDS**

KEY	PART NUMBER	U/M DESCRIPTION
	008054-01-000	EA CORD - POWER - 10/3 - 30 AMP - 25'
	108934-01-000	EA CORD - POWER - 50 AMP - 4 WIRE - 36'
	113096-01-000	EA CORD - POWER - 50 AMP - 4 WIRE - 36' - CSA
	121470-01-000	EA CORD/EXTENSION - 6 FOOT - 16-2 WIRE

**WIRE ASSEMBLIES**

KEY	PART NUMBER	U/M DESCRIPTION
	P27264-02-000	EA WIRE ASSEMBLY - RADIO AM/FM CASSETTE
	073328-B4-000	EA CABLE ASSEMBLY - BATTERY - W/TERMINALS
	090986-01-000	EA WIRE ASSEMBLY - ELECTRIC STEP
	093057-05-000	EA WIRE ASSEMBLY - POWER LOCK - ENTRANCE
	096449-01-000	EA WIRE ASSEMBLY - WATER TANK TO MONITOR PANEL
	096717-03-000	EA WIRE ASSEMBLY - REAR MONITOR - AFTER MARKET INSTALLATION
	097618-01-000	EA WIRE ASSEMBLY - MONITOR PANEL- W/3 WIRES & ORANGE RESISTOR ORANGE RESISTOR W/3 (ORANGE-GREEN-BLUE) WIRES
	107306-01-000	EA WIRE ASSEMBLY - INSTRUMENT PANEL - DOCKING LAMPS
	107597-02-000	EA WIRE ASSEMBLY - INSTRUMENT PANEL - FOG LAMPS
	108029-01-000	EA WIRE ASSEMBLY - POWER DRIVER SEAT
	108242-01-000	EA WIRE ASSEMBLY - CAB DOOR - DRIVER
	108303-01-000	EA WIRE ASSEMBLY - REAR AUTO HEATER
	108304-01-000	EA WIRE ASSEMBLY - INSTRUMENT PANEL - AUXILIARY FANS
	110256-01-000	EA WIRE ASSEMBLY - INSTRUMENT PANEL - GENERATOR
	111581-01-000	EA WIRE ASSEMBLY - AIR HORN
	111619-01-000	EA WIRE ASSEMBLY - HWH JACKS/JET AIR RIDE USED W/HWH FRONT JACKS - JET AIR W/PARK & LEVEL
	111643-01-000	EA WIRE ASSEMBLY - PARK/LEVEL WARNING
	111914-01-000	EA WIRE ASSEMBLY - DAYTIME RUNNING LAMPS - FUSE
	111915-03-000	EA WIRE ASSEMBLY - DAYTIME RUNNING LAMPS - FUSED - FORD
	113134-03-000	EA WIRE ASSEMBLY - WIPER/WASHER
	118649-01-000	EA WIRE ASSEMBLY - AIR HORNS

**EXTERIOR BODY GROUP****HADLEY AIR HORN**

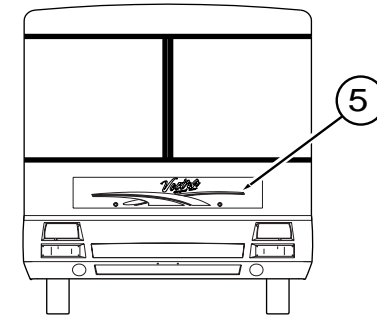
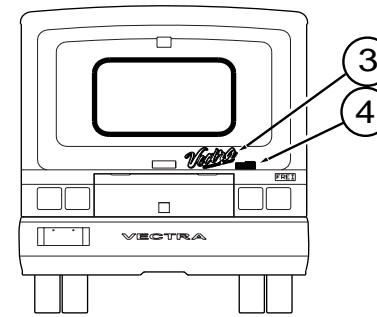
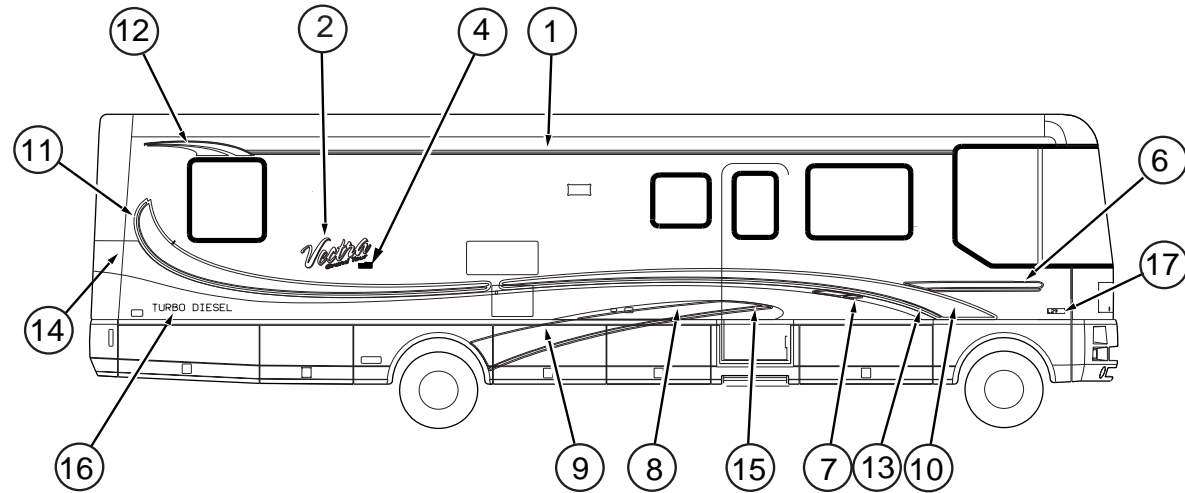
KEY	PART NUMBER	U/M DESCRIPTION	VENDOR NO.
	077497-06-000	EA HORN - AIR - CHROME - TWIN	
	077497-01-701	EA SWITCH - COMPRESSOR	13940-S
	077497-01-702	EA SWITCH - TOGGLE - W/WIRE	12949-S
	081407-01-000	EA PLATE - MOUNTING - AIR HORN	
	071390-04-000	FT TUBING - AIR BRAKE - 1/4" OD-BLK WEATHERHEAD (BRKS & HORN)	
	077497-03-000	EA FITTING KIT - HOSE/HOSE FITTING/AIR GAUGE - F/AUX HORN	
	077497-01-710	EA GAUGE-AIR PRESSURE	14212S
	077497-05-000	EA COMPRESSOR/TANK/SOLENOID KIT, HADLEY 852EB	
	077497-01-700	EA SOLENOID - AIR TANK	550B
	077497-01-703	EA TANK - AIR	751-N
	077497-01-704	EA COMPRESSOR W/SWITCH	852EC
	077497-01-706	EA VALVE & HEAD REPAIR - COMPRESSOR	H00852HV
	077497-01-707	EA BELT & SCREW COVER - COMPRESSOR	H00852BR
	077497-01-708	EA FILTER & MOUNTING HARDWARE - COMPRESSOR	H00852FM
	077497-01-709	EA PLUNGER & SPRING - SOLENOID	H136215
	077497-02-000	EA HOSE - AUXILIARY AIR HORN	
	081404-01-000	EA BRACKET - MOUNTING - COMPRESSOR - L SHAPED - 4" X 7.5"	
	108114-01-000	EA BRACKET - TANK/AIR (CHEV)	
	115024-01-02B	EA BRACKET - TANK - AIR HORN (FORD)	

**FIBERGLASS, STYROFOAM & STEEL CHANNEL**

KEY	PART NUMBER	U/M DESCRIPTION
	076054-Y5-000	EA FIBERGLASS - SHEET - 79" X 425"
	076054-Z2-000	EA FIBERGLASS SHEET - 30" X 69.9" - BRIGHT WHITE
	076054-Z3-000	EA FIBERGLASS SHEET - 4" X 86" - BRIGHT WHITE
	077517-62-000	EA FIBERGLASS - SHEET/SIDEWALL - 4' X 8' - BRIGHT WHITE
	108535-06-700	EA FIBERGLASS SHEET - 102" X 102" BRIGHT WHITE
	108535-05-702	EA FIBERGLASS SHEET - FLAT - 110" X 396" BRIGHT WHITE - ROOF
	000870-08-000	SF STYROFOAM - .75" X 48" X 96" PLANED EXPANDED BEAD BOARD
	083574-06-000	SF STYROFOAM - .75 X 48" X 108" - INCREMENTS OF 14 SF
	002726-01-001	EA GARNISH - U-CHANNEL - 1.38" X 19' - SERRATED
	002754-01-001	EA ANGLE- EXTRUDED - .75" X .75" X 18' - MILL ALUMINUM
	065747-01-000	SF INSULATION - MICROFOAM - .5" THICK X 72" X 112' ROLL
	068716-01-001	EA BRACE - 90 DEGREE L-ANGLE - 16'
	089297-01-000	SF PLYWOOD - LUAN - OVERLAY GRADE - 48" X 96"
	100619-01-000	BF FOAM - EXPANDED POLYSTYRENE - 1.34" X 48" X 96"
	100619-02-000	BF FOAM - EXPANDED POLYSTYRENE - 1.5" X 48" X 96"
	100619-05-000	BF FOAM - EXPANDED POLYSTYRENE - .75" X 48" X 96"
	100619-11-000	BF FOAM - EXPANDED POLYSTYRENE - 2" X 48" X 96"
	100619-13-000	BF FOAM - EXPANDED POLYSTYRENE - .34" X 34.65" X 96"
	100619-16-000	BF FOAM - EXPANDED POLYSTYRENE - .75" X 48" X 96"
	120107-01-000	EA FOAM - COVE - ROOF - 2.8" X 96" LONG
	120107-02-000	EA FOAM - PLUG - ROOF TUBE - 2.2" X 2.9" X 1.8" LONG
	120107-03-000	EA FOAM - PLUG - SIDEWALL TUBE - 1.2" X 2.1" X 1.8" LONG
	125838-01-001	EA ACRYLIC SHEET - .125" X 1.49" X 2"

## EXTERIOR BODY GROUP (CONTINUED)

### DECALS, STRIPES & PAINTS



KEY	PART NUMBER	U/M	DESCRIPTION
1	105781-65-01A	FT	FILM - MULTISTRIFE - 1.75"
2	126196-01-02A	EA	DECAL - LOGO - VECTRA GRAND TOUR (L. AQUA/LAGO BLUE)
2	126196-01-01A	EA	DECAL - LOGO - VECTRA GRAND TOUR (GREEN/LAGO BLUE)
3	126196-02-02A	EA	DECAL - LOGO - VECTRA GRAND TOUR/SMALL (BRTWT/LAGO/LTAQUA)
3	126196-02-01A	EA	DECAL - LOGO - VECTRA GRAND TOUR/SMALL (BRTWT/LAGO/GREEN)
4	122770-02-08A	EA	DECAL - "BUILT PROUDLY BY WINNEBAGO INDUSTRIES"
5	126195-01-02A	EA	DECAL - HOOD (LTAQ/LAGO/LTRS/B)
5	126195-01-01A	EA	DECAL - HOOD (GRN/LAGO/LRSE/BW)
6	126190-01-01A	EA	DECAL - SLASH - FRONT/RIGHT HAND
6	126190-02-01A	EA	DECAL - SLASH - FRONT/LEFT HAND
7	126189-01-01A	EA	DECAL - SLASH - MIDDLE/RIGHT HAND
7	126189-02-01A	EA	DECAL - SLASH - MIDDLE/LEFT HAND
8	126188-01-01A	EA	DECAL - SLASH - REAR/RIGHT HAND/UPPER #1
8	126188-02-01A	EA	DECAL - SLASH - REAR/LEFT HAND/UPPER #1
9	126187-01-01A	EA	DECAL - SLASH - REAR/RIGHT HAND/LOWER #2
9	126187-02-01A	EA	DECAL - SLASH - REAR/LEFT HAND/LOWER #2
10	126186-01-01A	EA	DECAL - FLARE - FRONT/RIGHT HAND
10	126186-02-01A	EA	DECAL - FLARE - FRONT/LEFT HAND
11	126185-01-01A	EA	DECAL - FLARE - REAR/RIGHT HAND
11	126185-02-01A	EA	DECAL - FLARE - REAR/LEFT HAND
12	126194-01-02A	EA	DECAL - FLARES - SMALL/RIGHT HAND (LTAQ/LAGBL/LTRSE)
12	126194-01-01A	EA	DECAL - FLARES - SMALL/RIGHT HAND (GREEN/LAGO/LTRSE)
12	126194-02-02A	EA	DECAL - FLARES - SMALL/LEFT HAND (LTAQ/LAGBL/LTRSE)
12	126194-02-01A	EA	DECAL - FLARES - SMALL/LEFT HAND (GREEN/LAGO/LTRSE)
13	126193-01-01A	EA	DECAL - PAINT MASK - FRONT/LEFT HAND
13	126193-02-01A	EA	DECAL - PAINT MASK - FRONT/LEFT HAND
14	126191-01-01A	EA	DECAL - PAINT MASK - REAR/RIGHT HAND
14	126191-02-01A	EA	DECAL - PAINT MASK - REAR/LEFT HAND
15	126192-01-01A	EA	DECAL - PAINT MASK - HOLE/LEFT HAND
15	126192-02-01A	EA	DECAL - PAINT MASK - HOLE/LEFT HAND
16	111318-03-03A	EA	DECAL - TURBO DIESEL
17	122312-02-01A	EA	DECAL - VORTEC 7400 FUEL INJECTED

FROM: 09-15-97 THRU: 99-99-99

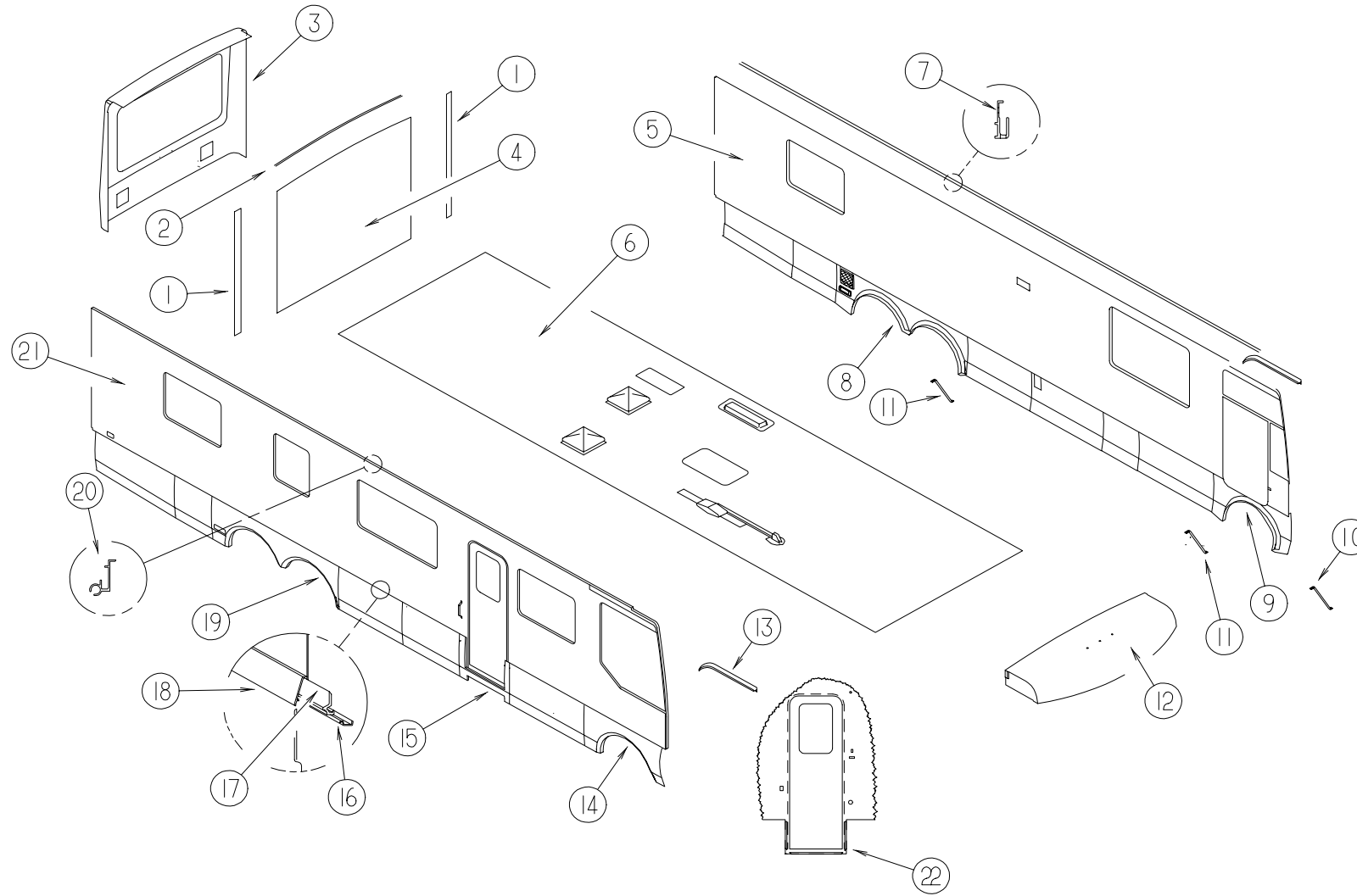
126197-01-02A	EA	DECAL - SLIDEOUT EXTENSION (AQUA)
126197-01-01A	EA	DECAL - SLIDEOUT EXTENSION (GREEN)
126196-01-02A	EA	DECAL - LOGO - VECTRA GRAND TOUR
041561-03-000	EA	PAINT - 16 OUNCE SPRAY - OFF WHITE
091828-61-000	GL	PAINT - CHROMABASE L8723 - OFF WHITE

#### DUPONT PAINT COLOR CODES

LAGO BLUE MET.	W9212
LT. ROSE MET.	F4575
LT. AQUA	F3325U
WINTER GREEN MET.	F3326U
LT. SILVER	F2573U

## EXTERIOR BODY GROUP (CONTINUED)

### BODY PANELS & TRIM

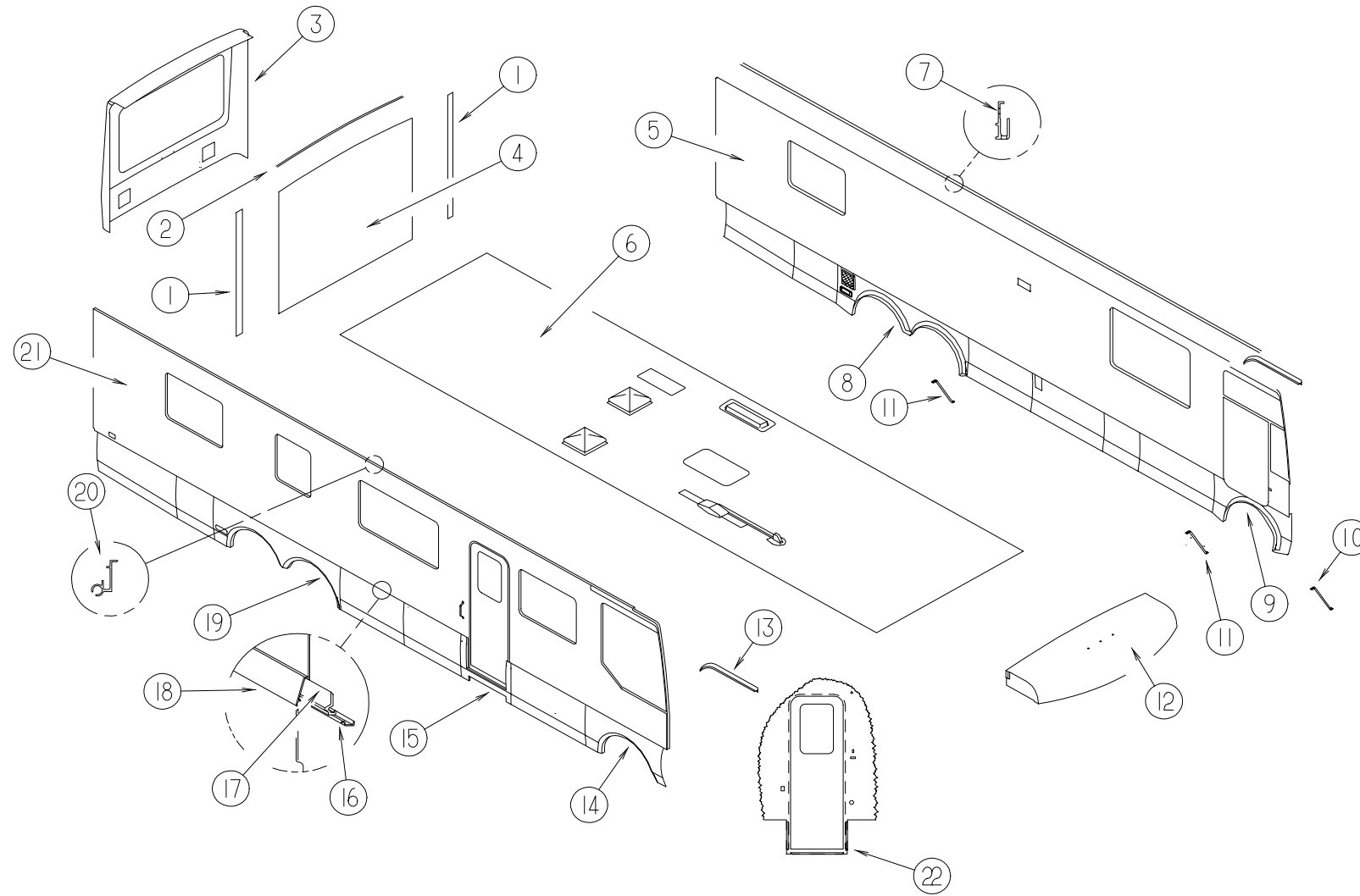


KEY	PART NUMBER	U/M DESCRIPTION
1	092041-02-03A	EA TRIM - REAR - CAP TO SIDEWALL
2	083805-23-000	EA TRIM - CAP - ROOF - 92"
3	117513-01-02A	EA CAP - REAR - W/O LIGHTS/DOOR
4	118883-01-H58	EA BACKWALL - W/O WINDOW/TRIM (J70,J71)
4	118883-01-H60	EA BACKWALL - W/O WINDOW/TRIM (J72,J73,J74,J75)
4	118883-01-J76	EA BACKWALL - W/O WINDOW/TRIM (J76,J77)
5	M06902-19-J70	EA SIDEWALL - DRIVER - W/O WINDOWS/TRIMS - W/O WAINSCOTING (J70,J71)
5	M06902-19-J72	EA SIDEWALL - DRIVER - W/O WINDOWS/TRIMS - W/O WAINSCOTING (J72,J73,J74,J75)
5	M06902-19-J76	EA SIDEWALL - DRIVER - W/O WINDOWS/TRIMS - W/O WAINSCOTING (J76,J77)
6	P23793-01-J70	EA ROOF - W/O LIGHTS/VENTS - W/WIRING
7	120091-02-02A	EA TRIM - ROOF
8	P18962-01-GV0	EA WHEEL LIP - TAG AXLE - DRIVER
	107865-13-000	EA ROD - SUPPORT, VALANCE PANEL
9	118842-01-GV0	EA PANEL - WHEELWELL - FRONT/DRIVER
10	107865-07-000	EA ROD - SUPPORT - VALANCE PANEL - 14.3"
11	107865-14-000	EA ROD - SUPPORT/VALANCE PANEL - 16.3"
12	118027-02-G85	EA CAP - ROOF

KEY	PART NUMBER	U/M DESCRIPTION
13	108274-07-02A	EA RAIL - DRIP - FRONT/PASSENGER - BRIGHT WHITE
13	108274-08-02A	EA RAIL - DRIP - FRONT/DRIVER - BRIGHT WHITE
14	118843-01-GV0	EA PANEL - WHEELWELL - FRONT/PASSENGER
15	113119-01-01A	EA PANEL - VALANCE - ENTRANCE DOOR
	121091-09-01A	EA ANGLE - ENTRANCE DOOR - 55" HAMPTON TAN
	106105-05-000	EA CLIP - VALANCE/RETAINING
	118394-01-GV0	EA PANEL - VALANCE - HORSESHOE
16	118547-01-01A	EA RETAINER - TRIM - 12"
16	118547-02-01A	EA RETAINER - TRIM - 4"
16	118547-03-01A	EA RETAINER - TRIM - 2"
	118359-51-001	EA EXTRUDED - RETAINER - TRIM - 191"
17	118546-01-01A	EA HANGER - VALANCE
	118358-51-001	EA EXTRUDED - SIDEWALL/LOWER - 182"
18	113161-01-01A	EA TRIM - PANEL - VALANCE - RIGHT HAND
18	113161-02-01A	EA TRIM - PANEL - VALANCE - LEFT HAND
	118540-01-01A	EA TRIM - COVER
	108497-01-01A	EA CAP - END - TRIM COVER - LH - LIGHT GRAY
	108497-02-01A	EA CAP - END - TRIM COVER - RH - LIGHT GRAY
19	118961-01-GV0	EA WHEEL LIP - TAG AXLE - PASSENGER
20	120092-01-02A	EA RAIL - AWNING - BRIGHT WHITE

## EXTERIOR BODY GROUP (CONTINUED)

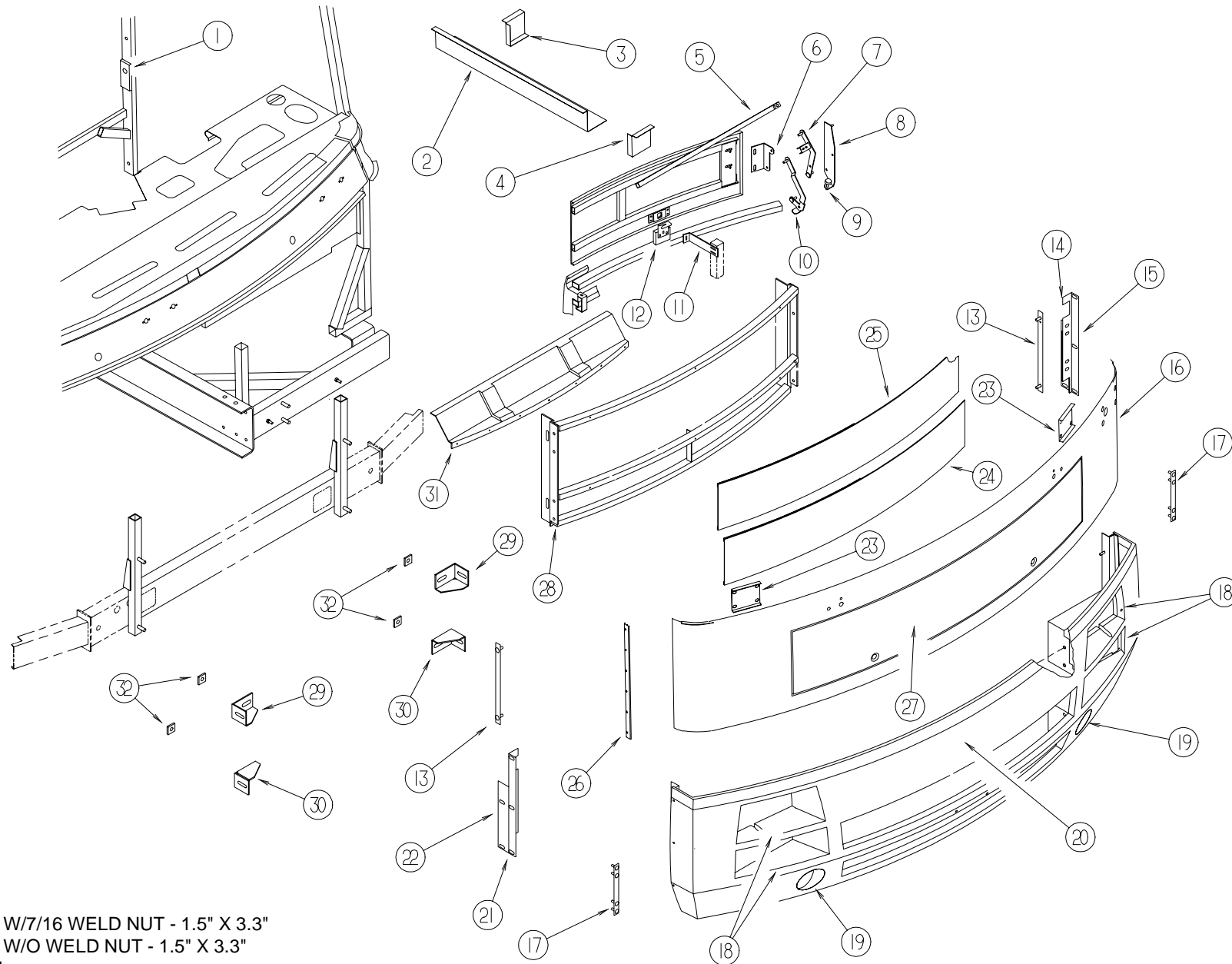
### BODY PANELS & TRIM (CONTINUED)



KEY	PART NUMBER	U/M	DESCRIPTION
21	M06901-14-J70	EA	SIDEWALL - PASSENGER - W/O WINDOWS/TRIM - W/WAINSCOTING (QUEEN & KING) (J70,J71)
21	M06901-14-J72	EA	SIDEWALL - PASSENGER - W/O WINDOWS/TRIM - W/WAINSCOTING (QUEEN & KING) (J72,J74)
21	M06901-14-J73	EA	SIDEWALL - PASSENGER - W/O WINDOWS/TRIM - W/WAINSCOTING (QUEEN & KING) (J73,J75)
21	M06901-14-J76	EA	SIDEWALL - PASSENGER - W/O WINDOWS/TRIM - W/WAINSCOTING (QUEEN & KING) (J76)
21	M06901-14-J77	EA	SIDEWALL - PASSENGER - W/O WINDOWS/TRIM - W/WAINSCOTING (QUEEN & KING) (J77)
21	M06901-15-J70	EA	SIDEWALL - PASSENGER - W/O WINDOWS/TRIM - W/WAINSCOTING (TWIN BED) (J70,J71)
21	M06901-15-J72	EA	SIDEWALL - PASSENGER - W/O WINDOWS/TRIM - W/WAINSCOTING (TWIN BED) (J72,J73,J74,J75)
21	M06901-15-J76	EA	SIDEWALL - PASSENGER - W/O WINDOWS/TRIM - W/WAINSCOTING (TWIN BED) (J76,J77)
22	113119-01-01A	EA	PANEL - VALANCE - ENTRANCE DOOR
	121091-09-01A	EA	ANGLE - ENTRANCE DOOR - 55" HAMPTON TAN
	106105-05-000	EA	CLIP - VALANCE/RETAINING
	118394-01-GV0	EA	PANEL - VALANCE - HORSESHOE

## EXTERIOR BODY GROUP (CONTINUED)

### FRONT END ASSEMBLY

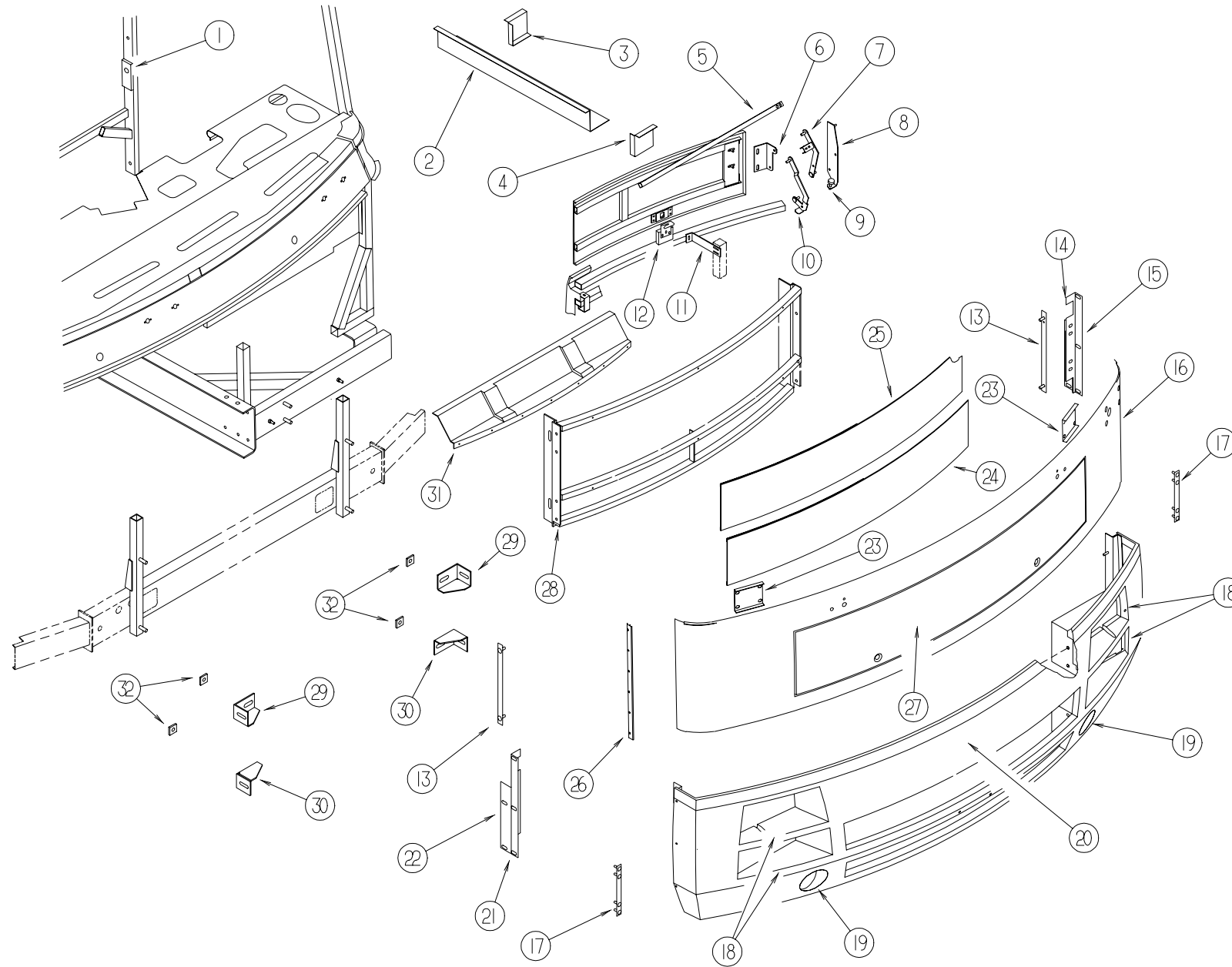


KEY	PART NUMBER	U/M	DESCRIPTION
1	070579-06-000	EA	PLATE - ANCHOR - W/7/16 WELD NUT - 1.5" X 3.3"
	070579-07-000	EA	PLATE - ANCHOR - W/O WELD NUT - 1.5" X 3.3"
2	106746-02-000	EA	PANEL - STEPWELL
3	106747-03-000	EA	PANEL - STEPWELL - RIGHT HAND END
4	106747-04-000	EA	PANEL - STEPWELL - LEFT HAND END
5	105096-10-000	EA	TUBE - HOOD HINGE TIMING W/WELDNUTS - CHEV
5	120466-02-02B	EA	TUBE - TIMING - HOOD/HINGE - FORD
6	109927-05-000	EA	ANGLE - LINK - HOOD/RIGHT HAND
6	109927-06-000	EA	ANGLE - LINK - HOOD/LEFT HAND
7	118156-01-02B	EA	LINK - HOOD HINGE - UPPER/RIGHT HAND
7	118156-02-02B	EA	LINK - HOOD HINGE - UPPER/LEFT HAND
8	109926-11-000	EA	BRACKET - LINK - HINGE/RIGHT HAND
8	109926-12-000	EA	BRACKET - LINK - HINGE/LEFT HAND
9	058786-01-000	EA	BOLT - ADJUSTING HOOD - W/BLACK PAD
10	118154-03-02B	EA	LINK - HOOD HINGE - LOWER/RIGHT HAND
10	118154-04-02B	EA	LINK - HOOD HINGE - LOWER/LEFT HAND
11	118607-01-02B	EA	BRACE - FRONT END
12	106748-03-000	EA	LATCH - HOOD - FRONT END
13	106730-02-000	EA	PLATE - STUD
14	120932-02-02B	EA	ANGLE - WHEEL LIP - LEFT HAND
15	120933-02-02B	EA	ANGLE - BUMPER - LEFT HAND
	117979-17-02B	EA	SUPPORT - BUMPER - FORD - RIGHT HAND

KEY	PART NUMBER	U/M	DESCRIPTION
16	117499-02-G85	EA	FRONT END - FIBERGLASS - BRIGHT WHITE/WIDE
	002328-02-000	EA	BLOCK - WINDSHIELD - .062" X .5" X .98"
	119445-01-02B	EA	PLATE - W/HOLES
17	120934-02-02B	EA	PLATE - STUD
18	117777-01-02B	EA	FRAME - HEADLAMP - PASSENGER
18	117777-02-02B	EA	FRAME - HEADLAMP - LEFT HAND
19	117503-01-01A	EA	HOUSING - FOG LAMP
	118650-01-02B	EA	SUPPORT - FOG LAMP
	118651-03-02B	EA	SUPPORT - RIGHT HAND - BUMPER/FOG LAMP
	118651-04-02B	EA	SUPPORT - LEFT HAND - BUMPER/FOG LAMP
20	M08089-01-GV0	EA	PANEL - FRONT BUMPER - CHEVY
20	M08089-02-GV0	EA	PANEL - FRONT BUMPER - FORD
	106730-06-000	EA	PLATE - STUD
	106730-05-000	EA	PLATE - STUD
21	120933-01-02B	EA	ANGLE - BUMPER - RIGHT HAND
22	120932-01-02B	EA	ANGLE - WHEEL LIP - RIGHT HAND
23	120331-01-02B	EA	BRACKET - SUPPORT - FRONT END
24	115924-07-02A	EA	WIRE MESH - F/GRILLE - FLAT BLACK

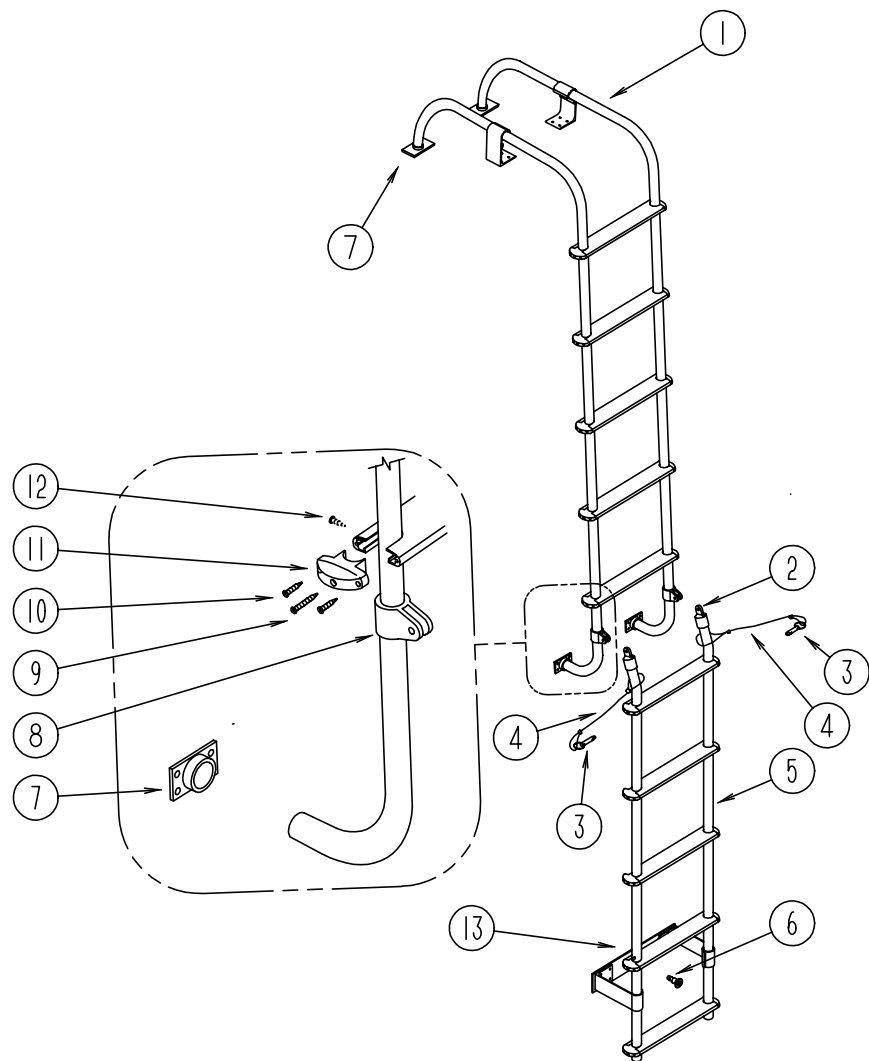
## EXTERIOR BODY GROUP (CONTINUED)

### FRONT END ASSEMBLY (CONTINUED)



KEY	PART NUMBER	U/M DESCRIPTION
25	115924-02-02A	EA WIRE MESH - F/GRILLE - FLAT BLACK
26	114422-01-02A	EA TRIM - PANEL - FIBERGLASS
27	117496-01-G85	EA PANEL - OUTER HOOD - BRIGHT WHITE
	106730-02-000	EA PLATE - STUD (HOOD/INNER)
	102330-01-000	EA LATCH - VISE ACTION/KEY OPERATED
	102328-01-000	EA KEY - BARREL - NICKEL PLATED
28	118117-01-GV0	EA FRAME - FRONT BUMPER
29	117611-01-02B	EA BRACKET - BUMPER - RIGHT HAND UPPER/LEFT HAND LOWER
29	117611-02-02B	EA BRACKET - BUMPER - LEFT HAND UPPER/RIGHT HAND LOWER
30	117611-01-02B	EA BRACKET - BUMPER - RIGHT HAND UPPER/LEFT HAND LOWER
30	117611-02-02B	EA BRACKET - BUMPER - LEFT HAND UPPER/RIGHT HAND LOWER
31	120665-02-01A	EA SPOILER - RADIATOR - FRONT - FORD
31	P20665-01-01A	EA SPOILER - RADIATOR - FRONT - CHEVY
32	116617-02-02B	EA SPACER - BUMPER
	120481-01-02B	EA ANGLE - W/SLOTS

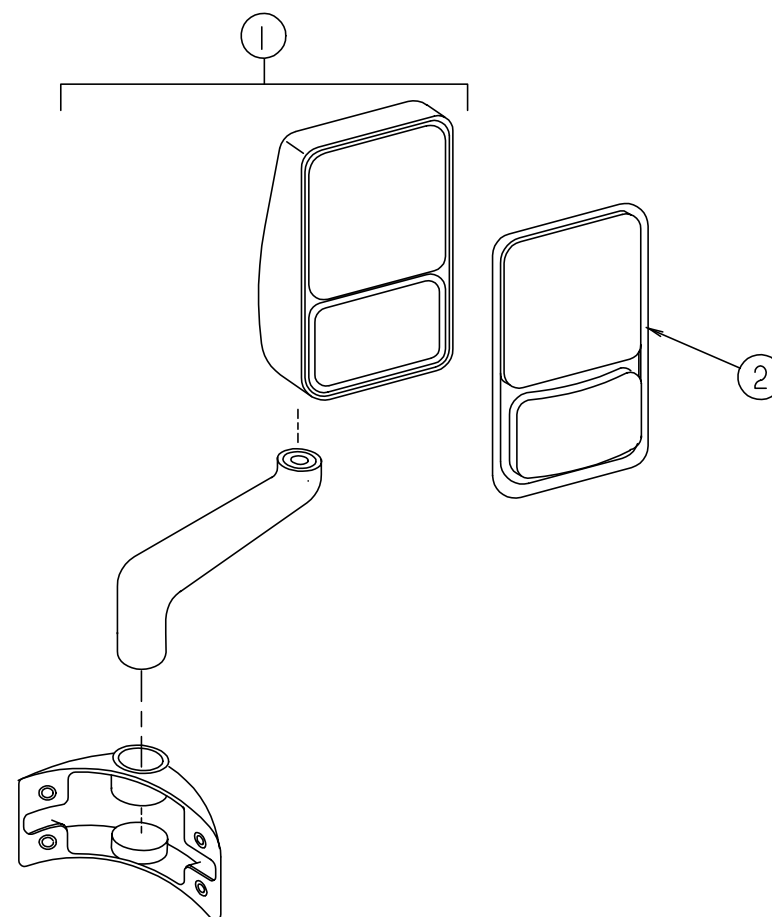
**EXTERIOR BODY GROUP (CONTINUED)**



**LADDER**

KEY	PART NUMBER	U/M DESCRIPTION
1	118841-01-GV0	EA LADDER - UPPER
2	081115-01-000	EA TOP CAP - RACK & LADDER - 1"
3	081056-01-000	EA PIN - QUICK RELEASE - SINGLE ACTION - LADDER
4	076767-11-000	EA CABLE - 1/16" X 5.9"
5	118840-01-GV0	EA LADDER - LOWER
6	114834-01-000	EA PIN - QUICK RELEASE
7	067165-01-000	EA BRACKET - MOUNTING - RACK & LADDER
8	081116-01-000	EA SLIDE - TOP - RACK & LADDER - 1"
9	000G67-10-36T	EA SCREW - 10-12 X 2.25 PPH, BLACK
10	000G39-06-10T	EA SCREW-SF/DR, 6-20 X 5/8 PPH
11	076980-02-000	EA END CAP - STEP - BLACK
12	000G39-10-16U	EA SCREW-SF/DR, 10-16 X 1.00 PPH
13	108423-01-02A	EA PLATE - BUMPER - LOWER LADDER
	081114-01-000	EA CAP - INSERT - ROUND - 1" DIAMETER - BLACK PLASTIC
	038327-01-000	EA TAPE - ANTI-SLIP - 2" X 60'
	081055-01-000	EA SPRING GRIP - INTERNAL TOOTH - LADDER

**EXTERIOR BODY GROUP (CONTINUED)**



**VELVAC EXTERIOR MIRRORS**

KEY	PART NUMBER	U/M DESCRIPTION	VENDOR NO.
1	119774-09-02A	EA MIRROR - EXTERIOR REMOTE/HEAT - PASSENGER	
2	086261-01-704	EA MIRROR KIT - EXTERIOR - PASS. SIDE	709268
		KIT CONTAINS: BEZEL - CONVEX GLASS - HEATED FLAT GLASS	
	106015-12-700	EA GLASS - FLAT W/HEAT & CLIP	709448
1	119774-10-02A	EA MIRROR - EXTERIOR REMOTE/HEAT - DRIVER	
	106015-12-701	EA GLASS - CONVEX W/HEAT & CLIP	709449
	108825-02-000	EA GASKET - MIRROR	
	088246-01-000	EA SWITCH - REMOTE - EXTERIOR - SQUARE PUSH	
	087695-02-000	EA SWITCH - HEATER - EXTERIOR MIRROR	
	087695-03-000	EA CONNECTOR - ASSEMBLY	

**SQUEEGEE**

KEY	PART NUMBER	U/M DESCRIPTION
	091955-02-000	EA SQUEEGEE - EXTENDED HANDLE
	110429-03-D18	EA BRACKET - SQUEEGEE

**EXTERIOR AWNING (A & E)**

KEY	PART NUMBER	U/M DESCRIPTION
	113874-09-09A	EA AWNING W/O HARDWARE - 20' (SEA SPRAY) VINYL
	113874-09-10A	EA AWNING - W/O HARDWARE - 20' - TURQUOISE
*	113874-01-02A	EA HARDWARE KIT - AWNING - W/O STANDOFF BRACKET - BRIGHT WHT
	111037-01-01A	EA SPACER - AWNING - UPPER - BLACK

\* COMPONENT PARTS FOUND IN SERVICE PARTS LIBRARY

**GALLEY GROUP****STOVE TOP COVERS**

KEY	PART NUMBER	U/M DESCRIPTION
	M05904-04-J70	EA COVER - STOVE - W/COUNTERTOP (J70,J71)
	M05904-04-J72	EA COVER - STOVE - W/COUNTERTOP (J72,J73)
	M05904-04-J74	EA COVER - STOVE - W/COUNTERTOP (J74,J75,J76,J77)

**MICROWAVE OVEN**

KEY	PART NUMBER	U/M DESCRIPTION
	122753-01-000	EA OVEN - MICROWAVE - .9 CU. FT - NON CONVECTION - SHARP - UL
	122753-02-000	EA OVEN - MICROWAVE - .9 CU. FT - CONVECTION - SHARP - UL
	122753-04-000	EA OVEN - MICROWAVE - .9 CU FT - CONVECTION - SHARP - CSA
	082227-06-000	EA TRIM - BOTTOM/MICROWAVE - BLACK
	102486-13-01A	EA TRIM - MICROWAVE - VERTICAL - BLACK
	102482-09-H56	EA FRAME - MICROWAVE
	094756-03-G15	EA BRACKET - ANGLE - W/HOLES
	122799-01-02B	EA SUPPORT - MICROWAVE
	122799-02-02B	EA SUPPORT - MICROWAVE

**COFFEE MAKER - BLACK & DECKER SDC2B**

KEY	PART NUMBER	U/M DESCRIPTION	VENDOR NO.
	126019-01-01A	EA COFFEEMAKER - OPTIMA - W/BRACKETS - BLACK & DECKER	
	126019-01-700	EA GLASS CARAFE	172547-00
	126019-01-701	EA RESERVOIR - WATER	172554
	126019-01-702	EA BASKET - FILTER	172553-00
	126019-01-703	EA HARDWARE - MOUNTING	172174-00

**GALLEY GROUP (CONTINUED)****RANGE W/OVEN**

KEY	PART NUMBER	U/M DESCRIPTION
*	126023-01-01A	EA RANGE - W/OVEN 22" - 3 BURNER/BLACK GLASS DOOR

\* COMPONENT PARTS FOUND IN SERVICE PARTS LIBRARY

**RANGE TOP**

KEY	PART NUMBER	U/M DESCRIPTION
*	114030-02-01A	EA RANGE - 3 BURNER TOP - W/O OVEN - BLACK

\* COMPONENT PARTS FOUND IN SERVICE PARTS LIBRARY

**RANGE HOOD**

KEY	PART NUMBER	U/M DESCRIPTION
*	100258-21-02A	EA HOOD - RANGE - 22" - W/MONITOR PANEL
*	100258-24-02A	EA HOOD - RANGE - 22" - W/MONITOR PANEL - CSA

\* COMPONENT PARTS FOUND IN SERVICE PARTS LIBRARY

**REFRIGERATOR**

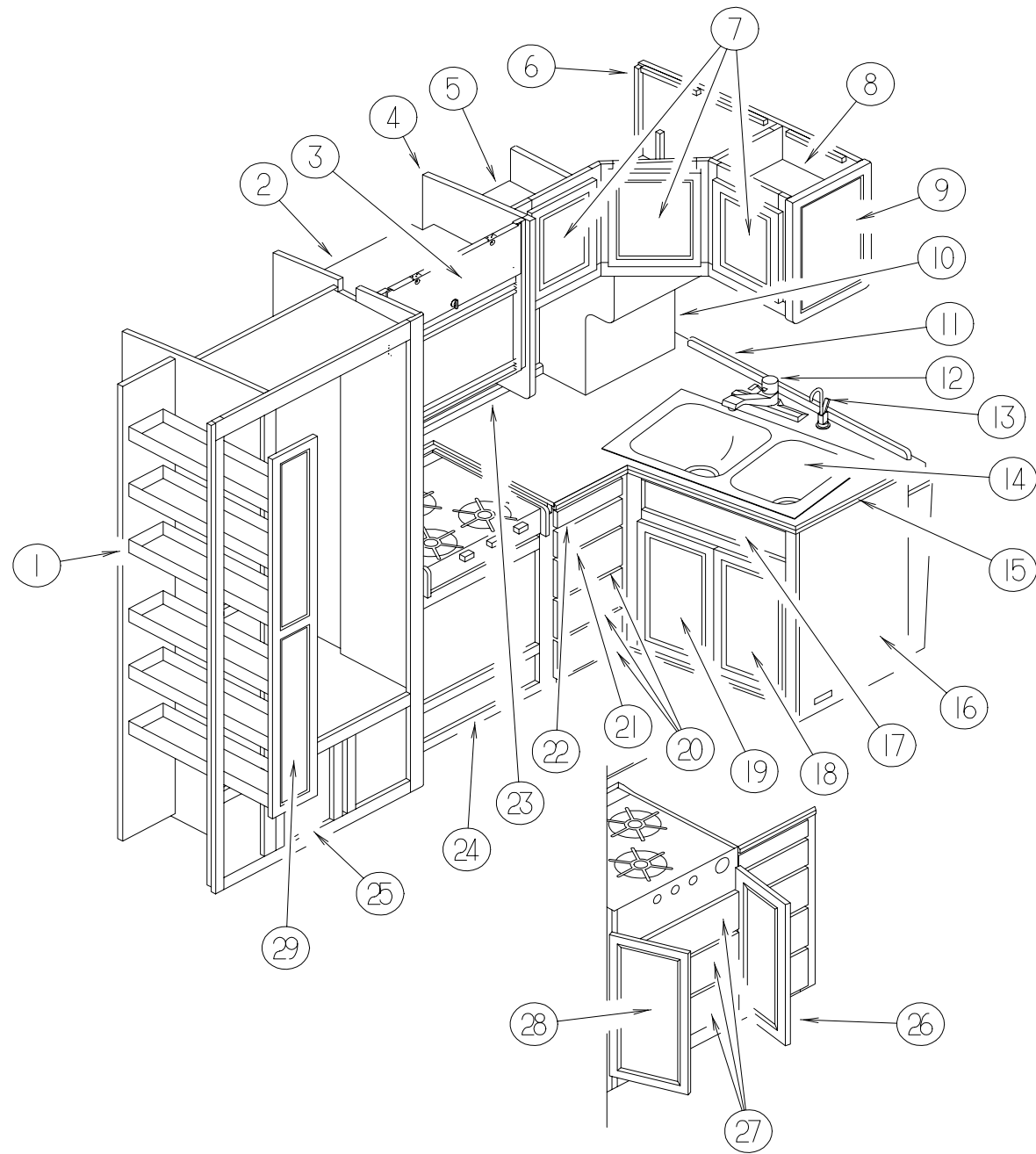
KEY	PART NUMBER	U/M DESCRIPTION
*	120075-04-01A	EA REFRIGERATOR - LARGE DOUBLE DOOR - BLK W/ICE MAKER
*	120075-02-01A	EA REFRIGERATOR - LARGE DOUBLE DOOR - 2 WAY/BLACK
*	118367-01-01A	EA REFRIGERATOR - SIDE BY SIDE DOOR - 2 WAY
	118871-02-01A	EA TRAY - REFRIGERATOR - SIDE/SIDE
	065225-01-000	EA PLATE - TIEDOWN - REFRIGERATOR
	090195-08-000	EA BAFFLE - REFRIGERATOR - LOWER
	093369-03-000	EA STRAP - REFRIGERATOR
	093646-01-000	EA BRACKET - TIEDOWN/REFRIGERATOR - RIGHT HAND
	093646-02-000	EA BRACKET - TIEDOWN/REFRIGERATOR - LEFT HAND
	054450-01-000	EA LEVEL - REFRIGERATOR

\* COMPONENT PARTS FOUND IN SERVICE PARTS LIBRARY



# GALLEY GROUP (CONTINUED)

## GALLEY CABINETS

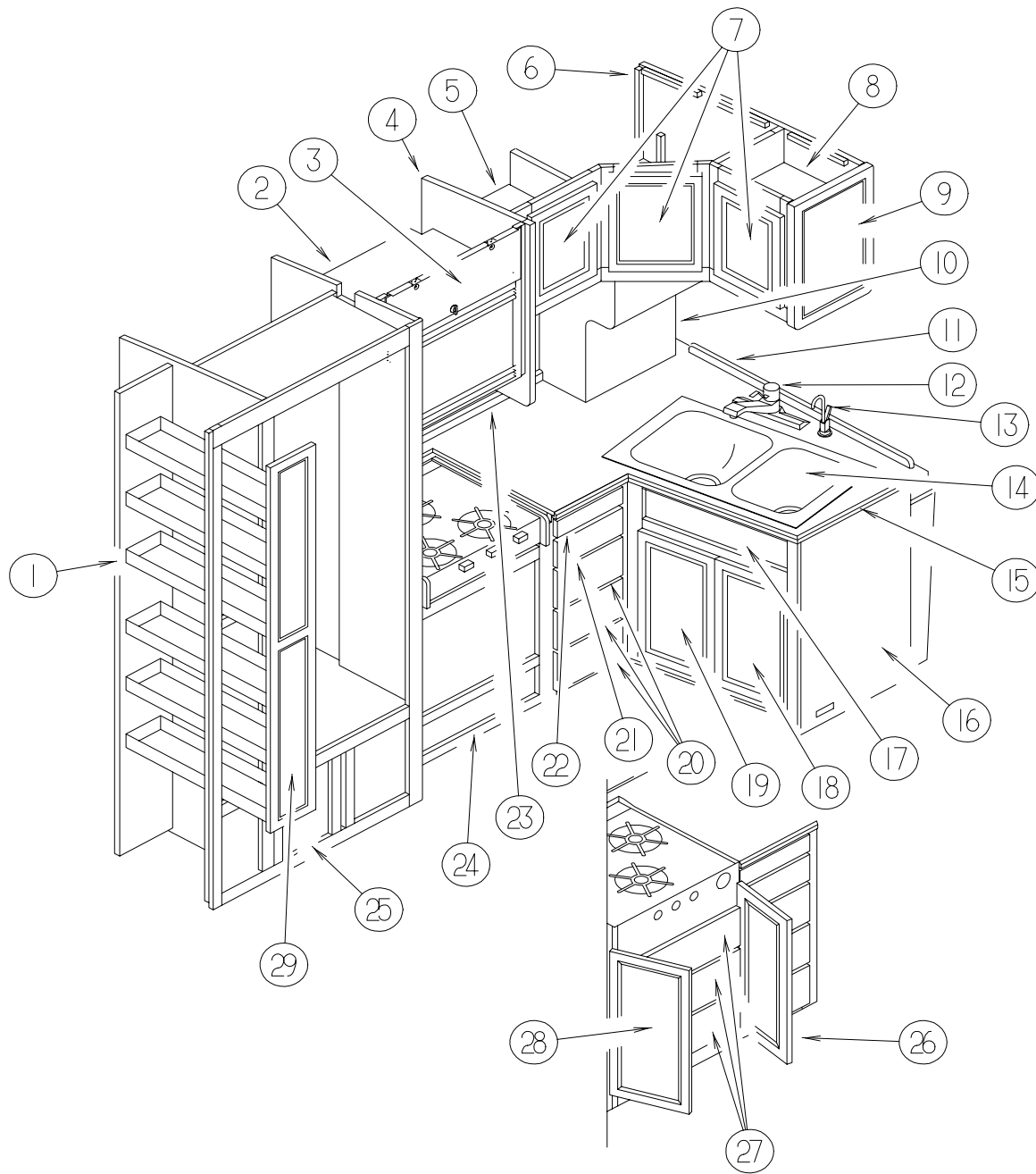


KEY	PART NUMBER	U/M DESCRIPTION
1	122325-02-J70	EA CABINET - PANTRY - SLIDING/LEFT HAND - W/O SLIDES/HDW (WASHED MAPLE)
1	122325-02-H57	EA CABINET - PANTRY - SLIDING/LEFT HAND - W/O SLIDES/HDW (SALEM CHERRY)
	122325-11-J70	EA SHELF - W/EDGE MOLDING (WASHED MAPLE)
	122325-11-H57	EA SHELF - W/EDGE MOLDING (SALEM CHERRY)
	122360-01-000	EA SLIDE - PANTRY - W/LOCK - LEFT HAND
	122360-02-000	EA SLIDE - PANTRY - W/O LOCK - RIGHT & LEFT HAND
	122360-03-000	EA SLIDE - PANTRY - W/LOCK - RIGHT HAND
	123673-01-01A	EA KNOB - PANTRY SLIDE
2	P23975-01-J70	EA CABINET - OVERHEAD/MICROWAVE - W/O DOORS/HARDWARE (WASHED MAPLE)
2	P23975-01-H57	EA CABINET - OVERHEAD/MICROWAVE - W/O DOORS/HARDWARE (SALEM CHERRY)
	119685-01-J70	EA CABINET - FUSE PANEL - W/O HARDWARE (WASHED MAPLE)
	119685-01-GV1	EA CABINET - FUSE PANEL - W/O HARDWARE (SALEM CHERRY)

KEY	PART NUMBER	U/M DESCRIPTION	VENDOR NO.
3	100708-05-000	EA DOOR - GLASS - TV CABINET - 8.5" X 23.4" - W/O HARDWARE	
	100710-01-01A	EA LOCK - GLASS DOOR/TWIST TYPE - BRASS	
	100711-01-01A	EA HINGE - GLASS DOOR	
	100707-01-000	EA SPACER - GLASS DOOR - .8" DIA - .3" HOLE - PLASTIC	
4	107494-16-J70	EA END CAP - LEFT HAND (WASHED MAPLE)	
4	107494-16-GV1	EA END CAP - LEFT HAND (SALEM CHERRY)	
5	119659-19-J70	EA SHELF - W/PLASTIC EDGE TRIM (WASHED MAPLE)	
5	119659-19-GV1	EA SHELF - W/PLASTIC EDGE TRIM (SALEM CHERRY)	
6	P19659-03-J70	EA CABINET - GALLEY OVERHEAD - W/O DOORS/HARDWARE (J70)	
6	P19659-03-H59	EA CABINET - GALLEY OVERHEAD - W/O DOORS/HARDWARE (J71)	
6	P19659-03-J72	EA CABINET - GALLEY OVERHEAD - W/O DOORS/HARDWARE (J72)	
6	P19659-03-J73	EA CABINET - GALLEY OVERHEAD - W/O DOORS/HARDWARE (J73)	
6	P19659-03-J74	EA CABINET - GALLEY OVERHEAD - W/O DOORS/HARDWARE (J74)	
6	P19659-03-J75	EA CABINET - GALLEY OVERHEAD - W/O DOORS/HARDWARE (J75)	
6	P19659-03-J76	EA CABINET - GALLEY OVERHEAD - W/O DOORS/HARDWARE (J76)	
6	P19659-03-J77	EA CABINET - GALLEY OVERHEAD - W/O DOORS/HARDWARE (J77)	
6	P19659-04-J70	EA CABINET - GALLEY OVERHEAD - W/O DOORS/HARDWARE (W/WINDOW EXCHANGE) (J70)	
6	P19659-04-H59	EA CABINET - GALLEY OVERHEAD - W/O DOORS/HARDWARE (W/WINDOW EXCHANGE) (J71)	
6	P19659-04-J72	EA CABINET - GALLEY OVERHEAD - W/O DOORS/HARDWARE (W/WINDOW EXCHANGE) (J72)	
6	P19659-04-J73	EA CABINET - GALLEY OVERHEAD - W/O DOORS/HARDWARE (W/WINDOW EXCHANGE) (J73)	
6	P19659-04-J74	EA CABINET - GALLEY OVERHEAD - W/O DOORS/HARDWARE (W/WINDOW EXCHANGE) (J74)	
6	P19659-04-J75	EA CABINET - GALLEY OVERHEAD - W/O DOORS/HARDWARE (W/WINDOW EXCHANGE) (J75)	
6	P19659-04-J76	EA CABINET - GALLEY OVERHEAD - W/O DOORS/HARDWARE (W/WINDOW EXCHANGE) (J76)	
6	P19659-04-J77	EA CABINET - GALLEY OVERHEAD - W/O DOORS/HARDWARE (W/WINDOW EXCHANGE) (J77)	
7	M05990-26-J70	EA DOOR - ARCHED/OGEE EDGE - 11.4" X 16.1" - W/O HARDWARE (WASHED MAPLE)	
7	M05990-26-GV1	EA DOOR - ARCHED/OGEE EDGE - 11.4" X 16.1" - W/O HARDWARE (SALEM CHERRY)	
8	119659-18-J70	EA SHELF - W/PLASTIC EDGE TRIM (WASHED MAPLE)	
8	119659-18-GV1	EA SHELF - W/PLASTIC EDGE TRIM (SALEM CHERRY)	
9	119659-11-H56	EA PANEL - GALLEY OVERHEAD END - W/O HARDWARE (WASHED MAPLE)	
9	119659-11-GV1	EA PANEL - GALLEY OVERHEAD END - W/O HARDWARE (SALEM CHERRY)	
	113195-14-01A	EA MIRROR - BEVELED - SAFETY GLASS - CLEAR - 14.6" X 19.2"	
10	126047-01-J70	EA CABINET - SPICE RACK - W/O DOORS/HARDWARE (WASHED MAPLE)	
10	126047-01-J71	EA CABINET - SPICE RACK - W/O DOORS/HARDWARE (SALEM CHERRY)	
11	119211-12-J70	EA BACKSPLASH - GALLEY COUNTERTOP (J70)	
11	119211-12-J71	EA BACKSPLASH - GALLEY COUNTERTOP (J71)	
11	119211-12-J72	EA BACKSPLASH - GALLEY COUNTERTOP (J72)	
11	119211-12-J73	EA BACKSPLASH - GALLEY COUNTERTOP (J73)	
11	119211-12-J74	EA BACKSPLASH - GALLEY COUNTERTOP (J74,J76)	
11	119211-12-J75	EA BACKSPLASH - GALLEY COUNTERTOP (J75,J77)	
12	064952-01-000	EA FAUCET-GALLEY, SINGLE CONTROL - 8"	
13	103635-01-000	EA FAUCET - SINGLE CONTROL	
	103635-01-700	EA FITTING KIT - FAUCET REPAIR	3071-70
	103635-01-701	EA TUBING - PLASTIC	3019-20
	103635-01-702	EA FAUCET REPAIR KIT	3026-46
14	110654-01-000	EA SINK - STAINLESS STEEL/DOUBLE BASIN (1 LG-1 SM BASIN)	
	092303-01-000	EA STRAINER - SINK	
	108464-03-GV4	EA COVER - SINK - 15" X 11" - LAMINATED BOTH SIDES (J70,J71)	
	108464-04-F32	EA COVER - SINK - 15" X 15" - LAMINATE ON BOTH SIDES (J70,J71)	
	108464-03-E39	EA COVER - SINK - 15" X 11" - LAMINATED BOTH SIDES (J72,J73)	
	108464-04-J72	EA COVER - SINK - 15" X 15" - LAMINATE ON BOTH SIDES (J72,J73)	
	108464-03-J74	EA COVER - SINK - 15" X 11" - LAMINATED BOTH SIDES (J74,J75,J76,J77)	
	108464-04-J23	EA COVER - SINK - 15" X 15" - LAMINATE ON BOTH SIDES (J74,J75,J76,J77)	

# GALLEY GROUP (CONTINUED)

## GALLEY CABINETS (CONTINUED)



KEY	PART NUMBER	U/M DESCRIPTION
15	127607-11-J70	EA COUNTERTOP - GALLEY (J70)
15	127607-11-J71	EA COUNTERTOP - GALLEY (J71)
15	127607-11-J72	EA COUNTERTOP - GALLEY (J72)
15	127607-11-J73	EA COUNTERTOP - GALLEY (J73)
15	127607-11-J74	EA COUNTERTOP - GALLEY (J74,J76)
15	127607-11-J75	EA COUNTERTOP - GALLEY (J75,J77)

KEY	PART NUMBER	U/M DESCRIPTION
16	127607-02-J70	EA CABINET - GALLEY - W/O DOORS/DRAWERS/HARDWARE - W/OVEN (J70)
16	127607-02-J71	EA CABINET - GALLEY - W/O DOORS/DRAWERS/HARDWARE - W/OVEN (J71)
16	127607-02-J72	EA CABINET - GALLEY - W/O DOORS/DRAWERS/HARDWARE - W/OVEN (J72)
16	127607-02-J73	EA CABINET - GALLEY - W/O DOORS/DRAWERS/HARDWARE - W/OVEN (J73)
16	127607-02-J74	EA CABINET - GALLEY - W/O DOORS/DRAWERS/HARDWARE - W/OVEN (J74,J76)
16	127607-02-J75	EA CABINET - GALLEY - W/O DOORS/DRAWERS/HARDWARE - W/OVEN (J75,J77)
16	127607-01-J70	EA CABINET - GALLEY - W/O DOORS/DRAWERS/HARDWARE - W/RANGE TOP (J70)
16	127607-01-J71	EA CABINET - GALLEY - W/O DOORS/DRAWERS/HARDWARE - W/RANGE TOP (J71)
16	127607-01-J72	EA CABINET - GALLEY - W/O DOORS/DRAWERS/HARDWARE - W/RANGE TOP (J72)
16	127607-01-J73	EA CABINET - GALLEY - W/O DOORS/DRAWERS/HARDWARE - W/RANGE TOP (J73)
16	127607-01-J74	EA CABINET - GALLEY - W/O DOORS/DRAWERS/HARDWARE - W/RANGE TOP (J74,J76)
16	127607-01-J75	EA CABINET - GALLEY - W/O DOORS/DRAWERS/HARDWARE - W/RANGE TOP (J75,J77)
	116382-01-01A	EA SHELF - ROUND - PLASTIC
	116590-01-02B	EA BASE - SHELF
	116591-01-01A	EA SPACER - NYLON
17	M06810-05-J70	EA DRAWER - TIPOUT - W/O TRAY/HARDWARE (WASHED MAPLE)
17	M06810-05-FQ1	EA DRAWER - TIPOUT - W/O TRAY/HARDWARE (SALEM CHERRY)
	100081-01-01A	EA TRAY - SILVERWARE - 9" X 13.3" RUBBERMAID ALMOND PLASTIC
18	M05992-A9-J70	EA DOOR - STRAIGHT CORNER/OGEE EDGE - 11.4" X 21.8" - W/O HDW (WASHED MAPLE)
18	M05992-A9-FQ1	EA DOOR - STRAIGHT CORNER/OGEE EDGE - 11.4" X 21.8" - W/O HDW (SALEM CHERRY)
19	M05992-A8-J70	EA DOOR - STRAIGHT CORNER/OGEE EDGE - 11.4" X 21.8" - W/O HDW (WASHED MAPLE)
19	M05992-A8-FQ1	EA DOOR - STRAIGHT CORNER/OGEE EDGE - 11.4" X 21.8" - W/O HDW (SALEM CHERRY)
	102238-01-000	EA CONTAINER - TRASH - W/HDW - 8" X 13" X 15.2" - WIRE BASKET
20	M05971-HY-J70	EA DRAWER - OGEE EDGE - 8.9"W X 17.7"D - W/O SLIDES/HARDWARE (WASHED MAPLE)
20	M05971-HY-J71	EA DRAWER - OGEE EDGE - W/O SLIDES/HARDWARE (SALEM CHERRY)
21	M05971-HZ-J70	EA DRAWER - OGEE EDGE - W/O SLIDES/HARDWARE (WASHED MAPLE)
21	M05971-HZ-J71	EA DRAWER - OGEE EDGE - W/O SLIDES/HARDWARE (SALEM CHERRY)
22	M05976-09-J70	EA DRAWER - CUTTING BOARD - W/O SLIDES/HARDWARE (WASHED MAPLE)
22	M05976-09-J71	EA DRAWER - CUTTING BOARD - W/O SLIDES/HARDWARE (SALEM CHERRY)
23	127607-13-J70	EA BACKSPLASH - GALLEY COUNTERTOP (J70)
23	127607-13-J71	EA BACKSPLASH - GALLEY COUNTERTOP (J71)
23	127607-13-J72	EA BACKSPLASH - GALLEY COUNTERTOP (J72)
23	127607-13-J73	EA BACKSPLASH - GALLEY COUNTERTOP (J73)
23	127607-13-J74	EA BACKSPLASH - GALLEY COUNTERTOP (J74,J76)
23	127607-13-J75	EA BACKSPLASH - GALLEY COUNTERTOP (J75,J77)
24	M05971-JC-J70	EA DRAWER - OGEE EDGE - W/O SLIDES/HARDWARE (WASHED MAPLE)
24	M05971-JC-J71	EA DRAWER - OGEE EDGE - W/O SLIDES/HARDWARE (SALEM CHERRY)
25	M05992-09-J70	EA DOOR - STRAIGHT CORNER/OGEE EDGE - 13.6" X 22.8" - W/O HDW (WASHED MAPLE)
25	M05992-09-E41	EA DOOR - STRAIGHT CORNER/OGEE EDGE - 13.6" X 22.8" - W/O HDW (SALEM CHERRY)
26	M05992-04-J70	EA DOOR - STRAIGHT CORNER/OGEE EDGE - 10.8" X 23.8" - W/O HDW (WASHED MAPLE)
26	M05992-04-GV1	EA DOOR - STRAIGHT CORNER/OGEE EDGE - 10.8" X 23.8" - W/O HDW (SALEM CHERRY)
27	P18052-04-J70	EA DRAWER - OGEE EDGE - 19.6"W X 17.7"D - W/O SLIDES/HARDWARE (WASHED MAPLE)
27	P18052-04-J71	EA DRAWER - OGEE EDGE - 19.6"W X 17.7"D - W/O SLIDES/HARDWARE (SALEM CHERRY)
28	M05992-03-J70	EA DOOR - STRAIGHT CORNER/OGEE EDGE - 10.8" X 23.8" - W/O HDW (WASHED MAPLE)
28	M05992-03-GV1	EA DOOR - STRAIGHT CORNER/OGEE EDGE - 10.8" X 23.8" - W/O HDW (SALEM CHERRY)
29	M05992-K1-J70	EA DOOR - STRAIGHT CORNER/OGEE EDGE - 8.5" X 60.7" - W/O HDW (WASHED MAPLE)
29	M05992-K1-H57	EA DOOR - STRAIGHT CORNER/OGEE EDGE - 8.5" X 60.7" - W/O HDW (SALEM CHERRY)

**GENERATOR GROUP**  
**7 KW ONAN MARQUIS GENERATOR (U.S.)**

KEY	PART NUMBER	U/M DESCRIPTION
	105559-03-000	EA GENERATOR - 7 KW MARQUIS 30/30
	109677-01-000	EA LOAD CENTER - 120 VOLT - 40 AMP
	106071-01-000	EA SWITCH - AUTOMATIC TRANSFER - 30 AMP
	083209-03-000	EA CIRCUIT BREAKER - 15/20 AMP - 120 VOLT
	083209-06-000	EA CIRCUIT BREAKER - 30/15 AMP - 120 VOLT
	008054-01-000	EA CORD-POWER, 10/3 - 30 AMP - 25'
	106235-01-000	EA ADAPTOR-EXHAUST, GENERATOR
	007125-03-000	EA CLAMP-MUFFLER - 1.5" DIAMETER
	007131-01-000	EA HANGER-TAILPIPE, 6 SLOTS
	008401-01-000	EA STRAP-CONDUIT, 3/4" - 1 HOLE - GALVANIZED STEEL
	105958-04-000	EA PIPE - EXHAUST - 1.4" INLET X 1.5" O.D. - 4.9" X 66.9" FROM: 00-00-00 THRU: 08-29-97
	105958-15-000	EA PIPE - EXHAUST - GENERATOR FROM: 08-30-97 THRU: 99-99-99

**7 KW ONAN MARQUIS GENERATOR (CANADIAN)**

KEY	PART NUMBER	U/M DESCRIPTION
	105559-03-000	EA GENERATOR - 7KW MARQUIS 30/30, ONAN NHM FA/26105 W/ONAN TRAY 403-2893
	109677-01-000	EA LOAD CENTER - 120V, 40 AMP - WESCO TT120FLGNM
	113132-01-000	EA LOAD CENTER - 120/240V, 60 AMP - WESCO 2460SGNM
	106071-01-000	EA SWITCH-AUTOMATIC TRANSFER, MAGNETEK ATS 30 AMP
	083209-02-000	EA CIRCUIT BREAKER, 15/15 AMP 120V - BW H-15/15
	083209-03-000	EA CIRCUIT BREAKER, 15/20 AMP 120V - BW 0-15/20
	083209-06-000	EA CIRCUIT BREAKER, 30/15 AMP 120V - BW D-30/15
	108916-01-000	EA CIRCUIT BREAKER, 50 AMP 120V, WESTINGHOUSE BR250
	008054-01-000	EA CORD-POWER, 10/3 - 30 AMP - 25'
	106235-01-000	EA ADAPTOR-EXHAUST, GENERATOR
	007125-03-000	EA CLAMP-MUFFLER - 1.5" DIAMETER
	007131-01-000	EA HANGER-TAILPIPE, 6 SLOTS
	008401-01-000	EA STRAP-CONDUIT, 3/4" - 1 HOLE - GALVANIZED STEEL
	105958-04-000	EA PIPE - EXHAUST - 1.4" INLET X 1.5" O.D. - 4.9" X 66.9" FROM: 00-00-00 THRU: 08-29-97
	105958-15-000	EA PIPE - EXHAUST - GENERATOR FROM: 08-30-97 THRU: 99-99-99

**NOTE: ADDITIONAL GENERATOR COMPONENTS ARE FOUND IN THE CHASSIS GROUP**

**GENERATOR GROUP (CONTINUED)**  
**7 KW ONAN MARQUIS GENERATOR - 50 AMP (U.S.)**

KEY	PART NUMBER	U/M DESCRIPTION
	105559-03-000	EA GENERATOR - 7KW MARQUIS 30/30, ONAN NHM FA/26105 W/ONAN TRAY 403-2893
	112365-03-000	EA BREAKER-30 AMP, GENERATOR - ONAN 320-1572
	083209-02-000	EA CIRCUIT BREAKER, 15/15 AMP 120V - BW H-15/15
	083209-03-000	EA CIRCUIT BREAKER, 15/20 AMP 120V - BW 0-15/20
	108916-01-000	EA CIRCUIT BREAKER, 50AMP 120V, WESTINGHOUSE BR250
	108915-01-000	EA LOAD CENTER - 120/240V, 125 AMP - WESTINGHOUSE S816CG
	113132-01-000	EA LOAD CENTER - 120/240V, 60 AMP - WESCO 2460SGNM
	108934-01-000	EA CORD-POWER, 50 AMP, 4 WIRE, 36FT - WESCO K3536
	106235-01-000	EA ADAPTOR-EXHAUST, GENERATOR
	007125-03-000	EA CLAMP-MUFFLER - 1.5" DIAMETER
	007131-01-000	EA HANGER-TAILPIPE, 6 SLOTS
	008401-01-000	EA STRAP-CONDUIT, 3/4" - 1 HOLE - GALVANIZED STEEL
	105958-04-000	EA PIPE - EXHAUST - 1.4" INLET X 1.5" O.D. - 4.9" X 66.9" FROM: 00-00-00 THRU: 08-29-97
	105958-15-000	EA PIPE - EXHAUST - GENERATOR FROM: 08-30-97 THRU: 99-99-99

**7 KW ONAN MARQUIS GENERATOR - 50 AMP (CANADIAN)**

KEY	PART NUMBER	U/M DESCRIPTION
	105559-03-000	EA GENERATOR - 7KW MARQUIS 30/30, ONAN NHM FA/26105 W/ONAN TRAY 403-2893
	083209-01-000	EA CIRCUIT BREAKER, 15 AMP 120V - BW G-15 - CANADIAN
	083209-02-000	EA CIRCUIT BREAKER, 15/15 AMP 120V - BW H-15/15
	083209-03-000	EA CIRCUIT BREAKER, 15/20 AMP 120V - BW 0-15/20
	108916-01-000	EA CIRCUIT BREAKER, 50AMP 120V, WESTINGHOUSE BR250
	108915-01-000	EA LOAD CENTER - 120/240V, 125 AMP - WESTINGHOUSE S816CG
	113132-01-000	EA LOAD CENTER - 120/240V, 60 AMP - WESCO 2460SGNM
	112365-03-000	EA BREAKER - 30AMP, GENERATOR - ONAN 320-1572
	113096-01-000	EA CORD-POWER, 50 AMP, 4 WIRE, 36', CSA - WESCO 4243
	106235-01-000	EA ADAPTOR-EXHAUST, GENERATOR
	007125-03-000	EA CLAMP-MUFFLER - 1.5" DIAMETER
	007131-01-000	EA HANGER-TAILPIPE, 6 SLOTS
	008401-01-000	EA STRAP-CONDUIT, 3/4" - 1 HOLE - GALVANIZED STEEL
	105958-04-000	EA PIPE - EXHAUST - 1.4" INLET X 1.5" O.D. - 4.9" X 66.9" FROM: 00-00-00 THRU: 08-29-97
	105958-15-000	EA PIPE - EXHAUST - GENERATOR FROM: 08-30-97 THRU: 99-99-99

**NOTE: ADDITIONAL GENERATOR COMPONENTS ARE FOUND IN THE CHASSIS GROUP**

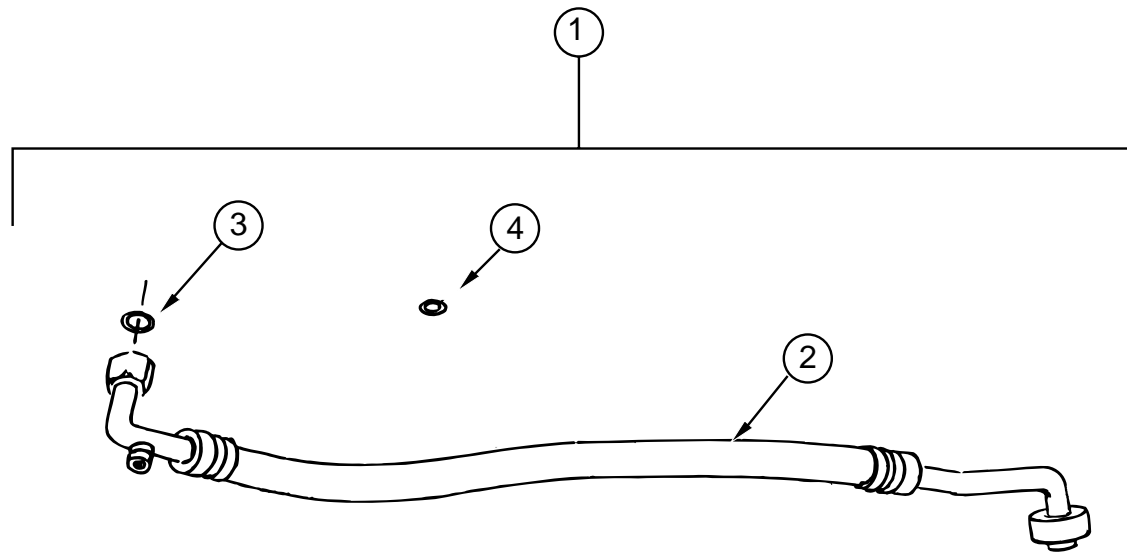
## HEATING & AIR CONDITIONING GROUP

### AUTO A/C & HEAT SYSTEM

KEY	PART NUMBER	U/M DESCRIPTION
	007281-01-000	EA HOSE - FLEXIBLE PVC - 2.5" ID X 50'
	024990-05-000	EA OUTLET - DEFROSTER - 4" DIAMETER W/SWIVEL DEFLECTORS
	024990-07-000	EA OUTLET - DEFROSTER - W/SWIVEL - 2"
	056464-10-000	EA REGISTER - 4" DIAMETER - PLASTIC - W/O DAMPER - BEIGE
	056402-05-000	EA BRACKET - HEATER VENT - ROUND W/BEND - BLACK
	056402-06-000	EA BRACKET - HEATER/BLACK
	103016-01-000	EA PLENUM - TRANSITION
	103558-01-08A	EA VENT - DEFROSTER - 2" X 14.4" X 1.4" - HAMPTON TAN
	103796-01-01A	EA LOUVER - A/C
	077075-01-000	EA GASKET - INSTRUMENT PANEL TO DEFROSTER PLENUM
	103017-03-000	EA PLENUM - DEFROSTER
	103930-23-000	EA VALVE - WATER - 2 PORT

### EVANS REAR HEATER SYSTEM

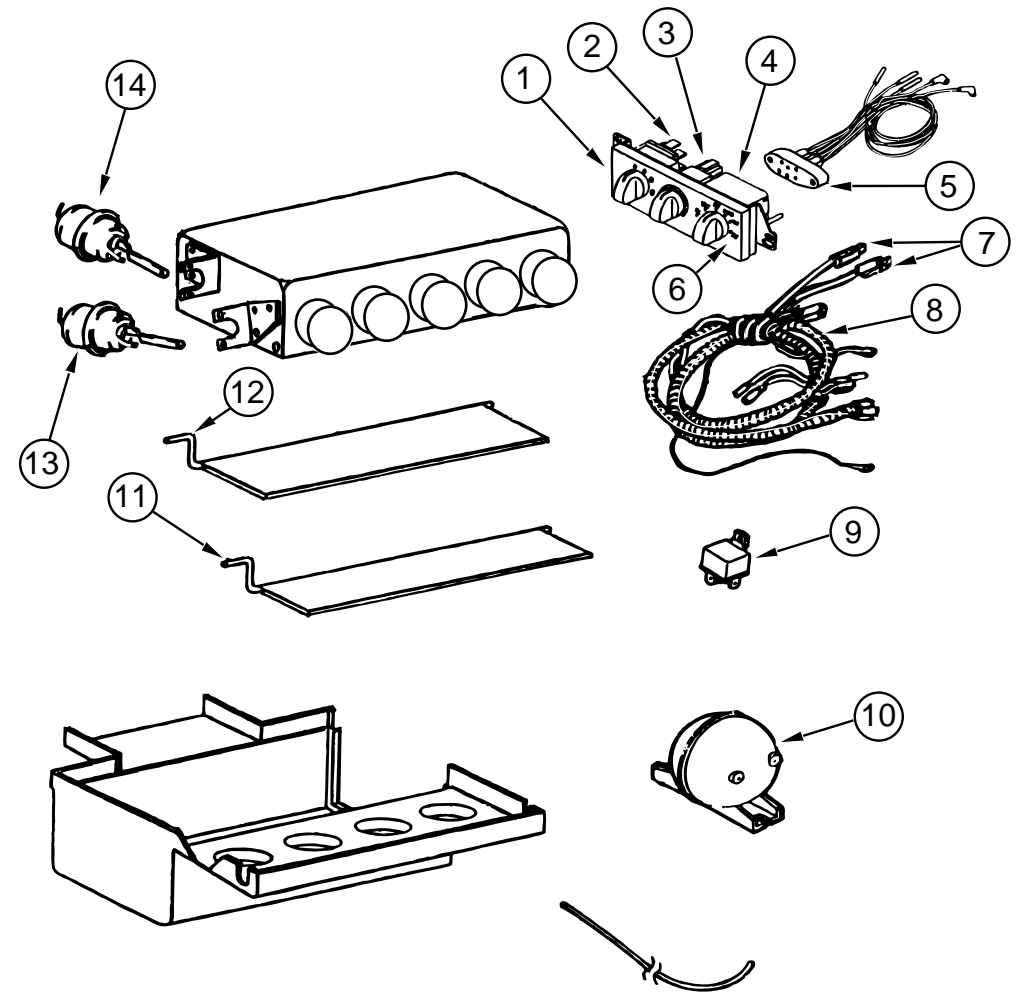
KEY	PART NUMBER	U/M DESCRIPTION	VENDOR NO.
	084405-01-000	EA HEATER - REAR/DUCTED - W/MOTOR AID	
	084405-01-700	EA CORE - HEATER	FT200229
	084405-01-701	EA FAN BLADES	HV029931
	084405-01-702	EA MOTOR ASSEMBLY - 12 VOLT	RV010348
	007076-01-000	EA HOSE - FLEXIBLE PVC - 2" ID - INCREMENTS OF 50'	
	007108-01-000	FT HOSE - HEATER - 5/8" ID - HI-TEMP - FORD	
	009198-01-000	FT DUCT - HEAT - FLEXIBLE - 4" ID X 25'	
	079059-02-000	EA HOSE - 90 DEGREE - .61" ID X 4" X 6"	
	079059-01-000	EA HOSE - 90 DEGREE - 5/8" ID X 4" X 36"	
	076776-01-000	EA TEE - BEADED - 5/8" X 5/8" X 5/8"	



### CHEVY HOSE KIT - VORTEC GAS OR DIESEL OPTION

KEY	PART NUMBER	U/M DESCRIPTION	VENDOR NO.
1	103930-29-000	EA HOSE KIT - #10 W/GM L-29 & L-65 CHASSIS	
2	103930-29-700	EA HOSE ASSM #10 W/HARRISON COMP	085-0348
3	103930-17-702	EA O'RING #10	045-0127
4	103930-29-701	EA GASKET-GMLP SW 1996	045-0483

## HEATING & AIR CONDITIONING GROUP (CONTINUED)

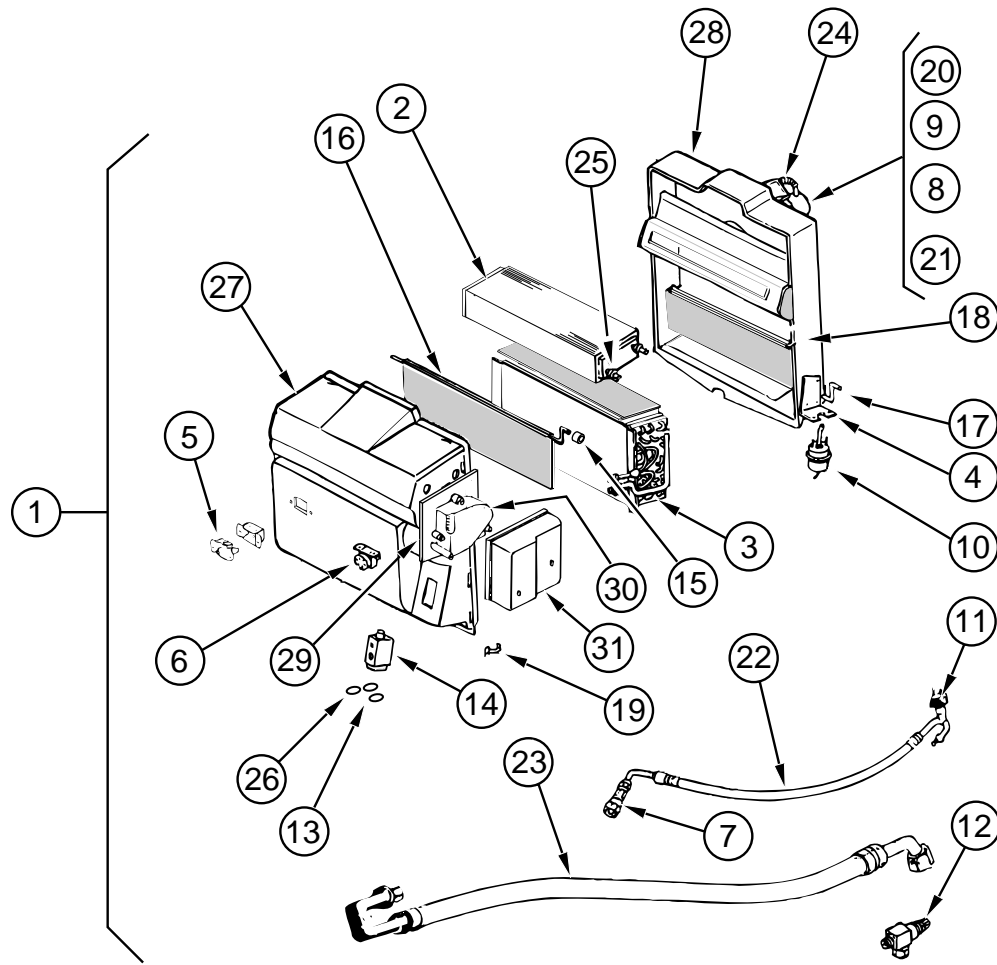


### CONTROL/PLENUM - ROTARY CONTROL HEAD

KEY	PART NUMBER	U/M DESCRIPTION	VENDOR NO.
	103930-35-000	EA CONTROL/PLENUM - ROTARY CONTROL HEAD	
1	103930-33-702	EA CONTROL PANEL	083-0169
2	103930-33-707	EA SWITCH - BLOWER	032-0186
3	103930-33-708	EA SWITCH - POTENTIOMETER	032-0184
4	103930-33-709	EA SWITCH - VACUUM	032-0183
5	103930-33-703	EA VACUUM HARNESS	036-0465
6	103930-33-710	EA DECAL F/CONTROL HEAD	058-0102
7	103930-33-705	EA LIGHT BULBS	035-0030
8	103930-33-711	EA WIRE HARNESS - MAIN	036-0496
9	103930-02-707	EA RELAY - BOSCH W/RESISTER	031-0001
10	103930-02-710	EA CANISTER - VACUUM	054-0002
11	103930-33-700	EA ROD - DOOR DEFROSTER/AC	073-0028
12	103930-33-706	EA ROD - DOOR AC/DEFROST	073-0060
13	103930-02-708	EA MOTOR - VACUUM SERVO - A/C	030-0025
14	103930-33-701	EA MOTOR - VACUUM - 3 STAGE	030-0105
	103930-33-712	EA KNOB - BLOWER	062-00539
	103930-33-713	EA KNOB	062-00540

# HEATING & AIR CONDITIONING GROUP (CONTINUED)

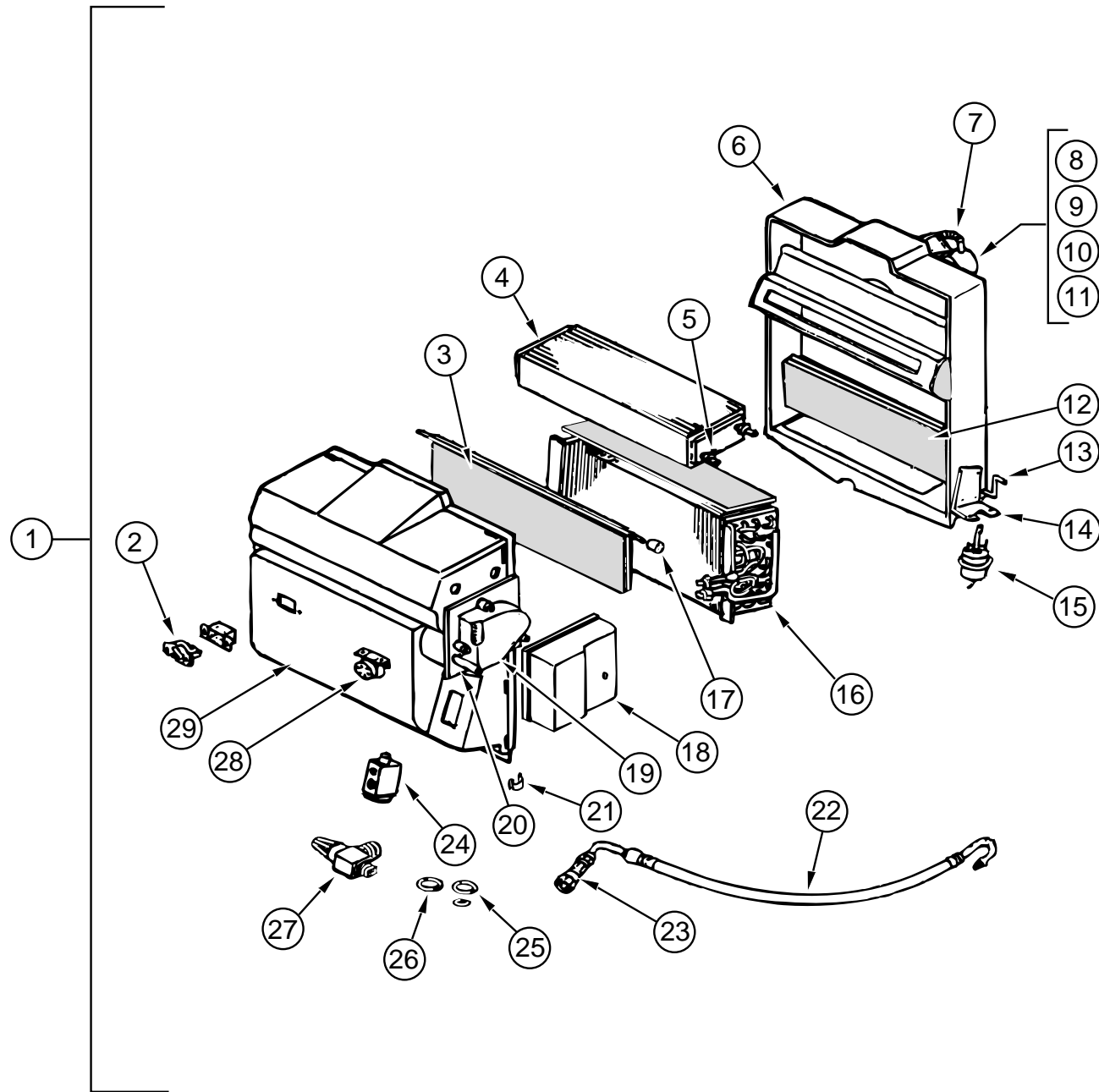
## FORD EVAPORATOR/HEATER ASSEMBLY



KEY	PART NUMBER	U/M DESCRIPTION	VENDOR NO.
1	103930-31-000	EA EVAPORATOR/HEATER - FORD - SERVO MOTOR CONTROLLED	
2	103930-01-703	EA CORE - HEATER	042-0010
3	103930-01-704	EA COIL - EVAPORATOR	041-0017
4	103930-01-708	EA BRACKET - VACUUM MOTOR	070-0113
5	103930-01-710	EA RESISTOR - FUSED - A/C	035-0006
6	103930-01-711	EA THERMOSTAT	033-0003
7	103930-01-713	EA FITTING - QUICK CONNECT - #4	050-0030
8	103930-01-717	EA WHEEL - BLOWER - CLOCKWISE	062-0010
9	103930-30-706	EA MOTOR - BLOWER W/PIGTAIL HARNESS	030-0109
10	103930-02-708	EA MOTOR - VACUUM SERVO - A/C	030-0025
11	103930-12-708	EA SWITCH - BINARY - HI-LOW CUTOUT	032-0048
12	103930-13-702	EA VALVE - SERVICE - W/O COMP.	050-0152
13	103930-17-702	EA O'RING #10	045-0127
14	103930-20-700	EA VALVE - EXPANSION - BLOCK - 2 TON	034-0032
15	103930-30-702	EA BUSHING - BLEND AIR DOOR	062-0168
16	103930-30-705	EA DOOR - BLEND AIR	071-0568
17	103930-20-704	EA ROD - DOOR - RECIRCULATING	073-0018
18	103930-20-705	EA PANEL - DOOR - RECIRCULATING	071-0213
19	103930-20-706	EA CLIP - RETAINER	022-0057
20	103930-20-707	EA HOUSING - BLOWER	062-0145
21	103930-20-708	EA CLIP - MOTOR SHAFT	022-0001
22	103930-21-700	EA HOSE ASM. #6 EXP. VALVE - DRIER	085-0139
23	103930-21-701	EA HOSE ASM #10, EXP. VALVE - COMP	085-0149
24	110279-01-703	EA HOSE - VENT - BLOWER MOTOR	051-0034
25	110279-01-712	EA FITTING - HEATER	050-0076
26	113245-01-707	EA O'RING #8	045-0126
27	103930-30-700	EA CASE - FRONT	062-0542
28	103930-20-711	EA CASE - BACK - SUB-ASSEMBLY	062-0147
29	103930-30-701	EA PLATE - MOTOR MOUNT	062-0544
30	103930-30-703	EA MOTOR - SERVO	030-0104
31	103930-30-704	EA COVER - SERVO	062-0545

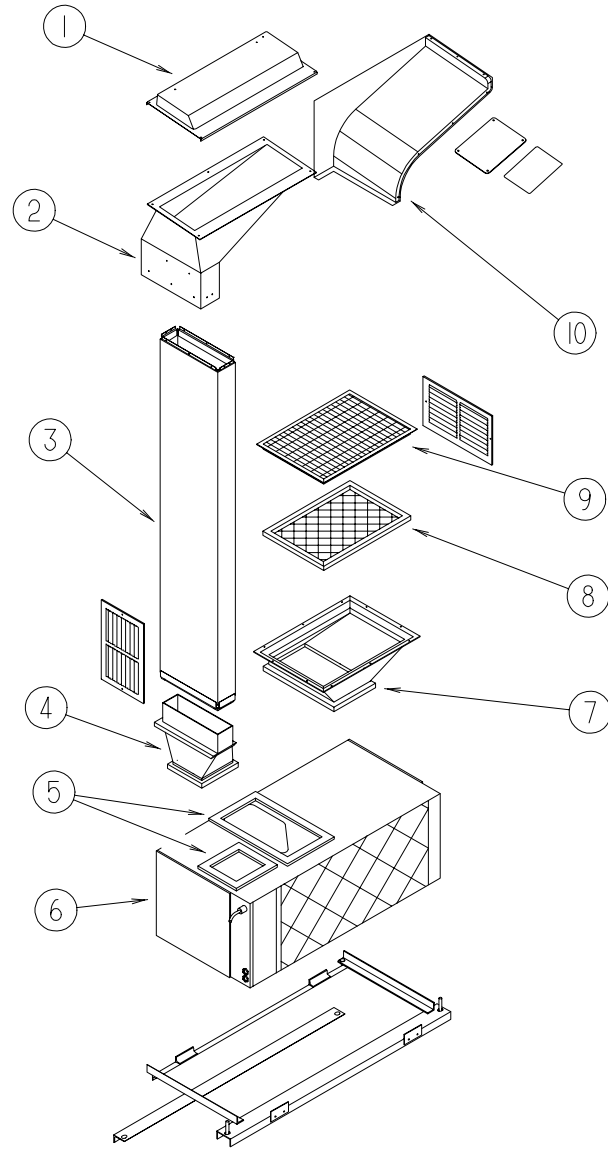
# HEATING & AIR CONDITIONING GROUP (CONTINUED)

## CHEVY EVAPORATOR/HEATER ASSEMBLY



KEY	PART NUMBER	U/M	DESCRIPTION	VENDOR NO.
1	103930-30-000	EA	EVAPORATOR/HEATER - CHEVY - SERVO MOTOR CONTROLLED	
2	103930-01-710	EA	RESISTOR - FUSED - A/C	035-0006
3	103930-30-705	EA	DOOR - BLEND AIR	071-0568
4	103930-01-703	EA	CORE - HEATER	042-0010
5	110279-01-712	EA	FITTING - HEATER	050-0076
6	103930-20-711	EA	CASE - BACK - SUB-ASSEMBLY	062-0147
7	110279-01-703	EA	HOSE - VENT - BLOWER MOTOR	051-0034
8	103930-20-707	EA	HOUSING - BLOWER	062-0145
9	103930-30-706	EA	MOTOR - BLOWER W/PIGTAIL HARNESS	030-0109
10	103930-01-717	EA	WHEEL - BLOWER - CLOCKWISE	062-0010
11	103930-20-708	EA	CLIP - MOTOR SHAFT	022-0001
12	103930-20-705	EA	PANEL - DOOR - RECIRCULATING	071-0213
13	103930-20-704	EA	ROD - DOOR - RECIRCULATING	073-0018
14	103930-01-708	EA	BRACKET - VACUUM MOTOR	070-0113
15	103930-02-708	EA	MOTOR - VACUUM SERVO - A/C	030-0025
16	103930-01-704	EA	COIL - EVAPORATOR	041-0017
17	103930-30-702	EA	BUSHING - BLEND AIR DOOR	062-0168
18	103930-30-704	EA	COVER - SERVO	062-0545
19	103930-30-703	EA	MOTOR - SERVO	030-0104
20	103930-30-701	EA	PLATE - MOTOR MOUNT	062-0544
21	103930-20-706	EA	CLIP - RETAINER	022-0057
22	103930-25-700	EA	HOSE ASM. - #6 EVAP TO DRIER	085-0350
23	103930-12-709	EA	FITTING - QUICK CONNECT	050-0120
24	103930-20-700	EA	VALVE - EXPANSION - BLOCK - 2 TON	034-0032
25	103930-17-702	EA	O'RING #10	045-0127
26	113245-01-707	EA	O'RING #8	045-0126
27	103930-20-709	EA	VALVE - SERVICE	050-0159
28	103930-01-711	EA	THERMOSTAT	033-0003
29	103930-30-700	EA	CASE - FRONT	062-0542

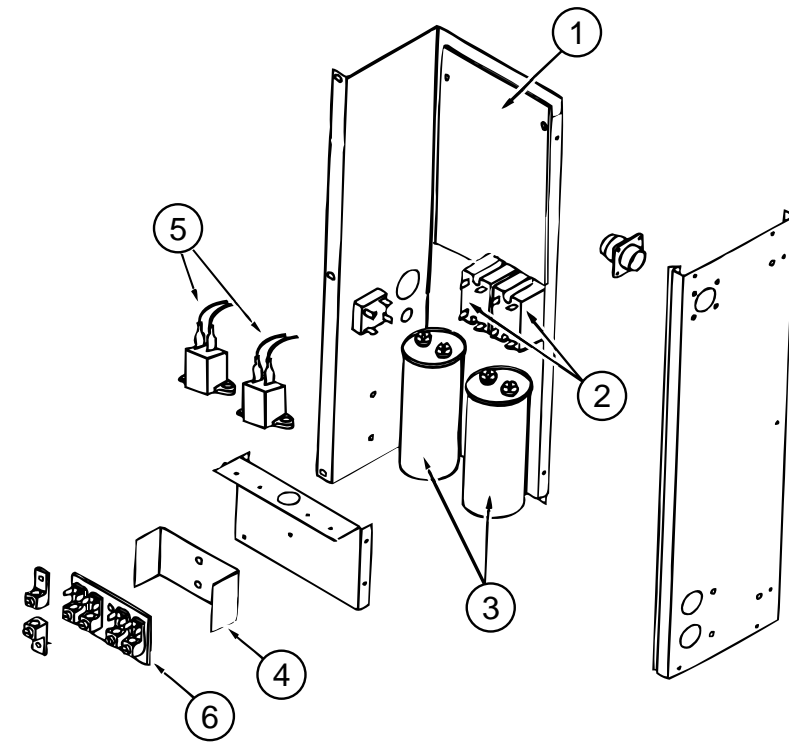
**HEATING & AIR CONDITIONING GROUP (CONTINUED)**



**PLENUMS, INSULATION & FILTER - COLEMAN 6795B832**

KEY	PART NUMBER	U/M	DESCRIPTION
1	109009-01-000	EA	DEFLECTOR - A/C - ROOF
	104692-01-000	FT	SEAL - FOAM/ADHESIVE BACK - .75"THICK X .75"WIDE X 25'
2	P18218-01-000	EA	PLENUM - A/C - SUPPLY - UPPER W/FOAM
3	117870-01-01A	EA	PLENUM - A/C - 67"
4	P17384-01-000	EA	PLENUM - A/C - LOWER
	105290-01-000	SF	INSULATION - AIR POCKET W/FOIL
5	100128-02-000	FT	SEAL - FOAM - ADHESIVE BACK - .37" WIDE X .37" THICK
6	105620-05-000	EA	A/C - CENTRAL PACKAGE UNIT - LEFT HAND
	105620-09-000	EA	THERMOSTAT - A/C & FURNACE - HORIZONTAL MOUNT 4.25" X 2.5"
	105620-07-000	EA	WIRE ASSEMBLY - THERMOSTAT
7	117389-01-000	EA	PLENUM - A/C - RETURN AIR
	105290-01-000	SF	INSULATION - AIR POCKET W/FOIL
8	109050-02-000	EA	FILTER - FIBERGLASS - 1" X 14" X 20"
9	109859-01-000	EA	FRAME ASSEMBLY - FILTER - A/C
10	117570-01-01A	EA	COVER - PLENUM - A/C - UPPER OFF WHT

**HEATING & AIR CONDITIONING GROUP (CONTINUED)**

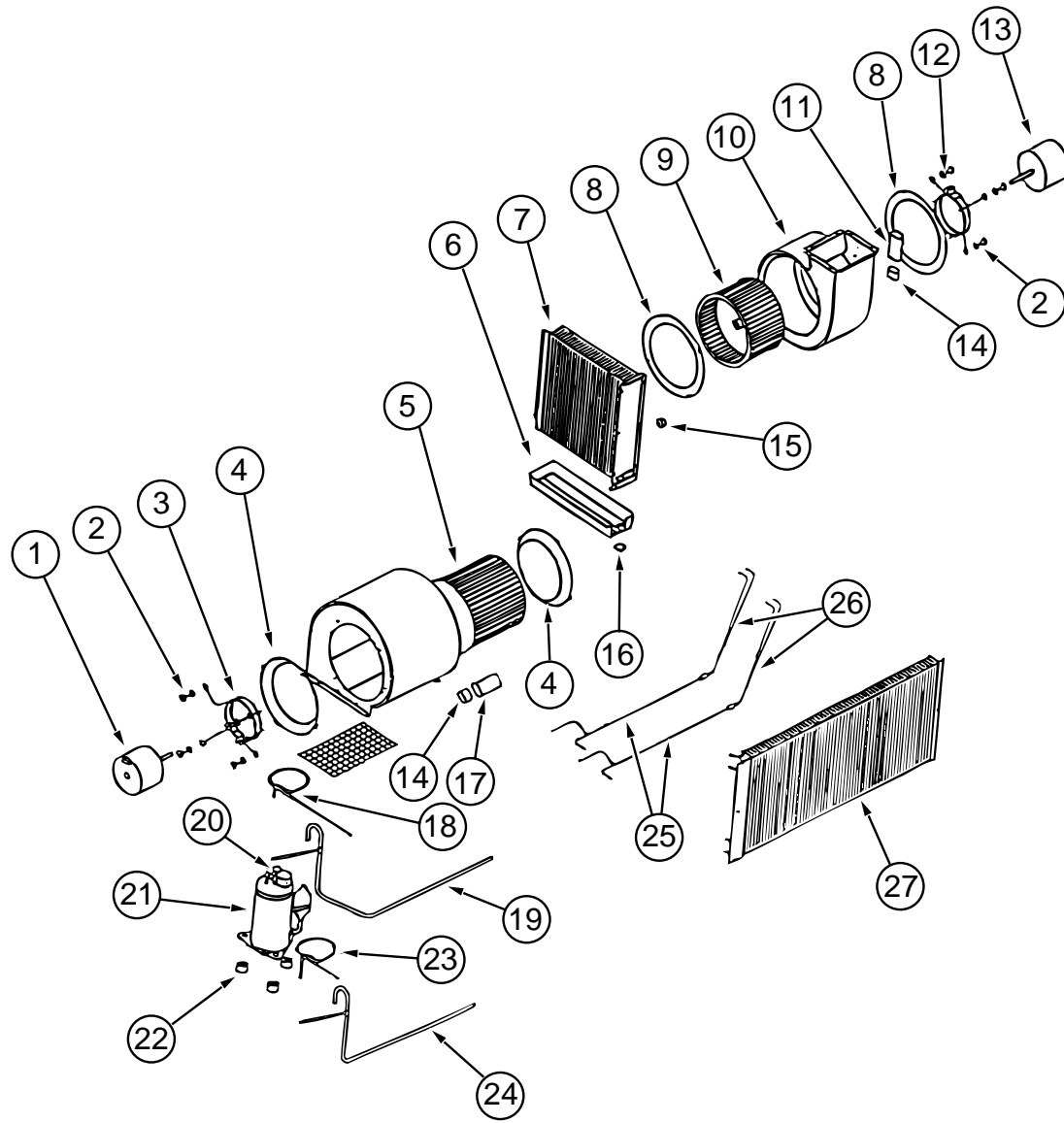


**ELECTRICAL COMPONENTS - COLEMAN 6795B832 (CONTINUED)**

KEY	PART NUMBER	U/M	DESCRIPTION	VENDOR NO.
1	105620-05-700	EA	BOARD - PRINTED CIRCUIT - 2 TON	6795-3201
2	105620-01-729	EA	RELAY - COMPRESSOR	1460-1011
3	108889-01-707	EA	CAPACITOR - RUN - COMPRESSOR - 25MFD/370	1499-5661
4	105620-01-733	EA	ISOLATOR - HIGH VOLTAGE	6795-117
5	105620-01-739	EA	START ASSIST	9011
6	105620-01-738	EA	HIGH VOLTAGE TERMINAL BOARD	6795-315

## HEATING & AIR CONDITIONING GROUP (CONTINUED)

### BLOWER MOTOR, COMPRESSOR AND COMPONENTS - COLEMAN 6795B832 (CONTINUED)



KEY	PART NUMBER	U/M DESCRIPTION	VENDOR NO.
1	105620-01-717	EA MOTOR - BLOWER - O.D.	1468-302
2	105620-01-716	EA PACKAGE - SLEEVE & GROMMET - 4 PER PKG	6795-3031
3	105620-01-715	EA MOUNT - BLOWER - O.D.	6795-3011
4	105620-01-714	EA VENTURI - BLOWER - O.D.	6795-150
5	105620-01-713	EA WHEEL - BLOWER - O.D.	1472-1011
6	105620-02-702	EA PAN - DRAIN - LH	6795-225
7	105620-02-701	EA COIL - EVAPORATOR - LEFT	1452-1431
8	105620-01-722	EA VENTURI - BLOWER - I.D.	6795-151
9	105620-02-709	EA WHEEL - BLOWER - I.D.	1472-1021
10	105620-02-708	EA HOUSING - BLOWER - I.D.	6795-519
11	108889-01-708	EA CAPACITOR - BLOWER	1499-5461
12	105620-01-723	EA MOUNT - MOTOR - BLOWER I.D.	6795-3021
13	105620-01-724	EA MOTOR - BLOWER - I.D.,	1468-3129
14	105620-01-719	EA BOOT - CAPACITOR - RUBBER	1499-950
15	N/A	EA SWITCH - FREEZE - COLEMAN 6795A330 (NOT USED ON THIS MODEL)	
16	105620-01-703	EA DRAIN VALVE	6795-300
17	105620-01-718	EA BLOWER CAPACITOR - O.D. (12.5)	1499-5631
18	105620-01-708	EA LINE - DISCHARGE - 2 - LEFT	6795-133
19	105620-02-703	EA LINE ASM - SUCTION - 2 - LEFT	6795-507
20	105620-01-705	EA OVERLOAD PROTECTOR (RH & LH)	6759-3791
21	105620-01-704	EA COMPRESSOR - TECUMSEH	RK157 AT-010A4
22	105620-01-706	EA MOUNTING PACKAGE - COMPRESSOR - 3 PER	6759-3081
23	105620-02-706	EA LINE ASM. - LIQUID - CKT #1 (LH)	6795-234
24	105620-02-705	EA LINE ASM. - SUCTION - CKT #1 (LH)	6795-508
25	105620-02-707	EA LINE ASM. - LIQUID - COMPRESSOR (LH)	6795-503
26	105620-01-712	EA CAP TUBE ASM - DISTRIBUTOR - R & L	6795-5141
27	105620-02-700	EA COIL - CONDENSER - (LH)	1452-1421
	105620-07-000	EA WIRE ASSEMBLY - THERMOSTAT	
	120134-01-02A	EA REGISTER - 4" TO 5" IN DIAMETER W/DAMPER	

#### FURNACE-SUBURBAN - 40,000 BTU - SF-422275

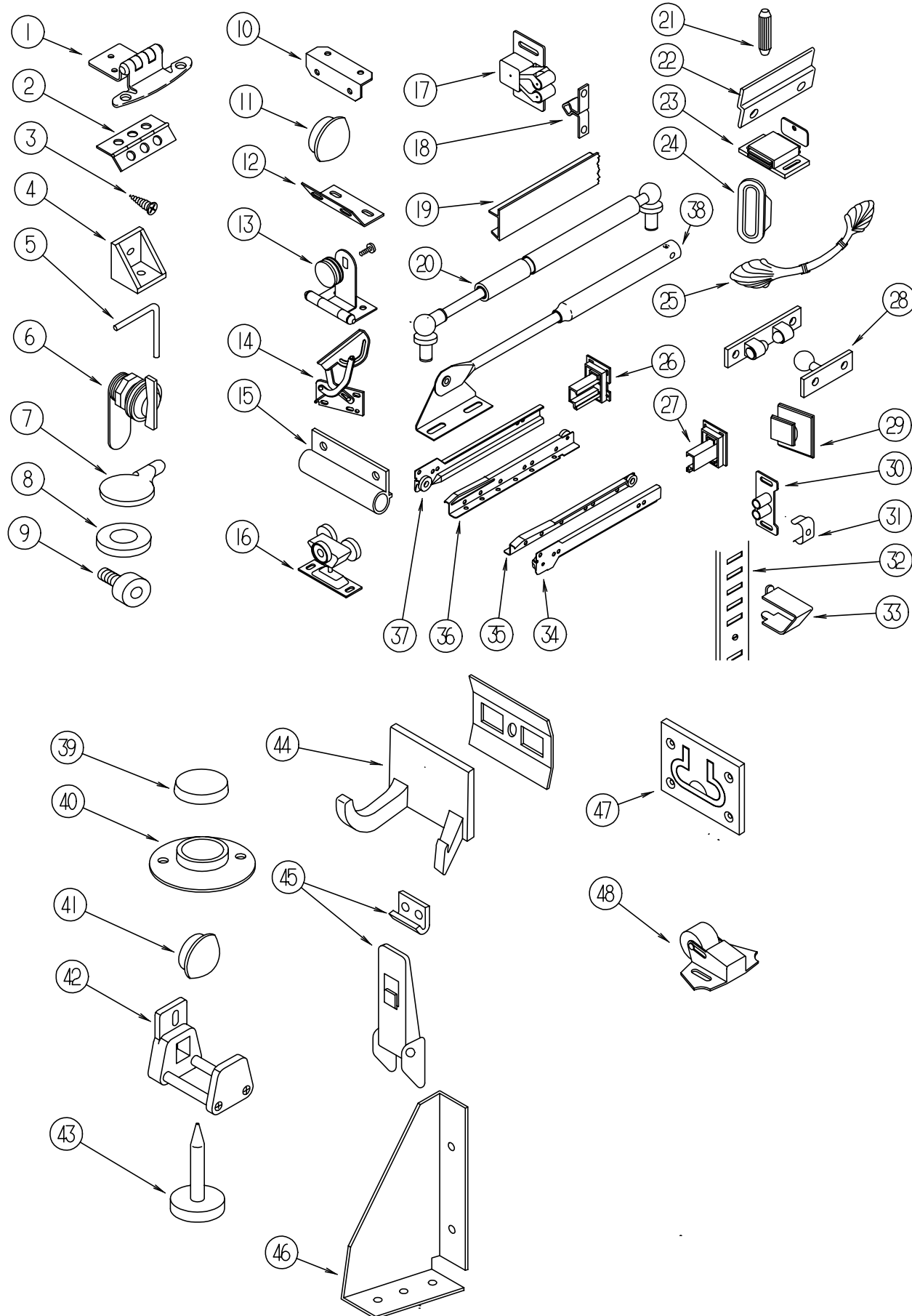
KEY	PART NUMBER	U/M DESCRIPTION
*	098668-22-000	EA FURNACE - 40,000 BTU
	094600-05-01A	EA REGISTER W/O DAMPER-3.6" X 11.3" FACE/2.1" X 9.9" RO-BEIGE
	094600-06-01A	EA REGISTER W/DAMPER-3.6" X 11.3" FACE/2.1" X 9.9" RO-BEIGE
	056464-10-000	EA REGISTER - 4" DIAMETER - PLASTIC - W/O DAMPER - BEIGE
	120773-01-02A	EA SHROUD - FURNACE
	009198-02-000	FT DUCT - FLEXIBLE - 2" ID X 25'
	009198-01-000	FT DUCT - HEAT - FLEXIBLE - 4" ID X 25'
	076776-01-000	EA TEE - BEADED - 5/8" X 5/8" X 5/8"
	093614-06-02A	EA GRILLE - RETURN AIR - BEIGE - 20" X 14"
	093614-01-02A	EA GRILLE - RETURN AIR - 15.6" X 7.6" - BEIGE
	093614-03-02A	EA GRILLE - RETURN AIR - 14" X 8" - BEIGE
	009200-01-000	EA TAPE - FURNACE - 1 1/2"

\* COMPONENT PARTS FOUND IN SERVICE PARTS LIBRARY



# INTERIOR FINISH GROUP

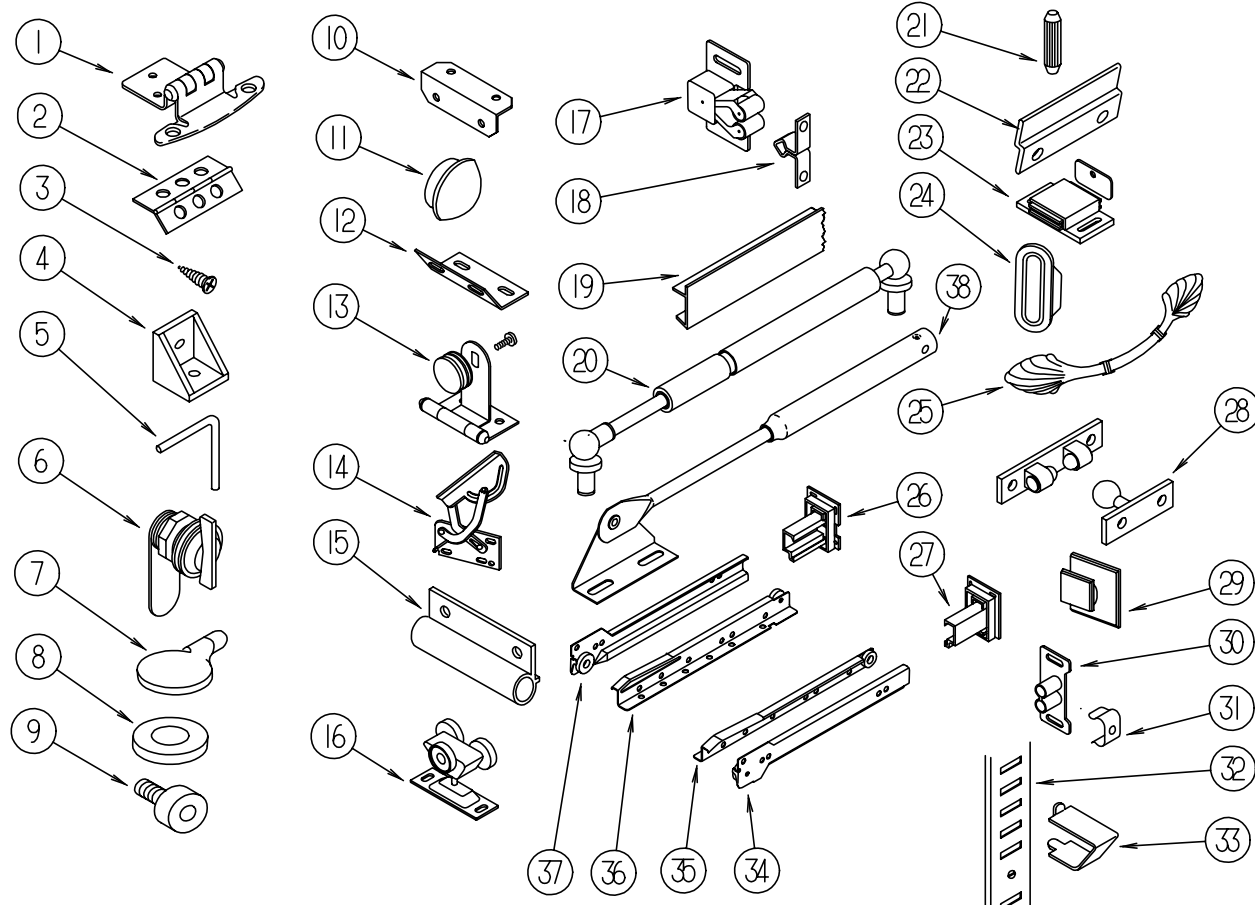
## CABINET HARDWARE



KEY	PART NUMBER	U/M	DESCRIPTION
1	108138-01-000	EA	HINGE - CABINET DOOR - BURNISHED BRASS
2	009059-01-000	EA	HINGE - DOOR - 2" X 1.4" - BRASS
2	009059-02-000	EA	HINGE - DOOR - 2" X 2.7" - BRASS
2	009065-01-000	EA	HINGE - ALUMINUM - 1 1/2" X 96" - UNPAINTED
2	112556-01-01A	EA	HINGE - BRASS - 1 1/2"
3	000G13-06-10G	EA	SCREW - 6-20 X 5/8 PFH - ANTIQUE BRASS
3	000G13-06-08G	EA	SCREW - 6-20 X .50 PFH - ANTIQUE BRASS
4	065740-01-000	EA	BRACE - CABINET/CORNER - PLASTIC
5	108487-01-01A	EA	SUPPORT - PROP ROD - OVERHEAD - BLACK
6	100710-01-01A	EA	LOCK - GLASS DOOR/TWIST TYPE - BRASS
7	101766-02-000	EA	PIN - SUPPORT/GLASS DOOR
8	100707-01-000	EA	SPACER - GLASS DOOR - .8" DIA - .3" HOLE - PLASTIC
9	079921-01-000	EA	ROLLER - NYLON - W/STEEL SHAFT - BARBED
10	016604-01-000	EA	BRACE - CABINET - ANGLE - 2.5" - UNPAINTED METAL
10	016604-05-000	EA	BRACE - CABINET - ANGLE - 2.5" - OFF WHITE METAL
11	074045-10-000	EA	PLUG - OAK - 1/2" DIAMETER (WASHED MAPLE)
11	074045-08-000	EA	PLUG - OAK - 1/2" DIAMETER (SALEM CHERRY)
12	111866-01-01A	EA	BRACE - SEAT - ANGLE
13	100711-01-01A	EA	HINGE - GLASS DOOR
14	108126-01-000	EA	TRAY HINGE SET (QTY. 2 PER SET)
15	108486-01-01A	EA	BRACKET - PROP ROD/OVERHEAD - BLACK
16	103874-01-000	EA	HANGER - SLIDING DOOR
17	093586-06-000	EA	CATCH - SPRING - ROLLER
18	093586-05-000	EA	STRIKE - SPRING STEEL
19	103186-01-08A	FT	MOLDING - PLASTIC/3/8" U-CHANNEL W/3/4" FACE - WASHED MAPLE
19	103186-01-04A	FT	MOLDING - PLASTIC/3/8" U-CHANNEL W/3/4" FACE - CHERRY
19	103186-02-08A	FT	MOLDING - PLASTIC/1" U-CHANNEL W/1 3/8" FACE - WASHED MAPLE
19	103186-02-04A	FT	MOLDING - PLASTIC/1" U-CHANNEL W/1 3/8" FACE - CHERRY
20	057460-04-000	EA	SPRING - GAS - BALL STUD STYLE "SPD6209"
21	110072-01-000	EA	DOWEL - 5/16" X 1 3/16" - BIRCH
22	101272-01-000	EA	CATCH - GLASS DOOR
23	088254-01-000	EA	CATCH - MAGNETIC - 1.8" X .7"
24	098410-01-01A	EA	PULL - FINGER - OVAL - BRASS
25	113202-01-000	EA	PULL - CABINET - BRASS
26	114045-01-000	EA	BACKSOCKET - ADJUSTABLE LEFT
			FROM: 00-00-00 THRU: 02-22-98
26	128811-01-01A	EA	BACKSOCKET - ADJUSTABLE LEFT
			FROM: 02-23-98 THRU: 99-99-99
27	114045-02-000	EA	BACKSOCKET - ADJUSTABLE RIGHT
			FROM: 00-00-00 THRU: 02-22-98
27	128811-02-01A	EA	BACKSOCKET - ADJUSTABLE RIGHT
			FROM: 02-23-98 THRU: 99-99-99
28	084451-02-000	EA	CATCH - BRASS
29	102327-01-01A	EA	PULL - MIRROR - W/SQUARE HANDLE
30	009021-01-000	EA	CATCH - GRILLE - NYLON
31	009021-02-000	EA	STRIKE - SPRING STEEL
32	098980-01-000	EA	PILASTER - ADJUSTABLE SHELF - 18"
32	098980-02-000	EA	PILASTER - ADJUSTABLE SHELF - 12"
32	098980-03-000	EA	PILASTER - ADJUSTABLE SHELF - 9"
32	098980-04-000	EA	PILASTER - ADJUSTABLE SHELF - 48"
32	098980-06-000	EA	PILASTER - ADJUSTABLE SHELF - 24"
33	098979-01-000	EA	CLIP - ADJUSTABLE SHELF

# INTERIOR FINISH GROUP (CONTINUED)

## CABINET HARDWARE (CONTINUED)

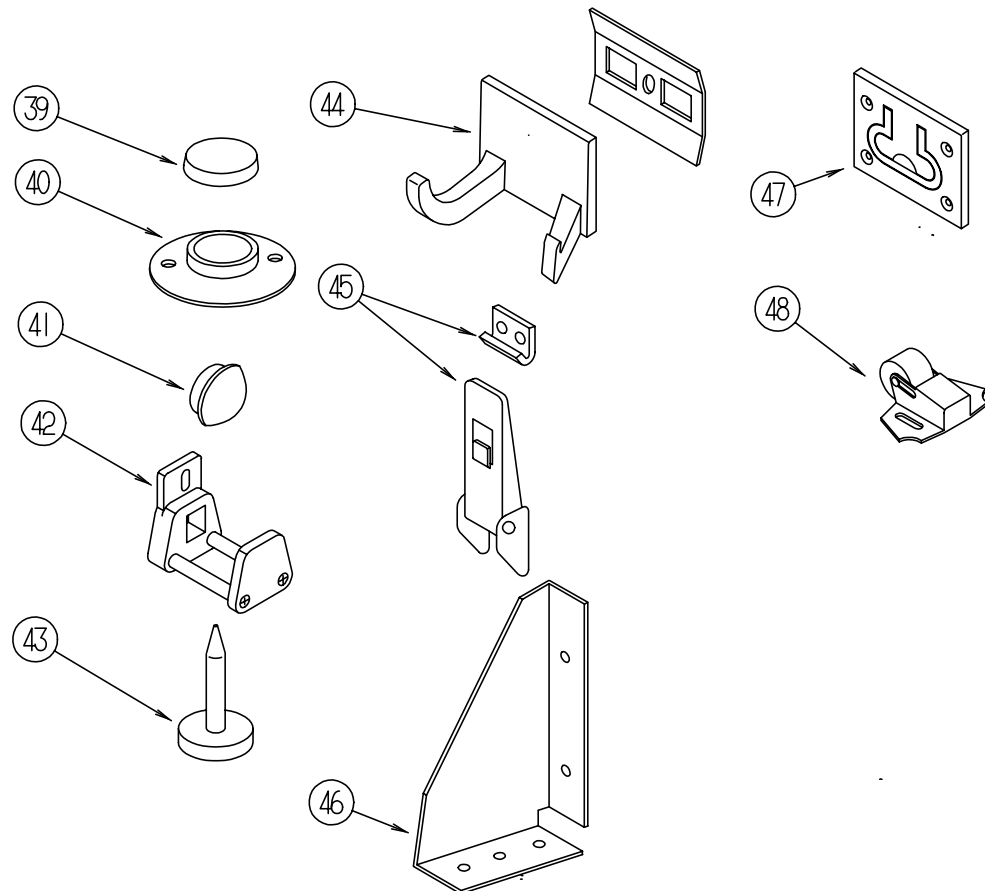


### CABINET DRAWER SLIDES - FROM: 00-00-00 THRU: 02-22-98

KEY	PART NUMBER	U/M	DESCRIPTION
34	114031-02-000	EA	SLIDE - 12" - RIGHT SIDE/CABINET
34	114031-14-000	EA	SLIDE - 18" - RIGHT SIDE/CABINET
34	114031-18-000	EA	SLIDE - 20" - RIGHT SIDE/CABINET
34	114031-22-000	EA	SLIDE - 22" - RIGHT SIDE/CABINET
34	114031-26-000	EA	SLIDE - 24" - RIGHT SIDE/CABINET
35	114031-04-000	EA	SLIDE - 12" - RIGHT SIDE/DRAWER
35	114031-16-000	EA	SLIDE - 18" - RIGHT SIDE/DRAWER
35	114031-20-000	EA	SLIDE - 20" - RIGHT SIDE/DRAWER
35	114031-24-000	EA	SLIDE - 22" - RIGHT SIDE/DRAWER
35	114031-28-000	EA	SLIDE - 24" - RIGHT SIDE/DRAWER
36	114031-03-000	EA	SLIDE - 12" - LEFT SIDE/DRAWER
36	114031-15-000	EA	SLIDE - 18" - LEFT SIDE/DRAWER
36	114031-19-000	EA	SLIDE - 20" - LEFT SIDE/DRAWER
36	114031-23-000	EA	SLIDE - 22" - LEFT SIDE/DRAWER
36	114031-27-000	EA	SLIDE - 24" - LEFT SIDE/DRAWER
37	114031-01-000	EA	SLIDE - 12" - LEFT SIDE/CABINET
37	114031-13-000	EA	SLIDE - 18" - LEFT SIDE/CABINET
37	114031-17-000	EA	SLIDE - 20" - LEFT SIDE/CABINET
37	114031-21-000	EA	SLIDE - 22" - LEFT SIDE/CABINET
37	114031-25-000	EA	SLIDE - 24" - LEFT SIDE/CABINET

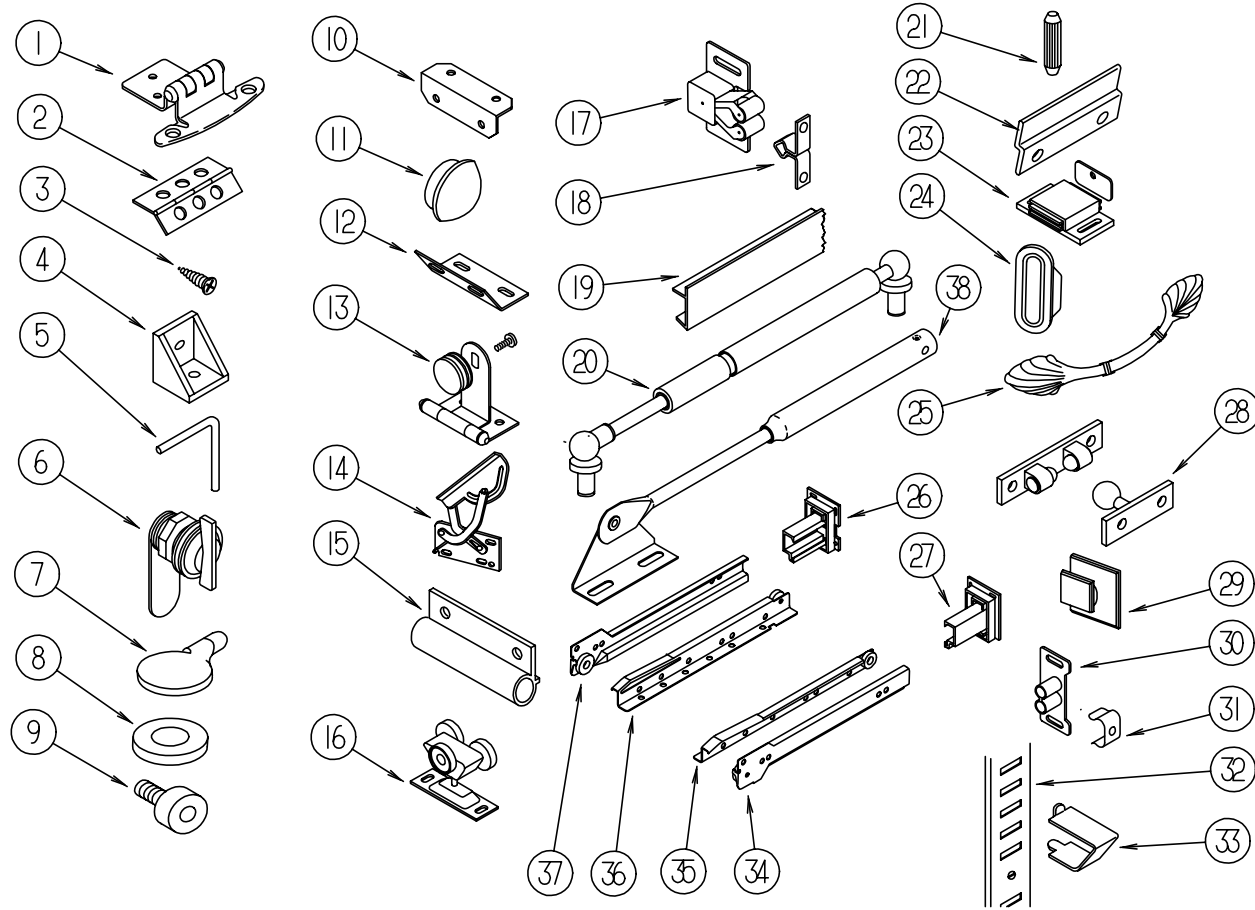
### CABINET DRAWER SLIDES - FROM: 02-23-98 THRU: 99-99-99

KEY	PART NUMBER	U/M	DESCRIPTION
34	128810-02-01A	EA	SLIDE - DRAWER - 12" - RIGHT CABINET
34	128810-06-01A	EA	SLIDE - DRAWER - 18" - RIGHT CABINET
34	128810-18-01A	EA	SLIDE - DRAWER - 20" - RIGHT CABINET
34	128810-22-01A	EA	SLIDE - DRAWER - 22" - RIGHT CABINET
34	128810-26-01A	EA	SLIDE - DRAWER - 24" - RIGHT CABINET
35	128810-04-01A	EA	SLIDE - DRAWER - 12" - RIGHT DRAWER
35	128810-16-01A	EA	SLIDE - DRAWER - 18" - RIGHT DRAWER
35	128810-20-01A	EA	SLIDE - DRAWER - 20" - RIGHT DRAWER
35	128810-24-01A	EA	SLIDE - DRAWER - 22" - RIGHT DRAWER
35	128810-28-01A	EA	SLIDE - DRAWER - 24" - RIGHT DRAWER
36	128810-03-01A	EA	SLIDE - DRAWER - 12" - LEFT DRAWER
36	128810-15-01A	EA	SLIDE - DRAWER - 18" - LEFT DRAWER
36	128810-19-01A	EA	SLIDE - DRAWER - 20" - LEFT DRAWER
36	128810-23-01A	EA	SLIDE - DRAWER - 22" - LEFT DRAWER
36	128810-27-01A	EA	SLIDE - DRAWER - 24" - LEFT DRAWER
37	128810-01-01A	EA	SLIDE - DRAWER - 12" - LEFT CABINET
37	128810-13-01A	EA	SLIDE - DRAWER - 18" - LEFT CABINET
37	128810-17-01A	EA	SLIDE - DRAWER - 20" - LEFT CABINET
37	128810-21-01A	EA	SLIDE - DRAWER - 22" - LEFT CABINET
37	128810-25-01A	EA	SLIDE - DRAWER - 24" - LEFT CABINET



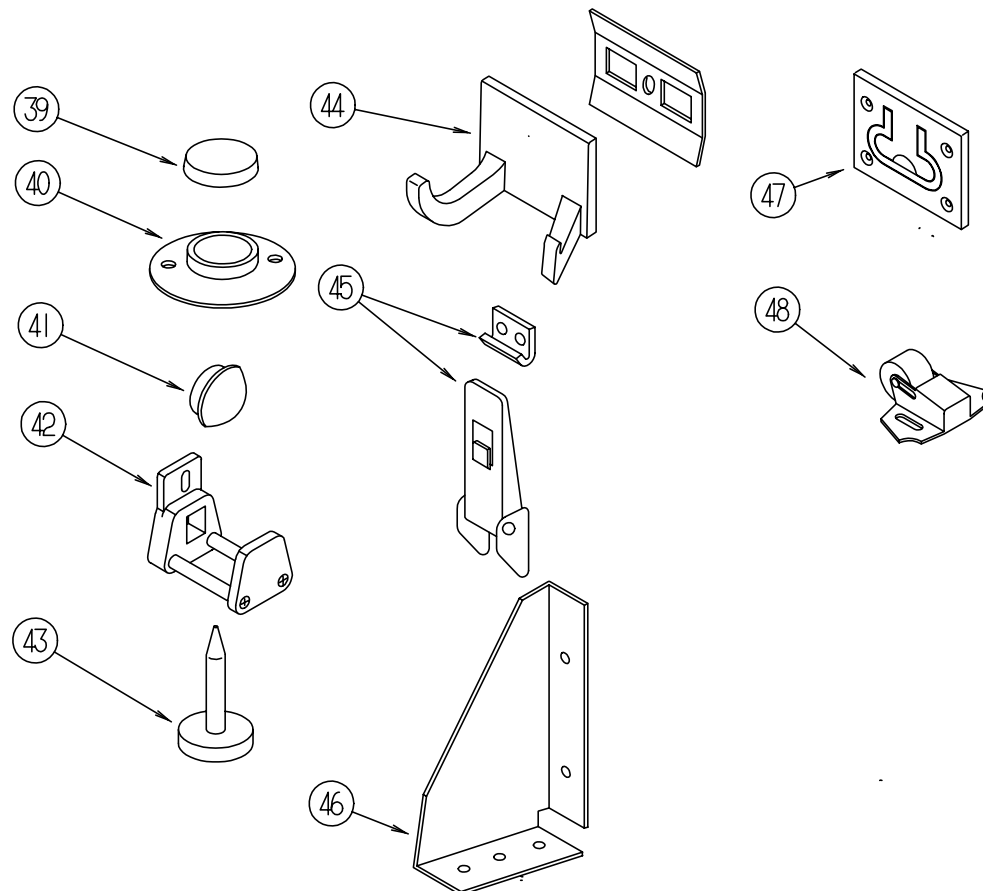
# INTERIOR FINISH GROUP (CONTINUED)

## CABINET HARDWARE (CONTINUED)



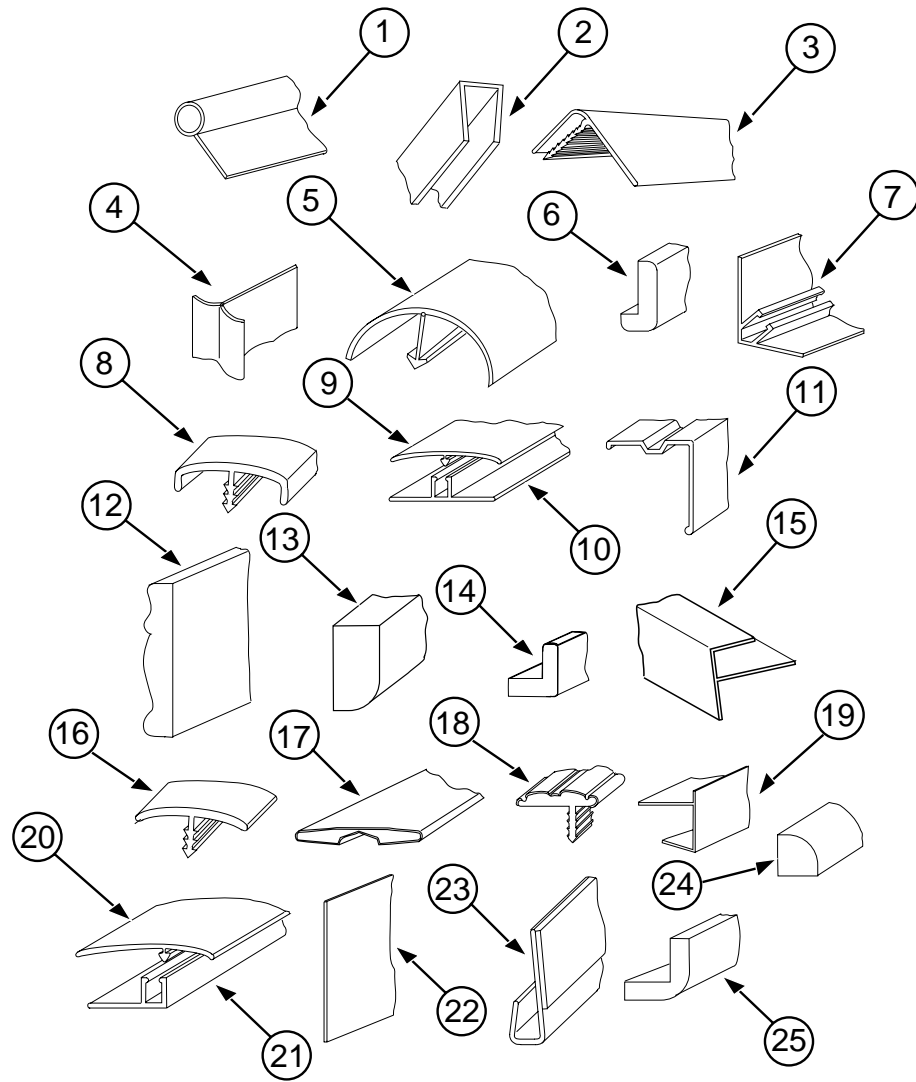
KEY	PART NUMBER	U/M DESCRIPTION
38	074493-02-000	EA SUPPORT - PISTON SPRING - CABINET DOOR - 26 LBS
38	074493-03-000	EA SUPPORT - PISTON SPRING - CABINET DOOR - 12 LBS
39	004354-01-000	EA BUMPER - RUBBER - .5" DIA - BROWN
40	009112-01-000	EA FLANGE - PLASTIC - 1" CLOTHES ROD - OFF WHITE
41	042356-01-000	EA PLUG - BUTTON - MAHOGANY - 3/8" DIAMETER - WOOD
42	064467-01-000	EA GUIDE - POCKET - SLIDING DOOR - WALL MOUNTED
43	102194-01-000	EA GUIDE - PLASTIC
44	104174-01-000	EA HOOK - ROBE - DOUBLE
45	116975-01-01A	EA LATCH - W/O STRIKE - BLACK - NEW STYLE
	116975-02-01A	EA KEEPER/STRIKE - BLACK - NEW STYLE
46	116978-01-03B	EA GUSSET - SLIDEOUT ROOM - OFF/WHITE
47	072871-01-000	EA PULL - FLUSH - CHROME
48	109403-01-000	EA CATCH - SINGLE ROLLER - SCREEN DOOR
	076790-01-000	EA SCREW - 6-20 X 1 1/4 PPH - BLACK
	M97191-01-H56	EA HANDLE - TAMBOUR DOOR - MAPLE
	M97191-01-E41	EA HANDLE - TAMBOUR DOOR - CHERRY
	023320-01-000	EA PAD - FELT 3/8" DIAMETER
	042438-01-000	EA DOWEL - WOOD - CLOTHES ROD - 1" DIAMETER X 4'
	042438-06-000	EA DOWEL - WOOD - 1.5" X 26" - OAK
	041389-18-000	EA HINGE - PIANO - 1.50" X 19" - OFF WHITE
	041389-25-000	EA HINGE - PIANO - 1.50" X 55"
	073151-02-000	EA HINGE - CONTINUOUS - 22.3" OFF WHITE METAL
	097141-02-700	EA KIT - TRACK - TAMBOUR DOOR - W/ONE RT & ONE LEFT TRACK
	118802-01-02A	EA HINGE - DOOR/CAB - OVERHEAD - HAMPTON TAN
	084071-02-000	EA ROD - BRASS - 12.4" LONG
	114130-02-000	EA BALLS - SPACER - DOOR

FROM: 00-00-00 THRU: 08-17-97



# INTERIOR FINISH GROUP (CONTINUED)

## MOLDINGS & TRIMS



KEY	PART NUMBER	U/M DESCRIPTION
4	022992-11-000	FT MOLDING - REVERSE COVE - T-SHAPED VINYL - IVORY
5	042357-25-000	EA MOLDING - CORNER - RADIUS/PLASTIC - WASHED MAPLE
5	042357-19-000	EA MOLDING - CORNER - RADIUS/PLASTIC - CHERRY
6	077840-01-J70	EA MOLDING - CAP/WALL - 8' WASHED MAPLE
6	077840-01-E41	EA MOLDING - CAP/WALL - 8' SALEM CHERRY
7	081521-02-007	EA MOUNT - METAL MOLDING - F/RADIUS CORNER MOLDING - 12/5" EA
8	083620-14-000	FT MOLDING-T - END CAP EDGE - W/EDGE LIPS - .75" - WASHED MAPLE
8	083620-11-000	FT MOLDING-T - END CAP EDGE - W/EDGE LIPS - .75" - SALEM CHERRY
9	086229-14-000	EA RETAINER - 3/4" X 98.43" - ANY COLOR
10	086229-13-000	EA BATTEN - 1" X 96" - IVORY
10	086229-20-000	EA BATTEN - 1" X 96" - BEIGE
11	093873-01-01A	EA TRIM - CARPET - L-ANGLE 1.1" X 1.3" X 12' - GRAY VINYL
12	100182-10-J70	EA TRIM - RAIL (WASHED MAPLE)
12	100182-10-E41	EA TRIM - RAIL (SALEM CHERRY)
13	100818-01-08A	EA MOLDING - VINYL WRAPPED - 1.65" X .4" X 7' (WASHED MAPLE)
13	100818-01-04A	EA MOLDING - VINYL WRAPPED - 1.65" X .4" X 7' (SALEM CHERRY)
14	100819-01-08A	EA MOLDING - VINYL WRAPPED - L-SHAPED - 1.5" X 1.5" X 7' (WASHED MAPLE)
14	100819-01-04A	EA MOLDING - VINYL WRAPPED - L-SHAPED - 1.5" X 1.5" X 7' (SALEM CHERRY)
15	009812-30-000	EA MOLDING - CORNER - OUTSIDE - 1/2" PLASTIC (WASHED MAPLE)
15	009812-26-000	EA MOLDING - PLASTIC - 1/2" O/S CORNER (SALEM CHERRY)
16	105709-01-000	FT T-MOLDING - 1" - MODERN IVORY
17	079653-35-000	EA BATT STRIP - KERFED - TRANQUIL - 8'
18	109736-01-01A	FT T-MOLDING - 1" - BRASS/BLACK
19	103186-01-08A	FT MOLDING - PLASTIC/3/8" U-CHANNEL W/3/4" FACE - WASHED MAPLE
19	103186-01-04A	FT MOLDING - PLASTIC/3/8" U-CHANNEL W/3/4" FACE - CHERRY
19	103186-02-08A	FT MOLDING - PLASTIC/1" U-CHANNEL W/1 3/8" FACE - WASHED MAPLE
19	103186-02-04A	FT MOLDING - PLASTIC/1" U-CHANNEL W/1 3/8" FACE - CHERRY
20	086229-10-000	EA BATTEN - 1.5" OFFSET X 90.16"
21	086229-09-000	EA RETAINER - OFFSET - 90.16"
22	101957-01-05A	EA EXTRUDED - PLASTIC (WASHED MAPLE)
22	101957-01-04A	EA EXTRUDED - PLASTIC (SALEM CHERRY)
23	109332-02-01A	FT TRIM-J - W/O ADHESIVE - BRASS
24	109410-01-H37	EA MOLDING - TRIM - 8' (WASHED MAPLE)
24	109410-01-E41	EA MOLDING - TRIM - 8' (SALEM CHERRY)
25	080176-08-000	EA CAP - CORNER - RADIUS CORNER - PLASTIC (WASHED MAPLE)
25	080176-06-000	EA CAP - CORNER - RADIUS CORNER - PLASTIC (SALEM CHERRY)
	104676-01-01A	FT MOLDING-T - 5/16" RIGID GOLD
	009767-16-000	FT WELTING - REBER BIRCH (WASHED MAPLE)
	009767-14-000	FT WELTING - CHERRY (SALEM CHERRY)
	109831-01-J70	EA LUMBER - MIRROR STOP - 24" (WASHED MAPLE)
	109831-01-E41	EA LUMBER - MIRROR STOP - 24" (SALEM CHERRY)
	120492-01-01A	FT STRIP - TRIM - IVORY
	116280-02-J70	EA MOLDING - CAP - WASHED MAPLE (WASHED MAPLE)
	116280-02-GV1	EA MOLDING - CAP - SALEM CHERRY (SALEM CHERRY)

KEY	PART NUMBER	U/M DESCRIPTION
1	009767-12-000	FT WELTING - SIDEWALL/CEILING/CABINET - OFF/WH
2	009778-27-000	FT U-CHANNEL - 1" - WASHED MAPLE (WASHED MAPLE) FROM: 00-00-00 THRU: 11-09-97
2	009778-30-000	FT U-CHANNEL - 1" - VILLAGE OAK (WASHED MAPLE) FROM: 11-10-97 THRU: 99-99-99
2	009778-18-000	FT U-CHANNEL - 1" - CHERRY-CHERRY (SALEM CHERRY) FROM: 00-00-00 THRU: 11-09-97
2	009778-31-000	FT U-CHANNEL - 1" - GRADY BROWN (SALEM CHERRY) FROM: 11-10-97 THRU: 99-99-99
2	070504-50-000	FT U-CHANNEL - PLASTIC - .13" X 84" - WASHED MAPLE (WASHED MAPLE)
2	070504-51-000	FT U-CHANNEL - PLASTIC - .87" X 84" - WASHED MAPLE (WASHED MAPLE)
2	070504-30-000	FT U-CHANNEL - PLASTIC - .13" X 84" - CHERRY (SALEM CHERRY)
2	070504-31-000	FT U-CHANNEL - PLASTIC - .87" X 84" - CHERRY (SALEM CHERRY) FROM: 00-00-00 THRU: 09-21-97
2	070504-03-000	FT U-CHANNEL PLASTIC - .87" X 84" - GRADY BROWN (SALEM CHERRY) FROM: 09-22-97 THRU: 99-99-99
3	009809-31-000	EA MOLDING - CORNER - OUTSIDE - 1" X 84" - WASHED MAPLE (WASHED MAPLE)
3	009809-27-000	EA MOLDING - CORNER - OUTSIDE - 1" X 84" - CHERRY (SALEM CHERRY)

## INTERIOR FINISH GROUP (CONTINUED)

### PANELING & LUMBER

KEY	PART NUMBER	U/M DESCRIPTION
	080215-13-000	SF PANELING - 2 SIDED - WASHED MAPLE - .2" X 4' X 8" (WASHED MAPLE)
	080215-09-000	SF PANELING - 2 SIDED - .2" X 48" X 96" - CHERRY (SALEM CHERRY)
	074497-39-000	SF PANELING - WASHED MAPLE - 4' X 8' (WASHED MAPLE)
	074497-23-000	SF PANELING - CHERRY - 1/8" X 48" X 96" (SALEM CHERRY)
	088272-G8-000	SF PANELING - BENTLEY - 48" X 96" - MAIN WALL (J70,J71)
	088272-G9-000	SF PANELING - GAZEBO - PEARL - MAIN WALL (J72,J73,J74,J75)
	088272-H6-000	SF PANELING - ARTESIA SPRING - 48" X 96" - MAIN WALL (J76,J77)
	088272-G1-000	SF PANELING - PEBBLE EMBOSSED - ANTIQUE WHITE - 4' X 7' - WET BATH
	000885-82-000	SF PARTICLE BOARD - 1/2" X 48" X 96" - 2 SIDED (WASHED MAPLE)
	000885-72-000	SF PARTICLE BOARD - 1/2" X 48" X 96" - CHERRY/VINYL 2 SIDED (SALEM CHERRY)
	000885-91-000	SF PARTICLE BOARD - 3/4" X 48" X 96" - WASHED MAPLE - 2-SIDED (WASHED MAPLE)
	000885-73-000	SF PARTICLE BOARD - 3/4" X 48" X 96" - CHERRY/VINYL 2 SIDED (SALEM CHERRY)
	000885-89-000	SF PARTICLE BOARD - 3/8" X 48" X 96" - WASHED MAPLE - 2-SIDED (WASHED MAPLE)
	000885-71-000	SF PARTICLE BOARD - 3/8" X 48" X 96" - CHERRY/VINYL 1 SIDED (SALEM CHERRY)
	098531-04-000	SF PLYWOOD - 1/2" (WASHED MAPLE)
	098531-02-000	SF PLYWOOD - CHERRY 1/2" (SALEM CHERRY)
	083618-07-000	SF PLYWOOD - MAPLE - 1 SIDE 3/16" (WASHED MAPLE)
	083618-04-000	SF PLYWOOD - MAPLE - 1 SIDE 3/16" (SALEM CHERRY)
	000846-01-000	SF PLYWOOD - 5/16" X 48" X 96" - CD GRADE
	000846-02-000	SF PLYWOOD/UNDERLAYMENT - 5/16" X 48" X 96"

### LAMINATES & EDGE BAND

KEY	PART NUMBER	U/M DESCRIPTION
	074498-71-000	SF LAMINATE - PLASTIC - NEUTRAL SANTOS - 5' X 8' - INC OF 40 SF
	074498-72-000	SF LAMINATE - PLASTIC - PEBBLE SANTOS - 5' X 8' INC OF 40 SF (J70,J71)
	074498-59-000	SF LAMINATE - PLASTIC - SAND CHROMA (J72,J73)
	074498-81-000	SF LAMINATE - PLASTIC - ALMOND JAGUARD - 5' X 8' INCR OF 40SF (J74,J75,J76,J77)
	074498-82-000	SF LAMINATE - PLASTIC - WASHED MAPLE - 5' X 8' - INC OF 40 SF (J70,J72,J74,J76)
	074498-58-000	SF LAMINATE - PLASTIC - CHERRY - 5' X 8' - INC OF 40 SF (J71,J73,J75,J77)
	074498-40-000	SF LAMINATE - PLASTIC - OFF WHITE - 5' X 8' - INC OF 40 SF
	076325-74-000	FT MOLDING - EDGE BAND - 1 5/16" X 38" - WASHED MAPLE (WASHED MAPLE)
	076325-50-000	FT MOLDING - EDGE BAND - 1 5/16" X .030" - CHERRY (SALEM CHERRY)
	076325-37-000	FT MOLDING - EDGE BAND - 1 5/16" X .030" (J70,J71)
	076325-53-000	FT MOLDING - EDGE BAND - 1 5/16" X .030" - NEUTRAL (J72,J73)
	076325-39-000	FT MOLDING - EDGE BAND - 1 5/16" X .030" (J74,J75,J76,J77)
	076325-38-000	FT MOLDING - EDGE BAND - .875" X .024" (J70,J71)
	076325-54-000	FT MOLDING - EDGE BAND - .875" X .024" - NEUTRAL (J72,J73,J74,J75,J76,J77)
	076325-73-000	FT MOLDING - EDGE BAND - .93" X .024"

### BATT STRIPS

KEY	PART NUMBER	U/M DESCRIPTION
	088263-F0-000	EA BATT STRIP - DECORATIVE - BENTLEY/PATINA - 8' LONG - MAIN WALL (J70,J71)
	088263-F1-000	EA BATT STRIP - DECORATIVE - GAZEBO/PEARL - 8' LONG - MAIN WALL (J72,J73,J74,J75)
	088263-F6-000	EA BATT - STRIP - DECORATIVE - ARTESIA/SPRING - INC OF 8' - MAIN WALL (J76,J77)
	088263-E3-000	EA BATT STRIP - DECORATIVE - PEBBLE EMBOSSED/ANTIQUÉ-8' LONG - WET BATH
	085284-E4-000	FT BATT TAPE - ADHESIVE BACKED - DECORATIVE - BENTLEY/PATINA (J70,J71)
	085284-E5-000	FT BATT TAPE - ADHESIVE BACKED - DECORATIVE - GAZEBO PEARL (J72,J73,J74,J75)
	085284-F2-000	FT BATT TAPE - ADHESIVE BACKED - DECORATIVE ARTESIA/SPRING (J76,J77)
	085284-D6-000	FT BATT TAPE - ADHESIVE BACKED - DECORATIVE - EMBOSSED ANTIQUE

## INTERIOR FINISH GROUP (CONTINUED)

### FIRE EXTINGUISHER, DETECTORS & CLOCK

KEY	PART NUMBER	U/M DESCRIPTION	VENDOR NO.
	094499-01-000	EA EXTINGUISHER/FIRE - DRY W/MOUNTING BRACKET	
	094499-02-000	EA EXTINGUISHER/FIRE - DRY - 1A10BC - CANADIAN	
	094499-01-700	EA BRACKET - MOUNTING - W/PLASTIC STRAP	294039
	094499-01-701	EA STRAP ONLY (METAL)	320351
	072852-01-000	EA DETECTOR - SMOKE - W/9 VOLT BATTERY - US	
	072852-02-000	EA DETECTOR - SMOKE - W/9 VOLT BATTERY - CANADIAN	
	125136-01-000	EA CO DETECTOR - GAS - ROUND W/2 SCREWS - 9 VOLT	
	100793-02-01A	EA CLOCK - WALL - QUARTZ/11" - BRASS	
	103613-02-000	EA DETECTOR - LP GAS	

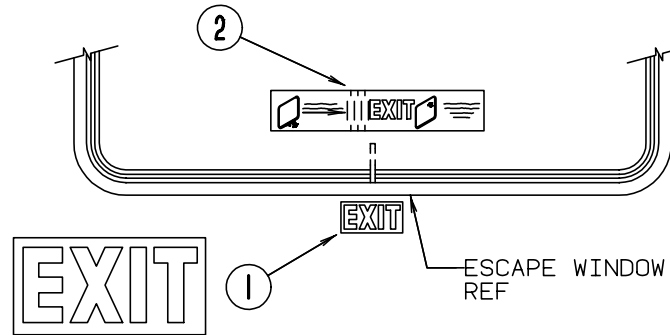
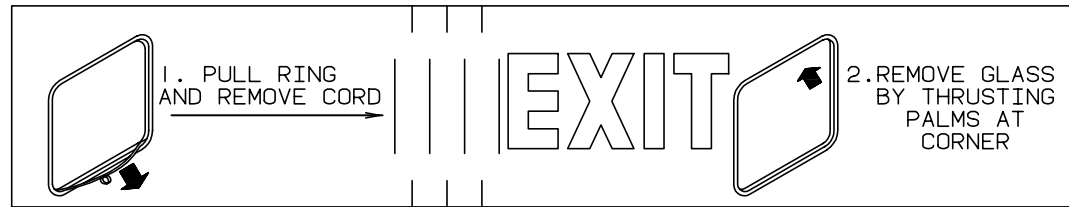
### FLOOR COVERINGS

KEY	PART NUMBER	U/M DESCRIPTION
	096060-C6-000	SY CARPET - CHOCOLATE - INCREMENTS OF 4 SQ. YARDS (J70,J71)
	096060-C7-000	SY CARPET - BAMBOO - INCREMENTS OF 4 SQ. YARDS (J72,J73,J74,J75)
	096060-D7-000	SY CARPET - EXCALIBUR - GULF MIST (J76,J77)
	124253-01-02A	EA VINYL - FLOOR PLANK - 3" X 12" - MAPLE - WASHED MAPLE
	124253-01-01A	EA VINYL - FLOOR PLANK - 3" X 12" - CHERRY - SALEM CHERRY
	093486-01-000	SY CARPET - COMPARTMENT - 72" WIDE - DARK GRAY

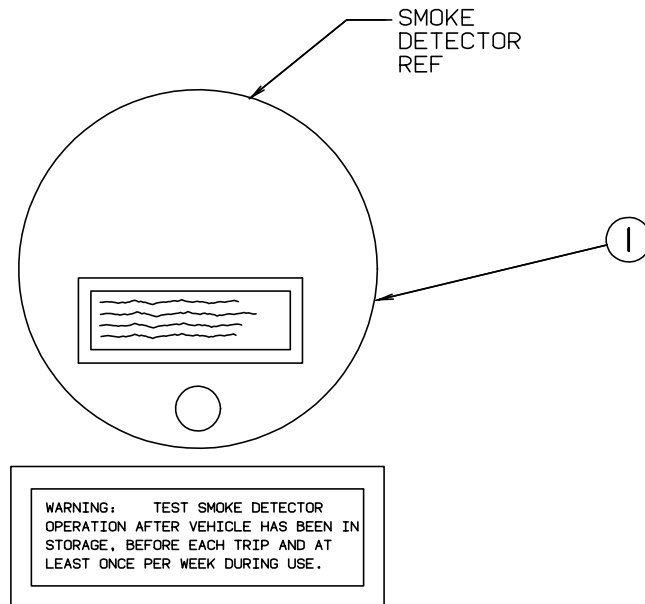
### FLOOR MATS

KEY	PART NUMBER	U/M DESCRIPTION
	108151-01-000	EA MAT - FLOOR - ENTRANCE
	108152-01-000	EA MAT - FLOOR - PASSENGER
	108152-02-000	EA MAT - FLOOR - DRIVER

## LABELS GROUP

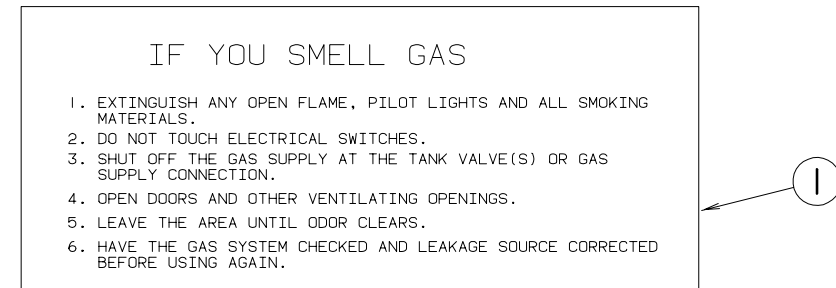


KEY	PART NUMBER	U/M DESCRIPTION
1	039290-01-000	EA LABEL - WARNING - EXIT
2	107571-01-000	EA LABEL - ESCAPE EXIT - WINDOW

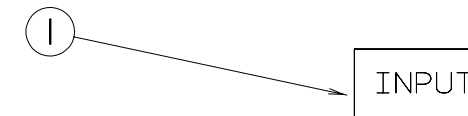


KEY	PART NUMBER	U/M DESCRIPTION
1	077956-01-000	EA LABEL - WARNING - SMOKE DETECTOR

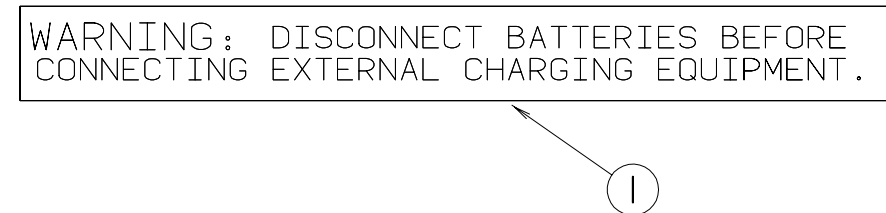
## LABELS GROUP (CONTINUED)



KEY	PART NUMBER	U/M DESCRIPTION
1	073998-01-000	EA LABEL - LPG ODOR WARNING

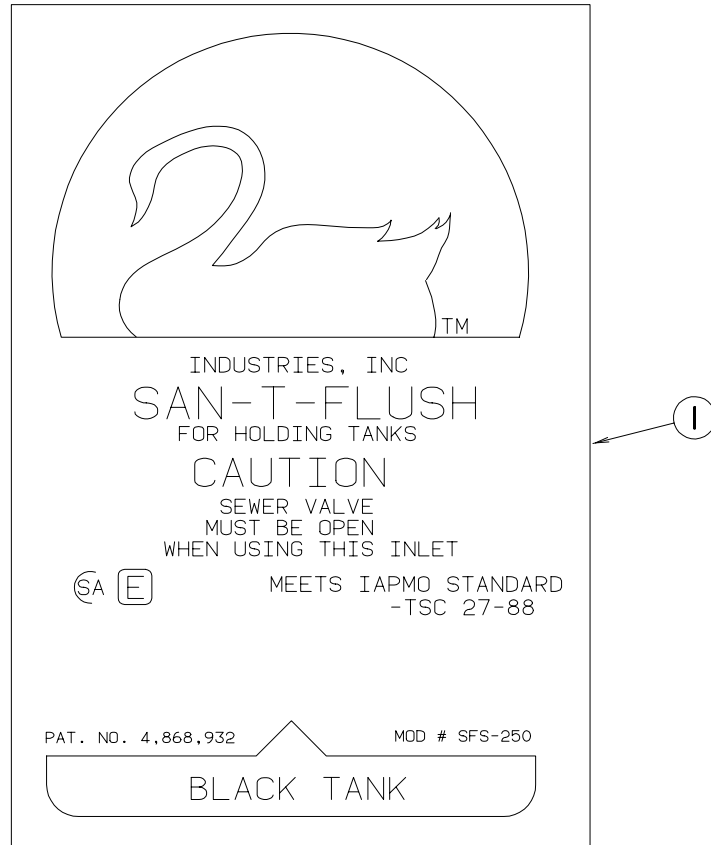


KEY	PART NUMBER	U/M DESCRIPTION
1	087236-01-000	EA LABEL - CABLE - INPUT

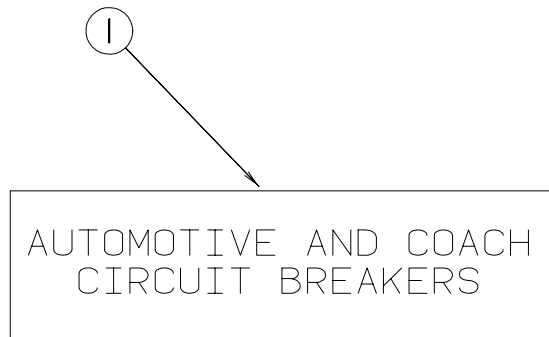


KEY	PART NUMBER	U/M DESCRIPTION
1	065748-01-000	EA LABEL - CAUTION - BATTERY CHARGING

**LABELS GROUP (CONTINUED)**

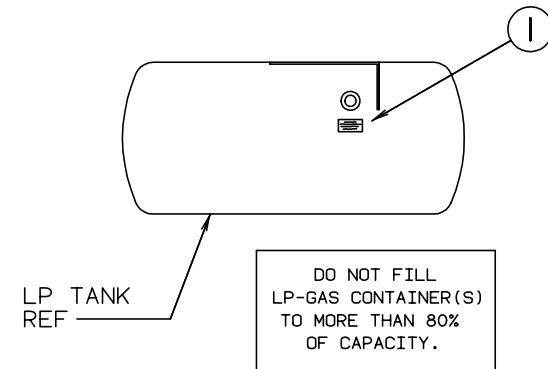


**KEY PART NUMBER U/M DESCRIPTION**  
 1 125697-07-000 EA LABEL - CAUTION - FLUSHING SYSTEM

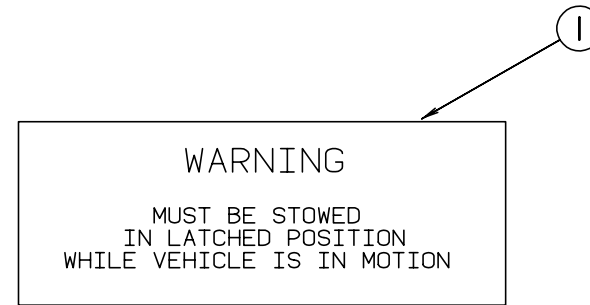


**KEY PART NUMBER U/M DESCRIPTION**  
 1 098379-01-000 EA LABEL - FRONT BOX - CIRCUIT BREAKER

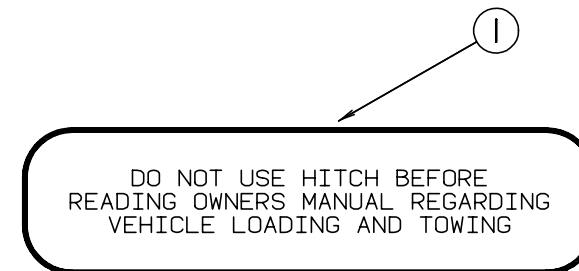
**LABELS GROUP (CONTINUED)**



**KEY PART NUMBER U/M DESCRIPTION**  
 1 079965-01-000 EA LABEL - LPG 80 CAPACITY

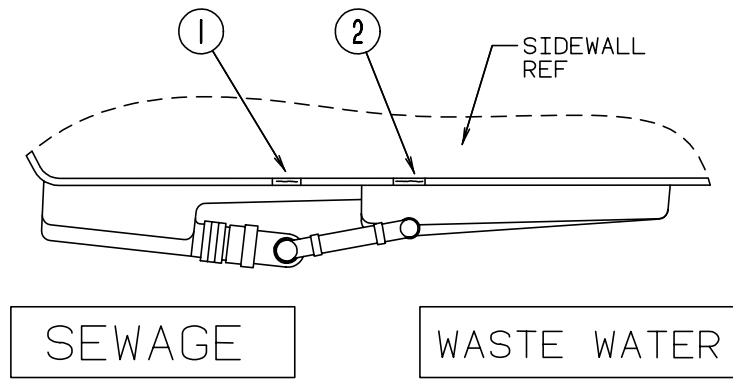


**KEY PART NUMBER U/M DESCRIPTION**  
 1 079966-01-000 EA LABEL - WARNING - STOWED - MOTION



**KEY PART NUMBER U/M DESCRIPTION**  
 1 111104-01-000 EA LABEL - HITCH - READ MANUAL

**LABELS GROUP (CONTINUED)**

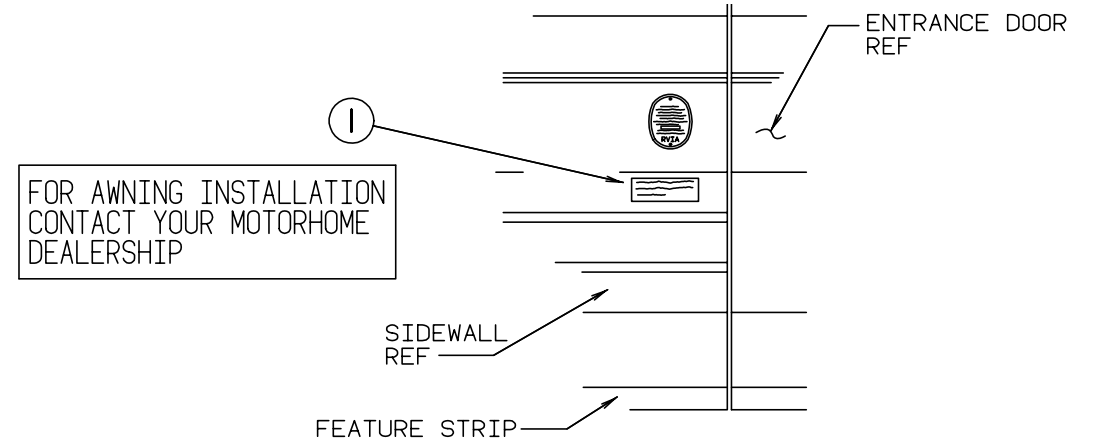


SEWAGE

WASTE WATER

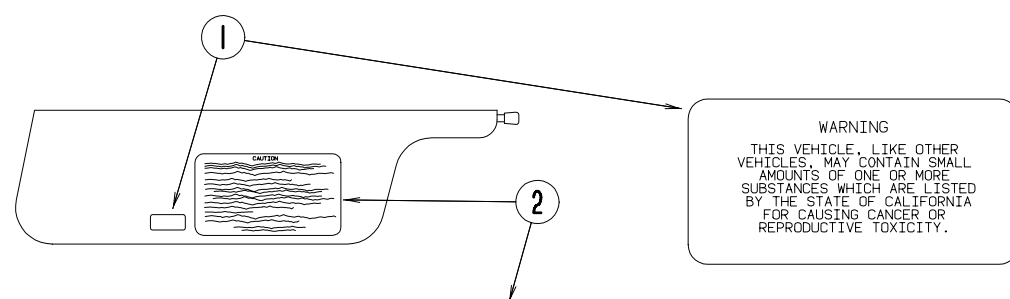
KEY	PART NUMBER	U/M DESCRIPTION
1	006187-01-000	EA LABEL - SEWAGE
2	006188-01-000	EA LABEL - WASTE WATER

**LABELS GROUP (CONTINUED)**

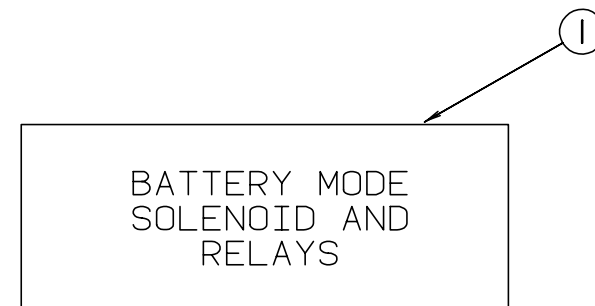


FOR AWNING INSTALLATION  
CONTACT YOUR MOTORHOME  
DEALERSHIP

KEY	PART NUMBER	U/M DESCRIPTION
1	099509-01-000	EA LABEL - AWNING INSTALLATION



**WARNING**  
THIS VEHICLE, LIKE OTHER  
VEHICLES, MAY CONTAIN SMALL  
AMOUNTS OF ONE OR MORE  
SUBSTANCES WHICH ARE LISTED  
BY THE STATE OF CALIFORNIA  
FOR CAUSING CANCER OR  
REPRODUCTIVE TOXICITY.



BATTERY MODE  
SOLENOID AND  
RELAYS

**CAUTION**

THIS MOTOR HOME HAS BEEN DESIGNED, MANUFACTURED AND TESTED WITH CONCERN FOR THE PROTECTION OF IT'S OCCUPANTS. WE RECOMMEND YOU PERFORM THE FOLLOWING INSPECTIONS FOR YOUR SAFETY AND THE SAFETY OF YOUR PASSENGERS BEFORE STARTING YOUR VEHICLE.

1. LP GAS SYSTEM- TURN OFF AT TANK FOR TRAVELING. TEST FOR LEAKS UPON ARRIVAL AT DESTINATION. BEFORE LIGHTING PILOTS.
2. WHEELS- INSPECT FOR DAMAGE AND CHECK LUG NUTS FOR TIGHTNESS.
3. TIRES- INSPECT FOR WEAR AND DAMAGE AND CHECK FOR RECOMMENDED AIR PRESSURE.
4. LIGHTING- TEST FOR PROPER OPERATION OF ALL INTERIOR AND EXTERIOR LIGHTS INCLUDING DASH LIGHTS, HEADLIGHTS, TAIL LIGHTS, BRAKE LIGHTS, CLEARANCE LIGHTS AND TURN SIGNALS.
5. EXITS- INSPECT RELEASE MECHANISM ON EMERGENCY EXIT WINDOW, TEST BOTH LOCKS ON MAIN ENTRANCE DOOR FOR EASE OF OPERATION AND INSTRUCT PASSENGERS HOW TO USE BOTH MEANS OF EXIT.
6. SEAT BELTS- DIRECT PASSENGERS TO DESIGNATED SEATS AND REQUIRE USE OF SEAT BELTS.
7. APPLIANCES- TURN OFF AND LATCH OR LOCK DOORS WHERE PROVIDED.
8. LOOSE PARCELS- STORE SECURELY.
9. UTILITY SUPPLY LINES- DISCONNECT ALL ELECTRIC, SEWER AND WATER LINES AND SECURE PROPERLY.
10. ENTRANCE DOOR STEP- PLACE IN RETRACTED POSITION FOR TRAVELING.

READ YOUR MOTOR HOME AND CHASSIS OWNER'S MANUAL FOR FURTHER PRECAUTIONS

KEY	PART NUMBER	U/M DESCRIPTION
1	098379-04-000	EA LABEL - ELECTRICAL BOX - SIDE

**NOTE: TUNE ANTENNA PER MANUFACTURER'S DIRECTIONS. FAILURE TO COMPLY COULD RESULT IN DAMAGE TO CB.**

**CB POWER PROVISION**

RED	+12 V
BLACK	GROUND
COAX	ANTENNA

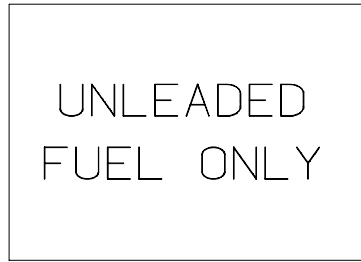
(SEE REVERSE ALSO)

KEY	PART NUMBER	U/M DESCRIPTION
1	099689-01-000	EA LABEL - WARNING - CANCER/TOXICITY
2	056259-01-000	EA LABEL - SAFETY CHECK LIST

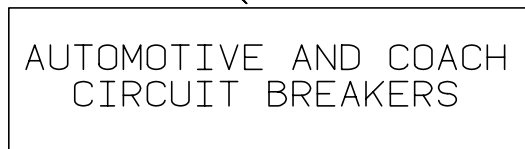
KEY	PART NUMBER	U/M DESCRIPTION
1	104678-01-000	EA LABEL - CB PREP



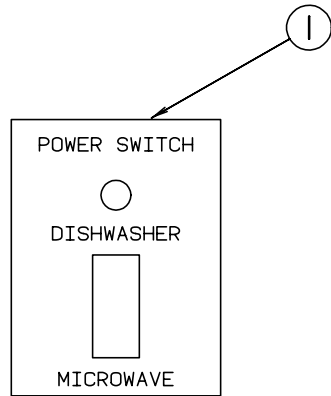
**LABELS GROUP (CONTINUED)**



KEY	PART NUMBER	U/M DESCRIPTION
1	098641-01-000	EA LABEL - FUEL - UNLEADED - DASH

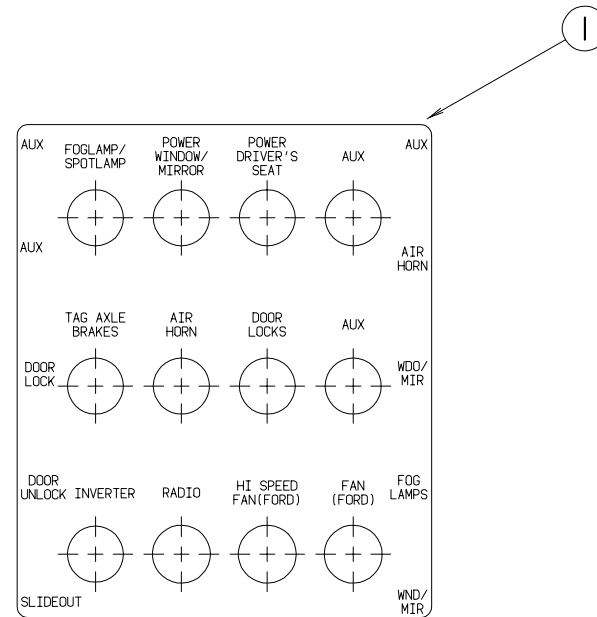


KEY	PART NUMBER	U/M DESCRIPTION
1	098379-03-000	EA LABEL - ELECTRICAL BOX - FRONT

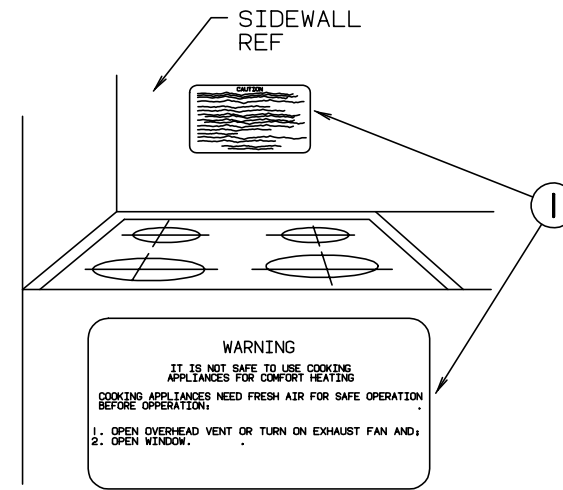


KEY	PART NUMBER	U/M DESCRIPTION
1	109051-02-000	EA LABEL - SWITCH - 50A POWER (DISHWASHER)

**LABELS GROUP (CONTINUED)**

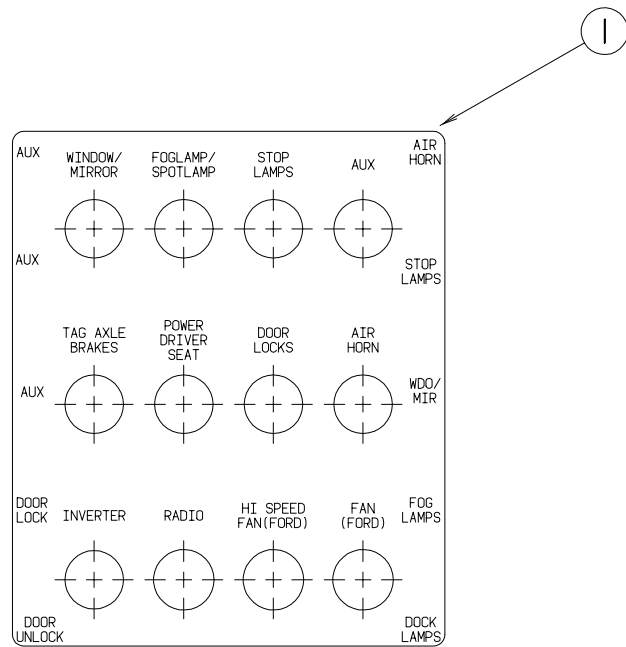


KEY	PART NUMBER	U/M DESCRIPTION
1	093236-16-000	EA LABEL - CIRCUIT BREAKER

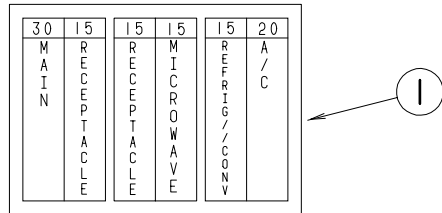


KEY	PART NUMBER	U/M DESCRIPTION
1	050225-01-000	EA LABEL - WARNING - STOVE VENT - US
1	050222-01-000	EA LABEL - WARNING - STOVE VENT - CANADIAN

**LABELS GROUP (CONTINUED)**



KEY	PART NUMBER	U/M DESCRIPTION
1	093236-14-000	EA LABEL - CIRCUIT BREAKER

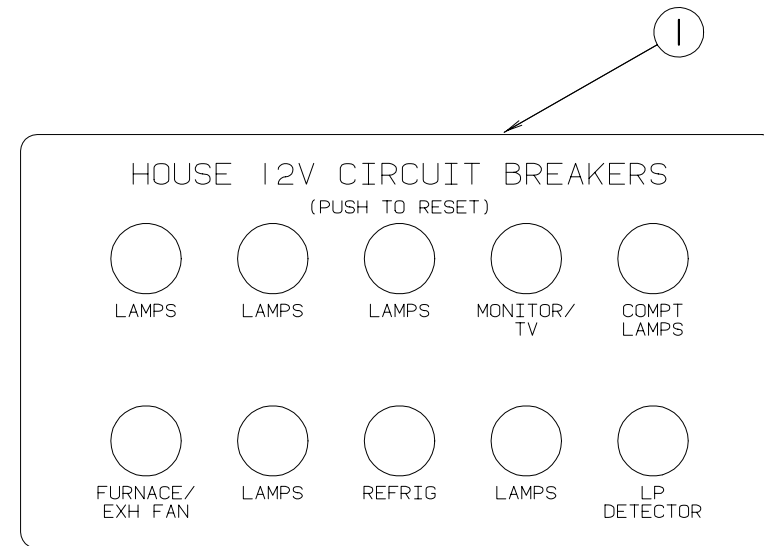


KEY	PART NUMBER	U/M DESCRIPTION
1	095721-14-000	EA LABEL - CONTROL CENTER (30A)

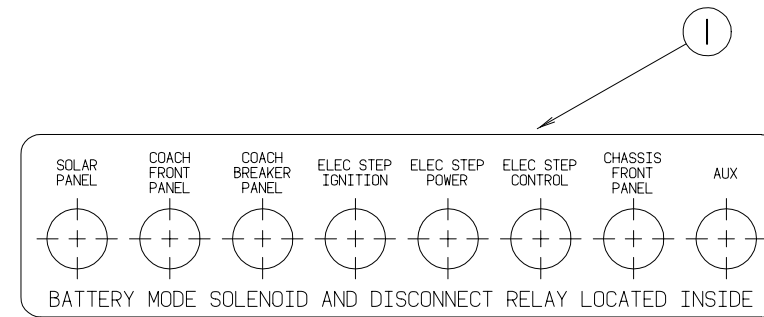
WARNING: CONTAINS "CFC" A SUBSTANCE WHICH HARMS PUBLIC HEALTH AND ENVIRONMENT BY DESTROYING OZONE IN THE UPPER ATMOSPHERE.

KEY	PART NUMBER	U/M DESCRIPTION
1	111802-01-000	EA LABEL - CFC WARNING

**LABELS GROUP (CONTINUED)**



KEY	PART NUMBER	U/M DESCRIPTION
1	092547-06-000	EA LABEL - CIRCUIT BREAKER



KEY	PART NUMBER	U/M DESCRIPTION
1	093236-13-000	EA LABEL - CIRCUIT BREAKER

WARNING  
ALL PILOT LIGHTS, APPLIANCES AND THIER IGNITORS (SEE OPERATING INSTRUCTIONS) SHALL BE TURNED OFF DURING REFUELING OF MOTOR FUEL TANKS AND/OR LP GAS CONTAINERS

KEY	PART NUMBER	U/M DESCRIPTION
1	124519-01-01A	EA LABEL - WARNING/REFUELING - BLACK ON CLEAR
1	124519-01-02A	EA LABEL - WARNING/REFUELING - WHITE ON CLEAR

**LABELS GROUP (CONTINUED)**

LP-GAS SYSTEM  
 THIS GAS PIPING SYSTEM IS DESIGNED FOR USE OF LIQUIFIED PETROLEUM GAS ONLY. DO NOT CONNECT NATURAL GAS TO THIS SYSTEM.  
 SECURE CAP INLET(S) WHEN NOT CONNECTED FOR USE AFTER TURNUNG ON GAS. EXCEPT AFTER NORMAL CONTAINER REPLACEMENT, TEST GAS PIPING AND CONNECTIONS TO APPLIANCES FOR LEAKAGE WITH SOAPY WATER OR BUBBLE SOLUTION. DO NOT USE PRODUCTS THAT CONTAIN AMMONIA OR CHLORINE.

**KEY PART NUMBER U/M DESCRIPTION**  
 1 124520-01-02A EA LABEL - LP GAS ONLY

30	15	15	15	15	20
M A I N	R E C E P T A C L E	R E C E P T A C L E	M I C R O W A V E	R E F R I G / / C O N V	A / C

**KEY PART NUMBER U/M DESCRIPTION**  
 1 095721-10-000 EA LABEL - CONTROL CENTER (30A) CSA

THIS CHAIR IS NOT INTENDED FOR OCCUPANCY WHEN VEHICLE IS IN MOTION AND MUST BE RETURNED TO STOWED POSITION

**KEY PART NUMBER U/M DESCRIPTION**  
 1 102267-01-000 EA LABEL - NO OCCUPANCY - US

**LABELS GROUP (CONTINUED)**

DTS ISICE SIEGE N/EST PAS DESTINE A ETRE OCCUPE LORSQUE LE VEHICULE EST EN MOUVEMENT ET IL FAUT QUE LE RANGER

THIS CHAIR IS NOT INTENDED FOR OCCUPANCY WHEN VEHICLE IS IN MOTION AND MUST BE RETURNED TO STOWED POSITION

**KEY PART NUMBER U/M DESCRIPTION**  
 1 102267-02-000 EA LABEL - NO OCCUPANCY - CSA

A / C C I R C U I T 1	M A I N	M A I N	A / C C I R C U I T 2	G F I C I R C U I T 1	R E F R I G / / C O N V	G F I C I R C U I T 2	M I C R O W A V E	A P P L I A N C E 1	A P P L I A N C E 2	G E N E R A L R E C E P T S	W A S H E R D R Y E R
---	------------------	------------------	---	---	--	---	---	--	--	--	---

**KEY PART NUMBER U/M DESCRIPTION**  
 1 095721-18-000 EA LABEL - CONTROL CENTER - 50 AMP - CSA

A / C C I R C U I T 1	M A I N	M A I N	A / C C I R C U I T 2	G F I C I R C U I T 1	R E F R I G / / C O N V	G F I C I R C U I T 2	M I C R O W A V E	G E N E R A L R E C E P T S	W A S H E R D R Y E R	D I S H W A S H E R O R I C E M A K E R	G E N E R A L R E C E P T S
---	------------------	------------------	---	---	--	---	---	--	---	--	--

**KEY PART NUMBER U/M DESCRIPTION**  
 1 095721-17-000 EA LABEL - CONTROL CENTER - 50 AMP - US

**LABELS GROUP (CONTINUED)**

<b>CAUTION</b>	TO HELP AVOID PERSONAL INJURY DURING REMOVAL OF FUEL FILLER CAP, SLOWLY LOOSEN CAP 1/2 TURN TO ALLOW ANY FUEL PRESSURE TO BE RELIEVED BEFORE TURNING CAP FURTHER.
<b>FUEL SPRAY MAY CAUSE PERSONAL INJURY</b>	STOP ADDING FUEL AFTER FIRST SHUTOFF BY AUTOMATIC NOZZLE WHEN TANK IS NEARLY FULL. DO NOT OVERFILL FUEL TANK. SEE OWNERS MANUAL FOR ADDITIONAL INFORMATION. PRINTED IN U.S.A. <span style="float: right;">WLC PT NO 15611763</span>



**KEY PART NUMBER U/M DESCRIPTION**  
1 087207-05-000 EA LABEL - FUEL CAP REMOVAL

**WARNING**  
POTABLE WATER ONLY  
SANITIZE, FLUSH, AND  
DRAIN BEFORE USING.  
SEE INSTRUCTION MANUAL



**KEY PART NUMBER U/M DESCRIPTION**  
1 128725-01-02A EA LABEL - POTABLE WATER ONLY

**WARNING**  
ROOF SURFACE MAY BE SLIPPERY  
ESPECIALLY WHERE MOISTURE IS PRESENT  
SLIPPING MAY RESULT IN PERSONAL INJURY.  
128218-01



**KEY PART NUMBER U/M DESCRIPTION**  
1 128218-01-01A EA LABEL - WARNING - ROOF SLIPPERY

REMOVE PRIMARY TIRE HANGER BEFORE USING  
SPARE TIRE HOIST-SEE OWNERS MANUAL - PERSONAL  
INJURY MAY RESULT IF NOT FOLLOWED



**KEY PART NUMBER U/M DESCRIPTION**  
1 126024-01-01A EA LABEL - TIRE HANGER REMOVAL

**LABELS GROUP (CONTINUED)**

(I)

**WARNING:**  
ALL PILOT LIGHTS AND APPLIANCES SHALL BE TURNED  
OFF DURING REFUELING OF MOTOR FUEL TANKS AND/  
OR PROPANE CONTAINERS.  
**AVERTISSEMENT:**  
FERMER TOUTES LES VEILLEUSES AINSI QUE TOUS LES  
APPAREILS LORSQU'ON FAIT LE PLEIN DES RESERVOIRS  
A CARBURANT OU A PROPANE.  
124519-02

**KEY PART NUMBER U/M DESCRIPTION**  
1 124519-02-02A EA LABEL - WARNING/REFUELING - CSA



THIS CONNECTION IS FOR  
(B) VOLT AC, 60 HZ (CYCLES)  
(A) AMPERE SUPPLY  
  
DO NOT CONNECT TO  
HIGHER VOLTAGE

**KEY PART NUMBER U/M DESCRIPTION**  
1 125306-01-01A EA LABEL - ELECTRICAL ENTRANCE - 110VOLT 30AMP  
FROM: 00-00-00 THRU: 07-13-97



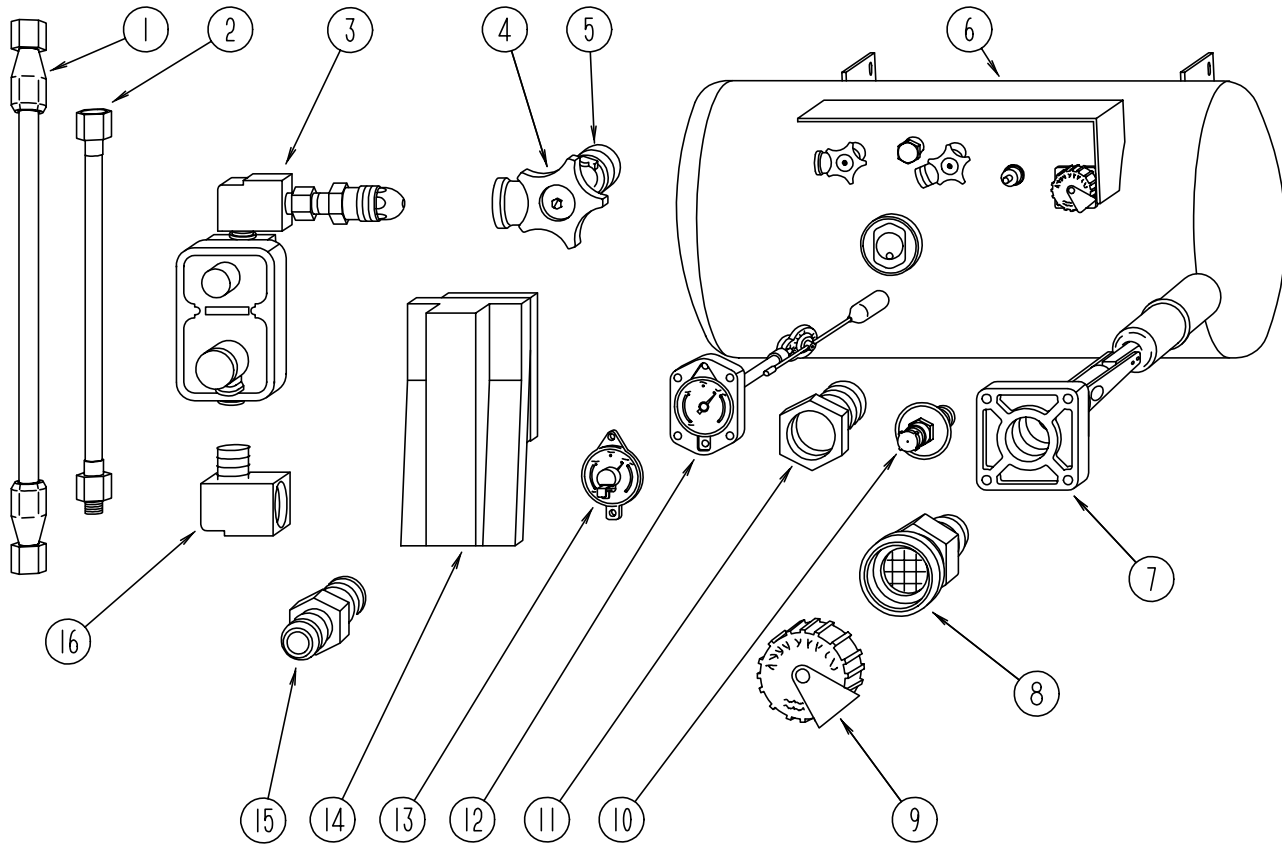
THIS CONNECTION IS FOR  
(B) VOLT AC, 3-POLE, 4 WIRE  
60 HZ (CYCLES), (A) AMPERE SUPPLY  
  
DO NOT CONNECT TO  
HIGHER VOLTAGE

**KEY PART NUMBER U/M DESCRIPTION**  
1 125306-04-01A EA LABEL - ELECTRICAL ENTRANCE - 120 VOLT 240 AMP  
FROM: 07-14-97 THRU: 99-99-99

**MISCELLANEOUS LABELS**

**KEY PART NUMBER U/M DESCRIPTION**  
023769-01-000 EA LABEL - WARNING - LPG - CANADIAN

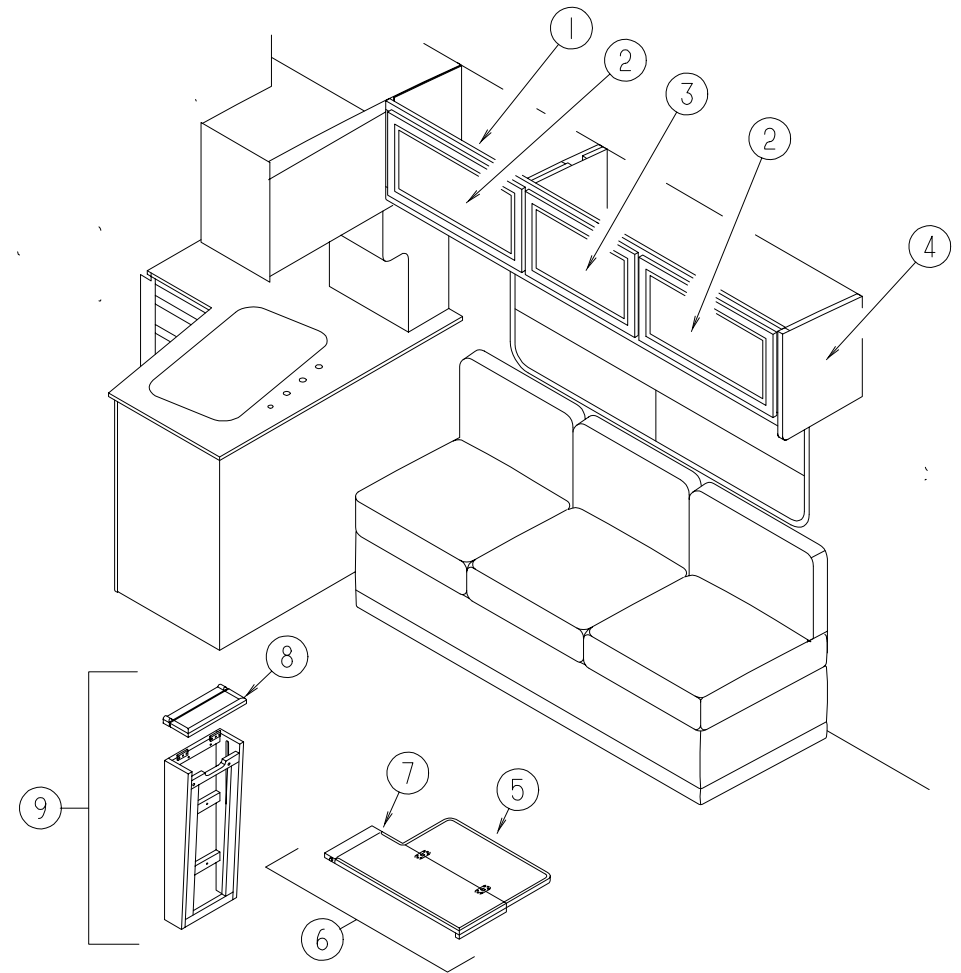
### LP GROUP



#### BRUNNER LP TANK & COMPONENTS

KEY	PART NUMBER	U/M	DESCRIPTION	VENDOR NO.
1	045703-02-000	EA	HOSE - LP - 3/8"ID X 24" - 3/8"MPT X 1/2"F SWIVEL - CANADA	
2	045703-01-000	EA	HOSE - LP - 3/8"ID X 24" - 3/8"MPT X 1/2"F SWIVEL - U.S.	
3	106150-01-000	EA	REGULATOR - TWO STAGE - W/90 DEGREE ELBOW & 3/8" FPT OUTLET	
4	040421-01-708	EA	HANDWHEEL - SERVICE VALVE	G-1015-A
5	040421-01-712	EA	VALVE - SERVICE - W/O VAPOR RELIEF	29000853
6	117432-01-000	EA	TANK - LP - 100 LB - 20 DIAMETER X 27 LONG	
7	040421-01-711	EA	VALVE - 80% FILL - W/AUTO STOP	
8	040421-01-701	EA	VALVE - FILL - SHORT, LP	75478
9	040421-01-702	EA	CAP - FILL VALVE - PLASTIC	G-1014-A
10	040421-01-700	EA	VALVE - LIQUID LEVEL - 20%	G-1013
11	040421-01-713	EA	VALVE - VAPOR ONLY	29000587
12	091970-01-700	EA	FLOAT ASM - F/20" DIA TANK	20C
13	040440-02-000	EA	TRANSMITTER - DIAL - 0-90 OHM -2 TERMINAL (POWER & GROUND)	
14	105658-01-000	EA	COMPARTMENT - LP REGULATOR	
15	010323-01-000	EA	ADAPTER - BRASS - 3/8"F X 1/2"MPT	
15	010329-01-000	EA	ADAPTER - BRASS - 1/2" F X 1/2" MPT	
16	010252-01-000	EA	ELBOW - BRASS - 90 DEGREE - 3/8"F X 1/2"MPT	
	024250-01-000	EA	ADAPTER - BRASS - 3/8"F X 1/2"FPT	
	010326-01-000	EA	ADAPTER - FLARE - W/CONE GASKET - 3/8"FEMALE X 1/2"MALE	
	010377-02-000	EA	NUT - BRASS - 3/8" FLARE - FORGED	
	010380-02-000	EA	NUT - BRASS - 1/2" FLARE - FORGED	
	010495-01-000	EA	CLAMP - CABLE - 9/16"	
	010497-03-000	EA	CLAMP - CLOSED - 1" ID - CUSHIONED	
	016188-05-000	EA	GROMMET - L/P LINE - 3/8" HOLE X 1 1/4" LONG - RUBBER	
	103613-03-000	EA	DETECTOR - LP GAS - W/O SHUT-OFF VALVE	

### LOUNGE GROUP

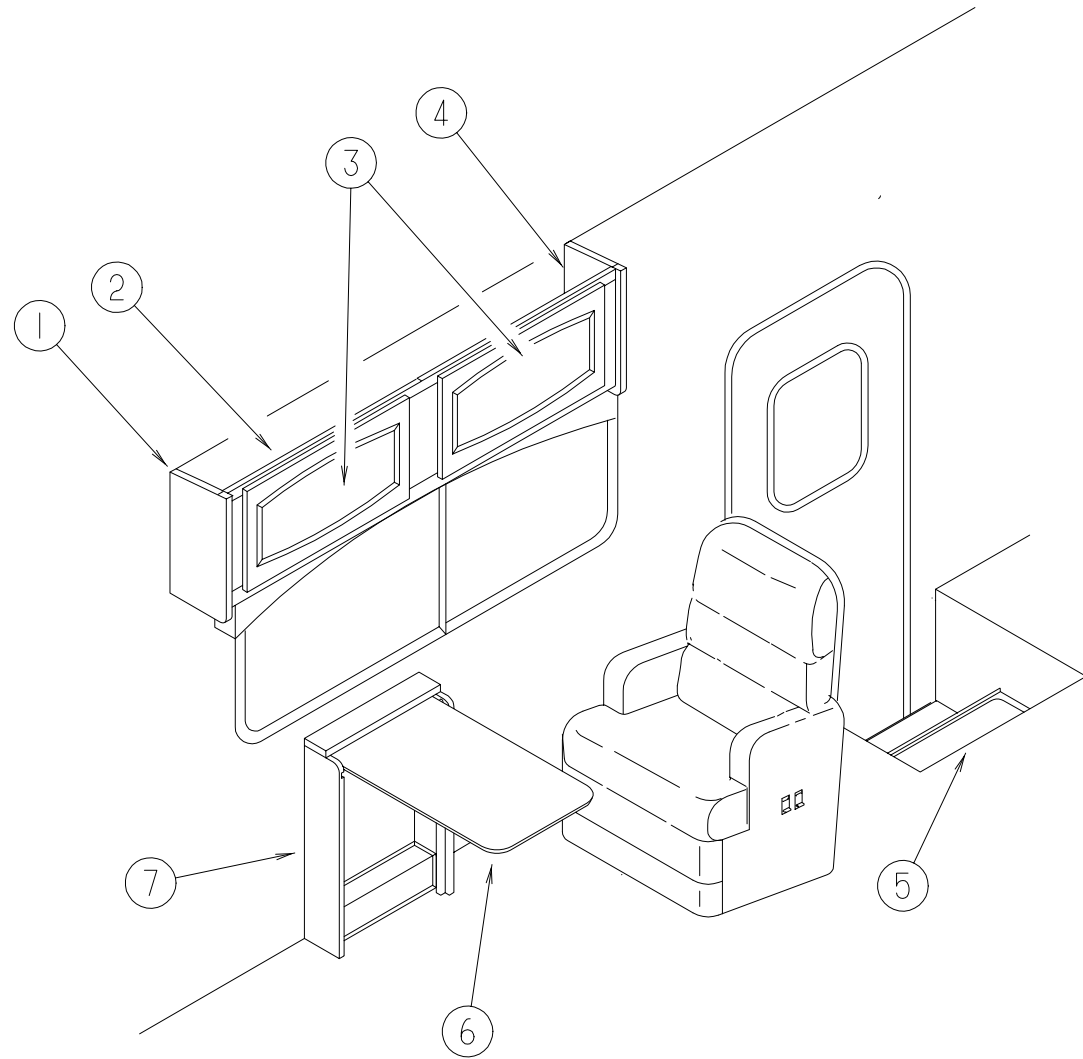


#### DRIVERS SIDE LOUNGE CABINET

KEY	PART NUMBER	U/M	DESCRIPTION
1	119676-01-J70	EA	CABINET - OVERHEAD/FRONT - W/O DOORS/HARDWARE (WASHED MAPLE)
1	119676-01-GV1	EA	CABINET - OVERHEAD FRONT - W/O DOORS/HARDWARE (SALEM CHERRY)
	119676-11-J70	EA	SHELF - W/PLASTIC EDGE TRIM (WASHED MAPLE)
	119676-11-GV1	EA	SHELF - W/PLASTIC EDGE TRIM (SALEM CHERRY)
2	M05990-01-J70	EA	DOOR - ARCHED/OGEE EDGE - 14.3" X 26.7" - W/O HARDWARE (WASHED MAPLE)
2	M05990-01-GV1	EA	DOOR - ARCHED/OGEE EDGE - 14.3" X 26.7" - W/O HARDWARE (SALEM CHERRY)
3	M05990-03-J70	EA	DOOR - ARCHED/OGEE EDGE - 14.3" X 21.8" - W/O HARDWARE (WASHED MAPLE)
3	M05990-03-GV1	EA	DOOR - OGEE EDGE - 14.3" X 21.8" - W/O HARDWARE (SALEM CHERRY)
4	107494-18-J70	EA	END CAP - RIGHT HAND (WASHED MAPLE)
4	107494-18-GV1	EA	END CAP - RIGHT HAND (SALEM CHERRY)
5	119751-15-H56	EA	TABLE EXTENSION - W/O HARDWARE (J70,J71)
5	119751-15-H60	EA	TABLE EXTENSION - W/O HARDWARE (J72,J73)
5	119751-15-J74	EA	TABLE EXTENSION - W/O HARDWARE (J74,J76)
5	119751-15-J75	EA	TABLE EXTENSION - W/O HARDWARE (J75,J77)
6	119751-13-J70	EA	TABLE TOP - W/SIDE EXTENSION - W/O HARDWARE (J70,J71)
6	119751-13-J72	EA	TABLE TOP - W/SIDE EXTENSION - W/O HARDWARE (J72,J73)
6	119751-13-J74	EA	TABLE TOP - W/SIDE EXTENSION - W/O HARDWARE (J74,J76)
6	119751-13-J75	EA	TABLE TOP - W/SIDE EXTENSION - W/O HARDWARE (J75,J77)
7	119751-14-J70	EA	TABLE TOP - W/O SIDE EXTENSION OR HARDWARE (J70,J71)
7	119751-14-J72	EA	TABLE TOP - W/O SIDE EXTENSION OR HARDWARE (J72,J73)
7	119751-14-J74	EA	TABLE TOP - W/O SIDE EXTENSION OR HARDWARE (J74,J76)
7	119751-14-J75	EA	TABLE TOP - W/O SIDE EXTENSION OR HARDWARE (J75,J77)
8	119751-23-J70	EA	LEDGE - F/TABLE TOP CABINET - W/O HARDWARE (WASHED MAPLE)
8	119751-23-GV1	EA	LEDGE - F/TABLE TOP CABINET - W/O HARDWARE (SALEM CHERRY)
9	119751-01-J70	EA	CABINET/TABLE - W/O HARDWARE (J70,J71)
9	119751-01-J72	EA	CABINET/TABLE - W/O HARDWARE (J72,J73)
9	119751-01-J74	EA	CABINET/TABLE - W/O HARDWARE (J74,J76)
9	119751-01-J75	EA	CABINET/TABLE - W/O HARDWARE (J75,J77)

## LOUNGE GROUP (CONTINUED)

### PASSENGER SIDE LOUNGE CABINET



KEY	PART NUMBER	U/M	DESCRIPTION
1	107494-22-J70	EA	END CAP - LEFT HAND (WASHED MAPLE)
1	107494-22-GV1	EA	END CAP - LEFT HAND (SALEM CHERRY)
2	123968-01-J70	EA	CABINET - OVERHEAD/FRONT/RIGHT HAND - W/O DOORS/HARDWARE (WASHED MAPLE)
2	123968-01-H57	EA	CABINET - OVERHEAD/FRONT/RIGHT HAND - W/O DOORS/HARDWARE (SALEM CHERRY)
3	M05990-03-J70	EA	DOOR - ARCHED/OGEE EDGE - 14.3" X 21.8" - W/O HARDWARE (WASHED MAPLE)
3	M05990-03-GV1	EA	DOOR - ARCHED/OGEE EDGE - 14.3" X 21.8" - W/O HARDWARE (SALEM CHERRY)
4	107494-21-J70	EA	END CAP - RIGHT HAND (WASHED MAPLE)
4	107494-21-GV1	EA	END CAP - RIGHT HAND (SALEM CHERRY)
5	120234-01-GV0	EA	LID - ENTRY STEP
	101222-01-04A	EA	BRACKET - CATCH - LID
6	111431-13-J70	EA	TABLE TOP ONLY (WASHED MAPLE)
6	111431-13-E41	EA	TABLE TOP ONLY (SALEM CHERRY)
7	P11431-01-J70	EA	CABINET - COMPLETE W/PULLOUT TOP (WASHED MAPLE)
7	P11431-01-E41	EA	CABINET - COMPLETE W/PULLOUT TOP (SALEM CHERRY)
	119217-01-J70	EA	MOLDING - ENTRANCE DOOR - RIGHT HAND (WASHED MAPLE)
	119217-01-GV1	EA	MOLDING - ENTRANCE DOOR - RIGHT HAND (SALEM CHERRY)
	119217-02-J70	EA	MOLDING - ENTRANCE DOOR - LEFT HAND (WASHED MAPLE)
	119217-02-GV1	EA	MOLDING - ENTRANCE DOOR - LEFT HAND (SALEM CHERRY)

## SEALANTS & FASTENERS GROUP

### SEALANTS & ADHESIVES

KEY	PART NUMBER	U/M DESCRIPTION
	004006-05-700	EA ADHESIVE-NAT. STARCH (5 GAL)
	034552-02-000	EA SILICONE - TUBE - 300 ML - W/O NOZZLE - CLEAR ALSO ORDER P.N.#900390-03-000 NOZZLE SEPARATELY
	039518-01-000	EA SILICONE - TUBE - 300 ML - BLACK - W/O NOZZLE ALSO ORDER P.N.#900390-03-000 NOZZLE SEPARATELY
	053766-02-000	EA BEDDING COMPOUND - TUBE - WHITE
	062917-03-000	EA ADHESIVE - LOCTITE 242
	063642-01-000	FT TAPE - ADHESIVE - .4" X 1.5" X 180"
	067788-01-000	EA ADHESIVE - SPRAY - 3M - 19.5 AEROSOL CAN
	087211-01-000	GL PROMOTER - ADHESIVE
	112901-02-000	EA ADHESIVE - PLEXUS - 50ML
	069640-01-000	FT SEALER - RIBBON - 1/4" DIAMETER X 30'
	069640-02-000	FT SEALER - TAPE - 1/8"THICK X .50"WIDE X 60'
	069640-03-000	FT SEALER - TAPE - 1/8"THICK X .75"WIDE X 60' - BLACK
	069640-09-000	FT SEALER - TAPE - 1/32"THICK X 2.50"WIDE X 80' - GRAY
	069640-11-000	FT SEALER - TAPE - 3/16"THICK X 3/8"WIDE X 40'
	069640-14-000	FT SEALER - TAPE - 1/16"THICK X 1"WIDE X 100'
	069640-15-000	FT SEALER - TAPE - 1/16"THICK X 3/8"WIDE X 80' - GRAY
	069640-18-000	FT SEALER - TAPE - 1/2"THICK X 1/8"WIDE X 60' - BRT/WHITE
	069640-19-000	FT SEALER - TAPE - 3/4" X 1/8" X 60' - BRIGHT WHITE
	069640-20-000	FT SEALER - TAPE - 1/2" X 1/8" X 60' - BLACK FROM: 07-07-97 THRU: 99-99-99
	069640-21-000	FT SEALER - TAPE - 1/2" X 1/16" X 100' - BRIGHT WHITE
	072889-01-000	EA SEALANT - URETHANE - BLACK - 1/10
	072889-09-000	EA SEALANT - URETHANE - BLACK (TUBE)
	072889-10-000	EA SEALANT - URETHANE (HV) - BRIGHT WHITE
	072889-11-000	EA SEALANT - URETHANE - (TUBE) - GRAY
	076322-01-000	FT TAPE - DOUBLE COATED/ADHESIVE BACK - .025"THK X .75"W X 18'
	076322-02-000	FT TAPE - DOUBLE COATED/ADHESIVE BACK - .045"THK X 1"W X 108'
	076322-03-000	FT TAPE - DOUBLE COATED/ADHESIVE BACK - .045"THK X .50"W X 9'
	076322-05-000	FT TAPE - DOUBLE COATED/ADHESIVE BACK - .045"THK X .75"W X 9'
	076322-07-000	FT TAPE - DOUBLE COATED/ADHESIVE BACK - .045"THK X .50"W X 9'
	076322-11-000	FT TAPE - DOUBLE COATED/ADHESIVE BACK - .020"THK X 1"W X 9'
	091255-02-000	FT SEAL - ADHESIVE BACKED/FOAM - .18" THICK X 1.5" WIDE
	102352-01-000	EA SEALER - PUMPABLE - BLACK
	102352-02-000	EA SEALER - PUMPABLE - CLEAR
	106206-01-000	EA SEALER - PUMPABLE - MANUS 30A - BLACK
	107828-01-000	EA SEALANT - SB - 190 EVERSEAL
	108716-03-000	EA SILICONE - TUBE - BRIGHT WHITE/SELF LEVELING - W/O NOZZLE
	110274-01-000	FT TAPE - DOUBLE SIDED FOAM - .45" X 1"
	112864-01-000	FT SEAL - FOAM/BUTYL COVERED - 3/8"
	118085-02-01A	FT TAPE - FOIL - 1"
	120074-02-01A	EA SEALANT - SILICONE - OFF WHITE
	120534-01-01A	EA TAPE - SCOTCH - 3M - 1/2" FINE LINE
	123816-01-000	FT TAPE - DOUBLE SIDED - 1"
	123816-02-000	FT TAPE - DOUBLE SIDED - 1/2" X 35 MIL THICK
	123816-03-000	FT TAPE - DOUBLE SIDED - 1/2" X 20 MIL THICK
	900390-01-000	EA TIP - 2 1/2" X 1/8" ORIFICE
	900390-03-000	EA NOZZLE - SILICONE TUBE

### BOLTS, NUTS & WASHERS

KEY	PART NUMBER	U/M DESCRIPTION
	0MC04K-06-016	EA BOLT - HEX - M06 X 1 X 016
	000C12-05-16B	EA BOLT - HEX - 5/16-18 X 1 - ZINC 5
	000C12-06-16B	EA BOLT - HEX - 3/8-16 X 1 LG - ZINC 5
	000C12-06-20B	EA BOLT - HEX - 3/8 - 16 X 1 1/4 - ZINC #5
	000C12-07-20B	EA BOLT - HEX - 7/16-14 X 1 1/4 - ZINC 5
	000C12-08-24B	EA BOLT - HEX - 1/2-13 X 1.50 - ZINC 5
	000C12-10-24B	EA BOLT - HEX - 5/8-11 X 1.50 - ZINC 5
	000C13-07-48B	EA BOLT - HEX - 7/16-20 X 3 - ZINC 5

## SEALANTS & FASTENERS GROUP (CONTINUED)

### BOLTS, NUTS & WASHERS (CONTINUED)

KEY	PART NUMBER	U/M DESCRIPTION
	000C26-04-14B	EA BOLT - HEX - SERRATED FLANGE - 1/4-20 X 7/8 - ZINC
	000C26-04-10B	EA BOLT - HEX - SERRATED FLANGE - 1/4-20 X 5/8 - ZINC
	000C26-04-18B	EA BOLT - HEX - SERRATED FLANGE - 1/4-20 X 1 1/8 - ZINC
	000C26-05-20B	EA BOLT - HEX - SERRATED FLANGE - 5/16-18 X 1 1/4 - ZINC
	000C26-05-16B	EA BOLT - HEX - SERRATED FLANGE - 5/16-18 X 1 - ZINC
	000C26-05-12B	EA BOLT - HEX - SERRATED FLANGE - 5/16-18 X 3/4 - ZINC
	000C26-06-16B	EA BOLT - HEX - SERRATED FLANGE - 3/8-16 X 1 - ZINC
	000C26-06-12B	EA BOLT - HEX - SERRATED FLANGE - 3/8-16 X 3/4 - ZINC
	000C26-08-24B	EA BOLT - HEX - SERRATED FLANGE - 1/2-13 X 1.5 ZINC FROM: 10-07-97 THRU: 99-99-99
	000G45-04-24B	EA BOLT - LAG - 1/4-9 X 1.50 ZINC FROM: 00-00-00 THRU: 01-01-98
	000G45-04-24F	EA BOLT - LAG - 1/4" #9 X 1 1/2SS FROM: 01-02-98 THRU: 99-99-99
	091274-03-000	EA BOLT-J - 3/8-16 X 12.0 FROM: 00-00-00 THRU: 02-21-98
	051387-05-000	EA BOLT - CARRIAGE W/O HOLE - 5/16-18 X 8.5 - ZINC
	051387-06-000	EA BOLT - CARRIAGE W/O HOLE - 5/16-18 X 9.5 - ZINC
	106956-03-000	EA BOLT - HEX TAP - 1/2-12NC X 3 - GRADE 5 - FULL THREAD/ZINC
	088787-12-000	EA STUD - WELD - 1/4 - 20 X 1.0 LG - MN
	108067-03-000	EA STUD - WELD - 1/4 - 20 X 1/2 CD
	000D24-10-00B	EA NUT - HEX - SELF LOCKING - 10-32 ZINC
	000D29-05-00B	EA NUT - 5/16 - 18 UNC - SF/LOCKING - NYLON WASHER INSERT
	000D29-06-00B	EA NUT - HEX - W/NYLON LOCK - 3/8-16 - ZINC
	000D34-04-00B	EA NUT - HEX - LOCKING - 1/4-20 ZINC FROM: 02-22-98 THRU: 99-99-99
	000D34-06-00B	EA NUT - HEX - LOCKING - 3/8 - 16 GRADE C - ZINC-PREVAILING T
	000D39-04-00B	EA NUT - HEX - LOCKING W/SERRATED FLANGE - 1/4-20 - ZINC
	000D39-05-00B	EA NUT - HEX - LOCKING W/SERRATED FLANGE - 5/16-18 - ZINC
	000D39-06-00B	EA NUT - HEX - LOCKING W/SERRATED FLANGE - 3/8-18 - ZINC
	000D39-07-00B	EA NUT - HEX - LOCKING W/SERRATED FLANGE - 7/16-14 - ZINC
	000D39-08-00B	EA NUT - HEX - LOCKING W/SERRATED FLANGE - 1/2-13 - ZINC
	000D44-07-00B	EA NUT - HEX - SERRATED FLANGE/LOCKING - 7/16-20 - ZINC
	000D46-04-00A	EA NUT - HEX - WELD - 1/4 - 20 - PLAIN
	000D60-05-00A	EA NUT - HEX - WELD/LOCK 5/16 - 18 UNCUT
	000D76-06-00B	EA NUT - HEX FLANGE - 3/8-16 FROM: 00-00-00 THRU: 02-21-98
	040921-03-000	EA NUT - SPEED - U TYPE - #10
	040921-05-000	EA NUT - SPEED - U-TYPE #8 - .67" X .44" WIDE
	044364-02-000	EA NUT - SPEED - FLAT - ROUND
	063253-07-000	EA NUT - J - #8A - .120 - .130 PNL THK
	083163-06-000	EA PUSHNUT - FLAT TYPE 3/8 STUD - FORD ONLY TO RETAIN THE AIR BAFFLE ON THE OIL DIPSTICK TUBE
	087234-01-000	EA NUT - JACK - 1/4 X 20 THD - MOLLY MOUNTS LICENSE PLATES
	000E11-07-00B	EA WASHER - LOCKING - 7/16 MED SPLIT - ZINC
	000E11-08-00B	EA WASHER - LOCKING - 1/2 MED SPLIT - ZINC
	000E13-14-00B	EA WASHER - FLAT - 1/4 WIDE - ZINC
	000E13-17-00B	EA WASHER - FLAT - 3/8" AR - ZINC
	000E13-18-00B	EA WASHER - FLAT - 3/8 WIDE - ZINC
	000E13-20-00B	EA WASHER - FLAT - 7/16 WIDE - ZINC
	000E13-21-00B	EA WASHER - FLAT - W/2 NAR - ZINC FROM: 10-07-97 THRU: 99-99-99
	000E13-22-00B	EA WASHER - FLAT - 1/2 WIDE - ZINC
	000E14-10-00B	EA WASHER - LOCKING - #10 EXTERNAL TOOTH - ZINC
	058716-02-000	EA WASHER - FLAT NYLON
	077071-01-000	EA WASHER - FENDER - 3/16"ID X 1" OD
	107397-01-000	EA WASHER - FENDER - .25" ID X 1" OD
	102540-02-000	EA SEAL - SCREW
	120506-01-01A	EA RIVET - PLASTIC - 3/16 DIAMETER

**SEALANTS & FASTENERS GROUP (CONTINUED)**

**SCREWS**

KEY	PART NUMBER	U/M DESCRIPTION
	0G3908-20-170	EA SCREW - SF/DR - 8-18 X 1.25 PPH - BRIGHT WHITE FROM: 12-01-97 THRU: 01-25-98
	0G3908-24-170	EA SCREW - SF/DR - 8-18 X 1.50 PPH - BRIGHT WHITE FROM: 01-26-98 THRU: 99-99-99
	0G5508-12-110	EA SCREW - SF/DR-8-18 X .75 PWH
	000G11-05-08B	EA SCREW - 5-20 X .50 PPH - ZINC
	000G11-06-06B	EA SCREW - 6-20 X 3/8 PPH - ZINC
	000G11-06-10J	EA SCREW - 6-20 X 5/8 PPH - BRASS
	000G11-06-10B	EA SCREW - 6-20 X 5/8 PPH - ZINC
	000G11-06-08B	EA SCREW - 6-20 X .50 PPH - ZINC
	000G11-07-08B	EA SCREW - 7-19 X .50 PPH - ZINC
	000G11-08-20B	EA SCREW - 8-18 X 1.25 PPH - ZINC
	000G11-08-16S	EA SCREW - 8-18 X 1 PPH - OFF WHITE
	000G11-08-12T	EA SCREW - 8-18 X .75 PPH - BLACK
	000G11-08-12P	EA SCREW - 8-18 X .75 PPH - DARK BROWN
	000G11-08-12P	EA SCREW - 8-18 X .75 PPH - DARK BROWN
	000G11-08-12D	EA SCREW - 8-18 X .75 PPH - BLACK
	000G11-08-12B	EA SCREW - 8-18 X .75 PPH - ZINC
	000G11-08-10B	EA SCREW - 8-18 X .50 PPH - ZINC
	000G11-08-08T	EA SCREW - 8-18 X 1/5 PPH - FLUOROCARBON COATING
	000G11-08-08B	EA SCREW - 8-18 X .50 PPH - ZINC
	000G11-08-06J	EA SCREW - 8-18 X 3/8 PPH BRASS
	000G11-08-06B	EA SCREW - 8-18 X 3/8 PPH - ZINC
	000G11-10-40B	EA SCREW - 10-16 X 2 1/2 PPH CAD - 34927-01-000
	000G11-10-16B	EA SCREW - 10-16 X 1 PPH - ZINC
	000G11-10-12S	EA SCREW - 10-16 X .75 PPH - OFF WHITE
	000G11-10-12D	EA SCREW - 10-16 X .75 PPH - BLACK
	000G12-06-08T	EA SCREW - 6-20 X 1/2 POH - BLACK
	000G13-06-16E	EA SCREW - 6-20 X 1.00 PFH - CHROME
	000G13-06-10G	EA SCREW - 6-20 X 5/8 PFH - ANTIQUE BRASS
	000G13-06-08G	EA SCREW - 6-20 X .50 PFH - ANTIQUE BRASS
	000G13-06-24J	EA SCREW - 6-20 X 1.50 PFH - BRASS
	000G13-06-16J	EA SCREW - 6-20 X 1 PFH - BRASS
	000G13-07-12B	EA SCREW - 7-19 X .75 PFH - ZINC
	000G13-07-10H	EA SCREW - 7-19 X 5/8 PFH - BLACK
	000G13-08-16B	EA SCREW - 8-18 X 1 PFH - ZINC
	000G13-08-109	EA SCREW - 8-18 X 5/8 PFH
	000G18-08-22B	EA SCREW - MACHINE - 8-32 X 1 3/8 PPH - ZINC
	000G19-10-12F	EA SCREW - MACHINE - 10-32 X .75 - PPH - STAINLESS STEEL
	000G19-10-20B	EA SCREW - MACHINE - 10-32 X 1.25 PPH - ZINC
	000G32-10-06D	EA SCREW - 10-32 X 3/8 PPH TYPE 1 - BLACK - 05003-01-000
	000G32-10-06B	EA SCREW - 10-32 X 3/8 PPH - ZINC
	000G39-06-10T	EA SCREW - SF/DR - 6-20 X 5/8 PPH - BLACK
	000G39-06-16T	EA SCREW - SF/DR - 6-20 X 1 PPH - BLACK
	000G39-08-08S	EA SCREW - SF/DR - 8-18 X .50 PPH - OFF WHITE
	000G39-08-08B	EA SCREW - SF/DR - 8-18 X 1.50 PPH - ZINC
	000G39-08-06B	EA SCREW - SF/DR - 8-18 X 3/8 PPH - ZINC
	000G39-08-32B	EA SCREW - SF/DR - 8-18 X 2 PPH - ZINC
	000G39-08-24B	EA SCREW - SF/DR - 8-18 X 1 1/2 PPH - ZINC
	000G39-08-16T	EA SCREW - SF/DR - 6-20 X 1 PPH - BLACK
	000G39-08-16B	EA SCREW - SF/DR - 8-18 X 1 PPH - ZINC
	000G39-08-12T	EA SCREW - SF/DR - 8-18 X .75 PPH - BLACK
	000G39-08-12B	EA SCREW - SF/DR - 8-18 X .75 PPH - ZINC
	000G39-08-08T	EA SCREW - SF/DR - 8-18 X 1/2 PPH - BLACK
	000G39-10-12B	EA SCREW - SF/DR - 10-16 X .75 PPH - ZINC
	000G39-10-10B	EA SCREW - SF/DR - 10-16 X .625 - ZINC
	000G39-10-088	EA SCREW - SF/DR - 10-16 X 1/2 PPH - FLEX FLUOROCARBON
	000G39-10-08B	EA SCREW - SF/DR - 10-16 X .50 PPH - ZINC
	000G39-10-48T	EA SCREW - SF/DR - 10-16 X 3.00 PPH - BLACK

**SEALANTS & FASTENERS GROUP (CONTINUED)**

**SCREWS (CONTINUED)**

KEY	PART NUMBER	U/M DESCRIPTION
	000G39-10-48B	EA SCREW - SF/DR - 10-16 X 3 - PPH - ZINC
	000G39-10-32B	EA SCREW - SF/DR - 10-16 X 2 - PPH - ZINC
	000G39-10-209	EA SCREW - SF/DR - 10-16 X 1 1/4 PPH - FLUOROCARBON SILVER
	000G39-10-20B	EA SCREW - SF/DR - 10-16 X 1.25 PPH - ZINC
	000G39-10-129	EA SCREW - SF/DR - 10-16 X .75 PPH - FLUOROCARBON SILVER
	000G39-10-12D	EA SCREW - SF/DR - 10-16 X .75 PPH - BLACK
	000G42-04-12B	EA SCREW - SF/DR - 1/4-14 X .75 HWH - ZINC
	000G42-04-16B	EA SCREW - SF/DR - 1/4-14 X 1 HWH - ZINC
	000G50-04-12B	EA SCREW - MACHINE - 1/4-20 X .75 PPH - ZINC
	000G51-08-08B	EA SCREW - 8-18 X 1/2 PTH - ZINC
	000G52-08-18B	EA SCREW - MACHINE - 8-32 X 1 1/8 PTH - ZINC
	000G52-08-06B	EA SCREW - MACHINE - 8-32 X 3/8 PTH - ZINC
	000G54-04-20B	EA SCREW - 1/4-20 X 1.25 PTH - TYPE 23 - ZINC PLATED
	000G55-08-125	EA SCREW - SF/DR - 8-18 X 3/4 PWH - WILLOW
	000G55-08-12S	EA SCREW - SF/DR - 8-18 X .75 PWH - OFF WHITE
	000G56-10-24J	EA SCREW - WOOD - 10-13 X 1 1/2 POH - BRIGHT BRASS
	000G57-05-16J	EA SCREW - 5-20 X 1 PFH - BRASS
	000G60-10-20I	EA SCREW - SF/DR - 10-16 X 1.25 POH - BLACK
	000G60-10-16J	EA SCREW - SF/DR - 10-16 X 1 POH - BRIGHT BRASS
	000G67-08-32B	EA SCREW - 8-15 X 2 PPH - ZINC
	000G67-10-08B	EA SCREW - 10-12 X .50 PPH - ZINC
	000G67-10-32B	EA SCREW - 10-12 X 2 PPH - ZINC
	000G67-10-24B	EA SCREW - 10-12 X 1.25 PPH - ZINC
	000G67-10-20D	EA SCREW - 10-12 X 1.25 PPH - BLACK
	000G67-10-16B	EA SCREW - 10-12 X 1 PPH - ZINC
	000G67-10-12B	EA SCREW - 10-12 X .75 PPH - ZINC
	000G67-10-10P	EA SCREW - 10-12X.62 PPH - DARK BROWN
	000G67-10-10D	EA SCREW - 10-12 X 5/8 PPH - BLACK - TYPE A
	000G67-10-10B	EA SCREW - 10-12 X 5/8 PPH - ZINC - TYPE A
	000G67-10-36T	EA SCREW - 10-12 X 2.25 PPH - BLACK
	000G68-06-12S	EA SCREW - 6-18 X 3/4 POH
	000G68-06-10G	EA SCREW - 6-18 X 5/8 POH - ANTIQUE BRASS
	049465-01-000	EA SCREW - 10-16 W/WASHER PTH - DARK BROWN
	049465-04-000	EA SCREW - 10-16 X 1 PTH W/WASHER - BEIGE
	049465-17-000	EA SCREW - 10-16 X 1 POH W/WASHER
	054434-02-000	EA SCREW - SF/DR - 10-16 X 2 - ZINC
	057671-01-000	EA COVER - SCREW - #8 - PLASTIC - OFF WHITE FROM: 00-00-00 THRU: 02-13-97
	057671-11-000	EA COVER - SCREW - HAMPTON TAN - #8
	057671-15-000	EA COVER - SCREW - BRIGHT WHITE FROM: 02-14-97 THRU: 99-99-99
	075908-01-000	EA SCREW - MACHINE - 10-32 X .56 PTH - EXTERNAL TOOTH - ZINC
	076790-01-000	EA SCREW - 6-20 X 1 1/4 PPH - BLACK
	083554-01-000	EA SCREW - DRYWALL - 8 X 1.25
	086256-01-000	EA SCREW - SF/DR - 8 X 3/4 HWH LONG
	101618-01-000	EA SCREW - 1/4-20 X 3/4 HEX - TAPPING - STALGARD TYPE F
	109152-03-000	EA SCREW - 3/8-16 X 2 - FLAT SOC - STAINLESS STEEL - BLACK



**SEALANTS & FASTENERS GROUP (CONTINUED)**

**GROMMETS, CLAMPS & CLIPS**

KEY	PART NUMBER	U/M DESCRIPTION
	000F10-04-16B	EA PIN - COTTER - 1/8" X 1" - ZINC
	000H14-06-03R	EA RIVET - MANDREL BLIND - 3/16 ALUMINUM
	000H16-04-06R	EA RIVET - POP ALUMINUM - 1/8" X .313 - .375
	000H16-06-10R	EA RIVET - POP ALUMINUM - 3/16 X .501-.625
	010495-01-000	EA CLAMP - CABLE - 9/16"
	010497-01-000	EA CLAMP - CLOSED - 5/8" ID
	010497-03-000	EA CLAMP - CLOSED - 1" ID - CUSHIONED
	010497-04-000	EA CLAMP - CLOSED - 1.62" ID
		FROM: 09-19-97 THRU: 99-99-99
	010497-05-000	EA CLAMP - CLOSED - 1/2 ID
	010499-01-000	EA CLAMP - CLOSED - 3/8" ID
	016188-03-000	EA GROMMET - L/P LINE - 3/8" HOLE X 2 1/2" LONG - RUBBER
	016188-05-000	EA GROMMET - L/P LINE - 3/8" HOLE X 1 1/4" LONG - RUBBER
	023942-01-000	EA GROMMET - RUBBER - 2" OD
	062401-01-000	EA CLAMP - HOSE - WORMGEAR - .25" - 1"
	062401-02-000	EA CLAMP - HOSE - WORMGEAR - 1.56" - 2.5"
	062401-03-000	EA CLAMP - HOSE - WORMGEAR - .22" - 1"
	062401-04-000	EA CLAMP - HOSE - WORMGEAR - .69" - 1.25"
	062401-06-000	EA CLAMP - HOSE - WORMGEAR - .22" - .62" ID
	062401-09-000	EA CLAMP - HOSE - WORMGEAR - 2.8" - 3.75"
	062401-11-000	EA CLAMP - HOSE - WORMGEAR - 3.50" - 4.50"
	071015-11-000	EA GROMMET - 1.00 ID - FITS .12 MATERIAL
	071015-19-000	EA GROMMET - .38 ID - FITS .06 MATERIAL
	071015-21-000	EA GROMMET - RUBBER - 1/2 ID X 1.06 OD - W/.19 GROOVE - BLACK
	071015-29-000	EA GROMMET - RUBBER - 1/4 ID X 1 1/4 OD W .12 GROOVE - BLK
	075148-02-000	EA CLAMP - GROUNDING - BRONZE SCREWS
	075312-02-000	EA CLIP-U - .75 LONG X .50 WIDE- F/1/8"-3/16" THICK MATERIAL SLIGHT DESIGN CHANGE FROM THE ORIGINAL CLIPS USED ON THE '84 TO '86 H-BODY AIR DAMS
	083609-01-000	EA CLAMP - WIRE - DUAL - EQUAL DIAMETERS - 5/8"
	083610-01-000	EA CLAMP - WIRE - DUAL - UNEQUAL DIAMETERS - 3/4" & 1 1/4"
	083610-02-000	EA CLAMP - WIRE - DUAL - UNEQUAL DIAMETERS
	088756-01-000	EA GROMMET - WEB - 1 1/8 " I.D.
	091952-01-000	EA CLIP - GRIPPER - 1"
	091952-02-000	EA CLIP - GRIPPER - 3/4"
	094362-02-000	EA CLIP - XMAS TREE - BINDER HEAD - .9" LONG
	101447-01-000	EA CLIP - U TYPE HOLDS SHOWER SURROUND TOGETHER
	114208-02-000	EA GROMMET - EDGE LINER - FITS .625
		FROM: 00-00-00 THRU: 08-19-97

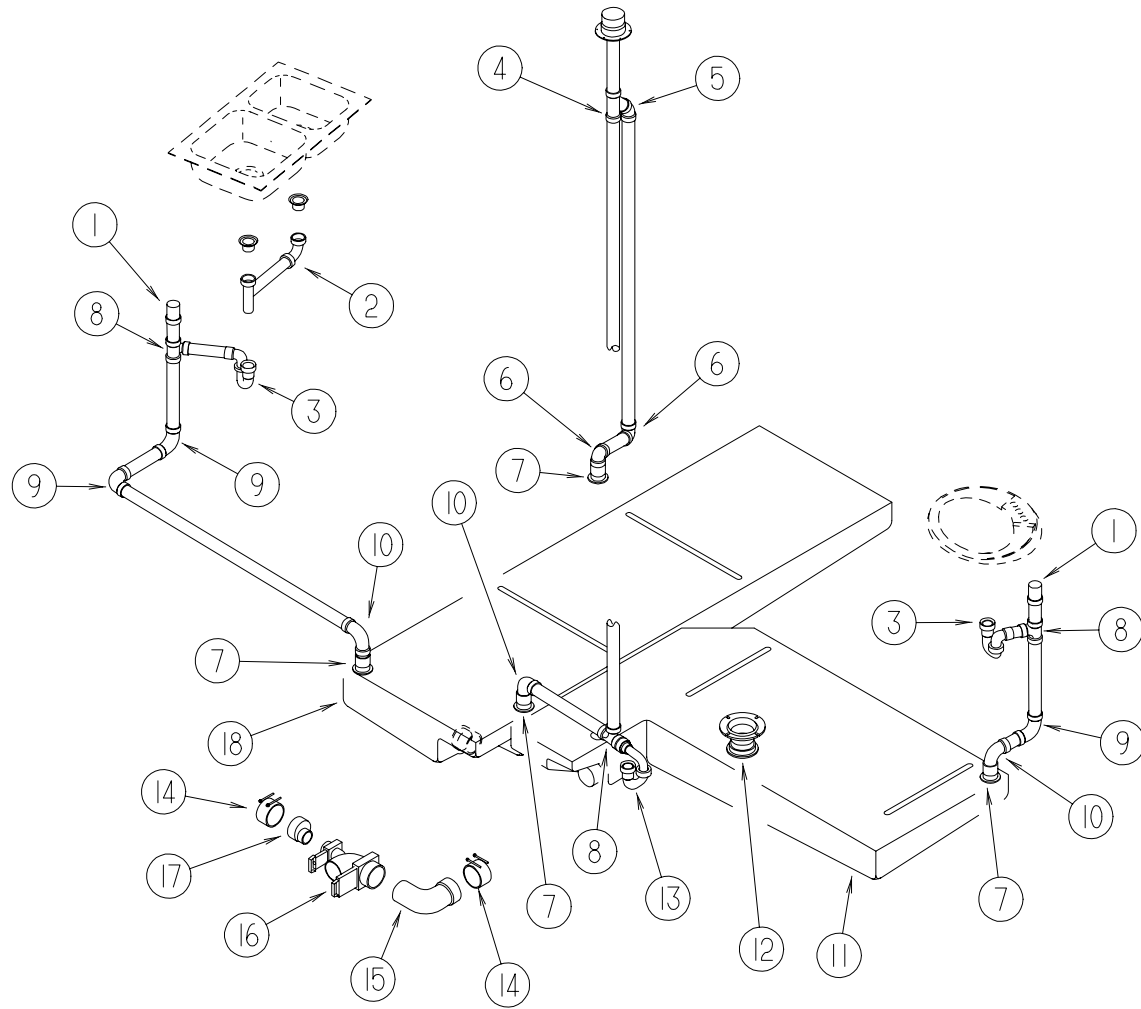
**SEALANTS & FASTENERS GROUP (CONTINUED)**

**WIRE TIES, FASTENERS, & VELCRO TAPE**

KEY	PART NUMBER	U/M DESCRIPTION
	008343-01-000	EA TIE - WIRE - 6"
	008343-02-000	EA TIE - WIRE - 14"
	008343-03-000	EA TIE - WIRE - 7 1/2" - BLACK
	029094-04-000	YD VELCRO TAPE - LOOP - 1" WIDE - BLACK
	029096-03-000	YD VELCRO TAPE - HOOK - 1" WIDE - BLACK
	029096-04-000	YD TAPE - HOOK - VELCRO - 1" WIDE - BLACK
	081211-04-000	EA PLUG - PLASTIC - .46" DIAMETER - BLACK USED IN HOUSE CIRCUIT BREAKER PANELS
	085774-01-000	FT FASTENER - DUAL HOOK - 1" WIDE - ADHESIVE BACK - BLACK
	085774-02-000	FT FASTENER - DUAL HOOK - 1" WIDE - ADHESIVE BACK - BLACK
	085774-03-000	FT FASTENER - DUAL HOOK - 1/2" WIDE - ADHESIVE BACK - BLACK
	085774-04-000	FT FASTENER - DUAL HOOK - 1/2" WIDE - ADHESIVE BACK - BLACK
	086285-01-000	EA SPACER - NYLON - .5" OD X .257" ID
	088792-02-000	YD VELCRO TAPE - LOOP - .75" - ADHESIVE BACKED - BEIGE
	110943-02-000	FT FELTSTRIP - 3/8" - ADHESIVE BACK - WHITE

# WATER & SEWAGE GROUP

## DRAINAGE SYSTEM



KEY	PART NUMBER	U/M DESCRIPTION
1	079968-01-000	EA VENT - MECHANICAL TRAP ARM, ANTI-SIPHON - 2" DIA X 7.3" - PLASTIC
2	011091-02-000	EA PIPE - DRAIN - DOUBLE SINK - BAFFLE TEE - 1 1/2" - U.S. ONE PIPE W/TEE TO DRAIN BOTH SIDES OF SINK
2	011091-03-000	EA PIPE - DRAIN - W/SEALS - DOUBLE SINK - EXTENDS 9" TO 16" - CANADIAN
3	107538-01-000	EA P TRAP PLASTIC - 1 1/4" W/EXT ARM
3	011066-03-700	EA P TRAP 1 1/4 HUB X SLIP JOINT - W/UNION - ABS - CANADIAN
	109571-01-000	EA ADAPTER - P TRAP - 1 1/2 X 1 1/4 MPT
4	010073-01-000	EA WYE - 45 DEGREE - 1 1/2 HUB X HUB X HUB - PLASTIC - BLACK
5	010051-01-000	EA ELBOW - 45 DEGREE BEND - 1 1/2 SPIGOT AND HUB - PLASTIC - BLACK
6	010006-01-000	EA ELBOW - 45 DEGREE - 1/8 BEND - 1 1/2 HUB X HUB - BLACK PLASTIC
7	061607-01-000	EA GROMMET - HOLDING TANK - 1 1/2 NPS
7	010115-01-000	EA COUPLING 1 1/2 HUB X HUB, PLASTIC
8	010071-01-000	EA TEE - SANITARY - 1 1/2 HUB X HUB X HUB - PLASTIC - BLACK
9	010008-01-000	EA ELBOW - 90 DEGREE - 1/4 BEND - 1 1/2 HUB X HUB - BLACK PLASTIC
10	033761-01-000	EA ELBOW - TURN - 90 DEGREE 1 1/2" HUB X 1 1/2" SPIGOT
11	112789-01-000	EA TANK - HOLDING - 46 GALLON - W/O FITTINGS
12	061607-02-000	EA GROMMET - HOLDING TANK - 3" NPS
12	116644-01-000	EA FLANGE - CLOSET - TOILET - 4" X 3"
13	011069-02-000	EA TAILPIECE - TUB/SHOWER - 1 1/2" X 1 1/4" X 4" - BRASS
14	078406-01-000	EA COUPLER - RUBBER - W/CLAMPS - 3" X 3"
15	041956-01-000	EA ELBOW - STREET - PLASTIC - 1/4 BD 3 X 90 XLT
16	070916-01-000	EA VALVE - DUAL DUMP - W/CAP - 3" X 1 1/2" - PLASTIC - BLACK
	070916-01-700	EA VALVE ONLY - 3"
	070916-01-701	EA VALVE ONLY - 1 1/2"
	010201-01-000	EA HOSE - SEWER - 3" ID X 8'
	062416-01-000	EA ADAPTER - SEWER HOSE TO 3" PIPE
17	062422-01-000	EA ADAPTER - OFFSET REDUCER - 3" X 1 1/2" - PLASTIC - BLACK
18	112788-01-700	EA TANK - HOLDING - 59 GALLON W/3" OUTLET NIPPLE

## WATER & SEWAGE GROUP (CONTINUED)

### FRESH WATER TANK

KEY	PART NUMBER	U/M DESCRIPTION
	117217-04-000	EA TANK - FRESH WATER - 30 GALLON - W/FITTINGS
	117217-01-000	EA TANK - FRESH WATER - 30 GALLON - W/O FITTINGS
	116881-05-000	EA TANK - FRESH WATER - 48 GAL - W/NOTCHED CORNER/FITTINGS
	116881-01-000	EA TANK - FRESH WATER - 48 GAL-W/NOTCHED CORNER W/O FITTINGS
	049032-01-000	EA PATCH - SPINWELD - 3/8" - PLASTIC
	042989-03-000	EA FITTING - WATER TANK - SPINWELD - 1 1/4"NPT - PLASTIC
	042989-05-000	EA FITTING - SPINWELD - 1/2" FPT - PLASTIC
	077954-02-000	EA FILTER - WATER TANK - W/SCREEN IN TANK
	079381-01-000	FT TUBING - SMOOTH FLEXIBLE - 1 3/8 ID X 20'
	039861-01-000	EA SENDING UNIT - W/SCREW - WASHER - WELL NUT/TERMINAL RING

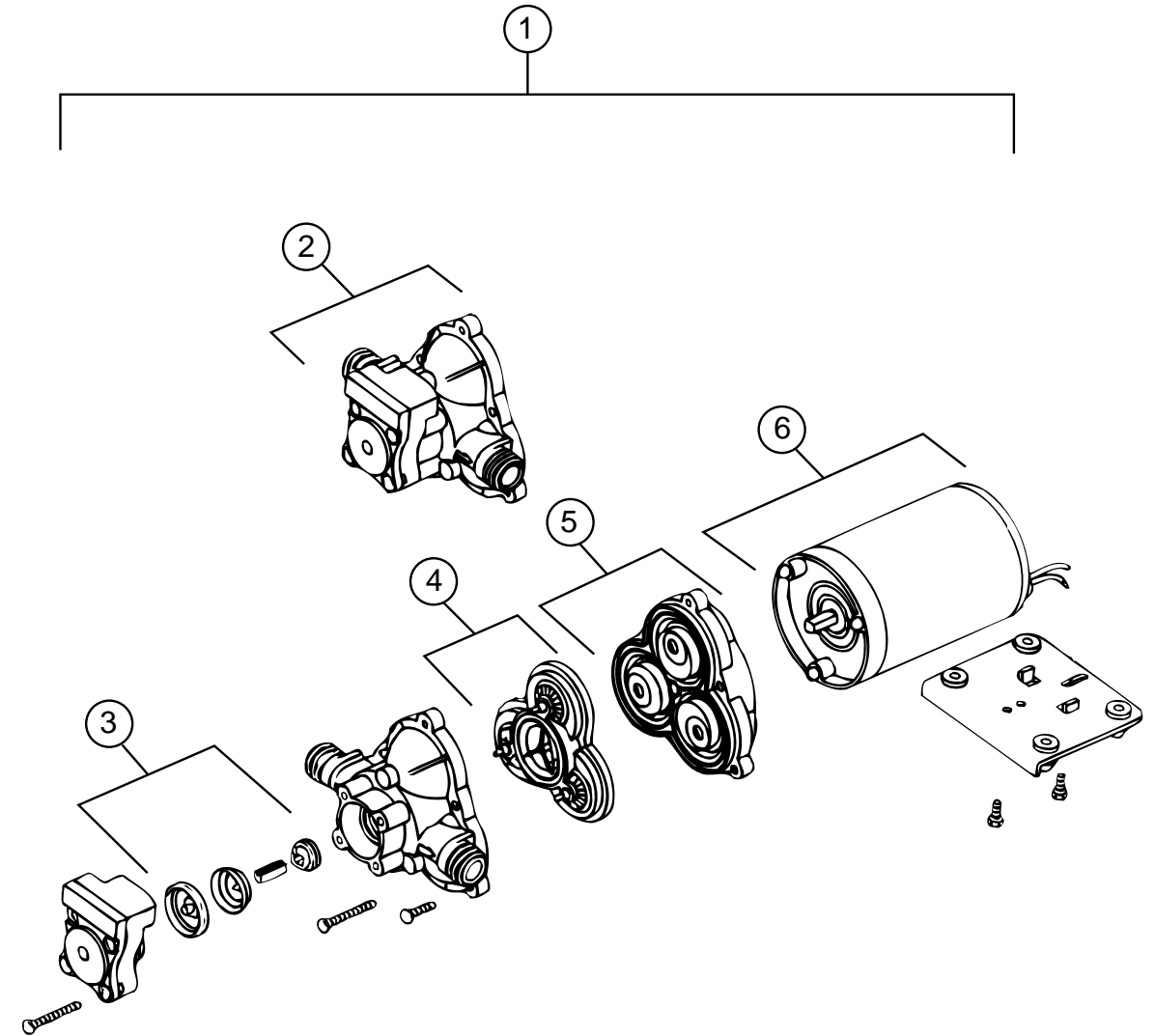
### WATER SYSTEM

KEY	PART NUMBER	U/M DESCRIPTION	VENDOR NO.
	114428-01-000	EA TEE - 1/2"P X 1/2"P X 1/2"P	
	114428-03-000	EA TEE - 1/2"P X 1/2"P X 1/2"MPT	
	114428-02-000	EA TEE - SWIVEL - 1/2"P X 1/2"P X 1/2"FPT	
	118423-01-000	EA FITTING - BRASS-TEE - 1/4C X 1/4C X 1/4C	
	114429-01-000	EA ELBOW - 1/2"P X 1/2"P	
	114429-02-000	EA ELBOW - 1/2"P X 1/2"MPT	
	114429-03-000	EA ELBOW - FLAIR-IT SWIVEL - 1/2"P X 1/2"FPT	
	114429-04-000	EA ELBOW - 1/2"P X 3/8"MPT	
	111223-02-000	EA ELBOW - PLASTIC - 1/2MPT X 3/8 BARB	
	010219-01-000	EA ELBOW - 1 1/4 MPT X 1 1/4 BARB - WATER FILL - PLASTIC	
	039808-03-000	EA ELBOW - 1/2" MPT X 1/2" MPT - PLASTIC	
	123150-01-000	EA ELBOW - 1/2 FPT X 1/2 BARB - SWIVEL	
	114430-08-000	EA ADAPTER - 1/2P X 3/4MPT	
	114430-02-000	EA ADAPTER - SWIVEL - 1/2"P X 1/2"FPT	
	114430-03-000	EA ADAPTER - 1/2"P X 1/2"MPT	
	114430-06-000	EA ADAPTER - 1/2"P X 3/8"FPT	
	118809-02-000	EA ADAPTER - 1/2" MPT X 1/2" BARB - PLASTIC	
	010224-01-000	EA ADAPTER - HOSE TO PIPE - 3/8 MPT X 3/8 BARB - PLASTIC	
	039800-02-000	FT TUBING - POLYBUTYL - 5/8"OD X 20' - INC OF 20'	
	074462-02-000	FT TUBING - VINYL - 3/8 ID X 20' - CLEAR	
	124188-02-000	FT TUBING - PEX - 1/2" ID X 20' - RED	
	111888-01-000	EA FERRULE - PLASTIC - .250 ID X .375 OD	
	111888-02-000	EA INSERT - BRASS - 1/4 COMP	
	120868-01-000	EA VALVE - NEEDLE - 1/4" COMPRESSION X 1/4" COMPRESSION	
	114431-01-000	EA VALVE - 180 DEGREE/CENTER DRAIN - 1/2P - THREE WAY	
	114431-02-000	EA VALVE - WATER BYPASS - 1/2"P - THREE WAY (WATER HEATER)	
	114431-05-000	EA VALVE - NEEDLE - 1/8" MPT X 1/4" COMPRESSION (ICE MAKER)	
	113697-01-000	EA CAP - 3/8 FTG	
	124184-01-000	EA SUPPORT - WATER LINE - BEND	
	077954-02-000	EA FILTER - WATER TANK - W/SCREEN IN TANK	
	039800-04-000	FT TUBING - POLYBUTYL - 1/4"OD	
	118423-01-000	EA FITTING - BRASS-TEE - 1/4C X 1/4C X 1/4C	
	111223-03-000	EA ELBOW - 3/4" MPT X 1/2" BARB - PLASTIC	
	114429-06-000	EA ELBOW - SWIVEL - 1/2"P X 3/4"FPT	
	114431-03-000	EA VALVE - 90 DEGREE DRAIN - 1/2"P	
	124188-01-000	FT TUBING - PEX - 1/2" ID X 20' - BLUE	
	010230-06-000	EA FILL - CITY WATER - W/CHECK VALVE - MPT	
	112176-01-000	FT TUBING - VINYL - REINFORCED - 1/2" ID	
	123150-01-000	EA ELBOW - 1/2 FPT X 1/2 BARB - SWIVEL	
	123243-01-000	EA TANK - ACCUMULATOR - 24 OZ	
	125697-03-000	EA CHECK VALVE - FLUSHING SYSTEM	
	125697-04-000	EA BREAKER - VACUUM - FLUSHING SYSTEM	
	125697-05-000	EA INLET - WATER - FLUSHING SYSTEM	
	126398-01-000	EA ELBOW - ENTRY HOSE - 90 DEGREE	
	701069-01-000	EA WATER PURIFICATION SYSTEM	
	701069-03-700	EA CARTRIDGE RELACEMENT	9592-06
	125697-06-000	EA INSTRUCTIONS - USER - FLUSHING SYSTEM	

## WATER & SEWAGE GROUP (CONTINUED)

### WINTERIZATION KIT

KEY	PART NUMBER	U/M DESCRIPTION
	118569-01-000	EA WINTERIZATION SYSTEM - SWAN RFQ 314-W
	118569-01-700	EA VALVE - ELECTRIC CONTROL NO VDR#
	118569-01-701	EA SWITCH - ELECTRIC NO VDR#
	118569-01-702	EA PLATE - SWITCH NO VDR#
	118569-01-703	EA TANK - 2 GALLON NO VDR#
	118569-01-704	EA PLUG - 3/4 MPT NO VDR#
	118569-01-705	EA PLUG - 1/2 MPT NO VDR#
	118569-01-706	EA SCREEN - WHITE NO VDR#
	111223-03-000	EA ELBOW - 3/4" MPT X 1/2" BARB - PLASTIC
	110438-02-000	EA VALVE - CHECK - BRASS - 1/2 MPT X 1/2 MPT
	118809-01-000	EA ADAPTER-PLAS - 1/2 MPT X 3/8 BARB - KEVCO TA-1086



### WATER PUMP-SHURFLO

KEY	PART NUMBER	U/M DESCRIPTION	VENDOR NO.
1	098607-01-000	EA PUMP - WATER - W/.5" MPT FITTING - FLOW 2.8 GPM	
2	098607-01-706	EA UPPER HOUSING/SWITCH-KIT	94-231-20
3	098607-01-705	EA CHECK VALVE-KIT	94-237-00
4	098607-01-703	EA VALVE ASSEMBLY	94-232-00
5	098607-01-702	EA DIAPHRAGM-KIT	94-238-04
6	098607-01-707	EA MOTOR/BASEPLATE REPLACEMENT	94-235-03

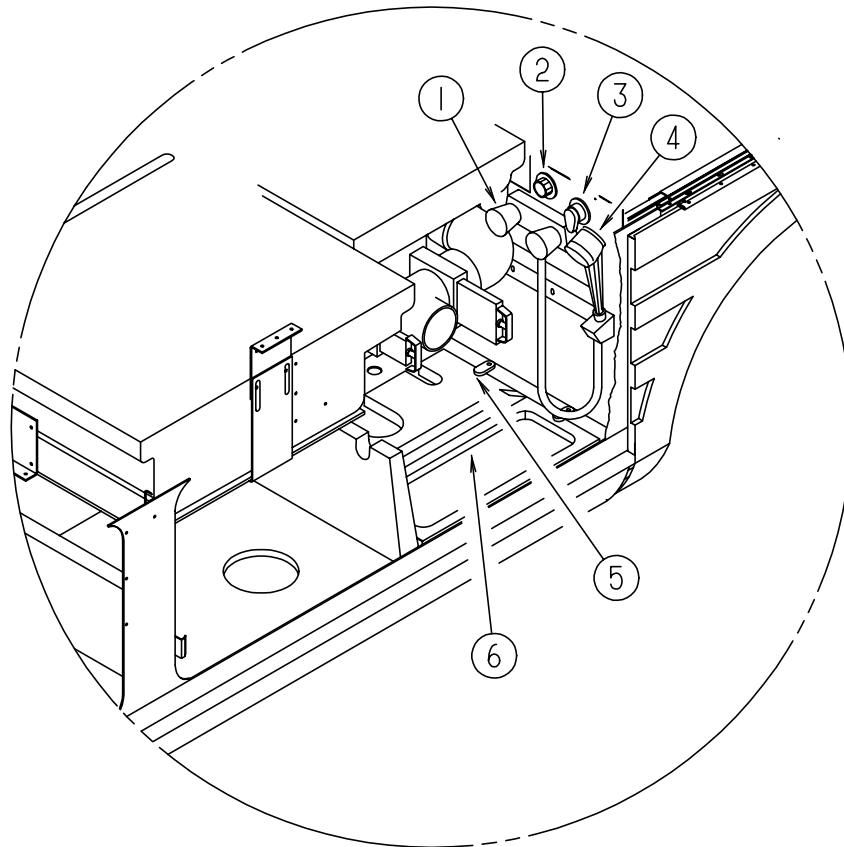
**WATER & SEWAGE GROUP (CONTINUED)**

**WATER & SEWAGE GROUP (CONTINUED)**

**WATER HEATER W/MOTOR AID - ATWOOD GH6-8E**

KEY	PART NUMBER	U/M	DESCRIPTION
*	051393-01-000	EA	WATER HEATER - GH6-8E - ELECTRONIC IGNITION W/MOTOR AID

\* COMPONENT PARTS FOUND IN SERVICE PARTS LIBRARY

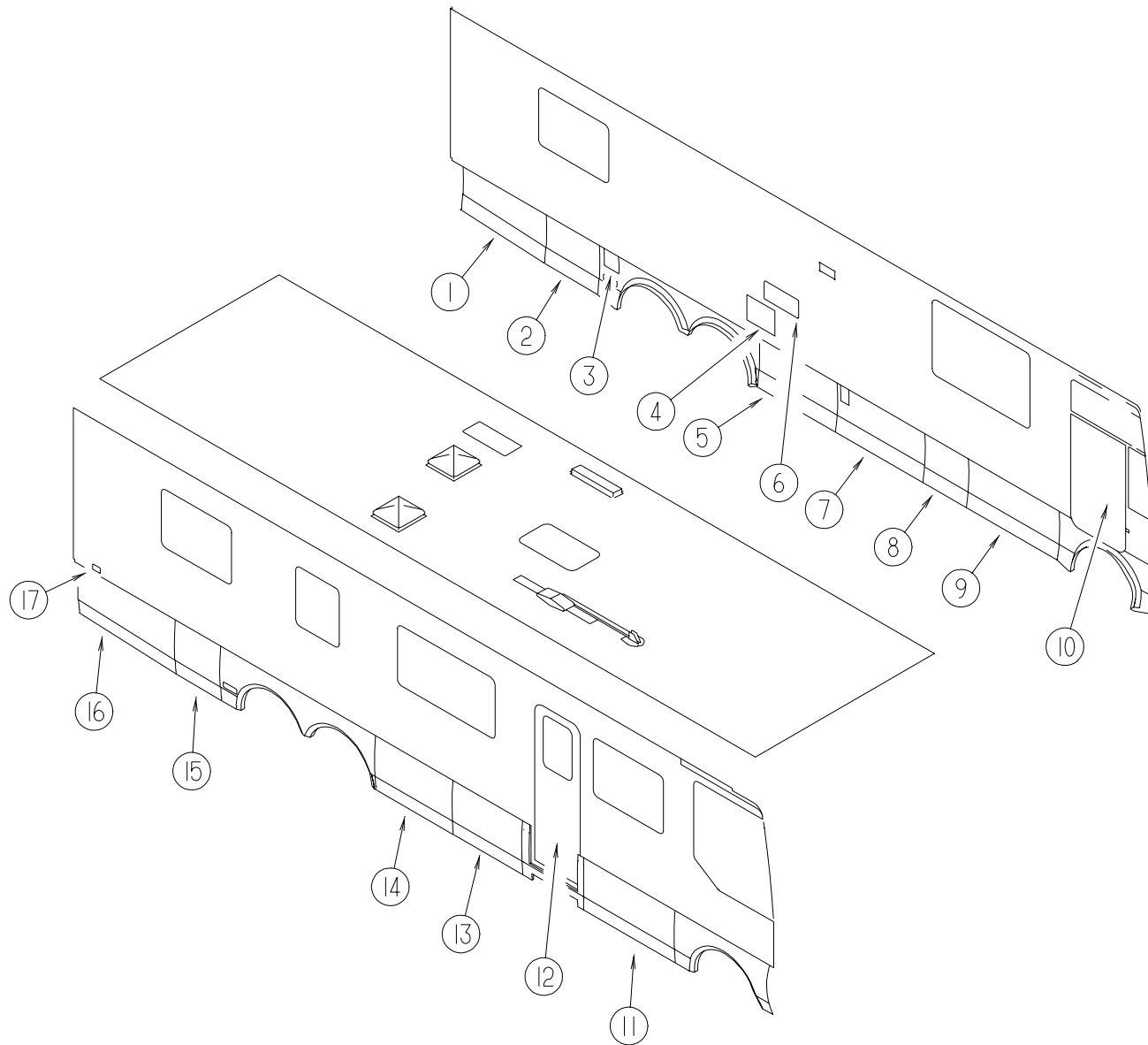


**EXTERIOR SHOWER COMPONENTS**

KEY	PART NUMBER	U/M	DESCRIPTION	VENDOR NO.
1	075241-05-000	EA	FAUCET-SHOWER - BONE W/ 3/4" MPT X 1.4" LONG INLET PIPES	
	114430-02-000	EA	ADAPTER - SWIVEL - 1/2" P X 1/2" FPT	
2	010230-06-000	EA	FILL - CITY WATER - W/CHECK VALVE - MPT	
3	114431-02-000	EA	WATER VALVE - 2 POSITION - "BYPASS VALVE"	
	010497-03-000	EA	CLAMP-CLOSED - 1" ID - CUSHIONED	
	114428-01-000	EA	TEE - 1/2 P X 1/2 P X 1/2 P - FLAIR-IT 02820	
4	103092-02-000	EA	SHOWER HEAD - W/60" HOSE - CSA	
4	103092-03-000	EA	SHOWER HEAD - W/HOSE/BRACKET - BRASS	
	103092-01-700	EA	BRACKET-SHOWER HEAD - CLEAR	2328028
	103092-01-702	EA	SEALS - SPRAY HEAD	24466
	011048-03-700	EA	BRACKET-SHOWER HEAD	2328029-3
5	121175-01-01A	EA	LATCH - SWELL - BLACK	
6	M06991-05-G38	EA	HATCH - W/FOAM	

# WINDOW, VENT & EXTERIOR DOOR GROUP

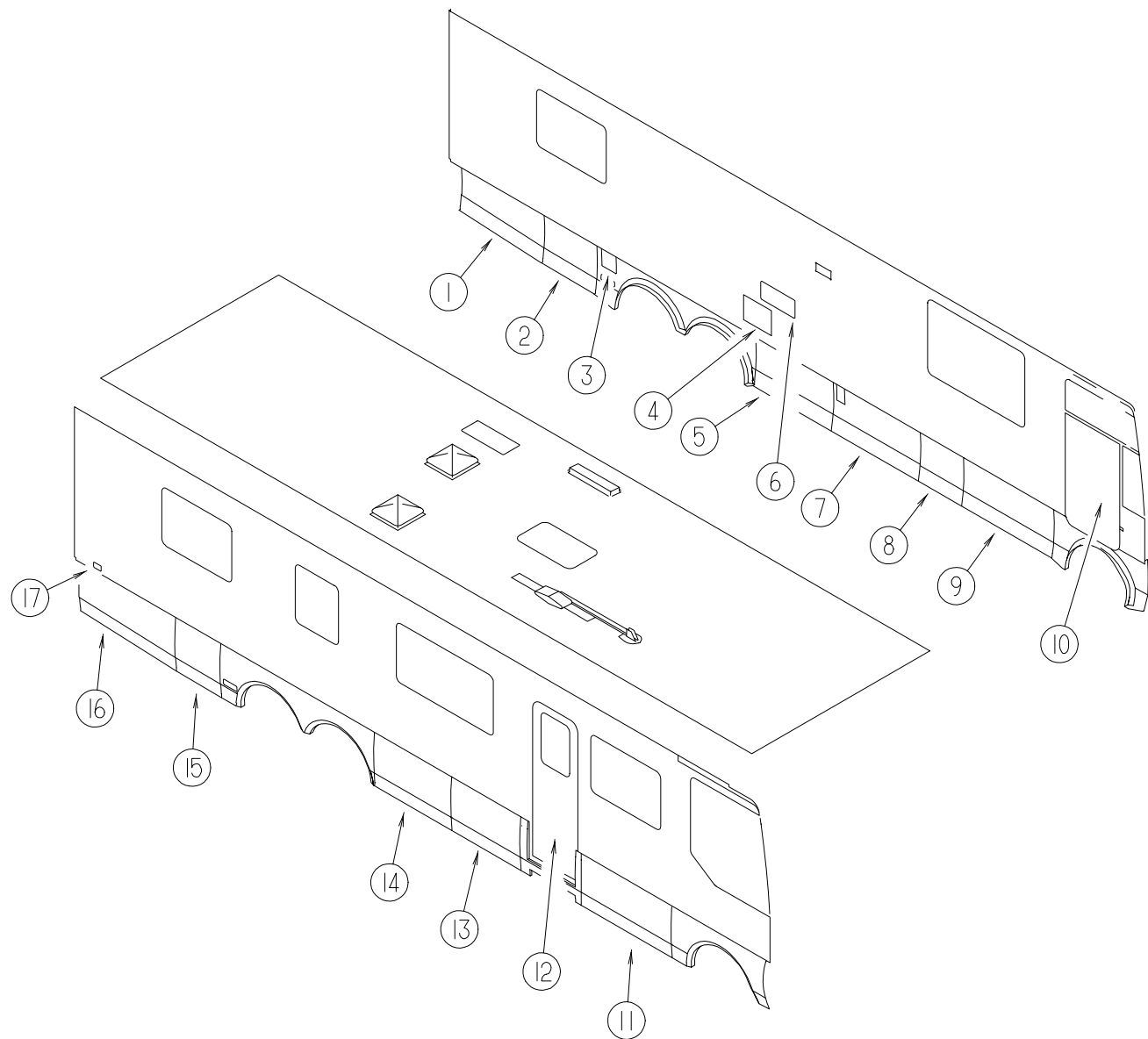
## DOORS



KEY	PART NUMBER	U/M DESCRIPTION
1	120152-02-GV0	EA DOOR - VALANCE - W/LOCKING LATCH - 56.7" X 21.2" X 23.9"
	107796-02-000	EA BRACKET - "L" MOUNT BRACKET - W/BALL STUD F/GAS SPRING
	118037-01-01A	EA HINGE - DOUBLE PIVOT
	119443-01-01A	EA COVER - LATCH - VALANCE DOOR
2	120151-04-GV0	EA DOOR - VALANCE - W/LOCKING PADDLE - 31.5"X 24.2" X 23.8"
	107796-02-000	EA BRACKET - "L" MOUNT BRACKET - W/BALL STUD F/GAS SPRING
	118037-01-01A	EA HINGE - DOUBLE PIVOT
	119443-01-01A	EA COVER - LATCH - VALANCE DOOR
3	118392-01-GV0	EA DOOR - FUEL FILL
	110506-04-000	EA LOCK ASM-KEYED, 26.45MM
	076322-02-000	EA TAPE-DOUBLE COATED, .045 X 1.0
	118036-01-01A	EA HINGE - SINGLE PIVOT
	118037-02-02B	EA HINGE - DOUBLE PIVOT - 90 DEGREE
	118037-02-01A	EA HINGE - DOUBLE PIVOT - 90 DEGREE

KEY	PART NUMBER	U/M DESCRIPTION	VENDOR NO.
4	052009-06-000	EA DOOR - WATER HEATER - BRIGHT WHITE - 18" X 14.6"	
	116424-01-000	EA PROTECTOR-WATER HEATER LATCH, ATWOOD 92611	
5	120150-04-GV0	EA DOOR - VALANCE - W/LIGHT CUTOUT/LOCKING PADDLE-45.5"X24.2"	
	107796-02-000	EA BRACKET - "L" MOUNT BRACKET - W/BALL STUD F/GAS SPRING	
	118037-01-01A	EA HINGE - DOUBLE PIVOT	
	119443-01-01A	EA COVER - LATCH - VALANCE DOOR	
6	084103-08-000	EA DOOR - REFRIGERATOR - VENTED - W/O JAMB	
	084104-08-000	EA JAMB - REFRIGERATOR DOOR	
	084104-01-700	EA LOCK - MALE - FASTENER	201-721-010
	084104-01-701	EA LOCK - FEMALE - FASTENER	201-802-010
6	125481-01-02A	EA DOOR - REFRIGERATOR VENT (SIDE BY SIDE REFRIGERATOR)	
7	120153-01-GV0	EA DOOR - A/C - 44.6"TW X 51.8"BW X 16" X 24.2"	
	118037-01-01A	EA HINGE - DOUBLE PIVOT	
	123783-01-01A	EA STRIKER - DOOR - MILL	
8	120150-01-GV0	EA DOOR - VALANCE - W/LOCKING PADDLE - 25.4" X 24.2"	
	107796-02-000	EA BRACKET - "L" MOUNT BRACKET - W/BALL STUD F/GAS SPRING	
	118037-01-01A	EA HINGE - DOUBLE PIVOT	
	119443-01-01A	EA COVER - LATCH - VALANCE DOOR	
9	120150-05-GV0	EA DOOR - VALANCE - W/LOCKING PADDLE - 53.4"X 24.2"	
	107796-02-000	EA BRACKET - "L" MOUNT BRACKET - W/BALL STUD F/GAS SPRING	
	118037-01-01A	EA HINGE - DOUBLE PIVOT	
	119443-01-01A	EA COVER - LATCH - VALANCE DOOR	
10	106469-10-01A	EA DOOR - DRIVERS - POWER WINDOW	
	106469-11-01A	EA DOOR - DRIVERS - POWER WINDOWS/LOCKS	
11	120150-05-GV0	EA DOOR - VALANCE - W/LOCKING PADDLE - 53.4"X 24.2"	
	107796-02-000	EA BRACKET - "L" MOUNT BRACKET - W/BALL STUD F/GAS SPRING	
	118037-01-01A	EA HINGE - DOUBLE PIVOT	
	119443-01-01A	EA COVER - LATCH - VALANCE DOOR	
12	115108-07-J70	EA DOOR - ENTRY W/POWER LOCK/SCREEN DOOR - W/O WINDOW (J70,J71) FROM: 00-00-00 THRU: 08-17-97	
12	115108-07-J72	EA DOOR - ENTRY W/POWER LOCK/SCREEN DOOR - W/O WINDOW (J72,J73,J74,J75) FROM: 00-00-00 THRU: 08-17-97	
12	115108-07-J76	EA DOOR - ENTRY W/POWER LOCK/SCREEN DOOR - W/O WINDOW (J76,J77) FROM: 00-00-00 THRU: 08-17-97	
12	115108-12-J70	EA DOOR - ENTRY W/POWER LOCK/SCREEN DOOR - W/O WINDOW (J70,J71) FROM: 08-18-97 THRU: 99-99-99	
12	115108-12-J72	EA DOOR - ENTRY W/POWER LOCK/SCREEN DOOR - W/O WINDOW (J72,J73,J74,J75) FROM: 08-18-97 THRU: 99-99-99	
12	115108-12-J76	EA DOOR - ENTRY W/POWER LOCK/SCREEN DOOR - W/O WINDOW (J76,J77) FROM: 08-18-97 THRU: 99-99-99	
12	115108-08-J70	EA DOOR - ENTRY - W/SCREEN DOOR - W/O WINDOW (J70,J71) FROM: 00-00-00 THRU: 08-17-97	
12	115108-08-J72	EA DOOR - ENTRY - W/SCREEN DOOR - W/O WINDOW (J72,J73,J74,J75) FROM: 00-00-00 THRU: 08-17-97	
12	115108-08-J76	EA DOOR - ENTRY - W/SCREEN DOOR - W/O WINDOW (J76,J77) FROM: 00-00-00 THRU: 08-17-97	
12	115108-13-J70	EA DOOR - ENTRY - W/SCREEN DOOR - W/O WINDOW (J70,J71) FROM: 08-18-97 THRU: 99-99-99	
12	115108-13-J72	EA DOOR - ENTRY - W/SCREEN DOOR - W/O WINDOW (J72,J73,J74,J75) FROM: 08-18-97 THRU: 99-99-99	
12	115108-13-J76	EA DOOR - ENTRY - W/SCREEN DOOR - W/O WINDOW (J76,J77) FROM: 08-18-97 THRU: 99-99-99	
13	120150-02-GV0	EA DOOR - VALANCE - W/LOCKING PADDLE - 41.8" X 24.2"	
	107796-02-000	EA BRACKET - "L" MOUNT BRACKET - W/BALL STUD F/GAS SPRING	
	118037-01-01A	EA HINGE - DOUBLE PIVOT	
	119443-01-01A	EA COVER - LATCH - VALANCE DOOR	

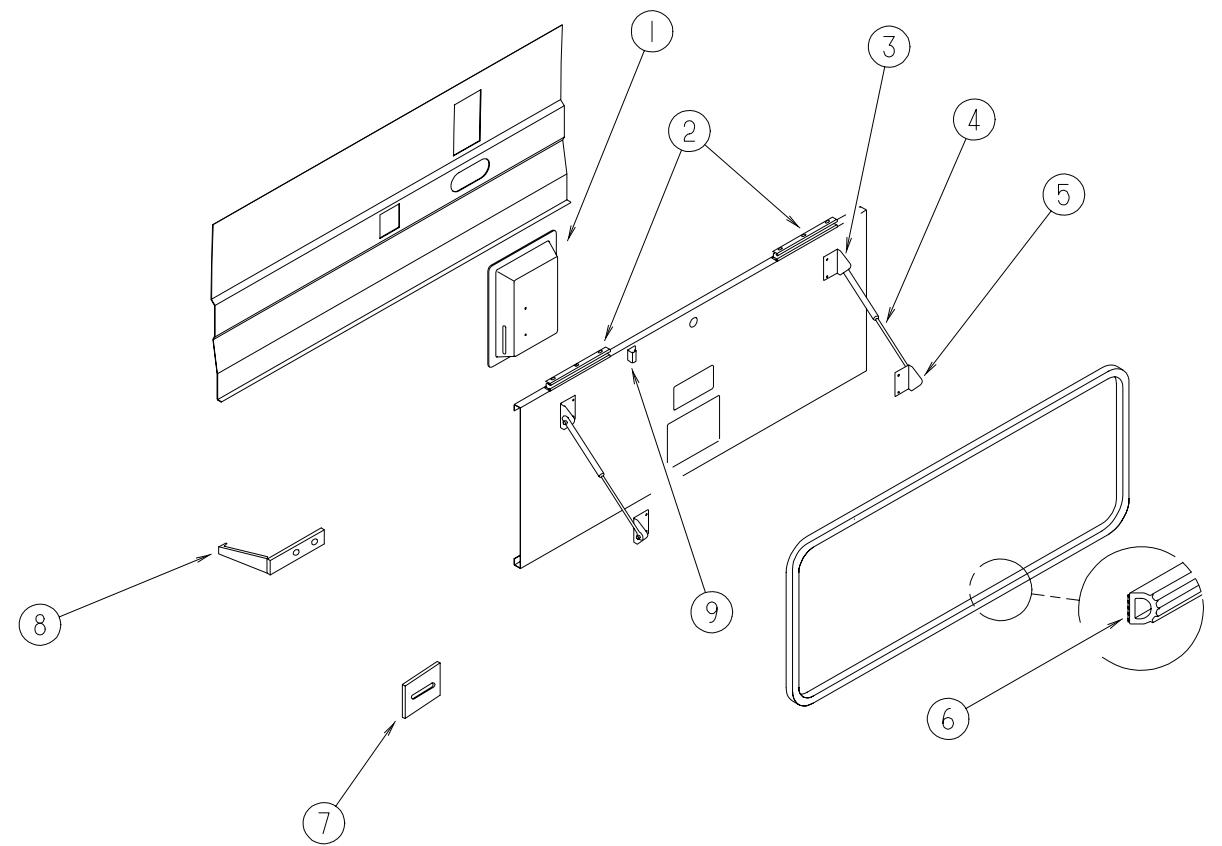
**WINDOW, VENT & EXTERIOR DOOR GROUP (CONTINUED)**



**DOORS (CONTINUED)**

KEY	PART NUMBER	U/M DESCRIPTION
14	120150-03-GV0	EA DOOR - VALANCE - W/LIGHT CUTOUT/LOCKING PADDLE-45.5"X24.2"
	107796-02-000	EA BRACKET - "L" MOUNT BRACKET - W/BALL STUD F/GAS SPRING
	118037-01-01A	EA HINGE - DOUBLE PIVOT
	119443-01-01A	EA COVER - LATCH - VALANCE DOOR
15	120151-03-GV0	EA DOOR - VALANCE - W/NON-LOCKING PADDLE - 26.9"X23.9"X24.2"
	107796-02-000	EA BRACKET - "L" MOUNT BRACKET - W/BALL STUD F/GAS SPRING
	118037-01-01A	EA HINGE - DOUBLE PIVOT
	119443-01-01A	EA COVER - LATCH - VALANCE DOOR
16	120152-01-GV0	EA DOOR - VALANCE - W/LOCKING LATCH - 56.7" X 21.2" X 23.9"
	107796-02-000	EA BRACKET - "L" MOUNT BRACKET - W/BALL STUD F/GAS SPRING
	118037-01-01A	EA HINGE - DOUBLE PIVOT
	119443-01-01A	EA COVER - LATCH - VALANCE DOOR
17	081240-16-000	EA DOOR - WATER FILL - LOCKABLE W/O LOCK - 4" X 4 5/8"
	110506-02-000	EA LOCK - KEYED - 13.64MM

**WINDOW, VENT & EXTERIOR DOOR GROUP (CONTINUED)**



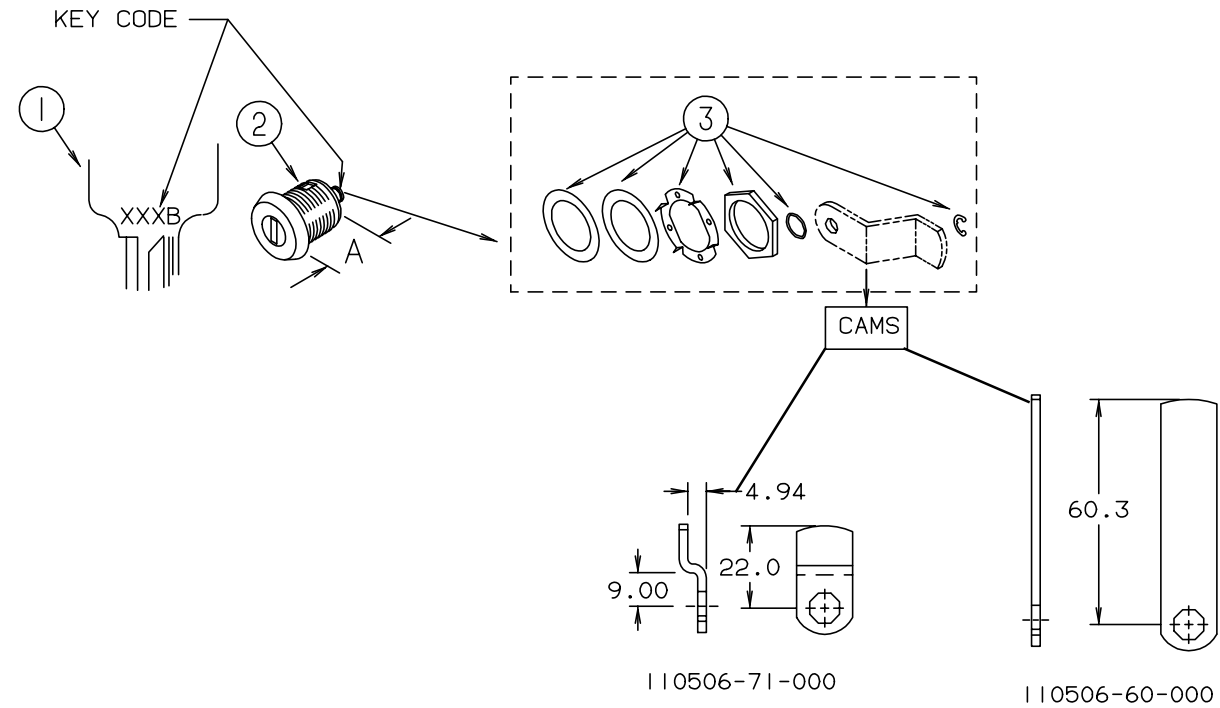
**EXTERIOR COMPARTMENT DOOR COMPONENTS**

KEY	PART NUMBER	U/M DESCRIPTION
1	119443-01-01A	EA COVER - LATCH - VALANCE DOOR
	100128-02-000	FT SEAL - FOAM/ADHESIVE BACK - .37" WIDE X .37" THICK
2	118037-01-01A	EA HINGE - DOUBLE PIVOT
2	118037-02-02B	EA HINGE - DOUBLE PIVOT - 90 DEGREE (FUEL DOOR)
2	118037-02-01A	EA HINGE - DOUBLE PIVOT - 90 DEGREE (FUEL DOOR)
3	107796-02-000	EA BRACKET - "L" MOUNT BRACKET - W/BALL STUD F/GAS SPRING
4	107796-01-000	EA GAS SPRING - 11" COMPRESSED/17" EXTENDED - 40LB.
4	107796-08-000	EA SPRING/GAS - 11" COMPRESSED/17" EXTENDED - 60 LB
5	107796-05-000	EA BRACKET - SUPPORT - GAS SPRING TO BED - FLAT (LOWER)
6	069640-03-000	FT SEALER - TAPE - 1/8" THICK X .75" WIDE X 60'
7	110415-01-01A	EA SHIM - LATCH - VALANCE DOOR
8	102768-01-000	EA HOLDER - COMPARTMENT/ENTRY DOOR - METAL - MILL FINISH
	091876-01-000	EA RETAINER - DOOR - 1.9" X .8" - METAL

## WINDOW, VENT & EXTERIOR DOOR GROUP (CONTINUED)

### BRIGGS & STRATTON LOCKS & COMPONENTS

NOTE:  
 WHEN ORDERING THE LOCK CASE, THE KEY CODE MUST MATCH THE LAST DIGIT OF THE VEHICLE'S SERIAL NUMBER AND PART NUMBER; WHEN ORDERING THE KEYS, THE THIRD DIGIT OF THE KEY CODE MUST MATCH THE LAST DIGIT OF THE VEHICLE'S SERIAL NUMBER AND PART NUMBER

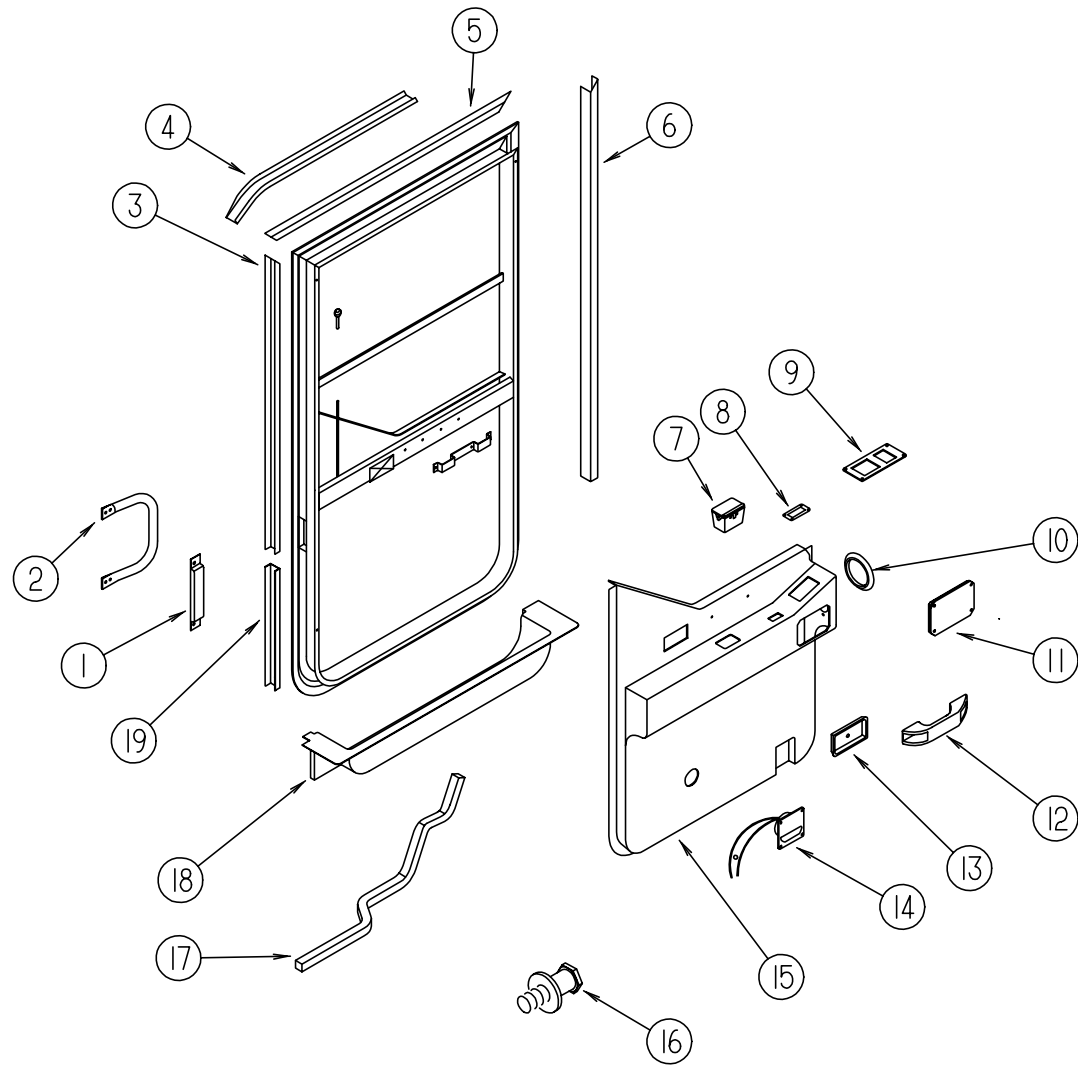


KEY	PART NUMBER	U/M	DESCRIPTION	VENDOR NO.
1	110506-59-000	EA	KEYS-SET OF TWO	596720
2	110506-52-000	EA	CASE-LOCK, A = 17 MM	702370
2	110506-53-000	EA	CASE-LOCK, A = 25 MM	702380
1	110506-59-001	EA	KEYS-SET OF TWO	596721
2	110506-52-001	EA	CASE-LOCK, A = 17 MM	702371
2	110506-53-001	EA	CASE-LOCK, A = 25 MM	702381
1	110506-59-002	EA	KEYS-SET OF TWO	596722
2	110506-52-002	EA	CASE-LOCK, A = 17 MM	702372
2	110506-53-002	EA	CASE-LOCK, A = 25 MM	702382
1	110506-59-003	EA	KEYS-SET OF TWO	596723
2	110506-52-003	EA	CASE-LOCK, A = 17 MM	702373
2	110506-53-003	EA	CASE-LOCK, A = 25 MM	702383
1	110506-59-004	EA	KEYS-SET OF TWO	596724
2	110506-52-004	EA	CASE-LOCK, A = 17 MM	702374
2	110506-53-004	EA	CASE-LOCK, A = 25 MM	702384
1	110506-59-005	EA	KEYS-SET OF TWO	596725
2	110506-52-005	EA	CASE-LOCK, A = 17 MM	702375
2	110506-53-005	EA	CASE-LOCK, A = 25 MM	702385
1	110506-59-006	EA	KEYS-SET OF TWO	596726
2	110506-52-006	EA	CASE-LOCK, A = 17 MM	702376
2	110506-53-006	EA	CASE-LOCK, A = 25 MM	702386

KEY	PART NUMBER	U/M	DESCRIPTION	VENDOR NO.
1	110506-59-007	EA	KEYS-SET OF TWO	596727
2	110506-52-007	EA	CASE-LOCK, A = 17 MM	702377
2	110506-53-007	EA	CASE-LOCK, A = 25 MM	702387
1	110506-59-008	EA	KEYS-SET OF TWO	596728
2	110506-52-008	EA	CASE-LOCK, A = 17 MM	702378
2	110506-53-008	EA	CASE-LOCK, A = 25 MM	702388
1	110506-59-009	EA	KEYS-SET OF TWO	596729
2	110506-52-009	EA	CASE-LOCK - A = 17 MM	702379
2	110506-53-009	EA	CASE-LOCK - A = 25 MM	702389
3	110506-40-700	EA	HARDWARE KIT - INCLUDES GASKET, WASHERS, NUT & CLIP	
	110506-60-000	EA	CAM - LOCK - BRIGGS & STRATTON 322276 (FUEL FILL)	
	110506-71-000	EA	CAM - LOCK - BRIGGS & STRATTON 322287 (WATER FILL)	
	110506-59-701	EA	KEY BLANK (GOLD)	

## WINDOW, VENT & EXTERIOR DOOR GROUP (CONTINUED)

### DRIVERS DOOR

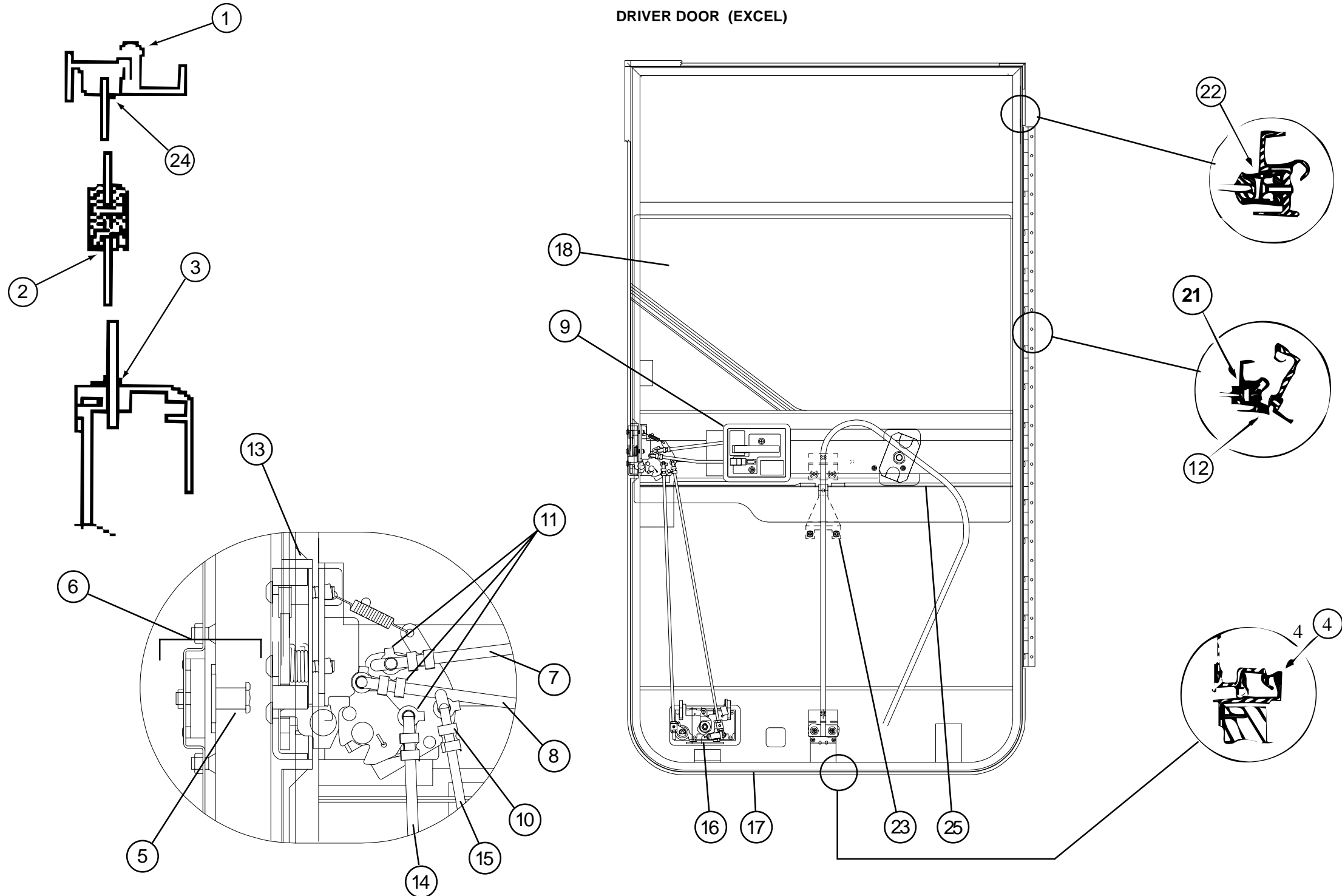


KEY	PART NUMBER	U/M	DESCRIPTION	VENDOR NO.
	106469-10-01A	EA	DOOR - DRIVERS - POWER WINDOW	
	106469-11-01A	EA	DOOR - DRIVERS - POWER WINDOWS/LOCKS	
1	108654-01-01A	EA	COVER - STRIKE - DRIVER DOOR	
2	108832-02-01A	EA	HANDLE - ASSIST - DOOR/DRIVER	
3	108129-01-01A	EA	GARNISH - DRIVERS DOOR	
4	108274-08-02A	EA	RAIL - DRIP - FRONT/DRIVER - BRIGHT WHITE	
5	108107-01-01A	EA	GARNISH - DRIVERS DOOR - MILL	
6	108108-03-01A	EA	GARNISH - DRIVERS DOOR - MILL	
	108119-03-F36	EA	GARNISH - DRIVER DOOR	
7	118719-01-01A	EA	ASHTRAY - TOP MOUNT - BLACK PLASTIC	
8	093132-01-000	EA	SWITCH - ROCKER - 5 TERMINAL - W/ARROWS F/POWER WINDOWS	
	094086-01-01A	EA	PLATE - SWITCH - SINGLE GANG - 1.8" X 3" - BLACK PLASTIC	
9	087695-02-000	EA	SWITCH - HEATER - EXTERIOR MIRROR	
9	088246-01-000	EA	SWITCH - REMOTE - EXTERIOR - SQUARE PUSH	
10	093145-01-000	EA	SLEEVE - WIRE - 10" LONG	
	093146-01-000	EA	GROMMET - WIRE - 1.7" X 3.1" - OVAL SHAPED - BLACK PLASTIC	
11	107889-02-000	EA	CONTROL PANEL KIT - ELECTRONIC SOFT TOUCH	
	100532-09-700	EA	PANEL ASM. - TOUCH CONTROL	RAP1002
	100532-09-702	EA	CABLE - MODULAR - 5'	AP1020
12	102710-01-01A	EA	HANDLE - ASSIST - ENTRY DOOR - 6.6" LONG	
	118640-01-01B	EA	BRACKET - HANDLE	
13	N/A	EA	COVER-LATCH, DOOR (SUPPLIED W/DRIVERS DOOR)	
14	108354-01-01A	EA	LIGHT - COURTESY	
	108354-01-700	EA	BULB - COURTESY LIGHT	395-B
15	118582-01-01A	EA	PANEL - TRIM - INNER/LEFT HAND	
15	118582-02-01A	EA	PANEL - TRIM - INNER/LEFT HAND - F/LEVELING JACKS	
16	N/A	EA	STRIKER ASSEMBLY, (SUPPLIED W/DRIVERS DOOR)	
17	063977-14-000	EA	STEP - DRIVER DOOR - LEFT HAND	
18	126069-01-01A	EA	TRIM - STEP - DRIVER	
	102569-02-000	EA	MAT - ANTI SLIP - LOWER	
	109506-01-000	EA	FILM - URETHANE - PROTECTANT - 4.25" X 26.75"	
	109235-01-01A	FT	COVER - SCREW - MAT BLACK	
19	108897-02-01A	EA	GARNISH - DRIVER DOOR - REAR LOWER	
	109378-01-000	EA	STRAP - CHECK - DRIVER DOOR - 12.8"	
	064219-01-000	EA	RETAINER - CHECK STRAP - DRIVER DOOR	



# WINDOW, VENT & EXTERIOR DOOR GROUP (CONTINUED)

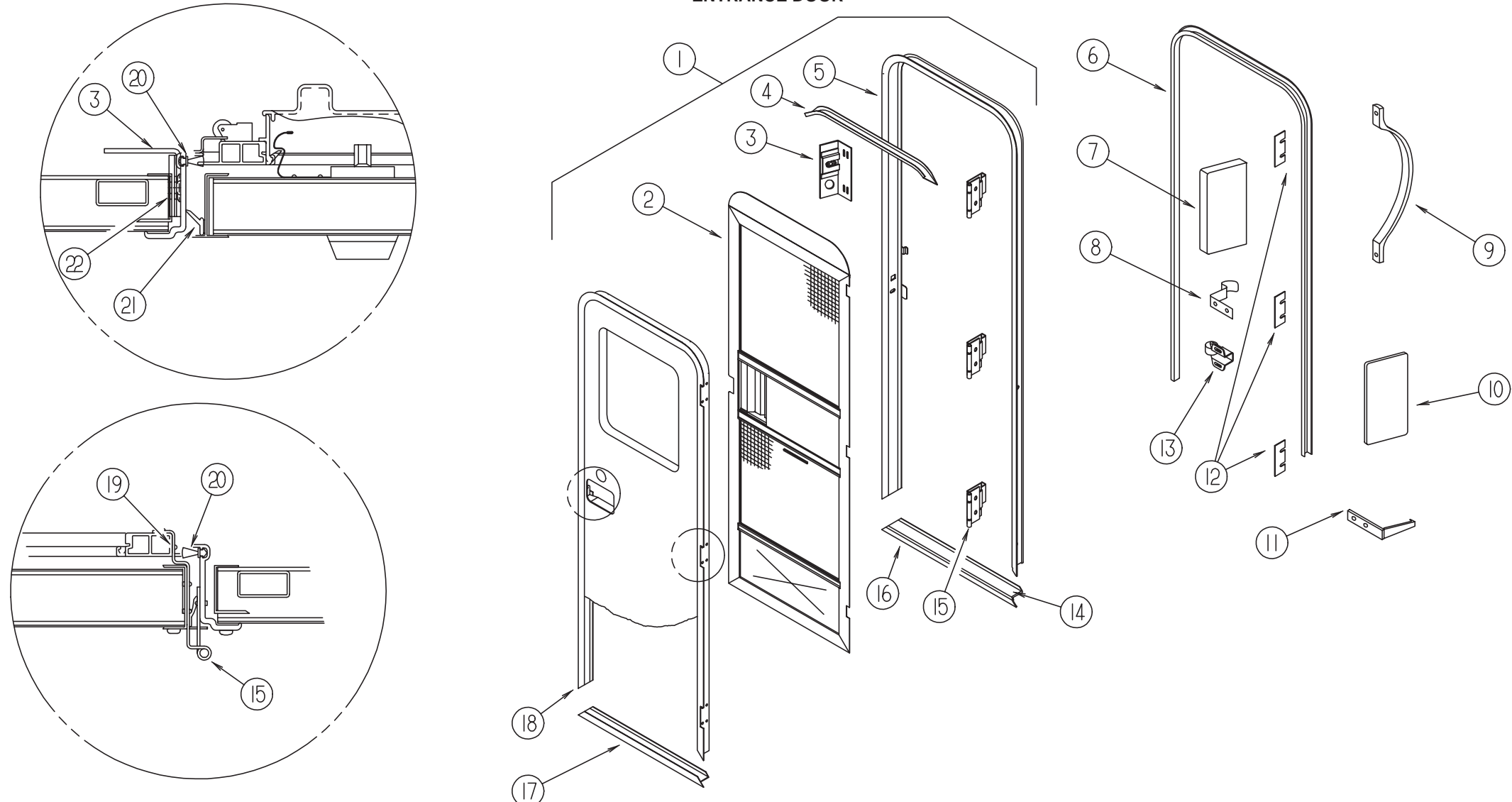
## DRIVER DOOR (EXCEL)



KEY	PART NUMBER	U/M DESCRIPTION	VENDOR NO.
1	106469-01-702	EA DOOR SEAL	122-040984
2	106469-01-705	FT CHANNEL - RUN - SLIDING	122-010850
3	106469-01-709	FT WEATHERSTRIP - FUZZY	171-040630
4	106469-01-723	EA SEAL - BULB ASM. (JAMB)	171-040985
5	106469-04-703	EA BOLT - STRIKER (W/ WASHER)	248-041152
6	106469-04-704	EA NUT ASSEMBLY - CAGED - W/STRIKER	248-041151
7	106469-04-705	EA LATCH ROD - HORIZONTAL	203-041139
8	106469-04-711	EA LOCK ROD - HORIZONTAL	203-041137
9	106469-04-712	EA HANDLE/DOOR - INNER W/HARDWARE	248-041402
10	106469-04-713	EA ROD CLIP L.H.	248-041154
11	106469-04-714	EA ROD CLIP R.H.	248-041153
12	106469-05-702	EA HINGE - 42"	211-041194
13	106469-05-706	EA LATCH - ROTARY - W/LINKAGE	248-041150

KEY	PART NUMBER	U/M DESCRIPTION	VENDOR NO.
14	125581-04-700	EA ROD - LATCH/VERTICAL ADJUST.	203041767
15	125581-04-701	EA ROD - LOCK/VERTICAL ADJUST.	203-041768
16	125581-04-702	EA PADDLE RH-W/COLLAR BLACK TEX	248-041403
17	125581-04-703	EA FRAME - MOUNTING - BLACK	V180-35L
18	125581-04-704	EA GLASS - ROLL-UP	106-041821
19	125581-04-705	EA GLASS - STATIONARY	106-041547
20	125581-04-706	EA FRAME - DOOR - SUB-ASSEMBLY	V180-94L
21	125581-04-707	EA CHANNEL - ROLL UP GLASS	V156-60
22	125581-04-708	EA CHANNEL - STATIONARY GLASS	V156-61
23	125581-04-709	EA REGULATOR - MANUAL	410-08389
24	125581-04-710	EA VINYL - GLAZING	132-041484
25	125581-04-711	EA CHANNEL- GLASS	N135-66
	106469-04-701	EA TUMBLER & KEYS (TRI-MARK)	248-041179
	106469-04-702	EA KEYS (BLANK)	248-041180

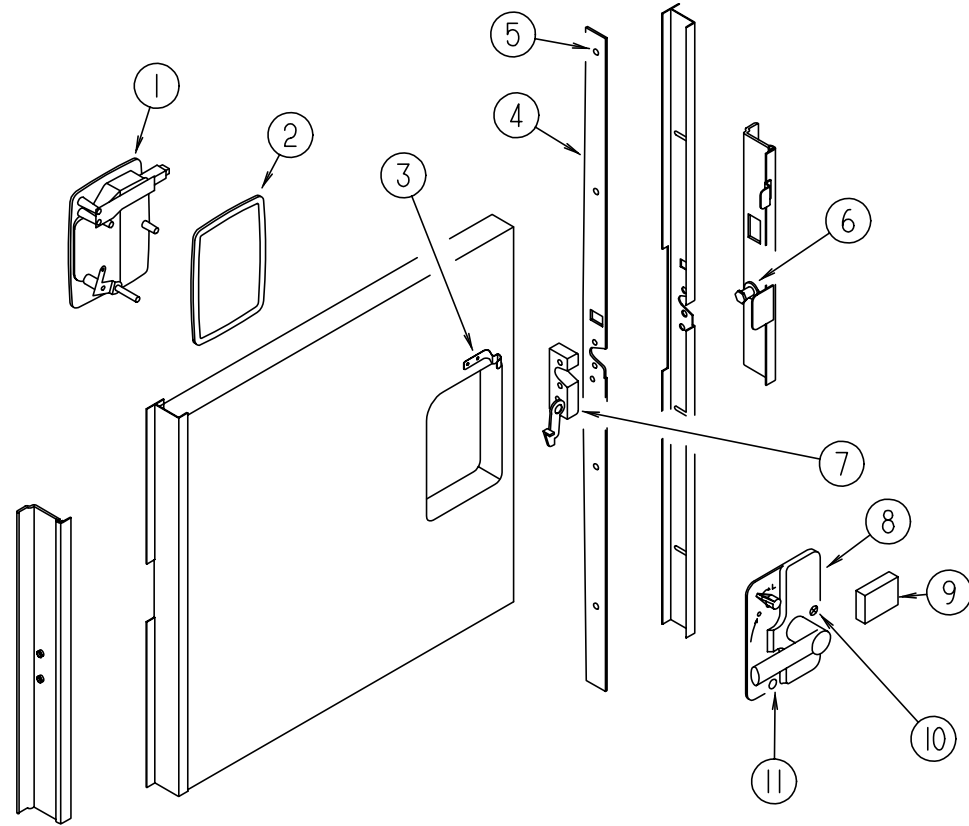
**WINDOW, VENT & EXTERIOR DOOR GROUP (CONTINUED)**  
ENTRANCE DOOR



KEY	PART NUMBER	U/M	DESCRIPTION
1	115108-07-J70	EA	DOOR - ENTRY W/POWER LOCK/SCREEN DOOR - W/O WINDOW (J70,J71) FROM: 00-00-00 THRU: 08-17-97
1	115108-07-J72	EA	DOOR - ENTRY W/POWER LOCK/SCREEN DOOR - W/O WINDOW (J72,J73,J74,J75) FROM: 00-00-00 THRU: 08-17-97
1	115108-07-J76	EA	DOOR - ENTRY W/POWER LOCK/SCREEN DOOR - W/O WINDOW (J76,J77) FROM: 00-00-00 THRU: 08-17-97
1	115108-12-J70	EA	DOOR - ENTRY W/POWER LOCK/SCREEN DOOR - W/O WINDOW (J70,J71) FROM: 08-18-97 THRU: 99-99-99
1	115108-12-J72	EA	DOOR - ENTRY W/POWER LOCK/SCREEN DOOR - W/O WINDOW (J72,J73,J74,J75) FROM: 08-18-97 THRU: 99-99-99
1	115108-12-J76	EA	DOOR - ENTRY W/POWER LOCK/SCREEN DOOR - W/O WINDOW (J76,J77) FROM: 08-18-97 THRU: 99-99-99
1	115108-08-J70	EA	DOOR - ENTRY - W/SCREEN DOOR - W/O WINDOW (J70,J71) FROM: 00-00-00 THRU: 08-17-97
1	115108-08-J72	EA	DOOR - ENTRY - W/SCREEN DOOR - W/O WINDOW (J72,J73,J74,J75) FROM: 00-00-00 THRU: 08-17-97
1	115108-08-J76	EA	DOOR - ENTRY - W/SCREEN DOOR - W/O WINDOW (J76,J77) FROM: 00-00-00 THRU: 08-17-97
1	115108-13-J70	EA	DOOR - ENTRY - W/SCREEN DOOR - W/O WINDOW (J70,J71) FROM: 08-18-97 THRU: 99-99-99
1	115108-13-J72	EA	DOOR - ENTRY - W/SCREEN DOOR - W/O WINDOW (J72,J73,J74,J75) FROM: 08-18-97 THRU: 99-99-99
1	115108-13-J76	EA	DOOR - ENTRY - W/SCREEN DOOR - W/O WINDOW (J76,J77) FROM: 08-18-97 THRU: 99-99-99
2	117077-02-J70	EA	DOOR - SCREEN

KEY	PART NUMBER	U/M	DESCRIPTION
3	041546-08-000	EA	BRACKET - DOOR ANGLE O/W
4	044582-49-000	EA	CAP - DRIP - JAMB MITERED
5	121898-06-02A	EA	JAMB - ENTRY DOOR
5	121898-07-02A	EA	JAMB - ENTRY DOOR - POWERED DOOR
	092927-03-000	EA	STRIKER - ROUND - JAMB MOUNTED
6	115222-02-01A	EA	GARNISH - RADIUS - ENTRY DOOR
6	115222-08-01A	EA	GARNISH - RADIUS - ENTRY DOOR - POWERED DOOR
7	077461-03-000	EA	COVER - STRIKE - ENTRY DOOR - 6.5" X 2.5" - WHITE PLASTIC
8	100412-01-000	EA	CATCH - SCREEN DOOR
9	102710-01-01A	EA	HANDLE - ASSIST - ENTRY DOOR - 6.6" LONG
10	076725-02-000	EA	COVER - ACCESS - HINGE - ENTRY DOOR - 6" X 3.2"
11	102768-01-000	EA	HOLDER - COMPARTMENT/ENTRY DOOR - METAL - MILL FINISH
12	102248-01-000	EA	SHIM - DOOR
13	109403-01-000	EA	CATCH - SINGLE ROLLER - SCREEN DOOR
14	038327-01-000	EA	TAPE - ANTI-SLIP - 2" X 6'
15	106719-01-05A	EA	HINGE - ENTRANCE DOOR - BRIGHT WHITE
	039715-01-000	EA	NUT-SERT - 1/4" DIAMETER - 20 THREADS
	116111-02-01A	EA	SCREW - TAPTITE - 1/4-20 X 3/8 PPH - ZINC
16	051049-01-000	EA	JAMB - BOTTOM - ENTRY DOOR - 25.9" - UNPAINTED
17	089748-21-000	EA	FRAME - DOOR/ENTRY BOTTOM
18	122102-02-02A	EA	FRAME - ENTRY DOOR
18	122102-01-02A	EA	FRAME - ENTRY DOOR - W/POWER LOCK
19	100128-02-000	FT	SEAL - FOAM - ADHESIVE BACK - .37" WIDE X .37" THICK
20	118929-01-01A	FT	SEAL - PILE - PUSH ON
21	075671-04-000	FT	SEAL - SPONGE - LAZY T - W/ADHESIVE STRIP - .5" WIDE
22	104692-01-000	FT	SEAL - FOAM/ADHESIVE BACK - .75" THICK X .75" WIDE X 25'

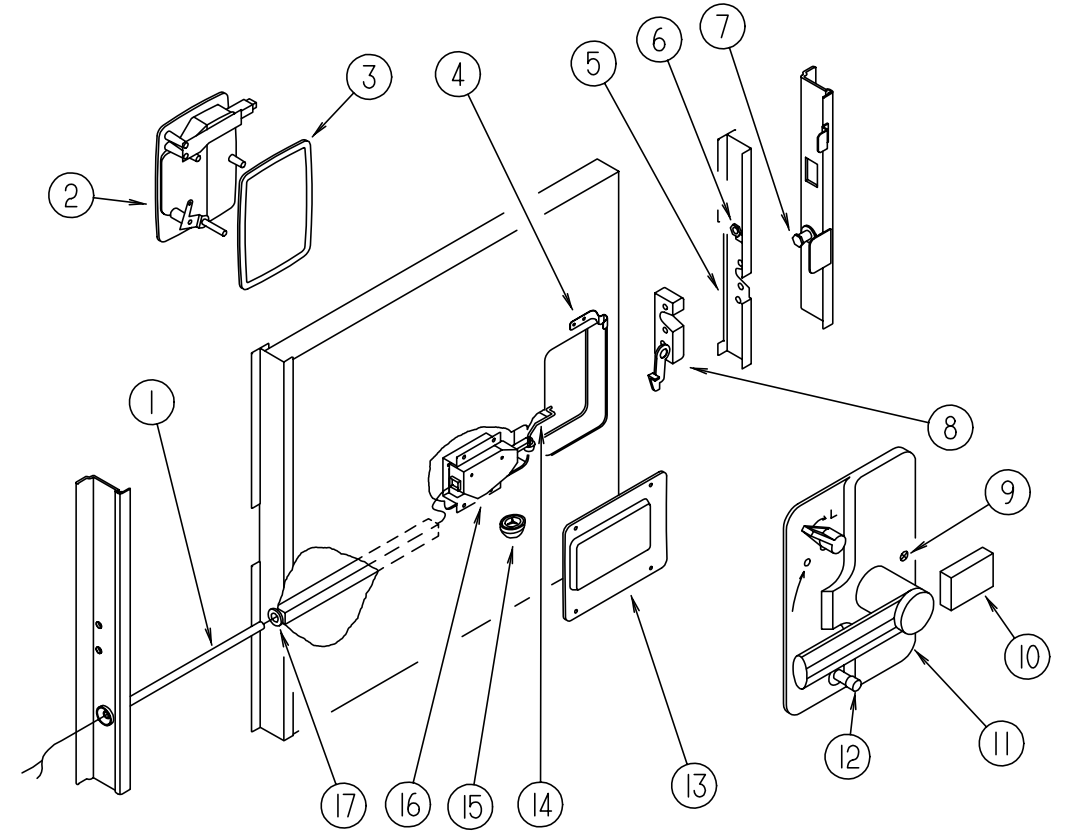
**WINDOW, VENT & EXTERIOR DOOR GROUP (CONTINUED)**



**ENTRANCE DOOR LATCH COMPONENTS W/O POWER LOCKS**

KEY	PART NUMBER	U/M DESCRIPTION	VENDOR NO.
1	112782-01-01A	EA LATCH - EXTERIOR HOUSING	
	112782-01-700	EA KEY - BLANK - DEADBOLT - TM100-150	81535
	112782-01-701	EA KEY - BLANK - DEADBOLT - TM151-200	81536
	112782-01-703	EA CYLINDER - LOCK ASM. W/KEYS	081465-09
2	112782-04-01A	EA GASKET	
3	100412-01-000	EA CATCH - SCREEN DOOR	
4	121334-03-01A	EA STIFFENER - DOOR - MILL	
5	072893-04-000	EA NUTSERT - 10-32	
	075908-01-000	EA SCREW - MACHINE - 10-32 X .56 PTH - EXTERNAL TOOTH - ZINC	
6	092927-03-000	EA STRIKER - ROUND - JAMB MOUNTED	
7	112782-03-01A	EA LATCH - SINGLE ROTOR	
8	112782-02-01A	EA LATCH - INTERIOR PLATE	
9	122241-01-01A	EA BUMPER - FOAM RUBBER W/ADH BACK - .5" X .5" X .25" - BLACK	
10	112782-06-01A	EA SCREW - F/MOUNTING PLATE - ZINC	
11	112782-05-01A	EA CAP - VINYL - RED	

**WINDOW, VENT & EXTERIOR DOOR GROUP (CONTINUED)**



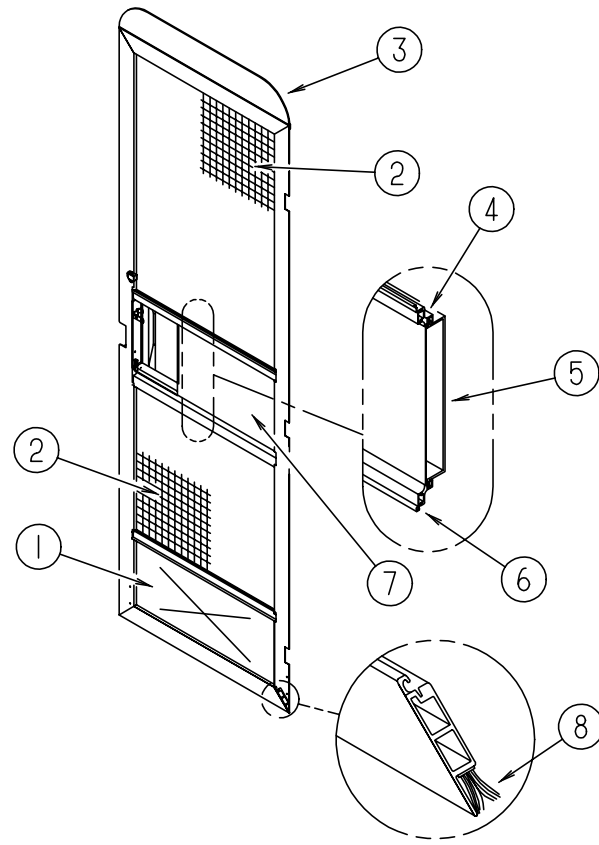
**ENTRANCE DOOR LATCH COMPONENTS W/POWER LOCKS**

KEY	PART NUMBER	U/M DESCRIPTION	VENDOR NO.
1	077222-01-000	EA SPRING - WIRE GUARD - ENTRY DOOR	
	093057-05-000	EA WIRE ASSEMBLY - POWER LOCK - ENTRANCE	
2	112782-01-01A	EA LATCH - EXTERIOR HOUSING	
	112782-01-700	EA KEY - BLANK - DEADBOLT - TM 100-150	81535
	112782-01-701	EA KEY - BLANK - DEADBOLT - TM 151-200	81536
	112782-01-703	EA CYLINDER - LOCK ASM. W/KEYS	081465-09
3	112782-04-01A	EA GASKET	
4	100412-01-000	EA CATCH - SCREEN DOOR	
5	121334-03-01A	EA STIFFENER - DOOR - MILL	
6	072893-04-000	EA NUTSERT - 10-32	
7	092927-03-000	EA STRIKER - ROUND - JAMB MOUNTED	
8	112782-03-01A	EA LATCH - SINGLE ROTOR	
9	112782-06-01A	EA SCREW - F/MOUNTING PLATE - ZINC	
10	122241-01-01A	EA BUMPER - FOAM RUBBER W/ADH BACK - .5" X .5" X .25" - BLACK	
11	112782-02-01A	EA LATCH - INTERIOR PLATE	
12	112782-05-01A	EA CAP - VINYL - RED	
13	113960-01-01A	EA COVER - ACTUATOR - POWER LOCK	
14	113651-01-01A	EA ROD - CONTROL - MOTOR/LOCK	
15	114209-01-01A	EA PUSHNUT - CAP - 1/8" - WHITE	
16	113638-01-000	EA ACTUATOR - POWER DOOR LOCK	
	113638-02-000	EA CONNECTOR - ACTUATOR	
17	008384-01-000	EA GROMMET - SNAP - 3/4 DIAMETER - NYLON	

**POWER DOOR LOCKS W/REMOTE**

KEY	PART NUMBER	U/M DESCRIPTION	VENDOR NO.
	102756-02-000	EA REMOTE KEYLESS ENTRY SYSTEM	
	102756-01-700	EA REMOTE - KEYLESS ENTRY	412-1016-011
	102756-01-701	EA BATTERY-12 V F/TRANSMITTER	402-1004
	102756-01-704	EA HARNESS - MAIN	203-6638
	102756-02-700	EA REMOTE (TRANSMITTER) KEYLESS	412-1036
	102756-02-701	EA BOARD - MODULE - NEW SYSTEM	202-3153

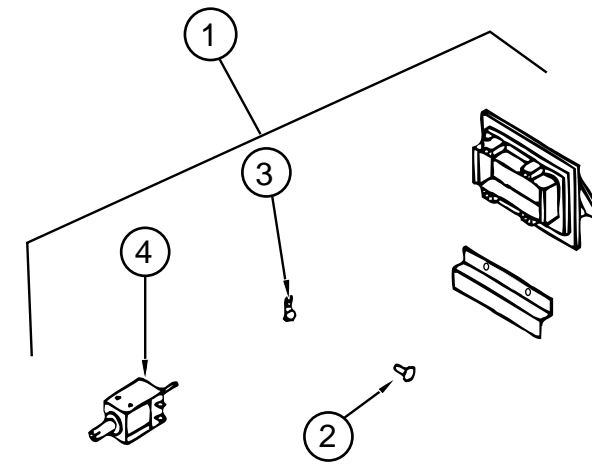
**WINDOW, VENT & EXTERIOR DOOR GROUP (CONTINUED)**



**SCREEN DOOR COMPONENTS**

KEY	PART NUMBER	U/M DESCRIPTION
1	078552-03-000	EA KICK PANEL - SCREEN DOOR - LOWER INSERT - UNPAINTED
2	002293-02-000	SF SCREENING - WINDOW/DOOR - 26" - CHARCOAL
3	078595-01-000	EA TOP PLATE - SCREEN DOOR - CURVED TOP - 4.7" X 25.35"
4	078777-01-000	EA CHANNEL - SLIDER - SCREEN DOOR CENTER SLIDER COVER
		FROM: 00-00-00 THRU: 02-22-98
4	078777-08-000	EA CHANNEL SLIDER
		FROM: 02-23-98 THRU: 99-99-99
5	079086-02-000	EA SLIDER - SCREEN DOOR
6	002294-01-000	FT SPLINE - SCREENING - .135" X .138"
7	001014-01-013	EA INSERT - CENTER - 10.25" X 16.31" - UNPAINTED
8	075673-01-000	FT SEAL - PILE - ADHESIVE BACK - GRAY

**WINDOW, VENT & EXTERIOR DOOR GROUP (CONTINUED)**



**RANGE HOOD VENT**

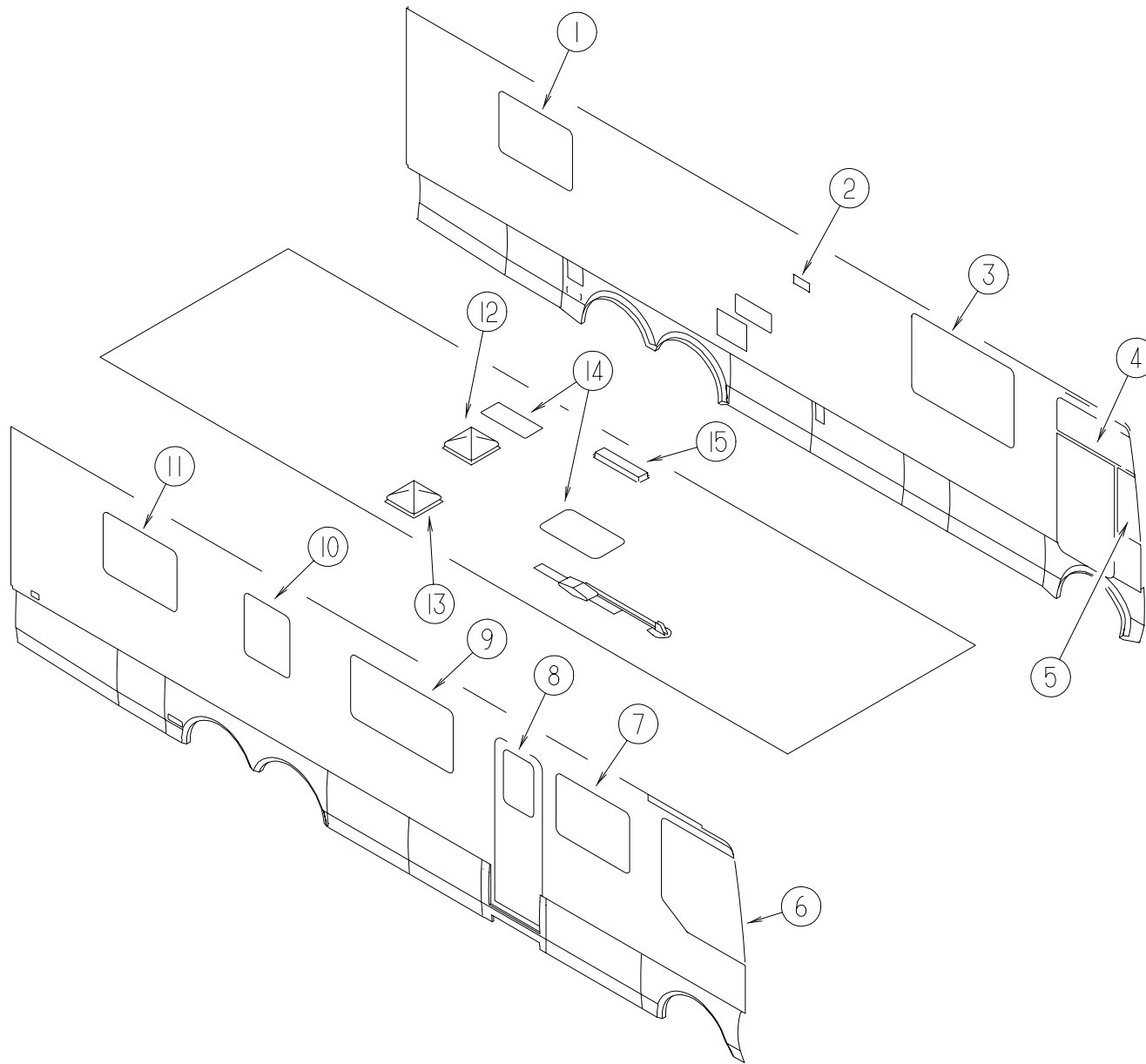
KEY	PART NUMBER	U/M DESCRIPTION	VENDOR NO.
1	092698-03-06A	EA VENT - W/DOOR AND SOLENOID - BRIGHT WHITE	
2	092698-02-700	EA FASTENER - PUSH - EXTERIOR RANGE HOOD VENT VB430	
3	092698-02-701	EA CLAMP - CONDUIT - EXTERIOR RANGE HOOD VENT VB334	
4	092698-03-706	EA SOLENOID - RANGE HOOD - VENTLINE	UB530
	096983-01-709	EA MODULE - SWITCH & LEVER - 17 1/2	CB547-4
	100258-04-702	EA SWITCH - LEVER - W/CABLE	CB547-1
	092696-01-701	EA KNOB - PLASTIC	CC 225

**PLUMBING & REFRIGERATOR ROOF VENTS**

KEY	PART NUMBER	U/M DESCRIPTION
	083558-06-000	EA VENT - ROOF PLUMBING PIPE - COVERED
	084073-07-000	EA VENT - ROOF/REFRIGERATOR - BRIGHT WHITE - NORCOLD
	084073-04-000	EA BASE - ROOF VENT/REFRIGERATOR - BLACK - NORCOLD
	118369-01-02A	EA CAP - REFRIGERATOR ROOF VENT - SIDE/SIDE - BRIGHT WHITE
	118369-02-02A	EA BASE - REFRIGERATOR ROOF VENT - SIDE/SIDE - BRIGHT WHITE

# WINDOW, VENT & EXTERIOR DOOR GROUP (CONTINUED)

## WINDOWS & VENTS

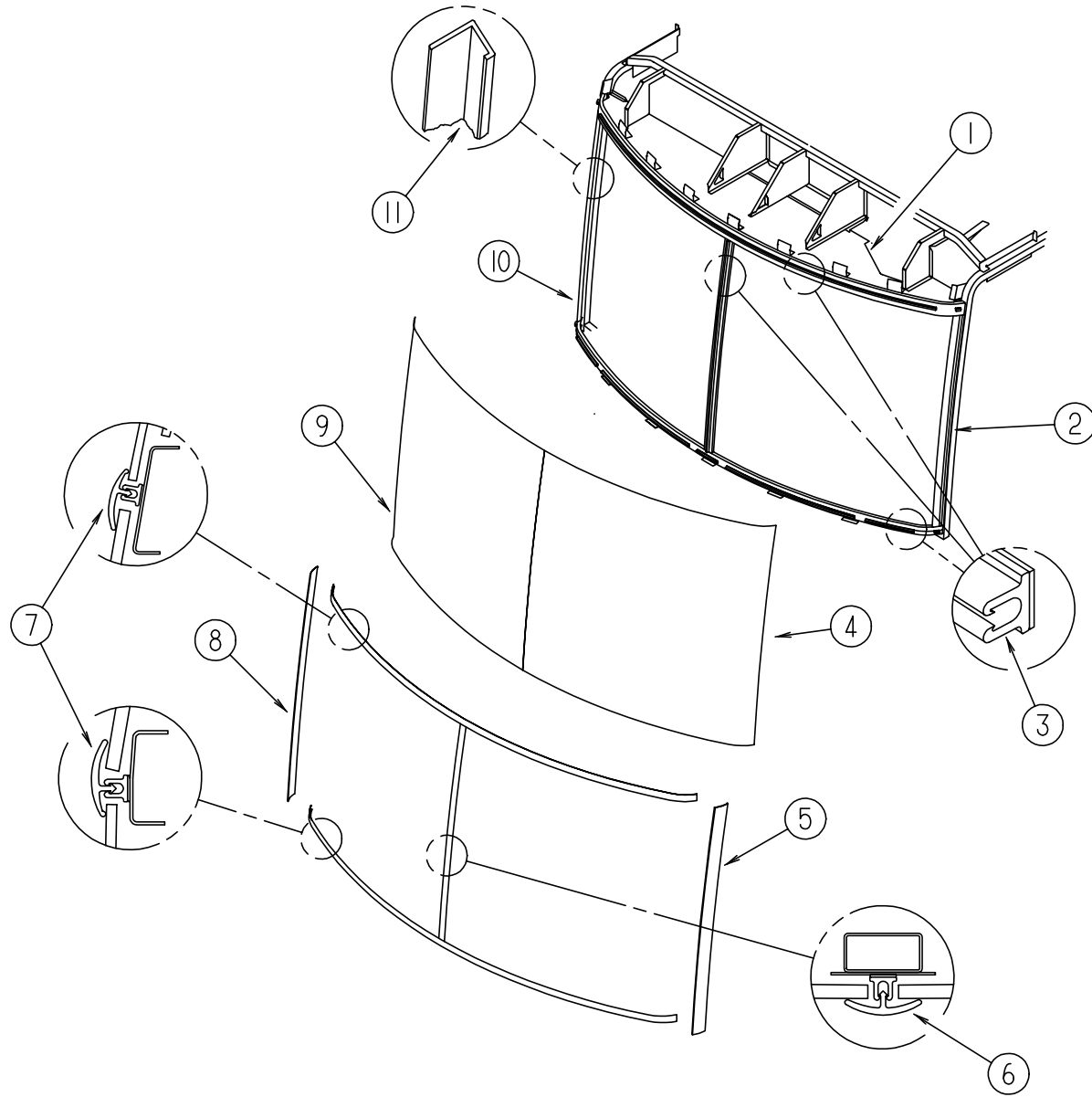


KEY	PART NUMBER	U/M	DESCRIPTION	VENDOR NO.
1*	113500-06-01A	EA	WINDOW - DOUBLE TIPOUT ESCAPE - 33.3" X 30.3"	
1*	112898-18-01A	EA	WINDOW - VERTICAL SLIDER - THERMOPANE - 33.2" X 30.1"	
2	092698-03-06A	EA	VENT - W/DOOR & SOLENOID	
	092698-02-700	EA	FASTNER-PUSH	VB430
	092698-02-701	EA	CLAMP-CONDUIT	VB334
	092698-03-706	EA	SOLENOID	VB0530-01
3*	115360-01-01A	EA	WINDOW - DOUBLE HORIZONTAL TIPOUT - 30.75" X 56.5"	
3*	112795-33-01A	EA	WINDOW - DRIVER/HORIZONTAL SLIDER - THERMO - 30.5" X 57.75"	
3*	115360-02-01A	EA	WINDOW-DOUBLE HORIZONTAL TIPOUT 38.7" X 56 1/2" (WINDOW OPTION)	
3*	112795-53-01A	EA	WINDOW-DRIVER HORIZONTAL SLIDE THERMO 38 3/4" X 57 3/4" (WINDOW OPTION)	
4*	106467-04-01A	EA	WINDOW-DR. VISTA (ABOVE DR. DOOR) 42.1" T X 44.9" B X 17.6" H	
5*	106468-03-01A	EA	WINDOW -DRIVERS WING 10.9" T X 14.2" B X 32.2" H	
6*	106466-04-01A	EA	WINDOW -PASSENGER CAB 42.1" TW X 48.3" CW X 50.3" H	
7*	098647-40-01A	EA	WINDOW - PASSENGER HORIZONTAL SLIDER - 29.5" X 41.4"-TINTED	
7*	112795-31-01A	EA	WINDOW - SLIDER - HORIZONTAL -THERMO - 29.5" X 41.2"	
8*	117053-03-F31	EA	WINDOW-PICTURE, 17" X 26.4"	
8*	113733-01-01A	EA	WINDOW - STATIONARY - THERMOPANE - 17" X 26.4"	
9*	115360-01-01A	EA	WINDOW-DOUBLE HORIZONTAL TIPOUT 30 3/4" X 56 1/2"	
9*	112795-50-01A	EA	WINDOW - PASSENGER/HORIZONTAL SLIDER - THERMO 30 3/4" X 57 3/4"	
10*	104691-15-01A	EA	WINDOW - STACKED TRIPLE TIPOUT	
10*	112795-47-01A	EA	WINDOW-PASSENGER HORIZONTAL SLIDE THERMO 30 1/4" X 25 3/4"	
11*	113500-05-01A	EA	WINDOW-DOUBLE TIPOUT 33.3" X 30.3"	
11*	112898-17-01A	EA	WINDOW - VERTICAL SLIDER - THERMOPANE - 33.1" X 30.1"	
12*	122882-04-01A	EA	VENT - ROOF - W/FAN & POWER LIFT - UL	
12*	122882-05-01A	EA	VENT - ROOF - W/FAN & POWER LIFT - CSA	
13*	122882-01-01A	EA	VENT - ROOF - NONPOWERED	
13*	123780-05-01A	EA	VENT - EXHAUST - 3" CEILING - THERMOSTAT	
13*	123780-06-01A	EA	VENT - EXHAUST W/THERMOSTAT - F 3/4" ROOF - CSA	
14	122192-01-02A	EA	PANEL - SKYLITE - OUTER - 16.4" X 27.8"	
14	122193-01-02A	EA	PANEL - SKYLITE - INNER	
15	084073-07-000	EA	VENT - ROOF/REFRIGERATOR - BRIGHT WHITE - NORCOLD	
15	084073-04-000	EA	BASE - ROOF VENT/REFRIGERATOR - BLACK - NORCOLD	
15	118369-01-02A	EA	CAP - REFRIGERATOR ROOF VENT - SIDE/SIDE - BRIGHT WHITE	
15	118369-02-02A	EA	BASE - REFRIGERATOR ROOF VENT - SIDE/SIDE - BRIGHT WHITE	

\* COMPONENT PARTS FOUND IN SERVICE PARTS LIBRARY

# WINDSHIELD & WIPER GROUP

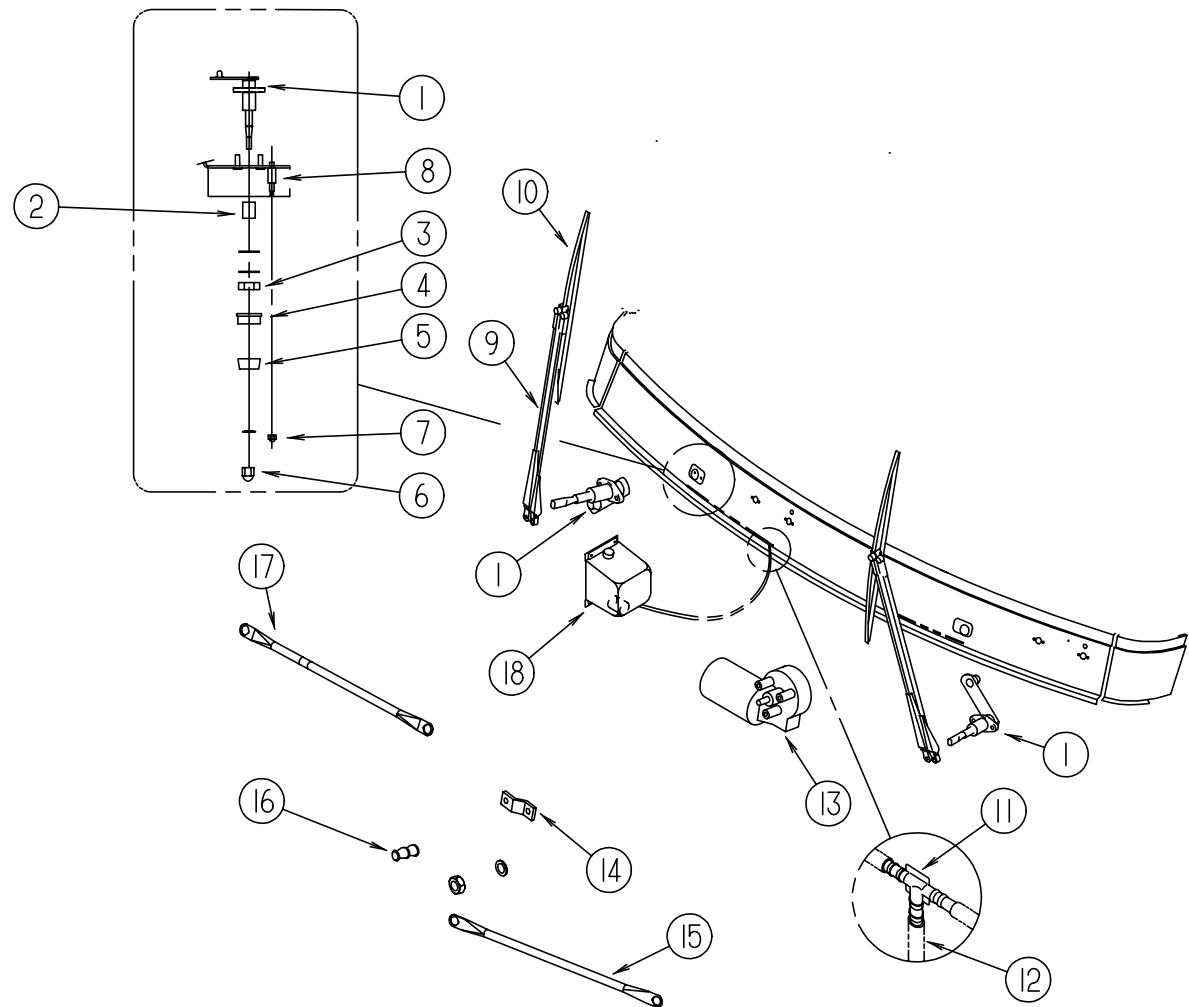
## WINDSHIELD



KEY	PART NUMBER	U/M	DESCRIPTION
1	117730-01-01B	EA	HEADER - WINDSHIELD
2	117203-02-01B	EA	FRAME - WINDSHIELD - A PILLAR - LEFT HAND
3	117335-01-000	EA	REVEAL CARRIER - 94.6"
4	116996-04-000	EA	WINDSHIELD - DRIVERS - CURVED - 52"W X 49"H
5	120352-01-02A	EA	TRIM - WINDSHIELD - A-PILLAR - DRIVER
6	118586-01-000	FT	MOLDING - REVEAL - WINDSHIELD
7	120533-01-000	FT	MOLDING - REVEAL - WINDSHIELD
8	120352-02-02A	EA	TRIM - WINDSHIELD - A-PILLAR - PASSENGER
9	116996-03-000	EA	WINDSHIELD - PASSENGER - CURVED - 52"W X 49"H
10	117203-01-01B	EA	FRAME - WINDSHIELD - A PILLAR - RIGHT HAND
11	098788-06-000	EA	CHANNEL - 49" PVC
	107285-01-000	EA	BRACKET - SUPPORT - WINDSHIELD
	002328-02-000	EA	BLOCK - WINDSHIELD - .062" X .5" X .98"

# WINDSHIELD & WIPER GROUP (CONTINUED)

## WIPER & WASHER



KEY	PART NUMBER	U/M	DESCRIPTION	VENDOR NO.
1	096505-09-000	EA	SHAFT/PIVOT - WINDSHIELD WIPER (PASSENGER)	
1	096505-05-000	EA	SHAFT/PIVOT - WINDSHIELD WIPER (DRIVER)	
2	061603-01-000	EA	GROMMET - SNAP - 3/16"ID - 3/8" HOLE - PLASTIC BLACK	
3	096505-02-701	EA	NUT - HEX - (HD) W/.687 BARREL	NT721021
4	096505-02-702	EA	CAP - RUBBER - (HD) BARREL .687	CP721084
5	096505-02-700	EA	DRIVER - KNURLED - (HD) BARREL .687	NT721017
6	096505-02-703	EA	CAP - NUT (ACORN) HD W/.687 BARREL	51065-40-NT27WC
7	077049-02-000	EA	NUT - ACORN - 10-32 BLACK/ANODIZED	
8	117768-01-000	EA	SHAFT - ADAPTER - PANTOGRAPH ARM	
	107397-01-000	EA	WASHER - FENDER - .25" ID X 1" OD	
9	117769-01-000	EA	ARM - WIPER - PANTOGRAPH - 28"	
	096931-01-701	EA	NOZZLE - HARDWARE KIT (NOZZLE-NUT-LONG SCREW-SHORT SCREW)	
10	095964-01-000	EA	BLADE - WINDSHIELD WIPER - 24"	
	095964-01-700	EA	BLADE - REFILL 24" EA = 1 PAIR	12360
11	110605-01-000	EA	TEE - PLASTIC - BARBED - 1/8" X 1/8" X 3/16"	
	117765-03-000	EA	CONNECTOR - 5/32" - WINDSHIELD WASHER	
12	045794-01-000	FT	HOSE - WASHER - WINDSHIELD - 5/32" ID - BLACK	
13	104346-05-000	EA	MOTOR - WIPER W/INTERNAL BREAKER - DYNAMIC PARK (FORD)	
13	104346-04-000	EA	MOTOR - WIPER W/INTERNAL BREAKER (CHEVY)	
14	104347-04-000	EA	ARM - DRIVE - WIPER MOTOR	
15	117770-02-000	EA	LINK - CONNECTING - DRIVER - 24"	
16	067188-01-000	EA	STUD - CRANK - WIPER MOTOR	
17	117770-01-000	EA	LINK - CONNECTING - PASSENGER - 24"	
18	117766-02-000	EA	RESERVOIR/PUMP - WINDSHIELD WASHER	
	096931-01-700	FT	HOSE - WASHER - 1/8" ID	
	000D28-10-00B	EA	NUT - HEX - W/NYLON LOCK - 10-32 ZINC	