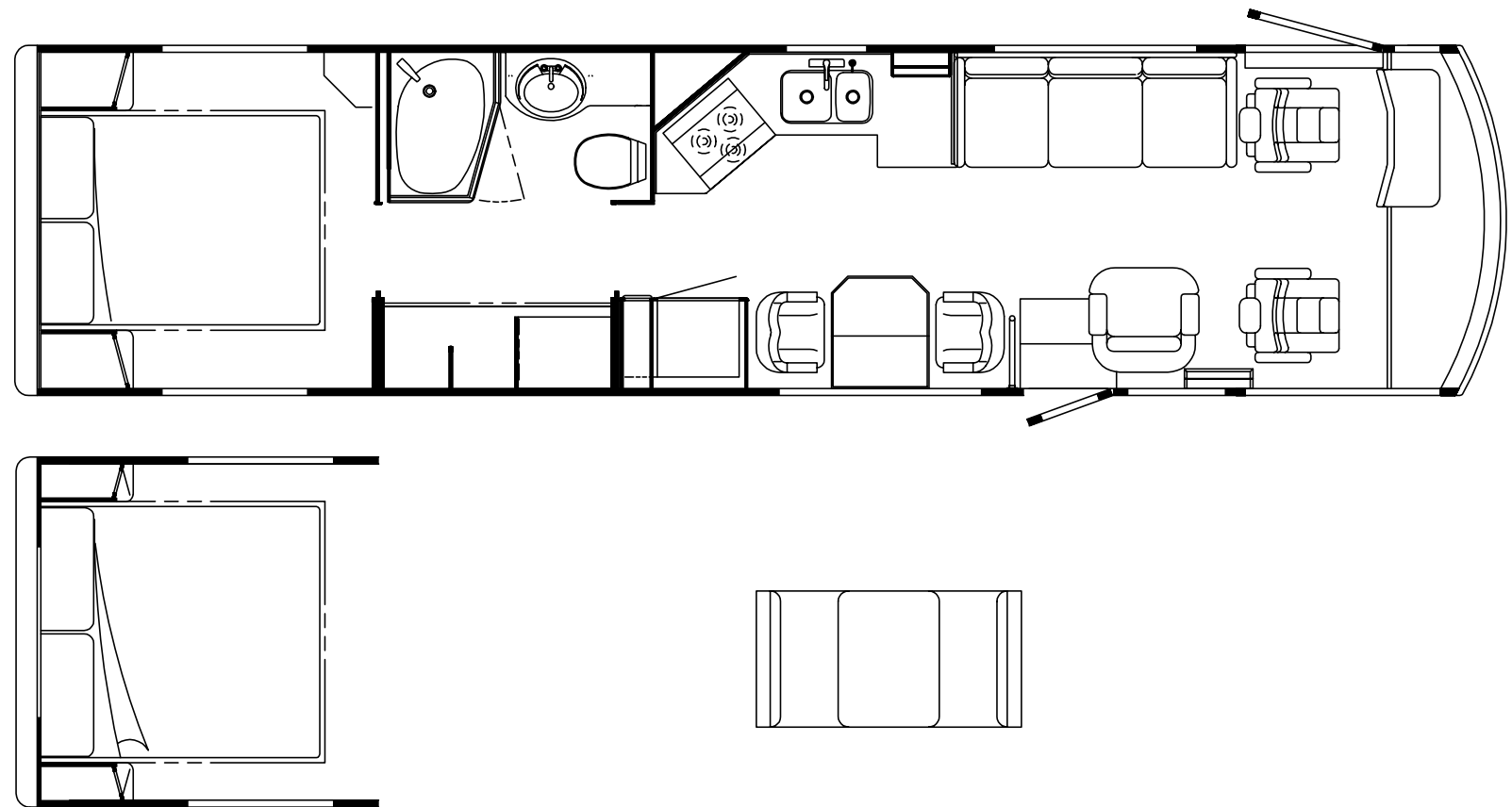
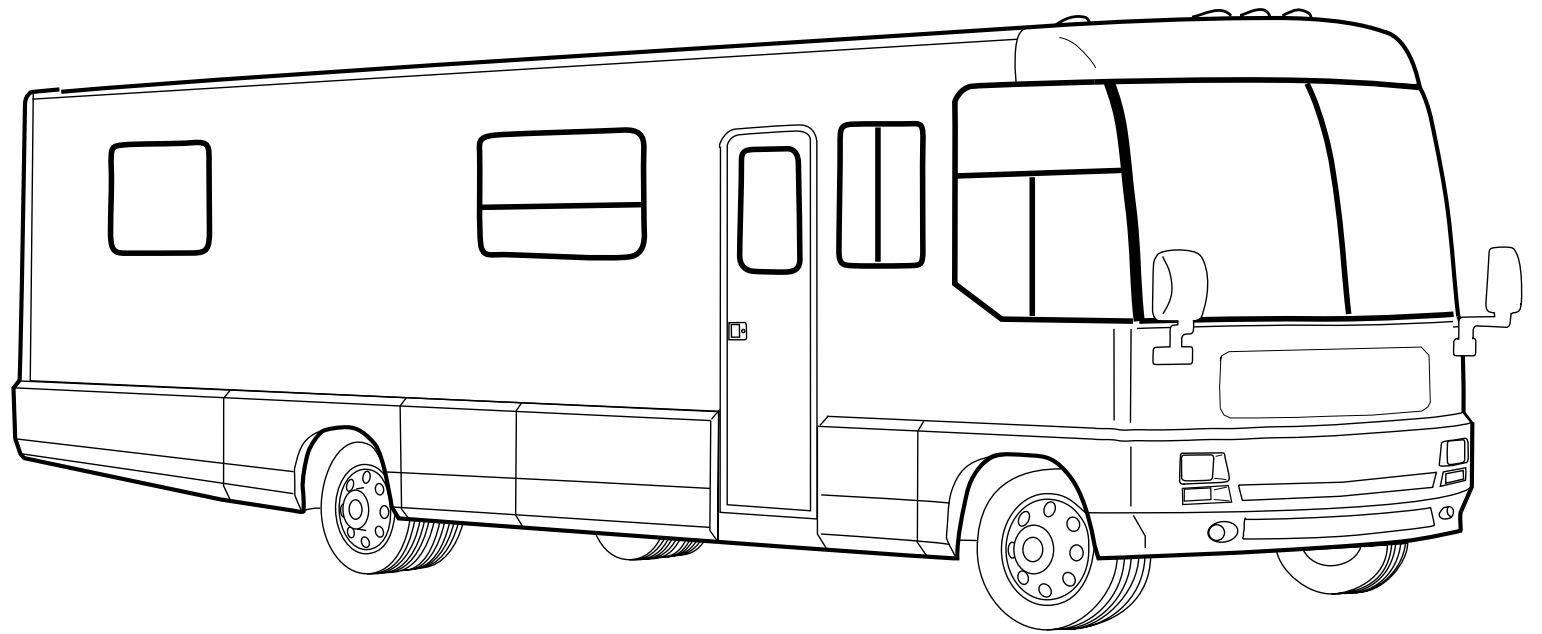


1998 WKM35WQ

- J70 COVENTRY (TAUPE)
SOLAR MAPLE
- J71 COVENTRY (TAUPE)
SALEM CHERRY
- J72 DEVON (BURGUNDY)
SOLAR MAPLE
- J73 DEVON (BURGUNDY)
SALEM CHERRY
- J74 HEMINGWAY (TAN)
SOLAR MAPLE
- J75 HEMINGWAY (TAN)
SALEM CHERRY
- J76 GULF MIST (GREEN)
SOLAR MAPLE
- J77 GULF MIST (GREEN)
SALEM CHERRY



ACCESSORIES GROUP

OPERATORS MANUAL

KEY	PART NUMBER	U/M DESCRIPTION
	054185-H4-000	EA MANUAL- OPERATOR 98 VECTRA - GRAND TOUR/M SERIES
	092318-01-000	EA BINDER - 3 RING - MOTOR HOME MANUAL FROM: 00-00-00 THRU: 01-11-98
	129079-01-01A	EA CASE - VINYL/BLACK - EXPANDABLE ACCORDION SIDES - 7"W X 9"H X 14"L FROM: 01-12-98 THRU: 99-99-99
	092319-01-000	EA POCKET PAGE - 3 RING BINDER - PLASTIC - (50 PER PKG) FROM: 00-00-00 THRU: 02-15-98
	126177-01-000	DW TOP LEVEL - M - 1998

VACUUM CLEANER

KEY	PART NUMBER	U/M DESCRIPTION	VENDOR NO.
	108186-03-000	EA VACUUM CLEANER - BUILT IN FROM: 00-00-00 THRU: 06-15-97	
	092304-01-700	EA BAG - VACUUM - REPLACEMENT PKG5	4908
	092304-02-704	EA MOTOR W/RELAY	5098
	092304-02-710	EA SECONDARY FILTER	4929
	108186-02-000	EA TOOL SET - VACUUM - W/O POWER BRUSH W/30' HOSE	
	092304-02-701	EA TOOL - DUSTING	1142
	092304-02-702	EA TOOL - RUG	4982
	092304-02-707	EA TOOL - UPHOLSTERY	7029
	092304-02-708	EA WAND - PLASTIC	4978
	092304-02-709	EA HOSE ASM. - 30' COMPLETE	4988-30-G
	108186-03-000	EA VACUUM CLEANER - BUILT IN FROM: 06-16-97 THRU: 99-99-99	
	092304-02-700	EA BRUSH - POWER - VACUUM (RUGRAT)	6970
	092304-02-701	EA TOOL - DUSTING	1142
	092304-02-702	EA TOOL - RUG	4982
	092304-02-707	EA TOOL - UPHOLSTERY	7029
	092304-02-708	EA WAND - PLASTIC	4978
	092304-02-709	EA HOSE ASM. - 30' COMPLETE	4988-30-G
	092304-02-710	EA SECONDARY FILTER	4929
	108186-03-700	EA PAPER BAG - 3-PKG	7767
	108186-03-701	EA MOTOR F/RV2000	7756
	108186-03-702	EA REDUCER	5531
	099064-01-000	EA STRAP - SUPPORT	

AUDIO VIDEO GROUP

RADIO & CD SYSTEM

KEY	PART NUMBER	U/M DESCRIPTION	VENDOR NO.
	109053-02-000	EA RADIO - AM/FM CASSETTE - WALL MOUNT	
	127516-01-000	EA RADIO - AM/FM STEREO - CD PLAYER	
	127516-01-700	EA FACE - REMOVEABLE	YEPOFX3114
	127516-01-701	EA TRIM RING	YGFC025263
	127516-01-702	EA FACTORY HARNESS	YGAJ02719
	127516-01-703	EA CARRIER F/REMOVEABLE FACE	YEFA131290
	127264-01-000	EA RADIO - AM/FM STEREO - CASSETTE FROM: 05-13-97 THRU: 99-99-99	
	127264-01-700	EA TRIM RING	YFC054C044ZB
	127264-01-701	EA KNOB - VOLUME	YFE074C045ZA
	127264-01-702	EA KNOB - FADER	YEFE074C026
	127264-01-703	EA FACTORY HARNESS	YAJ024C048ZB
	125322-02-000	EA RADIO - AM-FM STEREO - CASSETTE - AUDIOVOX	
	127515-01-000	EA CHANGER - COMPACT DISC FROM: 00-00-00 THRU: 10-23-97	
	127515-02-000	EA CHANGER - COMPACT DISC FROM: 10-24-97 THRU: 99-99-99	
	127515-02-700	EA POWER CABLE	YEAJ071117
	127515-02-701	EA OWNERS MANUAL	OM-CXDP601
	127515-03-000	EA CHANGER - CONTROL/FM MODULATOR FROM: 10-24-97 THRU: 99-99-99	
	127515-03-700	EA REMOTE CONTROL	YFX994C047D
	127515-03-701	EA OWNERS MANUAL	OM-CYRM600
	124881-01-000	EA AMPLIFIER - AUDIO	
	124882-01-000	EA WIRE ASSEMBLY - AMPLIFIER	
	110469-01-000	EA SPEAKER - 4" X 6" OVAL - COAXIAL	
	110470-01-01A	EA GRILLE - 4" X 6" OVAL - BLACK	
	124883-01-000	EA SPEAKER - CUBE FROM: 00-00-00 THRU: 05-31-97	
	124883-02-000	EA SPEAKER - CUBE - W/BRACKET FROM: 06-01-97 THRU: 99-99-99	
	126387-01-000	EA BRACKET - SPEAKER MOUNTING FROM: 00-00-00 THRU: 05-31-97	
	124884-01-000	EA SPEAKER - 6" X 9" - SUB-WOOFER	
	124885-01-000	EA GRILLE - SPEAKER - 6" X 9" - SUB-WOOFER	
	094097-01-000	EA SPEAKER - RADIO/TV - W/O GRILLE - 5.25" DIAMETER	
	118165-01-GV0	EA GRILLE - SPEAKER	
	118144-01-02B	EA GRILLE - SPEAKER	
	089340-02-000	EA GRILLE - SPEAKER - 6.5" SQUARE	
	128074-01-000	EA FILTER - NOISE - 12VOLT D.C. FROM: 01-30-98 THRU: 99-99-99	

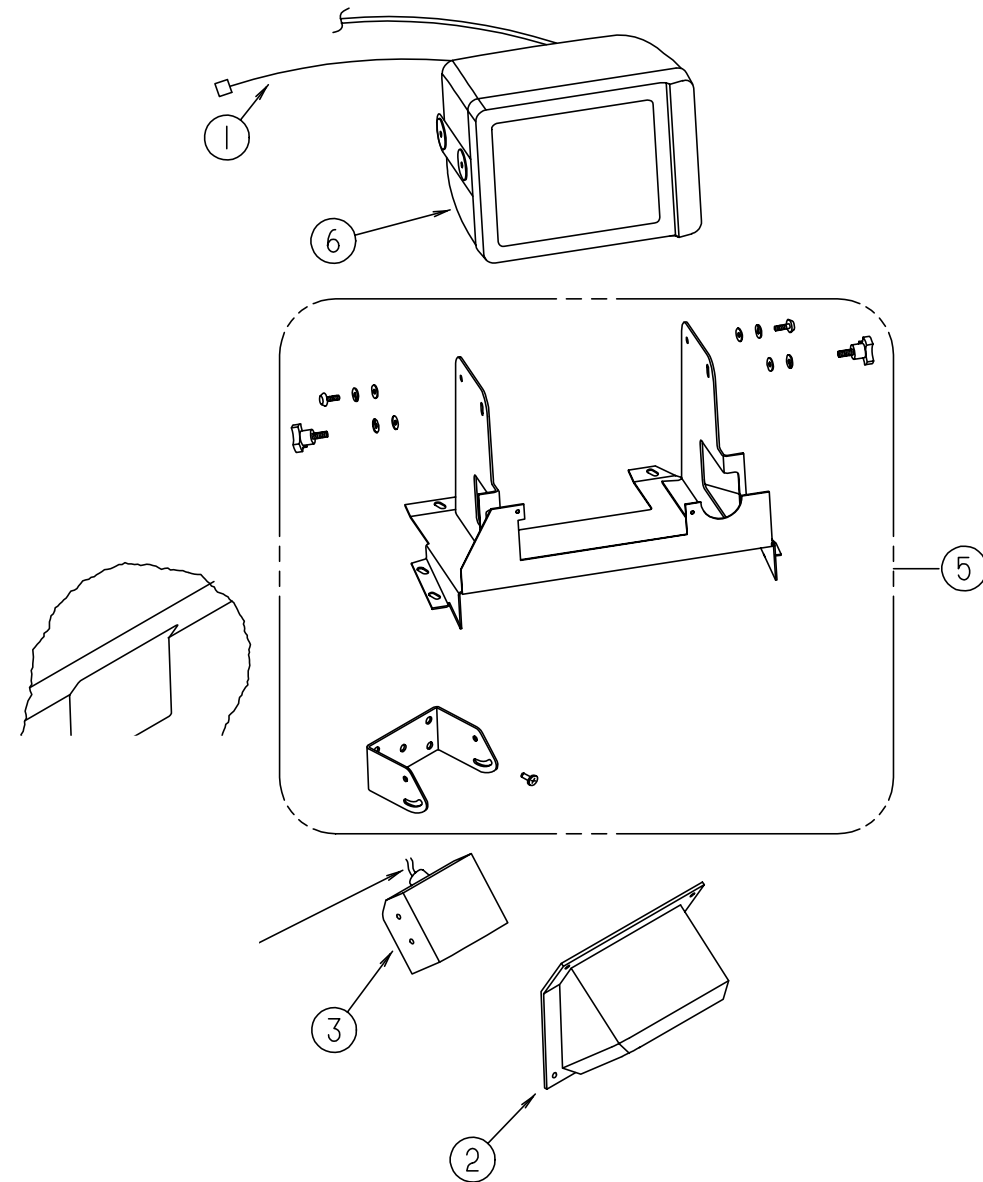
RADIO & CB ANTENNA

KEY	PART NUMBER	U/M DESCRIPTION
	123256-01-000	EA ANTENNA - CB - W/O CABLE
	123256-02-000	EA CABLE - CB COAX
	090944-01-000	EA ANTENNA - RADIO - 16" RUBBER
	108847-01-000	EA BRACKET - ANTENNA GROUND
	109889-04-000	EA EXTENDER - ANTENNA SHAFT - 3"
	077069-02-000	EA CABLE - ANTENNA/EXTENSION - RADIO - 96"

TELEPHONE SYSTEM

KEY	PART NUMBER	U/M DESCRIPTION
	093253-01-02A	EA PLATE - WALL - TELEPHONE - BROWN
	093254-01-000	EA HOUSING - TELEPHONE

AUDIO VIDEO GROUP (CONTINUED)



REAR MONITOR SYSTEM

KEY	PART NUMBER	U/M DESCRIPTION	VENDOR NO.
	093040-08-000	EA MONITOR SYSTEM - REAR VIEW 7" - W/AUDIO JACK - SONY FROM: 00-00-00 THRU: 07-27-97	
	093040-10-000	EA MONITOR - 7" REAR VIEW - W/BRACKET - SONY FROM: 07-28-97 THRU: 99-99-99	
	093040-09-000	EA CAMERA - REAR VIEW - W/BRACKET - SONY	
1	096717-03-000	EA WIRE - REAR MONITOR - AFTER MARKET INSTALLATION	
	093040-06-000	EA WIRE ASM-MONITOR- F/NON PREWIRED AFTER MARKET INSTALLATION	
2	117669-01-02A	EA SHROUD - CAMERA - OUTER	
	108529-01-01A	EA SHROUD - CAMERA - INNER	
3	093040-04-700	EA CAMERA - REAR VIEW W/BRKT	SSC-530AM
4	093041-01-000	EA CABLE - MONITOR/CAMERA - INTERNAL USE - 65.6'	
	093041-02-000	EA CABLE - MONITOR/CAMERA - EXTERNAL USE - 59.1'	
5	N/A	PARTS ARE INCLUDED W/TELEVISION SYSTEM - SONY	
6	093040-05-700	EA MONITOR - 7" W/POWER HARNESS	SSM721AMR

AUDIO VIDEO GROUP (CONTINUED)

TV & VCR SYSTEMS

KEY	PART NUMBER	U/M DESCRIPTION	VENDOR NO.
	124075-03-000	EA TV - 19" COLOR W/1/8" JACK - UL/CSA - RCA	
	124074-02-000	EA TV - 13" COLOR W/1/8" JACK - AC/DC - UL/CSA - RCA	
	124073-03-000	EA VCR - VHS - W/REMOTE CABLE READY - RCA	
	124073-03-700	EA REMOTE	237698
	124437-01-000	EA SLIDE - TV SWIVEL	
	086757-03-000	EA CONTROL CENTER - SWITCH - VCR/TV	
	093214-01-02A	EA GRILLE - SPEAKER - 4" - BROWN	
	098819-01-000	EA SPEAKER - 4" - 2 WATT - 8 OHM	
	115540-01-000	EA AMPLIFIER - TV SPEAKERS	
	115539-01-000	EA RELAY - RADIO/TV SPEAKER - SWITCH	
	082134-01-000	EA ADAPTER - TV - CABLE TO CABLE	
	076319-03-000	FT CABLE - COAXIAL - 75 OHM	
	076319-12-000	EA CONNECTOR - COAXIAL - ONE PIECE	
	076319-09-000	EA WALLPLATE - CABLE RECEPTACLE - TV - SINGLE - BROWN	
	086777-02-000	EA WALLPLATE - TV CABLE - W/ANTENNA SWITCH - BROWN	
	086777-06-000	EA WALLPLATE - TV CABLE - ANTENNA/1 OUTPUT - BROWN	
	082136-01-000	EA NUT - HEX JAM - 3/8 - 32	
	086756-01-000	EA SPLITTER - TV - 2 WAY	
	093901-06-000	EA PLATE - TV	
	114870-01-000	EA PLUG - 3.5MM AUDIO W/LEADS	
	114870-02-000	EA PLUG - .14" AUDIO W/LEADS	
	115466-10-02B	EA STRAP - TIEDOWN/TV	

SATELLITE DISH

KEY	PART NUMBER	U/M DESCRIPTION
*	120233-01-000	EA ANTENNA - SATELLITE (DISH & HDW) W/O RECEIVER - MANUAL
	120233-03-000	EA CERTIFICATE - SATELLITE RECEIVER DISH

*** COMPONENT PARTS FOUND IN SERVICE PARTS LIBRARY**

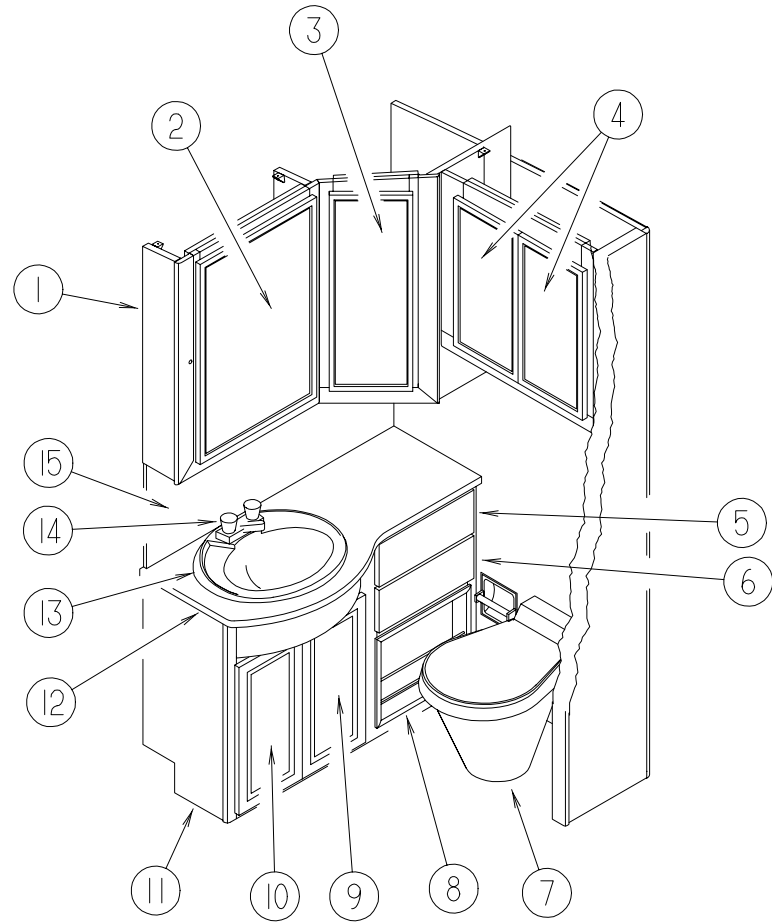
TV ANTENNA

KEY	PART NUMBER	U/M DESCRIPTION
*	076319-21-000	EA ANTENNA-TV - ROOF MOUNT - 3" ROOF FROM: 00-00-00 THRU: 12-07-97
*	076319-23-000	EA ANTENNA-TV - ROOF MOUNT - 44.5" MAST FROM: 12-08-97 THRU: 99-99-99
	076319-25-000	EA KIT - HARDWARE INTERIOR

*** COMPONENT PARTS FOUND IN SERVICE PARTS LIBRARY**

BATH GROUP

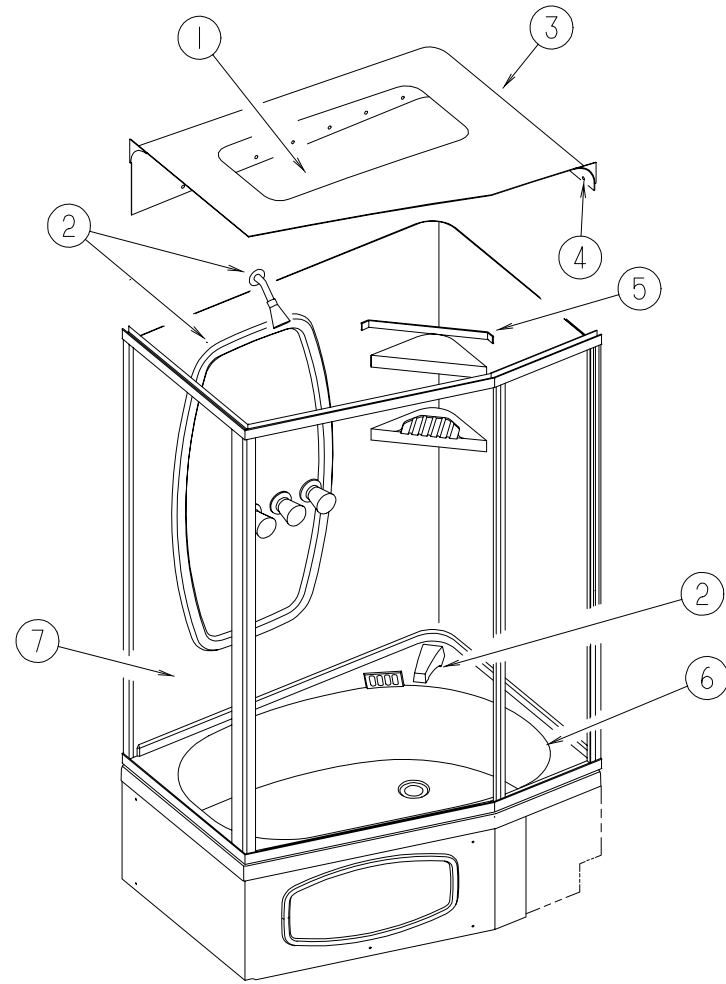
BATH CABINETS & FIXTURES



KEY	PART NUMBER	U/M	DESCRIPTION
1	124282-01-J70	EA	CABINET - MEDICINE - W/O DOORS/HARDWARE (WASHED MAPLE)
1	124282-01-H57	EA	CABINET - MEDICINE - W/O DOORS/HARDWARE (SALEM CHERRY)
2	M06803-AC-J70	EA	DOOR - MITERED CORNER/OGEE EDGE - 19.6" X 29.5" - W/O HDW (WASHED MAPLE)
	113195-17-01A	EA	MIRROR - BEVELED SAFETY GLASS - CLEAR - 16.6" X 26.2"
2	M06803-AC-J71	EA	DOOR - MITERED CORNER/OGEE EDGE - 19.6" X 29.5" - W/O HDW (SALEM CHERRY)
	113195-17-01A	EA	MIRROR - BEVELED SAFETY GLASS - CLEAR - 16.6" X 26.2"
	124282-11-J70	EA	SHELF - W/PLASTIC EDGE MOLDING (WASHED MAPLE)
	124282-11-H57	EA	SHELF - W/PLASTIC EDGE MOLDING (SALEM CHERRY)
3	M06803-AD-J70	EA	DOOR - MITERED CORNER/OGEE EDGE - 10.1" X 29.5" - W/O HDW (WASHED MAPLE)
	113195-18-01A	EA	MIRROR - BEVELED SAFETY GLASS - CLEAR - 6.7" X 26.2"
3	M06803-AD-J71	EA	DOOR - MITERED CORNER/OGEE EDGE - 10.1" X 29.5" - W/O HDW (SALEM CHERRY)
	113195-18-01A	EA	MIRROR - BEVELED SAFETY GLASS - CLEAR - 6.7" X 26.2"
	124282-13-J70	EA	SHELF - W/PLASTIC EDGE MOLDING (WASHED MAPLE)
	124282-13-H57	EA	SHELF - W/PLASTIC EDGE MOLDING (SALEM CHERRY)
4	M06803-BP-J70	EA	DOOR - MITERED CORNER/OGEE EDGE - 11" X 21.8" - W/O HDW (WASHED MAPLE)
	113195-19-01A	EA	MIRROR - BEVELED SAFETY GLASS - CLEAR - 7.7" X 18.6"
4	M06803-BP-J71	EA	DOOR - MITERED CORNER/OGEE EDGE - 11" X 21.8" - W/O HDW (SALEM CHERRY)
	113195-19-01A	EA	MIRROR - BEVELED SAFETY GLASS - CLEAR - 7.7" X 18.6"
	124282-12-J70	EA	SHELF - W/PLASTIC EDGE MOLDING (WASHED MAPLE)
	124282-12-H57	EA	SHELF - W/PLASTIC EDGE MOLDING (SALEM CHERRY)
5	M05971-V4-J70	EA	DRAWER - OGEE EDGE - 14.3"W X 11.7"D - W/O SLIDES/HARDWARE (WASHED MAPLE)
5	M05971-V4-GV1	EA	DRAWER - OGEE EDGE - 14.3"W X 11.7"D - W/O SLIDES/HARDWARE (SALEM CHERRY)
6	M05971-BD-J70	EA	DRAWER - OGEE EDGE - 14.3"W X 7.0"D - W/O SLIDES/HARDWARE (WASHED MAPLE)
6	M05971-BD-H57	EA	DRAWER - OGEE EDGE - 14.3"W X 7.0"D - W/O SLIDES/HARDWARE (SALEM CHERRY)
7*	085330-02-000	EA	TOILET - STANDARD BONE CHINA
7*	085330-06-000	EA	TOILET - STANDARD CHINA W/SPRAYER - BONE
8	097208-06-J70	EA	RACK - MAGAZINE (WASHED MAPLE)
8	097208-06-H57	EA	RACK - MAGAZINE (SALEM CHERRY)
9	M05992-G5-J70	EA	DOOR - STRAIGHT CORNER/OGEE EDGE - 10.7" X 21.7" - W/O HDW (WASHED MAPLE)
9	M05992-G5-GV1	EA	DOOR - STRAIGHT CORNER/OGEE EDGE - 10.7" X 21.7" - W/O HDW (SALEM CHERRY)
10	M05992-G6-J70	EA	DOOR - STRAIGHT CORNER/OGEE EDGE - 10.7" X 21.7" - W/O HDW (WASHED MAPLE)
10	M05992-G6-GV1	EA	DOOR - STRAIGHT CORNER/OGEE EDGE - 10.7" X 21.7" - W/O HDW (SALEM CHERRY)
11	119960-02-J70	EA	CABINET - LAVATORY - W/CTRTP - W/O DOORS/DWRS/HDW (J70)
11	119960-02-J71	EA	CABINET - LAVATORY - W/CTRTP - W/O DOORS/DWRS/HDW (J71)
11	119960-02-J72	EA	CABINET - LAVATORY - W/CTRTP - W/O DOORS/DWRS/HDW (J72,J74,J76)
11	119960-02-J73	EA	CABINET - LAVATORY - W/CTRTP - W/O DOORS/DWRS/HDW (J73,J75,J77)
	119960-17-J70	EA	SHELF - W/PLASTIC EDGE MOLDING (WASHED MAPLE)
	119960-17-H57	EA	SHELF - W/PLASTIC EDGE MOLDING (SALEM CHERRY)
12	119960-19-J70	EA	COUNTERTOP - LAVATORY (J70)
12	119960-19-J71	EA	COUNTERTOP - LAVATORY (J71)
12	119960-19-J72	EA	COUNTERTOP - LAVATORY (J72,J74,J76)
12	119960-19-J73	EA	COUNTERTOP - LAVATORY (J73,J75,J77)
13	105921-01-01A	EA	SINK - LAVATORY - LARGE/OVAL - 17" X 20" PLASTIC/OFF WHITE
	106116-01-01A	EA	STRAINER - SINK-W/STOPPER/TAILPIECE/GASKET & NUT - PLASTIC
14	075240-05-000	EA	FAUCET - LAVATORY - BRASS
	105218-01-01A	EA	SPACER - FAUCET/LAVATORY SINK - 2" X 5.9" - ABS PLASTIC
15	093606-25-000	EA	MIRROR - BEVELED PANEL - 14" X 42.4"
	075453-02-000	EA	BAR - TOWEL - 18" BRASS
	085278-01-000	EA	HOLDER - TOILET PAPER - RECESSED - BRASS

* SEE SERVICE PARTS LIBRARY

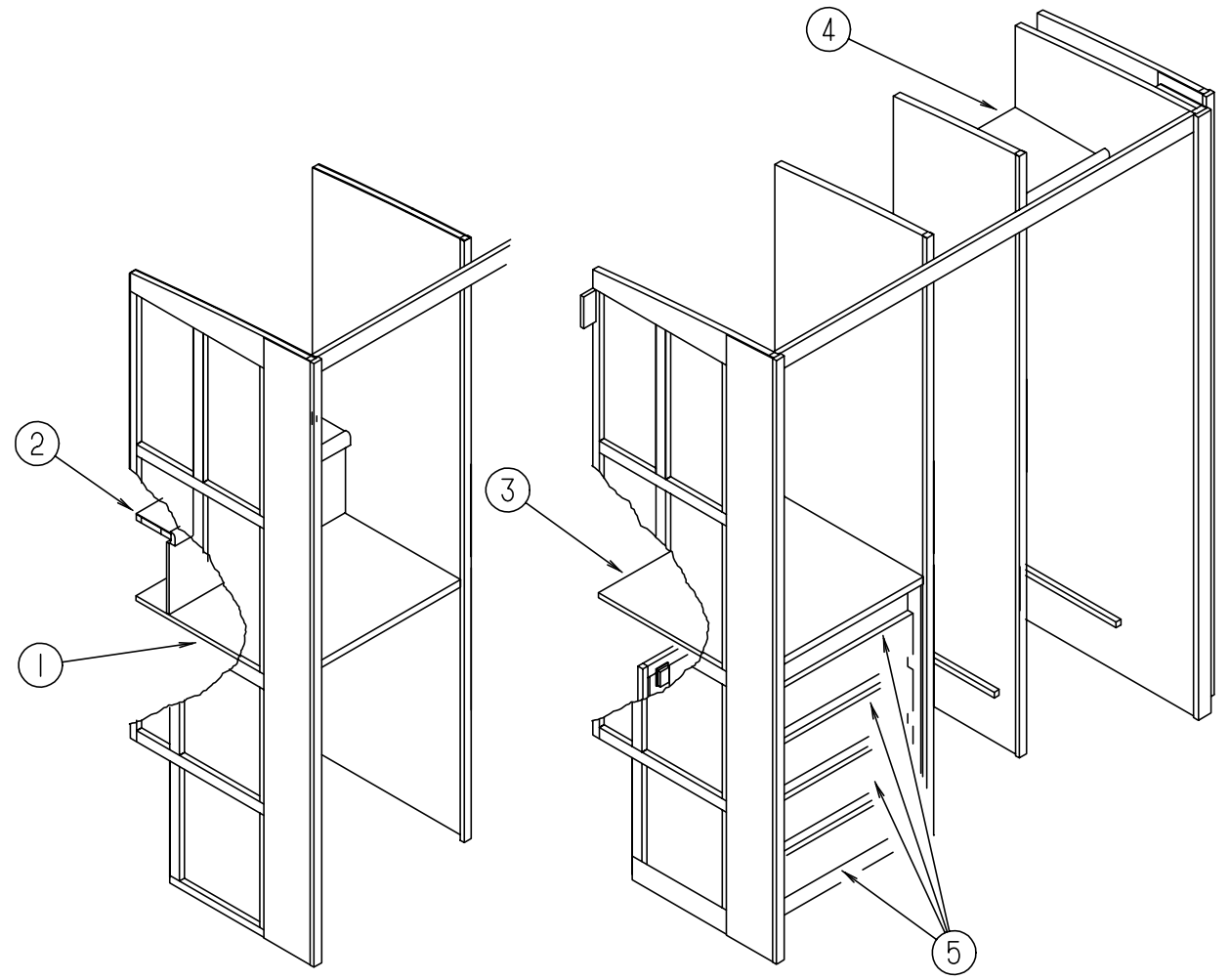
BATH GROUP (CONTINUED)



SHOWER & FIXTURES

KEY	PART NUMBER	U/M	DESCRIPTION	VENDOR NO.
1	114496-01-02A	EA	PANEL - OUTER SKYLIGHT - 22" X 37"	
1	122191-01-02A	EA	PANEL - SKYLIGHT - INNER W/LIGHT CUTOUT - 20.7" X 35.4"	
2	119677-01-01A	EA	SHOWER - 3 PIECES - HEAD/FAUCET/SPOUT	
	119677-01-700	EA	HANDLE - SHOWER/BATH CLEAR	38-9
	119677-01-701	EA	SHOWERHEAD ONLY 1/2"	34PB
	119677-01-702	EA	SPOUT - BATH	39-7PB-0
	119677-01-703	EA	DIVERTER KIT	639-5-0
	119677-01-704	EA	STEM & BONNET	61-5-0
	119677-01-705	EA	PLATE-STRAINER(SHOWER HEAD)	34-3PL
	119677-01-706	EA	ARM - SHOWER HEAD	61-10-PB
	119677-01-707	EA	BUTTON	38-16A
	119677-01-708	EA	BUTTON - COLD	38-16C
	119677-01-709	EA	BUTTON - HOT	38-16H
	119677-01-710	EA	FLANGE - SHOWERHEAD	60-10-8PB
	119677-01-711	EA	FLANGE - AROUND TURN HANDLE	38-8PB
	075606-01-000	EA	PANEL - PLASTIC - FAUCET BACK - 5" X 9"	
3	119338-01-01A	EA	CAP - TUB/SHOWER	
4	057671-01-000	EA	COVER - SCREW - #8 - PLASTIC - OFF WHITE	
5	113714-01-01A	EA	RETAINER - SHELF/SHOWER	
6	M02630-31-GV0	EA	TUB/SHOWER	
	066436-01-000	EA	NUT - SLIP - TAILPIECE 1.5"	
	066729-01-000	EA	STRAINER - TUB/SHOWER - W/PLUG	
	120981-01-01A	EA	DRAIN - TIP TOE - BRASS	
7	119336-01-01A	EA	ENCLOSURE - SHOWER	
	104462-01-01A	EA	CADDY - SHOWER - O/W	

BATH GROUP (CONTINUED)

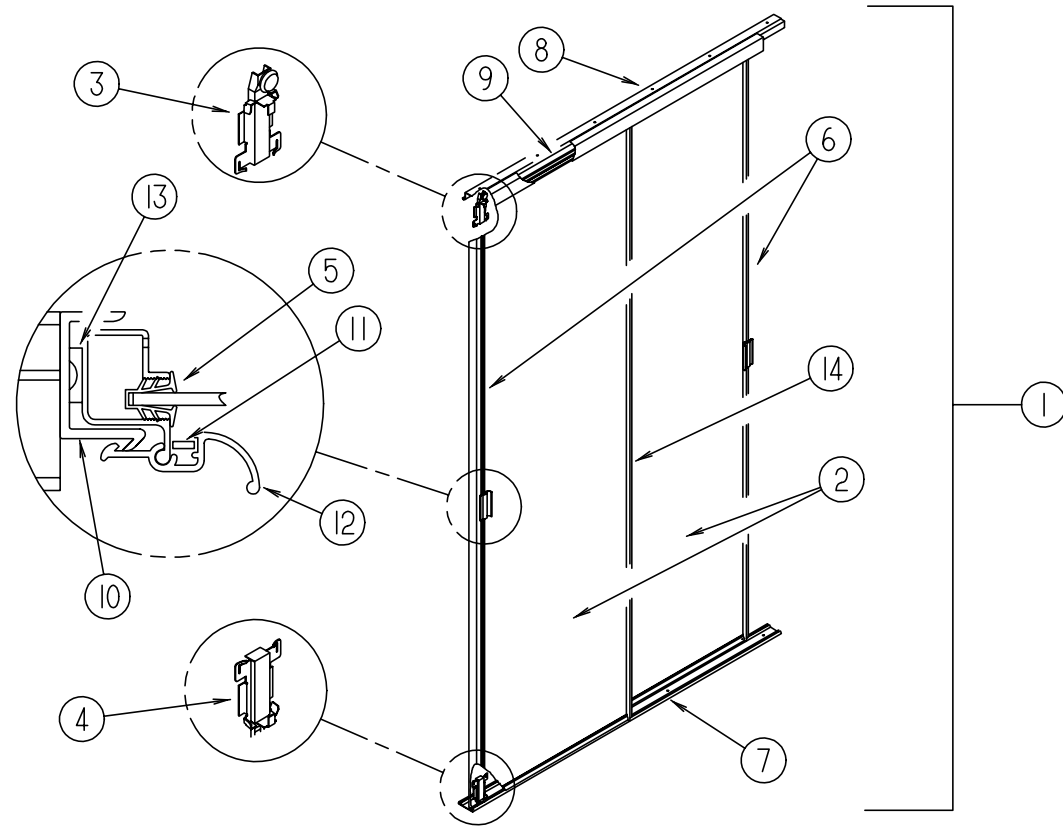


WARDROBE CABINET

KEY	PART NUMBER	U/M	DESCRIPTION
1	124283-21-J70	EA	COUNTERTOP - WARDROBE (WASHER/DRYER) (J70,J71)
1	124283-21-J72	EA	COUNTERTOP - WARDROBE (WASHER/DRYER) (J72,J73)
1	124283-21-J74	EA	COUNTERTOP - WARDROBE (WASHER/DRYER) (J74,J75,J76,J77)
2	124283-17-J70	EA	SHELF - W/VINYL EDGE MOLDING (WASHER/DRYER) (WASHED MAPLE)
2	124283-17-H57	EA	SHELF - W/VINYL EDGE MOLDING (WASHER/DRYER) (SALEM CHERRY)
3	124283-20-J70	EA	COUNTERTOP - WARDROBE (J70,J71)
3	124283-20-J72	EA	COUNTERTOP - WARDROBE (J72,J73)
3	124283-20-J74	EA	COUNTERTOP - WARDROBE (J74,J75,J76,J77)
4	124283-11-J70	EA	SHELF - W/PLASTIC EDGE MOLDING (WASHED MAPLE)
4	124283-11-H57	EA	SHELF - W/PLASTIC EDGE MOLDING (SALEM CHERRY)
5	M05971-V3-J70	EA	DRAWER - OGEE EDGE - 21.8"W X 13.8"D - W/O SLIDES/HARDWARE (WASHED MAPLE)
5	M05971-V3-GV1	EA	DRAWER - OGEE EDGE - 21.8"W X 13.8"D - W/O SLIDES/HARDWARE (SALEM CHERRY)

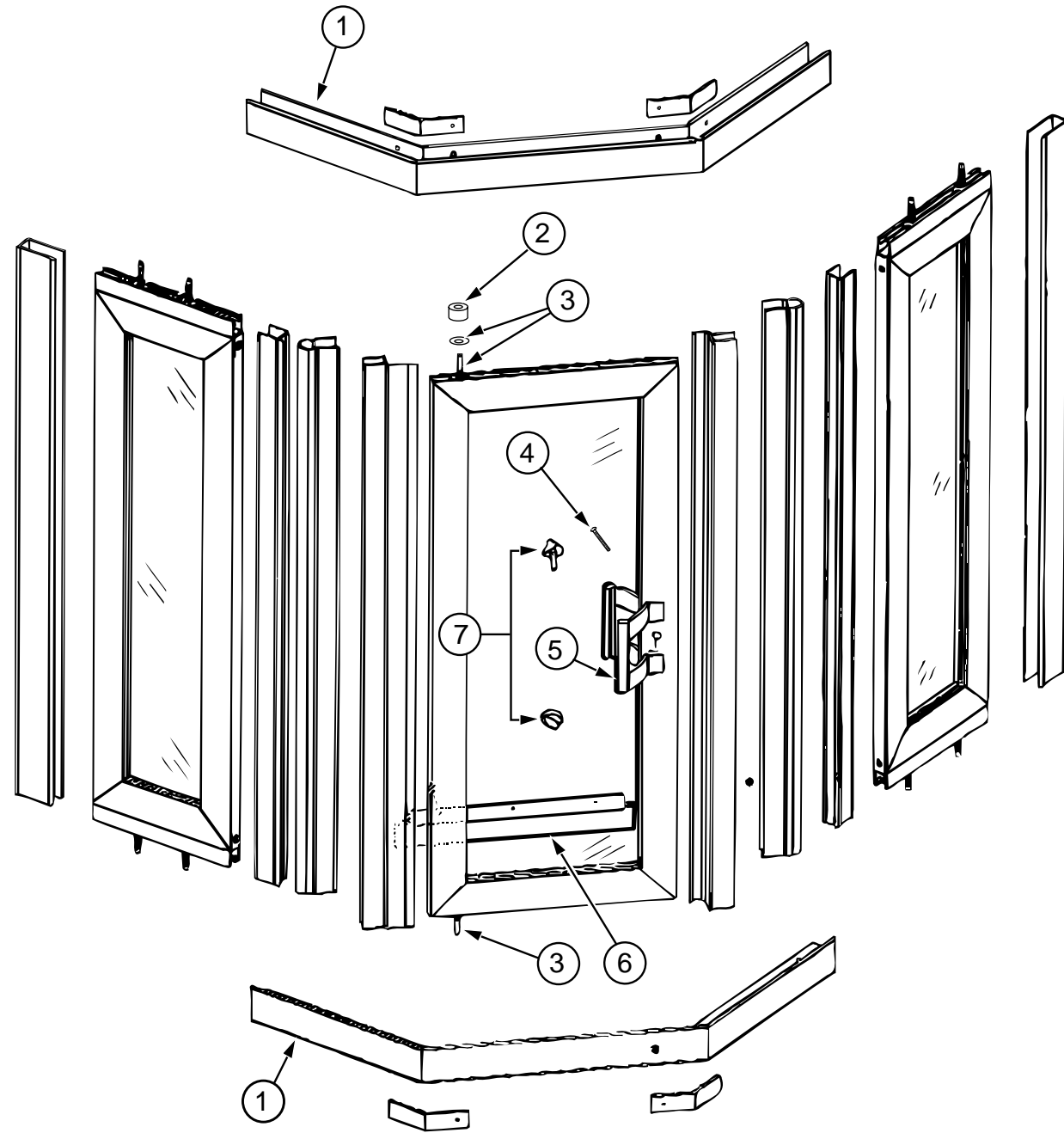
BATH GROUP (CONTINUED)

WARDROBE DOOR



KEY	PART NUMBER	U/M	DESCRIPTION
1	114149-11-GV0	EA	DOOR - WARDROBE/MIRRORED
2	058331-E6-000	EA	MIRROR - SAFETY GLASS - 32.1" X 76.2"
3	107390-02-000	EA	CORNER HANGER (DOUBLE ROLLER W/BACKET) (SOLD AS 1 EACH)
4	107391-01-000	EA	GUIDE - BOTTOM - BY-PASS (PAIR)
5	111575-01-01A	FT	CHANNEL - GLAZING - SWING DOOR
6	114104-06-01A	EA	STILE - DOOR - SLIDING
7	114105-08-01A	EA	TRACK - DOOR - SLIDING/LOWER
8	114106-08-01A	EA	TRACK - DOOR - SLIDING/UPPER
9	114107-07-01A	EA	RAIL - SLIDING DOOR
10	115538-03-01A	EA	JAMB - DOOR - WARDROBE/MIRRORED
11	115541-01-000	EA	SPRING - DOOR - SLIDING
12	115553-01-01A	EA	LATCH - DOOR - WARDROBE/MIRRORED
			FROM: 00-00-00 THRU: 10-19-97
12	128587-01-01A	EA	LATCH - DOOR - WARDROBE/MIRRORED
			FROM: 10-20-97 THRU: 00-00-00
13	114104-06-01A	EA	STILE - DOOR - SLIDING
14	114104-02-01A	EA	STILE - DOOR - SLIDING

BATH GROUP (CONTINUED)



COASTAL SHOWER DOOR

KEY	PART NUMBER	U/M DESCRIPTION	VENDOR NO.
	119622-01-01A	EA DOOR - SOLID PANEL SHOWER	
1	107878-01-704	EA HEADER OR SILL	70
2	092574-01-707	EA BUSHING - PIVOT - TOP	18712B
3	089318-01-704	EA BOLT - PIVOT - TOP OR BOTTOM	1428B
4	092574-01-710	EA SCREW - GOLD - FOR TOWEL BAR	832G
5	092574-01-703	EA PULL - DOOR - GOLD (INSIDE)	8149G
5	092574-01-711	EA PULL - DOOR - GOLD (OUTSIDE)	8153G
6	089318-01-701	FT SWEEP - VINYL 500 FT ROLL	C171G
	107878-01-703	EA CAP - DRIP - PLUG SET	DCP2
7	092574-01-700	EA KNOB - SAFETY LATCH	9728G
	092574-01-705	EA STRIP - MAGNETIC - 56 7/8"	98-41G
	119622-01-700	EA TOWEL BAR KIT	WINN-33TBL

BATH GROUP (CONTINUED)

BATH PRIVACY DOOR

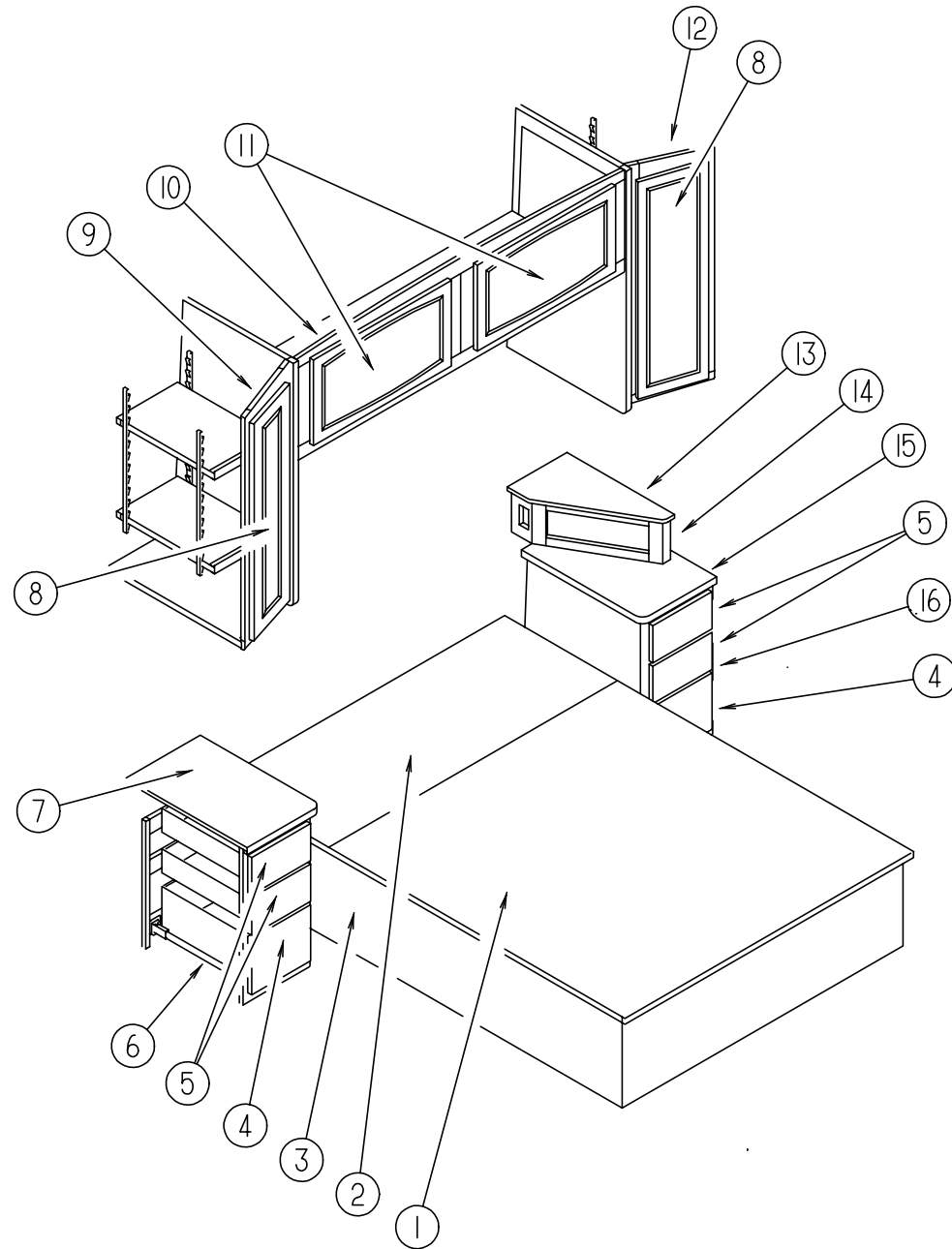
KEY	PART NUMBER	U/M DESCRIPTION
	104013-03-J70	EA DOOR - SLIDING - W/O HARDWARE (BATH/GALLEY) (WASHED MAPLE)
	104013-03-E41	EA DOOR - SLIDING - W/O HARDWARE (BATH/GALLEY) (SALEM CHERRY)
	120510-02-J70	EA HEADER - DOOR (WASHED MAPLE)
	120510-02-GV1	EA HEADER - DOOR (SALEM CHERRY)
	103868-03-01A	EA TRACK - SLIDING DOOR 49.2"
	103874-01-000	EA HANGER - SLIDING DOOR
	098410-01-01A	EA PULL - FINGER - BRASS
	057534-01-000	EA TIEBACK/TIEDOWN - 6" CLEAR PLASTIC

BEDROOM/BATH PRIVACY DOOR

KEY	PART NUMBER	U/M DESCRIPTION
	104013-08-J70	EA DOOR - SLIDING - W/O HARDWARE (BATH/BEDROOM) (WASHED MAPLE)
	104013-08-GV1	EA DOOR - SLIDING - W/O HARDWARE (BATH/BEDROOM) (SALEM CHERRY)
	120510-01-J70	EA HEADER - DOOR (WASHED MAPLE)
	120510-01-GV1	EA HEADER - DOOR (SALEM CHERRY)
	103874-01-000	EA HANGER - SLIDING DOOR
	098410-01-01A	EA PULL - FINGER - BRASS
	103868-03-01A	EA TRACK - SLIDING DOOR 49.2"
	057534-01-000	EA TIEBACK/TIEDOWN - 6" CLEAR PLASTIC

BEDROOM GROUP

QUEEN BEDROOM CABINETS

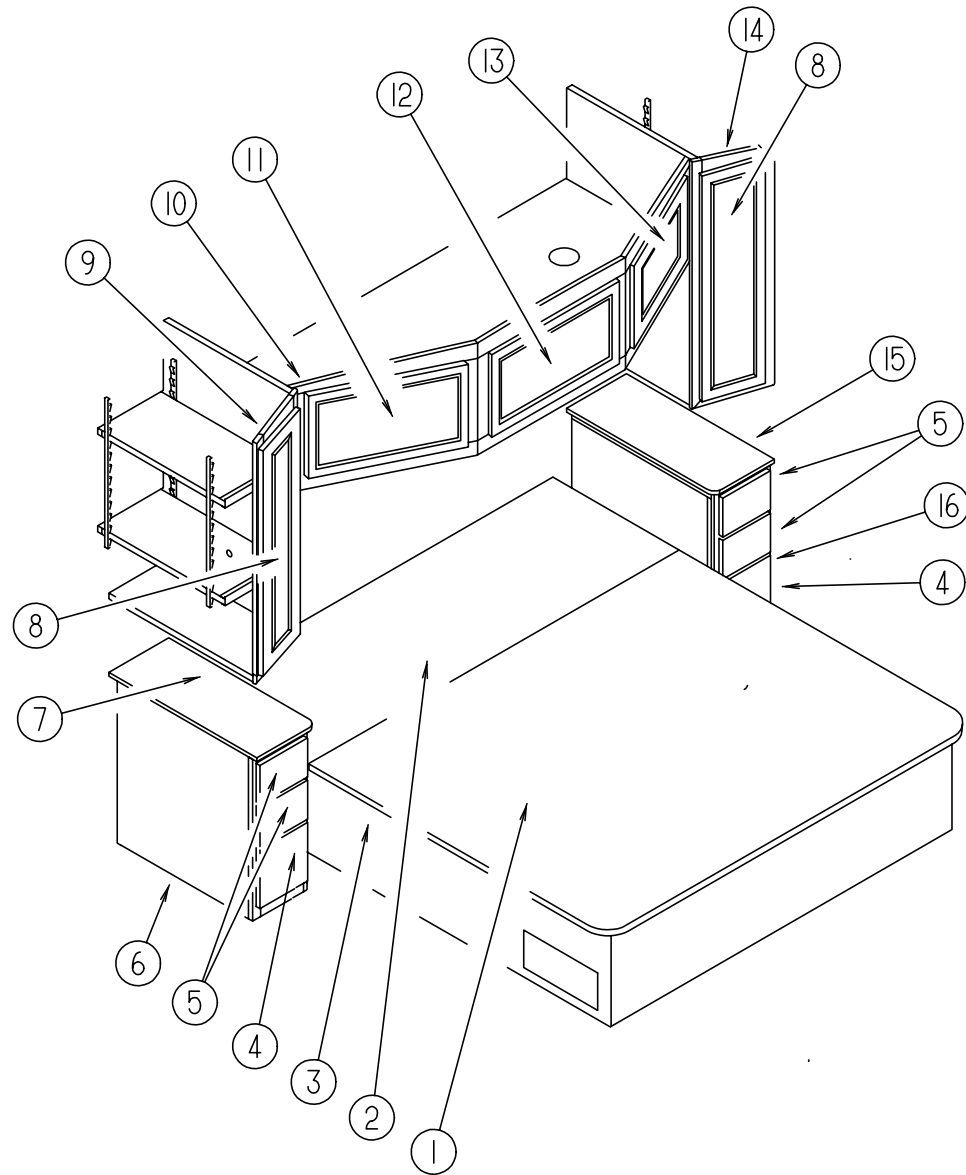


KEY	PART NUMBER	U/M DESCRIPTION
1	M05905-10-000	EA TOP - QUEEN BED/LOWER - W/O HARDWARE
	120414-11-H58	EA PANEL - QUEEN BED PACKAGE (J70,J71)
	120414-11-J72	EA PANEL - QUEEN BED PACKAGE (J72,J73)
	120414-11-J74	EA PANEL - QUEEN BED PACKAGE (J74,J75)
	120414-11-J76	EA PANEL - QUEEN BED PACKAGE (J76,J77)
2	M05905-09-GV0	EA TOP - QUEEN BED - W/O HARDWARE
	126477-01-J70	EA HEADBOARD - ERIN - F/QUEEN BED (J70,J71)
	112732-07-J72	EA HEADBOARD - WINDWARD - QUEEN (J72,J73)
	126477-03-J74	EA HEADBOARD - ERIN - F/QUEEN BED (J74,J75)
	126477-04-J76	EA HEADBOARD - ERIN - F/QUEEN BED (J76,J77)
3	P20414-01-J70	EA CABINET - BASE - QUEEN BED - W/O DOORS/DRAWERS/HARDWARE (WASHED MAPLE)
3	P20414-01-GV1	EA CABINET - BASE - QUEEN BED - W/O DOORS/DRAWERS/HARDWARE (SALEM CHERRY)
4	M05971-R0-J70	EA DRAWER - OGEE EDGE - 12.1" X 23.5" - W/O SLIDES/HARDWARE (WASHED MAPLE)
4	M05971-R0-GV1	EA DRAWER - OGEE EDGE - 12.1" X 23.5" - W/O SLIDES/HARDWARE (SALEM CHERRY)

KEY	PART NUMBER	U/M DESCRIPTION
5	M05971-P9-J70	EA DRAWER - OGEE EDGE - 12.1" X 23.5" - W/O SLIDES/HARDWARE (WASHED MAPLE)
5	M05971-P9-GV1	EA DRAWER - OGEE EDGE - 12.1" X 23.5" - W/O SLIDES/HARDWARE (SALEM CHERRY)
6	P18150-02-J70	EA CABINET - NIGHTSTAND/RH - W/CTRTP - W/O DOORS/DRAWERS/HDW (J70)
6	P18150-02-J71	EA CABINET - NIGHTSTAND/RH - W/CTRTP - W/O DOORS/DRAWERS/HDW (J71)
6	P18150-02-J72	EA CABINET - NIGHTSTAND/RH - W/CTRTP - W/O DOORS/DRAWERS/HDW (J72)
6	P18150-02-J73	EA CABINET - NIGHTSTAND/RH - W/CTRTP - W/O DOORS/DRAWERS/HDW (J73)
6	P18150-02-J74	EA CABINET - NIGHTSTAND/RH - W/CTRTP - W/O DOORS/DRAWERS/HDW (J74,J76)
6	P18150-02-J75	EA CABINET - NIGHTSTAND/RH - W/CTRTP - W/O DOORS/DRAWERS/HDW (J75,J77)
7	118150-13-J70	EA COUNTERTOP - NIGHTSTAND (J70,J71)
7	118150-13-J72	EA COUNTERTOP - NIGHTSTAND (J72,J73)
7	118150-13-J74	EA COUNTERTOP - NIGHTSTAND (J74,J75,J76,J77)
8	M06803-P7-J70	EA DOOR - MIRROR/MTRD CRNR/OGEE EDGE - 14.3" X 36.4" - W/O HDW (WASHED MAPLE)
	113195-16-01A	EA MIRROR - BEVELED SAFETY GLASS - CLEAR - 11.1" X 33.1"
8	M06803-P7-GV1	EA DOOR - MIRROR/MTRD CRNR/OGEE EDGE - 14.3" X 36.4" - W/O HDW (SALEM CHERRY)
	113195-16-01A	EA MIRROR - BEVELED SAFETY GLASS - CLEAR - 11.1" X 33.1"
9	P18112-01-J70	EA CABINET - SHIRT CLOSET - RIGHT HAND - W/O DOORS/HARDWARE (WASHED MAPLE)
9	P18112-01-GV1	EA CABINET - SHIRT CLOSET - RIGHT HAND - W/O DOORS/HARDWARE (SALEM CHERRY)
	118112-12-H56	EA SHELF - W/PLASTIC EDGE TRIM (SOLAR MAPLE)
	118112-12-GV1	EA SHELF - W/PLASTIC EDGE TRIM (SALEM CHERRY)
10	121548-01-H56	EA CABINET - REAR OVERHEAD/QUEEN BED - W/O DOORS/HARDWARE (SOLAR MAPLE)
10	121548-01-H57	EA CABINET - REAR OVERHEAD/QUEEN BED - W/O DOORS/HARDWARE (SALEM CHERRY)
11	M05990-01-H56	EA DOOR - ARCHED/OGEE EDGE - 14.3" X 27.1" - W/O HARDWARE (SOLAR MAPLE)
11	M05990-01-GV1	EA DOOR - ARCHED/OGEE EDGE - 14.3" X 27.1" - W/O HARDWARE (SALEM CHERRY)
12	P18111-01-H56	EA CABINET - SHIRT CLOSET - LEFT HAND - W/O DOORS/HARDWARE (SOLAR MAPLE)
12	P18111-01-GV1	EA CABINET - SHIRT CLOSET - LEFT HAND - W/O DOORS/HARDWARE (SALEM CHERRY)
	118111-12-J70	EA SHELF - W/PLASTIC EDGE TRIM (WASHED MAPLE)
	118111-12-GV1	EA SHELF - W/PLASTIC EDGE TRIM (SALEM CHERRY)
13	118202-13-J70	EA SHELF - F/RADIO (J70,J71)
13	118202-13-J72	EA SHELF - F/RADIO (J72,J73)
13	118202-13-J74	EA SHELF - F/RADIO (J74,J75,J76,J77)
14	118202-02-J70	EA CABINET - F/RADIO - W/O DOORS/HARDWARE (J70,J71)
14	118202-02-J72	EA CABINET - F/RADIO - W/O DOORS/HARDWARE (J72)
14	118202-02-J73	EA CABINET - F/RADIO - W/O DOORS/HARDWARE (J73)
14	118202-02-J74	EA CABINET - F/RADIO - W/O DOORS/HARDWARE (J74,J76)
14	118202-02-J75	EA CABINET - F/RADIO - W/O DOORS/HARDWARE (J75,J77)
15	118149-13-J70	EA COUNTERTOP - NIGHTSTAND (J70,J71)
15	118149-13-J72	EA COUNTERTOP - NIGHTSTAND (J72,J73)
15	118149-13-J74	EA COUNTERTOP - NIGHTSTAND (J74,J75,J76,J77)
16	P18149-02-J70	EA CABINET - NIGHTSTAND/LH - W/CTRTP - W/O DOORS/DRAWERS/HDW (J70)
16	P18149-02-J71	EA CABINET - NIGHTSTAND/LH - W/CTRTP - W/O DOORS/DRAWERS/HDW (J71)
16	P18149-02-J72	EA CABINET - NIGHTSTAND/LH - W/CTRTP - W/O DOORS/DRAWERS/HDW (J72)
16	P18149-02-J73	EA CABINET - NIGHTSTAND/LH - W/CTRTP - W/O DOORS/DRAWERS/HDW (J73)
16	P18149-02-J74	EA CABINET - NIGHTSTAND/LH - W/CTRTP - W/O DOORS/DRAWERS/HDW (J74,J76)
16	P18149-02-J75	EA CABINET - NIGHTSTAND/LH - W/CTRTP - W/O DOORS/DRAWERS/HDW (J75,J77)
	057460-04-000	EA SPRING - GAS - BALL STUD STYLE - 120 PI - "SPD6209"
	089025-01-000	EA SUPPORT - SPRING TO BED - ANGLE 1.5" X 11.8"
	109645-01-000	EA BRACKET - SUPPORT FLOOR TO BED - F/GAS SPRING

BEDROOM GROUP (CONTINUED)

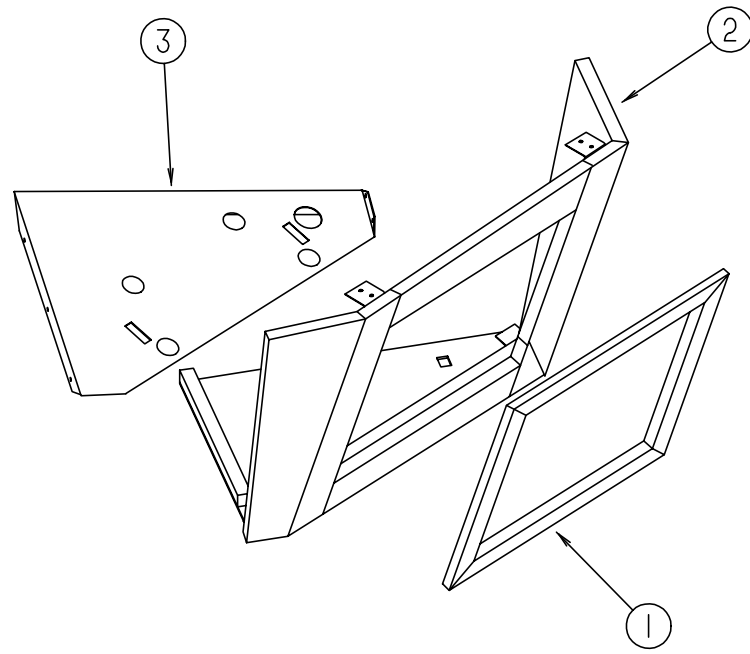
KING BEDROOM CABINETS



KEY	PART NUMBER	U/M DESCRIPTION
1	M05905-12-000	EA TOP - KING BED/LOWER
	120416-11-H58	EA PANEL - KING BED PACKAGE (J70,J71)
	120416-11-J72	EA PANEL - KING BED PACKAGE (J72,J73)
	120416-11-J74	EA PANEL - KING BED PACKAGE (J74,J75)
	120416-11-J76	EA PANEL - KING BED PACKAGE (J76,J77)
2	M05905-11-GV0	EA TOP - KING BED - W/O HARDWARE
	126477-02-J70	EA HEADBOARD - ERIN - F/KING BED (J70,J71)
	112732-08-J72	EA HEADBOARD - WINDWARD - KING (J72,J73)
	126477-05-J74	EA HEADBOARD - ERIN - KING - FABRIC COVERED (J74,J75)
	126477-06-J76	EA HEADBOARD - ERIN - KING - FABRIC COVERED (J76,J77)
3	P20416-01-J70	EA CABINET - BASE - KING BED - W/O DOORS/DRAWERS/HARDWARE (WASHED MAPLE)
3	P20416-01-GV1	EA CABINET - BASE - KING BED - W/O DOORS/DRAWERS/HARDWARE (SALEM CHERRY)
4	M05971-R1-J70	EA DRAWER - OGEE EDGE - 6.9" X 28.5" - W/O SLIDES/HARDWARE (WASHED MAPLE)
4	M05971-R1-GV1	EA DRAWER - OGEE EDGE - 6.9" X 28.5" - W/O SLIDES/HARDWARE (SALEM CHERRY)
5	M05971-R2-J70	EA DRAWER - OGEE EDGE - 6.9" X 23.5" - W/O SLIDES/HARDWARE (WASHED MAPLE)
5	M05971-R2-GV1	EA DRAWER - OGEE EDGE - 6.9" X 23.5" - W/O SLIDES/HARDWARE (SALEM CHERRY)
6	P18225-02-J70	EA CABINET - NIGHTSTAND/RH - W/CTRTP - W/O DOORS/DRAWERS/HDW (J70)
6	P18225-02-J71	EA CABINET - NIGHTSTAND/RH - W/CTRTP - W/O DOORS/DRAWERS/HDW (J71)
6	P18225-02-J72	EA CABINET - NIGHTSTAND/RH - W/CTRTP - W/O DOORS/DRAWERS/HDW (J72)
6	P18225-02-J73	EA CABINET - NIGHTSTAND/RH - W/CTRTP - W/O DOORS/DRAWERS/HDW (J73)
6	P18225-02-J74	EA CABINET - NIGHTSTAND/RH - W/CTRTP - W/O DOORS/DRAWERS/HDW (J74,J76)
6	P18225-02-J75	EA CABINET - NIGHTSTAND/RH - W/CTRTP - W/O DOORS/DRAWERS/HDW (J75,J77)
7	118225-13-J70	EA COUNTERTOP - NIGHTSTAND (J70,J71)
7	118225-13-J72	EA COUNTERTOP - NIGHTSTAND (J72,J73)
7	118225-13-J74	EA COUNTERTOP - NIGHTSTAND (J74,J75,J76,J77)
8	M06803-14-J70	EA DOOR - MIRROR/MTRD CRNR/OGEE EDGE - 10.8" X 36.4" - W/O HDW (WASHED MAPLE)
	088742-10-000	EA MIRROR - BEVELED - SAFETY GLASS - 7.3" X 32.9"
8	M06803-14-GV1	EA DOOR - MIRROR/MTRD CRNR/OGEE EDGE - 10.8" X 36.4" - W/O HDW (SALEM CHERRY)
	088742-10-000	EA MIRROR - BEVELED - SAFETY GLASS - 7.3" X 32.9"
9	P18229-01-J70	EA CABINET - SHIRT CLOSET - RIGHT HAND - W/O DOORS/HARDWARE (WASHED MAPLE)
9	P18229-01-GV1	EA CABINET - SHIRT CLOSET - RIGHT HAND - W/O DOORS/HARDWARE (SALEM CHERRY)
	118229-12-J70	EA SHELF - W/PLASTIC EDGE TRIM (WASHED MAPLE)
	118229-12-GV1	EA SHELF - W/PLASTIC EDGE TRIM (SALEM CHERRY)
10	121549-01-J70	EA CABINET - REAR OVERHEAD/KING BED - W/O DOORS/HARDWARE (WASHED MAPLE)
10	121549-01-GV1	EA CABINET - REAR OVERHEAD/KING BED - W/O DOORS/HARDWARE (SALEM CHERRY)
11	120035-03-J70	EA DOOR - FABRIC WRAPPED - 14.3" X 24.9" - W/O HARDWARE (J70)
11	120035-03-H59	EA DOOR - FABRIC WRAPPED - 14.3" X 24.9" - W/O HARDWARE (J71)
11	120035-03-J72	EA DOOR - FABRIC WRAPPED - 14.3" X 24.9" - W/O HARDWARE (J72)
11	120035-03-H61	EA DOOR - FABRIC WRAPPED - 14.3" X 24.9" - W/O HARDWARE (J73)
11	120035-03-J74	EA DOOR - FABRIC WRAPPED - 14.3" X 24.9" - W/O HARDWARE (J74)
11	120035-03-J75	EA DOOR - FABRIC WRAPPED - 14.3" X 24.9" - W/O HARDWARE (J75)
11	120035-03-J76	EA DOOR - FABRIC WRAPPED - 14.3" X 24.9" - W/O HARDWARE (J76)
11	120035-03-J77	EA DOOR - FABRIC WRAPPED - 14.3" X 24.9" - W/O HARDWARE (J77)
12	120035-01-J70	EA DOOR - FABRIC WRAPPED - 14.3" X 27" - W/O HARDWARE (J70)
12	120035-01-H59	EA DOOR - FABRIC WRAPPED - 14.3" X 27" - W/O HARDWARE (J71)
12	120035-01-J72	EA DOOR - FABRIC WRAPPED - 14.3" X 27" - W/O HARDWARE (J72)
12	120035-01-H61	EA DOOR - FABRIC WRAPPED - 14.3" X 27" - W/O HARDWARE (J73)
12	120035-01-J74	EA DOOR - FABRIC WRAPPED - 14.3" X 27" - W/O HARDWARE (J74)
12	120035-01-J75	EA DOOR - FABRIC WRAPPED - 14.3" X 27" - W/O HARDWARE (J75)
12	120035-01-J76	EA DOOR - FABRIC WRAPPED - 14.3" X 27" - W/O HARDWARE (J76)
12	120035-01-J77	EA DOOR - FABRIC WRAPPED - 14.3" X 27" - W/O HARDWARE (J77)
13	120035-02-J70	EA DOOR - FABRIC WRAPPED - 14.3" X 24.9" - W/O HARDWARE (J70)
13	120035-02-H59	EA DOOR - FABRIC WRAPPED - 14.3" X 24.9" - W/O HARDWARE (J71)
13	120035-02-J72	EA DOOR - FABRIC WRAPPED - 14.3" X 24.9" - W/O HARDWARE (J72)
13	120035-02-H61	EA DOOR - FABRIC WRAPPED - 14.3" X 24.9" - W/O HARDWARE (J73)
13	120035-02-J74	EA DOOR - FABRIC WRAPPED - 14.3" X 24.9" - W/O HARDWARE (J74)
13	120035-02-J75	EA DOOR - FABRIC WRAPPED - 14.3" X 24.9" - W/O HARDWARE (J75)
13	120035-02-J76	EA DOOR - FABRIC WRAPPED - 14.3" X 24.9" - W/O HARDWARE (J76)
13	120035-02-J77	EA DOOR - FABRIC WRAPPED - 14.3" X 24.9" - W/O HARDWARE (J77)
14	P18230-01-J70	EA CABINET - SHIRT CLOSET - LEFT HAND - W/O DOORS/HARDWARE (WASHED MAPLE)
14	P18230-01-GV1	EA CABINET - SHIRT CLOSET - LEFT HAND - W/O DOORS/HARDWARE (SALEM CHERRY)
	118229-12-J70	EA SHELF - W/PLASTIC EDGE TRIM (WASHED MAPLE)
	118229-12-GV1	EA SHELF - W/PLASTIC EDGE TRIM (SALEM CHERRY)
15	118226-13-J70	EA COUNTERTOP - NIGHTSTAND (J70,J71)
15	118226-13-J72	EA COUNTERTOP - NIGHTSTAND (J72,J73)
15	118226-13-J74	EA COUNTERTOP - NIGHTSTAND (J74,J75,J76,J77)
16	P18226-02-J70	EA CABINET - NIGHTSTAND/LH - W/CTRTP - W/O DOORS/DRAWERS/HDW (J70)
16	P18226-02-J71	EA CABINET - NIGHTSTAND/LH - W/CTRTP - W/O DOORS/DRAWERS/HDW (J71)
16	P18226-02-J72	EA CABINET - NIGHTSTAND/LH - W/CTRTP - W/O DOORS/DRAWERS/HDW (J72)
16	P18226-02-J73	EA CABINET - NIGHTSTAND/LH - W/CTRTP - W/O DOORS/DRAWERS/HDW (J73)
16	P18226-02-J74	EA CABINET - NIGHTSTAND/LH - W/CTRTP - W/O DOORS/DRAWERS/HDW (J74,J76)
16	P18226-02-J75	EA CABINET - NIGHTSTAND/LH - W/CTRTP - W/O DOORS/DRAWERS/HDW (J75,J77)
	057460-04-000	EA SPRING - GAS - BALL STUD STYLE - 120 PI - "SPD6209"
	089025-01-000	EA SUPPORT - SPRING TO BED - ANGLE 1.5" X 11.8"
	109645-01-000	EA BRACKET - SUPPORT FLOOR TO BED - F/GAS SPRING

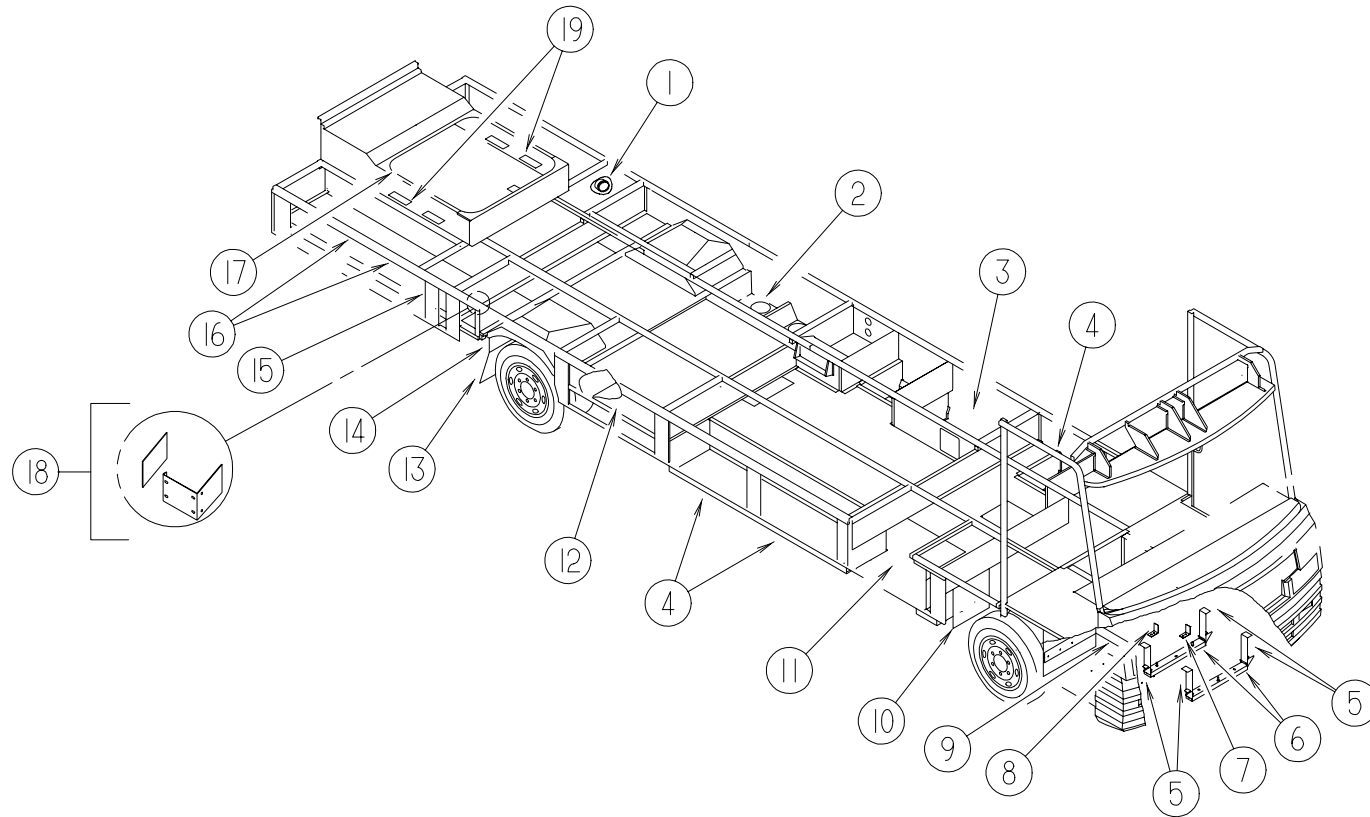
BEDROOM GROUP (CONTINUED)

REAR OVERHEAD TV CABINET

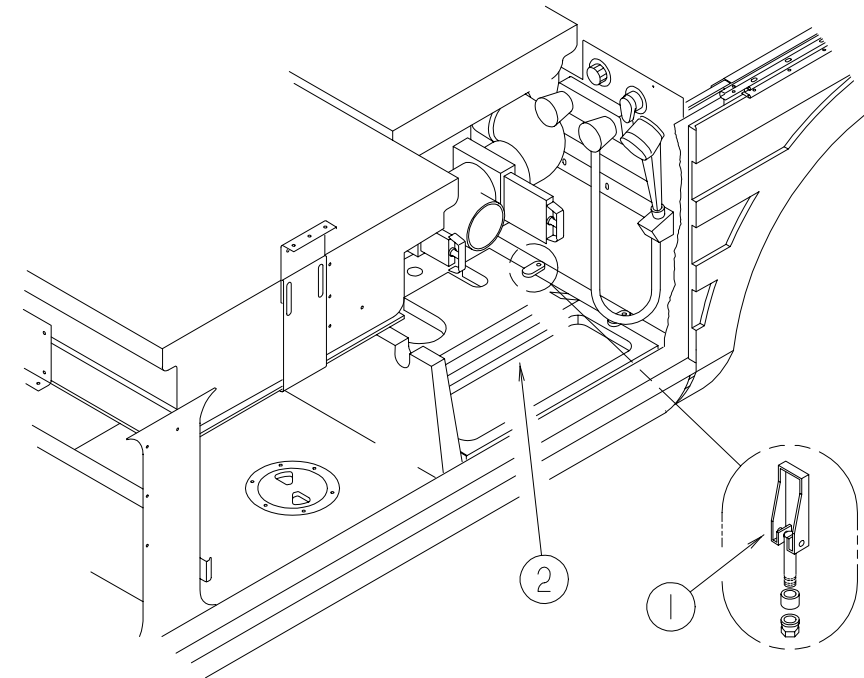


KEY	PART NUMBER	U/M	DESCRIPTION
1	123709-11-J70	EA	TRIM - FACE (WASHED MAPLE)
	074045-12-000	EA	PLUG - OAK - 1/2" DIAMETER (WASHED MAPLE)
1	123709-11-H57	EA	TRIM - FACE (SALEM CHERRY)
	074045-08-000	EA	PLUG - OAK - 1/2" DIAMETER (SALEM CHERRY)
2	123709-01-J70	EA	CABINET - OVERHEAD - TV - W/O DOORS/HARDWARE (WASHED MAPLE)
2	123709-01-H57	EA	CABINET - OVERHEAD - TV - W/O DOORS/HARDWARE (SALEM CHERRY)
3	123710-01-02B	EA	SHELF - SUPPORT/TV - REAR - E-COATED
	123655-01-000	FT	SEAL - CLOSED CELL/FOAM

CHASSIS GROUP



CHASSIS GROUP (CONTINUED)



COMPARTMENTS & COMPONENTS

KEY	PART NUMBER	U/M	DESCRIPTION
1	098215-03-000	EA	COLLAR - CRIMPED - 6" ROUND
2	M07452-11-J70	EA	COMPARTMENT - STORAGE
3	117928-03-01A	EA	COMPARTMENT - STORAGE
4	117928-01-01A	EA	COMPARTMENT - STORAGE
5	115652-02-02B	EA	BRACKET - HANGER GENERATOR - E/COATED
6	115656-02-02B	EA	SUPPORT ASM - GENERATOR
7	111756-04-000	EA	BRACKET - EXHAUST - HANGER
8	P11756-02-000	EA	BRACKET - EXHAUST - HANGER
9	106152-01-000	EA	PANEL - COMPARTMENT - GENERATOR
	072877-03-000	EA	INSULATION - SOUND BARRIER - 1" X 36" X 57"
10	020167-03-000	EA	DIRT GUARD - STEEL - 11" LONG
11*	094707-01-01A	EA	STEP - DOUBLE - ELECTRIC - KWIKEE
11	110063-01-000	EA	PLATE - STEP
11	065450-05-000	EA	TIEDOWN - BATTERY - 8.4" TUBE
12	P13380-01-01A	EA	PANEL - COVER SEAL
13	017516-01-000	EA	MUD FLAP - 14" X 18" - BLACK
14	020167-05-000	EA	DIRT GUARD - STEEL - 15" LONG
15	115392-01-01A	EA	STRAP - VELCRO (LUG WRENCH HOLDER)
16	108986-01-000	EA	TUBE - SUPPORT - LADDER/LOWER
16	112384-01-000	EA	SPONGE - BRACKET - RACK & LADDER
17	039623-01-000	EA	SEAL - MOTOR COVER - RUBBER BULB TYPE
18	115653-13-02B	EA	BRACKET - AIR DRYER/E-COATED
19	110277-02-000	EA	STRAP - W/HOLES
	061420-05-000	EA	PLUG/PLASTIC - 1.8" DIAMETER
	061420-10-000	EA	PLUG/PLASTIC - 1.50" DIAMETER - BLACK
	119845-01-01A	EA	PLUG - PLASTIC - BLACK
	120867-01-02B	EA	MOUNT - LP TANK

DRAINAGE COMPARTMENT

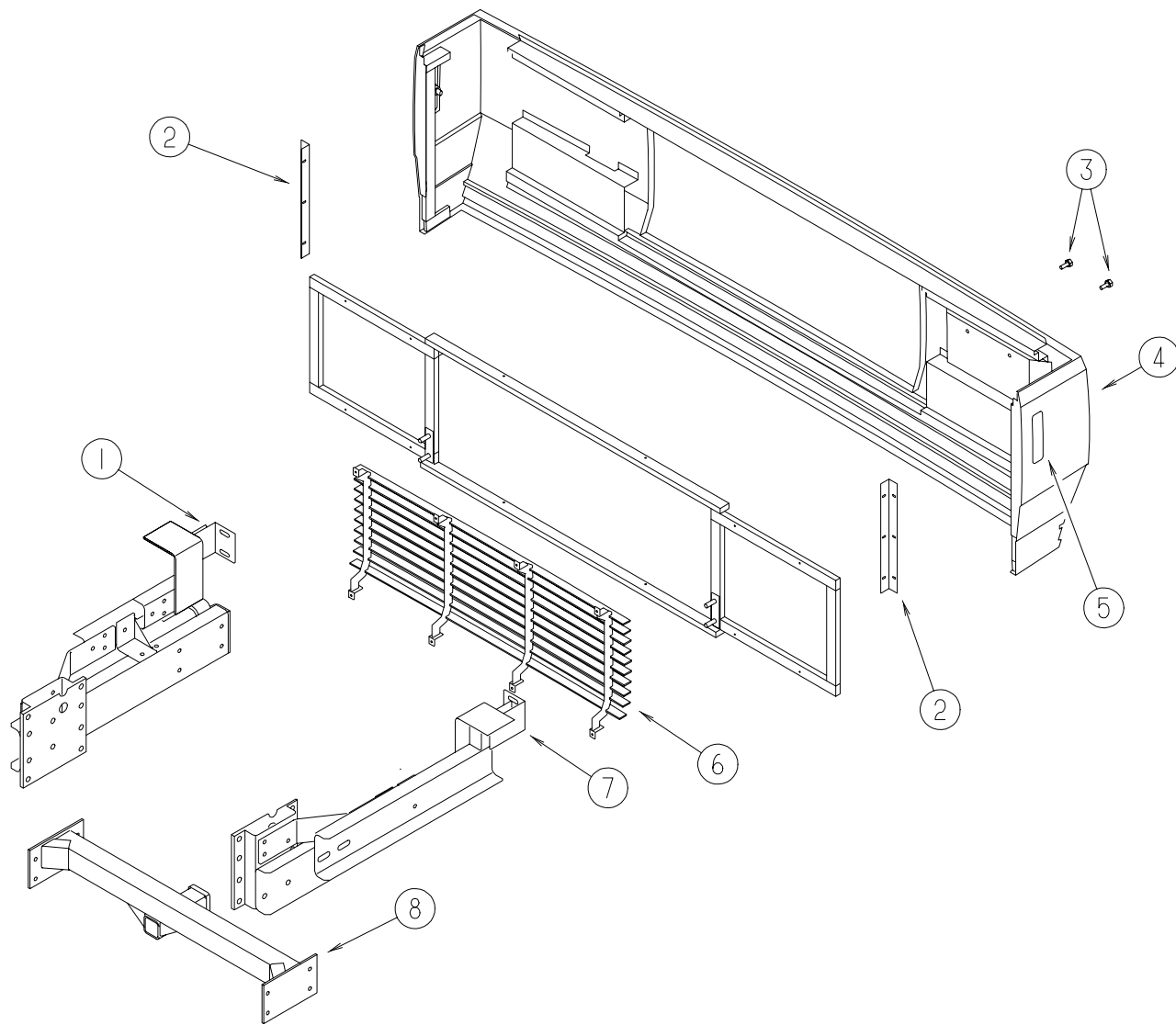
KEY	PART NUMBER	U/M	DESCRIPTION
1	121175-01-01A	EA	LATCH - SWELL - BLACK
2	M06991-05-G38	EA	HATCH - W/FOAM

RADIATOR BAFFLE

KEY	PART NUMBER	U/M	DESCRIPTION
	076310-04-000	EA	SHEET - RUBBER - 23" X 50"

* COMPONENT PARTS FOUND IN SERVICE PARTS LIBRARY

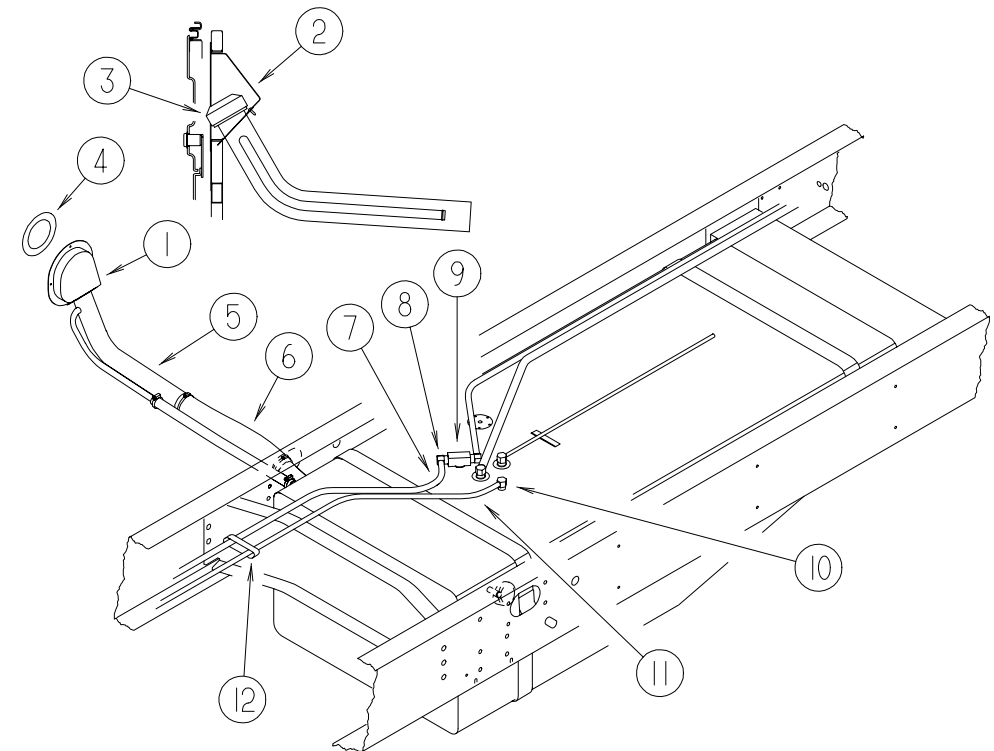
CHASSIS GROUP (CONTINUED)



REAR BUMPER & TRAILER HITCH

KEY	PART NUMBER	U/M	DESCRIPTION
1	107524-01-000	EA	ANGLE - BUMPER - INNER/RIGHT HAND
2	113041-06-02B	EA	ANGLE - MOUNT/BUMPER
3	087234-01-000	EA	NUT - JACK - 1/4 X 20 THD - MOLLY
4	M08020-01-GV0	EA	BUMPER - REAR - W/O HITCH
5	118374-01-01A	EA	POCKET - SIDE MARKER LIGHT
6	118730-01-GV0	EA	GRILLE - BUMPER - REAR/LOWER
	104319-51-007	EA	EXTRUDED - FRAME - GRILLE - 4"
7	107524-02-000	EA	ANGLE - BUMPER - INNER/LEFT HAND
8	117313-01-02B	EA	DRAWBAR - HITCH - CLASS III
	034512-01-000	EA	PIN - LOCKING - DRAWBAR
	113589-01-000	EA	CONNECTOR - PLUG - TRAILER
	113589-02-000	EA	CONNECTOR - SOCKET - TRAILER
	113588-01-01B	EA	BRACKET - CONNECTOR - TRAILER W/LIP
	034513-01-000	EA	PIN - HITCH - 3/16" WIRE

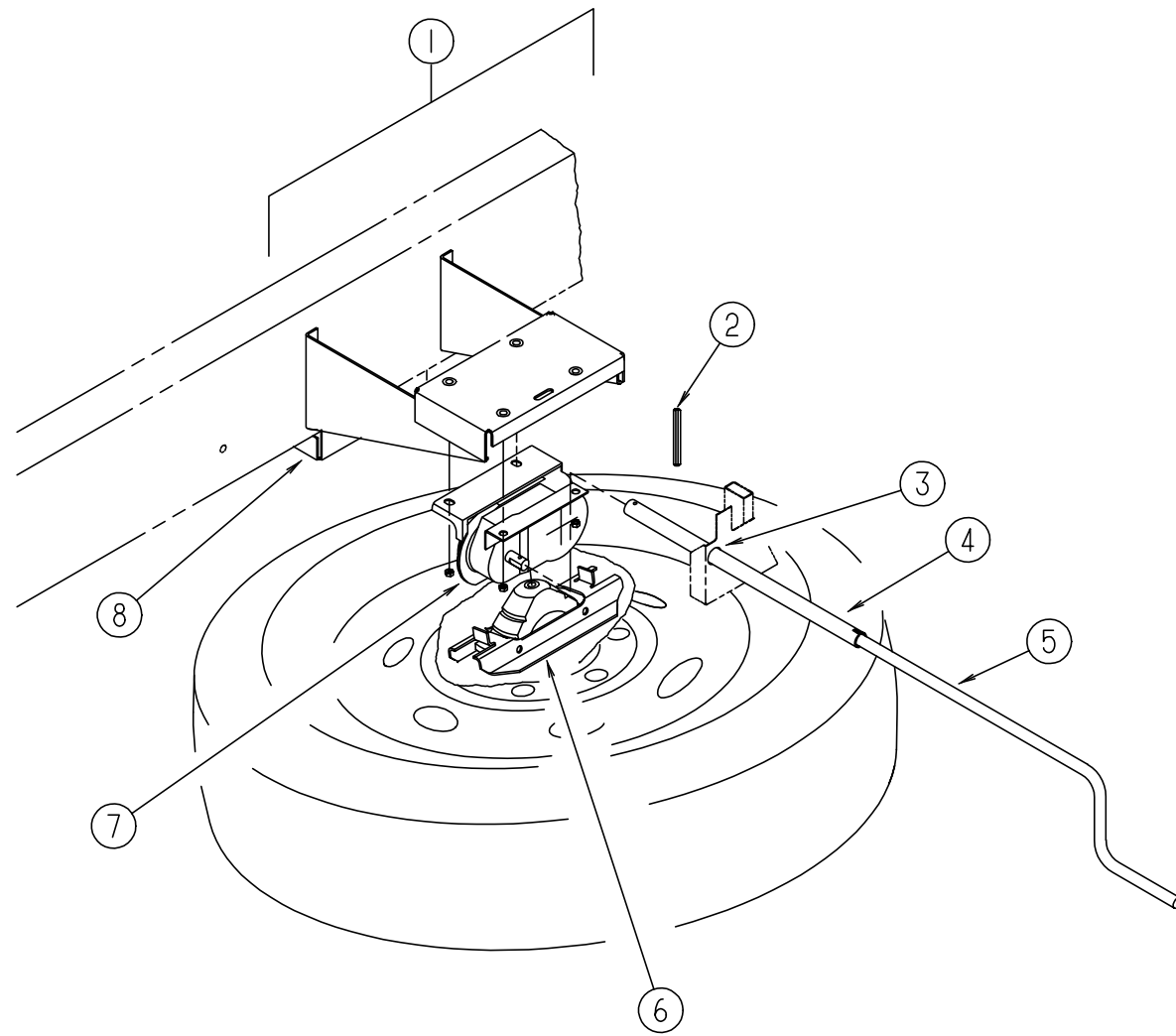
CHASSIS GROUP (CONTINUED)



FUEL SYSTEM

KEY	PART NUMBER	U/M	DESCRIPTION
1	095854-01-01A	EA	SHROUD - FUEL FILL - PLASTIC
2	102951-01-01A	EA	SHROUD - FUEL FILL - UNFINISHED
3	073220-03-000	EA	CAP - FUEL FILL - NON LOCK - DIESEL
4	078200-01-000	EA	GASKET - FUEL FILL - 3.5" OD X 2" ID
5	087256-05-000	EA	NECK - FUEL FILL
6	007111-02-000	EA	HOSE - FUEL FILL - 2" ID
7	024138-01-000	FT	HOSE - FUEL - 5/16" ID
8	114253-01-000	EA	ELBOW - 1/4 SINGLE BARB X 1/8 MPT
9	116457-01-000	EA	TEE - BRASS - BRANCE 1/4 NPT
10	114253-01-000	EA	ELBOW - 1/4 SINGLE BARB X 1/8 MPT
	068382-06-000	EA	BUSHING - BRASS - 3/8 MPT X 1/8 FPT
11	007063-01-000	FT	HOSE - FUEL - 1/4"ID X 1/2"OD
12	010497-01-000	EA	CLAMP - CLOSED - 5/8" ID
	114254-01-000	EA	ADAPTER - 1/4 BARB X 1/8 MPT
	084884-01-000	EA	PLUG - BRASS - 3/8"
	044317-01-000	EA	HOSE - FUEL - 3/8" ID

CHASSIS GROUP (CONTINUED)



SPARE TIRE HOIST

KEY	PART NUMBER	U/M	DESCRIPTION
1	119968-18-02B	EA	SUPPORT - SPARE TIRE HOIST - E/COATED
2	113007-04-000	EA	PIN - SPRING - .007" X 1.25"
3	077953-01-000	EA	GROMMET - EDGE LINER - FITS 1"
4	093375-16-000	EA	EXTENSION - TIRE HOIST
5	093376-04-000	EA	HANDLE - CRANK - TIRE HOIST
6	114376-02-000	EA	PIN - DRIVE - .156 X 1.00 TYPE E
7	120752-01-02B	EA	SUPPORT - SPARE TIRE
7	120877-01-000	EA	HOIST - SPARE TIRE - #400 LB
8	116242-03-02B	EA	SPACER - TIRE - SPARE
8	080208-04-000	EA	LUG WRENCH - 1 3/16" - OSHKOSH/SPARTAN
8	080208-05-000	EA	BAR - LEVERAGE - LUG WRENCH - .75"DIA. - OSHKOSH/SPARTAN

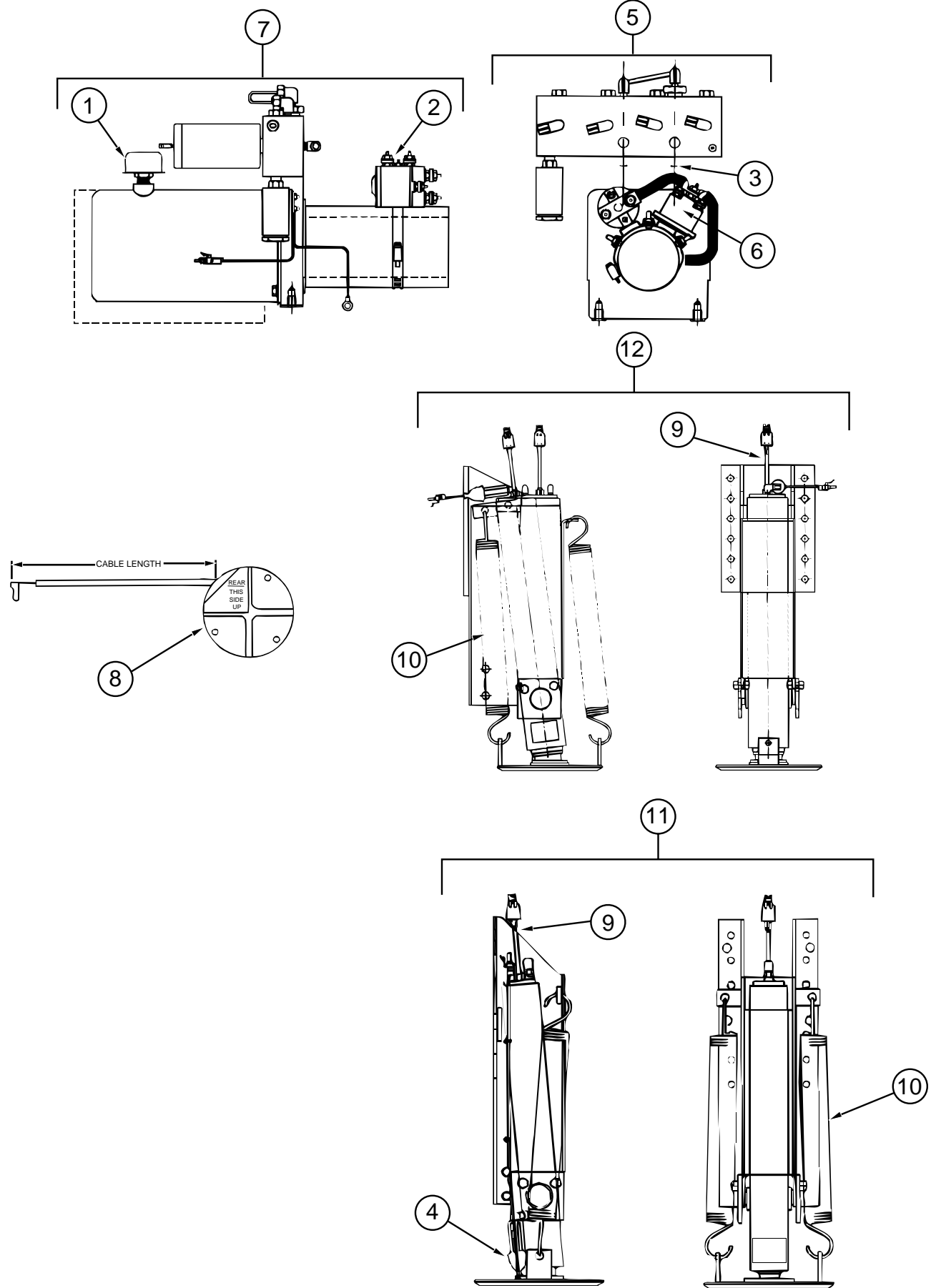
CHASSIS GROUP (CONTINUED)

WHEEL LINERS - SET OF 4

KEY	PART NUMBER	U/M	DESCRIPTION	VENDOR NO.
	110435-05-000	EA	LINER - WHEEL - SET/4 - 22.5"	
	110435-05-700	EA	CAP - CENTER - POP-OUT	V22510-POC
	110435-05-701	EA	LINER - WHEEL - FRONT	V22508-FWC
	110435-05-702	EA	COVER - HUB - FRONT	V22508-FHC
	110435-05-703	EA	LINER - WHEEL - REAR	V22508-RWC
	110435-05-704	EA	COVER - HUB - REAR	V22508-RHC
	110435-05-705	EA	STUD EXTENDER - 3/4" RIGHT HAND	N980-STX
	110435-05-710	EA	NUT - JAM - RIGHT HAND THREAD	V22506-RJN
	110435-05-711	EA	COVER - LUG NUT	V22506-LNC
	110435-05-712	EA	TOOL INSTALLATION	V22506-TOL

CHASSIS GROUP (CONTINUED)

FRONT & REAR HWH HYDRAULIC LEVELING SYSTEM



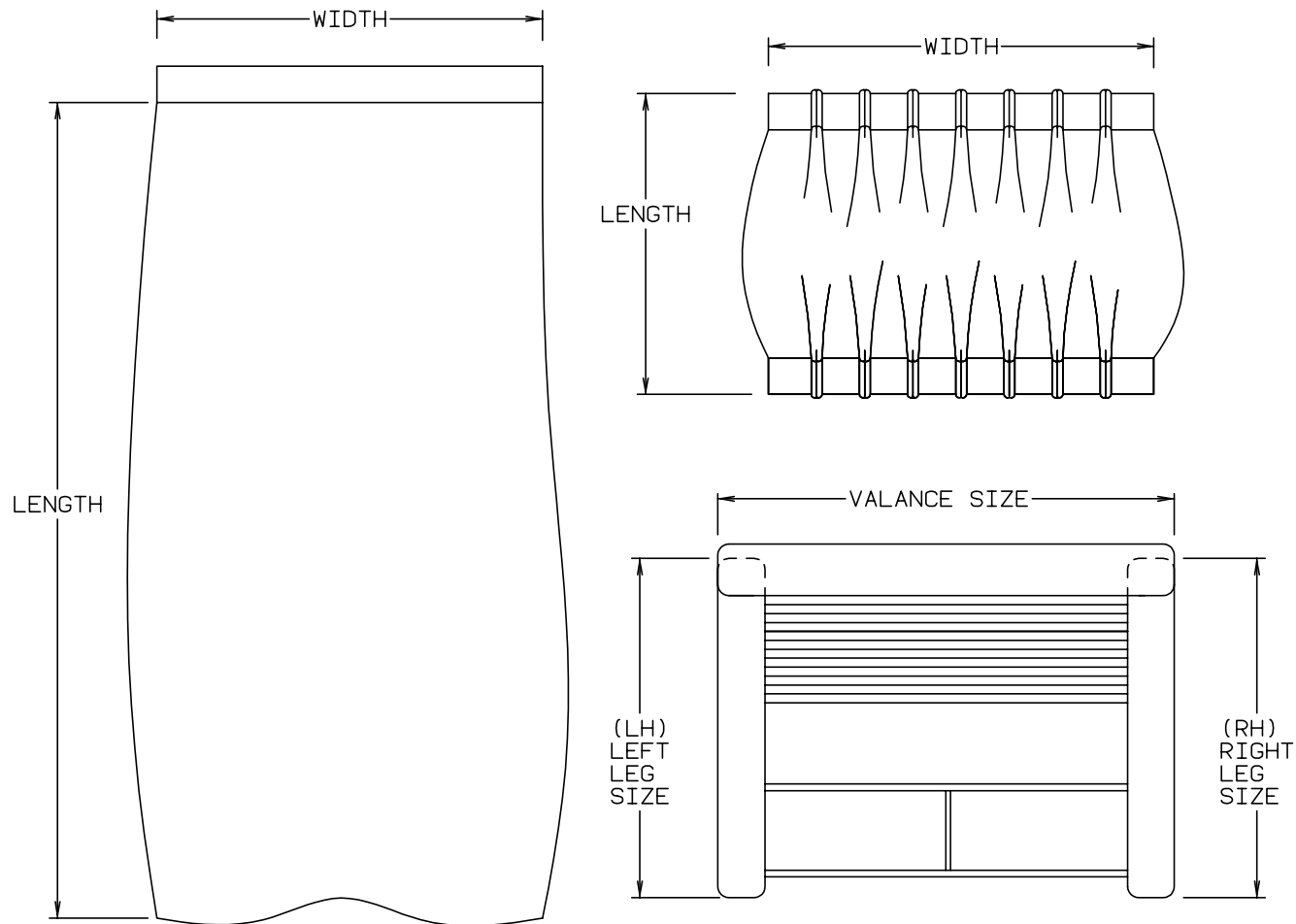
KEY	PART NUMBER	U/M	DESCRIPTION	VENDOR NO.
	100532-34-000	EA	LEVELING SYSTEM - HYDRAULIC	
1	100532-03-715	EA	CAP - BREATHER W/DIPSTICK	RAP7876
2	100532-03-716	EA	SOLENOID - CONTINUOUS DUTY	RAP7505
3	100532-03-723	EA	MANIFOLD HDW MTG KIT	RAP9171
4	100532-03-726	EA	SWITCH - PRESSURE	RAP8003
5	100532-09-703	EA	MANIFOLD ASM. - COMPLETE	RAP0959
6	100532-09-710	EA	SOLENOID - INTERMITTENT DUTY	RAP0533
7	100532-12-701	EA	PUMP & MOTOR W/TANK 1.7	RAP0588
8	100532-12-703	EA	SENSING UNIT BI-AXIS-27'	RAP6800
9	100532-12-706	EA	SWITCH - WARNING/MAGNETIC	RAP1008
10	100532-12-707	EA	SPRING KIT	R3847
11	100532-23-700	EA	JACK - FRONT W/SWITCHES 6K	RAP90176
12	100532-23-701	EA	JACK - REAR W/SWITCHES 12K	RAP11375
	100532-09-702	EA	CABLE - MODULAR 5'	RAP1020
	085765-01-000	EA	TEE - 2 F & 1 MALE ENDS-1/4 MPT X 1/4 - BRASS - WEATHERHEAD	R1280
	100532-01-714	EA	SCREW KIT (LEVELING JACKS)	R1280
	100532-12-700	EA	VALVE ASM. 18" - POWER UNIT	RAP1124
	100532-32-701	EA	BUZZER - JACK DOWN WARNING	RAP0325
	100532-34-700	EA	CONTROL BOX - 610 W/AIR DMP	RAP90304
	100536-26-000	EA	HOSE KIT - LEVELING JACKS	
	100536-09-701	EA	HOSE - HYDRAULIC - 60"	RAP4073
	100536-14-700	EA	HOSE - HYDRAULIC - 288"	RAP4063
	100536-25-701	EA	HOSE - HYDRAULIC - 312"	RAP5216
	100536-26-700	EA	HOSE - HYDRAULIC - 100"	RAP90077
	107890-01-000	EA	ELBOW - STEEL - 90 D - 1/4 X 37 D - FLARE	
	114748-05-02B	EA	CROSSMEMBER - REAR JACK MOUNTING	
	114748-06-02B	EA	CROSSMEMBER - FRONT/REAR JACK MOUNTING	
	114748-07-02B	EA	CROSSMEMBER - REAR JACK MOUNTING	
	116181-01-02B	EA	BRACKET/PUMP - LEVELING JACK - REAR INNER - E-COAT	
	116199-01-02B	EA	SUPPORT - PUMP - LEVELING JACK	
			FROM: 00-00-00 THRU: 09-26-96	
			FROM: 00-00-00 THRU: 10-02-96	
	116200-01-09B	EA	SHIELD - HEAT - PUMP - LEVELING JACK	
	117183-01-02B	EA	COVER - SENSOR - LEVELING	

CURTAIN & CUSHION GROUP

NOTICE

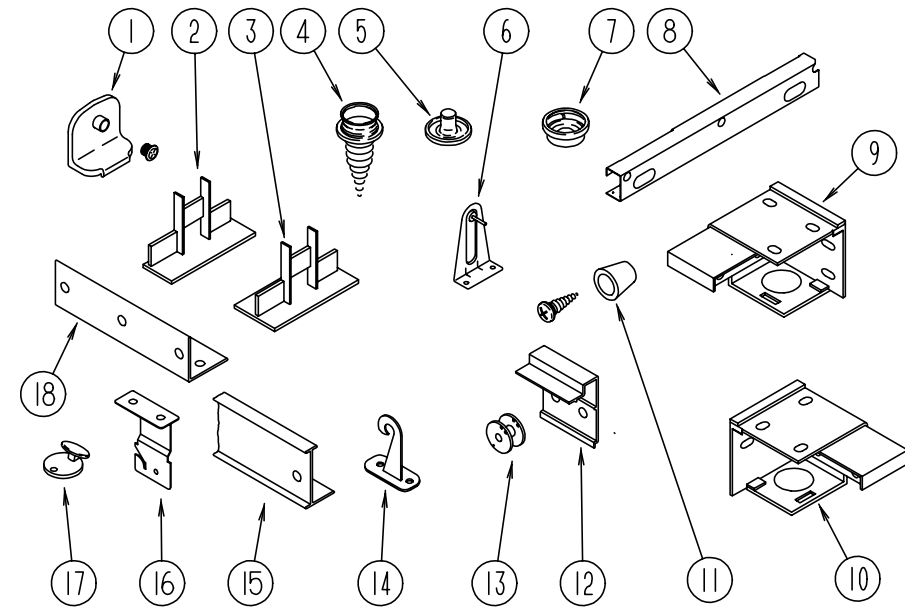
IN ORDER TO ASSIST OUR PARTS SALES DEPT. IN PROVIDING INTERIOR SOFTWARE ITEMS, PLEASE INCLUDE THE SERIAL NUMBER AND THE COLOR CODE NUMBER FROM THE VEHICLE CERTIFICATION LABEL WHEN ORDERING. THIS LABEL IS LOCATED ON THE LEFT SIDEWALL AT THE END OF THE DASH (A-BODY), OR ON THE DRIVER'S DOOR LATCH PLATE (C-BODY).

AN EXAMPLE OF A COLOR CODE NUMBER IS B07, WHICH DESIGNATES AN OVERALL COLOR SCHEME OF A PARTICULAR UNIT. THE COLOR LISTED AFTER THE ITEM DESCRIPTION ON THE MICROFICHE, INDICATES THE OVERALL UNIT COLOR. ORDER THE ITEM YOU DESIRE ACCORDING TO UNIT COLOR CODE. IF ALL COLORS USE THE SAME ITEM NO COLOR CODE WILL BE NOTED.



NOTE: USE THIS ILLUSTRATION WHEN DETERMINING LENGTH AND WIDTH MEASUREMENTS FOR CURTAINS. YOU WILL NOTE THE WIDTH MEASUREMENT IS TAKEN ON THE TOP OF THE CURTAIN WITH THE CURTAIN FULLY EXTENDED. THE LENGTH MEASUREMENT IS TAKEN FROM TOP TO BOTTOM. LEFT AND RIGHT WINDOW LEGS ARE DETERMINED WHEN FACING THE WINDOW.

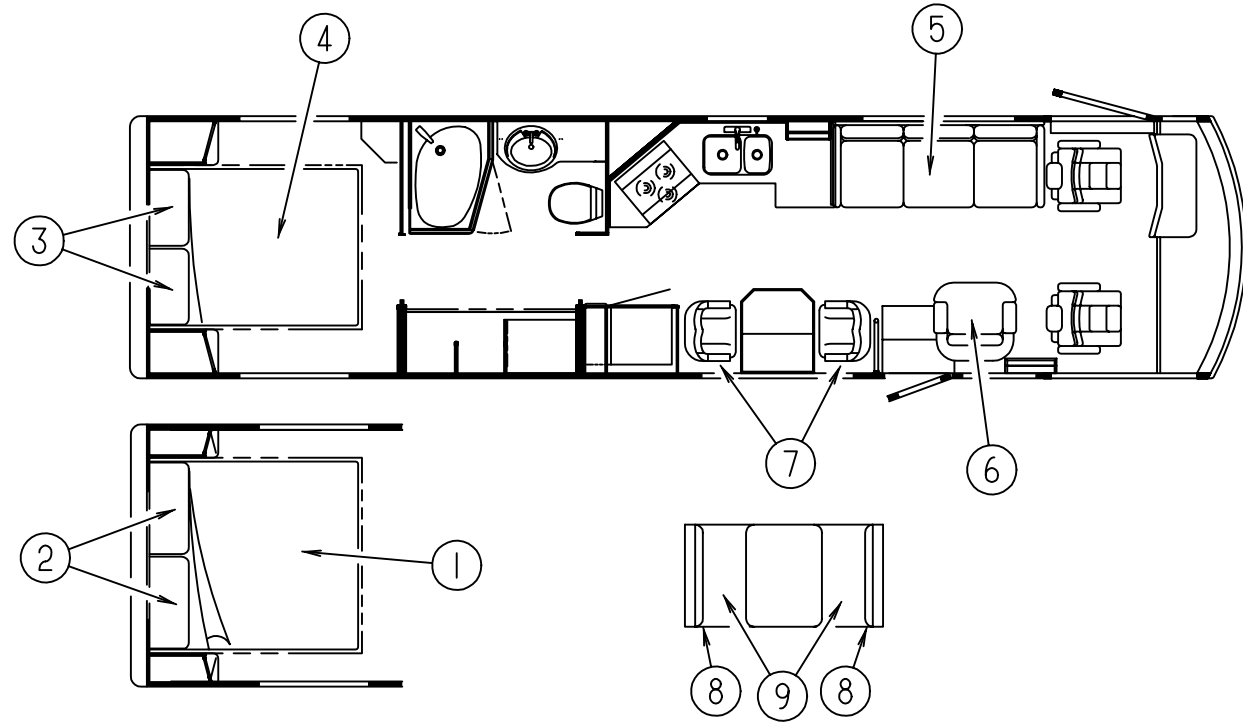
CURTAIN & CUSHION GROUP (CONTINUED)



CURTAIN HARDWARE

KEY	PART NUMBER	U/M	DESCRIPTION
1	106544-01-000	EA	PULL - SHADE/BRASS
	106544-01-001	EA	SCREW - SHADE/BRASS
2	094907-02-000	EA	END CAP - TOP/PLEATED BLIND - PLASTIC - GRAY
3	094907-05-000	EA	HARDWARE - END CAP - BOTTOM - PULL TYPE
	094907-05-700	EA	END CAP - RH - BOTTOM BLIND
	094907-05-701	EA	END CAP - LH - BOTTOM BLIND
	094907-06-000	EA	HARDWARE - END CAP - E-Z LIFT - TOP
	094908-03-000	FT	HARDWARE - SEMI-RIDGED PVC - EZ LIFT
	094908-04-000	FT	STRAP - FLAT POLY VINYL
	097591-01-000	EA	SPRING - EXTENSION/PLEATED BLIND
	097593-02-000	FT	CORD - BLIND/PLEATED - GRAY (J70,J71,J74,J75,J76,J77)
	097593-10-000	FT	CORD - .047" X 4.9" - VANILLA (J72,J73)
	094896-02-000	EA	GROMMET - CORD/PLEATED BLIND - NYLON - GRAY
4	029130-01-000	EA	SCREW - SNAP SOCKET - #8 PH X 5/8"
5	029155-01-000	EA	CAP - SNAP - 5/32" OUTSIDE DIAMETER OF PIN
6	095591-02-000	EA	BRACKET - BLIND - HOLD DOWN W/PIN - METAL
7	029156-01-000	EA	SOCKET - SNAP - 9/16" O.D.
8	110597-01-000	EA	BRACKET - SHADE - CAB/RIGHT SIDE
8	110597-02-000	EA	BRACKET - SHADE - CAB/LEFT SIDE
9	083170-01-000	EA	BRACKET - BLIND - LEFT SIDE WHEN FACING WINDOW
10	083170-02-000	EA	BRACKET - BLIND - RIGHT SIDE WHEN FACING WINDOW
11	097564-01-000	EA	HANDLE - KNOB - E-Z LIFT SHADE - SMOKED
			FROM: 00-00-00 THRU: 10-19-97
11	097564-03-000	EA	HANDLE - KNOB - E-Z LIFT SHADE - TAN
			FROM: 10-20-97 THRU: 99-99-99
12	097565-01-000	EA	BRACKET - MOUNTING/PLEATED BLIND
13	097592-01-000	EA	SPOOL - CORD - ELEVATED BLIND HOLDUP - CLEAR PLASTIC
			FROM: 00-00-00 THRU: 11-23-97
13	097592-02-000	EA	BRACKET - HOLDDOWN ADJUSTER
			FROM: 11-24-97 THRU: 99-99-99
14	109441-03-000	EA	HOLD DOWN - BLIND (CLOUDY)
15	118896-01-01A	EA	TRACK - CURTAIN - RIGHT HAND
15	118897-01-01A	EA	TRACK - CURTAIN - LEFT HAND
16	084434-01-000	EA	BRACKET - MOUNTING - ROLLER SHADE - 1 3/8"
17	102555-01-000	EA	CLEAT - BLIND CORD - CLEAR PLASTIC
	102555-03-000	EA	CLEAT - BLIND CORD - MILKY WHITE PLASTIC
18	105648-01-02A	EA	BRACE - VALANCE - OFF/WHITE - 14"
	046867-03-000	EA	GROMMET - HANDY BUTTON #3
	048394-02-000	YD	VELCRO TAPE - HOOK - ADHESIVE BACK - .75" WIDE - BEIGE
	086276-01-000	EA	TAPE - DOUBLE SIDED - 1/2"
	088792-02-000	YD	VELCRO TAPE - LOOP - .75" - ADHESIVE BACKED - BEIGE
	096843-01-000	EA	SPRING - REWIND/ROLLER SHADE

CURTAIN & CUSHION GROUP (CONTINUED)



KING BEDSPREAD, PILLOWS & MATTRESSES

KEY	PART NUMBER	U/M DESCRIPTION
1	114222-04-H58	EA BEDSPREAD/THROW - 72" X 80" (J70,J71)
1	114222-12-J72	EA BEDSPREAD/THROW - 72" X 80" (J72,J73)
1	114222-09-J74	EA BEDSPREAD/THROW - 72" X 80" (J74,J75)
1	114222-12-J76	EA BEDSPREAD/THROW - 72" X 80" (J76,J77)
1	123015-09-000	EA MATTRESS - INNERSPRING - 72" X 79.5"
2	104565-06-H58	EA PILLOW SHAM - 22" X 37" (J70,J71)
2	104565-12-J72	EA PILLOW SHAM - 22" X 37" (J72,J73)
2	126211-02-J74	EA PILLOW SHAM - 22" X 37" (J74,J75)
2	126211-04-J76	EA PILLOW SHAM - 22" X 37" (J76,J77)

QUEEN BEDSPREAD, PILLOWS & MATTRESSES

KEY	PART NUMBER	U/M DESCRIPTION
3	104565-04-H58	EA PILLOW SHAM - 20" X 33" (J70,J71)
3	104565-11-J72	EA PILLOW SHAM - 20" X 33" (J72,J73)
3	126211-01-J74	EA PILLOW SHAM - 20" X 33" (J74,J75)
3	126211-01-J76	EA PILLOW SHAM - 20" X 33" (J76,J77)
4	114222-01-H58	EA BEDSPREAD/THROW - 60" X 80" (J70,J71)
4	114222-10-J72	EA BEDSPREAD/THROW - 60" X 80" (J72,J73)
4	114222-06-J74	EA BEDSPREAD/THROW - 60" X 80" (J74,J75)
4	114222-06-J76	EA BEDSPREAD/THROW - 60" X 80" (J76,J77)
4	123015-07-000	EA MATTRESS - INNERSPRING - 60" X 79.5"

BEDROOM THROW PILLOWS

KEY	PART NUMBER	U/M DESCRIPTION
	104166-05-H58	EA PILLOW - 14" X 14" (J70,J71)
	104166-05-J72	EA PILLOW - 14" X 14" (J72,J73)
	104166-05-J74	EA PILLOW - 14" X 14" (J74,J75)
	104166-06-J76	EA PILLOW - 14" X 14" (J76,J77)

LOUNGE THROW PILLOWS

KEY	PART NUMBER	U/M DESCRIPTION
	106728-02-H58	EA PILLOW - 9" X 20" (J70,J71)
	106728-03-H60	EA PILLOW - 9" X 20" (J72,J73)
	106728-03-J74	EA PILLOW - 9" X 20" (J74,J75)
	106728-03-J76	EA PILLOW - 9" X 20" (J76,J77)

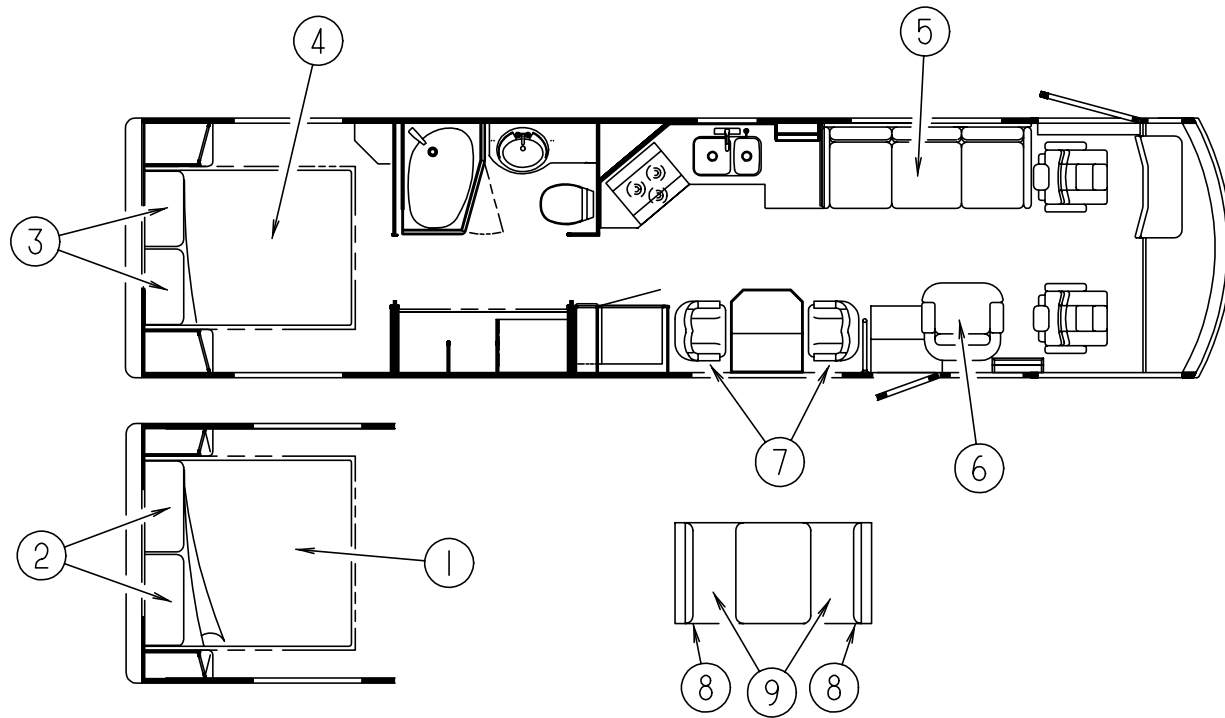
SOFA

KEY	PART NUMBER	U/M DESCRIPTION
5	119728-06-000	EA SOFA - VILLA - W/ARMRESTS/KICKBOARD (J70,J71)
5	119728-07-000	EA SOFA - VILLA - W/ARMRESTS/KICKBOARD (J72,J73)
5	119727-04-000	EA SOFA - VILLA 80" - W/FLAIR ARMRESTS/KICKBOARD (J74,J75)
5	119728-09-000	EA SOFA - VILLA - W/ARMRESTS/KICKBOARD (J76,J77)
5	121884-05-000	EA SOFA - COVENTRY - VILLA - LEATHER OPTION (J70,J71)
5	121884-06-000	EA SOFA - DEVON - VILLA - LEATHER OPTION (J72,J73)
5	121884-08-000	EA SOFA - VILLA - HEMINGWAY - LEATHER OPTION (J74,J75)
5	121884-09-000	EA SOFA - VILLA - LEATHER OPTION (J76,J77)

SWIVEL CHAIR

KEY	PART NUMBER	U/M DESCRIPTION
6	118821-01-H58	EA CHAIR - SWIVEL/RECLINER W/FOOTREST (J70) FROM: 00-00-00 THRU: 11-02-97
6	118821-02-J70	EA CHAIR - RECLINER/HIGHBACK - W/FOOTREST (J70) FROM: 11-03-97 THRU: 01-04-98
6	129327-01-J70	EA CHAIR - INCLINER W/FOOTREST (J70) FROM: 01-05-98 THRU: 99-99-99
6	118821-01-H59	EA CHAIR - SWIVEL/RECLINER W/FOOTREST (J71) FROM: 00-00-00 THRU: 11-02-97
6	118821-02-J70	EA CHAIR - RECLINER/HIGHBACK - W/FOOTREST (J71) FROM: 11-03-97 THRU: 01-04-98
6	129327-01-J70	EA CHAIR - INCLINER W/FOOTREST (J71) FROM: 01-05-98 THRU: 99-99-99
6	118821-01-J72	EA CHAIR - SWIVEL/RECLINER W/FOOTREST (J72) FROM: 00-00-00 THRU: 11-02-97
6	118821-02-J72	EA CHAIR - RECLINER/HIGHBACK - W/FOOTREST (J72) FROM: 11-03-97 THRU: 01-04-98
6	129327-01-J72	EA CHAIR - INCLINER W/FOOTREST (J72) FROM: 01-05-98 THRU: 99-99-99
6	118821-01-J73	EA CHAIR - SWIVEL/RECLINER W/FOOTREST (J73) FROM: 00-00-00 THRU: 11-02-97
6	118821-02-J72	EA CHAIR - RECLINER/HIGHBACK - W/FOOTREST (J73) FROM: 11-03-97 THRU: 01-04-98
6	129327-01-J72	EA CHAIR - INCLINER W/FOOTREST (J73) FROM: 01-05-98 THRU: 99-99-99
6	118821-01-J74	EA CHAIR - SWIVEL/RECLINER W/FOOTREST (J74) FROM: 00-00-00 THRU: 11-02-97
6	118821-02-J74	EA CHAIR - RECLINER/HIGHBACK - W/FOOTREST (J74) FROM: 11-03-97 THRU: 01-04-98
6	129327-01-J74	EA CHAIR - INCLINER W/FOOTREST (J74) FROM: 01-05-98 THRU: 99-99-99
6	118821-01-J75	EA CHAIR - SWIVEL/RECLINER W/FOOTREST (J75) FROM: 00-00-00 THRU: 11-02-97
6	118821-02-J74	EA CHAIR - RECLINER/HIGHBACK - W/FOOTREST (J75) FROM: 11-03-97 THRU: 01-04-98
6	129327-01-J74	EA CHAIR - INCLINER W/FOOTREST (J75) FROM: 01-05-98 THRU: 99-99-99
6	118821-01-J76	EA CHAIR - SWIVEL/RECLINER W/FOOTREST (J76) FROM: 00-00-00 THRU: 11-02-97
6	118821-02-J76	EA CHAIR - RECLINER/HIGHBACK - W/FOOTREST (J76) FROM: 11-03-97 THRU: 01-04-98
6	129327-01-J76	EA CHAIR - INCLINER W/FOOTREST (J76) FROM: 01-05-98 THRU: 99-99-99
6	118821-01-J77	EA CHAIR - SWIVEL/RECLINER W/FOOTREST (J77) FROM: 00-00-00 THRU: 11-02-97
6	118821-02-J76	EA CHAIR - RECLINER/HIGHBACK - W/FOOTREST (J77) FROM: 11-03-97 THRU: 01-04-98
6	129327-01-J76	EA CHAIR - INCLINER W/FOOTREST (J77) FROM: 01-05-98 THRU: 99-99-99

CURTAIN & CUSHION GROUP (CONTINUED)



DINETTE CHAIRS

KEY	PART NUMBER	U/M	DESCRIPTION
7	116058-10-000	EA	CHAIR - DINETTE - FLEXSTEEL (J70,J71)
7	116058-14-000	EA	CHAIR - DINETTE - FLEXSTEEL (J72,J73)
7	116058-15-000	EA	CHAIR - DINETTE - FLEXSTEEL (J74,J75)
7	116058-16-000	EA	CHAIR - DINETTE - FLEXSTEEL (J76,J77)
	116080-03-H56	EA	COVER - CHAIR LEG - 6.4" WASHED MAPLE
	116080-03-G39	EA	COVER - CHAIR LEG - 6.4" - SALEM CHERRY
	074045-12-000	EA	PLUG - OAK - 1/2" DIAMETER - WASHED MAPLE
	074045-08-000	EA	PLUG - OAK - 1/2" DIAMETER - SALEM CHERRY

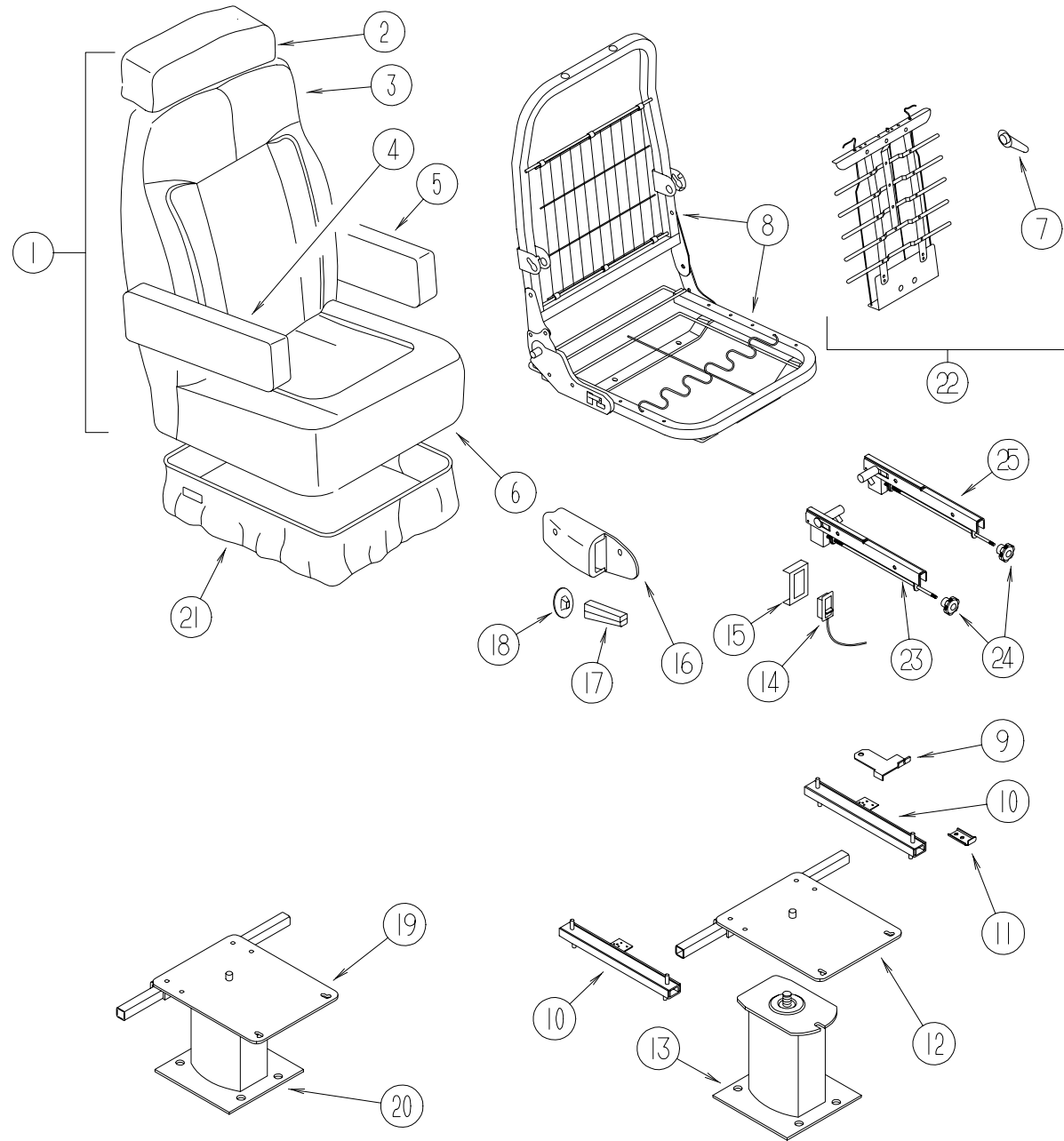
FOLDING CHAIRS

KEY	PART NUMBER	U/M	DESCRIPTION
	101604-01-04A	EA	CHAIR - FOLDING/DINETTE - W/O FABRIC - WASHED MAPLE
	101604-01-02A	EA	CHAIR - FOLDING/DINETTE - W/O FABRIC - SALEM CHERRY

DINETTE CUSHIONS

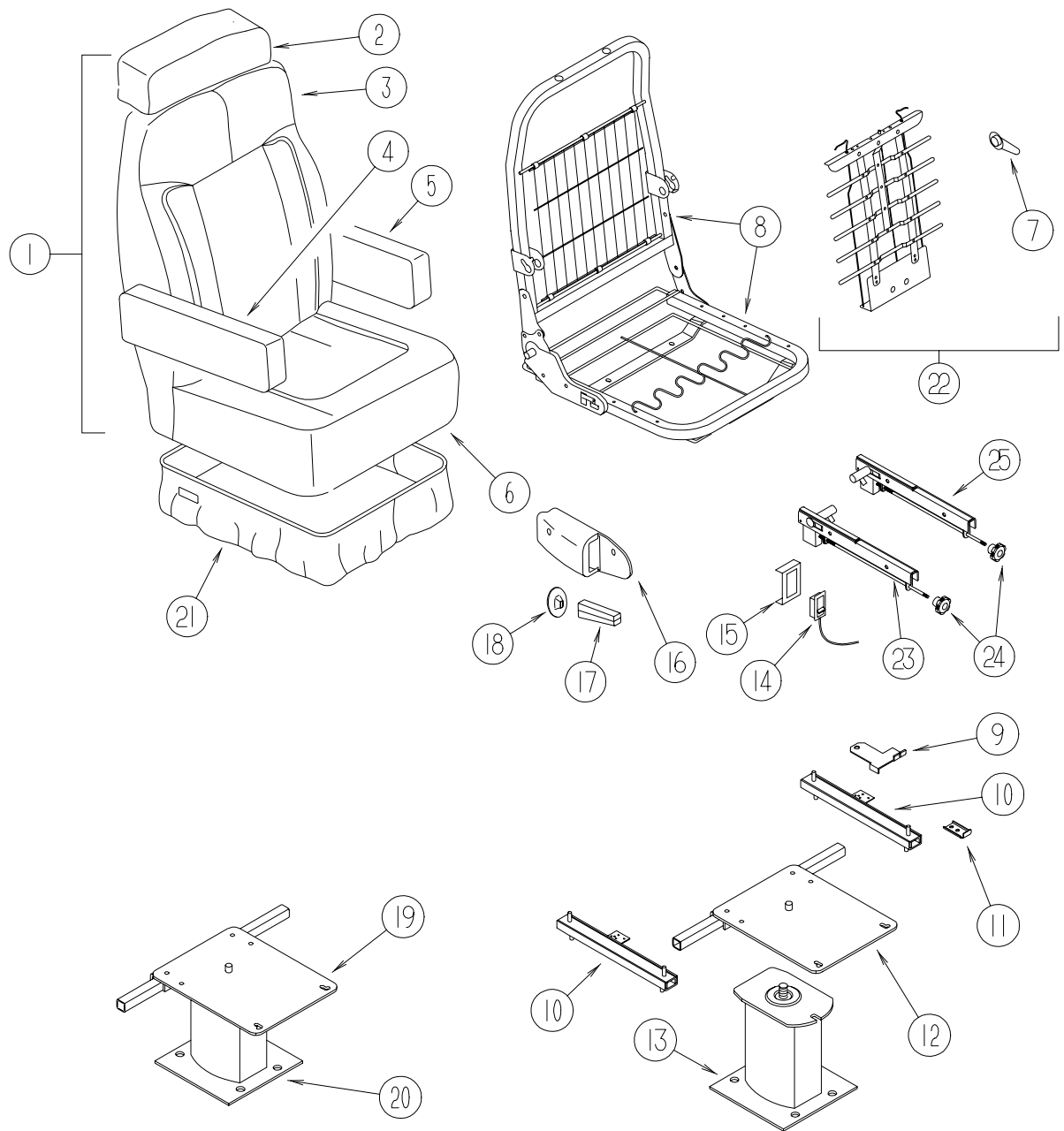
KEY	PART NUMBER	U/M	DESCRIPTION
8	111897-07-H58	EA	CUSHION - BACKREST - 13.5" X 30" X 5" (J70,J71)
	P11897-07-H58	EA	COVER - BACKREST - 13.5" X 30" X 5" (J70,J71)
8	111897-07-H60	EA	CUSHION - BACKREST - 13.5" X 30" X 5" (J72,J73)
	P11897-07-H60	EA	COVER - BACKREST - 13.5" X 30" X 5" (J72,J73)
8	111897-07-J74	EA	CUSHION - BACKREST - 13.5" X 30" X 5" (J74,J75)
	P11897-07-J74	EA	COVER - BACKREST - 13.5" X 30" X 5" (J74,J75)
8	111897-07-J76	EA	CUSHION - BACKREST - 13.5" X 30" X 5" (J76,J77)
	P11897-07-J76	EA	COVER - BACKREST - 13.5" X 30" X 5" (J76,J77)
9	105603-17-H58	EA	CUSHION - SEAT - 23" X 30.5" X 5" (J70,J71)
	P05603-17-H58	EA	COVER - SEAT - 23" X 30.5" X 5" (J70,J71)
9	105603-17-H60	EA	CUSHION - SEAT - 23" X 30.5" X 5" (J72,J73)
	P05603-17-H60	EA	COVER - SEAT - 23" X 30.5" X 5" (J72,J73)
9	105603-17-J74	EA	CUSHION - SEAT - 23" X 30.5" X 5" (J74,J75)
	P05603-17-J74	EA	COVER - SEAT - 23" X 30.5" X 5" (J74,J75)
9	105603-17-J76	EA	CUSHION - SEAT - 23" X 30.5" X 5" (J76,J77)
	P05603-17-J76	EA	COVER - SEAT - 23" X 30.5" X 5" (J76,J77)
	078155-01-000	EA	STRAP - SNAP - BACK CUSHION

CURTAIN & CUSHION GROUP (CONTINUED)
BUCKET SEATS



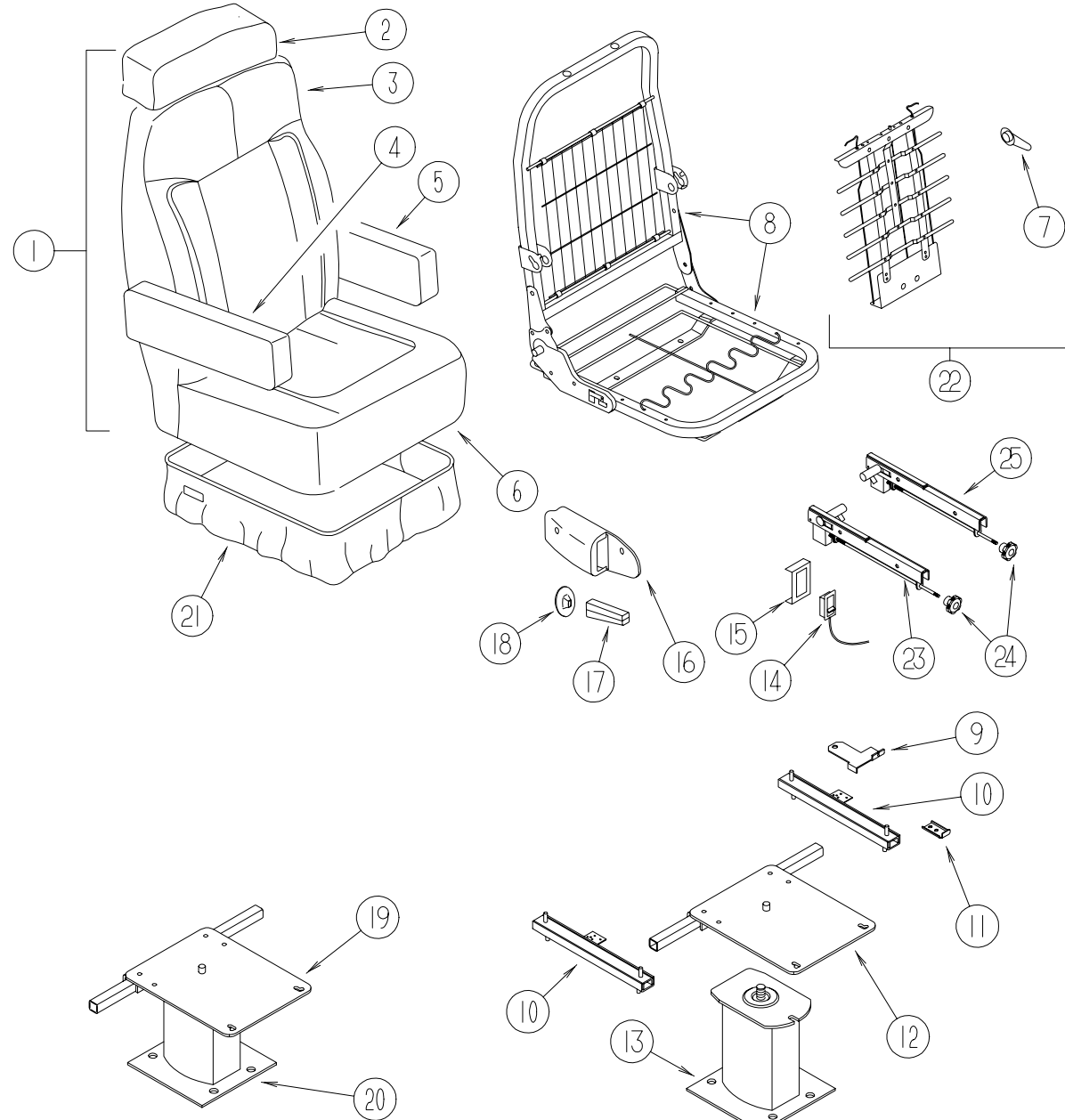
KEY	PART NUMBER	U/M	DESCRIPTION
1	123820-05-J70	EA	SEAT - BUCKET - W/LUMBAR SUPPORT (DRIVER) (J70,J71)
1	123820-05-J72	EA	SEAT - BUCKET - W/LUMBAR SUPPORT (DRIVER) (J72,J73)
1	123820-05-J74	EA	SEAT - BUCKET - W/LUMBAR SUPPORT (DRIVER) (J74,J75)
1	123820-05-J76	EA	SEAT - BUCKET - W/LUMBAR SUPPORT (DRIVER) (J76,J77)
1	123609-07-000	EA	SEAT - BUCKET - DRIVERS - 6-WAY - LEATHER OPTION (J70,J71) FROM: 00-00-00 THRU: 12-07-97
1	129192-02-000	EA	SEAT - BUCKET - DRIVERS - 6-WAY - LEATHER OPTION (J70,J71) FROM: 12-08-97 THRU: 99-99-99
1	123609-05-000	EA	SEAT - BUCKET - DRIVERS - 6-WAY - LEATHER OPTION (J72,J73) FROM: 00-00-00 THRU: 12-07-97
1	129192-03-000	EA	SEAT - BUCKET - DRIVERS - 6-WAY - LEATHER OPTION (J72,J73) FROM: 12-08-97 THRU: 99-99-99
1	123609-09-000	EA	SEAT - BUCKET - DRIVERS - 6-WAY - LEATHER OPTION (J74,J75) FROM: 00-00-00 THRU: 12-07-97
1	129192-01-000	EA	SEAT - BUCKET - DRIVERS - 6-WAY - LEATHER OPTION (J74,J75) FROM: 12-08-97 THRU: 99-99-99
1	123609-11-000	EA	SEAT - BUCKET - DRIVERS - 6-WAY - LEATHER OPTION (J76,J77) FROM: 00-00-00 THRU: 12-07-97
1	129192-04-000	EA	SEAT - BUCKET - DRIVERS - 6-WAY - LEATHER OPTION (J76,J77) FROM: 12-08-97 THRU: 99-99-99
1	123820-02-J70	EA	SEAT - BUCKET (PASSENGER) (J70,J71)
1	123820-02-J72	EA	SEAT - BUCKET (PASSENGER) (J72,J73)
1	123820-02-J74	EA	SEAT - BUCKET (PASSENGER) (J74,J75)
1	123820-02-J76	EA	SEAT - BUCKET (PASSENGER) (J76,J77)
1	123609-08-000	EA	SEAT - BUCKET - PASSENGERS - LEATHER OPTION (J70,J71)
1	123609-06-000	EA	SEAT - BUCKET - PASSENGERS - LEATHER OPTION (J72,J73)
1	123609-10-000	EA	SEAT - BUCKET - PASSENGERS - LEATHER OPTION (J74,J75)
1	123609-12-000	EA	SEAT - BUCKET - PASSENGERS - LEATHER OPTION (J76,J77)
2	124682-01-H58	EA	HEADREST (J70,J71)
2	124682-01-H60	EA	HEADREST (J72,J73)
2	124682-01-J74	EA	HEADREST (J74,J75)
2	124682-01-J76	EA	HEADREST (J76,J77)
2	P24682-01-H58	EA	COVER - HEADREST (J70,J71)
2	P24682-01-H60	EA	COVER - HEADREST (J72,J73)
2	P24682-01-J74	EA	COVER - HEADREST (J74,J75)
2	P24682-01-J76	EA	COVER - HEADREST (J76,J77)
2	113977-12-000	EA	HEADREST INSERT - W/O LOCK
2	113977-13-000	EA	HEADREST INSERT - W/LOCK
2	114791-03-000	EA	FRAME - HEADREST
3	M05962-47-H58	EA	COVER - BACK (J70,J71)
3	M05962-47-H60	EA	COVER - BACK (J72,J73)
3	M05962-47-J74	EA	COVER - BACK (J74,J75)
3	M05962-47-J76	EA	COVER - BACK (J76,J77)
3	089323-01-000	FT	STRIP - POLYENTHYLENE - J-CHANNEL
4	123962-01-H58	EA	ARMREST - ADJUSTABLE/RIGHT HAND (DRIVER) (J70,J71)
4	123962-01-H60	EA	ARMREST - ADJUSTABLE/RIGHT HAND (DRIVER) (J72,J73)
4	123962-01-J74	EA	ARMREST - ADJUSTABLE/RIGHT HAND (DRIVER) (J74,J75)
4	123962-01-J76	EA	ARMREST - ADJUSTABLE/RIGHT HAND (DRIVER) (J76,J77)
4	P23962-01-H58	EA	COVER - ARMREST - RIGHT HAND (DRIVER) (J70,J71)
4	P23962-01-H60	EA	COVER - ARMREST - RIGHT HAND (DRIVER) (J72,J73)
4	P23962-01-J74	EA	COVER - ARMREST - RIGHT HAND (DRIVER) (J74,J75)
4	P23962-01-J76	EA	COVER - ARMREST - RIGHT HAND (DRIVER) (J76,J77)
4	122780-01-J70	EA	ARMREST - RIGHT HAND (PASSENGER) (J70,J71)
4	122780-01-J72	EA	ARMREST - RIGHT HAND (PASSENGER) (J72,J73)
4	122780-01-J74	EA	ARMREST - RIGHT HAND (PASSENGER) (J74,J75)
4	122780-01-J76	EA	ARMREST - RIGHT HAND (PASSENGER) (J76,J77)
4	P22780-01-J70	EA	COVER - ARMREST - RIGHT HAND (PASSENGER) (J70,J71)
4	P22780-01-J72	EA	COVER - ARMREST - RIGHT HAND (PASSENGER) (J72,J73)
4	P22780-01-J74	EA	COVER - ARMREST - RIGHT HAND (PASSENGER) (J74,J75)
4	P22780-01-J76	EA	COVER - ARMREST - RIGHT HAND (PASSENGER) (J76,J77)
4	115617-03-000	EA	ARMREST - W/O COVER - RIGHT HAND

CURTAIN & CUSHION GROUP (CONTINUED)
BUCKET SEATS (CONTINUED)



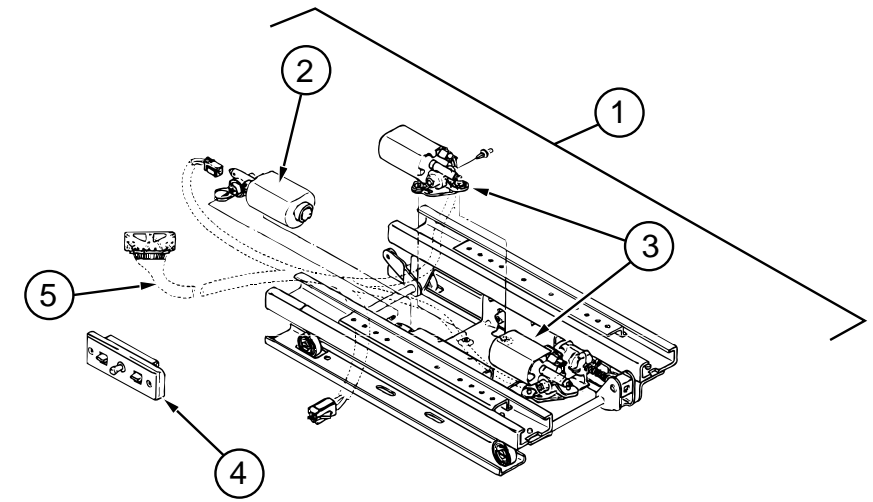
KEY	PART NUMBER	U/M	DESCRIPTION	VENDOR NO.
5	123962-02-H58	EA	ARMREST - ADJUSTABLE/LEFT HAND (DRIVER) (J70,J71)	
5	123962-02-H60	EA	ARMREST - ADJUSTABLE/LEFT HAND (DRIVER) (J72,J73)	
5	123962-02-J74	EA	ARMREST - ADJUSTABLE/LEFT HAND (DRIVER) (J74,J75)	
5	123962-02-J76	EA	ARMREST - ADJUSTABLE/LEFT HAND (DRIVER) (J76,J77)	
5	P23962-02-H58	EA	COVER - ARMREST - LEFT HAND (DRIVER) (J70,J71)	
5	P23962-02-H60	EA	COVER - ARMREST - LEFT HAND (DRIVER) (J72,J73)	
5	P23962-02-J74	EA	COVER - ARMREST - LEFT HAND (DRIVER) (J74,J75)	
5	P23962-02-J76	EA	COVER - ARMREST - LEFT HAND (DRIVER) (J76,J77)	
5	122780-02-H59	EA	ARMREST - LEFT HAND (PASSENGER) (J70,J71)	
5	122780-02-H60	EA	ARMREST - LEFT HAND (PASSENGER) (J72,J73)	
5	122780-02-J74	EA	ARMREST - LEFT HAND (PASSENGER) (J74,J75)	
5	122780-02-J76	EA	ARMREST - LEFT HAND (PASSENGER) (J76,J77)	
5	P22780-02-H59	EA	COVER - ARMREST - LEFT HAND (PASSENGER) (J70,J71)	
5	P22780-02-H60	EA	COVER - ARMREST - LEFT HAND (PASSENGER) (J72,J73)	
5	P22780-02-J74	EA	COVER - ARMREST - LEFT HAND (PASSENGER) (J74,J75)	
5	P22780-02-J76	EA	COVER - ARMREST - LEFT HAND (PASSENGER) (J76,J77)	
5	115617-04-000	EA	ARMREST - W/O COVER - LEFT HAND	
6	M05962-48-H58	EA	COVER - BOTTOM (J70,J71)	
6	M05962-48-H60	EA	COVER - BOTTOM (J72,J73)	
6	M05962-48-J74	EA	COVER - BOTTOM (J74,J75)	
6	M05962-48-J76	EA	COVER - BOTTOM (J76,J77)	
6	089323-01-000	FT	STRIP - POLYETHYLENE - J-CHANNEL	
7	122611-02-701	EA	LUMBAR - LEVER (DRIVER)	412
8	122695-01-01B	EA	FRAME - SEAT/BACK	
9	117125-01-02B	EA	BRACKET - CABLE MOUNT - ADJUSTER W/LOCK	
10	119952-06-000	EA	SLIDE/SEAT - HEAVY DUTY LOCKING - 4 STUDS	
10	119952-04-000	EA	SLIDE/SEAT - HEAVY DUTY LOCKING - 4 STUDS	FROM: 00-00-00 THRU: 11-02-97 FROM: 11-03-97 THRU: 99-99-99
10	119952-07-000	EA	WIRE - LATCH RELEASE/ROTARY	
10	007221-01-000	EA	SPACER - SEAT/ADJUSTER	
11	114889-01-000	EA	STOP BAR - UNIVERSAL	
12	107921-05-000	EA	PLATE - TOP - W/SEAT BELT BAR	
12	107921-06-000	EA	BEARING KIT - PEDESTAL	
13	107921-01-000	EA	PEDESTAL/FLOOR MOUNTED - W/9.75" EXTENSION	FROM: 00-00-00 THRU: 01-04-98
13	107921-14-000	EA	PEDESTAL/FLOOR MOUNTED - W/5.75" EXTENSION - MANUAL SEAT	FROM: 01-05-98 THRU: 99-99-99
14	108049-02-000	EA	CLIP - CABLE/PEDESTAL	
14	108049-04-000	EA	CABLE - W/SWITCHES - W/26" MINI LEVER ACTION	
15	108049-05-000	EA	FRAME - CABLE - REMOTE RECLINE - W/MINI LEVER ACTION	
16	080730-09-000	EA	SHIELD - RECLINER HANDLE	
17	080730-08-000	EA	HANDLE - RECLINER	
18	080730-11-000	EA	SHIELD - RUBBER BOOT	
19	119739-90-000	EA	TOP PLATE- F/VILLA BUCKET SEAT (DRIVER)	FROM: 00-00-00 THRU: 12-07-97
19	119739-90-000	EA	TOP PLATE- F/VILLA BUCKET SEAT (DRIVER)	FROM: 12-08-97 THRU: 99-99-99
20	119730-92-000	EA	PEDESTAL - VILLA - 6.2" (DRIVER)	FROM: 00-00-00 THRU: 12-07-97
20	129190-03-000	EA	PEDESTAL (DRIVER)	FROM: 12-08-97 THRU: 99-99-99
20	119730-96-000	EA	PEDESTAL - VILLA - 8" (PASSENGER)	

CURTAIN & CUSHION GROUP (CONTINUED)



KEY	PART NUMBER	U/M DESCRIPTION
21	071126-58-H58	EA SKIRT - SINGLE - W/SEAT BELT SLOT (J70,J71)
21	071126-58-H60	EA SKIRT - SINGLE - W/SEAT BELT SLOT (J72,J73)
21	071126-58-J74	EA SKIRT - SINGLE - W/SEAT BELT SLOT (J74,J75)
21	071126-58-J76	EA SKIRT - SINGLE - W/SEAT BELT SLOT (J76,J77)
22	122611-02-000	EA LUMBAR - W/LEVER
23	122622-04-000	EA BRACKET - ADJUSTABLE RIGHT ARM - 3/8"
24	122622-06-000	EA BRACKET - ADJUSTABLE KNOB - 3/8"
25	122622-05-000	EA BRACKET - ADJUSTABLE LEFT ARM - 3/8"

CURTAIN & CUSHION GROUP (CONTINUED)



DELCO POWER SEAT - 6 WAY

KEY	PART NUMBER	U/M DESCRIPTION	VENDOR NO.
1	081373-03-000	EA SEAT - POWER 6 WAY	
2	081373-02-703	EA MOTOR PACKAGE - ADJUST HORIZONTAL	22063237 & H-195
3	081373-02-704	EA MOTOR PACKAGE - ADJUST VERTICAL	22063238 & H-196
4	081373-03-700	EA SWITCH ASM - FLAT - BROWN - GRAY	22138182 & H-441
	081373-02-700	EA SWITCH W/CLEAR MOLDED CONN.	22063234
	081373-01-700	EA BRACKET - L - CONTROL SWITCH	H-171
5	081373-03-701	EA WIRE HARNESS ASM. - LH SIDE	6000
	081373-03-702	EA WIRE HARNESS ASM. - RH SIDE	6001

FABRIC TRIMS & BUTTONS

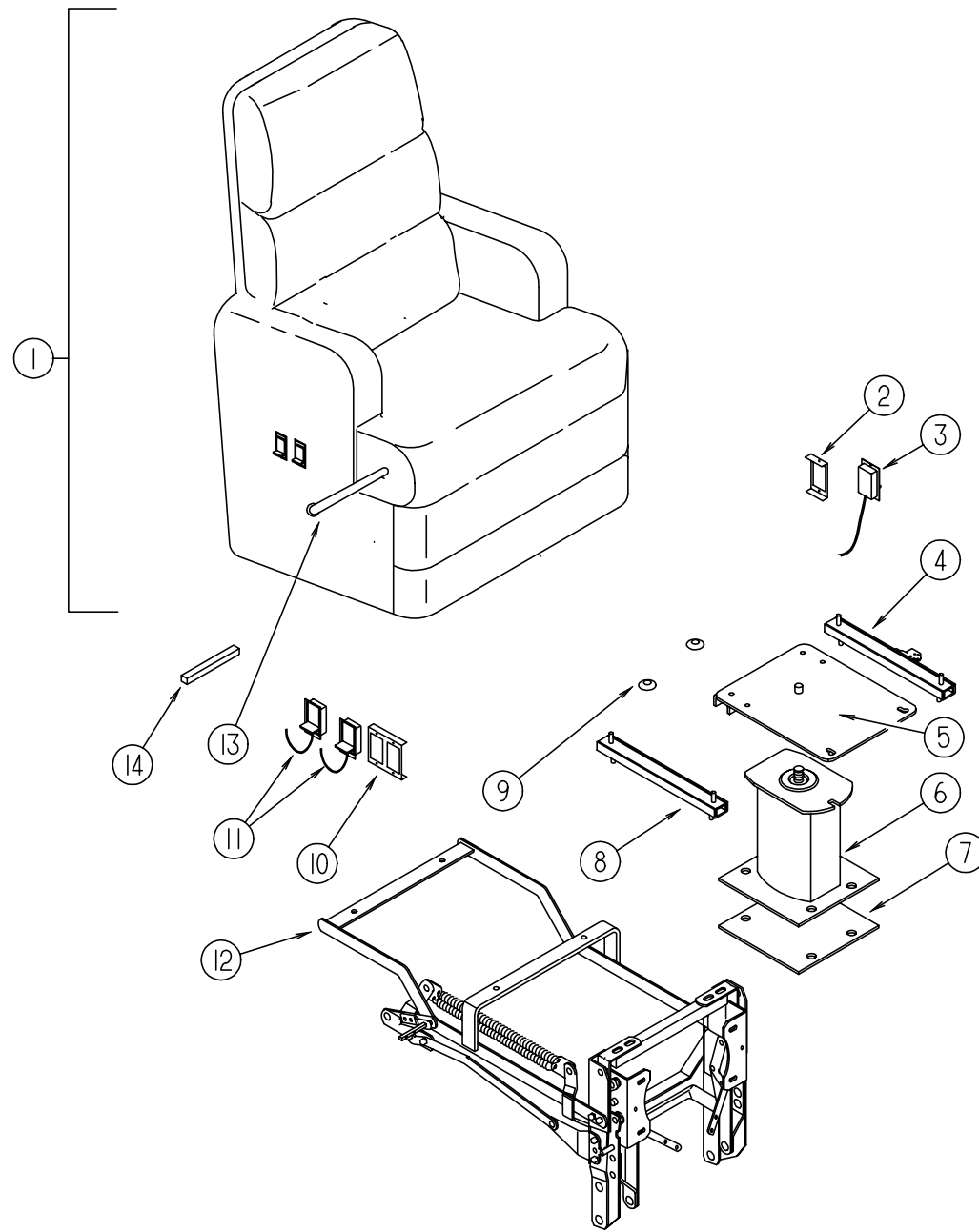
KEY	PART NUMBER	U/M DESCRIPTION
	070578-02-FQ0	EA BUTTON - #30 - VINYL
	070578-02-E37	EA BUTTON - #30 - VINYL
	074494-02-000	EA BUTTON - RETAINING PIVOT - #60
	074494-03-000	EA BUTTON - SERRATED PIVOT - W/3/8 TACK
	074494-04-000	EA BUTTON - JOINED/PIVOT - W 3/4 TACK
	118337-02-H58	EA BUTTON - #60 - DOUBLE SIDED (J70,J71,J74,J75,J76,J77)
	118337-02-HQ2	EA BUTTON - #60 - DOUBLE SIDED (J72,J73)
	079349-04-H58	YD WELT - NARROW (J70,J71)
	079349-04-H60	YD WELT - NARROW (J72,J73)
	079349-04-J74	YD WELT - NARROW (J74,J75)
	079349-04-J76	YD WELT - NARROW (J76,J77)
	084415-78-000	YD TRIM - BRAID - CORD (J70,J71)
	084415-79-000	YD TRIM - BRAID - SHELL (J72,J73)
	084415-89-000	YD TRIM - BRAID (J72,J73)
	084415-80-000	YD TRIM - BRAID - COZUMEL (J74,J75)
	084415-A1-000	YD TRIM - BRAID - CD-15346 - 5" CORD (J76,J77)
	084415-99-000	YD TRIM - BRAID - FR-15346 - BR FRING (J76,J77)
	057534-03-000	EA TIEBACK - PLASTIC - 7.50" - CLEAR

SEATBELTS & ASSIST HANDLE

KEY	PART NUMBER	U/M DESCRIPTION
	057759-01-000	EA WASHER BRACKET - SEAT BELT - 4" DIAMETER
	007021-01-000	EA SEAT BELT - 2" X 90" - BLACK
	069178-02-000	EA BRACKET - MOUNTING/ASSIST HANDLE - GRAY
	000C16-07-16B	EA BOLT - CARRIAGE - ASSIST HANDLE - 7/16" - 14 X 1"
	000D20-07-00B	EA NUT - ACORN - ASSIST HANDLE - 7/16 - 14
	053552-02-AA8	EA HANDLE - ASSIST - INTERIOR/ENTRY DOOR - VINYL/OFF WHITE

CURTAIN & CUSHION GROUP (CONTINUED)

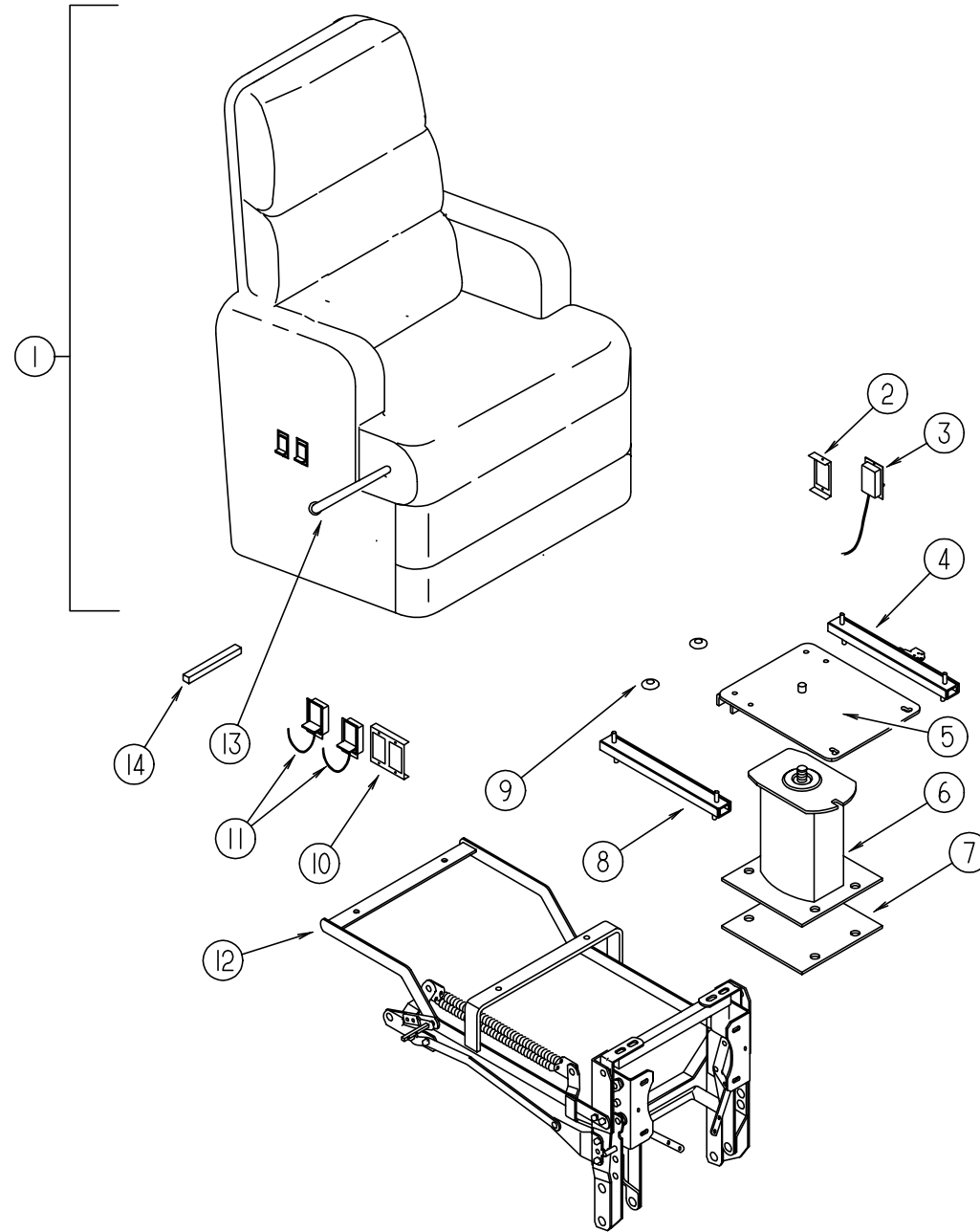
CHAIR - SWIVEL/RECLINER W/FOOTREST



KEY	PART NUMBER	U/M DESCRIPTION	VENDOR NO.
1	118821-01-H58	EA CHAIR - SWIVEL/RECLINER - W/FOOTREST (J70) FROM: 00-00-00 THRU: 11-02-97	
1	118821-01-H59	EA CHAIR - SWIVEL/RECLINER - W/FOOTREST (J71) FROM: 00-00-00 THRU: 11-02-97	
1	118821-01-J72	EA CHAIR - SWIVEL/RECLINER - W/FOOTREST (J72) FROM: 00-00-00 THRU: 11-02-97	
1	118821-01-J73	EA CHAIR - SWIVEL/RECLINER - W/FOOTREST (J73) FROM: 00-00-00 THRU: 11-02-97	
1	118821-01-J74	EA CHAIR - SWIVEL/RECLINER - W/FOOTREST (J74) FROM: 00-00-00 THRU: 11-02-97	
1	118821-01-J75	EA CHAIR - SWIVEL/RECLINER - W/FOOTREST (J75) FROM: 00-00-00 THRU: 11-02-97	
1	118821-01-J76	EA CHAIR - SWIVEL/RECLINER - W/FOOTREST (J76) FROM: 00-00-00 THRU: 11-02-97	
1	118821-01-J77	EA CHAIR - SWIVEL/RECLINER - W/FOOTREST (J77) FROM: 00-00-00 THRU: 11-02-97	
	P18821-01-H58	EA COVER - CHAIR - W/RECLINER & FOOTREST (J70,J71)	
	P18821-01-J72	EA COVER - CHAIR - W/RECLINER & FOOTREST (J72,J73)	
	P18821-01-J74	EA COVER - CHAIR - W/RECLINER & FOOTREST (J74,J75)	
	P18821-01-J76	EA COVER - CHAIR - W/RECLINER & FOOTREST (J76,J77)	
	P18821-27-J70	EA COVER - RIGHT/LEFT ARMREST (J70,J71)	
	P18821-27-J72	EA COVER - RIGHT/LEFT ARMREST (J72,J73)	
	P18821-27-J74	EA COVER - RIGHT/LEFT ARMREST (J74,J75)	
	P18821-27-J76	EA COVER - RIGHT/LEFT ARMREST (J76,J77)	
2	097683-03-000	EA BRACKET - REMOTE/SIDE MOUNT - SINGLE FROM: 00-00-00 THRU: 05-31-97	
2	108049-05-000	EA FRAME - CABLE - REMOTE RECLINE - W/MINI LEVER ACTION FROM: 06-01-97 THRU: 99-99-99	
3	089368-05-000	EA CABLE - W/SWITCH 25.5" SHEATH-29 3/4" CABLE W/DOG LEG FROM: 00-00-00 THRU: 05-31-97	
3	108049-04-000	EA CABLE - W/SWITCHES - W/26" MINI LEVER ACTION FROM: 06-01-97 THRU: 99-99-99	
4	119952-04-000	EA SLIDE/SEAT - HEAVY DUTY LOCKING - 4 STUDS	
	117125-01-02B	EA BRACKET - CABLE MOUNT - ADJUSTER W/LOCK	
	108049-02-000	EA CLIP - CABLE/PEDESTAL	
5	107921-08-000	EA TOP PLATE - PEDESTAL - W/O SEAT BELT BAR	
6	107921-01-000	EA PEDESTAL/FLOOR MOUNTED - W/9.75" EXTENSION	
7	108445-02-000	EA PLATE/FLOOR MOUNTED - PEDESTAL SEAT	
	107921-06-000	EA BEARING KIT - PEDESTAL	
8	119952-02-000	EA SLIDE/SEAT - HEAVY DUTY NON LOCKING	
9	007221-01-000	EA SPACER - SEAT/ADJUSTER	
10	097683-02-000	EA BRACKET - REMOTE/SIDE MOUNT - DOUBLE	
11	108049-03-000	EA CABLE - W/SWITCHES - 25.5" SHEATH/28.5" CABLE W/DOG LEG	
12	119106-01-000	EA FRAME - FOOTREST MECHANIC - COMPLETE	
13	119106-01-701	EA HANDLE	92596
14	119106-01-700	EA TUBE - EXTENSION - RECTANGULAR	92859

CURTAIN & CUSHION GROUP (CONTINUED)

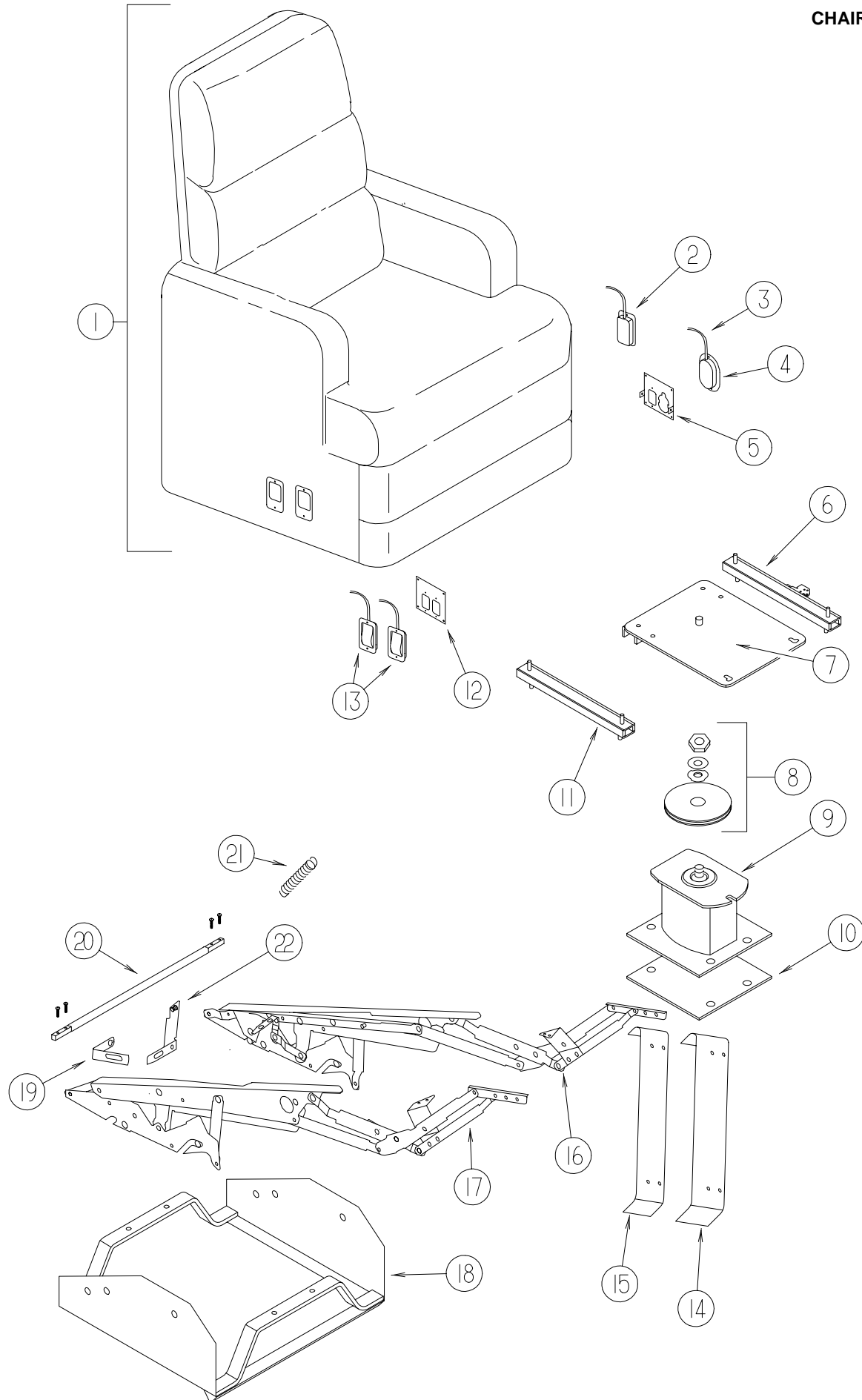
CHAIR - RECLINER/HIGHBACK - W/FOOTREST



KEY	PART NUMBER	U/M	DESCRIPTION	VENDOR NO.
1	118821-02-J70	EA	CHAIR - RECLINER/HIGHBACK - W/FOOTREST (J70,J71) FROM: 11-03-97 THRU: 01-04-98	
1	118821-02-J72	EA	CHAIR - RECLINER/HIGHBACK - W/FOOTREST (J72,J73) FROM: 11-03-97 THRU: 01-04-98	
1	118821-02-J74	EA	CHAIR - RECLINER/HIGHBACK - W/FOOTREST (J74,J75) FROM: 11-03-97 THRU: 01-04-98	
1	118821-02-J76	EA	CHAIR - RECLINER/HIGHBACK - W/FOOTREST (J76,J77) FROM: 11-03-97 THRU: 01-04-98	
	P18821-02-J70	EA	COVER - RECLINER/HIGHBACK - W/FOOTREST (J70,J71)	
	P18821-02-J72	EA	COVER - RECLINER/HIGHBACK - W/FOOTREST (J72,J73)	
	P18821-02-J74	EA	COVER - RECLINER/HIGHBACK - W/FOOTREST (J74,J75)	
	P18821-02-J76	EA	COVER - RECLINER/HIGHBACK - W/FOOTREST (J76,J77)	
	P18821-27-J70	EA	COVER - RIGHT/LEFT ARMREST (J70,J71)	
	P18821-27-J72	EA	COVER - RIGHT/LEFT ARMREST (J72,J73)	
	P18821-27-J74	EA	COVER - RIGHT/LEFT ARMREST (J74,J75)	
	P18821-27-J76	EA	COVER - RIGHT/LEFT ARMREST (J76,J77)	
2	108049-05-000	EA	FRAME - CABLE - REMOTE RECLINE - W/MINI LEVER ACTION	
3	108049-04-000	EA	CABLE - W/SWITCHES - W/26" MINI LEVER ACTION	
4	119952-04-000	EA	SLIDE/SEAT - HEAVY DUTY LOCKING - 4 STUDS	
	117125-01-02B	EA	BRACKET - CABLE MOUNT - ADJUSTER W/LOCK	
	108049-02-000	EA	CLIP - CABLE/PEDESTAL	
5	107921-08-000	EA	TOP PLATE - PEDESTAL - W/O SEAT BELT BAR	
6	107921-01-000	EA	PEDESTAL/FLOOR MOUNTED - W/9.75" EXTENSION	
7	108445-02-000	EA	PLATE/FLOOR MOUNTED - PEDESTAL SEAT	
	107921-06-000	EA	BEARING KIT - PEDESTAL	
8	119952-02-000	EA	SLIDE/SEAT - HEAVY DUTY NON LOCKING	
9	007221-01-000	EA	SPACER - SEAT/ADJUSTER	
10	097683-02-000	EA	BRACKET - REMOTE/SIDE MOUNT - DOUBLE	
11	108049-03-000	EA	CABLE - W/SWITCHES - 25.5" SHEATH/28.5" CABLE W/DOG LEG	
12	119106-01-000	EA	FRAME - FOOTREST MECHANIC - COMPLETE	
13	119106-01-701	EA	HANDLE	92596
14	119106-01-700	EA	TUBE - EXTENSION - RECTANGULAR	92859

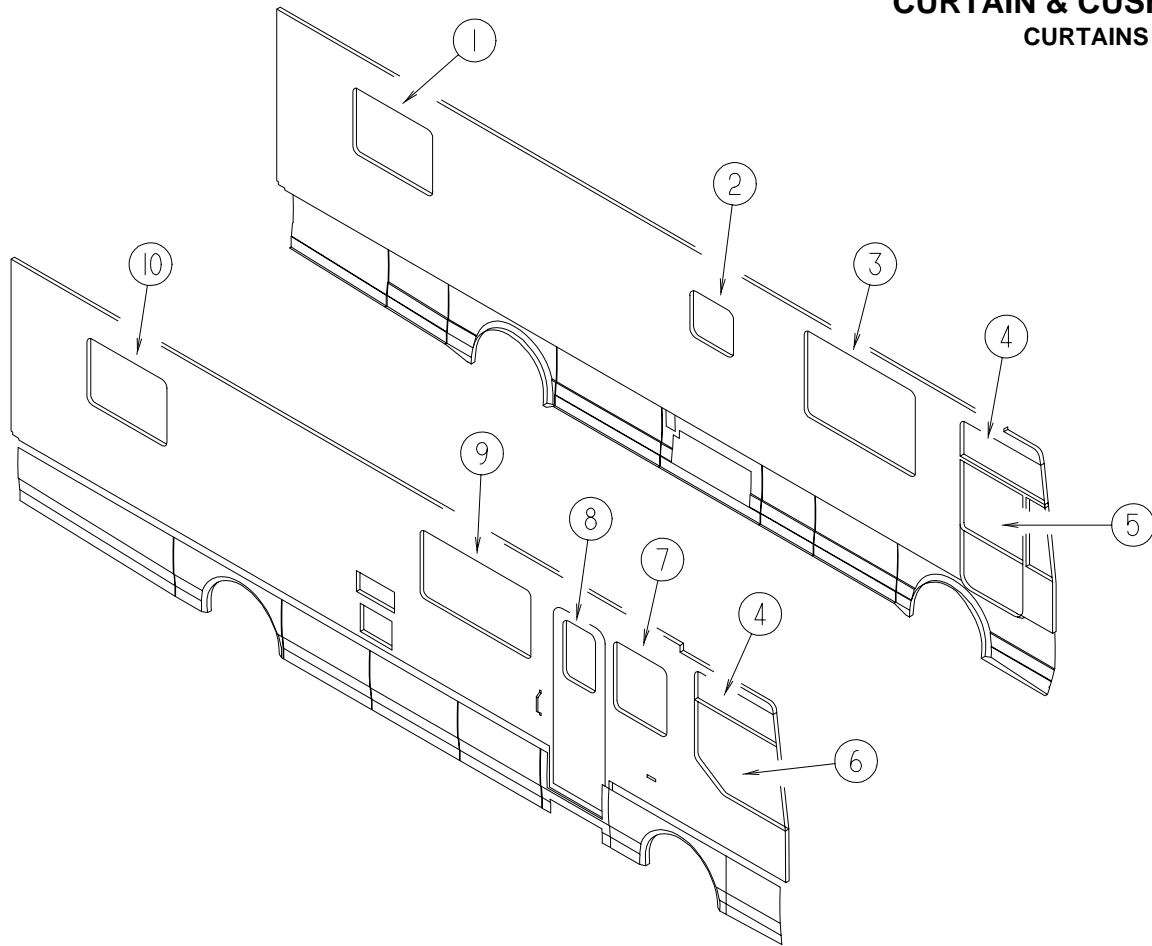
CURTAIN & CUSHION GROUP (CONTINUED)

CHAIR - INCLINER W/FOOTREST



KEY	PART NUMBER	U/M	DESCRIPTION
1	129327-01-J70	EA	CHAIR - INCLINER - W/FOOTREST (J70,J71) FROM: 01-05-98 THRU: 99-99-99
1	129327-01-J72	EA	CHAIR - INCLINER - W/FOOTREST (J72,J73) FROM: 01-05-98 THRU: 99-99-99
1	129327-01-J74	EA	CHAIR - INCLINER - W/FOOTREST (J74,J75) FROM: 01-05-98 THRU: 99-99-99
1	129327-01-J76	EA	CHAIR - INCLINER - W/FOOTREST (J76,J77) FROM: 01-05-98 THRU: 99-99-99
	P29327-01-J70	EA	COVER - CHAIR - INCLINE W/FOOTREST (J70,J71)
	P29327-01-J72	EA	COVER - CHAIR - INCLINE W/FOOTREST (J72,J73)
	P29327-01-J74	EA	COVER - CHAIR - INCLINE W/FOOTREST (J74,J75)
	P29327-01-J76	EA	COVER - CHAIR - INCLINE W/FOOTREST (J76,J77)
2	108049-05-000	EA	FRAME - CABLE - REMOTE RECLINE - W/MINI LEVER ACTION
3	129148-05-000	EA	INCLINER - CABLE - 30"
4	129148-06-000	EA	INCLINER - LEVER F/CABLE
5	129164-01-02B	EA	BRACKET - SEAT RELEASE - REMOTE
6	119952-04-000	EA	SLIDE/SEAT - HEAVY DUTY LOCKING - 4 STUDS
7	107921-08-000	EA	TOP PLATE - PEDESTAL - W/O SEAT BELT BAR
8	107921-06-000	EA	BEARING KIT - PEDESTAL
9	107921-14-000	EA	PEDESTAL - SEAT W/5.75" EXTENSION - F/MANUAL SEAT
10	108445-02-000	EA	PLATE/FLOOR MOUNTED - PEDESTAL SEAT
11	119952-02-000	EA	SLIDE/SEAT - HEAVY DUTY NON LOCKING
12	129162-01-02B	EA	BRACKET - SEAT RELEASE - REMOTE
13	108049-04-000	EA	CABLE - W/SWITCHES - 25.5" SHEATH/28.5" CABLE W/DOG LEG
14	119901-04-000	EA	FOOT REST - RECLINER
15	119901-05-000	EA	FOOT REST - RECLINER
16	129148-01-000	EA	INCLINER - LEFT
17	129148-02-000	EA	INCLINER - RIGHT
18	129173-01-02B	EA	FRAME - INCLINER - E-COATED
19	129148-08-000	EA	INCLINER - CLIP F/CABLE
20	129148-10-000	EA	INCLINER TUBE - MODIFIED
21	129148-03-000	EA	SPRING - INCLINER
22	129148-07-000	EA	INCLINER - CABLE F/BREAK RELEASE

CURTAIN & CUSHION GROUP (CONTINUED)
CURTAINS & WINDOW TREATMENT



KEY	PART NUMBER	U/M DESCRIPTION
1	117657-08-H58	EA VALANCE - KINGSTON - 34" (J70,J71)
1	117844-06-H58	EA COVER - KINGSTON - 40" (J70,J71)
1	119138-40-J72	EA VALANCE - BELLINI - 34" (J72,J73)
1	117657-08-J74	EA VALANCE - KINGSTON - 34" (J74,J75)
1	117844-06-J74	EA COVER - KINGSTON - 40" (J74,J75)
1	117657-12-J76	EA VALANCE - KINGSTON - 34" (J76,J77)
1	117844-09-J76	EA COVER - KINGSON - 40" (J76,J77)
1	123964-04-HB6	EA BLIND - MICRO - DAY/NIGHTER - 29" X 37" (J70,J71,J74,J75,J76,J77)
1	123964-04-HD6	EA BLIND - MICRO - DAY/NIGHTER - 29" X 37" (J72,J73)
1	123910-15-J70	EA LEG - RIGHT - 34" (J70,J71)
1	123910-25-J72	EA LEG - RIGHT - 34" (J72,J73)
1	123910-15-J74	EA LEG - RIGHT - 34" (J74,J75)
1	123910-15-J76	EA LEG - RIGHT - 34" (J76,J77)
1	123910-16-J70	EA LEG - LEFT - 34" (J70,J71)
1	123910-26-J72	EA LEG - LEFT - 34" (J72,J73)
1	123910-16-J74	EA LEG - LEFT - 34" (J74,J75)
1	123910-16-J76	EA LEG - LEFT - 34" (J76,J77)
2	111861-02-01A	EA BLIND - MICRO/MINI - 24.5" X 22"
3	121410-23-H58	EA VALANCE - MODERATE - 62.5" (J70,J71)
3	121410-24-H60	EA VALANCE - MODERATE - 62.5" (J72,J73)
3	127329-01-J74	EA VALANCE - ABBEY - 62.5" (J74,J75)
3	127329-01-J76	EA VALANCE - ABBEY - 62.5" (J76,J77)
3	123964-03-HB6	EA BLIND - MICRO - DAY/NIGHTER - 59" X 41" (J70,J71,J74,J75,J76,J77)
3	123964-03-HD6	EA BLIND - MICRO - DAY/NIGHTER - 59" X 41" (J72,J73)
3	127017-25-J70	EA LEG - RIGHT - 38" (J70,J71)
3	127017-27-J72	EA LEG - RIGHT - 38" (J72,J73)
3	127017-25-J74	EA LEG - RIGHT - 38" (J74,J75)
3	127017-25-J76	EA LEG - RIGHT - 38" (J76,J77)
3	127017-26-J70	EA LEG - LEFT - 38" (J70,J71)
3	127017-28-J72	EA LEG - LEFT - 38" (J72,J73)
3	127017-26-J74	EA LEG - LEFT - 38" (J74,J75)
3	127017-26-J76	EA LEG - LEFT - 38" (J76,J77)

KEY	PART NUMBER	U/M DESCRIPTION
3	121410-27-H58	EA VALANCE - MODERATE - 62.5" - WINDOW EXCHANGE (J70,J71)
3	121410-28-H60	EA VALANCE - MODERATE - 62.5" - WINDOW EXCHANGE (J72,J73)
3	127329-03-J74	EA VALANCE - ABBEY - 62.5" - WINDOW EXCHANGE (J74,J75)
3	127329-03-J76	EA VALANCE - ABBEY - 62.5" - WINDOW EXCHANGE (J76,J77)
3	123964-05-HB6	EA BLIND - MICRO - DAY/NIGHTER - 59" X 33" - WINDOW EXCHANGE (J70,J71,J74,J75,J76,J77)
3	123964-05-HD6	EA BLIND - MICRO - DAY/NIGHTER - 59" X 33" - WINDOW EXCHANGE (J72,J73)
3	127017-29-J70	EA LEG - RIGHT - 30" - WINDOW EXCHANGE (J70,J71)
3	127017-31-J72	EA LEG - RIGHT - 30" - WINDOW EXCHANGE (J72,J73)
3	127017-29-J74	EA LEG - RIGHT - 30" - WINDOW EXCHANGE (J74,J75)
3	127017-29-J76	EA LEG - RIGHT - 30" - WINDOW EXCHANGE (J76,J77)
3	127017-30-J70	EA LEG - LEFT - 30" - WINDOW EXCHANGE (J70,J71)
3	127017-32-J72	EA LEG - LEFT - 30" - WINDOW EXCHANGE (J72,J73)
3	127017-30-J74	EA LEG - LEFT - 30" - WINDOW EXCHANGE (J74,J75)
3	127017-30-J76	EA LEG - LEFT - 30" - WINDOW EXCHANGE (J76,J77)
4	084755-90-000	EA SHADE - PULL - 28.25" X 60"
		FROM: 00-00-00 THRU: 08-26-97
4	084755-A1-000	EA SHADE - PULL - 39.75" X 60"
		FROM: 08-27-97 THRU: 99-99-99
5	093487-12-01A	EA WRAP AROUND - FRONT - LEFT HAND PLEATED - 51" X 108"
6	093487-11-01A	EA WRAP AROUND - FRONT - RIGHT HAND/PLEATED - 51" X 108"
7	121410-36-H58	EA VALANCE - MODERATE - 30" (J70,J71)
7	121410-37-H60	EA VALANCE - MODERATE - 30" (J72,J73)
7	127329-04-J74	EA VALANCE - ABBEY - 30" (J74,J75)
7	127329-04-J76	EA VALANCE - ABBEY - 30" (J76,J77)
7	123964-09-HB6	EA BLIND - MICRO - DAY/NIGHTER - 29" X 31" (J70,J71,J74,J75,J76,J77)
7	123964-09-HD6	EA BLIND - MICRO - DAY/NIGHTER - 29" X 31" (J72,J73)
8	120820-01-H58	EA VALANCE - FLAT - W/CLOCK CUTOUT - 15" X 30.5" (J70,J71)
8	120820-14-J72	EA VALANCE - FLAT - W/CLOCK CUTOUT - 15" X 30.5" (J72,J73)
8	120820-01-J74	EA VALANCE - FLAT - W/CLOCK CUTOUT - 15" X 30.5" (J74,J75)
8	120820-01-J76	EA VALANCE - FLAT - W/CLOCK CUTOUT - 15" X 30.5" (J76,J77)
8	084755-57-E07	EA SHADE - PULL - 27.25"
9	121410-27-H58	EA VALANCE - MODERATE - 62.5" - WINDOW EXCHANGE (J70,J71)
9	121410-28-H60	EA VALANCE - MODERATE - 62.5" - WINDOW EXCHANGE (J72,J73)
9	127329-03-J74	EA VALANCE - ABBEY - 62.5" - WINDOW EXCHANGE (J74,J75)
9	127329-03-J76	EA VALANCE - ABBEY - 62.5" - WINDOW EXCHANGE (J76,J77)
9	123964-05-HB6	EA BLIND - MICRO - DAY/NIGHTER - 59" X 33" - WINDOW EXCHANGE (J70,J71,J74,J75,J76,J77)
9	123964-05-HD6	EA BLIND - MICRO - DAY/NIGHTER - 59" X 33" - WINDOW EXCHANGE (J72,J73)
9	127017-29-J70	EA LEG - RIGHT - 30" - WINDOW EXCHANGE (J70,J71)
9	127017-31-J72	EA LEG - RIGHT - 30" - WINDOW EXCHANGE (J72,J73)
9	127017-29-J74	EA LEG - RIGHT - 30" - WINDOW EXCHANGE (J74,J75)
9	127017-29-J76	EA LEG - RIGHT - 30" - WINDOW EXCHANGE (J76,J77)
9	127017-30-J70	EA LEG - LEFT - 30" - WINDOW EXCHANGE (J70,J71)
9	127017-32-J72	EA LEG - LEFT - 30" - WINDOW EXCHANGE (J72,J73)
9	127017-30-J74	EA LEG - LEFT - 30" - WINDOW EXCHANGE (J74,J75)
9	127017-30-J76	EA LEG - LEFT - 30" - WINDOW EXCHANGE (J76,J77)
10	117657-10-J70	EA VALANCE - KINGSTON - 34" (J70,J71)
10	117844-06-H58	EA COVER - KINGSTON - 40" (J70,J71)
10	119138-42-J72	EA VALANCE - BELLINI - 34" (J72,J73)
10	117657-10-J74	EA VALANCE - KINGSTON - 34" (J74,J75)
10	117844-06-J74	EA COVER - KINGSTON - 40" (J74,J75)
10	117657-13-J76	EA VALANCE - KINGSTON - 34" (J76,J77)
10	123964-04-HB6	EA BLIND - MICRO - DAY/NIGHTER - 29" X 37" (J70,J71,J74,J75,J76,J77)
10	123964-04-HD6	EA BLIND - MICRO - DAY/NIGHTER - 29" X 37" (J72,J73)
10	127017-09-J70	EA LEG - RIGHT - 34" (J70,J71)
10	127017-05-J72	EA LEG - RIGHT - 34" (J72,J73)
10	127017-09-J74	EA LEG - RIGHT - 34" (J74,J75)
10	127017-09-J76	EA LEG - RIGHT - 34" (J76,J77)
10	127017-10-J70	EA LEG - LEFT - 34" (J70,J71)
10	127017-06-J72	EA LEG - LEFT - 34" (J72,J73)
10	127017-10-J74	EA LEG - LEFT - 34" (J74,J75)
10	127017-10-J76	EA LEG - LEFT - 34" (J76,J77)

CURTAIN & CUSHION GROUP (CONTINUED)

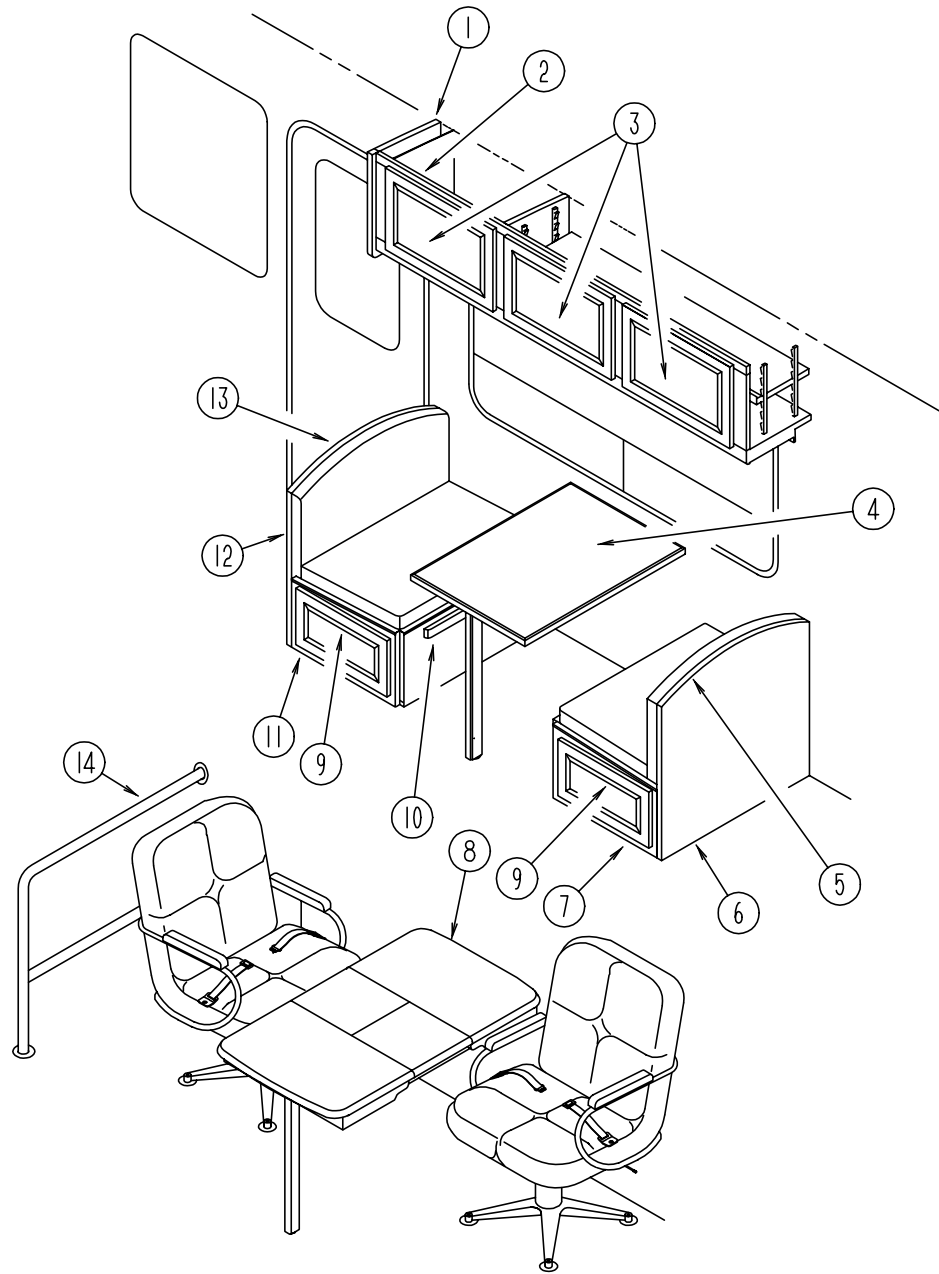
FABRICS

COLOR CODES	J70,J71	J72,J73	J74,J75	J76,J77		COLOR CODES	J70,J71	J72,J73	J74,J75	J76,J77
	COVENTRY	DEVON	HEMMINGWAY	GULF MIST			COVENTRY	DEVON	HEMMINGWAY	GULF MIST
BUCKETSEAT	108446-P5-000	108446-N8-000	108446-T9-000	108446-X2-000		BEDROOM WINDOWS	105745-F4-000 105745-F5-000	105745-F7-000 108446-R4-000	105745-G9-000 105745-E7-000	105745-J1-000
DINETTE	108446-N6-000	108446-N7-000	108446-T7-000	108446-W9-000		SHAMS	105745-F4-000 105745-F5-000	105745-F7-000 108446-R4-000	105745-G9-000 105745-E7-000	105745-J1-000
SOFA	108446-N6-000	108446-N7-000	108446-T7-000	108446-W9-000		DINETTE CHAIRS	108446-P6-000	108446-T8-000	108446-T9-000	108446-X2-000
LOUNGE CHAIR	108446-P6-000	108446-T8-000	108446-T9-000	108446-X2-000		BEDROOM PILLOWS	105745-F5-000	108446-R4-000	105745-G9-000 105745-E7-000	105745-J1-000 084415-99-000
LOUNGE WINDOWS	108446-N6-000 084415-78-000	108446-N7-000 108446-N8-000	108446-T7-000 108446-T9-000	108446-W9-000 108446-X2-000		BED BOARD	105745-F5-000	108446-R4-000	105745-E7-000	105745-J1-000
BEDSPREAD	105745-F4-000 084415-78-000	105745-F7-000 084415-89-000	105745-G9-000 105745-E7-000	105745-J1-000 084415-A1-000		LOUNGE CABINET INSERTS	108446-P6-000	108446-T8-000	108446-T9-000	108446-X2-000
MICRO DAY-NITERS	094911-44-000 094911-51-000	094911-48-000 094911-51-000	094911-44-000 094911-51-000	094911-44-000 094911-51-000		BEDROOM CABINET INSERTS	105745-F4-000	105745-F7-000	105745-G9-000	105745-J1-000
DINETTE PAD	108446-P5-000	108446-N8-000	108446-T9-000	108446-X2-000		SLIDE OUT CABINET INSERTS	108446-N6-000	108446-N7-000	108446-T7-000	108446-W9-000
LOUNGE PILLOW	108446-P6-000 084415-78-000	108446-N7-000 084415-79-000	108446-T7-000 084415-80-000	108446-W9-000 084415-99-000		HEADBOARD	105745-F4-000 105745-F5-000	105745-F7-000 084415-89-000	105745-G9-000 105745-E7-000	105745-J1-000 108446-X2-000
CEILING MATERIAL	113979-01-01A	113979-01-01A	113979-01-01A	113979-01-01A						

NOTE: FABRIC LISTED FIRST IN A BLOCK, IS THE LARGEST QUANTITY OF FABRIC USED

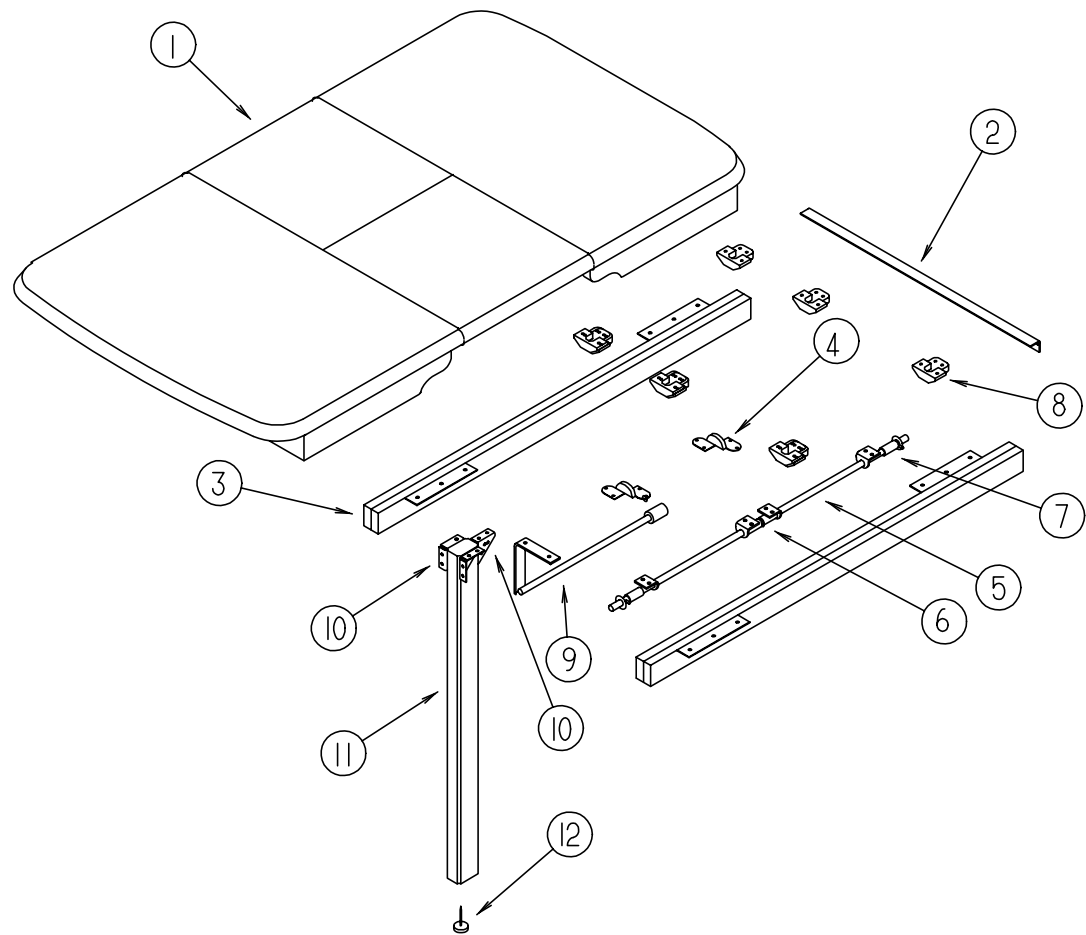
DINETTE GROUP

DINETTE CABINETS WITH SWIVEL CHAIRS



KEY	PART NUMBER	U/M	DESCRIPTION
1	107494-20-J70	EA	END CAP - LEFT HAND (WASHED MAPLE)
1	107494-20-GV1	EA	END CAP - LEFT HAND (SALEM CHERRY)
2	120348-01-J70	EA	CABINET - DINETTE/OVERHEAD - W/O DOORS/HARDWARE (WASHED MAPLE)
2	120348-01-GV1	EA	CABINET - DINETTE/OVERHEAD - W/O DOORS/HARDWARE (SALEM CHERRY)
2	120348-02-J70	EA	CABINET - DINETTE/OVERHEAD - W/O DOORS/HARDWARE (DELUXE SOUND SYSTEM) (WASHED MAPLE)
2	120348-02-H57	EA	CABINET - DINETTE/OVERHEAD - W/O DOORS/HARDWARE (DELUXE SOUND SYSTEM) (SALEM CHERRY)
	120348-11-J70	EA	SHELF - W/PLASTIC EDGE TRIM (WASHED MAPLE)
	120348-11-GV1	EA	SHELF - W/PLASTIC EDGE TRIM (SALEM CHERRY)
3	M05990-03-J70	EA	DOOR - ARCHED/OGEE EDGE - 14.3" X 21.8" - W/O HARDWARE (WASHED MAPLE)
3	M05990-03-GV1	EA	DOOR - ARCHED/OGEE EDGE - 14.3" X 21.8" - W/O HARDWARE (SALEM CHERRY)
4	088913-07-H56	EA	TABLE - DINETTE - W/O HARDWARE (J70)
4	088913-07-GV5	EA	TABLE - DINETTE - W/O HARDWARE (J71)
4	088913-07-H60	EA	TABLE - DINETTE - W/O HARDWARE (J72)
4	088913-07-H61	EA	TABLE - DINETTE - W/O HARDWARE (J73)
4	088913-07-J74	EA	TABLE - DINETTE - W/O HARDWARE (J74,J76)
4	088913-07-J75	EA	TABLE - DINETTE - W/O HARDWARE (J75,J77)
5	104787-11-H58	EA	PAD - DINETTE (J70,J71)
5	104787-11-H60	EA	PAD - DINETTE (J72,J73)
5	104787-11-J74	EA	PAD - DINETTE (J74,J75)
5	104787-11-J76	EA	PAD - DINETTE (J76,J77)
6	M04174-97-J70	EA	CABINET - SEATBACK/RIGHT HAND - W/O HARDWARE (WASHED MAPLE)
6	M04174-97-H57	EA	CABINET - SEATBACK/RIGHT HAND - W/O HARDWARE (SALEM CHERRY)
	016604-01-000	EA	BRACE - CABINET - ANGLE - 2.5" - UNPAINTED METAL
7	M04175-98-J70	EA	CABINET - SEAT BOTTOM/RIGHT HAND - W/O DOORS/DRAWERS/HDW (WASHED MAPLE)
7	M04175-98-H57	EA	CABINET - SEAT BOTTOM/RIGHT HAND - W/O DOORS/DRAWERS/HDW (SALEM CHERRY)
8	P18322-01-J70	EA	TABLE - PULLOUT/SELF STORING - W/O HARDWARE (WASHED MAPLE)
8	P18322-01-H57	EA	TABLE - PULLOUT/SELF STORING - W/O HARDWARE (SALEM CHERRY)
9	M05971-C5-J70	EA	DRAWER - OGEE EDGE - 17.0"W X 19.6"D - W/O SLIDES/HARDWARE (WASHED MAPLE)
9	M05971-C5-H57	EA	DRAWER - OGEE EDGE - 17.0"W X 19.6"D - W/O SLIDES/HARDWARE (SALEM CHERRY)
10	081295-09-E37	EA	SUPPORT - BED/DINETTE - 20" LONG (WASHED MAPLE)
10	081295-09-E41	EA	SUPPORT - BED/DINETTE - 20" LONG (SALEM CHERRY)
11	M04175-56-J70	EA	CABINET - SEAT BOTTOM LEFT HAND - W/O DOORS/DRAWERS/HDW (WASHED MAPLE)
11	M04175-56-E41	EA	CABINET - SEAT BOTTOM LEFT HAND - W/O DOORS/DRAWERS/HDW (SALEM CHERRY)
12	M04174-54-J70	EA	CABINET - SEATBACK LEFT HAND - W/O HARDWARE (WASHED MAPLE)
12	M04174-54-E41	EA	CABINET - SEATBACK LEFT HAND - W/O HARDWARE (SALEM CHERRY)
	016604-01-000	EA	BRACE - CABINET - ANGLE - 2.5" - UNPAINTED METAL
	P02786-03-J70	EA	HANDRAIL ONLY - W/O BRACKETS (WASHED MAPLE)
	P02786-03-E41	EA	HANDRAIL ONLY - W/O BRACKETS (SALEM CHERRY)
	099682-01-01A	EA	BRACKET - MOUNTING/HAND RAIL - ROUND BASE
13	104787-11-H58	EA	PAD - DINETTE (J70,J71)
13	104787-11-H60	EA	PAD - DINETTE (J72,J73)
13	104787-11-J74	EA	PAD - DINETTE (J74,J75)
13	104787-11-J76	EA	PAD - DINETTE (J76,J77)
14	108808-01-01A	EA	HANDRAIL - ENTRANCE - BRASS

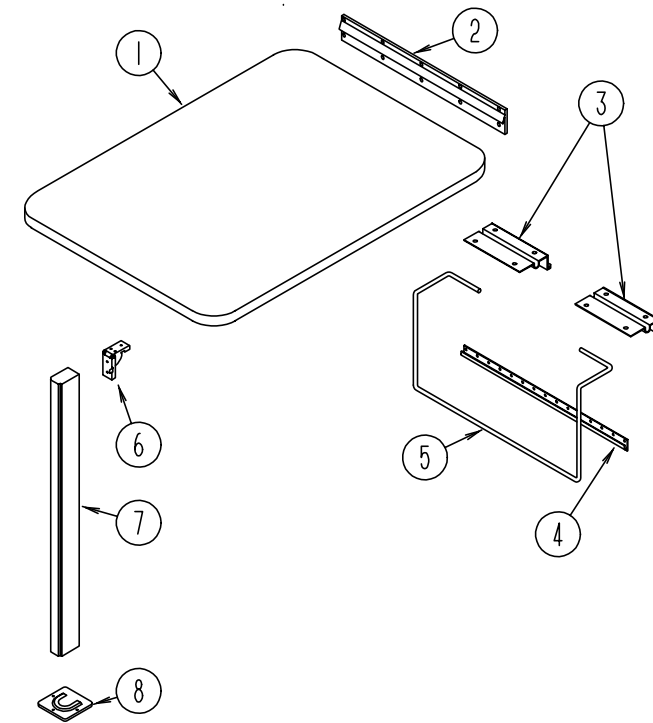
DINETTE GROUP (CONTINUED)



DINETTE PULLOUT TABLE

KEY	PART NUMBER	U/M DESCRIPTION
	P18322-01-J70	EA TABLE - PULLOUT/SELF STORING - W/O HARDWARE (WASHED MAPLE)
	P18322-01-H57	EA TABLE - PULLOUT/SELF STORING - W/O HARDWARE (SALEM CHERRY)
1	118322-11-J70	EA TABLE TOP ONLY - PULLOUT (WASHED MAPLE)
1	118322-11-H57	EA TABLE TOP ONLY - PULLOUT (SALEM CHERRY)
2	009065-01-000	EA HINGE - ALUMINUM - 1 1/2" X 96" - UNPAINTED
3	110749-01-000	EA SLIDE/EXTENSION - 19 3/4" TO 33 1/4"
4	108663-01-000	EA HINGE - LEAF - FOLDING
5	108932-01-000	EA ROD - PIVOT
	000F10-04-16B	EA PIN - COTTER - 1/8" X 1" - ZINC
6	108874-01-000	EA BRACKET - HINGE - TABLE LEAF
7	108664-01-000	EA SPRING - COMPRESSION - .51" X 1.96"
8	009050-02-000	EA LEVELER - TABLE TOP - MALE END W/4 SCREWS - PLASTIC
8	009050-03-000	EA LEVELER - TABLE TOP - FEMALE END W/2 SCREWS - PLASTIC
9	108905-01-000	EA SUPPORT - TABLE LEAF
10	102810-01-04A	EA BRACE - TABLE LEG - BLACK
	102810-01-03A	EA BRACE - TABLE LEG - MILL
11	092707-07-08A	EA MOLDING - TABLE LEG - 27.8" (WASHED MAPLE)
11	092707-07-03A	EA MOLDING/TABLE LEG - 27.8" (SALEM CHERRY)
12	102194-01-000	EA GUIDE - PLASTIC

DINETTE GROUP (CONTINUED)

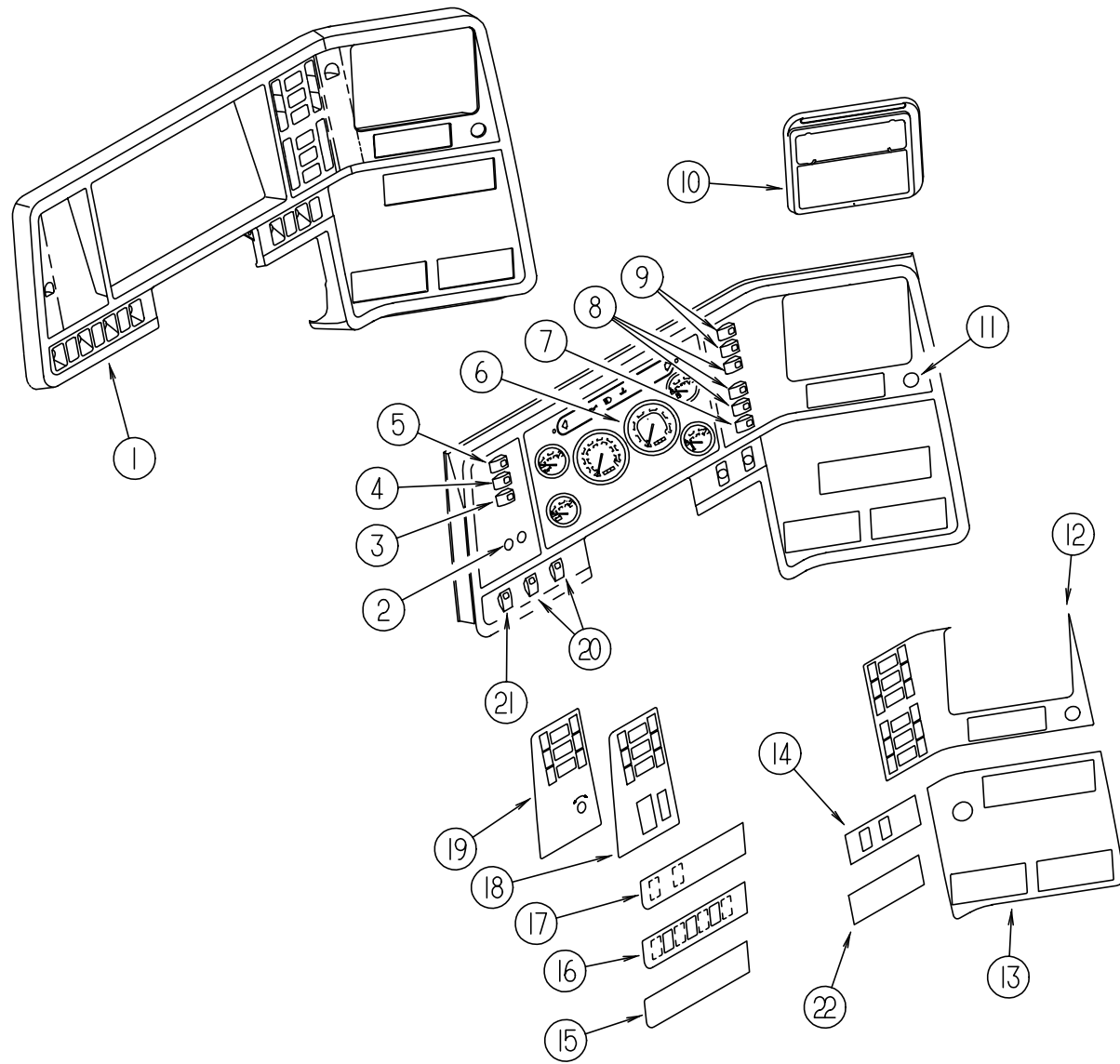


DINETTE TABLE

KEY	PART NUMBER	U/M DESCRIPTION
1	088913-07-H56	EA TABLE - DINETTE - W/O HARDWARE (J70)
1	088913-07-GV5	EA TABLE - DINETTE - W/O HARDWARE (J71)
1	088913-07-H60	EA TABLE - DINETTE - W/O HARDWARE (J72)
1	088913-07-H61	EA TABLE - DINETTE - W/O HARDWARE (J73)
1	088913-07-J74	EA TABLE - DINETTE - W/O HARDWARE (J74,J76)
1	088913-07-J75	EA TABLE - DINETTE - W/O HARDWARE (J75,J77)
2	053200-12-000	EA BRACKET - TABLE SUPPORT - UPPER WALL MOUNTED - 23.50"
3	088410-02-000	EA BRACKET - LIFT - TABLE MOUNTED
4	024281-14-000	EA BRACKET - LIFT ROD/LOWER WALL MOUNTED - 22.12"
5	024275-12-000	EA ROD - TABLE LIFT
6	093550-01-000	EA BRACKET - HINGE - MOUNTS TO LEG & TABLE TOP - 1.7" X 2.6"
7	092708-11-J70	EA LEG - TABLE - W/O HARDWARE (WASHED MAPLE)
	092707-04-08A	EA MOLDING - TABLE LEG - 27" (WASHED MAPLE)
7	092708-11-E41	EA LEG - TABLE - W/O HARDWARE (SALEM CHERRY)
	092707-04-04A	EA MOLDING - TABLE LEG - 27" (SALEM CHERRY)
8	049493-12-000	EA CATCH - TABLE LEG/FLOOR MOUNTED - OFF WHITE
	049493-11-700	EA CATCH-LEG - FLOOR MOUNTED - 2.5" X 2.7" - METAL - E-COAT

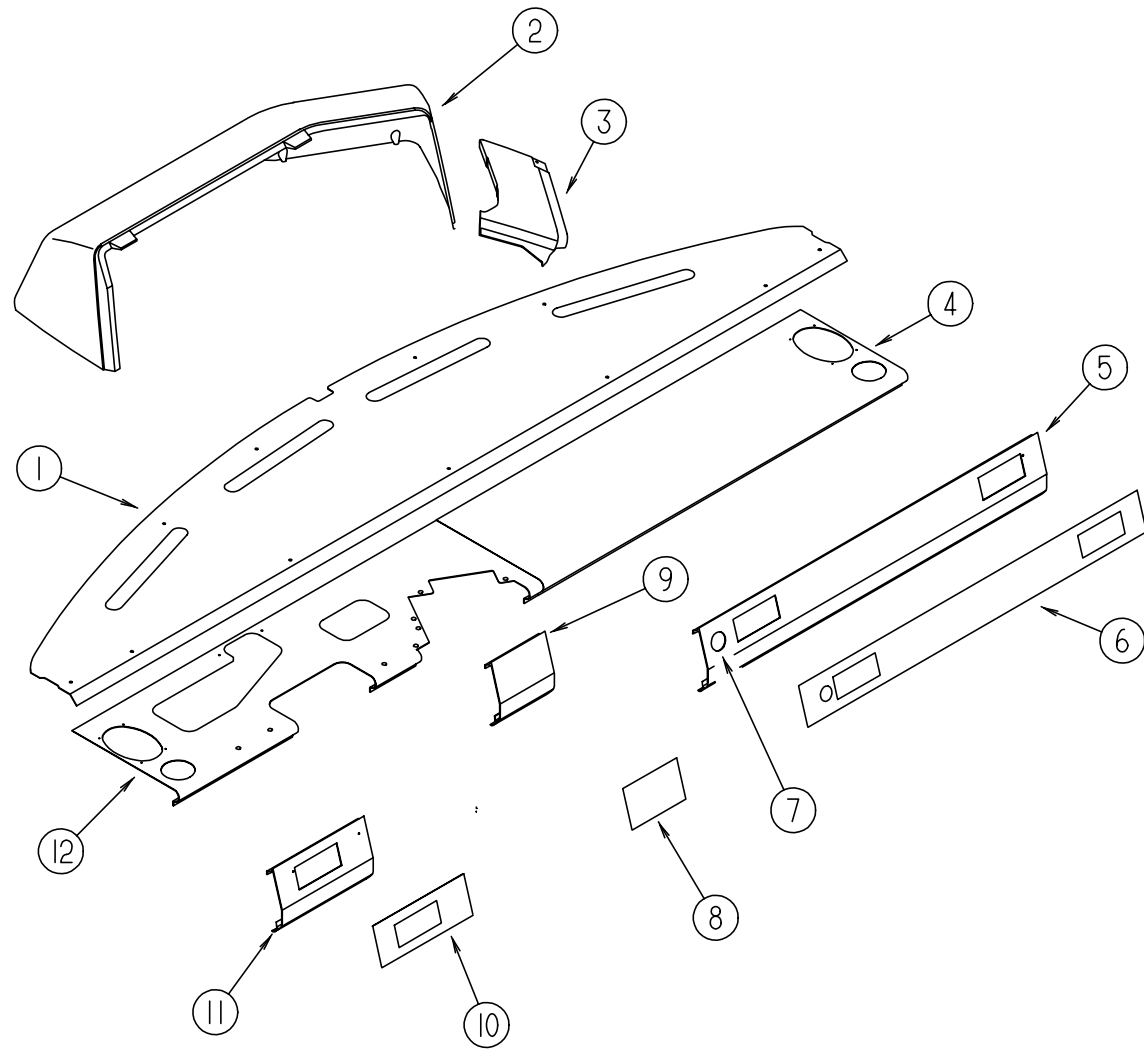
DRIVERS COMPARTMENT GROUP

INSTRUMENT PANEL



KEY	PART NUMBER	U/M	DESCRIPTION
1	107031-08-02A	EA	BEZEL - INSTRUMENT - HAMPTON TAN
2	N/A		HEADLIGHT & DIMMER SWITCHES ARE CHASSIS SUPPLIED
3	108357-06-000	EA	SWITCH - ROCKER DPDT - MOM/OFF/MOM - 6 TERMINAL
	108356-01-02A	EA	COVER/ACTUATOR SWITCH - 3 GROOVES - CONTURA III - TAN
	108355-01-000	EA	HOUSING - SWITCH
4	108357-09-000	EA	SWITCH - ROCKER SPDT - ON/NONE/MOM - 3 TERMINAL
	108356-01-02A	EA	COVER/ACTUATOR SWITCH - 3 GROOVES - CONTURA III - TAN
	108355-01-000	EA	HOUSING - SWITCH
5	108357-08-000	EA	SWITCH - ROCKER DPDT - ON/NONE/ON - 6 TERMINAL
	108356-01-02A	EA	COVER/ACTUATOR SWITCH - 3 GROOVES - CONTURA III - TAN
	108355-01-000	EA	HOUSING - SWITCH
6	N/A		STANDARD INSTRUMENT CLUSTERS ARE CHASSIS SUPPLIED
7	108357-10-000	EA	SWITCH - ROCKER SPDT W/LIGHT - MOM/NONE/MOM - 5 TERMINAL
	108356-03-01A	EA	COVER/ACTUATOR SWITCH - 3 GROOVES W/LENS-CONTURA III-BLACK
	108355-01-000	EA	HOUSING - SWITCH
8	108357-01-000	EA	SWITCH - ROCKER SPST - ON/OFF - 2 TERMINAL
8	096241-08-000	EA	SWITCH - BLANK
	108356-01-02A	EA	COVER/ACTUATOR SWITCH - 3 GROOVES - CONTURA III - TAN
	108355-01-000	EA	HOUSING - SWITCH
9	108357-03-000	EA	SWITCH - ROCKER SPDT - ON/OFF/ON - 3 TERMINAL
9	096241-03-000	EA	SWITCH - BLANK
	108356-01-02A	EA	SWITCH COVER W/3 GROOVES - CARLING HAMPTON TAN
	108355-01-000	EA	HOUSING - SWITCH
10	111337-01-01A	EA	POCKET - INSTRUMENT PANEL - RIGHT UPPER - BLACK
	096776-02-000	EA	BOX - CASSETTE - 4 TAPE HOLDER
11	089294-01-000	EA	LIGHTER - CIGARETTE - W/SOCKET & WIRE
12	104056-20-02A	EA	APPLIQUE - BEZEL - UPPER RH - 6 SWITCH - HAMPTON TAN
13	104056-14-02A	EA	APPLIQUE - BEZEL - LOWER RH WING - HAMPTON TAN
14	104056-28-02A	EA	APPLIQUE - BEZEL - LOWER RH - PARK & LEVEL - HAMPTON TAN
15	104056-09-02A	EA	APPLIQUE - BEZEL - LOWER LH - HAMPTON TAN
16	104056-10-02A	EA	APPLIQUE - BEZEL - LOWER LH - PARK & LEVEL - HAMPTON TAN
16	104056-32-02A	EA	APPLIQUE - BEZEL - LOWER LEFT HAND - PUSHER
17	104056-29-01A	EA	APPLIQUE - BEZEL - LOWER LH - PARK & LEVEL - BLACK VELVET
18	104056-25-02A	EA	APPLIQUE - LIGHT SWITCH BEZEL - HAMPTON TAN - GM
19	104056-27-02A	EA	APPLIQUE - LIGHT SWITCH BEZEL - HAMPTON TAN - FORD
19	104056-26-02A	EA	APPLIQUE - BEZEL - LEFT - PUSHER
20	108357-07-000	EA	SWITCH - ROCKER SPDT - MOM/OFF/MOM - 3 TERMINAL
	108356-01-02A	EA	COVER/ACTUATOR SWITCH - 3 GROOVES - CONTURA III - TAN
	108355-01-000	EA	HOUSING - SWITCH
21	108357-05-000	EA	SWITCH - ROCKER SPDT - ON/NONE/ON - 3 TERMINAL
	108356-01-02A	EA	COVER/ACTUATOR SWITCH - 3 GROOVES - CONTURA III - TAN
	108355-01-000	EA	HOUSING - SWITCH
22	104056-11-02A	EA	APPLIQUE - BEZEL - LOWER RH - HAMPTON TAN
	100138-01-000	EA	MODULE - DAYTIME RUNNING LIGHT
	103603-01-000	EA	BULB - 12V - #74 - .12A WEDGE - GE 22-25 - USED IN DASH

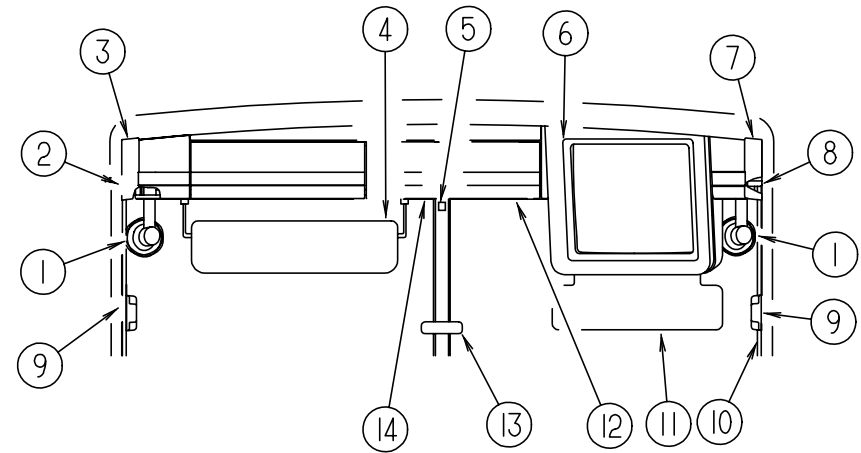
DRIVERS COMPARTMENT GROUP (CONTINUED)



DASH PANELS

KEY	PART NUMBER	U/M	DESCRIPTION
1	P18164-01-000	EA	DASH - W/O VINYL
	106569-09-01A	EA	VINYL - LAMINATE - MADRID - HAMPTON TAN - 1/4" X 25" X 100"
	077539-01-000	EA	BRACKET - MOUNTING - DASH PANEL - L/SHAPED - 2.5" X 1" X 1.5"
2	118256-01-01A	EA	POD - INSTRUMENT PANEL - HAMPTON TAN
2	118256-02-01A	EA	POD - INSTRUMENT PANEL - HAMPTON TAN - W/REAR MONITOR
3	118292-01-01A	EA	POD - LOWER DASH - HAMPTON TAN
4	112297-02-000	EA	PANEL - DASH - BOTTOM
5	117991-01-01A	EA	EXTENSION - DASH - PASSENGER/LOWER
5	118024-01-01A	EA	TRIM - DASH - PASSENGER - LOWER
6	118377-01-02A	EA	APPLIQUE - LOWER DASH - PASSENGER
6	120059-01-01A	EA	DECAL - VECTRA - GRAND TOUR - DASH
7	111414-01-000	EA	RECEPTACLE - 12V - W/O BIMETAL
8	118377-05-04A	EA	APPLIQUE - LOWER DASH - DRIVER
9	117991-06-01A	EA	EXTENSION - DASH - DRIVER - LOWER/RIGHT HAND
9	118024-06-01A	EA	TRIM - DASH - DRIVER - LOWER/RIGHT HAND
10	118377-06-04A	EA	APPLIQUE - LOWER DASH - DRIVER - (GM/OSHGOSH/SPARTAN)
11	117991-05-01A	EA	EXTENSION - DASH - DRIVER - LOWER/LEFT HAND
11	118024-05-01A	EA	TRIM - DASH - DRIVER - LOWER/LEFT HAND
12	112296-04-000	EA	PANEL - DASH - BOTTOM
	077031-01-000	EA	FILM - BLACK - 1" X 1.75"
	077031-03-000	EA	FILM - WHITE - .75 X 1.00 - COLORART

DRIVERS COMPARTMENT GROUP (CONTINUED)

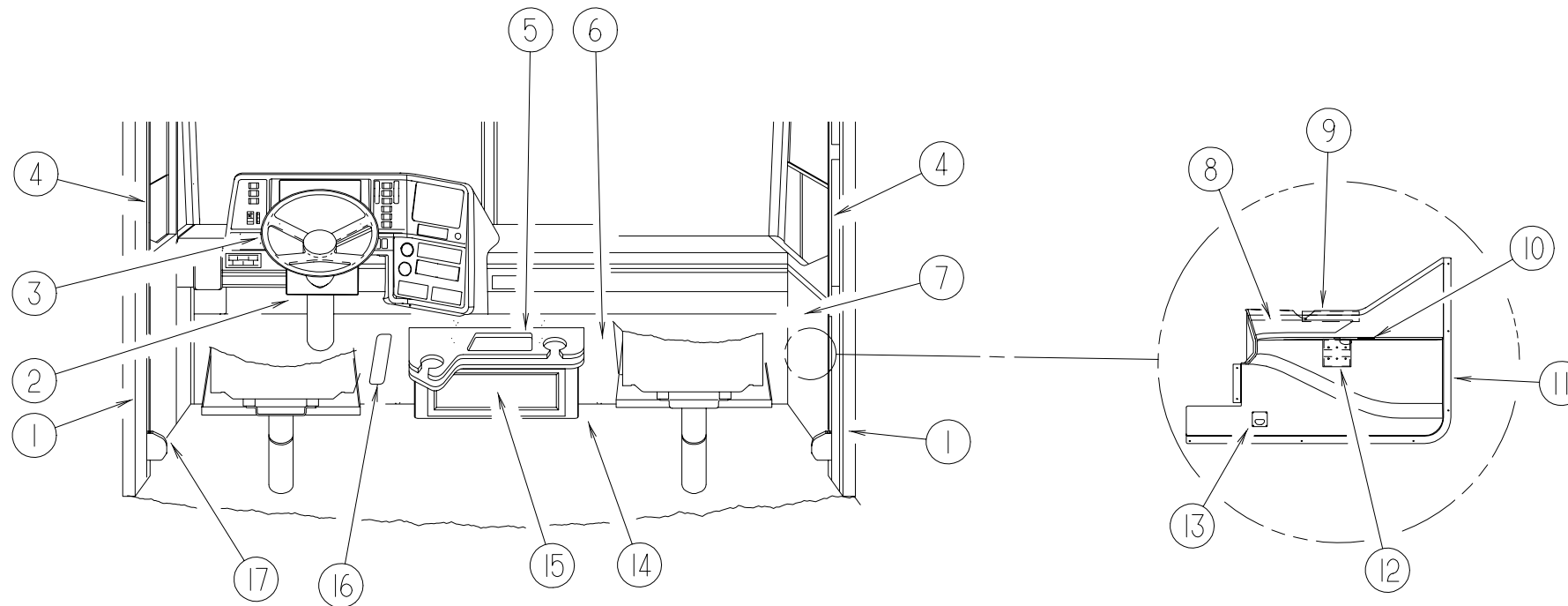


UPPER DRIVERS COMPARTMENT

KEY	PART NUMBER	U/M	DESCRIPTION	VENDOR NO.
1	122856-01-01A	EA	FAN - DEFROSTER - 2 SPEED W/SWIVEL BASE/NON - OSCILATING - CHROME	
2	118138-02-H56	EA	PANEL - HEADLINER	
3	118466-02-01A	EA	PANEL - TRIM UPPER SIDE	
4	123298-02-03A	EA	SUNVISOR - DRIVER - 10.5" X 28.5"	
5	118452-01-01A	EA	TRIM - WINDSHIELD - CENTER - HAMPTON TAN	
6	116734-08-01A	EA	COVER - TV - OVERHEAD/FRONT RIGHT HAND - HAMPTON TAN	
7	118466-01-01A	EA	PANEL - TRIM UPPER SIDE	
8	118693-02-J70	EA	PANEL - HEADLINER - LEFT HAND	
9	103961-03-01A	EA	COVER - BRACKET - SEATBELT OFF WHITE - F/DRVRS DOOR OPTION	
	091990-04-01A	EA	SEAT BELT/SHOULDER HARNESS - DRIVERS/PASSENGER - BLACK	
			FROM: 00-00-00 THRU: 07-29-97	
	091990-05-01A	EA	SEAT BELT/SHOULDER HARNESS - DRIVERS/PASSENGER - BLACK	
			FROM: 07-30-97 THRU: 99-99-99	
				I-1331-02
	091990-01-701	EA	EXTENDER 9" FOR A8408 3 PT	
	109146-01-000	EA	BOLT - SHOULDER/SEAT BELT	
10	118431-01-01A	EA	TRIM - A-PILLAR - INTERIOR/PASSENGER	
10	118431-02-01A	EA	TRIM - A-PILLAR - INTERIOR/DRIVER	
11	123450-01-01A	EA	SUNVISOR - W/PULLOUTS - PASSENGER	
12	118453-01-01A	EA	TRIM - WINDSHIELD - INTERIOR - TOP/PASSENGER	
13	040714-01-000	EA	MIRROR - REAR VIEW/ARM MOUNT & SET SCREW	
	067490-01-000	EA	BUTTON - MIRROR/REAR VIEW	
14	118453-02-01A	EA	TRIM - WINDSHIELD - INTERIOR - TOP/DRIVER	

DRIVERS COMPARTMENT GROUP (CONTINUED)

LOWER DRIVERS COMPARTMENT

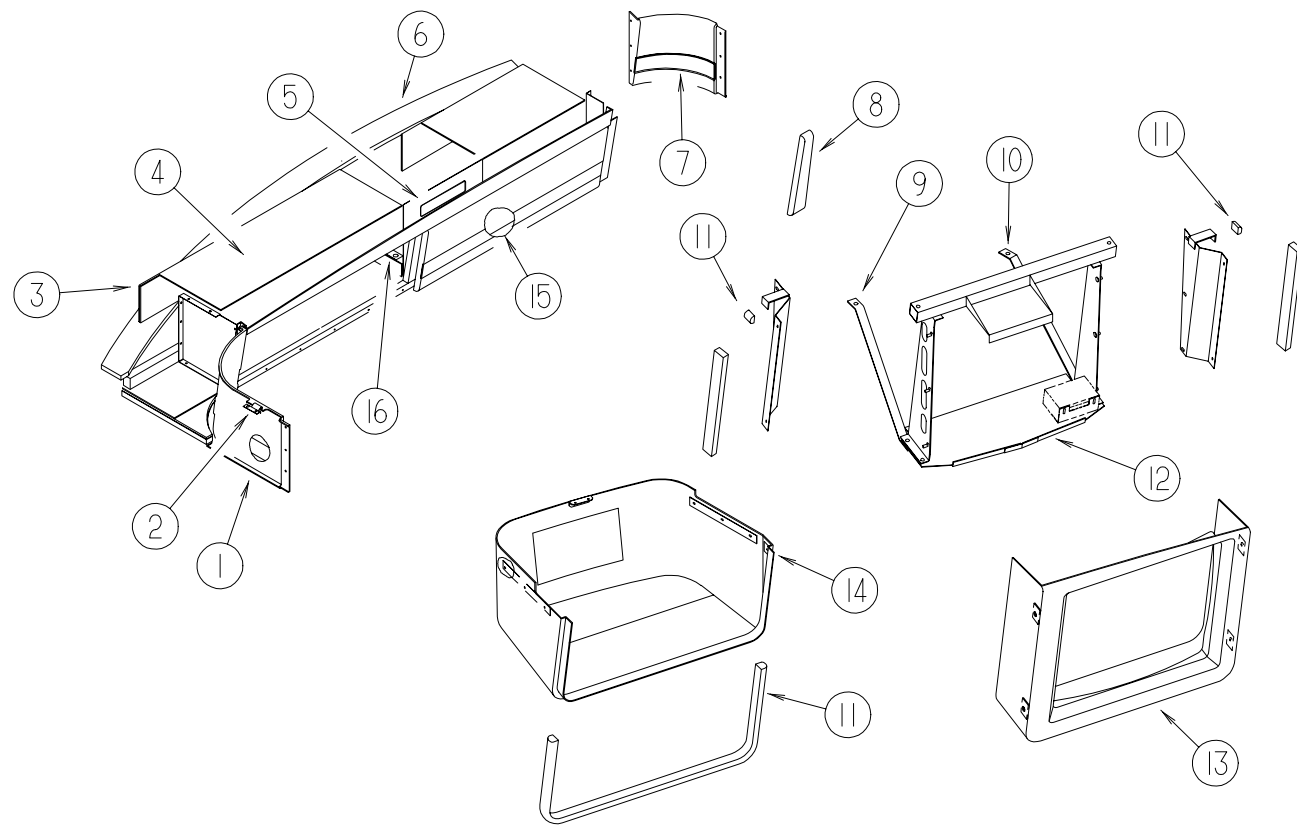


KEY	PART NUMBER	U/M DESCRIPTION
1	024700-44-000	EA COVER - ROLL BAR - 53" - LOWER - DRIVER/PASSENGER FROM: 00-00-00 THRU: 07-29-97
1	024700-56-000	EA COVER - ROLL BAR - SIDEWALL - 19.1" OFF WHITE FROM: 07-30-97 THRU: 99-99-99
1	024700-57-000	EA COVER - ROLL BAR - SIDEWALL - 8.5" - OFF WHITE FROM: 07-30-97 THRU: 99-99-99
1	024700-58-000	EA COVER - ROLL BAR - SIDEWALL - 16.5" - OFF WHITE FROM: 07-30-97 THRU: 99-99-99
2	109832-03-01A	EA COVER - STEERING COLUMN
	110002-02-000	EA PATCH - Q - SERIES - COLUMN - 4.25" X 7.5"
2	103498-06-000	EA BOOT - STEERING COLUMN/UNIVERSAL
3	120340-01-01A	EA WHEEL - STEERING - LEATHER
4	024700-55-000	EA COVER - ROLL BAR - SIDEWALL - 15" OFF WHITE FROM: 00-00-00 THRU: 07-29-97
4	024700-57-000	EA COVER - ROLL BAR - SIDEWALL - 8.5" - OFF WHITE FROM: 07-30-97 THRU: 99-99-99
4	024700-59-000	EA COVER - ROLL BAR - SIDEWALL - 44.1" - OFF WHITE FROM: 07-30-97 THRU: 99-99-99
5	116157-11-J70	EA TOP - BEVERAGE TRAY - W/CUP CUTOUTS (WASHED MAPLE)
5	116157-11-H50	EA TOP - BEVERAGE TRAY - W/CUP CUTOUTS (SALEM CHERRY)
6	095757-06-H58	EA COVER - HEATER (J70,J71)
6	095757-06-H60	EA COVER - HEATER (J72,J73,J74,J75)
6	095757-06-J76	EA COVER - HEATER (J76,J77)
7	P18720-01-000	EA PANEL - INNER - CAB/PASSENGER
8	118377-07-02A	EA APPLIQUE - LOWER DASH - PASSENGER/INNER PANEL
9	106105-02-000	EA CLIP - VALANCE/RETAINING

KEY	PART NUMBER	U/M DESCRIPTION
10	118719-01-01A	EA ASHTRAY - TOP MOUNT - BLACK PLASTIC
11	118287-01-01A	EA PANEL - TRIM - INNER/PASSENGER
12	118718-01-01A	EA HOLDER - COLLAPSIBLE MUG/DRINK - BLACK PLASTIC
13	108354-01-01A	EA LIGHT - COURTESY
14	P16157-01-J70	EA CABINET - BEVERAGE TRAY - W/O CUPHOLDERS (WASHED MAPLE)
14	P16157-01-H50	EA CABINET - BEVERAGE TRAY - W/O CUPHOLDERS (SALEM CHERRY)
15	116157-12-J70	EA COUNTERTOP - BEVERAGE TOP (WASHED MAPLE)
	116157-12-G39	EA COUNTERTOP - BEVERAGE TOP (SALEM CHERRY)
15	M07451-01-J70	EA DRAWER - BEVERAGE TRAY (WASHED MAPLE)
15	M07451-01-F37	EA DRAWER - BEVERAGE TRAY (SALEM CHERRY)
16	116993-01-01A	EA COVER - PEDALS - BLACK
17	118654-01-01A	EA PANEL - TOEKICK - DRIVER

DRIVERS COMPARTMENT GROUP (CONTINUED)

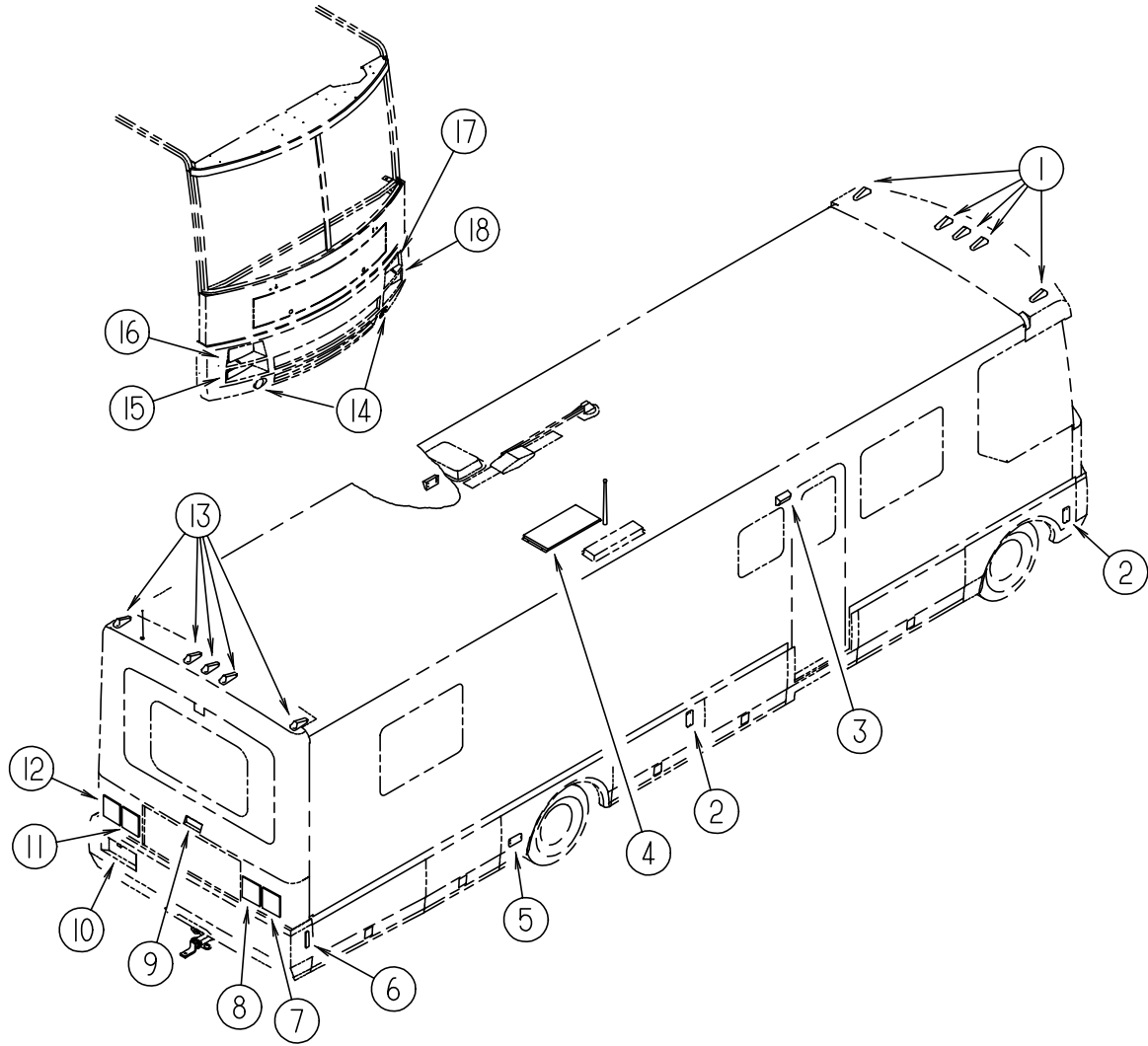
OVERHEAD TV & VCR CABINETS



KEY	PART NUMBER	U/M	DESCRIPTION
1	118465-02-01A	EA	PANEL - TRIM - UPPER/CORNER LEFT HAND W/O INSERT
2	073050-03-000	EA	MOUNTING CLIP - VALANCE PANEL
3	118836-02-H56	EA	PANEL - BACK - VINYL COVERED
4	118215-02-H56	EA	PANEL - TOP - VINYL COVERED
5	118208-05-H56	EA	PANEL - VINYL COVERED (STANDARD TV)
5	118208-06-H56	EA	PANEL - VINYL COVERED (W/VCR)
5	118208-08-H56	EA	PANEL - VINYL COVERED (W/CONVERTER)
5	118208-09-H56	EA	PANEL - VINYL COVERED (W/CONVERTER & VCR)
6	118305-02-J70	EA	CABINET - OVERHEAD/FRONT - W/O DOORS/HARDWARE (WASHED MAPLE)
6	118305-02-J71	EA	CABINET - OVERHEAD/FRONT - W/O DOORS/HARDWARE (SALEM CHERRY)
7	118852-02-01A	EA	PANEL - TRIM - INSERT/PASSENGER
8	120485-02-01A	EA	PANEL - TRIM - TRANSITION - TV
9	124090-01-02B	EA	SUPPORT - SHELF - TV
10	124090-01-02B	EA	SUPPORT - SHELF - TV
11	112160-02-000	FT	SEAL - D SECTION - .2 X .3" - FOAM RUBBER
12	116747-07-02B	EA	SHELF - TV - W/O HARDWARE
13	116734-08-01A	EA	COVER - TV - OVERHEAD/FRONT RIGHT HAND - HAMPTON TAN
14	118566-06-01A	EA	COVER - TV - OVERHEAD/LOWER RIGHT HAND - HAMPTON TAN
15	118836-03-H56	EA	PANEL - BACK - VINYL COVERED
16	118835-01-H56	EA	PANEL - RIGHT HAND - VINYL COVERED

ELECTRICAL GROUP

EXTERIOR LIGHTS

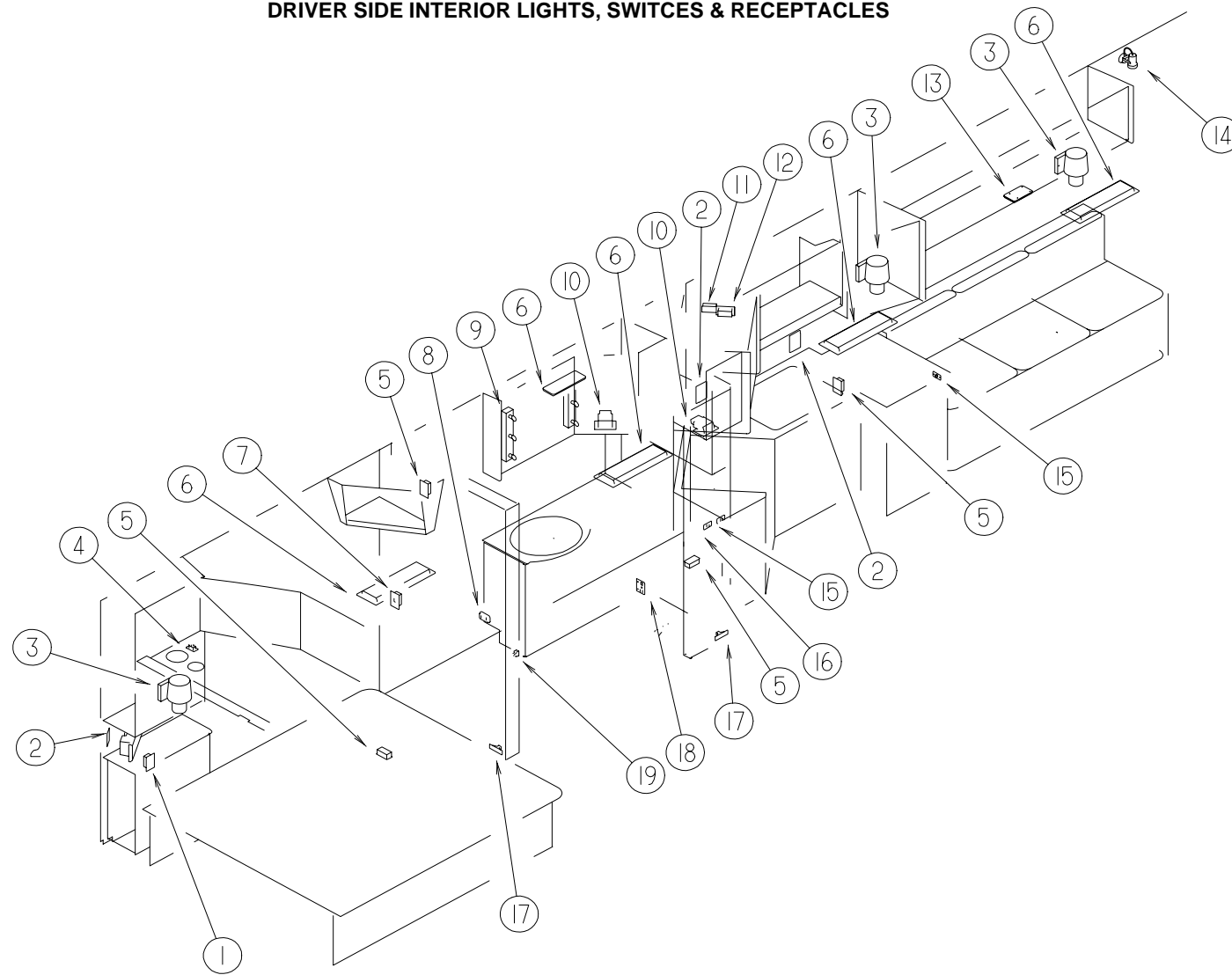


KEY	PART NUMBER	U/M DESCRIPTION	VENDOR NO.
1	107749-01-000	EA LIGHT - CAB MARKER - AMBER	
	036196-01-000	EA BULB - 12 VOLT - #194 - .27 AMP - BAYONETTE	
	037934-01-000	EA BULB - 12V - #1156 - 2.1 AMP CLEAR GLASS	
2	117826-02-000	EA SIDE MARKER LAMP ASSEMBLY - AMBER	
	036196-01-000	EA BULB - 12 VOLT - #194 - .27 AMP - BAYONETTE	
	067789-02-000	EA SOCKET - LAMP	
	117826-03-000	EA GASKET - MARKER LIGHT	
3	097917-01-07A	EA LIGHT - PORCH	
	008215-01-000	EA BULB - 12 VOLT - #1003 - .94 AMP	
	058028-01-000	EA CONNECTOR - ELECTRICAL PIGTAIL - NYLON - CLEAR	
	097917-01-700	EA LENS - LIGHT - CLEAR	30-78-021
3	008089-02-000	EA LIGHT - PORCH - RECESSED - CANADIAN	
	008214-01-000	EA BULB - 12 VOLT NO 67 - 0.59 AMP	
	058028-01-000	EA CONNECTOR - ELECTRICAL PIGTAIL - NYLON - CLEAR	
	008089-01-700	EA LENS - LIGHT - RECESSED - PORCH	
	091981-01-000	EA GASKET - PORCH LIGHT	
4	115504-01-000	EA PANEL - SOLAR 10 WATT	
	115504-01-700	EA PLUG & CABLE - 10 WATT PANEL	600-016
	115505-01-000	EA LIGHT - MONITOR/SOLAR PANEL - RED LED INDICATOR	
5	106688-04-000	EA LIGHT - CLEAR AUXILIARY (LENS/BACK PAN)	
	037934-01-000	EA BULB - 12V - #1156 - 2.1 AMP CLEAR GLASS	

KEY	PART NUMBER	U/M DESCRIPTION
6	117826-01-000	EA SIDE MARKER LAMP ASSEMBLY - RED
	036196-01-000	EA BULB - 12 VOLT - #194 - .27 AMP - BAYONETTE
	067789-02-000	EA SOCKET - LAMP
	117826-03-000	EA GASKET - MARKER LIGHT
7	117831-01-000	EA LAMP - STOP/TURN/TAI/BACKUP
	106687-01-000	EA SOCKET - LIGHT - 2-WIRE
	106687-02-000	EA SOCKET - LIGHT - 3-WIRE
	067789-02-000	EA SOCKET - LAMP
	119157-01-000	EA SOCKET - SINGLE CONTACT
	119158-01-000	EA SOCKET - DOUBLE CONTACT
	037934-01-000	EA BULB - 12V - #1156 - 2.1 AMP CLEAR GLASS
	037935-01-000	EA BULB - 12V - #1157 OR #2057 - 2.1 AMP - CLEAR GLASS
8	117831-03-000	EA LAMP - TURN - AMBER RIGHT HAND
	106687-01-000	EA SOCKET - LIGHT - 2-WIRE
	106687-02-000	EA SOCKET - LIGHT - 3-WIRE
	067789-02-000	EA SOCKET - LAMP
	119157-01-000	EA SOCKET - SINGLE CONTACT
	119158-01-000	EA SOCKET - DOUBLE CONTACT
	037935-01-000	EA BULB - 12V - #1157 OR #2057 - 2.1 AMP - CLEAR GLASS
9	106688-03-000	EA LIGHT - RED STOP/TURN (LENS/BACK PAN)
	037934-01-000	EA BULB - 12V - #1156 - 2.1 AMP CLEAR GLASS
	107221-06-01A	EA COVER - LATCH - VALANCE DR., BLK
10	087201-01-000	EA LIGHT - HALF ROUND - 1" X 1.7" - PLASTIC - BLACK
11	117831-04-000	EA LAMP - TURN - AMBER LEFT HAND
	106687-01-000	EA SOCKET - LIGHT - 2-WIRE
	106687-02-000	EA SOCKET - LIGHT - 3-WIRE
	067789-02-000	EA SOCKET - LAMP
	119157-01-000	EA SOCKET - SINGLE CONTACT
	119158-01-000	EA SOCKET - DOUBLE CONTACT
	037935-01-000	EA BULB - 12V - #1157 OR #2057 - 2.1 AMP - CLEAR GLASS
12	117831-02-000	EA LAMP - STOP/TURN/TAI/BACKUP
	106687-01-000	EA SOCKET - LIGHT - 2-WIRE
	106687-02-000	EA SOCKET - LIGHT - 3-WIRE
	067789-02-000	EA SOCKET - LAMP
	119157-01-000	EA SOCKET - SINGLE CONTACT
	119158-01-000	EA SOCKET - DOUBLE CONTACT
	037934-01-000	EA BULB - 12V - #1156 - 2.1 AMP CLEAR GLASS
	037935-01-000	EA BULB - 12V - #1157 OR #2057 - 2.1 AMP - CLEAR GLASS
13	107749-02-000	EA LIGHT - CAB MARKER - RED
	036196-01-000	EA BULB - 12 VOLT - #194 - .27 AMP - BAYONETTE
14	117827-01-000	EA LAMP - FOG - CLEAR LENS - RED
15	113294-03-000	EA LAMP - PARK/TURN - AMBER - RIGHT HAND
	037935-01-000	EA BULB - 12V - #1157 OR #2057 - 2.1 AMP - CLEAR GLASS
16	118056-01-000	EA HEADLAMP ASSEMBLY - RIGHT HAND - (PASSENGER SIDE)
	118054-01-000	EA BULB - HEADLAMP REPLACEMENT - #9004 G.E. - SYLVANIA - WESTINGHOUSE
	088758-01-000	EA HOUSING - HEADLAMP - CONNECTOR TERMINAL W/3 WIRES
17	118056-02-000	EA HEADLAMP ASSEMBLY - LEFT HAND (DRIVERS)
	118054-01-000	EA BULB - HEADLAMP REPLACEMENT - #9004 G.E. - SYLVANIA - WESTINGHOUSE
	088758-01-000	EA HOUSING - HEADLAMP - CONNECTOR TERMINAL W/3 WIRES
18	113294-04-000	EA LAMP - PARK/TURN - AMBER - LEFT HAND
	037935-01-000	EA BULB - 12V - #1157 OR #2057 - 2.1 AMP - CLEAR GLASS

ELECTRICAL GROUP (CONTINUED)

DRIVER SIDE INTERIOR LIGHTS, SWITCHES & RECEPTACLES

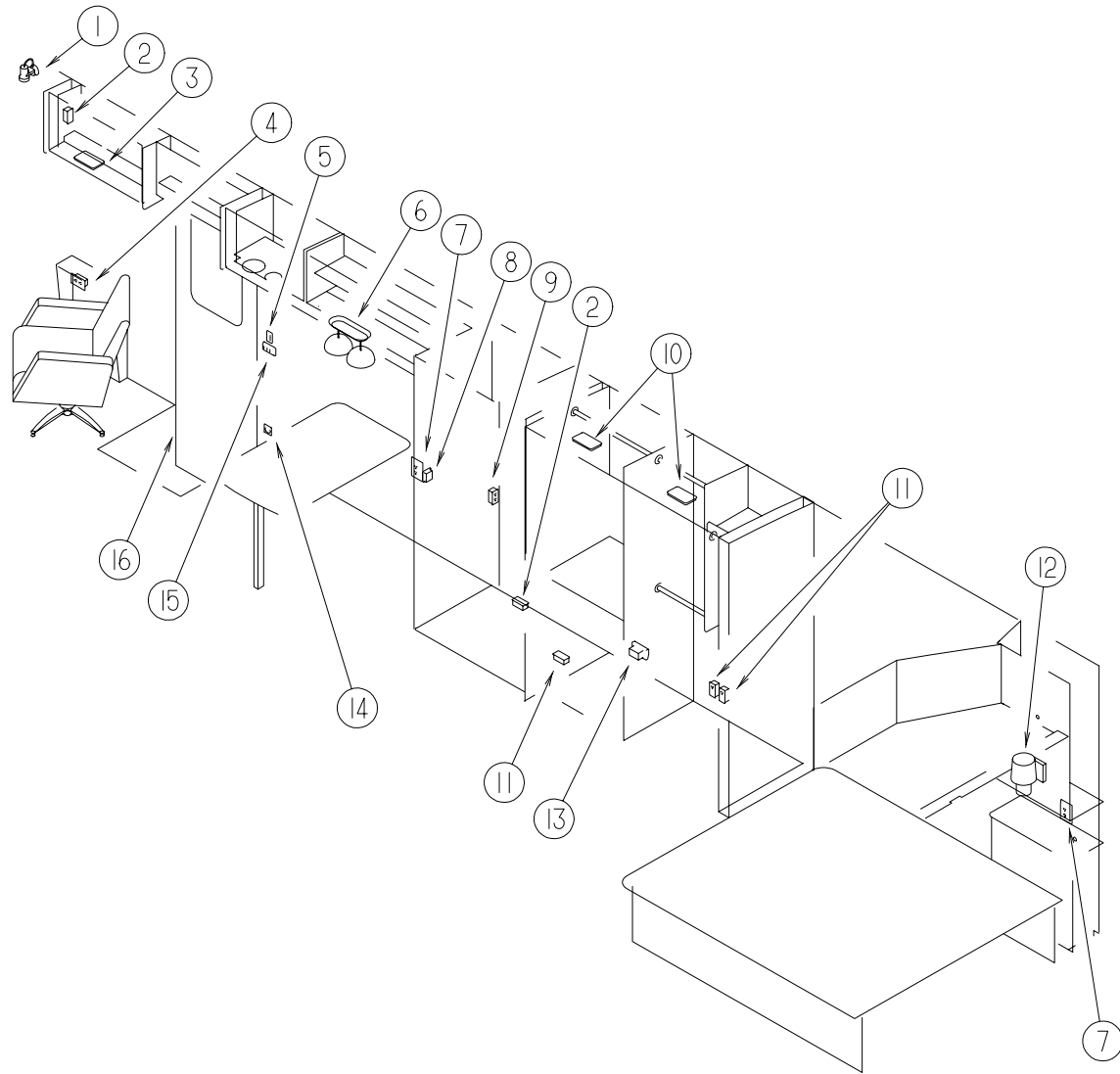


KEY	PART NUMBER	U/M	DESCRIPTION	VENDOR NO.
1	058708-01-000	EA	RECEPTACLE - ELECTRIC - DOUBLE - BROWN	
2	058708-02-000	EA	RECEPTACLE - ELECTRIC - DOUBLE - IVORY	
	102568-01-J70	EA	SPACER - RECEPTACLE - SIDEWALL (WASHED MAPLE)	
	102568-01-E41	EA	SPACER - RECEPTACLE - SIDEWALL (SALEM CHERRY)	
3	119258-01-01A	EA	LAMP - WALL	
	119258-01-700	EA	FINEAL	12-0322
	067479-01-000	EA	BULB - 12 VOLT - #1076 - 1.80 AMP	
	119257-01-01A	EA	SHADE - LAMP - POTPOUM (J70,J71)	
	065201-17-000	EA	SHADE - LAMP - SAHARA SUNRISE (J72,J73,J74,J75,J76,J77)	
4	098351-07-01A	EA	PLATE - SWITCH - GENERATOR - POLISHED BRASS	
4	108357-10-000	EA	SWITCH - ROCKER SPDT W/LIGHT - MOM/NONE/MOM - 5 TERMINAL	
4	108356-05-01A	EA	COVER/ACTUATOR SWITCH-3 GROOVES W/LENS-GEN SET-CONTURA III	
4	095188-01-01A	EA	SPACER - SWITCH - 2.3" X 3.4" - PLASTIC - DARK BROWN	
5	058707-01-000	EA	RECEPTACLE - ELECTRIC - SINGLE - BROWN	
6	098024-03-02A	EA	LIGHT - DOME - 2 BULB - WHITE	
	008218-01-000	EA	BULB - DOME LIGHT - 12 VOLT - NO. 1141	
	098024-01-700	EA	LENS - LIGHT	807877
7	084420-01-000	EA	SWITCH - TOGGLE - 15 AMP - 120 VOLT - BROWN	
8	079364-03-000	EA	SWITCH - ON/OFF ROCKER - 3 TERMINAL - BROWN	
8	079364-01-000	EA	SWITCH - ON/OFF ROCKER - 2 TERMINAL - BROWN	
	098351-03-01A	EA	PLATE - SWITCH - 3 GANG POLISHED BRASS	
	095188-02-01A	EA	SPACER - SWITCH - 2.3" X 4.1" - PLASTIC - DARK BROWN	

KEY	PART NUMBER	U/M	DESCRIPTION	VENDOR NO.
9	110235-01-01A	EA	LIGHT - MAKE UP - 3 BULB	
	081633-01-700	EA	BULB - LIGHT - MAKE-UP	RP1041
10	084076-02-000	EA	RECEPTACLE - GFI - 15 AMP - 125 VOLT - BROWN	
11	058707-02-000	EA	RECEPTACLE - BLANK JUNCTION BOX	
12	058708-05-000	EA	RECEPTACLE - SINGLE - BROWN	
13	098024-05-02A	EA	LIGHT - DOME - 1 BULB - SKYLITE - WHITE	
	008218-01-000	EA	BULB - DOME LIGHT - 12 VOLT - NO. 1141	
	098024-01-701	EA	LENS - OPTI CLEAR - SKYLITE	809902
14	104173-01-01A	EA	LIGHT - DESIGNER - BRASS	
	104173-01-700	EA	BULB	81900
14	104173-02-01A	EA	LIGHT - DESIGNER - BLACK	
15	079364-04-000	EA	SWITCH - ON/OFF ROCKER - 2 TERMINAL - BLACK	
	098351-01-01A	EA	PLATE - SWITCH - 1 GANG POLISHED BRASS	
16	109294-01-01A	EA	SWITCH PANEL - W/SWITCHES - VENT FAN	
17	061424-01-000	EA	LIGHT - AISLE - 12 VOLT - RECTANGULAR	
	008103-01-000	EA	BULB - DASH/AISLE LIGHT - #53 - 12 VOLT - .12 AMP	
18	079364-04-000	EA	SWITCH - ON/OFF ROCKER - 2 TERMINAL - BLACK	
19	108357-08-000	EA	SWITCH - ROCKER DPDT - ON/NONE/ON - 6 TERMINAL	
	108356-02-01A	EA	COVER/ACTUATOR SWITCH - 2 ROWS DIMPLES- CONTURA II - BLACK	

ELECTRICAL GROUP (CONTINUED)

PASSENGER SIDE INTERIOR LIGHTS, SWITCHES & RECEPTACLES



KEY	PART NUMBER	U/M	DESCRIPTION	VENDOR NO.
1	104173-01-01A	EA	LIGHT - DESIGNER - BRASS	81900
	104173-01-700	EA	BULB	
1	104173-02-01A	EA	LIGHT - DESIGNER - BLACK	
2	058707-02-000	EA	RECEPTACLE - BLANK JUNCTION BOX	
3	098024-05-02A	EA	LIGHT - DOME - 1 BULB - SKYLITE - WHITE	809902
	008218-01-000	EA	BULB - DOME LIGHT - 12 VOLT - NO. 1141	
	098024-01-701	EA	LENS - OPTI CLEAR - SKYLITE	
4	058708-01-000	EA	RECEPTACLE - ELECTRIC - DOUBLE - BROWN	
5	093132-02-000	EA	SWITCH - ROCKER - 5 TERM - KEY LOCK/ARROW F/POWER DOOR LOCK	
	094086-01-01A	EA	PLATE - SWITCH - SINGLE GANG - 1.8" X 3" - BLACK PLASTIC	
6	093575-09-01A	EA	LIGHT - CEILING - DOUBLE	
	119252-01-01A	EA	SHADE - LAMP - GLASS SWIRL	
	067479-01-000	EA	BULB - 12 VOLT - #1076 - 1.80 AMP	
7	058708-02-000	EA	RECEPTACLE - ELECTRIC - DOUBLE - IVORY	
	102568-01-J70	EA	SPACER - RECEPTACLE - SIDEWALL (WASHED MAPLE)	
	102568-01-E41	EA	SPACER - RECEPTACLE - SIDEWALL (SALEM CHERRY)	
8	079364-04-000	EA	SWITCH - ON/OFF ROCKER - 2 TERMINAL - BLACK	
	098351-01-01A	EA	PLATE - SWITCH - 1 GANG POLISHED BRASS	
9	058708-01-000	EA	RECEPTACLE - ELECTRIC - DOUBLE - BROWN	
9	058707-02-000	EA	RECEPTACLE - BLANK JUNCTION BOX	
10	098024-01-03A	EA	LIGHT - DOME - 1 BULB - WHITE	807877
	008218-01-000	EA	BULB - DOME LIGHT - 12 VOLT - NO. 1141	
	098024-01-700	EA	LENS - LIGHT	
11	058707-01-000	EA	RECEPTACLE - ELECTRIC - SINGLE - BROWN	
12	119258-01-01A	EA	LAMP - WALL	12-0322
	119258-01-700	EA	FINEAL	
	067479-01-000	EA	BULB - 12 VOLT - #1076 - 1.80 AMP	
	119257-01-01A	EA	SHADE - LAMP - POTPOUM (J70,J71)	
	065201-17-000	EA	SHADE - LAMP - SAHARA SUNRISE (J72,J73,J74,J75,J76,J77)	
13	112822-01-01A	EA	RECEPTACLE - DUPLEX - IVORY	
13	112824-01-03A	EA	COVER - RECEPTACLE - EXTERIOR DUPLEX	
14	108354-01-01A	EA	LIGHT - COURTESY	395-B
	108354-01-700	EA	BULB-COURTESY LIGHT	
15	079364-04-000	EA	SWITCH - ON/OFF ROCKER - 2 TERMINAL - BLACK	
	098351-05-01A	EA	PLATE - SWITCH - 3 GANG POLISHED BRASS	
16	095188-02-01A	EA	SPACER - SWITCH - 2.3" X 4.1" - PLASTIC - DARK BROWN	
	116995-01-000	EA	SWITCH/MAGNET - ELECTRIC STEP	

ELECTRICAL GROUP (CONTINUED)

CIRCUIT BREAKERS & FUSES

KEY	PART NUMBER	U/M	DESCRIPTION
	083209-01-000	EA	CIRCUIT BREAKER - 15 AMP - 120 VOLT - CANADIAN
	083209-02-000	EA	CIRCUIT BREAKER - 15/15 AMP - 120 VOLT
	083209-03-000	EA	CIRCUIT BREAKER - 15/20 AMP - 120 VOLT
	083209-04-000	EA	CIRCUIT BREAKER - 30 AMP - 120 VOLT
	083209-05-000	EA	CIRCUIT BREAKER - 20A - 120 VOLT
	083209-06-000	EA	CIRCUIT BREAKER - 30/15 AMP - 120 VOLT
	093654-01-000	EA	CIRCUIT BREAKER - 6 AMP - 12 VOLT
	093654-02-000	EA	CIRCUIT BREAKER - 15 AMP - 12 VOLT
	093655-01-000	EA	CIRCUIT BREAKER - 25 AMP - 12 VOLT
	093655-02-000	EA	CIRCUIT BREAKER - 30 AMP - 12 VOLT
	097611-01-000	EA	CIRCUIT BREAKER - 10 AMP - 12 VOLT
	108916-01-000	EA	CIRCUIT BREAKER - 50 AMP - 12 VOLT - 2 POLE
	113482-01-000	EA	CIRCUIT BREAKER - 55AMP
	122811-01-000	EA	CIRCUIT BREAKER - 20/50/50/20
	093674-01-000	EA	PLATE - CIRCUIT BREAKER - HOUSE - 8.4" X 4.1" - STEEL
	008235-01-000	EA	FUSE - 15 AMP/12VOLT - AUTOMOTIVE
	062901-05-000	EA	FUSE - 15 AMPS - AUTOMOTIVE
	100341-01-000	EA	FUSE HOLDER - IN LINE TYPE
	115187-01-000	EA	FUSE - 300 AMP - NON-DELAY
	115187-02-000	EA	FUSE HOLDER - BUSS ANN/ANL BLOCK
	062037-01-000	EA	HOUSING - AUTO FUSE - NATURAL
	062037-02-000	EA	HOUSING - AUTO FUSE - GREEN
	062037-03-000	EA	HOUSING - AUTO FUSE - BLACK
	062037-04-000	EA	HOUSING - AUTO FUSE - BLUE
	062037-05-000	EA	HOUSING - AUTO FUSE - GRAY
	062037-06-000	EA	HOUSING - AUTO FUSE - BROWN

CONVERTER, INVERTER & LOAD CENTERS

KEY	PART NUMBER	U/M	DESCRIPTION
	123058-01-000	EA	CONVERTER - 55 AMP - ELECTRONIC - 4 1/8"H X 7"W X 12 3/8"L
	099048-03-000	EA	INVERTER - 130 WATT
	113685-02-000	EA	REMOTE PANEL - INVERTER/CHARGER
	113685-04-000	EA	INVERTER - CHARGER - 1500W AC
	106071-02-000	EA	SWITCH - AUTOMATIC TRANSFER - 50 AMP
	106071-03-000	EA	SWITCH - AUTOMATIC TRANSFER
	108915-02-000	EA	LOAD CENTER - 120/240 VOLT - 100 AMP
	109677-01-000	EA	LOAD CENTER - 120 VOLT - 40 AMP
	113132-01-000	EA	LOAD CENTER - 120/240 VOLT - 60 AMP

FLASHER, SOLENOID & RELAYS

KEY	PART NUMBER	U/M	DESCRIPTION
	007093-01-000	EA	SIGNAL FLASHER
	008188-01-000	EA	SOLENOID - 3 POST - BATTERY CHANGE OVER
	063910-01-000	EA	HOUSING - RELAY
	063912-02-000	EA	RELAY - CANISTER - SPDT
	086233-01-000	EA	STUD - ISOLATED - 3/8" X 7/8" LONG
	086273-01-000	EA	RELAY - BATTERY DISCONNECT

ELECTRICAL GROUP (CONTINUED)

WIRE ASSEMBLIES

KEY	PART NUMBER	U/M	DESCRIPTION
	073328-B4-000	EA	CABLE ASSEMBLY - BATTERY - W/TERMINALS
	081059-02-000	EA	WIRE ASSEMBLY - 9 PIN - F/RADIO
	093057-05-000	EA	WIRE ASSEMBLY - POWER LOCK - ENTRANCE
	096449-02-000	EA	WIRE ASSEMBLY - WATER TANK TO MONITOR PANEL
	096717-03-000	EA	WIRE - REAR MONITOR - AFTER MARKET INSTALLATION
	097618-01-000	EA	WIRE ASSEMBLY - MONITOR PANEL- W/3 WIRES & ORANGE RESISTOR ORANGE RESISTOR W/3 (ORANGE-GREEN-BLUE) WIRES
	107306-01-000	EA	WIRE ASSEMBLY - INSTRUMENT PANEL - DOCKING LAMPS
	107597-02-000	EA	WIRE ASSEMBLY - INSTRUMENT PANEL - FOG LAMPS
	108029-01-000	EA	WIRE ASSEMBLY - POWER DRIVER SEAT
	108242-01-000	EA	WIRE ASSEMBLY - CAB DOOR - DRIVER
	108304-01-000	EA	WIRE ASSEMBLY - INSTRUMENT PANEL - AUXILIARY FANS
	110256-01-000	EA	WIRE ASSEMBLY - INSTRUMENT PANEL - GENERATOR
	111581-01-000	EA	WIRE ASSEMBLY - AIR HORN
	113639-01-000	FT	CABLE - 3/0 AWG STRANDED - RED
	113639-02-000	FT	CABLE - 3/9 AWG STRANDED
	090986-01-000	EA	WIRE ASSEMBLY - ELECTRIC STEP
	116687-02-000	EA	WIRE - 6 AWG
	124336-01-000	EA	WIRE - REAR STEREO - 12 PIN

ELECTRIC BOXES

KEY	PART NUMBER	U/M	DESCRIPTION
	008289-01-000	EA	BOX - ELECTRIC/STEEL - 1/2" & 3/4" KNOCKOUTS - 4" X 4"
	008294-01-000	EA	COVER - ELECTRICAL BOX - BLANK/STEEL - 4" X 4" - GRAY
	091910-01-000	EA	BOX - ELECTRIC - 3.8" X 3.5" X 1.8" - PLASTIC
	091910-02-000	EA	BOX - ELECTRIC - 2.2" X 3.5" X 1.7" - PLASTIC
	092492-08-000	EA	SEAL - ELECTRIC BOX
	098196-01-000	EA	LATCH - 1/4 TURN - T-BAR
	109925-03-000	EA	DOOR - ELECTRIC BOX
	113088-01-000	EA	BOX - ELECTRIC - 3" X 2" X 2.75"

POWER CORDS

KEY	PART NUMBER	U/M	DESCRIPTION
	108934-01-000	EA	CORD - POWER - 50 AMP - 4 WIRE - 36'
	109172-01-000	EA	CORD - POWER - 13 AMP - 3-WIRE - 4 '
	113096-01-000	EA	CORD - POWER - 50 AMP - 4 WIRE - 36' - CSA
	121470-01-000	EA	CORD/EXTENSION - 6 FOOT - 16-2 WIRE

SOLAR PANEL

KEY	PART NUMBER	U/M	DESCRIPTION	VENDOR NO.
	115504-01-000	EA	PANEL - SOLAR 10 WATT	
	115505-01-000	EA	LIGHT - MONITOR/SOLAR PANEL - RED LED INDICATOR	
	115504-01-700	EA	PLUG & CABLE - 10 WATT PANEL	600-016

ELECTRICAL GROUP (CONTINUED)**CONNECTORS & HOUSINGS**

KEY	PART NUMBER	U/M	DESCRIPTION
	007942-01-000	EA	TAB - WIRE 10 TO 14 AWG
	007956-05-000	EA	INSULATOR - SHRINK - .25 ID X 1.50
	008311-01-000	EA	CONNECTOR - WIRE NUT - INSULATED - RED
	008312-01-000	EA	CONNECTOR - WIRE NUT - INSULATED - BLUE
	008313-01-000	EA	CONNECTOR - WIRE NUT - INSULATED - YELLOW
	008355-01-000	EA	CONNECTOR - CABLE CLAMPING - 3/4"
	008356-01-000	EA	CONNECTOR - PLASTIC - 3/8" AVG
	008356-02-000	EA	CONNECTOR - PLASTIC - 21/32
	041480-01-000	EA	CONNECTOR - STRAIGHT - 1/2' FLEX CONDUIT
	058028-01-000	EA	CONNECTOR - ELECTRICAL PIGTAIL - NYLON - CLEAR
	082741-01-000	EA	CONNECTOR BODY - 2 CONNECTOR MALE
	115932-02-000	EA	CONNECTOR - FEMALE - 50 AMP - 240 VOLT
	008326-01-000	EA	TERMINAL - RING - 16/14 WIRE - 3/8" STUD
	008328-01-000	EA	TERMINAL - RING - 12/10 WIRE - #10 STUD FIT
	008331-01-000	EA	TERMINAL - RING - TONGUE - #4 WIRE - 3/8" STUD - COPPER
	008348-01-000	EA	TERMINAL - RING - 3/8" STUD 2 GA. WIRE
	035416-04-000	EA	TERMINAL - RING - #10 STUD FIT - INSULATED BARREL #16/14
	047443-01-000	EA	TERMINAL - .250 RECEPTACLE FIT - INSULATED - 16/14 AWG
	047443-02-000	EA	TERMINAL - .250 RECEPTACLE FIT - INSULATED - 12/10 AWG
	062036-01-000	EA	TERMINAL - PACK - CON - 12/10 AWG
	062036-02-000	EA	TERMINAL - PACK - CON - 16/14 AWG
	088267-01-000	EA	TERMINAL - FEMALE - 1/4
	088476-01-000	EA	TERMINAL - ELECTRICAL
	098260-01-000	EA	TERMINAL - MALE - 56 SERIES
	102777-02-000	EA	TERMINAL - RING - #6 STUD - 10 AWG
	104100-02-000	EA	TERMINAL - 75 AMP
	104100-03-000	EA	TERMINAL - 75 AMP
	106655-01-000	EA	TERMINAL - FUSE BLOCK - 14-16 AWG
	113308-01-000	EA	TERMINAL - FEMALE - M/P - 14-16 - 280
	125324-01-000	EA	TERMINAL - MALE
	116811-01-000	EA	TERMINAL - .110 RECEPTACLE - 16-14 AWG
	077479-01-000	EA	BOOT - BATTERY TERMINAL - DOUBLE CABLE
	077479-02-000	EA	BOOT - BATTERY TERMINAL - SINGLE CABLE
	080015-02-000	EA	RECEPTACLE - FLAG - .185 - 16/14 GAUGE
	085724-01-000	EA	SOCKET - DOUBLE CONTACT - TAILLIGHT
	087225-01-000	FT	SLEEVEING - 1/2" - TYPE H
	087949-01-000	EA	BUSS BAR - 2 POSITION - .6" X 1.5"
	087949-02-000	EA	BUSS BAR - 3 POSITION - .6" X 2.4"
	087949-03-000	EA	BUSS BAR - 4 POSITION
	074017-02-000	EA	HOUSING - 5 POSITION - RIGHT ANGLED
	082109-01-000	EA	HOUSING - CONNECTOR - PACKARD
	088473-01-000	EA	HOUSING - PIN - 12 CAVITY
	088473-02-000	EA	HOUSING - PIN - 15 CAVITY
	088473-03-000	EA	HOUSING - PIN - 9 CAVITY
	088473-06-000	EA	HOUSING - PIN - 6 CAVITY
	088473-07-000	EA	HOUSING - PIN - 5 CAVITY
	088473-08-000	EA	HOUSING - PIN - 4 CAVITY
	088473-09-000	EA	HOUSING - PIN - 3 CAVITY
	088473-10-000	EA	HOUSING - PIN - 2 CAVITY
	088474-01-000	EA	HOUSING - SOCKET - 12 CAVITY
	088474-02-000	EA	HOUSING - SOCKET - 15 CAVITY
	088474-03-000	EA	HOUSING - SOCKET - 9 CAVITY
	088474-06-000	EA	HOUSING - SOCKET - 6 CAVITY
	088474-07-000	EA	HOUSING - SOCKET - 5 CAVITY
	088474-08-000	EA	HOUSING - SOCKET - 4 CAVITY
	088474-09-000	EA	HOUSING - ELECTRICAL - 3 TERMINAL
	088474-10-000	EA	HOUSING - SOCKET - 2 CAVITY
	098264-01-000	EA	HOUSING - 2 PIN - WEATHERPACK
	101571-01-000	EA	HOUSING - 2 POSITION - MALE
	104100-01-000	EA	HOUSING - 1 POSITION - 75 AMPS
	110178-01-000	EA	HOUSING - WIPER MOTOR

ELECTRICAL GROUP (CONTINUED)**CONNECTORS & HOUSINGS (CONTINUED)**

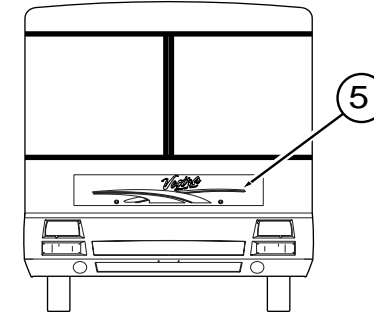
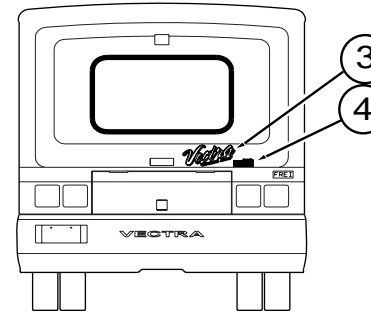
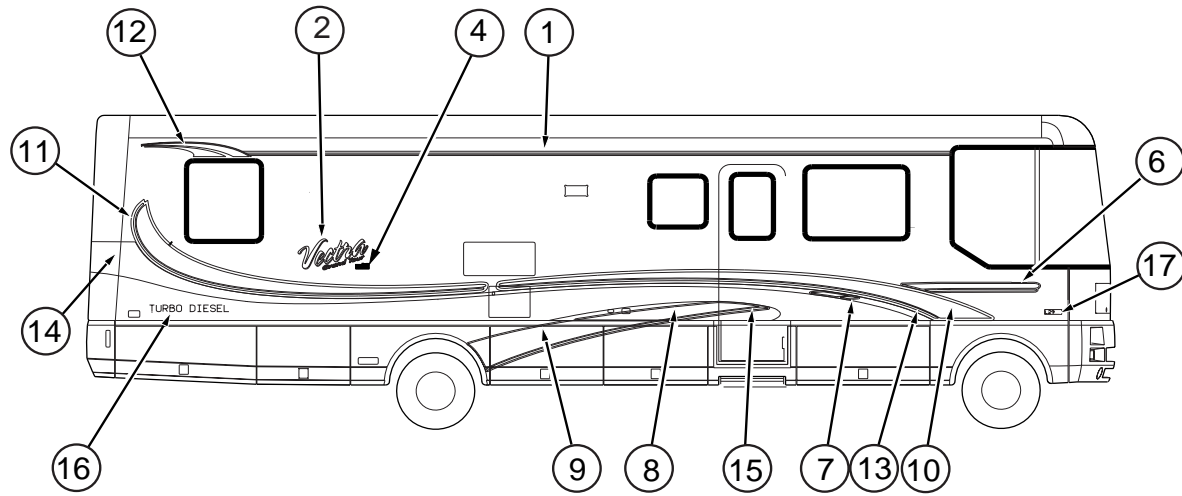
KEY	PART NUMBER	U/M	DESCRIPTION
	113468-01-000	EA	HOUSING - 2 POSITION - FEMALE USED ON WIPER/WASHER WIRE ASM
	114442-01-000	EA	HOUSING - 1 POSITION - FEMALE
	117700-01-000	EA	HOUSING - 2 POSITION - METRI-PACK - FEMALE
	119221-01-000	EA	HOUSING - 1 POSITION FEMALE - 280 - SERIES
	125323-01-000	EA	HOUSING - 10 POSITION - MALE
	125323-02-000	EA	HOUSING - 8 POSITION - MALE
	007954-01-000	EA	RECEPTACLE - HOUSING - 6 POSITION
	088475-01-000	EA	PIN - CONNECTOR - 14 - 20 AWG
	088475-02-000	EA	PIN - CONNECTOR - 10-12 AWG
	088476-02-000	EA	SOCKET - CONNECTOR - 12-10 GA - PRE-TIN
	092786-03-000	EA	BUSS BAR - 6.9" LONG
	098261-02-000	EA	SOCKET - CONNECTOR - WEATHERPACK
	098262-01-000	EA	SEAL - CONNECTOR - WEATHERPACK
	103608-01-000	EA	SOCKET - WEDGE BASE W/LEADS
	112823-01-000	EA	SPLICE - REDUCER - 16-14 TO 18-22
	115931-02-000	EA	COVER - CONNECTOR
	125323-03-000	EA	LOCK - SECONDARY 8 POSITION
	125323-04-000	EA	LOCK - SECONDARY 10 POSITION
	125325-01-000	EA	SEAL - CAVITY

CONDUIT

KEY	PART NUMBER	U/M	DESCRIPTION
	041953-01-000	FT	CONDUIT - CONVOLUTE SLIT - .5" ID
	041953-03-000	FT	CONDUIT - CONVOLUTE SLIT - 1" ID (CLOTHES ROD COVER)
	041953-05-000	FT	CONDUIT - CONVOLUTE SOLID - .62" ID
	041953-06-000	FT	CONDUIT - CONVOLUTE SLIT - .375" ID
	041953-07-000	FT	CONDUIT - CONVOLUTE SLIT - .25" ID
	041953-08-000	FT	CONDUIT - CONVOLUTE SLIT - 1.50" ID
	041953-09-000	FT	CONDUIT - CONVOLUTE SLIT - .50" ID
	041953-10-000	FT	CONDUIT - CONVOLUTE SLIT - .75" ID
	041953-11-000	FT	CONDUIT - CONVOLUTE SLIT - 1.06" ID
	008394-01-000	FT	CONDUIT - FLEXIBLE - 1/2"

EXTERIOR BODY GROUP

DECALS, STRIPES & PAINTS



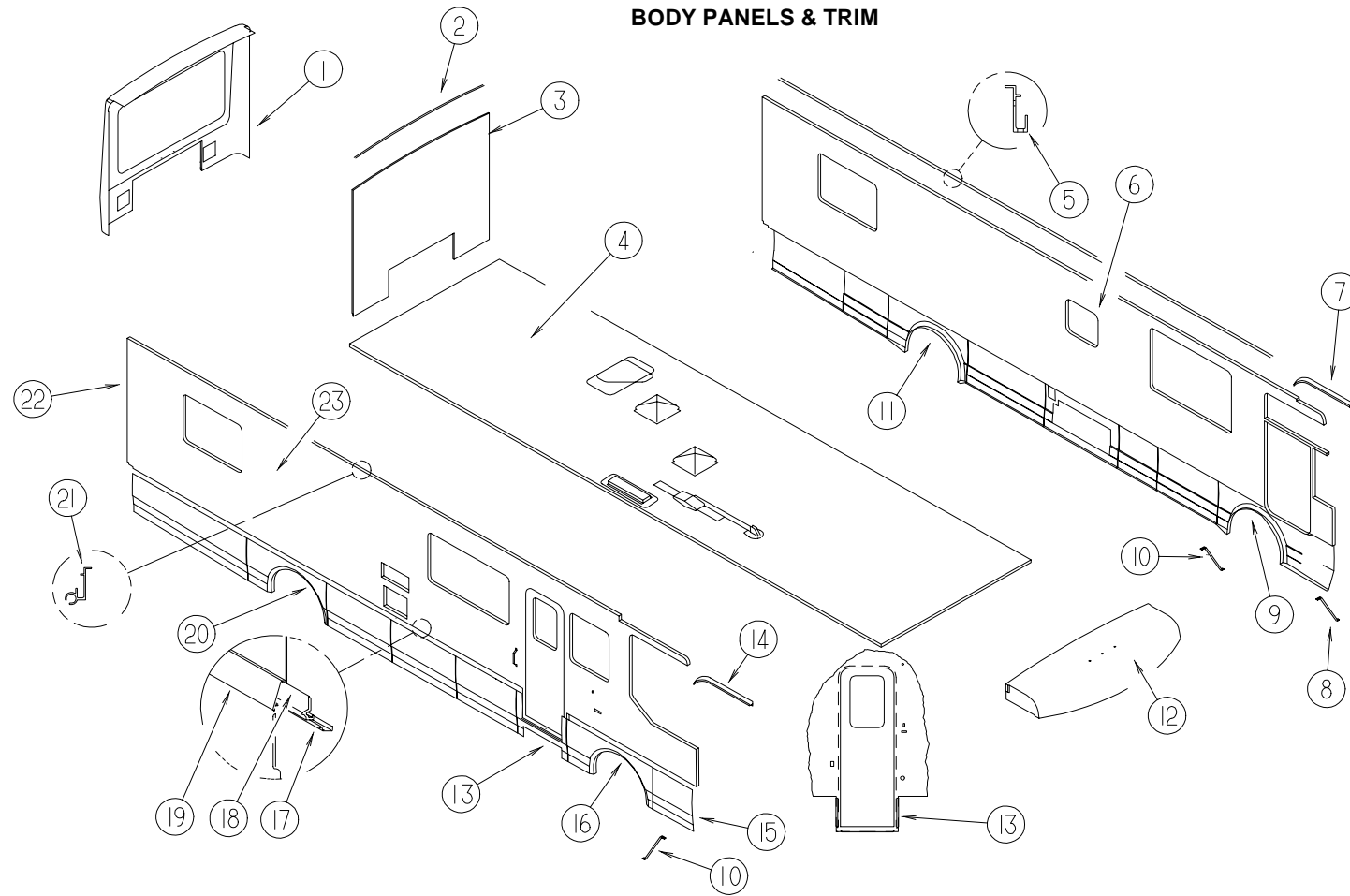
KEY	PART NUMBER	U/M	DESCRIPTION
1	105781-65-01A	FT	FILM - MULTISTRIPE - 1.75"
2	126196-01-02A	EA	DECAL - LOGO - VECTRA GRAND TOUR (L. AQUA/LAGO BLUE)
2	126196-01-01A	EA	DECAL - LOGO - VECTRA GRAND TOUR (GREEN/LAGO BLUE)
3	126196-02-02A	EA	DECAL - LOGO - VECTRA GRAND TOUR/SMALL (BRTWT/LAGO/LTAQUA)
3	126196-02-01A	EA	DECAL - LOGO - VECTRA GRAND TOUR/SMALL (BRTWT/LAGO/GREEN)
4	122770-02-08A	EA	DECAL - "BUILT PROUDLY BY WINNEBAGO INDUSTRIES"
5	126195-01-02A	EA	DECAL - HOOD (LTAQ/LAGO/LTRS/B)
5	126195-01-01A	EA	DECAL - HOOD (GRN/LAGO/LRSE/BW)
6	126190-01-01A	EA	DECAL - SLASH - FRONT/RIGHT HAND
6	126190-02-01A	EA	DECAL - SLASH - FRONT/LEFT HAND
7	126189-01-01A	EA	DECAL - SLASH - MIDDLE/RIGHT HAND
7	126189-02-01A	EA	DECAL - SLASH - MIDDLE/LEFT HAND
8	126188-01-01A	EA	DECAL - SLASH - REAR/RIGHT HAND/UPPER #1
8	126188-02-01A	EA	DECAL - SLASH - REAR/LEFT HAND/UPPER #1
9	126187-01-01A	EA	DECAL - SLASH - REAR/RIGHT HAND/LOWER #2
9	126187-02-01A	EA	DECAL - SLASH - REAR/LEFT HAND/LOWER #2
10	126186-01-01A	EA	DECAL - FLARE - FRONT/RIGHT HAND
10	126186-02-01A	EA	DECAL - FLARE - FRONT/LEFT HAND
11	126185-01-01A	EA	DECAL - FLARE - REAR/RIGHT HAND
11	126185-02-01A	EA	DECAL - FLARE - REAR/LEFT HAND
12	126194-01-02A	EA	DECAL - FLARES - SMALL/RIGHT HAND (LTAQ/LAGBL/LTRSE)
12	126194-01-01A	EA	DECAL - FLARES - SMALL/RIGHT HAND (GREEN/LAGO/LTRSE)
12	126194-02-02A	EA	DECAL - FLARES - SMALL/LEFT HAND (LTAQ/LAGBL/LTRSE)
12	126194-02-01A	EA	DECAL - FLARES - SMALL/LEFT HAND (GREEN/LAGO/LTRSE)
13	126193-01-01A	EA	DECAL - PAINT MASK - FRONT/LEFT HAND
13	126193-02-01A	EA	DECAL - PAINT MASK - FRONT/LEFT HAND
14	126191-01-01A	EA	DECAL - PAINT MASK - REAR/RIGHT HAND
14	126191-02-01A	EA	DECAL - PAINT MASK - REAR/LEFT HAND
15	126192-01-01A	EA	DECAL - PAINT MASK - HOLE/LEFT HAND
15	126192-02-01A	EA	DECAL - PAINT MASK - HOLE/LEFT HAND
16	111318-03-03A	EA	DECAL - TURBO DIESEL
17	122312-02-01A	EA	DECAL - VORTEC 7400 FUEL INJECTED
			FROM: 09-15-97 THRU: 99-99-99
	126197-01-02A	EA	DECAL - SLIDEOUT EXTENSION (AQUA)
	126197-01-01A	EA	DECAL - SLIDEOUT EXTENSION (GREEN)
	126196-01-02A	EA	DECAL - LOGO - VECTRA GRAND TOUR
	041561-03-000	EA	PAINT - 16 OUNCE SPRAY - OFF WHITE

DUPONT PAINT COLOR CODES

LAGO BLUE MET.	W9212
LT. ROSE MET.	F4575
LT. AQUA	F3325U
WINTER GREEN MET.	F3326U
LT. SILVER	F2573U
BRIGHT WHITE	B8951

EXTERIOR BODY GROUP (CONTINUED)

BODY PANELS & TRIM

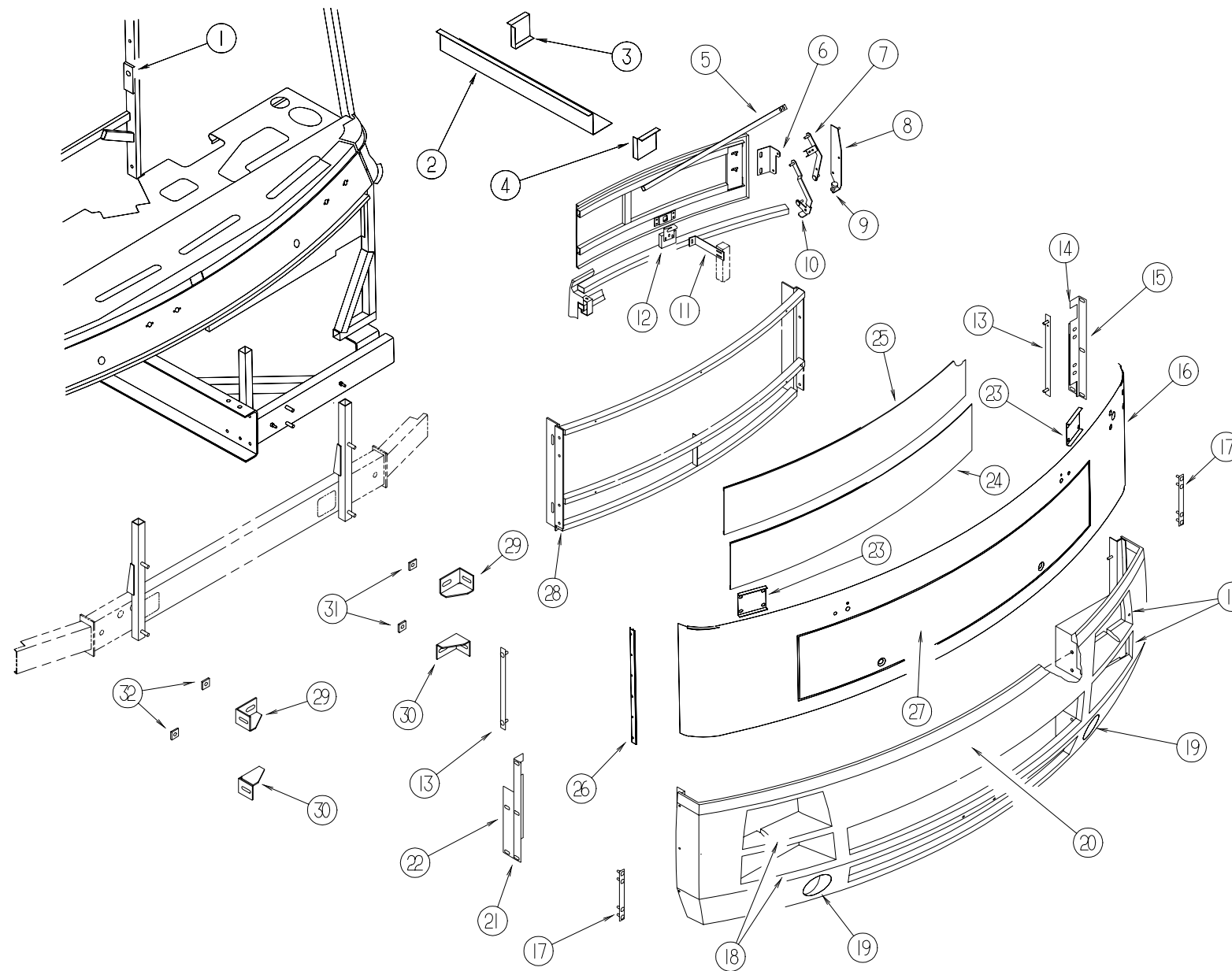


KEY	PART NUMBER	U/M	DESCRIPTION
1	117514-02-02A	EA	PANEL - REAR CAP - F/DOOR - DIESEL
2	083805-23-000	EA	TRIM - CAP - ROOF - 92"
3	P20236-01-H58	EA	BACKWALL - W/O WINDOW/TRIM (J70,J71)
3	P20236-01-H60	EA	BACKWALL - W/O WINDOW/TRIM (J72,J73,J74,J75)
3	P20236-01-J76	EA	BACKWALL - W/O WINDOW/TRIM (J76,J77)
4	123848-01-J70	EA	ROOF - W/O LIGHTS/VENTS - W/WIRING
5	120091-02-02A	EA	TRIM - ROOF
6	127526-01-J70	EA	SIDEWALL - DRIVER - W/O WINDOWS/TRIM (J70)
6	127526-01-J71	EA	SIDEWALL - DRIVER - W/O WINDOWS/TRIM (J71)
6	127526-01-J72	EA	SIDEWALL - DRIVER - W/O WINDOWS/TRIM (J72,J74)
6	127526-01-J73	EA	SIDEWALL - DRIVER - W/O WINDOWS/TRIM (J73,J75)
6	127526-01-J76	EA	SIDEWALL - DRIVER - W/O WINDOWS/TRIM (J76)
6	127526-01-J77	EA	SIDEWALL - DRIVER - W/O WINDOWS/TRIM (J77)
7	108274-08-02A	EA	RAIL - DRIP - FRONT/DRIVER - BRIGHT WHITE
8	107865-07-000	EA	ROD - SUPPORT - VALANCE PANEL - 14.3"
9	118842-02-GV0	EA	PANEL - WHEELWELL - FRONT/DRIVER
10	107865-14-000	EA	ROD - SUPPORT - VALANCE PANEL
11	119630-01-GV0	EA	PANEL - WHEEL LIP - REAR/DRIVER
	106105-05-000	EA	CLIP - VALANCE/RETAINING
	106105-06-000	EA	CLIP - VALANCE/RETAINING
12	118027-01-02A	EA	CAP - ROOF - BRIGHT WHITE
13	M05859-03-GV0	EA	DOOR - VALANCE - INNER
13	113119-01-01A	EA	PANEL - VALANCE - ENTRANCE DOOR
	121091-03-01A	EA	PANEL - VALANCE - ENTRANCE DOOR
	106105-03-000	EA	CLIP - VALANCE/RETAINING
	119700-01-GV0	EA	PANEL - VALANCE/HORSESHOE - W/O HARDWARE

KEY	PART NUMBER	U/M	DESCRIPTION
14	108274-07-02A	EA	RAIL - DRIP - FRONT/PASSENGER - BRIGHT WHITE
15	120896-01-GV0	EA	VALANCE - FRONT - PASSENGER - W/O HARDWARE
16	118843-02-H56	EA	PANEL - WHEELWELL - FRONT/PASSENGER
17	118547-01-01A	EA	RETAINER - TRIM - 12"
17	118547-02-01A	EA	RETAINER - TRIM - 4"
17	118547-03-01A	EA	RETAINER - TRIM - 2"
	118359-51-001	EA	EXTRUDED - RETAINER - TRIM - 191"
18	118546-01-01A	EA	HANGER - VALANCE
	118358-51-001	EA	EXTRUDED - SIDEWALL/LOWER - 182"
19	113161-01-01A	EA	TRIM - PANEL - VALANCE - RIGHT HAND
19	113161-02-01A	EA	TRIM - PANEL - VALANCE - LEFT HAND
	118540-01-01A	EA	TRIM - COVER
	108497-01-01A	EA	END CAP - COVER TRIM - LIGHT GRAY
	108497-02-01A	EA	END CAP - COVER TRIM - LIGHT GRAY
20	119629-01-H56	EA	WHEEL LIP - REAR PASSENGER
	107865-05-000	EA	ROD - SUPPORT - VALANCE PANEL - 9"
21	120092-01-02A	EA	RAIL - AWNING - BRIGHT WHITE
22	092041-02-03A	EA	TRIM - REAR - CAP TO SIDEWALL
23	123846-01-J70	EA	SIDEWALL - PASSENGER - W/O WINDOWS/TRIM (J70)
23	123846-01-J71	EA	SIDEWALL - PASSENGER - W/O WINDOWS/TRIM (J71)
23	123846-01-J72	EA	SIDEWALL - PASSENGER - W/O WINDOWS/TRIM (J72,J74)
23	123846-01-J73	EA	SIDEWALL - PASSENGER - W/O WINDOWS/TRIM (J73,J75)
23	123846-01-J76	EA	SIDEWALL - PASSENGER - W/O WINDOWS/TRIM (J76)
23	123846-01-J77	EA	SIDEWALL - PASSENGER - W/O WINDOWS/TRIM (J77)

EXTERIOR BODY GROUP (CONTINUED)

FRONT END ASSEMBLY

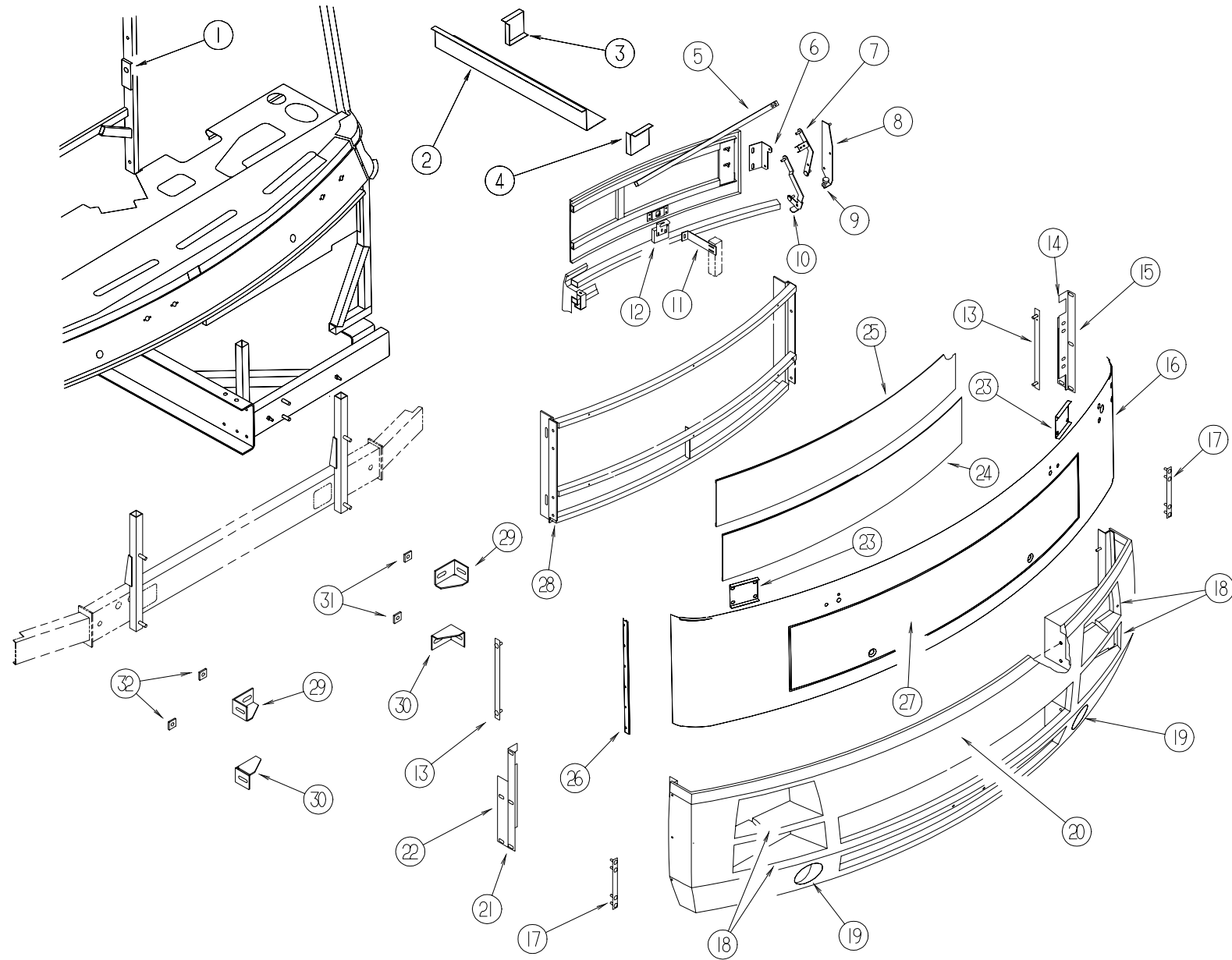


KEY	PART NUMBER	U/M DESCRIPTION
1	070579-06-000	EA PLATE - ANCHOR - W/7/16 WELD NUT - 1.5" X 3.3"
	070579-07-000	EA PLATE - ANCHOR - W/O WELD NUT - 1.5" X 3.3"
2	106746-02-000	EA PANEL - STEPWELL
3	106747-03-000	EA PANEL - STEPWELL - RIGHT HAND END
4	106747-04-000	EA PANEL - STEPWELL - LEFT HAND END
5	105096-10-000	EA TUBE - HOOD HINGE TIMING W/WELDNUTS
6	109927-05-000	EA ANGLE - LINK - HOOD/RIGHT HAND
6	109927-06-000	EA ANGLE - LINK - HOOD/LEFT HAND
7	118156-01-02B	EA LINK - HOOD HINGE - UPPER/RIGHT HAND
7	118156-02-02B	EA LINK - HOOD HINGE - UPPER/LEFT HAND
8	109926-11-000	EA BRACKET - LINK - HINGE/RIGHT HAND
8	109926-12-000	EA BRACKET - LINK - HINGE/LEFT HAND
9	058786-01-000	EA BOLT - ADJUSTING HOOD - W/BLACK PAD
10	118154-03-02B	EA LINK - HOOD HINGE - LOWER/RIGHT HAND
10	118154-04-02B	EA LINK - HOOD HINGE - LOWER/LEFT HAND
11	118607-01-02B	EA BRACE - FRONT END
12	106748-03-000	EA LATCH - HOOD - FRONT END
13	106730-02-000	EA PLATE - STUD
14	120932-02-02B	EA ANGLE - WHEEL LIP - LEFT HAND
15	120933-02-02B	EA ANGLE - BUMPER - LEFT HAND

KEY	PART NUMBER	U/M DESCRIPTION
16	117499-02-G85	EA FRONT END - FIBERGLASS - BRIGHT WHITE/WIDE
	002328-02-000	EA BLOCK - WINDSHIELD - .062" X .5" X .98"
	119445-01-02B	EA PLATE - W/HOLES
17	120934-02-02B	EA PLATE - STUD
18	117777-01-02B	EA FRAME - HEADLAMP - PASSENGER
18	117777-02-02B	EA FRAME - HEADLAMP - DRIVER
19	117503-01-01A	EA HOUSING - FOG LAMP
	118650-01-02B	EA SUPPORT - FOG LAMP
	118651-03-02B	EA SUPPORT - RIGHT HAND - BUMPER/FOG LAMP
	118651-04-02B	EA SUPPORT - LEFT HAND - BUMPER/FOG LAMP
20	P17485-02-GV0	EA BUMPER PANEL - FRONT - DIESEL PUSHER
	106730-06-000	EA PLATE - STUD
	106730-05-000	EA PLATE - STUD
21	120933-01-02B	EA ANGLE - BUMPER - RIGHT HAND
22	120932-01-02B	EA ANGLE - WHEEL LIP - RIGHT HAND
23	120331-01-02B	EA BRACKET - SUPPORT - FRONT END
24	115924-07-02A	EA WIRE MESH - F/GRILLE - FLAT BLACK

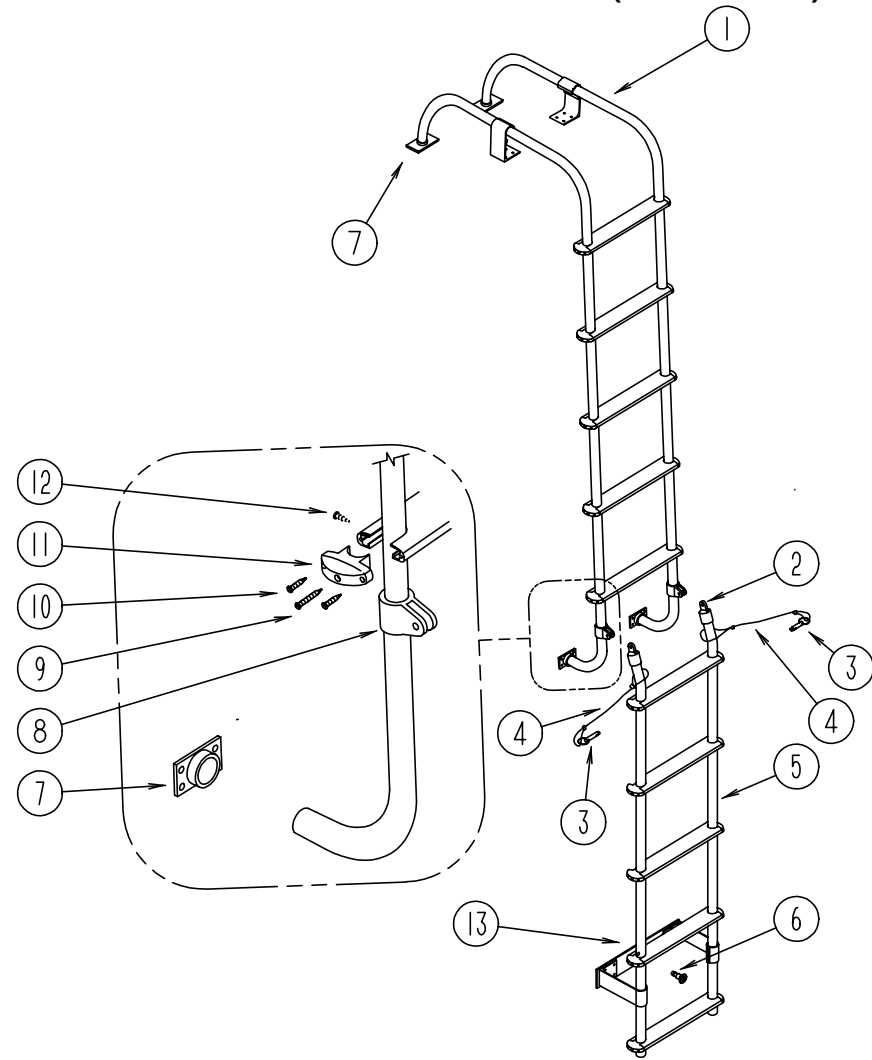
EXTERIOR BODY GROUP (CONTINUED)

FRONT END ASSEMBLY (CONTINUED)



KEY	PART NUMBER	U/M DESCRIPTION
25	115924-02-02A	EA WIRE MESH - F/GRILLE - FLAT BLACK
26	114422-01-02A	EA TRIM - PANEL - FIBERGLASS
27	117496-01-G85	EA PANEL - HOOD - BRIGHT WHITE
	106730-02-000	EA PLATE - STUD (HOOD/INNER)
	102330-01-000	EA LATCH - VISE ACTION/KEY OPERATED
	102328-01-000	EA KEY - BARREL - NICKEL PLATED
28	118117-01-GV0	EA FRAME - FRONT BUMPER
29	117611-01-02B	EA BRACKET - BUMPER - RIGHT HAND UPPER/LEFT HAND LOWER
29	117611-02-02B	EA BRACKET - BUMPER - LEFT HAND UPPER/RIGHT HAND LOWER
30	117611-01-02B	EA BRACKET - BUMPER - RIGHT HAND UPPER/LEFT HAND LOWER
30	117611-02-02B	EA BRACKET - BUMPER - LEFT HAND UPPER/RIGHT HAND LOWER
31	116617-02-02B	EA SPACER - BUMPER
32	116617-02-02B	EA SPACER - BUMPER
	120481-01-02B	EA ANGLE - W/SLOTS

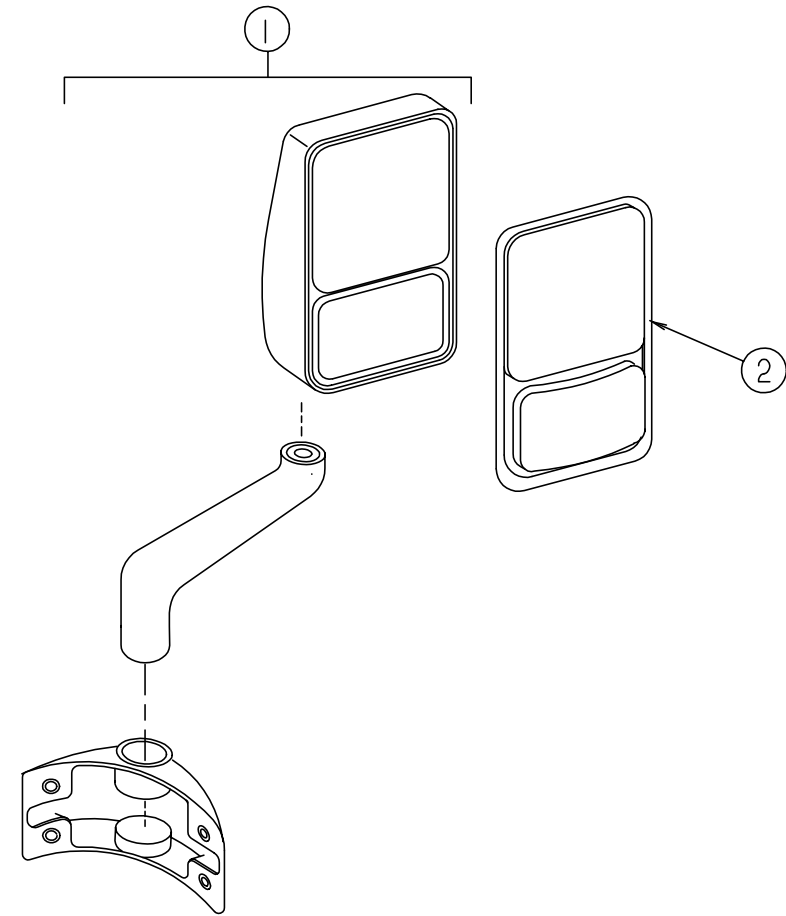
EXTERIOR BODY GROUP (CONTINUED)



LADDER

KEY	PART NUMBER	U/M DESCRIPTION
1	118841-01-GV0	EA LADDER - UPPER
2	081115-01-000	EA TOP CAP - RACK & LADDER - 1"
3	081056-01-000	EA PIN - QUICK RELEASE - SINGLE ACTION - LADDER
4	076767-11-000	EA CABLE - 1/16" X 5.9"
5	118840-01-GV0	EA LADDER - LOWER
6	114834-01-000	EA PIN - QUICK RELEASE
7	067165-01-000	EA BRACKET - MOUNTING - RACK & LADDER
8	081116-01-000	EA SLIDE - TOP - RACK & LADDER - 1"
9	000G67-10-36T	EA SCREW - 10-12 X 2.25 PPH, BLACK
10	000G39-06-10T	EA SCREW-SF/DR, 6-20 X 5/8 PPH
11	076980-02-000	EA END CAP - STEP - BLACK
12	000G39-10-16U	EA SCREW-SF/DR, 10-16 X 1.00 PPH
13	108423-01-02A	EA PLATE - BUMPER - LOWER LADDER
	081114-01-000	EA CAP - INSERT - ROUND - 1" DIAMETER - BLACK PLASTIC
	038327-01-000	EA TAPE - ANTI-SLIP - 2" X 60'
	081055-01-000	EA SPRING GRIP - INTERNAL TOOTH - LADDER

EXTERIOR BODY GROUP (CONTINUED)



VELVAC EXTERIOR MIRRORS

KEY	PART NUMBER	U/M DESCRIPTION	VENDOR NO.
1	119774-09-02A	EA MIRROR - EXTERIOR REMOTE/HEAT - PASSENGER	
2	086261-01-704	EA MIRROR KIT - EXTERIOR - PASS. SIDE	709268
		KIT CONTAINS: BEZEL - CONVEX GLASS - HEATED FLAT GLASS	
	106015-12-700	EA GLASS - FLAT W/HEAT & CLIP	709448
1	119774-10-02A	EA MIRROR - EXTERIOR REMOTE/HEAT - DRIVER	
	106015-12-701	EA GLASS - CONVEX W/HEAT & CLIP	709449
	108825-02-000	EA GASKET - MIRROR	
	088246-01-000	EA SWITCH - REMOTE - EXTERIOR - SQUARE PUSH	
	087695-02-000	EA SWITCH - HEATER - EXTERIOR MIRROR	
	087695-03-000	EA CONNECTOR - ASSEMBLY	

SQUEEGEE

KEY	PART NUMBER	U/M DESCRIPTION
	091955-02-000	EA SQUEEGEE - EXTENDED HANDLE
	110429-03-D18	EA BRACKET - SQUEEGEE

EXTERIOR AWNING (A & E)

KEY	PART NUMBER	U/M DESCRIPTION
	113874-09-09A	EA AWNING - W/O HARDWARE - 20' - VINYL (SEA SPRAY)
	113874-09-10A	EA AWNING - W/O HARDWARE - 20' - VINYL (TURQUOISE)
*	113874-01-02A	EA HARDWARE KIT - AWNING - W/O STANDOFF BRACKET - BRIGHT WHT
	111037-01-01A	EA SPACER - AWNING - UPPER - BLACK
	119496-01-02A	EA SPACER/ZEE - AWNING

* COMPONENT PARTS FOUND IN SERVICE PARTS LIBRARY

EXTERIOR BODY GROUP (CONTINUED)

HADLEY AIR HORN

KEY	PART NUMBER	U/M DESCRIPTION	VENDOR NO.
	077497-06-000	EA HORN - AIR - CHROME - TWIN	
	077497-01-701	EA SWITCH - COMPRESSOR	13940-S
	077497-01-702	EA SWITCH - TOGGLE - W/WIRE	12949-S
	071390-04-000	FT TUBING - AIR BRAKE - 1/4" OD-BLK WEATHERHEAD (BRKS & HORN)	
	077497-03-000	EA FITTING KIT - HOSE/HOSE FITTING/AIR GAUGE - F/AUX HORN	
	077497-01-710	EA GAUGE-AIR PRESSURE	14212S
	077497-05-000	EA COMPRESSOR/TANK/SOLENOID KIT, HADLEY 852EB	
	077497-01-700	EA SOLENOID - AIR TANK	550B
	077497-01-703	EA TANK - AIR	751-N
	077497-01-704	EA COMPRESSOR W/SWITCH	852EC
	077497-01-706	EA VALVE & HEAD REPAIR - COMPRESSOR	H00852HV
	077497-01-707	EA BELT & SCREW COVER - COMPRESSOR	H00852BR
	077497-01-708	EA FILTER & MOUNTING HARDWARE - COMPRESSOR	H00852FM
	077497-01-709	EA PLUNGER & SPRING - SOLENOID	H136215
	077497-02-000	EA HOSE - AUXILIARY AIR HORN	
	081404-01-000	EA BRACKET - MOUNTING - COMPRESSOR - L SHAPED - 4" X 7.5"	
	077497-09-000	EA TANK - AIR - SOLENOID KIT - AUXILIARY HORN	
	071386-06-000	EA CONNECTOR - MALE - 1/4 TUBE X 1/4	

EXTERIOR BODY GROUP (CONTINUED)

FIBERGLASS, STYROFOAM & STEEL CHANNEL

KEY	PART NUMBER	U/M DESCRIPTION
	113192-03-02A	EA FIBERGLASS/LUAN SHEET - BRIGHT WHITE
	108535-05-702	EA FIBERGLASS SHEET - FLAT - 110" X 396" BRIGHT WHITE - ROOF
	000870-08-000	SF STYROFOAM - .75" X 48" X 96" PLANED EXPANDED BEAD BOARD
	083574-06-000	SF STYROFOAM - .75 X 48" X 108" - INCREMENTS OF 14 SF
	115301-01-000	SF STYROFOAM - .34" X 48" X 600"
	002726-01-001	EA GARNISH - U-CHANNEL - 1.38" X 19' - SERRATED
	002754-01-001	EA ANGLE- EXTRUDED - .75" X .75" X 18' - MILL ALUMINUM
	065747-01-000	SF INSULATION - MICROFOAM - .5" THICK X 72" X 112' ROLL
	068716-01-001	EA BRACE - 90 DEGREE L-ANGLE - 16'
	089297-01-000	SF PLYWOOD - LUAN - OVERLAY GRADE - 48" X 96"
	100619-01-000	BF FOAM - EXPANDED POLYSTYRENE - 1.34" X 48" X 96"
	100619-02-000	BF FOAM - EXPANDED POLYSTYRENE - 1.5" X 48" X 96"
	100619-05-000	BF FOAM - EXPANDED POLYSTYRENE - .75" X 48" X 96"
	100619-10-000	BF FOAM - EXPANDED POLYSTYRENE - 1.5" X 48" X 96"
	100619-11-000	BF FOAM - EXPANDED POLYSTYRENE - 2" X 48" X 96"
	100619-13-000	BF FOAM - EXPANDED POLYSTYRENE - .34" X 34.65" X 96"
	100619-16-000	BF FOAM - EXPANDED POLYSTYRENE - .75" X 48" X 96"
	120107-01-000	EA FOAM - COVE - ROOF - 2.8" X 96" LONG
	120107-02-000	EA FOAM - PLUG - ROOF TUBE - 2.2" X 2.9" X 1.8" LONG
	120107-03-000	EA FOAM - PLUG - SIDEWALL TUBE - 1.2" X 2.1" X 1.8" LONG
	125838-01-002	EA ACRYLIC SHEET - .125" X 1.8" X 2"
	116942-03-01A	EA ALUMINUM - .7" X 40" X 158"

GALLEY GROUP

STOVE TOP COVERS

KEY	PART NUMBER	U/M DESCRIPTION
	M05904-05-J70	EA COVER - STOVE - W/SOLID COUNTERTOP (J70,J71) FROM: 00-00-00 THRU: 01-11-98
	M05904-02-J72	EA COVER - STOVE - W/SOLID COUNTERTOP (J72,J73,J74,J75,J76,J77) FROM: 00-00-00 THRU: 01-11-98
	126022-01-01A	EA COVER - RANGE - BI-FOLD - 16" & 22" - BLACK TEXTURED FROM: 01-12-98 THRU: 99-99-99

MICROWAVE OVEN

KEY	PART NUMBER	U/M DESCRIPTION
	122753-01-000	EA OVEN - MICROWAVE - .9 CU. FT - NON CONVECTION - SHARP - UL
	122753-02-000	EA OVEN - MICROWAVE - .9 CU. FT - CONVECTION - SHARP - UL
	122753-04-000	EA OVEN - MICROWAVE - .9 CU FT - CONVECTION - SHARP - CSA
	082227-06-000	EA TRIM - BOTTOM/MICROWAVE - BLACK
	102486-13-01A	EA TRIM - MICROWAVE - VERTICAL - BLACK
	102482-09-H56	EA FRAME - MICROWAVE
	094756-03-G15	EA BRACKET - ANGLE - W/HOLES
	122799-01-02B	EA SUPPORT - MICROWAVE
	122799-02-02B	EA SUPPORT - MICROWAVE

COFFEE MAKER - BLACK & DECKER SDC2B

KEY	PART NUMBER	U/M DESCRIPTION	VENDOR NO.
	126019-01-01A	EA COFFEEMAKER - OPTIMA - W/BRACKETS - BLACK & DECKER	
	126019-01-700	EA GLASS CARAFE	172547-00
	126019-01-701	EA RESERVOIR - WATER	172554
	126019-01-702	EA BASKET - FILTER	172553-00
	126019-01-703	EA HARDWARE - MOUNTING	172174-00

DISHWASHER

KEY	PART NUMBER	U/M DESCRIPTION	VENDOR NO.
	107752-03-01A	EA DISHWASHER 18" BLACK - WESTINGHO MDR251RE	
	096983-01-700	EA SWITCH - ON/OFF	L0108-00
	090973-01-700	EA MOTOR-12 VOLT, CSA & UL	CA508-1
	090973-01-702	EA BLADE-FAN	VA183-1
	092696-01-710	EA HOLDER-LAMP	CB267-2
	092696-02-701	EA LENS-LAMP	CC179-2
	096983-01-701	EA SWITCH - SPST/MOM 2 TERMINAL	L0111-00
	096983-01-702	EA SWITCH - MOM/OFF/MOM/3 TERM	L0112-00
	096983-01-703	EA SWITCH - ON/ON	L0115-00
	100258-05-700	EA FILTER-CHARCOAL	CC248
	100258-05-701	EA SWITCH - FAN/2 SPEED	117
	100258-11-700	EA BOARD-CIRCUIT	L5099-01
	100258-14-701	EA PANEL-CONTROL ASSEMBLY	LA9078
	111913-01-01A	EA BRACKET - WASHER - TIE DOWN	

ICE MAKER

KEY	PART NUMBER	U/M DESCRIPTION
*	076799-01-000	EA ICE MAKER - 14" X 14.5" X 24.5"

* COMPONENT PARTS FOUND IN SERVICE PARTS LIBRARY

GALLEY GROUP (CONTINUED)

RANGE W/OVEN

KEY	PART NUMBER	U/M DESCRIPTION
*	126023-01-01A	EA RANGE - W/OVEN 22" - 3 BURNER/BLACK GLASS DOOR

* COMPONENT PARTS FOUND IN SERVICE PARTS LIBRARY

RANGE TOP

KEY	PART NUMBER	U/M DESCRIPTION
*	114030-02-01A	EA RANGE - 3 BURNER TOP - W/O OVEN - BLACK

* COMPONENT PARTS FOUND IN SERVICE PARTS LIBRARY

RANGE HOOD

KEY	PART NUMBER	U/M DESCRIPTION
*	100258-38-01A	EA HOOD - RANGE - 22" W/MONITOR PANEL
*	100258-39-01A	EA HOOD - RANGE - 22" W/MONITOR PANEL
*	100258-25-02A	EA HOOD - RANGE - 22" W/MONITOR PANEL

* COMPONENT PARTS FOUND IN SERVICE PARTS LIBRARY

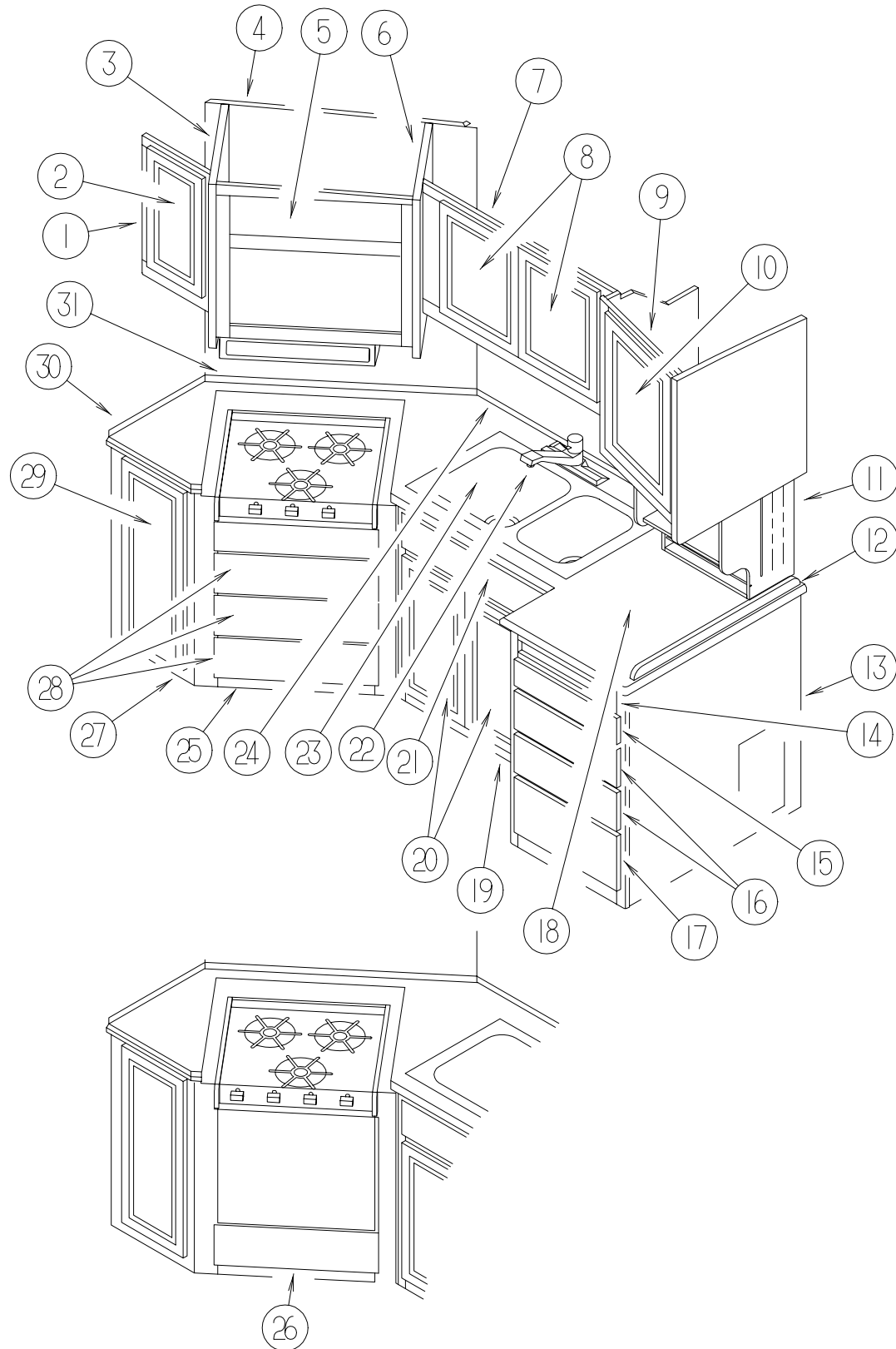
REFRIGERATOR

KEY	PART NUMBER	U/M DESCRIPTION
*	120075-01-01A	EA REFRIGERATOR - LARGE DOUBLE DOOR/RIGHT HAND - 2-WAY
*	120075-03-01A	EA REFRIGERATOR - LARGE DOUBLE DOOR/RIGHT HAND - 2-WAY W/ICE
*	118367-01-01A	EA REFRIGERATOR - SIDE BY SIDE DOOR - 2 WAY
	118871-02-01A	EA TRAY - REFRIGERATOR - SIDE/SIDE
	065225-01-000	EA PLATE - TIEDOWN - REFRIGERATOR
	090195-08-000	EA BAFFLE - REFRIGERATOR - LOWER
	093369-03-000	EA STRAP - REFRIGERATOR
	093646-01-000	EA BRACKET - TIEDOWN/REFRIGERATOR - RIGHT HAND
	093646-02-000	EA BRACKET - TIEDOWN/REFRIGERATOR - LEFT HAND
	054450-01-000	EA LEVEL - REFRIGERATOR

* COMPONENT PARTS FOUND IN SERVICE PARTS LIBRARY

GALLEY GROUP (CONTINUED)

GALLEY CABINETS



KEY	PART NUMBER	U/M	DESCRIPTION
1	119753-01-J70	EA	CABINET - OVERHEAD/GALLEY/REAR - W/O DOORS/HARDWARE (WASHED MAPLE)
1	119753-01-GV1	EA	CABINET - OVERHEAD/GALLEY/REAR - W/O DOORS/HARDWARE (SALEM CHERRY)
	119753-11-J70	EA	SHELF - W/PLASTIC EDGE TRIM (WASHED MAPLE)
	119753-11-GV1	EA	SHELF - W/PLASTIC EDGE TRIM (SALEM CHERRY)
2	M05990-30-J70	EA	DOOR - ARCHED/OGEE EDGE - 19.1" X 10.5" - W/O HARDWAR (WASHED MAPLE)
2	M05990-30-GV1	EA	DOOR - ARCHED/OGEE EDGE - 19.1" X 10.5" - W/O HARDWAR (SALEM CHERRY)
3	107494-27-J70	EA	END CAP - LEFT HAND - OVERHEAD MICROWAVE (WASHED MAPLE)
3	107494-27-GV1	EA	END CAP - LEFT HAND - OVERHEAD MICROWAVE (SALEM CHERRY)
4	P24252-01-J70	EA	CABINET - OVERHEAD/MICROWAVE - W/O DOORS/HARDWARE (WASHED MAPLE)
4	P24252-01-H57	EA	CABINET - OVERHEAD/MICROWAVE - W/O DOORS/HARDWARE (SALEM CHERRY)
5	100708-11-000	EA	DOOR - GLASS TV CABINET - 6.1" X 23.4" - W/O HARDWARE
	100710-01-01A	EA	LOCK - GLASS DOOR/TWIST TYPE - BRASS
	100711-01-01A	EA	HINGE - DOOR GLASS
	100707-01-000	EA	SPACER - GLASS DOOR - .8" DIA - .3" HOLE - PLASTIC
6	107494-26-J70	EA	END CAP - RIGHT HAND - MICROWAVE OVERHEAD (WASHED MAPLE)
6	107494-26-GV1	EA	END CAP - RIGHT HAND - MICROWAVE OVERHEAD (SALEM CHERRY)
7	119754-01-J70	EA	CABINET - GALLEY/OVERHEAD - W/O DOORS/HARDWARE (WASHED MAPLE)
7	119754-01-GV1	EA	CABINET - GALLEY/OVERHEAD - W/O DOORS/HARDWARE (SALEM CHERRY)
	119754-11-J70	EA	SHELF - W/PLASTIC EDGE MOLDING (WASHED MAPLE)
	119754-11-GV1	EA	SHELF - W/PLASTIC EDGE MOLDING (SALEM CHERRY)
8	M05990-28-J70	EA	DOOR - ARCHED/OGEE EDGE - 17.8" X 14.5" - W/O HARDWAR (WASHED MAPLE)
8	M05990-28-GV1	EA	DOOR - ARCHED/OGEE EDGE - 17.8" X 14.5" - W/O HARDWAR (SALEM CHERRY)
9	P20479-01-J70	EA	CABINET - OVERHEAD/GALLEY/FRONT - W/O DOORS/HARDWARE (J70)
9	P20479-01-H59	EA	CABINET - OVERHEAD/GALLEY/FRONT - W/O DOORS/HARDWARE (J71)
9	P20479-01-J72	EA	CABINET - OVERHEAD/GALLEY/FRONT - W/O DOORS/HARDWARE (J72)
9	P20479-01-J73	EA	CABINET - OVERHEAD/GALLEY/FRONT - W/O DOORS/HARDWARE (J73)
9	P20479-01-J74	EA	CABINET - OVERHEAD/GALLEY/FRONT - W/O DOORS/HARDWARE (J74)
9	P20479-01-J75	EA	CABINET - OVERHEAD/GALLEY/FRONT - W/O DOORS/HARDWARE (J75)
9	P20479-01-J76	EA	CABINET - OVERHEAD/GALLEY/FRONT - W/O DOORS/HARDWARE (J76)
9	P20479-01-J77	EA	CABINET - OVERHEAD/GALLEY/FRONT - W/O DOORS/HARDWARE (J77)
	120479-16-J70	EA	SHELF - W/PLASTIC EDGE MOLDING (WASHED MAPLE)
	120479-16-GV1	EA	SHELF - W/PLASTIC EDGE MOLDING (SALEM CHERRY)
10	M05990-31-J70	EA	DOOR - ARCHED/OGEE EDGE - 21.6" X 17" - W/O HDW (WASHED MAPLE)
10	M05990-31-GV1	EA	DOOR - ARCHED/OGEE EDGE - 21.6" X 17" - W/O HDW (SALEM CHERRY)
11	126046-01-J70	EA	CABINET - F/COFFEE MAKER - W/O DOORS/HARDWARE (WASHED MAPLE)
11	126046-01-J71	EA	CABINET - F/COFFEE MAKER - W/O DOORS/HARDWARE (SALEM CHERRY)
12	095080-04-GV0	EA	RAIL GALLEY - COUNTERTOP LEDGE - 28.2" LONG (J70,J71)
12	095080-04-GV4	EA	RAIL GALLEY - COUNTERTOP LEDGE - 28.2" LONG (J72,J73,J74,J75,J76,J77)

LOWER GALLEY CABINET W/RANGE TOP

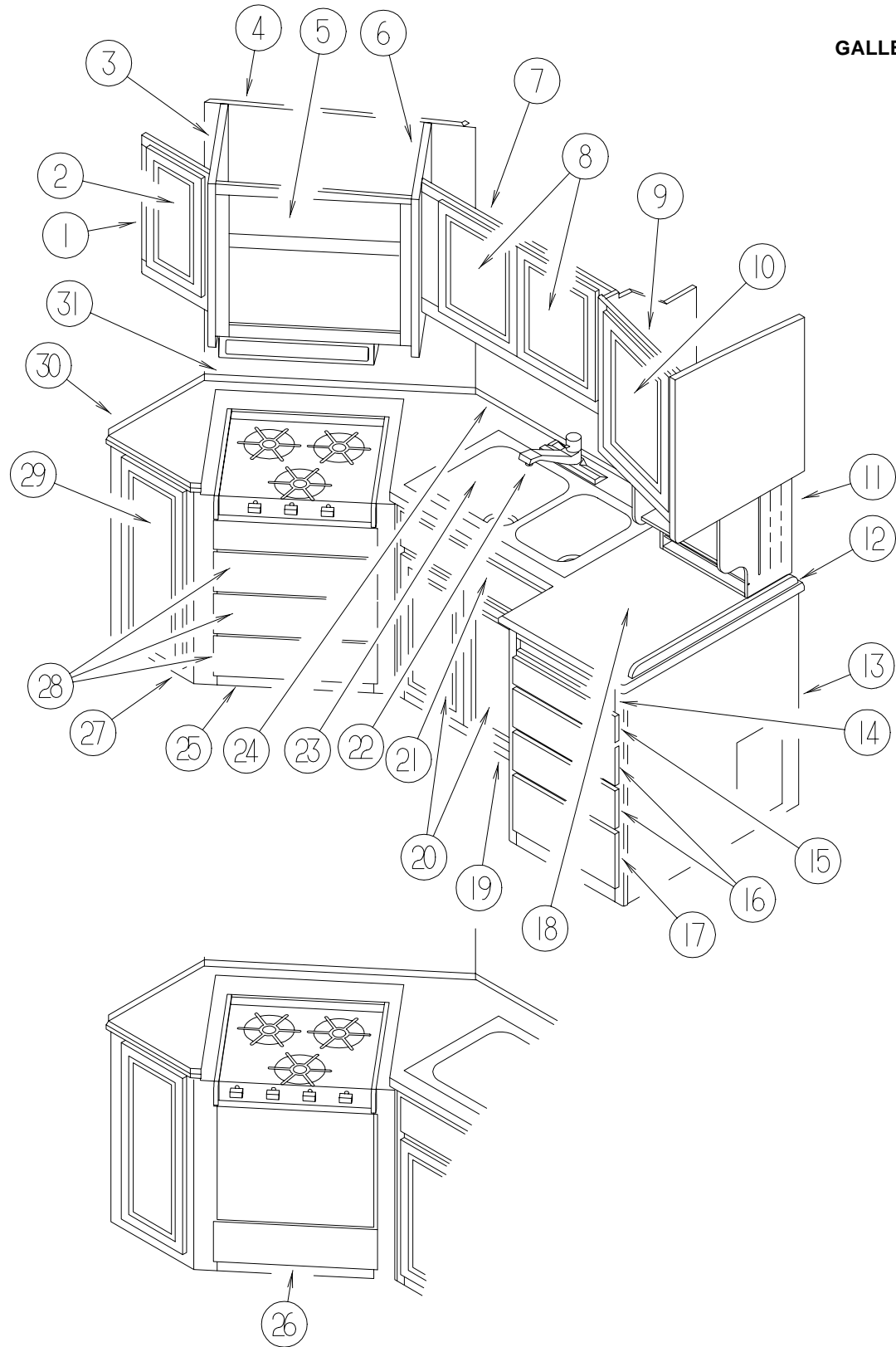
13	127605-01-J70	EA	CABINET - GALLEY - W/COUNTERTOP - W/O DOORS/DRAWWERS/HDW (J70)
13	127605-01-J71	EA	CABINET - GALLEY - W/COUNTERTOP - W/O DOORS/DRAWWERS/HDW (J71)
13	127605-01-J72	EA	CABINET - GALLEY - W/COUNTERTOP - W/O DOORS/DRAWWERS/HDW (J72,J74,J76)
13	127605-01-J73	EA	CABINET - GALLEY - W/COUNTERTOP - W/O DOORS/DRAWWERS/HDW (J73,J75,J77)

LOWER GALLEY CABINET W/RANGE TOP & ICEMAKER

13	127605-02-J70	EA	CABINET - GALLEY - W/COUNTERTOP - W/O DOORS/DRAWWERS/HDW (J70)
13	127605-02-J71	EA	CABINET - GALLEY - W/COUNTERTOP - W/O DOORS/DRAWWERS/HDW (J71)
13	127605-02-J72	EA	CABINET - GALLEY - W/COUNTERTOP - W/O DOORS/DRAWWERS/HDW (J72,J74,J76)
13	127605-02-J73	EA	CABINET - GALLEY - W/COUNTERTOP - W/O DOORS/DRAWWERS/HDW (J73,J75,J77)

GALLEY GROUP (CONTINUED)

GALLEY CABINETS (CONTINUED)

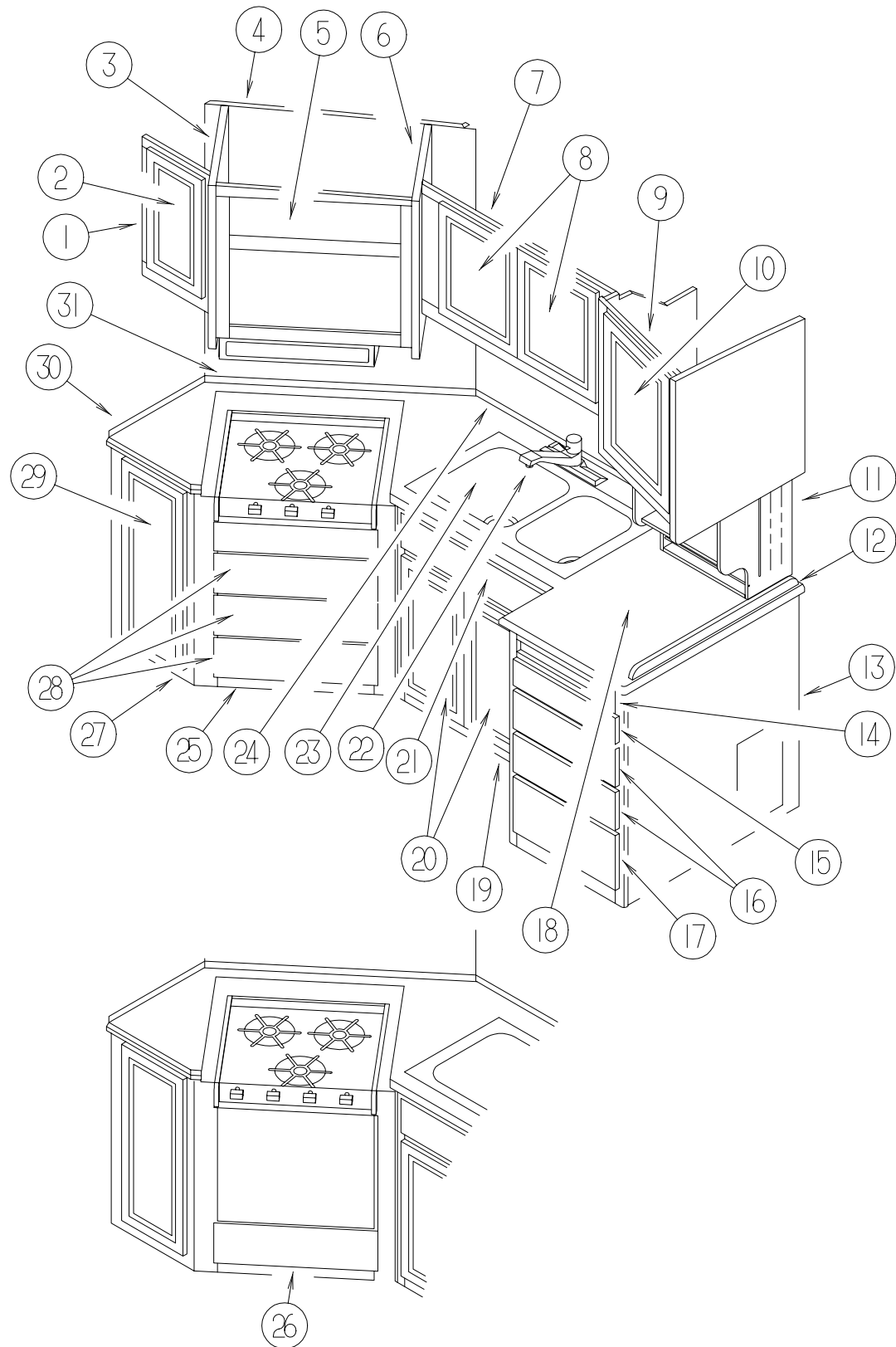


KEY	PART NUMBER	U/M DESCRIPTION
LOWER GALLEY CABINET W/RANGE TOP & OVEN		
13	127605-04-J70	EA CABINET - GALLEY - W/COUNTERTOP - W/O DOORS/DRAWWERS/HDW (J70)
13	127605-04-J71	EA CABINET - GALLEY - W/COUNTERTOP - W/O DOORS/DRAWWERS/HDW (J71)
13	127605-04-J72	EA CABINET - GALLEY - W/COUNTERTOP - W/O DOORS/DRAWWERS/HDW (J72,J74,J76)
13	127605-04-J73	EA CABINET - GALLEY - W/COUNTERTOP - W/O DOORS/DRAWWERS/HDW (J73,J75,J77)
LOWER GALLEY CABINET W/RANGE TOP & OVEN & ICEMAKER		
13	127605-05-J70	EA CABINET - GALLEY - W/COUNTERTOP - W/O DOORS/DRAWWERS/HDW (J70)
13	127605-05-J71	EA CABINET - GALLEY - W/COUNTERTOP - W/O DOORS/DRAWWERS/HDW (J71)
13	127605-05-J72	EA CABINET - GALLEY - W/COUNTERTOP - W/O DOORS/DRAWWERS/HDW (J72,J74,J76)
13	127605-05-J73	EA CABINET - GALLEY - W/COUNTERTOP - W/O DOORS/DRAWWERS/HDW (J73,J75,J77)
LOWER GALLEY CABINET W/RANGE TOP & OVEN & DISHWASHER		
13	127605-06-J70	EA CABINET - GALLEY - W/COUNTERTOP - W/O DOORS/DRAWWERS/HDW (J70)
13	127605-06-J71	EA CABINET - GALLEY - W/COUNTERTOP - W/O DOORS/DRAWWERS/HDW (J71)
13	127605-06-J72	EA CABINET - GALLEY - W/COUNTERTOP - W/O DOORS/DRAWWERS/HDW (J72,J74,J76)
13	127605-06-J73	EA CABINET - GALLEY - W/COUNTERTOP - W/O DOORS/DRAWWERS/HDW (J73,J75,J77)
14	M05976-06-J70	EA DRAWER - CUTTING BOARD TOP - OGEE EDGE (WASHED MAPLE)
14	M05976-06-GV1	EA DRAWER - CUTTING BOARD TOP - OGEE EDGE (SALEM CHERRY)
15	M05971-87-J70	EA DRAWER - OGEE EDGE - 16.9"W X 19.6"D - W/O SLIDES/HARDWARE (WASHED MAPLE)
15	M05971-87-FQ1	EA DRAWER - OGEE EDGE - 16.9"W X 19.6"D - W/O SLIDES/HARDWARE (SALEM CHERRY)
16	100081-01-01A	EA TRAY - SILVERWARE - 9" X 13.3" RUBBERMAID ALMOND PLASTIC
16	M05971-89-J70	EA DRAWER - OGEE EDGE - 16.9"W X 19.6"D - W/O SLIDES/HARDWARE (WASHED MAPLE)
16	M05971-89-FQ1	EA DRAWER - OGEE EDGE - 16.9"W X 19.6"D - W/O SLIDES/HARDWARE (SALEM CHERRY)
17	M05971-V2-J70	EA DRAWER - OGEE EDGE - 16.9"W X 19.6"D - W/O SLIDES/HARDWARE (WASHED MAPLE)
17	M05971-V2-GV1	EA DRAWER - OGEE EDGE - 16.9"W X 19.6"D - W/O SLIDES/HARDWARE (SALEM CHERRY)
18	127605-27-J70	EA COUNTERTOP - GALLEY (J70,J71)
18	127605-27-J72	EA COUNTERTOP - GALLEY (J72,J73,J74,J75,J76,J77)
19	118200-03-01A	EA MESH - PLASTIC - 1/2 INCH BLK
	118200-01-01A	SF MESH - PLASTIC - 1/2 INCH
20	M05992-G7-J70	EA DOOR - STRAIGHT CORNER/OGEE EDGE - 13.3" X 21.8" - W/O HDW (WASHED MAPLE)
20	M05992-G7-GV1	EA DOOR - STRAIGHT CORNER/OGEE EDGE - 13.3" X 21.8" - W/O HDW (SALEM CHERRY)
	124255-14-J70	EA SHELF - W/PLASTIC EDGE MOLDING (WASHED MAPLE)
	124255-14-H57	EA SHELF - W/PLASTIC EDGE MOLDING (SALEM CHERRY)
	093605-02-01A	EA RACK - TOWEL/WIRE - ALMOND
21	102238-01-000	EA CONTAINER - TRASH - W/HDW - 8" X 13" X 15.2" - WIRE BASKET
21	M06810-07-J70	EA DRAWER - OGEE EDGE - W/TIPOUT TRAY (WASHED MAPLE)
21	M06810-07-GV1	EA DRAWER - OGEE EDGE - W/TIPOUT TRAY (SALEM CHERRY)
	108127-01-01A	EA CAP - TRAY
	108128-01-01A	EA TRAY - HIDDEN
22	064952-01-000	EA FAUCET - GALLEY - SINGLE CONTROL - 8"
	103635-01-000	EA FAUCET - SINGLE CONTROL (DRINKING WATER)

KEY	PART NUMBER	U/M DESCRIPTION
LOWER GALLEY CABINET W/RANGE TOP & DISHWASHER		
13	127605-03-J70	EA CABINET - GALLEY - W/COUNTERTOP - W/O DOORS/DRAWWERS/HDW (J70)
13	127605-03-J71	EA CABINET - GALLEY - W/COUNTERTOP - W/O DOORS/DRAWWERS/HDW (J71)
13	127605-03-J72	EA CABINET - GALLEY - W/COUNTERTOP - W/O DOORS/DRAWWERS/HDW (J72,J74,J76)
13	127605-03-J73	EA CABINET - GALLEY - W/COUNTERTOP - W/O DOORS/DRAWWERS/HDW (J73,J75,J77)

GALLEY GROUP (CONTINUED)

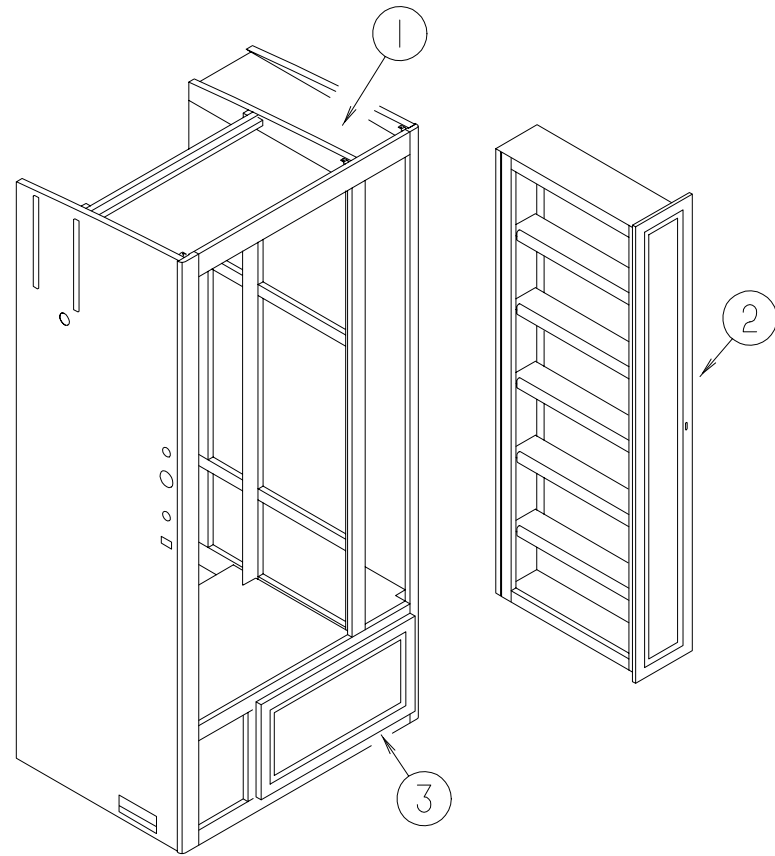
GALLEY CABINETS (CONTINUED)



KEY	PART NUMBER	U/M	DESCRIPTION
23	110654-01-000	EA	SINK - STAINLESS STEEL/DOUBLE BASIN (1 LG-1 SM BASIN)
	092303-01-000	EA	STRAINER - SINK
	107044-05-J70	EA	COVER - RECESSED SINK - 14.9" X 11.1" (J70,J71)
	107044-05-J72	EA	COVER - RECESSED SINK - 14.9" X 11.1" (J72,J73,J74,J75,J76,J77)
	107044-06-J70	EA	COVER - RECESSED SINK - 14.9" X 15" (J70,J71)
	107044-06-J72	EA	COVER - RECESSED SINK - 14.9" X 15" (J72,J73,J74,J75,J76,J77)
24	127605-31-J70	EA	BACKSPLASH - GALLEY COUNTERTOP (J70,J71)
24	127605-31-J72	EA	BACKSPLASH - GALLEY COUNTERTOP (J72,J74,J76)
24	127605-31-J73	EA	BACKSPLASH - GALLEY COUNTERTOP (J73,J75,J77)
25	118200-02-01A	EA	MESH - PLASTIC - 1/2 INCH BLK
	118200-01-01A	SF	MESH - PLASTIC - 1/2 INCH
26	M05971-JC-J70	EA	DRAWER - OGEE EDGE - 19.6"W X 17.7"D - W/O SLIDES/HARDWARE (WASHED MAPLE) (USED WITH RANGE TOP & OVEN)
26	M05971-JC-J71	EA	DRAWER - OGEE EDGE - 19.6"W X 17.7"D - W/O SLIDES/HARDWARE (SALEM CHERRY) (USED WITH RANGE TOP & OVEN)
27	127605-15-J70	EA	TOE KICK - GALLEY (WASHED MAPLE)
27	127605-15-J71	EA	TOE KICK - GALLEY (SALEM CHERRY)
28	M05971-JD-J70	EA	DRAWER - OGEE EDGE - 19.6"W X 17.7"D - W/O SLIDES/HARDWARE (WASHED MAPLE) (USED WITH RANGE TOP)
28	M05971-JD-J71	EA	DRAWER - OGEE EDGE - 19.6"W X 17.7"D - W/O SLIDES/HARDWARE (SALEM CHERRY) (USED WITH RANGE TOP)
29	M05992-G9-J70	EA	DOOR - STRAIGHT CORNER/OGEE EDGE - 11.4" X 28.1" - W/O HDW (WASHED MAPLE)
29	M05992-G9-GV1	EA	DOOR - STRAIGHT CORNER/OGEE EDGE - 11.4" X 28.1" - W/O HDW (SALEM CHERRY)
	127605-13-J70	EA	SHELF - W/PLASTIC EDGE TRIM (WASHED MAPLE)
	127605-13-J71	EA	SHELF - W/PLASTIC EDGE TRIM (SALEM CHERRY)
30	127605-29-J70	EA	BACKSPLASH - GALLEY COUNTERTOP (J70,J71)
30	127605-29-J72	EA	BACKSPLASH - GALLEY COUNTERTOP (J72,J73,J74,J75,J76,J77)
31	127605-30-J70	EA	BACKSPLASH - GALLEY COUNTERTOP (J70,J71)
31	127605-30-J72	EA	BACKSPLASH - GALLEY COUNTERTOP (J72,J73,J74,J75,J76,J77)

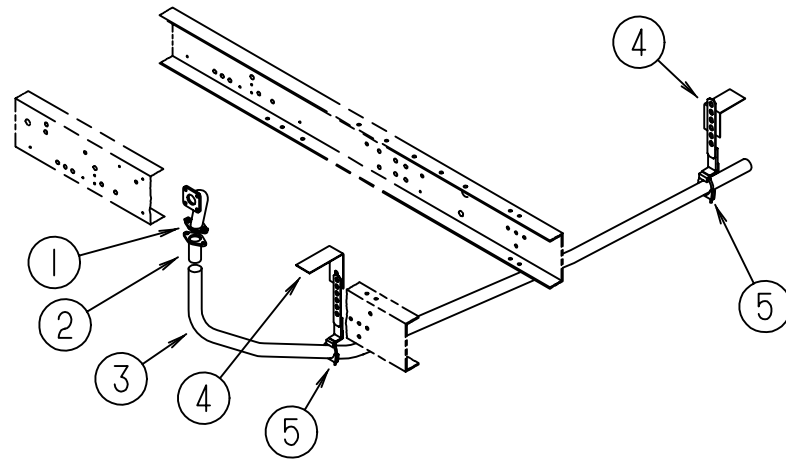
GALLEY GROUP (CONTINUED)

REFRIGERATOR CABINET



KEY	PART NUMBER	U/M	DESCRIPTION
1	122325-02-J70	EA	CABINET - PANTRY - SLIDING/LEFT HAND - W/O SLIDES/HDW (WASHED MAPLE)
1	122325-02-H57	EA	CABINET - PANTRY - SLIDING/LEFT HAND - W/O SLIDES/HDW (SALEM CHERRY)
2	M05992-K1-J70	EA	DOOR - STRAIGHT CORNER/OGEE EDGE - 8.5" X 60.7" - W/O HDW (WASHED MAPLE)
2	M05992-K1-H57	EA	DOOR - STRAIGHT CORNER/OGEE EDGE - 8.5" X 60.7" - W/O HDW (SALEM CHERRY)
	122360-01-000	EA	SLIDE - PANTRY - W/LOCK - LEFT HAND
	122360-02-000	EA	SLIDE - PANTRY - W/O LOCK - RIGHT/LEFT HAND
	122360-03-000	EA	SLIDE - PANTRY - W/LOCK - RIGHT HAND
3	M05992-E7-J70	EA	DOOR - STRAIGHT CORNER/OGEE EDGE - 14.3" X 33.4" - W/O HDW (SOLAR MAPLE)
3	M05992-E7-GV1	EA	DOOR - STRAIGHT CORNER/OGEE EDGE - 14.3" X 33.4" - W/O HDW (SALEM CHERRY)

GENERATOR GROUP



6.5 KW ONAN MARQUIS GENERATOR - LP FUELED - U.S.

KEY	PART NUMBER	U/M DESCRIPTION
	105559-04-000	EA GENERATOR - 6.5 KW - LP FUEL - 30/30 WITH ONAN TRAY #403-2893, W/MUFFLER LP FUELED
1	N/A	EA ADAPTOR - EXHAUST (SUPPLIED WITH GENERATOR)
2	106235-01-000	EA ADAPTOR - GENERATOR EXHAUST
3	116381-02-000	EA PIPE - EXHAUST - GENERATOR
4	007131-01-000	EA HANGER - TAILPIPE - 6 SLOTS
5	007125-03-000	EA CLAMP - MUFFLER - 1.5" DIAMETER
	106071-02-000	EA SWITCH - AUTOMATIC TRANSFER - 50 AMP
	010251-02-000	EA ELBOW - BRASS - 90 DEGREE - 3/8 F X 1/4 MMPT
	065820-09-000	EA HOSE - HIGH PRESSURE - 28"
	007125-02-000	EA CLAMP - MUFFLER - 1.25" DIAMETER

6.5 KW ONAN MARQUIS GENERATOR - LP FUELED - CANADIAN

KEY	PART NUMBER	U/M DESCRIPTION
	105559-04-000	EA GENERATOR - 6.5 KW - LP FUEL - 30/30 WITH ONAN TRAY #403-2893, W/MUFFLER LP FUELED
1	N/A	EA ADAPTOR - EXHAUST (SUPPLIED WITH GENERATOR)
2	106235-01-000	EA ADAPTOR - GENERATOR EXHAUST
3	116381-02-000	EA PIPE - EXHAUST - GENERATOR
4	007131-01-000	EA HANGER - TAILPIPE - 6 SLOTS
5	007125-03-000	EA CLAMP - MUFFLER - 1.5" DIAMETER
	106071-02-000	EA SWITCH - AUTOMATIC TRANSFER - 50 AMP
	007125-02-000	EA CLAMP - MUFFLER - 1.25" DIAMETER
	010251-02-000	EA ELBOW - BRASS - 90 DEGREE - 3/8 F X 1/4 MMPT
	112365-04-000	EA BREAKER - 20 AMP

GENERATOR GROUP (CONTINUED)

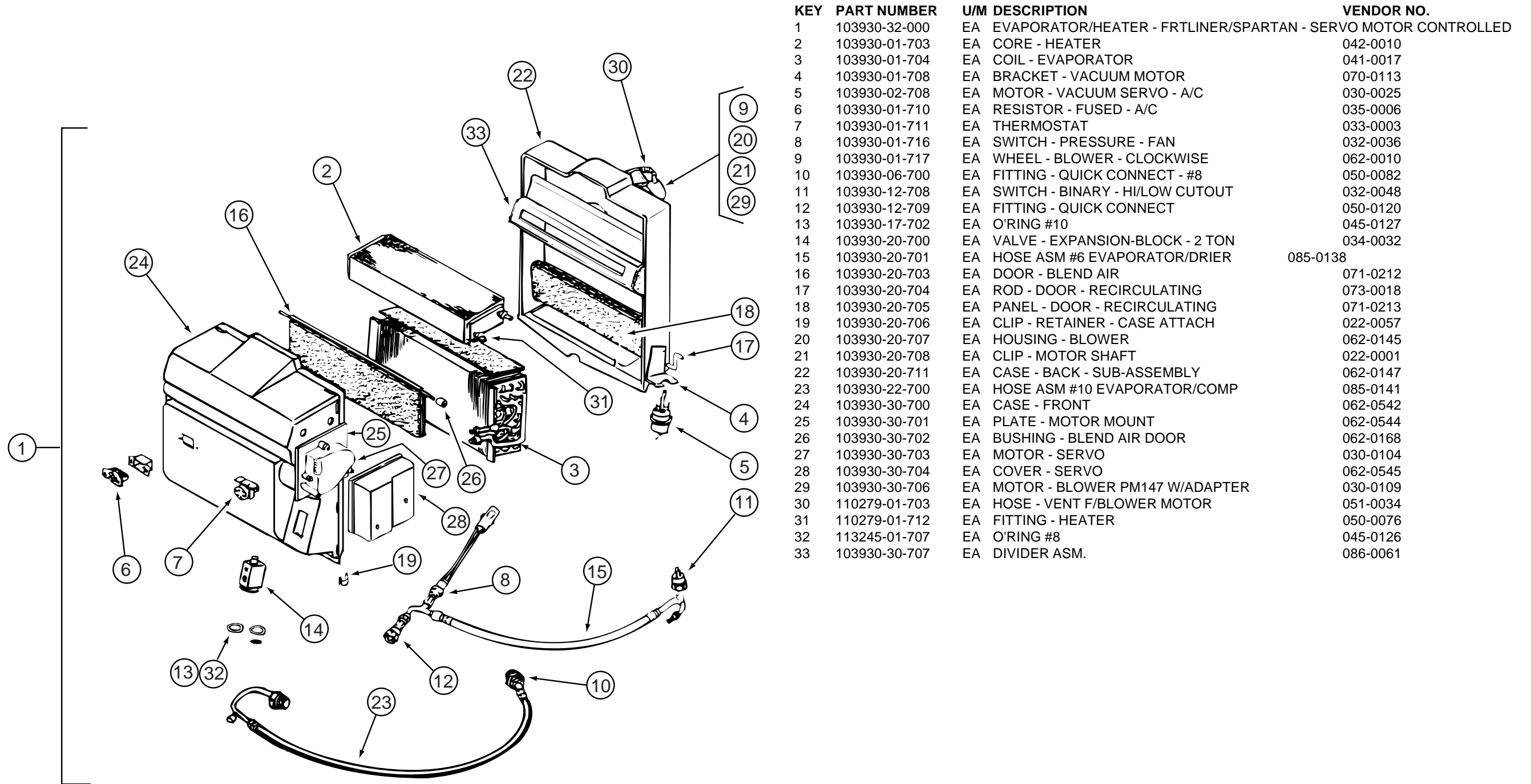
7.5 KW ONAN GENERATOR - DIESEL FUELED - UPGRADE

KEY	PART NUMBER	U/M DESCRIPTION
	122425-01-000	EA GENERATOR - DIESEL 7.5 SQD
	116381-03-000	EA PIPE - EXHAUST - GENERATOR
	106071-02-000	EA SWITCH - AUTOMATIC TRANSFER - MAGNETEK ATS 30 (50 AMP)
	007125-02-000	EA CLAMP ASM - MUFFLER - 1.25" DIAMETER
	007125-03-000	EA CLAMP - MUFFLER - 1.5" DIA
	007131-01-000	EA HANGER - TAILPIPE - 6 SLOTS
	114172-01-000	EA COUPLER - 1 1/4 FPT X 1 1/4 FPT - BLACK
	115218-01-000	EA BOTTLE - OVERFLOW RECOVER KIT - ONAN 130-2781
	116457-01-000	EA TEE - BRASS - BRANCH 1/4 NPT - W'HD 3600X4
	068382-06-000	EA BUSHING - BRASS - 3/8 MPT X 1/8 FPT - PARKER 209P-6-2
	114253-01-000	EA ELBOW - 1/4 SGL BARB X 1/8 MPT - WEATHERHEAD 1582
	114253-02-000	EA ELBOW - 5/16 SGL BARB X 1/4 MPT - WEATHERHEAD 1557

NOTE: ADDITIONAL GENERATOR COMPONENTS ARE FOUND IN THE CHASSIS GROUP.

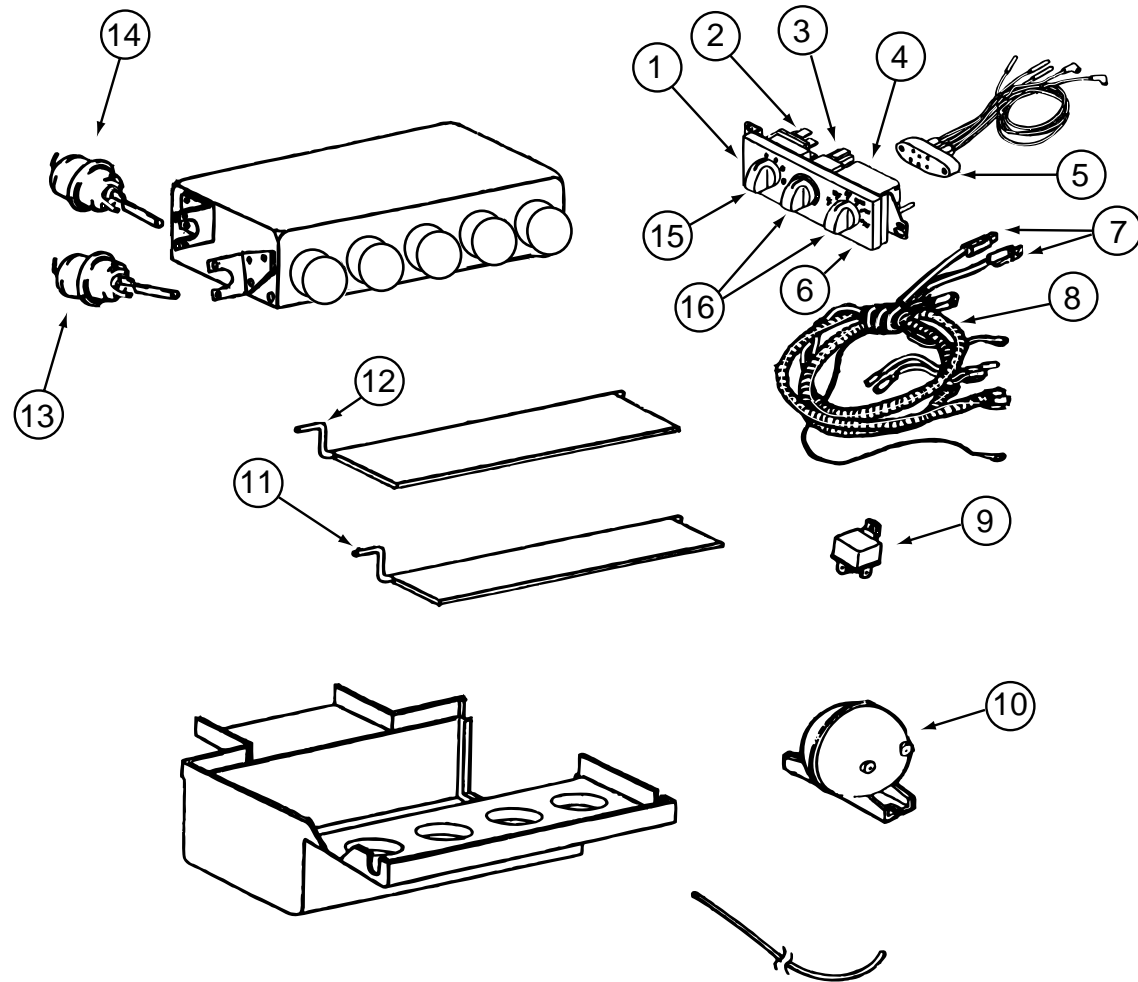
HEATING & AIR CONDITIONING GROUP

DIESEL EVAPORATOR/HEATER ASSEMBLY



KEY	PART NUMBER	U/M DESCRIPTION	VENDOR NO.
1	103930-32-000	EA EVAPORATOR/HEATER - FRTLINER/SPARTAN - SERVO MOTOR CONTROLLED	
2	103930-01-703	EA CORE - HEATER	042-0010
3	103930-01-704	EA COIL - EVAPORATOR	041-0017
4	103930-01-708	EA BRACKET - VACUUM MOTOR	070-0113
5	103930-02-708	EA MOTOR - VACUUM SERVO - A/C	030-0025
6	103930-01-710	EA RESISTOR - FUSED - A/C	035-0006
7	103930-01-711	EA THERMOSTAT	033-0003
8	103930-01-716	EA SWITCH - PRESSURE - FAN	032-0036
9	103930-01-717	EA WHEEL - BLOWER - CLOCKWISE	062-0010
10	103930-06-700	EA FITTING - QUICK CONNECT - #8	050-0082
11	103930-12-708	EA SWITCH - BINARY - HI/LOW CUTOUT	032-0048
12	103930-12-709	EA FITTING - QUICK CONNECT	050-0120
13	103930-17-702	EA O'RING #10	045-0127
14	103930-20-700	EA VALVE - EXPANSION-BLOCK - 2 TON	034-0032
15	103930-20-701	EA HOSE ASM #6 EVAPORATOR/DRIER	085-0138
16	103930-20-703	EA DOOR - BLEND AIR	071-0212
17	103930-20-704	EA ROD - DOOR - RECIRCULATING	073-0018
18	103930-20-705	EA PANEL - DOOR - RECIRCULATING	071-0213
19	103930-20-706	EA CLIP - RETAINER - CASE ATTACH	022-0057
20	103930-20-707	EA HOUSING - BLOWER	062-0145
21	103930-20-708	EA CLIP - MOTOR SHAFT	022-0001
22	103930-20-711	EA CASE - BACK - SUB-ASSEMBLY	062-0147
23	103930-22-700	EA HOSE ASM #10 EVAPORATOR/COMP	085-0141
24	103930-30-700	EA CASE - FRONT	062-0542
25	103930-30-701	EA PLATE - MOTOR MOUNT	062-0544
26	103930-30-702	EA BUSHING - BLEND AIR DOOR	062-0168
27	103930-30-703	EA MOTOR - SERVO	030-0104
28	103930-30-704	EA COVER - SERVO	062-0545
29	103930-30-706	EA MOTOR - BLOWER PM147 W/ADAPTER	030-0109
30	110279-01-703	EA HOSE - VENT F/BLOWER MOTOR	051-0034
31	110279-01-712	EA FITTING - HEATER	050-0076
32	113245-01-707	EA O'RING #8	045-0126
33	103930-30-707	EA DIVIDER ASM.	086-0061

HEATING & AIR CONDITIONING GROUP (CONTINUED)



AUTO A/C CONTROL PLENUM - ROTARY CONTROL HEAD

KEY	PART NUMBER	U/M DESCRIPTION	VENDOR NO.
	103930-35-000	EA CONTROL/PLENUM - ROTARY CONTROL HEAD	
1	103930-33-702	EA CONTROL PANEL	083-0169
2	103930-33-707	EA SWITCH - BLOWER	032-00066
3	103930-33-708	EA SWITCH - POTENTIOMETER	032-0184
4	103930-33-709	EA SWITCH - VACUUM	032-0183
5	103930-33-703	EA VACUUM HARNESS	036-0466
6	103930-33-710	EA DECAL F/CONTROL HEAD	058-0102
7	103930-33-705	EA LIGHT BULBS	035-0030
8	103930-33-711	EA WIRE HARNESS - MAIN	036-0496
9	103930-02-707	EA RELAY - BOSCH W/RESISTER	031-0001
10	103930-02-710	EA CANISTER - VACUUM	054-0002
11	103930-33-700	EA ROD - DOOR DEFROSTER/AC	073-0028
12	103930-33-706	EA ROD - DOOR AC/DEFROST	073-0060
13	103930-02-708	EA MOTOR - VACUUM SERVO - A/C	030-0025
14	103930-33-701	EA MOTOR - VACUUM - 3 STAGE	030-0105
15	103930-33-712	EA KNOB - BLOWER	062-00539
16	103930-33-713	EA KNOB	062-00540

HEATING & AIR CONDITIONING GROUP (CONTINUED)

AUTO A/C & HEAT SYSTEM

KEY	PART NUMBER	U/M DESCRIPTION
	007076-01-000	EA HOSE - FLEXIBLE PVC - 2" ID - INCREMENTS OF 50'
	007108-01-000	FT HOSE - HEATER - 5/8" ID - HI-TEMP - FORD
	007281-01-000	EA HOSE - FLEXIBLE PVC - 2.5" ID X 50'
	024990-05-000	EA OUTLET - DEFROSTER - 4" DIAMETER W/SWIVEL DEFLECTORS
	024990-07-000	EA OUTLET - DEFROSTER - W/SWIVEL - 2"
	056402-05-000	EA BRACKET - HEATER VENT - ROUND W/BEND - BLACK
	056402-06-000	EA BRACKET - HEATER/BLACK
	076776-01-000	EA TEE - BEADED - 5/8" X 5/8" X 5/8"
	077075-01-000	EA GASKET - INSTRUMENT PANEL/DEFROSTER PLENUM - .6" X 10.2"
	103016-01-000	EA PLENUM - TRANSITION
	103017-03-000	EA PLENUM - DEFROSTER
	103558-01-08A	EA VENT - DEFROSTER - 2" X 14.4" X 1.4" - HAMPTON TAN
		FROM: 00-00-00 THRU: 05-09-98
	103558-04-02A	EA VENT - DEFROSTER - ABS H.TAN
		FROM: 05-10-98 THRU: 99-99-99
	103796-01-01A	EA LOUVER - A/C-ADJUSTABLE - 2.2" X 5.4" F/2.5" HOSE - BLACK
	103930-23-000	EA VALVE - WATER - 2 PORT
	024990-05-000	EA OUTLET - DEFROSTER - 4" DIAMETER W/SWIVEL DEFLECTORS
	103930-05-000	EA MANUAL - OWNER - HEATER/A/C
		FROM: 00-00-00 THRU: 02-23-97
	103930-37-000	EA MANUAL - OWNERS - HEATER/A/C
		FROM: 02-24-97 THRU: 99-99-99
	024990-05-000	EA OUTLET - DEFROSTER - 4" DIAMETER W/SWIVEL DEFLECTORS
	103930-05-000	EA MANUAL - OWNER - HEATER/A/C
		FROM: 00-00-00 THRU: 02-23-97
	103930-37-000	EA MANUAL - OWNERS - HEATER/A/C
		FROM: 02-24-97 THRU: 99-99-99

AUTO A/C & HEATER HOSE KIT

KEY	PART NUMBER	U/M DESCRIPTION	VENDOR NO.
	103930-16-000	EA HOSE KIT #12 389" R134A	
	103930-07-704	EA FITTING - QUICK CONNECT - #8	050-0081
	103930-13-702	EA VALVE - SERVICE - W/O COMP.	050-0152
	103930-16-700	EA HOSE ASM. #12 SPARTON	085-0120
	103930-17-702	EA O'RING #10	045-0127
	113245-01-710	EA GASKET - #12	045-0128
	117870-01-01A	EA PLENUM - A/C - 67"	

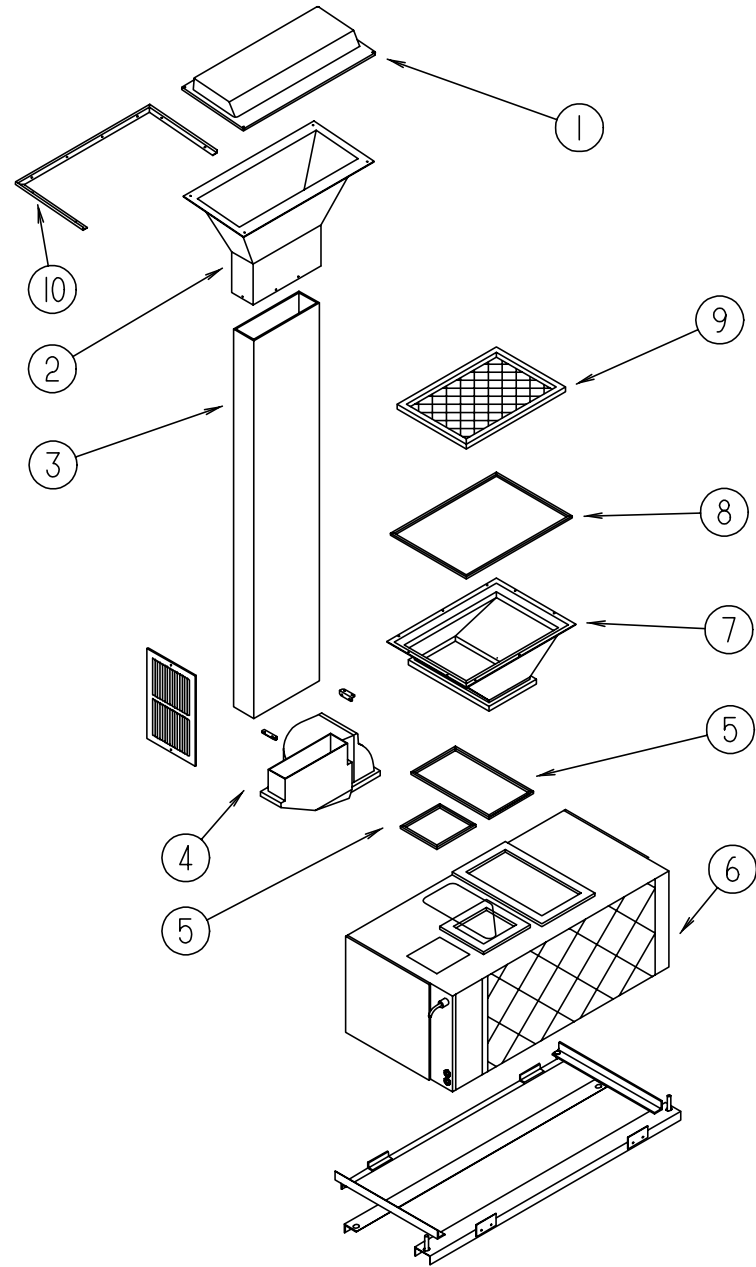
AUTO A/C/HEATER CONDENSER

KEY	PART NUMBER	U/M DESCRIPTION	VENDOR NO.
	072342-12-000	EA CONDENSER - W/FAN SIDE	
	072342-08-703	EA FAN BLADE/MOTOR & SHROUD 11"	062-0097
	072342-10-702	EA FITTING - QUICK CONNECT - #4 MALE	050-0148
	072342-10-704	EA VALVE - SERVICE #8 X 8	050-0134
	072342-12-700	EA COIL - CONDENSER	040-0027
	072342-12-701	EA HOSE ASSEMBLY #8 X 95	085-0142
	072342-12-702	EA HOSE ASSEMBLY #6 - EVAP-DRIER	085-0143
	072342-12-703	EA RECEIVER DRIER	054-0001
	113245-01-707	EA O'RING #8	045-0126
	113245-01-711	EA O'RING #6	045-0129

VACUUM PUMP

KEY	PART NUMBER	U/M DESCRIPTION
	114802-01-000	EA PUMP - VACUUM - 12V 16"HG

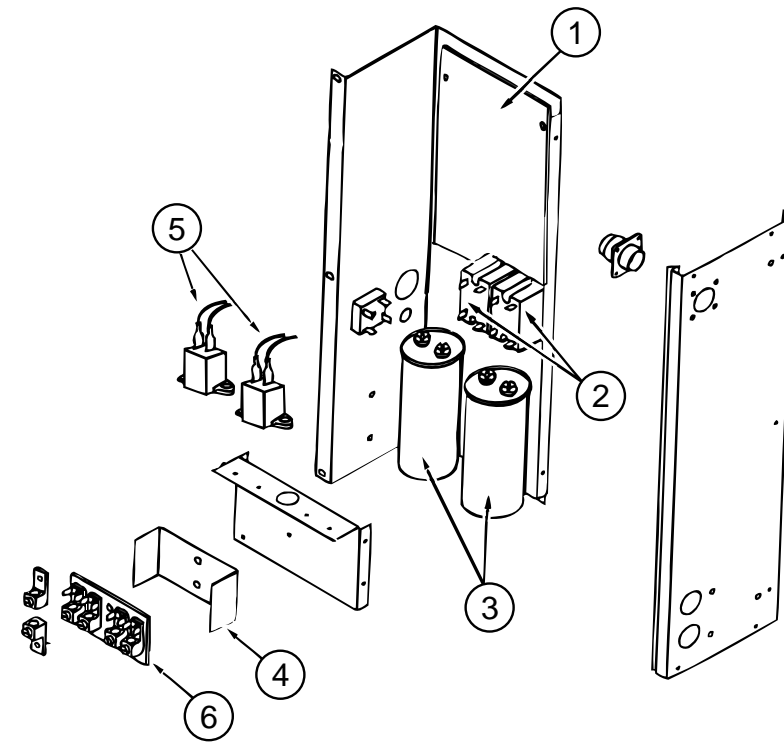
HEATING & AIR CONDITIONING GROUP (CONTINUED)



CENTRAL A/C & HEATING SYSTEM

KEY	PART NUMBER	U/M	DESCRIPTION
1	109009-02-000	EA	DEFLECTOR - A/C - ROOF
			FROM: 00-00-00 THRU: 08-20-97
1	109009-01-000	EA	DEFLECTOR - A/C - ROOF
			FROM: 08-21-97 THRU: 99-99-99
2	P12759-02-H56	EA	PLENUM - A/C
3	117870-01-01A	EA	PLENUM - A/C - 67"
4	120476-01-01A	EA	PLENUM - A/C - SUPPLY/LOWER
	105290-01-000	SF	INSULATION - AIR POCKET W/FOIL
5	100128-02-000	FT	SEAL - FOAM - ADHESIVE BACK - .37" WIDE X .37" THICK
6	105620-05-000	EA	A/C - CENTRAL PACKAGE UNIT - LEFT HAND
7	120477-01-01A	EA	PLENUM - A/C - RETURN AIR
8	109859-01-000	EA	FRAME ASSEMBLY - FILTER - A/C
9	109050-02-000	EA	FILTER - FIBERGLASS - 1" X 14" X 20"
10	104692-01-000	FT	SEAL - FOAM/ADHESIVE BACK - .75" THICK X .75" WIDE X 25'
	105620-09-000	EA	THERMOSTAT - A/C & FURNACE - HORIZONTAL MOUNT 4.25" X 2.5"
	105620-07-000	EA	WIRE ASSEMBLY - THERMOSTAT
	093614-03-02A	EA	GRILLE - RETURN AIR
	120134-01-02A	EA	REGISTER - 4" TO 5" IN DIAMETER W/DAMPER

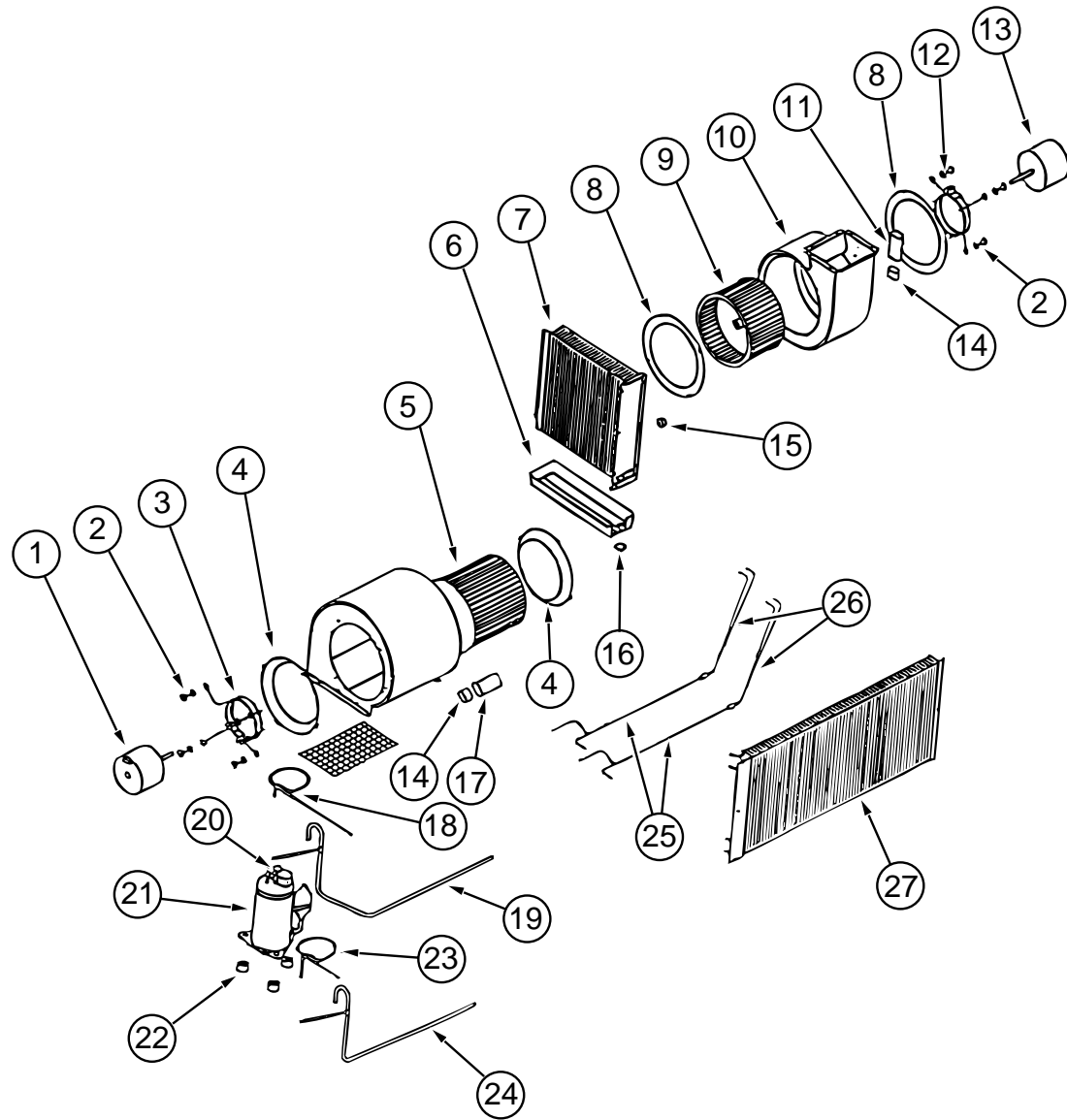
HEATING & AIR CONDITIONING GROUP (CONTINUED)



CENTRAL A/C & HEATING SYSTEM (CONTINUED)

KEY	PART NUMBER	U/M	DESCRIPTION	VENDOR NO.
1	105620-05-700	EA	BOARD - PRINTED CIRCUIT - 2 TON	6795-3201
2	105620-01-729	EA	RELAY - COMPRESSOR	1460-1011
3	108889-01-707	EA	CAPACITOR - RUN - COMP-25MFD/370	1499-5661
4	105620-01-733	EA	ISOLATOR - HIGH VOLTAGE	6795-117
5	105620-01-739	EA	ASSIST - START	1497-9011
6	105620-01-738	EA	BOARD - TERMINAL - HIGH VOLTAGE	6795-315

HEATING & AIR CONDITIONING GROUP (CONTINUED)



CENTRAL A/C & HEATING SYSTEM (CONTINUED)

KEY	PART NUMBER	U/M DESCRIPTION	VENDOR NO.
1	105620-01-717	EA MOTOR - BLOWER - O.D.	1468-3029
2	105620-01-716	EA SLEEVE & GROMMET - 4 PER PKG	6795-3031
3	105620-01-715	EA MOUNT - BLOWER - O.D.	6795-3011
4	105620-01-714	EA VENTURI - BLOWER - O.D.	6795-150
5	105620-01-713	EA WHEEL - BLOWER - O.D.	1472-1011
6	105620-02-702	EA PAN - DRAIN. (LH)	6795-225
7	105620-02-701	EA COIL - EVAPORATOR - (LH)	1452-1431
8	105620-01-722	EA VENTURI - BLOWER - I.D.	6795-151
9	105620-02-709	EA WHEEL - BLOWER - I.D.	1472-1021
10	105620-02-708	EA HOUSING - BLOWER - I.D.	6795-519
11	093763-01-704	EA CAPACITOR - FAN	1499-5461
12	105620-01-723	EA MOUNT - MOTOR - BLOWER I.D.	6795-3021
13	105620-01-724	EA MOTOR - BLOWER - I.D. - REVERSIBLE	1468-3129
14	105620-01-719	EA BOOT - CAPACITOR - RUBBER	1499-950
15	N/A	EA SWITCH - FREEZE - COLEMAN 6795A330 (NOT USED ON THIS MODEL)	
16	105620-01-703	EA VALVE - DRAIN - RH & LH	6795-300
17	105620-01-718	EA CAPACITOR - FAN - 12.5 MFD/370V	1499-5631
18	105620-01-708	EA LINE ASM. - DISCHARGE - CKT #2 LH	6795-133
19	105620-02-703	EA LINE ASM. - SUCTION CKT #2 LH	6795-507
20	105620-01-705	EA PROTECTOR - OVERLOAD - RH & LH	6759-3791
21	105620-01-704	EA COMPRESSOR - TECUMSEH A/C - 2 TON & CENTRAL AIR	1450-2009
22	105620-01-706	EA MOUNTING PKG. - COMP. - 3 PER	6759-3081
23	105620-02-706	EA LINE ASM. - LIQUID - CKT #1 LH	6795-234
24	105620-02-705	EA LINE ASM. -SUCTION - CKT #1 LH	6795-508
25	105620-02-707	EA LINE ASM. - LIQUID - COMP. LH	6795-503
26	105620-01-712	EA CAP TUBE ASM-DISTRIBUTOR RH & LH	6795-5141
27	105620-02-700	EA COIL - CONDENSER - LH	1452-1421
	105620-07-000	EA WIRE ASSEMBLY - THERMOSTAT	
	056464-06-000	EA REGISTER - 4" DIAMETER - PLASTIC - W/O DAMPENER - OFF WHT	

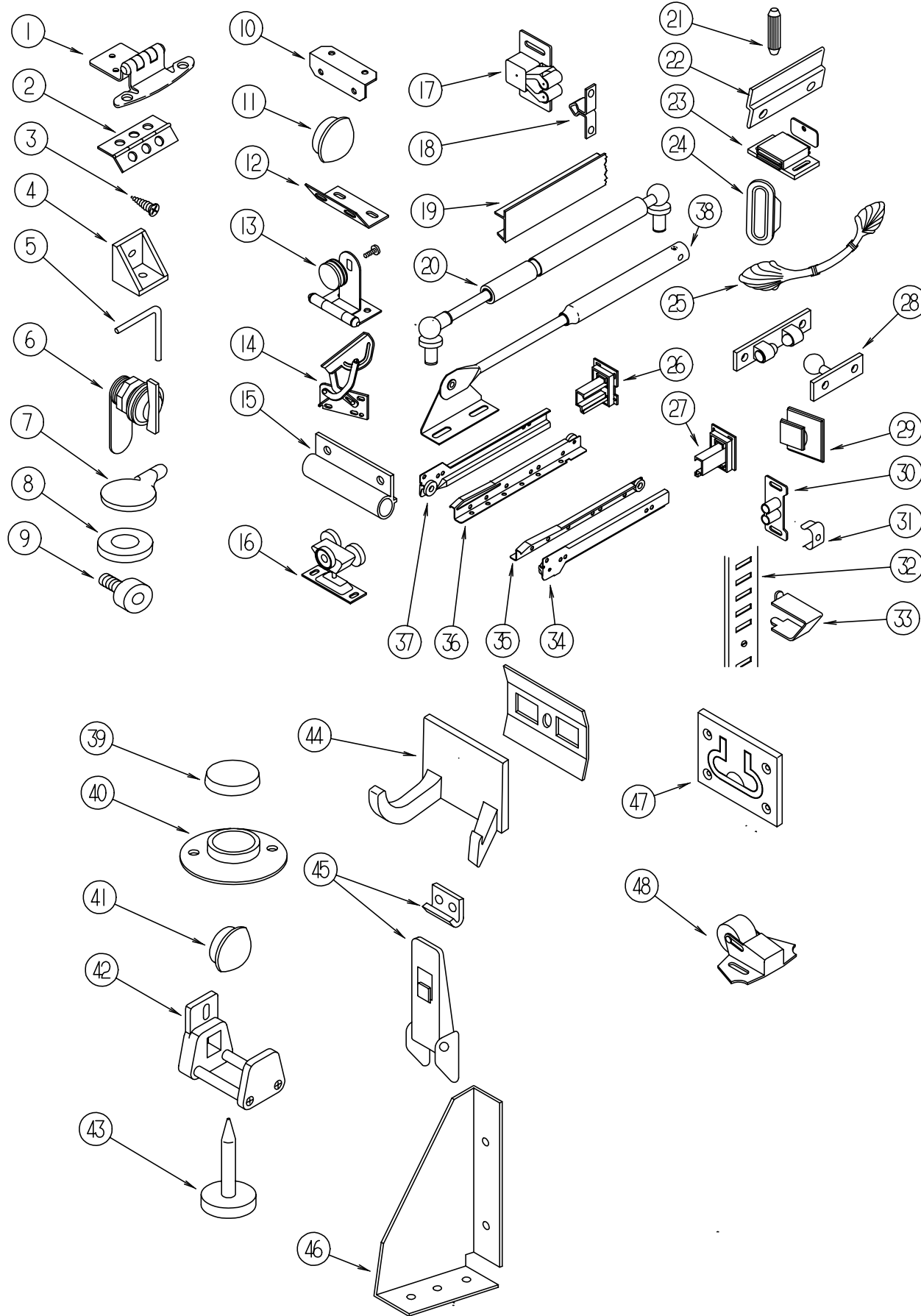
FURNACE-SUBURBAN - 40,000 BTU - SF-422275

KEY	PART NUMBER	U/M DESCRIPTION
*	098668-22-000	EA FURNACE - 40,000 BTU
	094600-05-01A	EA REGISTER W/O DAMPER-3.6" X 11.3" FACE/2.1" X 9.9" RO-BEIGE
	094600-06-01A	EA REGISTER W/DAMPER-3.6" X 11.3" FACE/2.1" X 9.9" RO-BEIGE
	056464-10-000	EA REGISTER - 4" DIAMETER - PLASTIC - W/O DAMPER - BEIGE
	120773-01-02A	EA SHROUD - FURNACE
	009198-02-000	FT DUCT - FLEXIBLE - 2" ID X 25'
	009198-01-000	FT DUCT - HEAT - FLEXIBLE - 4" ID X 25'
	076776-01-000	EA TEE - BEADED - 5/8" X 5/8" X 5/8"
	093614-06-02A	EA GRILLE - RETURN AIR - BEIGE - 20" X 14"
	093614-01-02A	EA GRILLE - RETURN AIR - 15.6" X 7.6" - BEIGE
	093614-03-02A	EA GRILLE - RETURN AIR - 14" X 8" - BEIGE
	009200-01-000	EA TAPE - FURNACE - 1 1/2"

* COMPONENT PARTS FOUND IN SERVICE PARTS LIBRARY

INTERIOR FINISH GROUP

CABINET HARDWARE

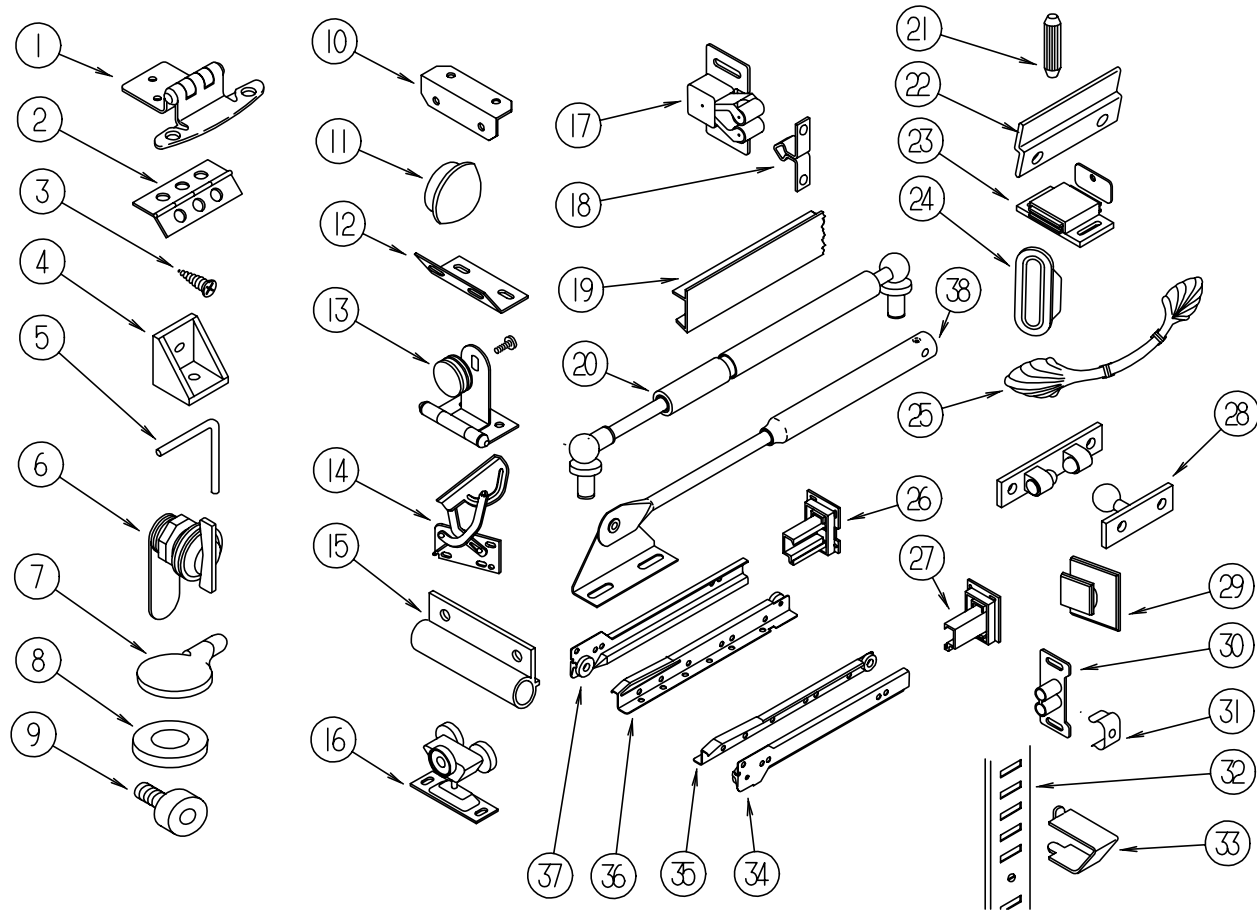


KEY	PART NUMBER	U/M	DESCRIPTION
1	108138-01-000	EA	HINGE - CABINET DOOR - BURNISHED BRASS
2	009059-01-000	EA	HINGE - DOOR - 2" X 1.4" - BRASS
2	009059-02-000	EA	HINGE - DOOR - 2" X 2.7" - BRASS
2	009065-01-000	EA	HINGE - ALUMINUM - 1 1/2" X 96" - UNPAINTED
2	112556-01-01A	EA	HINGE - BRASS - 1 1/2"
3	000G13-06-10G	EA	SCREW - 6-20 X 5/8 PFH - ANTIQUE BRASS
3	000G13-06-08G	EA	SCREW - 6-20 X .50 PFH - ANTIQUE BRASS
4	065740-01-000	EA	BRACE - CABINET/CORNER - PLASTIC
5	108487-01-01A	EA	SUPPORT - PROP ROD - OVERHEAD - BLACK
6	100710-01-01A	EA	LOCK - GLASS DOOR/TWIST TYPE - BRASS
7	101766-02-000	EA	PIN - SUPPORT/GLASS DOOR
8	100707-01-000	EA	SPACER - GLASS DOOR - .8" DIA - .3" HOLE - PLASTIC
9	079921-01-000	EA	ROLLER - NYLON - W/STEEL SHAFT - BARBED
10	016604-01-000	EA	BRACE - CABINET - ANGLE - 2.5" - UNPAINTED METAL
10	016604-05-000	EA	BRACE - CABINET - ANGLE - 2.5" - OFF WHITE METAL
11	074045-10-000	EA	PLUG - OAK - 1/2" DIAMETER (WASHED MAPLE)
11	074045-08-000	EA	PLUG - OAK - 1/2" DIAMETER (SALEM CHERRY)
12	111866-01-01A	EA	BRACE - SEAT - ANGLE
13	100711-01-01A	EA	HINGE - GLASS DOOR
14	108126-01-000	EA	TRAY HINGE SET (QTY. 2 PER SET)
15	108486-01-01A	EA	BRACKET - PROP ROD/OVERHEAD - BLACK
16	103874-01-000	EA	HANGER - SLIDING DOOR
17	093586-06-000	EA	CATCH - SPRING - ROLLER
18	093586-05-000	EA	STRIKE - SPRING STEEL
19	103186-01-08A	FT	MOLDING - PLASTIC/3/8" U-CHANNEL W/3/4" FACE - WASHED MAPLE
19	103186-01-04A	FT	MOLDING - PLASTIC/3/8" U-CHANNEL W/3/4" FACE - CHERRY
19	103186-02-08A	FT	MOLDING - PLASTIC/1" U-CHANNEL W/1 3/8" FACE - WASHED MAPLE
19	103186-02-04A	FT	MOLDING - PLASTIC/1" U-CHANNEL W/1 3/8" FACE - CHERRY
20	057460-04-000	EA	SPRING - GAS - BALL STUD STYLE "SPD6209"
21	110072-01-000	EA	DOWEL - 5/16" X 1 3/16" - BIRCH
22	101272-01-000	EA	CATCH - GLASS DOOR
23	088254-01-000	EA	CATCH - MAGNETIC - 1.8" X .7"
24	098410-01-01A	EA	PULL - FINGER - OVAL - BRASS
25	113202-01-000	EA	PULL - CABINET - BRASS
26	114045-01-000	EA	BACKSOCKET - ADJUSTABLE LEFT
26	128811-01-01A	EA	BACKSOCKET - ADJUSTABLE LEFT
27	114045-02-000	EA	BACKSOCKET - ADJUSTABLE RIGHT
27	128811-02-01A	EA	BACKSOCKET - ADJUSTABLE RIGHT
28	084451-02-000	EA	CATCH - BRASS
29	102327-01-01A	EA	PULL - MIRROR - W/SQUARE HANDLE
30	009021-01-000	EA	CATCH - GRILLE - NYLON
31	009021-02-000	EA	STRIKE - SPRING STEEL
32	098980-01-000	EA	PILASTER - ADJUSTABLE SHELF - 18"
32	098980-02-000	EA	PILASTER - ADJUSTABLE SHELF - 12"
32	098980-03-000	EA	PILASTER - ADJUSTABLE SHELF - 9"
32	098980-04-000	EA	PILASTER - ADJUSTABLE SHELF - 48"
32	098980-06-000	EA	PILASTER - ADJUSTABLE SHELF - 24"
33	098979-01-000	EA	CLIP - ADJUSTABLE SHELF

FROM: 00-00-00 THRU: 02-22-98
 FROM: 02-23-98 THRU: 99-99-99
 FROM: 00-00-00 THRU: 02-22-98
 FROM: 02-23-98 THRU: 99-99-99

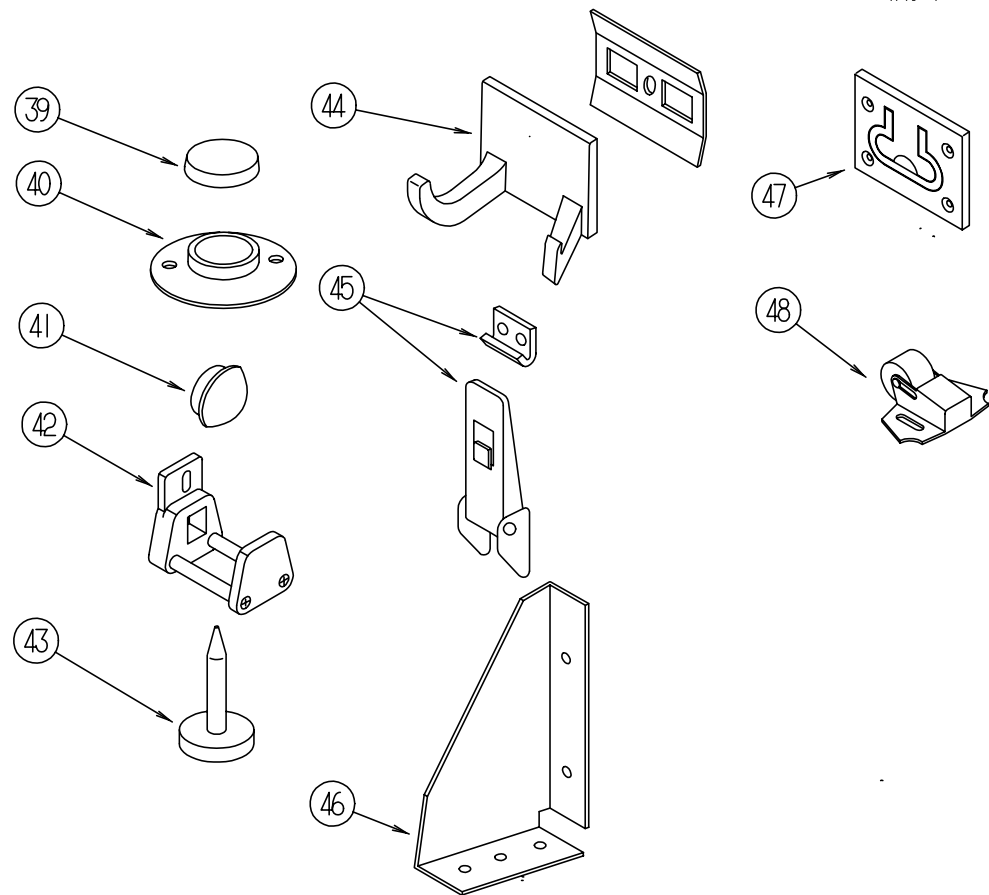
INTERIOR FINISH GROUP (CONTINUED)

CABINET HARDWARE (CONTINUED)



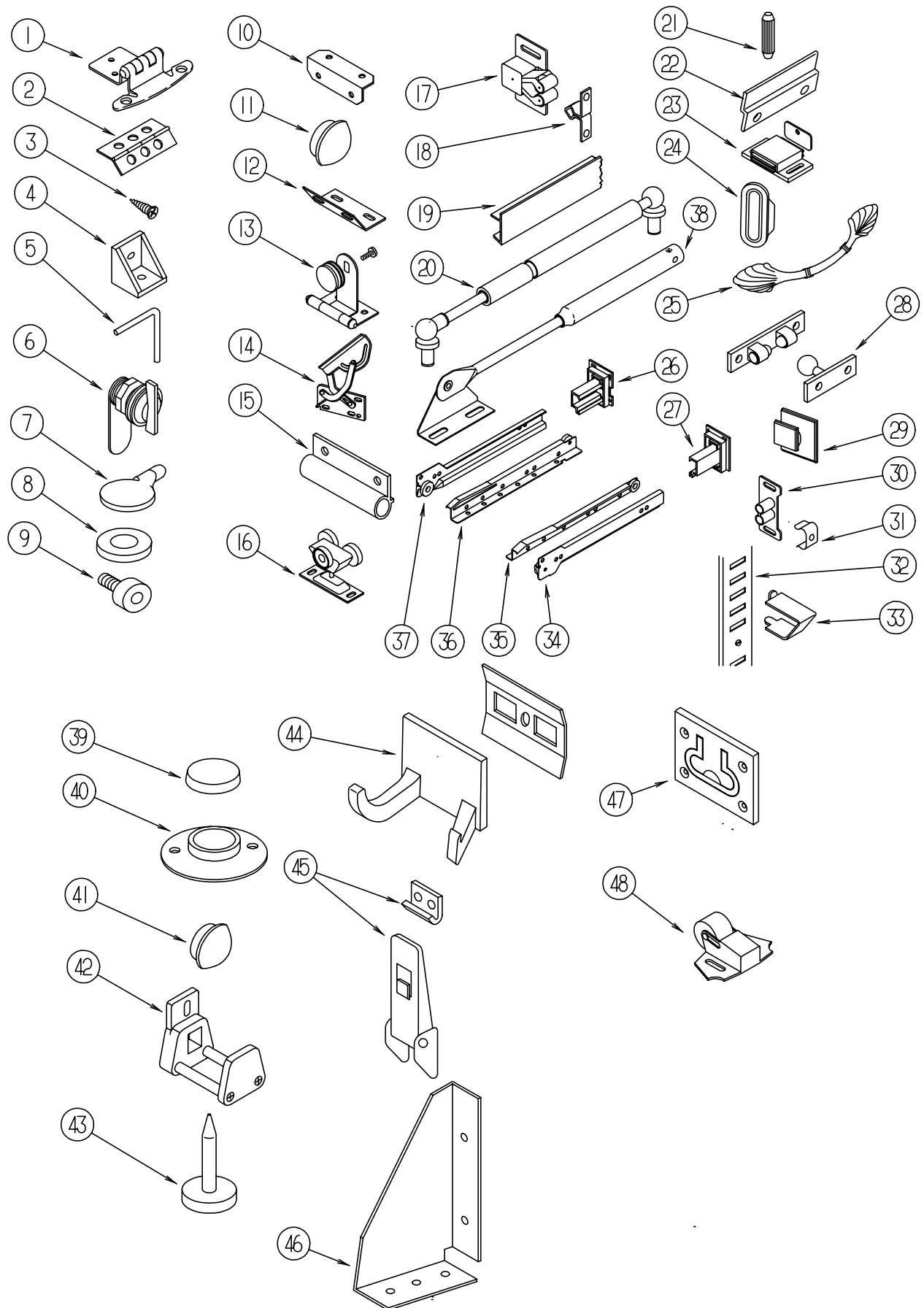
CABINET DRAWER SLIDES

KEY	PART NUMBER	U/M	DESCRIPTION
34	128810-02-01A	EA	SLIDE - DRAWER - 12" - RIGHT CABINET
34	128810-06-01A	EA	SLIDE - DRAWER - 18" - RIGHT CABINET
34	128810-18-01A	EA	SLIDE - DRAWER - 20" - RIGHT CABINET
34	128810-22-01A	EA	SLIDE - DRAWER - 22" - RIGHT CABINET
34	128810-26-01A	EA	SLIDE - DRAWER - 24" - RIGHT CABINET
35	128810-04-01A	EA	SLIDE - DRAWER - 12" - RIGHT DRAWER
35	128810-16-01A	EA	SLIDE - DRAWER - 18" - RIGHT DRAWER
35	128810-20-01A	EA	SLIDE - DRAWER - 20" - RIGHT DRAWER
35	128810-24-01A	EA	SLIDE - DRAWER - 22" - RIGHT DRAWER
35	128810-28-01A	EA	SLIDE - DRAWER - 24" - RIGHT DRAWER
36	128810-03-01A	EA	SLIDE - DRAWER - 12" - LEFT DRAWER
36	128810-15-01A	EA	SLIDE - DRAWER - 18" - LEFT DRAWER
36	128810-19-01A	EA	SLIDE - DRAWER - 20" - LEFT DRAWER
36	128810-23-01A	EA	SLIDE - DRAWER - 22" - LEFT DRAWER
36	128810-27-01A	EA	SLIDE - DRAWER - 24" - LEFT DRAWER
37	128810-01-01A	EA	SLIDE - DRAWER - 12" - LEFT CABINET
37	128810-13-01A	EA	SLIDE - DRAWER - 18" - LEFT CABINET
37	128810-17-01A	EA	SLIDE - DRAWER - 20" - LEFT CABINET
37	128810-21-01A	EA	SLIDE - DRAWER - 22" - LEFT CABINET
37	128810-25-01A	EA	SLIDE - DRAWER - 24" - LEFT CABINET



INTERIOR FINISH GROUP (CONTINUED)

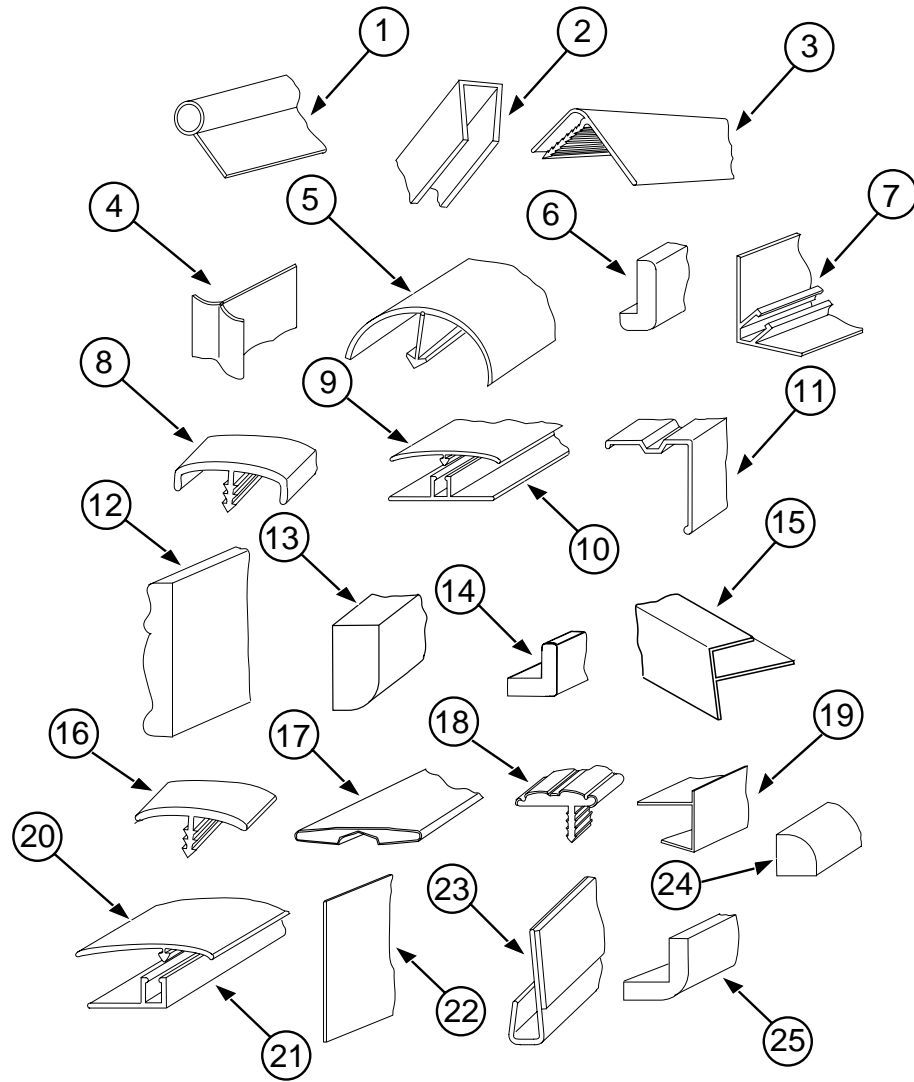
CABINET HARDWARE (CONTINUED)



KEY	PART NUMBER	U/M	DESCRIPTION
38	074493-02-000	EA	SUPPORT - PISTON SPRING - CABINET DOOR - 26 LBS
38	074493-03-000	EA	SUPPORT - PISTON SPRING - CABINET DOOR - 12 LBS
39	004354-01-000	EA	BUMPER - RUBBER - .5" DIA - BROWN
40	009112-01-000	EA	FLANGE - PLASTIC - 1" CLOTHES ROD - OFF WHITE
41	042356-01-000	EA	PLUG - BUTTON - MAHOGANY - 3/8" DIAMETER - WOOD
42	064467-01-000	EA	GUIDE - POCKET - SLIDING DOOR - WALL MOUNTED
43	102194-01-000	EA	GUIDE - PLASTIC
44	104174-01-000	EA	HOOK - ROBE - DOUBLE
45	116975-01-01A	EA	LATCH - W/O STRIKE - BLACK - NEW STYLE
	116975-02-01A	EA	KEEPER/STRIKE - BLACK - NEW STYLE
46	116978-01-03B	EA	GUSSET - SLIDEOUT ROOM - OFF/WHITE
47	072871-01-000	EA	PULL - FLUSH - CHROME
48	109403-01-000	EA	CATCH - SINGLE ROLLER - SCREEN DOOR
	076790-01-000	EA	SCREW - 6-20 X 1 1/4 PPH - BLACK
	M97191-01-H56	EA	HANDLE - TAMBOUR DOOR - MAPLE
	M97191-01-E41	EA	HANDLE - TAMBOUR DOOR - CHERRY
	112053-01-01A	EA	STOP - DRAWER - BLACK
	023320-01-000	EA	PAD - FELT 3/8" DIAMETER
	042438-01-000	EA	DOWEL - WOOD - CLOTHES ROD - 1" DIAMETER X 4'
	042438-06-000	EA	DOWEL - WOOD - 1.5" X 26" - OAK
	080728-01-000	EA	HANDLE - PULL - 1.25" X 4.4" - BROWN PLASTIC
	041389-25-000	EA	HINGE - PIANO - 1.50" X 55"
	073151-02-000	EA	HINGE - CONTINUOUS - 22.3" OFF WHITE METAL
	097141-02-700	EA	KIT - TRACK - TAMBOUR DOOR - W/ONE RT & ONE LEFT TRACK
	118802-01-02A	EA	HINGE - DOOR/CAB - OVERHEAD - HAMPTON TAN
	084071-04-000	EA	ROD - BRASS - 11.9"
	084071-05-000	EA	ROD - BRASS - 15"
	084071-23-000	EA	ROD - BRASS - 13.12"

INTERIOR FINISH GROUP (CONTINUED)

MOLDINGS & TRIMS



KEY	PART NUMBER	U/M DESCRIPTION
1	009767-12-000	FT WELTING - SIDEWALL/CEILING/CABINET - OFF/WH
2	009778-27-000	FT U-CHANNEL - 1" - WASHED MAPLE (WASHED MAPLE) FROM: 00-00-00 THRU: 11-09-97
2	009778-30-000	FT U-CHANNEL - 1" - VILLAGE OAK (WASHED MAPLE) FROM: 11-10-97 THRU: 99-99-99
2	009778-18-000	FT U-CHANNEL - 1" - CHERRY-CHERRY (SALEM CHERRY) FROM: 00-00-00 THRU: 11-09-97
2	009778-31-000	FT U-CHANNEL - 1" - GRADY BROWN (SALEM CHERRY) FROM: 11-10-97 THRU: 99-99-99
2	070504-50-000	FT U-CHANNEL - PLASTIC - .13" X 84" - WASHED MAPLE (WASHED MAPLE)
2	070504-51-000	FT U-CHANNEL - PLASTIC - .87" X 84" - WASHED MAPLE (WASHED MAPLE)
2	070504-30-000	FT U-CHANNEL - PLASTIC - .13" X 84" - CHERRY (SALEM CHERRY)
2	070504-31-000	FT U-CHANNEL - PLASTIC - .87" X 84" - CHERRY (SALEM CHERRY) FROM: 00-00-00 THRU: 09-21-97
2	070504-03-000	FT U-CHANNEL PLASTIC - .87" X 84" - GRADY BROWN (SALEM CHERRY) FROM: 09-22-97 THRU: 99-99-99
3	009809-31-000	EA MOLDING - CORNER - OUTSIDE - 1" X 84" - WASHED MAPLE (WASHED MAPLE)
3	009809-27-000	EA MOLDING - CORNER - OUTSIDE - 1" X 84" - CHERRY (SALEM CHERRY)

KEY	PART NUMBER	U/M DESCRIPTION
4	022992-11-000	FT MOLDING - REVERSE COVE - T-SHAPED VINYL - IVORY
5	042357-25-000	EA MOLDING - CORNER - RADIUS/PLASTIC - WASHED MAPLE
5	042357-19-000	EA MOLDING - CORNER - RADIUS/PLASTIC - CHERRY
6	077840-01-J70	EA MOLDING - CAP/WALL - 8' WASHED MAPLE
6	077840-01-E41	EA MOLDING - CAP/WALL - 8' SALEM CHERRY
7	081521-02-007	EA MOUNT - METAL MOLDING - F/RADIUS CORNER MOLDING - 12/5" EA
8	083620-14-000	FT MOLDING-T - END CAP EDGE - W/EDGE LIPS - .75" - WASHED MAPLE
8	083620-11-000	FT MOLDING-T - END CAP EDGE - W/EDGE LIPS - .75" - SALEM CHERRY
9	086229-14-000	EA RETAINER - 3/4" X 98.43" - ANY COLOR
10	086229-13-000	EA BATTEN - 1" X 96" - IVORY
10	086229-20-000	EA BATTEN - 1" X 96" - BEIGE
11	093873-01-01A	EA TRIM - CARPET - L-ANGLE 1.1" X 1.3" X 12' - GRAY VINYL
12	100182-10-J70	EA TRIM - RAIL (WASHED MAPLE)
12	100182-10-E41	EA TRIM - RAIL (SALEM CHERRY)
13	100818-01-08A	EA MOLDING - VINYL WRAPPED - 1.65" X .4" X 7' (WASHED MAPLE)
13	100818-01-04A	EA MOLDING - VINYL WRAPPED - 1.65" X .4" X 7' (SALEM CHERRY)
14	100819-01-08A	EA MOLDING - VINYL WRAPPED - L-SHAPED - 1.5" X 1.5" X 7' (WASHED MAPLE)
14	100819-01-04A	EA MOLDING - VINYL WRAPPED - L-SHAPED - 1.5" X 1.5" X 7' (SALEM CHERRY)
15	009812-30-000	EA MOLDING - CORNER - OUTSIDE - 1/2" PLASTIC (WASHED MAPLE)
15	009812-26-000	EA MOLDING - PLASTIC - 1/2" O/S CORNER (SALEM CHERRY)
16	105709-01-000	FT T-MOLDING - 1" - MODERN IVORY
17	079653-35-000	EA BATT STRIP - KERFED - TRANQUIL - 8'
18	109736-01-01A	FT T-MOLDING - 1" - BRASS/BLACK
19	103186-01-08A	FT MOLDING - PLASTIC/3/8" U-CHANNEL W/3/4" FACE - WASHED MAPLE
19	103186-01-04A	FT MOLDING - PLASTIC/3/8" U-CHANNEL W/3/4" FACE - CHERRY
19	103186-02-08A	FT MOLDING - PLASTIC/1" U-CHANNEL W/1 3/8" FACE - WASHED MAPLE
19	103186-02-04A	FT MOLDING - PLASTIC/1" U-CHANNEL W/1 3/8" FACE - CHERRY
20	086229-10-000	EA BATTEN - 1.5" OFFSET X 90.16"
21	086229-09-000	EA RETAINER - OFFSET - 90.16"
22	101957-01-05A	EA EXTRUDED - PLASTIC (WASHED MAPLE)
22	101957-01-04A	EA EXTRUDED - PLASTIC (SALEM CHERRY)
23	109332-02-01A	FT TRIM-J - W/O ADHESIVE - BRASS
24	109410-01-H37	EA MOLDING - TRIM - 8' (WASHED MAPLE)
24	109410-01-E41	EA MOLDING - TRIM - 8' (SALEM CHERRY)
25	080176-08-000	EA CAP - CORNER - RADIUS CORNER - PLASTIC (WASHED MAPLE)
25	080176-06-000	EA CAP - CORNER - RADIUS CORNER - PLASTIC (SALEM CHERRY)
	104676-01-01A	FT MOLDING-T - 5/16" RIGID GOLD
	009767-16-000	FT WELTING - REBER BIRCH (WASHED MAPLE)
	009767-14-000	FT WELTING - CHERRY (SALEM CHERRY)
	109831-01-J70	EA LUMBER - MIRROR STOP - 24" (WASHED MAPLE)
	109831-01-E41	EA LUMBER - MIRROR STOP - 24" (SALEM CHERRY)
	120492-01-01A	FT STRIP - TRIM - IVORY
	116280-02-J70	EA MOLDING - CAP - WASHED MAPLE (WASHED MAPLE)
	116280-02-GV1	EA MOLDING - CAP - SALEM CHERRY (SALEM CHERRY)

INTERIOR FINISH GROUP (CONTINUED)

PANELING & LUMBER

KEY	PART NUMBER	U/M	DESCRIPTION
	080215-13-000	SF	PANELING - 2 SIDED - WASHED MAPLE - .2" X 4' X 8" (WASHED MAPLE)
	080215-09-000	SF	PANELING - 2 SIDED - .2" X 48" X 96" - CHERRY (SALEM CHERRY)
	074497-39-000	SF	PANELING - WASHED MAPLE - 4' X 8' (WASHED MAPLE)
	074497-23-000	SF	PANELING - CHERRY - 1/8" X 48" X 96" (SALEM CHERRY)
	088272-G8-000	SF	PANELING - BENTLEY - 48" X 96" - MAIN WALL (J70,J71)
	088272-G9-000	SF	PANELING - GAZEBO - PEARL - MAIN WALL (J72,J73,J74,J75)
	088272-H6-000	SF	PANELING - ARTESIA SPRING - 48" X 96" - MAIN WALL (J76,J77)
	088272-G1-000	SF	PANELING - PEBBLE EMBOSSED - ANTIQUE WHITE - 4' X 7' - WET BATH
	000885-82-000	SF	PARTICLE BOARD - 1/2" X 48" X 96" - 2 SIDED (WASHED MAPLE)
	000885-72-000	SF	PARTICLE BOARD - 1/2" X 48" X 96" - CHERRY/VINYL 2 SIDED (SALEM CHERRY)
	000885-91-000	SF	PARTICLE BOARD - 3/4" X 48" X 96" - WASHED MAPLE - 2-SIDED
	000885-73-000	SF	PARTICLE BOARD - 3/4" X 48" X 96" - CHERRY/VINYL 2 SIDED (SALEM CHERRY)
	000885-89-000	SF	PARTICLE BOARD - 3/8" X 48" X 96" - WASHED MAPLE - 2-SIDED
	000885-71-000	SF	PARTICLE BOARD - 3/8" X 48" X 96" - CHERRY/VINYL 1 SIDED (SALEM CHERRY)
	098531-04-000	SF	PLYWOOD - 1/2" (WASHED MAPLE)
	098531-02-000	SF	PLYWOOD - CHERRY 1/2" (SALEM CHERRY)
	083618-07-000	SF	PLYWOOD - MAPLE - 1 SIDE 3/16" (WASHED MAPLE)
	083618-04-000	SF	PLYWOOD - MAPLE - 1 SIDE 3/16" (SALEM CHERRY)
	000846-01-000	SF	PLYWOOD - 5/16" X 48" X 96" - CD GRADE
	000846-02-000	SF	PLYWOOD/UNDERLAYMENT - 5/16" X 48" X 96"
	126205-D2-438	EA	LUMBER - VINYL WRAPPED - WASHED MAPLE - .7" X 1.5" X 96"
	111134-D2-438	EA	LUMBER - VINYL WRAPPED - .7" X 1.5" X 96" - CHERRY
	126205-E2-438	EA	LUMBER - VINYL WRAPPED - WASHED MAPLE - .7" X 2" X 96"
	111134-E2-438	EA	LUMBER - VINYL WRAPPED - .7" X 2" X 96" - CHERRY
	126205-G2-438	EA	LUMBER - VINYL WRAPPED - WASHED MAPLE - .7" X 3" X 96"
	111134-G2-438	EA	LUMBER - VINYL WRAPPED - .7" X 3" X 96" - CHERRY
	126205-J2-438	EA	LUMBER - VINYL WRAPPED - WASHED MAPLE - .7" X 5.5" X 96"
	111134-J2-438	EA	LUMBER - VINYL WRAPPED - .7" X 5.5" X 96" - CHERRY

LAMINATES & EDGE BAND

KEY	PART NUMBER	U/M	DESCRIPTION
	074498-71-000	SF	LAMINATE - PLASTIC - NEUTRAL SANTOS - 5' X 8' - INC OF 40 SF
	074498-72-000	SF	LAMINATE - PLASTIC - PEBBLE SANTOS - 5' X 8' INC OF 40 SF (J70,J71)
	074498-59-000	SF	LAMINATE - PLASTIC - SAND CHROMA (J72,J73)
	074498-81-000	SF	LAMINATE - PLASTIC - ALMOND JAGUARD - 5' X 8' INCR OF 40SF (J74,J75,J76,J77)
	074498-82-000	SF	LAMINATE - PLASTIC - WASHED MAPLE - 5' X 8' - INC OF 40 SF (J70,J72,J74,J76)
	074498-58-000	SF	LAMINATE - PLASTIC - CHERRY - 5' X 8' - INC OF 40 SF (J71,J73,J75,J77)
	074498-40-000	SF	LAMINATE - PLASTIC - OFF WHITE - 5' X 8' - INC OF 40 SF
	076325-74-000	FT	MOLDING - EDGE BAND - 1 5/16" X 38" - WASHED MAPLE (WASHED MAPLE)
	076325-50-000	FT	MOLDING - EDGE BAND - 1 5/16" X .030" - CHERRY (SALEM CHERRY)
	076325-37-000	FT	MOLDING - EDGE BAND - 1 5/16" X .030" (J70,J71)
	076325-53-000	FT	MOLDING - EDGE BAND - 1 5/16" X .030" - NEUTRAL (J72,J73)
	076325-39-000	FT	MOLDING - EDGE BAND - 1 5/16" X .030" (J74,J75,J76,J77)
	076325-38-000	FT	MOLDING - EDGE BAND - .875" X .024" (J70,J71)
	076325-54-000	FT	MOLDING - EDGE BAND - .875" X .024" - NEUTRAL (J72,J73,J74,J75,J76,J77)
	076325-73-000	FT	MOLDING - EDGE BAND - .93" X .024" - OFF WHITE

BATT STRIPS

KEY	PART NUMBER	U/M	DESCRIPTION
	088263-F0-000	EA	BATT STRIP - DECORATIVE - BENTLEY/PATINA - 8' LONG - MAIN WALL (J70,J71)
	088263-F1-000	EA	BATT STRIP - DECORATIVE - GAZEBO/PEARL - 8' LONG - MAIN WALL (J72,J73,J74,J75)
	088263-F6-000	EA	BATT - STRIP - DECORATIVE - ARTESIA/SPRING - INC OF 8' - MAIN WALL (J76,J77)
	088263-E3-000	EA	BATT STRIP - DECORATIVE - PEBBLE EMBOSSED/ANTIQUÉ-8' LONG - WET BATH
	085284-E4-000	FT	BATT TAPE - ADHESIVE BACKED - DECORATIVE - BENTLEY/PATINA (J70,J71)
	085284-E5-000	FT	BATT TAPE - ADHESIVE BACKED - DECORATIVE - GAZEBO PEARL (J72,J73,J74,J75)
	085284-F2-000	FT	BATT TAPE - ADHESIVE BACKED - DECORATIVE ARTESIA/SPRING (J76,J77)
	085284-D6-000	FT	BATT TAPE - ADHESIVE BACKED - DECORATIVE - EMBOSSED ANTIQUE

INTERIOR FINISH GROUP (CONTINUED)

FIRE EXTINGUISHER, DETECTORS & CLOCK

KEY	PART NUMBER	U/M	DESCRIPTION	VENDOR NO.
	094499-01-000	EA	EXTINGUISHER/FIRE - DRY W/MOUNTING BRACKET	
	094499-02-000	EA	EXTINGUISHER/FIRE - DRY - 1A10BC - CANADIAN	
	094499-01-700	EA	BRACKET - MOUNTING - W/PLASTIC STRAP	294039
	094499-01-701	EA	STRAP ONLY (METAL)	320351
	072852-01-000	EA	DETECTOR - SMOKE - W/9 VOLT BATTERY - US	
	072852-02-000	EA	DETECTOR - SMOKE - W/9 VOLT BATTERY - CANADIAN	
	125136-01-000	EA	CO DETECTOR - GAS - ROUND W/2 SCREWS - 9 VOLT	
	100793-02-01A	EA	CLOCK - WALL - QUARTZ/11" - BRASS	
	103613-02-000	EA	DETECTOR - LP GAS	

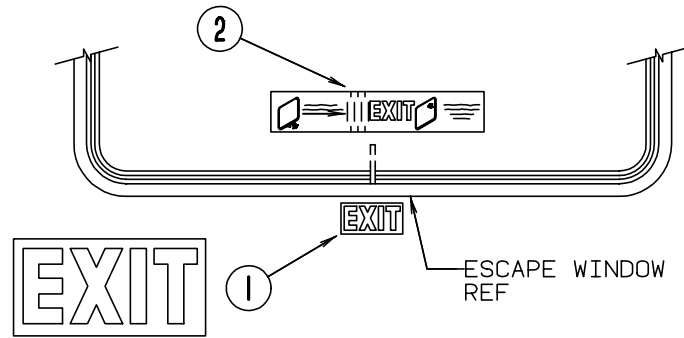
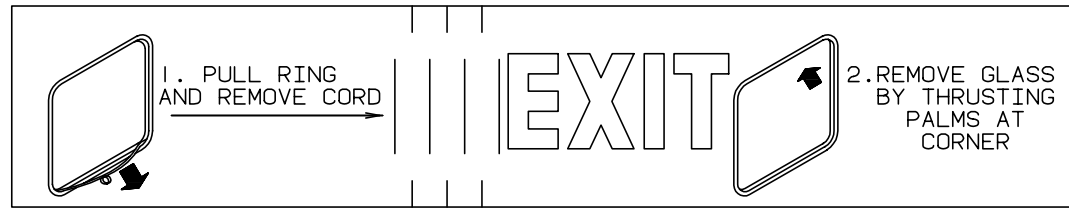
FLOOR COVERINGS

KEY	PART NUMBER	U/M	DESCRIPTION
	096060-C6-000	SY	CARPET - CHOCOLATE - INCREMENTS OF 4 SQ. YARDS (J70,J71)
	096060-C7-000	SY	CARPET - BAMBOO - INCREMENTS OF 4 SQ. YARDS (J72,J73,J74,J75)
	096060-D7-000	SY	CARPET - EXCALIBUR - GULF MIST (J76,J77)
	124253-01-02A	EA	VINYL - FLOOR PLANK - 3" X 12" - MAPLE - WASHED MAPLE
	124253-01-01A	EA	VINYL - FLOOR PLANK - 3" X 12" - CHERRY - SALEM CHERRY
	093486-01-000	SY	CARPET - COMPARTMENT - 72" WIDE - DARK GRAY

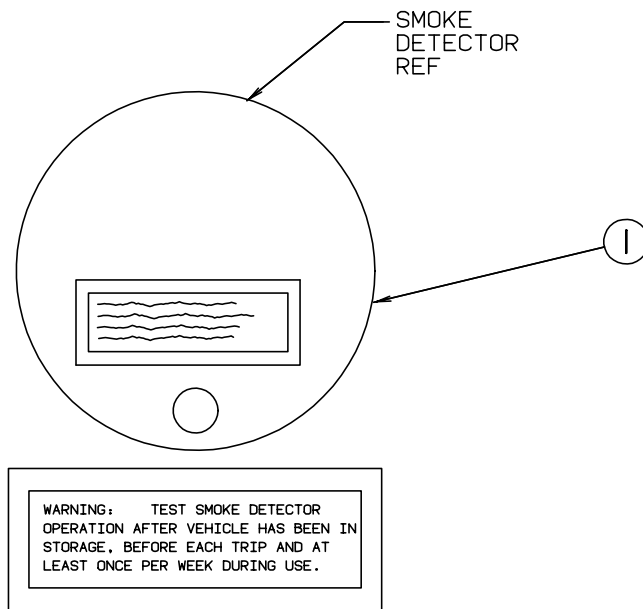
FLOOR MATS

KEY	PART NUMBER	U/M	DESCRIPTION
	108151-01-000	EA	MAT - FLOOR - ENTRANCE
	108152-01-000	EA	MAT - FLOOR - PASSENGER
	108152-03-000	EA	MAT - FLOOR - DRIVER

LABELS GROUP

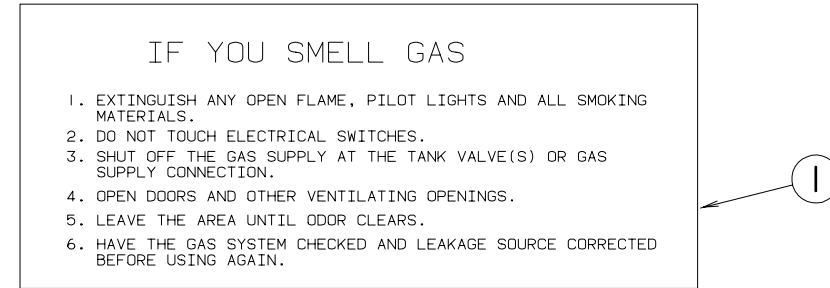


KEY	PART NUMBER	U/M DESCRIPTION
1	039290-01-000	EA LABEL - WARNING - EXIT
2	107571-01-000	EA LABEL - ESCAPE EXIT - WINDOW

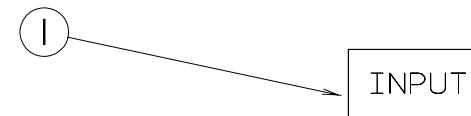


KEY	PART NUMBER	U/M DESCRIPTION
1	077956-01-000	EA LABEL - WARNING - SMOKE DETECTOR

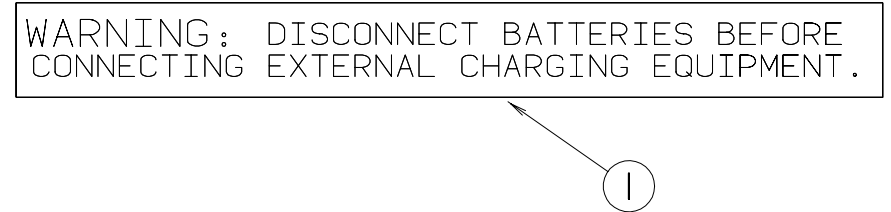
LABELS GROUP (CONTINUED)



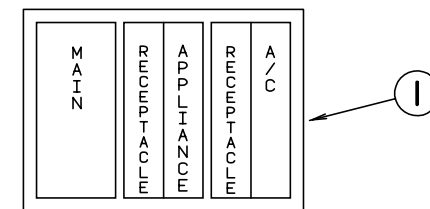
KEY	PART NUMBER	U/M DESCRIPTION
1	073998-01-000	EA LABEL - LPG ODOR WARNING



KEY	PART NUMBER	U/M DESCRIPTION
1	087236-01-000	EA LABEL - CABLE - INPUT

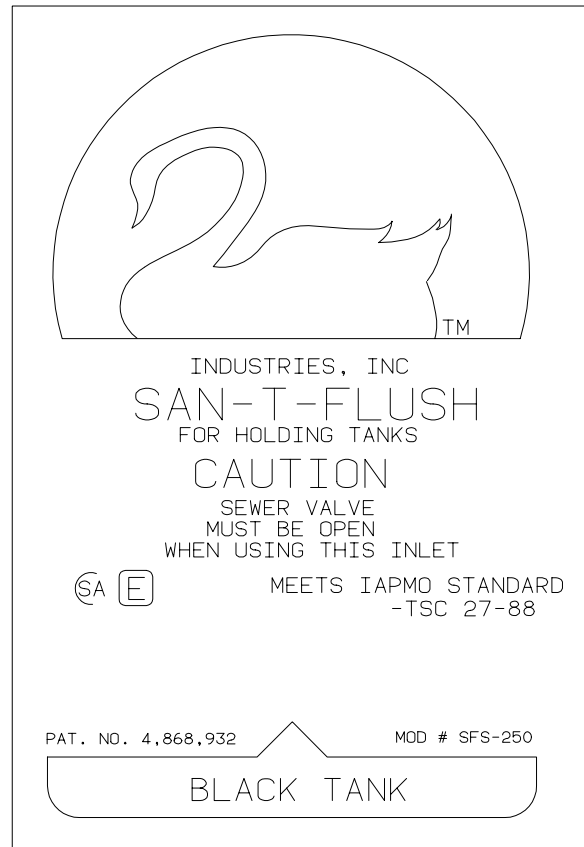


KEY	PART NUMBER	U/M DESCRIPTION
1	065748-01-000	EA LABEL - CAUTION - BATTERY CHARGING

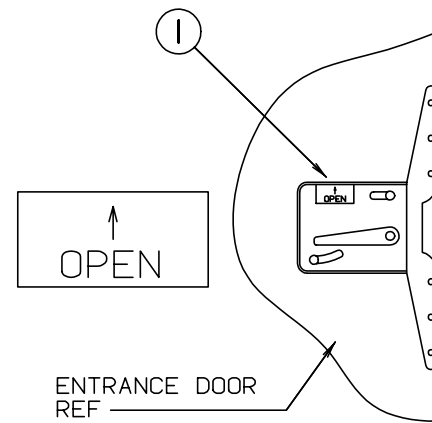


KEY	PART NUMBER	U/M DESCRIPTION
1	095721-07-000	EA LABEL - CONTROL CENTER - (US)

LABELS GROUP (CONTINUED)

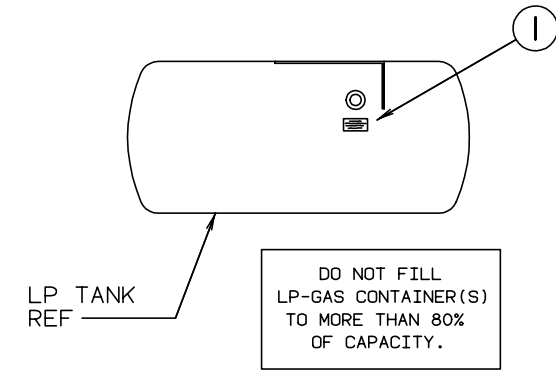


KEY	PART NUMBER	U/M DESCRIPTION
1	125697-07-000	EA LABEL - CAUTION - FLUSHING SYSTEM

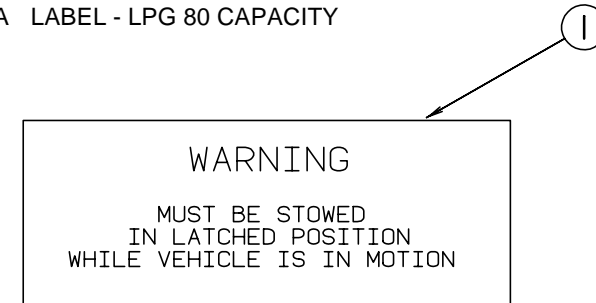


KEY	PART NUMBER	U/M DESCRIPTION
1	040944-01-000	EA LABEL - ENTRANCE DOOR - "OPEN"

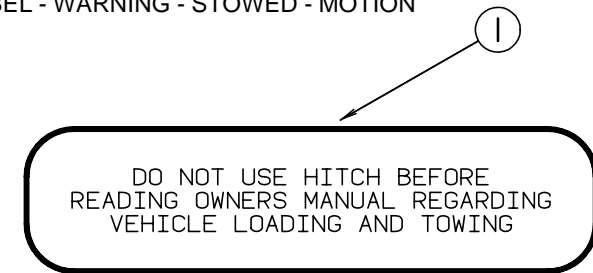
LABELS GROUP (CONTINUED)



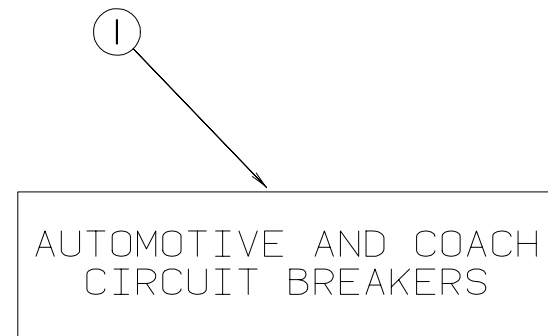
KEY	PART NUMBER	U/M DESCRIPTION
1	079965-01-000	EA LABEL - LPG 80 CAPACITY



KEY	PART NUMBER	U/M DESCRIPTION
1	079966-01-000	EA LABEL - WARNING - STOWED - MOTION

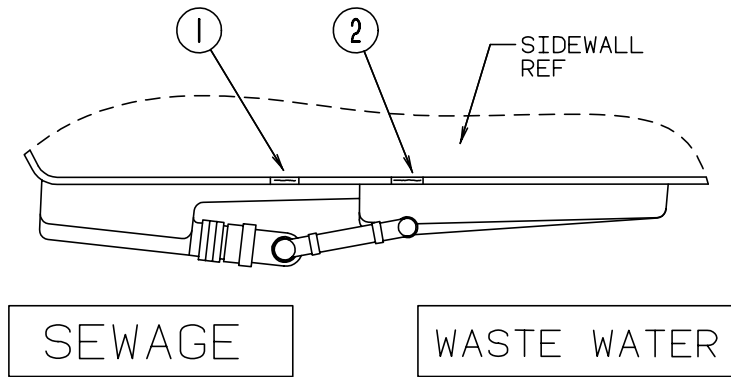


KEY	PART NUMBER	U/M DESCRIPTION
1	111104-01-000	EA LABEL - HITCH - READ MANUAL



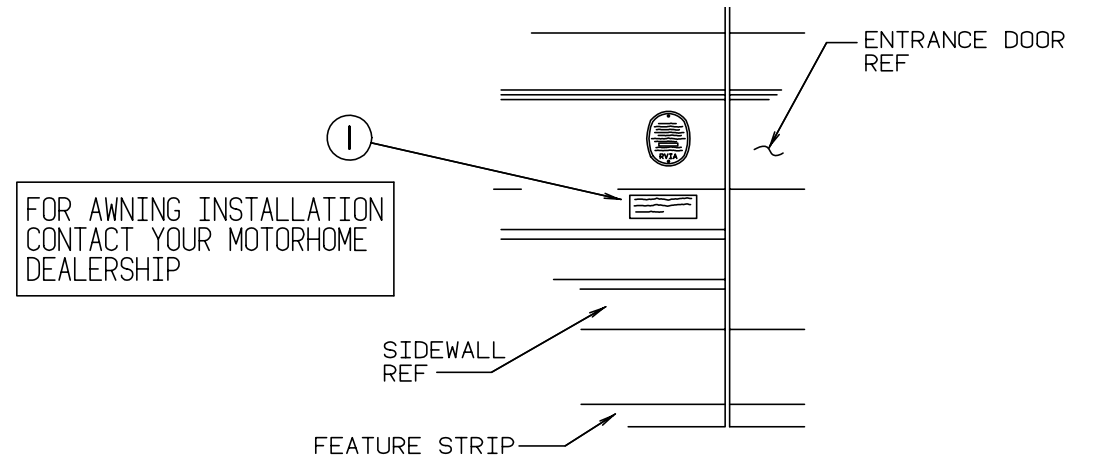
KEY	PART NUMBER	U/M DESCRIPTION
1	098379-01-000	EA LABEL - FRONT BOX - CIRCUIT BREAKER

LABELS GROUP (CONTINUED)

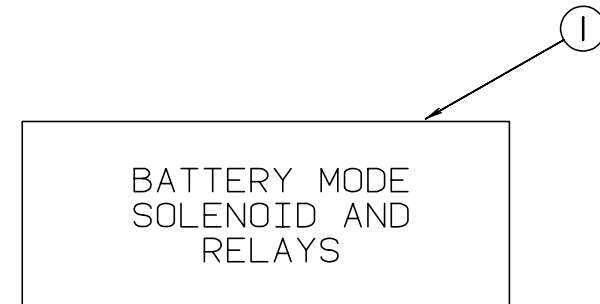
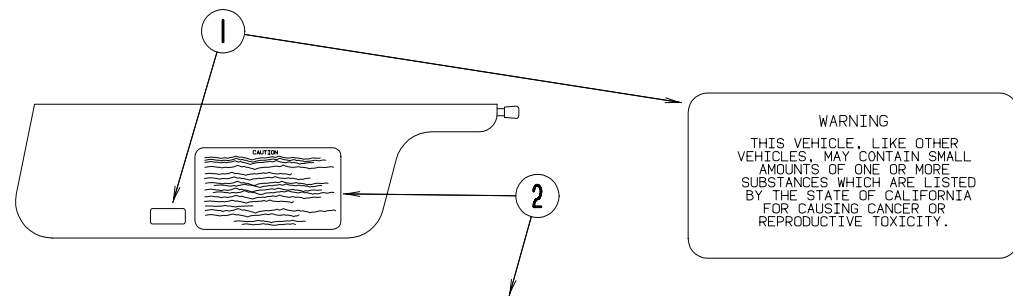


KEY	PART NUMBER	U/M DESCRIPTION
1	006187-01-000	EA LABEL - SEWAGE
2	006188-01-000	EA LABEL - WASTE WATER

LABELS GROUP (CONTINUED)



KEY	PART NUMBER	U/M DESCRIPTION
1	099509-01-000	EA LABEL - AWNING INSTALLATION



CAUTION

THIS MOTOR HOME HAS BEEN DESIGNED, MANUFACTURED AND TESTED WITH CONCERN FOR THE PROTECTION OF IT'S OCCUPANTS. WE RECOMMEND YOU PERFORM THE FOLLOWING INSPECTIONS FOR YOUR SAFETY AND THE SAFETY OF YOUR PASSENGERS BEFORE STARTING YOUR VEHICLE.

1. LP GAS SYSTEM- TURN OFF AT TANK FOR TRAVELING. TEST FOR LEAKS UPON ARRIVAL AT DESTINATION. BEFORE LIGHTING PILOTS.
2. WHEELS- INSPECT FOR DAMAGE AND CHECK LUG NUTS FOR TIGHTNESS.
3. TIRES- INSPECT FOR WEAR AND DAMAGE AND CHECK FOR RECOMMENDED AIR PRESSURE.
4. LIGHTING- TEST FOR PROPER OPERATION OF ALL INTERIOR AND EXTERIOR LIGHTS INCLUDING DASH LIGHTS, HEADLIGHTS, TAIL LIGHTS, BRAKE LIGHTS, CLEARANCE LIGHTS AND TURN SIGNALS.
5. EXITS- INSPECT RELEASE MECHANISM ON EMERGENCY EXIT WINDOW. TEST BOTH LOCKS ON MAIN ENTRANCE DOOR FOR EASE OF OPERATION AND INSTRUCT PASSENGERS HOW TO USE BOTH MEANS OF EXIT.
6. SEAT BELTS- DIRECT PASSENGERS TO DESIGNATED SEATS AND REQUIRE USE OF SEAT BELTS.
7. APPLIANCES- TURN OFF AND LATCH OR LOCK DOORS WHERE PROVIDED.
8. LOOSE PARCELS- STORE SECURELY.
9. UTILITY SUPPLY LINES- DISCONNECT ALL ELECTRIC, SEWER AND WATER LINES AND SECURE PROPERLY.
10. ENTRANCE DOOR STEP- PLACE IN RETRACTED POSITION FOR TRAVELING.

READ YOUR MOTOR HOME AND CHASSIS OWNER'S MANUAL FOR FURTHER PRECAUTIONS

KEY	PART NUMBER	U/M DESCRIPTION
1	099689-01-000	EA LABEL - WARNING - CANCER/TOXICITY
2	056259-01-000	EA LABEL - SAFETY CHECK LIST

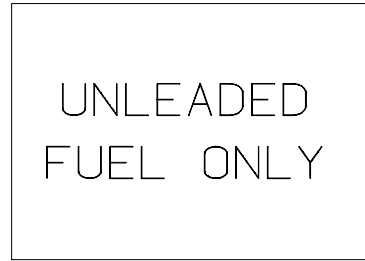
KEY	PART NUMBER	U/M DESCRIPTION
1	098379-04-000	EA LABEL - ELECTRICAL BOX - SIDE

NOTE: TUNE ANTENNA PER MANUFACTURER'S DIRECTIONS. FAILURE TO COMPLY COULD RESULT IN DAMAGE TO CB.

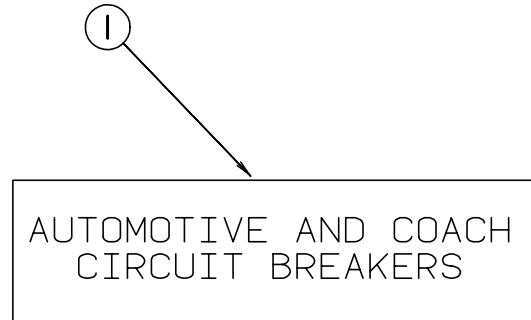
CB POWER PROVISION	
RED	+12 V
BLACK	GROUND
COAX	ANTENNA
(SEE REVERSE ALSO)	

KEY	PART NUMBER	U/M DESCRIPTION
1	104678-01-000	EA LABEL - CB PREP

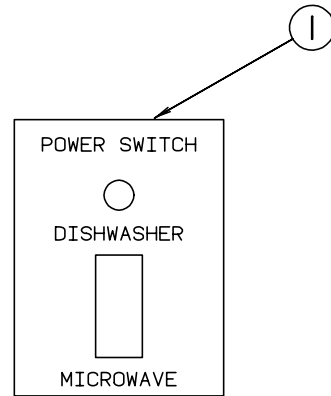
LABELS GROUP (CONTINUED)



KEY PART NUMBER U/M DESCRIPTION
 1 098641-01-000 EA LABEL - FUEL - UNLEADED - DASH

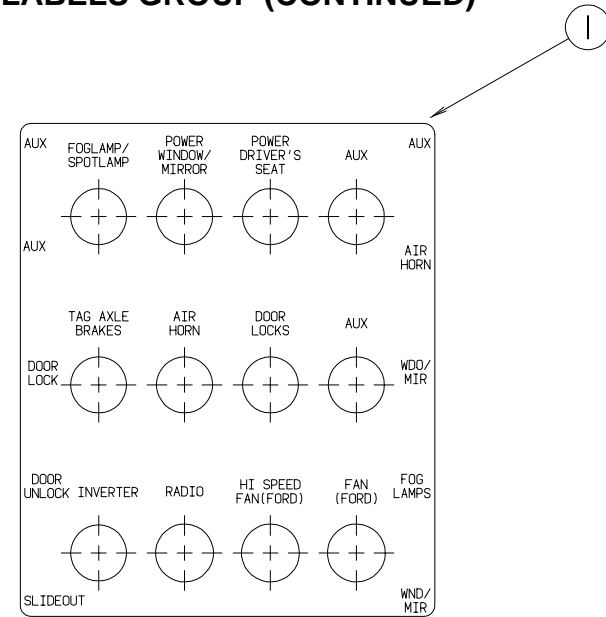


KEY PART NUMBER U/M DESCRIPTION
 1 098379-03-000 EA LABEL - ELECTRICAL BOX - FRONT

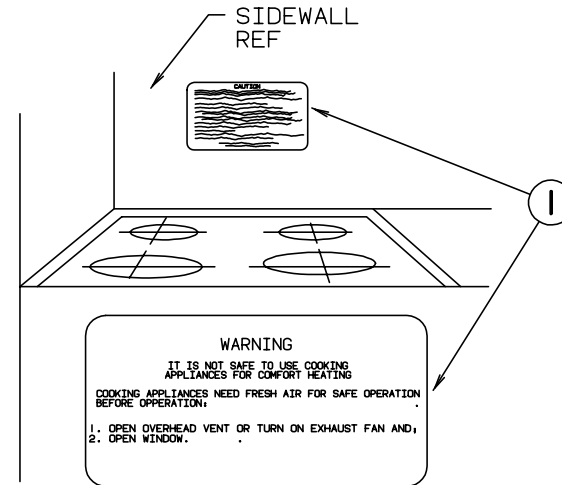


KEY PART NUMBER U/M DESCRIPTION
 1 109051-02-000 EA LABEL - SWITCH - 50A POWER (DISHWASHER)

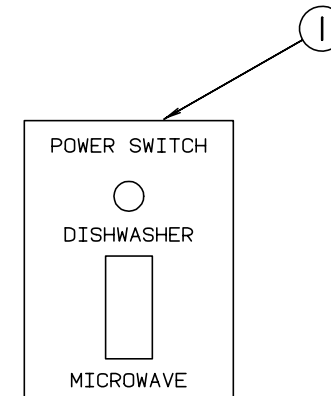
LABELS GROUP (CONTINUED)



KEY PART NUMBER U/M DESCRIPTION
 1 093236-16-000 EA LABEL - CIRCUIT BREAKER

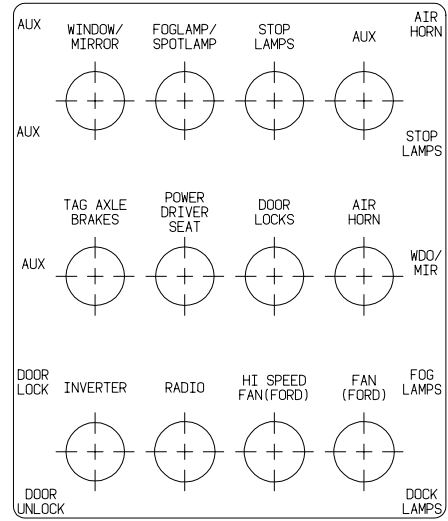


KEY PART NUMBER U/M DESCRIPTION
 1 050225-01-000 EA LABEL - WARNING - STOVE VENT - US
 1 050222-01-000 EA LABEL - WARNING - STOVE VENT - CANADIAN

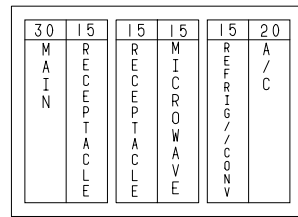


KEY PART NUMBER U/M DESCRIPTION
 1 109051-03-000 EA LABEL - SWITCH - 30AMP POWER

LABELS GROUP (CONTINUED)



KEY PART NUMBER U/M DESCRIPTION
 1 093236-14-000 EA LABEL - CIRCUIT BREAKER

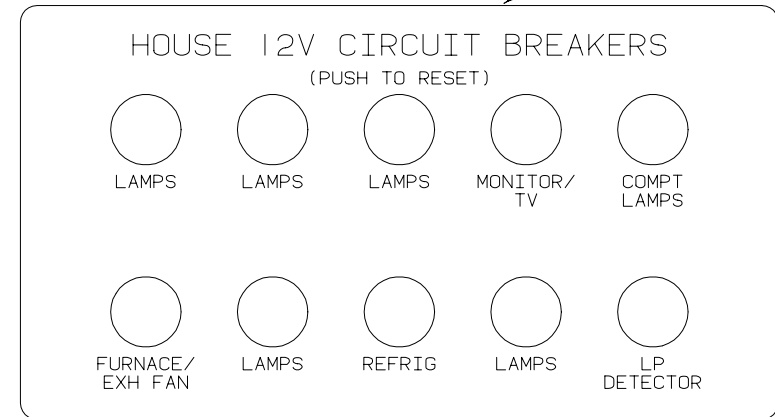


KEY PART NUMBER U/M DESCRIPTION
 1 095721-14-000 EA LABEL - CONTROL CENTER (30A)

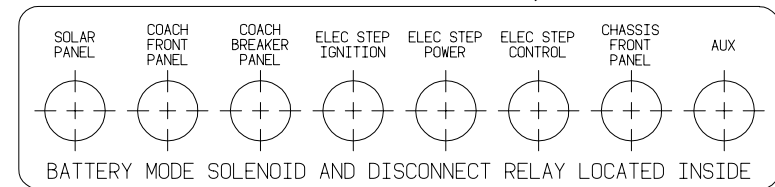
WARNING: CONTAINS "CFC" A SUBSTANCE WHICH HARMS PUBLIC HEALTH AND ENVIRONMENT BY DESTROYING OZONE IN THE UPPER ATMOSPHERE.

KEY PART NUMBER U/M DESCRIPTION
 1 111802-01-000 EA LABEL - CFC WARNING

LABELS GROUP (CONTINUED)



KEY PART NUMBER U/M DESCRIPTION
 1 092547-06-000 EA LABEL - CIRCUIT BREAKER



KEY PART NUMBER U/M DESCRIPTION
 1 093236-13-000 EA LABEL - CIRCUIT BREAKER

WARNING
 ALL PILOT LIGHTS, APPLIANCES AND THIER IGNITORS (SEE OPERATING INSTRUCTIONS) SHALL BE TURNED OFF DURING REFUELING OF MOTOR FUEL TANKS AND/OR LP GAS CONTAINERS

KEY PART NUMBER U/M DESCRIPTION
 1 124519-01-01A EA LABEL - WARNING/REFUELING - BLACK ON CLEAR
 1 124519-01-02A EA LABEL - WARNING/REFUELING - WHITE ON CLEAR

LABELS GROUP (CONTINUED)

LP-GAS SYSTEM
 THIS GAS PIPING SYSTEM IS DESIGNED FOR USE OF LIQUIFIED PETROLEUM GAS ONLY. DO NOT CONNECT NATURAL GAS TO THIS SYSTEM.
 SECURE CAP INLET(S) WHEN NOT CONNECTED FOR USE AFTER TURNING ON GAS. EXCEPT AFTER NORMAL CONTAINER REPLACEMENT, TEST GAS PIPING AND CONNECTIONS TO APPLIANCES FOR LEAKAGE WITH SOAPY WATER OR BUBBLE SOLUTION. DO NOT USE PRODUCTS THAT CONTAIN AMMONIA OR CHLORINE.

KEY PART NUMBER U/M DESCRIPTION
 1 124520-01-02A EA LABEL - LP GAS ONLY

30	15	15	15	15	20
M A I N	R E C E P T A C L E	R E C E P T A C L E	M I C R O W A V E	R E F R I G / C O N V	A / C

KEY PART NUMBER U/M DESCRIPTION
 1 095721-10-000 EA LABEL - CONTROL CENTER (30A) CSA

THIS CHAIR IS NOT INTENDED FOR OCCUPANCY WHEN VEHICLE IS IN MOTION AND MUST BE RETURNED TO STOWED POSITION

KEY PART NUMBER U/M DESCRIPTION
 1 102267-01-000 EA LABEL - NO OCCUPANCY - US

LABELS GROUP (CONTINUED)

DTS ISICE SIEGE N/EST PAS DESTINE A ETRE OCCUPE LORSQUE LE VEHICULE EST EN MOUVEMENT ET IL FAUT QUE LE RANGER

THIS CHAIR IS NOT INTENDED FOR OCCUPANCY WHEN VEHICLE IS IN MOTION AND MUST BE RETURNED TO STOWED POSITION

KEY PART NUMBER U/M DESCRIPTION
 1 102267-02-000 EA LABEL - NO OCCUPANCY - CSA

A / C C I R C U I T 1	M A I N	M A I N	A / C C I R C U I T 2	G F I C I R C U I T 1	R E F R I G / C O N V	G F I C I R C U I T 2	M I C R O W A V E	A P P L I A N C E 1	A P P L I A N C E 2	G E N E R A L R E C E P T A C L E S	W A S H E R D R Y E R
---	------------------	------------------	---	---	---	---	---	--	--	--	---

KEY PART NUMBER U/M DESCRIPTION
 1 095721-18-000 EA LABEL - CONTROL CENTER - 50 AMP - CSA

A / C C I R C U I T 1	M A I N	M A I N	A / C C I R C U I T 2	G F I C I R C U I T 1	R E F R I G / C O N V	G F I C I R C U I T 2	M I C R O W A V E	G E N E R A L R E C E P T A C L E S	W A S H E R D R Y E R	D I S H W A S H E R O R I C M A K E R	G E N E R A L R E C E P T A C L E S
---	------------------	------------------	---	---	---	---	---	--	---	---	--

KEY PART NUMBER U/M DESCRIPTION
 1 095721-17-000 EA LABEL - CONTROL CENTER - 50 AMP - US

LABELS GROUP (CONTINUED)

CAUTION	TO HELP AVOID PERSONAL INJURY DURING REMOVAL OF FUEL FILLER CAP, SLOWLY LOOSEN CAP 1/2 TURN TO ALLOW ANY FUEL PRESSURE TO BE RELIEVED BEFORE TURNING CAP FURTHER.
FUEL SPRAY MAY CAUSE PERSONAL INJURY	STOP ADDING FUEL AFTER FIRST SHUTOFF BY AUTOMATIC NOZZLE WHEN TANK IS NEARLY FULL. DO NOT OVERFILL FUEL TANK. SEE OWNERS MANUAL FOR ADDITIONAL INFORMATION. PRINTED IN U.S.A. WLC PT NO 15611763



KEY	PART NUMBER	U/M DESCRIPTION
1	087207-05-000	EA LABEL - FUEL CAP REMOVAL

WARNING
POTABLE WATER ONLY
SANITIZE, FLUSH, AND
DRAIN BEFORE USING.
SEE INSTRUCTION MANUAL



KEY	PART NUMBER	U/M DESCRIPTION
1	128725-01-02A	EA LABEL - POTABLE WATER ONLY

WARNING
ROOF SURFACE MAY BE SLIPPERY
ESPECIALLY WHERE MOISTURE IS PRESENT
SLIPPING MAY RESULT IN PERSONAL INJURY.
128218-01



KEY	PART NUMBER	U/M DESCRIPTION
1	128218-01-01A	EA LABEL - WARNING - ROOF SLIPPERY

REMOVE PRIMARY TIRE HANGER BEFORE USING
SPARE TIRE HOIST-SEE OWNERS MANUAL- PERSONAL
INJURY MAY RESULT IF NOT FOLLOWED



KEY	PART NUMBER	U/M DESCRIPTION
1	126024-01-01A	EA LABEL - TIRE HANGER REMOVAL

LABELS GROUP (CONTINUED)

(I)

WARNING:

ALL PILOT LIGHTS AND APPLIANCES SHALL BE TURNED OFF DURING REFUELING OF MOTOR FUEL TANKS AND/OR PROPANE CONTAINERS.

AVERTISSEMENT:

FERMER TOUTES LES VEILLEUSES AINSI QUE TOUS LES APPAREILS LORSQU'ON FAIT LE PLEIN DES RESERVOIRS A CARBURANT OU A PROPANE.

124519-02

KEY	PART NUMBER	U/M DESCRIPTION
1	124519-02-02A	EA LABEL - WARNING/REFUELING - CSA



THIS CONNECTION IS FOR
(B) VOLT AC, 60 HZ (CYCLES)
(A) AMPERE SUPPLY

DO NOT CONNECT TO
HIGHER VOLTAGE

KEY	PART NUMBER	U/M DESCRIPTION
1	125306-01-01A	EA LABEL - ELECTRICAL ENTRANCE - 110VOLT 30AMP FROM: 00-00-00 THRU: 07-13-97

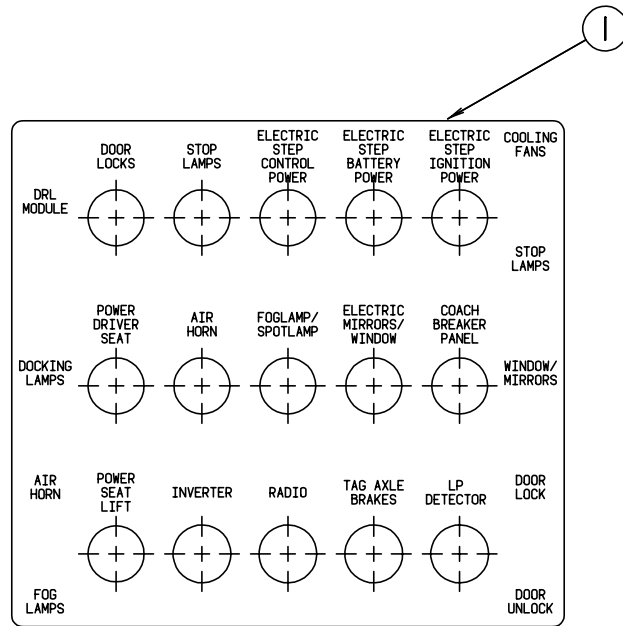


THIS CONNECTION IS FOR
(B) VOLT AC, 3-POLE, 4 WIRE
60 HZ (CYCLES), (A) AMPERE SUPPLY

DO NOT CONNECT TO
HIGHER VOLTAGE

KEY	PART NUMBER	U/M DESCRIPTION
1	125306-04-01A	EA LABEL - ELECTRICAL ENTRANCE - 120 VOLT 240 AMP FROM: 07-14-97 THRU: 99-99-99

LABELS GROUP (CONTINUED)

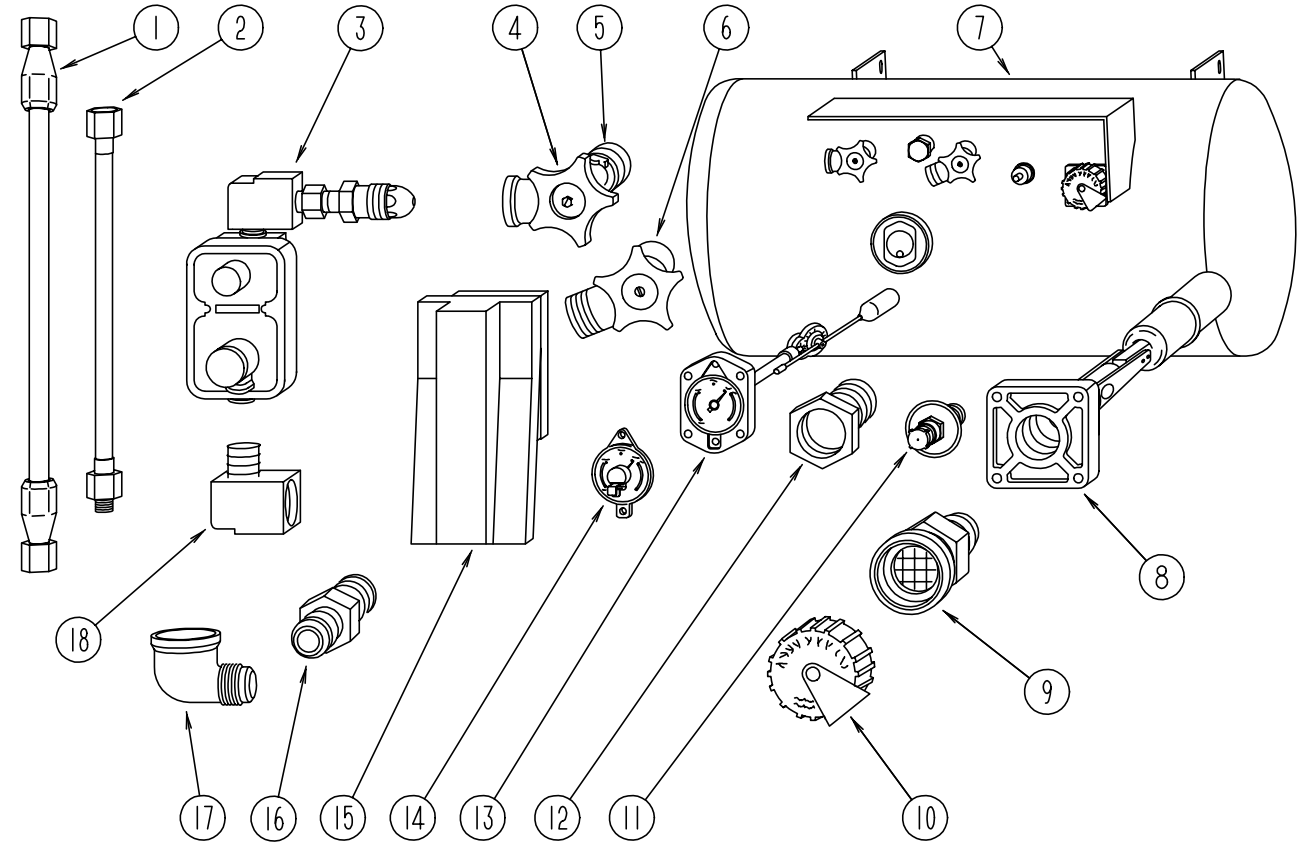


KEY	PART NUMBER	U/M DESCRIPTION
1	093236-12-000	EA LABEL - CIRCUIT BREAKER

MISCELLANEOUS LABELS

KEY	PART NUMBER	U/M DESCRIPTION
	023769-01-000	EA LABEL - WARNING - LPG - CANADIAN
	054531-01-000	EA LABEL - LP GAS ONLY
	065748-02-000	EA LABEL - WARNING - BATTERY/FRENCH
	083588-02-000	EA LABEL - ON/OFF - ENGINE HEATER
	093237-10-000	EA LABEL - CIRCUIT BREAKER - FRONT - COOLING FANS
	095721-19-000	EA LABEL - CONTROL CENTER - 50 AMP
	095721-20-000	EA LABEL - CONTROL CENTER W/INVERTOR
	111104-02-000	EA LABEL - HITCH - READ MANUAL - BLACK
	113402-02-000	EA LABEL - CAUTION - FURNACE EXHAUST
	114866-02-000	EA LABEL - PHONE & CABLE INPUT
	116549-01-000	EA LABEL - WARNING - SLIDEOUT
	117628-02-000	EA LABEL - SWITCH - WATER PUMP/LIGHTS
	121593-02-000	EA LABEL - DRAINAGE DOOR - SLIDEOUT
	127170-01-000	EA LABEL - WATER TANK DRAIN
	128658-01-000	EA LABEL - PROP ROD - ENTRY DOOR
	129669-02-02A	EA LABEL - HITCH/VEHICLE RATE - 500 - BLACK ON CLEAR

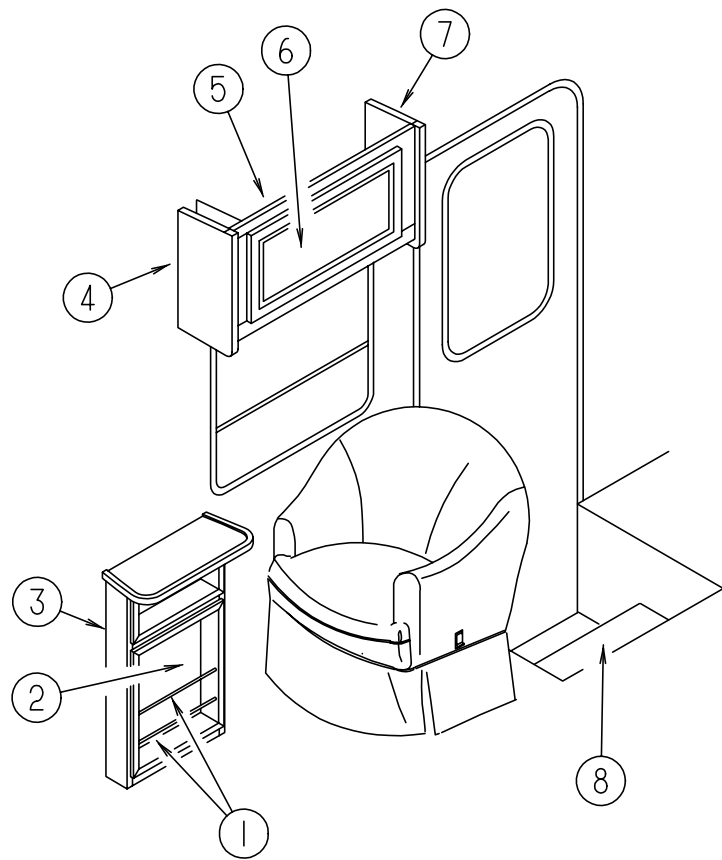
LP GROUP



BRUNNER LP TANK & COMPONENTS

KEY	PART NUMBER	U/M DESCRIPTION	VENDOR NO.
1	045703-01-000	EA HOSE - LP - 3/8"ID X 24" - 3/8"MPT X 1/2"F SWIVEL - U.S.	
1	045703-07-000	EA HOSE - LP - 3/8"ID X 10" - 3/8"MPT X 1/2"F SWIVEL - U.S.	
2	045703-08-000	EA HOSE - LP - 3/8"ID X 10" - 3/8"MPT X 1/2"F SWIVEL - CANADA	
2	045703-02-000	EA HOSE - LP - 3/8"ID X 24" - 3/8"MPT X 1/2"F SWIVEL - CANADA	
3	106150-01-000	EA REGULATOR - TWO STAGE	
4	040421-01-708	EA HANDWHEEL - SERVICE VALVE	G-1015-A
5	040421-01-712	EA VALVE - SERVICE - W/O VAPOR RELIEF	29000853
6	040421-01-710	EA VALVE - SERVICE - LIQUID	910145
7	088253-06-000	EA TANK - LP - 130 LB	
7	088253-05-000	EA TANK - LP - 130 LB - LIQUID DRAW	
8	040421-01-711	EA VALVE - 80% FILL W/AUTO STOP	LLL/TL3
9	040421-01-701	EA VALVE - FILL - SHORT - LP	75478
10	040421-01-702	EA CAP - FILL VALVE - PLASTIC	G-1014-A
11	040421-01-700	EA VALVE - LIQUID LEVEL - 20%	G-1013
12	040421-01-713	EA VALVE - RELIEF 1" W/SPRING 7"	29000587
13	088253-01-700	EA GAUGE - FLOAT ASSEMBLY - L.P.	16C
	040421-01-706	EA DIAL - VISIBLE FACE - LP TANK	MA-8 ROCHST
14	040440-02-000	EA TRANSMITTER - DIAL - 0-90 OHM - 2 TERMINAL (POWER & GROUND)	
15	105658-01-000	EA COMPARTMENT - LP REGULATOR	
16	010323-01-000	EA ADAPTER - BRASS - 3/8"F X 1/2"MPT	
17	010265-01-000	EA ELBOW - BRASS - 90 DEGREE - 3/8"F X 1/2"FPT	
18	065318-02-000	EA ELBOW - 90 DEGREE - 3/8" MPT TO 3/8" FPT	
	106846-01-000	EA VALVE - RELIEF	
	106871-01-000	EA BUSHING - 1/2 X 1/4 - BLACK	
	010377-02-000	EA NUT - BRASS - 3/8" FLARE - FORGED	
	010380-02-000	EA NUT -BRASS - 1/2" FLARE - FORGED	
	010329-01-000	EA ADAPTER - BRASS - 1/2" F X 1/2" MPT	
	010252-01-000	EA ELBOW - BRASS - 90 DEGREE - 3/8"F X 1/2"MPT	
	120867-01-02B	EA MOUNT - LP TANK	
	103613-03-000	EA DETECTOR - LP GAS - W/O SHUT-OFF VALVE	

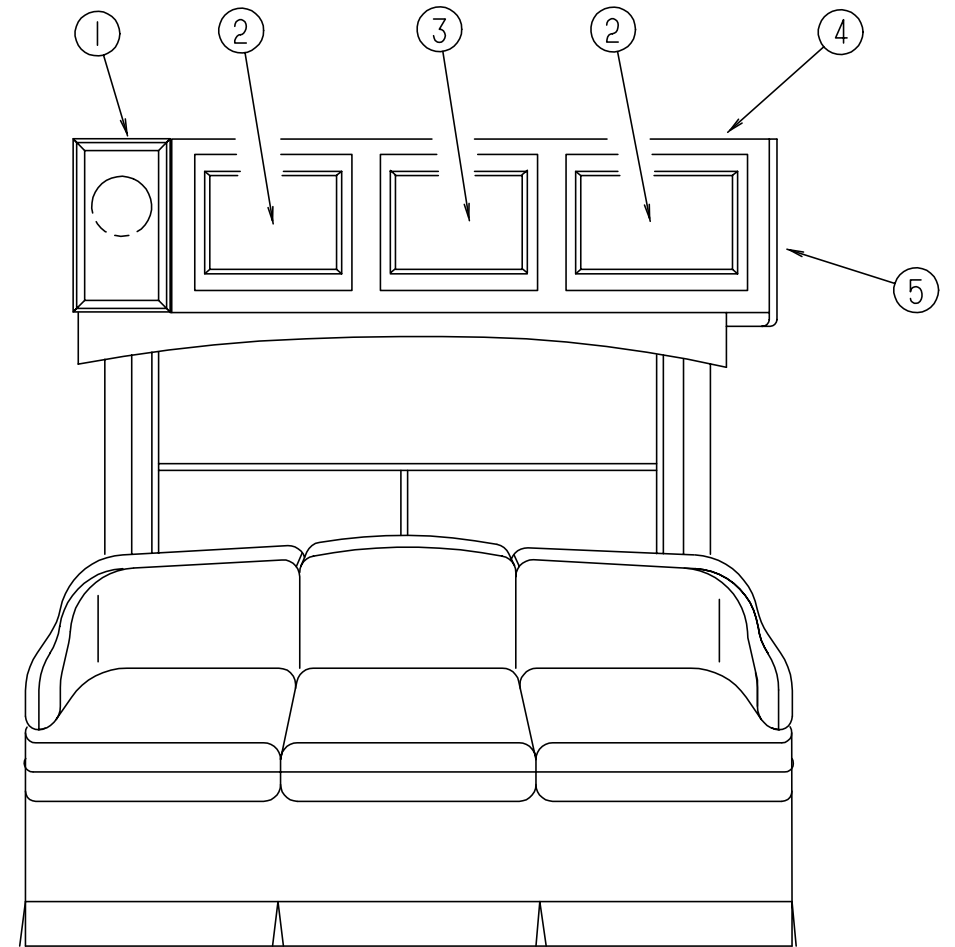
LOUNGE GROUP



PASSENGER SIDE CABINETS & TABLE

KEY	PART NUMBER	U/M	DESCRIPTION
1	084071-04-000	EA	ROD - BRASS - 11.9"
2	120381-01-J70	EA	CABINET - MAGAZINE RACK - W/O HARDWARE (WASHED MAPLE)
2	120381-01-GV1	EA	CABINET - MAGAZINE RACK - W/O HARDWARE (SALEM CHERRY)
3	120381-14-H56	EA	MAGAZINE RACK (WASHED MAPLE)
3	120381-14-GV1	EA	MAGAZINE RACK (SALEM CHERRY)
4	107494-30-J70	EA	END CAP - LEFT HAND - OVERHEAD TT CHAIR (WASHED MAPLE)
4	107494-30-H57	EA	END CAP - LEFT HAND - OVERHEAD TT CHAIR (SALEM CHERRY)
5	119733-01-J70	EA	CABINET - OVERHEAD/TT CHAIRS - W/O DOORS/HARDWARE (WASHED MAPLE)
5	119733-01-H57	EA	CABINET - OVERHEAD/TT CHAIRS - W/O DOORS/HARDWARE (SALEM CHERRY)
6	M05990-01-J70	EA	DOOR - ARCHED/OGEE EDGE - 14.3" X 26.7" - W/O HARDWARE (WASHED MAPLE)
6	M05990-01-GV1	EA	DOOR - ARCHED/OGEE EDGE - 14.3" X 26.7" - W/O HARDWARE (SALEM CHERRY)
7	107494-29-J70	EA	END CAP - RIGHT HAND - OVERHEAD TT CHAIR (WASHED MAPLE)
7	107494-29-GV1	EA	END CAP - RIGHT HAND - OVERHEAD TT CHAIR (SALEM CHERRY)
8	P14437-01-000	EA	CABINET - LID/ENTRANCE STEP - W/O CARPET
	120234-01-GV0	EA	LID - ENTRY STEP
	120231-01-01A	EA	FLOORING - RUBBER
	101222-01-04A	EA	BRACKET - CATCH - LID
	107941-02-03B	EA	SUPPORT - LID - ENTRANCE STEP - OFF WHITE
	107941-02-01B	EA	SUPPORT - LID - ENTRANCE STEP - MILL

LOUNGE GROUP (CONTINUED)



DRIVER SIDE CABINETS

KEY	PART NUMBER	U/M	DESCRIPTION
1	120351-01-J70	EA	CABINET - OVERHEAD/SPEAKER - LEFT HAND - W/O DRS/HDW (WASHED MAPLE)
1	120351-01-H57	EA	CABINET - OVERHEAD/SPEAKER - LEFT HAND - W/O DRS/HDW (SALEM CHERRY)
2	M05990-01-J70	EA	DOOR - ARCHED/OGEE EDGE - 14.3" X 26.7" - W/O HARDWARE (WASHED MAPLE)
2	M05990-01-GV1	EA	DOOR - ARCHED/OGEE EDGE - 14.3" X 26.7" - W/O HARDWARE (SALEM CHERRY)
3	M05990-03-J70	EA	DOOR - ARCHED/OGEE EDGE - 14.3" X 21.8" - W/O HARDWARE (WASHED MAPLE)
3	M05990-03-GV1	EA	DOOR - ARCHED/OGEE EDGE - 14.3" X 21.8" - W/O HARDWARE (SALEM CHERRY)
4	119676-01-J70	EA	CABINET - OVERHEAD/FRONT - W/O DOORS/HARDWARE (WASHED MAPLE)
4	119676-01-GV1	EA	CABINET - OVERHEAD/FRONT - W/O DOORS/HARDWARE (SALEM CHERRY)
5	107494-18-J70	EA	END CAP - RIGHT HAND (WASHED MAPLE)
5	107494-18-GV1	EA	END CAP - RIGHT HAND (SALEM CHERRY)

SEALANTS & FASTENERS GROUP

SEALANTS & ADHESIVES

KEY	PART NUMBER	U/M	DESCRIPTION
	004006-05-700	EA	ADHESIVE-NAT. STARCH (5 GAL) 0802
	034552-02-000	EA	SILICONE - TUBE - 300 ML - W/O NOZZLE - CLEAR ALSO ORDER P.N.#900390-03-000 NOZZLE SEPARATELY
	039518-01-000	EA	SILICONE - TUBE - 300 ML - BLACK - W/O NOZZLE ALSO ORDER P.N.#900390-03-000 NOZZLE SEPARATELY
	900390-01-000	EA	TIP - 2 1/2" X 1/8" ORIFICE
	900390-03-000	EA	NOZZLE - SILICONE TUBE
	053766-02-000	EA	BEDDING COMPOUND - TUBE - WHITE
	063642-01-000	FT	TAPE - ADHESIVE - .4" X 1.5" X 180"
	067788-01-000	EA	ADHESIVE - SPRAY - 3M - 19.5 AEROSOL CAN
	069640-01-000	FT	SEALER - RIBBON - 1/4" DIAMETER X 30' - BLACK
	069640-02-000	FT	SEALER - TAPE - .13"THICK X .5"WIDE X 60' - GRAY
	069640-03-000	FT	SEALER - TAPE - .13"THICK X .75"WIDE X 60' - BLACK
	069640-09-000	FT	SEALER - TAPE - .032"THICK X 2.50"WIDE X 80' - GREY
	069640-11-000	FT	SEALER - TAPE - .19"THICK X .38"WIDE X 40' - BLACK
	069640-14-000	FT	SEALER - TAPE - .06"THICK X 1"WIDE X 100' - GRAY
	069640-15-000	FT	SEALER - TAPE - .06"THICK X .38"WIDE X 80' - GREY
	069640-18-000	FT	SEALER - TAPE - .50"THICK X 1/8"WIDE X 60' - BRIGHT WHITE FROM: 05-12-97 THRU: 99-99-99
	069640-19-000	FT	SEALER - TAPE - .75"THICK X 1/8"WIDE X 60' - BRIGHT WHITE
	069640-20-000	FT	SEALER - TAPE - 1/2" X 1/8" X 60' - BLACK FROM: 07-07-97 THRU: 99-99-99
	069640-21-000	FT	SEALER - TAPE - .50" X 1/16" X 100' - BRIGHT WHITE
	072889-01-000	EA	SEALANT - URETHANE - BLACK - 1/10
	072889-09-000	EA	SEALANT - URETHANE - BLACK (TUBE)
	072889-10-000	EA	SEALANT - URETHANE (HV) - BRIGHT WHITE
	072889-11-000	EA	SEALANT - URETHANE - (TUBE) - GRAY
	076322-01-000	FT	TAPE - DOUBLE COATED/ADHESIVE BACK - .025"THK X .75"W X 18'
	076322-02-000	FT	TAPE - DOUBLE COATED/ADHESIVE BACK - .045"THK X 1"W X 108'
	076322-03-000	FT	TAPE - DOUBLE COATED/ADHESIVE BACK - .045"THK X .50"W X 9'
	076322-05-000	FT	TAPE - DOUBLE COATED/ADHESIVE BACK - .045"THK X .75"W X 9'
	076322-05-000	FT	TAPE - DOUBLE COATED/ADHESIVE BACK - .045"THK X .75"W X 9'
	076322-07-000	FT	TAPE - DOUBLE COATED/ADHESIVE BACK - .045"THK X .50"W X 9'
	076322-11-000	FT	TAPE - DOUBLE COATED/ADHESIVE BACK - .020"THK X 1"W X 9'
	087211-01-000	GL	PROMOTER - ADHESIVE
	091255-02-000	FT	SEAL - ADHESIVE BACKED/FOAM - .18" THICK X 1.5" WIDE
	102352-01-000	EA	SEALER - PUMPABLE - BLACK
	102352-02-000	EA	SEALER - PUMPABLE - CLEAR
	106206-01-000	EA	SEALER - PUMPABLE - MANUS 30A - BLACK
	107828-01-000	EA	SEALANT - SB - 190 EVERSEAL
	108716-03-000	EA	SILICONE - TUBE - BRIGHT WHITE/SELF LEVELING - W/O NOZZLE
	110274-01-000	FT	TAPE - DOUBLE SIDED FOAM - .45" X 1"
	112864-01-000	FT	SEAL - FOAM/BUTYL COVERED - 3/8"
	112901-02-000	EA	ADHESIVE - PLEXUS - 50ML
	120074-02-01A	EA	SEALANT - SILICONE - OFF WHITE
	123816-01-000	FT	TAPE - DOUBLE SIDED - 1"
	123816-02-000	FT	TAPE - DOUBLE SIDED - 1/2" X 35 MIL THICK
	123816-03-000	FT	TAPE - DOUBLE SIDED - 1/2" X 20 MIL THICK

SEALANTS & FASTENERS GROUP (CONTINUED)

BOLTS, NUTS, & WASHERS

KEY	PART NUMBER	U/M	DESCRIPTION
	0MC04K-06-016	EA	BOLT - HEX - M06 X 1 X 016
	000C12-04-12A	EA	BOLT - HEX - 1/4-20 X .75 - PLAIN 5
	000C12-05-16B	EA	BOLT - HEX - 5/16-18 X 1 - ZINC 5
	000C12-06-16B	EA	BOLT - HEX - 3/8-16 X 1 LG - ZINC 5
	000C12-08-28B	EA	BOLT - HEX - 1/2-13 X 1 3/4 - ZINC 5
	000C12-08-24B	EA	BOLT - HEX - 1/2-13 X 1.50 - ZINC 5
	000C12-10-24B	EA	BOLT - HEX - 5/8-11 X 1.50 - ZINC 5
	000C13-07-48B	EA	BOLT - HEX - 7/16-20 X 3 - ZINC 5
	000C26-04-14B	EA	BOLT - HEX - SERRATED FLANGE - 1/4-20 X 7/8 - ZINC
	000C26-04-10B	EA	BOLT - HEX - SERRATED FLANGE - 1/4-20 X 5/8 - ZINC
	000C26-05-12B	EA	BOLT - HEX - SERRATED FLANGE - 5/16-18 X 3/4 - ZINC
	000C26-05-16B	EA	BOLT - HEX - SERRATED FLANGE - 5/16-18 X 1 - ZINC
	000C26-06-12B	EA	BOLT - HEX - SERRATED FLANGE - 3/8-16 X 3/4 - ZINC
	000D24-10-00B	EA	NUT - HEX - SELF LOCKING - 10-32 ZINC
	000D29-05-00B	EA	NUT - HEX - 5/16-18 - SF/LOCKING - NYLON WASHER INSERT
	000D34-06-00B	EA	NUT - HEX - LOCKING - 3/8-16 GRADE C - ZINC-PREVAILING
	000D39-04-00B	EA	NUT - HEX - LOCKING W/SERRATED FLANGE - 1/4-20 - ZINC
	000D39-05-00B	EA	NUT - HEX - LOCKING W/SERRATED FLANGE - 5/16-18 - ZINC
	000D39-06-00B	EA	NUT - HEX - LOCKING W/SERRATED FLANGE - 3/8-18 - ZINC
	000D39-07-00B	EA	NUT - HEX - LOCKING W/SERRATED FLANGE - 7/16-14 - ZINC
	000D39-08-00B	EA	NUT - HEX - LOCKING W/SERRATED FLANGE - 1/2-13 - ZINC
	000D44-07-00B	EA	NUT - HEX - SERRATED FLANGE/LOCKING - 7/16-20 - ZINC
	000D46-04-00A	EA	NUT - HEX - WELD - 1/4-20 - PLAIN
	000D60-05-00A	EA	NUT - HEX - WELD/LOCK 5/16 - 18 UNCUT
	000E11-07-00B	EA	WASHER - LOCKING - 7/16 MED SPLIT - ZINC
	000E11-08-00B	EA	WASHER - LOCKING - 1/2 MED SPLIT - ZINC
	000E13-14-00B	EA	WASHER - FLAT - 1/4 WIDE - ZINC
	000E13-18-00B	EA	WASHER - FLAT - 3/8 WIDE - ZINC
	000E13-22-00B	EA	WASHER - FLAT - 1/2 WIDE - ZINC
	000E13-26-00B	EA	WASHER - FLAT - 5/8 WIDE - ZINC
	000E14-10-00B	EA	WASHER - LOCKING - #10 EXTERNAL TOOTH - ZINC
	000G45-04-24F	EA	BOLT - LAG - 1/4" #9 X 1 1/2SS
	000G45-04-24B	EA	BOLT - LAG - 1/4-9 X 1 1/2 - ZINC
	005081-01-000	EA	NUT - SPEED - C-TYPE - #8 SCREW
	040921-03-000	EA	NUT - SPEED - U TYPE - #10
	040921-05-000	EA	NUT - SPEED - U-TYPE - 8-.67" X .44" WIDE
	044364-02-000	EA	NUT - SPEED - FLAT - ROUND
	051387-05-000	EA	BOLT - CARRIAGE W/O HOLE - 5/16-18 X 8.5 - ZINC
	051387-06-000	EA	BOLT - CARRIAGE W/O HOLE - 5/16-18 X 9.5 - ZINC
	058716-02-000	EA	WASHER - FLAT NYLON
	063253-07-000	EA	NUT - J - #8A - .120 - .130 PNL THK
	077071-01-000	EA	WASHER - FENDER - 3/16"ID X 1" OD
	087234-01-000	EA	NUT - JACK - 1/4 X 20 THD - MOLLY MOUNTS LICENSE PLATES
	088787-12-000	EA	STUD - WELD - 1/4 - 20 X 1.0 LG - MN
	091274-03-000	EA	BOLT-J - 3/8-16 X 12.0
	102540-02-000	EA	SEAL - SCREW
	106648-01-000	EA	CAP - STUD - .120 TO .130 DIAMETER
	106956-03-000	EA	BOLT - HEX TAP - 1/2-12NC X 3 - GRADE 5 - FULL THREAD/ZINC
	107397-01-000	EA	WASHER - FENDER - .25" ID X 1" OD
	108067-03-000	EA	STUD - WELD - 1/4 - 20 X 1/2 CD
	120506-01-01A	EA	RIVET - PLASTIC - 3/16 DIAMETER

FROM: 01-02-98 THRU: 99-99-99

SEALANTS & FASTENERS GROUP (CONTINUED)

SCREWS

KEY	PART NUMBER	U/M DESCRIPTION
	0G3908-20-170	EA SCREW - SF/DR - 8-18 X 1.25 PPH - BRIGHT WHITE FROM: 12-01-97 THRU: 01-25-98
	0G3908-24-170	EA SCREW - SF/DR - 8-18 X 1.50 PPH - BRIGHT WHITE FROM: 01-26-98 THRU: 99-99-99
	0G5508-12-110	EA SCREW - SF/DR-8-18 X .75 PWH
	000G11-05-08B	EA SCREW - 5-20 X .50 PPH - ZINC
	000G11-06-10J	EA SCREW - 6-20 X 5/8 PPH - BRASS
	000G11-06-10B	EA SCREW - 6-20 X 5/8 PPH - ZINC FROM: 03-06-98 THRU: 99-99-99
	000G11-06-08B	EA SCREW - 6-20 X 1/2 PPH - ZINC
	000G11-06-06B	EA SCREW - 6-20 X 3/8 PPH - ZINC
	000G11-07-08B	EA SCREW - 7-19 X 1/2 PPH - ZINC
	000G11-08-08T	EA SCREW - 8-18 X 1/2 PPH - FLUOROCARBON COATING
	000G11-08-08B	EA SCREW - 8-18 X 1/2 PPH - ZINC
	000G11-08-06B	EA SCREW - 8-18 X 3/8 PPH - ZINC
	000G11-08-20B	EA SCREW - 8-18 X 1 1/4 PPH - ZINC
	000G11-08-16S	EA SCREW - 8-18 X 1 PPH - OFF WHITE
	000G11-08-12P	EA SCREW - 8-18 X 3/4 PPH - DARK BROWN
	000G11-08-12P	EA SCREW - 8-18 X 3/4 PPH - DARK BROWN
	000G11-08-12D	EA SCREW - 8-18 X 3/4 PPH - BLACK
	000G11-08-12B	EA SCREW - 8-18 X 3/4 PPH - ZINC
	000G11-08-10B	EA SCREW - 8-18 X .50 PPH - ZINC
	000G11-10-12D	EA SCREW - 10-16 X 3/4 PPH - BLACK
	000G11-10-40B	EA SCREW - 10-16 X 2 1/2 PPH CAD - 34927-01-000
	000G11-10-16B	EA SCREW - 10-16 X 1 PPH - ZINC
	000G11-10-12S	EA SCREW - 10-16 X 3/4 PPH - OFF WHITE
	000G12-06-08T	EA SCREW - 6-20 X 1/2 POH - BLACK
	000G13-06-24J	EA SCREW - 6-20 X 1 1/2 PFH - BRASS
	000G13-06-16J	EA SCREW - 6-20 X 1 PFH - BRASS
	000G13-06-16E	EA SCREW - 6-20 X 1.00 PFH - CHROME
	000G13-06-10G	EA SCREW - 6-20 X 5/8 PFH - ANTIQUE BRASS
	000G13-07-12B	EA SCREW - 7-19 X 3/4 PFH - ZINC
	000G13-07-10H	EA SCREW - 7-19 X 5/8 PFH - BLACK
	000G13-08-16B	EA SCREW - 8-18 X 1 PFH - ZINC
	000G13-08-109	EA SCREW - 8-18 X 5/8 PFH
	000G18-08-22B	EA SCREW - MACHINE - 8-32 X 1 3/8 PPH - ZINC
	000G18-08-12B	EA SCREW - MACHINE - 8-32 X 3/4 PPH - ZINC
	000G19-10-12F	EA SCREW - MACHINE - 10-32 X 3/4 PPH - STAINLESS STEEL
	000G19-10-10B	EA SCREW - MACHINE - 10-32 X 5/8 - PPH - ZINC
	000G19-10-20B	EA SCREW - MACHINE - 10-32 X 1 1/2 PPH - ZINC
	000G32-10-06B	EA SCREW - 10-32 X 3/8 PPH - ZINC
	000G39-06-16T	EA SCREW - SF/DR - 6-20 X 1 PPH - BLACK
	000G39-06-10T	EA SCREW - SF/DR - 6-20 X 5/8 PPH - BLACK
	000G39-06-10T	EA SCREW - SF/DR - 6-20 X 5/8 PPH - BLACK
	000G39-08-08T	EA SCREW - SF/DR - 8-18 X 1/2 PPH - BLACK
	000G39-08-08S	EA SCREW - SF/DR - 8-18 X 1/2 PPH - OFF WHITE
	000G39-08-08B	EA SCREW - SF/DR - 8-18 X 1/2 PPH - ZINC
	000G39-08-06B	EA SCREW - SF/DR - 8-18 X 3/8 PPH - ZINC
	000G39-08-32B	EA SCREW - SF/DR - 8-18 X 2 PPH - ZINC
	000G39-08-24B	EA SCREW - SF/DR - 8-18 X 1 1/2 PPH - ZINC
	000G39-08-16T	EA SCREW - SF/DR - 6-20 X 1 PPH - BLACK
	000G39-08-16R	EA SCREW - SF/DR - 8-18 X 1 PPH - BEIGE N/A USE #000G390816T AND PAINT
	000G39-08-16B	EA SCREW - SF/DR - 8-18 X 1 PPH - ZINC
	000G39-08-12T	EA SCREW - SF/DR - 8-18 X 3/4 PPH - BLACK
	000G39-08-12B	EA SCREW - SF/DR - 8-18 X 3/4 PPH - ZINC
	000G39-10-08B	EA SCREW - SF/DR - 10-16 X 1/2 PPH - ZINC
	000G39-10-32B	EA SCREW - SF/DR - 10-16 X 2 - PPH - ZINC
	000G39-10-209	EA SCREW - SF/DR - 10-16 X 1 1/4 PPH - FLUOROCARBON SILVER
	000G39-10-20B	EA SCREW - SF/DR - 10-16 X 1 1/4 PPH - ZINC
	000G39-10-129	EA SCREW - SF/DR - 10-16 X 3/4 PPH - FLUOROCARBON SILVER

SEALANTS & FASTENERS GROUP (CONTINUED)

SCREWS (CONTINUED)

KEY	PART NUMBER	U/M DESCRIPTION
	000G39-10-12D	EA SCREW - SF/DR - 10-16 X 3/4 PPH - BLACK
	000G39-10-12B	EA SCREW - SF/DR - 10-16 X 3/4 PPH - ZINC
	000G39-10-10B	EA SCREW - SF/DR - 10-16 X 5/8 - ZINC
	000G39-10-088	EA SCREW - SF/DR - 10-16 X 1/2 PPH - FLEX FLUOROCARBON
	000G39-10-48T	EA SCREW - SF/DR - 10-16 X 3.00 PPH - BLACK
	000G39-10-48B	EA SCREW - SF/DR - 10-16 X 3 - PPH - ZINC
	000G39-10-40D	EA SCREW - SF/DR - 10-16 X 2 1/2 PPH - BLACK
	000G42-04-12B	EA SCREW - SF/DR - 1/4-14 X 3/4 HWH - ZINC
	000G42-04-16B	EA SCREW - SF/DR - 1/4-14 X 1 HWH - ZINC
	000G50-04-12B	EA SCREW - MACHINE - 1/4-20 X 3/4 PPH - ZINC
	000G51-08-08B	EA SCREW - 8-18 X 1/2 PTH - ZINC
	000G52-08-18B	EA SCREW - MACHINE - 8-32 X 1 1/8 PTH - ZINC
	000G52-08-06B	EA SCREW - MACHINE - 8-32 X 3/8 PTH - ZINC
	000G54-04-20B	EA SCREW - 1/4-20 X 1.25 PTH - TYPE 23 - ZINC PLATED
	000G55-08-12S	EA SCREW - SF/DR - 8-18 X 3/4 PWH - OFF WHITE
	000G55-08-12M	EA SCREW - SF/DR - 8-19 X .75 PWH - GRAY
	000G56-10-24J	EA SCREW - WOOD - 10-13 X 1 1/2 POH - BRIGHT BRASS
	000G57-05-16J	EA SCREW - 5-20 X 1 PFH - BRASS
	000G60-10-20I	EA SCREW - SF/DR - 10-16 X 1.25 POH - BLACK
	000G60-10-16J	EA SCREW - SF/DR - 10-16 X 1 POH - BRIGHT BRASS
	000G67-08-32B	EA SCREW - 8-15 X 2 PPH - ZINC
	000G67-10-36T	EA SCREW - 10-12 X 2 1/4 - PPH - BLACK
	000G67-10-32B	EA SCREW - 10-12 X 2 PPH - ZINC
	000G67-10-24B	EA SCREW - 10-12 X 1 1/2 PPH - ZINC
	000G67-10-20D	EA SCREW - 10-12 X 1.25 PPH - BLACK
	000G67-10-16B	EA SCREW - 10-12 X 1 PPH - ZINC
	000G67-10-12B	EA SCREW - 10-12 X 3/4 PPH - ZINC
	000G67-10-10D	EA SCREW - 10-12 X 5/8 PPH - BLACK - TYPE A
	000G67-10-10B	EA SCREW - 10-12 X 5/8 PPH - ZINC - TYPE A
	000G67-10-08B	EA SCREW - 10-12 X 1/2 PPH - ZINC
	000G68-06-12S	EA SCREW - 6-18 X 3/4 POH
	000G68-06-10G	EA SCREW - 6-18 X 5/8 POH - ANTIQUE BRASS
	049465-01-000	EA SCREW - 10-16 W/WASHER PTH - DARK BROWN
	049465-04-000	EA SCREW - 10-16 X 1 PTH W/WASHER - BEIGE
	049465-17-000	EA SCREW - 10-16 X 1 POH W/WASHER
	054434-02-000	EA SCREW - SF/DR - 10-16 X 2 - ZINC
	057671-01-000	EA COVER - SCREW - #8 - PLASTIC - OFF WHITE
	057671-10-000	EA COVER - SCREW - VW GRAY - #8
	057671-11-000	EA COVER - SCREW - HAMPTON TAN - #8
	057671-15-000	EA COVER - SCREW - BRIGHT WHITE
	075908-01-000	EA SCREW - MACHINE - 10-32 X .56 PTH - EXTERNAL TOOTH - ZINC
	076790-01-000	EA SCREW - 6-20 X 1 1/4 PPH - BLACK
	083554-01-000	EA SCREW - DRYWALL - 8 X 1.25
	086256-01-000	EA SCREW - SF/DR - 8 X 3/4 HWH LONG
	101618-01-000	EA SCREW - 1/4-20 X 3/4 HEX - TAPPING - STALGARD TYPE F
	109152-03-000	EA SCREW - 3/8-16 X 2 - FLAT SOC - STAINLESS STEEL - BLACK
	112782-08-01A	EA SCREW - MOUNTING/PLATE - ZINC

FROM: 03-20-98 THRU: 99-99-99

SEALANTS & FASTENERS GROUP (CONTINUED)

CLAMPS, CLIPS, & GROMMETS

KEY	PART NUMBER	U/M DESCRIPTION
	000F10-04-16B	EA PIN - COTTER - 1/8" X 1" - ZINC
	000H16-04-06R	EA RIVET - POP ALUMINUM - 1/8 X .313 - .375
	000H16-06-10R	EA RIVET - POP ALUMINUM - 3/16 X .501-.625
	007161-01-000	EA CLAMP - HOSE - SPRING TYPE - 1/2"
	010495-01-000	EA CLAMP - CABLE - 9/16"
	010495-02-000	EA CLAMP - CABLE - 3/8"
	010497-01-000	EA CLAMP - CLOSED - 5/8" ID
	010497-03-000	EA CLAMP - CLOSED - 1" ID - CUSHIONED
	010497-05-000	EA CLAMP - CLOSED - 1/2 ID
	010497-07-000	EA CLAMP - CLOSED - 3/8" ID
	010497-08-000	EA CLAMP - CLOSED - .125"
	016188-05-000	EA GROMMET - L/P LINE - 3/8" HOLE X 1 1/4" LONG - RUBBER
	023942-01-000	EA GROMMET - RUBBER - 2" OD
	062401-01-000	EA CLAMP - HOSE - WORMGEAR - .25" - 1"
	062401-02-000	EA CLAMP - HOSE - WORMGEAR - 1.56" - 2.5"
	062401-03-000	EA CLAMP - HOSE - WORMGEAR - .22" - 1"
	062401-04-000	EA CLAMP - HOSE - WORMGEAR - .69" - 1.25"
	062401-05-000	EA CLAMP - HOSE - WORMGEAR - 2" TO 3" ID
	062401-06-000	EA CLAMP - HOSE - WORMGEAR - .22" - .62" ID
	062401-11-000	EA CLAMP - HOSE - WORMGEAR - 3.50" - 4.50"
	071015-13-000	EA GROMMET - RUBBER - .62" ID X 1" OD W/.09" GROOVE - BLACK
	071015-19-000	EA GROMMET - .38 ID - FITS .06 MATERIAL
	071015-29-000	EA GROMMET - RUBBER - .25 ID X 1.25 OD W .12 GROOVE - BLK
	075148-02-000	EA CLAMP - GROUNDING - BRONZE SCREWS
	075312-02-000	EA CLIP-U - .75 LONG X .50 WIDE- F/1/8"-3/16" THICK MATERIAL
	077953-01-000	EA GROMMET - EDGE LINER - FITS 1"
	083609-01-000	EA CLAMP - WIRE - DUAL - EQUAL DIAMETERS - 5/8"
	083610-02-000	EA CLAMP - WIRE - DUAL - UNEQUAL DIAMETERS - 3/4" & 2"
	088756-01-000	EA GROMMET - WEB - 1 1/8 " I.D.
	091952-01-000	EA CLIP - GRIPPER - 1"
	091952-02-000	EA CLIP - GRIPPER - 3/4"
	094362-02-000	EA CLIP - XMAS TREE - BINDER HEAD - .9" LONG
	099637-01-000	EA GROMMET - RUBBER - .37" X .94" DIAMETER - BLACK
	101447-01-000	EA CLIP - U TYPE HOLDS SHOWER SURROUND TOGETHER
	114208-02-000	EA GROMMET - EDGE LINER - FITS .625

FROM: 00-00-00 THRU: 08-19-97

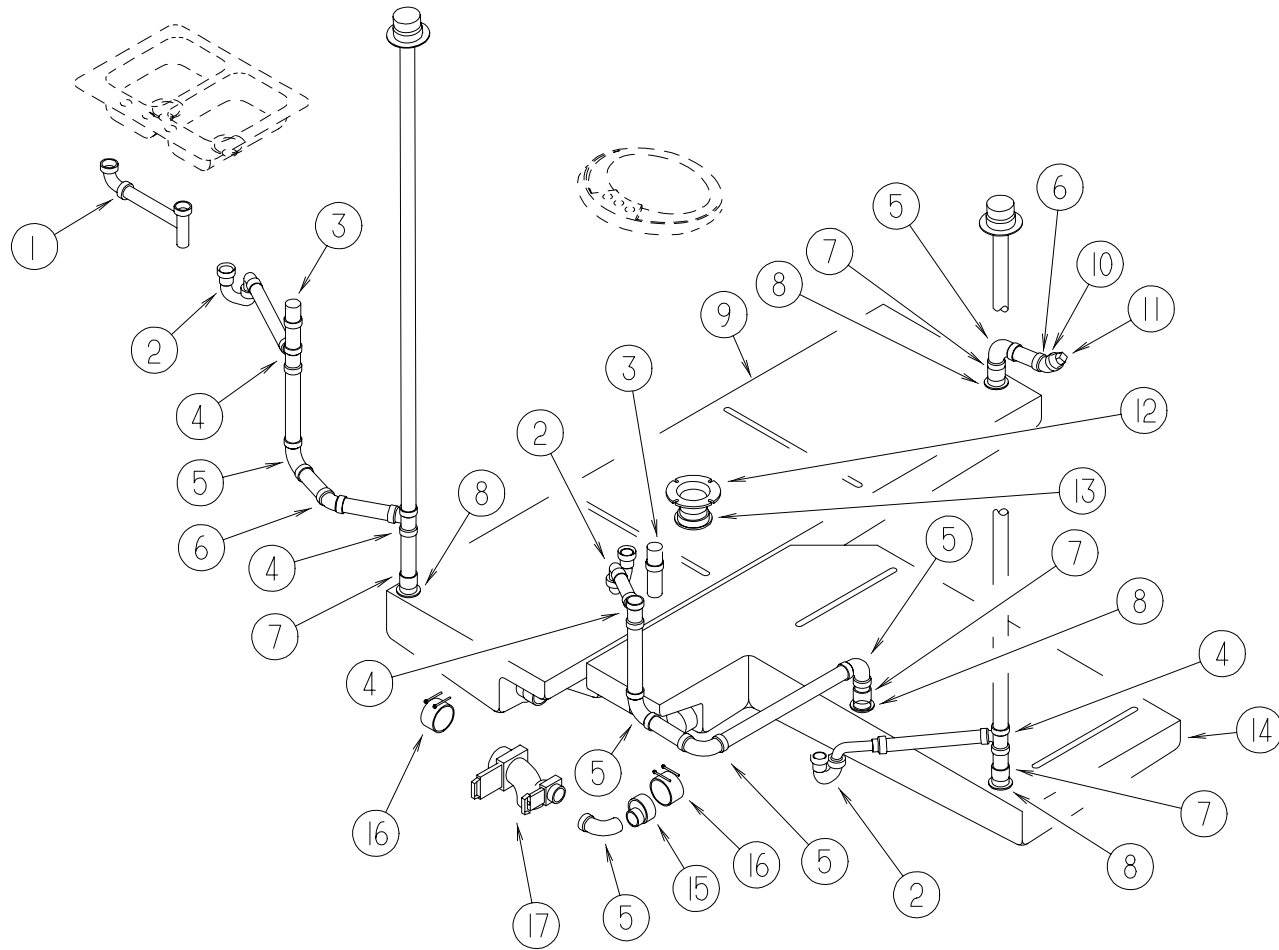
SEALANTS & FASTENERS GROUP (CONTINUED)

TIES & FASTENERS

KEY	PART NUMBER	U/M DESCRIPTION
	008343-01-000	EA TIE - WIRE - 6"
	008343-02-000	EA TIE - WIRE - 14"
	008343-03-000	EA TIE - WIRE - 7 1/2" - BLACK
	029096-04-000	YD TAPE - HOOK - VELCRO - 1" WIDE - BLACK
	085774-01-000	FT FASTENER - DUAL HOOK - 1" WIDE - ADHESIVE BACK - BLACK USE WITH #08577402000 DUAL HOOK TAPE
	085774-02-000	FT FASTENER - DUAL HOOK - 1" WIDE - ADHESIVE BACK - BLACK USE WITH #08577401000 DUAL LOCK TAPE
	085774-03-000	FT FASTENER - DUAL HOOK - 1/2" WIDE - ADHESIVE BACK - BLACK
	085774-04-000	FT FASTENER - DUAL HOOK - 1/2" WIDE - ADHESIVE BACK - BLACK
	086285-01-000	EA SPACER - NYLON - .5" OD X .257" ID
	088792-02-000	YD VELCRO TAPE - LOOP - 3/4" - ADHESIVE BACKED - BEIGE
	108046-01-000	EA CABLE TIE - SCREW MOUNT 8"
	110943-02-000	FT FELTSTRIP - 3/8" - ADHESIVE BACK - WHITE

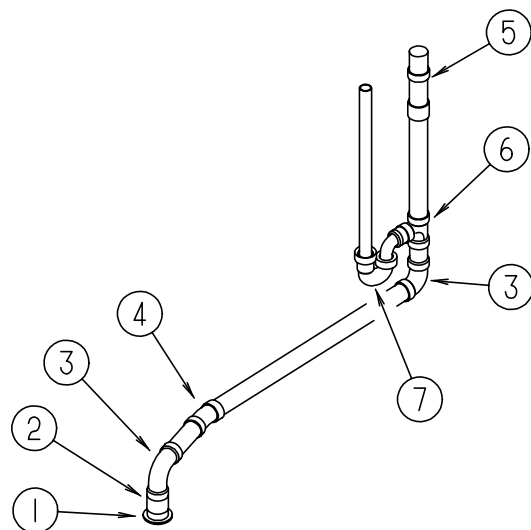
WATER & SEWAGE GROUP

DRAINAGE SYSTEM



KEY	PART NUMBER	U/M DESCRIPTION	VENDOR NO.
1	011091-02-000	EA WASTE - CONTINUOUS - DOUBLE SINK	
1	011091-03-000	EA WASTE - CONTINUOUS - DOUBLE SINK - CSA	
2	107538-01-000	EA P TRAP - PLASTIC - 1 1/4" W/EXTENSION ARM	
2	011071-01-000	EA P-TRAP - PLASTIC - 1 1/2" - CSA	
2	109571-01-000	EA ADAPTER - P TRAP - 1 1/2"P X 1 1/4"MPT	
3	079968-01-000	EA VENT - MECHANICAL/TRAP ARM - ANTI-SIPHON - 2" X 7.3" PLASTIC	
4	010071-01-000	EA TEE - SANITARY - 1 1/2" HUB X HUB X HUB - PLASTIC	
5	010008-01-000	EA ELBOW - 90 DEGREE - 1 1/2" HUB X HUB - PLASTIC	
6	010006-01-000	EA ELBOW - 45 DEGREE - 1 1/2" HUB X HUB - PLASTIC	
7	010115-01-000	EA COUPLING - 1 1/2" HUB X HUB - PLASTIC	
8	061607-01-000	EA GROMMET - HOLDING TANK - 1 1/2" NPS	
9	120376-01-000	EA TANK - HOLDING - 59 GALLON - W/O FITTINGS	
10	010122-01-000	EA BUSHING - REDUCER - 1 1/2 SMTH X 1 1/4 THD - BLACK PLASTIC	
11	010166-01-000	EA PLUG - THREADED - 1 1/4" DIAMETER - PLASTIC - BLACK	
12	063641-01-000	EA FLANGE - CLOSET - 4" X 3"	
13	061607-02-000	EA GROMMET - HOLDING TANK - 3" NPS	
14	112789-01-000	EA TANK - HOLDING - 46 GALLON - W/O FITTINGS	
15	062422-01-000	EA ADAPTER - OFFSET REDUCER - 3" X 1 1/2" - PLASTIC	
16	078406-01-000	EA COUPLER - RUBBER - W/CLAMPS - 3" X 3"	
17	070916-01-000	EA VALVE - DUAL DUMP - W/CAP - 3" X 1 1/2"	
	070916-01-700	EA VALVE ONLY (WASTE) 3"	T1003BU
	070916-01-701	EA VALVE ONLY (WASTE) 1 1/2"	T1001BU
	010201-01-000	EA HOSE - SEWER - 3" ID X 8'	
	062416-01-000	EA ADAPTER - SEWER HOSE TO 3" PIPE	
	103354-01-000	EA CONNECTOR - HOSE - SEWER	

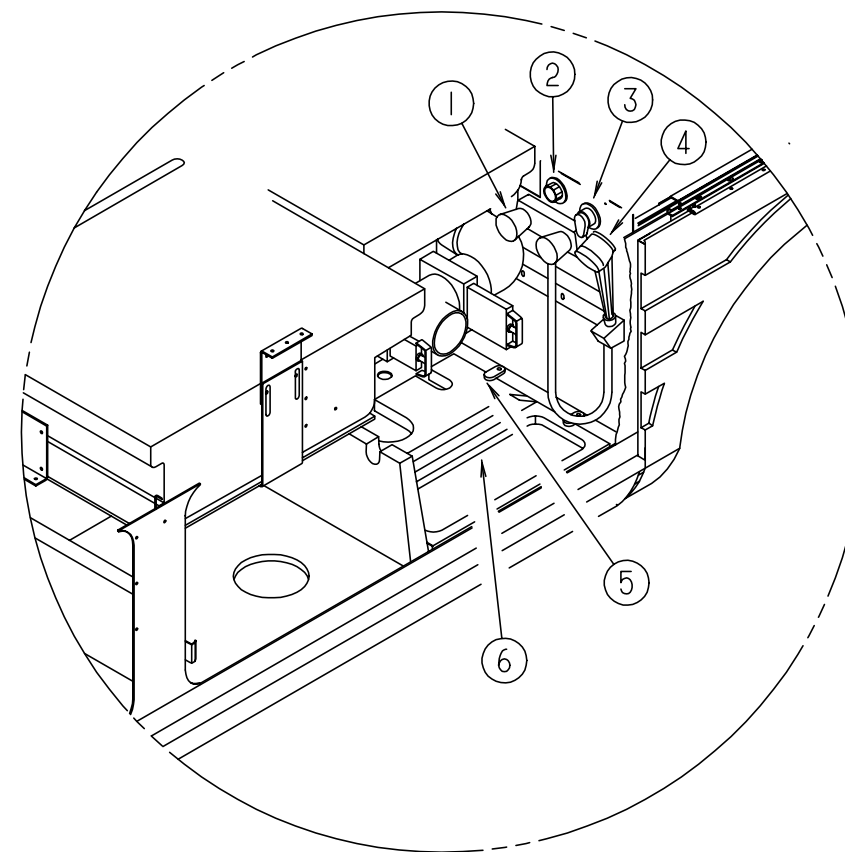
WATER & SEWAGE GROUP (CONTINUED)



WASHER/DRYER

KEY	PART NUMBER	U/M	DESCRIPTION
	107753-02-01A	EA	WASHER - DRYER - WHITE
1	061607-01-000	EA	GROMMET - HOLDING TANK - 1 1/2" NPS
2	010115-01-000	EA	COUPLING - 1 1/2" HUB X HUB - PLASTIC
3	010008-01-000	EA	ELBOW - 90 DEGREE - 1 1/2" HUB X HUB - PLASTIC
4	010005-01-000	EA	ELBOW - 22.5 DEGREE - 1 1/2" HUB X HUB - PLASTIC
5	079968-01-000	EA	VENT - MECHANICAL/TRAP ARM - ANTI-SIPHON - 2" X 7.3" PLASTIC
6	010071-01-000	EA	TEE - SANITARY - 1 1/2" HUB X HUB X HUB - PLASTIC
7	037763-01-000	EA	P TRAP - PLASTIC - 1 1/2" HXH W/UNION - NIBCO 5895
	069735-01-000	EA	WASHER - STRAINER TO TAILPIECE - PLASTIC - 1.5"
	098419-01-000	EA	FAUCET - WASHER - 90 DEGREE
	111842-01-01A	EA	BRACKET - FAUCET - WASHER
	113795-01-02B	EA	BRACKET - WASHER
	113795-02-02B	EA	BRACKET - WASHER
	010071-01-000	EA	TEE - SANITARY - 1 1/2" HUB X HUB X HUB - PLASTIC
	111913-01-01A	EA	BRACKET - WASHER - TIE DOWN
	111913-01-02A	EA	BRACKET - WASHER - TIE DOWN
	114429-02-000	EA	ELBOW - 1/2"P X 1/2"MPT
	114429-01-000	EA	ELBOW - 1/2"P X 1/2"P
	114428-01-000	EA	TEE - 1/2"P X 1/2"P X 1/2"P
	039800-02-000	FT	TUBING - POLYBUTYL - 5/8"OD X 20' - INC OF 20'

WATER & SEWAGE GROUP (CONTINUED)



EXTERIOR SHOWER COMPONENTS

KEY	PART NUMBER	U/M	DESCRIPTION	VENDOR NO.
1	075241-05-000	EA	FAUCET/SHOWER - BONE 3/4" MPT X 1.4" LONG INLET PIPES	
	114430-02-000	EA	ADAPTER - SWIVEL - 1/2"P X 1/2"FPT	
2	010230-05-000	EA	FILL - CITY WATER - W/CHECK VALVE	
3	114431-02-000	EA	VALVE - WATER BYPASS - 1/2"P - THREE WAY (WATER HEATER)	
	010497-03-000	EA	CLAMP - CLOSED - 1" ID - CUSHIONED	
	114428-01-000	EA	TEE - 1/2"P X 1/2"P X 1/2"P	
4	103092-02-000	EA	SHOWER HEAD - W/60" HOSE - CSA	
4	103092-03-000	EA	SHOWER HEAD - W/HOSE/BACKET - BRASS	
	103092-01-700	EA	BRACKET - F/SHOWER HEAD - CLEAR	2328028
	011048-03-700	EA	BRACKET - F/SHOWER HEAD	2328029-3
5	121175-01-01A	EA	LATCH - SWELL - BLACK	
6	M06991-05-G38	EA	HATCH - W/FOAM	

WATER & SEWAGE GROUP (CONTINUED)

FRESH WATER TANK

KEY	PART NUMBER	U/M DESCRIPTION
	120291-01-000	EA TANK - WATER - 90 GALLON - W/O FITTINGS
	120291-03-000	EA TANK - WATER - 90 GALLON - W/FITTINGS
	039861-01-000	EA SENDING UNIT - W/SCREW - WASHER - WELL NUT/TERMINAL RING
	044927-01-000	EA ADAPTER - HOSE TO PIPE - 1 1/4 MPT X 1 1/4 BARB - BLK PLS
	077954-02-000	EA FILTER - WATER TANK - W/SCREEN IN TANK
	079381-01-000	FT TUBING - SMOOTH FLEXIBLE - 1 3/8 ID X 20'
	114429-02-000	EA ELBOW - 1/2"P X 1/2"MPT
	042989-03-000	EA FITTING - WATER TANK - SPINWELD - 1 1/4"NPT - PLASTIC
	042989-05-000	EA FITTING - WATER TANK - SPINWELD - 1/2"FPT - PLASTIC
	049032-01-000	EA PATCH - SPINWELD - 3/8" - PLASTIC
	105804-01-000	EA ANGLE - STEEL

WATER SYSTEM

KEY	PART NUMBER	U/M DESCRIPTION
	039800-04-000	FT TUBING - POLYBUTYL - 1/4"OD
	039800-02-000	FT TUBING - POLYBUTYL - 5/8"OD X 20' - INC OF 20'
	114429-01-000	EA ELBOW - 1/2"P X 1/2"P
	114429-02-000	EA ELBOW - 1/2"P X 1/2"MPT
	114429-03-000	EA ELBOW - FLAIR-IT SWIVEL - 1/2"P X 1/2"FPT
	114429-04-000	EA ELBOW - 1/2"P X 3/8"MPT
	114429-05-000	EA ELBOW - 1/2"P X 3/4"MPT
	114429-06-000	EA ELBOW - SWIVEL - 1/2"P X 3/4"FPT
	118424-01-000	EA ELBOW - BRASS - 1/4P X 1/4P
	114430-08-000	EA ADAPTER - 1/2P X 3/4MPT
	118809-01-000	EA ADAPTER - PLASTIC - 1/2 MPT X 3/8 BARB
	114430-01-000	EA ADAPTER - 1/2"P X 1/2"P
	114430-02-000	EA ADAPTER - SWIVEL - 1/2"P X 1/2"FPT
	114430-03-000	EA ADAPTER - 1/2"P X 1/2"MPT
	114428-01-000	EA TEE - 1/2"P X 1/2"P X 1/2"P
	114428-03-000	EA TEE - 1/2"P X 1/2"P X 1/2"MPT
	118423-01-000	EA FITTING - BRASS-TEE - 1/4C X 1/4C X 1/4C
	111888-02-000	EA INSERT - BRASS - 1/4 COMP
	010230-05-000	EA FILL - CITY WATER - W/CHECK VALVE
	010230-06-000	EA FILL - CITY WATER - W/CHECK VALVE - MPT
		FROM: 00-00-00 THRU: 09-25-96
		FROM: 09-26-96 THRU: 99-99-99
	111888-01-000	EA FERRULE - PLASTIC - .250 ID X .375 OD
	114431-02-000	EA VALVE - WATER BYPASS - 1/2"P - THREE WAY (WATER HEATER)
	114431-03-000	EA VALVE - 90 DEGREE DRAIN - 1/2"P
	121176-01-02B	EA BRACKET - WATER CENTER

WINTERIZATION KIT

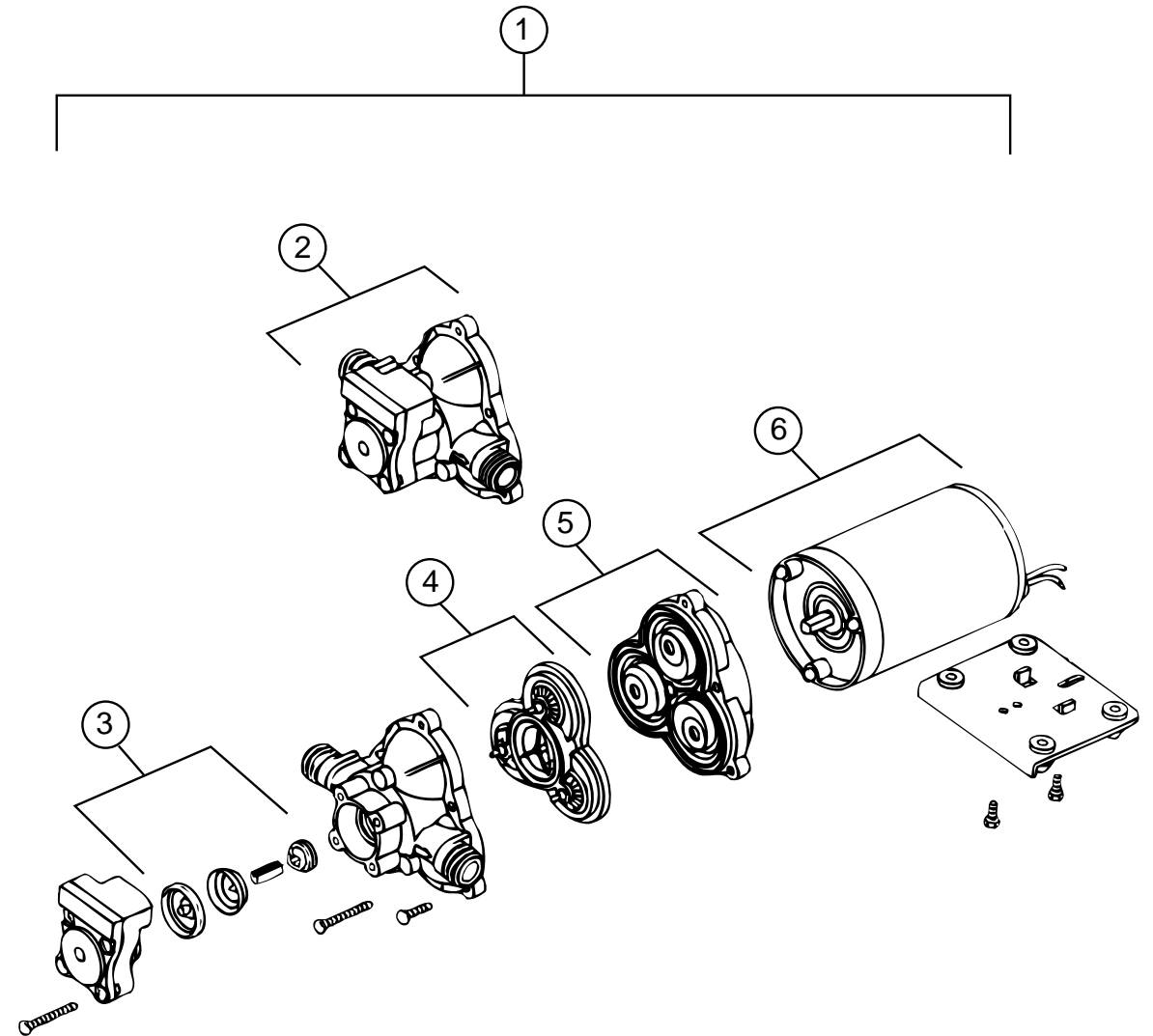
KEY	PART NUMBER	U/M DESCRIPTION
	118569-01-000	EA WINTERIZATION SYSTEM - SWAN RFQ 314-W
	118569-01-700	EA VALVE/SOLENOID-ELECT CONTROL
	118569-01-701	EA SWITCH - ELECTRIC
	118569-01-702	EA PLATE - SWITCH
	118569-01-703	EA TANK - 2 GALLON
	118569-01-704	EA PLUG - 3/4 MPT
	118569-01-705	EA PLUG - 1/2 MPT
	118569-01-706	EA SCREEN - WHITE

WATER HEATER G6A-8E ELECTRONIC IGNITION

KEY	PART NUMBER	U/M DESCRIPTION
*	051391-03-000	EA WATER HEATER G6A-8E ELECTRONIC IGNITION

* COMPONENT PARTS FOUND IN SERVICE PARTS LIBRARY

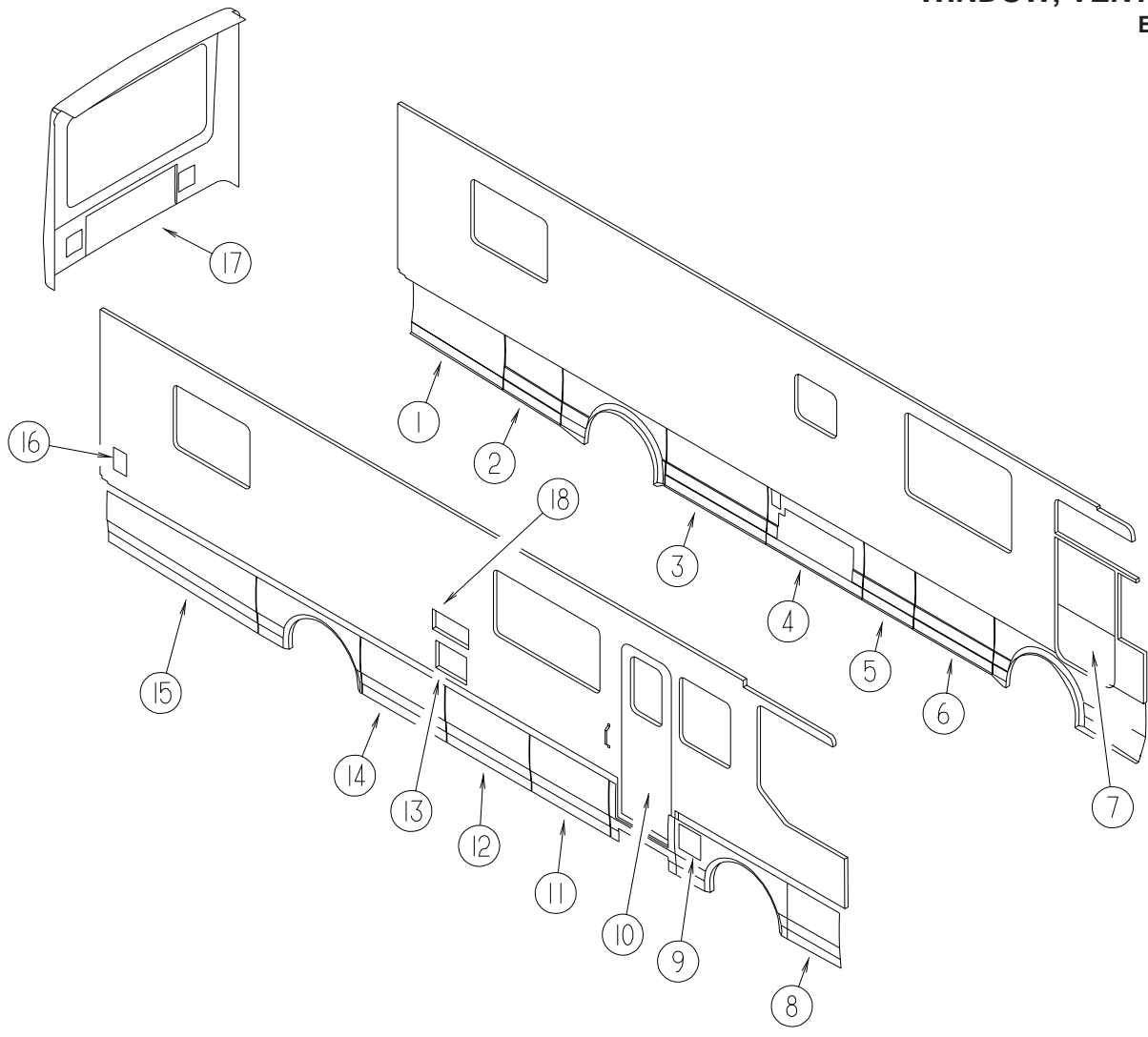
WATER & SEWAGE GROUP (CONTINUED)



WATER PUMP-SHURFLO

KEY	PART NUMBER	U/M DESCRIPTION	VENDOR NO.
1	098607-01-000	EA PUMP - WATER - W/.5" MPT FITTING - FLOW 2.8 GPM	
2	098607-01-706	EA HOUSING - W/SWITCH ONLY	94-231-20
3	098607-01-705	EA CHECK VALVE - KIT	94-237-00
4	098607-01-703	EA VALVE KIT	94-232-00
5	098607-01-702	EA DIAPHRAGM/DRIVE ASSEMBLY KIT	94-238-04
6	098607-01-707	EA MOTOR W/BASEPLATE	94-235-03

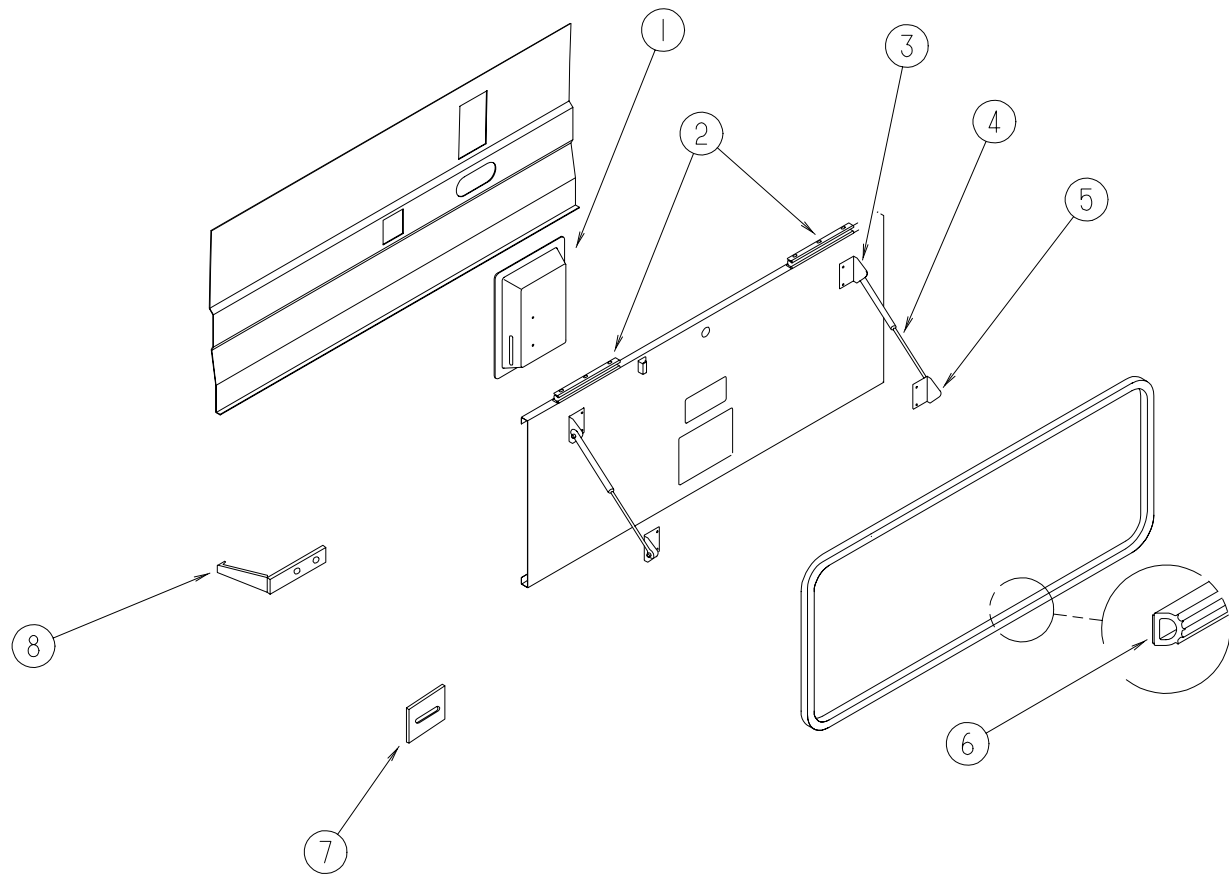
WINDOW, VENT & EXTERIOR DOOR GROUP
EXTERIOR DOORS



KEY	PART NUMBER	U/M DESCRIPTION
1	120249-01-GV0	EA DOOR - VALANCE - DRIVER REAR W/FINS - 49.4" X 26" X 24.2"
	118037-01-01A	EA HINGE - DOUBLE PIVOT
2	120252-02-GV0	EA DOOR - VALANCE - DRIVER W/LOCKING PADDLE - 30.9" X 27.1" X 26"
	107796-02-000	EA BRACKET - ìlî MOUNT BRACKET - W/BALL STUD F/GAS SPRING
	118037-01-01A	EA HINGE - DOUBLE PIVOT
	119443-01-01A	EA COVER - LATCH - VALANCE DOOR
3	120251-05-GV0	EA DOOR - VALANCE - DRVR W/LT CUTOUT/LOCKING PADDLE - 54.8" X 27.1"
	107796-02-000	EA BRACKET - ìlî MOUNT BRACKET - W/BALL STUD F/GAS SPRING
	118037-01-01A	EA HINGE - DOUBLE PIVOT
	119443-01-01A	EA COVER - LATCH - VALANCE DOOR
4	120250-01-GV0	EA DOOR - VALANCE W/FINS - 44.6"WT X 54.8"WB X 18.9" X 27.1"
	104692-03-000	FT SEAL - FOAM/ADHESIVE BACK - 1" THICK X 1.25" WIDE X 15'
	118037-01-01A	EA HINGE - DOUBLE PIVOT
	119443-01-01A	EA COVER - LATCH - VALANCE DOOR
5	120251-04-GV0	EA DOOR - VALANCE - PASSENGER W/LOCKING PADDLE - 26.9" X 27.1"
	107796-02-000	EA BRACKET - ìlî MOUNT BRACKET - W/BALL STUD F/GAS SPRING
	118037-01-01A	EA HINGE - DOUBLE PIVOT
	119443-01-01A	EA COVER - LATCH - VALANCE DOOR
6	120251-06-GV0	EA DOOR - VALANCE - PASSENGER W/LOCKING PADDLE -43.6"X27.1"
	107796-02-000	EA BRACKET - ìlî MOUNT BRACKET - W/BALL STUD F/GAS SPRING
	118037-01-01A	EA HINGE - DOUBLE PIVOT
	119443-01-01A	EA COVER - LATCH - VALANCE DOOR

KEY	PART NUMBER	U/M DESCRIPTION	VENDOR NO.
7	106469-10-01A	EA DOOR - DRIVERS - POWER WINDOW	
7	106469-11-01A	EA DOOR - DRIVERS - POWER WINDOWS/LOCKS	
8	120896-01-GV0	EA VALANCE - FRONT - PASSENGER - W/O HARDWARE	
9	120788-01-GV0	EA DOOR ASM - FUEL FILL	
	110506-04-000	EA LOCK ASM - KEYED - 26.45MM	
10	115108-07-J70	EA DOOR - ENTRY W/POWER LOCK/SCREEN DOOR - W/O WINDOW (J70,J71)	
		FROM: 00-00-00 THRU: 08-17-97	
10	115108-07-J72	EA DOOR - ENTRY W/POWER LOCK/SCREEN DOOR - W/O WINDOW (J72,J73,J74,J75)	
		FROM: 00-00-00 THRU: 08-17-97	
10	115108-07-J76	EA DOOR - ENTRY W/POWER LOCK/SCREEN DOOR - W/O WINDOW (J76,J77)	
		FROM: 00-00-00 THRU: 08-17-97	
10	115108-12-J70	EA DOOR - ENTRY W/POWER LOCK/SCREEN DOOR - W/O WINDOW (J70,J71)	
		FROM: 08-18-97 THRU: 99-99-99	
10	115108-12-J72	EA DOOR - ENTRY W/POWER LOCK/SCREEN DOOR - W/O WINDOW (J72,J73,J74,J75)	
		FROM: 08-18-97 THRU: 99-99-99	
10	115108-12-J76	EA DOOR - ENTRY W/POWER LOCK/SCREEN DOOR - W/O WINDOW (J76,J77)	
		FROM: 08-18-97 THRU: 99-99-99	
10	115108-08-J70	EA DOOR - ENTRY - W/SCREEN DOOR - W/O WINDOW (J70,J71)	
		FROM: 00-00-00 THRU: 08-17-97	
10	115108-08-J72	EA DOOR - ENTRY - W/SCREEN DOOR - W/O WINDOW (J72,J73,J74,J75)	
		FROM: 00-00-00 THRU: 08-17-97	
10	115108-08-J76	EA DOOR - ENTRY - W/SCREEN DOOR - W/O WINDOW (J76,J77)	
		FROM: 00-00-00 THRU: 08-17-97	
10	115108-13-J70	EA DOOR - ENTRY - W/SCREEN DOOR - W/O WINDOW (J70,J71)	
		FROM: 08-18-97 THRU: 99-99-99	
10	115108-13-J72	EA DOOR - ENTRY - W/SCREEN DOOR - W/O WINDOW (J72,J73,J74,J75)	
		FROM: 08-18-97 THRU: 99-99-99	
10	115108-13-J76	EA DOOR - ENTRY - W/SCREEN DOOR - W/O WINDOW (J76,J77)	
		FROM: 08-18-97 THRU: 99-99-99	
11	120251-01-GV0	EA DOOR - VALANCE - PASSENGER W/LOCKING PADDLE 42.6" X 27.1"	
	107796-02-000	EA BRACKET - ìlî MOUNT BRACKET - W/BALL STUD F/GAS SPRING	
	118037-01-01A	EA HINGE - DOUBLE PIVOT	
	119443-01-01A	EA COVER - LATCH - VALANCE DOOR	
12	120251-02-GV0	EA DOOR - VALANCE - PASSENGER/LOCKING PADDLE 45.5" X 27.1"	
	107796-02-000	EA BRACKET - ìlî MOUNT BRACKET - W/BALL STUD F/GAS SPRING	
	118037-01-01A	EA HINGE - DOUBLE PIVOT	
	119443-01-01A	EA COVER - LATCH - VALANCE DOOR	
13	052009-06-000	EA DOOR - WATER HEATER - BRIGHT WHITE - 18" X 14.6"	
	116424-01-000	EA PROTECTOR - LATCH - WATER HEATER	
14	120251-03-GV0	EA DOOR - VALANCE-PASS W/LGT CUTOUT/NON - LOCK PADDLE - 45.5" X 27.1"	
	107796-02-000	EA BRACKET - ìlî MOUNT BRACKET - W/BALL STUD F/GAS SPRING	
	118037-01-01A	EA HINGE - DOUBLE PIVOT	
	119443-01-01A	EA COVER - LATCH - VALANCE DOOR	
15	120252-01-GV0	EA DOOR - VALANCE - PASSENGER W/LOCKING PADDLE - 80.7" X 24.2" X 27.1"	
	107796-02-000	EA BRACKET - ìlî MOUNT BRACKET - W/BALL STUD F/GAS SPRING	
	118037-01-01A	EA HINGE - DOUBLE PIVOT	
	119443-01-01A	EA COVER - LATCH - VALANCE DOOR	
16	081240-16-000	EA DOOR - WATER FILL - LOCKABLE W/O LOCK - 4" X 4 5/8"	
	110506-02-000	EA LOCK - KEYED - 13.64MM	
17	117507-02-J70	EA PANEL - ENGINE DOOR - REAR	
	118533-01-HQ0	EA GRILLE - DOOR/TRUNK	
	114268-03-02B	EA BRACKET - GAS SPRING - 14 GAUGE	
	102325-02-07A	EA HINGE - TRUNK DOOR	
18	084103-08-000	EA DOOR - REFRIGERATOR - VENTED - W/O JAMB	
	084104-08-000	EA JAMB - REFRIGERATOR DOOR	
	084104-01-700	EA LOCK - MALE - FASTENER	201-721-010
	084104-01-701	EA LOCK - FEMALE - FASTENER	201-802-010
18	125481-01-02A	EA DOOR - REFRIGERATOR VENT (SIDE BY SIDE REFRIGERATOR)	

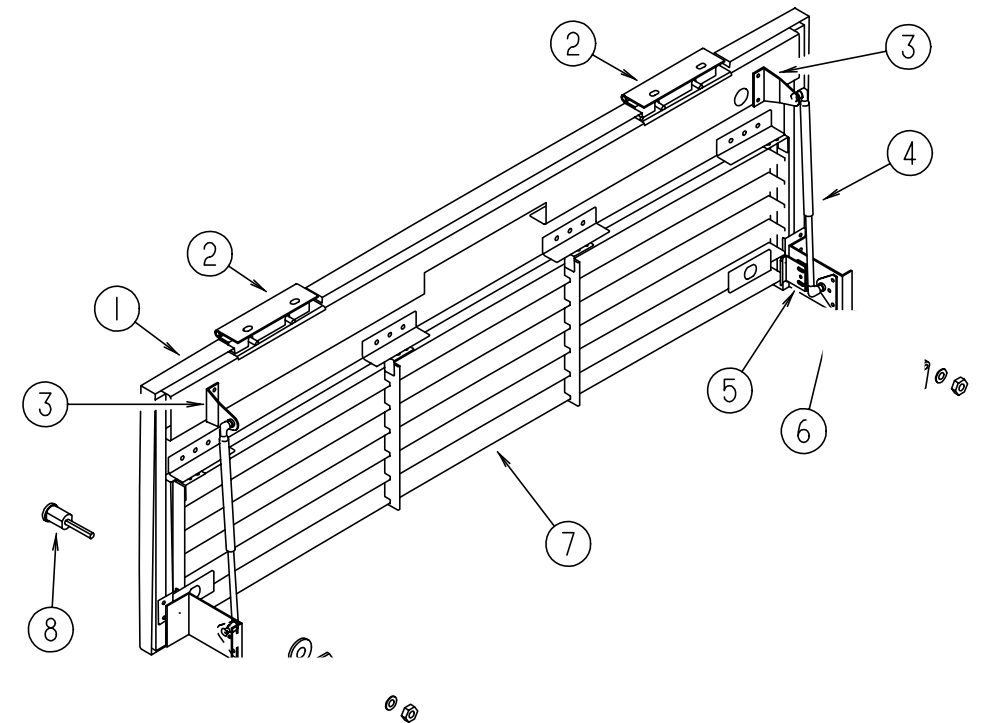
WINDOW, VENT & EXTERIOR DOOR GROUP (CONTINUED)



EXTERIOR DOOR COMPONENTS & HOLDER

KEY	PART NUMBER	U/M	DESCRIPTION
1	119443-01-01A	EA	COVER - LATCH - VALANCE DOOR
	100128-02-000	FT	SEAL - FOAM/ADHESIVE BACK - .37" WIDE X .37" THICK
2	118037-01-01A	EA	HINGE - DOUBLE PIVOT
2	118037-02-02B	EA	HINGE - DOUBLE PIVOT - 90 DEGREE (FUEL DOOR)
2	118037-02-01A	EA	HINGE - DOUBLE PIVOT - 90 DEGREE (FUEL DOOR)
3	107796-02-000	EA	BRACKET - "L" MOUNT BRACKET - W/BALL STUD F/GAS SPRING
4	107796-01-000	EA	GAS SPRING - 11" COMPRESSED/17" EXTENDED - 40LB.
4	107796-08-000	EA	SPRING/GAS - 11" COMPRESSED/17" EXTENDED - 60 LB
5	107796-05-000	EA	BRACKET - SUPPORT - GAS SPRING TO BED - FLAT (LOWER)
6	107721-01-000	FT	BULB SEAL - "D" SHAPED W/ADHESIVE ON FLAT SIDE
7	110415-01-01A	EA	SHIM - LATCH - VALANCE DOOR
8	102768-01-000	EA	HOLDER - COMPARTMENT/ENTRY DOOR - METAL - MILL FINISH
	091876-01-000	EA	RETAINER - DOOR - 1.9" X .8" - METAL

WINDOW, VENT & EXTERIOR DOOR GROUP (CONTINUED)



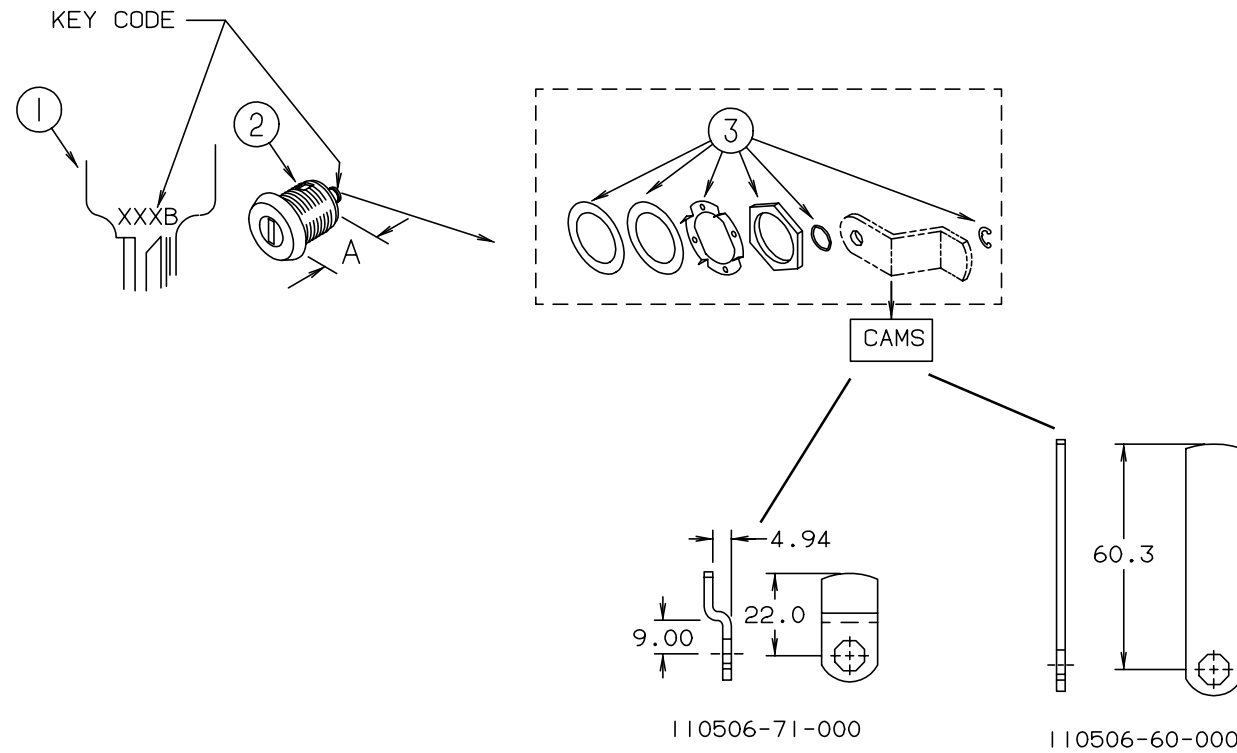
ENGINE DOOR COMPONENTS

KEY	PART NUMBER	U/M	DESCRIPTION
1	117507-02-J70	EA	PANEL - ENGINE DOOR - REAR
2	102325-02-07A	EA	HINGE - TRUNK DOOR
	057460-02-000	EA	STUD BALL - GAS SPRING - .39" - 5/16"-18
3	114268-03-02B	EA	BRACKET - GAS SPRING - 14 GAUGE
4	108998-01-000	EA	SPRING - GAS 12" COMPRESSED/20" EXTENDED - 30 LB
5	107719-01-01A	EA	STRIKE - VALANCE DOOR
	118931-01-02B	EA	SHIM - STRIKER - DOOR
6	107796-05-000	EA	BRACKET - SUPPORT - GAS SPRING TO BED - FLAT (LOWER)
7	118533-01-HQ0	EA	GRILLE - DOOR/TRUNK
8	102330-02-000	EA	LATCH - VISE ACTION/KEY OPERATED
	102328-01-000	EA	KEY - BARREL - NICKEL PLATED

WINDOW, VENT & EXTERIOR DOOR GROUP (CONTINUED)

NOTE:
 WHEN ORDERING THE LOCK CASE, THE KEY CODE MUST MATCH THE LAST DIGIT OF THE VEHICLE'S SERIAL NUMBER AND PART NUMBER; WHEN ORDERING THE KEYS, THE THIRD DIGIT OF THE KEY CODE MUST MATCH THE LAST DIGIT OF THE VEHICLE'S SERIAL NUMBER AND PART NUMBER

BRIGGS & STRATTON LOCKS & COMPONENTS

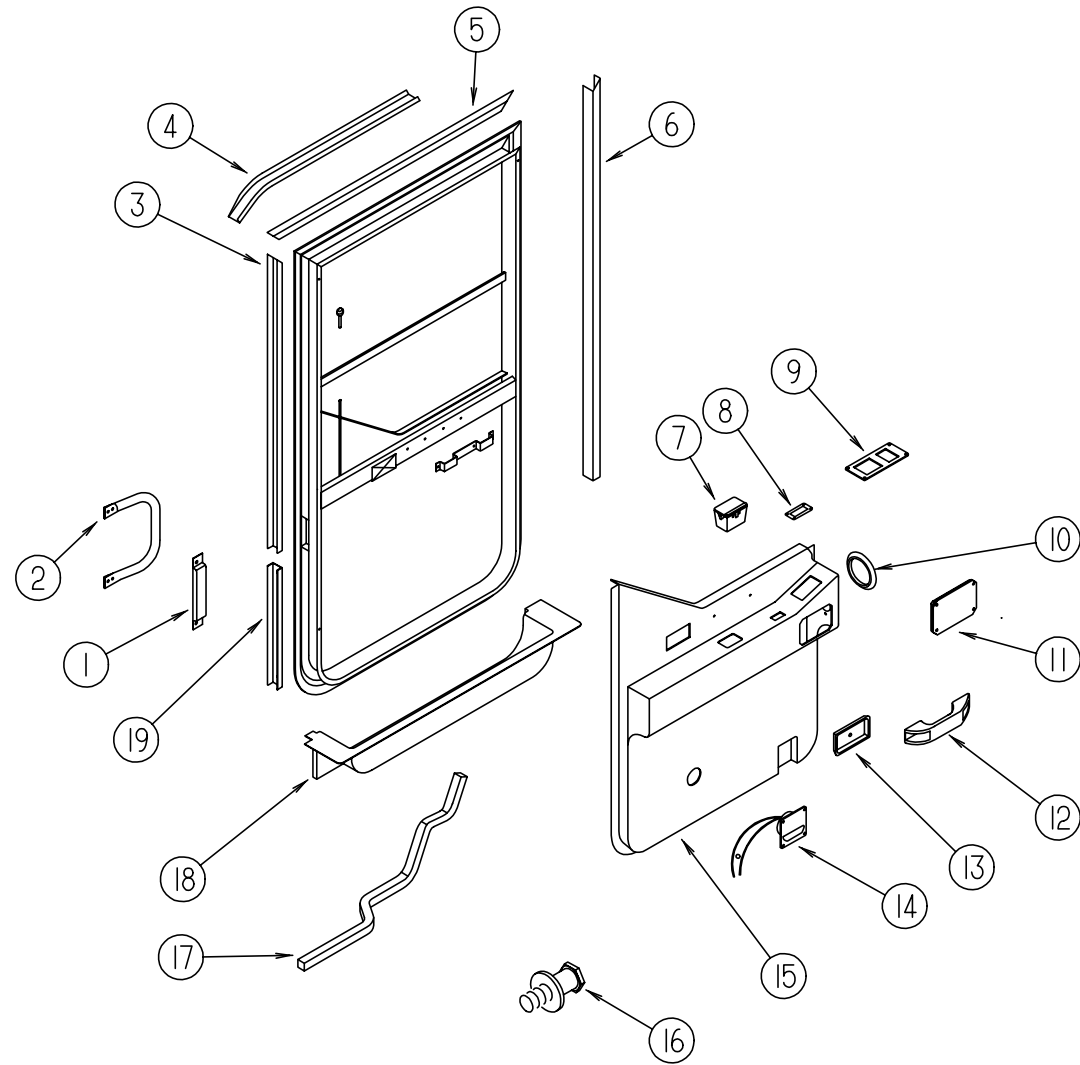


KEY	PART NUMBER	U/M	DESCRIPTION	VENDOR NO.
1	110506-59-000	EA	KEYS - SET OF TWO	596720
2	110506-52-000	EA	CASE ASM-LOCK 17 MM	702370
2	110506-53-000	EA	CASE ASM-LOCK 25MM	702380
1	110506-59-001	EA	KEYS - SET OF TWO	596721
2	110506-52-001	EA	CASE ASM-LOCK 17 MM	702371
2	110506-53-001	EA	CASE ASM-LOCK 25MM	702381
1	110506-59-002	EA	KEYS - SET OF TWO	596722
2	110506-52-002	EA	CASE ASM-LOCK 17 MM	702372
2	110506-53-002	EA	CASE ASM-LOCK 25MM	702382
1	110506-59-003	EA	KEYS - SET OF TWO	596723
2	110506-52-003	EA	CASE ASM-LOCK 17 MM	702373
2	110506-53-003	EA	CASE ASM-LOCK 25MM	702383
1	110506-59-004	EA	KEYS - SET OF TWO	596724
2	110506-52-004	EA	CASE ASM-LOCK 17 MM	702374
2	110506-53-004	EA	CASE ASM-LOCK 25MM	702384
1	110506-59-005	EA	KEYS - SET OF TWO	596725
2	110506-52-005	EA	CASE ASM-LOCK 17 MM	702375
2	110506-53-005	EA	CASE ASM-LOCK 25MM	702385
1	110506-59-006	EA	KEYS - SET OF TWO	596726
2	110506-52-006	EA	CASE ASM-LOCK 17 MM	702376
2	110506-53-006	EA	CASE ASM-LOCK 25MM	702386

KEY	PART NUMBER	U/M	DESCRIPTION	VENDOR NO.
1	110506-59-007	EA	KEYS-SET OF TWO	596727
2	110506-52-007	EA	CASE ASM-LOCK 17 MM	702377
2	110506-53-007	EA	CASE ASM-LOCK 25MM	702387
1	110506-59-008	EA	KEYS-SET OF TWO	596728
2	110506-52-008	EA	CASE ASM-LOCK 17 MM	702378
2	110506-53-008	EA	CASE ASM-LOCK 25MM	702388
1	110506-59-009	EA	KEYS-SET OF TWO	596729
2	110506-52-009	EA	CASE ASM-LOCK 17 MM	702379
2	110506-53-009	EA	CASE ASM-LOCK 25MM	702389
3	110506-40-700	EA	HARDWARE PACKAGE-CYLINDER/CASE	
	110506-60-000	EA	CAM - LATCHING - STRAIGHT 2.4" (FUEL FILL)	
	110506-71-000	EA	CAM - LATCHING - STRAIGHT 2.4" (WATER FILL)	
	110506-59-701	EA	KEY BLANK (GOLD)	

WINDOW, VENT & EXTERIOR DOOR GROUP (CONTINUED)

DRIVERS DOOR



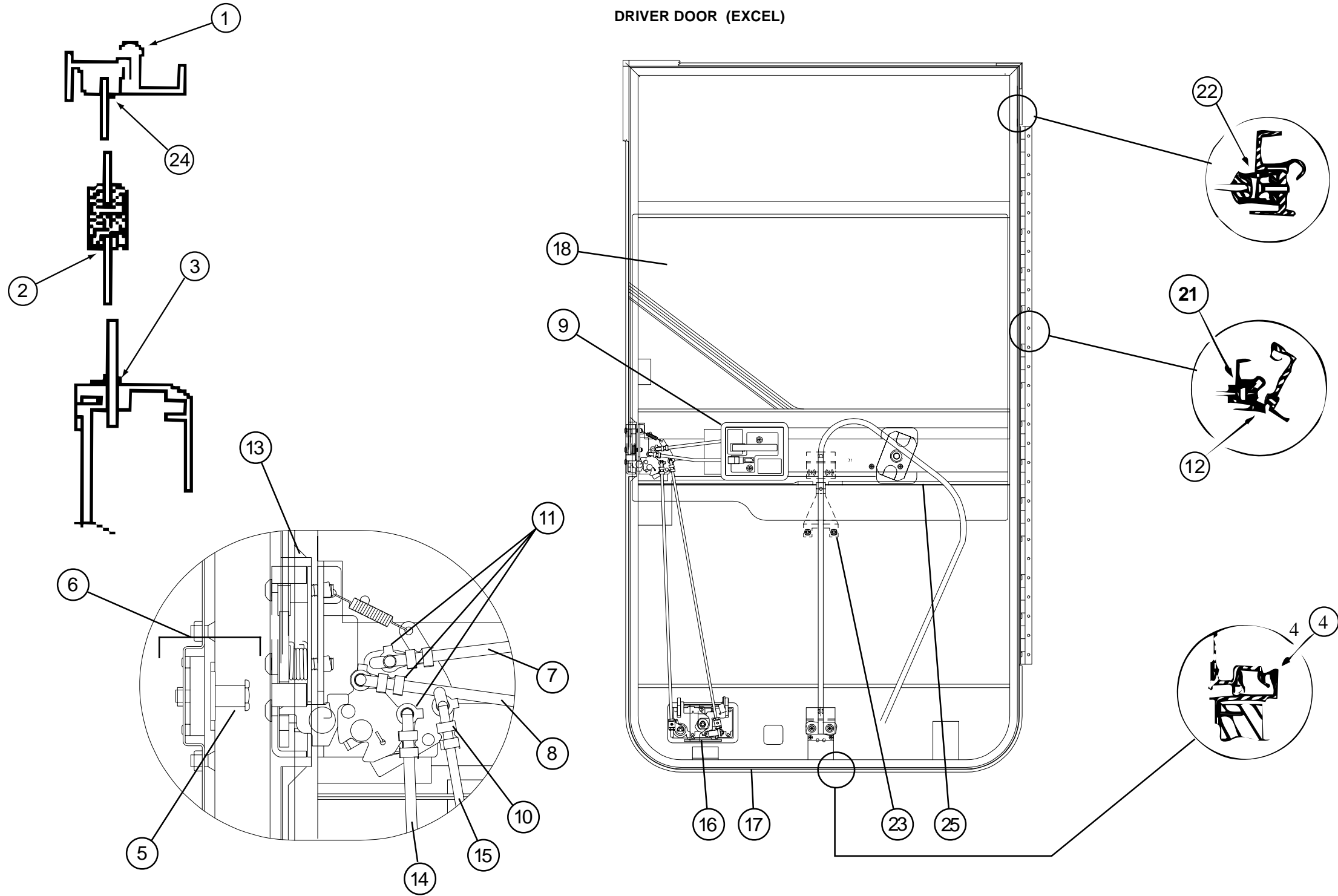
KEY	PART NUMBER	U/M	DESCRIPTION	VENDOR NO.
	106469-10-01A	EA	DOOR - DRIVERS - POWER WINDOW	
	106469-11-01A	EA	DOOR - DRIVERS - POWER WINDOWS/LOCKS	
1	108654-01-01A	EA	COVER - STRIKE - DRIVER DOOR	
2	108832-02-01A	EA	HANDLE - ASSIST - DOOR/DRIVER	
3	N/A	EA	GARNISH - DRIVERS DOOR	
4	108274-08-01A	EA	RAIL - DRIP - FRONT/DRIVER	
5	N/A	EA	GARNISH - DRIVERS DOOR - MILL	
6	N/A	EA	GARNISH - DRIVERS DOOR - MILL	
	108119-03-F36	EA	GARNISH - DRIVER DOOR	
7	118719-01-01A	EA	ASHTRAY - TOP MOUNT - BLACK PLASTIC	
8	093132-01-000	EA	SWITCH - ROCKER - 5 TERMINAL - W/ARROWS F/POWER WINDOWS	
	094086-01-01A	EA	PLATE - SWITCH - SINGLE GANG - 1.8" X 3" - BLACK PLASTIC	
9	087695-02-000	EA	SWITCH - HEATER - EXTERIOR MIRROR	
9	088246-01-000	EA	SWITCH - REMOTE - EXTERIOR - SQUARE PUSH	
	093145-01-000	EA	SLEEVE - WIRE - 10" LONG	
10	093146-01-000	EA	GROMMET - WIRE - 1.7" X 3.1" - OVAL SHAPED - BLACK PLASTIC	
11	107889-02-000	EA	CONTROL PANEL KIT - ELECTRONIC SOFT TOUCH	
	100532-09-700	EA	PANEL ASM. - TOUCH CONTROL	RAP1002
	100532-09-702	EA	CABLE - MODULAR - 5'	AP1020
12	102710-01-01A	EA	HANDLE - ASSIST - ENTRY DOOR - 6.6" LONG	
	118640-01-01B	EA	BRACKET - HANDLE	
13	106469-04-712	EA	HARDWARE - INNER HANDLE - LH	248-041402
14	108354-01-01A	EA	LIGHT - COURTESY	
	108354-01-700	EA	BULB - COURTESY LIGHT	395-B
15	118582-01-01A	EA	PANEL - TRIM - INNER/LEFT HAND	
15	118582-02-01A	EA	PANEL - TRIM - INNER/LEFT HAND - F/LEVELING JACKS	
16	106469-04-703	EA	BOLT - STRIKER - W/WASHER	248-041152
16	106469-04-704	EA	NUT ASSEMBLY - CAGED W/STRIKER	248-041151
17	063977-14-000	EA	STEP - DRIVER DOOR - LEFT HAND	
18	107818-02-01A	EA	TRIM - STEP - DRIVER DOOR	
	102569-02-000	EA	MAT - ANTI SLIP - LOWER	
	109506-01-000	EA	FILM - URETHANE - PROTECTANT - 4.25" X 26.75"	
	109235-01-01A	FT	COVER - SCREW - MAT BLACK	
19	108897-02-01A	EA	GARNISH - DRIVER DOOR - REAR LOWER	
	109378-01-000	EA	STRAP - CHECK - DRIVER DOOR - 12.8"	
	064219-01-000	EA	RETAINER - CHECK STRAP - DRIVER DOOR	
	091162-55-005	EA	ANGLE - 4900 - V.W. GRAY	

POWER DOOR LOCKS W/REMOTE

KEY	PART NUMBER	U/M	DESCRIPTION	VENDOR NO.
	102756-02-000	EA	REMOTE KEYLESS ENTRY SYSTEM	
	102756-01-704	EA	HARNESS - MAIN	203-6638
	102756-02-700	EA	REMOTE (TRANSMITTER) KEYLESS	412-1036
	102756-02-701	EA	BOARD - MODULE - NEW SYSTEM	202-3153
	102756-01-701	EA	BATTERY - 12 V F/TRANSMITTER	402-1004

WINDOW, VENT & EXTERIOR DOOR GROUP (CONTINUED)

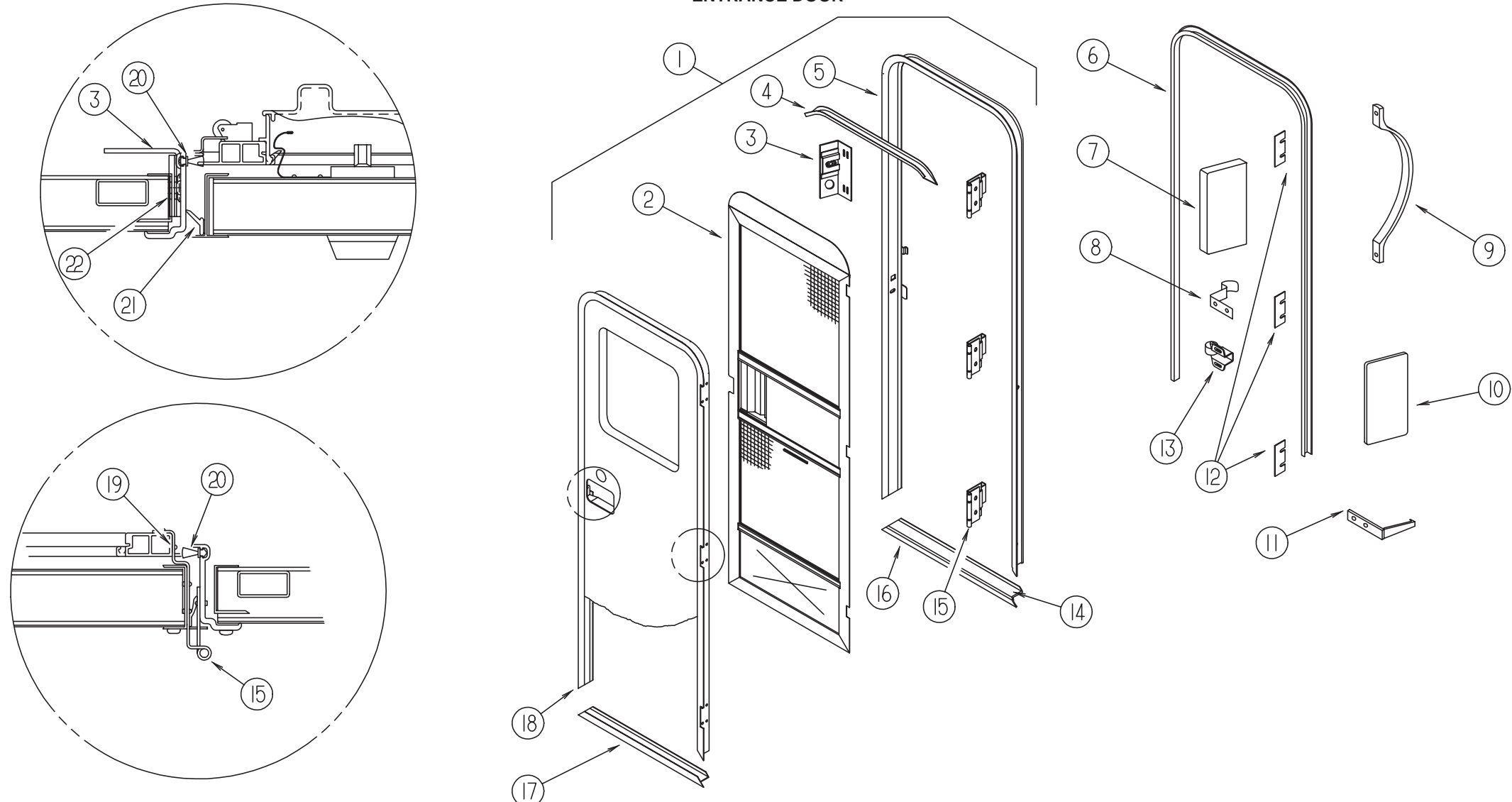
DRIVER DOOR (EXCEL)



KEY	PART NUMBER	U/M DESCRIPTION	VENDOR NO.
1	106469-01-702	EA DOOR SEAL	122-040984
2	106469-01-705	FT CHANNEL - RUN - SLIDING	122-010850
3	106469-01-709	FT WEATHERSTRIP - FUZZY	171-040630
4	106469-01-723	EA SEAL - BULB ASM. (JAMB)	171-040985
5	106469-04-703	EA BOLT - STRIKER (W/ WASHER)	248-041152
6	106469-04-704	EA NUT ASSEMBLY - CAGED - W/STRIKER	248-041151
7	106469-04-705	EA LATCH ROD - HORIZONTAL	203-041139
8	106469-04-711	EA LOCK ROD - HORIZONTAL	203-041137
9	106469-04-712	EA HANDLE/DOOR - INNER W/HARDWARE	248-041402
10	106469-04-713	EA ROD CLIP L.H.	248-041154
11	106469-04-714	EA ROD CLIP R.H.	248-041153
12	106469-05-702	EA HINGE - 42"	211-041194
13	106469-05-706	EA LATCH - ROTARY - W/LINKAGE	248-041150

KEY	PART NUMBER	U/M DESCRIPTION	VENDOR NO.
14	125581-04-700	EA ROD - LATCH/VERTICAL ADJUST.	203041767
15	125581-04-701	EA ROD - LOCK/VERTICAL ADJUST.	203-041768
16	125581-04-702	EA PADDLE RH-W/COLLAR BLACK TEX	248-041403
17	125581-04-703	EA FRAME - MOUNTING - BLACK	V180-35L
18	125581-04-704	EA GLASS - ROLL-UP	106-041821
19	125581-04-705	EA GLASS - STATIONARY	106-041547
20	125581-04-706	EA FRAME - DOOR - SUB-ASSEMBLY	V180-94L
21	125581-04-707	EA CHANNEL - ROLL UP GLASS	V156-60
22	125581-04-708	EA CHANNEL - STATIONARY GLASS	V156-61
23	125581-04-709	EA REGULATOR - MANUAL	410-08389
24	125581-04-710	EA VINYL - GLAZING	132-041484
25	125581-04-711	EA CHANNEL- GLASS	N135-66
	106469-04-701	EA TUMBLER & KEYS (TRI-MARK)	248-041179
	106469-04-702	EA KEYS (BLANK)	248-041180

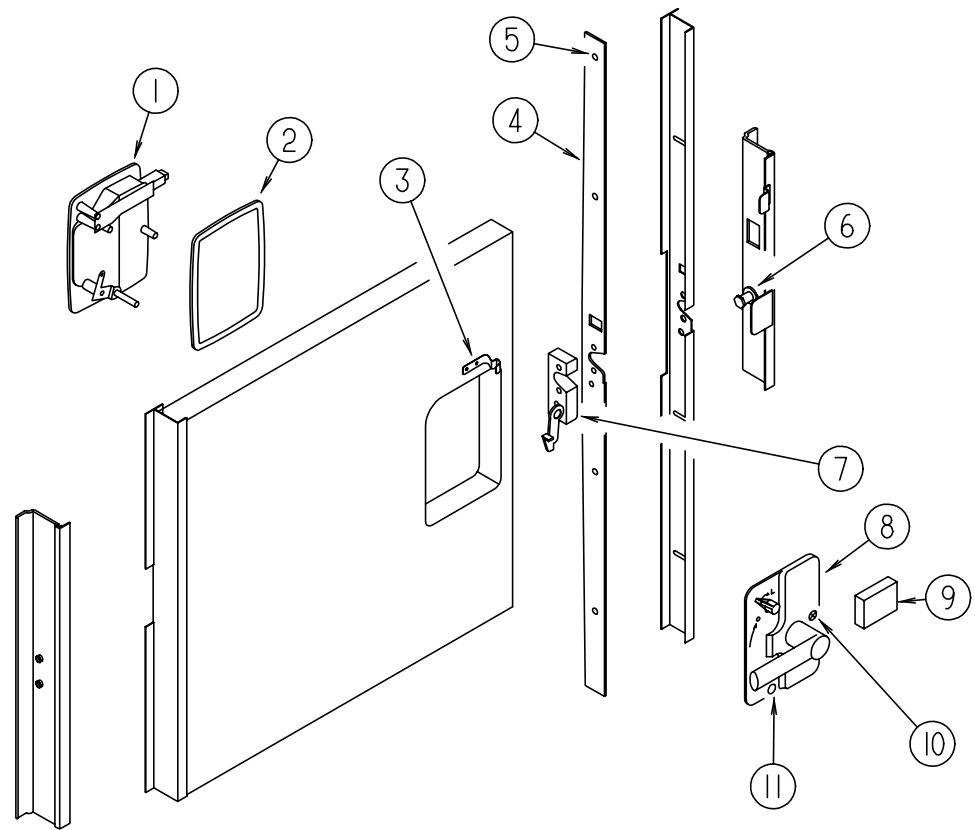
WINDOW, VENT & EXTERIOR DOOR GROUP (CONTINUED)
ENTRANCE DOOR



KEY	PART NUMBER	U/M DESCRIPTION
1	115108-07-J70	EA DOOR - ENTRY W/POWER LOCK/SCREEN DOOR - W/O WINDOW (J70,J71) FROM: 00-00-00 THRU: 08-17-97
1	115108-07-J72	EA DOOR - ENTRY W/POWER LOCK/SCREEN DOOR - W/O WINDOW (J72,J73,J74,J75) FROM: 00-00-00 THRU: 08-17-97
1	115108-07-J76	EA DOOR - ENTRY W/POWER LOCK/SCREEN DOOR - W/O WINDOW (J76,J77) FROM: 00-00-00 THRU: 08-17-97
1	115108-12-J70	EA DOOR - ENTRY W/POWER LOCK/SCREEN DOOR - W/O WINDOW (J70,J71) FROM: 08-18-97 THRU: 99-99-99
1	115108-12-J72	EA DOOR - ENTRY W/POWER LOCK/SCREEN DOOR - W/O WINDOW (J72,J73,J74,J75) FROM: 08-18-97 THRU: 99-99-99
1	115108-12-J76	EA DOOR - ENTRY W/POWER LOCK/SCREEN DOOR - W/O WINDOW (J76,J77) FROM: 08-18-97 THRU: 99-99-99
1	115108-08-J70	EA DOOR - ENTRY - W/SCREEN DOOR - W/O WINDOW (J70,J71) FROM: 00-00-00 THRU: 08-17-97
1	115108-08-J72	EA DOOR - ENTRY - W/SCREEN DOOR - W/O WINDOW (J72,J73,J74,J75) FROM: 00-00-00 THRU: 08-17-97
1	115108-08-J76	EA DOOR - ENTRY - W/SCREEN DOOR - W/O WINDOW (J76,J77) FROM: 00-00-00 THRU: 08-17-97
1	115108-13-J70	EA DOOR - ENTRY - W/SCREEN DOOR - W/O WINDOW (J70,J71) FROM: 08-18-97 THRU: 99-99-99
1	115108-13-J72	EA DOOR - ENTRY - W/SCREEN DOOR - W/O WINDOW (J72,J73,J74,J75) FROM: 08-18-97 THRU: 99-99-99
1	115108-13-J76	EA DOOR - ENTRY - W/SCREEN DOOR - W/O WINDOW (J76,J77) FROM: 08-18-97 THRU: 99-99-99
2	117077-02-J70	EA DOOR - SCREEN

KEY	PART NUMBER	U/M DESCRIPTION
3	041546-08-000	EA BRACKET - DOOR ANGLE O/W
4	044582-49-000	EA CAP - DRIP - JAMB MITERED
5	121898-06-02A	EA JAMB - ENTRY DOOR
5	121898-07-02A	EA JAMB - ENTRY DOOR - POWERED DOOR
	092927-03-000	EA STRIKER - ROUND - JAMB MOUNTED
6	115222-02-01A	EA GARNISH - RADIUS - ENTRY DOOR
6	115222-08-01A	EA GARNISH - RADIUS - ENTRY DOOR - POWERED DOOR
7	077461-03-000	EA COVER - STRIKE - ENTRY DOOR - 6.5" X 2.5" - WHITE PLASTIC
8	100412-01-000	EA CATCH - SCREEN DOOR
9	102710-01-01A	EA HANDLE - ASSIST - ENTRY DOOR - 6.6" LONG
10	076725-02-000	EA COVER - ACCESS - HINGE - ENTRY DOOR - 6" X 3.2"
11	102768-01-000	EA HOLDER - COMPARTMENT/ENTRY DOOR - METAL - MILL FINISH
12	102248-01-000	EA SHIM - DOOR
13	109403-01-000	EA CATCH - SINGLE ROLLER - SCREEN DOOR
14	038327-01-000	EA TAPE - ANTI-SLIP - 2" X 6'
15	106719-01-05A	EA HINGE - ENTRANCE DOOR - BRIGHT WHITE
	039715-01-000	EA NUT-SERT - 1/4" DIAMETER - 20 THREADS
	116111-02-01A	EA SCREW - TAPTITE - 1/4-20 X 3/8 PPH - ZINC
16	051049-01-000	EA JAMB - BOTTOM - ENTRY DOOR - 25.9" - UNPAINTED
17	089748-21-000	EA FRAME - DOOR/ENTRY BOTTOM
18	122102-02-02A	EA FRAME - ENTRY DOOR
18	122102-01-02A	EA FRAME - ENTRY DOOR - W/POWER LOCK
19	100128-02-000	FT SEAL - FOAM - ADHESIVE BACK - .37" WIDE X .37" THICK
20	118929-01-01A	FT SEAL - PILE - PUSH ON
21	075671-04-000	FT SEAL - SPONGE - LAZY T - W/ADHESIVE STRIP - .5" WIDE
22	104692-01-000	FT SEAL - FOAM/ADHESIVE BACK - .75"THICK X .75"WIDE X 25'

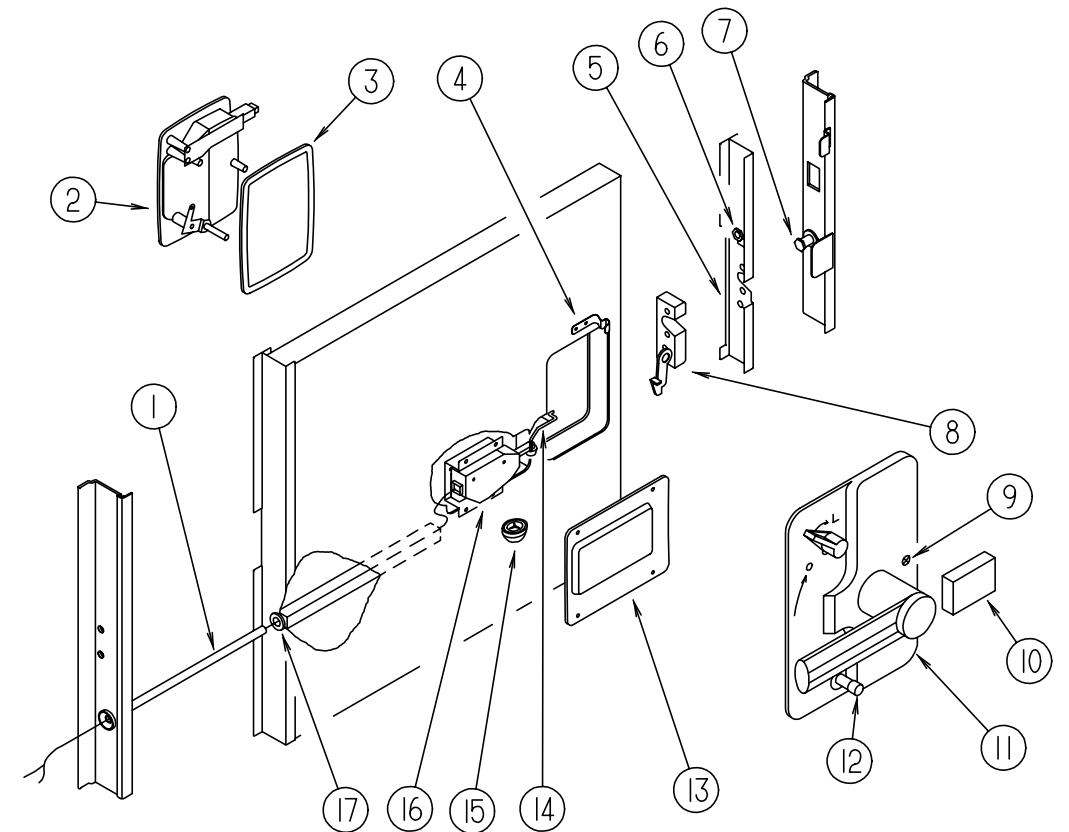
WINDOW, VENT & EXTERIOR DOOR GROUP (CONTINUED)



ENTRANCE DOOR LATCH COMPONENTS W/O POWER LOCKS

KEY	PART NUMBER	U/M	DESCRIPTION	VENDOR NO.
1	112782-01-01A	EA	LATCH - EXTERIOR HOUSING	
	112782-01-700	EA	KEY - BLANK - DEADBOLT - TM100-150	81535
	112782-01-701	EA	KEY - BLANK - DEADBOLT - TM151-200	81536
	112782-01-703	EA	CYLINDER - LOCK ASM. W/KEYS	081465-09
2	112782-04-01A	EA	GASKET	
3	100412-01-000	EA	CATCH - SCREEN DOOR	
4	121334-03-01A	EA	STIFFENER - DOOR - MILL	
5	072893-04-000	EA	NUTSERT - 10-32	
	075908-01-000	EA	SCREW - MACHINE - 10-32 X .56 PTH - EXTERNAL TOOTH - ZINC	
6	092927-03-000	EA	STRIKER - ROUND - JAMB MOUNTED	
7	112782-03-01A	EA	LATCH - SINGLE ROTOR	
8	112782-02-01A	EA	LATCH - INTERIOR PLATE	
9	122241-01-01A	EA	BUMPER - RUBBER - FOAM - BLACK	
10	112782-06-01A	EA	SCREW - F/MOUNTING PLATE - ZINC	
11	112782-05-01A	EA	CAP - VINYL - RED	

WINDOW, VENT & EXTERIOR DOOR GROUP (CONTINUED)



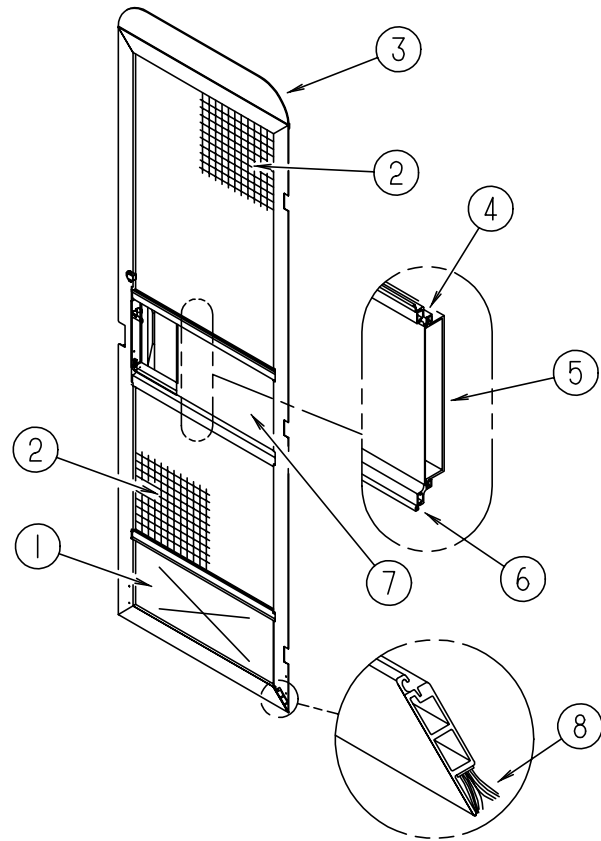
ENTRANCE DOOR LATCH COMPONENTS W/POWER LOCKS

KEY	PART NUMBER	U/M	DESCRIPTION	VENDOR NO.
1	077222-01-000	EA	SPRING - WIRE GUARD - ENTRY DOOR	
	093057-05-000	EA	WIRE ASSEMBLY - POWER LOCK - ENTRANCE	
2	112782-01-01A	EA	LATCH - EXTERIOR HOUSING	
	112782-01-700	EA	KEY - BLANK - DEADBOLT - TM 100-150	81535
	112782-01-701	EA	KEY - BLANK - DEADBOLT - TM 151-200	81536
	112782-01-703	EA	CYLINDER - LOCK ASM. W/KEYS	081465-09
3	112782-04-01A	EA	GASKET	
4	100412-01-000	EA	CATCH - SCREEN DOOR	
5	121334-03-01A	EA	STIFFENER - DOOR MILL	
6	072893-04-000	EA	NUTSERT - 10-32, ENTRANCE DOOR STIFFENER	
7	092927-03-000	EA	STRIKER - ROUND - JAMB MOUNTED	
8	112782-03-01A	EA	LATCH - SINGLE ROTOR	
9	112782-06-01A	EA	SCREW - F/MOUNTING PLATE - ZINC	
10	122241-01-01A	EA	BUMPER - RUBBER - FOAM - BLACK	
11	112782-02-01A	EA	LATCH - INTERIOR PLATE	
12	112782-05-01A	EA	CAP - VINYL - RED	
13	113960-01-01A	EA	COVER - ACTUATOR - POWER LOCK - OFF WHITE	
14	113651-01-01A	EA	ROD - CONTROL - MOTOR - LOCK	
15	114209-01-01A	EA	PUSHNUT - CAP - 1/8" - WHITE	
16	113638-01-000	EA	POWER DOOR LOCK MOTOR/ACTUATOR	
	113638-02-000	EA	CONNECTOR - ELECTRIC - ACTUATOR - EURAMETEC	
17	008384-01-000	EA	GROMMET - SNAP - 3/4" DIAMETER - NYLON	

POWER DOOR LOCKS W/REMOTE

KEY	PART NUMBER	U/M	DESCRIPTION	VENDOR NO.
	102756-02-000	EA	REMOTE KEYLESS ENTRY SYSTEM	
	102756-01-701	EA	BATTERY - 12 V F/TRANSMITTER	402-1004
	102756-01-704	EA	HARNESS - MAIN	203-6638
	102756-02-700	EA	REMOTE (TRANSMITTER) KEYLESS	412-1036
	102756-02-701	EA	BOARD - MODULE - NEW SYSTEM	202-3153

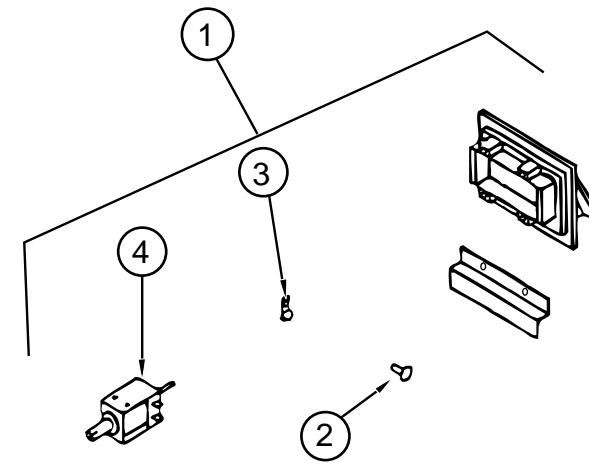
WINDOW, VENT & EXTERIOR DOOR GROUP (CONTINUED)



SCREEN DOOR COMPONENTS

KEY	PART NUMBER	U/M DESCRIPTION
1	078552-03-000	EA KICK PANEL - SCREEN DOOR - LOWER INSERT - UNPAINTED
2	002293-02-000	SF SCREENING - WINDOW/DOOR - 26" - CHARCOAL
3	078595-01-000	EA TOP PLATE - SCREEN DOOR - CURVED TOP - 4.7" X 25.35"
4	078777-01-000	EA CHANNEL - SLIDER - SCREEN DOOR CENTER SLIDER COVER
		FROM: 00-00-00 THRU: 02-22-98
4	078777-08-000	EA CHANNEL SLIDER
		FROM: 02-23-98 THRU: 99-99-99
5	079086-02-000	EA SLIDER - SCREEN DOOR
6	002294-01-000	FT SPLINE - SCREENING - .135" X .138"
7	001014-01-013	EA INSERT - CENTER - 10.25" X 16.31" - UNPAINTED
8	075673-01-000	FT SEAL - PILE - ADHESIVE BACK - GRAY

WINDOW, VENT & EXTERIOR DOOR GROUP (CONTINUED)



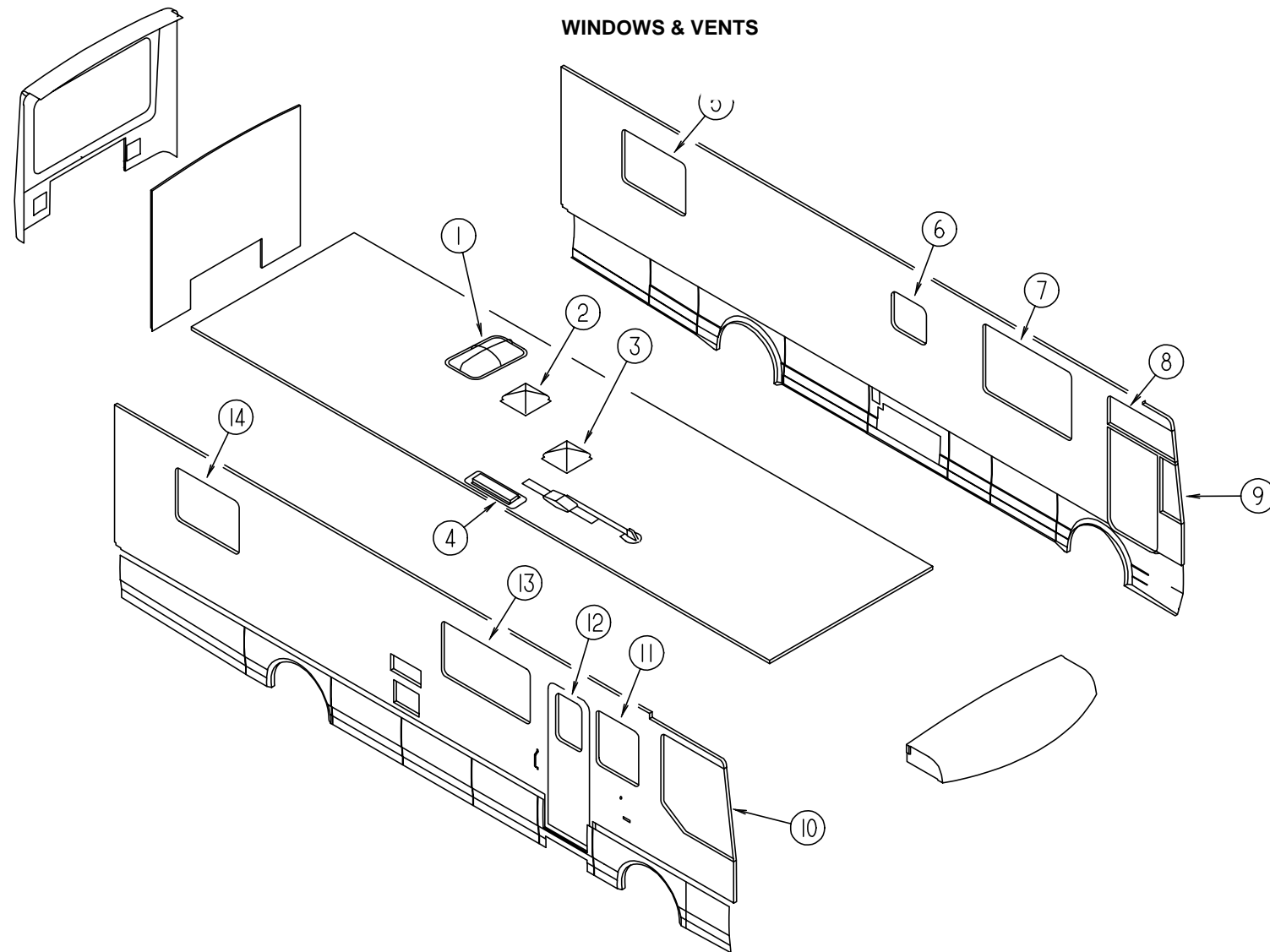
RANGE HOOD VENT

KEY	PART NUMBER	U/M DESCRIPTION	VENDOR NO.
1	092698-03-06A	EA VENT - W/DOOR AND SOLENOID - BRIGHT WHITE	
2	092698-02-700	EA FASTENER - PUSH - EXTERIOR RANGE HOOD VENT VB430	
3	092698-02-701	EA CLAMP - CONDUIT - EXTERIOR RANGE HOOD VENT VB334	
4	092698-03-706	EA SOLENOID - RANGE HOOD - VENTLINE	UB530
	096983-01-709	EA MODULE - SWITCH & LEVER - 17 1/2	CB547-4
	100258-04-702	EA SWITCH - LEVER - W/CABLE	CB547-1
	092696-01-701	EA KNOB - PLASTIC	CC 225

PLUMBING & REFRIGERATOR ROOF VENTS

KEY	PART NUMBER	U/M DESCRIPTION
	083558-06-000	EA VENT - ROOF PLUMBING PIPE - COVERED
	084073-07-000	EA VENT - ROOF/REFRIGERATOR - BRIGHT WHITE - NORCOLD
	084073-04-000	EA BASE - ROOF VENT/REFRIGERATOR - BLACK - NORCOLD
	118369-01-02A	EA CAP - REFRIGERATOR ROOF VENT - SIDE/SIDE - BRIGHT WHITE
	118369-02-02A	EA BASE - REFRIGERATOR ROOF VENT - SIDE/SIDE - BRIGHT WHITE

WINDOW, VENT & EXTERIOR DOOR GROUP (CONTINUED)



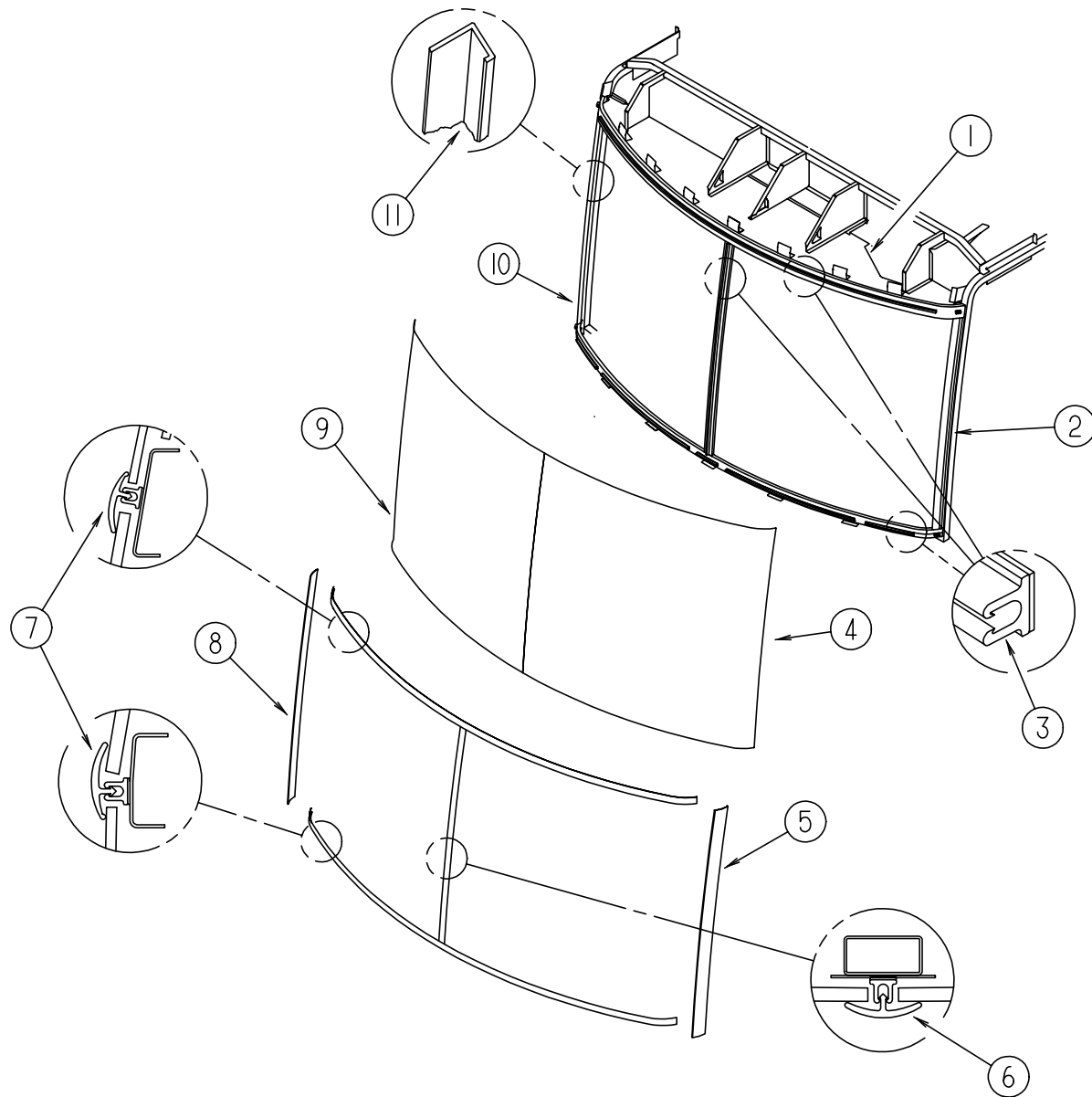
KEY	PART NUMBER	U/M DESCRIPTION
1	114496-01-02A	EA PANEL - OUTER SKYLIGHT - 22" X 37"
1	122191-01-02A	EA PANEL - SKYLIGHT - INNER W/LIGHT CUTOUT - 20.7" X 35.4"
2*	122882-04-01A	EA VENT - ROOF - W/FAN/POWER LIFT - W/O INSIDE GARNISH - UL
2*	122882-05-01A	EA VENT - ROOF - W/FAN & POWER LIFT - CSA - W/O INSIDE GARNISH
3*	122882-01-01A	EA VENT - ROOF - NONPOWERED - W/O INSIDE GARNISH
3*	123780-06-01A	EA VENT - EXHAUST W/THERMOSTAT - F 3/4" ROOF (US)
3*	123780-05-01A	EA VENT - EXHAUST - 3" CEILING - THERMOSTAT (CSA)
4	084073-07-000	EA VENT - ROOF/REFRIGERATOR - BRIGHT WHITE - NORCOLD
4	084073-04-000	EA BASE - ROOF VENT/REFRIGERATOR - BLACK - NORCOLD
4	118369-01-02A	EA CAP - REFRIGERATOR ROOF VENT - SIDE/SIDE - BRIGHT WHITE
4	118369-02-02A	EA BASE - REFRIGERATOR ROOF VENT - SIDE/SIDE - BRIGHT WHITE
5*	112898-18-01A	EA WINDOW - VERTICAL SLIDER - THERMO - ESCAPE - 33.2" X 30.2"
5*	113500-06-01A	EA WINDOW - DOUBLE TIPOUT W/ESCAPE - TINTED - 33.2" X 30.2"
6*	112898-07-01A	EA WINDOW - VERTICAL SLIDER - THERMO - 21.1" X 22.8"
6*	104691-16-01A	EA WINDOW - TIPOUT - SINGLE

KEY	PART NUMBER	U/M DESCRIPTION
7*	115360-01-01A	EA WINDOW - DOUBLE HORIZONTAL TIPOUT - 30.75" X 56.5"
7*	112795-34-01A	EA WINDOW - DRIVER HORIZONTAL SLIDER - THERMO - 30.7" X 57.8"
7*	115360-02-01A	EA WINDOW - DOUBLE HORIZONTAL TIPOUT - 38.7" X 56.5"
7*	112795-53-01A	EA WINDOW - DRIVER HORIZONTAL SLIDE THERMO 38 3/4" X 57 3/4"
8*	106467-04-01A	EA WINDOW - DRIVER VISTA (ABOVE DR DOOR) 42.1"T X 44.9"B X 17.6"H
8*	116000-07-01A	EA WINDOW - VISTA - LEFT HAND - THERMO
9*	106468-03-01A	EA WINDOW - DRIVER WING - 10.9"T X 14.2"B X 32.2"H
9	115999-05-01A	EA WINDOW - FRONT SLANT - LEFT HAND - THERMO
10*	106466-04-01A	EA WINDOW - PASSENGER CAB - 42.1"TW X 48.3" CW X 50.3" H
10*	106466-06-01A	EA WINDOW - PASSENGER CAB - THERMO - 42.1"TW X 48.3"CW X 50.3"H
11*	099480-03-000	EA WINDOW - SLIDER - RIGHT HAND
11*	112795-29-01A	EA WINDOW - PASS HORIZONTAL SLIDER - THERMO - 30.7" X 27.8"
12*	117053-03-F31	EA WINDOW - PICTURE - 17" X 26.4"
12*	113733-01-01A	EA WINDOW - STATIONARY - THERMOPANE - 17" X 26.4"
13*	115360-01-01A	EA WINDOW - DOUBLE HORIZONTAL TIPOUT - 30.75" X 56.5"
13*	112795-33-01A	EA WINDOW - PASS HORIZONTAL SLIDER - THERMO 30.7" X 57.8"
14*	113500-05-01A	EA WINDOW - DOUBLE TIPOUT - 33.3" X 30.3"
14*	112898-17-01A	EA WINDOW - PASSENGER HORIZONTAL SLIDE THERMO 29 3/4" X 41 1/2"

* COMPONENT PARTS FOUND IN SERVICE PARTS LIBRARY

WINDSHIELD & WIPER GROUP

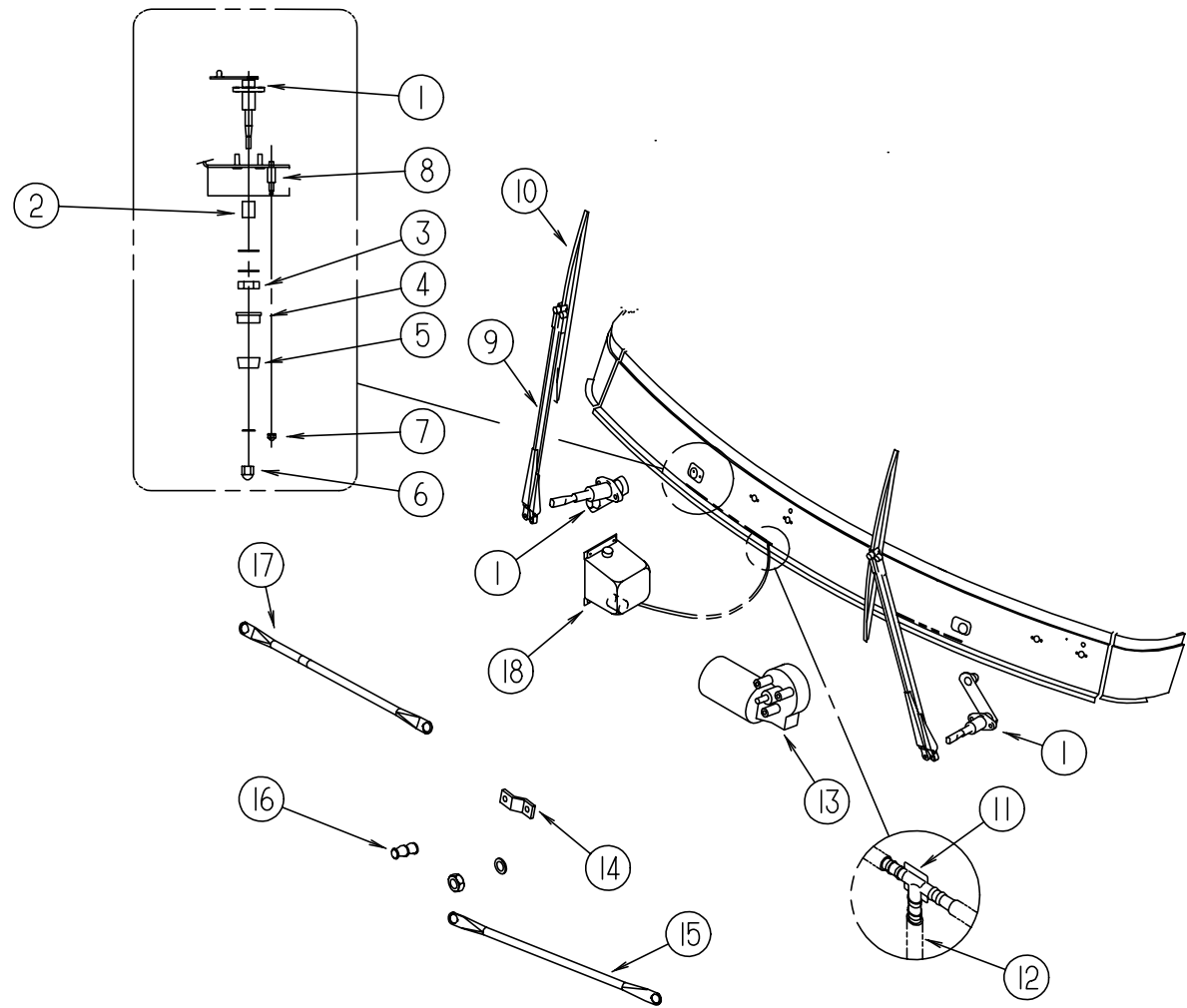
WINDSHIELD



KEY	PART NUMBER	U/M DESCRIPTION
1	117730-01-01B	EA HEADER - WINDSHIELD
2	117203-02-01B	EA FRAME - WINDSHIELD - A PILLAR - LEFT HAND
3	117335-01-000	EA REVEAL CARRIER - 94.6"
4	116996-04-000	EA WINDSHIELD - DRIVERS - CURVED - 52"W X 49"H
5	120352-01-02A	EA TRIM - WINDSHIELD - A-PILLAR - DRIVER
6	118586-01-000	FT MOLDING - REVEAL - WINDSHIELD
7	120533-01-000	FT MOLDING - REVEAL - WINDSHIELD
8	120352-02-02A	EA TRIM - WINDSHIELD - A-PILLAR - PASSENGER
9	116996-03-000	EA WINDSHIELD - PASSENGER - CURVED - 52"W X 49"H
10	117203-01-01B	EA FRAME - WINDSHIELD - A PILLAR - RIGHT HAND
11	098788-06-000	EA CHANNEL - 49" PVC
	107285-01-000	EA BRACKET - SUPPORT - WINDSHIELD
	002328-02-000	EA BLOCK - WINDSHIELD - .062" X .5" X .98"

WINDSHIELD & WIPER GROUP (CONTINUED)

WIPER & WASHER



KEY	PART NUMBER	U/M	DESCRIPTION	VENDOR NO.
1	096505-09-000	EA	SHAFT/PIVOT - WINDSHIELD WIPER (PASSENGER)	
1	096505-05-000	EA	SHAFT/PIVOT - WINDSHIELD WIPER (DRIVER)	
2	061603-01-000	EA	GROMMET - SNAP - 3/16"ID - 3/8" HOLE - PLASTIC BLACK	
3	096505-02-701	EA	NUT - HEX - (HD) W/.687 BARREL	NT721021
4	096505-02-702	EA	CAP - RUBBER - (HD) BARREL .687	CP721084
5	096505-02-700	EA	DRIVER - KNURLED - (HD) BARREL .687	NT721017
6	096505-02-703	EA	CAP - NUT (ACORN) HD W/.687 BARREL	51065-40-NT27WC
7	077049-02-000	EA	NUT - ACORN - 10-32 BLACK/ANODIZED	
8	117768-01-000	EA	SHAFT - ADAPTER - PANTOGRAPH ARM	
	107397-01-000	EA	WASHER - FENDER - .25" ID X 1" OD	
9	117769-01-000	EA	ARM - WIPER - PANTOGRAPH - 28"	
	096931-01-701	EA	NOZZLE - HARDWARE KIT (NOZZLE-NUT-LONG SCREW-SHORT SCREW)	
10	095964-01-000	EA	BLADE - WINDSHIELD WIPER - 24"	
	095964-01-700	EA	BLADE - REFILL 24" EA = 1 PAIR	12360
11	110605-01-000	EA	TEE - PLASTIC - BARBED - 1/8" X 1/8" X 3/16"	
	117765-03-000	EA	CONNECTOR - 5/32" - WINDSHIELD WASHER	
12	045794-01-000	FT	HOSE - WASHER - WINDSHIELD - 5/32" ID - BLACK	
13	104346-05-000	EA	MOTOR - WIPER W/INTERNAL BREAKER - DYNAMIC PARK (FORD)	
13	104346-04-000	EA	MOTOR - WIPER W/INTERNAL BREAKER (CHEVY)	
14	104347-04-000	EA	ARM - DRIVE - WIPER MOTOR	
15	117770-02-000	EA	LINK - CONNECTING - DRIVER - 24"	
16	067188-01-000	EA	STUD - CRANK - WIPER MOTOR	
17	117770-01-000	EA	LINK - CONNECTING - PASSENGER - 24"	
18	117766-02-000	EA	RESERVOIR/PUMP - WINDSHIELD WASHER	
	096931-01-700	FT	HOSE - WASHER - 1/8" ID	
	000D28-10-00B	EA	NUT - HEX - W/NYLON LOCK - 10-32 ZINC	