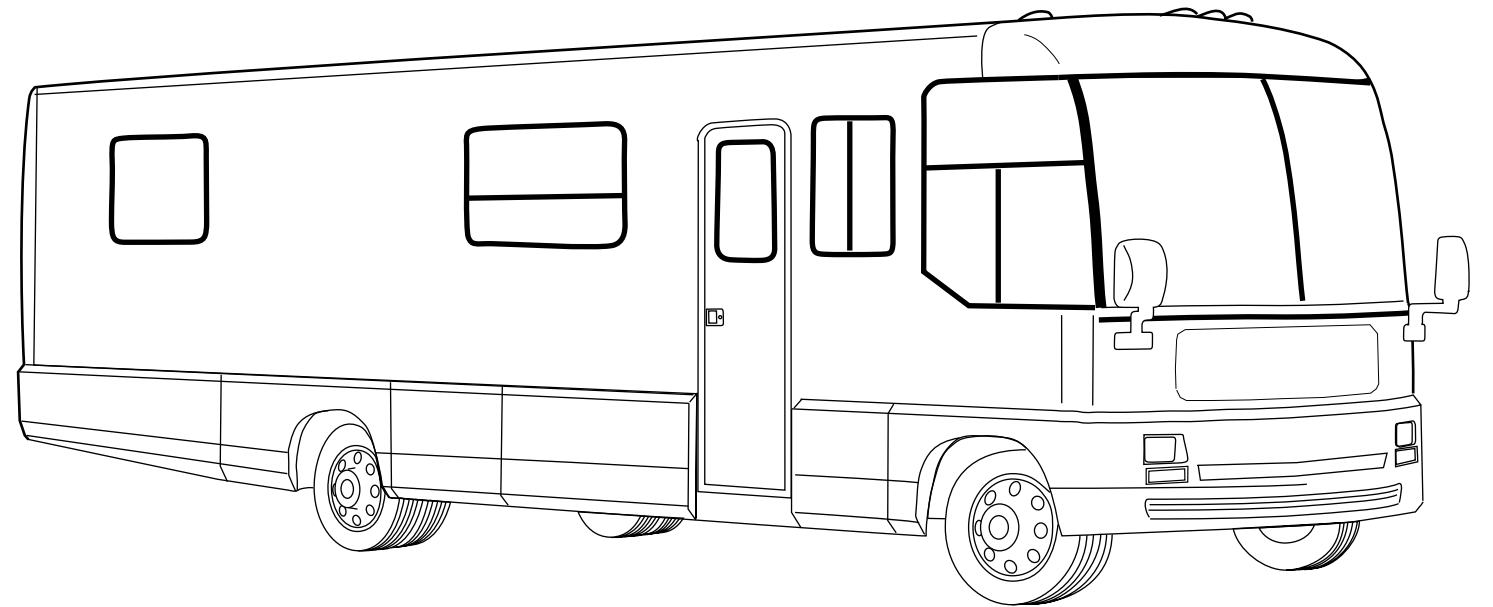


1998 WCM34WQ



J70 **COVENTRY (TAUPE)**
SOLAR MAPLE

J71 **COVENTRY (TAUPE)**
SALEM CHERRY

J72 **DEVON (BURGUNDY)**
SOLAR MAPLE

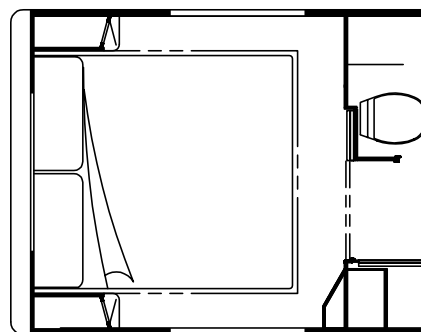
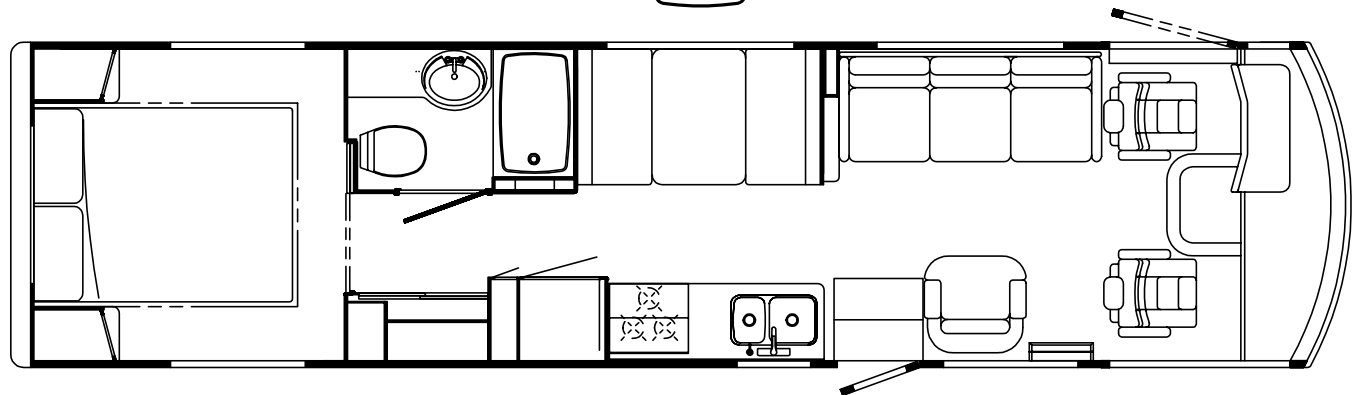
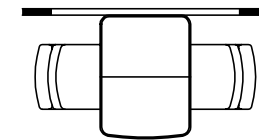
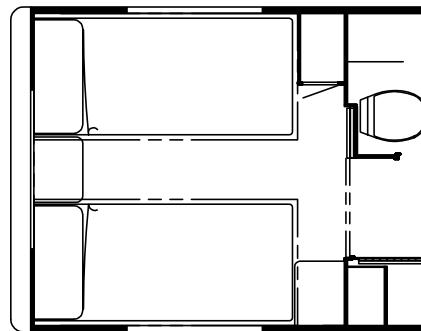
J73 **DEVON (BURGUNDY)**
SALEM CHERRY

J74 **HEMINGWAY (TAN)**
SOLAR MAPLE

J75 **HEMINGWAY (TAN)**
SALEM CHERRY

J76 **GULF MIST (GREEN)**
SOLAR MAPLE

J77 **GULF MIST (GREEN)**
SALEM CHERRY



ACCESSORIES GROUP

OPERATORS MANUAL

KEY	PART NUMBER	U/M DESCRIPTION
	054185-H4-000	EA MANUAL- OPERATOR 98 VECTRA - GRAND TOUR/M SERIES
	092318-01-000	EA BINDER - 3 RING - MOTOR HOME MANUAL
		FROM: 00-00-00 THRU: 01-11-98
	129079-01-01A	EA CASE - VINYL/BLACK - EXPANDABLE ACCORDION SIDES - 7"W X 9"H X 14"L
		FROM: 01-12-98 THRU: 99-99-99
	092319-01-000	EA POCKET PAGE - 3 RING BINDER - PLASTIC - (50 PER PKG)
	126177-01-000	DW TOP LEVEL - M - 1998

VACUUM CLEANER

KEY	PART NUMBER	U/M DESCRIPTION	VENDOR NO.
	108186-01-000	EA VACUUM CLEANER - BUILT IN	
		FROM: 00-00-00 THRU: 06-15-97	
	092304-01-700	EA BAG - VACUUM - REPLACEMENT PKG 5	4908
	092304-02-704	EA MOTOR W/RELAY	5098
	092304-02-710	EA SECONDARY FILTER	4929
	108186-02-000	EA TOOL SET - VACUUM W/O POWER BRUSH - HP W/30" HOSE	
	092304-02-701	EA TOOL - DUSTING	1142
	092304-02-702	EA TOOL - RUG	4982
	092304-02-703	EA TOOL - CREVICE	1141
	092304-02-707	EA TOOL - UPHOLSTERY	7029
	092304-02-708	EA WAND - PLASTIC	4978
	092304-02-709	EA HOSE ASM. - 30" COMPLETE	4988-30
	108186-03-000	EA VACUUM CLEANER - BUILT IN	
		FROM: 06-16-97 THRU: 99-99-99	
	092304-02-700	EA BRUSH - POWER - VACUUM (RUGRAT)	6970
	092304-02-701	EA TOOL - DUSTING	1142
	092304-02-702	EA TOOL - RUG	4982
	092304-02-707	EA TOOL - UPHOLSTERY	7029
	092304-02-708	EA WAND - PLASTIC	4978
	092304-02-709	EA HOSE ASM. - 30" COMPLETE	4988-30
	092304-02-710	EA SECONDARY FILTER	4929
	108186-03-700	EA PAPER BAG - 3-PKG	7767
	108186-03-701	EA MOTOR F/RV2000	7756
	108186-03-702	EA REDUCER	5531

AUDIO VIDEO GROUP

RADIO & CD SYSTEM

KEY	PART NUMBER	U/M DESCRIPTION	VENDOR NO.
	109053-02-000	EA RADIO - AM/FM CASSETTE - WALL MOUNT	
	127516-01-000	EA RADIO - AM/FM STEREO - CD PLAYER	
	127516-01-700	EA FACE - REMOVEABLE	YEPOFX3114
	127516-01-701	EA TRIM RING	YGFC025263
	127516-01-702	EA FACTORY HARNESS	YGAJ02719
	127516-01-703	EA CARRIER F/REMOVEABLE FACE	YEFA131290
	127264-01-000	EA RADIO - AM/FM STEREO - CASSETTE	
	127264-01-700	EA TRIM RING	YFC054C044ZB
	127264-01-701	EA KNOB - VOLUME	YFE074C045ZA
	127264-01-702	EA KNOB - FADER	YEFE074C026
	127264-01-703	EA FACTORY HARNESS	YAJ024C048ZB
	125322-02-000	EA RADIO - AM-FM STEREO - CASSETTE - AUDIOVOX	
	127515-01-000	EA CHANGER - COMPACT DISC	
		FROM: 00-00-00 THRU: 10-23-97	
	127515-02-000	EA CHANGER - COMPACT DISC	
		FROM: 10-24-97 THRU: 99-99-99	
	127515-02-700	EA POWER CABLE	YEAJ071117
	127515-02-701	EA OWNERS MANUAL	OM-CXDP601
	127515-03-000	EA CHANGER - CONTROL/FM MODULATOR	
	127515-03-700	EA REMOTE CONTROL	YFX994C047D
	127515-03-701	EA OWNERS MANUAL	OM-CYRM600
	124881-01-000	EA AMPLIFIER - AUDIO	
	124882-01-000	EA WIRE ASSEMBLY - AMPLIFIER	
	110469-01-000	EA SPEAKER - 4" X 6" OVAL - COAXIAL	
	110470-01-01A	EA GRILLE - 4" X 6" OVAL - BLACK	
	124883-01-000	EA SPEAKER - CUBE	
		FROM: 00-00-00 THRU: 05-31-97	
	124883-02-000	EA SPEAKER - CUBE - W/BACKET	
		FROM: 06-01-97 THRU: 99-99-99	
	126387-01-000	EA BRACKET - SPEAKER MOUNTING	
	124884-01-000	EA SPEAKER - 6" X 9" - SUB-WOOFER	
	124885-01-000	EA GRILLE - SPEAKER - 6" X 9" - SUB-WOOFER	
	094097-01-000	EA SPEAKER - RADIO/TV - W/O GRILLE - 5.25" DIAMETER	
	118165-01-GV0	EA GRILLE - SPEAKER	
	118144-01-02B	EA GRILLE - SPEAKER	
	089340-02-000	EA GRILLE - SPEAKER - 6.5" SQUARE	

RADIO & CB ANTENNA

KEY	PART NUMBER	U/M DESCRIPTION
	123256-01-000	EA ANTENNA - CB - W/O CABLE
	123256-02-000	EA CABLE - CB COAX
	090944-01-000	EA ANTENNA - RADIO - 16" RUBBER
	108847-01-000	EA BRACKET - ANTENNA GROUND
	109889-04-000	EA EXTENDER - ANTENNA SHAFT - 3"
	077069-02-000	EA CABLE - ANTENNA/EXTENSION - RADIO - 96"

TELEPHONE SYSTEM

KEY	PART NUMBER	U/M DESCRIPTION
	093253-01-01A	EA PLATE - WALL - TELEPHONE - BEIGE
	093254-01-000	EA HOUSING - TELEPHONE

AUDIO VIDEO GROUP (CONTINUED)

REAR MONITOR

KEY	PART NUMBER	U/M DESCRIPTION	VENDOR NO.
	093040-08-000	EA MONITOR SYSTEM - REAR VIEW 7" - W/AUDIO JACK - SONY	
			FROM: 00-00-00 THRU: 07-27-97
	093040-10-000	EA MONITOR - 7" REAR VIEW - W/BRACKET - SONY	
			FROM: 07-28-97 THRU: 99-99-99
	093040-04-700	EA CAMERA - REAR VIEW W/BRKT	SSC-530AM
	093040-05-700	EA MONITOR - 7" W/POWER HARNESS	SSM721AMR
	093041-01-000	EA CABLE - MONITOR/CAMERA - INTERNAL USE - 65.6'	
	093041-02-000	EA CABLE - MONITOR/CAMERA - EXTERNAL USE - 59.1'	
	096717-03-000	EA WIRE ASSEMBLY - REAR MONITOR - AFTER MARKET INSTALLATION	
	093040-06-000	EA WIRE ASM - MONITOR - F/NON-PREWIRED AFTER MARKET INSTALLATION	
	093040-09-000	EA CAMERA - REAR VIEW - W/BRACKET - SONY	
	117669-01-02A	EA SHROUD - CAMERA - OUTER	

SATELLITE DISH

KEY	PART NUMBER	U/M DESCRIPTION
*	120233-01-000	EA ANTENNA - SATELLITE (DISH & HDW) W/O RECEIVER - MANUAL

* COMPONENT PARTS FOUND IN SERVICE PARTS LIBRARY

TV ANTENNA

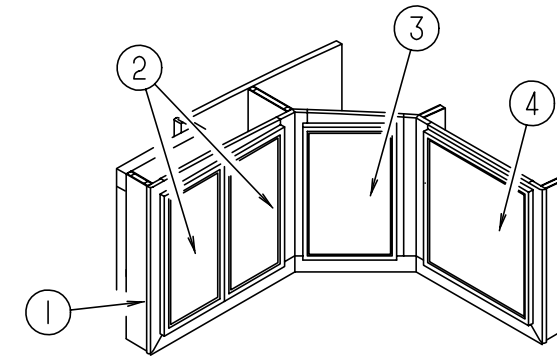
KEY	PART NUMBER	U/M DESCRIPTION
*	076319-21-000	EA ANTENNA-TV - ROOF MOUNT - 3" ROOF
		FROM: 00-00-00 THRU: 12-07-97
*	076319-23-000	EA ANTENNA-TV - ROOF MOUNT - 44.5" MAST
		FROM: 12-08-97 THRU: 99-99-99
*	076319-25-000	EA KIT - HARDWARE INTERIOR

* COMPONENT PARTS FOUND IN SERVICE PARTS LIBRARY

TV & VCR SYSTEMS

KEY	PART NUMBER	U/M DESCRIPTION	VENDOR NO.
	124075-03-000	EA TV - 19" COLOR W/1/8" JACK - UL/CSA - RCA	
	124074-02-000	EA TV - 13" COLOR W/1/8" JACK - AC/DC - UL/CSA - RCA	
	124073-01-000	EA VCR - VHS - W/REMOTE CABLE READY - RCA	
		FROM: 00-00-00 THRU: 05-25-97	
	124073-01-700	EA REMOTE	221347
	124073-03-000	EA VCR - VHS - W/REMOTE CABLE READY - RCA	
		FROM: 05-26-97 THRU: 99-99-99	
	124073-03-700	EA REMOTE	237698
	086757-03-000	EA CONTROL CENTER - SWITCH - VCR/TV	
	093214-01-02A	EA GRILLE - SPEAKER - 4" - BROWN	
	098819-01-000	EA SPEAKER - 4" - 2 WATT - 8 OHM	
	115540-01-000	EA AMPLIFIER - TV SPEAKERS	
	115539-01-000	EA RELAY - RADIO/TV SPEAKER - SWITCH	
	082134-01-000	EA ADAPTER - TV - CABLE TO CABLE	
	076319-03-000	FT CABLE - COAXIAL - 75 OHM	
	076319-12-000	EA CONNECTOR - COAXIAL - ONE PIECE	
	076319-09-000	EA WALLPLATE - CABLE RECEPTACLE - TV - SINGLE - BROWN	
	086777-02-000	EA WALLPLATE - TV CABLE - W/ANTENNA SWITCH - BROWN	
	086777-06-000	EA WALLPLATE - TV CABLE - ANTENNA/1 OUTPUT - BROWN	
	082136-01-000	EA NUT - HEX JAM - 3/8 - 32	
	086756-01-000	EA SPLITTER - TV - 2 WAY	
	093901-06-000	EA PLATE - TV	
	114870-01-000	EA PLUG - 3.5MM AUDIO W/LEADS	
	114870-02-000	EA PLUG - .14" AUDIO W/LEADS	
	115466-10-02B	EA STRAP - TIEDOWN/TV	

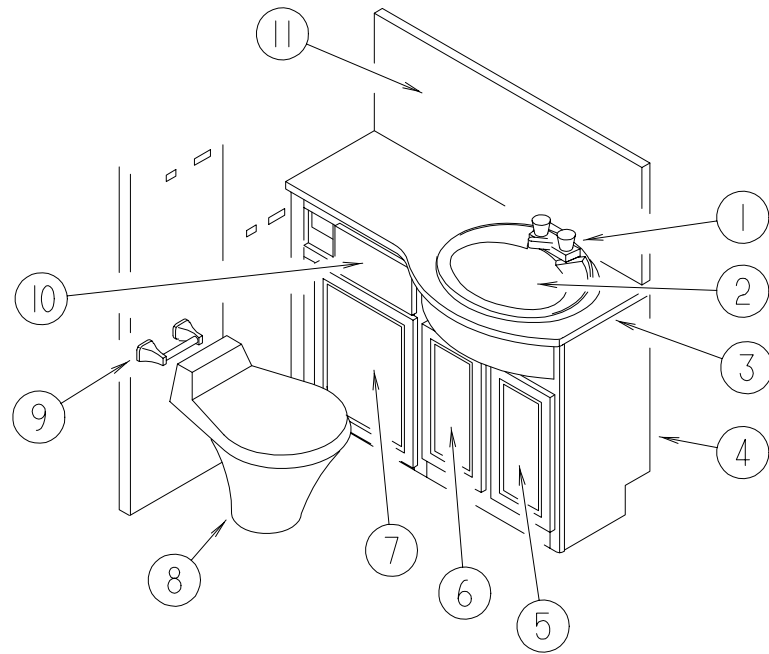
BATH GROUP



BATH MEDICINE CABINET

KEY	PART NUMBER	U/M DESCRIPTION
1	P21318-01-J70	EA CABINET - MEDICINE - W/O DOORS/HARDWARE (WASHED MAPLE)
1	P21318-01-GV1	EA CABINET - MEDICINE - W/O DOORS/HARDWARE (SALEM CHERRY)
	121318-12-J70	EA SHELF - W/PLASTIC EDGE TRIM (WASHED MAPLE)
	121318-12-GV1	EA SHELF - W/PLASTIC EDGE TRIM (SALEM CHERRY)
2	M06803-17-J70	EA DOOR - MIRROR/MTRD CRNR/OGEE EDGE - 12" X 21.8" - W/O HDW (WASHED MAPLE)
	088742-08-000	EA MIRROR - BEVELED - SAFETY GLASS - 8.3" X 18.3"
2	M06803-17-J71	EA DOOR - MIRROR/MTRD CRNR/OGEE EDGE - 12" X 21.8" - W/O HDW (SALEM CHERRY)
	088742-08-000	EA MIRROR - BEVELED - SAFETY GLASS - 8.3" X 18.3"
3	M06803-AD-J70	EA DOOR - MITERED CORNER/OGEE EDGE - 10.02" X 29.5" - W/O HDW (WASHED MAPLE)
	113195-18-01A	EA MIRROR - BEVELED SAFETY GLASS - CLEAR - 6.7" X 26.2"
3	M06803-AD-J71	EA DOOR - MITERED CORNER/OGEE EDGE - 10.02" X 29.5" - W/O HDW (SALEM CHERRY)
	113195-18-01A	EA MIRROR - BEVELED SAFETY GLASS - CLEAR - 6.7" X 26.2"
4	M06803-AC-J70	EA DOOR - MITERED CORNER/OGEE EDGE - 19.6" X 29.5" - W/O HDW (WASHED MAPLE)
	113195-17-01A	EA MIRROR - BEVELED SAFETY GLASS - CLEAR - 16.6" X 26.2"
4	M06803-AC-J71	EA DOOR - MITERED CORNER/OGEE EDGE - 19.6" X 29.5" - W/O HDW (SALEM CHERRY)
	113195-17-01A	EA MIRROR - BEVELED SAFETY GLASS - CLEAR - 16.6" X 26.2"

BATH GROUP (CONTINUED)

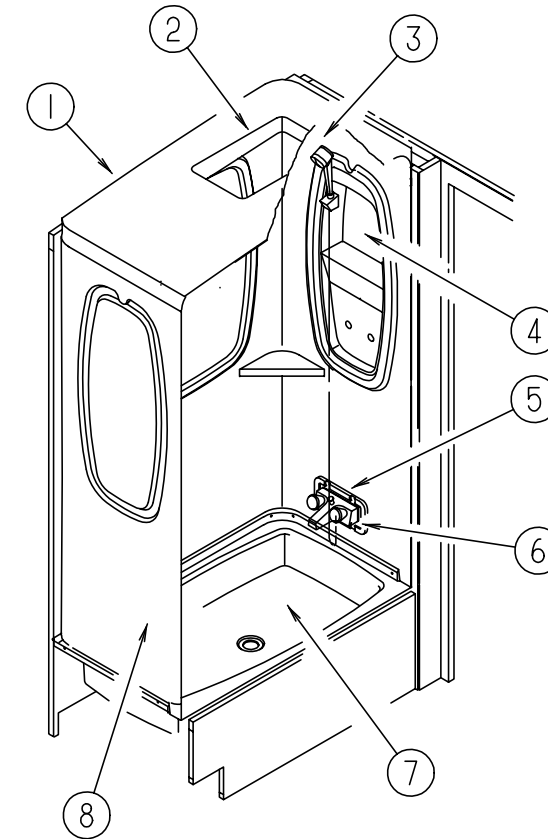


LOWER BATH CABINETS & FIXTURES

KEY	PART NUMBER	U/M	DESCRIPTION
1	075240-05-000	EA	FAUCET - LAVATORY - BRASS
	105218-01-01A	EA	SPACER - FAUCET/LAVATORY SINK - 2" X 5.9" - ABS PLASTIC
	091253-01-000	EA	GASKET - FAUCET - LAVATORY/GALLEY
2	105921-01-01A	EA	SINK - LAVATORY - LARGE/OVAL - 17" X 20" PLASTIC/OFF WHITE
	106116-01-01A	EA	STRAINER - SINK - W/STOPPER/TAILPIECE/GASKET & NUT - PLASTIC
3	117939-17-J70	EA	COUNTERTOP - LAVATORY (J70,J71)
3	117939-17-J72	EA	COUNTERTOP - LAVATORY (J72,J73)
3	117939-17-J74	EA	COUNTERTOP - LAVATORY (J74,J75,J76,J77)
4	117939-02-J70	EA	CABINET - LAVATORY - W/COUNTERTOP - W/O DOORS/DRAWERS/HDW (J70)
4	117939-02-J71	EA	CABINET - LAVATORY - W/COUNTERTOP - W/O DOORS/DRAWERS/HDW (J71)
4	117939-02-J72	EA	CABINET - LAVATORY - W/COUNTERTOP - W/O DOORS/DRAWERS/HDW (J72)
4	117939-02-J73	EA	CABINET - LAVATORY - W/COUNTERTOP - W/O DOORS/DRAWERS/HDW (J73)
4	117939-02-J74	EA	CABINET - LAVATORY - W/COUNTERTOP - W/O DOORS/DRAWERS/HDW (J74,J76)
4	117939-02-J75	EA	CABINET - LAVATORY - W/COUNTERTOP - W/O DOORS/DRAWERS/HDW (J75,J77)
5	M05992-05-J70	EA	DOOR - STRAIGHT CORNER/OGEE EDGE - 10" X 19.1" - W/O HDW (WASHED MAPLE)
5	M05992-05-GV1	EA	DOOR - OGEE EDGE - 10" X 19.1" - W/O HARDWARE (SALEM CHERRY)
6	M05992-06-J70	EA	DOOR - STRAIGHT CORNER/OGEE EDGE - 10" X 19.1" - W/O HDW (WASHED MAPLE)
6	M05992-06-GV1	EA	DOOR - OGEE EDGE - 10" X 19.1" - W/O HARDWARE (SALEM CHERRY)
7	116237-02-J70	EA	DRAWER - HAMPER - W/O SLIDES/HARDWARE (WASHED MAPLE)
7	116237-02-H57	EA	DRAWER - HAMPER - W/O SLIDES/HARDWARE (SALEM CHERRY)
8*	085330-02-000	EA	TOILET - STANDARD BONE CHINA
8*	085330-06-000	EA	TOILET - STANDARD CHINA W/SPRAYER - BONE
9	075452-02-000	EA	HOLDER - TOILET TISSUE - BRASS
10	M05971-P7-J70	EA	DRAWER - OGEE EDGE - 10.4"W X 11.8"D - W/O SLIDES/HARDWARE (WASHED MAPLE)
10	M05971-P7-GV1	EA	DRAWER - OGEE EDGE - 10.4"W X 11.8"D - W/O SLIDES/HARDWARE (SALEM CHERRY)
11	093606-26-000	EA	MIRROR - BEVELED PANEL - 12.9" X 42.1"

* COMPONENT PARTS FOUND IN SERVICE PARTS LIBRARY

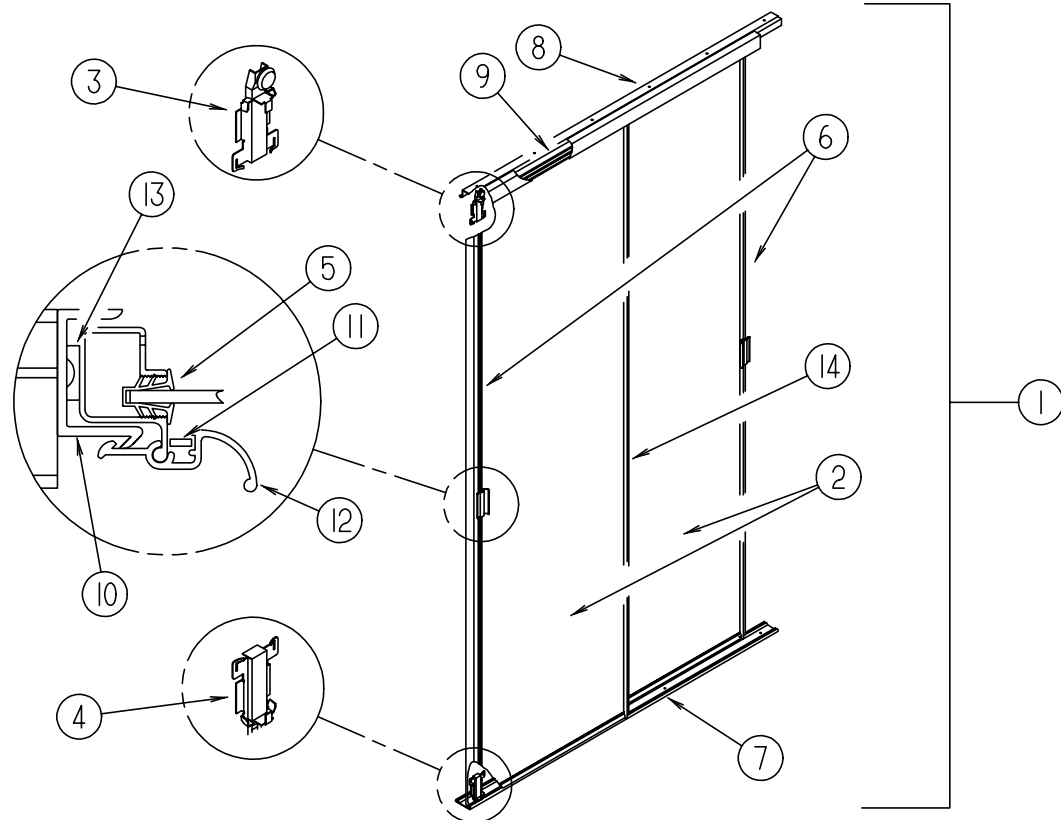
BATH GROUP (CONTINUED)



SHOWER & FIXTURES

KEY	PART NUMBER	U/M	DESCRIPTION	VENDOR NO.
1	117526-01-01A	EA	CAP - SHOWER - OFF WHITE	
2	122193-01-02A	EA	PANEL - SKYLITE - INNER	
	122192-01-02A	EA	PANEL - SKYLITE - OUTER - 16.4" X 27.8"	
3	103092-03-000	EA	SHOWER HEAD - W/HOSE/BRAKETS - BRASS	
3	103092-02-000	EA	SHOWER HEAD - W/60" HOSE - CSA	
	103092-01-700	EA	BRACKET - F/SHOWER HEAD - CLEAR	2328028
	103092-01-702	EA	SEALS - SPRAY HEAD	24466
	011048-03-700	EA	BRACKET - F/SHOWER HEAD	2328029-I
4	104462-02-01A	EA	CADDY - SHOWER - OFF WHITE	
5	075242-03-000	EA	FAUCET - TUB/SHOWER - BRASS	
6	075606-01-000	EA	PANEL - PLASTIC - FAUCET BACK - 5" X 9"	
7	M02630-34-GV0	EA	SHOWER PAN	
	066436-01-000	EA	NUT - SLIP - TAILPIECE - 1.5"	
	066729-01-000	EA	STRAINER - TUB/SHOWER - W/PLUG	
	069735-01-000	EA	WASHER - STRAINER TO TAILPIECE PLASTIC - 1.5"	
	011069-02-000	EA	TAILPIECE - 1 1/2 X 1 1/4 X 4 - BRASS	
	120981-01-01A	EA	DRAIN - TIP TOE - BRASS - 132-208BP	
8	115612-01-01A	EA	SURROUND - SHOWER - OFF WHITE	
	115363-01-01A	EA	RING - GUIDE - SHOWER HOSE	

BATH GROUP (CONTINUED)



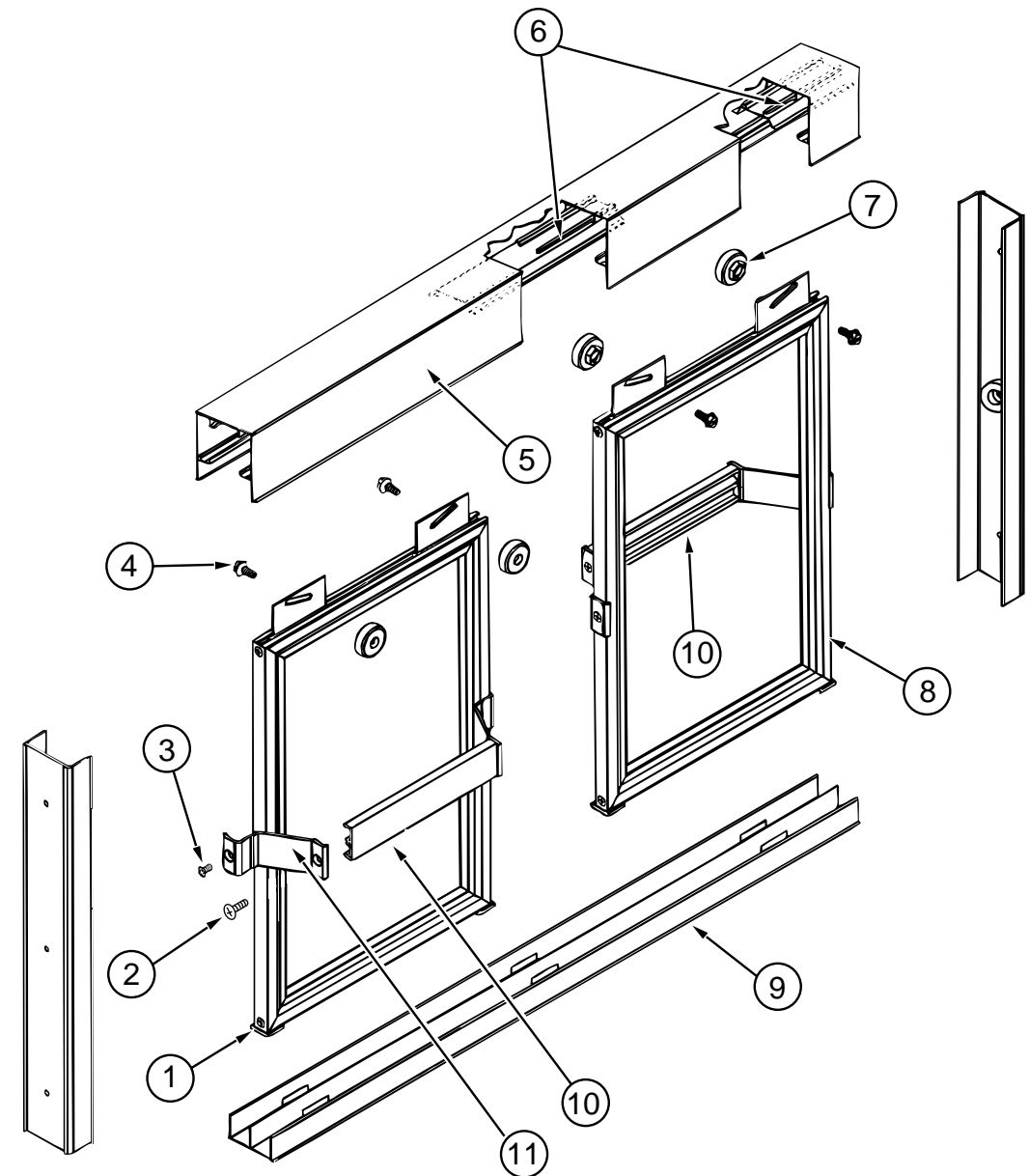
MIRRORED SLIDING DOOR

KEY	PART NUMBER	U/M	DESCRIPTION
1	114149-07-GV0	EA	DOOR - WARDROBE - MIRRORED
2	058331-C5-000	EA	MIRROR - GLASS - SAFETY
3	107390-01-000	EA	CORNER HANGER (SINGLE ROLLER W/BACKET) (SOLD AS 1 EACH)
4	107391-01-000	EA	GUIDE - BOTTOM - BY-PASS (PAIR)
5	111575-01-01A	FT	CHANNEL - GLAZING - SWING DOOR
6	114104-06-01A	EA	STILE - DOOR - SLIDING
7	114105-08-01A	EA	TRACK - DOOR - SLIDING/LOWER
8	114106-08-01A	EA	TRACK - DOOR - SLIDING/UPPER
9	114107-07-01A	EA	RAIL - SLIDING DOOR
10	115538-03-01A	EA	JAMB - DOOR - WARDROBE/MIRRORED
11	115541-01-000	EA	SPRING - DOOR - SLIDING
12	115553-01-01A	EA	LATCH - DOOR - WARDROBE/MIRRORED
			FROM: 00-00-00 THRU: 10-19-97
12	128587-01-01A	EA	LATCH - WARDROBE DOOR - MIRRORED
			FROM: 10-20-97 THRU: 99-99-99
13	114104-06-01A	EA	STILE - DOOR - SLIDING
14	123655-01-000	FT	SEAL - CLOSED CELL/FOAM

BATH PRIVACY DOOR

KEY	PART NUMBER	U/M	DESCRIPTION
	M87868-31-J70	EA	DOOR - BATH - 25.9" X 75" (WASHED MAPLE)
	M87868-31-GV1	EA	DOOR - BATH - 25.9" X 75" (SALEM CHERRY)
	100357-01-000	EA	ROD - F/TOWEL BAR - BRASS
	102089-13-J70	EA	RAIL END - RIGHT HAND/TOWEL RACK - 26" - WASHED MAPLE
	102089-13-E41	EA	RAIL END - RIGHT HAND/TOWEL RACK - 26" LONG - SALEM CHERRY
	102089-14-J70	EA	RAIL END - LEFT HAND/TOWEL RACK - 26" - WASHED MAPLE
	102089-14-E41	EA	RAIL END - LEFT HAND/TOWEL RACK - 26" LONG - SALEM CHERRY
	102920-01-01A	EA	HINGE - DOOR - SPRING LOADED - BRASS
	110496-01-01A	EA	HINGE - BRASS
	111155-01-01A	EA	LOCK - PRIVACY - POLISHED BRASS
	117978-01-01A	EA	KNOB - DOOR - BRIGHT BRASS

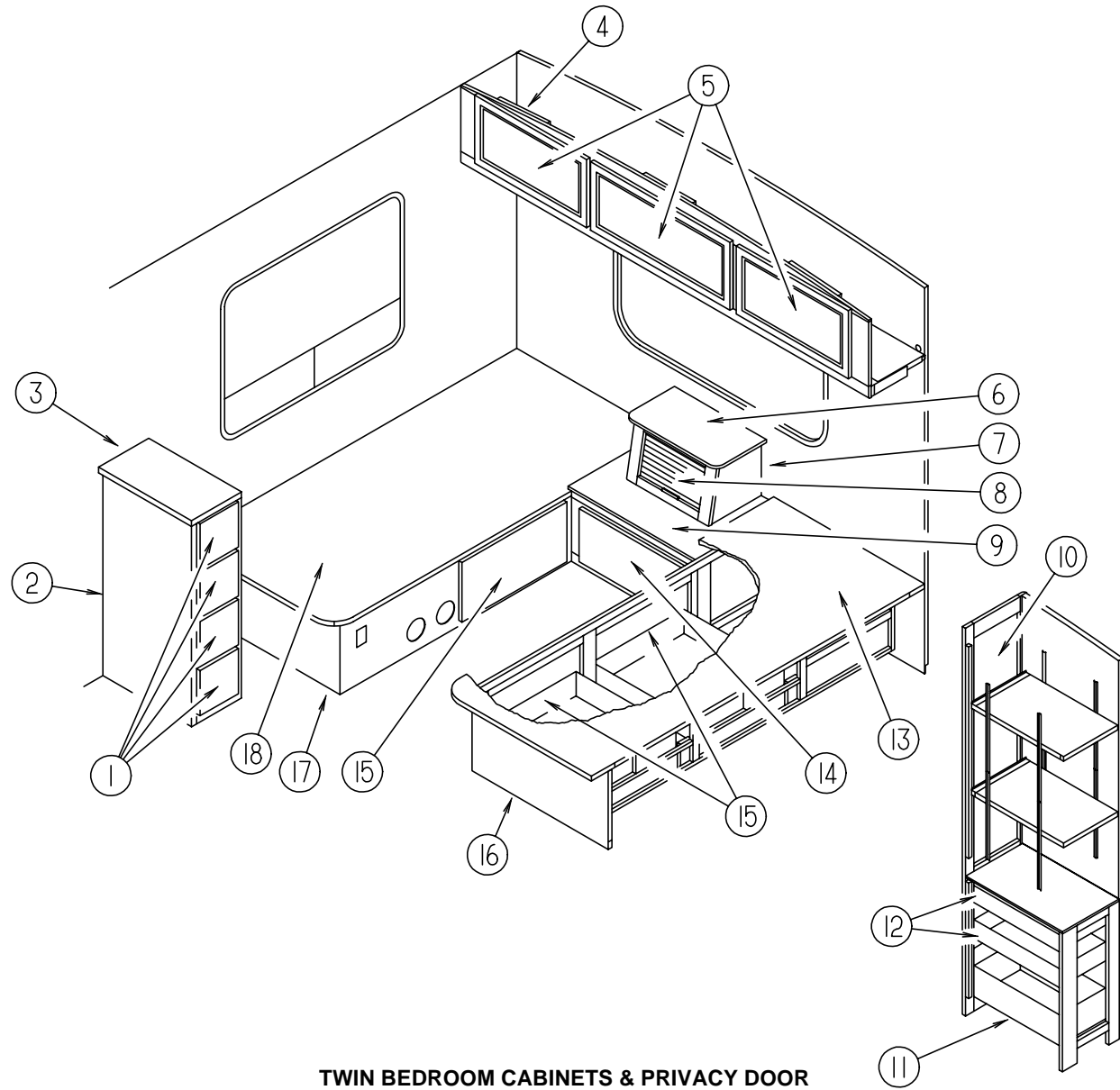
BATH GROUP (CONTINUED)



SHOWER DOOR

KEY	PART NUMBER	U/M	DESCRIPTION	VENDOR NO.
	115011-02-01A	EA	SHOWER DOOR - BYPASS W/41" LOWER TRACK	
1	115011-01-701	EA	GUIDE - NYLON - (W-TRACK)	1104
2	115011-01-707	EA	SCREW - TOWEL BAR	612F
3	115011-01-708	EA	SCREW - TOWEL BAR BRACKETS	638F
4	115011-01-705	EA	SCREW - ROLLER - (HEX HEAD)	832
5	115011-01-700	EA	HEADER - W/O ANTI JUMP GUARD	120G
	115011-01-711	EA	KNOB - TENSION - (HEADER W/BOLT)	1420K-1420S
	115011-01-712	EA	BOLT - TENSION - (HEADER)	1420S
6	115011-01-710	EA	GUARD - ANTI JUMP	130
7	115011-01-704	EA	ROLLERS	PN193
8	115011-01-706	EA	GLAZING - VINYL	C 169
9	115011-01-709	EA	TRACK - BOTTOM - 50"	90
10	115011-01-703	EA	BAR - TOWEL	136
11	115011-01-702	EA	BRACKET - TOWEL BAR	135
	115011-01-713	EA	JAMB - WALL SHOWER DOOR	126

BEDROOM GROUP



TWIN BEDROOM CABINETS & PRIVACY DOOR

KEY	PART NUMBER	U/M	DESCRIPTION
1	M05971-P4-J70	EA	DRAWER - OGEE EDGE - 10.6"W X 17.7"D - W/O SLIDES/HARDWARE (WASHED MAPLE)
1	M05971-P4-GV1	EA	DRAWER - OGEE EDGE - 10.6"W X 17.7"D - W/O SLIDES/HARDWARE (SALEM CHERRY)
2	P18047-02-J70	EA	CABINET - WARDROBE - REAR/RIGHT HAND - W/O DOORS/HDW (J70)
2	P18047-02-J71	EA	CABINET - WARDROBE - REAR/RIGHT HAND - W/O DOORS/HDW (J71)
2	P18047-02-J72	EA	CABINET - WARDROBE - REAR/RIGHT HAND - W/O DOORS/HDW (J72)
2	P18047-02-J73	EA	CABINET - WARDROBE - REAR/RIGHT HAND - W/O DOORS/HDW (J73)
2	P18047-02-J74	EA	CABINET - WARDROBE - REAR/RIGHT HAND - W/O DOORS/HDW (J74,J76)
2	P18047-02-J75	EA	CABINET - WARDROBE - REAR/RIGHT HAND - W/O DOORS/HDW (J75,J77)
3	118047-13-J70	EA	COUNTERTOP - WARDROBE - W/O DOORS/HARDWARE (J70,J71)
3	118047-13-J72	EA	COUNTERTOP - WARDROBE - W/O DOORS/HARDWARE (J72,J73)
3	118047-13-J74	EA	COUNTERTOP - WARDROBE - W/O DOORS/HARDWARE (J74,J75,J76,J77)
4	117998-01-J70	EA	CABINET - OVERHEAD REAR/TWIN BED - W/O DOORS/HARDWARE (WASHED MAPLE)
4	117998-01-H57	EA	CABINET - OVERHEAD REAR/TWIN BED - W/O DOORS/HARDWARE (SALEM CHERRY)
5	M05990-01-J70	EA	DOOR - ARCHED/OGEE EDGE - 14.3" X 26.7" - W/O HARDWARE (WASHED MAPLE)
5	M05990-01-GV1	EA	DOOR - ARCHED/OGEE EDGE - 14.3" X 26.7" - W/O HARDWARE (SALEM CHERRY)
6	117872-18-J70	EA	COUNTERTOP - NIGHTSTAND (J70,J71)
6	117872-18-J72	EA	COUNTERTOP - NIGHTSTAND (J72,J73)
6	117872-18-J74	EA	COUNTERTOP - NIGHTSTAND (J74,J75,J76,J77)

BEDROOM GROUP (CONTINUED)

TWIN BEDROOM CABINETS & PRIVACY DOOR (CONTINUED)

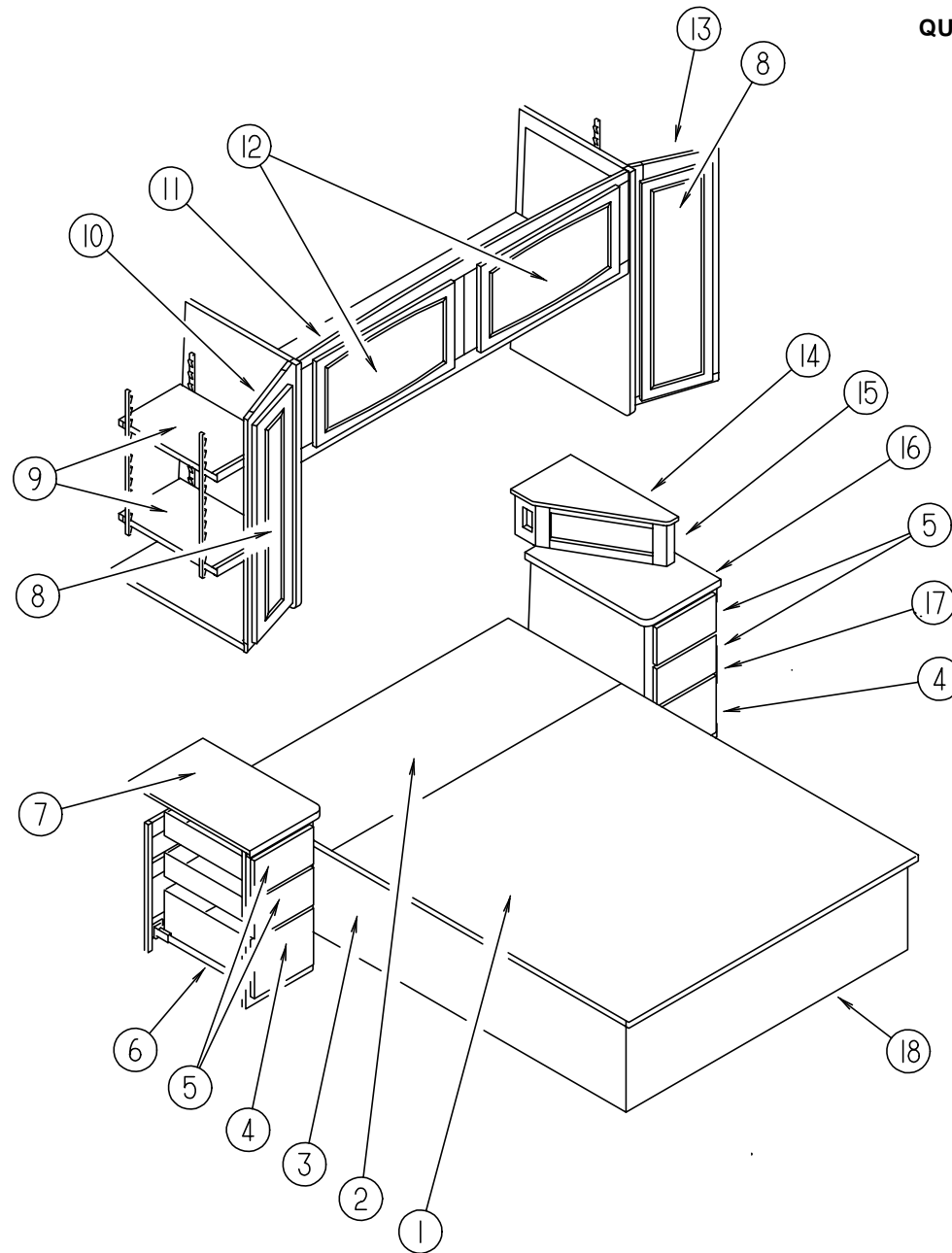
KEY	PART NUMBER	U/M	DESCRIPTION
7	P17872-03-J70	EA	CABINET - NIGHTSTAND - W/O STEREO - W/O DOORS/DWRS/HDW (J70)
7	P17872-03-J71	EA	CABINET - NIGHTSTAND - W/O STEREO - W/O DOORS/DWRS/HDW (J71)
7	P17872-03-J72	EA	CABINET - NIGHTSTAND - W/O STEREO - W/O DOORS/DWRS/HDW (J72)
7	P17872-03-J73	EA	CABINET - NIGHTSTAND - W/O STEREO - W/O DOORS/DWRS/HDW (J73)
7	P17872-03-J74	EA	CABINET - NIGHTSTAND - W/O STEREO - W/O DOORS/DWRS/HDW (J74,J76)
7	P17872-03-J75	EA	CABINET - NIGHTSTAND - W/O STEREO - W/O DOORS/DWRS/HDW (J75,J77)
7	P17872-04-J70	EA	CABINET - NIGHTSTAND - F/STEREO - W/O DOORS/DRAWERS/HDW (J70)
7	P17872-04-J71	EA	CABINET - NIGHTSTAND - F/STEREO - W/O DOORS/DRAWERS/HDW (J71)
7	P17872-04-J72	EA	CABINET - NIGHTSTAND - F/STEREO - W/O DOORS/DRAWERS/HDW (J72)
7	P17872-04-J73	EA	CABINET - NIGHTSTAND - F/STEREO - W/O DOORS/DRAWERS/HDW (J73)
7	P17872-04-J74	EA	CABINET - NIGHTSTAND - F/STEREO - W/O DOORS/DRAWERS/HDW (J74,J76)
7	P17872-04-J75	EA	CABINET - NIGHTSTAND - F/STEREO - W/O DOORS/DRAWERS/HDW (J75,J77)
8	117872-11-J70	EA	DOOR ASM (WASHED MAPLE)
8	117872-11-GV1	EA	DOOR ASM (SALEM CHERRY)
	097191-01-J70	EA	HANDLE - TAMBOUR DOOR (WASHED MAPLE)
	097191-01-E41	EA	HANDLE - TAMBOUR DOOR (SALEM CHERRY)
9	117872-19-J70	EA	COUNTERTOP - NIGHTSTAND (J70,J71)
9	117872-19-J72	EA	COUNTERTOP - NIGHTSTAND (J72,J73)
9	117872-19-J74	EA	COUNTERTOP - NIGHTSTAND (J74,J75,J76,J77)
10	M05990-09-J70	EA	DOOR - ARCHED/OGEE EDGE - 13.6" X 22.8" - W/O HARDWARE (WASHED MAPLE)
10	M05990-09-GV1	EA	DOOR - OGEE EDGE - 13.6" X 22.8" - W/O HARDWARE (SALEM CHERRY)
11	M05971-40-J70	EA	DRAWER - OGEE EDGE - 9.9"W X 21.7"D - W/O SLIDES/HARDWARE (WASHED MAPLE)
11	M05971-40-GV1	EA	DRAWER - OGEE EDGE - 9.9"W X 21.7"D - W/O SLIDES/HARDWARE (SALEM CHERRY)
12	M05971-39-J70	EA	DRAWER - OGEE EDGE - 9.9"W X 21.7"D - W/O SLIDES/HARDWARE (WASHED MAPLE)
12	M05971-39-GV1	EA	DRAWER - OGEE EDGE - 9.9"W X 21.7"D - W/O SLIDES/HARDWARE (SALEM CHERRY)
13	M05808-02-000	EA	CABINET - TWIN BED TOP/LEFT HAND - W/O HARDWARE
14	M05971-P6-J70	EA	DRAWER - OGEE EDGE - 23.1"W X 17.7"D - W/O SLIDES/HARDWARE (WASHED MAPLE)
14	M05971-P6-GV1	EA	DRAWER - OGEE EDGE - 23.1"W X 17.7"D - W/O SLIDES/HARDWARE (SALEM CHERRY)
15	M05971-P5-J70	EA	DRAWER - OGEE EDGE - 21.4"W X 23.5"D - W/O SLIDES/HARDWARE (WASHED MAPLE)
15	M05971-P5-GV1	EA	DRAWER - OGEE EDGE - 21.4"W X 23.5"D - W/O SLIDES/HARDWARE (SALEM CHERRY)
16	P17871-02-J70	EA	CABINET - BASE - TWIN BED/LEFT HAND - W/O DRS/DWRS/HDW (WASHED MAPLE)
16	P17871-02-H57	EA	CABINET - BASE - TWIN BED/LEFT HAND - W/O DRS/DWRS/HDW (SALEM CHERRY)
17	P17871-01-J70	EA	CABINET - BASE - TWIN BED/RIGHT HAND - W/O DRS/DWRS/HDW (WASHED MAPLE)
17	P17871-01-GV1	EA	CABINET - BASE - TWIN BED/RIGHT HAND - W/O DRS/DWRS/HDW (SALEM CHERRY)
18	M05807-02-000	EA	TOP - TWIN BED/RIGHT HAND - W/O HARDWARE

BEDROOM/BATH PRIVACY DOOR

KEY	PART NUMBER	U/M	DESCRIPTION
	118044-01-J70	EA	CABINET - BIFOLD DOOR - W/O HARDWARE (WASHED MAPLE)
	118044-01-GV1	EA	CABINET - BIFOLD DOOR - W/O HARDWARE (SALEM CHERRY)
	093170-09-01A	EA	TRACK - BATH DOOR - 43.2" - OFF WHITE
	118002-01-J70	EA	HEADER - DOOR (WASHED MAPLE)
	118002-01-GV1	EA	HEADER - DOOR (SALEM CHERRY)
	009059-01-000	EA	HINGE - DOOR - 2" X 1.4" - BRASS
	009059-02-000	EA	HINGE - DOOR - 2" X 2.7" - BRASS
	084451-02-000	EA	CATCH - TV SHELF - BRASS
	092652-01-000	EA	GUIDE WHEEL - DOOR - TOP MOUNT
	102920-01-01A	EA	HINGE - DOOR - SPRING LOADED - BRASS
	117978-01-01A	EA	KNOB - DOOR - BRIGHT BRASS

BEDROOM GROUP (CONTINUED)

QUEEN BEDROOM CABINETS

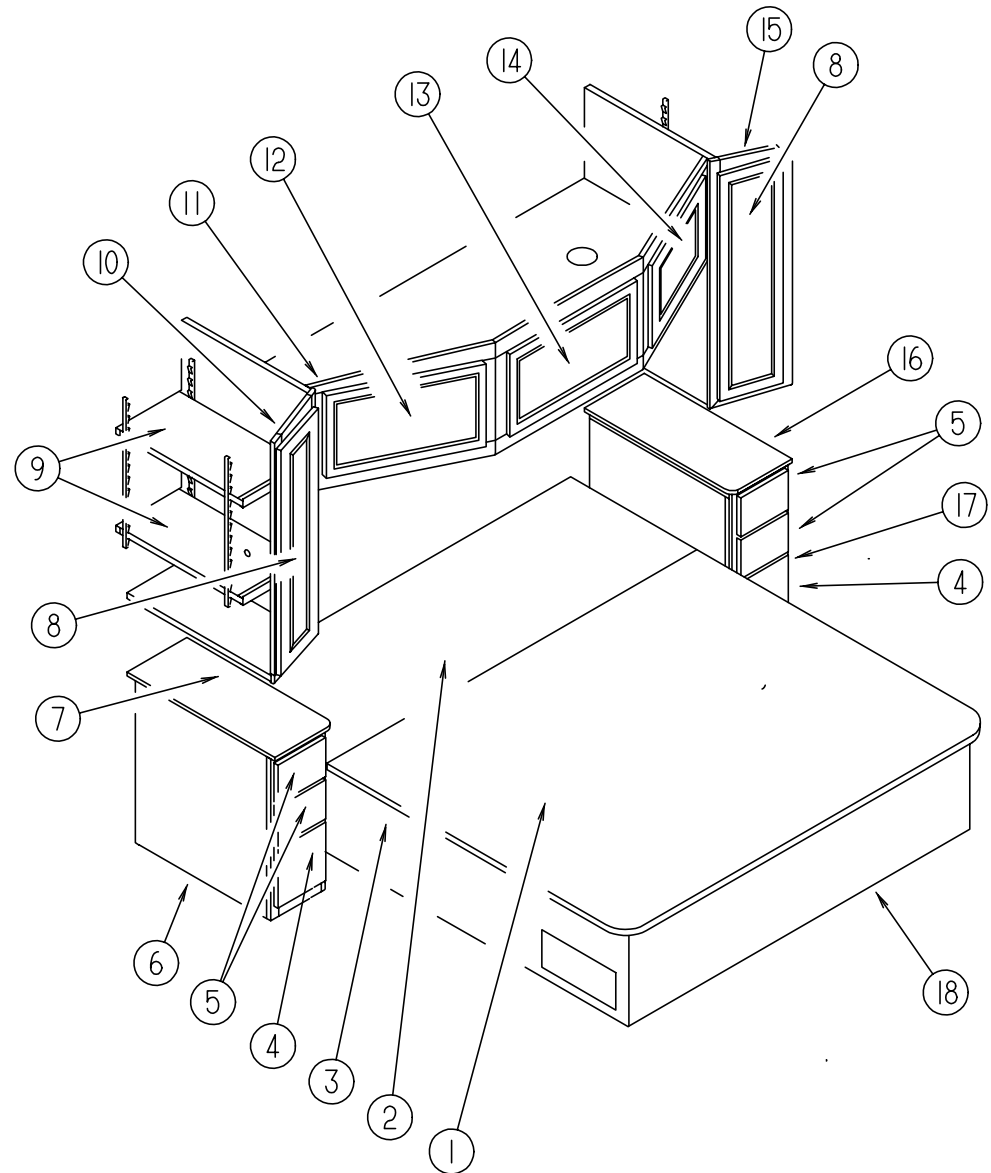


KEY	PART NUMBER	U/M DESCRIPTION
1	M05087-20-000	EA TOP - QUEEN BED - W/O HARDWARE
2	M05087-19-000	EA TOP - QUEEN BED - W/O HARDWARE
3	P18148-02-J70	EA CABINET - BASE - QUEEN BED - W/O DOORS/DRAWERS/HARDWARE (WASHED MAPLE)
3	P18148-02-J71	EA CABINET - BASE - QUEEN BED - W/O DOORS/DRAWERS/HARDWARE (SALEM CHERRY)
4	M05971-R0-J70	EA DRAWER - OGEE EDGE - 12.1"W X 23.5"D - W/O SLIDES/HARDWARE (WASHED MAPLE)
4	M05971-R0-GV1	EA DRAWER - OGEE EDGE - 12.1" X 23.5" - W/O SLIDES/HARDWARE (SALEM CHERRY)
5	M05971-P9-J70	EA DRAWER - OGEE EDGE - 12.1"W X 23.5"D - W/O SLIDES/HARDWARE (WASHED MAPLE)
5	M05971-P9-GV1	EA DRAWER - OGEE EDGE - 12.1" X 23.5" - W/O SLIDES/HARDWARE (SALEM CHERRY)

KEY	PART NUMBER	U/M DESCRIPTION
6	P18150-02-J70	EA CABINET - NIGHTSTAND/RIGHT HAND - W/O DOORS/DRAWERS/HDW (J70)
6	P18150-02-J71	EA CABINET - NIGHTSTAND/RIGHT HAND - W/O DOORS/DRAWERS/HDW (J71)
6	P18150-02-J72	EA CABINET - NIGHTSTAND/RIGHT HAND - W/O DOORS/DRAWERS/HDW (J72)
6	P18150-02-J73	EA CABINET - NIGHTSTAND/RIGHT HAND - W/O DOORS/DRAWERS/HDW (J73)
6	P18150-02-J74	EA CABINET - NIGHTSTAND/RIGHT HAND - W/O DOORS/DRAWERS/HDW (J74,J76)
6	P18150-02-J75	EA CABINET - NIGHTSTAND/RIGHT HAND - W/O DOORS/DRAWERS/HDW (J75,J77)
7	118150-13-J70	EA COUNTERTOP - NIGHTSTAND (J70,J71)
7	118150-13-J72	EA COUNTERTOP - NIGHTSTAND (J72,J73)
7	118150-13-J74	EA COUNTERTOP - NIGHTSTAND (J74,J75,J76,J77)
8	M06803-P7-J70	EA DOOR - MIRROR/MTRD CRNR/OGEE EDGE - 14.3" X 36.4" W/O HDW (WASHED MAPLE)
	113195-16-01A	EA MIRROR - BEVELED SAFETY GLASS - CLEAR - 11.1" X 33.1"
8	M06803-P7-GV1	EA DOOR - MIRROR/MTRD CRNR/OGEE EDGE - 14.3" X 36.4" - W/O HDW (SALEM CHERRY)
	113195-16-01A	EA MIRROR - BEVELED SAFETY GLASS - CLEAR - 11.1" X 33.1"
9	118112-12-J70	EA SHELF - W/PLASTIC EDGE TRIM (WASHED MAPLE)
9	118112-12-GV1	EA SHELF - W/PLASTIC EDGE TRIM (SALEM CHERRY)
10	P18112-01-J70	EA CABINET - SHIRT CLOSET - RIGHT HAND - W/O DOORS/HARDWARE (WASHED MAPLE)
10	P18112-01-GV1	EA CABINET - SHIRT CLOSET - RIGHT HAND - W/O DOORS/HARDWARE (SALEM CHERRY)
11	118151-01-J70	EA CABINET - OVERHEAD - REAR/QUEEN BED - W/O DOORS/HARDWARE (WASHED MAPLE)
11	118151-01-GV1	EA CABINET - OVERHEAD - REAR/QUEEN BED - W/O DOORS/HARDWARE (SALEM CHERRY)
12	M05990-01-J70	EA DOOR - ARCHED/OGEE EDGE - 14.3" X 26.7" - W/O HARDWARE (WASHED MAPLE)
12	M05990-01-GV1	EA DOOR - ARCHED/OGEE EDGE - 14.3" X 26.7" - W/O HARDWARE (SALEM CHERRY)
13	P18111-01-J70	EA CABINET - SHIRT CLOSET - LEFT HAND - W/O DOORS/HARDWARE (WASHED MAPLE)
13	P18111-01-GV1	EA CABINET - SHIRT CLOSET - LEFT HAND - W/O DOORS/HARDWARE (SALEM CHERRY)
	118111-12-J70	EA SHELF - W/PLASTIC EDGE TRIM (WASHED MAPLE)
	118111-12-GV1	EA SHELF - W/PLASTIC EDGE TRIM (SALEM CHERRY)
14	118202-13-J70	EA SHELF - F/RADIO (J70,J71)
14	118202-13-J72	EA SHELF - F/RADIO (J72,J73)
14	118202-13-J74	EA SHELF - F/RADIO (J74,J75,J76,J77)
15	118202-02-J70	EA CABINET - F/RADIO - W/O DOORS/HARDWARE (J70)
15	118202-02-J71	EA CABINET - F/RADIO - W/O DOORS/HARDWARE (J71)
15	118202-02-J72	EA CABINET - F/RADIO - W/O DOORS/HARDWARE (J72)
15	118202-02-J73	EA CABINET - F/RADIO - W/O DOORS/HARDWARE (J73)
15	118202-02-J74	EA CABINET - F/RADIO - W/O DOORS/HARDWARE (J74,J76)
15	118202-02-J75	EA CABINET - F/RADIO - W/O DOORS/HARDWARE (J75,J77)
16	123042-12-J70	EA COUNTERTOP - NIGHTSTAND/LEFT HAND (J70,J71)
16	123042-12-J72	EA COUNTERTOP - NIGHTSTAND/LEFT HAND (J72,J73)
16	123042-12-J74	EA COUNTERTOP - NIGHTSTAND/LEFT HAND (J74,J75,J76,J77)
17	123042-02-J70	EA CABINET - NIGHTSTAND/LEFT HAND - W/O DOORS/DRAWERS/HDW (J70)
17	123042-02-J71	EA CABINET - NIGHTSTAND/LEFT HAND - W/O DOORS/DRAWERS/HDW (J71)
17	123042-02-J72	EA CABINET - NIGHTSTAND/LEFT HAND - W/O DOORS/DRAWERS/HDW (J72)
17	123042-02-J73	EA CABINET - NIGHTSTAND/LEFT HAND - W/O DOORS/DRAWERS/HDW (J73)
17	123042-02-J74	EA CABINET - NIGHTSTAND/LEFT HAND - W/O DOORS/DRAWERS/HDW (J74,J76)
17	123042-02-J75	EA CABINET - NIGHTSTAND/LEFT HAND - W/O DOORS/DRAWERS/HDW (J75,J77)
18	118148-12-J70	EA FOOTBOARD - QUEEN BED - FABRIC COVERED (J70,J71)
18	118148-12-J72	EA FOOTBOARD - QUEEN BED - FABRIC COVERED (J72,J73)
18	118148-12-J74	EA FOOTBOARD - QUEEN BED - FABRIC COVERED (J74,J75)
18	118148-12-J76	EA FOOTBOARD - QUEEN BED - FABRIC COVERED (J76,J77)
	057460-04-000	EA SPRING - GAS - BALL STUD STYLE "SPD6209"
	089025-01-000	EA SUPPORT - SPRING TO BED - ANGLE 1.5" X 11.8"
	109645-01-000	EA BRACKET - SUPPORT FLOOR TO BED - F/GAS SPRING
	107796-06-000	EA SPRING/GAS - 12" COMPRESSED/20" EXTENDED - 120 LB.
	107796-07-000	EA BRACKET - SUPPORT - GAS SPRING TO BED - ANGLE(UPPER)

BEDROOM GROUP (CONTINUED)

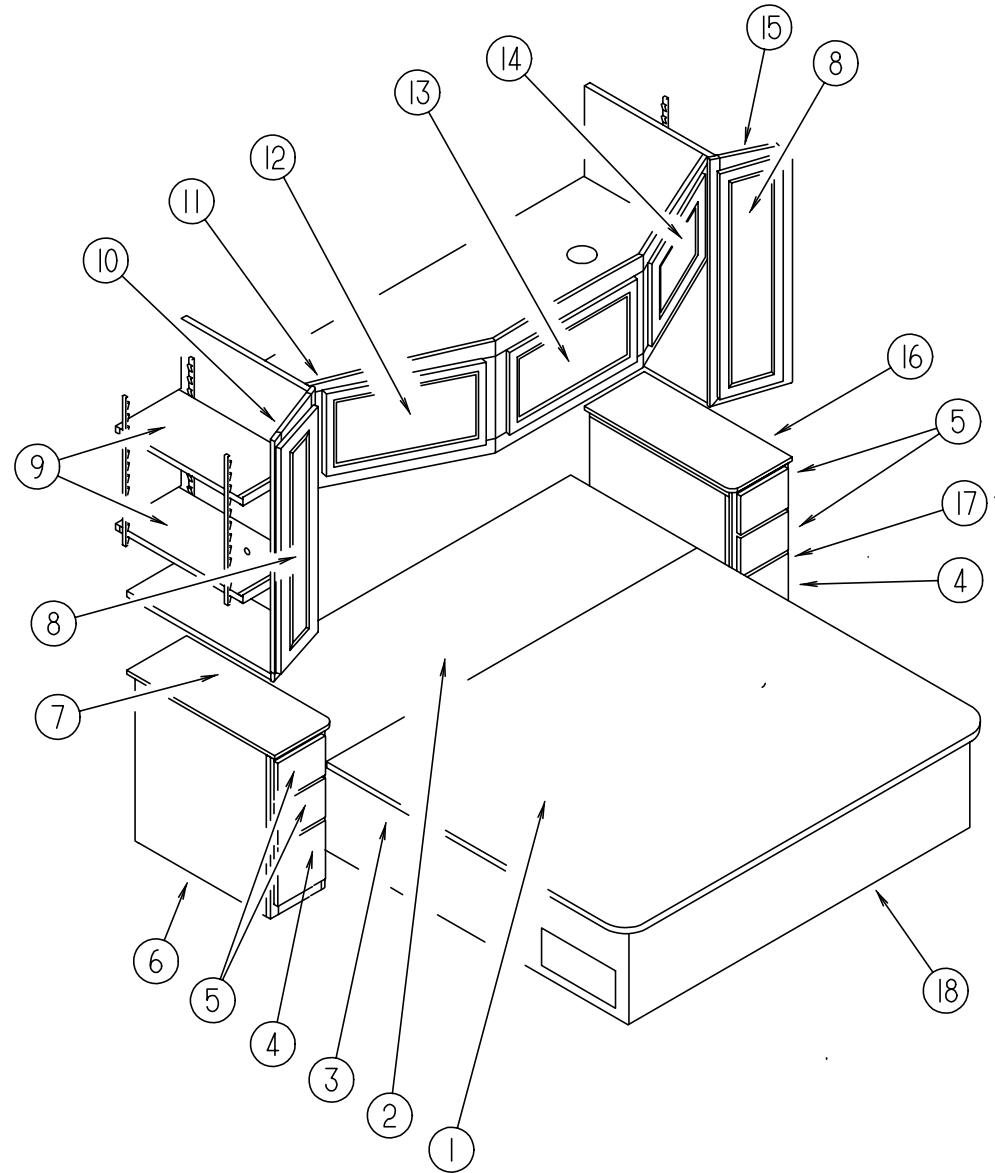
KING BEDROOM CABINETS



KEY	PART NUMBER	U/M DESCRIPTION
1	M05087-22-000	EA TOP - KING BED - W/O HARDWARE
2	M05087-21-000	EA TOP - KING BED - W/O HARDWARE
3	P18227-01-J70	EA CABINET - BASE - KING BED - W/O DOORS/DRAWERS/HARDWARE (WASHED MAPLE)
3	P18227-01-GV1	EA CABINET - BASE - KING BED - W/O DOORS/DRAWERS/HARDWARE (SALEM CHERRY)
4	M05971-R1-J70	EA DRAWER - OGEE EDGE - 6.9"W X 23.5"D - W/O SLIDES/HARDWARE (WASHED MAPLE)
4	M05971-R1-GV1	EA DRAWER - OGEE EDGE - 6.9" X 23.5" - W/O SLIDES/HARDWARE (SALEM CHERRY)
5	M05971-R2-J70	EA DRAWER - OGEE EDGE - 6.9"W X 23.5"D - W/O SLIDES/HARDWARE (WASHED MAPLE)
5	M05971-R2-GV1	EA DRAWER - OGEE EDGE - 6.9" X 23.5" - W/O SLIDES/HARDWARE (SALEM CHERRY)
6	P18225-02-J70	EA CABINET - NIGHTSTAND/RIGHT HAND - W/O DOORS/DRAWERS/HDW (J70)
6	P18225-02-J71	EA CABINET - NIGHTSTAND/RIGHT HAND - W/O DOORS/DRAWERS/HDW (J71)
6	P18225-02-J72	EA CABINET - NIGHTSTAND/RIGHT HAND - W/O DOORS/DRAWERS/HDW (J72)
6	P18225-02-J73	EA CABINET - NIGHTSTAND/RIGHT HAND - W/O DOORS/DRAWERS/HDW (J73)
6	P18225-02-J74	EA CABINET - NIGHTSTAND/RIGHT HAND - W/O DOORS/DRAWERS/HDW (J74,J76)
6	P18225-02-J75	EA CABINET - NIGHTSTAND/RIGHT HAND - W/O DOORS/DRAWERS/HDW (J75,J77)
7	118225-13-J70	EA COUNTERTOP - NIGHTSTAND (J70,J71)
7	118225-13-J72	EA COUNTERTOP - NIGHTSTAND (J72,J73)
7	118225-13-J74	EA COUNTERTOP - NIGHTSTAND (J74,J75,J76,J77)
8	M06803-14-J70	EA DOOR - MIRROR/MTRD CRNR/OGEE EDGE - 10.8" X 36.4" - W/O HDW (WASHED MAPLE)
8	088742-10-000	EA MIRROR - BEVELED - SAFETY GLASS - 7.3" X 32.9"
8	M06803-14-GV1	EA DOOR - MIRROR/MTRD CRNR/OGEE EDGE - 10.8" X 36.4" - W/O HDW (SALEM CHERRY)
8	088742-10-000	EA MIRROR - BEVELED - SAFETY GLASS - 7.3" X 32.9"
9	118229-12-J70	EA SHELF - W/PLASTIC EDGE TRIM (WASHED MAPLE)
9	118229-12-GV1	EA SHELF - W/PLASTIC EDGE TRIM (SALEM CHERRY)
10	P18229-01-J70	EA CABINET - SHIRT CLOSET - RIGHT HAND-W/O DOORS/DRAWERS/HDW (WASHED MAPLE)
10	P18229-01-GV1	EA CABINET - SHIRT CLOSET - RIGHT HAND-W/O DOORS/DRAWERS/HDW (SALEM CHERRY)
11	P18228-01-J70	EA CABINET - OVERHEAD/REAR - KING - W/O DOORS/HARDWARE (J70)
11	P18228-01-H59	EA CABINET - OVERHEAD/REAR - KING - W/O DOORS/HARDWARE (J71)
11	P18228-01-J72	EA CABINET - OVERHEAD/REAR - KING - W/O DOORS/HARDWARE (J72)
11	P18228-01-H61	EA CABINET - OVERHEAD/REAR - KING - W/O DOORS/HARDWARE (J73)
11	P18228-01-J74	EA CABINET - OVERHEAD/REAR - KING - W/O DOORS/HARDWARE (J74)
11	P18228-01-J75	EA CABINET - OVERHEAD/REAR - KING - W/O DOORS/HARDWARE (J75)
11	P18228-01-J76	EA CABINET - OVERHEAD/REAR - KING - W/O DOORS/HARDWARE (J76)
11	P18228-01-J77	EA CABINET - OVERHEAD/REAR - KING - W/O DOORS/HARDWARE (J77)
12	120035-03-J70	EA DOOR - FABRIC WRAPPED - 14.3" X 24.9" - W/O HARDWARE (J70)
12	120035-03-H59	EA DOOR - FABRIC WRAPPED - 14.3" X 24.9" - W/O HARDWARE (J71)
12	120035-03-J72	EA DOOR - FABRIC WRAPPED - 14.3" X 24.9" - W/O HARDWARE (J72)
12	120035-03-H61	EA DOOR - FABRIC WRAPPED - 14.3" X 24.9" - W/O HARDWARE (J73)
12	120035-03-J74	EA DOOR - FABRIC WRAPPED - 14.3" X 24.9" - W/O HARDWARE (J74)
12	120035-03-J75	EA DOOR - FABRIC WRAPPED - 14.3" X 24.9" - W/O HARDWARE (J75)
12	120035-03-J76	EA DOOR - FABRIC WRAPPED - 14.3" X 24.9" - W/O HARDWARE (J76)
12	120035-03-J77	EA DOOR - FABRIC WRAPPED - 14.3" X 24.9" - W/O HARDWARE (J77)
13	120035-01-J70	EA DOOR - FABRIC WRAPPED - 14.3" X 27" - W/O HARDWARE (J70)
13	120035-01-H59	EA DOOR - FABRIC WRAPPED - 14.3" X 27" - W/O HARDWARE (J71)
13	120035-01-J72	EA DOOR - FABRIC WRAPPED - 14.3" X 27" - W/O HARDWARE (J72)
13	120035-01-H61	EA DOOR - FABRIC WRAPPED - 14.3" X 27" - W/O HARDWARE (J73)
13	120035-01-J74	EA DOOR - FABRIC WRAPPED - 14.3" X 27" - W/O HARDWARE (J74)
13	120035-01-J75	EA DOOR - FABRIC WRAPPED - 14.3" X 27" - W/O HARDWARE (J75)
13	120035-01-J76	EA DOOR - FABRIC WRAPPED - 14.3" X 27" - W/O HARDWARE (J76)
13	120035-01-J77	EA DOOR - FABRIC WRAPPED - 14.3" X 27" - W/O HARDWARE (J77)

BEDROOM GROUP (CONTINUED)

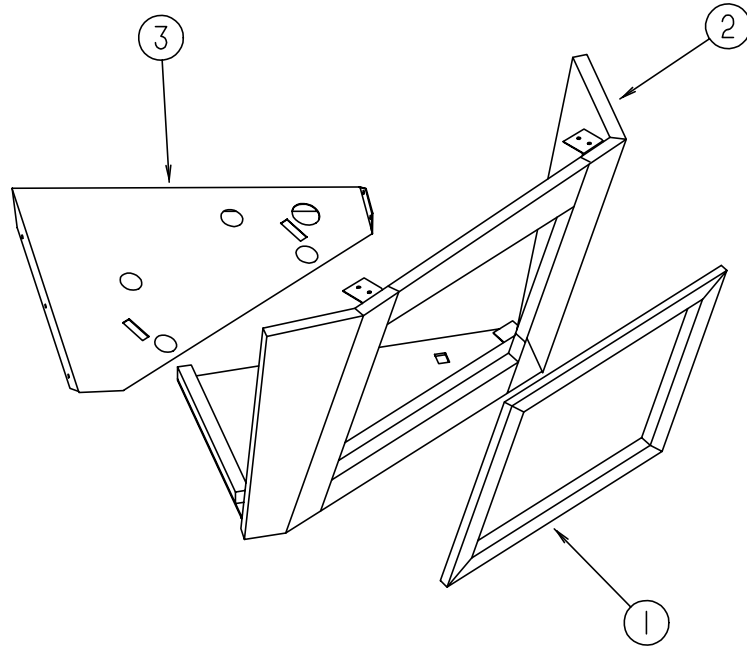
KING BEDROOM CABINETS (CONTINUED)



KEY	PART NUMBER	U/M	DESCRIPTION
14	120035-02-J70	EA	DOOR - FABRIC WRAPPED - 14.3" X 24.9" - W/O HARDWARE (J70)
14	120035-02-H59	EA	DOOR - FABRIC WRAPPED - 14.3" X 24.9" - W/O HARDWARE (J71)
14	120035-02-J72	EA	DOOR - FABRIC WRAPPED - 14.3" X 24.9" - W/O HARDWARE (J72)
14	120035-02-H61	EA	DOOR - FABRIC WRAPPED - 14.3" X 24.9" - W/O HARDWARE (J73)
14	120035-02-J74	EA	DOOR - FABRIC WRAPPED - 14.3" X 24.9" - W/O HARDWARE (J74)
14	120035-02-J75	EA	DOOR - FABRIC WRAPPED - 14.3" X 24.9" - W/O HARDWARE (J75)
14	120035-02-J76	EA	DOOR - FABRIC WRAPPED - 14.3" X 24.9" - W/O HARDWARE (J76)
14	120035-02-J77	EA	DOOR - FABRIC WRAPPED - 14.3" X 24.9" - W/O HARDWARE (J77)
15	P18230-01-J70	EA	CABINET - SHIRT CLOSET - LEFT HAND - W/O DOORS/DRAWERS/HDW (WASHED MAPLE)
15	P18230-01-GV1	EA	CABINET - SHIRT CLOSET - LEFT HAND - W/O DOORS/DRAWERS/HDW (SALEM CHERRY)
	118230-12-J70	EA	SHELF - W/PLASTIC EDGE TRIM (WASHED MAPLE)
	118230-12-GV1	EA	SHELF - W/PLASTIC EDGE TRIM (SALEM CHERRY)
16	118226-13-J70	EA	COUNTERTOP - NIGHTSTAND (J70,J71)
16	118226-13-J72	EA	COUNTERTOP - NIGHTSTAND (J72,J73)
16	118226-13-J74	EA	COUNTERTOP - NIGHTSTAND (J74,J75,J76,J77)
17	P18226-02-J70	EA	CABINET - NIGHTSTAND - LEFT HAND - W/O DOORS/DRAWERS/HDW (J70)
17	P18226-02-J71	EA	CABINET - NIGHTSTAND - LEFT HAND - W/O DOORS/DRAWERS/HDW (J71)
17	P18226-02-J72	EA	CABINET - NIGHTSTAND - LEFT HAND - W/O DOORS/DRAWERS/HDW (J72)
17	P18226-02-J73	EA	CABINET - NIGHTSTAND - LEFT HAND - W/O DOORS/DRAWERS/HDW (J73)
17	P18226-02-J74	EA	CABINET - NIGHTSTAND - LEFT HAND - W/O DOORS/DRAWERS/HDW (J74,J76)
17	P18226-02-J75	EA	CABINET - NIGHTSTAND - LEFT HAND - W/O DOORS/DRAWERS/HDW (J75,J77)
18	118227-11-H58	EA	FOOTBOARD - KING BED - FABRIC COVERED (J70,J71)
18	118227-11-J72	EA	FOOTBOARD - KING BED - FABRIC COVERED (J72,J73)
18	118227-11-J74	EA	FOOTBOARD - KING BED - FABRIC COVERED (J74,J75)
18	118227-11-J76	EA	FOOTBOARD - KING BED - FABRIC COVERED (J76,J77)
	057460-04-000	EA	SPRING - GAS - BALL STUD STYLE "SPD6209"
	089025-01-000	EA	SUPPORT - SPRING TO BED - ANGLE 1.5" X 11.8"
	109645-01-000	EA	BRACKET - SUPPORT FLOOR TO BED - F/GAS SPRING
	107796-06-000	EA	SPRING/GAS - 12" COMPRESSED/20" EXTENDED - 120 LB.
	107796-07-000	EA	BRACKET - SUPPORT - GAS SPRING TO BED - ANGLE(UPPER)

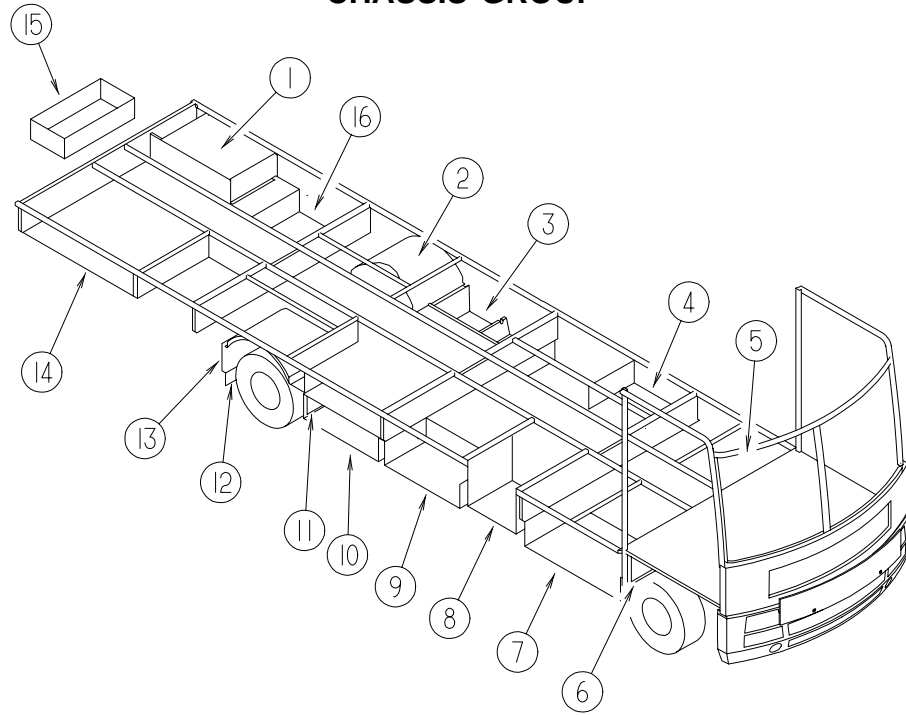
BEDROOM GROUP (CONTINUED)

REAR OVERHEAD TV CABINET



KEY	PART NUMBER	U/M	DESCRIPTION
1	126707-11-J70	EA	TRIM - FRONT FACE/REAR TV CABINET (WASHED MAPLE)
	074045-10-000	EA	PLUG - OAK - 1/2" DIA (WASHED MAPLE)
1	126707-11-J71	EA	TRIM - FRONT FACE/REAR TV CABINET (SALEM CHERRY)
	074045-08-000	EA	PLUG - OAK - 1/2" DIA (SALEM CHERRY)
2	126707-01-J70	EA	CABINET - OVERHEAD/TV - W/O DOORS/HARDWARE (WASHED MAPLE)
2	126707-01-J71	EA	CABINET - OVERHEAD/TV - W/O DOORS/HARDWARE (SALEM CHERRY)
3	123490-01-02B	EA	SHELF - REAR TV
	115466-04-02B	EA	TIEDOWN - TV - STRAP - E-COAT
	124812-01-02B	EA	STRAP - TV TIEDOWN
	123655-01-000	FT	SEAL - CLOSED CELL FOAM

CHASSIS GROUP



COMPARTMENTS, WHEEL WELLS & MUD FLAPS

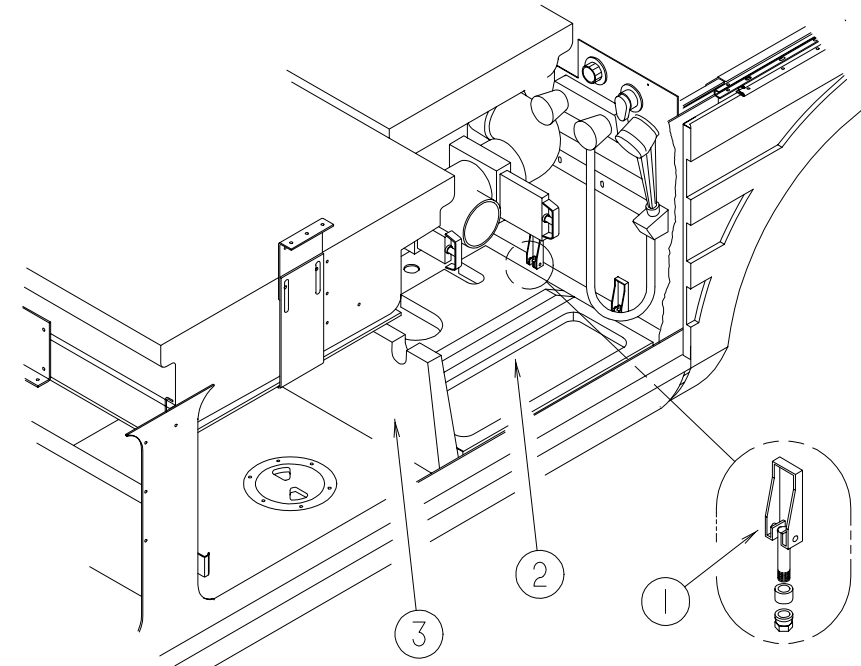
KEY	PART NUMBER	U/M	DESCRIPTION
1	106152-01-000	EA	PANEL - COMPARTMENT - GENERATOR
	107865-06-000	EA	ROD - SUPPORT - VALANCE PANEL - 15"
2	055374-03-000	EA	WHEELWELL - PLASTIC
3	M07452-04-G38	EA	COMPARTMENT - STORAGE - 14.4" X 48.9"
4	117928-03-01A	EA	COMPARTMENT - STORAGE
5	117928-05-01A	EA	COMPARTMENT - STORAGE - 23.4" X 53.6"
6	104147-12-000	EA	SHIELD/SPLASH - HEADLIGHT
7	117928-02-01A	EA	COMPARTMENT - STORAGE
8*	094707-01-01A	EA	STEP - DOUBLE - ELECTRIC - KWIKEE
	116995-01-000	EA	SWITCH/MAGNET - ELECTRIC STEP
8	065450-05-000	EA	TIEDOWN - BATTERY - 8.4" TUBE
9	117928-01-01A	EA	COMPARTMENT - STORAGE
10	117928-04-01A	EA	COMPARTMENT - STORAGE
11	020167-05-000	EA	DIRT GUARD - STEEL - 14.9" LONG - CHEVY
11	020167-07-000	EA	DIRT GUARD - STEEL - 7" LONG - FORD
12	017516-01-000	EA	MUD FLAP - 14" X 18" - BLACK
13	020167-04-000	EA	DIRT GUARD - STEEL - 14.9" LONG
14	108986-01-000	EA	TUBE - SUPPORT - LADDER/LOWER
14	115392-01-01A	EA	STRAP - VELCRO (LUG WRENCH HOLDER)
14	112384-01-000	EA	SPONGE - BRACKET - RACK & LADDER
15	117697-01-02B	EA	COMPARTMENT - STORAGE (QUEEN & KING BED ONLY)
16	117595-01-01A	EA	COMPARTMENT - STORAGE
	102805-02-000	EA	CHANNEL - FRONT FRAME EXTENSION (CHEVY)
	102805-04-000	EA	CHANNEL - FRONT FRAME EXTENSION (FORD)
	056748-01-000	EA	PLUG - CAP - 1.5" DIAMETER
			FROM: 00-00-00 THRU: 06-01-97
	061420-10-000	EA	PLUG/PLASTIC - 1.50" DIAMETER - BLACK
			FROM: 06-02-97 THRU: 99-99-99
	119845-01-01A	EA	PLUG - PLASTIC - BLACK
	115361-01-01A	EA	PLUG - PLASTIC
	107719-01-01A	EA	STRIKE - VALANCE DOOR
	104452-03-000	EA	SUPPORT - STEP
	119636-01-01A	EA	TUBE - SUPPORT - 52"
	113452-01-000	FT	SEAL/TRIM - FRONT - VINYL W/WIRE CARRIER
	112864-01-000	FT	SEAL - FOAM/BUTYL COVERED - 3/8"

* COMPONENT PARTS FOUND IN SERVICE PARTS LIBRARY

CHASSIS GROUP (CONTINUED)

AIR DUCT & ELBOWS - VORTEC 285 HP GAS ENGINE (CHEVY)

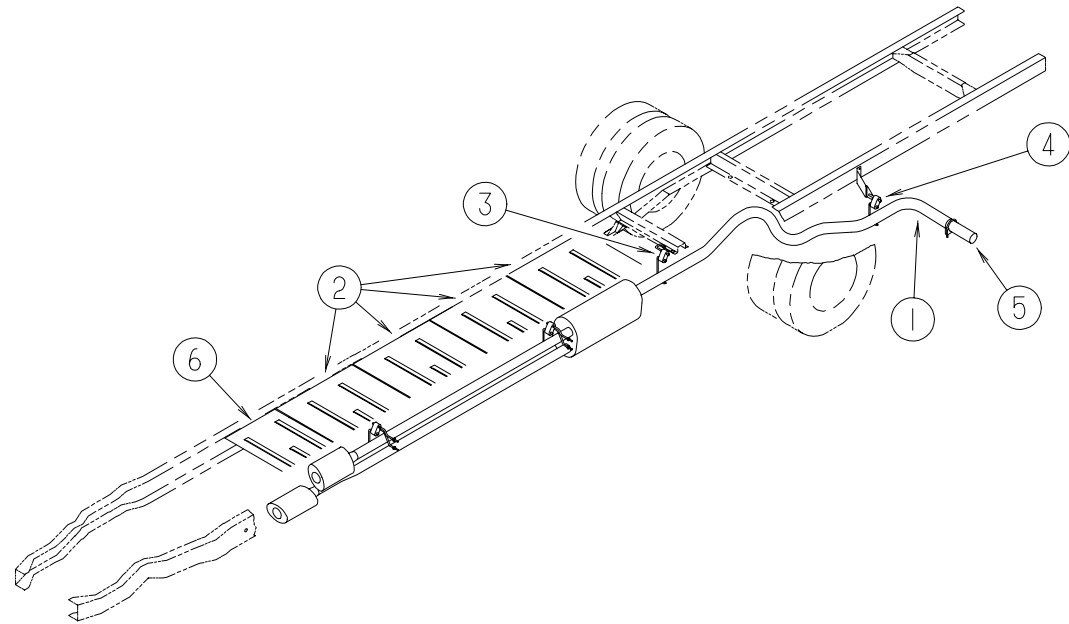
KEY	PART NUMBER	U/M	DESCRIPTION
	123361-01-000	EA	DUCT-AIR INTAKE
	123362-01-000	EA	ELBOW - AIR INTAKE - RUBBER - 90 DEGREE 3.5" I.D.



STORAGE COMPARTMENT

KEY	PART NUMBER	U/M	DESCRIPTION
1	121175-01-01A	EA	LATCH - SWELL - BLACK
2	M06991-05-G38	EA	HATCH - W/FOAM
3	117758-02-01A	EA	HATCH - COMPARTMENT - STORAGE BLACK

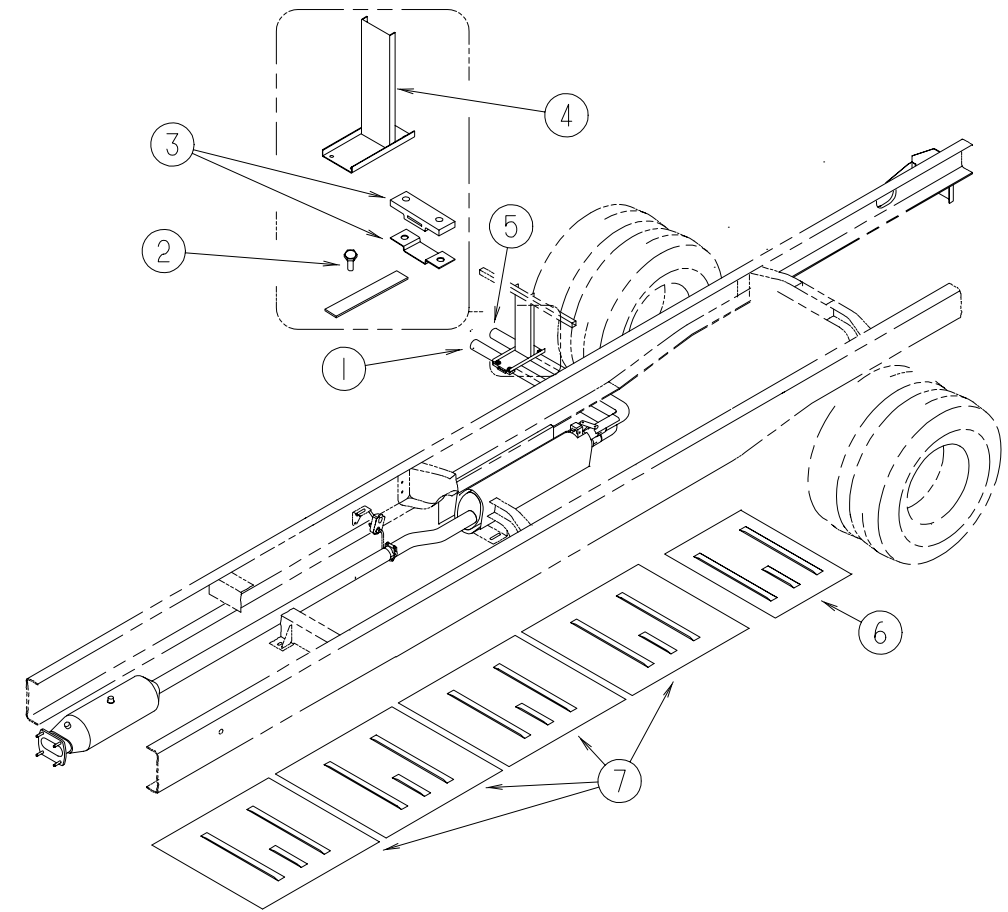
CHASSIS GROUP (CONTINUED)



CHEVY EXHAUST SYSTEM

KEY	PART NUMBER	U/M	DESCRIPTION
1	094918-01-000	EA	CLAMP - EXHAUST - 3" - GUILLOTINE STYLE
2	101544-02-000	EA	SHIELD - HEAT/EXHAUST - 30" X 29.1"
3	122392-01-02B	EA	HANGER - TAILPIPE
4	122392-03-02B	EA	HANGER - TAILPIPE - REAR
5	122529-02-000	EA	PIPE - EXHAUST
6	101544-01-000	EA	SHIELD - HEAT/EXHAUST - 19.7" X 29.1"

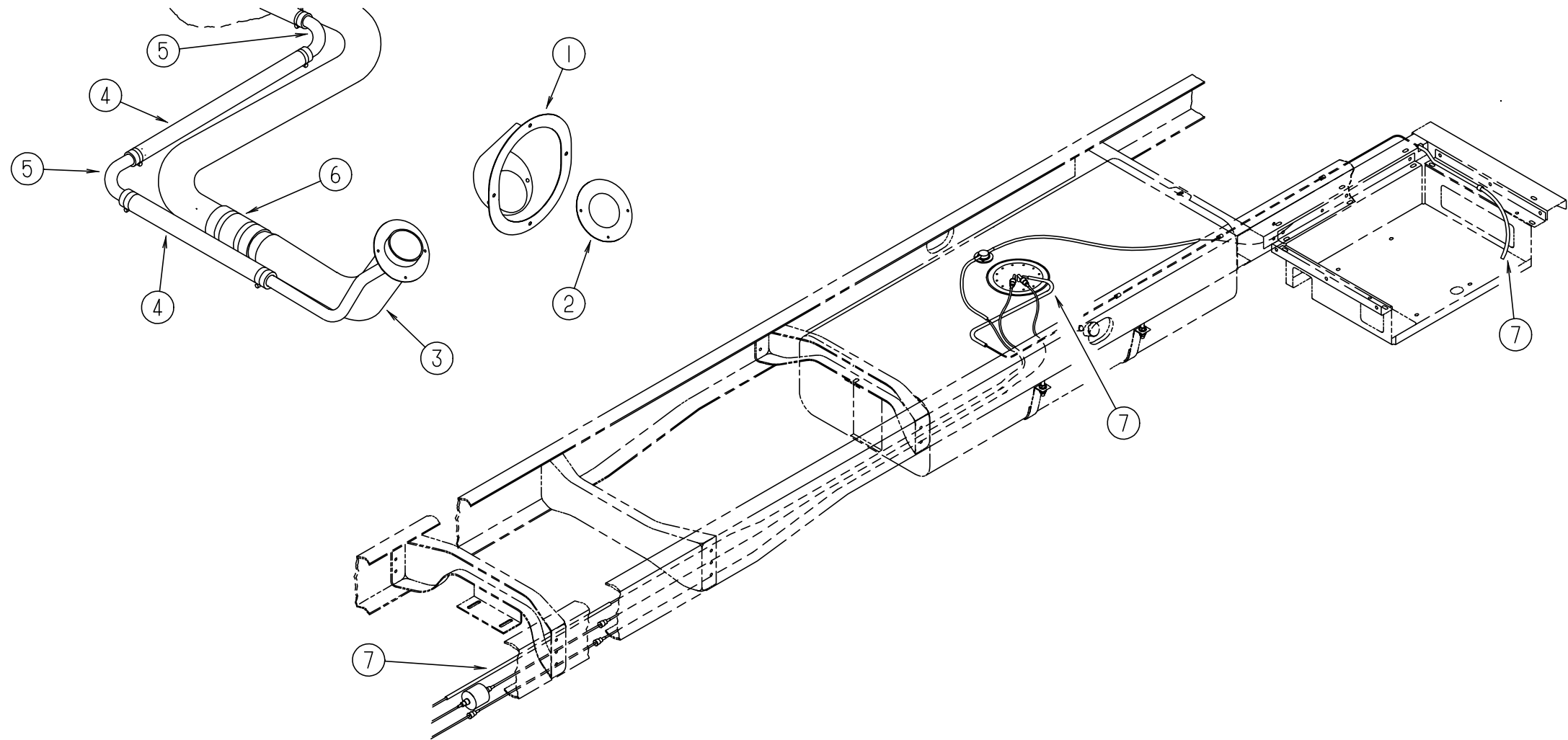
CHASSIS GROUP (CONTINUED)



KEY	PART NUMBER	U/M	DESCRIPTION
1	122242-02-000	EA	PIPE - EXHAUST/TAIL - FRONT - FORD (98 CHASSIS)
1	129206-02-000	EA	PIPE/TAIL - EXHAUST - FORD (99 CHASSIS)
2	096055-06-000	EA	SUPPORT - EXHAUST PIPE
3	095190-01-000	EA	HANGER - EXHAUST - 4" X 1.4"
4	118000-02-02B	EA	HANGER - TAILPIPE
5	122243-02-000	EA	PIPE - EXHAUST/TAIL - REAR - FORD (98 CHASSIS)
5	129206-01-000	EA	PIPE/TAIL - EXHAUST - FORD (99 CHASSIS)
6	101544-01-000	EA	SHIELD - HEAT/EXHAUST - 19.7" X 29.1"
7	101544-06-000	EA	SHIELD - HEAT/EXHAUST - 33.9" X 29.1"
	007125-05-000	EA	CLAMP - MUFFLER - 2" DIAMETER

CHASSIS GROUP (CONTINUED)

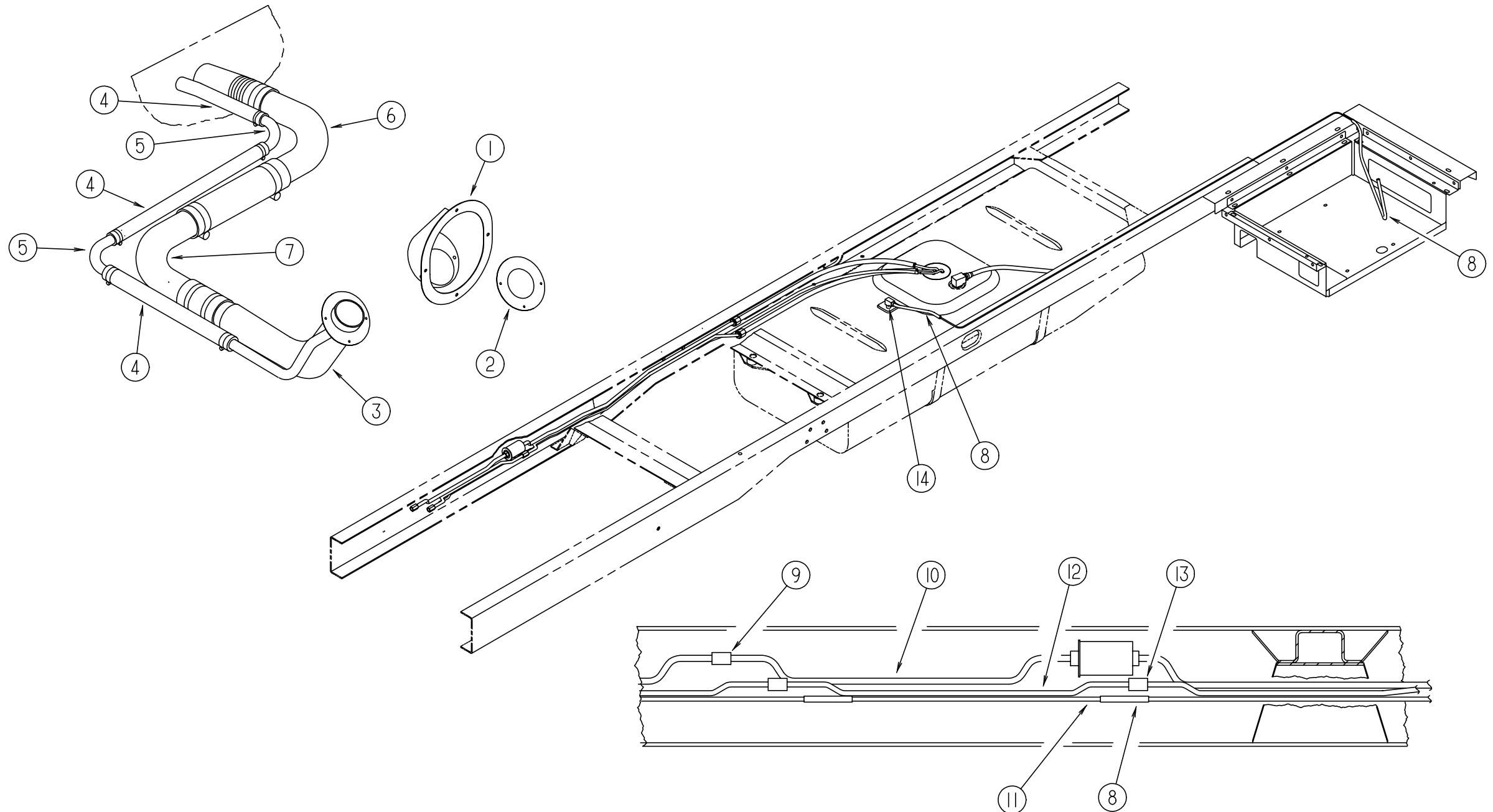
FORD FUEL SYSTEM



KEY	PART NUMBER	U/M	DESCRIPTION
1	102951-01-01A	EA	SHROUD - FUEL FILL - UNFINISHED
			FROM: 00-00-00 THRU: 01-05-98
1	095854-01-01A	EA	SHROUD - FUEL FILL - PLASTIC
			FROM: 01-06-98 THRU: 99-99-99
2	078200-01-000	EA	GASKET - FUEL FILL - 3.5" OD X 2" ID
3	087256-07-000	EA	NECK - FUEL FILL - FORD
4	066732-01-000	FT	HOSE - FUEL - .62" ID
5	098806-01-000	EA	PIPE - FILL VENT - 90 DEGREE BEND - .635 OD - STEEL
6	007111-02-000	EA	HOSE - FUEL FILL - 2" ID
7	007063-01-000	FT	HOSE - FUEL - 1/4"ID X 1/2"OD
	084884-01-000	EA	PLUG - BRASS - 3/8"
	062401-06-000	EA	CLAMP - HOSE - WORMGEAR - .22" - .62" ID

CHASSIS GROUP (CONTINUED)

1997 CHEVY FUEL SYSTEM

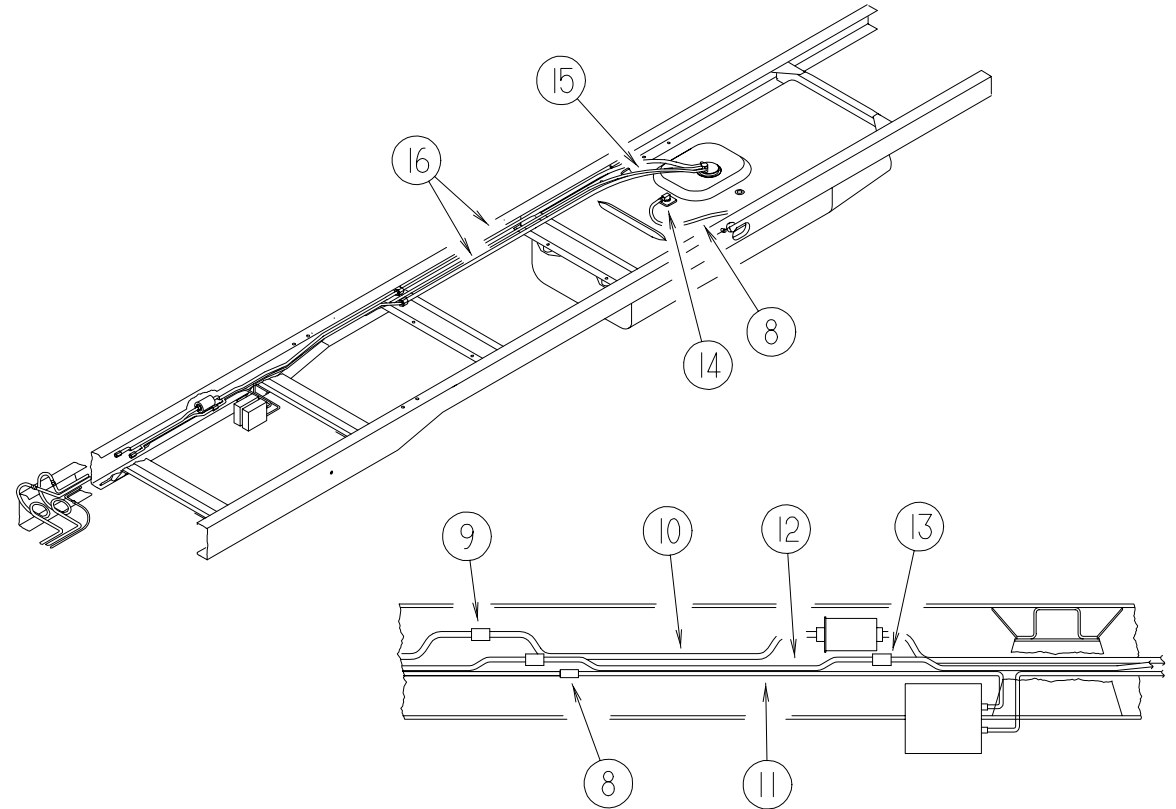
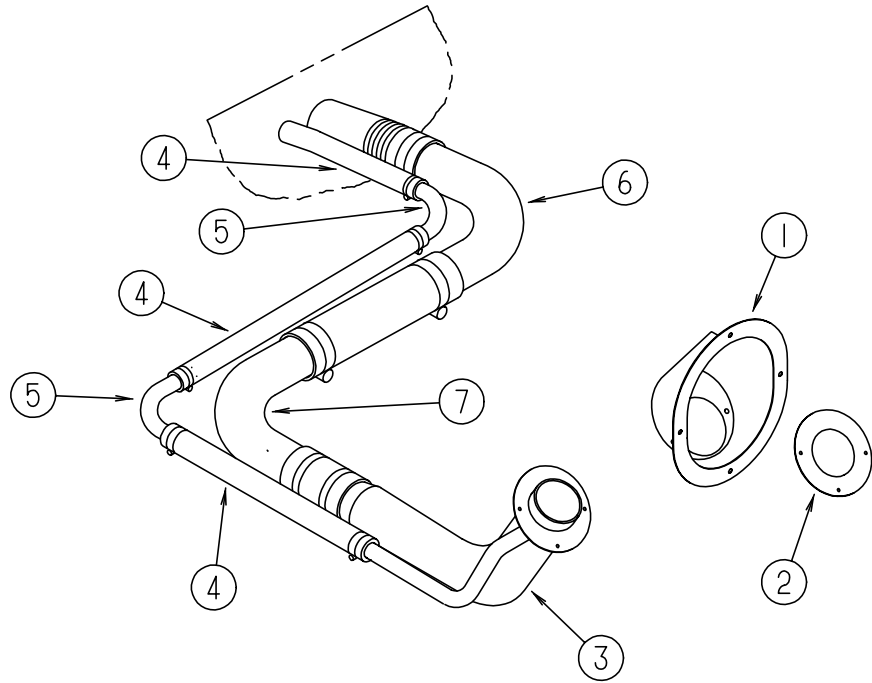


KEY	PART NUMBER	U/M	DESCRIPTION
1	102951-01-01A	EA	SHROUD - FUEL FILL - UNFINISHED FROM: 00-00-00 THRU: 01-05-98
1	095854-01-01A	EA	SHROUD - FUEL FILL - PLASTIC FROM: 01-06-98 THRU: 99-99-99
2	078200-01-000	EA	GASKET - FUEL FILL - 3.5" OD X 2" ID
3	087256-10-000	EA	NECK - FUEL FILL FROM: 00-00-00 THRU: 10-02-97
3	127301-03-000	EA	NECK - FUEL FILL FROM: 10-03-97 THRU: 99-99-99
4	066732-01-000	FT	HOSE - FUEL - .62" ID
5	098806-01-000	EA	PIPE - FILL VENT - 90 DEGREE BEND - .635 OD - STEEL
6	098803-01-000	EA	PIPE - FUEL FILL - 90 DEGREE BEND - 13.2" - 1 3/4" OD
7	098807-01-000	EA	PIPE - FUEL FILL - 90 DEGREE BEND - 6.6" - 1 3/4" OD
8	007063-01-000	FT	HOSE - FUEL - 1/4" ID X 1/2" OD
	084884-01-000	EA	PLUG - BRASS - 3/8"
	062401-06-000	EA	CLAMP - HOSE - WORMGEAR - .22" - .62" ID
9	098779-02-000	EA	COUPLER - FUEL LINE - 1.2" LONG X 16MM THREAD

KEY	PART NUMBER	U/M	DESCRIPTION
10	098759-02-000	EA	FUEL LINE - SUPPLY - 3/8" STEEL X 22" LONG W/16MM NUTS
11	074800-18-000	EA	TUBE - EXTENSION - MAIN FUEL
12	098758-02-000	EA	FUEL LINE - RETURN - 5/16" STEEL X 22" LONG W/14MM NUTS
13	098779-01-000	EA	COUPLER - FUEL LINE - 1.2" LONG X 14MM THREAD
14	114254-01-000	EA	ADAPTER - 1/4 BARB X 1/8 MPT
	068382-06-000	EA	BUSHING - BRASS - 3/8 MPT X 1/8 FPT
	024138-01-000	FT	HOSE - FUEL - 5/16" ID
	044317-01-000	FT	HOSE - FUEL - 3/8" ID
	075466-01-000	EA	UNION - INVERTED FLAIR - 1/4"

CHASSIS GROUP (CONTINUED)

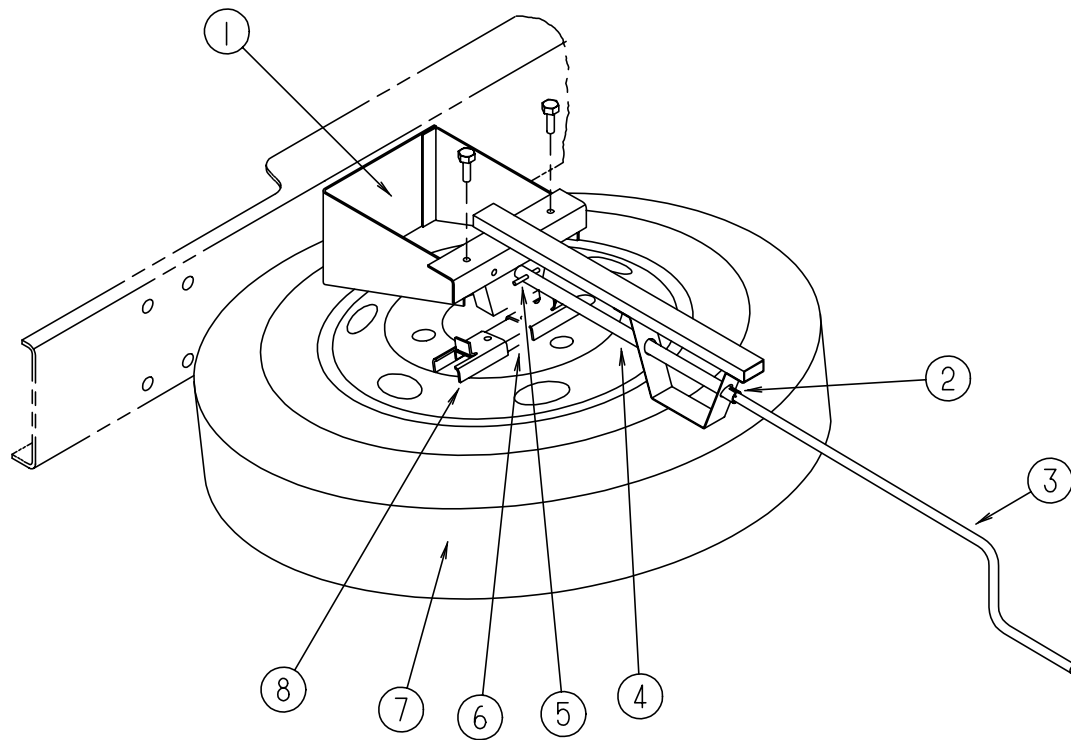
1998 CHEVY FUEL SYSTEM



KEY	PART NUMBER	U/M	DESCRIPTION
1	102951-01-01A	EA	SHROUD - FUEL FILL - UNFINISHED
1	095854-01-01A	EA	SHROUD - FUEL FILL - PLASTIC
2	078200-01-000	EA	GASKET - FUEL FILL - 3.5" OD X 2" ID
3	087256-10-000	EA	NECK - FUEL FILL
3	127301-03-000	EA	NECK - FUEL FILL
4	066732-01-000	FT	HOSE - FUEL - .62" ID
5	098806-01-000	EA	PIPE - FILL VENT - 90 DEGREE BEND - .635 OD - STEEL
6	098803-01-000	EA	PIPE - FUEL FILL - 90 DEGREE BEND - 13.2" - 1 3/4" OD
7	098807-01-000	EA	PIPE - FUEL FILL - 90 DEGREE BEND - 6.6" - 1 3/4" OD
8	007063-01-000	FT	HOSE - FUEL - 1/4" ID X 1/2" OD
	084884-01-000	EA	PLUG - BRASS - 3/8"
	062401-06-000	EA	CLAMP - HOSE - WORMGEAR - .22" - .62" ID
9	098779-02-000	EA	COUPLER - FUEL LINE - 1.2" LONG X 16MM THREAD

KEY	PART NUMBER	U/M	DESCRIPTION
10	098759-02-000	EA	FUEL LINE - SUPPLY - 3/8" STEEL X 22" LONG W/16MM NUTS
11	074800-18-000	EA	TUBE - EXTENSION - MAIN FUEL
12	098758-02-000	EA	FUEL LINE - RETURN - 5/16" STEEL X 22" LONG W/14MM NUTS
13	098779-01-000	EA	COUPLER - FUEL LINE - 1.2" LONG X 14MM THREAD
14	114254-01-000	EA	ADAPTER - 1/4 BARB X 1/8 MPT
15	127393-01-000	EA	HOSE - FUEL VAPOR/EMISSION - 64" - GM CHASSIS
16	127391-01-000	EA	FUEL LINE - DOUBLE (3/8" FEED/5/16" RETURN) 70" - GM CHASSIS
	068382-06-000	EA	BUSHING - BRASS - 3/8 MPT X 1/8 FPT
	024138-01-000	FT	HOSE - FUEL - 5/16" ID
	044317-01-000	FT	HOSE - FUEL - 3/8" ID
	075466-01-000	EA	UNION - INVERTED FLAIR - 1/4"

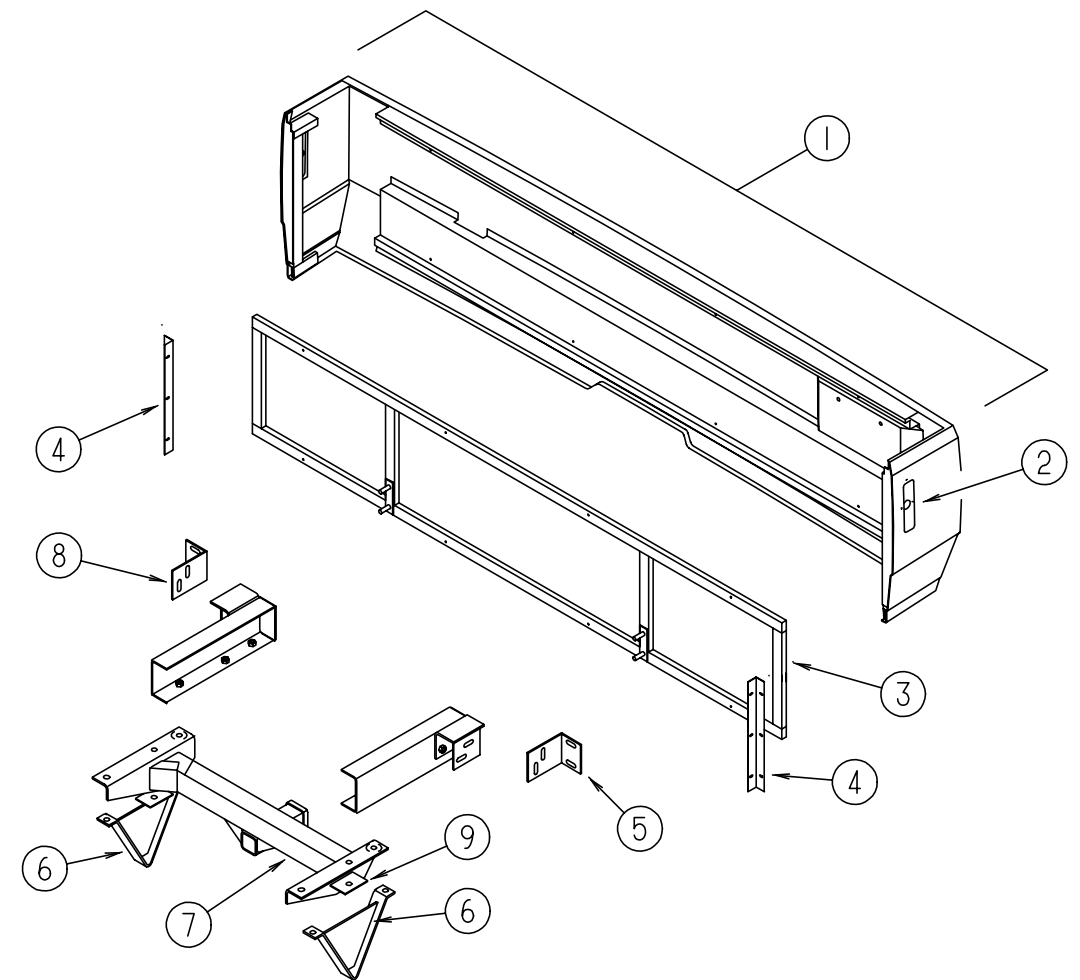
CHASSIS GROUP (CONTINUED)



SPARE TIRE & HOIST

KEY	PART NUMBER	U/M	DESCRIPTION
1	112534-01-E37	EA	BRACKET - TIRE HOIST
2	112539-02-01B	EA	SUPPORT - HANDLE - TIRE HOIST
3	093376-02-000	EA	HANDLE - CRANK - TIRE HOIST
4	093375-09-000	EA	EXTENSION - TIRE HOIST
			FROM: 00-00-00 THRU: 09-01-97
4	093375-05-000	EA	EXTENSION - TIRE HOIST
			FROM: 09-02-97 THRU: 99-99-99
5	114376-01-000	EA	PIN - DRIVE - .156 X .750 - TYPE E - TIRE HOIST
6	093267-03-000	EA	HOIST - SPARE TIRE - #100 LB
7	095853-02-000	EA	WHEEL - STEEL - 16" X 6K (FORD ONLY)
7	064963-01-000	EA	WHEEL - STEEL - 19.5" X 6" - GM 14005758
7	091673-01-000	EA	TIRE - 225.70 R19.5 LRF - XZA (CHEVY)
	051377-01-000	EA	VALVE STEM
7	083425-05-000	EA	TIRE - MICHELIN - LT 235/85R16 - LOAD RANGE E (FORD)
	077030-02-000	EA	EXTENSION - VALVE STEM - 1.25"
	051377-05-000	EA	VALVE STEM
	095012-03-000	EA	EXTENSION - VALVE STEM - DUAL WHEEL (FORD)
	095012-04-000	EA	STABILIZER - VALVE EXTENSION
8	105499-01-000	EA	BRACKET - TIRE HOIST
	080208-01-000	EA	LUG WRENCH - 1.06 X 1.00 W/SHALLOW SOCKET ENDS (CHEVY)
	080208-02-000	EA	BAR - LEVERAGE - LUG WRENCH (CHEVY)
			FORD LUG WRENCH & LEVERAGE BAR ARE CHASSIS PROVIDED

CHASSIS GROUP (CONTINUED)



REAR BUMPER & TRAILER HITCH

KEY	PART NUMBER	U/M	DESCRIPTION
1	P18217-02-GV0	EA	BUMPER - REAR - W/INNER FRAME - W/O HITCH
	117511-01-GV0	EA	PANEL - BUMPER - REAR - W/O FRAME/ANGLE MOUNTS
	104319-51-007	EA	EXTRUDED - FRAME - GRILLE - 4"
2	118374-01-01A	EA	POCKET - SIDE MARKER LIGHT
3	118833-01-02B	EA	FRAME - BUMPER - REAR
4	113041-03-02B	EA	ANGLE - BUMPER MOUNT
5	107524-02-000	EA	ANGLE - BUMPER - INNER/LEFT HAND
6	111742-01-000	EA	PLATE - SKID
7	107707-01-000	EA	HITCH RECEIVER - BOLT-ON CLASS II
	034512-01-000	EA	PIN - LOCKING - DRAWBAR
	034513-01-000	EA	PIN - HITCH - 3/16" WIRE
8	107524-01-000	EA	ANGLE - BUMPER - INNER/RIGHT HAND
9	070579-09-000	EA	PLATE - ANCHOR
	113588-02-01B	EA	BRACKET - CONNECTOR - TRAILER W/O LIP
	113589-01-000	EA	CONNECTOR - PLUG - TRAILER
	113589-02-000	EA	CONNECTOR - SOCKET - TRAILER

CHASSIS GROUP (CONTINUED)

SHOCK & STABILIZER

KEY	PART NUMBER	U/M DESCRIPTION	VENDOR NO.
	701390-29-000	EA SHOCK & STABILIZER KIT - FRONT END P-30 CHASSIS	
	122756-02-700	EA BRACKET ASM - DRIVERS SIDE	T818L
	122756-02-701	EA BRACKET ASM - PASSENGER SIDE	T818R
	122756-02-702	EA BRACKET ONLY - DRIVERS SIDE	T818L
	122756-02-703	EA BRACKET ONLY -PASSENGER SIDE	T818R
	122756-02-704	EA BOLT PACKAGE -BOLTS/NUTS ETC	T818R
	122756-02-705	EA SHOCK	T818SH
	122756-02-706	EA STUD - SHOCK MOUNTING	T818S
	122756-02-707	EA DAMPNER - STEERING	T818SD
	122756-02-708	EA BOOT - STEERING DAMPNER	T818SDB
	122756-02-709	EA BUSHING PKG-STEERING DAMPNER	T818SDBSH
	122756-02-710	EA BOLT PKG - STEERING DAMPNER	T818S

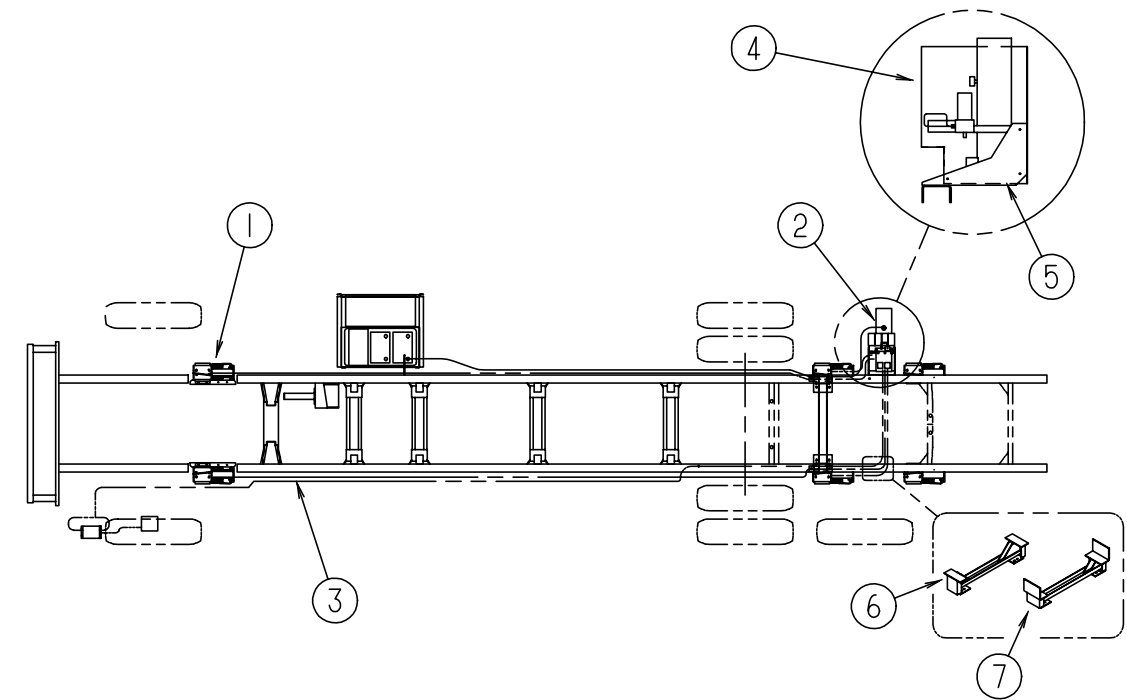
WHEEL LINERS FORD

KEY	PART NUMBER	U/M DESCRIPTION	VENDOR NO.
	110435-08-000	EA LINER - WHEEL SET (SET=4) 16"	
	110435-01-711	EA DECAL - CENTER CAP - 2"	
	110435-02-702	EA STUD EXTENDER	V160SD-STX
	110435-02-703	EA NUT (JAMB)	V160SD-JNT
	110435-02-704	EA COVER - LUG NUT	V160F0-LNC
	110435-02-705	EA TOOL F/ JAMB NUT - INSTALL.	V160FO-TOL
	110435-08-700	EA LINER - WHEEL - FRONT	V160SD-FWC
	110435-08-701	EA LINER - WHEEL - REAR	V160SD-RWC

WHEEL LINERS CHEVY

KEY	PART NUMBER	U/M DESCRIPTION	VENDOR NO.
	110435-06-000	EA LINER - WHEEL SET (SET=4) 19.5" R/GM W/LONG STUDS	
		FROM: 00-00-00 THRU: 05-06-97	
	110435-01-711	EA DECAL - CENTER CAP - 2"	
	110435-02-703	EA NUT (JAMB)	V160SD-JNT
	110435-02-704	EA COVER - LUG NUT	V160F0-LNC
	110435-02-705	EA TOOL F/ JAMB NUT - INSTALL.	V160FO-TOL
	110435-06-700	EA LINER - WHEEL - FRONT	V195P5-FWC
	110435-06-701	EA LINER - WHEEL - REAR	V195P5-RWC
	110435-06-702	EA BRACKET - BRIDGE	V195P5-BRK
	110435-06-703	EA NUT - JAM - BRIDGE BRKT 1 1/16	V195P5-BJN
	110435-06-704	EA STUD EXTENDERS - P30	V195P5-STX
	110435-10-000	EA LINER - WHEEL - SET 4 - 19.5"	
		FROM: 05-07-97 THRU: 99-99-99	
	110435-10-700	EA LINER - WHEEL - FRONT - 1 PC	V195P7-FWC
	110435-10-701	EA LINER - WHEEL - REAR - 1 PC.	V195P7-RWC
	110435-10-702	EA JAMB NUT - ENCLOSED/LNC	V195P7-EJN
	110435-10-703	EA STUD - PLASTIC	V195P7-PST
	110435-10-704	EA JAMB NUT - PLASTIC/LNC	V195P7-PJN
	110435-10-705	EA TOOL - INSTALLATION	V195P7-TOL

CHASSIS GROUP (CONTINUED)

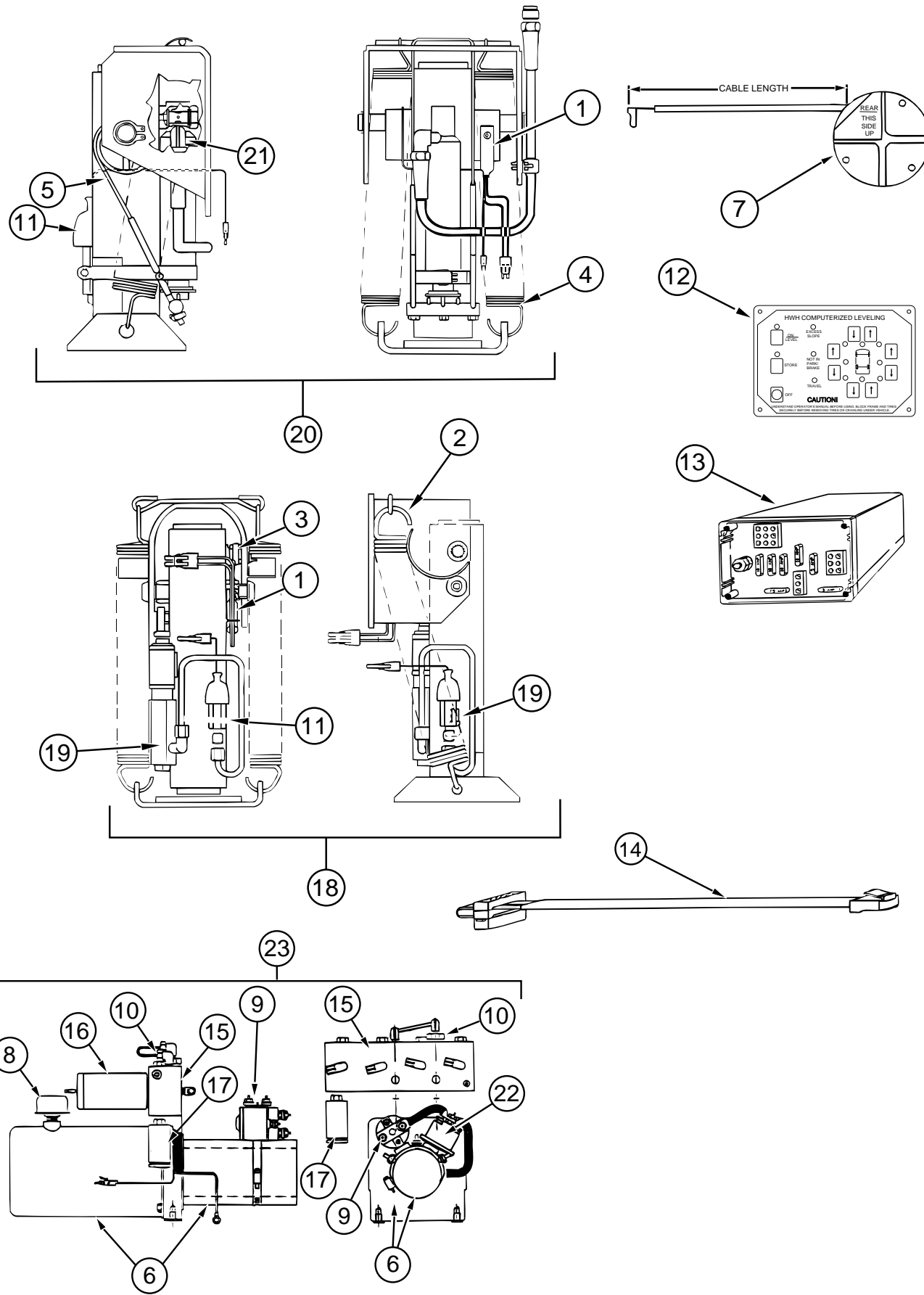


FRONT & REAR HWH HYDRAULIC LEVELING SYSTEM

KEY	PART NUMBER	U/M DESCRIPTION	VENDOR NO.
1	107890-01-000	EA ELBOW - STEEL - 90 D - 1/4 X 37 D - FLARE	
1	100533-05-000	EA BRACKETS - FRONT LEVELING JACK - CHEVY	
1	100533-06-000	EA BRACKETS - FRONT LEVELING JACKS - FORD	
2	100532-09-000	EA LEVELING SYSTEM - HYDRAULIC	
3	100536-08-000	EA HOSE KIT - HWH #AP9446	
3	100536-17-000	EA HOSE KIT - LEVELING JACKS	
4	108629-01-000	EA SHIELD - PUMP	
5	107938-07-000	EA BRACKET - PUMP	
6	100534-12-000	EA BRACKETS - REAR LEVELING JACKS (KICKDOWN) - CHEVY	
7	100534-06-000	EA BRACKETS - REAR LEVELING JACKS (FORD W/O TAG AXLE)	
	111619-01-000	EA WIRE ASSEMBLY - HWH JACKS/JET AIR RIDE	
	100536-09-700	EA HOSE - HYDRAULIC - 324"	AP2464
	100536-09-701	EA HOSE - HYDRAULIC - 60"	RAP4073
	100536-09-702	EA HOSE - HYDRAULIC - 354"	RAP4311
	100536-09-703	EA HOSE - HYDRAULIC - 87"	RAP4905

CHASSIS GROUP (CONTINUED)

FRONT & REAR HWH HYDRAULIC LEVELING SYSTEM

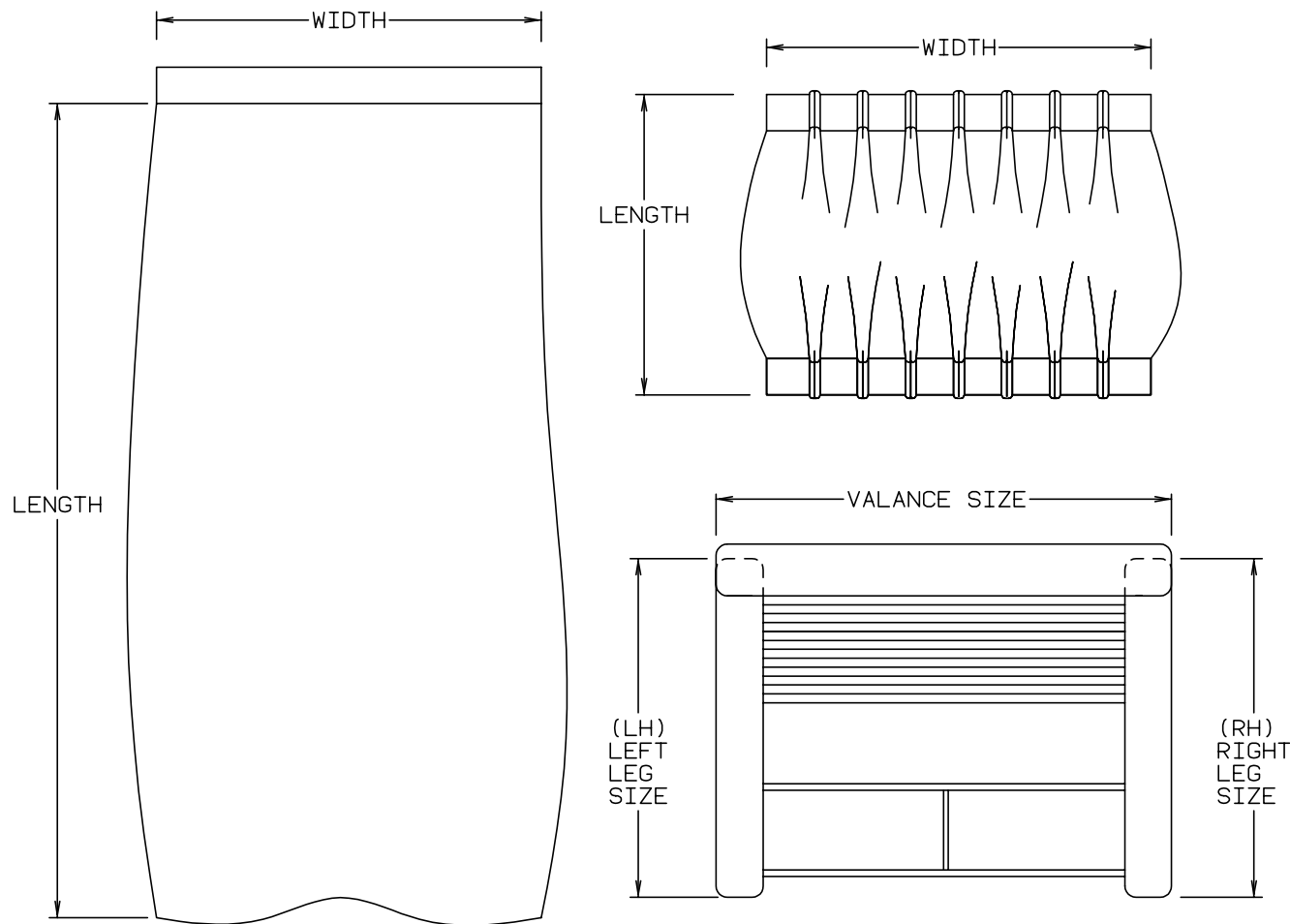


KEY	PART NUMBER	U/M DESCRIPTION	VENDOR NO.
	100532-09-000	EA LEVELING SYSTEM - HYDRAULIC	
1	100532-01-704	EA SWITCH - MERCURY - 6K & 9K JACK	RAP1010
2	100532-01-705	EA SPRING KIT - 9K JACK	RAP1171
3	100532-01-707	EA BEARING - ROLLER KIT - 9K JACK	R2527
4	100532-02-701	EA SPRING KIT - 6K JACK	RAP6824
5	100532-02-704	EA CABLE - ACTUATOR - 6K JACK	RAP7194
6	100532-03-705	EA PUMP/MOTOR/TANK .75 GAL	RAP0002
7	100532-03-710	EA SENSING UNIT 21' MTA	RAP6798
8	100532-03-715	EA CAP - BREATHER	RAP7876
9	100532-03-716	EA SOLENOID - SINGLE - ESSEX	RAP7505
10	100532-03-717	EA VALVE - PRESS. - RETURN SHUTTLE	RAP7964
11	100532-03-726	EA SWITCH - PRESSURE	RAP8003
12	100532-09-700	EA PANEL ASM. - TOUCH CONTROL	RAP1002
13	100532-09-701	EA CONTROL BOX ASM.	RAP0984
14	100532-09-702	EA CABLE - MODULAR 5'	AP1020
15	100532-09-703	EA MANIFOLD ASM. - COMPLETE	RAP0959
16	100532-09-704	EA VALVE - PRESSURE SOLENOID	RAP0642
17	100532-09-705	EA SWITCH - PRESSURE W/HEAD-3000	RAP0993
18	100532-09-706	EA JACK ASM. 9K TALL	RAP0980
19	100532-09-707	EA ACTUATOR ASM.-9K	RAP0547
20	100532-09-708	EA JACK ASM.6K TALL - FRONT W/SW	RAP0992
21	100532-09-709	EA ACTUATOR ASM. - 6K	RAP0448
22	100532-09-710	EA SOLENOID - 4 POST (INTERMITENT)	RAP0533
23	100532-09-711	EA POWER UNIT/MANIFOLD ASM.	RAP0978
	100532-09-712	EA HARNESS HYDRAULIC PUMP 35.8'	RAP1024
	100532-09-713	EA HARNESS WARN. PRESS. 35.11'	RAP1025
	100532-01-714	EA SCREW KIT (LEVELING JACKS)	R1280
	117183-01-02B	EA COVER - SENSOR - LEVELING	
	114711-01-09B	EA SHIELD - LEVELING JACK	
	122309-01-09B	EA SHIELD - LEVELING JACK - GALVANIZED	

**CURTAIN & CUSHION GROUP
NOTICE**

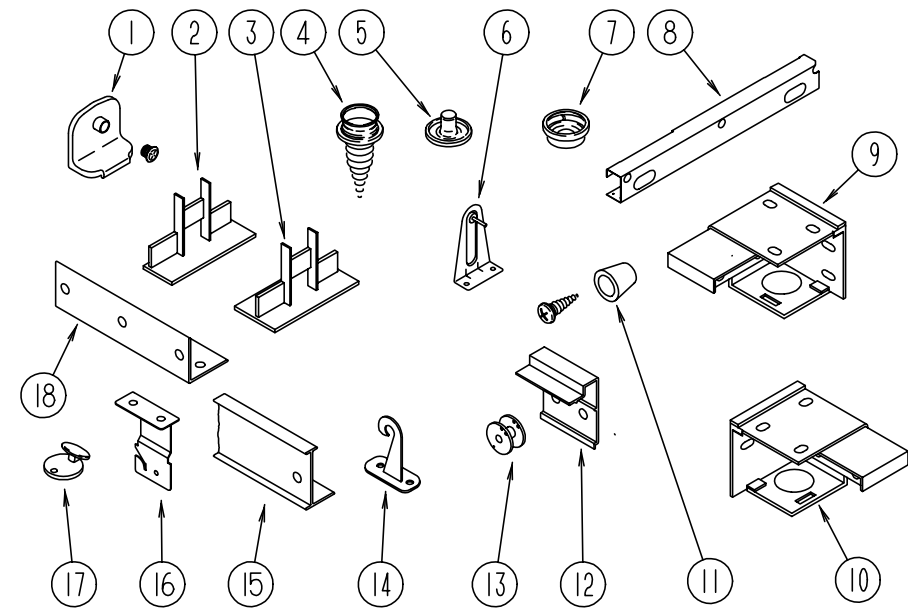
IN ORDER TO ASSIST OUR PARTS SALES DEPT. IN PROVIDING INTERIOR SOFTWARE ITEMS, PLEASE INCLUDE THE SERIAL NUMBER AND THE COLOR CODE NUMBER FROM THE VEHICLE CERTIFICATION LABEL WHEN ORDERING. THIS LABEL IS LOCATED ON THE LEFT SIDEWALL AT THE END OF THE DASH (A-BODY), OR ON THE DRIVER'S DOOR LATCH PLATE (C-BODY).

AN EXAMPLE OF A COLOR CODE NUMBER IS B07, WHICH DESIGNATES AN OVERALL COLOR SCHEME OF A PARTICULAR UNIT. THE COLOR LISTED AFTER THE ITEM DESCRIPTION ON THE MICROFICHE, INDICATES THE OVERALL UNIT COLOR. ORDER THE ITEM YOU DESIRE ACCORDING TO UNIT COLOR CODE. IF ALL COLORS USE THE SAME ITEM NO COLOR CODE WILL BE NOTED.



NOTE: USE THIS ILLUSTRATION WHEN DETERMINING LENGTH AND WIDTH MEASUREMENTS FOR CURTAINS. YOU WILL NOTE THE WIDTH MEASUREMENT IS TAKEN ON THE TOP OF THE CURTAIN WITH THE CURTAIN FULLY EXTENDED. THE LENGTH MEASUREMENT IS TAKEN FROM TOP TO BOTTOM. LEFT AND RIGHT WINDOW LEGS ARE DETERMINED WHEN FACING THE WINDOW.

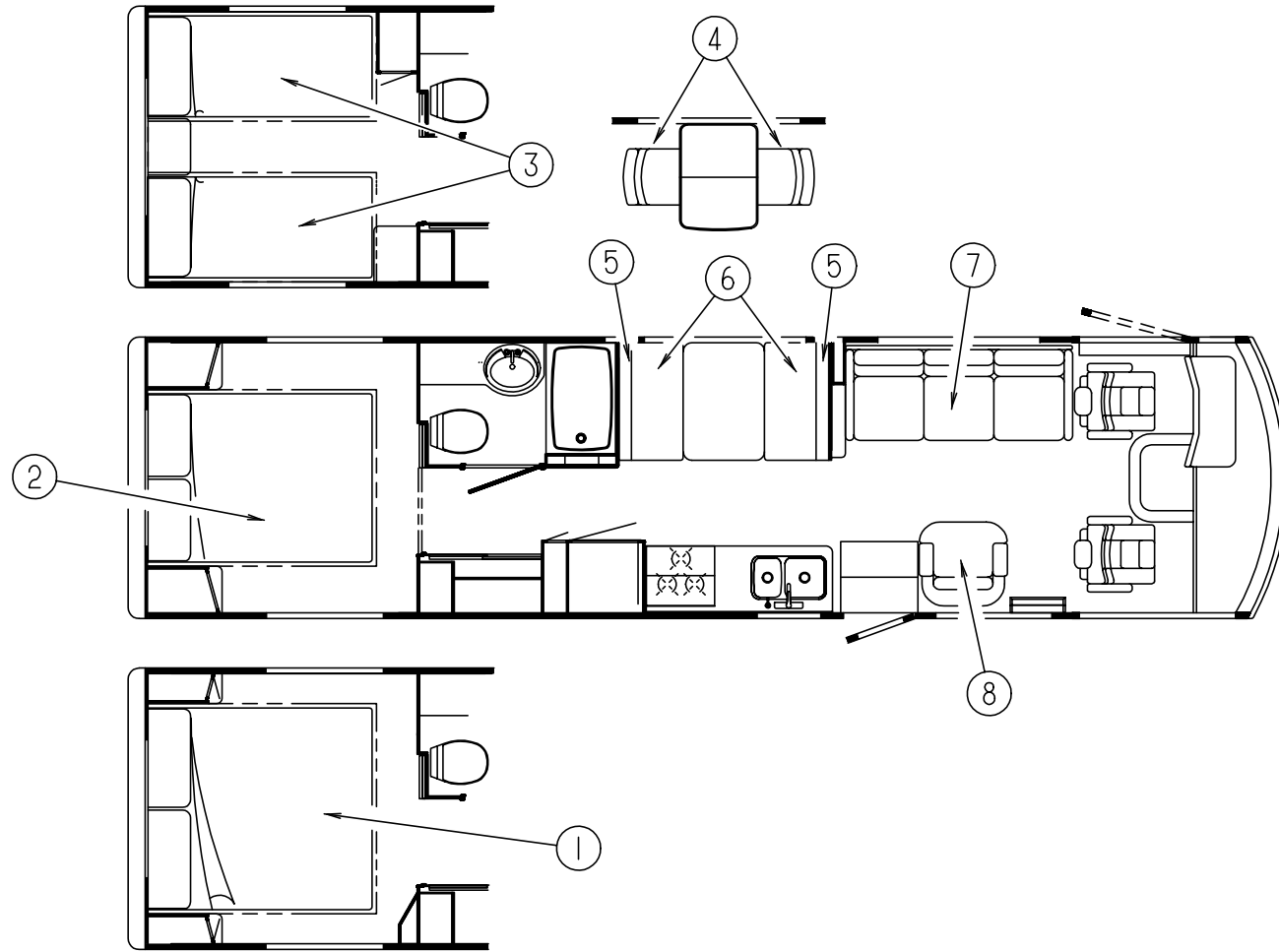
CURTAIN & CUSHION GROUP (CONTINUED)



CURTAIN HARDWARE

KEY	PART NUMBER	U/M	DESCRIPTION
1	106544-01-000	EA	PULL - SHADE/BRASS
	106544-01-001	EA	SCREW - SHADE/BRASS
2	094907-02-000	EA	END CAP - TOP/PLEATED BLIND - PLASTIC - GRAY
3	094907-05-000	EA	HARDWARE - END CAP - BOTTOM - PULL TYPE
	094907-05-700	EA	END CAP - RH - BOTTOM BLIND
	094907-05-701	EA	END CAP - LH - BOTTOM BLIND
	094907-06-000	EA	HARDWARE - END CAP - E-Z LIFT - TOP
	094908-03-000	FT	HARDWARE - SEMI-RIDGED PVC - EZ LIFT
	094908-04-000	FT	STRAP - FLAT POLY VINYL
	097591-01-000	EA	SPRING - EXTENSION/PLEATED BLIND
	097593-02-000	FT	CORD - BLIND/PLEATED - GRAY (J70,J71,J74,J75,J76,J77)
	097593-10-000	FT	CORD - .047" X 4.9" - VANILLA (J72,J73)
	094896-02-000	EA	GROMMET - CORD/PLEATED BLIND - NYLON - GRAY
4	029130-01-000	EA	SCREW - SNAP SOCKET - #8 PH X 5/8"
5	029155-01-000	EA	CAP - SNAP - 5/32" OUTSIDE DIAMETER OF PIN
6	095591-02-000	EA	BRACKET - BLIND - HOLD DOWN W/PIN - METAL
7	029156-01-000	EA	SOCKET - SNAP - 9/16" O.D.
8	110597-01-000	EA	BRACKET - SHADE - CAB/RIGHT SIDE
8	110597-02-000	EA	BRACKET - SHADE - CAB/LEFT SIDE
9	083170-01-000	EA	BRACKET - BLIND - LEFT SIDE WHEN FACING WINDOW
10	083170-02-000	EA	BRACKET - BLIND - RIGHT SIDE WHEN FACING WINDOW
11	097564-01-000	EA	HANDLE - KNOB - E-Z LIFT SHADE - SMOKED
12	097565-01-000	EA	BRACKET - MOUNTING/PLEATED BLIND
13	097592-01-000	EA	SPOOL - CORD - ELEVATED BLIND HOLDUP - CLEAR PLASTIC
14	109441-03-000	EA	HOLD DOWN - BLIND (CLOUDY)
15	118896-01-01A	EA	TRACK - CURTAIN - RIGHT HAND
15	118897-01-01A	EA	TRACK - CURTAIN - LEFT HAND
16	084434-01-000	EA	BRACKET - MOUNTING - ROLLER SHADE - 1 3/8"
17	102555-01-000	EA	CLEAT - BLIND CORD - CLEAR PLASTIC
	102555-03-000	EA	CLEAT - BLIND CORD - MILKY WHITE PLASTIC
18	105648-01-02A	EA	BRACE - VALANCE - OFF/WHITE - 14"
	083125-07-000	EA	BRACE - COUCH - 2.5"
	046867-03-000	EA	GROMMET - HANDY BUTTON #3
	048394-02-000	YD	VELCRO TAPE - HOOK - ADHESIVE BACK - .75" WIDE - BEIGE
	086276-01-000	EA	TAPE - DOUBLE SIDED - 1/2"
	088792-02-000	YD	VELCRO TAPE - LOOP - .75" - ADHESIVE BACKED - BEIGE
	096843-01-000	EA	SPRING - REWIND/ROLLER SHADE

CURTAIN & CUSHION GROUP (CONTINUED)



TWIN BEDSPREAD, PILLOWS & MATTRESS

KEY	PART NUMBER	U/M	DESCRIPTION
3	114222-07-J70	EA	BEDSPREAD/THROW - 39" X 80" (J70,J71)
3	114222-11-J72	EA	BEDSPREAD/THROW - 39" X 80" (J72,J73)
3	114222-08-J74	EA	BEDSPREAD/THROW - 39" X 80" (J74,J75)
3	114222-11-J76	EA	BEDSPREAD/THROW - 39" X 80" (J76,J77)
	104565-06-H58	EA	PILLOW SHAM - 22" X 37" (J70,J71)
	104565-12-J72	EA	PILLOW SHAM - 22" X 37" (J72,J73)
	126211-02-J74	EA	PILLOW SHAM - 22" X 37" (J74,J75)
	126211-04-J76	EA	PILLOW SHAM - 22" X 37" (J76,J77)
	123015-03-000	EA	MATTRESS - INNERSPRING - 36" X 74.5"

BEDROOM THROW PILLOWS

KEY	PART NUMBER	U/M	DESCRIPTION
	104166-05-H58	EA	PILLOW - 14" X 14" (J70,J71)
	104166-05-J72	EA	PILLOW - 14" X 14" (J72,J73)
	124773-02-J74	EA	PILLOW - 14" X 17" (J74,J75)
	104166-06-J76	EA	PILLOW - 14" X 14" (J76,J77)

LOUNGE THROW PILLOWS

KEY	PART NUMBER	U/M	DESCRIPTION
	106728-02-H58	EA	PILLOW - 9" X 20" (J70,J71)
	106728-03-H60	EA	PILLOW - 9" X 20" (J72,J73)
	106728-03-J74	EA	PILLOW - 9" X 20" (J74,J75)
	106728-03-J76	EA	PILLOW - 9" X 20" (J76,J77)

DINETTE CHAIRS

KEY	PART NUMBER	U/M	DESCRIPTION
4	116058-10-000	EA	CHAIR - DINETTE - FLEXSTEEL (J70,J71)
4	116058-14-000	EA	CHAIR - DINETTE - FLEXSTEEL (J72,J73)
4	116058-15-000	EA	CHAIR - DINETTE - FLEXSTEEL (J74,J75)
4	116058-16-000	EA	CHAIR - DINETTE - FLEXSTEEL (J76,J77)
	116080-03-H56	EA	COVER - CHAIR LEG - 6.4" WASHED MAPLE
	116080-03-G39	EA	COVER - CHAIR LEG - 6.4" - SALEM CHERRY
	074045-12-000	EA	PLUG - OAK - 1/2" DIAMETER - WASHED MAPLE
	074045-08-000	EA	PLUG - OAK - 1/2" DIAMETER - SALEM CHERRY

FOLDING CHAIRS

KEY	PART NUMBER	U/M	DESCRIPTION
	101604-01-04A	EA	CHAIR - FOLDING/DINETTE - W/O FABRIC - WASHED MAPLE
	101604-01-02A	EA	CHAIR - FOLDING/DINETTE - W/O FABRIC - SALEM CHERRY

DINETTE CUSHIONS

KEY	PART NUMBER	U/M	DESCRIPTION
5	111897-05-J70	EA	CUSHION - BACK - 13.5" X 42" X 5" (J70,J71)
	P11897-05-J70	EA	COVER - BACK - 13.5" X 42" X 5" (J70,J71)
5	111897-05-J72	EA	CUSHION - BACK - 13.5" X 42" X 5" (J72,J73)
	P11897-05-J72	EA	COVER - BACK - 13.5" X 42" X 5" (J72,J73)
5	111897-05-J74	EA	CUSHION - BACK - 13.5" X 42" X 5" (J74,J75)
	P11897-05-J74	EA	COVER - BACK - 13.5" X 42" X 5" (J74,J75)
5	111897-05-J76	EA	CUSHION - BACK - 13.5" X 42" X 5" (J76,J77)
	P11897-05-J76	EA	COVER - BACK - 13.5" X 42" X 5" (J76,J77)
6	105603-15-H58	EA	CUSHION - SEAT - 23" X 42" X 5" (J70,J71)
	P05603-15-H58	EA	COVER - SEAT - 23" X 42" X 5" (J70,J71)
6	105603-15-H60	EA	CUSHION - SEAT - 23" X 42" X 5" (J72,J73)
	P05603-15-H60	EA	COVER - SEAT - 23" X 42" X 5" (J72,J73)
6	105603-15-J74	EA	CUSHION - SEAT - 23" X 42" X 5" (J74,J75)
	P05603-15-J74	EA	COVER - SEAT - 23" X 42" X 5" (J74,J75)
6	105603-15-J76	EA	CUSHION - SEAT - 23" X 42" X 5" (J76,J77)
	P05603-15-J76	EA	COVER - SEAT - 23" X 42" X 5" (J76,J77)

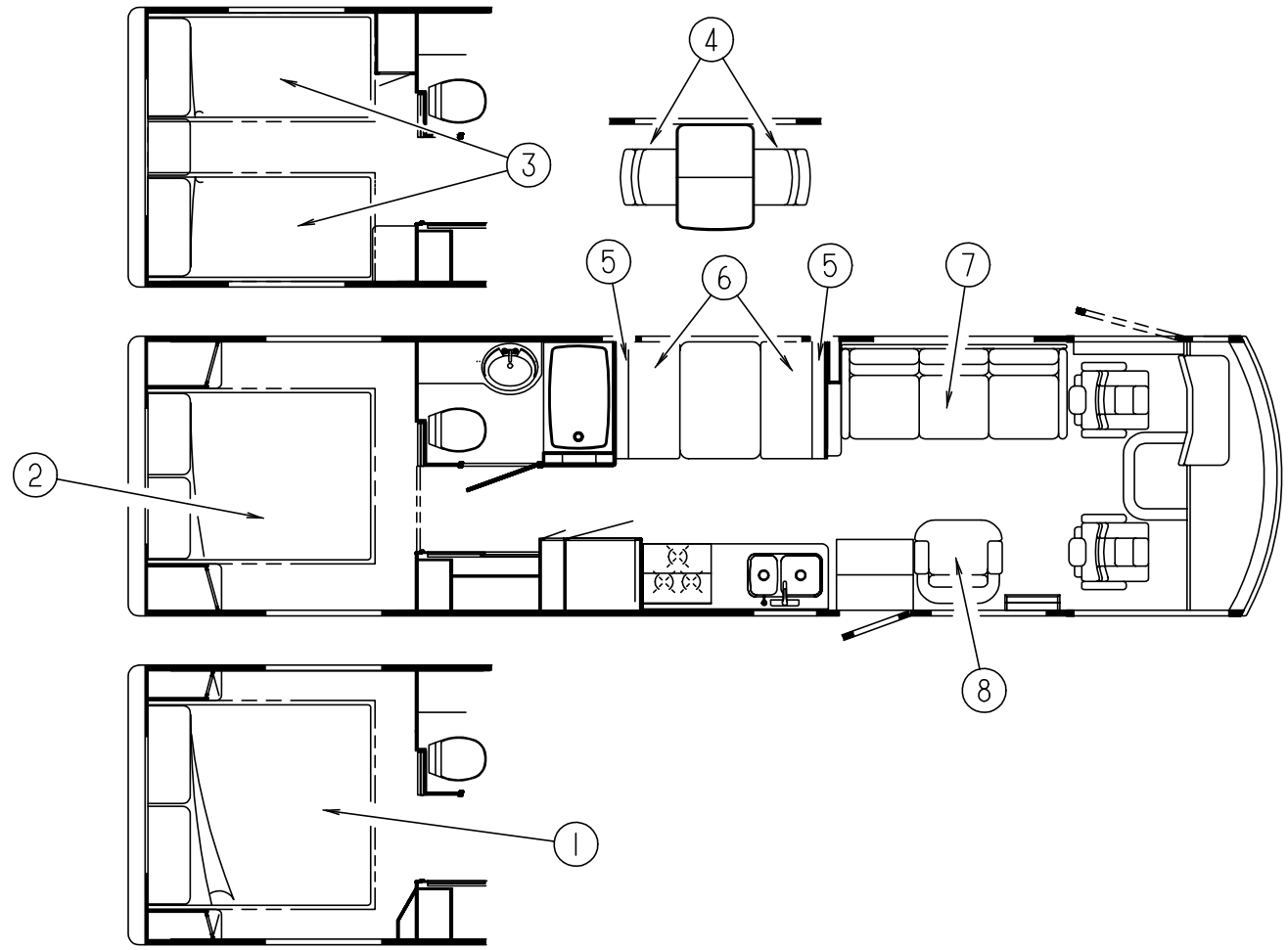
KING BEDSPREAD, PILLOWS & MATTRESS

KEY	PART NUMBER	U/M	DESCRIPTION
1	114222-04-H58	EA	BEDSPREAD/THROW - 72" X 80" (J70,J71)
1	114222-12-J72	EA	BEDSPREAD/THROW - 72" X 80" (J72,J73)
1	114222-09-J74	EA	BEDSPREAD/THROW - 72" X 80" (J74,J75)
1	114222-12-J76	EA	BEDSPREAD/THROW - 72" X 80" (J76,J77)
	104565-06-H58	EA	PILLOW SHAM - 22" X 37" (J70,J71)
	104565-12-J72	EA	PILLOW SHAM - 22" X 37" (J72,J73)
	126211-02-J74	EA	PILLOW SHAM - 22" X 37" (J74,J75)
	126211-04-J76	EA	PILLOW SHAM - 22" X 37" (J76,J77)
	123015-09-000	EA	MATTRESS - INNERSPRING - 72" X 79.5"

QUEEN BEDSPREAD, PILLOWS & MATTRESS

KEY	PART NUMBER	U/M	DESCRIPTION
2	114222-01-H58	EA	BEDSPREAD/THROW - 60" X 80" (J70,J71)
2	114222-10-J72	EA	BEDSPREAD/THROW - 60" X 80" (J72,J73)
2	114222-06-J74	EA	BEDSPREAD/THROW - 60" X 80" (J74,J75)
2	114222-10-J76	EA	BEDSPREAD/THROW - 60" X 80" (J76,J77)
	104565-04-H58	EA	PILLOW SHAM - 2" FLANGE (J70,J71)
	104565-11-J72	EA	PILLOW SHAM - 20" X 33" (J72,J73)
	126211-01-J74	EA	PILLOW SHAM - 20" X 33" (J74,J75)
	126211-03-J76	EA	PILLOW SHAM - 20" X 33" (J76,J77)
	123015-07-000	EA	MATTRESS-INNERSPRING - 60" X 79.5"

CURTAIN & CUSHION GROUP (CONTINUED)



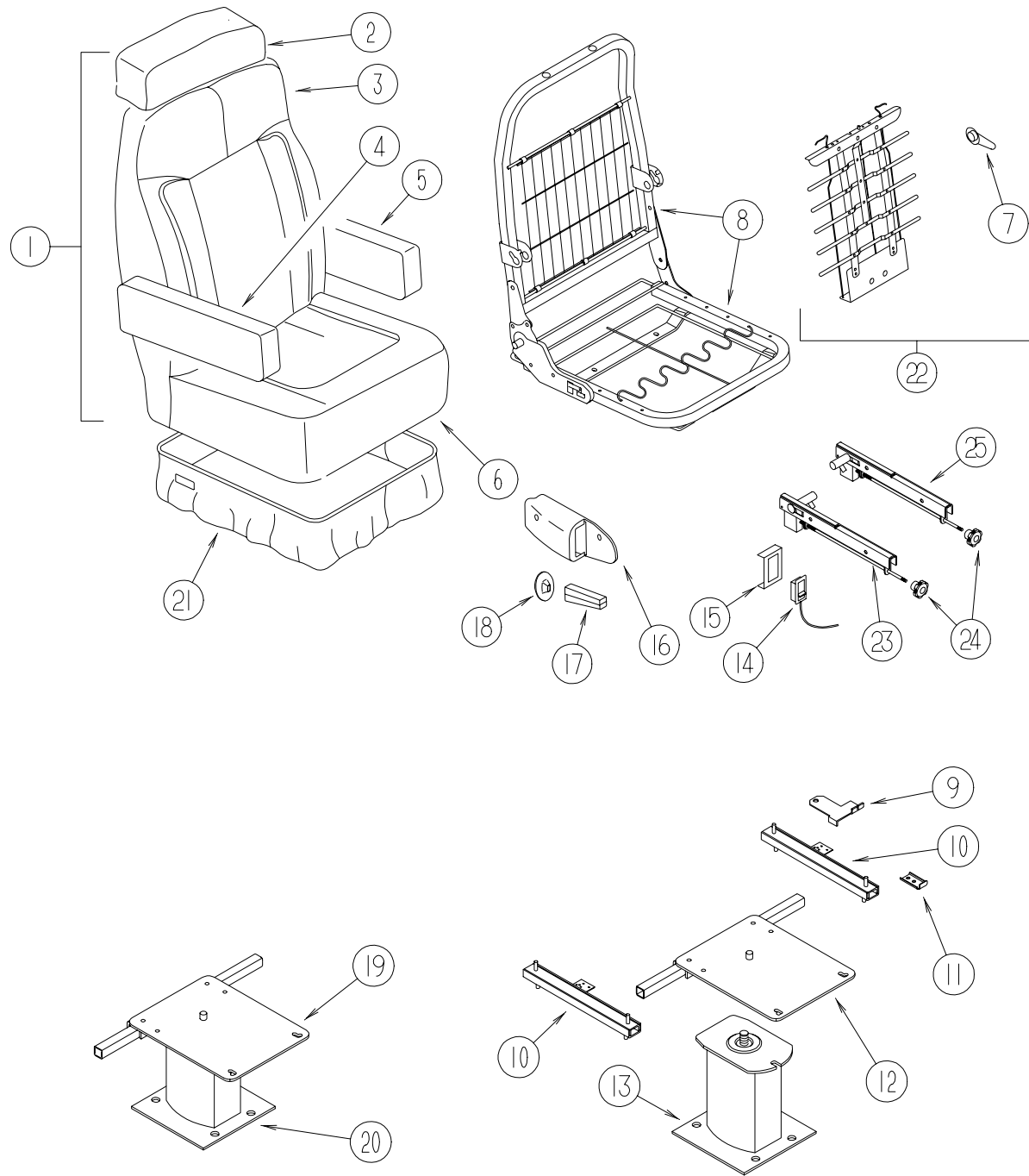
COUCH

KEY	PART NUMBER	U/M	DESCRIPTION
7	119728-06-000	EA	SOFA - VILLA - W/ARMRESTS/KICKBOARD (J70,J71)
7	119728-07-000	EA	SOFA - VILLA - W/ARMRESTS/KICKBOARD (J72,J73)
7	119728-04-000	EA	SOFA - VILLA - W/ARMRESTS/KICKBOARD (J74,J75)
7	119728-09-000	EA	SOFA - VILLA - W/ARMRESTS/KICKBOARD (J76,J77)
	116104-03-02B	EA	BRACKET - ZEE W/HOLES

SWIVEL CHAIR

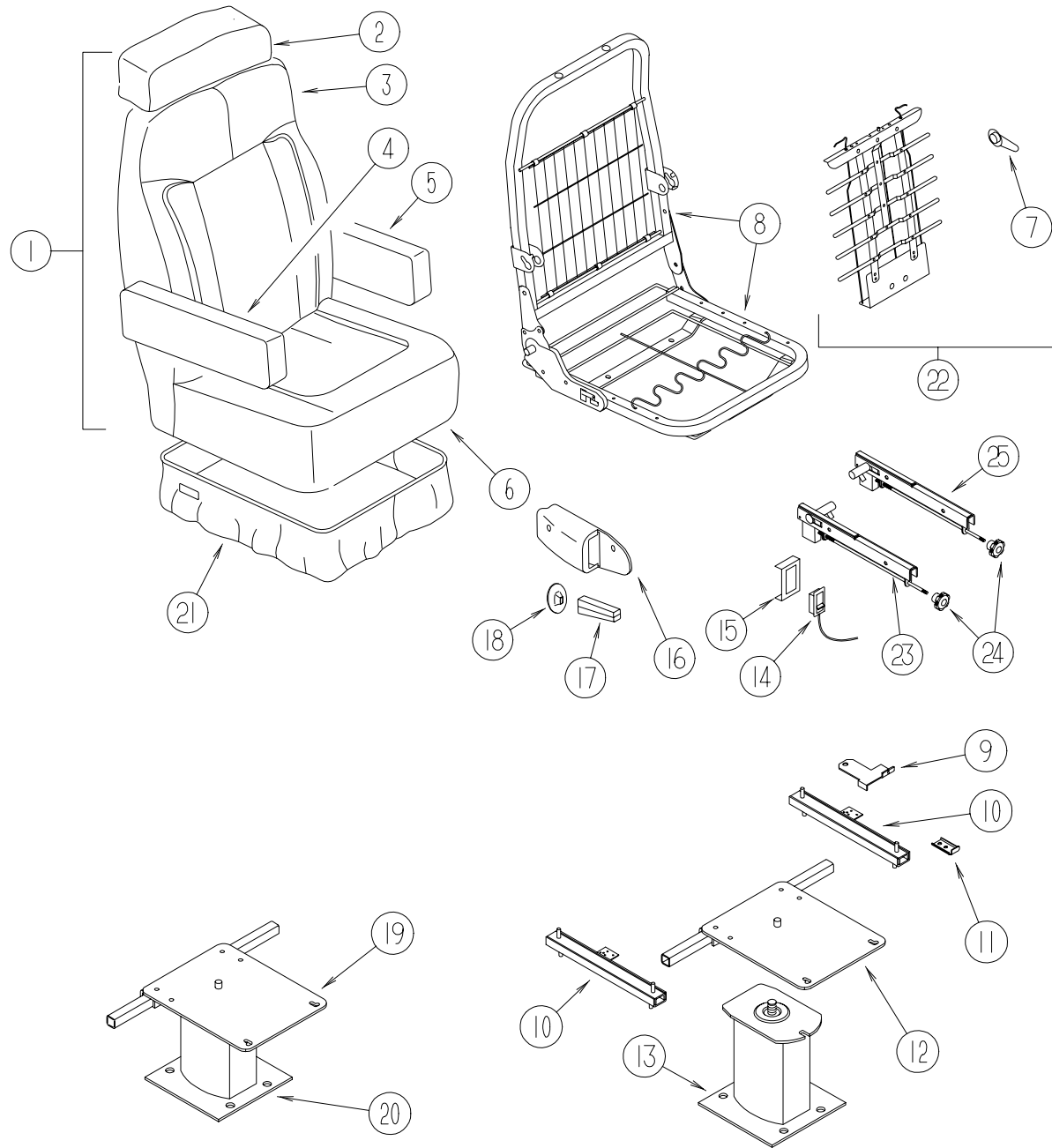
KEY	PART NUMBER	U/M	DESCRIPTION
8	118821-01-H58	EA	CHAIR - SWIVEL/RECLINER W/FOOTREST (J70) FROM: 00-00-00 THRU: 11-02-97
8	118821-02-J70	EA	CHAIR - RECLINER/HIGHBACK - W/FOOTREST (J70) FROM: 11-03-97 THRU: 01-04-98
8	129327-01-J70	EA	CHAIR - INCLINER W/FOOTREST (J70) FROM: 01-05-98 THRU: 99-99-99
8	118821-01-H59	EA	CHAIR - SWIVEL/RECLINER W/FOOTREST (J71) FROM: 00-00-00 THRU: 11-02-97
8	118821-02-J70	EA	CHAIR - RECLINER/HIGHBACK - W/FOOTREST (J71) FROM: 11-03-97 THRU: 01-04-98
8	129327-01-J70	EA	CHAIR - INCLINER W/FOOTREST (J71) FROM: 01-05-98 THRU: 99-99-99
8	118821-01-J72	EA	CHAIR - RECLINING - W/FOOTREST (J72) FROM: 00-00-00 THRU: 11-02-97
8	118821-02-J72	EA	CHAIR - RECLINER/HIGHBACK - W/FOOTREST (J72) FROM: 11-03-97 THRU: 01-04-98
8	129327-01-J72	EA	CHAIR - INCLINER W/FOOTREST (J72) FROM: 01-05-98 THRU: 99-99-99
8	118821-01-J73	EA	CHAIR - RECLINING - W/FOOTREST (J73) FROM: 00-00-00 THRU: 11-02-97
8	118821-02-J72	EA	CHAIR - RECLINER/HIGHBACK - W/FOOTREST (J73) FROM: 11-03-97 THRU: 01-04-98
8	129327-01-J72	EA	CHAIR - INCLINER W/FOOTREST (J73) FROM: 01-05-98 THRU: 99-99-99
8	118821-01-J74	EA	CHAIR - RECLINING - W/FOOTREST (J74) FROM: 00-00-00 THRU: 11-02-97
8	118821-02-J74	EA	CHAIR - RECLINER/HIGHBACK - W/FOOTREST (J74) FROM: 11-03-97 THRU: 01-04-98
8	129327-01-J74	EA	CHAIR - INCLINER W/FOOTREST (J74) FROM: 01-05-98 THRU: 99-99-99
8	118821-01-J75	EA	CHAIR - RECLINING - W/FOOTREST (J75) FROM: 00-00-00 THRU: 11-02-97
8	118821-02-J74	EA	CHAIR - RECLINER/HIGHBACK - W/FOOTREST (J75) FROM: 11-03-97 THRU: 01-04-98
8	129327-01-J74	EA	CHAIR - INCLINER W/FOOTREST (J75) FROM: 01-05-98 THRU: 99-99-99
8	118821-01-J76	EA	CHAIR - RECLINING - W/FOOTREST (J76) FROM: 00-00-00 THRU: 11-02-97
8	118821-02-J76	EA	CHAIR - RECLINER/HIGHBACK - W/FOOTREST (J76) FROM: 11-03-97 THRU: 01-04-98
8	129327-01-J76	EA	CHAIR - INCLINER W/FOOTREST (J76) FROM: 01-05-98 THRU: 99-99-99
8	118821-01-J77	EA	CHAIR - RECLINING - W/FOOTREST (J77) FROM: 00-00-00 THRU: 11-02-97
8	118821-02-J76	EA	CHAIR - RECLINER/HIGHBACK - W/FOOTREST (J77) FROM: 11-03-97 THRU: 01-04-98
8	129327-01-J76	EA	CHAIR - INCLINER W/FOOTREST (J77) FROM: 01-05-98 THRU: 99-99-99

CURTAIN & CUSHION GROUP (CONTINUED)
BUCKET SEATS



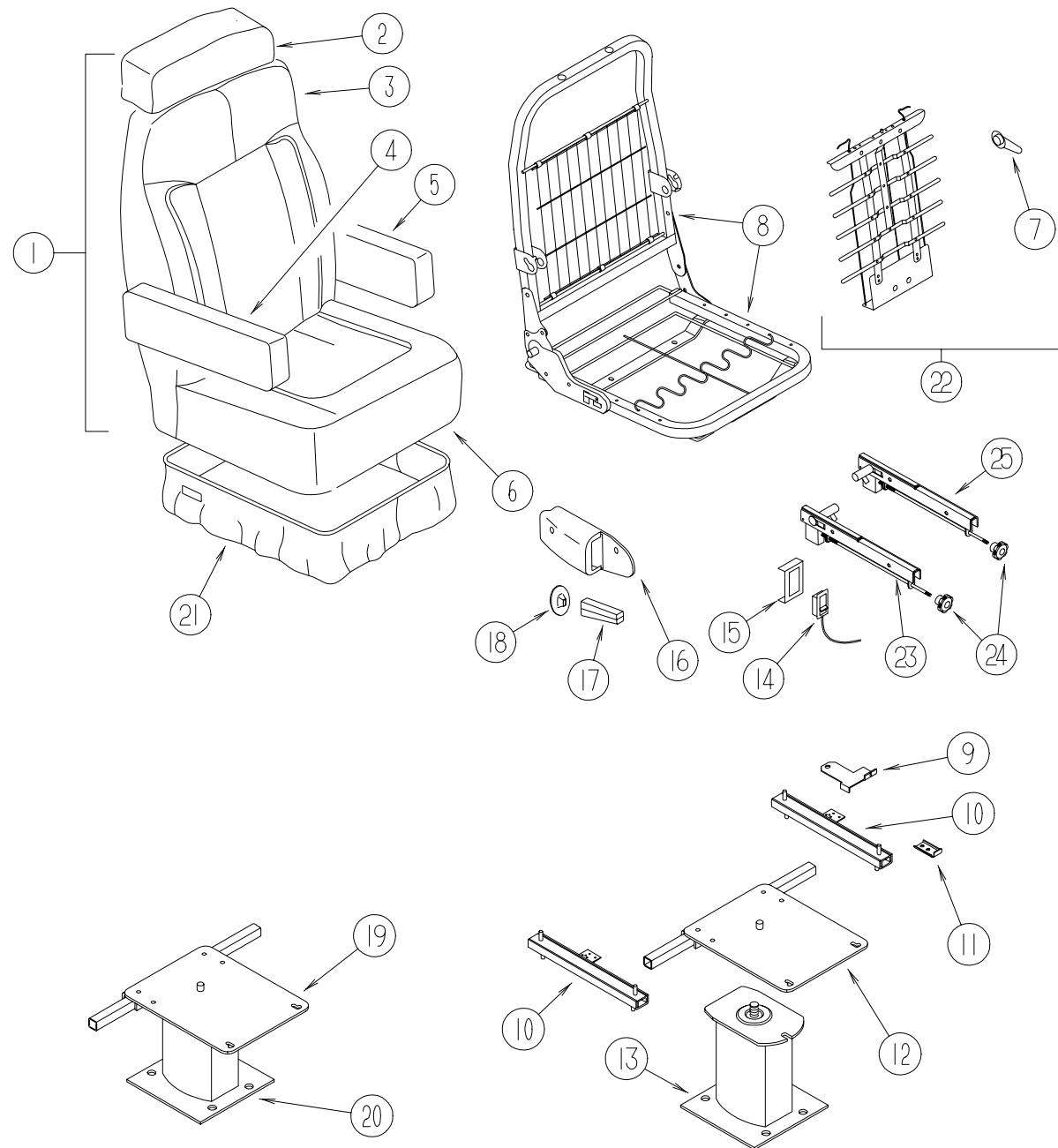
KEY	PART NUMBER	U/M DESCRIPTION
1	123820-05-J70	EA SEAT - BUCKET - W/LUMBAR SUPPORT (DRIVER) (J70,J71)
1	123820-05-J72	EA SEAT - BUCKET - W/LUMBAR SUPPORT (DRIVER) (J72,J73)
1	123820-05-J74	EA SEAT - BUCKET - W/LUMBAR SUPPORT (DRIVER) (J74,J75)
1	123820-05-J76	EA SEAT - BUCKET - W/LUMBAR SUPPORT (DRIVER) (J76,J77)
1	123609-07-000	EA SEAT - BUCKET - DRIVERS - 6-WAY - LEATHER OPTION (J70,J71) FROM: 00-00-00 THRU: 12-07-97
1	129192-02-000	EA BUCKET - WIDE - 6-WAY - LEATHER OPTION (J70,J71) FROM: 12-08-97 THRU: 99-99-99
1	123609-05-000	EA SEAT - BUCKET - DRIVERS - 6-WAY - LEATHER OPTION (J72,J73) FROM: 00-00-00 THRU: 12-07-97
1	129192-03-000	EA BUCKET - WIDE - 6-WAY - LEATHER OPTION (J72,J73) FROM: 12-08-97 THRU: 99-99-99
1	123609-09-000	EA SEAT - BUCKET - DRIVERS - 6-WAY - LEATHER OPTION (J74,J75) FROM: 00-00-00 THRU: 12-07-97
1	129192-01-000	EA BUCKET - WIDE - 6-WAY - LEATHER OPTION (J74,J75) FROM: 12-08-97 THRU: 99-99-99
1	123609-11-000	EA SEAT - BUCKET - DRIVERS - 6-WAY - LEATHER OPTION (J76,J77) FROM: 00-00-00 THRU: 12-07-97
1	129192-04-000	EA BUCKET - WIDE - 6-WAY - LEATHER OPTION (J76,J77) FROM: 12-08-97 THRU: 99-99-99
1	123820-02-J70	EA SEAT - BUCKET (PASSENGER) (J70,J71)
1	123820-02-J72	EA SEAT - BUCKET (PASSENGER) (J72,J73)
1	123820-02-J74	EA SEAT - BUCKET (PASSENGER) (J74,J75)
1	123820-02-J76	EA SEAT - BUCKET (PASSENGER) (J76,J77)
1	123609-08-000	EA SEAT - BUCKET - PASSENGERS - LEATHER OPTION (J70,J71)
1	123609-06-000	EA SEAT - BUCKET - PASSENGERS - LEATHER OPTION (J72,J73)
1	123609-10-000	EA SEAT - BUCKET - PASSENGERS - LEATHER OPTION (J74,J75)
1	123609-12-000	EA SEAT - BUCKET - PASSENGERS - LEATHER OPTION (J76,J77)
2	124682-01-H58	EA HEADREST (J70,J71)
2	124682-01-H60	EA HEADREST (J72,J73)
2	124682-01-J74	EA HEADREST (J74,J75)
2	124682-01-J76	EA HEADREST (J76,J77)
2	P24682-01-H58	EA COVER - HEADREST (J70,J71)
2	P24682-01-H60	EA COVER - HEADREST (J72,J73)
2	P24682-01-J74	EA COVER - HEADREST (J74,J75)
2	P24682-01-J76	EA COVER - HEADREST (J76,J77)
2	113977-12-000	EA HEADREST INSERT - W/O LOCK
2	113977-13-000	EA HEADREST INSERT - W/LOCK
2	114791-03-000	EA FRAME - HEADREST
3	M05962-47-H58	EA COVER - BACK (J70,J71)
3	M05962-47-H60	EA COVER - BACK (J72,J73)
3	M05962-47-J74	EA COVER - BACK (J74,J75)
3	M05962-47-J76	EA COVER - BACK (J76,J77)
3	089323-01-000	FT STRIP - POLYETHYLENE - J-CHANNEL
4	123962-01-H58	EA ARMREST - ADJUSTABLE/RIGHT HAND (DRIVER) (J70,J71)
4	123962-01-H60	EA ARMREST - ADJUSTABLE/RIGHT HAND (DRIVER) (J72,J73)
4	123962-01-J74	EA ARMREST - ADJUSTABLE/RIGHT HAND (DRIVER) (J74,J75)
4	123962-01-J76	EA ARMREST - ADJUSTABLE/RIGHT HAND (DRIVER) (J76,J77)
4	P23962-01-H58	EA COVER - ARMREST - RIGHT HAND (DRIVER) (J70,J71)
4	P23962-01-H60	EA COVER - ARMREST - RIGHT HAND (DRIVER) (J72,J73)
4	P23962-01-J74	EA COVER - ARMREST - RIGHT HAND (DRIVER) (J74,J75)
4	P23962-01-J76	EA COVER - ARMREST - RIGHT HAND (DRIVER) (J76,J77)
4	122780-01-J70	EA ARMREST - RIGHT HAND (PASSENGER) (J70,J71)
4	122780-01-J72	EA ARMREST - RIGHT HAND (PASSENGER) (J72,J73)
4	122780-01-J74	EA ARMREST - RIGHT HAND (PASSENGER) (J74,J75)
4	122780-01-J76	EA ARMREST - RIGHT HAND (PASSENGER) (J76,J77)
4	P22780-01-J70	EA COVER - ARMREST - RIGHT HAND (PASSENGER) (J70,J71)
4	P22780-01-J72	EA COVER - ARMREST - RIGHT HAND (PASSENGER) (J72,J73)
4	P22780-01-J74	EA COVER - ARMREST - RIGHT HAND (PASSENGER) (J74,J75)
4	P22780-01-J76	EA COVER - ARMREST - RIGHT HAND (PASSENGER) (J76,J77)
4	115617-03-000	EA ARMREST - W/O COVER - RIGHT HAND

CURTAIN & CUSHION GROUP (CONTINUED)
BUCKET SEATS (CONTINUED)



KEY	PART NUMBER	U/M	DESCRIPTION	VENDOR NO.
5	123962-02-H58	EA	ARMREST - ADJUSTABLE/LEFT HAND (DRIVER) (J70,J71)	
5	123962-02-H60	EA	ARMREST - ADJUSTABLE/LEFT HAND (DRIVER) (J72,J73)	
5	123962-02-J74	EA	ARMREST - ADJUSTABLE/LEFT HAND (DRIVER) (J74,J75)	
5	123962-02-J76	EA	ARMREST - ADJUSTABLE/LEFT HAND (DRIVER) (J76,J77)	
5	P23962-02-H58	EA	COVER - ARMREST - LEFT HAND (DRIVER) (J70,J71)	
5	P23962-02-H60	EA	COVER - ARMREST - LEFT HAND (DRIVER) (J72,J73)	
5	P23962-02-J74	EA	COVER - ARMREST - LEFT HAND (DRIVER) (J74,J75)	
5	P23962-02-J76	EA	COVER - ARMREST - LEFT HAND (DRIVER) (J76,J77)	
5	122780-02-H59	EA	ARMREST - LEFT HAND (PASSENGER) (J70,J71)	
5	122780-02-H60	EA	ARMREST - LEFT HAND (PASSENGER) (J72,J73)	
5	122780-02-J74	EA	ARMREST - LEFT HAND (PASSENGER) (J74,J75)	
5	122780-02-J76	EA	ARMREST - LEFT HAND (PASSENGER) (J76,J77)	
5	P22780-02-H59	EA	COVER - ARMREST - LEFT HAND (PASSENGER) (J70,J71)	
5	P22780-02-H60	EA	COVER - ARMREST - LEFT HAND (PASSENGER) (J72,J73)	
5	P22780-02-J74	EA	COVER - ARMREST - LEFT HAND (PASSENGER) (J74,J75)	
5	P22780-02-J76	EA	COVER - ARMREST - LEFT HAND (PASSENGER) (J76,J77)	
5	115617-04-000	EA	ARMREST - W/O COVER - LEFT HAND	
6	M05962-48-H58	EA	COVER - BOTTOM (J70,J71)	
6	M05962-48-H60	EA	COVER - BOTTOM (J72,J73)	
6	M05962-48-J74	EA	COVER - BOTTOM (J74,J75)	
6	M05962-48-J76	EA	COVER - BOTTOM (J76,J77)	
6	089323-01-000	FT	STRIP - POLYENTHYLENE - J-CHANNEL	
7	122611-02-701	EA	LUMBAR - LEVER (DRIVER)	412
8	122695-01-01B	EA	FRAME - SEAT/BACK	
9	117125-01-02B	EA	BRACKET - CABLE MOUNT - ADJUSTER W/LOCK	
10	119952-06-000	EA	SLIDE/SEAT - HEAVY DUTY LOCKING - 4 STUDS	FROM: 00-00-00 THRU: 11-02-97
10	119952-04-000	EA	SLIDE/SEAT - HEAVY DUTY LOCKING - 4 STUDS	FROM: 11-03-97 THRU: 99-99-99
10	119952-07-000	EA	WIRE - LATCH RELEASE/ROTARY	
10	007221-01-000	EA	SPACER - SEAT/ADJUSTER	
11	114889-01-000	EA	STOP BAR - UNIVERSAL	
12	107921-05-000	EA	PLATE - TOP - W/SEAT BELT BAR	
12	107921-06-000	EA	BEARING KIT - PEDESTAL	
13	107921-01-000	EA	PEDESTAL/FLOOR MOUNTED - W/9.75" EXTENSION	FROM: 00-00-00 THRU: 01-04-98
13	107921-14-000	EA	PEDESTAL - SEAT W/5.75" EXTENSION - F/MANUAL SEAT	FROM: 01-05-98 THRU: 99-99-99
14	108049-02-000	EA	CLIP - CABLE/PEDESTAL	
14	108049-04-000	EA	CABLE - W/SWITCHES - W/26" MINI LEVER ACTION	
15	097683-03-000	EA	BRACKET - REMOTE/SIDE MOUNT - SINGLE	FROM: 00-00-00 THRU: 05-31-97
15	108049-05-000	EA	FRAME - CABLE - REMOTE RECLINE - W/MINI LEVER ACTION	FROM: 06-01-97 THRU: 99-99-99
16	080730-09-000	EA	SHIELD - RECLINER HANDLE	
17	080730-08-000	EA	HANDLE - RECLINER	
18	080730-11-000	EA	SHIELD - RUBBER BOOT	
19	119739-90-000	EA	TOP PLATE- F/VILLA BUCKET SEAT	FROM: 00-00-00 THRU: 12-07-97
19	119739-90-000	EA	TOP PLATE- F/VILLA BUCKET SEAT (DRIVER)	FROM: 12-08-97 THRU: 99-99-99
20	119730-92-000	EA	PEDESTAL - VILLA - 6.2" (DRIVER)	FROM: 00-00-00 THRU: 12-07-97
20	129190-03-000	EA	PEDESTAL (DRIVER)	FROM: 12-08-97 THRU: 99-99-99
20	119730-96-000	EA	PEDESTAL - VILLA - 8" (PASSENGER)	

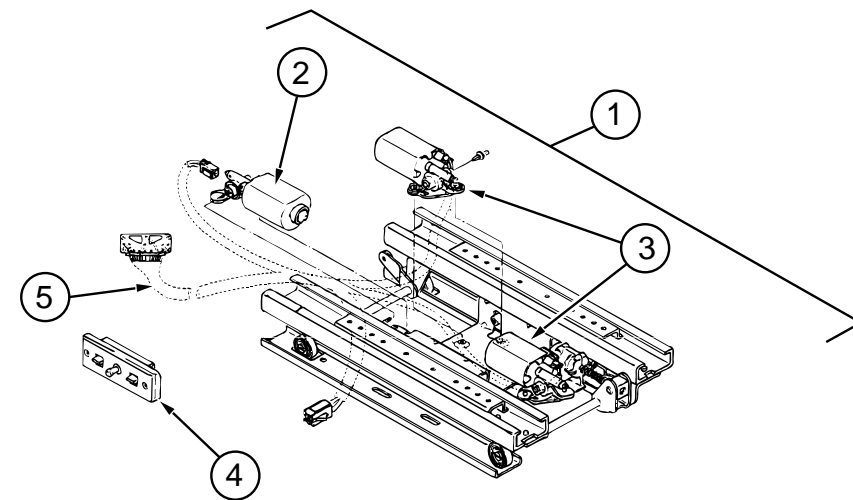
CURTAIN & CUSHION GROUP (CONTINUED)



BUCKET SEATS (CONTINUED)

KEY	PART NUMBER	U/M DESCRIPTION
21	071126-58-H58	EA SKIRT - SINGLE - W/SEAT BELT SLOT (J70,J71)
21	071126-58-H60	EA SKIRT - SINGLE - W/SEAT BELT SLOT (J72,J73)
21	071126-58-J74	EA SKIRT - SINGLE - W/SEAT BELT SLOT (J74,J75)
21	071126-58-J76	EA SKIRT - SINGLE - W/SEAT BELT SLOT (J76,J77)
22	122611-02-000	EA LUMBAR - W/LEVER
23	122622-04-000	EA BRACKET - ADJUSTABLE RIGHT ARM - 3/8"
24	122622-06-000	EA BRACKET - ADJUSTABLE KNOB - 3/8"
25	122622-05-000	EA BRACKET - ADJUSTABLE LEFT ARM - 3/8"

CURTAIN & CUSHION GROUP (CONTINUED)

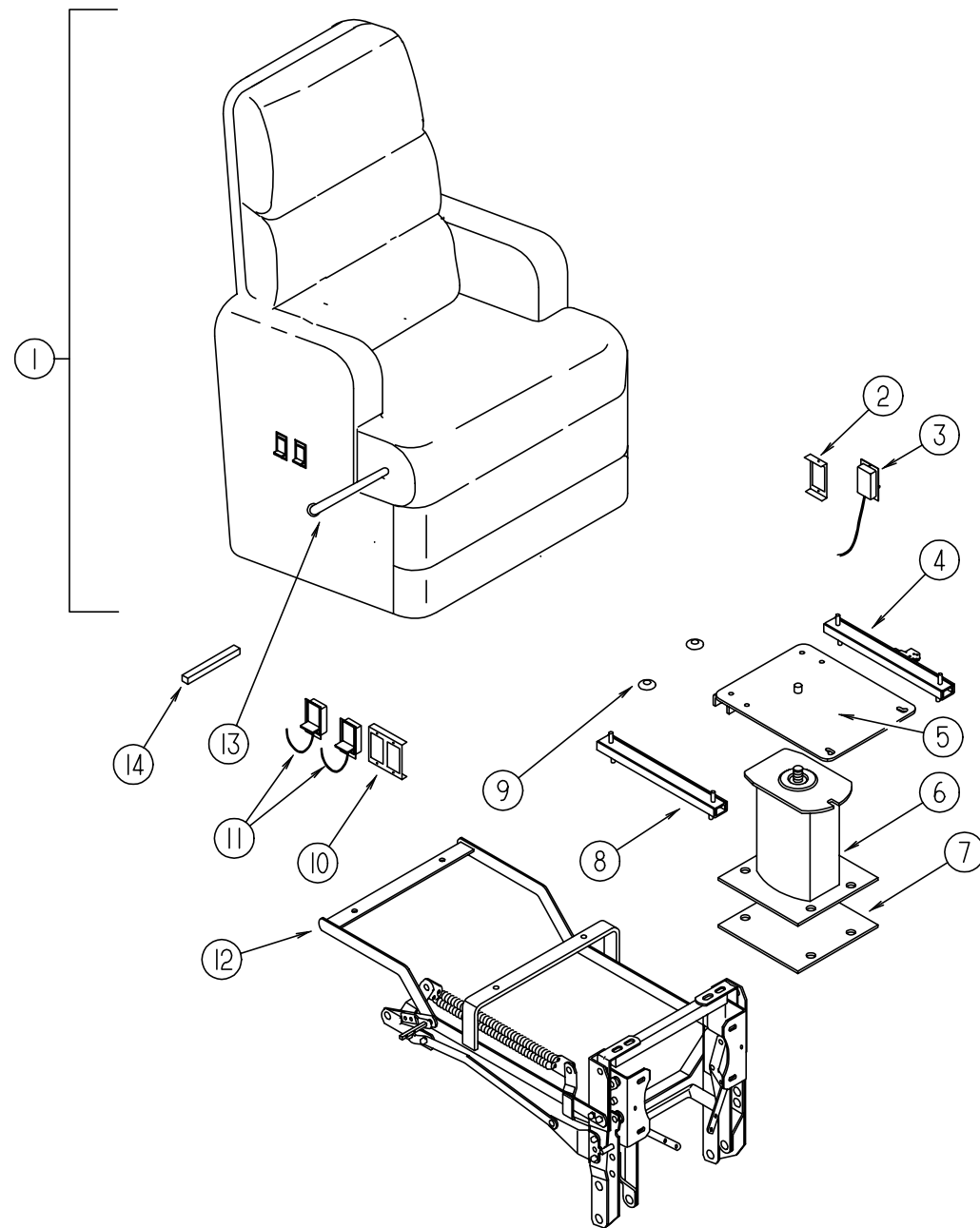


DELCO POWER SEAT - 6 WAY

KEY	PART NUMBER	U/M DESCRIPTION	VENDOR NO.
1	081373-03-000	EA SEAT - POWER 6 WAY	
2	081373-02-703	EA MOTOR PACKAGE - ADJUST HORIZONTAL	22063237 & H-195
3	081373-02-704	EA MOTOR PACKAGE - ADJUST VERTICAL	22063238 & H-196
4	081373-03-700	EA SWITCH ASM - FLAT - BROWN - GRAY	22138182 & H-441
	081373-02-700	EA SWITCH W/CLEAR MOLDED CONN.	22063234
	081373-01-700	EA BRACKET - L - CONTROL SWITCH	H-171
5	081373-03-701	EA WIRE HARNESS ASM. - LH SIDE	6000
	081373-03-702	EA WIRE HARNESS ASM. - RH SIDE	6001

CURTAIN & CUSHION GROUP (CONTINUED)

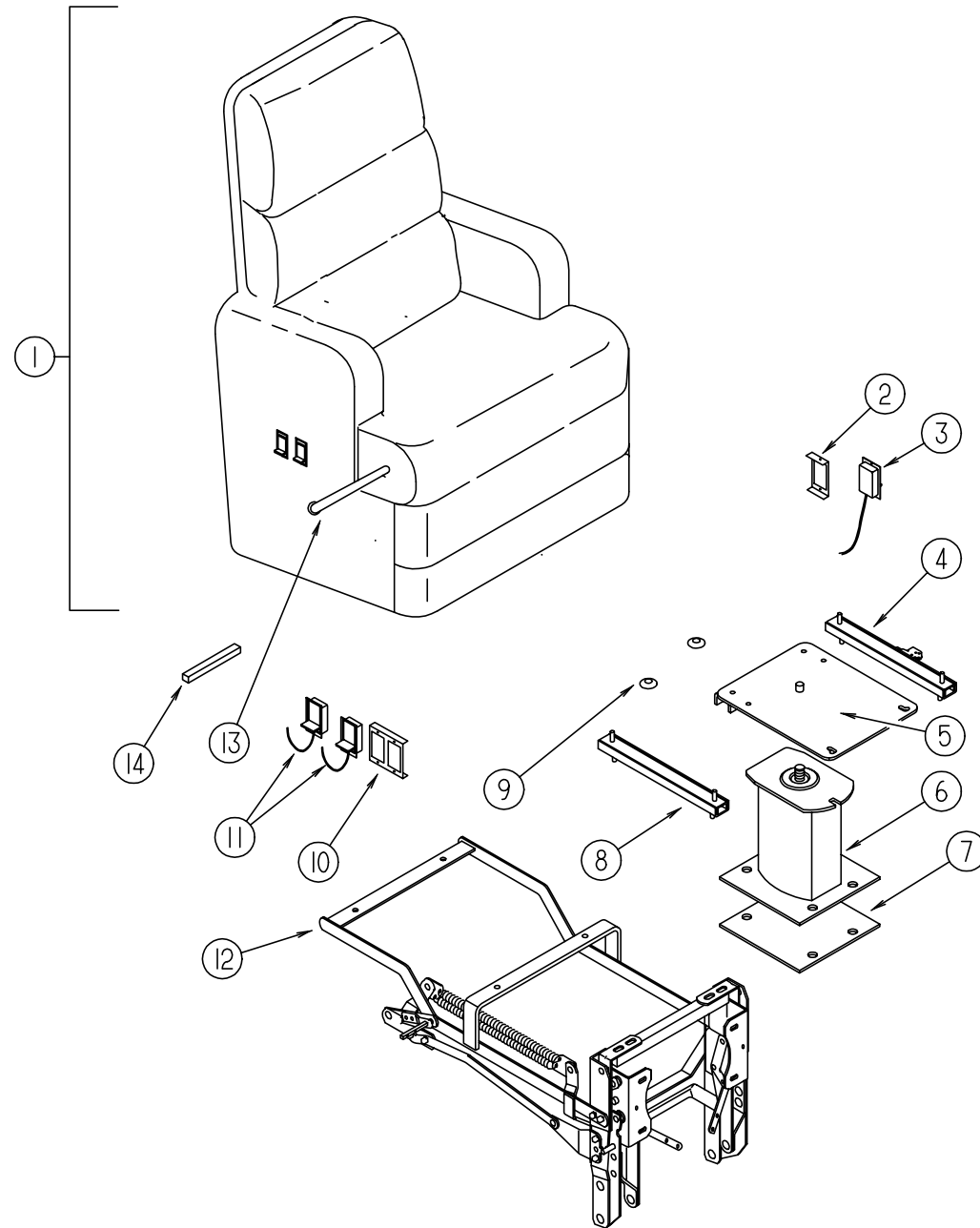
CHAIR - SWIVEL/RECLINER W/FOOTREST



KEY	PART NUMBER	U/M	DESCRIPTION	VENDOR NO.
1	118821-01-H58	EA	CHAIR - SWIVEL/RECLINER W/FOOTREST (J70) FROM: 00-00-00 THRU: 11-02-97	
1	118821-01-H59	EA	CHAIR - SWIVEL/RECLINER W/FOOTREST (J71) FROM: 00-00-00 THRU: 11-02-97	
1	118821-01-J72	EA	CHAIR - SWIVEL/RECLINER W/FOOTREST (J72) FROM: 00-00-00 THRU: 11-02-97	
1	118821-01-J73	EA	CHAIR - SWIVEL/RECLINER W/FOOTREST (J73) FROM: 00-00-00 THRU: 11-02-97	
1	118821-01-J74	EA	CHAIR - SWIVEL/RECLINER W/FOOTREST (J74) FROM: 00-00-00 THRU: 11-02-97	
1	118821-01-J75	EA	CHAIR - SWIVEL/RECLINER W/FOOTREST (J75) FROM: 00-00-00 THRU: 11-02-97	
1	118821-01-J76	EA	CHAIR - SWIVEL/RECLINER W/FOOTREST (J76) FROM: 00-00-00 THRU: 11-02-97	
1	118821-01-J77	EA	CHAIR - SWIVEL/RECLINER W/FOOTREST (J77) FROM: 00-00-00 THRU: 11-02-97	
	P18821-01-H58	EA	COVER - CHAIR - W/RECLINER & FOOTREST (J70,J71)	
	P18821-01-J72	EA	COVER - CHAIR - W/RECLINER & FOOTREST (J72,J73)	
	P18821-01-J74	EA	COVER - CHAIR - W/RECLINER & FOOTREST (J74,J75)	
	P18821-01-J76	EA	COVER - CHAIR - W/RECLINER & FOOTREST (J76,J77)	
	P18821-27-J70	EA	COVER - RIGHT/LEFT ARMREST (J70,J71)	
	P18821-27-J72	EA	COVER - RIGHT/LEFT ARMREST (J72,J73)	
	P18821-27-J74	EA	COVER - RIGHT/LEFT ARMREST (J74,J75)	
	P18821-27-J76	EA	COVER - RIGHT/LEFT ARMREST (J76,J77)	
2	097683-03-000	EA	BRACKET - REMOTE/SIDE MOUNT - SINGLE FROM: 00-00-00 THRU: 05-31-97	
2	108049-05-000	EA	FRAME - CABLE - REMOTE RECLINE - W/MINI LEVER ACTION FROM: 06-01-97 THRU: 99-99-99	
3	089368-05-000	EA	CABLE - W/SWITCH 25.5" SHEATH-29 3/4" CABLE W/DOG LEG FROM: 00-00-00 THRU: 05-31-97	
3	108049-04-000	EA	CABLE - W/SWITCHES - W/26" MINI LEVER ACTION FROM: 06-01-97 THRU: 99-99-99	
4	119952-04-000	EA	SLIDE/SEAT - HEAVY DUTY LOCKING - 4 STUDS	
	117125-01-02B	EA	BRACKET - CABLE MOUNT - ADJUSTER W/LOCK	
	108049-02-000	EA	CLIP - CABLE/PEDESTAL	
5	107921-08-000	EA	TOP PLATE - PEDESTAL - W/O SEAT BELT BAR	
6	107921-01-000	EA	PEDESTAL/FLOOR MOUNTED - W/9.75" EXTENSION	
7	108445-02-000	EA	PLATE/FLOOR MOUNTED - PEDESTAL SEAT	
	107921-06-000	EA	BEARING KIT - PEDESTAL	
8	119952-02-000	EA	SLIDE/SEAT - HEAVY DUTY NON LOCKING	
9	007221-01-000	EA	SPACER - SEAT/ADJUSTER	
10	097683-02-000	EA	BRACKET - REMOTE/SIDE MOUNT - DOUBLE	
11	108049-03-000	EA	CABLE - W/SWITCHES - 25.5" SHEATH/28.5" CABLE W/DOG LEG	
12	119106-01-000	EA	FRAME - FOOTREST MECHANIC - COMPLETE	
13	119106-01-701	EA	HANDLE	92596
14	119106-01-700	EA	TUBE - EXTENSION - RECTANGULAR	92859

CURTAIN & CUSHION GROUP (CONTINUED)

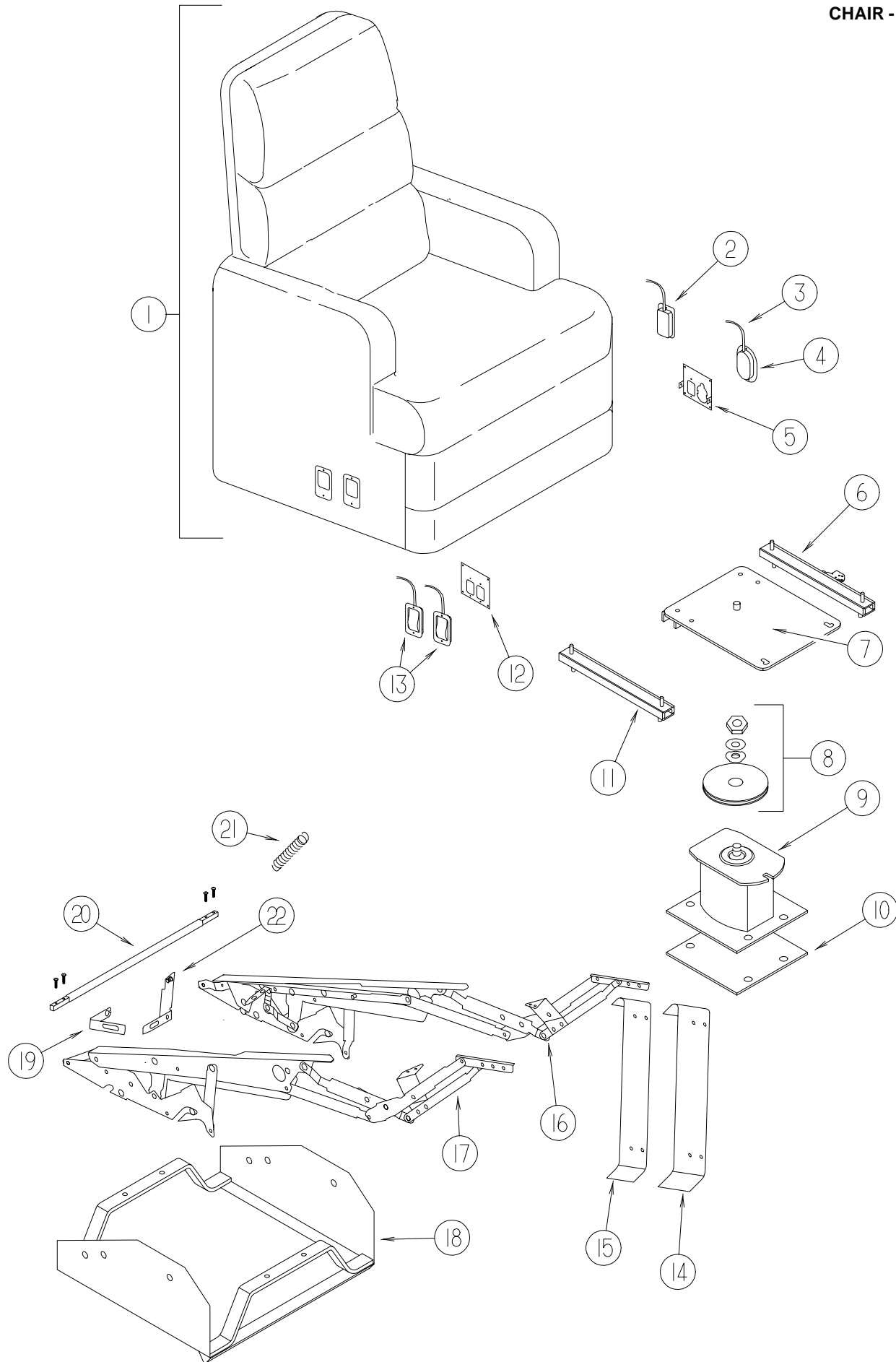
CHAIR - RECLINER/HIGHBACK - W/FOOTREST



KEY	PART NUMBER	U/M DESCRIPTION	VENDOR NO.
1	118821-02-J70	EA CHAIR - RECLINER/HIGHBACK - W/FOOTREST (J70,J71)	
		FROM: 11-03-97 THRU: 01-04-98	
1	118821-02-J72	EA CHAIR - RECLINER/HIGHBACK - W/FOOTREST (J72,J73)	
		FROM: 11-03-97 THRU: 01-04-98	
1	118821-02-J74	EA CHAIR - RECLINER/HIGHBACK - W/FOOTREST (J74,J75)	
		FROM: 11-03-97 THRU: 01-04-98	
1	118821-02-J76	EA CHAIR - RECLINER/HIGHBACK - W/FOOTREST (J76,J77)	
		FROM: 11-03-97 THRU: 01-04-98	
	P18821-02-J70	EA COVER - RECLINER/HIGHBACK - W/FOOTREST (J70,J71)	
	P18821-02-J72	EA COVER - RECLINER/HIGHBACK - W/FOOTREST (J72,J73)	
	P18821-02-J74	EA COVER - RECLINER/HIGHBACK - W/FOOTREST (J74,J75)	
	P18821-02-J76	EA COVER - RECLINER/HIGHBACK - W/FOOTREST (J76,J77)	
	P18821-27-J70	EA COVER - RIGHT/LEFT ARMREST (J70,J71)	
	P18821-27-J72	EA COVER - RIGHT/LEFT ARMREST (J72,J73)	
	P18821-27-J74	EA COVER - RIGHT/LEFT ARMREST (J74,J75)	
	P18821-27-J76	EA COVER - RIGHT/LEFT ARMREST (J76,J77)	
2	108049-05-000	EA FRAME - CABLE - REMOTE RECLINE - W/MINI LEVER ACTION	
3	108049-04-000	EA CABLE - W/SWITCHES - W/26" MINI LEVER ACTION	
4	119952-04-000	EA SLIDE/SEAT - HEAVY DUTY LOCKING - 4 STUDS	
	117125-01-02B	EA BRACKET - CABLE MOUNT - ADJUSTER W/LOCK	
	108049-02-000	EA CLIP - CABLE/PEDESTAL	
5	107921-08-000	EA TOP PLATE - PEDESTAL - W/O SEAT BELT BAR	
6	107921-01-000	EA PEDESTAL/FLOOR MOUNTED - W/9.75" EXTENSION	
7	108445-02-000	EA PLATE/FLOOR MOUNTED - PEDESTAL SEAT	
	107921-06-000	EA BEARING KIT - PEDESTAL	
8	119952-02-000	EA SLIDE/SEAT - HEAVY DUTY NON LOCKING	
9	007221-01-000	EA SPACER - SEAT/ADJUSTER	
10	097683-02-000	EA BRACKET - REMOTE/SIDE MOUNT - DOUBLE	
11	108049-03-000	EA CABLE - W/SWITCHES - 25.5" SHEATH/28.5" CABLE W/DOG LEG	
12	119106-01-000	EA FRAME - FOOTREST MECHANIC - COMPLETE	
13	119106-01-701	EA HANDLE	92596
14	119106-01-700	EA TUBE - EXTENSION - RECTANGULAR	92859

CURTAIN & CUSHION GROUP (CONTINUED)

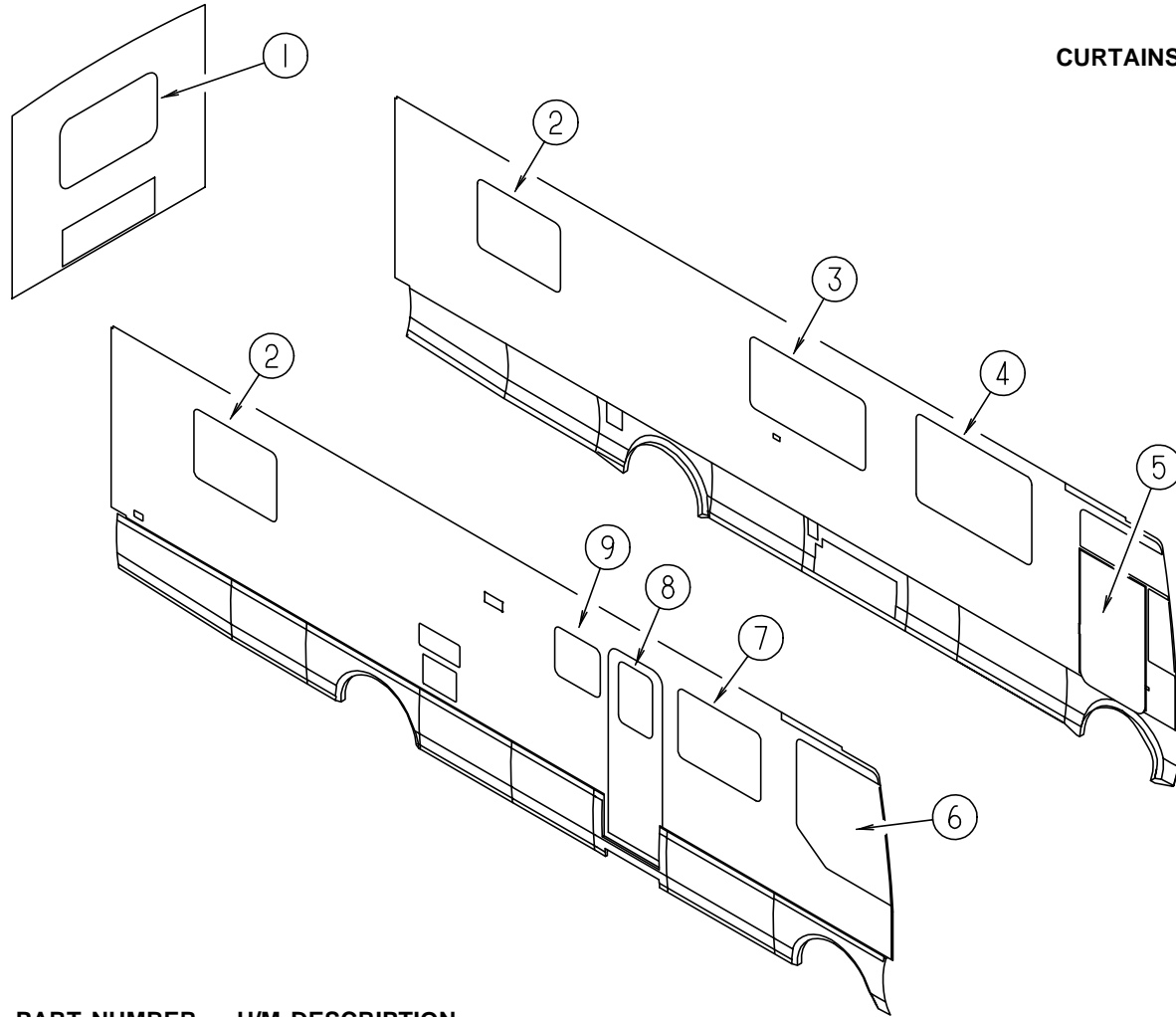
CHAIR - INCLINER W/FOOTREST



KEY	PART NUMBER	U/M	DESCRIPTION
1	129327-01-J70	EA	CHAIR - INCLINER W/FOOTREST (J70,J71) FROM: 01-05-98 THRU: 99-99-99
1	129327-01-J72	EA	CHAIR - INCLINER W/FOOTREST (J72,J73) FROM: 01-05-98 THRU: 99-99-99
1	129327-01-J74	EA	CHAIR - INCLINER W/FOOTREST (J74,J75) FROM: 01-05-98 THRU: 99-99-99
1	129327-01-J76	EA	CHAIR - INCLINER W/FOOTREST (J76,J77) FROM: 01-05-98 THRU: 99-99-99
	P29327-01-J70	EA	COVER - CHAIR - INCLINE W/FOOTREST (J70,J71)
	P29327-01-J72	EA	COVER - CHAIR - INCLINE W/FOOTREST (J72,J73)
	P29327-01-J74	EA	COVER - CHAIR - INCLINE W/FOOTREST (J74,J75)
	P29327-01-J76	EA	COVER - CHAIR - INCLINE W/FOOTREST (J76,J77)
2	108049-05-000	EA	FRAME - CABLE - REMOTE RECLINE - W/MINI LEVER ACTION
3	129148-05-000	EA	INCLINER - CABLE - 30"
4	129148-06-000	EA	INCLINER - LEVER F/CABLE
5	129164-01-02B	EA	BRACKET - SEAT RELEASE - REMOTE
6	119952-04-000	EA	SLIDE/SEAT - HEAVY DUTY LOCKING - 4 STUDS
7	107921-08-000	EA	TOP PLATE - PEDESTAL - W/O SEAT BELT BAR
8	107921-06-000	EA	BEARING KIT - PEDESTAL
9	107921-14-000	EA	PEDESTAL - SEAT W/5.75" EXTENSION - F/MANUAL SEAT
10	108445-02-000	EA	PLATE/FLOOR MOUNTED - PEDESTAL SEAT
11	119952-02-000	EA	SLIDE/SEAT - HEAVY DUTY NON LOCKING
12	129162-01-02B	EA	BRACKET - SEAT RELEASE - REMOTE
13	108049-04-000	EA	CABLE - W/SWITCHES - 25.5" SHEATH/28.5" CABLE W/DOG LEG
14	119901-04-000	EA	FOOT REST - RECLINER
15	119901-05-000	EA	FOOT REST - RECLINER
16	129148-01-000	EA	INCLINER - LEFT
17	129148-02-000	EA	INCLINER - RIGHT
18	129173-01-02B	EA	FRAME - INCLINER - E-COATED
19	129148-08-000	EA	INCLINER - CLIP F/CABLE
20	129148-10-000	EA	INCLINER TUBE - MODIFIED
21	129148-03-000	EA	SPRING - INCLINER
22	129148-07-000	EA	INCLINER - CABLE F/BREAK RELEASE

CURTAIN & CUSHION GROUP (CONTINUED)

CURTAINS & WINDOW TREATMENT



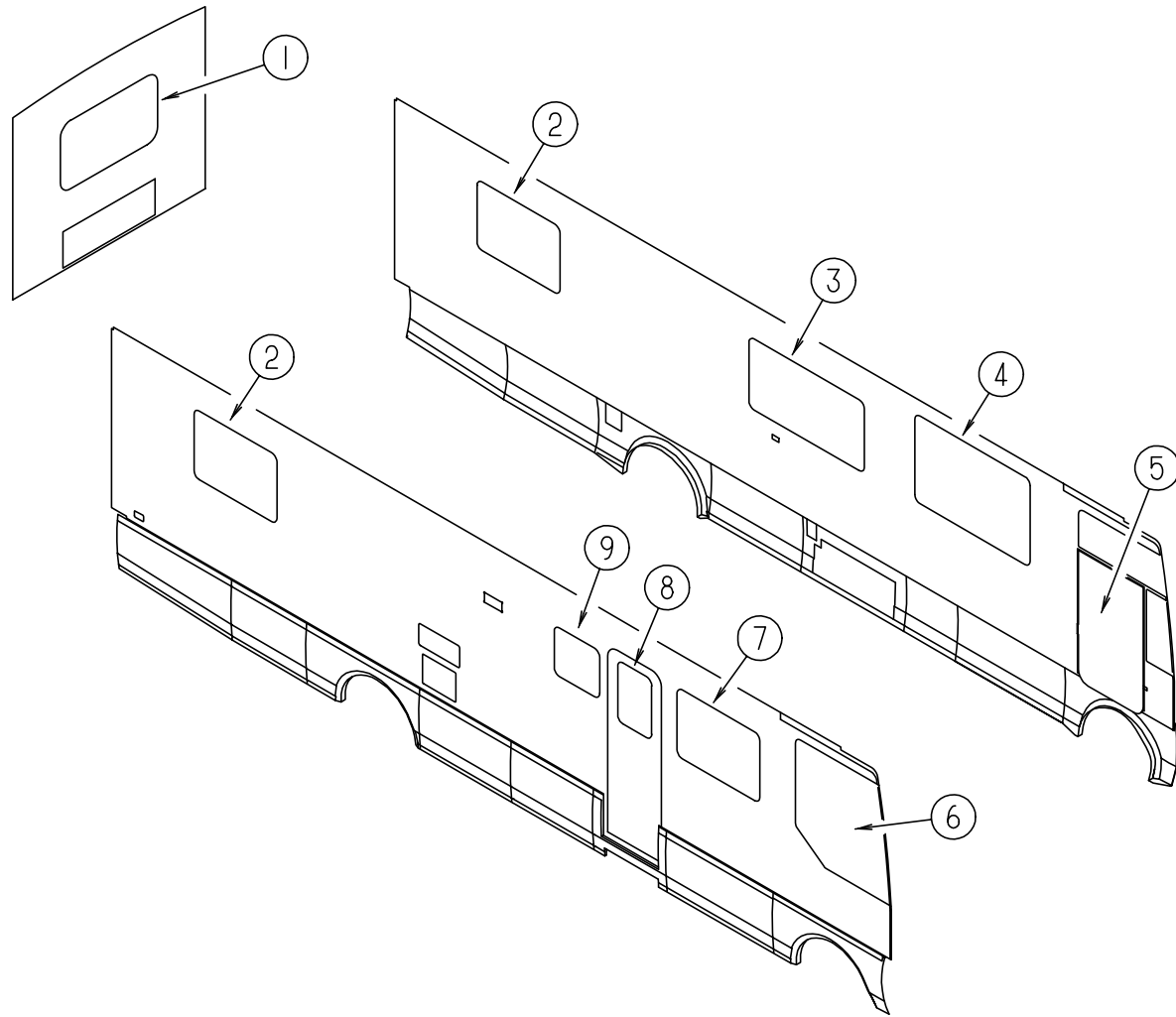
KEY	PART NUMBER	U/M	DESCRIPTION
1	117657-05-H58	EA	VALANCE - KINGSTON - 52" (J70,J71)
	117844-03-H58	EA	COVER - KINGSTON - 58" (J70,J71)
1	119138-39-J72	EA	VALANCE - BELLINI - 53" (J72,J73)
1	117657-05-J74	EA	VALANCE - KINGSTON - 52" (J74,J75)
	117844-03-J74	EA	COVER - KINGSTON - 58" (J74,J75)
1	117657-11-J76	EA	VALANCE - KINGSTON - 52" (J76,J77)
	117844-08-J76	EA	COVER - KINGSTON - 58" (J76,J77)
1	123964-08-HB6	EA	BLIND - MICRO - DAY/NIGHTER - 49" X 28.5" (J70,J71,J74,J75,J76,J77)
1	123964-08-HD6	EA	BLIND - MICRO - DAY/NIGHTER - 49" X 28.5" (J72,J73)
1	127017-33-J70	EA	LEG - RIGHT - 30" (J70,J71)
1	127017-35-J72	EA	LEG - RIGHT - 30" (J72,J73)
1	127017-33-J74	EA	LEG - RIGHT - 30" (J74,J75)
1	127017-33-J76	EA	LEG - RIGHT - 30" (J76,J77)
1	127017-34-J70	EA	LEG - LEFT - 30" (J70,J71)
1	127017-36-J72	EA	LEG - LEFT - 30" (J72,J73)
1	127017-34-J74	EA	LEG - LEFT - 30" (J74,J75)
1	127017-34-J76	EA	LEG - LEFT - 30" (J76,J77)
2	117657-08-H58	EA	VALANCE - KINGSTON - 34" (J70,J71)
2	119138-40-J72	EA	VALANCE - BELLINI - 34" (J72,J73)
2	117657-08-J74	EA	VALANCE - KINGSTON - 34" (J74,J75)
2	117657-12-J76	EA	VALANCE - KINGSTON - 34" (J76,J77)
2	123964-04-HB6	EA	BLIND - MICRO - DAY/NIGHTER - 29" X 37" (J70,J71,J74,J75,J76,J77)
2	123964-04-HD6	EA	BLIND - MICRO - DAY/NIGHTER - 29" X 37" (J72,J73)
2	127017-09-J70	EA	LEG - RIGHT - 34" (J70,J71)
2	127017-05-J72	EA	LEG - RIGHT - 34" (J72,J73)
2	127017-09-J74	EA	LEG - RIGHT - 34" (J74,J75)
2	127017-09-J76	EA	LEG - RIGHT - 34" (J76,J77)
2	127017-10-J70	EA	LEG - LEFT - 34" (J70,J71)
2	127017-06-J72	EA	LEG - LEFT - 34" (J72,J73)
2	127017-10-J74	EA	LEG - LEFT - 34" (J74,J75)
2	127017-10-J76	EA	LEG - LEFT - 34" (J76,J77)

KEY	PART NUMBER	U/M	DESCRIPTION
3	121410-27-H58	EA	VALANCE - MODERATE - 62.5" (J70,J71)
3	121410-28-H60	EA	VALANCE - MODERATE - 62.5" (J72,J73)
3	127329-03-J74	EA	VALANCE - ABBEY - 62.5" (J74,J75)
3	127329-03-J76	EA	VALANCE - ABBEY - 62.5" (J76,J77)
3	123964-05-HB6	EA	BLIND - MICRO - DAY/NIGHTER - 59" X 33" (J70,J71,J74,J75,J76,J77)
3	123964-05-HD6	EA	BLIND - MICRO - DAY/NIGHTER - 59" X 33" (J72,J73)
3	127017-29-J70	EA	LEG - RIGHT - 30" (J70,J71)
3	127017-31-J72	EA	LEG - RIGHT - 30" (J72,J73)
3	127017-29-J74	EA	LEG - RIGHT - 30" (J74,J75)
3	127017-29-J76	EA	LEG - RIGHT - 30" (J76,J77)
3	127017-30-J70	EA	LEG - LEFT - 30" (J70,J71)
3	127017-32-J72	EA	LEG - LEFT - 30" (J72,J73)
3	127017-30-J74	EA	LEG - LEFT - 30" (J74,J75)
3	127017-30-J76	EA	LEG - LEFT - 30" (J76,J77)
4	121410-23-H58	EA	VALANCE - MODERATE - 62.5" (J70,J71)
4	121410-24-H60	EA	VALANCE - MODERATE - 62.5" (J72,J73)
4	127329-01-J74	EA	VALANCE - ABBEY - 62.5" (J74,J75)
4	127329-01-J76	EA	VALANCE - ABBEY - 62.5" (J76,J77)
4	123964-03-HB6	EA	BLIND - MICRO - DAY/NIGHTER - 59" X 41" (J70,J71,J74,J75,J76,J77)
4	123964-03-HD6	EA	BLIND - MICRO - DAY/NIGHTER - 59" X 41" (J72,J73)
4	127017-25-J70	EA	LEG - RIGHT - 38" (J70,J71)
4	127017-27-J72	EA	LEG - RIGHT - 38" (J72,J73)
4	127017-25-J74	EA	LEG - RIGHT - 38" (J74,J75)
4	127017-25-J76	EA	LEG - RIGHT - 38" (J76,J77)
4	127017-26-J70	EA	LEG - LEFT - 38" (J70,J71)
4	127017-28-J72	EA	LEG - LEFT - 38" (J72,J73)
4	127017-26-J74	EA	LEG - LEFT - 38" (J74,J75)
4	127017-26-J76	EA	LEG - LEFT - 38" (J76,J77)
4	121410-27-H58	EA	VALANCE - MODERATE - 62.5" (J70,J71) (OPTION WINDOW)
4	121410-28-H60	EA	VALANCE - MODERATE - 62.5" (J72,J73) (OPTION WINDOW)
4	127329-03-J74	EA	VALANCE - ABBEY - 62.5" (J74,J75) (OPTION WINDOW)
4	127329-03-J76	EA	VALANCE - ABBEY - 62.5" (J76,J77) (OPTION WINDOW)
4	123964-05-HB6	EA	BLIND - MICRO - DAY/NIGHTER - 59" X 33" (J70,J71,J74,J75,J76,J77) (OPTION WINDOW)
4	123964-05-HD6	EA	BLIND - MICRO - DAY/NIGHTER - 59" X 33" (J72,J73) (OPTION WINDOW)
4	127017-29-J70	EA	LEG - RIGHT - 30" (J70,J71) (OPTION WINDOW)
4	127017-28-J72	EA	LEG - RIGHT - 30" (J72,J73) (OPTION WINDOW)
4	127017-29-J74	EA	LEG - RIGHT - 30" (J74,J75) (OPTION WINDOW)
4	127017-29-J76	EA	LEG - RIGHT - 30" (J76,J77) (OPTION WINDOW)
4	127017-30-J70	EA	LEG - LEFT - 30" (J70,J71) (OPTION WINDOW)
4	127017-32-J72	EA	LEG - LEFT - 30" (J72,J73) (OPTION WINDOW)
4	127017-30-J74	EA	LEG - LEFT - 30" (J74,J75) (OPTION WINDOW)
4	127017-30-J76	EA	LEG - LEFT - 30" (J76,J77) (OPTION WINDOW)
5	093487-12-01A	EA	WRAP AROUND - FRONT - LEFT HAND PLEATED - 51" X 108"
6	093487-11-01A	EA	WRAP AROUND - FRONT - RIGHT HAND PLEATED - 51" X 108"
	084755-90-000	EA	SHADE - PULL - 28.25" X 60"
	084755-A1-000	EA	SHADE - PULL - 39.75" X 60"

FROM: 00-00-00 THRU: 08-26-97

FROM: 08-27-97 THRU: 99-99-99

CURTAIN & CUSHION GROUP (CONTINUED)



CURTAIN & CUSHION GROUP (CONTINUED)

FABRIC TRIMS & BUTTONS

KEY	PART NUMBER	U/M	DESCRIPTION
	070578-02-FQ0	EA	BUTTON - #30 - VINYL
	070578-02-E37	EA	BUTTON - #30 - VINYL
	074494-02-000	EA	BUTTON - RETAINING PIVOT - #60
	074494-03-000	EA	BUTTON - SERRATED PIVOT - W/3/8 TACK
	074494-04-000	EA	BUTTON - JOINED/PIVOT - W 3/4 TACK
	118337-02-H58	EA	BUTTON - #60 - DOUBLE SIDED (J70,J71,J74,J75,J76,J77)
	118337-02-HQ2	EA	BUTTON - #60 - DOUBLE SIDED (J72,J73)
	079349-04-H58	YD	WELT - NARROW (J70,J71)
	079349-04-H60	YD	WELT - NARROW (J72,J73)
	079349-04-J74	YD	WELT - NARROW (J74,J75)
	079349-04-J76	YD	WELT - NARROW (J76,J77)
	084415-78-000	YD	TRIM - BRAID - CORD (J70,J71)
	084415-79-000	YD	TRIM - BRAID - SHELL (J72,J73)
	084415-89-000	YD	TRIM - BRAID (J72,J73)
	084415-80-000	YD	TRIM - BRAID - COZUMEL (J74,J75)
	084415-A1-000	YD	TRIM - BRAID - CD-15346 - 5" CORD (J76,J77)
	084415-99-000	YD	TRIM - BRAID - FR-15346 - BR FRING (J76,J77)
	057534-03-000	EA	TIEBACK - PLASTIC - 7.50" - CLEAR

SEATBELTS & ASSIST HANDLE

KEY	PART NUMBER	U/M	DESCRIPTION
	057759-01-000	EA	WASHER BRACKET - SEAT BELT - 4" DIAMETER
	007021-01-000	EA	SEAT BELT - 2" X 90" - BLACK
	069178-02-000	EA	BRACKET - MOUNTING/ASSIST HANDLE - GRAY
	000C16-07-16B	EA	BOLT - CARRIAGE - ASSIST HANDLE - 7/16" - 14 X 1"
	000D20-07-00B	EA	NUT - ACORN - ASSIST HANDLE - 7/16 - 14
	053552-02-AA8	EA	HANDLE - ASSIST - INTERIOR/ENTRY DOOR - VINYL/OFF WHITE

CURTAINS & WINDOW TREATMENT (CONTINUED)

KEY	PART NUMBER	U/M	DESCRIPTION
7	121410-29-H58	EA	VALANCE - MODERATE - 46.5" (J70,J71)
7	121410-30-H60	EA	VALANCE - MODERATE - 46.5" (J72,J73)
7	127329-03-J74	EA	VALANCE - ABBEY - 62.5" (J74,J75)
7	127329-03-J76	EA	VALANCE - ABBEY - 62.5" (J76,J77)
7	123964-07-HB6	EA	BLIND - MICRO - DAY/NIGHTER - 42.5" X 32" (J70,J71,J74,J75,J76,J77)
7	123964-07-HD6	EA	BLIND - MICRO - DAY/NIGHTER - 42.5" X 32" (J72,J73)
7	127017-29-J70	EA	LEG - RIGHT - 30" (J70,J71)
7	127017-31-J72	EA	LEG - RIGHT - 30" (J72,J73)
7	127017-29-J74	EA	LEG - RIGHT - 30" (J74,J75)
7	127017-29-J76	EA	LEG - RIGHT - 30" (J76,J77)
7	127017-30-J70	EA	LEG - LEFT - 30" (J70,J71)
7	127017-32-J72	EA	LEG - LEFT - 30" (J72,J73)
7	127017-30-J74	EA	LEG - LEFT - 30" (J74,J75)
7	127017-30-J76	EA	LEG - LEFT - 30" (J76,J77)
8	120820-03-H58	EA	VALANCE - FLAT W/CLOCK OPENING - 15" X 32.25" (J70,J71)
8	120820-09-H60	EA	VALANCE - FLAT W/CLOCK OPENING - 15" X 32.25" (J72,J73)
8	120820-03-J74	EA	VALANCE - FLAT W/CLOCK OPENING - 15" X 32.25" (J74,J75)
8	120820-03-J76	EA	VALANCE - FLAT W/CLOCK OPENING - 15" X 32.25" (J76,J77)
8	084755-57-E07	EA	SHADE - PULL - 27.25"
9	111861-02-01A	EA	BLIND - MICRO/MINI - 24.5" X 22"

CURTAIN & CUSHION GROUP (CONTINUED)

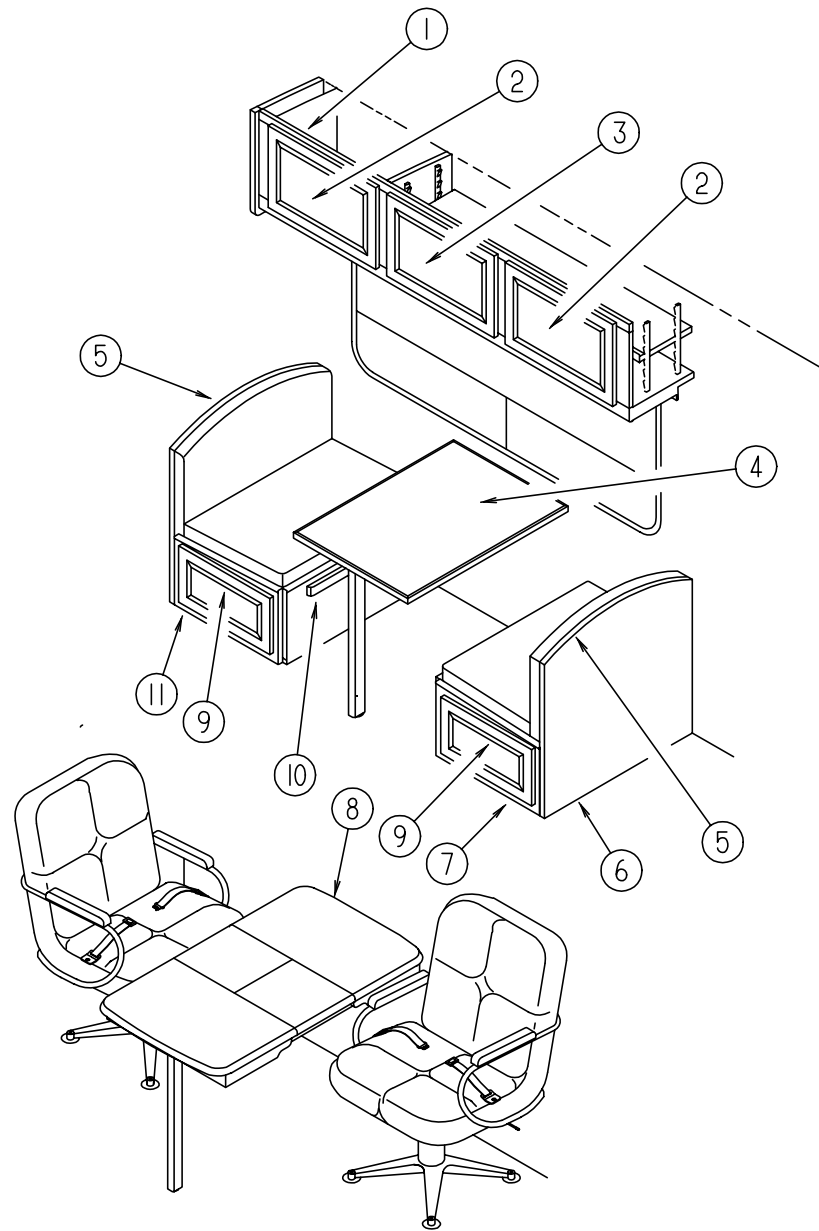
FABRICS

COLOR CODES	J70,J71	J72,J73	J74,J75	J76,J77		COLOR CODES	J70,J71	J72,J73	J74,J75	J76,J77
	COVENTRY	DEVON	HEMMINGWAY	GULF MIST			COVENTRY	DEVON	HEMMINGWAY	GULF MIST
BUCKETSEAT	108446-P5-000	108446-N8-000	108446-T9-000	108446-X2-000		BEDROOM WINDOWS	105745-F4-000 105745-F5-000	105745-F7-000 108446-R4-000	105745-G9-000 105745-E7-000	105745-J1-000
DINETTE	108446-N6-000	108446-N7-000	108446-T7-000	108446-W9-000		SHAMS	105745-F4-000 105745-F5-000	105745-F7-000 108446-R4-000	105745-G9-000 105745-E7-000	105745-J1-000
SOFA	108446-N6-000	108446-N7-000	108446-T7-000	108446-W9-000		DINETTE CHAIRS	108446-P6-000	108446-T8-000	108446-T9-000	108446-X2-000
LOUNGE CHAIR	108446-P6-000	108446-T8-000	108446-T9-000	108446-X2-000		BEDROOM PILLOWS	105745-F5-000	108446-R4-000	105745-G9-000 105745-E7-000	105745-J1-000 084415-99-000
LOUNGE WINDOWS	108446-N6-000 084415-78-000	108446-N7-000 108446-N8-000	108446-T7-000 108446-T9-000	108446-W9-000 108446-X2-000		BED BOARD	105745-F5-000	108446-R4-000	105745-E7-000	105745-J1-000
BEDSPREAD	105745-F4-000 084415-78-000	105745-F7-000 084415-89-000	105745-G9-000 105745-E7-000	105745-J1-000 084415-A1-000		LOUNGE CABINET INSERTS	108446-P6-000	108446-T8-000	108446-T9-000	108446-X2-000
MICRO DAY-NITERS	094911-44-000 094911-51-000	094911-48-000 094911-51-000	094911-44-000 094911-51-000	094911-44-000 094911-51-000		BEDROOM CABINET INSERTS	105745-F4-000	105745-F7-000	105745-G9-000	105745-J1-000
DINETTE PAD	108446-P5-000	108446-N8-000	108446-T9-000	108446-X2-000		SLIDE OUT CABINET INSERTS	108446-N6-000	108446-N7-000	108446-T7-000	108446-W9-000
LOUNGE PILLOW	108446-P6-000 084415-78-000	108446-N7-000 084415-79-000	108446-T7-000 084415-80-000	108446-W9-000 084415-99-000		HEADBOARD	105745-F4-000 105745-F5-000	105745-F7-000 084415-89-000	105745-G9-000 105745-E7-000	105745-J1-000 108446-X2-000

NOTE: FABRIC LISTED FIRST IN A BLOCK, IS THE LARGEST QUANTITY OF FABRIC USED

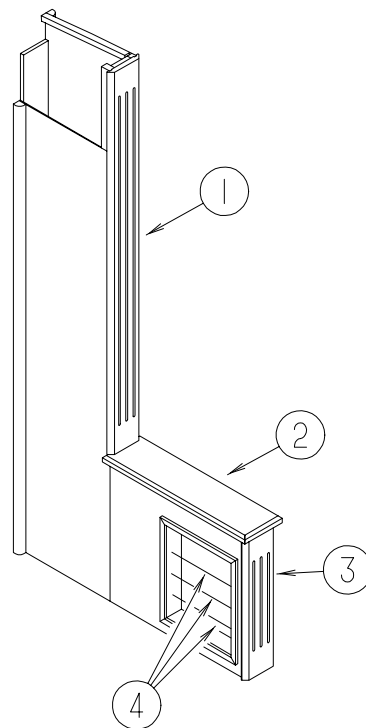
DINETTE GROUP

DINETTE CABINETS



KEY	PART NUMBER	U/M	DESCRIPTION
1	117574-01-J70	EA	CABINET - OVERHEAD DINETTE - W/O DOORS/HARDWARE (WASHED MAPLE)
1	117574-01-GV1	EA	CABINET - OVERHEAD DINETTE - W/O DOORS/HARDWARE (SALEM CHERRY)
	117574-11-J70	EA	SHELF - W/PLASTIC EDGE TRIM (WASHED MAPLE)
	117574-11-GV1	EA	SHELF - W/PLASTIC EDGE TRIM (SALEM CHERRY)
2	M05990-03-J70	EA	DOOR - ARCHED/OGEE EDGE - 14.3" X 21.8" - W/O HARDWARE (WASHED MAPLE)
2	M05990-03-GV1	EA	DOOR - OGEE EDGE - 14.3" X 21.8" - W/O HARDWARE (SALEM CHERRY)
3	M05990-01-J70	EA	DOOR - ARCHED/OGEE EDGE - 14.3" X 26.7" - W/O HARDWAR (WASHED MAPLE)
3	M05990-01-GV1	EA	DOOR - ARCHED/OGEE EDGE - 14.3" X 26.7" - W/O HARDWARE (SALEM CHERRY)
4	088913-09-J70	EA	TABLE - DINETTE
4	088913-09-J71	EA	TABLE - DINETTE
4	088913-09-J72	EA	TABLE - DINETTE
4	088913-09-J73	EA	TABLE - DINETTE
4	088913-09-J74	EA	TABLE - DINETTE
4	088913-09-J75	EA	TABLE - DINETTE
4	088913-09-J76	EA	TABLE - DINETTE
4	088913-09-J77	EA	TABLE - DINETTE
5	104787-08-H58	EA	PAD - DINETTE (J70,J71)
5	104787-08-H60	EA	PAD - DINETTE (J72,J73)
5	104787-08-J74	EA	PAD - DINETTE (J74,J75)
5	104787-08-J76	EA	PAD - DINETTE (J76,J77)
6	M04174-77-J70	EA	CABINET - SEAT BACK RIGHT HAND - W/O HARDWARE (WASHED MAPLE)
6	M04174-77-GV1	EA	CABINET - SEAT BACK RIGHT HAND - W/O HARDWARE (SALEM CHERRY)
7	M04175-77-J70	EA	CABINET - SEAT BOTTOM RIGHT HAND - W/O DOORS/DRAWERS/HDW (WASHED MAPLE)
7	M04175-77-J71	EA	CABINET - SEAT BOTTOM RIGHT HAND - W/O DOORS/DRAWERS/HDW (SALEM CHERRY)
8	P18322-01-J70	EA	TABLE - PULLOUT/SELF STORING - W/O HARDWARE (WASHED MAPLE)
8	P18322-01-H57	EA	TABLE - PULLOUT/SELF STORING - W/O HARDWARE (SALEM CHERRY)
9	M05971-35-J70	EA	DRAWER - OGEE EDGE - 17"W X 21.6"D - W/O SLIDES/HARDWARE (WASHED MAPLE)
9	M05971-35-GV1	EA	DRAWER - OGEE EDGE - 17"W X 21.6"D - W/O SLIDES/HARDWARE (SALEM CHERRY)
10	081295-01-H37	EA	SUPPORT - BED/DINETTE - 28" LONG (WASHED MAPLE)
10	081295-01-G01	EA	SUPPORT - BED/DINETTE - 28" LONG (SALEM CHERRY)
11	M04175-78-J70	EA	CABINET - SEAT BOTTOM LEFT HAND - W/O DOORS/DRAWERS/HDW (WASHED MAPLE)
11	M04175-78-J71	EA	CABINET - SEAT BOTTOM LEFT HAND - W/O DOORS/DRAWERS/HDW (SALEM CHERRY)

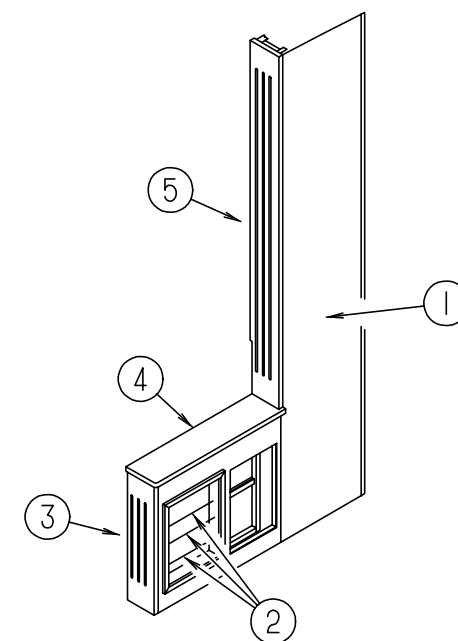
DINETTE GROUP (CONTINUED)



A/C CABINET - USED W/TABLE & CHAIRS

KEY	PART NUMBER	U/M	DESCRIPTION
1	117390-12-J70	EA	PANEL - DUCT COVER (WASHED MAPLE)
1	117390-12-GV1	EA	PANEL - DUCT COVER (SALEM CHERRY)
2	117390-13-J70	EA	COUNTERTOP - A/C DUCT COVER (J70)
2	117390-13-J71	EA	COUNTERTOP - A/C DUCT COVER (J71)
2	117390-13-J72	EA	COUNTERTOP - A/C DUCT COVER (J72)
2	117390-13-J73	EA	COUNTERTOP - A/C DUCT COVER (J73)
2	117390-13-J74	EA	COUNTERTOP - A/C DUCT COVER (J74,J76)
2	117390-13-J75	EA	COUNTERTOP - A/C DUCT COVER (J75,J77)
3	117390-12-J70	EA	PANEL - A/C DUCT COVER (WASHED MAPLE)
3	117390-12-GV1	EA	PANEL - A/C DUCT COVER (SALEM CHERRY)
4	084071-05-000	EA	ROD - BRASS - 15"

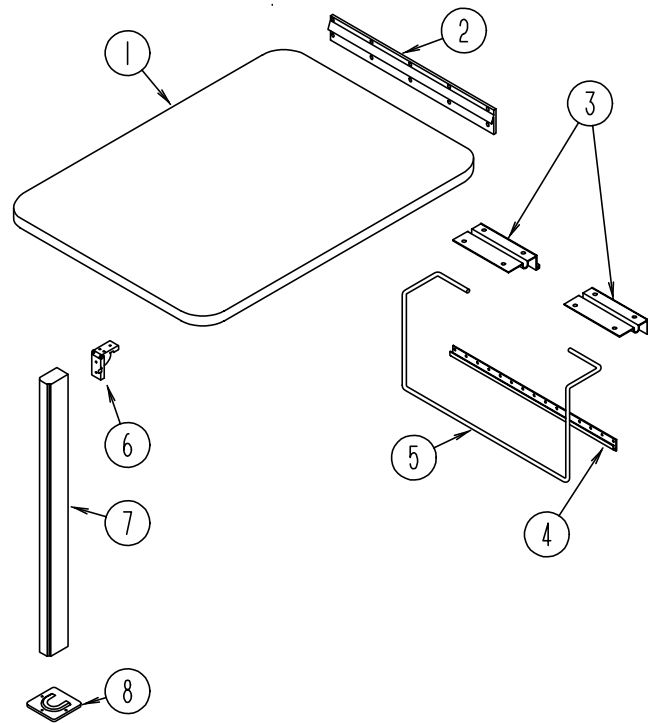
DINETTE GROUP (CONTINUED)



A/C CABINET - USED W/DINETTE

KEY	PART NUMBER	U/M	DESCRIPTION
1	117392-01-J70	EA	COVER - A/C DUCT - W/EXTENSION - CABINET/COUNTERTOP
1	117392-01-J71	EA	COVER - A/C DUCT - W/EXTENSION - CABINET/COUNTERTOP
1	117392-01-J72	EA	COVER - A/C DUCT - W/EXTENSION - CABINET/COUNTERTOP
1	117392-01-J73	EA	COVER - A/C DUCT - W/EXTENSION - CABINET/COUNTERTOP
1	117392-01-J74	EA	COVER - A/C DUCT - W/EXTENSION - CABINET/COUNTERTOP
1	117392-01-J75	EA	COVER - A/C DUCT - W/EXTENSION - CABINET/COUNTERTOP
1	117392-01-J76	EA	COVER - A/C DUCT - W/EXTENSION - CABINET/COUNTERTOP
1	117392-01-J77	EA	COVER - A/C DUCT - W/EXTENSION - CABINET/COUNTERTOP
2	084071-05-000	EA	ROD - BRASS - 15"
3	117390-12-J70	EA	PANEL - A/C DUCT COVER (WASHED MAPLE)
3	117390-12-GV1	EA	PANEL - A/C DUCT COVER (SALEM CHERRY)
4	117392-13-J70	EA	COUNTERTOP - A/C COVER (J70)
4	117392-13-J71	EA	COUNTERTOP - A/C COVER (J71)
4	117392-13-J72	EA	COUNTERTOP - A/C COVER (J72)
4	117392-13-J73	EA	COUNTERTOP - A/C COVER (J73)
4	117392-13-J74	EA	COUNTERTOP - A/C COVER (J74,J76)
4	117392-13-J75	EA	COUNTERTOP - A/C COVER (J75,J77)
5	117390-11-J70	EA	PANEL - DUCT COVER (WASHED MAPLE)
5	117390-11-GV1	EA	PANEL - DUCT COVER (SALEM CHERRY)

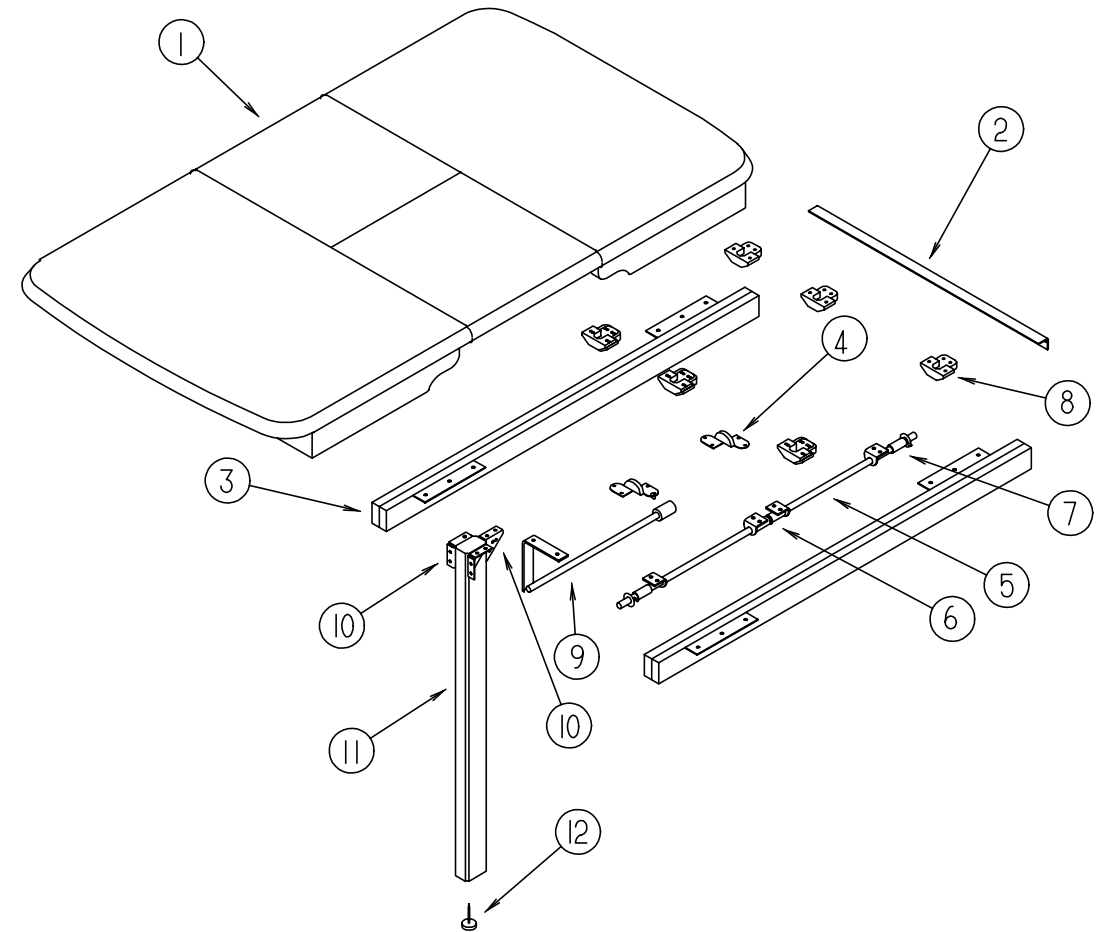
DINETTE GROUP (CONTINUED)



DINETTE TABLE

KEY	PART NUMBER	U/M DESCRIPTION
1	088913-09-J70	EA TABLE - DINETTE
1	088913-09-J71	EA TABLE - DINETTE
1	088913-09-J72	EA TABLE - DINETTE
1	088913-09-J73	EA TABLE - DINETTE
1	088913-09-J74	EA TABLE - DINETTE
1	088913-09-J75	EA TABLE - DINETTE
1	088913-09-J76	EA TABLE - DINETTE
1	088913-09-J77	EA TABLE - DINETTE
2	053200-12-000	EA BRACKET - TABLE SUPPORT - UPPER WALL MOUNTED - 23.50"
3	088410-02-000	EA BRACKET - LIFT - TABLE MOUNTED
4	024281-14-000	EA BRACKET - LIFT ROD/LOWER WALL MOUNTED - 22.12"
5	024275-12-000	EA ROD - TABLE LIFT
6	093550-01-000	EA BRACKET - HINGE - MOUNTS TO LEG & TABLE TOP - 1.7" X 2.6"
7	092708-11-J70	EA LEG - TABLE - W/O HARDWARE (WASHED MAPLE)
	092707-04-06A	EA MOLDING - TABLE LEG - 27" (WASHED MAPLE)
7	092708-11-E41	EA LEG - TABLE - W/O HARDWARE (SALEM CHERRY)
	092707-04-04A	EA MOLDING - TABLE LEG - 27" (SALEM CHERRY)
8	049493-12-000	EA CATCH - TABLE LEG/FLOOR MOUNTED - OFF WHITE
	049493-11-700	EA CATCH - TABLE LEG/FLOOR MOUNTED - E COATED

DINETTE GROUP (CONTINUED)

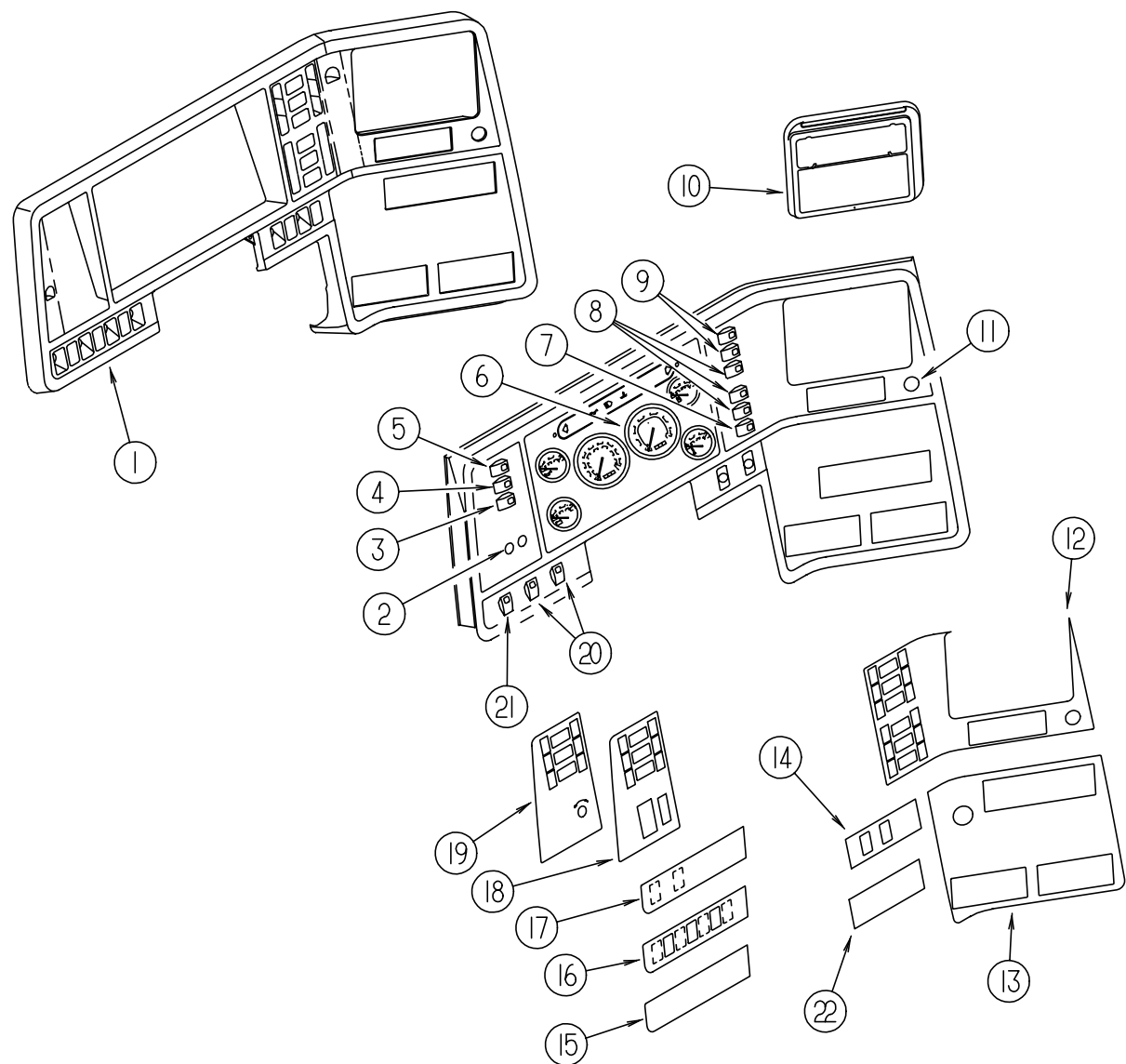


DINETTE PULLOUT TABLE

KEY	PART NUMBER	U/M DESCRIPTION
	P18322-01-J70	EA TABLE - PULLOUT/SELF STORING - W/O HARDWARE (WASHED MAPLE)
	P18322-01-H57	EA TABLE - PULLOUT/SELF STORING - W/O HARDWARE (SALEM CHERRY)
1	118322-11-J70	EA TABLE TOP ONLY - PULLOUT (WASHED MAPLE)
1	118322-11-H57	EA TABLE TOP ONLY - PULLOUT (SALEM CHERRY)
2	009065-01-000	EA HINGE - ALUMINUM - 1 1/2" X 96" - UNPAINTED
3	110749-01-000	EA SLIDE/EXTENSION - 19 3/4" TO 33 1/4"
4	108663-01-000	EA HINGE - LEAF - FOLDING
5	108932-01-000	EA ROD - PIVOT
	000F10-04-16B	EA PIN - COTTER - 1/8" X 1" - ZINC
6	108874-01-000	EA BRACKET - HINGE - TABLE LEAF
7	108664-01-000	EA SPRING - COMPRESSION - .51" X 1.96"
8	009050-02-000	EA LEVELER - TABLE TOP - MALE END W/4 SCREWS - PLASTIC
8	009050-03-000	EA LEVELER - TABLE TOP - FEMALE END W/2 SCREWS - PLASTIC
9	108905-01-000	EA SUPPORT - TABLE LEAF
10	102810-01-04A	EA BRACE - TABLE LEG - BLACK
	102810-01-03A	EA BRACE - TABLE LEG - MILL
11	092707-07-08A	EA MOLDING - TABLE LEG - 27.8" (WASHED MAPLE)
11	092707-07-03A	EA MOLDING/TABLE LEG - 27.8" (SALEM CHERRY)
12	102194-01-000	EA GUIDE - PLASTIC

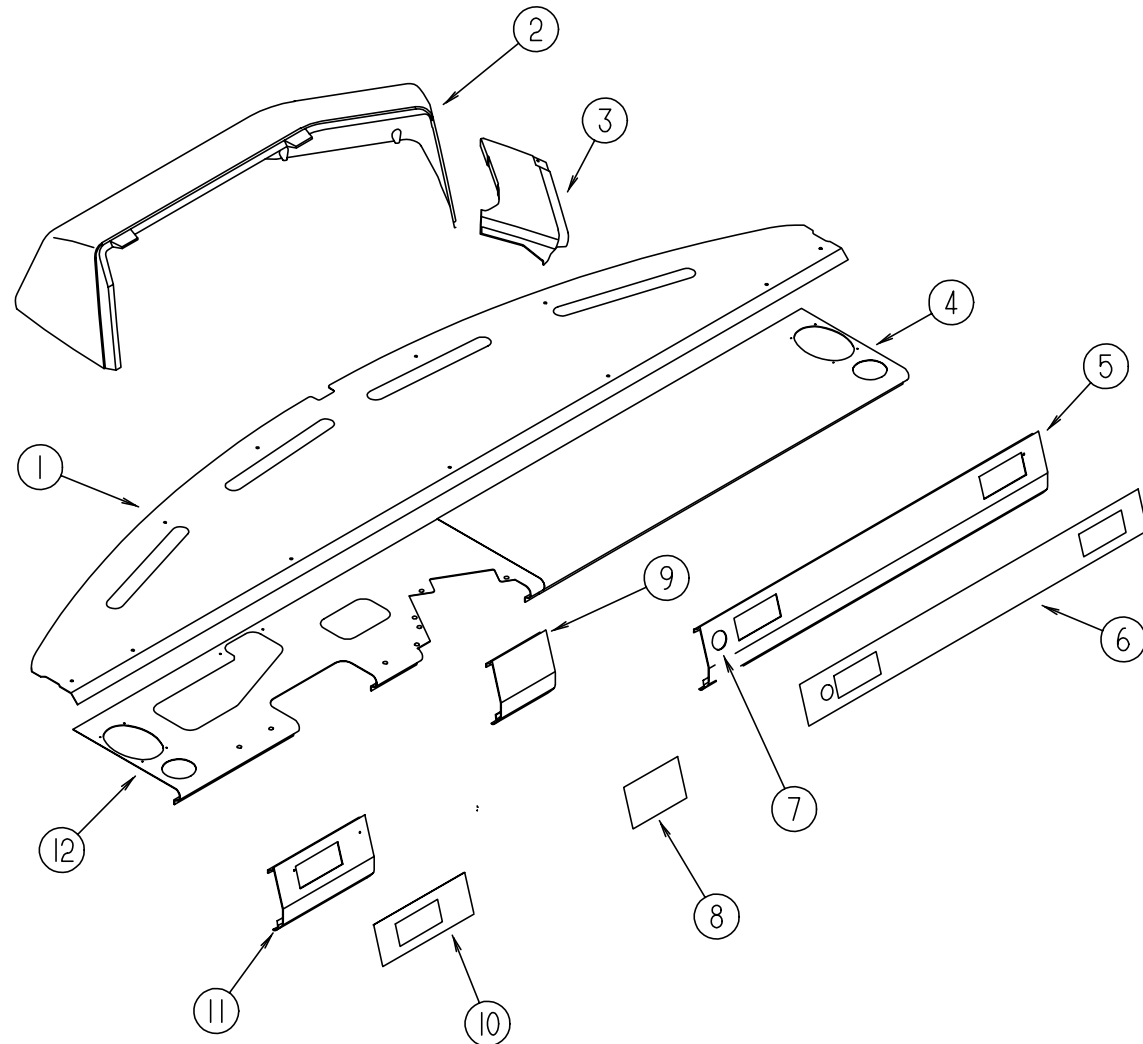
DRIVERS COMPARTMENT GROUP

INSTRUMENT PANEL



KEY	PART NUMBER	U/M DESCRIPTION
1	107031-07-02A	EA BEZEL - INSTRUMENT PANEL - FORD
1	107031-10-02A	EA BEZEL - INSTRUMENT PANEL - FORD (99 CHASSIS)
1	107031-06-02A	EA BEZEL - INSTRUMENT PANEL - GM
1	107031-09-02A	EA BEZEL - INSTRUMENT PANEL - GM (99 CHASSIS)
2		HEADLIGHT & DIMMER SWITCHES ARE CHASSIS SUPPLIED
	096674-01-000	EA NUT - HEADLAMP KNOB - BLACK - FORD
	096675-01-000	EA KNOB - HEADLAMP - W/SHAFT - FORD
3	108357-06-000	EA SWITCH - ROCKER DPDT - MOM/OFF/MOM - 6 TERMINAL
	108356-01-02A	EA COVER/ACTUATOR SWITCH - 3 GROOVES - CONTURA III - TAN
	108355-01-000	EA HOUSING - SWITCH
4	108357-09-000	EA SWITCH - ROCKER SPDT - ON/NONE/MOM - 3 TERMINAL
	108356-01-02A	EA COVER/ACTUATOR SWITCH - 3 GROOVES - CONTURA III - TAN
	108355-01-000	EA HOUSING - SWITCH
5	108357-08-000	EA SWITCH - ROCKER DPDT - ON/NONE/ON - 6 TERMINAL
	108356-01-02A	EA COVER/ACTUATOR SWITCH - 3 GROOVES - CONTURA III - TAN
	108355-01-000	EA HOUSING - SWITCH
6	N/A	EA CLUSTER - INSTRUMENT PANEL - US - CSA - GM OBTAIN FROM YOUR LOCAL GM DEALER
6	N/A	EA CLUSTER - INSTRUMENT PANEL - US - CSA - FORD OBTAIN FROM YOUR LOCAL FORD DEALER
7	108357-10-000	EA SWITCH - ROCKER SPDT W/LIGHT - MOM/NONE/MOM - 5 TERMINAL
	108356-03-02A	EA COVER/ACTUATOR SWITCH-3 GROOVES W/LIGHT-CONTURA III-BLACK
	108355-01-000	EA HOUSING - SWITCH
8	108357-01-000	EA SWITCH - ROCKER SPST - ON/OFF - 2 TERMINAL
8	096241-08-000	EA SWITCH - BLANK - HAMPTON TAN
	108356-01-02A	EA COVER/ACTUATOR SWITCH - 3 GROOVES - CONTURA III - TAN
	108355-01-000	EA HOUSING - SWITCH
9	108357-03-000	EA SWITCH - ROCKER SPDT - ON/OFF/ON - 3 TERMINAL
9	096241-08-000	EA SWITCH - BLANK - HAMPTON TAN
	108356-01-02A	EA COVER/ACTUATOR SWITCH - 3 GROOVES - CONTURA III - TAN
	108355-01-000	EA HOUSING - SWITCH
10	111337-01-01A	EA POCKET - INSTRUMENT PANEL - UPPER RIGHT
	096776-02-000	EA BOX - CASSETTE - 4 TAPE HOLDER
11	089294-01-000	EA LIGHTER - CIGARETTE - W/SOCKET & WIRE
12	104056-20-02A	EA APPLIQUE - BEZEL - UPPER/RIGHT HAND - 6 SWITCH
13	104056-14-02A	EA APPLIQUE - BEZEL - LOWER/RIGHT/WING
14	104056-28-02A	EA APPLIQUE - BEZEL - LOWER/RIGHT HAND - PARK AND LEVEL
15	104056-09-02A	EA APPLIQUE - BEZEL - LOWER/LEFT HAND
16	104056-10-02A	EA APPLIQUE - BEZEL - LOWER/LEFT HAND - PARK AND LEVEL
17	104056-29-01A	EA APPLIQUE - BEZEL - LOWER/LEFT HAND - PARK AND LEVEL
18	104056-25-02A	EA APPLIQUE - BEZEL - SWITCH - DRIVER - GM
19	104056-27-02A	EA APPLIQUE - BEZEL - SWITCH - FORD
20	108357-07-000	EA SWITCH - ROCKER SPDT - MOM/OFF/MOM - 3 TERMINAL
	108356-01-02A	EA COVER/ACTUATOR SWITCH - 3 GROOVES - CONTURA III - TAN
	108355-01-000	EA HOUSING - SWITCH
21	108357-05-000	EA SWITCH - ROCKER SPDT - ON/NONE/ON - 3 TERMINAL
	108356-01-02A	EA COVER/ACTUATOR SWITCH - 3 GROOVES - CONTURA III - TAN
	108355-01-000	EA HOUSING - SWITCH
22	104056-11-02A	EA APPLIQUE - BEZEL - LOWER/RIGHT HAND
	100138-01-000	EA MODULE - DAYTIME/RUNNING LIGHT
	103603-01-000	EA BULB - 12 VOLT - #74 - .12A WEDGE - GE 22-25 USED IN DASH

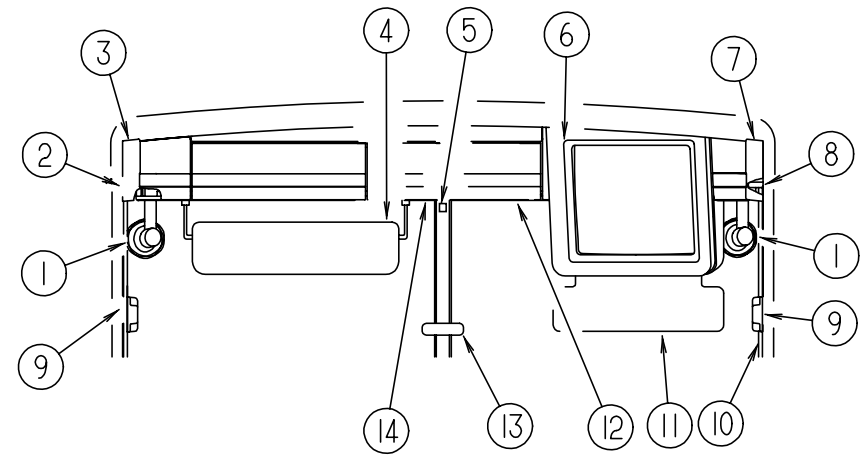
DRIVERS COMPARTMENT GROUP (CONTINUED)



DASH PANELS

KEY	PART NUMBER	U/M DESCRIPTION
1	P18164-01-000	EA DASH - W/O VINYL
	106569-09-01A	EA VINYL - LAMINATE - MADRID - HAMPTON TAN - 1/4" X 25" X 100"
	077539-01-000	EA BRACKET - MOUNTING/DASH PANEL - L/SHAPED - 2.5" X 1" X 1.5"
2	118256-01-01A	EA POD - INSTRUMENT PANEL - HAMPTON TAN
2	118256-02-01A	EA POD - INSTRUMENT PANEL - HAMPTON TAN - W/REAR MONITOR
3	118292-01-01A	EA POD - LOWER DASH - HAMPTON TAN
4	112297-02-000	EA PANEL - DASH - BOTTOM
5	117991-01-01A	EA EXTENSION - DASH - PASSENGER/LOWER
5	118024-01-01A	EA TRIM - DASH - PASSENGER - LOWER
6	118377-01-02A	EA APPLIQUE - LOWER DASH - PASSENGER
6	120059-01-01A	EA DECAL - VECTRA - GRAND TOUR - DASH - CENTERED ON APPLIQUE
7	111414-01-000	EA RECEPTACLE - 12V - W/O BIMETAL
8	118377-02-01A	EA APPLIQUE - LOWER DASH - DRIVER (FORD)
8	118377-03-02A	EA APPLIQUE - LOWER DASH - DRIVER (GM)
9	117991-02-01A	EA EXTENSION - DASH - DRIVER - LOWER/RIGHT HAND (FORD)
9	118024-02-01A	EA TRIM - DASH - DRIVER - LOWER/RIGHT HAND (FORD)
9	117991-04-01A	EA EXTENSION - DASH - DRIVER - LOWER/RIGHT HAND (GM)
9	118024-04-01A	EA TRIM - DASH - DRIVER - LOWER/RIGHT HAND (GM)
10	118377-04-02A	EA APPLIQUE - LOWER DASH - DRIVER - FORD
10	118377-06-04A	EA APPLIQUE - LOWER DASH - GM/SPARTON/OSH GOSH
11	117991-03-01A	EA EXTENSION - DASH - DRIVER - LOWER/LEFT HAND (FORD)
11	118024-03-01A	EA TRIM - DASH - DRIVER - LOWER/LEFT HAND (FORD)
11	117991-05-01A	EA EXTENSION - DASH - DRIVER - LOWER/LEFT HAND (GM)
11	118024-05-01A	EA TRIM - DASH - DRIVER - LOWER/LEFT HAND (GM)
12	112296-04-000	EA PANEL - DASH - BOTTOM
	077031-01-000	EA FILM - BLACK - 1" X 1.75"
	077031-03-000	EA FILM - WHITE - .75" X 1.00"
	077031-04-000	EA FILM - 1" X 1.74" - INSTRUMENT PANEL

DRIVERS COMPARTMENT GROUP (CONTINUED)

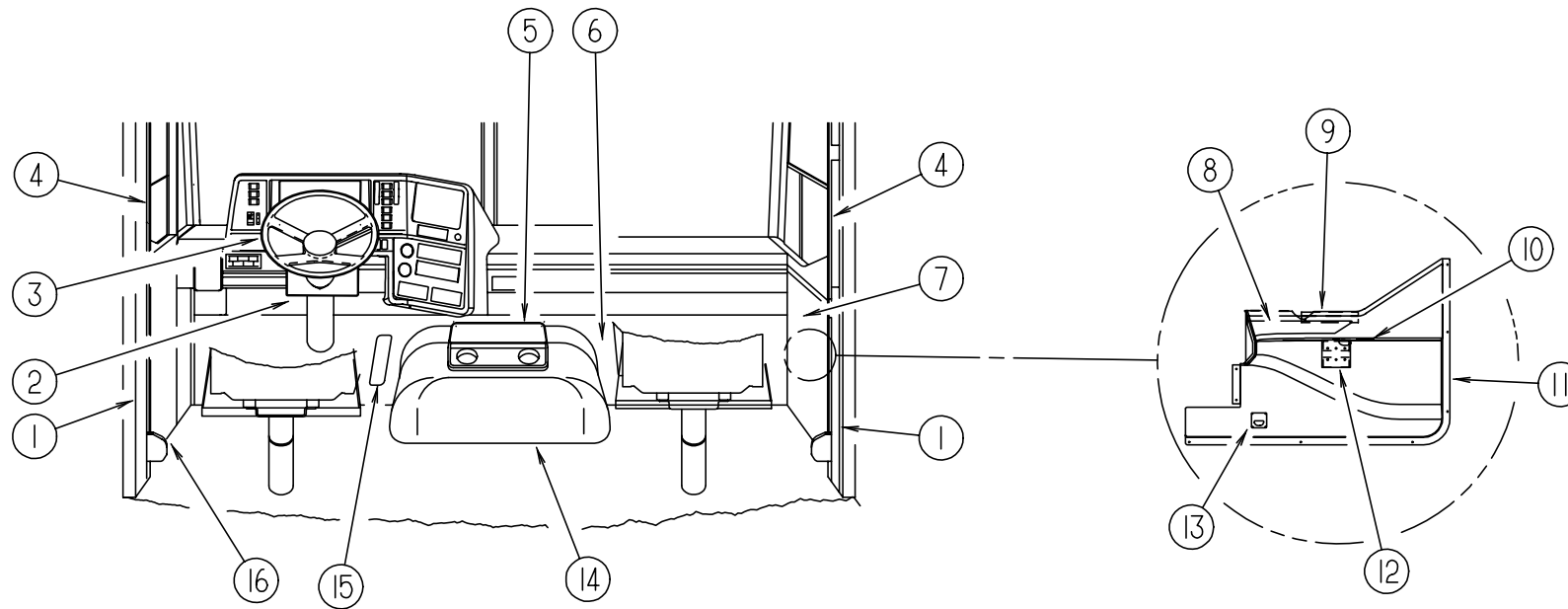


UPPER DRIVERS COMPARTMENT

KEY	PART NUMBER	U/M DESCRIPTION	VENDOR NO.
1	122856-01-01A	EA FAN - DEFROSTER - 2 SPEED W/SWIVEL BASE - CHROME	
2	118138-02-H56	EA PANEL - HEADLINER	
3	118466-02-01A	EA PANEL - TRIM UPPER SIDE	
4	123298-02-03A	EA SUNVISOR - DRIVER - 10.5" X 28.5"	
5	118452-01-01A	EA TRIM - CENTER WINDSHIELD	
6	116734-08-01A	EA COVER - TV - OVERHEAD FRONT RIGHT HAND - HAMPTON TAN	
7	118466-01-01A	EA PANEL - TRIM UPPER SIDE	
8	118693-02-J70	EA PANEL - HEADLINER - RH	
9	103961-03-01A	EA COVER - BRACKET - SEATBELT/0FF WHITE - F/DRVRS DOOR OPTION	
	091990-04-01A	EA SEAT BELT/SHOULDER HARNESS - DRIVERS/PASSENGER - BLACK	FROM: 00-00-00 THRU: 07-29-97
	091990-05-01A	EA SEAT BELT/SHOULDER HARNESS - DRIVERS/PASSENGER - BLACK	FROM: 07-30-97 THRU: 99-99-99
	091990-01-701	EA EXTENDER 9" FOR A8408 3 PT	I-1331-02
	109146-01-000	EA BOLT - SHOULDER/SEAT BELT	
10	118431-01-01A	EA TRIM - A-PILLAR - INTERIOR/PASSENGER	
10	118431-02-01A	EA TRIM - A-PILLAR - INTERIOR/DRIVER	
11	123450-01-01A	EA SUNVISOR - W/PULLOUTS - PASSENGER	
12	118453-01-01A	EA TRIM - WINDSHIELD - INTERIOR - TOP/PASSENGER	
13	040714-01-000	EA MIRROR - REAR VIEW/ARM MOUNT & SET SCREW	
	067490-01-000	EA BUTTON - MIRROR/REAR VIEW	
14	118453-02-01A	EA TRIM - WINDSHIELD - INTERIOR - TOP/DRIVER	

DRIVERS COMPARTMENT GROUP (CONTINUED)

LOWER DRIVERS COMPARTMENT

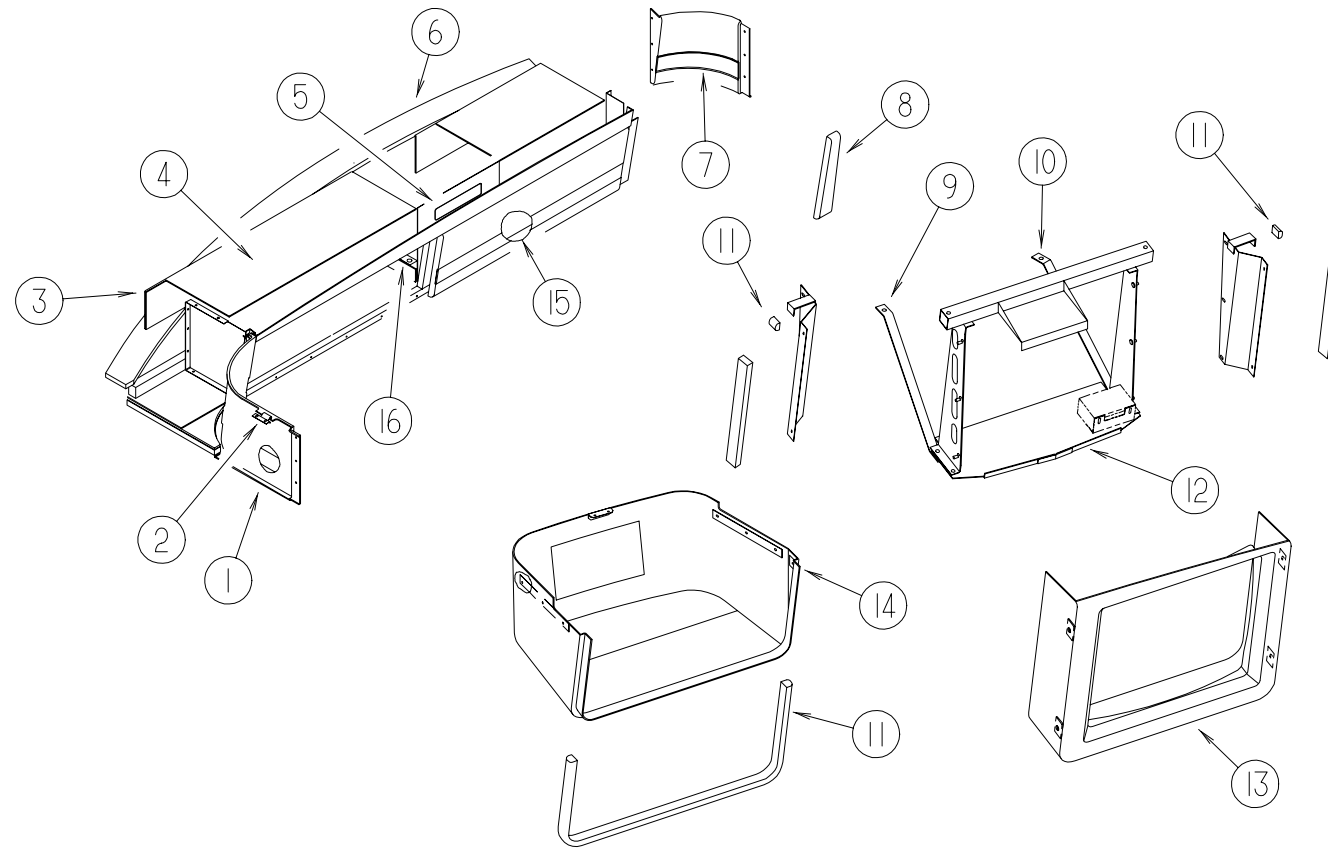


KEY	PART NUMBER	U/M DESCRIPTION
1	024700-44-000	EA COVER - ROLL BAR - 53" - LOWER - DRIVER/PASSENGER FROM: 00-00-00 THRU: 07-29-97
1	024700-56-000	EA COVER - ROLL BAR - SIDEWALL - 19.1" OFF WHITE FROM: 07-30-97 THRU: 99-99-99
1	024700-57-000	EA COVER - ROLL BAR - SIDEWALL - 8.5" - OFF WHITE FROM: 07-30-97 THRU: 99-99-99
1	024700-58-000	EA COVER - ROLL BAR - SIDEWALL - 16.5" - OFF WHITE FROM: 07-30-97 THRU: 99-99-99
2	109832-03-01A	EA COVER - STEERING COLUMN - CHEVY
	110002-02-000	EA PATCH - COLUMN - Q-SERIES - 4.25" X 7.5"
2	103498-09-000	EA BOOT - STEERING COLUMN - W/1/2 CIRCLE
2	112832-01-01A	EA COVER - STEERING COLUMN - LOWER (FORD)
2	117709-01-01A	EA COVER - STEERING COMUMN - UPPER (FORD)
3	120340-01-01A	EA WHEEL - STEERING - LEATHER/CHEVY
4	024700-55-000	EA COVER - ROLL BAR - SIDEWALL - 15" OFF WHITE FROM: 00-00-00 THRU: 07-29-97
4	024700-57-000	EA COVER - ROLL BAR - SIDEWALL - 8.5" - OFF WHITE FROM: 07-30-97 THRU: 99-99-99
4	024700-59-000	EA COVER - ROLL BAR - SIDEWALL - 44.1" - OFF WHITE FROM: 07-30-97 THRU: 99-99-99
5	M06889-02-GV0	EA TRAY - BEVERAGE - ABS PLASTIC
5	122681-01-H50	EA LID - BEVERAGE COMPARTMENT
6	095757-06-H58	EA COVER - HEATER (J70,J71)
6	095757-06-H60	EA COVER - HEATER (J72,J73,J74,J75)
6	095757-06-J76	EA COVER - HEATER (J76,J77)
7	P18720-01-000	EA PANEL - INNER - CAB/PASSENGER
8	118377-07-01A	EA APPLIQUE - LOWER DASH - RIGHT HAND/INNER PANEL
9	106105-02-000	EA CLIP - VALANCE/RETAINING

KEY	PART NUMBER	U/M DESCRIPTION
10	118719-01-01A	EA ASHTRAY - TOP MOUNT - BLACK PLASTIC
11	118287-01-01A	EA PANEL - TRIM - INNER/PASSENGER
12	118718-01-01A	EA HOLDER - COLLAPSIBLE MUG/DRINK - BLACK PLASTIC
13	108354-01-01A	EA LIGHT - COURTESY
14	115840-01-01A	EA COVER - MOTOR - W/O CARPET
14	115840-02-01A	EA COVER - MOTOR - W/O CARPET - CHEVY
	115860-01-01A	EA TRIM - MOTOR COVER
	115850-01-02B	EA RETAINER - LATCH - MOTOR COVER - RIGHT HAND - E-COAT
	115850-02-02B	EA REATINER - LATCH - MOTOR COVER - LEFT HAND - E-COAT
	116581-01-000	EA LATCH - MOTOR COVER
	115852-01-02B	EA STRIKE ASM-MOTOR COVER, E-COAT
	116833-01-02B	EA WRENCH - HEX MOTOR COVER - E-COATED
15	116993-01-01A	EA COVER - PEDALS - BLACK
16	118654-01-01A	EA PANEL - TOEKICK - DRIVER

DRIVERS COMPARTMENT GROUP (CONTINUED)

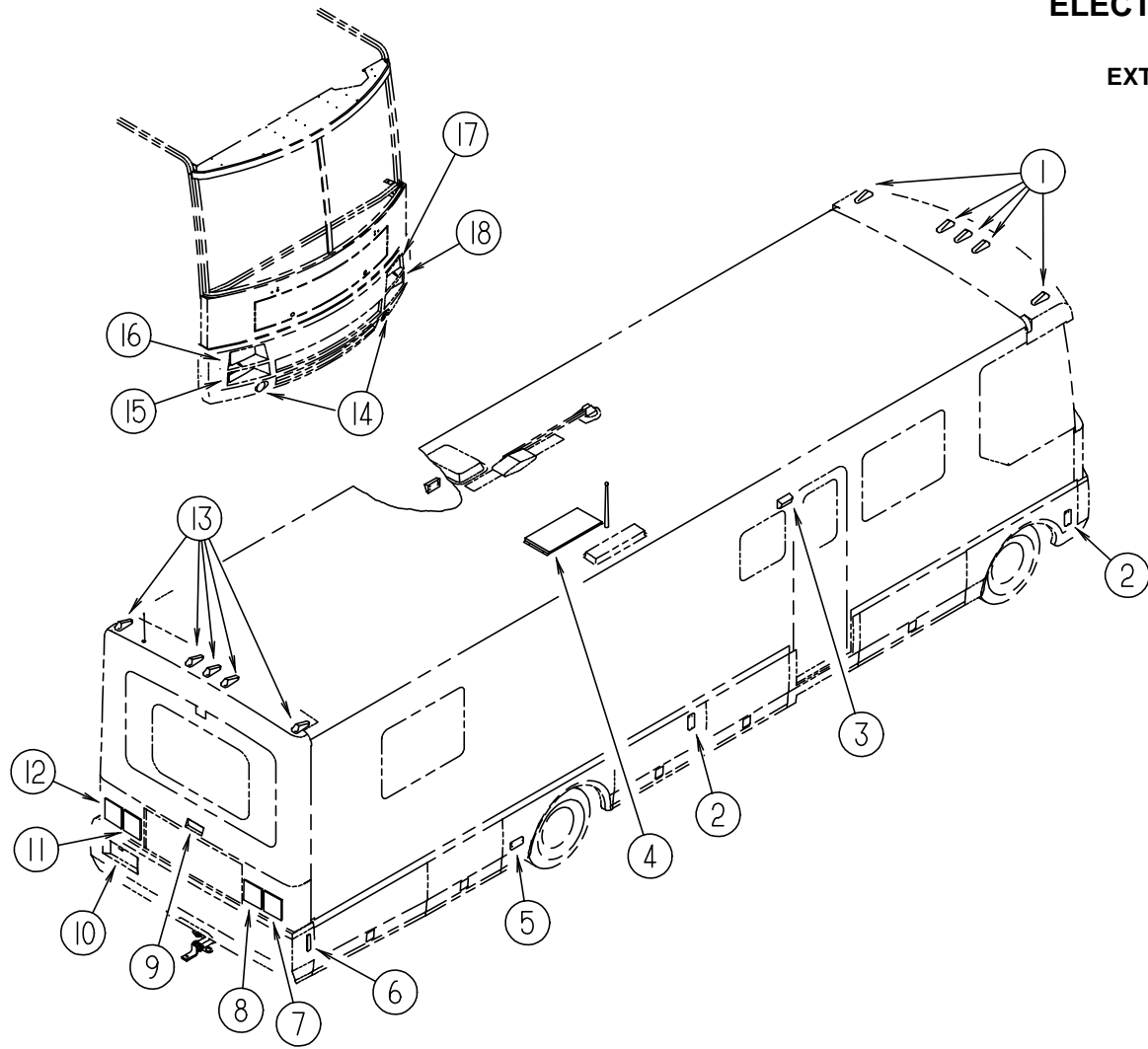
OVERHEAD TV & VCR CABINETS



KEY	PART NUMBER	U/M	DESCRIPTION
1	118465-02-01A	EA	PANEL - TRIM - UPPER LEFT HAND CORNER
2	073050-03-000	EA	MOUNTING CLIP - VALANCE PANEL
3	118836-02-H56	EA	PANEL - BACK - VINYL COVERED
4	118215-02-H56	EA	PANEL - TOP - VINYL COVERED
5	118208-05-H56	EA	PANEL - VINYL COVERED (STANDARD TV)
5	118208-06-H56	EA	PANEL - VINYL COVERED (W/VCR)
5	118208-08-H56	EA	PANEL - VINYL COVERED (W/CONVERTER)
5	118208-09-H56	EA	PANEL - VINYL COVERED (W/CONVERTER & VCR)
6	118305-02-J70	EA	CABINET - OVERHEAD/FRONT - W/O DOORS/HARDWARE (WASHED MAPLE)
6	118305-02-J71	EA	CABINET - OVERHEAD/FRONT - W/O DOORS/HARDWARE (SALEM CHERRY)
7	118852-02-01A	EA	PANEL - TRIM - INSERT/PASSENGER
8	120485-02-01A	EA	PANEL - TRIM - TRANSITION - TV
9	124090-01-02B	EA	SUPPORT - SHELF - TV
10	124090-01-02B	EA	SUPPORT - SHELF - TV
11	112160-02-000	FT	SEAL - D SECTION - .2 X .3" - FOAM RUBBER
12	116747-07-02B	EA	SHELF - TV - W/O HARDWARE
13	116734-08-01A	EA	COVER - TV - OVERHEAD FRONT RIGHT HAND - HAMPTON TAN
14	118566-06-01A	EA	COVER - TV - OVERHEAD/LOWER RIGHT HAND - HAMPTON TAN
15	118836-03-H56	EA	PANEL - BACK - VINYL COVERED
16	118835-01-H56	EA	PANEL - RIGHT HAND - VINYL COVERED

ELECTRICAL GROUP

EXTERIOR LIGHTS

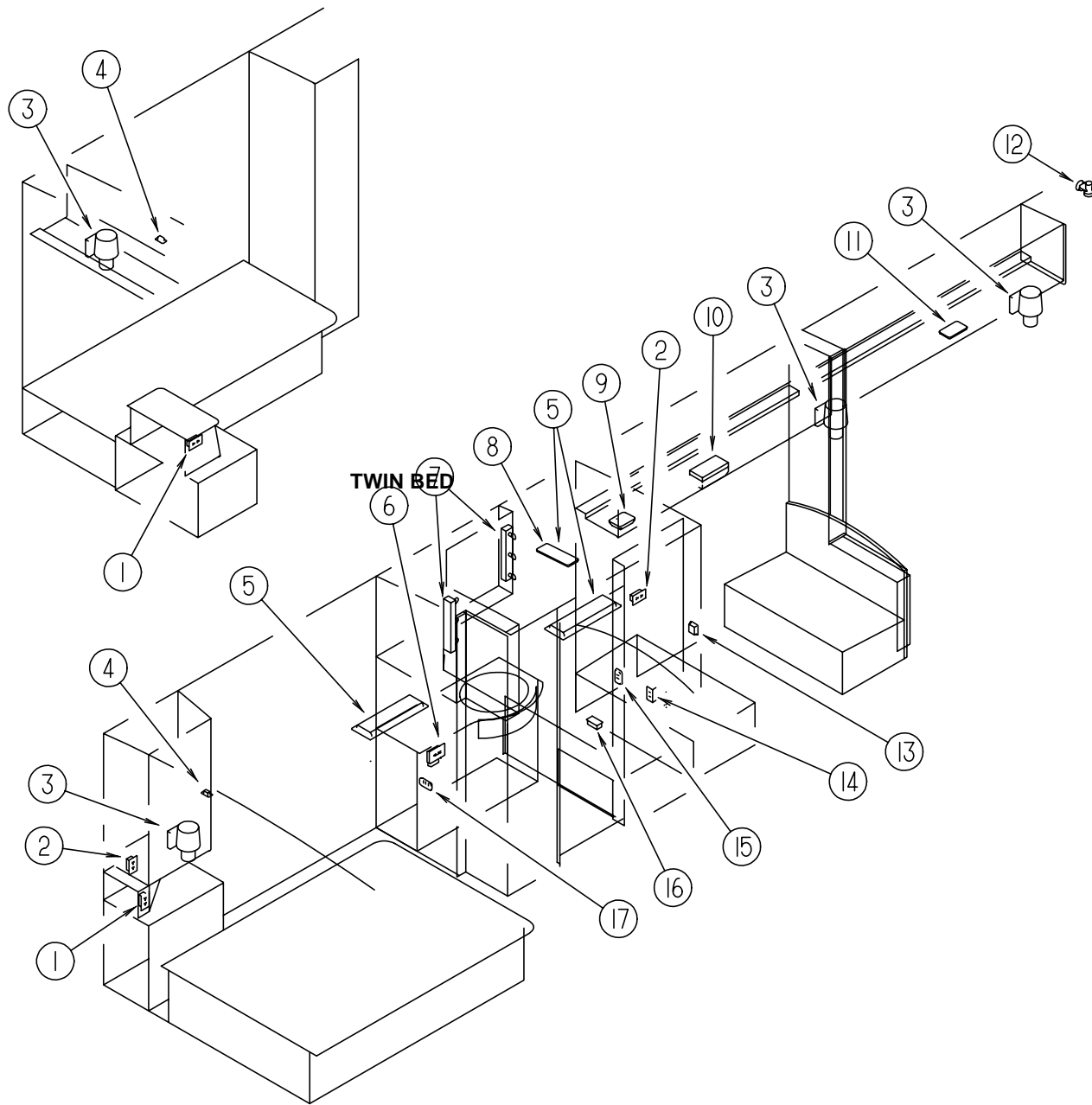


KEY	PART NUMBER	U/M	DESCRIPTION	VENDOR NO.
1	107749-01-000	EA	LIGHT - CAB MARKER - AMBER	
	036196-01-000	EA	BULB - 12 VOLT - #194 - .27 AMP - BAYONETTE	
	037934-01-000	EA	BULB - 12V - #1156 - 2.1 AMP CLEAR GLASS	
2	117826-02-000	EA	SIDE MARKER LAMP ASSEMBLY - AMBER	
	036196-01-000	EA	BULB - 12 VOLT - #194 - .27 AMP - BAYONETTE	
	067789-02-000	EA	SOCKET - LAMP	
3	117826-03-000	EA	GASKET - MARKER LIGHT	
	097917-01-06A	EA	LIGHT - PORCH - BRIGHT WHITE - U.S.	
	008215-01-000	EA	BULB - 12 VOLT - #1003 - .94 AMP	
3	058028-01-000	EA	CONNECTOR - ELECTRICAL PIGTAIL - NYLON - CLEAR	30-78-021
	097917-01-700	EA	LENS - LIGHT - CLEAR	
	008089-02-000	EA	LIGHT - PORCH - RECESSED - CANADIAN	
4	008214-01-000	EA	BULB - 12 VOLT - #67 - .59 AMP	
	058028-01-000	EA	CONNECTOR - ELECTRICAL PIGTAIL - NYLON - CLEAR	
	008089-01-700	EA	LENS - LIGHT - RECESSED - PORCH	
4	091981-01-000	EA	GASKET - PORCH LIGHT	
	115504-01-000	EA	PANEL - SOLAR 10 WATT	
	115504-01-700	EA	PLUG & CABLE - 10 WATT PANEL	600-016
5	115505-01-000	EA	LIGHT - MONITOR/SOLAR PANEL - RED LED INDICATOR	
	106688-04-000	EA	LIGHT - CLEAR AUXILIARY (LENS/BACK PAN)	
5	037934-01-000	EA	BULB - 12V - #1156 - 2.1 AMP CLEAR GLASS	

KEY	PART NUMBER	U/M	DESCRIPTION
6	117826-01-000	EA	SIDE MARKER LAMP ASSEMBLY - RED
	036196-01-000	EA	BULB - 12 VOLT - #194 - .27 AMP - BAYONETTE
	067789-02-000	EA	SOCKET - LAMP
7	117826-03-000	EA	GASKET - MARKER LIGHT
	117831-01-000	EA	LAMP - STOP/TURN/TAIL/BACKUP
	106687-01-000	EA	SOCKET - LIGHT - 2-WIRE
8	106687-02-000	EA	SOCKET - LIGHT - 3-WIRE
	067789-02-000	EA	SOCKET - LAMP
	119157-01-000	EA	SOCKET - SINGLE CONTACT
9	119158-01-000	EA	SOCKET - DOUBLE CONTACT
	037934-01-000	EA	BULB - 12V - #1156 - 2.1 AMP CLEAR GLASS
	037935-01-000	EA	BULB - 12V - #1157 OR #2057 - 2.1 AMP - CLEAR GLASS
10	117831-03-000	EA	LAMP - TURN - AMBER RIGHT HAND
	106687-01-000	EA	SOCKET - LIGHT - 2-WIRE
	106687-02-000	EA	SOCKET - LIGHT - 3-WIRE
11	067789-02-000	EA	SOCKET - LAMP
	119157-01-000	EA	SOCKET - SINGLE CONTACT
	119158-01-000	EA	SOCKET - DOUBLE CONTACT
12	037935-01-000	EA	BULB - 12V - #1157 OR #2057 - 2.1 AMP - CLEAR GLASS
	106688-03-000	EA	LIGHT - RED STOP/TURN (LENS/BACK PAN)
	037934-01-000	EA	BULB - 12V - #1156 - 2.1 AMP CLEAR GLASS
13	107221-06-01A	EA	COVER - LATCH - VALANCE DR. - BLK
	087201-01-000	EA	LIGHT - HALF ROUND - 1" X 1.7" - PLASTIC - BLACK
	117831-04-000	EA	LAMP - TURN - AMBER LEFT HAND
14	106687-01-000	EA	SOCKET - LIGHT - 2-WIRE
	106687-02-000	EA	SOCKET - LIGHT - 3-WIRE
	067789-02-000	EA	SOCKET - LAMP
15	119157-01-000	EA	SOCKET - SINGLE CONTACT
	119158-01-000	EA	SOCKET - DOUBLE CONTACT
	037935-01-000	EA	BULB - 12V - #1157 OR #2057 - 2.1 AMP - CLEAR GLASS
16	117831-02-000	EA	LAMP - STOP/TURN/TAIL/BACKUP
	106687-01-000	EA	SOCKET - LIGHT - 2-WIRE
	106687-02-000	EA	SOCKET - LIGHT - 3-WIRE
17	067789-02-000	EA	SOCKET - LAMP
	119157-01-000	EA	SOCKET - SINGLE CONTACT
	119158-01-000	EA	SOCKET - DOUBLE CONTACT
18	037935-01-000	EA	BULB - 12V - #1157 OR #2057 - 2.1 AMP - CLEAR GLASS
	106687-01-000	EA	SOCKET - LIGHT - 2-WIRE
	106687-02-000	EA	SOCKET - LIGHT - 3-WIRE

ELECTRICAL GROUP (CONTINUED)

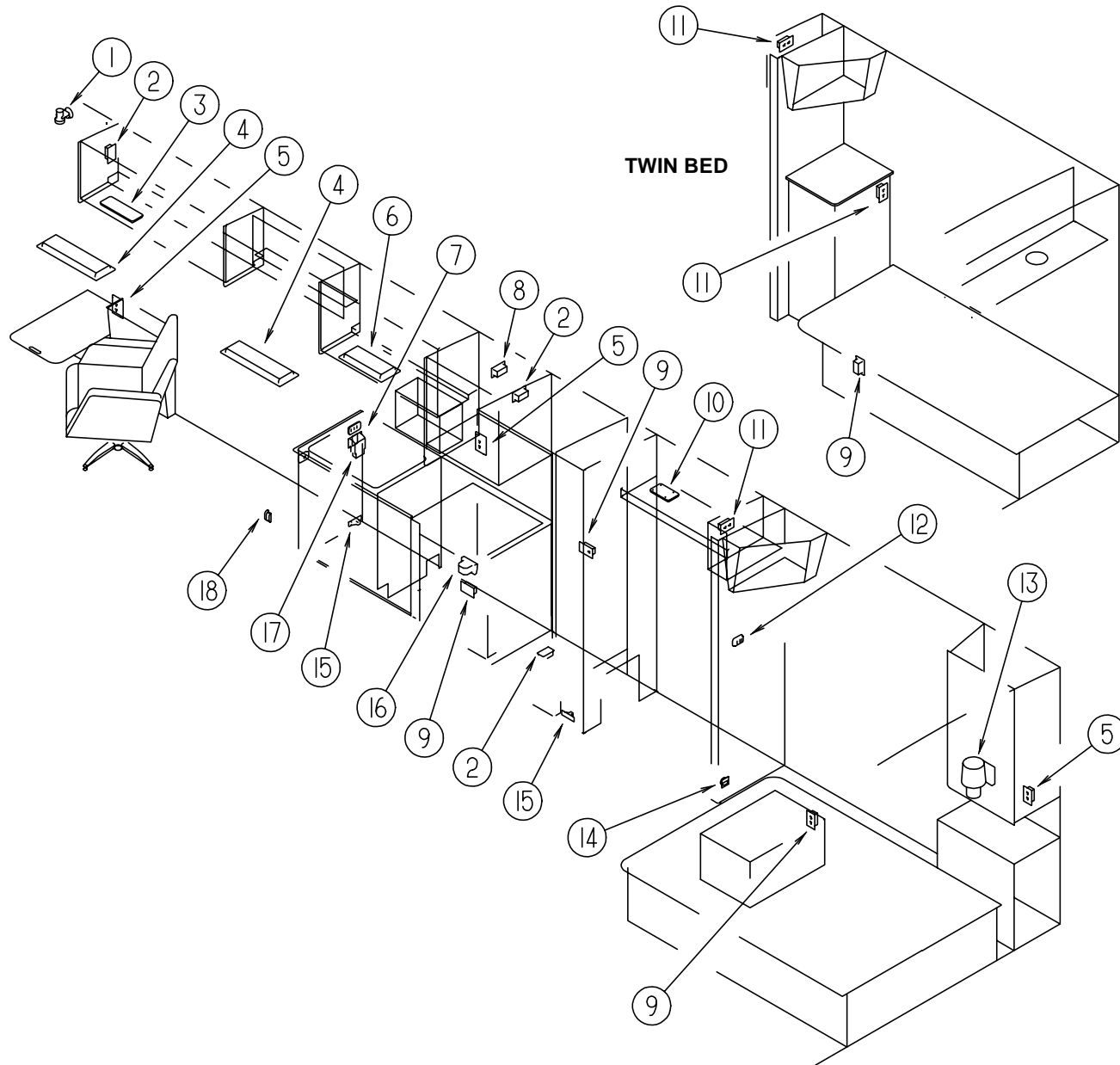
DRIVER SIDE LIGHTS, SWITCHES & RECEPTACLES



KEY	PART NUMBER	U/M	DESCRIPTION	VENDOR NO.
1	058708-01-000	EA	RECEPTACLE - ELECTRIC - DOUBLE - BROWN	
2	058708-02-000	EA	RECEPTACLE - ELECTRIC - DOUBLE - IVORY	
	102568-01-J70	EA	SPACER - RECEPTACLE - BETWEEN SIDEWALL & PLATE - WOOD (WASHED MAPLE)	
	102568-01-E41	EA	SPACER - RECEPTACLE - BETWEEN SIDEWALL & PLATE - WOOD (SALEM CHERRY)	
3	119258-01-01A	EA	LAMP - WALL	
	119258-01-700	EA	FINEAL	12-0322
	067479-01-000	EA	BULB - 12 VOLT - #1076 - 1.80 AMP	
	119257-01-01A	EA	SHADE - LAMP - POTPOUM (J70,J71)	
	065201-17-000	EA	SHADE - LAMP - SAHARA SUNRISE (J72,J73,J74,J75,J76,J77)	
4	098351-07-01A	EA	PLATE - SWITCH - GENERATOR - POLISHED BRASS	
4	108357-10-000	EA	SWITCH - ROCKER SPDT W/LIGHT - MOM/NONE/MOM - 5 TERMINAL	
4	108356-05-01A	EA	COVER/ACTUATOR SWITCH-3 GROOVES W/LENS-GEN SET-CONTURA III	
4	095188-01-01A	EA	SPACER - SWITCH - 2.3" X 3.4" - PLASTIC - DARK BROWN	
5	098024-03-02A	EA	LIGHT - DOME - 2 BULB - WHITE	
	008218-01-000	EA	BULB - DOME LIGHT - 12 VOLT - NO. 1141	
	098024-01-700	EA	LENS - LIGHT	807877
5	091937-05-000	EA	LIGHT - FLUORESCENT - 12V/16 WATT - 15" LONG - THIN LITE	
	091937-05-701	EA	LENS - LIGHT - FLUORESCENT	D-732
6	084076-02-000	EA	RECEPTACLE - GFI - 15 AMP/125 VOLT - BROWN	
	084077-02-000	EA	PLATE - COVER - RECEPTACLE - GFI - BROWN	
7	110235-01-01A	EA	LIGHT - MAKE UP - 3 BULB - 12 VOLT	
	081633-01-700	EA	BULB - LIGHT - MAKE-UP	RP1041
8	098024-03-02A	EA	LIGHT - DOME - 2 BULB - WHITE	
	008218-01-000	EA	BULB - DOME LIGHT - 12 VOLT - NO. 1141	
	098024-01-700	EA	LENS - LIGHT	807877
9	121935-01-01A	EA	LIGHT - DOME - SHOWER	
10	093575-09-01A	EA	LIGHT - CEILING - DOUBLE	
	119252-01-01A	EA	SHADE - LAMP - GLASS SWIRL	
	067479-01-000	EA	BULB - 12 VOLT - #1076 - 1.80 AMP	
11	098024-05-02A	EA	LIGHT - DOME - 1 BULB - SKYLITE - WHITE	
	008218-01-000	EA	BULB - DOME LIGHT - 12 VOLT - NO. 1141	
	098024-01-701	EA	LENS - OPTI CLEAR - SKYLITE	809902
12	104173-01-01A	EA	LIGHT - DESIGNER - BRASS (US)	
	104173-01-700	EA	BULB	81900
12	104172-01-01A	EA	LIGHT - BULLET - BULB #93 12V (CSA)	
13	079364-04-000	EA	SWITCH - ON/OFF ROCKER - 2 TERMINAL - BLACK	
	098351-01-01A	EA	PLATE - SWITCH - 1 GANG POLISHED BRASS	
14	079364-01-000	EA	SWITCH - ON/OFF ROCKER - 2 TERMINAL - BROWN	
15	079364-02-000	EA	SWITCH - ON/OFF ROCKER - 3 TERMINAL - BLACK	
15	079364-01-000	EA	SWITCH - ON/OFF ROCKER - 2 TERMINAL - BROWN	
	098351-03-01A	EA	PLATE - SWITCH - 3 GANG POLISHED BRASS	
16	058707-02-000	EA	RECEPTACLE - BLANK JUNCTION BOX	
17	109294-01-01A	EA	SWITCH PANEL - W/SWITCHES - VENT FAN	
	095188-02-01A	EA	SPACER - SWITCH - 2.3" X 4.1" - PLASTIC - DARK BROWN	

ELECTRICAL GROUP (CONTINUED)

PASSENGER SIDE LIGHTS, SWITCHES & RECEPTACLES



KEY	PART NUMBER	U/M	DESCRIPTION	VENDOR NO.
1	104173-01-01A	EA	LIGHT - DESIGNER - BRASS (US)	
	104173-01-700	EA	BULB	81900
1	104172-01-01A	EA	LIGHT - BULLET - BULB #93 12V (CSA)	
2	058707-02-000	EA	RECEPTACLE - BLANK JUNCTION BOX	
3	098024-06-02A	EA	LIGHT - DOME - 2 BULB - SKYLITE	
	008218-01-000	EA	BULB - DOME LIGHT - 12 VOLT - NO. 1141	
	098024-01-701	EA	LENS - OPTI CLEAR - SKYLITE	809902
4	098024-03-02A	EA	LIGHT - DOME - 2 BULB - WHITE	
	008218-01-000	EA	BULB - DOME LIGHT - 12 VOLT - NO. 1141	
	098024-01-700	EA	LENS - LIGHT	807877
4	091937-04-000	EA	LIGHT - FLUORESCENT - 12V/30 WATT - 20.8" LONG - THIN LITE	
5	058708-02-000	EA	RECEPTACLE - ELECTRIC - DOUBLE - IVORY	
	102568-01-J70	EA	SPACER - RECEPTACLE - BETWEEN SIDEWALL & PLATE - WOOD (WASHED MAPLE)	
	102568-01-E41	EA	SPACER - RECEPTACLE - BETWEEN SIDEWALL & PLATE - WOOD (SALEM CHERRY)	
6	091937-05-000	EA	LIGHT - FLUORESCENT - 12V/16 WATT - 15" LONG - THIN LITE	
	091937-05-701	EA	LENS - LIGHT - FLUORESCENT	D-732
7	084076-02-000	EA	RECEPTACLE - GFI - 15 AMP/125 VOLT - BROWN	
8	058708-05-000	EA	RECEPTACLE - SINGLE - BROWN	
9	058707-01-000	EA	RECEPTACLE - ELECTRIC - SINGLE - BROWN	
10	098024-01-03A	EA	LIGHT - DOME - 1 BULB - WHITE	
	008218-01-000	EA	BULB - DOME LIGHT - 12 VOLT - NO. 1141	
	098024-01-700	EA	LENS - LIGHT	807877
11	058708-01-000	EA	RECEPTACLE - ELECTRIC - DOUBLE - BROWN	
12	079364-01-000	EA	SWITCH - ON/OFF ROCKER - 2 TERMINAL - BROWN	
12	098351-01-01A	EA	PLATE - SWITCH - 1 GANG POLISHED BRASS	
	095188-01-01A	EA	SPACER - SWITCH - 2.3" X 3.4" - PLASTIC - DARK BROWN	
13	119258-01-01A	EA	LAMP - WALL	
	119258-01-700	EA	FINEAL	12-0322
	067479-01-000	EA	BULB - 12 VOLT - #1076 - 1.80 AMP	
	119257-01-01A	EA	SHADE - LAMP - POTPOUM (J70,J71)	
	065201-17-000	EA	SHADE - LAMP - SAHARA SUNRISE (J72,J73,J74,J75,J76,J77)	
14	108354-01-01A	EA	LIGHT - COURTESY	
	108354-01-700	EA	BULB - COURTESY LIGHT	395-B
15	061424-01-000	EA	LIGHT - AISLE - 12 VOLT - RECTANGULAR	
	008103-01-000	EA	BULB - DASH/AISLE LIGHT - #53 - 12 VOLT - .12 AMP	
16	112822-01-01A	EA	RECEPTACLE - DUPLEX - IVORY	
	112824-01-03A	EA	COVER - RECEPTACLE - EXTERIOR DUPLEX	
17	094086-01-01A	EA	PLATE - SWITCH - SINGLE GANG - 1.8" X 3" - BLACK PLASTIC	
17	093132-02-000	EA	SWITCH - ROCKER - 5 TERM - KEY LOCK/ARROW F/POWER DOOR LOCK	
18	116995-01-000	EA	SWITCH/MAGNET - ELECTRIC STEP	

ELECTRICAL GROUP (CONTINUED)

CIRCUIT BREAKERS & FUSES

KEY	PART NUMBER	U/M	DESCRIPTION
	083209-01-000	EA	CIRCUIT BREAKER - 15 AMP - 120 VOLT - CANADIAN
	083209-02-000	EA	CIRCUIT BREAKER - 15/15 AMP - 120 VOLT
	083209-03-000	EA	CIRCUIT BREAKER - 15/20 AMP - 120 VOLT
	083209-06-000	EA	CIRCUIT BREAKER - 30/15 AMP - 120 VOLT
	083209-07-000	EA	CIRCUIT BREAKER - 20/20 AMP - 120 VOLT
	093654-01-000	EA	CIRCUIT BREAKER - 6 AMP - 12 VOLT
	093654-02-000	EA	CIRCUIT BREAKER - 15 AMP - 12 VOLT
	093654-03-000	EA	CIRCUIT BREAKER - 20 AMP - 12 VOLT
	093655-01-000	EA	CIRCUIT BREAKER - 25 AMP - 12 VOLT
	093655-02-000	EA	CIRCUIT BREAKER - 30 AMP - 12 VOLT
	093655-03-000	EA	CIRCUIT BREAKER - 40 AMP - 12 VOLT
	097611-01-000	EA	CIRCUIT BREAKER - 10 AMP - 12 VOLT
	108916-01-000	EA	CIRCUIT BREAKER - 50 AMP - 12 VOLT - 2 POLE
	122811-01-000	EA	CIRCUIT BREAKER - 20/50/50/20
	093674-01-000	EA	PLATE - CIRCUIT BREAKER - HOUSE - 8.4" X 4.1" - STEEL
	062901-02-000	EA	FUSE - 05 AMPS - AUTOMOTIVE
	062901-05-000	EA	FUSE - 15 AMPS - AUTOMOTIVE
	062037-01-000	EA	HOUSING - AUTO FUSE - NATURAL
	062037-02-000	EA	HOUSING - AUTO FUSE - GREEN
	062037-06-000	EA	HOUSING - AUTO FUSE - BROWN
	062037-07-000	EA	HOUSING - AUTO FUSE - RED
	108669-01-000	EA	HOUSING - AUTO FUSE HOLDER

CONVERTER, INVERTER & LOAD CENTERS

KEY	PART NUMBER	U/M	DESCRIPTION
	123058-02-000	EA	CONVERTER - 45 AMP - ELECTRONIC - 4 1/8"H X 7"W X 12 3/8"L
	099048-03-000	EA	INVERTER - 130 WATT
	106071-01-000	EA	SWITCH - AUTOMATIC TRANSFER - 30 AMP
	106071-02-000	EA	SWITCH - AUTOMATIC TRANSFER - 50 AMP
	108915-01-000	EA	LOAD CENTER - 120/240 VOLT - 125 AMP
	108915-02-000	EA	LOAD CENTER - 120/240 VOLT - 100 AMP
	109677-01-000	EA	LOAD CENTER - 120 VOLT - 40 AMP
	113132-01-000	EA	LOAD CENTER - 120/240 VOLT - 60 AMP

FLASHER, SOLENOID, DIODE & RELAYS

KEY	PART NUMBER	U/M	DESCRIPTION
	007093-01-000	EA	SIGNAL FLASHER
	008188-01-000	EA	SOLENOID - 3 POST - BATTERY CHANGE OVER
	063910-01-000	EA	HOUSING - RELAY
	063912-02-000	EA	RELAY - CANISTER - SPDT

ELECTRICAL GROUP (CONTINUED)

CONNECTORS & HOUSINGS

KEY	PART NUMBER	U/M	DESCRIPTION
	007954-01-000	EA	RECEPTACLE - HOUSING - 6 POSITION
	007956-05-000	EA	INSULATOR - SHRINK - .25 ID X 1.50
	008311-01-000	EA	CONNECTOR - WIRE NUT - INSULATED - RED
	008312-01-000	EA	CONNECTOR - WIRE NUT - INSULATED - BLUE
	008313-01-000	EA	CONNECTOR - WIRE NUT - INSULATED - YELLOW
	008326-01-000	EA	TERMINAL - RING - 16/14 WIRE - 3/8" STUD
	008328-01-000	EA	TERMINAL - RING - 12/10 WIRE - #10 STUD FIT
	008331-01-000	EA	TERMINAL - RING - TONGUE - #4 WIRE - 3/8" STUD - COPPER
	008348-01-000	EA	TERMINAL - RING - 3/8" STUD 2 GA. WIRE
	008355-01-000	EA	CONNECTOR - CABLE CLAMPING - 3/4"
	008356-01-000	EA	CONNECTOR - PLASTIC - 3/8" AVG
	008356-02-000	EA	CONNECTOR - PLASTIC - 21/32
	035416-04-000	EA	TERMINAL - RING - #10 STUD FIT - INSULATED BARREL #16/14
	041480-01-000	EA	CONNECTOR - STRAIGHT - 1/2' FLEX CONDUIT
	047443-01-000	EA	TERMINAL - .250 RECEPTACLE FIT - INSULATED - 16/14 AWG
	047443-02-000	EA	TERMINAL - .250 RECEPTACLE FIT - INSULATED - 12/10 AWG
	058028-01-000	EA	CONNECTOR - ELECTRICAL PIGTAIL - NYLON - CLEAR
	062036-01-000	EA	TERMINAL - PACK - CON - 12/10 AWG
	062036-02-000	EA	TERMINAL - PACK - CON - 16/14 AWG
	080015-02-000	EA	RECEPTACLE - FLAG - .185 - 16/14 GAUGE
	082109-01-000	EA	HOUSING - CONNECTOR - PACKARD
	085724-01-000	EA	SOCKET - DOUBLE CONTACT - TAILLIGHT
	087225-01-000	FT	SLEEVING - 1/2" - TYPE H
	087949-01-000	EA	BUSS BAR - 2 POSITION - .6" X 1.5"
	087949-02-000	EA	BUSS BAR - 3 POSITION - .6" X 2.4"
	087949-03-000	EA	BUSS BAR - 4 POSITION
	088267-01-000	EA	TERMINAL - FEMALE - 1/4
	088473-01-000	EA	HOUSING - PIN - 12 CAVITY
	088473-02-000	EA	HOUSING - PIN - 15 CAVITY
	088473-03-000	EA	HOUSING - PIN - 9 CAVITY
	088473-06-000	EA	HOUSING - PIN - 6 CAVITY
	088473-07-000	EA	HOUSING - PIN - 5 CAVITY
	088473-08-000	EA	HOUSING - PIN - 4 CAVITY
	088473-09-000	EA	HOUSING - PIN - 3 CAVITY
	088473-10-000	EA	HOUSING - PIN - 2 CAVITY
	088474-01-000	EA	HOUSING - SOCKET - 12 CAVITY
	088474-02-000	EA	HOUSING - SOCKET - 15 CAVITY
	088474-03-000	EA	HOUSING - SOCKET - 9 CAVITY
	088474-06-000	EA	HOUSING - SOCKET - 6 CAVITY
	088474-07-000	EA	HOUSING - SOCKET - 5 CAVITY
	088474-08-000	EA	HOUSING - SOCKET - 4 CAVITY
	088474-09-000	EA	HOUSING - ELECTRICAL - 3 TERMINAL
	088474-10-000	EA	HOUSING - SOCKET - 2 CAVITY
	088475-01-000	EA	PIN - CONNECTOR - 14 - 20 AWG
	088475-02-000	EA	PIN - CONNECTOR - 10-12 AWG
	088476-01-000	EA	TERMINAL - ELECTRICAL
	088476-02-000	EA	SOCKET - CONNECTOR - 12-10 GA - PRE-TIN
	092786-03-000	EA	BUSS BAR - 6.9" LONG
	098260-01-000	EA	TERMINAL - MALE - 56 SERIES
	098261-02-000	EA	SOCKET - CONNECTOR - WEATHERPACK
	098262-01-000	EA	SEAL - CONNECTOR - WEATHERPACK
	098262-05-000	EA	SEAL - CAVITY
	098262-06-000	EA	SEAL - CONNECTOR - M/P - 10 GAUGE
	098264-01-000	EA	HOUSING - 2 PIN - WEATHERPACK
	098264-02-000	EA	HOUSING - 2 PIN - WEATHERPACK
	098265-02-000	EA	PIN - CONNECTOR - WEATHERPACK
	100690-02-000	EA	HOUSING - 5 POSITION - FEMALE - WEATHERPACK
	101571-01-000	EA	HOUSING - 2 POSITION - MALE

ELECTRICAL GROUP (CONTINUED)**CONNECTORS & HOUSINGS (CONTINUED)**

KEY	PART NUMBER	U/M	DESCRIPTION
	102777-02-000	EA	TERMINAL - RING - #6 STUD - 10 AWG
	103608-01-000	EA	SOCKET - WEDGE BASE W/LEADS
	104100-01-000	EA	HOUSING - 1 POSITION - 75 AMPS
	104100-03-000	EA	TERMINAL - 75 AMP
	106006-01-000	EA	HOUSING - 1 POSITION - FEMALE
	106007-01-000	EA	TERMINAL - FEMALE - 14-16 AWG
	106655-01-000	EA	TERMINAL - FUSE BLOCK - 14-16 AWG
	110178-01-000	EA	HOUSING - WIPER MOTOR
	112823-01-000	EA	SPLICE - REDUCER - 16-14 TO 18-22
	113131-01-000	EA	HOUSING - 3 PIN
	113135-01-000	EA	TERMINAL - FEMALE- M/P - 14-16
	113306-01-000	EA	TERMINAL - FEMALE - M/P - 14-16
	113306-02-000	EA	TERMINAL - FEMALE - M/P - 10-12 - 480
	113307-01-000	EA	TERMINAL - FEMALE - M/P - 16-20
	113308-01-000	EA	TERMINAL - FEMALE - M/P - 14-16 - 280
	113468-01-000	EA	HOUSING - 2 POSITION - FEMALE USED ON WIPER/WASHER WIRE ASM
	115931-01-000	EA	COVER - CONNECTOR - W/LOCK RING
	115931-02-000	EA	COVER - CONNECTOR
	115932-01-000	EA	CONNECTOR - FEMALE - 30 AMP - 120 VOLT
	115932-02-000	EA	CONNECTOR - FEMALE - 50 AMP - 240 VOLT
	116811-01-000	EA	TERMINAL - .110 RECEPTACLE - 16-14 AWG
	117700-01-000	EA	HOUSING - 2 POSITION - METRI-PACK - FEMALE
	118571-01-000	EA	CONNECTOR - 30WAY - MALE/SEALED
	118571-02-000	EA	CONNECTOR - 30WAY - FEMALE/SEALED
	118571-03-000	EA	BRACKET - MOUNTING
	118571-04-000	EA	GASKET
	118571-05-000	EA	LOCK - SECONDARY - FEMALE
	118571-06-000	EA	LOCK - SECONDARY - MALE
	118597-01-000	EA	TERMINAL - MALE - M/P - 480 - 14-16
	118599-01-000	EA	TERMINAL - MALE - M/P - 280 - 14-16
	119248-02-000	EA	HOUSING - 7 POSITION - FEMALE
	125323-02-000	EA	HOUSING - 8 POSITION - MALE
	125324-01-000	EA	TERMINAL - MALE - METRI-PACK - 150
	125325-01-000	EA	SEAL - CAVITY

ELECTRICAL GROUP (CONTINUED)**CONDUIT**

KEY	PART NUMBER	U/M	DESCRIPTION
	008394-01-000	FT	CONDUIT - FLEXIBLE - 1/2"
	041953-01-000	FT	CONDUIT - CONVOLUTE SLIT - .5" ID
	041953-03-000	FT	CONDUIT - CONVOLUTE SLIT - 1" ID (CLOTHES ROD COVER)
	041953-05-000	FT	CONDUIT - CONVOLUTE SOLID - .62" ID
	041953-06-000	FT	CONDUIT - CONVOLUTE SLIT - .375" ID
	041953-07-000	FT	CONDUIT - CONVOLUTE SLIT - .25" ID
	041953-08-000	FT	CONDUIT - CONVOLUTE SLIT - 1.50" ID
	041953-09-000	FT	CONDUIT - CONVOLUTE SLIT - .50" ID
	041953-10-000	FT	CONDUIT - CONVOLUTE SLIT - .75" ID
	041953-11-000	FT	CONDUIT - CONVOLUTE SLIT - 1.06" ID

BATTERY BOOT & STUD

KEY	PART NUMBER	U/M	DESCRIPTION
	077479-01-000	EA	BOOT - BATTERY TERMINAL - DOUBLE CABLE
	077479-02-000	EA	BOOT - BATTERY TERMINAL - SINGLE CABLE
	086233-01-000	EA	STUD - ISOLATED - 3/8" X 7/8" LONG
	086273-01-000	EA	RELAY - BATTERY DISCONNECT

ELECTRIC BOXES

KEY	PART NUMBER	U/M	DESCRIPTION
	008289-01-000	EA	BOX - ELECTRIC/STEEL - 1/2" & 3/4" KNOCKOUTS - 4" X 4"
	008289-02-000	EA	BOX - ELECTRIC/STEEL - 1/2" & 3/4" KNOCKOUTS - 4" X 4"- CANADIAN
	008294-01-000	EA	COVER - ELECTRICAL BOX - BLANK/STEEL - 4" X 4" - GRAY
	008294-02-000	EA	COVER - ELECTRICAL BOX - BLANK STEEL - 4" X 4" - CANADIAN
	091910-01-000	EA	BOX - ELECTRIC - 3.8" X 3.5" X 1.8" - PLASTIC
	091910-02-000	EA	BOX - ELECTRIC - 2.2" X 3.5" X 1.7" - PLASTIC
	098196-01-000	EA	LATCH - 1/4 TURN - T-BAR
	113088-01-000	EA	BOX - ELECTRIC - 3" X 2" X 2.75"
	118507-01-01A	EA	BOX - ELECTRIC
	118653-01-02B	EA	DOOR - ELECTRIC BOX
	118905-02-02B	EA	DOOR - ELECTRIC - CHEVY/FORD
	120454-01-01B	EA	PANEL - ELECTRICAL - BACK - MILL FINISH
	120455-01-01B	EA	PANEL - ELECTRICAL - SIDE - MILL FINISH

ELECTRICAL GROUP (CONTINUED)

POWER CORDS

KEY	PART NUMBER	U/M DESCRIPTION
	008054-01-000	EA CORD - POWER - 10/3 - 30 AMP - 25'
	108934-01-000	EA CORD - POWER - 50 AMP - 4 WIRE - 36'
	113096-01-000	EA CORD - POWER - 50 AMP - 4 WIRE - 36' - CSA
	121470-01-000	EA CORD/EXTENSION - 6 FOOT - 16-2 WIRE

WIRE ASSEMBLIES

KEY	PART NUMBER	U/M DESCRIPTION
	P27264-02-000	EA WIRE ASSEMBLY - RADIO AM/FM CASSETTE
	P27516-02-000	EA WIRE ASSEMBLY - RADIO AM/FM/CD
	073328-B4-000	EA CABLE ASSEMBLY - BATTERY - W/TERMINALS
	081059-02-000	EA WIRE ASSEMBLY - 9PIN - F/RADIO
	090986-01-000	EA WIRE ASSEMBLY - ELECTRIC STEP
	093057-05-000	EA WIRE ASSEMBLY - POWER LOCK - ENTRANCE
	096449-01-000	EA WIRE ASSEMBLY - WATER TANK TO MONITOR PANEL
	097618-01-000	EA WIRE ASSEMBLY - MONITOR PANEL- W/3 WIRES & ORANGE RESISTOR
	107306-01-000	EA WIRE ASSEMBLY - INSTRUMENT PANEL - DOCKING LAMPS
	107597-02-000	EA WIRE ASSEMBLY - INSTRUMENT PANEL - FOG LAMPS
	108029-01-000	EA WIRE ASSEMBLY - POWER DRIVER SEAT
	108242-01-000	EA WIRE ASSEMBLY - CAB DOOR - DRIVER
	108303-01-000	EA WIRE ASSEMBLY - REAR AUTO HEATER
	108304-01-000	EA WIRE ASSEMBLY - INSTRUMENT PANEL - AUXILIARY FANS
	110256-01-000	EA WIRE ASSEMBLY - INSTRUMENT PANEL - GENERATOR
	111581-01-000	EA WIRE ASSEMBLY - AIR HORN
	111914-01-000	EA WIRE ASSEMBLY - DAYTIME RUNNING LAMPS - FUSE
	111915-03-000	EA WIRE ASSEMBLY - DAYTIME RUNNING LAMPS - FUSED - FORD
	113134-03-000	EA WIRE ASSEMBLY - WIPER/WASHER
	118649-01-000	EA WIRE ASSEMBLY - AIR HORNS

EXTERIOR BODY GROUP

HADLEY AIR HORN

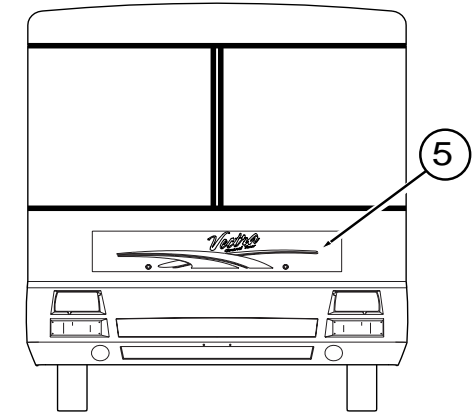
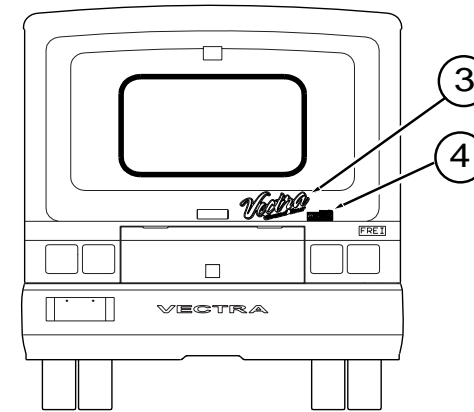
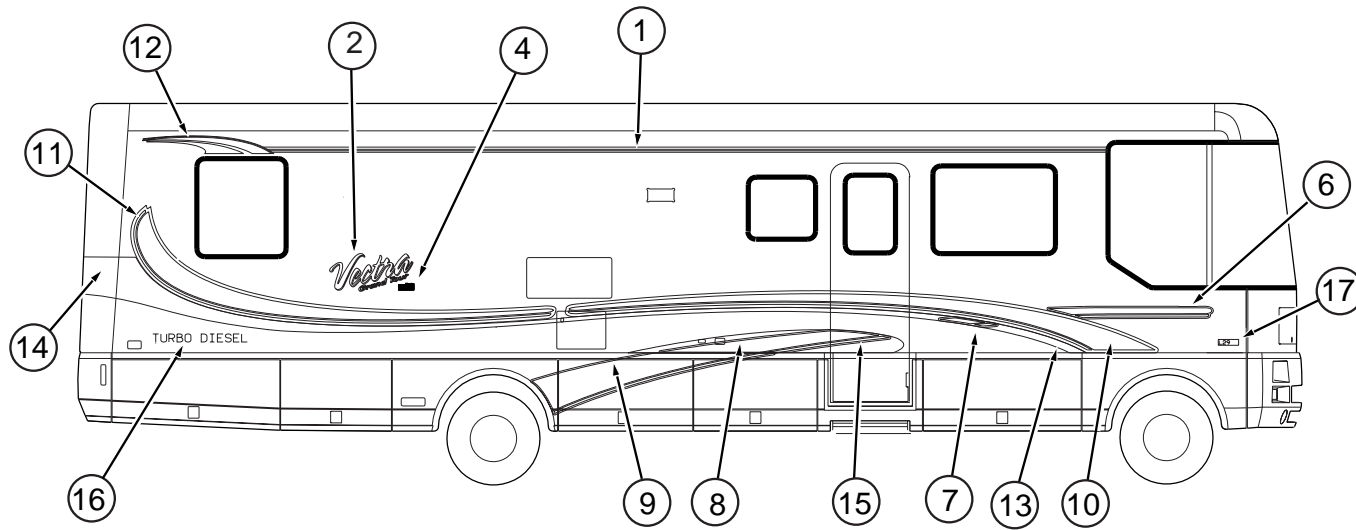
KEY	PART NUMBER	U/M DESCRIPTION	VENDOR NO.
	077497-06-000	EA HORN - AIR - CHROME - TWIN	
	077497-01-701	EA SWITCH - COMPRESSOR	13940-S
	077497-01-702	EA SWITCH - TOGGLE - W/WIRE	12949-S
	081407-01-000	EA PLATE - MOUNTING - AIR HORN	
	071390-04-000	FT TUBING - AIR BRAKE - 1/4" OD-BLK WEATHERHEAD (BRKS & HORN)	
	077497-03-000	EA FITTING KIT - HOSE/HOSE FITTING/AIR GAUGE - F/AUX HORN	
	077497-01-710	EA GAUGE-AIR PRESSURE	14212S
	077497-05-000	EA COMPRESSOR/TANK/SOLENOID KIT, HADLEY 852EB	
	077497-01-700	EA SOLENOID - AIR TANK	550B
	077497-01-703	EA TANK - AIR	751-N
	077497-01-704	EA COMPRESSOR W/SWITCH	852EC
	077497-01-706	EA VALVE & HEAD REPAIR - COMPRESSOR	H00852HV
	077497-01-707	EA BELT & SCREW COVER - COMPRESSOR	H00852BR
	077497-01-708	EA FILTER & MOUNTING HARDWARE - COMPRESSOR	H00852FM
	077497-01-709	EA PLUNGER & SPRING - SOLENOID	H136215
	077497-02-000	EA HOSE - AUXILIARY AIR HORN	
	081404-01-000	EA BRACKET - MOUNTING - COMPRESSOR - L SHAPED - 4" X 7.5"	
	108114-01-000	EA BRACKET - TANK/AIR (CHEV)	
	115024-01-02B	EA BRACKET - TANK - AIR HORN (FORD)	
	115024-01-01B	EA BRACKET - TANK - AIR HORN (FORD)	

FIBERGLASS, STYROFOAM & STEEL CHANNEL

KEY	PART NUMBER	U/M DESCRIPTION
	076054-Y4-000	EA FIBERGLASS - SHEET - 79" X 390" FROM: 00-00-00 THRU: 09-04-97
	076054-Y6-000	EA FIBERGLASS SHEET - 79" X 394" - BRIGHT WHITE FROM: 09-05-97 THRU: 99-99-99
	076054-Z2-000	EA FIBERGLASS SHEET - 30" X 69.9" - BRIGHT WHITE
	076054-Z3-000	EA FIBERGLASS SHEET - 4" X 86" - BRIGHT WHITE
	077517-62-000	EA FIBERGLASS - SHEET/SIDEWALL - 4' X 8' - BRIGHT WHITE
	108535-05-702	EA FIBERGLASS SHEET - FLAT - 110" X 396" BRIGHT WHITE - ROOF
	000870-08-000	SF STYROFOAM - .75" X 48" X 96" PLANED EXPANDED BEAD BOARD
	115301-01-000	SF STYROFOAM - .34" X 48" X 600"
	002726-01-001	EA GARNISH - U-CHANNEL - 1.38" X 19' - SERRATED
	002754-01-001	EA ANGLE- EXTRUDED - .75" X .75" X 18' - MILL ALUMINUM
	065747-01-000	SF INSULATION - MICROFOAM - .5" THICK X 72" X 112' ROLL
	068716-01-001	EA BRACE - 90 DEGREE L-ANGLE - 16'
	089297-01-000	SF PLYWOOD - LUAN - OVERLAY GRADE - 48" X 96"
	100619-01-000	BF FOAM - EXPANDED POLYSTYRENE - 1.34" X 48" X 96"
	100619-02-000	BF FOAM - EXPANDED POLYSTYRENE - 1.5" X 48" X 96"
	100619-05-000	BF FOAM - EXPANDED POLYSTYRENE - .75" X 48" X 96"
	100619-11-000	BF FOAM - EXPANDED POLYSTYRENE - 2" X 48" X 96"
	100619-13-000	BF FOAM - EXPANDED POLYSTYRENE - .34" X 34.65" X 96"
	100619-16-000	BF FOAM - EXPANDED POLYSTYRENE - .75" X 48" X 96"
	120107-01-000	EA FOAM - COVE - ROOF - 2.8" X 96" LONG
	120107-02-000	EA FOAM - PLUG - ROOF TUBE - 2.2" X 2.9" X 1.8" LONG
	120107-03-000	EA FOAM - PLUG - SIDEWALL TUBE - 1.2" X 2.1" X 1.8" LONG
	125838-01-001	EA ACRYLIC SHEET - .125" X 1.49" X 2"

EXTERIOR BODY GROUP (CONTINUED)

DECALS, STRIPES & PAINTS



KEY	PART NUMBER	U/M DESCRIPTION
1	105781-65-01A	FT FILM - MULTISTRIFE - 1.75"
2	126196-01-02A	EA DECAL - LOGO - VECTRA GRAND TOUR (L. AQUA/LAGO BLUE)
2	126196-01-01A	EA DECAL - LOGO - VECTRA GRAND TOUR (GREEN/LAGO BLUE)
3	126196-02-02A	EA DECAL - LOGO - VECTRA GRAND TOUR/SMALL (BRTWT/LAGO/LTAQUA)
3	126196-02-01A	EA DECAL - LOGO - VECTRA GRAND TOUR/SMALL (BRTWT/LAGO/GREEN)
4	122770-02-08A	EA DECAL - "BUILT PROUDLY BY WINNEBAGO INDUSTRIES"
5	126195-01-02A	EA DECAL - HOOD (LTAQ/LAGO/LTRS/B)
5	126195-01-01A	EA DECAL - HOOD (GRN/LAGO/LRSE/BW)
6	126190-01-01A	EA DECAL - SLASH - FRONT/RIGHT HAND
6	126190-02-01A	EA DECAL - SLASH - FRONT/LEFT HAND
7	126189-01-01A	EA DECAL - SLASH - MIDDLE/RIGHT HAND
7	126189-02-01A	EA DECAL - SLASH - MIDDLE/LEFT HAND
8	126188-01-01A	EA DECAL - SLASH - REAR/RIGHT HAND/UPPER #1
8	126188-02-01A	EA DECAL - SLASH - REAR/LEFT HAND/UPPER #1
9	126187-01-01A	EA DECAL - SLASH - REAR/RIGHT HAND/LOWER #2
9	126187-02-01A	EA DECAL - SLASH - REAR/LEFT HAND/LOWER #2
10	126186-01-01A	EA DECAL - FLARE - FRONT/RIGHT HAND
10	126186-02-01A	EA DECAL - FLARE - FRONT/LEFT HAND
11	126185-01-01A	EA DECAL - FLARE - REAR/RIGHT HAND
11	126185-02-01A	EA DECAL - FLARE - REAR/LEFT HAND

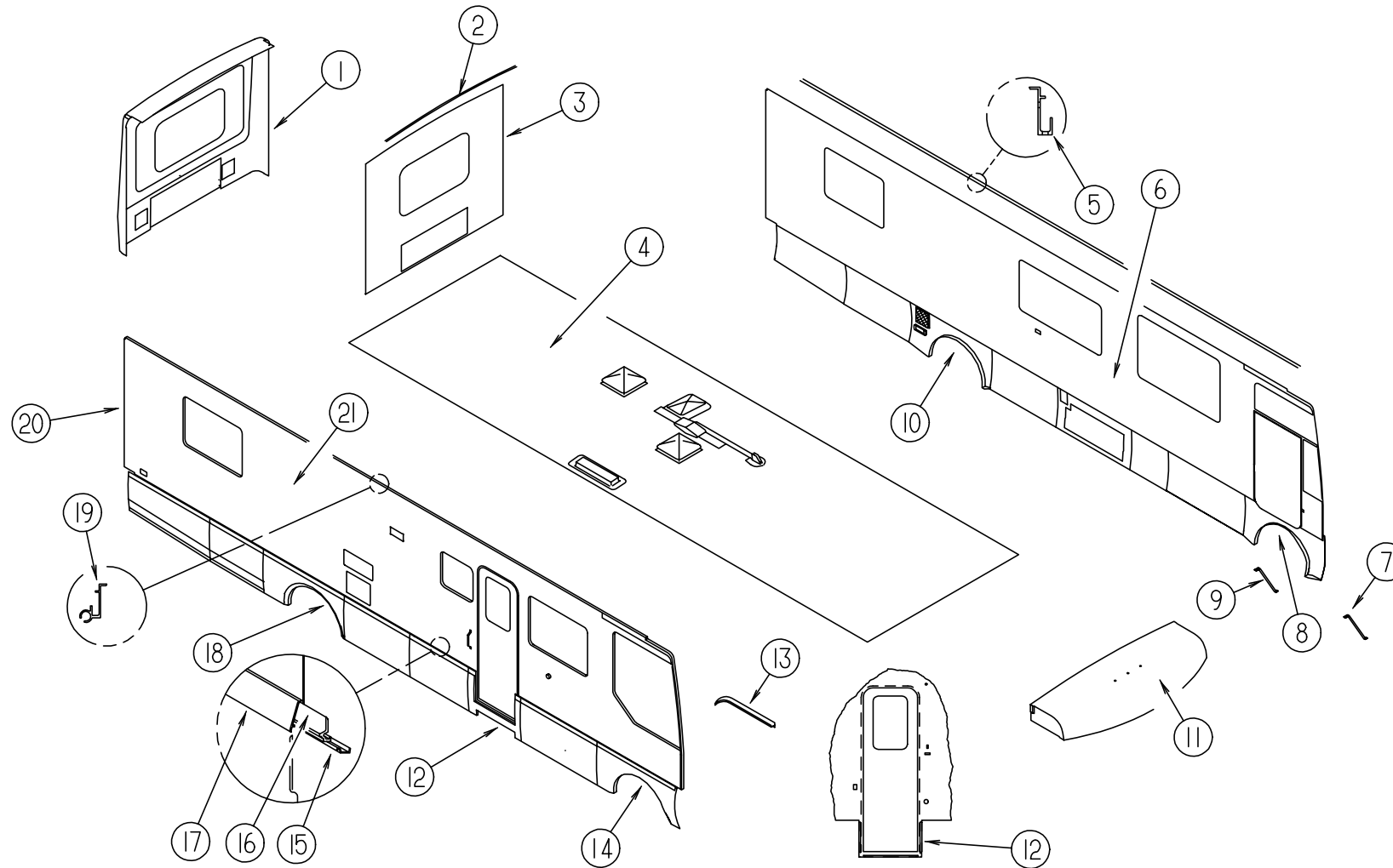
KEY	PART NUMBER	U/M DESCRIPTION
12	126194-01-02A	EA DECAL - FLARES - SMALL/RIGHT HAND (LTAQ/LAGBL/LTRSE)
12	126194-01-01A	EA DECAL - FLARES - SMALL/RIGHT HAND (GREEN/LAGO/LTRSE)
12	126194-02-02A	EA DECAL - FLARES - SMALL/LEFT HAND (LTAQ/LAGBL/LTRSE)
12	126194-02-01A	EA DECAL - FLARES - SMALL/LEFT HAND (GREEN/LAGO/LTRSE)
13	126193-01-01A	EA DECAL - PAINT MASK - FRONT/LEFT HAND
13	126193-02-01A	EA DECAL - PAINT MASK - FRONT/LEFT HAND
14	126191-01-01A	EA DECAL - PAINT MASK - REAR/RIGHT HAND
14	126191-02-01A	EA DECAL - PAINT MASK - REAR/LEFT HAND
15	126192-01-01A	EA DECAL - PAINT MASK - HOLE/LEFT HAND
15	126192-02-01A	EA DECAL - PAINT MASK - HOLE/LEFT HAND
16	111318-03-03A	EA DECAL - TURBO DIESEL
17	122312-02-01A	EA DECAL - VORTEC 7400 FUEL INJECTED
		FROM: 09-15-97 THRU: 99-99-99
	126197-01-02A	EA DECAL - SLIDEOUT EXTENSION (AQUA)
	126197-01-01A	EA DECAL - SLIDEOUT EXTENSION (GREEN)
	126196-01-02A	EA DECAL - LOGO - VECTRA GRAND TOUR
	041561-03-000	EA PAINT - 16 OUNCE SPRAY - OFF WHITE
	091828-61-000	GL PAINT - CHROMABASE L8723 - OFF WHITE

DUPONT PAINT COLOR CODES

LAGO BLUE MET.	W9212
LT. ROSE MET.	F4575
LT. AQUA	F3325U
WINTER GREEN MET.	F3326U
LT. SILVER	F2573U

EXTERIOR BODY GROUP (CONTINUED)

BODY PANELS & TRIM

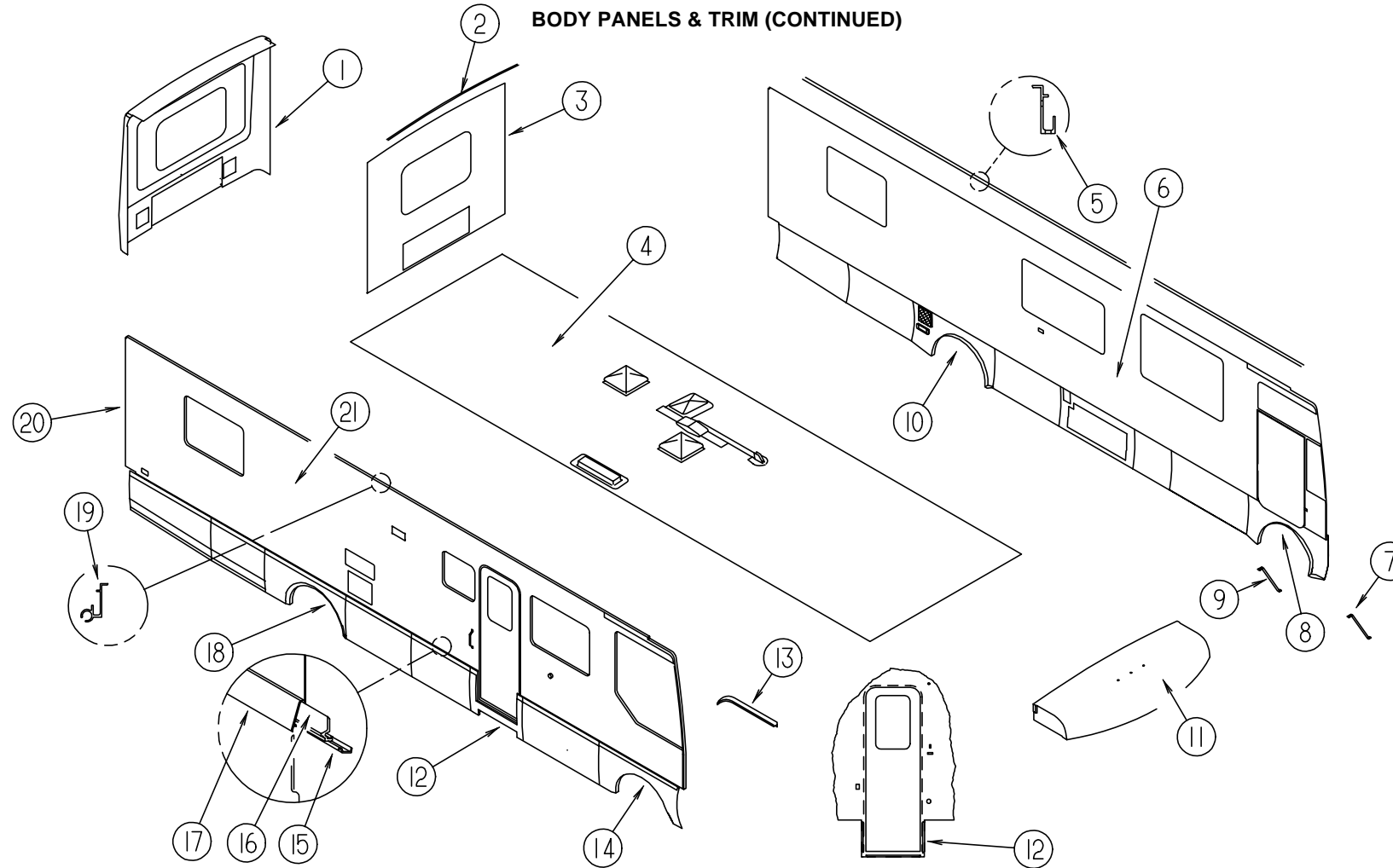


KEY	PART NUMBER	U/M	DESCRIPTION
1	117513-01-02A	EA	CAP - REAR - W/O LIGHTS/DOOR (TWIN BEDS)
1	117514-01-02A	EA	CAP - REAR - W/O LIGHTS/DOOR (QUEEN OR KING BED)
2	083805-23-000	EA	TRIM - CAP - ROOF - 92"
3	P17401-01-H58	EA	BACKWALL - W/O WINDOW/TRIM (QUEEN OR KING BED) (J70,J71)
3	P17401-01-H60	EA	BACKWALL - W/O WINDOW/TRIM (QUEEN OR KING BED) (J72,J73,J74,J75)
3	P17401-01-J76	EA	BACKWALL - W/O WINDOW/TRIM (QUEEN OR KING BED) (J76,J77)
3	P17403-01-H58	EA	BACKWALL - W/O WINDOW/TRIM (TWIN BEDS) (J70,J71)
3	P17403-01-H60	EA	BACKWALL - W/O WINDOW/TRIM (TWIN BEDS) (J72,J73,J74,J75)
3	P17403-01-J76	EA	BACKWALL - W/O WINDOW/TRIM (TWIN BEDS) (J76,J77)
4	P23346-01-J70	EA	ROOF - W/O LIGHTS/VENTS - W/WIRING
5	120091-02-02A	EA	TRIM - ROOF
6	M06902-15-J70	EA	SIDEWALL - DRIVER - W/O WINDOWS/TRIMS - W/WAINSCOTING (QUEEN & KING BED) (J70)
6	M06902-15-J71	EA	SIDEWALL - DRIVER - W/O WINDOWS/TRIMS - W/WAINSCOTING (QUEEN & KING BED) (J71)
6	M06902-15-J72	EA	SIDEWALL - DRIVER - W/O WINDOWS/TRIMS - W/WAINSCOTING (QUEEN & KING BED) (J72,J74)
6	M06902-15-J73	EA	SIDEWALL - DRIVER - W/O WINDOWS/TRIMS - W/WAINSCOTING (QUEEN & KING BED) (J73,J75)
6	M06902-15-J76	EA	SIDEWALL - DRIVER - W/O WINDOWS/TRIMS - W/WAINSCOTING (QUEEN & KING BED) (J76)
6	M06902-15-J77	EA	SIDEWALL - DRIVER - W/O WINDOWS/TRIMS - W/WAINSCOTING (QUEEN & KING BED) (J77)

KEY	PART NUMBER	U/M	DESCRIPTION
6	M06902-16-J70	EA	SIDEWALL - DRIVER - W/O WINDOWS/TRIMS - W/WAINSCOTING (TWIN BED) (J70,J71)
6	M06902-16-J72	EA	SIDEWALL - DRIVER - W/O WINDOWS/TRIMS - W/WAINSCOTING (TWIN BED) (J72,J73,J74,J75)
6	M06902-16-J76	EA	SIDEWALL - DRIVER - W/O WINDOWS/TRIMS - W/WAINSCOTING (TWIN BED) (J76,J77)
7	107865-07-000	EA	ROD - SUPPORT - VALANCE PANEL - 14.3"
8	118842-01-GV0	EA	PANEL - WHEELWELL - FRONT/DRIVER
	106105-03-000	EA	CLIP - VALANCE/RETAINING
	120932-02-02B	EA	ANGLE - WHEEL LIP - LEFT HAND
9	107865-05-000	EA	ROD - SUPPORT - VALANCE PANEL - 9"
10	P18391-01-GV0	EA	WHEEL LIP - REAR/LEFT HAND - W/O FUEL
	118036-01-01A	EA	HINGE - SINGLE PIVOT
11	118027-01-02A	EA	CAP - ROOF - BRIGHT WHITE
12	113119-01-01A	EA	PANEL - VALANCE - ENTRANCE DOOR
	121091-09-01A	EA	ANGLE - ENTRANCE DOOR - 55" HAMPTON TAN
	106105-03-000	EA	CLIP - VALANCE/RETAINING
	118394-01-GV0	EA	PANEL - VALANCE - HORSESHOE
13	108274-07-02A	EA	RAIL - DRIP - FRONT/PASSENGER - BRIGHT WHITE
13	108274-08-02A	EA	RAIL - DRIP - FRONT/DRIVER - BRIGHT WHITE
14	118843-01-GV0	EA	PANEL - WHEELWELL - FRONT/PASSENGER
	120932-01-02B	EA	ANGLE - WHEEL LIP - RIGHT HAND
	107487-02-000	EA	ANGLE - ATTACHMENT - FRONT
	106105-05-000	EA	CLIP - VALANCE/RETAINING

EXTERIOR BODY GROUP (CONTINUED)

BODY PANELS & TRIM (CONTINUED)

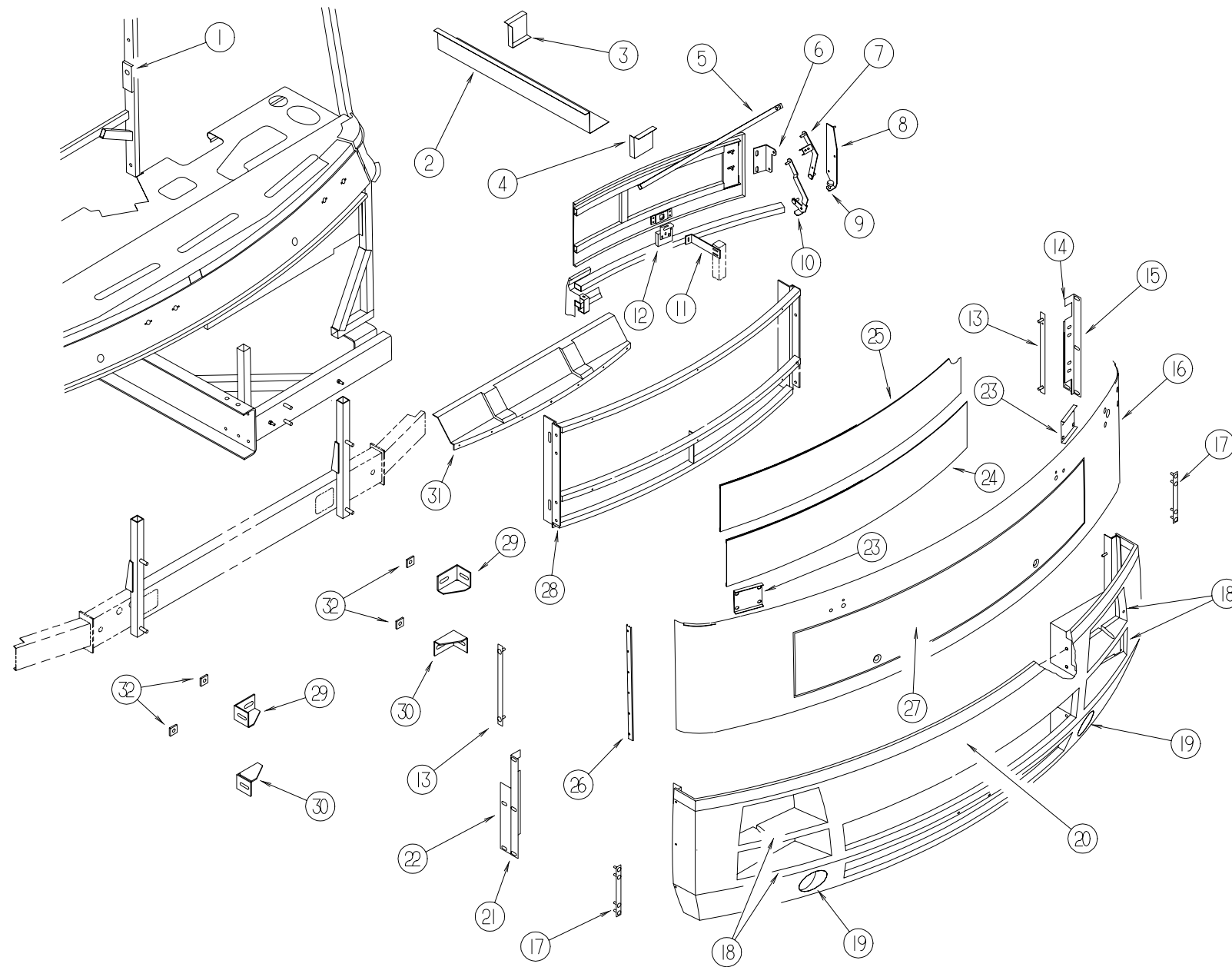


KEY	PART NUMBER	U/M	DESCRIPTION
15	118547-01-01A	EA	RETAINER - TRIM - 12"
15	118547-02-01A	EA	RETAINER - TRIM - 4"
15	118547-03-01A	EA	RETAINER - TRIM - 2"
	118359-51-001	EA	EXTRUDED - RETAINER - TRIM - 191"
16	118546-01-01A	EA	HANGER - VALANCE
	118358-51-001	EA	EXTRUDED - SIDEWALL/LOWER - 182"
17	113161-01-01A	EA	TRIM - PANEL - VALANCE - RIGHT HAND
17	113161-02-01A	EA	TRIM - PANEL - VALANCE - LEFT HAND
	118540-01-01A	EA	TRIM - COVER
	108497-01-01A	EA	END CAP - COVER TRIM - LIGHT GRAY
	108497-02-01A	EA	END CAP - COVER TRIM - LIGHT GRAY
18	118393-01-GV0	EA	WHEEL LIP - PASSENGER REAR
	118036-01-01A	EA	HINGE - SINGLE PIVOT
	106105-06-000	EA	CLIP - VALANCE/RETAINING
19	120092-01-02A	EA	RAIL - AWNING - BRIGHT WHITE
20	092041-02-03A	EA	TRIM - REAR - CAP TO SIDEWALL
	091985-01-07A	FT	MOLDING - TRIM - BRIGHT WHITE
21	M06901-11-J70	EA	SIDEWALL - PASSENGER - W/O WINDOWS/TRIMS - W/WAINSCOTING (QUEEN & KING BED) (J70)
21	M06901-11-J71	EA	SIDEWALL - PASSENGER - W/O WINDOWS/TRIMS - W/WAINSCOTING (QUEEN & KING BED) (J71)
21	M06901-11-J72	EA	SIDEWALL - PASSENGER - W/O WINDOWS/TRIMS - W/WAINSCOTING (QUEEN & KING BED) (J72,J74)

KEY	PART NUMBER	U/M	DESCRIPTION
21	M06901-11-J73	EA	SIDEWALL - PASSENGER - W/O WINDOWS/TRIMS - W/WAINSCOTING (QUEEN & KING BED) (J73,J75)
21	M06901-11-J76	EA	SIDEWALL - PASSENGER - W/O WINDOWS/TRIMS - W/WAINSCOTING (QUEEN & KING BED) (J76)
21	M06901-11-J77	EA	SIDEWALL - PASSENGER - W/O WINDOWS/TRIMS - W/WAINSCOTING (QUEEN & KING BED) (J77)
21	M06901-12-J70	EA	SIDEWALL - PASSENGER - W/O WINDOWS/TRIM/WAINSCOTING (TWIN BED) (J70,J71)
21	M06901-12-J72	EA	SIDEWALL - PASSENGER - W/O WINDOWS/TRIM/WAINSCOTING (TWIN BED) (J72,J73,J74,J75)
21	M06901-12-J76	EA	SIDEWALL - PASSENGER - W/O WINDOWS/TRIM/WAINSCOTING (TWIN BED) (J76,J77)

EXTERIOR BODY GROUP (CONTINUED)

FRONT END ASSEMBLY

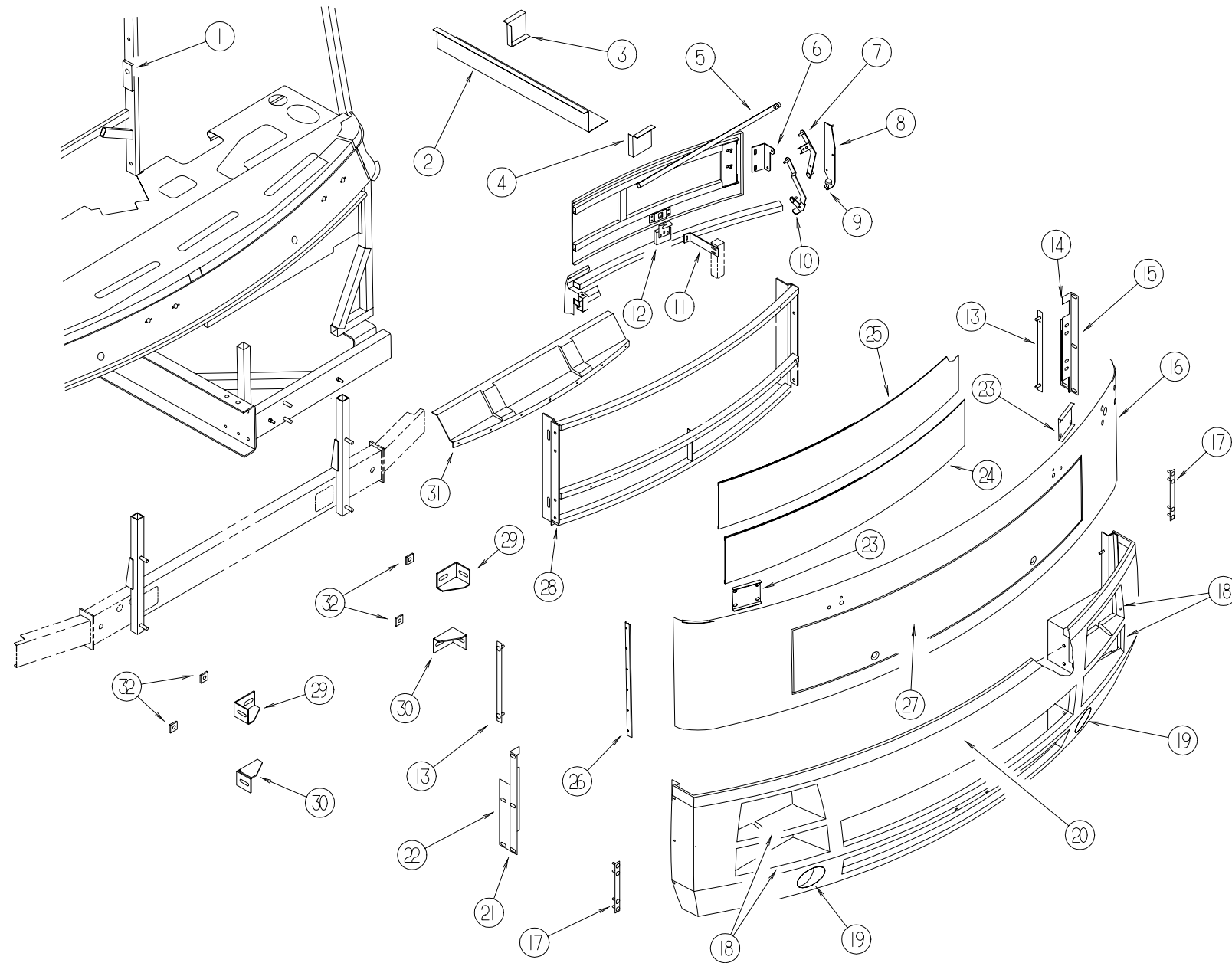


KEY	PART NUMBER	U/M DESCRIPTION
1	070579-06-000	EA PLATE - ANCHOR - W/7/16 WELD NUT - 1.5" X 3.3"
	070579-07-000	EA PLATE - ANCHOR - W/O WELD NUT - 1.5" X 3.3"
2	106746-02-000	EA PANEL - STEPWELL
3	106747-03-000	EA PANEL - STEPWELL - RIGHT HAND END
4	106747-04-000	EA PANEL - STEPWELL - LEFT HAND END
5	105096-10-000	EA TUBE - HOOD HINGE TIMING W/WELDNUTS - CHEV
5	120466-02-02B	EA TUBE - TIMING - HOOD/HINGE - FORD
6	109927-05-000	EA ANGLE - LINK - HOOD/RIGHT HAND
6	109927-06-000	EA ANGLE - LINK - HOOD/LEFT HAND
7	118156-01-02B	EA LINK - HOOD HINGE - UPPER/RIGHT HAND
7	118156-02-02B	EA LINK - HOOD HINGE - UPPER/LEFT HAND
8	109926-11-000	EA BRACKET - LINK - HINGE/RIGHT HAND
8	109926-12-000	EA BRACKET - LINK - HINGE/LEFT HAND
9	058786-01-000	EA BOLT - ADJUSTING HOOD - W/BLACK PAD
10	118154-03-02B	EA LINK - HOOD HINGE - LOWER/RIGHT HAND
	118154-01-01B	EA LINK - HOOD HINGE - LOWER/RIGHT HAND
10	118154-04-02B	EA LINK - HOOD HINGE - LOWER/LEFT HAND
	118154-02-01B	EA LINK - HOOD HINGE - LOWER/LEFT HAND
11	118607-01-02B	EA BRACE - FRONT END

KEY	PART NUMBER	U/M DESCRIPTION
12	106748-03-000	EA LATCH - HOOD - FRONT END
13	106730-02-000	EA PLATE - STUD
14	120932-02-02B	EA ANGLE - WHEEL LIP - LEFT HAND
15	120933-02-02B	EA ANGLE - BUMPER - LEFT HAND
	117979-17-02B	EA SUPPORT - BUMPER - FORD - RIGHT HAND
16	117499-02-G85	EA FRONT END - FIBERGLASS - BRIGHT WHITE/WIDE
	002328-02-000	EA BLOCK - WINDSHIELD - .062" X .5" X .98"
	119445-01-02B	EA PLATE - W/HOLES
17	120934-02-02B	EA PLATE - STUD
18	117777-01-02B	EA FRAME - HEADLAMP - PASSENGER
18	117777-02-02B	EA FRAME - HEADLAMP - LEFT HAND
19	117503-01-01A	EA HOUSING - FOG LAMP
	118650-01-02B	EA SUPPORT - FOG LAMP
	118651-03-02B	EA SUPPORT - BUMPER/FOG LAMP
	118651-04-02B	EA SUPPORT - BUMPER/FOG LAMP

EXTERIOR BODY GROUP (CONTINUED)

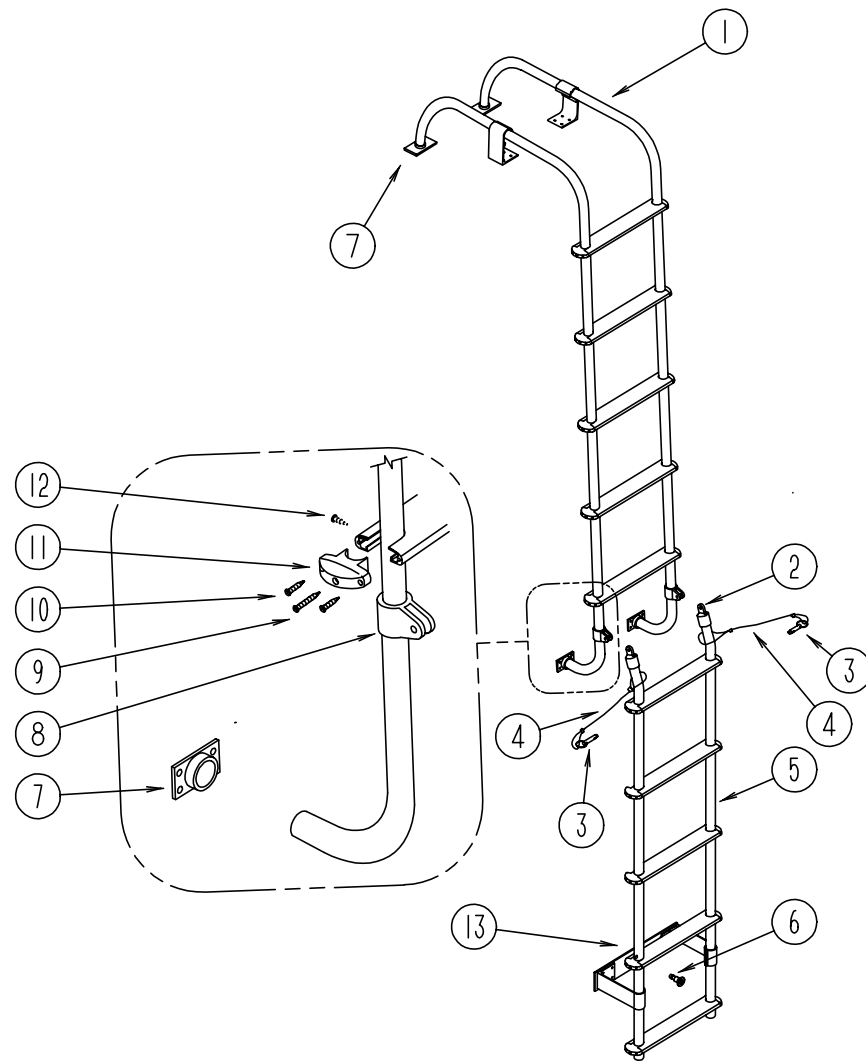
FRONT END ASSEMBLY (CONTINUED)



KEY	PART NUMBER	U/M	DESCRIPTION
20	M08089-01-GV0	EA	PANEL - FRONT BUMPER - CHEVY
20	M08089-02-GV0	EA	PANEL - FRONT BUMPER - FORD
	106730-06-000	EA	PLATE - STUD
	106730-05-000	EA	PLATE - STUD
21	120933-01-02B	EA	ANGLE - BUMPER - RIGHT HAND
22	120932-01-02B	EA	ANGLE - WHEEL LIP - RIGHT HAND
23	120331-01-02B	EA	BRACKET - SUPPORT - FRONT END
24	115924-07-02A	EA	WIRE MESH - F/GRILLE - FLAT BLACK
25	115924-02-02A	EA	WIRE MESH - F/GRILLE - FLAT BLACK
26	114422-01-02A	EA	TRIM - PANEL - FIBERGLASS
27	117496-01-G85	EA	PANEL - OUTER HOOD - BRIGHT WHITE
	106730-02-000	EA	PLATE - STUD (HOOD/INNER)
	102330-01-000	EA	LATCH - VISE ACTION/KEY OPERATED
	102328-01-000	EA	KEY - BARREL - NICKEL PLATED

KEY	PART NUMBER	U/M	DESCRIPTION
28	118117-01-GV0	EA	FRAME - FRONT BUMPER
29	117611-01-02B	EA	BRACKET - BUMPER - RIGHT HAND UPPER/LEFT HAND LOWER
29	117611-02-02B	EA	BRACKET - BUMPER - LEFT HAND UPPER/RIGHT HAND LOWER
30	117611-01-02B	EA	BRACKET - BUMPER - RIGHT HAND UPPER/LEFT HAND LOWER
30	117611-02-02B	EA	BRACKET - BUMPER - LEFT HAND UPPER/RIGHT HAND LOWER
31	120665-02-01A	EA	SPOILER - RADIATOR - FRONT - FORD
31	P20665-01-01A	EA	SPOILER - RADIATOR - FRONT - CHEVY
32	116617-02-02B	EA	SPACER - BUMPER
	120481-01-02B	EA	ANGLE - W/SLOTS

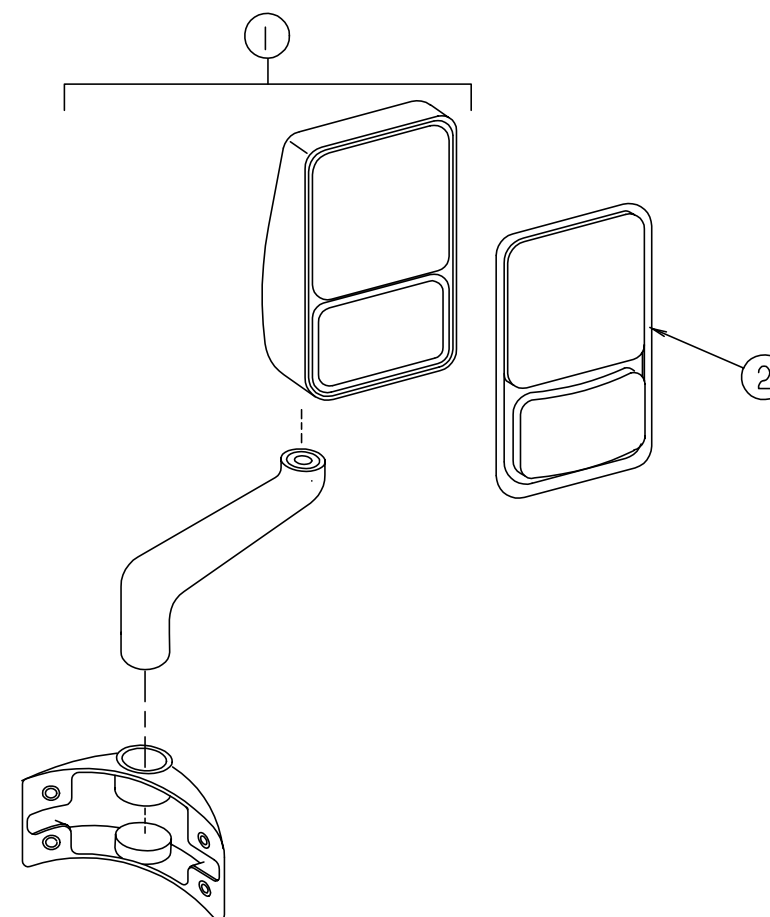
EXTERIOR BODY GROUP (CONTINUED)



LADDER

KEY	PART NUMBER	U/M DESCRIPTION
1	118841-01-GV0	EA LADDER - UPPER
2	081115-01-000	EA TOP CAP - RACK & LADDER - 1"
3	081056-01-000	EA PIN - QUICK RELEASE - SINGLE ACTION - LADDER
4	076767-11-000	EA CABLE - 1/16" X 5.9"
5	118840-01-GV0	EA LADDER - LOWER
6	114834-01-000	EA PIN - QUICK RELEASE
7	067165-01-000	EA BRACKET - MOUNTING - LOWER LADDER
8	081116-01-000	EA SLIDE - TOP - RACK & LADDER - 1"
9	000G67-10-36T	EA SCREW - 10-12 X 2.25 PPH, BLACK
10	000G39-06-10T	EA SCREW-SF/DR, 6-20 X 5/8 PPH
11	076980-02-000	EA END CAP - STEP - BLACK
12	000G39-10-16U	EA SCREW-SF/DR, 10-16 X 1.00 PPH
13	108423-01-02A	EA PLATE - BUMPER - LOWER LADDER
	081114-01-000	EA CAP - INSERT - ROUND - 1" DIAMETER - BLACK PLASTIC
	038327-01-000	EA TAPE - ANTI-SLIP - 2" X 60'
	081055-01-000	EA SPRING GRIP - INTERNAL TOOTH - LADDER

EXTERIOR BODY GROUP (CONTINUED)



VELVAC EXTERIOR MIRRORS

KEY	PART NUMBER	U/M DESCRIPTION	VENDOR NO.
1	119774-09-02A	EA MIRROR - EXTERIOR REMOTE/HEAT - PASSENGER	
2	086261-01-704	EA MIRROR KIT - EXTERIOR - PASS. SIDE	709268
		KIT CONTAINS: BEZEL - CONVEX GLASS - HEATED FLAT GLASS	
	106015-12-700	EA GLASS - FLAT W/HEAT & CLIP	709448
1	119774-10-02A	EA MIRROR - EXTERIOR REMOTE/HEAT - DRIVER	
	106015-12-701	EA GLASS - CONVEX W/HEAT & CLIP	709449
	108825-02-000	EA GASKET - MIRROR	
	088246-01-000	EA SWITCH - REMOTE - EXTERIOR - SQUARE PUSH	
	087695-02-000	EA SWITCH - HEATER - EXTERIOR MIRROR	
	087695-03-000	EA CONNECTOR - ASSEMBLY	

SQUEEGEE

KEY	PART NUMBER	U/M DESCRIPTION
	091955-02-000	EA SQUEEGEE - EXTENDED HANDLE
	110429-03-D18	EA BRACKET - SQUEEGEE

GALLEY GROUP

STOVE TOP COVERS

KEY	PART NUMBER	U/M DESCRIPTION
	M05904-04-J70	EA COVER - STOVE - W/COUNTERTOP (J70,J71)
	M05904-04-J72	EA COVER - STOVE - W/COUNTERTOP (J72,J73)
	M05904-04-J74	EA COVER - STOVE - W/COUNTERTOP (J74,J75,J76,J77)

MICROWAVE OVEN

KEY	PART NUMBER	U/M DESCRIPTION
	122753-01-000	EA OVEN - MICROWAVE - .9 CU. FT - NON CONVECTION - SHARP - UL
	122753-02-000	EA OVEN - MICROWAVE - .9 CU. FT - CONVECTION - SHARP - UL
	122753-04-000	EA OVEN - MICROWAVE - .9 CU. FT - CONVECTION - SHARP - CSA
	082227-06-000	EA TRIM - BOTTOM/MICROWAVE - BLACK
	102486-13-01A	EA TRIM - MICROWAVE - VERTICAL - BLACK
	102482-09-H56	EA FRAME - MICROWAVE
	094756-03-G15	EA BRACKET - ANGLE - W/HOLES
	122799-01-02B	EA SUPPORT - MICROWAVE
	122799-02-02B	EA SUPPORT - MICROWAVE

COFFEE MAKER - BLACK & DECKER SDC2B

KEY	PART NUMBER	U/M DESCRIPTION	VENDOR NO.
	126019-01-01A	EA COFFEEMAKER - OPTIMA - W/BRACKETS - BLACK & DECKER	
	126019-01-700	EA GLASS CARAFE	172547-00
	126019-01-701	EA RESERVOIR - WATER	172554
	126019-01-702	EA BASKET - FILTER	172553-00
	126019-01-703	EA HARDWARE - MOUNTING	172174-00

RANGE W/OVEN

KEY	PART NUMBER	U/M DESCRIPTION
*	126023-01-01A	EA RANGE - W/OVEN 22" - 3 BURNER/BLACK GLASS DOOR

* COMPONENT PARTS FOUND IN SERVICE PARTS LIBRARY

RANGE TOP

KEY	PART NUMBER	U/M DESCRIPTION
*	114030-02-01A	EA RANGE - 3 BURNER TOP - W/O OVEN - BLACK

* COMPONENT PARTS FOUND IN SERVICE PARTS LIBRARY

RANGE HOOD

KEY	PART NUMBER	U/M DESCRIPTION
*	100258-21-02A	EA HOOD - RANGE - W/MONITOR PANEL

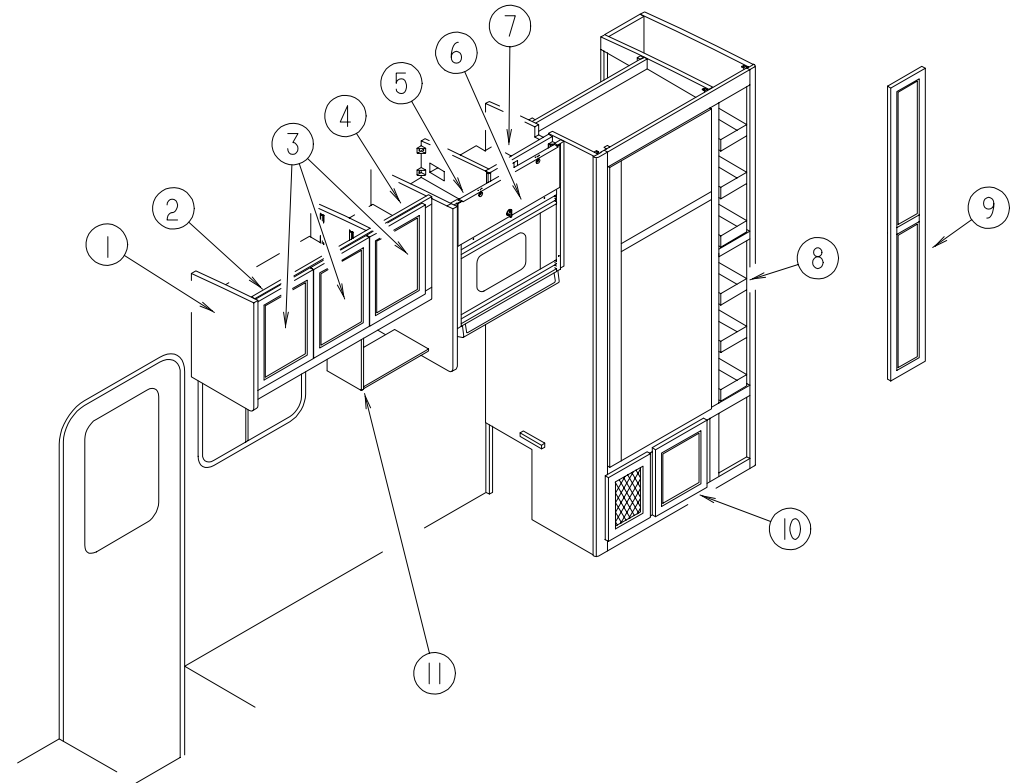
* COMPONENT PARTS FOUND IN SERVICE PARTS LIBRARY

REFRIGERATOR

KEY	PART NUMBER	U/M DESCRIPTION
*	120075-03-01A	EA REFRIGERATOR - LARGE DOUBLE DOOR/RIGHT HAND - 2-WAY W/ICE
*	120075-01-01A	EA REFRIGERATOR - LARGE DOUBLE DOOR/RIGHT HAND - 2-WAY
	065225-02-000	EA PLATE - TIEDOWN - REFRIGERATOR
	090195-08-000	EA BAFFLE - REFRIGERATOR - LOWER
	093369-03-000	EA STRAP - REFRIGERATOR
	093646-01-000	EA BRACKET - TIEDOWN/REFRIGERATOR - RIGHT HAND
	093646-02-000	EA BRACKET - TIEDOWN/REFRIGERATOR - LEFT HAND
	054450-01-000	EA LEVEL - REFRIGERATOR

* COMPONENT PARTS FOUND IN SERVICE PARTS LIBRARY

GALLEY GROUP (CONTINUED)

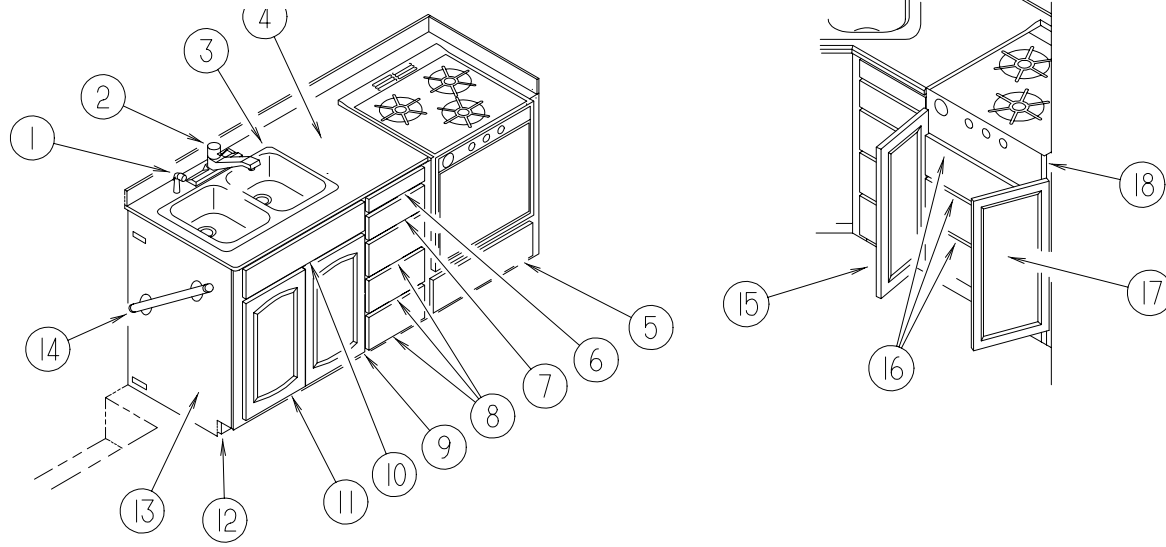


UPPER GALLEY CABINETS

KEY	PART NUMBER	U/M DESCRIPTION
1	107494-17-J70	EA END CAP (WASHED MAPLE)
1	107494-17-H57	EA END CAP (SALEM CHERRY)
2	126117-01-J70	EA CABINET - OVERHEAD/GALLEY - W/O DOORS/HARDWARE (WASHED MAPLE)
2	126117-01-J71	EA CABINET - OVERHEAD/GALLEY - W/O DOORS/HARDWARE (SALEM CHERRY)
	126117-11-J70	EA SHELF - W/PLASTIC EDGE TRIM (WASHED MAPLE)
	126117-11-J71	EA SHELF - W/PLASTIC EDGE TRIM (SALEM CHERRY)
3	M05990-08-J70	EA DOOR - ARCHED/OGEE EDGE - 17.7" X 12.8" - W/O HARDWARE (WASHED MAPLE)
3	M05990-08-GV1	EA DOOR - OGEE EDGE - 17.7" X 12.8" W/O HARDWARE (SALEM CHERRY)
4	117372-02-J70	EA END CAP - LEFT HAND - MICROWAVE CABINET (WASHED MAPLE)
4	117372-02-H57	EA END CAP - LEFT HAND - MICROWAVE CABINET (SALEM CHERRY)
5	P23602-02-J70	EA CABINET - OVERHEAD MICROWAVE - W/O DOORS/HARDWARE (WASHED MAPLE)
5	P23602-02-H57	EA CABINET - OVERHEAD MICROWAVE - W/O DOORS/HARDWARE (SALEM CHERRY)
6	100708-05-000	EA DOOR - GLASS - TV CABINET - 8.5" X 23.4" - W/O HARDWARE
	100710-01-01A	EA LOCK - GLASS DOOR/TWIST TYPE - BRASS
	100711-01-01A	EA HINGE - GLASS DOOR
	100707-01-000	EA SPACER - GLASS DOOR - .8" DIA - .3" HOLE - PLASTIC
7	117418-01-J70	EA CABINET - FUSE PANEL - W/O DOORS/HARDWARE (WASHED MAPLE)
7	117418-01-GV1	EA CABINET - FUSE PANEL - W/O DOORS/HARDWARE (SALEM CHERRY)
8	122325-01-J70	EA CABINET - PANTRY - SLIDING/RIGHT HAND - W/O SLIDES/HDW (WASHED MAPLE)
8	122325-01-H57	EA CABINET - PANTRY - SLIDING/RIGHT HAND - W/O SLIDES/HDW (SALEM CHERRY)
	122325-11-J70	EA SHELF - W/PLASTIC EDGE MOLDING (WASHED MAPLE)
	122325-11-H57	EA SHELF - W/PLASTIC EDGE MOLDING (SALEM CHERRY)
	122360-02-000	EA SLIDE - PANTRY - W/O LOCK - RIGHT/LEFT HAND
	122360-03-000	EA SLIDE - PANTRY - W/LOCK - RIGHT HAND
	123673-01-01A	EA KNOB - PANTRY SLIDE
9	M05992-K1-J70	EA DOOR - STRAIGHT CORNER/OGEE EDGE - 8.5" X 60.7" - W/O HDW (WASHED MAPLE)
9	M05992-K1-H57	EA DOOR - OGEE EDGE - 8.5" X 60.7" - W/O HARDWARE (SALEM CHERRY)
10	M05992-09-J70	EA DOOR - STRAIGHT CORNER/OGEE EDGE - 13.6" X 22.8" - W/O HDW (WASHED MAPLE)
	M05992-09-E41	EA DOOR - OGEE EDGE - 13.6" X 22.8" - W/O HARDWARE (SALEM CHERRY)
11	126049-01-J70	EA CABINET - W/O DOOR/HARDWARE - F/COFFEE MAKER (WASHED MAPLE)
11	126049-01-J71	EA CABINET - W/O DOOR/HARDWARE - F/COFFEE MAKER (SALEM CHERRY)
	090329-01-000	FT SEAL/T - REFRIGERATOR CABINET

GALLEY GROUP (CONTINUED)

LOWER GALLEY CABINETS & FIXTURES



KEY	PART NUMBER	U/M DESCRIPTION	VENDOR NO.
1	103635-01-000	EA FAUCET - SINGLE CONTROL	
	103635-01-700	EA FITTING KIT - FAUCET REPAIR	3071-70
	103635-01-701	EA TUBING - PLASTIC	3019-20
	103635-01-702	EA FAUCET REPAIR KIT	3026-46
2	064952-01-000	EA FAUCET - GALLEY - SINGLE CONTROL - 8"	
3	110654-01-000	EA SINK - STAINLESS STEEL/DOUBLE BASIN (1 LG-1 SM BASIN)	
	092303-01-000	EA STRAINER - SINK	
	108464-03-GV4	EA COVER - SINK - 15" X 11" (J70,J71)	
	108464-03-E39	EA COVER - SINK - 15" X 11" - LAMINATED BOTH SIDES (J72,J73)	
	108464-03-J74	EA COVER - SINK - 15" X 11" (J74,J75,J76,J77)	
	108464-04-F32	EA COVER - SINK - 15" X 15" - LAMINATE ON BOTH SIDES (J70,J71)	
	108464-04-J72	EA COVER - SINK - 15" X 15" - LAMINATE BOTH SIDES (J72,J73)	
	108464-04-J23	EA COVER - SINK - 15" X 15" - LAMINATE BOTH SIDES (J74,J75,J76,J77)	
4	127606-15-J70	EA COUNTERTOP - GALLEY (J70)	
4	127606-15-J71	EA COUNTERTOP - GALLEY (J71)	
4	127606-15-J72	EA COUNTERTOP - GALLEY (J72)	
4	127606-15-J73	EA COUNTERTOP - GALLEY (J73)	
4	127606-15-J74	EA COUNTERTOP - GALLEY (J74,J76)	
4	127606-15-J75	EA COUNTERTOP - GALLEY (J75,J77)	
5	M05971-HE-J70	EA DRAWER - OGEE EDGE - 19.6"W X 17.7"D - W/O SLIDES/HARDWARE (WASHED MAPLE)	
5	M05971-HE-J71	EA DRAWER - OGEE EDGE - 19.6"W X 17.7"D - W/O SLIDES/HARDWARE (SALEM CHERRY)	
6	M05976-08-J70	EA DRAWER - CUTTING BOARD - W/O SLIDES/HARDWARE (WASHED MAPLE)	
6	M05976-08-J71	EA DRAWER - CUTTING BOARD - W/O SLIDES/HARDWARE (SALEM CHERRY)	
7	M05971-HG-J70	EA DRAWER - OGEE EDGE - 9.6"W X 17.7"D - W/O SLIDES/HARDWARE (WASHED MAPLE)	
7	M05971-HG-J71	EA DRAWER - OGEE EDGE - 9.6"W X 17.7"D - W/O SLIDES/HARDWARE (SALEM CHERRY)	
	100081-01-01A	EA TRAY - SILVERWARE - 9" X 13.3" RUBBERMAID ALMOND PLASTIC	
8	M05971-HH-J70	EA DRAWER - OGEE EDGE - 9.6"W X 17.7"D - W/O SLIDES/HARDWARE (WASHED MAPLE)	
8	M05971-HH-J71	EA DRAWER - OGEE EDGE - 9.6"W X 17.7"D - W/O SLIDES/HARDWARE (SALEM CHERRY)	

KEY	PART NUMBER	U/M DESCRIPTION
9	M05992-07-J70	EA DOOR - STRAIGHT CORNER/OGEE EDGE - 12.8" X 21.8" - W/O HDW (WASHED MAPLE)
9	M05992-07-GV1	EA DOOR - OGEE EDGE - 12.8" X 21.8" - W/O HARDWARE (SALEM CHERRY)
10	M06810-01-J70	EA DRAWER - TIPOUT - W/O HARDWARE (WASHED MAPLE)
10	M06810-01-E41	EA DRAWER - TIPOUT - W/O HARDWARE (SALEM CHERRY)
	108126-01-000	EA TRAY HINGE SET (QTY. 2 PER SET)
	108127-01-01A	EA CAP - TRAY
	108128-01-01A	EA TRAY - HIDDEN
11	M05992-08-J70	EA DOOR - STRAIGHT CORNER/OGEE EDGE - 12.8" X 21.8" - W/O HDW (WASHED MAPLE)
11	M05992-08-GV1	EA DOOR - OGEE EDGE - 12.8" X 21.8" - W/O HARDWARE (SALEM CHERRY)
	102238-01-000	EA CONTAINER - TRASH - W/HDW - 8" X 13" X 15.2" - WIRE BASKET
	093605-02-01A	EA RACK - TOWEL/WIRE - ALMOND
12	127606-13-J70	EA TOE KICK - GALLEY CABINET (WASHED MAPLE)
12	127606-13-J71	EA TOE KICK - GALLEY CABINET (SALEM CHERRY)
13	127606-02-J70	EA CABINET - GALLEY - W/OVEN - W/O DOORS/DRAWERS/HARDWARE (J70)
13	127606-02-J71	EA CABINET - GALLEY - W/OVEN - W/O DOORS/DRAWERS/HARDWARE (J71)
13	127606-02-J72	EA CABINET - GALLEY - W/OVEN - W/O DOORS/DRAWERS/HARDWARE (J72)
13	127606-02-J73	EA CABINET - GALLEY - W/OVEN - W/O DOORS/DRAWERS/HARDWARE (J73)
13	127606-02-J74	EA CABINET - GALLEY - W/OVEN - W/O DOORS/DRAWERS/HARDWARE (J74,J76)
13	127606-02-J75	EA CABINET - GALLEY - W/OVEN - W/O DOORS/DRAWERS/HARDWARE (J75,J77)
14	P02786-03-J70	EA HANDRAIL ONLY - W/O BRACKETS (WASHED MAPLE)
14	P02786-03-E41	EA HANDRAIL ONLY - W/O BRACKETS (SALEM CHERRY)
	099682-01-01A	EA BRACKET - MOUNTING/HAND RAIL - ROUND BASE
15	M05992-04-J70	EA DOOR - STRAIGHT CORNER/OGEE EDGE - 10.8" X 23.8" - W/O HDW (WASHED MAPLE)
15	M05992-04-GV1	EA DOOR - STRAIGHT CORNER/OGEE EDGE - 10.8" X 23.8" - W/O HDW (SALEM CHERRY)
16	P18052-04-J70	EA DRAWER - OGEE EDGE - 19.6"W X 17.7"D - W/O SLIDES/HARDWARE (WASHED MAPLE)
16	P18052-04-J71	EA DRAWER - OGEE EDGE - 19.6"W X 17.7"D - W/O SLIDES/HARDWARE (SALEM CHERRY)
17	M05992-03-J70	EA DOOR - STRAIGHT CORNER/OGEE EDGE - 10.8" X 23.8" - W/O HDW (WASHED MAPLE)
17	M05992-03-GV1	EA DOOR - STRAIGHT CORNER/OGEE EDGE - 10.8" X 23.8" - W/O HDW (SALEM CHERRY)
18	127606-01-J70	EA CABINET - GALLEY - W/O DOORS/DRAWERS/HARDWARE (J70)
18	127606-01-J71	EA CABINET - GALLEY - W/O DOORS/DRAWERS/HARDWARE (J71)
18	127606-01-J72	EA CABINET - GALLEY - W/O DOORS/DRAWERS/HARDWARE (J72)
18	127606-01-J73	EA CABINET - GALLEY - W/O DOORS/DRAWERS/HARDWARE (J73)
18	127606-01-J74	EA CABINET - GALLEY - W/O DOORS/DRAWERS/HARDWARE (J74,J76)
18	127606-01-J75	EA CABINET - GALLEY - W/O DOORS/DRAWERS/HARDWARE (J75,J77)
	115004-01-000	EA DISPENSER - PAPER TOWEL
	115078-01-700	EA TOWEL-PAPER 'C' FOLD PKG
	114899-01-000	EA DISPENSER - SOAP - LIQUID

GENERATOR GROUP

7 KW ONAN MARQUIS GENERATOR (U.S.)

KEY	PART NUMBER	U/M	DESCRIPTION
	105559-03-000	EA	GENERATOR - 7 KW MARQUIS 30/30
	109677-01-000	EA	LOAD CENTER - 120 VOLT - 40 AMP
	106071-01-000	EA	SWITCH - AUTOMATIC TRANSFER - 30 AMP
	083209-03-000	EA	CIRCUIT BREAKER - 15/20 AMP - 120 VOLT
	083209-06-000	EA	CIRCUIT BREAKER - 30/15 AMP - 120 VOLT
	008054-01-000	EA	CORD - POWER - 10/3 - 30 AMP - 25'
	106235-01-000	EA	ADAPTOR - GENERATOR EXHAUST
	007125-03-000	EA	CLAMP - MUFFLER - 1.5" DIAMETER
	007131-01-000	EA	HANGER - TAILPIPE - 6 SLOTS
	008401-01-000	EA	STRAP - CONDUIT - 3/4" - 1 HOLE - GALVANIZED STEEL
	105958-15-000	EA	PIPE - EXHAUST - GENERATOR

7 KW ONAN MARQUIS GENERATOR (CANADIAN)

KEY	PART NUMBER	U/M	DESCRIPTION
	105559-03-000	EA	GENERATOR - 7 KW MARQUIS 30/30
	109677-01-000	EA	LOAD CENTER - 120 VOLT - 40 AMP
	113132-01-000	EA	LOAD CENTER - 120/240 VOLT - 60 AMP
	106071-01-000	EA	SWITCH - AUTOMATIC TRANSFER - 30 AMP
	083209-02-000	EA	CIRCUIT BREAKER - 15/15 AMP - 120 VOLT
	083209-03-000	EA	CIRCUIT BREAKER - 15/20 AMP - 120 VOLT
	083209-06-000	EA	CIRCUIT BREAKER - 30/15 AMP - 120 VOLT
	108916-01-000	EA	CIRCUIT BREAKER - 50 AMP - 12 VOLT - 2 POLE
	008054-01-000	EA	CORD - POWER - 10/3 - 30 AMP - 25'
	106235-01-000	EA	ADAPTOR - GENERATOR EXHAUST
	007125-03-000	EA	CLAMP - MUFFLER - 1.5" DIAMETER
	007131-01-000	EA	HANGER - TAILPIPE - 6 SLOTS
	008401-01-000	EA	STRAP - CONDUIT - 3/4" - 1 HOLE - GALVANIZED STEEL
	105958-15-000	EA	PIPE - EXHAUST - GENERATOR

NOTE: ADDITIONAL GENERATOR COMPONENTS ARE FOUND IN THE CHASSIS GROUP

GENERATOR GROUP (CONTINUED)

7 KW ONAN MARQUIS GENERATOR - 50 AMP (U.S.)

KEY	PART NUMBER	U/M	DESCRIPTION
	105559-03-000	EA	GENERATOR - 7 KW MARQUIS 30/30
	112365-03-000	EA	BREAKER - 30 AMP GENERATOR
	083209-02-000	EA	CIRCUIT BREAKER - 15/15 AMP - 120 VOLT
	083209-03-000	EA	CIRCUIT BREAKER - 15/20 AMP - 120 VOLT
	108916-01-000	EA	CIRCUIT BREAKER - 50 AMP - 12 VOLT - 2 POLE
	108915-01-000	EA	LOAD CENTER - 120/240 VOLT - 125 AMP
	113132-01-000	EA	LOAD CENTER - 120/240 VOLT - 60 AMP
	108934-01-000	EA	CORD - POWER - 50 AMP - 4 WIRE - 36'
	106235-01-000	EA	ADAPTOR - GENERATOR EXHAUST
	007125-03-000	EA	CLAMP - MUFFLER - 1.5" DIAMETER
	007131-01-000	EA	HANGER - TAILPIPE - 6 SLOTS
	008401-01-000	EA	STRAP - CONDUIT - 3/4" - 1 HOLE - GALVANIZED STEEL
	105958-15-000	EA	PIPE - EXHAUST - GENERATOR

7 KW ONAN MARQUIS GENERATOR - 50 AMP (CANADIAN)

KEY	PART NUMBER	U/M	DESCRIPTION
	105559-03-000	EA	GENERATOR - 7 KW MARQUIS 30/30
	083209-01-000	EA	CIRCUIT BREAKER - 15 AMP - 120 VOLT - CANADIAN
	083209-02-000	EA	CIRCUIT BREAKER - 15/15 AMP - 120 VOLT
	083209-03-000	EA	CIRCUIT BREAKER - 15/20 AMP - 120 VOLT
	108916-01-000	EA	CIRCUIT BREAKER - 50 AMP - 12 VOLT - 2 POLE
	108915-01-000	EA	LOAD CENTER - 120/240 VOLT - 125 AMP
	113132-01-000	EA	LOAD CENTER - 120/240 VOLT - 60 AMP
	112365-03-000	EA	BREAKER - 30 AMP GENERATOR
	113096-01-000	EA	CORD - POWER - 50 AMP - 4 WIRE - 36' - CSA
	106235-01-000	EA	ADAPTOR - GENERATOR EXHAUST
	007125-03-000	EA	CLAMP - MUFFLER - 1.5" DIAMETER
	007131-01-000	EA	HANGER - TAILPIPE - 6 SLOTS
	008401-01-000	EA	STRAP - CONDUIT - 3/4" - 1 HOLE - GALVANIZED STEEL
	105958-15-000	EA	PIPE - EXHAUST - GENERATOR

NOTE: ADDITIONAL GENERATOR COMPONENTS ARE FOUND IN THE CHASSIS GROUP

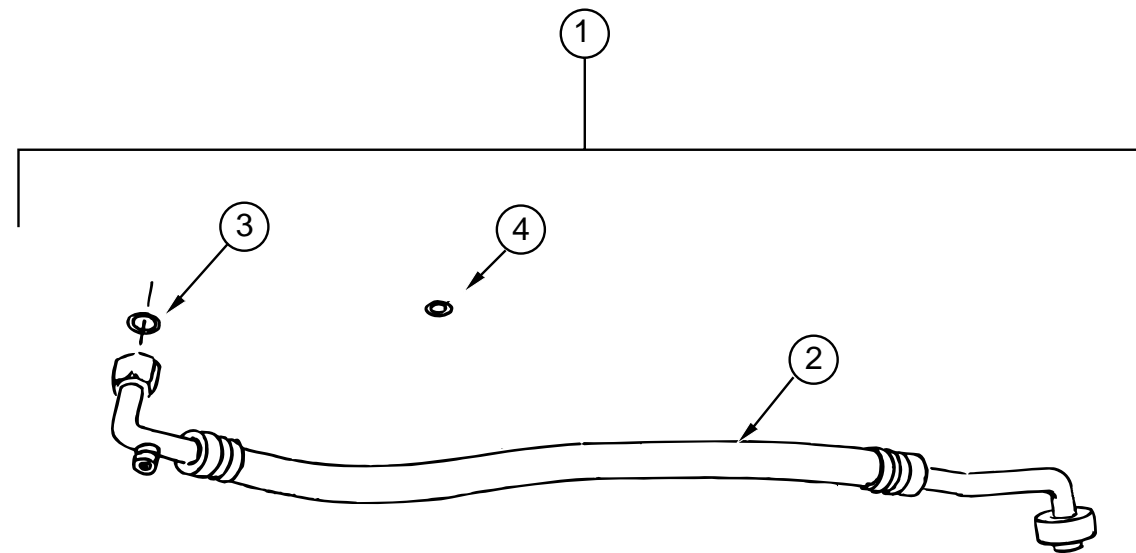
HEATING & AIR CONDITIONING GROUP

AUTO A/C & HEAT SYSTEM

KEY	PART NUMBER	U/M DESCRIPTION
	007281-01-000	EA HOSE - FLEXIBLE PVC - 2.5" ID X 50'
	024990-05-000	EA OUTLET - DEFROSTER - 4" DIAMETER W/SWIVEL DEFLECTORS
	024990-07-000	EA OUTLET - DEFROSTER - W/SWIVEL - 2"
	056464-10-000	EA REGISTER - 4" DIAMETER - PLASTIC - W/O DAMPER - BEIGE
	056402-05-000	EA BRACKET - HEATER VENT - ROUND W/BEND - BLACK
	056402-06-000	EA BRACKET - HEATER/BLACK
	103016-01-000	EA PLENUM - TRANSITION
	103558-01-08A	EA VENT - DEFROSTER - 2" X 14.4" X 1.4" - HAMPTON TAN
	103796-01-01A	EA LOUVER - A/C
	077075-01-000	EA GASKET - INSTRUMENT PANEL TO DEFROSTER PLENUM
	103017-03-000	EA PLENUM - DEFROSTER
	103930-23-000	EA VALVE - WATER - 2 PORT

EVANS REAR HEATER SYSTEM

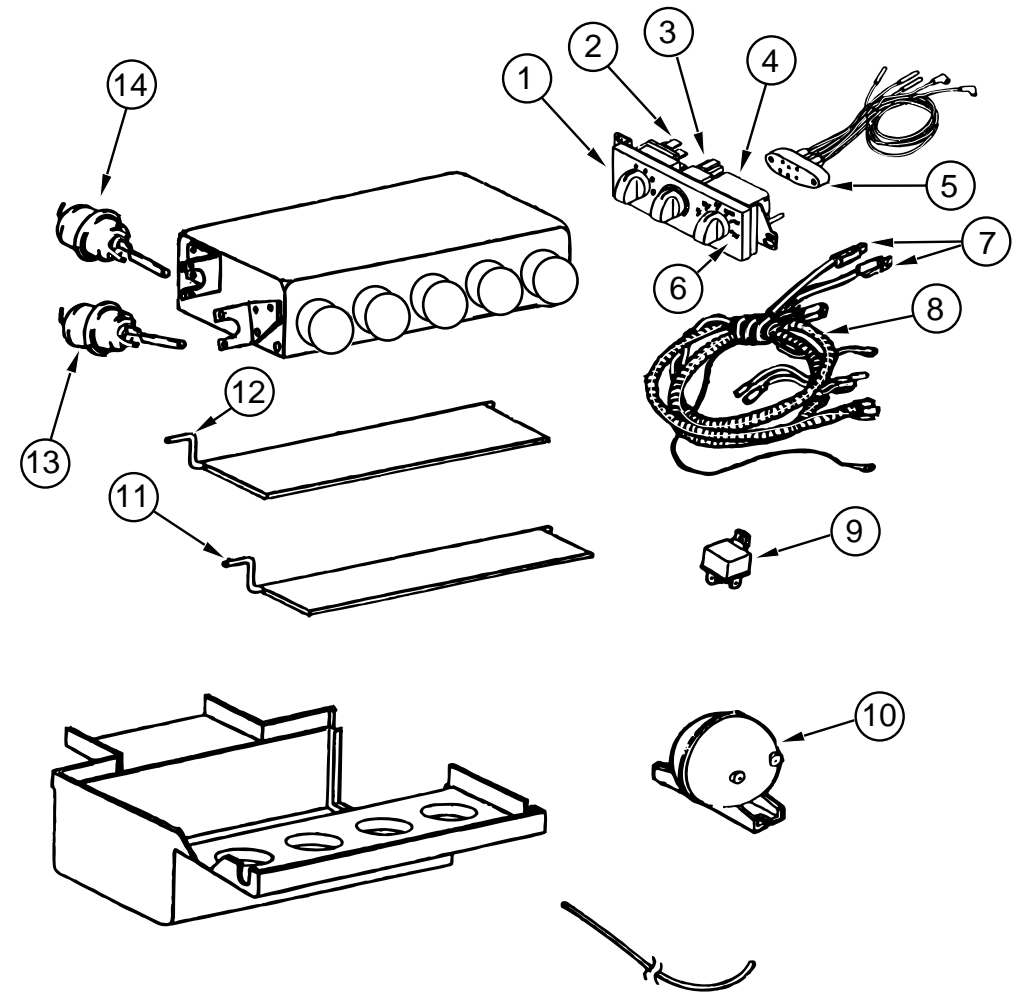
KEY	PART NUMBER	U/M DESCRIPTION	VENDOR NO.
	084405-01-000	EA HEATER - REAR/DUCTED - W/MOTOR AID	
	084405-01-700	EA CORE - HEATER	FT200229
	084405-01-701	EA FAN BLADES	HV029931
	084405-01-702	EA MOTOR ASSEMBLY - 12 VOLT	RV010348
	007076-01-000	EA HOSE - FLEXIBLE PVC - 2" ID - INCREMENTS OF 50'	
	007108-01-000	FT HOSE - HEATER - 5/8" ID - HI-TEMP - FORD	
	009198-01-000	FT DUCT - HEAT - FLEXIBLE - 4" ID X 25'	
	079059-02-000	EA HOSE - 90 DEGREE - .61" ID X 4" X 6"	
	079059-01-000	EA HOSE - 90 DEGREE - 5/8" ID X 4" X 36"	
	076776-01-000	EA TEE - BEADED - 5/8" X 5/8" X 5/8"	



CHEVY HOSE KIT - VORTEC GAS OR DIESEL OPTION

KEY	PART NUMBER	U/M DESCRIPTION	VENDOR NO.
1	103930-29-000	EA HOSE KIT - #10 W/GM L-29 & L-65 CHASSIS	
2	103930-29-700	EA HOSE ASSM #10 W/HARRISON COMP	085-0348
3	103930-17-702	EA O'RING #10	045-0127
4	103930-29-701	EA GASKET-GMLP SW 1996	045-0483

HEATING & AIR CONDITIONING GROUP (CONTINUED)

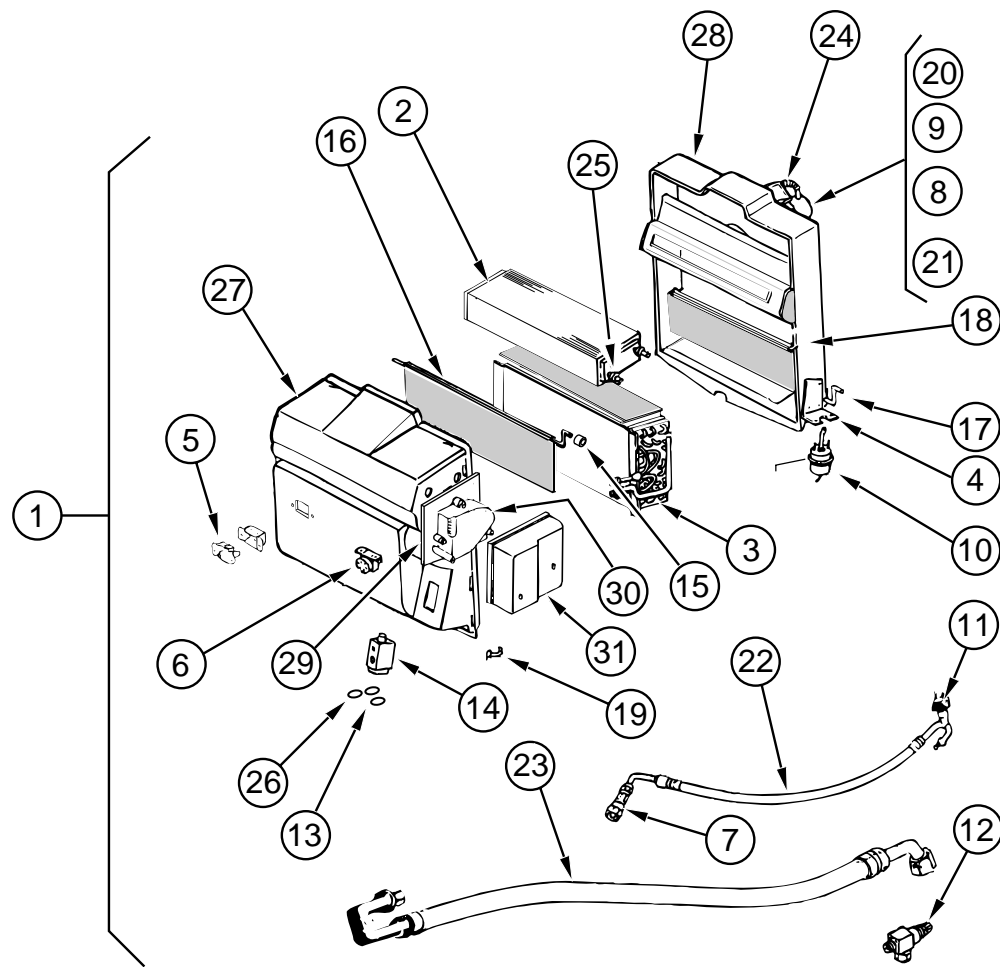


CONTROL/PLENUM - ROTARY CONTROL HEAD

KEY	PART NUMBER	U/M DESCRIPTION	VENDOR NO.
	103930-35-000	EA CONTROL/PLENUM - ROTARY CONTROL HEAD	
1	103930-33-702	EA CONTROL PANEL	083-0169
2	103930-33-707	EA SWITCH - BLOWER	032-0186
3	103930-33-708	EA SWITCH - POTENTIOMETER	032-0184
4	103930-33-709	EA SWITCH - VACUUM	032-0183
5	103930-33-703	EA VACUUM HARNESS	036-0465
6	103930-33-710	EA DECAL F/CONTROL HEAD	058-0102
7	103930-33-705	EA LIGHT BULBS	035-0030
8	103930-33-704	EA WIRE HARNESS W/BULBS	036-0466
9	103930-02-707	EA RELAY-BOSCH W/RESISTER	031-0001
10	103930-02-710	EA CANISTER-VACUUM	054-0002
11	103930-33-700	EA ROD - DOOR DEFROSTER/AC	073-0028
12	103930-33-706	EA ROD - DOOR AC/DEFROST	073-0060
13	103930-02-708	EA MOTOR-VACUUM SERVO, A/C	030-0025
14	103930-33-701	EA MOTOR - VACUUM, 3 STAGE	030-0105

HEATING & AIR CONDITIONING GROUP (CONTINUED)

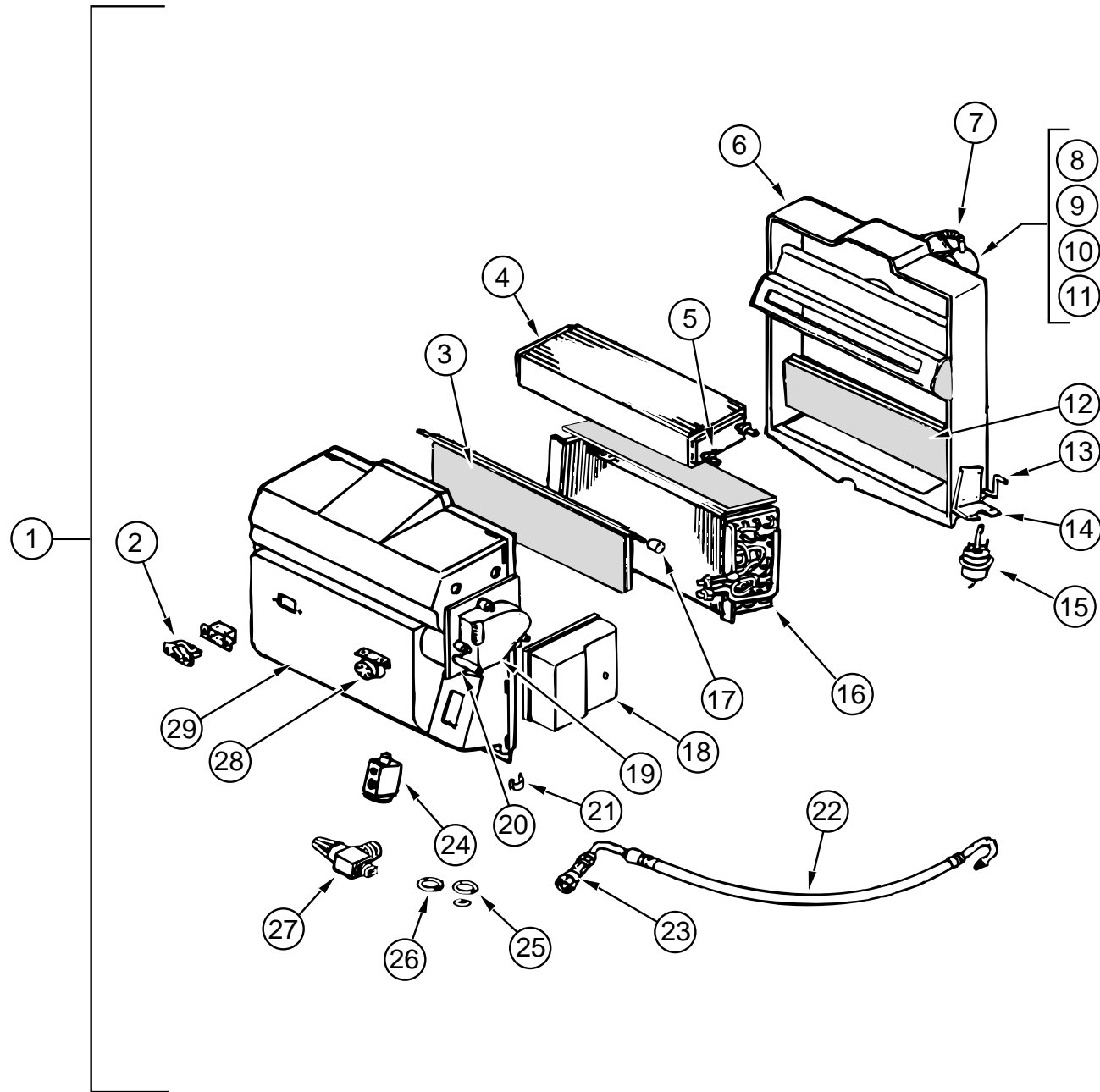
FORD EVAPORATOR/HEATER ASSEMBLY



KEY	PART NUMBER	U/M	DESCRIPTION	VENDOR NO.
1	103930-31-000	EA	EVAPORATOR/HEATER - FORD - SERVO MOTOR CONTROLLED	
2	103930-01-703	EA	CORE - HEATER	042-0010
3	103930-01-704	EA	COIL - EVAPORATOR	041-0017
4	103930-01-708	EA	BRACKET - VACUUM MOTOR	070-0113
5	103930-01-710	EA	RESISTOR - FUSED - A/C	035-0006
6	103930-01-711	EA	THERMOSTAT	033-0003
7	103930-01-713	EA	FITTING - QUICK CONNECT - #4	050-0030
8	103930-01-717	EA	WHEEL - BLOWER - CLOCKWISE	062-0010
9	103930-30-706	EA	MOTOR - BLOWER W/PIGTAIL HARNESS	030-0109
10	103930-02-708	EA	MOTOR - VACUUM SERVO - A/C	030-0025
11	103930-12-708	EA	SWITCH - BINARY - HI-LOW CUTOUT	032-0048
12	103930-13-702	EA	VALVE - SERVICE - W/O COMP.	050-0152
13	103930-17-702	EA	O'RING #10	045-0127
14	103930-20-700	EA	VALVE - EXPANSION - BLOCK - 2 TON	034-0032
15	103930-30-702	EA	BUSHING - BLEND AIR DOOR	062-0168
16	103930-30-705	EA	DOOR - BLEND AIR	071-0568
17	103930-20-704	EA	ROD - DOOR - RECIRCULATING	073-0018
18	103930-20-705	EA	PANEL - DOOR - RECIRCULATING	071-0213
19	103930-20-706	EA	CLIP - RETAINER	022-0057
20	103930-20-707	EA	HOUSING - BLOWER	062-0145
21	103930-20-708	EA	CLIP - MOTOR SHAFT	022-0001
22	103930-21-700	EA	HOSE ASM. #6 EXP. VALVE - DRIER	085-0139
23	103930-21-701	EA	HOSE ASM #10, EXP. VALVE - COMP	085-0149
24	110279-01-703	EA	HOSE - VENT - BLOWER MOTOR	051-0034
25	110279-01-712	EA	FITTING - HEATER	050-0076
26	113245-01-707	EA	O'RING #8	045-0126
27	103930-30-700	EA	CASE - FRONT	062-0542
28	103930-20-711	EA	CASE - BACK - SUB-ASSEMBLY	062-0147
29	103930-30-701	EA	PLATE - MOTOR MOUNT	062-0544
30	103930-30-703	EA	MOTOR - SERVO	030-0104
31	103930-30-704	EA	COVER - SERVO	062-0545

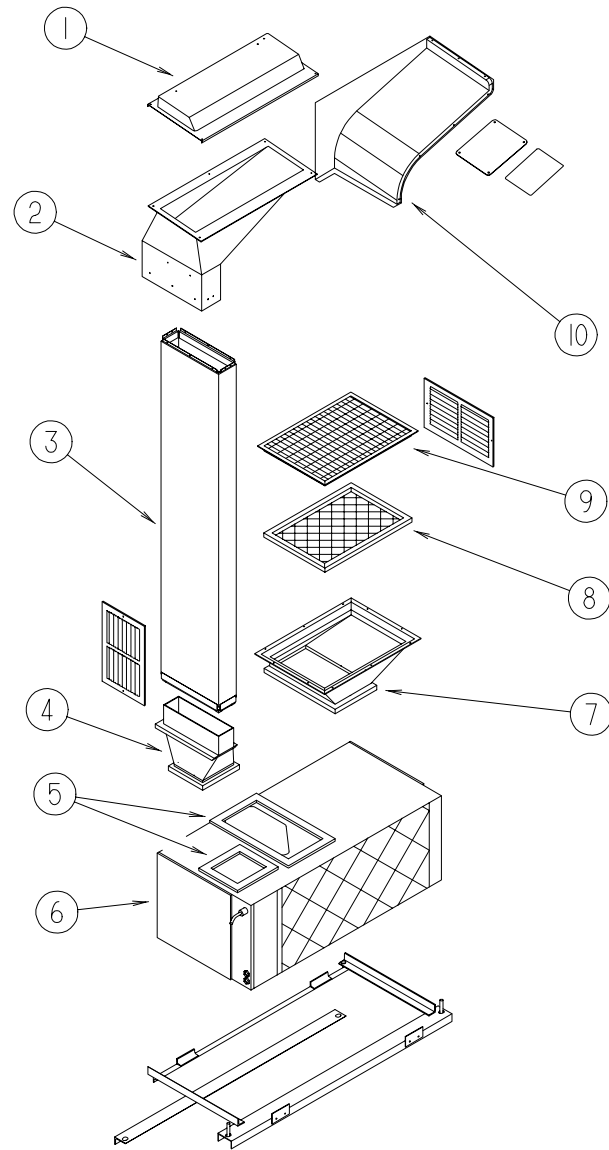
HEATING & AIR CONDITIONING GROUP (CONTINUED)

CHEVY EVAPORATOR/HEATER ASSEMBLY



KEY	PART NUMBER	U/M DESCRIPTION	VENDOR NO.
1	103930-30-000	EA EVAPORATOR/HEATER - CHEVY - SERVO MOTOR CONTROLLED	
2	103930-01-710	EA RESISTOR - FUSED - A/C	035-0006
3	103930-30-705	EA DOOR - BLEND AIR	071-0568
4	103930-01-703	EA CORE - HEATER	042-0010
5	110279-01-712	EA FITTING - HEATER	050-0076
6	103930-20-711	EA CASE - BACK - SUB-ASSEMBLY	062-0147
7	110279-01-703	EA HOSE - VENT - BLOWER MOTOR	051-0034
8	103930-20-707	EA HOUSING - BLOWER	062-0145
9	103930-30-706	EA MOTOR - BLOWER W/PIGTAIL HARNESS	030-0109
10	103930-01-717	EA WHEEL - BLOWER - CLOCKWISE	062-0010
11	103930-20-708	EA CLIP - MOTOR SHAFT	022-0001
12	103930-20-705	EA PANEL - DOOR - RECIRCULATING	071-0213
13	103930-20-704	EA ROD - DOOR - RECIRCULATING	073-0018
14	103930-01-708	EA BRACKET - VACUUM MOTOR	070-0113
15	103930-02-708	EA MOTOR - VACUUM SERVO - A/C	030-0025
16	103930-01-704	EA COIL - EVAPORATOR	041-0017
17	103930-30-702	EA BUSHING - BLEND AIR DOOR	062-0168
18	103930-30-704	EA COVER - SERVO	062-0545
19	103930-30-703	EA MOTOR - SERVO	030-0104
20	103930-30-701	EA PLATE - MOTOR MOUNT	062-0544
21	103930-20-706	EA CLIP - RETAINER	022-0057
22	103930-25-700	EA HOSE ASM. - #6 EVAP TO DRIER	085-0350
23	103930-12-709	EA FITTING - QUICK CONNECT	050-0120
24	103930-20-700	EA VALVE - EXPANSION - BLOCK - 2 TON	034-0032
25	103930-17-702	EA O'RING #10	045-0127
26	113245-01-707	EA O'RING #8	045-0126
27	103930-20-709	EA VALVE - SERVICE	050-0159
28	103930-01-711	EA THERMOSTAT	033-0003
29	103930-30-700	EA CASE - FRONT	062-0542

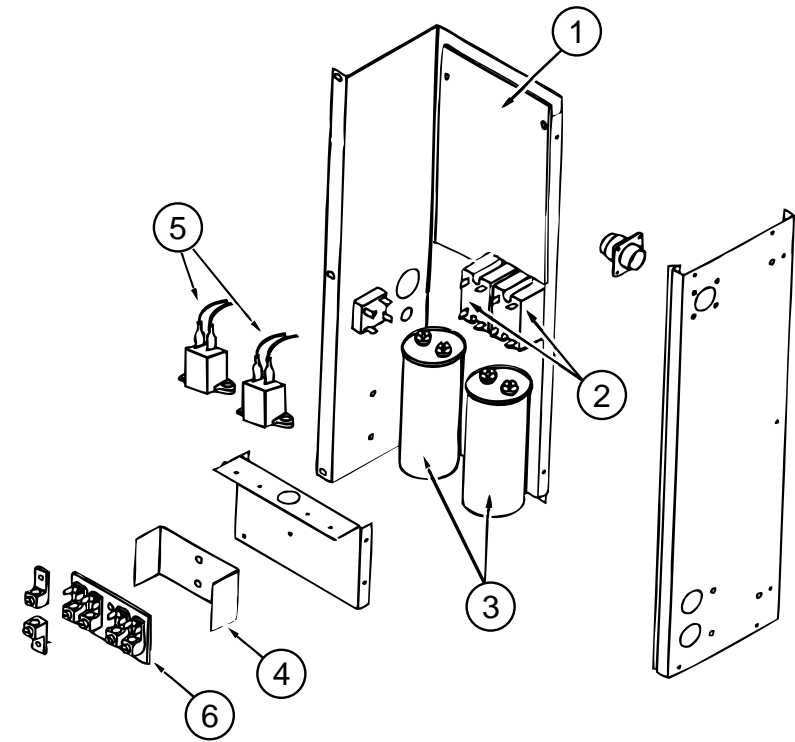
HEATING & AIR CONDITIONING GROUP (CONTINUED)



PLENUMS, INSULATION & FILTER - COLEMAN 6795B832

KEY	PART NUMBER	U/M	DESCRIPTION
1	109009-01-000	EA	DEFLECTOR - A/C - ROOF
	104692-01-000	FT	SEAL - FOAM/ADHESIVE BACK - .75"THICK X .75"WIDE X 25'
2	P18218-01-000	EA	PLENUM - A/C - SUPPLY - UPPER W/FOAM
3	117870-01-01A	EA	PLENUM - A/C - 67"
4	P17384-01-000	EA	PLENUM - A/C - LOWER
	105290-01-000	SF	INSULATION - AIR POCKET W/FOIL
5	100128-02-000	FT	SEAL - FOAM - ADHESIVE BACK - .37" WIDE X .37" THICK
6	105620-05-000	EA	A/C - CENTRAL PACKAGE UNIT - LEFT HAND
	105620-09-000	EA	THERMOSTAT - A/C & FURNACE - HORIZONTAL MOUNT 4.25" X 2.5"
	105620-07-000	EA	WIRE ASSEMBLY - THERMOSTAT
7	117389-01-000	EA	PLENUM - A/C - RETURN AIR
	105290-01-000	SF	INSULATION - AIR POCKET W/FOIL
8	109050-02-000	EA	FILTER - FIBERGLASS - 1" X 14" X 20"
9	109859-01-000	EA	FRAME ASSEMBLY - FILTER - A/C
10	117570-01-01A	EA	COVER - PLENUM - A/C - UPPER OFF WHT

HEATING & AIR CONDITIONING GROUP (CONTINUED)



ELECTRICAL COMPONENTS - COLEMAN 6795B832 (CONTINUED)

KEY	PART NUMBER	U/M	DESCRIPTION	VENDOR NO.
1	105620-05-700	EA	BOARD - PRINTED CIRCUIT - 2 TON	6795-3201
2	105620-01-729	EA	RELAY - COMPRESSOR	1460-1011
3	108889-01-707	EA	CAPACITOR - RUN - COMPRESSOR - 25MFD/370	1499-5661
4	105620-01-733	EA	ISOLATOR - HIGH VOLTAGE	6795-117
5	105620-01-739	EA	START ASSIST	9011
6	105620-01-738	EA	HIGH VOLTAGE TERMINAL BOARD	6795-315

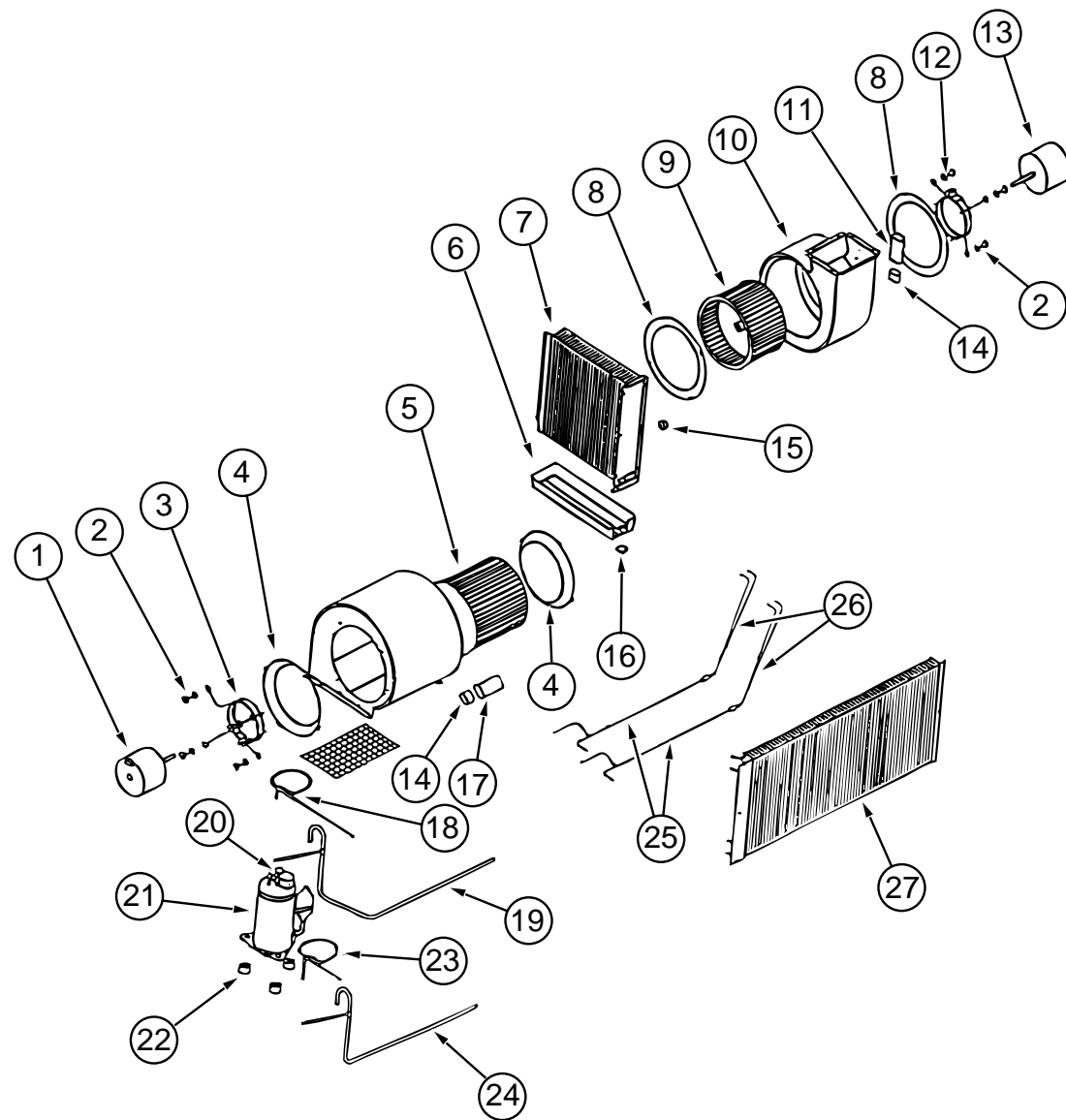
FURNACE-SUBURBAN - 40,000 BTU - SF-422275

KEY	PART NUMBER	U/M	DESCRIPTION
*	098668-22-000	EA	FURNACE - 40,000 BTU

*** COMPONENT PARTS FOUND IN SERVICE PARTS LIBRARY**

HEATING & AIR CONDITIONING GROUP (CONTINUED)

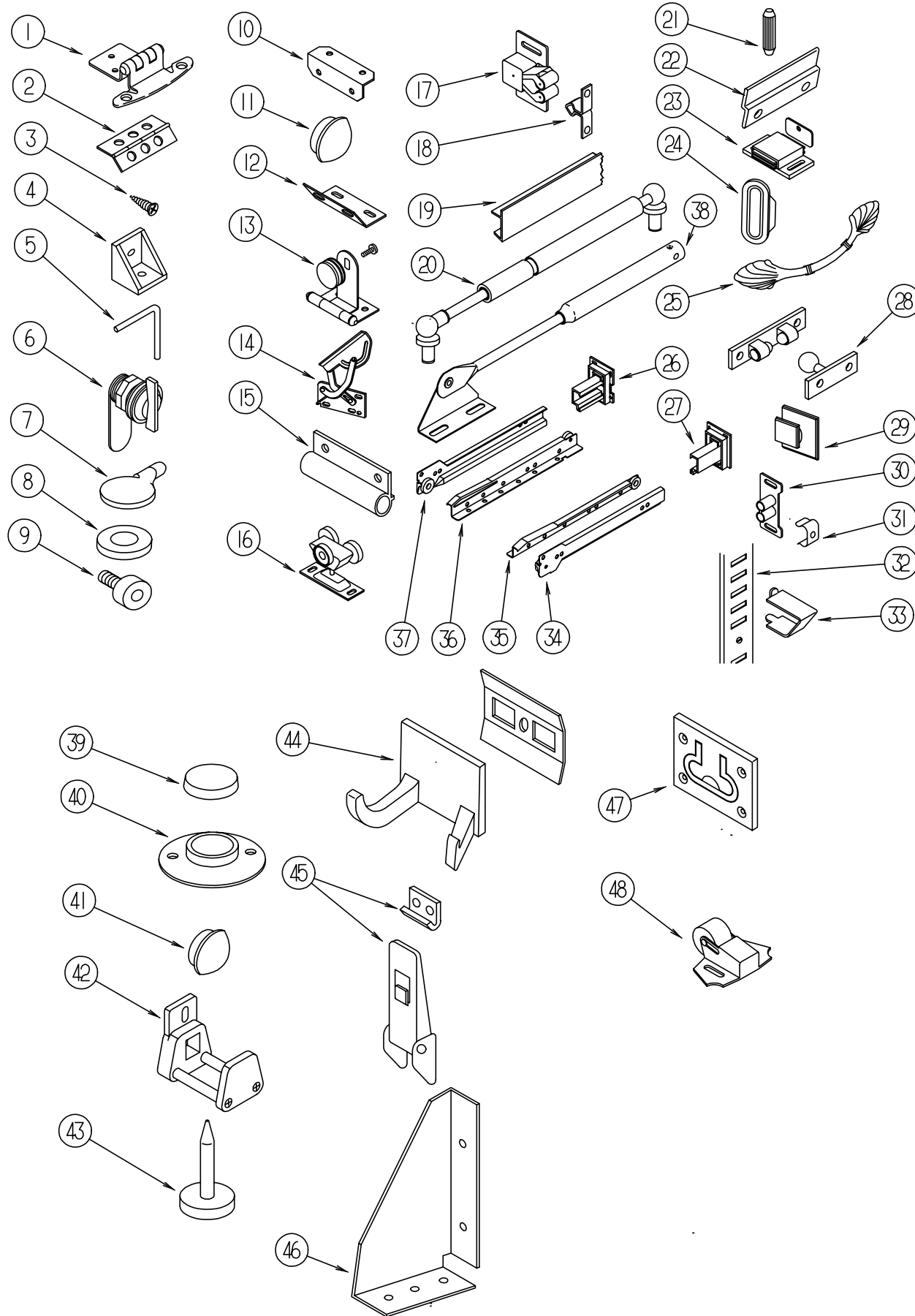
BLOWER MOTOR, COMPRESSOR AND COMPONENTS - COLEMAN 6795B832 (CONTINUED)



KEY	PART NUMBER	U/M	DESCRIPTION	VENDOR NO.
1	105620-01-717	EA	MOTOR - BLOWER - O.D.	1468-302
2	105620-01-716	EA	PACKAGE - SLEEVE & GROMMET - 4 PER PKG	6795-3031
3	105620-01-715	EA	MOUNT - BLOWER - O.D.	6795-3011
4	105620-01-714	EA	VENTURI - BLOWER - O.D.	6795-150
5	105620-01-713	EA	WHEEL - BLOWER - O.D.	1472-1011
6	105620-02-702	EA	PAN - DRAIN - LH	6795-225
7	105620-02-701	EA	COIL - EVAPORATOR - LEFT	1452-1431
8	105620-01-722	EA	VENTURI - BLOWER - I.D.	6795-151
9	105620-02-709	EA	WHEEL - BLOWER - I.D.	1472-1021
10	105620-02-708	EA	HOUSING - BLOWER - I.D.	6795-519
11	108889-01-708	EA	CAPACITOR - BLOWER	1499-5461
12	105620-01-723	EA	MOUNT - MOTOR - BLOWER I.D.	6795-3021
13	105620-01-724	EA	MOTOR - BLOWER - I.D.,	1468-3129
14	105620-01-719	EA	BOOT - CAPACITOR - RUBBER	1499-950
15	N/A	EA	SWITCH - FREEZE - COLEMAN 6795A330 (NOT USED ON THIS MODEL)	
16	105620-01-703	EA	DRAIN VALVE	6795-300
17	105620-01-718	EA	BLOWER CAPACITOR - O.D. (12.5)	1499-5631
18	105620-01-708	EA	LINE - DISCHARGE - 2 - LEFT	6795-133
19	105620-02-703	EA	LINE ASM - SUCTION - 2 - LEFT	6795-507
20	105620-01-705	EA	OVERLOAD PROTECTOR (RH & LH)	6759-3791
21	105620-01-704	EA	COMPRESSOR - TECUMSEH	RK157 AT-010A4
22	105620-01-706	EA	MOUNTING PACKAGE - COMPRESSOR - 3 PER	6759-3081
23	105620-02-706	EA	LINE ASM. - LIQUID - CKT #1 (LH)	6795-234
24	105620-02-705	EA	LINE ASM. - SUCTION - CKT #1 (LH)	6795-508
25	105620-02-707	EA	LINE ASM. - LIQUID - COMPRESSOR (LH)	6795-503
26	105620-01-712	EA	CAP TUBE ASM - DISTRIBUTOR - R & L	6795-5141
27	105620-02-700	EA	COIL - CONDENSER - (LH)	1452-1421
	105620-07-000	EA	WIRE ASSEMBLY - THERMOSTAT	
	120134-01-02A	EA	REGISTER - 4" TO 5" IN DIAMETER W/DAMPER	

INTERIOR FINISH GROUP

CABINET HARDWARE

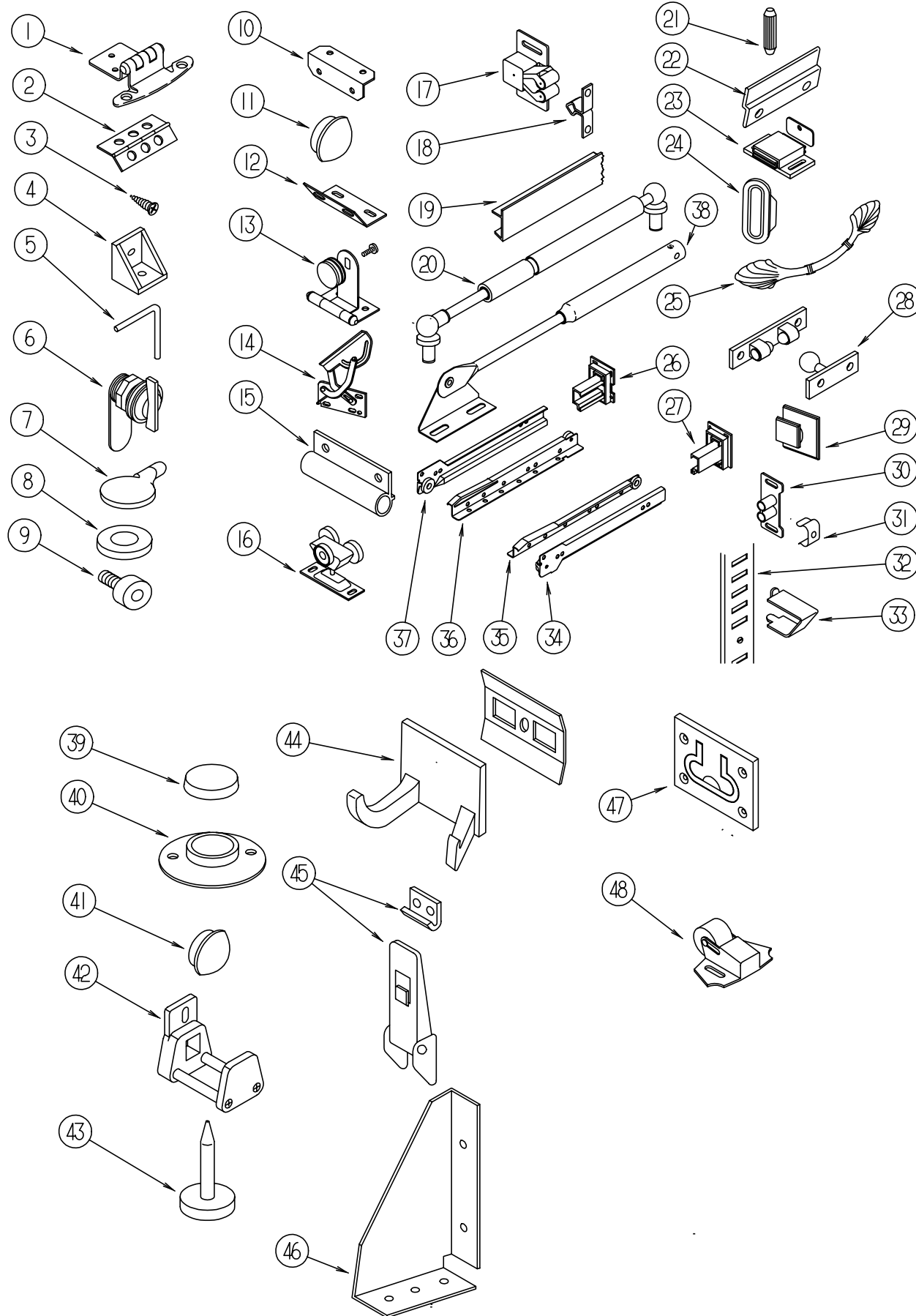


KEY	PART NUMBER	U/M	DESCRIPTION
1	108138-01-000	EA	HINGE - CABINET DOOR - BURNISHED BRASS
2	009059-01-000	EA	HINGE - DOOR - 2" X 1.4" - BRASS
2	009059-02-000	EA	HINGE - DOOR - 2" X 2.7" - BRASS
2	009065-01-000	EA	HINGE - ALUMINUM - 1 1/2" X 96" - UNPAINTED
2	112556-01-01A	EA	HINGE - BRASS - 1 1/2"
3	000G13-06-10G	EA	SCREW - 6-20 X 5/8 PFH - ANTIQUE BRASS
3	000G13-06-08G	EA	SCREW - 6-20 X .50 PFH - ANTIQUE BRASS
4	065740-01-000	EA	BRACE - CABINET/CORNER - PLASTIC
5	108487-01-01A	EA	SUPPORT - PROP ROD - OVERHEAD - BLACK
6	100710-01-01A	EA	LOCK - GLASS DOOR/TWIST TYPE - BRASS
7	101766-02-000	EA	PIN - SUPPORT/GLASS DOOR
8	100707-01-000	EA	SPACER - GLASS DOOR - .8" DIA - .3" HOLE - PLASTIC
9	079921-01-000	EA	ROLLER - NYLON - W/STEEL SHAFT - BARBED
10	016604-01-000	EA	BRACE - CABINET - ANGLE - 2.5" - UNPAINTED METAL
10	016604-05-000	EA	BRACE - CABINET - ANGLE - 2.5" - OFF WHITE METAL
11	074045-10-000	EA	PLUG - OAK - 1/2" DIAMETER (WASHED MAPLE)
11	074045-08-000	EA	PLUG - OAK - 1/2" DIAMETER (SALEM CHERRY)
12	111866-01-01A	EA	BRACE - SEAT - ANGLE
13	100711-01-01A	EA	HINGE - GLASS DOOR
14	108126-01-000	EA	TRAY HINGE SET (QTY. 2 PER SET)
15	108486-01-01A	EA	BRACKET - PROP ROD/OVERHEAD - BLACK
16	103874-01-000	EA	HANGER - SLIDING DOOR
17	093586-06-000	EA	CATCH - SPRING - ROLLER
18	093586-05-000	EA	STRIKE - SPRING STEEL
19	103186-01-08A	FT	MOLDING - PLASTIC/3/8" U-CHANNEL W/3/4" FACE - WASHED MAPLE
19	103186-01-04A	FT	MOLDING - PLASTIC/3/8" U-CHANNEL W/3/4" FACE - CHERRY
19	103186-02-08A	FT	MOLDING - PLASTIC/1" U-CHANNEL W/1 3/8" FACE - WASHED MAPLE
19	103186-02-04A	FT	MOLDING - PLASTIC/1" U-CHANNEL W/1 3/8" FACE - CHERRY
20	057460-04-000	EA	SPRING - GAS - BALL STUD STYLE "SPD6209"
21	110072-01-000	EA	DOWEL - 5/16" X 1 3/16" - BIRCH
22	101272-01-000	EA	CATCH - GLASS DOOR
23	088254-01-000	EA	CATCH - MAGNETIC - 1.8" X .7"
24	098410-01-01A	EA	PULL - FINGER - OVAL - BRASS
25	113202-01-000	EA	PULL - CABINET - BRASS
26	114045-01-000	EA	BACKSOCKET - ADJUSTABLE LEFT
26	128811-01-01A	EA	BACKSOCKET - ADJUSTABLE LEFT
27	114045-02-000	EA	BACKSOCKET - ADJUSTABLE RIGHT
27	128811-02-01A	EA	BACKSOCKET - ADJUSTABLE RIGHT
28	084451-02-000	EA	CATCH - BRASS
29	102327-01-01A	EA	PULL - MIRROR - W/SQUARE HANDLE
30	009021-01-000	EA	CATCH - GRILLE - NYLON
31	009021-02-000	EA	STRIKE - SPRING STEEL
32	098980-01-000	EA	PILASTER - ADJUSTABLE SHELF - 18"
32	098980-02-000	EA	PILASTER - ADJUSTABLE SHELF - 12"
32	098980-03-000	EA	PILASTER - ADJUSTABLE SHELF - 9"
32	098980-04-000	EA	PILASTER - ADJUSTABLE SHELF - 48"
32	098980-06-000	EA	PILASTER - ADJUSTABLE SHELF - 24"
33	098979-01-000	EA	CLIP - ADJUSTABLE SHELF

FROM: 00-00-00 THRU: 02-22-98
 FROM: 02-23-98 THRU: 99-99-99
 FROM: 00-00-00 THRU: 02-22-98
 FROM: 02-23-98 THRU: 99-99-99

INTERIOR FINISH GROUP (CONTINUED)

CABINET HARDWARE (CONTINUED)



CABINET DOOR SLIDES - FROM: 00-00-00 THRU: 02-22-98

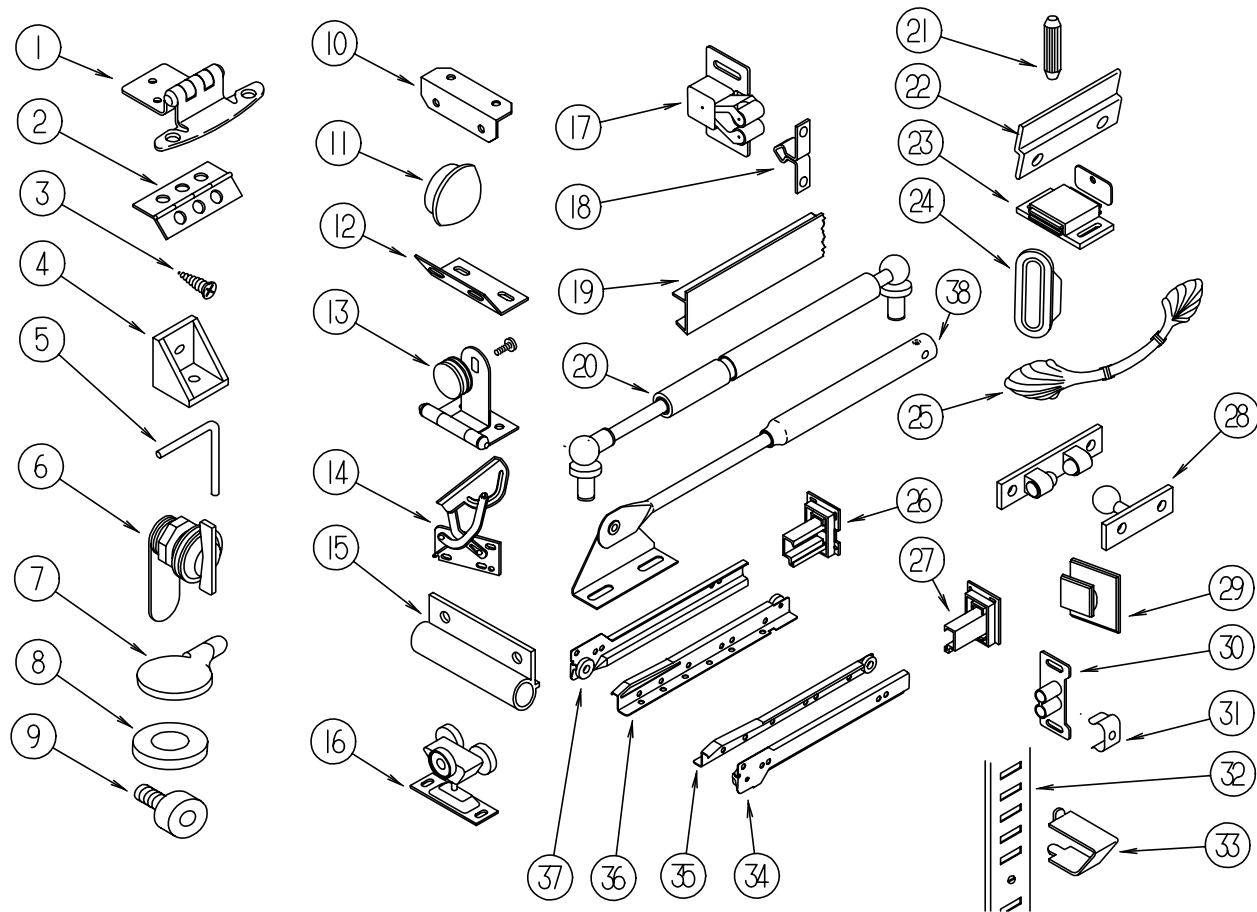
KEY	PART NUMBER	U/M	DESCRIPTION
34	114031-02-000	EA	SLIDE - 12" - RIGHT SIDE/CABINET
34	114031-14-000	EA	SLIDE - 18" - RIGHT SIDE/CABINET
34	114031-18-000	EA	SLIDE - 20" - RIGHT SIDE/CABINET
34	114031-22-000	EA	SLIDE - 22" - RIGHT SIDE/CABINET
34	114031-26-000	EA	SLIDE - 24" - RIGHT SIDE/CABINET
35	114031-04-000	EA	SLIDE - 12" - RIGHT SIDE/DRAWER
35	114031-16-000	EA	SLIDE - 18" - RIGHT SIDE/DRAWER
35	114031-20-000	EA	SLIDE - 20" - RIGHT SIDE/DRAWER
35	114031-24-000	EA	SLIDE - 22" - RIGHT SIDE/DRAWER
35	114031-28-000	EA	SLIDE - 24" - RIGHT SIDE/DRAWER
36	114031-03-000	EA	SLIDE - 12" - LEFT SIDE/DRAWER
36	114031-15-000	EA	SLIDE - 18" - LEFT SIDE/DRAWER
36	114031-19-000	EA	SLIDE - 20" - LEFT SIDE/DRAWER
36	114031-23-000	EA	SLIDE - 22" - LEFT SIDE/DRAWER
36	114031-27-000	EA	SLIDE - 24" - LEFT SIDE/DRAWER
37	114031-01-000	EA	SLIDE - 12" - LEFT SIDE/CABINET
37	114031-13-000	EA	SLIDE - 18" - LEFT SIDE/CABINET
37	114031-17-000	EA	SLIDE - 20" - LEFT SIDE/CABINET
37	114031-21-000	EA	SLIDE - 22" - LEFT SIDE/CABINET
37	114031-25-000	EA	SLIDE - 24" - LEFT SIDE/CABINET

CABINET DOOR SLIDES - FROM: 02-23-98 THRU: 99-99-99

KEY	PART NUMBER	U/M	DESCRIPTION
34	128810-02-01A	EA	SLIDE - DRAWER - 12" - RIGHT CABINET
34	128810-06-01A	EA	SLIDE - DRAWER - 18" - RIGHT CABINET
34	128810-18-01A	EA	SLIDE - DRAWER - 20" - RIGHT CABINET
34	128810-22-01A	EA	SLIDE - DRAWER - 22" - RIGHT CABINET
34	128810-26-01A	EA	SLIDE - DRAWER - 24" - RIGHT CABINET
35	128810-04-01A	EA	SLIDE - DRAWER - 12" - RIGHT DRAWER
35	128810-16-01A	EA	SLIDE - DRAWER - 18" - RIGHT DRAWER
35	128810-20-01A	EA	SLIDE - DRAWER - 20" - RIGHT DRAWER
35	128810-24-01A	EA	SLIDE - DRAWER - 22" - RIGHT DRAWER
35	128810-28-01A	EA	SLIDE - DRAWER - 24" - RIGHT DRAWER
36	128810-03-01A	EA	SLIDE - DRAWER - 12" - LEFT DRAWER
36	128810-15-01A	EA	SLIDE - DRAWER - 18" - LEFT DRAWER
36	128810-19-01A	EA	SLIDE - DRAWER - 20" - LEFT DRAWER
36	128810-23-01A	EA	SLIDE - DRAWER - 22" - LEFT DRAWER
36	128810-27-01A	EA	SLIDE - DRAWER - 24" - LEFT DRAWER
37	128810-01-01A	EA	SLIDE - DRAWER - 12" - LEFT CABINET
37	128810-13-01A	EA	SLIDE - DRAWER - 18" - LEFT CABINET
37	128810-17-01A	EA	SLIDE - DRAWER - 20" - LEFT CABINET
37	128810-21-01A	EA	SLIDE - DRAWER - 22" - LEFT CABINET
37	128810-25-01A	EA	SLIDE - DRAWER - 24" - LEFT CABINET

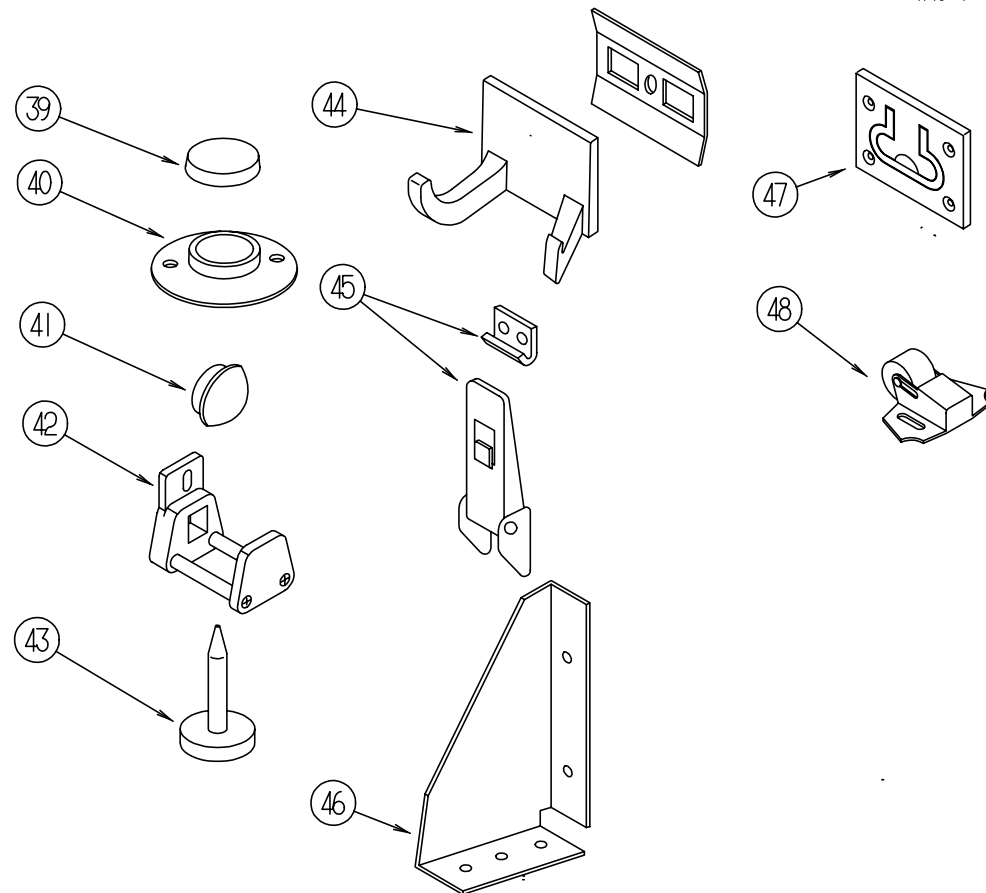
INTERIOR FINISH GROUP (CONTINUED)

CABINET HARDWARE (CONTINUED)



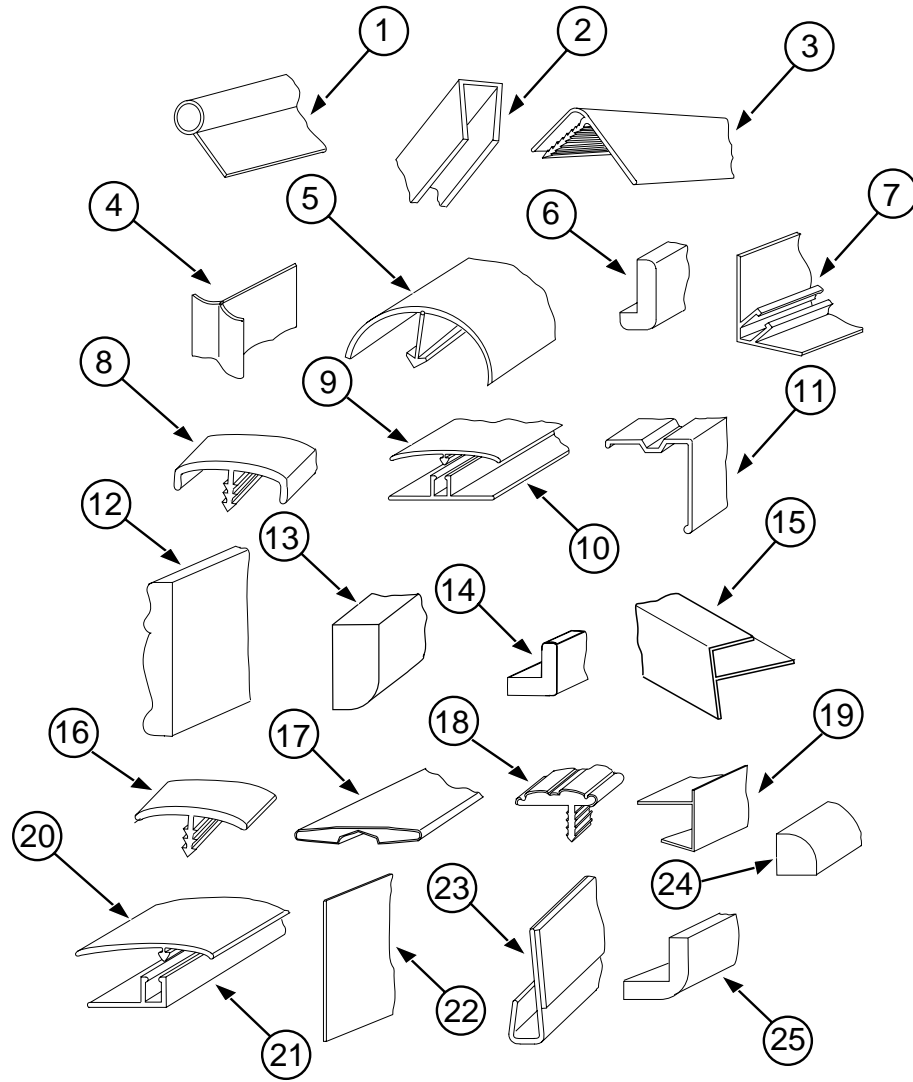
KEY	PART NUMBER	U/M	DESCRIPTION
38	074493-02-000	EA	SUPPORT - PISTON SPRING - CABINET DOOR
38	074493-03-000	EA	SUPPORT - PISTON SPRING - CABINET DOOR
39	004354-01-000	EA	BUMPER - RUBBER - .5" DIA - BROWN
40	009112-01-000	EA	FLANGE - PLASTIC - 1" CLOTHES ROD - OFF WHITE
41	042356-01-000	EA	PLUG - BUTTON - MAHOGANY - 3/8" DIAMETER - WOOD
42	064467-01-000	EA	GUIDE - POCKET - SLIDING DOOR - WALL MOUNTED
43	102194-01-000	EA	GUIDE - PLASTIC
44	104174-01-000	EA	HOOK - ROBE - DOUBLE
45	116975-01-01A	EA	LATCH - W/O STRIKE - BLACK - NEW STYLE
	116975-02-01A	EA	KEEPER/STRIKE - BLACK - NEW STYLE
46	116978-01-03B	EA	GUSSET - SLIDEOUT ROOM - OFF/WHITE
47	072871-01-000	EA	PULL - FLUSH - CHROME
48	109403-01-000	EA	CATCH - SINGLE ROLLER - SCREEN DOOR
	076790-01-000	EA	SCREW - 6-20 X 1 1/4 PPH - BLACK
	M97191-01-H56	EA	HANDLE - TAMBOUR DOOR - MAPLE
	M97191-01-E41	EA	HANDLE - TAMBOUR DOOR - CHERRY
	023320-01-000	EA	PAD - FELT 3/8" DIAMETER
	042438-01-000	EA	DOWEL - WOOD - CLOTHES ROD - 1" DIAMETER X 4'
	042438-06-000	EA	DOWEL - WOOD - 1.5" X 26" - OAK
	041389-18-000	EA	HINGE - PIANO - 1.50" X 19" - OFF WHITE
	041389-25-000	EA	HINGE - PIANO - 1.50" X 55"
	073151-02-000	EA	HINGE - CONTINUOUS - 22.3" OFF WHITE METAL
	097141-02-700	EA	KIT - TRACK - TAMBOUR DOOR - W/ONE RT & ONE LEFT TRACK
	118802-01-02A	EA	HINGE - DOOR/CAB - OVERHEAD
	118802-01-01A	EA	HINGE - DOOR/CAB - OVERHEAD
	084071-02-000	EA	ROD - BRASS - 12.4" LONG
	114130-02-000	EA	BALLS - SPACER - DOOR

FROM: 00-00-00 THRU: 08-17-97



INTERIOR FINISH GROUP (CONTINUED)

MOLDINGS & TRIMS



KEY	PART NUMBER	U/M DESCRIPTION
4	022992-11-000	FT MOLDING - REVERSE COVE - T-SHAPED VINYL - IVORY
5	042357-25-000	EA MOLDING - CORNER - RADIUS/PLASTIC - WASHED MAPLE (WASHED MAPLE)
5	042357-19-000	EA MOLDING - CORNER - RADIUS/PLASTIC - CHERRY (SALEM CHERRY)
6	077840-01-J70	EA MOLDING - CAP/WALL - 8' WASHED MAPLE (WASHED MAPLE)
6	077840-01-E41	EA MOLDING - CAP/WALL - 8' SALEM CHERRY (SALEM CHERRY)
7	081521-02-007	EA MOUNT - METAL MOLDING - F/RADIUS CORNER MOLDING - 12/5" EA
8	083620-14-000	FT MOLDING-T - END CAP EDGE - W/EDGE LIPS - .75"- WASHED MAPLE
8	083620-11-000	FT MOLDING-T - END CAP EDGE - W/EDGE LIPS - .75" - SALEM CHERRY
9	086229-14-000	EA RETAINER - 3/4" X 98.43" - ANY COLOR
10	086229-13-000	EA BATTEN - 1" X 96" - IVORY
10	086229-20-000	EA BATTEN - 1" X 96" - BEIGE
11	093873-01-01A	EA TRIM - CARPET - L-ANGLE 1.1" X 1.3" X 12' - GRAY VINYL
12	100182-10-J70	EA TRIM - RAIL (WASHED MAPLE)
12	100182-10-E41	EA TRIM - RAIL (SALEM CHERRY)
13	100818-01-08A	EA MOLDING - VINYL WRAPPED - 1.65" X .4" X 7' (WASHED MAPLE)
13	100818-01-04A	EA MOLDING - VINYL WRAPPED - 1.65" X .4" X 7' (SALEM CHERRY)
14	100819-01-08A	EA MOLDING - VINYL WRAPPED - L-SHAPED - 1.5" X 1.5" X 7' (WASHED MAPLE)
14	100819-01-04A	EA MOLDING - VINYL WRAPPED - L-SHAPED - 1.5" X 1.5" X 7' (SALEM CHERRY)
15	009812-30-000	EA MOLDING - CORNER - OUTSIDE - 1/2" PLASTIC (WASHED MAPLE)
15	009812-26-000	EA MOLDING - PLASTIC - 1/2" O/S CORNER (SALEM CHERRY)
16	105709-01-000	FT T-MOLDING - 1" - MODERN IVORY
17	079653-35-000	EA BATT STRIP - KERFED - TRANQUIL - 8'
18	109736-01-01A	FT T-MOLDING - 1" - BRASS/BLACK
19	103186-01-08A	FT MOLDING - PLASTIC/3/8" U-CHANNEL W/3/4" FACE - WASHED MAPLE
19	103186-01-04A	FT MOLDING - PLASTIC/3/8" U-CHANNEL W/3/4" FACE - CHERRY
19	103186-02-08A	FT MOLDING - PLASTIC/1" U-CHANNEL W/1 3/8" FACE - WASHED MAPLE
19	103186-02-04A	FT MOLDING - PLASTIC/1" U-CHANNEL W/1 3/8" FACE - CHERRY
20	086229-10-000	EA BATTEN - 1.5" OFFSET X 90.16"
21	086229-09-000	EA RETAINER - OFFSET - 90.16"
22	101957-01-05A	EA EXTRUDED - PLASTIC (WASHED MAPLE)
22	101957-01-04A	EA EXTRUDED - PLASTIC (SALEM CHERRY)
23	109332-02-01A	FT TRIM-J - W/O ADHESIVE - BRASS
24	109410-01-H37	EA MOLDING - TRIM - 8' (WASHED MAPLE)
24	109410-01-E41	EA MOLDING - TRIM - 8' (SALEM CHERRY)
25	080176-08-000	EA CAP - CORNER - RADIUS CORNER - PLASTIC (WASHED MAPLE)
25	080176-06-000	EA CAP - CORNER - RADIUS CORNER - PLASTIC (SALEM CHERRY)
	104676-01-01A	FT MOLDING-T - 5/16" RIGID GOLD
	009767-16-000	FT WELTING - REBER BIRCH (WASHED MAPLE)
	009767-14-000	FT WELTING - CHERRY (SALEM CHERRY)
	109831-01-J70	EA LUMBER - MIRROR STOP - 24" (WASHED MAPLE)
	109831-01-E41	EA LUMBER - MIRROR STOP - 24" (SALEM CHERRY)
	120492-01-01A	FT STRIP - TRIM - IVORY
	116280-02-J70	EA MOLDING - CAP - WASHED MAPLE (WASHED MAPLE)
	116280-02-GV1	EA MOLDING - CAP - SALEM CHERRY (SALEM CHERRY)

KEY	PART NUMBER	U/M DESCRIPTION
1	009767-12-000	FT WELTING - SIDEWALL/CEILING/CABINET - OFF/W/H
2	009778-27-000	FT U-CHANNEL - 1" - WASHED MAPLE (WASHED MAPLE)
		FROM: 00-00-00 THRU: 11-09-97
2	009778-30-000	FT U-CHANNEL - 1" - VILLAGE OAK (WASHED MAPLE)
		FROM: 11-10-97 THRU: 99-99-99
2	009778-18-000	FT U-CHANNEL - 1" - CHERRY-CHERRY (SALEM CHERRY)
		FROM: 00-00-00 THRU: 11-09-97
2	009778-31-000	FT U-CHANNEL - 1" - GRADY BROWN (SALEM CHERRY)
		FROM: 11-10-97 THRU: 99-99-99
2	070504-50-000	FT U-CHANNEL - PLASTIC - .13" X 84" - WASHED MAPLE (WASHED MAPLE)
2	070504-51-000	FT U-CHANNEL - PLASTIC - .87" X 84" - WASHED MAPLE (WASHED MAPLE)
2	070504-30-000	FT U-CHANNEL - PLASTIC - .13" X 84" - CHERRY (SALEM CHERRY)
2	070504-31-000	FT U-CHANNEL - PLASTIC - .87" X 84" - CHERRY (SALEM CHERRY)
		FROM: 00-00-00 THRU: 09-21-97
2	070504-03-000	FT U-CHANNEL PLASTIC - .87" X 84" - GRADY BROWN (SALEM CHERRY)
		FROM: 09-22-97 THRU: 99-99-99
3	009809-31-000	EA MOLDING - CORNER - OUTSIDE - 1" X 84" - WASHED MAPLE (WASHED MAPLE)
3	009809-27-000	EA MOLDING - CORNER - OUTSIDE - 1" X 84" - CHERRY (SALEM CHERRY)

INTERIOR FINISH GROUP (CONTINUED)

PANELING & LUMBER

KEY	PART NUMBER	U/M	DESCRIPTION
	080215-13-000	SF	PANELING - 2 SIDED - WASHED MAPLE - .2" X 4' X 8" (WASHED MAPLE)
	080215-09-000	SF	PANELING - 2 SIDED - .2" X 48" X 96" - CHERRY (SALEM CHERRY)
	074497-39-000	SF	PANELING - WASHED MAPLE - 4' X 8' (WASHED MAPLE)
	074497-23-000	SF	PANELING - CHERRY - 1/8" X 48" X 96" (SALEM CHERRY)
	088272-G8-000	SF	PANELING - BENTLEY - 48" X 96" - MAIN WALL (J70,J71)
	088272-G9-000	SF	PANELING - GAZEBO - PEARL - MAIN WALL (J72,J73,J74,J75)
	088272-H6-000	SF	PANELING - ARTESIA SPRING - 48" X 96" - MAIN WALL (J76,J77)
	088272-G1-000	SF	PANELING - PEBBLE EMBOSSED - ANTIQUE WHITE - 4' X 7' - WET BATH
	000885-82-000	SF	PARTICLE BOARD - 1/2" X 48" X 96" - 2 SIDED (WASHED MAPLE)
	000885-72-000	SF	PARTICLE BOARD - 1/2" X 48" X 96" - CHERRY/VINYL 2 SIDED (SALEM CHERRY)
	000885-91-000	SF	PARTICLE BOARD - 3/4" X 48" X 96" - WASHED MAPLE - 2-SIDED (WASHED MAPLE)
	000885-73-000	SF	PARTICLE BOARD - 3/4" X 48" X 96" - CHERRY/VINYL 2 SIDED (SALEM CHERRY)
	000885-89-000	SF	PARTICLE BOARD - 3/8" X 48" X 96" - WASHED MAPLE - 2-SIDED (WASHED MAPLE)
	000885-71-000	SF	PARTICLE BOARD - 3/8" X 48" X 96" - CHERRY/VINYL 1 SIDED (SALEM CHERRY)
	098531-04-000	SF	PLYWOOD - 1/2" (WASHED MAPLE)
	098531-02-000	SF	PLYWOOD - CHERRY 1/2" (SALEM CHERRY)
	083618-07-000	SF	PLYWOOD - MAPLE - 1 SIDE 3/16" (WASHED MAPLE)
	083618-04-000	SF	PLYWOOD - MAPLE - 1 SIDE 3/16" (SALEM CHERRY)
	000846-01-000	SF	PLYWOOD - 5/16" X 48" X 96" - CD GRADE
	000846-02-000	SF	PLYWOOD/UNDERLAYMENT - 5/16" X 48" X 96"

LAMINATES & EDGE BAND

KEY	PART NUMBER	U/M	DESCRIPTION
	074498-71-000	SF	LAMINATE - PLASTIC - NEUTRAL SANTOS - 5' X 8' - INC OF 40 SF
	074498-72-000	SF	LAMINATE - PLASTIC - PEBBLE SANTOS - 5' X 8' INC OF 40 SF (J70,J71)
	074498-59-000	SF	LAMINATE - PLASTIC - SAND CHROMA (J72,J73)
	074498-81-000	SF	LAMINATE - PLASTIC - ALMOND JAGUARD - 5' X 8' INCR OF 40SF (J74,J75,J76,J77)
	074498-82-000	SF	LAMINATE - PLASTIC - WASHED MAPLE - 5' X 8' - INC OF 40 SF (J70,J72,J74,J76)
	074498-58-000	SF	LAMINATE - PLASTIC - CHERRY - 5' X 8' - INC OF 40 SF (J71,J73,J75,J77)
	074498-40-000	SF	LAMINATE - PLASTIC - OFF WHITE - 5' X 8' - INC OF 40 SF
	076325-74-000	FT	MOLDING - EDGE BAND - 1 5/16" X 38" - WASHED MAPLE (WASHED MAPLE)
	076325-50-000	FT	MOLDING - EDGE BAND - 1 5/16" X .030" - CHERRY (SALEM CHERRY)
	076325-37-000	FT	MOLDING - EDGE BAND - 1 5/16" X .030" (J70,J71)
	076325-53-000	FT	MOLDING - EDGE BAND - 1 5/16" X .030" - NEUTRAL (J72,J73)
	076325-39-000	FT	MOLDING - EDGE BAND - 1 5/16" X .030" (J74,J75,J76,J77)
	076325-38-000	FT	MOLDING - EDGE BAND - .875" X .024" (J70,J71)
	076325-54-000	FT	MOLDING - EDGE BAND - .875" X .024" - NEUTRAL (J72,J73,J74,J75,J76,J77)
	076325-73-000	FT	MOLDING - EDGE BAND - .93" X .024"

BATT STRIPS

KEY	PART NUMBER	U/M	DESCRIPTION
	088263-F0-000	EA	BATT STRIP - DECORATIVE - BENTLEY/PATINA - 8' LONG - MAIN WALL (J70,J71)
	088263-F1-000	EA	BATT STRIP - DECORATIVE - GAZEBO/PEARL - 8' LONG - MAIN WALL (J72,J73,J74,J75)
	088263-F6-000	EA	BATT - STRIP - DECORATIVE - ARTESIA/SPRING - INC OF 8' - MAIN WALL (J76,J77)
	088263-E3-000	EA	BATT STRIP - DECORATIVE - PEBBLE EMBOSSED/ANTIQUÉ-8' LONG - WET BATH
	085284-E4-000	FT	BATT TAPE - ADHESIVE BACKED - DECORATIVE - BENTLEY/PATINA (J70,J71)
	085284-E5-000	FT	BATT TAPE - ADHESIVE BACKED - DECORATIVE - GAZEBO PEARL (J72,J73,J74,J75)
	085284-F2-000	FT	BATT TAPE - ADHESIVE BACKED - DECORATIVE ARTESIA/SPRING (J76,J77)
	085284-D6-000	FT	BATT TAPE - ADHESIVE BACKED - DECORATIVE - EMBOSSED ANTIQUE

INTERIOR FINISH GROUP (CONTINUED)

FIRE EXTINGUISHER, DETECTORS & CLOCK

KEY	PART NUMBER	U/M	DESCRIPTION	VENDOR NO.
	094499-01-000	EA	EXTINGUISHER/FIRE - DRY W/MOUNTING BRACKET	
	094499-02-000	EA	EXTINGUISHER/FIRE - DRY - 1A10BC - CANADIAN	
	094499-01-700	EA	BRACKET - MOUNTING - W/PLASTIC STRAP	294039
	094499-01-701	EA	STRAP ONLY (METAL)	320351
	072852-01-000	EA	DETECTOR - SMOKE - W/9 VOLT BATTERY - US	
	072852-02-000	EA	DETECTOR - SMOKE - W/9 VOLT BATTERY - CANADIAN	
	125136-01-000	EA	CO DETECTOR - GAS - ROUND W/2 SCREWS - 9 VOLT	
	100793-02-01A	EA	CLOCK - WALL - QUARTZ/11" - BRASS	
	103613-02-000	EA	DETECTOR - LP GAS	

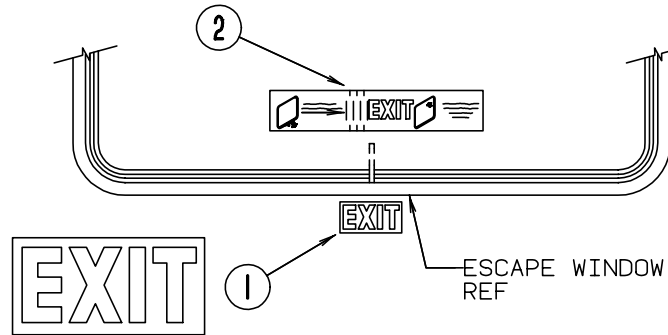
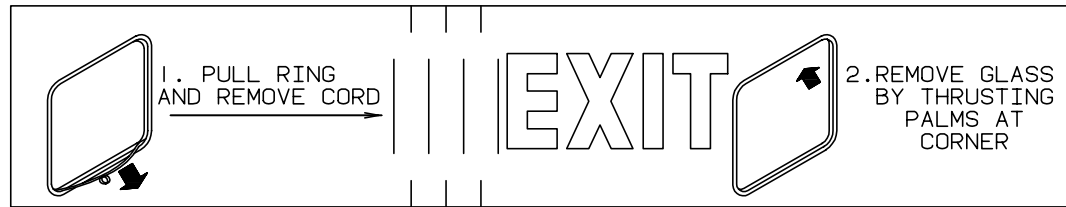
FLOOR COVERINGS

KEY	PART NUMBER	U/M	DESCRIPTION
	096060-C6-000	SY	CARPET - CHOCOLATE - INCREMENTS OF 4 SQ. YARDS (J70,J71)
	096060-C7-000	SY	CARPET - BAMBOO - INCREMENTS OF 4 SQ. YARDS (J72,J73,J74,J75)
	096060-D7-000	SY	CARPET - EXCALIBUR - GULF MIST (J76,J77)
	124253-01-02A	EA	VINYL - FLOOR PLANK - 3" X 12" - MAPLE - WASHED MAPLE
	124253-01-01A	EA	VINYL - FLOOR PLANK - 3" X 12" - CHERRY - SALEM CHERRY
	093486-01-000	SY	CARPET - COMPARTMENT - 72" WIDE - DARK GRAY

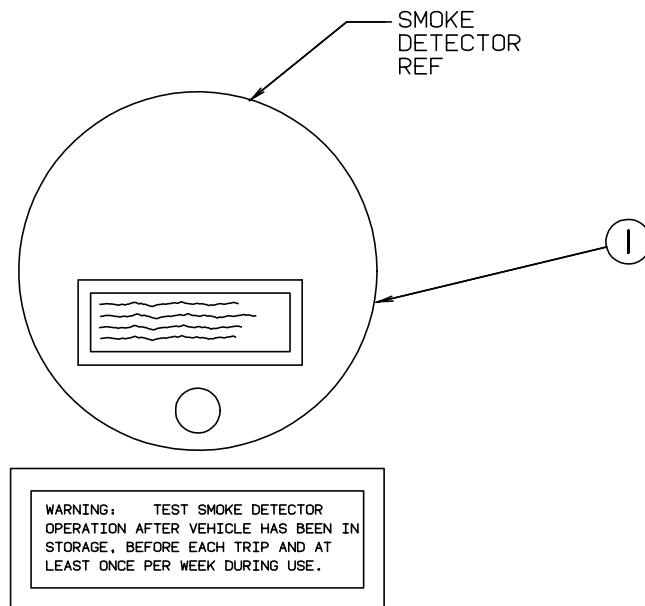
FLOOR MATS

KEY	PART NUMBER	U/M	DESCRIPTION
	108151-01-000	EA	MAT - FLOOR - ENTRANCE
	108152-01-000	EA	MAT - FLOOR - PASSENGER
	108152-02-000	EA	MAT - FLOOR - DRIVER

LABELS GROUP

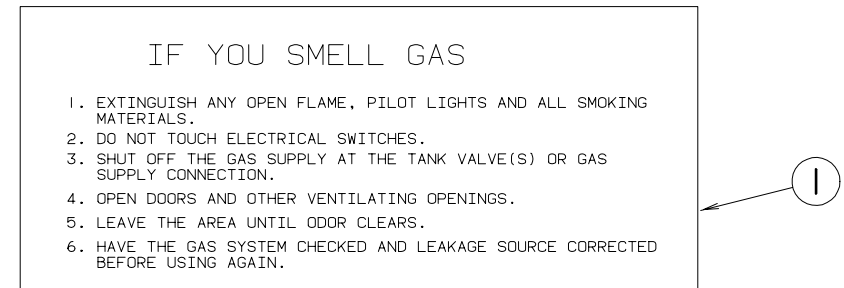


KEY	PART NUMBER	U/M DESCRIPTION
1	039290-01-000	EA LABEL - WARNING - EXIT
2	107571-01-000	EA LABEL - ESCAPE EXIT - WINDOW

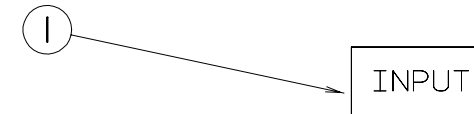


KEY	PART NUMBER	U/M DESCRIPTION
1	077956-01-000	EA LABEL - WARNING - SMOKE DETECTOR

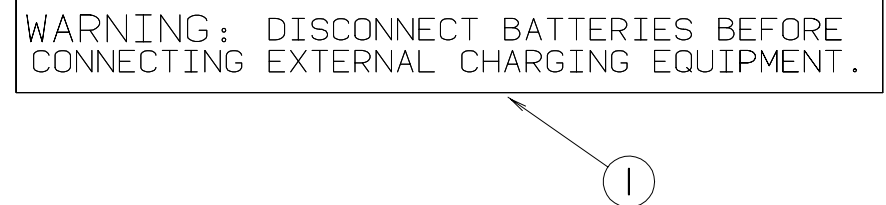
LABELS GROUP (CONTINUED)



KEY	PART NUMBER	U/M DESCRIPTION
1	073998-01-000	EA LABEL - LPG ODOR WARNING

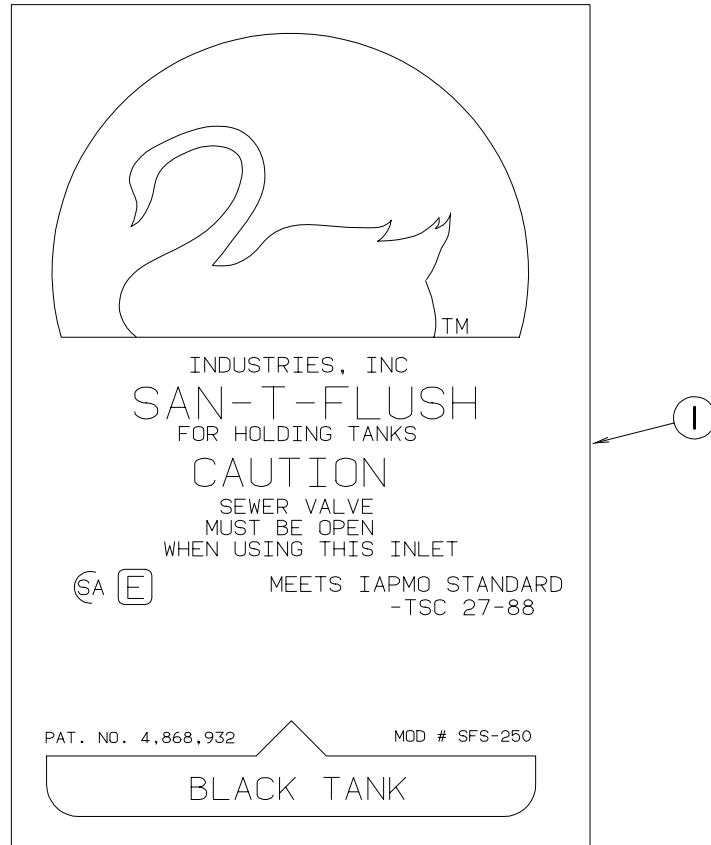


KEY	PART NUMBER	U/M DESCRIPTION
1	087236-01-000	EA LABEL - CABLE - INPUT



KEY	PART NUMBER	U/M DESCRIPTION
1	065748-01-000	EA LABEL - CAUTION - BATTERY CHARGING

LABELS GROUP (CONTINUED)

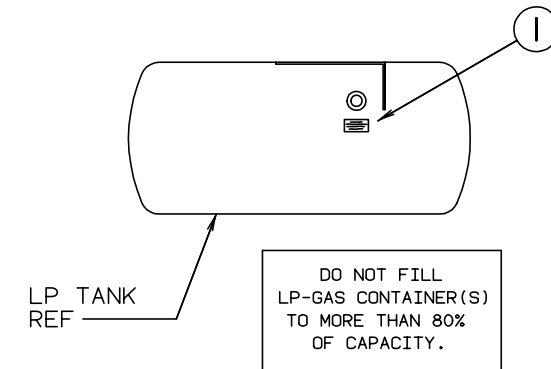


KEY	PART NUMBER	U/M DESCRIPTION
1	125697-07-000	EA LABEL - CAUTION - FLUSHING SYSTEM

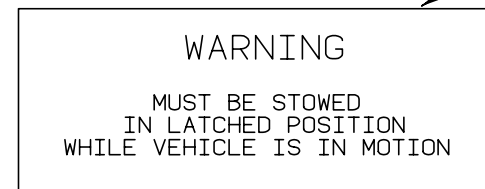


KEY	PART NUMBER	U/M DESCRIPTION
1	098379-01-000	EA LABEL - FRONT BOX - CIRCUIT BREAKER

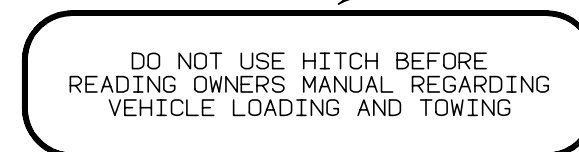
LABELS GROUP (CONTINUED)



KEY	PART NUMBER	U/M DESCRIPTION
1	079965-01-000	EA LABEL - LPG 80 CAPACITY

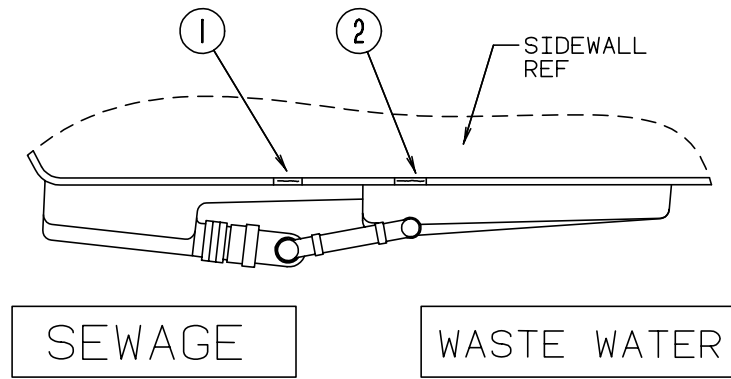


KEY	PART NUMBER	U/M DESCRIPTION
1	079966-01-000	EA LABEL - WARNING - STOWED - MOTION



KEY	PART NUMBER	U/M DESCRIPTION
1	111104-01-000	EA LABEL - HITCH - READ MANUAL

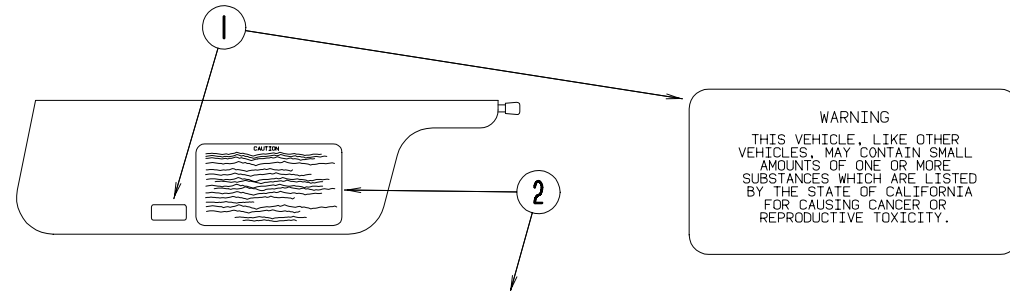
LABELS GROUP (CONTINUED)



SEWAGE

WASTE WATER

KEY	PART NUMBER	U/M DESCRIPTION
1	006187-01-000	EA LABEL - SEWAGE
2	006188-01-000	EA LABEL - WASTE WATER



WARNING
THIS VEHICLE, LIKE OTHER VEHICLES, MAY CONTAIN SMALL AMOUNTS OF ONE OR MORE SUBSTANCES WHICH ARE LISTED BY THE STATE OF CALIFORNIA FOR CAUSING CANCER OR REPRODUCTIVE TOXICITY.

CAUTION

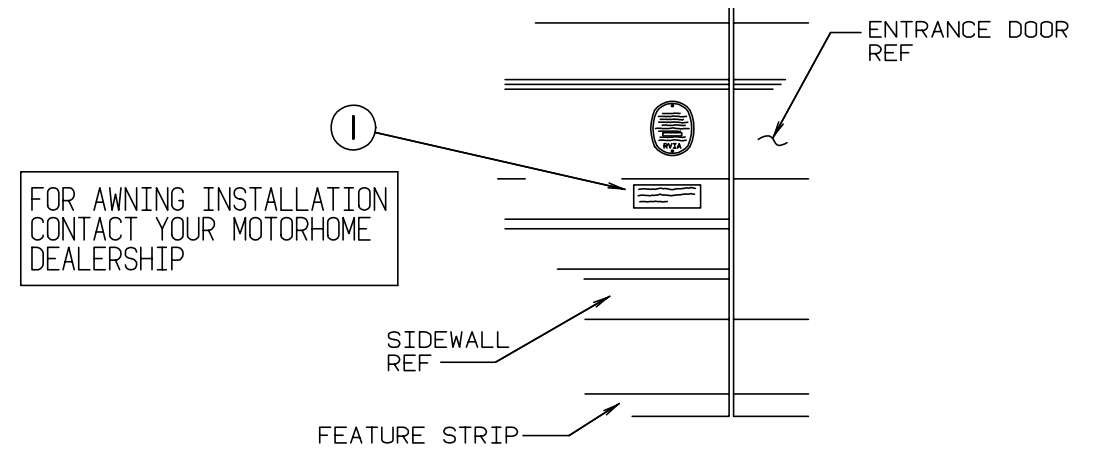
THIS MOTOR HOME HAS BEEN DESIGNED, MANUFACTURED AND TESTED WITH CONCERN FOR THE PROTECTION OF IT'S OCCUPANTS. WE RECOMMEND YOU PERFORM THE FOLLOWING INSPECTIONS FOR YOUR SAFETY AND THE SAFETY OF YOUR PASSENGERS BEFORE STARTING YOUR VEHICLE.

1. LP GAS SYSTEM- TURN OFF AT TANK FOR TRAVELING. TEST FOR LEAKS UPON ARRIVAL AT DESTINATION. BEFORE LIGHTING PILOTS.
2. WHEELS- INSPECT FOR DAMAGE AND CHECK LUG NUTS FOR TIGHTNESS.
3. TIRES- INSPECT FOR WEAR AND DAMAGE AND CHECK FOR RECOMMENDED AIR PRESSURE.
4. LIGHTING- TEST FOR PROPER OPERATION OF ALL INTERIOR AND EXTERIOR LIGHTS INCLUDING DASH LIGHTS, HEADLIGHTS, TAIL LIGHTS, BRAKE LIGHTS, CLEARANCE LIGHTS AND TURN SIGNALS.
5. EXITS- INSPECT RELEASE MECHANISM ON EMERGENCY EXIT WINDOW. TEST BOTH LOCKS ON MAIN ENTRANCE DOOR FOR EASE OF OPERATION AND INSTRUCT PASSENGERS HOW TO USE BOTH MEANS OF EXIT.
6. SEAT BELTS- DIRECT PASSENGERS TO DESIGNATED SEATS AND REQUIRE USE OF SEAT BELTS.
7. APPLIANCES- TURN OFF AND LATCH OR LOCK DOORS WHERE PROVIDED.
8. LOOSE PARCELS- STORE SECURELY.
9. UTILITY SUPPLY LINES- DISCONNECT ALL ELECTRIC, SEWER AND WATER LINES AND SECURE PROPERLY.
10. ENTRANCE DOOR STEP- PLACE IN RETRACTED POSITION FOR TRAVELING.

READ YOUR MOTOR HOME AND CHASSIS OWNER'S MANUAL FOR FURTHER PRECAUTIONS

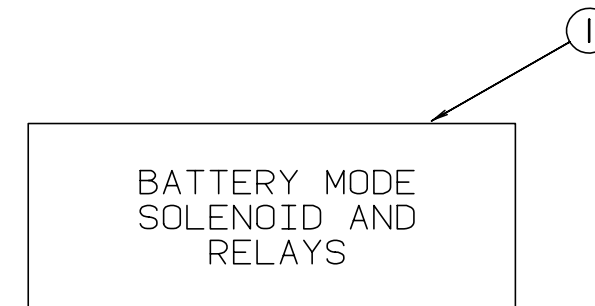
KEY	PART NUMBER	U/M DESCRIPTION
1	099689-01-000	EA LABEL - WARNING - CANCER/TOXICITY
2	056259-01-000	EA LABEL - SAFETY CHECK LIST

LABELS GROUP (CONTINUED)



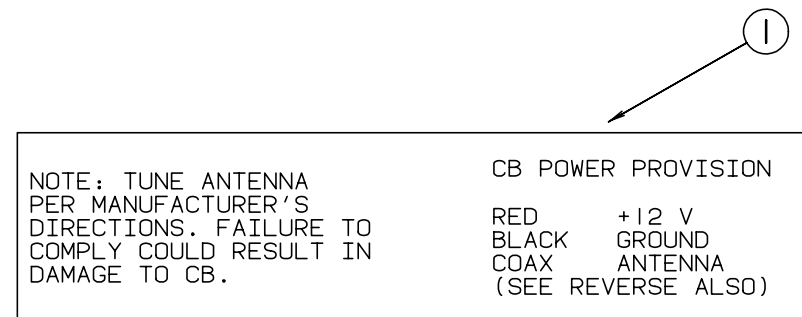
FOR AWNING INSTALLATION CONTACT YOUR MOTORHOME DEALERSHIP

KEY	PART NUMBER	U/M DESCRIPTION
1	099509-01-000	EA LABEL - AWNING INSTALLATION



BATTERY MODE SOLENOID AND RELAYS

KEY	PART NUMBER	U/M DESCRIPTION
1	098379-04-000	EA LABEL - ELECTRICAL BOX - SIDE



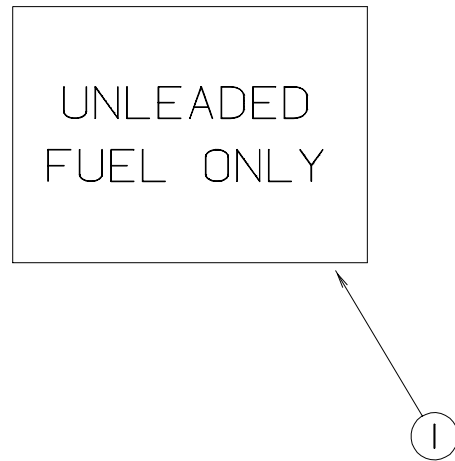
NOTE: TUNE ANTENNA PER MANUFACTURER'S DIRECTIONS. FAILURE TO COMPLY COULD RESULT IN DAMAGE TO CB.

CB POWER PROVISION

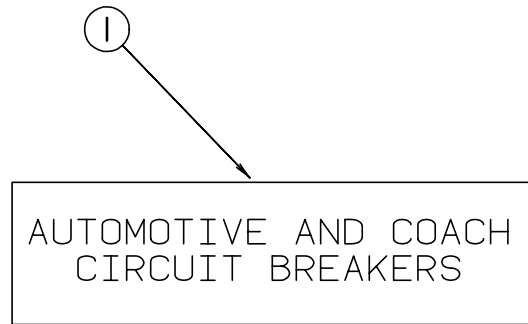
RED +12 V
BLACK GROUND
COAX ANTENNA
(SEE REVERSE ALSO)

KEY	PART NUMBER	U/M DESCRIPTION
1	104678-01-000	EA LABEL - CB PREP

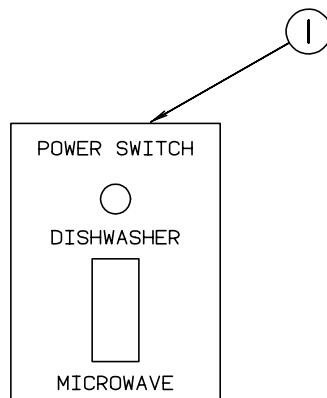
LABELS GROUP (CONTINUED)



KEY PART NUMBER U/M DESCRIPTION
 1 098641-01-000 EA LABEL - FUEL - UNLEADED - DASH

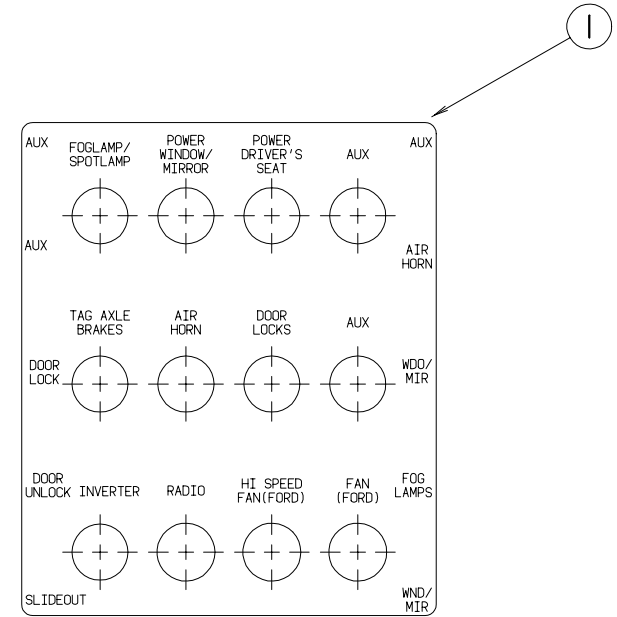


KEY PART NUMBER U/M DESCRIPTION
 1 098379-03-000 EA LABEL - ELECTRICAL BOX - FRONT

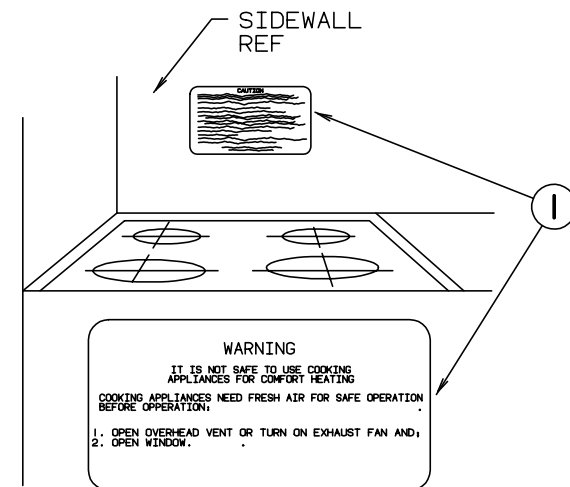


KEY PART NUMBER U/M DESCRIPTION
 1 109051-02-000 EA LABEL - SWITCH - 50A POWER (DISHWASHER)

LABELS GROUP (CONTINUED)

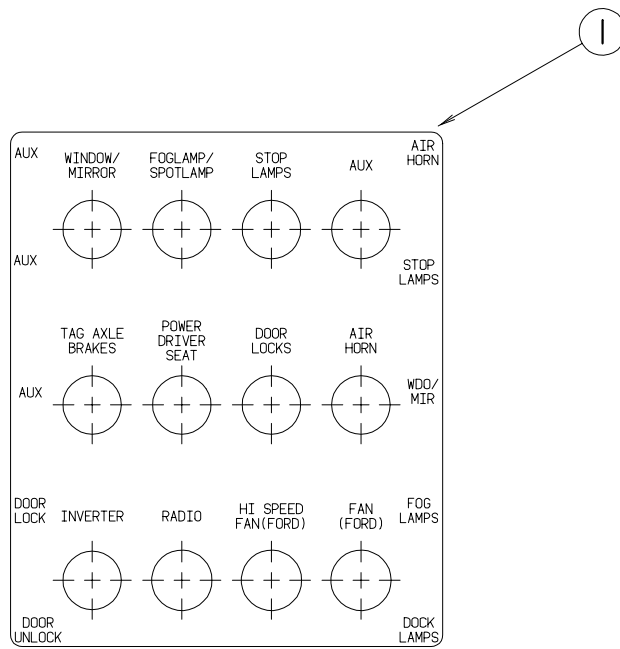


KEY PART NUMBER U/M DESCRIPTION
 1 093236-16-000 EA LABEL - CIRCUIT BREAKER

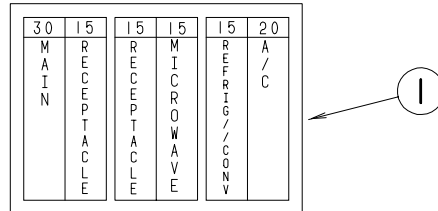


KEY PART NUMBER U/M DESCRIPTION
 1 050225-01-000 EA LABEL - WARNING - STOVE VENT - US
 1 050222-01-000 EA LABEL - WARNING - STOVE VENT - CANADIAN

LABELS GROUP (CONTINUED)



KEY PART NUMBER U/M DESCRIPTION
 1 093236-14-000 EA LABEL - CIRCUIT BREAKER

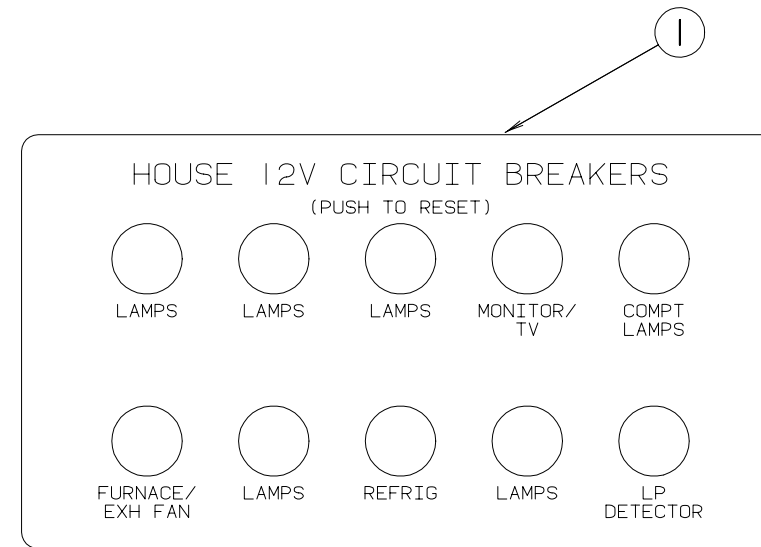


KEY PART NUMBER U/M DESCRIPTION
 1 095721-14-000 EA LABEL - CONTROL CENTER (30A)

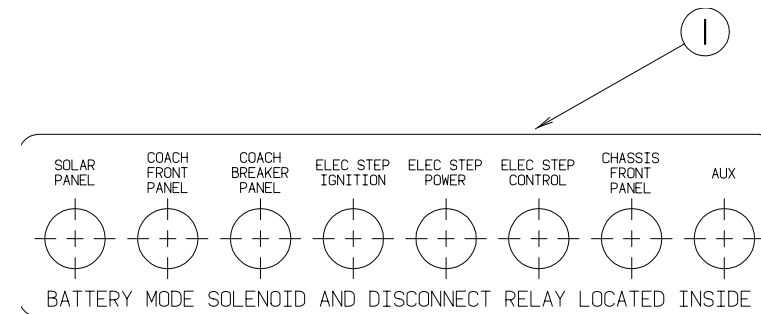
WARNING: CONTAINS "CFC" A SUBSTANCE WHICH HARMS PUBLIC HEALTH AND ENVIRONMENT BY DESTROYING OZONE IN THE UPPER ATMOSPHERE.

KEY PART NUMBER U/M DESCRIPTION
 1 111802-01-000 EA LABEL - CFC WARNING

LABELS GROUP (CONTINUED)



KEY PART NUMBER U/M DESCRIPTION
 1 092547-06-000 EA LABEL - CIRCUIT BREAKER



KEY PART NUMBER U/M DESCRIPTION
 1 093236-13-000 EA LABEL - CIRCUIT BREAKER

WARNING
 ALL PILOT LIGHTS, APPLIANCES AND THIER IGNITORS (SEE OPERATING INSTRUCTIONS) SHALL BE TURNED OFF DURING REFUELING OF MOTOR FUEL TANKS AND/OR LP GAS CONTAINERS

KEY PART NUMBER U/M DESCRIPTION
 1 124519-01-01A EA LABEL - WARNING/REFUELING - BLACK ON CLEAR
 1 124519-01-02A EA LABEL - WARNING/REFUELING - WHITE ON CLEAR

LABELS GROUP (CONTINUED)

LP-GAS SYSTEM
 THIS GAS PIPING SYSTEM IS DESIGNED FOR USE OF LIQUIFIED PETROLEUM GAS ONLY. DO NOT CONNECT NATURAL GAS TO THIS SYSTEM.
 SECURE CAP INLET(S) WHEN NOT CONNECTED FOR USE AFTER TURNING ON GAS. EXCEPT AFTER NORMAL CONTAINER REPLACEMENT, TEST GAS PIPING AND CONNECTIONS TO APPLIANCES FOR LEAKAGE WITH SOAPY WATER OR BUBBLE SOLUTION. DO NOT USE PRODUCTS THAT CONTAIN AMMONIA OR CHLORINE.

KEY PART NUMBER U/M DESCRIPTION
 1 124520-01-02A EA LABEL - LP GAS ONLY

30	15	15	15	15	20
M A I N	R E C E P T A C L E	R E C E P T A C L E	M I C R O W A V E	R E F R I G / C O N V	A / C

KEY PART NUMBER U/M DESCRIPTION
 1 095721-10-000 EA LABEL - CONTROL CENTER (30A) CSA

THIS CHAIR IS NOT INTENDED FOR OCCUPANCY WHEN VEHICLE IS IN MOTION AND MUST BE RETURNED TO STOWED POSITION

KEY PART NUMBER U/M DESCRIPTION
 1 102267-01-000 EA LABEL - NO OCCUPANCY - US

LABELS GROUP (CONTINUED)

DTS ISICE SIEGE N/EST PAS DESTINE A ETRE OCCUPE LORSQUE LE VEHICULE EST EN MOUVEMENT ET IL FAUT QUE LE RANGER

THIS CHAIR IS NOT INTENDED FOR OCCUPANCY WHEN VEHICLE IS IN MOTION AND MUST BE RETURNED TO STOWED POSITION

KEY PART NUMBER U/M DESCRIPTION
 1 102267-02-000 EA LABEL - NO OCCUPANCY - CSA

A / C C I R C U I T 1	M A I N	M A I N	A / C C I R C U I T 2	G F I C I R C U I T 1	R E F R I G / C O N V	G F I C I R C U I T 2	M I C R O W A V E	A P P L I A N C E 1	A P P L I A N C E 2	G E N E R A L R E C E P T S	W A S H E R D R Y E R
---	------------------	------------------	---	---	---	---	---	--	--	--	---

KEY PART NUMBER U/M DESCRIPTION
 1 095721-18-000 EA LABEL - CONTROL CENTER - 50 AMP - CSA

A / C C I R C U I T 1	M A I N	M A I N	A / C C I R C U I T 2	G F I C I R C U I T 1	R E F R I G / C O N V	G F I C I R C U I T 2	M I C R O W A V E	G E N E R A L R E C E P T S	W A S H E R D R Y E R	D I S H W A S H E R O R	I C E M A K E R	G E N E R A L R E C E P T S
---	------------------	------------------	---	---	---	---	---	--	---	--	--------------------------------------	--

KEY PART NUMBER U/M DESCRIPTION
 1 095721-17-000 EA LABEL - CONTROL CENTER - 50 AMP - US

LABELS GROUP (CONTINUED)

CAUTION	TO HELP AVOID PERSONAL INJURY DURING REMOVAL OF FUEL FILLER CAP, SLOWLY LOOSEN CAP 1/2 TURN TO ALLOW ANY FUEL PRESSURE TO BE RELIEVED BEFORE TURNING CAP FURTHER.
FUEL SPRAY MAY CAUSE PERSONAL INJURY	STOP ADDING FUEL AFTER FIRST SHUTOFF BY AUTOMATIC NOZZLE WHEN TANK IS NEARLY FULL. DO NOT OVERFILL FUEL TANK. SEE OWNERS MANUAL FOR ADDITIONAL INFORMATION. PRINTED IN U.S.A. WLC PT NO 15611763



KEY	PART NUMBER	U/M DESCRIPTION
1	087207-05-000	EA LABEL - FUEL CAP REMOVAL

WARNING

POTABLE WATER ONLY
SANITIZE, FLUSH, AND
DRAIN BEFORE USING.
SEE INSTRUCTION MANUAL



KEY	PART NUMBER	U/M DESCRIPTION
1	128725-01-02A	EA LABEL - POTABLE WATER ONLY

WARNING

ROOF SURFACE MAY BE SLIPPERY
ESPECIALLY WHERE MOISTURE IS PRESENT
SLIPPING MAY RESULT IN PERSONAL INJURY.

128218-01



KEY	PART NUMBER	U/M DESCRIPTION
1	128218-01-01A	EA LABEL - WARNING - ROOF SLIPPERY

REMOVE PRIMARY TIRE HANGER BEFORE USING
SPARE TIRE HOIST-SEE OWNERS MANUAL - PERSONAL
INJURY MAY RESULT IF NOT FOLLOWED



KEY	PART NUMBER	U/M DESCRIPTION
1	126024-01-01A	EA LABEL - TIRE HANGER REMOVAL

LABELS GROUP (CONTINUED)



WARNING:

ALL PILOT LIGHTS AND APPLIANCES SHALL BE TURNED OFF DURING REFUELING OF MOTOR FUEL TANKS AND/OR PROPANE CONTAINERS.

AVERTISSEMENT:

FERMER TOUTES LES VEILLEUSES AINSI QUE TOUTS LES APPAREILS LORSQU'ON FAIT LE PLEIN DES RESERVOIRS A CARBURANT OU A PROPANE.

124519-02

KEY	PART NUMBER	U/M DESCRIPTION
1	124519-02-02A	EA LABEL - WARNING/REFUELING - CSA



THIS CONNECTION IS FOR
(B) VOLT AC, 60 HZ (CYCLES)
(A) AMPERE SUPPLY

DO NOT CONNECT TO
HIGHER VOLTAGE

KEY	PART NUMBER	U/M DESCRIPTION
1	125306-01-01A	EA LABEL - ELECTRICAL ENTRANCE - 110VOLT 30AMP FROM: 00-00-00 THRU: 07-13-97



THIS CONNECTION IS FOR
(B) VOLT AC, 3-POLE, 4 WIRE
60 HZ (CYCLES), (A) AMPERE SUPPLY

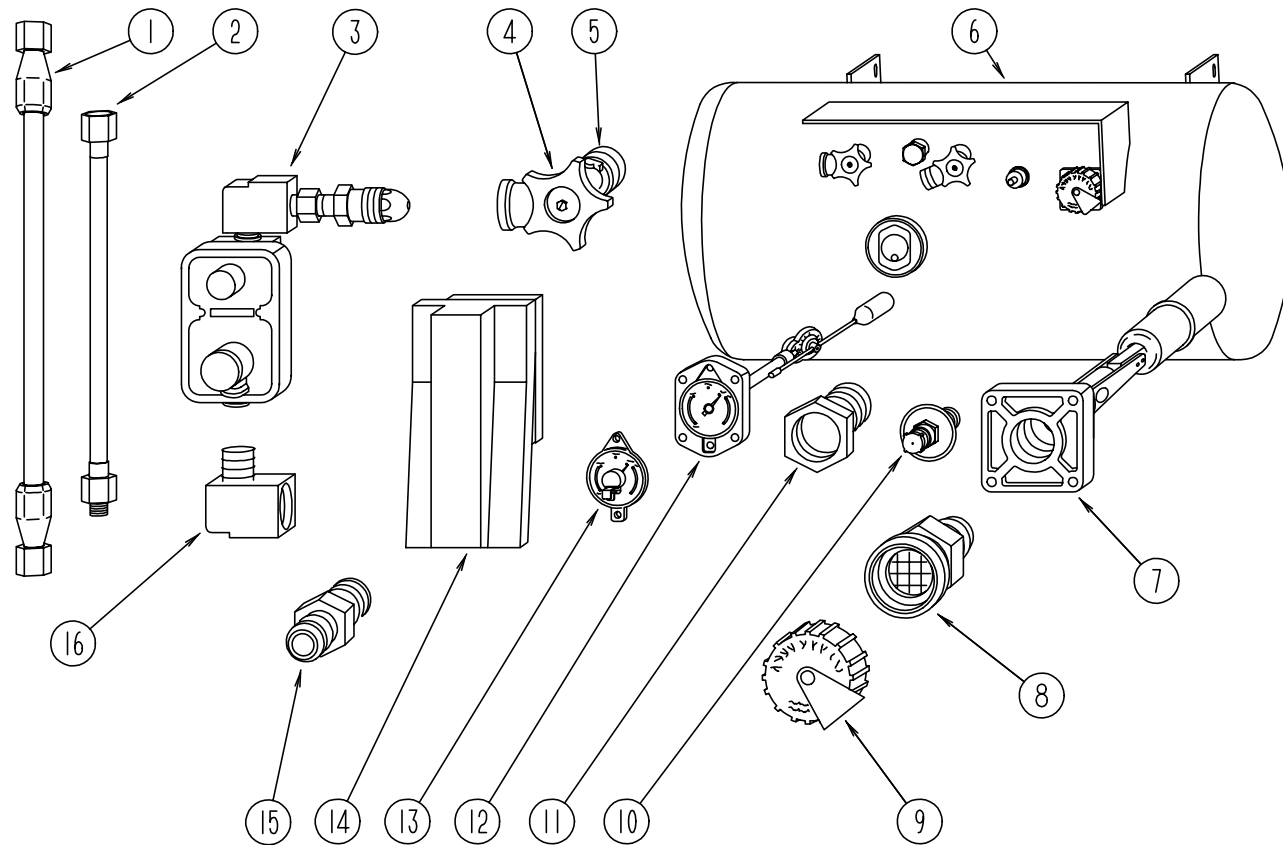
DO NOT CONNECT TO
HIGHER VOLTAGE

KEY	PART NUMBER	U/M DESCRIPTION
1	125306-04-01A	EA LABEL - ELECTRICAL ENTRANCE - 120 VOLT 240 AMP FROM: 07-14-97 THRU: 99-99-99

MISCELLANEOUS LABELS

KEY	PART NUMBER	U/M DESCRIPTION
1	023769-01-000	EA LABEL - WARNING - LPG - CANADIAN

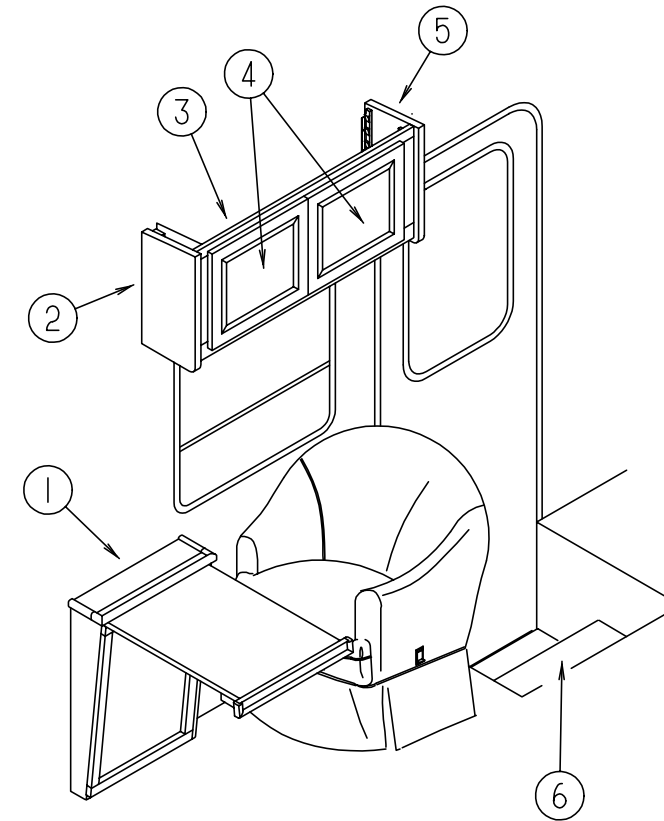
LP GROUP



BRUNNER LP TANK & COMPONENTS

KEY	PART NUMBER	U/M	DESCRIPTION	VENDOR NO.
1	045703-02-000	EA	HOSE - LP - 3/8"ID X 24" - 3/8"MPT X 1/2"F SWIVEL - CANADA	
2	045703-01-000	EA	HOSE - LP - 3/8"ID X 24" - 3/8"MPT X 1/2"F SWIVEL - U.S.	
3	106150-01-000	EA	REGULATOR - TWO STAGE - W/90 DEGREE ELBOW & 3/8" FPT OUTLET	
4	040421-01-708	EA	HANDWHEEL - SERVICE VALVE	G-1015-A
5	040421-01-712	EA	VALVE - SERVICE - W/O VAPOR RELIEF	29000853
6	117432-01-000	EA	TANK - LP - 100 LB - 20 DIAMETER X 27 LONG	
7	040421-01-711	EA	VALVE - 80% FILL - W/AUTO STOP	
8	040421-01-701	EA	VALVE - FILL - SHORT, LP	75478
9	040421-01-702	EA	CAP - FILL VALVE - PLASTIC	G-1014-A
10	040421-01-700	EA	VALVE - LIQUID LEVEL - 20%	G-1013
11	040421-01-713	EA	VALVE - VAPOR ONLY	29000587
12	091970-01-700	EA	FLOAT ASM - F/20" DIA TANK	20C
13	040440-02-000	EA	TRANSMITTER - DIAL - 0-90 OHM -2 TERMINAL (POWER & GROUND)	
14	105658-01-000	EA	COMPARTMENT - LP REGULATOR	
15	010323-01-000	EA	ADAPTER - BRASS - 3/8"F X 1/2"MPT	
15	010329-01-000	EA	ADAPTER - BRASS - 1/2" F X 1/2" MPT	
16	065318-02-000	EA	ELBOW - 90 DEGREE - 3/8" MPT TO 3/8" FPT	
	024250-01-000	EA	ADAPTER - BRASS - 3/8"F X 1/2"FPT	
	010326-01-000	EA	ADAPTER - FLARE - W/CONE GASKET - 3/8"FEMALE X 1/2"MALE	
	010377-02-000	EA	NUT - BRASS - 3/8" FLARE - FORGED	
	010380-02-000	EA	NUT - BRASS - 1/2" FLARE - FORGED	
	010495-01-000	EA	CLAMP - CABLE - 9/16"	
	010497-03-000	EA	CLAMP - CLOSED - 1" ID - CUSHIONED	
	016188-05-000	EA	GROMMET - L/P LINE - 3/8" HOLE X 1 1/4" LONG - RUBBER	
	103613-03-000	EA	DETECTOR - LP GAS - W/O SHUT-OFF VALVE	

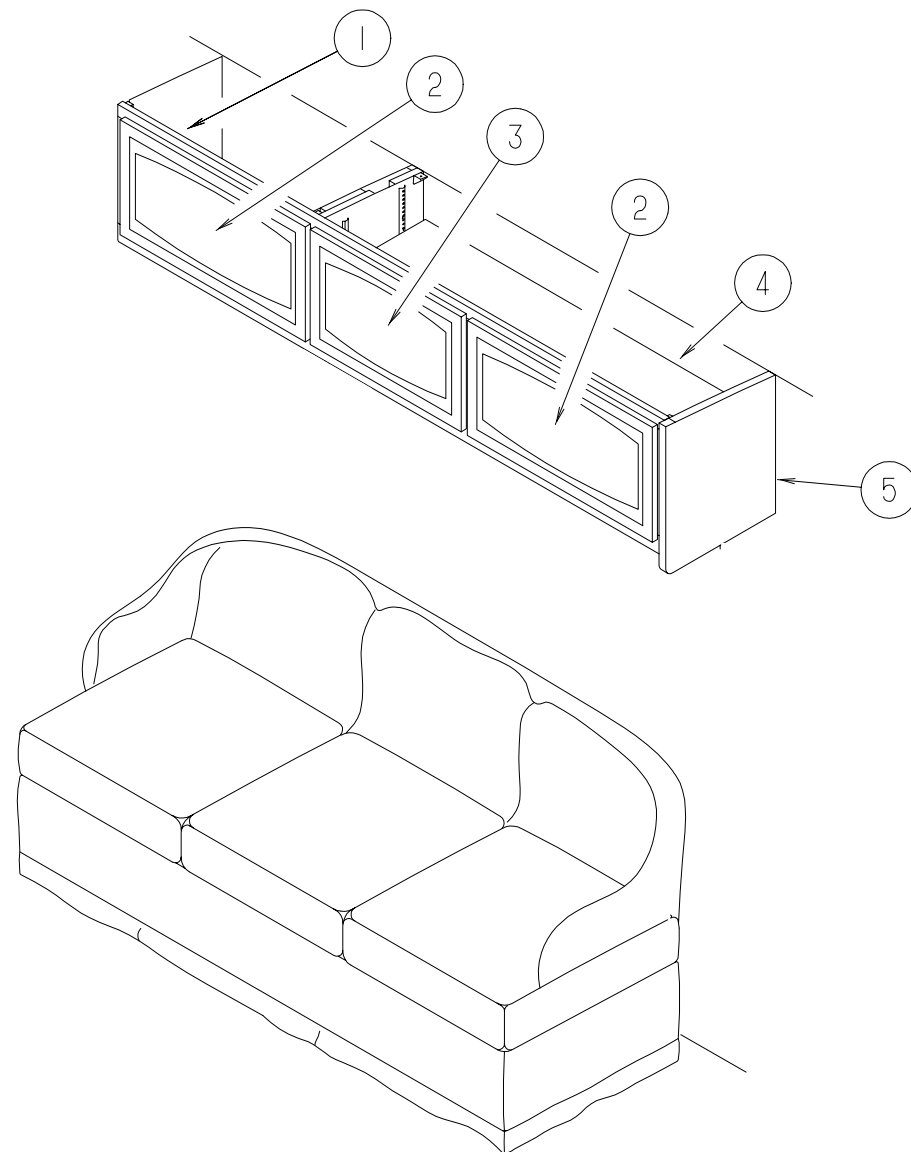
LOUNGE GROUP



PASSENGER SIDE LOUNGE CABINETS & TABLE

KEY	PART NUMBER	U/M	DESCRIPTION
1	P11431-01-J70	EA	CABINET - COMPLETE W/PULLOUT TOP (WASHED MAPLE)
	111431-13-H56	EA	TABLE TOP ONLY (WASHED MAPLE)
1	P11431-01-E41	EA	CABINET - COMPLETE W/PULLOUT TOP (SALEM CHERRY)
	111431-13-E41	EA	TABLE TOP ONLY (SALEM CHERRY)
2	107494-20-J70	EA	END CAP - LEFT HAND (WASHED MAPLE)
2	107494-20-GV1	EA	END CAP - LEFT HAND (SALEM CHERRY)
3	117575-01-J70	EA	CABINET - OVERHEAD FRONT RIGHT HAND - W/O DOORS/HARDWARE (WASHED MAPLE)
3	117575-01-GV1	EA	CABINET - OVERHEAD - FRONT/RIGHT HAND - W/O DOORS/HARDWARE (SALEM CHERRY)
4	M05990-03-J70	EA	DOOR - ARCHED/OGEE EDGE - 14.3" X 21.8" - W/O HARDWARE (WASHED MAPLE)
4	M05990-03-GV1	EA	DOOR - OGEE EDGE - 14.3" X 21.8" - W/O HARDWARE (SALEM CHERRY)
5	107494-19-J70	EA	END CAP - RIGHT HAND (WASHED MAPLE)
5	107494-19-GV1	EA	END CAP - RIGHT HAND (SALEM CHERRY)
6	120234-01-GV0	EA	LID - ENTRY STEP
	120231-01-01A	EA	FLOORING - RUBBER - 66.4" X 19.8"
	101222-01-04A	EA	BRACKET - CATCH - LID
	107941-02-03B	EA	SUPPORT - LID - ENTRANCE STEP
	107941-02-01B	EA	SUPPORT - LID - ENTRANCE STEP

LOUNGE GROUP (CONTINUED)



DRIVER SIDE LOUNGE CABINETS

KEY	PART NUMBER	U/M	DESCRIPTION
1	117617-01-J70	EA	CABINET - OVERHEAD/FRONT LEFT HAND - W/O DOORS/HARDWARE (WASHED MAPLE)
1	117617-01-GV1	EA	CABINET - OVERHEAD FRONT LEFT HAND - W/O DOORS/HARDWARE (SALEM CHERRY)
2	M05990-01-J70	EA	DOOR - ARCHED/OGEE EDGE - 14.3" X 26.7" - W/O HARDWARE (WASHED MAPLE)
2	M05990-01-GV1	EA	DOOR - ARCHED/OGEE EDGE - 14.3" X 26.7" - W/O HARDWARE (SALEM CHERRY)
3	M05990-03-J70	EA	DOOR - ARCHED/OGEE EDGE - 14.3" X 21.8" - W/O HARDWARE (WASHED MAPLE)
3	M05990-03-GV1	EA	DOOR - OGEE EDGE - 14.3" X 21.8" - W/O HARDWARE (SALEM CHERRY)
4	117617-11-J70	EA	SHELF - W/PLASTIC EDGE TRIM (WASHED MAPLE)
4	117617-11-GV1	EA	SHELF - W/PLASTIC EDGE TRIM (SALEM CHERRY)
5	107494-24-J70	EA	END CAP - RIGHT HAND (WASHED MAPLE)
5	107494-24-GV1	EA	END CAP - RIGHT HAND (SALEM CHERRY)

SEALANTS & FASTENERS GROUP

SEALANTS & ADHESIVES

KEY	PART NUMBER	U/M	DESCRIPTION
	004006-05-700	EA	ADHESIVE-NAT. STARCH (5 GAL)
	062917-03-000	EA	ADHESIVE - LOCTITE 242
	067788-01-000	EA	ADHESIVE - SPRAY - 3M - 19.5 AEROSOL CAN
	087211-01-000	GL	PROMOTER - ADHESIVE
	112901-02-000	EA	ADHESIVE - PLEXUS - 50ML
	034552-02-000	EA	SILICONE - TUBE - 300 ML - W/O NOZZLE - CLEAR ALSO ORDER P.N.#900390-03-000 NOZZLE SEPARATELY
	039518-01-000	EA	SILICONE - TUBE - 300 ML - BLACK - W/O NOZZLE ALSO ORDER P.N.#900390-03-000 NOZZLE SEPARATELY
	108716-03-000	EA	SILICONE - TUBE - BRIGHT WHITE/SELF LEVELING - W/O NOZZLE
	120074-02-01A	EA	SEALANT - SILICONE - OFF WHITE
	900390-01-000	EA	TIP - 2 1/2" X 1/8" ORIFICE
	900390-03-000	EA	NOZZLE - SILICONE TUBE
	053766-02-000	EA	BEDDING COMPOUND - TUBE - WHITE
	053766-08-000	EA	BEDDING COMPOUND - TUBE/GRAY
	063642-01-000	FT	TAPE - ADHESIVE - .4" X 1.5" X 180"
	069640-01-000	FT	SEALER - RIBBON - 1/4" DIAMETER X 30'
	069640-02-000	FT	SEALER - TAPE - 1/8"THICK X .50"WIDE X 60'
	069640-03-000	FT	SEALER - TAPE - 1/8"THICK X .75"WIDE X 60' - BLACK
	069640-09-000	FT	SEALER - TAPE - 1/32"THICK X 2.50"WIDE X 80' - GRAY
	069640-11-000	FT	SEALER - TAPE - 3/16"THICK X 3/8"WIDE X 40'
	069640-14-000	FT	SEALER - TAPE - 1/16"THICK X 1"WIDE X 100'
	069640-15-000	FT	SEALER - TAPE - 1/16"THICK X 3/8"WIDE X 80' - GRAY
	069640-18-000	FT	SEALER - TAPE - 1/2"THICK X 1/8"WIDE X 60' - BRT/WHITE
	069640-19-000	FT	SEALER - TAPE - 3/4" X 1/8" X 60' - BRIGHT WHITE
	069640-20-000	FT	SEALER - TAPE - 1/2" X 1/8" X 60' - BLACK
			FROM: 07-07-97 THRU: 99-99-99
	069640-21-000	FT	SEALER - TAPE - 1/2" X 1/16" X 100' - BRIGHT WHITE
	072889-01-000	EA	SEALANT - URETHANE - BLACK - 1/10
	072889-09-000	EA	SEALANT - URETHANE - BLACK (TUBE)
	072889-10-000	EA	SEALANT - URETHANE (HV) - BRIGHT WHITE
	072889-11-000	EA	SEALANT - URETHANE - (TUBE) - GRAY
	076322-01-000	FT	TAPE - DOUBLE COATED/ADHESIVE BACK - .025"THK X .75"W X 18'
	076322-02-000	FT	TAPE - DOUBLE COATED/ADHESIVE BACK - .045"THK X 1"W X 9'
	076322-03-000	FT	TAPE - DOUBLE COATED/ADHESIVE BACK - .045"THK X .50"W X 9'
	076322-05-000	FT	TAPE - DOUBLE COATED/ADHESIVE BACK - .045"THK X .75"W X 9'
	076322-11-000	FT	TAPE - DOUBLE COATED/ADHESIVE BACK - .020"THK X 1"W X 9'
	091255-02-000	FT	SEAL - ADHESIVE BACKED/FOAM - .18" THICK X 1.5" WIDE
	102352-01-000	EA	SEALER - PUMPABLE - BLACK
	102352-02-000	EA	SEALER - PUMPABLE - CLEAR
	106206-01-000	EA	SEALER - PUMPABLE - MANUS 30A - BLACK
	107828-01-000	EA	SEALANT - SB - 190 EVERSEAL
	110274-01-000	FT	TAPE - DOUBLE SIDED FOAM - .45" X 1"
	118085-02-01A	FT	TAPE - FOIL - 1"
	120534-01-01A	EA	TAPE - SCOTCH - 3M - 1/2" FINE LINE
	123816-01-000	FT	TAPE - DOUBLE SIDED - 1"
	123816-02-000	FT	TAPE - DOUBLE SIDED - 1/2"
	123816-03-000	FT	TAPE - DOUBLE SIDED - 1/2"

SEALANTS & FASTENERS GROUP (CONTINUED)

BOLTS, NUTS & WASHERS

KEY	PART NUMBER	U/M DESCRIPTION
	0MC04K-06-016	EA BOLT - HEX - M06 X 1 X 016
	000C12-05-16B	EA BOLT - HEX - 5/16-18 X 1 - ZINC 5
	000C12-06-44B	EA BOLT - HEX - 3/8-16 X 2 3/4 - ZINC 5
	000C12-06-20B	EA BOLT - HEX - 3/8 - 16 X 1 1/4 - ZINC #5
	000C12-06-16B	EA BOLT - HEX - 3/8-16 X 1 LG - ZINC 5
	000C12-08-24B	EA BOLT - HEX - 1/2-13 X 1.50 - ZINC 5
	000C12-10-24B	EA BOLT - HEX - 5/8-11 X 1.50 - ZINC 5
	000C13-07-48B	EA BOLT - HEX - 7/16-20 X 3 - ZINC 5
	000C18-05-40A	EA BOLT - ELEVATOR - 5/16-18 X 2.50 - PL
	000C26-04-18B	EA BOLT - HEX - SERRATED FLANGE - 1/4-20 X 1 1/8 - ZINC
	000C26-04-14B	EA BOLT - HEX - SERRATED FLANGE - 1/4-20 X 7/8 - ZINC
	000C26-04-10B	EA BOLT - HEX - SERRATED FLANGE - 1/4-20 X 5/8 - ZINC
	000C26-05-12B	EA BOLT - HEX - SERRATED FLANGE - 5/16-18 X 3/4 - ZINC
	000C26-05-20B	EA BOLT - HEX - SERRATED FLANGE - 5/16-18 X 1 1/4 - ZINC
	000C26-05-16B	EA BOLT - HEX - SERRATED FLANGE - 5/16-18 X 1 - ZINC
	000C26-06-16B	EA BOLT - HEX - SERRATED FLANGE - 3/8-16 X 1 - ZINC
	000C26-06-12B	EA BOLT - HEX - SERRATED FLANGE - 3/8-16 X 3/4 - ZINC
	000C26-08-24B	EA BOLT - HEX - SERRATED FLANGE - 1/2-13 X 1.5 ZINC
		FROM: 10-07-97 THRU: 99-99-99
	051387-05-000	EA BOLT - CARRIAGE W/O HOLE - 5/16-18 X 8.5 - ZINC
	051387-06-000	EA BOLT - CARRIAGE W/O HOLE - 5/16-18 X 9.5 - ZINC
	106956-03-000	EA BOLT - HEX TAP - 1/2-12NC X 3 - GRADE 5 - FULL THREAD/ZINC
	088787-12-000	EA STUD - WELD - 1/4 - 20 X 1.0 LG - MN
	108067-03-000	EA STUD - WELD - 1/4 - 20 X 1/2 CD
	091274-03-000	EA BOLT-J - 3/8-16 X 12.0
	000D24-10-00B	EA NUT - HEX - SELF LOCKING - 10-32 ZINC
	000D29-05-00B	EA NUT - 5/16 - 18 UNC - SF/LOCKING - NYLON WASHER INSERT
	000D29-06-00B	EA NUT - HEX - W/NYLON LOCK - 3/8-16 - ZINC
	000D34-06-00B	EA NUT - HEX - LOCKING - 3/8 - 16 GRADE C - ZINC-PREVAILING T
	000D39-04-00B	EA NUT - HEX - SERRATED FLANGE/LOCKING - 1/4 - 20 - ZINC
	000D39-05-00B	EA NUT - HEX - SERRATED FLANGE/LOCKING - 5/16 - 18 - ZINC
	000D39-06-00B	EA NUT - HEX - SERRATED FLANGE/LOCKING - 3/8 - 18 - ZINC
	000D39-08-00B	EA NUT - HEX - SERRATED FLANGE/LOCKING - 1/2 - 13 - ZINC
	000D44-07-00B	EA NUT - HEX - SERRATED FLANGE/LOCKING - 7/16-20 - ZINC
	000D46-04-00A	EA NUT - HEX - WELD - 1/4 - 20 - PLAIN
	000D60-05-00A	EA NUT - HEX - WELD/LOCK 5/16 - 18 UNCUT
	000D76-06-00B	EA NUT - HEX FLANGE - 3/8-16
	040921-03-000	EA NUT - SPEED - U TYPE - #10
	040921-05-000	EA NUT - SPEED - U-TYPE #8 - .67" X .44" WIDE
	044364-02-000	EA NUT - SPEED - FLAT - ROUND
	063253-07-000	EA NUT - J - #8A - .120 - .130 PNL THK
	083163-06-000	EA PUSHNUT - FLAT TYPE 3/8 STUD - FORD ONLY TO RETAIN THE AIR BAFFLE ON THE OIL DIPSTICK TUBE
	087234-01-000	EA NUT - JACK - 1/4 X 20 THD - MOLLY MOUNTS LICENSE PLATES
	000E11-07-00B	EA WASHER - LOCKING - 7/16 MED SPLIT - ZINC
	000E11-08-00B	EA WASHER - LOCKING - 1/2 MED SPLIT - ZINC
	000E13-14-00B	EA WASHER - FLAT - 1/4 WIDE - ZINC
	000E13-17-00B	EA WASHER - FLAT - 3/8" AR - ZINC
	000E13-18-00B	EA WASHER - FLAT - 3/8 WIDE - ZINC
	000E13-20-00B	EA WASHER - FLAT - 7/16 WIDE - ZINC
	000E13-21-00B	EA WASHER - FLAT - W/2 NAR - ZINC
		FROM: 10-07-97 THRU: 99-99-99
	000E13-22-00B	EA WASHER - FLAT - 1/2 WIDE - ZINC
	000E14-10-00B	EA WASHER - LOCKING - #10 EXTERNAL TOOTH - ZINC
	058716-02-000	EA WASHER - FLAT NYLON
	077071-01-000	EA WASHER - FENDER - 3/16"ID X 1" OD
	102540-02-000	EA SEAL - SCREW
	107397-01-000	EA WASHER - FENDER - .25" ID X 1" OD

SEALANTS & FASTENERS GROUP (CONTINUED)

SCREWS

KEY	PART NUMBER	U/M DESCRIPTION
	0G3908-20-170	EA SCREW - SF/DR - 8-18 X 1.25 PPH - BRIGHT WHITE FROM: 12-01-97 THRU: 99-99-99
	0G5508-12-110	EA SCREW - SF/DR-8-18 X .75 PWH
	000G11-05-08B	EA SCREW - 5-20 X .50 PPH - ZINC
	000G11-06-06B	EA SCREW - 6-20 X 3/8 PPH - ZINC
	000G11-06-10J	EA SCREW - 6-20 X 5/8 PPH - BRASS
	000G11-06-10B	EA SCREW - 6-20 X 5/8 PPH - ZINC
	000G11-06-08B	EA SCREW - 6-20 X .50 PPH - ZINC
	000G11-07-08B	EA SCREW - 7-19 X .50 PPH - ZINC
	000G11-08-20B	EA SCREW - 8-18 X 1.25 PPH - ZINC
	000G11-08-16S	EA SCREW - 8-18 X 1 PPH - OFF WHITE
	000G11-08-12T	EA SCREW - 8-18 X .75 PPH - BLACK
	000G11-08-12P	EA SCREW - 8-18 X .75 PPH - DARK BROWN
	000G11-08-12P	EA SCREW - 8-18 X .75 PPH - DARK BROWN
	000G11-08-12D	EA SCREW - 8-18 X .75 PPH - BLACK
	000G11-08-12B	EA SCREW - 8-18 X .75 PPH - ZINC
	000G11-08-08T	EA SCREW - 8-18 X 1/5 PPH - FLUOROCARBON COATING
	000G11-08-08B	EA SCREW - 8-18 X .50 PPH - ZINC
	000G11-08-06B	EA SCREW - 8-18 X 3/8 PPH - ZINC
	000G11-10-12S	EA SCREW - 10-16 X .75 PPH - OFF WHITE
	000G11-10-12D	EA SCREW - 10-16 X .75 PPH - BLACK
	000G11-10-40B	EA SCREW - 10-16 X 2 1/2 PPH CAD - 34927-01-000
	000G11-10-16B	EA SCREW - 10-16 X 1 PPH - ZINC
	000G12-06-08T	EA SCREW - 6-20 X 1/2 POH - BLACK
	000G13-06-08G	EA SCREW - 6-20 X .50 PFH - ANTIQUE BRASS
	000G13-06-24J	EA SCREW - 6-20 X 1.50 PFH - BRASS
	000G13-06-16J	EA SCREW - 6-20 X 1 PFH - BRASS
	000G13-06-16E	EA SCREW - 6-20 X 1.00 PFH - CHROME
	000G13-06-10G	EA SCREW - 6-20 X 5/8 PFH - ANTIQUE BRASS
	000G13-07-12B	EA SCREW - 7-19 X .75 PFH - ZINC
	000G13-07-10H	EA SCREW - 7-19 X 5/8 PFH - BLACK
	000G13-08-16B	EA SCREW - 8-18 X 1 PFH - ZINC
	000G13-08-109	EA SCREW - 8-18 X 5/8 PFH
	000G18-08-22B	EA SCREW - MACHINE - 8-32 X 1 3/8 PPH - ZINC
	000G19-10-20B	EA SCREW - MACHINE - 10-32 X 1.25 PPH - ZINC
	000G19-10-12F	EA SCREW - MACHINE - 10-32 X .75 - PPH - STAINLESS STEEL
	000G32-10-06B	EA SCREW - 10-32 X 3/8 PPH - ZINC
	000G32-10-06D	EA SCREW - 10-32 X 3/8 PPH TYPE 1 - BLACK - 05003-01-000
	000G39-06-10T	EA SCREW - SF/DR - 6-20 X 5/8 PPH - BLACK
	000G39-08-08B	EA SCREW - SF/DR - 8-18 X 1.50 PPH - ZINC
	000G39-08-06B	EA SCREW - SF/DR - 8-18 X 3/8 PPH - ZINC
	000G39-08-32B	EA SCREW - SF/DR - 8-18 X 2 PPH - ZINC
	000G39-08-24B	EA SCREW - SF/DR - 8-18 X 1 1/2 PPH - ZINC
	000G39-08-16T	EA SCREW - SF/DR - 6-20 X 1 PPH - BLACK
	000G39-08-16R	EA SCREW - SF/DR - 8-18 X 1 PPH - BEIGE
	000G39-08-16B	EA SCREW - SF/DR - 8-18 X 1 PPH - ZINC
	000G39-08-12T	EA SCREW - SF/DR - 8-18 X .75 PPH - BLACK
	000G39-08-12B	EA SCREW - SF/DR - 8-18 X .75 PPH - ZINC
	000G39-08-08T	EA SCREW - SF/DR - 8-18 X 1/2 PPH - BLACK
	000G39-08-08S	EA SCREW - SF/DR - 8-18 X .50 PPH - OFF WHITE
	000G39-10-10B	EA SCREW - SF/DR - 10-16 X .625 - ZINC
	000G39-10-088	EA SCREW - SF/DR - 10-16 X 1/2 PPH - FLEX FLUOROCARBON
	000G39-10-08B	EA SCREW - SF/DR - 10-16 X .50 PPH - ZINC
	000G39-10-48T	EA SCREW - SF/DR - 10-16 X 3.00 PPH - BLACK
	000G39-10-48B	EA SCREW - SF/DR - 10-16 X 3 - PPH - ZINC
	000G39-10-32B	EA SCREW - SF/DR - 10-16 X 2 - PPH - ZINC
	000G39-10-209	EA SCREW - SF/DR - 10-16 X 1 1/4 PPH - FLUOROCARBON SILVER
	000G39-10-20B	EA SCREW - SF/DR - 10-16 X 1.25 PPH - ZINC
	000G39-10-129	EA SCREW - SF/DR - 10-16 X .75 PPH - FLUOROCARBON SILVER

SEALANTS & FASTENERS GROUP (CONTINUED)

SCREWS (CONTINUED)

KEY	PART NUMBER	U/M	DESCRIPTION
	000G39-10-12D	EA	SCREW - SF/DR - 10-16 X .75 PPH - BLACK
	000G39-10-12B	EA	SCREW - SF/DR - 10-16 X .75 PPH - ZINC
	000G42-04-16B	EA	SCREW - SF/DR - 1/4-14 X 1 HWH - ZINC
	000G42-04-12B	EA	SCREW - SF/DR - 1/4-14 X .75 HWH - ZINC
	000G50-04-12B	EA	SCREW - MACHINE - 1/4-20 X .75 PPH - ZINC
	000G51-08-08B	EA	SCREW - 8-18 X 1/2 PTH - ZINC
	000G52-08-18B	EA	SCREW - MACHINE - 8-32 X 1 1/8 PTH - ZINC
	000G52-08-06B	EA	SCREW - MACHINE - 8-32 X 3/8 PTH - ZINC
	000G54-04-20B	EA	SCREW - 1/4-20 X 1.25 PTH - TYPE 23 - ZINC PLATED
	000G55-08-12S	EA	SCREW - SF/DR - 8-18 X .75 PWH - OFF WHITE
	000G55-08-125	EA	SCREW - SF/DR - 8-18 X 3/4 PWH - WILLOW
	000G56-10-24J	EA	SCREW - WOOD - 10-13 X 1 1/2 POH - BRIGHT BRASS
	000G57-05-16J	EA	SCREW - 5-20 X 1 PFH - BRASS
	000G60-10-16J	EA	SCREW - SF/DR - 10-16 X 1 POH - BRIGHT BRASS
	000G60-10-20I	EA	SCREW - SF/DR - 10-16 X 1.25 POH - BLACK
	000G67-08-32B	EA	SCREW - 8-15 X 2 PPH - ZINC
	000G67-10-08R	EA	SCREW - 10-12 X 1/2 PPH - BEIGE - TYPE A
	000G67-10-08B	EA	SCREW - 10-12 X .50 PPH - ZINC
	000G67-10-36T	EA	SCREW - 10-12 X 2.25 PPH - BLACK
	000G67-10-32B	EA	SCREW - 10-12 X 2 PPH - ZINC
	000G67-10-24B	EA	SCREW - 10-12 X 1.25 PPH - ZINC
	000G67-10-20D	EA	SCREW - 10-12 X 1.25 PPH - BLACK
	000G67-10-16B	EA	SCREW - 10-12 X 1 PPH - ZINC
	000G67-10-12B	EA	SCREW - 10-12 X .75 PPH - ZINC
	000G67-10-10D	EA	SCREW - 10-12 X 5/8 PPH - BLACK - TYPE A
	000G67-10-10B	EA	SCREW - 10-12 X 5/8 PPH - ZINC - TYPE A
	000G67-10-48B	EA	SCREW - 10-12 X 3 PPH - ZINC
	000G68-06-12S	EA	SCREW - 6-18 X 3/4 POH
	000G68-06-10G	EA	SCREW - 6-18 X 5/8 POH - ANTIQUE BRASS
	049465-01-000	EA	SCREW - 10-16 W/WASHER PTH - DARK BROWN
	049465-04-000	EA	SCREW - 10-16 X 1 PTH W/WASHER - BEIGE
	049465-17-000	EA	SCREW - 10-16 X 1 POH W/WASHER
	054434-02-000	EA	SCREW - SF/DR - 10-16 X 2 - ZINC
	057671-01-000	EA	COVER - SCREW - #8 - PLASTIC - OFF WHITE
			FROM: 00-00-00 THRU: 02-13-97
	057671-11-000	EA	COVER - SCREW - HAMPTON TAN - #8
	057671-15-000	EA	COVER - SCREW - BRIGHT WHITE
			FROM: 02-14-97 THRU: 99-99-99
	075908-01-000	EA	SCREW - MACHINE - 10-32 X .56 PTH - EXTERNAL TOOTH - ZINC
	076790-01-000	EA	SCREW - 6-20 X 1 1/4 PPH - BLACK
	083554-01-000	EA	SCREW - DRYWALL - 8 X 1.25
	086256-01-000	EA	SCREW - SF/DR - 8 X 3/4 HWH LONG
	101618-01-000	EA	SCREW - 1/4-20 X 3/4 HEX - TAPPING - STALGARD TYPE F
	109152-03-000	EA	SCREW - 3/8-16 X 2 - FLAT SOC - STAINLESS STEEL - BLACK

SEALANTS & FASTENERS GROUP (CONTINUED)

CLAMPS, GROMMETS, CLIPS & RIVETS

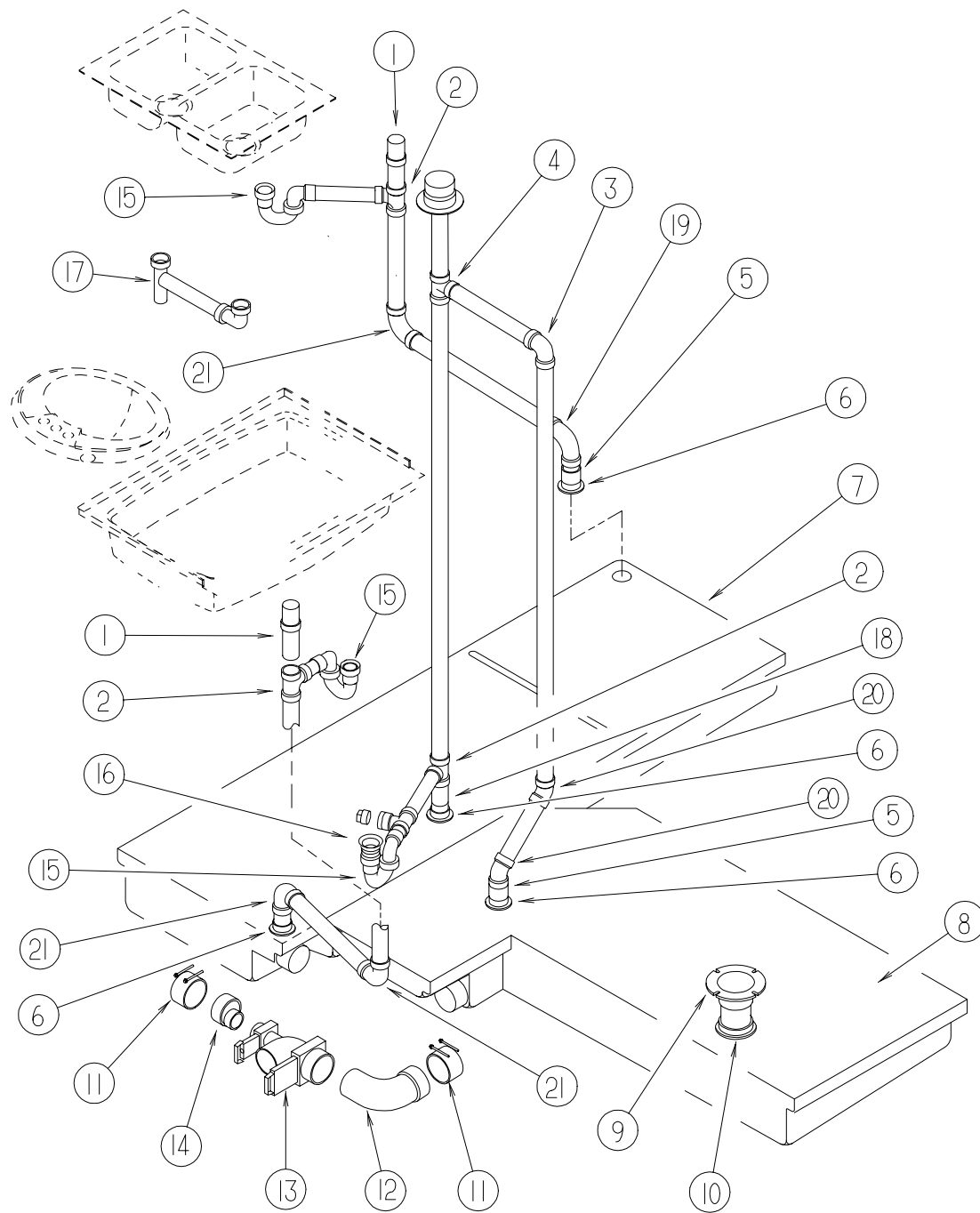
KEY	PART NUMBER	U/M	DESCRIPTION
	000F10-04-16B	EA	PIN - COTTER - 1/8" X 1" - ZINC
	010495-01-000	EA	CLAMP - CABLE - 9/16"
	010495-02-000	EA	CLAMP - CABLE - 3/8"
	010497-01-000	EA	CLAMP - CLOSED - 5/8" ID
	010497-03-000	EA	CLAMP - CLOSED - 1" ID - CUSHIONED
	010497-04-000	EA	CLAMP - CLOSED - 1.62" ID
			FROM: 09-19-97 THRU: 99-99-99
	010497-05-000	EA	CLAMP - CLOSED - 1/2 ID
	010499-01-000	EA	CLAMP - CLOSED - 3/8" ID
	062401-01-000	EA	CLAMP - HOSE - WORMGEAR - .25" - 1"
	062401-02-000	EA	CLAMP - HOSE - WORMGEAR - 1.56" - 2.5"
	062401-03-000	EA	CLAMP - HOSE - WORMGEAR - .22"- 1"
	062401-04-000	EA	CLAMP - HOSE - WORMGEAR - .69" - 1.25"
	062401-05-000	EA	CLAMP - HOSE - WORMGEAR - 2" TO 3" ID
	062401-06-000	EA	CLAMP - HOSE - WORMGEAR - .22" - .62" ID
	062401-11-000	EA	CLAMP - HOSE - WORMGEAR - 3.50" - 4.50"
	075148-02-000	EA	CLAMP - GROUNDING - BRONZE SCREWS
	083609-01-000	EA	CLAMP - WIRE - DUAL - EQUAL DIAMETERS - 5/8"
	083610-01-000	EA	CLAMP - WIRE - DUAL - UNEQUAL DIAMETERS - 3/4" & 1 1/4"
	083610-02-000	EA	CLAMP - WIRE - DUAL - UNEQUAL DIAMETERS
	016188-05-000	EA	GROMMET - L/P LINE - 3/8" HOLE X 1 1/4" LONG - RUBBER
			FROM: 00-00-00 THRU: 10-13-97
	023942-01-000	EA	GROMMET - RUBBER - 2" OD
	071015-11-000	EA	GROMMET - 1.00 ID - FITS .12 MATERIAL
	071015-13-000	EA	GROMMET - RUBBER - .62" ID X 1" OD W/.09" GROOVE - BLACK
	071015-19-000	EA	GROMMET - .38 ID - FITS .06 MATERIAL
	071015-21-000	EA	GROMMET - RUBBER - 1/2 ID X 1.06 OD - W/.19 GROOVE - BLACK
	071015-32-000	EA	GROMMET - RUBBER - .75" ID X 1.375" OD W/.187" GROOVE-BLK
	088756-01-000	EA	GROMMET - WEB - 1 1/8" I.D.
	114208-02-000	EA	GROMMET - EDGE LINER - FITS .625
			FROM: 00-00-00 THRU: 08-19-97
	075312-02-000	EA	CLIP-U - .75 LONG X .50 WIDE- F/1/8"-3/16" THICK MATERIAL
	091952-01-000	EA	CLIP - GRIPPER - 1"
	091952-02-000	EA	CLIP - GRIPPER - 3/4"
	094362-02-000	EA	CLIP - XMAS TREE - BINDER HEAD - .9" LONG
	101447-01-000	EA	CLIP - U TYPE
	120506-01-01A	EA	RIVET - PLASTIC - 3/16 DIAMETER
	000H14-04-08R	EA	RIVET - MANDREL BLIND - 4/32 ALUMINUM
	000H14-06-14R	EA	RIVET - MANDREL BLIND - 3/16"
	000H14-06-03R	EA	RIVET - MANDREL BLIND - 3/16 ALUMINUM
	000H16-04-06R	EA	RIVET - POP ALUMINUM - 1/8" X .313 - .375
	000H16-06-10R	EA	RIVET - POP ALUMINUM - 3/16 X .501-.625

TIES & FASTENERS

KEY	PART NUMBER	U/M	DESCRIPTION
	008343-01-000	EA	TIE - WIRE - 6"
	008343-02-000	EA	TIE - WIRE - 14"
	008343-03-000	EA	TIE - WIRE - 7 1/2" - BLACK
	029094-04-000	YD	VELCRO TAPE - LOOP - 1" WIDE - BLACK
	029096-03-000	YD	VELCRO TAPE - HOOK - 1" WIDE - BLACK
	029096-04-000	YD	TAPE - HOOK - VELCRO - 1" WIDE - BLACK
	085774-01-000	FT	FASTENER - DUAL HOOK - 1" WIDE - ADHESIVE BACK - BLACK
	085774-02-000	FT	FASTENER - DUAL HOOK - 1" WIDE - ADHESIVE BACK - BLACK
	085774-03-000	FT	FASTENER - DUAL HOOK - 1/2" WIDE - ADHESIVE BACK - BLACK
	085774-04-000	FT	FASTENER - DUAL HOOK - 1/2" WIDE - ADHESIVE BACK - BLACK
	086285-01-000	EA	SPACER - NYLON - .5" OD X .257" ID
	110943-02-000	FT	FELTSTRIP - 3/8" - ADHESIVE BACK - WHITE
	115361-01-01A	EA	PLUG - PLASTIC

WATER & SEWAGE GROUP

DRAINAGE SYSTEM



KEY	PART NUMBER	U/M DESCRIPTION
1	079968-01-000	EA VENT - MECHANICAL/TRAP ARM - ANTI-SIPHON - 2" X 7.3" PLASTIC
2	010071-01-000	EA TEE - SANITARY - 1 1/2" HUB X HUB X HUB - PLASTIC
3	034250-01-000	EA ELBOW - 90 DEGREE - LONG TURN - 1 1/2" HUB X HUB - ABS
4	010071-01-000	EA TEE - SANITARY - 1 1/2" HUB X HUB X HUB - PLASTIC
5	010115-01-000	EA COUPLING - 1 1/2" HUB X HUB - PLASTIC
6	061607-01-000	EA GROMMET - HOLDING TANK - 1 1/2" NPS
7	112788-01-700	EA TANK - HOLDING - 59 GALLON W/3" OUTLET NIPPLE
8	112789-01-000	EA TANK - HOLDING - 46 GALLON - W/O FITTINGS
9	010024-01-000	EA ELBOW - 45 DEGREE - 3" HUB X HUB - PLASTIC
10	061607-02-000	EA GROMMET - HOLDING TANK - 3" NPS
11	078406-01-000	EA COUPLER - RUBBER - W/CLAMPS - 3" X 3"
12	041956-01-000	EA ELBOW - STREET - 1/4" BARB X 90 DEGREE X 3 XLT
13	070916-01-000	EA VALVE - DUAL DUMP - W/CAP - 3" X 1 1/2"
	070916-01-700	EA VALVE ONLY - 3"
	070916-01-701	EA VALVE ONLY - 1 1/2"
	010201-01-000	EA HOSE - SEWER - 3" ID X 8'
	062416-01-000	EA ADAPTER - SEWER HOSE TO 3" PIPE
	103354-01-000	EA CONNECTOR - HOSE - SEWER
14	062422-01-000	EA ADAPTER - OFFSET REDUCER - 3" X 1 1/2" - PLASTIC
15	011071-01-000	EA P TRAP - PLASTIC - 1 1/2" - CANADIAN
15	109571-01-000	EA ADAPTER - P TRAP - 1 1/2" P X 1 1/4" MPT (US)
15	107538-01-000	EA P TRAP - PLASTIC - 1 1/4" W/EXTENSION ARM (US)
16	011069-02-000	EA TAILPIECE - TUB/SHOWER - 1 1/2" X 1 1/4" X 4" - BRASS
17	011091-02-000	EA WASTE - CONTINUOUS - DOUBLE SINK - U.S.
17	011091-03-000	EA WASTE - CONTINUOUS - DOUBLE SINK - CSA
18	034250-01-000	EA ELBOW - 90 DEGREE - LONG TURN - 1 1/2" HUB X HUB - ABS
	010115-01-000	EA COUPLING - 1 1/2" HUB X HUB - PLASTIC
19	010009-01-000	EA ELBOW - 90 DEGREE - 1/4 BEND - 1 1/2" PLASTIC
20	010006-01-000	EA ELBOW - 45 DEGREE - 1 1/2" HUB X HUB - PLASTIC
21	010008-01-000	EA ELBOW - 90 DEGREE - 1 1/2" HUB X HUB - PLASTIC
	116644-01-000	EA FLANGE - CLOSET - 4" X 3"
	031365-02-000	EA TEE - PLASTIC - 1 1/2" EXT LG TURN

WATER & SEWAGE GROUP (CONTINUED)

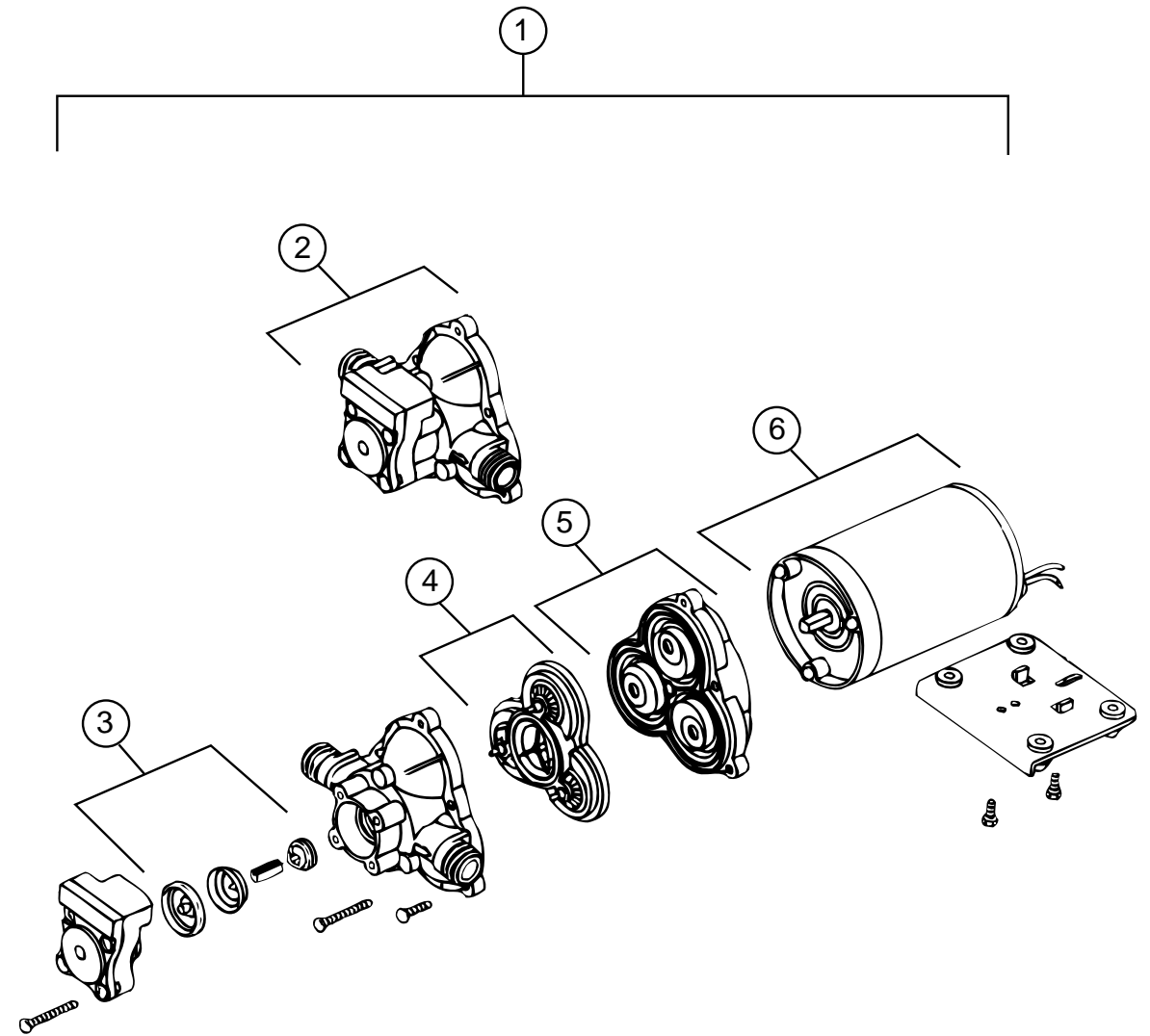
FRESH WATER TANK

KEY	PART NUMBER	U/M DESCRIPTION
	117217-04-000	EA TANK - FRESH WATER - 30 GALLON - W/FITTINGS
	117217-01-000	EA TANK - FRESH WATER - 30 GALLON - W/O FITTINGS
	116881-05-000	EA TANK - FRESH WATER - 48 GAL - W/NOTCHED CORNER/FITTINGS
	116881-01-000	EA TANK - FRESH WATER - 48 GAL-W/NOTCHED CORNER W/O FITTINGS
	049032-01-000	EA PATCH - SPINWELD - 3/8" - PLASTIC
	042989-03-000	EA FITTING - WATER TANK - SPINWELD - 1 1/4"NPT - PLASTIC
	042989-05-000	EA FITTING - SPINWELD - 1/2" FPT - PLASTIC
	077954-02-000	EA FILTER - WATER TANK - W/SCREEN IN TANK
	079381-01-000	FT TUBING - SMOOTH FLEXIBLE - 1 3/8 ID X 20'
	039861-01-000	EA SENDING UNIT - W/SCREW - WASHER - WELL NUT/TERMINAL RING

WATER SYSTEM

KEY	PART NUMBER	U/M DESCRIPTION
	114428-01-000	EA TEE - 1/2"P X 1/2"P X 1/2"P
	114428-03-000	EA TEE - 1/2"P X 1/2"P X 1/2"MPT
	114428-02-000	EA TEE - SWIVEL - 1/2"P X 1/2"P X 1/2"FPT
	118423-01-000	EA FITTING - BRASS-TEE - 1/4C X 1/4C X 1/4C
	114429-01-000	EA ELBOW - 1/2"P X 1/2"P
	114429-02-000	EA ELBOW - 1/2"P X 1/2"MPT
	114429-03-000	EA ELBOW - FLAIR-IT SWIVEL - 1/2"P X 1/2"FPT
	114429-04-000	EA ELBOW - 1/2"P X 3/8"MPT
	114429-06-000	EA ELBOW - SWIVEL - 1/2"P X 3/4"FPT
	111223-02-000	EA ELBOW - PLASTIC - 1/2MPT X 3/8 BARB
	111223-03-000	EA ELBOW - 3/4" MPT X 1/2" BARB - PLASTIC
	111223-04-000	EA ELBOW - 1/2" MPT X 1/2" BARB - PLASTIC
	010219-01-000	EA ELBOW - 1 1/4 MPT X 1 1/4 BARB - WATER FILL - PLASTIC
	039808-03-000	EA ELBOW - 1/2" MPT X 1/2" MPT - PLASTIC
	114430-08-000	EA ADAPTER - 1/2P X 3/4MPT
	118809-01-000	EA ADAPTER - 1/2"P X 1/2"P
	118809-02-000	EA ADAPTER - 1/2" MPT X 1/2" BARB - PLASTIC
	114430-01-000	EA ADAPTER - 1/2"P X 1/2"P
	114430-02-000	EA ADAPTER - SWIVEL - 1/2"P X 1/2"FPT
	114430-03-000	EA ADAPTER - 1/2"P X 1/2"MPT
	114430-06-000	EA ADAPTER - 1/2"P X 3/8"FPT
	101814-01-000	EA COUPLING - FEMALE - 1/2" X 1/2" FPT - GRAY
	039800-02-000	FT TUBING - POLYBUTYL - 5/8"OD X 20' - INC OF 20'
	039800-04-000	FT TUBING - POLYBUTYL - 1/4"OD
	111888-01-000	EA FERRULE - PLASTIC - .250 ID X .375 OD
	111888-02-000	EA INSERT - BRASS - 1/4 COMP
	114431-02-000	EA VALVE - WATER BYPASS - 1/2"P - THREE WAY (WATER HEATER)
	114431-03-000	EA VALVE - 90 DEGREE DRAIN - 1/2"P

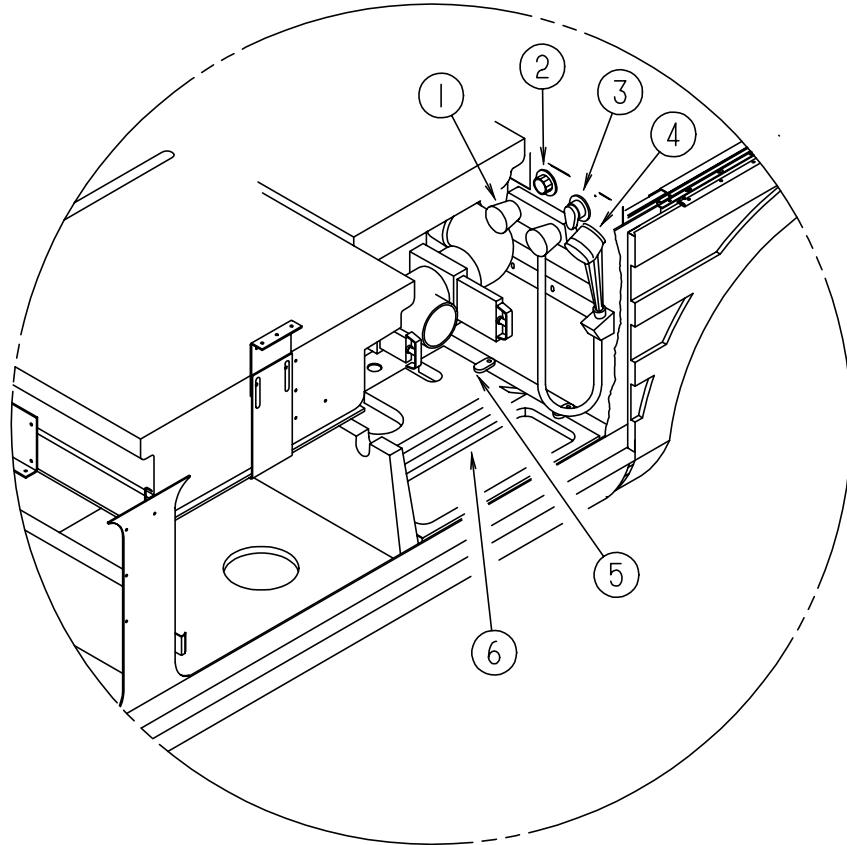
WATER & SEWAGE GROUP (CONTINUED)



WATER PUMP-SHURFLO

KEY	PART NUMBER	U/M DESCRIPTION	VENDOR NO.
1	098607-01-000	EA PUMP - WATER - W/.5" MPT FITTING - FLOW 2.8 GPM	
2	098607-01-706	EA UPPER HOUSING/SWITCH-KIT	94-231-20
3	098607-01-705	EA CHECK VALVE - KIT	94-237-00
4	098607-01-703	EA VALVE ASSEMBLY	94-232-00
5	098607-01-702	EA DIAPHRAGM - KIT	94-238-04
6	098607-01-707	EA MOTOR/BASEPLATE REPLACEMENT	94-235-03

WATER & SEWAGE GROUP (CONTINUED)



EXTERIOR SHOWER COMPONENTS

KEY	PART NUMBER	U/M DESCRIPTION	VENDOR NO.
1	075241-05-000	EA FAUCET/SHOWER - BONE 3/4" MPT X 1.4" LONG INLET PIPES	
	114430-02-000	EA ADAPTER - SWIVEL - 1/2" P X 1/2" FPT	
2	010230-06-000	EA FILL - CITY WATER - W/CHECK VALVE - MPT	
3	114431-02-000	EA VALVE - WATER BYPASS - 1/2" P - THREE WAY (WATER HEATER)	
	010497-03-000	EA CLAMP - CLOSED - 1" ID - CUSHIONED	
	114428-01-000	EA TEE - 1/2" P X 1/2" P X 1/2" P	
4	103092-02-000	EA SHOWER HEAD - W/60" HOSE - CSA	
4	103092-03-000	EA SHOWER HEAD - W/HOSE/BACKET - BRASS	
	103092-01-700	EA BRACKET - SHOWER HEAD - CLEAR	2328028
	103092-01-702	EA SEALS - SPRAY HEAD	24466
	011048-03-700	EA BRACKET - SHOWER HEAD	2328029-3
5	121175-01-01A	EA LATCH - SWELL - BLACK	
6	M06991-05-G38	EA HATCH - W/FOAM	

WATER & SEWAGE GROUP (CONTINUED)

WINTERIZATION KIT

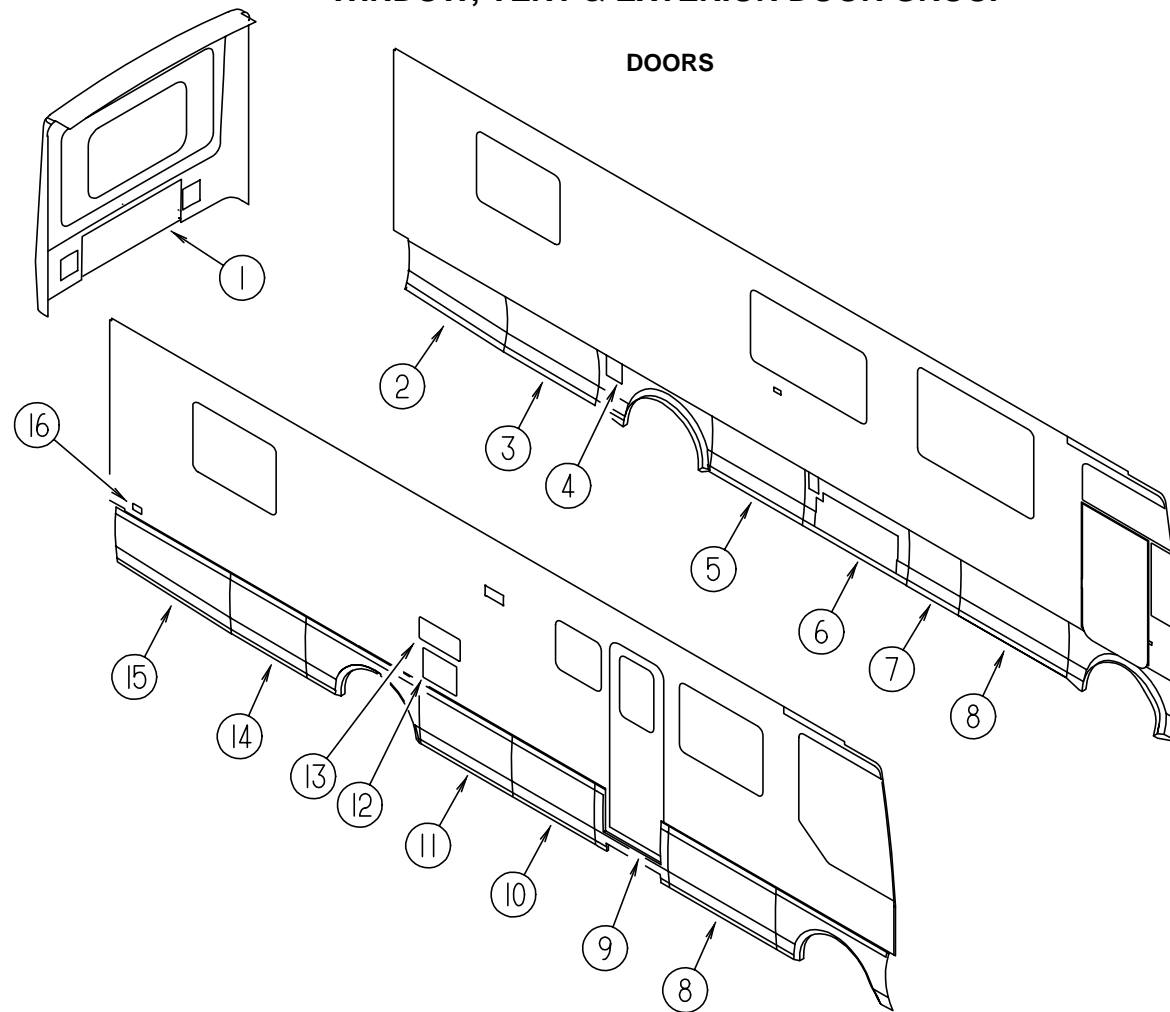
KEY	PART NUMBER	U/M DESCRIPTION
	118569-01-000	EA WINTERIZATION SYSTEM
	118569-01-700	EA VALVE - ELECTRIC CONTROL NO VDR#
	118569-01-701	EA SWITCH - ELECTRIC NO VDR#
	118569-01-702	EA PLATE - SWITCH NO VDR#
	118569-01-703	EA TANK - 2 GALLON NO VDR#
	118569-01-704	EA PLUG - 3/4 MPT NO VDR#
	118569-01-705	EA PLUG - 1/2 MPT NO VDR#
	118569-01-706	EA SCREEN - WHITE NO VDR#
	115029-01-000	FT HOSE - WATER - 3/8 ID
	099717-08-000	EA STRAP - TV TIE DOWN W/7.9" FEMALE STRAP & 26" MALE STRAP
	039800-02-000	FT TUBING - POLYBUTYL - 5/8" OD X 20' - INC OF 20'
	114428-01-000	EA TEE - 1/2" P X 1/2" P X 1/2" P
	114428-03-000	EA TEE - 1/2" P X 1/2" P X 1/2" MPT
	114429-02-000	EA ELBOW - 1/2" P X 1/2" MPT
	114429-06-000	EA ELBOW - SWIVEL - 1/2" P X 3/4" FPT
	101814-01-000	EA COUPLING - FEMALE - 1/2" X 1/2" FPT - GRAY
	110438-01-000	EA VALVE - CHECK - BRASS - 1/2 MPT X 1/2 FPT
	114430-01-000	EA ADAPTER - 1/2" P X 1/2" P
	114430-03-000	EA ADAPTER - 1/2" P X 1/2" MPT
	114430-08-000	EA ADAPTER - 1/2" P X 3/4 MPT
	118809-01-000	EA ADAPTER - PLASTIC - 1/2 MPT X 3/8 BARB

WATER HEATER W/MOTOR AID - ATWOOD GH6-8E

KEY	PART NUMBER	U/M DESCRIPTION
*	051393-01-000	EA WATER HEATER - GH6-8E - ELECTRONIC IGNITION W/MOTOR AID

* COMPONENT PARTS FOUND IN SERVICE PARTS LIBRARY

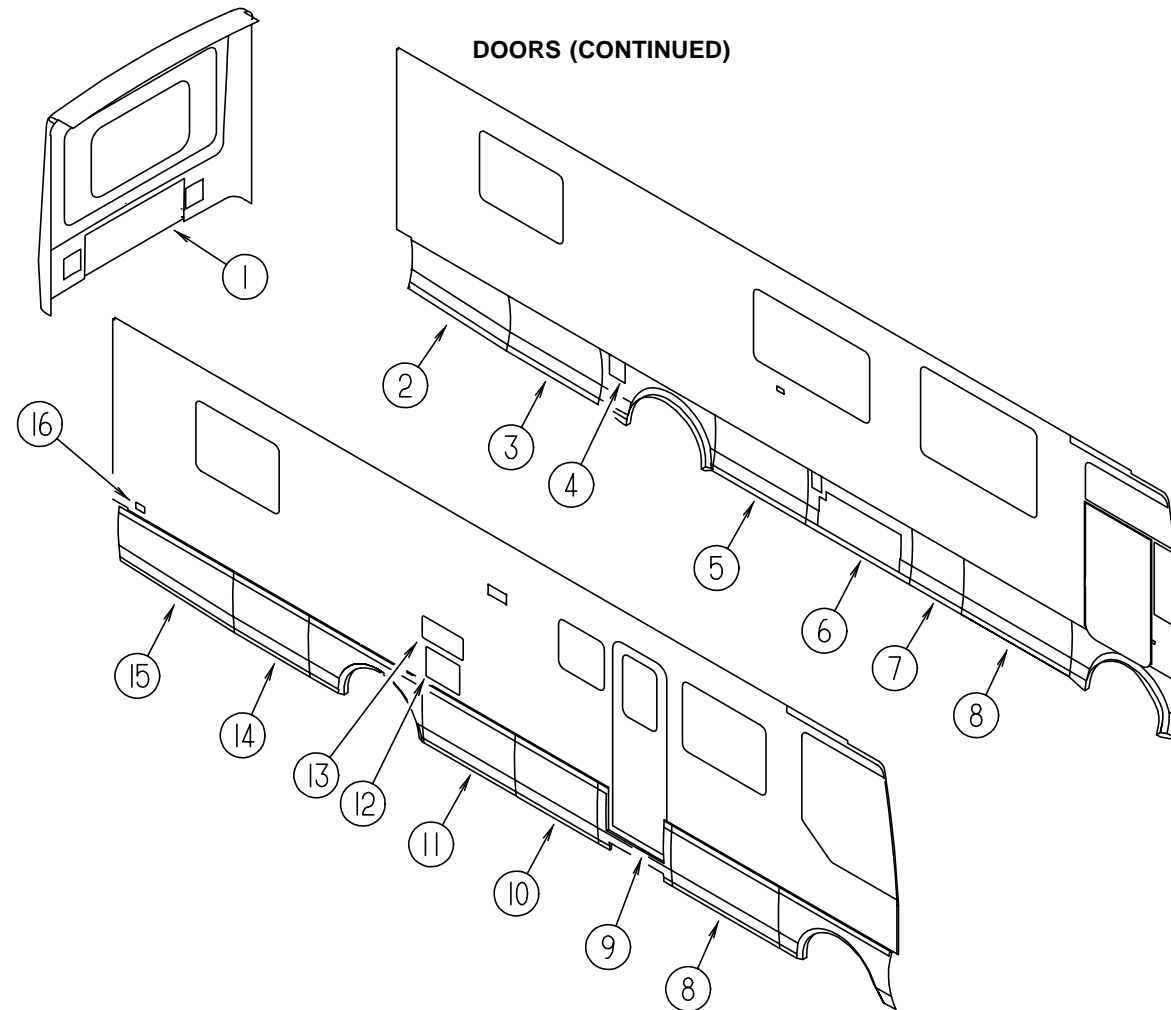
WINDOW, VENT & EXTERIOR DOOR GROUP



KEY	PART NUMBER	U/M	DESCRIPTION
1	117593-01-J70	EA	DOOR - REAR CAP - W/LATCHES/HINGE/LIGHT
	107721-01-000	FT	BULB SEAL - "D" SHAPED W/ADHESIVE ON FLAT SIDE
	101348-01-000	EA	BOLT/SLIDE - LATCH - NYLON - W SPRING & BRACKET
	102325-02-07A	EA	HINGE - TRUNK DOOR
	108561-01-000	EA	TURNBUCKLE - 10-24 THREAD
	108562-14-000	EA	ROD - LATCH - LEFT THREADED - 8.1"
	108562-28-000	EA	ROD - LATCH - LEFT THREADED - 9.6"
	108562-29-000	EA	ROD - LATCH - RIGHT THREADED - 9.2"
	108562-33-000	EA	ROD - LATCH - RIGHT THREADED - 8.4"
	112949-01-03A	EA	LATCH - PADDLE W/LOCK - W/O KEY - BRIGHT WHITE
	114268-03-02B	EA	BRACKET - GAS SPRING - 14 GAUGE
	057460-02-000	EA	STUD BALL - GAS SPRING - .39" - 5/16" - 18
	108998-01-000	EA	SPRING - GAS 12" COMPRESSED/20" EXTENDED - 30 LB
	107796-05-000	EA	BRACKET - SUPPORT - GAS SPRING TO BED - FLAT (LOWER)
	107719-01-01A	EA	STRIKE - VALANCE DOOR
	112949-03-000	EA	KEY - TRI-MARK #TM500
2	120152-02-GV0	EA	DOOR - VALANCE - W/LOCKING LATCH - 56.7" X 21.2" X 23.9"
	107796-02-000	EA	BRACKET - "L" MOUNT BRACKET - W/BALL STUD F/GAS SPRING
	107796-01-000	EA	SPRING/GAS - 11" COMPRESSED/17" EXTENDED - 40LB.
	118037-01-01A	EA	HINGE - DOUBLE PIVOT
3	119443-01-01A	EA	COVER - LATCH - VALANCE DOOR
	120151-02-GV0	EA	DOOR - VALANCE - W/LOCKING PADDLE - 45.4" X 24.2" X 23.8"
	107796-02-000	EA	BRACKET - "L" MOUNT BRACKET - W/BALL STUD F/GAS SPRING
	107796-01-000	EA	SPRING/GAS - 11" COMPRESSED/17" EXTENDED - 40LB.
4	118037-01-01A	EA	HINGE - DOUBLE PIVOT
	119443-01-01A	EA	COVER - LATCH - VALANCE DOOR
	118392-01-GV0	EA	DOOR - FUEL FILL
	110506-04-000	EA	LOCK ASM - KEYED - 26.45MM
076322-02-000	EA	TAPE - DOUBLE COATED/ADHESIVE BACK - .045"THK X 1"W X 108'	
118036-01-01A	EA	HINGE - SINGLE PIVOT	

KEY	PART NUMBER	U/M	DESCRIPTION
	118037-02-02B	EA	HINGE - DOUBLE PIVOT - 90 DEGREE
	118037-02-01A	EA	HINGE - DOUBLE PIVOT - 90 DEGREE
	118331-01-01A	EA	DOOR - FUEL FILL
5	120150-04-GV0	EA	DOOR - VALANCE - W/LIGHT CUTOUT/LOCKING PADDLE - 45.5" X 24.2"
	107796-02-000	EA	BRACKET - "L" MOUNT BRACKET - W/BALL STUD F/GAS SPRING
	107796-01-000	EA	SPRING/GAS - 11" COMPRESSED/17" EXTENDED - 40LB.
	118037-01-01A	EA	HINGE - DOUBLE PIVOT
6	119443-01-01A	EA	COVER - LATCH - VALANCE DOOR
	120153-01-GV0	EA	DOOR - A/C - 44.6"TW X 51.8"BW X 16" X 24.2"
	118037-01-01A	EA	HINGE - DOUBLE PIVOT
	123783-01-01A	EA	STRIKER - DOOR - MILL
	076767-04-000	EA	CABLE - SUPPORT - 5.9" STAINLESS STEEL
	104692-01-000	FT	SEAL - FOAM/ADHESIVE BACK - .75"THICK X .75"WIDE X 25'
	107721-01-000	FT	BULB SEAL - "D" SHAPED W/ADHESIVE ON FLAT SIDE
	108998-01-000	EA	SPRING - GAS 12" COMPRESSED/20" EXTENDED - 30 LB
7	114268-03-02B	EA	BRACKET - GAS SPRING - 14 GAUGE
	120150-01-GV0	EA	DOOR - VALANCE - W/LOCKING PADDLE - 25.4" X 24.2"
	107796-02-000	EA	BRACKET - "L" MOUNT BRACKET - W/BALL STUD F/GAS SPRING
	118037-01-01A	EA	HINGE - DOUBLE PIVOT
8	119443-01-01A	EA	COVER - LATCH - VALANCE DOOR
	120150-05-GV0	EA	DOOR - VALANCE - W/LOCKING PADDLE - 53.4" X 24.2"
	107796-02-000	EA	BRACKET - "L" MOUNT BRACKET - W/BALL STUD F/GAS SPRING
	107796-08-000	EA	SPRING/GAS - 11" COMPRESSED/17" EXTENDED - 60 LB
	118037-01-01A	EA	HINGE - DOUBLE PIVOT
	120863-01-000	EA	BUMPER - RUBBER - 1 1/4" X 1 1/4"
	120495-01-01A	EA	STRIKER - DOOR
	107721-01-000	FT	BULB SEAL - "D" SHAPED W/ADHESIVE ON FLAT SIDE
069640-03-000	FT	SEALER - TAPE - 1/8"THICK X .75"WIDE X 60' - BLACK	
119443-01-01A	EA	COVER - LATCH - VALANCE DOOR	

WINDOW, VENT & EXTERIOR DOOR GROUP (CONTINUED)

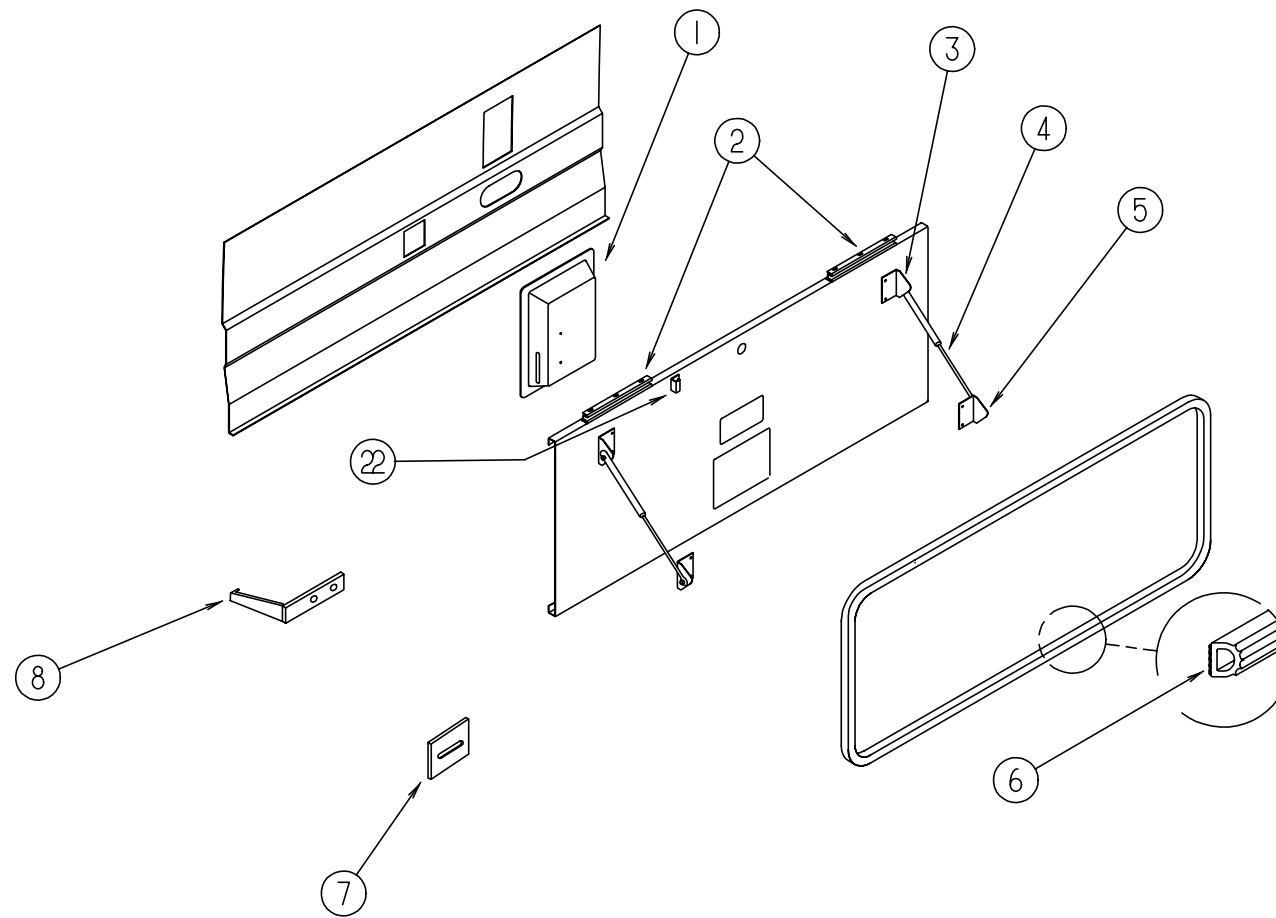


DOORS (CONTINUED)

KEY	PART NUMBER	U/M DESCRIPTION	KEY	PART NUMBER	U/M DESCRIPTION	VENDOR NO.
9	115108-07-J70	EA DOOR - ENTRY W/POWER LOCK/SCREEN DOOR - W/O WINDOW (J70,J71) FROM: 00-00-00 THRU: 08-17-97	11	120150-03-GV0	EA DOOR - VALANCE - W/LIGHT CUTOUT/LOCKING PADDLE - 45.5" X 24.2"	
9	115108-07-J72	EA DOOR - ENTRY W/POWER LOCK/SCREEN DOOR - W/O WINDOW (J72,J73,J74,J75) FROM: 00-00-00 THRU: 08-17-97	107796-02-000	EA BRACKET - "L" MOUNT BRACKET - W/BALL STUD F/GAS SPRING		
9	115108-07-J76	EA DOOR - ENTRY W/POWER LOCK/SCREEN DOOR - W/O WINDOW (J76,J77) FROM: 00-00-00 THRU: 08-17-97	107796-01-000	EA SPRING/GAS - 11" COMPRESSED/17" EXTENDED - 40LB.		
9	115108-12-J70	EA DOOR - ENTRY W/POWER LOCK/SCREEN DOOR - W/O WINDOW (J70,J71) FROM: 08-18-97 THRU: 99-99-99	107721-01-000	FT BULB SEAL - "D" SHAPED W/ADHESIVE ON FLAT SIDE		
9	115108-12-J72	EA DOOR - ENTRY W/POWER LOCK/SCREEN DOOR - W/O WINDOW (J72,J73,J74,J75) FROM: 08-18-97 THRU: 99-99-99	069640-03-000	FT SEALER - TAPE - 1/8"THICK X .75"WIDE X 60' - BLACK		
9	115108-12-J76	EA DOOR - ENTRY W/POWER LOCK/SCREEN DOOR - W/O WINDOW (J76,J77) FROM: 08-18-97 THRU: 99-99-99	120495-01-01A	EA STRIKER - DOOR		
9	115108-08-J70	EA DOOR - ENTRY - W/SCREEN DOOR - W/O WINDOW (J70,J71) FROM: 00-00-00 THRU: 08-17-97	118037-01-01A	EA HINGE - DOUBLE PIVOT		
9	115108-08-J72	EA DOOR - ENTRY - W/SCREEN DOOR - W/O WINDOW (J72,J73,J74,J75) FROM: 00-00-00 THRU: 08-17-97	119443-01-01A	EA COVER - LATCH - VALANCE DOOR		
9	115108-08-J76	EA DOOR - ENTRY - W/SCREEN DOOR - W/O WINDOW (J76,J77) FROM: 00-00-00 THRU: 08-17-97	12	052009-06-000	EA DOOR - WATER HEATER - BRIGHT WHITE - 18" X 14.6"	
9	115108-13-J70	EA DOOR - ENTRY - W/SCREEN DOOR - W/O WINDOW (J70,J71) FROM: 08-18-97 THRU: 99-99-99	116424-01-000	EA PROTECTOR - LATCH - WATER HEATER		
9	115108-13-J72	EA DOOR - ENTRY - W/SCREEN DOOR - W/O WINDOW (J72,J73,J74,J75) FROM: 08-18-97 THRU: 99-99-99	13	084103-08-000	EA DOOR - REFRIGERATOR - VENTED - W/O JAMB	
9	115108-13-J76	EA DOOR - ENTRY - W/SCREEN DOOR - W/O WINDOW (J76,J77) FROM: 08-18-97 THRU: 99-99-99	084104-08-000	EA JAMB - REFRIGERATOR DOOR		
10	120150-02-GV0	EA DOOR - VALANCE - W/LOCKING PADDLE - 41.8" X 24.2"	084104-01-700	EA LOCK - MALE - FASTENER	201-721-010	
	107796-02-000	EA BRACKET - "L" MOUNT BRACKET - W/BALL STUD F/GAS SPRING	084104-01-701	EA LOCK - FEMALE - FASTENER	201-802-010	
	107796-01-000	EA SPRING/GAS - 11" COMPRESSED/17" EXTENDED - 40LB.	13	118368-01-02A	EA DOOR - VENT - REFRIGERATOR	
	118037-01-01A	EA HINGE - DOUBLE PIVOT	14	120151-01-GV0	EA DOOR - VALANCE - W/NON LOCKING PADDLE - 37.5" X 23.9" X 24.2"	
	119443-01-01A	EA COVER - LATCH - VALANCE DOOR	107796-02-000	EA BRACKET - "L" MOUNT BRACKET - W/BALL STUD F/GAS SPRING		
			107796-01-000	EA SPRING/GAS - 11" COMPRESSED/17" EXTENDED - 40LB.		
			118037-01-01A	EA HINGE - DOUBLE PIVOT		
			119443-01-01A	EA COVER - LATCH - VALANCE DOOR		
			15	120152-01-GV0	EA DOOR - VALANCE - W/LOCKING LATCH - 56.7" X 21.2" X 23.9"	
			107796-02-000	EA BRACKET - "L" MOUNT BRACKET - W/BALL STUD F/GAS SPRING		
			107796-01-000	EA SPRING/GAS - 11" COMPRESSED/17" EXTENDED - 40LB.		
			118037-01-01A	EA HINGE - DOUBLE PIVOT		
			119443-01-01A	EA COVER - LATCH - VALANCE DOOR		
			16	081240-16-000	EA DOOR - WATER FILL - LOCKABLE W/O LOCK - 4" X 4 5/8"	

WINDOW, VENT & EXTERIOR DOOR GROUP (CONTINUED)

EXTERIOR COMPARTMENT DOOR COMPONENTS

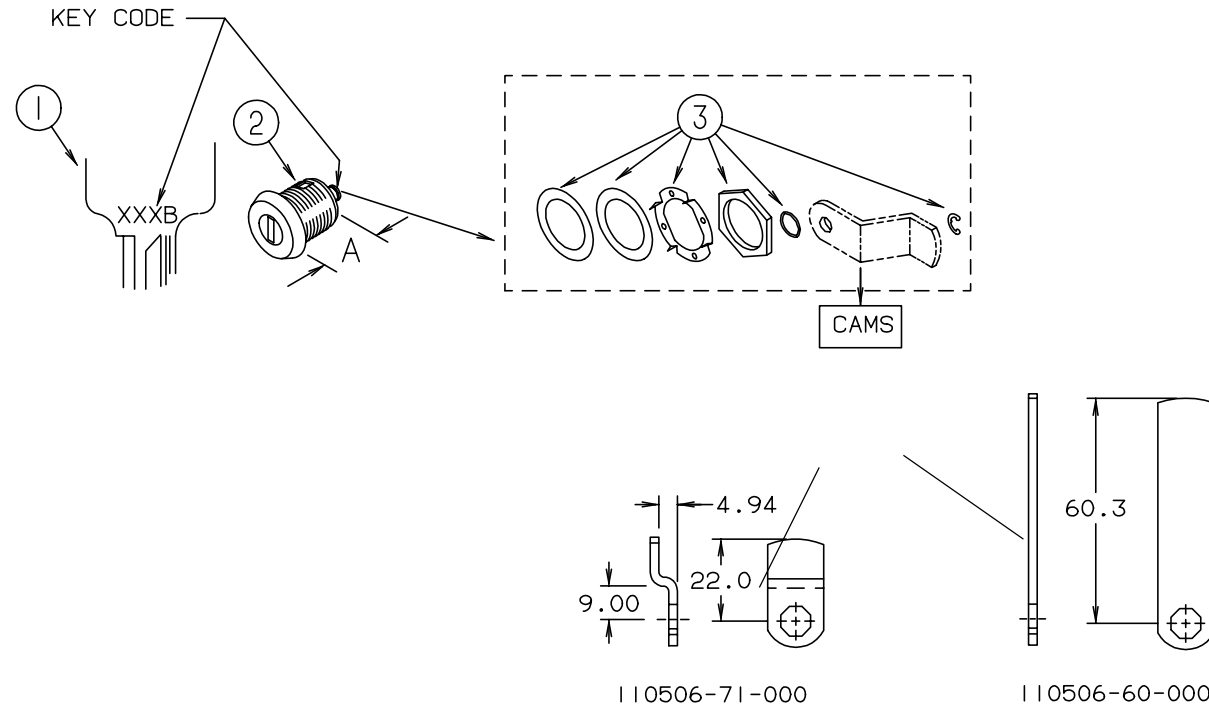


KEY	PART NUMBER	U/M	DESCRIPTION
1	119443-01-01A	EA	COVER - LATCH - VALANCE DOOR
	100128-02-000	FT	SEAL - FOAM/ADHESIVE BACK - .37" WIDE X .37" THICK
2	118037-01-01A	EA	HINGE - DOUBLE PIVOT
2	118037-02-02B	EA	HINGE - DOUBLE PIVOT - 90 DEGREE (FUEL DOOR)
2	118037-02-01A	EA	HINGE - DOUBLE PIVOT - 90 DEGREE (FUEL DOOR)
3	107796-02-000	EA	BRACKET - "L" MOUNT BRACKET - W/BALL STUD F/GAS SPRING
4	107796-01-000	EA	GAS SPRING - 11" COMPRESSED/17" EXTENDED - 40LB.
4	107796-08-000	EA	SPRING/GAS - 11" COMPRESSED/17" EXTENDED - 60 LB
5	107796-05-000	EA	BRACKET - SUPPORT - GAS SPRING TO BED - FLAT (LOWER)
6	069640-03-000	FT	SEALER - TAPE - 1/8" THICK X .75" WIDE X 60'
7	110415-01-01A	EA	SHIM - LATCH - VALANCE DOOR
8	102768-01-000	EA	HOLDER - COMPARTMENT/ENTRY DOOR - METAL - MILL FINISH
	091876-01-000	EA	RETAINER - DOOR - 1.9" X .8" - METAL

WINDOW, VENT & EXTERIOR DOOR GROUP (CONTINUED)

BRIGGS & STRATTON LOCKS & COMPONENTS

NOTE:
WHEN ORDERING THE LOCK CASE, THE KEY CODE MUST MATCH THE LAST DIGIT OF THE VEHICLE'S SERIAL NUMBER AND PART NUMBER; WHEN ORDERING THE KEYS, THE THIRD DIGIT OF THE KEY CODE MUST MATCH THE LAST DIGIT OF THE VEHICLE'S SERIAL NUMBER AND PART NUMBER

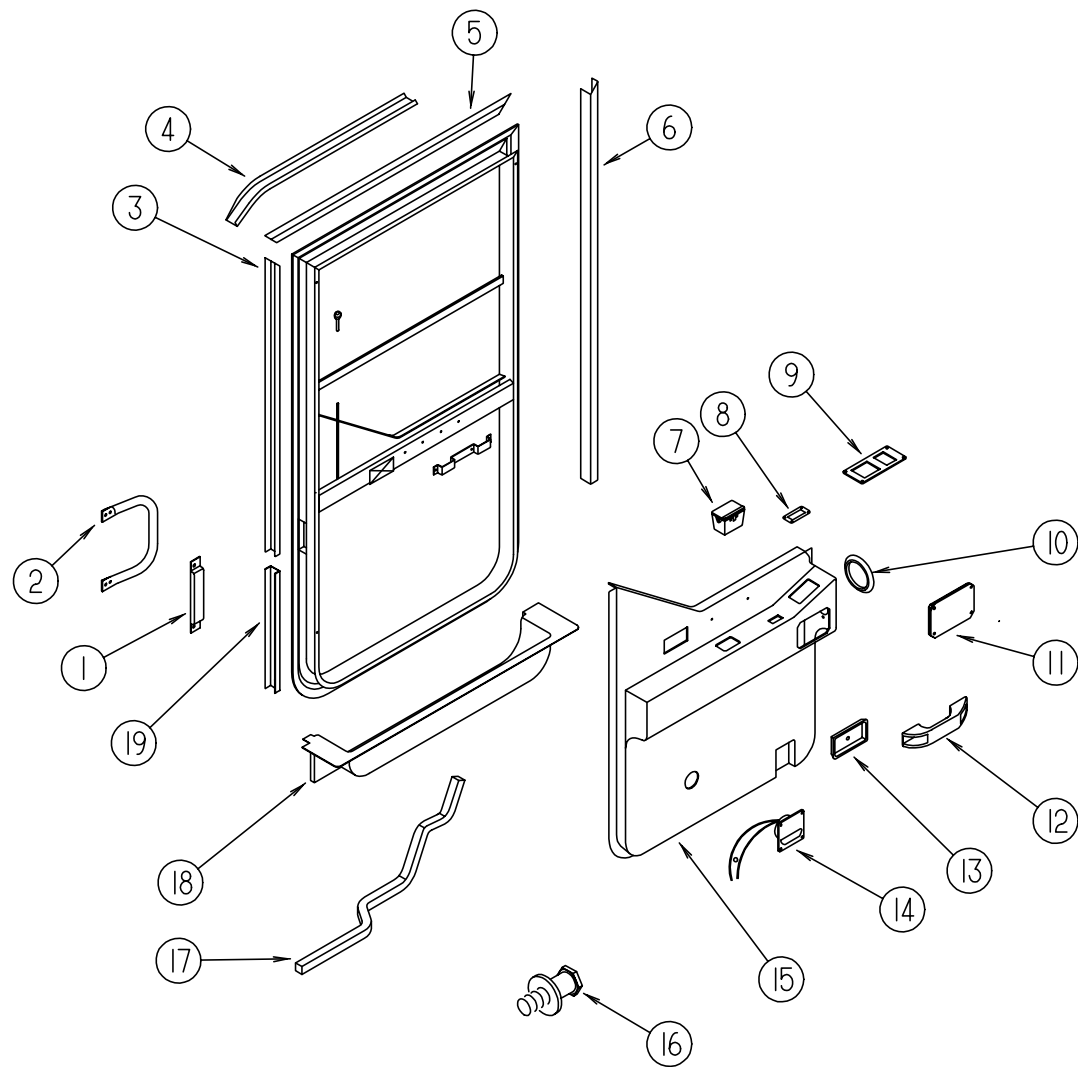


KEY	PART NUMBER	U/M	DESCRIPTION	VENDOR NO.
1	110506-59-000	EA	KEYS-SET OF TWO	596720
2	110506-52-000	EA	CASE-LOCK, A = 17 MM	702370
2	110506-53-000	EA	CASE-LOCK, A = 25 MM	702380
1	110506-59-001	EA	KEYS-SET OF TWO	596721
2	110506-52-001	EA	CASE-LOCK, A = 17 MM	702371
2	110506-53-001	EA	CASE-LOCK, A = 25 MM	702381
1	110506-59-002	EA	KEYS-SET OF TWO	596722
2	110506-52-002	EA	CASE-LOCK, A = 17 MM	702372
2	110506-53-002	EA	CASE-LOCK, A = 25 MM	702382
1	110506-59-003	EA	KEYS-SET OF TWO	596723
2	110506-52-003	EA	CASE-LOCK, A = 17 MM	702373
2	110506-53-003	EA	CASE-LOCK, A = 25 MM	702383
1	110506-59-004	EA	KEYS-SET OF TWO	596724
2	110506-52-004	EA	CASE-LOCK, A = 17 MM	702374
2	110506-53-004	EA	CASE-LOCK, A = 25 MM	702384
1	110506-59-005	EA	KEYS-SET OF TWO	596725
2	110506-52-005	EA	CASE-LOCK, A = 17 MM	702375
2	110506-53-005	EA	CASE-LOCK, A = 25 MM	702385
1	110506-59-006	EA	KEYS-SET OF TWO	596726
2	110506-52-006	EA	CASE-LOCK, A = 17 MM	702376
2	110506-53-006	EA	CASE-LOCK, A = 25 MM	702386

KEY	PART NUMBER	U/M	DESCRIPTION	VENDOR NO.
1	110506-59-007	EA	KEYS-SET OF TWO	596727
2	110506-52-007	EA	CASE-LOCK, A = 17 MM	702377
2	110506-53-007	EA	CASE-LOCK, A = 25 MM	702387
1	110506-59-008	EA	KEYS-SET OF TWO	596728
2	110506-52-008	EA	CASE-LOCK, A = 17 MM	702378
2	110506-53-008	EA	CASE-LOCK, A = 25 MM	702388
1	110506-59-009	EA	KEYS-SET OF TWO	596729
2	110506-52-009	EA	CASE-LOCK - A = 17 MM	702379
2	110506-53-009	EA	CASE-LOCK - A = 25 MM	702389
3	110506-40-700	EA	HARDWARE KIT, INCLUDES GASKET, WASHERS, NUT & CLIP	
	110506-60-000	EA	CAM-LOCK, BRIGGS & STRATTON 322276 (FUEL FILL)	
	110506-71-000	EA	CAM-LOCK, BRIGGS & STRATTON 322287 (WATER FILL)	
	110506-59-000	EA	KEYS-SET OF TWO	

WINDOW, VENT & EXTERIOR DOOR GROUP (CONTINUED)

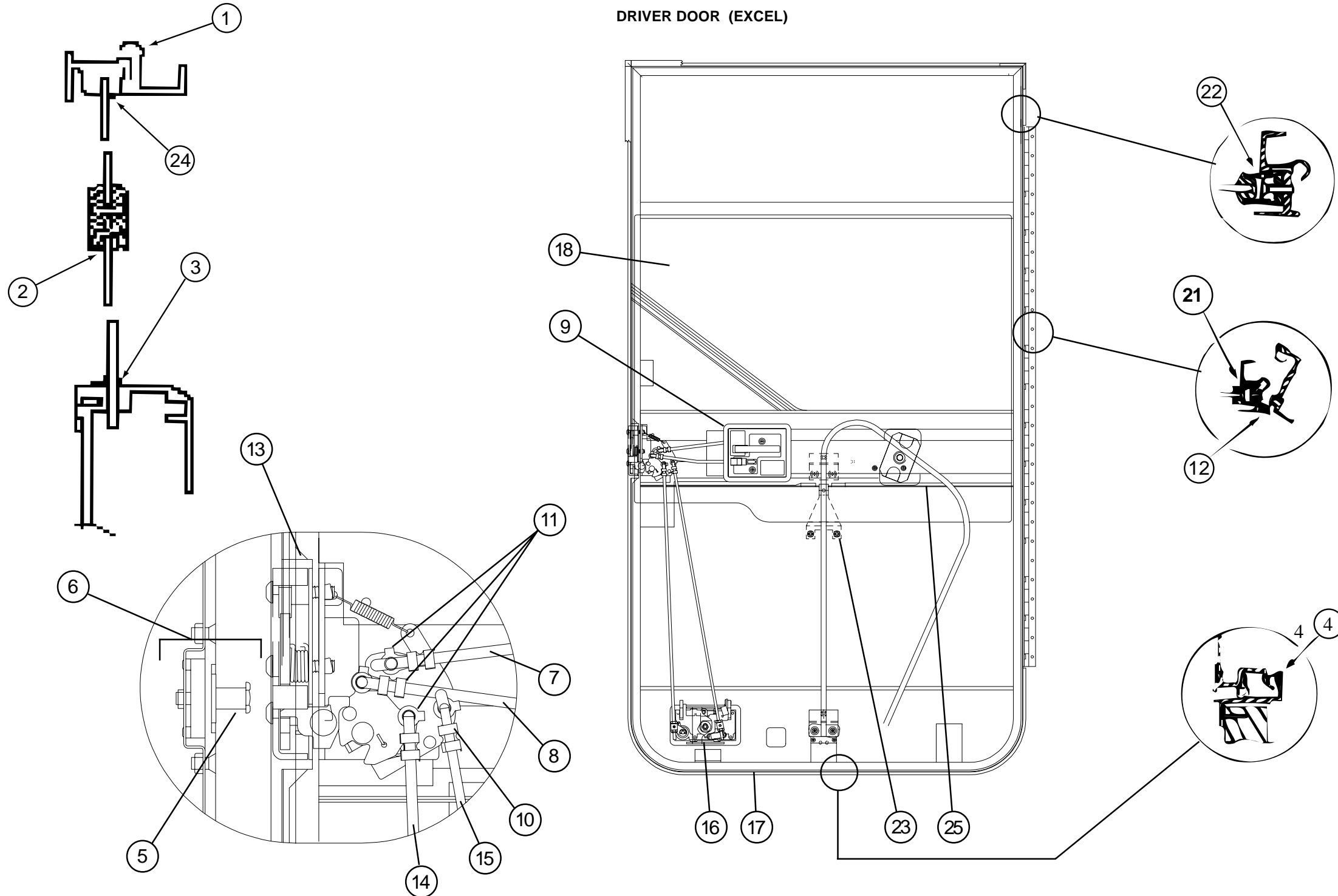
DRIVERS DOOR



KEY	PART NUMBER	U/M	DESCRIPTION	VENDOR NO.
	106469-10-01A	EA	DOOR - DRIVERS - POWER WINDOW	
	106469-11-01A	EA	DOOR - DRIVERS - POWER WINDOWS/LOCKS	
1	108654-01-01A	EA	COVER - STRIKE - DRIVER DOOR	
2	108832-02-01A	EA	HANDLE - ASSIST - DOOR/DRIVER	
3	108129-01-01A	EA	GARNISH - DRIVERS DOOR	
4	108274-08-02A	EA	RAIL - DRIP - FRONT/DRIVER - BRIGHT WHITE	
5	108107-01-01A	EA	GARNISH - DRIVERS DOOR - MILL	
6	108108-03-01A	EA	GARNISH - DRIVERS DOOR - MILL	
	108119-03-F36	EA	GARNISH - DRIVER DOOR	
7	118719-01-01A	EA	ASHTRAY - TOP MOUNT - BLACK PLASTIC	
8	093132-01-000	EA	SWITCH - ROCKER - 5 TERMINAL - W/ARROWS F/POWER WINDOWS	
	094086-01-01A	EA	PLATE - SWITCH - SINGLE GANG - 1.8" X 3" - BLACK PLASTIC	
9	087695-02-000	EA	SWITCH - HEATER - EXTERIOR MIRROR	
9	088246-01-000	EA	SWITCH - REMOTE - EXTERIOR - SQUARE PUSH	
10	093145-01-000	EA	SLEEVE - WIRE - 10" LONG	
	093146-01-000	EA	GROMMET - WIRE - 1.7" X 3.1" - OVAL SHAPED - BLACK PLASTIC	
11	107889-02-000	EA	CONTROL PANEL KIT - ELECTRONIC SOFT TOUCH	
	100532-09-700	EA	PANEL ASM. - TOUCH CONTROL	RAP1002
	100532-09-702	EA	CABLE - MODULAR - 5'	AP1020
12	102710-01-01A	EA	HANDLE - ASSIST - ENTRY DOOR - 6.6" LONG	
	118640-01-01B	EA	BRACKET - HANDLE	
13	N/A	EA	COVER-LATCH, DOOR (SUPPLIED W/DRIVERS DOOR)	
14	108354-01-01A	EA	LIGHT - COURTESY	
	108354-01-700	EA	BULB - COURTESY LIGHT	395-B
15	118582-01-01A	EA	PANEL - TRIM - INNER/LEFT HAND	
15	118582-02-01A	EA	PANEL - TRIM - INNER/LEFT HAND - F/LEVELING JACKS	
16	N/A	EA	STRIKER ASSEMBLY, (SUPPLIED W/DRIVERS DOOR)	
17	063977-14-000	EA	STEP - DRIVER DOOR - LEFT HAND	
18	126069-01-01A	EA	TRIM - STEP - DRIVER	
	102569-02-000	EA	MAT - ANTI SLIP - LOWER	
	109506-01-000	EA	FILM - URETHANE - PROTECTANT - 4.25" X 26.75"	
	109235-01-01A	FT	COVER - SCREW - MAT BLACK	
19	108897-02-01A	EA	GARNISH - DRIVER DOOR - REAR LOWER	
	109378-01-000	EA	STRAP - CHECK - DRIVER DOOR - 12.8"	
	064219-01-000	EA	RETAINER - CHECK STRAP - DRIVER DOOR	

WINDOW, VENT & EXTERIOR DOOR GROUP (CONTINUED)

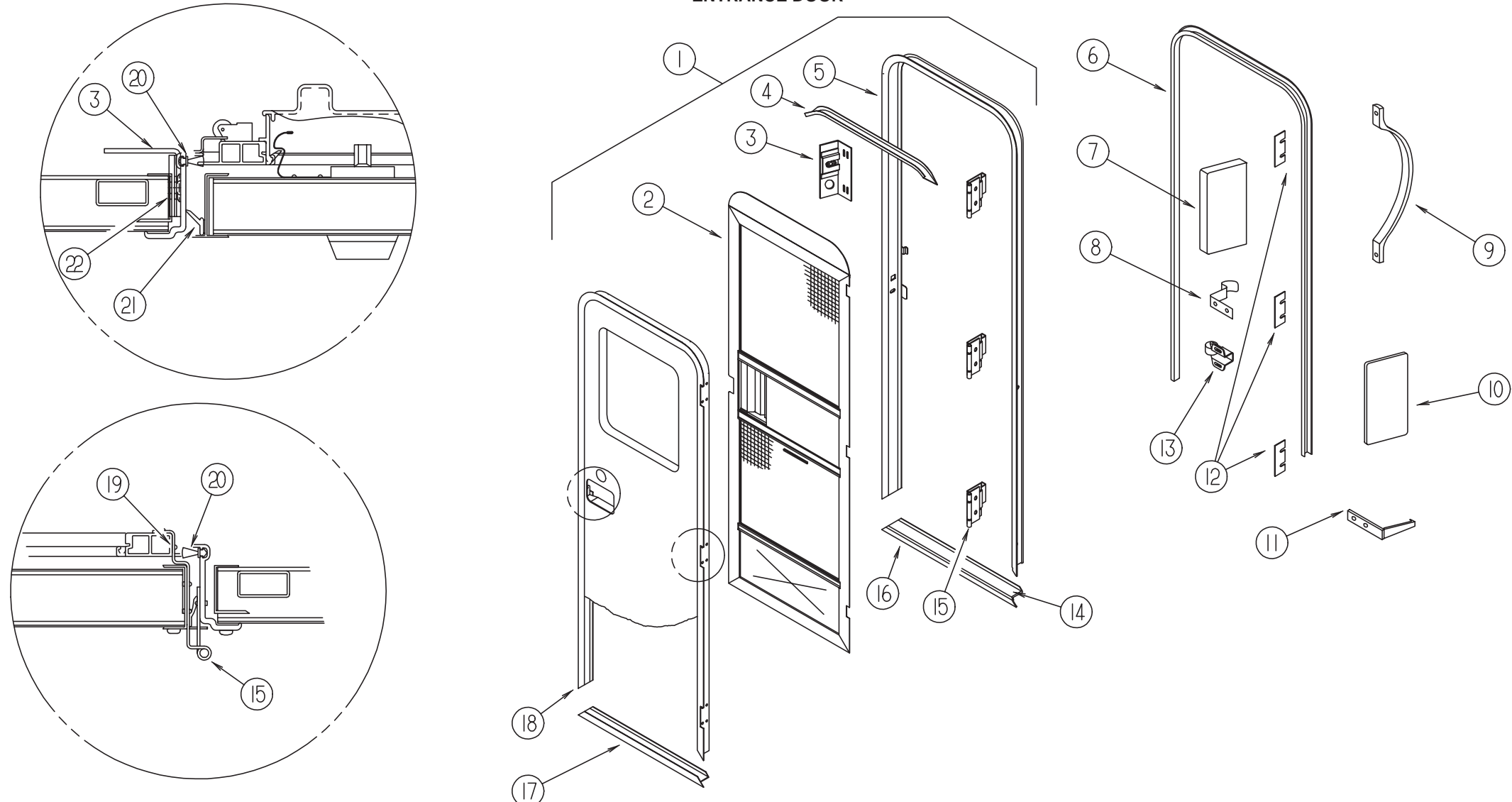
DRIVER DOOR (EXCEL)



KEY	PART NUMBER	U/M	DESCRIPTION	VENDOR NO.
1	106469-01-702	EA	DOOR SEAL	122-040984
2	106469-01-705	FT	CHANNEL - RUN - SLIDING	122-010850
3	106469-01-709	FT	WEATHERSTRIP - FUZZY	171-040630
4	106469-01-723	EA	SEAL - BULB ASM. (JAMB)	171-040985
5	106469-04-703	EA	BOLT - STRIKER (W/ WASHER)	248-041152
6	106469-04-704	EA	NUT ASSEMBLY - CAGED - W/STRIKER	248-041151
7	106469-04-705	EA	LATCH ROD - HORIZONTAL	203-041139
8	106469-04-711	EA	LOCK ROD - HORIZONTAL	203-041137
9	106469-04-712	EA	HANDLE/DOOR - INNER W/HARDWARE	248-041402
10	106469-04-713	EA	ROD CLIP L.H.	248-041154
11	106469-04-714	EA	ROD CLIP R.H.	248-041153
12	106469-05-702	EA	HINGE - 42"	211-041194
13	106469-05-706	EA	LATCH - ROTARY - W/LINKAGE	248-041150

KEY	PART NUMBER	U/M	DESCRIPTION	VENDOR NO.
14	125581-04-700	EA	ROD - LATCH/VERTICAL ADJUST.	203041767
15	125581-04-701	EA	ROD - LOCK/VERTICAL ADJUST.	203-041768
16	125581-04-702	EA	PADDLE RH-W/COLLAR BLACK TEX	248-041403
17	125581-04-703	EA	FRAME - MOUNTING - BLACK	V180-35L
18	125581-04-704	EA	GLASS - ROLL-UP	106-041821
19	125581-04-705	EA	GLASS - STATIONARY	106-041547
20	125581-04-706	EA	FRAME - DOOR - SUB-ASSEMBLY	V180-94L
21	125581-04-707	EA	CHANNEL - ROLL UP GLASS	V156-60
22	125581-04-708	EA	CHANNEL - STATIONARY GLASS	V156-61
23	125581-04-709	EA	REGULATOR - MANUAL	410-08389
24	125581-04-710	EA	VINYL - GLAZING	132-041484
25	125581-04-711	EA	CHANNEL- GLASS	N135-66
	106469-04-701	EA	TUMBLER & KEYS (TRI-MARK)	248-041179
	106469-04-702	EA	KEYS (BLANK)	248-041180

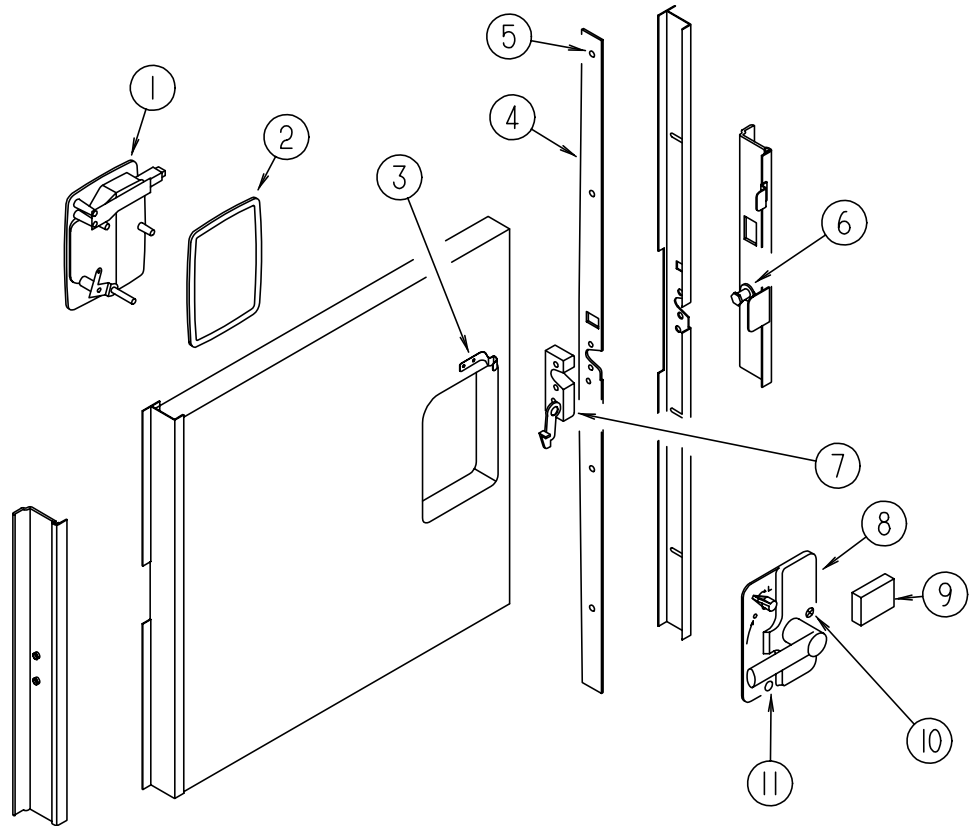
WINDOW, VENT & EXTERIOR DOOR GROUP (CONTINUED)
ENTRANCE DOOR



KEY	PART NUMBER	U/M DESCRIPTION
1	115108-07-J70	EA DOOR - ENTRY W/POWER LOCK/SCREEN DOOR - W/O WINDOW (J70,J71) FROM: 00-00-00 THRU: 08-17-97
1	115108-07-J72	EA DOOR - ENTRY W/POWER LOCK/SCREEN DOOR - W/O WINDOW (J72,J73,J74,J75) FROM: 00-00-00 THRU: 08-17-97
1	115108-07-J76	EA DOOR - ENTRY W/POWER LOCK/SCREEN DOOR - W/O WINDOW (J76,J77) FROM: 00-00-00 THRU: 08-17-97
1	115108-12-J70	EA DOOR - ENTRY W/POWER LOCK/SCREEN DOOR - W/O WINDOW (J70,J71) FROM: 08-18-97 THRU: 99-99-99
1	115108-12-J72	EA DOOR - ENTRY W/POWER LOCK/SCREEN DOOR - W/O WINDOW (J72,J73,J74,J75) FROM: 08-18-97 THRU: 99-99-99
1	115108-12-J76	EA DOOR - ENTRY W/POWER LOCK/SCREEN DOOR - W/O WINDOW (J76,J77) FROM: 08-18-97 THRU: 99-99-99
1	115108-08-J70	EA DOOR - ENTRY - W/SCREEN DOOR - W/O WINDOW (J70,J71) FROM: 00-00-00 THRU: 08-17-97
1	115108-08-J72	EA DOOR - ENTRY - W/SCREEN DOOR - W/O WINDOW (J72,J73,J74,J75) FROM: 00-00-00 THRU: 08-17-97
1	115108-08-J76	EA DOOR - ENTRY - W/SCREEN DOOR - W/O WINDOW (J76,J77) FROM: 00-00-00 THRU: 08-17-97
1	115108-13-J70	EA DOOR - ENTRY - W/SCREEN DOOR - W/O WINDOW (J70,J71) FROM: 08-18-97 THRU: 99-99-99
1	115108-13-J72	EA DOOR - ENTRY - W/SCREEN DOOR - W/O WINDOW (J72,J73,J74,J75) FROM: 08-18-97 THRU: 99-99-99
1	115108-13-J76	EA DOOR - ENTRY - W/SCREEN DOOR - W/O WINDOW (J76,J77) FROM: 08-18-97 THRU: 99-99-99
2	117077-02-J70	EA DOOR - SCREEN

KEY	PART NUMBER	U/M DESCRIPTION
3	041546-08-000	EA BRACKET - DOOR ANGLE O/W
4	044582-49-000	EA CAP - DRIP - JAMB MITERED
5	121898-06-02A	EA JAMB - ENTRY DOOR
5	121898-07-02A	EA JAMB - ENTRY DOOR - POWERED DOOR
	092927-03-000	EA STRIKER - ROUND - JAMB MOUNTED
6	115222-02-01A	EA GARNISH - RADIUS - ENTRY DOOR
6	115222-08-01A	EA GARNISH - RADIUS - ENTRY DOOR - POWERED DOOR
7	077461-03-000	EA COVER - STRIKE - ENTRY DOOR - 6.5" X 2.5" - WHITE PLASTIC
8	100412-01-000	EA CATCH - SCREEN DOOR
9	102710-01-01A	EA HANDLE - ASSIST - ENTRY DOOR - 6.6" LONG
10	076725-02-000	EA COVER - ACCESS - HINGE - ENTRY DOOR - 6" X 3.2"
11	102768-01-000	EA HOLDER - COMPARTMENT/ENTRY DOOR - METAL - MILL FINISH
12	102248-01-000	EA SHIM - DOOR
13	109403-01-000	EA CATCH - SINGLE ROLLER - SCREEN DOOR
14	038327-01-000	EA TAPE - ANTI-SLIP - 2" X 6'
15	106719-01-05A	EA HINGE - ENTRANCE DOOR - BRIGHT WHITE
	039715-01-000	EA NUT-SERT - 1/4" DIAMETER - 20 THREADS
	116111-02-01A	EA SCREW - TAPTITE - 1/4-20 X 3/8 PPH - ZINC
16	051049-01-000	EA JAMB - BOTTOM - ENTRY DOOR - 25.9" - UNPAINTED
17	089748-21-000	EA FRAME - DOOR/ENTRY BOTTOM
18	122102-02-02A	EA FRAME - ENTRY DOOR
18	122102-01-02A	EA FRAME - ENTRY DOOR - W/POWER LOCK
19	100128-02-000	FT SEAL - FOAM - ADHESIVE BACK - .37" WIDE X .37" THICK
20	118929-01-01A	FT SEAL - PILE - PUSH ON
21	075671-04-000	FT SEAL - SPONGE - LAZY T - W/ADHESIVE STRIP - .5" WIDE
22	104692-01-000	FT SEAL - FOAM/ADHESIVE BACK - .75"THICK X .75"WIDE X 25'

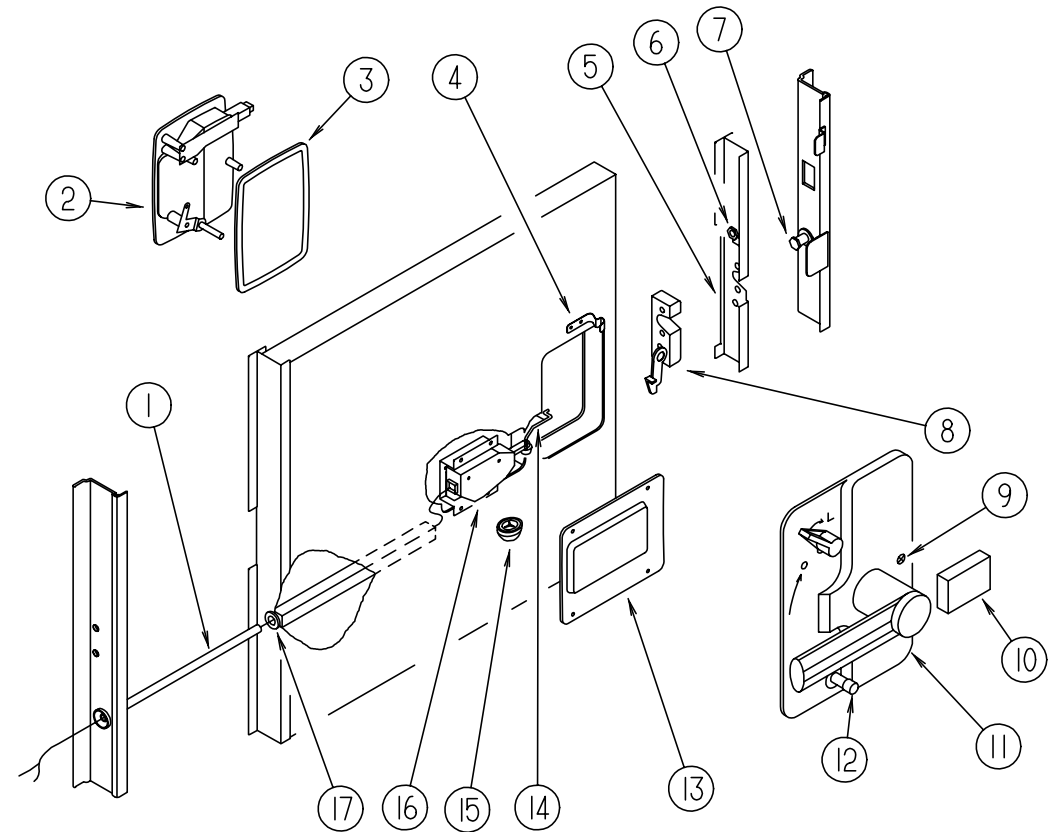
WINDOW, VENT & EXTERIOR DOOR GROUP (CONTINUED)



ENTRANCE DOOR LATCH COMPONENTS W/O POWER LOCKS

KEY	PART NUMBER	U/M DESCRIPTION	VENDOR NO.
1	112782-01-01A	EA LATCH - EXTERIOR HOUSING	
	112782-01-700	EA KEY - BLANK - DEADBOLT - TM100-150	81535
	112782-01-701	EA KEY - BLANK - DEADBOLT - TM151-200	81536
	112782-01-703	EA CYLINDER - LOCK ASM. W/KEYS	081465-09
2	112782-04-01A	EA GASKET	
3	100412-01-000	EA CATCH - SCREEN DOOR	
4	121334-03-01A	EA STIFFENER - DOOR - MILL	
5	072893-04-000	EA NUTSERT - 10-32	
	075908-01-000	EA SCREW - MACHINE - 10-32 X .56 PTH - EXTERNAL TOOTH - ZINC	
6	092927-03-000	EA STRIKER - ROUND - JAMB MOUNTED	
7	112782-03-01A	EA LATCH - SINGLE ROTOR	
8	112782-02-01A	EA LATCH - INTERIOR PLATE	
9	122241-01-01A	EA BUMPER - FOAM RUBBER W/ADH BACK - .5" X .5" X .25" - BLACK	
10	112782-06-01A	EA SCREW - F/MOUNTING PLATE - ZINC	
11	112782-05-01A	EA CAP - VINYL - RED	

WINDOW, VENT & EXTERIOR DOOR GROUP (CONTINUED)



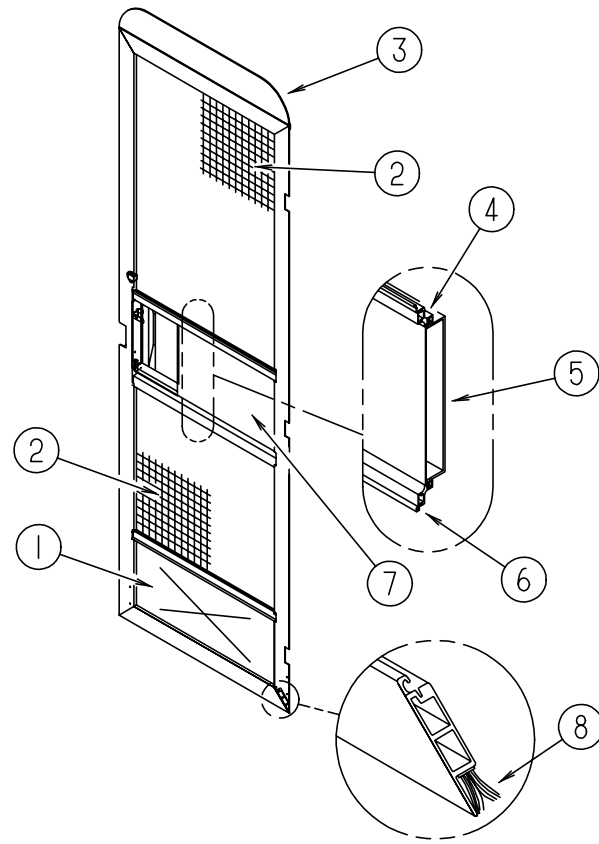
ENTRANCE DOOR LATCH COMPONENTS W/POWER LOCKS

KEY	PART NUMBER	U/M DESCRIPTION	VENDOR NO.
1	077222-01-000	EA SPRING - WIRE GUARD - ENTRY DOOR	
	093057-05-000	EA WIRE ASSEMBLY - POWER LOCK - ENTRANCE	
2	112782-01-01A	EA LATCH - EXTERIOR HOUSING	
	112782-01-700	EA KEY - BLANK - DEADBOLT - TM 100-150	81535
	112782-01-701	EA KEY - BLANK - DEADBOLT - TM 151-200	81536
	112782-01-703	EA CYLINDER - LOCK ASM. W/KEYS	081465-09
3	112782-04-01A	EA GASKET	
4	100412-01-000	EA CATCH - SCREEN DOOR	
5	121334-03-01A	EA STIFFENER - DOOR - MILL	
6	072893-04-000	EA NUTSERT - 10-32	
7	092927-03-000	EA STRIKER - ROUND - JAMB MOUNTED	
8	112782-03-01A	EA LATCH - SINGLE ROTOR	
9	112782-06-01A	EA SCREW - F/MOUNTING PLATE - ZINC	
10	122241-01-01A	EA BUMPER - FOAM RUBBER W/ADH BACK - .5" X .5" X .25" - BLACK	
11	112782-02-01A	EA LATCH - INTERIOR PLATE	
12	112782-05-01A	EA CAP - VINYL - RED	
13	113960-01-01A	EA COVER - ACTUATOR - POWER LOCK	
14	113651-01-01A	EA ROD - CONTROL - MOTOR/LOCK	
15	114209-01-01A	EA PUSHNUT - CAP - 1/8" - WHITE	
16	113638-01-000	EA ACTUATOR - POWER DOOR LOCK	
	113638-02-000	EA CONNECTOR - ACTUATOR	
17	008384-01-000	EA GROMMET - SNAP - 3/4 DIAMETER - NYLON	

POWER DOOR LOCKS W/REMOTE

KEY	PART NUMBER	U/M DESCRIPTION	VENDOR NO.
	102756-02-000	EA REMOTE KEYLESS ENTRY SYSTEM	
	102756-01-700	EA REMOTE - KEYLESS ENTRY	412-1016-011
	102756-01-701	EA BATTERY-12 V F/TRANSMITTER	402-1004
	102756-01-704	EA HARNESS - MAIN	203-6638
	102756-02-700	EA REMOTE (TRANSMITTER) KEYLESS	412-1036
	102756-02-701	EA BOARD - MODULE - NEW SYSTEM	202-3153

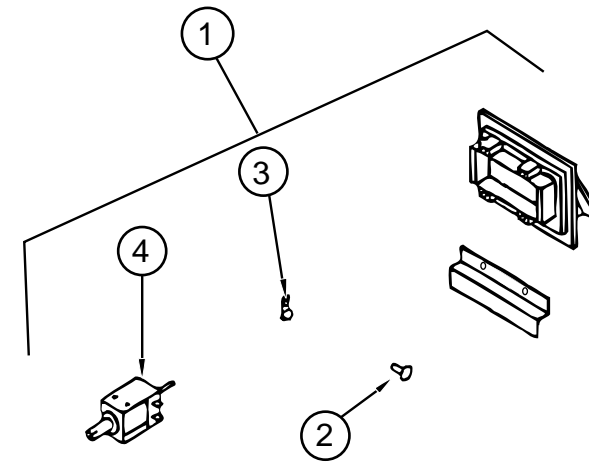
WINDOW, VENT & EXTERIOR DOOR GROUP (CONTINUED)



SCREEN DOOR COMPONENTS

KEY	PART NUMBER	U/M DESCRIPTION
1	078552-03-000	EA KICK PANEL - SCREEN DOOR - LOWER INSERT - UNPAINTED
2	002293-02-000	SF SCREENING - WINDOW/DOOR - 26" - CHARCOAL
3	078595-01-000	EA TOP PLATE - SCREEN DOOR - CURVED TOP - 4.7" X 25.35"
4	078777-01-000	EA CHANNEL - SLIDER - SCREEN DOOR CENTER SLIDER COVER FROM: 00-00-00 THRU: 02-22-98
4	078777-08-000	EA CHANNEL SLIDER FROM: 02-23-98 THRU: 99-99-99
5	079086-02-000	EA SLIDER - SCREEN DOOR
6	002294-01-000	FT SPLINE - SCREENING - .135" X .138"
7	001014-01-013	EA INSERT - CENTER - 10.25" X 16.31" - UNPAINTED
8	075673-01-000	FT SEAL - PILE - ADHESIVE BACK - GRAY

WINDOW, VENT & EXTERIOR DOOR GROUP (CONTINUED)



RANGE HOOD VENT

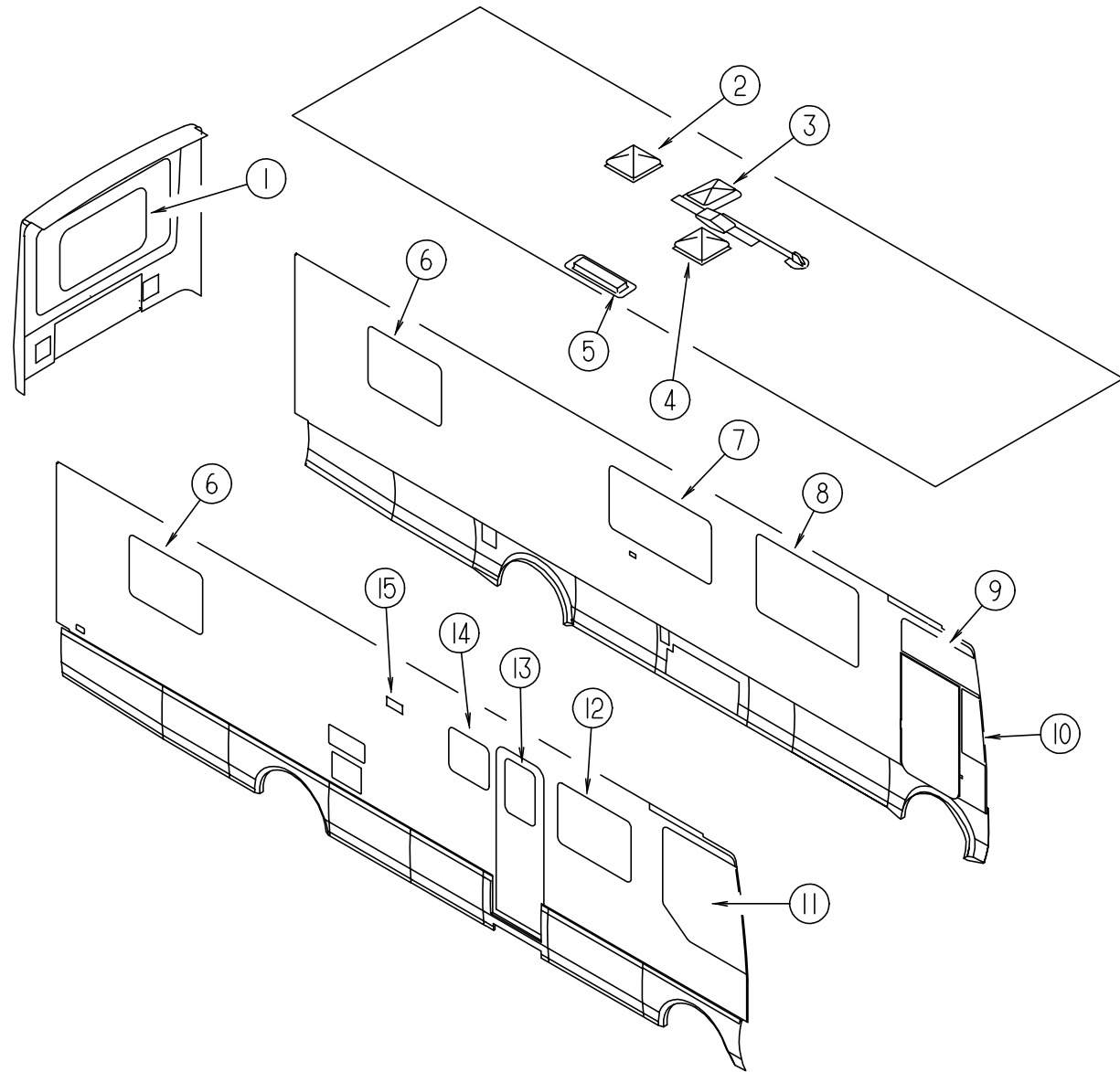
KEY	PART NUMBER	U/M DESCRIPTION	VENDOR NO.
1	092698-03-06A	EA VENT - W/DOOR AND SOLENOID - BRIGHT WHITE	
2	092698-02-700	EA FASTENER - PUSH - EXTERIOR RANGE HOOD VENT VB430	
3	092698-02-701	EA CLAMP - CONDUIT - EXTERIOR RANGE HOOD VENT VB334	
4	092698-03-706	EA SOLENOID - RANGE HOOD - VENTLINE	UB530
	096983-01-709	EA MODULE - SWITCH & LEVER - 17 1/2	CB547-4
	100258-04-702	EA SWITCH - LEVER - W/CABLE	CB547-1
	092696-01-701	EA KNOB - PLASTIC	CC 225

PLUMBING & REFRIGERATOR ROOF VENTS

KEY	PART NUMBER	U/M DESCRIPTION
	083558-06-000	EA VENT - ROOF PLUMBING PIPE - COVERED
	084073-07-000	EA VENT - ROOF/REFRIGERATOR - BRIGHT WHITE - NORCOLD
	084073-04-000	EA BASE - ROOF VENT/REFRIGERATOR - BLACK - NORCOLD
	118369-01-02A	EA CAP - REFRIGERATOR ROOF VENT - SIDE/SIDE - BRIGHT WHITE
	118369-02-02A	EA BASE - REFRIGERATOR ROOF VENT - SIDE/SIDE - BRIGHT WHITE

WINDOW, VENT & EXTERIOR DOOR GROUP (CONTINUED)

WINDOWS & VENTS

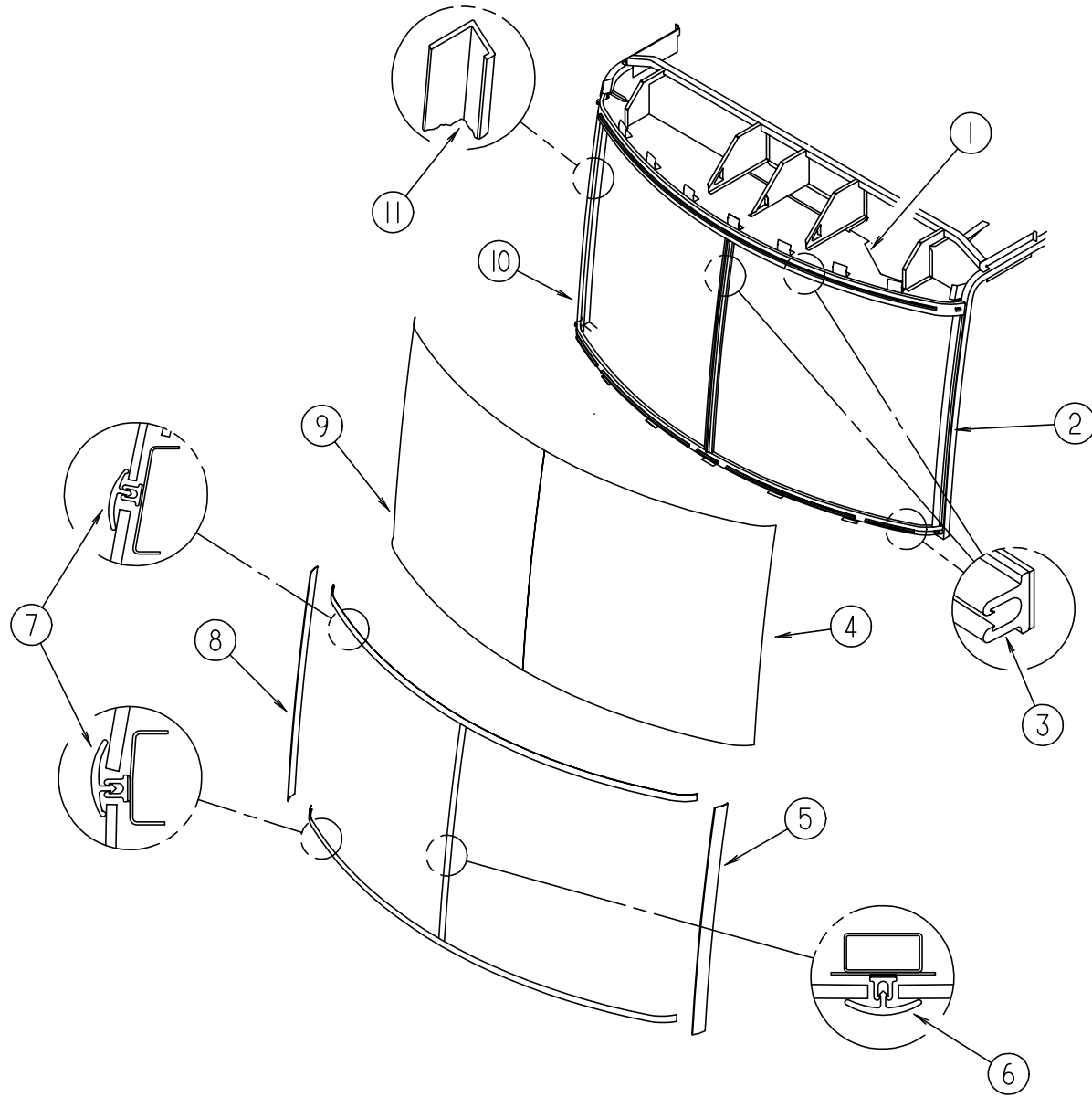


KEY	PART NUMBER	U/M	DESCRIPTION
1*	087985-08-GV0	EA	WINDOW - ESCAPE - 28.5" X 47.5"
2*	122882-04-01A	EA	VENT - ROOF - W/FAN/POWER LIFT - W/O INSIDE GARNISH - UL
2*	122882-05-01A	EA	VENT - ROOF - W/FAN/POWER LIFT - W/O INSIDE GARNISH - CSA
3	108662-01-01A	EA	COVER - SKYLIGHT
4*	122882-01-01A	EA	VENT - ROOF - NONPOWERED - W/O INSIDE GARNISH
4*	123780-05-01A	EA	VENTILATOR - ROOF/3"-4" - W/THERMOSTAT/POWER LIFT
5	084073-07-000	EA	VENT - ROOF/REFRIGERATOR - BRIGHT WHITE - NORCOLD
5	084073-04-000	EA	BASE - ROOF VENT/REFRIGERATOR - BLACK - NORCOLD
5	118369-01-02A	EA	CAP - REFRIGERATOR ROOF VENT - SIDE/SIDE - BRIGHT WHITE
5	118369-02-02A	EA	BASE - REFRIGERATOR ROOF VENT - SIDE/SIDE - BRIGHT WHITE
6*	113500-05-01A	EA	WINDOW - DOUBLE TIPOUT - TINTED - 33.2" X 30.2"
7*	115360-01-01A	EA	WINDOW - DOUBLE HORIZONTAL TIPOUT - 30.75" X 56.5"
8*	115360-01-01A	EA	WINDOW - DOUBLE HORIZONTAL TIPOUT - 30.75" X 56.5"
8*	115360-02-01A	EA	WINDOW - DOUBLE HORIZONTAL TIPOUT - 38.7" X 56.5"
9*	106467-04-01A	EA	WINDOW - DRIVER VISTA (ABOVE DR DOOR) 42.1"T X 44.9"B X 17.6"H
10*	106468-03-01A	EA	WINDOW - DRIVER WING - 10.9"T X 14.2"B X 32.2"H
11*	106466-04-01A	EA	WINDOW - PASSENGER CAB - 42.1"TW X 48.3" CW X 50.3" H
12*	098647-40-01A	EA	WINDOW - PASS HORIZ SLIDER W/TRIM - TINTED - 29.5" X 41.3"
13*	117053-03-F31	EA	WINDOW - PICTURE - 31% TINTING - 17" X 26.4"
14*	104691-16-01A	EA	WINDOW - TIPOUT - SINGLE
15	092698-03-06A	EA	VENT - W/DOOR AND SOLENOID - BRIGHT WHITE

* COMPONENT PARTS FOUND IN SERVICE PARTS LIBRARY

WINDSHIELD & WIPER GROUP

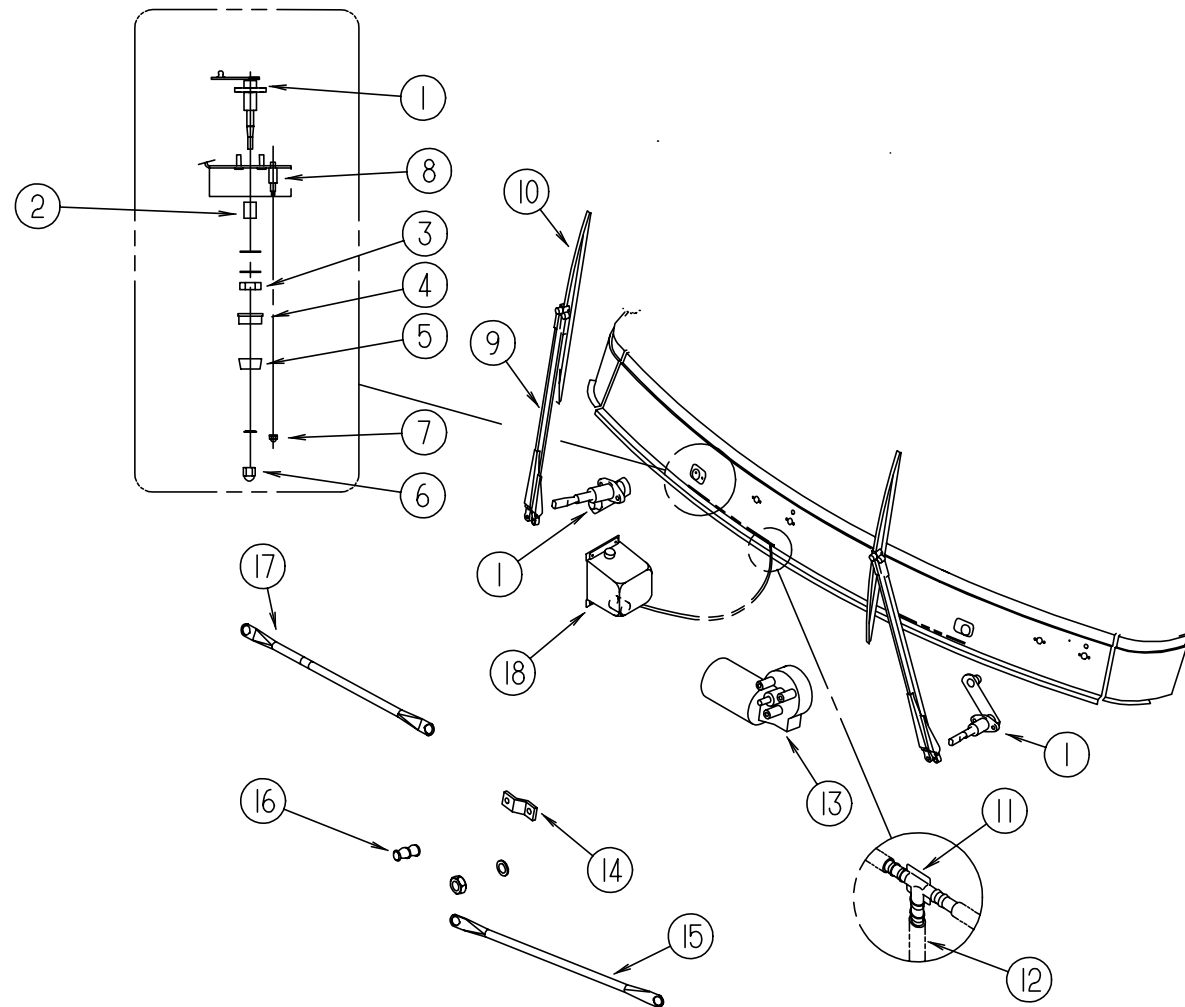
WINDSHIELD



KEY	PART NUMBER	U/M	DESCRIPTION
1	117730-01-01B	EA	HEADER - WINDSHIELD
2	117203-02-01B	EA	FRAME - WINDSHIELD - A PILLAR - LEFT HAND
3	117335-01-000	EA	REVEAL CARRIER - 94.6"
4	116996-04-000	EA	WINDSHIELD - DRIVERS - CURVED - 52"W X 49"H
5	120352-01-02A	EA	TRIM - WINDSHIELD - A-PILLAR - DRIVER
6	118586-01-000	FT	MOLDING - REVEAL - WINDSHIELD
7	120533-01-000	FT	MOLDING - REVEAL - WINDSHIELD
8	120352-02-02A	EA	TRIM - WINDSHIELD - A-PILLAR - PASSENGER
9	116996-03-000	EA	WINDSHIELD - PASSENGER - CURVED - 52"W X 49"H
10	117203-01-01B	EA	FRAME - WINDSHIELD - A PILLAR - RIGHT HAND
11	098788-06-000	EA	CHANNEL - 49" PVC
	107285-01-000	EA	BRACKET - SUPPORT - WINDSHIELD
	002328-02-000	EA	BLOCK - WINDSHIELD - .062" X .5" X .98"

WINDSHIELD & WIPER GROUP (CONTINUED)

WIPER & WASHER



KEY	PART NUMBER	U/M	DESCRIPTION	VENDOR NO.
1	096505-09-000	EA	SHAFT/PIVOT - WINDSHIELD WIPER	
1	096505-05-000	EA	SHAFT/PIVOT - WINDSHIELD WIPER	
2	061603-01-000	EA	GROMMET - SNAP - 3/16"ID - 3/8" HOLE - PLASTIC BLACK	
3	096505-02-701	EA	NUT - HEX - (HD) W/.687 BARREL	NT721021
4	096505-02-702	EA	CAP - RUBBER - (HD) BARREL .687	CP721084
5	096505-02-700	EA	DRIVER - KNURLED - (HD) BARREL .687	NT721017
6	096505-02-703	EA	CAP - NUT (ACORN) HD W/.687 BARREL	51065-40-NT27WC
7	077049-02-000	EA	NUT - ACORN - 10-32 BLACK/ANODIZED	
8	117768-01-000	EA	SHAFT - ADAPTER - PANTOGRAPH ARM	
	107397-01-000	EA	WASHER - FENDER - .25" ID X 1" OD	
9	117769-01-000	EA	ARM - WIPER - PANTOGRAPH - 28"	
	096931-01-701	EA	NOZZLE - HARDWARE KIT (NOZZLE-NUT-LONG SCREW-SHORT SCREW)	
10	095964-01-000	EA	BLADE - WINDSHIELD WIPER - 24"	
	095964-01-700	EA	BLADE - REFILL 24" EA = 1 PAIR	12360
11	110605-01-000	EA	TEE - PLASTIC - BARBED - 1/8" X 1/8" X 3/16"	
	117765-03-000	EA	CONNECTOR - 5/32" - WINDSHIELD WASHER	
12	045794-01-000	FT	HOSE - WASHER - WINDSHIELD - 5/32" ID - BLACK	
13	104346-05-000	EA	MOTOR - WIPER W/INTERNAL BREAKER - DYNAMIC PARK (FORD)	
13	104346-04-000	EA	MOTOR - WIPER W/INTERNAL BREAKER (CHEVY)	
14	104347-04-000	EA	ARM - DRIVE - WIPER MOTOR	
15	117770-02-000	EA	LINK - CONNECTING - DRIVER - 24"	
16	067188-01-000	EA	STUD - CRANK - WIPER MOTOR	
17	117770-01-000	EA	LINK - CONNECTING - PASSENGER - 24"	
18	117766-02-000	EA	RESERVOIR/PUMP - WINDSHIELD WASHER	
	096931-01-700	FT	HOSE - WASHER - 1/8" ID	
	000D28-10-00B	EA	NUT - HEX - W/NYLON LOCK - 10-32 ZINC	