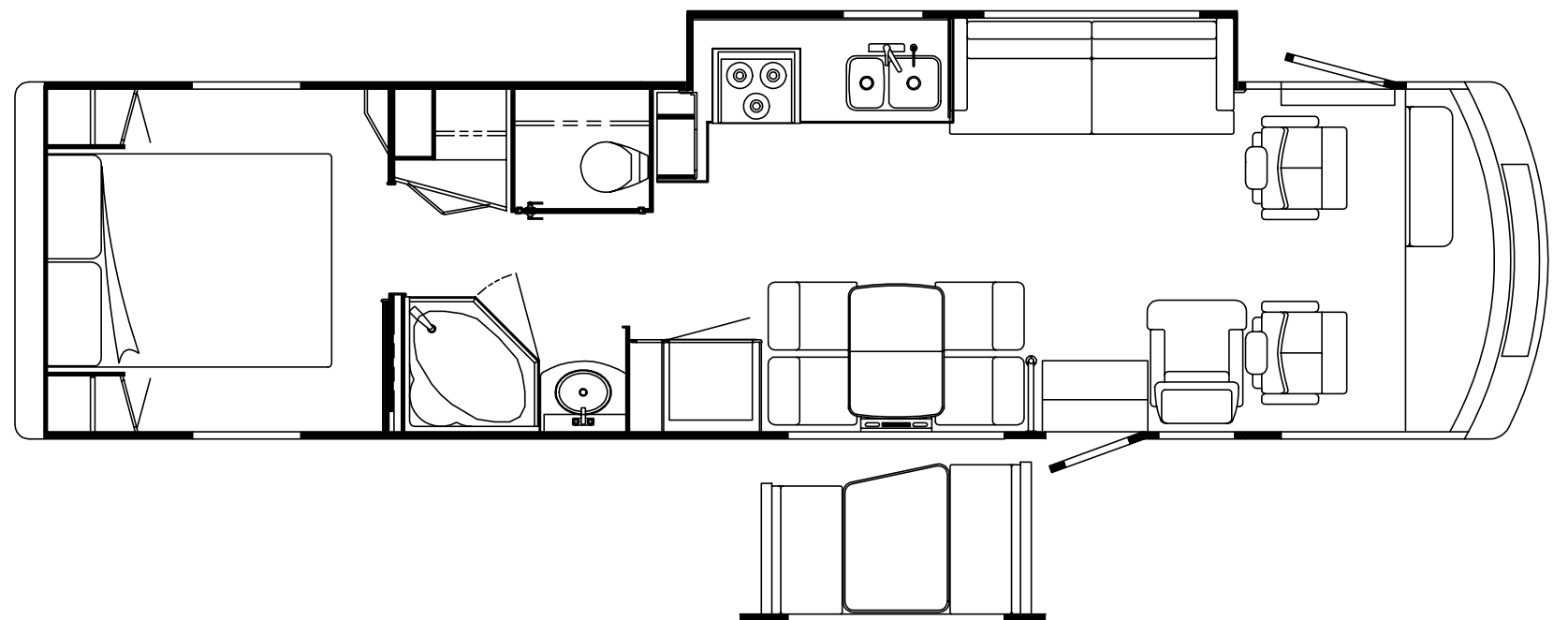
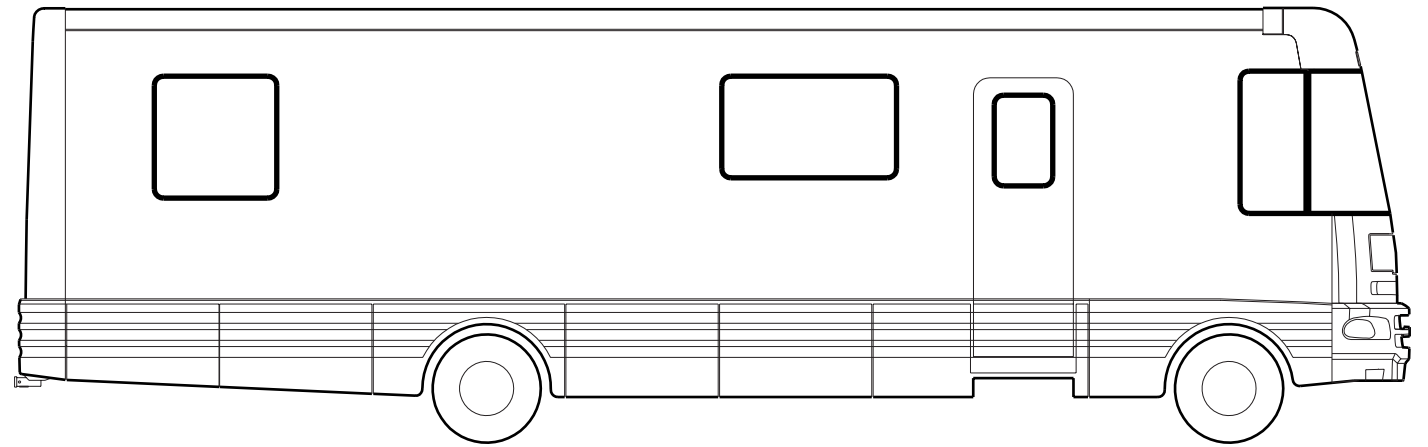


**1998
WKL36WL**

**MYSTIC OAK
J90 CHAMELEON
J91 MERCURY
J92 FOSSIL
J93 BARCELONA**

**SALEM CHERRY
J30 CHAMELEON
J31 MERCURY**

**WHITE GRANITE
J32 FOSSIL
J33 BARCELONA**



ACCESSORIES GROUP

OPERATORS MANUAL

KEY	PART NUMBER	U/M	DESCRIPTION
	054185-H3-000	EA	MANUAL - OPERATOR 98 CHIEFTAIN - L SERIES
	092318-01-000	EA	BINDER - 3 RING - MOTOR HOME MANUAL
	092319-01-000	EA	POCKET PAGE - 3 RING BINDER - PLASTIC - (50 PER PKG)
	125976-01-000	DW	TOP LEVEL-L,1998
	129079-01-01A	EA	CASE - VINYL/BLACK-EXPANDABLE ACCORDION SIDES-7"WX9"HX14"L
	077960-01-000	EA	BAG-PLASTIC,10X12,W/ZIPPER

AUDIO VIDEO GROUP

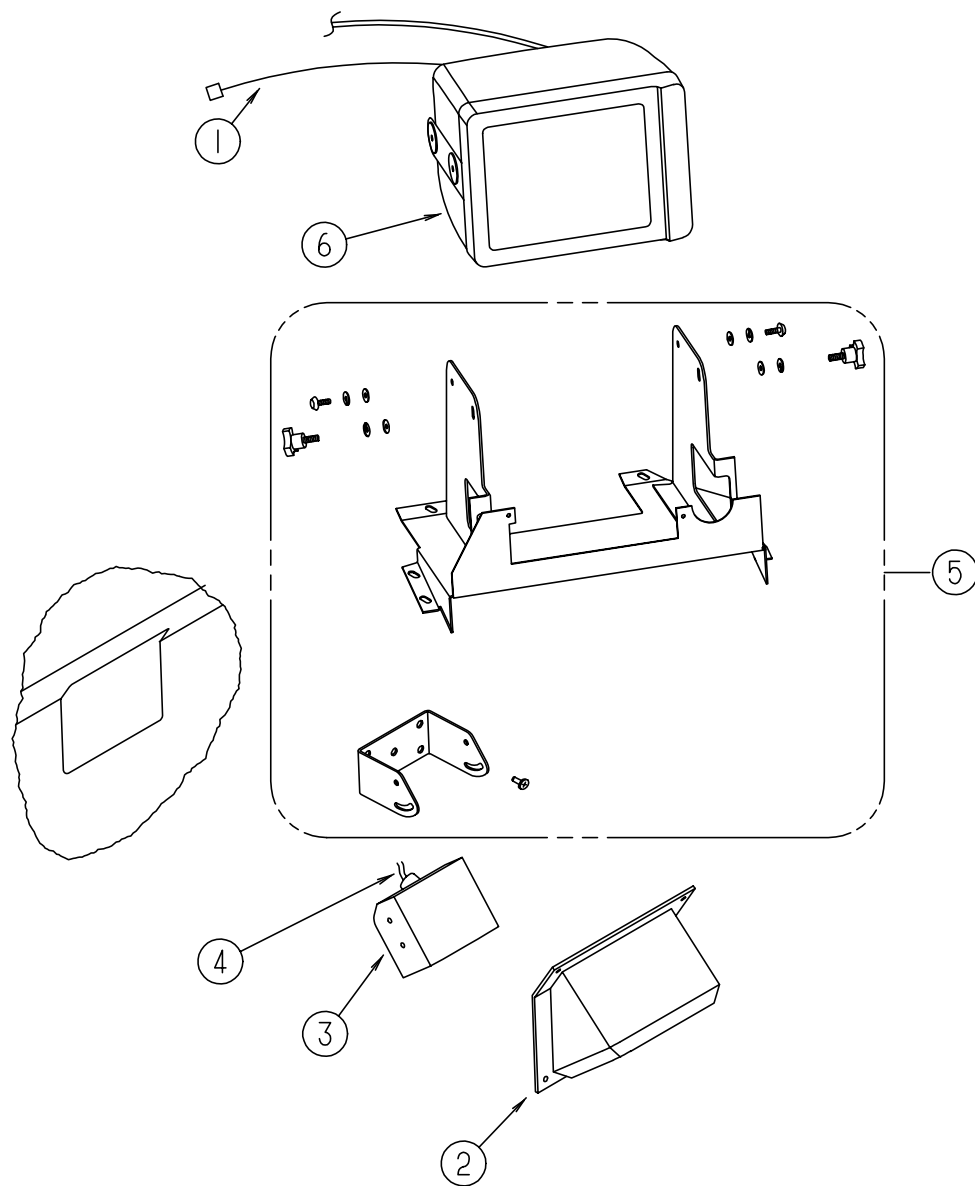
RADIO SYSTEM COMPONENTS

KEY	PART NUMBER	U/M	DESCRIPTION	VENDOR NO.
	077069-02-000	EA	CABLE - ANTENNA/EXTENSION - RADIO - 96"	
	089340-02-000	EA	GRILLE - SPEAKER - 6.5" SQUARE	
	090944-01-000	EA	ANTENNA - RADIO - 16" RUBBER	
	094097-01-000	EA	SPEAKER - RADIO/TV - W/O GRILLE - 5.25" DIAMETER	
	108847-01-000	EA	BRACKET - ANTENNA GROUND	
	109889-04-000	EA	EXTENDER - ANTENNA SHAFT - 3"	
	110469-01-000	EA	SPEAKER - 4" X 6" OVAL - COAXIAL	
	110470-01-01A	EA	GRILLE - 4" X 6" OVAL - BLACK	
	115916-01-01B	EA	BRACKET - ANTENNA MOUNT	
	123256-01-000	EA	ANTENNA - CB - W/O CABLE	
	123256-02-000	EA	CABLE - CB - COAX	
	124881-01-000	EA	AMPLIFIER - AUDIO	
	124882-01-000	EA	WIRE ASSEMBLY - AMPLIFIER	
	124883-02-000	EA	SPEAKER - CUBE - W/BRACKET	
	124884-01-000	EA	SPEAKER - 6" X 9" - SUB-WOOFER	
	124885-01-000	EA	GRILLE - SPEAKER - 6" X 9" - SUB-WOOFER	
	125322-02-000	EA	RADIO - AM-FM STEREO - CASSETTE - AUDIOVOX	
	126958-01-000	EA	RADIO - WALL MOUNT - AM/FM CASSETTE - AUDIOVOX	
	127516-01-000	EA	RADIO - AM/FM STEREO - CD PLAYER	
	127516-01-700	EA	FACE - REMOVEABLE	YEPOFX3114
	127516-01-701	EA	TRIM RING	YGFC025263
	127516-01-702	EA	FACTORY HARNESS	YGAJ02719
	127516-01-703	EA	CARRIER F/REMOVEABLE FACE	YEFA131290
	127264-01-000	EA	RADIO - AM/FM STEREO/CASSETTE	
	127264-01-700	EA	TRIM RING	YFC054C044ZB
	127264-01-701	EA	KNOB - VOLUME	YFE074C045ZA
	127264-01-702	EA	KNOB - FADER	YEFE074C026
	127264-01-703	EA	FACTORY HARNESS	YAJ024C048ZB
	127515-01-000	EA	CHANGER - COMPACT DISC	
	127515-02-000	EA	CHANGER - COMPACT DISC	FROM: 00-00-00 THRU: 10-23-97
	127515-02-700	EA	POWER CABLE	FROM: 10-24-97 THRU: 99-99-99
	127515-02-701	EA	OWNERS MANUAL	YEAJ071117
	127515-03-000	EA	CHANGER - CONTROL/FM MODULATOR	OM-CXDP601
	127515-03-700	EA	REMOTE CONTROL	FROM: 10-24-97 THRU: 99-99-99
	127515-03-701	EA	OWNERS MANUAL	YFX994C047D
				OM-CYRM600

TELEPHONE SYSTEM

KEY	PART NUMBER	U/M	DESCRIPTION
	093253-01-01A	EA	PLATE - WALL - TELEPHONE - BEIGE
	093253-01-02A	EA	PLATE - WALL - TELEPHONE - BROWN
	093254-01-000	EA	HOUSING - TELEPHONE

AUDIO VIDEO GROUP (CONTINUED)



REAR VIEW MONITOR & SHROUDS

KEY	PART NUMBER	U/M	DESCRIPTION
1	096717-03-000	EA	WIRE - REAR MONITOR - AFTER MARKET INSTALLATION
	093040-06-000	EA	WIRE ASM-MONITOR- F/NON PREWIRED AFTER MARKET INSTALLATION
2	125258-01-01A	EA	SHROUD - CAMERA - OUTER
	125259-01-01A	EA	SHROUD - CAMERA - INNER
3	093040-09-000	EA	CAMERA - REAR VIEW - W/BRACKET
4	093041-01-000	EA	CABLE - MONITOR/CAMERA - INTERNAL USE - 65.6'
5	N/A		PARTS ARE INCLUDED W/TELEVISION SYSTEM
6	093040-10-000	EA	MONITOR - 7" REAR VIEW - W/BRACKET - SONY

AUDIO VIDEO GROUP (CONTINUED)

TV ANTENNA

KEY	PART NUMBER	U/M	DESCRIPTION
*	076319-21-000	EA	ANTENNA - TV ROOF MOUNT 3" ROOF FROM: 00-00-00 THRU: 12-07-97
*	076319-23-000	EA	ANTENNA-TV - ROOF MOUNT - 44.5" MAST FROM: 12-08-97 THRU: 99-99-99
*	076319-25-000	EA	KIT-HARDWARE INTERIOR

* COMPONENT PARTS FOUND IN SERVICE PARTS LIBRARY

SATELLITE DISH

KEY	PART NUMBER	U/M	DESCRIPTION
*	120233-01-000	EA	ANTENNA - SATELLITE (DISH & HDW) W/O RECEIVER - MANUAL

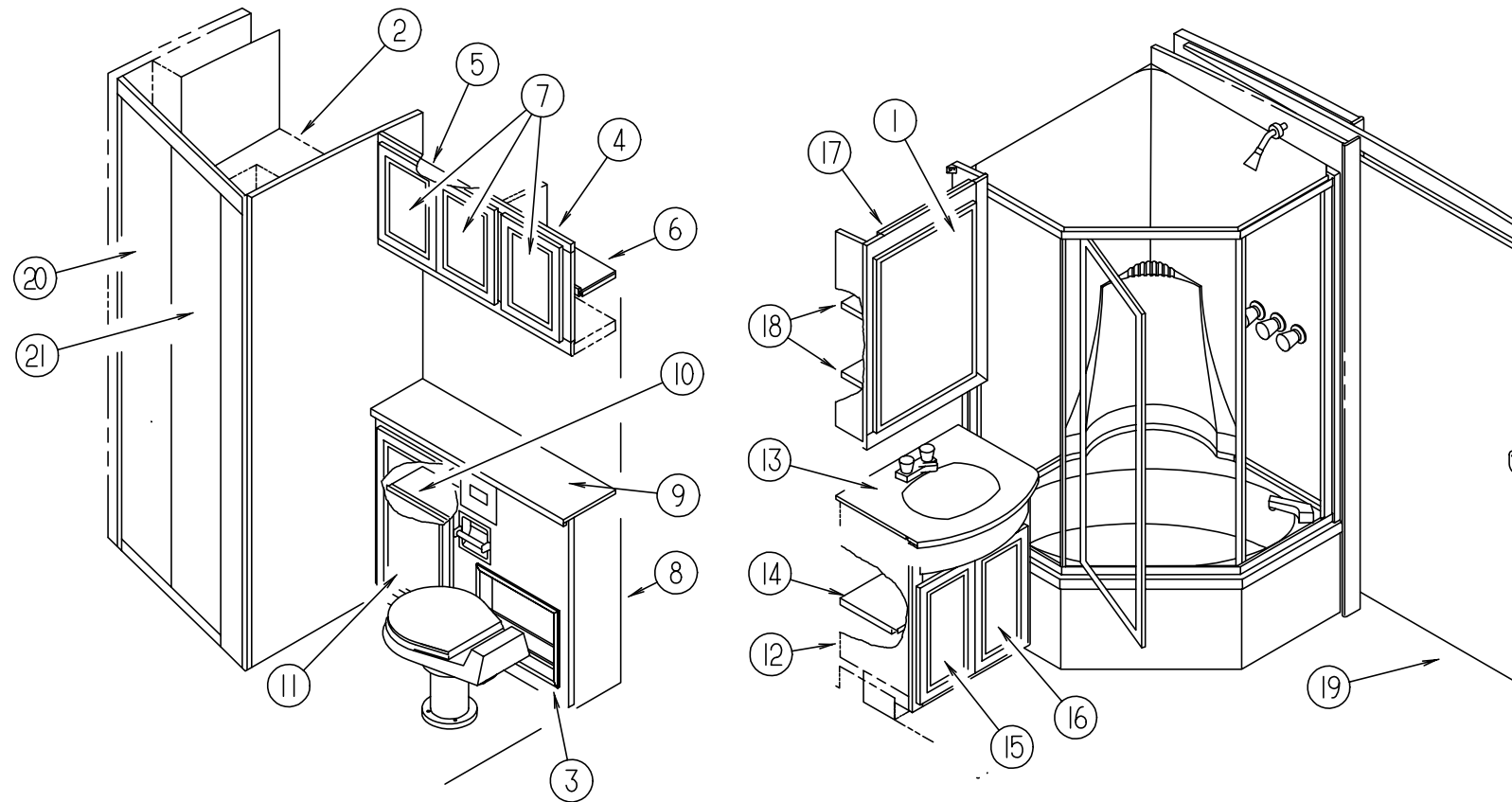
* COMPONENT PARTS FOUND IN SERVICE PARTS LIBRARY

TV & VCR SYSTEMS

KEY	PART NUMBER	U/M	DESCRIPTION	VENDOR NO.
	076319-03-000	FT	CABLE - COAXIAL - 75 OHM	
	076319-08-000	EA	WALLPLATE - CABLE RECEPTACLE - TV - SINGLE/IVORY	
	076319-09-000	EA	WALLPLATE - CABLE RECEPTACLE - TV - SINGLE - BROWN	
	076319-12-000	EA	CONNECTOR - COAXIAL - ONE PIECE	
	082134-01-000	EA	ADAPTER - TV - CABLE TO CABLE	
	082136-01-000	EA	NUT - HEX JAM - 3/8 - 32	
	086231-08-000	EA	TV - 13" COLOR - DC - AUDIOVOX	
	086231-08-700	EA	REMOTE-UNIVERSAL	8822325
	086231-08-701	EA	ADAPTER - WIRE	0891436
	086756-01-000	EA	SPLITTER - TV - 2 WAY	
	086757-03-000	EA	CONTROL CENTER - SWITCH - VCR/TV	
	086777-01-000	EA	WALLPLATE - TV CABLE - W/ANTENNA SWITCH - IVORY	
	086777-02-000	EA	WALLPLATE - TV CABLE - W/ANTENNA SWITCH - BROWN	
	086777-05-000	EA	WALLPLATE - ANTENNA 1 OUTPUT - IVORY	
	086777-06-000	EA	WALLPLATE - ANTENNA 1 OUTPUT - BROWN	
	089340-02-000	EA	GRILLE - SPEAKER - 6.5" SQUARE	
	093901-06-000	EA	PLATE - TV	
	094097-01-000	EA	SPEAKER - RADIO/TV - W/O GRILLE - 5.25" DIAMETER	
	114870-02-000	EA	PLUG - .14" AUDIO W/LEADS	
	115539-01-000	EA	RELAY - RADIO/TV SPEAKER - SWITCH	
	115540-01-000	EA	AMPLIFIER - TV SPEAKERS	
	126696-01-000	EA	TV - 19" COLOR W/1/8" JACK - UL/CSA - GE	
	126696-01-700	EA	REMOTE	
	126697-01-000	EA	VCR-VHS - CABLE READY - W/REMOTE - GE	
	126697-01-700	EA	REMOTE - F/VCR	2040R
	099717-01-000	EA	STRAP - TV TIE DOWN W/24" FEMALE STRAP & 14.2" MALE STRIP	
	099717-02-000	EA	STRAP - TV TIE DOWN W/29.9" FEMALE STRAP & 14.2" MALE STRP	

BATH GROUP

BATH CABINETS

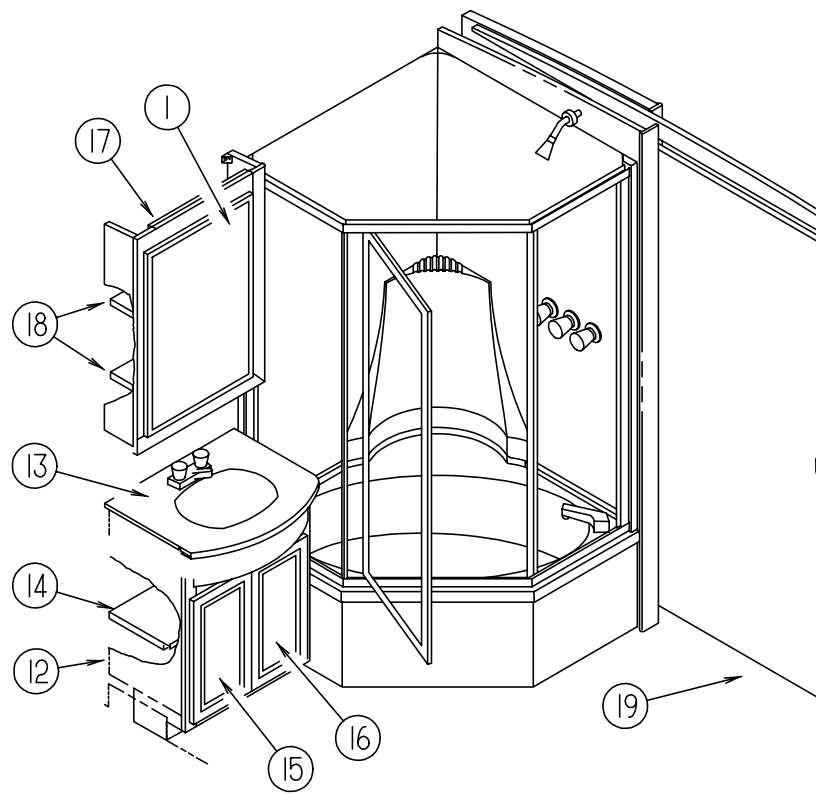
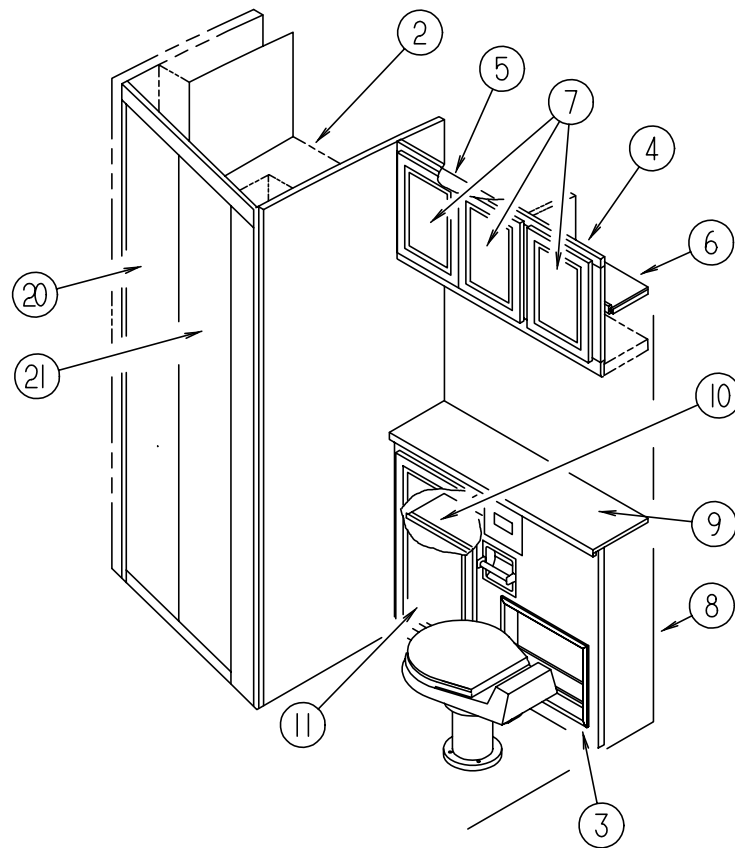


KEY	PART NUMBER	U/M	DESCRIPTION
1	115237-01-E37	EA	DOOR - MIRRORED/MEDICINE CABINET - 19.7" X 29.5" - W/O HDW - MYSTIC OAK
1	115237-01-E41	EA	DOOR - MIRRORED/MEDICINE CABINET - 19.7" X 29.5" - W/O HDW - SALEM CHERRY
1	115237-01-H40	EA	DOOR - MIRRORED/MEDICINE CABINET - 19.7" X 29.5" - W/O HDW - WHITE GRANITE
1	093606-18-000	EA	MIRROR - BEVELED PANEL 1/8" - 19.7" X 29.5"
1	076767-04-000	EA	CABLE - SUPPORT - 5.9" STAINLESS STEEL
2	127230-15-J90	EA	SHELF - W/PLASTIC EDGE TRIM - MYSTIC OAK
2	127230-15-J30	EA	SHELF - W/PLASTIC EDGE TRIM - SALEM CHERRY
2	127230-15-J62	EA	SHELF - W/PLASTIC EDGE TRIM - WHITE GRANITE
3	097208-06-J90	EA	RACK - MAGAZINE - MYSTIC OAK
3	097208-06-H57	EA	RACK - MAGAZINE - SALEM CHERRY
3	097208-08-J62	EA	RACK - MAGAZINE - WHITE GRANITE
4	127231-01-J90	EA	CABINET - OVERHEAD/BATH - W/O DOORS/HARDWARE - MYSTIC OAK
4	127231-01-J30	EA	CABINET - OVERHEAD/BATH - W/O DOORS/HARDWARE - SALEM CHERRY
4	127231-01-J62	EA	CABINET - OVERHEAD/BATH - W/O DOORS/HARDWARE - WHITE GRANITE
5	127231-11-J90	EA	SHELF - W/PLASTIC EDGE TRIM - MYSTIC OAK
5	127231-11-J30	EA	SHELF - W/PLASTIC EDGE TRIM - SALEM CHERRY
5	127231-11-J62	EA	SHELF - W/PLASTIC EDGE TRIM - WHITE GRANITE
6	127231-12-J90	EA	SHELF - W/PLASTIC EDGE TRIM - MYSTIC OAK
6	127231-12-J30	EA	SHELF - W/PLASTIC EDGE TRIM - SALEM CHERRY
6	127231-12-J62	EA	SHELF - W/PLASTIC EDGE TRIM - WHITE GRANITE

KEY	PART NUMBER	U/M	DESCRIPTION
7	M05992-B7-J90	EA	DOOR - STRAIGHT CORNER/OGEE EDGE - 16" X 11.3" - W/O HDW - MYSTIC OAK
7	M05992-B7-J30	EA	DOOR - STRAIGHT CORNER/OGEE EDGE - 16" X 11.3" - W/O HDW - SALEM CHERRY
7	122715-98-01A	EA	DOOR - MOLDED VINYL - 11.3" X 16" - W/O HDW - WHT GRANITE
8	127449-01-J90	EA	CABINET - VANITY - W/O DOORS/DRAWERS/HARDWARE (J90)
8	127449-01-J91	EA	CABINET - VANITY - W/O DOORS/DRAWERS/HARDWARE (J91)
8	127449-01-J92	EA	CABINET - VANITY - W/O DOORS/DRAWERS/HARDWARE (J92, J93)
8	127449-01-J30	EA	CABINET - VANITY - W/O DOORS/DRAWERS/HARDWARE (J30)
8	127449-01-J31	EA	CABINET - VANITY - W/O DOORS/DRAWERS/HARDWARE (J31)
8	127449-01-J62	EA	CABINET - VANITY - W/O DOORS/DRAWERS/HARDWARE (J32, J33)
9	127449-13-J30	EA	COUNTERTOP - VANITY (J90, J30)
9	127449-13-J31	EA	COUNTERTOP - VANITY (J91, J31)
9	127449-13-J62	EA	COUNTERTOP - VANITY (J92, J93, J32, J33)
10	127449-11-J90	EA	SHELF - W/PLASTIC EDGE TRIM - MYSTIC OAK
10	127449-11-J30	EA	SHELF - W/PLASTIC EDGE TRIM - SALEM CHERRY
10	127449-11-J62	EA	SHELF - W/PLASTIC EDGE TRIM - WHITE GRANITE
11	M05992-W6-J90	EA	DOOR - STRAIGHT CORNER/OGEE EDGE - 14.3" X 26.7" - W/O HDW - MYSTIC OAK
11	M05992-W6-J30	EA	DOOR - STRAIGHT CORNER/OGEE EDGE - 14.3" X 26.7" - W/O HDW - SALEM CHERRY
11	122715-56-01A	EA	DOOR - MOLDED VINYL - 14.3" X 26.7" - W/O HDW - WHT GRANITE

BATH GROUP (CONTINUED)

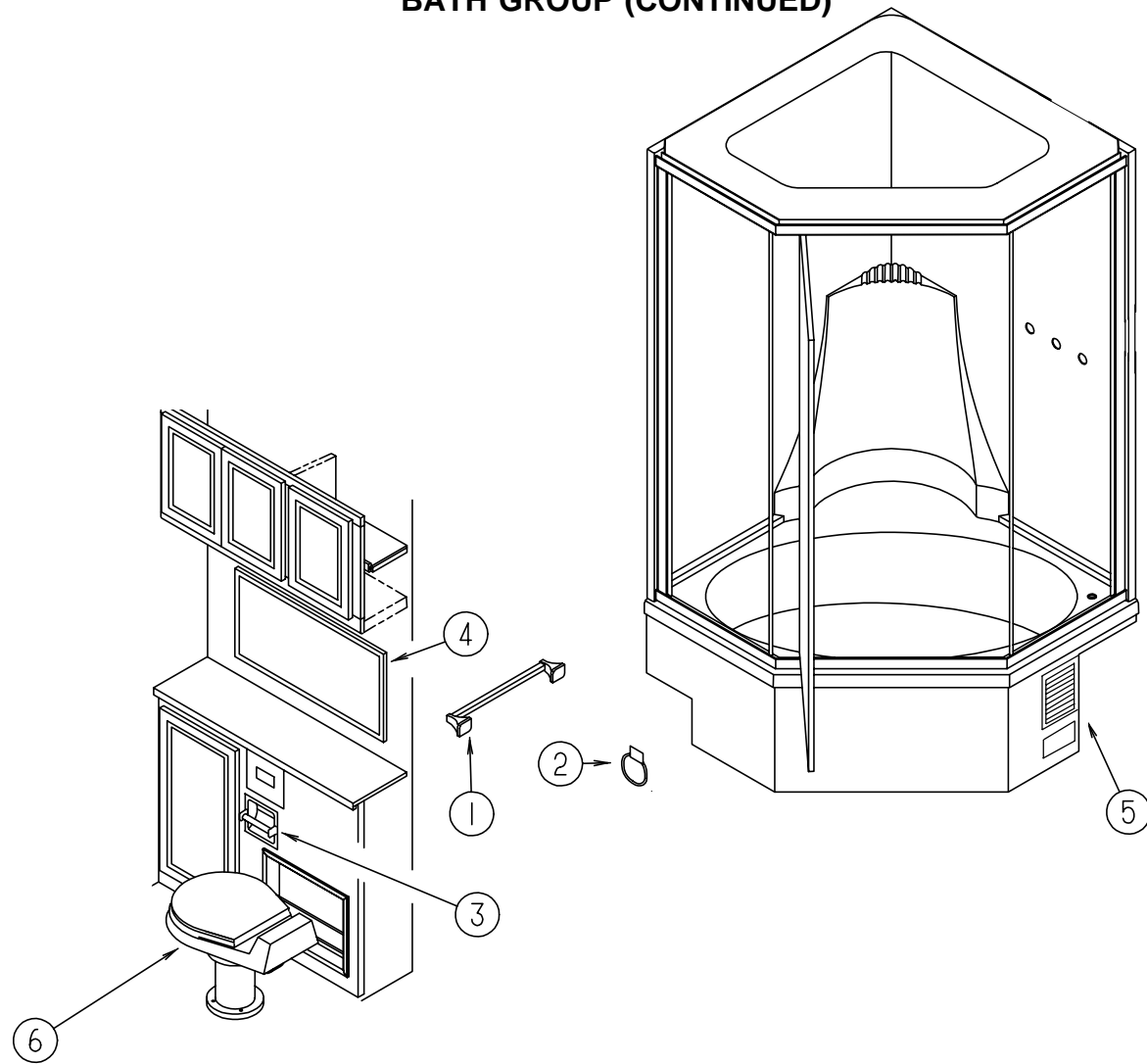
BATH CABINETS (CONTINUED)



KEY	PART NUMBER	U/M	DESCRIPTION
12	127450-01-J90	EA	CABINET - LAVATORY - W/O DOORS/DRAWERS/HARDWARE (J90)
12	127450-01-J91	EA	CABINET - LAVATORY - W/O DOORS/DRAWERS/HARDWARE (J91)
12	127450-01-J92	EA	CABINET - LAVATORY - W/O DOORS/DRAWERS/HARDWARE (J92, J93)
12	127450-01-J30	EA	CABINET - LAVATORY - W/O DOORS/DRAWERS/HARDWARE (J30)
12	127450-01-J31	EA	CABINET - LAVATORY - W/O DOORS/DRAWERS/HARDWARE (J31)
12	127450-01-J62	EA	CABINET - LAVATORY - W/O DOORS/DRAWERS/HARDWARE (J32, J33)
13	127450-16-J30	EA	COUNTERTOP - LAVATORY (J90, J30)
13	127450-16-J61	EA	COUNTERTOP - LAVATORY (J91, J31)
13	127450-16-J62	EA	COUNTERTOP - LAVATORY (J92, J93, J32, J33)
14	127450-12-J90	EA	SHELF - W/PLASTIC EDGE TRIM - MYSTIC OAK
14	127450-12-J30	EA	SHELF - W/PLASTIC EDGE TRIM - SALEM CHERRY
14	127450-12-J62	EA	SHELF - W/PLASTIC EDGE TRIM - WHITE GRANITE
15	M05992-W8-J90	EA	DOOR - STRAIGHT CORNER/OGEE EDGE - 10.6" X 19.9" - W/O HDW - MYSTIC OAK
15	M05992-W8-J30	EA	DOOR - STRAIGHT CORNER/OGEE EDGE - 10.6" X 19.9" - W/O HDW - SALEM CHERRY
15	122715-03-01A	EA	DOOR - MOLDED VINYL - 10" X 19" - W/O HDW - WHT GRANITE
16	M05992-W9-J90	EA	DOOR - STRAIGHT CORNER/OGEE EDGE - 10.6" X 19.9" - W/O HDW - MYSTIC OAK
16	M05992-W9-J30	EA	DOOR - STRAIGHT CORNER/OGEE EDGE - 10.6" X 19.9" - W/O HDW - SALEM CHERRY
16	122715-03-01A	EA	DOOR - MOLDED VINYL - 10" X 19" - W/O HDW - WHT GRANITE
17	127491-01-J90	EA	CABINET - OVERHEAD/MEDICINE - W/O DOORS/HARDWARE - MYSTIC OAK
17	127491-01-J30	EA	CABINET - OVERHEAD/MEDICINE - W/O DOORS/HARDWARE - SALEM CHERRY
17	127491-01-J62	EA	CABINET - OVERHEAD/MEDICINE - W/O DOORS/HARDWARE - WHITE GRANITE

KEY	PART NUMBER	U/M	DESCRIPTION
18	127491-11-J90	EA	SHELF - W/PLASTIC EDGE TRIM - MYSTIC OAK
18	127491-11-J30	EA	SHELF - W/PLASTIC EDGE TRIM - SALEM CHERRY
18	127491-11-J62	EA	SHELF - W/PLASTIC EDGE TRIM - WHITE GRANITE
19	121449-34-J90	EA	DOOR - BATH - W/O HARDWARE - MYSTIC OAK
19	121449-34-J30	EA	DOOR - BATH - W/O HARDWARE - SALEM CHERRY
19	121449-34-J62	EA	DOOR - BATH - W/O HARDWARE - WHITE GRANITE
19	102920-01-01A	EA	HINGE - SPRING LOADED/BRASS
19	110496-01-01A	EA	HINGE - BRASS
19	111155-01-01A	EA	LOCK - PRIVACY - POLISHED BRASS
19	121449-12-G27	EA	RACK - TOWEL - BATH DOOR - MYSTIC OAK
19	121449-12-G07	EA	RACK - TOWEL - BATH DOOR - SALEM CHERRY
19	121449-12-H23	EA	RACK - TOWEL - BATH DOOR - WHITE GRANITE
19	100357-01-000	EA	ROD - F/TOWEL BAR - BRASS
20	127466-01-J60	EA	DOOR COMPLETE - MIRRORED
21	127466-02-J60	EA	DOOR COMPLETE - MIRRORED
	058331-H1-000	EA	MIRROR - SAFETY GLASS - 13.2" X 74"
	111572-01-01A	EA	HARDWARE SET - DOOR/SWING
			FROM: 00-00-00 THRU: 10-21-97
	128695-01-04B	EA	BRACKET - MIRRORED DOOR - BLACK
			FROM: 10-22-97 THRU: 99-99-99
	128695-02-04B	EA	BRACKET - DOOR - MIRRORED/BLACK
			FROM: 10-22-97 THRU: 99-99-99
	128832-01-000	EA	WASHER - SHOULDER - NYLON
			FROM: 10-22-97 THRU: 99-99-99

BATH GROUP (CONTINUED)

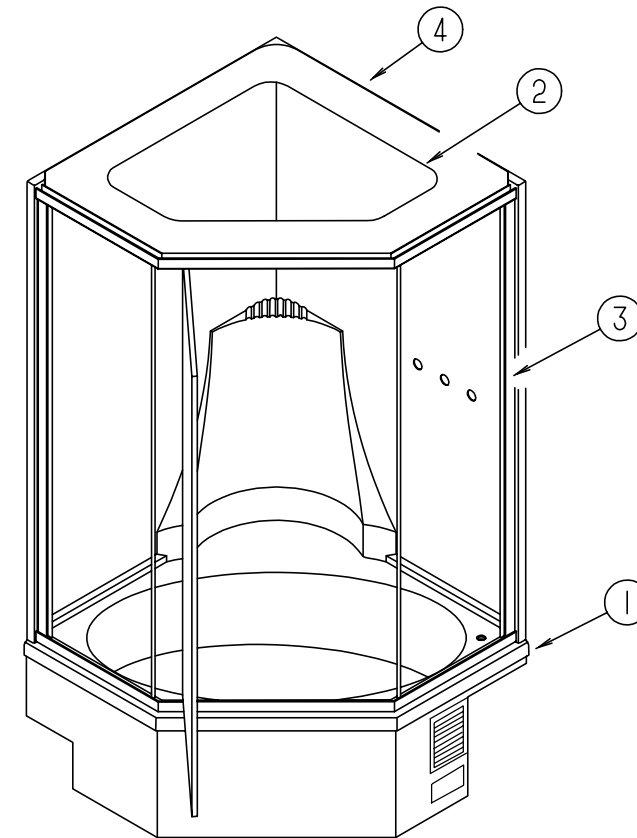


BATH FIXTURES, TOILET & SINK

KEY	PART NUMBER	U/M	DESCRIPTION
1	075453-02-000	EA	BAR - TOWEL - 18" BRASS
2	075454-02-000	EA	RING - TOWEL - W/MOUNTING HARDWARE - BRASS
3	085278-01-000	EA	HOLDER - TOILET PAPER - RECESSED - BRASS
4	093606-15-000	EA	MIRROR - PANEL - BEVELED - 1/8" - 17.9" X 35.7"
5	093614-08-01A	EA	GRILL - RETURN AIR
	075240-05-000	EA	FAUCET - LAVATORY - BRASS
	105218-01-01A	EA	SPACER - FAUCET/LAVATORY SINK - 2" X 5.9" - ABS PLASTIC
	105921-01-01A	EA	SINK - LAVATORY - LARGE/OVAL - 17" X 20" PLASTIC/OFF WHITE
	106116-01-01A	EA	STRAINER - SINK-W/STOPPER/TAILPIECE/GASKET & NUT - PLASTIC
6*	085330-06-000	EA	TOILET - STANDARD CHINA W/SPRAYER - BONE

* COMPONENT PARTS FOUND IN SERVICE PARTS LIBRARY

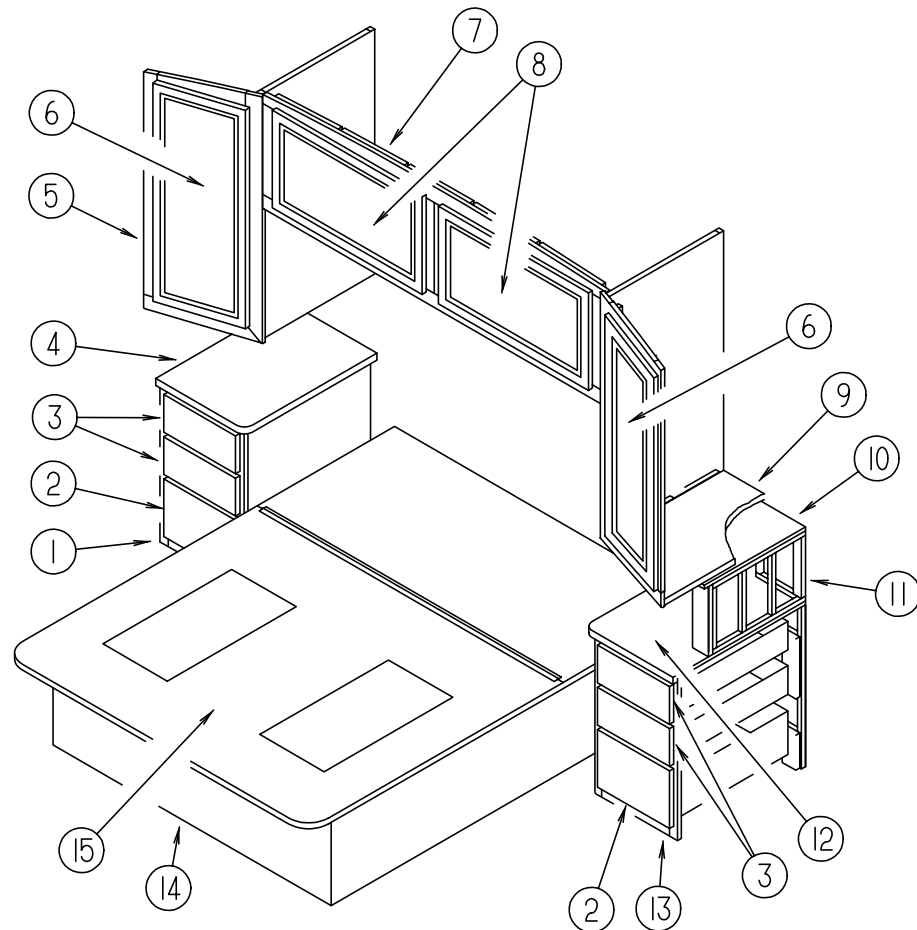
BATH GROUP (CONTINUED)



SHOWER CABINET & FIXTURES

KEY	PART NUMBER	U/M	DESCRIPTION	VENDOR NO.
1	066436-01-000	EA	NUT - SLIP - TAILPIECE 1.5"	
1	066729-01-000	EA	STRAINER - TUB/SHOWER - W/PLUG	
1	126605-01-01A	EA	TUB - SHOWER	
2	122214-01-02A	EA	PANEL - SKYLITE - INNER	
	122215-01-02A	EA	PANEL - SKYLITE - OUTER	
3	123242-01-01A	EA	DOOR - TUB/SHOWER	
	089318-01-704	EA	BOLT-PIVOT, TOP OR BOTTOM	1428B
	092574-01-701	EA	BRACKET-STUD, TOWEL BAR, GOLD	8141G
	092574-01-704	EA	SCREW-GOLD #6 3/8	638G
	092574-01-708	EA	CAP-DRIP, W/VINYL SWEEP	34G
	107878-01-704	EA	HEADER OR SILL	70
	116814-01-700	EA	BAR-TOWEL 17 5/16"	68.0G
4	126604-01-01A	EA	ENCLOSURE - SURROUND	
	119677-01-01A	EA	SHOWER - 3 PIECES - HEAD/FAUCET/SPOUT	
	119677-01-700	EA	HANDLE - SHOWER/BATH CLEAR	38-9
	119677-01-701	EA	SHOWERHEAD ONLY 1/2"	34PB
	119677-01-702	EA	SPOUT - BATH	39-7PB-0
	119677-01-703	EA	DIVERTER KIT	639-5-0
	119677-01-704	EA	STEM & BONNET	61-5-0
	119677-01-705	EA	PLATE-STRAINER(SHOWER HEAD)	34-3PL
	119677-01-706	EA	ARM - SHOWER HEAD	61-10-PB
	119677-01-707	EA	BUTTON	38-16A
	119677-01-708	EA	BUTTON - C	38-16C
	119677-01-709	EA	BUTTON - H	38-16H
	119677-01-710	EA	FLANGE - SHOWERHEAD	60-10-8PB
	119677-01-711	EA	FLANGE - AROUND TURN HANDLE	38-8PB

BEDROOM GROUP (CONTINUED)



QUEEN BEDROOM

KEY	PART NUMBER	U/M	DESCRIPTION
1	116193-01-J90	EA	CABINET - NIGHTSTAND/RIGHT HAND - W/O DOORS/DRAWERS/HDW (J90)
1	116193-01-J91	EA	CABINET - NIGHTSTAND/RIGHT HAND - W/O DOORS/DRAWERS/HDW (J91)
1	116193-01-J92	EA	CABINET - NIGHTSTAND/RIGHT HAND - W/O DOORS/DRAWERS/HDW (J92, J93)
1	116193-01-J30	EA	CABINET - NIGHTSTAND/RIGHT HAND - W/O DOORS/DRAWERS/HDW (J30)
1	116193-01-J31	EA	CABINET - NIGHTSTAND/RIGHT HAND - W/O DOORS/DRAWERS/HDW (J31)
1	116193-01-J62	EA	CABINET - NIGHTSTAND/RIGHT HAND - W/O DOORS/DRAWERS/HDW (J32, J33)
2	M05971-W3-J90	EA	DRAWER - OGEE EDGE - 11.5"W X 21.6"D - W/O SLIDES/HDW - MYSTIC OAK
2	M05971-W3-J30	EA	DRAWER - OGEE EDGE - 11.5"W X 21.6"D - W/O SLIDES/HDW - SALEM CHERRY
2	P10163-CW-H40	EA	DRAWER - SQUARE EDGE - 11.5"W X 21.6"D - W/O SLIDES/HDW - WHITE GRANITE
3	M05971-L5-J90	EA	DRAWER - OGEE EDGE - 11.5"W X 21.6"D - W/O SLIDES/HDW - MYSTIC OAK
3	M05971-L5-J30	EA	DRAWER - OGEE EDGE - 11.5"W X 21.6"D - W/O SLIDES/HDW - SALEM CHERRY
3	P10163-CV-H40	EA	DRAWER - OGEE EDGE - 11.5"W X 21.6"D - W/O SLIDES/HDW - WHITE GRANITE
4	116193-11-H37	EA	COUNTERTOP - NIGHTSTAND (J90, J30)
4	116193-11-F12	EA	COUNTERTOP - NIGHTSTAND (J91, J31)
4	116193-11-J62	EA	COUNTERTOP - NIGHTSTAND (J92, J93, J32, J33)
5	116142-01-J90	EA	CABINET - SHIRT CLOSET/RIGHT HAND - W/O DOORS/HDW - MYSTIC OAK
5	116142-01-J30	EA	CABINET - SHIRT CLOSET/RIGHT HAND - W/O DOORS/HDW - SALEM CHERRY
5	116142-01-J62	EA	CABINET - SHIRT CLOSET/RIGHT HAND - W/O DOORS/HDW - WHITE GRANITE
6	M05992-91-J90	EA	DOOR - STRAIGHT CORNER/OGEE EDGE - 14.3" X 36.4" - W/O HDW - MYSTIC OAK
6	M05992-91-J30	EA	DOOR - STRAIGHT CORNER/OGEE EDGE - 14.3" X 36.4" - W/O HDW - SALEM CHERRY
6	122715-34-01A	EA	DOOR - MOLDED VINYL - 14.3" X 36.4" - W/O HDW - WHT GRANITE

QUEEN BEDROOM (CONTINUED)

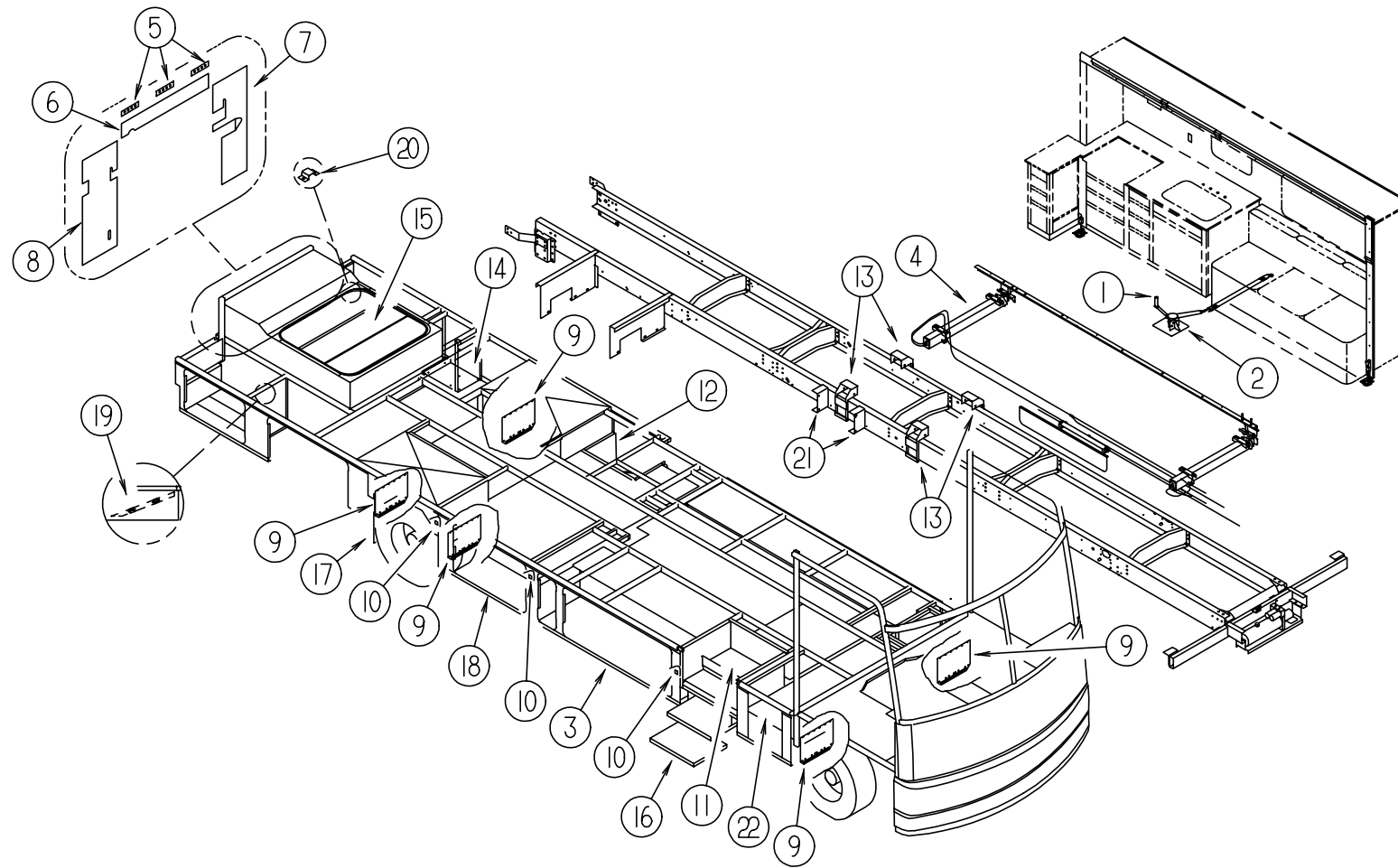
KEY	PART NUMBER	U/M	DESCRIPTION
7	106523-01-J90	EA	CABINET - OVERHEAD/REAR - W/O DOORS/HARDWARE - MYSTIC OAK
7	106523-01-J30	EA	CABINET - OVERHEAD/REAR - W/O DOORS/HARDWARE - SALEM CHERRY
7	106523-01-J62	EA	CABINET - OVERHEAD/REAR - W/O DOORS/HARDWARE - WHITE GRANITE
8	M05992-48-J90	EA	DOOR - STRAIGHT CORNER/OGEE EDGE - 15.7" X 27.9" - W/O HDW - MYSTIC OAK
8	M05992-48-J10	EA	DOOR - STRAIGHT CORNER/OGEE EDGE - 15.7" X 27.9" - W/O HDW - SALEM CHERRY
8	122715-08-01A	EA	DOOR - MOLDED VINYL - 15.7" X 27.9" - W/O HDW - WHITE GRANITE
9	128680-02-J90	EA	CABINET - SHIRT CLOSET/LEFT HAND - W/O DOORS/HDW - MYSTIC OAK
9	128680-02-J30	EA	CABINET - SHIRT CLOSET/LEFT HAND - W/O DOORS/HDW - SALEM CHERRY
9	128680-02-J62	EA	CABINET - SHIRT CLOSET/LEFT HAND - W/O DOORS/HDW - WHITE GRANITE
10	126941-15-J30	EA	COUNTERTOP - RADIO CABINET (J90, J30)
10	126941-15-J31	EA	COUNTERTOP - RADIO CABINET (J91, J31)
10	126941-15-J92	EA	COUNTERTOP - RADIO CABINET (J92, J93, J32, J33)
11	126941-01-J90	EA	CABINET - F/RADIO - W/O DOORS/HDW (J90)
11	126941-01-J91	EA	CABINET - F/RADIO - W/O DOORS/HDW (J91)
11	126941-01-J92	EA	CABINET - F/RADIO - W/O DOORS/HDW (J92, J93)
11	126941-01-J30	EA	CABINET - F/RADIO - W/O DOORS/HDW (J30)
11	126941-01-J31	EA	CABINET - F/RADIO - W/O DOORS/HDW (J31)
11	126941-01-J62	EA	CABINET - F/RADIO - W/O DOORS/HDW (J32, J33)
12	116193-12-H37	EA	COUNTERTOP - NIGHTSTAND (J90, J30)
12	116193-12-F12	EA	COUNTERTOP - NIGHTSTAND (J91, J31)
12	116193-12-J62	EA	COUNTERTOP - NIGHTSTAND (J92, J93, J32, J33)
13	116193-02-J90	EA	CABINET - NIGHTSTAND/LEFT HAND - W/O DOORS/DRAWERS/HDW (J90)
13	116193-02-J91	EA	CABINET - NIGHTSTAND/LEFT HAND - W/O DOORS/DRAWERS/HDW (J91)
13	116193-02-J92	EA	CABINET - NIGHTSTAND/LEFT HAND - W/O DOORS/DRAWERS/HDW (J92, J93)
13	116193-02-J30	EA	CABINET - NIGHTSTAND/LEFT HAND - W/O DOORS/DRAWERS/HDW (J30)
13	116193-02-J31	EA	CABINET - NIGHTSTAND/LEFT HAND - W/O DOORS/DRAWERS/HDW (J31)
13	116193-02-J62	EA	CABINET - NIGHTSTAND/LEFT HAND - W/O DOORS/DRAWERS/HDW (J32, J33)
14	128640-01-J90	EA	CABINET - BASE - QUEEN BED - W/O DOORS/DRAWERS/HDW - MYSTIC OAK
14	128640-01-J30	EA	CABINET - BASE - QUEEN BED - W/O DOORS/DRAWERS/HDW - SALEM CHERRY
14	128640-01-H40	EA	CABINET - BASE - QUEEN BED - W/O DOORS/DRAWERS/HDW - WHITE GRANITE
15	M05087-36-000	EA	TOP - QUEEN BED - W/O HDW
	107796-06-000	EA	SPRING/GAS - 12" COMPRESSED/20" EXTENDED - 120 LB.
	126263-06-02B	EA	BRACKET - GAS SPRING
	126263-08-02B	EA	BRACKET - GAS SPRING - LOWER
	126259-01-000	EA	STUD - BALL

BEDROOM PRIVACY DOOR & TV CABINETS

KEY	PART NUMBER	U/M	DESCRIPTION
	127286-02-J90	EA	CABINET - OVERHEAD/TV/REAR - W/O DOORS/HARDWARE - MYSTIC OAK
	127286-02-J30	EA	CABINET - OVERHEAD/TV/REAR - W/O DOORS/HARDWARE - SALEM CHERRY
	127286-02-J62	EA	CABINET - OVERHEAD/TV/REAR - W/O DOORS/HARDWARE - WHITE GRANITE
	127376-02-J90	EA	CABINET - TV SHELF - LEFT HAND - MYSTIC OAK
	127376-02-J30	EA	CABINET - TV SHELF - LEFT HAND - SALEM CHERRY
	127376-02-J62	EA	CABINET - TV SHELF - LEFT HAND - WHITE GRANITE
	104013-11-J90	EA	DOOR - SLIDING W/O HARDWARE - MYSTIC OAK
	104013-11-J30	EA	DOOR - SLIDING W/O HARDWARE - SALEM CHERRY
	104013-11-J62	EA	DOOR - SLIDING W/O HARDWARE - WHITE GRANITE
	103908-52-J90	EA	HEADER-DOOR - MYSTIC OAK
	103908-52-J30	EA	HEADER-DOOR - SALEM CHERRY
	103908-52-J62	EA	HEADER-DOOR - WHITE GRANITE
	103868-09-01A	EA	TRACK - SLIDING DOOR - 64.3" - OFF WHITE

CHASSIS GROUP

COMPARTMENTS, WHEEL WELLS, MUD FLAPS & FRAME

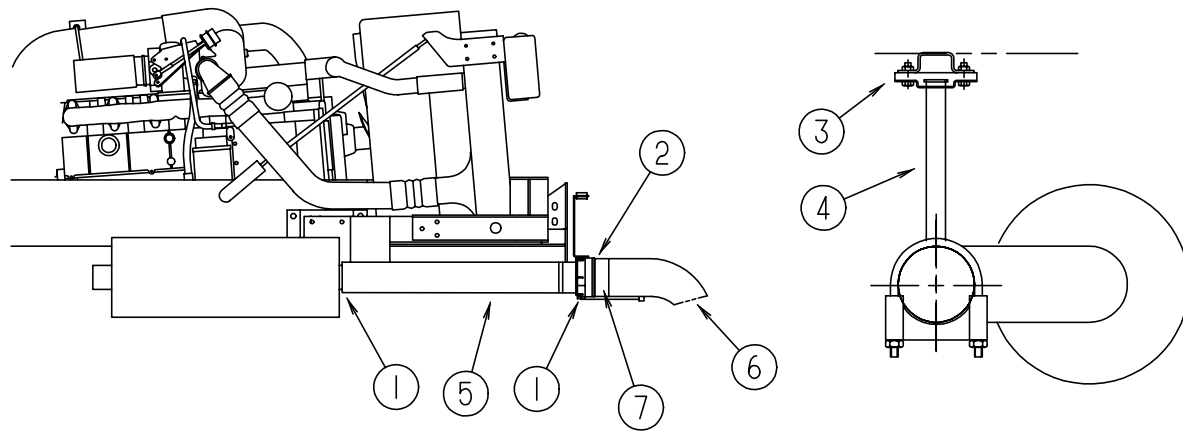


KEY	PART NUMBER	U/M	DESCRIPTION	VENDOR NO.
1	115767-02-000	EA	WINCH - SLIDEOUT	
2	116082-03-02B	EA	BRACKET - WINCH	
3	126125-01-J60	EA	TABLE - ENTERTAINMENT CENTER	
	126119-01-02B	EA	FRAME ASM-ENTERTAIN CTR,E-CT	
	126123-01-J60	EA	PLATE-RADIO MOUNTING	
4	125687-01-000	EA	SLIDEOUT - HYDRAULIC	
	125687-01-700	EA	CYLINDER - HRDRAULIC	RAP13713
	125687-01-701	EA	HOSE - HYDRAULIC - 120"	RAP13772
	125687-01-702	EA	CYLINDER - HYDRAULIC - 120"	AP13607
5	110277-02-000	EA	STRAP	
6	124969-02-000	EA	BAFFLE - RADIATOR - TOP	
7	124970-02-000	EA	BAFFLE - RADIATOR - RIGHT HAND	
8	124971-02-000	EA	BAFFLE - RADIATOR - LEFT HAND	
9	020167-08-000	EA	DIRT GUARD	
10	119845-01-01A	EA	PLUG - PLASTIC - BLACK	
11	065450-05-000	EA	TIEDOWN - BATTERY - 8.4" TUBE	

KEY	PART NUMBER	U/M	DESCRIPTION	VENDOR NO.
12	M08628-01-H17	EA	HATCH W/FOAM INSERT	
12	121175-02-01A	EA	LATCH-SWELL	
13	105718-03-000	EA	SUPPORT	
14	113832-02-01A	EA	SLIDE - BATTERY TRAY - HEAVY DUTY	
15	072877-03-000	EA	INSULATION - SOUND BARRIER - 1" X 36" X 57"	
16*	094707-01-01A	EA	STEP - DOUBLE - ELECTRIC - KWIKEE	
16	116995-01-000	EA	SWITCH/MAGNET - ELECTRIC STEP	
16	064075-07-000	FT	SEAL - BULB - W/WIRED U CHANNEL - .3" X .5" CHANNEL - BLK	
17	017516-01-000	EA	MUD FLAP - 14" X 18" - BLACK	
18	P13380-01-01A	EA	PANEL - COVER SEAL	
19	115392-01-01A	EA	STRAP - VELCRO (LUG WRENCH HOLDER)	
19	064219-01-000	EA	RETAINER - CHECK STRAP - DRIVER DOOR	
20	102116-02-000	EA	BRACKET - EXHAUST - UPPER	
21	120867-01-02B	EA	MOUNT - LP TANK	
22	105290-01-000	SF	INSULATION - AIR POCKET W/FOIL	

* COMPONENT PARTS FOUND IN SERVICE PARTS LIBRARY

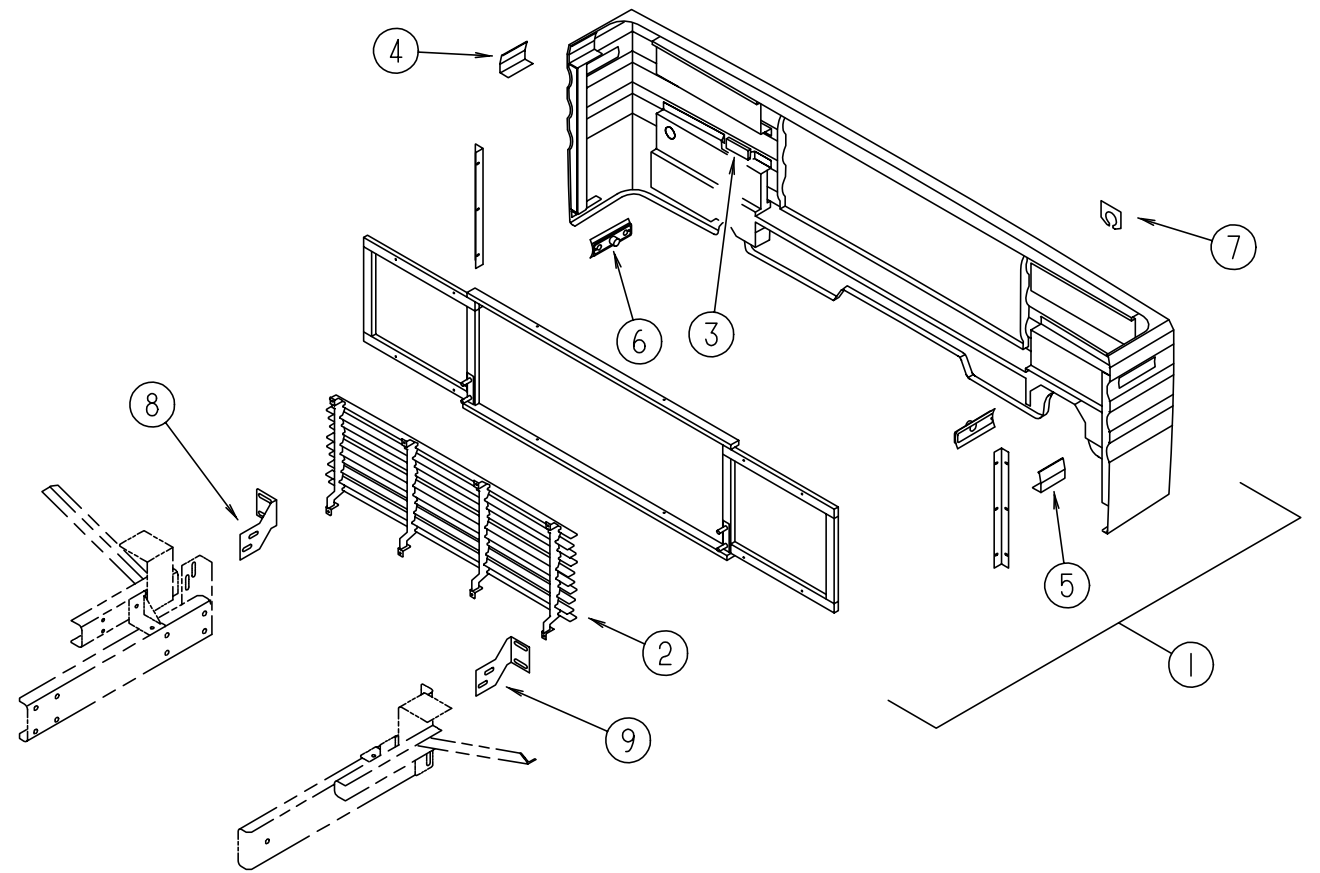
CHASSIS GROUP (CONTINUED)



EXHAUST SYSTEM

KEY	PART NUMBER	U/M	DESCRIPTION
1	094918-05-000	EA	CLAMP - EXHAUST - 4 7/16" - GUILLOTINE STYLE
2	094918-08-000	EA	CLAMP - EXHAUST - 5"
3	095190-01-000	EA	HANGER - EXHAUST - 4" X 1.4"
4	110172-02-000	EA	HANGER - EXHAUST
5	114869-03-000	EA	PIPE - EXHAUST
6	116425-03-000	EA	EXTENSION - EXHAUST - CHROMED - 4"
7	128903-01-000	EA	PIPE - EXHAUST - EXPANDER 4" TO 5"

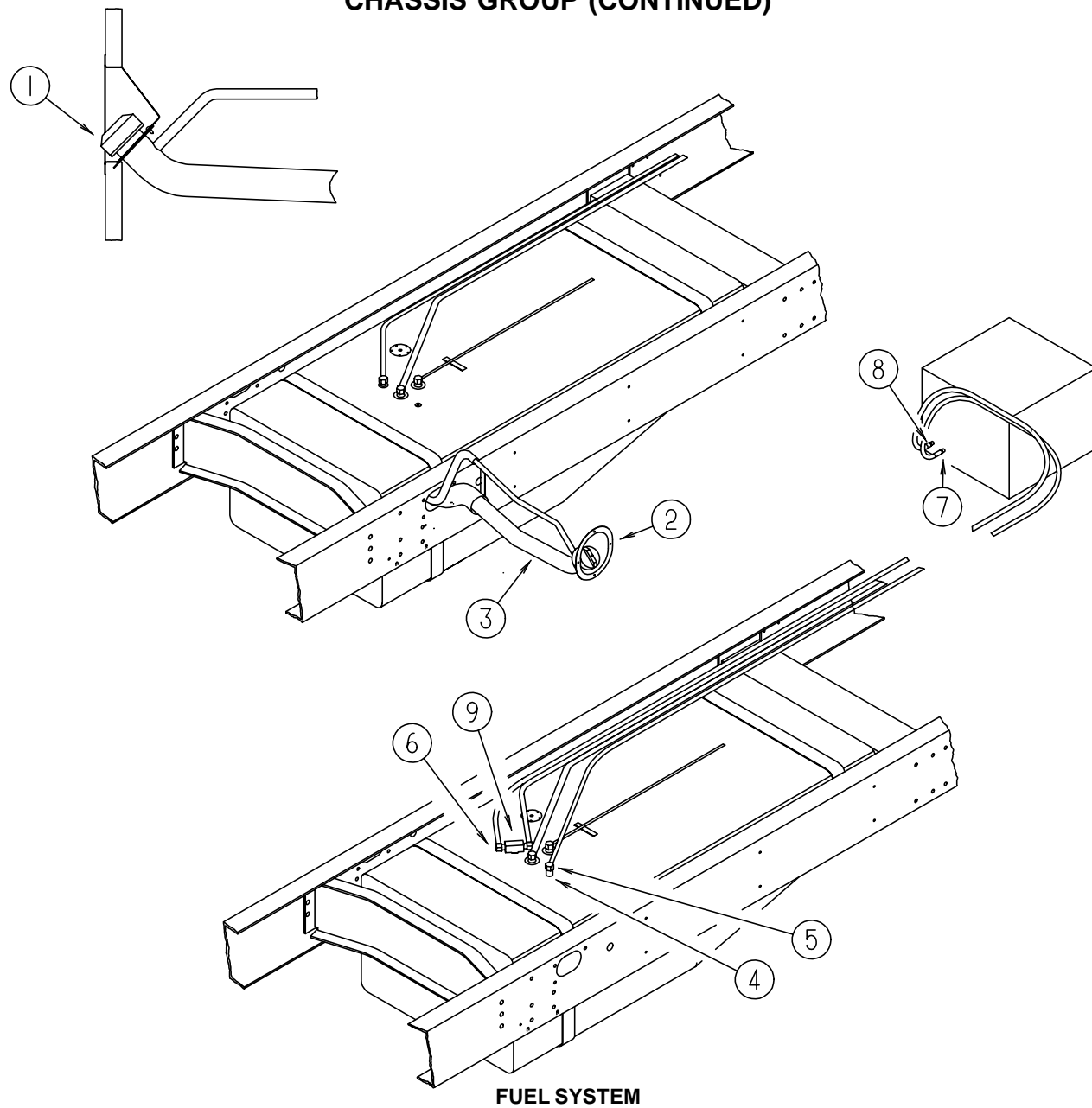
CHASSIS GROUP (CONTINUED)



REAR BUMPER

KEY	PART NUMBER	U/M	DESCRIPTION
	113589-01-000	EA	CONNECTOR - PLUG - TRAILER
1	M08673-01-J60	EA	BUMPER - REAR - REAR ENGINE PUSHERS
2	125414-01-J30	EA	GRILLE ASM-BUMPER,REAR,LOWER
3	104319-51-007	EA	EXTRUDED - FRAME - GRILLE - 4"
4	124837-03-01A	EA	SUPPORT - BUMPER - REAR/PASSENGER
5	124837-04-01A	EA	SUPPORT - BUMPER - REAR/DRIVER
6	125541-01-01A	EA	POCKET - LIGHT - SIDE MARKER
7	113588-01-01B	EA	BRACKET - CONNECTOR - TRAILER W/LIP
8	113568-03-02B	EA	ANGLE - MOUNT - BUMPER/RIGHT HAND
9	113568-04-02B	EA	ANGLE - MOUNT - BUMPER/LEFT HAND
	113589-02-000	EA	CONNECTOR - SOCKET - TRAILER

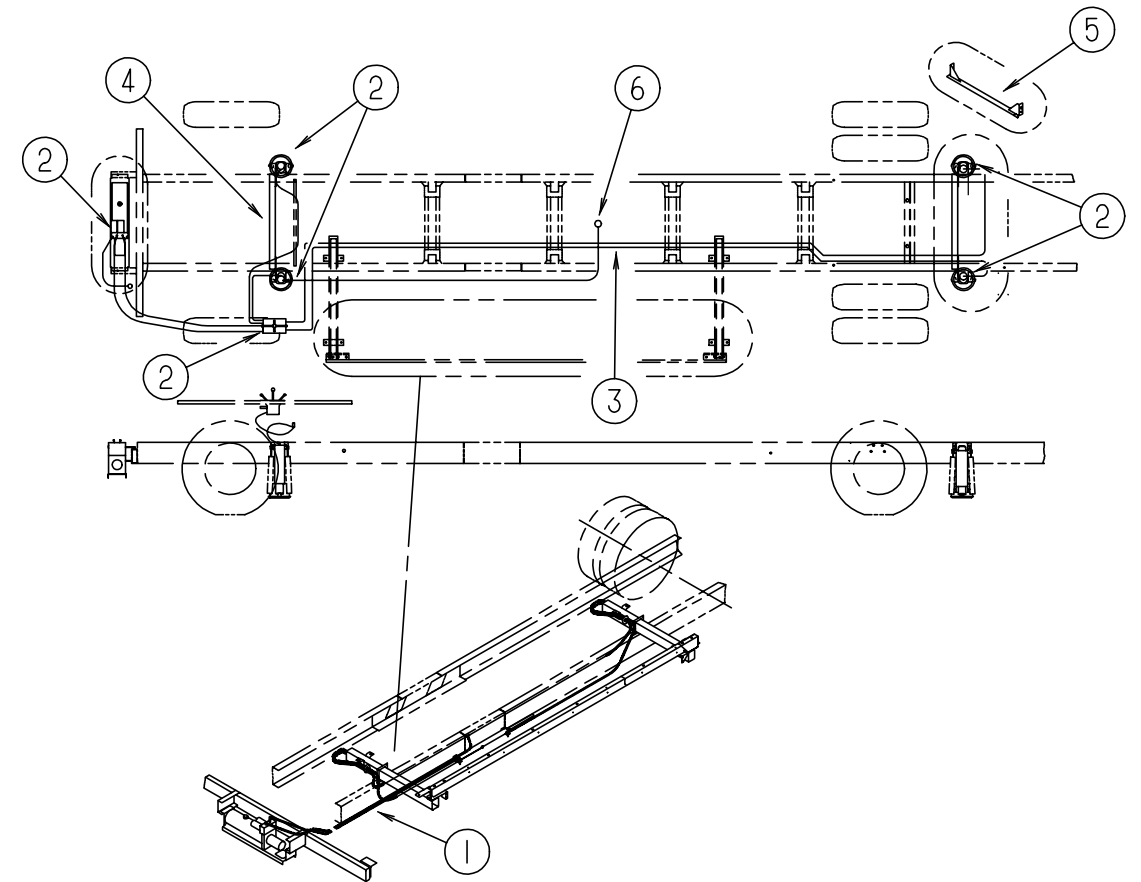
CHASSIS GROUP (CONTINUED)



FUEL SYSTEM

KEY	PART NUMBER	U/M	DESCRIPTION
	044317-01-000	FT	HOSE - FUEL - 3/8" ID
1	073220-03-000	EA	CAP - FUEL FILL - NON LOCK - DIESEL
2	102951-01-01A	EA	SHROUD - FUEL FILL - UNFINISHED
			FROM: 00-00-00 THRU: 01-05-98
2	95854-01-01A	EA	SHROUD - FUEL FILL - PLASTIC
			FROM: 01-06-98 THRU: 99-99-99
3	117336-01-000	EA	NECK ASSEMBLY - FUEL FILL
	007063-01-000	FT	HOSE - FUEL - 1/4"ID X 1/2"OD
	024138-01-000	FT	HOSE - FUEL - 5/16" ID
4	068382-06-000	EA	BUSHING - BRASS - 3/8 MPT X 1/8 FPT (DIESEL GENERATOR)
5	114253-01-000	EA	ELBOW - 1/4 SINGLE BARB X 1/8 MPT (DIESEL GENERATOR)
6	114253-02-000	EA	ELBOW - 5/16 SINGLE BARB X 1/4 MPT (DIESEL GENERATOR)
7	114254-01-000	EA	ADAPTER - 1/4 BARB X 1/8 MPT (DIESEL GENERATOR)
8	114254-02-000	EA	ADAPTER - 5/16 SINGLE BARB X 1/8 MPT (DIESEL GENERATOR)
9	116457-01-000	EA	TEE (DIESEL GENERATOR)

CHASSIS GROUP (CONTINUED)

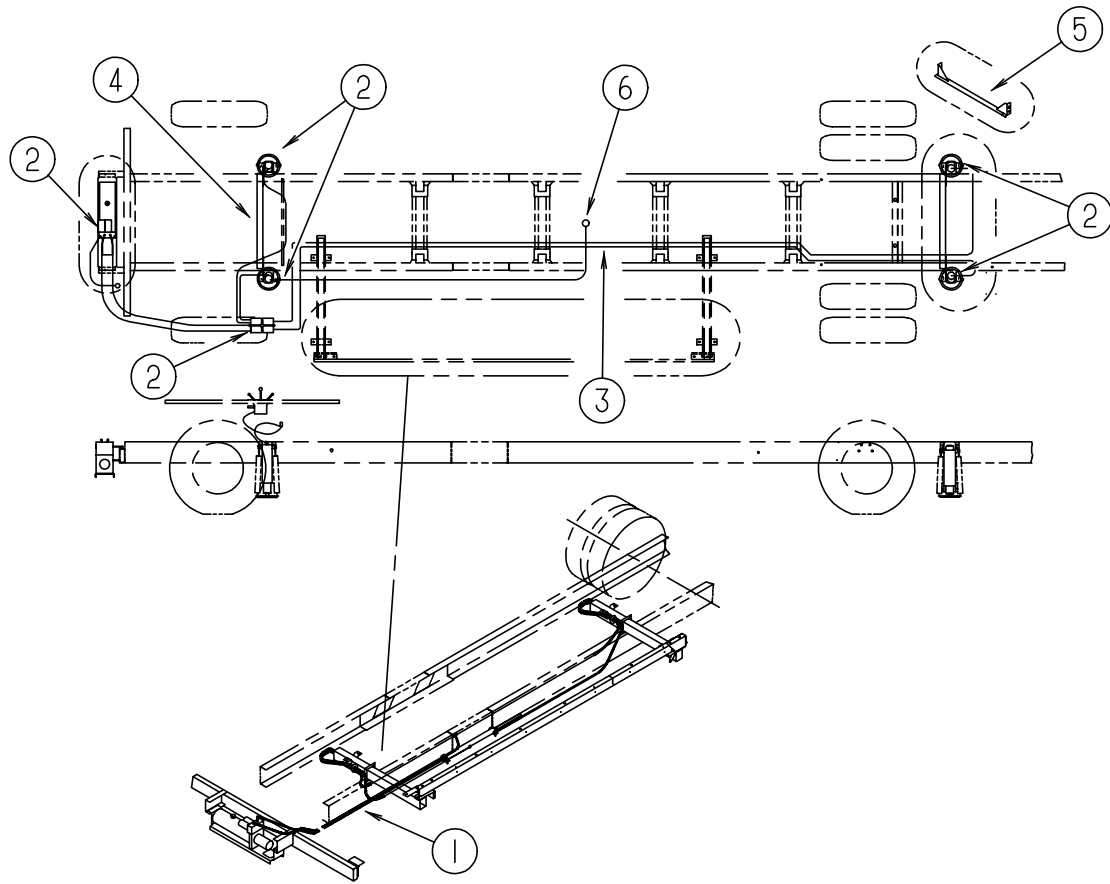


HWH HYDRAULIC LEVELING SYSTEM

KEY	PART NUMBER	U/M	DESCRIPTION	VENDOR NO.
1	100536-29-000	EA	HOSE KIT - SLIDEOUT ROOM	
				FROM: 00-00-00 THRU: 08-19-97
				RAP4063
1	100536-14-700	EA	HOSE-HYDRAULIC-288"	
1	100536-29-700	EA	HOSE-HYDRAULIC-280"	
1	100536-38-000	EA	HOSE KIT - SLIDEOUT	
				FROM: 08-20-97 THRU: 99-99-99
				RAP90078
	100536-36-701	EA	HOSE - HYDRAULIC - 156"	
	123264-01-000	EA	TEE - UNION - 1/4" X 1/4" X 1/4"	

CHASSIS GROUP (CONTINUED)

HWH HYDRAULIC LEVELING SYSTEM (CONTINUED)



KEY	PART NUMBER	U/M	DESCRIPTION	VENDOR NO.
2	100532-39-000	EA	LEVELING SYSTEM - HYDRAULIC	
	100532-01-713	EA	PUMP-RESERVOIR ASM.-MONARCH RAP90014	
	100532-03-710	EA	SENSING UNIT 21' MTA	RAP6798
	100532-03-715	EA	CAP-BREATHER W/DIPSTICK	RAP7876
	100532-03-723	EA	MANIFOLD HDW MTG KIT	RAP9171
	100532-08-702	EA	VALVE,BI-AXIS	RAP9589
	100532-08-705	EA	KNOB-3/4" BLACK, SET OF FOUR	RAP1379
	100532-08-706	EA	KNOB-1 3/16" BLACK	RAP9734
	100532-08-707	EA	BEZEL W/GASKET, F/SYSTEM 200	RAP9592
	100532-09-704	EA	VALVE-PRESSURE SOLENOID	RAP0642
	100532-09-710	EA	SOLENOID-INTERMITENT DUTY	RAP0533
	100532-12-706	EA	SWITCH - WARNING/MAGNETIC	RAP1008
	100532-12-707	EA	SPRING KIT	R3847
	100532-16-701	EA	MANIFOLD ASM. F/SLIDE OUT	RAP1716
	100532-16-703	EA	CYLINDER ASSEMBLY, 12K	RAP0040
	100532-31-701	EA	CHECK VALVE & KIT	RAP10021
	100532-32-701	EA	BUZZER - JACK DOWN WARNING	RAP0325
	100532-37-700	EA	JACK - 12K STRAIGHT ACTING	RAP11804
	100532-37-701	EA	PUMP/RESERVOIR/MANIFOLD ASM	RAP13232
	100532-39-700	EA	JACK - 9K - STRAIGHT ACTING	RAP9551
	100532-39-701	EA	PANEL - 200 BI-AXIS W/TRVL	RAP15341
3	100536-37-000	EA	HOSE KIT - LEVELING JACKS	
	100536-09-701	EA	HOSE-HYDRAULIC-60"	RAP4073
	100536-25-701	EA	HOSE-HYDRAULIC-312"	AP5216
	100536-37-700	EA	HOSE-HYDRAULIC-84"	RAP4112
	100536-37-701	EA	HOSE-HYDRAULIC-336"	RAP5561
	100536-37-702	EA	HOSE-HYDRAULIC-110"	RAP90348
	100536-37-703	EA	HOSE-HYDRAULIC-84"	R4222
4	114748-03-02B	EA	CROSSMEMBER - REAR JACK MOUNTING	
				FROM: 00-00-00 THRU: 09-07-97
4	114748-02-02B	EA	CROSSMEMBER - REAR JACK MOUNTING	
				FROM: 09-08-97 THRU: 99-99-99
5	114748-05-02B	EA	CROSSMEMBER - REAR JACK MOUNTING	
6	117183-01-02B	EA	COVER - SENSOR - LEVELING	

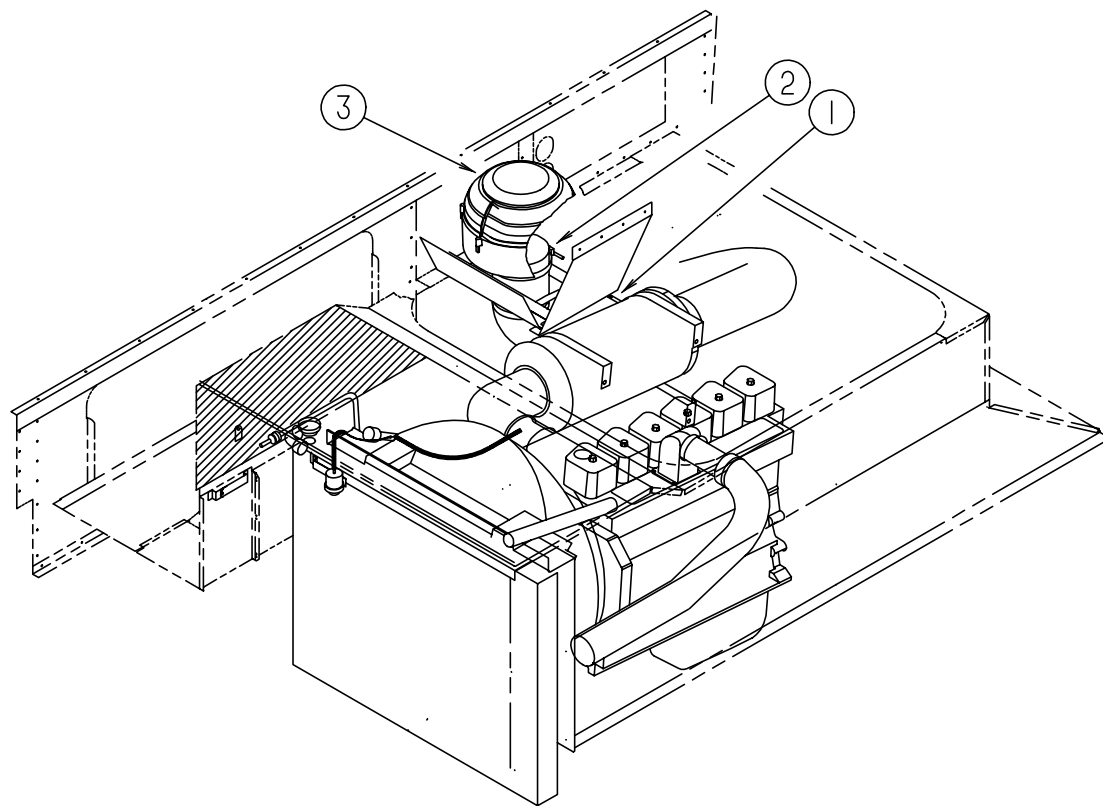
CHASSIS GROUP (CONTINUED)

SPARE TIRE WRENCH & BAR

KEY	PART NUMBER	U/M	DESCRIPTION
	080208-02-000	EA	BAR - LEVERAGE - LUG WRENCH - GM FORD IS CHASSIS SUPPLIED
	080208-05-000	EA	BAR - LEVERAGE - LUG WRENCH 3/4D - HDGM/FREIGHTLINER
	080208-06-000	EA	LUG WRENCH - 1" X 1.06" W/DEEP SOCKET ENDS - GM FORD IS CHASSIS SUPPLIED
	080208-04-000	EA	WRENCH - LUG - 30MM (1 3/16") - HDGM/FREIGHTLINER

WHEEL LINERS

KEY	PART NUMBER	U/M	DESCRIPTION	VENDOR NO.
	110435-05-000	EA	LINER - WHEEL - SET/4 - 22.5"	
	110435-05-700	EA	CAP-CENTER, POP-OUT	V22510-POC
	110435-05-701	EA	LINER - WHEEL - FRONT	V22508-FWC
	110435-05-702	EA	COVER-HUB, FRONT	V22508-FHC
	110435-05-703	EA	LINER - WHEEL - REAR	V22508-RWC
	110435-05-704	EA	COVER-HUB, REAR	V22508-RHC
	110435-05-705	EA	STUD EXTENDER-3/4"RIGHT HAND	N980-STX
	110435-05-710	EA	NUT-JAM, RIGHT HAND THREAD	V22506-RJN
	110435-05-711	EA	COVER - LUG NUT	V22506-LNC
	110435-05-712	EA	TOOL INSTALLATION	V22506-TOL



AIR FILTER/PRECLEANER

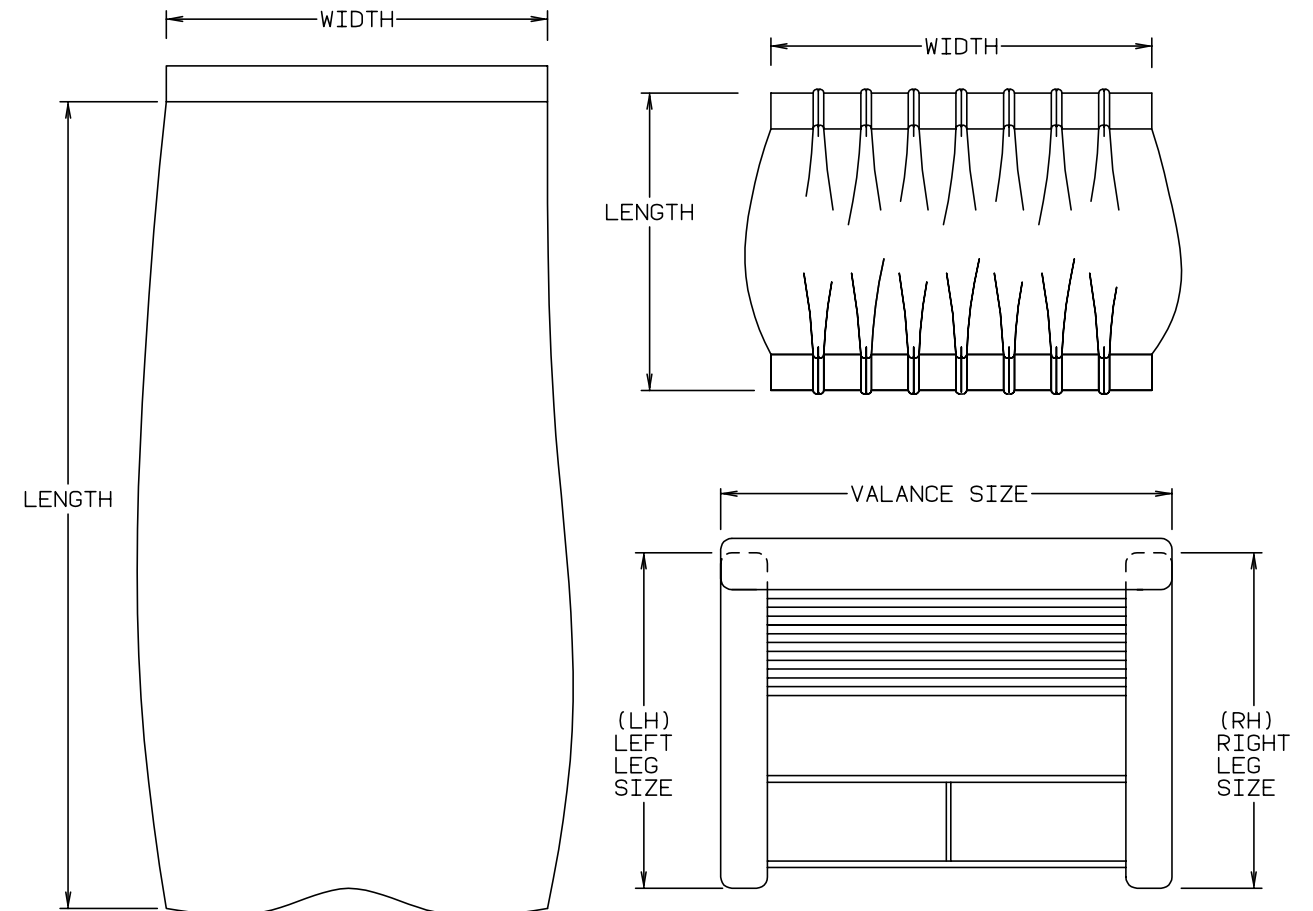
KEY	PART NUMBER	U/M	DESCRIPTION
1	099856-09-000	EA	STRAP - TIEDOWN
2	125083-01-01A	EA	CLAMP - T BOLT
3	124856-01-000	EA	PRE-CLEANER - ENGINE AIR INTAKE

CURTAIN & CUSHION GROUP

NOTICE

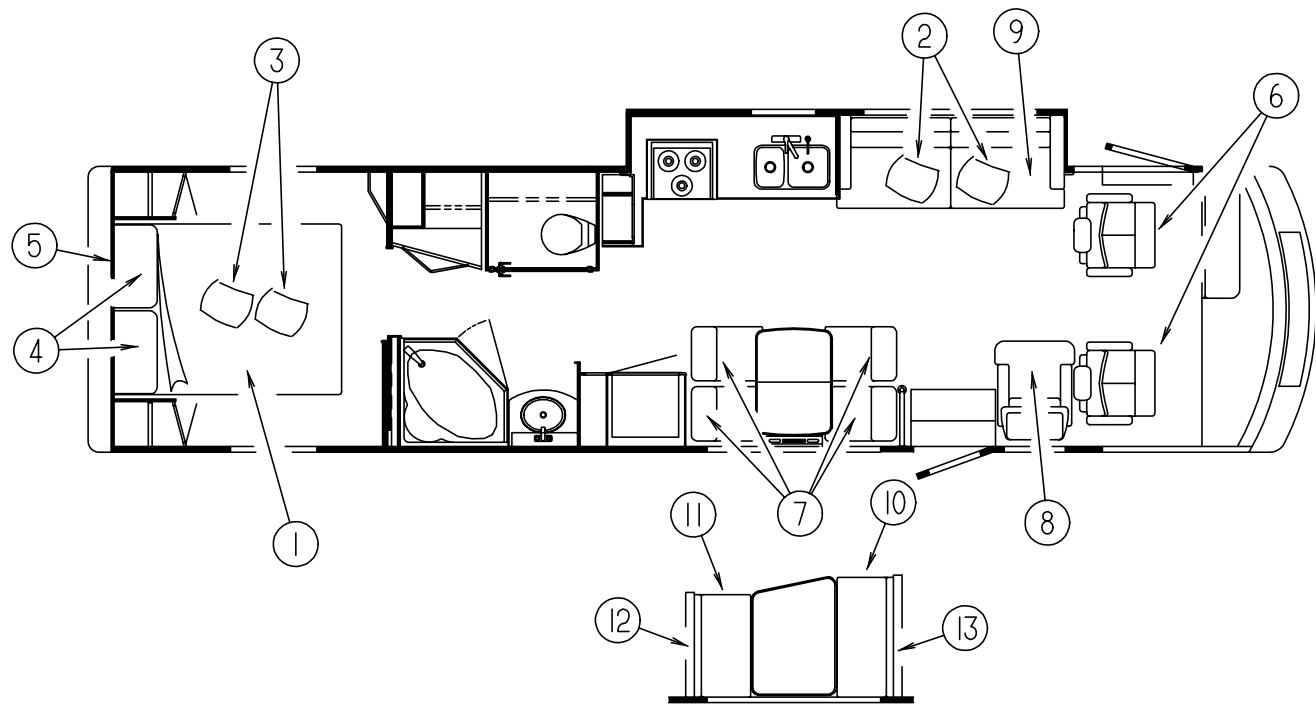
IN ORDER TO ASSIST OUR PARTS SALES DEPT. IN PROVIDING INTERIOR SOFTWARE ITEMS, PLEASE INCLUDE THE SERIAL NUMBER AND THE COLOR CODE NUMBER FROM THE VEHICLE CERTIFICATION LABEL WHEN ORDERING. THIS LABEL IS LOCATED ON THE LEFT SIDEWALL AT THE END OF THE DASH (A-BODY), OR ON THE DRIVER'S DOOR LATCH PLATE (C-BODY).

AN EXAMPLE OF A COLOR CODE NUMBER IS B07, WHICH DESIGNATES AN OVERALL COLOR SCHEME OF A PARTICULAR UNIT. THE COLOR LISTED AFTER THE ITEM DESCRIPTION ON THE MICROFICHE, INDICATES THE OVERALL UNIT COLOR. ORDER THE ITEM YOU DESIRE ACCORDING TO UNIT COLOR CODE. IF ALL COLORS USE THE SAME ITEM NO COLOR CODE WILL BE NOTED.



NOTE: USE THIS ILLUSTRATION WHEN DETERMINING LENGTH AND WIDTH MEASUREMENTS FOR CURTAINS. YOU WILL NOTE THE WIDTH MEASUREMENT IS TAKEN ON THE TOP OF THE CURTAIN WITH THE CURTAIN FULLY EXTENDED. THE LENGTH MEASUREMENT IS TAKEN FROM TOP TO BOTTOM. LEFT AND RIGHT WINDOW LEGS ARE DETERMINED WHEN FACING THE WINDOW.

CURTAIN & CUSHION GROUP (CONTINUED)



MATTRESSES, PILLOWS & BEDSPREADS

KEY	PART NUMBER	U/M	DESCRIPTION
1	123015-07-000	EA	MATTRESS - INNERSPRING - 60" X 79.5"
1	119141-17-J30	EA	BEDSPREAD/THROW - 60" X 80" (J90, J30)
1	119141-18-J31	EA	BEDSPREAD/THROW - 60" X 80" (J91, J31)
1	119141-18-J32	EA	BEDSPREAD/THROW - 60" X 80" (J92, J32)
1	119141-18-J33	EA	BEDSPREAD/THROW - 60" X 80" (J93, J33)
2	111637-18-J30	EA	PILLOW - 14" X 14" (J90, J30)
2	111637-11-J31	EA	PILLOW - 17" X 17" (J91, J31)
2	111637-18-J32	EA	PILLOW - 14" X 14" (J92, J32)
2	111637-16-J33	EA	PILLOW - 14" X 14" (J93, J33)
3	111637-12-J30	EA	PILLOW - 17" X 17" (J90, J30)
3	111637-12-J31	EA	PILLOW - 17" X 17" (J91, J31)
3	111637-17-J32	EA	PILLOW - 14" X 14" (J92, J32)
3	111637-19-J33	EA	PILLOW - 17" X 17" (J93, J33)
4	119249-01-000	EA	PILLOW/CASE - 20" X 33"
5	126477-03-J30	EA	HEADBOARD - ERIN - QUEEN - FABRIC COVERED (J90, J30)
5	126477-03-J31	EA	HEADBOARD - ERIN - QUEEN - FABRIC COVERED (J91, J31)
5	126477-07-J32	EA	HEADBOARD - ERIN - QUEEN - FABRIC COVERED (J92, J32)
5	126477-03-J33	EA	HEADBOARD - ERIN - QUEEN - FABRIC COVERED (J93, J33)

DINETTE CHAIRS

KEY	PART NUMBER	U/M	DESCRIPTION
7	126637-01-000	EA	CHAIR - DINETTE (J90, J30)
7	126637-02-000	EA	CHAIR - DINETTE (J91, J31)
7	126637-03-000	EA	CHAIR - DINETTE (J92, J32)
7	126637-07-000	EA	CHAIR - DINETTE (J93, J33)

FOLDING CHAIRS

KEY	PART NUMBER	U/M	DESCRIPTION
	101604-01-04A	EA	CHAIR - FOLDING/DINETTE - W/O FABRIC - MYSTIC OAK
	101604-01-02A	EA	CHAIR - FOLDING/DINETTE - W/O FABRIC - SALEM CHERRY
	101604-01-05A	EA	CHAIR - FOLDING/DINETTE - W/O FABRIC - WHITE GRANITE

BUCKET SEATS

KEY	PART NUMBER	U/M	DESCRIPTION	
6	125682-01-000	EA	BUCKET SEAT (J90, J30)	FROM: 00-00-00 THRU: 01-18-98
6	129492-01-000	EA	BUCKET SEAT (J90, J30)	FROM: 01-19-98 THRU: 99-99-99
6	125682-02-000	EA	BUCKET SEAT (J91, J31)	FROM: 00-00-00 THRU: 01-18-98
6	129492-02-000	EA	BUCKET SEAT (J91, J31)	FROM: 01-19-98 THRU: 99-99-99
6	125682-03-000	EA	BUCKET SEAT (J92, J32)	FROM: 00-00-00 THRU: 01-18-98
6	129492-03-000	EA	BUCKET SEAT (J92, J32)	FROM: 01-19-98 THRU: 99-99-99
6	125682-07-000	EA	BUCKET SEAT (J93, J33)	FROM: 00-00-00 THRU: 01-18-98
6	129492-07-000	EA	BUCKET SEAT (J93, J33)	FROM: 01-19-98 THRU: 99-99-99
6	125682-08-000	EA	BUCKET SEAT - LEATHER	FROM: 00-00-00 THRU: 01-18-98
6	129492-08-000	EA	BUCKET SEAT - LEATHER	FROM: 01-19-98 THRU: 99-99-99

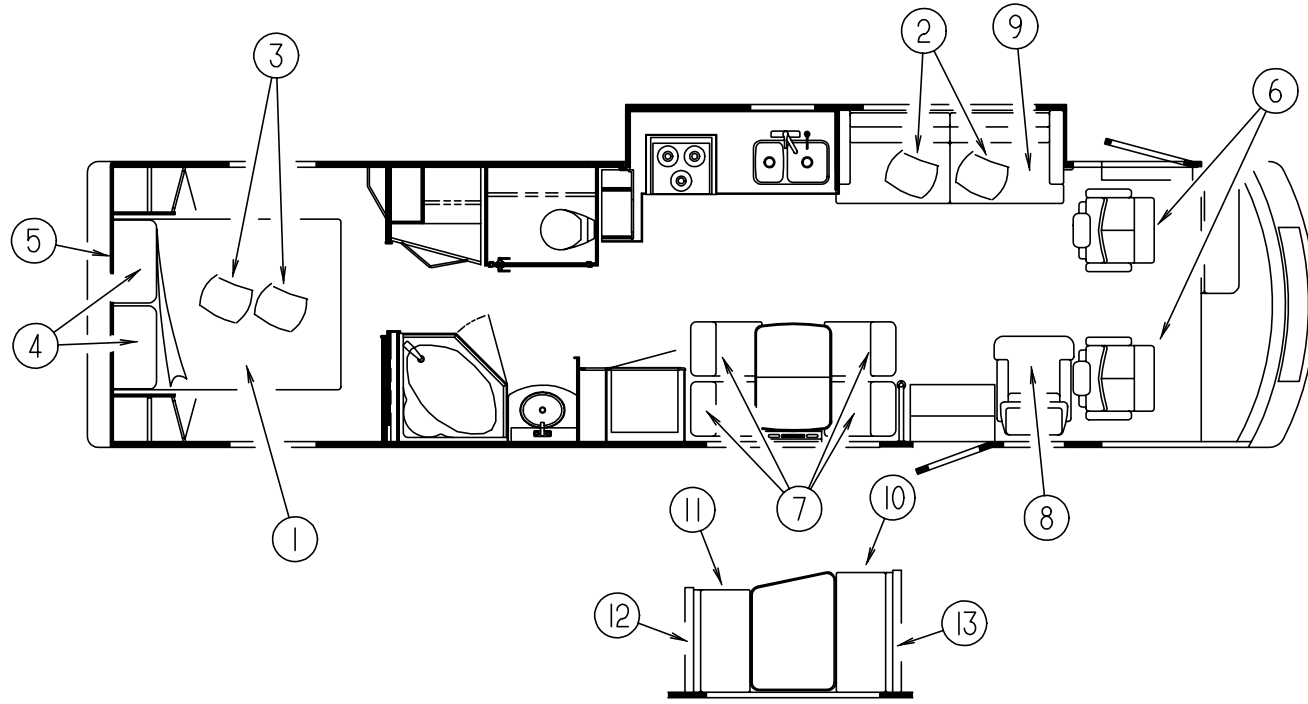
LOUNGE CHAIRS

KEY	PART NUMBER	U/M	DESCRIPTION	
8	125678-01-000	EA	CHAIR - LOUNGE - EXTRA WIDE - CHAMELON (J90, J30)	FROM: 00-00-00 THRU: 01-04-98
8	128891-01-000	EA	CHAIR - RECLINER (J90, J30)	FROM: 01-05-98 THRU: 99-99-99
8	125678-02-000	EA	CHAIR - LOUNGE - EXTRA WIDE - MERCURY (J91, J31)	FROM: 00-00-00 THRU: 01-04-98
8	128891-02-000	EA	CHAIR - RECLINER (J91, J31)	FROM: 01-05-98 THRU: 99-99-99
8	125678-03-000	EA	CHAIR - LOUNGE - EXTRA WIDE - FOSSIL (J92, J32)	FROM: 00-00-00 THRU: 01-04-98
8	128891-03-000	EA	CHAIR - RECLINER (J92, J32)	FROM: 01-05-98 THRU: 99-99-99
8	125678-07-000	EA	CHAIR - LOUNGE - EXTRA WIDE - BARCELONA (J93, J33)	FROM: 00-00-00 THRU: 01-04-98
8	128891-07-000	EA	CHAIR - RECLINER (J93, J33)	FROM: 01-05-98 THRU: 99-99-99

COUCH

KEY	PART NUMBER	U/M	DESCRIPTION
9	125676-01-000	EA	SOFA (J90, J30)
9	125676-02-000	EA	SOFA (J91, J31)
9	125676-02-000	EA	SOFA (J92, J32)
9	125676-13-000	EA	SOFA (J93, J33)
	116104-03-02B	EA	BRACKET - ZEE W/HOLES
	124656-97-000	EA	LOCK - NON-SLIDE
	124656-98-000	EA	LOCK - SLIDE

CURTAIN & CUSHION GROUP (CONTINUED)



DINETTE CUSHIONS

KEY	PART NUMBER	U/M	DESCRIPTION
10	105603-22-J30	EA	CUSHION - DINETTE SEAT - 23" X 42" X 4" (J90, J30)
10	105603-22-J31	EA	CUSHION - DINETTE SEAT - 23" X 42" X 4" (J91, J31)
10	105603-22-J32	EA	CUSHION - DINETTE SEAT - 23" X 42" X 4" (J92, J32)
10	105603-22-J33	EA	CUSHION - DINETTE SEAT - 23" X 42" X 4" (J93, J33)
10	P05603-22-J30	EA	COVER - SEAT - 23" X 42" X 4" (J90, J30)
10	P05603-22-J31	EA	COVER - SEAT - 23" X 42" X 4" (J91, J31)
10	P05603-22-J32	EA	COVER - SEAT - 23" X 42" X 4" (J92, J32)
10	P05603-22-J33	EA	COVER - SEAT - 23" X 42" X 4" (J93, J33)
11	105603-25-J30	EA	CUSHION - SEAT - 23" X 36" X 4" (J90, J30)
11	105603-25-J31	EA	CUSHION - SEAT - 23" X 36" X 4" (J91, J31)
11	105603-25-J32	EA	CUSHION - SEAT - 23" X 36" X 4" (J92, J32)
11	105603-25-J33	EA	CUSHION - SEAT - 23" X 36" X 4" (J93, J33)
11	P05603-25-J30	EA	COVER - SEAT - 23" X 36" X 5" (J90, J30)
11	P05603-25-J31	EA	COVER - SEAT - 23" X 36" X 5" (J91, J31)
11	P05603-25-J32	EA	COVER - SEAT - 23" X 36" X 5" (J92, J32)
11	P05603-25-J33	EA	COVER - SEAT - 23" X 36" X 5" (J93, J33)
12	111897-15-J30	EA	CUSHION - BACK - 13.5" X 36" X 4" (J90, J30)
12	111897-15-J31	EA	CUSHION - BACK - 13.5" X 36" X 4" (J91, J31)
12	111897-15-J32	EA	CUSHION - BACK - 13.5" X 36" X 4" (J92, J32)
12	111897-15-J33	EA	CUSHION - BACK - 13.5" X 36" X 4" (J93, J33)
12	P11897-15-J30	EA	COVER - BACK - 13.5" X 36" X 5" (J90, J30)
12	P11897-15-J31	EA	COVER - BACK - 13.5" X 36" X 5" (J91, J31)
12	P11897-15-J32	EA	COVER - BACK - 13.5" X 36" X 5" (J92, J32)
12	P11897-15-J33	EA	COVER - BACK - 13.5" X 36" X 5" (J93, J33)
13	111897-16-J30	EA	CUSHION - BACK - 13.5" X 42" X 4" (J90, J30)
13	111897-16-J31	EA	CUSHION - BACK - 13.5" X 42" X 4" (J91, J31)
13	111897-16-J32	EA	CUSHION - BACK - 13.5" X 42" X 4" (J92, J32)
13	111897-16-J33	EA	CUSHION - BACK - 13.5" X 42" X 4" (J93, J33)
13	P11897-16-J30	EA	COVER - BACK - 13.5" X 42" X 4" (J90, J30)
13	P11897-16-J31	EA	COVER - BACK - 13.5" X 42" X 4" (J91, J31)
13	P11897-16-J32	EA	COVER - BACK - 13.5" X 42" X 4" (J92, J32)
13	P11897-16-J33	EA	COVER - BACK - 13.5" X 42" X 4" (J93, J33)

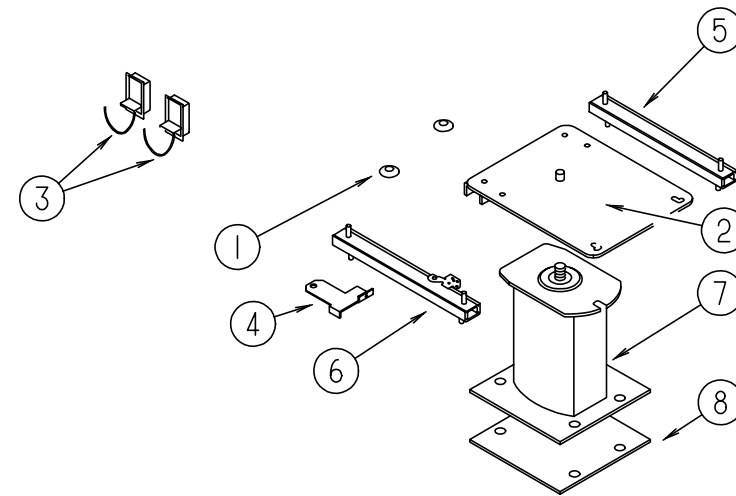
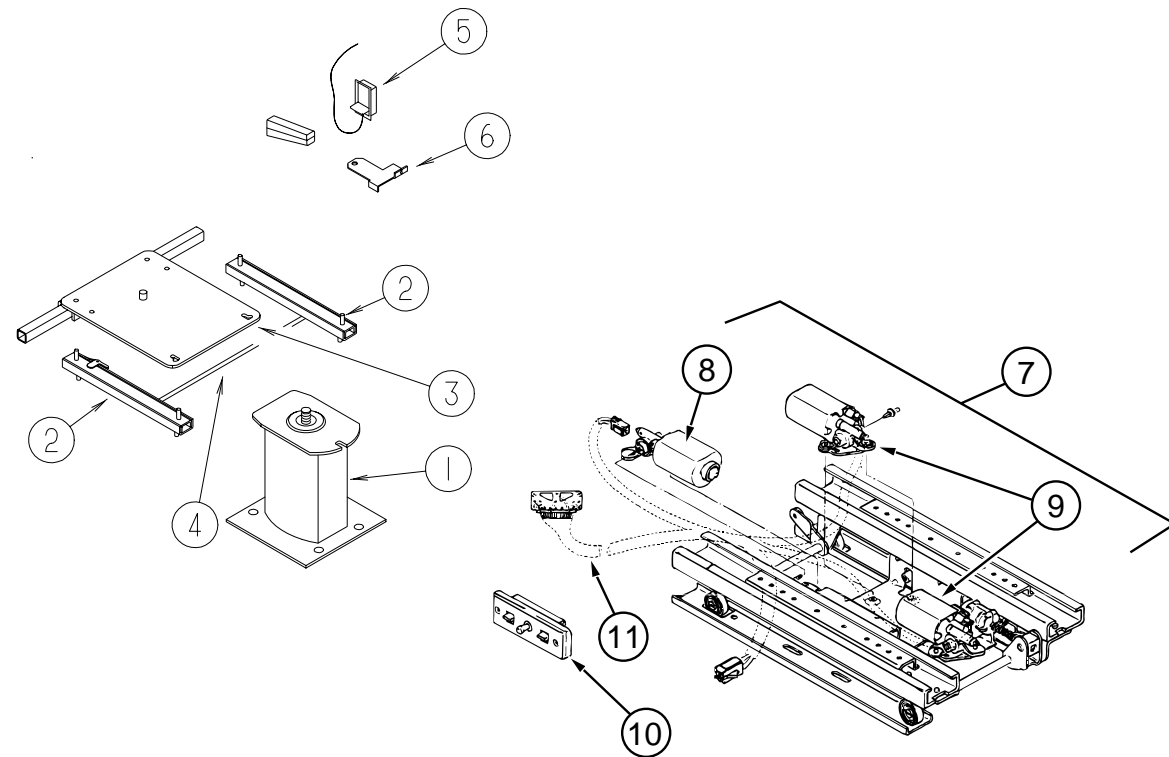
CURTAIN & CUSHION GROUP (CONTINUED)

SEATBELTS, ASSIST HANDLES, TIEDOWNS, BUTTONS & TRIMS

KEY	PART NUMBER	U/M	DESCRIPTION
	007021-01-000	EA	SEAT BELT - 2" X 90" - BLACK
	057759-01-000	EA	WASHER BRACKET - SEAT BELT - 4" DIAMETER
	000D20-07-00B	EA	NUT - ACORN - ASSIST HANDLE - 7/16 - 14
	084415-88-000	YD	TRIM - BRAID - AMBER (J90, J30)
	084415-87-000	YD	TRIM - BRAID - AMBER (J90, J30)
	084415-95-000	YD	TRIM-BRAID - MERCURY (J91, J31)
	084415-80-000	YD	TRIM-BRAID - COZUMEL (J92, J93, J32, J33)
	084415-91-000	YD	TRIM-BRAID - SILVER SAGE (J92, J93, J32, J33)
	084415-66-000	YD	TRIM - BRAID (J93, J33)
	057534-01-000	EA	TIEBACK/TIEDOWN - 6" CLEAR PLASTIC
	127038-01-01A	EA	TIEDOWN STRAP - W/VELCRO ENDS
	000C16-07-16B	EA	BOLT - CARRIAGE - ASSIST HANDLE - 7/16" - 14 X 1"
	000D20-07-00B	EA	NUT - ACORN - ASSIST HANDLE - 7/16 - 14
	053552-02-AA8	EA	HANDLE - ASSIST - INTERIOR/ENTRY DOOR - VINYL/OFF WHITE
	057534-01-000	EA	TIEBACK/TIEDOWN - 6" CLEAR PLASTIC
	069178-02-000	EA	BRACKET - MOUNTING/ASSIST HANDLE
	069178-03-000	EA	BRACKET - MOUNTING/ASSIST HANDLE
	099717-01-000	EA	STRAP - TV TIE DOWN W/24" FEMALE STRAP & 14.2" MALE STRIP
	099717-02-000	EA	STRAP - TV TIE DOWN W/29.9" FEMALE STRAP & 14.2" MALE STRP
	099717-09-000	EA	TIEDOWN - STRAP W/BUCKLE
	108808-03-01A	EA	HANDRAIL - ENTRANCE STEP
	P02786-03-J70	EA	HANDRAIL ONLY - W/O BRACKETS - MYSTIC OAK
	P02786-03-E41	EA	HANDRAIL ONLY - W/O BRACKETS - SALEM CHERRY
	P02786-03-J32	EA	HANDRAIL ONLY - W/O BRACKETS - WHITE GRANITE
	099682-01-01A	EA	BRACKET - MOUNTING/HAND RAIL - ROUND BASE

CURTAIN & CUSHION GROUP (CONTINUED)

CURTAIN & CUSHION GROUP (CONTINUED)



BUCKET SEAT PEDESTALS

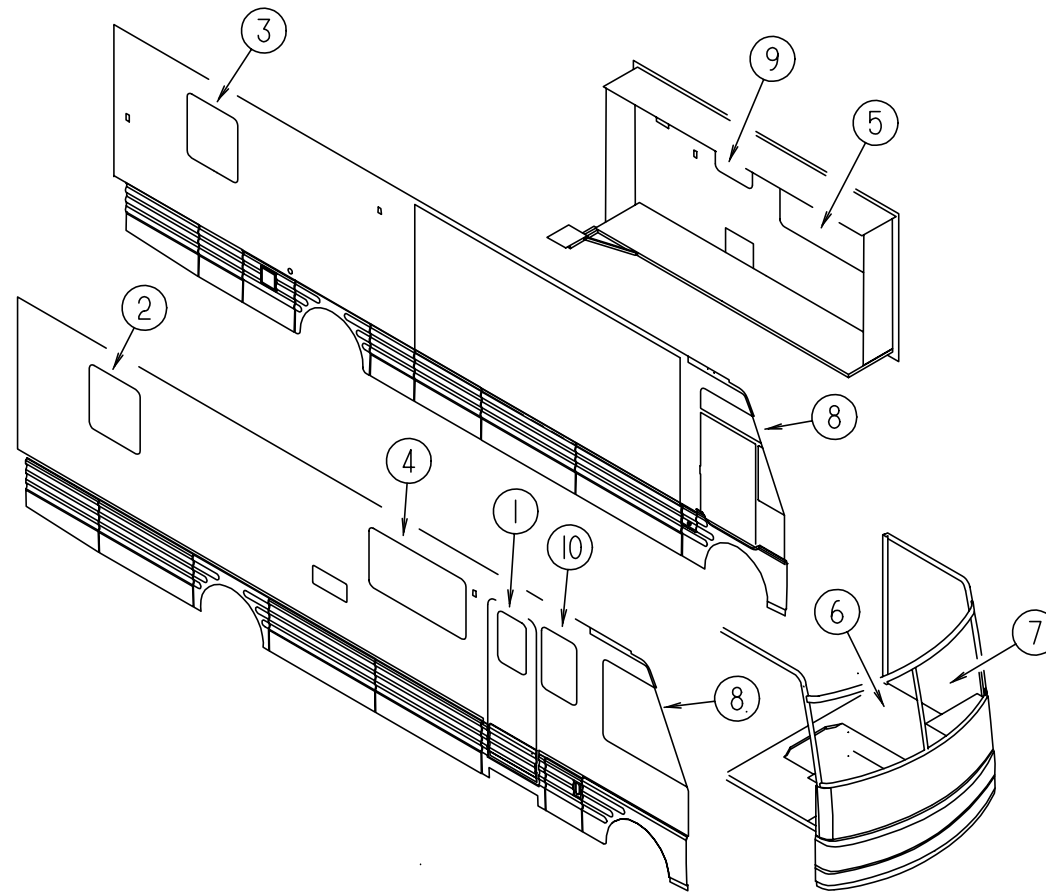
LOUNGE CHAIR PEDESTAL

KEY	PART NUMBER	U/M	DESCRIPTION	VENDOR NO.
1	107921-01-000	EA	PEDESTAL/FLOOR MOUNTED - W/9.75" EXTENSION	
1	107921-14-000	EA	PEDESTAL - SEAT W/5.75" EXTENSION - F/MANUAL SEAT	
2	119952-06-000	EA	SLIDE/SEAT - HEAVY DUTY LOCKING - 4 STUDS	
			FROM: 00-00-00 THRU: 11-02-97	
2	119952-04-000	EA	SLIDE/SEAT - HEAVY DUTY LOCKING - 4 STUDS	
			FROM: 11-03-97 THRU: 99-99-99	
3	107921-05-000	EA	PLATE - TOP - W/SEAT BELT BAR	
	107921-06-000	EA	BEARING KIT - PEDESTAL	
4	119952-07-000	EA	WIRE - LATCH RELEASE/ROTARY	
5	108049-04-000	EA	CABLE/CONTROL - 26" W/MINI LEVER ACTION	
	108049-02-000	EA	CLIP - CABLE/PEDESTAL	
6	117125-01-02B	EA	BRACKET - CABLE MOUNT - ADJUSTER W/LOCK	
7	081373-03-000	EA	SEAT - POWER 6 WAY	
	081373-01-700	EA	BRACKET-L, CONTROL SWITCH	H-171
8	081373-02-703	EA	MOTOR PKG. ADJ. HORIZONTAL	22063237 & H-195
9	081373-02-704	EA	MOTOR PKG. ADJ. VERTICAL	22063238 & H-196
10	081373-03-700	EA	SWITCH ASM F/BRN-GRAY (FLAT)	22138182 & H-441
11	081373-03-701	EA	WIRE HARNESS ASM., LT. SIDE	6000
11	081373-03-702	EA	WIRE HARNESS ASM., RT. SIDE	6001

KEY	PART NUMBER	U/M	DESCRIPTION
1	007221-01-000	EA	SPACER - SEAT/ADJUSTER
	107921-06-000	EA	BEARING KIT - PEDESTAL
2	107921-08-000	EA	TOP PLATE - PEDESTAL - W/O SEAT BELT BAR
	108049-02-000	EA	CLIP - CABLE/PEDESTAL
3	108049-04-000	EA	CABLE/CONTROL - 26" W/MINI LEVER ACTION
4	117125-01-02B	EA	BRACKET - CABLE MOUNT - ADJUSTER W/LOCK
5	119952-02-000	EA	SLIDE/SEAT - HEAVY DUTY NON LOCKING
6	119952-04-000	EA	SLIDE/SEAT - HEAVY DUTY LOCKING - 4 STUDS
7	107921-01-000	EA	PEDESTAL/FLOOR MOUNTED - W/9.75" EXTENSION
			FROM: 00-00-00 THRU: 01-04-98
7	107921-07-000	EA	PEDESTAL BASE - POWER
			FROM: 01-05-98 THRU: 99-99-99
8	108445-02-000	EA	PLATE/FLOOR MOUNTED - PEDESTAL SEAT

CURTAIN & CUSHION GROUP (CONTINUED)

WINDOW TREATMENT

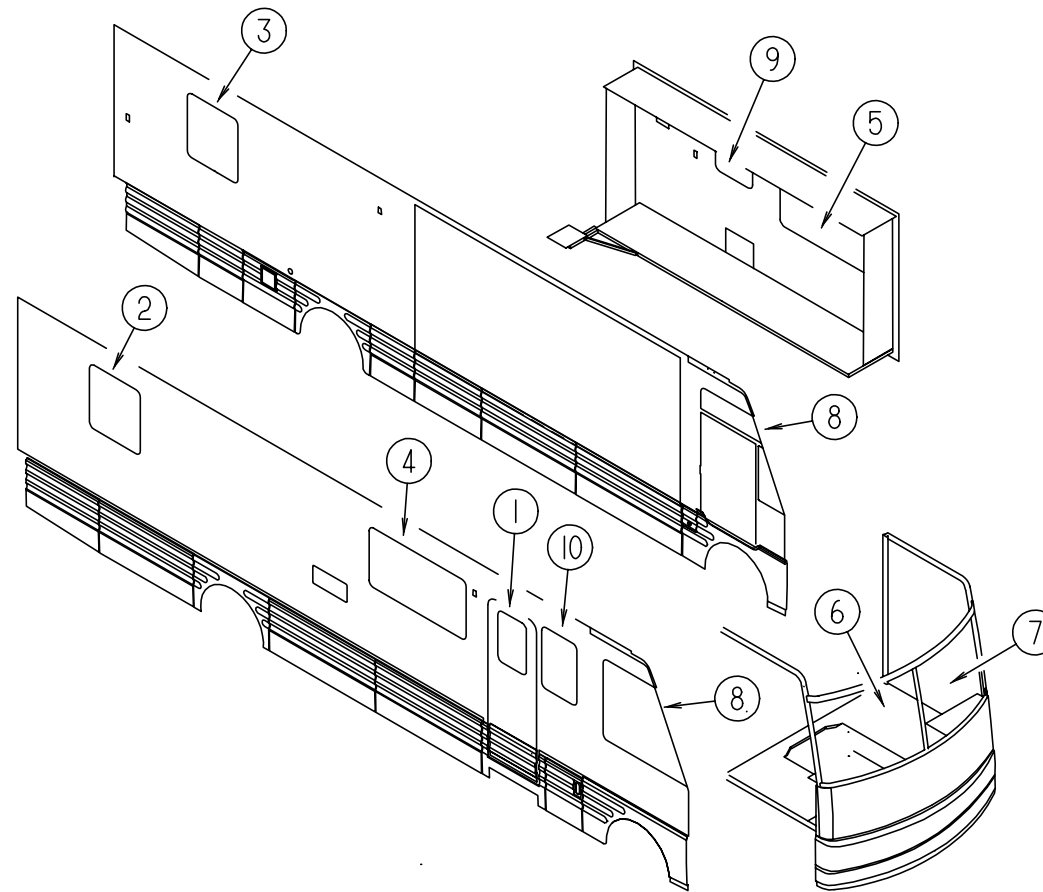


KEY	PART NUMBER	U/M	DESCRIPTION
1	084755-57-E07	EA	SHADE - PULL - 27.25"
1	120820-20-J30	EA	VALANCE - 15" X 31.5" - W/CLOCK CUTOUT (J90, J30)
1	120820-20-J31	EA	VALANCE - 15" X 31.5" - W/CLOCK CUTOUT (J91, J31)
1	120820-20-J32	EA	VALANCE - 15" X 31.5" - W/CLOCK CUTOUT (J92, J32)
1	120820-20-J33	EA	VALANCE - 15" X 31.5" - W/CLOCK CUTOUT (J93, J33)
2	109802-56-J30	EA	BLIND - PLEATED - 30" X 37" (J90, J30)
2	109802-56-J31	EA	BLIND - PLEATED - 30" X 37" (J91, J93, J31, J33)
2	109802-56-J32	EA	BLIND - PLEATED - 30" X 37" (J92, J32)
2	111910-58-J30	EA	BLIND - DAY/NIGHTER - 31" X 37" (J90, J30)
2	111910-58-J20	EA	BLIND - DAY/NIGHTER - 31" X 37" (J91, J93, J31, J33)
2	111910-58-J32	EA	BLIND - DAY/NIGHTER - 31" X 37" (J92, J32)
2	119299-18-J30	EA	VALANCE - WHITNEY - 34" (J90, J30)
2	127019-02-J31	EA	VALANCE - SARAH - 34" (J91, J31)
2	127019-06-J32	EA	VALANCE - SARAH - 34" (J92, J32)
2	127019-02-J33	EA	VALANCE - SARAH - 34" (J93, J33)
2	123910-15-J30	EA	LEG - RIGHT HAND - 34" - W/O REAR STEREO (J90, J30)
2	123910-15-J31	EA	LEG - RIGHT HAND - 34" - W/O REAR STEREO (J91, J31)
2	123910-15-J32	EA	LEG - RIGHT HAND - 34" - W/O REAR STEREO (J92, J32)
2	123910-15-J21	EA	LEG - RIGHT HAND - 34" - W/O REAR STEREO (J93, J33)
2	123910-16-J30	EA	LEG - LEFT HAND - 34" - W/O REAR STEREO (J90, J30)
2	123910-16-J31	EA	LEG - LEFT HAND - 34" - W/O REAR STEREO (J91, J31)
2	123910-16-J32	EA	LEG - LEFT HAND - 34" - W/O REAR STEREO (J92, J32)
2	123910-16-J21	EA	LEG - LEFT HAND - 34" - W/O REAR STEREO (J93, J33)

KEY	PART NUMBER	U/M	DESCRIPTION
2	127017-09-J30	EA	LEG - RIGHT - 34" - W/REAR STEREO (J90, J30)
2	127017-09-J31	EA	LEG - RIGHT - 34" - W/REAR STEREO (J91, J31)
2	127017-09-J32	EA	LEG - RIGHT - 34" - W/REAR STEREO (J92, J32)
2	127017-09-J21	EA	LEG - RIGHT - 34" - W/REAR STEREOE (J93, J33)
2	127017-10-J30	EA	LEG - LEFT - 34" - W/REAR STEREO (J90, J30)
2	127017-10-J31	EA	LEG - LEFT - 34" - W/REAR STEREO (J91, J31)
2	127017-10-J32	EA	LEG - LEFT - 34" - W/REAR STEREO (J92, J32)
2	127017-10-J21	EA	LEG - LEFT - 34" - W/REAR STEREOE (J93, J33)
3	109802-56-J30	EA	BLIND - PLEATED - 30" X 37" (J90, J30)
3	109802-56-J31	EA	BLIND - PLEATED - 30" X 37" (J91, J93, J31, J33)
3	109802-56-J32	EA	BLIND - PLEATED - 30" X 37" (J92, J32)
3	111910-58-J30	EA	BLIND - DAY/NIGHTER - 31" X 37" (J90, J30)
3	111910-58-J20	EA	BLIND - DAY/NIGHTER - 31" X 37" (J91, J93, J31, J33)
3	111910-58-J32	EA	BLIND - DAY/NIGHTER - 31" X 37" (J92, J32)
3	119299-19-J30	EA	VALANCE - WHITNEY - 34" (J90, J30)
3	127019-03-J31	EA	VALANCE - SARAH - 34" (J91, J31)
3	127019-08-J32	EA	VALANCE - SARAH - 34" (J92, J32)
3	127019-03-J33	EA	VALANCE - SARAH - 34" (J93, J33)
3	123910-15-J30	EA	LEG - RIGHT HAND - 34" (J90, J30)
3	123910-15-J31	EA	LEG - RIGHT HAND - 34" (J91, J31)
3	123910-15-J32	EA	LEG - RIGHT HAND - 34" (J92, J32)
3	123910-15-J21	EA	LEG - RIGHT HAND - 34" (J93, J33)
3	123910-16-J30	EA	LEG - LEFT HAND - 34" (J90, J30)
3	123910-16-J31	EA	LEG - LEFT HAND - 34" (J91, J31)
3	123910-16-J32	EA	LEG - LEFT HAND - 34" (J92, J32)
3	123910-16-J21	EA	LEG - LEFT HAND - 34" (J93, J33)

CURTAIN & CUSHION GROUP (CONTINUED)

WINDOW TREATMENT (CONTINUED)

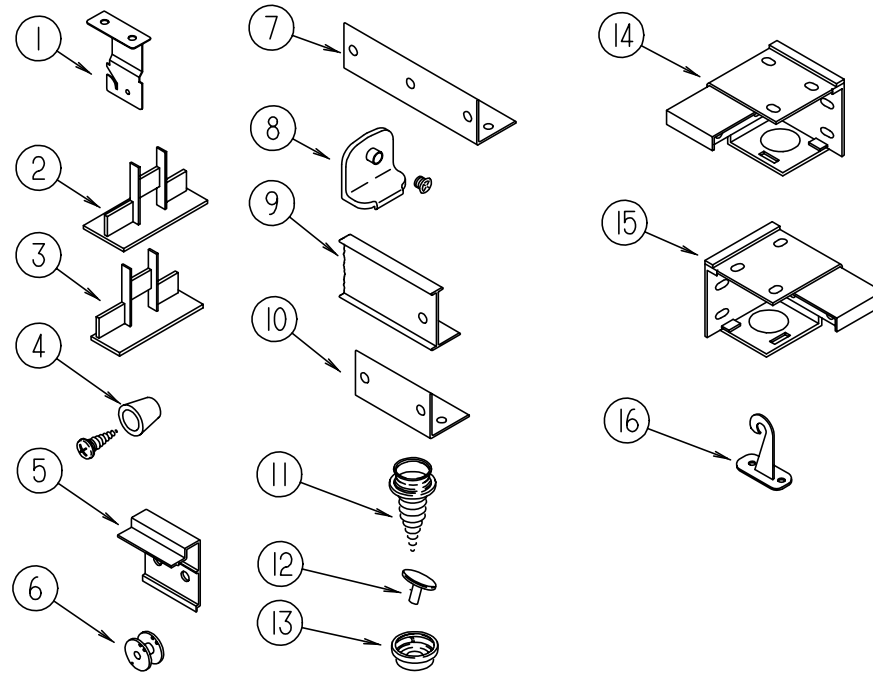


KEY	PART NUMBER	U/M	DESCRIPTION
4	109802-57-J30	EA	BLIND - PLEATED - 58" X 33" (J90, J30)
4	109802-57-J60	EA	BLIND - PLEATED - 58" X 33" (J91, J93, J31, J33)
4	109802-57-J32	EA	BLIND - PLEATED - 58" X 33" (J92, J32)
4	111910-40-J30	EA	BLIND - DAY/NIGHTER - 59" X 33" - UPGRADE (J90, J30)
4	111910-40-J31	EA	BLIND - DAY/NIGHTER - 59" X 33" (J91, J31)
4	111910-40-J32	EA	BLIND - DAY/NIGHTER - 59" X 33" (J92, J32)
4	111910-40-J33	EA	BLIND - DAY/NIGHTER - 59" X 33" (J93, J33)
4	127014-03-J30	EA	LAMBREQUIN - LESLEY - 61" X 31" (J90, J30)
4	127014-03-J31	EA	LAMBREQUIN - LESLEY - 61" X 31" (J91, J31)
4	127014-02-J32	EA	VALANCE - LESLEY - 62" (J92, J32)
4	127014-03-J33	EA	LAMBREQUIN - LESLEY - 61" X 31" (J93, J33)
5	109802-58-J22	EA	BLIND - PLEATED - 61" X 28.5" (J90, J30)
5	109802-58-J20	EA	BLIND - PLEATED - 61" X 28.5" (J91, J93, J31, J33)
5	109802-58-J32	EA	BLIND - PLEATED - 61" X 28.5" (J92, J32)
5	111910-57-J30	EA	BLIND - DAY/NIGHTER - 61" X 28.5" (J90, J30)
5	111910-57-J20	EA	BLIND - DAY/NIGHTER - 61" X 28.5" (J91, J93, J31, J33)
5	111910-57-J32	EA	BLIND - DAY/NIGHTER - 61" X 28.5" (J92, J32)
5	127014-05-J30	EA	LAMBREQUIN - LESLEY - 63" X 27" (J90, J30)
5	127014-05-J31	EA	LAMBREQUIN - LESLEY - 63" X 27" (J91, J31)
5	127014-06-J32	EA	LAMBREQUIN - LESLEY - 63" X 27" (J92, J32)
5	127014-05-J33	EA	LAMBREQUIN - LESLEY - 63" X 27" (J93, J33)
6	093487-13-01A	EA	WRAP AROUND - FRONT - RIGHT HAND/PLEATED - 37.25" X 108" FROM: 00-00-00 THRU: 01-04-98
6	093487-16-01A	EA	WRAP AROUND - FRONT - RIGHT HAND/PLEATED - 38.25" X 108" FROM: 01-05-98 THRU: 99-99-99

KEY	PART NUMBER	U/M	DESCRIPTION
7	093487-14-01A	EA	WRAPAROUND - FRONT - LEFT HAND/PLEATED - 37.25" X 108" FROM: 00-00-00 THRU: 01-04-98
7	093487-17-01A	EA	WRAPAROUND - FRONT - LEFT HAND/PLEATED - 38.25" X 108" FROM: 01-05-98 THRU: 99-99-99
8	126841-03-000	EA	SHADE - PULL - CHARCOAL MESH - 40.25" X 60"
9	111861-10-01A	EA	BLIND - MICRO MINI - 24.5"
10	109802-25-E13	EA	BLIND - PLEATED - 21" X 32" (J90, J30)
10	109802-25-E14	EA	BLIND - PLEATED - 21" X 32" (J91, J93, J31, J33)
10	109802-25-E94	EA	BLIND - PLEATED - 21" X 32" (J92, J32)
10	111910-04-J30	EA	BLIND - DAY/NIGHTER - 21.5" X 32" (J90, J30)
10	111910-04-J60	EA	BLIND - DAY/NIGHTER - 21.5" X 32" (J91, J93, J31, J33)
10	111910-04-J32	EA	BLIND - DAY/NIGHTER - 21.5" X 32" (J92, J32)
10	127014-09-J30	EA	LAMBREQUIN - LESLEY - 24" X 32" (J90, J30)
10	127014-09-J31	EA	LAMBREQUIN - LESLEY - 24" X 32" (J91, J31)
10	127014-10-J32	EA	LAMBREQUIN - LESLEY - 24" X 32" (J92, J32)
10	127014-09-J33	EA	LAMBREQUIN - LESLEY - 24" X 32" (J93, J33)

CURTAIN & CUSHION GROUP (CONTINUED)

CURTAIN HARDWARE



KEY	PART NUMBER	U/M	DESCRIPTION
	046867-03-000	EA	GROMMET - HANDY BUTTON #3
	048394-02-000	YD	VELCRO TAPE - HOOK - ADHESIVE BACK - .75" WIDE - BEIGE
1	084434-01-000	EA	BRACKET - MOUNTING - ROLLER SHADE - 1 3/8"
	086276-01-000	EA	TAPE - DOUBLE SIDED - 1/2"
	094896-02-000	EA	GROMMET - CORD/PLEATED BLIND - NYLON - GRAY
2	094907-02-000	EA	END CAP - TOP/PLEATED BLIND - PLASTIC - GRAY
3	094907-04-000	EA	HARDWARE - END CAP BOTTOM - PULL TYPE (RH & LH)
	096843-01-000	EA	SPRING - REWIND/ROLLER SHADE
4	097564-01-000	EA	HANDLE-T - EZ LIFT SHADE
4	097564-03-000	EA	HANDLE - KNOB - TAN
			FROM: 00-00-00 THRU: 10-19-97
4	097564-04-000	EA	HANDLE - KNOB - NAVY
			FROM: 10-20-97 THRU: 99-99-99
4	097564-05-000	EA	HANDLE - KNOB - TEAL
			FROM: 10-20-97 THRU: 99-99-99
5	097565-01-000	EA	BRACKET - MOUNTING/PLEATED BLIND
	097591-01-000	EA	SPRING - EXTENSION/PLEATED BLIND

KEY	PART NUMBER	U/M	DESCRIPTION
6	097592-01-000	EA	SPOOL - CORD - ELEVATED BLIND HOLDUP - CLEAR PLASTIC
	097593-06-000	FT	CORD - BLIND - PLEATED - PEWTER (J90, J30)
	097593-02-000	FT	CORD - BLIND - PLEATED - GRAY (J91, J93, J31, J33)
	097593-07-000	FT	CORD - BLIND - PLEATED - PALE JADE (J92, J32)
7	105648-01-02A	EA	BRACE - VALANCE - OFF/WHITE - 14"
8	106544-01-001	EA	SCREW - SHADE/BRASS
8	106544-01-000	EA	PULL - SHADE/BRASS
9	126456-01-01A	EA	TRACK - CURTAIN - RIGHT HAND - ITASCA SUNFLYER
9	126456-02-01A	EA	TRACK - CURTAIN - RIGHT HAND - ITASCA SUNFLYER
9	126456-03-01A	EA	TRACK - CURTAIN - RIGHT HAND - WINNEBAGO CHIEFTAIN
9	126456-04-01A	EA	TRACK - CURTAIN - RIGHT HAND - WINNEBAGO CHIEFTAIN
10	083125-07-000	EA	BRACE - COUCH - 2.5"
11	029130-01-000	EA	SCREW - SNAP SOCKET - #8 PH X 5/8"
12	029155-01-000	EA	CAP - SNAP - 5/32" O.D. OF PIN
13	029156-01-000	EA	SOCKET - SNAP - 9/16" O.D.
14	083170-01-000	EA	BRACKET - BLIND - LEFT SIDE WHEN FACING WINDOW
15	083170-02-000	EA	BRACKET - BLIND - RIGHT SIDE WHEN FACING WINDOW
16	109441-03-000	EA	HOLD DOWN - BLIND (CLOUDY)

CURTAIN & CUSHION GROUP (CONTINUED)

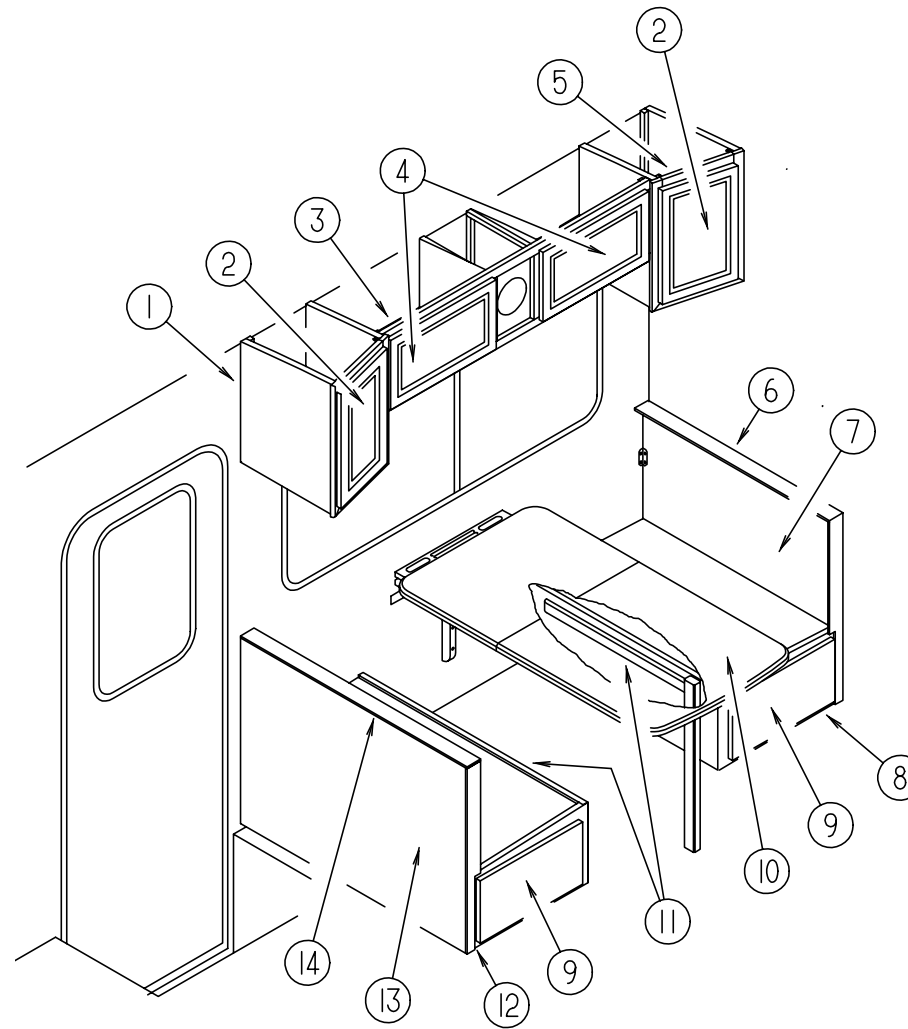
WINNEBAGO CHIEFTAIN FABRICS

Family - "L Series"	J30 / J90 - Chamelon	J31 / J91 - Mercury	J32 / J92 - Fossil	J33 / J93 - Barcelona
Bucket Seats	108446-G3-000	108446-77-000	108446-C5-000	108446-W7-000
Lounge Overhead	108446-G3-000	108446-S0-000	108446-S7-000	108446-W7-000
Slide-Out Overhead	108446-M8-000	108446-R9-000	108446-S8-000	108446-W8-000
Bedroom Overhead	105745-E3-000	105745-B5-000	105745-G8-000	105745-B5-000
Map Pockets	108446-G3-000	108446-S0-000	108446-S7-000	108446-W7-000
Dinette	108446-M8-000	108446-R9-000	108446-S8-000	108446-W8-000
Dinette Pads	108446-G3-000	108446-S0-000	J32 - 108446-S8-000	J33 - 108446-W8-000
			J92 - 108446-C5-000	J93 - 108446-W7-000
Dinette Chairs	108446-G3-000	108446-R9-000	108446-S8-000	108446-W8-000
Sofa	108446-M8-000	108446-R9-000	108446-S8-000	108446-W8-000
	108446-M8-000	108446-R9-000	108446-S8-000	108446-W8-000
Lounge Pillows (2)	108446-G3-000 084415-88-000	108446-S0-000 084415-95-000	108446-S8-000 084415-80-000	108446-W8-000 084415-66-000
TT	108446-G3-000	108446-S0-000	108446-S7-000	108446-W7-000
Lounge Blinds	094911-25-000	094911-30-000	094911-31-000	094911-30-000
Lounge Windows	108446-M8-000 108446-G3-000	108446-R9-000 108446-S0-000	108446-S8-000 108446-C5-000	108446-W8-000 108446-W7-000
Day/Nighter Opt.	094911-25-000 094911-38-000	094911-30-000 094911-50-000	094911-31-000 094911-50-000	094911-30-000 094911-50-000
Bedroom Blinds	094911-25-000	94911-30-000	094911-31-000	94911-30-000
Bedroom Valance	105745-E9-000 105745-E3-000	105745-G6-000 105745-B5-000	105745-G8-000	105745-H5-000 105745-B5-000
Day/Nighter Opt.	094911-25-000 094911-38-000	094911-30-000 094911-50-000	094911-31-000 094911-50-000	094911-30-000 094911-50-000
Bedsread	105745-E9-000 084415-87-000	105745-G6-000 084415-95-000	105745-G8-000 084415-91-000	105745-H5-000 084415-66-000
Headboard	105745-E9-000 105745-E3-000	105745-G6-000 105745-B5-000	105745-G8-000	105745-H5-000 105745-B5-000
Bedroom Pillows	105745-E3-000 084415-88-000	105745-B5-000 084415-95-000	105745-G8-000 084415-91-000	105745-H5-000
Gathered Legs	105745-E9-000	105745-G6-000	105745-G8-000	105745-H5-000
Ceiling Material	113979-01-01A	113979-01-01A	113979-01-01A	113979-01-01A

NOTE: FABRIC LISTED FIRST IN A BLOCK IS THE LARGEST QUANTITY OF FABRIC USED.

DINETTE GROUP

DINETTE CABINETS & PADS

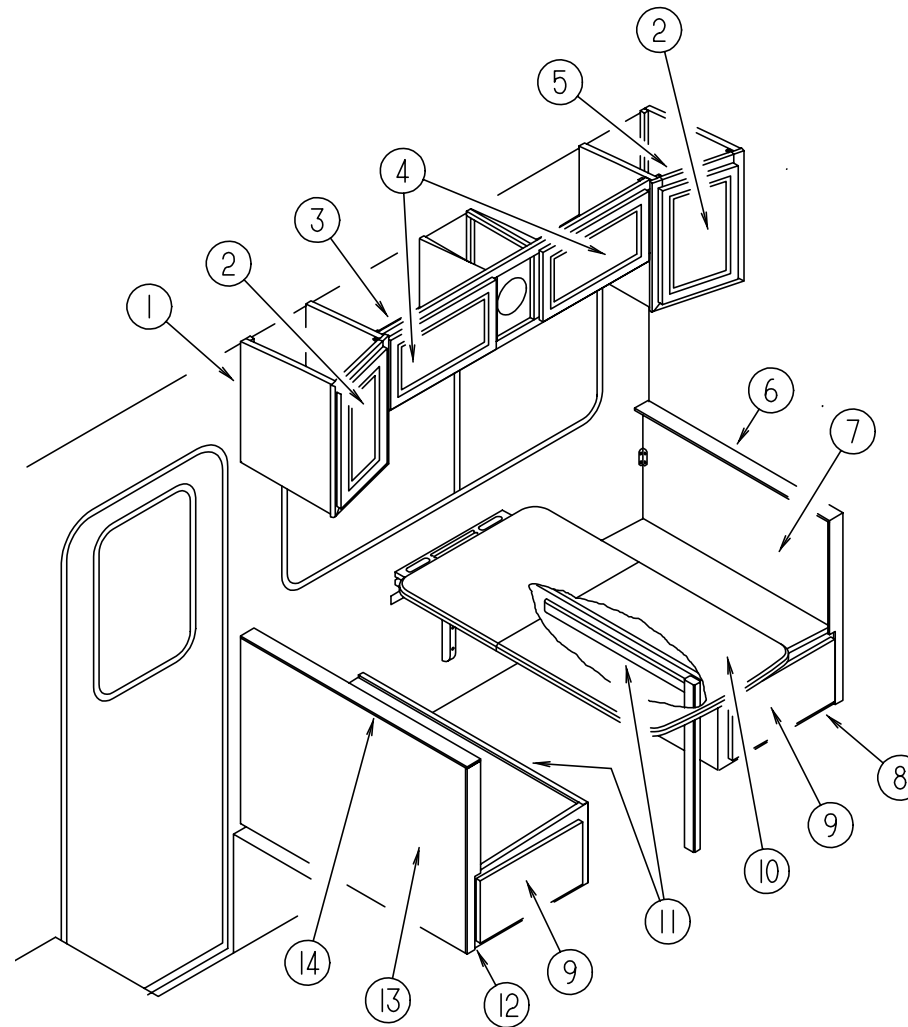


KEY	PART NUMBER	U/M	DESCRIPTION
1	126820-01-J90	EA	CABINET - OVERHEAD/DINETTE - W/O DOORS/HDW - MYSTIC OAK
1	126820-01-J30	EA	CABINET - OVERHEAD/DINETTE - W/O DOORS/HDW - SALEM CHERRY
1	126820-01-J62	EA	CABINET - OVERHEAD/DINETTE - W/O DOORS/HDW - WHITE GRANITE
	126820-12-J90	EA	SHELF - W/PLASTIC EDGE MOLDING - MYSTIC OAK
	126820-12-J30	EA	SHELF - W/PLASTIC EDGE MOLDING - SALEM CHERRY
	126820-12-J62	EA	SHELF - W/PLASTIC EDGE MOLDING - WHITE GRANITE
2	M05992-38-J90	EA	DOOR - STRAIGHT CORNER/OGEE EDGE - 12" X 18.7" - W/O HDW - MYSTIC OAK
2	M05992-38-J30	EA	DOOR - STRAIGHT CORNER/OGEE EDGE - 12" X 18.7" - W/O HDW - SALEM CHERRY
2	122715-32-01A	EA	DOOR - MOLDED VINYL - 12" X 18.7" - W/O HDW - WHT GRANITE
3	126481-01-J90	EA	CABINET - OVERHEAD/DINETTE - W/O DOORS/HARDWARE
3	126481-01-J91	EA	CABINET - OVERHEAD/DINETTE - W/O DOORS/HARDWARE
3	126481-01-J92	EA	CABINET - OVERHEAD/DINETTE - W/O DOORS/HARDWARE
3	126481-01-J93	EA	CABINET - OVERHEAD/DINETTE - W/O DOORS/HARDWARE
3	126481-01-J30	EA	CABINET - OVERHEAD/DINETTE - W/O DOORS/HARDWARE
3	126481-01-J31	EA	CABINET - OVERHEAD/DINETTE - W/O DOORS/HARDWARE
3	126481-01-J32	EA	CABINET - OVERHEAD/DINETTE - W/O DOORS/HARDWARE
3	126481-01-J33	EA	CABINET - OVERHEAD/DINETTE - W/O DOORS/HARDWARE

KEY	PART NUMBER	U/M	DESCRIPTION
4	M05992-G1-J90	EA	DOOR -STRAIGHT CORNER/OGEE EDGE -11.2" X 19.7" - W/O HDW - MYSTIC OAK
4	M05992-G1-J30	EA	DOOR -STRAIGHT CORNER/OGEE EDGE -11.2" X 19.7" - W/O HDW -SALEM CHERRY
4	122715-09-01A	EA	DOOR - MOLDED VINYL - 11.2" X 19.7" - W/O HDW-WHT GRANITE
5	126820-02-J90	EA	CABINET - OVERHEAD/DINETTE - W/O DOORS/HARDWARE - MYSTIC OAK
5	126820-02-J30	EA	CABINET - OVERHEAD/DINETTE - W/O DOORS/HARDWARE - SALEM CHERRY
5	126820-02-J62	EA	CABINET - OVERHEAD/DINETTE - W/O DOORS/HARDWARE - WHITE GRANITE
	126820-17-J90	EA	SHELF - W/PLASTIC EDGE MOLDING - MYSTIC OAK
	126820-17-J30	EA	SHELF - W/PLASTIC EDGE MOLDING - SALEM CHERRY
	126820-17-J62	EA	SHELF - W/PLASTIC EDGE MOLDING - WHITE GRANITE
6	104787-13-J30	EA	PAD - DINETTE (J90, J30)
6	104787-15-J31	EA	PAD - DINETTE (J91, J31)
6	104787-13-J92	EA	PAD - DINETTE (J92)
6	104787-13-J93	EA	PAD - DINETTE (J93)
7	M07514-11-J90	EA	CABINET - SEATBACK - RIGHT HAND - W/O HARDWARE - MYSTIC OAK
7	M07514-11-J30	EA	CABINET - SEATBACK - RIGHT HAND - W/O HARDWARE - SALEM CHERRY
7	M08602-03-J32	EA	CABINET - SEATBACK/RIGHT HAND - W/O HARDWARE - WHITE GRANITE (J32)
7	M08602-03-J33	EA	CABINET - SEATBACK/RIGHT HAND - W/O HARDWARE - WHITE GRANITE (J33)

DINETTE GROUP

DINETTE CABINETS & PADS

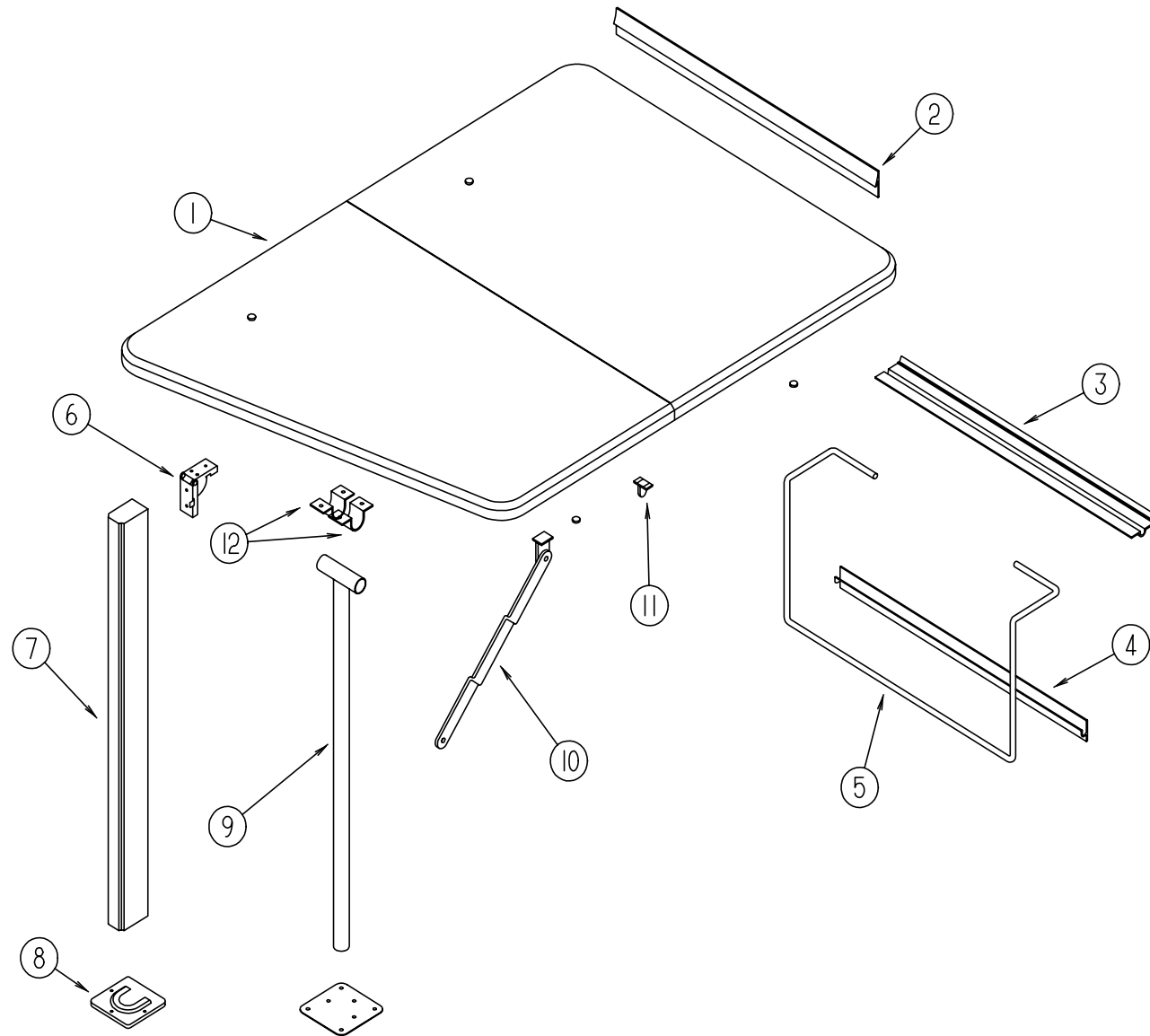


KEY	PART NUMBER	U/M	DESCRIPTION
8	M07515-11-J90	EA	CABINET - SEATBOTTOM - RH - W/O DOORS/DRAWERS/HDW - MYSTIC OAK
8	M07515-11-J30	EA	CABINET - SEATBOTTOM - RH - W/O DOORS/DRAWERS/HDW - SALEM CHERRY
8	M08601-03-J32	EA	CABINET - SEAT BOTTOM/RH - W/O DOORS/DRAWERS/HDW - WHITE GRANITE
8	M08601-03-J33	EA	CABINET - SEAT BOTTOM/RH - W/O DOORS/DRAWERS/HDW - WHITE GRANITE
9	P27054-01-J90	EA	DRAWER - OGEE EDGE - W/O SLIDES/HARDWARE - MYSTIC OAK
9	P27054-01-J30	EA	DRAWER - OGEE EDGE - W/O SLIDES/HARDWARE - SALEM CHERRY
9	P27054-02-J62	EA	DRAWER - OGEE EDGE - W/O SLIDES/HARDWARE - WHITE GRANITE
	127051-01-J90	EA	CATCH - WOOD - DRAWERS - MYSTIC OAK
	127051-01-J30	EA	CATCH - WOOD - DRAWERS - SALEM CHERRY
	127051-01-J62	EA	CATCH - WOOD - DRAWERS - WHITE GRANITE
10	127121-11-J90	EA	COUNTERTOP - DINETTE TABLE (J90)
10	127121-11-J91	EA	COUNTERTOP - DINETTE TABLE (J91)
10	127121-11-J92	EA	COUNTERTOP - DINETTE TABLE (J92, J93)
10	127121-11-J30	EA	COUNTERTOP - DINETTE TABLE (J30)
10	127121-11-J31	EA	COUNTERTOP - DINETTE TABLE (J31)
10	127121-11-J62	EA	COUNTERTOP - DINETTE TABLE (J32, J33)
11	081295-01-H37	EA	SUPPORT - BED/DINETTE - 28" LONG - MYSTIC OAK
11	081295-01-G01	EA	SUPPORT - BED/DINETTE - 28" LONG - SALEM CHERRY
11	M81295-01-J32	EA	SUPPORT - BED/DINETTE - 28" LONG - WHITE GRANITE (J32)
11	M81295-01-J33	EA	SUPPORT - BED/DINETTE - 28" LONG - WHITE GRANITE (J33)

KEY	PART NUMBER	U/M	DESCRIPTION
12	M07515-12-J90	EA	CABINET - SEATBOTTOM - LH - W/O DOORS/DRAWERS/HDW - MYSTIC OAK
12	M07515-12-J30	EA	CABINET - SEATBOTTOM - LH - W/O DOORS/DRAWERS/HDW - SALEM CHERRY
12	M08601-04-J32	EA	CABINET - SEAT BOTTOM/LH - W/O DOORS/DRAWERS/HDW - WHITE GRANITE
12	M08601-04-J33	EA	CABINET - SEAT BOTTOM/LH - W/O DOORS/DRAWERS/HDW - WHITE GRANITE
13	M07514-12-J90	EA	CABINET - SEATBACK - LEFT HAND - W/O HARDWARE - MYSTIC OAK
13	M07514-12-J30	EA	CABINET - SEATBACK - LEFT HAND - W/O HARDWARE - SALEM CHERRY
13	M08602-04-J32	EA	CABINET - SEATBACK/LEFT HAND - W/O HARDWARE - WHITE GRANITE (J32)
13	M08602-04-J33	EA	CABINET - SEATBACK/LEFT HAND - W/O HARDWARE - WHITE GRANITE (J33)
	P02786-03-J70	EA	HANDRAIL ONLY - W/O BRACKETS - MYSTIC OAK
	P02786-03-E41	EA	HANDRAIL ONLY - W/O BRACKETS - SALEM CHERRY
	P02786-03-J62	EA	HANDRAIL ONLY - W/O BRACKETS - WHITE GRANITE
	099682-01-01A	EA	BRACKET - MOUNTING/HAND RAIL - ROUND BASE
14	104787-14-J30	EA	PAD - DINETTE (J90, J30)
14	104787-16-J31	EA	PAD - DINETTE (J91, J31)
14	104787-14-J92	EA	PAD - DINETTE (J92)
14	104787-14-J93	EA	PAD - DINETTE (J93)

DINETTE GROUP (CONTINUED)

DINETTE TABLE

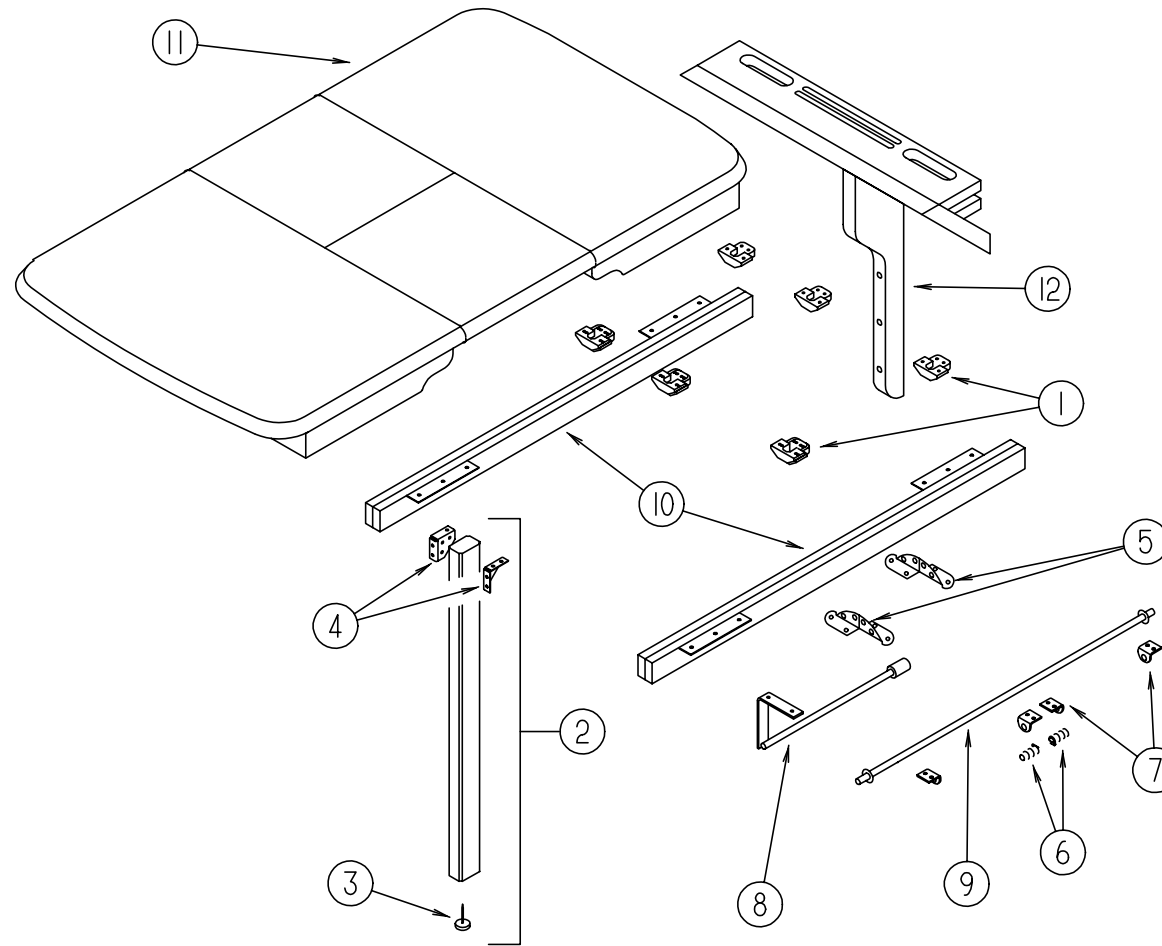


KEY	PART NUMBER	U/M	DESCRIPTION
1	127121-11-J90	EA	COUNTERTOP - DINETTE TABLE (J90)
1	127121-11-J91	EA	COUNTERTOP - DINETTE TABLE (J91)
1	127121-11-J92	EA	COUNTERTOP - DINETTE TABLE (J92, J93)
1	127121-11-J30	EA	COUNTERTOP - DINETTE TABLE (J30)
1	127121-11-J31	EA	COUNTERTOP - DINETTE TABLE (J31)
1	127121-11-J62	EA	COUNTERTOP - DINETTE TABLE (J32, J33)
2	053200-12-000	EA	BRACKET - TABLE SUPPORT - UPPER WALL MOUNTED - 23.50"
3	088410-02-000	EA	BRACKET - LIFT - TABLE MOUNTED
4	024281-14-000	EA	BRACKET - LIFT ROD/LOWER WALL MOUNTED - 22.12"
5	024275-12-000	EA	ROD - TABLE LIFT
6	093550-01-000	EA	BRACKET - HINGE - MOUNTS TO LEG & TABLE TOP - 1.7" X 2.6"
			FROM: 09-21-97 THRU: 99-99-99
	092593-01-05A	EA	CATCH-TABLE LEG,O/W
			FROM: 09-21-97 THRU: 99-99-99
7	092707-04-03A	EA	MOLDING - TABLE LEG - 27" - MYSTIC OAK
			FROM: 09-21-97 THRU: 99-99-99
7	092707-04-04A	EA	MOLDING - TABLE LEG - 27" - SALEM CHERRY
			FROM: 09-21-97 THRU: 99-99-99
7	092707-04-07A	EA	MOLDING - TABLE LEG - 27" - WHITE GRANITE
			FROM: 09-21-97 THRU: 99-99-99

KEY	PART NUMBER	U/M	DESCRIPTION
8	049493-12-000	EA	CATCH - TABLE LEG/FLOOR MOUNTED - OFF WHITE
			FROM: 00-00-00 THRU: 09-20-97
8	049493-11-700	EA	CATCH-TABLE LEG, E-COAT
			FROM: 00-00-00 THRU: 09-20-97
9	024276-23-000	EA	LEG - TABLE - METAL - OFF WHITE
			FROM: 00-00-00 THRU: 09-20-97
10	024282-01-000	EA	BRACE - TABLE LEG - HINGED
			FROM: 00-00-00 THRU: 09-20-97
11	024283-01-000	EA	CLIP - LEG - 1" - 1.125" OD - BLACK
			FROM: 00-00-00 THRU: 09-20-97
12	064050-05-000	EA	HINGE - TABLE LEG - OFF WHITE
			FROM: 00-00-00 THRU: 09-20-97

DINETTE GROUP (CONTINUED)

PULL OUT TABLE

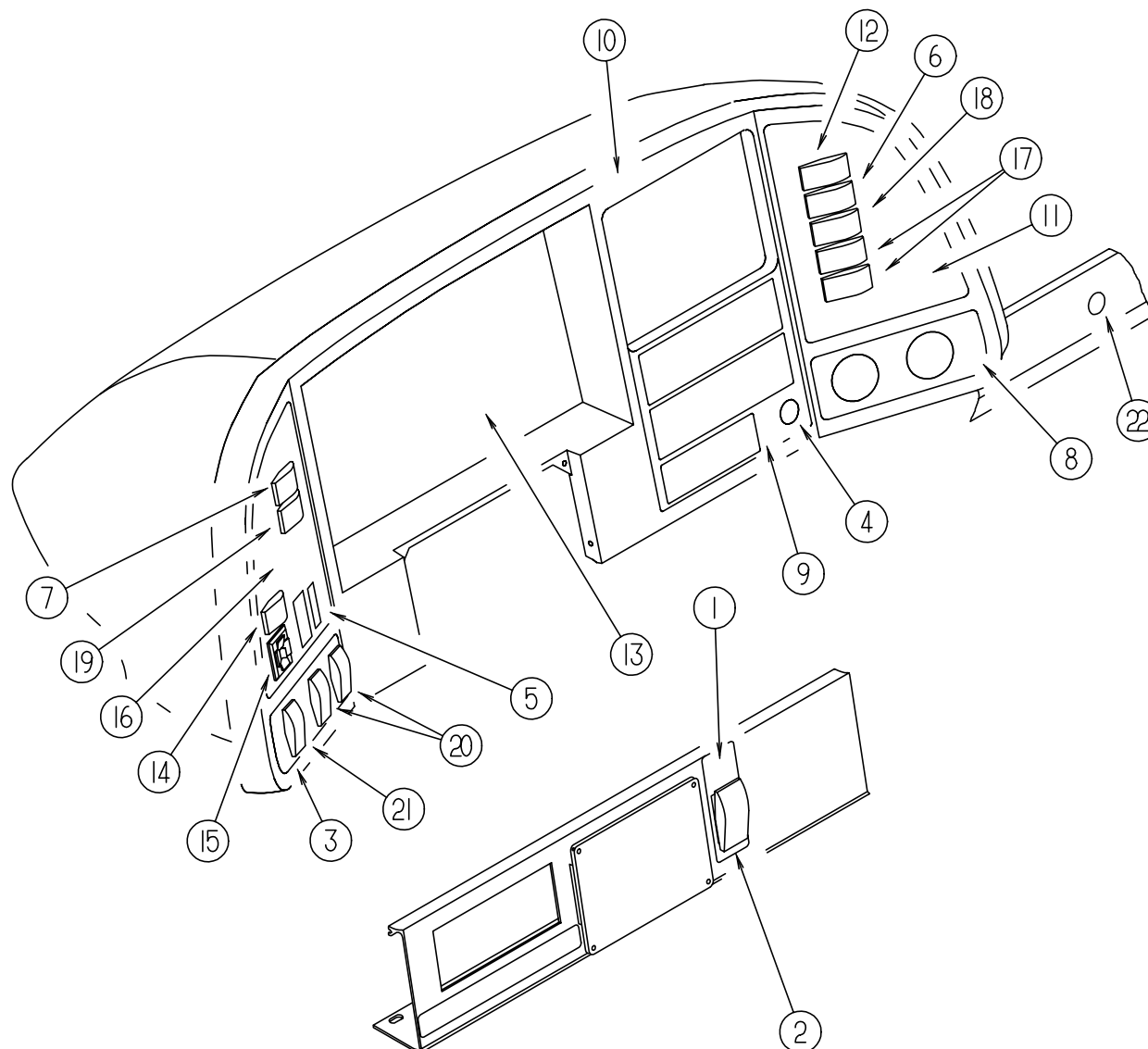


KEY	PART NUMBER	U/M	DESCRIPTION
	P18322-02-J90	EA	TABLE - PULLOUT/SELF STORING - W/O HARDWARE - MYSTIC OAK
	P18322-02-J91	EA	TABLE - PULLOUT/SELF STORING - W/O HARDWARE - MYSTIC OAK
	P18322-02-J92	EA	TABLE - PULLOUT/SELF STORING - W/O HARDWARE - MYSTIC OAK (J92, J93)
	P18322-02-J30	EA	TABLE - PULLOUT/SELF STORING - W/O HARDWARE - SALEM CHERRY
	P18322-02-J31	EA	TABLE - PULLOUT/SELF STORING - W/O HARDWARE - SALEM CHERRY
	P18322-02-J32	EA	TABLE - PULLOUT/SELF STORING - W/O HARDWARE - WHITE GRANITE (J32, J33)
1	009050-02-000	EA	LEVELER - TABLE TOP - MALE END W/4 SCREWS - PLASTIC
1	009050-03-000	EA	LEVELER - TABLE TOP - FEMALE END W/2 SCREWS - PLASTIC
2	092707-07-02A	EA	MOLDING - TABLE LEG - 27.8" - MYSTIC OAK
2	092707-07-03A	EA	MOLDING - TABLE LEG - 27.8" - SALEM CHERRY
2	092707-07-07A	EA	MOLDING - TABLE LEG - 27.8" - WHITE GRANITE
3	092593-01-05A	EA	CATCH-TABLE LEG,O/W
4	102810-01-04A	EA	BRACE - LEG - TABLE
4	102810-01-03A	EA	BRACE - LEG - TABLE
5	108663-01-000	EA	HINGE - LEAF - FOLDING

KEY	PART NUMBER	U/M	DESCRIPTION
6	108664-01-000	EA	SPRING - COMPRESSION - .51" X 1.96"
7	108874-01-000	EA	BRACKET - HINGE - TABLE LEAF
8	108905-01-000	EA	SUPPORT - TABLE LEAF
9	108932-01-000	EA	ROD - PIVOT
10	110749-01-000	EA	SLIDE - TABLE - 19 3/4" LONG
11	118322-20-J90	EA	TABLE TOP ONLY - PULLOUT - MYSTIC OAK
11	118322-20-J91	EA	TABLE TOP ONLY - PULLOUT - MYSTIC OAK
11	118322-20-J92	EA	TABLE TOP ONLY - PULLOUT - MYSTIC OAK (J92, J93)
11	118322-20-J30	EA	TABLE TOP ONLY - PULLOUT - SALEM CHERRY
11	118322-20-J31	EA	TABLE TOP ONLY - PULLOUT - SALEM CHERRY
11	118322-20-J62	EA	TABLE TOP ONLY - PULLOUT - WHITE GRANITE (J32, J33)
12	118322-16-J90	EA	MOUNT-WALL - MYSTIC OAK
12	118322-16-J30	EA	MOUNT-WALL - SALEM CHERRY
12	118322-16-J62	EA	MOUNT-WALL - WHITE GRANITE
	108808-03-01A	EA	HANDRAIL - ENTRANCE STEP

DRIVERS COMPARTMENT GROUP

DASH WIRING

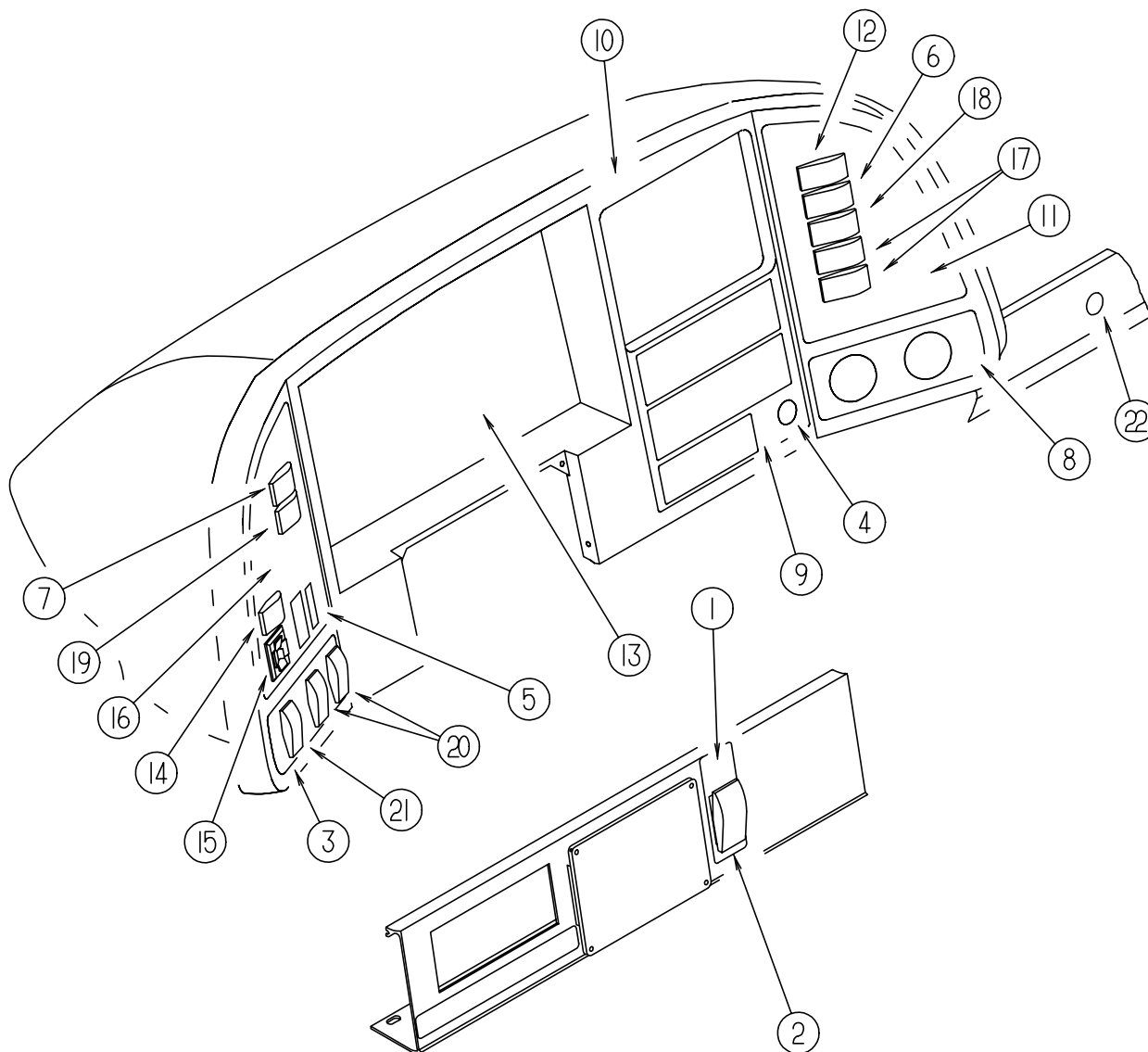


KEY	PART NUMBER	U/M	DESCRIPTION
1	116220-01-000	EA	APPLIQUE - SWITCH/SLIDEOUT
2	108357-07-000	EA	SWITCH - ROCKER SPDT - MOM/OFF/MOM - 3 TERMINAL
2	108356-02-01A	EA	COVER/ACTUATOR SWITCH - 2 ROWS DIMPLES- CONTURA II - BLACK
3	110420-04-01A	EA	APPLIQUE - BEZEL - LOWER/LEFT - WITHOUT PARK AND LEVEL - GM/FORD
3	110420-05-01A	EA	APPLIQUE - BEZEL - LOWER/LEFT - PARK & LEVEL - GM/FORD
3	100420-24-01A	EA	APPLIQUE - BEZEL - LOWER/LEFT - FREIGHTLINER
4	089294-01-000	EA	LIGHTER - CIGARETTE - W/O WIRES
5	096674-01-000	EA	NUT - HEADLAMP KNOB - BLACK - FORD ONLY
5	096675-01-000	EA	KNOB - HEADLAMP - W/SHAFT - FORD ONLY
6	108357-06-000	EA	SWITCH - ROCKER DPDT - MOM/OFF/MOM - 6 TERMINAL
6	108356-01-01A	EA	COVER/ACTUATOR SWITCH - 3 GROOVES - CONTURA III - BLACK
7	108357-09-000	EA	SWITCH - ROCKER SPDT - ON/NONE/MOM - 3 TERMINAL
7	108356-01-01A	EA	COVER/ACTUATOR SWITCH - 3 GROOVES - CONTURA III - BLACK
8	110420-06-01A	EA	APPLIQUE - BEZEL - LOWER/RIGHT
9	110420-07-01A	EA	APPLIQUE - BEZEL - CENTER
10	110420-08-01A	EA	APPLIQUE - BEZEL - UPPER CENTER

KEY	PART NUMBER	U/M	DESCRIPTION
11	110420-23-01A	EA	APPLIQUE - BEZEL - RIGHT HAND
12	108357-08-000	EA	SWITCH - ROCKER DPDT - ON/NONE/ON - 6 TERMINAL
12	108356-01-01A	EA	COVER/ACTUATOR SWITCH - 3 GROOVES - CONTURA III - BLACK
13	094794-04-000	EA	CLUSTER - INSTRUMENT PANEL - KILOMETERS - FORD FROM: 00-00-00 THRU: 10-15-97
13	094794-06-000	EA	CLUSTER - INSTRUMENT PANEL - KILLOMETERS - FORD FROM: 10-16-97 THRU: 99-99-99
	100138-01-000	EA	MODULE - DAYTIME/RUNNING LIGHT
13	125001-02-000	EA	CLUSTER-INSTRUMENT-KILO REGISTERED/MPH READING-GAS CSA - GM FROM: 00-00-00 THRU: 10-15-97
13	127244-02-000	EA	CLUSTER - INSTRUMENT PANEL - K/M - GAS - CANADIAN - GM FROM: 10-16-97 THRU: 99-99-99
13	127244-06-000	EA	CLUSTER - INSTRUMENT PANEL - K/M - GAS - CANADIAN - HDGM
14	108357-14-000	EA	SWITCH - ROCKER SPDT W/LIGHT - ON/NONE/OFF - 4 TERMINAL
14	108356-03-01A	EA	COVER/ACTUATOR SWITCH -3 GROOVES W/LIGHT-CONTURA III-BLACK

DRIVERS COMPARTMENT GROUP

DASH WIRING (CONTINUED)

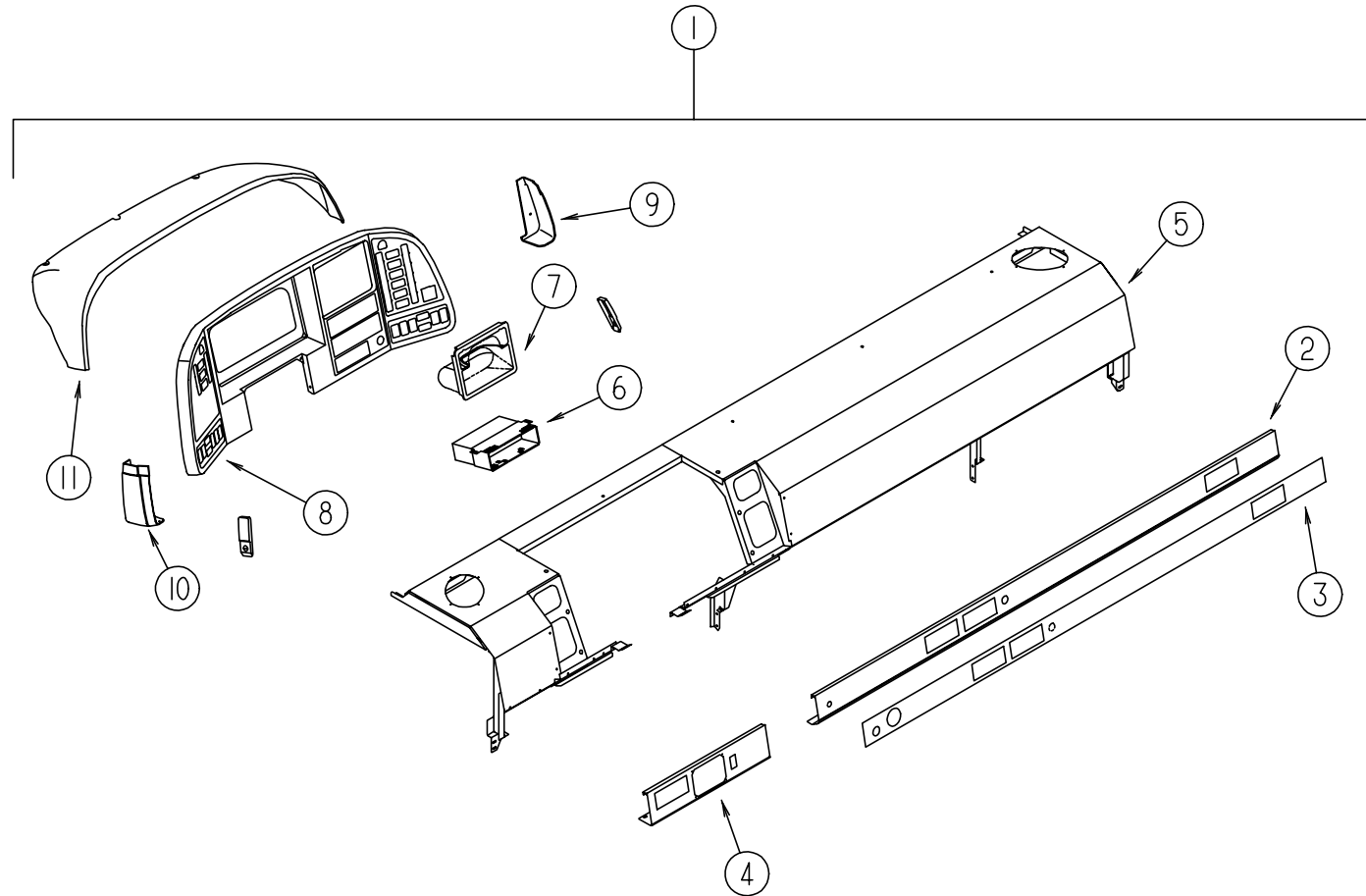


KEY	PART NUMBER	U/M	DESCRIPTION
15	088246-01-000	EA	SWITCH - REMOTE - EXTERIOR - SQUARE PUSH
16	110420-19-01A	EA	APPLIQUE - BEZEL - LEFT HAND - GM
16	110420-17-01A	EA	APPLIQUE - BEZEL - LEFT HAND - FORD
16	110420-18-01A	EA	APPLIQUE - BEZEL - LEFT HAND - POWER MIRROR - FORD
16	110420-20-01A	EA	APPLIQUE - BEZEL - LEFT HAND - POWER MIRROR - GM
16	110420-21-01A	EA	APPLIQUE - BEZEL - LEFT HAND - FREIGHTLINER
16	110420-22-01A	EA	APPLIQUE - BEZEL - LEFT HAND - POWER MIRROR - FREIGHTLINER
17	108357-03-000	EA	SWITCH - ROCKER SPDT - ON/OFF/ON - 3 TERMINAL
17	108356-01-01A	EA	COVER/ACTUATOR SWITCH - 3 GROOVES - CONTURA III - BLACK
17	096241-08-000	EA	SWITCH-BLANK
18	108357-10-000	EA	SWITCH - ROCKER SPDT W/LIGHT - MOM/NONE/MOM - 5 TERMINAL
18	108356-03-01A	EA	COVER/ACTUATOR SWITCH - 3 GROOVES W/LIGHT-CONTURA III-BLACK

KEY	PART NUMBER	U/M	DESCRIPTION
19	108357-01-000	EA	SWITCH - ROCKER SPST - ON/OFF - 2 TERMINAL
19	108356-01-01A	EA	COVER/ACTUATOR SWITCH - 3 GROOVES - CONTURA III - BLACK
20	108357-07-000	EA	SWITCH - ROCKER SPDT - MOM/OFF/MOM - 3 TERMINAL - FORD/GM
20	108356-01-02A	EA	COVER/ACTUATOR SWITCH - 3 GROOVES - CONTURA III - BLACK - FORD/GM
21	108357-05-000	EA	SWITCH - ROCKER SPDT - ON/NONE/ON - 3 TERMINAL - FORD/GM
21	108356-01-01A	EA	COVER/ACTUATOR SWITCH - 3 GROOVES - CONTURA III - BLACK - FORD/GM
21	108357-01-000	EA	SWITCH - ROCKER SPST - ON/OFF - 2 TERMINAL - FREIGHTLINER
21	108356-01-01A	EA	COVER/ACTUATOR SWITCH - 3 GROOVES - CONTURA III - BLACK - FREIGHTLINER
22	111414-01-000	EA	RECEPTACLE - 12V - W/O BIMETAL
	077031-03-000	EA	FILM - WHITE - .75" X 1"
	103603-01-000	EA	BULB-12V, #74 - .12A WEDGE - GE 22-25 - USED IN DASH

DRIVERS COMPARTMENT GROUP (CONTINUED)

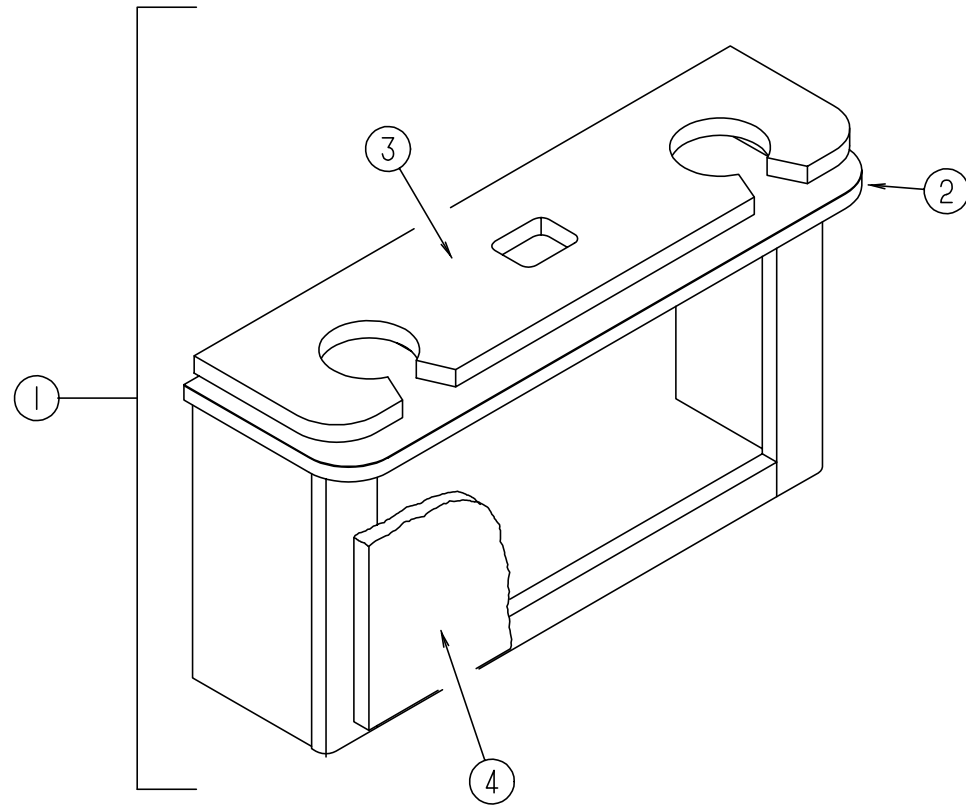
DASH



KEY	PART NUMBER	U/M	DESCRIPTION
1	126154-02-J30	EA	DASH - W/VINYL - 97 FORD
1	126154-21-J30	EA	DASH - W/VINYL - 98 FORD
1	126154-01-J30	EA	DASH - W/VINYL - 97 GM
1	126154-17-J30	EA	DASH - W/VINYL - 98 GM
1	126154-06-J30	EA	DASH - W/VINYL - F/LEVELING JACKS - 97 FORD
1	126154-22-J30	EA	DASH - W/VINYL - F/LEVELING JACKS - 98 FORD
1	126154-05-J30	EA	DASH - W/VINYL - F/LEVELING JACKS - 97 GM
1	126154-18-J30	EA	DASH - W/VINYL - F/LEVELING JACKS - 98 GM
1	126154-14-J30	EA	DASH - W/VINYL - F/LEVELING JACKS/SLIDEOUT - 97 FORD
1	126154-24-J30	EA	DASH - W/VINYL - F/LEVELING JACKS/SLIDEOUT - 98 FORD
1	126154-13-J30	EA	DASH - W/VINYL - F/LEVELING JACKS/SLIDEOUT - 97 GM
1	126154-20-J30	EA	DASH - W/VINYL - F/LEVELING JACKS/SLIDEOUT - 98 GM
1	126154-16-J30	EA	DASH - W/VINYL - F/LEVELING JACKS/SLIDEOUT - 98 HDGM
1	126154-15-J30	EA	DASH - W/VINYL - F/LEVELING JACKS/SLIDEOUT - FREIGHTLINER
	106569-11-01A	EA	VINYL - LAMINATE - ALLANTE ANTELOPE - 1/4" X 21" X 100"
2	126044-02-01A	EA	TRIM - DASH - LOWER/PASSENGER - ANTELOPE - FORD
2	126044-01-01A	EA	TRIM - DASH - LOWER/PASSENGER - ANTELOPE - GM
2	126044-04-01A	EA	TRIM - DASH - LOWER/PASSENGER - ANTELOPE - HDGM
3	126044-03-01A	EA	TRIM - DASH - LOWER/PASSENGER - ANTELOPE - FREIGHTLINER
4	126045-11-01A	EA	TRIM - DASH - LOWER/DRIVER - ANTELOPE - FORD (SLIDEOUT)
4	126045-10-01A	EA	TRIM - DASH - LOWER/DRIVER - ANTELOPE - GM/FREIGHTLINER (SLIDEOUT)
4	126045-02-01A	EA	TRIM - DASH - LOWER/DRIVER - ANTELOPE - FORD (W/O HWH LEVELING)
4	126045-05-01A	EA	TRIM - DASH - LOWER/DRIVER - ANTELOPE - FORD (W/HWH LEVELING)
4	126045-01-01A	EA	TRIM - DASH - LOWER/DRIVER - ANTELOPE - GM (W/O HWH LEVELING)
4	126045-04-01A	EA	TRIM - DASH - LOWER/DRIVER - ANTELOPE - GM (W/HWH LEVELING)
4	126045-12-01A	EA	TRIM - DASH - LOWER/DRIVER - ANTELOPE - HDGM (W/HWH LEVELING)

KEY	PART NUMBER	U/M	DESCRIPTION
5	126053-01-02B	EA	DASH - E/COATED - 97 CHASSIS - GM/FORD
5	126053-04-02B	EA	DASH - E/COATED - 98 CHASSIS - GM/FORD
5	126053-03-02B	EA	DASH - E/COATED - HDGM
5	126053-02-02B	EA	DASH - E/COATED - FREIGHTLINER
6	096776-02-000	EA	BOX - CASSETTE - 4 TAPE HOLDER
7	111350-01-01A	EA	POCKET - INSTRUMENT PANEL - UPPER - BLACK
8	108954-01-01A	EA	BEZEL - INSTRUMENT PANEL - GM - 97 GM
8	108954-06-01A	EA	BEZEL - INSTRUMENT PANEL - GM - 98 GM
8	108954-04-01A	EA	BEZEL - INSTRUMENT PANEL - HDGM
8	108954-02-01A	EA	BEZEL - INSTRUMENT PANEL - FORD - 97 FORD
8	108954-07-01A	EA	BEZEL - INSTRUMENT PANEL - FORD - 98 FORD
8	108954-05-01A	EA	BEZEL - INSTRUMENT PANEL - FREIGHTLINER
9	125467-03-J30	EA	POD - INSTRUMENT PANEL - LOWER/PASSENGER - GM/FORD/FREIGHTLINER
9	126483-03-J30	EA	POD - INSTRUMENT PANEL - LOWER/PASSENGER - HDGM
10	125467-04-J30	EA	POD - INSTRUMENT PANEL - LOWER/DRIVER 97 GM/97 FORD/FREIGHTLINER
10	125467-06-J30	EA	POD - INSTRUMENT PANEL - LOWER/DRIVER - 98 GM/98 FORD
10	126483-04-J30	EA	POD - INSTRUMENT PANEL - LOWER/DRIVER - HDGM
11	125445-02-J30	EA	POD - INSTRUMENT PANEL - GM/FORD/FREIGHTLINER
11	126485-02-J30	EA	POD - INSTRUMENT PANEL - HDGM
	110530-01-000	FT	SEAL - SPONGE - .31" X .62"

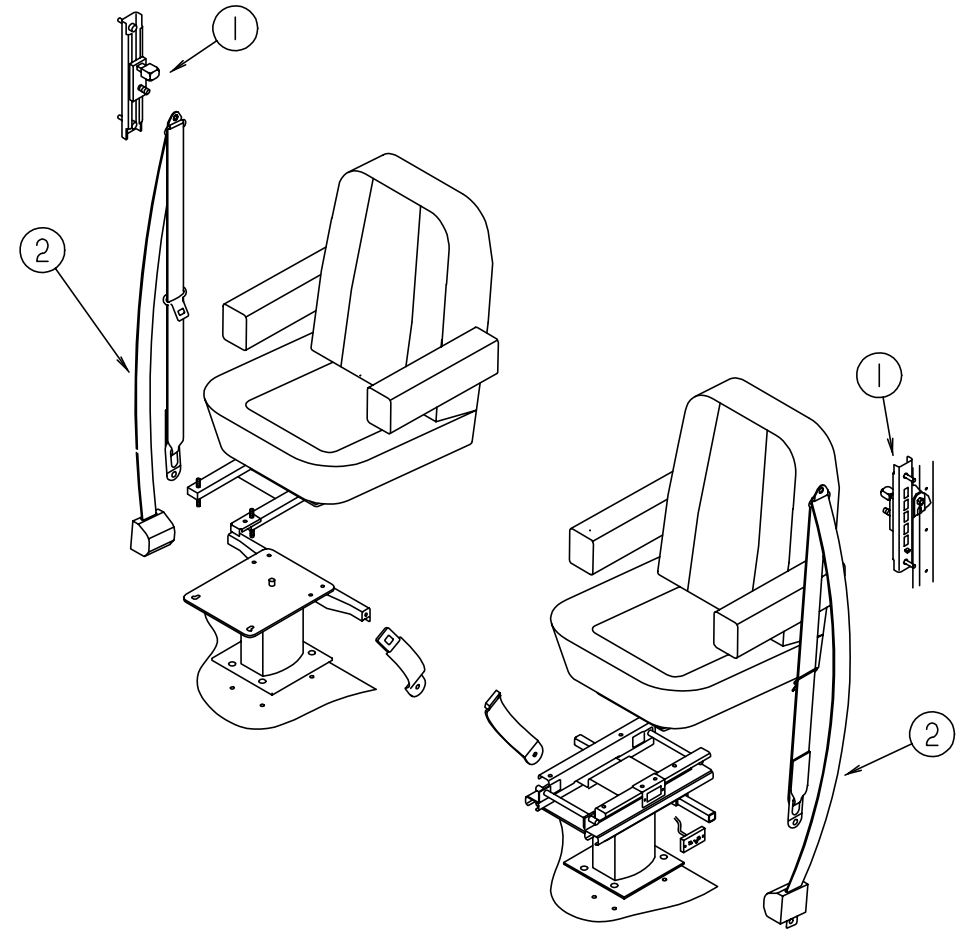
DRIVERS COMPARTMENT GROUP (CONTINUED)



BEVERAGE TRAY CABINET

KEY	PART NUMBER	U/M	DESCRIPTION
1	M06880-01-J90	EA	CABINET - W/BEVERAGE TRAY - MYSTIC OAK FROM: 00-00-00 THRU: 08-04-97
1	M06880-01-J30	EA	CABINET - W/BEVERAGE TRAY - SALEM CHERRY FROM: 00-00-00 THRU: 08-04-97
1	M06880-03-J62	EA	CABINET - W/BEVERAGE TRAY - WHITE GRANITE FROM: 00-00-00 THRU: 08-04-97
1	M06880-04-J90	EA	CABINET - BEVERAGE TRAY - MYSTIC OAK FROM: 08-05-97 THRU: 99-99-99
1	M06880-04-J30	EA	CABINET - BEVERAGE TRAY - SALEM CHERRY FROM: 08-05-97 THRU: 99-99-99
1	M06880-06-J62	EA	CABINET - BEVERAGE TRAY - WHITE GRANITE FROM: 08-05-97 THRU: 99-99-99
2	111759-13-J90	EA	TOP - BEVERAGE TRAY COMPARTMENT - MYSTIC OAK
2	111759-13-J30	EA	TOP - BEVERAGE TRAY COMPARTMENT - SALEM CHERRY
2	111759-13-J62	EA	TOP - BEVERAGE TRAY COMPARTMENT - WHITE GRANITE
2	122717-01-01A	EA	PAD - NON SKID - 4" DIAMETER ROUND
3	111759-14-J90	EA	TRAY - BEVERAGE - MYSTIC OAK
3	111759-14-J30	EA	TRAY - BEVERAGE - SALEM CHERRY
3	111759-14-H40	EA	TRAY - BEVERAGE - WHITE GRANITE
4	M06881-01-J90	EA	DRAWER - F/BEVERAGE TRAY - MYSTIC OAK
4	M05992-75-J90	EA	DOOR - STRAIGHT CORNER/OGEE EDGE - 11" X 21.8" - W/O HDW - MYSTIC OAK
4	M06881-01-J90	EA	DRAWER - F/BEVERAGE TRAY - SALEM CHERRY
4	M05992-75-J90	EA	DOOR - STRAIGHT CORNER/OGEE EDGE - 11" X 21.8" - W/O HDW SALEM CHERRY
4	M06881-03-J62	EA	DRAWER - F/BEVERAGE TRAY - WHITE GRANITE
4	122715-25-01A	EA	DOOR - MOLDED VINYL - 11" X 21.8" - W/O HDW - WHT GRANITE

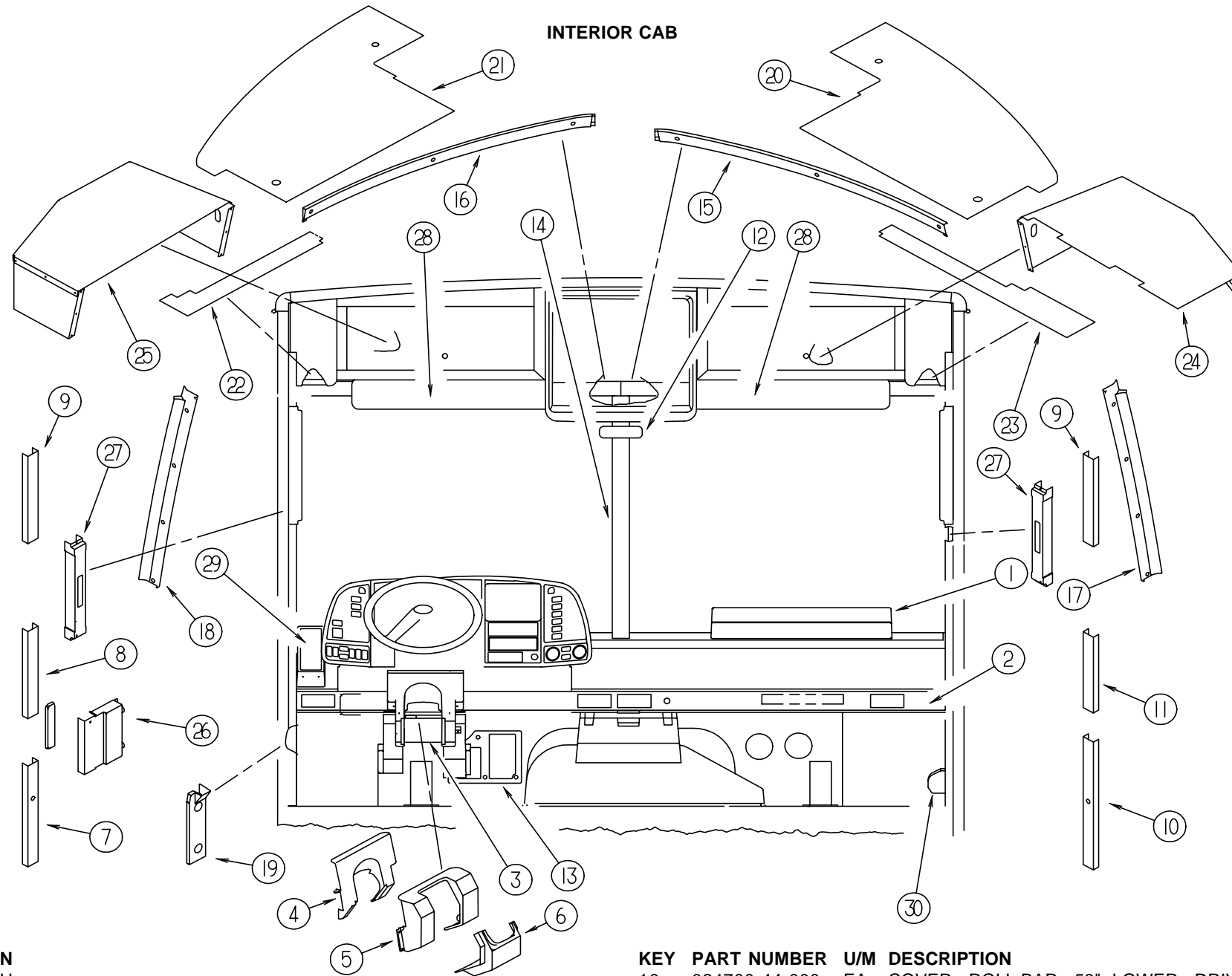
DRIVERS COMPARTMENT GROUP (CONTINUED)



CAB SEAT BELT

KEY	PART NUMBER	U/M	DESCRIPTION
1	109146-01-000	EA	BOLT - SHOULDER/SEAT BELT FROM: 00-00-00 THRU: 07-16-97
1	127598-01-01A	EA	ADJUSTER - SEATBELT - D-LOOP - ADJUSTER FROM: 07-17-97 THRU: 99-99-99
	127598-02-000	EA	NUT - HEX FLANGE- M10 X 1.5 CLASS 10
	128444-01-000	EA	WASHER - SPRING - CONICAL
2	091990-04-01A	EA	SEAT BELT/SHOULDER HARNESS - DRIVERS/PASSENGER - BLACK FROM: 00-00-00 THRU: 07-22-97
2	091990-01-701	EA	EXTENDER 9" FOR A8408 3 PT I-1331-02
2	091990-05-01A	EA	SEAT BELT - 3 POINT FROM: 07-23-97 THRU: 99-99-99

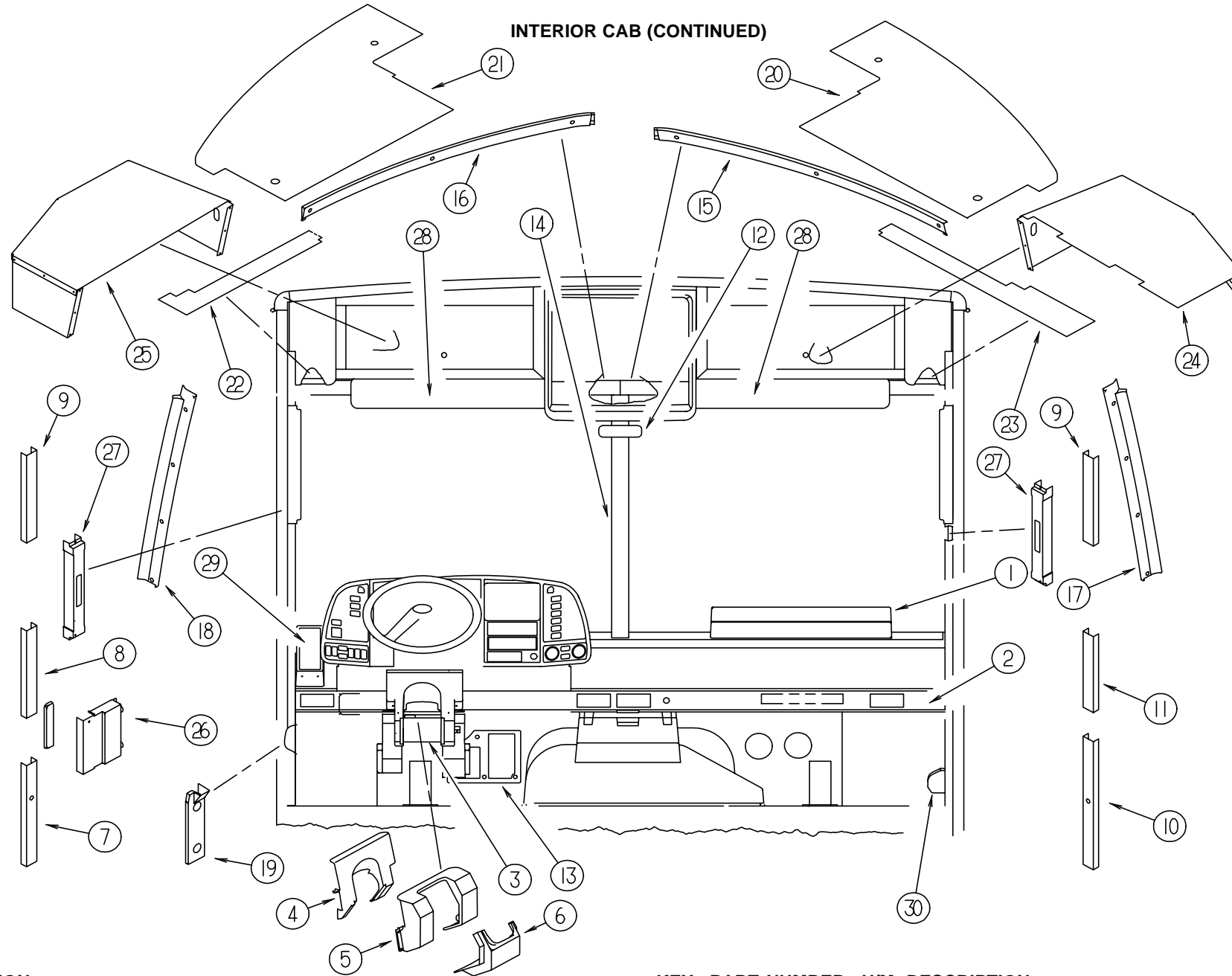
DRIVERS COMPARTMENT GROUP (CONTINUED)



KEY	PART NUMBER	U/M	DESCRIPTION
1	127495-01-J30	EA	TABLE - DASH
1	127147-01-02B	EA	BRACKET-SLIDE,MOUNTING,E-CT
1	127597-01-000	EA	SLIDE - WORK STATION - DASH
2	127488-01-01A	EA	APPLIQUE - DASH - LOWER - CHIEFTAIN
3	103498-09-000	EA	BOOT - STEERING COLUMN - W/1/2 CIRCLE - GM
3	110002-04-000	EA	PATCH - COLUMN - L-SERIES - 9" X 10" - HDGM
3	110002-01-000	EA	PATCH - COLUMN - L-SERIES - 9" X 10" - FREIGHTLINER
4	125796-02-J30	EA	COVER - STEERING COLUMN - GM/FREIGHTLINER
4	127362-02-01A	EA	COVER - STEERING COLUMN - HDGM
5	125794-02-J30	EA	COVER - STEERING COLUMN - FORD
6	125795-01-01A	EA	COVER - STEERING COLUMN - LOWER - FORD
7	024700-56-000	EA	COVER - ROLL BAR - SIDEWALL - OFF WHITE - 19.1" W/HOLE
8	024700-48-000	EA	COVER - ROLL BAR - 25"
			FROM: 00-00-00 THRU: 07-22-97
8	024700-58-000	EA	COVER - ROLL BAR - SIDEWALL - 16.54" - OFF WHITE
			FROM: 07-23-97 THRU: 99-99-99
9	024700-46-000	EA	COVER - ROLL BAR - 21.20" - UPPER - DRIVER/PASSENGER
			FROM: 00-00-00 THRU: 07-22-97
9	024700-58-000	EA	COVER - ROLL BAR - SIDEWALL - 16.54" - OFF WHITE
			FROM: 07-23-97 THRU: 99-99-99

KEY	PART NUMBER	U/M	DESCRIPTION
10	024700-44-000	EA	COVER - ROLL BAR - 53" - LOWER - DRIVER/PASSENGER
			FROM: 00-00-00 THRU: 07-22-97
10	024700-59-000	EA	COVER - ROLL BAR - SIDEWALL - 44.09" - OFF WHITE
			FROM: 07-23-97 THRU: 11-02-97
10	024700-60-000	EA	COVER - SIDEWALL ROLL BAR - 11.30" - OFF WHITE
			FROM: 11-03-97 THRU: 12-14-97
10	024700-63-000	EA	COVER - SIDEWALL ROLL BAR - 10.5" - OFF WHITE
			FROM: 12-15-97 THRU: 99-99-99
11	024700-61-000	EA	COVER - SIDEWALL ROLL BAR - 30.4" - OFF WHITE
			FROM: 11-03-97 THRU: 99-99-99
12	040714-01-000	EA	MIRROR - REAR VIEW/ARM MOUNT & SET SCREW - GM # 911722
12	067490-01-000	EA	BUTTON - MIRROR/REAR VIEW
13	116993-01-01A	EA	COVER - PEDALS - BLACK - FREIGHTLINER
14	118452-04-01A	EA	TRIM - WINDSHIELD - CENTER
14	P18452-04-01A	EA	TRIM - WINDSHIELD - CENTER - ANTELOPE
15	118453-03-01A	EA	TRIM - WINDSHIELD - INNER/TOP/PASSENGER
16	118453-04-01A	EA	TRIM - WINDSHIELD - INNER/TOP/DRIVER

DRIVERS COMPARTMENT GROUP (CONTINUED)



KEY	PART NUMBER	U/M	DESCRIPTION
17	125508-01-01A	EA	TRIM - A-PILLAR - INTERIOR - ANTELOPE
17	123045-11-02A	EA	BACKING - SCREW - ANTELOPE
18	125508-02-01A	EA	TRIM - A-PILLAR - INTERIOR - ANTELOPE
18	123045-11-02A	EA	BACKING - SCREW - ANTELOPE
19	125900-01-01A	EA	PANEL - TOE KICK - LEFT HAND - ANTELOPE
20	126440-01-J20	EA	PANEL - OVERHEAD - FRONT/BOTTOM/RIGHT HAND
21	126440-02-J20	EA	PANEL - OVERHEAD - FRONT/BOTTOM/LEFT HAND
22	126443-04-J22	EA	PANEL - OVERHEAD - FRONT/LEFT HAND - 5.8" X 38.4"
23	126443-06-J30	EA	PANEL - OVERHEAD - FRONT/RIGHT HAND - 5.8" X 50.6"
24	126457-01-J20	EA	PANEL - CLOSEOUT - OVERHEAD FRONT
25	126457-02-J20	EA	PANEL - CLOSEOUT - OVERHEAD FRONT
26	126701-01-03A	EA	COVER - ASSIST HANDLE - OFF WHITE
27	103961-02-01A	EA	COVER - BRACKET - OFF WHITE SEATBELT - F/DRVRS DOOR OPTION
27	127721-01-01A	EA	COVER - SLIDE - OFF WHITE
27	127798-01-01A	EA	COVER - SLIDE - INNER - BLACK - 1.5" X 11.4"
28	123298-02-04A	EA	SUNVISOR - 10.5" X 28.5"
29	126237-01-01A	EA	POD - CONTROL - SHIFTER

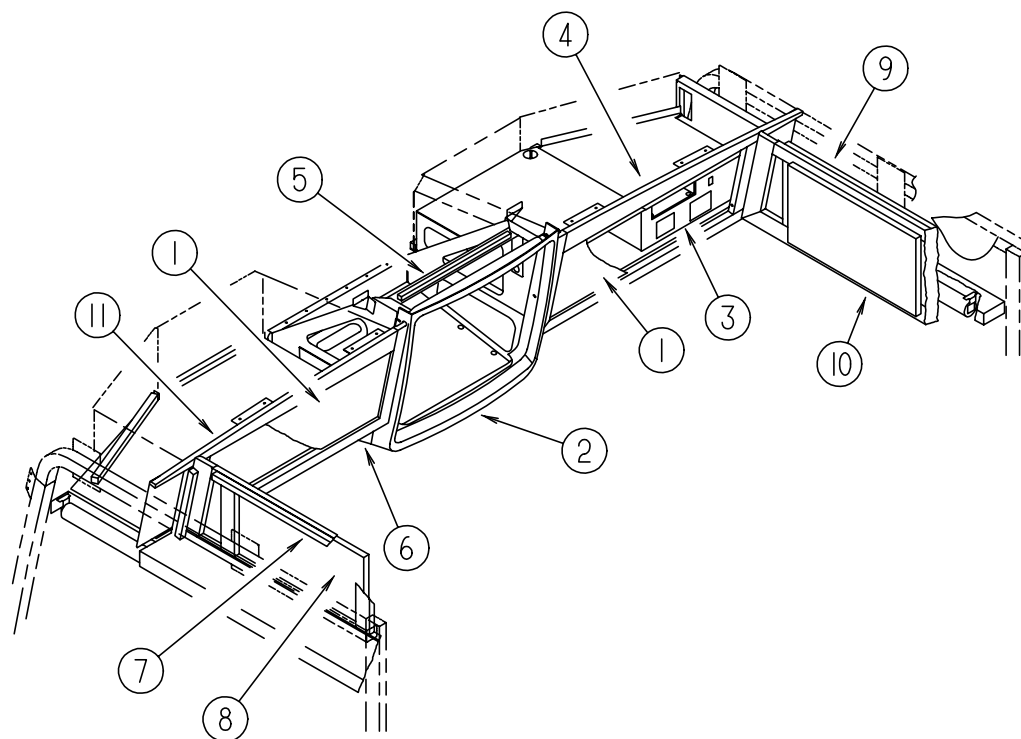
KEY	PART NUMBER	U/M	DESCRIPTION
30	103961-03-01A	EA	COVER - BRACKET - SEATBELT/OFF WHITE - F/DRVRS DOOR OPTION
	086120-01-J30	EA	PAD - MAP POCKET - 12" X 16" (J90, J30)
	086120-01-H34	EA	PAD - MAP POCKET - 12" X 16" (J91, J31)
	086120-01-G30	EA	PAD - MAP POCKET - 12" X 16" (J92, J32)
	086120-01-J21	EA	PAD - MAP POCKET - 12" X 16" (J93, J33)

DEFROSTER FAN & MAP POCKETS

KEY	PART NUMBER	U/M	DESCRIPTION
	122856-01-01A	EA	FAN - DEFROSTER - 2 SPEED W/SWIVEL BASE - CHROME
	086120-01-J30	EA	PAD - MAP POCKET - 12" X 16" (J90, J30)
	086120-01-H34	EA	PAD - MAP POCKET - 12" X 16" (J91, J31)
	086120-01-G30	EA	PAD - MAP POCKET - 12" X 16" (J92, J32)
	086120-01-J21	EA	PAD - MAP POCKET - 12" X 16" (J93, J33)

DRIVERS COMPARTMENT GROUP (CONTINUED)

OVERHEAD STORAGE & TV CABINETS

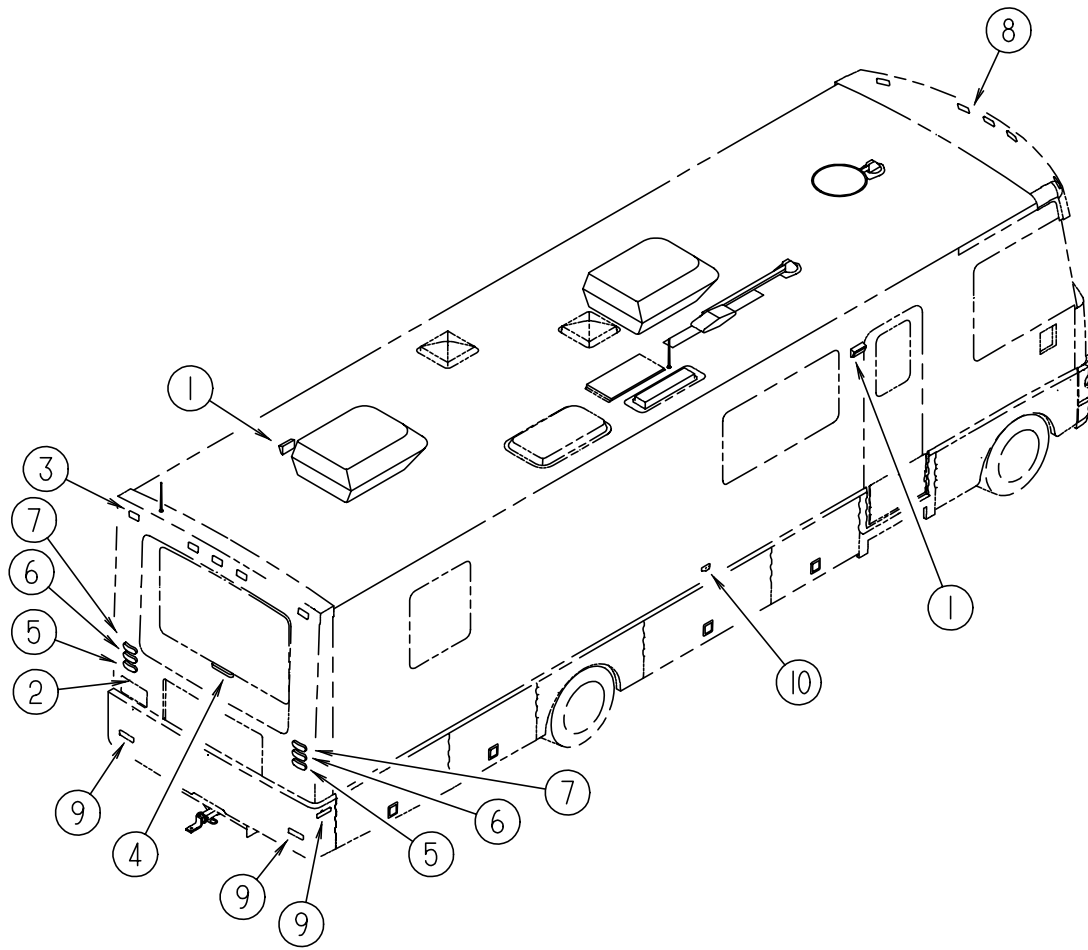


KEY	PART NUMBER	U/M	DESCRIPTION
1	100708-08-000	EA	DOOR - GLASS - TV CABINET - 9.7" X 27" - W/O HDW
2	125977-01-02A	EA	COVER - TV - OVERHEAD/FRONT - ANTELOPE
3	126601-03-J20	EA	PANEL - SHELF - VINYL COVERED - W/O INVERTOR CUTOUT
3	126601-07-J20	EA	PANEL - SHELF - VINYL COVERED - W/INVERTOR CUTOUT
4	126876-01-J90	EA	CABINET - OVERHEAD - FRONT/RIGHT HAND - W/O DOORS/HDW - MYSTIC OAK
4	126876-01-J30	EA	CABINET - OVERHEAD - FRONT/RIGHT HAND - W/O DOORS/HDW - SALEM CHERRY
4	126876-01-J62	EA	CABINET - OVERHEAD - FRONT/RIGHT HAND - W/O DOORS/HDW - WHITE GRANITE
5	106699-01-01A	EA	BRACKET - OVERHEAD CABINET/TV
5	114706-04-02B	EA	SUPPORT - SHELF/TV
6	126006-02-J20	EA	COVER - TV - OVERHEAD/BOTTOM
7	126301-02-J90	EA	CABINET - OVERHEAD/FRONT LEFT HAND - W/O DOORS/HDW - MYSTIC OAK
7	103128-18-J90	EA	END CAP - OVERHEAD/LEFT HAND - MYSTIC OAK
7	126301-02-J30	EA	CABINET - OVERHEAD/FRONT LEFT HAND - W/O DOORS/HDW - SALEM CHERRY
7	103128-18-J30	EA	END CAP - OVERHEAD/LEFT HAND - SALEM CHERRY
7	126301-02-J32	EA	CABINET - OVERHEAD/FRONT LEFT HAND - W/O DOORS/HDW - WHITE GRANITE
7	103128-18-J23	EA	END CAP - OVERHEAD/LEFT HAND - WHITE GRANITE

KEY	PART NUMBER	U/M	DESCRIPTION
8	M05992-L9-J90	EA	DOOR - STRAIGHT CORNER/OGEE EDGE - 10" X 29.5" - W/O HDW - MYSTIC OAK
8	M05992-L9-J30	EA	DOOR - STRAIGHT CORNER/OGEE EDGE - 10" X 29.5" - W/O HDW - SALEM CHERRY
8	122715-87-01A	EA	DOOR - MOLDED VINYL - 10.3" X 29.5" - W/O HDW-WHT GRANITE
9	126535-02-J90	EA	CABINET - OVERHEAD/FRONT/RIGHT HAND - W/O DOORS/HDW - MYSTIC OAK
9	103128-17-J90	EA	END CAP - OVERHEAD/RIGHT HAND - MYSTIC OAK
9	126535-02-J30	EA	CABINET - OVERHEAD/FRONT/RIGHT HAND - W/O DOORS/HDW - SALEM CHERRY
9	103128-17-J30	EA	END CAP - OVERHEAD/RIGHT HAND - SALEM CHERRY
9	126535-02-J32	EA	CABINET - OVERHEAD/FRONT/RIGHT HAND - W/O DOORS/HDW - WHITE GRANITE
9	103128-17-J23	EA	END CAP - OVERHEAD/RIGHT HAND - WHITE GRANITE
10	M05992-L9-J90	EA	DOOR - STRAIGHT CORNER/OGEE EDGE - 10" X 29.5" - W/O HDW - MYSTIC OAK
10	M05992-L9-J30	EA	DOOR - STRAIGHT CORNER/OGEE EDGE - 10" X 29.5" - W/O HDW - SALEM CHERRY
10	122715-87-01A	EA	DOOR - MOLDED VINYL - 10" X 29.5" - W/O HDW - WHT GRANITE
11	126876-02-J90	EA	CABINET - OVERHEAD - FRONT/LEFT HAND - W/O DOORS/HDW - MYSTIC OAK
11	126876-02-J30	EA	CABINET - OVERHEAD - FRONT/LEFT HAND - W/O DOORS/HDW - SALEM CHERRY
11	126876-02-J62	EA	CABINET - OVERHEAD - FRONT/LEFT HAND - W/O DOORS/HDW - WHITE GRANITE
11	106699-01-01A	EA	BRACKET - OVERHEAD CABINET/TV

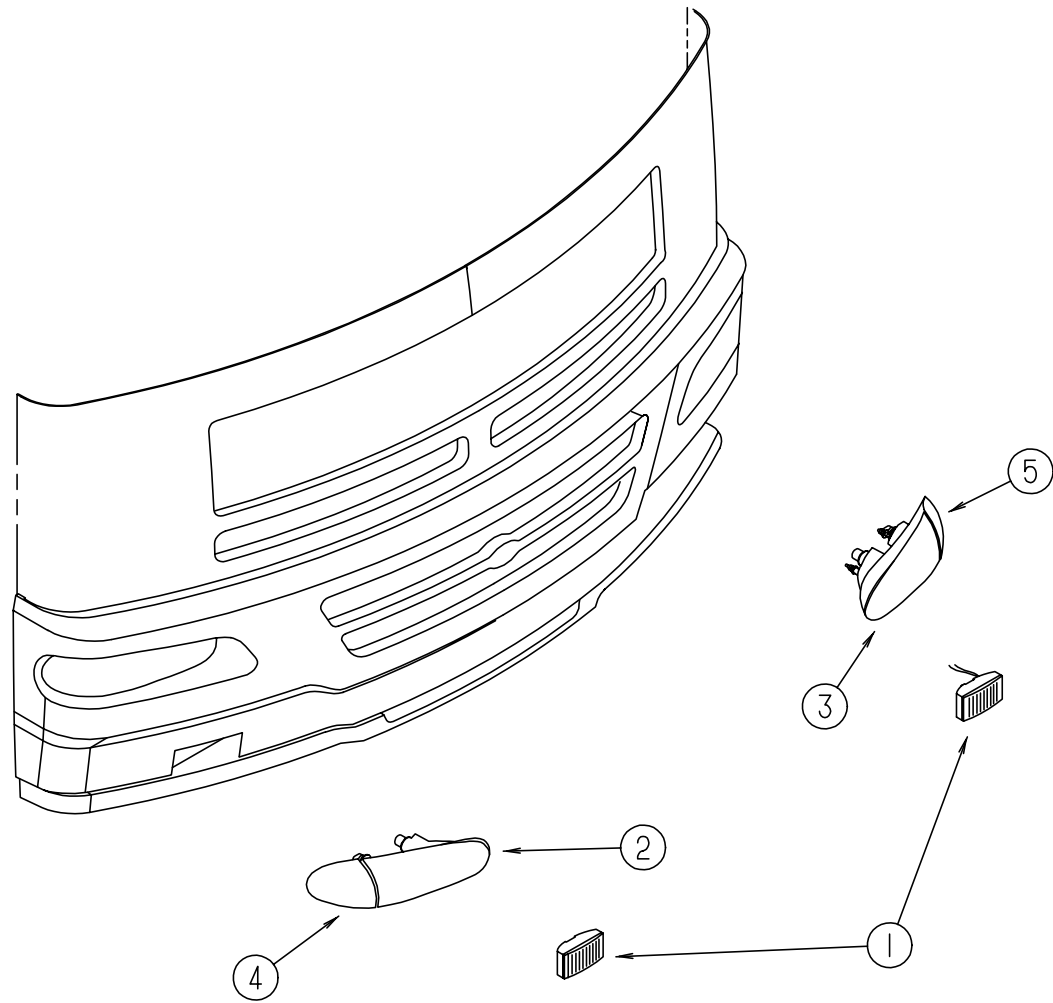
ELECTRICAL GROUP

EXTERIOR BODY LIGHTS



KEY	PART NUMBER	U/M	DESCRIPTION	VENDOR NO.
1	097917-01-06A	EA	LIGHT - PORCH - BRIGHT WHITE	
1	008215-01-000	EA	BULB - 12 VOLT - #1003 - .94 AMP	
1	097917-01-700	EA	LENS-LIGHT, CLEAR	30-78-021
1	008089-02-000	EA	LIGHT - PORCH - RECESSED - CANADIAN	
1	008089-01-700	EA	LENS-LIGHT, RECESSED, PORCH	DECO
1	008214-01-000	EA	BULB - 12 VOLT NO 67 - 0.59 AMP	
2	087201-01-000	EA	LIGHT - HALF ROUND - 1" X 1.7" - PLASTIC - BLACK	
3	102520-02-000	EA	LIGHT - CLEARANCE - W/O SOCKET/HOUSING - RED	
3	067789-02-000	EA	SOCKET - LAMP	
3	036196-01-000	EA	BULB - 12 VOLT - #194 - .27 AMP - BAYONETTE	
3	102540-01-000	EA	SEAL - SCREW - ROUND - RUBBER	
3	102541-01-000	EA	GASKET - CLEARANCE LIGHT	
3	102582-01-000	EA	BRACKET - LIGHT - CLEARANCE - L-SHAPED METAL - 2.2" X 4.7"	
4	121950-01-000	EA	LIGHT - BRAKE - CENTER MOUNT	
4	067789-02-000	EA	SOCKET - LAMP	
4	036196-01-000	EA	BULB - 12 VOLT - #194 - .27 AMP - BAYONETTE	
5	126203-01-000	EA	LAMP - WHITE/CLEAR BACK-UP	
5	126203-04-000	EA	GROMMET - MOUNT - LIGHT OVAL	
6	126203-02-000	EA	LAMP - AMBER TURN	
6	126203-04-000	EA	GROMMET - MOUNT - LIGHT OVAL	
7	126203-03-000	EA	LAMP - RED STOP/TAIL	
7	126203-04-000	EA	GROMMET - MOUNT - LIGHT OVAL	
8	036196-01-000	EA	BULB - 12 VOLT - #194 - .27 AMP - BAYONETTE	
8	102520-01-000	EA	LIGHT - CLEARANCE - W/O SOCKET/HOUSING - AMBER	
8	102540-01-000	EA	SEAL - SCREW - ROUND - RUBBER	
8	102541-01-000	EA	GASKET - CLEARANCE LIGHT	
8	067789-02-000	EA	SOCKET - LAMP	
9	036196-01-000	EA	BULB - 12 VOLT - #194 - .27 AMP - BAYONETTE	
9	067789-02-000	EA	SOCKET - LAMP	
9	117826-01-000	EA	SIDE MARKER LAMP ASSEMBLY - RED	
9	117826-03-000	EA	GASKET - MARKER LIGHT	
10	111102-01-000	EA	BASE - LAMP MARKER	
10	111102-02-000	EA	LENS - AMBER - LAMP MARKER	
10	036196-01-000	EA	BULB - 12 VOLT - #194 - .27 AMP - BAYONETTE	

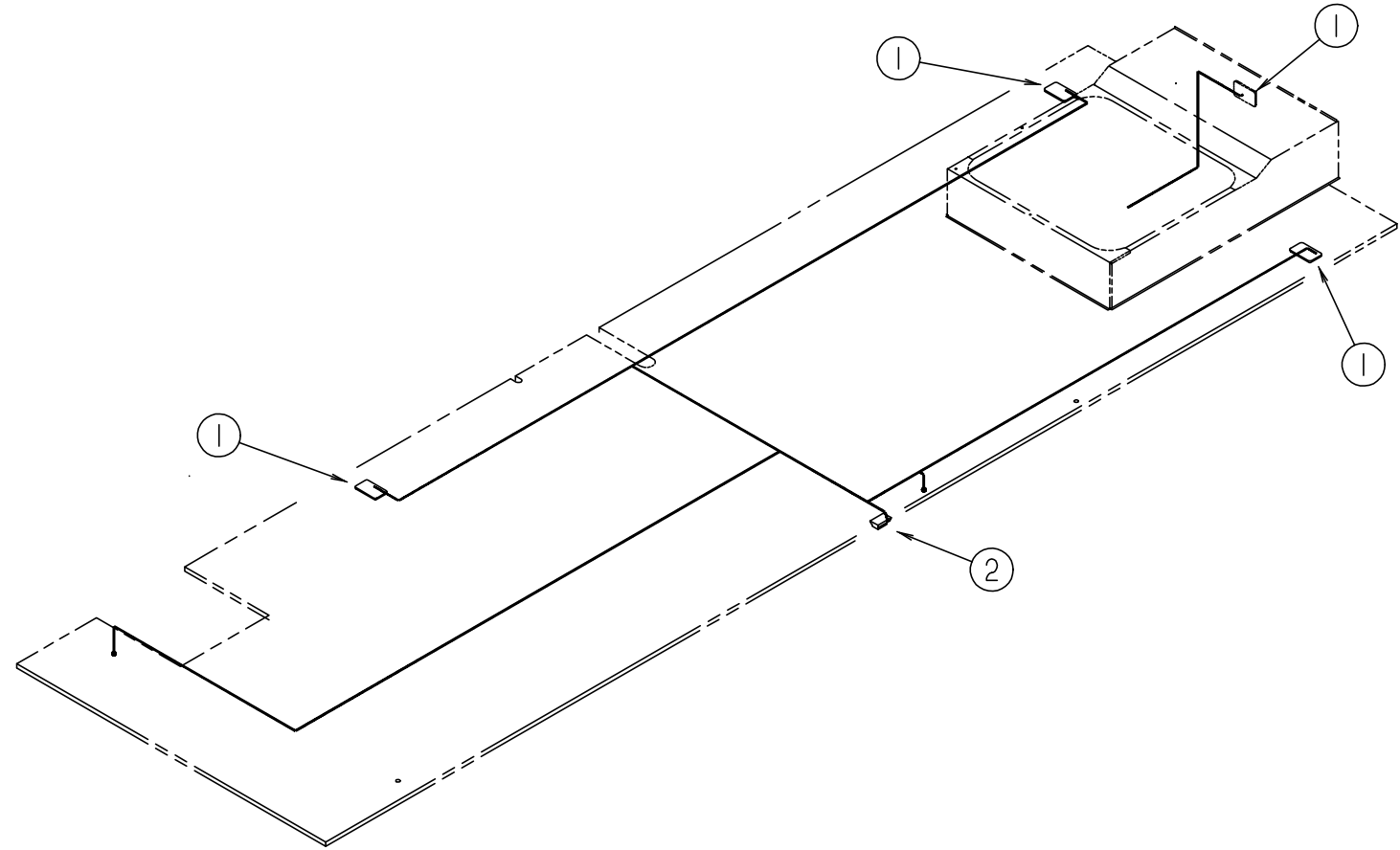
ELECTRICAL GROUP (CONTINUED)



EXTERIOR FRONT END LIGHTS

KEY	PART NUMBER	U/M	DESCRIPTION
1	124215-01-000	EA	FOG LIGHT - RECTANGULAR/CLEAR LENS
2	088758-01-000	EA	HOUSING - HEADLAMP - CONNECTOR TERMINAL W/3 WIRES
2	126200-01-000	EA	HEADLAMP - PASSENGER W/BULB
3	088758-01-000	EA	HOUSING - HEADLAMP - CONNECTOR TERMINAL W/3 WIRES
3	126200-02-000	EA	HEADLAMP - DRIVERS W/BULB
4	126201-01-000	EA	LAMP - PASSENGER SIDE MARKER - AMBER
5	126201-02-000	EA	LAMP - DRIVERS SIDE MARKER - AMBER
	072368-02-000	EA	TRIM - VINYL - EDGE - BLACK

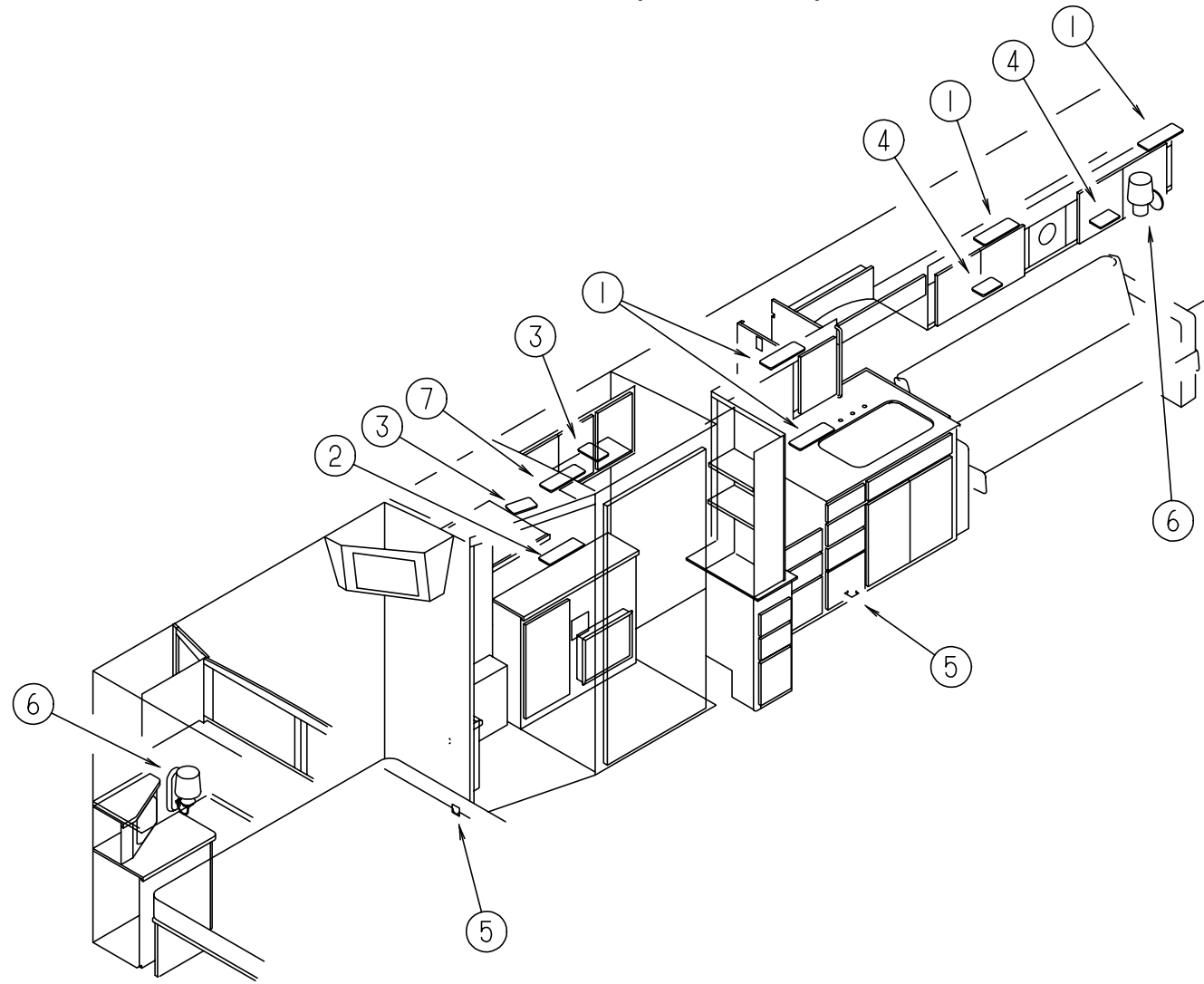
ELECTRICAL GROUP (CONTINUED)



COMPARTMENT INTERIOR LIGHTS

KEY	PART NUMBER	U/M	DESCRIPTION	VENDOR NO.
1	098024-01-03A	EA	LIGHT - DOME - 1 BULB - WHITE	
1	008218-01-000	EA	BULB - DOME LIGHT - 12 VOLT - NO. 1141	807877
1	098024-01-700	EA	LENS-LIGHT	
2	086280-01-000	EA	LIGHT - SURFACE MOUNT - 12 VOLT	
2	086280-01-700	EA	BULB,12V	ARP1089

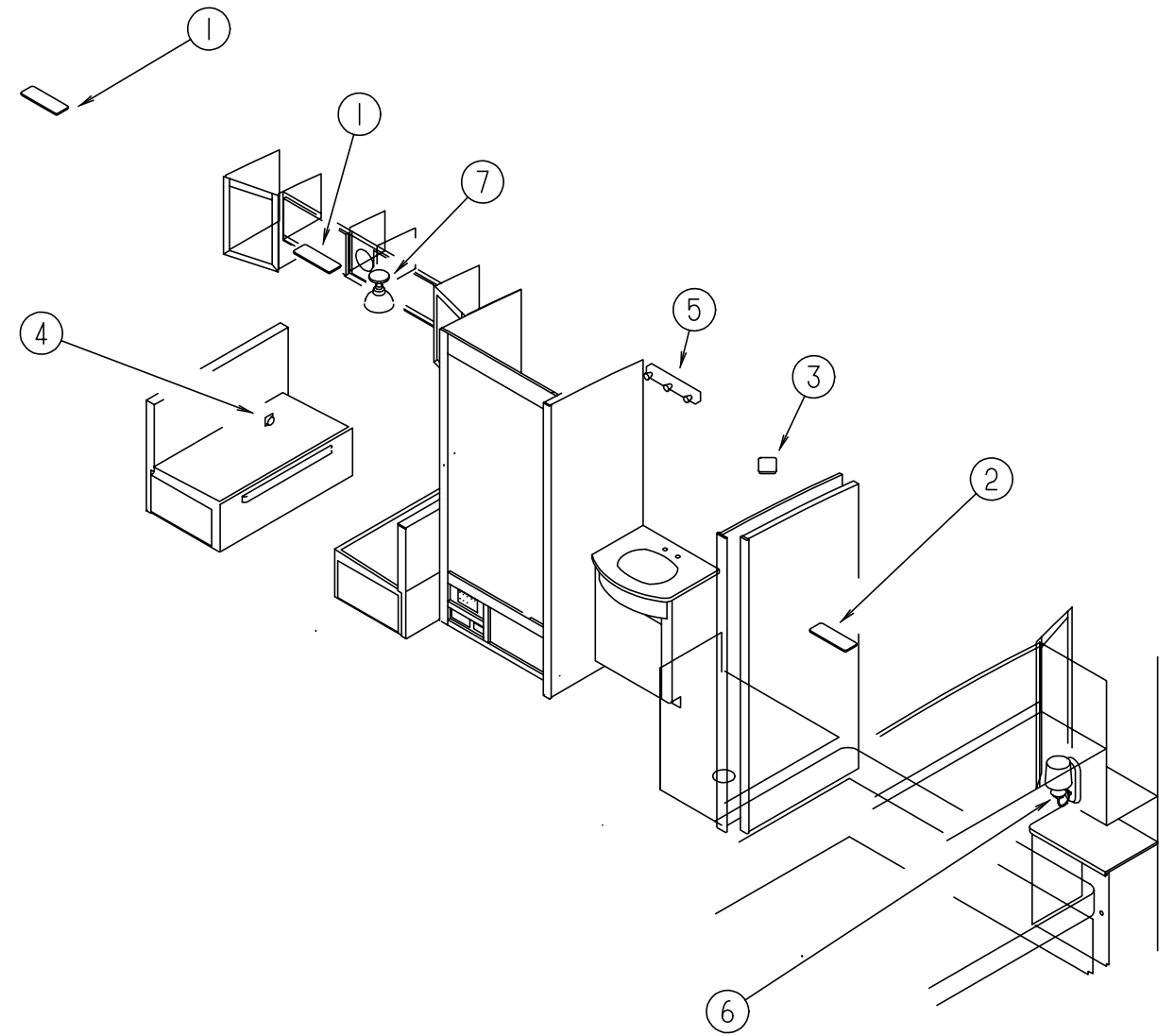
ELECTRICAL GROUP (CONTINUED)



DRIVER SIDE INTERIOR LIGHTS

KEY	PART NUMBER	U/M	DESCRIPTION	VENDOR NO.
1	098024-03-02A	EA	LIGHT - DOME - 2 BULB - WHITE	
1	008218-01-000	EA	BULB - DOME LIGHT - 12 VOLT - NO. 1141	
1	098024-01-700	EA	LENS-LIGHT	807877
1	091937-04-000	EA	LIGHT - FLUORESCENT - 12V/30 WATT - 20.8" LONG - THIN LITE	
2	091937-04-000	EA	LIGHT - FLUORESCENT - 12V/30 WATT - 20.8" LONG - THIN LITE	
2	098024-01-03A	EA	LIGHT - DOME - 1 BULB - WHITE	
2	008218-01-000	EA	BULB - DOME LIGHT - 12 VOLT - NO. 1141	
2	098024-01-700	EA	LENS-LIGHT	807877
3	098024-01-03A	EA	LIGHT - DOME - 1 BULB - WHITE	
3	008218-01-000	EA	BULB - DOME LIGHT - 12 VOLT - NO. 1141	
3	098024-01-700	EA	LENS-LIGHT	807877
4	098024-05-02A	EA	LIGHT - DOME - 1 BULB - SKYLITE - WHITE	
4	008218-01-000	EA	BULB - DOME LIGHT - 12 VOLT - NO. 1141	
4	098024-01-701	EA	LENS - OPTI CLEAR - SKYLITE	809902
5	108354-01-01A	EA	LIGHT - COURTESY	
5	108354-01-700	EA	BULB-COURTESY LIGHT	395-B
6	119257-04-01A	EA	SHADE - LAMP - LINEN WHITE	
6	119258-05-01A	EA	LAMP - WALL	
6	119258-01-700	EA	FINIAL (PYRAMID)	12-0322
7	098024-06-02A	EA	LIGHT - DOME - 2 BULB - SKYLITE	
7	008218-01-000	EA	BULB - DOME LIGHT - 12 VOLT - NO. 1141	
7	098024-01-701	EA	LENS - OPTI CLEAR - SKYLITE	809902

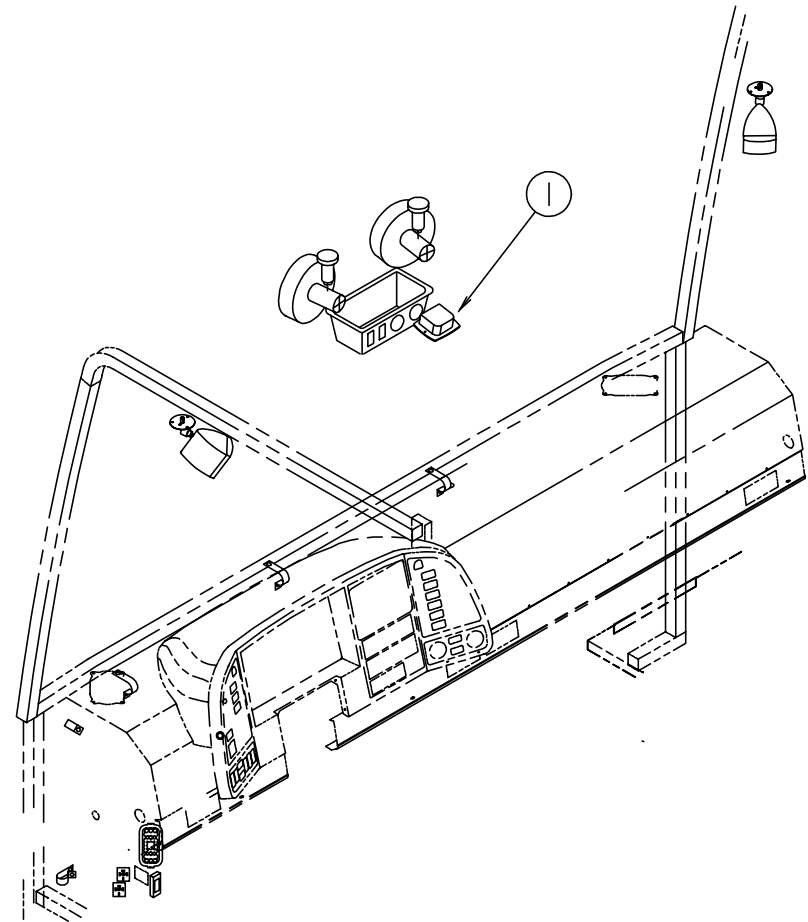
ELECTRICAL GROUP (CONTINUED)



PASSENGER SIDE INTERIOR LIGHTS

KEY	PART NUMBER	U/M	DESCRIPTION	VENDOR NO.
1	098024-03-02A	EA	LIGHT - DOME - 2 BULB - WHITE	
1	008218-01-000	EA	BULB - DOME LIGHT - 12 VOLT - NO. 1141	
1	098024-01-700	EA	LENS-LIGHT	807877
1	091937-04-000	EA	LIGHT - FLUORESCENT - 12V/30 WATT - 20.8" LONG - THIN LITE	
2	091937-05-000	EA	LIGHT - FLUORESCENT - 12V/16 WATT - 15" LONG - THIN LITE	
2	091937-05-701	EA	LENS-LIGHT, FLUORESCENT	D-732
3	098024-01-03A	EA	LIGHT - DOME - 1 BULB - WHITE	
3	008218-01-000	EA	BULB - DOME LIGHT - 12 VOLT - NO. 1141	
3	098024-01-700	EA	LENS-LIGHT	807877
4	108354-01-01A	EA	LIGHT - COURTESY	
4	108354-01-700	EA	BULB-COURTESY LIGHT	395-B
5	110235-01-01A	EA	LIGHT - MAKE UP - 3 BULB	
5	081633-01-700	EA	BULB-LIGHT, MAKE-UP	RP1041
6	119257-04-01A	EA	SHADE - LAMP - LINEN WHITE	
6	119258-05-01A	EA	LAMP - WALL	
6	119258-01-700	EA	FINIAL (PYRAMID)	12-0322
7	119252-01-01A	EA	SHADE - LAMP - GLASS SWIRL	
7	127050-01-01A	EA	LIGHT - CEILING - SINGLE	

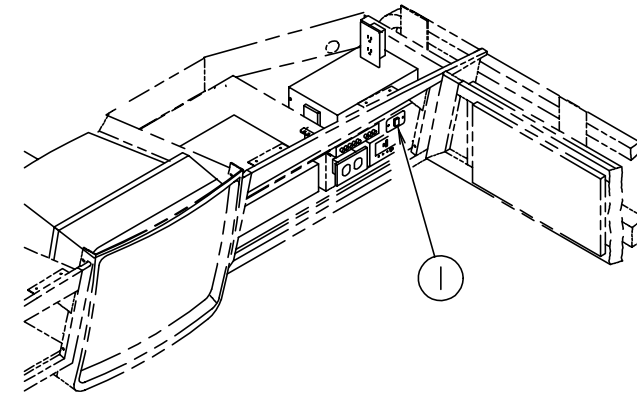
ELECTRICAL GROUP (CONTINUED)



CAB INTERIOR LIGHT

KEY	PART NUMBER	U/M	DESCRIPTION
1	112643-01-000	EA	LIGHT - SINGLE - SWIVEL
1	112642-01-06A	EA	TRIM RING-SINGLE LIGHT, BLACK

ELECTRICAL GROUP (CONTINUED)

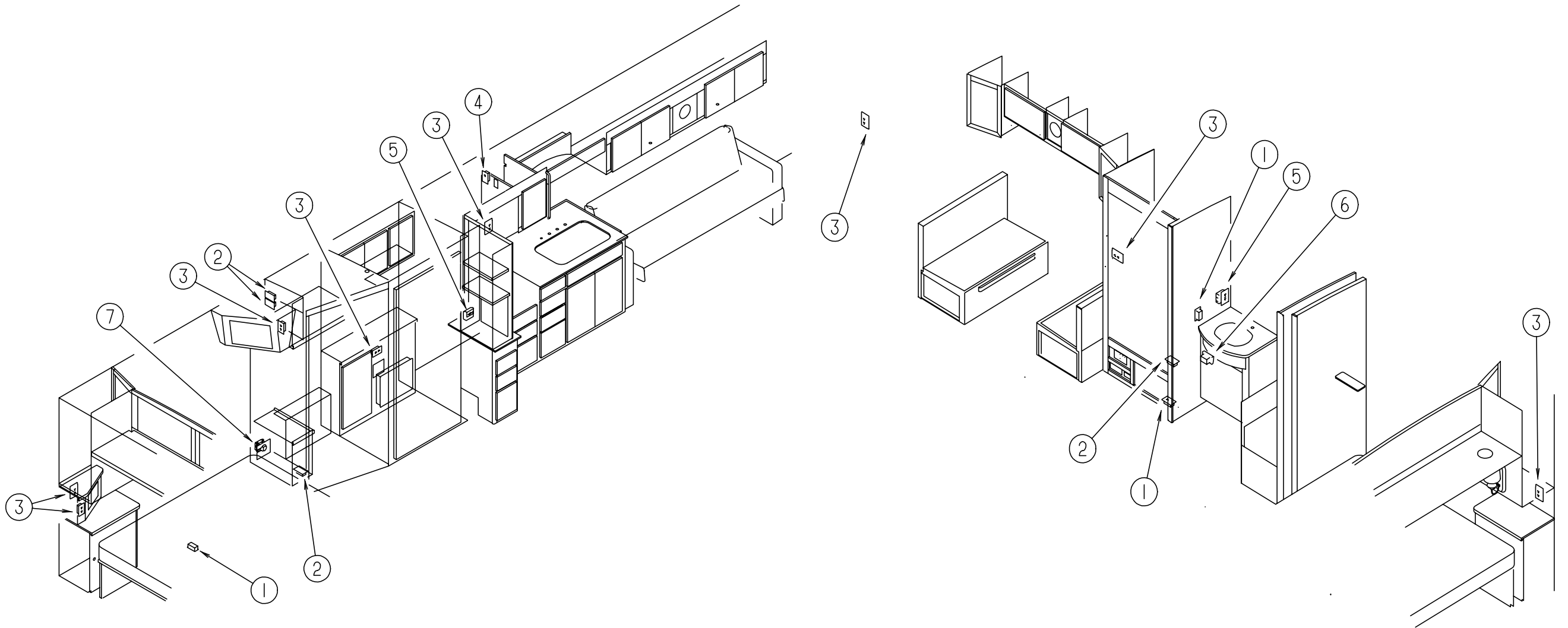


FRONT END SWITCHES

KEY	PART NUMBER	U/M	DESCRIPTION
1	098351-09-01A	EA	PLATE - SWITCH - SPEAKER SELECT - POLISHED BRASS
1	079364-01-000	EA	SWITCH - ON/OFF ROCKER - 2 TERMINAL - BROWN

ELECTRICAL GROUP (CONTINUED)

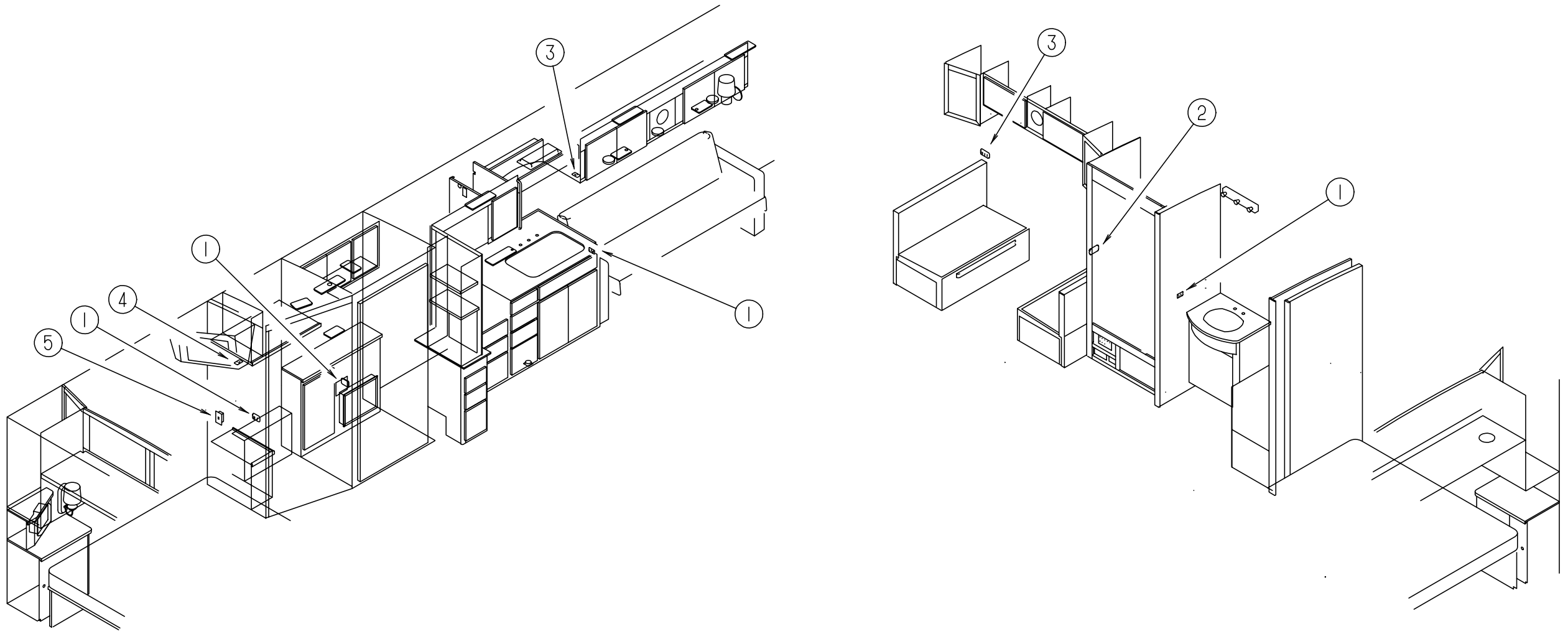
RECEPTACLES



KEY	PART NUMBER	U/M	DESCRIPTION
1	058707-01-000	EA	RECEPTACLE - ELECTRIC - SINGLE - BROWN
2	058707-02-000	EA	RECEPTACLE - BLANK JUNCTION BOX
3	058708-01-000	EA	RECEPTACLE - ELECTRIC - DOUBLE - BROWN
3	058708-02-000	EA	RECEPTACLE - ELECTRIC - DOUBLE - IVORY
3	102568-01-J90	EA	SPACER - RECEPTACLE - SIDEWALL - MYSTIC OAK
3	102568-01-E41	EA	SPACER - RECEPTACLE - SIDEWALL - SALEM CHERRY
3	102568-01-H23	EA	SPACER - RECEPTACLE - SIDEWALL - WHITE GRANITE
4	058708-05-000	EA	RECEPTACLE - SINGLE - BROWN
5	084076-01-000	EA	RECEPTACLE - GFI - 15 AMP - 125 VOLT - IVORY
5	084076-02-000	EA	RECEPTACLE - GFI - 15 AMP - 125 VOLT - BROWN
6	112822-01-01A	EA	RECEPTACLE - DUPLEX - IVORY
6	112824-01-03A	EA	COVER - RECEPTACLE - EXTERIOR DUPLEX
7	115930-01-000	EA	INLET - 30 AMP - 120 VOLT - EXTERIOR
7	115930-02-000	EA	INLET - 50 AMP - 240 VOLT - EXTERIOR

ELECTRICAL GROUP (CONTINUED)

SWITCHES



KEY	PART NUMBER	U/M	DESCRIPTION
1	098351-02-01A	EA	PLATE - SWITCH - 2 GANG POLISHED BRASS
1	079364-01-000	EA	SWITCH - ON/OFF ROCKER - 2 TERMINAL - BROWN
1	079364-03-000	EA	SWITCH - ON/OFF ROCKER - 3 TERMINAL - BROWN
1	095188-01-01A	EA	SPACER - SWITCH - 2.3" X 3.4" - PLASTIC - DARK BROWN
2	098351-03-01A	EA	PLATE - SWITCH - 3 GANG POLISHED BRASS
2	079364-01-000	EA	SWITCH - ON/OFF ROCKER - 2 TERMINAL - BROWN
3	098351-05-01A	EA	PLATE - SWITCH - 3 GANG POLISHED BRASS
3	079364-01-000	EA	SWITCH - ON/OFF ROCKER - 2 TERMINAL - BROWN
3	095188-02-01A	EA	SPACER - SWITCH - 2.3" X 4.1" - PLASTIC - DARK BROWN
4	098351-14-01A	EA	PLATE - SWITCH - 1 GANG W/LABEL
4	079364-01-000	EA	SWITCH - ON/OFF ROCKER - 2 TERMINAL - BROWN
5	084420-01-000	EA	SWITCH - TOGGLE - 15 AMP - 120 VOLT - BROWN

ELECTRICAL GROUP (CONTINUED)**CIRCUIT BREAKERS & FUSES**

KEY	PART NUMBER	U/M	DESCRIPTION
	062037-01-000	EA	HOUSING - AUTO FUSE - NATURAL
	062037-02-000	EA	HOUSING - AUTO FUSE - GREEN
	062037-03-000	EA	HOUSING - AUTO FUSE - BLACK
	062037-04-000	EA	HOUSING - AUTO FUSE - BLUE
	062037-05-000	EA	HOUSING - AUTO FUSE, GRAY
	062037-06-000	EA	HOUSING - AUTO FUSE - BROWN
	062037-07-000	EA	HOUSING - AUTO FUSE - RED
	062901-02-000	EA	FUSE - 05 AMPS - AUTOMOTIVE
	062901-05-000	EA	FUSE - 15 AMPS -AUTOMOTIVE
	083209-01-000	EA	CIRCUIT BREAKER - 15 AMP - 120 VOLT - CANADIAN
	083209-02-000	EA	CIRCUIT BREAKER - 15/15 AMP - 120 VOLT
	083209-03-000	EA	CIRCUIT BREAKER - 15/20 AMP - 120 VOLT
	083209-04-000	EA	CIRCUIT BREAKER - 30 AMP - 120 VOLT
	083209-05-000	EA	CIRCUIT BREAKER - 20AMP - 120VOLT
	083209-06-000	EA	CIRCUIT BREAKER - 30/15 AMP - 120VOLT
	083209-07-000	EA	CIRCUIT BREAKER - 20/20AMP - 120VOLT
	083209-10-000	EA	CIRCUIT BREAKER - 20/30 AMP - 120 VOLT
	093654-01-000	EA	CIRCUIT BREAKER - 6 AMP - 12 VOLT
	093654-02-000	EA	CIRCUIT BREAKER - 15 AMP - 12 VOLT
	093654-03-000	EA	CIRCUIT BREAKER - 20AMP - 12 VOLT
	093655-01-000	EA	CIRCUIT BREAKER - 25 AMP - 12 VOLT
	093655-02-000	EA	CIRCUIT BREAKER - 30 AMP - 12 VOLT
	093655-03-000	EA	CIRCUIT BREAKER - 40 AMP - 12 VOLT
	093674-01-000	EA	PLATE - CIRCUIT BREAKER - HOUSE - 8.4" X 4.1" - STEEL
	097611-01-000	EA	CIRCUIT BREAKER - 10 AMP - 12 VOLT
	108669-01-000	EA	HOUSING - AUTO FUSE HOLDER
	108916-01-000	EA	CIRCUIT BREAKER - 50 AMP - 12 VOLT - 2 POLE
	113482-01-000	EA	CIRCUIT BREAKER - 55AMP
	122811-01-000	EA	CIRCUIT BREAKER - 20/50/50/20

CONVERTERS, LOAD CENTER & INVERTER

KEY	PART NUMBER	U/M	DESCRIPTION
	099048-03-000	EA	INVERTER - 130 WATT
	106071-03-000	EA	SWITCH - AUTOMATIC TRANSFER
	108915-02-000	EA	LOAD CENTER - 120/240 VOLT - 100 AMP
	113132-01-000	EA	LOAD CENTER - 120/240 VOLT - 60 AMP
	123058-01-000	EA	CONVERTER - 55 AMP - ELECTRONIC - 4 1/8"H X 7"W X 12 3/8"L
	123058-02-000	EA	CONVERTER - 45 AMP - ELECTRONIC - 4 1/8"H X 7"W X 12 3/8"L
	127002-01-000	EA	MODULE - CONTROL - ENERGY MANAGEMENT SYSTEM
	127002-02-000	EA	PANEL - MONITOR - ENERGY MANAGEMENT SYSTEM
	127002-03-000	EA	WIRE ASSEMBLY - ENERGY MANAGEMENT SYSTEM

ELECTRICAL GROUP (CONTINUED)**DASH SWITCHES**

KEY	PART NUMBER	U/M	DESCRIPTION
	108355-01-000	EA	HOUSING - SWITCH
	108356-01-01A	EA	COVER/ACTUATOR SWITCH - 3 GROOVES - CONTURA III - BLACK
	108356-02-01A	EA	COVER/ACTUATOR SWITCH - 2 ROWS DIMPLES- CONTURA II - BLACK
	108356-03-01A	EA	COVER/ACTUATOR SWITCH -3 GROOVES W/LIGHT-CONTURA III-BLACK
	108356-04-01A	EA	COVER/ACTUATOR SWITCH-2 ROWS DIMPLES W/LENS-CONTURAI-BLK
	108356-05-01A	EA	COVER/ACTUATOR SWITCH-3 GROOVES W/LENS-GEN SET-CONTURA III
	108356-06-01A	EA	COVER/ACTUATOR SWITCH-3 GROOVES-AUX START-CONTURA III-BLK
	108356-07-01A	EA	COVER/ACTUATOR SWITCH - 2 ROWS DIMPLES - AUX START - BLACK
	108356-08-01A	EA	COVER/ACTUATOR SWITCH-2 ROW DIMPLES W/LENS-REAR-BLACK
	108356-09-01A	EA	SWITCH COVER W/DIMPLES - LIGHTED - CARLIN VVAACXX-XGO
	108356-10-01A	EA	COVER/ACTUATOR SWITCH-2 ROWS DIMPLES W/LENS-SHOWER DRAIN
	108356-11-01A	EA	COVER-ACTUATOR SWITCH - 3 GROOVES - AUX BATT - BLACK
	108357-01-000	EA	SWITCH - ROCKER SPST - ON/OFF - 2 TERMINAL
	108357-02-000	EA	SWITCH - ROCKER SPST - ON/MOM - 2 TERMINAL
	108357-03-000	EA	SWITCH - ROCKER SPDT - ON/OFF/ON - 3 TERMINAL
	108357-04-000	EA	SWITCH - ROCKER SPDT - MOM/OFF/ON - 3 TERMINAL
	108357-05-000	EA	SWITCH - ROCKER SPDT - ON/NONE/ON - 3 TERMINAL
	108357-06-000	EA	SWITCH - ROCKER DPDT - MOM/OFF/MOM - 6 TERMINAL
	108357-07-000	EA	SWITCH - ROCKER SPDT - MOM/OFF/MOM - 3 TERMINAL
	108357-08-000	EA	SWITCH - ROCKER DPDT - ON/NONE/ON - 6 TERMINAL
	108357-09-000	EA	SWITCH - ROCKER SPDT - ON/NONE/MOM - 3 TERMINAL
	108357-10-000	EA	SWITCH - ROCKER SPDT W/LIGHT - MOM/NONE/MOM - 5 TERMINAL
	108357-11-000	EA	SWITCH - ROCKER SPDT W/LIGHT - MOM/NONE/MOM - 5 TERMINAL
	108357-12-000	EA	SWITCH - ROCKER DPST W/LIGHT - MOM/NONE/OFF - 7 TERMINAL
	108357-13-000	EA	SWITCH - ROCKER DPDT W/LIGHT - MOM/ON-OFF/OFF - 7 TERMINAL
	108357-14-000	EA	SWITCH - ROCKER SPDT W/LIGHT - ON/NONE/OFF - 4 TERMINAL
	096241-03-000	EA	SWITCH-BLANK
	096241-08-000	EA	SWITCH-BLANK

ELECTRIC BOXES & CORDS

KEY	PART NUMBER	U/M	DESCRIPTION
	008052-01-000	EA	CORD - POWER - 10/3 - 30 AMP - 25' - CANADIAN
	008054-01-000	EA	CORD - POWER - 10/3 - 30 AMP - 25'
	008054-02-000	EA	CORD - POWER - 10/3 WIRE - 30 AMP 33'
	008289-01-000	EA	BOX - ELECTRIC/STEEL - 1/2" & 3/4" KNOCKOUTS - 4" X 4"
	008289-02-000	EA	BOX - ELECTRIC/STEEL - 1/2" & 3/4" KNOCKOUTS - 4" X 4"-CAN
	008294-01-000	EA	COVER - ELECTRICAL BOX - BLANK/STEEL - 4" X 4" - GRAY
	008294-02-000	EA	COVER - ELECTRICAL BOX - BLANK STEEL - 4" X 4" - CANADIAN
	091910-01-000	EA	BOX - ELECTRIC - 3.8" X 3.5" X 1.8" - PLASTIC
	091910-02-000	EA	BOX - ELECTRIC - 2.2" X 3.5" X 1.7" - PLASTIC
	092492-08-000	EA	SEAL - ELECTRIC BOX
	092492-11-000	EA	SEAL - ELECTRICAL BOX
	098196-01-000	EA	LATCH - 1/4 TURN - T-BAR
	108934-01-000	EA	CORD - POWER - 50 AMP - 4 WIRE - 36'
	109925-03-000	EA	DOOR - ELECTRIC BOX, FREIGHTLINER
	109925-04-000	EA	DOOR - ELECTRICAL BOX, GM/FORD
	113096-01-000	EA	CORD - POWER - 50 AMP - 4 WIRE - 36' - CSA
	118905-02-02B	EA	DOOR - ELECTRIC, CHEVY & FORD

ELECTRICAL GROUP (CONTINUED)**WIRE ASSEMBLIES**

KEY	PART NUMBER	U/M	DESCRIPTION
	P27264-02-000	EA	WIRE ASSEMBLY - RADIO AM/FM CASSETTE
	127264-02-000	EA	WIRE ASSEMBLY - RADIO AM/FM CASSETTE
	P27516-02-000	EA	WIRE ASSEMBLY - RADIO AM/FM CD
	127516-02-000	EA	WIRE ASSEMBLY - RADIO AM/FM CD
	073328-B4-000	EA	CABLE ASSEMBLY - BATTERY - W/TERMINALS
	090986-01-000	EA	WIRE ASSEMBLY - ELECTRIC STEP
	096449-01-000	EA	WIRE ASSEMBLY - WATER TANK TO MONITOR PANEL (GM/FORD)
	096449-02-000	EA	WIRE ASSEMBLY-WATER TANK TO MONITOR PANEL (FREIGHTLINER)
	096717-03-000	EA	WIRE - REAR MONITOR - AFTER MARKET INSTALLATION
	097618-01-000	EA	WIRE ASSEMBLY - MONITOR PANEL - W/3 WIRES & ORANGE RESISTOR
	108029-01-000	EA	WIRE ASSEMBLY - POWER DRIVER SEAT
	111915-01-000	EA	WIRE ASSEMBLY - DAYTIME RUNNING LAMPS - FUSED
	111915-03-000	EA	WIRE ASSEMBLY - DAYTIME RUNNING LAMPS - FUSED
	113134-03-000	EA	WIRE ASSEMBLY - WIPER/WASHER
	113639-01-000	FT	CABLE - 3/0 AWG STRANDED - RED
	113639-02-000	FT	CABLE - 3/9 AWG STRANDED
	123452-01-000	EA	WIRE - PUMP - SLIDEOUT
	124336-01-000	EA	WIRE - REAR STEREO - 12 PIN
	127002-03-000	EA	WIRE ASSEMBLY - ENERGY MANAGEMENT SYSTEM

ELECTRICAL GROUP (CONTINUED)**SOLAR PANEL**

KEY	PART NUMBER	U/M	DESCRIPTION	VENDOR NO.
	115504-01-000	EA	PANEL - SOLAR 10 WATT	
	115504-01-700	EA	PLUG & CABLE, 10 WATT PANEL	600-016
	115505-01-000	EA	LIGHT - MONITOR/SOLAR PANEL - RED LED INDICATOR	

BATTERY BOOT & STUD

KEY	PART NUMBER	U/M	DESCRIPTION
	077479-01-000	EA	BOOT-BATTERY TERMINAL, DOUBLE CABLE
	077479-02-000	EA	BOOT-BATTERY TERMINAL, SINGLE CABLE
	086233-01-000	EA	STUD-ISOLATED, 3/8" X 7/8" LONG

SOLENOID & RELAYS

KEY	PART NUMBER	U/M	DESCRIPTION
	008188-01-000	EA	SOLENOID - 3 POST - BATTERY CHANGE OVER
	063910-01-000	EA	HOUSING - RELAY
	063912-02-000	EA	RELAY - CANISTER - SPDT
	086273-01-000	EA	RELAY - BATTERY DISCONNECT

ELECTRICAL GROUP (CONTINUED)

CONNECTORS & CONDUIT

KEY	PART NUMBER	U/M	DESCRIPTION
	007942-01-000	EA	TAB - WIRE 10 TO 14 AWG
	007954-01-000	EA	RECEPTACLE - HOUSING - 6 POSITION
	007956-05-000	EA	INSULATOR - SHRINK - .25 ID X 1.50
	008311-01-000	EA	CONNECTOR - WIRE NUT - INSULATED - RED
	008312-01-000	EA	CONNECTOR - WIRE NUT - INSULATED - BLUE
	008313-01-000	EA	CONNECTOR - WIRE NUT - INSULATED - YELLOW
	008314-01-000	EA	CONNECTOR - WIRE NUT - INSULATED - GRAY
	008326-01-000	EA	TERMINAL - RING - 16/14 WIRE - 3/8" STUD
	008328-01-000	EA	TERMINAL - RING - 12/10 WIRE - #10 STUD FIT
	008331-01-000	EA	TERMINAL-RING, TONGUE - #4 WIRE - 3/8" STUD - COPPER
	008348-01-000	EA	TERMINAL - RING - 3/8" STUD 2 GA. WIRE
	008355-01-000	EA	CONNECTOR - CABLE CLAMPING - 3/4"
	008356-01-000	EA	CONNECTOR - PLASTIC - 3/8" AVG
	008356-02-000	EA	CONNECTOR - PLASTIC - 21/32
	008394-01-000	FT	CONDUIT - FLEXIBLE - 1/2"
	035416-04-000	EA	TERMINAL - RING - #10 STUD FIT - INSULATED BARREL #16/14
	041480-01-000	EA	CONNECTOR - STRAIGHT - 1/2' FLEX CONDUIT
	041953-01-000	FT	CONDUIT - CONVOLUTE SLIT - .5" ID
	041953-03-000	FT	CONDUIT - CONVOLUTE SLIT - 1" ID (CLOTHES ROD COVER)
	041953-05-000	FT	CONDUIT - CONVOLUTE SOLID - .62" ID
	041953-06-000	FT	CONDUIT - CONVOLUTE SLIT - .375" ID
	041953-07-000	FT	CONDUIT - CONVOLUTE SLIT - .25" ID
	041953-08-000	FT	CONDUIT - CONVOLUTE SLIT - 1.50" ID
	041953-09-000	FT	CONDUIT - CONVOLUTE SLIT - .50" ID
	041953-10-000	FT	CONDUIT - CONVOLUTE SLIT - .75" ID
	041953-11-000	FT	CONDUIT - CONVOLUTE SLIT - 1.06" ID
	041953-12-000	FT	CONDUIT - CONVOLUTE NON SLIT - 1.1" ID
	047443-01-000	EA	TERMINAL - .250 RECEPTACLE FIT - INSULATED - 16/14 AWG
	047443-02-000	EA	TERMINAL - .250 RECEPTACLE FIT - INSULATED - 12/10 AWG
	058028-01-000	EA	CONNECTOR - ELECTRICAL PIGTAIL - NYLON - CLEAR
	062036-01-000	EA	TERMINAL - PACK - CON - 12/10 AWG
	062036-02-000	EA	TERMINAL - PACK - CON - 16/14 AWG
	074017-02-000	EA	HOUSING-5 POSITION, RIGHT ANGLED
	077479-01-000	EA	BOOT - BATTERY TERMINAL - DOUBLE CABLE
	077479-02-000	EA	BOOT - BATTERY TERMINAL - SINGLE CABLE
	080015-02-000	EA	RECEPTACLE - FLAG - .185 - 16/14 GAUGE
	080015-03-000	EA	RECEPTACLE-FLAG, .250 - 14/16 GA
	082109-01-000	EA	HOUSING - CONNECTOR - PACKARD
	082741-01-000	EA	CONNECTOR BODY-2 CNCT MALE - SERV ELEC 2P-FYL
	087225-01-000	FT	SLEEVING - 1/2" - TYPE H
	087225-02-000	FT	SLEEVING - 5/8" - TYPE H
	087949-01-000	EA	BUSS BAR - 2 POSITION - .6" X 1.5"
	087949-02-000	EA	BUSS BAR - 3 POSITION - .6" X 2.4"
	087949-03-000	EA	BUSS BAR - 4 POSITION
	088267-01-000	EA	TERMINAL - FEMALE - 1/4
	088473-01-000	EA	HOUSING - PIN - 12 CAVITY
	088473-02-000	EA	HOUSING - PIN - 15 CAVITY
	088473-03-000	EA	HOUSING - PIN - 9 CAVITY
	088473-05-000	EA	HOUSING - PIN - 6 CAVITY
	088473-06-000	EA	HOUSING - PIN - 6 CAVITY
	088473-07-000	EA	HOUSING - PIN - 5 CAVITY
	088473-08-000	EA	HOUSING - PIN - 4 CAVITY
	088473-09-000	EA	HOUSING - PIN - 3 CAVITY
	088473-10-000	EA	HOUSING - PIN - 2 CAVITY
	088474-01-000	EA	HOUSING - SOCKET - 12 CAVITY
	088474-02-000	EA	HOUSING - SOCKET - 15 CAVITY
	088474-03-000	EA	HOUSING - SOCKET - 9 CAVITY
	088474-06-000	EA	HOUSING - SOCKET - 6 CAVITY
	088474-07-000	EA	HOUSING - SOCKET - 5 CAVITY
	088474-08-000	EA	HOUSING - SOCKET - 4 CAVITY
	088474-09-000	EA	HOUSING - ELECTRICAL - 3 TERMINAL
	088474-10-000	EA	HOUSING - SOCKET - 2 CAVITY
	088475-01-000	EA	PIN - CONNECTOR - 14 - 20 AWG

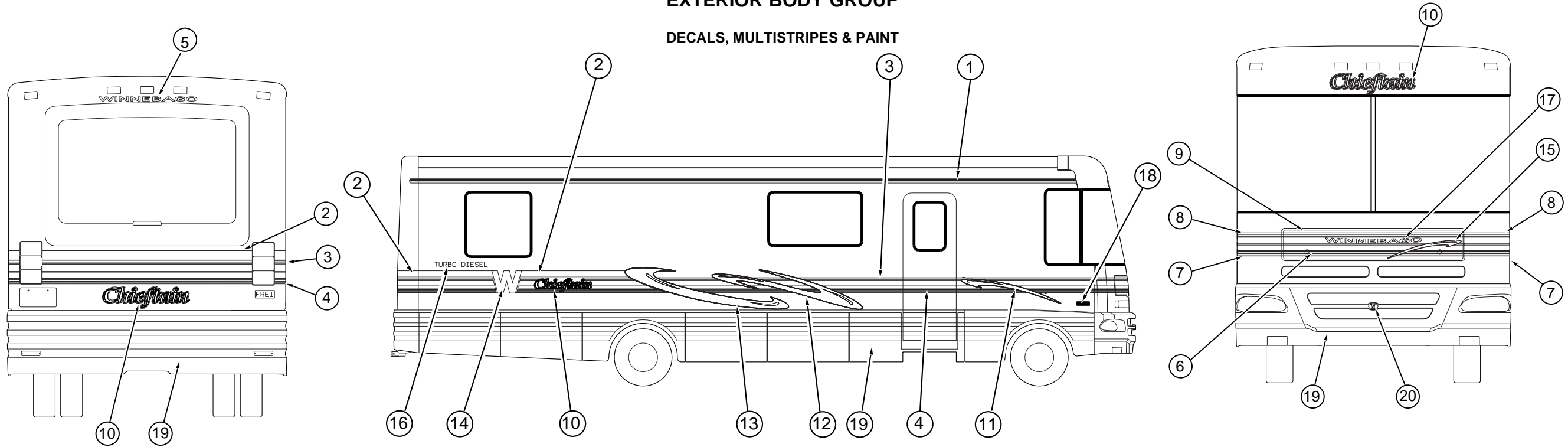
ELECTRICAL GROUP (CONTINUED)

CONNECTORS & CONDUIT (CONTINUED)

KEY	PART NUMBER	U/M	DESCRIPTION
	088475-02-000	EA	PIN - CONNECTOR - 10-12 AWG
	088476-01-000	EA	TERMINAL - ELECTRICAL
	088476-02-000	EA	SOCKET - CONNECTOR - 12-10 GA - PRE-TIN
	092786-02-000	EA	BUSS BAR - 3.3" LONG
	092786-03-000	EA	BUSS BAR - 6.9" LONG
	098260-01-000	EA	TERMINAL - MALE - 56 SERIES
	098261-02-000	EA	SOCKET - CONNECTOR - WEATHERPACK
	098262-01-000	EA	SEAL - CONNECTOR - WEATHERPACK
	098262-05-000	EA	SEAL - CAVITY
	098262-06-000	EA	SEAL - CONNECTOR - M/P - 10 GAUGE
	098264-01-000	EA	HOUSING - 2 PIN - WEATHERPACK
	098264-02-000	EA	HOUSING - 2 PIN - WEATHER PACK
	098265-02-000	EA	PIN - CONNECTOR - WEATHERPACK
	101571-01-000	EA	HOUSING - 2 POSITION - MALE
	102777-02-000	EA	TERMINAL - RING - #6 STUD - 10 AWG
	103608-01-000	EA	SOCKET - WEDGE BASE W/LEADS
	104100-01-000	EA	HOUSING - 1 POSITION - 75 AMPS
	104100-02-000	EA	TERMINAL - 75 AMP
	104100-03-000	EA	TERMINAL - 75 AMP
	106006-01-000	EA	HOUSING - 1 POSITION - FEMALE
	106007-01-000	EA	TERMINAL - FEMALE - 14-16 AWG
	106655-01-000	EA	TERMINAL - FUSE BLOCK - 14-16 AWG
	110178-01-000	EA	HOUSING - WIPER MOTOR
	112823-01-000	EA	SPLICE - REDUCER - 16-14 TO 18-22
	113131-01-000	EA	HOUSING - 3 PIN
	113135-01-000	EA	TERMINAL - FEMALE- M/P - 14-16
	113306-01-000	EA	TERMINAL - FEMALE - M/P - 14-16
	113306-02-000	EA	TERMINAL - FEMALE - M/P - 10-12 - 480
	113307-01-000	EA	TERMINAL - FEMALE - M/P - 16-20
	113308-01-000	EA	TERMINAL - FEMALE - M/P - 14-16 - 280
	113468-01-000	EA	HOUSING - 2 POSITION - FEMALE
	115931-01-000	EA	COVER - CONNECTOR - W/LOCK RING
	115931-02-000	EA	COVER - CONNECTOR
	115932-01-000	EA	CONNECTOR - FEMALE - 30 AMP - 120 VOLT
	115932-02-000	EA	CONNECTOR - FEMALE - 50 AMP - 240 VOLT
	116811-01-000	EA	TERMINAL - .110 RECEPTACLE - 16-14 AWG
	118571-01-000	EA	CONNECTOR - 30WAY - MALE/SEALED
	118571-02-000	EA	CONNECTOR - 30WAY - FEMALE/SEALED
	118571-03-000	EA	BRACKET - MOUNTING
	118571-04-000	EA	GASKET - MACK120MF2136M
	118571-05-000	EA	LOCK - SECONDARY - FEMALE
	118571-06-000	EA	LOCK - SECONDARY - MALE
	118597-01-000	EA	TERMINAL - MALE - M/P - 480 - 14-16
	118597-02-000	EA	TERMINAL - MALE - M/P - 480 - 10-12
	118599-01-000	EA	TERMINAL - MALE - M/P - 280 - 14-16
	119248-02-000	EA	HOUSING - 7 POSITION - FEMALE
	125323-01-000	EA	HOUSING - 10 POSITION - MALE
	125323-02-000	EA	HOUSING - 8 POSITION - MALE
	125323-03-000	EA	LOCK - SECONDARY 8 POSITION
	125323-04-000	EA	LOCK - SECONDARY 10 POSITION
	125324-01-000	EA	TERMINAL - MALE
	125325-01-000	EA	SEAL - CAVITY
	126403-01-000	EA	CONNECTOR - 2 CIRCUIT
	126403-02-000	EA	CONNECTOR - 3 CIRCUIT

EXTERIOR BODY GROUP

DECALS, MULTISTRIPES & PAINT



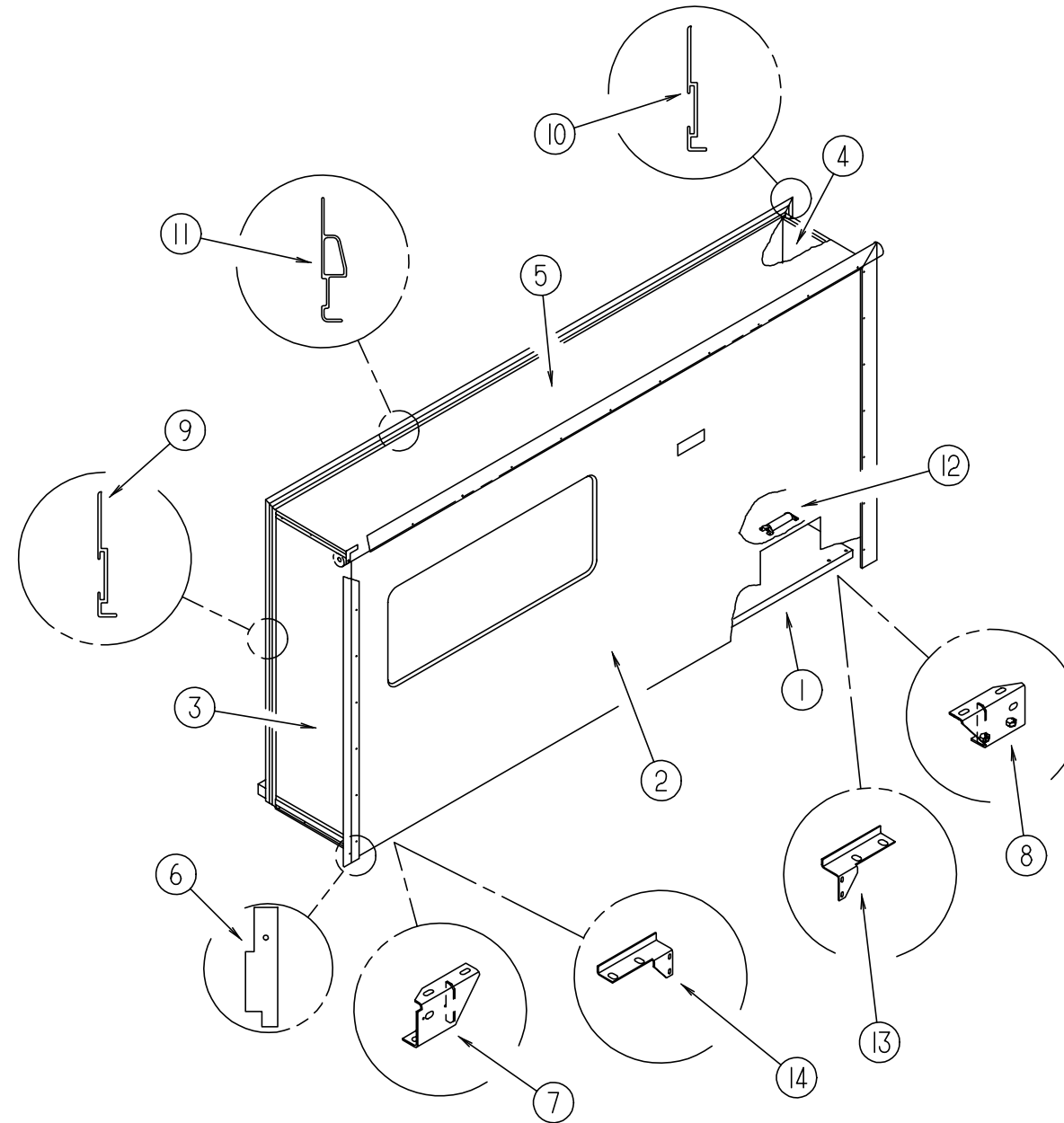
KEY	PART NUMBER	U/M	DESCRIPTION
1	094423-08-01A	FT	FILM - OVERLAY - MULTISTRIFE - 2.4"
2	093681-48-01A	FT	FILM - 3"
3	094433-09-01A	FT	FILM - OVERLAY - 4"
4	118710-02-01A	FT	FILM - MULTISTRIFE - OVERLAY - 4"
5	120702-02-01A	EA	DECAL - LOGO - WINNEBAGO
6	120697-01-01A	EA	DECAL - HOOD - LOWER
7	120699-01-01A	EA	DECAL - CORNER - LOWER/RIGHT HAND
7	120699-02-01A	EA	DECAL - CORNER - LOWER/LEFT HAND
8	120698-01-01A	EA	DECAL - CORNER - UPPER/RIGHT HAND
8	120698-02-01A	EA	DECAL - CORNER - UPPER/LEFT HAND
9	120696-01-01A	EA	DECAL - HOOD - UPPER
10	120701-01-01A	EA	DECAL - LOGO - CHIEFTAIN
11	120693-01-01A	EA	DECAL - SWIRL - FRONT/RIGHT HAND
11	120693-02-01A	EA	DECAL - SWIRL - FRONT/LEFT HAND
12	120694-01-01A	EA	DECAL - SWIRL - CENTER/RIGHT HAND
12	120694-02-01A	EA	DECAL - SWIRL - CENTER/LEFT HAND
13	120695-01-01A	EA	DECAL - SWIRL - REAR/RIGHT HAND
13	120695-02-01A	EA	DECAL - SWIRL - REAR/LEFT HAND
14	120700-01-01A	EA	DECAL - LOGO - W
15	121125-01-01A	EA	DECAL - SWIRL - HOOD
16	111318-03-10A	EA	DECAL - TURBO - DIESEL
17	121510-01-01A	EA	DECAL - LOGO - WINNEBAGO - SWEEP
18	122312-01-01A	EA	DECAL - VORTEC 7400
			FROM: 00-00-00 THRU: 09-14-97
18	122312-02-01A	EA	DECAL - VORTEC 7400
			FROM: 09-15-97 THRU: 99-99-99
18	129922-01-01A	EA	EMBLEM - TRITON V10
19	NA	EA	PAINT - PLATINUM
19	NA	EA	PAINT - LIGHT SILVER METALLIC
20	120875-01-01A	EA	DECAL - LOGO - GRILLE - DOMED
20	120994-01-01A	EA	BEZEL - DOMED GRILLE LOGO
	093681-40-01A	FT	FILM - 2" - FLAT BLACK (DRIVERS DOOR)
	041561-03-000	EA	PAINT - 16 OUNCE SPRAY - OFF WHITE
	099399-23-700	EA	PAINT-SPRAY-BRT WHITE ENAMEL

DUPONT COLOR CODES

BRIGHT WHITE ENAMEL	B8951U
DARK GREEN METALLIC	MM172
DARK PURPLE METALLIC	F0740
SUNSET METALLIC	YM430
BURGUNDY METALLIC	RM195
PLATINUM	F2528U
LIGHT SILVER METALLIC	F2573U

EXTERIOR BODY GROUP CONTINUED)

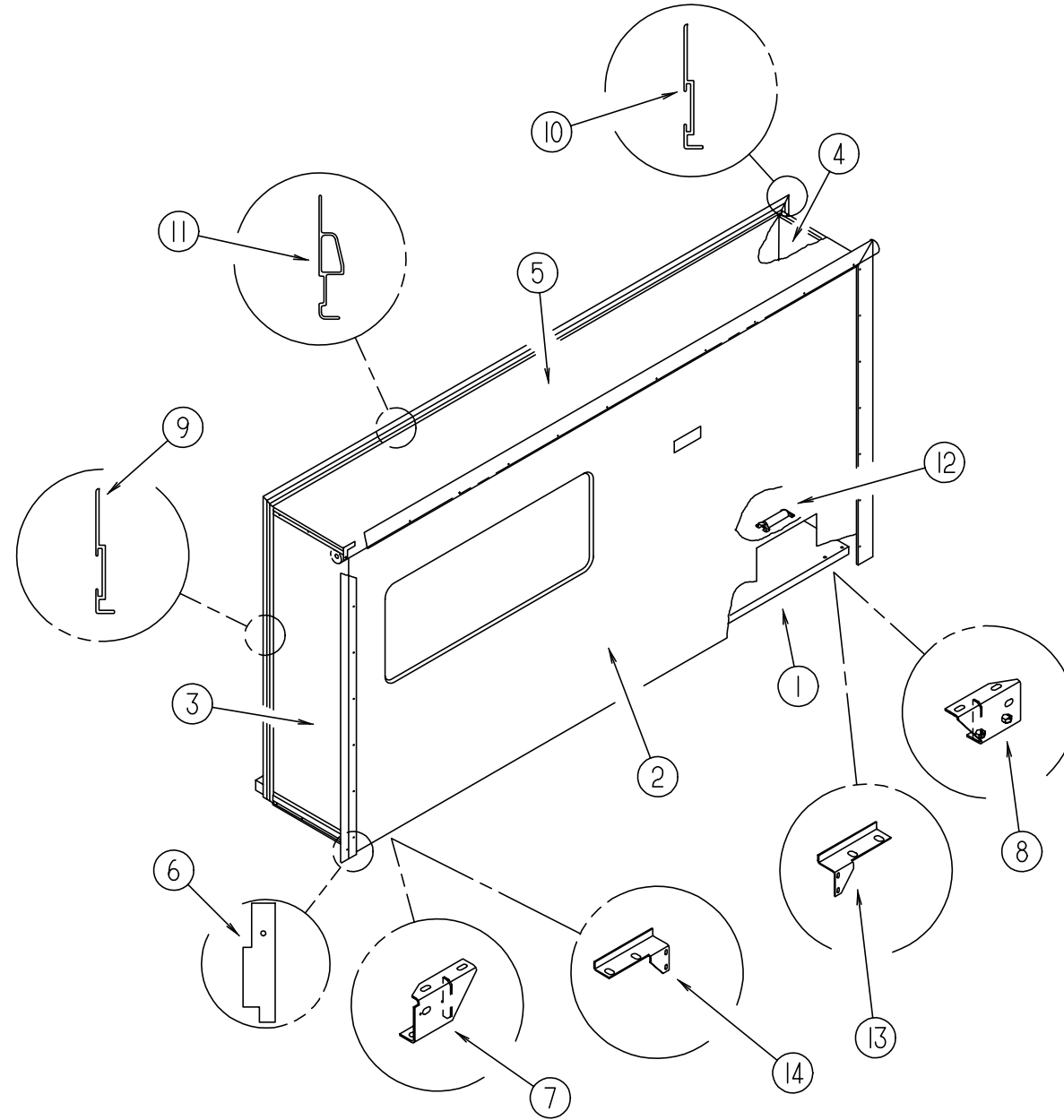
SLIDEOUT PANELS & INNER TRIM SEAL



KEY	PART NUMBER	U/M	DESCRIPTION
1	P26826-01-J60	EA	FLOOR ASM-SLIDEOUT
	104692-01-000	FT	SEAL - FOAM/ADHESIVE BACK - .75"THICK X .75"WIDE X 25'
	117058-01-01A	FT	TAPE - LOOP - 3/4" WIDE - ADHESIVE BACKED
2	119783-07-J30	EA	PANEL - SLIDEOUT/OUTER (J90, J30)
2	119783-07-J31	EA	PANEL - SLIDEOUT/OUTER (J91, J31)
2	119783-07-J32	EA	PANEL - SLIDEOUT/OUTER (J92, J32)
2	119783-07-J33	EA	PANEL - SLIDEOUT/OUTER (J93, J33)
3	121401-01-J30	EA	PANEL - SLIDEOUT/FRONT (J90, J30)
			FROM: 00-00-00 THRU: 11-20-97
3	121401-01-J31	EA	PANEL - SLIDEOUT/FRONT (J91, J31)
			FROM: 00-00-00 THRU: 11-20-97

KEY	PART NUMBER	U/M	DESCRIPTION
3	121401-01-H41	EA	PANEL - SLIDEOUT/FRONT (J92, J32)
			FROM: 00-00-00 THRU: 11-20-97
3	121401-01-H48	EA	PANEL - SLIDEOUT/FRONT (J93, J33)
			FROM: 00-00-00 THRU: 11-20-97
3	121401-02-J30	EA	PANEL - SLIDEOUT/FRONT (J90, J30)
			FROM: 11-21-97 THRU: 99-99-99
3	121401-02-J31	EA	PANEL - SLIDEOUT/FRONT (J91, J31)
			FROM: 11-21-97 THRU: 99-99-99
3	121401-02-J32	EA	PANEL - SLIDEOUT/FRONT (J92, J32)
			FROM: 11-21-97 THRU: 99-99-99
3	121401-02-J33	EA	PANEL - SLIDEOUT/FRONT (J93, J33)
			FROM: 11-21-97 THRU: 99-99-99

EXTERIOR BODY GROUP CONTINUED)
SLIDEOUT PANELS & INNER TRIM SEAL (CONTINUED)

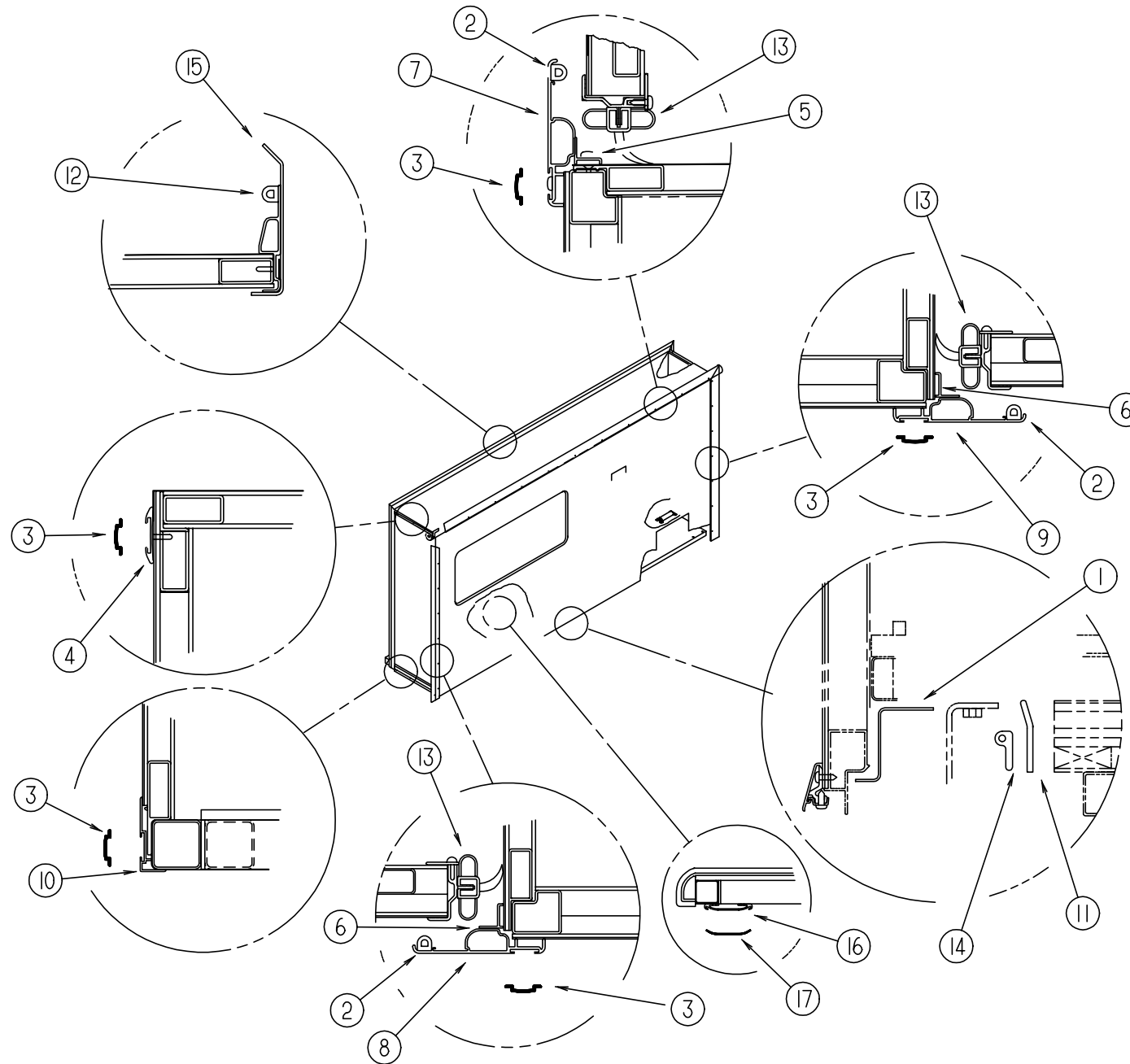


KEY	PART NUMBER	U/M	DESCRIPTION
4	121402-02-J30	EA	PANEL - SLIDEOUT/REAR (J90, J30) FROM: 00-00-00 THRU: 11-20-97
4	121402-02-J31	EA	PANEL - SLIDEOUT/REAR (J91, J31) FROM: 00-00-00 THRU: 11-20-97
4	121402-02-J32	EA	PANEL - SLIDEOUT/REAR (J92, J32) FROM: 00-00-00 THRU: 11-20-97
4	121402-02-J33	EA	PANEL - SLIDEOUT/REAR (J93, J33) FROM: 00-00-00 THRU: 11-20-97
4	121402-03-J30	EA	PANEL - SLIDEOUT/REAR (J90, J30) FROM: 11-21-97 THRU: 99-99-99
4	121402-03-J31	EA	PANEL - SLIDEOUT/REAR (J91, J31) FROM: 11-21-97 THRU: 99-99-99
4	121402-03-J32	EA	PANEL - SLIDEOUT/REAR (J92, J32) FROM: 11-21-97 THRU: 99-99-99
4	121402-03-J33	EA	PANEL - SLIDEOUT/REAR (J93, J33) FROM: 11-21-97 THRU: 99-99-99

KEY	PART NUMBER	U/M	DESCRIPTION
5	126827-01-J60	EA	ROOF - SLIDEOUT - W/O LIGHTS/VENTS - W/WIRING
6	126546-01-02A	EA	COVER-SIDEWALL,END BRT/WHT
7	127030-01-02B	EA	BRACKET - SLIDEOUT MOUNT
8	127030-02-02B	EA	BRACKET - SLIDEOUT MOUNT
9	117004-01-01A	EA	TRIM - SEAL - INNER - OFF WHITE
10	117004-02-01A	EA	TRIM - SEAL - INNER - OFF WHITE
11	117004-03-01A	EA	TRIM - SEAL - INNER - OFF WHITE
12	127033-01-01A	EA	ROLLER - GUIDE FROM: 00-00-00 THRU: 07-20-97
13	125888-01-02B	EA	BRACKET-SLIDEOUT COMPT,RH EC
14	125888-02-02B	EA	BRACKET-SLIDEOUT COMPT,LH EC

EXTERIOR BODY GROUP (CONTINUED)

SLIDEOUT SUPPORTS, SEALS & TRIMS

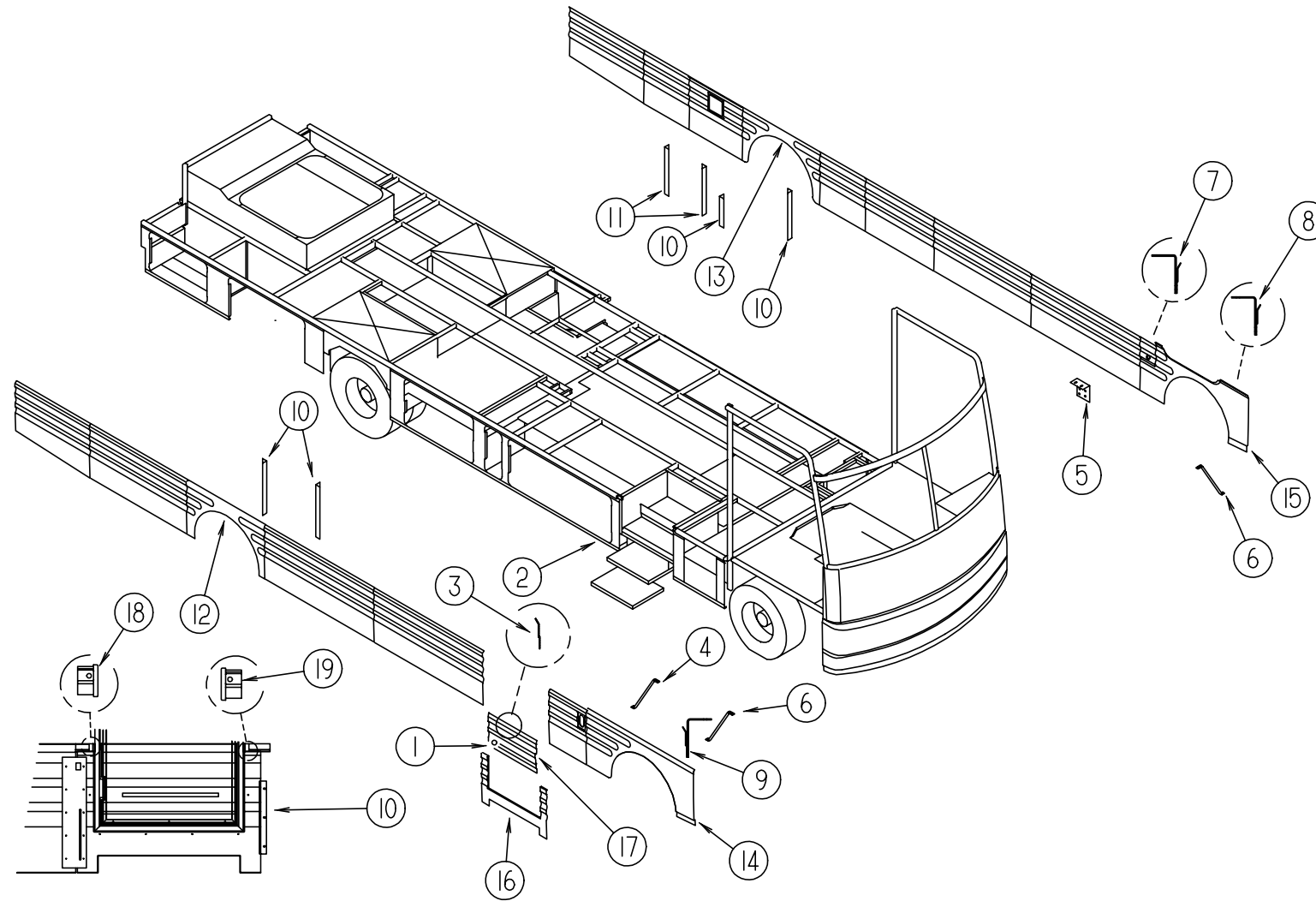


KEY	PART NUMBER	U/M	DESCRIPTION
1	126017-03-02B	EA	SUPPORT ASM-FLOOR,E-COAT
2	099418-01-000	FT	SEAL - D-SECTION/ADHESIVE BACK - .44" X .44"- BLK RUBBER
3	105312-01-07A	FT	INSERT - VINYL FEATURE STRIP - BRIGHT WHITE
4	108688-01-03A	EA	STRIP - FEATURE - 15'
5	116933-01-02A	EA	TRIM-SEAL,B/W
6	116933-09-01A	EA	TRIM - SEAL
7	119992-01-02A	EA	TRIM-SEAL,W/MITRD ENDS,B/W
8	119992-09-01A	EA	TRIM-SEAL,W/MITRD ENDS,B/W
9	119992-10-01A	EA	TRIM-SEAL,W/MITRD ENDS,B/W
10	125051-01-01A	EA	STRIP-FEATURE,LOWER,B/W

KEY	PART NUMBER	U/M	DESCRIPTION
11	089275-02-000	FT	STRIP - 3/4" X 84" BLACK POLYETHYLENE
11	115075-02-000	FT	SEAL - WIPE - .25" X 3.15"
12	112091-01-000	FT	SEAL-D - NEOPRENE - TRUNK
13	115076-01-000	FT	SEAL - SLIDEOUT
14	121283-01-000	FT	SEAL - P SHAPED
15	125466-01-01A	EA	SUPPORT - ROOF - INTERIOR - OFF/WHITE
16	115325-01-02A	EA	RAIL - FLOOR - SLIDEOUT ROOM
17	115661-01-000	FT	POLYETHYLENE - HIGH DENSITY - 1/16" X 3'

EXTERIOR BODY GROUP (CONTINUED)

VALANCE PANELS & TRIMS

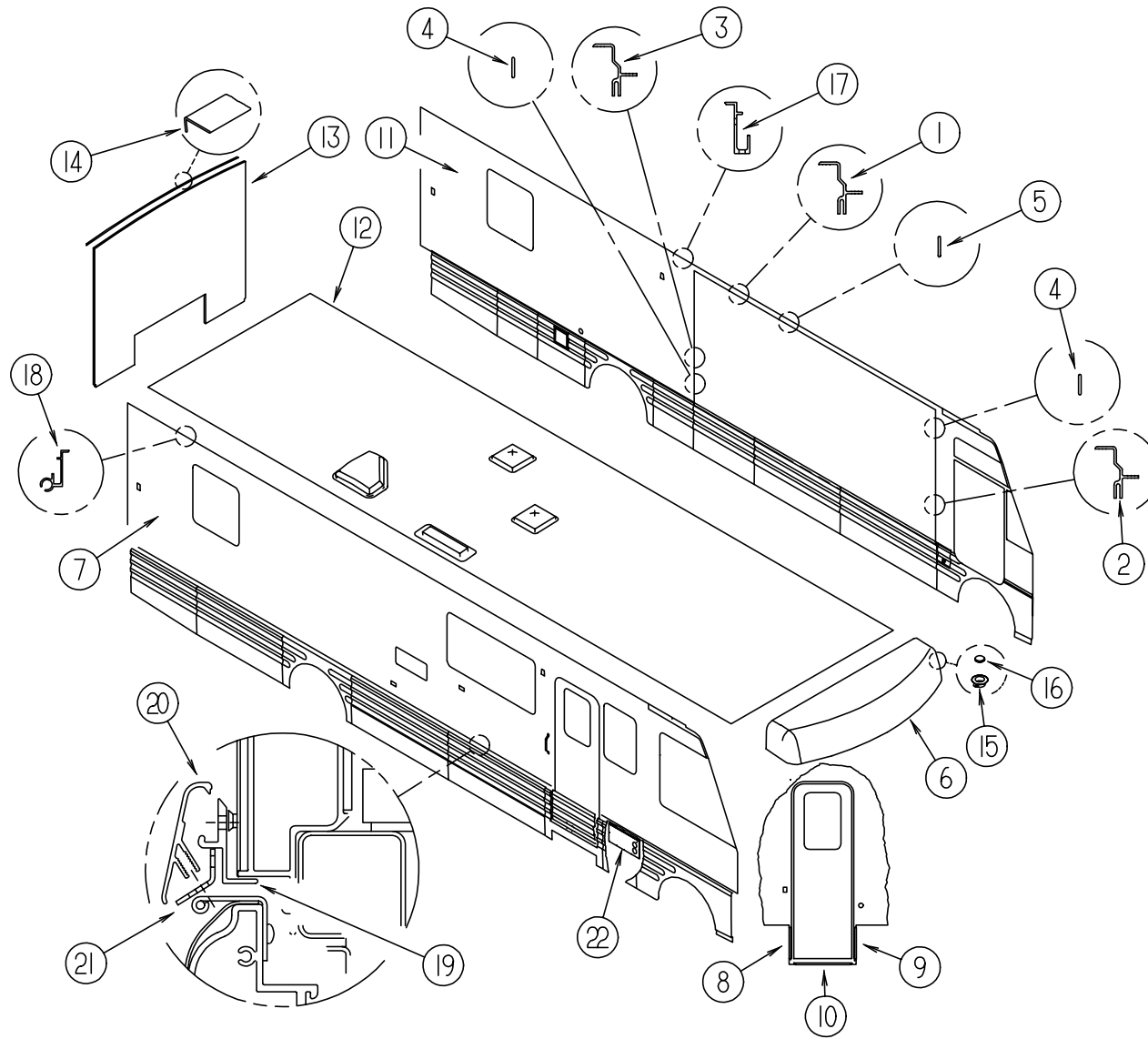


KEY	PART NUMBER	U/M	DESCRIPTION
1	069726-02-000	EA	BUMPER - .88" OD X .40" THICK - BLACK
2	099069-01-000	FT	SEAL - RUBBER - CLOSED SPONGE - .5" WIDE X .12" THICK -BLK
3	106105-03-000	EA	CLIP - VALANCE/RETAINING
4	107865-02-000	EA	ROD - SUPPORT - VALANCE PANEL - 13.2"
5	119568-01-01A	EA	STANDOFF-VALANCE PANEL, BLACK
6	107865-10-000	EA	ROD - SUPPORT - VALANCE PANEL - 15.1"
7	108455-11-000	EA	ANGLE ASM-VALANCE, TRIM
			FROM: 00-00-00 THRU: 01-04-98
7	108455-06-000	EA	ANGLE ASM-VALANCE, TRIM
			FROM: 01-05-98 THRU: 99-99-99
7	106105-13-000	EA	CLIP - VALANCE/RETAINING
			FROM: 00-00-00 THRU: 01-04-98
7	106105-09-000	EA	CLIP - VALANCE/RETAINING
			FROM: 01-05-98 THRU: 99-99-99
8	108455-05-000	EA	ANGLE ASM-VALANCE, TRIM
8	106105-05-000	EA	CLIP - VALANCE/RETAINING
9	108455-14-000	EA	ANGLE ASM-VALANCE, TRIM
9	106105-17-000	EA	CLIP - VALANCE/RETAINING

KEY	PART NUMBER	U/M	DESCRIPTION
10	113041-03-02B	EA	ANGLE - MOUNT/BUMPER
11	113041-07-02B	EA	ANGLE - BUMPER MOUNT
12	126061-03-J60	EA	PANEL - WHEEL LIP - REAR/PASSENGER
13	126061-04-J60	EA	PANEL - WHEEL LIP - REAR/DRIVER
14	126064-01-J30	EA	PANEL - WHEEL LIP - FRONT/PASSENGER
15	126064-02-J30	EA	PANEL - WHEEL LIP - FRONT/DRIVER
	125540-01-01A	EA	LINER - STEPWELL - VALANCE
16	126063-02-J60	EA	PANEL - VALANCE - HORSEHOE
17	126159-01-J60	EA	PANEL - VALANCE - ENTRY DOOR
18	126775-01-01A	EA	END CAP - VALANCE - RIGHT HAND/LOWER
19	126775-02-01A	EA	END CAP - VALANCE - LEFT HAND/LOWER

EXTERIOR BODY GROUP (CONTINUED)

BODY PANELS & TRIMS

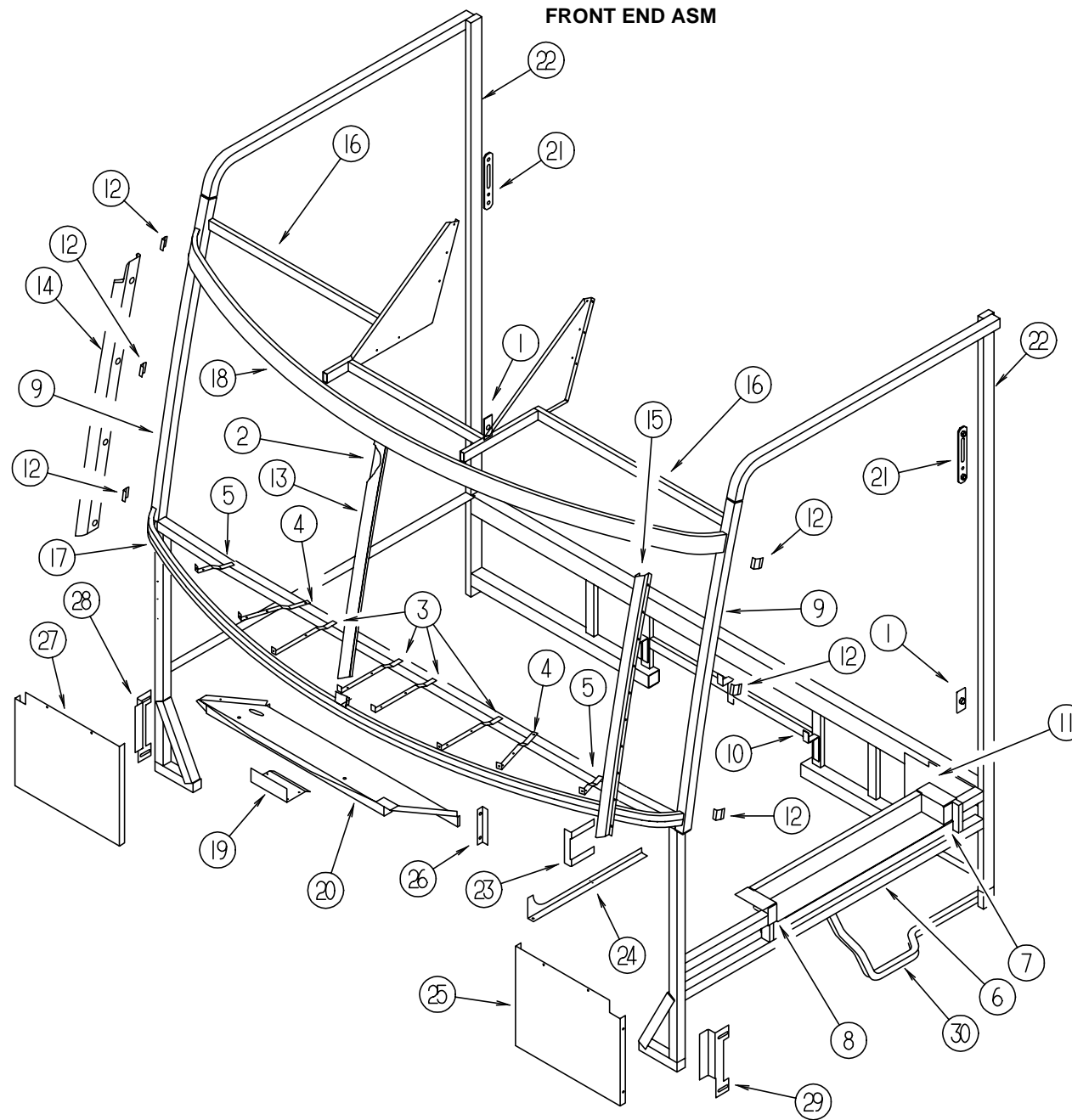


KEY	PART NUMBER	U/M	DESCRIPTION
1	115863-03-03A	EA	TRIM - SIDEWALL
2	115863-13-01A	EA	TRIM - SIDEWALL
3	115863-14-01A	EA	TRIM - SIDEWALL
4	115886-02-03A	EA	RETAINER-SIDEWALL,BRT/WT
5	115886-01-03A	EA	RETAINER-SIDEWALL,BRT/WT
6	125052-02-J20	EA	CAP - ROOF
6	125052-01-01A	EA	CAP - ROOF
7	127133-01-J30	EA	SIDEWALL - PASSENGER - W/O WINDOWS/TRIMS - LOW GLOSS (J90, J30)
7	127133-03-J30	EA	SIDEWALL - PASSENGER - W/O WINDOWS/TRIMS - HIGH GLOSS (J90, J30)
7	127133-01-J31	EA	SIDEWALL - PASSENGER - W/O WINDOWS/TRIMS - LOW GLOSS (J91, J31)
7	127133-03-J31	EA	SIDEWALL - PASSENGER - W/O WINDOWS/TRIMS - HIGH GLOSS (J91, J31)
7	127133-01-J32	EA	SIDEWALL - PASSENGER - W/O WINDOWS/TRIMS - LOW GLOSS (J92, J32)
7	127133-03-J32	EA	SIDEWALL - PASSENGER - W/O WINDOWS/TRIMS - HIGH GLOSS (J92, J32)
7	127133-01-J33	EA	SIDEWALL - PASSENGER - W/O WINDOWS/TRIMS - LOW GLOSS (J93, J33)
7	127133-03-J33	EA	SIDEWALL - PASSENGER - W/O WINDOWS/TRIMS - HIGH GLOSS (J93, J33)
8	121091-01-02A	EA	ANGLE-ENTRANCE DOOR - BRIGHT WHITE
9	121091-02-03A	EA	ANGLE-ENTRANCE DOOR - BRIGHT WHITE
10	121091-13-01A	EA	ANGLE-ENTRANCE DOOR - BRIGHT WHITE
11	126825-01-J30	EA	SIDEWALL - DRIVERS - W/O WINDOWS/TRIMS - LOW GLOSS (J90, J30)
11	126825-03-J30	EA	SIDEWALL - DRIVERS - W/O WINDOWS/TRIMS - HIGH GLOSS (J90, J30)
11	126825-01-J31	EA	SIDEWALL - DRIVERS - W/O WINDOWS/TRIMS - LOW GLOSS (J91, J31)
11	126825-03-J31	EA	SIDEWALL - DRIVERS - W/O WINDOWS/TRIMS - HIGH GLOSS (J91, J31)

KEY	PART NUMBER	U/M	DESCRIPTION
11	126825-01-J32	EA	SIDEWALL - DRIVERS - W/O WINDOWS/TRIMS - LOW GLOSS (J92, J32)
11	126825-03-J32	EA	SIDEWALL - DRIVERS - W/O WINDOWS/TRIMS - HIGH GLOSS (J92, J32)
11	126825-01-J33	EA	SIDEWALL - DRIVERS - W/O WINDOWS/TRIMS - LOW GLOSS (J93, J33)
11	126825-03-J33	EA	SIDEWALL - DRIVERS - W/O WINDOWS/TRIMS - HIGH GLOSS (J93, J33)
12	127136-01-J30	EA	ROOF - W/O LIGHTS/VENTS - W/WIRING
13	126864-01-J30	EA	BACKWALL - W/O WINDOW/TRIM (J90, J30)
13	126864-01-J31	EA	BACKWALL - W/O WINDOW/TRIM (J91, J31)
13	126864-01-J32	EA	BACKWALL - W/O WINDOW/TRIM (J92, J32)
13	126864-01-J33	EA	BACKWALL - W/O WINDOW/TRIM (J93, J33)
14	114248-02-01A	EA	ANGLE - PLASTIC - 96.6"
15	118383-01-04A	EA	RETAINER - SCREW
16	118383-04-04A	EA	CAP - RETAINER/SCREW
17	120091-02-02A	EA	TRIM - ROOF
18	120092-01-02A	EA	RAIL - AWNING
19	123880-01-01A	EA	TRIM-RETAINER,MILL
19	123880-02-01A	EA	TRIM-RETAINER,MILL (ENTRANCE DOOR)
20	123993-01-03A	EA	TRIM - COVER
21	124046-01-02B	EA	BRACKET-ANCHOR,TRIM,E-COAT
	124046-02-02B	EA	BRACKET - AMCJPR - E-COATED (NEXT TO ENTRY DOOR)
22	126693-01-02B	EA	PANEL - EXHAUST/FURNACE
	090340-02-000	FT	SEAL - FOAM - CLOSED CELL - 3/8" X 1/2" X 50'

EXTERIOR BODY GROUP (CONTINUED)

FRONT END ASM

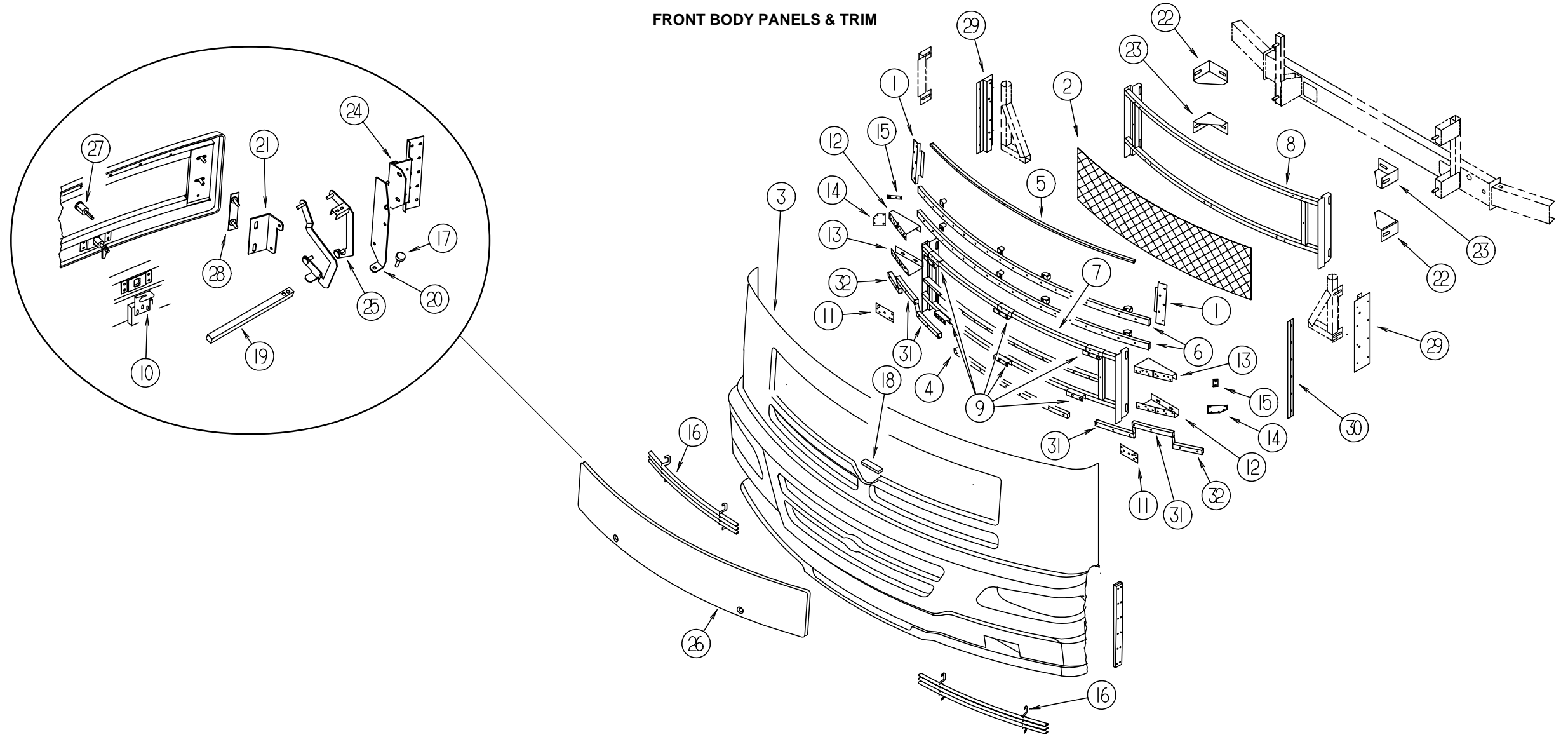


KEY	PART NUMBER	U/M	DESCRIPTION
1	070579-06-000	EA	PLATE - ANCHOR - W/7/16 WELD NUT - 1.5" X 3.3"
1	070579-07-000	EA	PLATE - ANCHOR - W/O WELD NUT - 1.5" X 3.3"
2	078249-17-000	EA	TUBE-SWEPT, FRAME CAB
3	104797-03-000	EA	BRACKET-DEFROSTER
4	104797-04-000	EA	BRACKET-DEFROSTER
5	104797-05-000	EA	BRACKET-DEFROSTER
6	106746-02-000	EA	PANEL - STEPWELL
7	106747-03-000	EA	PANEL - STEPWELL - RIGHT HAND END
8	106747-04-000	EA	PANEL - STEPWELL - LEFT HAND END
9	117273-01-01A	EA	TUBE - SUPPORT - A-PILLAR
10	117287-01-01B	EA	BRACKET-MOUNT,CABLE
11	118592-01-01B	EA	SHIELD-SPLASH,RH,MILL
12	120363-01-01B	EA	BRACKET - WINDSHIELD
13	120840-07-01B	EA	STRAP-W/HOLES,MILL
14	121269-05-01B	NC	FRAME-W/S,A PILLAR,MILL
15	121269-06-01B	EA	FRAME-W/S,A PILLAR,MILL

KEY	PART NUMBER	U/M	DESCRIPTION
16	124764-51-01B	EA	HEADER ASM-W/TV,MILL
	124904-03-01B	EA	HEADER - WINDSHIELD - CENTER
17	124974-01-01B	EA	SUPPORT-WINDSHIELD,LOWER,MLL
18	124975-01-01B	EA	SUPPORT-WINDSHIELD,UPPER,MLL
19	125836-02-01B	EA	ZEE-WIPER MOTOR,MILL
20	125837-02-01B	EA	BRACE-WIPER MOTOR,MILL
21	127461-02-01B	EA	PLATE-ANCHOR,SEAT BELT,MILL
22	127874-01-01B	EA	TUBE-B PILLAR,MILL
22	127874-02-01B	EA	TUBE-B PILLAR,MILL (LEFT SIDE ON FREIGHTLINER ONLY)
23	097123-01-000	EA	MOUNT-AIR INTAKE,FORD
24	099102-01-000	EA	BRACKET-LINKAGE,THROTTLE - FORD
25	104147-14-000	EA	SHIELD ASM-SPLASH,HEADLIGHT - FORD
26	123262-02-02B	EA	BRACKET ASM-FUSE PANEL,E-CT - FORD
27	121962-02-02B	EA	SHIELD ASM-SPLASH,HDLGT,E-CT - GM
28	128019-01-02B	EA	SUPPORT - FRONT END/REAR
29	128019-02-02B	EA	SUPPORT - FRONT END/REAR
30	063977-14-000	EA	STEP ASM-DRIVER DOOR,LH - GM/FORD

EXTERIOR BODY GROUP (CONTINUED)

FRONT BODY PANELS & TRIM

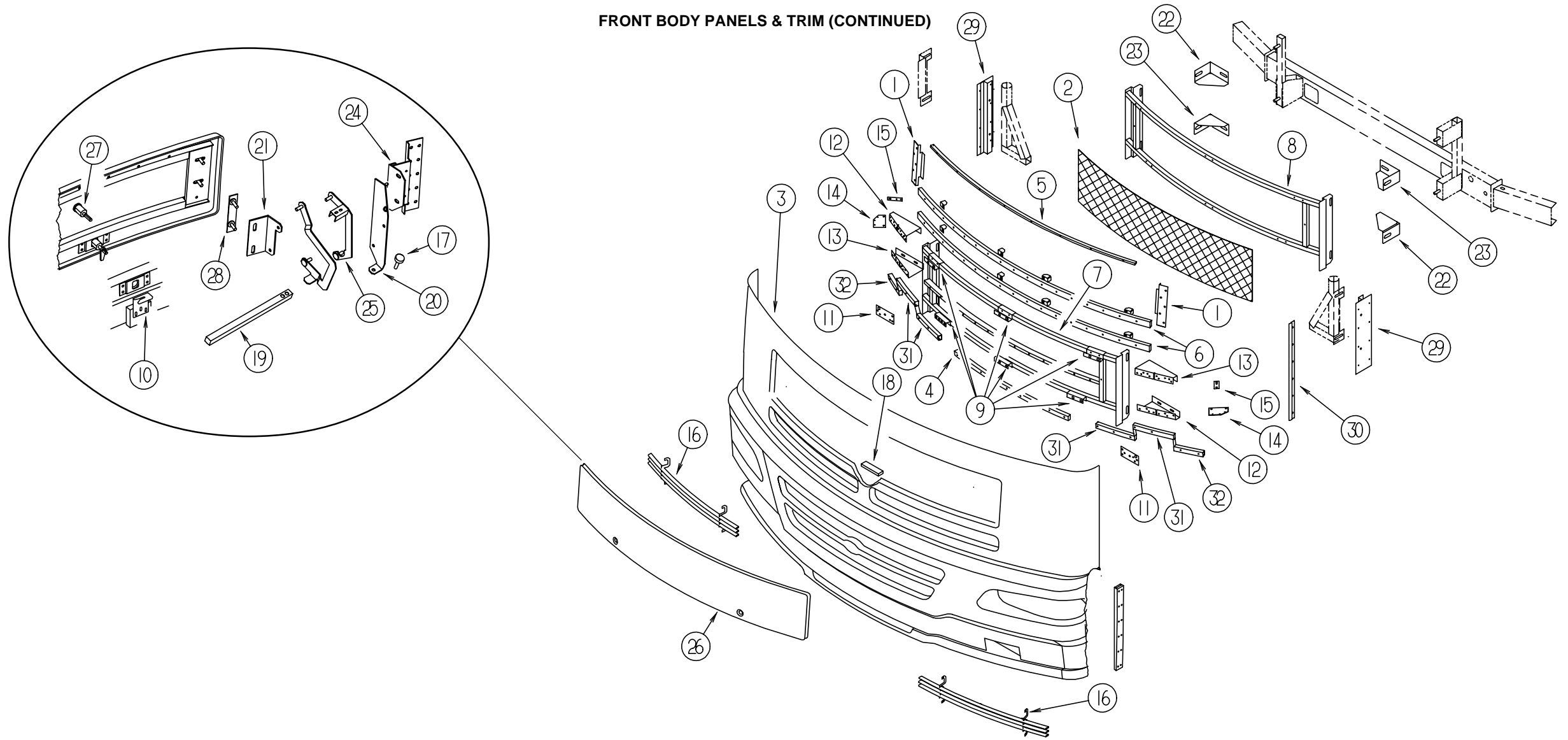


KEY	PART NUMBER	U/M	DESCRIPTION
1	113495-03-02B	EA	SUPPORT - HINGE
2	115924-14-02A	EA	GRILLE - WOVEN WIRE - GM/FORD/HDGM
3	125440-02-J30	EA	PANEL - FRONT/LOWER - GM/FORD
3	125440-04-J30	EA	PANEL - FRONT/LOWER - HDGM
3	125440-04-J30	EA	PANEL - FRONT/LOWER - FREIGHTLINER
			FROM: 00-00-00 THRU: 01-13-98
3	125440-06-J30	EA	PANEL - FRONT/LOWER - FREIGHTLINER
			FROM: 01-14-98 THRU: 99-99-99
4	125709-03-01A	EA	TUBE-GRILLE,LOWER,BLK
5	125846-02-J20	EA	SUPPORT ASM-WIPER
6	126331-01-01A	EA	TUBE-GRILLE,HORIZONTAL BLACK
7	126332-01-01A	EA	TUBE-GRILLE,HORIZONTAL BLACK
8	126334-01-J30	EA	GRILLE - LOWER
9	126335-01-02B	EA	BRACKET-GRILLE SUPPORT,E-CT
10	126352-01-02B	EA	LATCH-HOOD,FRONT END

KEY	PART NUMBER	U/M	DESCRIPTION
11	126370-01-02B	EA	PLATE-FOGLAMP,E-COAT
12	126491-01-02B	EA	SUPP-HEADLAMP,RH,E-COAT
13	126491-02-02B	EA	SUPP-HEADLAMP,LH,E-COAT
14	127415-01-02B	EA	SUPPORT-PARKLAMP,LOWER,E-CT
15	127835-01-02B	EA	STRAP-PARKLAMP,E-COAT
16	126503-01-J30	EA	GRILLE ASM - UPPER
17	058786-01-000	EA	BOLT - ADJUSTING HOOD - W/BLACK PAD -
18	099418-01-000	FT	SEAL - D-SECTION/ADHESIVE BACK - .44" X .44" - BLK RUBBER
19	105096-10-000	EA	TUBE - HOOD HINGE TIMING W/WELDNUTS
20	109926-11-000	EA	BRACKET - LINK - HINGE/RIGHT HAND
	109926-12-000	EA	BRACKET - LINK - HINGE/LEFT HAND
21	109927-05-000	EA	ANGLE - LINK - HOOD
	109927-06-000	EA	ANGLE - LINK - HOOD

EXTERIOR BODY GROUP (CONTINUED)

FRONT BODY PANELS & TRIM (CONTINUED)



KEY	PART NUMBER	U/M	DESCRIPTION
22	117611-09-02B	EA	BRACKET - BUMPER - E-COAT
22	128455-03-02B	EA	BRACKET-BUMPER
23	117611-10-02B	EA	BRACKET - BUMPER - E-COAT
23	128455-04-02B	EA	BRACKET - BUMER - E-COAT
24	126353-01-02B	EA	LINK - HINGE - UPPER/RIGHT HAND
	126353-02-02B	EA	LINK - HINGE - UPPER/LEFT HAND
25	126356-02-02B	EA	LINK ASM-HINGE,HOOD,LWR,E-CT
	126356-04-02B	EA	LINK ASM-HINGE,HOOD,LWR,E-CT
26	126536-01-J30	EA	HOOD - FRONT
27	102330-02-000	EA	LATCH - VISE ACTION/KEY OPERATED
	102328-01-000	EA	KEY - BARREL - NICKEL PLATED

FROM: 00-00-00 THRU: 12-16-97
 FROM: 12-17-97 THRU: 99-99-99
 FROM: 00-00-00 THRU: 12-16-97
 FROM: 12-17-97 THRU: 99-99-99

KEY	PART NUMBER	U/M	DESCRIPTION
28	106730-10-000	EA	PLATE - STUD
29	120932-01-02B	EA	ANGLE - WHEEL LIP - RIGHT HAND
29	120932-02-02B	EA	ANGLE - WHEEL LIP - LEFT HAND
29	128018-01-02B	EA	BRACKET - FRONT
30	125818-02-01A	EA	TRIM-PANEL,FIBERGLASS,B/W
30	091985-01-07A	FT	MOLDING - TRIM - BRIGHT WHITE
31	125709-04-01A	EA	TUBE-GRILLE,LOWER MILL
32	125709-05-01A	EA	TUBE-GRILLE,LOWER MILL
	110530-01-000	FT	SEAL - SPONGE - .31" X .62"

FROM: 00-00-00 THRU: 06-20-97
 FROM: 00-00-00 THRU: 06-20-97
 FROM: 06-21-97 THRU: 99-99-99

EXTERIOR BODY GROUP (CONTINUED)

EXTERIOR SKIN, STYROFOAM & PLYWOOD

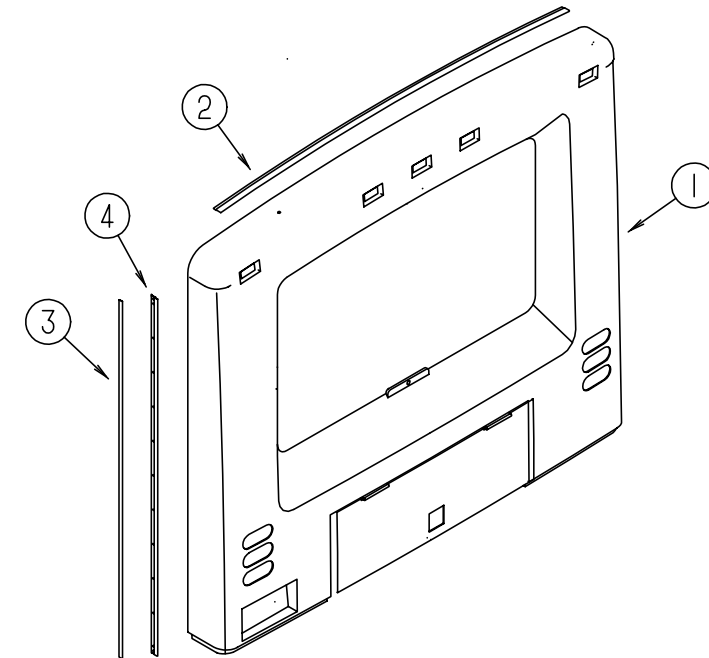
KEY	PART NUMBER	U/M	DESCRIPTION
	002726-01-001	EA	GARNISH - U-CHANNEL - 1.38" X 19' - SERRATED
	002766-01-001	EA	ANGLE - EXTRUDED - 1" X 1.5" X 17'
	068716-01-001	EA	BRACE - 90 DEGREE L-ANGLE - 16'
	076054-X6-000	EA	FIBERGLASS SHEET - 23" X 33" - BRIGHT WHITE
	076054-X9-000	EA	FIBERGLASS SHEET - 22.1" X 70.6" - BRIGHT WHITE
	076054-Y3-000	EA	FIBERGLASS SHEET - 78" X 797" - BRIGHT WHITE
	076054-Z3-000	EA	FIBERGLASS SHEET - 4" X 86" - BRIGHT WHITE
	083574-06-000	SF	STYROFOAM - .75 X 48" X 108" - INCREMENTS OF 14 SF
	089297-01-000	SF	PLYWOOD - LUAN - OVERLAY GRADE - 48" X 96"
	100619-01-000	BF	FOAM - EXPANDED POLYSTYRENE - 1.34" X 48" X 96"
	100619-02-000	BF	FOAM - EXPANDED POLYSTYRENE - 1.5" X 48" X 96"
	100619-05-000	BF	FOAM - EXPANDED POLYSTYRENE - .75" X 48" X 96"
	100619-10-000	BF	FOAM - EXPANDED POLYSTYRENE - 1.5" X 48" X 96"
	100619-11-000	BF	FOAM - EXPANDED POLYSTYRENE - 2" X 48" X 96"
	100619-13-000	BF	FOAM - EXPANDED POLYSTYRENE - .34" X 34.65" X 96"
	100619-16-000	BF	FOAM - EXPANDED POLYSTYRENE - .75" X 48" X 96"
	105077-08-000	EA	FOAM - PLUG - ROOF CAP
	108535-05-702	EA	FIBERGLASS SHEET - FLAT - 110" X 396" BRIGHT WHITE - ROOF
	116942-03-01A	EA	ALUMINUM - .7" X 40" X 158"
	117754-02-01A	EA	FIBERGLASS SHEET - 12.6" X 86" - ANY COLOR
	120107-01-000	EA	FOAM - COVE - ROOF
	120107-02-000	EA	FOAM - PLUG - ROOF TUBE
	120107-03-000	EA	FOAM - PLUG - SIDEWALL TUBE
	126404-01-000	LB	ALUMINUM - .063" X 48" X 96"
	128782-01-01A	EA	FIBERGLASS SHEET - 79" X 417"/HIGH GLOSS - BRIGHT WHITE
	128782-02-01A	EA	FIBERGLASS SHEET - 79" X 456"/HIGH GLOSS - BRIGHT WHITE
	128782-03-01A	EA	FIBERGLASS SHEET - 27.4" X 70.8"/HIGH GLOSS - BRIGHT WHITE

AWNINGS

KEY	PART NUMBER	U/M	DESCRIPTION
	122977-06-01A	EA	AWNING - SLIDEOUT COVER - 160.24"
	111037-01-01A	EA	SPACER - AWNING - UPPER - BLACK
*	113874-01-02A	EA	HARDWARE KIT - AWNING- W/O STANDOFF BRACKET - BRIGHT WHITE
	113874-08-07A	EA	AWNING - W/O HARDWARE - 19' (POLAR BURGUNDY) VINYL
	119496-01-02A	EA	SPACER/ZEE - AWNING
	127960-01-01A	EA	RETAINER - 3/8" PROP ROD - STAINLESS STEEL
	127647-01-01A	EA	ROD - ENTRY DOOR

* COMPONENT PARTS FOUND IN SERVICE PARTS LIBRARY

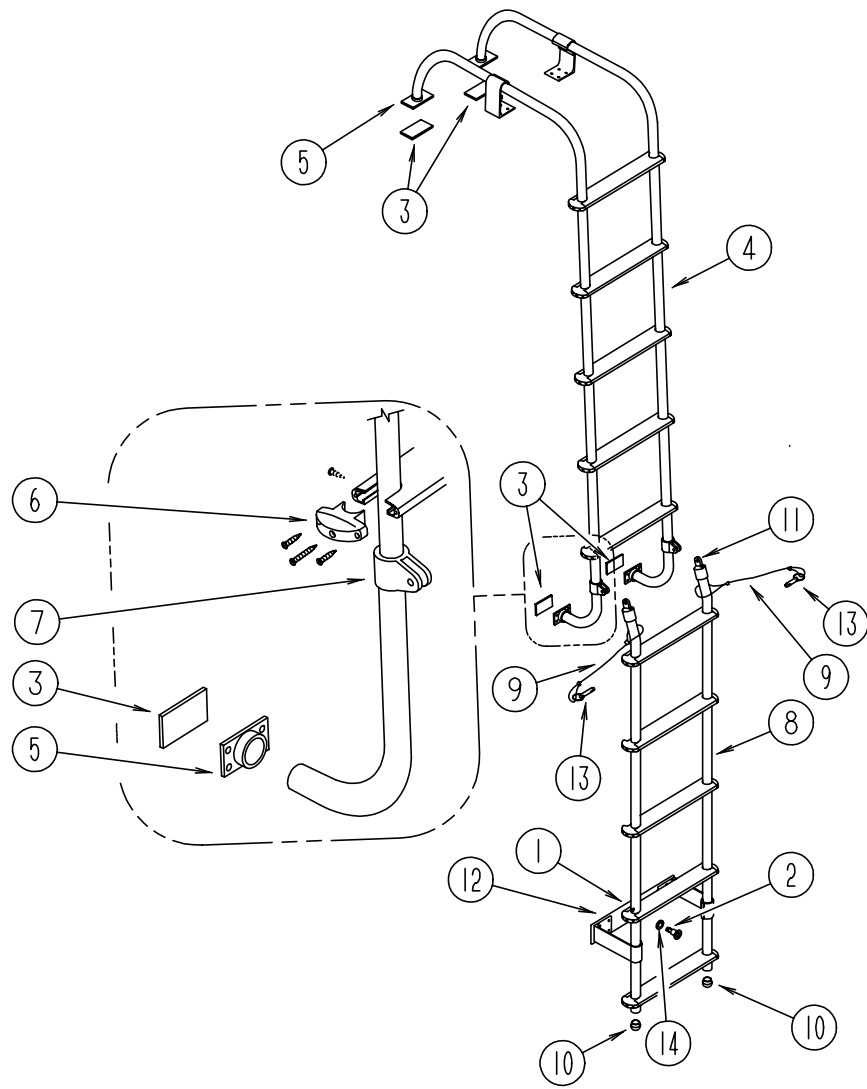
EXTERIOR BODY GROUP (CONTINUED)



REAR PANELS & TRIMS

KEY	PART NUMBER	U/M	DESCRIPTION
1	124720-06-J60	EA	PANEL - REAR CAP - W/DOOR
2	083805-23-000	EA	TRIM - CAP - ROOF - 92"
3	091985-01-07A	FT	MOLDING - TRIM - BRIGHT WHITE
4	092041-04-01A	EA	TRIM - REAR - CAP TO SIDEWALL
	104692-03-000	FT	SEAL - FOAM/ADHESIVE BACK - 1"THICK X 1.25"WIDE X 15'

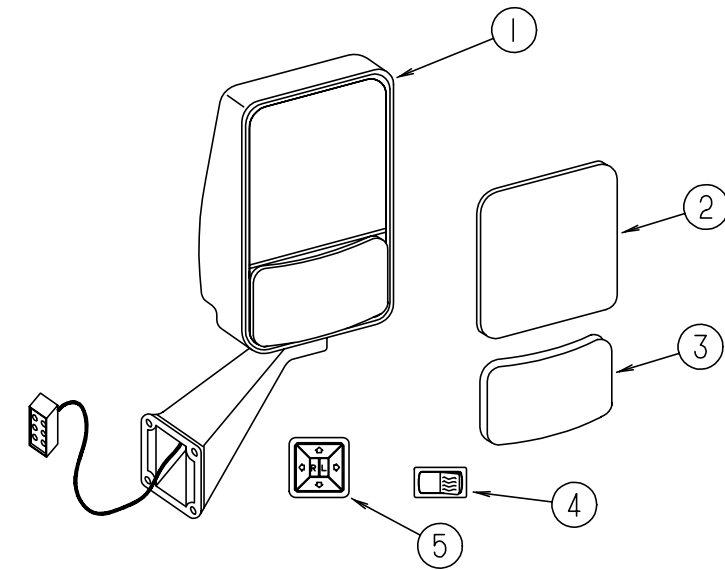
EXTERIOR BODY GROUP (CONTINUED)



LADDER

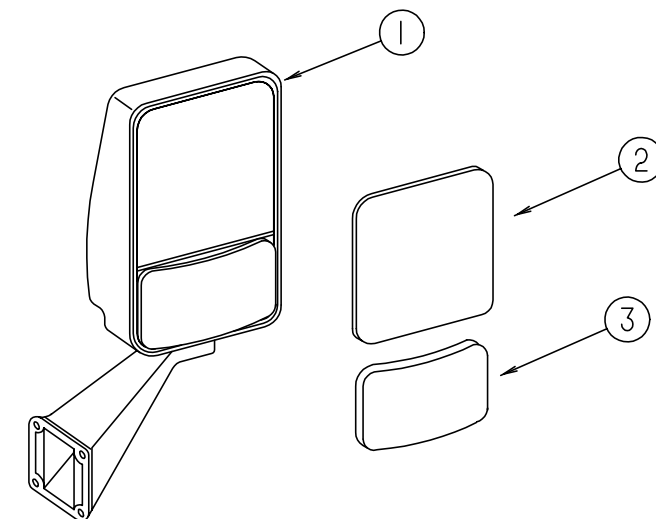
KEY	PART NUMBER	U/M	DESCRIPTION
1	081055-01-000	EA	SPRING GRIP - INTERNAL TOOTH - LADDER
2	081056-01-000	EA	PIN - QUICK RELEASE - SINGLE ACTION - LADDER
3	112384-01-000	EA	SPONGE - BRACKET - RACK & LADDER
4	125261-01-J60	EA	LADDER - UPPER
5	067165-01-000	EA	BRACKET - MOUNTING - LOWER LADDER
6	076980-02-000	EA	END CAP - STEP - BLACK
7	081116-01-000	EA	SLIDE - TOP - RACK & LADDER - 1"
8	125262-01-J60	EA	LADDER - UPPER
9	076767-11-000	EA	CABLE - 1/16" X 5.9"
10	081114-01-000	EA	CAP - INSERT - ROUND - 1" DIAMETER - BLACK PLASTIC
11	081115-01-000	EA	TOP CAP - RACK & LADDER - 1"
12	108423-01-02A	EA	PLATE - BUMPER - LOWER LADDER
13	114834-01-000	EA	PIN - QUICK RELEASE
14	128197-01-01A	EA	WASHER - NEOPRENE - 1.1" X .62"

EXTERIOR BODY GROUP (CONTINUED)



EXTERIOR MIRROR OPTION (REMOTE & HEAT)

KEY	PART NUMBER	U/M	DESCRIPTION
1	106015-12-01A	EA	MIRROR - EXTERIOR REMOTE/HEAT - PASSENGER
1	106015-13-01A	EA	MIRROR - EXTERIOR REMOTE/HEAT - DRIVER
2	106015-12-700	EA	MIRROR - FLAT HEATED W/CLIP
3	106015-12-701	EA	MIRROR - CONVEX HEATED W/CLIP
4	087695-02-000	EA	SWITCH - HEATER - EXTERIOR MIRROR
5	088246-01-000	EA	SWITCH - REMOTE - EXTERIOR - SQUARE PUSH
	087695-03-000	EA	CONNECTOR - ASSEMBLY

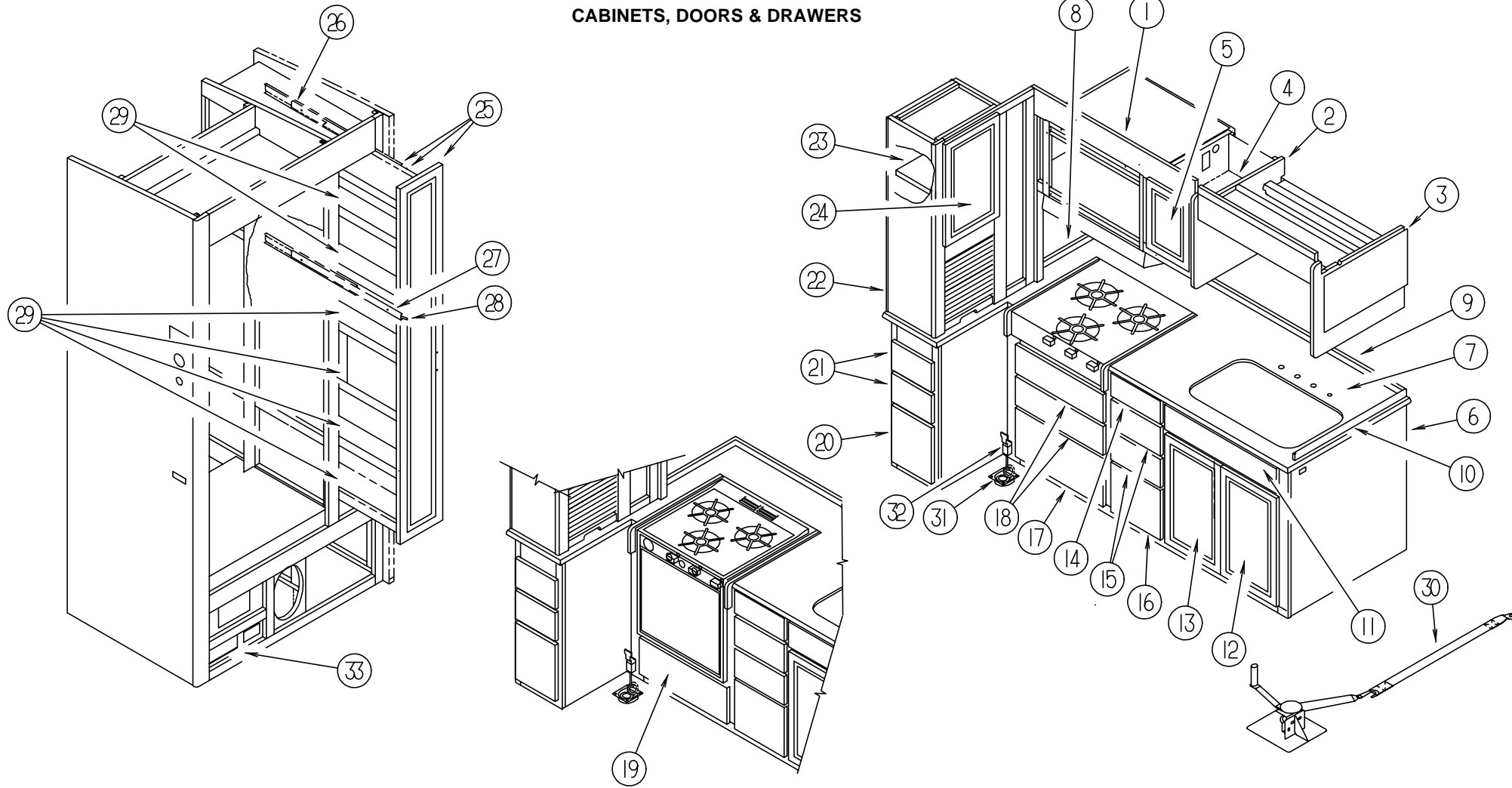


EXTERIOR MIRROR (ADJUSTABLE)

KEY	PART NUMBER	U/M	DESCRIPTION
1	106015-14-01A	EA	MIRROR - EXTERIOR ADJUSTABLE GLASS - PASSENGER
1	106015-15-01A	EA	MIRROR - EXTERIOR ADJUSTABLE GLASS - DRIVER
2	106015-14-700	EA	MIRROR - FLAT
3	106015-14-701	EA	MIRROR - CONVEX

GALLEY GROUP

CABINETS, DOORS & DRAWERS

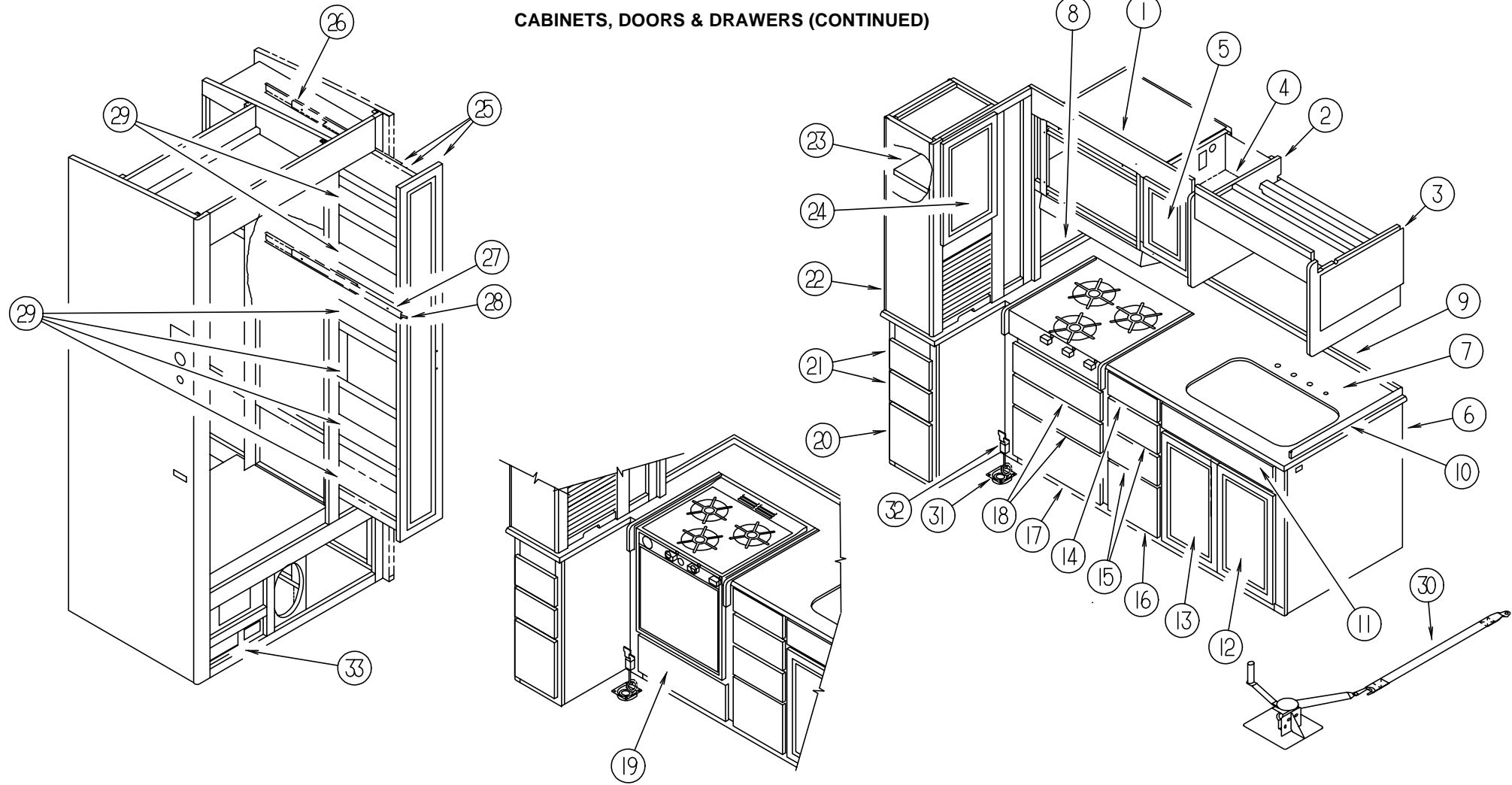


KEY	PART NUMBER	U/M	DESCRIPTION
1	P27441-01-J90	EA	CABINET - OVERHEAD/MICROWAVE - W/O DOORS/HDWR - SHARP
1	P27441-01-J91	EA	CABINET - OVERHEAD/MICROWAVE - W/O DOORS/HDWR - SHARP
1	P27441-01-J92	EA	CABINET - OVERHEAD/MICROWAVE - W/O DOORS/HDWR - SHARP
1	P27441-01-J93	EA	CABINET - OVERHEAD/MICROWAVE - W/O DOORS/HDWR - SHARP
1	P27441-01-J30	EA	CABINET - OVERHEAD/MICROWAVE - W/O DOORS/HDWR - SHARP
1	P27441-01-J31	EA	CABINET - OVERHEAD/MICROWAVE - W/O DOORS/HDWR - SHARP
1	P27441-01-J32	EA	CABINET - OVERHEAD/MICROWAVE - W/O DOORS/HDWR - SHARP
1	P27441-01-J33	EA	CABINET - OVERHEAD/MICROWAVE - W/O DOORS/HDWR - SHARP
1	P28806-01-J90	EA	CABINET - OVERHEAD/MICROWAVE - W/O DOORS/HDWR - PANASONIC
1	P28806-01-J91	EA	CABINET - OVERHEAD/MICROWAVE - W/O DOORS/HDWR - PANASONIC
1	P28806-01-J92	EA	CABINET - OVERHEAD/MICROWAVE - W/O DOORS/HDWR - PANASONIC
1	P28806-01-J93	EA	CABINET - OVERHEAD/MICROWAVE - W/O DOORS/HDWR - PANASONIC
1	P28806-01-J30	EA	CABINET - OVERHEAD/MICROWAVE - W/O DOORS/HDWR - PANASONIC
1	P28806-01-J31	EA	CABINET - OVERHEAD/MICROWAVE - W/O DOORS/HDWR - PANASONIC
1	P28806-01-J32	EA	CABINET - OVERHEAD/MICROWAVE - W/O DOORS/HDWR - PANASONIC
1	P28806-01-J33	EA	CABINET - OVERHEAD/MICROWAVE - W/O DOORS/HDWR - PANASONIC
1	P27441-02-J90	EA	CABINET - OVERHEAD/MICROWAVE - W/O DOORS/HDWR - UPGRADE/SHARP
1	P27441-02-J91	EA	CABINET - OVERHEAD/MICROWAVE - W/O DOORS/HDWR - UPGRADE/SHARP
1	P27441-02-J92	EA	CABINET - OVERHEAD/MICROWAVE - W/O DOORS/HDWR - UPGRADE/SHARP
1	P27441-02-J93	EA	CABINET - OVERHEAD/MICROWAVE - W/O DOORS/HDWR - UPGRADE/SHARP
1	P27441-02-J30	EA	CABINET - OVERHEAD/MICROWAVE - W/O DOORS/HDWR - UPGRADE/SHARP
1	P27441-02-J31	EA	CABINET - OVERHEAD/MICROWAVE - W/O DOORS/HDWR - UPGRADE/SHARP
1	P27441-02-J32	EA	CABINET - OVERHEAD/MICROWAVE - W/O DOORS/HDWR - UPGRADE/SHARP

KEY	PART NUMBER	U/M	DESCRIPTION
1	P27441-02-J33	EA	CABINET - OVERHEAD/MICROWAVE - W/O DOORS/HDWR - UPGRADE/SHARP
1	P28806-02-J90	EA	CABINET - OVERHEAD/MICROWAVE - W/O DOORS/HDWR - UPGRADE/PANASONIC
1	P28806-02-J91	EA	CABINET - OVERHEAD/MICROWAVE - W/O DOORS/HDWR - UPGRADE/PANASONIC
1	P28806-02-J92	EA	CABINET - OVERHEAD/MICROWAVE - W/O DOORS/HDWR - UPGRADE/PANASONIC
1	P28806-02-J93	EA	CABINET - OVERHEAD/MICROWAVE - W/O DOORS/HDWR - UPGRADE/PANASONIC
1	P28806-02-J30	EA	CABINET - OVERHEAD/MICROWAVE - W/O DOORS/HDWR - UPGRADE/PANASONIC
1	P28806-02-J31	EA	CABINET - OVERHEAD/MICROWAVE - W/O DOORS/HDWR - UPGRADE/PANASONIC
1	P28806-02-J32	EA	CABINET - OVERHEAD/MICROWAVE - W/O DOORS/HDWR - UPGRADE/PANASONIC
1	P28806-02-J33	EA	CABINET - OVERHEAD/MICROWAVE - W/O DOORS/HDWR - UPGRADE/PANASONIC
2	103128-27-J90	EA	END CAP - OVERHEAD/CABINET - RIGHT HAND - MYSTIC OAK
2	103128-27-J30	EA	END CAP - OVERHEAD/CABINET - RIGHT HAND - SALEM CHERRY
2	103128-27-J62	EA	END CAP - OVERHEAD/CABINET - RIGHT HAND - WHITE GRANITE
3	103128-28-J90	EA	END CAP - OVERHEAD/CABINET - RIGHT HAND - MYSTIC OAK
3	103128-28-J30	EA	END CAP - OVERHEAD/CABINET - RIGHT HAND - SALEM CHERRY
3	103128-28-J62	EA	END CAP - OVERHEAD/CABINET - RIGHT HAND - WHITE GRANITE
4	127441-12-J90	EA	SHELF - MYSTIC OAK - SHARP
4	127441-12-J30	EA	SHELF - SALEM CHERRY - SHARP
4	127441-12-J62	EA	SHELF - WHITE GRANITE - SHARP
4	128806-11-J90	EA	SHELF - MYSTIC OAK - PANASONIC
4	128806-11-J30	EA	SHELF - SALEM CHERRY - PANASONIC
4	128806-11-J62	EA	SHELF - WHITE GRANITE - PANASONIC
5	M05992-B7-J90	EA	DOOR - STRAIGHT CORNER/OGEE EDGE - 16.1" X 11.4" - W/O HDW - MYSTIC OAK
5	M05992-B7-J30	EA	DOOR - STRAIGHT CORNER/OGEE EDGE - 16.1" X 11.4" - W/O HDW - SALEM CHERRY
5	122715-98-01A	EA	DOOR - MOLDED VINYL - 11.4" X 16.1" - W/O HDW - WHT GRANITE

GALLEY GROUP (CONTINUED)

CABINETS, DOORS & DRAWERS (CONTINUED)

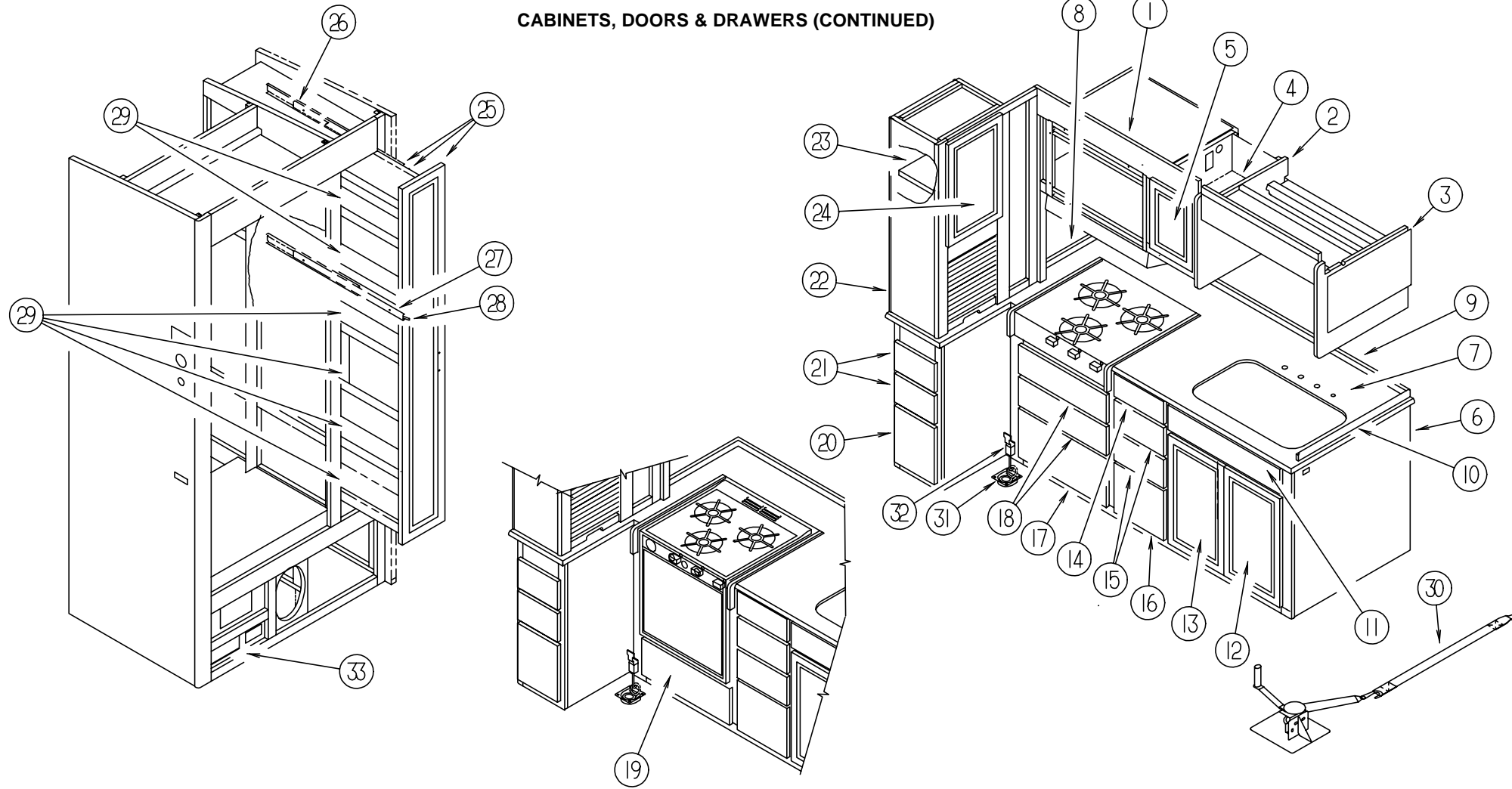


KEY	PART NUMBER	U/M	DESCRIPTION
6	126455-01-J90	EA	CABINET - GALLEY - W/O DOORS/DRAWERS/HDW - W/OVEN (J90)
6	126455-01-J91	EA	CABINET - GALLEY - W/O DOORS/DRAWERS/HDW - W/OVEN (J91)
6	126455-01-J92	EA	CABINET - GALLEY - W/O DOORS/DRAWERS/HDW - W/OVEN (J92, J93)
6	126455-01-J30	EA	CABINET - GALLEY - W/O DOORS/DRAWERS/HDW - W/OVEN (J30)
6	126455-01-J31	EA	CABINET - GALLEY - W/O DOORS/DRAWERS/HDW - W/OVEN (J31)
6	126455-01-J62	EA	CABINET - GALLEY - W/O DOORS/DRAWERS/HDW - W/OVEN (J32, J33)
6	126455-03-J90	EA	CABINET - GALLEY - W/O DOORS/DRAWERS/HDW - W/OVEN/UPGRADE
6	126455-03-J91	EA	CABINET - GALLEY - W/O DOORS/DRAWERS/HDW - W/OVEN/UPGRADE
6	126455-03-J92	EA	CABINET - GALLEY - W/O DOORS/DRAWERS/HDW - W/OVEN/UPGRADE (J92, J93)
6	126455-03-J30	EA	CABINET - GALLEY - W/O DOORS/DRAWERS/HDW - W/OVEN/UPGRADE (J30)
6	126455-03-J31	EA	CABINET - GALLEY - W/O DOORS/DRAWERS/HDW - W/OVEN/UPGRADE (J31)
6	126455-03-J62	EA	CABINET - GALLEY - W/O DOORS/DRAWERS/HDW - W/OVEN/UPGRADE (J32, J33)
6	126455-02-J90	EA	CABINET - GALLEY - W/O DOORS/DRAWERS/HDW - W/O OVEN (J90)
6	126455-02-J91	EA	CABINET - GALLEY - W/O DOORS/DRAWERS/HDW - W/O OVEN (J91)
6	126455-02-J92	EA	CABINET - GALLEY - W/O DOORS/DRAWERS/HDW - W/O OVEN (J92, J93)
6	126455-02-J30	EA	CABINET - GALLEY - W/O DOORS/DRAWERS/HDW - W/O OVEN (J30)
6	126455-02-J31	EA	CABINET - GALLEY - W/O DOORS/DRAWERS/HDW - W/O OVEN (J31)
6	126455-02-J62	EA	CABINET - GALLEY - W/O DOORS/DRAWERS/HDW - W/O OVEN (J32, J33)
6	126455-04-J90	EA	CABINET - GALLEY - W/O DOORS/DRAWERS/HDW - W/O OVEN/UPGRADE (J90)
6	126455-04-J91	EA	CABINET - GALLEY - W/O DOORS/DRAWERS/HDW - W/O OVEN/UPGRADE (J91)
6	126455-04-J92	EA	CABINET - GALLEY - W/O DOORS/DRAWERS/HDW - W/O OVEN/UPGRADE (J92, J93)
6	126455-04-J30	EA	CABINET - GALLEY - W/O DOORS/DRAWERS/HDW - W/O OVEN/UPGRADE (J30)
6	126455-04-J31	EA	CABINET - GALLEY - W/O DOORS/DRAWERS/HDW - W/O OVEN/UPGRADE (J31)
6	126455-04-J62	EA	CABINET - GALLEY - W/O DOORS/DRAWERS/HDW - W/O OVEN/UPGRADE (J32, J33)

KEY	PART NUMBER	U/M	DESCRIPTION
7	126455-16-J90	EA	COUNTERTOP - GALLEY (J90)
7	126455-16-J91	EA	COUNTERTOP - GALLEY (J91)
7	126455-16-J92	EA	COUNTERTOP - GALLEY (J92, J93)
7	126455-16-J30	EA	COUNTERTOP - GALLEY (J30)
7	126455-16-J31	EA	COUNTERTOP - GALLEY (J31)
7	126455-16-J62	EA	COUNTERTOP - GALLEY (J32, J33)
7	126455-26-J60	EA	COUNTERTOP - GALLEY - UPGRADE PACKAGE
	095080-06-J60	EA	RAIL - COUNTERTOP/GALLEY
7	126455-30-000	EA	COUNTERTOP - GALLEY - UPGRADE PACKAGE
8	126455-17-J90	EA	TRIM (J90)
8	126455-17-J91	EA	TRIM (J91)
8	126455-17-J92	EA	TRIM (J92, J93)
8	126455-17-J30	EA	TRIM (J30)
8	126455-17-J31	EA	TRIM (J31)
8	126455-17-J62	EA	TRIM (J32, J33)
8	126455-27-J60	EA	TRIM - UPGRADE PACKAGE
9	126455-18-J90	EA	TRIM (J90)
9	126455-18-J91	EA	TRIM (J91)
9	126455-18-J92	EA	TRIM (J92, J93)
9	126455-18-J30	EA	TRIM (J30)
9	126455-18-J31	EA	TRIM (J31)
9	126455-18-J62	EA	TRIM (J32, J33)
9	126455-28-J60	EA	TRIM - UPGRADE PACKAGE

GALLEY GROUP (CONTINUED)

CABINETS, DOORS & DRAWERS (CONTINUED)

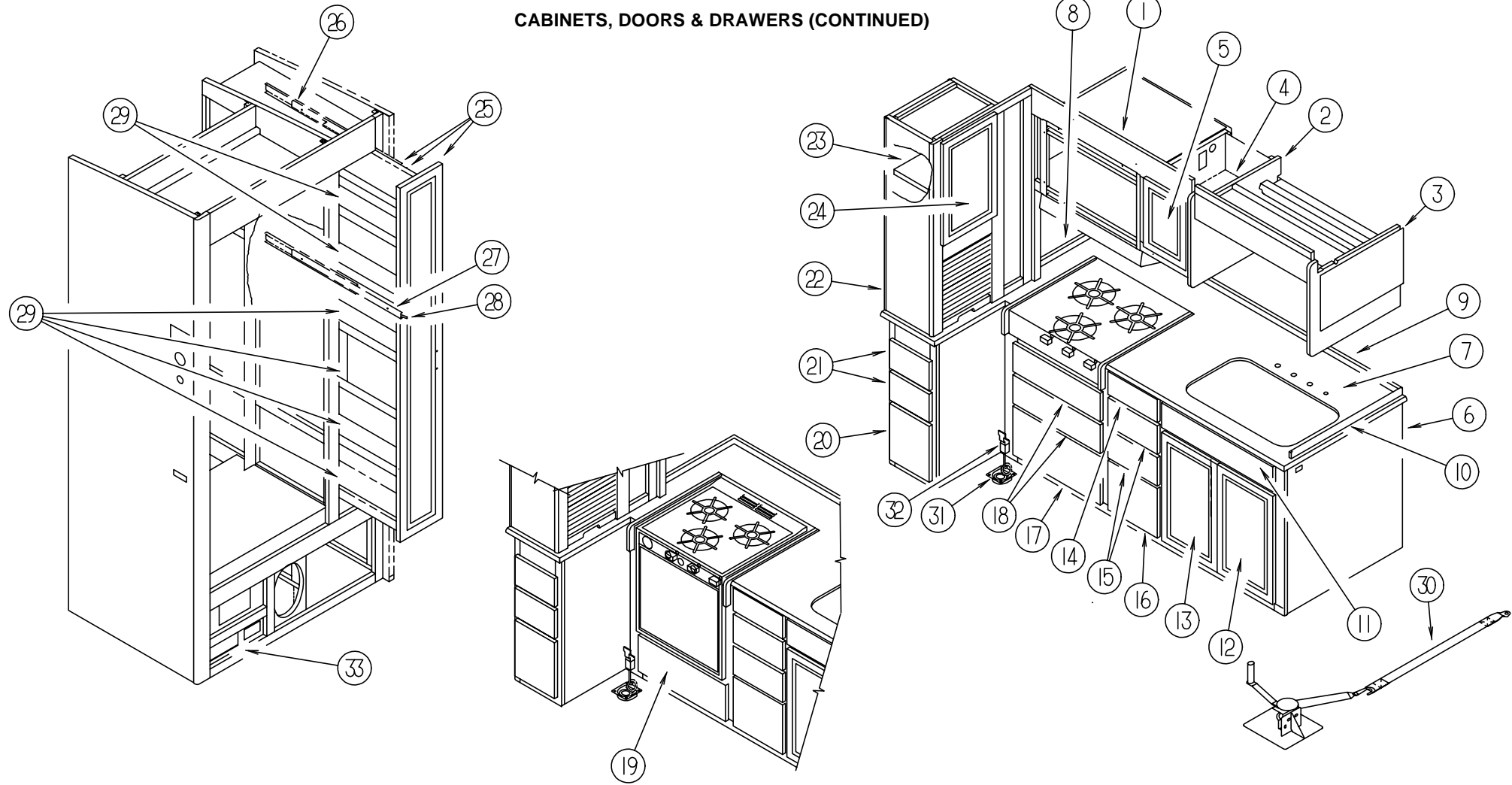


KEY	PART NUMBER	U/M	DESCRIPTION
10	126455-19-J90	EA	TRIM (J90)
10	126455-19-J91	EA	TRIM (J91)
10	126455-19-J92	EA	TRIM (J92, J93)
10	126455-19-J30	EA	TRIM (J30)
10	126455-19-J31	EA	TRIM (J31)
10	126455-19-J62	EA	TRIM (J32, J33)
10	095080-06-J60	EA	TRIM - UPGRADE PACKAGE
11	M06810-15-J90	EA	DRAWER - TIPOUT - W/HIDDEN TRAY - MYSTIC OAK
11	M06810-15-J30	EA	DRAWER - TIPOUT - W/HIDDEN TRAY - SALEM CHERRY
11	110941-16-J62	EA	DRAWER - TIPOUT - W/HIDDEN TRAY - WHITE GRANITE
11	108127-01-01A	EA	CAP - TRAY
11	108128-01-01A	EA	TRAY - HIDDEN
12	M05992-Y6-J90	EA	DOOR - STRAIGHT CORNER/OGEE EDGE - 13.8" X 23.2" - W/O HDW - MYSTIC OAK
12	M05992-Y6-J30	EA	DOOR - STRAIGHT CORNER/OGEE EDGE - 13.8" X 23.2" - W/O HDW - SALEM CHERRY
12	122715-26-01A	EA	DOOR - MOLDED VINYL - 13.9" X 23" - W/O HDW - WHT GRANITE
13	M05992-X0-J90	EA	DOOR - STRAIGHT CORNER/OGEE EDGE - 13.8" X 23.2" - W/O HDW - MYSTIC OAK
13	M05992-X0-J30	EA	DOOR - STRAIGHT CORNER/OGEE EDGE - 13.8" X 23.2" - W/O HDW - SALEM CHERRY
13	122715-26-01A	EA	DOOR - MOLDED VINYL - 13.9" X 23" - W/O HDW - WHT GRANITE
14	M05971-FY-J90	EA	DRAWER - OGEE EDGE - 10"W X 23.6"D - W/O SLIDES/HDW - MYSTIC OAK
14	M05971-FY-J30	EA	DRAWER - OGEE EDGE - 10"W X 23.6"D - W/O SLIDES/HDW - SALEM CHERRY
14	P10163-FV-J62	EA	DRAWER - SQUARE EDGE - 10"W X 23.6"D - W/O SLIDES/HDW - WHITE GRANITE
15	M05971-FZ-J90	EA	DRAWER - OGEE EDGE - 10"W X 23.6"D - W/O SLIDES/HDW - MYSTIC OAK
15	M05971-FZ-J30	EA	DRAWER - OGEE EDGE - 10"W X 23.6"D - W/O SLIDES/HDW - SALEM CHERRY
15	P10163-FW-J62	EA	DRAWER - SQUARE EDGE - 10"W X 23.6"D - W/O SLIDES/HDW - WHITE GRANITE

KEY	PART NUMBER	U/M	DESCRIPTION
16	M05971-GA-J90	EA	DRAWER - OGEE EDGE - 10"W X 23.6"D - W/O SLIDES/HDW - MYSTIC OAK
16	M05971-GA-J30	EA	DRAWER - OGEE EDGE - 10"W X 23.6"D - W/O SLIDES/HDW - SALEM CHERRY
16	P10163-FX-J62	EA	DRAWER - SQUARE EDGE - 10"W X 23.6"D - W/O SLIDES/HDW - WHITE GRANITE
17	M05971-FN-J90	EA	DRAWER - OGEE EDGE - 19.5"W X 23.6"D - W/O SLIDES/HDW - MYSTIC OAK
17	M05971-FN-J30	EA	DRAWER - OGEE EDGE - 19.5"W X 23.6"D - W/O SLIDES/HDW - SALEM CHERRY
17	P10163-FR-J62	EA	DRAWER - SQUARE EDGE - 19.5" X 23.6"D - W/O SLIDES/HDW - WHITE GRANITE
18	M05971-FM-J90	EA	DRAWER - OGEE EDGE - 19.5"W X 23.6"D - W/O SLIDES/HDW - MYSTIC OAK
18	M05971-FM-J30	EA	DRAWER - OGEE EDGE - 19.5"W X 23.6"D - W/O SLIDES/HDW - SALEM CHERRY
18	P10163-FP-J62	EA	DRAWER - SQUARE EDGE - 19.5"W X 23.6"D - W/O SLIDES/HDW - WHITE GRANITE
19	M05971-FM-J90	EA	DRAWER - OGEE EDGE - 19.5"W X 23.6"D - W/O SLIDES/HDW - MYSTIC OAK
19	M05971-FM-J30	EA	DRAWER - OGEE EDGE - 19.5"W X 23.6"D - W/O SLIDES/HDW - SALEM CHERRY
19	P10163-FP-J62	EA	DRAWER - SQUARE EDGE - 19.5"W X 23.6"D - W/O SLIDES/HDW - WHITE GRANITE
20	M05992-N0-J90	EA	DOOR - STRAIGHT CORNER/OGEE EDGE - 9.8" X 12" - W/O HDW - MYSTIC OAK
20	M05992-N0-J30	EA	DOOR - STRAIGHT CORNER/OGEE EDGE - 9.8" X 12" - W/O HDW - SALEM CHERRY
20	122715-93-01A	EA	DOOR - MOLDED VINYL - 9.8" X 12" - W/O HDW - WHT GRANITE
21	M05971-C8-J90	EA	DRAWER - OGEE EDGE - 7.6"W X 19.7"D - W/O SLIDES/HDW - MYSTIC OAK
21	M05971-C8-J30	EA	DRAWER - OGEE EDGE - 7.6"W X 19.7"D - W/O SLIDES/HDW - SALEM CHERRY
21	P10163-LB-J62	EA	DRAWER - OGEE EDGE - 7.5"W X 15.7"D - W/O SLIDES/HDW - WHITE GRANITE
22	127396-01-J90	EA	CABINET-STORAGE, APPLIANCE - MYSTIC OAK
22	127396-01-J30	EA	CABINET-STORAGE, APPLIANCE - SALEM CHERRY
22	127396-01-J62	EA	CABINET-STORAGE, APPLIANCE - WHITE GRANITE
22	127396-11-J90	EA	DOOR - STORAGE - W/O HDW - MYSTIC OAK
22	127396-11-J30	EA	DOOR - STORAGE - W/O HDW - SALEM CHERRY
22	127396-11-J62	EA	DOOR - STORAGE - W/O HDW - WHITE GRANITE
22	128646-01-J90	EA	CABINET-STORAGE, APPLIANCE - MYSTIC OAK - UPGRADE PACKAGE
22	128646-01-J30	EA	CABINET-STORAGE, APPLIANCE - SALEM CHERRY - UPGRADE PACKAGE
22	128646-01-J62	EA	CABINET-STORAGE, APPLIANCE - WHITE GRANITE - UPGRADE PACKAGE

GALLEY GROUP (CONTINUED)

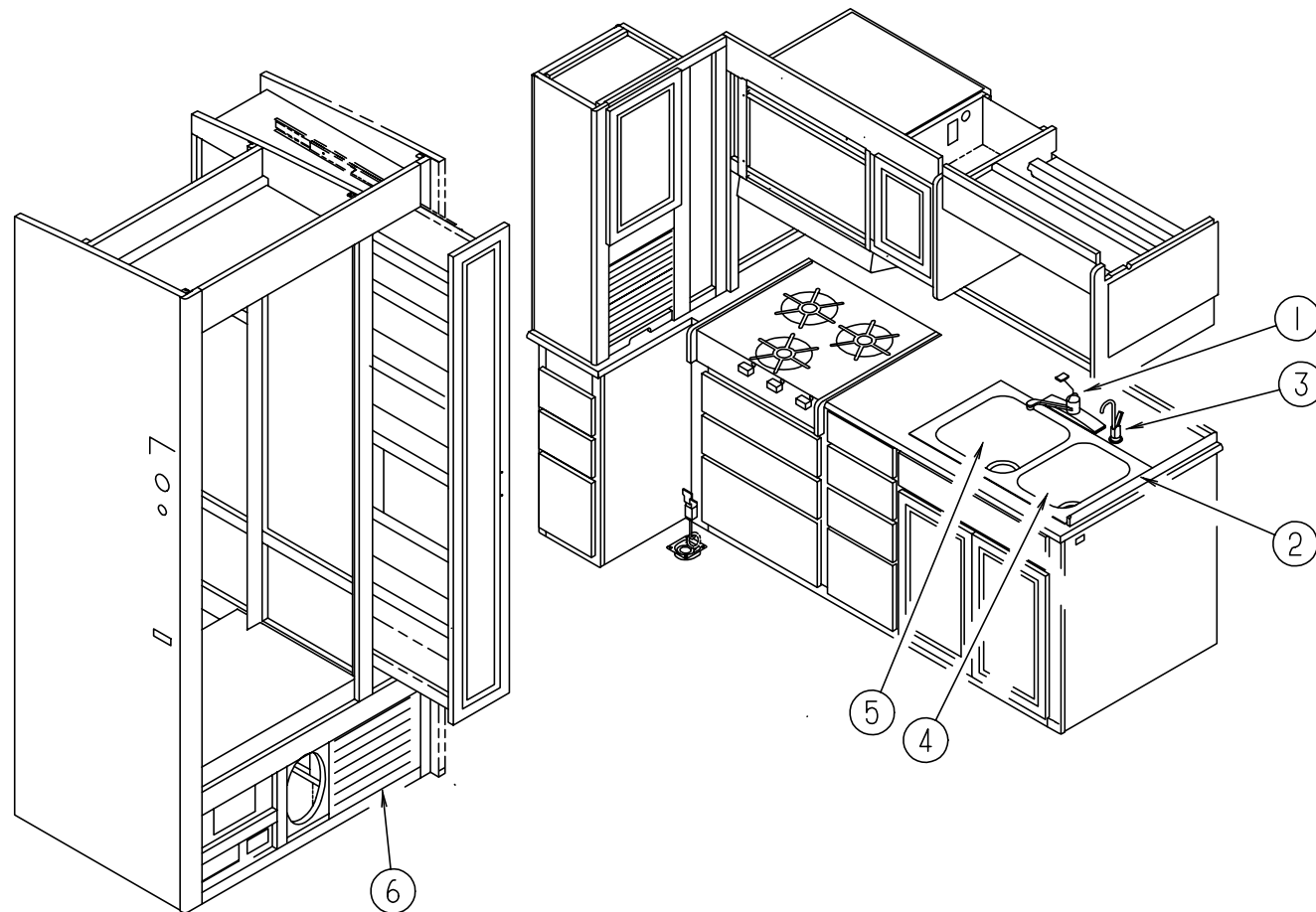
CABINETS, DOORS & DRAWERS (CONTINUED)



KEY	PART NUMBER	U/M	DESCRIPTION
23	127396-12-J90	EA	SHELF - W/PLASTIC EDGE TRIM - MYSTIC OAK
23	127396-12-J30	EA	SHELF - W/PLASTIC EDGE TRIM - SALEM CHERRY
23	127396-12-J62	EA	SHELF - W/PLASTIC EDGE TRIM - WHITE GRANITE
23	128646-12-J90	EA	SHELF - W/PLASTIC EDGE TRIM - MYSTIC OAK - UPGRADE PACKAGE
23	128646-12-J30	EA	SHELF - W/PLASTIC EDGE TRIM - SALEM CHERRY - UPGRADE PACKAGE
23	128646-12-J62	EA	SHELF - W/PLASTIC EDGE TRIM - WHITE GRANITE - UPGRADE PACKAGE
24	M05992-97-J90	EA	DOOR - STRAIGHT CORNER/OGEE EDGE - 13.4" X 21.8" - W/O HDW - MYSTIC OAK
24	M05992-97-J30	EA	DOOR - STRAIGHT CORNER/OGEE EDGE - 13.4" X 21.8" - W/O HDW - SALEM CHERRY
24	122715-75-01A	EA	DOOR - MOLDED VINYL - 13.4" X 21.8" - W/O HDW-WHT GRANITE
25	122325-01-J90	EA	CABINET - PANTRY - SLIDING/RIGHT HAND - W/O SLIDES/HDW - MYSTIC OAK
25	122325-01-H57	EA	CABINET - PANTRY - SLIDING/RIGHT HAND - W/O SLIDES/HDW - SALEM CHERRY
25	122325-01-J23	EA	CABINET - PANTRY - SLIDING/RIGHT HAND - W/O SLIDES/HDW - WHITE GRANITE
25	M05992-Z2-J90	EA	DOOR - STRAIGHT CORNER/OGEE EDGE - 8.5" X 60.7" - W/O HDW - MYSTIC OAK
25	M05992-Z2-J30	EA	DOOR - STRAIGHT CORNER/OGEE EDGE - 8.5" X 60.7" - W/O HDW - SALEM CHERRY
25	122715-24-01A	EA	DOOR - MOLDED VINYL - 8.5" X 60.7" - W/O HDW - WHT GRANITE

KEY	PART NUMBER	U/M	DESCRIPTION
26	122360-02-000	EA	SLIDE - PANTRY - W/O LOCK - RIGHT/LEFT HAND
27	122360-03-000	EA	SLIDE - PANTRY - W/LOCK - RIGHT HAND
28	123673-01-01A	EA	KNOB - PANTRY SLIDE
29	122325-11-J90	EA	SHELF - W/PLASTIC EDGE MOLDING - MYSTIC OAK
29	122325-11-H57	EA	SHELF - W/PLASTIC EDGE MOLDING - SALEM CHERRY
29	122325-11-H40	EA	SHELF - W/PLASTIC EDGE MOLDING - WHITE GRANITE
30	116101-02-F31	EA	STRAP - WINCH
31	116736-01-01A	EA	TIEDOWN - DROP/D - ZINC
32	116737-01-01A	EA	LATCH - DRAW - ADJUSTABLE - ZINC
33	M05992-Y0-J90	EA	DOOR - STRAIGHT CORNER/OGEE EDGE - 12.6"X 6.1" - W/O HDW - MYSTIC OAK
33	M05992-Y0-J30	EA	DOOR - STRAIGHT CORNER/OGEE EDGE - 12.6"X 6.1" - W/O HDW -SALEM CHERRY
33	122715-83-01A	EA	DOOR - MOLDED VINYL - 12.6"X 6.1" - W/O HDW - WHT GRANITE

GALLEY GROUP (CONTINUED)



GALLEY FIXTURES & SINK COVERS

KEY	PART NUMBER	U/M	DESCRIPTION	VENDOR NO.
	090329-01-000	FT	SEAL/T - REFRIGERATOR CABINET	
	100128-02-000	FT	SEAL - FOAM - ADHESIVE BACK - .37" WIDE X .37" THICK	
1	103635-01-000	EA	FAUCET - SINGLE CONTROL - EVERPURE WATER FILTER	
	103635-01-700	EA	FITTING KIT - FAUCET REPAIR	3071-70
	103635-01-701	EA	TUBING - PLASTIC	3019-20
	103635-01-702	EA	FAUCET REPAIR KIT	3026-46
2	092303-01-000	EA	STRAINER - SINK	
2	110654-01-000	EA	SINK - STAINLESS STEEL/DOUBLE BASIN (1 LG-1 SM BASIN)	
3	104114-01-01A	EA	FAUCET - GALLEY - SINGLE CONTROL W/SEPARATE WATER PIPES	
			FROM: 00-00-00 THRU: 09-21-97	
3	104114-02-01A	EA	FAUCET - GALLEY - SINGLE CONTROL	
			FROM: 09-22-97 THRU: 99-99-99	
4	108464-03-E38	EA	COVER - SINK - SMALL - 15" X 11" (J90, J30)	
4	108464-03-J31	EA	COVER - SINK - SMALL - 15" X 11" (J91, J31)	
4	108464-03-J74	EA	COVER - SINK - SMALL - 15" X 11" (J92, J93, J32, J33)	
4	107044-05-J72	EA	COVER - RECESSED SINK - 14.9" X 11.1" - UPGRADE PACKAGE	
5	108464-04-E38	EA	COVER - SINK - LARGE - 15" X 15" (J90, J30)	
5	108464-04-J31	EA	COVER - SINK - LARGE - 15" X 15" (J91, J31)	
5	108464-04-J23	EA	COVER - SINK - LARGE - 15" X 15" (J92, J93, J32, J33)	
5	107044-06-J72	EA	COVER - RECESSED SINK - 14.9" X 15" - UPGRADE PACKAGE	
6	093614-09-01A	EA	GRILLE - RETURN AIR	

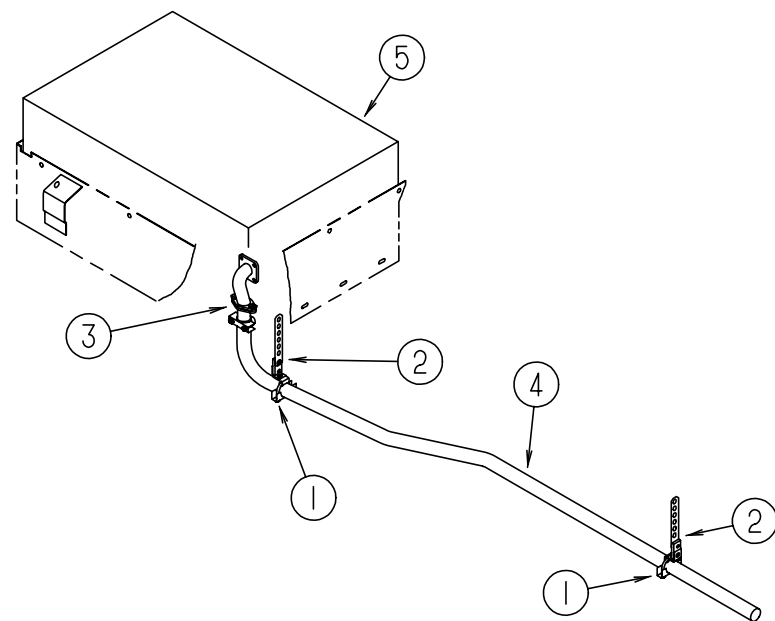
GALLEY GROUP (CONTINUED)

APPLIANCES & TIEDOWNS

KEY	PART NUMBER	U/M	DESCRIPTION
*	100258-40-01A	EA	HOOD - RANGE - 22" - W/MONITOR PANEL - BLACK TEXTURED - U.S.
*	100258-41-01A	EA	HOOD - RANGE - 22" - W/MONITOR PANEL - BLACK TEXTURED - C.S.A.
*	100258-34-01A	EA	HOOD - RANGE 22 W/MONITOR PANEL - DIESEL GENERATOR OPTION - U.S.
*	100258-35-01A	EA	HOOD - RANGE 22 W/MONITOR PANEL - DIESEL GENERATOR OPTION - C.S.A.
	127426-01-01A	EA	SPACER - HOOD - 3.9" DEEP X 21.9" WIDE X 4.9"
	122753-02-000	EA	OVEN - MICROWAVE - .9 CU. FT - CONVECTION - SHARP - UL
	102479-01-000	EA	OVEN - MICROWAVE - CONVECTION - PANASONIC NN8501VA
	122753-04-000	EA	OVEN - MICROWAVE - .9 CU FT - CONVECTION - SHARP - CSA
	102482-11-J60	EA	FRAME - MICROWAVE - SHARP
	102482-12-J60	EA	FRAME - MICROWAVE - PANASONIC
	122799-07-02B	EA	SUPPORT ASM - MICROWAVE - E-COAT - SHARP
	122799-08-02B	EA	SUPPORT ASM - MICROWAVE - E-COAT - SHARP
	128845-01-02B	EA	BAFFLE - MICROWAVE - PANASONIC
	128845-02-02B	EA	BAFFLE - MICROWAVE - E-COATED - PANASONIC
	107109-21-04B	EA	BRACKET - TIEDOWN (RANGE W/OVEN)
	107109-22-04B	EA	BRACKET - TIEDOWN (RANGE W/OVEN)
	107109-31-04B	EA	BRACKET - TIEDOWN - INTERIOR UPGRADE PACKAGE (RANGE W/OVEN)
	107109-32-04B	EA	BRACKET - TIEDOWN - INTERIOR UPGRADE PACKAGE (RANGE W/OVEN)
*	126023-01-01A	EA	RANGE - W/OVEN - 22" - 3 BURNER/BLACK GLASS DOOR
*	126023-02-01A	EA	RANGE - W/OVEN - 22" - 3 BURNER/TEXTURED TOP - BLACK
	106936-21-04B	EA	BRACKET - STOVE TIEDOWN (RANGE TOP)
	106936-22-04B	EA	BRACKET - STOVE TIEDOWN (RANGE TOP)
*	114030-02-01A	EA	RANGE - 3 BURNER TOP - W/O OVEN - BLACK
*	114030-03-01A	EA	RANGE - 3 BURNER W/O OVEN
	065225-02-000	EA	PLATE - TIEDOWN - REFRIGERATOR
	065225-01-000	EA	PLATE - TIEDOWN - REFRIGERATOR (4 DOOR REFRIGERATOR)
	090195-08-000	EA	BAFFLE - REFRIGERATOR - LOWER
	093369-03-000	EA	STRAP - REFRIGERATOR
	093646-01-000	EA	BRACKET - TIEDOWN/REFRIGERATOR - RIGHT HAND
	093646-02-000	EA	BRACKET - TIEDOWN/REFRIGERATOR - LEFT HAND
	103251-07-01A	EA	INSERT - ACRYLIC/BLACK - 21.60" X 14.53"
	103251-09-01A	EA	INSERT - ACRYLIC/BLACK - 21.60" X 38.62"
	103251-10-01A	EA	INSERT - ACRYLIC/BLACK - 16.2" X 18.4" (4 DOOR REFRIGERATOR)
	103251-11-01A	EA	INSERT - ACRYLIC/BLACK - 16.2" X 41.2" (4 DOOR REFRIGERATOR)
	116751-02-01A	EA	TRAY - REFRIGERATOR - BLACK
	118871-04-01A	EA	TRAY - REFRIGERATOR - SIDE/SIDE - BLACK (4 DOOR REFRIGERATOR)
			FROM: 00-00-00 THRU: 11-10-97
	118871-05-01A	EA	TRAY - REFRIGERATOR - SIDE/SIDE (4 DOOR REFRIGERATOR)
			FROM: 11-11-97 THRU: 99-99-99
*	120075-01-01A	EA	REFRIGERATOR - LARGE DOUBLE DOOR/RIGHT HAND - 2-WAY
*	120075-03-01A	EA	REFRIGERATOR - LARGE DOUBLE DOOR/RIGHT HAND - 2-WAY W/ICE
*	125242-01-01A	EA	REFRIGERATOR - 4 DOOR W/ICE MAKER
	054450-01-000	EA	LEVEL - REFRIGERATOR
	124649-02-01A	EA	COFFEEMAKER - COUNTERTOP - BLACK
	124649-02-02A	EA	COFFEEMAKER - COUNTERTOP WHITE
	124649-03-01A	EA	COFFEEMAKER - COUNTERTOP - BLACK - CSA
	124649-03-02A	EA	COFFEEMAKER - COUNTERTOP WHITE - CSA
	M05904-03-J30	EA	COVER - STOVE - W/SOLID COUNTERTOP (J90, J30)
	M05904-03-J61	EA	COVER - STOVE - W/SOLID COUNTERTOP (J91, J31)
	M05904-03-J62	EA	COVER - STOVE - W/SOLID COUNTERTOP (J92, J93, J32, J33)
	M05904-05-J72	EA	COVER - STOVE - W/SOLID COUNTERTOP - UPGRADE PACKAGE
	126022-01-01A	EA	COVER - RANGE - BIFOLD - 22" BLACK TEXTURED

* COMPONENT PARTS FOUND IN SERVICE PARTS LIBRARY

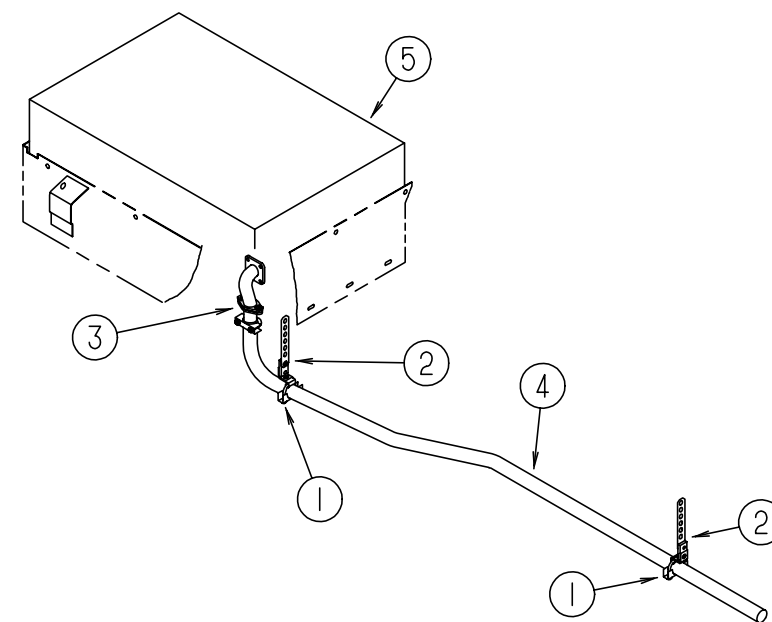
GENERATOR GROUP



LP LIQUID DRAW GENERATOR SYSTEM

KEY	PART NUMBER	U/M	DESCRIPTION
1	007125-03-000	EA	CLAMP - MUFFLER - 1.5" DIAMETER
2	007131-01-000	EA	HANGER - TAILPIPE - 6 SLOTS
	010251-02-000	EA	ELBOW - BRASS - 90 DEGREE - 3/8 F X 1/4 MMPT
	065820-09-000	EA	HOSE - HIGH PRESSURE - 28"
3	106235-01-000	EA	ADAPTOR - GENERATOR EXHAUST
4	116381-08-000	EA	PIPE - EXHAUST
5	105559-04-000	EA	GENERATOR - 6.5 KW - LP FUEL - 30/30
	112365-04-000	EA	BREAKER - 20 AMP

GENERATOR GROUP (CONTINUED)

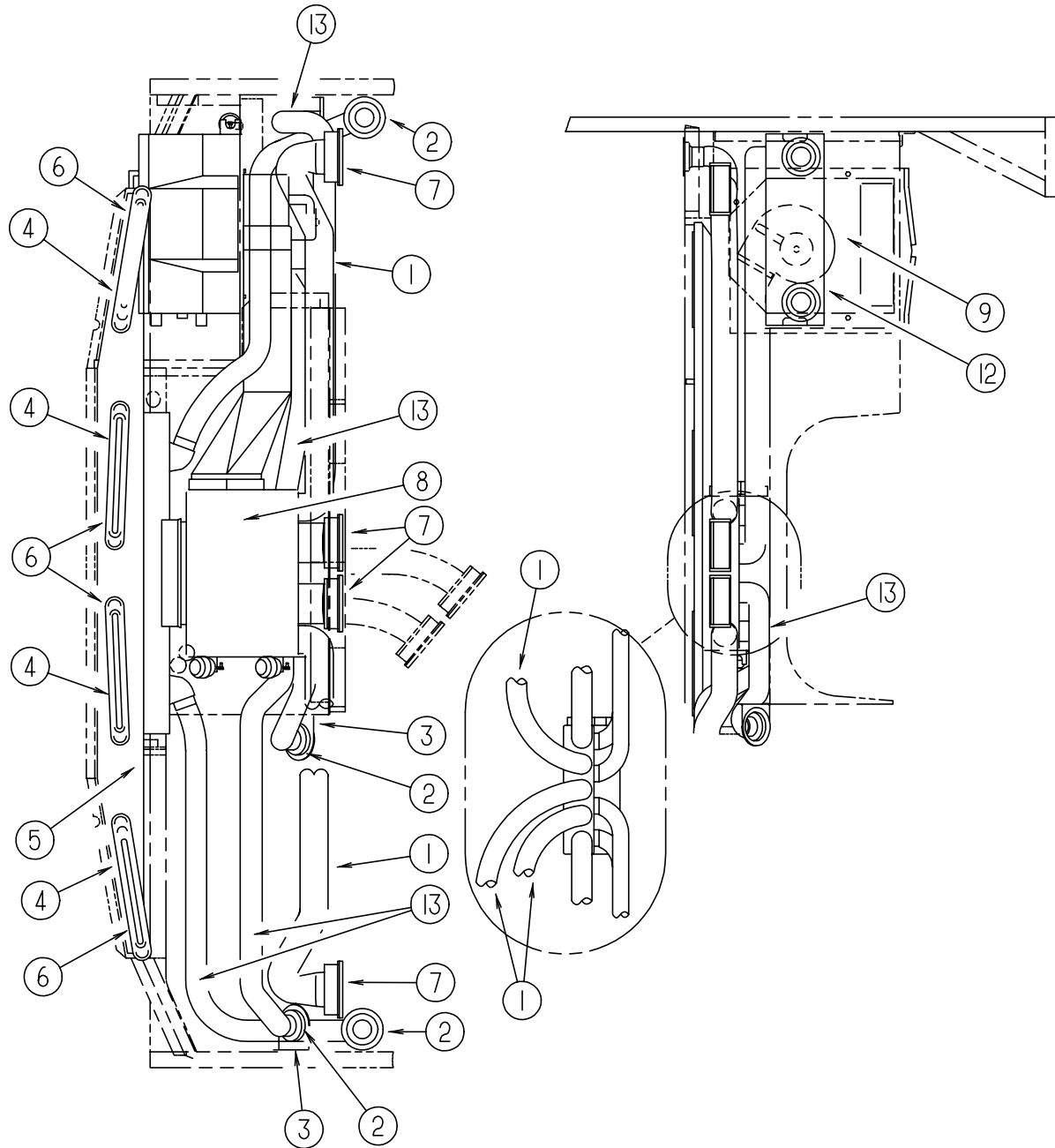


DIESEL GENERATOR SYSTEM

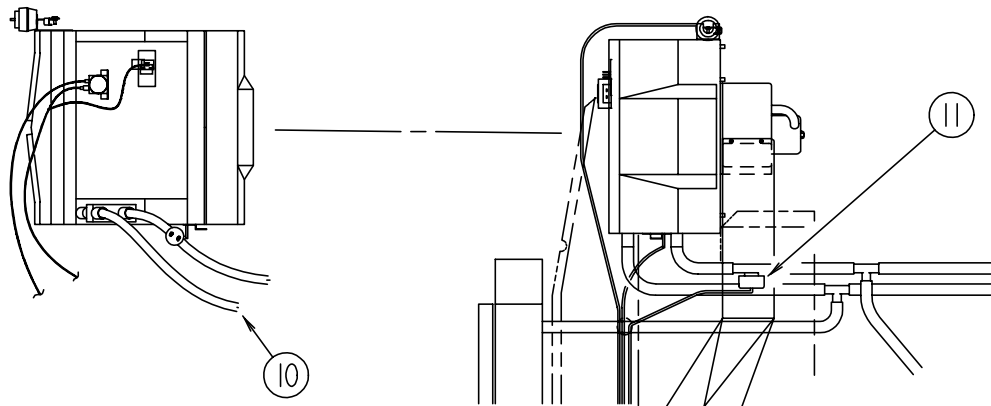
KEY	PART NUMBER	U/M	DESCRIPTION
1	007125-03-000	EA	CLAMP - MUFFLER - 1.5" DIAMETER
2	007131-01-000	EA	HANGER - TAILPIPE - 6 SLOTS
3	106235-01-000	EA	ADAPTOR - GENERATOR EXHAUST
4	116381-07-000	EA	PIPE - EXHAUST - GENERATOR
5	122425-01-000	EA	GENERATOR - DIESEL - 7.5
	116457-01-000	EA	TEE - BRASS - BRANCE 1/4 NPT

HEATING & AIR CONDITIONING GROUP

AUTOMOTIVE HEATER & A/C



KEY	PART NUMBER	U/M	DESCRIPTION
	007108-01-000	FT	HOSE - HEATER - 5/8" ID - HI-TEMP - FORD
1	007281-01-000	EA	HOSE - FLEXIBLE PVC - 2.5" ID X 50'
2	024990-05-000	EA	OUTLET - DEFROSTER - 4" DIAMETER W/SWIVEL DEFLECTORS
3	056402-05-000	EA	BRACKET - HEATER VENT - ROUND W/BEND - BLACK
4	077075-01-000	EA	GASKET - INSTRUMENT PANEL TO DEFROSTER PLENUM
5	103017-03-000	EA	PLENUM - DEFROSTER
6	103558-01-10A	EA	VENT - DEFROSTER - 2" X 14.4" X 1.4" - ANTELOPE
7	103796-01-01A	EA	LOUVER - A/C
8	103930-39-000	EA	CONTROL/PLENUM - ROTARY
9	103930-30-000	EA	EVAPORATOR/HEATER - CHEVY - SERVO MOTOR CONTROLLED
9	103930-31-000	EA	EVAPORATOR/HEATER - FORD - SERVO MOTOR CONTROLLED
9	103930-32-000	EA	EVAPORATOR/HEATER - FREIGHTLINER-SERVO MOTOR CONTROLLED
10	103930-29-000	EA	HOSE KIT - #10 F/GM L-29 & L-65 CHASSIS (GM)
10	103930-15-000	EA	HOSE KIT #12 PRECHARGED R134 - FREIGHTLINER FROM: 00-00-00 THRU: 01-13-98
10	103930-16-000	EA	HOSE KIT #12 PRECHARGED R134A - 389" - FREIGHTLINER FROM: 01-14-98 THRU: 99-99-99
	076776-01-000	EA	TEE - BEADED - 5/8" X 5/8" X 5/8" - GM/FORD
11	103930-23-000	EA	VALVE - WATER - 2 PORT
	089353-01-000	EA	UNION - 5/8" - TUBE TO TUBE - GM/FORD
	077539-01-000	EA	BRACKET - MOUNTING/DASH PANEL - L/SHAPED - 2.5"X1"X1.5"
12	095757-05-J30	EA	COVER - HEATER (J90, J30)
12	095757-05-J31	EA	COVER - HEATER (J91, J31)
12	095757-05-J17	EA	COVER - HEATER (J92, J32)
12	095757-05-G16	EA	COVER - HEATER (J93, J33)
13	007076-01-000	EA	HOSE - FLEXIBLE PVC - 2" ID - INCREMENTS OF 50'
	079059-02-000	EA	HOSE - 90 DEGREE - .61" ID X 4" X 6" - FREIGHTLINER
	103930-37-000	EA	MANUAL - OWNERS - HEATER/A/C



HEATING & AIR CONDITIONING GROUP (CONTINUED)

FREIGHTLINER EVAPORATOR & HEATER

KEY	PART NUMBER	U/M	DESCRIPTION	VENDOR NO.
	103930-32-000	EA	EVAPORATOR/HEATER- FRTLINER/SPARTAN-SERVO MOTOR CONTROLLED	
	103930-01-703	EA	CORE-HEATER	042-0010
	103930-01-704	EA	COIL-EVAPORATOR	041-0017
	103930-01-708	EA	BRACKET-VACUUM MOTOR	070-0113
	103930-02-708	EA	MOTOR-VACUUM SERVO, A/C	030-0025
	103930-01-710	EA	RESISTOR-FUSED, A/C	035-0006
	103930-01-711	EA	THERMOSTAT	033-0003
	103930-01-716	EA	SWITCH - PRESSURE - FAN	032-0036
	103930-01-717	EA	WHEEL-BLOWER, CLOCKWISE	062-0010
	103930-06-700	EA	FITTING-QUICK CONNECT, #8	050-0082
	103930-12-708	EA	SWITCH-BINARY-HI/LOW CUTOUT	032-0048
	103930-12-709	EA	FITTING-QUICK CONNECT	050-0120
	103930-17-702	EA	O'RING #10	045-0127
	103930-20-700	EA	VALVE-EXPANSION-BLOCK, 2 TON	034-0032
	103930-20-701	EA	HOSE ASM #6 EVAPORATOR/DRIER	085-0138
	103930-20-703	EA	DOOR-BLEND AIR	071-0212
	103930-20-704	EA	ROD-DOOR-RECIRCULATING	073-0018
	103930-20-705	EA	PANEL-DOOR, RECIRCULATING	071-0213
	103930-20-706	EA	CLIP-RETAINER - CASE ATTACH	022-0057
	103930-20-707	EA	HOUSING-BLOWER	062-0145
	103930-20-708	EA	CLIP-MOTOR SHAFT	022-0001
	103930-20-711	EA	CASE-BACK, SUB-ASSEMBLY	062-0147
	103930-22-700	EA	HOSE ASM #10 EVAPORATOR/COMP	085-0141
	103930-30-700	EA	CASE - FRONT	062-0542
	103930-30-701	EA	PLATE - MOTOR MOUNT	062-0544
	103930-30-702	EA	BUSHING - BLEND AIR DOOR	062-0168
	103930-30-703	EA	MOTOR - SERVO	030-0104
	103930-30-704	EA	COVER - SERVO	062-0545
	103930-30-706	EA	MOTOR-BLOWER PM147 W/ADAPTER	030-0109
	110279-01-703	EA	HOSE-VENT F/BLOWER MOTOR	051-0034
	110279-01-712	EA	FITTING-HEATER	050-0076
	113245-01-707	EA	O'RING #8	045-0126

HOSE KIT

KEY	PART NUMBER	U/M	DESCRIPTION	VENDOR NO.
	103930-15-000	EA	HOSE KIT #12 PRECHARGED R134 - FREIGHTLINER	
				FROM: 00-00-00 THRU: 01-13-98
	103930-16-000	EA	HOSE KIT #12 PRECHARGED R134A - 389" - FREIGHTLINER	
				FROM: 01-14-98 THRU: 99-99-99
	103930-07-704	EA	FITTING-QUICK CONNECT, #8	050-0081
	103930-13-702	EA	VALVE-SERVICE, W/O COMP.	050-0152
	103930-15-700	EA	HOSE ASM #12 OSHGOSH	085-0099
				FROM: 00-00-00 THRU: 01-13-98
	103930-15-702	EA	O'RING #18	045-0152
				FROM: 00-00-00 THRU: 01-13-98
	103930-16-700	EA	HOSE ASM #12 SPARTON	085-0120
				FROM: 01-14-98 THRU: 99-99-99
	103930-17-702	EA	O'RING #10	045-0127
	113245-01-710	EA	GASKET, #12	045-0128

HEATING & AIR CONDITIONING GROUP (CONTINUED)

CONTROL & PLENUM

KEY	PART NUMBER	U/M	DESCRIPTION	VENDOR NO.
	103930-39-000	EA	CONTROL/PLENUM - ROTARY	
	103930-02-707	EA	RELAY-BOSCH W/RESISTER	031-0001
	103930-02-708	EA	MOTOR-VACUUM SERVO, A/C	030-0025
	103930-02-710	EA	CANISTER-VACUUM	054-0002
	103930-33-701	EA	MOTOR - VACUUM, 3 STAGE	030-0105
	103930-33-702	EA	CONTROL PANEL	083-0169
	103930-33-703	EA	VACUUM HARNESS	036-0466
	103930-33-705	EA	LIGHT BULBS	035-0030
	103930-33-707	EA	SWITCH - BLOWER	032-00066
	103930-33-708	EA	SWITCH - POTENTIOMETER	032-0184
	103930-33-709	EA	SWITCH - VACUUM	032-0183
	103930-33-710	EA	DECAL F/CONTROL HEAD	058-0102
	103930-33-711	EA	WIRE HARNESS - MAIN	036-0496
	103930-39-700	EA	ROD - DOOR - AC/HEAT	073-067
	103930-39-701	EA	ROD - DOOR - AC/DEFROST	073-0069
	103930-39-702	EA	KNOB - BLOWER	062-0539
	103930-39-703	EA	KNOB - TEMPERATURE	062-0540
	103930-39-704	EA	SPRING	022-0119

CONDENSER UP TO 01-14-98

KEY	PART NUMBER	U/M	DESCRIPTION	VENDOR NO.
	072342-10-000	EA	CONDENSER ASM-W/FAN PUSH R13	
	072342-08-703	EA	FAN BLADE/MOTOR & SHROUD 11"	062-0097
	072342-10-700	EA	COIL-CONDENSER	040-0028
	072342-10-701	EA	RECEIVER DRIER	054-0015
	072342-10-702	EA	FITTING-QUICK CONNECT#4 MALE	050-0148
	072342-10-703	EA	HOSE #8 - CONDENSER/COMP	051-0096
	072342-10-704	EA	VALVE-SERVICE #8X8	050-0134
	072342-10-705	EA	HOSE ASSEMBLY W/FITTINGS	085-0119

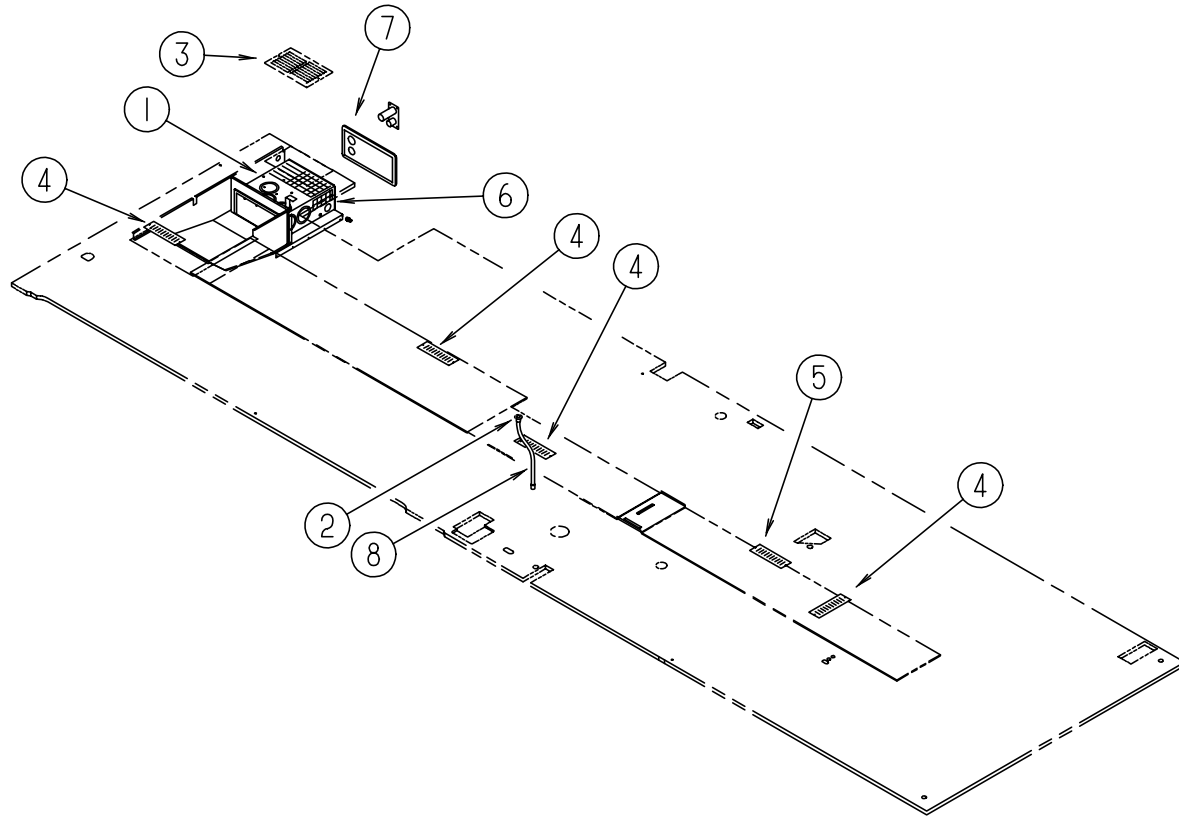
CONDENSER AFTER 01-15-98

KEY	PART NUMBER	U/M	DESCRIPTION
	072342-14-000	EA	CONDENSER ASM-W/FAN F/PUSHER

VACUUM PUMP

KEY	PART NUMBER	U/M	DESCRIPTION
	114802-01-000	EA	PUMP - VACUUM - 12V 16"HG

HEATING & AIR CONDITIONING GROUP (CONTINUED)



FURNACE SYSTEM

KEY	PART NUMBER	U/M	DESCRIPTION
1*	098668-22-000	EA	FURNACE - 49,000 BTU
	115764-01-01A	EA	THERMOSTAT - FURNACE
	009200-01-000	EA	TAPE - FURNACE - 1 1/2"
2	092776-01-000	EA	ADAPTER - DUCT - 2"
3	093614-03-02A	EA	GRILLE - RETURN AIR
4	094600-05-01A	EA	REGISTER - HEAT - W/O DAMPER - 11.3" - BEIGE
5	094600-06-01A	EA	REGISTER - HEAT - W/DAMPER
6	098668-14-000	EA	GASKET - FIBERGLASS - .5" X 18" X 18"
7	098668-23-000	EA	DOOR - ACCESS - FURNACE - BRIGHT WHITE
8	009198-02-000	FT	DUCT - FLEXIBLE - 2" ID X 25'

* COMPONENT PARTS FOUND IN SERVICE PARTS LIBRARY

HEATING & AIR CONDITIONING GROUP (CONTINUED)

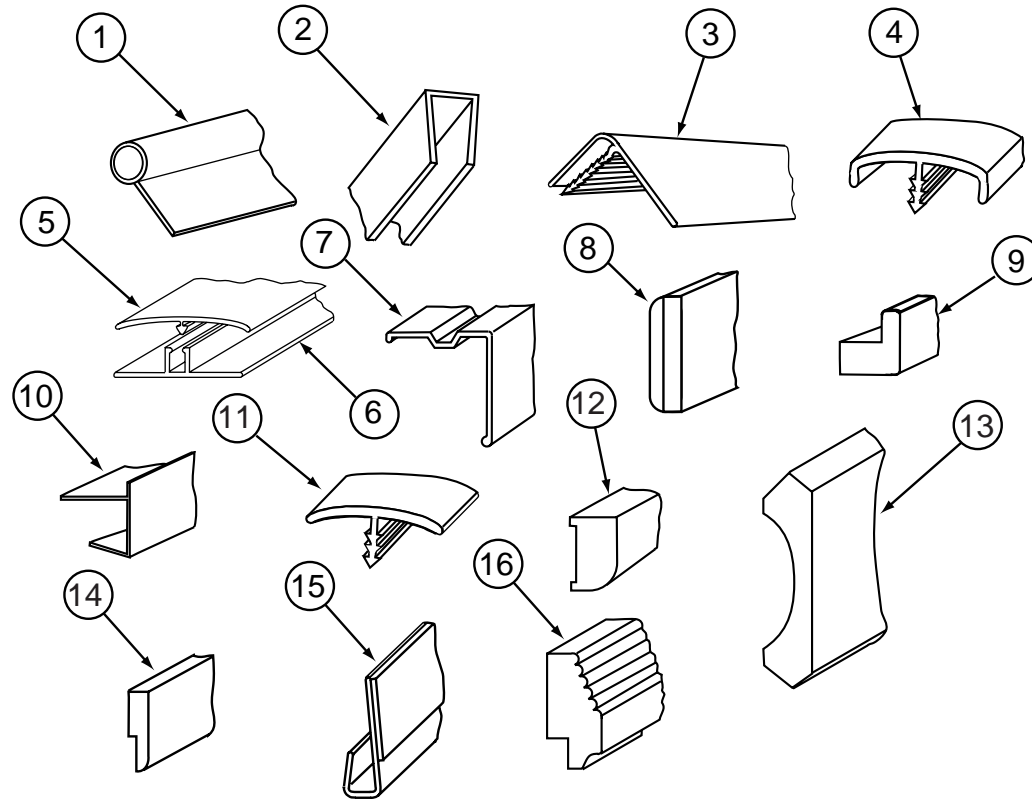
ROOF A/C SYSTEM

KEY	PART NUMBER	U/M	DESCRIPTION
	102289-01-000	EA	SPRING - SCREW - ROOF A/C GASKET
			FROM: 00-00-00 THRU: 07-05-98
*	108892-01-01A	EA	CEILING ASSEMBLY - A/C DUCTED
			FROM: 00-00-00 THRU: 07-05-98
*	131184-01-01A	EA	CEILING ASSEMBLY - A/C DUCTED - WHITE
			FROM: 07-06-98 THRU: 99-99-99
	117238-01-01A	EA	THERMOSTAT - A/C - FURNACE
	117238-02-01A	EA	THERMOSTAT - A/C ONLY
	120134-01-02A	EA	REGISTER - 4" TO 5" IN DIAMETER W/DAMPER
*	126859-01-01A	EA	A/C - ROOF MACH 1 POWERSAVER
			FROM: 00-00-00 THRU: 07-05-98
*	131186-01-01A	EA	A/C - ROOF - MACH 1 POWER SAVER - WHITE
			FROM: 07-06-98 THRU: 99-99-99
*	126860-01-01A	EA	A/C - ROOF MACH 3 POWERSAVER
			FROM: 00-00-00 THRU: 07-05-98
*	131187-01-01A	EA	A/C - ROOF MACH 3 POWER SAVER - WHITE
			FROM: 07-06-98 THRU: 99-99-99
	131184-02-01A	EA	BOARD - DIVIDER - SILVER
			FROM: 07-06-98 THRU: 99-99-99

* COMPONENT PARTS FOUND IN SERVICE PARTS LIBRARY

INTERIOR FINISH GROUP

MOLDINGS, BATT STRIPES & TRIMS

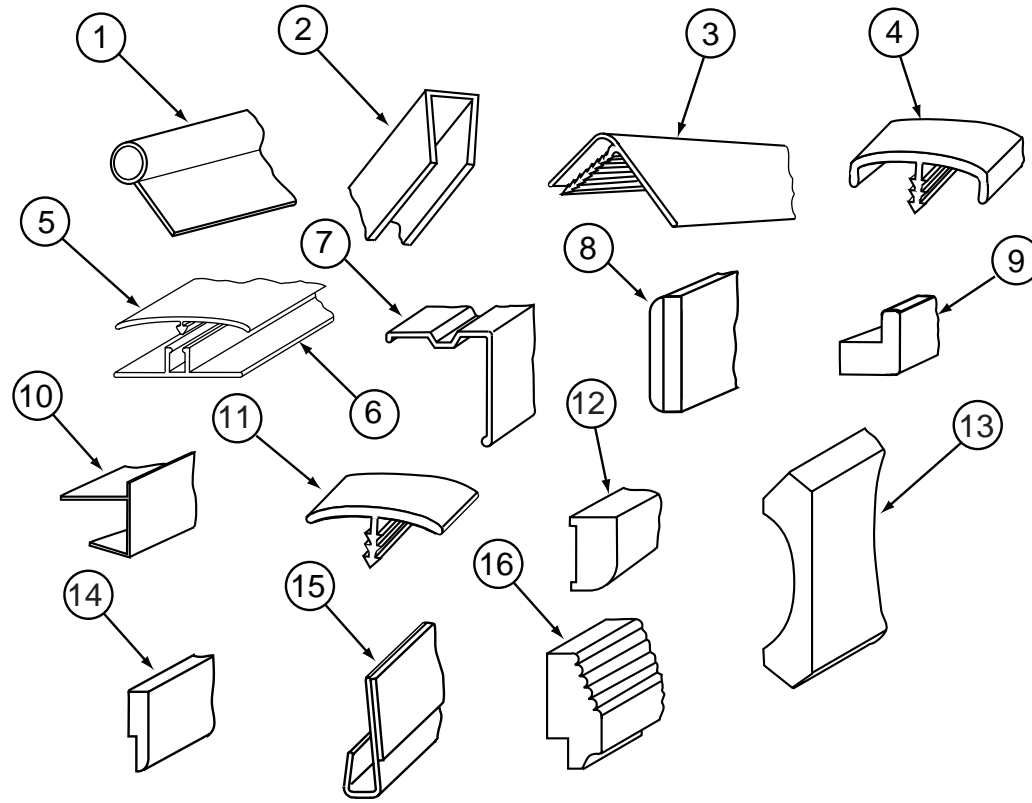


KEY	PART NUMBER	U/M	DESCRIPTION
1	009767-12-000	FT	WELTING - SIDEWALL/CEILING/CABINET - OFF/WHT
1	009767-13-000	FT	WELTING - PICKLED ASH - MYSTIC OAK
1	009767-14-000	FT	WELTING - CHERRY - SALEM CHERRY
1	009767-12-000	FT	WELTING - SIDEWALL/CEILING/CABINET - OFF/WHT - WHITE GRANITE
2	009778-16-000	FT	U-CHANNEL - 1" - PICKLED ASH - MYSTIC OAK
2	009778-18-000	FT	U-CHANNEL - 1" - CHERRY-CHERRY - SALEM CHERRY
2	009778-25-000	FT	U-CHANNEL - 1" - BEIGE ILLUSION - WHITE GRANITE
2	070504-18-000	FT	U-CHANNEL - PLASTIC - .65" X 84" - IVORY
2	070504-41-000	FT	U-CHANNEL - PLASTIC - .13" X 84" - SOLAR MAPLE - MYSTIC OAK
2	070504-30-000	FT	U-CHANNEL - PLASTIC - .13" X 84" - CHERRY - SALEM CHERRY
2	070504-45-000	FT	U-CHANNEL - PLASTIC - .13" X 72" - WHITE GRANITE
2	070504-28-000	FT	U-CHANNEL - PLASTIC - .65" X 84" - PICKLED ASH - MYSTIC OAK
2	070504-30-000	FT	U-CHANNEL - PLASTIC - .65" X 84" - CHERRY - SALEM CHERRY
2	070504-42-000	FT	U-CHANNEL - PLASTIC - .65" X 84" - BEIGE ILLUSION - WHITE GRANITE
2	070504-29-000	FT	U-CHANNEL - PLASTIC - .81" X 84" - PICKLED ASH - MYSTIC OAK
2	070504-31-000	FT	U-CHANNEL - PLASTIC - .81" X 84" - CHERRY - SALEM CHERRY
2	070504-43-000	FT	U-CHANNEL - PLASTIC - .81" X 96" - BEIGE ILLUSION - WHITE GRANITE
3	009809-26-000	EA	MOLDING - CORNER - OUTSIDE - 1" X 84" - PICKLED ASH - MYSTIC OAK
3	009809-27-000	EA	MOLDING - CORNER - OUTSIDE - 1" X 84" - CHERRY - SALEM CHERRY
3	009809-30-000	EA	MOLDING - CORNER - OUTSIDE - 1" X 84" - BEIGE ILLUSION - WHITE GRANITE
3	009812-27-000	EA	MOLDING - PLASTIC - 1/2" O/S CORNER - PICKLED ASH - MYSTIC OAK
3	009812-26-000	EA	MOLDING - PLASTIC - 1/2" O/S CORNER - CHERRY - SALEM CHERRY
3	009812-31-000	EA	MOLDING - PLASTIC - 1/2" O/S CORNER - BEIGE ILLUS - WHITE GRANITE

KEY	PART NUMBER	U/M	DESCRIPTION
	076325-43-000	FT	MOLDING - EDGE BAND .876" X .024" - CLOUD (J90, J30)
	076325-40-000	FT	MOLDING - EDGE BAND - .875" X .024" - EXTERIOR ENTERTAINMENT TABLE
	076325-46-000	FT	MOLDING - EDGE BAND 1 5/16" X .030" - CLOUD (J90, J30)
	076325-49-000	FT	MOLDING - EDGE BAND - 1 5/16" X .030" - PICKLED ASH - MYSTIC OAK
	076325-50-000	FT	MOLDING - EDGE BAND - 1 5/16" X .030" - CHERRY - SALEM CHERRY
	076325-53-000	FT	MOLDING - EDGE BAND - 1 5/16" X .030" - NEUTRAL - WHITE GRANITE
	076325-39-000	FT	MOLDING - EDGE BAND - 1 5/16" X .030" (J91, J92, J93, J31, J32, J33)
	076325-51-000	FT	MOLDING - EDGE BAND - .93" X .024" - PICKLED ASH - MYSTIC OAK
	076325-52-000	FT	MOLDING - EDGE BAND - .93" X .024" - CHERRY - SALEM CHERRY
	076325-54-000	FT	MOLDING - EDGE BAND - .875" X .024" - NEUTRAL - WHITE GRANITE
	076325-73-000	FT	MOLDING - EDGE BAND - .93" X .024" - ST-3470 (EXTERIOR ENTERTAINMENT)
	079653-19-000	EA	BATT STRIP - PICKLED ASH - 8' - MYSTIC OAK
	079653-41-000	EA	BATT STRIP - MONTANA FROST - 8' (J90, J30)
	079653-43-000	EA	BATT STRIP - LA JOLLA SEAMIST - 8' (J92, J32)
	079653-38-000	EA	BATT STRIP - WHITE GRANITE - 8'
	079653-20-000	EA	BATT STRIP - CHERRY/CHERRY - 8' - SALEM CHERRY
	079653-42-000	EA	BATT STRIP - TRAVIS FAWN - 8' (J91, J31)
	079653-44-000	EA	BATT STRIP - PRIMAVERA STONE - 8' (J93, J33)

INTERIOR FINISH GROUP

MOLDINGS, BATT STRIPES & TRIMS (CONTINUED)

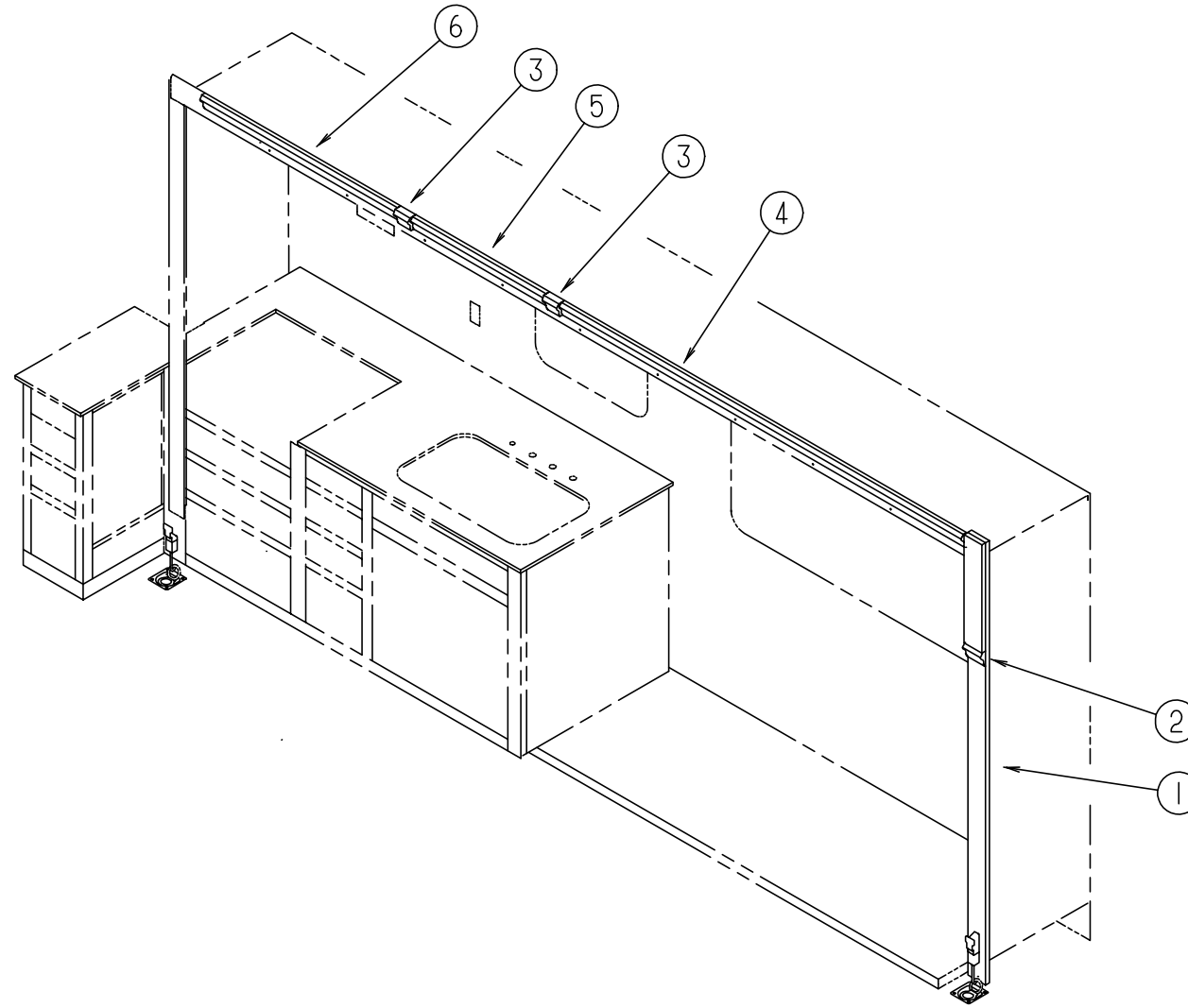


KEY	PART NUMBER	U/M	DESCRIPTION
4	083620-10-000	FT	MOLDING-T - END CAP EDGE - W/EDGE LIPS - .75"-PICKLED ASH - MYSTIC OAK
4	083620-11-000	FT	MOLDING-T - END CAP EDGE - W/EDGE LIPS - .75"-CHERRY - SALEM CHERRY
4	083620-15-000	FT	MOLDING-T - END CAP EDGE - W/EDGE LIPS - .75" -BEIGE ILLUS - WHITE GRANITE
	085284-E0-000	FT	BATT TAPE - ADHESIVE BACKED - DECORATIVE - MONTANA FROST (J90, J30)
	085284-E9-000	FT	BATT TAPE - ADHESIVE BACKED - DECORATIVE/TRAVIS MERCURY (J91, J31)
	085284-D7-000	FT	BATT TAPE - ADHESIVE BACKED - DECORATIVE -LA JOLLA/SEAMIST (J92, J32)
	085284-D5-000	FT	BATT TAPE - ADHESIVE BACKED - DECORATIVE - PRIMAVERA/STONE (J93, J33)
	085284-96-000	FT	BATT TAPE - ADHESIVE BACKED - WOODGRAINED/PICKLED ASH - MYSTIC OAK
	085284-97-000	FT	BATT TAPE - ADHESIVE BACKED - WOODGRAINED/SALEM CHERRY
	085284-E6-000	FT	BATT TAPE - ADHESIVE BACKED - DECORATIVE/WHITE GRANITE
5	086229-01-000	EA	RETAINER-BATTEN, CEILING - .75" WIDE - 7.6' LING
6	086229-13-000	EA	BATTEN - 1" X 96" - IVORY
6	086229-20-000	EA	BATTEN - 1" X 96" - BEIGE
7	093873-01-01A	EA	TRIM - CARPET - L-ANGLE 1.1" X 1.3" X 12' - GRAY VINYL
8	100818-01-03A	EA	MOLDING - VINYL WRAPPED - 1.65" X .4" X 7' - MYSTIC OAK
8	100818-01-04A	EA	MOLDING - VINYL WRAPPED - 1.65" X .4" X 7' - SALEM CHERRY
8	100818-01-07A	EA	MOLDING - VINYL WRAPPED - 1.65" X .4" X 7' - WHITE GRANITE
9	100819-01-03A	EA	MOLDING - VINYL WRAPPED - L-SHAPED - 1.5" X 1.5" X 7' - MYSTIC OAK
9	100819-01-04A	EA	MOLDING - VINYL WRAPPED - L-SHAPED - 1.5" X 1.5" X 7' - SALEM CHERRY
9	100819-01-07A	EA	MOLDING - VINYL WRAPPED - L-SHAPED - 1.5" X 1.5" X 7' - WHITE GRANITE
10	103186-01-03A	FT	MOLDING - PLASTIC/3/8" U-CHANNEL W/3/4" FACE - PICKLED ASH - MYSTIC OAK
10	103186-01-04A	FT	MOLDING - PLASTIC/3/8" U-CHANNEL W/3/4" FACE - CHERRY - SALEM CHERRY
10	103186-01-07A	FT	MOLDING - PLASTIC/3/8" U-CHANNEL W/3/4" FACE - BEIGE ILLUS - WHITE GRANITE

KEY	PART NUMBER	U/M	DESCRIPTION
10	103186-02-03A	FT	MOLDING - PLASTIC/1" U-CHANNEL W/1 3/8" FACE - PICKLED ASH - MYSTIC OAK
10	103186-02-04A	FT	MOLDING - PLASTIC/1" U-CHANNEL W/1 3/8" FACE - CHERRY - SALEM CHERRY
10	103186-02-07A	FT	MOLDING - PLASTIC/1" U-CHANNEL W/1 3/8" FACE - BEIGE ILLUS - WHITE GRANITE
11	104676-02-02A	FT	MOLDING-T - 1/2" - PICKLED ASH - MYSTIC OAK
11	104676-02-03A	FT	MOLDING-T - 1/2" - CHERRY - SALEM CHERRY
11	104676-02-07A	FT	MOLDING-T - 1/2" - DESIGNER BEIGE - WHITE GRANITE
11	105709-01-000	FT	T-MOLDING - 1" - MODERN IVORY
12	111135-D2-134	EA	MOLDING - VINYL WRAPPED - .7" X 1.6" X 7' - PICKLED ASH - MYSTIC OAK
12	111136-D2-134	EA	MOLDING - VINYL WRAPPED - .7" X 1.6" X 7' - CHERRY - SALEM CHERRY
12	122668-D2-134	EA	MOLDING - VINYL WRAPPED - .7" X 1.6" X 7' - WHITE GRANITE
12	111135-F2-134	EA	MOLDING - VINYL WRAPPED - .7" X 2.6" X 7' - PICKLED ASH - MYSTIC OAK
12	111136-F2-134	EA	MOLDING - VINYL WRAPPED - .7" X 2.6" X 7' - CHERRY - SALEM CHERRY
12	122668-F2-134	EA	MOLDING - VINYL WRAPPED - .7" X 2.6" X 7' - WHITE GRANITE
12	111135-F2-438	EA	MOLDING - VINYL WRAPPED - .7" X 2.5" X 8' - PICKLED ASH - MYSTIC OAK
12	111136-F2-438	EA	MOLDING - VINYL WRAPPED - .7" X 2.5" X 8' - CHERRY - SALEM CHERRY
12	122668-F2-438	EA	MOLDING - VINYL WRAPPED - .7" X 2.5" X 8' - WHITE GRANITE
13	113794-01-03A	FT	MOLDING - CROWN - WHITE GRANITE
13	113794-01-02A	FT	MOLDING - CROWN - SALEM CHERRY
14	105004-01-04A	EA	MOLDING - VINYL WRAPPED - 1" X 96" - PICKLED ASH - MYSTIC OAK
14	105004-01-03A	EA	MOLDING - VINYL WRAPPED - 1" X 96" - PICKLED ASH - SALEM CHERRY
15	109332-02-02A	FT	TRIM-J - W/O ADHESIVE - PICKLED ASH - MYSTIC OAK
15	109332-02-03A	FT	TRIM-J - W/O ADHESIVE - SALEM CHERRY
16	126902-01-01A	EA	MOLDING-PLASTIC WRAP - CRACKLE GOLD - WHITE GRANITE

INTERIOR FINISH GROUP (CONTINUED)

SLIDEOUT ROOM MOLDINGS



KEY	PART NUMBER	U/M	DESCRIPTION
1	116951-05-J90	EA	MOLDING - WOOD - 3.5" X 75.7" - MYSTIC OAK
1	116951-05-J30	EA	MOLDING - WOOD - 3.5" X 75.7" - SALEM CHERRY
1	116951-05-J62	EA	MOLDING - WOOD - 3.5" X 75.7" - WHITE GRANITE
2	125547-04-J90	EA	MOLDING-CROWN - MYSTIC OAK
2	125547-04-J30	EA	MOLDING-CROWN - SALEM CHERRY
2	125547-04-J62	EA	MOLDING-CROWN - WHITE GRANITE
3	125547-07-J90	EA	MOLDING-CROWN - MYSTIC OAK
3	125547-07-J30	EA	MOLDING-CROWN - SALEM CHERRY
3	125547-07-J62	EA	MOLDING-CROWN - WHITE GRANITE

KEY	PART NUMBER	U/M	DESCRIPTION
4	125547-10-J90	EA	MOLDING-CROWN - MYSTIC OAK
4	125547-10-J30	EA	MOLDING-CROWN - SALEM CHERRY
4	125547-10-J62	EA	MOLDING-CROWN - WHITE GRANITE
5	125547-11-J90	EA	MOLDING-CROWN - MYSTIC OAK
5	125547-11-J30	EA	MOLDING-CROWN - SALEM CHERRY
5	125547-11-J62	EA	MOLDING-CROWN - WHITE GRANITE
6	125547-12-J90	EA	MOLDING-CROWN - MYSTIC OAK
6	125547-12-J30	EA	MOLDING-CROWN - SALEM CHERRY
6	125547-12-J62	EA	MOLDING-CROWN - WHITE GRANITE

INTERIOR FINISH GROUP (CONTINUED)

PANELING, LAMINATES & PLASTICS

KEY	PART NUMBER	U/M	DESCRIPTION
	000846-01-000	SF	PLYWOOD - 5/16" X 48" X 96" - CD GRADE
	000846-02-000	SF	PLYWOOD/UNDERLAYMENT - 5/16" X 48" X 96"
	000885-66-000	SF	PARTICLE BOARD-1/2" X 60" X 96"-PICKLED ASH-2 SIDED VINYL - MYSTIC OAK
	000885-67-000	SF	PARTICLE BOARD - 3/4" X 60" X 96"-PICKLED ASH-2 SIDE VINYL - MYSTIC OAK
	000885-68-000	SF	PARTICLE BOARD - 3/8" X 48" X 96"-PICKLED ASH-2 SIDE VINYL - MYSTIC OAK
	000885-72-000	SF	PARTICLE BOARD - 1/2" X 48" X 96" - CHERRY/VINYL 2 SIDED - SALEM CHERRY
	000885-73-000	SF	PARTICLE BOARD - 3/4" X 48" X 96" - CHERRY/VINYL 2 SIDED - SALEM CHERRY
	000885-74-000	SF	PARTICLE BOARD - 3/8"X 48"X 96" - CHERRY/VINYL 2 SIDED - SALEM CHERRY
	074497-22-000	SF	PANELING-PICKLED ASH 3MM X 48" X 96" - MYSTIC OAK
	074497-23-000	SF	PANELING - CHERRY - .1" X 48" X 96" - SALEM CHERRY
	074497-36-000	SF	PANELING - WHITE GRANITE - 4' X 8' - WHITE GRANITE
	074498-57-000	SF	LAMINATE-PLASTIC - PICKLED ASH - MYSTIC OAK
	074498-58-000	SF	LAMINATE - PLASTIC - CHERRY - 5' X 8' - INC OF 40 SF - SALEM CHERRY
	074498-81-000	SF	LAMINATE - PLASTIC - ALMOND JAGUARD - 5' X 8' INCR OF 40SF - WHITE GRANITE
	074498-62-000	SF	LAMINATE - PLASTIC - GREY FINESSE - 5' X 8' - INC OF 40SF (J90, J30)
	074498-71-000	SF	LAMINATE - PLASTIC - NEUTRAL SANTOS - 5'X8' - INC OF 40SF (J91, J31)
	074498-81-000	SF	LAMINATE - PLASTIC - ALMOND JAGUARD - 5' X 8' INCR OF 40SF (J92, J93, J32, J33)
	074498-40-000	SF	LAMINATE - PLASTIC - OFF WHITE - 5' X 8' - INC OF 40 SF (EXT ENTERTAINMENT)
	085217-12-000	SF	COUNTERTOP - SIERRA AURORA - 1/2"
	085217-18-000	SF	COUNTERTOP - SIERRA AURORA - 1/4"
	088272-G1-000	SF	PANELING - PEBBLE EMBOSSED - ANTIQUE WHITE - 4' X 7'
	088272-G4-000	SF	PANELING - MONTANA FROST - 4' X 8' (J90, J30)
	088272-H4-000	SF	PANELING - TRAVIS - 4' X 7' (J91, J31)
	088272-G2-000	SF	PANELING - LA JOLLA - SEAMIST - 4' X 7' (J92, J32)
	088272-F9-000	SF	PANELING - PRIMAVERA STONE - 4' X 8' (J93, J33)
	111133-A2-438	EA	LUMBER - VINYL WRAPPED - .7" X .7" X 96" - PICKLED ASH - MYSTIC OAK
	111133-D2-438	EA	LUMBER-.7" X 1.49" X 96" VINYL WRAPPED - PICKLED ASH - MYSTIC OAK
	111133-E2-438	EA	LUMBER-.7" X 2" X 96" VINYL WRAPPED PICKLED ASH - MYSTIC OAK
	111133-G2-438	EA	LUMBER - .7" X 3" X 96" - VINYL WRAPPED PICKLED ASH - MYSTIC OAK
	111133-H2-134	EA	LUMBER - VINYL WRAPPED - .7" X 3.5" X 84" - PICKLED ASH - MYSTIC OAK
	111133-J2-040	EA	LUMBER-018X140X2040 MM VINYL - MYSTIC OAK
	111133-J2-036	EA	LUMBER-018X140X2036 MM VINYL - MYSTIC OAK
	111133-J2-438	EA	LUMBER-018X140X2438 MM VINYL - MYSTIC OAK
	111134-A2-438	EA	LUMBER - VINYL WRAPPED - .7" X .7" X 96" - CHERRY - SALEM CHERRY
	111134-D2-438	EA	LUMBER-.7" X 1.49" X 96" VINYL WRAPPED - CHERRY - SALEM CHERRY
	111134-E2-438	EA	LUMBER-.7" X 2" X 96" VINYL WRAPPED CHERRY - SALEM CHERRY
	111134-G2-438	EA	LUMBER - .7" X 3" X 96" - VINYL WRAPPED CHERRY - SALEM CHERRY
	111134-H2-134	EA	LUMBER - VINYL WRAPPED - .7" X 3.5" X 84" - CHERRY - SALEM CHERRY
	111134-J2-040	EA	LUMBER-018X140X2040 MM VINYL - SALEM CHERRY
	111134-J2-036	EA	LUMBER-018X140X2036 MM VINYL - SALEM CHERRY
	111134-J2-438	EA	LUMBER-018X140X2438 MM VINYL - SALEM CHERRY
	114129-01-02A	SF	LINER - CABINET - .02" X 48" X 96"
	126339-01-000	SF	BOARD - WHEAT - 60" X 72"

INTERIOR FINISH GROUP (CONTINUED)

CLOCK, FIRE EXTINGUISHER, SMOKE & CO DETECTOR

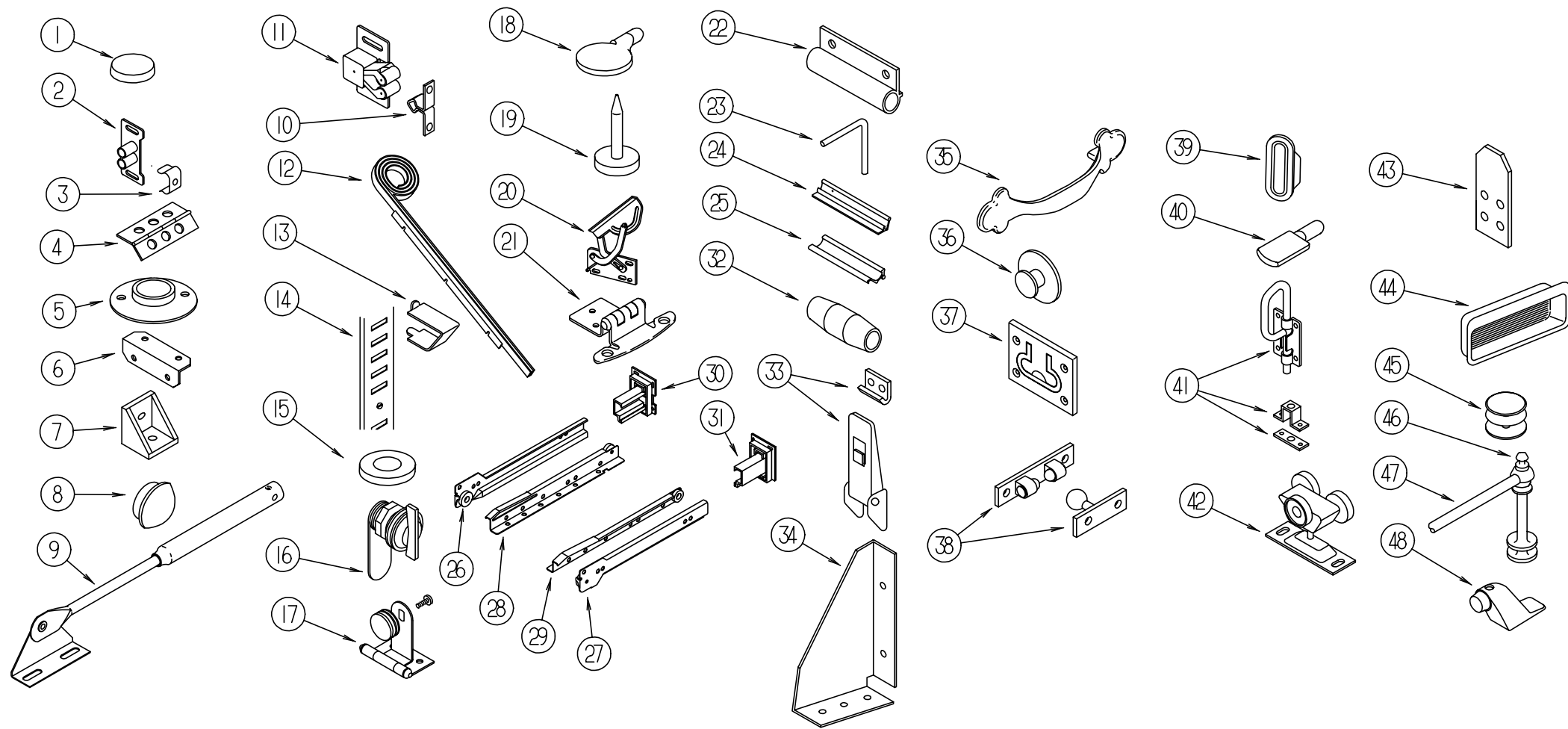
KEY	PART NUMBER	U/M	DESCRIPTION	VENDOR NO.
	072852-01-000	EA	DETECTOR - SMOKE - W/9 VOLT BATTERY - US	
	072852-02-000	EA	DETECTOR - SMOKE - W/9/VOLT BATTERY - CANADIAN	
	094499-01-000	EA	EXTINGUISHER/FIRE - DRY W/MOUNTING BRACKET	
	094499-02-000	EA	EXTINGUISHER/FIRE - DRY - 1A10BC - CANADIAN	
	094499-01-700	EA	BRACKET MTG. W/PLAS. STRAP	294039
	094499-01-701	EA	STRAP ONLY (METAL)	320351
	100793-02-01A	EA	CLOCK - WALL - QUARTZ/11" - BRASS	
	125136-01-000	EA	DETECTOR - CO - GAS - MODEL 9L-I	

FLOOR COVERINGS & MATS

KEY	PART NUMBER	U/M	DESCRIPTION
	042720-24-000	SY	VINYL - FLOOR COVERING
	093486-01-000	SY	CARPET - COMPARTMENT - 72" WIDE - DARK GRAY
	091261-01-000	FT	SLIPNOT - ANTISLIP - 1" WIDE (100' ROLL)
	096060-C4-000	SY	CARPET - NIGHT NAVY - INCREMENTS OF 4 SQ. YARDS (J90, J30)
	096060-A1-000	SY	CARPET - ARTIC GRAY - INCREMENTS OF 4 SQ YDS (J91, J31)
	096060-A2-000	SY	CARPET - NEW MEADOW - INCREMENTS OF 4 SQ YD (J92, J32)
	096060-99-000	SY	CARPET - PARCHMENT - INCREMENTS OF 4 SQ. YARDS (J93, J33)
	108152-01-000	EA	MAT - FLOOR - PASSENGER
	108152-02-000	EA	MAT - FLOOR - DRIVER
	108152-03-000	EA	MAT - FLOOR - DRIVER - FREIGHTLINER ONLY
	122755-02-01A	EA	TILE - RUBBER/ENTRANCE DOOR - 18.5" X 29.3"
	122755-04-01A	EA	TILE - RUBBER/ENTRANCE DOOR - 17.7" X 28.5"
	124253-01-02A	EA	VINYL -FLOOR PLANK - 3" X 12" - MAPLE - MYSTIC OAK/WHITE GRANITE
	124253-01-02A	EA	VINYL -FLOOR PLANK - 3" X 12" - CHERRY - SALEM CHERRY

INTERIOR FINISH GROUP (CONTINUED)

CABINET HARDWARE

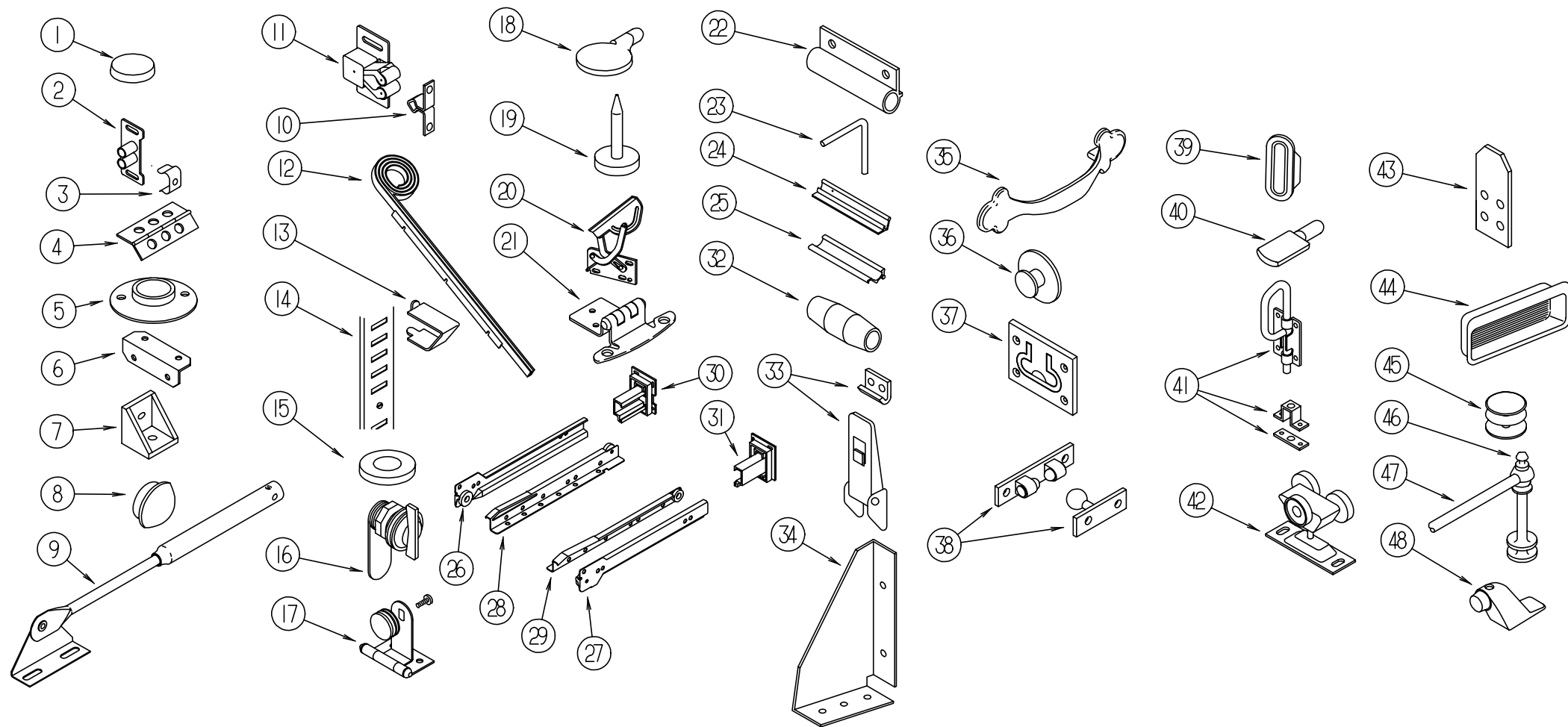


KEY	PART NUMBER	U/M	DESCRIPTION
1	004354-01-000	EA	BUMPER - RUBBER - .5" DIA - BROWN
2	009021-01-000	EA	CATCH - GRILLE - NYLON
3	009021-02-000	EA	STRIKE - SPRING STEEL
4	009059-01-000	EA	HINGE - DOOR - 2" X 1.4" - BRASS
4	009059-02-000	EA	HINGE - DOOR - 2" X 2.7" - BRASS
4	041389-18-000	EA	HINGE - PIANO - 1.50" X 19" - OFF WHITE
4	041389-25-000	EA	HINGE - PIANO - 1.50" X 55"
4	073151-02-000	EA	HINGE-CONTINUOUS, 22.3" LONG - METAL - OFF WHITE
4	110496-03-01A	EA	HINGE - BRASS
5	009112-01-000	EA	FLANGE - PLASTIC - 1" CLOTHES ROD - OFF WHITE
6	016604-01-000	EA	BRACE - CABINET - ANGLE - 2.5" - UNPAINTED METAL
6	016604-05-000	EA	BRACE - CABINET - ANGLE - 2.5" - OFF WHITE METAL
	023320-01-000	EA	PAD - FELT 3/8" DIAMETER
	042438-01-000	EA	DOWEL - WOOD - CLOTHES ROD - 1" DIAMETER X 4'
	042438-06-000	EA	DOWEL - WOOD - 1.5" X 26" - OAK
7	065740-01-000	EA	BRACE - CABINET/CORNER - PLASTIC
8	074045-01-000	EA	PLUG - OAK - 1/2" DIAMETER - WATERFORD OAK
8	074045-09-000	EA	PLUG - OAK - 1/2" DIAMETER - PICKLED ASH - MYSTIC OAK
8	074045-08-000	EA	PLUG - OAK - 1/2" DIAMETER - SALEM CHERRY
8	074045-11-000	EA	PLUG - OAK - 1/2" DIAMETER - WHITE GRANITE
9	074493-02-000	EA	SUPPORT - PISTON SPRING - CABINET DOOR
10	093586-05-000	EA	STRIKE - SPRING STEEL
11	093586-06-000	EA	CATCH - SPRING - ROLLER

KEY	PART NUMBER	U/M	DESCRIPTION
12	097141-01-000	EA	TRACK - SPIRAL - TAMBOUR DOOR - 24"
12	097141-02-700	EA	TRACK-SPIRAL KIT (1)LH & (1)RH
	097872-04-000	EA	DOWEL - WOOD - 1" DIAMETER X 1.38" LONG
13	098979-01-000	EA	CLIP - ADJUSTABLE SHELF
14	098980-02-000	EA	PILASTER - ADJUSTABLE SHELF - 12"
14	098980-04-000	EA	PILASTER - ADJUSTABLE SHELF - 48"
14	098980-06-000	EA	PILASTER - ADJUSTABLE SHELF - 24"
15	100707-01-000	EA	SPACER - GLASS DOOR - .8" DIA - .3" HOLE - PLASTIC
16	100710-01-01A	EA	LOCK - GLASS DOOR/TWIST TYPE - BRASS
17	100711-01-01A	EA	HINGE - GLASS DOOR
18	101766-01-000	EA	PIN - SUPPORT/GLASS DOOR
19	102194-01-000	EA	GUIDE - PLASTIC
20	108126-01-000	EA	TRAY HINGE SET (QTY. 2 PER SET)
21	108138-01-000	EA	HINGE - CABINET DOOR - BURNISHED BRASS
21	108138-02-000	EA	HINGE - CABINET DOOR - BRIGHT BRASS (WHITE GRANITE ONLY)
22	108486-01-01A	EA	BRACKET - PROP ROD/OVERHEAD - BLACK
23	108487-02-01A	EA	SUPPORT - PROP ROD/OVERHEAD - BLACK
24	110107-01-04A	EA	PULL - DOOR - TERRATONE
25	110108-01-04A	EA	LATCH - DOOR - TERRATONE
26	114031-05-000	EA	SLIDE - 14" - LEFT SIDE/CABINET
26	114031-09-000	EA	SLIDE - 16" - LEFT SIDE/CABINET
26	114031-13-000	EA	SLIDE - 18" - LEFT SIDE/CABINET
26	114031-17-000	EA	SLIDE - 20" - LEFT SIDE/CABINET
26	114031-21-000	EA	SLIDE - 22" - LEFT SIDE/CABINET
26	114031-25-000	EA	SLIDE - 24" - LEFT SIDE/CABINET

INTERIOR FINISH GROUP (CONTINUED)

CABINET HARDWARE (CONTINUED)



KEY	PART NUMBER	U/M	DESCRIPTION
27	114031-06-000	EA	SLIDE - 14" - RIGHT SIDE/CABINET
27	114031-10-000	EA	SLIDE - 16" - RIGHT SIDE/CABINET
27	114031-14-000	EA	SLIDE - 18" - RIGHT SIDE/CABINET
27	114031-18-000	EA	SLIDE - 20" - RIGHT SIDE/CABINET
27	114031-22-000	EA	SLIDE - 22" - RIGHT SIDE/CABINET
27	114031-26-000	EA	SLIDE - 24" - RIGHT SIDE/CABINET
28	114031-07-000	EA	SLIDE - 14" - LEFT SIDE/DRAWER
28	114031-11-000	EA	SLIDE - 16" - LEFT SIDE/DRAWER
28	114031-15-000	EA	SLIDE - 18" - LEFT SIDE/DRAWER
28	114031-19-000	EA	SLIDE - 20" - LEFT SIDE/DRAWER
28	114031-23-000	EA	SLIDE - 22" - LEFT SIDE/DRAWER
28	114031-27-000	EA	SLIDE - 24" - LEFT SIDE/DRAWER
29	114031-08-000	EA	SLIDE - 14" - RIGHT SIDE/DRAWER
29	114031-12-000	EA	SLIDE - 16" - RIGHT SIDE/DRAWER
29	114031-16-000	EA	SLIDE - 18" - RIGHT SIDE/DRAWER
29	114031-20-000	EA	SLIDE - 20" - RIGHT SIDE/DRAWER
29	114031-24-000	EA	SLIDE - 22" - RIGHT SIDE/DRAWER
29	114031-28-000	EA	SLIDE - 24" - RIGHT SIDE/DRAWER
30	114045-01-000	EA	BACKSOCKET - ADJUSTABLE LEFT
31	114045-02-000	EA	BACKSOCKET - ADJUSTABLE RIGHT

KEY	PART NUMBER	U/M	DESCRIPTION
32	114130-02-000	EA	BALLS - SPACER - DOOR
33	116975-01-01A	EA	LATCH - W/O STRIKE - BLACK - NEW STYLE
34	116978-01-03B	EA	GUSSET - SLIDEOUT ROOM - OFF/WHITE
35	125165-01-01A	EA	PULL - CABINET - BRIGHT BRASS
35	121891-01-01A	EA	PULL - CABINET - BRASS (WHITE GRANITE ONLY)
36	125221-01-01A	EA	PULL - MIRROR - W/ROUND HANDLE
37	072871-01-000	EA	PULL-FLUSH, CHROME
38	084451-01-000	EA	CATCH - TV SHELF - BRASS
39	098410-01-01A	EA	PULL-FINGER, OVAL - BRASS
40	101766-01-000	EA	PIN-SUPPORT, GLASS DOOR
41	103256-01-000	EA	LATCH-SLIDE
42	103874-01-000	EA	HANGER-SLIDING DOOR
43	112053-01-01A	EA	STOP - DRAWER - BLACK
44	124311-01-01A	EA	HANDLE - RECESSED - BRASS
45	081114-02-000	EA	CAP - INSERT - ROUND 1" DIAMETER - WHITE
46	084070-03-000	EA	POST - END - 2.4" - BRASS
47	084071-05-000	EA	ROD - BRASS - 15"
47	084071-19-000	EA	ROD - BRASS - 7.09" LONG
47	084071-20-000	EA	ROD - BRASS, 250MM LONG
47	084071-23-000	EA	ROD - BRASS - 13.12" LONG
48	103257-01-000	EA	STOP - DOOR
	091261-01-000	FT	SLIPNOT - ANTISLIP - 1" WIDE (100' ROLL)

LABELS GROUP

WARNING :
 ALL PILOT LIGHTS AND APPLIANCES SHALL BE TURNED OFF DURING REFUELLING OF MOTOR FUEL TANKS AND/OR PROPANE CONTAINERS.

AVERTISSEMENT :
 FERMER TOUTES LES VEILLEUSES AINSI QUE TOUS LES APPAREILS LORSQU'ON FAIT LE PLEIN DES RESERVOIRS A CARBURANT QU A PROPANE.

1

2

DIESEL FUEL ONLY

LABEL-DIESEL FUEL ONLY

KEY	PART NUMBER	U/M	DESCRIPTION
1	006040-01-000	EA	TAG - GAS REFUELING WARNING
1	006040-02-000	EA	TAG - GAS REFUEL WARNING - CSA
2	068383-01-000	EA	LABEL-DIESEL FUEL ONLY

1

SEWAGE

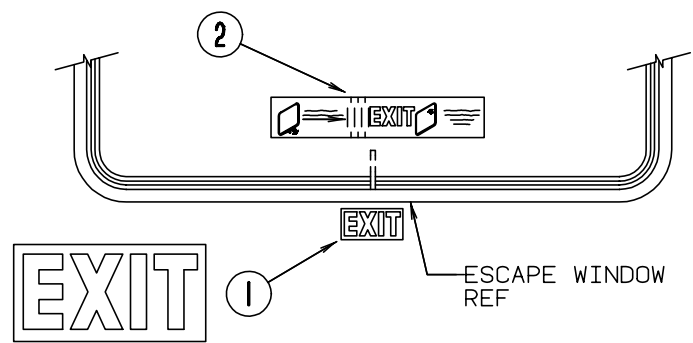
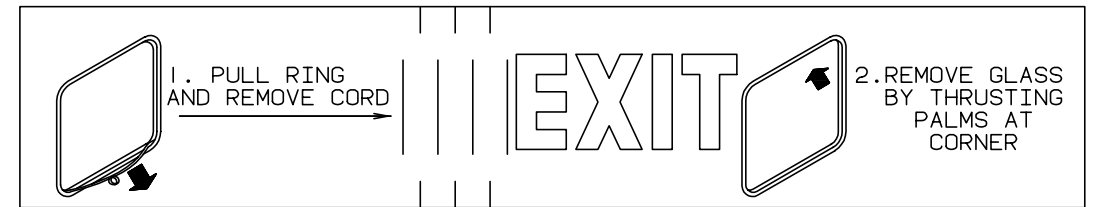
KEY	PART NUMBER	U/M	DESCRIPTION
1	006187-01-000	EA	LABEL - SEWAGE

1

WASTE WATER

KEY	PART NUMBER	U/M	DESCRIPTION
1	006188-01-000	EA	LABEL - WASTE WATER

LABELS GROUP (CONTINUED)



KEY	PART NUMBER	U/M	DESCRIPTION
1	039290-01-000	EA	LABEL - WARNING - EXIT
2	107571-01-000	EA	LABEL - EXIT/ESCAPE WINDOW

CITY WATER FILL

1

KEY	PART NUMBER	U/M	DESCRIPTION
1	126249-01-000	EA	LABEL-CITY WATER FILL

WARNING
 POTABLE WATER ONLY
 SANITIZE, FLUSH, AND DRAIN BEFORE USING.
 SEE INSTRUCTION MANUAL

KEY	PART NUMBER	U/M	DESCRIPTION
1	128725-01-02A	EA	LABEL - POTABLE WATER ONLY

LABELS GROUP (CONTINUED)

WARNING

IT IS NOT SAFE TO USE COOKING
APPLIANCES FOR COMFORT HEATING

ING APPLIANCES NEED FRESH AIR FOR SAFE OPERATION
RE OPERATION:

OVERHEAD VENT OR TURN ON EXHAUST FAN AND;
WINDOW.

KEY	PART NUMBER	U/M	DESCRIPTION
1	050222-01-000	EA	LABEL - STOVE VENT - CANADIAN
1	050225-01-000	EA	LABEL - WARNING - STOVE VENT - US

LP-GAS SYSTEM

THIS GAS PIPING SYSTEM IS
DESIGNED FOR USE OF
LIQUIFIED PETROLEUM GAS
ONLY. DO NOT CONNECT
NATURAL GAS TO THIS
SYSTEM.

SECURELY CAP INLET(S) WHEN NOT
CONNECTED FOR USE AFTER TURNING
ON GAS. EXCEPT AFTER NORMAL
CONTAINER REPLACEMENT, TEST GAS
PIPING AND CONNECTIONS TO
APPLIANCES FOR LEAKAGE WITH SOAPY
WATER OR BUBBLE SOLUTION. DO NOT
USE PRODUCTS THAT CONTAIN AMMONIA
OR CHLORINE.

KEY	PART NUMBER	U/M	DESCRIPTION
1	054531-01-000	EA	LABEL - LP GAS ONLY
	023769-01-000	EA	LABEL - WARNING - LPG - CANADIAN

**WARNING: DISCONNECT BATTERIES BEFORE
CONNECTING EXTERNAL CHARGING EQUIPMENT.**

KEY	PART NUMBER	U/M	DESCRIPTION
1	065748-01-000	EA	LABEL - CAUTION - BATTERY CHARGING

**ERTISSEMENT: DEBRANCHER LES BATTERIES AVA
BRANCHER TOUT EQUIPEMENT DE CHARGE EXTERIEU**

KEY	PART NUMBER	U/M	DESCRIPTION
1	065748-02-000	EA	LABEL - WARNING - BATTERY/FRENCH

LABELS GROUP (CONTINUED)

IF YOU SMELL GAS

1. EXTINGUISH ANY OPEN FLAME, PILOT LIGHTS AND ALL SMOKING MATERIALS.
2. DO NOT TOUCH ELECTRICAL SWITCHES.
3. SHUT OFF THE GAS SUPPLY AT THE TANK VALVE(S) OR GAS SUPPLY CONNECTION.
4. OPEN DOORS AND OTHER VENTILATING OPENINGS.
5. LEAVE THE AREA UNTIL ODOR CLEARS.
6. HAVE THE GAS SYSTEM CHECKED AND LEAKAGE SOURCE CORRECTED BEFORE USING AGAIN.

KEY	PART NUMBER	U/M	DESCRIPTION
1	073998-01-000	EA	LABEL - LPG ODOR WARNING

**WARNING: TEST SMOKE DETECTOR
OPERATION AFTER VEHICLE HAS BEEN IN
STORAGE, BEFORE EACH TRIP AND AT
LEAST ONCE PER WEEK DURING USE.**

KEY	PART NUMBER	U/M	DESCRIPTION
1	077956-01-000	EA	LABEL - WARNING - SMOKE DETECTOR

CAUTION

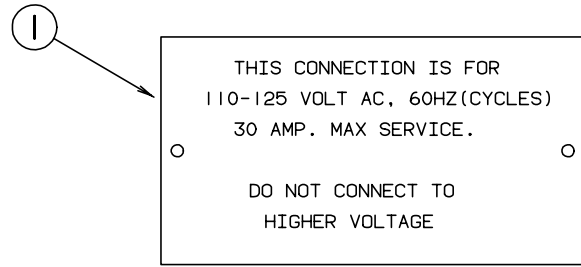
THIS MOTOR HOME HAS BEEN DESIGNED, MANUFACTURED AND TESTED WITH CONCERN FOR THE PROTECTION OF IT'S OCCUPANTS. WE RECOMMEND YOU PERFORM THE FOLLOWING INSPECTIONS FOR YOUR SAFETY AND THE SAFETY OF YOUR PASSENGERS BEFORE STARTING YOUR VEHICLE.

1. LP GAS SYSTEM- TURN OFF AT TANK FOR TRAVELING. TEST FOR LEAKS UPON ARRIVAL AT DESTINATION. BEFORE LIGHTING PILOTS.
2. WHEELS- INSPECT FOR DAMAGE AND CHECK LUG NUTS FOR TIGHTNESS.
3. TIRES- INSPECT FOR WEAR AND DAMAGE AND CHECK FOR RECOMMENDED AIR PRESSURE.
4. LIGHTING- TEST FOR PROPER OPERATION OF ALL INTERIOR AND EXTERIOR LIGHTS INCLUDING DASH LIGHTS, HEADLIGHTS, TAIL LIGHTS, BRAKE LIGHTS, CLEARANCE LIGHTS AND TURN SIGNALS.
5. EXITS- INSPECT RELEASE MECHANISM ON EMERGENCY EXIT WINDOW, TEST BOTH LOCKS ON MAIN ENTRANCE DOOR FOR EASE OF OPERATION AND INSTRUCT PASSENGERS HOW TO USE BOTH MEANS OF EXIT.
6. SEAT BELTS- DIRECT PASSENGERS TO DESIGNATED SEATS AND REQUIRE USE OF SEAT BELTS.
7. APPLIANCES- TURN OFF AND LATCH OR LOCK DOORS WHERE PROVIDED.
8. LOOSE PARCELS- STORE SECURELY.
9. UTILITY SUPPLY LINES- DISCONNECT ALL ELECTRIC, SEWER AND WATER LINES AND SECURE PROPERLY.
10. ENTRANCE DOOR STEP- PLACE IN RETRACTED POSITION FOR TRAVELING.

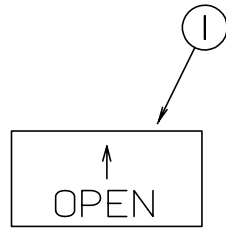
READ YOUR MOTOR HOME AND CHASSIS OWNER'S
MANUAL FOR FURTHER PRECAUTIONS

KEY	PART NUMBER	U/M	DESCRIPTION
1	056259-01-000	EA	LABEL - SAFETY CHECK LIST

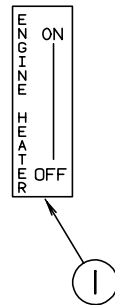
LABELS GROUP (CONTINUED)



KEY	PART NUMBER	U/M	DESCRIPTION
1	006062-01-000	EA	LABEL - ELECTRIC - 110 VOLT CONNECTION
FROM: 00-00-00 THRU: 07-13-97			

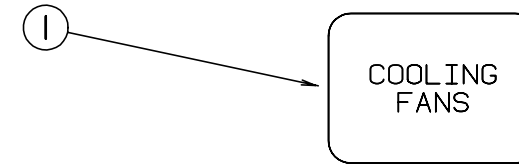


KEY	PART NUMBER	U/M	DESCRIPTION
1	040944-01-000	EA	LABEL - ENTRANCE DOOR - "OPEN"

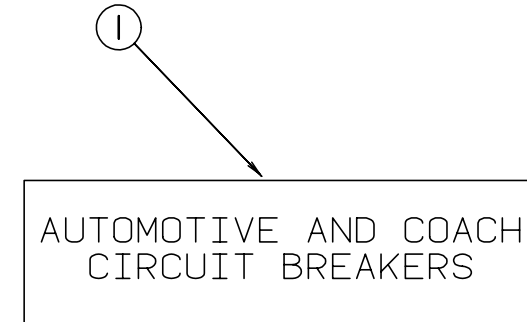


KEY	PART NUMBER	U/M	DESCRIPTION
1	083588-01-000	EA	LABEL - ON/OFF - WATER HEATER

LABELS GROUP (CONTINUED)



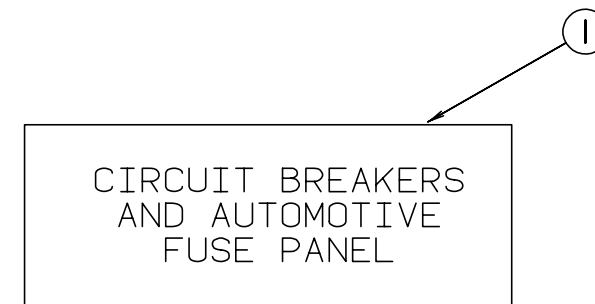
KEY	PART NUMBER	U/M	DESCRIPTION
1	093237-10-000	EA	LABEL - CIRCUIT BREAKER - FRONT - COOLING FANS



KEY	PART NUMBER	U/M	DESCRIPTION
1	098379-01-000	EA	LABEL - FRONT BOX - CIRCUIT BREAKER

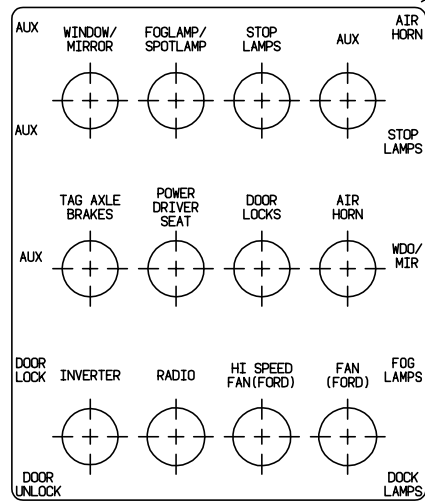


KEY	PART NUMBER	U/M	DESCRIPTION
1	098379-03-000	EA	LABEL - ELECTRICAL BOX - FRONT



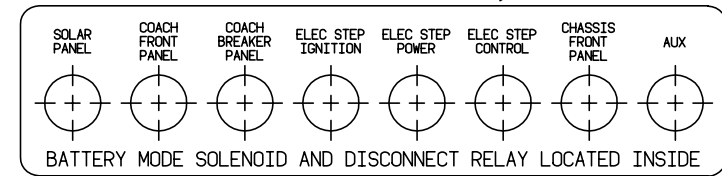
KEY	PART NUMBER	U/M	DESCRIPTION
1	098379-04-000	EA	LABEL - ELECTRICAL BOX - SIDE

LABELS GROUP (CONTINUED)

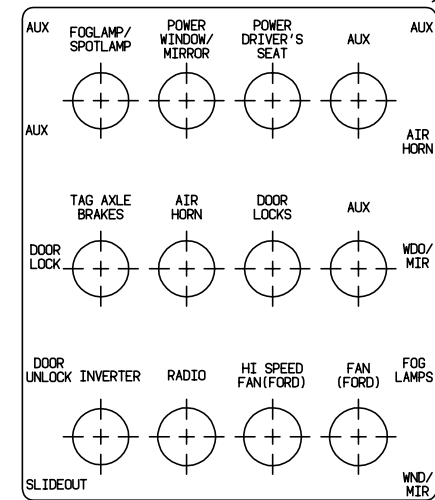


KEY PART NUMBER U/M DESCRIPTION
 1 092547-06-000 EA LABEL - CIRCUIT BREAKER

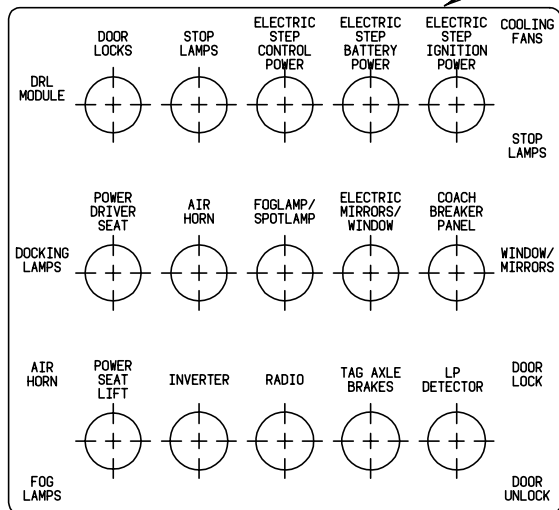
LABELS GROUP (CONTINUED)



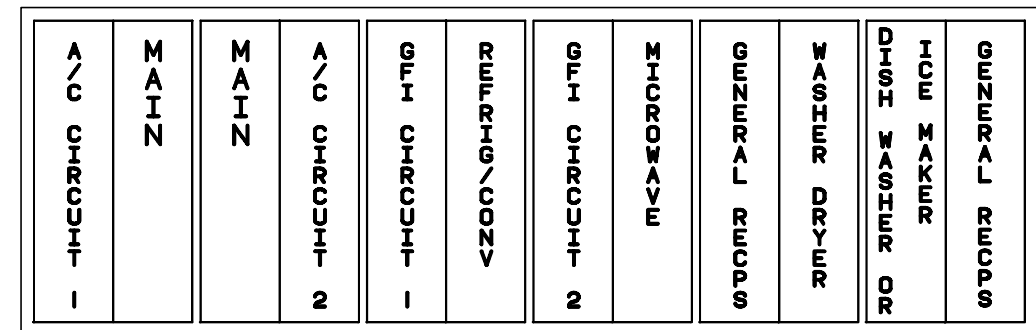
KEY PART NUMBER U/M DESCRIPTION
 1 093236-13-000 EA LABEL - CIRCUIT BREAKER



KEY PART NUMBER U/M DESCRIPTION
 1 093236-16-000 EA LABEL - CIRCUIT BREAKER



KEY PART NUMBER U/M DESCRIPTION
 1 093236-12-000 EA LABEL - CIRCUIT BREAKER



KEY PART NUMBER U/M DESCRIPTION
 1 095721-17-000 EA LABEL - CONTROL CENTER - 50 AMP

LABELS GROUP (CONTINUED)

A/C CIRCUIT 1	MAIN	MAIN	A/C CIRCUIT 2	HTG HTG CIRCUIT 1	REFRIG/COOL	HTG HTG CIRCUIT 2	MICROWAVE	APPLIANCE 1	APPLIANCE 2	GENERATOR	WASHER DRYER
---------------	------	------	---------------	-------------------	-------------	-------------------	-----------	-------------	-------------	-----------	--------------

KEY PART NUMBER U/M DESCRIPTION
 1 095721-18-000 EA LABEL - CONTROL CENTER - 50 AMP - CSA

A/C CIRCUIT 1	MAIN	GENERATOR	A/C CIRCUIT 2	HTG HTG CIRCUIT 1	REFRIG/COOL	HTG HTG CIRCUIT 2	MICROWAVE		
---------------	------	-----------	---------------	-------------------	-------------	-------------------	-----------	--	--

KEY PART NUMBER U/M DESCRIPTION
 1 095721-23-000 EA LABEL - CONTROL CENTER - 30 AMP

A/C CIRCUIT 1	MAIN	GENERATOR	A/C CIRCUIT 2	HTG HTG CIRCUIT 1	REFRIG/COOL	APPLIANCE 1	MICROWAVE		
---------------	------	-----------	---------------	-------------------	-------------	-------------	-----------	--	--

KEY PART NUMBER U/M DESCRIPTION
 1 095721-24-000 EA LABEL - CONTROL CENTER - 30 AMP - CSA

LABELS GROUP (CONTINUED)

UNLEADED FUEL ONLY

KEY PART NUMBER U/M DESCRIPTION
 1 098641-01-000 EA LABEL - FUEL - UNLEADED - DASH

FOR AWNING INSTALLATION
 CONTACT YOUR MOTORHOME
 DEALERSHIP

KEY PART NUMBER U/M DESCRIPTION
 1 099509-01-000 EA LABEL - AWNING INSTALLATION

WARNING
 THIS VEHICLE, LIKE OTHER
 VEHICLES, MAY CONTAIN SMALL
 AMOUNTS OF ONE OR MORE
 SUBSTANCES WHICH ARE LISTED
 BY THE STATE OF CALIFORNIA
 FOR CAUSING CANCER OR
 REPRODUCTIVE TOXICITY.

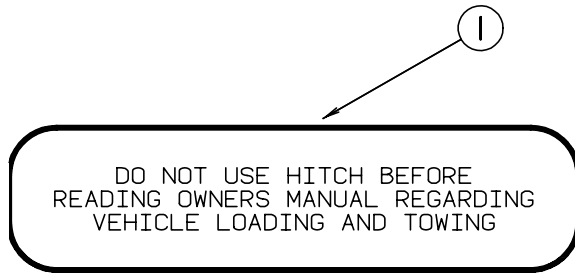
KEY PART NUMBER U/M DESCRIPTION
 1 099689-01-000 EA LABEL - WARNING - CANCER/TOXICITY

NOTE: TUNE ANTENNA
 PER MANUFACTURER'S
 DIRECTIONS. FAILURE TO
 COMPLY COULD RESULT IN
 DAMAGE TO CB.

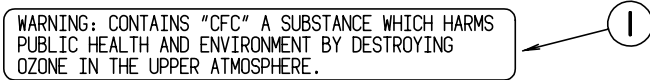
CB POWER PROVISION
 RED +12 V
 BLACK GROUND
 COAX ANTENNA
 (SEE REVERSE ALSO)

KEY PART NUMBER U/M DESCRIPTION
 1 104678-01-000 EA LABEL - CB PREP

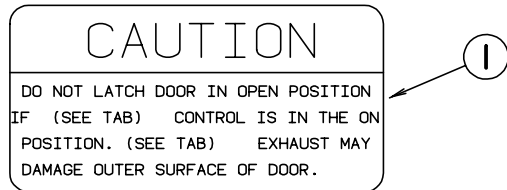
LABELS GROUP (CONTINUED)



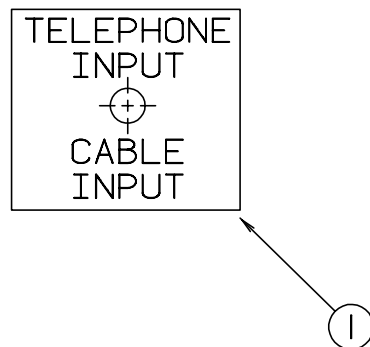
KEY	PART NUMBER	U/M	DESCRIPTION
1	111104-01-000	EA	LABEL - HITCH - READ MANUAL - WHITE



KEY	PART NUMBER	U/M	DESCRIPTION
1	111802-01-000	EA	LABEL - CFC WARNING

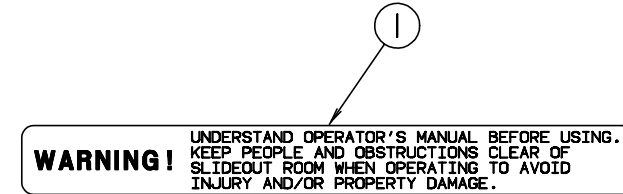


KEY	PART NUMBER	U/M	DESCRIPTION
1	113402-02-000	EA	LABEL - CAUTION - FURNACE EXHAUST

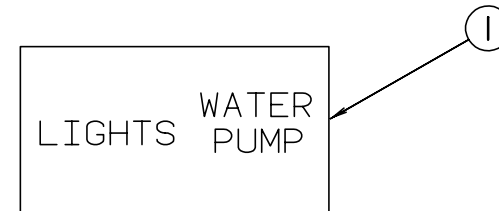


KEY	PART NUMBER	U/M	DESCRIPTION
1	114866-02-000	EA	LABEL - PHONE & CABLE INPUT

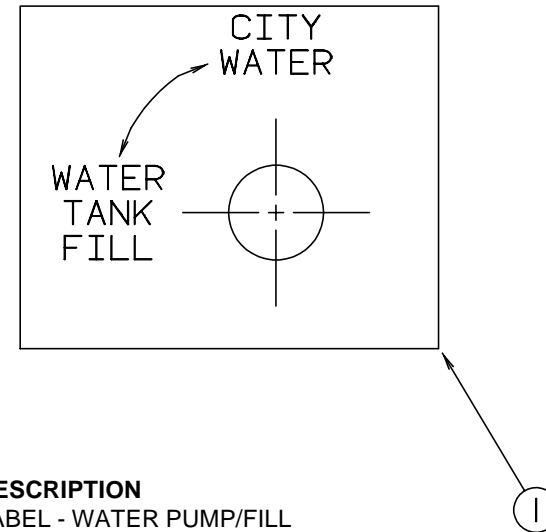
LABELS GROUP (CONTINUED)



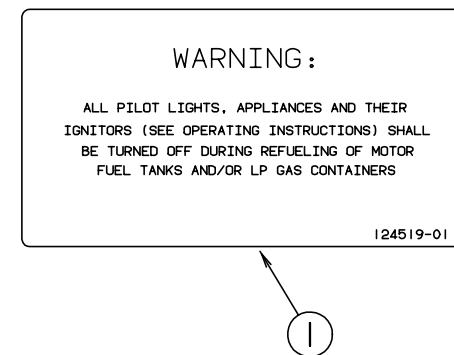
KEY	PART NUMBER	U/M	DESCRIPTION
1	116549-01-000	EA	LABEL - WARNING - SLIDEOUT



KEY	PART NUMBER	U/M	DESCRIPTION
1	117628-02-000	EA	LABEL - SWITCH - WATER PUMP/LIGHTS

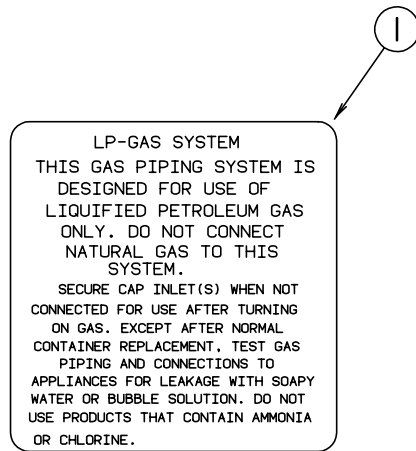


KEY	PART NUMBER	U/M	DESCRIPTION
1	117629-02-000	EA	LABEL - WATER PUMP/FILL

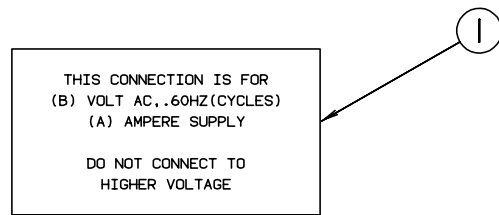


KEY	PART NUMBER	U/M	DESCRIPTION
1	124519-01-01A	EA	LABEL - WARNING/REFUELING
1	124519-01-02A	EA	LABEL - WARNING/REFUELING
1	124519-02-01A	EA	LABEL - WARNING/REFUELING - CSA
1	124519-02-02A	EA	LABEL - WARNING/REFUELING - CSA

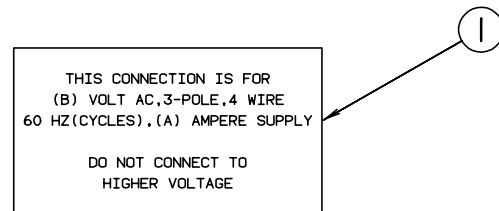
LABELS GROUP (CONTINUED)



KEY	PART NUMBER	U/M	DESCRIPTION
1	124520-01-02A	EA	LABEL - LP GAS ONLY

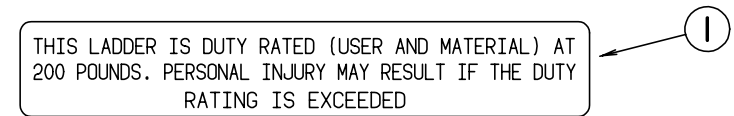


KEY	PART NUMBER	U/M	DESCRIPTION
1	125306-01-01A	EA	LABEL - ELECTRICAL ENTRANCE - 110VOLT 30AMP FROM: 07-14-97 THRU: 99-99-99

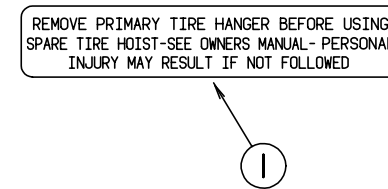


KEY	PART NUMBER	U/M	DESCRIPTION
1	125306-04-01A	EA	LABEL - ELECTRICAL ENTRANCE - 120 VOLT 240 AMP FROM: 07-14-97 THRU: 99-99-99

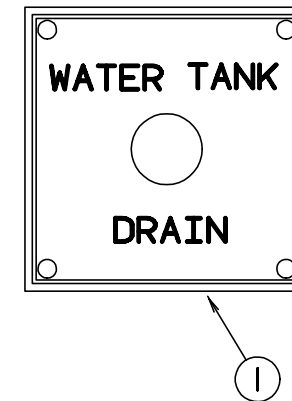
LABELS GROUP (CONTINUED)



KEY	PART NUMBER	U/M	DESCRIPTION
1	125841-01-000	EA	LABEL-LADDER DUTY RATING - BLACK ON CLEAR

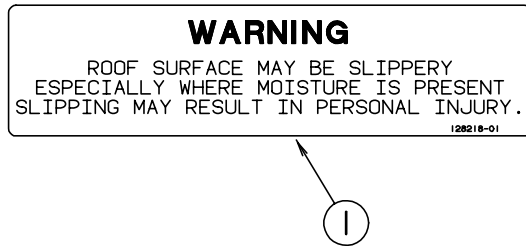


KEY	PART NUMBER	U/M	DESCRIPTION
1	126024-01-01A	EA	LABEL - TIRE HANGER REMOVAL FROM: 01-20-97 THRU: 99-99-99

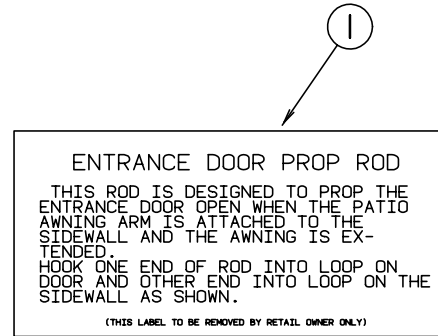


KEY	PART NUMBER	U/M	DESCRIPTION
1	127170-01-000	EA	LABEL - WATER TANK DRAIN

LABELS GROUP (CONTINUED)

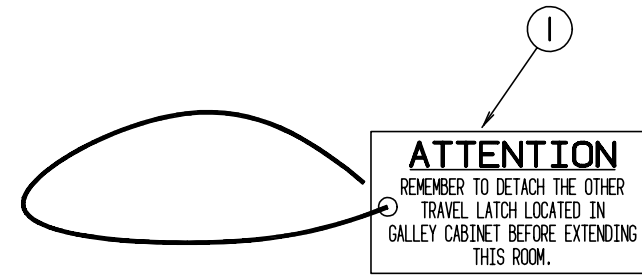


KEY	PART NUMBER	U/M	DESCRIPTION
1	128218-01-01A	EA	LABEL - WARNING - SLIPPERY ROOF

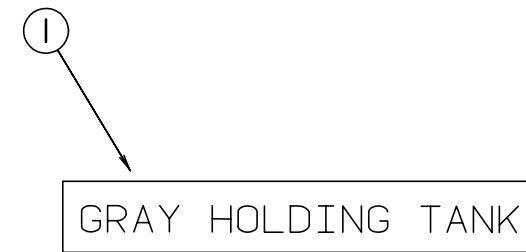


KEY	PART NUMBER	U/M	DESCRIPTION
1	128658-01-000	EA	LABEL - PROP ROD - ENTRY DOOR

LABELS GROUP (CONTINUED)



KEY	PART NUMBER	U/M	DESCRIPTION
1	129033-01-000	EA	LABEL - HANG TAG - TRAVEL LATCH - 1.5" X 3"

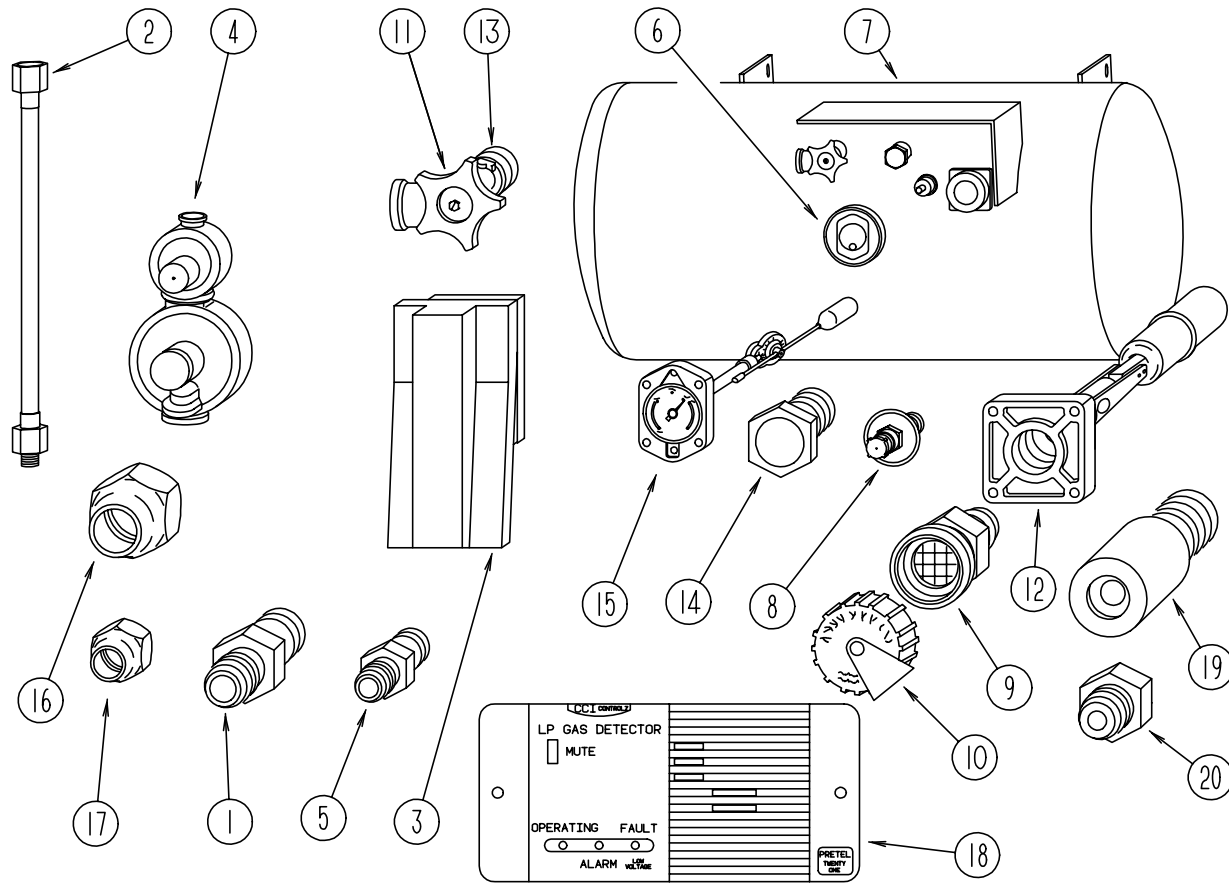


KEY	PART NUMBER	U/M	DESCRIPTION
1	126247-01-000	EA	LABEL - GRAY HOLDING TANK



KEY	PART NUMBER	U/M	DESCRIPTION
1	126247-02-000	EA	LABEL - BLACK HOLDING TANK

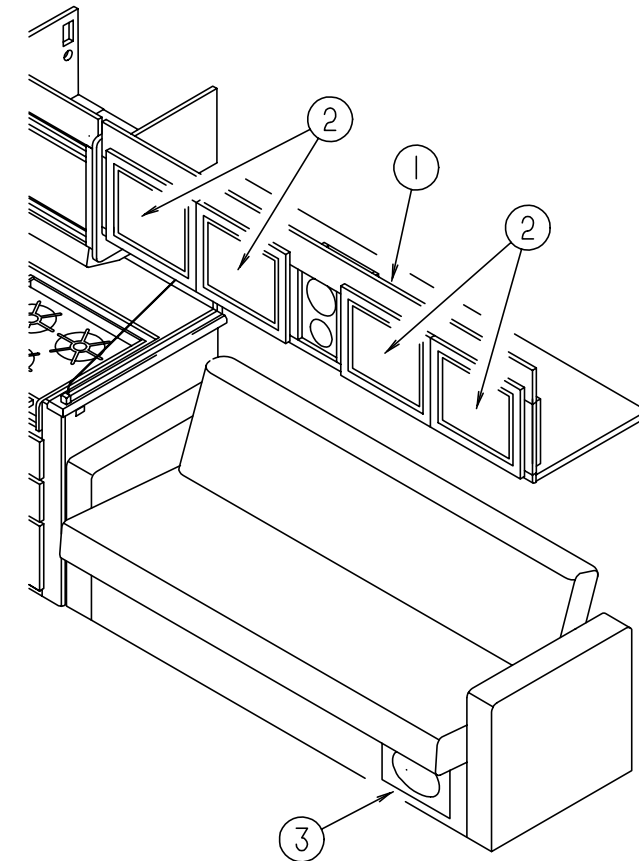
LP GROUP



LP TANK & COMPONENTS

KEY	PART NUMBER	U/M	DESCRIPTION	VENDOR NO.
1	010329-01-000	EA	ADAPTER - BRASS - 1/2" F X 1/2" MPT	
2	045703-05-000	EA	HOSE - LP - 3/8" ID X 28" - 3.8 MPT X 1/2 F SWIVEL - US	
2	045703-11-000	EA	HOSE ASSEMBLY - LP 3/8 ID X 36"	
2	045703-13-000	EA	HOSE - LP - 3/8"ID X 4.7" - 3/8 F SWIVEL X 3/8" F SWIVEL	
2	045703-14-000	EA	HOSE - LP - 3/8"ID X 6.2" - 3.8" F SWIVEL X 3/8" F SWIVEL	
2	045703-15-000	EA	HOSE - LP - 3/8"ID X 142" - 1/2" F SWIVEL X 3/8" F SWIVEL	
2	045703-16-000	EA	HOSE - LP - 3/8"ID X 109" - 1/2" F SWIV FLR X 3/8" M FLR	
2	045703-06-000	EA	HOSE - LP - 3/8" ID X 28" - 3/8 MPT X 1/2 F SWIVEL - CANAD	
3	105658-01-000	EA	COMPARTMENT - LP REGULATOR	
4	106150-01-000	EA	REGULATOR - TWO STAGE	
5	010323-01-000	EA	ADAPTER - BRASS - 3/8"F X 1/2"MPT	
6	040440-02-000	EA	TRANSMITTER - DIAL - 0-90 OHM -2 TERMINAL (POWER & GROUND)	
7	088253-05-000	EA	TANK - LP - 130 LB - LIQUID DRAW - LP GENERATOR OPTION	
7	088253-06-000	EA	TANK - LP - 130 LB	
8	040421-01-700	EA	VALVE-LIQUID LEVEL, 20%	G-1013
9	040421-01-701	EA	VALVE-FILL-SHORT, LP	7547B
10	040421-01-702	EA	CAP-FILL VALVE, PLASTIC	G-1014-A
11	040421-01-708	EA	HANDWHEEL-SERVICE VALVE	G-1015-A
	040421-01-710	EA	VALVE-SERVICE, LIQUID - LIQUID DRAW TANK	910145
12	040421-01-711	EA	VALVE-80% FILL W/AUTO STOP	LLL/TL3
13	040421-01-712	EA	VALVE,SERV. W/O VAPOR RELIEF	29000853
14	040421-01-713	EA	VALVE-RELIEF 1" W/SPRING 7"	29000587
15	088253-01-700	EA	GAUGE-FLOAT ASSEMBLY, L.P.	16C
16	010377-02-000	EA	NUT - BRASS - 3/8" FLARE - FORGED	
17	010380-02-000	EA	NUT - BRASS - 1/2" FLARE - FORGED	
18	103613-03-000	EA	DETECTOR - LP GAS - W/O SHUT-OFF VALVE	
	010252-01-000	EA	ELBOW - BRASS - 90 DEGREE - 3/8"F X 1/2"MPT	
19	106846-01-000	EA	VALVE-RELIEF	
20	106871-01-000	EA	BUSHING - 1/2 X 1/4 - BLACK	

LOUNGE GROUP



LOUNGE CABINETS

KEY	PART NUMBER	U/M	DESCRIPTION
1	126478-02-J90	EA	CABINET - OVERHEAD - FRONT/LEFT HAND - W/O DOORS/HARDWARE MYSTIC OAK
1	126478-02-J30	EA	CABINET - OVERHEAD - FRONT/LEFT HAND - W/O DOORS/HARDWARE SALEM CHERRY
1	126478-02-J32	EA	CABINET - OVERHEAD - FRONT/LEFT HAND - W/O DOORS/HARDWARE WHITE GRANITE
2	M05992-A3-J90	EA	DOOR - STRAIGHT CORNER/OGEE EDGE - 14.3" X 14.3" - W/O HDW - MYSTIC OAK
2	M05992-A3-J30	EA	DOOR - STRAIGHT CORNER/OGEE EDGE - 14.3" X 14.3" - W/O HDW SALEM CHERRY
2	122715-57-01A	EA	DOOR - MOLDED VINYL - 14.3" X 14.3" - W/O HDW-WHT GRANITE
3	126989-01-000	EA	CABINET - F/SPEAKER - W/O DOORS/HARDWARE

ENTRY STEP LID

KEY	PART NUMBER	U/M	DESCRIPTION
	120234-03-H17	EA	LID - ENTRY STEP
	101222-01-04A	EA	BRACKET - CATCH - LID
	064075-07-000	FT	SEAL - BULB - W/WIRED U CHANNEL - .3" X .5" CHANNEL - BLK

SEALANTS & FASTENERS GROUP (CONTINUED)

BOLTS, NUTS & WASHERS

KEY	PART NUMBER	U/M	DESCRIPTION
	000C12-05-12B	EA	BOLT - HEX - 5/16 - 18 X 3/4 - ZINC 5
	000C12-05-16B	EA	BOLT - HEX - 5/16 - 18 X 1 - ZINC 5
	000C12-05-40B	EA	BOLT - HEX - 5/16 - 18 X 2.5 - ZINC 5
	000C12-06-16B	EA	BOLT - HEX - 3/8 - 16 X 1 LG - ZINC 5
	000C12-06-20B	EA	BOLT - HEX - 3/8 - 16 X 1 1/4 - ZINC 5
	000C12-06-32B	EA	BOLT - HEX - 3/8 - 16 X 2LG - ZINC 5
	000C12-06-44B	EA	BOLT - HEX - 3/8 - 16 X 2 3/4 - ZINC 5
	000C12-07-20B	EA	BOLT - HEX - 7/16 - 14 X 1 1/4 - ZINC 5
	000C12-08-16B	EA	BOLT - HEX - 1/2-13 X 1.00 - GD5 - ZINC
	000C12-08-24B	EA	BOLT - HEX - 1/2-13 X 1.50 - ZINC 5
	000C12-08-28B	EA	BOLT - HEX - 1/2-13 X 1 3/4 - ZINC 5
	000C12-10-24B	EA	BOLT - HEX - 5/8-11 X 1.50 - ZINC 5
	000C13-07-48B	EA	BOLT - HEX - 7/16-20 X 3 - ZINC 5
	000C14-06-32B	EA	BOLT - HEX - 3/8-16 X 2.00 - GRADE 8 - ZINC
	000C26-04-10B	EA	BOLT - HEX - SERRATED FLANGE - 1/4-20 X 5/8 - ZINC
	000C26-04-14B	EA	BOLT - HEX - SERRATED FLANGE - 1/4-20 X 7/8 - ZINC
	000C26-04-18B	EA	BOLT - HEX - SERRATED FLANGE - 1/4-20 X 1 1/8 - ZINC
	000C26-05-12B	EA	BOLT - HEX - SERRATED FLANGE - 5/16-18 X 3/4 - ZINC
	000C26-05-20B	EA	BOLT - HEX - SERRATED FLANGE - 5/16-18 X 1 1/4 - ZINC
	000C26-05-16B	EA	BOLT - HEX - SERRATED FLANGE - 5/16-18 X 3/4 - ZINC
	000C26-06-28B	EA	BOLT - HEX - SERRATED FLANGE - 3/8-16 X 1 3/4 - ZINC
	000C26-06-16B	EA	BOLT - HEX - SERRATED FLANGE - 3/8-16 X 1 - ZINC
	000C26-06-12B	EA	BOLT - HEX - SERRATED FLANGE - 3/8-16 X 3/4 - ZINC
	000C26-08-24B	EA	BOLT - HEX - SERRATED FLANGE - 1/2-13 X 1.5 ZINC
	000D24-10-00B	EA	NUT - HEX - SELF LOCKING - 10-32 ZINC
	000D29-05-00B	EA	NUT - 5/16 - 18 UNC - SF/LOCKING - NYLON WASHER INSERT
	000D34-06-00B	EA	NUT - HEX - LOCKING - 3/8 - 16 GRADE C - ZINC-PREVAILING T
	000D39-04-00B	EA	NUT - HEX - SERRATED FLANGE - LOCKING - 1/4 - 20 - ZINC
	000D39-05-00B	EA	NUT - HEX - SERRATED FLANGE - LOCKING - 5/16 - 18 - ZINC
	000D39-06-00B	EA	NUT - HEX - SERRATED FLANGE - LOCKING - 3/8 - 18 - ZINC
	000D39-07-00B	EA	NUT - HEX - SERRATED FLANGE - LOCKING - 7/16 - 14 - ZINC
	000D39-08-00B	EA	NUT - HEX - SERRATED FLANGE - LOCKING - 1/2 - 13 - ZINC
	000D44-07-00B	EA	NUT - HEX - SERRATED FLANGE - LOCKING - 7/16-20 - ZINC
	000D46-04-00A	EA	NUT - HEX - WELD - 1/4 - 20 - PLAIN
	000D73-07-00C	EA	NUT - HEX FLANGE - 7/16 - 14 - GRADE G
	000D73-08-00C	EA	NUT - HEX FLANGE - 1/2-13
	000D76-06-00B	EA	NUT - HEX FLANGE - 3/8-16
	000E11-05-00B	EA	WASHER-LK - 5/16" MED - SPLIT - ZN
	000E11-07-00B	EA	WASHER - LOCKING - 7/16 MED SPLIT - ZINC
	000E11-08-00B	EA	WASHER - LOCKING - 1/2 MED SPLIT - ZINC
	000E13-14-00B	EA	WASHER - FLAT - 1/4 WIDE - ZINC
	000E13-17-00B	EA	WASHER - FLAT - 3/8" AR - ZINC
	000E13-18-00B	EA	WASHER - FLAT - 3/8 WIDE - ZINC
	000E13-20-00B	EA	WASHER - FLAT - 7/16 WIDE - ZINC
	000E13-21-00B	EA	WASHER - FLAT - W/2 NAR - ZINC
	000E13-22-00B	EA	WASHER - FLAT - 1/2 WIDE - ZINC
	000E13-26-00B	EA	WASHER - FLAT - 5/8 WIDE - ZINC
	000E14-10-00B	EA	WASHER - LOCKING - #10 EXTERNAL TOOTH - ZINC
	000G45-04-24B	EA	BOLT - LAG - 1/4-9 X 1.50 ZINC
	077071-01-000	EA	WASHER - FENDER - 3/16"ID X 1"OD

SEALANTS & FASTENERS GROUP (CONTINUED)

BOLTS, NUTS & WASHERS (CONTINUED)

KEY	PART NUMBER	U/M	DESCRIPTION
	005081-01-000	EA	NUT - SPEED - C-TYPE - #8 SCREW
	040921-01-000	EA	NUT - SPEED - U TYPE - 10-24 BLACK
	040921-03-000	EA	NUT - SPEED - U TYPE - #10
	040921-05-000	EA	NUT - SPEED - U-TYPE #8 - .67" X .44" WIDE
	040921-09-000	EA	NUT - SPEED - U TYPE - # 8
	044364-02-000	EA	NUT - SPEED - FLAT - ROUND
	051387-05-000	EA	BOLT - CARRIAGE W/O HOLE - 5/16-18 X 8.5 - ZINC
	051387-06-000	EA	BOLT - CARRIAGE W/O HOLE - 5/16-18 X 9.5 - ZINC
	058716-02-000	EA	WASHER - FLAT NYLON
	063253-07-000	EA	NUT - J - #8A - .120 - .130 PNL THK
	077049-01-000	EA	NUT-ACORN - 10 - 32 ALUMINUM
	077049-02-000	EA	NUT - ACORN - 10-32 BLACK/ANODIZED
	083163-06-000	EA	PUSHNUT - FLAT TYPE 3/8 STUD - FORD ONLY
	087234-01-000	EA	NUT - JACK - 1/4 X 20 THD - MOLLY
	088787-12-000	EA	STUD - WELD - 1/4 - 20 X 1.0 LG - MN
	091274-03-000	EA	BOLT-J - 3/8-16 X 12.0
	102378-01-02A	EA	WASHER - BLACK
	102540-01-000	EA	SEAL - SCREW - ROUND - RUBBER
	106166-01-000	EA	BOLT/COLLARED HANGER - 8-32 X 1"
	106648-01-000	EA	CAP - STUD - .120 TO .130 DIAMETER
	106956-03-000	EA	BOLT - HEX TAP - 1/2-12NC X 3 - GRADE 5 - FULL THREAD/ZINC
	107397-01-000	EA	WASHER - FENDER - .25" ID X 1" OD
	108067-03-000	EA	STUD - WELD - 1/4 - 20 X 1/2 CD
	110794-01-000	EA	WASHER - FLAT - 1" ID X 1 3/4' OD
	120506-01-01A	EA	RIVET - PLASTIC - 3/16 DIAMETER

SEALANTS & FASTENERS GROUP (CONTINUED)

SCREWS

KEY	PART NUMBER	U/M	DESCRIPTION
OG1108-12-170	EA	SCREW - 8-18 X .75 PPH - BRIGHT WHITE	
OG1208-12-170	EA	SCREW - 8-18 X .75 POH - BRIGHT WHITE	
OG3908-08-170	EA	SCREW - SF/DR - 8-18 X .50 PPH - BRIGHT WHITE	
OG3908-20-170	EA	SCREW - SF/DR - 8-18 X 1.25 PPH - BRIGHT WHITE	
OG3910-12-260	EA	SCREW - SF/DR - 10-16 X .75 PPH	
OG3910-12-270	EA	SCREW - SF/DR - 10-16 X .75 PPH	
OG3910-12-170	EA	SCREW - SF/DR - 10-16 X .75 PPH	
OG5508-12-170	EA	SCREW - SF/DR - 8-18 X .75 PWH	
OG5508-12-270	EA	SCREW - SF/DR - 8-18 X .75 PWH	
OG5508-12-260	EA	SCREW - SF/DR - 8-18 X .75 PWH	
OG5508-16-260	EA	SCREW - SF/DR - 8-18 X 1.00 PWH ZINC	
OG5508-16-270	EA	SCREW - SF/DR - 8-18 X 1.00 PWH ZINC	
OG6710-12-170	EA	SCREW - 10-12X.75 PPH - BRIGHT WHITE	
OG6710-16-230	EA	SCREW - 10-12X1 PPH - DURA-BEIGE	
000C20-06-20T	EA	SCREW - 3/8-16 X 1 1/4,FLAT SOC	
000G11-05-08B	EA	SCREW - 5-20 X .50 PPH - ZINC	
000G11-06-12B	EA	SCREW - 6-20 X 3/4" PPH - ZINC	
000G11-06-10J	EA	SCREW - 6-20 X 5/8 PPH - BRASS	
000G11-06-08B	EA	SCREW - 6-20 X .50 PPH - ZINC	
000G11-06-06B	EA	SCREW - 6-20 X 3/8 PPH - ZINC	
000G11-06-18B	EA	SCREW - 6-20 X 1 1/8 PPH - ZINC	
000G11-06-10B	EA	SCREW - 6-20 X 5/8 PPH - ZINC	
000G11-06-06B	EA	SCREW - 6-20 X 3/8 PPH - ZINC	
000G11-06-18B	EA	SCREW - 6-20 X 1 1/8 PPH - ZINC	
000G11-07-08B	EA	SCREW - 7-19 X .50 PPH - ZINC	
000G11-08-08T	EA	SCREW - 8-18 X 1/5 PPH - FLUORO CARBON COATING	
000G11-08-08B	EA	SCREW - 8-18 X .50 PPH - ZINC	
000G11-08-06B	EA	SCREW - 8-18 X 3/8 PPH - ZINC	
000G11-08-06J	EA	SCREW - 8-18X3/8 PPH BRASS	
000G11-08-20B	EA	SCREW - 8-18 X 1.25 PPH - ZINC	
000G11-08-16S	EA	SCREW - 8-18 X 1 PPH - OFF WHITE	
000G11-08-12T	EA	SCREW - 8-18 X .75 PPH - BLACK	
000G11-08-12P	EA	SCREW - 8-18 X .75 PPH - DARK BROWN	
000G11-08-12P	EA	SCREW - 8-18 X .75 PPH - DARK BROWN	
000G11-08-12D	EA	SCREW - 8-18 X .75 PPH - BLACK	
000G11-08-12B	EA	SCREW - 8-18 X .75 PPH - ZINC	
000G11-08-10B	EA	SCREW - 8-18 X .50 PPH - ZINC	
000G11-08-12R	EA	SCREW - 8-18 X 3/4 PPH - BEIGE	
000G11-08-12S	EA	SCREW - 8-18 X 3/4 PPH - OFF WHITE	
000G11-10-16B	EA	SCREW - 10-16 X 1 PPH - ZINC	
000G11-10-12S	EA	SCREW - 10-16 X .75 PPH - OFF WHITE	
000G11-10-12D	EA	SCREW - 10-16 X .75 PPH - BLACK	
000G11-10-40B	EA	SCREW - 10-16 X 2 1/2 PPH CAD	
000G12-06-08T	EA	SCREW - 6-20 X 1/2 POH - BLACK	
000G12-06-14A	EA	SCREW - 6-20 X .87 POH PLAIN	
000G12-06-20B	EA	SCREW - 6-20 X 1.25 POH ZINC	
000G13-05-16S	EA	SCREW - 5-20 X 1 PFH - OFF WHITE	
000G13-06-06B	EA	SCREW - 6-20 X 3/8 PFH ZINC	
000G13-06-16E	EA	SCREW - 6-20 X 1.00 PFH CHROME	
000G13-06-24J	EA	SCREW - 6-20 X 1.50 PFH - BRASS	
000G13-06-16J	EA	SCREW - 6-20 X 1 PFH - BRASS	
000G13-06-10G	EA	SCREW - 6-20 X 5/8 PFH - ANTIQUE BRASS	
000G13-06-08G	EA	SCREW - 6-20 X .50 PFH - ANTIQUE BRASS	
000G13-06-08B	EA	SCREW - 6-20 X .50 PFH - ZINC	
000G13-07-12B	EA	SCREW - 7-19 X .75 PFH - ZINC	
000G13-07-089	EA	SCREW - 7-19 X 1.2 PPH - SILVER	
000G13-08-10B	EA	SCREW - 8-18 X 5/8 PFH - ZINC	
000G13-08-16B	EA	SCREW - 8-18 X 1 PFH - ZINC	
000G13-08-109	EA	SCREW - 8-18 X 5/8 PFH	
000G16-04-24B	EA	SCREW - MACHINE - 1/4 - 20 X 1-1/2 PPH	
000G18-08-12B	EA	SCREW - MACHINE - 8-32 X 3/4" PPH ZN	
000G18-08-16B	EA	SCREW - MACHINE - 8 X 32 X 1 - PPH ZINC	

SEALANTS & FASTENERS GROUP (CONTINUED)

SCREWS (CONTINUED)

KEY	PART NUMBER	U/M	DESCRIPTION
000G18-08-22B	EA	SCREW - MACHINE - 8-32 X 1 3/8 PPH - ZINC	
000G19-10-10B	EA	SCREW - MACHINE - 10-32 X 5/8 - PPH - ZINC	
000G19-10-24B	EA	SCREW - MACHINE - 10-32 X 1.5 PPH ZINC	
000G19-10-20B	EA	SCREW - MACHINE - 10-32 X 1.25 PPH - ZINC	
000G19-10-12F	EA	SCREW - MACHINE - 10-32 X .75 - PPH - STAINLESS STEEL	
000G19-10-08B	EA	SCREW - MACHINE - 10-32 X .50 - PPH - ZINC	
000G32-10-06B	EA	SCREW - 10-32 X 3/8" - PPH - ZINC	
000G32-10-06D	EA	SCREW - 10 - 32 X 3/8 PPH TYPE1 BLACK	
000G37-08-12B	EA	SCREW - 8-18 X 3/4 PPH	
000G39-06-10T	EA	SCREW - SF/DR - 6-20 X 5/8 PPH - BLACK	
000G39-06-08B	EA	SCREW - SF/DR - 6-18 X .50 - ZINC	
000G39-06-16T	EA	SCREW - SF/DR - 6-20 X 1 PPH - BLACK	
000G39-08-06B	EA	SCREW - SF/DR - 8-18 X 3/8 PPH - ZINC	
000G39-08-24B	EA	SCREW - SF/DR - 8-18 X 1 1/2 PPH - ZINC	
000G39-08-16T	EA	SCREW - SF/DR - 6-20 X 1 PPH - BLACK	
000G39-08-16R	EA	SCREW - SF/DR - 8-18 X 1 PPH - BEIGE	
000G39-08-16B	EA	SCREW - SF/DR - 8-18 X 1 PPH - ZINC	
000G39-08-12T	EA	SCREW - SF/DR - 8-18 X .75 PPH - BLACK	
000G39-08-12B	EA	SCREW - SF/DR - 8-18 X .75 PPH - ZINC	
000G39-08-08T	EA	SCREW - SF/DR - 8-18 X 1/2 PPH - BLACK	
000G39-08-08S	EA	SCREW - SF/DR - 8-18 X .50 PPH - OFF WHITE	
000G39-08-08B	EA	SCREW - SF/DR - 8-18 X 1.50 PPH - ZINC	
000G39-08-08R	EA	SCREW - SF/DR - 8-18 X 1/2 PPH - BEIGE	
000G39-08-083	EA	SCREW - SF/DR - 8-18 X 1/2 PAH - BUFF	
000G39-08-16S	EA	SCREW - SF/DR - 8-18 X 1 PPH OFF WHITE	
000G39-08-24S	EA	SCREW - SF/DR - 8-18 X 1.50 PPH OFF WHITE	
000G39-08-24T	EA	SCREW - SF/DR - 8-18 X 1.50 PPH	
000G39-08-32B	EA	SCREW - SF/DR - 8-18 X 2 PPH - ZINC	
000G39-10-12B	EA	SCREW - SF/DR - 10-16 X .75 PPH - ZINC	
000G39-10-10B	EA	SCREW - SF/DR - 10-16 X .625 - ZINC	
000G39-10-08B	EA	SCREW - SF/DR - 10-16 X .50 PPH - ZINC	
000G39-10-209	EA	SCREW - SF/DR - 10-16 X 1 1/4 PPH - FLUOROCARBON SILVER	
000G39-10-20B	EA	SCREW - SF/DR - 10-16 X 1.25 PPH - ZINC	
000G39-10-129	EA	SCREW - SF/DR - 10-16 X .75 PPH - FLUOROCARBON SILVER	
000G39-10-12D	EA	SCREW - SF/DR - 10-16 X .75 PPH - BLACK	
000G39-10-088	EA	SCREW - SF/DR - 10-16 X .50 P&H - DRILL-FLEX F'CARBON	
000G39-10-32B	EA	SCREW - SF/DR - 10- 6 X 2.00 PPH - ZINC	
000G39-10-40D	EA	SCREW - SF/DR - 10-16X2.50 PPH	
000G39-10-48B	EA	SCREW - SF/DR - 10-16 X 3.00 PPH - ZINC	
000G39-10-48T	EA	SCREW - SF/DR - 10-16X3.00 PPH - BLACK-FLUROCARBON	
000G42-04-16B	EA	SCREW - SF/DR - 1/4-14 X 1 HWH - ZINC	
000G42-04-12B	EA	SCREW - SF/DR - 1/4-14 X .75 HWH - ZINC	
000G46-08-24T	EA	SCREW - MACHINE - 8-32 X 1.50 PFH - BLACK	
000G50-04-12B	EA	SCREW - MACHINE - 1/4-20 X .75 PPH - ZINC	
000G50-04-08B	EA	SCREW - MACHINE - 1/4-20 X 1/2 PTH	
000G51-08-08B	EA	SCREW - 8-18 X 1/2 PTH - ZINC	
000G52-08-06B	EA	SCREW - MACHINE - 8-32 X 3/8 PTH ZINC	
000G52-08-18B	EA	SCREW - MACHINE - 8-32 X 11/8 PTH ZN	
000G53-04-06B	EA	SCREW - MACHINE - 1/4-20 X 3/8 PPH ZINC - UNDERCUT HEAD	
000G54-04-20B	EA	SCREW - 1/4-20 X 1.25 PTH - TYPE 23 - ZINC PLATED	
000G55-08-12S	EA	SCREW - SF/DR - 8-18 X .75 PWH - OFF WHITE	
000G55-08-12M	EA	SCREW - SF/DR - 8-18 X .75 PWH - GRAY	
000G55-08-162	EA	SCREW - SF/DR - 8-18 X 1.00 - BEIGE	
000G56-10-24J	EA	SCREW - WOOD - 10-13X1.5 POH - BRIGHT BRASS	
000G56-12-48B	EA	SCREW - WOOD - 12 - 11 X 3 POH - SPECIAL HARDENED	
000G57-05-16J	EA	SCREW - 5-20 X 1 PFH - BRASS	
000G57-10-16B	EA	SCREW - 10-13X1 PFH BLACK	
000G60-08-163	EA	SCREW - SF/DR - 8-18 X 1.00 POH - BUFF	
000G60-10-16J	EA	SCREW - SF/DR - 10-16 X 1 POH - BRIGHT BRASS	
000G60-10-20I	EA	SCREW - SF/DR - 10-16 X 1.25 POH - BLACK	
000G60-10-20B	EA	SCREW - SF/DR - 10-16 X 1.25 POH - ZINC	
000G67-08-32B	EA	SCREW - 8-15 X 2 PPH - ZINC	

SEALANTS & FASTENERS GROUP (CONTINUED)

SCREWS (CONTINUED)

KEY	PART NUMBER	U/M	DESCRIPTION
	000G67-10-10B	EA	SCREW - 10-12 X 5/8 PPH - ZINC - TYPE A
	000G67-10-08B	EA	SCREW - 10-12 X .50 PPH - ZINC
	000G67-10-36T	EA	SCREW - 10-12 X 2.25 - PPH - BLACK
	000G67-10-24B	EA	SCREW - 10-12 X 1.25 PPH - ZINC
	000G67-10-20D	EA	SCREW - 10-12 X 1.25 PPH - BLACK
	000G67-10-16B	EA	SCREW - 10-12 X 1 PPH - ZINC
	000G67-10-120	EA	SCREW - 10-12 X .75 PPH - TAN
	000G67-10-12P	EA	SCREW - 10-12 X .75 - PPH - DARK BROWN
	000G67-10-12B	EA	SCREW - 10-12 X .75 PPH - ZINC
	000G67-10-10D	EA	SCREW - 10-12 X 5/8 PPH - BLACK - TYPE A
	000G67-10-08R	EA	SCREW - 10-12 X 1/2 PPH - BEIGE - TYPE A
	000G67-10-10P	EA	SCREW - 10-12X.62 PPH - DARK BROWN
	000G67-10-10R	EA	SCREW - 10-12 X 5/8 PPH - TYPE A - BEIGE
	000G67-10-10S	EA	SCREW - 10-12 X 5/8 PPH - OFF WHITE
	000G67-10-12D	EA	SCREW - 10-12 X 3/4" PPH - BLACK
	000G67-10-16P	EA	SCREW - 10-12 X 1 PPH - DARK BROWN
	000G67-10-32B	EA	SCREW - 10-12 X 2 PPH - ZINC
	000G67-10-20D	EA	SCREW - 10-12 X 1 1/4 PPH - ZINC
	000G67-10-48B	EA	SCREW - 10-12 X 3 PPH ZINC
	000G67-10-489	EA	SCREW - 10-12 X 3 PPH SILVER
	000G68-06-10G	EA	SCREW - 6-18 X 5/8 POH - ANTIQUE BRASS
	000G68-10-20I	EA	SCREW - 10-12 X 1 1/4 POH - BLACK
	000G68-06-12S	EA	SCREW - 6-18X.75 POH
	049465-01-000	EA	SCREW - 10-16 W/WASHER PTH - DARK BROWN
	049465-04-000	EA	SCREW - 10-16 W/WASHER PTH - BEIGE
	049465-17-000	EA	SCREW - 10-16 X 1 POH W/WASHER
	054434-02-000	EA	SCREW - SF/DR-10-16X2 ZN
	054434-03-000	EA	SCREW - SF/DR-10-16X2 PWH ZN
	057671-01-000	EA	COVER - SCREW - #8 - PLASTIC - OFF WHITE
	057671-03-000	EA	COVER - SCREW - #8 - PLASTIC - WILLOW
	057671-15-000	EA	COVER - SCREW
	075908-01-000	EA	SCREW - MACHINE - 10-32 X .56 PTH - EXTERNAL TOOTH - ZINC
	076790-01-000	EA	SCREW - 6-20 X 1 1/4 PPH - BLACK
	083554-01-000	EA	SCREW - DRYWALL - 8 X 1.25
	086256-01-000	EA	SCREW - SF/DR - 8 X 3/4 HWH LONG
	087721-01-000	EA	SCREW - FLAT HEAD - TAPPING - 1/4" X 1 1/4" LG ZINC
	091230-03-000	EA	SCREW - MACHINE - 8-32 X 3/4 POH SS - BUFF
	101289-01-01A	EA	SCREW - MACHINE - 8-32 X 4 - POH - BRASS - FOR EXTENDED KNOB
	101289-02-01A	EA	SCREW - MACHINE - 8-32 X 4.5 - POH - BRASS - FOR EXTENDED KNOB
	101618-01-000	EA	SCREW - 1/4-20 X 3/4 HEX - TAPPING - STALGARD TYPE F
	109152-01-000	EA	SCREW - 3/8-16 X 1 1/4 - FLAT SOC - DORRLEMATE COATED
	110460-03-01A	EA	SCREW - MACHINE - 10-24 X 3 3/4 PFH - ALMOND
	115430-01-01B	EA	SCREW - 18X1/2 POH W/WASHER
	116111-01-01A	EA	SCREW - TAPTITE - 1/4-20 X 1/2 PPH - ZINC
	116111-02-01A	EA	SCREW - TAPTITE - 1/4-20 X 3/8 PPH - ZINC
	117322-01-000	EA	SCREW - 1/4-28 UNF-2A - TORX - U.T. 6270020 SC25WJ

SEALANTS & FASTENERS GROUP (CONTINUED)

CLAMPS, CLIPS & GROMMETS

KEY	PART NUMBER	U/M	DESCRIPTION
	000F10-04-16B	EA	PIN - COTTER - 1/8" X 1" - ZINC
	000F10-06-32B	EA	PIN - COTTER - 3/16" X 2" - ZINC
	000H14-04-04A	EA	RIVET - MANDREL BLIND - 1/8 X .400
	000H14-06-14R	EA	RIVET-MANDREL BLIND - 3/16"
	000H16-04-06R	EA	RIVET - POP ALUMINUM - 1/8" X .313 - .375
	000H16-06-10R	EA	RIVET - POP ALUMINUM - 3/16 X .501-.625
	007161-01-000	EA	CLAMP - HOSE - SPRING TYPE - 1/2"
	008380-01-000	EA	GROMMET-RUBBER - 5/8" HOLE X 1 1/2" DIAMETER - BLACK
	008386-01-000	EA	GROMMET-SNAP - 3/8"
	010495-01-000	EA	CLAMP - CABLE - 9/16"
	010495-02-000	EA	CLAMP - CABLE - 3/8
	010497-01-000	EA	CLAMP - CLOSED - 5/8" ID
	010497-03-000	EA	CLAMP - CLOSED - 1" ID - CUSHIONED
	010497-04-000	EA	CLAMP - CLOSED - 1.62" ID
	010497-05-000	EA	CLAMP - CLOSED - 1/2 ID
	010497-07-000	EA	CLAMP - CLOSED - 3/8" ID
	010497-08-000	EA	CLAMP - CLOSED - .125" ID
	010499-01-000	EA	CLAMP - CLOSED - 3/8" ID
	016188-03-000	EA	GROMMET - L/P LINE - 3/8" HOLE X 2 1/2" LONG - RUBBER
	016188-05-000	EA	GROMMET - L/P LINE - 3/8" HOLE X 1 1/4" LONG - RUBBER
	023146-01-000	EA	CLAMP-SCREW TYPE - 4"
	023942-01-000	EA	GROMMET - RUBBER - 2" OD
	062401-01-000	EA	CLAMP - HOSE - WORMGEAR - .25" - 1"
	062401-02-000	EA	CLAMP - HOSE - WORMGEAR - 1.56" - 2.5"
	062401-03-000	EA	CLAMP - HOSE - WORMGEAR - .22" - 1"
	062401-04-000	EA	CLAMP - HOSE - WORMGEAR - .69" - 1.25"
	062401-05-000	EA	CLAMP-HOSE - WORMGEAR 2" - 3"
	062401-06-000	EA	CLAMP - HOSE - WORMGEAR - .22" - .62" ID
	062401-11-000	EA	CLAMP - HOSE - WORMGEAR - 3.50" - 4.50"
	071015-11-000	EA	GROMMET - 1.00 ID - FITS .12 MATERIAL
	071015-13-000	EA	GROMMET - RUBBER - .62" ID X 1" OD W/.09" GROOVE - BLACK
	071015-19-000	EA	GROMMET - .38 ID - FITS .06 MATERIAL
	071015-21-000	EA	GROMMET-RUBBER - .5" ID X 1.06" OD W/.19" GROOVE - BLACK
	071015-26-000	EA	GROMMET-RUBBER - 1.5" ID X 2.12" OD W/.06" GROOVE - BLACK
	071015-29-000	EA	GROMMET - RUBBER - 1/4 ID X 1 1/4 OD W .12 GROOVE - BLK
	071015-30-000	EA	GROMMET-RUBBER - .31" ID X .81" OD W/.12" GROOVE - BLACK
	075148-02-000	EA	CLAMP-GROUNDING - BRONZE SCREWS
	077953-01-000	EA	GROMMET-EDGE LINER - FITS 1"
	077955-01-000	EA	CLIP-J,VINYL COATED - 3/8" - USED TO SUPPORT WIRING TO LIGHTS
	080211-03-000	EA	CLIP-MOUNTING - XMAS TREE - DECORATIVE WALL PADS
	080734-02-000	EA	CLIP-WIRE - NYLON
	083609-01-000	EA	CLAMP - WIRE - DUAL - EQUAL DIAMETERS - 5/8"
	083610-01-000	EA	CLAMP - WIRE - DUAL - UNEQUAL DIAMETERS - 3/4" & 1 1/4"
	083610-02-000	EA	CLAMP-WIRE - DUAL UNEQUAL DIA
	083610-03-000	EA	CLAMP - DUAL WIRE
	088756-01-000	EA	GROMMET-WEB - 1 1/8 I.D.
	091952-01-000	EA	CLIP - GRIPPER - 1"
	091952-02-000	EA	CLIP-GRIPPER - 3/4"
	094362-02-000	EA	CLIP-CHRISTMAS TREE - FLAT HEAD - .5" X .95"
	101447-01-000	EA	CLIP - U TYPE
	106648-01-000	EA	CAP-STUD .120 TO.130 STUD DIA - T'MN C30017-014-27
	114208-01-000	EA	GROMMET-EDGE LINER - FITS 1.75 - HEYCO 2300
	114208-02-000	EA	GROMMET - EDGE LINER - FITS .625
	114208-05-000	EA	GROMMET - EDGE LINER - FITS 2"
	125083-01-01A	EA	CLAMP - T BOLT

SEALANTS & FASTENERS GROUP

SEALANTS & ADHESIVES

KEY	PART NUMBER	U/M	DESCRIPTION
	004006-05-700	EA	ADHESIVE-NAT. STARCH (5 GAL) 0802
	004020-01-000	QT	ADHESIVE-ABS CEMENT - QUART
	004363-01-000	FT	TAPE - ADHESIVE FOAM/1 SIDE - 3/16" X 1/2" X 50' - GRAY
	034552-02-000	EA	SILICONE - TUBE - 300 ML - W/O NOZZLE - CLEAR
	034552-06-000	EA	SILICONE - TUBE - 300 ML - W/O NOZZLE - OFF WHITE
	039518-01-000	EA	SILICONE - TUBE - 300 ML - BLACK - W/O NOZZLE
	053766-02-000	EA	BEDDING COMPOUND - TUBE - WHITE
	053766-08-000	EA	BEDDING COMPOUND - TUBE/GRAY
	062917-03-000	EA	ADHESIVE - LOCTITE 242
	067788-01-000	EA	ADHESIVE - SPRAY - 3M - 19.5 AEROSOL CAN
	069640-01-000	FT	SEALER - RIBBON - 1/4"DIAMETER X 30'
	069640-03-000	FT	SEALER - TAPE - 1/8"THICK X .75"WIDE X 60'
	069640-07-000	FT	SEALER - TAPE - 3/32"THICK X 2"WIDE X 45'
	069640-09-000	FT	SEALER - TAPE - 1/32"THICK X 2.50"WIDE X 80'
	069640-11-000	FT	SEALER - TAPE - 3/16"THICK X 3/8"WIDE X 40'
	069640-14-000	FT	SEALER - TAPE - 1/16"THICK X 1"WIDE X 100'
	069640-15-000	FT	SEALER - TAPE - 1/16" THICK X 3/8" WIDE X 80' - GRAY
	069640-18-000	FT	SEALER - TAPE - 1/2" THICK X 1/8" X 60'
	069640-19-000	FT	SEALER - TAPE - 3/4" X 1/8" X 60' - BRIGHT WHITE
	069640-21-000	FT	SEALER - TAPE - 1/2" X 1/16" X 100' - BRIGHT WHITE
	072889-01-000	EA	SEALANT - URETHANE - BLACK - 1/10
	072889-09-000	EA	SEALANT - URETHANE - BLACK (TUBE)
	072889-10-000	EA	SEALANT - URETHANE (HV) - BRIGHT WHITE
	072889-11-000	EA	SEALANT - URETHANE - (TUBE) - GRAY
	072889-12-000	EA	SEALANT - URETHANE (LV) BRIGHT WHITE
	072889-17-000	EA	SEALANT - URETHANE
	076322-01-000	FT	TAPE - DOUBLE COATED/ADHESIVE BACK- .025"THK X .75"W X 18'
	076322-02-000	FT	TAPE - DOUBLE COATED/ADHESIVE BACK - .045"THK X 1"W X 9'
	076322-03-000	FT	TAPE - DOUBLE COATED/ADHESIVE BACK - .045THK X .50"W X 9'
	076322-05-000	FT	TAPE - DOUBLE COATED/ADHESIVE BACK - .045"THK X .75"W X 9'
	076322-05-000	FT	TAPE - DOUBLE COATED/ADHESIVE BACK - .045"THK X .75"W X 9'
	076322-07-000	FT	TAPE - DOUBLE COATED/ADHESIVE BACK - .045"THK X .50"W X 9'
	076322-12-000	FT	TAPE - DOUBLE COATED/ADHESIVE BACK - .45"THK X .25"W X 9'
	087211-01-000	GL	PROMOTER - ADHESIVE
	088479-01-000	EA	TAPE - ALUMINUM - 3"
	091255-02-000	EA	SEAL - ADHESIVE BACKED/FOAM - .18" THICK X 1.5" WIDE
	102352-01-000	EA	SEALER - PUMPABLE - BLACK
	102352-02-000	EA	SEALER - PUMPABLE - CLEAR
	106206-01-000	EA	SEALER - PUMPABLE - MANUS 30A - BLACK
	107828-01-000	EA	SEALANT - SB - 190 EVERSEAL
	108716-03-000	EA	SILICONE - TUBE - BRIGHT WHITE/SELF LEVELING - W/O NOZZLE
	110274-01-000	FT	TAPE - DOUBLE SIDED FOAM - .45" X 1"
	112901-02-000	EA	ADHESIVE - PLEXUS - 50ML
	118085-02-01A	FT	TAPE - FOIL - 1"
	120074-01-01A	EA	SILICONE TUBE - OFF WHITE W/O NOZZLE - LOW ODOR
	120074-02-01A	EA	SEALANT - SILICONE - OFF WHITE
	120534-01-01A	EA	TAPE - SCOTCH - 3M - 1/2" FINE LINE
	123244-01-000	FT	TAPE - DOUBLE COATED FOAM .8" THICK X .75" WIDE
	123816-01-000	FT	TAPE - DOUBLE SIDED - 1"
	123816-02-000	FT	TAPE - DOUBLE SIDED - 1/2"
	123816-03-000	FT	TAPE - DOUBLE SIDED - 1/2"
	900390-01-000	EA	TIP - 2 1/2" X 1/8" ORIFICE
	900390-03-000	EA	NOZZLE - SILICONE TUBE

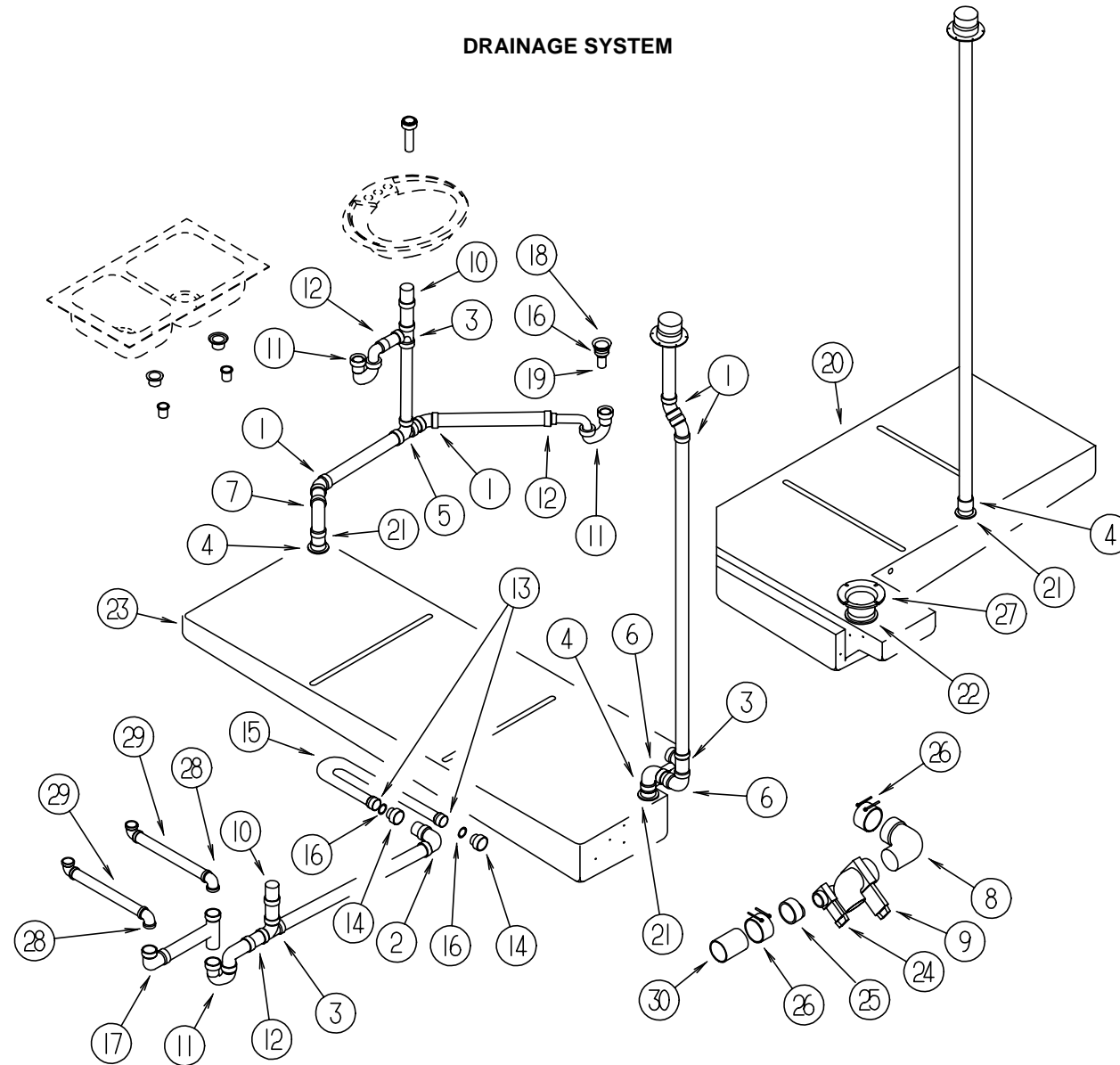
SEALANTS & FASTENERS GROUP (CONTINUED)

MISCELLANEOUS FASTENERS

KEY	PART NUMBER	U/M	DESCRIPTION
	008343-01-000	EA	TIE - WIRE - 6"
	008343-02-000	EA	TIE-WIRE - 14"
	008343-03-000	EA	TIE - WIRE - 7 1/5" - BLACK
	029094-04-000	YD	VELCRO TAPE - LOOP - 1" WIDE - BLACK
	029094-06-000	YD	VELCRO TAPE-LOOP - 2" WIDE - BLACK
	029096-03-000	YD	VELCRO TAPE - HOOK - 1" WIDE - BLACK
	029096-04-000	YD	TAPE - HOOK - VELCRO - 1" WIDE - BLACK
	061420-11-000	EA	PLUG/PLASTIC - .50" DIAMETER
	081211-03-000	EA	PLUG - PLASTIC - .50 DIAMETER - BLACK
	081211-04-000	EA	PLUG-PLASTIC - .46" DIAMETER - BLACK
	085774-01-000	FT	FASTENER - DUAL HOOK - 1" WIDE - ADHESIVE BACK - BLACK
	085774-02-000	FT	FASTENER - DUAL LOOP - 1" WIDE - ADHESIVE BACK - BLACK
	085774-03-000	FT	FASTENER - DUAL LOOP - 1/2" WIDE
	086285-01-000	EA	SPACER-NYLON - .5" OD X .257" ID
	108046-01-000	EA	CABLE TIE - SCREW MOUNT 8"
	110943-02-000	FT	FELTSTRIP - 3/8" - ADHESIVE BACK - WHITE
	115361-01-01A	EA	PLUG - PLASTIC

WATER & SEWAGE GROUP

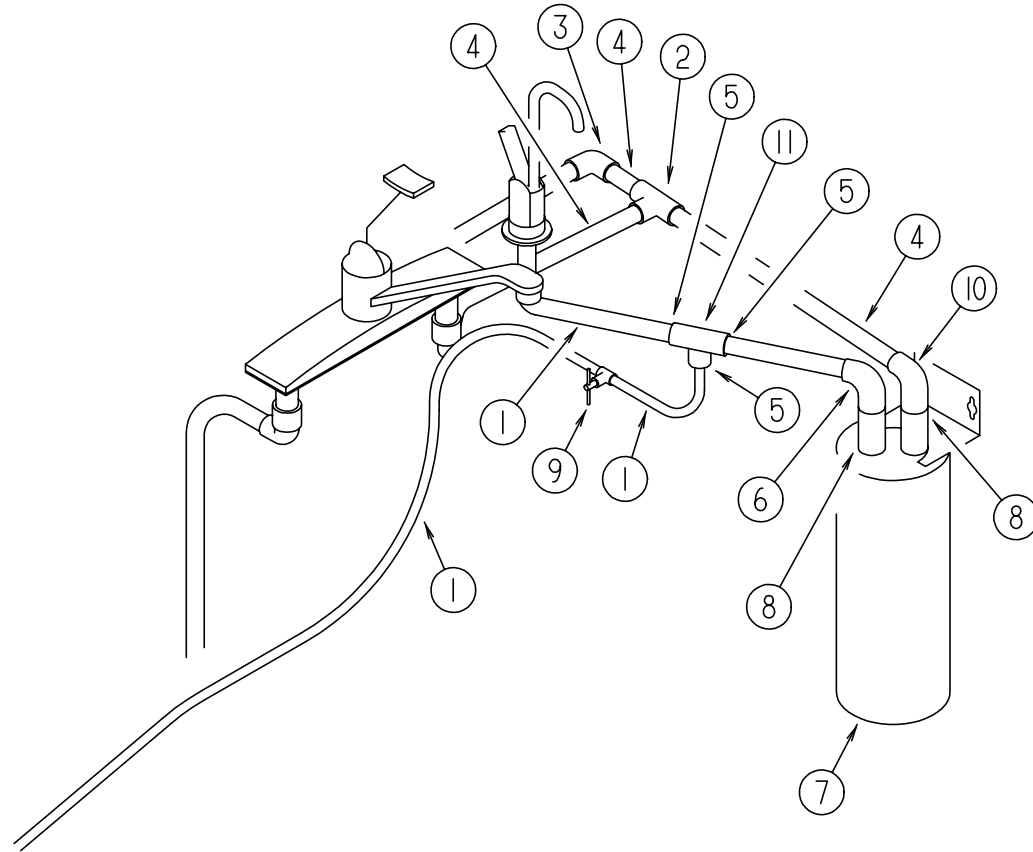
DRAINAGE SYSTEM



KEY	PART NUMBER	U/M	DESCRIPTION	VENDOR NO.
1	010006-01-000	EA	ELBOW - 45 DEGREE - 1 1/2" HUB X HUB - PLASTIC	
2	010008-01-000	EA	ELBOW - 90 DEGREE - 1 1/2" HUB X HUB - PLASTIC	
3	010071-01-000	EA	TEE - SANITARY - 1 1/2 HUB X HUB X HUB - PLASTIC	
4	010115-01-000	EA	COUPLING - 1 1/2" HUB X HUB - PLASTIC	
5	031365-02-000	EA	TEE - PLASTIC - 1 1/2" EXT LG TURN	
6	033761-01-000	EA	ELBOW - TURN - 90 DEGREE 1 1/2" HUB X 1 1/2" SPIGOT	
7	034250-01-000	EA	ELBOW - 90 DEGREE - LONG TURN - 1 1/2" HUB X HUB - ABS	
8	041956-01-000	EA	ELBOW - STREET - 1/4" BARB X 90 DEGREE X 3 XLT	
9	070916-01-000	EA	VALVE - DUAL DUMP - W/CAP - 3" X 1 1/2"	
9	070916-01-700	EA	VALVE ONLY (WASTE) 3"	T1003BU
9	070916-01-701	EA	VALVE ONLY (WASTE) 1 1/2"	T1001BU
10	079968-01-000	EA	VENT - MECHANICAL/TRAP ARM - ANTI-SIPHON-2" X 7.3" PLASTIC	
11	107538-01-000	EA	P TRAP - PLASTIC - 1 1/4" W/EXTENSION ARM	
11	011071-01-000	EA	P TRAP - PLASTIC - 1 1/2" (CSA)	
12	109571-01-000	EA	ADAPTER - P TRAP - 1 1/2" P X 1 1/4" MPT	
13	126424-01-000	EA	ADAPTER - 1 1/2" MPT X 1 1/2" HUB	
14	126425-01-000	EA	ADAPTER - SWIVEL - 1 1/2 FPT X 1 1/2" HUB	
FROM: 00-00-00 THRU: 12-14-97				
14	126425-02-000	EA	ADAPTER - SWIVEL - 1 1/2 FPT X SPIGOT	
FROM: 12-15-97 THRU: 99-99-99				
15	126426-01-000	FT	PIPE - 1 1/2" FLEXABLE	
	126427-01-000	EA	ADHESIVE - ALL PURPOSE - ABS/PVC	
	126427-02-000	EA	PRIMER - CLEANER - FLEX PIPING	

KEY	PART NUMBER	U/M	DESCRIPTION
16	127440-02-01A	EA	WASHER - RUBBER - 1.8" X .1"
17	011091-02-000	EA	WASTE - CONTINUOUS - DOUBLE SINK
17	011091-03-000	EA	WASTE - CONTINUOUS - DOUBLE SINK - CSA
18	120981-01-01A	EA	DRAIN - TIP TOE - BRASS
19	011069-02-000	EA	TAILPIECE - TUB/SHOWER - 1 1/2" X 1 1/4" X 4" - BRASS
20	121386-01-000	EA	TANK - HOLDING - 48 GALLON - W/O FITTINGS
21	061607-01-000	EA	GROMMET - HOLDING TANK - 1 1/2" NPS
22	061607-02-000	EA	GROMMET - HOLDING TANK - 3" NPS
23	121385-01-000	EA	TANK - HOLDING - 47 GALLON - W/O FITTINGS
	010201-01-000	EA	HOSE - SEWER - 3" ID X 8'
24	062416-01-000	EA	ADAPTER - SEWER HOSE TO 3" PIPE
25	062422-01-000	EA	ADAPTER - OFFSET REDUCER - 3" X 1 1/2" - PLASTIC
26	078406-01-000	EA	COUPLER - RUBBER - W/CLAMPS - 3" X 3"
27	116644-01-000	EA	FLANGE - CLOSET - 4" X 3"
28	125569-01-000	EA	ELBOW - 1 1/2" X 90 DEGREE - DOUBLE SLIP
29	126588-02-000	EA	ARM - WASTE - 1 1/2 X 20 - FEMALE
30	010129-03-000	EA	NIPPLE - PLASTIC - 3" X 3" TOE

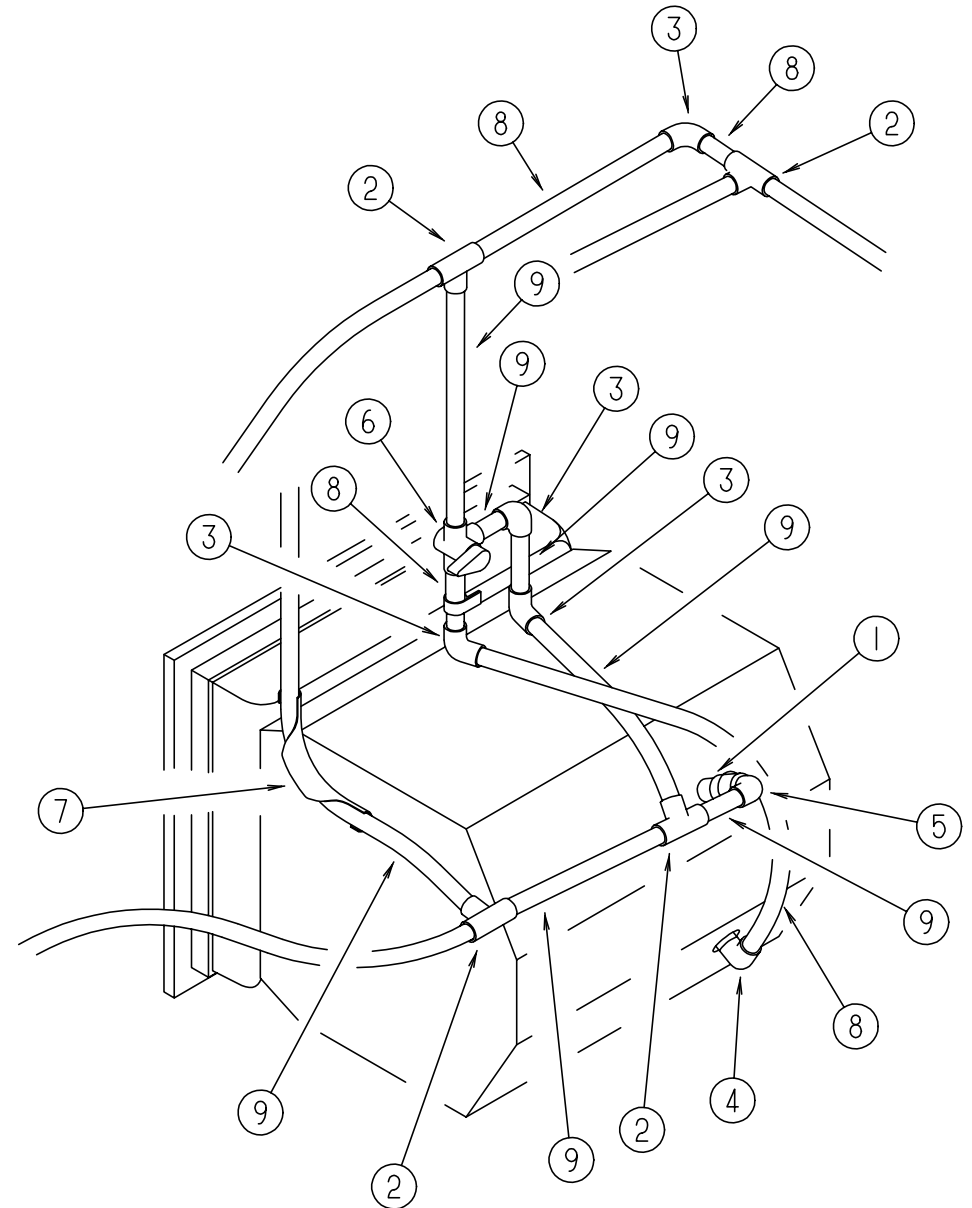
WATER & SEWAGE GROUP (CONTINUED)



WATER PURIFICATION

KEY	PART NUMBER	U/M	DESCRIPTION	VENDOR NO.
1	039800-04-000	FT	TUBING - POLYBUTYL - 1/4"OD	
2	114428-01-000	EA	TEE - 1/2"P X 1/2"P X 1/2"P	
3	114429-01-000	EA	ELBOW - 1/2"P X 1/2"P	
4	124188-01-000	FT	TUBING - PEX - 1/2" ID X 20' BLUE	
5	111888-01-000	EA	FERRULE - PLASTIC - .250 ID X .375 OD	
5	111888-02-000	EA	INSERT - BRASS - 1/4 COMP	
6	114429-04-000	EA	ELBOW - 1/2"P X 3/8"MPT	
7	701069-01-000	EA	WATER PURIFICATION SYSTEM	
7	701069-03-700	EA	CARTRIDGE RELACEMENT	9592-06
8	103798-01-000	EA	CONNECTOR - 1/4 OD X 3/8 MPT	
9	120868-01-000	EA	VALVE - NEEDLE - 1/4" COMPRESSION X 1/4" COMPRESSION	
10	065318-02-000	EA	ELBOW - 90 DEGREE - 3/8" MPT TO 3/8" FPT	
11	118423-01-000	EA	FITTING - BRASS-TEE - 1/4C X 1/4C X 1/4C	

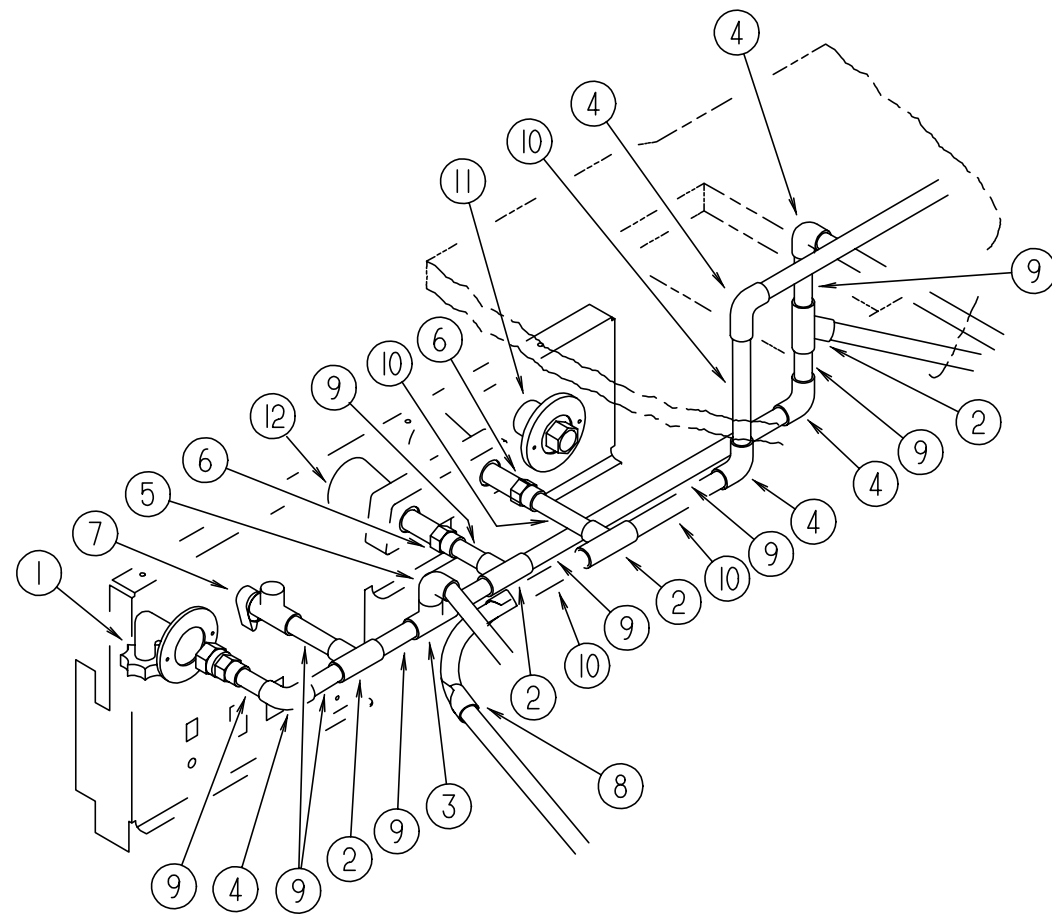
WATER & SEWAGE GROUP (CONTINUED)



WATER HEATER BY-PASS VALVE

KEY	PART NUMBER	U/M	DESCRIPTION
1	110438-02-000	EA	VALVE - CHECK - BRASS - 1/2 MPT X 1/2 MPT
2	114428-01-000	EA	TEE - 1/2"P X 1/2"P X 1/2"P
3	114429-01-000	EA	ELBOW - 1/2"P X 1/2"P
4	114429-02-000	EA	ELBOW - 1/2"P X 1/2"MPT
5	114429-03-000	EA	ELBOW - FLAIR-IT SWIVEL - 1/2"P X 1/2"FPT
6	114431-02-000	EA	VALVE - WATER BYPASS - 1/2"P - THREE WAY (WATER HEATER)
7	124184-01-000	EA	SUPPORT - WATER LINE - BEND
8	124188-01-000	FT	TUBING - PEX - 1/2" ID X 20' BLUE
9	124188-02-000	FT	TUBING - PEX 1/2" ID X 20' RED

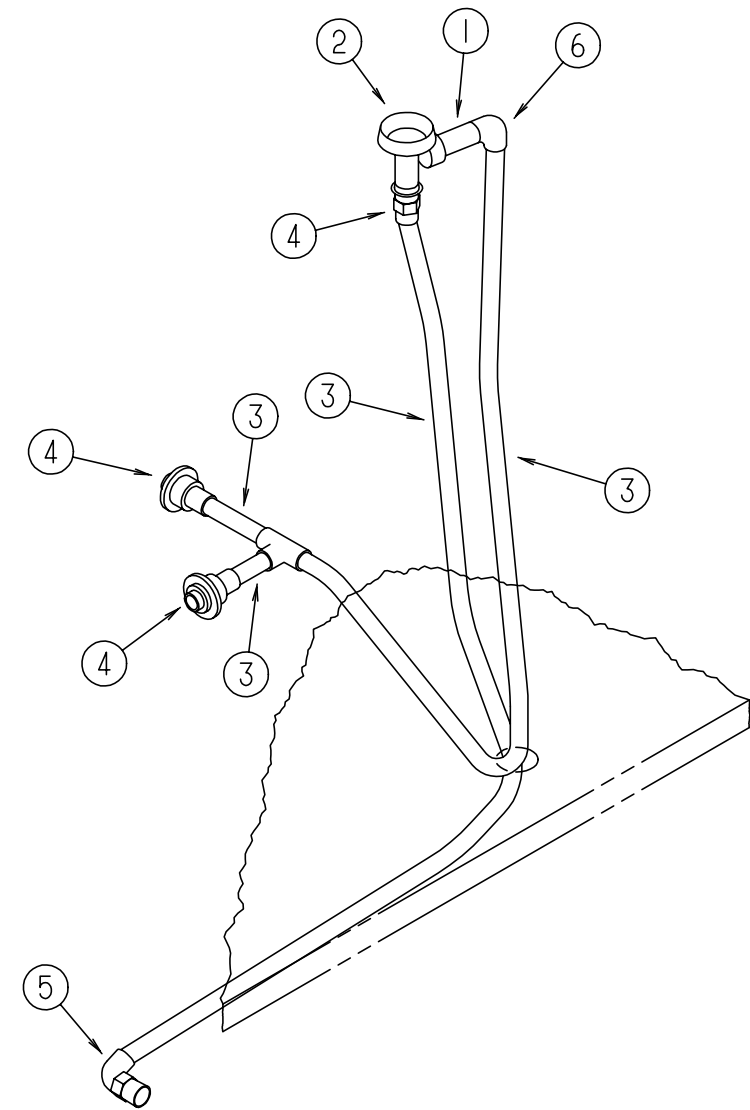
WATER & SEWAGE GROUP (CONTINUED)



EXTERIOR WASH STATION

KEY	PART NUMBER	U/M	DESCRIPTION
1	010230-06-000	EA	FILL - CITY WATER - W/CHECK VALVE - MPT
2	114428-01-000	EA	TEE - 1/2" P X 1/2" P X 1/2" P
3	114428-03-000	EA	TEE - 1/2" P X 1/2" P X 1/2" MPT
4	114429-01-000	EA	ELBOW - 1/2" P X 1/2" P
5	114429-03-000	EA	ELBOW - FLAIR-IT SWIVEL - 1/2" P X 1/2" FPT
6	114430-02-000	EA	ADAPTER - SWIVEL - 1/2" P X 1/2" FPT
7	114431-03-000	EA	VALVE - 90 DEGREE DRAIN - 1/2" P
8	124184-01-000	EA	SUPPORT - WATER LINE - BEND
9	124188-01-000	FT	TUBING - PEX - 1/2" ID X 20' BLUE
10	124188-02-000	FT	TUBING - PEX 1/2" ID X 20' RED
11	125697-05-000	EA	INLET - WATER - FLUSHING SYSTEM
	126398-01-000	EA	ELBOW - ENTRY HOSE - 90 DEGREE
12	075241-05-000	EA	FAUCET/SHOWER - BONE 3/4" MPT X 1.4" LONG INLET PIPES

WATER & SEWAGE GROUP (CONTINUED)

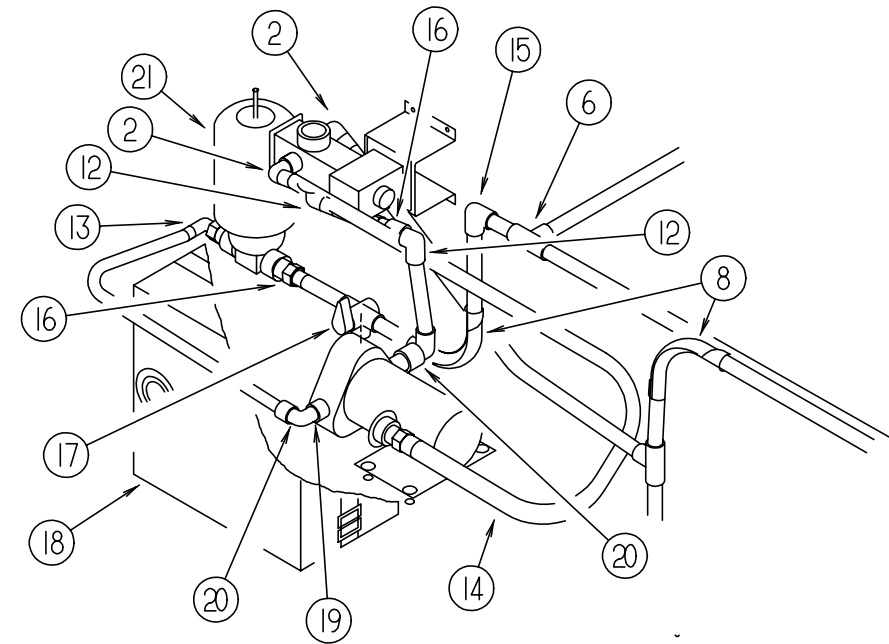
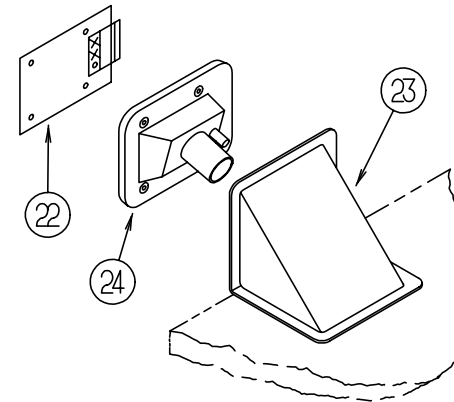
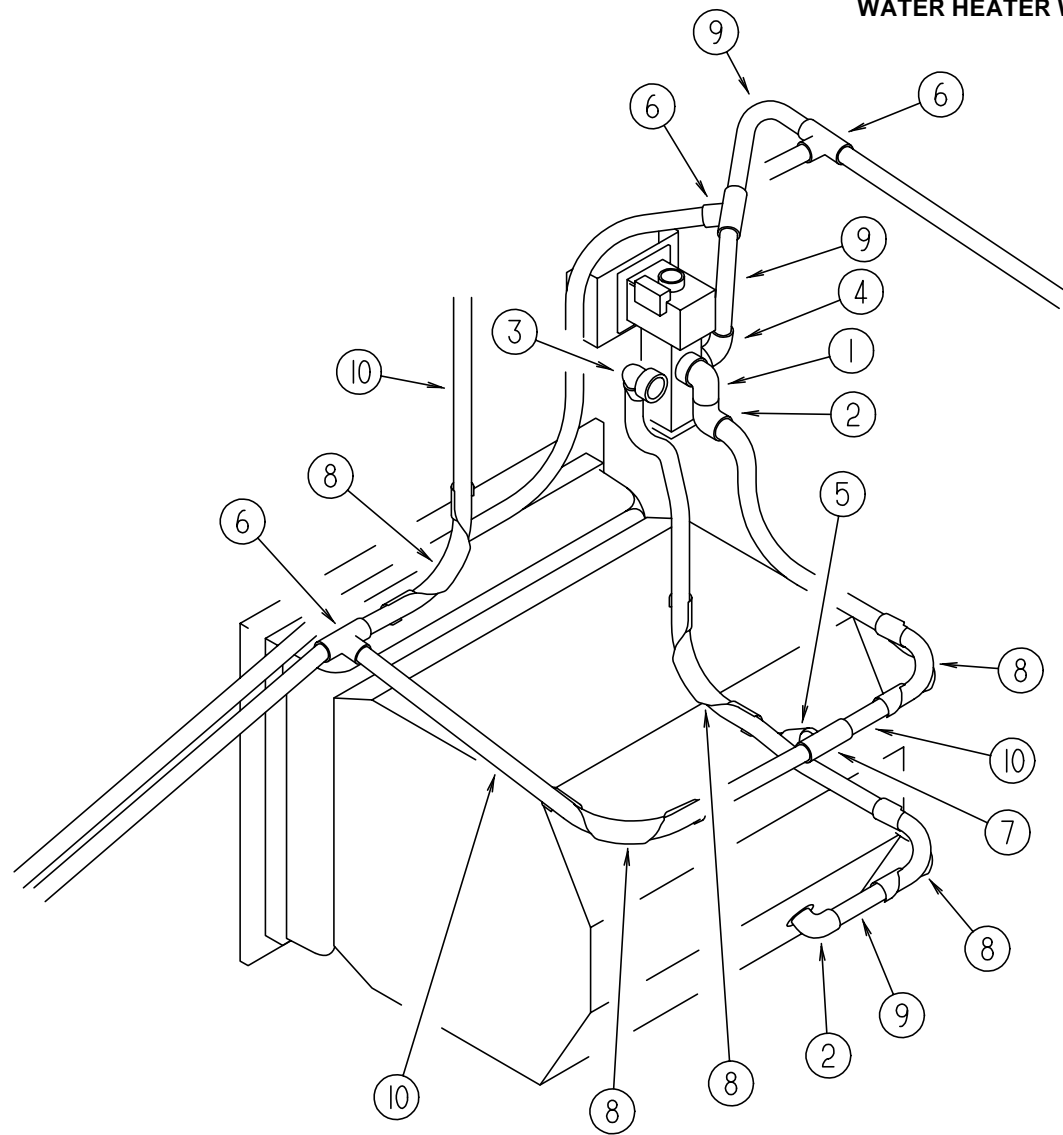


FLUSHING SYSTEM

KEY	PART NUMBER	U/M	DESCRIPTION
	125697-02-000	EA	NOZZLE - WELD-A-FLUSH - HOLDING TANK
1	125697-03-000	EA	CHECK VALVE - FLUSHING SYSTEM
2	125697-04-000	EA	BREAKER - VACUUM - FLUSHING SYSTEM
	125697-05-000	EA	INLET - WATER - FLUSHING SYSTEM
	125697-06-000	EA	INSTRUCTIONS - USER - FLUSHING SYSTEM
3	124188-01-000	FT	TUBING - PEX - 1/2" ID X 20' BLUE
4	114430-03-000	EA	ADAPTER - 1/2" P X 1/2" MPT
5	114429-02-000	EA	ELBOW - 1/2" P X 1/2" MPT
6	114429-03-000	EA	ELBOW - FLAIR-IT SWIVEL - 1/2" P X 1/2" FPT

WATER & SEWAGE GROUP (CONTINUED)

WATER HEATER WINTERIZING KIT



KEY	PART NUMBER	U/M	DESCRIPTION
1	039808-03-000	EA	ELBOW - 1/2" MPT X 1/2" MPT - PLASTIC
2	114429-02-000	EA	ELBOW - 1/2"P X 1/2"MPT
3	114429-03-000	EA	ELBOW - FLAIR-IT SWIVEL - 1/2"P X 1/2"FPT
4	114429-05-000	EA	ELBOW - 1/2"P X 3/4"MPT
5	110438-02-000	EA	VALVE - CHECK - BRASS - 1/2 MPT X 1/2 MPT
6	114428-01-000	EA	TEE - 1/2"P X 1/2"P X 1/2"P
7	114428-02-000	EA	TEE - SWIVEL - 1/2"P X 1/2"P X 1/2"FPT
8	124184-01-000	EA	SUPPORT - WATER LINE - BEND
9	124188-01-000	FT	TUBING - PEX - 1/2" ID X 20' BLUE
10	124188-02-000	FT	TUBING - PEX 1/2" ID X 20' RED
12	111223-03-000	EA	ELBOW - 3/4" MPT X 1/2" BARB - PLASTIC
13	111223-04-000	EA	ELBOW - 1/2" MPT X 1/2" BARB - PLASTIC
14	112176-01-000	FT	TUBING - VINYL - REINFORCED - 1/2" ID
15	114429-01-000	EA	ELBOW - 1/2"P X 1/2"P
16	114430-03-000	EA	ADAPTER - 1/2"P X 1/2"MPT
17	114431-01-000	EA	VALVE - 180 DEGREE/CENTER DRAIN - 1/2P - THREE WAY

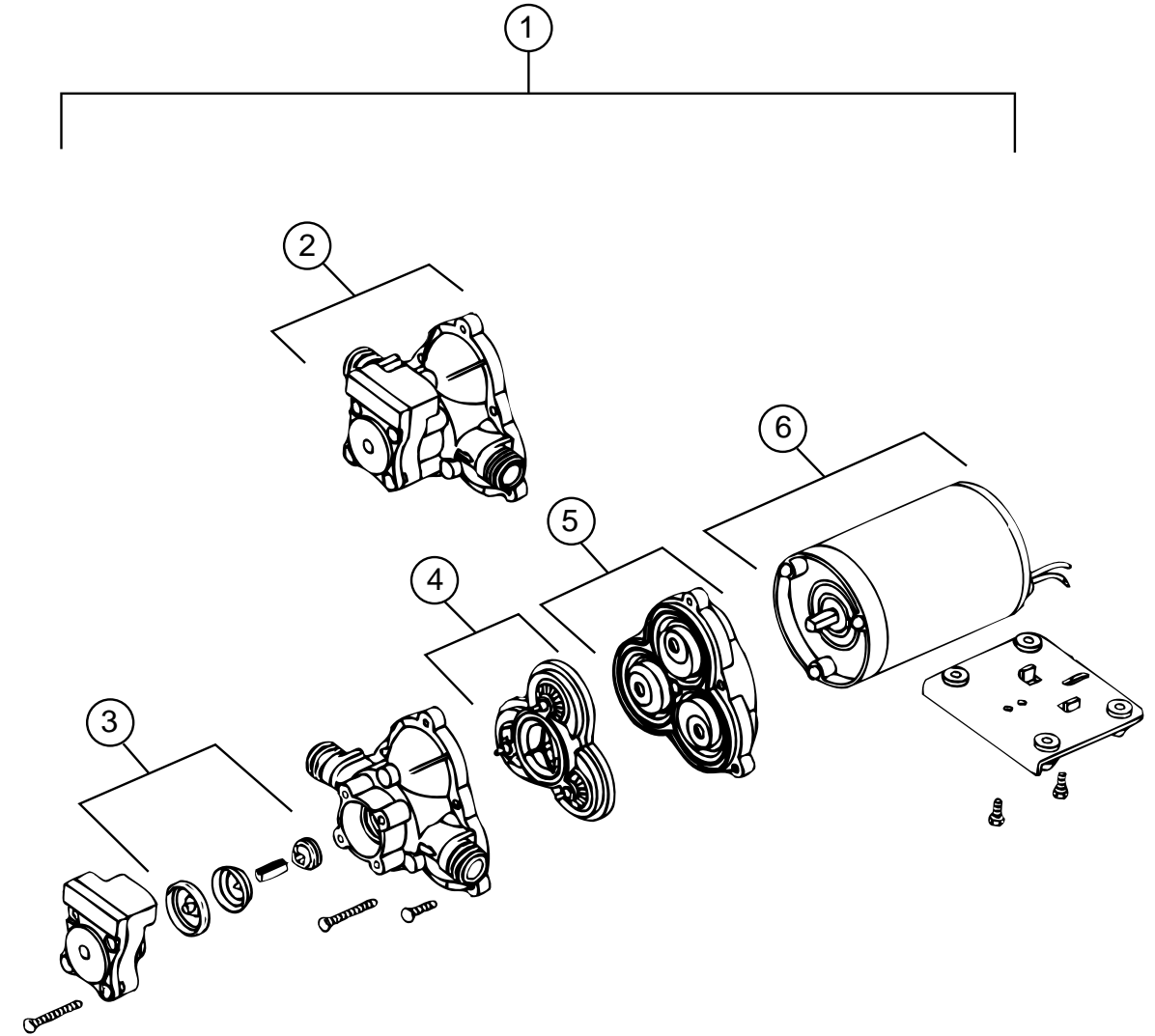
KEY	PART NUMBER	U/M	DESCRIPTION
18	118569-01-000	EA	WINTERIZATION SYSTEM - SWAN RFQ 314-W
18	118569-01-700	EA	VALVE/SOLENOID-ELECT CONTROL
18	118569-01-701	EA	SWITCH - ELECTRIC
18	118569-01-702	EA	PLATE - SWITCH
18	118569-01-703	EA	TANK - 2 GALLON
18	118569-01-704	EA	PLUG - 3/4 MPT
18	118569-01-705	EA	PLUG - 1/2 MPT
18	118569-01-706	EA	SCREEN - WHITE
19	118809-02-000	EA	ADAPTER - 1/2" MPT X 1/2" BARB - PLASTIC
20	123150-01-000	EA	ELBOW - 1/2 FPT X 1/2 BARB - SWIVEL
21	123243-01-000	EA	TANK - ACCUMULATOR - 24 OZ
22	125473-01-02B	EA	DOOR - ACCESS/WATER COMPARTMENT - W/O HARDWARE
23	022756-03-000	EA	COVER - A/C - OFF WHITE PLASTIC
24	081240-16-000	EA	DOOR - WATER FILL - LOCKABLE W/O LOCK - 4" X 4 5/8"

WATER & SEWAGE GROUP (CONTINUED)

WATER SYSTEM

KEY	PART NUMBER	U/M	DESCRIPTION
	120291-03-000	EA	TANK - WATER - 90 GALLON W/FITTINGS
	120291-01-000	EA	TANK - WATER - 90 GALLON - W/O FITTINGS
	042989-03-000	EA	FITTING - WATER TANK - SPINWELD - 1 1/4"NPT - PLASTIC
	042989-05-000	EA	FITTING - WATER TANK - SPINWELD - 1/2"FPT - PLASTIC
	049032-01-000	EA	PATCH - SPINWELD - 3/8" - PLASTIC
	039861-01-000	EA	SENDING UNIT - W/SCREW - WASHER - WELL NUT/TERMINAL RING
	044927-01-000	EA	ADAPTER - HOSE TO PIPE - 1 1/4 MPT X 1 1/4 BARB - BLK PLS
	077954-02-000	EA	FILTER - WATER TANK - W/SCREEN IN TANK
	079381-01-000	FT	TUBING - SMOOTH FLEXIBLE - 1 3/8 ID X 20'
	062421-03-000	EA	VALVE - 1.5 HUB X HUB - REMOTE
	105804-01-000	EA	ANGLE - STEEL
	062421-04-000	EA	CABLE - VALVE - REMOTE W/HANDLE
	010224-01-000	EA	ADAPTER - HOSE TO PIPE - 3/8 MPT X 3/8 BARB - PLASTIC
	039800-04-000	FT	TUBING - POLYBUTYL - 1/4"OD
	074462-02-000	FT	TUBING - VINYL - 3/8 ID X 20' - CLEAR
	077954-02-000	EA	FILTER - WATER TANK - W/SCREEN IN TANK
	110438-02-000	EA	VALVE - CHECK - BRASS - 1/2 MPT X 1/2 MPT
	111223-04-000	EA	ELBOW - 1/2" MPT X 1/2" BARB - PLASTIC
	111888-01-000	EA	FERRULE - PLASTIC - .250 ID X .375 OD
	111888-02-000	EA	INSERT - BRASS - 1/4 COMP
	112176-01-000	FT	TUBING - VINYL - REINFORCED - 1/2" ID
	113697-01-000	EA	CAP - 3/8 FTG
	114428-01-000	EA	TEE - 1/2"P X 1/2"P X 1/2"P
	114429-01-000	EA	ELBOW - 1/2"P X 1/2"P
	114429-02-000	EA	ELBOW - 1/2"P X 1/2"MPT
	114429-03-000	EA	ELBOW - FLAIR-IT SWIVEL - 1/2"P X 1/2"FPT
	114429-04-000	EA	ELBOW - 1/2"P X 3/8"MPT
	114430-02-000	EA	ADAPTER - SWIVEL - 1/2"P X 1/2"FPT
	114430-03-000	EA	ADAPTER - 1/2"P X 1/2"MPT
	114430-06-000	EA	ADAPTER - 1/2"P X 3/8"FPT
	114431-01-000	EA	VALVE - 180 DEGREE/CENTER DRAIN - 1/2P - THREE WAY
	114431-02-000	EA	VALVE - WATER BYPASS - 1/2"P - THREE WAY (WATER HEATER)
	114431-03-000	EA	VALVE - 90 DEGREE DRAIN - 1/2"P
	118423-01-000	EA	FITTING - BRASS-TEE - 1/4C X 1/4C X 1/4C
	120868-01-000	EA	VALVE - NEEDLE - 1/4" COMPRESSION X 1/4" COMPRESSION
	123150-01-000	EA	ELBOW - 1/2 FPT X 1/2 BARB - SWIVEL
	123152-01-000	EA	ADAPTER - 1/2 FPT X 1/2 BARB - SWIVEL
	123243-01-000	EA	TANK - ACCUMULATOR - 24 OZ
	124184-01-000	EA	SUPPORT - WATER LINE - BEND
	124188-01-000	FT	TUBING - PEX - 1/2" ID X 20' BLUE
	124188-02-000	FT	TUBING - PEX 1/2" ID X 20' RED
	124184-01-000	EA	SUPPORT - WATER LINE - BEND
	009198-02-000	FT	DUCT - FLEXIBLE - 2" ID X 25'

WATER & SEWAGE GROUP (CONTINUED)



SHURFLO WATER PUMP

KEY	PART NUMBER	U/M	DESCRIPTION	VENDOR NO.
1	098607-01-000	EA	PUMP - WATER - W/.5"MPT FITTING - FLOW 2.8 GPM - UL	
2	098607-01-706	EA	UPPER HOUSING/ SWITCH KIT	94-231-20
3	098607-01-705	EA	CHECK VALVE - KIT	94-237-00
4	098607-01-703	EA	VALVE ASM	94-232-00
5	098607-01-702	EA	DRIVE/ DIAPHRAGM - KIT	94-238-04
6	098607-01-707	EA	MOTOR/ BASEPLATE REPLACEMENT	94-235-03

GARDEN HOSE

KEY	PART NUMBER	U/M	DESCRIPTION
	117089-01-000	FT	HOSE - 1/2" ID - GARDEN

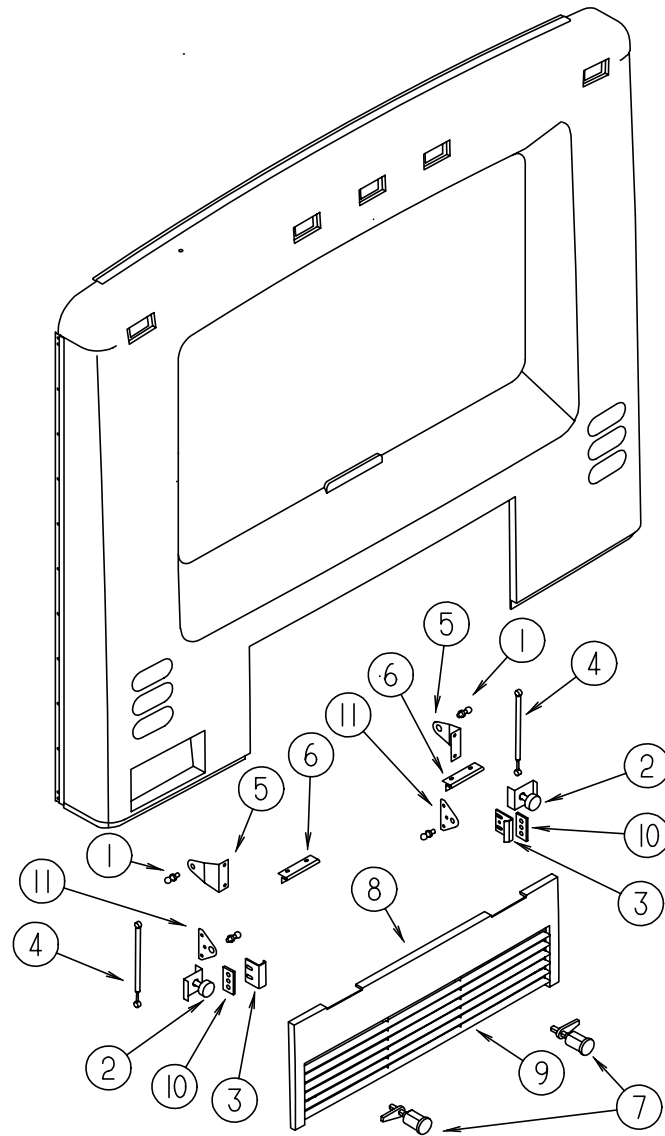
WATER HEATER

KEY	PART NUMBER	U/M	DESCRIPTION
*	051391-03-000	EA	WATER HEATER G6A-8E ELECTRONIC IGNITION

* COMPONENT PARTS FOUND IN SERVICE PARTS LIBRARY

WINDOW, VENT & EXTERIOR DOOR GROUP

REAR ENGINE DOOR

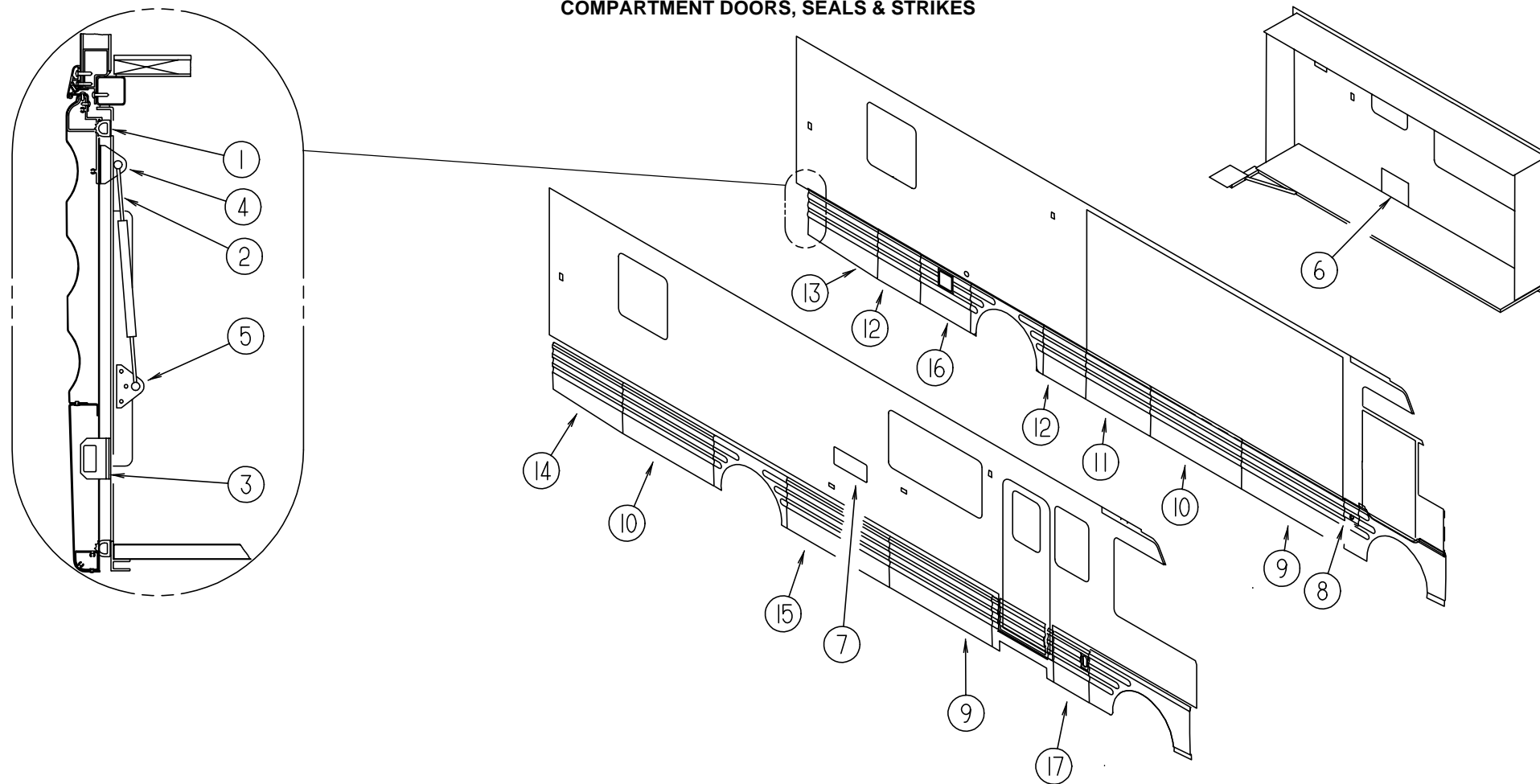


KEY	PART NUMBER	U/M	DESCRIPTION
1	057460-02-000	EA	STUD BALL - GAS SPRING - .39" - 5/16"-18 FROM: 00-00-00 THRU: 01-25-98
1	126259-01-000	EA	STUD - BALL FROM: 01-26-98 THRU: 99-99-99
2	058786-01-000	EA	BOLT - ADJUSTING HOOD - W/BLACK PAD
3	107719-01-01A	EA	STRIKE - VALANCE DOOR
4	108998-01-000	EA	SPRING - GAS 12" COMPRESSED/20" EXTENDED - 30 LB
5	114268-03-02B	EA	BRACKET - GAS SPRING - 14 GAUGE FROM: 00-00-00 THRU: 01-25-98
5	126263-10-02B	EA	BRACKET - GAS SPRING - E-COATED FROM: 01-26-98 THRU: 99-99-99

KEY	PART NUMBER	U/M	DESCRIPTION
6	102325-02-07A	EA	HINGE - TRUNK DOOR
7	102330-02-000	EA	LATCH - VISE ACTION/KEY OPERATED
	102328-01-000	EA	KEY - BARREL - NICKEL PLATED
8	117507-02-J70	EA	PANEL - ENGINE DOOR - REAR
9	118533-01-HQ0	EA	GRILLE - DOOR/TRUNK
10	118931-01-02B	EA	SHIM - STRIKER - DOOR
11	126263-08-02B	EA	BRACKET - GAS SPRING - E-COATED

WINDOW, VENT & EXTERIOR DOOR GROUP (CONTINUED)

COMPARTMENT DOORS, SEALS & STRIKES

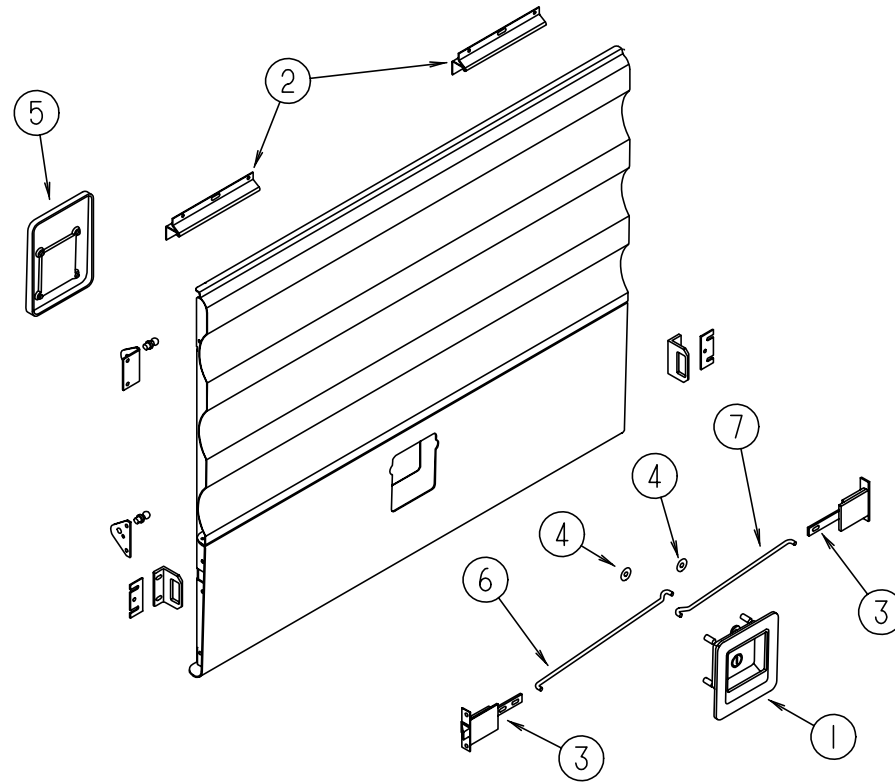


KEY	PART NUMBER	U/M	DESCRIPTION	VENDOR NO.
1	107721-08-000	FT	SEAL - ACCESS DOOR	
2	107796-23-000	EA	SPRING - GAS - 18.5" - 45 LB	
2	107796-24-000	EA	SPRING - GAS - 18.5" LONG - 60 LB	
3	123783-01-01A	EA	STRIKER - DOOR - MILL	
4	126263-05-02B	EA	BRACKET ASM-GAS SPRING,E-COAT	
4	126259-01-000	EA	STUD - BALL	
5	126263-08-02B	EA	BRACKET ASM-GAS SPRING,E-COAT	
5	126259-01-000	EA	STUD - BALL	
6	052009-06-000	EA	DOOR - WATER HEATER - BRIGHT WHITE - 18" X 14.6"	
7	084103-08-000	EA	DOOR - REFRIGERATOR - VENTED - W/O JAMB	
7	084104-01-700	EA	LOCK-MALE, FASTENER	201-721-010
7	084104-01-701	EA	LOCK-FEMALE, FASTENER	201-802-010
7	084104-08-000	EA	JAMB - REFRIGERATOR DOOR	
8	126060-01-J60	EA	DOOR - FUEL FILL	
8	125419-01-01A	EA	HINGE - SINGLE PIVOT	
8	125640-01-01A	EA	DOOR - FUEL FILL	
9	126065-09-J60	EA	PANEL ASM-VALANCE	
9	125517-09-000	EA	ROD - LATCH - 27.43"	
9	125517-10-000	EA	ROD - LATCH - 25.61"	
10	126065-10-J60	EA	PANEL ASM-VALANCE	
10	125517-01-000	EA	ROD - LATCH - 23.89"	
10	125517-02-000	EA	ROD - LATCH - 22.08"	

KEY	PART NUMBER	U/M	DESCRIPTION	DATE RANGE
11	126065-11-J60	EA	PANEL ASM-VALANCE	
12	126065-12-J60	EA	PANEL ASM-VALANCE	
12	125517-05-000	EA	ROD - LATCH - 8.95"	
				FROM: 10-27-97 THRU: 99-99-99
12	125517-06-000	EA	ROD - LATCH - 7.14"	
				FROM: 10-27-97 THRU: 99-99-99
13	126065-13-J60	EA	PANEL ASM-VALANCE	
13	125517-03-000	EA	ROD - LATCH - 17.50"	
13	125517-04-000	EA	ROD - LATCH - 15.69"	
14	126065-14-J60	EA	PANEL ASM-VALANCE	
14	125517-03-000	EA	ROD - LATCH - 17.50"	
14	125517-04-000	EA	ROD - LATCH - 15.69"	
15	126065-17-J60	EA	PANEL ASM-VALANCE	
15	125517-09-000	EA	ROD - LATCH - 27.43"	
15	125517-10-000	EA	ROD - LATCH - 25.61"	
16	126784-01-J60	EA	PANEL - VALANCE - AIR INTAKE	
16	104692-01-000	FT	SEAL - FOAM/ADHESIVE BACK - .75"THICK X .75"WIDE X 25'	
16	126814-01-01A	EA	PANEL - VALANCE - AIR INTAKE	
17	126787-01-J60	EA	PANEL - VALANCE - FURNACE	

WINDOW, VENT & EXTERIOR DOOR GROUP (CONTINUED)

COMPARTMENT DOORS



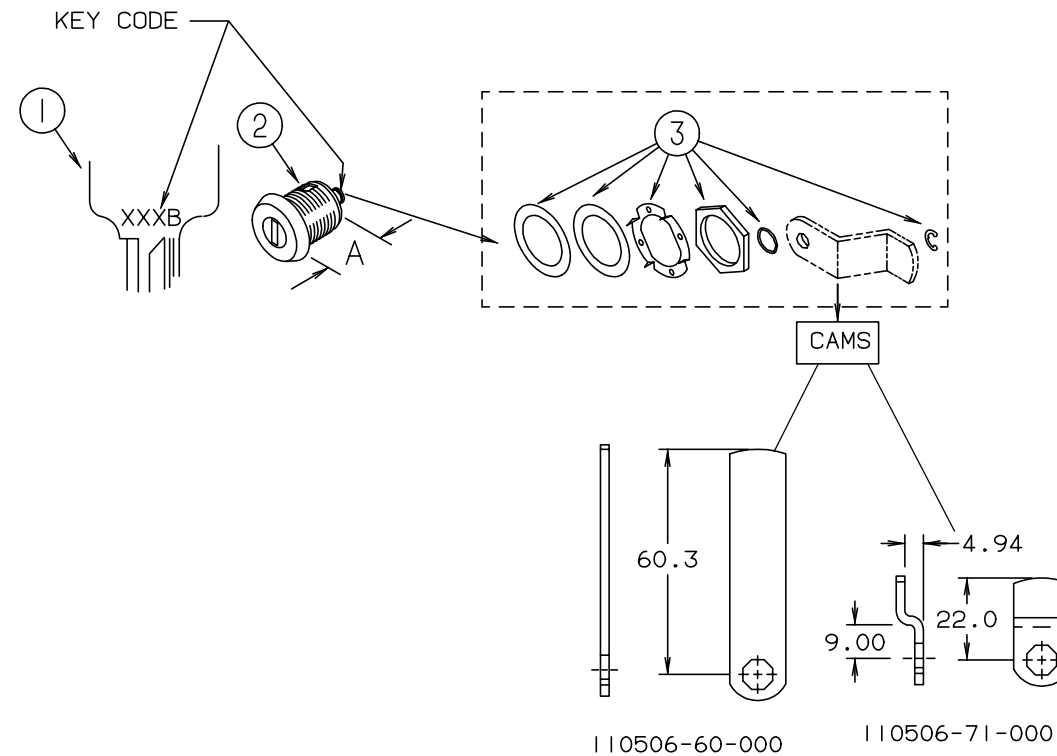
KEY	PART NUMBER	U/M	DESCRIPTION
1	112949-01-04A	EA	LATCH - PADDLE W/LOCK - W/O KEY - BLACK
1	112949-02-05A	EA	LATCH - PADDLE NON-LOCKING - BLACK
1	112949-03-000	EA	KEY - TRI-MARK #TM500
2	121677-01-01A	EA	HINGE - SINGLE PIVOT
3	121947-01-01A	EA	BOLT - SLIDE - LATCH - STEEL
4	124304-01-000	EA	CLIP - ROUND PUSH ON
5	125257-01-01A	EA	COVER - LATCH/VALANCE DOOR
6	125517-02-000	EA	ROD - LATCH - 22.08"
6	125517-03-000	EA	ROD - LATCH - 17.50"

KEY	PART NUMBER	U/M	DESCRIPTION
6	125517-04-000	EA	ROD - LATCH - 15.69"
6	125517-06-000	EA	ROD - LATCH - 7.14"
6	125517-10-000	EA	ROD - LATCH - 25.61"
7	125517-01-000	EA	ROD - LATCH - 23.89"
7	125517-03-000	EA	ROD - LATCH - 17.50"
7	125517-04-000	EA	ROD - LATCH - 15.69"
7	125517-05-000	EA	ROD - LATCH - 8.95"
7	125517-09-000	EA	ROD - LATCH - 27.43"

WINDOW, VENT & EXTERIOR DOOR GROUP (CONTINUED)

BRIGGS & STRATTON LOCKS

NOTE:
 WHEN ORDERING THE LOCK CASE, THE KEY CODE MUST MATCH THE LAST DIGIT OF THE VEHICLE'S SERIAL NUMBER AND PART NUMBER; WHEN ORDERING THE KEYS, THE THIRD DIGIT OF THE KEY CODE MUST MATCH THE LAST DIGIT OF THE VEHICLE'S SERIAL NUMBER AND PART NUMBER

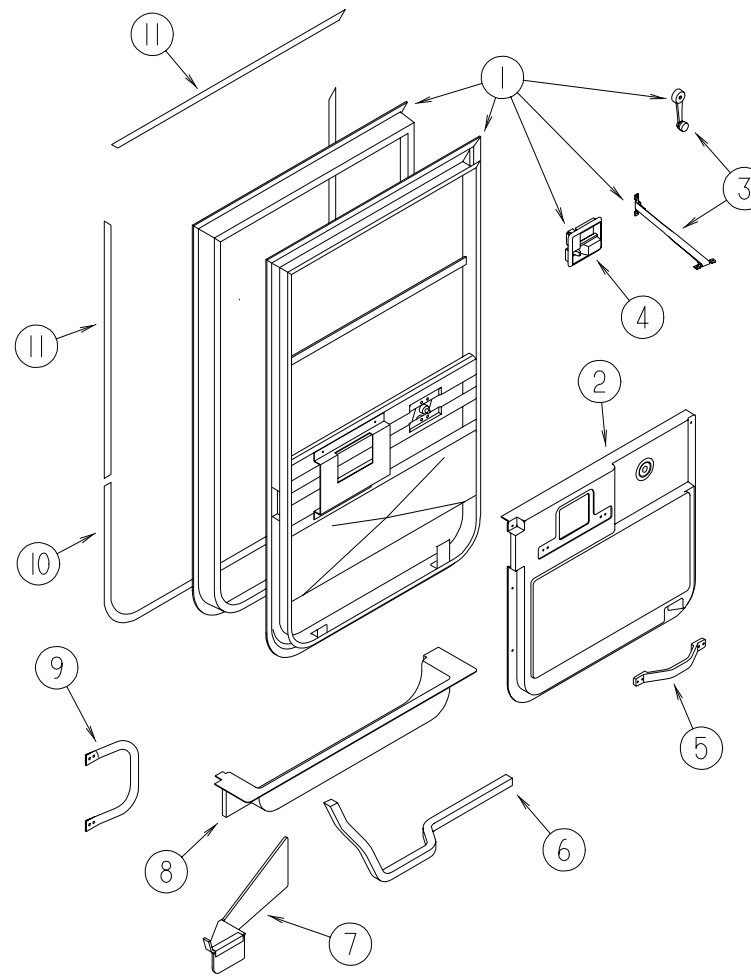


KEY	PART NUMBER	U/M	DESCRIPTION	VENDOR NO.
1	110506-59-000	EA	KEY SET (SOLD AS PAIR)	596720
2	110506-52-000	EA	CASE ASM-LOCK 17 MM	702370
2	110506-53-000	EA	CASE ASM-LOCK 25 MM	702380
1	110506-59-001	EA	KEY SET (SOLD AS PAIR)	596721
2	110506-52-001	EA	CASE ASM-LOCK 17 MM	702371
2	110506-53-001	EA	CASE ASM-LOCK 25 MM	702381
1	110506-59-002	EA	KEY SET (SOLD AS PAIR)	596722
2	110506-52-002	EA	CASE ASM-LOCK 17 MM	702372
2	110506-53-002	EA	CASE ASM-LOCK 25 MM	702382
1	110506-59-003	EA	KEY SET (SOLD AS PAIR)	596723
2	110506-52-003	EA	CASE ASM-LOCK 17 MM	702373
2	110506-53-003	EA	CASE ASM-LOCK 25 MM	702383
1	110506-59-004	EA	KEY SET (SOLD AS PAIR)	596724
2	110506-52-004	EA	CASE ASM-LOCK 17 MM	702374
2	110506-53-004	EA	CASE ASM-LOCK 25 MM	702384
1	110506-59-005	EA	KEY SET (SOLD AS PAIR)	596725
2	110506-52-005	EA	CASE ASM-LOCK 17 MM	702375
2	110506-53-005	EA	CASE ASM-LOCK 25 MM	702385

KEY	PART NUMBER	U/M	DESCRIPTION	VENDOR NO.
1	110506-59-006	EA	KEY SET (SOLD AS PAIR)	596726
2	110506-52-006	EA	CASE ASM-LOCK 17 MM	702376
2	110506-53-006	EA	CASE ASM-LOCK 25 MM	702386
1	110506-59-007	EA	KEY SET (SOLD AS PAIR)	596727
2	110506-52-007	EA	CASE ASM-LOCK 17 MM	702377
2	110506-53-007	EA	CASE ASM-LOCK 25 MM	702387
1	110506-59-008	EA	KEY SET (SOLD AS PAIR)	596728
2	110506-52-008	EA	CASE ASM-LOCK 17 MM	702378
2	110506-53-008	EA	CASE ASM-LOCK 25 MM	702388
1	110506-59-009	EA	KEY SET (SOLD AS PAIR)	596729
2	110506-52-009	EA	CASE-LOCK - A = 17 MM	702379
2	110506-53-009	EA	CASE-LOCK - A = 25 MM	702389
3	110506-40-700	EA	HDW KIT (CONTAINS:NUT, FLAT WASHER, E-RING, SPRING WASHER GASKET, AND SPUR WASHER)	
	110506-60-000	EA	CAM-LOCK	322276
	110506-71-000	EA	CAM-LOCK	322287
	110506-59-701	EA	KEY BLANK (GOLD)	

WINDOW, VENT & EXTERIOR DOOR GROUP (CONTINUED)

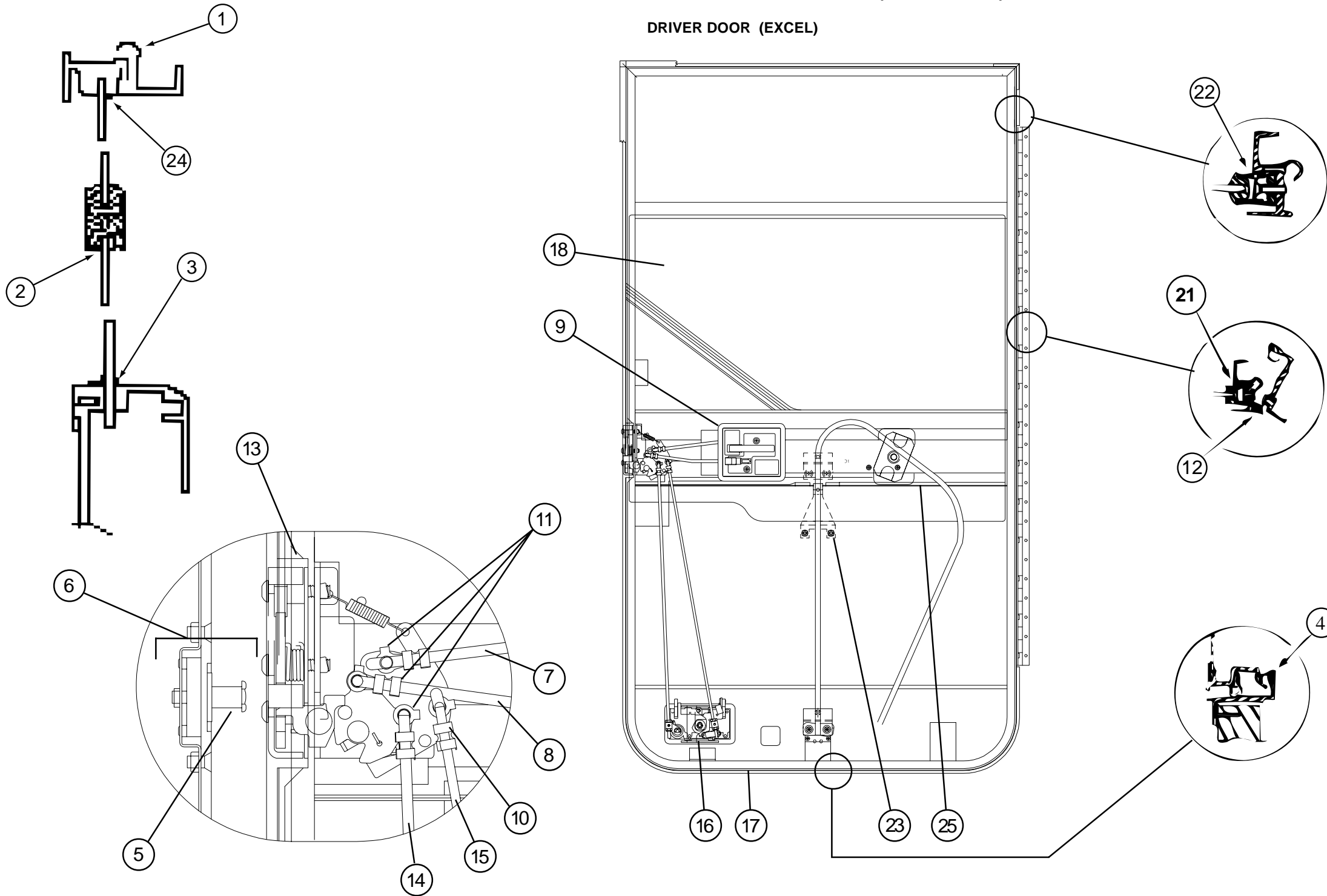
DRIVER DOOR (EXCEL)



KEY	PART NUMBER	U/M	DESCRIPTION	VENDOR NO.	KEY	PART NUMBER	U/M	DESCRIPTION	VENDOR NO.
1	125581-04-01A	EA	DOOR - DRIVER - NON-POWER		8	107818-03-04A	EA	TRIM - STEP/DRIVERS DOOR	
2	125899-03-01A	EA	PANEL - CAB DOOR - INNER/DRIVER						FROM: 00-00-00 THRU: 02-08-98
3	106469-02-704	EA	PARTS BAG (WINDOW HANDLE & CHECK STRAP)	V068-16	8	107818-05-02A	EA	TRIM - STEP/DRIVERS DOOR	
	109378-01-000	EA	STRAP - CHECK - DRIVER DOOR - 12.8"						FROM: 02-09-98 THRU: 99-99-99
4	106469-04-712	EA	HANDLE/DOOR - INNER W/HARDWARE	248-041402		102569-02-000	EA	MAT - ANTI SLIP - LOWER	
5	110604-01-01A	EA	HANDLE - ASSIST - DRIVERS DOOR		9	108832-02-01A	EA	HANDLE - ASSIST - DOOR/DRIVER	
6	063977-14-000	EA	STEP - DRIVER DOOR - LEFT HAND			126701-01-03A	EA	COVER - ASSIST HANDLE - OFF WHITE	
7	128255-01-04B	EA	STEP - DRIVER DOOR - BLACK		10	109235-01-05A	FT	COVER - SCREW - BRIGHT WHITE	
					11	109235-01-01A	FT	COVER - SCREW - MAT BLACK	
						P01713-01-000	EA	SWITCH - PUSH BUTTON - ELECTRIC STEP	

WINDOW, VENT & EXTERIOR DOOR GROUP (CONTINUED)

DRIVER DOOR (EXCEL)

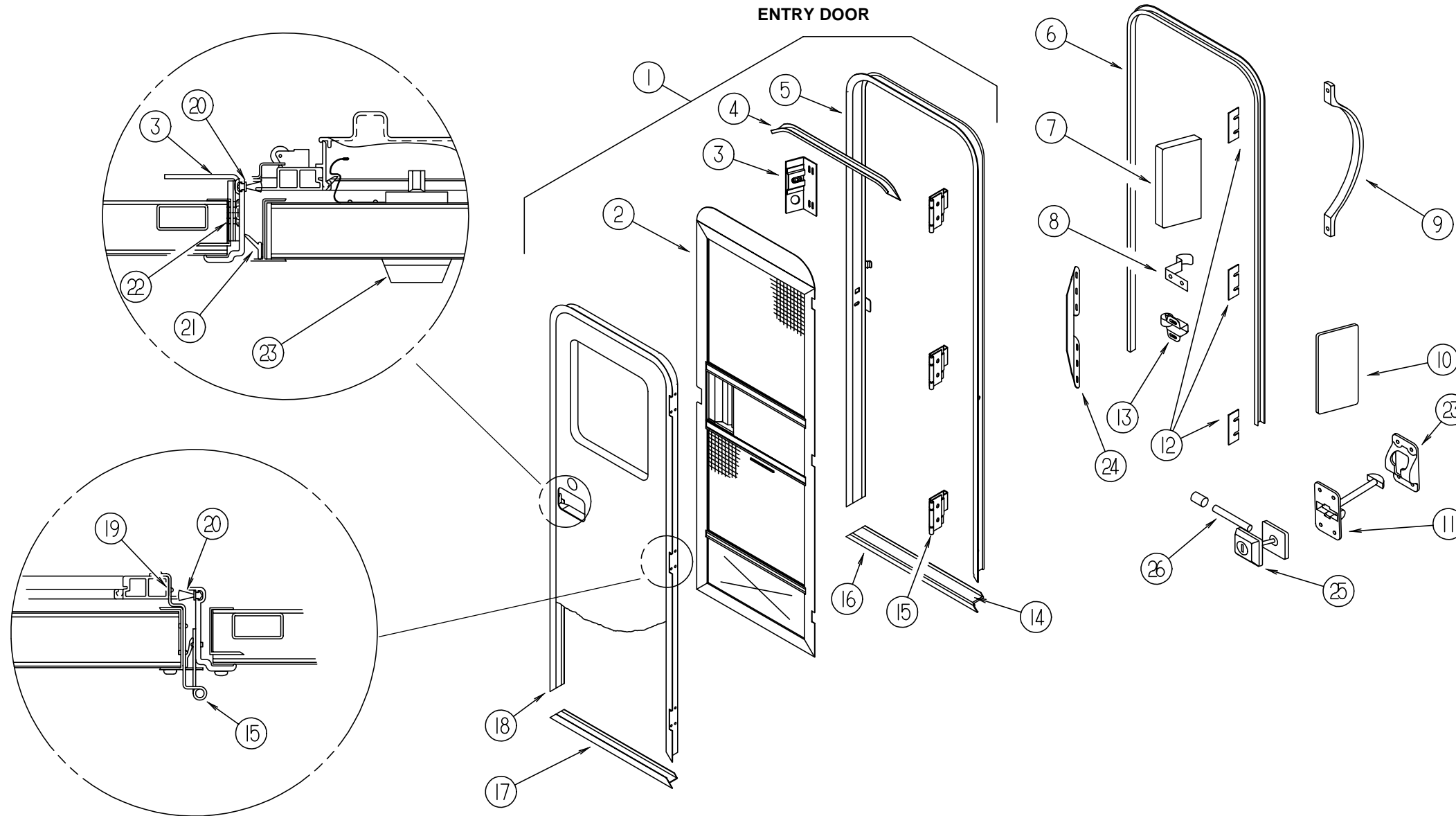


KEY	PART NUMBER	U/M	DESCRIPTION	VENDOR NO.
1	106469-01-702	EA	DOOR SEAL	122-040984
2	106469-01-705	FT	CHANNEL - RUN - SLIDING	122-010850
3	106469-01-709	FT	WEATHERSTRIP - FUZZY	171-040630
4	106469-01-723	EA	SEAL - BULB ASM. (JAMB)	171-040985
5	106469-04-703	EA	BOLT - STRIKER (W/ WASHER)	248-041152
6	106469-04-704	EA	NUT ASSEMBLY - CAGED - W/STRIKER	248-041151
7	106469-04-705	EA	LATCH ROD - HORIZONTAL	203-041139
8	106469-04-711	EA	LOCK ROD - HORIZONTAL	203-041137
9	106469-04-712	EA	HANDLE/DOOR - INNER W/HARDWARE	248-041402
10	106469-04-713	EA	ROD CLIP L.H.	248-041154
11	106469-04-714	EA	ROD CLIP R.H.	248-041153
12	106469-05-702	EA	HINGE - 42"	211-041194
13	106469-05-706	EA	LATCH - ROTARY - W/LINKAGE	248-041150

KEY	PART NUMBER	U/M	DESCRIPTION	VENDOR NO.
14	125581-04-700	EA	ROD - LATCH/VERTICAL ADJUST.	203041767
15	125581-04-701	EA	ROD - LOCK/VERTICAL ADJUST.	203-041768
16	125581-04-702	EA	PADDLE RH-W/COLLAR BLACK TEX	248-041403
17	125581-04-703	EA	FRAME - MOUNTING - BLACK	V180-35L
18	125581-04-704	EA	GLASS - ROLL-UP	106-041821
19	125581-04-705	EA	GLASS - STATIONARY	106-041547
20	125581-04-706	EA	FRAME - DOOR - SUB-ASSEMBLY	V180-94L
21	125581-04-707	EA	CHANNEL - ROLL UP GLASS	V156-60
22	125581-04-708	EA	CHANNEL - STATIONARY GLASS	V156-61
23	125581-04-709	EA	REGULATOR - MANUAL	410-08389
24	125581-04-710	EA	VINYL - GLAZING	132-041484
25	125581-04-711	EA	CHANNEL- GLASS	N135-66
	106469-04-701	EA	TUMBLER & KEYS (TRI-MARK)	248-041179
	106469-04-702	EA	KEYS (BLANK)	248-041180

WINDOW, VENT & EXTERIOR DOOR GROUP (CONTINUED)

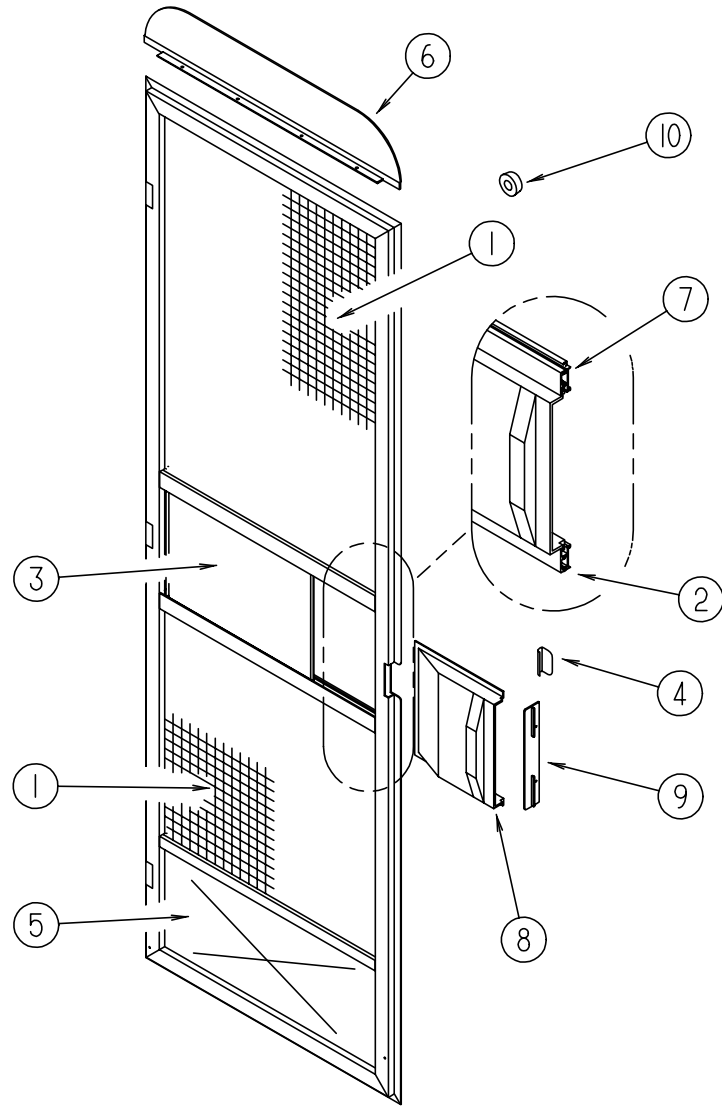
ENTRY DOOR



KEY	PART NUMBER	U/M	DESCRIPTION
	090430-01-000	FT	SEAL - FOAM - CLOSED CELL - 1/4" X 1/2" X 50'
1	115108-10-J60	EA	DOOR - ENTRY W/SCREEN DOOR - W/O WINDOW (J94, J60)
1	115108-10-J61	EA	DOOR - ENTRY W/SCREEN DOOR - W/O WINDOW (J95, J61)
1	115108-10-J62	EA	DOOR - ENTRY W/SCREEN DOOR - W/O WINDOW (J96, J62)
2	121899-05-H17	EA	DOOR - SCREEN - W/O HARDWARE
3	041546-07-000	EA	BRACKET - DOOR ANGLE
4	044582-50-000	EA	CAP - DRIP JAMB MITERED
5	121898-09-01A	EA	JAMB - ENTRANCE DOOR
6	115222-12-02A	EA	GARNISH - RADIUS - ENTRY DOOR
7	077461-03-000	EA	COVER - STRIKE - ENTRY DOOR - 6.5" X 2.5" - WHITE PLASTIC
8	100412-01-000	EA	CATCH - SCREEN DOOR
9	115102-02-000	EA	HANDLE - ASSIST
10	076725-02-000	EA	COVER - ACCESS - HINGE - ENTRY DOOR - 6" X 3.2"
11	104099-01-04A	EA	CATCH - DOOR HOLDER - STRIKE
12	102248-01-000	EA	SHIM-DOOR
13	109403-01-000	EA	CATCH-SINGLE ROLLER, SCREEN DOOR
14	038327-01-000	EA	TAPE - ANTI-SLIP - 2" X 60'
	075673-05-000	FT	SEAL - PILE - ADHESIVE BACK - BLACK

KEY	PART NUMBER	U/M	DESCRIPTION	VENDOR NO.
15	106719-01-05A	EA	HINGE - ENTRANCE DOOR - BRIGHT WHITE	
15	106719-01-01A	EA	HINGE - ENTRANCE DOOR - MILL	
	116111-02-01A	EA	SCREW - TAPTITE - 1/4-20 X 3/8 PPH - ZINC	
	039715-01-000	EA	NUT-SERT - 1/4" DIAMETER - 20 THREADS	
16	051049-05-000	EA	JAMB - DOOR - BOTTOM/ENTRY	
17	121893-03-02A	EA	FRAME - ENTRY DOOR - BRIGHT WHITE	
18	121894-11-01A	EA	FRAME - ENTRY DOOR	
19	100128-02-000	FT	SEAL - FOAM - ADHESIVE BACK - .37" WIDE X .37" THICK	
20	118929-01-01A	FT	SEAL - PILE - PUSH ON	
21	075671-04-000	FT	SEAL - SPONGE - LAZY T - W/ADHESIVE STRIP - .5" WIDE	
22	104692-01-000	FT	SEAL - FOAM/ADHESIVE BACK - .75" THICK X .75" WIDE X 25'	
23	104099-02-04A	EA	CATCH - DOOR HOLDER - RETAINER	
24	098173-01-07A	EA	STIFFENER - ENTRY DOOR - SUPPORTS LATCH/STRIKE AREA	
24	098173-01-04A	EA	STIFFENER - ENTRY DOOR - SUPPORTS LATCH/STRIKE AREA - UNPAINTED	
25	101145-01-06A	EA	DEADBOLT - ENTRY DOOR W/O SECURITY BOLT W/2 KEYS - BLACK	
25	095229-01-700	EA	KEY-BLANK, DEADBOLT	81205-03
25	101145-01-701	EA	CYLINDER-LOCK ASM., W/KEY	81306-03
26	101147-01-000	EA	BOLT - SECURITY - 4.12"	

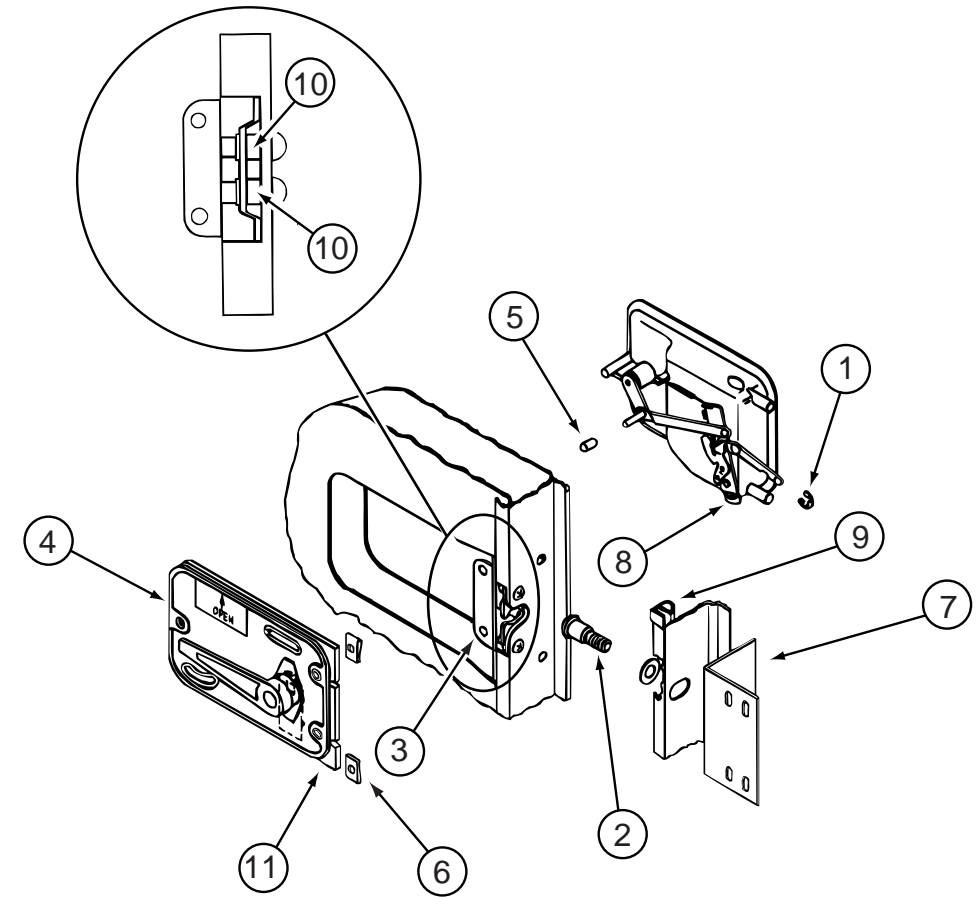
WINDOW, VENT & EXTERIOR DOOR GROUP (CONTINUED)



SCREEN DOOR

KEY	PART NUMBER	U/M	DESCRIPTION	
	121899-05-H17	EA	DOOR - SCREEN - W/O HARDWARE - BRIGHT WHITE	
1	002293-02-000	SF	SCREENING - WINDOW/DOOR - 26" - CHARCOAL	
2	002294-01-000	FT	SPLINE - SCREENING - .135" X .138"	
3	016454-15-000	EA	INSERT - SCREEN DOOR - CENTER	
	001014-01-013	EA	INSERT - CENTER - 10.25" X 16.31" - UNPAINTED	
4	050712-06-000	EA	HANDLE - SCREEN DOOR - BRIGHT WHITE	
5	078552-03-000	EA	KICK PANEL - SCREEN DOOR - LOWER INSERT - UNPAINTED	
6	078595-03-000	EA	PLATE - SCREEN DOOR	
7	078777-06-000	EA	CHANNEL - SLIDER - 24"	
				FROM: 00-00-00 THRU: 01-25-98
7	078777-08-000	FT	CHANNEL - SLIDER	
				FROM: 01-26-98 THRU: 99-99-99
8	079086-03-000	EA	SLIDER - SCREEN DOOR - BRIGHT WHITE	
9	079087-03-000	EA	STRIKE - SLIDER - SCREEN DOOR - BRIGHT WHITE	
10	120863-06-000	EA	BUMPER - RUBBER - 3/4" X 3/8"	
	075673-01-000	FT	SEAL - PILE - ADHESIVE BACK - GRAY	
	075673-05-000	FT	SEAL - PILE - ADHESIVE BACK - BLACK	

WINDOW, VENT & EXTERIOR DOOR GROUP (CONTINUED)



ENTRY DOOR LOCK

KEY	PART NUMBER	U/M	DESCRIPTION	VENDOR NO.
1	036618-02-000	EA	E RING - EXTERNAL - 3/16" SHAFT DIAMETER - LYNOR DOOR LOCK	
2	039539-01-000	EA	STRIKE - LOCK - ENTRY DOOR - ROUND W/THREADED WASHER	
3	039540-01-000	EA	LATCH MECHANISM - HOOK - ENTRY DOOR - INTERIOR	
4	039979-06-000	EA	COVER - LATCH PLATE - RIGHT HAND - BLACK TEXTURED	
5	039984-01-000	EA	CAP - ROUND - VINYL - .28" ID X .62" - BLACK	
6	040921-01-000	EA	NUT - SPEED - U TYPE - 10-24 BLACK	
7	041546-07-000	EA	BRACKET - DOOR ANGLE - OFF WHITE	
8	045017-13-000	EA	LATCH - ENTRY DOOR - BLACK TEXTURED	
	045017-11-703	EA	CYLINDER - LOCK ASM. W/KEYS	81266-09
9	064075-07-000	FT	SEAL - BULB - W/WIRED U CHANNEL - .3" X .5" CHANNEL - BLK	
10	086285-05-000	EA	SPACER - NYLON - .7" X .56"	
11	096810-01-01A	EA	PLATE - LATCH - ENTRY DOOR - BLACK	

WINDOW, VENT & EXTERIOR DOOR GROUP (CONTINUED)

NON POWERED ROOF VENTS

KEY	PART NUMBER	U/M	DESCRIPTION
*	122882-01-01A	EA	VENT - ROOF - NONPOWERED - W/O INSIDE GARNISH

* COMPONENT PARTS FOUND IN SERVICE PARTS LIBRARY

POWERED VENT

KEY	PART NUMBER	U/M	DESCRIPTION
*	122882-02-01A	EA	VENT - ROOF - W/FAN - POWERED - W/O INSIDE GARNISH
*	122882-03-01A	EA	VENT - ROOF - W/FAN - CSA - W/O INSIDE GARNISH

* COMPONENT PARTS FOUND IN SERVICE PARTS LIBRARY

EXHAUST VENT

KEY	PART NUMBER	U/M	DESCRIPTION
*	123780-04-01A	EA	VENT - EXHAUST - 3" CEILING - VDS
			FROM: 00-00-00 THRU: 10-05-97
*	123780-03-01A	EA	VENT - EXHAUST - 3" ROOF
			FROM: 10-06-97 THRU: 99-99-99

* COMPONENT PARTS FOUND IN SERVICE PARTS LIBRARY

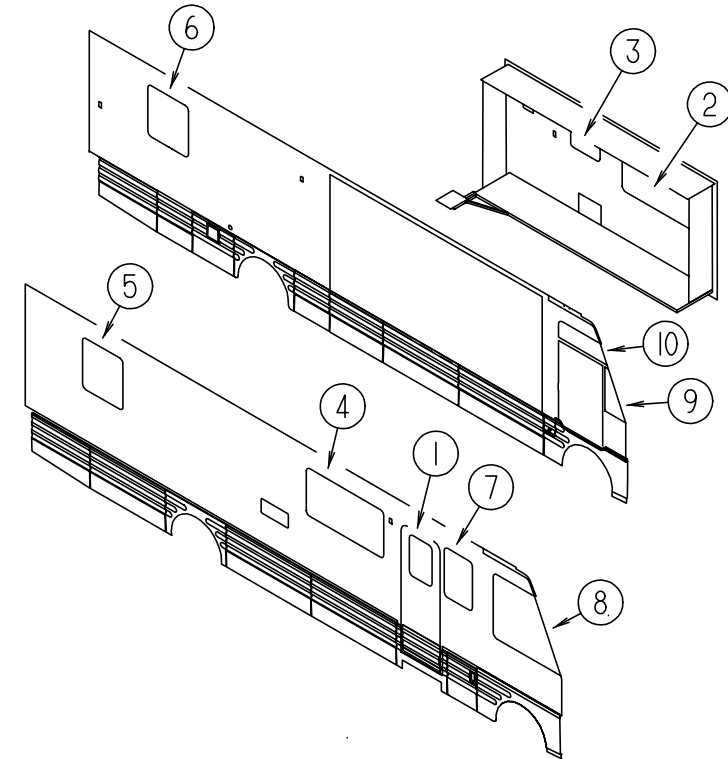
PLUMBING & REFRIGERATOR ROOF VENTS

KEY	PART NUMBER	U/M	DESCRIPTION
	084073-04-000	EA	BASE - ROOF VENT - REFRIGERATOR
	084073-07-000	EA	VENT - ROOF - REFRIGERATOR - BRIGHT WHITE
	083558-06-000	EA	VENT - ROOF PLUMBING PIPE - COVERED

RANGE HOOD VENT

KEY	PART NUMBER	U/M	DESCRIPTION	VENDOR NO.
	092698-02-05A	EA	VENT - W/DOOR - BRIGHT WHITE	
	092698-02-700	EA	FASTENER - PUSH	VB430
	092698-02-701	EA	CLAMP-CONDUIT	VB334
	092698-03-06A	EA	VENT - W/DOOR AND SOLENOID	
	092698-03-706	EA	SOLENOID	
	092731-02-000	EA	DUCT - EXTENSION	

WINDOW, VENT & EXTERIOR DOOR GROUP (CONTINUED)



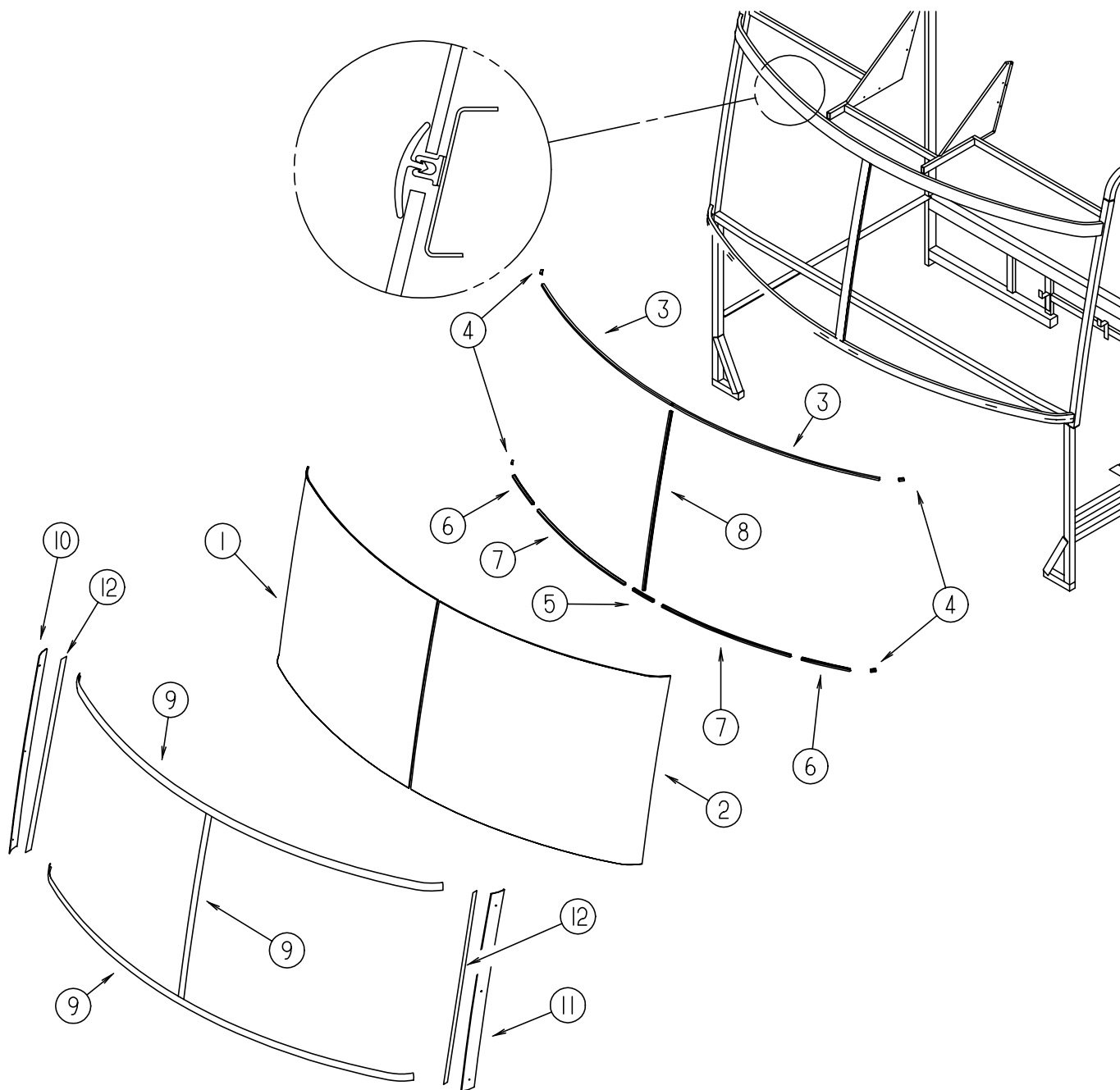
WINDOWS

KEY	PART NUMBER	U/M	DESCRIPTION	VENDOR NO.
1*	113733-01-01A	EA	WINDOW - STATIONARY - THERMOPANE - 17" X 26.4"	
1*	117053-02-F36	EA	WINDOW - PICTURE - ENTRANCE DOOR - 17" X 26.4"	
2*	112795-15-01A	EA	WINDOW - DRIVER - HORIZONTAL SLIDER-THERMO - 26 3/8" X 60"	
2*	098647-22-01A	EA	WINDOW - DRIVER/HORIZONTAL SLIDER - 26.1" X 59.7"	
3*	112795-26-01A	EA	WINDOW - HORIZONTAL SLIDER - THERMO - 22" X 22"	
3*	098647-48-01A	EA	WINDOW - HORIZONTAL SLIDER/DRIVER - 22" X 22"	
4*	112795-33-01A	EA	WINDOW - PASSENGER/HORIZONTAL SLIDER - THERMO 30.5" X 57.4	
4*	098647-01-02A	EA	WINDOW - PASSENGER HORIZONTAL SLIDER - 30.5" X 57.5"	
5*	112898-16-01A	EA	WINDOW - SLIDER/VERTICAL - THERMOPANE - 33.2" X 30.2"	
5*	112463-03-01A	EA	WINDOW - TIPOUT W/RETAINER TRIM - 33.3" X 30.2"	
6*	112898-18-01A	EA	WINDOW - VERTICAL SLIDER - THERMOPANE - 33.2" X 30.2"	
6*	112463-05-01A	EA	WINDOW - TIPOUT/ESCAPE W/RETAINER TRIM - 33.3" X 30.2"	
7*	112898-20-01A	EA	WINDOW - VERTICAL SLIDER - THERMO - 31.7" X 20.8"	
7*	098644-04-02A	EA	WINDOW - VERTICAL SLIDER 31.7" X 23"	
8*	125583-01-01A	EA	WINDOW - CAB - PASSENGER - THERMO	
8*	125582-01-01A	EA	WINDOW - CAB - PASSENGER	
9*	125585-01-01A	EA	WINDOW - FRONT SLANT - THERMO	
9*	125584-01-01A	EA	WINDOW - FRONT SLANT - LEFT HAND	
10*	125600-01-01A	EA	WINDOW - VISTA - THERMOPANE	
10*	125586-01-01A	EA	WINDOW - VISTA	

* COMPONENT PARTS FOUND IN SERVICE PARTS LIBRARY

WINDSHIELD & WIPER

WINDSHIELD, TRIM & MOLDINGS

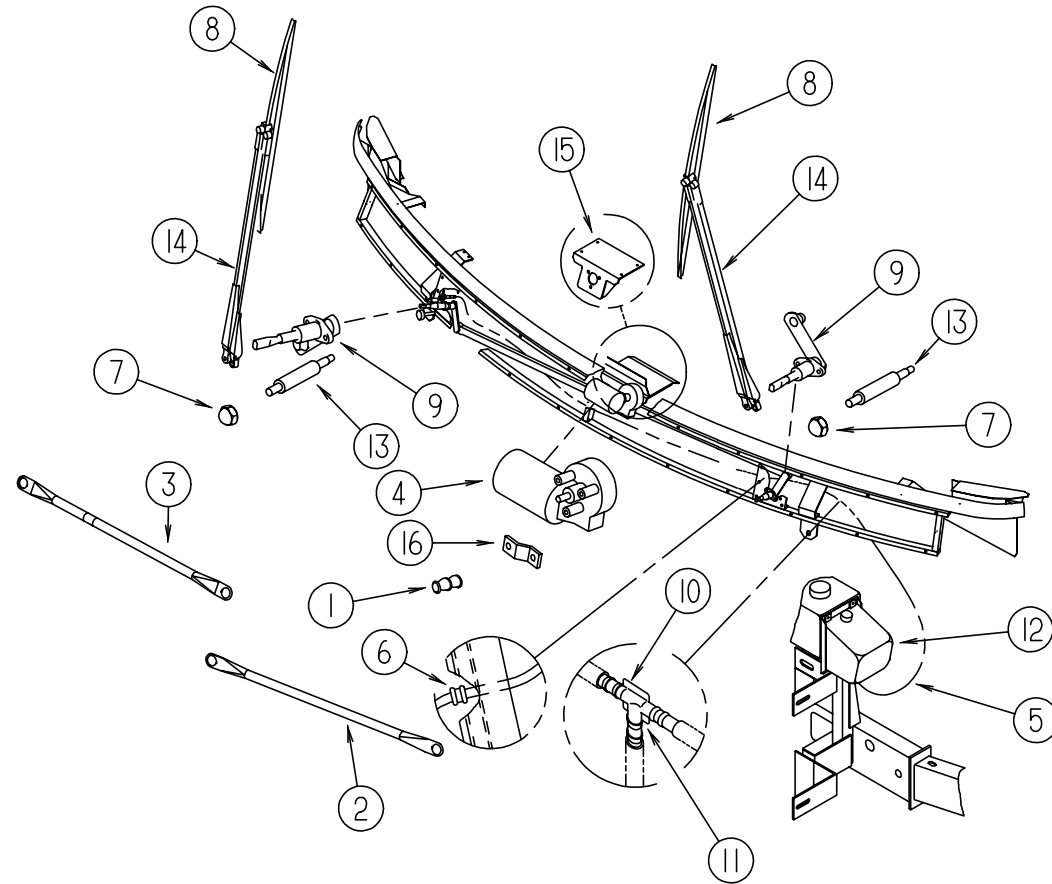


KEY	PART NUMBER	U/M	DESCRIPTION
1	124328-01-000	EA	GLASS - WINDSHIELD RIGHT HAND
2	124328-02-000	EA	GLASS - WINDSHIELD LEFT HAND
3	127862-01-000	EA	CARRIER - REVEAL - WINDSHIELD - 47.2"
4	127862-02-000	EA	CARRIER - REVEAL - WINDSHIELD - 1"
			FROM: 00-00-00 THRU: 12-03-97
5	127862-03-000	EA	CARRIER - REVEAL - WINDSHIELD - 5.5"
			FROM: 00-00-00 THRU: 11/09/97
5	117335-04-000	EA	REVEAL CARRIER - 5.5"
			FROM: 11-10-97 THRU: 99-99-99
6	127862-04-000	EA	CARRIER - REVEAL - WINDSHIELD - 10"
			FROM: 00-00-00 THRU: 11/09/97
6	117335-05-000	EA	REVEAL CARRIER - 10"
			FROM: 11-10-97 THRU: 99-99-99

KEY	PART NUMBER	U/M	DESCRIPTION
7	127862-05-000	EA	CARRIER - REVEAL - WINDSHIELD - 30"
			FROM: 00-00-00 THRU: 11/09/97
7	117335-06-000	EA	REVEAL CARRIER - 29.8"
			FROM: 11-10-97 THRU: 99-99-99
8	127862-09-000	EA	CARRIER - REVEAL - WINDSHIELD - 38.6"
9	120533-01-000	FT	MOLDING - REVEAL - WINDSHIELD
10	125384-01-02A	EA	TRIM - WINDSHIELD - A-PILLAR - PASSENGER - BLACK
10	125384-01-01A	EA	TRIM - WINDSHIELD - A-PILLAR - PASSENGER - MILL
11	125384-02-02A	EA	TRIM - WINDSHIELD - A-PILLAR - DRIVER - BLACK
11	125384-02-01A	EA	TRIM - WINDSHIELD - A-PILLAR - DRIVER - MILL
12	099418-01-000	FT	SEAL - D-SECTION/ADHESIVE BACK - .44" X .44" - BLK RUBBER
	002328-02-0000	EA	BLOCK - WINDSHIELD - .062" X .5" X .98"

WINDSHIELD & WIPER GROUP (CONTINUED)

WIPER & WASHER



KEY	PART NUMBER	U/M	DESCRIPTION	VENDOR NO.
1	067188-01-000	EA	STUD - CRANK - WIPER MOTOR	
	117322-01-000	EA	SCREW - 1/4-28 UNFINISHED - 2A - TORX	
2	117770-02-000	EA	LINK - CONNECTING - 24" - CLOSED GROMMET/CLOSED GROMMET	
3	117770-01-000	EA	LINK - CONNECTING - 24" - CLOSED GROMMET/OPEN GROMMET	
4	104346-04-000	EA	MOTOR - WIPER W/INTERNAL BREAKER - GM ONLY	
4	104346-05-000	EA	MOTOR - WIPER W/INTERNAL BREAKER - DYNAMIC PARK - FORD/FREIGHTLINER	
	091206-04-000	EA	MODULE/WIPER CONTROL KIT - DYNAMIC PARK - FREIGHTLINER	
	091206-02-700	EA	KNOB - INNER - FREIGHTLINER	66C-00019
	091206-02-701	EA	KNOB - OUTER - FREIGHTLINER	66C-00020
	091206-04-700	EA	SWITCH ASSEM. ONLY - FREIGHTLINER	250-6623
	102362-03-700	EA	MODULE-WIPER CONT., DYNAMIC - FREIGHTLINER	66D-00093
5	045794-01-000	FT	HOSE - WASHER - WINDSHIELD - 5/32" ID - BLACK	
6	061603-01-000	EA	GROMMET - SNAP - 3/16"ID - 3/8" HOLE - PLASTIC BLACK	
7	077049-02-000	EA	NUT - ACORN - 10-32 BLACK/ANODIZED	

KEY	PART NUMBER	U/M	DESCRIPTION	VENDOR NO.
8	095964-01-000	EA	BLADE - WINDSHIELD WIPER - 24"	
	095964-01-700	EA	BLADE - REFILL 24" EA = 1 PAIR	12360
9	096505-09-000	EA	SHAFT/PIVOT - WINDSHIELD WIPER	
	096505-02-700	EA	DRIVER - KNURLED - (HD) BRL .687	NT721017
	096505-02-701	EA	NUT - HEX (HD) W/.687 BARREL	NT721021
	096505-02-702	EA	CAP - RUBBER (HD) BARREL .687	CP721084
	096505-02-703	EA	CAP - NUT(ACORN) HD W/.687 BRL	51065-40-NT27WC
10	110605-01-000	EA	TEE - PLASTIC - BARBED - 1/8" X 1/8" X 3/16"	
11	117765-03-000	EA	CONNECTOR - 5/32" - WINDSHIELD WASHER	
12	117766-02-000	EA	RESERVOIR/PUMP - WINDSHIELD WASHER	
13	117768-01-000	EA	SHAFT - ADAPTER - PANTOGRAPH ARM	
14	117769-01-000	EA	ARM - WIPER - PANTOGRAPH - 28"	
15	125829-02-02B	EA	BRACKET ASM-WIPER MOTOR,E-CT - WINNEBAGO	
15	125829-03-02B	EA	BRACKET ASM-WIPER MOTOR,E-CT - ITASCA	
16	104347-04-000	EA	ARM - DRIVE - WIPER MOTOR	