

# 1998 WFG37WW

J22 MADISON (BLUE)  
(WATERFORD OAK)

J23 MADISON (BLUE)  
(WHITE GRANITE)

J24 MINK (TAUPE)  
(WATERFORD OAK)

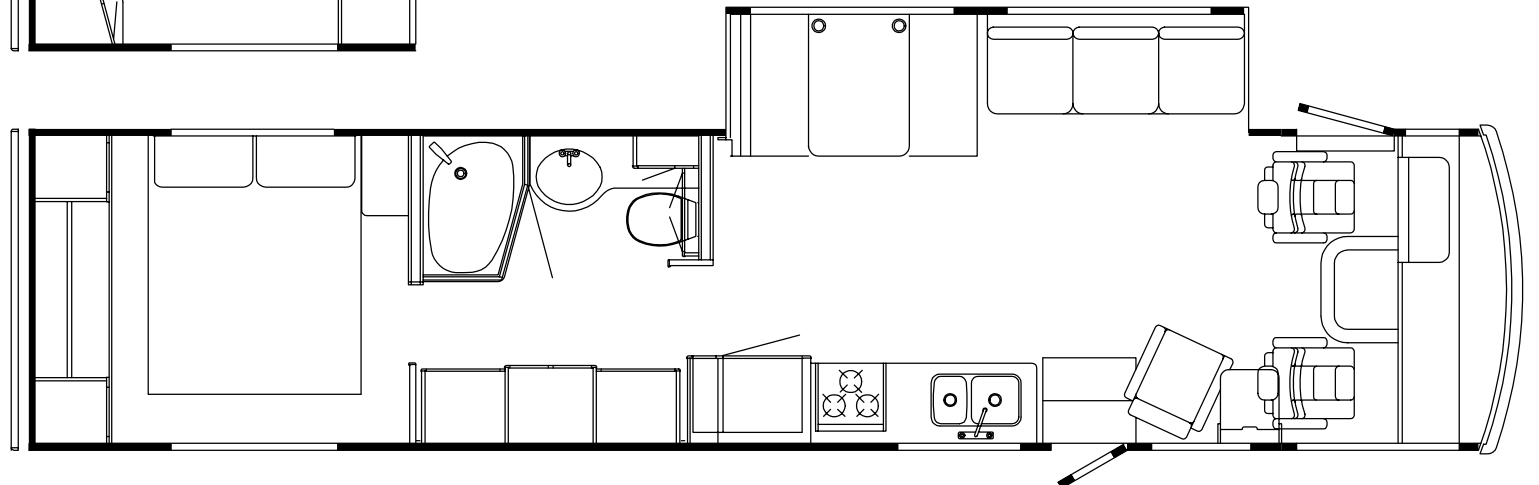
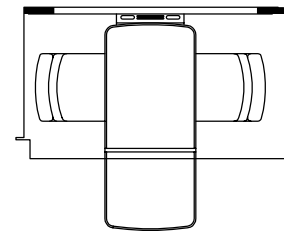
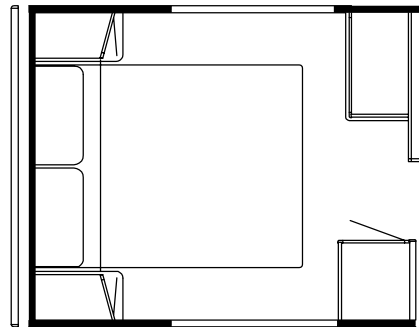
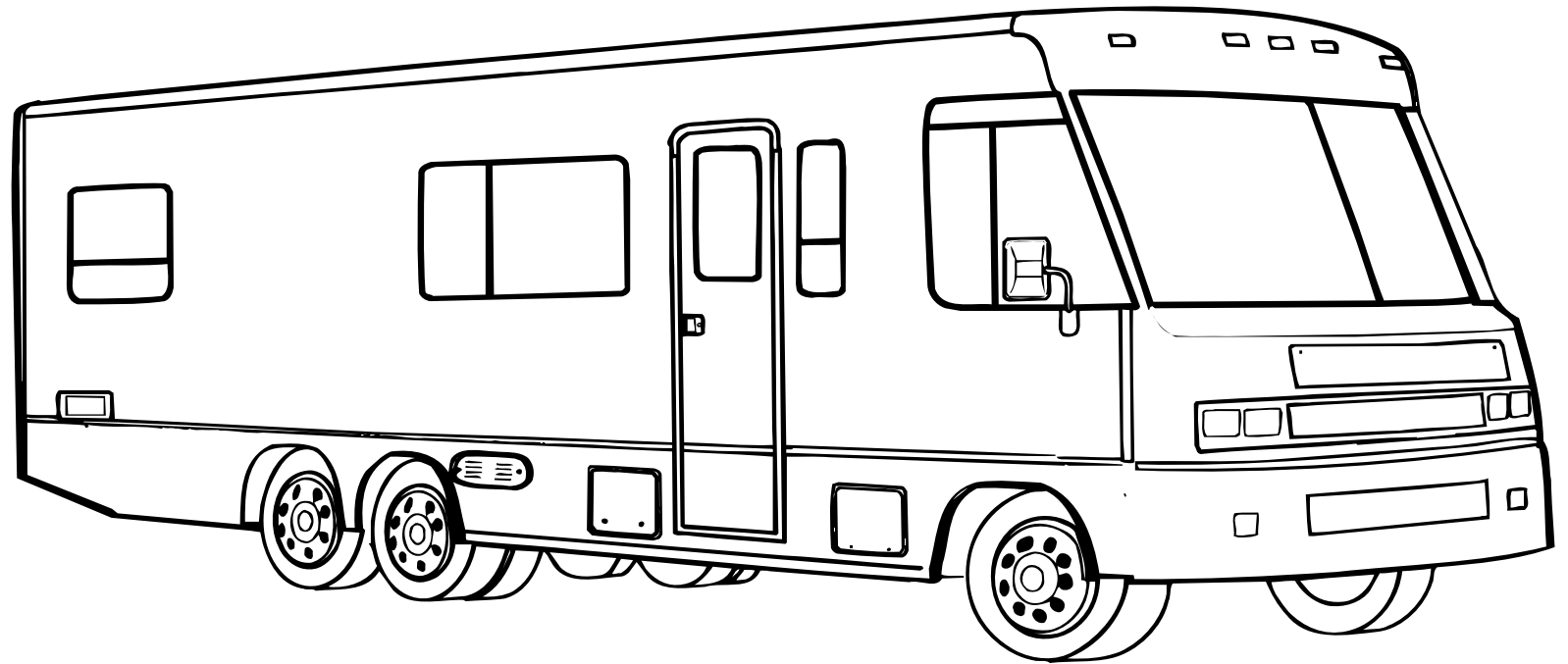
J25 MINK (TAUPE)  
(WHITE GRANITE)

J26 PICASSO (NEUTRAL)  
(WATERFORD OAK)

J27 PICASSO (NEUTRAL)  
(WHITE GRANITE)

J28 SILVERSAGE (GREEN)  
(WATERFORD OAK)

J29 SILVERSAGE (GREEN)  
(WHITE GRANITE)



## ACCESSORIES GROUP

### OPERATOR MANUAL

KEY	PART NUMBER	U/M DESCRIPTION
	054185-H2-000	EA MANUAL - OPERATOR 98 ADVENTURER - G SERIES
	092318-01-000	EA BINDER - 3 RING - MOTOR HOME MANUAL FROM: 00-00-00 THRU: 01-25-98
	129079-01-01A	EA CASE - VINYL/BLACK - EXPANDABLE ACCORDION SIDES - 7"W X 9"H X 14"L FROM: 01-26-98 THRU: 99-99-99
	092319-01-000	EA POCKET PAGE - 3 RING BINDER - PLASTIC - (50 PER PKG) FROM: 00-00-00 THRU: 02-15-98
	125247-01-000	EA TOP LEVEL - G - 1998

## AUDIO VIDEO GROUP

### RADIO SYSTEMS & ANTENNA

KEY	PART NUMBER	U/M DESCRIPTION	VENDOR NO.
	125322-02-000	EA RADIO - AM/FM STEREO - CASSETTE - AUDIOVOX	
	127516-01-000	EA RADIO - AM/FM STEREO - CD PLAYER	
	127516-01-700	EA FACE - REMOVABLE	YEPOFX3114
	127516-01-701	EA TRIM RING	YGFC025263
	127516-01-702	EA FACTORY HARNESS	YGAJ02719
	127516-01-703	EA CARRIER F/REMOVEABLE FACE	YEFA131290
	127264-01-000	EA RADIO - AM/FM STEREO - CASSETTE	
	127264-01-700	EA TRIM RING	YFC054C044ZB
	127264-01-701	EA KNOB - VOLUME	YFE074C045ZA
	127264-01-702	EA KNOB - FADER	YEFE074C026
	127264-01-703	EA FACTORY HARNESS	YAJ024C048ZB
	094097-01-000	EA SPEAKER - RADIO/TV - W/O GRILLE - 5.25" DIAMETER	
	124883-02-000	EA SPEAKER - CUBE - W/BRACKET (DELUXE SOUND)	
	124884-01-000	EA SPEAKER - 6" X 9" - SUB-WOOFER (DELUXE SOUND)	
	124885-01-000	EA GRILLE - SPEAKER - 6" X 9" - SUB-WOOFER (DELUXE SOUND)	
	124881-01-000	EA AMPLIFIER - AUDIO (DELUXE SOUND)	
	124882-02-000	EA WIRE ASSEMBLY - AMPLIFIER	
	125634-01-02B	EA COVER/PLATE - SPEAKER - E-COAT (DELUXE SOUND)	
	110469-01-000	EA SPEAKER - 4" X 6" OVAL - COAXIAL	
	110470-01-01A	EA GRILLE - 4" X 6" OVAL - BLACK	
	089340-02-000	EA GRILLE - SPEAKER - 6.5" SQUARE	
	089340-03-000	EA SPACER - SPEAKER GRILLE	

### RADIO & CB ANTENNA

KEY	PART NUMBER	U/M DESCRIPTION
	123256-01-000	EA ANTENNA - CB - W/O CABLE
	123256-02-000	EA CABLE - CB COAX
	090944-01-000	EA ANTENNA - RADIO - 16" RUBBER
	108847-01-000	EA BRACKET - ANTENNA GROUND
	109889-04-000	EA EXTENDER - ANTENNA SHAFT - 3"
	077069-02-000	EA CABLE - ANTENNA/EXTENSION - RADIO - 96"
	115916-01-01B	EA BRACKET - ANTENNA MOUNT

### REAR MONITOR SYSTEM

KEY	PART NUMBER	U/M DESCRIPTION	VENDOR NO.
	093040-09-000	EA CAMERA - REAR VIEW - W/BRACKET - SONY	
	093040-10-000	EA MONITOR - 7" REAR VIEW - W/BRACKET - SONY	
	093040-10-700	EA LENS - MONITOR - REAR VIEW F/7"	3-708-537-01
	093040-06-000	EA WIRE ASM - MONITOR - F/NON-PREWired AFTER MARKET INSTALLATION	
	096717-03-000	EA WIRE - REAR MONITOR - AFTER MARKET INSTALLATION	
	093041-01-000	EA CABLE - MONITOR/ CAMERA - INTERNAL USE - 65.6'	

## AUDIO VIDEO GROUP (CONTINUED)

### TV - VCR SYSTEMS

KEY	PART NUMBER	U/M DESCRIPTION	VENDOR NO.
	086231-08-000	EA TV - 13" COLOR - DC - AUDIOVOX	
	086231-08-700	EA REMOTE - UNIVERSAL	8822325
	086231-08-701	EA ADAPTER - WIRE	0891436
	119120-02-700	EA REMOTE	0994569
	126696-01-000	EA TV - 19" COLOR W/1/8" JACK - UL/CSA	
		FROM: 00-00-00 THRU: 04-12-98	
	126696-01-700	EA REMOTE	226725
	126696-02-000	EA TV - 19" COLOR W/1/8" JACK - UL/CSA	
		FROM: 04-13-98 THRU: 99-99-99	
	126697-01-000	EA VCR - VHS/CABLE READY - W/REMOTE - GE	
		FROM: 00-00-00 THRU: 03-22-98	
	126697-01-700	EA REMOTE - F/VCR	2040R
	126697-02-000	EA VCR - VHS/CABLE READY - W/REMOTE	
		FROM: 03-23-98 THRU: 99-99-99	
	126697-02-700	EA REMOTE	238513
	086757-03-000	EA CONTROL CENTER - SWITCH - VCR/TV	
	076319-03-000	FT CABLE - COAXIAL - 75 OHM	
	076319-09-000	EA WALLPLATE - CABLE RECEPTACLE - TV - SINGLE - BROWN	
	086777-01-000	EA WALLPLATE - TV CABLE - W/ANTENNA SWITCH - IVORY	
	086777-06-000	EA WALLPLATE - TV CABLE - ANTENNA/1 OUTPUT - BROWN	
	086756-01-000	EA SPLITTER - TV - 2 WAY	
	076319-12-000	EA CONNECTOR - COAXIAL - ONE PIECE	
	093214-01-02A	EA GRILLE - SPEAKER - 4" BROWN	
	098819-01-000	EA SPEAKER - 4" - 2 WATT - 8 OHM	
	114870-02-000	EA PLUG - .14" AUDIO W/LEADS	
	082136-01-000	EA NUT - HEX JAM - 3/8 - 32	
	082134-01-000	EA ADAPTER - TV - CABLE TO CABLE	

### SATELLITE DISH

KEY	PART NUMBER	U/M DESCRIPTION
*	120233-01-000	EA ANTENNA - SATELLITE (DISH & HDW) W/O RECEIVER - MANUAL
	120233-03-000	EA CERTIFICATE - SATELLITE RECEIVER DISH

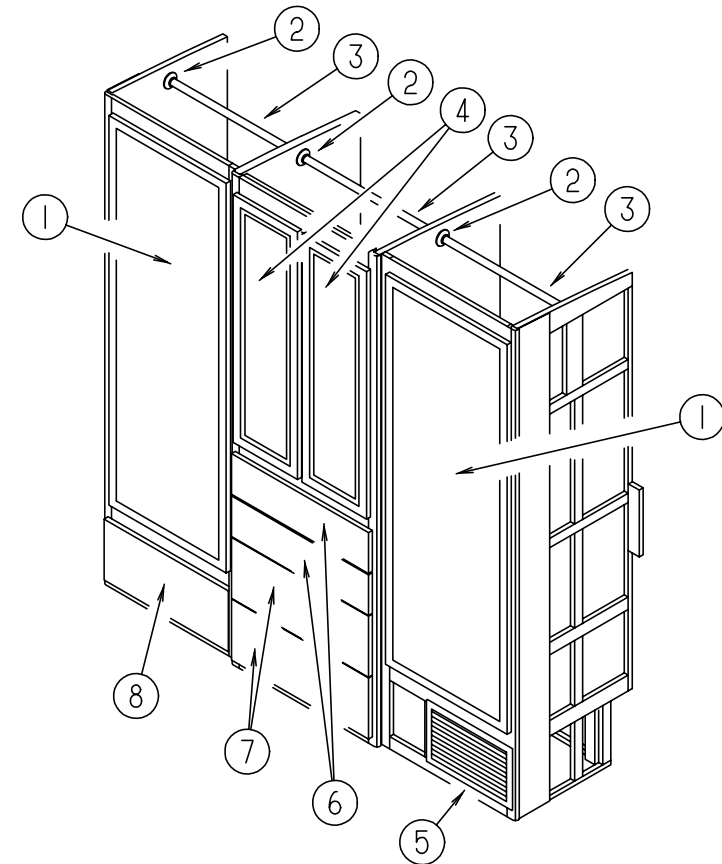
#### \* COMPONENT PARTS FOUND IN SERVICE PARTS LIBRARY

### TV ANTENNA

KEY	PART NUMBER	U/M DESCRIPTION
*	076319-21-000	EA ANTENNA-TV - ROOF MOUNT - 3" ROOF
		FROM: 00-00-00 THRU: 12-07-97
*	076319-23-000	EA ANTENNA-TV - ROOF MOUNT - 44.5" MAST
		FROM: 12-08-97 THRU: 99-99-99
	076319-25-000	EA KIT - HARDWARE INTERIOR

#### \* COMPONENT PARTS FOUND IN SERVICE PARTS LIBRARY

## BATH GROUP

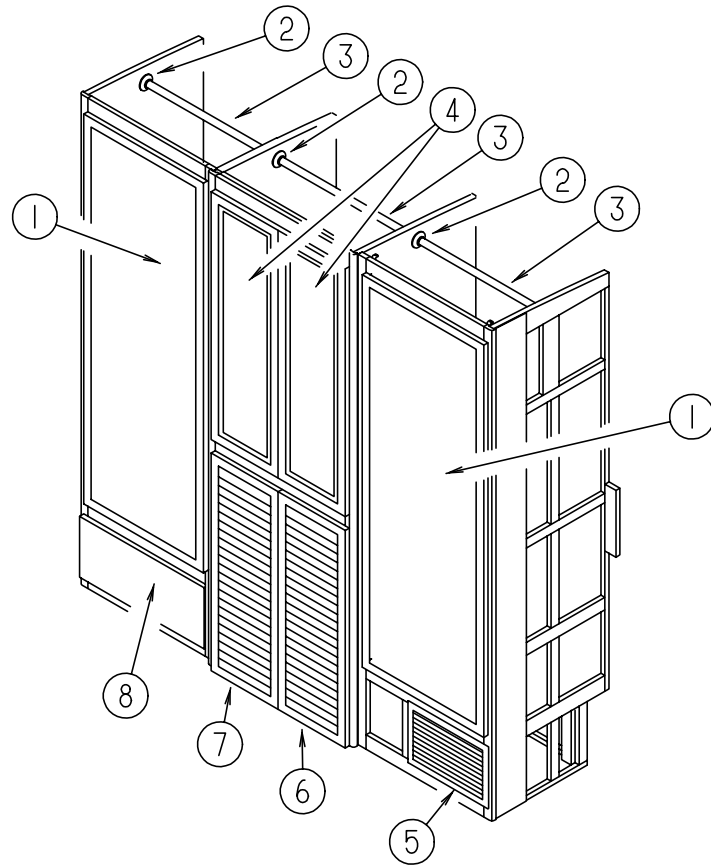


### WARDROBE CABINET

KEY	PART NUMBER	U/M DESCRIPTION
1	P13922-02-H37	EA DOOR - MIRRORED
2	009112-01-000	EA FLANGE - PLASTIC - 1" CLOTHES ROD - OFF WHITE
3	042438-01-000	EA DOWEL - WOOD - CLOTHES ROD - 1" DIAMETER X 4'
4	M05992-47-J22	EA DOOR - STRAIGHT CORNER/OGEE EDGE - 12" X 39.9" - W/O HDW (WATERFORD OAK)
4	122715-47-01A	EA DOOR - MOLDED VINYL - 12" X 39.9" - W/O HDW (WHITE GRANITE)
5	093614-03-02A	EA GRILLE - RETURN AIR
6	M05971-BR-H17	EA DRAWER - OGEE EDGE - 23.1"W X 19.7"D - W/O SLIDES/HARDWARE (WATERFORD OAK)
6	P10163-DL-J23	EA DRAWER - SQUARE EDGE - 23.1"W X 19.7"D - W/O SLIDES/HDW (WHITE GRANITE)
7	M05971-BS-H17	EA DRAWER - OGEE EDGE - 23.1"W X 19.7"D - W/O SLIDES/HARDWARE (WATERFORD OAK)
7	P10163-DM-J23	EA DRAWER - SQUARE EDGE - 23.1"W X 19.7"D - W/O SLIDES/HDW (WHITE GRANITE)
8	M05971-BY-H17	EA DRAWER - OGEE EDGE - 20.8"W X 15.7"D - W/O SLIDES/ HARDWARE (WATERFORD OAK)
8	P10163-DK-J23	EA DRAWER - SQUARE EDGE - 20.8"W X 15.7"D - W/O SLIDES/HDW (WHITE GRANITE)

## BATH GROUP (CONTINUED)

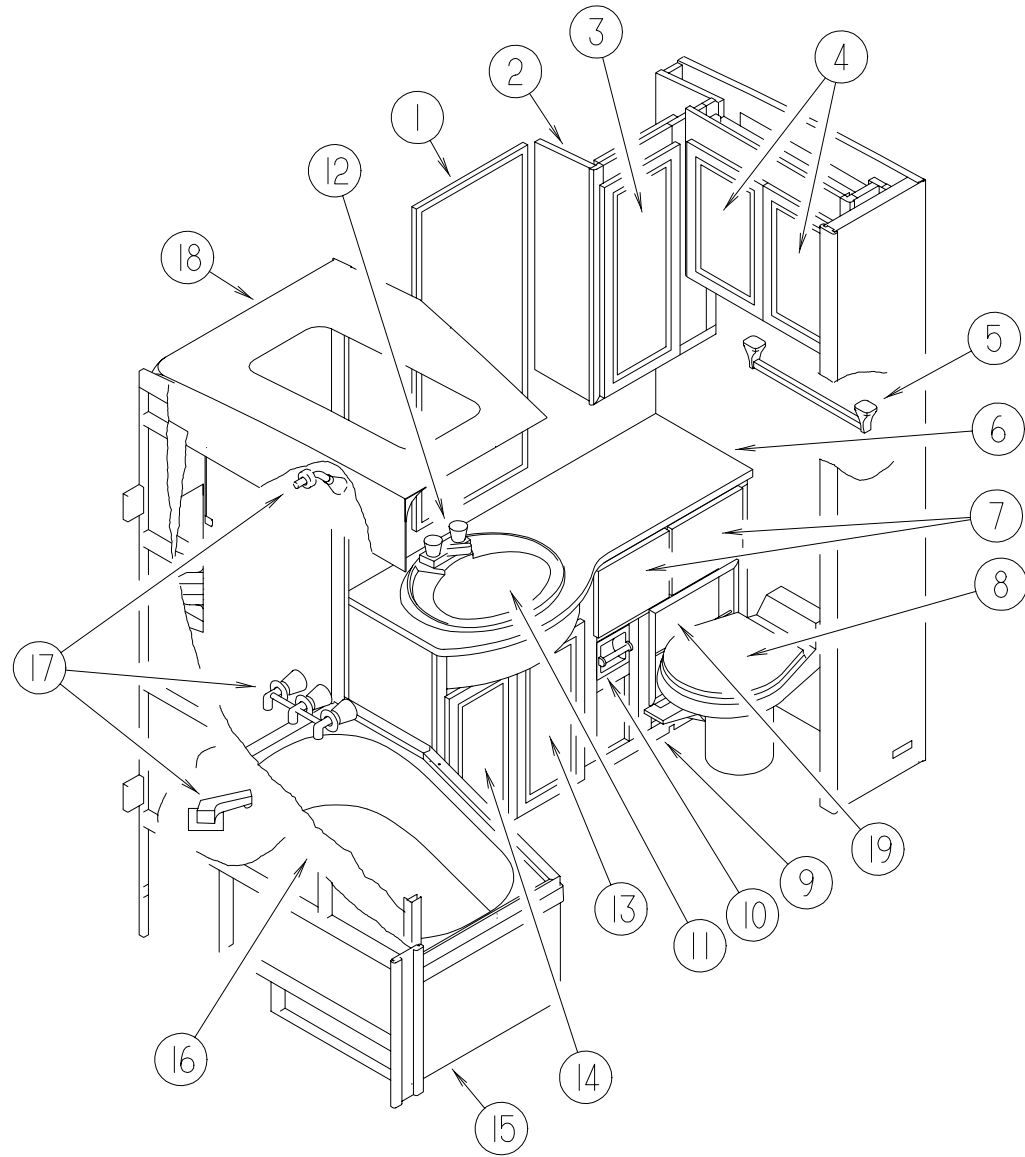
### WARDROBE CABINET W/WASHER/DRYER



KEY	PART NUMBER	U/M	DESCRIPTION
1	P13922-02-H37	EA	DOOR - MİRRORED
2	009112-01-000	EA	FLANGE - PLASTIC - 1" CLOTHES ROD - OFF WHITE
3	042438-01-000	EA	DOWEL - WOOD - CLOTHES ROD - 1" DIAMETER X 4'
4	M05992-47-J22	EA	DOOR - STRAIGHT CORNER/OGEE EDGE - 12" X 39.9" - W/O HDW (WATERFORD OAK)
4	122715-47-01A	EA	DOOR - MOLDED VINYL - 12" X 39.9" - W/O HDW (WHITE GRANITE)
5	093614-03-02A	EA	GRILLE - RETURN AIR
6	M07411-14-H17	EA	DOOR - LOUVERED/OGEE EDGE - 33.4" X 12.3" - W/O HARDWARE (WATERFORD OAK)
6	M07411-16-J23	EA	DOOR - LOUVERED/OGEE EDGE - 33.4" X 12.3" - W/O HARDWARE (WHITE GRANITE)
7	M07411-13-H17	EA	DOOR - LOUVERED/OGEE EDGE - 33.4" X 12.3" - W/O HARDWARE (WATERFORD OAK)
7	M07411-15-J23	EA	DOOR - LOUVERED/OGEE EDGE - 33.4" X 12.3" - W/O HARDWARE (WHITE GRANITE)
8	M05971-BY-H17	EA	DRAWER - OGEE EDGE - 20.8"W X 15.7"D - W/O SLIDES/ HARDWARE (WATERFORD OAK)
8	P10163-DK-J23	EA	DRAWER - SQUARE EDGE - 20.8"W X 15.7"D - W/O SLIDES/HDW (WHITE GRANITE)

## BATH GROUP (CONTINUED)

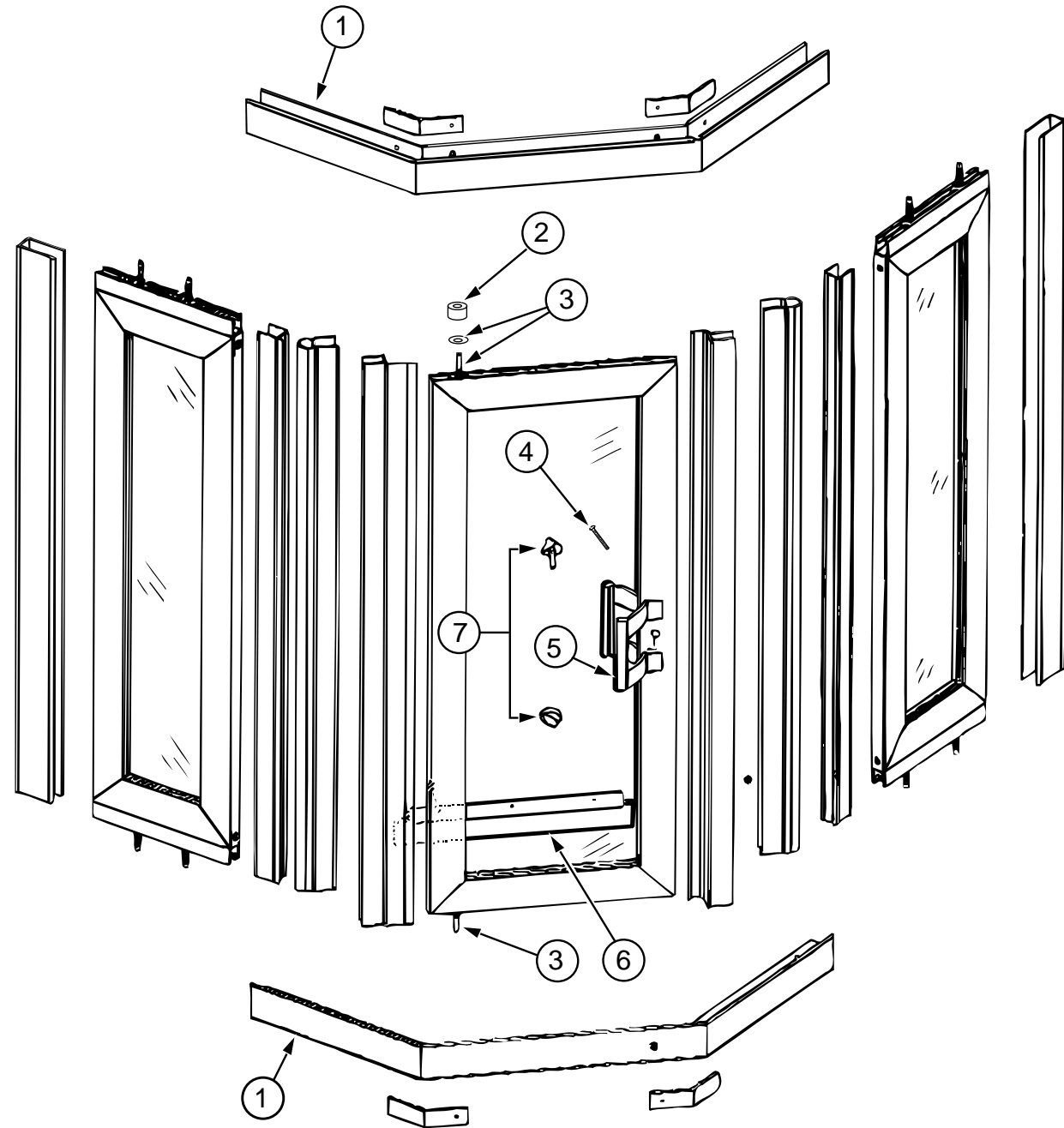
### BATH CABINETS & SHOWER COMPONENTS



KEY	PART NUMBER	U/M	DESCRIPTION	VENDOR NO.
1	058331-62-000	EA	MIRROR - SAFETY GLASS - 21.1" X 38.9"	
2	127906-01-J22	EA	CABINET - OVERHEAD/MEDICINE - W/O DOORS/HARDWARE (WATERFORD OAK)	
2	127906-01-J23	EA	CABINET - OVERHEAD/MEDICINE - W/O DOORS/HARDWARE (WHITE GRANITE)	
	127906-11-J22	EA	SHELF - W/PLASTIC EDGE TRIM (WATERFORD OAK)	
	127906-11-J23	EA	SHELF - W/PLASTIC EDGE TRIM (WHITE GRANITE)	
3	M05992-35-J22	EA	DOOR - STRAIGHT CORNER/OGEE EDGE - 12" X 29" - W/O HDW (WATERFORD OAK)	
3	122715-60-01A	EA	DOOR - MOLDED VINYL - 12" X 29" - W/O HDW (WHITE GRANITE)	
4	M05992-42-J22	EA	DOOR - STRAIGHT CORNER/OGEE EDGE - 14.9" X 21.8" - W/O HDW (WATERFORD OAK)	
4	122715-06-01A	EA	DOOR - MOLDED VINYL - 14.9" X 21.8" - W/O HDW (WHITE GRANITE)	
	127906-12-J22	EA	SHELF - W/PLASTIC EDGE TRIM (WATERFORD OAK)	
	127906-12-J23	EA	SHELF - W/PLASTIC EDGE TRIM (WHITE GRANITE)	
5	075453-02-000	EA	BAR - TOWEL - 18" BRASS	
6	124021-12-J22	EA	COUNTERTOP - LAVATORY (J22)	
6	124021-12-J23	EA	COUNTERTOP - LAVATORY (J23,J25,J27,J29)	
6	128638-12-J24	EA	COUNTERTOP - LAVATORY (J24)	
6	128638-12-J26	EA	COUNTERTOP - LAVATORY (J26,J28)	
7	M05971-BP-H17	EA	DRAWER - OGEE EDGE - 9.1"W X 11.8"D - W/O SLIDES/HARDWARE (WATERFORD OAK)	
7	P10163-EG-J23	EA	DRAWER - SQUARE EDGE - 9.1"W X 11.8"D - W/O SLIDES/HDW (WHITE GRANITE)	
8*	085330-06-000	EA	TOILET - STANDARD CHINA W/ SPRAYER - BONE	
9	128638-01-J22	EA	CABINET - LAVATORY - W/COUNTERTOP - W/O DOORS/DRAWERS/HDW (J22) 9	
	128638-01-J23	EA	CABINET - LAVATORY - W/COUNTERTOP - W/O DOORS/DRAWERS/HDW (J23,J25,J27,J29)	
9	128638-01-J24	EA	CABINET - LAVATORY - W/COUNTERTOP - W/O DOORS/DRAWERS/HDW (J24)	
9	128638-01-J26	EA	CABINET - LAVATORY - W/COUNTERTOP - W/O DOORS/DRAWERS/HDW (J26,J28)	
10	085278-01-000	EA	HOLDER - TOILET PAPER - RECESSED - BRASS	
11	105921-01-01A	EA	SINK - LAVATORY - LARGE/ OVAL - 17" X 20" PLASTIC/ OFF WHITE	
	106116-01-01A	EA	STRAINER - SINK-W/ STOPPER/ TAILPIECE/ GASKET & NUT - PLASTIC	
12	075240-06-000	EA	FAUCET - LAVATORY/ BONE	
	105218-01-01A	EA	SPACER - FAUCET/ LAVATORY SINK - 2" X 5.9" - ABS PLASTIC	
13	M05992-V7-J22	EA	DOOR - STRAIGHT CORNER/OGEE EDGE - 11" X 21.8" - W/O HDW (WATERFORD OAK)	
13	122715-25-01A	EA	DOOR - MOLDED VINYL - 11" X 21.8" - W/O HDW (WHITE GRANITE)	
14	M05992-V8-J22	EA	DOOR - STRAIGHT CORNER/OGEE EDGE - 11" X 21.8" - W/O HDW (WATERFORD OAK)	
14	122715-25-01A	EA	DOOR - MOLDED VINYL - 11" X 21.8" - W/O HDW (WHITE GRANITE)	
15	M02630-31-GV0	EA	TUB/SHOWER - W/SPRING LOADED DRAIN PLUNGER	
16	119336-01-01A	EA	ENCLOSURE - SHOWER	
17	119677-01-01A	EA	SHOWER - 3 PIECES - HEAD/ FAUCET/ SPOUT	
	119677-01-700	EA	HANDLE - SHOWER/BATH CLEAR	38-9
	119677-01-701	EA	SHOWERHEAD ONLY 1/2"	34PB
	119677-01-702	EA	SPOUT - BATH	39-7PB-0
	119677-01-703	EA	DIVERTER KIT	639-5-0
	119677-01-704	EA	STEM & BONNET	61-5-0
	119677-01-705	EA	PLATE-STRAINER(SHOWER HEAD)	34-3PL
	119677-01-706	EA	ARM - SHOWER HEAD	61-10-PB
	119677-01-707	EA	BUTTON	38-16A
	119677-01-708	EA	BUTTON - COLD	38-16C
	119677-01-709	EA	BUTTON - HOT	38-16H
	119677-01-710	EA	FLANGE - SHOWERHEAD	60-10-8PB
	119677-01-711	EA	FLANGE - AROUND TURN HANDLE	38-8PB
18	119338-01-01A	EA	CAP - TUB/ SHOWER	
19	097208-07-J22	EA	MAGAZINE RACK (WATERFORD OAK)	
19	097208-07-J23	EA	MAGAZINE RACK (WHITE GRANITE)	

\* COMPONENT PARTS FOUND IN SERVICE PARTS LIBRARY

**BATH GROUP (CONTINUED)**



**COASTAL SHOWER DOOR**

KEY	PART NUMBER	U/M	DESCRIPTION	VENDOR NO.
	119622-01-01A	EA	DOOR - SOLID PANEL SHOWER - WINNEBAGO #33G-A	
1	107878-01-704	EA	HEADER OR SILL	70
2	092574-01-707	EA	BUSHING - PIVOT - TOP	18712B
3	089318-01-704	EA	BOLT - PIVOT - TOP OR BOTTOM	1428B
4	092574-01-710	EA	SCREW - GOLD - FOR TOWEL BAR	832G
5	092574-01-703	EA	PULL - DOOR - GOLD (INSIDE)	8149G
5	092574-01-711	EA	PULL - DOOR - GOLD (OUTSIDE)	8153G
6	089318-01-701	FT	SWEEP - VINYL 500 FT ROLL	C171G
7	107878-01-703	EA	CAP - DRIP - PLUG SET	DCP2
	092574-01-700	EA	KNOB - SAFETY LATCH	9728G
	092574-01-705	EA	STRIP - MAGNETIC - 56 7/8"	98-41G
	119622-01-700	EA	TOWEL BAR KIT	WINN-33TBL

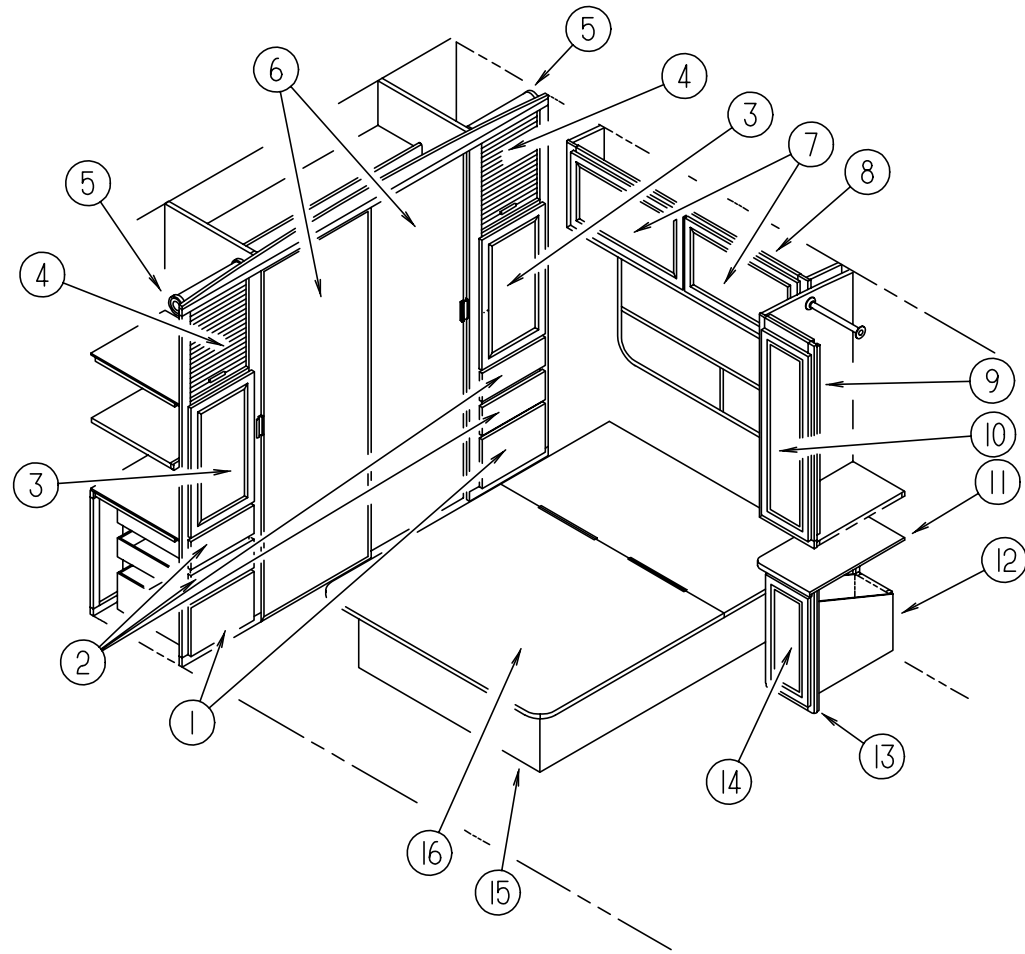
**BATH GROUP (CONTINUED)**

**PRIVACY DOORS**

KEY	PART NUMBER	U/M	DESCRIPTION
	104013-08-G15	EA	DOOR - SLIDING - W/O HARDWARE (BATH & GALLEY) (WATERFORD OAK) FROM: 00-00-00 THRU: 11-01-97
	104013-08-H23	EA	DOOR - SLIDING - W/O HARDWARE (BATH & GALLEY) (WHITE GRANITE) FROM: 00-00-00 THRU: 11-01-97
	104013-12-J22	EA	DOOR - SLIDING - W/O HARDWARE (BATH & GALLEY) (WATERFORD OAK) FROM: 11-02-97 THRU: 99-99-99
	104013-12-J23	EA	DOOR - SLIDING - W/O HARDWARE (BATH & GALLEY) (WHITE GRANITE) FROM: 11-02-97 THRU: 99-99-99
	104013-09-H17	EA	DOOR - SLIDING - W/O HARDWARE (BATH & GALLEY) (WASHER & DRYER) (WATERFORD OAK) FROM: 00-00-00 THRU: 11-01-97
	104013-09-H40	EA	DOOR - SLIDING - W/O HARDWARE (BATH & GALLEY) (WASHER & DRYER) (WHITE GRANITE) FROM: 00-00-00 THRU: 11-01-97
	104013-13-J22	EA	DOOR - SLIDING - W/O HARDWARE (BATH & GALLEY) (WASHER & DRYER) (WATERFORD OAK) FROM: 11-02-97 THRU: 99-99-99
	104013-13-J23	EA	DOOR - SLIDING - W/O HARDWARE (BATH & GALLEY) (WASHER & DRYER) (WHITE GRANITE) FROM: 11-02-97 THRU: 99-99-99
	103874-01-000	EA	HANGER - SLIDING DOOR
	121449-36-J22	EA	DOOR - BATH (BATH & BEDROOM) (WATERFORD OAK)
	121449-36-J23	EA	DOOR - BATH (BATH & BEDROOM) (WHITE GRANITE)
	094485-03-01A	EA	KNOB - BRASS FROM: 00-00-00 THRU: 12-18-97
	111155-02-01A	EA	LOCK - PASSAGE - NON-LOCKING - POLISHED BRASS FROM: 12-19-97 THRU: 99-99-99
	102920-01-01A	EA	HINGE - SPRING LOADED/BRASS
	128695-01-04B	EA	BRACKET - MIRRORED DOOR - BLACK FROM: 03-02-98 THRU: 99-99-99
	128695-02-04B	EA	BRACKET - MIRRORED DOOR - BLACK FROM: 03-02-98 THRU: 99-99-99

# BEDROOM GROUP

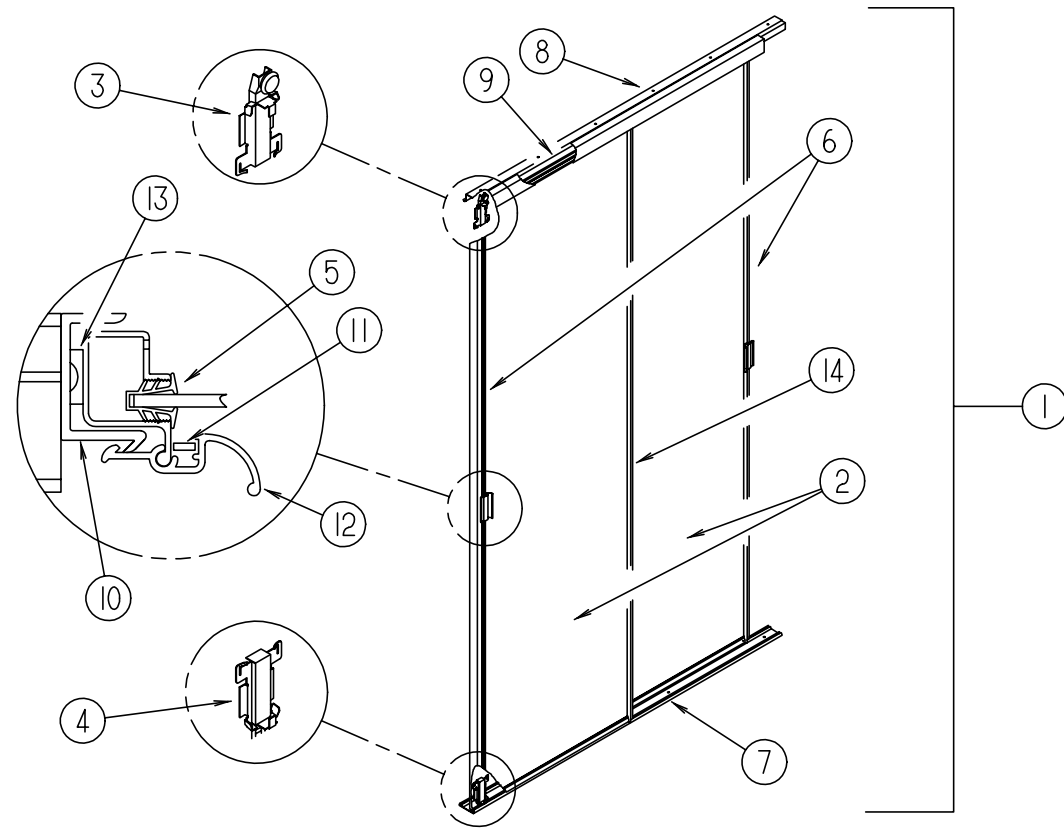
## QUEEN BED



KEY	PART NUMBER	U/M	DESCRIPTION
1	M05971-CB-J22	EA	DRAWER - OGEE EDGE - 14"W X 17.7"D - W/O SLIDES/HARDWARE (WATERFORD OAK)
1	P10163-DB-J23	EA	DRAWER - SQUARE EDGE - 14"W X 17.7"D - W/O SLIDES/HDW (WHITE GRANITE)
2	M05971-CC-J22	EA	DRAWER - OGEE EDGE - 14"W X 17.7"D - W/O SLIDES/HARDWARE (WATERFORD OAK)
2	P10163-DC-J23	EA	DRAWER - SQUARE EDGE - 14"W X 17.7"D - W/O SLIDES/HDW (WHITE GRANITE)
3	M05992-Z9-J22	EA	DOOR - STRAIGHT CORNER/OGEE EDGE - 15.7" X 27.9" - W/O HDW (WATERFORD OAK)
3	122715-08-01A	EA	DOOR - MOLDED VINYL - 15.7" X 27.9" - W/O HARDWARE (WHITE GRANITE)
4	057882-05-700	EA	TAMBOUR - 48" X 48" SHEET - UNFINISHED (WASHED MAPLE)
4	057882-04-700	EA	TAMBOUR - 48" X 48" SHEET - UNFINISHED (WATERFORD OAK)
	097191-01-G15	EA	HANDLE - TAMBOUR DOOR (WATERFORD OAK)
	097191-01-H40	EA	HANDLE - TAMBOUR DOOR (WHITE GRANITE)
5	097141-02-700	EA	KIT-TRACK TAMBOUR DOOR - W/ ONE RIGHT & ONE LEFT TRACK
6	114149-15-H17	EA	DOOR - MIRRORED WARDROBE
7	M05992-M6-J22	EA	DOOR - STRAIGHT CORNER/OGEE EDGE - 9" X 26.5" - W/O HDW (WATERFORD OAK)
7	122715-51-01A	EA	DOOR - MOLDED VINYL - 9" X 26.5" - W/O HDW (WHITE GRANITE)
8	123473-02-H17	EA	CABINET - OVERHEAD REAR - W/O DOORS/HARDWARE (WATERFORD OAK)
8	123473-02-H40	EA	CABINET - OVERHEAD REAR - W/O DOORS/HARDWARE (WHITE GRANITE)
9	124105-01-J22	EA	CABINET - SHIRT CLOSET - W/O DOORS/HARDWARE (WATERFORD OAK) FROM: 00-00-00 THRU: 01-28-98
9	124105-01-J23	EA	CABINET - SHIRT CLOSET - W/O DOORS/HARDWARE (WHITE GRANITE) FROM: 00-00-00 THRU: 01-28-98
9	129520-01-J22	EA	CABINET - SHIRT CLOSET - W/O DOORS/HARDWARE (WATERFORD OAK) FROM: 01-29-98 THRU: 99-99-99
9	129520-01-J23	EA	CABINET - SHIRT CLOSET - W/O DOORS/HARDWARE (WHITE GRANITE) FROM: 01-29-98 THRU: 99-99-99
10	M05992-47-J22	EA	DOOR - STRAIGHT CORNER/OGEE EDGE - 12" X 39.9" - W/O HDW (WATERFORD OAK)
10	122715-47-01A	EA	DOOR - MOLDED VINYL - 12" X 39.9" - W/O HDW (WHITE GRANITE)
11	125163-11-H19	EA	COUNTERTOP - NIGHTSTAND (J22)
11	125163-11-J23	EA	COUNTERTOP - NIGHTSTAND (J23,J25,J27,J29)
11	125163-11-J24	EA	COUNTERTOP - NIGHTSTAND (J24)
11	125163-11-H17	EA	COUNTERTOP - NIGHTSTAND (J26,J28)
12	125164-04-J22	EA	CABINET - HAMPER - W/O DOORS/ DRAWERS/ HARDWARE (WATERFORD OAK)
12	125164-05-J23	EA	CABINET - HAMPER - W/O DOORS/ DRAWERS/ HARDWARE (WHITE GRANITE)
13	125163-01-H19	EA	CABINET/NIGHTSTAND - LH - W/CTRTP - W/O DRS/DWRS/HDW - F/QN BED (J22)
13	125163-01-J23	EA	CABINET/NIGHTSTAND - LH - W/CTRTP - W/O DRS/DWRS/HDW - F/QN BED (J23,J25,J27,J29)
13	125163-01-J24	EA	CABINET/NIGHTSTAND - LH - W/CTRTP - W/O DRS/DWRS/HDW - F/QN BED (J24)
13	125163-01-H17	EA	CABINET/NIGHTSTAND - LH - W/CTRTP - W/O DRS/DWRS/HDW - F/QN BED (J26,J28)
14	M05992-W0-J22	EA	DOOR - STRAIGHT CORNER/OGEE EDGE - 10.8" X 23.8" - W/O HDW (WATERFORD OAK)
14	122715-89-01A	EA	DOOR - MOLDED VINYL - 10.8" X 21.8" - W/O HDW (WHITE GRANITE)
15	P26437-02-J22	EA	CABINET - BASE/QUEEN BED - W/O DOORS/DRAWERS/HARDWARE (WATERFORD OAK)
15	P26437-02-J23	EA	CABINET - BASE/QUEEN BED - W/O DOORS/DRAWERS/HARDWARE (WHITE GRANITE)
	057460-02-000	EA	STUD BALL - GAS SPRING - .39" - 5/16"-18
	107796-06-000	EA	SPRING/GAS - 12" COMPRESSED/20" EXTENDED - 120 LB.
	107796-07-000	EA	BRACKET - SUPPORT - GAS SPRING TO BED - ANGLE (UPPER)
	107796-05-000	EA	BRACKET - SUPPORT - GAS SPRING TO BED - FLAT (LOWER)
	091952-01-000	EA	CLIP - GRIPPER - 1"
	097872 04 000	EA	DOWEL - WOOD - 1" DIAMETER X 1.38" LONG
16	M07571-03-J22	EA	TOP - QUEEN BED - W/O HARDWARE

## BEDROOM GROUP (CONTINUED)

### MIRRORED WARDROBE DOORS

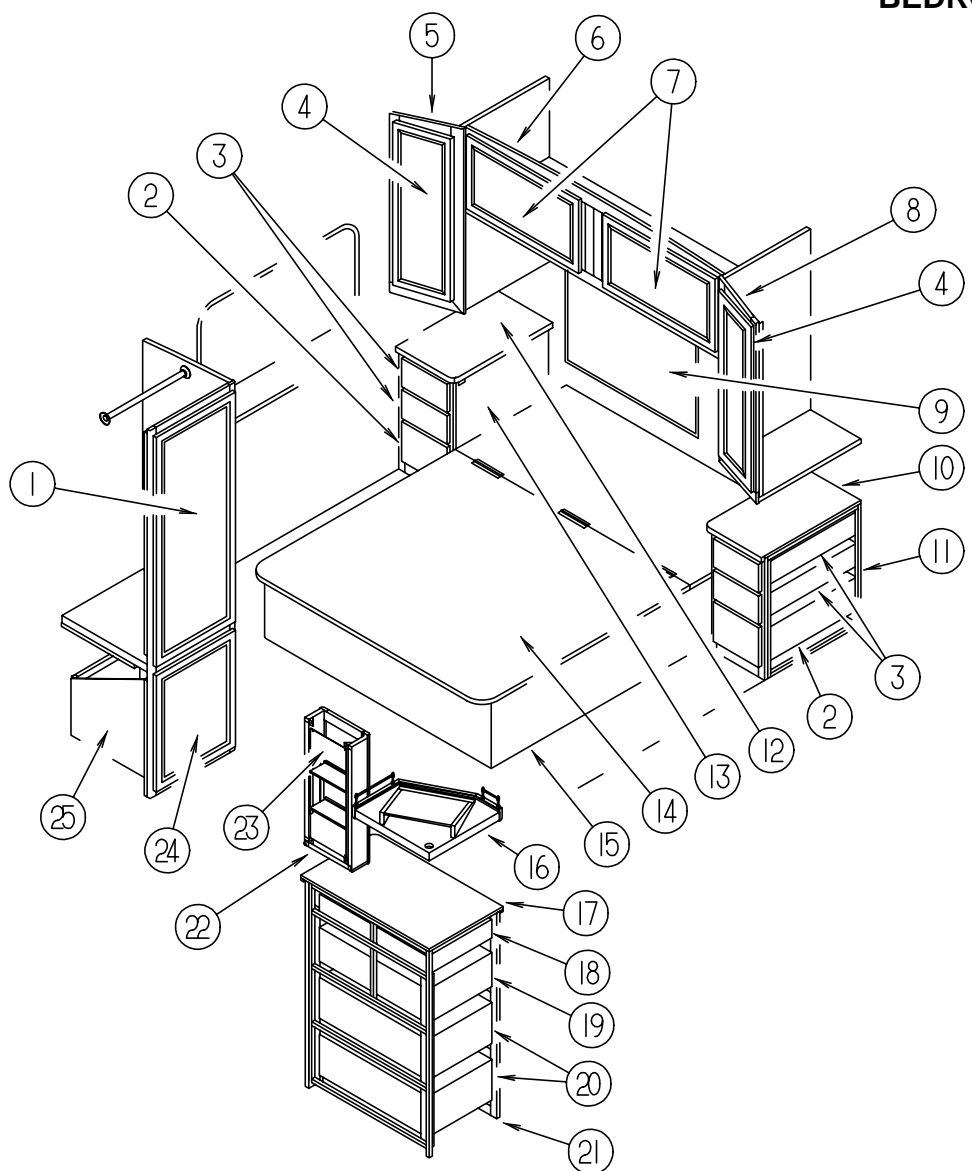


KEY	PART NUMBER	U/M	DESCRIPTION
1	114149-15-H17	EA	DOOR - MIRRORED WARDROBE
2	058331-D2-000	EA	MIRROR - SAFETY GLASS - 24.4" X 74.6"
3	107390-01-000	EA	CORNER HANGER (SINGLE ROLLER W/BRACKET) (SOLD AS 1 EACH)
4	107391-01-000	EA	GUIDE - BOTTOM - BY-PASS (4 USED PER DOOR)
5	111575-01-01A	FT	CHANNEL - GLAZING - SWING DOOR
6	114104-02-01A	EA	STILE - DOOR - SLIDING
7	114105-08-01A	EA	TRACK - DOOR - SLIDING/LOWER
8	114106-08-01A	EA	TRACK - DOOR - SLIDING/UPPER
9	114107-07-01A	EA	RAIL - SLIDING DOOR
10	115538-03-01A	EA	JAMB - DOOR - WARDROBE/MIRRORED
11	115541-01-000	EA	SPRING - DOOR - SLIDING
12	128587-01-01A	EA	LATCH - WARDROBE DOOR - MIRRORED
13	090340-01-000	EA	SEAL - FOAM - CLOSED CELL - 1/4" X 1/2" X 50'
14	114104-02-01A	EA	STILE - DOOR - SLIDING



## BEDROOM GROUP (CONTINUED)

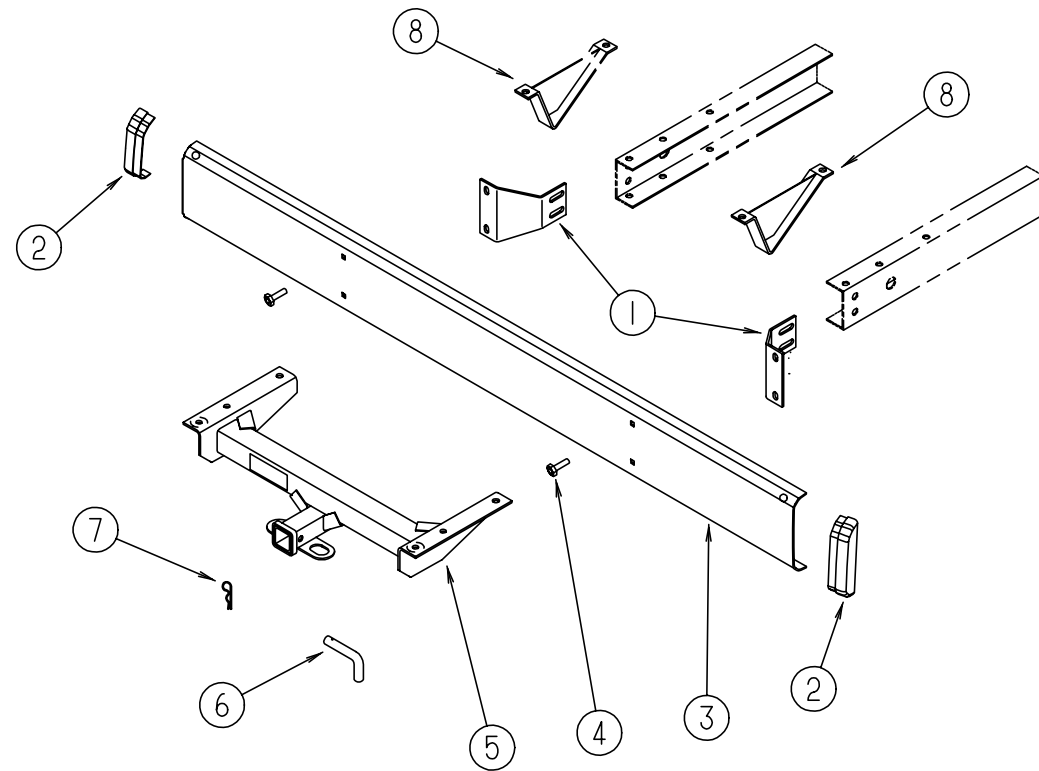
### BACKWALL QUEEN BED



KEY	PART NUMBER	U/M	DESCRIPTION
1	M05992-Y2-J22	EA	DOOR - STRAIGHT CORNER/OGEE EDGE - 15.5" X 45.4" - W/O HDW (WATERFORD OAK)
1	122715-B4-01A	EA	DOOR - MOLDED VINYL - 15.5" X 45.4" - W/O HDW (WHITE GRANITE)
2	M05971-W3-H17	EA	DRAWER - OGEE EDGE - 11.5"W X 21.6"D - W/O SLIDES/HARDWARE (WATERFORD OAK)
2	P10163-CW-J23	EA	DRAWER - SQUARE EDGE - 11.5"W X 21.6"D - W/O SLIDES/HDW (WHITE GRANITE)
3	M05971-L5-H17	EA	DRAWER - OGEE EDGE - 11.5"W X 21.6"D - W/O SLIDES/HARDWARE (WATERFORD OAK)
3	P10163-CV-J23	EA	DRAWER - SQUARE EDGE - 11.5"W X 21.6"D - W/O SLIDES/HDW (WHITE GRANITE)
4	M06803-G1-H17	EA	DOOR - MIRROR/MTRD CRNR/OGEE EDGE - 14.3" X 36.3" - W/O HDW (WATERFORD OAK)
	058331-D4-000	EA	MIRROR - SAFETY GLASS - 11.1" X 33.1"
4	122715-34-01A	EA	DOOR - MOLDED VINYL - 14.3" X 36.4" - W/O HDW (WHITE GRANITE)
5	116142-01-J22	EA	CABINET - SHIRT CLOSET/RIGHT HAND - W/O DOORS/HARDWARE (WASHED MAPLE)
5	116142-01-J23	EA	CABINET - SHIRT CLOSET/RIGHT HAND - W/O DOORS/HARDWARE (WHITE GRANITE)
6	106523-01-G09	EA	CABINET - OVERHEAD/REAR - W/O DOORS/HARDWARE (WATERFORD OAK)
6	106523-01-J23	EA	CABINET - OVERHEAD/REAR - W/O DOORS/HARDWARE (WHITE GRANITE)
7	M05992-Z9-J22	EA	DOOR - STRAIGHT CORNER/OGEE EDGE - 15.7" X 27.9" - W/O HDW (WATERFORD OAK)
7	122715-08-01A	EA	DOOR - MOLDED VINYL - 15.7" X 27.9" - W/O HARDWARE (WHITE GRANITE)
8	116142-02-J22	EA	CABINET - SHIRT CLOSET/LEFT HAND - W/O DOORS/HARDWARE (WATERFORD OAK)
8	116142-02-J23	EA	CABINET - SHIRT CLOSET/LEFT HAND - W/O DOORS/HARDWARE (WHITE GRANITE)

KEY	PART NUMBER	U/M	DESCRIPTION
9	058331-93-000	EA	MIRROR - SAFETY GLASS - 27.6" X 63"
10	116193-12-H37	EA	COUNTERTOP - NIGHTSTAND/LEFT HAND (J22)
10	116193-12-J23	EA	COUNTERTOP - NIGHTSTAND/LEFT HAND (J23,J25,J27,J29)
10	116193-12-J24	EA	COUNTERTOP - NIGHTSTAND/LEFT HAND (J24)
10	116193-12-F12	EA	COUNTERTOP - NIGHTSTAND/LEFT HAND (J26,J28)
11	116193-02-J97	EA	CABINET/NIGHTSTAND/LH - W/COUNTERTOP - W/O DOORS/DWRS/HDW (J22)
11	116193-02-J23	EA	CABINET/NIGHTSTAND/LH - W/COUNTERTOP - W/O DOORS/DWRS/HDW (J23,J25,J27,J29)
11	116193-02-J24	EA	CABINET/NIGHTSTAND/LH - W/COUNTERTOP - W/O DOORS/DWRS/HDW (J24)
11	116193-02-G15	EA	CABINET/NIGHTSTAND/LH - W/COUNTERTOP - W/O DOORS/DWRS/HDW (J26,J28)
12	116193-11-H37	EA	COUNTERTOP - NIGHTSTAND/RIGHT HAND (J22)
12	116193-11-J23	EA	COUNTERTOP - NIGHTSTAND/RIGHT HAND (J23,J25,J27,J29)
12	116193-11-J24	EA	COUNTERTOP - NIGHTSTAND/RIGHT HAND (J24)
12	116193-11-F12	EA	COUNTERTOP - NIGHTSTAND/RIGHT HAND (J26,J28)
13	116193-01-J97	EA	CABINET/NIGHTSTAND/RH - W/COUNTERTOP - W/O DOORS/DWRS/HDW (J22)
13	116193-01-J23	EA	CABINET/NIGHTSTAND/RH - W/COUNTERTOP - W/O DOORS/DWRS/HDW (J23,J25,J27,J29)
13	116193-01-J24	EA	CABINET/NIGHTSTAND/RH - W/COUNTERTOP - W/O DOORS/DWRS/HDW (J24)
13	116193-01-G15	EA	CABINET/NIGHTSTAND/RH - W/COUNTERTOP - W/O DOORS/DWRS/HDW (J26,J28)
14	M07571-03-J22	EA	TOP - QUEEN BED - W/O HARDWARE
15	P26437-03-J22	EA	CABINET - BASE/QUEEN BED - W/O DOORS/DRAWERS/HARDWARE (WATERFORD OAK)
15	P26437-03-J23	EA	CABINET - BASE/QUEEN BED - W/O DOORS/DRAWERS/HARDWARE (WHITE GRANITE)
16	124026-01-H17	EA	SHELF - W/ PLASTIC EDGE TRIM (WATERFORD OAK)
16	124026-01-H40	EA	SHELF - W/ PLASTIC EDGE TRIM (WHITE GRANITE)
17	123936-11-H19	EA	COUNTERTOP - DRESSER (J22)
17	123936-11-J23	EA	COUNTERTOP - DRESSER (J23,J25,J27,J29)
17	123936-11-J24	EA	COUNTERTOP - DRESSER (J24)
17	123936-11-H38	EA	COUNTERTOP - DRESSER (J26,J28)
18	M05971-BT-H17	EA	DRAWER - OGEE EDGE - 27.0"W X 15.7"D - W/O SLIDES/HARDWARE (WATERFORD OAK)
18	P10163-DS-J23	EA	DRAWER - SQUARE EDGE - 27"W X 15.7"D - W/O SLIDES/HDW (WHITE GRANITE)
19	M05971-BU-H17	EA	DRAWER - OGEE EDGE - 26.8"W X 15.7"D - W/O SLIDES/HARDWARE (WATERFORD OAK)
19	P10163-DT-J23	EA	DRAWER - SQUARE EDGE - 26.8"W X 15.7"D - W/O SLIDES/HDW (WHITE GRANITE)
20	M05971-BV-H17	EA	DRAWER - OGEE EDGE - 26.9"W X 15.7"D - W/O SLIDES/HARDWARE (WATERFORD OAK)
20	P10163-DU-J23	EA	DRAWER - SQUARE EDGE - 26.9"W X 15.7"W - W/O SLIDES/HDW (WHITE GRANITE)
21	123936-01-H19	EA	DRESSER - W/COUNTERTOP - W/O DRAWERS/HARDWARE-F/QUEEN BED (J22)
21	123936-01-J23	EA	DRESSER - W/COUNTERTOP - W/O DRAWERS/HARDWARE-F/QUEEN BED (J23,J25,J27,J29)
21	123936-01-J24	EA	DRESSER - W/COUNTERTOP - W/O DRAWERS/HARDWARE-F/QUEEN BED (J24)
21	123936-01-H17	EA	DRESSER - W/COUNTERTOP - W/O DRAWERS/HARDWARE-F/QUEEN BED (J26,J28)
22	124659-01-H17	EA	CABINET - LINEN - W/O DOORS/DRAWERS/HARDWARE (WATERFORD OAK)
22	124659-01-H40	EA	CABINET - LINEN - W/O DOORS/DRAWERS/HARDWARE (WHITE GRANITE)
	124659-11-H17	EA	SHELF - W/PLASTIC EDGE MOLDING (WATERFORD OAK)
	124659-11-H40	EA	SHELF - W/PLASTIC EDGE MOLDING (WHITE GRANITE)
23	M05992-77-J22	EA	DOOR - STRAIGHT CORNER/OGEE EDGE - 10" X 25.2" - W/O HDW (WATERFORD OAK)
22	122715-44-01A	EA	DOOR - MOLDED VINYL - 10" X 25.2" - W/O HDW (WHITE GRANITE)
24	M05992-Z8-J22	EA	DOOR - STRAIGHT CORNER/OGEE EDGE - 15.5" X 29.5" - W/O HDW (WATERFORD OAK)
24	122715-05-01A	EA	DOOR - MOLDED VINYL - 15.5" X 29.5" - W/O HDW (WHITE GRANITE)
25	127907-01-J22	EA	CABINET - HAMPER - W/O DOORS/HARDWARE (WATERFORD OAK)
25	127907-02-J23	EA	CABINET - HAMPER - W/O DOORS/HARDWARE (WHITE GRANITE)

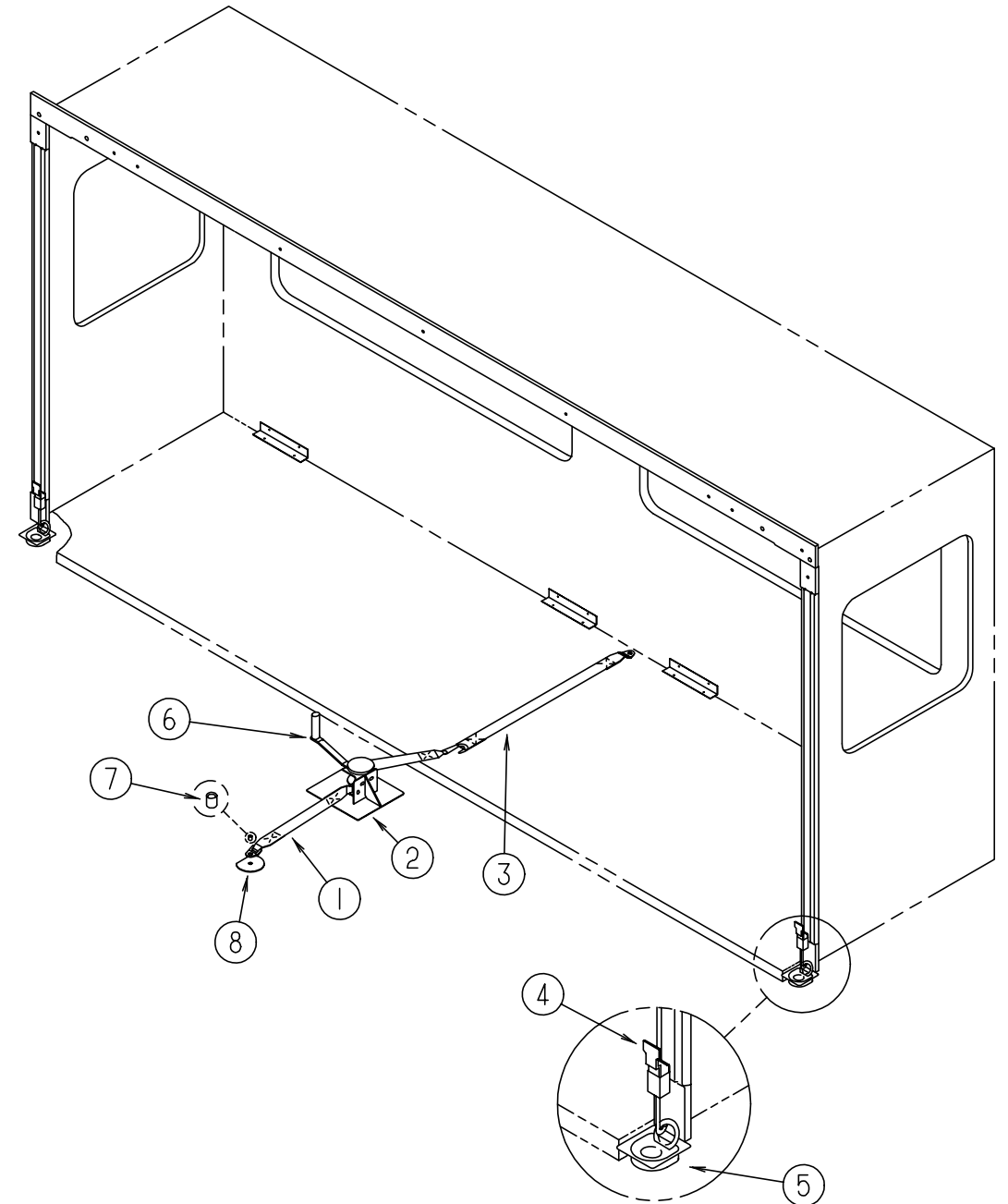
## CHASSIS GROUP



### REAR BUMPER & COMPONENTS

KEY	PART NUMBER	U/M	DESCRIPTION
1	104418-07-000	EA	ANGLE - BUMPER - REAR SUPPORT
2	103228-01-05A	EA	END CAP - REAR BUMPER - DRIVER/PASSENGER SIDE
3	103099-10-02A	EA	BUMPER - REAR - BRIGHT WHITE
4	102333-01-05A	EA	BOLT - 7/16"
5	107707-01-000	EA	HITCH RECEIVER - BOLT-ON CLASS II
5	130339-01-000	EA	HITCH RECEIVER - BOLT-ON CLASS II
			FROM: 00-00-00 THRU: 05-10-98
			FROM: 05-11-98 THRU: 99-99-99
	070579-09-000	EA	PLATE - ANCHOR
6	034512-01-000	EA	PIN - LOCKING - DRAWBAR
7	034513-01-000	EA	PIN - 3/16" WIRE
8	111742-01-000	EA	PLATE - SKID
	113589-01-000	EA	CONNECTOR - PLUG - TRAILER
	113589-02-000	EA	CONNECTOR - SOCKET - TRAILER
	113588-02-01B	EA	BRACKET - CONNECTOR - TRAILER W/O LIP

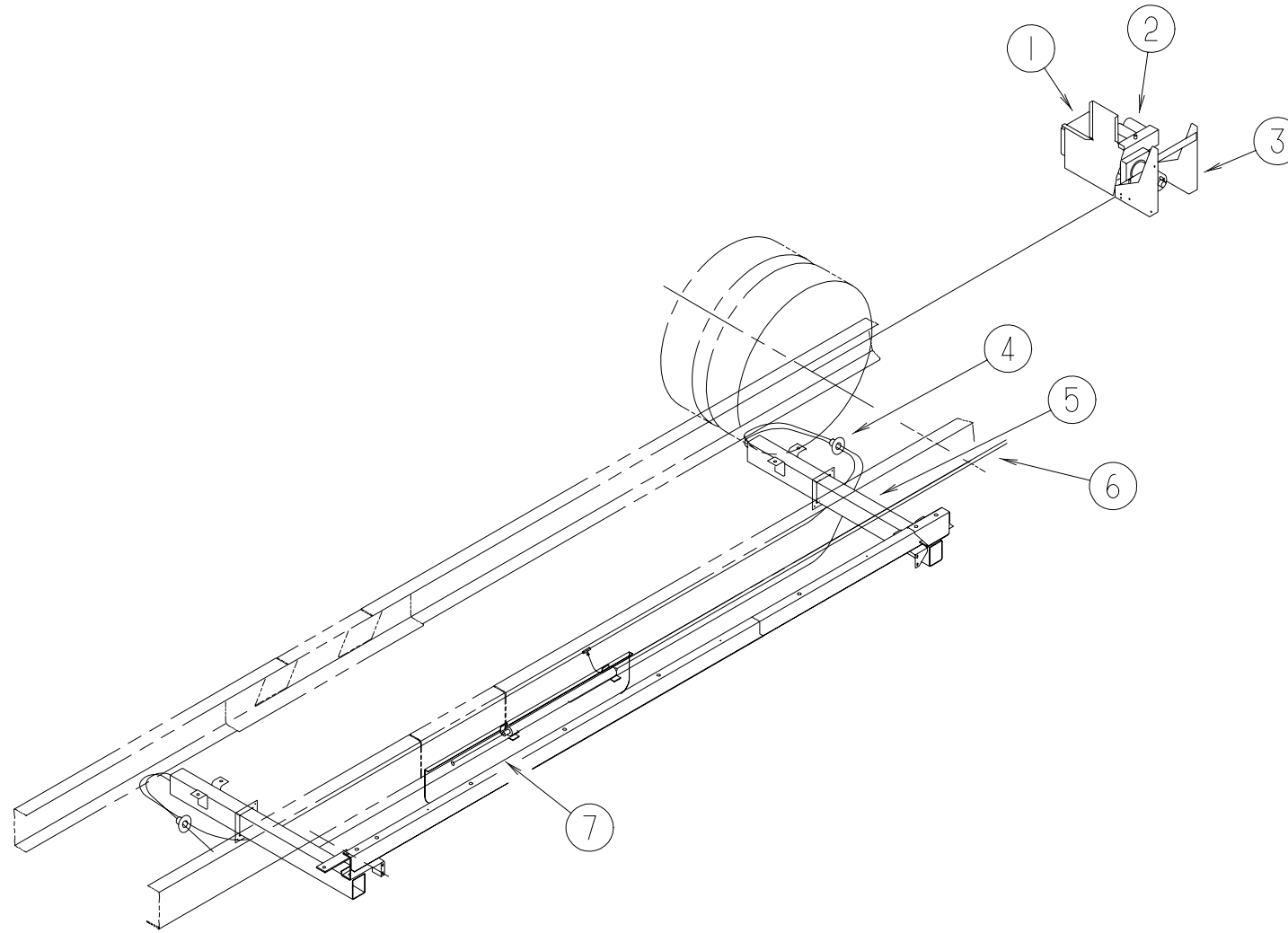
## CHASSIS GROUP (CONTINUED)



### SLIDEOUT HARDWARE

KEY	PART NUMBER	U/M	DESCRIPTION
1	116101-01-F31	EA	STRAP - WINCH
2	116082-03-02B	EA	BRACKET - WINCH
3	116101-02-F31	EA	STRAP - WINCH
4	116737-01-01A	EA	LATCH - DRAW - ADJUSTABLE - ZINC
5	116736-01-01A	EA	TIEDOWN - DROP/D - ZINC
6	115767-02-000	EA	WINCH - SLIDEOUT
7	116743-01-01A	EA	CAP - LUG COVER - THREAD - BLACK
8	057759-01-000	EA	WASHER BRACKET - SEAT BELT - 4" DIAMETER
8	064081-03-000	EA	NUT - WING 3/8-16 - W/WELD NUT
	077298-55-003	EA	EXTRUSION - TUBE - .275"

## CHASSIS GROUP (CONTINUED)



### SLIDEOUT HARDWARE

KEY	PART NUMBER	U/M DESCRIPTION	VENDOR NO.
1	108629-01-000	EA SHIELD - PUMP	
2	122359-04-000	EA PUMP/RESERVOIR - SLIDE-OUT - HYDRAULIC - W/O JACKS SYSTEM	
3	107938-07-000	EA BRACKET - PUMP	
4	125687-01-000	EA SLIDEOUT - HYDRAULIC	
	100536-10-701	EA HOSE - HYDRAULIC - 116"	RAP90349
	125687-01-700	EA CYLINDER	AP15190
	125687-01-701	EA HOSE - HYDRAULIC - 120"	RAP13772
	125687-01-702	EA CYLINDER - SYCRONIZING	AP13607
5	100536-29-000	EA HOSE KIT - PUMP TO SLIDE-OUT VALVING	
6	088756-01-000	EA GROMMET - WEB - 1 1/8" I.D.	
7	053322-10-000	EA SHIELD - HEAT - EXHAUST - 48" X 7.5" - STEEL	

## CHASSIS GROUP (CONTINUED)

### DRIVESHAFT PARTS

KEY	PART NUMBER	U/M DESCRIPTION
	088498-01-000	EA UNION - INVERTED FLARE - BRASS - 3/16 - 3/8 - 24THD
	085771-03-000	EA NUT - HEX - FLARE TORQUE - GRADE G - DRIVE SHAFT

### TIRE & WHEEL HARDWARE

KEY	PART NUMBER	U/M DESCRIPTION
	077030-02-000	EA EXTENSION - VALVE STEM - 1.25"
	051377-05-000	EA VALVE STEM (FORD)
	083425-05-000	EA TIRE - MICHELIN - LT 235/85R16 - LOAD RANGE E (FORD)
	095853-02-000	EA WHEEL - STEEL - 16 X 6K - F2TA-1015-NA (FORD)
	113007-01-000	EA PIN - SPRING - .375 X 3" (FORD)
	112358-01-000	EA WRENCH - LUG - 7/8" - L-SHAPED

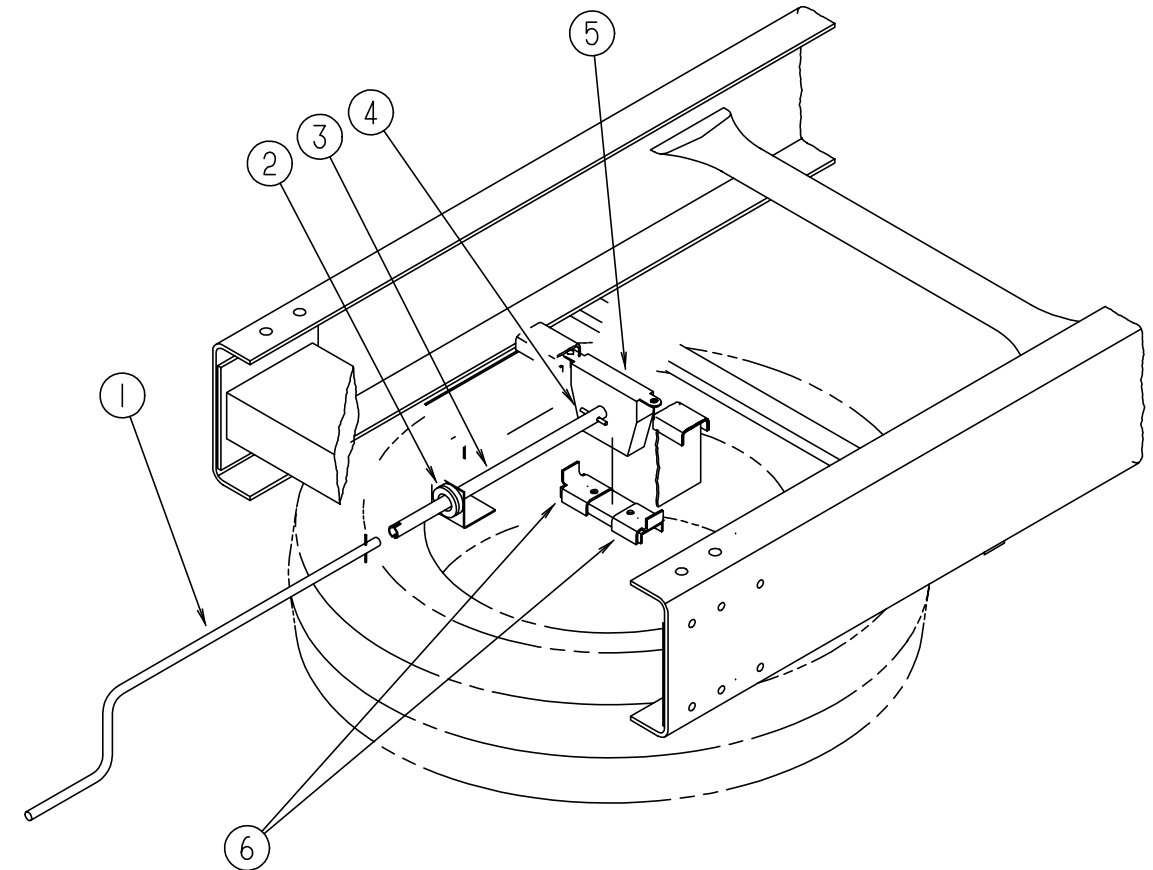
### WHEEL LINERS

KEY	PART NUMBER	U/M DESCRIPTION	VENDOR NO.
	110435-08-000	EA LINER - WHEEL SET (SET=4) 16"	
	110435-01-711	EA DECAL-CENTER CAP - 2"	2" DECAL
	110435-02-702	EA STUD EXTENDER	V160SD-STX
	110435-02-703	EA NUT (JAMB)	V160SD-JNT
	110435-02-704	EA COVER-LUG NUT	V160F0-LNC
	110435-02-705	EA TOOL F/ JAMB NUT - INSTALL.	V160FO-TOL
	110435-08-700	EA LINER-WHEEL - FRONT	V160SD-FWC
	110435-08-701	EA LINER-WHEEL - REAR	V160SD-RWC
	110435-09-000	EA LINER - WHEEL - SET/2 - REAR 16"	
	110435-01-711	EA DECAL-CENTER CAP - 2"	2" DECAL
	110435-02-702	EA STUD EXTENDER	V160SD-STX
	110435-02-703	EA NUT (JAMB)	V160SD-JNT
	110435-02-704	EA COVER - LUG NUT	V160F0-LNC
	110435-02-705	EA TOOL F/ JAMB NUT - INSTALL.	V160FO-TOL
	110435-06-702	EA BRACKET - BRIDGE	V195P5-BRK
	110435-08-701	EA LINER - WHEEL - REAR	V160SD-RWC
	110435-09-700	EA JAMB NUT - BRIDGE BRACKET	V160SD-BJN

### WHEEL COVERS

KEY	PART NUMBER	U/M DESCRIPTION	VENDOR NO.
	098532-01-000	EA COVER - WHEEL - FORD - 16" - SET OF 4 DICOR SH-SD-16	
	098532-02-000	EA COVER - WHEEL - 16" FORD - SET OF 2	
	098532-01-700	EA COVER-LUG NUT (CHROME)	SHAU-LNC
	098532-01-701	EA COVER-WHEEL (FRT & REAR)	SH-SD-16COV 1 ONLY

## CHASSIS GROUP (CONTINUED)

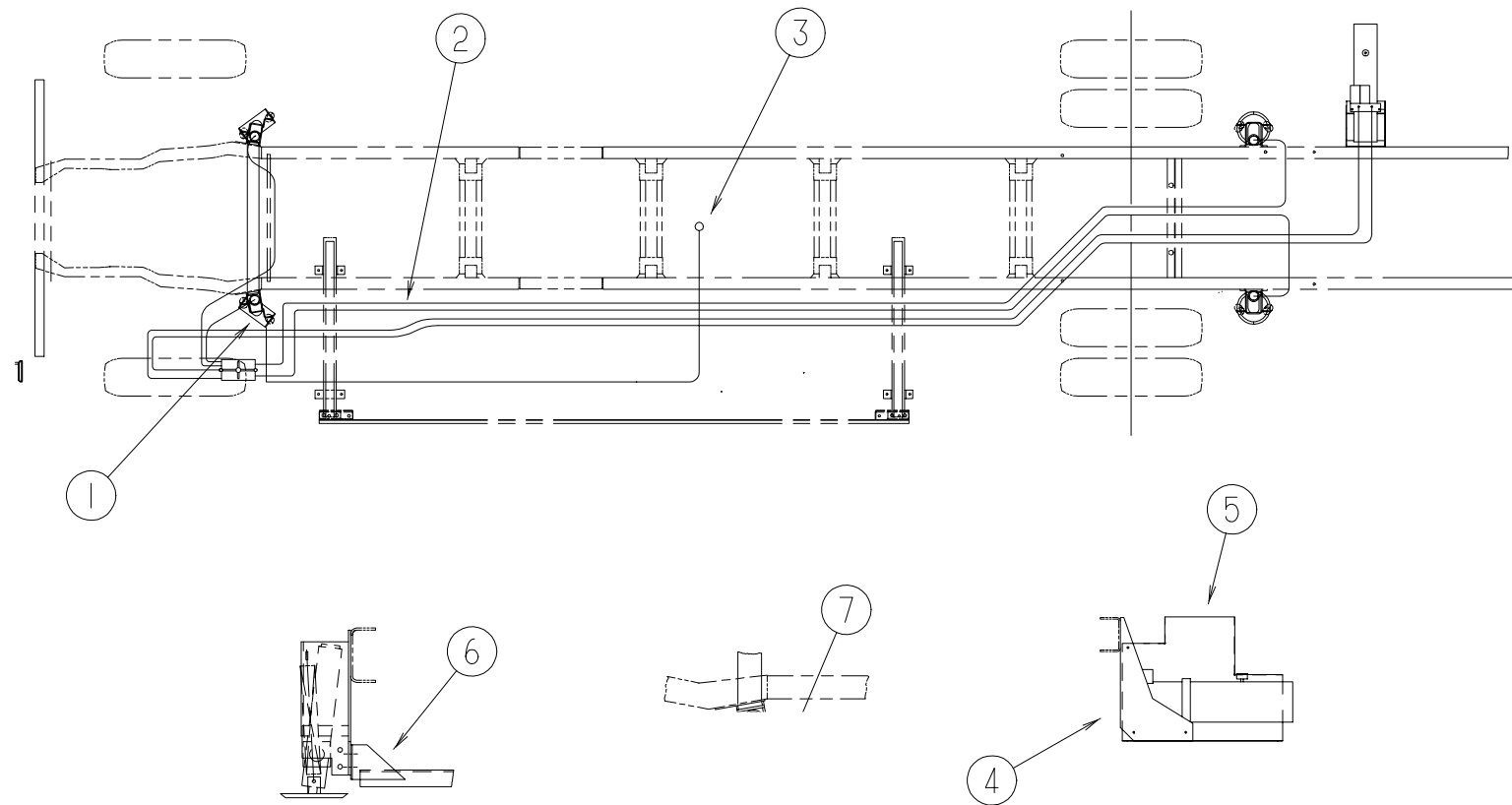


### SPARE TIRE & HOIST

KEY	PART NUMBER	U/M DESCRIPTION
1	093376-02-000	EA HANDLE - CRANK - TIRE HOIST
2	071015-11-000	EA GROMMET - 1.00 ID
3	093375-06-000	EA EXTENSION - TIRE HOIST
	093362-06-000	EA CHANNEL - TIRE HOIST
4	114376-01-000	EA PIN - DRIVE - .156 X .750 - TYPE E - TIRE HOIST
5	093267-03-000	EA HOIST - SPARE TIRE - 100#
6	105499-01-000	EA BRACKET - TIRE HOIST
	077030-02-000	EA EXTENSION - VALVE STEM - 1.25"
	124751-01-02B	EA HANGER - SPARE TIRE - E-COATED
	124754-01-02B	EA CATCH - SPARE TIRE
	129085-01-02B	EA PLATE - SUPPORT - SPARE TIRE
		FROM: 02-22-98 THRU: 99-99-99
	129086-01-02B	EA SUPPORT - SPARE TIRE
		FROM: 02-22-98 THRU: 99-99-99

## CHASSIS GROUP (CONTINUED)

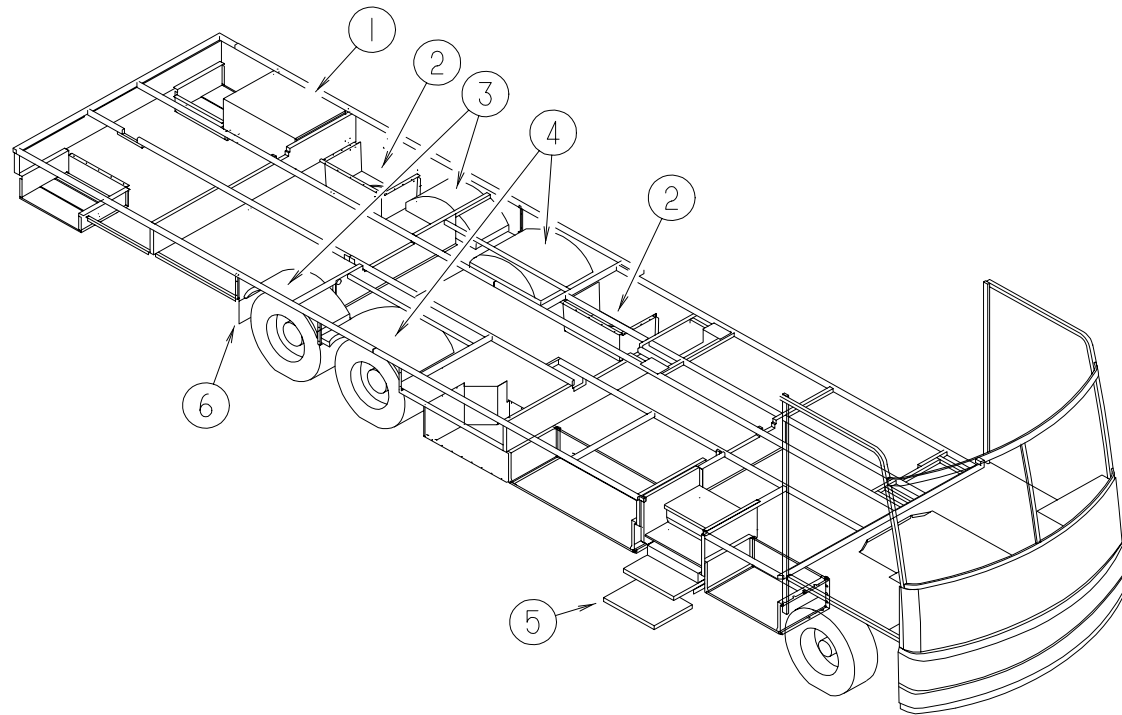
### HWH LEVELING SYSTEM - SLIDE OUT (FORD)



KEY	PART NUMBER	U/M	DESCRIPTION	VENDOR NO.
1	100532-17-000	EA	LEVELING SYSTEM - HYDRAULIC - USED W/SLIDEOUT ROOM	
	100532-03-710	EA	SENSING UNIT 21' MTA	RAP6798
	100532-03-714	EA	MODULAR CABLE 5'	RAP9226
	100532-03-715	EA	CAP - BREATHER W/ DIPSTICK	RAP7876
	100532-03-723	EA	MANIFOLD HDW MTG KIT	RAP9171
	100532-08-702	EA	VALVE - BI-AXIS	RAP9589
	100532-08-703	EA	PANEL ASM. - 200 BI-AXIS SYS.	RAP9755
	100532-08-705	EA	KNOB - 3/4" BLACK - SET OF FOUR	RAP1379
	100532-08-706	EA	KNOB - 1 3/16" BLACK	RAP9734
	100532-08-707	EA	BEZEL W/ GASKET - F/ SYSTEM 200	RAP9592
	100532-09-704	EA	VALVE - PRESSURE SOLENOID	RAP0642
	100532-09-710	EA	SOLENOID - INTERMITTENT DUTY	RAP0533
	100532-12-701	EA	PUMP & MOTOR W/ TANK 1.7	RAP0588
	100532-12-706	EA	SWITCH - WARNING/ MAGNETIC	RAP1008
	100532-12-707	EA	SPRING KIT	R3847
	100532-16-700	EA	JACK ASM. 6K - STATIONARY	RAP0468
	100532-16-701	EA	MANIFOLD ASM. F/ SLIDE OUT	RAP1716
	100532-17-700	EA	JACK ASM. - 9K W/ SWITCH - 2 WIRE	RAP10107

KEY	PART NUMBER	U/M	DESCRIPTION	VENDOR NO.
2	100536-28-000	EA	HOSE KIT - LEVELING JACKS	
	100536-09-701	EA	HOSE - HYDRAULIC - 60"	RAP4073
	100536-10-701	EA	HOSE - HYDRAULIC - 116"	RAP5384
	100536-25-700	EA	HOSE - HYDRAULIC - 306"	RAP4904
	100536-25-701	EA	HOSE - HYDRAULIC - 312"	RAP5216
	100536-28-700	EA	HOSE - HYDRAULIC - 372"	RAP4391
	100536-29-000	EA	HOSE KIT - SLIDEOUT ROOM	
	100536-14-700	EA	HOSE - HYDRAULIC - 288"	RAP4063
	100536-29-700	EA	HOSE - HYDRAULIC - 280"	RAP4729
3	117183-01-02B	EA	COVER - SENSOR - LEVELING	
4	107938-07-000	EA	BRACKET - PUMP	
5	108629-01-000	EA	SHIELD - PUMP	
6	121651-01-02B	EA	CROSSMEMBER - REAR JACK MOUNTING	
	112235-02-06A	EA	BEZEL - MONITOR - SLIDEOUT - TITANIUM	
	112235-03-04A	EA	BEZEL - MONITOR - SLIDEOUT - TITANIUM	
	123264-01-000	EA	TEE - UNION - 1/4" X 1/4" X 1/4"	
	100534-13-000	EA	BRACKETS - REAR LEVELING JACKS	

### CHASSIS GROUP (CONTINUED)

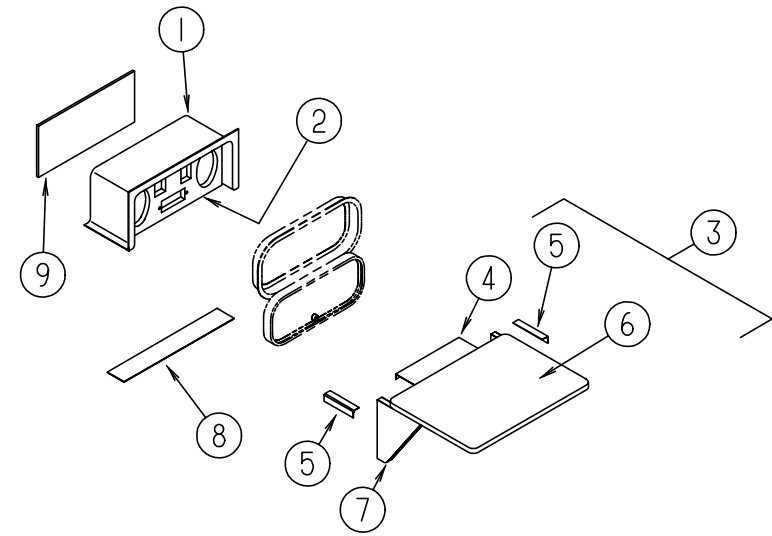


#### COMPARTMENTS & TRAYS

KEY	PART NUMBER	U/M	DESCRIPTION
1	094657-02-000	EA	TRAY - GENERATOR - 22.5" X 30.4" X 6.9" - W/ANGLE & NUTS FROM: 00-00-00 THRU: 01-28-98
2	M08627-01-H17	EA	COMPARTMENT - ELECTRICAL/DRAINAGE
2	M08628-01-H17	EA	HATCH W/FOAM INSERT
2	121175-02-01A	EA	LATCH - SWELL - BLACK
3	055374-02-000	EA	WHEELWELL - PLASTIC
4	055374-01-000	EA	WHEELWELL - PLASTIC
5*	094707-01-01A	EA	STEP - DOUBLE - ELECTRIC - KWIKEE
6	020167-08-000	EA	DIRT GUARD - STEEL - 13.6" LONG
6	017516-01-000	EA	MUD FLAP - 14" X 18" - BLACK
	065450-05-000	EA	TIEDOWN - BATTERY - 8.4" TUBE
	102805-01-000	EA	CHANNEL - EXTENSION - FRONT FRAME
	102805-03-000	EA	CHANNEL - EXTENSION - FRONT FRAME
	119845-01-01A	EA	PLUG - PLASTIC - BLACK

\* COMPONENT PARTS FOUND IN SERVICE PARTS LIBRARY

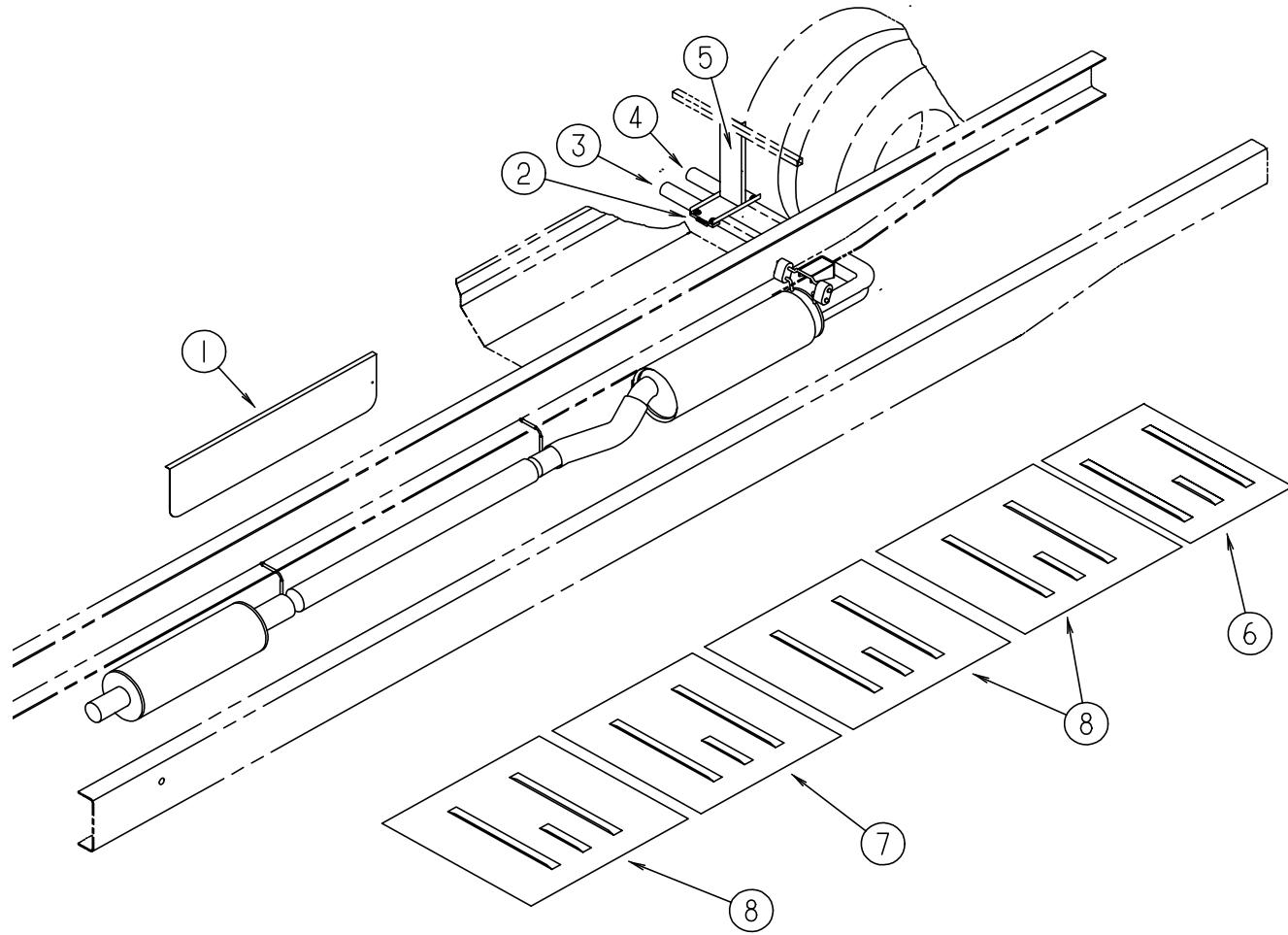
### CHASSIS GROUP (CONTINUED)



#### COMPARTMENT (ENTERTAINMENT CENTER)

KEY	PART NUMBER	U/M	DESCRIPTION
1	124696-01-01A	EA	BOX - ENTERTAINMENT CENTER
2	127409-02-J01	EA	PLATE - RADIO MOUNTING
3	N/A	EA	EXTERIOR SHELF
4	105377-01-04A	EA	BRACKET - TABLE HANGER
5	105376-01-03A	EA	HINGE - CONTINUOUS - 2" X 5.5"
6	105230-11-J01	EA	SHELF - EXTERIOR ENTERTAINMENT CENTER - W/O HARDWARE
7	105230-12-J01	EA	SUPPORT - EXTERIOR SHELF
8	104898-01-02A	EA	PLATE - PLASTIC BOTTOM - BRIGHT WHITE
9	104898-02-02A	EA	PLATE - PLASTIC BACK - BRIGHT WHITE

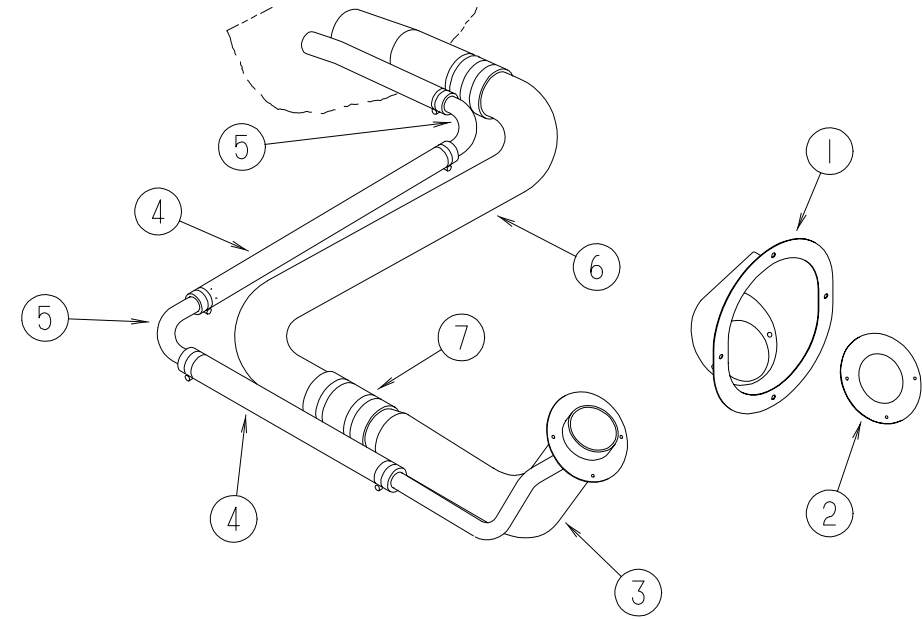
### CHASSIS GROUP (CONTINUED)



#### FORD EXHAUST SYSTEM

KEY	PART NUMBER	U/M	DESCRIPTION
1	053322-07-000	EA	SHIELD - HEAT - EXHAUST
2	095190-01-000	EA	HANGER - EXHAUST - 4" X 1.4"
2	096055-06-000	EA	SUPPORT - EXHAUST PIPE
2	000C26-05-20B	EA	BOLT - HEX - SERRATED FLANGE - 5/16-18 X 1 1/4 - ZINC
3	129206-01-000	EA	PIPE/TAIL - EXHAUST - FORD
4	129206-02-000	EA	PIPE/TAIL - EXHAUST - FORD
5	118000-04-02B	EA	HANGER - TAILPIPE
6	101544-01-000	EA	SHIELD - HEAT/EXHAUST - 19.7" X 29.1"
7	101544-02-000	EA	SHIELD - HEAT/EXHAUST - 30" X 29.1"
8	101544-06-000	EA	SHIELD - HEAT/EXHAUST - 33.9" X 29.1"
	007125-05-000	EA	CLAMP - MUFFLER - 2" DIAMETER
	094918-06-000	EA	CLAMP - EXHAUST - 3" - HEAVY DUTY

### CHASSIS GROUP (CONTINUED)



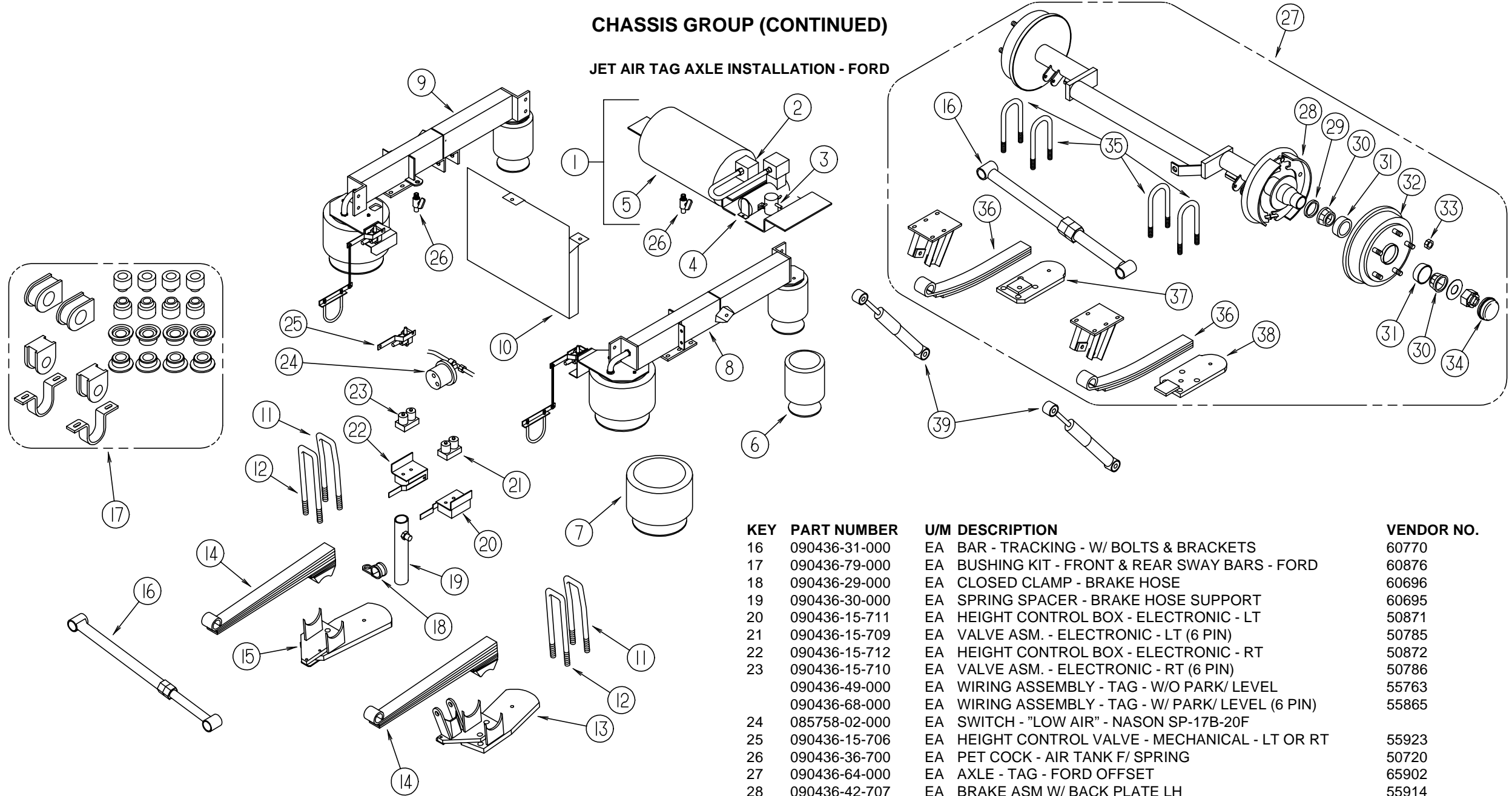
#### FUEL SYSTEM (FORD)

KEY	PART NUMBER	U/M	DESCRIPTION
1	095854-01-04A	EA	SHROUD - FUEL FILL - BRIGHT WHITE
2	078200-01-000	EA	GASKET - FUEL FILL - 3.5" OD X 2" ID
3	087256-07-000	EA	NECK - FUEL FILL
4	066732-01-000	FT	HOSE - FUEL - .62"ID
5	098806-01-000	EA	PIPE - FILL VENT - 90 DEGREE BEND - .635 OD - STEEL
6	100140-08-000	EA	TUBE - FUEL INLET
7	007111-02-000	EA	HOSE - FUEL FILL - 2" ID
	007063-01-000	FT	HOSE - FUEL 1/4" ID X 1/2" OD
	044317-01-000	FT	HOSE - FUEL - 3/8" ID
	084884-01-000	EA	PLUG - BRASS - 3/8"
	104932-02-000	EA	PANEL - FUEL FILL

FROM: 00-00-00 THRU: 02-22-98

## CHASSIS GROUP (CONTINUED)

### JET AIR TAG AXLE INSTALLATION - FORD



KEY	PART NUMBER	U/M DESCRIPTION	VENDOR NO.
1	090436-35-000	EA COMPRESSOR & TANK ASM. - SINGLE COMPRESSOR	60703
1	090436-54-000	EA COMPRESSOR & TANK ASM. - DUAL COMPRESSOR	60803
2	090436-07-701	EA SWITCH - AIR PRESSURE	50732
3	090436-07-704	EA SOLENOID - ELECTRONIC	50702
4	090436-07-700	EA COMPRESSOR (ONLY)	50701
5	090436-07-702	EA TANK ONLY - ALL MODELS	50703
	090436-40-000	EA FILTER - AIR INTAKE - COMPRESSOR	50822
6	090436-42-716	EA AIR BAG - TAG AXLE	55930
7	090436-15-704	EA AIR BAG - F53 MAIN AXLE	60752
8	090436-60-000	EA MOUNT - SPRING - LH - W/O PARK/ LEVEL	50752
8	090436-76-000	EA MOUNT - SPRING - LH - W/ PARK/ LEVEL	65853
9	090436-65-000	EA MOUNT - SPRING - RH - W/O PARK/ LEVEL	65858
9	090436-78-000	EA MOUNT - SPRING - RH - W/ PARK/ LEVEL	65855
10	090436-28-000	EA SHIELD - HEAT - FUEL TANK	60697
11	090436-25-000	EA U-BOLT - 1" X 15" - W/ NUTS	60759
12	090436-22-000	EA U-BOLT - 1" X 14" - W/ NUTS	60758
13	090436-20-000	EA MOUNT - SPRING - MAIN AXLE - LOWER LH	60753
14	090436-23-000	EA SPRING - LEAF - MAIN AXLE - SEMI F53 FORD	60762
15	090436-21-000	EA MOUNT - SPRING - MAIN AXLE - LOWER RH	60754

KEY	PART NUMBER	U/M DESCRIPTION	VENDOR NO.
16	090436-31-000	EA BAR - TRACKING - W/ BOLTS & BRACKETS	60770
17	090436-79-000	EA BUSHING KIT - FRONT & REAR SWAY BARS - FORD	60876
18	090436-29-000	EA CLOSED CLAMP - BRAKE HOSE	60696
19	090436-30-000	EA SPRING SPACER - BRAKE HOSE SUPPORT	60695
20	090436-15-711	EA HEIGHT CONTROL BOX - ELECTRONIC - LT	50871
21	090436-15-709	EA VALVE ASM. - ELECTRONIC - LT (6 PIN)	50785
22	090436-15-712	EA HEIGHT CONTROL BOX - ELECTRONIC - RT	50872
23	090436-15-710	EA VALVE ASM. - ELECTRONIC - RT (6 PIN)	50786
	090436-49-000	EA WIRING ASSEMBLY - TAG - W/O PARK/ LEVEL	55763
	090436-68-000	EA WIRING ASSEMBLY - TAG - W/ PARK/ LEVEL (6 PIN)	55865
24	085758-02-000	EA SWITCH - "LOW AIR" - NASON SP-17B-20F	
25	090436-15-706	EA HEIGHT CONTROL VALVE - MECHANICAL - LT OR RT	55923
26	090436-36-700	EA PET COCK - AIR TANK F/ SPRING	50720
27	090436-64-000	EA AXLE - TAG - FORD OFFSET	65902
28	090436-42-707	EA BRAKE ASM W/ BACK PLATE LH	55914
	090436-42-708	EA BRAKE ASM W/ BACK PLATE RH	55915
29	090436-42-706	EA GREASE SEAL - TAG AXLE	55913
30	090436-42-704	EA WHEEL BEARING - TAG AXLE	55911
31	090436-42-705	EA RACE - WHEEL BRG TAG AXLE	55912
32	090436-59-702	EA HUB & DRUM ASM - FORD TAG AXLE	65907
33	077043-03-000	EA LUG NUTS - FORD TAG AXLE	
	090436-59-701	EA WHEEL STUD - FORD TAG AXLE	65906
34	090436-59-703	EA DUST CAP - FORD TAG AXLE	65908
35	090436-42-711	EA U-BOLT - 7/8" X 8" TAG AXLE SPRING	55918
36	090436-59-706	EA LEAF SPRING - FORD TAG AXLE	65919
37	090436-59-705	EA SPRING HOLDER - RH LOWER - FORD	65917
38	090436-59-704	EA SPRING HOLDER - LH LOWER - FORD	65916
39	090436-42-714	EA SHOCK ABSORBER - TAG AXLE	55924
	085759-01-000	EA LIGHT - WARNING - "LOW AIR" - HENSCHEN	10633
	090436-42-715	EA BRAKE CONTROLLER - TAG AXLE	55928
	061673-01-000	EA CLAMP - MOTOR AID	
	077043-03-000	EA NUT - WHEEL 9/16-18 2 PC	
	000C12-07-20B	EA BOLT - HEX - 7/16-14 X 11/4 ZINC	
	000D39-06-00B	EA NUT - HEX - SERRATED FLANGE LOCK 3/8-16 ZINC	
	000D39-08-00B	EA NUT - HEX - SERRATED FLANGE LOCK 1/2-13 ZINC	
	000G39-10-12B	EA SCREW - SF/DR -10-16 X .75 PPH ZINC	

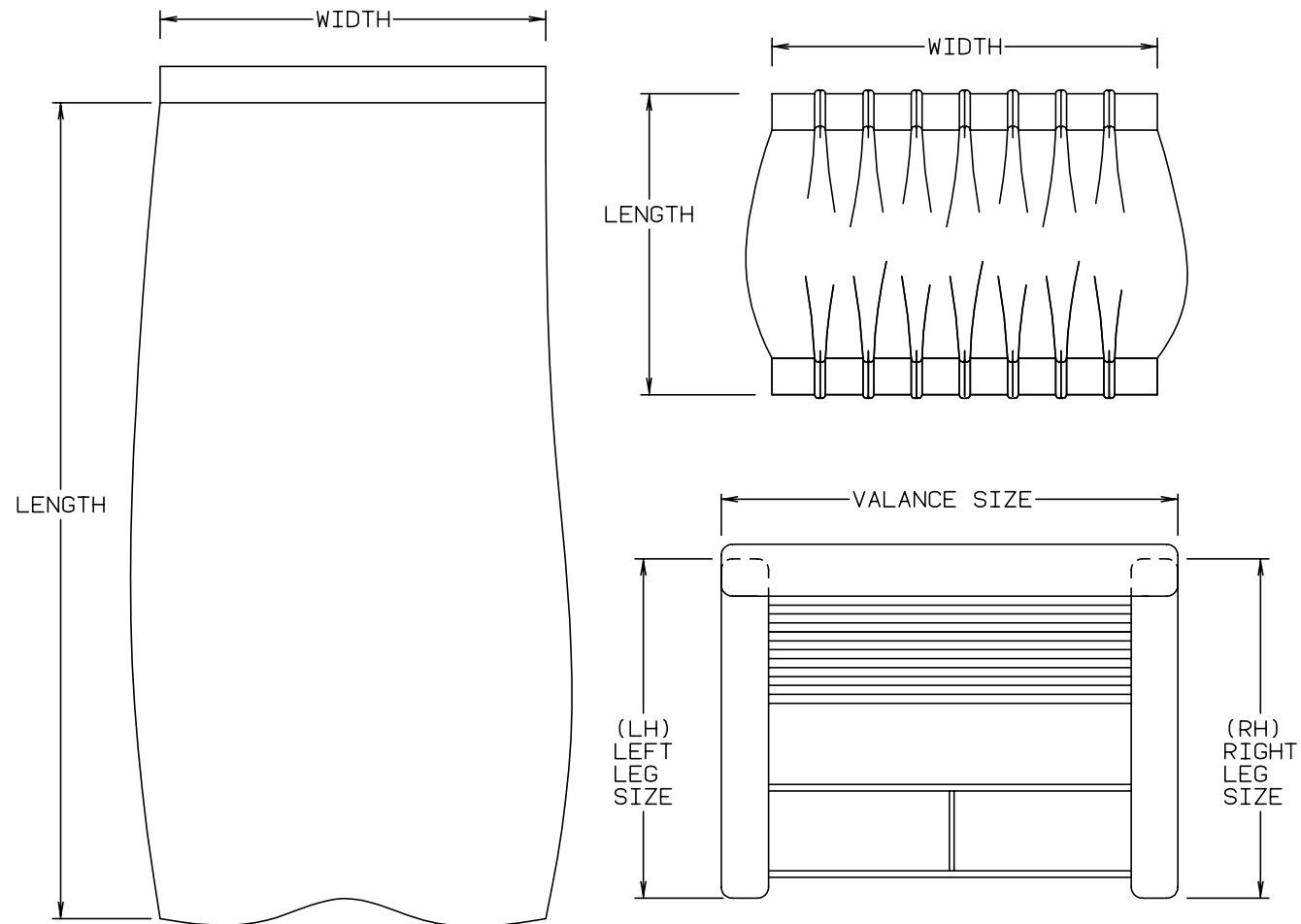


## CURTAIN & CUSHION GROUP

### NOTICE

IN ORDER TO ASSIST OUR PARTS SALES DEPT. IN PROVIDING INTERIOR SOFTGOODS ITEMS, PLEASE INCLUDE THE SERIAL NUMBER AND THE COLOR CODE NUMBER FROM THE VEHICLE CERTIFICATION LABEL WHEN ORDERING. THIS LABEL IS LOCATED ON THE LEFT SIDEWALL AT THE END OF THE DASH (A-BODY), OR ON THE DRIVER'S DOOR LATCH PLATE (C-BODY).

AN EXAMPLE OF A COLOR CODE NUMBER IS B07, WHICH DESIGNATES AN OVERALL COLOR SCHEME OF A PARTICULAR UNIT. THE COLOR LISTED AFTER THE ITEM DESCRIPTION ON THE MICROFICHE, INDICATES THE OVERALL UNIT COLOR. ORDER THE ITEM YOU DESIRE ACCORDING TO UNIT COLOR CODE.



NOTE: USE THIS ILLUSTRATION WHEN DETERMINING LENGTH AND WIDTH MEASUREMENTS FOR CURTAINS. YOU WILL NOTE THE WIDTH MEASUREMENT IS TAKEN ON THE TOP OF THE CURTAIN WITH THE CURTAIN FULLY EXTENDED. THE LENGTH MEASUREMENT IS TAKEN FROM TOP TO BOTTOM. LEFT AND RIGHT WINDOW LEGS ARE DETERMINED WHEN FACING THE WINDOW.

## CURTAIN & CUSHION GROUP (CONTINUED)

### ASSIST HANDLE, SEAT BELTS & BUTTONS

KEY	PART NUMBER	U/M	DESCRIPTION
	069178-02-000	EA	BRACKET - MOUNTING/ASSIST HANDLE - GRAY
	000C16-07-16B	EA	BOLT - CARRIAGE - ASSIST HANDLE - 7/16" - 14 X 1"
	000D20-07-00B	EA	NUT - ACORN - ASSIST HANDLE - 7/16 - 14
	053552-02-AA8	EA	HANDLE - ASSIST - INTERIOR/ENTRY DOOR - VINYL/OFF WHITE
	070578-02-J22	EA	BUTTON - #30 - VINYL
	079349-08-J22	YD	WELT - VINYL
	084415-81-000	YD	TRIM - BRAID (J22,J23)
	084415-98-000	YD	TRIM - BRAID (J24,J25)
	084415-97-000	YD	TRIM - BRAID (J26,J27)
	084415-91-000	YD	TRIM - BRAID (J28,J29)
	079349-04-J22	YD	WELT - NARROW (J22,J23)
	079349-04-J06	YD	WELT - NARROW (J24,J25)
	079349-04-H17	YD	WELT - NARROW (J26,J27)
	079349-04-J50	YD	WELT - NARROW (J28,J29)
	007021-01-000	EA	SEAT BELT - 2" X 90" - BLACK
	056271-01-000	EA	BELT - SEAT - 2" X 102" - BLACK
	057759-01-000	EA	WASHER BRACKET - SEAT BELT - 4" DIAMETER

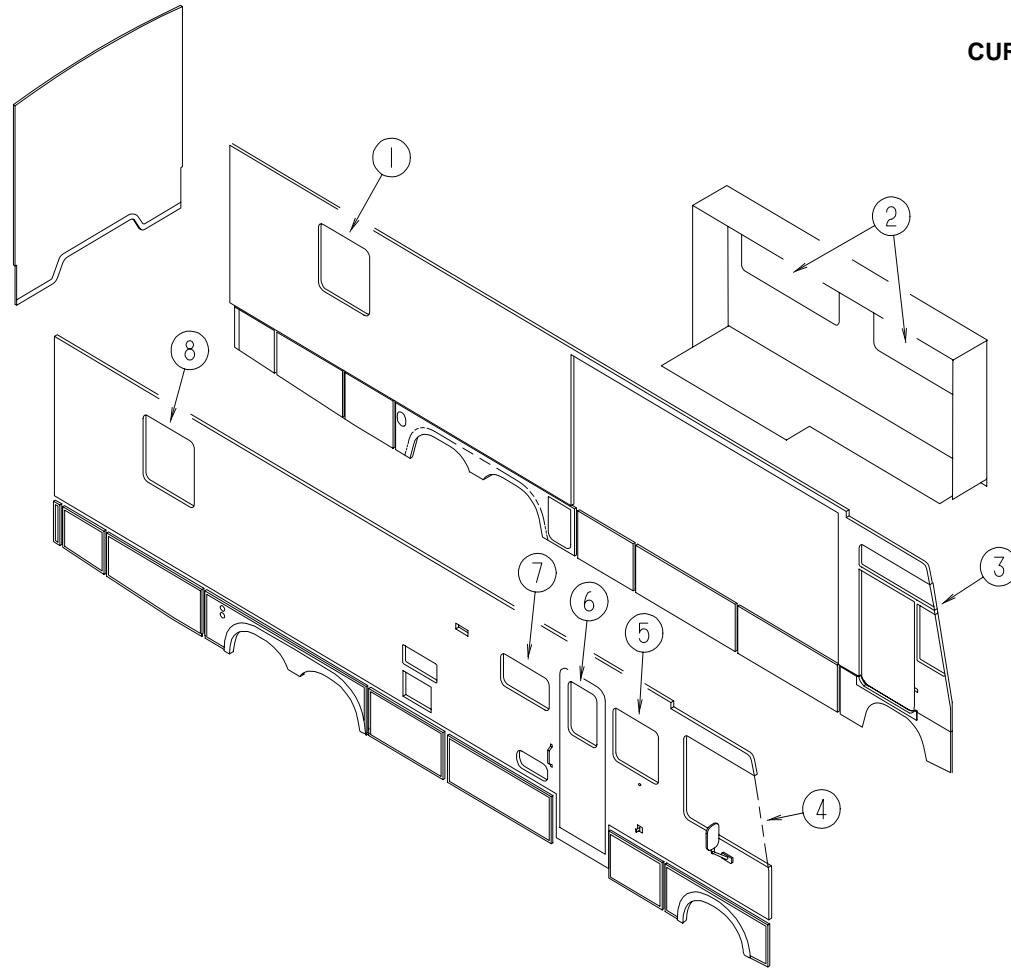
**CURTAIN & CUSHION GROUP (CONTINUED)**

<b>ADVENTURER FABRICS</b>				
<b>COLOR CODES</b>	<b>J22, J23</b>	<b>J24, J25</b>	<b>J26, J27</b>	<b>J28, J29</b>
<b>MARKETING COLORS</b>	<b>MADISON (BLUE)</b>	<b>MINK (TAUPE)</b>	<b>PICASSO (NEUTRAL)</b>	<b>SILVERSAGE (GREEN)</b>
<b>MAIN PLAIN ACCENT PATTERN ACCENT</b>	108446-U3-000 108446-W6-000 108446-X3-000	108446-S3-000 108446-S6-000 108446-T4-000	108446-U2-000 108446-G0-000 108446-T5-000	108446-W5-000 108446-W4-000 108446-U8-000
<b>BUCKET SEAT</b>	108446-X3-000	108446-T4-000	108446-T5-000	108446-U8-000
<b>DINETTE</b>	108446-U4-000	108446-S3-000	108446-U2-000	108446-W5-000
<b>DINETTE PAD</b>	108446-X3-000	108446-T4-000	108446-T5-000	108446-U8-000
<b>DINETTE SWIVEL CHAIR</b>	108446-X3-000	108446-T4-000	108446-T5-000	108446-U8-000
<b>SOFA</b>	108446-U3-000	108446-S3-000	108446-U2-000	108446-W5-000
<b>RECLINER CHAIR</b>	108446-X3-000	108446-T4-000	108446-T5-000	108446-U8-000
<b>LOUNGE WINDOW VALANCE</b>	108446-U3-000	108446-S3-000	108446-U2-000	108446-W5-000
<b>LOUNGE WINDOW LEGS</b>	108446-X3-000	108446-T4-000	108446-T5-000	108446-U8-000
<b>BEDSPREAD MAIN BEDSPREAD ACCENT BEDSPREAD TRIM</b>	105745-H2-000 105745-E3-000 084415-81-000	105745-G5-000 105745-B5-000 084415-98-000	105745-H3-000 105745-E7-000 084415-97-000	105745-H6-000 105745-E7-000 084415-91-000
<b>BEDROOM WINDOW VALANCE</b>	105745-H2-000	105745-G5-000	1105745-H3-000	105745-H6-000
<b>BEDROOM WINDOW LEGS</b>	105745-H2-000	105745-G5-000	105745-H3-000	105745-H6-000
<b>LOUNGE PILLOW TRIM BRAID</b>	108446-X3-000 084415-81-000	108446-T4-000 084415-98-000	108446-T5-000 084415-97-000	108446-U8-000 084415-91-000
<b>MAP POCKETS</b>	108446-X3-000	108446-T4-000	1108446-T5-000	108446-U8-000
<b>FRONT WRAP AROUND</b>	072333-85-000	072333-85-000	072333-85-000	072333-85-000
<b>CEILING</b>	113979-01-01A	113979-01-01A	113979-01-01A	113979-01-01A

**NOTE: THE FABRIC LISTED FIRST, IN A BLOCK, IS THE LARGEST QUANTITY OF FABRIC USED**

## CURTAIN & CUSHION GROUP (CONTINUED)

### CURTAINS & WINDOW TREATMENT

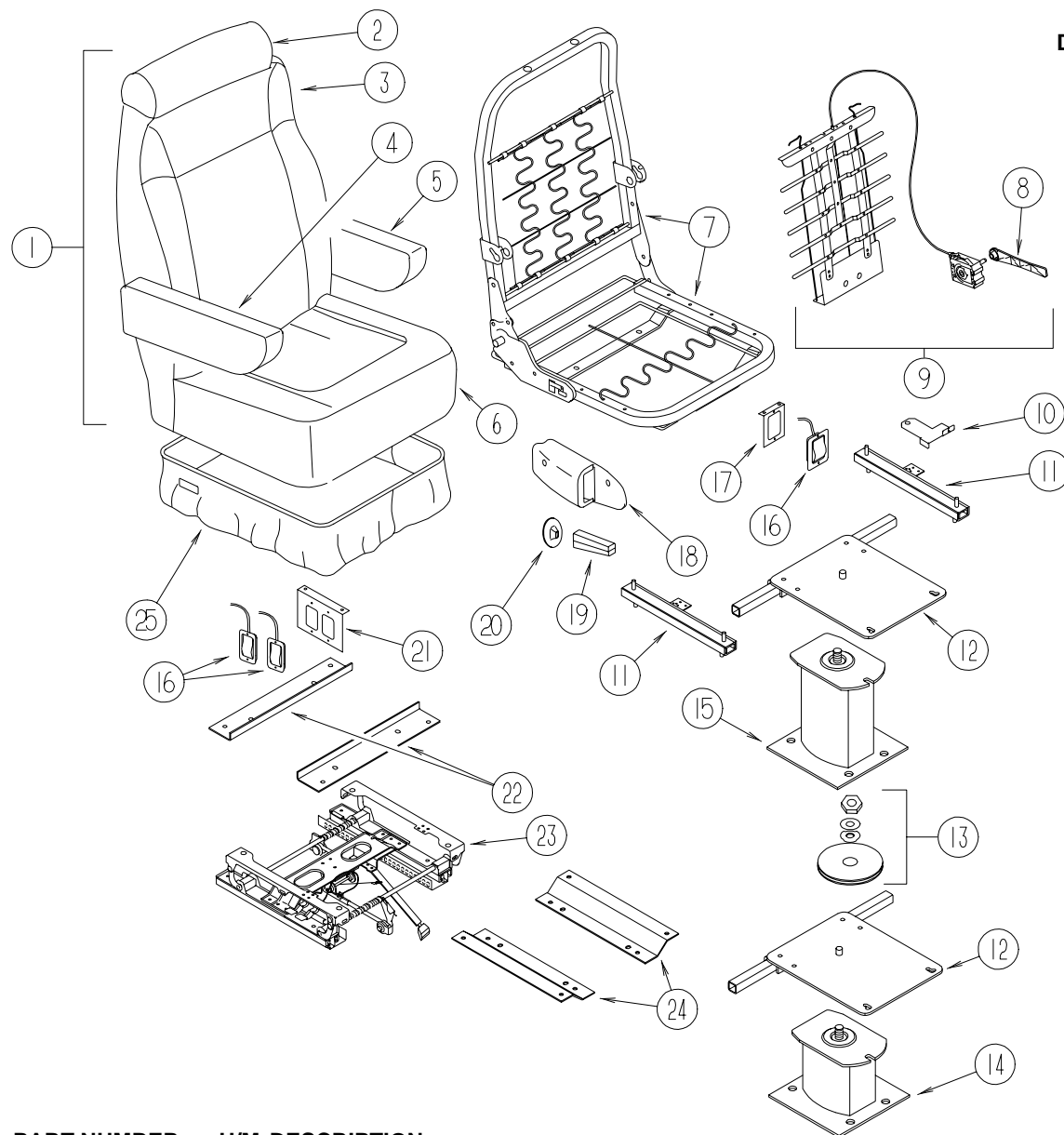


KEY	PART NUMBER	U/M DESCRIPTION
1	119299-19-J22	EA VALANCE - WHITNEY - 34" (J22,J23)
1	119299-19-J24	EA VALANCE - WHITNEY - 34" (J24,J25)
1	119299-19-J26	EA VALANCE - WHITNEY - 34" (J26,J27)
1	119299-19-J29	EA VALANCE - WHITNEY - 34" (J28,J29)
1	123910-15-J22	EA LEG - RIGHT - 34" (J22,J23)
1	123910-15-J24	EA LEG - RIGHT - 34" (J24,J25)
1	123910-15-J26	EA LEG - RIGHT - 34" (J26,J27)
1	123910-15-J28	EA LEG - RIGHT - 34" (J28,J29)
1	123910-16-J22	EA LEG - LEFT - 34" (J22,J23)
1	123910-16-J24	EA LEG - LEFT - 34" (J24,J25)
1	123910-16-J26	EA LEG - LEFT - 34" (J26,J27)
1	123910-16-J28	EA LEG - LEFT - 34" (J28,J29)
1	109802-56-J30	EA BLIND - PLEATED - 30" X 37" (J22,J23)
1	109802-56-J31	EA BLIND - PLEATED - 30" X 37" (J24,J25,J26,J27,J28,J29)
1	111910-58-J30	EA BLIND - DAY/NIGHTER - 31" X 37" (J22,J23)
1	111910-58-J20	EA BLIND - DAY/NIGHTER - 31" X 37" (J24,J25,J26,J27,J28,J29)
2	121410-20-J22	EA VALANCE - MODERATE - 62.5" (J22,J23)
2	121410-20-J24	EA VALANCE - MODERATE - 62.5" (J24,J25)
2	121410-74-J26	EA VALANCE - MODERATE - 62.5" (J26,J27)
2	121410-65-J28	EA VALANCE - MODERATE - 62.5" (J28,J29)
2	127017-13-J22	EA LEG - RIGHT - 25" (J22,J23)
2	127017-13-J24	EA LEG - RIGHT - 25" (J24,J25)
2	127017-11-J26	EA LEG - RIGHT - 25" (J26,J27)
2	127017-01-J50	EA LEG - RIGHT - 25" (J28,J29)

KEY	PART NUMBER	U/M DESCRIPTION
2	127017-14-J22	EA LEG - LEFT - 25" (J22,J23)
2	127017-14-J24	EA LEG - LEFT - 25" (J24,J25)
2	127017-12-J26	EA LEG - LEFT - 25" (J26,J27)
2	127017-02-J50	EA LEG - LEFT - 25" (J28,J29)
2	109802-48-G45	EA BLIND - PLEATED - 59" X 26.5" (J22,J23)
2	109802-48-G35	EA BLIND - PLEATED - 59" X 26.5" (J24,J25,J26,J27,J28,J29)
2	111910-55-J03	EA BLIND - DAY/NIGHTER - 59" X 26.5" (J22,J23)
2	111910-55-J31	EA BLIND - DAY/NIGHTER - 59" X 26.5" (J24,J25,J26,J27,J28,J29)
3	101668-68-J22	EA CURTAIN - LEFT HAND - 42" X 106"
4	101668-67-J22	EA CURTAIN - RIGHT HAND - 42" X 106"
	073260-42-C18	EA TIEBACK - 6" X 18"
5	121410-56-J22	EA VALANCE - MODERATE - 31.5" (J22,J23)
5	121410-56-J24	EA VALANCE - MODERATE - 31.5" (J24,J25)
5	121410-72-J26	EA VALANCE - MODERATE - 31.5" (J26,J27)
5	121410-73-J28	EA VALANCE - MODERATE - 31.5" (J28,J29)
5	127017-13-J22	EA LEG - RIGHT - 25" (J22,J23)
5	127017-13-J24	EA LEG - RIGHT - 25" (J24,J25)
5	127017-11-J26	EA LEG - RIGHT - 25" (J26,J27)
5	127017-01-J50	EA LEG - RIGHT - 25" (J28,J29)
5	127017-14-J22	EA LEG - LEFT - 25" (J22,J23)
5	127017-14-J24	EA LEG - LEFT - 25" (J24,J25)
5	127017-12-J26	EA LEG - LEFT - 25" (J26,J27)
5	127017-02-J50	EA LEG - LEFT - 25" (J28,J29)
5	109802-54-J22	EA BLIND - PLEATED - 28" X 28" (J22,J23)
5	109802-54-J24	EA BLIND - PLEATED - 28" X 28" (J24,J25,J26,J27,J28,J29)
5	111910-20-J03	EA BLIND - DAY/NIGHTER - 28" X 28" (J22,J23)
5	111910-20-J04	EA BLIND - DAY/NIGHTER - 28" X 28" (J24,J25,J26,J27,J28,J29)
6	120820-22-J22	EA VALANCE - 31.5" - W/CLOCK CUTOOUT (J22,J23)
6	120820-22-J24	EA VALANCE - 31.5" - W/CLOCK CUTOOUT (J24,J25)
6	120820-23-J26	EA VALANCE - 31.5" - W/CLOCK CUTOOUT (J26,J27)
6	120820-24-J28	EA VALANCE - 31.5" - W/CLOCK CUTOOUT (J28,J29)
6	084755-57-E07	EA SHADE - PULL - 27.25"
7	109041-44-01A	EA BLIND - MINI - 30.5" X 18" (J22,J23)
7	109041-44-02A	EA BLIND - MINI - 30.5" X 18" (J24,J25,J26,J27,J28,J29)
8	119299-18-J22	EA VALANCE - WHITNEY - 34" (J22,J23)
8	119299-18-J24	EA VALANCE - WHITNEY - 34" (J24,J25)
8	119299-18-J26	EA VALANCE - WHITNEY - 34" (J26,J27)
8	119299-18-J28	EA VALANCE - WHITNEY - 34" (J28,J29)
8	127017-09-J22	EA LEG - RIGHT - 34" (J22,J23)
8	127017-09-J24	EA LEG - RIGHT - 34" (J24,J25)
8	127017-09-J26	EA LEG - RIGHT - 34" (J26,J27)
8	127017-09-J28	EA LEG - RIGHT - 34" (J28,J29)
8	127017-10-J22	EA LEG - LEFT - 34" (J22,J23)
8	127017-10-J24	EA LEG - LEFT - 34" (J24,J25)
8	127017-10-J26	EA LEG - LEFT - 34" (J26,J27)
8	127017-10-J28	EA LEG - LEFT - 34" (J28,J29)
8	109802-56-J30	EA BLIND - PLEATED - 30" X 37" (J22,J23)
8	109802-56-J31	EA BLIND - PLEATED - 30" X 37" (J24,J25,J26,J27,J28,J29)
8	111910-58-J30	EA BLIND - DAY/NIGHTER - 31" X 37" (J22,J23)
8	111910-58-J20	EA BLIND - DAY/NIGHTER - 31" X 37" (J24,J25,J26,J27,J28,J29)
	126841-01-000	EA SHADE - PULL - CHARCOAL MESH - 45" X 60"
	126841-02-000	EA SHADE - PULL - CHARCOAL MESH - 34" X 60"
	084434-01-000	EA BRACKET - MOUNTING - ROLLER SHADE - 1 3/8"

## CURTAIN & CUSHION GROUP (CONTINUED)

### DRIVER BUCKET SEAT

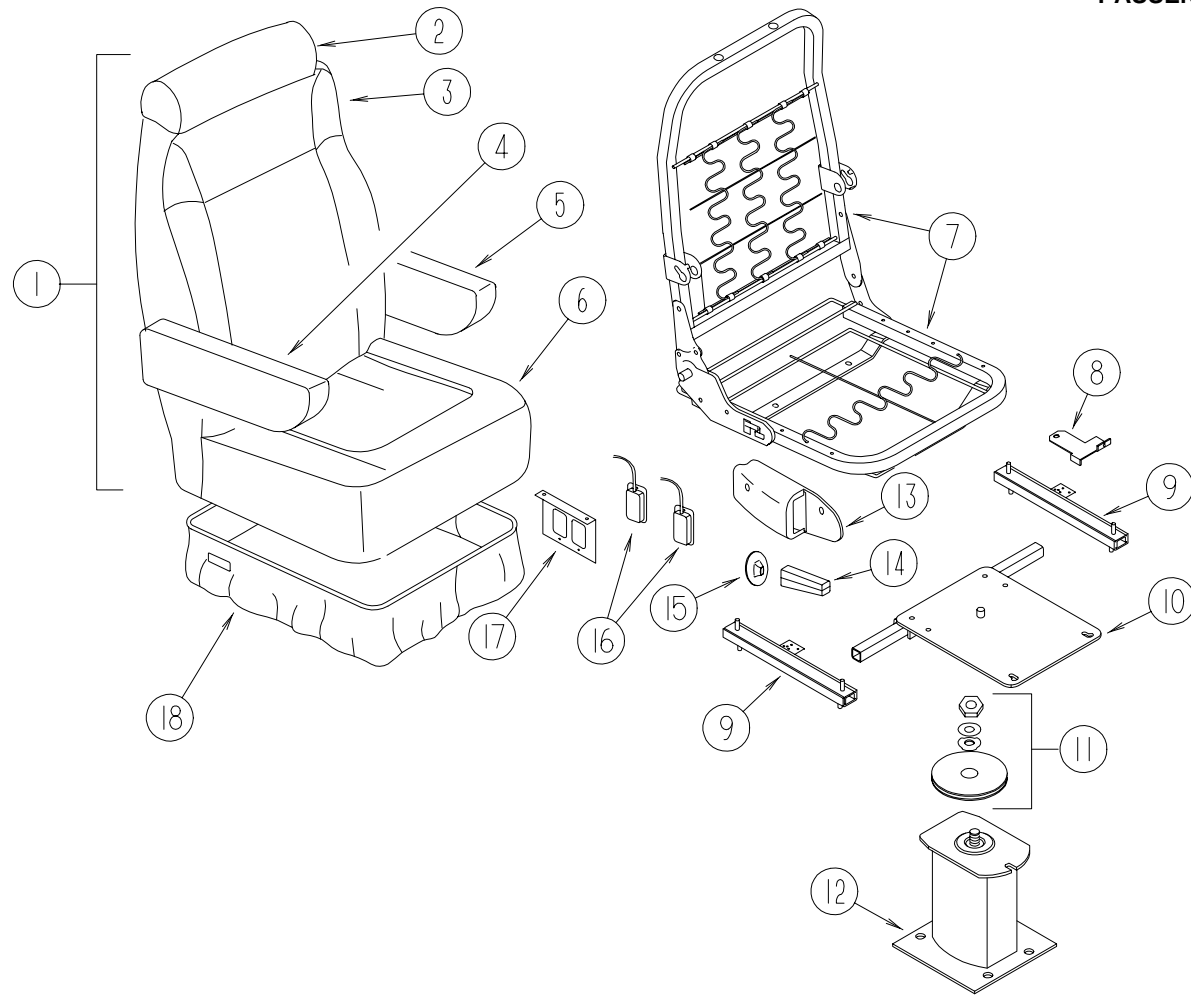


KEY	PART NUMBER	U/M DESCRIPTION
1	127540-01-J22	EA SEAT - BUCKET - DRIVER - W/LUMBAR SUPPORT (J22,J23)
1	127540-01-J24	EA SEAT - BUCKET - DRIVER - W/LUMBAR SUPPORT (J24,J25)
1	127540-01-J26	EA SEAT - BUCKET - DRIVER - W/LUMBAR SUPPORT (J26,J27)
1	127540-01-J50	EA SEAT - BUCKET - DRIVER - W/LUMBAR SUPPORT (J28,J29)
1	127540-10-J22	EA SEAT - BUCKET - DRIVER - W/LUMBAR SUPPORT (LEATHER OPTION)
2	119509-01-J22	EA HEADREST - BUCKET SEAT (J22,J23)
2	119509-01-J24	EA HEADREST - BUCKET SEAT (J24,J25)
2	119509-01-J26	EA HEADREST - BUCKET SEAT (J26,J27)
2	119509-01-J50	EA HEADREST - BUCKET SEAT (J28,J29)
2	119509-02-J22	EA HEADREST - BUCKET SEAT (LEATHER OPTION)
2	P19509-01-J22	EA COVER - HEADREST (J22,J23)
2	P19509-01-J24	EA COVER - HEADREST (J24,J25)
2	P19509-01-J26	EA COVER - HEADREST (J26,J27)
2	P19509-01-J50	EA COVER - HEADREST (J28,J29)
2	P19509-02-J22	EA COVER - HEADREST (LEATHER OPTION)
	113977-12-000	EA INSERT/HEADREST - W/O LOCK
	113977-13-000	EA INSERT/HEADREST - W/LOCK
	114791-03-000	EA FRAME - HEADREST
3	M05962-71-J22	EA COVER - BACK (J22,J23)
3	M05962-71-J24	EA COVER - BACK (J24,J25)
3	M05962-71-J26	EA COVER - BACK (J26,J27)
3	M05962-71-J50	EA COVER - BACK (J28,J29)
3	M05962-78-J22	EA COVER - BACK (LEATHER OPTION)
	089323-01-000	FT STRIP - POLYENTHYLENE - J-CHANNEL

KEY	PART NUMBER	U/M DESCRIPTION	VENDOR NO.
4	122780-01-J22	EA ARMREST - RIGHT HAND (J22,J23)	
4	122780-01-J24	EA ARMREST - RIGHT HAND (J24,J25)	
4	122780-01-J26	EA ARMREST - RIGHT HAND (J26,J27)	
4	122780-01-J50	EA ARMREST - RIGHT HAND (J28,J29)	
4	122780-03-J22	EA ARMREST - RIGHT HAND (LEATHER OPTION)	
4	P22780-01-J22	EA COVER - ARMREST - RIGHT HAND (J22,J23)	
4	P22780-01-J24	EA COVER - ARMREST - RIGHT HAND (J24,J25)	
4	P22780-01-J26	EA COVER - ARMREST - RIGHT HAND (J26,J27)	
4	P22780-01-J50	EA COVER - ARMREST - RIGHT HAND (J28,J29)	
4	P22780-03-J22	EA COVER - ARMREST - RIGHT HAND (LEATHER OPTION)	
4	115617-03-000	EA ARMREST - W/O COVER - RIGHT HAND	
5	122780-02-J22	EA ARMREST - LEFT HAND (J22,J23)	
5	122780-02-J24	EA ARMREST - LEFT HAND (J24,J25)	
5	122780-02-J26	EA ARMREST - LEFT HAND (J26,J27)	
5	122780-02-J50	EA ARMREST - LEFT HAND (J28,J29)	
5	122780-04-J22	EA ARMREST - LEFT HAND (LEATHER OPTION)	
5	P22780-02-J22	EA COVER - ARMREST - LEFT HAND (J22,J23)	
5	P22780-02-J24	EA COVER - ARMREST - LEFT HAND (J24,J25)	
5	P22780-02-J26	EA COVER - ARMREST - LEFT HAND (J26,J27)	
5	P22780-02-J50	EA COVER - ARMREST - LEFT HAND (J28,J29)	
5	P22780-04-J22	EA COVER - ARMREST - LEFT HAND (LEATHER OPTION)	
5	115617-04-000	EA ARMREST - W/O COVER - LEFT HAND	
6	M05962-40-J22	EA COVER - SEAT - WIDE (J22,J23)	
6	M05962-40-J24	EA COVER - SEAT - WIDE (J24,J25)	
6	M05962-40-J26	EA COVER - SEAT - WIDE (J26,J27)	
6	M05962-40-J50	EA COVER - SEAT - WIDE (J28,J29)	
6	M05962-79-J22	EA COVER - SEAT - BUCKET (LEATHER OPTION)	
7	122695-01-01B	EA FRAME - SEAT/BACK	
8	122611-02-701	EA LUMBAR - LEVER	412
9	122611-02-000	EA LUMBAR - W/LEVER	
10	117125-01-02B	EA BRACKET - CABLE MOUNT - ADJUSTER W/LOCK	
11	119952-06-000	EA SLIDE/SEAT - HEAVY DUTY LOCKING - 4 STUDS	
		FROM: 00-00-00 THRU: 11-02-97	
11	119952-04-000	EA SLIDE/SEAT - HEAVY DUTY LOCKING - 4 STUDS	
		FROM: 11-03-97 THRU: 99-99-99	
	119952-07-000	EA WIRE - LATCH RELEASE/ROTARY	
12	107921-05-000	EA PLATE - TOP - W/SEAT BELT BAR	
13	107921-06-000	EA BEARING KIT - PEDESTAL	
14	107921-07-000	EA PEDESTAL BASE - POWER	
15	107921-01-000	EA PEDESTAL/FLOOR MOUNTED - W/9.75" EXTENSION	
		FROM: 00-00-00 THRU: 01-04-98	
15	107921-14-000	EA PEDESTAL/FLOOR MOUNTED - W/5.75" EXTENSION - MANUAL SEAT	
		FROM: 01-05-98 THRU: 99-99-99	
16	108049-04-000	EA CABLE - W/SWITCHES - W/26" MINI LEVER ACTION	
	108049-02-000	EA CLIP - CABLE/PEDESTAL	
17	127159-01-02B	EA BRACKET - SEAT RELEASE - SINGLE REMOTE	
18	080730-09-000	EA SHIELD - RECLINER HANDLE	
19	080730-08-000	EA HANDLE - RECLINER	
20	080730-11-000	EA SHIELD - RUBBER BOOT	
21	127159-02-02B	EA BRACKET - SEAT RELEASE - DUAL REMOTE	
22	116215-02-000	EA PLATE - UPPER - 6-WAY MANUAL CONTROL	
	007221-01-000	EA SPACER - SEAT/ADJUSTER	
23	116215-01-000	EA PLATE - UPPER PEDESTAL - 6-WAY MANUAL - DRIVER	
24	116215-03-000	EA PLATE - LOWER - 6-WAY MANUAL CONTROL	
25	071126-58-J22	EA SKIRT - SINGLE 10.5" - W/SEAT BELT SLOT (J22,J23)	
25	071126-58-J24	EA SKIRT - SINGLE 10.5" - W/SEAT BELT SLOT (J24,J25)	
25	071126-58-H17	EA SKIRT - SINGLE 10.5" - W/SEAT BELT SLOT (J26,J27)	
25	071126-58-J50	EA SKIRT - SINGLE 10.5" - W/SEAT BELT SLOT (J28,J29)	
25	071126-62-J52	EA SKIRT - SINGLE 10.5" - W/SEAT BELT SLOT (LEATHER OPTION)	
25	071126-60-J22	EA SKIRT - SINGLE 10.5" - 6-WAY MANUAL (J22,J23)	
25	071126-60-J24	EA SKIRT - SINGLE 10.5" - 6 WAY MANUAL (J24,J25)	
25	071126-60-J26	EA SKIRT - SINGLE 10.5" - 6 WAY MANUAL (J26,J27)	
25	071126-60-J28	EA SKIRT - SINGLE 10.5" - 6 WAY MANUAL (J28,J29)	
25	071126-67-J22	EA SKIRT - SINGLE 10.5" - 6 WAY MANUAL (LEATHER OPTION)	

## CURTAIN & CUSHION GROUP (CONTINUED)

### PASSENGER BUCKET SEAT

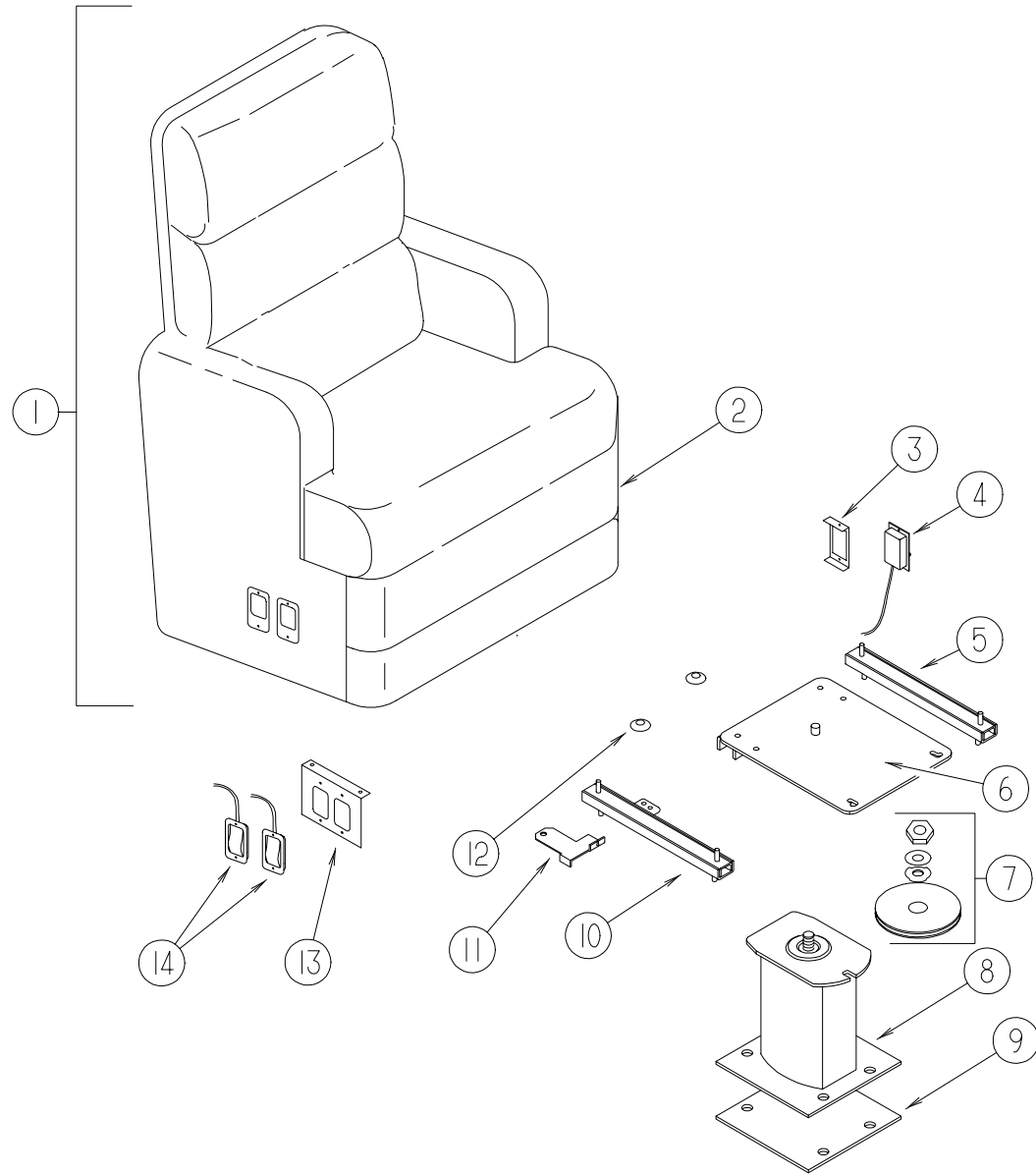


KEY	PART NUMBER	U/M DESCRIPTION
1	127540-02-J22	EA SEAT - BUCKET - PASSENGER - WIDE (J22,J23)
1	127540-02-J24	EA SEAT - BUCKET - PASSENGER - WIDE (J24,J25)
1	127540-02-J26	EA SEAT - BUCKET - PASSENGER - WIDE (J26,J27)
1	127540-02-J50	EA SEAT - BUCKET - PASSENGER - WIDE (J28,J29)
1	127540-11-J22	EA SEAT - BUCKET - PASSENGER - WIDE (LEATHER OPTION)
2	119509-01-J22	EA HEADREST - BUCKET SEAT (J22,J23)
2	119509-01-J24	EA HEADREST - BUCKET SEAT (J24,J25)
2	119509-01-J26	EA HEADREST - BUCKET SEAT (J26,J27)
2	119509-01-J50	EA HEADREST - BUCKET SEAT (J28,J29)
2	119509-02-J22	EA HEADREST - BUCKET SEAT (LEATHER OPTION)
2	P19509-01-J22	EA COVER - HEADREST (J22,J23)
2	P19509-01-J24	EA COVER - HEADREST (J24,J25)
2	P19509-01-J26	EA COVER - HEADREST (J26,J27)
2	P19509-01-J50	EA COVER - HEADREST (J28,J29)
2	P19509-02-J22	EA COVER - HEADREST (LEATHER OPTION)
	113977-12-000	EA INSERT/HEADREST - W/O LOCK
	113977-13-000	EA INSERT/HEADREST - W/LOCK
	114791-03-000	EA FRAME - HEADREST
3	M05962-71-J22	EA COVER - BACK - WIDE (J22,J23)
3	M05962-71-J24	EA COVER - BACK - WIDE (J24,J25)
3	M05962-71-J26	EA COVER - BACK - WIDE (J26,J27)
3	M05962-71-J50	EA COVER - BACK - WIDE (J28,J29)
3	M05962-78-J22	EA COVER - BACK - BUCKET (LEATHER OPTION)
	089323-01-000	FT STRIP - POLYENTHYLENE - J-CHANNEL

KEY	PART NUMBER	U/M DESCRIPTION
4	122780-01-J22	EA ARMREST - RIGHT HAND (J22,J23)
4	122780-01-J24	EA ARMREST - RIGHT HAND (J24,J25)
4	122780-01-J26	EA ARMREST - RIGHT HAND (J26,J27)
4	122780-01-J50	EA ARMREST - RIGHT HAND (J28,J29)
4	122780-03-J22	EA ARMREST - RIGHT HAND (LEATHER OPTION)
4	P22780-01-J22	EA COVER - ARMREST - RIGHT HAND (J22,J23)
4	P22780-01-J24	EA COVER - ARMREST - RIGHT HAND (J24,J25)
4	P22780-01-J26	EA COVER - ARMREST - RIGHT HAND (J26,J27)
4	P22780-01-J50	EA COVER - ARMREST - RIGHT HAND (J28,J29)
4	115617-03-000	EA ARMREST - W/O COVER - RIGHT HAND
5	122780-02-J22	EA ARMREST - LEFT HAND (J22,J23)
5	122780-02-J24	EA ARMREST - LEFT HAND (J24,J25)
5	122780-02-J26	EA ARMREST - LEFT HAND (J26,J27)
5	122780-02-J50	EA ARMREST - LEFT HAND (J28,J29)
5	122780-04-J22	EA ARMREST - LEFT HAND (LEATHER OPTION)
5	P22780-02-J22	EA COVER - ARMREST - LEFT HAND (J22,J23)
5	P22780-02-J24	EA COVER - ARMREST - LEFT HAND (J24,J25)
5	P22780-02-J26	EA COVER - ARMREST - LEFT HAND (J26,J27)
5	P22780-02-J50	EA COVER - ARMREST - LEFT HAND (J28,J29)
5	P22780-04-J22	EA COVER - ARMREST - LEFT HAND (LEATHER OPTION)
5	115617-04-000	EA ARMREST - W/O COVER - LEFT HAND
6	M05962-40-J22	EA COVER - SEAT - WIDE (J22,J23)
6	M05962-40-J24	EA COVER - SEAT - WIDE (J24,J25)
6	M05962-40-J26	EA COVER - SEAT - WIDE (J26,J27)
6	M05962-40-J50	EA COVER - SEAT - WIDE (J28,J29)
6	M05962-79-J22	EA COVER - SEAT - BUCKET (LEATHER OPTION)
7	122695-01-01B	EA FRAME - SEAT/BACK
8	117125-01-02B	EA BRACKET - CABLE MOUNT - ADJUSTER W/LOCK
9	119952-06-000	EA SLIDE/SEAT - HEAVY DUTY LOCKING - 4 STUDS FROM: 00-00-00 THRU: 11-02-97
9	119952-04-000	EA SLIDE/SEAT - HEAVY DUTY LOCKING - 4 STUDS FROM: 11-03-97 THRU: 99-99-99
	119952-07-000	EA WIRE - LATCH RELEASE/ROTARY
10	107921-05-000	EA PLATE - TOP - W/SEAT BELT BAR
11	107921-06-000	EA BEARING KIT - PEDESTAL
12	107921-01-000	EA PEDESTAL/FLOOR MOUNTED - W/9.75" EXTENSION
13	080730-09-000	EA SHIELD - RECLINER HANDLE
14	080730-08-000	EA HANDLE - RECLINER
15	080730-11-000	EA SHIELD - RUBBER BOOT
16	108049-04-000	EA CABLE - W/SWITCHES - W/26" MINI LEVER ACTION
	108049-02-000	EA CLIP - CABLE/PEDESTAL
17	127159-02-02B	EA BRACKET - SEAT RELEASE - DUAL REMOTE
18	071126-58-J22	EA SKIRT - SINGLE 10.5" - W/SEAT BELT SLOT (J22,J23)
18	071126-58-J24	EA SKIRT - SINGLE 10.5" - W/SEAT BELT SLOT (J24,J25)
18	071126-58-H17	EA SKIRT - SINGLE 10.5" - W/SEAT BELT SLOT (J26,J27)
18	071126-58-J50	EA SKIRT - SINGLE 10.5" - W/SEAT BELT SLOT (J28,J29)
18	071126-62-J22	EA SKIRT - SINGLE 10.5" - W/SEAT BELT SLOT (LEATHER OPTION)

## CURTAIN & CUSHION GROUP (CONTINUED)

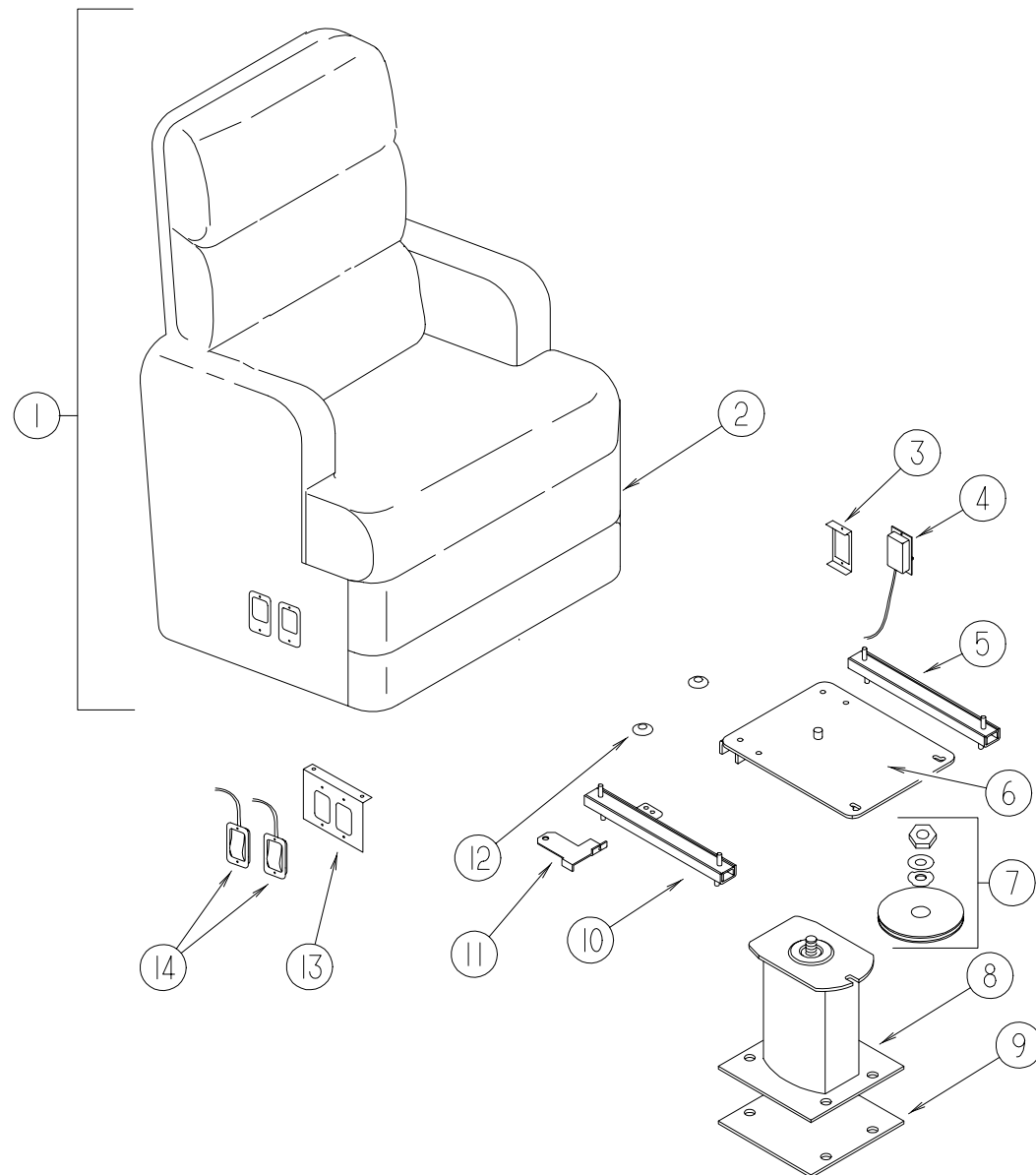
SWIVEL CHAIR (RECLINER) (FROM: 00-00-00 THRU: 11-02-97)



KEY	PART NUMBER	U/M	DESCRIPTION
1	124067-01-J22	EA	CHAIR - RECLINER
1	124067-01-J23	EA	CHAIR - RECLINER
1	124067-01-J24	EA	CHAIR - RECLINER
1	124067-01-J25	EA	CHAIR - RECLINER
1	124067-01-J26	EA	CHAIR - RECLINER
1	124067-01-J27	EA	CHAIR - RECLINER
1	124067-01-J28	EA	CHAIR - RECLINER
1	124067-01-J29	EA	CHAIR - RECLINER
1	P24067-01-J22	EA	COVER - RECLINER CHAIR (J22,J23)
1	P24067-01-J24	EA	COVER - RECLINER CHAIR (J24,J25)
1	P24067-01-J26	EA	COVER - RECLINER CHAIR (J26,J27)
1	P24067-01-J28	EA	COVER - RECLINER CHAIR (J28,J29)
	P18302-27-J22	EA	COVER - ARMREST - UNIVERSAL (J22,J23)
	P18302-27-J24	EA	COVER - ARMREST - UNIVERSAL (J24,J25)
	P18302-27-J26	EA	COVER - ARMREST - UNIVERSAL (J26,J27)
	P18302-27-J28	EA	COVER - ARMREST - UNIVERSAL (J28,J29)
2	118539-01-J22	EA	SKIRT - RECLINER CHAIR (J22,J23)
2	118539-01-J24	EA	SKIRT - RECLINER CHAIR (J24,J25)
2	118539-01-J26	EA	SKIRT - RECLINER CHAIR (J26,J27)
2	118539-01-J50	EA	SKIRT - RECLINER CHAIR (J28,J29)
3	127159-01-02B	EA	BRACKET - SEAT RELEASE - SINGLE REMOTE
4	108049-05-000	EA	FRAME - CABLE - REMOTE RECLINE - W/MINI LEVER ACTION
5	119952-01-000	EA	SLIDE/SEAT - HEAVY DUTY NON LOCKING
6	107921-08-000	EA	TOP PLATE - PEDESTAL - W/O SEAT BELT BAR
7	107921-06-000	EA	BEARING KIT - PEDESTAL
8	107921-01-000	EA	PEDESTAL/FLOOR MOUNTED - W/9.75" EXTENSION
9	108445-02-000	EA	PLATE/FLOOR MOUNTED - PEDESTAL SEAT
10	119952-03-000	EA	SLIDE/SEAT - HEAVY DUTY LOCKING - 2 STUDS
11	117125-01-02B	EA	BRACKET - CABLE MOUNT - ADJUSTER W/LOCK
12	007221-01-000	EA	SPACER - SEAT/ADJUSTER
13	127159-02-02B	EA	BRACKET - SEAT RELEASE - DUAL REMOTE
14	108049-04-000	EA	CABLE - W/SWITCHES - W/26" MINI LEVER ACTION
	108049-02-000	EA	CLIP - CABLE/PEDESTAL
	057759-01-000	EA	WASHER BRACKET - SEAT BELT - 4" DIAMETER
	007021-01-000	EA	SEAT BELT - 2" X 90" - BLACK

## CURTAIN & CUSHION GROUP (CONTINUED)

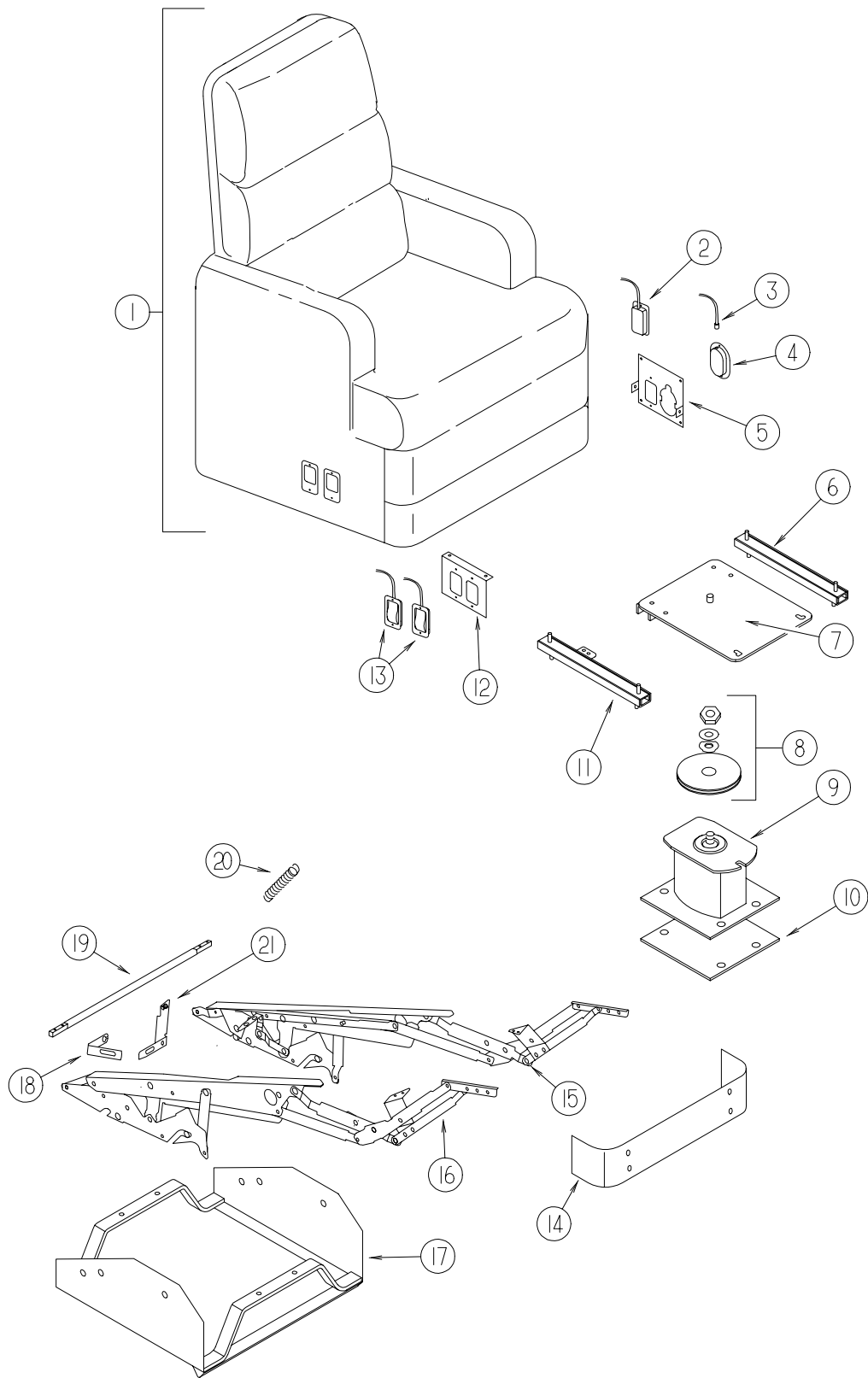
SWIVEL CHAIR (RECLINER) (FROM: 11-03-97 THRU: 01-04-98)



KEY	PART NUMBER	U/M	DESCRIPTION
1	124067-03-J22	EA	CHAIR - RECLINER - W/HEADREST (J22,J23)
1	124067-03-J24	EA	CHAIR - RECLINER - W/HEADREST (J24,J25)
1	124067-03-J26	EA	CHAIR - RECLINER - W/HEADREST (J26,J27)
1	124067-03-J28	EA	CHAIR - RECLINER - W/HEADREST (J28,J29)
1	P24067-02-J22	EA	COVER - CHAIR - RECLINER/W/HEADREST (J22,J23)
1	P24067-02-J24	EA	COVER - CHAIR - RECLINER/W/HEADREST (J24,J25)
1	P24067-02-J26	EA	COVER - CHAIR - RECLINER/W/HEADREST (J26,J27)
1	P24067-02-J28	EA	COVER - CHAIR - RECLINER/W/HEADREST (J28,J29)
	P18302-27-J22	EA	COVER - ARMREST - UNIVERSAL (J22,J23)
	P18302-27-J24	EA	COVER - ARMREST - UNIVERSAL (J24,J25)
	P18302-27-J26	EA	COVER - ARMREST - UNIVERSAL (J26,J27)
	P18302-27-J28	EA	COVER - ARMREST - UNIVERSAL (J28,J29)
2	118539-01-J22	EA	SKIRT - RECLINER CHAIR (J22,J23)
2	118539-01-J24	EA	SKIRT - RECLINER CHAIR (J24,J25)
2	118539-01-J26	EA	SKIRT - RECLINER CHAIR (J26,J27)
2	118539-01-J28	EA	SKIRT - RECLINER CHAIR (J28,J29)
3	127159-01-02B	EA	BRACKET - SEAT RELEASE - SINGLE REMOTE
4	108049-05-000	EA	FRAME - CABLE - REMOTE RECLINE - W/MINI LEVER ACTION
5	119952-01-000	EA	SLIDE/SEAT - HEAVY DUTY NON LOCKING
6	107921-08-000	EA	TOP PLATE - PEDESTAL - W/O SEAT BELT BAR
7	107921-06-000	EA	BEARING KIT - PEDESTAL
8	107921-01-000	EA	PEDESTAL/FLOOR MOUNTED - W/9.75" EXTENSION
9	108445-02-000	EA	PLATE/FLOOR MOUNTED - PEDESTAL SEAT
10	119952-03-000	EA	SLIDE/SEAT - HEAVY DUTY LOCKING - 2 STUDS
11	117125-01-02B	EA	BRACKET - CABLE MOUNT - ADJUSTER W/LOCK
12	007221-01-000	EA	SPACER - SEAT/ADJUSTER
13	127159-02-02B	EA	BRACKET - SEAT RELEASE - DUAL REMOTE
14	108049-04-000	EA	CABLE - W/SWITCHES - W/26" MINI LEVER ACTION
	108049-02-000	EA	CLIP - CABLE/PEDESTAL
	057759-01-000	EA	WASHER BRACKET - SEAT BELT - 4" DIAMETER
	007021-01-000	EA	SEAT BELT - 2" X 90" - BLACK

## CURTAIN & CUSHION GROUP (CONTINUED)

SWIVEL CHAIR (INCLINER) (FROM: 01-05-98 THRU: 99-99-99)

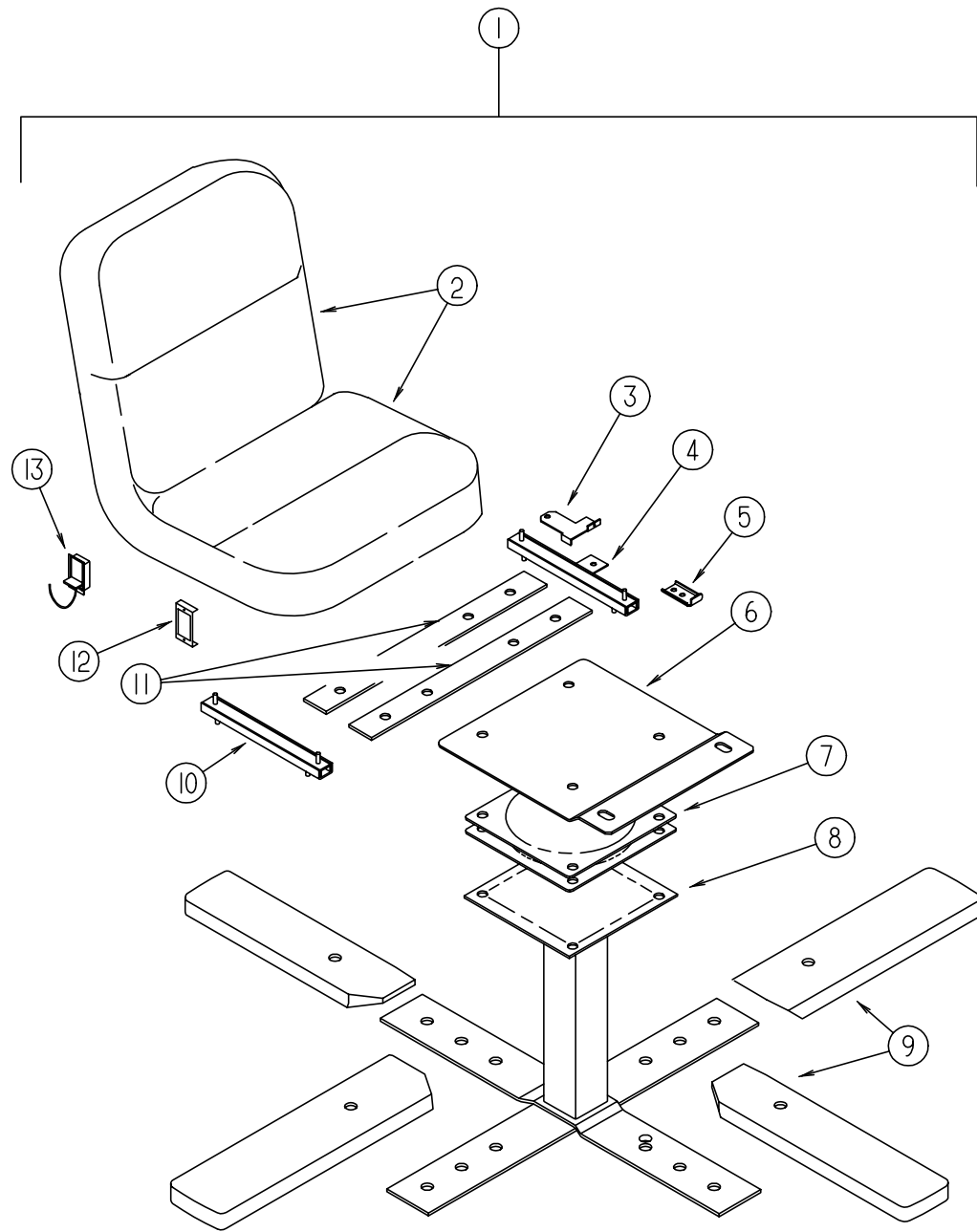


KEY	PART NUMBER	U/M	DESCRIPTION
1	129348-01-J22	EA	CHAIR - INCLINER W/FOOTREST (J22,J23)
1	129348-01-J24	EA	CHAIR - INCLINER W/FOOTREST (J24,J25)
1	129348-01-J26	EA	CHAIR - INCLINER W/FOOTREST (J26,J27)
1	129348-01-J28	EA	CHAIR - INCLINER W/FOOTREST (J28,J29)
1	P29348-01-J22	EA	COVER - CHAIR - INCLINER W/FOOTREST (J22,J23)
1	P29348-01-J24	EA	COVER - CHAIR - INCLINER W/FOOTREST (J24,J25)
1	P29348-01-J26	EA	COVER - CHAIR - INCLINER W/FOOTREST (J26,J27)
1	P29348-01-J28	EA	COVER - CHAIR - INCLINER W/FOOTREST (J28,J29)
2	108049-05-000	EA	FRAME - CABLE - REMOTE RECLINE - W/MINI LEVER ACTION
3	129148-05-000	EA	INCLINER - CABLE - 30"
4	129148-06-000	EA	INCLINER - LEVER F/CABLE
5	129164-01-02B	EA	BRACKET - SEAT RELEASE - REMOTE
6	119952-02-000	EA	SLIDE/SEAT - HEAVY DUTY NON LOCKING
7	107921-08-000	EA	TOP PLATE - PEDESTAL - W/O SEAT BELT BAR
8	107921-06-000	EA	BEARING KIT - PEDESTAL
9	107921-14-000	EA	PEDESTAL/FLOOR MOUNTED - W/5.75" EXTENSION - MANUAL SEAT
10	108445-02-000	EA	PLATE/FLOOR MOUNTED - PEDESTAL SEAT
11	119952-04-000	EA	SLIDE/SEAT - HEAVY DUTY LOCKING - 4 STUDS
12	129162-01-02B	EA	BRACKET - SEAT RELEASE - REMOTE
13	108049-04-000	EA	CABLE - W/SWITCHES - W/26" MINI LEVER ACTION
	108049-02-000	EA	CLIP - CABLE/PEDESTAL
14	119901-04-000	EA	FOOT REST - RECLINER - W/O FOAM/FABRIC
15	129148-01-000	EA	INCLINER - LEFT
16	129148-02-000	EA	INCLINER - RIGHT
17	129173-01-02B	EA	FRAME - INCLINER - E-COATED
	129148-09-000	EA	INCLINER - CLIP/HAIRPIN - 1 7/16 X .07
18	129148-08-000	EA	INCLINER - CLIP F/CABLE
19	129148-10-000	EA	INCLINER TUBE - MODIFIED
20	129148-03-000	EA	SPRING - INCLINER
21	129148-07-000	EA	INCLINER - CABLE F/BREAK RELEASE



# CURTAIN & CUSHION GROUP (CONTINUED)

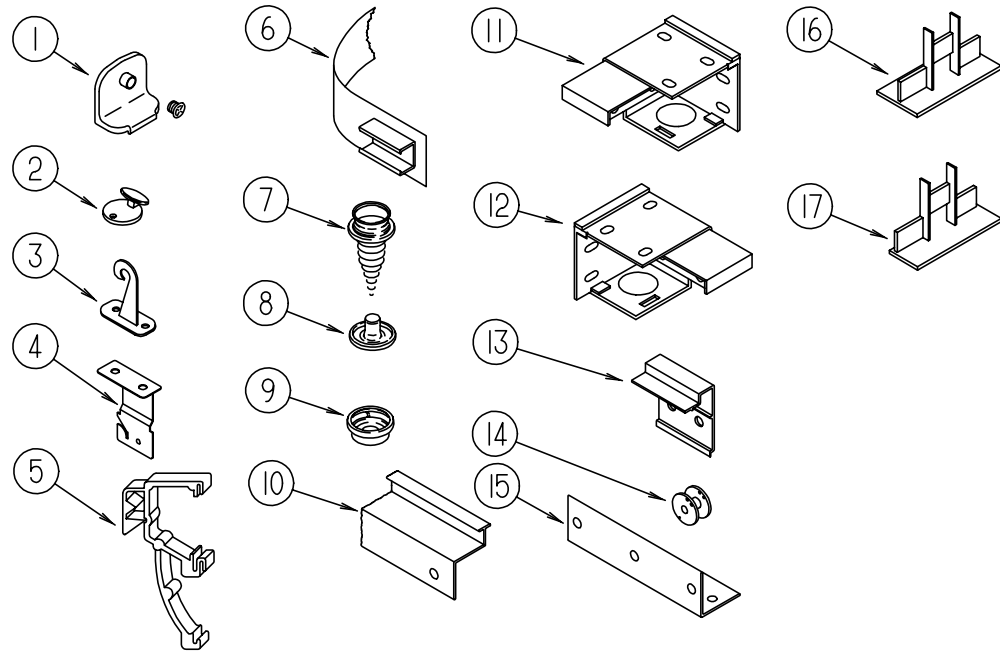
## DINETTE SWIVEL CHAIR ASM



KEY	PART NUMBER	U/M	DESCRIPTION
1	122739-01-J22	EA	CHAIR - SWIVEL (J22,J23)
1	122739-01-J24	EA	CHAIR - SWIVEL (J24,J25)
1	122739-01-J26	EA	CHAIR - SWIVEL (J26,J27)
1	122739-01-J28	EA	CHAIR - SWIVEL (J28,J29)
2	P22739-01-J22	EA	COVER - BACK/SEAT - SWIVEL CHAIR (J22,J23)
2	P22739-01-J24	EA	COVER - BACK/SEAT - SWIVEL CHAIR (J24,J25)
2	P22739-01-J26	EA	COVER - BACK/SEAT - SWIVEL CHAIR (J26,J27)
2	P22739-01-J28	EA	COVER - BACK/SEAT - SWIVEL CHAIR (J28,J29)
3	117125-01-02B	EA	BRACKET - CABLE MOUNT - ADJUSTER W/LOCK
4	119952-04-000	EA	SLIDE/SEAT - HEAVY DUTY LOCKING - 4 STUDS
5	114889-01-000	EA	STOP BAR - UNIVERSAL
6	119705-11-02B	EA	PLATE - SEAT
7	119105-01-000	EA	PLATE - SWIVEL - RETURN-O-MATIC
8	119705-02-03B	EA	PEDESTAL
9	116080-02-J40	EA	COVER - CHAIR LEG - 9.5" WASHED MAPLE
9	116080-02-G35	EA	COVER - CHAIR LEG - 9.5" WATERFORD OAK
10	119952-02-000	EA	SLIDE/SEAT - HEAVY DUTY NONLOCKING
11	120109-01-02B	EA	ADAPTER BRACKET - DINETTE SWIVEL CHAIR
12	097683-03-000	EA	BRACKET - REMOTE/SIDE MOUNT - SINGLE
13	108049-04-000	EA	CABLE/CONTROL 25.5" SHEATH/28.5" CABLE W/DOG LEG
	108049-02-000	EA	CLIP - CABLE/PEDESTAL

# CURTAIN & CUSHION GROUP (CONTINUED)

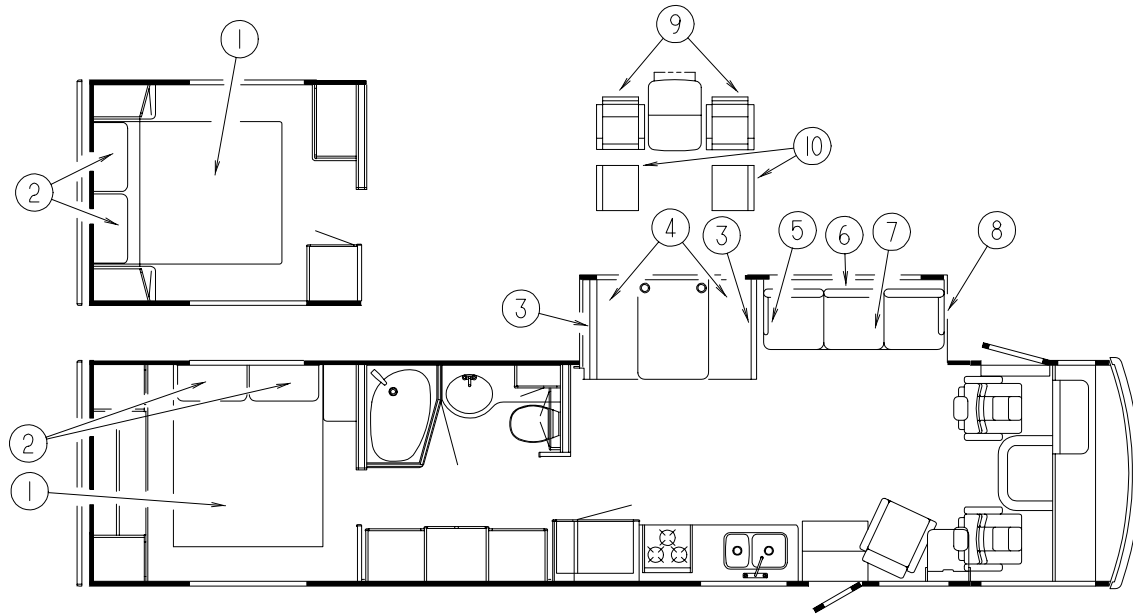
## CURTAIN & BLIND HARDWARE



KEY	PART NUMBER	U/M	DESCRIPTION
1	106544-01-000	EA	PULL - SHADE/BRASS
	106544-01-001	EA	SCREW - SHADE/BRASS
2	102555-03-000	EA	CLEAT - BLIND CORD - MILKY WHITE PLASTIC
3	109441-03-000	EA	HOLD DOWN - BLIND (CLOUDY)
4	084434-01-000	EA	BRACKET - MOUNTING - ROLLER SHADE - 1 3/8"
	096843-01-000	EA	SPRING - REWIND/ROLLER SHADE
5	109353-04-000	EA	CLIP - VALANCE SLAT MOUNTING - CLEAR PLASTIC
6	101031-01-000	YD	TAPE - GLIDE/CURTAIN - 4.25" SPACING
7	029130-01-000	EA	SCREW - SNAP SOCKET - #8 PH X 5/8"
8	029155-01-000	EA	CAP - SNAP - 5/32" O.D. OF PIN
	046867-03-000	EA	GROMMET - HANDY BUTTON #3
9	029156-01-000	EA	SOCKET - SNAP - 9/16" O.D.
10	127254-01-02A	EA	TRACK - CURTAIN/RIGHT HAND - TITANIUM
10	127254-02-02A	EA	TRACK - CURTAIN/LEFT HAND - TITANIUM
11	083170-02-000	EA	BRACKET - BLIND - RIGHT SIDE WHEN FACING WINDOW
12	083170-01-000	EA	BRACKET - BLIND - LEFT SIDE WHEN FACING WINDOW
13	097565-01-000	EA	BRACKET - MOUNTING/PLEATED BLIND
14	097592-01-000	EA	SPOOL - CORD - ELEVATED BLIND HOLDUP - CLEAR PLASTIC
15	105648-01-02A	EA	BRACE - VALANCE - OFF/WHITE
16	094907-02-000	EA	END CAP - TOP/PLEATED BLIND - PLASTIC - GRAY
17	094907-04-000	EA	HARDWARE - END CAP BOTTOM - PULL TYPE (RH & LH)
	094907-04-700	EA	END CAP-RH BOTTOM BLIND
	094907-04-701	EA	END CAP-LH BOTTOM BLIND
	088792-02-000	YD	VELCRO TAPE - LOOP - .75" - ADHESIVE BACKED - BEIGE
	048394-02-000	YD	VELCRO TAPE - HOOK - ADHESIVE BACK - .75" WIDE - BEIGE
	097591-01-000	EA	SPRING - EXTENSION/PLEATED BLIND
	097593-06-000	FT	CORD - BLIND - PLEATED - PEWTER (J22,J23)
	097593-02-000	FT	CORD - BLIND - PLEATED - GRAY (J24,J25,J26,J27,J28,J29)
	086276-01-000	EA	TAPE - DOUBLE SIDED - 1/2"
	094896-02-000	EA	GROMMET - CORD/PLEATED BLIND - NYLON - GRAY
	097564-04-000	EA	HANDLE - KNOB - E-Z LIFT SHADE - NAVY

**CURTAIN & CUSHION GROUP (CONTINUED)**

**CONTINENTAL SOFA BED (CONTINUED)**



**QUEEN BEDS**

KEY	PART NUMBER	U/M	DESCRIPTION
1	123015-07-000	EA	MATTRESS - INNERSPRING - 60" X 79.5"
1	119141-17-J22	EA	BEDSPREAD/THROW - 60" X 80" (J22,J23)
1	119141-18-J25	EA	BEDSPREAD/THROW - 60" X 80" (J24,J25)
1	119141-18-J26	EA	BEDSPREAD/THROW - 60" X 80" (J26,J27)
1	119141-18-J28	EA	BEDSPREAD/THROW - 60" X 80" (J28,J29)
2	119249-01-000	EA	PILLOW - 20" X 33" - QUEEN
	111637-08-J22	EA	PILLOW - 16" X 16" (J22,J23)
	111637-08-J24	EA	PILLOW - 16" X 16" (J24,J25)
	111637-08-J26	EA	PILLOW - 16" X 16" (J26,J27)
	111637-08-J28	EA	PILLOW - 16" X 16" (J28,J29)

**DINETTE CUSHIONS**

KEY	PART NUMBER	U/M	DESCRIPTION
3	111897-10-J22	EA	CUSHION - BACK - 13.5" X 42" X 5" (J22)
3	111897-10-J23	EA	CUSHION - BACK - 13.5" X 42" X 5" (J23)
3	111897-05-J06	EA	CUSHION - BACK - 13.5" X 42" X 5" (J24,J25)
3	111897-05-J26	EA	CUSHION - BACK - 13.5" X 42" X 5" (J26,J27)
3	111897-05-J50	EA	CUSHION - BACK - 13.5" X 42" X 5" (J28,J29)
3	P11897-10-J22	EA	COVER - BACK - 13.5" X 42" X 5" (J22)
3	P11897-10-J23	EA	COVER - BACK - 13.5" X 42" X 5" (J23)
3	P11897-05-J06	EA	COVER - BACK - 13.5" X 42" X 5" (J24,J25)
3	P11897-05-J26	EA	COVER - BACK - 13.5" X 42" X 5" (J26,J27)
3	P11897-05-J50	EA	COVER - BACK - 13.5" X 42" X 5" (J28,J29)
4	105603-20-J22	EA	CUSHION - SEAT - 23" X 42" X 5" (J22,J23)
4	105603-15-J06	EA	CUSHION - SEAT - 23" X 42" X 5" (J24,J25)
4	105603-15-J26	EA	CUSHION - SEAT - 23" X 42" X 5" (J26,J27)
4	105603-15-J50	EA	CUSHION - SEAT - 23" X 42" X 5" (J28,J29)
4	P05603-20-J22	EA	COVER - SEAT - 23" X 42" X 5" (J22,J23)
4	P05603-15-J06	EA	COVER - SEAT - 23" X 42" X 5" (J24,J25)
4	P05603-15-J26	EA	COVER - SEAT - 23" X 42" X 5" (J26,J27)
4	P05603-15-J50	EA	COVER - SEAT - 23" X 42" X 5" (J28,J29)
	078155-01-000	EA	STRAP - SNAP - BACK CUSHION

**CONTINENTAL SOFA BED**

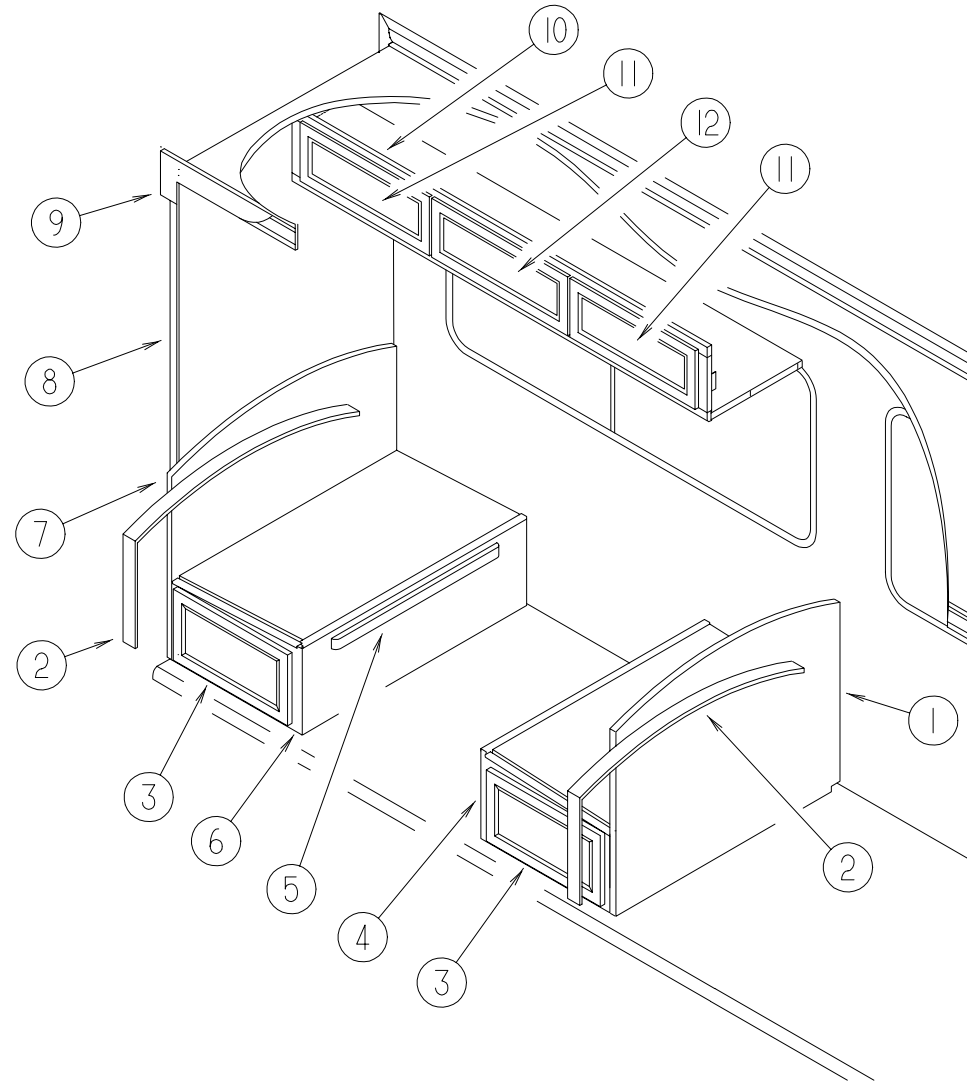
KEY	PART NUMBER	U/M	DESCRIPTION
5	127840-01-J22	EA	PANEL - RIGHT END - SOFA/BED - FABRIC COVERED (J22,J23)
5	127840-01-J24	EA	PANEL - RIGHT END - SOFA/BED - FABRIC COVERED (J24,J25)
5	127840-01-J26	EA	PANEL - RIGHT END - SOFA/BED - FABRIC COVERED (J26,J27)
5	127840-01-J28	EA	PANEL - RIGHT END - SOFA/BED - FABRIC COVERED (J28,J29)

KEY	PART NUMBER	U/M	DESCRIPTION
5	127562-01-J22	EA	ARMREST/REMOVABLE - RIGHT HAND (J22,J23)
5	127562-01-J24	EA	ARMREST/REMOVABLE - RIGHT HAND (J24,J25)
5	127562-01-J26	EA	ARMREST/REMOVABLE - RIGHT HAND (J26,J27)
5	127562-01-J50	EA	ARMREST/REMOVABLE - RIGHT HAND (J28,J29)
5	P27562-01-J22	EA	COVER - ARMREST - RIGHT (J22,J23)
5	P27562-01-J24	EA	COVER - ARMREST - RIGHT (J24,J25)
5	P27562-01-J26	EA	COVER - ARMREST - RIGHT (J26,J27)
5	P27562-01-J50	EA	COVER - ARMREST - RIGHT (J28,J29)
6	127561-01-J22	EA	BACK - SOFA/BED - 74" (J22,J23)
6	127561-01-J24	EA	BACK - SOFA/BED - 74" (J24,J25)
6	127561-01-J26	EA	BACK - SOFA/BED - 74" (J26,J27)
6	127561-01-J50	EA	BACK - SOFA/BED - 74" (J28,J29)
6	P27561-01-J22	EA	COVER - BACK - SOFA/BED - 74" (J22,J23)
6	P27561-01-J24	EA	COVER - BACK - SOFA/BED - 74" (J24,J25)
6	P27561-01-J26	EA	COVER - BACK - SOFA/BED - 74" (J26,J27)
6	P27561-01-J50	EA	COVER - BACK - SOFA/BED - 74" (J28,J29)
7	127561-02-J22	EA	SEAT - SOFA/BED - 74" (J22,J23)
7	127561-02-J24	EA	SEAT - SOFA/BED - 74" (J24,J25)
7	127561-02-J26	EA	SEAT - SOFA/BED - 74" (J26,J27)
7	127561-02-J50	EA	SEAT - SOFA/BED - 74" (J28,J29)
7	P27561-02-J22	EA	COVER - SEAT - SOFA/BED - 74" (J22,J23)
7	P27561-02-J24	EA	COVER - SEAT - SOFA/BED - 74" (J24,J25)
7	P27561-02-J26	EA	COVER - SEAT - SOFA/BED - 74" (J26,J27)
7	P27561-02-J50	EA	COVER - SEAT - SOFA/BED - 74" (J28,J29)
8	127840-02-J22	EA	PANEL - LEFT END - SOFA/BED - FABRIC COVERED (J22,J23)
8	127840-02-J24	EA	PANEL - LEFT END - SOFA/BED - FABRIC COVERED (J24,J25)
8	127840-02-J26	EA	PANEL - LEFT END - SOFA/BED - FABRIC COVERED (J26,J27)
8	127840-02-J28	EA	PANEL - LEFT END - SOFA/BED - FABRIC COVERED (J28,J29)
8	127562-02-J22	EA	ARMREST/REMOVABLE - LEFT HAND (J22,J23)
8	127562-02-J24	EA	ARMREST/REMOVABLE - LEFT HAND (J24,J25)
8	127562-02-J26	EA	ARMREST/REMOVABLE - LEFT HAND (J26,J27)
8	127562-02-J50	EA	ARMREST/REMOVABLE - LEFT HAND (J28,J29)
8	P27562-02-J22	EA	COVER - ARMREST - LEFT (J22,J23)
8	P27562-02-J24	EA	COVER - ARMREST - LEFT (J24,J25)
8	P27562-02-J26	EA	COVER - ARMREST - LEFT (J26,J27)
8	P27562-02-J50	EA	COVER - ARMREST - LEFT (J28,J29)
	127335-07-000	EA	FRAME - 8" LEG
	120992-14-J22	EA	PANEL - FRONT KICK - SOFA/BED - FABRIC COVERED - W/DROP TABLE (J22,J23)
	120992-14-J24	EA	PANEL - FRONT KICK - SOFA/BED - FABRIC COVERED - W/DROP TABLE (J24,J25)
	120992-14-J26	EA	PANEL - FRONT KICK - SOFA/BED - FABRIC COVERED - W/DROP TABLE (J26,J27)
	120992-14-J28	EA	PANEL - FRONT KICK - SOFA/BED - FABRIC COVERED - W/DROP TABLE (J28,J29)
	120992-15-J22	EA	PANEL - FRONT KICK - SOFA/BED - FABRIC COVERED (J22,J23)
	120992-15-J24	EA	PANEL - FRONT KICK - SOFA/BED - FABRIC COVERED (J24,J25)
	120992-15-J26	EA	PANEL - FRONT KICK - SOFA/BED - FABRIC COVERED (J26,J27)
	120992-15-J28	EA	PANEL - FRONT KICK - SOFA/BED - FABRIC COVERED (J28,J29)
	116104-03-02B	EA	BRACKET - ZEE W/HOLES
	121906-01-02B	EA	BRACKET - KICKBOARD - E-COATED
	127335-08-000	EA	BRACKET - REMOVABLE ARM/COUCH
	127335-09-000	EA	BRACKET - REMOVABLE ARM/CUSHION
	111637-03-J22	EA	PILLOW - 22" X 22" (J22,J23)
	111637-03-J24	EA	PILLOW - 22" X 22" (J24,J25)
	111637-03-J26	EA	PILLOW - 22" X 22" (J26,J27)
	111637-03-J28	EA	PILLOW - 22" X 22" (J28,J29)

**DINETTE OPTION**

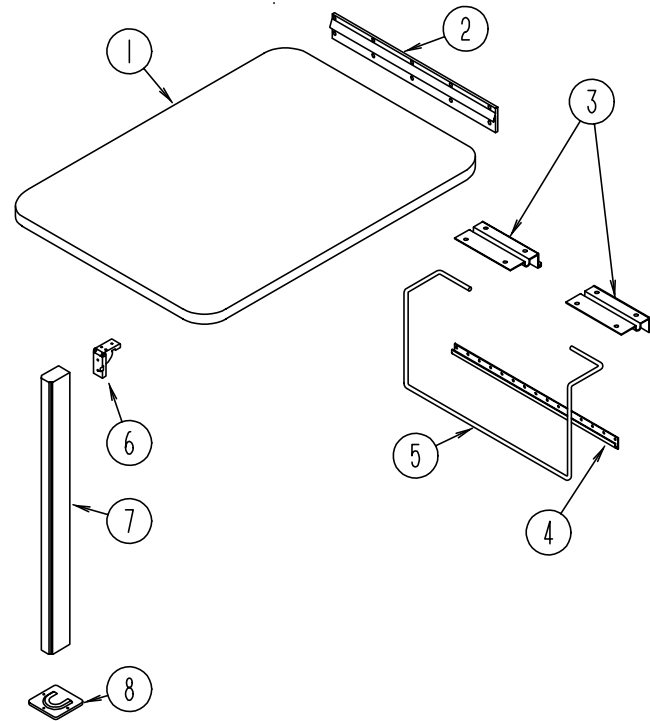
KEY	PART NUMBER	U/M	DESCRIPTION
9	122739-01-J22	EA	CHAIR - SWIVEL (J22,J23)
9	122739-01-J24	EA	CHAIR - SWIVEL (J24,J25)
9	122739-01-J26	EA	CHAIR - SWIVEL (J26,J27)
9	122739-01-J28	EA	CHAIR - SWIVEL (J28,J29)
10	101604-01-03A	EA	CHAIR - FOLDING/DINETTE - WATERFORD OAK - W/O FABRIC
10	101604-01-05A	EA	CHAIR/FOLDING - DINETTE - W/O FABRIC - ANTIQUE WHITE
	099717-04-000	EA	STRAP - TIE DOWN W/21.3" FEMALE STRAP & 27.2" MALE STRAP

**DINETTE GROUP**  
**DINETTE CABINETRY**



KEY	PART NUMBER	U/M	DESCRIPTION
1	M08755-01-J22	EA	CABINET - SEATBACK/RIGHT HAND - W/O HARDWARE (WATERFORD OAK)
1	M08755-01-J23	EA	CABINET - SEATBACK/RIGHT HAND - W/O HARDWARE (WHITE GRANITE)
2	104787-08-J22	EA	PAD - DINETTE (J22,J23)
2	104787-08-J24	EA	PAD - DINETTE (J24,J25)
2	104787-08-J20	EA	PAD - DINETTE (J26,J27)
2	104787-08-J50	EA	PAD - DINETTE (J28,J29)
3	M05971-KU-J22	EA	DRAWER - OGEE EDGE - 16.6"W X 21.6"D - W/O SLIDES/HARDWARE (WATERFORD OAK)
3	P10163-KV-J23	EA	DRAWER - OGEE EDGE - 16.6"W X 21.6"D - W/O SLIDES/HARDWARE (WHITE GRANITE)
4	M08756-01-J22	EA	CABINET - SEAT BOTTOM/RIGHT HAND - W/O DOORS/DRAWERS/HDW (WATERFORD OAK)
4	M08756-01-J23	EA	CABINET - SEAT BOTTOM/RIGHT HAND - W/O DOORS/DRAWERS/HDW (WHITE GRANITE)
5	081295-01-G01	EA	SUPPORT - BED/DINETTE - 28" LONG (WATERFORD OAK)
5	081295-01-H40	EA	SUPPORT - BED/DINETTE - 28" LONG (WHITE GRANITE)
6	M08756-02-J22	EA	CABINET - SEAT BOTTOM/LEFT HAND - W/O DOORS/DRAWERS/HDW (WATERFORD OAK)
6	M08756-02-J23	EA	CABINET - SEAT BOTTOM/LEFT HAND - W/O DOORS/DRAWERS/HDW (WHITE GRANITE)
7	M08755-02-J22	EA	CABINET - SEATBACK/LEFT HAND - W/O HARDWARE (WATERFORD OAK)
7	M08755-02-J23	EA	CABINET - SEATBACK/LEFT HAND - W/O HARDWARE (WHITE GRANITE)
8	116951-01-G35	EA	MOLDING - WOOD - 3" X 70.5" (WATERFORD OAK)
8	116951-01-H23	EA	MOLDING - WOOD - 3" X 70.5" (WHITE GRANITE)
9	115811-20-J22	EA	OVERLAY - NOVEAU - 7.5" X 23.75" - LEFT HAND (J22,J23)
9	115811-20-J24	EA	OVERLAY - NOVEAU - 7.5" X 23.75" - LEFT HAND (J24,J25)
9	115811-20-J26	EA	OVERLAY - NOVEAU - 7.5" X 23.75" - LEFT HAND (J26,J27)
9	115811-20-J28	EA	OVERLAY - NOVEAU - 7.5" X 23.75" - LEFT HAND (J28,J29)
10	126310-01-J22	EA	CABINET - OVERHEAD/DINETTE - W/O DOORS/HARDWARE (WATERFORD OAK)
10	126310-01-J23	EA	CABINET - OVERHEAD/DINETTE - W/O DOORS/HARDWARE (WHITE GRANITE)
10	126310-02-J22	EA	CABINET - OVERHEAD/DINETTE - W/O DOORS/HARDWARE (WATERFORD OAK) (DELUXE SOUND)
10	126310-02-J23	EA	CABINET - OVERHEAD/DINETTE - W/O DOORS/HARDWARE (WHITE GRANITE) (DELUXE SOUND)
11	M05992-T5-J22	EA	DOOR - STRAIGHT CORNER/OGEE EDGE - 10.8" X 21.8" - W/O HDW (WATERFORD OAK)
11	122715-89-01A	EA	DOOR - MOLDED VINYL - 10.8" X 21.8" - W/O HDW (WHITE GRANITE)
12	M05992-T4-J22	EA	DOOR - STRAIGHT CORNER/OGEE EDGE - 10.8" X 23.8" - W/O HDW (WATERFORD OAK)
12	122715-B2-01A	EA	DOOR - MOLDED VINYL - 10.8" X 23.8" - W/O HDW (WHITE GRANITE)
	058331-08-000	EA	MIRROR - SAFETY GLASS - 24" X 30"

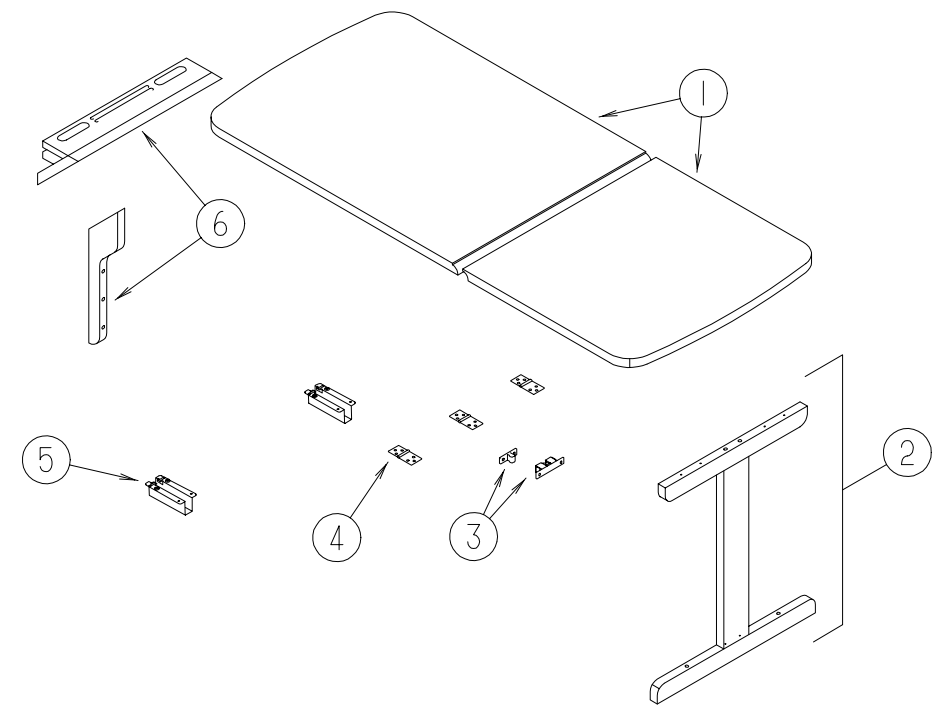
## DINETTE GROUP (CONTINUED)



**DINETTE TABLE**

KEY	PART NUMBER	U/M	DESCRIPTION
1	127121-20-J22	EA	TOP - DINETTE TABLE (J22)
1	127121-20-J23	EA	TOP - DINETTE TABLE (J23,J25,J27,J29)
1	127121-20-J24	EA	TOP - DINETTE TABLE (J24)
1	127121-20-J26	EA	TOP - DINETTE TABLE (J26)
1	127121-20-J28	EA	TOP - DINETTE TABLE (J28)
2	053200-12-000	EA	BRACKET - TABLE SUPPORT - UPPER WALL MOUNTED - 23.50"
3	088410-02-000	EA	BRACKET - LIFT - TABLE MOUNTED
4	024281-14-000	EA	BRACKET - LIFT ROD/LOWER WALL MOUNTED - 22.12"
5	024275-12-000	EA	ROD - TABLE LIFT
6	093550-01-000	EA	BRACKET - HINGE - MOUNTS TO LEG & TABLE TOP - 1.7" X 2.6"
7	092708-06-J01	EA	LEG - TABLE - W/O HARDWARE (SALEM CHERRY)
	092707-04-04A	EA	MOLDING - TABLE LEG - 27" (SALEM CHERRY)
7	092708-06-H23	EA	LEG - TABLE - W/O HARDWARE (WHITE GRANITE)
	092707-04-07A	EA	MOLDING - TABLE LEG - 27" (WHITE GRANITE)
8	049493-12-000	EA	CATCH - TABLE LEG/FLOOR MOUNTED - OFF WHITE
	049493-11-700	EA	CATCH-LEG - FLOOR MOUNTED - 2.5" X 2.7" - METAL - E-COAT

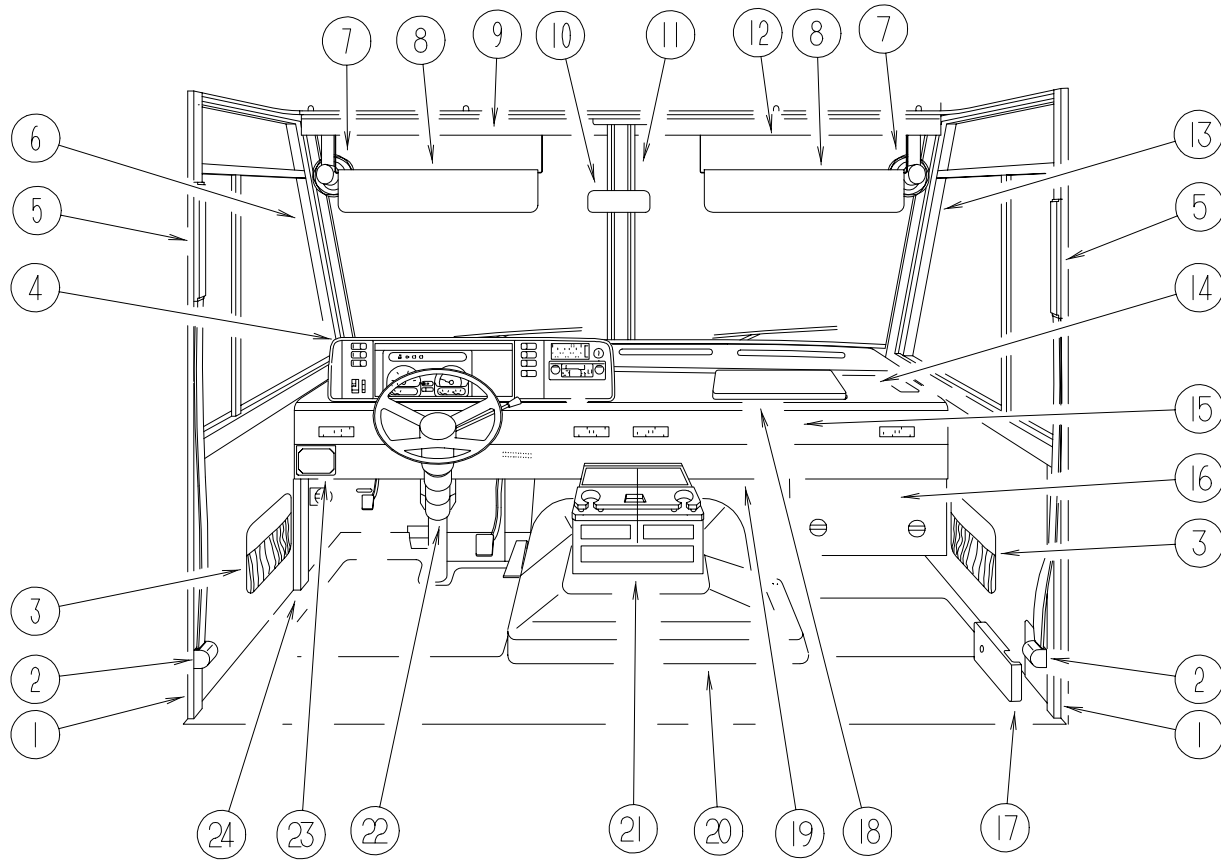
## DINETTE GROUP (CONTINUED)



**DINETTE TABLE ASM. W/ DROP LEAF**

KEY	PART NUMBER	U/M	DESCRIPTION
1	120898-27-J22	EA	TABLE TOP ONLY (WATERFORD OAK)
1	120898-27-J23	EA	TABLE TOP ONLY (WHITE GRANITE)
2	120898-24-H17	EA	LEG - W/O HARDWARE (WATERFORD OAK)
2	120898-24-H23	EA	LEG - W/O HARDWARE (WHITE GRANITE)
3	084451-01-000	EA	CATCH - BRASS
4	120972-01-01A	EA	HINGE - TABLE/ DROP LEAF
5	120973-01-000	EA	SUPPORT - TABLE/ DROP LEAF - PAIR
6	120898-25-H07	EA	MOUNT - WALL - DROP LEAF TABLE (WATERFORD OAK)
6	120898-25-J23	EA	MOUNT - WALL - DROP LEAF TABLE (WHITE GRANITE)

**DRIVERS COMPARTMENT GROUP  
LOWER DRIVER COMPARTMENT**

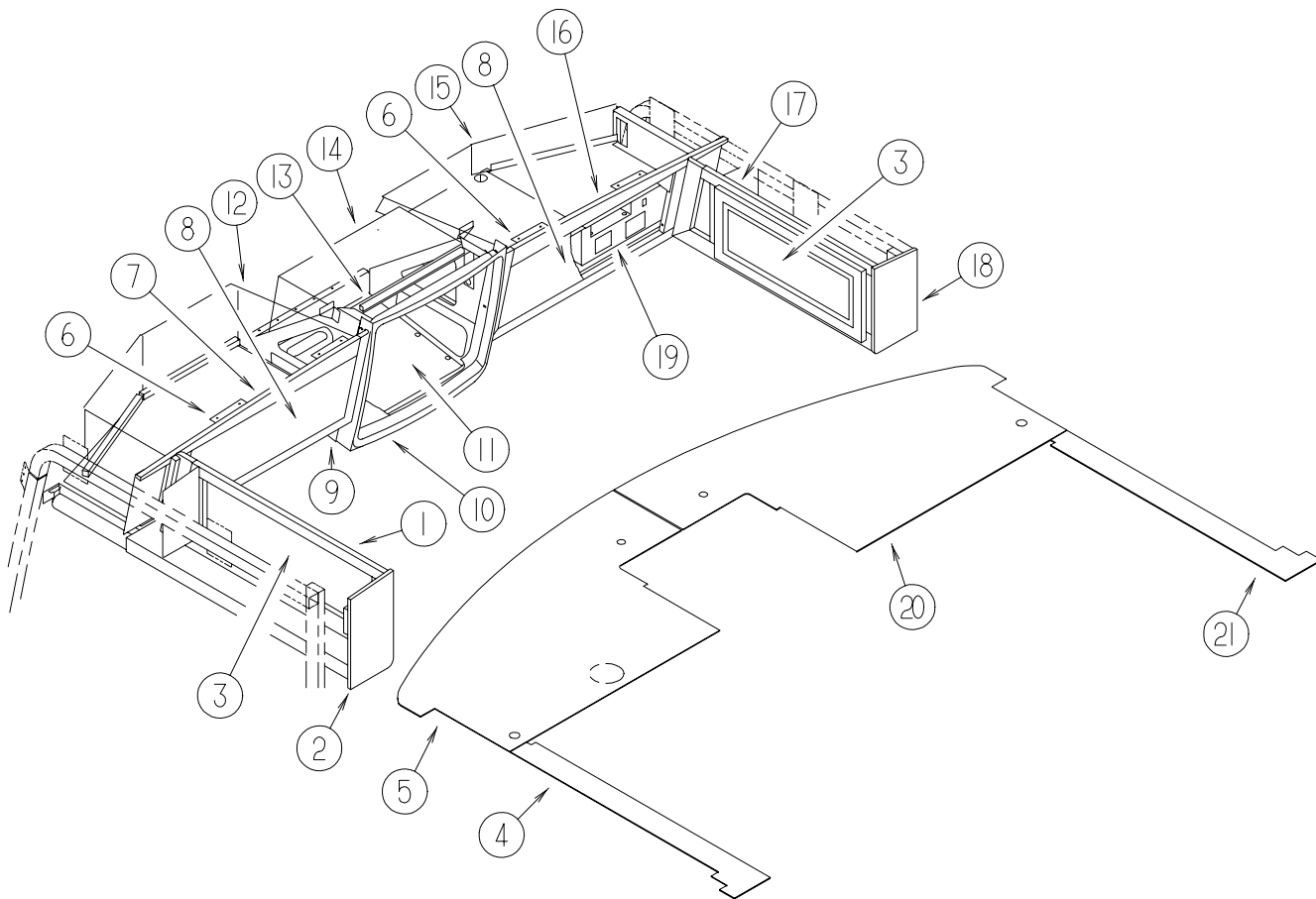


KEY	PART NUMBER	U/M DESCRIPTION
1	024700-51-000	EA COVER - ROLL BAR
2	091990-05-01A	EA SEAT BELT/SHOULDER HARNESS - DRIVER/PASSENGER - BLACK
	127598-01-01A	EA ADJUSTER - SEATBELT - D-LOOP - ADJUSTER
	091990-01-701	EA EXTENDER 9" FOR A8408 3 PT
	109146-01-000	EA BOLT - SHOULDER/SEAT BELT
	127598-02-000	EA NUT - HEX FLANGE - M10 X 1.5 - CLASS 10
	128444-01-000	EA WASHER - SPRING - CONICAL
3	086120-10-J22	EA PAD - MAP POCKET - 12" X 16" (J22,J23)
3	086120-10-J24	EA PAD - MAP POCKET - 12" X 16" (J24,J25)
3	086120-10-J26	EA PAD - MAP POCKET - 12" X 16" (J26,J27)
3	086120-10-J28	EA PAD - MAP POCKET - 12" X 16" (J28,J29)
4	M05946-54-J22	EA DASH POD - FORD - W/O CLUSTER
5	127721-01-01A	EA COVER - SLIDE - OFF WHITE
5	127798-01-01A	EA COVER - SLIDE - INNER - BLACK - 1.5" X 11.4"
6	125508-02-01A	EA TRIM - A-PILLAR - INTERIOR - ANTELOPE
	123045-11-02A	EA BACKING - SCREW - ANTELOPE
7	122856-01-01A	EA FAN - DEFROSTER - 2 SPEED W/SWIVEL BASE/NON - OSCILATING - CHROME
8	123298-02-04A	EA SUNVISOR - 10.5" X 28.5"
9	118453-04-01A	EA TRIM - WINDSHIELD - INNER/TOP/DRIVER

KEY	PART NUMBER	U/M DESCRIPTION
10	040714-01-000	EA MIRROR - REAR VIEW/ARM MOUNT & SET SCREW
	067490-01-000	EA BUTTON - MIRROR/REAR VIEW
11	118452-04-01A	EA TRIM - WINDSHIELD - CENTER - ANTELOPE
12	118453-03-01A	EA TRIM - WINDSHIELD - INNER/TOP/PASSENGER
13	125508-01-01A	EA TRIM - A-PILLAR - INTERIOR - ANTELOPE
	123045-11-02A	EA BACKING - SCREW - ANTELOPE
14	P26082-10-000	EA DASH - W/O VINYL - E-COATED
15	104354-09-04A	EA APPLIQUE - LOWER DASH - GM/FORD
16	095757-05-H37	EA COVER - HEATER (J22,J23)
16	095757-05-G16	EA COVER - HEATER (J24,J25)
16	095757-05-G15	EA COVER - HEATER (J26,J27,J28,J29)
17	103961-03-01A	EA COVER - BRACKET - SEATBELT/OFF WHITE
18	127692-01-J20	EA TABLE - DASH
18	127597-01-000	EA SLIDE - WORK STATION - DASH
19	104354-09-04A	EA APPLIQUE - LOWER DASH - GM/FORD
20	115840-01-01A	EA COVER - MOTOR - W/O CARPET
	115860-01-01A	EA TRIM - MOTOR COVER
	115850-01-02B	EA RETAINER - LATCH - MOTOR COVER - RIGHT HAND - E-COAT
		FROM: 00-00-00 THRU: 05-17-98
	115850-03-02B	EA RETAINER - LATCH - MOTOR COVER - RIGHT HAND - E-COATED
		FROM: 05-18-98 THRU: 99-99-99
	116581-01-000	EA LATCH - MOTOR COVER
	115852-01-02B	EA STRIKE - LATCH - MOTOR COVER - E-COATED
	116833-01-02B	EA WRENCH - HEX MOTOR COVER - E-COATED
21	126680-01-H17	EA TRAY - BEVERAGE - W/SHELF/CUPHOLDERS - W/O DRAWER (WATERFORD OAK)
21	126680-01-J23	EA TRAY - BEVERAGE - W/SHELF/CUPHOLDERS - W/O DRAWER (WHITE GRANITE)
	126680-14-H17	EA SHELF/CUPHOLDER - W/PADS (WATERFORD OAK)
	126680-14-H37	EA SHELF/CUPHOLDER - W/PADS (WHITE GRANITE)
	126680-15-H17	EA SHELF/CUPHOLDER (WATERFORD OAK)
	126680-15-H37	EA SHELF/CUPHOLDER (WHITE GRANITE)
	126680-16-H17	EA LID - BEVERAGE TRAY (WATERFORD OAK)
	126680-16-J23	EA LID - BEVERAGE TRAY (WHITE GRANITE)
	122717-01-01A	EA PAD - NON SKID - 4" DIAMETER ROUND
	122772-02-02B	EA BRACKET - MOUNTING - BEVERAGE TRAY
22	111521-05-01A	EA COVER - STEERING COLUMN - BLACK
		FROM: 00-00-00 THRU: 02-22-98
22	130111-01-01A	EA COVER - STEERING COLUMN - BLACK
		FROM: 02-23-98 THRU: 99-99-99
	125655-01-01A	EA TRIM - STEERING COLUMN - RIGHT HAND/FORD
		FROM: 00-00-00 THRU: 02-22-98
	125655-03-01A	EA TRIM - STEERING COLUMN - RIGHT HAND/FORD
		FROM: 02-23-98 THRU: 99-99-99
	125655-02-01A	EA TRIM - STEERING COLUMN - LEFT HAND/FORD
		FROM: 00-00-00 THRU: 02-22-98
	125655-04-01A	EA TRIM - STEERING COLUMN - LEFT HAND/FORD
		FROM: 02-23-98 THRU: 99-99-99
23	112236-02-J22	EA BEZEL - F/SLIDEOUT ROOM CONTROL
24	127901-02-01A	EA PANEL - TOEKICK/LEFT HAND - ANTELOPE (W/DRIVER DOOR)
24	127901-01-01A	EA PANEL - TOEKICK/LEFT HAND - ANTELOPE (W/O DRIVER DOOR)

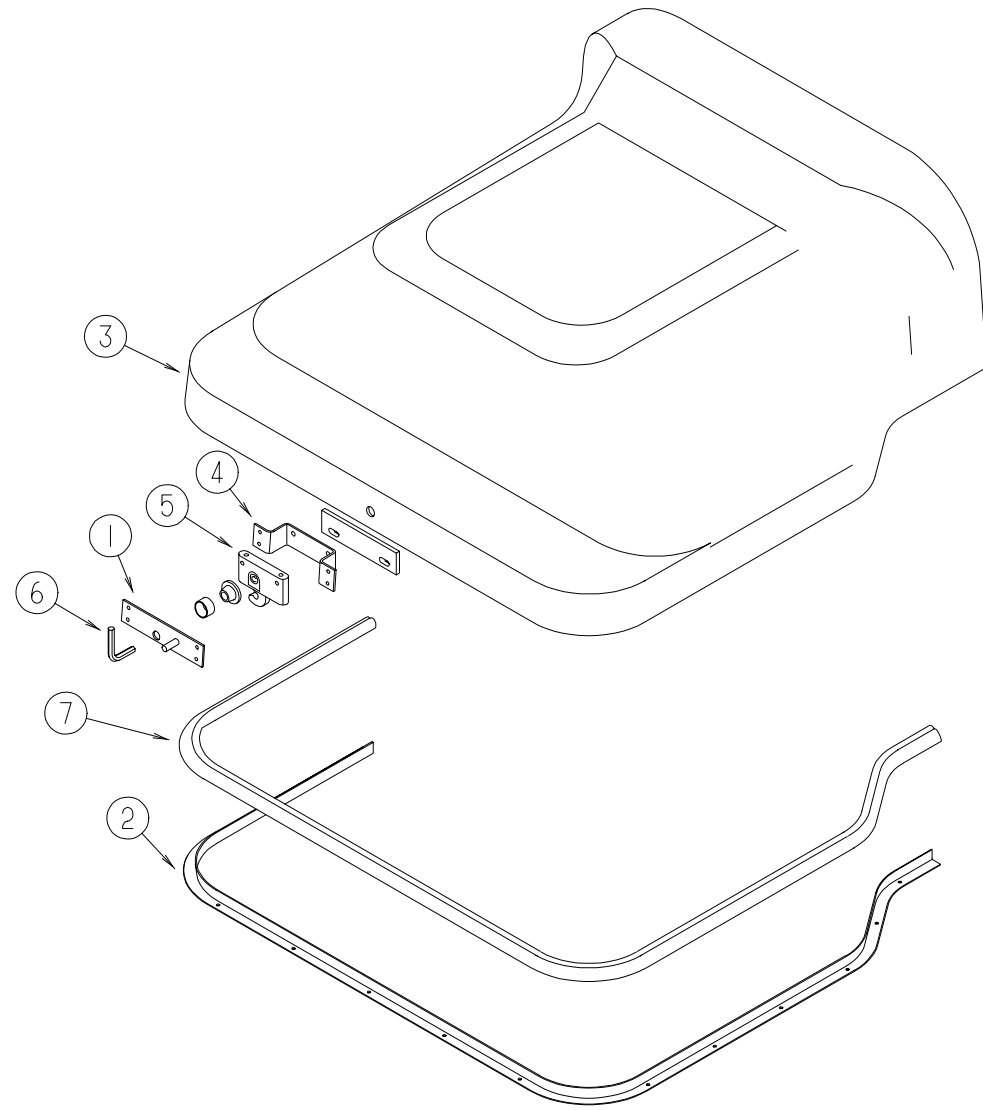
## DRIVERS COMPARTMENT GROUP (CONTINUED)

### UPPER DRIVER COMPARTMENT



KEY	PART NUMBER	U/M	DESCRIPTION
1	126301-02-J22	EA	CABINET - OVERHEAD/FRONT/LEFT HAND - W/O DOORS/HARDWARE (WATERFORD OAK)
1	126301-02-J23	EA	CABINET - OVERHEAD/FRONT/LEFT HAND - W/O DOORS/HARDWARE (WHITE GRANITE)
2	103128-18-J20	EA	END CAP - OVERHEAD CABINET - LEFT HAND (WATERFORD OAK)
2	103128-18-J23	EA	END CAP - OVERHEAD CABINET - LEFT HAND (WHITE GRANITE)
3	M05992-L9-J22	EA	DOOR - STRAIGHT CORNER/OGEE EDGE - 10" X 29.5" - W/O HDW (WATERFORD OAK)
3	122715-87-01A	EA	DOOR - MOLDED VINYL - 10" X 29.5" - W/O HDW (WHITE GRANITE)
4	126443-04-J22	EA	PANEL - OVERHEAD/FRONT - LEFT HAND - 5.8" X 38.4"
5	126440-02-J20	EA	PANEL - OVERHEAD/FRONT - BOTTOM/LEFT HAND
6	106699-01-01A	EA	BRACKET - OVERHEAD CABINET/TV
7	126876-02-J20	EA	CABINET - OVERHEAD/FRONT - LEFT HAND - W/O DOORS/HARDWARE (WATERFORD OAK)
7	126876-02-J23	EA	CABINET - OVERHEAD/FRONT - LEFT HAND - W/O DOORS/HARDWARE (WHITE GRANITE)
8	100708-08-000	EA	DOOR - GLASS - TV CABINET - 9.7" X 27" - W/O HARDWARE
	100707-01-000	EA	SPACER - GLASS DOOR - .8" DIA - .3" HOLE - PLASTIC
	100710-01-01A	EA	LOCK - GLASS DOOR/TWIST TYPE - BRASS
	100711-01-01A	EA	HINGE - GLASS DOOR
9	126006-02-J20	EA	COVER - TV - OVERHEAD/BOTTOM
10	125977-01-02A	EA	COVER - TV - OVERHEAD/FRONT - ANTELOPE
10	126602-02-J22	EA	COVER - FRONT/OVERHEAD - W/O TV OPTION
11	091261-01-000	FT	SLIPNOT - ANTISLIP - 1" WIDE
12	126457-02-J20	EA	PANEL - CLOSEOUT - OVERHEAD FRONT - UPPER/LOWER LEFT HAND
13	114706-04-02B	EA	SUPPORT - SHELF/TV
14	126854-01-J20	EA	PANEL - HEADLINER/TV/TOP
15	126457-01-J20	EA	PANEL - CLOSEOUT - OVERHEAD FRONT - UPPER/LOWER RIGHT HAND
16	126876-01-J20	EA	CABINET - OVERHEAD/FRONT - RIGHT HAND - W/O DOORS/HARDWARE (WATERFORD OAK)
16	126876-01-J23	EA	CABINET - OVERHEAD/FRONT - RIGHT HAND - W/O DOORS/HARDWARE (WHITE GRANITE)
17	126358-02-J22	EA	CABINET - OVERHEAD/FRONT/RIGHT HAND - W/O DOORS/HARDWARE (WATERFORD OAK)
17	126358-02-J23	EA	CABINET - OVERHEAD/FRONT/RIGHT HAND - W/O DOORS/HARDWARE (WHITE GRANITE)
18	103128-17-J20	EA	END CAP - OVERHEAD CABINET - RIGHT HAND (WATERFORD OAK)
18	103128-17-J23	EA	END CAP - OVERHEAD CABINET - RIGHT HAND (WHITE GRANITE)
19	126601-03-J20	EA	PANEL - SHELF - VINYL COVERED - W/O INVERTOR CUTOUT
19	126601-07-J20	EA	PANEL - SHELF - VINYL COVERED - W/INVERTOR CUTOUT
20	126440-01-J20	EA	PANEL - OVERHEAD/FRONT - BOTTOM/RIGHT HAND
21	126443-03-J22	EA	PANEL - OVERHEAD/FRONT - RIGHT HAND - 5.8' X 39.2"

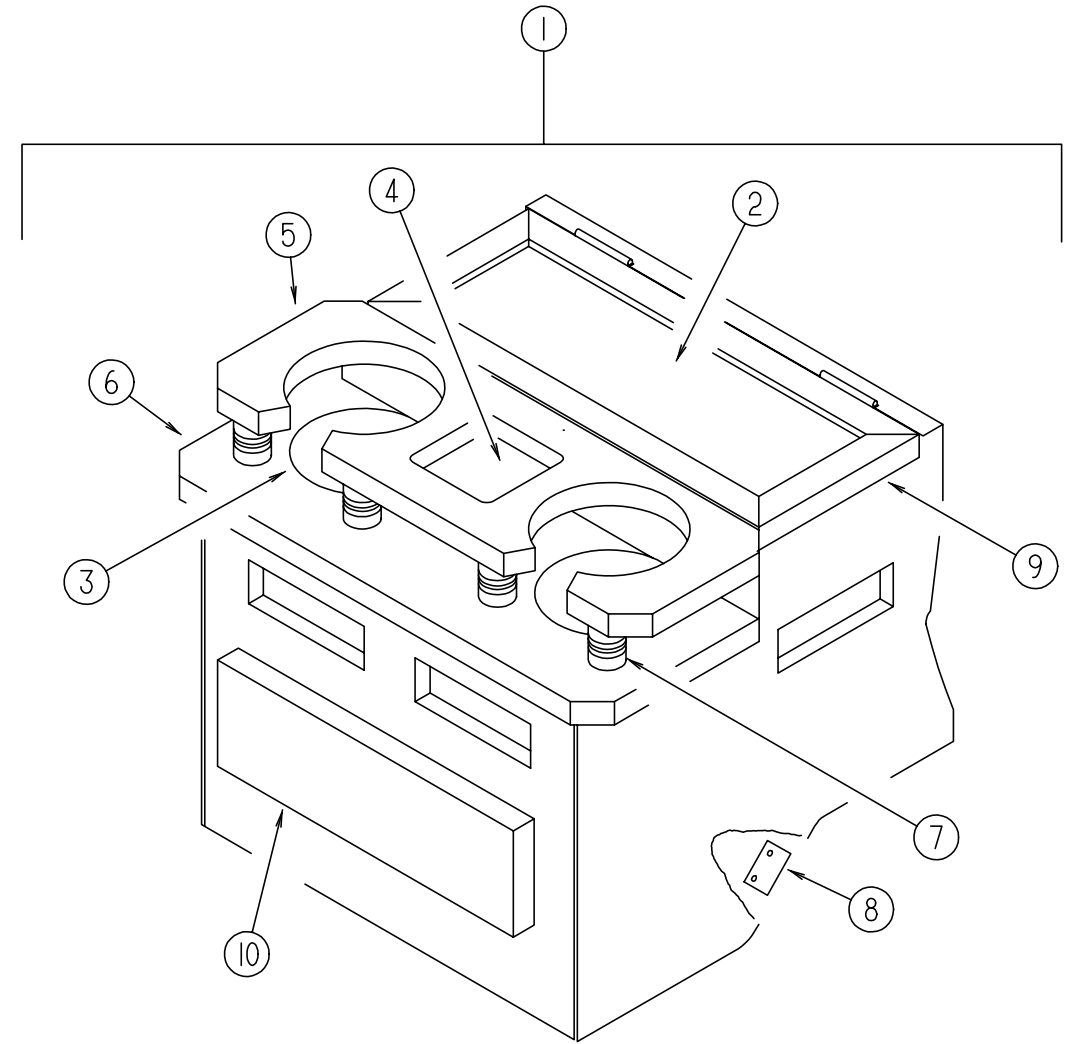
**DRIVERS COMPARTMENT GROUP (CONTINUED)**



**MOTOR COVER**

KEY	PART NUMBER	U/M	DESCRIPTION
1	115852-01-02B	EA	STRIKE - LATCH - MOTOR COVER - E-COATED
2	115860-01-01A	EA	TRIM - MOTOR COVER
3	115840-01-01A	EA	COVER - MOTOR - W/O CARPET
4	115850-01-02B	EA	RETAINER - LATCH - MOTOR COVER - RIGHT HAND - E-COAT FROM: 00-00-00 THRU: 05-17-98
4	115850-03-02B	EA	RETAINER - LATCH - MOTOR COVER - RIGHT HAND - E-COAT FROM: 05-18-98 THRU: 99-99-99
5	116581-01-000	EA	LATCH - MOTOR COVER
6	116833-01-02B	EA	WRENCH - HEX MOTOR COVER - E-COATED
7	039623-01-000	FT	SEAL - MOTOR COVER - RUBBER BULB TYPE

**DRIVERS COMPARTMENT GROUP (CONTINUED)**



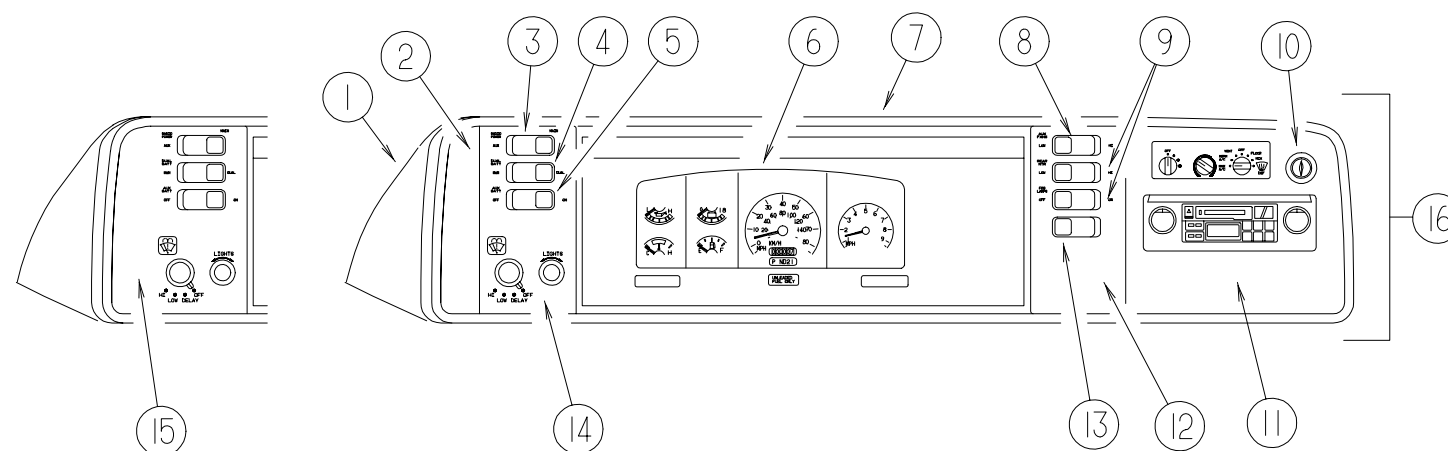
**BEVERAGE TRAY, DRIVER COMPARTMENT**

KEY	PART NUMBER	U/M	DESCRIPTION
1	126680-01-H17	EA	TRAY - BEVERAGE - W/SHELF/CUPHOLDERS - W/O DRAWER (WATERFORD OAK)
1	126680-01-J23	EA	TRAY - BEVERAGE - W/SHELF/CUPHOLDERS - W/O DRAWER (WHITE GRANITE)
2	122717-06-01A	FT	PAD - NON-SKID, PSA - 6.5" X 13.8"
3	122717-01-01A	EA	PAD - NON SKID, PSA - 4" DIAMETER ROUND
4	122717-02-01A	EA	PAD - NON SKID, PSA - 4" X 4"
5	126680-15-H17	EA	SHELF/CUPHOLDER (WATERFORD OAK)
5	126680-15-H37	EA	SHELF/CUPHOLDER (WHITE GRANITE)
6	126680-14-H17	EA	SHELF/CUPHOLDER - W/PADS (WATERFORD OAK)
6	126680-14-H37	EA	SHELF/CUPHOLDER - W/PADS (WHITE GRANITE)
7	097872-04-000	EA	DOWEL - WOOD - 1" DIAMETER X 1.38" LONG
8	122832-01-02B	EA	BRACKET - MOUNTING - BEVERAGE TRAY
9	126680-16-H17	EA	LID - BEVERAGE TRAY (WATERFORD OAK)
9	126680-16-J23	EA	LID - BEVERAGE TRAY (WHITE GRANITE)
10	M05971-AZ-H17	EA	DRAWER - SQUARE EDGE - 10.0"W X 11.8"D - W/O SLIDES/HDW (WATERFORD OAK)
10	P10163-DN-J23	EA	DRAWER - SQUARE EDGE - 9.9"W X 11.8"D - W/O SLIDES/HDW (WHITE GRANITE)
	100128-02-000	FT	SEAL - FOAM/ADHESIVE BACK - .37" WIDE X .37" THICK



## DRIVERS COMPARTMENT GROUP (CONTINUED)

### DASH, GAUGES & SWITCHES (FORD)

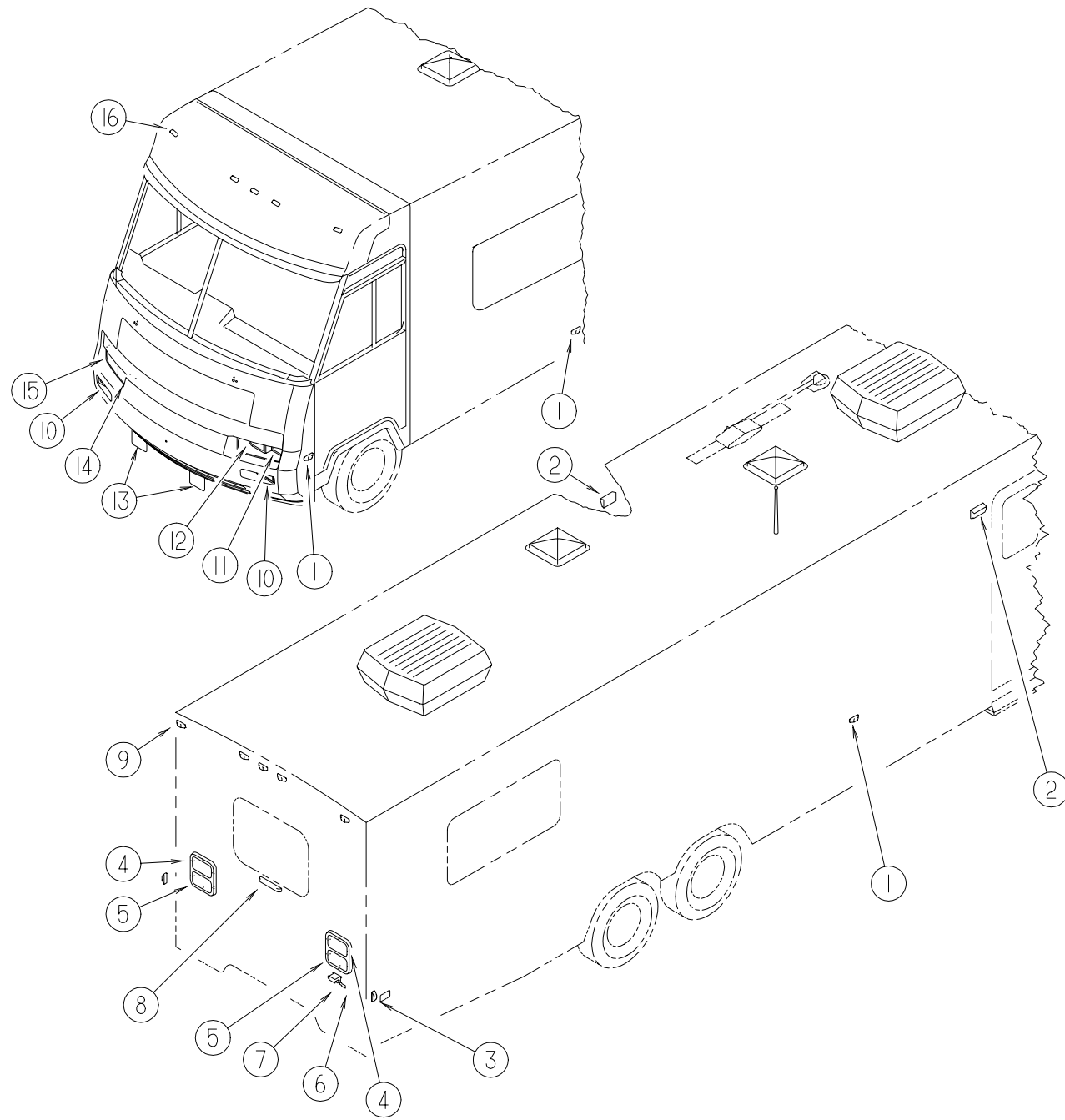


KEY	PART NUMBER	U/M	DESCRIPTION
1	111499-01-06A	EA	POD - INSTRUMENT PANEL - ANTELOPE FROM: 00-00-00 THRU: 04-16-98
1	125677-02-J20	EA	POD - INSTRUMENT PANEL - ANTELOPE FROM: 04-17-98 THRU: 99-99-99
2	104056-01-08A	EA	APPLIQUE - BEZEL - DRIVER DRESS UP
3	108357-08-000	EA	SWITCH - ROCKER DPDT - ON/NONE/ON - 6 TERMINAL
3	108356-02-01A	EA	COVER/ACTUATOR SWITCH - 2 ROWS DIMPLES- CONTURA II - BLACK
4	108357-09-000	EA	SWITCH - ROCKER SPDT - ON/NONE/MOM - 3 TERMINAL
4	108356-02-01A	EA	COVER/ACTUATOR SWITCH - 2 ROWS DIMPLES- CONTURA II - BLACK
5	108357-06-000	EA	SWITCH - ROCKER DPDT - MOM/OFF/MOM - 6 TERMINAL
5	108356-02-01A	EA	COVER/ACTUATOR SWITCH - 2 ROWS DIMPLES- CONTURA II - BLACK
6	N/A	EA	CLUSTER - INSTRUMENT PANEL - KILO/FORD F53 - F5TD-10849-BB
7	103662-05-01A	EA	BEZEL - INSTRUMENT PANEL FROM: 00-00-00 THRU: 02-22-98
7	103662-09-01A	EA	BEZEL - INSTRUMENT PANEL FROM: 02-23-98 THRU: 03-20-98
7	103662-11-01A	EA	BEZEL - INSTRUMENT PANEL FROM: 03-21-98 THRU: 04-14-98
7	103662-12-01A	EA	BEZEL - INSTRUMENT PANEL FROM: 04-15-98 THRU: 99-99-99
8	108357-10-000	EA	SWITCH - ROCKER SPDT - W/LIGHT - MOM/NONE/MOM - 5 TERMINAL
8	108356-04-01A	EA	COVER/ACTUATOR SWITCH - 2 ROWS DIMPLES W/LENS-CONTURAI-BLK

KEY	PART NUMBER	U/M	DESCRIPTION
9	108357-03-000	EA	SWITCH - ROCKER SPDT - ON/OFF/ON - 3 TERMINAL
9	108356-02-01A	EA	COVER/ACTUATOR SWITCH - 2 ROWS DIMPLES- CONTURA II - BLACK
	096241-03-000	EA	SWITCH - BLANK - BLACK
	077942-01-000	EA	SWITCH - DUMMY - BLACK
10	089294-01-000	EA	LIGHTER - CIGARETTE - W/SOCKET & WIRE
11	104056-06-08A	EA	APPLIQUE - BEZEL - PASSENGER DRESS UP - BURLWOOD FROM: 00-00-00 THRU: 05-10-98
11	104056-06-01A	EA	APPLIQUE - BEZEL - PASSENGER DRESS UP - FLAT BLACK FROM: 05-11-98 THRU: 99-99-99
12	104056-21-01A	EA	APPLIQUE - BEZEL - PASSENGER DRESS UP
12	104056-08-01A	EA	APPLIQUE - BEZEL - PASSENGER - 6 SWITCH
13	108357-01-000	EA	SWITCH - ROCKER SPST - ON/OFF - 2 TERMINAL
13	108356-02-01A	EA	COVER/ACTUATOR SWITCH - 2 ROWS DIMPLES- CONTURA II - BLACK
14	104056-24-01A	EA	APPLIQUE - BEZEL - DRIVER DRESS UP
15	104056-39-01A	EA	APPLIQUE - BEZEL - DRIVER DRESS UP
16	M05946-54-J22	EA	DASH POD - FORD - W/O CLUSTER
	100138-01-000	EA	MODULE - DAYTIME/RUNNING LIGHT
	077031-01-000	EA	FILM - BLACK - 1" X 1.75"
	077031-03-000	EA	FILM - WHITE - .75" X 1"
	106569-11-01A	EA	VINYL - LAMINATE - ALLANTE ANTELOPE - 1/4" X 21" X 100"
	111528-07-04A	EA	TRIM - LOWER DASH - PASSENGER - FORD - ANTELOPE
	117306-03-J20	EA	TRIM - DASH/LOWER DRIVER - 15" W/O CUTOUT - FORD/ANTELOPE FROM: 00-00-00 THRU: 10-27-97
	111528-04-04A	EA	TRIM - LOWER DASH - DRIVER - ANTELOPE FROM: 10-28-97 THRU: 99-99-99
	096674-01-000	EA	NUT - HEADLAMP KNOB - BLACK
	096675-01-000	EA	KNOB - HEADLAMP - W/SHAFT
	111904-01-000	EA	CABLE/INDICATOR - TRANSMISSION - 23.1" EYE/EYE

# ELECTRICAL GROUP

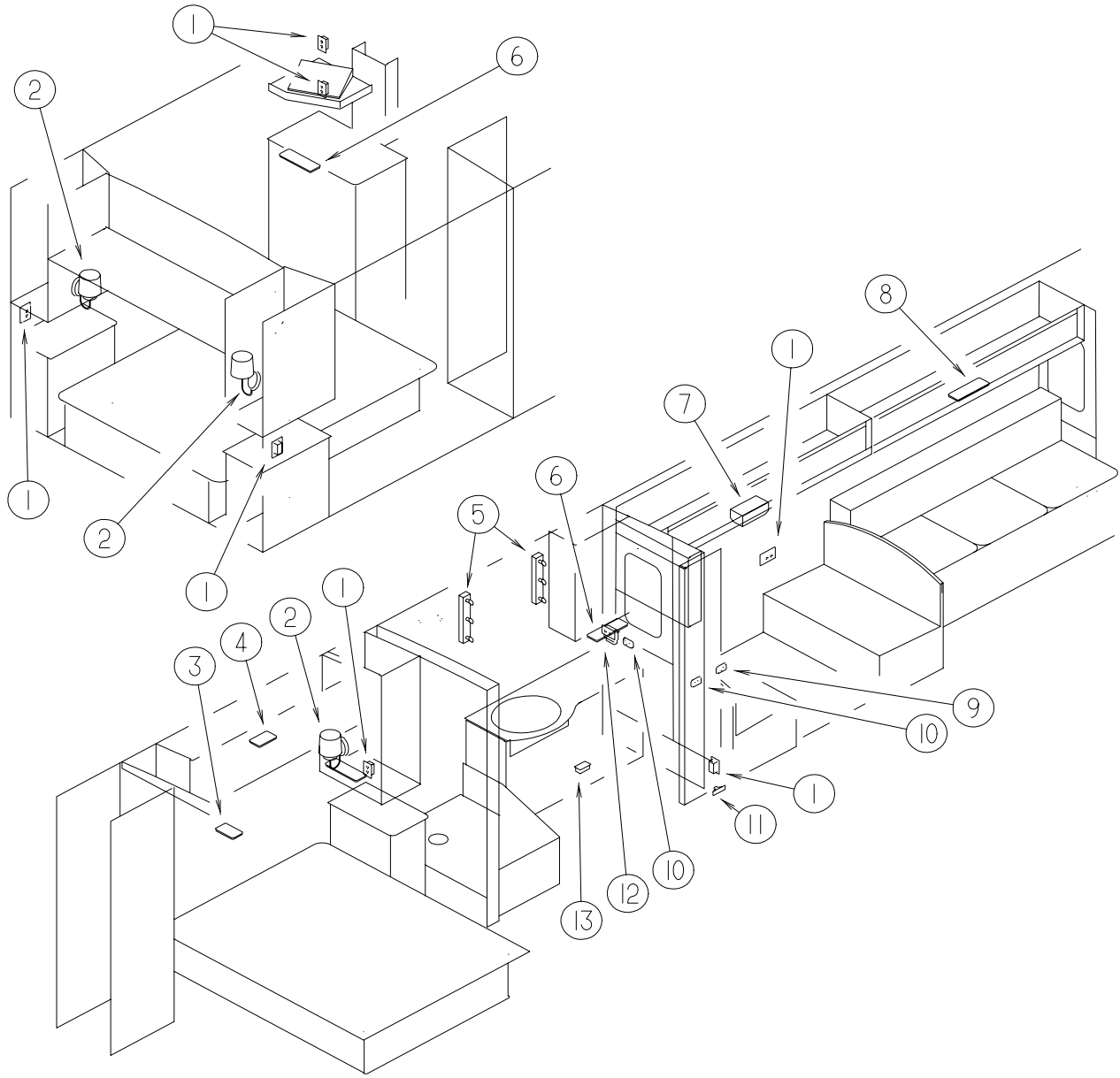
## EXTERIOR LIGHTS



KEY	PART NUMBER	U/M DESCRIPTION
1	111102-02-000	EA LENS - MARKER LAMP - AMBER
1	111102-01-000	EA LAMP - MARKER - BASE
1	036196-01-000	EA BULB - 12 VOLT - #194 - .27 AMP - BAYONETTE
2	097917-01-06A	EA LIGHT - PORCH - BRIGHT WHITE
2	008215-01-000	EA BULB - 12 VOLT - #1003 - .94 AMP
2	097917-01-700	EA LENS - LIGHT - CLEAR
3	111102-03-000	EA LENS - MARKER LAMP - RED
3	111102-01-000	EA LAMP - MARKER - BASE
3	036196-01-000	EA BULB - 12 VOLT - #194 - .27 AMP - BAYONETTE
4	117831-01-000	EA LAMP - STOP/TURN/TAIL/BACKUP - RH
4	117831-02-000	EA LAMP - STOP/TURN/TAIL/BACKUP - LH
	113294-03-000	EA LAMP - PARK/TURN - AMBER - RIGHT HAND
	113294-04-000	EA LAMP - PARK/TURN - AMBER - LEFT HAND
	037935-01-000	EA BULB - 12V - #1157 OR #2057 - 2.1 AMP - CLEAR GLASS BRAKE LIGHT BULB
	037934-01-000	EA BULB - 12V - #1156 - 2.1 AMP CLEAR GLASS BACK UP & TURN SIGNAL BULB
5	126210-01-J20	EA TRIM - TAILLIGHT/DRIVER/PASSENGER - BRIGHT WHITE
6	066432-03-000	EA BRACKET - LICENSE PLATE
7	066432-02-000	EA LIGHT - LICENSE - BLACK
8	121950-01-000	EA LIGHT - BRAKE - CENTER MOUNT
9	127536-01-000	EA LIGHT - CLEARANCE - RED
9	127536-02-000	EA SOCKET - LIGHT - 194 WEDGE
9	036196-01-000	EA BULB - 12 VOLT - #194 - .27 AMP - BAYONETTE
10	106688-02-000	EA LIGHT - AMBER TURN SIGNAL (LENS/BACK PAN)
11	049188-04-000	EA HEADLAMP - DRIVER - HIGH BEAM - HALOGEN
12	049186-04-000	EA HEADLAMP - DRIVER - HIGH/LOW - HALOGEN
13	124215-01-000	EA FOG LIGHT - RECTANGULAR/ CLEAR LENS
	125787-03-J30	EA SUPPORT - FOG LIGHT
14	049185-04-000	EA HEADLAMP - PASSENGER - HIGH/LOW - HALOGEN
15	049187-04-000	EA HEADLAMP - PASSENGER - HIGH BEAM - HALOGEN
	110750-01-000	EA SCREW - HEADLAMP ADJUSTING
	049359-01-000	EA SPRING - RETAINER - HEADLAMP - GM #496096
	119157-01-000	EA SOCKET - SINGLE CONTACT
	119158-01-000	EA SOCKET - DOUBLE CONTACT
16	102520-01-000	EA LIGHT - CLEARANCE - W/O SOCKET CONNECTIONS - AMBER
16	036196-01-000	EA BULB - 12 VOLT - #194 - .27 AMP - BAYONETTE
16	102540-01-000	EA SEAL - SCREW - ROUND - RUBBER
16	102541-01-000	EA GASKET - CLEARANCE LIGHT
16	067789-02-000	EA SOCKET - LAMP

## ELECTRICAL GROUP (CONTINUED)

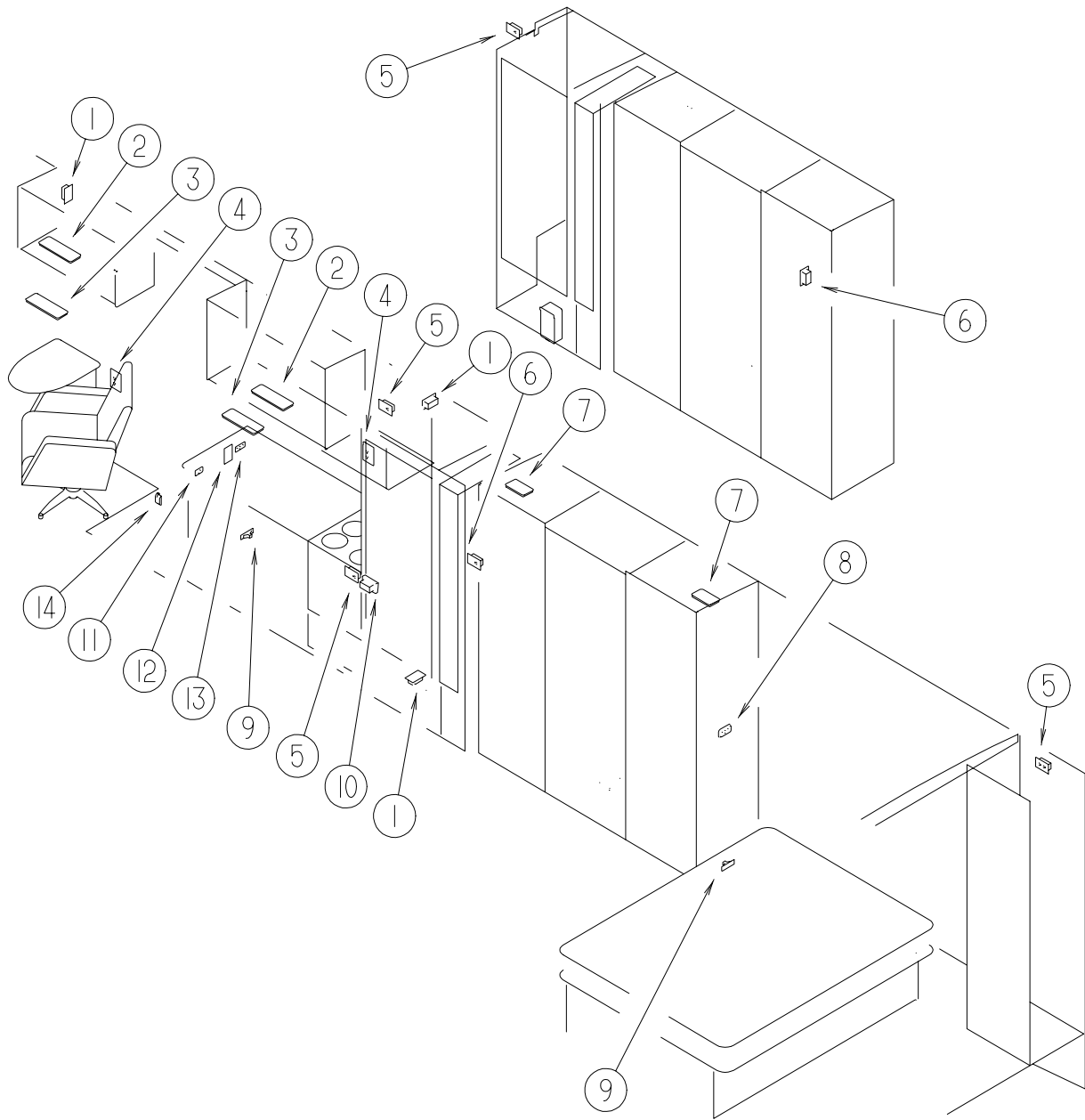
### LIGHTS, RECEPTACLES, & SWITCHES (DRIVER SIDE)



KEY	PART NUMBER	U/M	DESCRIPTION	VENDOR NO.
1	058708-02-000	EA	RECEPTACLE - ELECTRIC - DOUBLE - IVORY	
1	102568-01-GB1	EA	SPACER - RECEPTACLE - BETWEEN SIDEWALL & PLATE - WOOD (WATERFORD OAK)	
1	102568-01-H23	EA	SPACER - RECEPTACLE - BETWEEN SIDEWALL & PLATE - WOOD (WHITE GRANITE)	
2	065202-24-000	EA	LAMP - WALL	
2	117806-01-000	EA	BULB - 12 VOLT #912 - 1.0 AMPS	
2	119257-01-01A	EA	SHADE - LAMP - POTPOUM	
3	098024-01-03A	EA	LIGHT - DOME - 1 BULB - WHITE	
3	008218-01-000	EA	BULB - DOME LIGHT - 12 VOLT - NO. 1141	
3	098024-01-700	EA	LENS-LIGHT	807877
4	098024-05-02A	EA	LIGHT - DOME - 1 BULB - SKYLITE - WHITE	
4	008218-01-000	EA	BULB - DOME LIGHT - 12 VOLT - NO. 1141	
4	098024-01-701	EA	LENS - OPTI CLEAR - SKYLITE	809902
5	110235-01-01A	EA	LIGHT - MAKE UP - 3 BULB - 12 VOLT	
5	081633-01-700	EA	BULB-LIGHT, MAKE-UP	RP1041
6	098024-03-02A	EA	LIGHT - DOME - 2 BULB - WHITE	
6	008218-01-000	EA	BULB - DOME LIGHT - 12 VOLT - NO. 1141	
6	098024-01-700	EA	LENS-LIGHT	807877
7	093575-06-01A	EA	LIGHT - CEILING - FLUTED	
8	098024-06-02A	EA	LIGHT - DOME - 2 BULB - SKYLITE	
8	008218-01-000	EA	BULB - DOME LIGHT - 12 VOLT - NO. 1141	
8	098024-01-701	EA	LENS - OPTI CLEAR - SKYLITE	809902
9	079364-01-000	EA	SWITCH - ON/OFF ROCKER - 2 TERMINAL - BROWN	
9	098351-01-01A	EA	PLATE - SWITCH - 1 GANG POLISHED BRASS	
9	095188-01-01A	EA	SPACER - SWITCH - 2.3" X 3.4" - PLASTIC - DARK BROWN	
10	079364-03-000	EA	SWITCH - ON/OFF ROCKER - 3 TERMINAL - BROWN	
10	079364-01-000	EA	SWITCH - ON/OFF ROCKER - 2 TERMINAL - BROWN	
10	098351-02-01A	EA	PLATE - SWITCH - 2 GANG POLISHED BRASS	
10	095188-01-01A	EA	SPACER - SWITCH - 2.3" X 3.4" - PLASTIC - DARK BROWN	
11	061424-01-000	EA	LIGHT - AISLE - 12 VOLT - RECTANGULAR	
11	008103-01-000	EA	BULB - DASH/AISLE LIGHT - #53 - 12 VOLT - .12 AMP	
12	084076-01-000	EA	RECEPTACLE - GFI - 15 AMP/125 VOLT - IVORY	
13	058707-02-000	EA	RECEPTACLE - BLANK JUNCTION BOX	

## ELECTRICAL GROUP (CONTINUED)

### LIGHTS, RECEPTACLES, & SWITCHES (PASSENGER SIDE)



KEY	PART NUMBER	U/M	DESCRIPTION	VENDOR NO.
1	058707-02-000	EA	RECEPTACLE - BLANK JUNCTION BOX	
2	098024-06-02A	EA	LIGHT - DOME - 2 BULB - SKYLITE	
2	008218-01-000	EA	BULB - DOME LIGHT - 12 VOLT - NO. 1141	
2	098024-01-701	EA	LENS - OPTI CLEAR - SKYLITE	809902
3	098024-03-02A	EA	LIGHT - DOME - 2 BULB - WHITE	
3	008218-01-000	EA	BULB - DOME LIGHT - 12 VOLT - NO. 1141	
3	098024-01-700	EA	LENS-LIGHT	807877
4	058708-02-000	EA	RECEPTACLE - ELECTRIC - DOUBLE - IVORY	
4	102568-01-GB1	EA	SPACER - RECEPTACLE - BETWEEN SIDEWALL & PLATE - WOOD (WATERFORD OAK)	
4	102568-01-H23	EA	SPACER - RECEPTACLE - BETWEEN SIDEWALL & PLATE - WOOD (WHITE GRANITE)	
5	058708-05-000	EA	RECEPTACLE - SINGLE - BROWN	
6	058707-01-000	EA	RECEPTACLE - ELECTRIC - SINGLE - BROWN	
6	058708-01-000	EA	RECEPTACLE - ELECTRIC - DOUBLE - BROWN	
7	098024-01-03A	EA	LIGHT - DOME - 1 BULB - WHITE	
7	008218-01-000	EA	BULB - DOME LIGHT - 12 VOLT - NO. 1141	
7	098024-01-700	EA	LENS-LIGHT	807877
8	079364-03-000	EA	SWITCH - ON/OFF ROCKER - 3 TERMINAL - BROWN	
8	079364-01-000	EA	SWITCH - ON/OFF ROCKER - 2 TERMINAL - BROWN	
8	098351-05-01A	EA	PLATE - SWITCH - 3 GANG POLISHED BRASS	
8	095188-02-01A	EA	SPACER - SWITCH - 2.3" X 4.1" - PLASTIC - DARK BROWN	
9	061424-01-000	EA	LIGHT - AISLE - 12 VOLT - RECTANGULAR	
9	008103-01-000	EA	BULB - DASH/AISLE LIGHT - #53 - 12 VOLT - .12 AMP	
10	112822-01-01A	EA	RECEPTACLE - DUPLEX - IVORY	
10	112824-01-03A	EA	COVER - RECEPTACLE - EXTERIOR DUPLEX	
11	079364-01-000	EA	SWITCH - ON/OFF ROCKER - 2 TERMINAL - BROWN	
11	098351-05-01A	EA	PLATE - SWITCH - 3 GANG POLISHED BRASS	
11	095188-01-01A	EA	SPACER - SWITCH - 2.3" X 3.4" - PLASTIC - DARK BROWN	
12	084076-02-000	EA	RECEPTACLE - GFI - 15 AMP/125 VOLT - BROWN	
13	079364-03-000	EA	SWITCH - ON/OFF ROCKER - 3 TERMINAL - BROWN	
13	098351-05-01A	EA	PLATE - SWITCH - 3 GANG POLISHED BRASS	
13	095188-02-01A	EA	SPACER - SWITCH - 2.3" X 4.1" - PLASTIC - DARK BROWN	
14	116995-01-000	EA	SWITCH/MAGNET - ELECTRIC STEP	

## ELECTRICAL GROUP (CONTINUED)

### CONVERTER & LOAD CENTER

KEY	PART NUMBER	U/M	DESCRIPTION
	083208-02-000	EA	CONVERTER - POWER - 45A - 120/12V
	099048-03-000	EA	INVERTER - 130 WATT
	108915-02-000	EA	LOAD CENTER - 120/240 VOLT - 100 AMP
	109677-01-000	EA	LOAD CENTER - 120 VOLT - 40 AMP
	113132-01-000	EA	LOAD CENTER - 120/240 VOLT - 60 AMP
	123058-02-000	EA	CONVERTER - 45 AMP - ELECTRONIC- 4 1/8" H X 7" W X 12 3/8" L

### ELECTRICAL SWITCHES

KEY	PART NUMBER	U/M	DESCRIPTION
	106071-01-000	EA	SWITCH - AUTOMATIC TRANSFER - 30 AMP - MAGNETEK
	106071-02-000	EA	SWITCH - AUTOMATIC TRANSFER - 50 AMP - MAGNETEK
	108355-01-000	EA	HOUSING - SWITCH
	108357-01-000	EA	SWITCH - ROCKER SPST - ON/OFF - 2 TERMINAL
	108357-08-000	EA	SWITCH - ROCKER SPDT - ON/NONE/ON - 6 TERMINAL

### RECEPTACLES

KEY	PART NUMBER	U/M	DESCRIPTION
	024924-02-000	EA	RECEPTACLE - POWER CORD - W/PARTIAL PLATE
	115930-02-000	EA	INLET - 50 AMP - 240 VOLT - EXTERIOR

### ELECTRICAL BOXES & CORDS

KEY	PART NUMBER	U/M	DESCRIPTION
	008052-01-000	EA	CORD - POWER - 10/3 - 30 AMP - 25' - CANADIAN
	008054-01-000	EA	CORD - POWER - 10/3 - 30 AMP - 25'
	008289-01-000	EA	BOX - ELECTRIC/STEEL - 1/2" & 3/4" KNOCKOUTS - 4" X 4"
	008289-02-000	EA	BOX - ELECTRICAL/STEEL - 4" X 4" - 1/2" & 3/4" KNOCKOUTS - CANADIAN
	008294-01-000	EA	COVER - ELECTRICAL BOX - BLANK STEEL - 4" X 4" - GRAY
	008294-02-000	EA	COVER - ELECTRICAL BOX - BLANK STEEL - 4" X 4" - CANADIAN
	069238-01-000	EA	COVER - ELECTRICAL BOX - W/HOLE - 4" X 4" - GRAY
	074890-01-000	EA	BOX - EXTENSION/STEEL - OPEN SIDES - 4" X 4" X 1 1/2"
	074897-01-000	EA	COVER - ELECTRICAL BOX W/HOLES - 4" X 4"
	091910-01-000	EA	BOX - ELECTRIC - 3.75" X 3.5" X 1.75" - PLASTIC
	091910-02-000	EA	BOX - ELECTRIC - 2.24" X 3.45" X 1.69" - PLASTIC
	108934-01-000	EA	CORD - POWER - 50 AMP - 4 WIRE - 36'
	113096-01-000	EA	CORD - POWER - 50 AMP - 4 WIRE - 4' - CSA
	111509-01-000	EA	BOX - ELECTRICAL - FRONT - E-COATED
	111510-01-000	EA	DOOR/ACCESS PANEL - ELECTRICAL BOX - FRONT
	121470-01-000	EA	CORD - EXTENSION - 6 FOOT - 16-2 WIRE
	113096-01-000	EA	CORD - POWER - 50 AMP - 4 WIRE - 36' - CSA

## ELECTRICAL GROUP (CONTINUED)

### WIRE ASSEMBLIES

KEY	PART NUMBER	U/M	DESCRIPTION
	073328-B4-000	EA	CABLE ASSEMBLY - BATTERY - W/TERMINALS
	081059-02-000	EA	WIRE ASSEMBLY - 9 PIN - F/RADIO
	090986-01-000	EA	WIRE ASSEMBLY - ELECTRIC STEP - KWIKEE 9009
	096449-01-000	EA	WIRE ASSEMBLY - WATER TANK TO MONITOR PANEL
	093040-06-000	EA	WIRE ASM-MONITOR- F/NON PREWIRED AFTER MARKET INSTALLATION
	096717-03-000	EA	WIRE - REAR MONITOR - AFTER MARKET INSTALLATION
	097618-01-000	EA	WIRE ASSEMBLY - MONITOR PANEL- W/3 WIRES & ORANGE RESISTOR ORANGE RESISTOR W/3 (ORANGE-GREEN-BLUE) WIRES
	P27264-02-000	EA	WIRE ASSEMBLY - RADIO AM/FM CASSETTE
	P27516-02-000	EA	WIRE ASSEMBLY - RADIO AM/FM/CD
	102636-02-000	EA	WIRE ASSEMBLY - CLEARANCE LAMPS
	103330-02-000	EA	WIRE ASSEMBLY - OVERHEAD SPEAKERS
	104271-02-000	EA	WIRE ASSEMBLY - TV SPEAKER
	108303-01-000	EA	WIRE ASSEMBLY - REAR AUTO HEATER
	108304-01-000	EA	WIRE ASSEMBLY - INSTRUMENT PANEL - AUXILIARY FANS
	110256-01-000	EA	WIRE ASSEMBLY - INSTRUMENT PANEL - GENERATOR
	111915-03-000	EA	WIRE ASSEMBLY - DAYTIME RUNNING LAMPS - FUSE
	124096-01-000	EA	WIRE - INSTRUMENT PANEL - FOG LAMPS
	126392-01-000	EA	WIRE ASSEMBLY - REMOTE MIRRORS
	113134-03-000	EA	WIRE ASSEMBLY - WIPER/WASHER
	126591-01-02B	EA	CARRIER - WIRE -SLIDEOUT

### CIRCUIT BREAKERS & FUSES

KEY	PART NUMBER	U/M	DESCRIPTION
	062037-01-000	EA	HOUSING - AUTO FUSE - NATURAL
	062037-06-000	EA	HOUSING - AUTO FUSE - BROWN
	108669-01-000	EA	HOUSING - AUTO FUSE HOLDER
	062901-02-000	EA	FUSE - 5 AMPS - AUTOMOTIVE
	062901-05-000	EA	FUSE - 15 AMPS - AUTOMOTIVE
	062901-06-000	EA	FUSE - 20 AMPS - AUTOMOTIVE
	062901-07-000	EA	FUSE - 25 AMPS - AUTOMOTIVE
	062901-08-000	EA	FUSE - 30 AMPS - AUTOMOTIVE
	083209-01-000	EA	CIRCUIT BREAKER - 15 AMP - 120 VOLT - CANADIAN
	083209-02-000	EA	CIRCUIT BREAKER - 15/15 AMP - 120 VOLT
	083209-03-000	EA	CIRCUIT BREAKER - 15/20 AMP - 120 VOLT
	083209-04-000	EA	CIRCUIT BREAKER - 30 AMP - 120 VOLT
	083209-06-000	EA	CIRCUIT BREAKER - 30/15 AMP - 120 VOLT
	093654-01-000	EA	CIRCUIT BREAKER - 6 AMP - 12 VOLT
	093654-02-000	EA	CIRCUIT BREAKER - 15 AMP - 12 VOLT
	093655-03-000	EA	CIRCUIT BREAKER - 40 AMP - 12 VOLT
	108916-01-000	EA	CIRCUIT BREAKER - 50 AMP - 12 VOLT - 2 POLE
	112591-01-000	EA	CIRCUIT BREAKER - 16 AMP - 240 VOLT
	122811-01-000	EA	CIRCUIT BREAKER - 20/50/50/20
	093674-01-000	EA	PLATE - CIRCUIT BREAKER - HOUSE - 8.4" X 4.1" - STEEL
	106656-01-000	EA	FUSE BLOCK - 4 CAVITY - AUTOFUSE

## ELECTRICAL GROUP (CONTINUED)

### ELECTRICAL CONNECTORS & CONDUIT

KEY	PART NUMBER	U/M	DESCRIPTION
	007954-01-000	EA	RECEPTACLE - HOUSING - 6 POSITION
	007956-05-000	EA	INSULATOR - SHRINK - .25 ID X 1.50
	008311-01-000	EA	CONNECTOR - WIRE NUT - INSULATED - RED
	008312-01-000	EA	CONNECTOR - WIRE NUT - INSULATED - BLUE
	008313-01-000	EA	CONNECTOR - WIRE NUT - INSULATED - YELLOW
	008314-01-000	EA	CONNECTOR - WIRE NUT - INSULATED - GRAY
	115932-02-000	EA	CONNECTOR - FEMALE - 50 AMP - 240 VOLT
	008355-01-000	EA	CONNECTOR - CABLE CLAMPING - 3/4"
	008356-01-000	EA	CONNECTOR - PLASTIC - 3/8" AVG
	008398-01-000	EA	CONNECTOR - 1/2" X 90 DEGREE - FLEX CONDUIT - UL & CSA
	041480-01-000	EA	CONNECTOR - STRAIGHT - 1/2' FLEX CONDUIT
	058028-01-000	EA	CONNECTOR - ELECTRICAL PIGTAIL - NYLON - CLEAR
	008356-02-000	EA	CONNECTOR - PLASTIC - 21/32
	008326-01-000	EA	TERMINAL - RING - 16/14 WIRE - 3/8" STUD
	008328-01-000	EA	TERMINAL - RING - 12/10 WIRE - #10 STUD FIT
	008331-01-000	EA	TERMINAL - RING - TONGUE - #4 WIRE - 3/8" STUD - COPPER
	008348-01-000	EA	TERMINAL - RING - 3/8" STUD 2 GA. WIRE
	035416-04-000	EA	TERMINAL - RING - #10 STUD FIT - INSULATED BARREL #16/14
	047443-01-000	EA	TERMINAL - .250 RECEPTACLE FIT - INSULATED - 16/14 AWG
	047443-02-000	EA	TERMINAL - .250 RECEPTACLE FIT - INSULATED - 12/10 AWG
	062036-01-000	EA	TERMINAL - PACK - CON - 12/10 AWG
	062036-02-000	EA	TERMINAL - PACK - CON - 16/14 AWG
	088267-01-000	EA	TERMINAL - FEMALE - 1/4
	098260-01-000	EA	TERMINAL - MALE - 56 SERIES
	113306-01-000	EA	TERMINAL - FEMALE - M/P - 14-16 - F/SEALED TERMINAL
	113307-01-000	EA	TERMINAL - FEMALE - M/P - 16-20
	116811-01-000	EA	TERMINAL - .110 RECEPTACLE - 16-14 AWG
	008394-01-000	FT	CONDUIT - FLEXIBLE - 1/2"
	041953-01-000	FT	CONDUIT - CONVOLUTE SLIT - .5" ID
	041953-03-000	FT	CONDUIT - CONVOLUTE SLIT - 1" ID (CLOTHES ROD COVER)
	041953-05-000	FT	CONDUIT - CONVOLUTE SOLID - .62" ID
	041953-06-000	FT	CONDUIT - CONVOLUTE SLIT - .375" ID
	041953-07-000	FT	CONDUIT - CONVOLUTE SLIT - .25" ID
	041953-08-000	FT	CONDUIT - CONVOLUTE SLIT - 1.50" ID
	041953-09-000	FT	CONDUIT - CONVOLUTE SLIT - .50" ID
	041953-10-000	FT	CONDUIT - CONVOLUTE SLIT - .75" ID
	041953-11-000	FT	CONDUIT - CONVOLUTE SLIT - 1.06" ID
	041953-12-000	FT	CONDUIT - CONVOLUTE NON SLIT - 1.1" ID
	077479-01-000	EA	BOOT - BATTERY TERMINAL - DOUBLE CABLE
	077479-02-000	EA	BOOT - BATTERY TERMINAL - SINGLE CABLE
	080015-02-000	EA	RECEPTACLE - FLAG - .185 - 16/14 GAUGE
	087225-01-000	FT	SLEEVEING - 1/2" - TYPE H
	087225-02-000	FT	SLEEVEING - 5/8" - TYPE H
	087949-01-000	EA	BUSS BAR - 2 POSITION - .6" X 1.5"
	087949-02-000	EA	BUSS BAR - 3 POSITION - .6" X 2.4"
	088473-01-000	EA	HOUSING - PIN - 12 CAVITY
	088473-02-000	EA	HOUSING - PIN - 15 CAVITY
	088473-03-000	EA	HOUSING - PIN - 9 CAVITY
	088473-05-000	EA	HOUSING - PIN - 6 CAVITY
	088473-06-000	EA	HOUSING - PIN - 6 CAVITY
	088473-08-000	EA	HOUSING - PIN - 4 CAVITY
	088473-09-000	EA	HOUSING - PIN - 3 CAVITY
	088473-10-000	EA	HOUSING - PIN - 2 CAVITY
	088474-01-000	EA	HOUSING - SOCKET - 12 CAVITY
	088474-02-000	EA	HOUSING - SOCKET - 15 CAVITY
	088474-03-000	EA	HOUSING - SOCKET - 9 CAVITY
	088474-06-000	EA	HOUSING - SOCKET - 6 CAVITY
	088474-07-000	EA	HOUSING - SOCKET - 5 CAVITY
	088474-08-000	EA	HOUSING - SOCKET - 4 CAVITY
	088474-09-000	EA	HOUSING - SOCKET - 3 CAVITY
	088474-10-000	EA	HOUSING - SOCKET - 2 CAVITY

## ELECTRICAL GROUP (CONTINUED)

### ELECTRICAL CONNECTORS & CONDUIT (CONTINUED)

KEY	PART NUMBER	U/M	DESCRIPTION
	088475-01-000	EA	PIN - CONNECTOR - 14 - 20 AWG
	088475-02-000	EA	PIN - CONNECTOR - 10-12 AWG
	088476-01-000	EA	SOCKET - CONNECTOR - BRASS - PRE-TIN
	088476-02-000	EA	SOCKET - CONNECTOR - 12-10 GA - PRE-TIN
	092786-03-000	EA	BUSS BAR - 6.9" LONG
	098261-02-000	EA	SOCKET - CONNECTOR - WEATHERPACK
	098262-01-000	EA	SEAL - CONNECTOR - WEATHER PACK
	098264-01-000	EA	HOUSING - 2 PIN - WEATHER PACK
	102777-02-000	EA	TERMINAL - RING - #6 STUD - 10 AWG
	103608-01-000	EA	SOCKET - WEDGE BASE W/LEADS
	103987-02-000	EA	SEAL - SOLENOID ACCESS
	104016-01-000	EA	WIRE ASSEMBLY - AUXILIARY FANS
	104100-01-000	EA	HOUSING - 1 POSITION - 75 AMPS
	104100-03-000	EA	TERMINAL - 75 AMP
	106655-01-000	EA	TERMINAL - FUSE BLOCK - 14-16 AWG
	106655-02-000	EA	TERMINAL - FUSE BLOCK - 10-12 AWG
	110178-01-000	EA	HOUSING - WIPER MOTOR
	112823-01-000	EA	SPLICE - REDUCER - 16-14 TO 18-22
	113468-01-000	EA	HOUSING - 2 POSITION - FEMALE (WIPER/WASHER WIRE ASM)
	115556-01-000	EA	HOUSING - 3 POSITION - FEMALE
	115556-02-000	EA	HOUSING - 2 POSITION - FEMALE
	119248-02-000	EA	HOUSING - 7 POSITION - FEMALE
	115931-02-000	EA	COVER - CONNECTOR
	125323-02-000	EA	HOUSING - 8 POSITION - MALE
	125324-01-000	EA	TERMINAL - MALE
	125325-01-000	EA	SEAL - CAVITY
	125323-03-000	EA	LOCK - SECONDARY 8 POSITION

### SOLAR PANEL

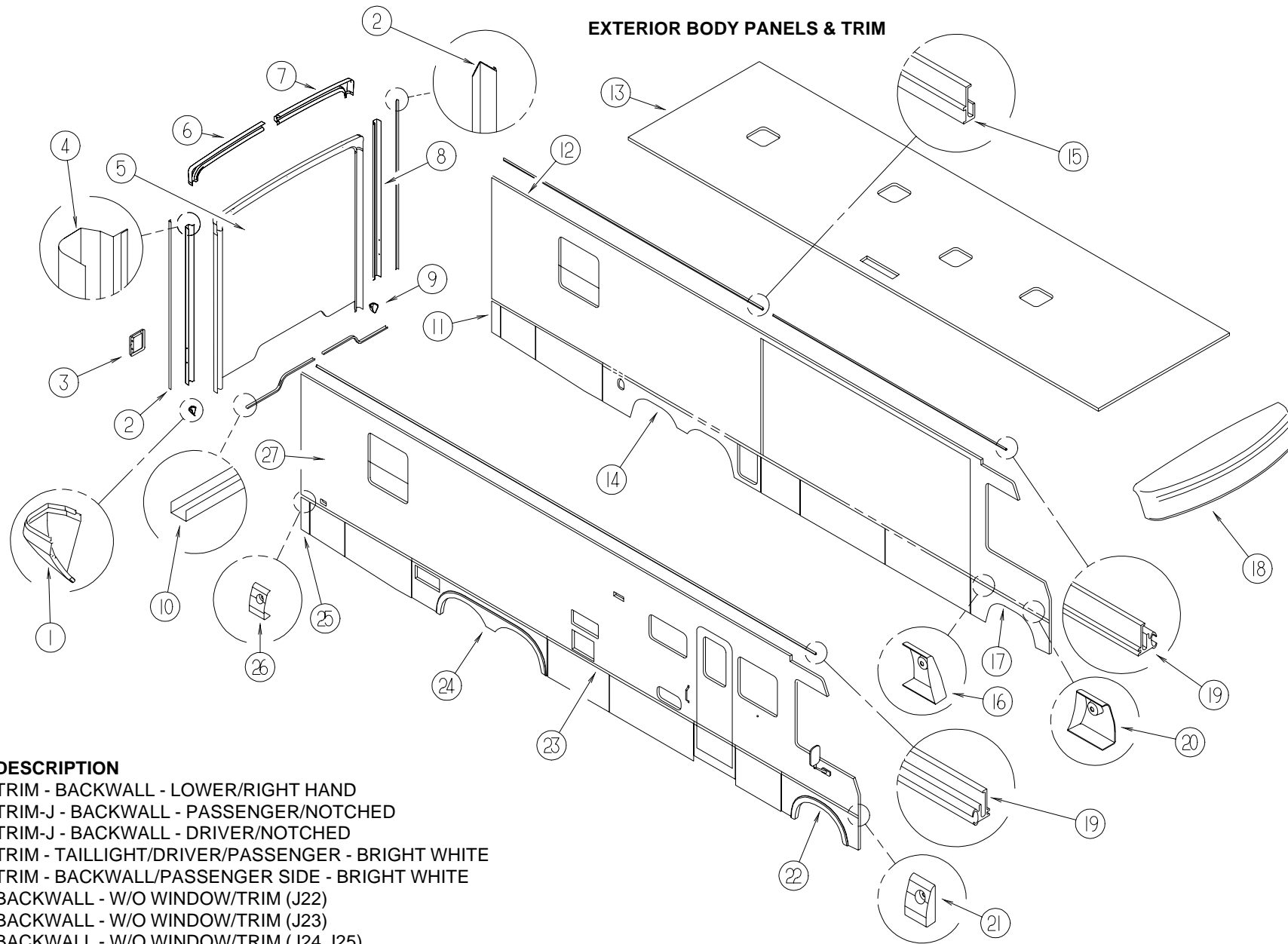
KEY	PART NUMBER	U/M	DESCRIPTION	VENDOR NO.
	115504-01-000	EA	PANEL - SOLAR 10 WATT	
	115504-01-700	EA	PLUG & CABLE - 10 WATT PANEL	600-016
	115505-01-000	EA	MONITOR LIGHT - SOLAR PANEL - RED LED INDICATOR	

### ELECTRICAL MISCELLANEOUS

KEY	PART NUMBER	U/M	DESCRIPTION
	008188-01-000	EA	SOLENOID - 3 POST - BATTERY CHANGE OVER
	022756-03-000	EA	COVER - A/C PLASTIC
	063910-01-000	EA	HOUSING - RELAY
	063912-02-000	EA	RELAY - CANISTER - SPDT
	086233-01-000	EA	STUD - ISOLATED - 3/8" X 7/8" LONG
	086273-01-000	EA	RELAY - BATTERY DISCONNECT
	007093-01-000	EA	SIGNAL FLASHER

# EXTERIOR BODY GROUP

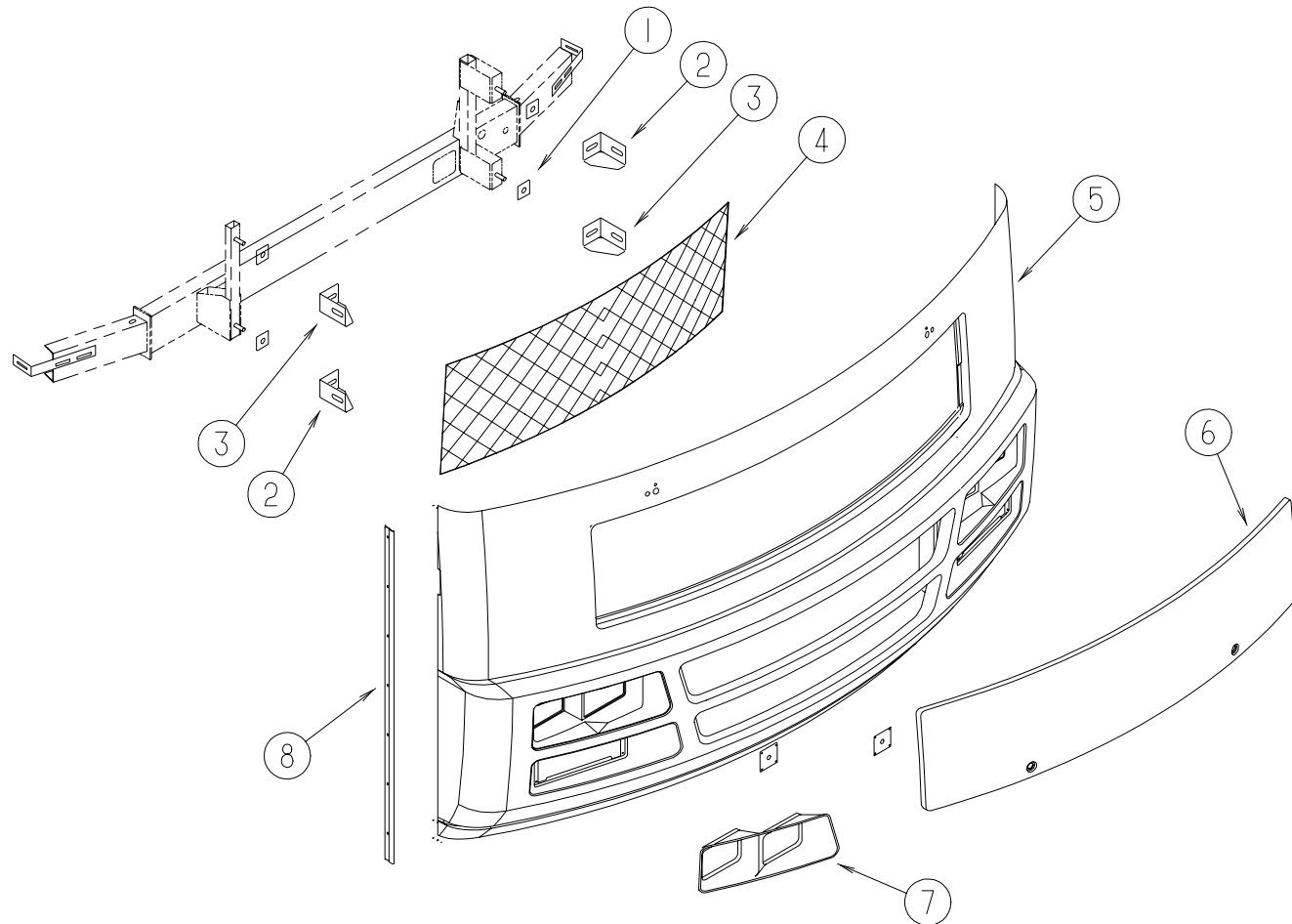
## EXTERIOR BODY PANELS & TRIM



KEY	PART NUMBER	U/M	DESCRIPTION
1	125873-01-01A	EA	TRIM - BACKWALL - LOWER/RIGHT HAND
2	120548-01-02A	EA	TRIM-J - BACKWALL - PASSENGER/NOTCHED
2	120548-02-02A	EA	TRIM-J - BACKWALL - DRIVER/NOTCHED
3	126210-01-J20	EA	TRIM - TAILLIGHT/DRIVER/PASSENGER - BRIGHT WHITE
4	126096-01-12B	EA	TRIM - BACKWALL/PASSENGER SIDE - BRIGHT WHITE
5	127371-01-J22	EA	BACKWALL - W/O WINDOW/TRIM (J22)
5	127371-01-J23	EA	BACKWALL - W/O WINDOW/TRIM (J23)
5	127371-01-J24	EA	BACKWALL - W/O WINDOW/TRIM (J24,J25)
5	127371-01-J26	EA	BACKWALL - W/O WINDOW/TRIM (J26,J27)
5	127371-01-J28	EA	BACKWALL - W/O WINDOW/TRIM (J28)
5	127371-01-J29	EA	BACKWALL - W/O WINDOW/TRIM (J29)
6	125690-01-01A	EA	TRIM - BACKWALL - TOP/RIGHT HAND
7	125689-01-01A	EA	TRIM - BACKWALL - TOP/LEFT HAND
8	126096-02-12B	EA	TRIM - BACKWALL/DRIVER SIDE - BRIGHT WHITE
9	125873-02-01A	EA	TRIM - BACKWALL - LOWER/LEFT HAND
10	050406-25-000	EA	TRIM - LOWER BACKWALL - EITHER SIDE
11	122732-26-JA1	EA	VALANCE/PANEL - REAR DRIVER - W/O HARDWARE - 4.9"
12	127487-01-J22	EA	SIDEWALL - DRIVER - W/O WINDOWS/TRIMS
12	127487-01-J23	EA	SIDEWALL - DRIVER - W/O WINDOWS/TRIMS
12	127487-01-J24	EA	SIDEWALL - DRIVER - W/O WINDOWS/TRIMS
12	127487-01-J25	EA	SIDEWALL - DRIVER - W/O WINDOWS/TRIMS
12	127487-01-J26	EA	SIDEWALL - DRIVER - W/O WINDOWS/TRIMS
12	127487-01-J27	EA	SIDEWALL - DRIVER - W/O WINDOWS/TRIMS
12	127487-01-J28	EA	SIDEWALL - DRIVER - W/O WINDOWS/TRIMS
12	127487-01-J29	EA	SIDEWALL - DRIVER - W/O WINDOWS/TRIMS
13	127370-01-J22	EA	ROOF - W/O LIGHTS/VENTS - W/WIRING (WATERFORD OAK)
13	127370-01-J23	EA	ROOF - W/O LIGHTS/VENTS - W/WIRING (WHITE GRANITE)
14	124020-06-J22	EA	TRIM - WHEELWELL - REAR/DRIVER
15	120091-02-02A	EA	TRIM - ROOF
16	124178-03-01A	EA	CAP - TRIM/DRIVER DOOR

KEY	PART NUMBER	U/M	DESCRIPTION
17	124019-03-01A	EA	TRIM - WHEELWELL - DRIVER/FRONT - PLASTIC - F/DRIVER DOOR
18	125052-02-J20	EA	CAP - ROOF - W/O LIGHTS/WIRING
19	120092-01-02A	EA	RAIL - AWNING - BRIGHT WHITE
20	124178-04-01A	EA	CAP - TRIM/DRIVER DOOR
21	124132-01-01A	EA	CAP - SIDEWALL TRIM - RIGHT HAND - 1.4" - BRIGHT WHITE
22	124019-01-01A	EA	TRIM - WHEELWELL - PASSENGER/FRONT - PLASTIC
23	124176-01-01A	EA	TRIM - SIDEWALL - BRIGHT WHITE - 16'
23	105312-01-03A	FT	INSERT - VINYL FEATURE STRIP - GRAY METTALIC
24	124020-04-H37	EA	TRIM - WHEELWELL - REAR/PASSENGER
25	122732-25-JA1	EA	VALANCE/PANEL - REAR PASSENGER - W/O HARDWARE - 4.9"
26	124132-02-01A	EA	CAP - SIDEWALL TRIM - LEFT HAND - 1.4" - BRIGHT WHITE
27	127437-01-J22	EA	SIDEWALL - PASSENGER - W/O WINDOWS/TRIMS (J22)
27	127437-01-J23	EA	SIDEWALL - PASSENGER - W/O WINDOWS/TRIMS (J23)
27	127437-01-J24	EA	SIDEWALL - PASSENGER - W/O WINDOWS/TRIMS (J24,J25)
27	127437-01-J26	EA	SIDEWALL - PASSENGER - W/O WINDOWS/TRIMS (J26,J27)
27	127437-01-J28	EA	SIDEWALL - PASSENGER - W/O WINDOWS/TRIMS (J28)
27	127437-01-J29	EA	SIDEWALL - PASSENGER - W/O WINDOWS/TRIMS (J29)

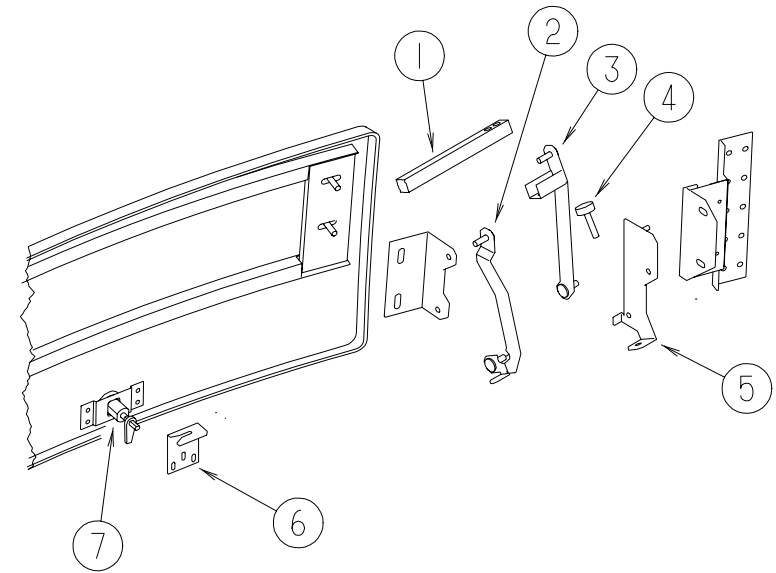
**EXTERIOR BODY GROUP (CONTINUED)**



**FRONT END ASM**

KEY	PART NUMBER	U/M DESCRIPTION
1	116617-02-02B	EA SPACER - BUMPER
2	117611-02-02B	EA BRACKET - BUMPER - LEFT HAND UPPER/RIGHT HAND LOWER FROM: 00-00-00 THRU: 12-16-97
2	128455-02-02B	EA BRACKET - BUMPER FROM: 12-17-97 THRU: 99-99-99
3	117611-01-02B	EA BRACKET - BUMPER - RIGHT HAND UPPER/LEFT HAND LOWER FROM: 00-00-00 THRU: 12-16-97
3	128455-01-02B	EA BRACKET - BUMPER FROM: 12-17-97 THRU: 99-99-99
4	115924-18-02A	EA WIRE MESH - F/GRILLE - FLAT BLACK
5	126251-06-J22	EA PANEL - FRONT/LOWER - W/O NOTCH
6	127075-01-J22	EA HOOD - FRONT - W/O HARDWARE
7	126252-01-01A	EA BEZEL - HEADLAMP - PASSENGER
7	126252-02-01A	EA BEZEL - HEADLAMP - DRIVER
7	110690-02-D18	EA PLATE - HEADLAMP - QUAD/LEFT HAND
7	110690-01-D18	EA PLATE - HEADLAMP - QUAD/RIGHT HAND
8	123680-05-01A	EA TRIM - FIBERGLASS PANEL - BRIGHT WHITE
	106730-10-000	EA PLATE - STUD - F/HOOD

**EXTERIOR BODY GROUP (CONTINUED)**



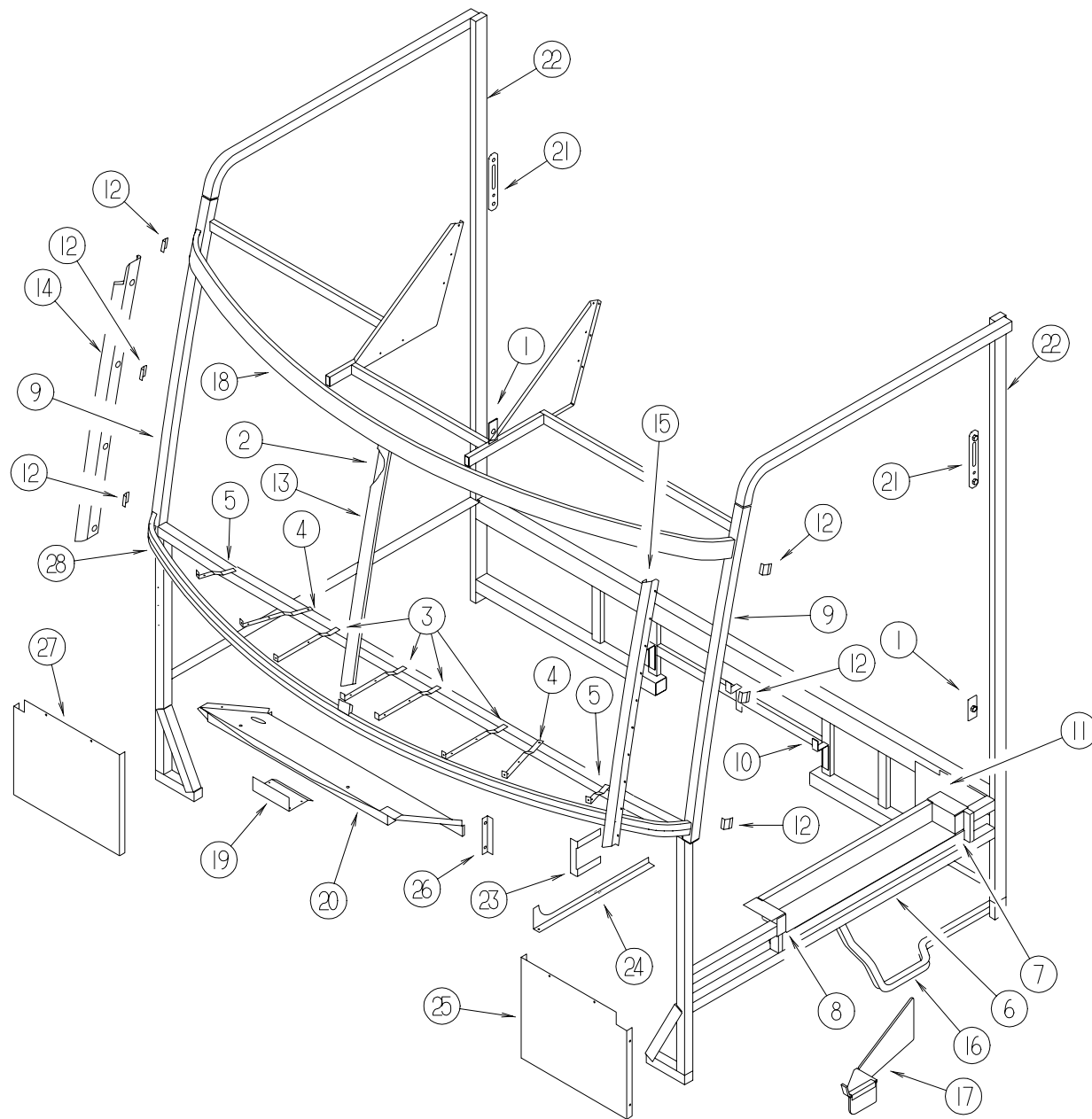
**HOOD ASM**

KEY	PART NUMBER	U/M DESCRIPTION
1	105096-10-000	EA TUBE - HOOD HINGE TIMING W/WELDNUTS
2	127180-03-02B	EA LINK - HINGE - LOWER - HOOD/RIGHT HAND
2	127180-04-02B	EA LINK - HINGE - LOWER - HOOD/LEFT HAND
3	127182-01-02B	EA LINK - HINGE - UPPER/RIGHT HAND
3	127182-02-02B	EA LINK - HINGE - UPPER/LEFT HAND
4	058786-01-000	EA BOLT - ADJUSTING HOOD - W/BLACK PAD
5	127181-03-02B	EA BRACKET - LINK/HINGE - HOOD/RIGHT HAND
5	127181-04-02B	EA BRACKET - LINK/HINGE - HOOD/LEFT HAND
6	126352-01-02B	EA LATCH - HOOD - FRONT END
7	102330-02-000	EA LATCH - VISE ACTION/KEY OPERATED



# EXTERIOR BODY GROUP (CONTINUED)

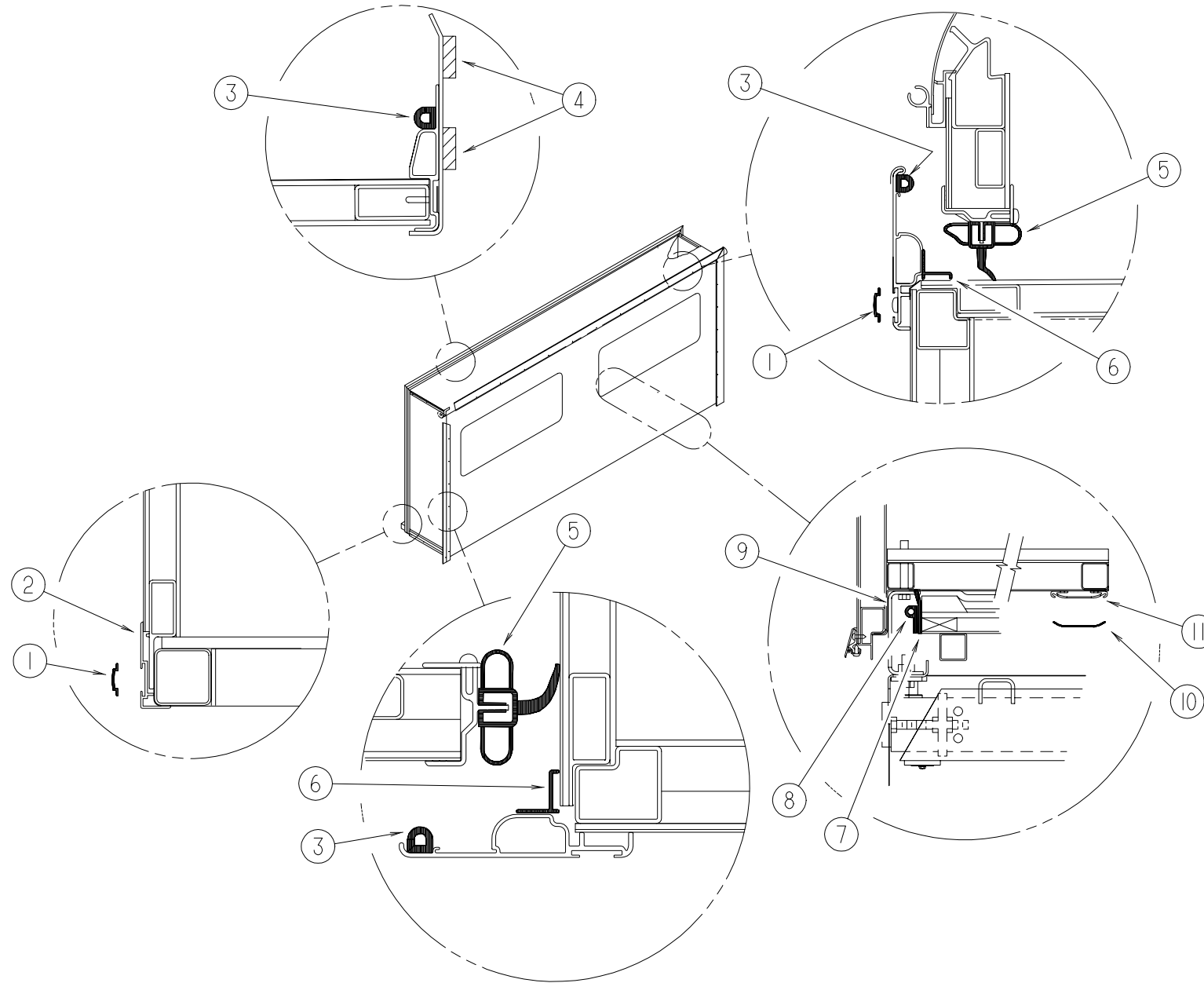
## FRONT END ASM



KEY	PART NUMBER	U/M	DESCRIPTION
1	070579-06-000	EA	PLATE - ANCHOR - W/7/16" WELD NUT - 1.5" X 3.3"
1	070579-07-000	EA	PLATE - ANCHOR - W/O WELD NUT - 1.5" X 3.3"
2	078249-17-000	EA	TUBE - SWEPT - CAB FRAME
3	104797-03-000	EA	BRACKET - DEFROSTER
4	104797-04-000	EA	BRACKET - DEFROSTER
5	104797-05-000	EA	BRACKET - DEFROSTER
6	106746-02-000	EA	PANEL - STEPWELL
7	106747-03-000	EA	PANEL - STEPWELL - RIGHT HAND END
8	106747-04-000	EA	PANEL - STEPWELL - LEFT HAND END
9	117273-01-01A	EA	TUBE - SUPPORT - A-PILLAR
10	117287-01-01B	EA	BRACKET - MOUNT - CABLE
11	118592-01-01B	EA	SHIELD - SPLASH - RIGHT HAND
12	120363-01-01B	EA	BRACKET - WINDSHIELD
13	120840-07-01B	EA	STRAP - W/HOLES - MILL
14	121269-05-01B	EA	FRAME - WINDSHIELD - A-PILLAR - MILL
15	121269-06-01B	EA	FRAME - WINDSHIELD - A-PILLAR - MILL
16	063977-14-000	EA	STEP - DRIVER DOOR - LEFT HAND
17	128255-01-04B	EA	STEP - DRIVER DOOR - BLACK
18	124975-01-01B	EA	SUPPORT - WINDSHIELD - UPPER - MLL
19	125836-02-01B	EA	ZEE - WIPER MOTOR - MILL
20	125837-02-01B	EA	BRACE - WIPER MOTOR - MILL
21	127461-02-01B	EA	PLATE - ANCHOR - SEAT BELT
22	127874-01-01B	EA	TUBE - B-PILLAR - MILL
23	097123-01-000	EA	MOUNT - AIR INTAKE - FORD
24	099102-01-000	EA	BRACKET - LINKAGE - THROTTLE
25	104147-14-000	EA	SHIELD/SPLASH - HEADLIGHT
26	123262-02-02B	EA	BRACKET ASM - FUSE PANEL - E-CT
27	121962-02-02B	EA	SHIELD/SPLASH - HEADLIGHT - E-COATED
28	124974-01-01B	EA	SUPPORT - WINDSHIELD - LOWER - MLL

## EXTERIOR BODY GROUP (CONTINUED)

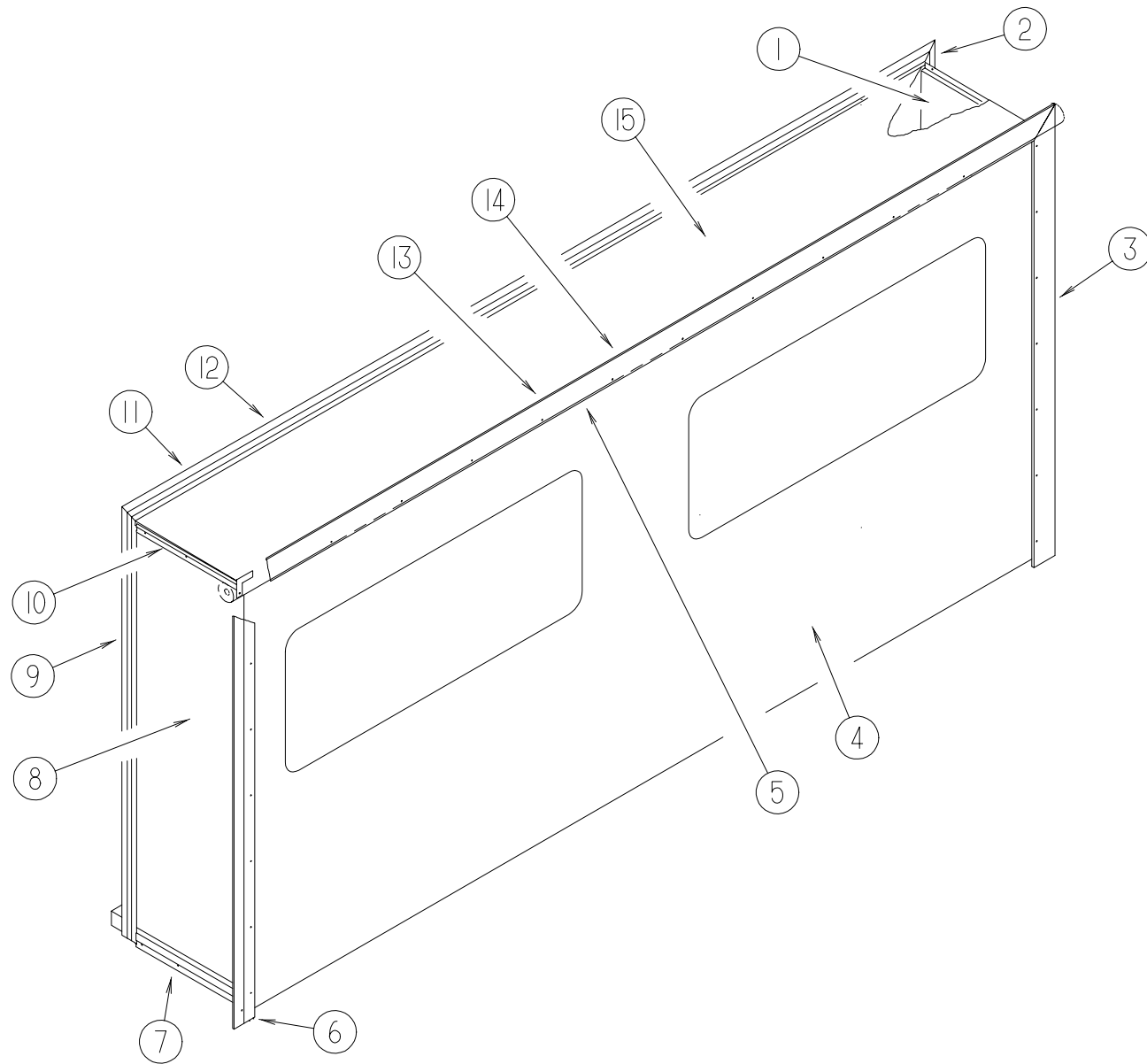
### EXTERIOR SLIDEOUT HARDWARE



KEY	PART NUMBER	U/M DESCRIPTION
1	105312-01-03A	FT INSERT - VINYL FEATURE STRIP - GRAY METALLIC
2	108688-01-03A	EA STRIP - FEATURE - 15'
3	112091-01-000	FT SEAL-D - NEOPRENE - TRUNK
4	100128-02-000	FT SEAL - FOAM - ADHESIVE BACK - .37" WIDE X .37" THICK
5	115076-01-000	FT SEAL - SLIDEOUT
6	116933-01-02A	EA TRIM - SEAL
7	115075-02-000	FT SEAL - WIPE - .25" X 3.15"
8	089275-02-000	FT STRIP - 3/4" X 84" BLACK POLYETHELENE
9	121283-01-000	FT SEAL - P SHAPED - EPDM FOAM
10	104692-01-000	FT SEAL - FOAM/ADHESIVE BACK - .75"THICK X .75"WIDE X 25'
11	115661-01-000	FT POLYETHYLENE - HIGH DENSITY - 1/16" X 3'
	115325-06-02A	EA RAIL - FLOOR - SLIDEOUT ROOM
	117004-01-01A	EA TRIM - SEAL/INNER LEFT SIDE - W/MITERED ENDS - 73.5" OFF WHITE
	117004-02-01A	EA TRIM - SEAL/INNER RIGHT SIDE - W/MITERED ENDS - 73.5" OFF WHITE
	117004-03-01A	EA TRIM - SEAL/INNER - OFF WHITE

## EXTERIOR BODY GROUP (CONTINUED)

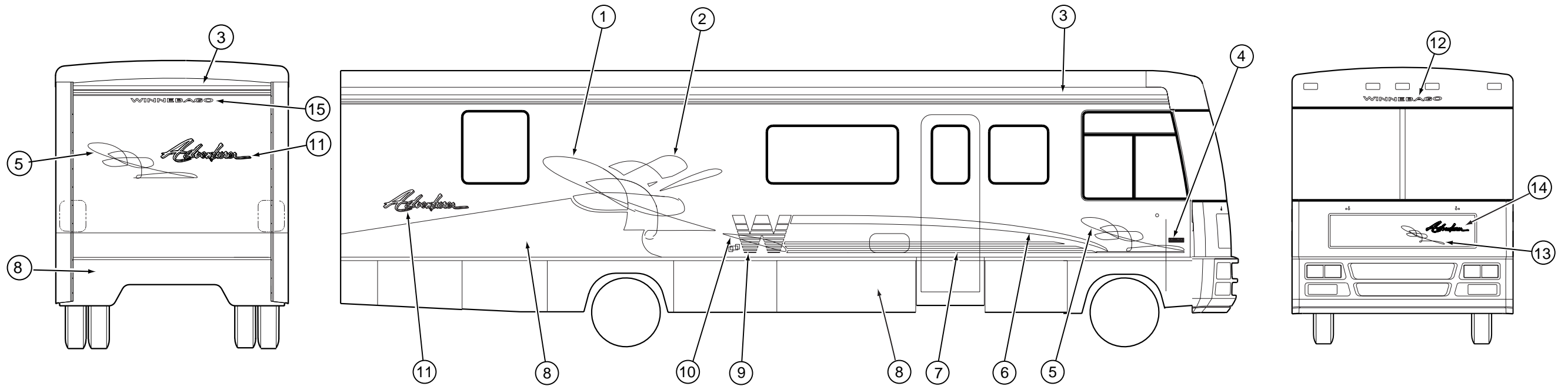
### EXTERIOR SLIDEOUT PANELS & TRIMS



KEY	PART NUMBER	U/M	DESCRIPTION
1	126570-01-J22	EA	PANEL - SLIDEOUT - REAR (J22,J23)
1	126570-01-J24	EA	PANEL - SLIDEOUT - REAR (J24,J25)
1	126570-01-J26	EA	PANEL - SLIDEOUT - REAR (J26,J27)
1	126570-01-J28	EA	PANEL - SLIDEOUT - REAR (J28,J29)
2	117004-02-01A	EA	TRIM - SEAL/INNER RIGHT SIDE - W/MITERED ENDS - 73.5" OFF WHITE
3	119992-12-01A	EA	TRIM - SEAL - W/MITERED ENDS - BRIGHT WHITE
3	105312-01-03A	EA	INSERT - VINYL FEATURE STRIP - GRAY METALLIC
3	116933-01-02A	EA	TRIM - SEAL
4	119783-08-J22	EA	PANEL - SLIDEOUT - OUTER (J22,J23)
4	119783-08-J24	EA	PANEL - SLIDEOUT - OUTER (J24,J25)
4	119783-08-J26	EA	PANEL - SLIDEOUT - OUTER (J26,J27)
4	119783-08-J28	EA	PANEL - SLIDEOUT - OUTER (J28,J29)
5	122977-06-01A	EA	AWNING - SLIDEOUT - W/COVER - 160.24"
6	119992-11-01A	EA	TRIM - SEAL - W/MITERED ENDS - BRIGHT WHITE
6	105312-01-03A	EA	INSERT - VINYL FEATURE STRIP - GRAY METALLIC
6	116933-01-02A	EA	TRIM - SEAL
7	125051-01-01A	EA	STRIP - FEATURE - LOWER - BRIGHT WHITE
7	105312-01-03A	EA	INSERT - VINYL FEATURE STRIP - GRAY METALLIC
8	126569-01-J22	EA	PANEL - SLIDEOUT - FRONT (J22,J23)
8	126569-01-J24	EA	PANEL - SLIDEOUT - FRONT (J24,J25)
8	126569-01-J26	EA	PANEL - SLIDEOUT - FRONT (J26,J27)
8	126569-01-J28	EA	PANEL - SLIDEOUT - FRONT (J28,J29)
9	117004-01-01A	EA	TRIM - SEAL/INNER LEFT SIDE - W/MITERED ENDS - 73.5" OFF WHITE
10	108688-01-03A	EA	STRIP - FEATURE - 15'
10	105312-01-03A	EA	INSERT - VINYL FEATURE STRIP - GRAY METALLIC
11	117004-03-01A	EA	TRIM - SEAL/INNER - OFF WHITE
12	125466-01-01A	EA	SUPPORT - ROOF - INTERIOR - OFF WHITE
13	119992-01-02A	EA	TRIM - SEAL - W/MITERED ENDS
13	105312-01-03A	EA	INSERT - VINYL FEATURE STRIP - GRAY METALLIC
13	116933-01-02A	EA	TRIM - SEAL
14	117058-01-01A	EA	TAPE - LOOP - 3/4" WIDE - ADHESIVE BACKED
15	126571-01-J22	EA	ROOF - W/O LIGHTS/VENTS - W/WIRING - SLIDEOUT

## EXTERIOR BODY GROUP (CONTINUED)

### DECALS, FILM STRIPES & PAINT

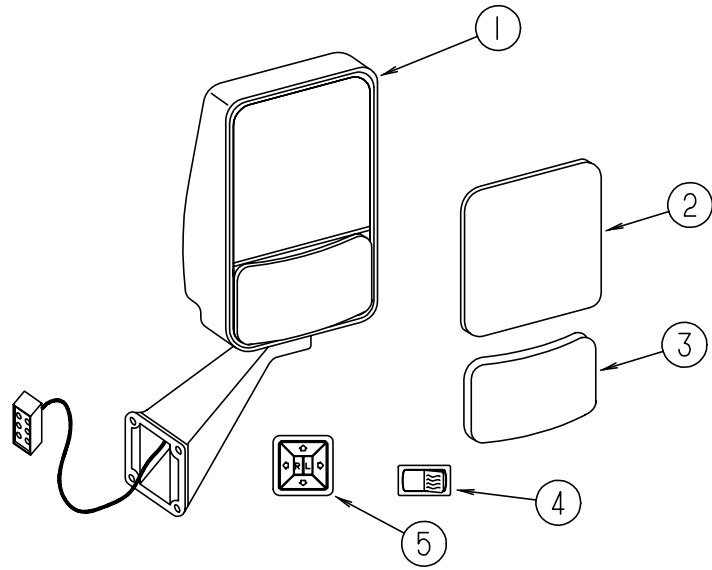


KEY	PART NUMBER	U/M	DESCRIPTION
1	125589-01-01A	EA	DECAL - CHECKSPLASH - RIGHT HAND
1	125589-02-01A	EA	DECAL - CHECKSPLASH - LEFT HAND
2	125588-01-01A	EA	DECAL - CHECKSPLASH - TOP/RIGHT HAND
2	125588-02-01A	EA	DECAL - CHECKSPLASH - TOP/LEFT HAND
3	094443-53-01A	FT	FILM - MULTISTRIFE - 4.24"
4	129922-01-01A	EA	EMBLEM - TRITON V10
5	125593-01-01A	EA	DECAL - CHECKSPLASH - SMALL/RIGHT HAND
5	125593-02-01A	EA	DECAL - CHECKSPLASH - SMALL/LEFT HAND
6	125591-01-01A	EA	DECAL - TAIL - RIGHT HAND
6	125591-02-01A	EA	DECAL - TAIL - LEFT HAND
7	125592-01-01A	EA	DECAL - STRIPE
8	N/A		PAINT - CHAMPAGNE MET - DUPONT F2997U
8	N/A		PAINT - WINTER GREEN MET - DUPONT F3326U
9	125595-01-01A	EA	DECAL - W
10	125590-01-01A	EA	DECAL - CHECKSPLASH - FRONT/RIGHT HAND
10	125590-02-01A	EA	DECAL - CHECKSPLASH - FRONT/LEFT HAND
11	122001-01-03A	EA	DECAL - LOGO - ADVENTURER
12	125597-01-01A	EA	DECAL - LOGO - WINNEBAGO/SWEEP #8
13	125594-01-01A	EA	DECAL - CHECKSPLASH - HOOD
14	122001-02-01A	EA	DECAL - LOGO - ADVENTURER - SMALL
15	120702-03-02A	EA	DECAL - LOGO - WINNEBAGO/SMALL
	004308-01-000	EA	PAINT - BLACK SPRAY
	041561-03-000	EA	PAINT - 16 OUNCE SPRAY - OFF WHITE

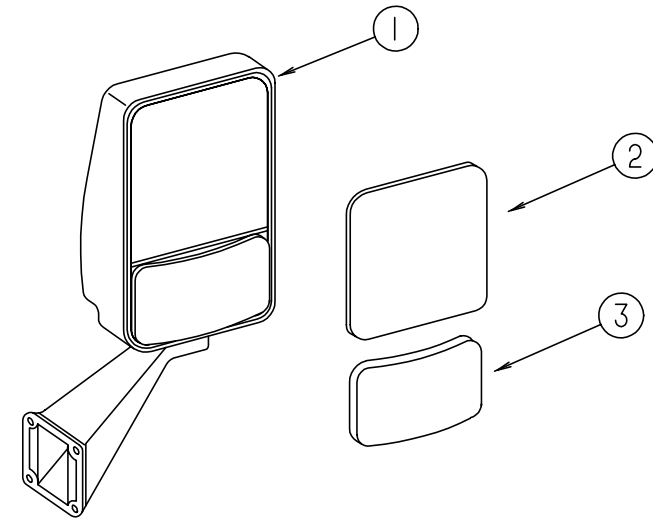
#### DUPONT PAINT COLOR CODES

OFF WHITE	DUPONT L8723
CHAMPAGNE MET.	DUPONT F2997U
WINTER GREEN MET.	DUPONT F8826U
BRIGHT WHITE	DUPONT B8951U
LIGHT BLAIR BROWN	DUPONT MM073
PINE GREEN MET.	DUPONT GM256
LIGHT IVY GREEN MET.	DUPONT YM537
BLUE PEARL	DUPONT F4576
BAYBERRY MET.	DUPONT F4577

**EXTERIOR BODY GROUP (CONTINUED)**



**EXTERIOR BODY GROUP (CONTINUED)**



**EXTERIOR MIRROR OPTION (REMOTE & HEAT)**

KEY	PART NUMBER	U/M DESCRIPTION	VENDOR NO.
1	106015-12-01A	EA MIRROR - EXTERIOR REMOTE/HEAT - PASSENGER	
1	106015-13-01A	EA MIRROR - EXTERIOR REMOTE/HEAT - DRIVER	
2	106015-12-700	EA MIRROR - FLAT - W/W/O HEAT	709448
3	106015-12-701	EA MIRROR - CONVEX - W/W/O HEAT	709449
	106015-12-702	EA SCREW CAP - (BAG OF 4)	748329
4	087695-02-000	EA SWITCH - HEATER - EXTERIOR MIRROR	
5	088246-01-000	EA SWITCH - REMOTE - EXTERIOR - SQUARE PUSH	
	087695-03-000	EA CONNECTOR - ASSEMBLY	

**EXTERIOR MIRROR**

KEY	PART NUMBER	U/M DESCRIPTION	VENDOR NO.
1	106015-14-01A	EA MIRROR - EXTERIOR ADJUSTABLE GLASS - PASSENGER	
1	106015-15-01A	EA MIRROR - EXTERIOR ADJUSTABLE GLASS - DRIVER	
2	106015-12-700	EA MIRROR - FLAT - W/W/O HEAT	709448
3	106015-12-701	EA MIRROR - CONVEX - W/W/O HEAT	709449
	106015-12-702	EA SCREW CAP - (BAG OF 4)	748329

## EXTERIOR BODY GROUP (CONTINUED)

### STYROFOAM & FIBERGLASS SHEETING

KEY	PART NUMBER	U/M	DESCRIPTION
	002726-01-001	EA	GARNISH - U-CHANNEL - 1.38" X 19' - SERRATED
	002766-01-001	EA	ANGLE - EXTRUDED - 1" X 1.5" X 17'
	076054-U4-000	EA	FIBERGLASS SHEET - 101" X 104" - BRIGHT WHITE
			FROM: 00-00-00 THRU: 05-22-98
	076054-U8-000	EA	FIBERGLASS SHEET - 100" X 105" - BRIGHT WHITE
			FROM: 05-23-98 THRU: 99-99-99
	076054-W6-000	EA	FIBERGLASS SHEET - 79" X 367" - BRIGHT WHITE
	076054-X9-000	EA	FIBERGLASS SHEET - 22.1" X 70.6" - BRIGHT WHITE
	076054-Y5-000	EA	FIBERGLASS SHEET - 79" X 425" - BRIGHT WHITE
	077517-62-000	EA	FIBERGLASS - SHEET/SIDEWALL - 48" X 96" - BRIGHT WHITE
	108535-05-702	EA	FIBERGLASS SHEET - 108" X 396" BRT WHT
	089297-01-000	SF	PLYWOOD - LUAN - OVERLAY GRADE - 48" X 96"
	089297-02-000	SF	PLYWOOD - LUAN - OVERLAY GRADE - 48" X 108"
	092321-01-000	FT	INSULATION-FIBERGLASS W/FOIL BACKING
	100619-01-000	BF	FOAM - EXPANDED POLYSTYRENE - 1.34" X 48" X 96"
	100619-02-000	BF	FOAM - EXPANDED POLYSTYRENE - 1.5" X 48" X 96"
	100619-04-000	BF	FOAM - EXPANDED POLYSTYRENE - .5" X 48" X 96"
	100619-05-000	BF	FOAM - EXPANDED POLYSTYRENE - .75" X 48" X 96"-1.5 DENSITY
	100619-11-000	BF	FOAM - EXPANDED POLYSTYRENE - 2" X 48" X 96"
	100619-13-000	BF	FOAM - EXPANDED POLYSTYRENE - .34" X 34.65" X 96"
	100619-16-000	BF	FOAM - EXPANDED POLYSTYRENE - .75" X 48" X 96"-2.0 DENSITY
	105077-08-000	EA	FOAM - PLUG - ROOF CAP
	120107-01-000	EA	FOAM - COVE - ROOF - 2.8" X 96" LONG
	120107-02-000	EA	FOAM - PLUG - ROOF TUBE - 2.2" X 2.9" X 1.8" LONG
	120107-03-000	EA	FOAM - PLUG - SIDEWALL TUBE - 1.2" X 2.1" X 1.8" LONG
	116942-03-01A	LB	ALUMINUM - .7" X 40" X 158"
			FROM: 00-00-00 THRU: 03-23-98
	125838-01-002	EA	ACRYLIC SHEET - .125 X 1.8" X 2"
			FROM: 00-00-00 THRU: 03-08-98

### EXTERIOR BODY HARDWARE

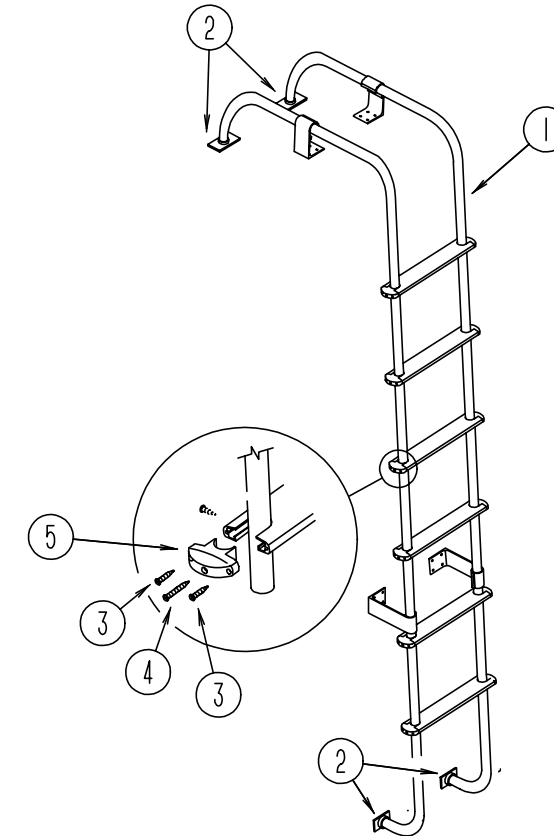
KEY	PART NUMBER	U/M	DESCRIPTION
	002726-01-001	EA	GARNISH - U-CHANNEL - 1.38" X 19' - SERRATED - MILL ALUMINUM
	002766-01-001	EA	ANGLE - EXTRUDED - 1" X 1.5" X 17'
	116942-03-01A	LB	ALUMINUM - .7" X 40" X 158"
			FROM: 00-00-00 THRU: 03-23-98
	055278-51-259	FT	TUBING - STEEL - .75" X 1.5" X 12.5' LONG
	058267-01-000	FT	CHANNEL - STEEL - W/ HOLES - SIDEWALL STIFFENER - 2" X 20'
	068716-01-001	EA	BRACE - 90 DEGREE L-ANGLE - 192" - EXTRUDED ALUMINUM

### EXTERIOR AWNING (A & E)

KEY	PART NUMBER	U/M	DESCRIPTION
	113874-08-07A	EA	AWNING - W/O HARDWARE - 19'(POLAR BURGUNDY) VINYL
*	113874-01-02A	EA	HARDWARE KIT - AWNING - W/O STANDOFF BRACKET - BRIGHT WHT
	111037-01-01A	EA	SPACER - AWNING - UPPER - BLACK
	119496-01-02A	EA	SPACER/ZEE - AWNING
			FROM: 00-00-00 THRU: 04-12-98
	130320-01-02A	EA	BRACKET - AWNING - F/A&E INSTALLATION - BRIGHT WHITE
			FROM: 04-13-98 THRU: 99-99-99
	117058-01-01A	FT	TAPE - LOOP - 3/4" WIDE - ADHESIVE BACKED USED WITH CAREFREE AWNING ON SLIDEOUT ROOMS
	122977-06-01A	EA	AWNING - SLIDEOUT - W/COVER - 160.24"

\* COMPONENT PARTS FOUND IN SERVICE PARTS LIBRARY

## EXTERIOR BODY GROUP (CONTINUED)

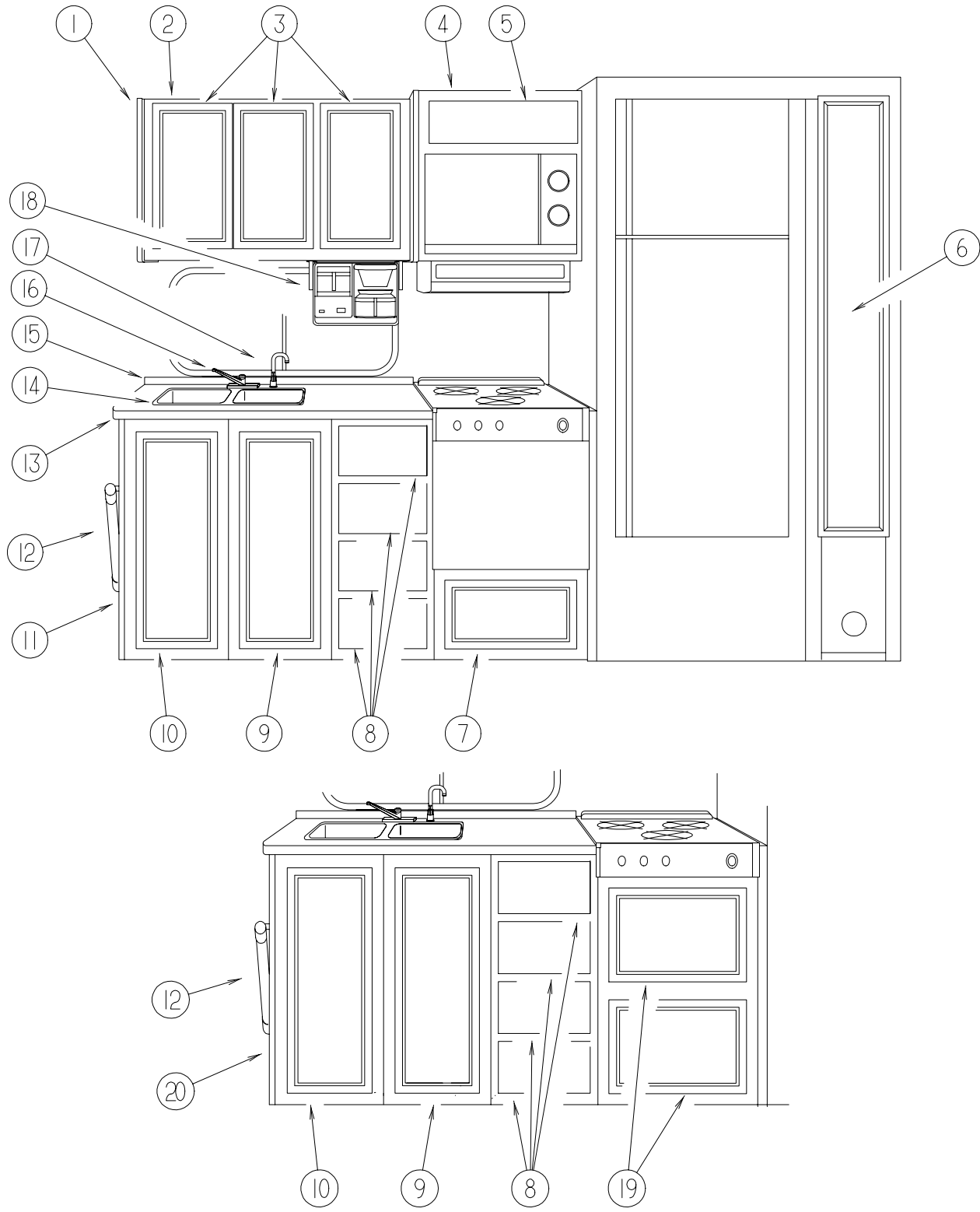


### LADDER

KEY	PART NUMBER	U/M	DESCRIPTION
1	102953-11-F31	EA	LADDER
			FROM: 00-00-00 THRU: 05-17-98
1	129639-02-01A	EA	LADDER - BRUSHED ALUMINUM
			FROM: 05-18-98 THRU: 99-99-99
2	067165-01-000	EA	BRACKET - MOUNTING - RACK & LADDER
3	000G39-06-10T	EA	SCREW-SF/ DR - 6 - 20 X 5/8 PPH - BLACK
4	000G68-10-36T	EA	SCREW - 10 - 12 X 2.25 POH BLACK
5	076980-02-000	EA	END CAP - STEP - BLACK
	038327-01-000	FT	TAPE - ANTI SLIP - 2" X 60FT
	038327-04-000	EA	TAPE - ANTI SLIP - 12" X 60'
	112384-01-000	EA	SPONGE - BRACKET - RACK & LADDER

# GALLEY GROUP

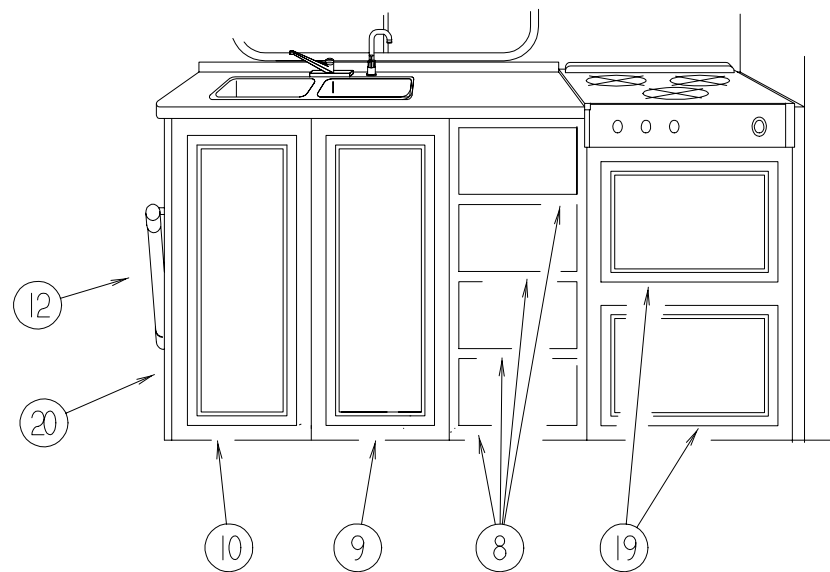
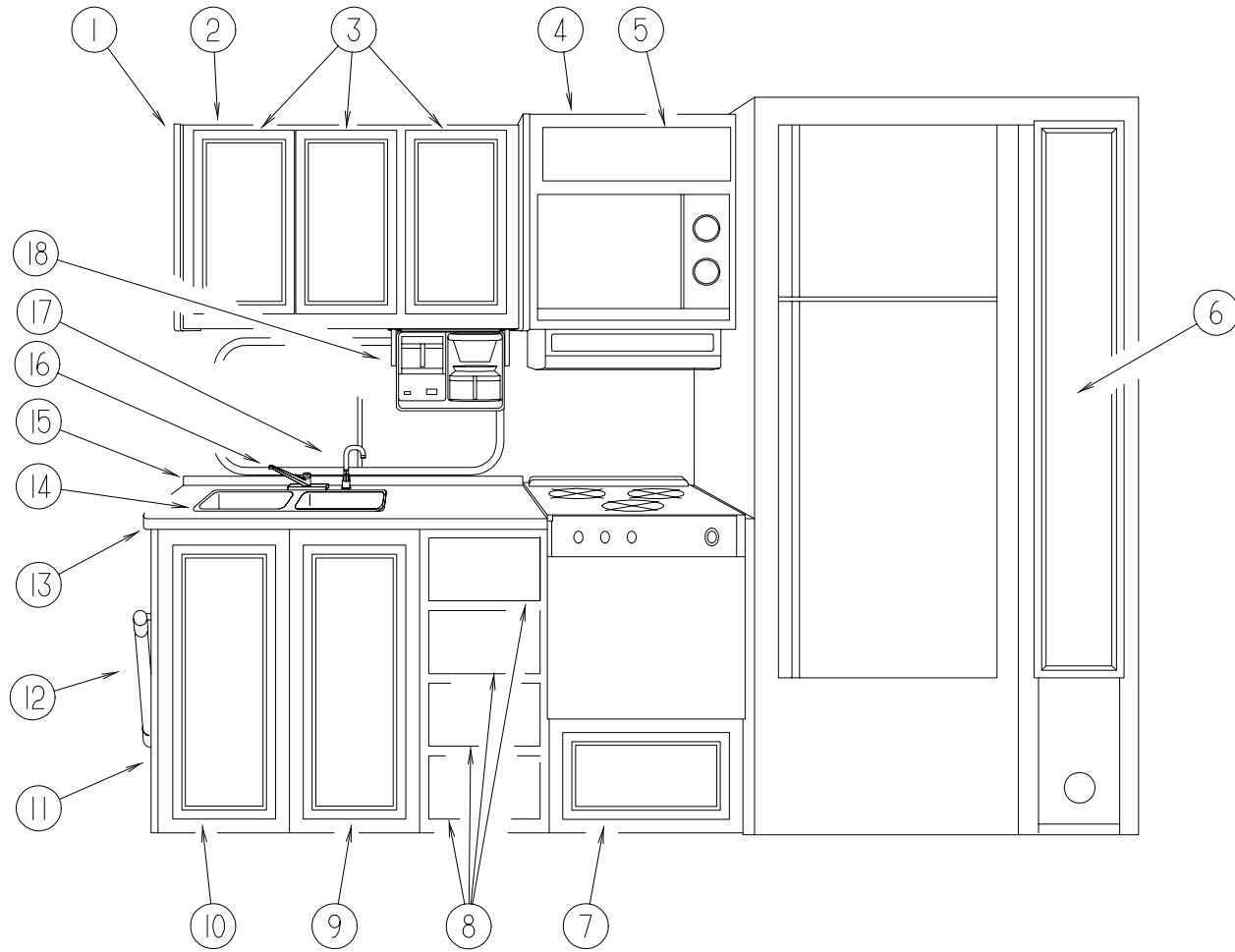
## GALLEY CABINETRY & FIXTURES



KEY	PART NUMBER	U/M	DESCRIPTION
1	081319-20-G15	EA	END CAP - OVERHEAD CABINET (WATERFORD OAK)
1	081319-20-H40	EA	END CAP - OVERHEAD CABINET (WHITE GRANITE)
2	P22393-01-H17	EA	CABINET - OVERHEAD/GALLEY - W/O DOORS/HARDWARE (WATERFORD OAK)
2	P22393-01-H40	EA	CABINET - OVERHEAD/GALLEY - W/O DOORS/HARDWARE (WHITE GRANITE)
2	122393-11-H17	EA	SHELF/LARGE - W/PLASTIC EDGE MOLDING (WATERFORD OAK)
2	122393-11-H40	EA	SHELF/LARGE - W/PLASTIC EDGE MOLDING (WHITE GRANITE)
2	122393-12-H17	EA	SHELF/SMALL - W/PLASTIC EDGE MOLDING (WATERFORD OAK)
2	122393-12-H40	EA	SHELF/SMALL - W/PLASTIC EDGE MOLDING (WHITE GRANITE)
3	M05992-14-J22	EA	DOOR - STRAIGHT CORNER/OGEE EDGE - 12" X 21.8" - W/O HDW (WATERFORD OAK)
3	122715-04-01A	EA	DOOR - MOLDED VINYL - 12" X 21.8" - W/O HDW - WHITE GRANITE
4	P26057-02-J22	EA	CABINET - OVERHEAD/MICROWAVE - W/O DOORS/HARDWARE (WATERFORD OAK)
4	P26057-02-J23	EA	CABINET - OVERHEAD/MICROWAVE - W/O DOORS/HARDWARE (WHITE GRANITE)
5	100708-05-000	EA	DOOR - GLASS - CABINET - 8.5" X 23.4" - W/O HARDWARE
	100710-01-01A	EA	LOCK - GLASS DOOR/TWIST TYPE - BRASS
	100711-01-01A	EA	HINGE - GLASS DOOR
	100707-01-000	EA	SPACER - GLASS DOOR - .8" DIA - .3" HOLE - PLASTIC
6	122325-01-J22	EA	CABINET - PANTRY/RIGHT HAND SLIDING - W/O SLIDES/HARDWARE (WATERFORD OAK)
6	122325-01-H23	EA	CABINET - PANTRY/RIGHT HAND SLIDING - W/O SLIDES/HARDWARE (WHITE GRANITE)
	122325-11-H17	EA	SHELF - W/PLASTIC EDGE MOLDING (WATERFORD OAK)
	122325-11-H40	EA	SHELF - W/PLASTIC EDGE MOLDING (WHITE GRANITE)
6	M05992-Z2-J22	EA	DOOR - STRAIGHT CORNER/OGEE EDGE - 8.5" X 60.7" - W/O HDW (WATERFORD OAK)
6	122715-24-01A	EA	DOOR - MOLDED VINYL - 8.5" X 60.7" - W/O HDW - WHITE GRANITE
	122360-02-000	EA	SLIDE - PANTRY - W/O LOCK - RIGHT/LEFT HAND
	122360-03-000	EA	SLIDE - PANTRY - W/LOCK - RIGHT HAND
	123673-01-01A	EA	KNOB - PANTRY SLIDE
7	M05971-GW-J22	EA	DRAWER - OGEE EDGE - 19.7"W X 11.8"D - W/O SLIDES/HARDWARE (WATERFORD OAK) (W/OVEN)
7	P10163-HB-J23	EA	DRAWER - SQUARE EDGE - 19.7"W X 11.8"D - W/O SLIDES/HDW (WHITE GRANITE) (W/OVEN)
8	M05971-11-J22	EA	DRAWER - OGEE EDGE - 9.9"W X 17.7"D - W/O SLIDES/ HARDWARE (WATERFORD OAK)
8	P10163-CR-J23	EA	DRAWER - SQUARE EDGE - 9.9"W X 17.7"D - W/O SLIDES/HARDWARE (WHITE GRANITE)
9	M05992-M1-J22	EA	DOOR - STRAIGHT CORNER/OGEE EDGE - 13.3" X 27" - W/O HDW (WATERFORD OAK)
9	122715-31-01A	EA	DOOR - MOLDED VINYL - 13.3" X 27" - W/O HDW - WHITE GRANITE
10	M05992-L5-J22	EA	DOOR - STRAIGHT CORNER/OGEE EDGE - 13.6" X 27" - W/O HDW (WATERFORD OAK)
10	122715-31-01A	EA	DOOR - MOLDED VINYL - 13.3" X 27" - W/O HDW - WHITE GRANITE
11	127612-02-J22	EA	CABINET - GALLEY - W/COUNTERTOP - W/O DOORS/DRAWERS/HDW (W/OVEN) (J22)
11	127612-02-J23	EA	CABINET - GALLEY - W/COUNTERTOP - W/O DOORS/DRAWERS/HDW (W/OVEN) (J23,J25,J27,J29)
11	127612-02-J24	EA	CABINET - GALLEY - W/COUNTERTOP - W/O DOORS/DRAWERS/HDW (W/OVEN) (J24)
11	127612-02-J26	EA	CABINET - GALLEY - W/COUNTERTOP - W/O DOORS/DRAWERS/HDW (W/OVEN) (J26)
11	127612-02-J28	EA	CABINET - GALLEY - W/COUNTERTOP - W/O DOORS/DRAWERS/HDW (W/OVEN) (J28)
	127612-12-J22	EA	SHELF - W/ PLASTIC EDGE MOLDING (WATERFORD OAK)
	127612-12-J23	EA	SHELF - W/ PLASTIC EDGE MOLDING (WHITE GRANITE)
12	P02786-01-J22	EA	HANDRAIL - ENTRANCE DOOR W/O BRACKETS (WATERFORD OAK)
12	P02786-01-J23	EA	HANDRAIL - ENTRANCE DOOR W/O BRACKETS (WHITE GRANITE)
12	099682-01-01A	EA	BRACKET - MOUNTING/ HAND RAIL - ROUND BASE

# GALLEY GROUP (CONTINUED)

## FIXTURES (CONTINUED)



KEY	PART NUMBER	U/M	DESCRIPTION	VENDOR NO.
13	127612-11-J22	EA	COUNTERTOP - GALLEY CABINET (J22)	
13	127612-11-J23	EA	COUNTERTOP - GALLEY CABINET (J23,J25,J27,J29)	
13	127612-11-J24	EA	COUNTERTOP - GALLEY CABINET (J24)	
13	127612-11-J26	EA	COUNTERTOP - GALLEY CABINET (J26)	
13	127612-11-J28	EA	COUNTERTOP - GALLEY CABINET (J28)	
14	110654-01-000	EA	SINK - STAINLESS STEEL/ DOUBLE BASIN (1 LG-1 SM BASIN)	
	092303-01-000	EA	STRAINER - SINK	
	108464-03-E38	EA	COVER - SINK - 11" X 15" - LAMINATED BOTH SIDES (J22,J26,J28)	
	108464-06-J23	EA	COVER - SINK - 11" X 15" - LAMINATED BOTH SIDES (J23,J25,J27,J29)	
	108464-06-J24	EA	COVER - SINK - 11" X 15" - LAMINATED BOTH SIDES (J24)	
	108464-04-E38	EA	COVER - SINK - 15" X 15" - LAMINATED BOTH SIDES (J22,J26,J28)	
	108464-07-J23	EA	COVER - SINK - 15" X 15" - LAMINATED BOTH SIDES (J23,J25,J27,J29)	
	108464-07-J24	EA	COVER - SINK - 15" X 15" - LAMINATED BOTH SIDES (J24)	
15	127612-16-J22	EA	BACKSPASH - GALLEY COUNTERTOP (J22)	
15	127612-16-J23	EA	BACKSPASH - GALLEY COUNTERTOP (J23,J24,J25,J26,J27,J28,J29)	
16	104114-02-01A	EA	FAUCET - GALLEY - SINGLE CONTROL	
17	103635-01-000	EA	FAUCET - SINGLE CONTROL - DRINKING	
18	126019-01-01A	EA	COFFEEMAKER - OPTIMA - W/BRACKETS - BLACK & DECKER	
	126019-01-700	EA	GLASS CARAFE	172547-00
	126019-01-701	EA	RESERVOIR - WATER	172554
	126019-01-702	EA	BASKET - FILTER	172553-00
	126019-01-703	EA	HARDWARE - MOUNTING	172174-00
19	M05971-JS-J22	EA	DRAWER - OGEE EDGE - 19.7"W X 11.8"D - W/O SLIDES/HARDWARE (WATERFORD OAK) (W/RANGE TOP)	
19	P10163-JR-J23	EA	DRAWER - SQUARE EDGE - 19.7"W X 11.8"D - W/O SLIDES/HARDWARE (WHITE GRANITE) (W/RANGE TOP)	
20	127612-04-J22	EA	CABINET - GALLEY - W/COUNTERTOP - W/O DOORS/DRAWERS/HDW (W/RANGE TOP) (J22)	
20	127612-04-J23	EA	CABINET - GALLEY - W/COUNTERTOP - W/O DOORS/DRAWERS/HDW (W/RANGE TOP) (J23,J25,J27,J29)	
20	127612-04-J24	EA	CABINET - GALLEY - W/COUNTERTOP - W/O DOORS/DRAWERS/HDW (W/RANGE TOP) (J24)	
20	127612-04-J26	EA	CABINET - GALLEY - W/COUNTERTOP - W/O DOORS/DRAWERS/HDW (W/RANGE TOP) (J26)	
20	127612-04-J28	EA	CABINET - GALLEY - W/COUNTERTOP - W/O DOORS/DRAWERS/HDW (W/RANGE TOP) (J28)	
	090329-01-000	FT	SEAL/ T - REFRIGERATOR CABINET	
	054450-01-000	EA	LEVEL - REFRIGERATOR	



## GALLEY GROUP (CONTINUED)

### RANGE W/OVEN

KEY	PART NUMBER	U/M	DESCRIPTION
*	126023-01-01A	EA	RANGE - W/OVEN 22" - 3 BURNER/BLACK GLASS DOOR

#### \* COMPONENT PARTS FOUND IN SERVICE PARTS LIBRARY

### RANGE TOP

KEY	PART NUMBER	U/M	DESCRIPTION
*	114030-02-01A	EA	RANGE - 3 BURNER TOP - W/O OVEN - BLACK

#### \* COMPONENT PARTS FOUND IN SERVICE PARTS LIBRARY

### RANGE COVER

KEY	PART NUMBER	U/M	DESCRIPTION
	126022-02-01A	EA	COVER - RANGE - BI-FOLD - 22" - BLACK TEXTURED

### RANGE HOOD

KEY	PART NUMBER	U/M	DESCRIPTION
*	100258-17-04A	EA	HOOD - RANGE - W/O MONITOR PANEL - W/O HOUR METER/SWITCH - CSA
*	100258-18-03A	EA	HOOD - RANGE - W/O MONITOR PANEL - W/HOUR METER/SWITCH - US
*	100258-16-04A	EA	HOOD - RANGE - W/O MONITOR PANEL - W/O HOUR METER/SWITCH - US

#### \* COMPONENT PARTS FOUND IN SERVICE PARTS LIBRARY

### REFRIGERATOR

KEY	PART NUMBER	U/M	DESCRIPTION
*	121569-01-01A	EA	REFRIGERATOR - LARGE DOUBLE DOOR - RIGHT HAND - 2-WAY
*	120075-03-01A	EA	REFRIGERATOR - LARGE DOUBLE DOOR/RIGHT HAND - 2-WAY W/ICE
*	118367-01-01A	EA	REFRIGERATOR - SIDE BY SIDE DOOR - 2 WAY
	118871-02-01A	EA	TRAY - REFRIGERATOR - SIDE/SIDE
	065225-01-000	EA	PLATE - TIEDOWN - REFRIGERATOR
	090195-08-000	EA	BAFFLE - REFRIGERATOR - LOWER
	093369-03-000	EA	STRAP - REFRIGERATOR
	093646-01-000	EA	BRACKET - TIEDOWN/REFRIGERATOR - RIGHT HAND
	093646-02-000	EA	BRACKET - TIEDOWN/REFRIGERATOR - LEFT HAND
	054450-01-000	EA	LEVEL - REFRIGERATOR

#### \* COMPONENT PARTS FOUND IN SERVICE PARTS LIBRARY

### MICROWAVE OVEN

KEY	PART NUMBER	U/M	DESCRIPTION
	122753-05-000	EA	OVEN - MICROWAVE - 1 CU. FT. 0 NON CONVECTION - SHARP - UL
	122753-02-000	EA	OVEN - MICROWAVE - .9 CU. FT - CONVECTION - SHARP - UL
	122753-04-000	EA	OVEN - MICROWAVE - .9 CU FT - CONVECTION - SHARP - CSA
	082227-06-000	EA	TRIM - BOTTOM/MICROWAVE - BLACK
	102486-13-01A	EA	TRIM - MICROWAVE - VERTICAL - BLACK
	102482-09-H56	EA	FRAME - MICROWAVE
	094756-03-G15	EA	BRACKET - ANGLE - W/HOLES
	122799-01-02B	EA	SUPPORT - MICROWAVE
	122799-02-02B	EA	SUPPORT - MICROWAVE

## GENERATOR GROUP

### ONAN GENERATOR, 5.0 KW EMERALD PLUS

KEY	PART NUMBER	U/M	DESCRIPTION
	109303-01-000	EA	GENERATOR - 5 KW - EMERALD PLUS
	007125-03-000	EA	CLAMP - MUFFLER - 1.5" DIAMETER
	007125-04-000	EA	CLAMP - MUFFLER - 1.12" DIAMETER
	007131-01-000	EA	HANGER - TAILPIPE - 6 SLOTS
	079654-05-000	EA	PIPE - EXHAUST - ANGLED W/FLANGE - 2" ID
	081364-03-000	EA	MUFFLER - GENERATOR - ONAN
	094059-01-000	EA	SPACER - GENERATOR - ONAN
	106602-01-000	EA	PIPE - EXHAUST - GENERATOR
	106607-01-000	EA	ANGLE - SUPPORT - EXHAUST
	127008-02-02B	EA	TRAY - GENERATOR

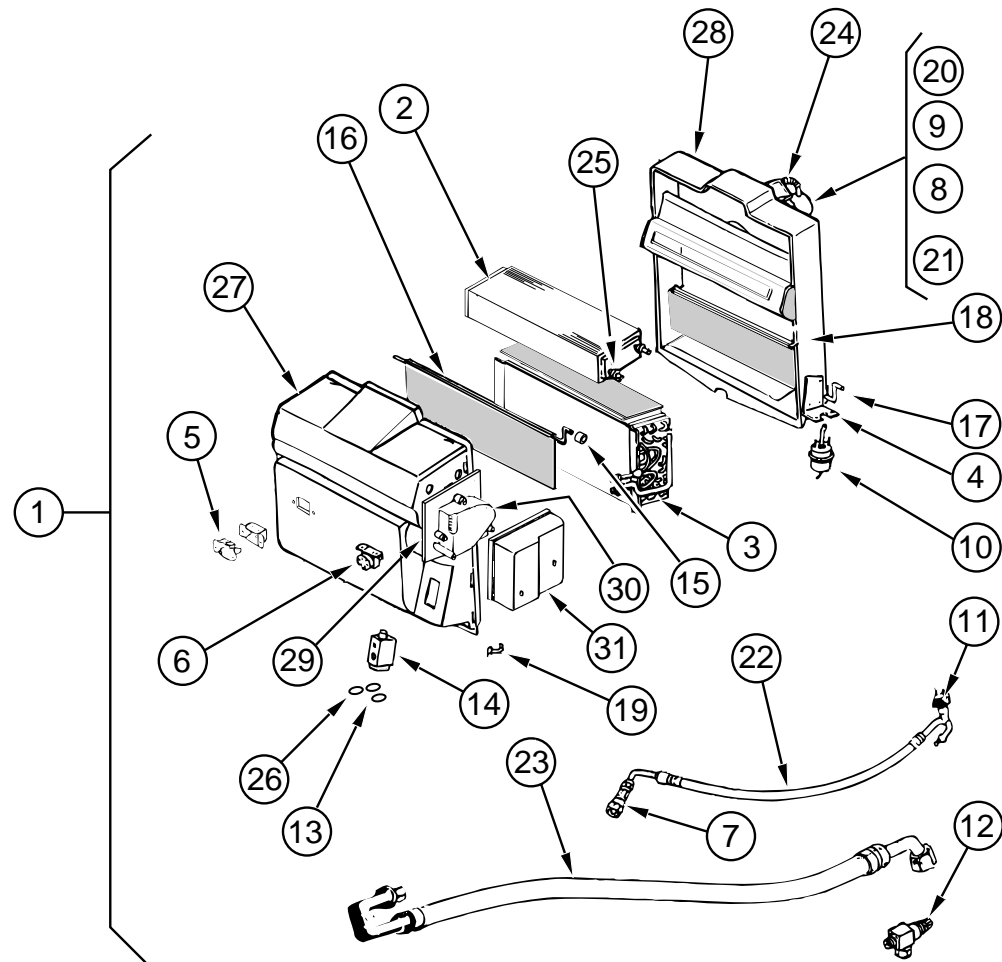
### ONAN GENERATOR, 6.5 KW EMERALD PLUS

KEY	PART NUMBER	U/M	DESCRIPTION
	100975-01-000	EA	GENERATOR - 6.5 KW EMERALD PLUS
	007125-03-000	EA	CLAMP - MUFFLER - 1.5" DIAMETER
	007125-04-000	EA	CLAMP - MUFFLER - 1.12" DIAMETER
	007131-01-000	EA	HANGER - TAILPIPE - 6 SLOTS
	079654-05-000	EA	PIPE - EXHAUST - ANGLED W/FLANGE - 2" ID
	081364-03-000	EA	MUFFLER - GENERATOR - ONAN
	094059-01-000	EA	SPACER - GENERATOR - ONAN
	106602-01-000	EA	PIPE - EXHAUST - GENERATOR
	106607-01-000	EA	ANGLE - SUPPORT - EXHAUST
	127008-02-02B	EA	TRAY - GENERATOR

**NOTE: ADDITIONAL GENERATOR COMPONENTS ARE FOUND IN THE CHASSIS GROUP**

# HEATING & AIR CONDITIONING GROUP

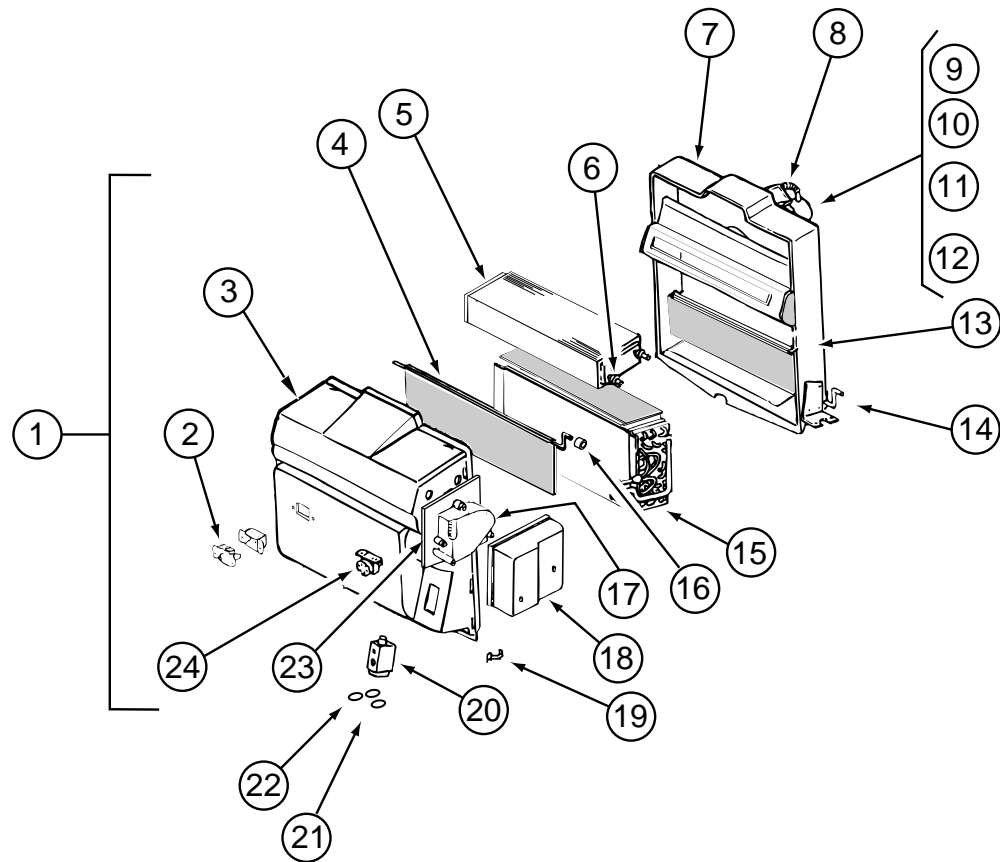
## AUTOMOTIVE AIR CONDITIONING (FORD)



KEY	PART NUMBER	U/M	DESCRIPTION	VENDOR NO.
1	103930-31-000	EA	EVAPORATOR/HEATER - FORD - SERVO MOTOR CONTROLLED	
2	103930-01-703	EA	CORE - HEATER	042-0010
3	103930-01-704	EA	COIL - EVAPORATOR	041-0017
4	103930-01-708	EA	BRACKET - VACUUM MOTOR	070-0113
5	103930-01-710	EA	RESISTOR - FUSED - A/C	035-0006
6	103930-01-711	EA	THERMOSTAT	033-0003
7	103930-01-713	EA	FITTING - QUICK CONNECT - #4	050-0030
8	103930-01-717	EA	WHEEL - BLOWER - CLOCKWISE	062-0010
9	103930-30-706	EA	MOTOR - BLOWER - (PM147)	030-0109
10	103930-02-708	EA	MOTOR - VACUUM SERVO - A/C	030-0025
11	103930-12-708	EA	SWITCH - BINARY - HI-LOW CUTOUT	032-0048
12	103930-13-702	EA	VALVE - SERVICE - W/O COMP.	050-0152
13	103930-17-702	EA	O'RING #10	045-0127
14	103930-20-700	EA	VALVE - EXPANSION - BLOCK - 2 TON	034-0032
15	103930-30-702	EA	BUSHING - BLEND AIR DOOR	062-0168
16	103930-30-705	EA	DOOR - BLEND AIR	071-0568
17	103930-20-704	EA	ROD - DOOR - RECIRCULATING	073-0018
18	103930-20-705	EA	PANEL - DOOR - RECIRCULATING	071-0213
19	103930-20-706	EA	CLIP - RETAINER	022-0057
20	103930-20-707	EA	HOUSING - BLOWER	062-0145
21	103930-20-708	EA	CLIP - MOTOR SHAFT	022-0001
22	103930-21-700	EA	HOSE ASM. - #6 EXP. VALVE-DRIER	085-0139
23	103930-21-701	EA	HOSE ASM. - #10 - EXP. VALVE-COMP	085-0149
24	110279-01-703	EA	HOSE-VENT - BLOWER MOTOR	051-0034
25	110279-01-712	EA	FITTING - HEATER	050-0076
26	113245-01-707	EA	O'RING #8	045-0126
27	103930-30-700	EA	CASE - FRONT	062-0542
28	103930-20-711	EA	CASE - BACK - SUB-ASSEMBLY	062-0147
29	103930-30-701	EA	PLATE - MOTOR MOUNT	062-0544
30	103930-30-703	EA	MOTOR - SERVO	030-0104
31	103930-30-704	EA	COVER - SERVO	062-0545
	103796-01-01A	EA	LOUVER - A/C-ADJUSTABLE - 2.2" X 5.4" F/2.5" HOSE - BLACK	
	126692-01-H17	EA	PLENUM - A/C	

# HEATING & AIR CONDITIONING GROUP (CONTINUED)

## AUTOMOTIVE AIR CONDITIONING (FORD) (NON-CHARGED)



KEY	PART NUMBER	U/M	DESCRIPTION	VENDOR NO.
1	103930-43-000	EA	EVAPORATOR/HEATER ASSEMBLY - NON-CHARGED	
2	103930-01-710	EA	RESISTOR - FUSED - A/C	035-0006
3	103930-30-700	EA	CASE - FRONT	062-0542
4	103930-43-700	EA	DOOR - AIR BLEND	071-0568
5	103930-01-703	EA	CORE - HEATER	042-0010
6	110279-01-712	EA	FITTING - HEATER	050-0076
7	103930-20-711	EA	CASE - BACK - SUB-ASSEMBLY	062-0147
8	110279-01-703	EA	HOSE - VENT F/BLOWER MOTOR	051-0034
9	103930-20-707	EA	HOUSING - BLOWER	062-0145
10	103930-30-706	EA	MOTOR - BLOWER W/PIGTAIL HARNESS	030-0109
11	103930-01-717	EA	WHEEL - BLOWER - CLOCKWISE	062-0010
12	103930-20-708	EA	CLIP - MOTOR SHAFT	022-0001
13	103930-20-705	EA	PANEL - DOOR - RECIRCULATING	071-0213
14	103930-20-704	EA	ROD - DOOR - RECIRCULATING	073-0018
15	103930-01-704	EA	COIL - EVAPORATOR	041-0017
16	103930-30-702	EA	BUSHING - BLEND AIR DOOR	062-0168
17	103930-30-703	EA	MOTOR - SERVO	030-0104
18	103930-30-704	EA	COVER - SERVO	062-0545
19	103930-20-706	EA	CLIP - RETAINER - CASE ATTACH	022-0057
20	103930-20-700	EA	VALVE - EXPANSION - BLOCK - 2 TON	034-0032
21	103930-17-702	EA	O'RING #10	045-0127
22	103930-01-707	EA	GASKET - O'RING - #8	045-0012
23	103930-30-701	EA	PLATE - MOTOR MOUNT	062-0544
24	103930-01-711	EA	THERMOSTAT	033-0003
	103930-30-707	EA	DIVIDER ASM.	086-0061
	103930-23-000	EA	VALVE - WATER - 2 PORT	
	103930-44-000	EA	HOSE - EVAPORATOR/DRYER - #6	
	103930-45-000	EA	HOSE - EVAPORATOR/COMPRESSOR - FORD	
	007076-01-000	EA	HOSE - FLEXIBLE PVC - 2" ID - INCREMENTS OF 50'	
	007108-01-000	FT	HOSE - HEATER - 5/8" ID - HI-TEMP - FORD	
	007281-01-000	EA	HOSE - FLEXIBLE PVC - 2.5" ID X 50'	
	024990-05-000	EA	OUTLET - DEFROSTER - 4" DIAMETER W/SWIVEL DEFLECTORS	
	056402-05-000	EA	BRACKET - HEATER VENT - ROUND W/BEND - BLACK	
	077075-01-000	EA	GASKET - INSTRUMENT PANEL/DEFROSTER PLENUM - .6" X 10.2"	
	103017-03-000	EA	PLENUM - DEFROSTER	
	103558-01-11A	EA	VENT - DEFROSTER - 2" X 14.4" X 1.4" - TITANIUM	
	103558-04-04A	EA	VENT - DEFROSTER - ABS TITANIUM	
			FROM: 05-10-98 THRU: 99-99-99	
	103796-01-01A	EA	LOUVER - A/C-ADJUSTABLE - 2.2" X 5.4" F/2.5" HOSE - BLACK	

## HEATING & AIR CONDITIONING GROUP (CONTINUED)

### FURNACE-SUBURBAN - 40,000 BTU - SF-422275

KEY	PART NUMBER	U/M	DESCRIPTION
*	098668-22-000	EA	FURNACE - 40,000 BTU
	094600-05-01A	EA	REGISTER W/O DAMPER-3.6" X 11.3" FACE/2.1" X 9.9" RO-BEIGE
	094600-06-01A	EA	REGISTER W/DAMPER-3.6" X 11.3" FACE/2.1" X 9.9" RO-BEIGE
	089367-02-000	EA	TEE - 4" X 2" X 4"
	092776-01-000	EA	ADAPTER - DUCT - 2"
	098668-14-000	EA	GASKET - FIBERGLASS - .5" X 18" X 18"
	117357-02-02B	EA	TRANSITION - FURNACE
	115764-01-01A	EA	THERMOSTAT - FURNACE
	093614-03-02A	EA	GRILLE - RETURN AIR - 14" X 8" - BEIGE
	009200-01-000	EA	TAPE - FURNACE - 1 1/2"

#### \* COMPONENT PARTS FOUND IN SERVICE PARTS LIBRARY

### AUTOMOTIVE REAR HEATER SYSTEM

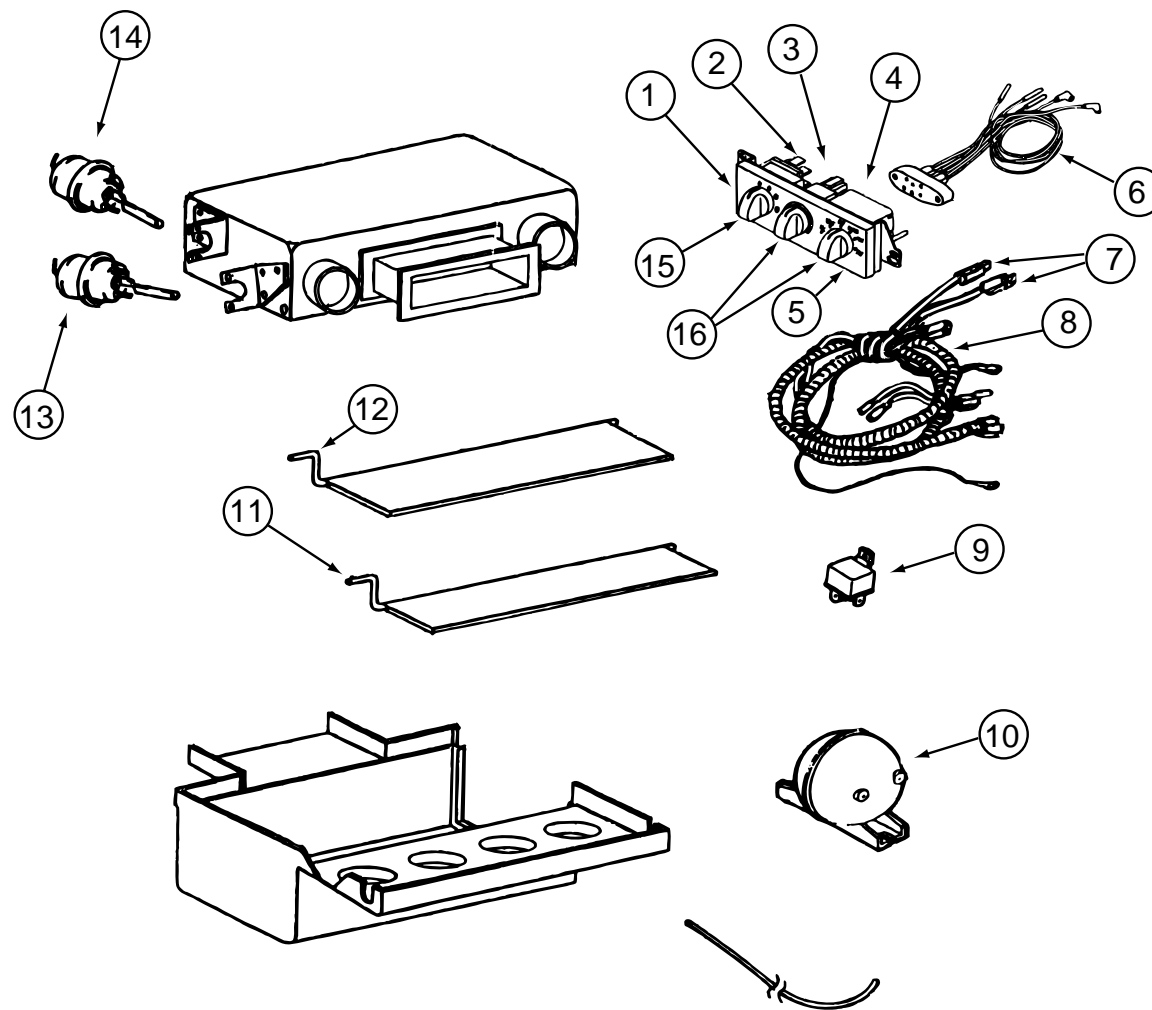
KEY	PART NUMBER	U/M	DESCRIPTION	VENDOR NO.
	084405-01-000	EA	HEATER - REAR/DUCTED - W/MOTOR AID	
	084405-01-700	EA	CORE-HEATER	FT200229
	084405-01-701	EA	FAN BLADES	HV029931
	084405-01-702	EA	MOTOR ASSEMBLY, 12 VOLT	RV010348
	009198-01-000	FT	DUCT - HEAT - FLEXIBLE - 4" ID X 25'	
	061673-01-000	EA	BRACKET - MOTOR AID TUBES - 4" X 1.5" - STEEL	
	009198-01-000	FT	DUCT - HEAT - FLEXIBLE - 4" ID X 25'	
	079059-01-000	EA	HOSE - 90 DEGREE - 5/8"ID X 4" X 36"	
	056464-10-000	EA	REGISTER - 4" DIAMETER - PLASTIC - W/O DAMPER - BEIGE	

### A/C - ROOF & CEILING ASSEMBLY

KEY	PART NUMBER	U/M	DESCRIPTION
*	108889-01-05A	EA	A/C - ROOF - 13,500 TSR
*	108892-01-01A	EA	CEILING ASSEMBLY - A/C DUCTED
	102289-01-000	EA	SPRING - SCREW - ROOF A/C GASKET
	110403-01-G09	EA	SPACER - RETURN AIR (WATERFORD OAK)
	110403-01-G09	EA	SPACER - RETURN AIR (WHITE GRANITE)
	117238-01-01A	EA	THERMOSTAT - A/C - FURNACE
	117238-02-01A	EA	THERMOSTAT - A/C ONLY
	120134-01-02A	EA	REGISTER - 4" TO 5" IN DIAMETER W/DAMPER
	073937-03-000	EA	SWITCH - ROTARY- AC - SELECTOR - 3 DECK
	121365-01-01A	EA	COVER - A/C SWITCH - DUAL

#### \* COMPONENT PARTS FOUND IN SERVICE PARTS LIBRARY

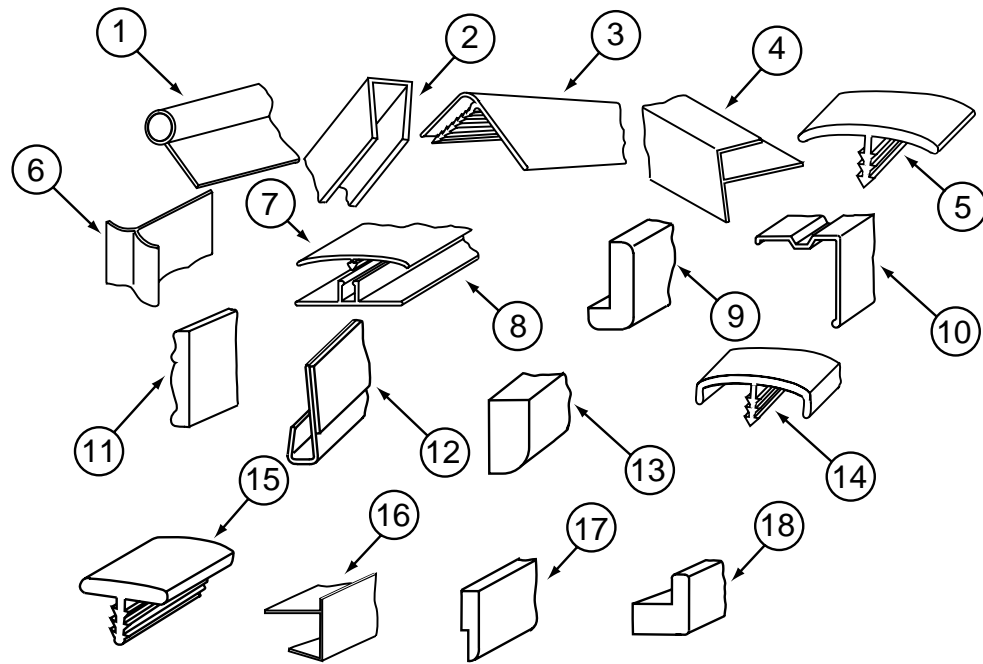
## HEATING & AIR CONDITIONING GROUP (CONTINUED)



### SCS CONTROL/PLENUM

KEY	PART NUMBER	U/M	DESCRIPTION	VENDOR NO.
	103930-40-000	EA	CONTROL/PLENUM - ROTARY	
1	103930-33-702	EA	CONTROL PANEL	083-0169
2	103930-33-707	EA	SWITCH - BLOWER	032-00066
3	103930-33-708	EA	SWITCH - POTENTIOMETER	032-0184
4	103930-33-709	EA	SWITCH - VACUUM	032-0183
5	103930-33-710	EA	DECAL F/CONTROL HEAD	058-0102
6	103930-33-703	EA	VACUUM HARNESS	036-0466
7	103930-33-705	EA	LIGHT BULBS	035-0030
8	103930-33-711	EA	WIRE HARNESS - MAIN	036-0496
9	103930-02-707	EA	RELAY-BOSCH W/RESISTER	031-0001
10	103930-02-710	EA	CANISTER-VACUUM	054-0002
11	103930-39-700	EA	ROD - DOOR - AC/HEAT	073-067
12	103930-39-701	EA	ROD - DOOR - AC/DEFROST	073-0069
13	103930-02-708	EA	MOTOR-VACUUM SERVO, A/C	030-0025
14	103930-33-701	EA	MOTOR - VACUUM, 3 STAGE	030-0105
15	103930-33-712	EA	KNOB - BLOWER	062-00539
16	103930-33-713	EA	KNOB	062-00540
	103930-39-704	EA	SPRING	022-0119

## INTERIOR FINISH GROUP



### INTERIOR TRIM & MOLDINGS

KEY	PART NUMBER	U/M DESCRIPTION
1	009767-12-000	FT WELTING - SIDEWALL/CEILING/CABINET - OFF/WHT
2	070504-18-000	FT U-CHANNEL - PLASTIC - .13" X 84" - IVORY
2	070504-37-000	FT U-CHANNEL - PLASTIC - .9" X 84" - WATERFORD OAK
2	070504-43-000	FT U-CHANNEL - PLASTIC - .9" X 96" - BEIGE ILLUSION
2	070504-45-000	FT U-CHANNEL - PLASTIC - .13" X 72" - WHITE GRANITE
2	070504-03-000	FT U-CHANNEL - PLASTIC - .9" X 84" - GRADY BROWN
2	070504-36-000	FT U-CHANNEL - PLASTIC - .13" X 72" - WATERFORD OAK
2	009778-25-000	FT U-CHANNEL - 1" - BEIGE ILLUSION
2	009778-21-000	FT U-CHANNEL - 1" - WATERFORD OAK
3	009809-23-000	EA MOLDING - CORNER - OUTSIDE - 1" X 84" - MODERN IVORY
4	009812-31-000	EA MOLDING - CORNER - 1/2" W/1/4" CHAN X 84" - BEIGE ILLUSION
4	009812-29-000	EA MOLDING - CORNER - 1/2" W/1/4" CHAN X 84" - WATERFORD OAK
5	105709-01-000	FT MOLDING-T - 1" - MODERN IVORY
6	022992-11-000	FT MOLDING - REVERSE COVE - T-SHAPED VINYL - IVORY
7	086229-13-000	EA BATTEN - 1" X 96" - IVORY
7	086229-19-000	EA BATTEN - 1" X 98.43" - OFF WHITE
7	086229-20-000	EA BATTEN - 1" X 96" - BEIGE
8	086229-01-000	EA RETAINER - BATTEN - .75" X 92.3" - ANY COLOR
8	086229-14-000	EA RETAINER - .75" X 98.43" - ANY COLOR
9	077840-01-H23	EA MOLDING - CAP/WALL 8' - WHITE MAPLE
9	077840-01-G01	EA MOLDING - WALL CAP - 8' - WATERFORD OAK
10	093873-01-01A	EA TRIM - CARPET - L-ANGLE 1.1" X 1.3" X 12" - GRAY VINYL
11	100182-10-H40	EA TRIM - RAIL - WHITE GRANITE
11	100182-10-G29	EA TRIM - RAIL/CHAIR - 8' - WATERFORD OAK
12	109332-02-02A	FT TRIM-J - W/O ADHESIVE - PICKLED ASH
12	109332-02-01A	FT TRIM-J - W/O ADHESIVE - BRASS
13	100818-01-07A	FT MOLDING - VINYL WRAP - 1.6" X .4" X 84" - WHITE GRANITE
13	100818-01-05A	FT MOLDING - VINYL WRAP - 1.65" X .4" X 84" - WATERFORD OAK
14	104676-02-07A	FT MOLDING-T - 1/2" - DESIGNER BEIGE
14	104676-02-04A	FT MOLDING-T - 1/2" - WATERFORD OAK
14	083620-15-000	FT MOLDING-T - END CAP EDGE - W/EDGE LIPS - .75" - BEIGE ILLUSION
14	083620-12-000	FT MOLDING-T - END CAP EDGE - W/EDGE LIP - .75" - WATERFORD OAK
15	104676-01-01A	FT MOLDING-T - 5/16" RIGID GOLD

## INTERIOR FINISH GROUP (CONTINUED)

### INTERIOR TRIM & MOLDINGS (CONTINUED)

KEY	PART NUMBER	U/M DESCRIPTION
16	103186-01-07A	FT MOLDING - PLASTIC/3/8" U-CHANNEL W/3/4" FACE - BEIGE ILLUSION
16	103186-01-05A	FT MOLDING - PLASTIC - 3/8" U-CHANNEL 3/4" FACE - WATERFORD OAK
16	103186-02-07A	FT MOLDING - PLASTIC/1" U-CHANNEL W/1 3/8" FACE - BEIGE ILLUSION
16	103186-02-05A	FT MOLDING - PLASTIC - 1" U-CHANNEL 1 3/8" FACE - WATERFORD OAK
17	105004-01-07A	EA MOLDING - VINYL WRAPPED - 1" X 96" - WHITE GRANITE
17	105004-01-05A	EA MOLDING - VINYL WRAPPED - 1" X 96" - WATERFORD OAK
18	100819-01-07A	EA MOLDING - VINYL WRAP - L-SHAPED - 1.5" X 1.5" X 7' - WHITE GRANITE
18	100819-01-05A	FT MOLDING - VINYL WRAP - L-SHAPED - 1.5" X 1.5" X 7' - OAK
	076325-43-000	FT MOLDING - EDGE BAND - .875" X .024" - CLOUD
	076325-46-000	FT MOLDING - EDGE BAND - 1 5/16" X .030" - CLOUD
	076325-73-000	FT MOLDING - EDGE BAND - .93" X .024" - OFF WHITE
	076325-40-000	FT MOLDING - EDGE BAND - .93" X .024" - ALMOND
	076325-67-000	FT MOLDING - EDGE BAND - .93" X .024" - WATERFORD OAK
	116951-01-H23	EA MOLDING - WOOD - 3" X 70.5"
	116951-01-G35	EA MOLDING - WOOD - 3" X 70.5"

### BATT STRIPS

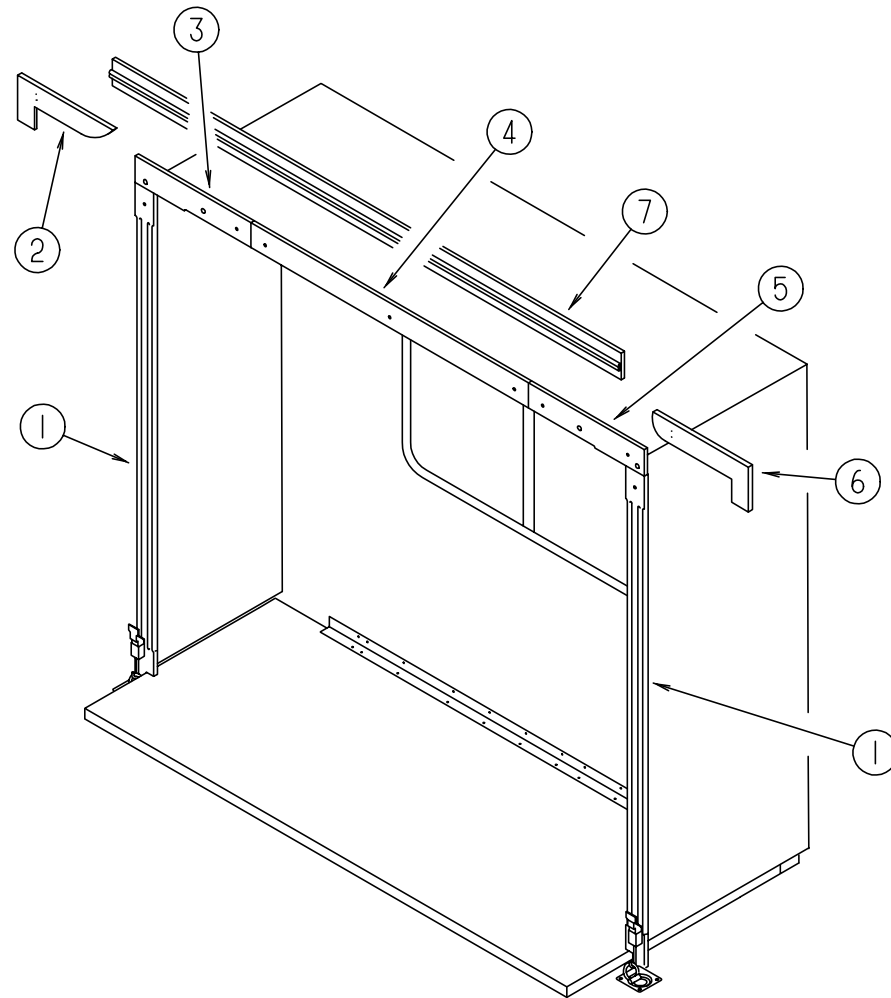
KEY	PART NUMBER	U/M DESCRIPTION
	069733-85-000	EA BATT STRIP - WOODGRAINED/WHITE GRANITE - 8'
	069733-83-000	EA BATT STRIP - WOODGRAINED/WATERFORD OAK - 8'
	085284-B5-000	EA BATT TAPE - ADHESIVE BACKED - WOODGRAINED - WATERFORD OAK
	088263-E4-000	EA BATT STRIP - DECORATIVE - LAJOLLA/SEAMIST - INC OF 8' (J22,J23)
	088263-F2-000	EA BATT STRIP - DECORATIVE - TUSCAN MINK - 8' LENGTHS (J24,J25)
	088263-F4-000	EA BATT - STRIP - DECORATIVE - TRAVIS MERCURY - 8' (J26,J27)
	085284-E9-000	FT BATT TAPE - ADHESIVE BACKED - DECORATIVE/TRAVIS MERCURY (J26,J27)
	088263-F8-000	EA BATT STRIP - DECORATIVE - CAIRO SILVERSAGE - INC OF 8' (J28,J29)
	085284-F4-000	FT BATT TAPE - ADHESIVE BACKED - CAIRO SILVERSAGE (J28,J29)

### CARPET & FLOOR COVERING

KEY	PART NUMBER	U/M DESCRIPTION
	075233-01-000	SY PAD - CARPET - 3/8" X 6' ROLL
	096060-A8-000	SY CARPET - BLUE LAGOON - INCREMENTS OF 4 SQ YDS
	093486-01-000	SY CARPET - COMPARTMENT - 54" WIDE - DARK GRAY
	096060-99-000	SY CARPET - PARCHMENT - INCREMENTS OF 4 SQ. YARDS (J22,J23,J24,J25)
	096060-98-000	SY CARPET - SILVER ASPEN - INCREMENTS OF 4 SQ YD (J26,J27,J28,J29)
	105924-01-F25	EA MAT - FLOOR - 18" X 27" (J22,J23)
	105924-01-F12	EA MAT - FLOOR - 18" X 27" (J24,J25)
	105924-01-F06	EA MAT - FLOOR - 18" X 27" (J26,J27,J28,J29)
	122755-01-01A	EA TILE - RUBBER/ENTRANCE DOOR - 18.5" X 27.2"
	122755-03-01A	EA TILE - RUBBER/ENTRANCE DOOR - 17.7" X 26.4"

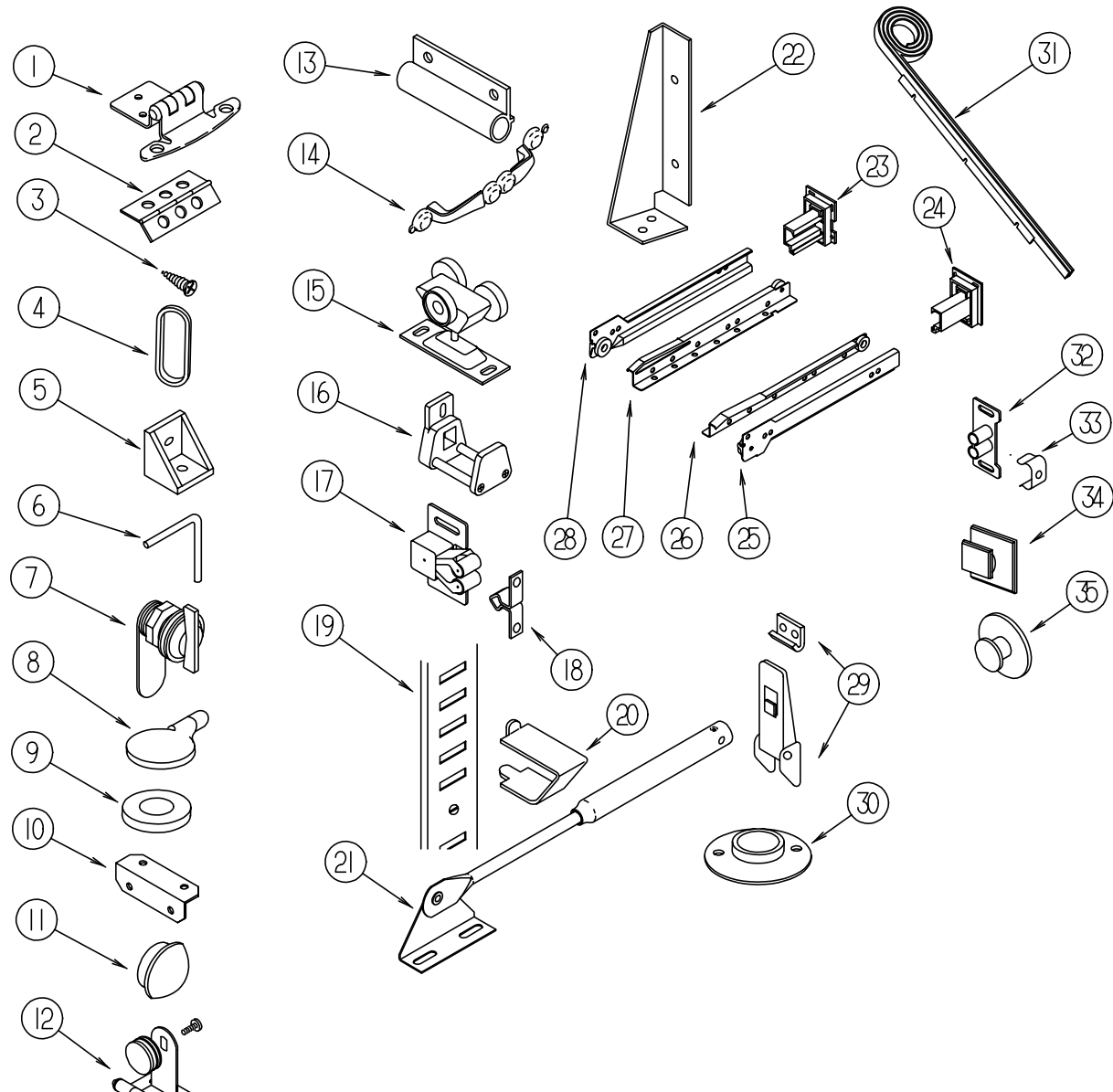
## INTERIOR FINISH GROUP (CONTINUED)

### SLIDEOUT HARDWARE & MOLDINGS



KEY	PART NUMBER	U/M DESCRIPTION
1	116951-01-G35	EA MOLDING - WOOD - 3" X 70.5" - WATERFORD OAK
1	116951-01-H23	EA MOLDING - WOOD - 3" X 70.5" - WHITE GRANITE
2	115811-20-J22	EA OVERLAY - NOVEAU - 7.5" X 23.75" - LEFT HAND (J22,J23)
2	115811-20-J24	EA OVERLAY - NOVEAU - 7.5" X 23.75" - LEFT HAND (J24,J25)
2	115811-20-J26	EA OVERLAY - NOVEAU - 7.5" X 23.75" - LEFT HAND (J26,J27)
2	115811-20-J28	EA OVERLAY - NOVEAU - 7.5" X 23.75" - LEFT HAND (J28,J29)
3	116968-01-G35	EA TRIM - END/RIGHT HAND - WOOD - 3.8" X 19.1" (WATERFORD OAK)
3	116968-01-H40	EA TRIM - END/RIGHT HAND - WOOD - 3.8" X 19.1" (WHITE GRANITE)
4	116967-01-G35	EA TRIM - CENTER - WOOD - 3.8" X 119.7" (WATERFORD OAK)
4	116967-01-H23	EA TRIM - CENTER - WOOD - 3.8" X 119.7" (WHITE GRANITE)
5	116968-02-G35	EA TRIM - END/ LEFT HAND - WOOD - 3.8" X 19.1" (WATERFORD OAK)
5	116968-02-H40	EA TRIM - END/ LEFT HAND - WOOD - 3.8" X 19.1" (WHITE GRANITE)
6	115811-19-J22	EA OVERLAY - NOVEAU - 7.5" X 23.75" - RIGHT HAND (J22,J23)
6	115811-19-J24	EA OVERLAY - NOVEAU - 7.5" X 23.75" - RIGHT HAND (J24,J25)
6	115811-19-J26	EA OVERLAY - NOVEAU - 7.5" X 23.75" - RIGHT HAND (J26,J27)
6	115811-19-J28	EA OVERLAY - NOVEAU - 7.5" X 23.75" - RIGHT HAND (J28,J29)
7	NOT AVAILABLE	

**INTERIOR FINISH GROUP (CONTINUED)**



**CABINET HARDWARE**

KEY	PART NUMBER	U/M	DESCRIPTION
1	108138-01-000	EA	HINGE - CABINET DOOR - BURNISHED BRASS
2	041389-18-000	EA	HINGE - PIANO - 1.50 X 482.6 - OFF WHITE
2	041389-25-000	EA	HINGE - PIANO - 1.50 X 55
2	009059-01-000	EA	HINGE - DOOR - 2" X 1.4" - BRASS
2	009059-02-000	EA	HINGE - DOOR - 2" X 2.7" - BRASS
3	000G13-06-10G	EA	SCREW - 6-20 X 5/8 PFH - ANTIQUE BRASS
3	000G13-06-08G	EA	SCREW
4	098410-01-01A	EA	PULL - FINGER - BRASS
5	065740-01-000	EA	BRACE - CABINET/CORNER - PLASTIC
6	108487-02-01A	EA	SUPPORT - PROP ROD/OVERHEAD - BLACK
7	100710-01-01A	EA	LOCK - GLASS DOOR/TWIST TYPE - BRASS
	101272-01-000	EA	CATCH - GLASS DOOR
8	101766-01-000	EA	PIN - SUPPORT/GLASS DOOR
9	100707-01-000	EA	SPACER - GLASS DOOR - .8" DIA - .3" HOLE - PLASTIC
10	016604-05-000	EA	BRACE - CABINET - ANGLE - 2.5" OFF WHITE METAL
10	016604-01-000	EA	BRACE - CABINET - ANGLE - 2.5" - UNPAINTED METAL
11	042356-01-000	EA	PLUG - BUTTON - MAHOGANY - 3/8" DIAMETER - WOOD
11	074045-11-000	EA	PLUG - OAK - 3/8" DIAMETER - WHITE GRANITE
11	074045-01-000	EA	PLUG - OAK - 3/8" DIAMETER - OAK
12	100711-01-01A	EA	HINGE - GLASS DOOR
13	108486-01-01A	EA	BRACKET - PROP ROD/OVERHEAD - BLACK
14	121890-01-01A	EA	PULL - CABINET - BRASS
15	103874-01-000	EA	HANGER - SLIDING DOOR

**INTERIOR FINISH GROUP (CONTINUED)**

**CABINET HARDWARE (CONTINUED)**

KEY	PART NUMBER	U/M	DESCRIPTION
16	064467-01-000	EA	GUIDE - POCKET - SLIDING DOOR - WALL MOUNTED
	076790-01-000	EA	SCREW - 6-20 X 1 1/4 PPH - BLACK
17	093586-06-000	EA	CATCH - SPRING - ROLLER
17	093586-03-000	EA	CATCH - SPRING - ROLLER
18	093586-05-000	EA	STRIKE - SPRING STEEL
18	093586-04-000	EA	STRIKE - SPRING STEEL
19	098980-01-000	EA	PILASTER - ADJUSTABLE SHELF - 18" - WOODGRAIN APPEARANCE
19	098980-02-000	EA	PILASTER - ADJUSTABLE SHELF - 12" - WOODGRAIN APPEARANCE
19	098980-04-000	EA	PILASTER - ADJUSTABLE SHELF - 48" - WOODGRAIN APPEARANCE
20	098979-01-000	EA	CLIP - ADJUSTABLE SHELF
21	074493-02-000	EA	SUPPORT - PISTON SPRING - CABINET DOOR
22	116978-01-03B	EA	GUSSET - SLIDEOUT ROOM - OFF/WHITE
23	128811-01-01A	EA	BACKSOCKET - ADJUSTABLE LEFT
24	128811-02-01A	EA	BACKSOCKET - ADJUSTABLE RIGHT
25	128810-02-01A	EA	SLIDE - DRAWER - 12" - RIGHT CABINET
25	128810-10-01A	EA	SLIDE - DRAWER - 16" - RIGHT CABINET
25	128810-14-01A	EA	SLIDE - DRAWER - 18" - RIGHT CABINET
25	128810-18-01A	EA	SLIDE - DRAWER - 20" - RIGHT CABINET
25	128810-22-01A	EA	SLIDE - DRAWER - 22" - RIGHT CABINET
25	128810-26-01A	EA	SLIDE - DRAWER - 24" - RIGHT CABINET
26	128810-04-01A	EA	SLIDE - DRAWER - 12" - RIGHT DRAWER
26	128810-12-01A	EA	SLIDE - DRAWER - 16" - RIGHT DRAWER
26	128810-16-01A	EA	SLIDE - DRAWER - 18" - RIGHT DRAWER
26	128810-20-01A	EA	SLIDE - DRAWER - 20" - RIGHT DRAWER
26	128810-24-01A	EA	SLIDE - DRAWER - 22" - RIGHT DRAWER
26	128810-28-01A	EA	SLIDE - DRAWER - 24" - RIGHT DRAWER
27	128810-03-01A	EA	SLIDE - DRAWER - 12" - LEFT DRAWER
27	128810-11-01A	EA	SLIDE - DRAWER - 16" - LEFT DRAWER
27	128810-15-01A	EA	SLIDE - DRAWER - 18" - LEFT DRAWER
27	128810-19-01A	EA	SLIDE - DRAWER - 20" - LEFT DRAWER
27	128810-23-01A	EA	SLIDE - DRAWER - 22" - LEFT DRAWER
27	128810-27-01A	EA	SLIDE - DRAWER - 24" - LEFT DRAWER
28	128810-01-01A	EA	SLIDE - DRAWER - 12" - LEFT CABINET
28	128810-09-01A	EA	SLIDE - DRAWER - 16" - LEFT CABINET
28	128810-13-01A	EA	SLIDE - DRAWER - 18" - LEFT CABINET
28	128810-17-01A	EA	SLIDE - DRAWER - 20" - LEFT CABINET
28	128810-21-01A	EA	SLIDE - DRAWER - 22" - LEFT CABINET
28	128810-25-01A	EA	SLIDE - DRAWER - 24" - LEFT CABINET
29	116975-01-01A	EA	LATCH - W/O STRIKE
29	042541-05-000	EA	STRIKE
30	009112-01-000	EA	FLANGE - 1" CLOTHES ROD - OFF WHITE PLASTIC
31	097141-02-700	EA	KIT-TRACK TAMBOUR DOOR - W/ONE RIGHT & ONE LEFT TRACK
32	009021-01-000	EA	CATCH - GRILLE - NYLON
33	009021-02-000	EA	STRIKE - SPRING STEEL
34	102327-01-01A	EA	PULL-MIRROR - W/SQUARE HANDLE
35	125221-01-01A	EA	PULL - MIRROR - W/ROUND HANDLE
	004354-01-000	EA	BUMPER - RUBBER - .5" DIA - BROWN
	042438-01-000	EA	DOWEL - WOOD - CLOTHES ROD - 1" DIAMETER X 4'
	042438-06-000	EA	DOWEL - WOOD - 1.5" X 26" - OAK
	023320-01-000	EA	PAD - FELT 3/8" DIAMETER
	079921-01-000	EA	ROLLER - NYLON - W/STEEL SHAFT - BARBED
	084070-03-000	EA	POST - END - 2.4" - SHINY BRASS
	084071-23-000	EA	ROD - BRASS - 13.12"
	102194-01-000	EA	GUIDE - PLASTIC

## INTERIOR FINISH GROUP (CONTINUED)

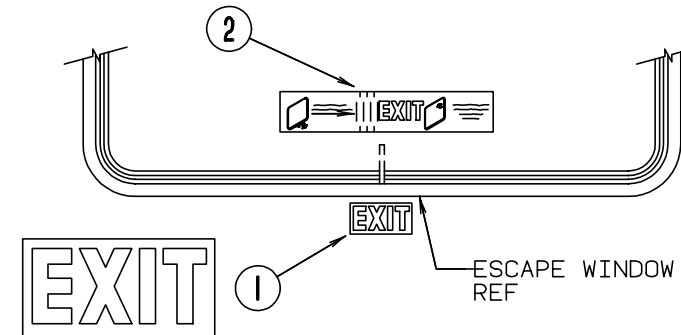
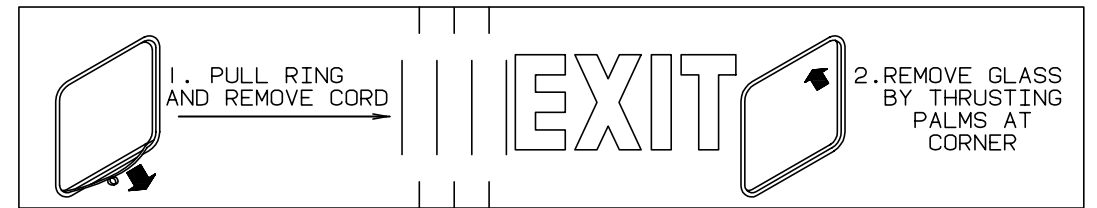
### PANELING, PLASTIC LAMINATE & PARTICLE BOARD

KEY	PART NUMBER	U/M	DESCRIPTION
	000846-01-000	SF	PLYWOOD - 5/16" X 48" X 96" - CD GRADE
	000846-02-000	SF	PLYWOOD/UNDERLAYMENT - 5/16" X 48" X 96"
	000885-84-000	SF	PARTICLE BOARD - 3/8" X 48" X 96" - WHITE GRANITE/1 SIDED
	000885-85-000	SF	PARTICLE BOARD - 3/8" X 48" X 96" - WHITE GRANITE/2 SIDED
	000885-77-000	SF	PARTICLE BOARD-3/8" X 48" X 96"-WATERFORD OAK/VINYL 2 SIDE
	000885-79-000	SF	PARTICLE BOARD-3/4" X 48" X 96"-WATERFORD OAK/VINYL 2 SIDE
	057882-05-700	EA	TAMBOUR - 48" X 48" SHEET - UNFINISHED - WASHED MAPLE
	057882-04-700	EA	TAMBOUR - 48" X 48" SHEET - UNFINISHED - WATERFORD OAK
	074497-36-000	SF	PANELING - WHITE GRANITE - 1/8" X 48" X 96"
	074497-28-000	SF	PANELING - WATERFORD OAK - 48" X 96"
	074498-40-000	SF	LAMINATE - PLASTIC - OFF WHITE - 5' X 8' - INC OF 40 SF
	074498-62-000	SF	LAMINATE - PLASTIC - GREY FINESSE - 5' X 8' - INC OF 40SF
	074498-81-000	SF	LAMINATE - PLASTIC - ALMOND JAGUARD - 5' X 8'
	074498-77-000	SF	LAMINATE - PLASTIC - ART CABIN - 4' X 8'
	080215-12-000	SF	PANELING - 2 SIDED - WHITE GRANITE - 4' X 8'
	080215-10-000	SF	PANELING - 2 SIDED - WATERFORD - .2" X 48" X 96"
	088272-G1-000	SF	PANELING - PEBBLE EMBOSSED - ANTIQUE WHITE - 4' X 7'
	088272-G2-000	SF	PANELING - LA JOLLA/SEAMIST - 4' X 8'
	117267-D2-438	EA	LUMBER - VINYL WRAPPED - .7" X 1.5" X 96" - WATERFORD OAK
	117267-E2-438	EA	LUMBER - VINYL WRAPPED - .7" X 2" X 96" - WATERFORD OAK
	117267-R2-438	EA	LUMBER - VINYL WRAPPED - .7" X 3" X 96" - WATERFORD OAK
	117267-J2-438	EA	LUMBER - VINYL WRAPPED - .7" X 5.5" X 96"- WATERFORD OAK
	126339-01-000	SF	BOARD - WHEAT - 60" X 72"

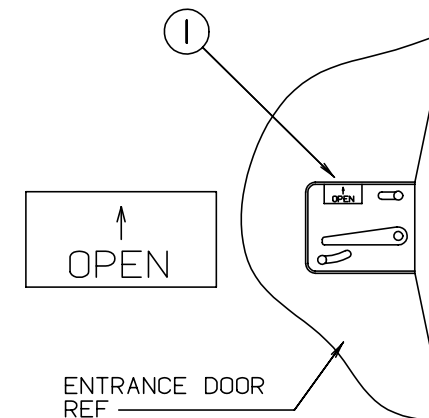
### FIRE EXTINGUISHER, SMOKE DETECTORS & WALL CLOCK

KEY	PART NUMBER	U/M	DESCRIPTION	VENDOR NO.
	072852-01-000	EA	DETECTOR - SMOKE - W/9 VOLT BATTERY - US	
	072852-02-000	EA	DETECTOR - SMOKE - W/9/VOLT BATTERY - CANADIAN	
	094499-01-000	EA	EXTINGUISHER/FIRE - DRY W/MOUNTING BRACKET - 10 B:C	
	094499-02-000	EA	EXTINGUISHER/FIRE - DRY - 1A10BC - CANADIAN	
			FROM: 00-00-00 THRU: 02-24-98	
	094499-01-700	EA	BRACKET MTG. W/PLAS. STRAP	294039
			FROM: 00-00-00 THRU: 02-24-98	
	094499-03-000	EA	EXTINGUISHER/FIRE - DRY - 10B:C - W/O BRACKET	
			FROM: 02-25-98 THRU: 99-99-99	
	094499-04-000	EA	BRACKET - FIRE EXTINGUISHER	
			FROM: 02-25-98 THRU: 99-99-99	
	094499-01-701	EA	STRAP ONLY (METAL)	320351
	125136-01-000	EA	DETECTOR - CO - GAS - MODEL 9L-I	
	100793-02-01A	EA	CLOCK - WALL - QUARTZ/11" - BRASS	

## LABELS GROUP



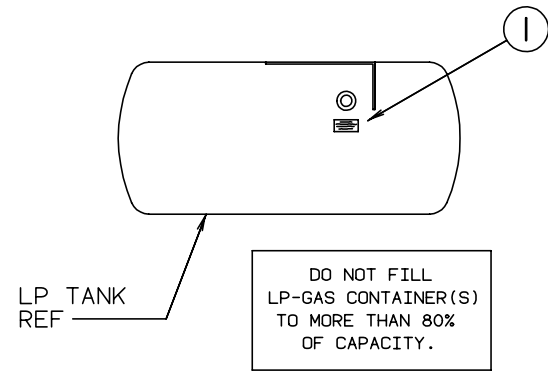
KEY	PART NUMBER	U/M	DESCRIPTION
1	039290-01-000	EA	LABEL - WARNING - EXIT
2	107571-01-000	EA	LABEL - ESCAPE EXIT - WINDOW



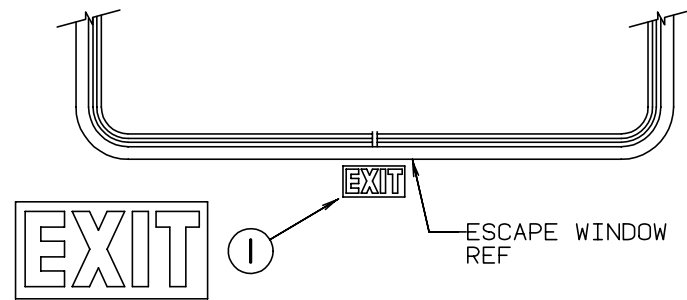
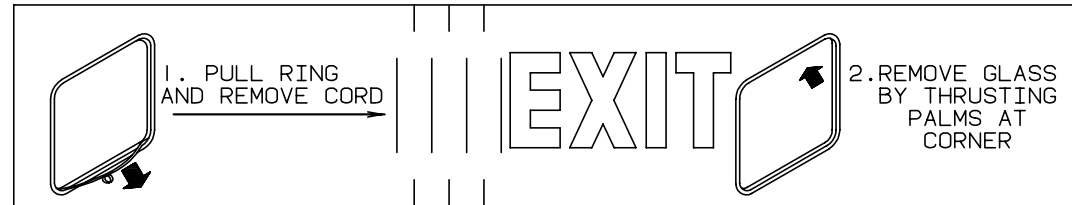
KEY	PART NUMBER	U/M	DESCRIPTION
1	040944-01-000	EA	LABEL - ENTRANCE DOOR - "OPEN"



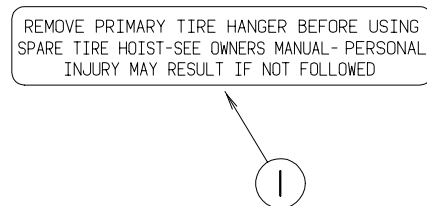
**LABELS GROUP (CONTINUED)**



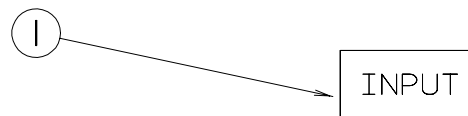
KEY	PART NUMBER	U/M DESCRIPTION
1	079965-01-000	EA LABEL - LPG - 80% CAPACITY



KEY	PART NUMBER	U/M DESCRIPTION
1	107571-01-000	EA LABEL - EXIT/ ESCAPE WINDOW

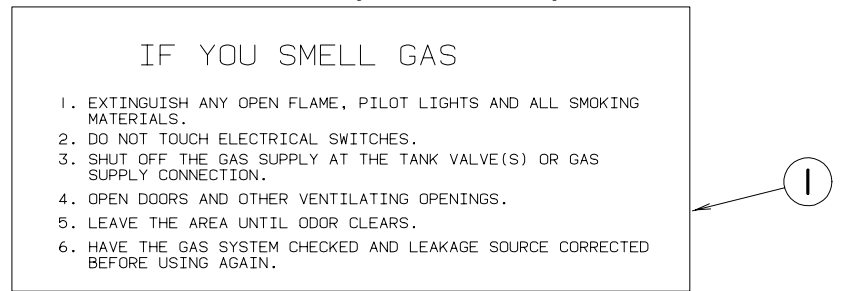


KEY	PART NUMBER	U/M DESCRIPTION
1	126024-01-01A	EA LABEL - TIRE HANGER REMOVAL

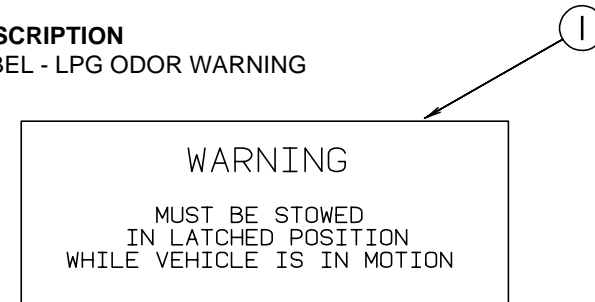


KEY	PART NUMBER	U/M DESCRIPTION
1	087236-01-000	EA LABEL - CABLE - INPUT

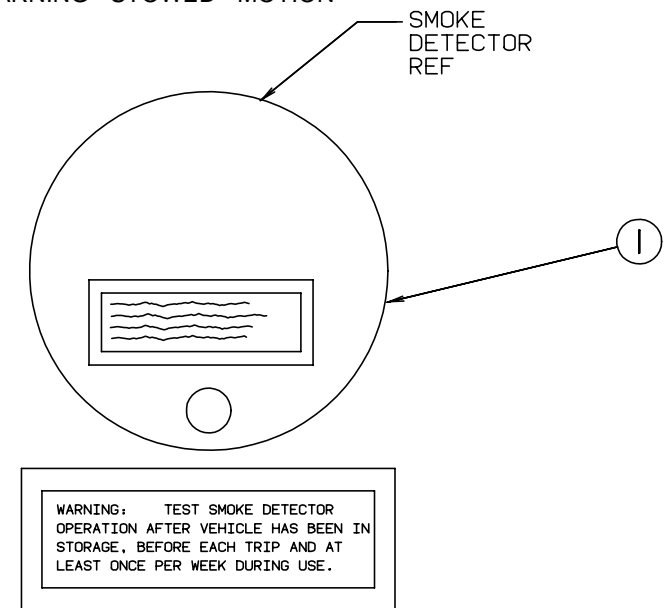
**LABELS GROUP (CONTINUED)**



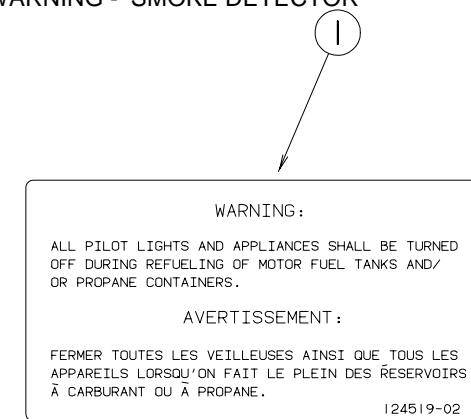
KEY	PART NUMBER	U/M DESCRIPTION
1	073998-01-000	EA LABEL - LPG ODOR WARNING



KEY	PART NUMBER	U/M DESCRIPTION
1	079966-01-000	EA LABEL - WARNING - STOWED - MOTION

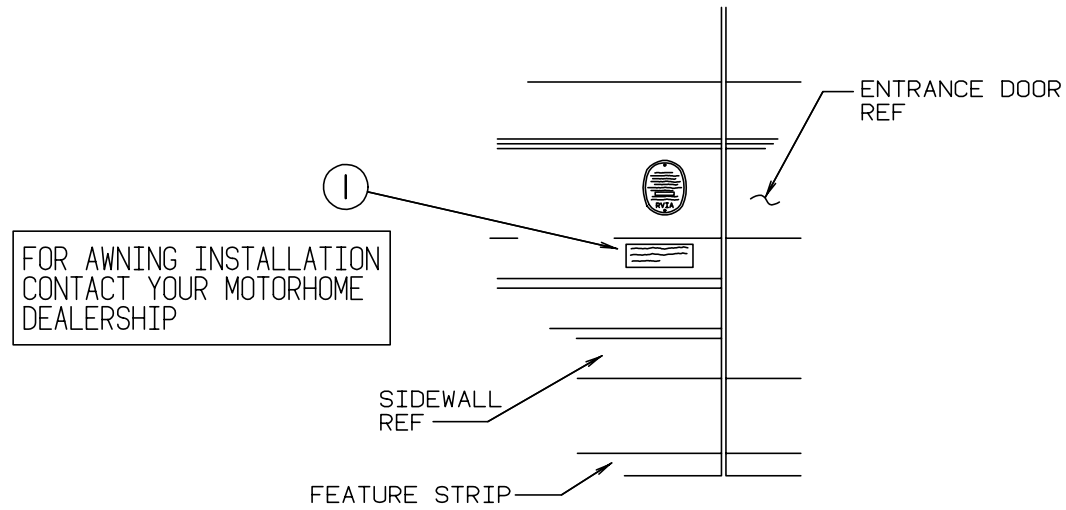


KEY	PART NUMBER	U/M DESCRIPTION
1	077956-01-000	EA LABEL - WARNING - SMOKE DETECTOR

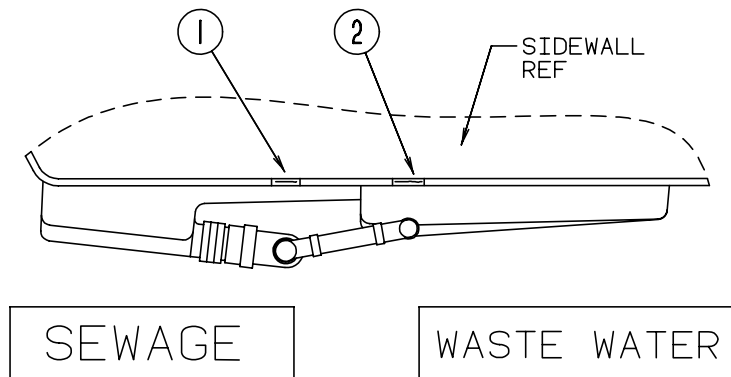


KEY	PART NUMBER	U/M DESCRIPTION
1	124519-02-02A	EA LABEL - WARNING/REFUELING - CSA

**LABELS GROUP (CONTINUED)**



KEY	PART NUMBER	U/M DESCRIPTION
1	099509-01-000	EA LABEL - AWNING INSTALLATION



KEY	PART NUMBER	U/M DESCRIPTION
1	006187-01-000	EA LABEL - SEWAGE
2	006188-01-000	EA LABEL - WASTE WATER

WARNING: CONTAINS "CFC" A SUBSTANCE WHICH HARMS PUBLIC HEALTH AND ENVIRONMENT BY DESTROYING OZONE IN THE UPPER ATMOSPHERE.

KEY	PART NUMBER	U/M DESCRIPTION
1	111802-01-000	EA LABEL - CFC WARNING

**LABELS GROUP (CONTINUED)**

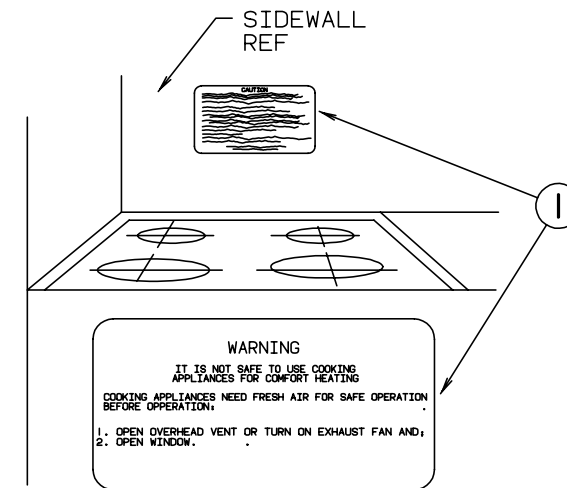
DO NOT USE HITCH BEFORE READING OWNERS MANUAL REGARDING VEHICLE LOADING AND TOWING

KEY	PART NUMBER	U/M DESCRIPTION
1	111104-01-000	EA LABEL - HITCH - READ MANUAL

NOTE: TUNE ANTENNA PER MANUFACTURER'S DIRECTIONS. FAILURE TO COMPLY COULD RESULT IN DAMAGE TO CB.

CB POWER PROVISION  
 RED +12 V  
 BLACK GROUND  
 COAX ANTENNA  
 (SEE REVERSE ALSO)

KEY	PART NUMBER	U/M DESCRIPTION
1	104678-01-000	EA LABEL - CB PREP



KEY	PART NUMBER	U/M DESCRIPTION
1	050225-01-000	EA LABEL - WARNING - STOVE VENT - US
1	050222-01-000	EA LABEL - WARNING - STOVE VENT - CSA

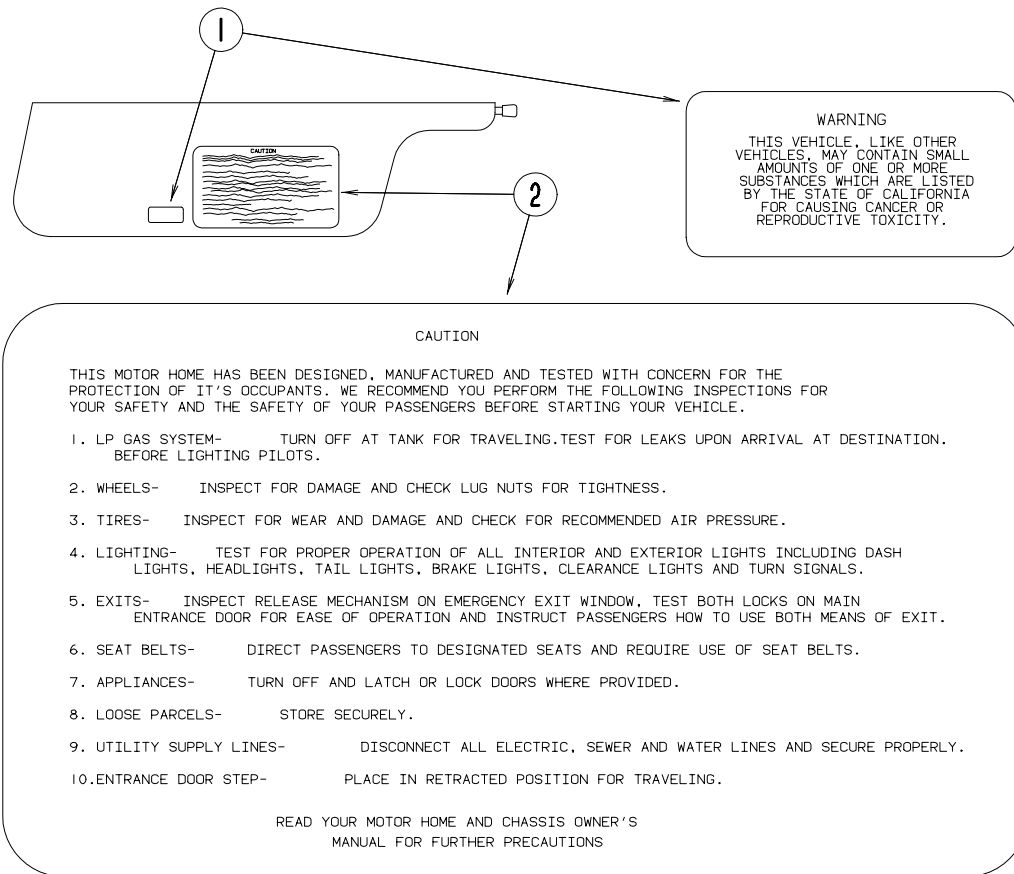
**WARNING**  
 ROOF SURFACE MAY BE SLIPPERY ESPECIALLY WHERE MOISTURE IS PRESENT SLIPPING MAY RESULT IN PERSONAL INJURY.  
128218-01

KEY	PART NUMBER	U/M DESCRIPTION
1	128218-01-01A	EA LABEL - WARNING - ROOF SLIPPERY

**LABELS GROUP (CONTINUED)**

LP-GAS SYSTEM  
 THIS GAS PIPING SYSTEM IS DESIGNED FOR USE OF LIQUIFIED PETROLEUM GAS ONLY. DO NOT CONNECT NATURAL GAS TO THIS SYSTEM.  
 SECURE CAP INLET(S) WHEN NOT CONNECTED FOR USE AFTER TURNING ON GAS. EXCEPT AFTER NORMAL CONTAINER REPLACEMENT, TEST GAS PIPING AND CONNECTIONS TO APPLIANCES FOR LEAKAGE WITH SOAPY WATER OR BUBBLE SOLUTION. DO NOT USE PRODUCTS THAT CONTAIN AMMONIA OR CHLORINE.

KEY	PART NUMBER	U/M DESCRIPTION
1	124520-01-02A	EA LABEL - LP GAS ONLY



KEY	PART NUMBER	U/M DESCRIPTION
1	099689-01-000	EA LABEL - WARNING - CANCER/TOXICITY
2	056259-01-000	EA LABEL - SAFETY CHECK LIST

**LABELS GROUP (CONTINUED)**

A/C CIRCUIT 1	MAIN	MAIN	A/C CIRCUIT 2	GFH CIRCUIT 1	REFRIG/CONV	GFH CIRCUIT 2	MICROWAVE	APPLIANCE 1	APPLIANCE 2	GENERAL REECS	WASHER DRYER
---------------	------	------	---------------	---------------	-------------	---------------	-----------	-------------	-------------	---------------	--------------

KEY	PART NUMBER	U/M DESCRIPTION
1	095721-18-000	EA LABEL-CONTROL CENTER, 50 AMP - CSA

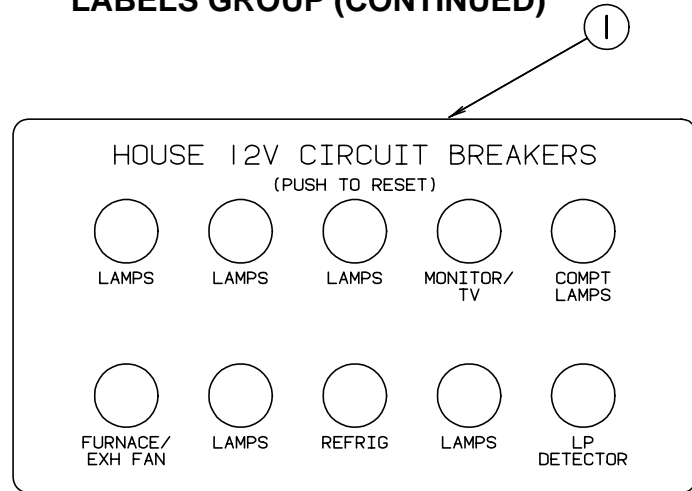
A/C CIRCUIT 1	MAIN	MAIN	A/C CIRCUIT 2	GFH CIRCUIT 1	REFRIG/CONV	GFH CIRCUIT 2	MICROWAVE	GENERAL REECS	WASHER DRYER	DISHWASHER	ICE MAKER	GENERAL REECS
---------------	------	------	---------------	---------------	-------------	---------------	-----------	---------------	--------------	------------	-----------	---------------

KEY	PART NUMBER	U/M DESCRIPTION
1	095721-17-000	EA LABEL-CONTROL CENTER, 50 AMP - US

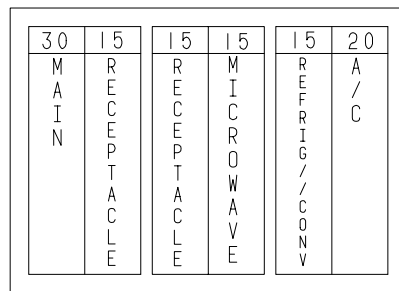
**MISCELLANEOUS LABELS**

KEY	PART NUMBER	U/M DESCRIPTION
	023769-01-000	EA LABEL - WARNING - LPG - CANADIAN
	091243-01-000	EA LABEL - A/C COVER "AIR CONDITIONING CIRCUIT ETC."
	093237-05-000	EA LABEL - CIRCUIT BREAKER - FRONT - TAG AXLE BRAKES
	094675-01-000	EA LABEL - EXTERIOR LIGHT SERVICE
	098379-04-000	EA LABEL - ELECTRICAL BOX - SIDE
	111537-05-000	EA LABEL - SLIDEOUT CONTROL
	111537-07-000	EA LABEL - FUSES
	113402-01-000	EA LABEL - CAUTION - WATER HEATER EXHAUST
	116549-01-000	EA LABEL - WARNING - SLIDEOUT

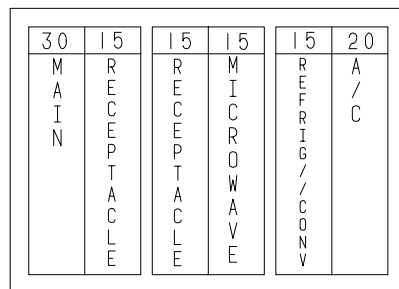
**LABELS GROUP (CONTINUED)**



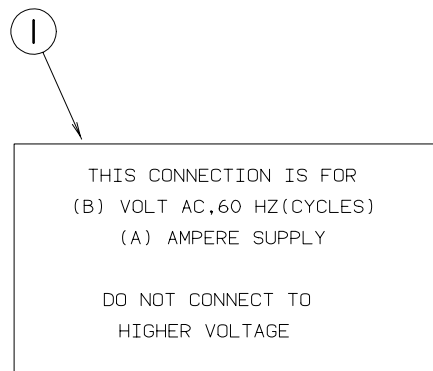
**KEY PART NUMBER U/M DESCRIPTION**  
 1 092547-06-000 EA LABEL-CIRCUIT BREAKER



**KEY PART NUMBER U/M DESCRIPTION**  
 1 095721-10-000 EA LABEL-CONTROL CENTER (30A) CSA

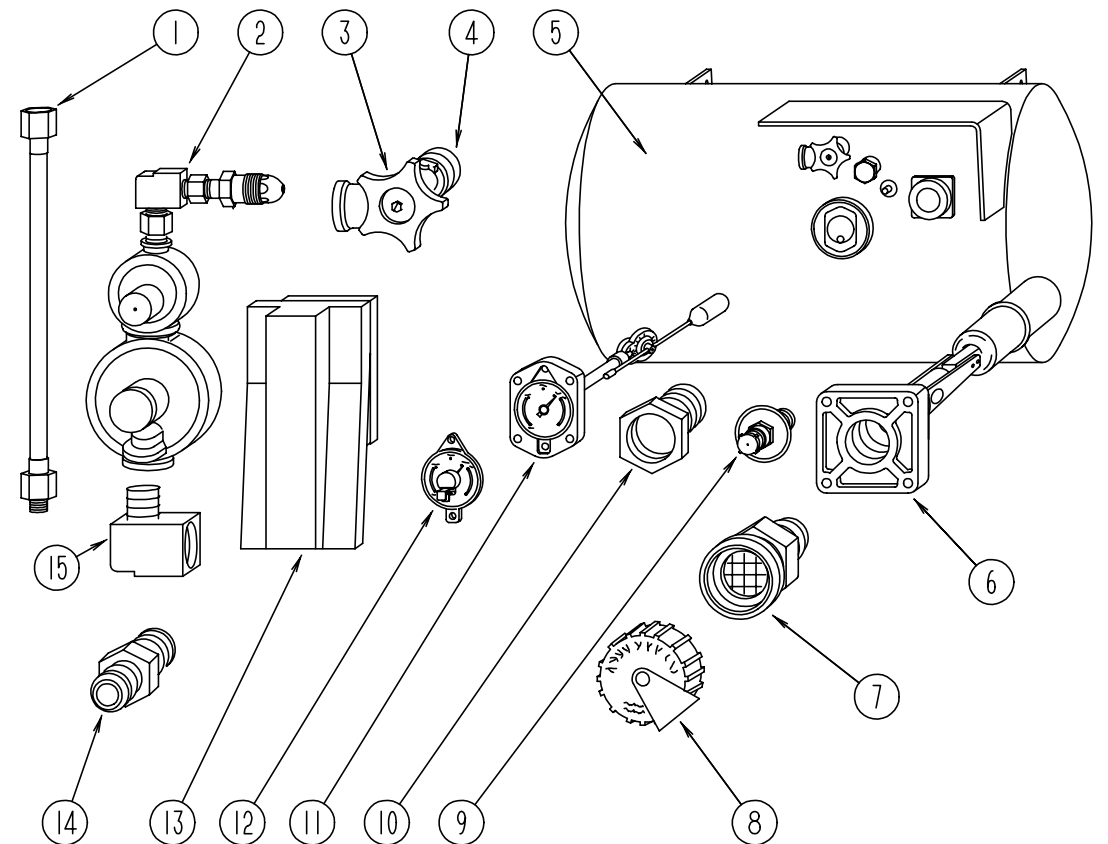


**KEY PART NUMBER U/M DESCRIPTION**  
 1 095721-14-000 EA LABEL-CONTROL CENTER (30A)



**KEY PART NUMBER U/M DESCRIPTION**  
 1 125306-01-01A EA LABEL - ELECTRICAL ENTRANCE - 110VOLT 30AMP

**LP GROUP**

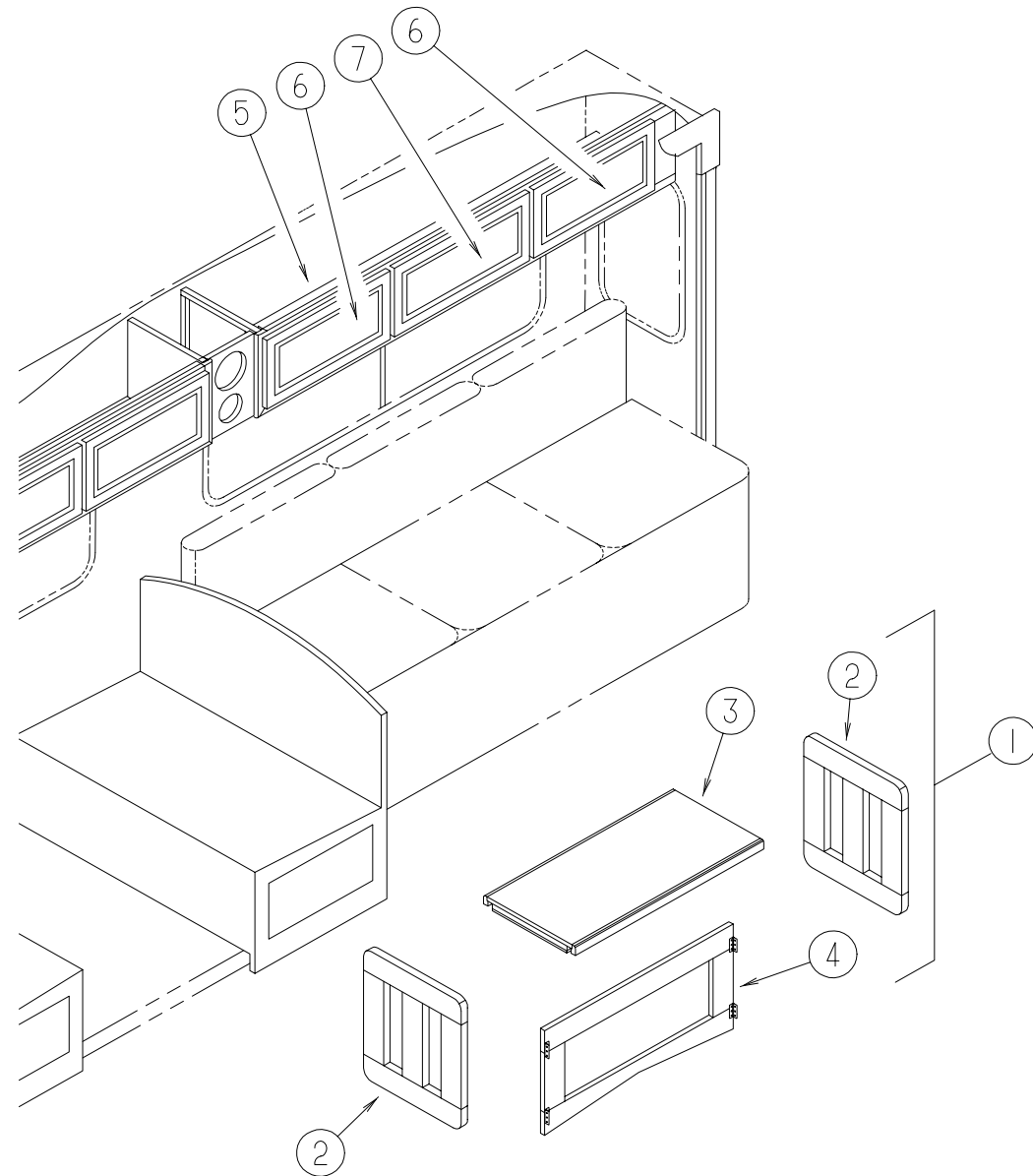


**LP TANK & COMPONENTS**

KEY	PART NUMBER	U/M DESCRIPTION	VENDOR NO.
1	045703-05-000	EA HOSE - L/P - 3/8" ID X 28" - 3/8" MPT X 1/2" F SWIVEL - US	
1	045703-06-000	EA HOSE - LP - 3/8" ID X 28" - 3/8" MPT X 1/2" F SWIVEL - CANADA	
1	045703-01-000	EA HOSE - LP - 3/8" ID X 24" - 3/8" MPT X 1/2" F SWIVEL - U.S.	
1	045703-02-000	EA HOSE - LP - 3/8" ID X 24" - 3/8" MPT X 1/2" F SWIVEL - CANADA	
2	106150-01-000	EA REGULATOR - TWO STAGE	
3	040421-01-708	EA HANDWHEEL - VAPOR RELIEF VALVE	G-1015-A
4	040421-01-712	EA VALVE - SERVICE - W/HANDWHEEL	29000853
5	088253-03-000	EA TANK - LP - 100 LB - 16" DIAMETER X 36" - SPL	
6	040421-01-711	EA VALVE - 80% W/FLOAT - PLATE - BOLTS & GASKET	
7	040421-01-701	EA VALVE - SHORT LP FILLER - W/YELLOW CAP	75478
8	040421-01-702	EA CAP - LP FILLER VALVE - PLASTIC - YELLOW	G-1014-A
9	040421-01-700	EA VALVE - LIQUID LEVEL - 20% LP	G-1013
10	040421-01-713	EA VALVE - PRESSURE RELIEF	29000587
11	088253-01-700	EA GAUGE - LP FLOAT - 4 MACHINE SCREW STYLE	
12	040440-02-000	EA TRANSMITTER - DIAL - 0-90 OHM -2 TERMINAL (POWER & GROUND)	
13	105658-01-000	EA COMPARTMENT - LP REGULATOR	
14	010326-01-000	EA ADAPTER - FLARE - W/CONE GASKET - 3/8" FEMALE X 1/2" MALE	
15	065318-02-000	EA ELBOW - 90 DEGREE - 3/8" MPT TO 3/8" FPT	
	010323-01-000	EA ADAPTER - BRASS - 3/8" F X 1/2" MPT	
	010329-01-000	EA ADAPTER - BRASS - 1/2" F X 1/2" MPT	
	010265-01-000	EA ELBOW - BRASS - 90 DEGREE - 3/8" F X 1/2" FPT	
	103613-03-000	EA DETECTOR - LP GAS	
	113542-11-02B	EA MOUNT ASM - LP TANK - E-COAT	
	010252-01-000	EA ELBOW - BRASS - 90 DEGREE - 3/8" F X 1/2" MPT	
	010377-02-000	EA NUT - BRASS - 3/8" FLARE - FORGED	
	010380-02-000	EA NUT - BRASS - 1/2" FLARE - FORGED	

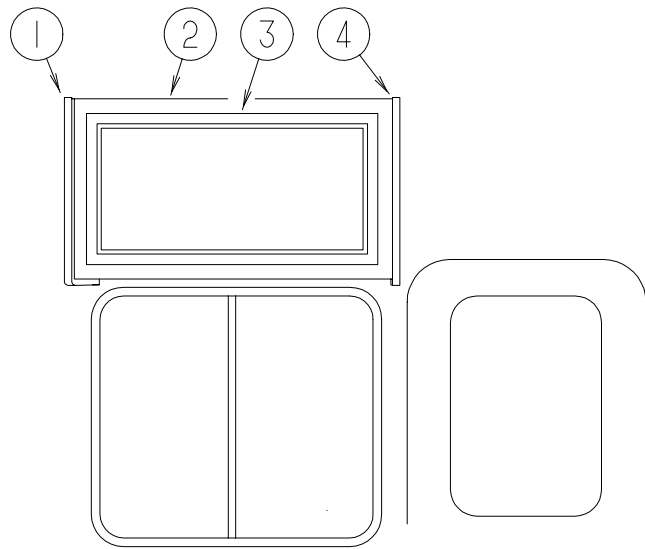
# LOUNGE GROUP

## DRIVER SIDE FRONT OVERHEAD AND LOUNGE CABINETRY



KEY	PART NUMBER	U/M	DESCRIPTION
1	116957-01-G15	EA	TABLE - FOLDING - W/O HARDWARE (WATERFORD OAK)
1	116957-01-J23	EA	TABLE - FOLDING - W/O HARDWARE (WHITE GRANITE)
2	116957-15-F31	EA	LEG - FOR NEW STYLE TABLE (WATERFORD OAK)
2	116957-15-H23	EA	LEG - FOR NEW STYLE TABLE (WHITE GRANITE)
3	116957-12-G15	EA	TABLE TOP - FOLDING (WATERFORD OAK)
3	116957-12-J23	EA	TABLE TOP - FOLDING (WHITE GRANITE)
4	116957-11-F31	EA	BRACE - FOLDING TABLE - SOFA/BED (WATERFORD OAK)
4	116957-11-H23	EA	BRACE - FOLDING TABLE - SOFA/BED (WHITE GRANITE)
5	126433-01-J22	EA	CABINET - OVERHEAD/COUCH - W/O DOORS/HARDWARE (WATERFORD OAK)
5	126433-01-J23	EA	CABINET - OVERHEAD/COUCH - W/O DOORS/HARDWARE (WHITE GRANITE)
6	M05992-T5-J22	EA	DOOR - STRAIGHT CORNER/OGEE EDGE - 10.8" X 21.8" - W/O HDW (WATERFORD OAK)
6	M05992-T5-J23	EA	DOOR - STRAIGHT CORNER/OGEE EDGE - 10.8" X 21.8" - W/O HDW (WHITE GRANITE)
7	M05992-T4-J22	EA	DOOR - STRAIGHT CORNER/OGEE EDGE - 10.8" X 23.8" - W/O HDW (WATERFORD OAK)
7	M05992-T4-J23	EA	DOOR - STRAIGHT CORNER/OGEE EDGE - 10.8" X 23.8" - W/O HDW (WHITE GRANITE)

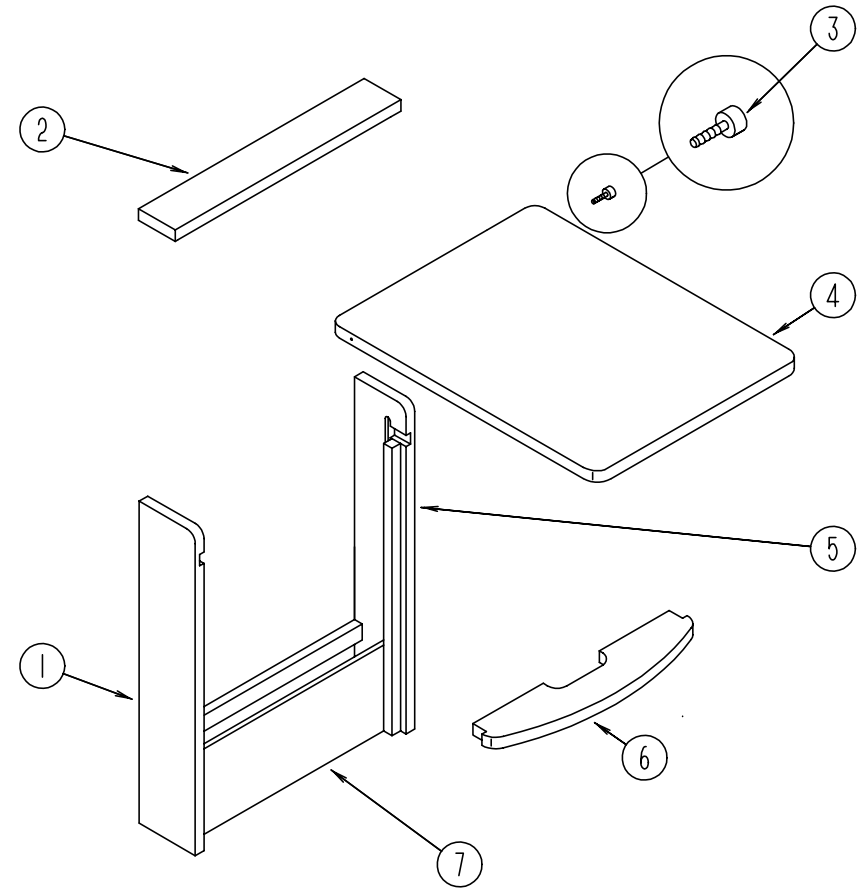
## LOUNGE GROUP (CONTINUED)



**PASSENGER SIDE FRONT OVERHEAD CABINERY**

KEY	PART NUMBER	U/M	DESCRIPTION
1	103128-38-G15	EA	END CAP - OVERHEAD CABINET - LEFT HAND (WATERFORD OAK)
1	103128-38-J23	EA	END CAP - OVERHEAD CABINET - LEFT HAND (WHITE GRANITE)
2	M06838-AB-J22	EA	CABINET - OVERHEAD - FRONT/RIGHT HAND - W/O DOORS/HARDWARE (WATERFORD OAK)
2	M06838-AB-J23	EA	CABINET - OVERHEAD - FRONT/RIGHT HAND - W/O DOORS/HARDWARE (WHITE GRANITE)
2	104414-03-J22	EA	CABINET - OVERHEAD - FRONT/RIGHT HAND - W/O HARDWARE (WATERFORD OAK) (DELUXE SOUND)
2	104414-03-J23	EA	CABINET - OVERHEAD - FRONT/RIGHT HAND - W/O HARDWARE (WHITE GRANITE) (DELUXE SOUND)
3	M05992-M0-J22	EA	DOOR - STRAIGHT CORNER/OGEE EDGE - 15.5" X 29.5" - W/O HDW (WATERFORD OAK)
3	122715-05-01A	EA	DOOR - MOLDED VINYL - 15.5" X 29.5" - W/O HDW - WHITE GRANITE
4	103128-10-G15	EA	END CAP - OVERHEAD CABINET - RIGHT HAND (WATERFORD OAK)
4	103128-10-J23	EA	END CAP - OVERHEAD CABINET - RIGHT HAND (WHITE GRANITE)
	104414-12-G35	EA	SHELF - W/PLASTIC EDGE MOLDING (WATERFORD OAK)
	104414-12-H23	EA	SHELF - W/PLASTIC EDGE MOLDING (WHITE GRANITE)
	101222-01-04A	EA	BRACKET - CATCH - LID - E-COAT (WATERFORD OAK)
	101222-01-02A	EA	BRACKET - CATCH - LID - OFF WHITE (WHITE GRANITE)
	120234-04-H13	EA	LID - ENTRY STEP (WATERFORD OAK)
	120234-04-J03	EA	LID - ENTRY STEP (WHITE GRANITE)

## LOUNGE GROUP (CONTINUED)



**PULLOUT TABLE**

KEY	PART NUMBER	U/M	DESCRIPTION
	P19559-02-J22	EA	CABINET - W/PULLOUT TABLE (WATERFORD OAK)
	P19559-02-J23	EA	CABINET - W/PULLOUT TABLE (WHITE GRANITE)
1	119559-12-G35	EA	CABINET/LEFT SIDE - F/DROP LEAF TABLE - 5.7" X 28.7" (WATERFORD OAK)
1	119559-12-J23	EA	CABINET/LEFT SIDE - F/DROP LEAF TABLE - 5.7" X 28.7" (WHITE GRANITE)
2	119559-18-J22	EA	TOP - F/CABINET/PULLOUT TABLE (WATERFORD OAK)
2	119559-18-J23	EA	TOP - F/CABINET/PULLOUT TABLE (WHITE GRANITE)
3	079921-01-000	EA	NYLON ROLLER W/ SHAFT
4	119559-21-J22	EA	TABLE TOP ONLY (WATERFORD OAK)
4	119559-21-J23	EA	TABLE TOP ONLY (WHITE GRANITE)
5	119559-11-G35	EA	CABINET/RIGHT SIDE - F/DROP LEAF TABLE - 5.7" X 28.7" (WATERFORD OAK)
5	119559-11-J23	EA	CABINET/RIGHT SIDE - F/DROP LEAF TABLE - 5.7" X 28.7" (WHITE GRANITE)
6	119559-19-J22	EA	SHELF - PULLOUT TABLE (WATERFORD OAK)
6	119559-19-J23	EA	SHELF - PULLOUT TABLE (WHITE GRANITE)
7	119559-20-J22	EA	PANEL - PULLOUT TABLE (WATERFORD OAK)
7	119559-20-J23	EA	PANEL - PULLOUT TABLE (WHITE GRANITE)
	080736-01-000	EA	PULL - RECESSED - 1.25" X 4" - OAK

**SEALANTS & FASTENERS GROUP  
SCREWS**

KEY	PART NUMBER	U/M	DESCRIPTION
	0G1108-12-170	EA	SCREW - 8-18 X .75 PPH - BRIGHT WHITE
	0G1208-12-170	EA	SCREW - 8-18 X .75 POH - BRIGHT WHITE
	0G3908-08-170	EA	SCREW - SF/DR - 8-18 X .50 PPH - BRIGHT WHITE
	0G3908-20-170	EA	SCREW - SF/DR - 8-18 X 1.25 PPH - BRIGHT WHITE
			FROM: 00-00-00 THRU: 01-25-98
	0G3908-24-170	EA	SCREW - SF/DR - 8-18 X 1.50 PPH - BRIGHT WHITE
	0G3910-12-170	EA	SCREW - SF/DR - 10-16 X .75 PPH - BRIGHT WHITE
	0G5508-12-110	EA	SCREW - SF/DR-8-18 X .75 PWH
	0G6710-16-230	EA	SCREW - 10-12 X 1 PPH
	000G11-06-10J	EA	SCREW - 6-20 X 5/8 PPH - BRASS
	000G11-06-10B	EA	SCREW - 6-20 X 5/8 PPH - ZINC
			FROM: 03-06-98 THRU: 99-99-99
	000G11-06-08B	EA	SCREW - 6-20 X 1/2 PPH - ZINC
	000G11-06-06B	EA	SCREW - 6-20 X 3/8 PPH - ZINC
	000G11-07-08B	EA	SCREW - 7-19 X 1/2 PPH - ZINC
	000G11-08-10B	EA	SCREW - 8-18 X .50 PPH - ZINC
	000G11-08-08B	EA	SCREW - 8-18 X 1/2 PPH - ZINC
	000G11-08-06B	EA	SCREW - 8-18 X 3/8 PPH - ZINC
	000G11-08-20B	EA	SCREW - 8-18 X 1 1/4 PPH - ZINC
	000G11-08-16S	EA	SCREW - 8-18 X 1 PPH - OFF WHITE
	000G11-08-12P	EA	SCREW - 8-18 X 3/4 PPH - DARK BROWN
	000G11-08-12P	EA	SCREW - 8-18 X 3/4 PPH - DARK BROWN
	000G11-08-12D	EA	SCREW - 8-18 X 3/4 PPH - BLACK
	000G11-08-12B	EA	SCREW - 8-18 X 3/4 PPH - ZINC
	000G11-10-12S	EA	SCREW - 10-16 X 3/4 PPH - OFF WHITE
	000G11-10-12D	EA	SCREW - 10-16 X 3/4 PPH - BLACK
	000G11-10-16B	EA	SCREW - 10-16 X 1 PPH - ZINC
	000G12-06-08T	EA	SCREW - 6-20 X 1/2 POH - BLACK
	000G13-06-10G	EA	SCREW - 6-20 X 5/8 PFH - ANTIQUE BRASS
	000G13-06-08G	EA	SCREW - 6-20 X .50 PFH - ANTIQUE BRASS
	000G13-06-24J	EA	SCREW - 6-20 X 1 1/2 PFH - BRASS
	000G13-06-16J	EA	SCREW - 6-20 X 1 PFH - BRASS
	000G13-07-12B	EA	SCREW - 7-19 X 3/4 PFH - ZINC
	000G13-08-109	EA	SCREW - 8-18 X 5/8 PFH
	000G13-08-16B	EA	SCREW - 8-18 X 1 PFH - ZINC
	000G18-08-22B	EA	SCREW - MACHINE - 8-32 X 1 3/8 PPH - ZINC
	000G19-10-12F	EA	SCREW - MACHINE - 10-32 X 3/4 PPH - STAINLESS STEEL
	000G19-10-08B	EA	SCREW - MACHINE - 10-32 X 1/2 PPH - ZINC
	000G19-10-20B	EA	SCREW - MACHINE - 10-32 X 1 1/2 PPH - ZINC
	000G34-05-12B	EA	SCREW - HEX HEAD TAPPING - 5/16 X 3/4 LONG
	000G39-06-10T	EA	SCREW - SF/DR - 6-20 X 5/8 PPH - BLACK
	000G39-06-10T	EA	SCREW - SF/DR - 6-20 X 5/8 PPH - BLACK
	000G39-08-32B	EA	SCREW - SF/DR - 8-18 X 2 PPH - ZINC
	000G39-08-24T	EA	SCREW - SF/DR - 8-18 X 1.50 PPH - BLACK
	000G39-08-24B	EA	SCREW - SF/DR - 8-18 X 1 1/2 PPH - ZINC
	000G39-08-16T	EA	SCREW - SF/DR - 6-20 X 1 PPH - BLACK
	000G39-08-16R	EA	SCREW - SF/DR - 8-18 X 1 PPH - BEIGE
	000G39-08-16B	EA	SCREW - SF/DR - 8-18 X 1 PPH - ZINC
	000G39-08-12T	EA	SCREW - SF/DR - 8-18 X 3/4 PPH - BLACK
	000G39-08-12B	EA	SCREW - SF/DR - 8-18 X 3/4 PPH - ZINC
	000G39-08-08T	EA	SCREW - SF/DR - 8-18 X 1/2 PPH - BLACK
	000G39-08-08S	EA	SCREW - SF/DR - 8-18 X 1/2 PPH - OFF WHITE
	000G39-08-08B	EA	SCREW - SF/DR - 8-18 X 1/2 PPH - ZINC
	000G39-08-06B	EA	SCREW - SF/DR - 8-18 X 3/8 PPH - ZINC
	000G39-10-08B	EA	SCREW - SF/DR - 10-16 X 1/2 PPH - ZINC
	000G39-10-129	EA	SCREW - SF/DR - 10-16 X 3/4 PPH - FLUOROCARBON SILVER
	000G39-10-12D	EA	SCREW - SF/DR - 10-16 X 3/4 PPH - BLACK
	000G39-10-12B	EA	SCREW - SF/DR - 10-16 X 3/4 PPH - ZINC
	000G39-10-10B	EA	SCREW - SF/DR - 10-16 X 5/8 - ZINC
	000G39-10-40D	EA	SCREW - SF/DR - 10-16 X 2 1/2 PPH - BLACK
	000G39-10-32B	EA	SCREW - SF/DR - 10-16 X 2 - PPH - ZINC
	000G39-10-20B	EA	SCREW - SF/DR - 10-16 X 1 1/4 PPH - ZINC

**SEALANTS & FASTENERS GROUP (CONTINUED)  
SCREWS (CONTINUED)**

KEY	PART NUMBER	U/M	DESCRIPTION
	000G42-04-12B	EA	SCREW - SF/DR - 1/4-14 X 3/4 HWH - ZINC
	000G42-04-16B	EA	SCREW - SF/DR - 1/4-14 X 1 HWH - ZINC
	000G50-04-12B	EA	SCREW - MACHINE - 1/4-20 X 3/4 PPH - ZINC
	000G51-08-08B	EA	SCREW - 8-18 X 1/2 PTH - ZINC
	000G52-08-18B	EA	SCREW - MACHINE - 8-32 X 1 1/8 PTH - ZINC
	000G54-04-20B	EA	SCREW - 1/4-20 X 1.25 PTH - TYPE 23 - ZINC PLATED
	000G55-08-12S	EA	SCREW - SF/DR - 8-18 X 3/4 PWH - OFF WHITE
	000G56-12-48B	EA	SCREW - WOOD - 12-11 X 3 POH - SPECIAL HARDENED
	000G57-05-16J	EA	SCREW - 5-20 X 1 PFH - BRASS
	000G67-08-32B	EA	SCREW - 8-15 X 2 PPH - ZINC
	000G67-10-08B	EA	SCREW - 10-12 X 1/2 PPH - ZINC
	000G67-10-36T	EA	SCREW - 10-12 X 2 1/4 - PPH - BLACK
	000G67-10-24B	EA	SCREW - 10-12 X 1 1/2 PPH - ZINC
	000G67-10-20D	EA	SCREW - 10-12 X 1.25 PPH - BLACK
	000G67-10-16B	EA	SCREW - 10-12 X 1 PPH - ZINC
	000G67-10-12B	EA	SCREW - 10-12 X 3/4 PPH - ZINC
	000G67-10-10D	EA	SCREW - 10-12 X 5/8 PPH - BLACK - TYPE A
	000G67-10-10B	EA	SCREW - 10-12 X 5/8 PPH - ZINC - TYPE A
	000G68-06-10G	EA	SCREW - 6-18 X 5/8 POH - ANTIQUE BRASS
	000G68-06-12S	EA	SCREW - 6-18 X 3/4 POH
	000G68-10-20I	EA	SCREW - 10-12 X 1 1/4 POH - BLACK
	049465-03-000	EA	SCREW - 10-16 X 1 POH W/WASHER - OFF WHITE
	049465-17-000	EA	SCREW - 10-16 X 1 POH W/WASHER - BRIGHT WHITE
	054434-02-000	EA	SCREW - SF/DR - 10-16 X 2 - ZINC
	057671-11-000	EA	COVER - SCREW - HAMPTON TAN - #8
	057671-15-000	EA	COVER - SCREW - BRIGHT WHITE
	075908-01-000	EA	SCREW - MACHINE - 10-32 X .56 PTH - EXTERNAL TOOTH - ZINC
	076790-01-000	EA	SCREW - 6-20 X 1 1/4 PPH - BLACK
	083554-01-000	EA	SCREW - DRYWALL - 8 X 1.25
			FROM: 00-00-00 THRU: 03-05-98
	086256-01-000	EA	SCREW - SF/DR - 8 X 3/4 HWH LONG
	101618-01-000	EA	SCREW - 1/4-20 X 3/4 HEX - TAPPING - STALGARD TYPE F
	109152-03-000	EA	SCREW - 3/8-16 X 2 - FLAT SOC - STAINLESS STEEL - BLACK
	112782-08-01A	EA	SCREW - MOUNTING/PLATE - ZINC
			FROM: 03-20-98 THRU: 99-99-99
	129967-01-01A	EA	SCREW - MACHINE - 8-32 X 3/4 PH STAINLESS STEEL
	130245-01-01A	EA	SCREW - EUROPEAN M6.3 X 10

**SEALANTS & FASTENERS GROUP (CONTINUED)**

**BOLTS & NUTS**

KEY	PART NUMBER	U/M DESCRIPTION
	0MC53K-12-050	EA BOLT - HEX - M12 X 1.75 X 050
	0MC54K-14-035	EA BOLT-HEX M14X2,00X035 10.9 - C-TECH DIN 931,10.9
	0MD74K-14-000	EA NUT - HEX - PREVIOUS TORQUE - M14 X 2
	0MD77K-12-000	EA NUT - HEX - PREVIOUS TORQUE- M12 X 1.75
	0ME06K-12-300	EA WASHER - FLAT - 12 ID X 30 OD
	0ME06K-14-280	EA WASHER - FLAT - 14 ID X 28.00 OD
	000C12-05-16B	EA BOLT - HEX - 5/16-18 X 1 - ZINC 5
	000C12-06-20B	EA BOLT - HEX - 3/8 - 16 X 1 1/4 - ZINC #5
	000C12-06-16B	EA BOLT - HEX - 3/8-16 X 1 LG - ZINC 5
	000C12-08-16B	EA BOLT - HEX - 1/2-13 X 1.00 - GD5 - ZINC
	000C12-08-24B	EA BOLT - HEX - 1/2-13 X 1.50 - ZINC 5
	000C12-10-24B	EA BOLT - HEX - 5/8-11 X 1.50 - ZINC 5
	000C14-06-28B	EA BOLT - HEX - 3/8-16 X 1 3/4 - GRADE 8 - ZINC
	000C26-04-18B	EA BOLT - HEX - SERRATED FLANGE - 1/4-20 X 1 1/8 - ZINC
	000C26-04-14B	EA BOLT - HEX - SERRATED FLANGE - 1/4-20 X 7/8 - ZINC
	000C26-04-10B	EA BOLT - HEX - SERRATED FLANGE - 1/4-20 X 5/8 - ZINC
	000C26-05-12B	EA BOLT - HEX - SERRATED FLANGE - 5/16-18 X 3/4 - ZINC
	000C26-06-40B	EA BOLT - HEX - SERRATED FLANGE - 3/8-16 X 1 3/4 - ZINC
	000C26-06-28B	EA BOLT - HEX - SERRATED FLANGE - 3/8-16 X 1 3/4 - ZINC
		FROM: 00-00-00 THRU: 01-10-98
	000C26-06-16B	EA BOLT - HEX - SERRATED FLANGE - 3/8-16 X 1 - ZINC
	000C26-06-12B	EA BOLT - HEX - SERRATED FLANGE - 3/8-16 X 3/4 - ZINC
	000C26-08-24B	EA BOLT - HEX - SERRATED FLANGE - 1/2-13 X 1 1/2 ZINC
	000D24-10-00B	EA NUT - HEX - SELF LOCKING - 10-32 ZINC
	000D29-05-00B	EA NUT - HEX - LOCKING W/SERRATED FLANGE-NYLON WASHER INSERT
	000D34-06-00B	EA NUT - HEX - LOCKING - 3/8-16 GRADE C - ZINC-PREVAILING
	000D39-04-00B	EA NUT - HEX - LOCKING W/SERRATED FLANGE - 1/4-20 - ZINC
	000D39-05-00B	EA NUT - HEX - LOCKING W/SERRATED FLANGE - 5/16-18 - ZINC
	000D39-06-00B	EA NUT - HEX - LOCKING W/SERRATED FLANGE - 3/8-18 - ZINC
	000D39-08-00B	EA NUT - HEX - LOCKING W/SERRATED FLANGE - 1/2-13 - ZINC
	000D46-04-00A	EA NUT - HEX - WELD - 1/4-20 - PLAIN
	000E11-08-00B	EA WASHER - LOCKING - 1/2 MED SPLIT - ZINC
	000E13-14-00B	EA WASHER - FLAT - 1/4 WIDE - ZINC
	000E13-18-00B	EA WASHER - FLAT - 3/8 WIDE - ZINC
	000E13-20-00B	EA WASHER - FLAT - 7/16 WIDE - ZINC
	000E13-22-00B	EA WASHER - FLAT - 1/2 WIDE - ZINC
	000E14-10-00B	EA WASHER - LOCKING - #10 EXTERNAL TOOTH - ZINC
	000G45-04-24F	EA BOLT - LAG - 1/4" #9 X 1 1/2SS
		FROM: 00-00-00 THRU: 01-01-98
	040921-04-000	EA NUT - SPEED - U TYPE - 8-.59" LENGTH X .44" WIDTH
	040921-05-000	EA NUT - SPEED - U-TYPE - 8-.67" X .44" WIDE
	044364-02-000	EA NUT - SPEED - FLAT - ROUND
	051387-06-000	EA BOLT - CARRIAGE W/O HOLE - 5/16-18 X 9.5 - ZINC
	058716-02-000	EA WASHER - FLAT NYLON
	077071-01-000	EA WASHER - FENDER - 3/16"ID X 1" OD
	087234-01-000	EA NUT - JACK - 1/4 X 20 THD - MOLLY MOUNTS LICENSE PLATES
	088787-12-000	EA STUD - WELD - 1/4 - 20 X 1.0 LG - MN
	102540-02-000	EA SEAL - SCREW
	106956-03-000	EA BOLT - HEX TAP - 1/2-12NC X 3 - GRADE 5 - FULL THREAD/ZINC
	107397-01-000	EA WASHER - FENDER - .25" ID X 1" OD
	108067-03-000	EA STUD - WELD - 1/4 - 20 X 1/2 CD
	120506-01-01A	EA RIVET - PLASTIC - 3/16 DIAMETER

**SEALANTS & FASTENERS GROUP (CONTINUED)**

**MISCELLANEOUS FASTENERS**

KEY	PART NUMBER	U/M DESCRIPTION
	008343-01-000	EA TIE - WIRE - 6"
	008343-02-000	EA TIE - WIRE - 14"
	008343-03-000	EA TIE - WIRE - 7 1/2" - BLACK
	081211-03-000	EA PLUG - PLASTIC - .50 DIAMETER - BLACK
	085774-01-000	FT FASTENER - DUAL HOOK - 1" WIDE - ADHESIVE BACK - BLACK USE WITH #08577402000 DUAL HOOK TAPE
	085774-02-000	FT FASTENER - DUAL HOOK - 1" WIDE - ADHESIVE BACK - BLACK USE WITH #08577401000 DUAL LOCK TAPE
	085774-03-000	FT FASTENER - DUAL HOOK - 1/2" WIDE - ADHESIVE BACK - BLACK
	085774-04-000	FT FASTENER - DUAL HOOK - 1/2" WIDE - ADHESIVE BACK - BLACK
	088792-02-000	YD VELCRO TAPE - LOOP - 3/4" - ADHESIVE BACKED - BEIGE
	108046-01-000	EA CABLE TIE - SCREW MOUNT 8"
	110943-02-000	FT FELTSTRIP - 3/8" - ADHESIVE BACK - WHITE



**SEALANTS & FASTENERS GROUP (CONTINUED)**

**ADHESIVE AND TAPE SEALERS**

KEY	PART NUMBER	U/M	DESCRIPTION
	004006-05-700	EA	ADHESIVE-NAT. STARCH (5 GAL) 0802
	034552-02-000	EA	SILICONE - TUBE - 300 ML - W/O NOZZLE - CLEAR ALSO ORDER P.N.#900390-03-000 NOZZLE SEPARATELY
	039518-01-000	EA	SILICONE - TUBE - 300 ML - BLACK - W/O NOZZLE ALSO ORDER P.N.#900390-03-000 NOZZLE SEPARATELY
	053766-02-000	EA	BEDDING COMPOUND - TUBE - WHITE
	063642-01-000	FT	TAPE - ADHESIVE - .4" X 1.5" X 180"
	069640-01-000	FT	SEALER - RIBBON - 1/4" DIAMETER X 30' - BLACK
	069640-03-000	FT	SEALER - TAPE - .13"THICK X .75"WIDE X 60' - BLACK
	069640-09-000	FT	SEALER - TAPE - .032"THICK X 2.50"WIDE X 80' - GREY
	069640-15-000	FT	SEALER - TAPE - .06"THICK X .38"WIDE X 80' - GREY
	069640-18-000	FT	SEALER - TAPE - .50"THICK X 1/8"WIDE X 60' - BRIGHT WHITE
	069640-19-000	FT	SEALER - TAPE - .75"THICK X 1/8"WIDE X 60' - BRIGHT WHITE
	072889-09-000	EA	SEALANT - URETHANE - BLACK (TUBE)
	072889-10-000	EA	SEALANT - URETHANE (HV) - BRIGHT WHITE
	072889-11-000	EA	SEALANT - URETHANE - (TUBE) - GRAY
	072889-12-000	EA	SEALANT - URETHANE (LV) BRIGHT WHITE
	076322-01-000	FT	TAPE - DOUBLE COATED/ADHESIVE BACK - .025"THK X .75"W X 18'
	076322-02-000	FT	TAPE - DOUBLE COATED/ADHESIVE BACK - .045"THK X 1"W X 108'
	076322-03-000	FT	TAPE - DOUBLE COATED/ADHESIVE BACK - .045"THK X .50"W X 9'
	076322-05-000	FT	TAPE - DOUBLE COATED/ADHESIVE BACK - .045"THK X .75"W X 9'
	076322-05-000	FT	TAPE - DOUBLE COATED/ADHESIVE BACK - .045"THK X .75"W X 9'
	076322-06-000	FT	TAPE - DOUBLE COATED/ADHESIVE BACK - .045"THK X 1"W X 9'
	076322-07-000	FT	TAPE - DOUBLE COATED/ADHESIVE BACK - .045"THK X .50"W X 9'
	076322-07-000	FT	TAPE - DOUBLE COATED/ADHESIVE BACK - .045"THK X .50"W X 9'
	076322-11-000	FT	TAPE - DOUBLE COATED/ADHESIVE BACK - .020"THK X 1"W X 9'
	087211-01-000	GL	PROMOTER - ADHESIVE
	088479-01-000	EA	TAPE - ALUMINUM - 3"
	102352-01-000	EA	SEALER - PUMPABLE - BLACK
	102352-02-000	EA	SEALER - PUMPABLE - CLEAR
	106206-01-000	EA	SEALER - PUMPABLE - MANUS 30A - BLACK
	107828-01-000	EA	SEALANT - SB - 190 EVERSEAL
	108353-01-000	FT	SEAL - FOAM - 5/16" X 1/2" - ADHESIVE BACKED
	108716-03-000	EA	SILICONE - TUBE - BRIGHT WHITE/SELF LEVELING - W/O NOZZLE
	112901-02-000	EA	ADHESIVE - PLEXUS - 50ML
	118085-02-01A	FT	TAPE - FOIL - 1"
	120074-02-01A	EA	SEALANT - SILICONE - OFF WHITE
	120074-02-02A	EA	SEALANT - SILICONE - SOFT WHITE
	123244-01-000	FT	TAPE - DOUBLE SIDED FOAM 5/64" THICK X .75" WIDE
	123816-01-000	FT	TAPE - DOUBLE SIDED - 1"
	123816-02-000	FT	TAPE - DOUBLE SIDED - 1/2" X 35 MIL THICK
	123816-03-000	FT	TAPE - DOUBLE SIDED - 1/2" X 20 MIL THICK
	900390-01-000	EA	TIP - 2 1/2" X 1/8" ORIFICE
	900390-03-000	EA	NOZZLE - SILICONE TUBE

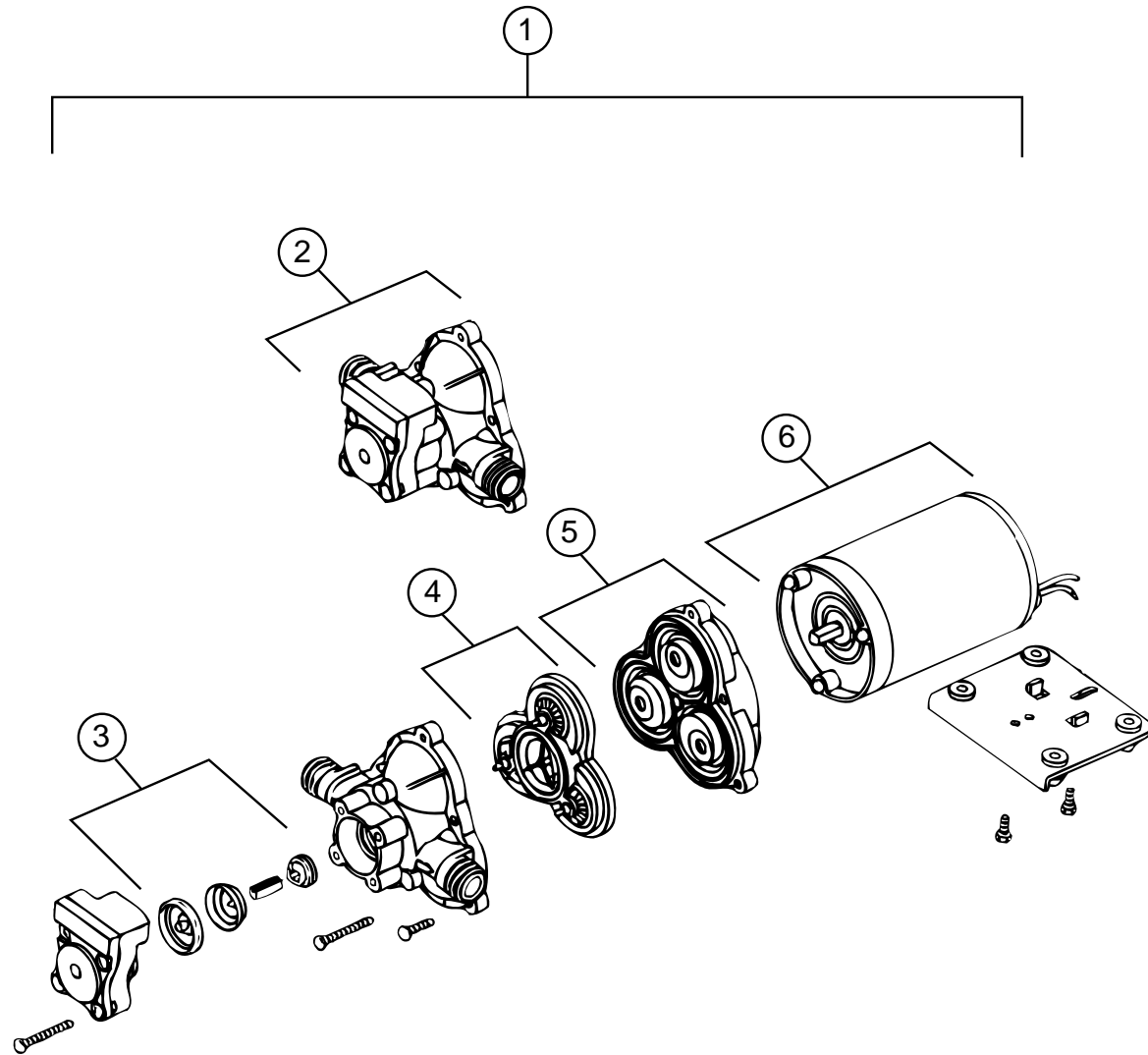
**SEALANTS & FASTENERS GROUP (CONTINUED)**

**CLAMPS, CLIPS, & GROMMETS**

KEY	PART NUMBER	U/M	DESCRIPTION
	000F10-04-16B	EA	PIN - COTTER - 1/8" X 1" - ZINC
	000F10-06-32B	EA	PIN - COTTER - 3/16" X 2" - ZINC
	000H14-04-04A	EA	RIVET - MANDREL BLIND - 1/8 X .400
	000H16-04-06R	EA	RIVET - POP ALUMINUM - 1/8 X .313 - .375
	000H16-06-10R	EA	RIVET - POP ALUMINUM - 3/16 X .501-.625
	007161-01-000	EA	CLAMP - HOSE - SPRING TYPE - 1/2"
	008380-01-000	EA	GROMMET - RUBBER - 5/8" HOLE X 1 1/2" DIAMETER - BLACK
	010495-01-000	EA	CLAMP - CABLE - 9/16"
	010497-01-000	EA	CLAMP - CLOSED - 5/8" ID
	010497-03-000	EA	CLAMP - CLOSED - 1" ID - CUSHIONED
	010497-04-000	EA	CLAMP - CLOSED - 1.62" ID
	010497-05-000	EA	CLAMP - CLOSED - 1/2 ID
	010499-01-000	EA	CLAMP - CLOSED - 3/8 ID
	016188-05-000	EA	GROMMET - L/P LINE - 3/8" HOLE X 1 1/4" LONG - RUBBER
	023942-01-000	EA	GROMMET - RUBBER - 2" OD
	062401-01-000	EA	CLAMP - HOSE - WORMGEAR - .25" - 1"
	062401-02-000	EA	CLAMP - HOSE - WORMGEAR - 1.56" - 2.5"
	062401-04-000	EA	CLAMP - HOSE - WORMGEAR - .69" - 1.25"
	062401-05-000	EA	CLAMP - HOSE - WORMGEAR - 2" TO 3" ID
	062401-06-000	EA	CLAMP - HOSE - WORMGEAR - .22" - .62" ID
	071015-11-000	EA	GROMMET - 1.00 ID - FITS .12 MATERIAL
	071015-19-000	EA	GROMMET - .38 ID - FITS .06 MATERIAL
	071015-29-000	EA	GROMMET - RUBBER - .25 ID X 1.25 OD W .12 GROOVE - BLK
	071015-30-000	EA	GROMMET - RUBBER - .31" ID X .81" OD W/.12" GROOVE - BLK
	080734-02-000	EA	CLIP - WIRE NYLON
	083609-01-000	EA	CLAMP - WIRE - DUAL - EQUAL DIAMETERS - 5/8"
	083610-01-000	EA	CLAMP - WIRE - DUAL - UNEQUAL DIAMETERS - 3/4" & 1 1/4"
	083610-02-000	EA	CLAMP - WIRE - DUAL - UNEQUAL DIAMETERS - 3/4" & 2"
	083610-03-000	EA	CLAMP - DUAL WIRE
	088756-01-000	EA	GROMMET - WEB - 1 1/8 " I.D.
	091952-01-000	EA	CLIP - GRIPPER - 1"
	094362-02-000	EA	CLIP - XMAS TREE - BINDER HEAD - .9" LONG

FROM: 02-22-98 THRU: 99-99-99

## WATER & SEWAGE GROUP



**WATER PUMP (SHURFLOW)**

KEY	PART NUMBER	U/M DESCRIPTION	VENDOR NO.
1	098607-01-000	EA PUMP - WATER - W/.5" MPT FITTING - FLOW 2.8 GPM	
2	098607-01-706	EA HOUSING - W/SWITCH ONLY	94-231-20
3	098607-01-705	EA CHECK VALVE - KIT	94-237-00
4	098607-01-703	EA VALVE KIT	94-232-00
5	098607-01-702	EA DIAPHRAGM/DRIVE ASSEMBLY KIT	94-238-04
6	098607-01-707	EA MOTOR W/BASEPLATE	94-235-03

### FRESH WATER TANK

KEY	PART NUMBER	U/M DESCRIPTION
	116881-12-000	EA TANK - WATER - 48 GALLON - W/NOTCHED CORNER/FITTINGS
	116881-01-000	EA TANK - FRESH WATER - 48 GAL - W/NOTCHED CORNER W/O FITTINGS
	118645-03-000	EA TANK - WATER - 17 GALLON - W/FITTINGS
	118645-01-000	EA TANK - WATER - 17 GALLON - W/O FITTINGS
	123243-01-000	EA TANK - ACCUMULATOR - 24 OZ
	042989-03-000	EA FITTING - WATER TANK - SPINWELD - 1 1/4"NPT - PLASTIC
	042989-05-000	EA FITTING - WATER TANK - SPINWELD - 1/2"FPT - PLASTIC
	049032-01-000	EA PATCH - SPINWELD - 3/8" - PLASTIC
	039861-01-000	EA SENDING UNIT W/SCREW - WASHER
	091208-01-000	EA WASHER - RUBBER - .06" X .75" X .5"
	077954-02-000	EA FILTER - WATER TANK - W/SCREEN IN TANK

## WATER & SEWAGE GROUP (CONTINUED)

### WATER SYSTEM COMPONENTS (FLAIR-IT)

KEY	PART NUMBER	U/M DESCRIPTION
	114428-01-000	EA TEE - 1/2"P X 1/2"P X 1/2"P
	114428-02-000	EA TEE - SWIVEL - 1/2"P X 1/2"P X 1/2"FPT
	114428-03-000	EA TEE - 1/2"P X 1/2"P X 1/2"MPT
	114429-01-000	EA ELBOW - 1/2"P X 1/2"P
	114429-02-000	EA ELBOW - 1/2"P X 1/2"MPT
	114429-03-000	EA ELBOW - SWIVEL - 1/2"P X 1/2"FPT
	114430-02-000	EA ADAPTER - SWIVEL - 1/2"P X 1/2"FPT
	114430-03-000	EA ADAPTER - 1/2"P X 1/2"MPT
	114430-06-000	EA ADAPTER - 1/2"P X 3/8"FPT
	114431-02-000	EA VALVE - WATER BYPASS - 1/2"P - THREE WAY (WATER HEATER)
	114431-03-000	EA VALVE - 90 DEGREE DRAIN - 1/2"P
	114431-04-000	EA VALVE - "INLINE SHUT-OFF" - 1/2"P

### WATER SYSTEM COMPONENTS

KEY	PART NUMBER	U/M DESCRIPTION	VENDOR NO.
	701069-01-000	EA WATER PURIFICATION SYSTEM	
	701069-03-700	EA CARTRIDGE RELACEMENT	9592-06
	079381-01-000	FT TUBING - SMOOTH FLEXIBLE - 1 3/8"ID X 10'	
	039800-04-000	FT TUBING - POLYBUTYL - 1/4"OD	
	112176-01-000	FT TUBING - VINYL - REINFORCED - 1/2" ID	
	124188-01-000	FT TUBING - PEX - 1/2" ID X 20' - BLUE	
	124188-02-000	FT TUBING - PEX - 1/2" ID X 20' - RED	
	110438-02-000	EA VALVE - CHECK - BRASS - 1/2 MPT X 1/2 MPT	
	010219-01-000	EA ELBOW - 1 1/4 MPT X 1 1/4 BARB - WATER FILL - PLASTIC	
	123150-01-000	EA ELBOW - 1/2 FPT X 1/2 BARB - SWIVEL	
	123152-01-000	EA ADAPTER - 1/2 FPT X 1/2 BARB - SWIVEL	
	118051-01-02B	EA BRACKET - FAUCET SUPPORT - E-COAT	
	113697-01-000	EA CAP - 3/8 FTG	
	010224-01-000	EA ADAPTER - HOSE TO PIPE - 3/8 MPT X 3/8 BARB - PLASTIC	
	044927-01-000	EA ADAPTER - HOSE TO PIPE - 1 1/4 MPT X 1 1/4 BARB - BLACK PLASTIC	
	111888-01-000	EA FERRULE - PLASTIC - .250 ID X .375 OD	
	111888-02-000	EA INSERT - BRASS - 1/4 COMP	
	118423-01-000	EA FITTING - BRASS-TEE - 1/4C X 1/4C X 1/4C	
	120868-01-000	EA VALVE - NEEDLE - 1/4" COMPRESSION X 1/4" COMPRESSION	
	010230-06-000	EA FILL - CITY WATER - W/CHECK VALVE - MPT	

### EXTERIOR SHOWER COMPONENTS

KEY	PART NUMBER	U/M DESCRIPTION
	103092-01-000	EA SHOWER HEAD - W/ 60" HOSE (US)
	103092-02-000	EA SHOWER HEAD - W/ HOSE (CSA)
	104044-01-000	EA BRACKET - SUPPORT - FAUCET
	103092-01-701	EA BRACKET (FOR SHOWER HEAD) BONE
	075241-05-000	EA FAUCET/SHOWER - BONE 3/4" MPT X 1.4" LONG INLET PIPES

### WASHER, DRYER COMPONENTS

KEY	PART NUMBER	U/M DESCRIPTION
	107753-02-01A	EA WASHER - DRYER - WHITE
	110438-01-000	EA VALVE - CHECK - BRASS
	098419-01-000	EA FAUCET - WASHER - 90 DEGREE
	111842-01-01A	EA BRACKET - FAUCET - WASHER - E-COAT
	111913-01-01A	EA BRACKET - WASHER - TIE DOWN - BLACK
	113795-01-02B	EA BRACKET - WASHER
	113795-02-02B	EA BRACKET - WASHER

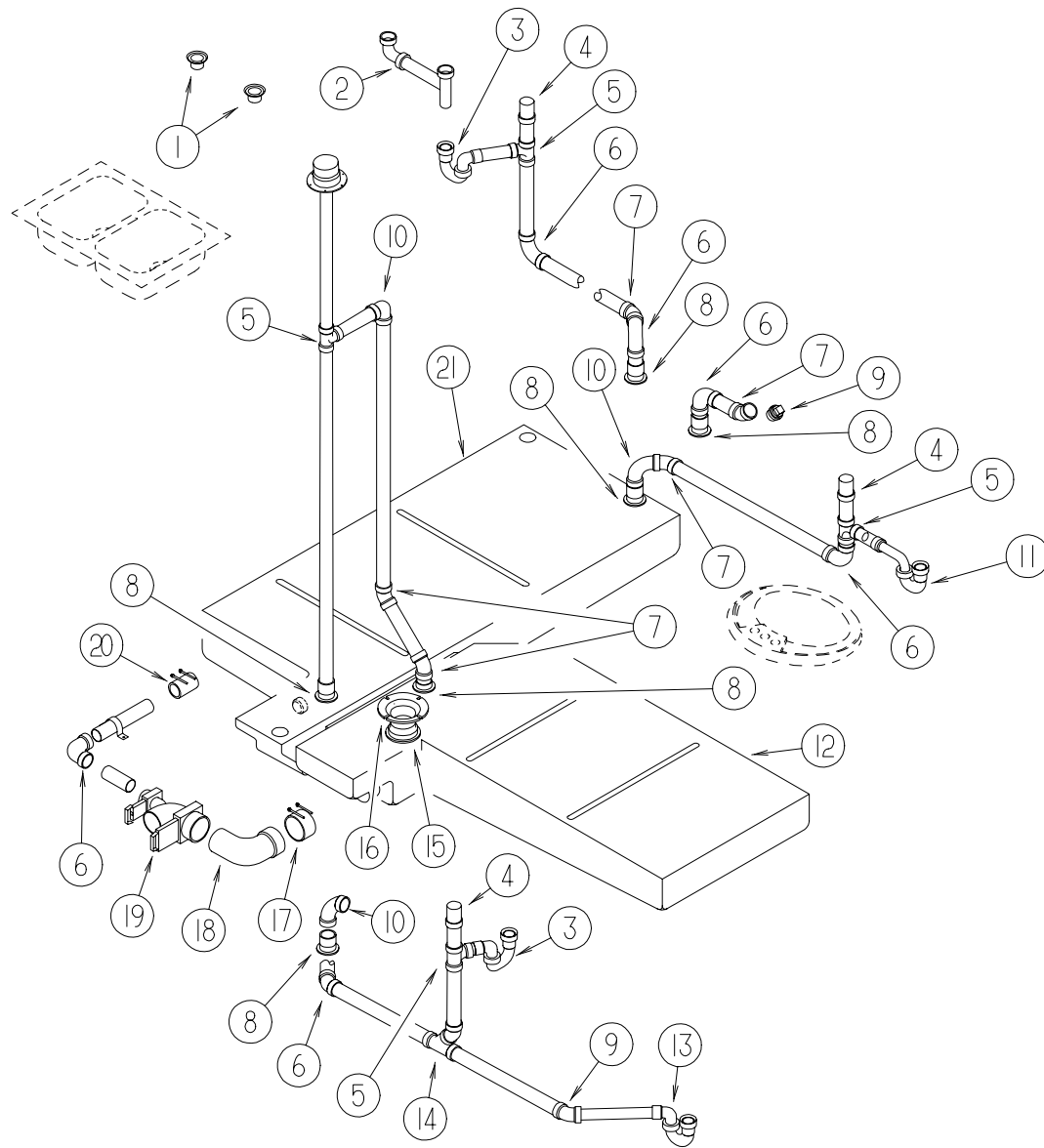
### WATER HEATER G6A-7 GAS IGNITION

KEY	PART NUMBER	U/M DESCRIPTION
*	051391-01-000	EA WATER HEATER G6A-7 GAS IGNITION

\* COMPONENT PARTS FOUND IN SERVICE PARTS LIBRARY

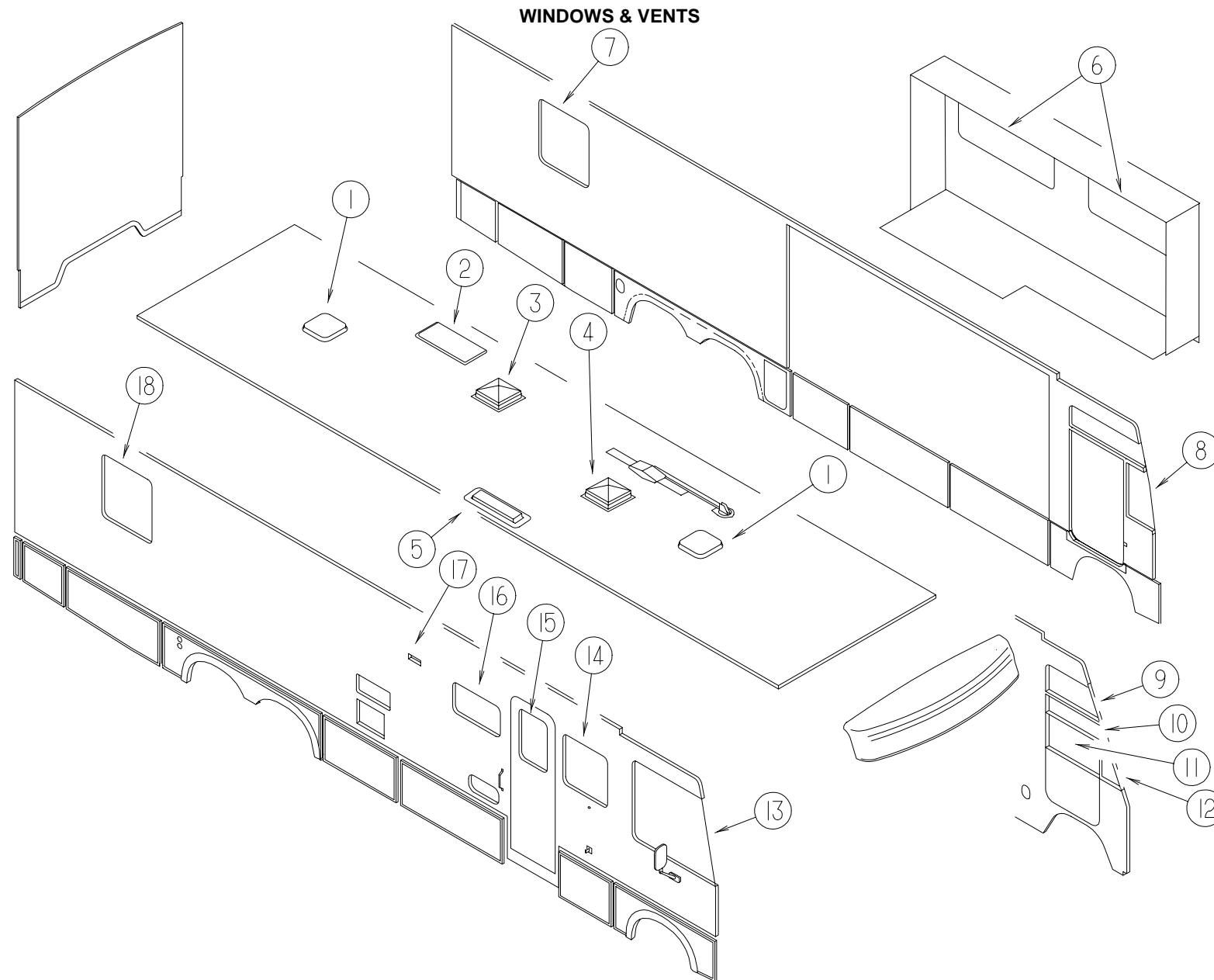
# WATER & SEWAGE GROUP (CONTINUED)

## DRAINAGE SYSTEM



KEY	PART NUMBER	U/M	DESCRIPTION
1	092303-01-000	EA	STRAINER - SINK
2	011091-02-000	EA	WASTE - CONTINUOUS - DOUBLE SINK
3	107538-01-000	EA	P TRAP - PLASTIC - 1 1/4" W/EXTENSION ARM
3	109571-01-000	EA	ADAPTER - P TRAP - 1 1/2" P X 1 1/4" MPT
3	011071-01-000	EA	P-TRAP - PLASTIC - 1 1/2" - CSA
4	079968-01-000	EA	VENT - MECHANICAL/TRAP ARM - ANTI-SIPHON - 2" X 7.3" PLASTIC
5	010071-01-000	EA	TEE - SANITARY - 1 1/2" HUB X HUB X HUB - PLASTIC
6	010008-01-000	EA	ELBOW - 90 DEGREE - 1 1/2" HUB X HUB - PLASTIC
7	010006-01-000	EA	ELBOW - 45 DEGREE - 1 1/2" HUB X HUB - PLASTIC
8	010115-01-000	EA	COUPLING - 1 1/2" HUB X HUB - PLASTIC
8	061607-01-000	EA	GROMMET - HOLDING TANK - 1 1/2" NPS
9	010166-01-000	EA	PLUG - THREADED - 1 1/4" DIAMETER - PLASTIC - BLACK
9	109571-01-000	EA	ADAPTER - P TRAP - 1 1/2" P X 1 1/4" MPT
	010024-01-000	EA	ELBOW - 1/8 BEND - 3" X 45" - HUB X HUB - PLASTIC
10	034250-01-000	EA	ELBOW - 90 DEGREE - LONG TURN - 1 1/2" HUB X HUB - ABS
11	107538-01-000	EA	P TRAP - PLASTIC - 1 1/4" W/EXTENSION ARM
11	011071-01-000	EA	P-TRAP - PLASTIC - 1 1/2" - CSA
12	121386-01-000	EA	TANK - HOLDING - 48 GALLON - W/O FITTINGS
13	107538-01-000	EA	P TRAP - PLASTIC - 1 1/4" W/EXTENSION ARM
13	109571-01-000	EA	ADAPTER - P TRAP - 1 1/2" P X 1 1/4" MPT
13	011071-01-000	EA	P-TRAP - PLASTIC - 1 1/2" - CSA
	011069-02-000	EA	TAILPIECE - TUB/SHOWER - 1 1/2" X 1 1/4" X 4" - BRASS
	069735-01-000	EA	WASHER - STRAINER TO TAILPIECE - PLASTIC - 1.5"
14	031365-02-000	EA	TEE - PLASTIC - 1 1/2" EXT LG TURN
15	061607-02-000	EA	GROMMET - HOLDING TANK - 3" NPS
16	063641-01-000	EA	FLANGE - CLOSET - 4" X 3"
17	078406-01-000	EA	COUPLER - RUBBER - W/CLAMPS - 3" X 3"
	103354-01-000	EA	CONNECTOR - HOSE - SEWER
18	041956-01-000	EA	ELBOW - STREET - PLASTIC - 1/4 BEND - 3" X 90 XLT
19	070916-01-000	EA	VALVE - DUAL DUMP - W/CAP - 3" X 1 1/2"
	070916-01-700	EA	VALVE ONLY (WASTE) 3" T1003BU
	070916-01-701	EA	VALVE ONLY (WASTE) 1 1/2" T1001BU
19	062416-01-000	EA	ADAPTER - SEWER HOSE TO 3" PIPE
	010201-01-000	EA	HOSE - SEWER - 3" ID X 8'
20	089355-01-000	EA	COUPLER - RUBBER - 1 1/2" X 1 1/2"
	102024-01-000	EA	NIPPLE - PLASTIC - 1.5" X 2.62" TOE
21	128182-01-700	EA	TANK - HOLDING - 55 GALLON W/1.5" OUTLET NIPPLE

# WINDOW, VENT & EXTERIOR DOOR GROUP



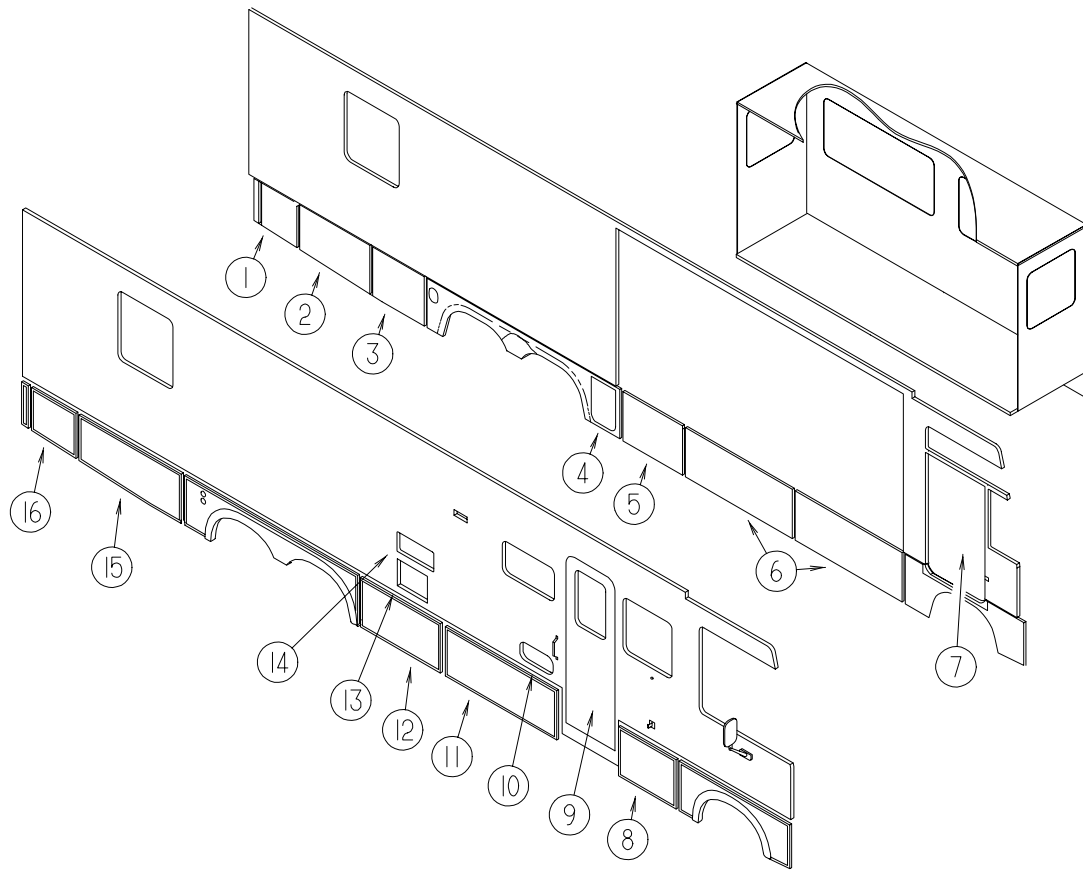
KEY	PART NUMBER	U/M	DESCRIPTION
1*	122882-01-01A	EA	VENT - ROOF - NONPOWERED - W/O INSIDE GARNISH
1	122882-07-01A	EA	GARNISH - ROOF VENT - 2.50" TO 4.12"
2	114496-01-02A	EA	PANEL - SKYLIGHT - OUTER - 22" X 37"
2	122191-01-02A	EA	PANEL - SKYLIGHT - INNER W/LIGHT CUTOUT - 20.7" X 35.4"
3*	122882-02-01A	EA	VENT - ROOF - W/FAN - W/O INSIDE GARNISH - UL
3*	122882-03-01A	EA	VENT - ROOF - W/FAN - W/O INSIDE GARNISH - CSA
3	122882-07-01A	EA	GARNISH - ROOF VENT - 2.50" TO 4.12"
4*	122882-01-01A	EA	VENT - ROOF - NONPOWERED - W/O INSIDE GARNISH
4	122882-07-01A	EA	GARNISH - ROOF VENT - 2.50" TO 4.12"
4*	123780-03-01A	EA	VENTILATOR - ROOF/3"-4" - W/O THERMOSTAT/POWER LIFT
5	084073-04-000	EA	BASE - ROOF VENT/REFRIGERATOR - BLACK - NORCOLD
5	084073-07-000	EA	VENT - ROOF/REFRIGERATOR - BRIGHT WHITE - NORCOLD
5	118369-01-02A	EA	CAP - REFRIGERATOR ROOF VENT - SIDE/SIDE - BRIGHT WHITE
5	118369-02-02A	EA	BASE - REFRIGERATOR ROOF VENT - SIDE/SIDE - BRIGHT WHITE
6*	098647-47-01A	EA	WINDOW - DRIVER/HORIZONTAL SLIDER W/TRIM - TINTED - 23.6" X 57.5"
6*	112795-54-01A	EA	WINDOW - DRIVER/HORIZONTAL SLIDER - THERMO - 23.9" X 57.8"
7*	112463-05-01A	EA	WINDOW - TIPOUT/ESCAPE W/RETAINER TRIM - 33.3" X 30.2"
7*	112898-18-01A	EA	WINDOW - VERTICAL SLIDER - THERMO - ESCAPE - 33.2" X 30.2"
8*	125582-02-01A	EA	WINDOW - CAB - DRIVER
8*	125583-02-01A	EA	WINDOW - DRVR CAB - 3 GLASS THERMO - 31.8"T X 51.6"B X 42.6"H

KEY	PART NUMBER	U/M	DESCRIPTION	VENDOR NO.
9*	125586-01-01A	EA	WINDOW - VISTA	
9*	125600-01-01A	EA	WINDOW - VISTA - THERMOPANE	
10	125581-04-705	EA	GLASS - STATIONARY	106-041547
11	125581-04-704	EA	GLASS - ROLL-UP	106-041821
12*	125584-01-01A	EA	WINDOW - FRONT SLANT - DRIVER	
12*	125585-01-01A	EA	WINDOW - FRONT SLANT - THERMO	
13*	125582-01-01A	EA	WINDOW - CAB - PASSENGER	
13*	125583-01-01A	EA	WINDOW - PASS CAB - 3 GLASS THERMO - 31.8"T X 51.6"B X 42.6"H	
14*	098644-11-01A	EA	WINDOW - VERTICAL SLIDER W/TRIM - TINTED - 26.4" X 27"	
14*	112898-19-01A	EA	WINDOW - VERTICAL SLIDER - THERMO - 26.4" X 27"	
15*	117053-02-F36	EA	WINDOW - PICTURE - 60% TINTING - 17" X 26.4"	
15*	113733-01-01A	EA	WINDOW - STATIONARY THERMOPANE - 17" X 26.4"	
16*	098647-33-01A	EA	WINDOW - PASS HORIZ SLIDER W/TRIM - TINTED - 15.7" X 28.5"	
16*	112795-19-01A	EA	WINDOW - PASSENGER HORIZ SLIDER - THERMO - 16" X 28.7"	
17	084616-07-000	EA	SHROUD - EXHAUST VENT/RANGE HOOD - BRIGHT WHITE	
17	084878-09-000	EA	VENT - EXHAUST/RANGE HOOD - OFF WHITE	
18*	112463-03-01A	EA	WINDOW - TIPOUT W/RETAINER TRIM - 33.3" X 30.2"	
18*	112898-16-01A	EA	WINDOW - VERTICAL SLIDER - THERMO - 33.2" X 30.2"	

\* COMPONENT PARTS FOUND IN SERVICE PARTS LIBRARY

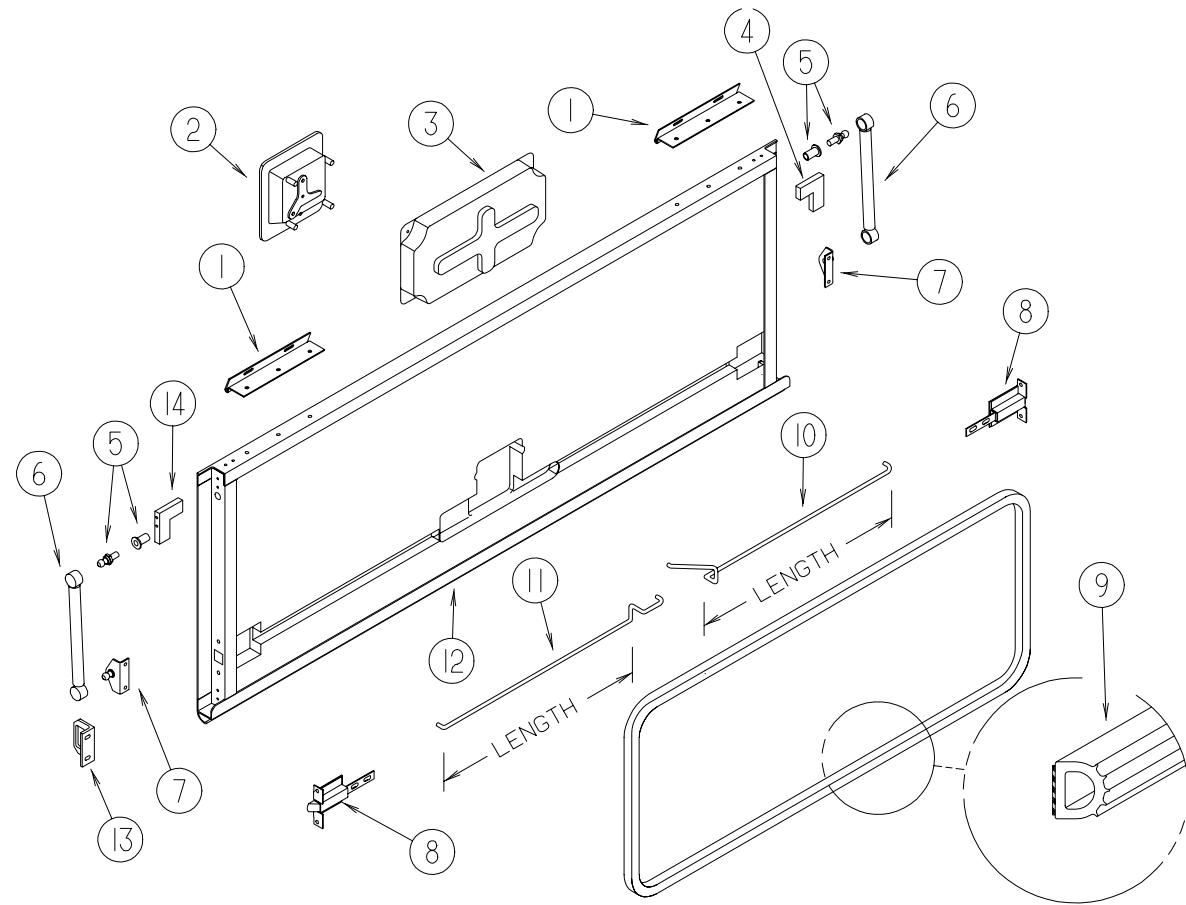
# WINDOW, VENT & EXTERIOR DOOR GROUP (CONTINUED)

## EXTERIOR DOORS



KEY	PART NUMBER	U/M	DESCRIPTION
1	122391-60-JA1	EA	VALANCE/DOOR - DRIVER W/O PADDLE LATCH 21.4" X 20.6" X 20.5"
2	122391-59-JA1	EA	VALANCE/DOOR - DRIVER W/O PADDLE LATCH 23.4" X 39.8" X 21.5"
3	122391-57-JA1	EA	VALANCE/DOOR - DRIVER W/O PADDLE LATCH 23.7" X 29.6" X 23.5"
4	123973-02-JA1	EA	DOOR - DRAINAGE
5	122239-80-JA1	EA	VALANCE/DOOR - W/O PADDLE LATCH/HINGE - 23.7" X 35.1"
6	122239-57-JA1	EA	VALANCE/DOOR - W/O PADDLE LATCH/HINGE - 23.7" X 60"
7	125581-04-01A	EA	DOOR - DRIVER - NON-POWER
8	122239-28-JA1	EA	VALANCE/DOOR - W/O PADDLE LATCH/HINGE - 23.7" X 33.9"
9	115108-02-H08	EA	DOOR - ENTRY - W/SCREEN DOOR - W/O WINDOW (J22,J23)
9	115108-02-J06	EA	DOOR - ENTRY - W/SCREEN DOOR - W/O WINDOW (J24,J25)
9	115108-02-J11	EA	DOOR - ENTRY - W/SCREEN DOOR - W/O WINDOW (J26,J27)
9	115108-02-J50	EA	DOOR - ENTRY - W/SCREEN DOOR - W/O WINDOW (J28,J29)
10	126945-01-J22	EA	DOOR/STORAGE - W/O HARDWARE - 18" X 8.3"
11	122239-06-JA1	EA	VALANCE/DOOR - W/O PADDLE LATCH/HINGE - 23.7" X 63.6"
12	122239-35-JA1	EA	VALANCE/DOOR - W/O PADDLE LATCH/HINGE - 23.7" X 46.3"
13	052009-06-000	EA	DOOR - WATER HEATER - BRIGHT WHITE - 18" X 14.6"
13	116424-01-000	EA	PROTECTOR - LATCH - WATER HEATER
14	084103-08-000	EA	DOOR - VENT/REFRIGERATOR - W/O JAMB - BRIGHT WHITE
14	084104-08-000	EA	JAMB - VENT DOOR/REFRIGERATOR - BRIGHT WHITE
14	125481-01-02A	EA	DOOR - REFRIGERATOR VENT (SIDE BY SIDE DOMETIC)
15	122391-58-JA1	EA	VALANCE/DOOR - PASS W/O PADDLE LATCH 22" X 57.6" X 23.7"
16	122391-61-JA1	EA	VALANCE/DOOR - PASS W/O PADDLE LATCH 21.7" X 26.8" X 20.5"
	081240-16-000	EA	DOOR - WATER FILL - LOCKABLE W/O LOCK - 4" X 4 5/8" - BRIGHT WHITE

**WINDOW, VENT & EXTERIOR DOOR GROUP (CONTINUED)**



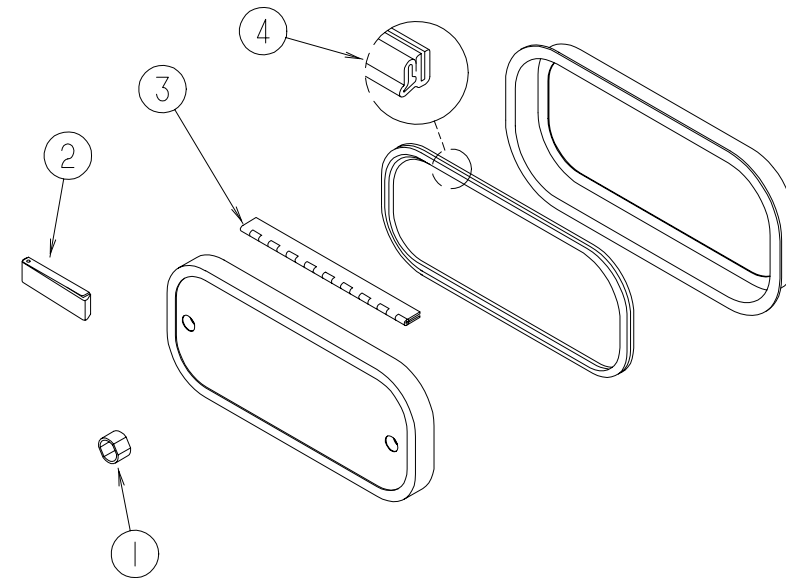
**EXTERIOR DOOR COMPONENTS**

KEY	PART NUMBER	U/M	DESCRIPTION
1	121755-01-04A	EA	HINGE - 6.00 INCH
2	112949-01-04A	EA	LATCH - PADDLE W/LOCK - W/O KEY - BLACK
	112949-03-000	EA	KEY - TRI-MARK #TM500
3	122277-02-01A	EA	COVER - LATCH - BLACK
4	123892-12-02B	EA	CORNER STABILIZER W/BALL STUD - LEFT HAND - E-COATED
5	N/A	EA	BALL STUD - 10MM BALL - 5/16-18 - STAINLESS STEEL
6	107796-20-000	EA	SPRING/GAS - 7" COMPRESSED/10" EXTENDED - 60 LB
7	107796-19-000	EA	BRACKET - GAS SPRING
8	121947-01-01A	EA	BOLT - SLIDE - LATCH - STEEL
9	107721-07-000	FT	SEAL - ACCESS DOOR
10	122269-04-000	EA	ROD - LATCH - 15.42"
10	122269-06-000	EA	ROD - LATCH - 24.07"
10	122269-12-000	EA	ROD - LATCH - 22.28"
10	122269-20-000	EA	ROD - LATCH - 2.56"
10	122269-33-000	EA	ROD - LATCH - 9.24"
10	122269-35-000	EA	ROD - LATCH - 7.09"
10	122269-36-000	EA	ROD - LATCH - 12.18"
10	122269-37-000	EA	ROD - LATCH - 5.70"
10	122269-65-000	EA	ROD - LATCH - 21.06"
11	122268-04-000	EA	ROD - LATCH - 15.42"
11	122268-06-000	EA	ROD - LATCH - 24.07"
11	122268-12-000	EA	ROD - LATCH - 22.28"
11	122268-20-000	EA	ROD - LATCH - 2.56"
11	122268-33-000	EA	ROD - LATCH - 9.24"
11	122268-35-000	EA	ROD - LATCH - 7.09"
11	122268-36-000	EA	ROD - LATCH - 12.18"
11	122268-37-000	EA	ROD - LATCH - 5.70"
11	122268-65-000	EA	ROD - LATCH - 21.06"

**WINDOW, VENT & EXTERIOR DOOR GROUP (CONTINUED)**

**EXTERIOR DOOR COMPONENTS (CONTINUED)**

KEY	PART NUMBER	U/M	DESCRIPTION
12	122613-55-007	EA	U-CHANNEL/EXTRUSION - 192" - BLACK
	122612-55-007	EA	U-CHANNEL/EXTRUSION - 192" - BLACK
	122614-55-007	EA	U-CHANNEL/EXTRUSION - 192" - BLACK
13	123783-01-01A	EA	STRIKER - DOOR - MILL
14	123892-10-02B	EA	CORNER STABILIZER W/BALL STUD - RIGHT HAND - E-COATED



**EXTERIOR DOOR COMPONENTS**

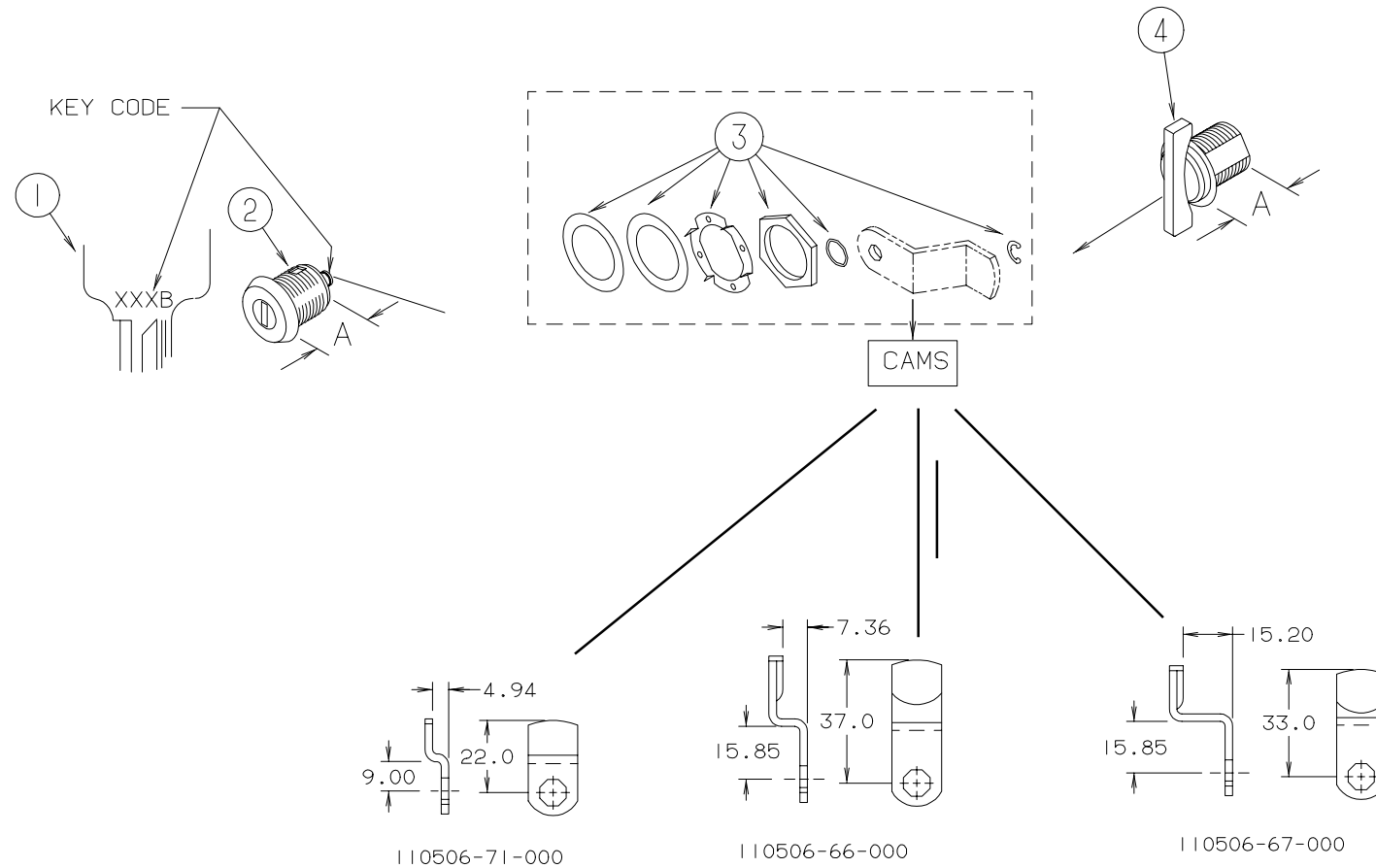
KEY	PART NUMBER	U/M	DESCRIPTION
1	107997-51-001	EA	SPACER - DOOR LOCK - .6" DEEP
	107997-51-002	EA	EXTRUDED - SPACER - 16'
2	102768-01-000	EA	HOLDER - COMPARTMENT/ENTRY DOOR - METAL - MILL FINISH
3	081801-V3-000	EA	HINGE - ALUMINUM - 2" X 96" - BRIGHT WHITE
4	106850-02-000	FT	SEAL-E - SPONGE RUBBER - .43" X .75"

## WINDOW, VENT & EXTERIOR DOOR GROUP (CONTINUED)

**NOTE:**

WHEN ORDERING THE LOCK CASE, THE KEY CODE MUST MATCH THE LAST DIGIT OF THE VEHICLE'S SERIAL NUMBER AND PART NUMBER; WHEN ORDERING THE KEYS, THE THIRD DIGIT OF THE KEY CODE MUST MATCH THE LAST DIGIT OF THE VEHICLE'S SERIAL NUMBER AND PART NUMBER

### BRIGGS & STRATTON LOCKS & COMPONENTS

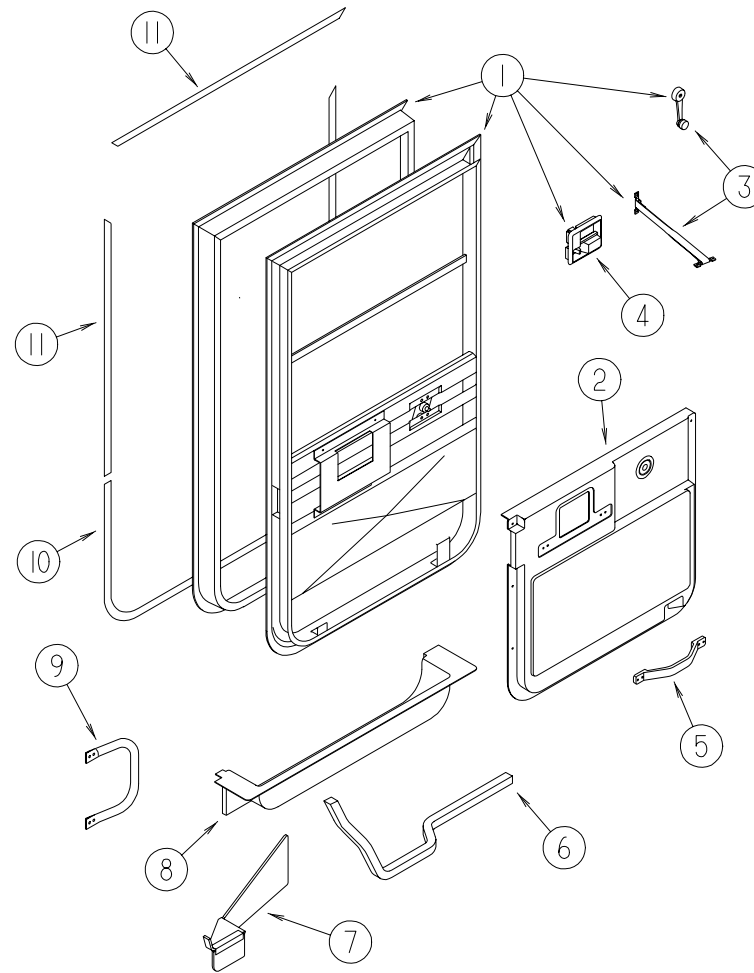


KEY	PART NUMBER	U/M	DESCRIPTION	VENDOR NO.
1	110506-59-000	EA	KEYS - SET OF TWO	596720
2	110506-52-000	EA	CASE - LOCK - A= 17 MM	702370
2	110506-53-000	EA	CASE - LOCK - A= 25 MM	702380
2	110506-54-000	EA	CASE - LOCK - A= 32 MM	703170
1	110506-59-001	EA	KEYS - SET OF TWO	596721
2	110506-52-001	EA	CASE - LOCK - A= 17 MM	702371
2	110506-53-001	EA	CASE - LOCK - A= 25 MM	702381
2	110506-54-001	EA	CASE - LOCK - A= 32 MM	703171
1	110506-59-002	EA	KEYS - SET OF TWO	596722
2	110506-52-002	EA	CASE - LOCK - A= 17 MM	702372
2	110506-53-002	EA	CASE - LOCK - A= 25 MM	702382
2	110506-54-002	EA	CASE - LOCK - A= 32 MM	703172
1	110506-59-003	EA	KEYS - SET OF TWO	596723
2	110506-52-003	EA	CASE - LOCK - A= 17 MM	702373
2	110506-53-003	EA	CASE - LOCK - A= 25 MM	702383
2	110506-54-003	EA	CASE - LOCK - A= 32 MM	703173
1	110506-59-004	EA	KEYS - SET OF TWO	596724
2	110506-52-004	EA	CASE - LOCK - A= 17 MM	702374
2	110506-53-004	EA	CASE - LOCK - A= 25 MM	702384
2	110506-54-004	EA	CASE - LOCK - A= 32 MM	703174
1	110506-59-005	EA	KEYS - SET OF TWO	596725
2	110506-52-005	EA	CASE - LOCK - A= 17 MM	702375
2	110506-53-005	EA	CASE - LOCK - A= 25 MM	702385
2	110506-54-005	EA	CASE - LOCK - A= 32 MM	703175

KEY	PART NUMBER	U/M	DESCRIPTION	VENDOR NO.
1	110506-59-006	EA	KEYS - SET OF TWO	596726
2	110506-52-006	EA	CASE - LOCK - A= 17 MM	702376
2	110506-53-006	EA	CASE - LOCK - A= 25 MM	702386
2	110506-54-006	EA	CASE - LOCK - A= 32 MM	703176
1	110506-59-007	EA	KEYS - SET OF TWO	596727
2	110506-52-007	EA	CASE - LOCK - A= 17 MM	702377
2	110506-53-007	EA	CASE - LOCK - A= 25 MM	702387
2	110506-54-007	EA	CASE - LOCK - A= 32 MM	703177
1	110506-59-008	EA	KEYS - SET OF TWO	596728
2	110506-52-008	EA	CASE - LOCK - A= 17 MM	702378
2	110506-53-008	EA	CASE - LOCK - A= 25 MM	702388
2	110506-54-008	EA	CASE - LOCK - A= 32 MM	703178
1	110506-59-009	EA	KEYS - SET OF TWO	596729
2	110506-52-009	EA	CASE - LOCK - A= 17 MM	702379
2	110506-53-009	EA	CASE - LOCK - A= 25 MM	702389
2	110506-54-009	EA	CASE - LOCK - A= 32 MM	703179
3	110506-40-700	EA	HARDWARE KIT	
4	110506-50-000	EA	CASE - TWIST LOCK - A= 17 MM	596952
4	110506-51-000	EA	CASE - TWIST LOCK - A= 25 MM	596669
	110506-40-000	EA	CLIP-E - LOCK ASM.	93981
	110506-66-000	EA	CAM - LOCK	322282
	110506-67-000	EA	CAM - LOCK	322283
	110506-71-000	EA	CAM - LOCK	322287
	110506-59-701	EA	KEY BLANK - GOLD	

## WINDOW, VENT & EXTERIOR DOOR GROUP (CONTINUED)

### DRIVER DOOR (EXCEL)

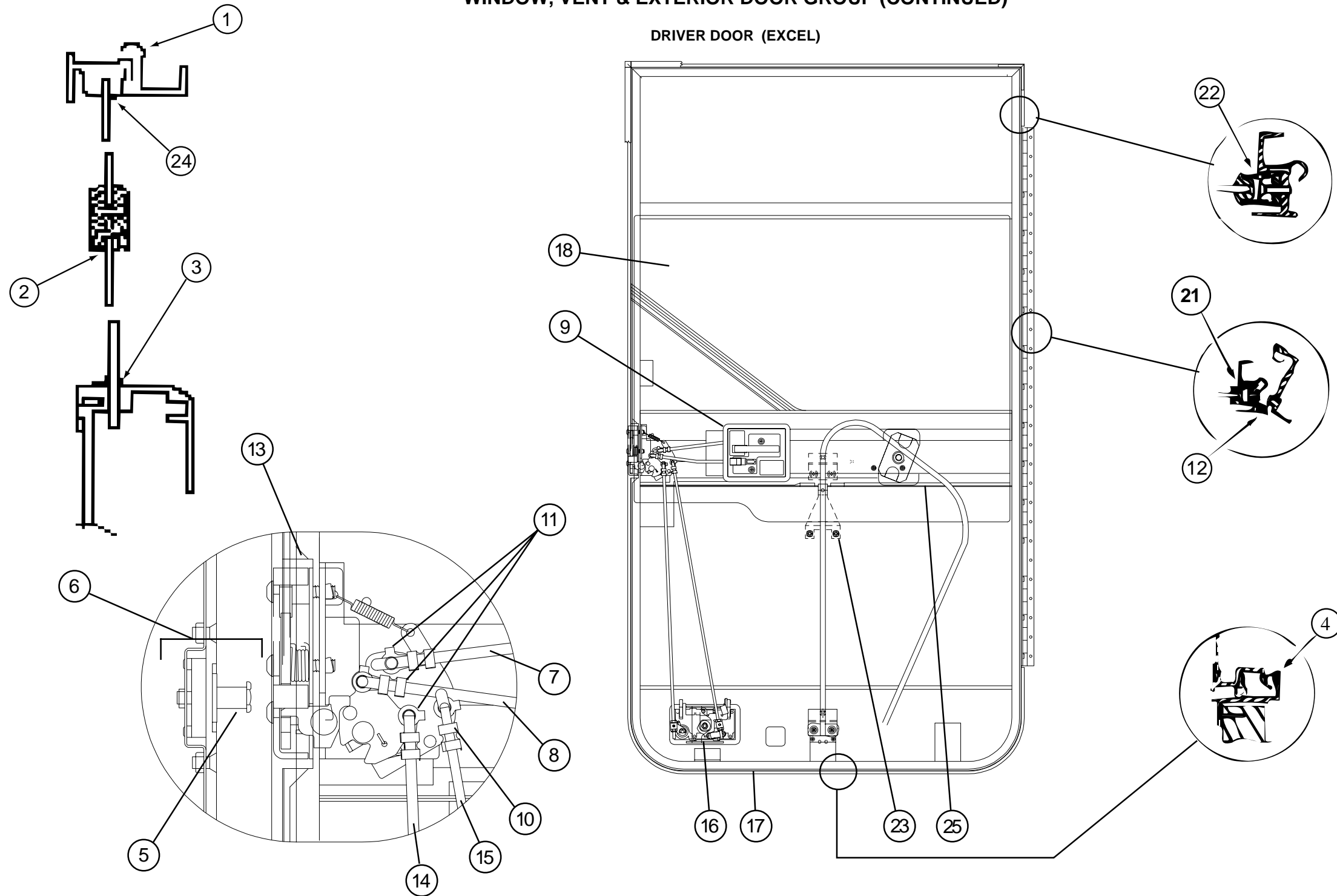


KEY	PART NUMBER	U/M	DESCRIPTION	VENDOR NO.
1	125581-04-01A	EA	DOOR - DRIVER - NON-POWER	
2	125899-03-01A	EA	PANEL - CAB DOOR - INNER/DRIVER	
3	106469-02-704	EA	PARTS BAG (WINDOW HANDLE & CHECK STRAP)	V068-16
	109378-01-000	EA	STRAP - CHECK - DRIVER DOOR - 12.8"	
4	106469-04-712	EA	HANDLE/DOOR - INNER W/HARDWARE	248-041402
5	110604-01-01A	EA	HANDLE - ASSIST - DRIVERS DOOR	
6	063977-14-000	EA	STEP - DRIVER DOOR - LEFT HAND	
7	128255-01-04B	EA	STEP - DRIVER DOOR - BLACK	
8	107818-03-04A	EA	TRIM - STEP/DRIVERS DOOR	
			FROM: 00-00-00 THRU: 02-08-98	
8	107818-05-02A	EA	TRIM - STEP/DRIVERS DOOR	
			FROM: 02-09-98 THRU: 99-99-99	
	102569-02-000	EA	MAT - ANTI SLIP - LOWER	
9	108832-02-01A	EA	HANDLE - ASSIST - DOOR/DRIVER	
	126701-01-03A	EA	COVER - ASSIST HANDLE - OFF WHITE	
10	109235-01-05A	FT	COVER - SCREW - BRIGHT WHITE	
11	109235-01-01A	FT	COVER - SCREW - MAT BLACK	
	P01713-01-000	EA	SWITCH - PUSH BUTTON - ELECTRIC STEP	



# WINDOW, VENT & EXTERIOR DOOR GROUP (CONTINUED)

## DRIVER DOOR (EXCEL)

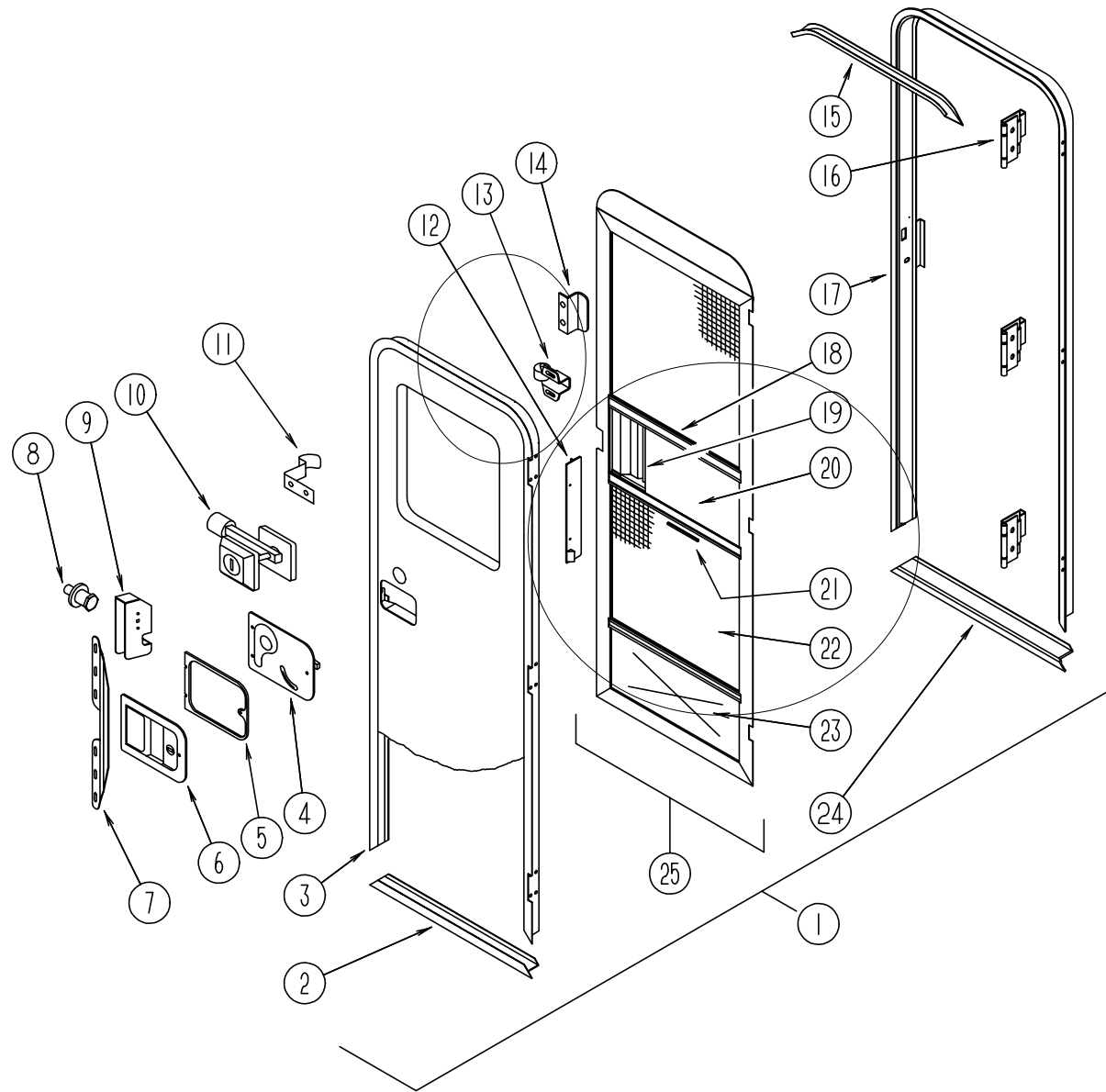


KEY	PART NUMBER	U/M	DESCRIPTION	VENDOR NO.
1	106469-01-702	EA	DOOR SEAL	122-040984
2	106469-01-705	FT	CHANNEL - RUN - SLIDING	122-010850
3	106469-01-709	FT	WEATHERSTRIP - FUZZY	171-040630
4	106469-01-723	EA	SEAL - BULB ASM. (JAMB)	171-040985
5	106469-04-703	EA	BOLT - STRIKER (W/ WASHER)	248-041152
6	106469-04-704	EA	NUT ASSEMBLY - CAGED - W/STRIKER	248-041151
7	106469-04-705	EA	LATCH ROD - HORIZONTAL	203-041139
8	106469-04-711	EA	LOCK ROD - HORIZONTAL	203-041137
9	106469-04-712	EA	HANDLE/DOOR - INNER W/HARDWARE	248-041402
10	106469-04-713	EA	ROD CLIP L.H.	248-041154
11	106469-04-714	EA	ROD CLIP R.H.	248-041153
12	106469-05-702	EA	HINGE - 42"	211-041194
13	106469-05-706	EA	LATCH - ROTARY - W/LINKAGE	248-041150

KEY	PART NUMBER	U/M	DESCRIPTION	VENDOR NO.
14	125581-04-700	EA	ROD - LATCH/VERTICAL ADJUST.	203041767
15	125581-04-701	EA	ROD - LOCK/VERTICAL ADJUST.	203-041768
16	125581-04-702	EA	PADDLE RH-W/COLLAR BLACK TEX	248-041403
17	125581-04-703	EA	FRAME - MOUNTING - BLACK	V180-35L
18	125581-04-704	EA	GLASS - ROLL-UP	106-041821
19	125581-04-705	EA	GLASS - STATIONARY	106-041547
20	125581-04-706	EA	FRAME - DOOR - SUB-ASSEMBLY	V180-94L
21	125581-04-707	EA	CHANNEL - ROLL UP GLASS	V156-60
22	125581-04-708	EA	CHANNEL - STATIONARY GLASS	V156-61
23	125581-04-709	EA	REGULATOR - MANUAL	410-08389
24	125581-04-710	EA	VINYL - GLAZING	132-041484
25	125581-04-711	EA	CHANNEL- GLASS	N135-66
	106469-04-701	EA	TUMBLER & KEYS (TRI-MARK)	248-041179
	106469-04-702	EA	KEYS (BLANK)	248-041180

# WINDOW, VENT & EXTERIOR DOOR GROUP (CONTINUED)

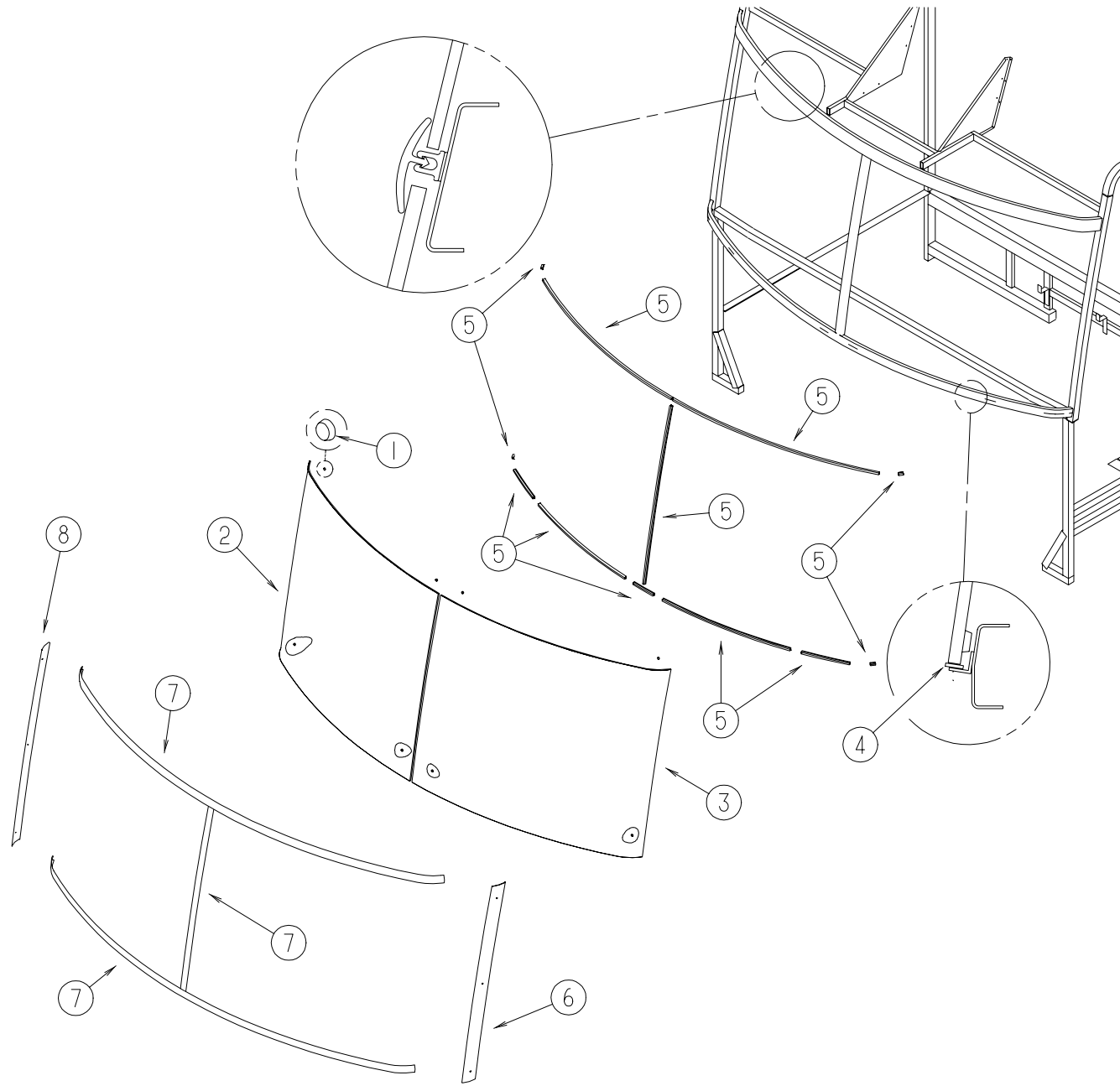
## ENTRY DOOR W/O WINDOW



KEY	PART NUMBER	U/M	DESCRIPTION
1	115108-02-H08	EA	DOOR - ENTRY - W/SCREEN DOOR - W/O WINDOW (J22,J23)
1	115108-02-J06	EA	DOOR - ENTRY - W/SCREEN DOOR - W/O WINDOW (J24,J25)
1	115108-02-J11	EA	DOOR - ENTRY - W/SCREEN DOOR - W/O WINDOW (J26,J27)
1	115108-02-J50	EA	DOOR - ENTRY - W/SCREEN DOOR - W/O WINDOW (J28,J29)
	041546-07-000	EA	BRACKET - DOOR ANGLE
	115222-02-01A	EA	GARNISH - RADIUS - ENTRY DOOR - OFF WHITE
2	121893-01-01A	EA	FRAME - ENTRY DOOR/BOTTOM - BRIGHT WHITE
3	121894-03-01A	EA	FRAME - ENTRY DOOR
4	039979-06-000	EA	COVER - LATCH PLATE - RIGHT HAND - BLACK TEXTURED
5	096810-01-01A	EA	PLATE - LATCH - ENTRY DOOR - BLACK
6	045017-13-000	EA	LATCH - ENTRY DOOR - BLACK TEXTURED
	045017-11-701	EA	KEY BLANK
7	098173-01-04A	EA	STIFFENER - ENTRY DOOR - SUPPORTS LATCH/STRIKE - UNPAINTED
8	039539-01-000	EA	STRIKE - LOCK - ENTRY DOOR - ROUND W/THREADED WASHER
	077461-03-000	EA	COVER - STRIKE - ENTRY DOOR - 6.5" X 2.5" - WHITE PLASTIC
9	039540-01-000	EA	LATCH MECHANISM - HOOK - ENTRY DOOR - INTERIOR
	039715-01-000	EA	NUT - SERT - 1/4" DIAMETER - 20 THREADS
	039984-01-000	EA	CAP - ROUND - VINYL - .28" ID X .62" LONG - BLACK
	040944-01-000	EA	LABEL - ENTRANCE DOOR - "OPEN"
10	101145-01-06A	EA	DEADBOLT - ENTRY DOOR - BLACK
	095229-01-700	EA	KEY ONLY - BLANK
	101147-01-000	EA	BOLT - SECURITY - 4.12"
	101145-01-701	EA	CYLINDER - LOCK ASM. - W/ KEY
	102524-01-000	EA	BUMPER - RUBBER - FLAT - BLACK
11	100412-01-000	EA	CATCH - SCREEN DOOR - THUMB CLIP
12	079087-03-000	EA	STRIKE - SLIDER - SCREEN DOOR - BRIGHT WHITE
13	109403-01-000	EA	CATCH - SCREEN DOOR ROLLER
	063729-04-000	EA	RIVNUT - 10-32 UNF - .010-.080
	072893-01-000	EA	NUTSERT - M5 X 0 - 8
	075671-04-000	FT	SEAL - SPONGE - LAZY T - W/ADHESIVE STRIP - .5" WIDE
	118929-01-01A	FT	SEAL - PILE - PUSH-ON
14	050712-06-000	EA	HANDLE - SCREEN DOOR - BRIGHT WHITE
15	044582-44-000	EA	CAP - DRIP - JAMB - BRIGHT WHITE
16	106719-01-05A	EA	HINGE - ENTRANCE DOOR
16	106719-01-01A	EA	HINGE - ENTRANCE DOOR - MILL
	116111-02-01A	EA	SCREW - TAPTITE - 1/4-20 X 3/8 PPH - ZINC
	102248-01-000	EA	SHIM - DOOR
17	121898-01-01A	EA	JAMB - ENTRY DOOR
18	078777-01-000	EA	CHANNEL - SLIDER - SCREEN DOOR CENTER SLIDER COVER
			FROM: 00-00-00 THRU: 02-22-98
18	078777-08-000	FT	CHANNEL - SLIDER
			FROM: 02-23-98 THRU: 99-99-99
19	079086-03-000	EA	SLIDER - SCREEN DOOR - BRIGHT WHITE
	078595-01-000	EA	TOP PLATE - SCREEN DOOR - CURVED TOP - 4.7" X 25.35"
20	016454-01-000	EA	INSERT - CENTER - LEATHER GRAIN ALUMINUM - UNPAINTED
21	002294-01-000	FT	SPLINE - SCREENING - .135" X .138" - BLACK
22	002293-02-000	SF	SCREENING - 26" - CHARCOAL
23	078552-03-000	EA	KICK PANEL - SCREEN DOOR - LOWER INSERT - UNPAINTED
24	051049-01-000	EA	JAMB - BOTTOM - ENTRY DOOR - 25.9" - UNPAINTED
	075673-01-000	FT	SEAL - PILE - ADHESIVE BACK - GRAY
	075673-05-000	FT	SEAL - PILE - ADHESIVE BACK - BLACK
25	121899-01-G04	EA	DOOR - SCREEN - W/O HARDWARE - BRIGHT WHITE
	100128-02-000	FT	SEAL - SCREEN DOOR
	009126-03-000	EA	HANDLE - ASSIST - BLACK TEXTURED

# WINDSHIELD & WIPER GROUP

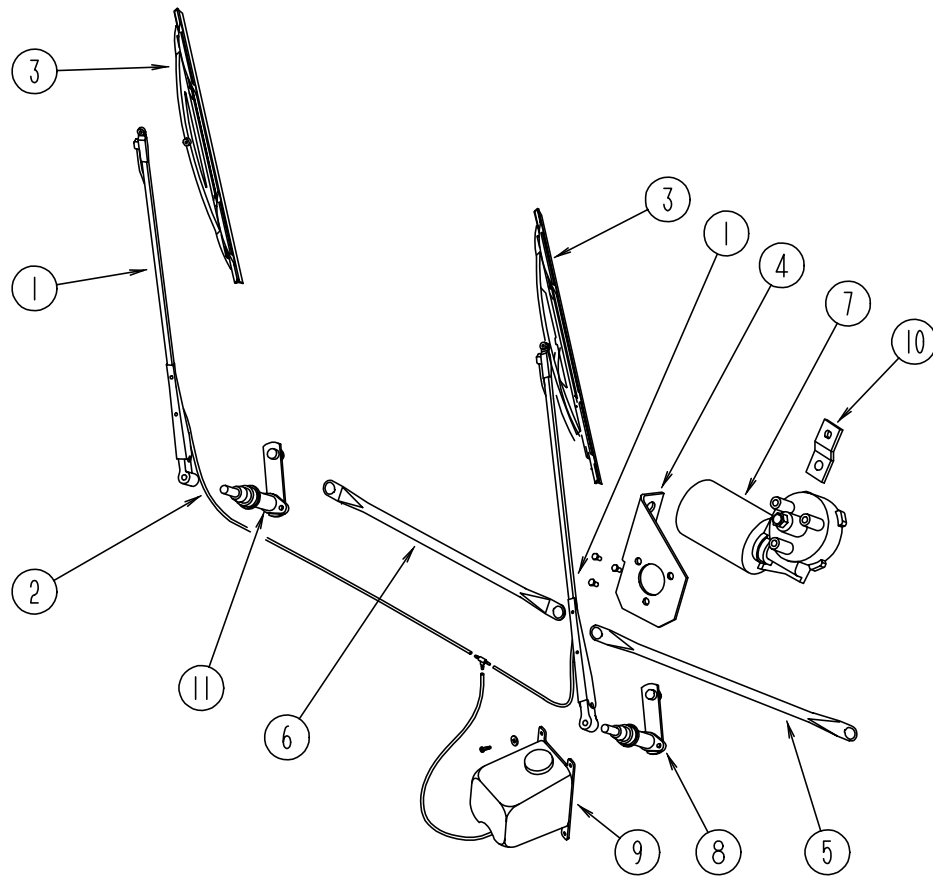
## WINDSHIELD MOLDINGS & GLASS



KEY	PART NUMBER	U/M	DESCRIPTION
1	081914-01-000	EA	BUMPER - RUBBER - ROUND - .43" DIAMETER
2	124328-01-000	EA	WINDSHIELD - PASSENGER - 52" X 41" (CURVED)
3	124328-02-000	EA	WINDSHIELD - DRIVER - 52" X 41" (CURVED)
4	002328-02-000	EA	BLOCK - WINDSHIELD - .062" X .5" X .98"
5	127862-01-000	EA	CARRIER - REVEAL - WINDSHIELD - 47.2"
6	125384-02-02A	EA	TRIM - WINDSHIELD - A-PILLAR - DRIVER - BLACK
6	125384-02-01A	EA	TRIM - WINDSHIELD - A-PILLAR - DRIVER - MILL
7	120533-01-000	FT	MOLDING - REVEAL - WINDSHIELD
7	118586-01-000	FT	MOLDING - REVEAL - WINDSHIELD (CENTER POST)
8	125384-01-02A	EA	TRIM - WINDSHIELD - A-PILLAR - PASSENGER - BLACK
8	125384-01-01A	EA	TRIM - WINDSHIELD - A-PILLAR - PASSENGER - MILL

# WINDSHIELD & WIPER GROUP (CONTINUED)

## WINDSHIELD WIPER ASM (FORD)



KEY	PART NUMBER	U/M	DESCRIPTION	VENDOR NO.
1	117769-01-000	EA	ARM - WIPER - PANTOGRAPH - 28"	
2	045794-01-000	FT	HOSE - WASHER - WINDSHIELD - 5/32" ID - BLACK	
3	095964-01-000	EA	BLADE - WINDSHIELD WIPER - 24"	
	095964-01-700	EA	BLADE - REFILL 24" (PAIR)	
4	125829-02-02B	EA	BRACKET ASM - WIPER MOTOR	
5	117770-01-000	EA	LINK - CONNECTING - 24" - CLOSED GROMMET/OPEN GROMMET	
6	117770-02-000	EA	LINK - CONNECTING - 24" - CLOSED GROMMET/CLOSED GROMMET	
7	104346-05-000	EA	WIPER MOTOR - W/INTERNAL BREAKER - DYNAMIC PARK	
8	096505-09-000	EA	SHAFT/PIVOT - WINDSHIELD WIPER	
9	117766-02-000	EA	RESERVOIR/PUMP - WINDSHIELD WASHER	
	110605-01-000	EA	TEE - PLASTIC - BARBED - 1/8" X 1/8" X 3/16"	
9	117765-03-000	EA	CONNECTOR - 5/32" - WINDSHIELD WASHER	
10	104347-04-000	EA	ARM - DRIVE - WIPER MOTOR	
11	096505-09-000	EA	SHAFT/PIVOT - WINDSHIELD WIPER	
	061603-01-000	EA	GROMMET - SNAP - 3/16"ID - 3/8" HOLE - PLASTIC - BLACK	
	067188-01-000	EA	STUD - CRANK - WIPER MOTOR	
	117322-01-000	EA	SCREW - 1/4-28 UNFINISHED - 2A - TORX	
	077049-02-000	EA	NUT - ACORN - 10-32 BLACK/ANODIZED	
	096505-02-700	EA	DRIVER - KNURLED - (HD) BRL .687	NT721017
	096505-02-701	EA	NUT - HEX (HD) W/.687 BARREL	NT721021
	096505-02-702	EA	CAP - RUBBER (HD) BARREL .687	CP721084
	096505-02-703	EA	CAP - NUT (ACORN) HD W/.687 BRL 51065-40	NT27WC
	117768-01-000	EA	SHAFT - ADAPTER - PANTOGRAPH ARM	