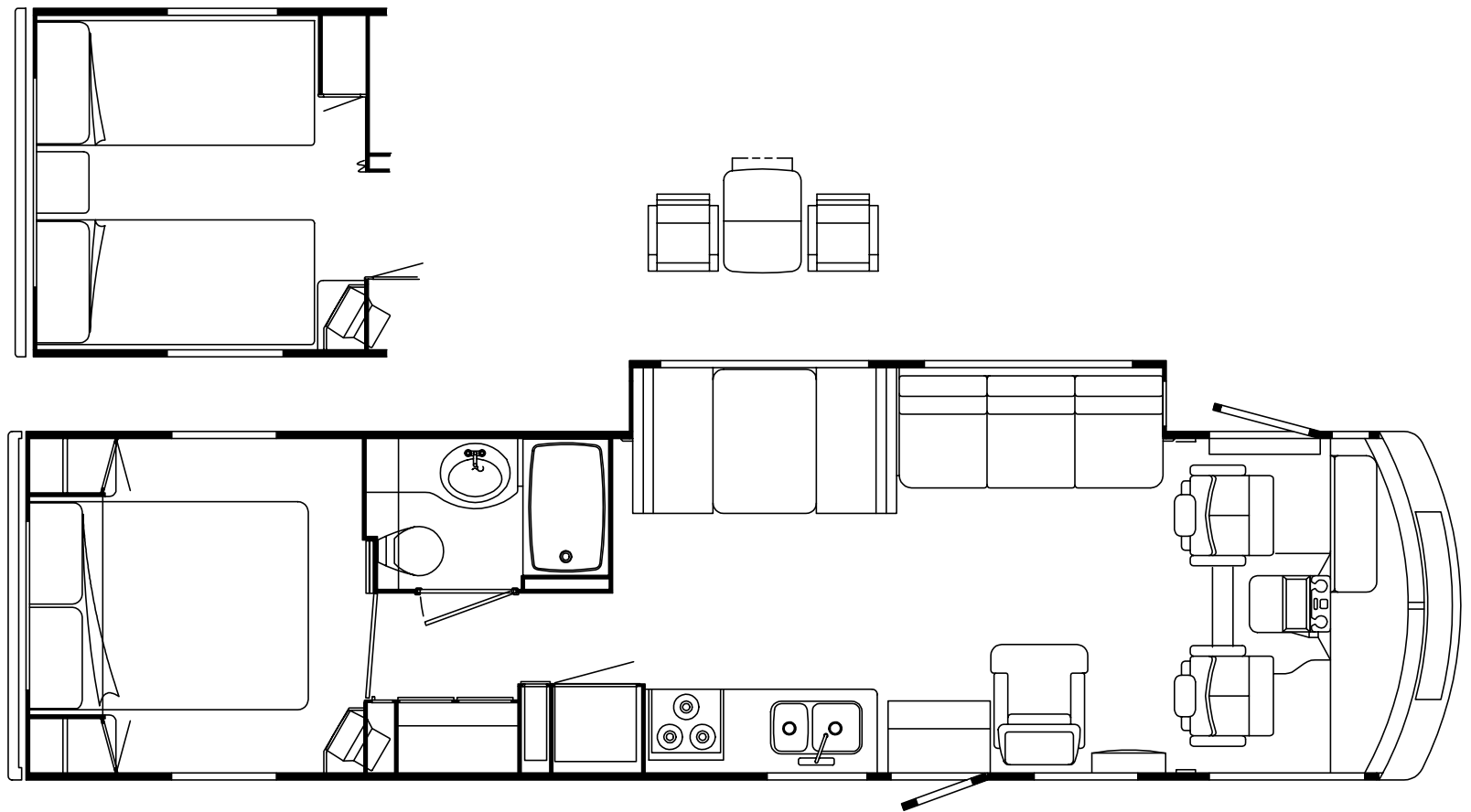
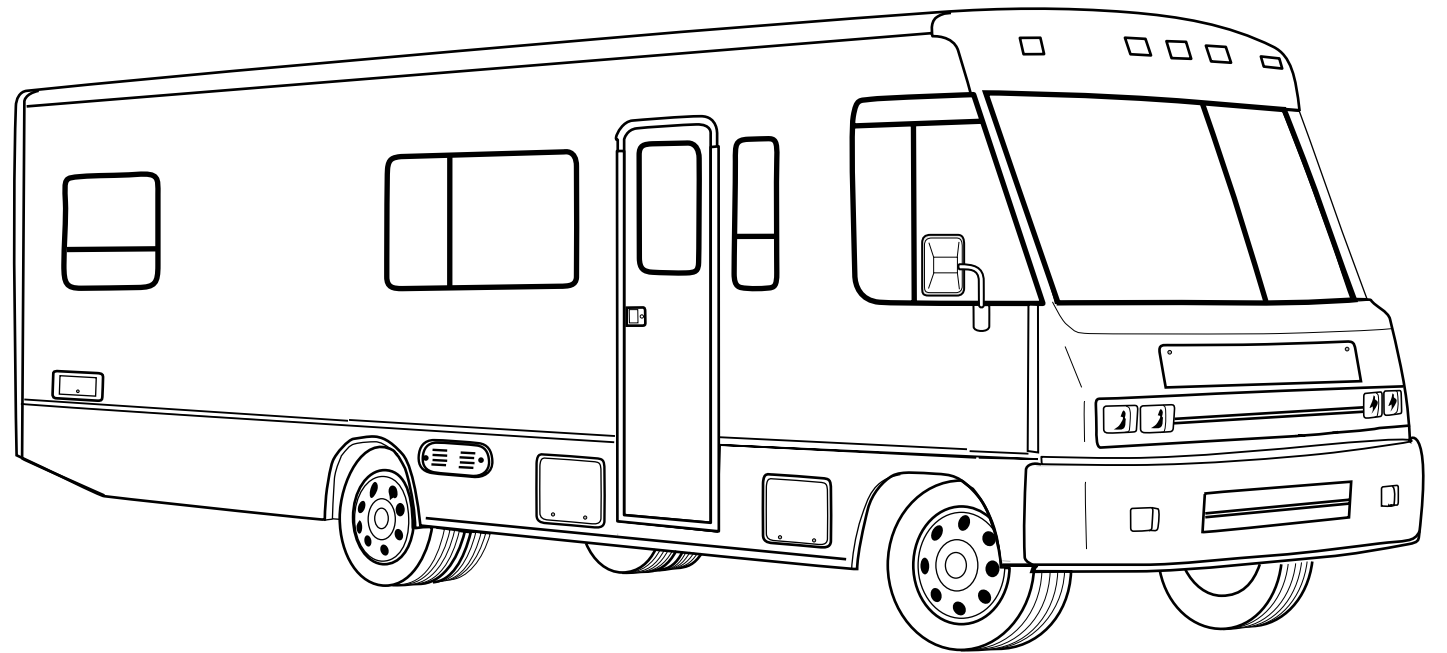


1998 WCG35WP

- J22 MADISON (BLUE)
(OAK)
- J23 MADISON (BLUE)
(WHITE GRANITE)
- J24 MINK (TAUPE)
(OAK)
- J25 MINK (TAUPE)
(WHITE GRANITE)
- J26 PICASSO (NEUTRAL)
(OAK)
- J27 PICASSO (NEUTRAL)
(WHITE GRANITE)
- J28 SILVERSAGE (GREEN)
(OAK)
- J29 SILVERSAGE (GREEN)
(WHITE GRANITE)



ACCESSORIES GROUP

OPERATOR MANUAL

KEY	PART NUMBER	U/M DESCRIPTION
	054185-H2-000	EA MANUAL - OPERATOR 98 ADVENTURER - G SERIES
	092318-01-000	EA BINDER - 3 RING - MOTOR HOME MANUAL FROM: 00-00-00 THRU: 01-25-98
	129079-01-01A	EA CASE - VINYL/BLACK-EXPANDABLE ACCORDION SIDES-7"WX9"HX14"L FROM: 01-26-98 THRU: 99-99-99
	092319-01-000	EA POCKET PAGE - 3 RING BINDER - PLASTIC - (50 PER PKG)
	125247-01-000	EA TOP LEVEL - G,1998

AUDIO VIDEO GROUP

RADIO SYSTEMS & ANTENNA

KEY	PART NUMBER	U/M DESCRIPTION	VENDOR NO.
	127516-01-000	EA RADIO - AM/FM STEREO - CD PLAYER	
	127516-01-700	EA FACE - REMOVEABLE	YEPOFX3114
	127516-01-701	EA TRIM RING	YGFC025263
	127516-01-702	EA FACTORY HARNESS	YGAJ02719
	127516-01-703	EA CARRIER F/REMOVEABLE FACE	YEFA131290
	127264-01-000	EA RADIO - AM/FM STEREO - CASSETTE	
	127264-01-700	EA TRIM RING	YFC054C044ZB
	127264-01-701	EA KNOB - VOLUME	YFE074C045ZA
	127264-01-702	EA KNOB - FADER	YEFE074C026
	127264-01-703	EA FACTORY HARNESS	YAJ024C048ZB
	125322-02-000	EA RADIO - AM-FM STEREO - CASSETTE - AUDIOVOX	
	124881-01-000	EA AMPLIFIER - AUDIO	
	110469-01-000	EA SPEAKER - 4" X 6" OVAL - COAXIAL	
	110470-01-01A	EA GRILLE - 4" X 6" OVAL - BLACK	
	094097-01-000	EA SPEAKER - RADIO/TV - W/O GRILLE - 5.25" DIAMETER	
	089340-02-000	EA GRILLE - SPEAKER - 6.5" SQUARE	
	089340-03-000	EA SPACER - SPEAKER GRILLE	
	077069-02-000	EA CABLE - ANTENNA/EXTENSION - RADIO - 96"	
	123256-01-000	EA ANTENNA - CB - W/O CABLE	
	090944-01-000	EA ANTENNA - RADIO - 16" RUBBER	
	108847-01-000	EA BRACKET - ANTENNA GROUND	
	115916-01-01B	EA BRACKET - ANTENNA MOUNT	
	109889-04-000	EA EXTENDER - ANTENNA SHAFT - 3"	

DELUXE SOUND SYSTEM

KEY	PART NUMBER	U/M DESCRIPTION
	124883-02-000	EA SPEAKER - CUBE - W/BRACKET
	124884-01-000	EA SPEAKER - 6" X 9" - SUB-WOOFER
	124885-01-000	EA GRILLE - SPEAKER - 6" X 9" - SUB-WOOFER
	125634-01-02B	EA COVER/PLATE - SPEAKER - E-COAT (DASH - 5" X 6")

REAR MONITOR SYSTEM

KEY	PART NUMBER	U/M DESCRIPTION
	093040-09-000	EA CAMERA - REAR VIEW - W/BRACKET - SONY
	093040-10-000	EA MONITOR - 7" REAR VIEW - W/BRACKET - SONY
	108885-02-000	EA WIRE - REAR MONITOR (W/3 PIN HOUSING F/FUSE BLOCK) CHEVY
	093041-01-000	EA CABLE - MONITOR/CAMERA - INTERNAL USE - 65.6'
	096717-03-000	EA WIRE ASSEMBLY - REAR MONITOR - AFTER MARKET INSTALLATION

PATIO ENTERTAINMENT CENTER

KEY	PART NUMBER	U/M DESCRIPTION
	110469-01-000	EA SPEAKER - OVAL - 4" X 6" - BLACK
	110470-01-01A	EA GRILLE - SPEAKER - OVAL - 4" X 6" - BLACK
	077069-02-000	EA CABLE - ANTENNA - RADIO - EXTENSION 96" - ARA 6700667
	127516-01-000	EA RADIO - AM/FM STEREO - CD PLAYER
	090944-01-000	EA ANTENNA - RADIO - 16" RUBBER
	108847-01-000	EA BRACKET - ANTENNA GROUND
	109889-04-000	EA ANTENNA - 3" SHAFT EXTENDER - MAGNADYNE RV71EX3

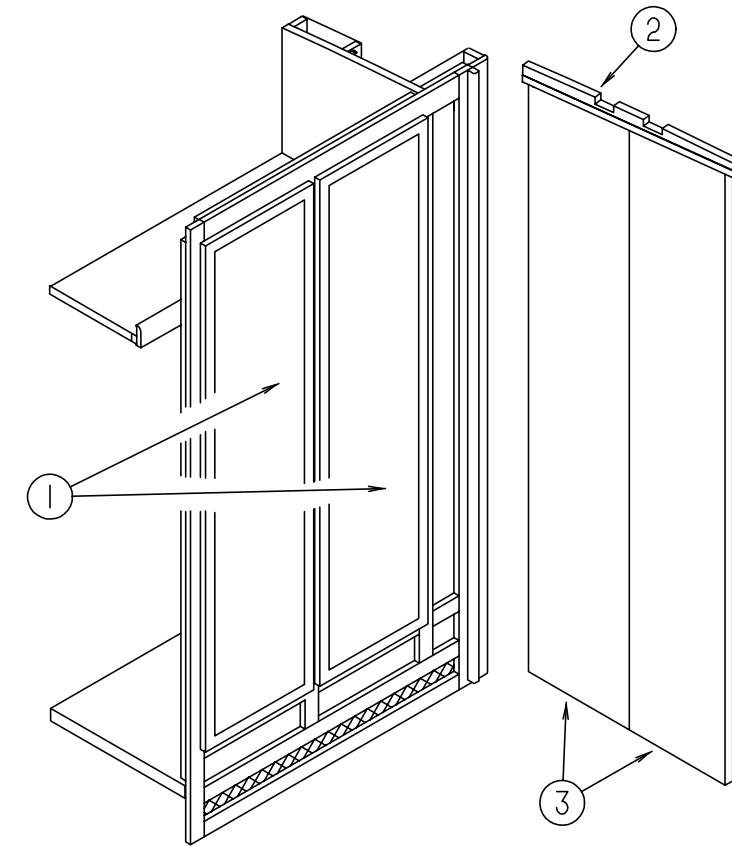
AUDIO VIDEO GROUP (CONTINUED)

TV & VCR SYSTEMS

KEY	PART NUMBER	U/M DESCRIPTION	VENDOR NO.
*	076319-23-000	EA ANTENNA - TV - ROOF MOUNT - 44.5" MAST	
*	120233-01-000	EA ANTENNA - SATELLITE (DISH & HDW) W/O RECEIVER - MANUAL	
	120233-03-000	EA CERTIFICATE - SATELLITE RECEIVER DISH	
	120233-02-000	EA RECEIVER - SATELLITE ONLY	
	086231-08-000	EA TV - 13" COLOR - DC - AUDIOVOX	
	086231-08-700	EA REMOTE - UNIVERSAL	8822325
	086231-08-701	EA ADAPTER - WIRE	0891436
	126696-02-000	EA TV - 19" COLOR W/1/8" JACK - UL/CSA - GE	
	126696-01-700	EA REMOTE	226725
	126697-01-000	EA VCR-VHS - CABLE READY - W/REMOTE - GE	
	126697-01-700	EA REMOTE - F/VCR	2040R
	086757-03-000	EA CONTROL CENTER - SWITCH - VCR/TV	
	086777-06-000	EA WALLPLATE - TV CABLE - ANTENNA/1 OUTPUT - BROWN	
	086777-01-000	EA WALLPLATE - TV CABLE - W/ANTENNA SWITCH - IVORY	
	076319-09-000	EA WALLPLATE - CABLE RECEPTACLE - TV - SINGLE - BROWN	
	093214-01-02A	EA GRILLE - SPEAKER - 4" BROWN	
	098819-01-000	EA SPEAKER - 4" - 2 WATT - 8 OHM	
	086756-01-000	EA SPLITTER - TV - 2 WAY	
	076319-03-000	FT CABLE - COAXIAL - 75 OHM	
	076319-12-000	EA CONNECTOR - COAXIAL - ONE PIECE	
	114870-02-000	EA PLUG - .14" AUDIO W/LEADS	
	082134-01-000	EA ADAPTER - TV - CABLE TO CABLE	
	082136-01-000	EA NUT - HEX JAM - 3/8 - 32	

* COMPONENT PARTS FOUND IN SERVICE PARTS LIBRARY

BATH GROUP

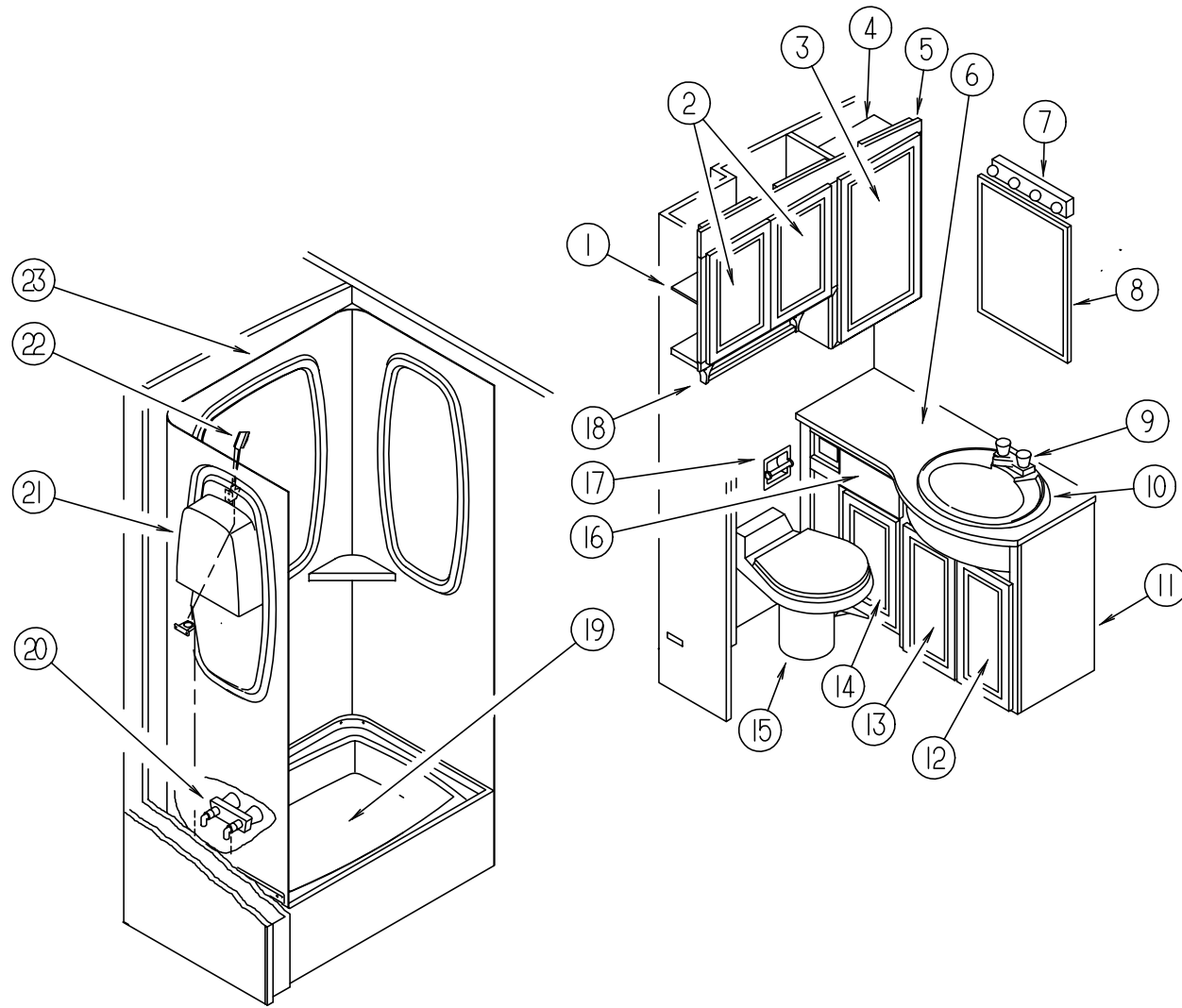


WARDROBE CABINET & FOLDING DOOR

KEY	PART NUMBER	U/M DESCRIPTION
1	M06803-11-H17	EA DOOR - MIRROR/MTRD CRNR/OGEE EDGE - 16.1" X 65.3" - W/O HDW (OAK)
1	122715-15-01A	EA DOOR - MOLDED VINYL - 16.1" X 65.3" - W/O HARDWARE (WHITE)
2	103908-51-J22	EA HEADER - DOOR (OAK)
2	103908-51-J23	EA HEADER - DOOR (WHITE)
3	M03866-05-J22	EA DOOR - BI-FOLD (OAK)
3	M03866-05-J23	EA DOOR - BI-FOLD (WHITE)
	092652-01-000	EA GUIDE WHEEL - DOOR - TOP MOUNT
	102920-01-01A	EA HINGE - DOOR - SPRING LOADED/ BRASS
	117978-01-01A	EA KNOB - DOOR - BRIGHT BRASS
	093170-09-01A	EA TRACK - BATH DOOR - 43.2" - OFF WHITE
	084451-01-000	EA CATCH - BRASS

BATH GROUP (CONTINUED)

BATH CABINETS, PRIVACY DOOR & SHOWER COMPONENTS

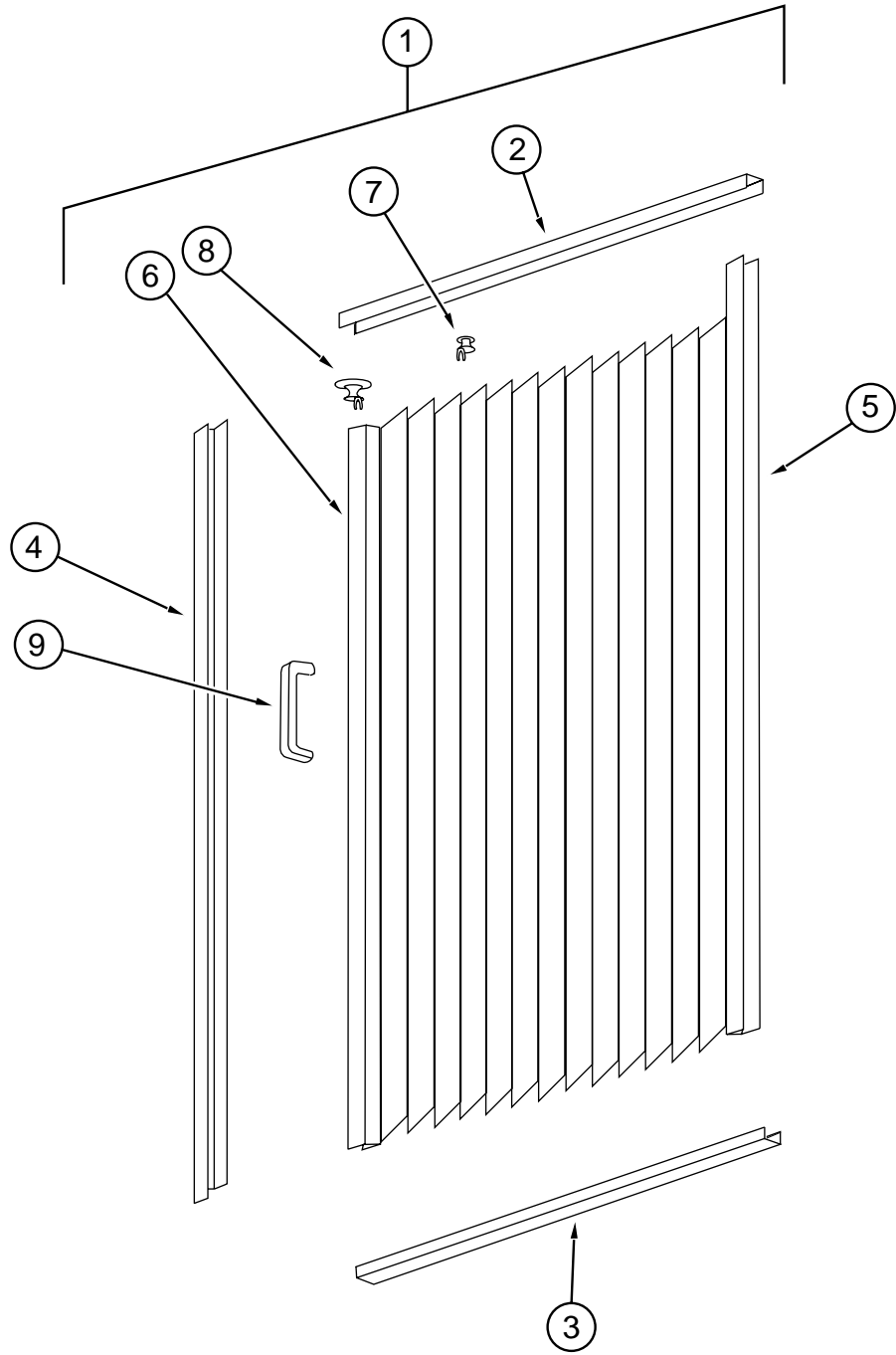


KEY	PART NUMBER	U/M DESCRIPTION	VENDOR NO.
1	126307-14-J22	EA SHELF - W/PLASTIC EDGE MOLDING (OAK)	
1	126307-14-J23	EA SHELF - W/PLASTIC EDGE MOLDING (WHITE)	
2	M05992-38-J22	EA DOOR - STRAIGHT CORNER/OGEE EDGE - 12" X 18.7" - W/O HARDWARE (OAK)	
2	122715-32-01A	EA DOOR - MOLDED VINYL - 12" X 18.7" - W/O HARDWARE (WHITE)	
3	M05992-48-J22	EA DOOR - STRAIGHT CORNER/OGEE EDGE - 15.7" X 27.9" - W/O HARDWARE (OAK)	
3	122715-08-01A	EA DOOR - MOLDED VINYL - 15.7" X 27.9" - W/O HARDWARE (WHITE)	
4	126307-15-J22	EA SHELF - W/PLASTIC EDGE MOLDING (OAK)	
4	126307-15-J23	EA SHELF - W/PLASTIC EDGE MOLDING (WHITE)	
5	126307-01-J22	EA CABINET - MEDICINE - W/O DOORS/HARDWARE (OAK)	
5	126307-01-J23	EA CABINET - MEDICINE - W/O DOORS/HARDWARE (WHITE)	
6	126309-16-J22	EA COUNTERTOP - LAVATORY (J22)	
6	126309-16-J23	EA COUNTERTOP - LAVATORY (J23, J25, J27, J29)	
6	126309-16-J24	EA COUNTERTOP - LAVATORY (J24)	
6	126309-16-J26	EA COUNTERTOP - LAVATORY (J26, J28)	
7	110235-02-01A	EA LIGHT - MAKE UP - 4 BULB PANLESS	
8	058331-51-000	EA MIRROR - SAFETY GLASS - 25.9" X 40"	
9	075240-06-000	EA FAUCET - LAVATORY - BONE	
9	075240-05-000	EA FAUCET - LAVATORY - BRASS	
	105218-01-01A	EA SPACER - FAUCET/LAVATORY SINK - 2" X 5.9" - ABS PLASTIC	
	091253-01-000	EA GASKET - FAUCET - LAVATORY/GALLEY	
10	105921-01-01A	EA SINK - LAVATORY - LARGE OVAL - 17" X 20" PLASTIC/OFF WHITE	
	106116-01-01A	EA STRAINER - SINK - W/STOPPER/TAILPIECE/GASKET & NUT - PLASTIC	
11	126309-01-J22	EA CABINET - LAVATORY - W/COUNTERTOP - W/O DOORS/DRAWERS/HDW (J22)	
11	126309-01-J23	EA CABINET - LAVATORY - W/COUNTERTOP - W/O DOORS/DRAWERS/HDW (J23, J25, J27, J29)	
11	126309-01-J24	EA CABINET - LAVATORY - W/COUNTERTOP - W/O DOORS/DRAWERS/HDW (J24)	
11	126309-01-J26	EA CABINET - LAVATORY - W/COUNTERTOP - W/O DOORS/DRAWERS/HDW (J26, J28)	
11	126309-12-J22	EA SHELF - W/PLASTIC EDGE TRIM (OAK)	
11	126309-12-J23	EA SHELF - W/PLASTIC EDGE TRIM (WHITE)	
12	M05992-T7-J22	EA DOOR - STRAIGHT CORNER/OGEE EDGE - 10.2" X 21.4" - W/O HARDWARE (OAK)	
12	122715-86-01A	EA DOOR - MOLDED VINYL - 10.2" X 21.4" - W/O HARDWARE (WHITE)	
13	M05992-T6-J22	EA DOOR - STRAIGHT CORNER/OGEE EDGE - 10.2" X 21.4" - W/O HARDWARE (OAK)	
13	122715-86-01A	EA DOOR - MOLDED VINYL - 10.2" X 21.4" - W/O HARDWARE (WHITE)	
14	125162-04-J22	EA CABINET - HAMPER - W/O HARDWARE (OAK)	
14	125162-06-J23	EA CABINET - HAMPER - W/O HARDWARE (WHITE)	
15*	085330-06-000	EA TOILET - STANDARD CHINA W/SPRAYER - BONE	
16	M05971-CM-H18	EA DRAWER - OGEE EDGE - 9.4"W X 11.8"D - W/O SLIDES/HARDWARE (OAK)	
16	P10163-CU-J23	EA DRAWER - SQUARE EDGE - 9.4"W X 11.8"D - W/O SLIDES/HARDWARE (WHITE)	
17	075452-02-000	EA HOLDER - TOILET TISSUE - BRASS	
18	075453-02-000	EA BAR - TOWEL - 18" BRASS	
19	M02630-34-GVO	EA SHOWER PAN - W/SPRING LOADED DRAIN PLUNGER	
20	075242-04-000	EA FAUCET - TUB/SHOWER - BONE	
21	104462-02-01A	EA CADDY - SHOWER - OFF WHITE	
22	103092-01-000	EA SHOWER HEAD - W/60" HOSE (US)	
22	103092-02-000	EA SHOWER HEAD - W/HOSE (CSA)	
23	115612-01-01A	EA SURROUND - SHOWER - OFF WHITE	
	075606-01-000	EA PANEL - FAUCET BACK - SHOWER - 5" X 9" - PLASTIC	
	103092-01-702	EA SEALS - SPRAY HEAD	24466
	011048-03-700	EA BRACKET - F/SHOWER HEAD	
	121449-33-J22	EA DOOR - BATH (OAK)	
	121449-33-J23	EA DOOR - BATH (WHITE)	
	094485-03-01A	EA KNOB - BRASS	
			FROM: 00-00-00 THRU: 10-19-97
	111155-01-01A	EA LOCK - PRIVACY - POLISHED BRASS	FROM: 10-20-97 THRU: 99-99-99
	121449-12-G04	EA RACK - TOWEL - BATH DOOR (OAK)	
	121449-12-H23	EA RACK - TOWEL - BATH DOOR (WHITE)	
	100357-01-000	EA ROD - F/TOWEL BAR - BRASS	
	102920-01-01A	EA HINGE/SPRING LOADED - BRASS	
	117431-03-01A	EA DOOR - SHOWER - PLEATED FABRIC	
	057671-01-000	EA COVER - SCREW - #8 - PLASTIC - OFF WHITE	

* COMPONENT PARTS FOUND IN SERVICE PARTS LIBRARY

BATH GROUP (CONTINUED)

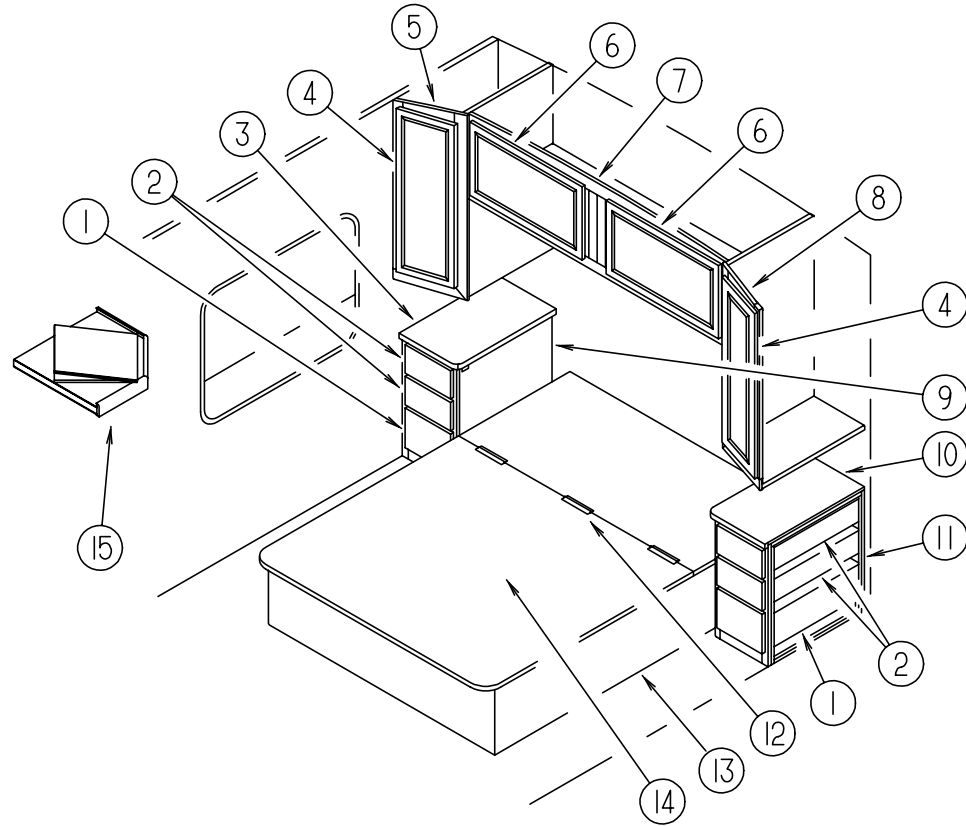
SHOWER DOOR



KEY	PART NUMBER	U/M DESCRIPTION
1	117431-03-01A	EA DOOR - SHOWER - PLEATED FABRIC
2	117431-01-700	EA TRACK - TOP - ALUM. IVORY INSERT - 48"
3	117431-01-701	EA TRACK - BOTTOM - 48 "
4	117431-01-702	EA RAIL - SIDE - 67"
5	117431-01-703	EA RAIL - STATIONARY - 67"
6	117431-01-704	EA RAIL - LEAD - 67"
7	117431-01-705	EA GLIDE - IVORY - TRAVELER
8	117431-01-706	EA GLIDE - IVORY LEAD - TRAVELER
9	117431-01-708	EA HANDLES & SCREWS
	117431-01-707	EA LATCH
	117431-03-700	EA STRAP - VINYL SHOWER

BEDROOM GROUP

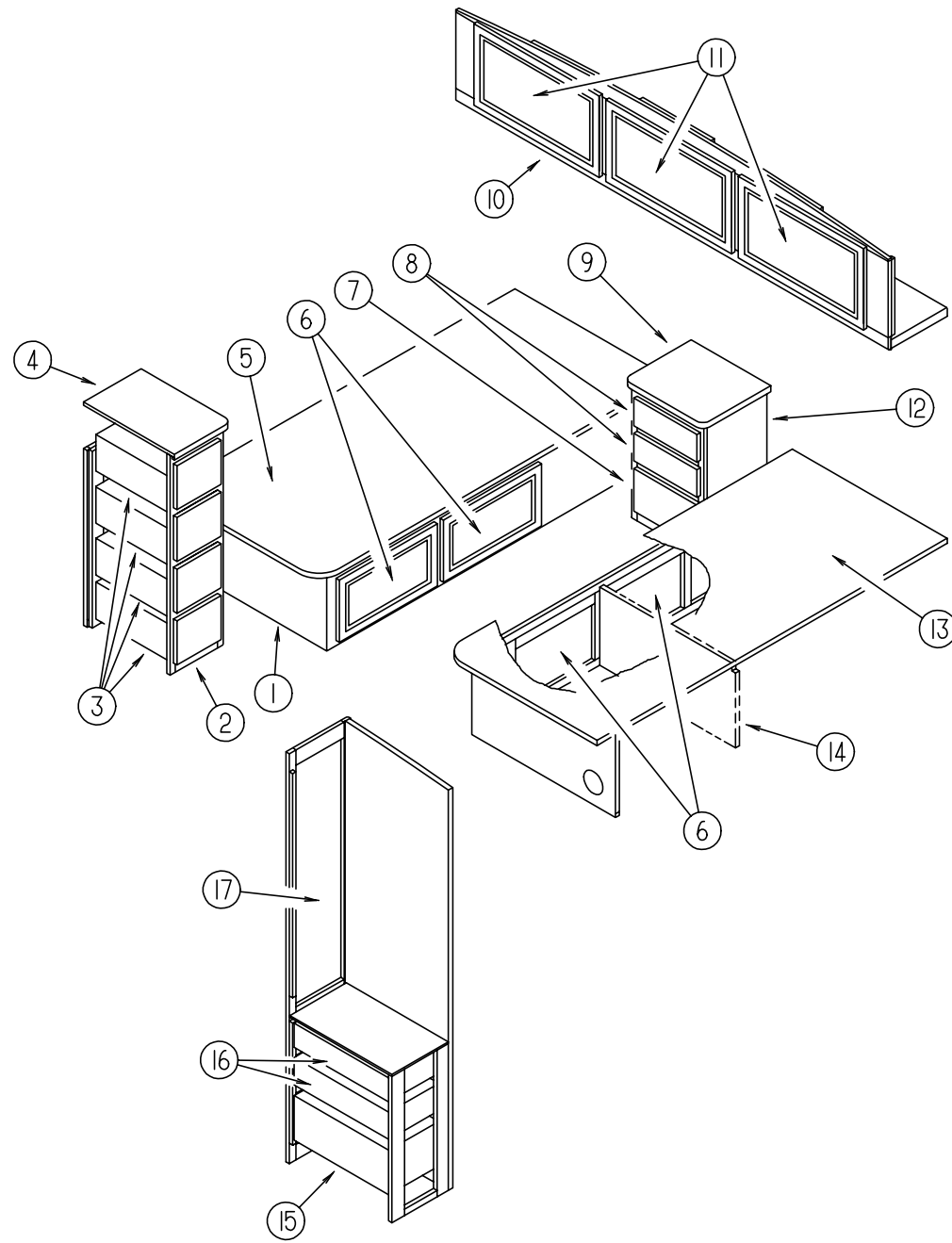
QUEEN BEDROOM



KEY	PART NUMBER	U/M DESCRIPTION
1	M05971-W3-H17	EA DRAWER - OGEE EDGE - 11.5"W X 21.6"D - W/O SLIDES/HDW (OAK)
1	P10163-CW-J23	EA DRAWER - SQUARE EDGE - 11.5"W X 21.6"D - W/O SLIDES/HDW (WHITE)
2	M05971-L5-H17	EA DRAWER - OGEE EDGE - 11.5"W X 21.6"D - W/O SLIDES/HDW (OAK)
2	P10163-CV-J23	EA DRAWER - SQUARE EDGE - 11.5"W X 21.6"D - W/O SLIDES/HDW (WHITE)
3	116193-11-H37	EA COUNTERTOP - NIGHTSTAND (J22)
3	116193-11-J23	EA COUNTERTOP - NIGHTSTAND (J23, J25, J27, J29)
3	116193-11-J24	EA COUNTERTOP - NIGHTSTAND (J24)
3	116193-11-F12	EA COUNTERTOP - NIGHTSTAND (J26, J28)
4	M06803-R5-J22	EA DOOR - MIRROR/MTRD CRNR/OGEE EDGE - 14.3" X 36.4" - W/O HDW (OAK)
4	122715-34-01A	EA DOOR - MOLDED VINYL - 14.3" X 36.4" - W/O HDW (WHITE)
5	116142-01-J22	EA CABINET - SHIRT CLOSET - RIGHT HAND - W/O DOOR/HDW (OAK)
5	116142-01-J23	EA CABINET - SHIRT CLOSET - RIGHT HAND - W/O DOOR/HDW (WHITE)
6	M05992-48-J22	EA DOOR - STRAIGHT CORNER/OGEE EDGE - 15.7" X 27.9" - W/O HDW (OAK)
6	122715-08-01A	EA DOOR - MOLDED VINYL - 15.7" X 27.9" - W/O HDW (WHITE)
7	106523-01-G09	EA CABINET - OVERHEAD REAR - W/O DOORS/HDW (OAK)
7	106523-01-J23	EA CABINET - OVERHEAD REAR - W/O DOORS/HDW (WHITE)
8	116142-02-J22	EA CABINET - SHIRT CLOSET - LEFT HAND - W/O DOOR/HDW (OAK)
8	116142-02-J23	EA CABINET - SHIRT CLOSET - LEFT HAND - W/O DOOR/HDW (WHITE)
9	116193-01-H47	EA CABINET/NIGHTSTAND/RH - W/CTRTP - W/O DRWR/ HDW (J22)
9	116193-01-J23	EA CABINET/NIGHTSTAND/RH - W/CTRTP - W/O DRWR/ HDW (J23, J25, J27, J29)
9	116193-01-J24	EA CABINET/NIGHTSTAND/RH - W/CTRTP - W/O DRWR/ HDW (J24)
9	116193-01-G15	EA CABINET/NIGHTSTAND/RH - W/CTRTP - W/O DRWR/ HDW (J26, J28)
10	116193-12-H37	EA COUNTERTOP - NIGHTSTAND (J22)
10	116193-12-J23	EA COUNTERTOP - NIGHTSTAND (J23, J25, J27, J29)
10	116193-12-J24	EA COUNTERTOP - NIGHTSTAND (J24)
10	116193-12-F12	EA COUNTERTOP - NIGHTSTAND (J26, J28)
11	116193-02-H47	EA CABINET/NIGHTSTAND/LH - W/CTRTP - W/O DRWR/ HDW (J22)
11	116193-02-J23	EA CABINET/NIGHTSTAND/LH - W/CTRTP - W/O DRWR/ HDW (J23, J25, J27, J29)
11	116193-02-J24	EA CABINET/NIGHTSTAND/LH - W/CTRTP - W/O DRWR/ HDW (J24)
11	116193-02-G15	EA CABINET/NIGHTSTAND/LH - W/CTRTP - W/O DRWR/ HDW (J26, J28)
12	041389-25-000	EA HINGE - PIANO - 1.50" X 55"
13	P26437-01-J22	EA CABINET - BASE/QUEEN BED (OAK)
13	P26437-01-J23	EA CABINET - BASE/QUEEN BED (WHITE)
14	M07571-03-J22	EA TOP - QUEEN BED - W/O HARDWARE
15	126418-01-J22	EA SHELF - T.V. (OAK)
15	126418-01-J23	EA SHELF - T.V. (WHITE)
	107796-06-000	EA SPRING/GAS - 12" COMPRESSED/20" EXTENDED - 120 LB.
	126263-06-02B	EA BRACKET - GAS SPRING - E-COATED (UPPER)
	126263-08-02B	EA BRACKET - GAS SPRING - LOWER - E-COATED
	097872-04-000	EA DOWEL - WOOD - 1" DIAMETER X 1.38" LONG
	091952-01-000	EA CLIP - GRIPPER - 1"

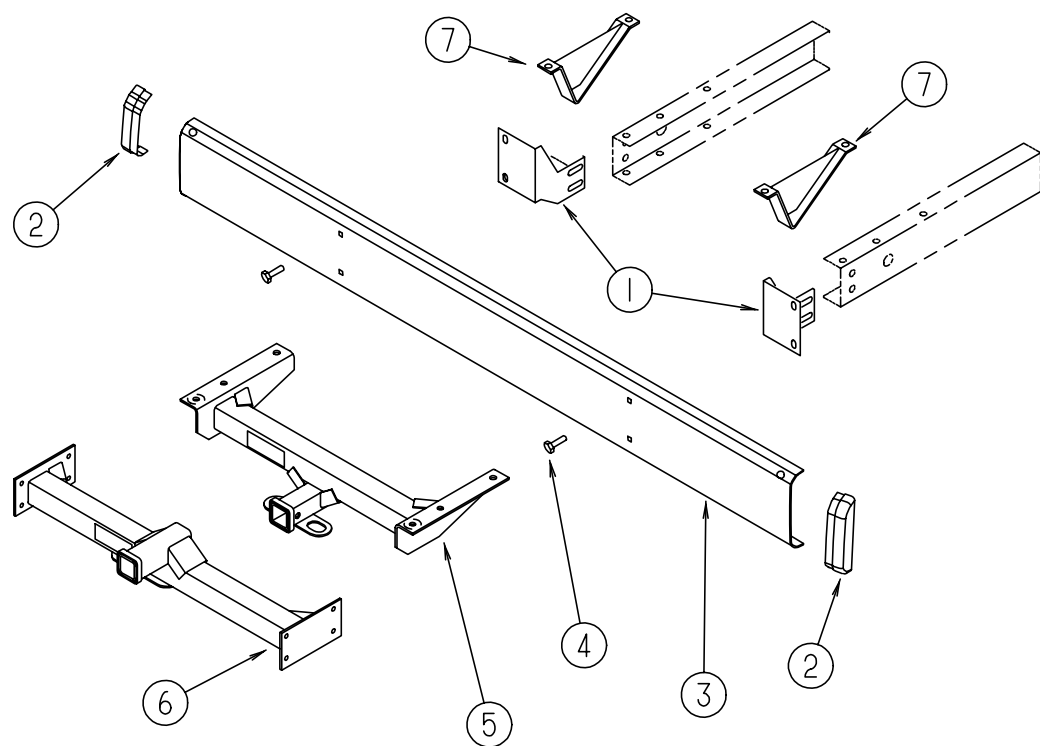
BEDROOM GROUP (CONTINUED)

TWIN BEDROOM



KEY	PART NUMBER	U/M DESCRIPTION
1	P26436-01-J22	EA CABINET - BASE/TWIN BED - RIGHT HAND - W/O DOORS/HDW (OAK)
1	P26436-01-J23	EA CABINET - BASE/TWIN BED - RIGHT HAND - W/O DOORS/HDW (WHITE)
2	126434-01-J22	EA CABINET - DRESSER/RH TWIN - W/CTRTP - W/O DRAWERS/HDW (J22)
2	126434-01-J23	EA CABINET - DRESSER/RH TWIN - W/CTRTP -W/O DRAWERS/HDW (J23, J25, J27, J29)
2	126434-01-J24	EA CABINET - DRESSER/RH TWIN - W/CTRTP - W/O DRAWERS/HDW (J24)
2	126434-01-J26	EA CABINET - DRESSER/RH TWIN - W/CTRTP - W/O DRAWERS/HDW (J26, J28)
3	M05971-71-H17	EA DRAWER - OGEE EDGE - 8"W X 17.7"D - W/O SLIDES/HDW (OAK)
3	P10163-DE-J23	EA DRAWER - SQUARE EDGE - 8"W X 17.7"D - W/O SLIDES/HDW (WHITE)
4	126434-11-J22	EA COUNTERTOP - DRESSER (J22)
4	126434-11-J23	EA COUNTERTOP - DRESSER (J23, J25, J27, J29)
4	126434-11-J24	EA COUNTERTOP - DRESSER (J24)
4	126434-11-J26	EA COUNTERTOP - DRESSER (J26, J28)
5	M08754-02-000	EA TOP - TWIN BED/RIGHT HAND - W/O HDW
6	M05992-14-J22	EA DOOR - STRAIGHT CORNER/OGEE EDGE - 12" X 21.8" - W/O HDW (OAK)
6	122715-04-01A	EA DOOR - MOLDED VINYL - 12" X 21.8" - W/O HDW (WHITE)
7	M05971-73-H17	EA DRAWER - OGEE EDGE - 12.2"W X 11.8"D - W/O SLIDES/HDW (OAK)
7	P10163-DA-J23	EA DRAWER - SQUARE EDGE - 12.2"W X 11.8"D - W/O SLIDES/HDW (WHITE)
8	M05971-65-H17	EA DRAWER - OGEE EDGE - 12.2"W X 11.8"D - W/O SLIDES/HDW (OAK)
8	P10163-CZ-J23	EA DRAWER - SQUARE EDGE - 12.2"W X 11.8"D - W/O SLIDES/HDW (WHITE)
9	104507-11-H37	EA COUNTERTOP - NIGHTSTAND (J22)
9	104507-11-J23	EA COUNTERTOP - NIGHTSTAND (J23, J25, J27, J29)
9	104507-11-J24	EA COUNTERTOP - NIGHTSTAND (J24)
9	104507-11-F12	EA COUNTERTOP - NIGHTSTAND (J26, J28)
10	116187-01-H17	EA CABINET - OVERHEAD/REAR - W/O DOORS/HDW - F/TWIN BED (OAK)
10	116187-01-H40	EA CABINET - OVERHEAD/REAR - W/O DOORS/HDW - F/TWIN BED (WHITE)
11	M05992-48-J22	EA DOOR - STRAIGHT CORNER/OGEE EDGE - 15.7" X 27.9" - W/O HDW (OAK)
11	122715-08-01A	EA DOOR - MOLDED VINYL - 15.7" X 27.9" - W/O HDW (WHITE)
12	104507-01-H47	EA CABINET/NIGHTSTAND - W/CTRTP - W/O DRAWERS/HDW (J22)
12	104507-01-J23	EA CABINET/NIGHTSTAND - W/CTRTP - W/O DRAWERS/HDW (J23, J25, J27, J29)
12	104507-01-J24	EA CABINET/NIGHTSTAND - W/CTRTP - W/O DRAWERS/HDW (J24)
12	104507-01-G15	EA CABINET/NIGHTSTAND - W/CTRTP - W/O DRAWERS/HDW (J26, J28)
13	M08754-01-000	EA TOP - TWIN BED/LEFT HAND - W/O HARDWARE
14	P26435-01-J22	EA CABINET - BASE/TWIN BED - LEFT HAND - W/O DOORS/DWRS/HDW (OAK)
14	P26435-01-J23	EA CABINET - BASE/TWIN BED - LEFT HAND - W/O DOORS/DWRS/HDW (WHITE)
15	M05971-W5-H17	EA DRAWER - OGEE EDGE - 9.6"W X 21.6"D - W/O SLIDES/HDW (OAK)
15	P10163-DW-J23	EA DRAWER - SQUARE EDGE - 9.6"W X 21.6"D - W/O SLIDES/HDW (WHITE)
16	M05971-58-J22	EA DRAWER - OGEE EDGE - 9.6"W X 21.6"D - W/O SLIDES/HDW (OAK)
16	P10163-DV-J23	EA DRAWER - SQUARE EDGE - 9.6"W X 21.6"D - W/O SLIDES/HDW (WHITE)
17	M05992-15-J22	EA DOOR - STRAIGHT CORNER/OGEE EDGE - 12" X 48" - W/O HDW (OAK)
17	122715-72-01A	EA DOOR - MOLDED VINYL - 12" X 48" - W/O HDW (WHITE)
	096764-02-000	FT SLIPNOT - ANTISLIP - 1" WIDE (100' ROLLS)

CHASSIS GROUP



REAR BUMPER & COMPONENTS

KEY	PART NUMBER	U/M DESCRIPTION
1	104418-07-000	EA ANGLE - BUMPER REAR SUPPORT
2	103228-01-05A	EA END CAP - REAR BUMPER - DRIVER/ PASSENGER SIDE
3	103099-11-02A	EA BUMPER - REAR - BRIGHT WHITE
		FROM: 00-00-00 THRU: 08-05-97
3	103099-10-02A	EA BUMPER - REAR - BRIGHT WHITE
		FROM: 08-06-97 THRU: 99-99-99
4	102333-01-05A	EA BOLT - CARRIAGE - 7/16 - 14 STAINLESS STEEL CAP
5	107707-01-000	EA HITCH RECEIVER - BOLT-ON CLASS II
6	117313-03-04B	EA DRAWBAR - HITCH CLASS III
7	111742-01-000	EA PLATE - SKID
	113589-01-000	EA CONNECTOR - PLUG - TRAILER
	113589-02-000	EA CONNECTOR - SOCKET - TRAILER
	070579-09-000	EA PLATE - ANCHOR
	113588-02-01B	EA BRACKET - CONNECTOR - TRAILER W/O LIP
	113588-01-01B	EA BRACKET - CONNECTOR - TRAILER W/LIP

CHASSIS GROUP (CONTINUED)

SUSPENSION SYSTEM (CHEVY)

KEY	PART NUMBER	U/M DESCRIPTION	VENDOR NO.
	122756-02-000	EA SHOCK AND STABILIZER (BLUE BOOT) KIT - FRONT END P30 CHASS	
	122756-02-700	EA BRACKET ASM - DRIVER SIDE	T818L
	122756-02-701	EA BRACKET ASM - PASSENGER SIDE	T818R
	122756-02-702	EA BRACKET ONLY - DRIVER SIDE	T818L
	122756-02-703	EA BRACKET ONLY -PASSENGER SIDE	T818R
	122756-02-704	EA BOLT PACKAGE -BOLTS/NUTS ETC	T818R
	122756-02-705	EA SHOCK	T818SH
	122756-02-706	EA STUD - SHOCK MOUNTING	T818S
	122756-02-707	EA DAMPNER	T818SD
	122756-02-708	EA BOOT	T818SDB
	122756-02-709	EA BUSHING PKG	T818SDBSH
	122756-02-710	EA BOLT PKG	T818SBS

CHEVY DRIVETRAIN

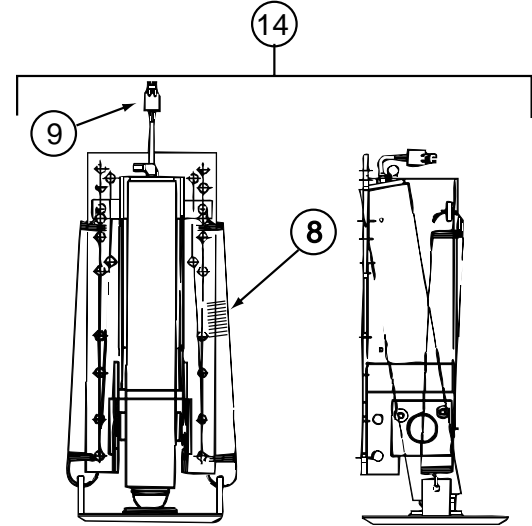
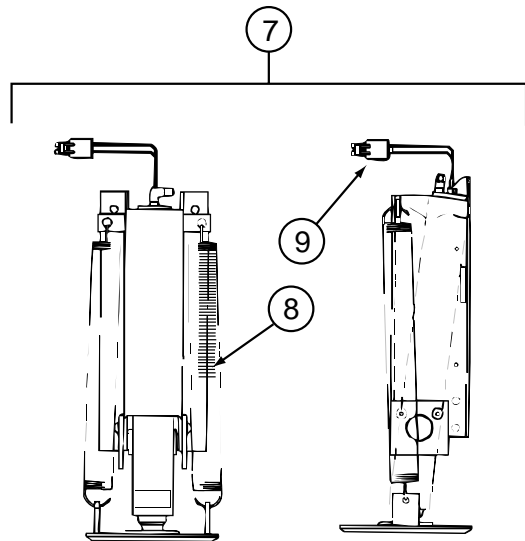
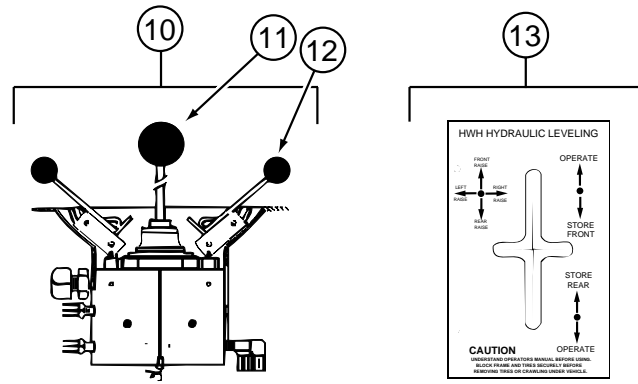
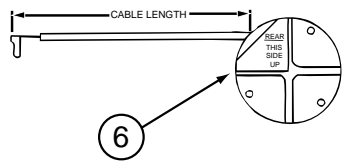
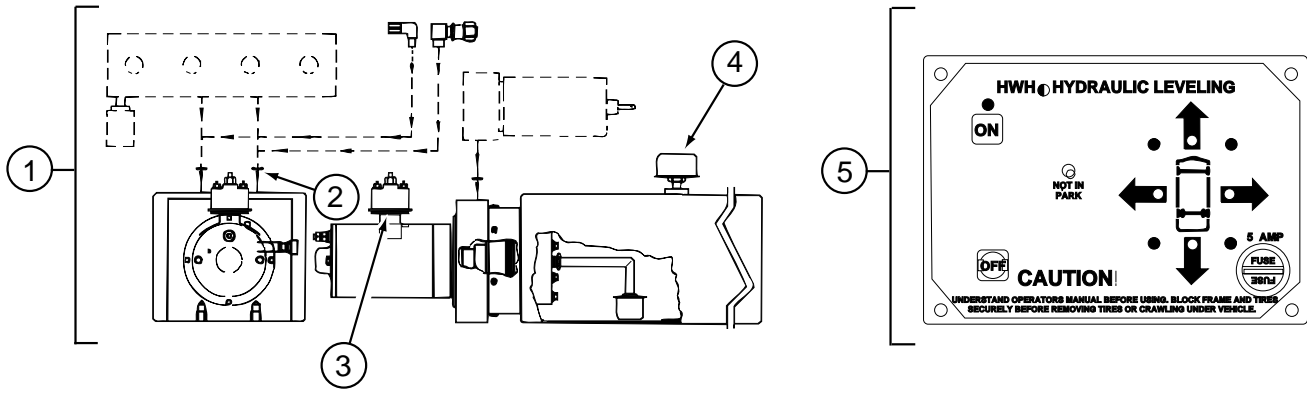
KEY	PART NUMBER	U/M DESCRIPTION
	074833-04-000	EA SPACER - BEARING - DRIVESHAFT - 8" X 2" STEEL
	129690-01-000	EA DEADENER - DRIVESHAFT - 3.5"
	088498-01-000	EA UNION - INVERTED FLARE - BRASS - 3/16 - BRAKE LINE
	075302-29-000	EA DRIVESHAFT ASSEMBLY - 3 PIECES BALANCED - CHEVY 216"
	M75302-17-000	EA DRIVESHAFT - YOKE/BEARING/SPLINE
	M75302-31-000	EA DRIVESHAFT - SPLINE/YOKE/YOKE
	M75302-28-000	EA DRIVESHAFT ASM -YOKE/YOKE/BEARING
	075466-01-000	EA UNION - INVERTED FLAIR - 1/4"
	088497-02-000	EA NUT - INVERTED FLARE - 1/4"
	083415-01-000	EA SHIELD - HEAT - DRIVESHAFT BEARING - 4" X 5.5" - STEEL

HYDRAULIC SLIDEOUT

KEY	PART NUMBER	U/M DESCRIPTION	VENDOR NO.
	125687-01-000	EA SLIDEOUT - HYDRAULIC	
	125687-01-700	EA CYLINDER - 21" STROKE	RAP90512
	125687-01-701	EA HOSE - HYDRAULIC - 120"	RAP90428
	125687-01-702	EA CYLINDER - SYNCRONIZING	RAP90471
	115767-02-000	EA WINCH - SLIDEOUT	
	116082-01-02B	EA BRACKET - WINCH	
			FROM: 00-00-00 THRU: 08-17-97
	116082-03-02B	EA BRACKET - WINCH	
			FROM: 08-18-97 THRU: 99-99-99

CHASSIS GROUP (CONTINUED)

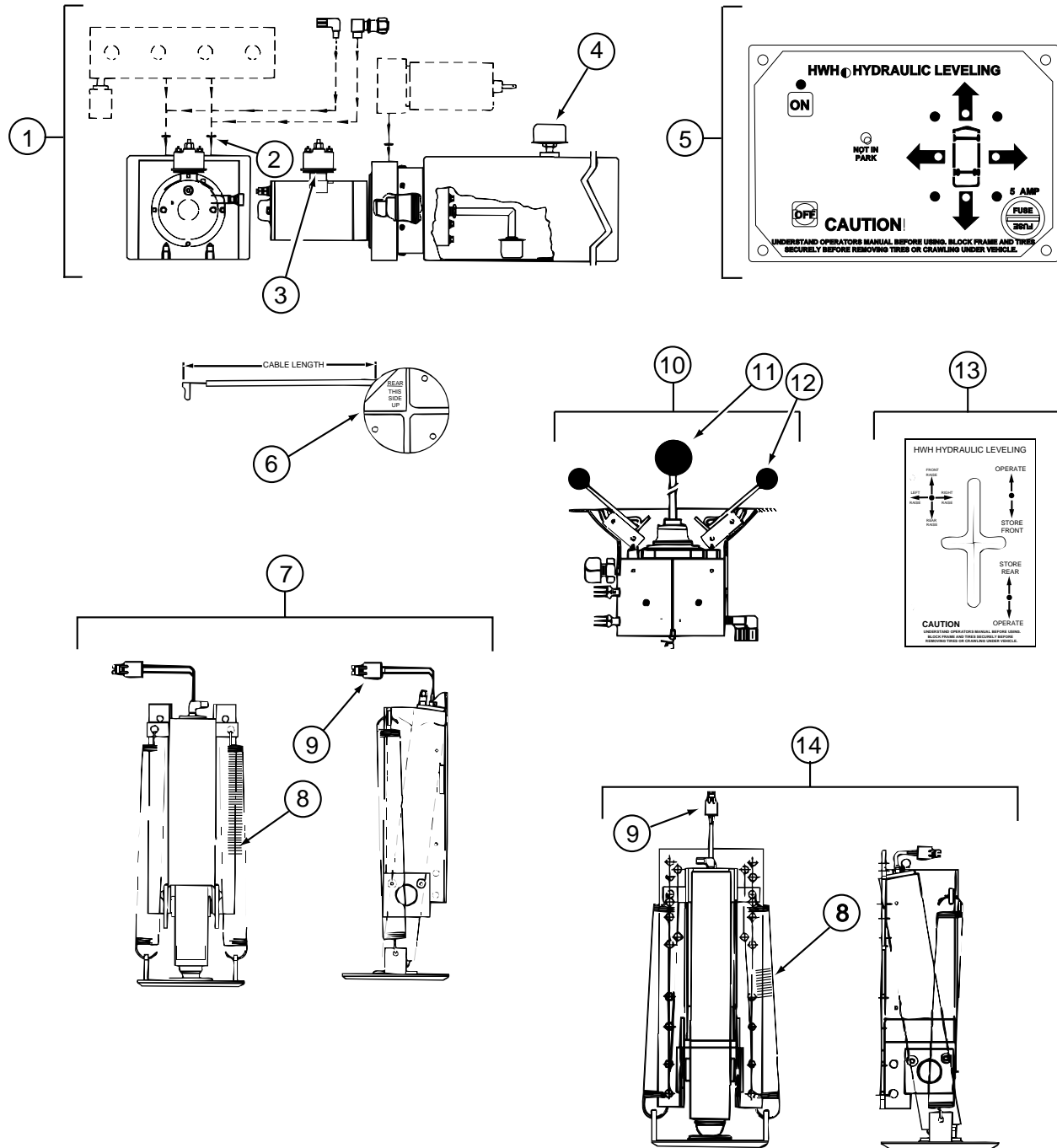
HWH HYDRAULIC LEVELING SYSTEM (AP15569) (1997 FORD CHASSIS)



KEY	PART NUMBER	U/M DESCRIPTION	VENDOR NO.
	100532-41-000	EA LEVELING SYSTEM - HYDRAULIC	
1	100532-01-713	EA PUMP - RESERVOIR ASM. - MONARCH	RAP90014
2	100532-03-723	EA O-RING - SEAL KIT	RAP9171
3	100532-09-710	EA SOLENOID - INTERMITTENT DUTY	RAP0533
4	100532-03-715	EA CAP - BREATHER W/DIPSTICK	RAP7876
5	100532-08-703	EA PANEL ASM. - 200 BI-AXIS SYS.	RAP9755
6	100532-03-710	EA SENSING UNIT - 21' MTA	RAP6798
7	100532-16-700	EA JACK ASM. 6K - STATIONARY	RAP0468
8	100532-12-707	EA SPRING KIT	R3847
9	100532-12-706	EA SWITCH - WARNING/MAGNETIC	RAP1008 / RAP90496
10	100532-08-702	EA VALVE - BI-AXIS	RAP9589
11	100532-08-705	EA KNOB - 3/4" BLACK - SET OF FOUR	RAP1379
12	100532-08-706	EA KNOB - 1 3/16" BLACK	RAP9734
13	100532-08-707	EA BEZEL W/GASKET - F/SYSTEM 200	RAP9592
14	100532-18-700	EA JACK - 9K STRAIGHT ACTING	RAP90177
	100532-08-700	EA POWER UNIT ASM.	AP10470
	100532-32-701	EA BUZZER - JACK DOWN WARNING	RAP0325
	100536-11-000	EA HOSE KIT - HWH #AP0013	
	107890-01-000	EA ELBOW - STEEL - 90 D - 1/4 X 37 D - FLARE	
	117183-01-02B	EA COVER - SENSOR - LEVELING	
	120916-01-02B	EA BRACKET - PUMP - LEVELING SYSTEM	

CHASSIS GROUP (CONTINUED)

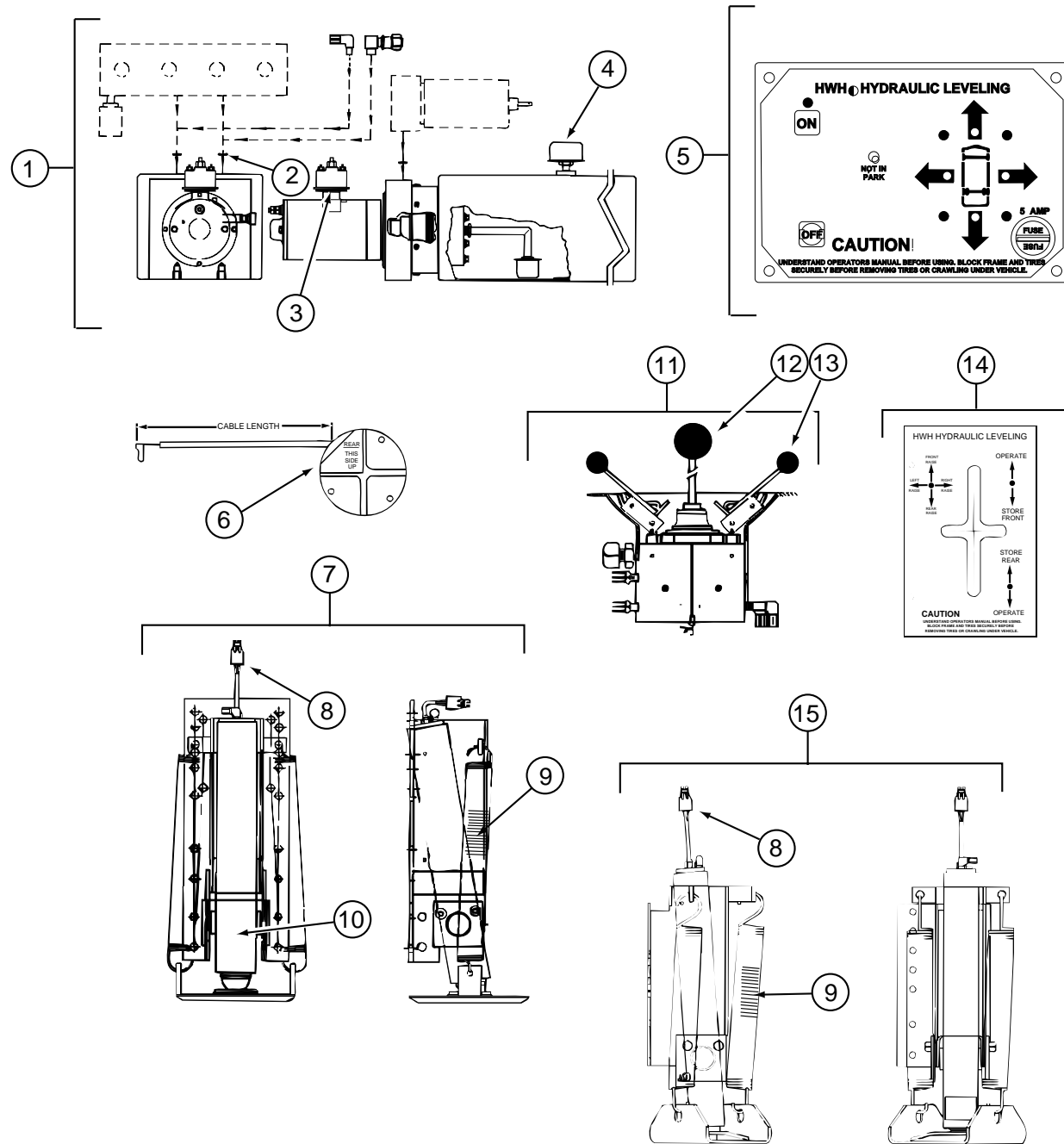
HWH HYDRAULIC LEVELING SYSTEM (AP16915) (1999 FORD CHASSIS)



KEY	PART NUMBER	U/M DESCRIPTION	VENDOR NO.
	100532-51-000	EA LEVELING SYSTEM - HYDRAULIC	
1	100532-01-713	EA PUMP - RESERVOIR ASM. - MONARCH	RAP90014
2	100532-03-723	EA O-RING - SEAL KIT	RAP9171
3	100532-09-710	EA SOLENOID - INTERMITTENT DUTY	RAP0533
4	100532-03-715	EA CAP - BREATHER W/DIPSTICK	RAP7876
5	100532-08-703	EA PANEL ASM. - 200 BI-AXIS SYS.	RAP9755
6	100532-03-710	EA SENSING UNIT - 21' MTA	RAP6798
7	100532-45-700	EA CYLINDER W/O FOOT - 6K X 13"	RAP90490
8	100532-12-707	EA SPRING KIT	R3847
9	100532-12-706	EA SWITCH - WARNING/MAGNETIC	RAP1008 / RAP90496
10	100532-08-702	EA VALVE - BI-AXIS	RAP9589
11	100532-08-705	EA KNOB - 3/4" BLACK - SET OF FOUR	RAP1379
12	100532-08-706	EA KNOB - 1 3/16" BLACK	RAP9734
13	100532-08-707	EA BEZEL W/GASKET - F/SYSTEM 200	RAP9592
14	100532-51-700	EA JACK - 6K STRAIGHT ACTING	RAP90502
	100532-32-703	EA BUZZER - JACK DOWN WARNING	RAP90403
	100532-47-701	EA VALVE - BI-AXIS - W/O LEVERS	RAP0367
	100532-53-700	EA CYLINDER ASM. 9K	RAP0367

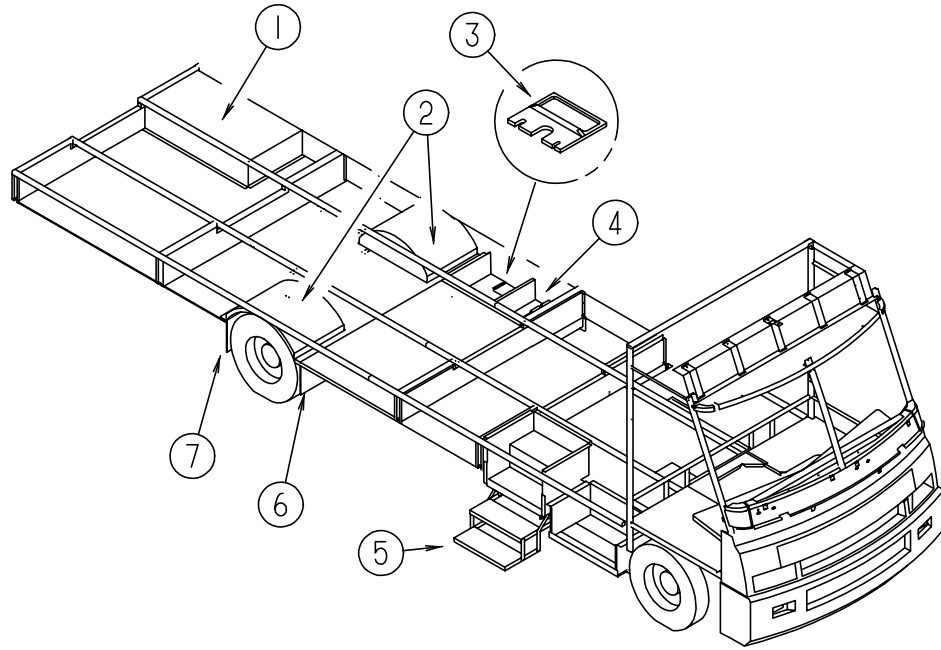
CHASSIS GROUP (CONTINUED)

HWH HYDRAULIC LEVELING SYSTEM (AP15570) (CHEVY)



KEY	PART NUMBER	U/M DESCRIPTION	VENDOR NO.
	100532-42-000	EA LEVELING SYSTEM - HYDRAULIC	
1	100532-01-713	EA PUMP - RESERVOIR ASM. - MONARCH	RAP90014
2	100532-03-723	EA O-RING - SEAL KIT	RAP9171
3	100532-09-710	EA SOLENOID - INTERMITTENT DUTY	RAP0533
4	100532-03-715	EA CAP - BREATHER W/DIPSTICK	RAP7876
5	100532-08-703	EA PANEL ASM. - 200 BI-AXIS SYS.	RAP9755
6	100532-03-710	EA SENSING UNIT 21' MTA	RAP6798
7	100532-18-700	EA JACK - 9K STRAIGHT ACTING	RAP90177
8	100532-12-706	EA SWITCH - WARNING - MAGNETIC	RAP1008 / RAP90496
9	100532-12-707	EA SPRING KIT	R3847
10	100532-32-702	EA CYLINDER ONLY F/9000 LB JACK	RAP1927
11	100532-08-702	EA VALVE - BI-AXIS	RAP9589
12	100532-08-705	EA KNOB - 3/4" BLACK - SET OF FOUR	RAP1379
13	100532-08-706	EA KNOB - 1 3/16" BLACK	RAP9734
14	100532-08-707	EA BEZEL W/GASKET - F/SYSTEM 200	RAP9592
15	100532-42-700	EA JACK - DRIVERS - 6K	RAP90245
	100532-42-701	EA JACK - PASSENGER - 6K	RAP90246
	100532-08-700	EA POWER UNIT ASM.	AP10470
	100532-32-701	EA BUZZER - JACK DOWN WARNING	RAP0325
	100536-11-000	EA HOSE KIT - HWH #AP0013	
	107890-01-000	EA ELBOW - STEEL - 90 D - 1/4 X 37 D - FLARE	
	117183-01-02B	EA COVER - SENSOR - LEVELING	
	120916-01-02B	EA BRACKET - PUMP - LEVELING SYSTEM	
	121177-01-02B	EA BRACKET - PASS REAR LEVEL JACK (STRAIGHT)	
	121177-02-02B	EA BRACKET - DRVR REAR LEVEL JACK (STRAIGHT)	
	122297-01-01A	EA SPACER - LEVELING JACK	
	128285-01-000	EA JACK/CROSSMEMBER ASSEMBLY - FRONT - CHEVY	

CHASSIS GROUP (CONTINUED)

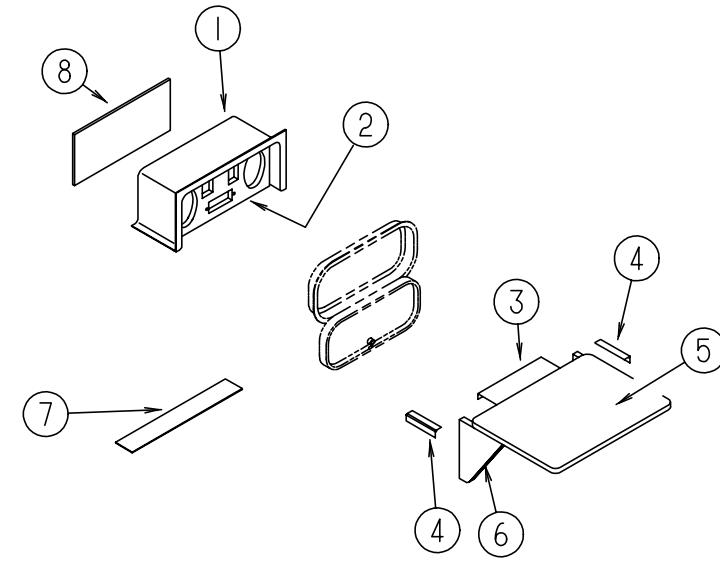


COMPARTMENTS & TRAYS

KEY	PART NUMBER	U/M DESCRIPTION
1	094657-02-000	EA TRAY - GENERATOR - 22.5" X 30.4" X 6.9" - W/ANGLE & NUTS FROM: 00-00-00 THRU: 01-28-98
1	127008-02-02B	EA TRAY - GENERATOR FROM: 01-29-98 THRU: 99-99-99
2	055374-03-000	EA WHEELWELL - PLASTIC FROM: 00-00-00 THRU: 09-07-97
2	055374-01-000	EA WHEELWELL - PLASTIC FROM: 09-08-97 THRU: 99-99-99
3	M08628-01-H17	EA HATCH W/FOAM INSERT
	121175-02-01A	EA LATCH - SWELL
4	M08627-01-H17	EA COMPARTMENT - ELECTRICAL/DRAINAGE
5*	094707-01-01A	EA STEP - DOUBLE - ELECTRIC - KWIKEE
	116995-01-000	EA SWITCH/MAGNET - ELECTRIC STEP
	120234-03-H13	EA LID - ENTRY STEP
	101222-01-04A	EA BRACKET - CATCH - LID - E-COATED
6	020167-08-000	EA DIRT GUARD - STEEL - 13.6" LONG
7	017516-01-000	EA FLAP - MUD - 14" X 18" - BLACK
7	020167-03-000	EA DIRT GUARD - STEEL - 11" LONG
	065450-05-000	EA TIEDOWN - BATTERY - 8.4" TUBE
	119845-01-01A	EA PLUG - PLASTIC - BLACK
	123361-01-000	EA DUCT - AIR INTAKE
	120867-01-02B	EA MOUNT - LP TANK
	104644-01-000	EA ANGLE - FORMED - GENERATOR
	104644-02-000	EA ANGLE - FORMED - GENERATOR
	113452-01-000	FT SEAL/TRIM - FRONT - VINYL W/WIRE CARRIER
	061420-10-000	EA PLUG/PLASTIC - 1.50" DIAMETER - BLACK
	119845-01-01A	EA PLUG - PLASTIC - BLACK

* COMPONENT PARTS FOUND IN SERVICE PARTS LIBRARY

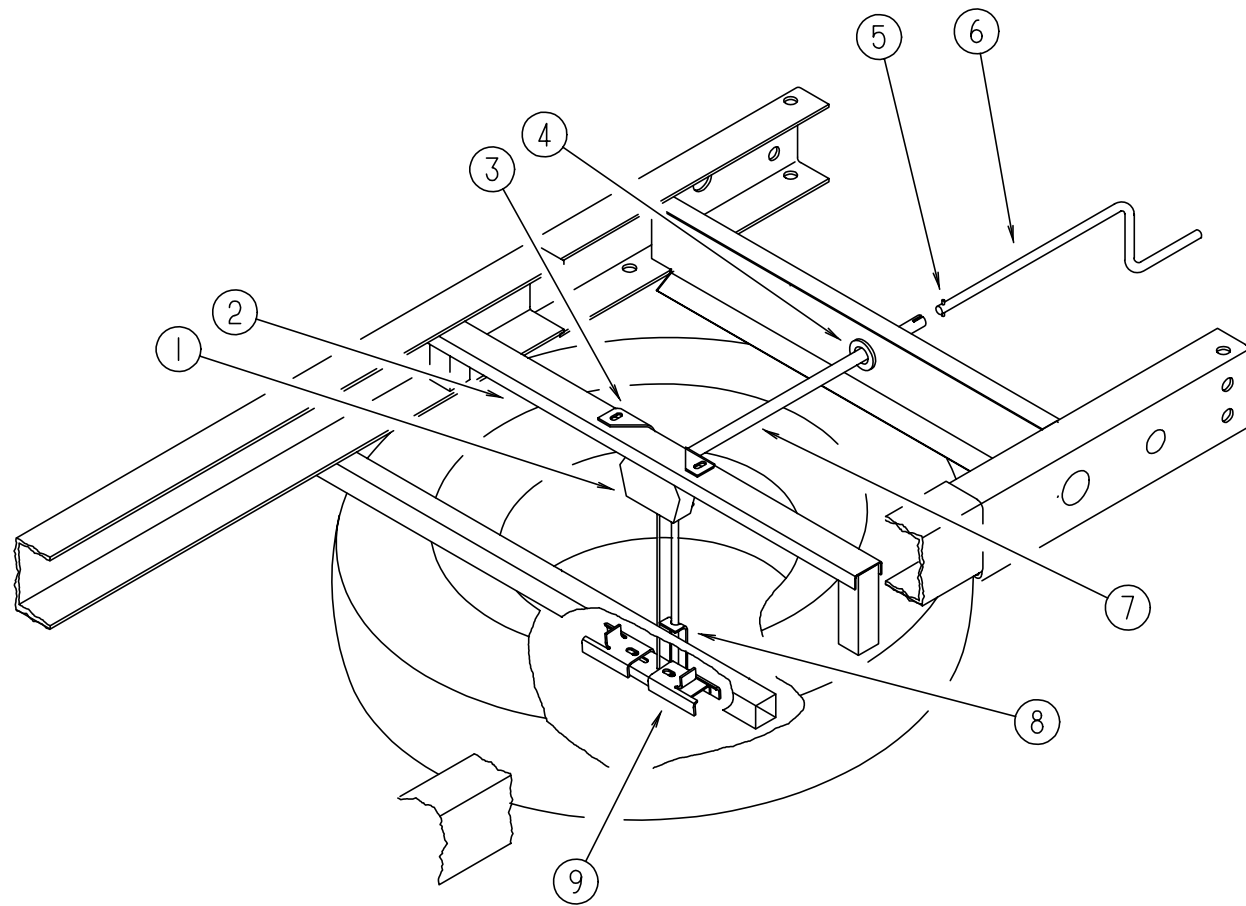
CHASSIS GROUP (CONTINUED)



COMPARTMENT (ENTERTAINMENT CENTER)

KEY	PART NUMBER	U/M DESCRIPTION
1	124696-01-01A	EA BOX - ENTERTAINMENT CENTER - EXTERIOR
2	127409-02-J01	EA PLATE - RADIO MOUNTING
3	105377-01-04A	EA BRACKET - TABLE HANGER - BRIGHT WHITE
4	105376-01-03A	EA HINGE - CONTINUOUS - 2" X 5.5" - BRIGHT WHITE
5	105230-11-J01	EA SHELF - EXTERIOR ENTERTAINMENT CENTER
6	105230-12-J01	EA SUPPORT - EXTERIOR SHELF
7	104898-01-02A	EA PLATE - PLASTIC BOTTOM - BRIGHT WHITE
8	104898-02-02A	EA PLATE - PLASTIC BACK - BRIGHT WHITE

CHASSIS GROUP (CONTINUED)



SPARE TIRE & HOIST

KEY	PART NUMBER	U/M DESCRIPTION
1	093267-03-000	EA HOIST - SPARE TIRE - 100#
2	093362-06-000	EA CHANNEL - TIRE HOIST
3	124751-01-02B	EA HANGER - SPARE TIRE - E-COATED
4	071015-11-000	EA GROMMET - 1" ID
5	114376-01-000	EA PIN - DRIVE - .156 X .750 - TYPE E - TIRE HOIST
6	093376-02-000	EA HANDLE - CRANK - TIRE HOIST
7	093375-14-000	EA EXTENSION - TIRE HOIST
8	124754-01-02B	EA CATCH - SPARE TIRE
	129085-01-02B	EA PLATE - SUPPORT - SPARE TIRE
	129086-01-02B	EA SUPPORT - SPARE TIRE
9	105499-01-000	EA BRACKET - TIRE HOIST
	077030-02-000	EA EXTENSION - VALVE STEM - 1.25"
	077030-05-000	EA EXTENSION - VALVE STEM - 95 DEGREE
	077030-06-000	EA EXTENSION - VALVE STEM - 45 DEGREE
	095012-10-000	EA EXTENSION - VALVE STEM - 8.5"

CHASSIS GROUP (CONTINUED)

FORD TIRE & WHEEL (FROM: 00-00-00 THRU: 02-22-98)

KEY	PART NUMBER	U/M DESCRIPTION
	051377-05-000	EA VALVE STEM
	083425-05-000	EA TIRE - MICHELIN - LT 235/85R16 - LOAD RANGE E
	095853-02-000	EA WHEEL - STEEL - 16" X 6K

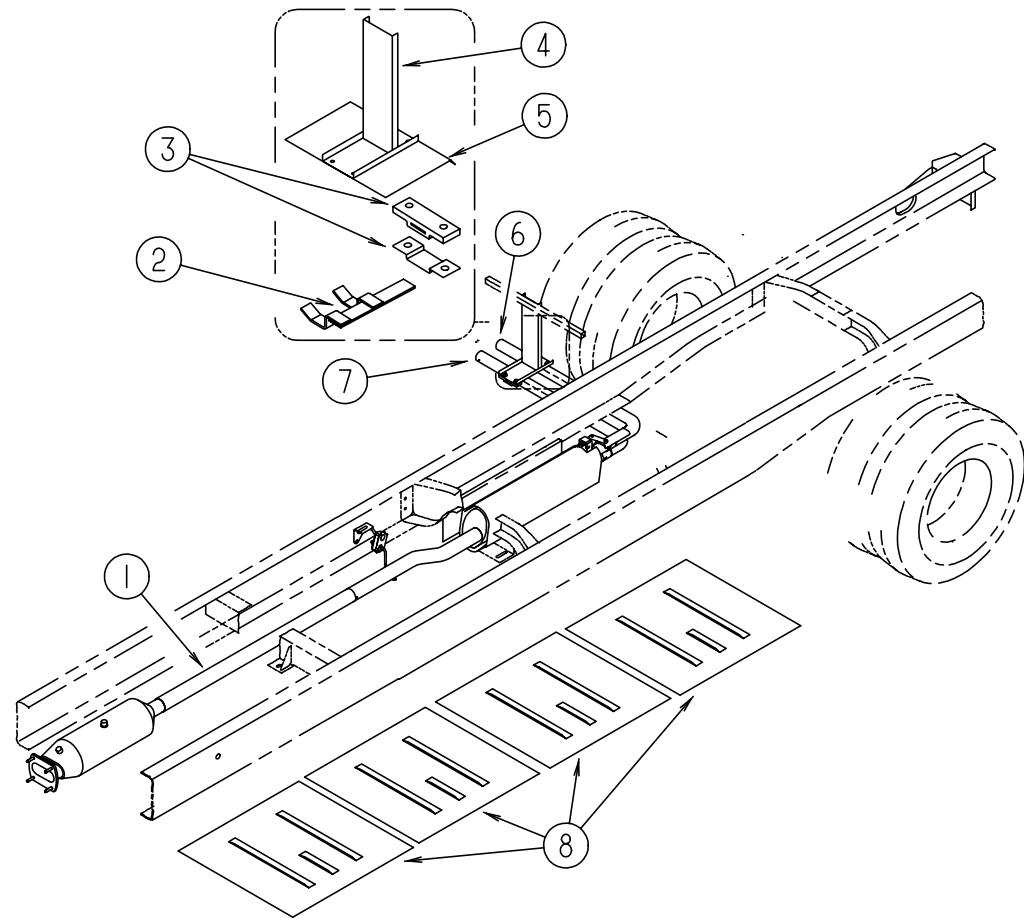
FORD TIRE & WHEEL (FROM: 02-23-98 THRU: 99-99-99)

KEY	PART NUMBER	U/M DESCRIPTION
	102340-04-000	EA TIRE - 245/70R - 19.5F - GOODYEAR
	118814-04-700	EA WHEEL/TAKE OFF (19.5X6.75RW) 8 BOLT ACCURIDE F53

CHEVY TIRE & WHEEL

KEY	PART NUMBER	U/M DESCRIPTION
	051377-01-000	EA VALVE STEM
	064963-01-000	EA WHEEL - STEEL - 19.5" X 6" - GM 14005758
	091673-01-000	EA TIRE - 225.70 R19.5 LRF - XZA
	080208-06-000	EA LUG WRENCH - 1" X 1.06" W/DEEP SOCKET ENDS
	080208-02-000	EA BAR - LEVERAGE - LUG WRENCH

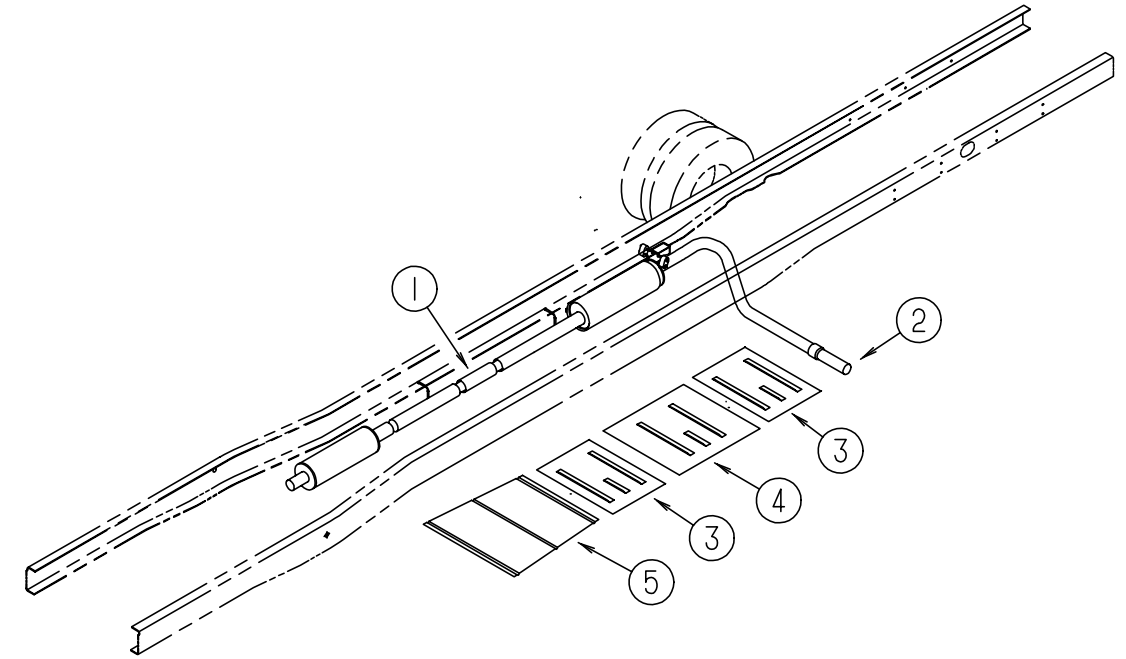
CHASSIS GROUP (CONTINUED)



EXHAUST SYSTEM (97 FORD CHASSIS)

KEY	PART NUMBER	U/M DESCRIPTION
1	098762-16-000	EA PIPE - EXHAUST - STRAIGHT - 3" FROM: 00-00-00 THRU: 02-28-98
	094918-06-000	EA CLAMP - EXHAUST - 3" - HEAVY DUTY
	007125-05-000	EA CLAMP - MUFFLER - 2" DIAMETER
2	096055-06-000	EA SUPPORT - EXHAUST PIPE
3	095190-01-000	EA HANGER - EXHAUST - 4" X 1.4"
4	118000-02-02B	EA HANGER - TAILPIPE FROM: 00-00-00 THRU: 02-27-98
4	118000-04-02B	EA HANGER - TAILPIPE - E-COATED FROM: 02-28-98 THRU: 99-99-99
5	099307-05-000	EA PANEL - HEATSHIELD - BOTTOM
6	122243-02-000	EA PIPE - EXHAUST/TAIL - REAR - FORD FROM: 00-00-00 THRU: 02-27-98
6	129206-01-000	EA PIPE - EXHAUST/TAIL - FORD FROM: 02-28-98 THRU: 99-99-99
7	122242-02-000	EA PIPE - EXHAUST/TAIL - FRONT - FORD FROM: 00-00-00 THRU: 02-27-98
7	129206-02-000	EA PIPE - EXHAUST/TAIL - FORD FROM: 02-28-98 THRU: 99-99-99
8	101544-06-000	EA SHIELD - HEAT/EXHAUST - 33.9" X 29.1"

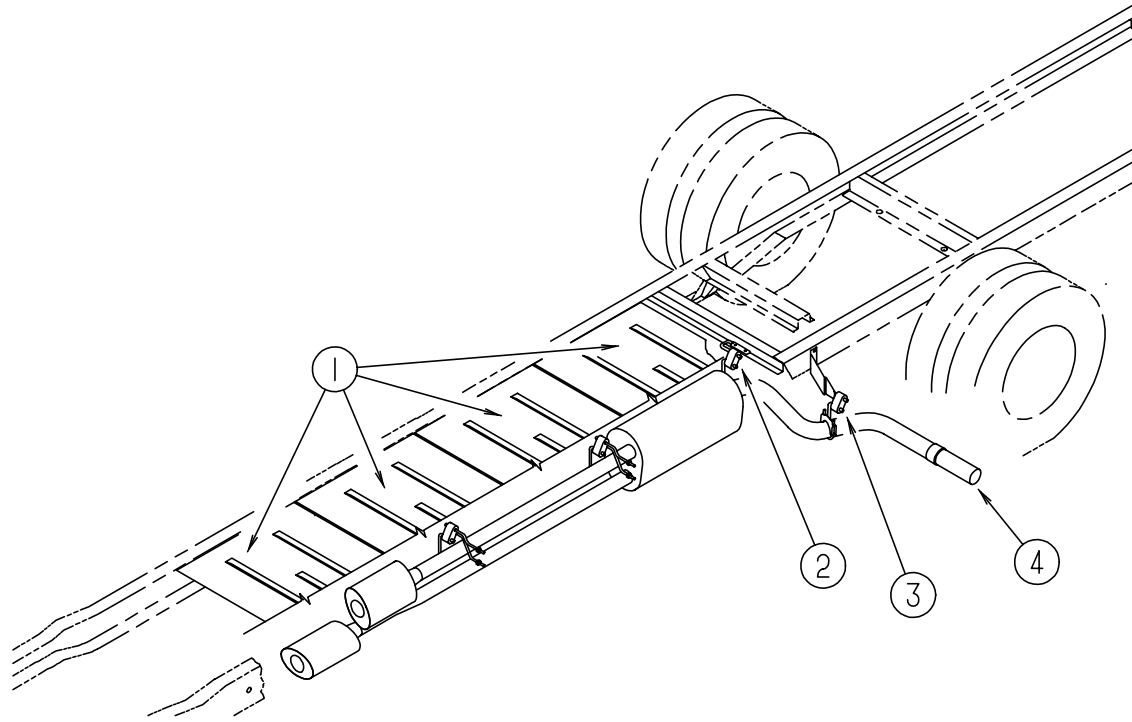
CHASSIS GROUP (CONTINUED)



EXHAUST SYSTEM (99 FORD CHASSIS)

KEY	PART NUMBER	U/M DESCRIPTION
1	112012-04-000	EA PIPE - EXHAUST - 76.2" DIAMETER
2	098762-08-000	EA PIPE - EXHAUST - STRAIGHT
3	101544-06-000	EA SHIELD - HEAT/EXHAUST - 33.9" X 29.1"
4	101544-02-000	EA SHIELD - HEAT/EXHAUST - 30" X 29.1"
5	128756-01-02B	EA SHIELD - HEAT EXHAUST - E-COATED

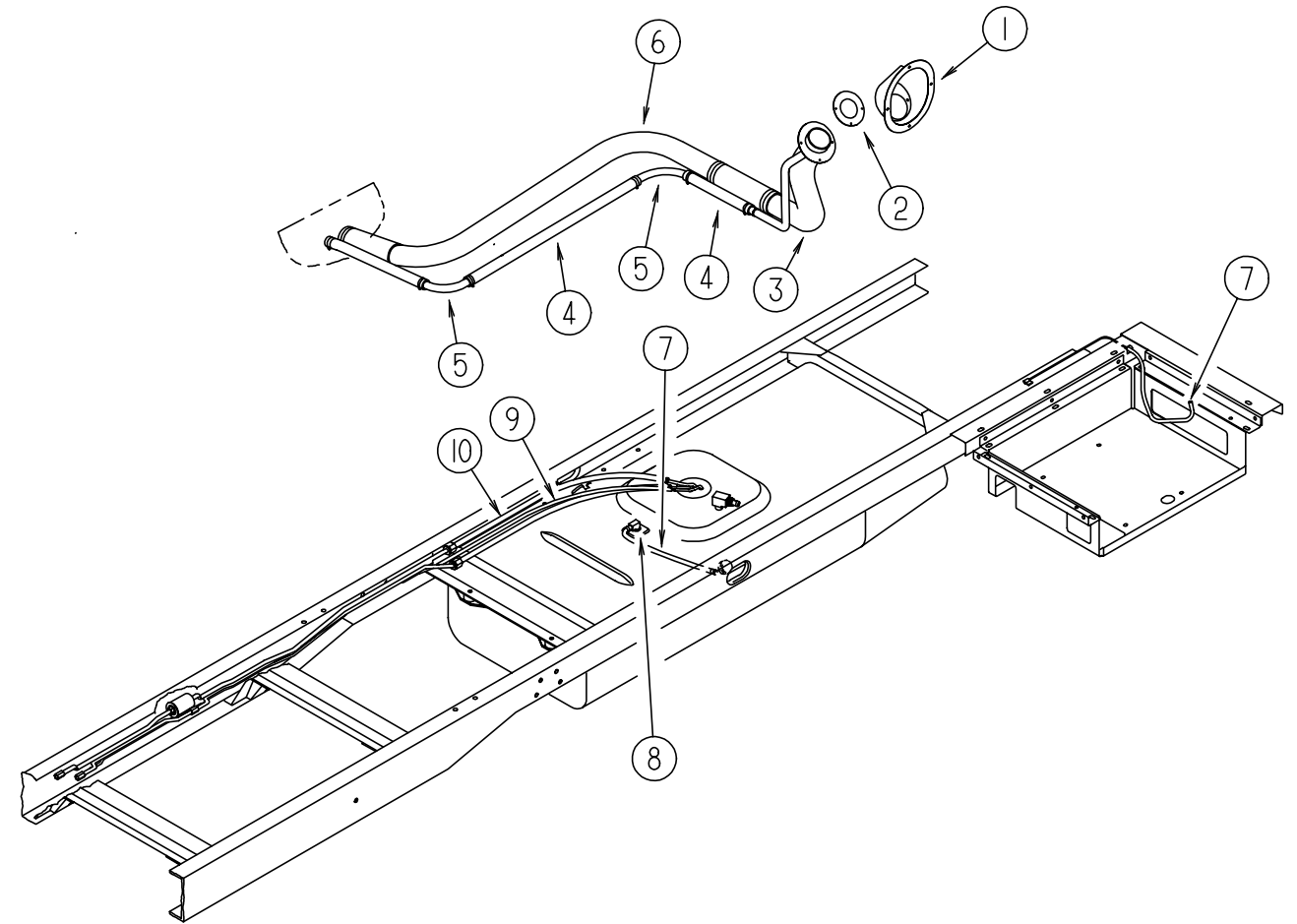
CHASSIS GROUP (CONTINUED)



CHEVY EXHAUST SYSTEM

KEY	PART NUMBER	U/M DESCRIPTION
1	101544-02-000	EA SHIELD - HEAT EXHAUST - 30" X 29.1"
2	122392-01-02B	EA HANGER - TAILPIPE
3	122392-03-02B	EA HANGER - TAILPIPE - REAR
4	122529-02-000	EA PIPE - EXHAUST
4	094918-01-000	EA CLAMP - EXHAUST - 3" - GUILLOTINE STYLE

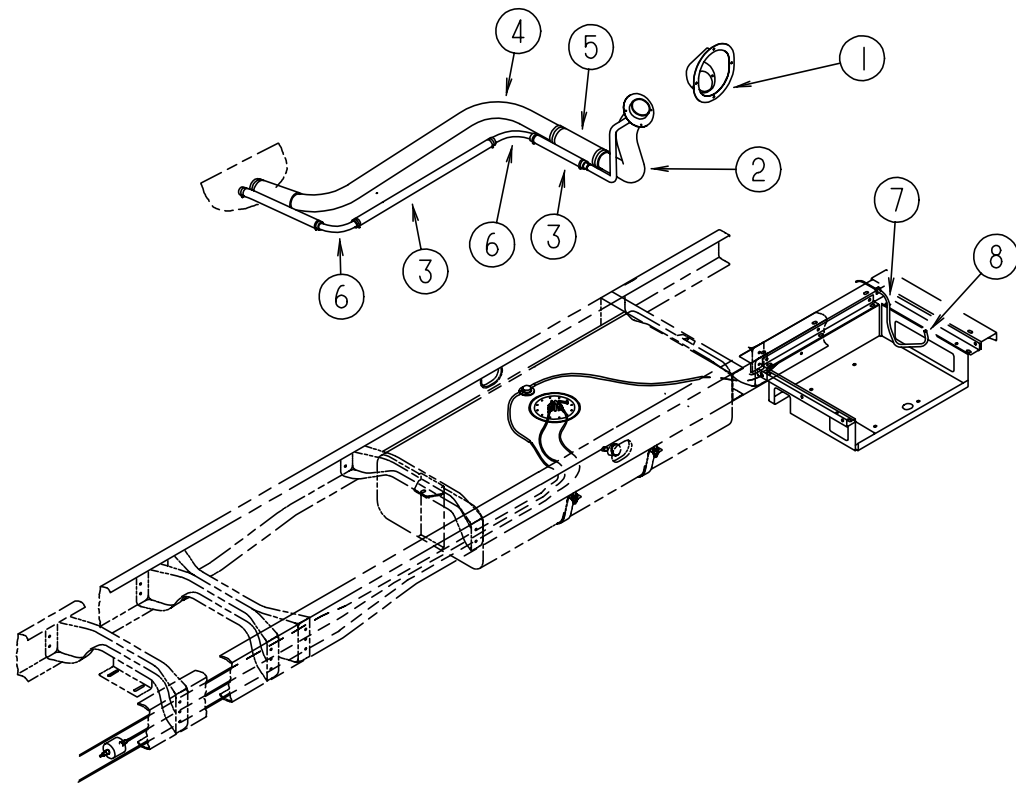
CHASSIS GROUP (CONTINUED)



FUEL SYSTEM (CHEVY)

KEY	PART NUMBER	U/M DESCRIPTION
1	095854-01-04A	EA SHROUD - FUEL FILL - BRIGHT WHITE FROM: 00-00-00 THRU: 10-05-97
1	127291-01-01A	EA SHROUD - FUEL FILL - BRIGHT WHITE FROM: 10-06-97 THRU: 99-99-99
2	078200-01-000	EA GASKET - FUEL FILL - 3.5"OD X 2"ID
3	087256-10-000	EA NECK - FUEL FILL FROM: 00-00-00 THRU: 10-05-97
3	127301-03-000	EA NECK - FUEL FILL FROM: 10-06-97 THRU: 99-99-99
4	066732-01-000	FT HOSE - FUEL - .62"ID FROM: 00-00-00 THRU: 10-05-97
4	128139-02-000	FT HOSE - FUEL - LOW PERMEABILITY - 5/8" DIAMETER FROM: 10-06-97 THRU: 99-99-99
5	098806-01-000	EA PIPE - FILL VENT - 90 DEGREE BEND - .625" OD - STEEL
6	124327-03-000	EA TUBE - FUEL INLET
7	128139-03-000	FT HOSE - FUEL - LOW PERMEABILITY - 1/4" DIAMETER
8	068382-06-000	EA BUSHING - BRASS - 3/8 MPT X 1/8 FPT
8	114254-01-000	EA ADAPTER - 1/4 BARB X 1/8 MPT
9	127393-01-000	EA HOSE - FUEL VAPOR/EMISSION - 64" - GM CHASSIS
10	127391-01-000	EA FUEL LINE - DOUBLE (3/8" FEED/5/16" RETURN) 70" - GM CHASSIS
	092889-19-000	EA FUEL LINE - SUPPLY - GENERATOR - 1/4" X 87.8" - STEEL
	084884-01-000	EA PLUG - BRASS - 3/8

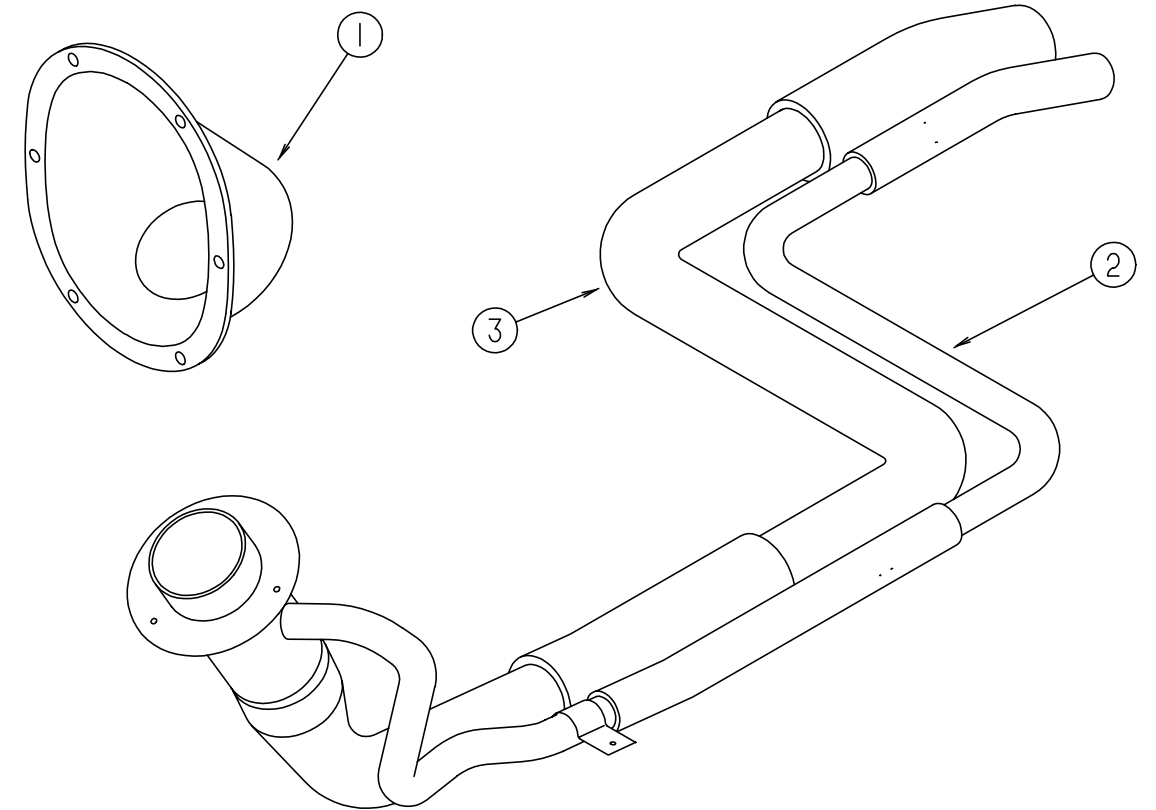
CHASSIS GROUP (CONTINUED)



FUEL SYSTEM (97 FORD CHASSIS)

KEY	PART NUMBER	U/M DESCRIPTION
1	095854-01-04A	EA SHROUD - FUEL FILL - BRIGHT WHITE
	078200-01-000	EA GASKET - FUEL FILL - 3.5"OD X 2"ID
2	087256-07-000	EA NECK - FUEL FILL - FORD
3	066732-01-000	FT HOSE - FUEL FILL - .62" ID
4	100140-08-000	EA TUBE - FUEL INLET
5	007111-02-000	EA HOSE - FUEL FILL - 2" ID
6	098806-01-000	EA PIPE - FILL VENT - 90 DEGREE BEND - .625" OD - STEEL
7	092889-17-000	EA FUEL LINE - SUPPLY - GENERATOR - 1/4" X 85.4" - STEEL
7	092889-22-000	EA FUEL LINE - SUPPLY - GENERATOR - 1/4" X 63.1" - STEEL
8	007063-01-000	FT HOSE - FUEL - 1/4"ID X 1/2"OD
	044317-01-000	FT HOSE - FUEL - 3/8" ID
	084884-01-000	EA PLUG - BRASS - 3/8"

CHASSIS GROUP (CONTINUED)



FUEL SYSTEM (99 FORD CHASSIS)

KEY	PART NUMBER	U/M DESCRIPTION
1	127291-02-01A	EA SHROUD - FUEL FILL - BRIGHT WHITE
2	129320-04-000	EA PIPE - VENT - FILL
3	129321-04-000	EA TUBE - FUEL - INLET
	007063-01-000	FT HOSE - FUEL - 1/4"ID X 1/2"OD
	128139-02-000	FT HOSE - FUEL - LOW PERMEABILITY - 5/8" DIAMETER

CHASSIS GROUP (CONTINUED)**WHEEL LINERS, (FORD 16")**

KEY	PART NUMBER	U/M DESCRIPTION	VENDOR NO.
	110435-08-000	EA LINER - WHEEL SET (SET=4) 16"	
	110435-01-711	EA DECAL - CENTER CAP - 2"	2" DECAL
	110435-02-702	EA STUD EXTENDER	V160SD-STX
	110435-02-703	EA NUT (JAMB)	V160SD-JNT
	110435-02-704	EA COVER - LUG NUT	V160F0-LNC
	110435-02-705	EA TOOL F/ JAMB NUT - INSTALL	V160F0-TOL
	110435-08-700	EA LINER - WHEEL - FRONT	V160SD-FWC
	110435-08-701	EA LINER - WHEEL - REAR	V160SD-RWC

WHEEL LINERS, (FORD 19.5")

KEY	PART NUMBER	U/M DESCRIPTION	VENDOR NO.
	110435-15-000	EA LINER - WHEEL SET/4 - 19.5"	
	110435-10-705	EA TOOL - INSTALLATION	V195P7-TOL
	110435-15-700	EA LINER - WHEEL - FRONT	V195F9-FWC
	110435-15-701	EA LINER - WHEEL - REAR	V195F9-RWC
	110435-15-702	EA NUT - JAM - ENCLOSED - 14M	V195F9-EJN
	095012-07-000	EA STABILIZER - VALVE EXTENSION	

WHEEL COVERS, DICOR (FORD 16")

KEY	PART NUMBER	U/M DESCRIPTION	VENDOR NO.
	098532-01-000	EA COVER - WHEEL - FORD - 16" - SET OF 4 DICOR SH-SD-16	
	098532-01-700	EA COVER - LUG NUT (CHROME)	SHAU-LNC
	098532-01-701	EA COVER - WHEEL (FRONT & REAR) 1 ONLY	SH-SD-16COV

WHEEL COVERS, DICOR (FORD 19.5")

KEY	PART NUMBER	U/M DESCRIPTION	VENDOR NO.
	109443-07-000	EA WHEEL COVER - 4/SET - 19.5"	
	109443-01-703	EA CAP-CENTER, HUB - DICOR	SHAU95-CAP
	109443-07-700	EA COVER - WHEEL - 8 LUG	SHAF95-COV
	109443-07-701	EA BRACKET SET - FRONT	SHAF95-FBS
	109443-07-702	EA BRACKET SET - REAR	SHAF95-RBS

CHASSIS GROUP (CONTINUED)**WHEEL LINERS (CHEVY)**

KEY	PART NUMBER	U/M DESCRIPTION	VENDOR NO.
	110435-10-000	EA LINER - WHEEL - SET 4 - 19.5"	
	110435-10-700	EA LINER - WHEEL - FRONT - 1 PC	V195P7-FWC
	110435-10-701	EA LINER - WHEEL - REAR - 1 PC.	V195P7-RWC
	110435-10-702	EA COVER - LUG - NUT/JAMB NUT	V195P7-EJN
	110435-10-703	EA STUD - PLASTIC	V195P7-PST
	110435-10-704	EA JAMB NUT - PLASTIC/LNC	V195P7-PJN
	110435-10-705	EA TOOL - INSTALLATION	V195P7-TOL

WHEEL COVERS, DICOR (CHEVY)

KEY	PART NUMBER	U/M DESCRIPTION	VENDOR NO.
	109443-06-000	EA WHEEL - COVER - 4/SET - 19.5"	
	109443-01-700	EA COVER - WHEEL 19.5 FRT/RR EA=1	SHAG95
	109443-01-701	EA BRACKET - RETENTION FRONT	SHAG95-FBS
	109443-01-703	EA CAP - CENTER - HUB - DICOR	SHAU95-CAP
	109443-01-704	EA CLIP - RETAINER	V160GM-PNT
	109443-06-701	EA BRACKET - RETENTION REAR	SHG795-RBS

SHOCK ABSORBER (CHEVY)

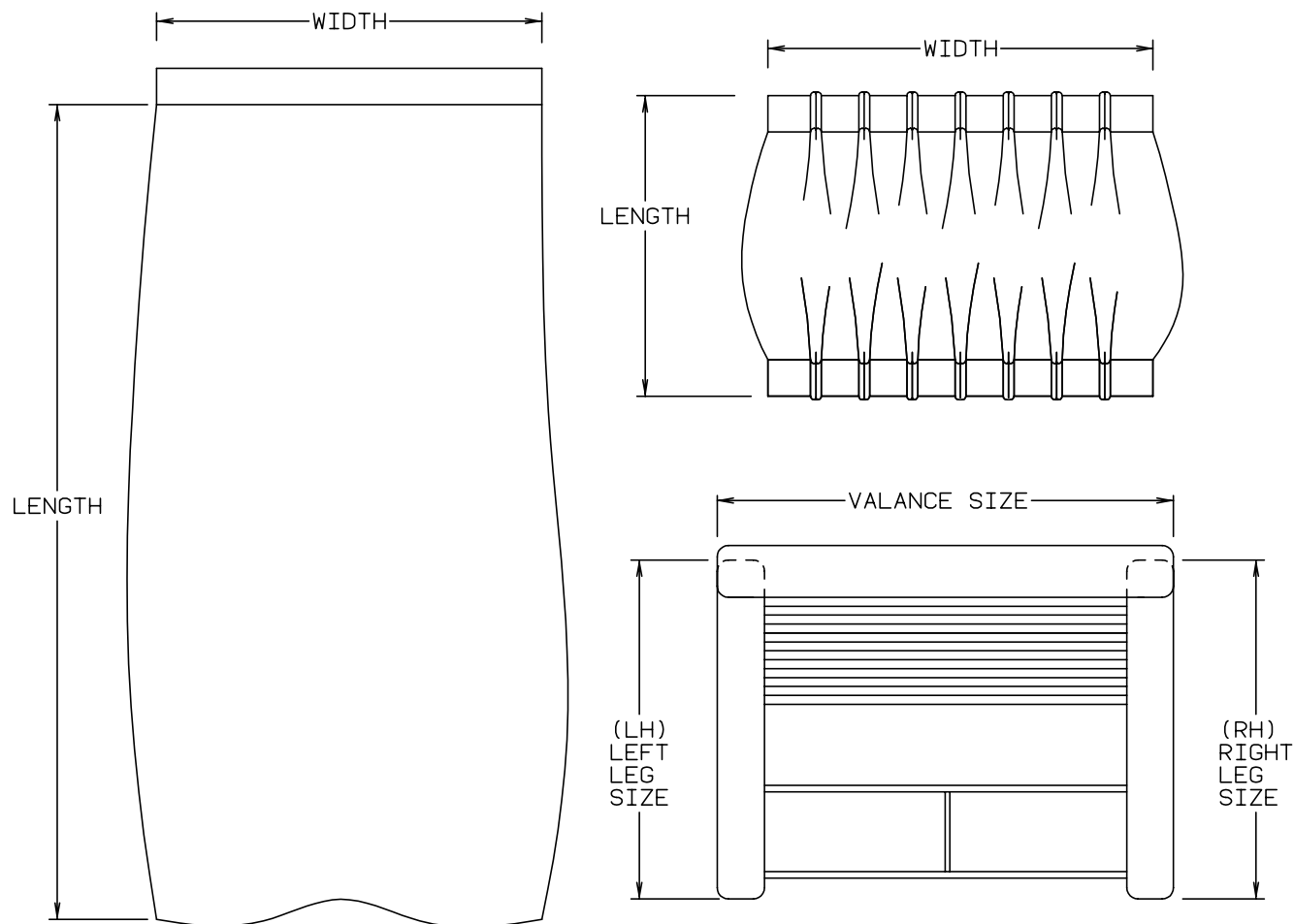
KEY	PART NUMBER	U/M DESCRIPTION	VENDOR NO.
	122756-02-000	EA SHOCK AND STABILIZER (BLUE BOOT) KIT - FRONT END P30 CHASS	
	122756-02-700	EA BRACKET ASM - DRIVER SIDE	T818L
	122756-02-701	EA BRACKET ASM - PASSENGER SIDE	T818R
	122756-02-702	EA BRACKET ONLY - DRIVER SIDE	T818L
	122756-02-703	EA BRACKET ONLY - PASS. SIDE	T818R
	122756-02-704	EA BOLT PACKAGE -BOLTS/NUTS ETC	T818R
	122756-02-705	EA SHOCK	T818SH
	122756-02-706	EA STUD - SHOCK MOUNTING	T818S
	122756-02-707	EA DAMPNER	T818SD
	122756-02-708	EA BOOT	T818SDB
	122756-02-709	EA BUSHING PKG	T818SDBSH
	122756-02-710	EA BOLT PKG	T818SBS

CURTAIN & CUSHION GROUP

NOTICE

IN ORDER TO ASSIST OUR PARTS SALES DEPT. IN PROVIDING INTERIOR SOFTGOODS ITEMS, PLEASE INCLUDE THE SERIAL NUMBER AND THE COLOR CODE NUMBER FROM THE VEHICLE CERTIFICATION LABEL WHEN ORDERING. THIS LABEL IS LOCATED ON THE LEFT SIDEWALL AT THE END OF THE DASH (A-BODY), OR ON THE DRIVER'S DOOR LATCH PLATE (C-BODY).

AN EXAMPLE OF A COLOR CODE NUMBER IS B07, WHICH DESIGNATES AN OVERALL COLOR SCHEME OF A PARTICULAR UNIT. THE COLOR LISTED AFTER THE ITEM DESCRIPTION ON THE MICROFICHE, INDICATES THE OVERALL UNIT COLOR. ORDER THE ITEM YOU DESIRE ACCORDING TO UNIT COLOR CODE.



NOTE: USE THIS ILLUSTRATION WHEN DETERMINING LENGTH AND WIDTH MEASUREMENTS FOR CURTAINS. YOU WILL NOTE THE WIDTH MEASUREMENT IS TAKEN ON THE TOP OF THE CURTAIN WITH THE CURTAIN FULLY EXTENDED. THE LENGTH MEASUREMENT IS TAKEN FROM TOP TO BOTTOM. LEFT AND RIGHT WINDOW LEGS ARE DETERMINED WHEN FACING THE WINDOW.

CURTAIN & CUSHION GROUP (CONTINUED)

ADVENTURER FABRICS				
COLOR CODES	J22, J23	J24, J25	J26, J27	J28, J29
MARKETING COLORS	MADISON (BLUE)	MINK (TAUPE)	PICASSO (NEUTRAL)	SILVERSAGE (GREEN)
MAIN	108446-U3-000	108446-S3-000	108446-U2-000	108446-W5-000
PLAIN ACCENT	108446-W6-000	108446-S6-000	108446-G0-000	108446-W4-000
PATTERN ACCENT	108446-X3-000	108446-T4-000	108446-T5-000	108446-U8-000
BUCKET SEAT	108446-X3-000	108446-T4-000	108446-T5-000	108446-U8-000
DINETTE	108446-U4-000	108446-S3-000	108446-U2-000	108446-W5-000
DINETTE PAD	108446-X3-000	108446-T4-000	108446-T5-000	108446-U8-000
DINETTE SWIVEL CHAIR	108446-X3-000	108446-T4-000	108446-T5-000	1108446-U8-00
SOFA	108446-U3-000	108446-S3-000	108446-U2-000	108446-W5-000
RECLINER CHAIR	108446-X3-000	108446-T4-000	108446-T5-000	108446-U8-000
LOUNGE WINDOW VALANCE	108446-U3-000	108446-S3-000	108446-U2-000	108446-W5-000
LOUNGE WINDOW LEGS	108446-X3-000	108446-T4-000	108446-T5-000	108446-U8-000
BEDSPREAD MAIN	105745-H2-000	105745-G5-000	105745-H3-000	105745-H6-000
BEDSPREAD ACCENT	105745-E3-000	105745-B5-000	105745-E7-000	105745-E7-000
BEDSPREAD TRIM	084415-81-000	084415-98-000	084415-97-000	084415-91-000
BEDROOM WINDOW VALANCE	105745-H2-000	105745-G5-000	1105745-H3-00	105745-H6-000
BEDROOM WINDOW LEGS	105745-H2-000	105745-G5-000	105745-H3-000	105745-H6-000
LOUNGE PILLOW TRIM BRAID	108446-X3-000 084415-81-000	108446-T4-000 084415-98-000	108446-T5-000 084415-97-000	108446-U8-000 084415-91-000
MAP POCKETS	108446-X3-000	108446-T4-000	1108446-T5-000	108446-U8-000
FRONT WRAP AROUND	072333-85-000	072333-85-000	072333-85-000	072333-85-000
CEILING	113979-01-01A	113979-01-01A	113979-01-01A	113979-01-01A

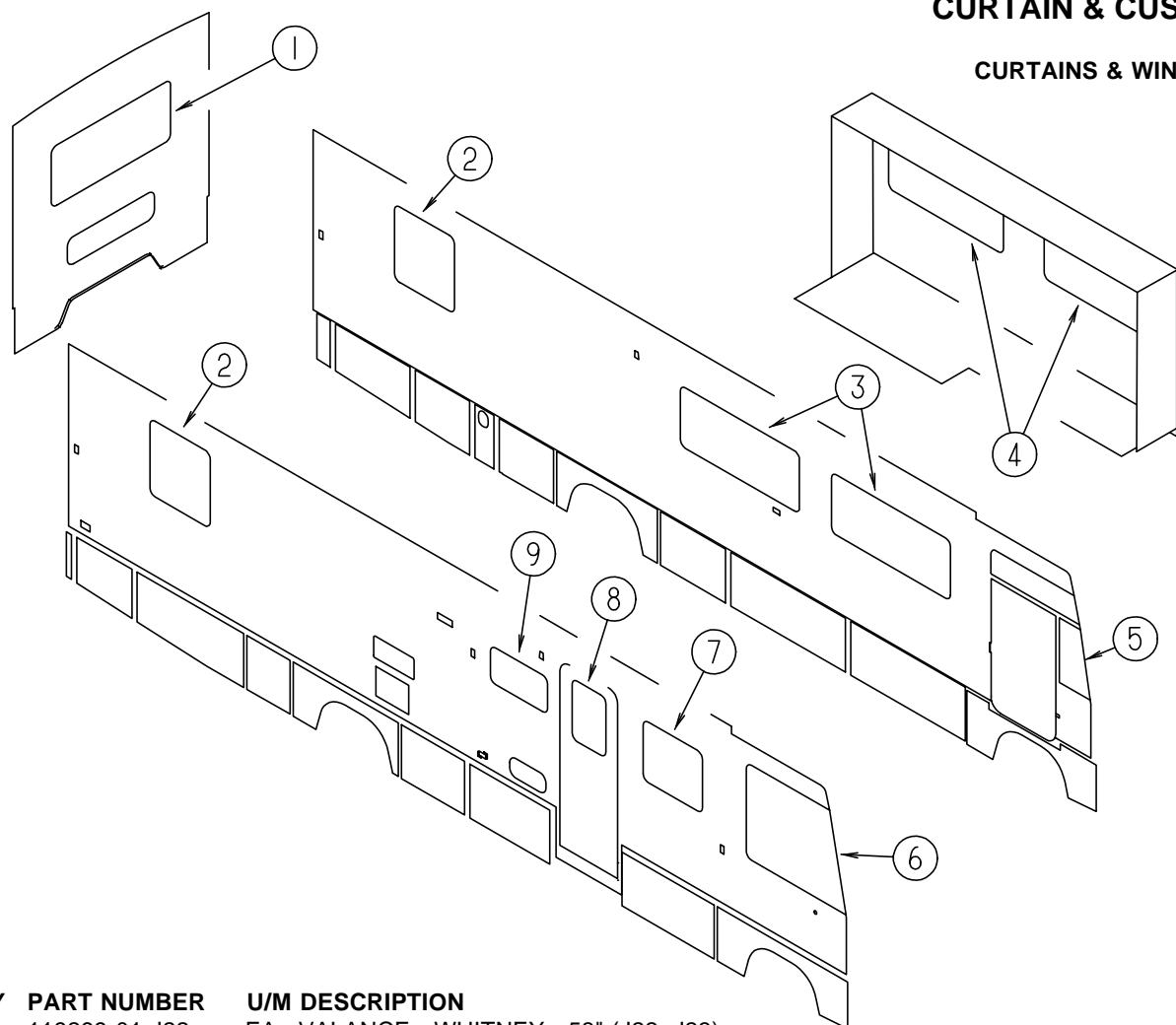
NOTE: THE FABRIC LISTED FIRST, IN A BLOCK, IS THE LARGEST QUANTITY OF FABRIC USED

ASSIST HANDLE & BUTTONS

KEY	PART NUMBER	U/M	DESCRIPTION
	070578-02-J22	EA	BUTTON - #30 - VINYL
	079349-08-J22	YD	WELT - VINYL
	079349-04-J22	YD	WELT - NARROW
	057759-01-000	EA	WASHER BRACKET - SEAT BELT - 4" DIAMETER
	007021-01-000	EA	SEAT BELT - 2" X 90" - BLACK
	056271-01-000	EA	BELT - SEAT - 2" X 102" - BLACK
	000C16-07-16B	EA	BOLT - CARRIAGE - ASSIST HANDLE - 7/16" - 14 X 1"
	000D20-07-00B	EA	NUT - ACORN - ASSIST HANDLE - 7/16 - 14
	053552-02-AA8	EA	HANDLE - ASSIST - INTERIOR/ENTRY DOOR - VINYL/OFF WHITE
	057534-03-000	EA	TIEBACK - PLASTIC - 7.50" - CLEAR

CURTAIN & CUSHION GROUP (CONTINUED)

CURTAINS & WINDOW TREATMENT (QUEEN BED)

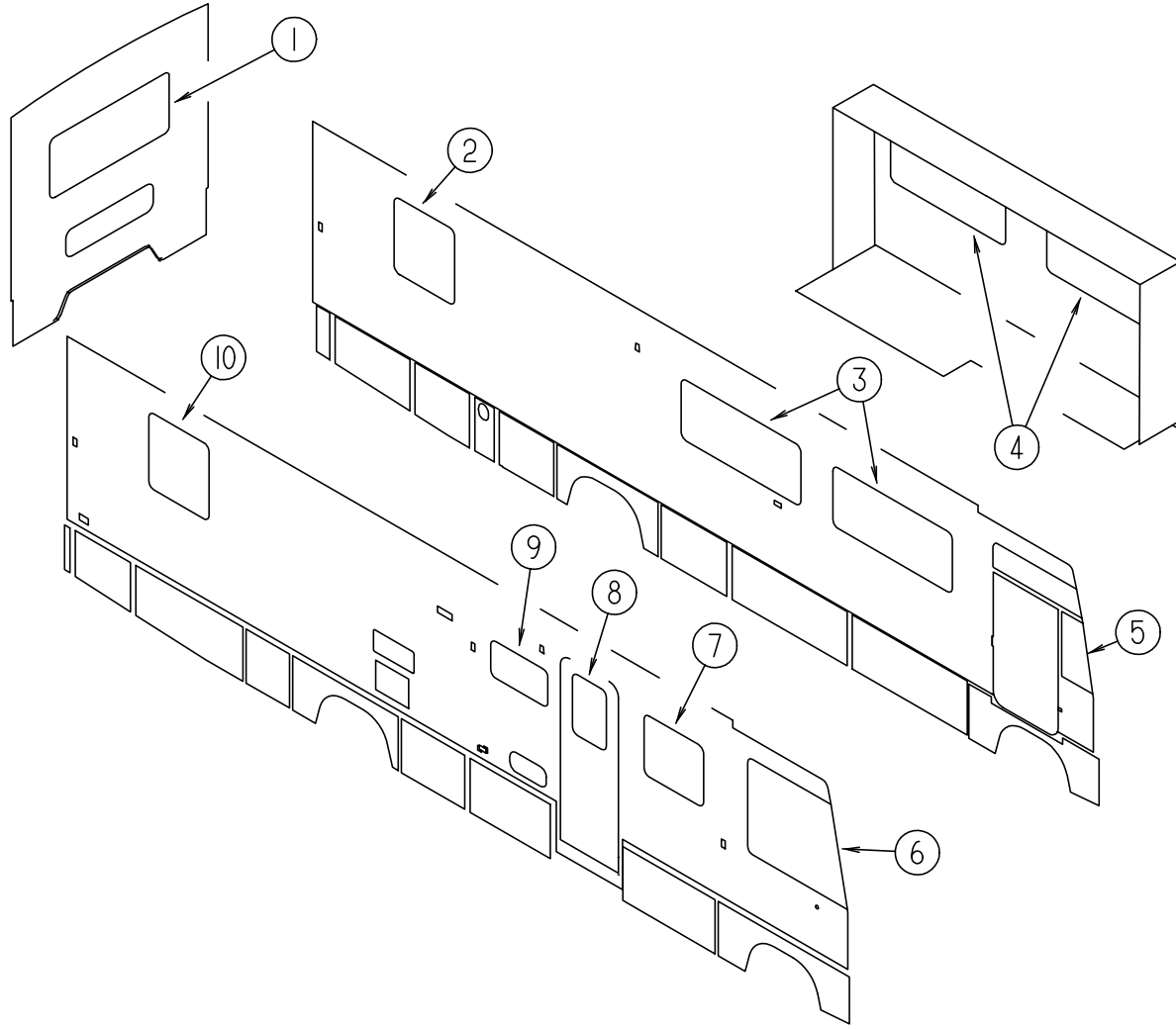


KEY	PART NUMBER	U/M DESCRIPTION
1	119299-01-J22	EA VALANCE - WHITNEY - 53" (J22, J23)
1	119299-01-J24	EA VALANCE - WHITNEY - 53" (J24, J25)
1	119299-01-J26	EA VALANCE - WHITNEY - 53" (J26, J27)
1	119299-01-J28	EA VALANCE - WHITNEY - 53" (J28, J29)
1	127017-07-J22	EA LEG - RIGHT - 25" (J22, J23)
1	127017-07-J24	EA LEG - RIGHT - 25" (J24, J25)
1	127017-07-J26	EA LEG - RIGHT - 25" (J26, J27)
1	127017-07-J28	EA LEG - RIGHT - 25" (J28, J29)
1	127017-08-J22	EA LEG - LEFT - 25" (J22, J23)
1	127017-08-J24	EA LEG - LEFT - 25" (J24, J25)
1	127017-08-J26	EA LEG - LEFT - 25" (J26, J27)
1	127017-08-J28	EA LEG - LEFT - 25" (J28, J29)
1	109802-55-J30	EA BLIND - PLEATED - 49" X 27" (J22, J23)
1	109802-55-J31	EA BLIND - PLEATED - 49" X 27" (J24, J25, J26, J27, J28, J29)
1	111910-62-J10	EA BLIND - DAY/NIGHTER - 49" X 27" (J22, J23)
1	111910-62-J01	EA BLIND - DAY/NIGHTER - 49" X 27" (J24, J25, J26, J27, J28, J29)
2	119299-18-J22	EA VALANCE - WHITNEY - 34" (J22, J23)
2	119299-18-J24	EA VALANCE - WHITNEY - 34" (J24, J25)
2	119299-18-J26	EA VALANCE - WHITNEY - 34" (J26, J27)
2	119299-18-J28	EA VALANCE - WHITNEY - 34" (J28, J29)
2	127017-09-J22	EA LEG - RIGHT - 34" (J22, J23)
2	127017-09-J24	EA LEG - RIGHT - 34" (J24, J25)
2	127017-09-J26	EA LEG - RIGHT - 34" (J26, J27)
2	127017-09-J28	EA LEG - RIGHT - 34" (J28, J29)
2	127017-10-J22	EA LEG - LEFT - 34" (J22, J23)
2	127017-10-J24	EA LEG - LEFT - 34" (J24, J25)
2	127017-10-J26	EA LEG - LEFT - 34" (J26, J27)
2	127017-10-J28	EA LEG - LEFT - 34" (J28, J29)
2	109802-56-J30	EA BLIND - PLEATED - 30" X 37" (J22, J23)
2	109802-56-J31	EA BLIND - PLEATED - 30" X 37" (J24, J25, J26, J27, J28, J29)
2	111910-58-J30	EA BLIND - DAY/NIGHTER - 31" X 37" (J22, J23)
2	111910-58-J20	EA BLIND - DAY/NIGHTER - 31" X 37" (J24, J25, J26, J27, J28, J29)

KEY	PART NUMBER	U/M DESCRIPTION
3	121410-44-J22	EA VALANCE - MODERATE - 64.5" (J22, J23)
3	121410-44-J24	EA VALANCE - MODERATE - 64.5" (J24, J25)
3	121410-67-J26	EA VALANCE - MODERATE - 64.5" (J26, J27)
3	121410-62-J28	EA VALANCE - MODERATE - 64.5" (J28, J29)
3	127017-13-J22	EA LEG - RIGHT - 25" (J22, J23)
3	127017-13-J24	EA LEG - RIGHT - 25" (J24, J25)
3	127017-11-J26	EA LEG - RIGHT - 25" (J26, J27)
3	127017-01-J50	EA LEG - RIGHT - 25" (J28, J29)
3	127017-14-J22	EA LEG - LEFT - 25" (J22, J23)
3	127017-14-J24	EA LEG - LEFT - 25" (J24, J25)
3	127017-12-J26	EA LEG - LEFT - 25" (J26, J27)
3	127017-02-J50	EA LEG - LEFT - 25" (J28, J29)
3	109802-58-J22	EA BLIND - PLEATED - 61" X 28.5" (J22, J23)
3	109802-58-J24	EA BLIND - PLEATED - 61" X 28.5" (J24, J25, J26, J27, J28, J29)
3	111910-57-J30	EA BLIND - DAY/NIGHTER - 61" X 28.5" (J22, J23)
3	111910-57-J20	EA BLIND - DAY/NIGHTER - 61" X 28.5" (J24, J25, J26, J27, J28, J29)
4	121410-20-J22	EA VALANCE - MODERATE - 62.5" (J22, J23)
4	121410-20-J24	EA VALANCE - MODERATE - 62.5" (J24, J25)
4	121410-74-J26	EA VALANCE - MODERATE - 62.5" (J26, J27)
4	121410-65-J28	EA VALANCE - MODERATE - 62.5" (J28, J29)
4	127017-47-J22	EA LEG - RIGHT - 23.5" (J22, J23)
4	127017-47-J24	EA LEG - RIGHT - 23.5" (J24, J25)
4	127017-43-J26	EA LEG - RIGHT - 23.5" (J26, J27)
4	127017-41-J28	EA LEG - RIGHT - 23.5" (J28, J29)
4	127017-48-J22	EA LEG - LEFT - 23.5" (J22, J23)
4	127017-48-J24	EA LEG - LEFT - 23.5" (J24, J25)
4	127017-44-J26	EA LEG - LEFT - 23.5" (J26, J27)
4	127017-42-J28	EA LEG - LEFT - 23.5" (J28, J29)
4	109802-48-G45	EA BLIND - PLEATED - 59" X 26.5" (J22, J23)
4	109802-48-G35	EA BLIND - PLEATED - 59" X 26.5" (J24, J25, J26, J27, J28, J29)
4	111910-55-J30	EA BLIND - DAY/NIGHTER - 59" X 26.5" (J22, J23)
4	111910-55-J31	EA BLIND - DAY/NIGHTER - 59" X 26.5" (J24, J25, J26, J27, J28, J29)
5	101668-68-J22	EA CURTAIN - LEFT HAND - 42" X 106"
5	073260-42-C18	EA TIEBACK - 6" X 18"
6	126841-01-000	EA SHADE - PULL - CHARCOAL MESH - 45" X 60"
6	101668-67-J22	EA CURTAIN - RIGHT HAND - 42" X 106"
6	073260-42-C18	EA TIEBACK - 6" X 18"
6	126841-01-000	EA SHADE - PULL - CHARCOAL MESH - 45" X 60"
7	121410-52-J22	EA VALANCE - MODERATE - 34" (J22, J23)
7	121410-52-J24	EA VALANCE - MODERATE - 34" (J24, J25)
7	121410-75-J26	EA VALANCE - MODERATE - 34" (J26, J27)
7	121410-76-J28	EA VALANCE - MODERATE - 34" (J28, J29)
7	127017-13-J22	EA LEG - RIGHT - 25" (J22, J23)
7	127017-13-J24	EA LEG - RIGHT - 25" (J24, J25)
7	127017-11-J26	EA LEG - RIGHT - 25" (J26, J27)
7	127017-01-J50	EA LEG - RIGHT - 25" (J28, J29)
7	127017-14-J22	EA LEG - LEFT - 25" (J22, J23)
7	127017-14-J24	EA LEG - LEFT - 25" (J24, J25)
7	127017-12-J26	EA LEG - LEFT - 25" (J26, J27)
7	127017-02-J50	EA LEG - LEFT - 25" (J28, J29)
7	109802-60-J52	EA BLIND - PLEATED - 31" X 28.5" (J22, J23)
7	109802-60-J60	EA BLIND - PLEATED - 31" X 28.5" (J24, J25, J26, J27, J28, J29)
7	111910-59-J30	EA BLIND - DAY/NIGHTER - 31" X 28.5" (J22, J23)
7	111910-59-J60	EA BLIND - DAY/NIGHTER - 31" X 28.5" (J24, J25, J26, J27, J28, J29)
8	121410-95-J22	EA VALANCE - MODERATE - 15" X 36" (J22, J23)
8	121410-95-J24	EA VALANCE - MODERATE - 15" X 36" (J24, J25)
8	121410-96-J26	EA VALANCE - MODERATE - 15" X 36" (J26, J27)
8	121410-97-J28	EA VALANCE - MODERATE - 15" X 36" (J28, J29)
8	084755-60-F01	EA SHADE - PULL - 29.25"
9	109041-44-01A	EA BLIND - MINI - 30.5" X 18" (J22, J23)
9	109041-44-02A	EA BLIND - MINI - 30.5" X 18" (J24, J25, J26, J27, J28, J29)
9	109353-10-01A	EA BLIND - SLAT - 30.5" (J22, J23)
9	109353-10-01A	EA BLIND - SLAT - 30.5" (J24, J25, J26, J27, J28, J29)

CURTAIN & CUSHION GROUP (CONTINUED)

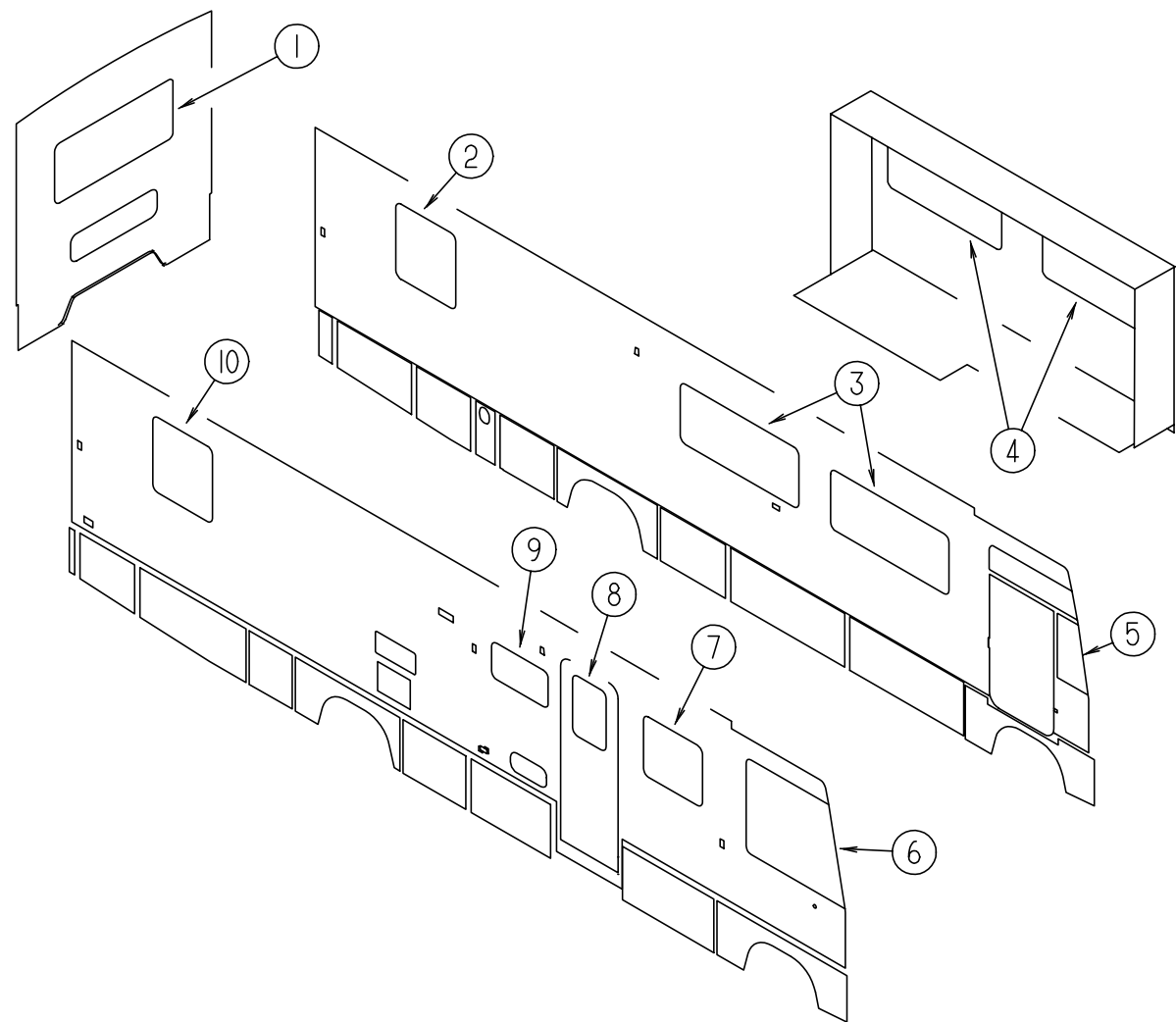
CURTAINS & WINDOW TREATMENT (TWIN BED)



KEY	PART NUMBER	U/M DESCRIPTION
1	119299-07-J22	EA VALANCE - WHITNEY - 65" (J22, J23)
1	119299-07-J24	EA VALANCE - WHITNEY - 65" (J24, J25)
1	119299-07-J26	EA VALANCE - WHITNEY - 53" (J26, J27)
1	119299-07-J28	EA VALANCE - WHITNEY - 65" (J28, J29)
1	127017-07-J22	EA LEG - RIGHT - 25" (J22, J23)
1	127017-07-J24	EA LEG - RIGHT - 25" (J24, J25)
1	127017-07-J26	EA LEG - RIGHT - 25" (J26, J27)
1	127017-07-J28	EA LEG - RIGHT - 25" (J28, J29)
1	127017-08-J22	EA LEG - LEFT - 25" (J22, J23)
1	127017-08-J24	EA LEG - LEFT - 25" (J24, J25)
1	127017-08-J26	EA LEG - LEFT - 25" (J26, J27)
1	127017-08-J28	EA LEG - LEFT - 25" (J28, J29)
1	109802-58-J22	EA BLIND - PLEATED - 61" X 28.5" (J22, J23)
1	109802-58-J20	EA BLIND - PLEATED - 61" X 28.5" (J24, J25, J26, J27, J28, J29)
1	111910-57-J30	EA BLIND - DAY/NIGHTER - 61" X 28.5" (J22, J23)
1	111910-57-J20	EA BLIND - DAY/NIGHTER - 61" X 28.5" (J24, J25, J26, J27, J28, J29)
2	119299-19-J22	EA VALANCE - WHITNEY - 34" (J22, J23)
2	119299-19-J24	EA VALANCE - WHITNEY - 34" (J24, J25)
2	119299-19-J26	EA VALANCE - WHITNEY - 34" (J26, J27)
2	119299-19-J29	EA VALANCE - WHITNEY - 34" (J28, J29)
2	123910-15-J22	EA LEG - RIGHT - 34" (J22, J23)
2	123910-15-J24	EA LEG - RIGHT - 34" (J24, J25)
2	123910-15-J26	EA LEG - RIGHT - 34" (J26, J27)
2	123910-15-J28	EA LEG - RIGHT - 34" (J28, J29)
2	123910-16-J22	EA LEG - LEFT - 34" (J22, J23)
2	123910-16-J24	EA LEG - LEFT - 34" (J24, J25)
2	123910-16-J26	EA LEG - LEFT - 34" (J26, J27)
2	123910-16-J28	EA LEG - LEFT - 34" (J28, J29)
2	109802-56-J30	EA BLIND - PLEATED - 30" X 37" (J22, J23)
2	109802-56-J31	EA BLIND - PLEATED - 30" X 37" (J24, J25, J26, J27, J28, J29)
2	111910-58-J30	EA BLIND - DAY/NIGHTER - 31" X 37" (J22, J23)
2	111910-58-J20	EA BLIND - DAY/NIGHTER - 31" X 37" (J24, J25, J26, J27, J28, J29)
3	121410-44-J22	EA VALANCE - MODERATE - 64.5" (J22, J23)
3	121410-44-J24	EA VALANCE - MODERATE - 64.5" (J24, J25)
3	121410-67-J26	EA VALANCE - MODERATE - 64.5" (J26, J27)
3	121410-62-J28	EA VALANCE - MODERATE - 64.5" (J28, J29)
3	127017-13-J22	EA LEG - RIGHT - 25" (J22, J23)
3	127017-13-J24	EA LEG - RIGHT - 25" (J24, J25)
3	127017-11-J26	EA LEG - RIGHT - 25" (J26, J27)
3	127017-01-J50	EA LEG - RIGHT - 25" (J28, J29)
3	127017-14-J22	EA LEG - LEFT - 25" (J22, J23)
3	127017-14-J24	EA LEG - LEFT - 25" (J24, J25)
3	127017-12-J26	EA LEG - LEFT - 25" (J26, J27)
3	127017-02-J50	EA LEG - LEFT - 25" (J28, J29)
3	109802-58-J22	EA BLIND - PLEATED - 61" X 28.5" (J22, J23)
3	109802-58-J24	EA BLIND - PLEATED - 61" X 28.5" (J24, J25, J26, J27, J28, J29)
3	111910-57-J30	EA BLIND - DAY/NIGHTER - 61" X 28.5" (J22, J23)
3	111910-57-J20	EA BLIND - DAY/NIGHTER - 61" X 28.5" (J24, J25, J26, J27, J28, J29)

CURTAIN & CUSHION GROUP (CONTINUED)

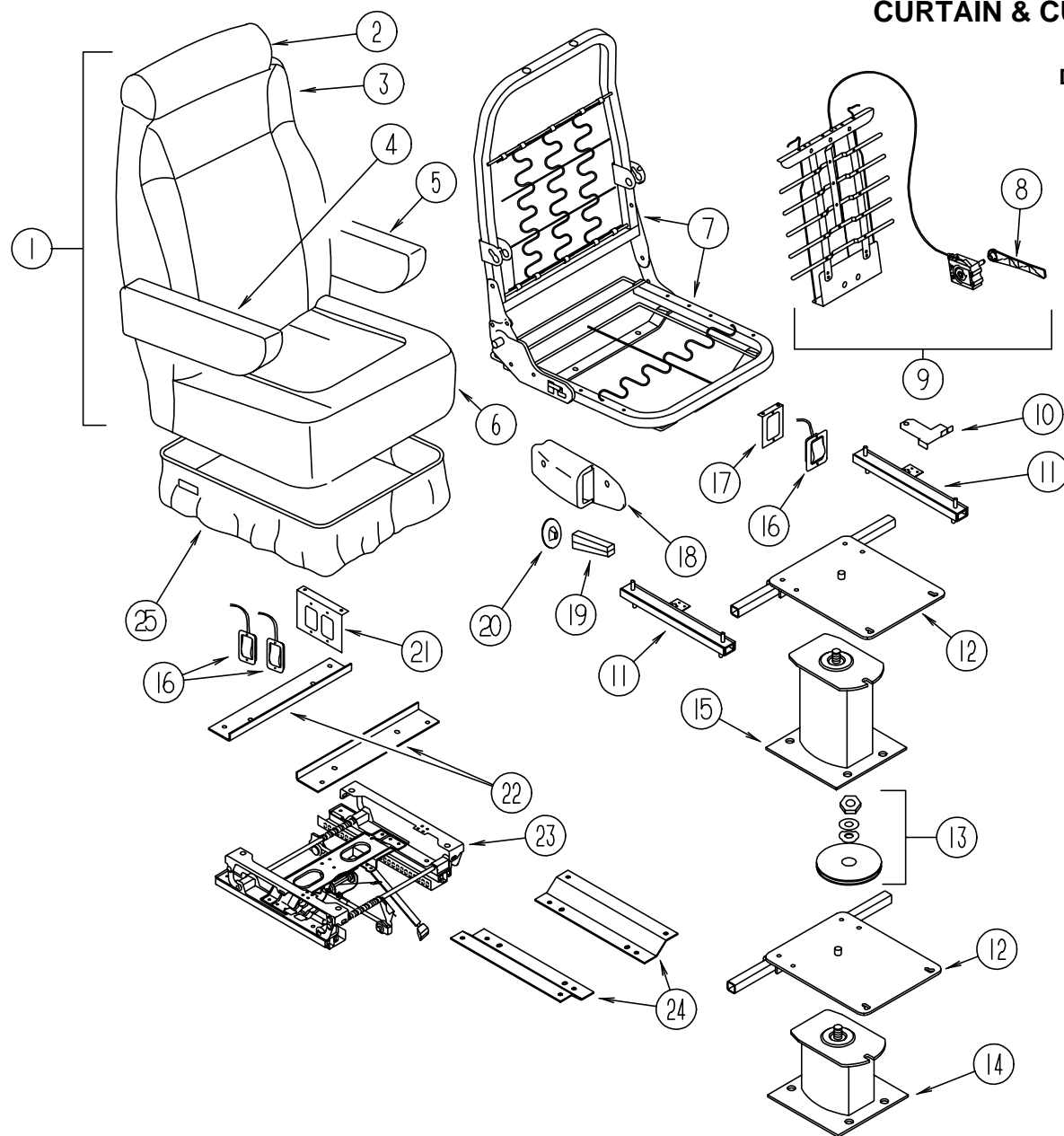
CURTAINS & WINDOW TREATMENT (TWIN BED) (CONTINUED)



KEY	PART NUMBER	U/M DESCRIPTION
4	121410-20-J22	EA VALANCE - MODERATE - 62.5" (J22, J23)
4	121410-20-J24	EA VALANCE - MODERATE - 62.5" (J24, J25)
4	121410-74-J26	EA VALANCE - MODERATE - 62.5" (J26, J27)
4	121410-65-J28	EA VALANCE - MODERATE - 62.5" (J28, J29)
4	127017-47-J22	EA LEG - RIGHT - 23.5" (J22, J23)
4	127017-47-J24	EA LEG - RIGHT - 23.5" (J24, J25)
4	127017-43-J26	EA LEG - RIGHT - 23.5" (J26, J27)
4	127017-41-J28	EA LEG - RIGHT - 23.5" (J28, J29)
4	127017-48-J22	EA LEG - LEFT - 23.5" (J22, J23)
4	127017-48-J24	EA LEG - LEFT - 23.5" (J24, J25)
4	127017-44-J26	EA LEG - LEFT - 23.5" (J26, J27)
4	127017-42-J28	EA LEG - LEFT - 23.5" (J28, J29)
4	109802-48-G45	EA BLIND - PLEATED - 59" X 26.5" (J22, J23)
4	109802-48-G35	EA BLIND - PLEATED - 59" X 26.5" (J24, J25, J26, J27, J28, J29)
4	111910-55-J30	EA BLIND - DAY/NIGHTER - 59" X 26.5" (J22, J23)
4	111910-55-J31	EA BLIND - DAY/NIGHTER - 59" X 26.5" (J24, J25, J26, J27, J28, J29)
5	101668-68-J22	EA CURTAIN - LEFT HAND - 42" X 106"
5	073260-42-C18	EA TIEBACK - 6" X 18"
6	126841-01-000	EA SHADE - PULL - CHARCOAL MESH - 45" X 60"
6	101668-67-J22	EA CURTAIN - RIGHT HAND - 42" X 106"
6	073260-42-C18	EA TIEBACK - 6" X 18"
6	126841-01-000	EA SHADE - PULL - CHARCOAL MESH - 45" X 60"
7	121410-52-J22	EA VALANCE - MODERATE - 34" (J22, J23)
7	121410-52-J24	EA VALANCE - MODERATE - 34" (J24, J25)
7	121410-75-J26	EA VALANCE - MODERATE - 34" (J26, J27)
7	121410-76-J28	EA VALANCE - MODERATE - 34" (J28, J29)
7	127017-13-J22	EA LEG - RIGHT - 25" (J22, J23)
7	127017-13-J24	EA LEG - RIGHT - 25" (J24, J25)
7	127017-11-J26	EA LEG - RIGHT - 25" (J26, J27)
7	127017-01-J50	EA LEG - RIGHT - 25" (J28, J29)
7	127017-14-J22	EA LEG - LEFT - 25" (J22, J23)
7	127017-14-J24	EA LEG - LEFT - 25" (J24, J25)
7	127017-12-J26	EA LEG - LEFT - 25" (J26, J27)
7	127017-02-J50	EA LEG - LEFT - 25" (J28, J29)
7	109802-60-J52	EA BLIND - PLEATED - 31" X 28.5" (J22, J23)
7	109802-60-J60	EA BLIND - PLEATED - 31" X 28.5" (J24, J25, J26, J27, J28, J29)
7	111910-59-J30	EA BLIND - DAY/NIGHTER - 31" X 28.5" (J22, J23)
7	111910-59-J60	EA BLIND - DAY/NIGHTER - 31" X 28.5" (J24, J25, J26, J27, J28, J29)
8	121410-95-J22	EA VALANCE - MODERATE - 15" X 36" (J22, J23)
8	121410-95-J24	EA VALANCE - MODERATE - 15" X 36" (J24, J25)
8	121410-96-J26	EA VALANCE - MODERATE - 15" X 36" (J26, J27)
8	121410-97-J28	EA VALANCE - MODERATE - 15" X 36" (J28, J29)
8	084755-60-F01	EA SHADE - PULL - 29.25"
9	109041-44-01A	EA BLIND - MINI - 30.5" X 18" (J22, J23)
9	109041-44-02A	EA BLIND - MINI - 30.5" X 18" (J24, J25, J26, J27, J28, J29)
9	109353-10-01A	EA BLIND - SLAT - 30.5" (J22, J23)
9	109353-10-01A	EA BLIND - SLAT - 30.5" (J24, J25, J26, J27, J28, J29)
10	119299-18-J22	EA VALANCE - WHITNEY - 34" (J22, J23)
10	119299-18-J24	EA VALANCE - WHITNEY - 34" (J24, J25)
10	119299-18-J26	EA VALANCE - WHITNEY - 34" (J26, J27)
10	119299-18-J28	EA VALANCE - WHITNEY - 34" (J28, J29)
10	127017-09-J22	EA LEG - RIGHT - 34" (J22, J23)
10	127017-09-J24	EA LEG - RIGHT - 34" (J24, J25)
10	127017-09-J26	EA LEG - RIGHT - 34" (J26, J27)
10	127017-09-J28	EA LEG - RIGHT - 34" (J28, J29)
10	127017-10-J22	EA LEG - LEFT - 34" (J22, J23)
10	127017-10-J24	EA LEG - LEFT - 34" (J24, J25)
10	127017-10-J26	EA LEG - LEFT - 34" (J26, J27)
10	127017-10-J28	EA LEG - LEFT - 34" (J28, J29)
10	109802-56-J30	EA BLIND - PLEATED - 30" X 37" (J22, J23)
10	109802-56-J31	EA BLIND - PLEATED - 30" X 37" (J24, J25, J26, J27, J28, J29)
10	111910-58-J30	EA BLIND - DAY/NIGHTER - 31" X 37" (J22, J23)
10	111910-58-J20	EA BLIND - DAY/NIGHTER - 31" X 37" (J24, J25, J26, J27, J28, J29)

CURTAIN & CUSHION GROUP (CONTINUED)

DRIVER BUCKET SEAT

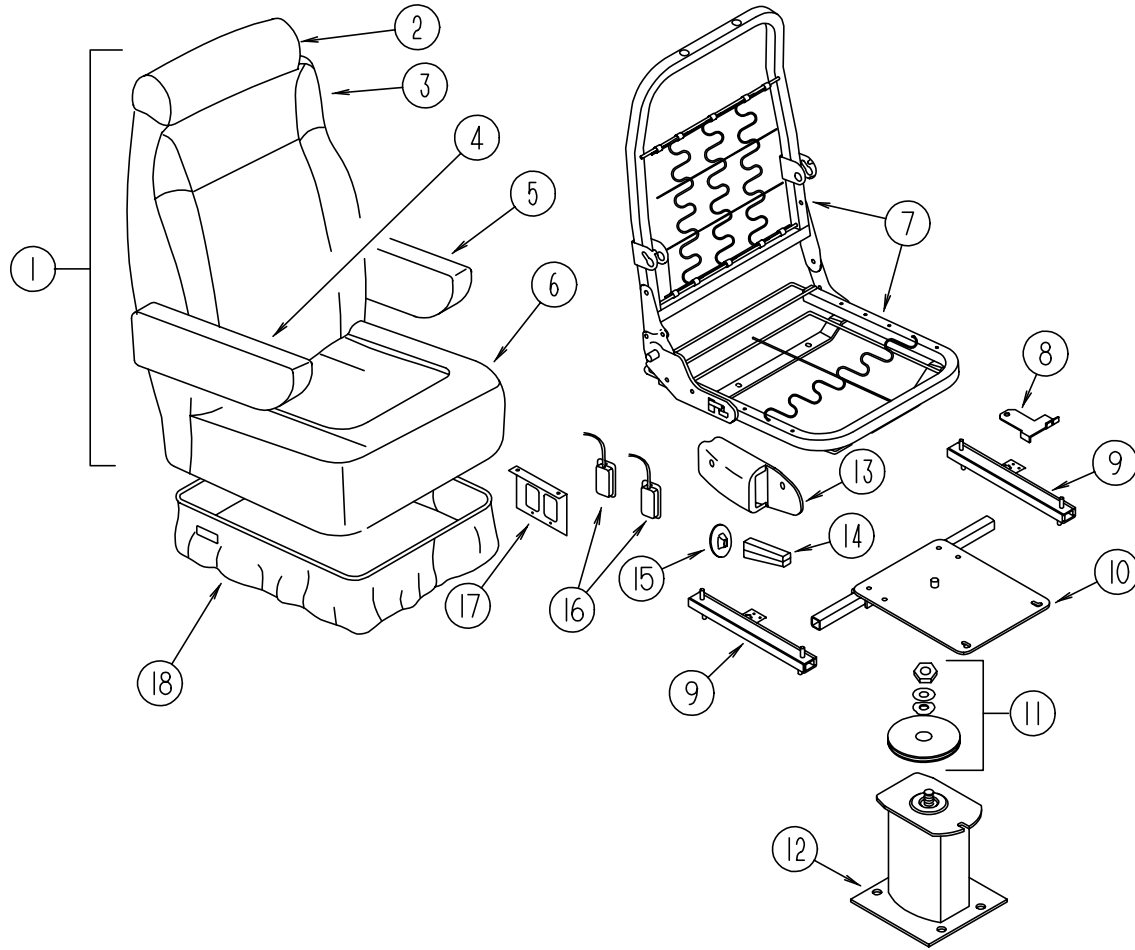


KEY	PART NUMBER	U/M DESCRIPTION
4	122780-01-J22	EA ARMREST - RIGHT HAND (J22, J23)
4	122780-01-J24	EA ARMREST - RIGHT HAND (J24, J25)
4	122780-01-J26	EA ARMREST - RIGHT HAND (J26, J27)
4	122780-01-J50	EA ARMREST - RIGHT HAND (J28, J29)
4	122780-03-J22	EA ARMREST - RIGHT HAND (LEATHER)
4	P22780-01-J22	EA COVER - ARMREST - RIGHT HAND (J22, J23)
4	P22780-01-J24	EA COVER - ARMREST - RIGHT HAND (J24, J25)
4	P22780-01-J26	EA COVER - ARMREST - RIGHT HAND (J26, J27)
4	P22780-01-J50	EA COVER - ARMREST - RIGHT HAND (J28, J29)
4	122780-03-J22	EA COVER - ARMREST - RIGHT HAND (LEATHER)
4	115617-03-000	EA ARMREST - W/O COVER - RIGHT
5	122780-02-J22	EA ARMREST - LEFT HAND (J22, J23)
5	122780-02-J24	EA ARMREST - LEFT HAND (J24, J25)
5	122780-02-J26	EA ARMREST - LEFT HAND (J26, J27)
5	122780-02-J50	EA ARMREST - LEFT HAND (J28, J29)
5	122780-04-J22	EA ARMREST - LEFT HAND (LEATHER)
5	P22780-02-J22	EA COVER - ARMREST - LEFT HAND (J22, J23)
5	P22780-02-J24	EA COVER - ARMREST - LEFT HAND (J24, J25)
5	P22780-02-J26	EA COVER - ARMREST - LEFT HAND (J26, J27)
5	P22780-02-J50	EA COVER - ARMREST - LEFT HAND (J28, J29)
5	P22780-04-J22	EA COVER - ARMREST - LEFT HAND (LEATHER)
5	115617-04-000	EA ARMREST - W/O COVER - LEFT
6	M05962-40-J22	EA COVER - SEAT - WIDE (J22, J23)
6	M05962-40-J24	EA COVER - SEAT - WIDE (J24, J25)
6	M05962-40-J26	EA COVER - SEAT - WIDE (J26, J27)
6	M05962-40-J50	EA COVER - SEAT - WIDE (J28, J29)
6	M05962-79-J22	EA COVER - SEAT - BUCKET (LEATHER)
7	122695-01-01B	EA FRAME ASM - SEAT/BACK
8	122611-02-701	EA LUMBAR - LEVER
9	122611-02-000	EA LUMBAR - W/LEVER
10	117125-01-02B	EA BRACKET - CABLE MOUNT - ADJUSTER W/ LOCK
11	119952-06-000	EA SLIDE/SEAT - HEAVY DUTY LOCKING - 4 STUDS
		FROM: 00-00-00 THRU: 11-02-97
11	119952-04-000	EA SLIDE/SEAT - HEAVY DUTY LOCKING - 4 STUDS
		FROM: 11-03-97 THRU: 99-99-99
	119952-07-000	EA WIRE - LATCH RELEASE/ ROTARY
12	107921-05-000	EA PLATE TOP - W/ SEAT BELT BAR
13	107921-06-000	EA BEARING KIT - PEDESTAL
14	107921-07-000	EA PEDESTAL BASE - POWER
15	107921-01-000	EA PEDESTAL FLOOR MOUNTED - W/9.75" EXTENSION
16	108049-04-000	EA CABLE - W/SWITCHES - W/26" MINI LEVER ACTION
	108049-02-000	EA CLIP - CABLE/ PEDESTAL
17	127159-01-02B	EA BRACKET - SEAT RELEASE - SINGLE REMOTE
18	080730-09-000	EA SHIELD - RECLINER HANDLE
19	080730-08-000	EA HANDLE - RECLINER
20	080730-11-000	EA SHIELD - RUBBER BOOT
21	127159-02-02B	EA BRACKET - SEAT RELEASE - DUAL REMOTE
22	116215-02-000	EA BRACKET - UPPER MOUNT - 6-WAY MANUAL SEAT
	007221-01-000	EA SPACER - SEAT/ ADJUSTER
23	116215-01-000	EA ADJUSTER/SLIDE - DRIVERS SEAT - 6-WAY MANUAL
	116215-03-000	EA BRACKET - LOWER MOUNT - 6-WAY
MANUAL SEAT		
25	071126-58-J22	EA SKIRT - SINGLE 10.5" - W/SEAT BELT SLOT (J22, J23)
25	071126-58-J24	EA SKIRT - SINGLE 10.5" - W/SEAT BELT SLOT (J24, J25)
25	071126-58-H17	EA SKIRT - SINGLE 10.5" - W/SEAT BELT SLOT (J26, J27)
25	071126-58-J50	EA SKIRT - SINGLE 10.5" - W/SEAT BELT SLOT (J28, J29)
25	071126-62-J22	EA SKIRT - SINGLE 10.5" - W/SEAT BELT SLOT (LEATHER)
25	071126-60-J22	EA SKIRT - SINGLE - 10.5" - 6-WAY MANUAL (J22, J23)
25	071126-60-J24	EA SKIRT - SINGLE - 10.5" - 6-WAY MANUAL (J24, J25)
25	071126-60-J26	EA SKIRT - SINGLE - 10.5" - 6-WAY MANUAL (J26, J27)
25	071126-60-J28	EA SKIRT - SINGLE - 10.5" - 6-WAY MANUAL (J28, J29)
25	071126-67-J22	EA SKIRT - SINGLE - 10.5" - 6-WAY MANUAL (LEATHER)

KEY	PART NUMBER	U/M DESCRIPTION
1	127540-01-J22	EA SEAT - BUCKET - DRIVERS WIDE W/LUMBAR SUPPORT (J22, J23)
1	127540-01-J24	EA SEAT - BUCKET - DRIVERS WIDE W/LUMBAR SUPPORT (J24, J25)
1	127540-01-J26	EA SEAT - BUCKET - DRIVERS WIDE W/LUMBAR SUPPORT (J26, J27)
1	127540-01-J50	EA SEAT - BUCKET - DRIVERS WIDE W/LUMBAR SUPPORT (J28, J29)
1	127540-10-J22	EA SEAT - BUCKET - DRIVERS WIDE W/LUMBAR SUPPORT (LEATHER)
2	119509-01-J22	EA HEADREST - BUCKET SEAT (J22, J23)
2	119509-01-J24	EA HEADREST - BUCKET SEAT (J24, J25)
2	119509-01-J26	EA HEADREST - BUCKET SEAT (J26, J27)
2	119509-01-J50	EA HEADREST - BUCKET SEAT (J28, J29)
2	119509-02-J22	EA HEADREST - BUCKET SEAT (LEATHER)
2	P19509-01-J22	EA COVER - HEADREST (J22, J23)
2	P19509-01-J24	EA COVER - HEADREST (J24, J25)
2	P19509-01-J26	EA COVER - HEADREST (J26, J27)
2	P19509-01-J50	EA COVER - HEADREST (J28, J29)
2	P19509-02-J22	EA COVER - HEADREST (LEATHER)
	113977-12-000	EA HEADREST INSERT - W/O LOCK
	113977-13-000	EA HEADREST INSERT - W/ LOCK
	114791-03-000	EA FRAME - HEADREST
3	M05962-71-J22	EA COVER - BACK - WIDE (J22, J23)
3	M05962-71-J24	EA COVER - BACK - WIDE (J24, J25)
3	M05962-71-J26	EA COVER - BACK - WIDE (J26, J27)
3	M05962-71-J50	EA COVER - BACK - WIDE (J28, J29)
3	M05962-78-J22	EA COVER - BACK - BUCKET (LEATHER)

CURTAIN & CUSHION GROUP (CONTINUED)

PASSENGER BUCKET SEAT

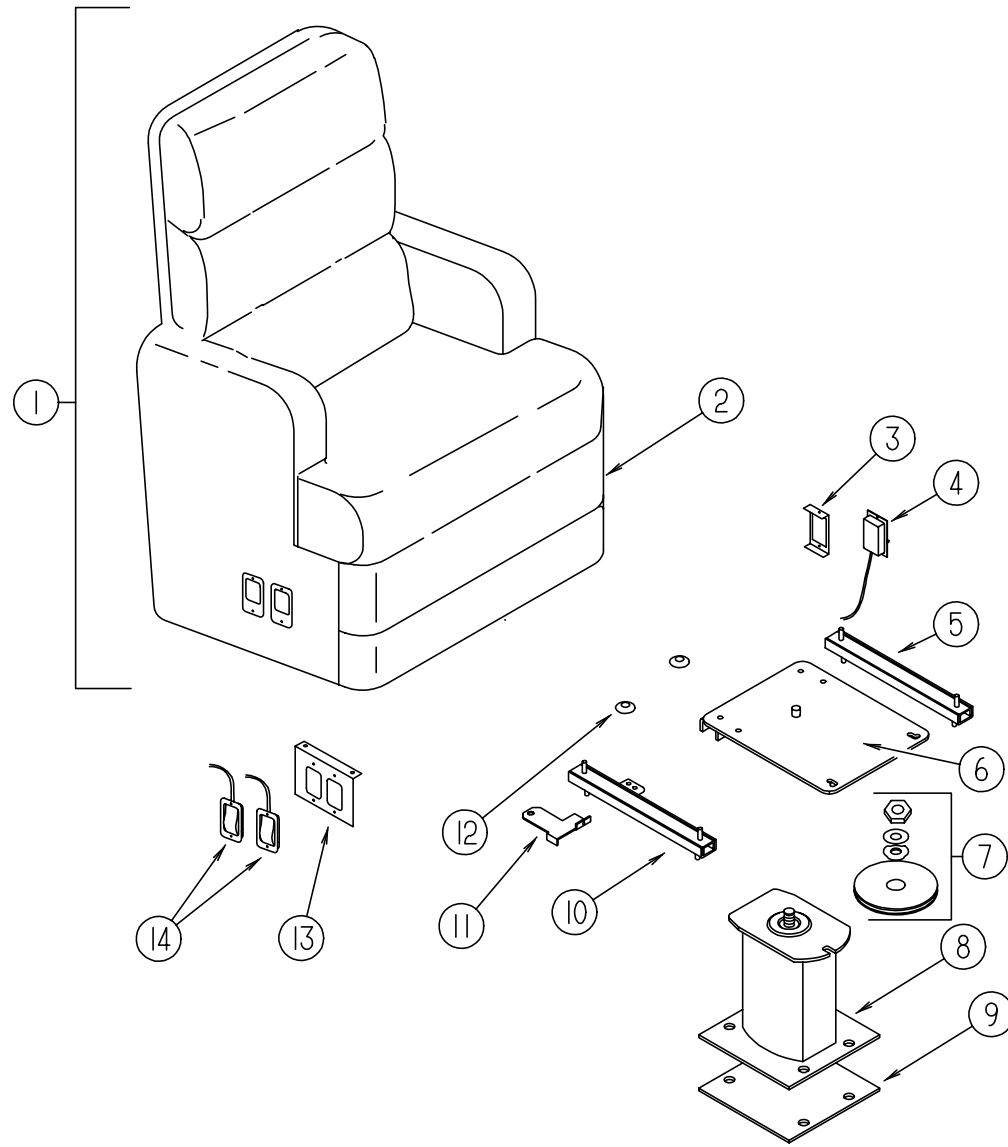


KEY	PART NUMBER	U/M DESCRIPTION
1	127540-02-J22	EA SEAT - BUCKET - PASSENGER - WIDE (J22, J23)
1	127540-02-J24	EA SEAT - BUCKET - PASSENGER - WIDE (J24, J25)
1	127540-02-J26	EA SEAT - BUCKET - PASSENGER - WIDE (J26, J27)
1	127540-02-J50	EA SEAT - BUCKET - PASSENGER - WIDE (J28, J29)
1	127540-11-J22	EA SEAT - BUCKET - PASSENGER - WIDE (LEATHER)
2	119509-01-J22	EA HEADREST - BUCKET SEAT (J22, J23)
2	119509-01-J24	EA HEADREST - BUCKET SEAT (J24, J25)
2	119509-01-J26	EA HEADREST - BUCKET SEAT (J26, J27)
2	119509-01-J50	EA HEADREST - BUCKET SEAT (J28, J29)
2	119509-02-J22	EA HEADREST - BUCKET SEAT (LEATHER)
2	P19509-01-J22	EA COVER - HEADREST (J22, J23)
2	P19509-01-J24	EA COVER - HEADREST (J24, J25)
2	P19509-01-J26	EA COVER - HEADREST (J26, J27)
2	P19509-01-J50	EA COVER - HEADREST (J28, J29)
2	P19509-02-J22	EA COVER - HEADREST (LEATHER)
	113977-12-000	EA HEADREST INSERT - W/O LOCK
	113977-13-000	EA HEADREST INSERT - W/ LOCK
	114791-03-000	EA FRAME - HEADREST

KEY	PART NUMBER	U/M DESCRIPTION
3	M05962-71-J22	EA COVER - BACK - WIDE (J22, J23)
3	M05962-71-J24	EA COVER - BACK - WIDE (J24, J25)
3	M05962-71-J26	EA COVER - BACK - WIDE (J26, J27)
3	M05962-71-J50	EA COVER - BACK - WIDE (J28, J29)
3	M05962-78-J22	EA COVER - BACK - BUCKET (LEATHER)
4	122780-01-J22	EA ARMREST - RIGHT HAND (J22, J23)
4	122780-01-J24	EA ARMREST - RIGHT HAND (J24, J25)
4	122780-01-J26	EA ARMREST - RIGHT HAND (J26, J27)
4	122780-01-J50	EA ARMREST - RIGHT HAND (J28, J29)
4	122780-03-J22	EA ARMREST - RIGHT HAND (LEATHER)
4	P22780-01-J22	EA COVER - ARMREST - RIGHT HAND (J22, J23)
4	P22780-01-J24	EA COVER - ARMREST - RIGHT HAND (J24, J25)
4	P22780-01-J26	EA COVER - ARMREST - RIGHT HAND (J26, J27)
4	P22780-01-J50	EA COVER - ARMREST - RIGHT HAND (J28, J29)
4	122780-03-J22	EA COVER - ARMREST - RIGHT HAND (LEATHER)
4	115617-03-000	EA ARMREST - W/O COVER - RIGHT
5	122780-02-J22	EA ARMREST - LEFT HAND (J22, J23)
5	122780-02-J24	EA ARMREST - LEFT HAND (J24, J25)
5	122780-02-J26	EA ARMREST - LEFT HAND (J26, J27)
5	122780-02-J50	EA ARMREST - LEFT HAND (J28, J29)
5	122780-04-J22	EA ARMREST - LEFT HAND (LEATHER)
5	P22780-02-J22	EA COVER - ARMREST - LEFT HAND (J22, J23)
5	P22780-02-J24	EA COVER - ARMREST - LEFT HAND (J24, J25)
5	P22780-02-J26	EA COVER - ARMREST - LEFT HAND (J26, J27)
5	P22780-02-J50	EA COVER - ARMREST - LEFT HAND (J28, J29)
5	P22780-04-J22	EA COVER - ARMREST - LEFT HAND (LEATHER)
5	115617-04-000	EA ARMREST - W/O COVER - LEFT
6	M05962-40-J22	EA COVER - SEAT - WIDE (J22, J23)
6	M05962-40-J24	EA COVER - SEAT - WIDE (J24, J25)
6	M05962-40-J26	EA COVER - SEAT - WIDE (J26, J27)
6	M05962-40-J50	EA COVER - SEAT - WIDE (J28, J29)
6	M05962-79-J22	EA COVER - SEAT - BUCKET (LEATHER)
7	122695-01-01B	EA FRAME - SEAT & BACK
8	117125-01-02B	EA BRACKET - CABLE MOUNT - ADJUSTER W/ LOCK
9	119952-06-000	EA SLIDE/SEAT - HEAVY DUTY LOCKING - 4 STUDS
		FROM: 00-00-00 THRU: 11-02-97
9	119952-04-000	EA SLIDE/SEAT - HEAVY DUTY LOCKING - 4 STUDS
		FROM: 11-03-97 THRU: 99-99-99
	119952-07-000	EA WIRE - LATCH RELEASE/ ROTARY
10	107921-05-000	EA PLATE TOP - W/ SEAT BELT BAR
11	107921-06-000	EA BEARING KIT - PEDESTAL
12	107921-01-000	EA PEDESTAL FLOOR MOUNTED - W/9.75" EXTENSION
13	080730-09-000	EA SHIELD - RECLINER HANDLE
14	080730-08-000	EA HANDLE - RECLINER
15	080730-11-000	EA SHIELD - RUBBER BOOT
16	108049-04-000	EA CABLE - W/SWITCHES - W/26" MINI LEVER ACTION
17	127159-02-02B	EA BRACKET - SEAT RELEASE - DUAL REMOTE
18	071126-58-J22	EA SKIRT - SINGLE 10.5" - W/SEAT BELT SLOT (J22, J23)
18	071126-58-J24	EA SKIRT - SINGLE 10.5" - W/SEAT BELT SLOT (J24, J25)
18	071126-58-H17	EA SKIRT - SINGLE 10.5" - W/SEAT BELT SLOT (J26, J27)
18	071126-58-J50	EA SKIRT - SINGLE 10.5" - W/SEAT BELT SLOT (J28, J29)
18	071126-62-J22	EA SKIRT - SINGLE 10.5" - W/SEAT BELT SLOT (LEATHER)

CURTAIN & CUSHION GROUP (CONTINUED)

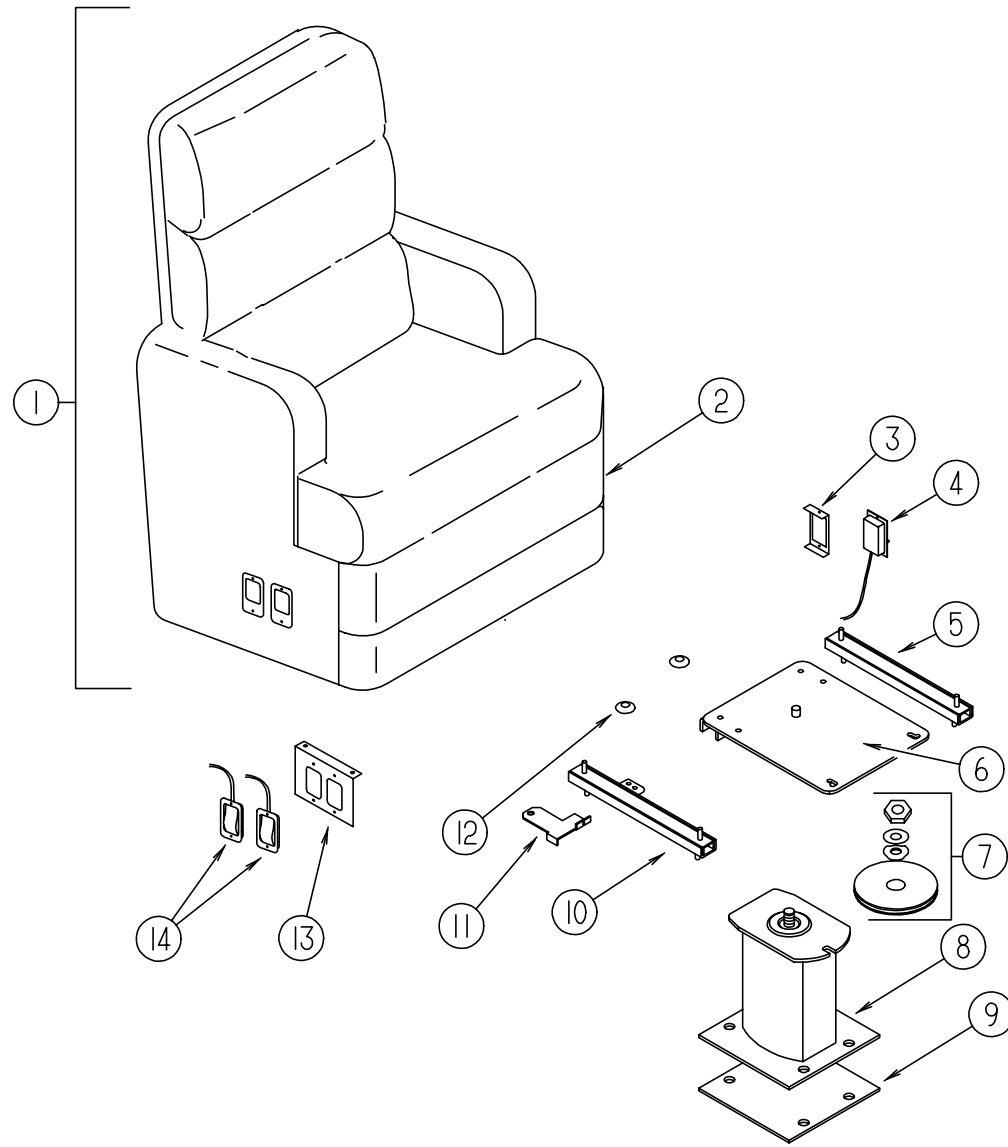
SWIVEL CHAIR (RECLINER) (FROM: 00-00-00 THRU: 11-02-97)



KEY	PART NUMBER	U/M DESCRIPTION
1	124067-01-J22	EA CHAIR - RECLINER - W/O SKIRT
1	124067-01-J23	EA CHAIR - RECLINER - W/O SKIRT
1	124067-01-J24	EA CHAIR - RECLINER - W/O SKIRT
1	124067-01-J25	EA CHAIR - RECLINER - W/O SKIRT
1	124067-01-J26	EA CHAIR - RECLINER - W/O SKIRT
1	124067-01-J27	EA CHAIR - RECLINER - W/O SKIRT
1	124067-01-J28	EA CHAIR - RECLINER - W/O SKIRT
1	124067-01-J29	EA CHAIR - RECLINER - W/O SKIRT
1	P24067-01-J22	EA COVER - CHAIR - RECLINER (J22, J23)
1	P24067-01-J24	EA COVER - CHAIR - RECLINER (J24, J25)
1	P24067-01-J26	EA COVER - CHAIR - RECLINER (J26, J27)
1	P24067-01-J28	EA COVER - CHAIR - RECLINER (J28, J29)
	P18302-27-J22	EA COVER - ARMREST - UNIVERSAL (SLIPCOVER)(J22, J23)
	P18302-27-J24	EA COVER - ARMREST - UNIVERSAL (SLIPCOVER)(J24, J25)
	P18302-27-J26	EA COVER - ARMREST - UNIVERSAL (SLIPCOVER)(J26, J27)
	P18302-27-J28	EA COVER - ARMREST - UNIVERSAL (SLIPCOVER)(J28, J29)
2	118539-01-J22	EA SKIRT - RECLINER (J22, J23)
2	118539-01-J24	EA SKIRT - RECLINER (J24, J25)
2	118539-01-J26	EA SKIRT - RECLINER (J26, J27)
2	118539-01-J50	EA SKIRT - RECLINER (J28, J29)
3	127159-01-02B	EA BRACKET - SEAT RELEASE - SINGLE REMOTE
4	108049-05-000	EA FRAME - CABLE - REMOTE RECLINE - W/MINI LEVER ACTION
5	119952-01-000	EA SLIDE - SEAT - HEAVY DUTY NON LOCKING
6	107921-08-000	EA TOP PLATE - PEDESTAL - W/O SEATBELT BAR
7	107921-06-000	EA BEARING KIT - PEDESTAL
8	107921-01-000	EA FLOOR MOUNTED PEDESTAL - W/9.75" EXTENSION
9	108445-02-000	EA SUB PLATE - FLOOR MOUNTED PEDESTAL
10	119952-03-000	EA SLIDE - SEAT - HEAVY DUTY LOCKING - 2 STUDS
11	117125-01-02B	EA BRACKET - CABLE MOUNT - ADJUSTER W/LOCK
12	007221-01-000	EA SPACER - SEAT ADJUSTER
13	127159-02-02B	EA BRACKET - SEAT RELEASE - DUAL REMOTE
14	108049-04-000	EA CABLE - W/SWITCHES - W/26" MINI LEVER ACTION
	108049-02-000	EA CLIP - CABLE/ PEDESTAL
	057759-01-000	EA WASHER BRACKET - SEAT BELT - 4" DIAMETER
	007021-01-000	EA SEAT BELT - 2" X 90" - BLACK

CURTAIN & CUSHION GROUP (CONTINUED)

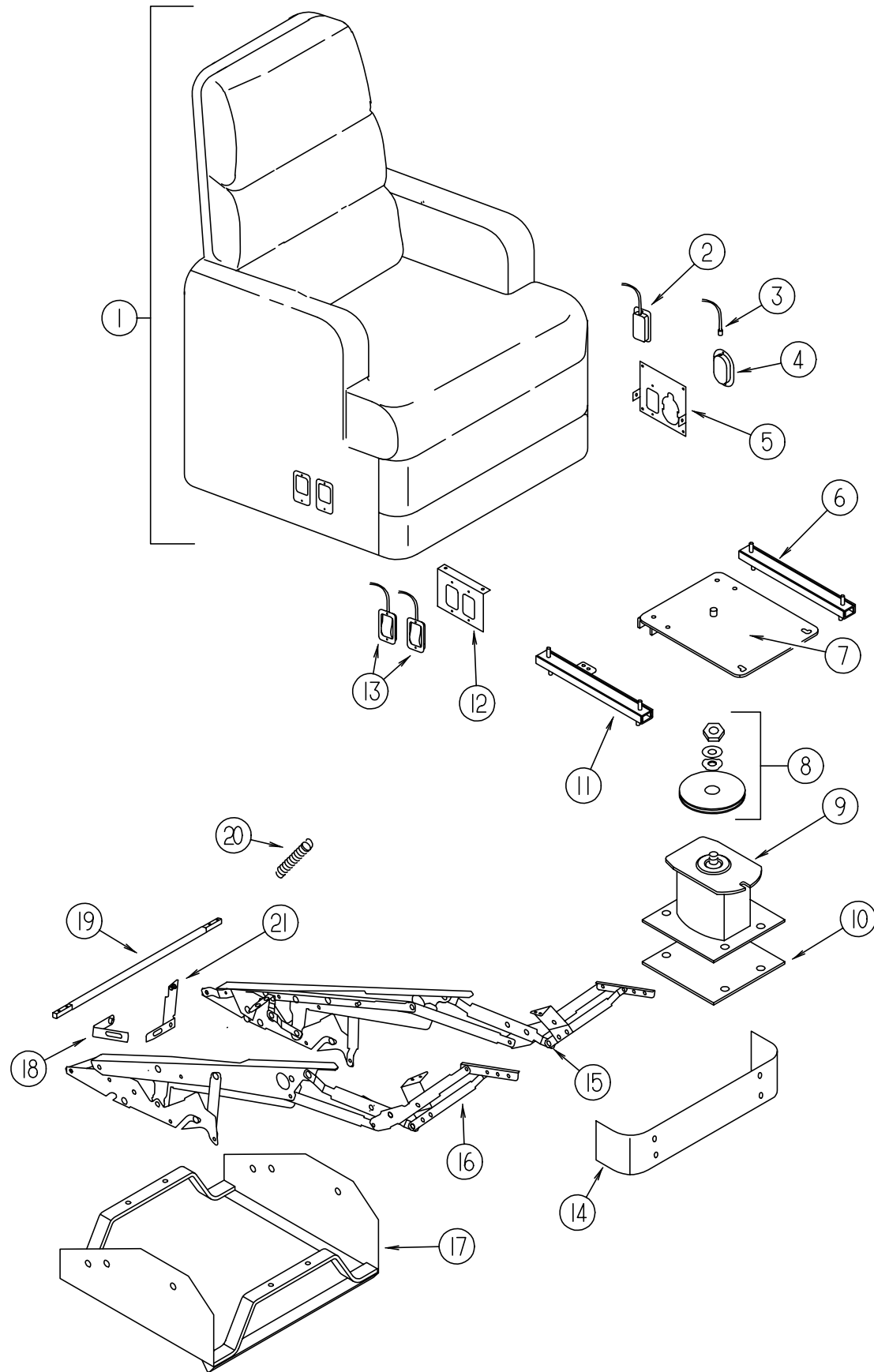
SWIVEL CHAIR (RECLINER) (FROM: 11-03-97 THRU: 01-04-98)



KEY	PART NUMBER	U/M DESCRIPTION
1	124067-03-J22	EA CHAIR - RECLINER - W/HEADREST - W/O SKIRT (J22, J23)
1	124067-03-J24	EA CHAIR - RECLINER - W/HEADREST - W/O SKIRT (J24, J25)
1	124067-03-J26	EA CHAIR - RECLINER - W/HEADREST - W/O SKIRT (J26, J27)
1	124067-03-J28	EA CHAIR - RECLINER - W/HEADREST - W/O SKIRT (J28, J29)
1	P24067-03-J22	EA COVER - CHAIR - RECLINER (J22, J23)
1	P24067-03-J24	EA COVER - CHAIR - RECLINER (J24, J25)
1	P24067-03-J26	EA COVER - CHAIR - RECLINER (J26, J27)
1	P24067-03-J28	EA COVER - CHAIR - RECLINER (J28, J29)
	P18302-27-J22	EA COVER - ARMREST - UNIVERSAL (SLIPCOVER) (J22, J23)
	P18302-27-J24	EA COVER - ARMREST - UNIVERSAL (SLIPCOVER) (J24, J25)
	P18302-27-J26	EA COVER - ARMREST - UNIVERSAL (SLIPCOVER) (J26, J27)
	P18302-27-J28	EA COVER - ARMREST - UNIVERSAL (SLIPCOVER) (J28, J29)
2	118539-01-J22	EA SKIRT - RECLINER (J22, J23)
2	118539-01-J24	EA SKIRT - RECLINER (J24, J25)
2	118539-01-J26	EA SKIRT - RECLINER (J26, J27)
2	118539-01-J50	EA SKIRT - RECLINER (J28, J29)
3	127159-01-02B	EA BRACKET - SEAT RELEASE - SINGLE REMOTE
4	108049-05-000	EA FRAME - CABLE - REMOTE RECLINE - W/MINI LEVER ACTION
5	119952-01-000	EA SLIDE - SEAT - HEAVY DUTY NON LOCKING
6	107921-08-000	EA TOP PLATE - PEDESTAL - W/O SEATBELT BAR
7	107921-06-000	EA BEARING KIT - PEDESTAL
8	107921-01-000	EA FLOOR MOUNTED PEDESTAL - W/9.75" EXTENSION
9	108445-02-000	EA SUB PLATE - FLOOR MOUNTED PEDESTAL
10	119952-03-000	EA SLIDE - SEAT - HEAVY DUTY LOCKING - 2 STUDS
11	117125-01-02B	EA BRACKET - CABLE MOUNT - ADJUSTER W/LOCK
12	007221-01-000	EA SPACER - SEAT ADJUSTER
13	127159-02-02B	EA BRACKET - SEAT RELEASE - DUAL REMOTE
14	108049-04-000	EA CABLE - W/SWITCHES - W/26" MINI LEVER ACTION
	108049-02-000	EA CLIP - CABLE/ PEDESTAL
	057759-01-000	EA WASHER BRACKET - SEAT BELT - 4" DIAMETER
	007021-01-000	EA SEAT BELT - 2" X 90" - BLACK

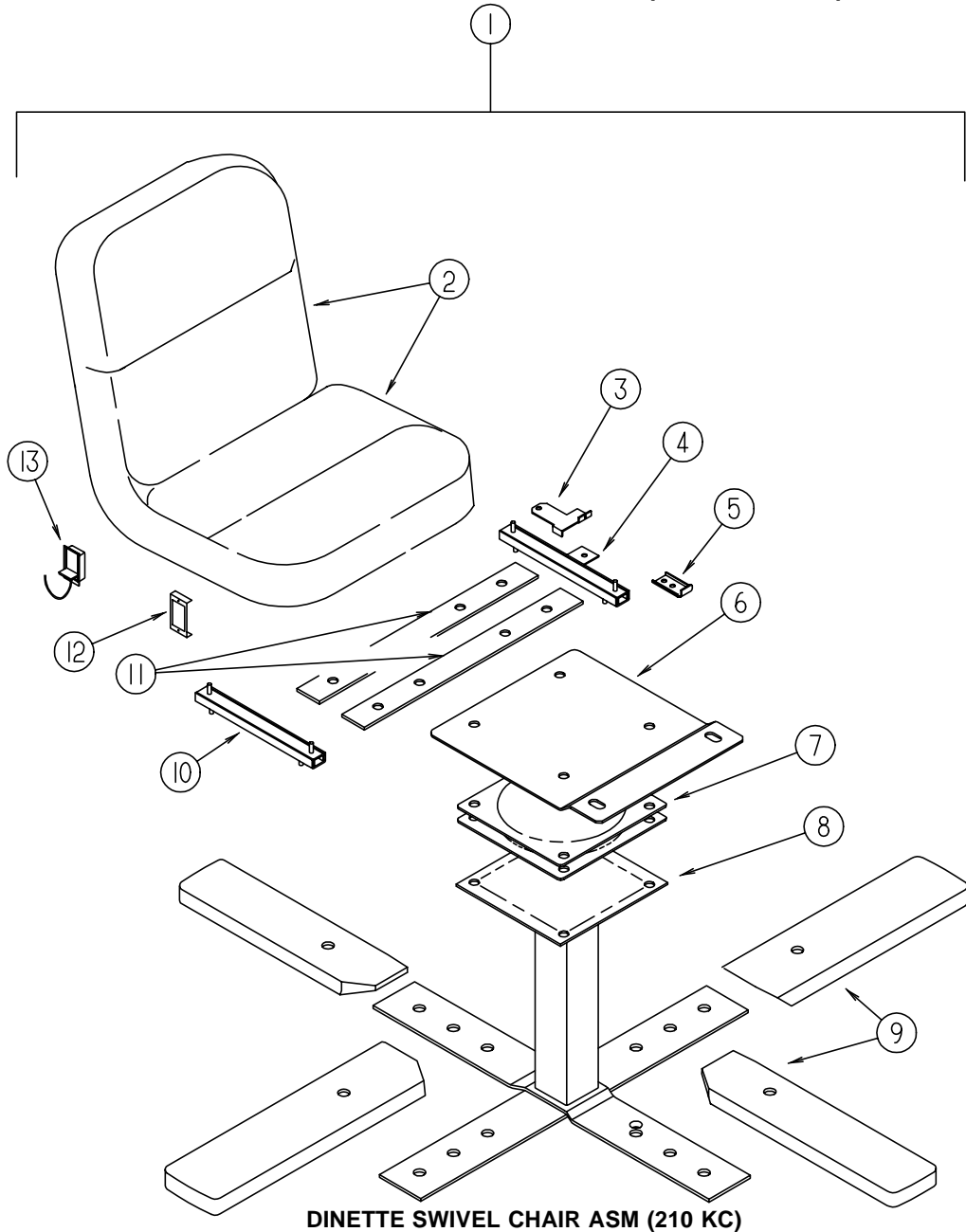
CURTAIN & CUSHION GROUP (CONTINUED)

SWIVEL CHAIR (RECLINER) (FROM: 01-05-98 THRU: 99-99-99)



KEY	PART NUMBER	U/M DESCRIPTION
1	129348-01-J22	EA CHAIR - INCLINER W/FOOTREST (J22, J23)
1	129348-01-J24	EA CHAIR - INCLINER W/FOOTREST (J24, J25)
1	129348-01-J26	EA CHAIR - INCLINER W/FOOTREST (J26, J27)
1	129348-01-J28	EA CHAIR - INCLINER W/FOOTREST (J28, J29)
1	P29348-01-J22	EA COVER - CHAIR - INCLINER W/FOOTREST (J22, J23)
1	P29348-01-J24	EA COVER - CHAIR - INCLINER W/FOOTREST (J24, J25)
1	P29348-01-J26	EA COVER - CHAIR - INCLINER W/FOOTREST (J26, J27)
1	P29348-01-J28	EA COVER - CHAIR - INCLINER W/FOOTREST (J28, J29)
	P18302-27-J22	EA COVER - ARMREST - UNIVERSAL (SLIPCOVER) (J22, J23)
	P18302-27-J24	EA COVER - ARMREST - UNIVERSAL (SLIPCOVER) (J24, J25)
	P18302-27-J26	EA COVER - ARMREST - UNIVERSAL (SLIPCOVER) (J26, J27)
	P18302-27-J28	EA COVER - ARMREST - UNIVERSAL (SLIPCOVER) (J28, J29)
2	108049-05-000	EA FRAME - CABLE - REMOTE RECLINE - W/MINI LEVER ACTION
3	129148-05-000	EA INCLINER - CABLE - 30"
4	129148-06-000	EA INCLINER - LEVER F/CABLE
5	129164-01-02B	EA BRACKET - SEAT RELEASE - REMOTE
6	119952-02-000	EA SLIDE - SEAT - HEAVY DUTY NONLOCKING
7	107921-08-000	EA TOP PLATE - PEDESTAL - W/O SEATBELT BAR
8	107921-06-000	EA BEARING KIT - PEDESTAL
9	107921-01-000	EA PEDESTAL/FLOOR MOUNTED - W/9.75" EXTENSION
		FROM: 00-00-00 THRU: 01-04-98
9	107921-14-000	EA PEDESTAL - SEAT W/5.75" EXTENSION - F/MANUAL SEAT
		FROM: 01-05-98 THRU: 99-99-99
10	108445-02-000	EA PLATE/FLOOR MOUNTED - PEDESTAL SEAT
11	119952-04-000	EA SLIDE - SEAT - HEAVY DUTY LOCKING
12	129162-01-02B	EA BRACKET - SEAT RELEASE - REMOTE
13	108049-04-000	EA CABLE - W/SWITCHES - W/26" MINI LEVER ACTION
	108049-02-000	EA CLIP - CABLE/ PEDESTAL
14	119901-04-000	EA FOOT REST - RECLINER
15	129148-01-000	EA INCLINER - LEFT
16	129148-02-000	EA INCLINER - RIGHT
17	129173-01-02B	EA FRAME - INCLINER - E-COATED
	129148-09-000	EA INCLINER - CLIP/HAIRPIN - 1 7/16 X .07
18	129148-08-000	EA INCLINER - CLIP F/CABLE
19	129148-10-000	EA INCLINER TUBE - MODIFIED
20	129148-03-000	EA SPRING - INCLINER
21	129148-07-000	EA INCLINER - CABLE F/BREAK RELEASE

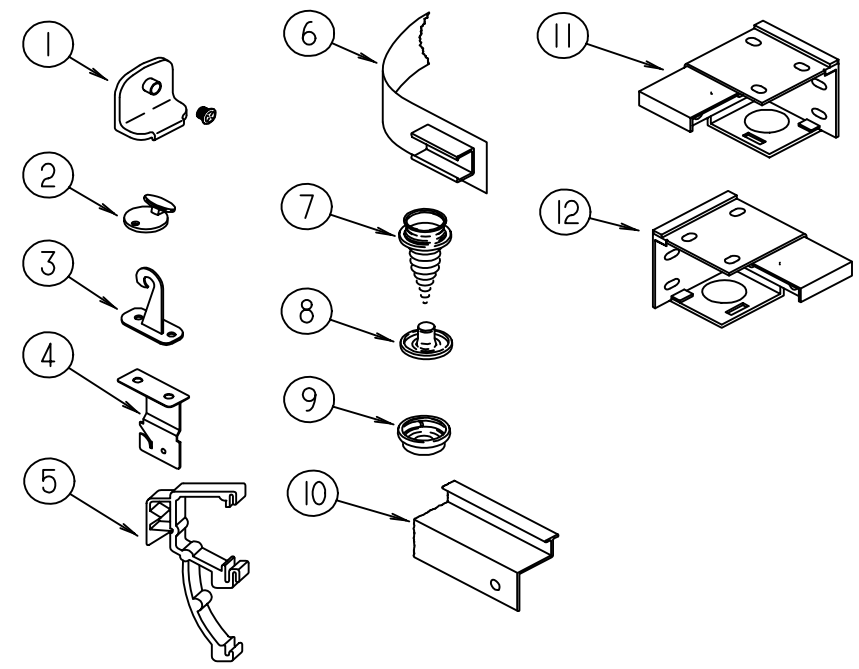
CURTAIN & CUSHION GROUP (CONTINUED)



DINETTE SWIVEL CHAIR ASM (210 KC)

KEY	PART NUMBER	U/M DESCRIPTION
1	122739-01-J22	EA CHAIR - SWIVEL (W/O CHAIR LEG COVER) (J22, J23)
1	122739-01-J24	EA CHAIR - SWIVEL (W/O CHAIR LEG COVER) (J24, J25)
1	122739-01-J26	EA CHAIR - SWIVEL (W/O CHAIR LEG COVER) (J26, J27)
1	122739-01-J28	EA CHAIR - SWIVEL (W/O CHAIR LEG COVER) (J28, J29)
2	P22739-01-J22	EA COVER - BACK/SEAT - SWIVEL CHAIR (J22, J23)
2	P22739-01-J24	EA COVER - BACK/SEAT - SWIVEL CHAIR (J24, J25)
2	P22739-01-J26	EA COVER - BACK/SEAT - SWIVEL CHAIR (J26, J27)
2	P22739-01-J28	EA COVER - BACK/SEAT - SWIVEL CHAIR (J28, J29)
3	117125-01-02B	EA BRACKET - CABLE MOUNT - ADJUSTER W/LOCK
4	119952-04-000	EA SLIDE - SEAT - HEAVY DUTY LOCKING - 4 STUDS
5	007221-01-000	EA SPACER - SEAT ADJUSTER
6	119705-11-02B	EA PLATE - SEAT
7	119105-01-000	EA PLATE - SWIVEL - RETURN-0-MATIC
8	119705-02-03B	EA PEDESTAL
9	116080-02-G35	EA COVER - CHAIR LEG - 9.5" WATERFORD OAK
9	116080-02-J40	EA COVER - CHAIR LEG - 9.5" WASHED MAPLE (WHITE)
10	119952-02-000	EA SLIDE - SEAT - HEAVY DUTY NONLOCKING
11	120109-01-02B	EA ADAPTER BRACKET - DINETTE SWIVEL CHAIR
12	127159-01-02B	EA BRACKET - SEAT RELEASE - REMOTE
13	108049-04-000	EA CABLE - W/SWITCHES - W/26" MINI LEVER ACTION

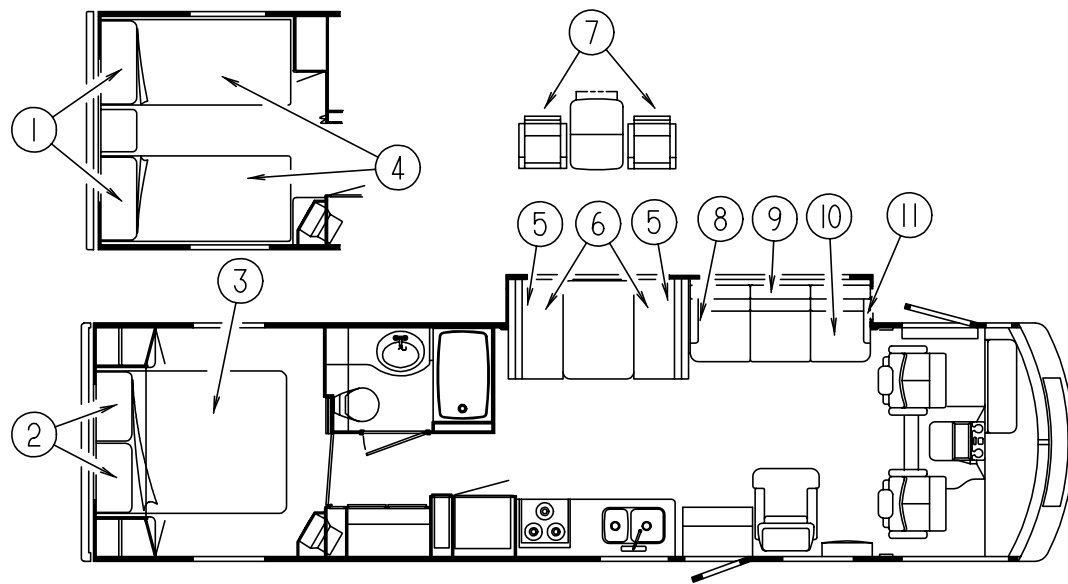
CURTAIN & CUSHION GROUP (CONTINUED)



CURTAIN & BLIND HARDWARE

KEY	PART NUMBER	U/M DESCRIPTION
1	106544-01-000	EA PULL - SHADE/BRASS
	106544-01-001	EA SCREW - SHADE/BRASS
2	102555-01-000	EA CLEAT - BLIND CORD - MILKY WHITE PLASTIC
3	109441-03-000	EA HOLD DOWN - BLIND (CLOUDY)
4	084434-01-000	EA BRACKET - MOUNTING - ROLLER SHADE - 1 3/8"
5	109353-04-000	EA CLIP - VALANCE SLAT MOUNTING - CLEAR PLASTIC
6	101031-01-000	YD TAPE - GLIDE/CURTAIN - 4.25" SPACING
7	029130-01-000	EA SCREW - SNAP SOCKET - #8 PH X 5/8"
8	029155-01-000	EA CAP - SNAP - 5/32" OUTSIDE DIAMETER OF PIN
9	029156-01-000	EA SOCKET - SNAP - 9/16" O.D.
10	127254-03-02A	EA TRACK - CURTAIN/RIGHT HAND - ANTELOPE
10	127254-04-02A	EA TRACK - CURTAIN/LEFT HAND - ANTELOPE
11	083170-02-000	EA BRACKET - BLIND - RIGHT SIDE WHEN FACING WINDOW
12	083170-01-000	EA BRACKET - BLIND - LEFT SIDE WHEN FACING WINDOW
	046867-03-000	EA GROMMET - HANDY BUTTON #3
	048394-02-000	YD VELCRO TAPE - HOOK - ADHESIVE BACK - .75" WIDE - BEIGE
	086276-01-000	EA TAPE - DOUBLE SIDED - 1/2"
	094896-02-000	EA GROMMET - CORD/PLEATED BLIND - NYLON - GRAY
	094907-02-000	EA END CAP - TOP/PLEATED BLIND - PLASTIC - GRAY
	094907-04-000	EA END CAP BOTTOM/PLEATED BLIND (RH & LH)
	095567-01-000	EA TACK - STRIP - .5" X 625' ROLL
	096843-01-000	EA SPRING - REWIND/ROLLER SHADE
	097564-01-000	EA HANDLE - KNOB - E-Z LIFT SHADE - SMOKED
		FROM: 00-00-00 THRU: 10-19-97
	097564-04-000	EA HANDLE - KNOB - E-Z LIFT SHADE - NAVY
		FROM: 10-20-97 THRU: 99-99-99
	097565-01-000	EA BRACKET - MOUNTING/PLEATED BLIND
	097591-01-000	EA SPRING - EXTENSION/PLEATED BLIND
	097592-01-000	EA SPOOL - CORD - ELEVATED BLIND HOLDUP - CLEAR PLASTIC
		FROM: 00-00-00 THRU: 11-23-97
	097592-02-000	EA BRACKET - HOLDDOWN ADJUSTER
		FROM: 11-24-97 THRU: 99-99-99
	097593-06-000	FT CORD - BLIND - PLEATED - PEWTER

CURTAIN & CUSHION GROUP (CONTINUED)



QUEEN & TWIN BED

KEY	PART NUMBER	U/M DESCRIPTION
1	119249-02-000	EA PILLOW - 22" X 37" - TWIN
2	119249-01-000	EA PILLOW - 20" X 33" - QUEEN
3	119141-17-J22	EA BEDSPREAD/THROW - 60" X 80" (J22, J23)
3	119141-18-J25	EA BEDSPREAD/THROW - 60" X 80" (J24, J25)
3	119141-18-J26	EA BEDSPREAD/THROW - 60" X 80" (J26, J27)
3	119141-18-J28	EA BEDSPREAD/THROW - 60" X 80" (J28, J29)
3	123015-07-000	EA MATTRESS - INNERSPRING - 60" X 79.5"
4	119141-15-J22	EA BEDSPREAD/THROW - 36" X 80" (J22, J23)
4	119141-16-J24	EA BEDSPREAD/THROW - 36" X 80" (J24, J25)
4	119141-16-J26	EA BEDSPREAD/THROW - 36" X 80" (J26, J27)
4	119141-16-J28	EA BEDSPREAD/THROW - 36" X 80" (J28, J29)
4	123015-04-000	EA MATTRESS - INNERSPRING - 36" X 79.5"
	111637-08-J22	EA PILLOW - 16" X 16" (J22, J23)
	111637-08-J24	EA PILLOW - 16" X 16" (J24, J25)
	111637-08-J26	EA PILLOW - 16" X 16" (J26, J27)
	111637-08-J28	EA PILLOW - 16" X 16" (J28, J29)

DINETTE CUSHIONS

KEY	PART NUMBER	U/M DESCRIPTION
5	111897-10-J22	EA CUSHION - BACK - 13.5" X 42" X 5" (J22, J23)
5	111897-05-J06	EA CUSHION - BACK - 13.5" X 42" X 5" (J24, J25)
5	111897-05-J26	EA CUSHION - BACK - 13.5" X 42" X 5" (J26, J27)
5	111897-05-J50	EA CUSHION - BACK - 13.5" X 42" X 5" (J28, J29)
5	P11897-10-J22	EA COVER - BACK - 13.5" X 42" X 5" (J22, J23)
5	P11897-05-J06	EA COVER - BACK - 13.5" X 42" X 5" (J24, J25)
5	P11897-05-J26	EA COVER - BACK - 13.5" X 42" X 5" (J26, J27)
5	P11897-05-J50	EA COVER - BACK - 13.5" X 42" X 5" (J28, J29)
6	105603-20-J22	EA CUSHION - SEAT - 23" X 42" X 5" (J22, J23)
6	105603-15-J06	EA CUSHION - SEAT - 23" X 42" X 5" (J24, J25)
6	105603-15-J26	EA CUSHION - SEAT - 23" X 42" X 5" (J26, J27)
6	105603-15-J50	EA CUSHION - SEAT - 23" X 42" X 5" (J28, J29)
6	P05603-20-J22	EA COVER - SEAT - 23" X 42" X 5" (J22, J23)
6	P05603-15-J06	EA COVER - SEAT - 23" X 42" X 5" (J24, J25)
6	P05603-15-J26	EA COVER - SEAT - 23" X 42" X 5" (J26, J27)
6	P05603-15-J50	EA COVER - SEAT - 23" X 42" X 5" (J28, J29)
	078155-01-000	EA STRAP - SNAP - BACK CUSHION

DINETTE OPTION

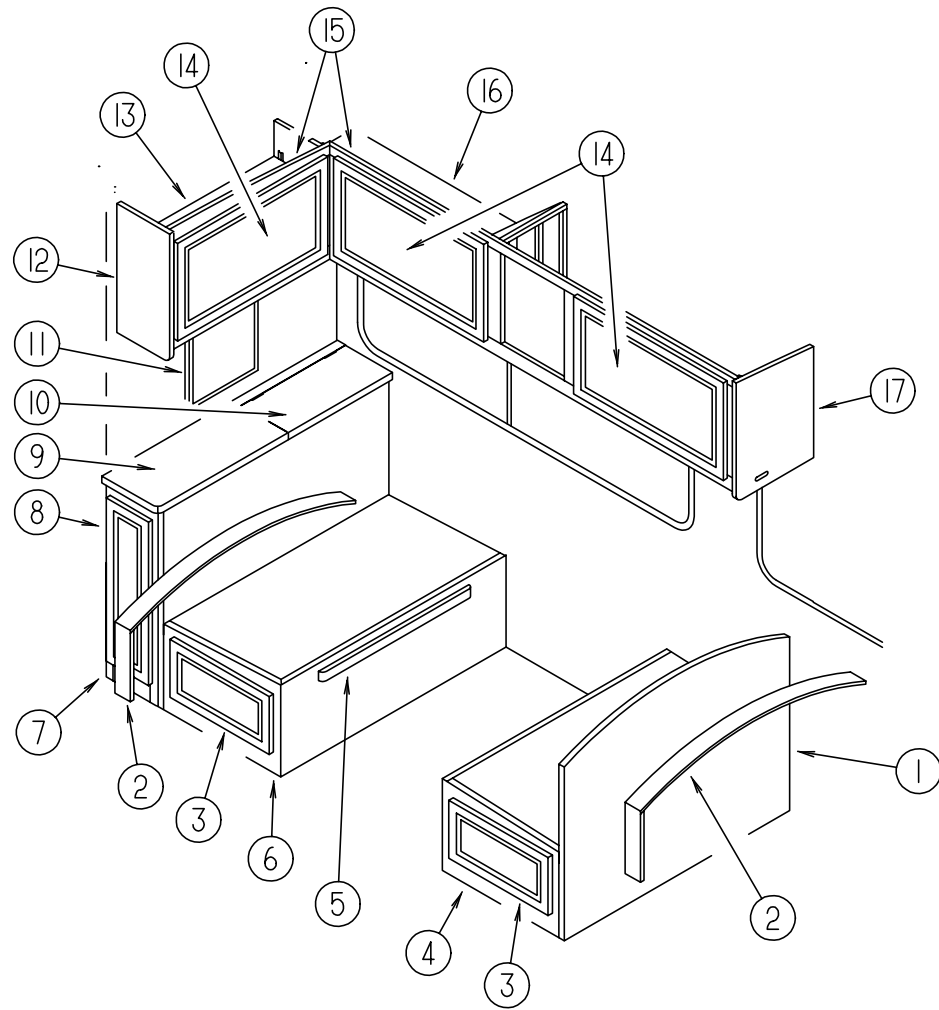
KEY	PART NUMBER	U/M DESCRIPTION
7	122739-01-J22	EA CHAIR - SWIVEL (W/O CHAIR LEG COVER) (J22, J23)
7	122739-01-J24	EA CHAIR - SWIVEL (W/O CHAIR LEG COVER) (J24, J25)
7	122739-01-J26	EA CHAIR - SWIVEL (W/O CHAIR LEG COVER) (J26, J27)
7	122739-01-J28	EA CHAIR - SWIVEL (W/O CHAIR LEG COVER) (J28, J29)
	101604-01-04A	EA CHAIR - DINETTE FOLDING - W/O FABRIC - SOLAR MAPLE (WHITE)
	101604-01-03A	EA CHAIR - DINETTE FOLDING - W/O FABRIC - WATERFORD OAK

SOFA BED

KEY	PART NUMBER	U/M DESCRIPTION
8	127840-01-J22	EA PANEL - RIGHT END - SOFA/BED - FABRIC COVERED (J22, J23)
8	127840-01-J24	EA PANEL - RIGHT END - SOFA/BED - FABRIC COVERED (J24, J25)
8	127840-01-J26	EA PANEL - RIGHT END - SOFA/BED - FABRIC COVERED (J26, J27)
8	127840-01-J28	EA PANEL - RIGHT END - SOFA/BED - FABRIC COVERED (J28, J29)
8	127562-01-J22	EA ARMREST - REMOVEABLE RIGHT HAND (J22, J23)
8	127562-01-J24	EA ARMREST - REMOVEABLE RIGHT HAND (J24, J25)
8	127562-01-J26	EA ARMREST - REMOVEABLE RIGHT HAND (J26, J27)
8	127562-01-J50	EA ARMREST - REMOVEABLE RIGHT HAND (J28, J29)
8	P27562-01-J22	EA COVER - ARMREST - RIGHT (J22, J23)
8	P27562-01-J24	EA COVER - ARMREST - RIGHT (J24, J25)
8	P27562-01-J26	EA COVER - ARMREST - RIGHT (J26, J27)
8	P27562-01-J50	EA COVER - ARMREST - RIGHT (J28, J29)
9	127561-01-J22	EA BACK - SOFA/BED - 74" (J22, J23)
9	127561-01-J24	EA BACK - SOFA/BED - 74" (J24, J25)
9	127561-01-J26	EA BACK - SOFA/BED - 74" (J26, J27)
9	127561-01-J50	EA BACK - SOFA/BED - 74" (J28, J29)
9	P27561-01-J22	EA COVER - BACK - SOFA/BED - 74" (J22, J23)
9	P27561-01-J24	EA COVER - BACK - SOFA/BED - 74" (J24, J25)
9	P27561-01-J26	EA COVER - BACK - SOFA/BED - 74" (J26, J27)
9	P27561-01-J50	EA COVER - BACK - SOFA/BED - 74" (J28, J29)
10	127561-02-J22	EA SEAT - SOFA/BED - 74" (J22, J23)
10	127561-02-J24	EA SEAT - SOFA/BED - 74" (J24, J25)
10	127561-02-J26	EA SEAT - SOFA/BED - 74" (J26, J27)
10	127561-02-J50	EA SEAT - SOFA/BED - 74" (J28, J29)
10	P27561-02-J22	EA COVER - SEAT - SOFA/BED - 74" (J22, J23)
10	P27561-02-J24	EA COVER - SEAT - SOFA/BED - 74" (J24, J25)
10	P27561-02-J26	EA COVER - SEAT - SOFA/BED - 74" (J26, J27)
10	P27561-02-J50	EA COVER - SEAT - SOFA/BED - 74" (J28, J29)
11	127840-02-J22	EA PANEL - LEFT END - SOFA/BED - FABRIC COVERED (J22, J23)
11	127840-02-J24	EA PANEL - LEFT END - SOFA/BED - FABRIC COVERED (J24, J25)
11	127840-02-J26	EA PANEL - LEFT END - SOFA/BED - FABRIC COVERED (J26, J27)
11	127840-02-J28	EA PANEL - LEFT END - SOFA/BED - FABRIC COVERED (J28, J29)
11	127562-02-J22	EA ARMREST - REMOVEABLE LEFT HAND (J22, J23)
11	127562-02-J24	EA ARMREST - REMOVEABLE LEFT HAND (J24, J25)
11	127562-02-J26	EA ARMREST - REMOVEABLE LEFT HAND (J26, J27)
11	127562-02-J50	EA ARMREST - REMOVEABLE LEFT HAND (J28, J29)
11	P27562-02-J22	EA COVER - ARMREST - LEFT (J22, J23)
11	P27562-02-J24	EA COVER - ARMREST - LEFT (J24, J25)
11	P27562-02-J26	EA COVER - ARMREST - LEFT (J26, J27)
11	P27562-02-J50	EA COVER - ARMREST - LEFT (J28, J29)
	127335-08-000	EA BRACKET - REMOVABLE ARM/COUCH
	127335-09-000	EA BRACKET - REMOVABLE ARM/CUSHION
	116104-03-02B	EA BRACKET - ZEE W/HOLES
	120992-07-J22	EA PANEL - COUCH FRONT - FABRIC COVERED (J22, J23)
	120992-07-J24	EA PANEL - COUCH FRONT - FABRIC COVERED (J24, J25)
	120992-07-J26	EA PANEL - COUCH FRONT - FABRIC COVERED (J26, J27)
	120992-07-J50	EA PANEL - COUCH FRONT - FABRIC COVERED (J28, J29)
	111637-03-J22	EA PILLOW - 22" X 22" (J22, J23)
	111637-03-J24	EA PILLOW - 22" X 22" (J24, J25)
	111637-03-J26	EA PILLOW - 22" X 22" (J26, J27)
	111637-03-J28	EA PILLOW - 22" X 22" (J28, J29)
	127335-12-000	EA FRAME-10" LEG

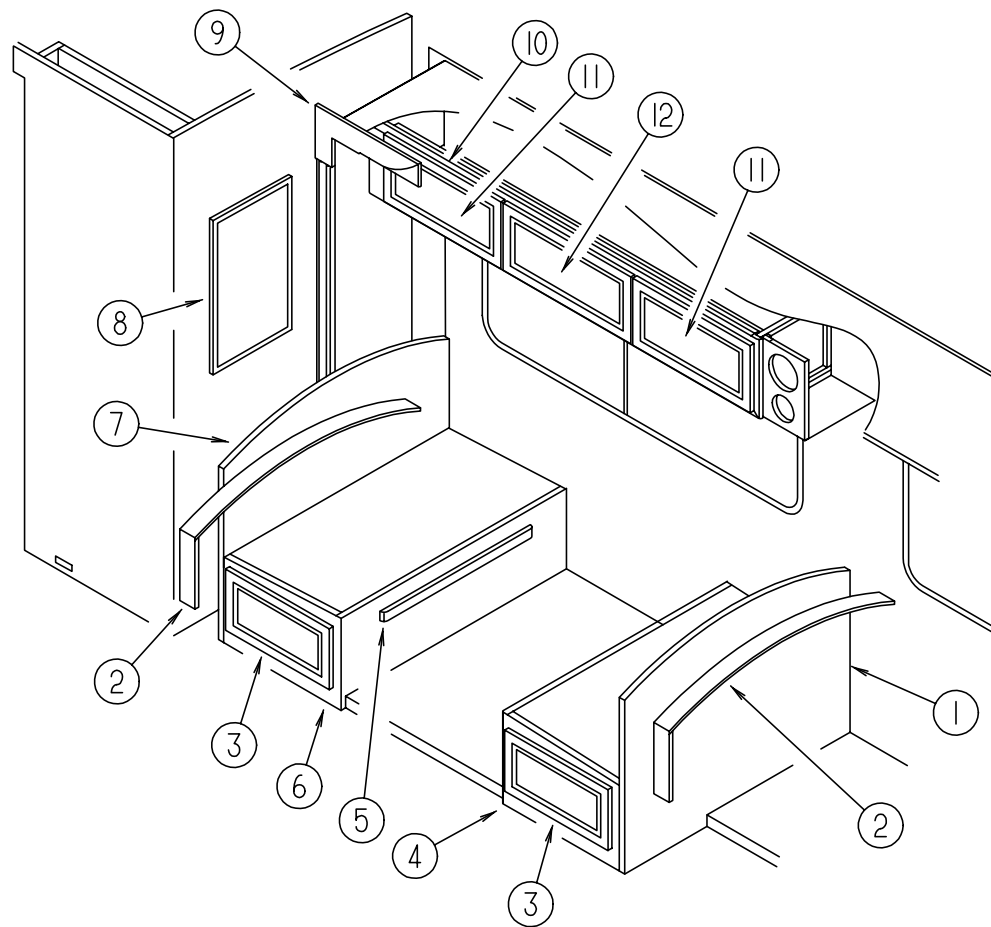
DINETTE GROUP

DINETTE WITH OVERHEAD CABINETS



KEY	PART NUMBER	U/M DESCRIPTION
1	M07514-01-H17	EA CABINET - SEATBACK - RIGHT HAND (OAK)
1	M07514-01-H23	EA CABINET - SEATBACK - RIGHT HAND (WHITE)
2	104787-08-J22	EA PAD - DINETTE SEATBACK (J22, J23)
2	104787-08-J24	EA PAD - DINETTE SEATBACK (J24, J25)
2	104787-08-J20	EA PAD - DINETTE SEATBACK (J26, J27)
2	104787-08-J50	EA PAD - DINETTE SEATBACK (J28, J29)
3	M05971-KU-J22	EA DRAWER - OGEE EDGE - 16.6"W X 21.6"D - W/O SLIDES/HDW (OAK)
3	P10163-KV-J23	EA DRAWER - OGEE EDGE - 16.6"W X 21.6"D - W/O SLIDES/HDW (WHITE)
4	M07515-01-G15	EA CABINET - SEATBASE/RIGHT HAND - W/O DRAWER/HDW (OAK)
4	M07515-01-H40	EA CABINET - SEATBASE/RIGHT HAND - W/O DRAWER/HDW (WHITE)
5	081295-01-G01	EA SUPPORT - BED/DINETTE - 28" LONG (OAK)
5	081295-01-H40	EA SUPPORT - BED/DINETTE - 28" LONG (WHITE)
6	M07515-02-G15	EA CABINET - SEATBASE/LEFT HAND - W/O DRAWER/HDW (OAK)
6	M07515-02-H40	EA CABINET - SEATBASE/LEFT HAND - W/O DRAWER/HDW (WHITE)
7	126625-01-J22	EA CABINET - STORAGE - W/COUNTERTOP - W/O DOORS/HDW (OAK)
7	126625-01-J23	EA CABINET - STORAGE - W/COUNTERTOP - W/O DOORS/HDW (WHITE)
8	M05992-P4-J22	EA DOOR - STRAIGHT CORNER/OGEE EDGE - 9" X 29.5" - W/O HDW (OAK)
8	122715-51-01A	EA DOOR - MOLDED VINYL - 9" X 26.5" - WO HDW (WHITE)
9	126625-14-J22	EA COUNTERTOP - STORAGE CABINET (J22)
9	126625-14-J23	EA COUNTERTOP - STORAGE CABINET (J23, J25, J27, J29)
9	126625-14-J24	EA COUNTERTOP - STORAGE CABINET (J24)
9	126625-14-J26	EA COUNTERTOP - STORAGE CABINET (J26, J28)
10	126625-15-J22	EA DOOR - STORAGE CABINET - 8.7" X 19.4" - W/O HDW (J22)
10	126625-15-J23	EA DOOR - STORAGE CABINET - 8.7" X 19.4" - W/O HDW (J23, J25, J27, J29)
10	126625-15-J24	EA DOOR - STORAGE CABINET - 8.7" X 19.4" - W/O HDW (J24)
10	126625-15-J26	EA DOOR - STORAGE CABINET - 8.7" X 19.4" - W/O HDW (J26, J28)
11	112515-02-04A	EA PICTURE - DECORATIVE - 16" X 20"
12	103128-20-J22	EA END CAP - OVERHEAD CABINET - LEFT HAND (OAK)
12	103128-20-J23	EA END CAP - OVERHEAD CABINET - LEFT HAND (WHITE)
13	126552-14-J22	EA SHELF - W/PLASTIC EDGE TRIM (OAK)
13	126552-14-J23	EA SHELF - W/PLASTIC EDGE TRIM (WHITE)
14	M05992-48-J22	EA DOOR - STRAIGHT CORNER/OGEE EDGE - 15.7" X 27.9" - W/O HDW (OAK)
14	122715-08-01A	EA DOOR - MOLDED VINYL - 15.7" X 27.9" - W/O HDW (WHITE)
15	126552-01-J22	EA CABINET - OVERHEAD/DINETTE - LEFT HAND - W/O DOORS/HDW (OAK)
15	126552-01-J23	EA CABINET - OVERHEAD/DINETTE - LEFT HAND - W/O DOORS/HDW (WHITE)
15	126552-02-J22	EA CABINET - OVHD/DINETTE - L/H - W/O DOORS/HDW (W/SND SYSTEM) (OAK)
15	126552-02-J23	EA CABINET - OVHD/DINETTE - L/H - W/O DOORS/HDW (W/SND SYSTEM) (WHITE)
16	126552-15-J22	EA SHELF - W/PLASTIC EDGE TRIM (OAK)
16	126552-15-J23	EA SHELF - W/PLASTIC EDGE TRIM (WHITE)
17	103128-16-H13	EA END CAP - OVERHEAD CABINET - RIGHT HAND (OAK)
17	103128-16-J23	EA END CAP - OVERHEAD CABINET - RIGHT HAND (WHITE)

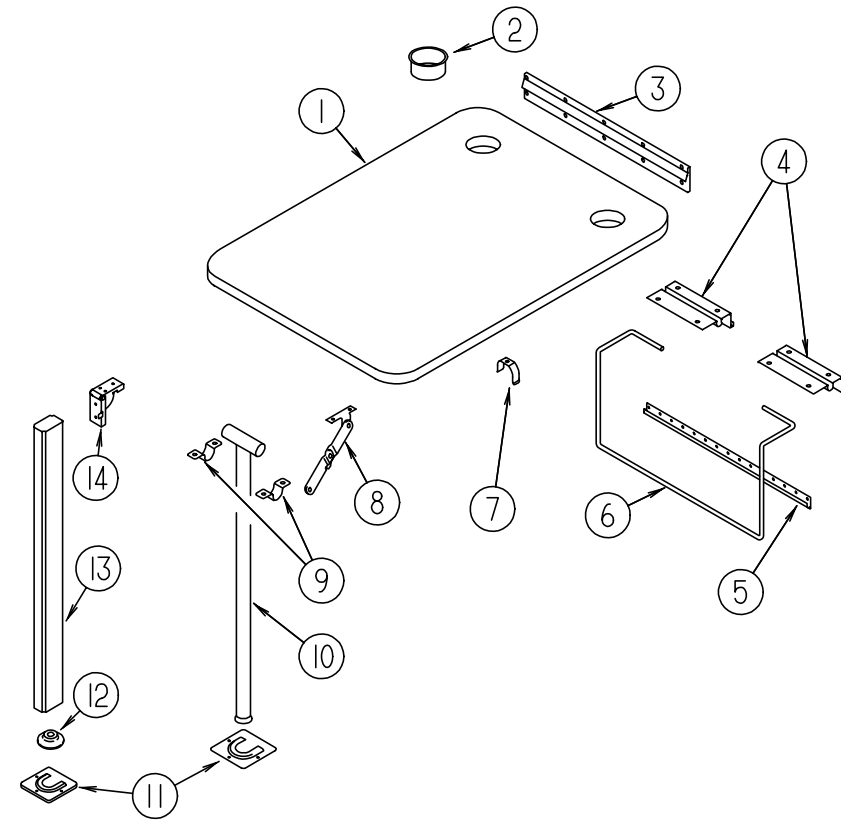
DINETTE GROUP (CONTINUED)



DINETTE (SLIDOUT OPTION)

KEY	PART NUMBER	U/M DESCRIPTION
1	M08755-01-J22	EA CABINET - SEATBACK - RIGHT HAND (OAK)
1	M08755-01-J23	EA CABINET - SEATBACK - RIGHT HAND (WHITE)
2	104787-08-J22	EA PAD - DINETTE SEATBACK (J22, J23)
2	104787-08-J24	EA PAD - DINETTE SEATBACK (J24, J25)
2	104787-08-J20	EA PAD - DINETTE SEATBACK (J26, J27)
2	104787-08-J50	EA PAD - DINETTE SEATBACK (J28, J29)
3	M05971-KU-J22	EA DRAWER - OGEE EDGE - 16.6"W X 21.6"D - W/O SLIDES/HDW (OAK)
3	P10163-KV-J23	EA DRAWER - OGEE EDGE - 16.6"W X 21.6"D - W/O SLIDES/HDW (WHITE)
4	M08756-01-J22	EA CABINET - SEATBASE - RIGHT HAND - W/O DOOR/DRAWER/HDW (OAK)
4	M08756-01-J23	EA CABINET - SEATBASE - RIGHT HAND - W/O DOOR/DRAWER/HDW (WHITE)
5	081295-01-G01	EA SUPPORT - BED/DINETTE - 28" LONG (OAK)
5	081295-01-H40	EA SUPPORT - BED/DINETTE - 28" LONG (WHITE)
6	M08756-02-J22	EA CABINET - SEATBASE - LEFT HAND - W/O DOOR/DRAWER/HDW (OAK)
6	M08756-02-J23	EA CABINET - SEATBASE - LEFT HAND - W/O DOOR/DRAWER/HDW (WHITE)
7	M08755-02-J22	EA CABINET - SEATBACK - LEFT HAND (OAK)
7	M08755-02-J23	EA CABINET - SEATBACK - LEFT HAND (WHITE)
8	058331-08-000	EA MIRROR - SAFETY GLASS - 24" X 30"
9	115811-20-J22	EA OVERLAY - NOVEAU - 7.5" X 23.75" - LEFT HAND (J22, J23)
9	115811-20-J24	EA OVERLAY - NOVEAU - 7.5" X 23.75" - LEFT HAND (J24, J25)
9	115811-20-J26	EA OVERLAY - NOVEAU - 7.5" X 23.75" - LEFT HAND (J26, J27)
9	115811-20-J28	EA OVERLAY - NOVEAU - 7.5" X 23.75" - LEFT HAND (J28, J29)
10	126310-01-J22	EA CABINET - OVERHEAD/DINETTE - W/O DOORS/HDW (OAK)
10	126310-01-J23	EA CABINET - OVERHEAD/DINETTE - W/O DOORS/HDW (WHITE)
10	126310-02-J22	EA CABINET - OVERHEAD/DINETTE - W/O DOORS/HDW (W/SOUND SYSTEM)(OAK)
10	126310-02-J23	EA CABINET - OVERHEAD/DINETTE - W/O DOORS/HDW (W/SOUND SYSTEM)(WHITE)
11	M05992-T5-J22	EA DOOR - STRAIGHT CORNER/OGEE EDGE - 10.8" X 21.8" - W/O HDW (OAK)
11	122715-89-01A	EA DOOR - MOLDED VINYL - 10.8" X 21.8" - W/O HDW (WHITE)
12	M05992-T4-J22	EA DOOR - STRAIGHT CORNER/OGEE EDGE - 10.8" X 23.8" - W/O V(OAK)
12	122715-B2-01A	EA DOOR - MOLDED VINYL - 10.8" X 23.8" - W/O HDW (WHITE)

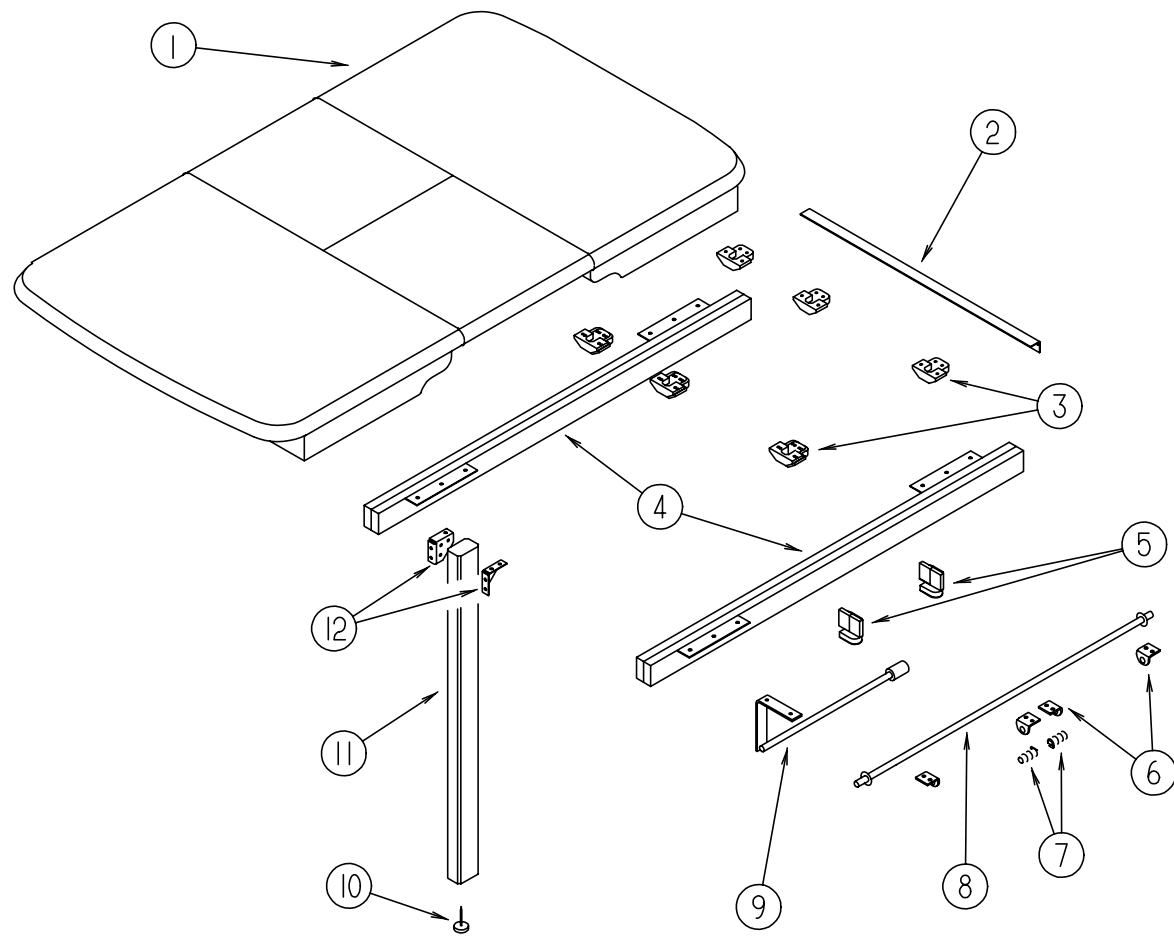
DINETTE GROUP (CONTINUED)



DINETTE TABLE ASM.

KEY	PART NUMBER	U/M DESCRIPTION
1	127121-20-J22	EA TOP - DINETTE TABLE (J22)
1	127121-20-J23	EA TOP - DINETTE TABLE (J23, J25, J27, J29)
1	127121-20-J24	EA TOP - DINETTE TABLE (J24)
1	127121-20-J26	EA TOP - DINETTE TABLE (J26)
1	127121-20-J28	EA TOP - DINETTE TABLE (J28)
2	064781-06-000	EA HOLDER - CUP TWO STEP - OFF WHITE
3	053200-12-000	EA BRACKET - TABLE SUPPORT - UPPER WALL MOUNTED 23.50"
4	088410-02-000	EA BRACKET - LIFT - TABLE MOUNTED
5	024281-14-000	EA BRACKET - LIFT ROD LOWER WALL MOUNTED - 22.12"
6	024275-12-000	EA ROD - TABLE LIFT
7	024283-01-000	EA CLIP - LEG - 1" - 1.125" OD - BLACK
8	024282-01-000	EA BRACE - TABLE LEG - HINGED
9	064050-05-000	EA HINGE - TABLE LEG - OFF WHITE
10	024276-23-000	EA LEG - TABLE - METAL
11	049493-12-000	EA CATCH - TABLE LEG - FLOOR MOUNTED - OFF WHITE
11	049493-11-700	EA CATCH - TABLE LEG - E-COAT
12	092593-01-05A	EA CATCH - TABLE LEG - OFF/WHITE
13	092707-04-05A	EA MOLDING - TABLE LEG - 27" - WATERFORD OAK
13	092707-04-07A	EA MOLDING - TABLE LEG - 27" - WHITE GRANITE
14	093550-01-000	EA BRACKET - HINGE - MOUNTS TO LEG & TABLE TOP - 1.7" X 2.6"
	004354-01-000	EA BUMPER - RUBBER - .5" DIA - BROWN

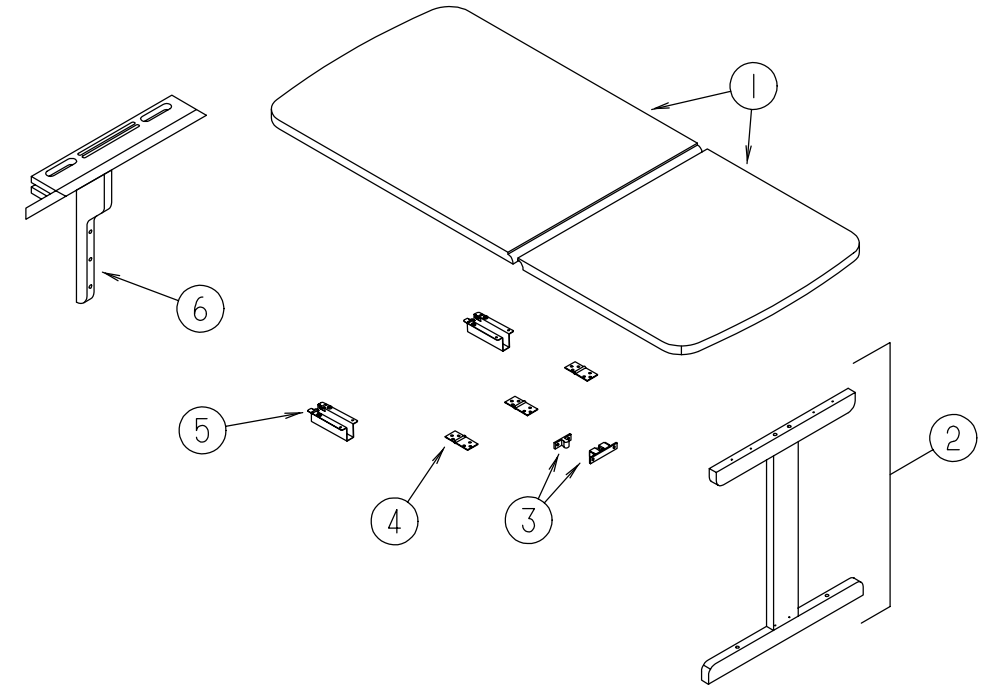
DINETTE GROUP (CONTINUED)



DINETTE TABLE ASM. W/ DROP LEAF

KEY	PART NUMBER	U/M DESCRIPTION
	P18322-03-J22	EA TABLE - PULLOUT/SELF STORING - W/O HARDWARE (OAK)
	P18322-03-J23	EA TABLE - PULLOUT/SELF STORING - W/O HARDWARE (WHITE)
1	118322-20-J22	EA TABLE TOP ONLY - W/O HARDWARE (OAK)
1	118322-20-J23	EA TABLE TOP ONLY - W/O HARDWARE (WHITE)
2	041389-18-000	EA HINGE - PIANO - 1 1/2" X 19" - OFF WHITE
3	009050-02-000	EA LEVELER - TABLE TOP - MALE END W/4 SCREWS - PLASTIC
3	009050-03-000	EA LEVELER - TABLE TOP - FEMALE END W/2 SCREWS - PLASTIC
4	110749-01-000	EA SLIDE/EXTENSION - 19 3/4" TO 33 1/4"
5	108663-01-000	EA HINGE - LEAF - FOLDING
6	108874-01-000	EA BRACKET - HINGE - TABLE LEAF
7	108664-01-000	EA SPRING - COMPRESSION - .51" X 1.96"
8	108932-01-000	EA ROD - PIVOT
9	108905-01-000	EA SUPPORT - TABLE LEAF
10	102194-01-000	EA GUIDE - PLASTIC
11	092707-07-05A	EA LEG - TABLE - W/O HARDWARE - 27.8" - WATERFORD OAK
11	092707-07-07A	EA LEG - TABLE - W/O HARDWARE - 27.8" - WHITE GRANITE
12	102810-01-04A	EA BRACE - TABLE LEG - BLACK
12	102810-01-03A	EA BRACE - TABLE LEG - MILL

DINETTE GROUP (CONTINUED)

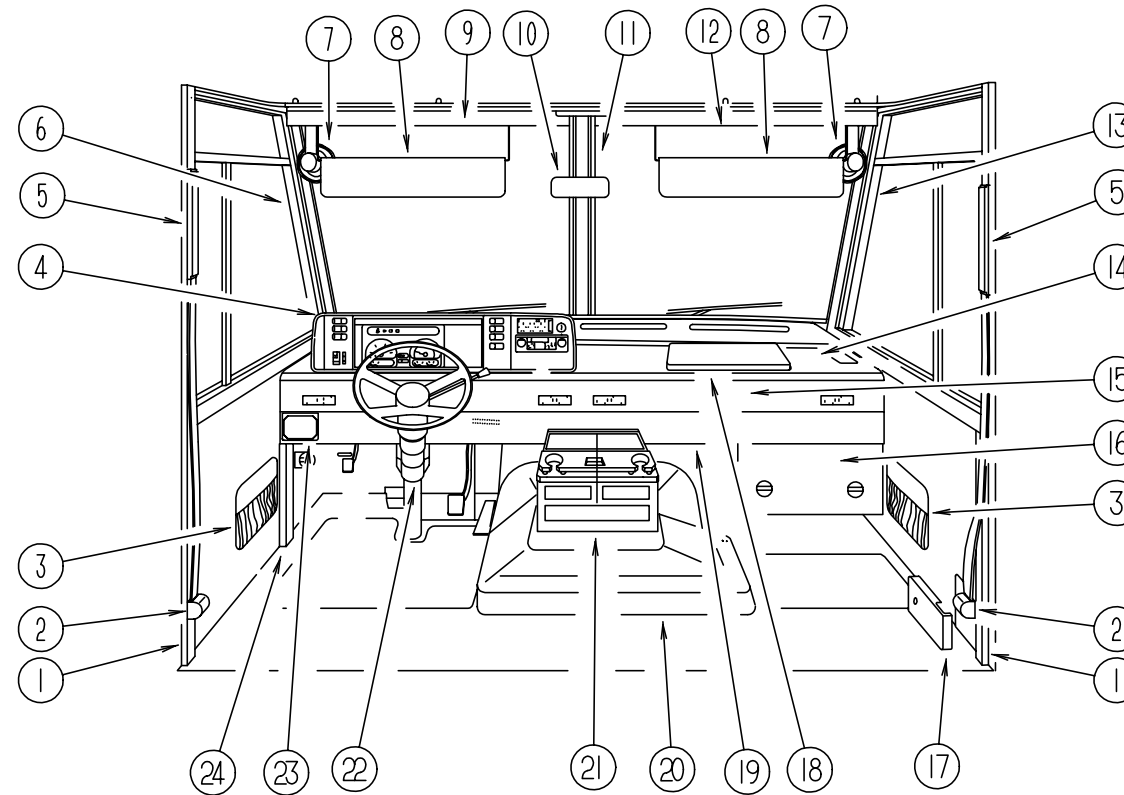


DINETTE TABLE ASM. W/ DROP LEAF

KEY	PART NUMBER	U/M DESCRIPTION
1	120898-27-J22	EA TABLE TOP ONLY (OAK)
1	120898-27-J23	EA TABLE TOP ONLY (WHITE)
2	120898-24-H17	EA LEG - W/O HARDWARE (OAK)
2	120898-24-H23	EA LEG - W/O HARDWARE (WHITE)
3	084451-01-000	EA CATCH - BRASS
4	120972-01-01A	EA HINGE - TABLE/DROP LEAF
5	120973-01-000	EA SUPPORT - TABLE/DROP LEAF - PAIR
6	120898-25-H07	EA MOUNT - WALL - DROP LEAF TABLE (OAK)
6	120898-25-J23	EA MOUNT - WALL - DROP LEAF TABLE (WHITE)

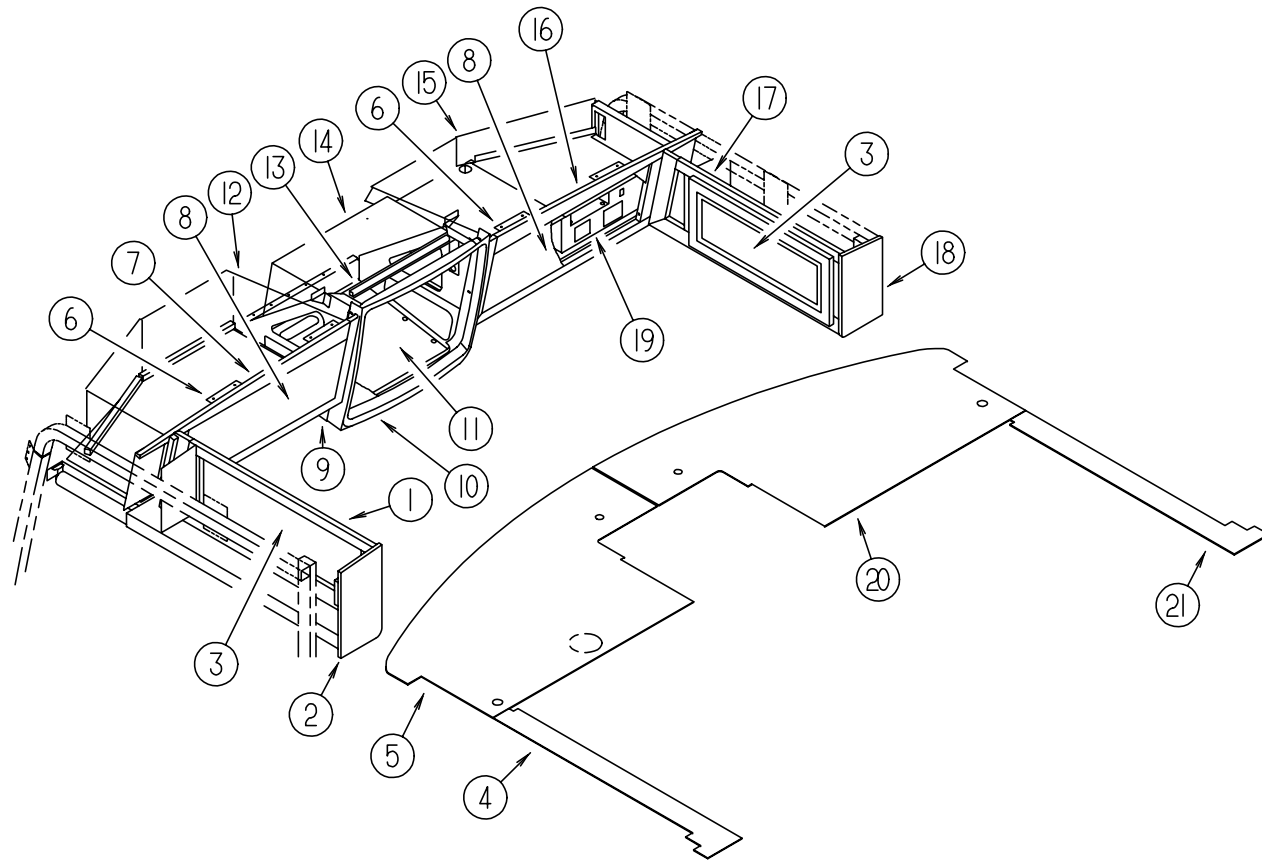
DRIVERS COMPARTMENT GROUP

LOWER DRIVER COMPARTMENT



KEY	PART NUMBER	U/M DESCRIPTION	KEY	PART NUMBER	U/M DESCRIPTION
1	024700-51-000	EA COVER - ROLL BAR - 88" - OFF WHITE	15	114620-08-02A	EA TRIM - LOWER DASH - GM - 96" - ANTELOPE - W/O ELECTRIC MIRRORS
2	091990-05-01A	EA SEAT BELT/SHOULDER HARNESS - DRIVER/PASSENGER - BLACK	15	111528-07-04A	EA TRIM - DASH - LOWER/PASSENGER - ANTELOPE - FORD
	127598-01-01A	EA ADJUSTER - SEATBELT - D-LOOP - ADJUSTER	16	095757-05-H37	EA COVER - HEATER (J22, J23)
	091990-01-701	EA EXTENDER 9" FOR A8408 3 PT	16	095757-05-G16	EA COVER - HEATER (J24 J25)
	109146-01-000	EA BOLT - SHOULDER/SEAT BELT	16	095757-05-H37	EA COVER - HEATER (J26, J27, J28, J29)
	127598-02-000	EA NUT - HEX FLANGE - M10 X 1.5 - CLASS 10	17	103961-03-01A	EA COVER - BRACKET - SEATBELT/OFF WHITE
	128444-01-000	EA WASHER - SPRING - CONICAL	18	127692-01-J20	EA TABLE - DASH
3	086120-10-J22	EA PAD - MAP POCKET - 12" X 16" (J22, J23)	18	127597-01-000	EA SLIDE - WORK STATION - DASH
3	086120-10-J24	EA PAD - MAP POCKET - 12" X 16" (J24, J25)	19	104354-09-04A	EA APPLIQUE - LOWER DASH - GM/FORD
3	086120-10-J26	EA PAD - MAP POCKET - 12" X 16" (J26, J27)	20	115840-01-01A	EA COVER - MOTOR - W/O CARPET (FORD)
3	086120-10-J28	EA PAD - MAP POCKET - 12" X 16" (J28, J29)	20	115840-03-01A	EA COVER - MOTOR - W/O CARPET (1999 FORD CHASSIS)
4	M05946-53-J22	EA DASH POD - CHEVY - W/O CLUSTER	20	115840-02-01A	EA COVER - MOTOR - W/O CARPET (CHEVY)
4	M05946-54-J22	EA DASH POD - FORD - W/O CLUSTER	21	126680-01-H17	EA TRAY - BEVERAGE - W/SHELF/CUPHOLDERS - W/O DRAWER (FORD) (OAK)
5	127721-01-01A	EA COVER - SLIDE - OFF WHITE	21	126680-01-J23	EA TRAY - BEVERAGE - W/SHELF/CUPHOLDERS - W/O DRAWER (FORD) (WHITE)
5	127798-01-01A	EA COVER - SLIDE - INNER - BLACK - 1.5" X 11.4"	21	126680-02-H17	EA TRAY - BEVERAGE - W/SHELF/CUPHOLDERS - W/O DRAWER (CHEVY) (OAK)
6	125508-02-01A	EA TRIM - A-PILLAR - INTERIOR - ANTELOPE	21	126680-02-J23	EA TRAY - BEVERAGE - W/SHELF/CUPHOLDERS - W/O DRAWER (CHEVY) (WHITE)
6	123045-11-02A	EA BACKING - SCREW - ANTELOPE	22	111521-05-01A	EA COVER - STEERING COLUMN - BLACK
7	122856-01-01A	EA FAN- DEFROSTER-2 SPEED W/SWIVEL BASE/NON-OSCILATING-CHROME			FROM: 00-00-00 THRU: 02-22-98
8	123298-02-04A	EA SUNVISOR - 10.5" X 28.5"	22	130111-01-01A	EA COVER - STEERING COLUMN - BLACK
9	118453-04-01A	EA TRIM - WINDSHIELD - INNER/TOP/DRIVER			FROM: 02-23-98 THRU: 99-99-99
10	040714-01-000	EA MIRROR - REAR VIEW/ARM MOUNT & SET SCREW	22	103498-09-000	EA BOOT - STEERING COLUMN - W/1/2 CIRCLE
10	067490-01-000	EA BUTTON - MIRROR/REAR VIEW	23	112236-01-J20	EA BEZEL - LEVELING PANEL
11	118452-04-01A	EA TRIM - WINDSHIELD - CENTER	23	112236-02-J22	EA BEZEL - F/SLIDEOUT ROOM CONTROL
12	118453-03-01A	EA TRIM - WINDSHIELD - INNER/TOP/PASSENGER	23	116220-01-000	EA APPLIQUE - SWITCH/SLIDEOUT
13	125508-01-01A	EA TRIM - A-PILLAR - INTERIOR - ANTELOPE	23	108357-07-000	EA SWITCH - ROCKER SPDT - MOM/OFF/MOM - 3 TERMINAL
13	123045-11-02A	EA BACKING - SCREW - ANTELOPE	24	127901-02-01A	EA PANEL - TOEKICK - LEFT HAND - ANTELOPE (W/DRIVER DOOR)
14	P26082-01-000	EA DASH - W/O VINYL - E-COATED (CHEVY)	24	127901-01-01A	EA PANEL - TOEKICK - LEFT HAND - ANTELOPE (W/O DRIVER DOOR)
14	P26082-03-000	EA DASH - W/O VINYL - E-COATED (FORD)			EA TRIM - STEERING COLUMN - RIGHT HAND/FORD
14	106569-11-01A	EA VINYL - LAMINATE - ALLANTE ANTELOPE - 1/4" X 21" X 100"			EA TRIM - STEERING COLUMN - LEFT HAND/FORD
15	104354-09-04A	EA APPLIQUE - LOWER DASH - GM/FORD			EA TRIM - LOWER DASH - DRIVER - 15" W/O CUTOUT - FORD/ANTELOPE
15	114620-05-04A	EA TRIM - LOWER DASH - GM - 96" - ANTELOPE - F/ELECTRIC MIRRORS			FROM: 00-00-00 THRU: 10-27-97
					EA TRIM - DASH - LOWER DRIVER - FORD
					FROM: 10-28-97 THRU: 99-99-99

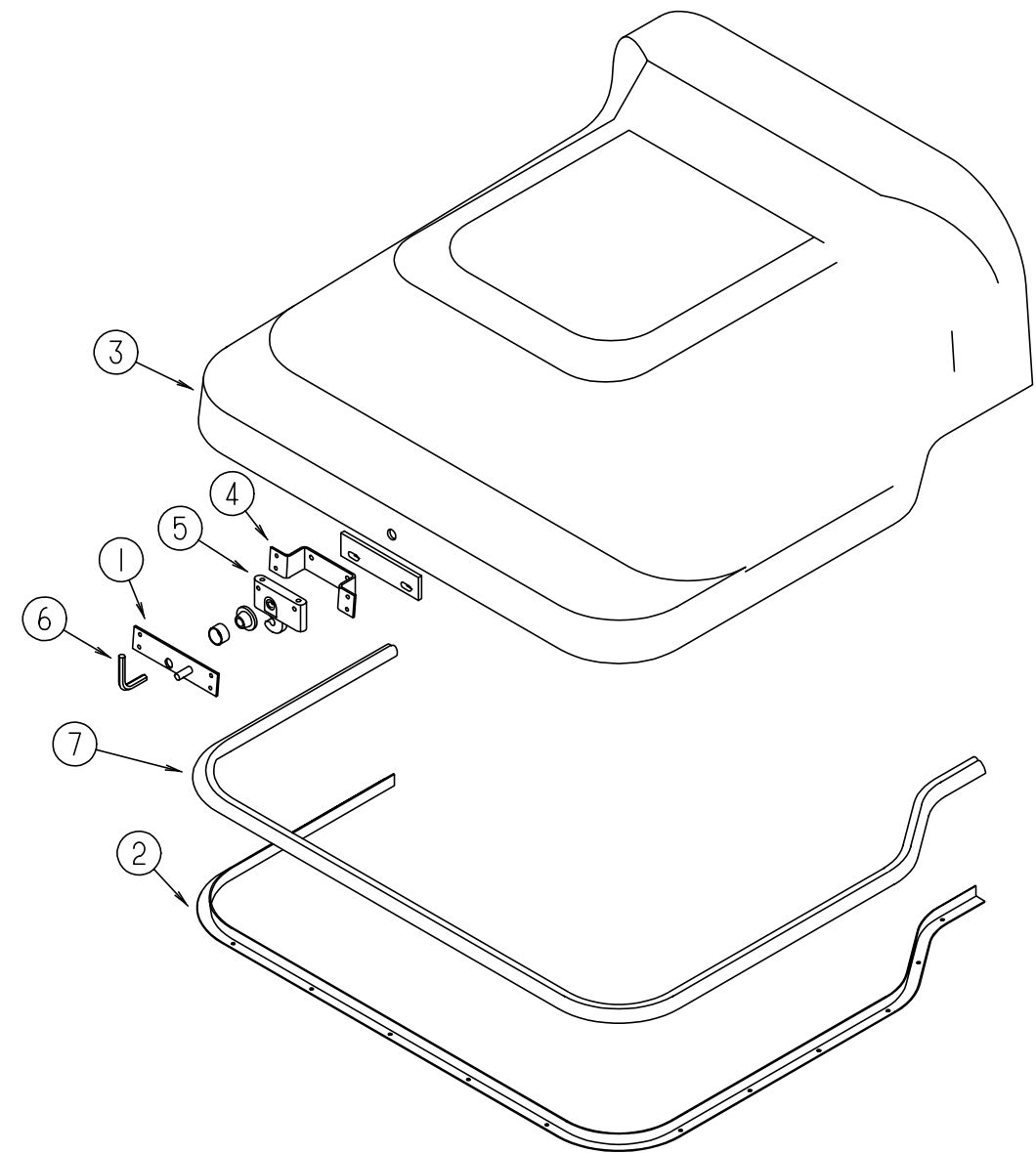
DRIVERS COMPARTMENT GROUP (CONTINUED)



OVERHEAD CABINETS (DRIVER COMPARTMENT)

KEY	PART NUMBER	U/M DESCRIPTION
1	126301-02-J22	EA CABINET - OVERHEAD/FRONT LEFT HAND - W/O DOORS/HARDWARE (OAK)
1	126301-02-J23	EA CABINET - OVERHEAD/FRONT LEFT HAND - W/O DOORS/HARDWARE (WHITE)
2	103128-18-J20	EA END CAP - OVERHEAD CABINET - LEFT HAND (OAK)
2	103128-18-J23	EA END CAP - OVERHEAD CABINET - LEFT HAND (WHITE)
3	M05992-L9-J22	EA DOOR - STRAIGHT CORNER/OGEE EDGE - 10" X 29.5" - W/O HDW (OAK)
3	122715-87-01A	EA DOOR - MOLDED VINYL - 10" X 29.5" - W/O HARDWARE (WHITE)
4	126443-04-J22	EA PANEL - OVERHEAD - FRONT/LEFT HAND - 5.8" X 38.4"
5	126440-02-J20	EA PANEL - OVERHEAD - FRONT/BOTTOM/LEFT HAND
6	106699-01-01A	EA BRACKET - OVERHEAD CABINET/TV
7	126876-02-J20	EA CABINET - OVERHEAD - FRONT/LEFT HAND - W/O DOORS/HARDWARE (OAK)
7	126876-02-J23	EA CABINET - OVERHEAD - FRONT/LEFT HAND - W/O DOORS/HARDWARE (WHITE)
8	100708-08-000	EA DOOR - GLASS - CABINET - 9.7" X 27" - W/O HARDWARE
9	126006-02-J20	EA COVER - TV - OVERHEAD/BOTTOM
10	125977-01-02A	EA COVER - TV - OVERHEAD/FRONT - ANTELOPE
10	126602-01-02A	EA COVER - OVERHEAD FRONT - W/O TV OPTION
11	091261-01-000	FT SLIPNOT - ANTISLIP - 1" WIDE
	100708-16-000	EA DOOR - GLASS - CABINET - 15.5" X 15.7" - W/O HARDWARE
12	126457-02-J20	EA PANEL - CLOSEOUT - OVERHEAD FRONT - UPPER/LOWER LEFT HAND
13	114706-04-02B	EA SUPPORT - SHELF/TV
14	126854-01-J20	EA PANEL - HEADLINER/TV/TOP
15	126457-01-J20	EA PANEL - CLOSEOUT - OVERHEAD FRONT - UPPER/LOWER RIGHT HAND
16	126876-01-J20	EA CABINET - OVERHEAD - FRONT/RIGHT HAND - W/O DOORS/HARDWARE (OAK)
16	126876-01-J23	EA CABINET - OVERHEAD - FRONT/RIGHT HAND - W/O DOORS/HARDWARE (WHITE)
17	126358-02-J22	EA CABINET - OVERHEAD/FRONT - RIGHT HAND - W/O DOORS/HARDWARE (OAK)
17	126358-02-J23	EA CABINET - OVERHEAD/FRONT - RIGHT HAND - W/O DOORS/HARDWARE (WHITE)
18	103128-17-J20	EA END CAP - OVERHEAD CABINET - RIGHT HAND (OAK)
18	103128-17-J23	EA END CAP - OVERHEAD CABINET - RIGHT HAND (WHITE)
19	126601-03-J20	EA PANEL SHELF/VINYL CVRD - W/O INVERTER CUTOUT - W/NOTCH SWITCH
19	126601-07-J20	EA PANEL SHELF - VINYL CVRD - W/INVERTER CUTOUT - W/NOTCH SWITCH
19	126601-01-J20	EA PANEL - SHELF - VINYL COVERED - W/O INVERTOR CUTOUT
20	126440-01-J20	EA PANEL - OVERHEAD - FRONT/BOTTOM/RIGHT HAND
21	126443-03-J22	EA PANEL - OVERHEAD - FRONT/RIGHT HAND - 5.8" X 39.2"

DRIVERS COMPARTMENT GROUP (CONTINUED)

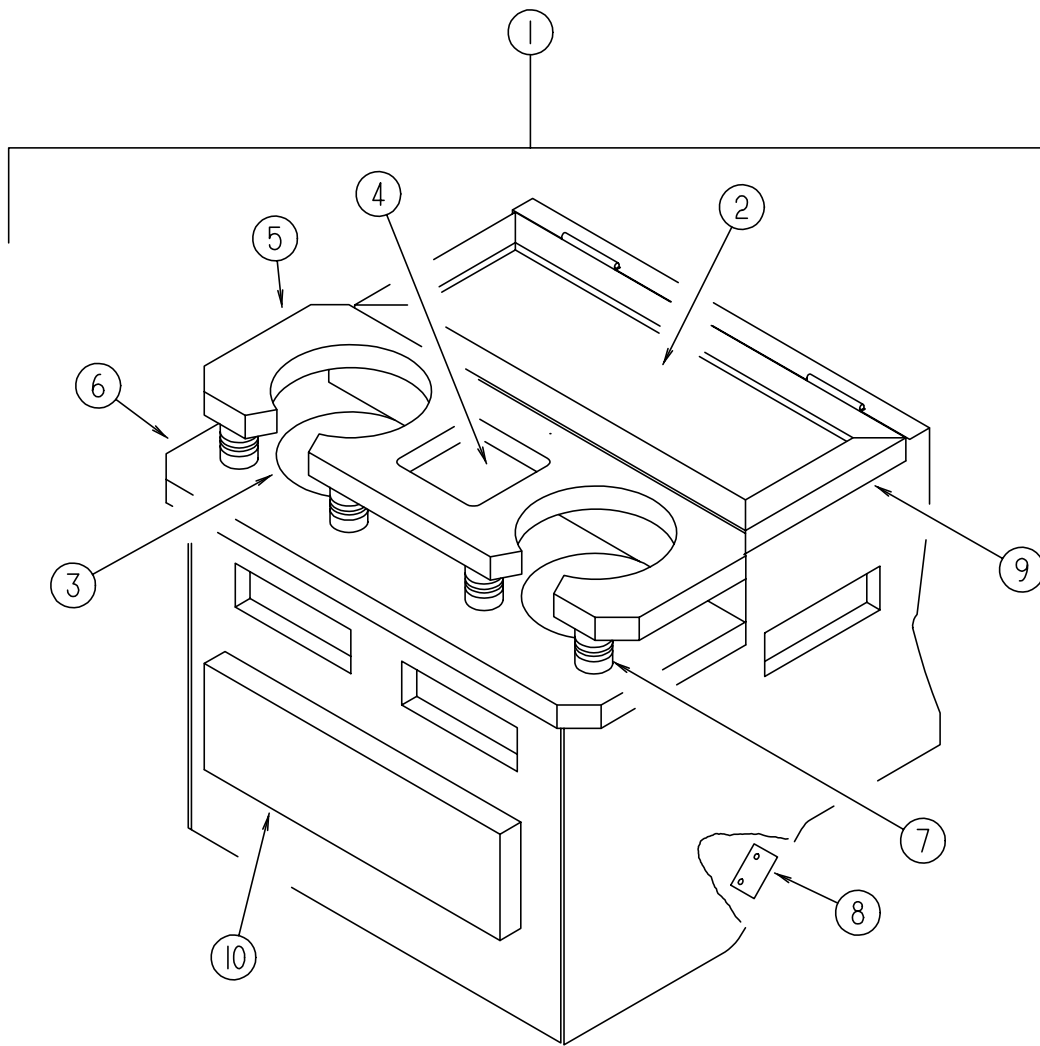


MOTOR COVER

KEY	PART NUMBER	U/M DESCRIPTION
1	115852-01-02B	EA STRIKE - LATCH - MOTOR COVER - E-COATED
2	115860-01-01A	EA TRIM - MOTOR COVER
2	115860-03-01A	EA TRIM - MOTOR COVER (1999 FORD CHASSIS)
3	115840-01-01A	EA COVER - MOTOR - W/O CARPET (FORD)
3	115840-03-01A	EA COVER - MOTOR - W/O CARPET (1999 FORD CHASSIS)
3	115840-02-01A	EA COVER - MOTOR - W/O CARPET (CHEVY)
4	115850-01-02B	EA RETAINER - LATCH - MOTOR COVER - RIGHT HAND - E-COAT
		FROM: 00-00-00 THRU: 05-17-98
4	115850-03-02B	EA RETAINER - LATCH - MOTOR COVER - RIGHT HAND - E-COAT
		FROM: 05-18-98 THRU: 99-99-99
5	116581-01-000	EA LATCH - MOTOR COVER
6	116833-01-02B	EA WRENCH - HEX MOTOR COVER - E-COATED
7	039623-01-000	EA SEAL - MOTOR COVER - RUBBER BULB TYPE

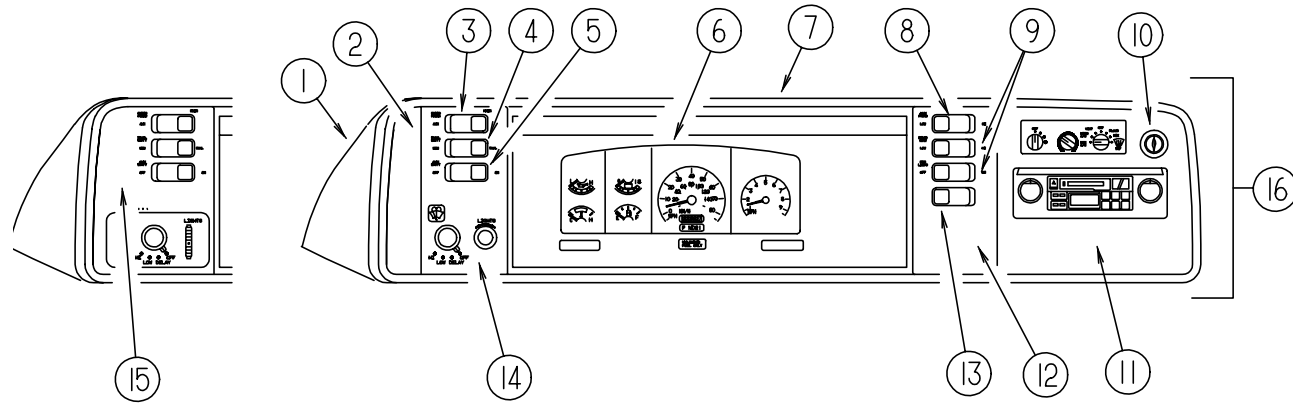
DRIVERS COMPARTMENT GROUP (CONTINUED)

BEVERAGE TRAY, DRIVER COMPARTMENT



KEY	PART NUMBER	U/M DESCRIPTION
1	126680-01-H17	EA TRAY - BEVERAGE - W/SHELF/CUPHOLDERS - W/O DRAWER (FORD) (OAK)
1	126680-01-J23	EA TRAY - BEVERAGE - W/SHELF/CUPHOLDERS - W/O DRAWER (FORD) (WHITE)
1	126680-02-H17	EA TRAY - BEVERAGE - W/SHELF/CUPHOLDERS - W/O DRAWER (CHEVY) (OAK)
1	126680-02-J23	EA TRAY - BEVERAGE - W/SHELF/CUPHOLDERS - W/O DRAWER (CHEVY) (WHITE)
2	122717-06-01A	FT PAD - NON SKID - PSA - 6.5" X 13.8"
3	122717-01-01A	EA PAD - NON SKID - 4" DIAMETER ROUND
4	122717-02-01A	EA PAD - NON SKID - 4" X 4"
5	126680-15-H17	EA SHELF/CUPHOLDER (OAK)
5	126680-15-H37	EA SHELF/CUPHOLDER (WHITE)
6	126680-14-H17	EA SHELF/CUPHOLDER - W/PADS (OAK)
6	126680-14-H37	EA SHELF/CUPHOLDER - W/PADS (WHITE)
7	097872-04-000	EA DOWEL - WOOD - 1" DIAMETER X 1.38" LONG
8	122832-01-02B	EA BRACKET - MOUNTING - BEVERAGE TRAY
8	122772-02-02B	EA BRACKET - MOUNTING - BEVERAGE TRAY(W/ STUD BOLTS)
9	126680-16-H17	EA LID - BEVERAGE TRAY (OAK)
9	126680-16-J23	EA LID - BEVERAGE TRAY (WHITE)
10	M05971-AZ-H17	EA DRAWER - OGEE EDGE - 9.9"W X 11.8"D - W/O SLIDES/HARDWARE (OAK)
10	P10163-DN-H40	EA DRAWER - SQUARE EDGE - 9.9"W X 11.8"D - W/O SLIDES/HDW (WHITE)
	100128-02-000	FT SEAL - FOAM - ADHESIVE BACK - .37" WIDE X .37" THICK

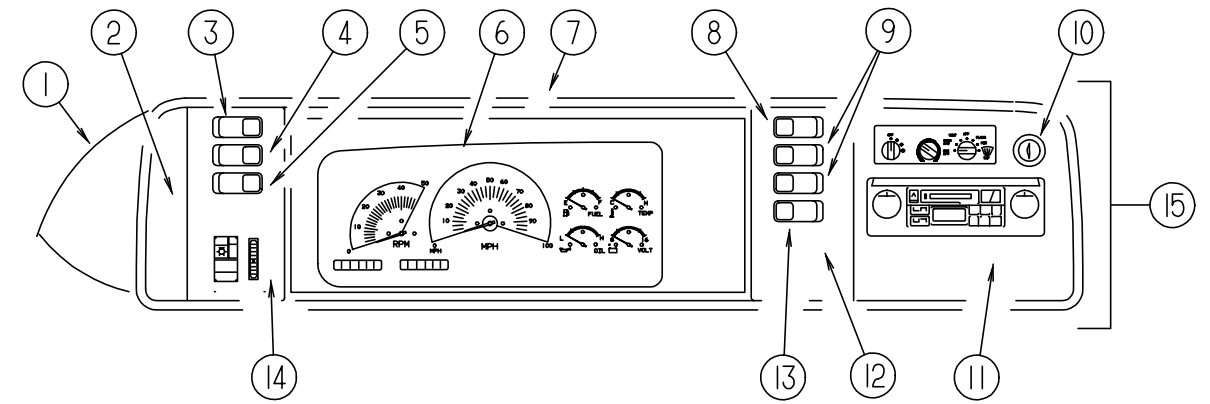
DRIVERS COMPARTMENT GROUP (CONTINUED)



DASH, GAUGES & SWITCHES (FORD)

KEY	PART NUMBER	U/M DESCRIPTION
1	125677-02-J20	EA POD - INSTRUMENT PANEL
2	104056-01-08A	EA APPLIQUE - BEZEL - DRIVER DRESS UP
3	108357-08-000	EA SWITCH - ROCKER DPDT - ON/NONE/ON - 6 TERMINAL
3	108356-02-01A	EA COVER/ACTUATOR SWITCH - 2 ROWS DIMPLES- CONTURA II - BLACK
4	108357-09-000	EA SWITCH - ROCKER SPDT - ON/NONE/MOM - 3 TERMINAL
4	108356-02-01A	EA COVER/ACTUATOR SWITCH - 2 ROWS DIMPLES- CONTURA II - BLACK
5	108357-06-000	EA SWITCH - ROCKER DPDT - MOM/OFF/MOM - 6 TERMINAL
5	108356-02-01A	EA COVER/ACTUATOR SWITCH - 2 ROWS DIMPLES- CONTURA II - BLACK
6	094795-02-000	EA CLUSTER - INSTRUMENT PANEL - KILOMETERS
7	103662-05-01A	EA BEZEL - INSTRUMENT PANEL - FORD
		FROM: 00-00-00 THRU: 02-22-98
7	103662-09-01A	EA BEZEL - INSTRUMENT PANEL - FORD
		FROM: 02-23-98 THRU: 03-20-98
7	103662-11-01A	EA BEZEL - INSTRUMENT PANEL - FORD
		FROM: 03-21-98 THRU: 04-14-98
7	103662-12-01A	EA BEZEL - INSTRUMENT PANEL - FORD
		FROM: 04-15-98 THRU: 99-99-99
8	108357-10-000	EA SWITCH - ROCKER SPDT W/LIGHT - MOM/NONE/MOM - 5 TERMINAL
8	108356-04-01A	EA COVER/ACTUATOR SWITCH-2 ROWS DIMPLES W/LENS-CONTURAI-BLK
9	108357-03-000	EA SWITCH - ROCKER SPDT - ON/OFF/ON - 3 TERMINAL
9	108356-02-01A	EA COVER/ACTUATOR SWITCH - 2 ROWS DIMPLES- CONTURA II - BLACK
	096241-03-000	EA SWITCH - BLANK
	077942-01-000	EA SWITCH - DUMMY - BLACK
10	089294-01-000	EA LIGHTER - CIGARETTE - W/SOCKET & WIRE
11	104056-06-08A	EA APPLIQUE - BEZEL - PASSENGER DRESS UP
12	104056-21-01A	EA APPLIQUE - BEZEL - PASSENGER DRESS UP
12	104056-08-01A	EA APPLIQUE - BEZEL - PASSENGER - 6 SWITCH (W/FOG LAMPS)
13	108357-01-000	EA SWITCH - ROCKER SPST - ON/OFF - 2 TERMINAL
13	108356-02-01A	EA COVER/ACTUATOR SWITCH - 2 ROWS DIMPLES- CONTURA II - BLACK
14	104056-24-01A	EA APPLIQUE - BEZEL - DRIVER DRESS UP
15	104056-39-01A	EA APPLIQUE - BEZEL - DRIVER DRESS UP
16	M05946-54-J22	EA DASH POD - FORD - W/O CLUSTER
	100138-01-000	EA MODULE - DAYTIME/RUNNING LIGHT
	077031-01-000	EA FILM - BLACK - 1" X 1.75"
	077031-03-000	EA FILM - WHITE - .75" X 1"
	096674-01-000	EA NUT - HEADLAMP KNOB - BLACK
	096675-01-000	EA KNOB - HEADLAMP - W/SHAFT
	111904-01-000	EA CABLE/INDICATOR - TRANSMISSION - 23.1" EYE/EYE

DRIVERS COMPARTMENT GROUP (CONTINUED)

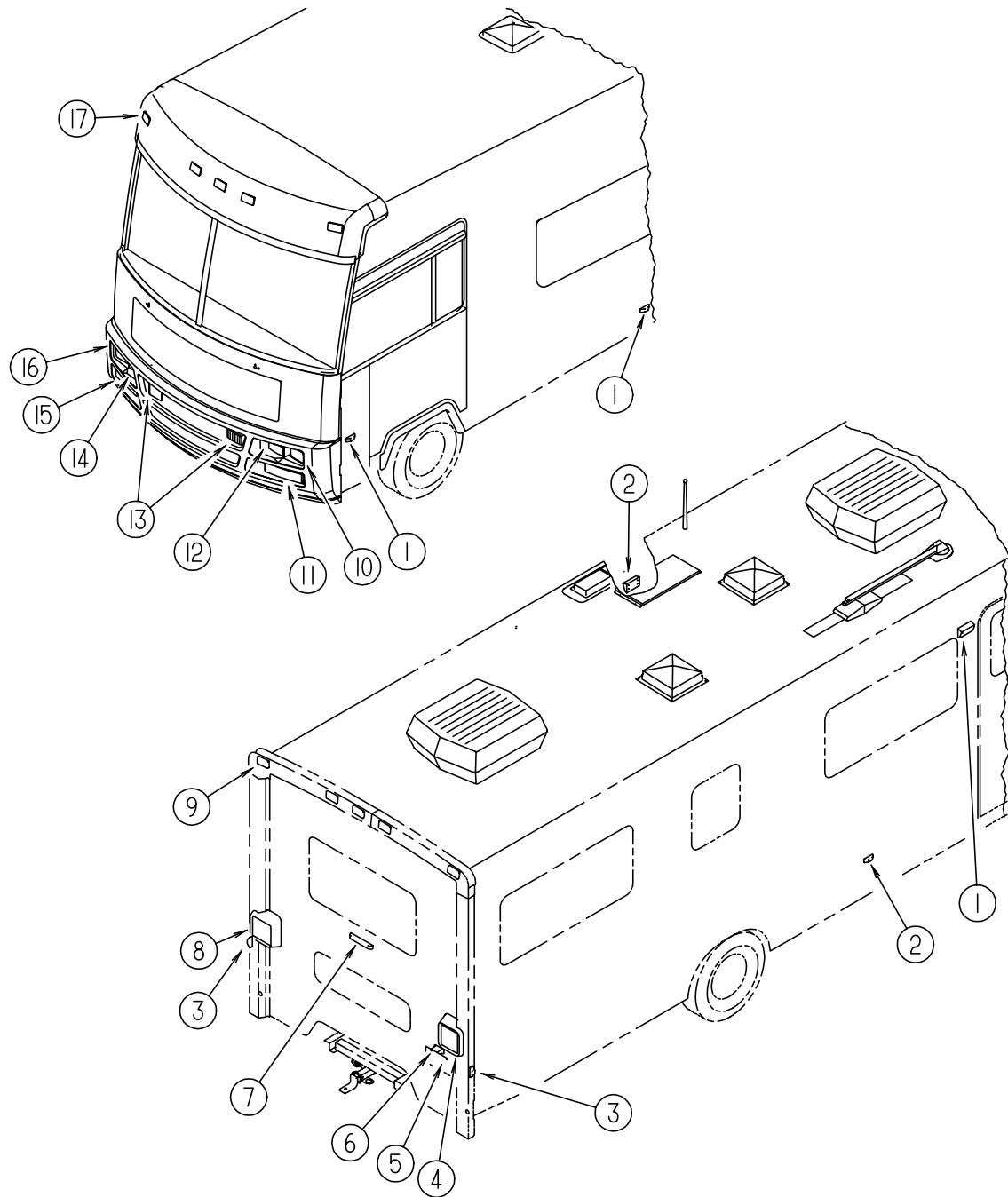


DASH, GAUGES & SWITCHES (CHEVY)

KEY	PART NUMBER	U/M DESCRIPTION
1	125677-02-J20	EA POD - INSTRUMENT PANEL
2	104056-01-08A	EA APPLIQUE - BEZEL - DRIVER DRESS UP
3	108357-08-000	EA SWITCH - ROCKER DPDT - ON/NONE/ON - 6 TERMINAL
3	108356-02-01A	EA COVER/ACTUATOR SWITCH - 2 ROWS DIMPLES- CONTURA II - BLACK
4	108357-09-000	EA SWITCH - ROCKER SPDT - ON/NONE/MOM - 3 TERMINAL
4	108356-02-01A	EA COVER/ACTUATOR SWITCH - 2 ROWS DIMPLES- CONTURA II - BLACK
5	108357-06-000	EA SWITCH - ROCKER DPDT - MOM/OFF/MOM - 6 TERMINAL
5	108356-02-01A	EA COVER/ACTUATOR SWITCH - 2 ROWS DIMPLES- CONTURA II - BLACK
6	094795-02-000	EA CLUSTER - INSTRUMENT PANEL - KILOMETERS
7	103662-06-01A	EA BEZEL - INSTRUMENT PANEL
8	108357-10-000	EA SWITCH - ROCKER SPDT W/LIGHT - MOM/NONE/MOM - 5 TERMINAL
8	108356-04-01A	EA COVER/ACTUATOR SWITCH-2 ROWS DIMPLES W/LENS-CONTURAI-BLK
9	108357-03-000	EA SWITCH - ROCKER SPDT - ON/OFF/ON - 3 TERMINAL
9	108356-02-01A	EA COVER/ACTUATOR SWITCH - 2 ROWS DIMPLES- CONTURA II - BLACK
	096241-03-000	EA SWITCH - BLANK
	077942-01-000	EA SWITCH - DUMMY - BLACK
10	089294-01-000	EA LIGHTER - CIGARETTE - W/SOCKET & WIRE
11	104056-06-08A	EA APPLIQUE - BEZEL - PASSENGER DRESS UP
12	104056-21-01A	EA APPLIQUE - BEZEL - PASSENGER DRESS UP
12	104056-08-01A	EA APPLIQUE - BEZEL - PASSENGER - 6 SWITCH (W/FOG LAMPS)
13	108357-01-000	EA SWITCH - ROCKER SPST - ON/OFF - 2 TERMINAL
13	108356-02-01A	EA COVER/ACTUATOR SWITCH - 2 ROWS DIMPLES- CONTURA II - BLACK
14	104056-22-01A	EA APPLIQUE - BEZEL - DRIVER SWITCHES
15	M05946-53-J22	EA DASH POD - CHEVY - W/O CLUSTER
	100138-01-000	EA MODULE - DAYTIME/RUNNING LIGHT
	077031-01-000	EA FILM - BLACK - 1" X 1.75"
	077031-03-000	EA FILM - WHITE - .75" X 1"

ELECTRICAL GROUP

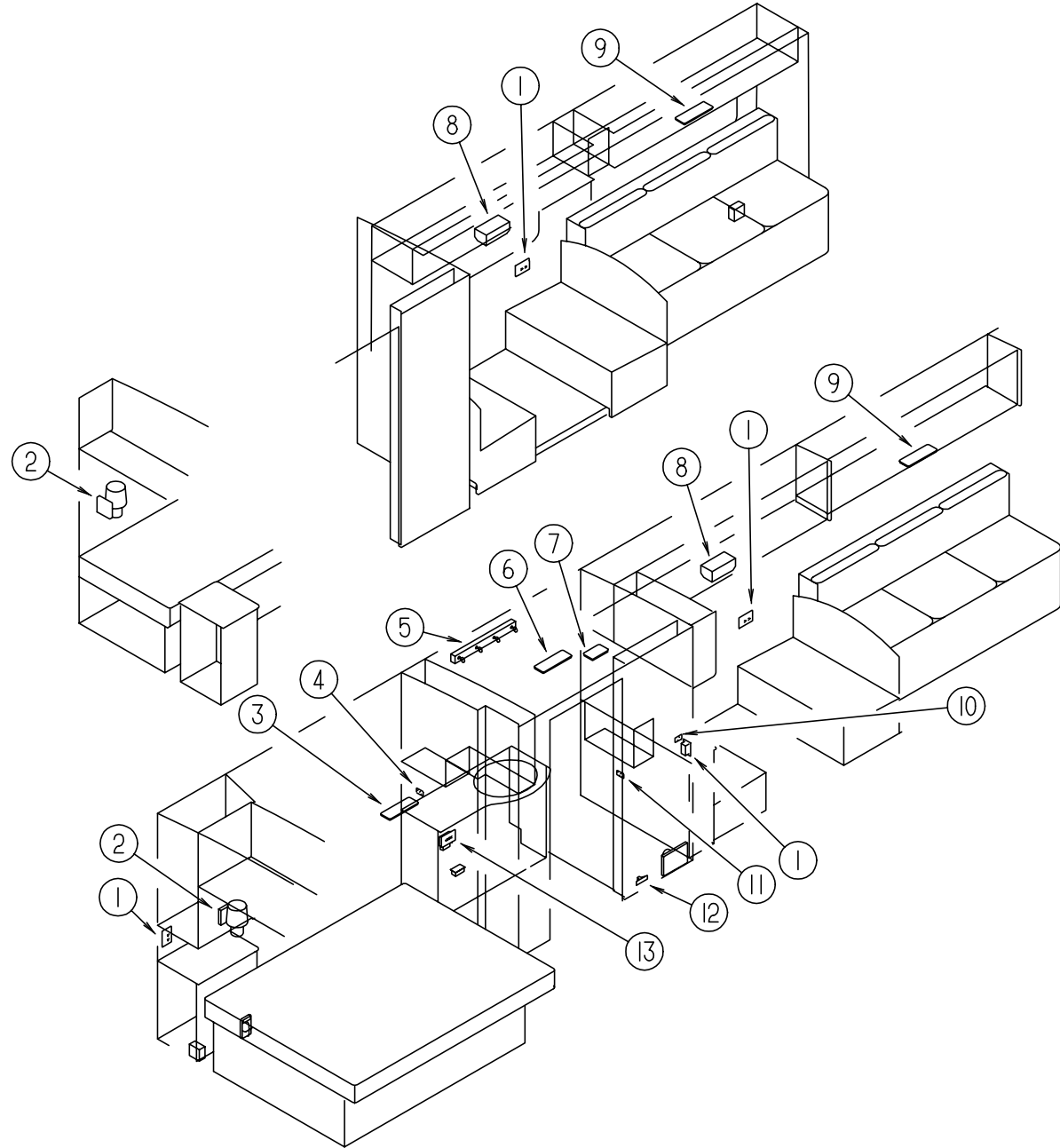
EXTERIOR LIGHTS



KEY	PART NUMBER	U/M DESCRIPTION
1	097917-01-06A	EA LIGHT - PORCH - BRIGHT WHITE
1	008215-01-000	EA BULB - 12 VOLT - #1003 - .94 AMP
1	097917-01-700	EA LENS - LIGHT - CLEAR
1	008089-02-000	EA LIGHT - PORCH - RECESSED - CANADIAN
1	008089-01-700	EA LENS - LIGHT - RECESSED - PORCH - DECO
1	008214-01-000	EA BULB - 12 VOLT - #67 - .59 AMP
2	111102-02-000	EA LENS - AMBER - MARKER LAMP
2	111102-01-000	EA BASE - LAMP MARKER
2	036196-01-000	EA BULB - 12 VOLT - #194 - .27 AMP - BAYONETTE
3	111102-03-000	EA LENS - RED - MARKER LAMP
3	111102-01-000	EA BASE - LAMP MARKER
3	036196-01-000	EA BULB - 12 VOLT - #194 - .27 AMP - BAYONETTE
4	117831-01-000	EA LAMP - STOP/TURN/TAI/BACKUP
4	119157-01-000	EA SOCKET - SINGLE CONTACT
4	119158-01-000	EA SOCKET - DOUBLE CONTACT
4	037935-01-000	EA BULB - 12V - #1157 OR #2057 - 2.1 AMP - CLEAR GLASS
4	037934-01-000	EA BULB - 12V - #1156 - 2.1 AMP CLEAR GLASS
5	066432-03-000	EA BRACKET - LICENSE PLATE
6	066432-02-000	EA LIGHT - LICENSE - BLACK
7	121950-01-000	EA LIGHT - BRAKE - CENTER MOUNT
8	117831-02-000	EA LAMP - STOP/TURN/TAI/BACKUP
8	119157-01-000	EA SOCKET - SINGLE CONTACT
8	119158-01-000	EA SOCKET - DOUBLE CONTACT
8	037935-01-000	EA BULB - 12V - #1157 OR #2057 - 2.1 AMP - CLEAR GLASS
8	037934-01-000	EA BULB - 12V - #1156 - 2.1 AMP CLEAR GLASS
9	127536-01-000	EA LIGHT - CLEARANCE - RED
9	127536-02-000	EA SOCKET - LIGHT - 194 WEDGE
9	036196-01-000	EA BULB - 12 VOLT - #194 - .27 AMP - BAYONETTE
10	049186-04-000	EA HEADLAMP - DRIVER - HIGH/LOW - HALOGEN
11	113294-04-000	EA LAMP - PARK/TURN - AMBER - LEFT HAND
12	049188-04-000	EA HEADLAMP - DRIVER - HIGH BEAM/HALOGEN
13	124215-01-000	EA FOG LIGHT - RECTANGULAR/CLEAR LENS
13	125787-03-J30	EA SUPPORT ASM-FOG LIGHT - 98 L-SERIES
14	049187-04-000	EA HEADLAMP - PASSENGER - HIGH BEAM - HALOGEN
15	113294-03-000	EA LAMP - PARK/TURN - AMBER - RIGHT HAND
16	049185-04-000	EA HEADLAMP - PASSENGER - HIGH/LOW - HALOGEN
	049359-01-000	EA SPRING - RETAINER - HEADLAMP - GM #496096
	110750-01-000	EA SCREW - HEADLAMP ADJUSTING
17	102520-01-000	EA LIGHT - CLEARANCE - W/O SOCKET/HOUSING - AMBER
17	102540-01-000	EA SEAL - SCREW - ROUND - RUBBER
17	102541-01-000	EA GASKET - CLEARANCE LIGHT
17	067789-02-000	EA SOCKET - LAMP

ELECTRICAL GROUP (CONTINUED)

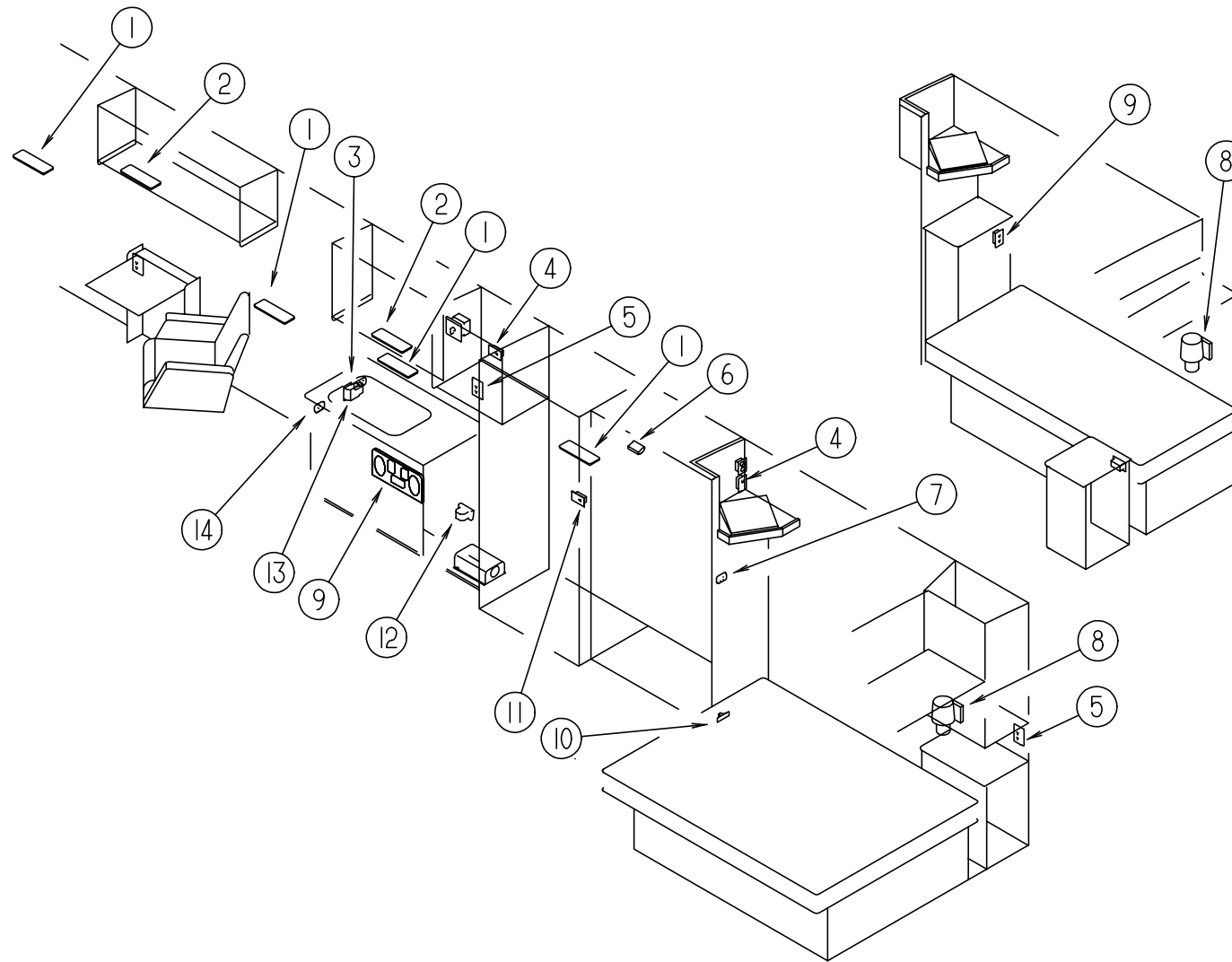
LIGHTS, RECEPTACLES, & SWITCHES (DRIVER SIDE)



KEY	PART NUMBER	U/M DESCRIPTION	VENDOR NO.
1	058708-02-000	EA RECEPTACLE - ELECTRIC - DOUBLE - IVORY	
1	102568-01-GB1	EA SPACER - RECEPTACLE - BETWEEN SIDEWALL & PLATE - WOOD (OAK)	
1	102568-01-H23	EA SPACER - RECEPTACLE - BETWEEN SIDEWALL & PLATE - WOOD (WHITE)	
2	065202-24-000	EA LAMP - WALL/BRASS - W/O SHADE	
2	119257-01-01A	EA SHADE - LAMP - POTPOUM	
2	067479-01-000	EA BULB - 12 VOLT - #1076 - 1.80 AMP	
3	098024-03-02A	EA LIGHT - DOME - 2 BULB - WHITE	
3	008218-01-000	EA BULB - DOME LIGHT - 12 VOLT - 1141	
3	098024-01-700	EA LENS-LIGHT	807877
4	079364-01-000	EA SWITCH - ON/OFF ROCKER - 2 TERMINAL - BROWN	
4	079364-03-000	EA SWITCH - ON/OFF ROCKER - 3 TERMINAL - BROWN	
4	098351-02-01A	EA PLATE - SWITCH - 2 GANG POLISHED BRASS	
4	095188-01-01A	EA SPACER - SWITCH - 2.3" X 3.4" - PLASTIC - DARK BROWN	
5	110235-02-01A	EA LIGHT - MAKE UP - 4 BULB PANLESS	
5	081633-01-700	EA BULB - LIGHT - MAKE-UP	RP1041
6	098024-03-02A	EA LIGHT - DOME - 2 BULB - WHITE	
6	008218-01-000	EA BULB - DOME LIGHT - 12 VOLT - 1141	
6	098024-01-700	EA LENS-LIGHT	807877
7	121935-01-01A	EA LIGHT - DOME - SHOWER	
8	093575-06-01A	EA LIGHT - CEILING - FLUTED	
9	098024-06-02A	EA LIGHT - DOME - 2 BULB - SKYLITE	
9	008218-01-000	EA BULB - DOME LIGHT - 12 VOLT - 1141	
9	098024-01-701	EA LENS - OPTI CLEAR - SKYLITE	809902
10	079364-01-000	EA SWITCH - ON/OFF ROCKER - 2 TERMINAL - BROWN	
10	098351-01-01A	EA PLATE - SWITCH - 1 GANG POLISHED BRASS	
11	079364-01-000	EA SWITCH - ON/OFF ROCKER - 2 TERMINAL - BROWN	
11	098351-02-01A	EA PLATE - SWITCH - 2 GANG POLISHED BRASS	
12	061424-01-000	EA LIGHT - AISLE - 12 VOLT - RECTANGULAR	
12	008103-01-000	EA BULB - DASH/AISLE LIGHT - #53 - 12 VOLT - .12 AMP	
13	084076-02-000	EA RECEPTACLE - GFI - 15 AMP/125 VOLT - BROWN	

ELECTRICAL GROUP (CONTINUED)

LIGHTS, RECEPTACLES, & SWITCHES (PASSENGER SIDE)



KEY	PART NUMBER	U/M DESCRIPTION	VENDOR NO.
1	098024-03-02A	EA LIGHT - DOME - 2 BULB - WHITE	
1	008218-01-000	EA BULB - DOME LIGHT - 12 VOLT - 1141	
1	098024-01-700	EA LENS-LIGHT	807877
2	098024-06-02A	EA LIGHT - DOME - 2 BULB - SKYLITE	
2	008218-01-000	EA BULB - DOME LIGHT - 12 VOLT - NO. 1141	
2	098024-01-701	EA LENS - OPTI CLEAR - SKYLITE	809902
3	079364-01-000	EA SWITCH - ON/OFF ROCKER - 2 TERMINAL - BROWN	
3	095188-02-01A	EA SPACER - SWITCH - 2.3" X 4.1" - PLASTIC - DARK BROWN	
3	098351-05-01A	EA PLATE - SWITCH - 3 GANG POLISHED BRASS	
4	058708-05-000	EA RECEPTACLE - ELECTRIC - SINGLE - BROWN	
5	058708-02-000	EA RECEPTACLE - ELECTRIC - DOUBLE - IVORY	
5	102568-01-GB1	EA SPACER - RECEPTACLE - BETWEEN SIDEWALL & PLATE - WOOD (OAK)	
5	102568-01-H23	EA SPACER - RECEPTACLE - BETWEEN SIDEWALL & PLATE - WOOD (WHITE)	
6	087694-01-000	EA LIGHT - WARDROBE/CLOSET - W/SWITCH	

KEY	PART NUMBER	U/M DESCRIPTION
7	079364-01-000	EA SWITCH - ON/OFF ROCKER - 2 TERMINAL - BROWN
7	079364-03-000	EA SWITCH - ON/OFF ROCKER - 3 TERMINAL - BROWN
7	098351-02-01A	EA PLATE - SWITCH - 2 GANG POLISHED BRASS
7	095188-01-01A	EA SPACER - SWITCH - 2.3" X 3.4" - PLASTIC - DARK BROWN
8	065202-24-000	EA LAMP - WALL/BRASS - W/O SHADE
8	119257-01-01A	EA SHADE - LAMP - POTPOUM
8	067479-01-000	EA BULB - 12 VOLT - #1076 - 1.80 AMP
9	058708-01-000	EA RECEPTACLE - ELECTRIC - DOUBLE - BROWN
10	061424-01-000	EA LIGHT - AISLE - 12 VOLT - RECTANGULAR
10	008103-01-000	EA BULB - DASH/AISLE LIGHT - #53 - 12 VOLT - .12 AMP
11	058707-01-000	EA RECEPTACLE - ELECTRIC - SINGLE - BROWN
12	112822-01-01A	EA RECEPTACLE - DUPLEX - IVORY
13	084076-02-000	EA RECEPTACLE - GFI - 15 AMP/125 VOLT - BROWN
14	079364-03-000	EA SWITCH - ON/OFF ROCKER - 3 TERMINAL - BROWN
14	098351-01-01A	EA PLATE - SWITCH - 1 GANG POLISHED BRASS
14	095188-01-01A	EA SPACER - SWITCH - 2.3" X 3.4" - PLASTIC - DARK BROWN

ELECTRICAL GROUP (CONTINUED)**CONVERTER & LOAD CENTER**

KEY	PART NUMBER	U/M DESCRIPTION
	099048-03-000	EA INVERTER - 130 WATT
	106071-01-000	EA SWITCH - AUTOMATIC TRANSFER - 30 AMP - MAGNETEK
	106071-02-000	EA SWITCH - AUTOMATIC TRANSFER - 50 AMP - MAGNETEK
	108915-02-000	EA LOAD CENTER - 120/240 VOLT - 100 AMP
	109677-01-000	EA LOAD CENTER - 120 VOLT - 40 AMP
	113132-01-000	EA LOAD CENTER - 120/240 VOLT - 60 AMP
	123058-02-000	EA CONVERTER - 45 AMP - ELECTRONIC - 4 1/8"H X 7"W X 12 3/8"L

ELECTRICAL SWITCHES

KEY	PART NUMBER	U/M DESCRIPTION
	073626-04-000	EA COVER - ELECTRIC - 10.4" X 7.8"
	077942-01-000	EA SWITCH - DUMMY - BLACK
	079364-01-000	EA SWITCH - ON/OFF ROCKER - 2 TERMINAL - BROWN
	079364-03-000	EA SWITCH - ON/OFF ROCKER - 3 TERMINAL - BROWN
	079364-04-000	EA SWITCH - ON/OFF ROCKER - 2 TERMINAL - BLACK
	095188-01-01A	EA SPACER - SWITCH - 2.3" X 3.4" - PLASTIC - DARK BROWN
	095188-02-01A	EA SPACER - SWITCH - 2.3" X 4.1" - PLASTIC - DARK BROWN
	096241-03-000	EA SWITCH - BLANK - BLACK
	098351-02-01A	EA PLATE - SWITCH - 2 GANG POLISHED BRASS
	098351-05-01A	EA PLATE - SWITCH - 3 GANG POLISHED BRASS
	098351-09-01A	EA PLATE - SWITCH - SPEAKER SELECT - POLISHED BRASS
	098351-14-01A	EA PLATE - SWITCH - 1 GANG W/LABEL
	108355-01-000	EA HOUSING - SWITCH
	108356-02-01A	EA COVER/ACTUATOR SWITCH - 2 ROWS DIMPLES- CONTURA II - BLACK
	108356-04-01A	EA COVER/ACTUATOR SWITCH - 2 ROWS DIMPLES W/LENS - CONTURAI - BLACK
	108356-01-01A	EA COVER/ACTUATOR SWITCH - 3 GROOVES - CONTURA III - BLACK
	108357-01-000	EA SWITCH - ROCKER SPST - ON/OFF - 2 TERMINAL
	108357-06-000	EA SWITCH - ROCKER DPDT - MOM/OFF/MOM - 6 TERMINAL
	108357-07-000	EA SWITCH - ROCKER SPDT - MOM/OFF/MOM - 3 TERMINAL
	108357-08-000	EA SWITCH - ROCKER DPDT - ON/NONE/ON - 6 TERMINAL

ROCKER SWITCHES (DASH)

KEY	PART NUMBER	U/M DESCRIPTION
	108357-03-000	EA SWITCH - ROCKER SPDT - ON/OFF/ON - 3 TERMINAL
	108356-02-01A	EA COVER/ACTUATOR SWITCH - 2 ROWS DIMPLES- CONTURA II - BLACK
	108357-08-000	EA SWITCH - ROCKER DPDT - ON/NONE/ON - 6 TERMINAL
	108357-06-000	EA SWITCH - ROCKER DPDT - MOM/OFF/MOM - 6 TERMINAL
	108357-09-000	EA SWITCH - ROCKER SPDT - ON/NONE/MOM - 3 TERMINAL
	108357-10-000	EA SWITCH - ROCKER SPDT - W/LIGHT - MOM/NONE/MOM - 5 TERMINAL
	108356-04-01A	EA COVER/ACTUATOR SWITCH - 2 ROWS DIMPLES W/LENS-CONTURAI-BLK
	096241-03-000	EA SWITCH - BLANK
	077942-01-000	EA SWITCH - DUMMY - BLACK

RECEPTACLES

KEY	PART NUMBER	U/M DESCRIPTION
	058707-01-000	EA RECEPTACLE - ELECTRIC - SINGLE - BROWN
	058707-02-000	EA RECEPTACLE - BLANK - JUNCTION BOX
	058708-01-000	EA RECEPTACLE - ELECTRIC - DOUBLE - BROWN
	058708-02-000	EA RECEPTACLE - ELECTRIC - DOUBLE - IVORY
	058708-05-000	EA RECEPTACLE - ELECTRIC - SINGLE - BROWN
	084076-02-000	EA RECEPTACLE - GFI - 15 AMP/125 VOLT - BROWN
	091927-01-000	EA COVER - RECEPTACLE - DOUBLE - IVORY
	097734-01-01A	EA EXTENSION/RECEPTACLE - .7" 3.2" X 5" - IVORY
	102568-01-GB1	EA SPACER - RECEPTACLE - BETWEEN SIDEWALL & PLATE - WOOD
	112822-01-01A	EA RECEPTACLE - DUPLEX - IVORY
	112824-01-03A	EA COVER - EXTERIOR DUPLEX RECEPTACLE - WHITE PLASTIC
	115930-02-000	EA INLET - 50 AMP - 240 VOLT - EXTERIOR

ELECTRICAL GROUP (CONTINUED)**WIRE ASSEMBLIES**

KEY	PART NUMBER	U/M DESCRIPTION
	P27264-02-000	EA WIRE ASSEMBLY - RADIO AM/FM CASSETTE
	P27516-02-000	EA WIRE ASSEMBLY - RADIO AM/FM/CD
	073328-B4-000	EA CABLE ASSEMBLY - BATTERY - W/TERMINALS
	090986-01-000	EA WIRE ASSEMBLY - ELECTRIC STEP
	096449-01-000	EA WIRE ASSEMBLY - WATER TANK TO MONITOR PANEL
	096717-03-000	EA WIRE ASSEMBLY - REAR MONITOR - AFTER MARKET INSTALLATION
	097618-01-000	EA WIRE ASSEMBLY - MONITOR PANEL- W/3 WIRES & ORANGE RESISTOR
	108303-01-000	EA WIRE ASSEMBLY - REAR AUTO HEATER
	108304-01-000	EA WIRE ASSEMBLY - INSTRUMENT PANEL - AUXILIARY FANS
	110256-01-000	EA WIRE ASSEMBLY - INSTRUMENT PANEL - GENERATOR
	111915-01-000	EA WIRE ASSEMBLY - DAYTIME RUNNING LAMPS - FUSED - GM
	111915-03-000	EA WIRE ASSEMBLY - DAYTIME RUNNING LAMPS - FUSED - FORD
	113134-03-000	EA WIRE ASSEMBLY - WIPER/WASHER
	120233-05-000	EA WIRE - 30" W/DIGITAL SENSOR CONNECTOR/STRIPED LEAD
	124096-01-000	EA WIRE - INSTRUMENT PANEL - FOG LAMPS
	126392-01-000	EA WIRE ASSEMBLY - REMOTE MIRRORS
	126591-01-02B	EA CARRIER - WIRE -SLIDEOUT

CIRCUIT BREAKERS & FUSES

KEY	PART NUMBER	U/M DESCRIPTION
	062037-01-000	EA HOUSING - AUTO FUSE - NATURAL
	062037-02-000	EA HOUSING - AUTO FUSE - GREEN
	062037-03-000	EA HOUSING - AUTO FUSE - BLACK
	062037-04-000	EA HOUSING - AUTO FUSE - BLUE
	062037-06-000	EA HOUSING - AUTO FUSE - BROWN
	062037-07-000	EA HOUSING - AUTO FUSE - RED
	062901-02-000	EA FUSE - 05 AMPS - AUTOMOTIVE
	062901-05-000	EA FUSE - 15 AMPS - AUTOMOTIVE
	062901-06-000	EA FUSE - 20 AMPS - AUTOMOTIVE
	062901-07-000	EA FUSE - 25 AMPS - AUTOMOTIVE
	062901-08-000	EA FUSE - 30 AMPS - AUTOMOTIVE
	083209-01-000	EA CIRCUIT BREAKER - 15 AMP - 120 VOLT - CANADIAN
	083209-02-000	EA CIRCUIT BREAKER - 15/15 AMP - 120 VOLT
	083209-03-000	EA CIRCUIT BREAKER - 15/20 AMP - 120 VOLT
	083209-04-000	EA CIRCUIT BREAKER - 30 AMP - 120 VOLT
	083209-06-000	EA CIRCUIT BREAKER - 30/15 AMP - 120 VOLT
	093654-01-000	EA CIRCUIT BREAKER - 6 AMP - 12 VOLT
	093654-02-000	EA CIRCUIT BREAKER - 15 AMP - 12 VOLT
	093655-03-000	EA CIRCUIT BREAKER - 40 AMP - 12 VOLT
	093674-01-000	EA PLATE - CIRCUIT BREAKER - HOUSE - 8.4" X 4.1" - STEEL
	106656-01-000	EA FUSE BLOCK - 4 CAVITY - AUTOFUSE
	108669-01-000	EA HOUSING - AUTO FUSE HOLDER
	122811-01-000	EA CIRCUIT BREAKER - 20/50/50/20

ELECTRICAL BOXES & CORDS

KEY	PART NUMBER	U/M DESCRIPTION
	008052-01-000	EA CORD - POWER - 10/3 WIRE - 30 AMP - 25' - CANADIAN
	008054-01-000	EA CORD - POWER - 10/3 WIRE - 30 AMP - 25'
	008289-01-000	EA BOX - ELECTRIC/STEEL - 1/2" & 3/4" KNOCKOUTS - 4" X 4"
	008289-02-000	EA BOX - ELECTRIC/STEEL - 1/2" & 3/4" KNOCKOUTS - 4" X 4"-CAN
	008294-01-000	EA COVER - ELECTRICAL BOX - BLANK/STEEL - 4" X 4" - GRAY
	008294-02-000	EA COVER - ELECTRICAL BOX - BLANK STEEL - 4" X 4" - CANADIAN
	074890-01-000	EA BOX - EXTENSION/STEEL - OPEN SIDES - 4" X 4" X 1 1/2"
	074897-01-000	EA COVER - ELECTRICAL BOX W/HOLES - 4" X 4"
	091910-01-000	EA BOX - ELECTRIC - 3.8" X 3.5" X 1.8" - PLASTIC
	091910-02-000	EA BOX - ELECTRIC - 2.2" X 3.5" X 1.8" - PLASTIC
	108934-01-000	EA POWER CORD - 36/50 AMP - 4 WIRE
	111509-01-000	EA BOX - ELECTRICAL - E-COATED
	111510-01-000	EA DOOR/ACCESS PANEL - ELECTRICAL BOX
	127397-01-02B	EA COVER - ELECTRICAL - E-COAT

ELECTRICAL GROUP (CONTINUED)**ELECTRICAL CONNECTORS & CONDUIT**

KEY	PART NUMBER	U/M DESCRIPTION
	007954-01-000	EA RECEPTACLE - HOUSING - 6 POSITION
	007956-05-000	EA INSULATOR - SHRINK - .25 ID X 1.50
	008311-01-000	EA CONNECTOR - WIRE NUT - INSULATED - RED
	008312-01-000	EA CONNECTOR - WIRE NUT - INSULATED - BLUE
	008313-01-000	EA CONNECTOR - WIRE NUT - INSULATED - YELLOW
	008314-01-000	EA CONNECTOR - WIRE NUT - INSULATED - GRAY
	008326-01-000	EA TERMINAL - RING - 16/14 WIRE - 3/8" STUD
	008328-01-000	EA TERMINAL - RING - 12/10 WIRE - #10 STUD FIT
	008331-01-000	EA TERMINAL - RING - TONGUE - #4 WIRE - 3/8" STUD - COPPER
	008348-01-000	EA TERMINAL - RING - 3/8" STUD 2 GA. WIRE
	008355-01-000	EA CONNECTOR - CABLE CLAMPING - 3/4"
	008356-01-000	EA CONNECTOR - PLASTIC - 3/8" AVG
	008356-02-000	EA CONNECTOR - PLASTIC - 21/32
	008394-01-000	FT CONDUIT - FLEXIBLE - 1/2"
	008398-01-000	EA CONNECTOR - 1/2" X 90 DEGREE - FLEX CONDUIT - UL & CSA
	035416-04-000	EA TERMINAL - RING - #10 STUD FIT - INSULATED BARREL #16/14
	041480-01-000	EA CONNECTOR - STRAIGHT - 1/2' FLEX CONDUIT
	041953-01-000	FT CONDUIT - CONVOLUTE SLIT - .5" ID
	041953-01-000	FT CONDUIT - CONVOLUTE SLIT - .5" ID
	041953-03-000	FT CONDUIT - CONVOLUTE SLIT - 1" ID (CLOTHES ROD COVER)
	041953-05-000	FT CONDUIT - CONVOLUTE SOLID - .62" ID
	041953-06-000	FT CONDUIT - CONVOLUTE SLIT - .375" ID
	041953-07-000	FT CONDUIT - CONVOLUTE SLIT - .25" ID
	041953-08-000	FT CONDUIT - CONVOLUTE SLIT - 1.50" ID
	041953-09-000	FT CONDUIT - CONVOLUTE SLIT - .50" ID
	041953-10-000	FT CONDUIT - CONVOLUTE SLIT - .75" ID
	041953-11-000	FT CONDUIT - CONVOLUTE SLIT - 1.06" ID
	041953-12-000	FT CONDUIT - CONVOLUTE NON SLIT - 1.1" ID
	047443-01-000	EA TERMINAL - .250 RECEPTACLE FIT - INSULATED - 16/14 AWG
	047443-02-000	EA TERMINAL - .250 RECEPTACLE FIT - INSULATED - 12/10 AWG
	058028-01-000	EA CONNECTOR - ELECTRICAL PIGTAIL - NYLON - CLEAR
	062036-01-000	EA TERMINAL - PACK - CON - 12/10 AWG
	062036-02-000	EA TERMINAL - PACK - CON - 16/14 AWG
	077479-01-000	EA BOOT - BATTERY TERMINAL - DOUBLE CABLE
	077479-02-000	EA BOOT - BATTERY TERMINAL - SINGLE CABLE
	080015-02-000	EA RECEPTACLE - FLAG - .185 - 16/14 GAUGE
	085724-01-000	EA SOCKET - DOUBLE CONTACT - TAILLIGHT
	087225-01-000	FT SLEEVING - 1/2" - TYPE H
	087225-02-000	FT SLEEVING - 5/8" - TYPE H
	087949-01-000	EA BUSS BAR - 2 POSITION - .6" X 1.5"
	087949-02-000	EA BUSS BAR - 3 POSITION - .6" X 2.4"
	088267-01-000	EA TERMINAL - FEMALE - 1/4
	088473-01-000	EA HOUSING - PIN - 12 CAVITY (3 ROWS OF 4)
	088473-02-000	EA HOUSING - PIN - 15 CAVITY (3 ROWS OF 5)
	088473-03-000	EA HOUSING - PIN - 9 CAVITY (3 ROWS OF 3)
	088473-06-000	EA HOUSING - PIN - 6 CAVITY (2 ROWS OF 3)
	088473-08-000	EA HOUSING - PIN - 4 CAVITY - IN-LINE
	088473-09-000	EA HOUSING - PIN - 3 CAVITY IN-LINE
	088473-10-000	EA HOUSING - PIN - 2 CAVITY
	088474-01-000	EA HOUSING - SOCKET - 12 CAVITY
	088474-02-000	EA HOUSING - SOCKET - 15 CAVITY
	088474-03-000	EA HOUSING - SOCKET - 9 CAVITY
	088474-06-000	EA HOUSING - SOCKET - 6 CAVITY
	088474-07-000	EA HOUSING - SOCKET - 5 CAVITY
	088474-08-000	EA HOUSING - SOCKET - 4 CAVITY
	088474-09-000	EA HOUSING - ELECTRICAL - 3 TERMINAL
	088474-10-000	EA HOUSING - SOCKET - 2 CAVITY
	088475-01-000	EA PIN - CONNECTOR - 14 - 20 AWG
	088475-02-000	EA PIN - CONNECTOR - 10-12 AWG
	088476-01-000	EA TERMINAL - ELECTRICAL
	088476-02-000	EA SOCKET - CONNECTOR - 12-10 GA - PRE-TIN

ELECTRICAL GROUP (CONTINUED)**ELECTRICAL CONNECTORS & CONDUIT (CONTINUED)**

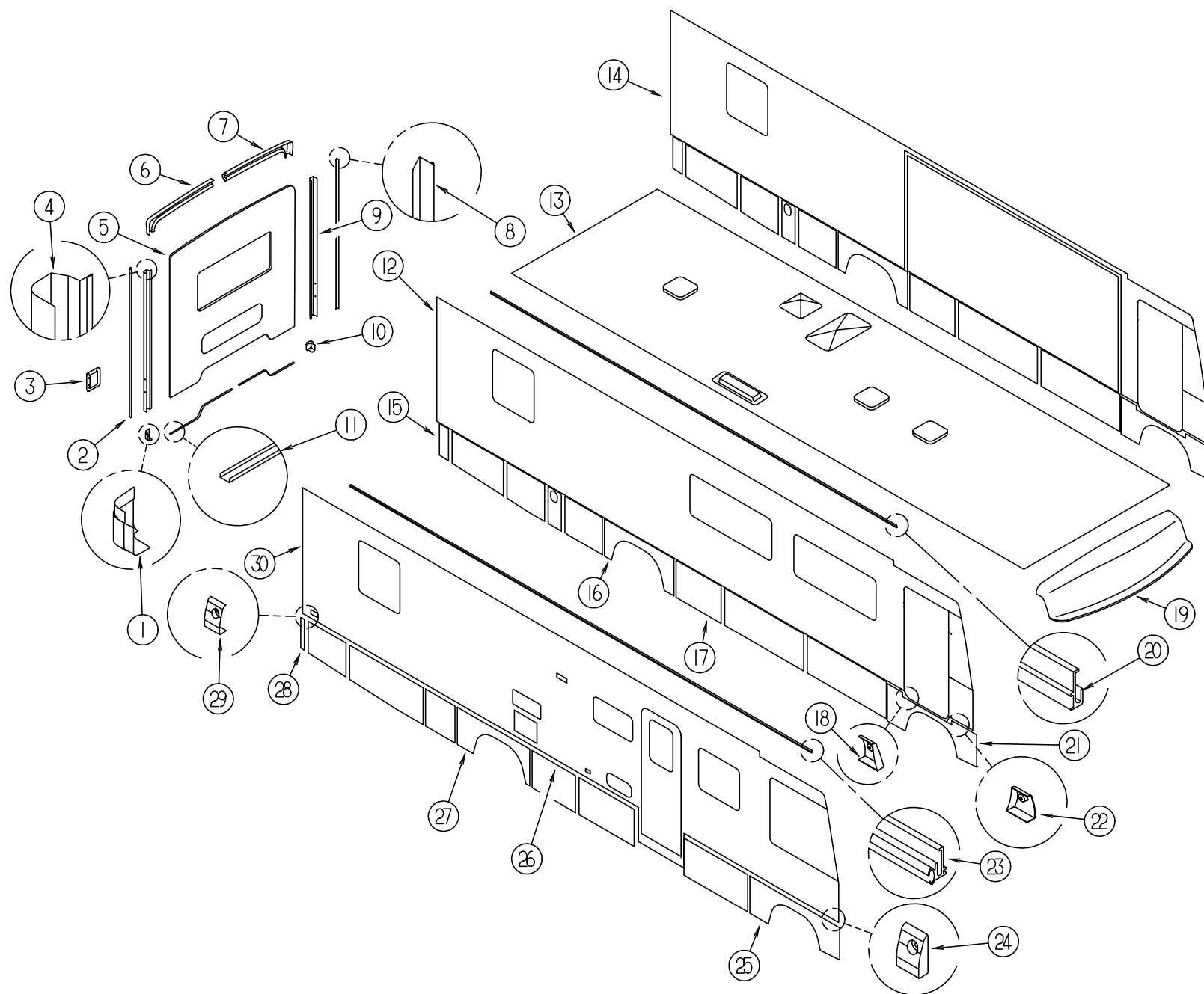
KEY	PART NUMBER	U/M DESCRIPTION
	092786-02-000	EA BUSS BAR - 3.3" LONG
	092786-03-000	EA BUSS BAR - 6.9" LONG
	098260-01-000	EA TERMINAL - MALE - 56 SERIES
	098261-02-000	EA SOCKET - CONNECTOR - WEATHERPACK
	098262-01-000	EA SEAL - CONNECTOR - WEATHERPACK
	098264-01-000	EA HOUSING - 2 PIN - WEATHERPACK
	101571-01-000	EA HOUSING - 2 POSITION - MALE
	103608-01-000	EA SOCKET - WEDGE BASE W/LEADS
	103987-02-000	EA SEAL - SOLENOID ACCESS
	104016-01-000	EA WIRE ASSEMBLY - AUXILIARY FANS
	104100-01-000	EA HOUSING - 1 POSITION - 75 AMPS
	104100-03-000	EA TERMINAL - 75 AMP
	106006-01-000	EA HOUSING - 1 POSITION - FEMALE
	106007-01-000	EA TERMINAL - FEMALE - 14-16 AWG
	106655-01-000	EA TERMINAL - FUSE BLOCK - 14-16 AWG
	106655-02-000	EA TERMINAL - FUSE BLOCK - 10-12 AWG
	110178-01-000	EA HOUSING - WIPER MOTOR
	112823-01-000	EA SPLICE - REDUCER - 16-14 TO 18-22
	113131-01-000	EA HOUSING - 3 PIN
	113135-01-000	EA TERMINAL - FEMALE - M/P - 14-16
	113306-01-000	EA TERMINAL - FEMALE - M/P - 14-16
	113307-01-000	EA TERMINAL - FEMALE - M/P - 16-20
	113468-01-000	EA HOUSING - 2 POSITION - FEMALE
	115556-01-000	EA HOUSING - 3 POSITION - FEMALE
	115556-02-000	EA HOUSING - 2 POSITION - FEMALE
	115931-02-000	EA COVER - CONNECTOR
	115932-02-000	EA CONNECTOR - FEMALE - 50 AMP - 240 VOLT
	116811-01-000	EA TERMINAL - .110 RECEPTACLE - 16-14 AWG
	119248-02-000	EA HOUSING - 7 POSITION - FEMALE
	125323-02-000	EA HOUSING - 8 POSITION - MALE
	125324-01-000	EA TERMINAL - MALE - METRI-PACK - 150
	125325-01-000	EA SEAL - CAVITY

ELECTRICAL MISCELLANEOUS

KEY	PART NUMBER	U/M DESCRIPTION
	007093-01-000	EA SIGNAL FLASHER
	008188-01-000	EA SOLENOID - 3 POST - BATTERY CHANGE OVER
	063910-01-000	EA HOUSING - RELAY
	063912-02-000	EA RELAY - CANISTER - SPDT
	086233-01-000	EA STUD - ISOLATED - 3/8" X 7/8" LONG
	086273-01-000	EA RELAY - BATTERY DISCONNECT
	115504-01-000	EA PANEL - SOLAR 10 WATT
	115504-01-700	EA PLUG & CABLE, 10 WATT PANEL 600-016
	115505-01-000	EA LIGHT - MONITOR/SOLAR PANEL - RED LED INDICATOR

EXTERIOR BODY GROUP

EXTERIOR BODY PANELS & TRIM

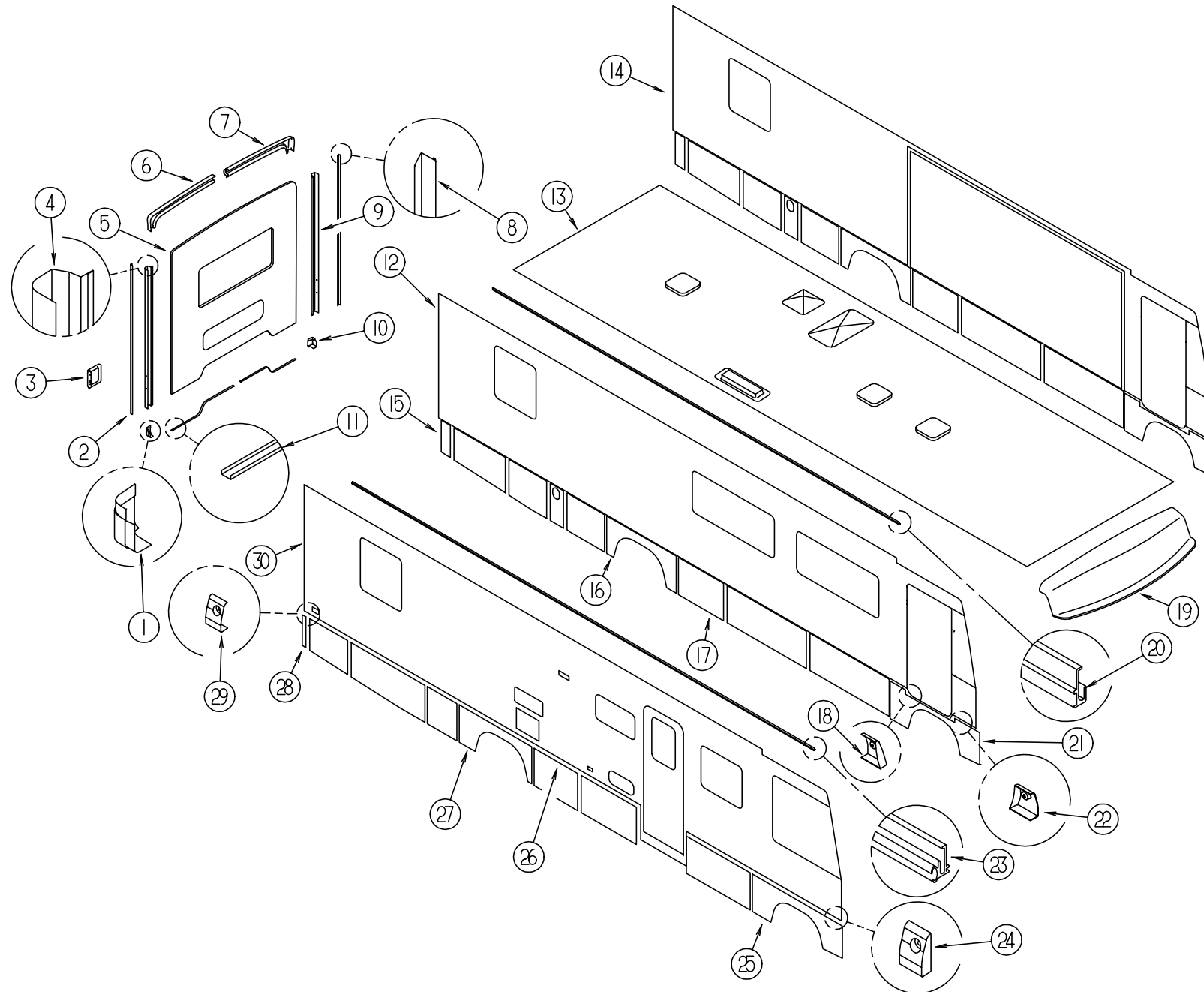


KEY	PART NUMBER	U/M DESCRIPTION
1	125873-01-01A	EA TRIM - BACKWALL - LOWER/RIGHT HAND
2	120548-01-02A	EA TRIM-J - BACKWALL - PASSENGER/NOTCHED
3	126210-01-J20	EA TRIM - TAILLIGHT/DRIVER/PASSENGER - BRIGHT WHITE
4	126096-01-12B	EA TRIM - BACKWALL/PASSENGER SIDE - BRIGHT WHITE
5	M08153-08-J22	EA BACKWALL - W/O WINDOW/TRIM - TWIN BED (J22, J23)
5	M08153-08-J24	EA BACKWALL - W/O WINDOW/TRIM - TWIN BED (J24, J25)
5	M08153-08-J26	EA BACKWALL - W/O WINDOW/TRIM - TWIN BED (J26, J27)
5	M08153-08-J28	EA BACKWALL - W/O WINDOW/TRIM - TWIN BED (J28, J29)
5	M08153-07-J22	EA BACKWALL - W/O WINDOW/TRIM - QUEEN BED (J22, J23)
5	M08153-07-J24	EA BACKWALL - W/O WINDOW/TRIM - QUEEN BED (J24, J25)
5	M08153-07-J26	EA BACKWALL - W/O WINDOW/TRIM - QUEEN BED (J26, J27)
5	M08153-07-J28	EA BACKWALL - W/O WINDOW/TRIM - QUEEN BED (J28, J29)

KEY	PART NUMBER	U/M DESCRIPTION
6	125690-01-01A	EA TRIM - BACKWALL - TOP/RIGHT HAND
7	125689-01-01A	EA TRIM - BACKWALL - TOP/LEFT HAND
8	120548-02-02A	EA TRIM-J - BACKWALL - LEFT HAND/NOTCHED
9	126096-02-12B	EA TRIM - BACKWALL/LEFT SIDE - BRIGHT WHITE
10	125873-02-01A	EA TRIM - BACKWALL - LOWER/LEFT HAND
11	050406-25-000	EA TRIM - BACKWALL - LOWER
12	126430-01-J22	EA SIDEWALL - DRIVER - W/O WINDOWS/TRIM (J22, J23)
12	126430-01-J24	EA SIDEWALL - DRIVER - W/O WINDOWS/TRIM (J24, J25)
12	126430-01-J26	EA SIDEWALL - DRIVER - W/O WINDOWS/TRIM (J26, J27)
12	126430-01-J28	EA SIDEWALL - DRIVER - W/O WINDOWS/TRIM (J28, J29)
13	126408-01-J22	EA ROOF - W/O LIGHTS/VENTS - W/WIRING

EXTERIOR BODY GROUP (CONTINUED)

EXTERIOR BODY PANELS & TRIM (CONTINUED)

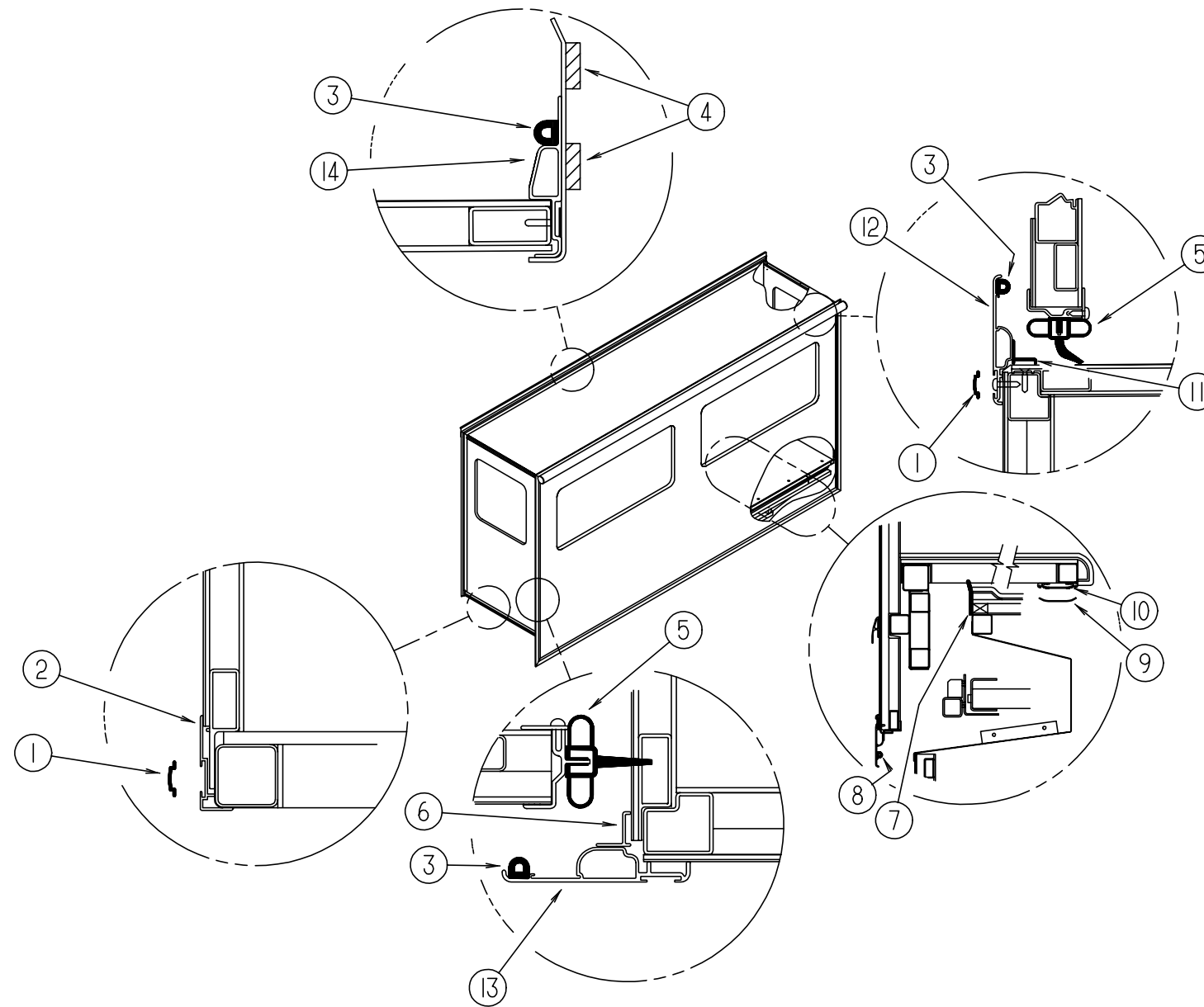


KEY	PART NUMBER	U/M DESCRIPTION
14	126500-01-J22	EA SIDEWALL - DRIVER - W/O WINDOWS/TRIMS - F/SLIDEOUT (J22, J23)
14	126500-01-J24	EA SIDEWALL - DRIVER - W/O WINDOWS/TRIMS - F/SLIDEOUT (J24, J25)
14	126500-01-J26	EA SIDEWALL - DRIVER - W/O WINDOWS/TRIMS - F/SLIDEOUT (J26, J27)
14	126500-01-J28	EA SIDEWALL - DRIVER - W/O WINDOWS/TRIMS - F/SLIDEOUT (J28, J29)
15	122732-22-JA1	EA PANEL - VALANCE - REAR DRIVER - W/O HARDWARE - 9"
16	125663-04-JA1	EA VALANCE/WHEEL LIP - REAR DRIVER
17	122776-20-JA1	EA VALANCE/PANEL - FURNACE - W/O HARDWARE - 23.9"
18	124178-04-01A	EA CAP - TRIM/DRIVER DOOR
19	125052-02-J20	EA CAP - ROOF - W/O LIGHTS/WIRING
20	120091-02-02A	EA TRIM - ROOF
21	125664-04-JA1	EA PANEL - WHEEL LIP - FRONT - DRIVER
21	125664-03-JA1	EA PANEL - WHEEL LIP - FRONT - DRIVER - W/DRIVER DOOR
22	124178-03-01A	EA CAP - TRIM/DRIVER DOOR
23	120092-01-02A	EA RAIL - AWNING - BRIGHT WHITE

KEY	PART NUMBER	U/M DESCRIPTION
24	124132-01-01A	EA CAP - TRIM/SIDEWALL - RIGHT HAND - BRIGHT WHITE
25	125648-04-JA1	EA VALANCE/WHEEL LIP - FRONT - PASSENGER
26	124176-01-01A	EA TRIM - SIDEWALL - BRIGHT WHITE - 16"
26	105312-01-03A	FT INSERT - VINYL FEATURE STRIP - GRAY METALLIC
27	125647-04-JA1	EA VALANCE/WHEEL LIP - REAR - PASSENGER
28	122732-23-JA1	EA PANEL - VALANCE - REAR PASSENGER - W/O HARDWARE - 6"
29	124132-02-01A	EA CAP - TRIM/SIDEWALL - LEFT HAND - BRIGHT WHITE
30	126429-01-J22	EA SIDEWALL - PASSENGER - W/O WINDOWS/TRIM (J22, J23)
30	126429-01-J24	EA SIDEWALL - PASSENGER - W/O WINDOWS/TRIM (J24, J25)
30	126429-01-J26	EA SIDEWALL - PASSENGER - W/O WINDOWS/TRIM (J26, J27)
30	126429-01-J28	EA SIDEWALL - PASSENGER - W/O WINDOWS/TRIM (J28, J29)

EXTERIOR BODY GROUP (CONTINUED)

EXTERIOR SLIDEOUT HARDWARE

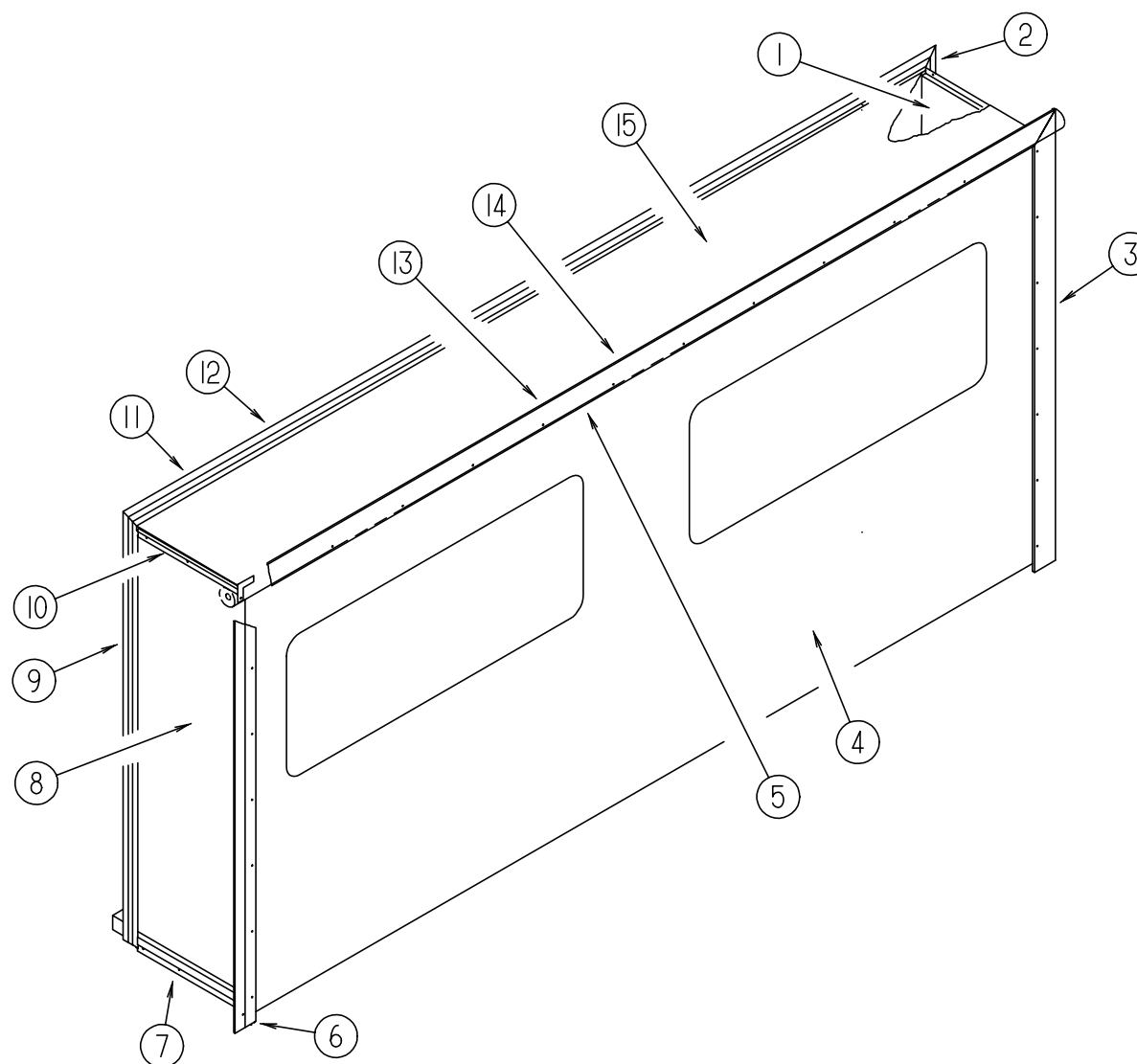


KEY	PART NUMBER	U/M DESCRIPTION
1	105312-01-03A	FT INSERT - VINYL FEATURE STRIP - GRAY METALLIC
2	108688-01-03A	EA STRIP - FEATURE - 15'
3	112091-01-000	FT SEAL-D - NEOPRENE
4	100128-02-000	FT SEAL - FOAM/ADHESIVE BACK - .37" WIDE X .37" THICK
5	115076-01-000	FT SEAL - SLIDEOUT
6	116933-01-02A	EA TRIM - SEAL
7	115075-02-000	FT SEAL - WIPE - .25" X 3.15"
8	089275-02-000	FT STRIP - 3/4" X 84" BLACK POLYETHELENE
8	121283-01-000	FT SEAL - P SHAPED
9	115661-01-000	FT POLYETHYLENE - HIGH DENSITY - 1/16" X 3'

KEY	PART NUMBER	U/M DESCRIPTION
10	115325-05-02A	EA RAIL - FLOOR/SLIDEOUT ROOM - BLACK FROM: 00-00-00 THRU: 03-31-98
10	115325-03-02A	EA RAIL - FLOOR/SLIDEOUT ROOM - BLACK - 64.5" LONG FROM: 04-01-98 THRU: 99-99-99
11	116933-02-02A	EA TRIM - SEAL - BRIGHT WHITE
12	119992-12-01A	EA TRIM - SEAL - W/MITERED ENDS - BRIGHT WHITE
13	119992-11-01A	EA TRIM - SEAL - W/MITERED ENDS - BRIGHT WHITE
14	117004-03-01A	EA TRIM - SEAL/INNER - OFF WHITE (TOP)
	117004-01-01A	EA TRIM - SEAL/INNER LEFT SIDE-W/MITERED ENDS-73.5" OFF WHITE (FORWARD)
	117004-02-01A	EA TRIM - SEAL/INNER RIGHT SIDE-W/MITERED ENDS-73.5"OFF WHITE (REARWARD)

EXTERIOR BODY GROUP (CONTINUED)

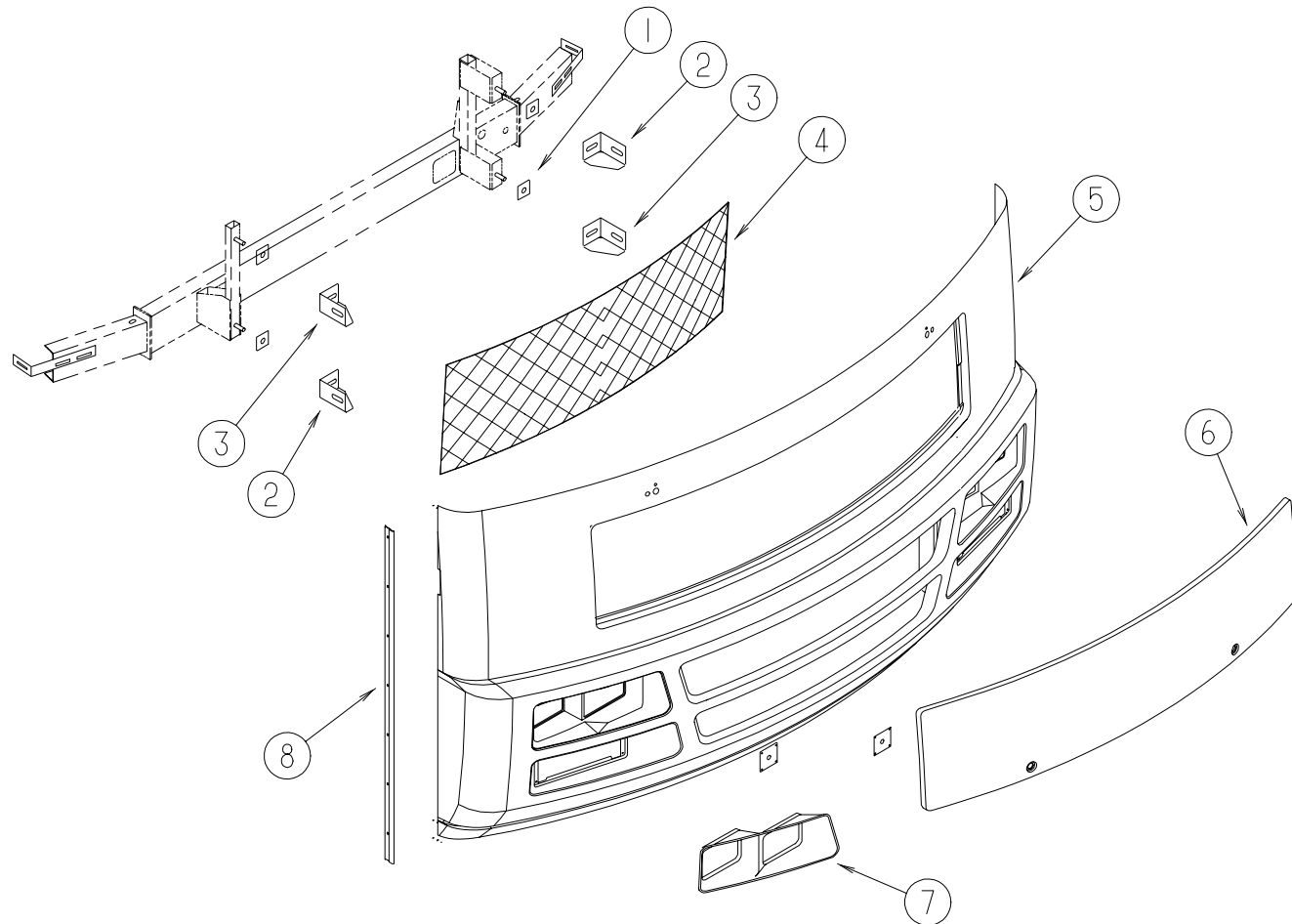
EXTERIOR SLIDEOUT PANELS & TRIMS



KEY	PART NUMBER	U/M DESCRIPTION
1	126570-01-J22	EA PANEL - SLIDEOUT - REAR (J22, J23)
1	126570-01-J24	EA PANEL - SLIDEOUT - REAR (J24, J25)
1	126570-01-J26	EA PANEL - SLIDEOUT - REAR (J26, J27)
1	126570-01-J28	EA PANEL - SLIDEOUT - REAR (J28, J29)
2	117004-01-01A	EA TRIM - SEAL/INNER LEFT SIDE-W/MITERED ENDS-73.5" OFF WHITE
3	119992-12-01A	EA TRIM - SEAL - W/MITERED ENDS - BRIGHT WHITE
3	105312-01-03A	FT INSERT - VINYL FEATURE STRIP - GRAY METALLIC
3	116933-01-02A	EA TRIM - SEAL
4	119783-06-J22	EA PANEL - SLIDEOUT - OUTER (J22, J23)
4	119783-06-J24	EA PANEL - SLIDEOUT - OUTER (J24, J25)
4	119783-06-J26	EA PANEL - SLIDEOUT - OUTER (J26, J27)
4	119783-06-J28	EA PANEL - SLIDEOUT - OUTER (J28, J29)
5	122977-06-01A	EA AWNING - SLIDEOUT - W/COVER - 160.24"
6	119992-11-01A	EA TRIM - SEAL - W/MITERED ENDS - BRIGHT WHITE
6	105312-01-03A	FT INSERT - VINYL FEATURE STRIP - GRAY METALLIC
6	116933-01-02A	EA TRIM - SEAL

KEY	PART NUMBER	U/M DESCRIPTION
7	125051-01-01A	EA STRIP - FEATURE - LOWER - BRIGHT WHITE
7	105312-01-03A	FT INSERT - VINYL FEATURE STRIP - GRAY METALLIC
8	126569-01-J22	EA PANEL - SLIDEOUT - FRONT (J22, J23)
8	126569-01-J24	EA PANEL - SLIDEOUT - FRONT (J24, J25)
8	126569-01-J26	EA PANEL - SLIDEOUT - FRONT (J26, J27)
8	126569-01-J28	EA PANEL - SLIDEOUT - FRONT (J28, J29)
9	117004-01-01A	EA TRIM - SEAL/INNER LEFT SIDE-W/MITERED ENDS-73.5" OFF WHITE
10	108688-01-03A	EA STRIP - FEATURE - 15'
10	105312-01-03A	FT INSERT - VINYL FEATURE STRIP - GRAY METALLIC
11	117004-03-01A	EA TRIM - SEAL/INNER - OFF WHITE
12	125466-01-01A	EA SUPPORT - ROOF - INTERIOR - OFF WHITE
13	119992-01-02A	EA TRIM - SEAL - W/MITERED ENDS
13	105312-01-03A	FT INSERT - VINYL FEATURE STRIP - GRAY METALLIC
13	116933-01-02A	EA TRIM - SEAL
14	117058-01-01A	FT TAP - LOOP - 3/4" WIDE - ADHESIVE BACKED
15	126571-01-J22	EA ROOF - F/SLIDEOUT - W/O LIGHTS/VENTS - W/WIRING

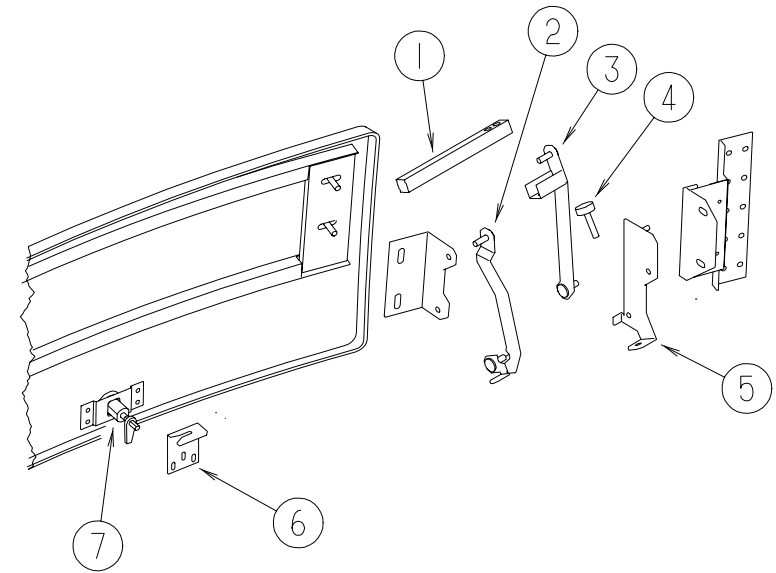
EXTERIOR BODY GROUP (CONTINUED)



FRONT END ASM

KEY	PART NUMBER	U/M DESCRIPTION
1	116617-02-02B	EA SPACER - BUMPER
2	117611-02-02B	EA BRACKET - BUMPER - LEFT HAND UPPER/RIGHT HAND LOWER FROM: 00-00-00 THRU: 12-16-97
2	128455-02-02B	EA BRACKET - BUMPER FROM: 12-17-97 THRU: 99-99-99
3	117611-01-02B	EA BRACKET - BUMPER - RIGHT HAND UPPER/LEFT HAND LOWER FROM: 00-00-00 THRU: 12-16-97
3	128455-01-02B	EA BRACKET - BUMPER FROM: 12-17-97 THRU: 99-99-99
4	115924-18-02A	EA WIRE MESH - F/GRILLE - FLAT BLACK
5	126251-06-J22	EA PANEL - FRONT/LOWER - W/O NOTCH
6	127075-01-J22	EA HOOD - FRONT - W/O HARDWARE
7	126252-01-01A	EA BEZEL - HEADLAMP - PASSENGER
7	126252-02-01A	EA BEZEL - HEADLAMP - DRIVER
7	110690-02-D18	EA PLATE - HEADLAMP - QUAD/LEFT HAND
7	110690-01-D18	EA PLATE - HEADLAMP - QUAD/RIGHT HAND
8	123680-05-01A	EA TRIM - FIBERGLASS PANEL - BRIGHT WHITE
	106730-10-000	EA PLATE - STUD - F/HOOD

EXTERIOR BODY GROUP (CONTINUED)

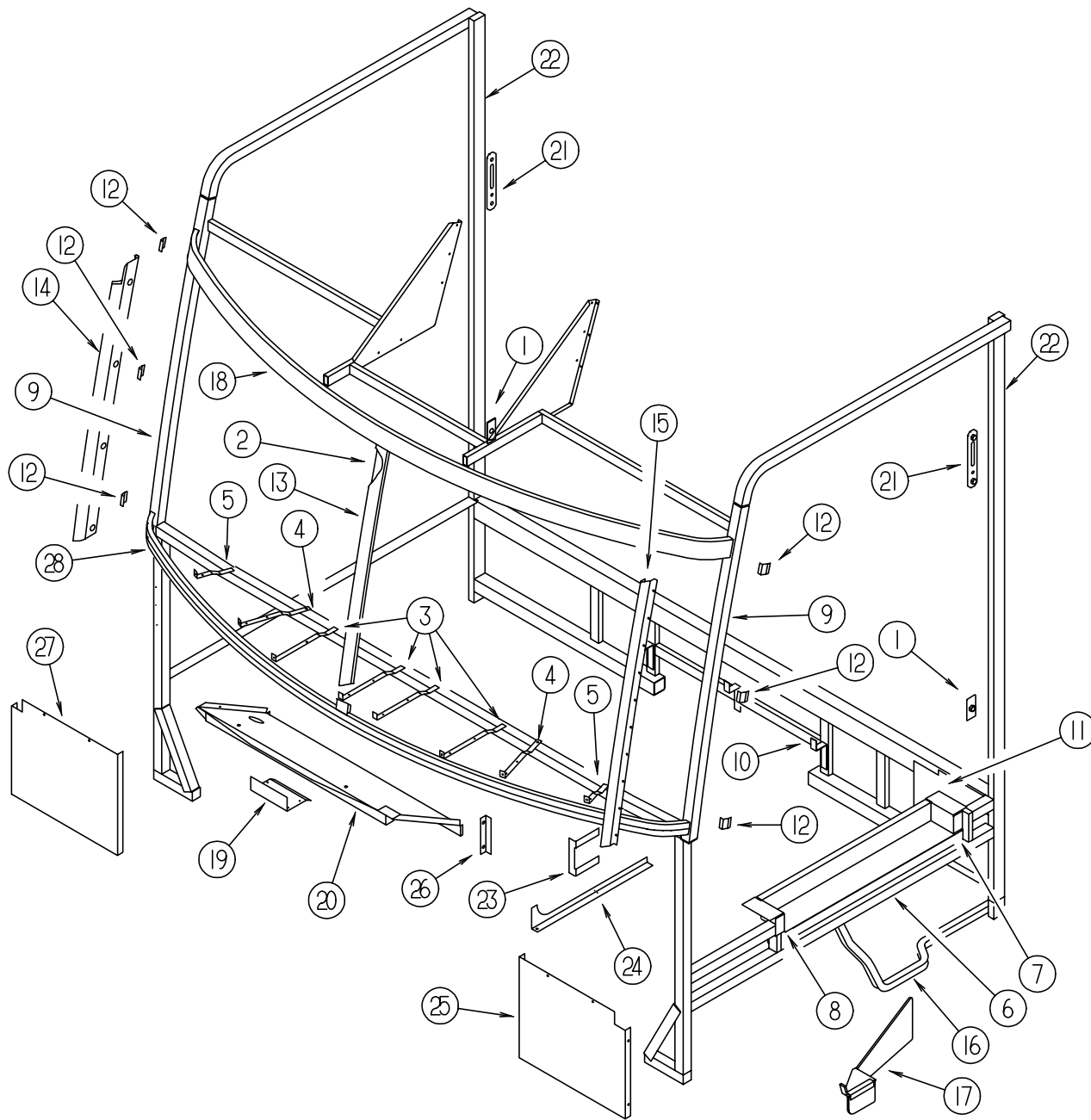


HOOD ASM

KEY	PART NUMBER	U/M DESCRIPTION
1	105096-10-000	EA TUBE - HOOD HINGE TIMING W/WELDNUTS
2	127180-03-02B	EA LINK - HINGE - LOWER - HOOD/RIGHT HAND
2	127180-04-02B	EA LINK - HINGE - LOWER - HOOD/LEFT HAND
3	127182-01-02B	EA LINK - HINGE - UPPER/RIGHT HAND
3	127182-02-02B	EA LINK - HINGE - UPPER/LEFT HAND
4	058786-01-000	EA BOLT - ADJUSTING HOOD - W/BLACK PAD
5	127181-03-02B	EA BRACKET - LINK/HINGE - HOOD/RIGHT HAND
5	127181-04-02B	EA BRACKET - LINK/HINGE - HOOD/LEFT HAND
6	126352-01-02B	EA LATCH - HOOD - FRONT END
7	102330-02-000	EA LATCH - VISE ACTION/KEY OPERATED

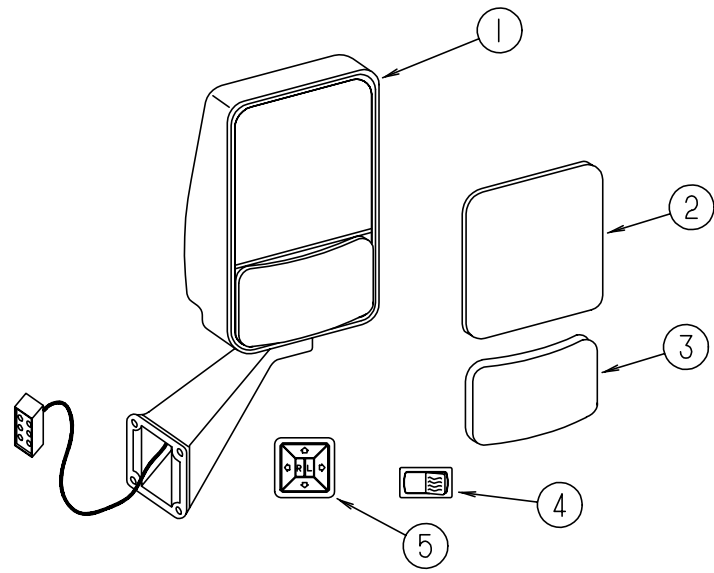
EXTERIOR BODY GROUP (CONTINUED)

FRONT END ASM.



KEY	PART NUMBER	U/M DESCRIPTION
1	070579-06-000	EA PLATE - ANCHOR - W/7/16" WELD NUT - 1.5" X 3.3"
1	070579-07-000	EA PLATE - ANCHOR - W/O WELD NUT - 1.5" X 3.3"
2	078249-17-000	EA TUBE - SWEEP - CAB FRAME
3	104797-03-000	EA BRACKET - DEFROSTER
4	104797-04-000	EA BRACKET - DEFROSTER
5	104797-05-000	EA BRACKET - DEFROSTER
6	106746-02-000	EA PANEL - STEPWELL
7	106747-03-000	EA PANEL - STEPWELL - RIGHT HAND END
8	106747-04-000	EA PANEL - STEPWELL - LEFT HAND END
9	117273-01-01A	EA TUBE - SUPPORT - A-PILLAR
10	117287-01-01B	EA BRACKET - MOUNT - CABLE
11	118592-01-01B	EA SHIELD - SPLASH - RIGHT HAND
12	120363-01-01B	EA BRACKET - WINDSHIELD
13	120840-07-01B	EA STRAP - W/HOLES - MILL
14	121269-05-01B	EA FRAME - WINDSHIELD - A-PILLAR - MILL
15	121269-06-01B	EA FRAME - WINDSHIELD - A-PILLAR - MILL
16	063977-14-000	EA STEP - DRIVER DOOR - LEFT HAND
17	128255-01-04B	EA STEP - DRIVER DOOR - BLACK
18	124975-01-01B	EA SUPPORT - WINDSHIELD - UPPER - MLL
19	125836-02-01B	EA ZEE-WIPER MOTOR - MILL
20	125837-02-01B	EA BRACE - WIPER MOTOR - MILL
21	127461-02-01B	EA PLATE - ANCHOR - SEAT BELT
22	127874-01-01B	EA TUBE-B PILLAR - MILL
23	097123-01-000	EA MOUNT - AIR INTAKE - FORD
24	099102-01-000	EA BRACKET - LINKAGE - THROTTLE
25	104147-14-000	EA SHIELD/SPLASH - HEADLIGHT
26	123262-02-02B	EA BRACKET ASM - FUSE PANEL - E-CT
27	121962-02-02B	EA SHIELD/SPLASH - HEADLIGHT
28	124974-01-01B	EA SUPPORT - WINDSHIELD,LOWER - MLL
	124904-03-01B	EA HEADER - WINDSHIELD - CENTER

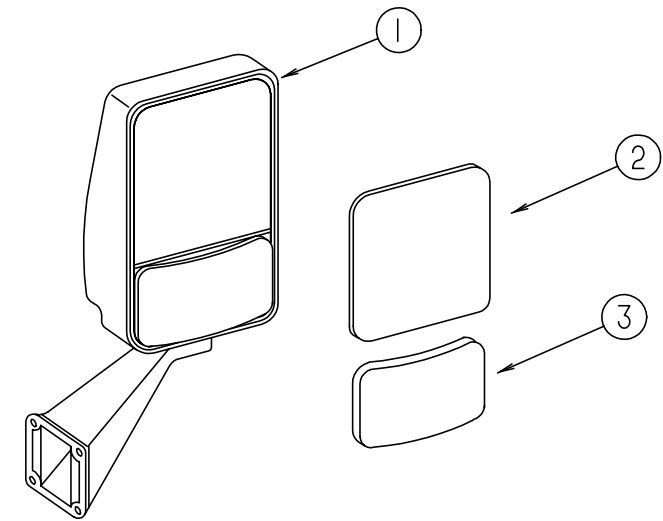
EXTERIOR BODY GROUP (CONTINUED)



EXTERIOR MIRROR OPTION (REMOTE & HEAT)

KEY	PART NUMBER	U/M DESCRIPTION
1	106015-12-01A	EA MIRROR - EXTERIOR REMOTE/HEAT - PASSENGER
1	106015-13-01A	EA MIRROR - EXTERIOR REMOTE/HEAT - DRIVER
2	106015-12-700	EA MIRROR - FLAT HEATED W/CLIP
3	106015-12-701	EA MIRROR - CONVEX HEATED W/CLIP
4	087695-02-000	EA SWITCH - HEATER - EXTERIOR MIRROR
5	088246-01-000	EA SWITCH - REMOTE - EXTERIOR - SQUARE PUSH
	087695-03-000	EA CONNECTOR - ASSEMBLY

EXTERIOR BODY GROUP (CONTINUED)

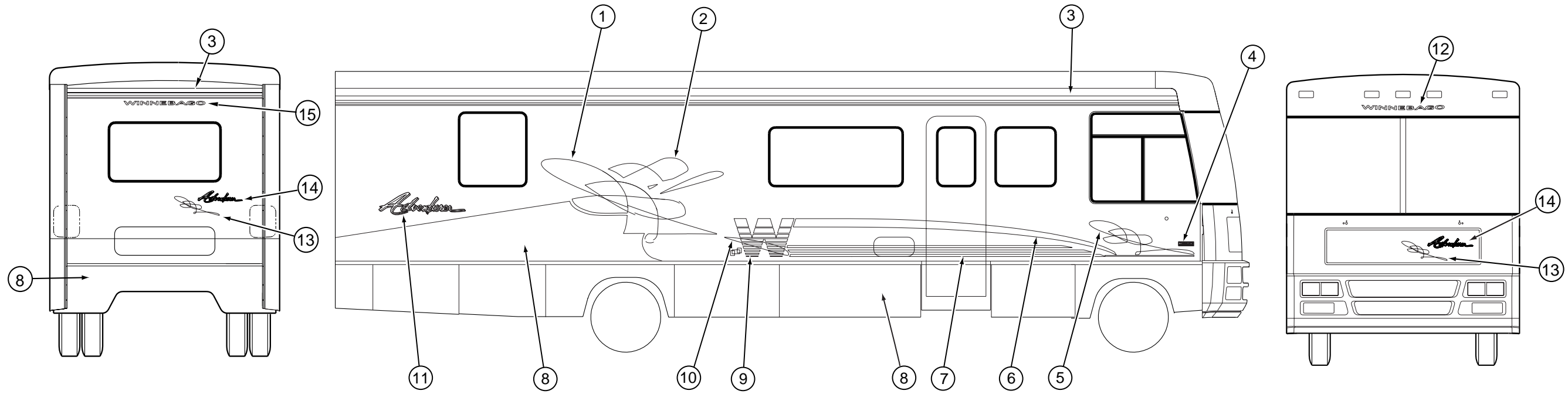


EXTERIOR MIRROR (ADJUSTABLE)

KEY	PART NUMBER	U/M DESCRIPTION
1	106015-14-01A	EA MIRROR - EXTERIOR ADJUSTABLE GLASS - PASSENGER
1	106015-15-01A	EA MIRROR - EXTERIOR ADJUSTABLE GLASS - DRIVER
2	106015-14-700	EA MIRROR - FLAT
3	106015-14-701	EA MIRROR - CONVEX

EXTERIOR BODY GROUP (CONTINUED)

DECALS, FILM STRIPES & PAINT



KEY	PART NUMBER	U/M DESCRIPTION
1	125589-01-01A	EA DECAL - CHECKSPLASH - RIGHT HAND
1	125589-02-01A	EA DECAL - CHECKSPLASH - LEFT HAND
2	125588-01-01A	EA DECAL - CHECKSPLASH - TOP/RIGHT HAND
2	125588-02-01A	EA DECAL - CHECKSPLASH - TOP/RIGHT HAND
3	094443-53-01A	FT FILM - MULTISTRIPE - 4.24"
4	122312-02-01A	EA DECAL - VORTEC 7400 FUEL INJECTED
4	129922-01-01A	EA EMBLEM - TRITON V10
5	125593-01-01A	EA DECAL - CHECKSPLASH - SMALL/RIGHT HAND
5	125593-02-01A	EA DECAL - CHECKSPLASH - SMALL/LEFT HAND
6	125591-01-01A	EA DECAL - TAIL - RIGHT HAND
6	125591-02-01A	EA DECAL - TAIL - LEFT HAND
7	125592-01-01A	EA DECAL - STRIPE
8	N/A	PAINT - CHAMPAGNE MET
8	N/A	PAINT - WINTER GREEN MET
9	125595-01-01A	EA DECAL - W
10	125590-01-01A	EA DECAL - CHECKSPLASH - FRONT/RIGHT HAND
10	125590-02-01A	EA DECAL - CHECKSPLASH - FRONT/LEFT HAND
11	122001-01-03A	EA DECAL - LOGO - ADVENTURER
12	125597-01-01A	EA DECAL - LOGO - WINNEBAGO/SWEEP #8
13	125594-01-01A	EA DECAL - CHECKSPLASH
14	122001-02-01A	EA DECAL - LOGO - ADVENTURER - SMALL
15	120702-03-02A	EA DECAL - LOGO - WINNEBAGO - SMALL
	093681-17-02A	FT FILM - 3.73" - 1 STRIPE (GREEN, REAR END OF SLIDEOUT)
	094443-55-01A	FT FILM - MULTISTRIPE - 5" (FRONT END OF SLIDEOUT)
	004308-01-000	EA PAINT - BLACK SPRAY
	041561-03-000	EA PAINT - 16 OUNCE SPRAY - OFF WHITE
	099399-23-700	EA PAINT - SPRAY - BRT WHITE ENAMEL

DUPONT PAINT COLOR CODES	
OFF WHITE	(INTERIOR) L8723
CHAMPAGNE METALLIC	(EXTERIOR) F2997U
WINTER GREEN METALLIC	(EXTERIOR) F3326U
BRIGHT WHITE	(EXTERIOR) B8951U
LIGHT BRIAR BROWN	(FILM) MM073
PINE GREEN METALLIC	(FILM) GM256
LIGHT IVY GREEN METALLIC	(FILM) YM537
BLUE PEARL	(FILM) F4576
BAYBERRY METALLIC	(FILM) F4577

EXTERIOR BODY GROUP (CONTINUED)

STYROFOAM & FIBERGLASS SHEETING

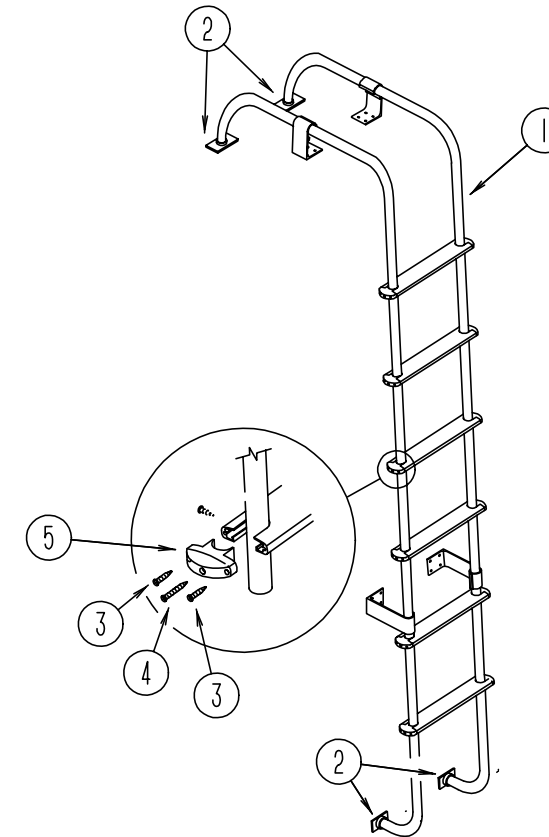
KEY	PART NUMBER	U/M DESCRIPTION
	000870-08-000	SF STYROFOAM - .75" X 48" X 96" PLANED EXPANDED BEAD BOARD
	002726-01-001	EA GARNISH - U-CHANNEL - 1.38" X 19' - SERRATED
	002766-01-001	EA ANGLE - EXTRUDED - 1" X 1.5" X 17'
	033381-17-001	FT STEEL - TUBE - 16 GAUGE 1.5" X 1.5" X 16'
	068716-01-001	EA BRACE - 90 DEGREE L-ANGLE - 16'
	076054-U4-000	EA FIBERGLASS SHEET - 101" X 104" - BRIGHT WHITE
	076054-W6-000	EA FIBERGLASS SHEET - 79.06" X 367" - BRIGHT WHITE
	089297-01-000	SF PLYWOOD - LUAN - OVERLAY GRADE - 48" X 96"
	100619-01-000	BF FOAM - EXPANDED POLYSTYRENE - 1.34" X 48" X 96"
	100619-02-000	BF FOAM - EXPANDED POLYSTYRENE - 1.5" X 48" X 96"
	100619-04-000	BF FOAM - EXPANDED POLYSTYRENE - .5" X 48" X 96"
	100619-05-000	BF FOAM - EXPANDED POLYSTYRENE - .75" X 48" X 96"
	100619-11-000	BF FOAM - EXPANDED POLYSTYRENE - 2" X 48" X 96"
	100619-13-000	BF FOAM - EXPANDED POLYSTYRENE - .34" X 34.65" X 96"
	100619-16-000	BF FOAM - EXPANDED POLYSTYRENE - .75" X 48" X 96"
	105077-08-000	EA FOAM - PLUG - ROOF CAP
	108535-05-702	SF FIBERGLASS SHEET - FLAT - 110" X 396" BRIGHT WHITE - ROOF
	108535-06-700	EA FRP FLAT 102" X 102" BRT WHT PARTS SALES
	120107-01-000	EA FOAM - COVE - ROOF - 2.8" X 96" LONG
	120107-02-000	EA FOAM - PLUG - ROOF TUBE - 2.2" X 2.9" X 1.8" LONG
	120107-03-000	EA FOAM - PLUG - SIDEWALL TUBE - 1.2" X 2.1" X 1.8" LONG
	125838-01-002	EA ACRYLIC SHEET - .125 X 1.8" X 2"

EXTERIOR BODY HARDWARE

KEY	PART NUMBER	U/M DESCRIPTION
	120570-01-02B	EA SUPPORT - VALANCE FROM: 00-00-00 THRU: 08-25-97
	120524-01-02B	EA U-CHANNEL - E-COATED
	114248-03-01A	EA ANGLE - PLASTIC - 92.2"
	099069-01-000	FT SEAL - RUBBER - CLOSED SPONGE - .5" WIDE X .12" THICK -BLK
	107865-01-000	EA ROD - SUPPORT - VALANCE PANEL - 14.3" FROM: 00-00-00 THRU: 02-18-98
	107865-05-000	EA ROD - SUPPORT - VALANCE PANEL - 9"
	118383-01-04A	EA RETAINER - SCREW
	118383-04-04A	EA CAP - RETAINER/SCREW
	119568-01-01A	EA STANDOFF - VALANCE PANEL - BLACK
	121117-01-04B	EA ANGLE - W/HOLES FROM: 00-00-00 THRU: 11-17-97
	121117-01-02B	EA ANGLE - W/HOLES - E-COATED FROM: 11-18-97 THRU: 99-99-99
	124299-51-001	EA EXTRUDED - RETAINER - TRIM - 144"
	122977-06-01A	EA AWNING - SLIDEOUT - W/COVER - 160.24"
	113874-08-07A	EA AWNING - W/O HARDWARE - 19' (POLAR BURGUNDY) VINYL
*	113874-01-02A	EA HARDWARE KIT - AWNING - W/O STANDOFF BRACKET - BRIGHT WHT

* COMPONENT PARTS FOUND IN SERVICE PARTS LIBRARY

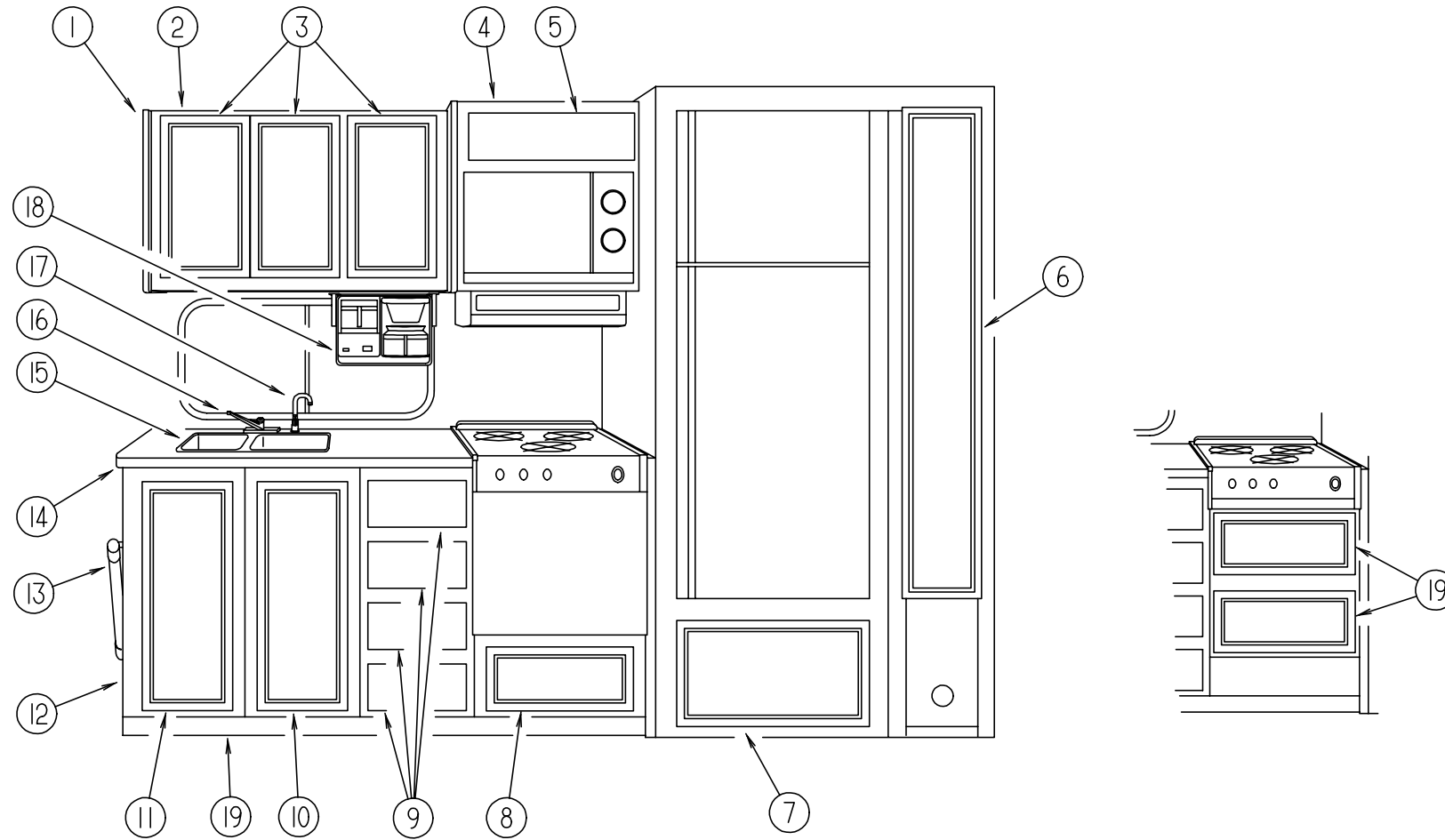
EXTERIOR BODY GROUP (CONTINUED)



LADDER

KEY	PART NUMBER	U/M DESCRIPTION
1	102953-11-F31	EA LADDER FROM: 00-00-00 THRU: 05-18-98
1	129639-02-01A	EA LADDER - BRUSHED ALUMINUM FROM: 05-19-98 THRU: 99-99-99
2	067165-01-000	EA MOUNTING BRACKET - LADDER - LOWER
3	000G39-06-10T	EA SCREW-SF/ DR - 6 - 20 X 5/8 PPH - BLACK
4	000G68-10-36T	EA SCREW - 10 - 12 X 2.25 POH BLACK
5	076980-02-000	EA END CAP - STEP - BLACK
	038327-04-000	EA TAPE - ANTI SLIP - 12" X 60'
	112384-01-000	EA SPONGE - BRACKET - RACK & LADDER

GALLEY GROUP
MICROWAVE OVEN & GALLEY HARDWARE

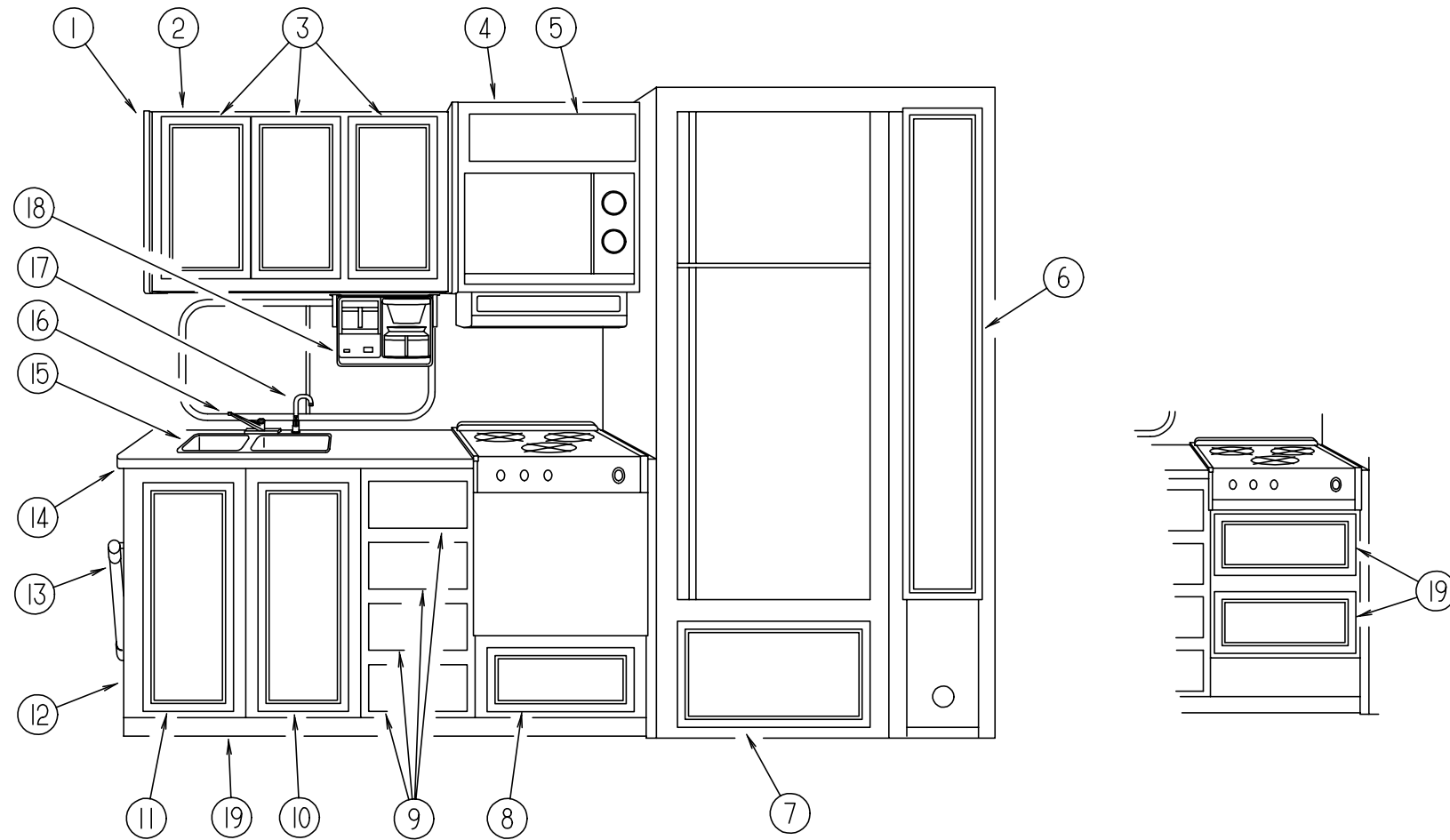


KEY	PART NUMBER	U/M DESCRIPTION
1	081319-20-G15	EA END CAP - OVERHEAD CABINET (OAK)
	081319-20-H40	EA END CAP - OVERHEAD CABINET (WHITE)
2	P22393-01-H17	EA CABINET - OVERHEAD/GALLEY - W/O DOORS/HARDWARE (OAK)
2	P22393-01-H40	EA CABINET - OVERHEAD/GALLEY - W/O DOORS/HARDWARE (WHITE)
2	122393-11-H17	EA SHELF/LARGE - W/PLASTIC EDGE MOLDING (OAK)
2	122393-11-H40	EA SHELF/LARGE - W/PLASTIC EDGE MOLDING (WHITE)
2	122393-12-H17	EA SHELF/SMALL - W/PLASTIC EDGE MOLDING (OAK)
2	122393-12-H40	EA SHELF/SMALL - W/PLASTIC EDGE MOLDING (WHITE)
3	M05992-14-J22	EA DOOR - STRAIGHT CORNER/OGEE EDGE - 12" X 21.8" - W/O HARDWARE (OAK)
3	122715-04-01A	EA DOOR - MOLDED VINYL - 12" X 21.8" - W/O HARDWARE (WHITE)
4	P26057-02-J22	EA CABINET - OVERHEAD/MICROWAVE - W/O DOORS/HARDWARE (OAK)
4	P26057-02-J23	EA CABINET - OVERHEAD/MICROWAVE - W/O DOORS/HARDWARE (WHITE)
5	100708-05-000	EA DOOR - GLASS - CABINET - 8.5" X 23.4" - W/O HARDWARE
	122325-01-J22	EA CABINET - PANTRY/RIGHT HAND SLIDING - W/O SLIDES/HARDWARE (OAK)
	122325-01-J23	EA CABINET - PANTRY/RIGHT HAND SLIDING - W/O SLIDES/HARDWARE (WHITE)
	122325-11-H17	EA SHELF - W/EDGE MOLDING (OAK)
	122325-11-H40	EA SHELF - W/EDGE MOLDING (WHITE)

KEY	PART NUMBER	U/M DESCRIPTION	VENDOR NO.
6	M05992-Z2-J22	EA DOOR - STRAIGHT CORNER/OGEE EDGE - 8.5" X 60.7" - W/O HARDWARE (OAK)	
6	122715-24-01A	EA DOOR - MOLDED VINYL - 8.5" X 60.7" - W/O HARDWARE (WHITE)	
	122360-02-000	EA SLIDE - PANTRY - W/O LOCK - RIGHT/LEFT HAND	
	122360-03-000	EA SLIDE - PANTRY - W/LOCK - RIGHT HAND	
	123673-01-01A	EA KNOB - PANTRY SLIDE	
7	M05992-09-J22	EA DOOR - STRAIGHT CORNER/OGEE EDGE - 13.8" X 23.2" - W/O HARDWARE (OAK)	
7	122715-26-01A	EA DOOR - MOLDED VINYL - 13.8" X 23.2" - W/O HARDWARE (WHITE)	
8	M05971-GW-J22	EA DRAWER - OGEE EDGE - 19.7"W X 11.8"D - W/O SLIDES/HARDWARE (OAK)	
8	P10163-HB-J23	EA DRAWER - SQUARE EDGE - 19.7"W X 11.8"D - W/O SLIDES/HARDWARE (WHITE)	
9	M05971-11-J22	EA DRAWER - OGEE EDGE - 9.9"W X 17.7"D - W/O SLIDES/HARDWARE (OAK)	
9	P10163-CR-J23	EA DRAWER - SQUARE EDGE - 9.9"W X 17.7"D - W/O SLIDES/HARDWARE (WHITE)	
10	M05992-M1-J22	EA DOOR - STRAIGHT CORNER/OGEE EDGE - 13.3" X 27" - W/O HARDWARE (OAK)	
10	122715-31-01A	EA DOOR - MOLDED VINYL - 13.3" X 27"- W/O HARDWARE (WHITE)	
11	M05992-L5-J22	EA DOOR - STRAIGHT CORNER/OGEE EDGE - 13.6" X 27.1" - W/O HARDWARE (OAK)	
11	122715-31-01A	EA DOOR - MOLDED VINYL - 13.3" X 27.1" - W/O HARDWARE (WHITE)	

GALLEY GROUP (CONTINUED)

MICROWAVE OVEN & GALLEY HARDWARE (CONTINUED)



KEY	PART NUMBER	U/M DESCRIPTION	VENDOR NO.	KEY	PART NUMBER	U/M DESCRIPTION	VENDOR NO.
12	127612-02-J22	EA CABINET - GALLEY - W/CTRTP -W/O DOORS/DRWR/HDW (OVEN) (J22)		15	110654-01-000	EA SINK - STAINLESS STEEL/DOUBLE BASIN (1 LG-1 SM BASIN)	
12	127612-02-J23	EA CABINET - GALLEY - W/CTRTP -W/O DOORS/DRWR/HDW (OVEN) (J23, J25, J27, J29)		092303-01-000	EA STRAINER - SINK		
12	127612-02-J24	EA CABINET - GALLEY - W/CTRTP -W/O DOORS/DRWR/HDW (OVEN) (J24)		108464-03-E38	EA COVER - SINK - 15" X 11" - LAMINATED BOTH SIDES (J22)		
12	127612-02-J26	EA CABINET - GALLEY - W/CTRTP -W/O DOORS/DRWR/HDW (OVEN) (J26, J28)		108464-03-J74	EA COVER - SINK - 15" X 11" - LAMINATED BOTH SIDES (J23, J25, J27, J29)		
12	127612-04-J22	EA CABINET - GALLEY - W/CTRTP -W/O DOORS/DRWR/HDW (RANGE) (J22)		108464-03-J21	EA COVER - SINK - 15" X 11" - LAMINATED BOTH SIDES (J24)		
12	127612-04-J23	EA CABINET -GALLEY -W/CTRTP -W/O DOORS/DRWR/HDW (RANGE) (J23, J25, J27,J29)		108464-03-F40	EA COVER - SINK - 15" X 11" - LAMINATED BOTH SIDES (J26, J28)		
12	127612-04-J24	EA CABINET - GALLEY - W/CTRTP - W/O DOORS/DRWR/HDW (RANGE) (J24)		108464-04-E38	EA COVER - SINK - 15" X 15" - LAMINATED BOTH SIDES (J22)		
12	127612-04-J26	EA CABINET - GALLEY - W/CTRTP - W/O DOORS/DRWR/HDW (RANGE) (J26, J28)		108464-04-J23	EA COVER - SINK - 15" X 15" - LAMINATED BOTH SIDES (J23, J25, J27, J29)		
12	127612-12-J22	EA SHELF - W/PLASTIC EDGE TRIM (OAK)		108464-04-J21	EA COVER - SINK - 15" X 15" - LAMINATED BOTH SIDES (J24)		
12	127612-12-J23	EA SHELF - W/PLASTIC EDGE TRIM (WHITE)		108464-04-F40	EA COVER - SINK - 15" X 15" - LAMINATED BOTH SIDES (J26, J28)		
13	P02786-04-G15	EA HANDRAIL ONLY - W/O BRACKET		16	104114-02-01A	EA FAUCET - GALLEY - SINGLE CONTROL	
13	099682-01-01A	EA BRACKET - MOUNTING/HAND RAIL - ROUND BASE		17	103635-01-000	EA FAUCET - SINGLE CONTROL DRINKING	
14	127612-11-J22	EA COUNTERTOP - GALLEY CABINET (J22)		103635-01-700	EA FITTING KIT, FAUCET REPAIR	3071-70	
14	127612-11-J23	EA COUNTERTOP - GALLEY CABINET (J23, J25, J27, J29)		103635-01-701	EA TUBING - PLASTIC	3019-20	
14	127612-11-J24	EA COUNTERTOP - GALLEY CABINET (J24)		103635-01-000	EA FAUCET - SINGLE CONTROL DRINKING		
14	127612-11-J26	EA COUNTERTOP - GALLEY CABINET (J26, J28)		18	126019-01-01A	EA COFFEEMAKER - OPTIMA - W/BRACKETS - BLACK & DECKER	
	127612-16-J22	EA BACKSPLASH - GALLEY COUNTERTOP (J22)		18	126019-01-700	EA GLASS CARAFE	172547-00
	127612-16-J23	EA BACKSPLASH - GALLEY COUNTERTOP (J23, J25, J27, J29)		18	126019-01-701	EA RESERVOIR - WATER	172554
	127612-16-J24	EA BACKSPLASH - GALLEY COUNTERTOP (J24)		18	126019-01-702	EA BASKET - FILTER	172553-00
	127612-16-J26	EA BACKSPLASH - GALLEY COUNTERTOP (J26, J28)		18	126019-01-703	EA HARDWARE - MOUNTING	172174-00
				19	M05971-JS-J22	EA DRAWER - OGEE EDGE - 19.7"W X 11.8"D - W/O SLIDES/HARDWARE (OAK)	
				19	P10163-JR-J23	EA DRAWER - SQUARE EDGE - 19.7"W X 11.8"D - W/O SLIDES/HARDWARE (WHITE)	
					090329-01-000	FT SEAL/T - REFRIGERATOR CABINET	

GALLEY GROUP (CONTINUED)

APPLIANCES & GALLEY HARDWARE

KEY	PART NUMBER	U/M DESCRIPTION
*	126023-01-01A	EA RANGE - W/OVEN 22" - 3 BURNER/BLACK GLASS DOOR
*	114030-02-01A	EA RANGE - 3 BURNER TOP - W/O OVEN - BLACK
*	121569-01-01A	EA REFRIGERATOR - LARGE DOUBLE DOOR/RIGHT HAND - 2-WAY FROM: 00-00-00 THRU: 07-19-98
*	121569-03-01A	EA REFRIGERATOR - LARGE DOUBLE DOOR/RIGHT HAND - 2-WAY-BLACK FROM: 07-20-98 THRU: 99-99-99
*	118367-01-01A	EA REFRIGERATOR - SIDE BY SIDE DOOR - 2 WAY
*	120075-03-01A	EA REFRIGERATOR - LARGE DOUBLE DOOR/RIGHT HAND - 2-WAY W/ICE
	122753-02-000	EA OVEN - MICROWAVE - .9 CU. FT - CONVECTION - SHARP - UL
	122753-04-000	EA OVEN - MICROWAVE - .9 CU FT - CONVECTION - SHARP - CSA
	122753-05-000	EA OVEN - MICROWAVE - 1 CU. FT. - NON CONVECTION - SHARP - UL
	102482-09-H56	EA FRAME - MICROWAVE
	082227-06-000	EA TRIM - BOTTOM/MICROWAVE - BLACK
	102486-13-01A	EA TRIM - MICROWAVE - VERTICAL - BLACK
	081587-03-000	EA BRACKET - TIEDOWN - RANGE - RIGHT FROM: 00-00-00 THRU: 10-07-97
	081587-07-000	EA BRACKET - TIEDOWN - RANGE - RIGHT FROM: 10-08-97 THRU: 99-99-99
	081587-04-000	EA BRACKET - TIEDOWN - RANGE - LEFT FROM: 00-00-00 THRU: 10-07-97
	081587-08-000	EA BRACKET - TIEDOWN - RANGE - RIGHT FROM: 10-08-97 THRU: 99-99-99
	094756-03-D18	EA BRACKET - ANGLE - W/HOLES
	116751-02-01A	EA TRAY - REFRIGERATOR - BLACK
	054450-01-000	EA LEVEL - REFRIGERATOR
	065225-02-000	EA PLATE - TIEDOWN - REFRIGERATOR
	090195-08-000	EA BAFFLE - REFRIGERATOR - LOWER
	093369-03-000	EA STRAP - REFRIGERATOR
	093646-01-000	EA BRACKET - TIEDOWN/REFRIGERATOR - RIGHT HAND
	093646-02-000	EA BRACKET - TIEDOWN/REFRIGERATOR - LEFT HAND

* COMPONENT PARTS FOUND IN SERVICE PARTS LIBRARY

RANGE HOODS & MONITOR PANEL

KEY	PART NUMBER	U/M DESCRIPTION
*	100258-18-03A	EA HOOD - RANGE - W/O MONITOR PANEL - W/HOUR METER/SWITCH - US
*	100258-17-04A	EA HOOD - RANGE - W/O MONITOR PANEL - W/O HOUR METER/SWITCH - CSA
*	100258-16-04A	EA HOOD - RANGE - W/O MONITOR PANEL - W/O HOUR METER/SWITCH - US
*	102765-04-01A	EA PANEL - MONITOR - 2 HOLDING TANKS - ADJUSTABLE

* COMPONENT PARTS FOUND IN SERVICE PARTS LIBRARY

GENERATOR GROUP

ONAN GENERATOR, 5.0 KW EMERALD PLUS

KEY	PART NUMBER	U/M DESCRIPTION
	109303-01-000	EA GENERATOR - 5 KW - EMERALD PLUS
	007125-03-000	EA CLAMP - MUFFLER - 1.50" DIAMETER
	007125-04-000	EA CLAMP - MUFFLER - 1.12" DIAMETER
	007131-01-000	EA HANGER - TAILPIPE - 6 SLOTS
	079654-05-000	EA PIPE - EXHAUST - ANGLED W/FLANGE - 2" ID
	081364-03-000	EA MUFFLER - GENERATOR - ONAN
	094059-01-000	EA SPACER - GENERATOR - ONAN
	106602-01-000	EA PIPE - EXHAUST - GENERATOR
	106607-01-000	EA ANGLE - SUPPORT - EXHAUST
	094657-02-000	EA TRAY - GENERATOR - 22.5" X 30.4" X 6.9" - W/ANGLE & NUTS FROM: 00-00-00 THRU: 01-28-98
	127008-02-02B	EA TRAY - GENERATOR - 16.2" X 20.8" X 6.9" - W/ANGLE & NUTS FROM: 01-29-98 THRU: 99-99-99

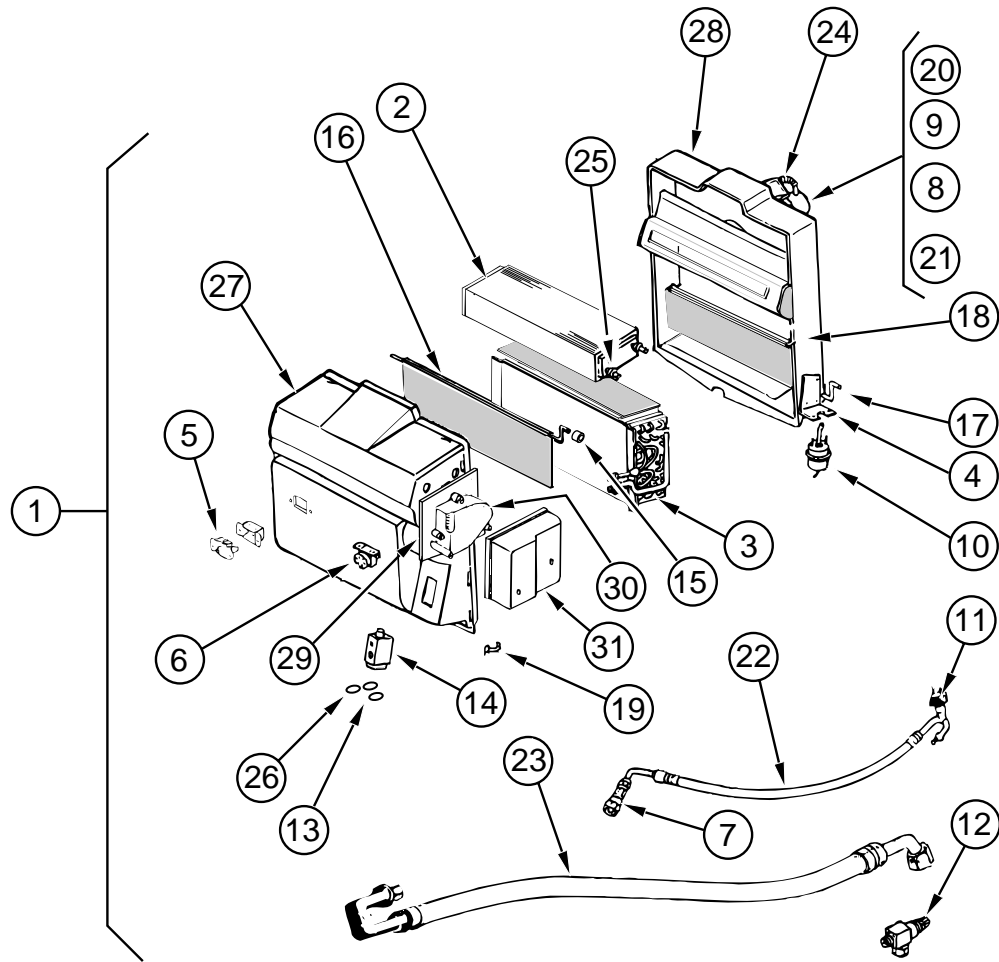
ONAN GENERATOR, 6.5 KW EMERALD PLUS (NHE-FA/26100G)

KEY	PART NUMBER	U/M DESCRIPTION
	100975-01-000	EA GENERATOR - 6.5 KW EMERALD PLUS
	106602-01-000	EA PIPE - EXHAUST - GENERATOR
	106607-01-000	EA ANGLE - SUPPORT - EXHAUST
	007125-03-000	EA CLAMP - MUFFLER - 1.5" DIA
	007125-04-000	EA CLAMP - MUFFLER - 1.1" DIA
	007131-01-000	EA HANGER - TAILPIPE - 6 SLOTS
	079654-05-000	EA PIPE - EXHAUST - ANGLED - W/FLANGE - 2" ID - ONAN# 154-2539
	081364-03-000	EA MUFFLER - GENERATOR - ONAN
	094059-01-000	EA SPACER - GENERATOR - ONAN
	094657-02-000	EA TRAY - GENERATOR - 22.5" X 30.4" X 6.9" - W/ANGLE & NUTS FROM: 00-00-00 THRU: 01-28-98
	127008-02-02B	EA TRAY - GENERATOR - 16.2" X 20.8" X 6.9" - W/ANGLE & NUTS FROM: 01-29-98 THRU: 99-99-99

NOTE: ADDITIONAL GENERATOR COMPONENTS ARE FOUND IN THE CHASSIS GROUP

HEATING & AIR CONDITIONING GROUP

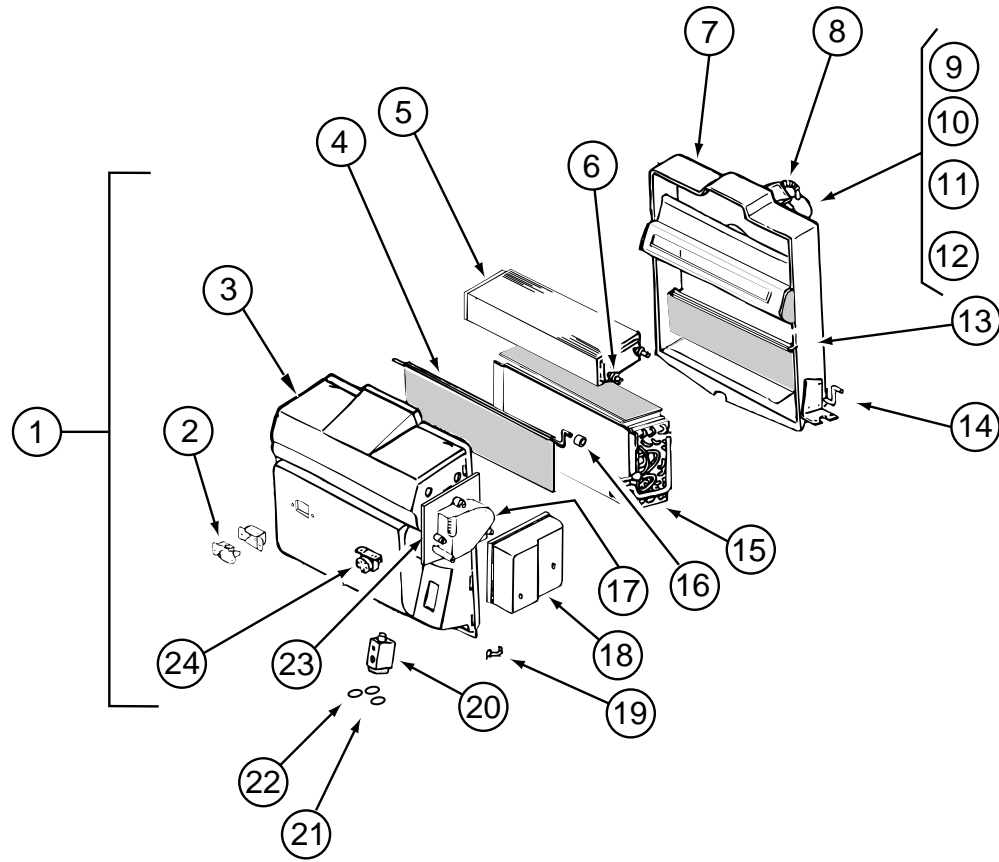
AUTOMOTIVE AIR CONDITIONING (FORD)



KEY	PART NUMBER	U/M DESCRIPTION	VENDOR NO.
1	103930-31-000	EA EVAPORATOR/HEATER - FORD - SERVO MOTOR CONTROLLED	
2	103930-01-703	EA CORE - HEATER	042-0010
3	103930-01-704	EA COIL - EVAPORATOR	041-0017
4	103930-01-708	EA BRACKET - VACUUM MOTOR	070-0113
5	103930-01-710	EA RESISTOR - FUSED - A/C	035-0006
6	103930-01-711	EA THERMOSTAT	033-0003
7	103930-01-713	EA FITTING - QUICK CONNECT - #4	050-0030
8	103930-01-717	EA WHEEL - BLOWER - CLOCKWISE	062-0010
9	103930-30-706	EA MOTOR - BLOWER PM147 W/ADAPTER	030-0109
10	103930-02-708	EA MOTOR - VACUUM SERVO - A/C	030-0025
11	103930-12-708	EA SWITCH - BINARY - HI/LOW CUTOUT	032-0048
12	103930-13-702	EA VALVE - SERVICE - W/O COMP.	050-0152
13	103930-17-702	EA O'RING #10	045-0127
14	103930-20-700	EA VALVE - EXPANSION-BLOCK - 2 TON	034-0032
15	103930-30-702	EA BUSHING - BLEND AIR DOOR	062-0168
16	103930-30-705	EA DOOR - BLEND AIR	071-0568
17	103930-20-704	EA ROD - DOOR - RECIRCULATING	073-0018
18	103930-20-705	EA PANEL - DOOR - RECIRCULATING	071-0213
19	103930-20-706	EA CLIP - RETAINER - CASE ATTACH	022-0057
20	103930-20-707	EA HOUSING - BLOWER	062-0145
21	103930-20-708	EA CLIP - MOTOR SHAFT	022-0001
22	103930-21-700	EA HOSE ASM - #6 EVAPORATOR/DRIER	085-0139
23	103930-21-701	EA HOSE ASM - #10 EVAPORATOR/COMP	085-0149
24	110279-01-703	EA HOSE - VENT F/BLOWER MOTOR	051-0034
25	110279-01-712	EA FITTING - HEATER	050-0076
26	113245-01-707	EA O'RING #8	045-0126
27	103930-30-700	EA CASE - FRONT	062-0542
28	103930-20-711	EA CASE - BACK - SUB-ASSEMBLY	062-0147
29	103930-30-701	EA PLATE - MOTOR MOUNT	062-0544
30	103930-30-703	EA MOTOR - SERVO	030-0104
31	103930-30-704	EA COVER - SERVO	062-0545
	103796-01-01A	EA LOUVER - A/C	
	126692-01-H17	EA PLENUM ASM - A/C	

HEATING & AIR CONDITIONING GROUP (CONTINUED)

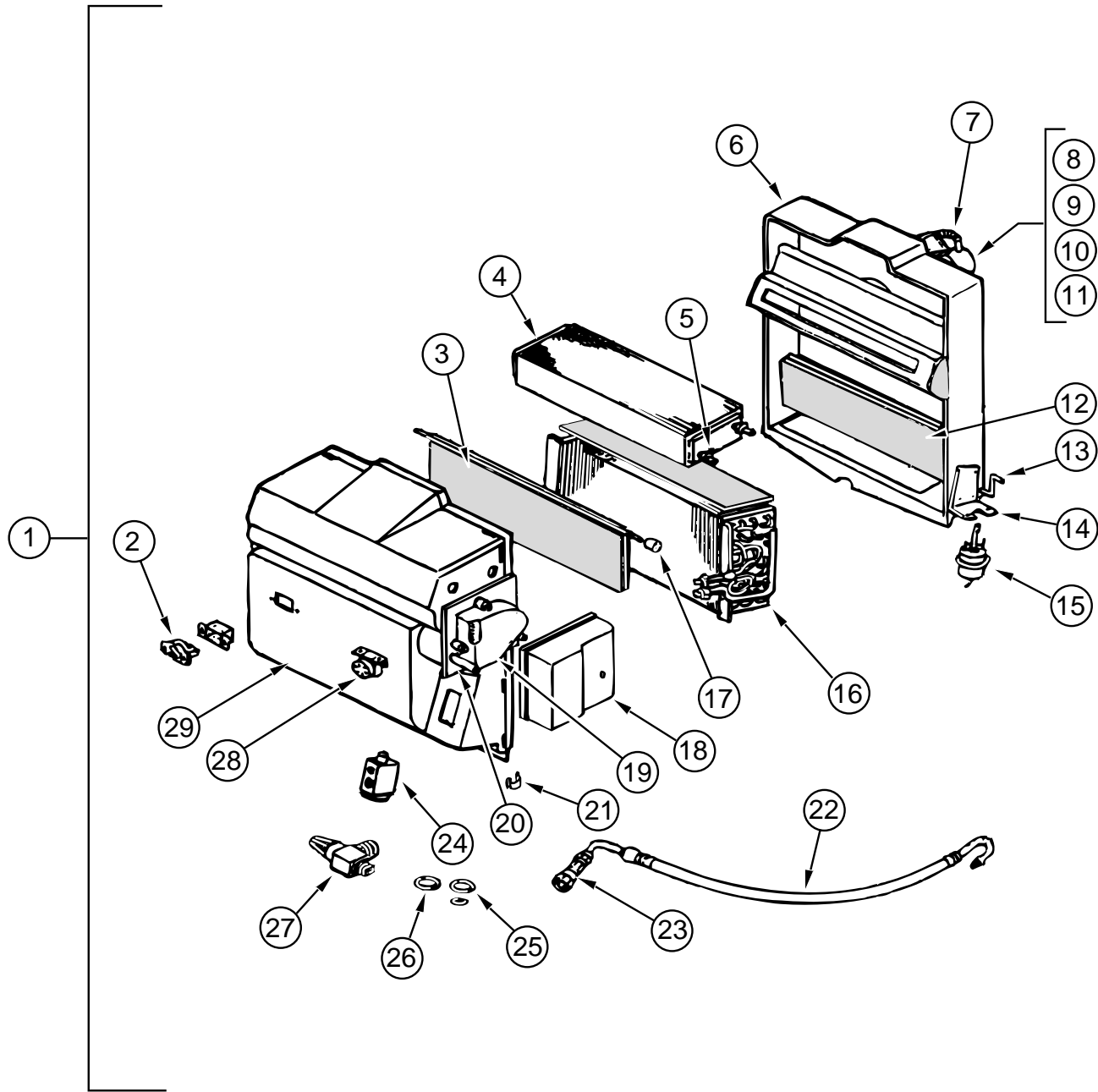
AUTOMOTIVE AIR CONDITIONING (FORD) (NON-CHARGED)



KEY	PART NUMBER	U/M DESCRIPTION	VENDOR NO.
1	103930-43-000	EA EVAPORATOR/HEATER ASSEMBLY - NON-CHARGED	
2	103930-01-710	EA RESISTOR - FUSED - A/C	035-0006
3	103930-30-700	EA CASE - FRONT	062-0542
4	103930-43-700	EA DOOR - BLEND AIR	071-0568
5	103930-01-703	EA CORE - HEATER	042-0010
6	110279-01-712	EA FITTING - HEATER	050-0076
7	103930-20-711	EA CASE - BACK - SUB-ASSEMBLY	062-0147
8	110279-01-703	EA HOSE - VENT F/BLOWER MOTOR	051-0034
9	103930-20-707	EA HOUSING - BLOWER	062-0145
10	103930-30-706	EA MOTOR - BLOWER PM147 W/ADAPTER	030-0109
11	103930-01-717	EA WHEEL - BLOWER - CLOCKWISE	062-0010
12	103930-20-708	EA CLIP - MOTOR SHAFT	022-0001
13	103930-20-705	EA PANEL - DOOR - RECIRCULATING	071-0213
14	103930-20-704	EA ROD - DOOR - RECIRCULATING	073-0018
15	103930-01-704	EA COIL - EVAPORATOR	041-0017
16	103930-30-702	EA BUSHING - BLEND AIR DOOR	062-0168
17	103930-30-703	EA MOTOR - SERVO	030-0104
18	103930-30-704	EA COVER - SERVO	062-0545
19	103930-20-706	EA CLIP - RETAINER - CASE ATTACH	022-0057
20	103930-20-700	EA VALVE - EXPANSION-BLOCK - 2 TON	034-0032
21	103930-17-702	EA O'RING #10	045-0127
22	103930-01-707	EA O'RING #8	045-0126
23	103930-30-701	EA PLATE - MOTOR MOUNT	062-0544
24	103930-01-711	EA THERMOSTAT	033-0003
	103930-30-707	EA DIVIDER ASM.	086-0061
	103930-23-000	EA VALVE - WATER - 2 PORT	
	103930-44-000	EA HOSE - EVAPORATOR/DRYER - #6	
	103930-45-000	EA HOSE - EVAPORATOR/COMPRESSOR - FORD	
	103930-29-000	EA HOSE KIT - #10 F/GM L-29 & L-65 CHASSIS	
	103930-29-000	EA HOSE KIT - #10 F/GM L-29 & L-65 CHASSIS	
	103930-29-701	EA O'RING F/LOW PRESSURE SWITCH 045-0483	
	007076-01-000	EA HOSE - FLEXIBLE PVC - 2" ID - INCREMENTS OF 50'	
	007108-01-000	FT HOSE - HEATER - 5/8" ID - HI-TEMP - FORD	
	007281-01-000	EA HOSE - FLEXIBLE PVC - 2.5" ID X 50'	
	024990-05-000	EA OUTLET - DEFROSTER - 4" DIAMETER W/SWIVEL DEFLECTORS	
	056402-05-000	EA BRACKET - HEATER VENT - ROUND W/BEND - BLACK	
	077075-01-000	EA GASKET - INSTRUMENT PANEL TO DEFROSTER PLENUM - .6"X10.2"	
	103016-03-000	EA PLENUM - TRANSITION	
	103017-03-000	EA PLENUM - DEFROSTER	
	103558-01-10A	EA VENT - DEFROSTER - 2" X 14.4" X 1.4" - ANTELOPE	
	103796-01-01A	EA LOUVER - A/C	

HEATING & AIR CONDITIONING GROUP (CONTINUED)

SCS EVAPORATOR/ HEATER - CHEVY



KEY	PART NUMBER	U/M DESCRIPTION	VENDOR NO.
1	103930-30-000	EA EVAPORATOR/HEATER - CHEVY - SERVO MOTOR CONTROLLED	
2	103930-01-710	EA RESISTOR - FUSED - A/C	035-0006
3	103930-30-705	EA DOOR - BLEND AIR	071-0568
4	103930-01-703	EA CORE - HEATER	042-0010
5	110279-01-712	EA FITTING - HEATER	050-0076
6	103930-20-711	EA CASE - BACK - SUB-ASSEMBLY	062-0147
7	110279-01-703	EA HOSE - VENT - BLOWER MOTOR	051-0034
8	103930-20-707	EA HOUSING - BLOWER	062-0145
9	103930-30-706	EA MOTOR - BLOWER - (PM147)	030-0109
10	103930-01-717	EA WHEEL - BLOWER - CLOCKWISE	062-0010
11	103930-20-708	EA CLIP - MOTOR SHAFT	022-0001
12	103930-20-705	EA PANEL - DOOR - RECIRCULATING	071-0213
13	103930-20-704	EA ROD - DOOR-RECIRCULATING	073-0018
14	103930-01-708	EA BRACKET - VACUUM MOTOR	070-0113
15	103930-02-708	EA MOTOR - VACUUM SERVO - A/C	030-0025
16	103930-01-704	EA COIL - EVAPORATOR	041-0017
17	103930-30-702	EA BUSHING - BLEND AIR DOOR	062-0168
18	103930-30-704	EA COVER - SERVO	062-0545
19	103930-30-703	EA MOTOR - SERVO	030-0104
20	103930-30-701	EA PLATE - MOTOR MOUNT	062-0544
21	103930-20-706	EA CLIP-RETAINER - CASE ATTACH	022-0057
22	103930-25-700	EA HOSE ASM. - #6 EVAP TO DRIER	085-0350
23	103930-12-709	EA FITTING - QUICK CONNECT	050-0120
24	103930-20-700	EA VALVE - EXPANSION-BLOCK - 2 TON	034-0032
25	103930-17-702	EA O'RING #10	045-0127
26	113245-01-707	EA O'RING #8	045-0126
27	103930-20-709	EA VALVE - SERVICE	050-0159
28	103930-01-711	EA THERMOSTAT	033-0003
29	103930-30-700	EA CASE - FRONT	062-0542
	103796-01-01A	EA LOUVER - A/C	
	126692-01-H17	EA PLENUM ASM - A/C	

HEATING & AIR CONDITIONING GROUP (CONTINUED)

FURNACE

KEY	PART NUMBER	U/M DESCRIPTION
*	098668-22-000	EA FURNACE - 40,000 BTU
	009200-01-000	EA TAPE - FURNACE - 1 1/2"
	089367-02-000	EA TEE - 4" X 2" X 4"
	094600-05-01A	EA REGISTER - HEAT - W/O DAMPER - 11.3" - BEIGE
	098668-14-000	EA GASKET - FIBERGLASS - .5" X 18" X 18"
	115764-01-01A	EA THERMOSTAT - FURNACE

*** COMPONENT PARTS FOUND IN SERVICE PARTS LIBRARY**

AUTOMOTIVE REAR HEATER SYSTEM

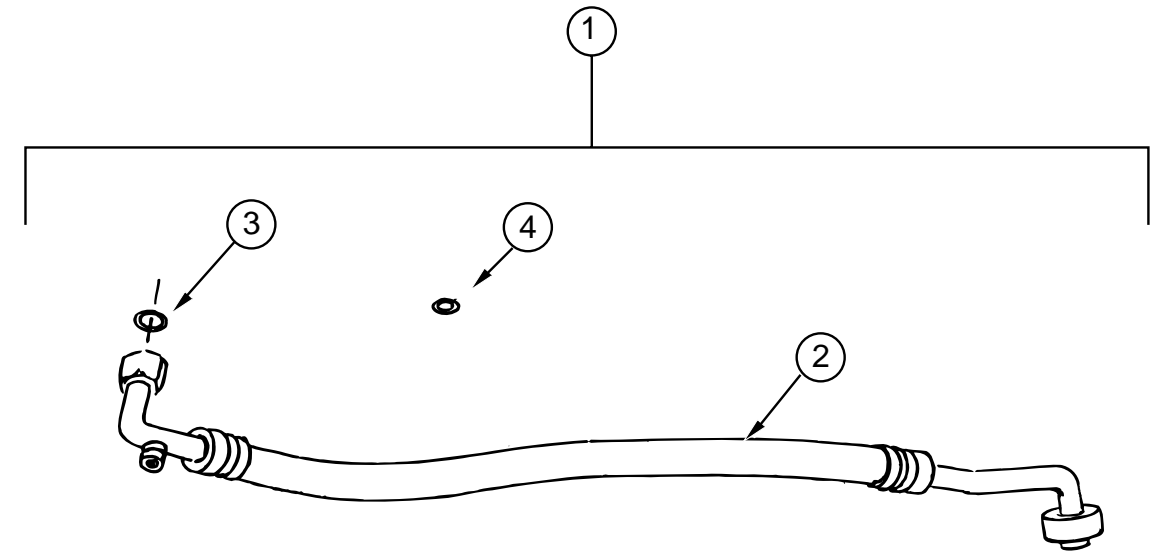
KEY	PART NUMBER	U/M DESCRIPTION	VENDOR NO.
	084405-01-000	EA HEATER - REAR/DUCTED - W/MOTOR AID	
	084405-01-700	EA CORE-HEATER	FT200229
	084405-01-701	EA FAN BLADES	HV029931
	084405-01-702	EA MOTOR ASSEMBLY, 12 VOLT	RV010348
	061673-01-000	EA BRACKET - MOTOR AID TUBES - 4" X 1.5" - STEEL	
	009198-01-000	FT DUCT - HEAT - FLEXIBLE - 4" ID X 25'	
	069636-02-000	EA CONNECTOR - DUCT - 4" ID	
	079059-01-000	EA HOSE - 90 DEGREE - 5/8" ID X 4" X 36"	
	056464-10-000	EA REGISTER - 4" DIAMETER - PLASTIC - W/O DAMPER - BEIGE	
	007108-01-000	FT HOSE - HEATER - 5/8" ID - HI-TEMP - FORD	
	076776-01-000	EA TEE - BEADED - 5/8" X 5/8" X 5/8"	

A/C - ROOF & CEILING ASSEMBLY

KEY	PART NUMBER	U/M DESCRIPTION
*	108889-01-05A	EA A/C - ROOF - 13,500 TSR
*	108892-01-01A	EA CEILING ASSEMBLY - A/C DUCTED
	102289-01-000	EA SPRING - SCREW - ROOF A/C GASKET
	110403-01-G09	EA SPACER - RETURN AIR
	117238-01-01A	EA THERMOSTAT - A/C - FURNACE
	117238-02-01A	EA THERMOSTAT - A/C ONLY
	120134-01-02A	EA REGISTER - 4" TO 5" IN DIAMETER W/DAMPER
	073937-03-000	EA SWITCH - ROTARY- AC - SELECTOR - 3 DECK
	088238-01-000	EA COVER - SWITCH - A/C SELECTOR - FRONT TO REAR A/C
	088238-02-000	EA COVER - SWITCH - A/C SELECTOR - FRONT TO REAR A/C

*** COMPONENT PARTS FOUND IN SERVICE PARTS LIBRARY**

HEATING & AIR CONDITIONING GROUP (CONTINUED)

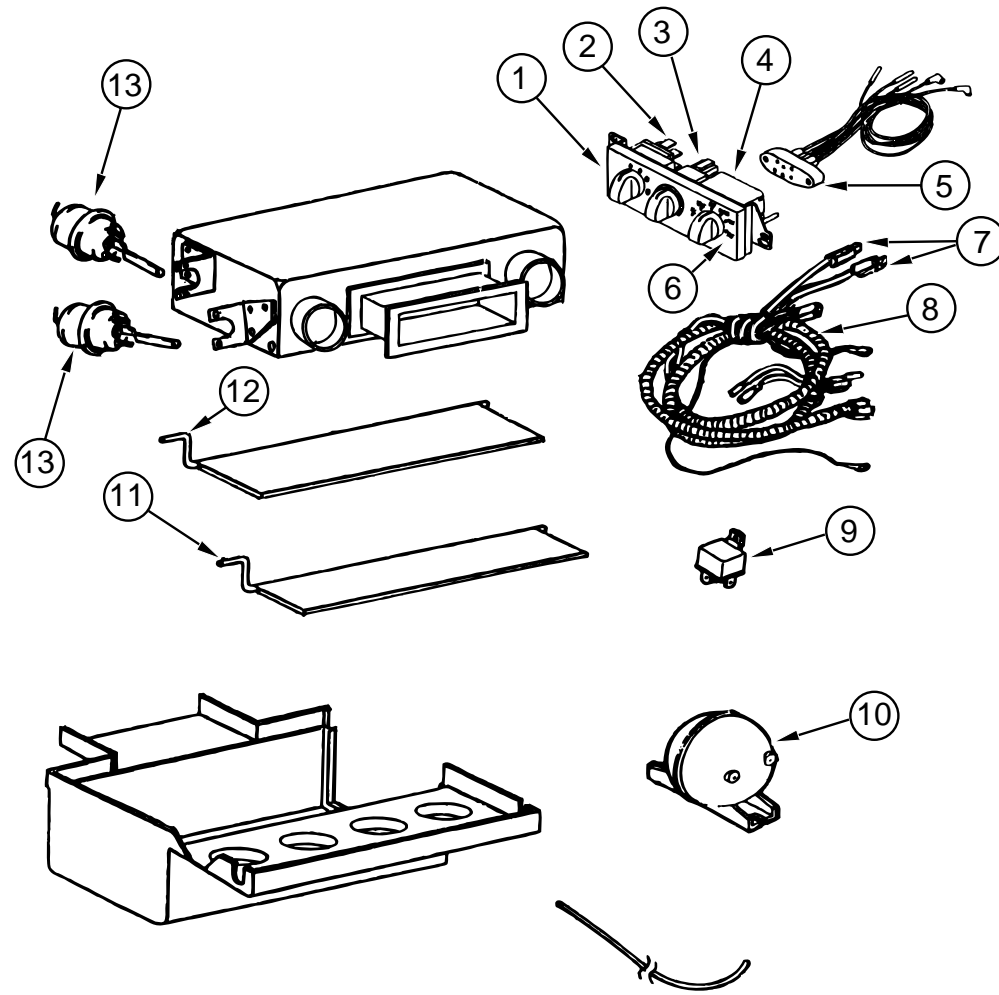


CHEVY HOSE KIT - VORTEC GAS OR DIESEL OPTION

KEY	PART NUMBER	U/M DESCRIPTION	VENDOR NO.
1	103930-29-000	EA HOSE KIT - #10 W/GM L-29 & L-65 CHASSIS	
2	103930-29-700	EA HOSE ASSM #10W/HARRISON COMP	085-0348
3	103930-17-702	EA O'RING #10	045-0127
4	103930-29-701	EA GASKET-GMLP SW 1996	045-0483

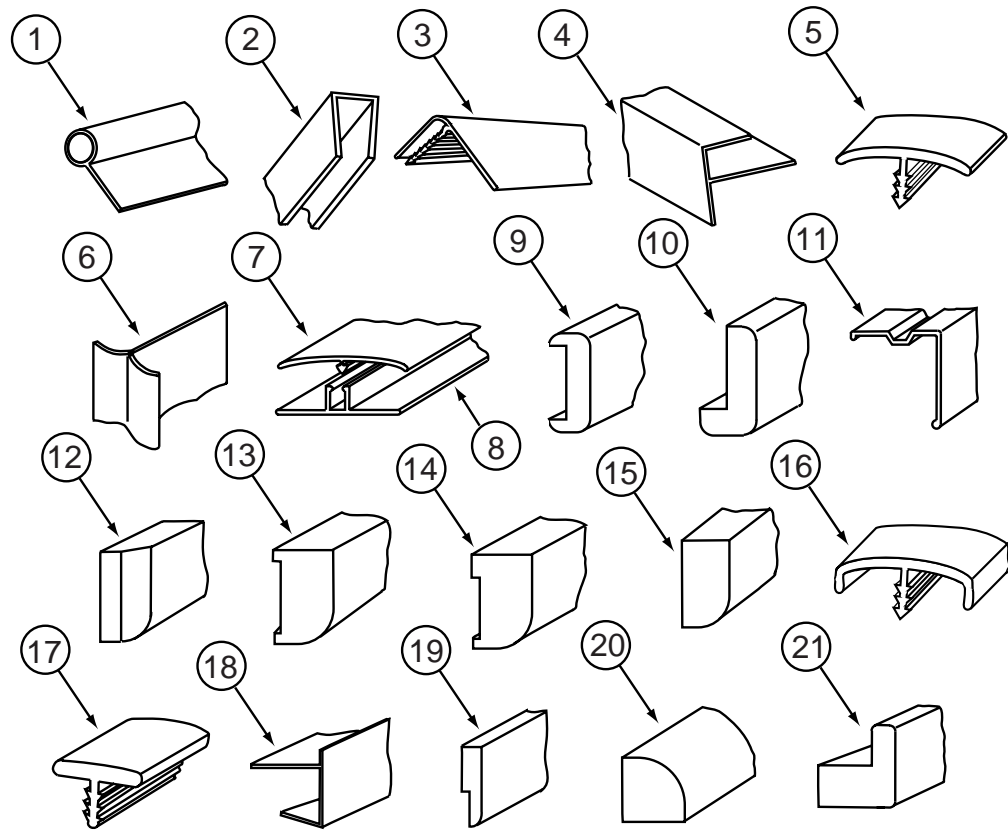
HEATING & AIR CONDITIONING GROUP (CONTINUED)

SCS CONTROL/ PLENUM



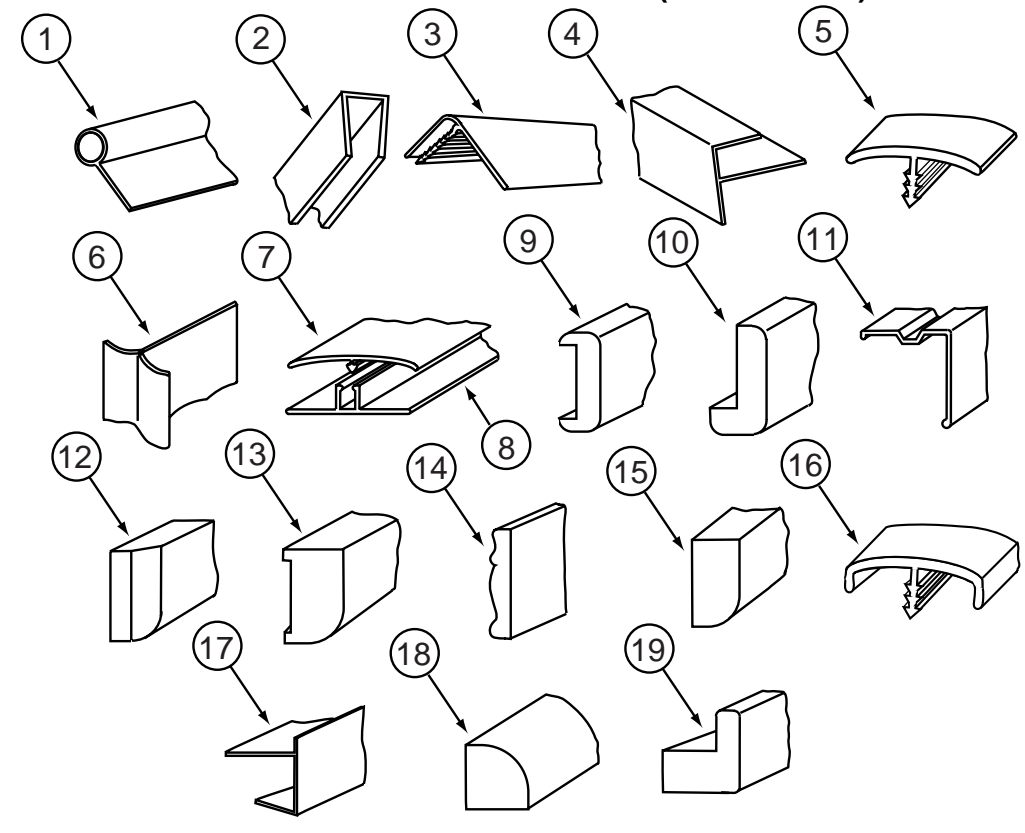
KEY	PART NUMBER	U/M DESCRIPTION	VENDOR NO.
	103930-40-000	EA CONTROL/PLENUM - ROTARY CONTROL HEAD	
1	103930-33-702	EA CONTROL PANEL	083-0169
2	103930-33-707	EA SWITCH - BLOWER	032-0186
3	103930-33-708	EA SWITCH - POTENTIOMETER	032-0184
4	103930-33-709	EA SWITCH - VACUUM	032-0183
5	103930-33-703	EA VACUUM HARNESS	036-0465
6	103930-33-710	EA DECAL F CONTROL HEAD	058-0102
7	103930-33-705	EA LIGHT BULBS	035-0030
8	103930-33-711	EA WIRE HARNESS MAIN	036-0466
9	103930-02-707	EA RELAY-BOSCH W/RESISTER	031-0001
10	103930-02-710	EA CANISTER-VACUUM	054-0002
11	103930-39-700	EA ROD - DOOR - AC/HEAT	073-067
12	103930-39-701	EA ROD - DOOR AC/DEFROST	073-0069
13	103930-02-708	EA MOTOR - VACUUM SERVO, A/C	030-0025
	103930-33-701	EA MOTOR - VACUUM, 3 STAGE	030-0105
	103930-39-702	EA KNOB - BLOWER	062-0539
	103930-39-703	EA KNOB - TEMPERATURE	062-0540
	103930-39-704	EA SPRING	022-0119

INTERIOR FINISH GROUP



INTERIOR TRIM & MOLDINGS (OAK)

INTERIOR FINISH GROUP (CONTINUED)



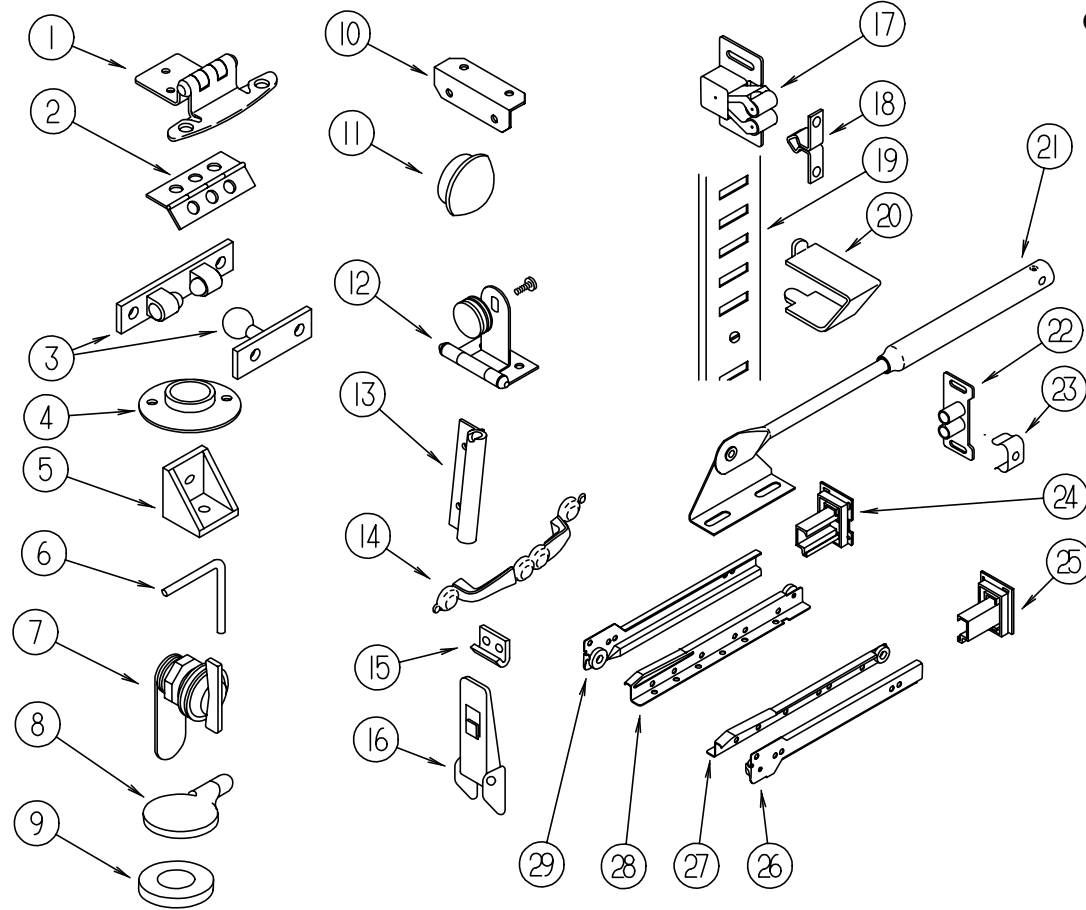
INTERIOR TRIM & MOLDINGS (WHITE GRANITE)

KEY	PART NUMBER	U/M DESCRIPTION
1	009767-12-000	FT WELTING - SIDEWALL/CEILING/CABINET - OFF/WHT
2	009778-21-000	FT U-CHANNEL - 1" - WATERFORD OAK
2	070504-03-000	FT U-CHANNEL - PLASTIC - .9" X 84" - GRADY BROWN
2	070504-36-000	FT U-CHANNEL - PLASTIC - .13" X 72" - WATERFORD OAK
2	070504-37-000	FT U-CHANNEL - PLASTIC - .87" X 84" - WATERFORD OAK
3	009809-23-000	EA MOLDING - CORNER - OUTSIDE - 1" X 84" - MODERN IVORY
3	009809-28-000	EA MOLDING - CORNER - OUTSIDE - 1" X 84" - WATERFORD OAK
4	009812-29-000	EA MOLDING - PLASTIC - 1/2" O/S CORNER - WATERFORD OAK
5	105709-01-000	FT MOLDING - T - 1" - MODERN IVORY
6	022992-11-000	FT MOLDING - REVERSE COVE - T-SHAPED VINYL - IVORY
7	086229-15-000	EA BATTEN - 1" X 96" - MODERN IVORY
7	086229-19-000	EA BATTEN - 1" X 98.43" - OFF WHITE
7	086229-20-000	EA BATTEN - 1" X 96" - BEIGE
8	086229-14-000	EA RETAINER - 3/4" X 98.43" - ANY COLOR
9	078323-06-G15	EA MOLDING - CAP - WALL - 78"
10	077840-01-G01	EA MOLDING - CAP/WALL - 8' WATERFORD OAK
11	093873-01-01A	EA TRIM - CARPET - L-ANGLE 1.1" X 1.3" X 12' - GRAY VINYL
12	100659-01-E01	EA MOLDING/TRIM - VINYL FLOOR
13	111136-F2-134	EA MOLDING - VINYL WRAPPED - .7" X 2.6" X 7' - CHERRY
14	117268-D2-134	EA MOLDING - VINYL WRAPPED - .7" X 1.6" X 84" - WATERFORD OAK
14	117268-F2-438	EA MOLDING - VINYL WRAPPED - .7" X 2.6" X 96" - WATERFORD OAK
14	117268-F2-134	EA MOLDING - VINYL WRAPPED - .7" X 2.7" X 84" - WATERFORD OAK
15	100818-01-05A	EA MOLDING - VINYL WRAPPED - 1.65" X .4" X 84" - WATERFORD OAK
16	083620-12-000	FT MOLDING - T - END CAP EDGE - W/EDGE LIP - .75" - WATERFORD OAK
16	104676-02-04A	FT MOLDING - T - 1/2" - WATERFORD OAK
17	104676-01-01A	FT MOLDING - T - 5/16" RIGID GOLD
18	103186-01-05A	FT MOLDING - PLASTIC - 3/8" U-CHANNEL 3/4" FACE - WATERFORD OAK
18	103186-02-05A	FT MOLDING - PLASTIC/1" U-CHANNEL W/1 3/8" FACE - WATERFORD OAK
19	105004-01-05A	EA MOLDING - VINYL WRAPPED - 1" X 96" - WATERFORD OAK
20	109410-01-G15	EA MOLDING - TRIM - 8' - ASH/WATERFORD OAK STAIN
21	100819-01-05A	EA MOLDING - VINYL WRAPPED - L-SHAPED - 1.5" X 1.5" X 84"
	113794-01-01A	FT MOLDING - CROWN - PICKLED ASH
	076325-43-000	FT MOLDING - EDGE BAND - .875" X .024" - CLOUD
	076325-46-000	FT MOLDING - EDGE BAND - 1 5/16" X .001" - CLOUD
	076325-67-000	FT MOLDING - EDGE BAND - .93" X .024" - WATERFORD OAK
	076325-73-000	FT MOLDING - EDGE BAND - .93" X .024"

KEY	PART NUMBER	U/M DESCRIPTION
1	009767-12-000	FT WELTING - SIDEWALL/CEILING/CABINET - OFF/WHT
2	009778-25-000	FT U-CHANNEL - 1" - BEIGE ILLUSION
2	070504-43-000	FT U-CHANNEL - PLASTIC - .87" X 96" - BEIGE ILLUSION
2	070504-45-000	FT U-CHANNEL - PLASTIC - .13" X 72" - WHITE GRANITE
3	009809-30-000	EA MOLDING - CORNER - OUTSIDE - 1" X 84" - BEIGE ILLUSION
4	009812-31-000	EA MOLDING - PLASTIC - 1/2" O/S CORNER - BEIGE ILLUS
5	105709-01-000	FT MOLDING - T - 1" - MODERN IVORY
6	022992-11-000	FT MOLDING - REVERSE COVE - T-SHAPED VINYL - IVORY
7	086229-15-000	EA BATTEN - 1" X 96" - MODERN IVORY
7	086229-19-000	EA BATTEN - 1" X 98.43" - OFF WHITE
7	086229-20-000	EA BATTEN - 1" X 96" - BEIGE
8	086229-14-000	EA RETAINER - 3/4" X 98.43" - ANY COLOR
9	078323-06-H40	EA MOLDING - CAP/WALL - 6.6'
10	077840-01-H23	EA MOLDING - CAP/WALL 8' - WHITE MAPLE
10	077840-96-H40	EA MOLDING - CAP - WALL - 96" - MOONLIT
11	093873-01-01A	EA TRIM - CARPET - L-ANGLE 1.1" X 1.3" X 12' - GRAY VINYL
12	100659-01-E01	EA MOLDING/TRIM - VINYL FLOOR
13	122668-D2-134	EA MOLDING - VINYL WRAPPED - .7" X 1.6" X 84" - WHITE GRANITE
13	122668-F2-134	EA MOLDING - VINYL WRAPPED - .7" X 2.6" X 84" - WHITE GRANITE
13	122668-F2-438	EA MOLDING - VINYL WRAPPED - .7" X 2.5" X 96" - WHITE GRANITE
14	100182-10-H40	EA TRIM - RAIL
15	100818-01-07A	EA MOLDING - VINYL WRAPPED - 1.65" X .4" X 7' - WHITE GRANITE
16	104676-02-07A	FT MOLDING - T - 1/2" - DESIGNER BEIGE
16	083620-15-000	FT MOLDING - T - END CAP EDGE - W/EDGE LIPS - .75" - BEIGE ILLUS
17	103186-01-07A	FT MOLDING - PLASTIC/3/8" U-CHANNEL W/3/4" FACE - BEIGE ILLUS
17	103186-02-07A	FT MOLDING - PLASTIC/1" U-CHANNEL W/1 3/8" FACE - BEIGE ILLUS
18	109410-01-H40	EA MOLDING - TRIM - 8' - WHITE MAPLE/CLEAR FINISH
19	100819-01-07A	EA MOLDING - VINYL WRAPPED - L-SHAPED - 1.5" X 1.5" X 7' - WHITE GRANITE
	109736-01-01A	FT T-MOLDING - 1" - BRASS/BLACK
	076325-39-000	FT MOLDING - EDGE BAND - 1 5/16" X .030"
	076325-40-000	FT MOLDING - EDGE BAND - .875" X .024"
	076325-73-000	FT MOLDING - EDGE BAND - .93" X .024"
	113794-01-03A	FT MOLDING - CROWN
	122670-D2-438	EA LUMBER - 018 X 038 X 2438 MM VINYL - WRAPPED WHITE GRANITE
	126902-01-01A	EA MOLDING - PLASTIC WRAP

INTERIOR FINISH GROUP (CONTINUED)

CABINET HARDWARE



KEY	PART NUMBER	U/M DESCRIPTION
1	108138-01-000	EA HINGE - CABINET DOOR - BURNISHED BRASS (OAK)
1	108138-02-000	EA HINGE - BRIGHT BRASS (WHITE GRANITE)
2	009059-01-000	EA HINGE - DOOR - 2" X 1.4" - BRASS
2	009059-02-000	EA HINGE - DOOR - 2" X 2.7" - BRASS
3	084451-02-000	EA CATCH - BRASS
4	009112-01-000	EA FLANGE - PLASTIC - 1" CLOTHES ROD - OFF WHITE
5	065740-01-000	EA BRACE - CABINET/CORNER - PLASTIC
6	108487-02-01A	EA SUPPORT - PROP ROD/OVERHEAD - BLACK
	039984-01-000	EA CAP - ROUND - VINYL - .28" ID X .62" - BLACK (PROP ROD)
7	100710-01-01A	EA LOCK - GLASS DOOR/TWIST TYPE - BRASS
8	101766-01-000	EA PIN - SUPPORT/GLASS DOOR
9	100707-01-000	EA SPACER - GLASS DOOR - .8" DIA - .3" HOLE - PLASTIC
10	016604-01-000	EA BRACE - CABINET - ANGLE - 2.5" - UNPAINTED METAL
10	016604-05-000	EA BRACE - CABINET - ANGLE - 2.5" - OFF WHITE METAL
11	074045-01-000	EA PLUG - OAK - 1/2" DIAMETER (OAK)
11	074045-11-000	EA PLUG - OAK - 3/8" DIAMETER (WHITE)
12	100711-01-01A	EA HINGE - GLASS DOOR
13	108486-01-01A	EA BRACKET - PROP ROD/OVERHEAD - BLACK
14	121890-01-01A	EA PULL - CABINET - BRASS
15	042541-05-000	EA STRIKE - BRASS - W/O LATCH
16	116975-01-01A	EA LATCH - W/O STRIKE - BLACK - NEW STYLE
17	093586-06-000	EA CATCH - SPRING - ROLLER
18	093586-05-000	EA STRIKE - SPRING STEEL
19	098980-01-000	EA PILASTER - ADJUSTABLE SHELF - 18"
19	098980-02-000	EA PILASTER - ADJUSTABLE SHELF - 12"
19	098980-03-000	EA PILASTER - ADJUSTABLE SHELF - 9"
20	098979-01-000	EA CLIP - ADJUSTABLE SHELF
21	074493-02-000	EA SUPPORT - PISTON SPRING - CABINET DOOR
22	009021-01-000	EA CATCH - GRILLE - NYLON
23	009021-02-000	EA STRIKE - SPRING STEEL
	023320-01-000	EA PAD - FELT 3/8" DIAMETER

KEY	PART NUMBER	U/M DESCRIPTION
	041389-18-000	EA HINGE - PIANO - 1.50" X 19" - OFF WHITE
	041389-25-000	EA HINGE - PIANO - 1.50" X 55"
	042438-01-000	EA DOWEL - WOOD - CLOTHES ROD - 1" DIAMETER X 4'
	042438-06-000	EA DOWEL - WOOD - 1.5" X 26" - OAK
	101272-01-000	EA CATCH - GLASS DOOR
	102194-01-000	EA GUIDE - PLASTIC
	004354-01-000	EA BUMPER - RUBBER - .5" DIA - BROWN

CABINET DOOR SLIDES & BACK SOCKETS (FROM: 00-00-00 THRU: 02-22-98)

KEY	PART NUMBER	U/M DESCRIPTION
24	114045-01-000	EA BACKSOCKET - ADJUSTABLE LEFT
25	114045-02-000	EA BACKSOCKET - ADJUSTABLE RIGHT
26	114031-02-000	EA SLIDE - 12" - RIGHT SIDE/CABINET
26	114031-14-000	EA SLIDE - 18" - RIGHT SIDE/CABINET
26	114031-18-000	EA SLIDE - 20" - RIGHT SIDE/CABINET
26	114031-22-000	EA SLIDE - 22" - RIGHT SIDE/CABINET
27	114031-04-000	EA SLIDE - 12" - RIGHT SIDE/DRAWER
27	114031-16-000	EA SLIDE - 18" - RIGHT SIDE/DRAWER
27	114031-20-000	EA SLIDE - 20" - RIGHT SIDE/DRAWER
27	114031-24-000	EA SLIDE - 22" - RIGHT SIDE/DRAWER
28	114031-03-000	EA SLIDE - 12" - LEFT SIDE/DRAWER
28	114031-15-000	EA SLIDE - 18" - LEFT SIDE/DRAWER
28	114031-19-000	EA SLIDE - 20" - LEFT SIDE/DRAWER
28	114031-23-000	EA SLIDE - 22" - LEFT SIDE/DRAWER
29	114031-01-000	EA SLIDE - 12" - LEFT SIDE/CABINET
29	114031-13-000	EA SLIDE - 18" - LEFT SIDE/CABINET
29	114031-17-000	EA SLIDE - 20" - LEFT SIDE/CABINET
29	114031-21-000	EA SLIDE - 22" - LEFT SIDE/CABINET

CABINET DOOR SLIDES & BACK SOCKETS (FROM: 02-23-98 THRU: 99-99-99)

KEY	PART NUMBER	U/M DESCRIPTION
24	128811-01-01A	EA BACKSOCKET - ADJUSTABLE - LEFT
25	128811-02-01A	EA BACKSOCKET - ADJUSTABLE - RIGHT
26	128810-02-01A	EA SLIDE - DRAWER - 12" - RIGHT CABINET
26	128810-14-01A	EA SLIDE - DRAWER - 18" - RIGHT CABINET
26	128810-18-01A	EA SLIDE - DRAWER - 20" - RIGHT CABINET
26	128810-22-01A	EA SLIDE - DRAWER - 22" - RIGHT CABINET
27	128810-04-01A	EA SLIDE - DRAWER - 12" - RIGHT DRAWER
27	128810-16-01A	EA SLIDE - DRAWER - 18" - RIGHT DRAWER
27	128810-20-01A	EA SLIDE - DRAWER - 20" - RIGHT DRAWER
27	128810-24-01A	EA SLIDE - DRAWER - 22" - RIGHT DRAWER
28	128810-03-01A	EA SLIDE - DRAWER - 12" - LEFT DRAWER
28	128810-15-01A	EA SLIDE - DRAWER - 18" - LEFT DRAWER
28	128810-19-01A	EA SLIDE - DRAWER - 20" - LEFT DRAWER
28	128810-23-01A	EA SLIDE - DRAWER - 22" - LEFT DRAWER
29	128810-01-01A	EA SLIDE - DRAWER - 12" - LEFT CABINET
29	128810-13-01A	EA SLIDE - DRAWER - 18" - LEFT CABINET
29	128810-17-01A	EA SLIDE - DRAWER - 20" - LEFT CABINET
29	128810-21-01A	EA SLIDE - DRAWER - 22" - LEFT CABINET

INTERIOR FINISH GROUP (CONTINUED)

PANELING & PLASTIC LAMINATE (OAK)

KEY	PART NUMBER	U/M DESCRIPTION
	000846-01-000	SF PLYWOOD - 5/16" X 48" X 96" - CD GRADE
	000846-02-000	SF PLYWOOD/UNDERLAYMENT - 5/16" X 48" X 96"
	000885-76-000	SF PARTICLE BOARD - 3/8" X 48" X 96" - WATERFORD OAK/VINYL 1 SIDE
	000885-77-000	SF PARTICLE BOARD - 3/8" X 48" X 96" - WATERFORD OAK/VINYL 2 SIDE
	000885-79-000	SF PARTICLE BOARD - 3/4" X 48" X 96" - WATERFORD OAK/VINYL 2 SIDE
	074497-28-000	SF PANELING - WATERFORD OAK - 48" X 96"
	074498-40-000	SF LAMINATE - PLASTIC - OFF WHITE - 5' X 8' - INC OF 40 SF
	074498-62-000	SF LAMINATE - PLASTIC - GREY FINESSE - 5' X 8' - INC OF 40SF (J22)
	074498-88-000	SF LAMINATE - PLASTIC - 5' X 8' - INCREMENTS OF 40 SF (J24)
	074498-71-000	SF LAMINATE - PLASTIC - NEUTRAL SANTOS - 5' X 8'-INC OF 40 SF (J26, J28)
	074498-77-000	SF LAMINATE - PLASTIC - ART CABIN - 4' X 8' - INC OF 32 SF
	080215-10-000	SF PANELING - 2 SIDED - WATERFORD - .2" X 48" X 96"
	088272-G1-000	SF PANELING - PEBBLE EMBOSSED - ANTIQUE WHITE - 4' X 7' (WET BATH)
	088272-G2-000	SF PANELING - LA JOLLA/SEAMIST - 4' X 8' (J22)
	088272-H2-000	SF PANELING - TUSCAN MINK - 4' X 7' (J24)
	088272-H4-000	SF PANELING - TRAVIS - 4' X 7'(28 SQ.FT.) (J26)
	088272-H7-000	SF PANELING - CAIRO/SILVERSAGE (J28)
	114129-01-02A	SF LINER - CABINET - .02" X 48" X 96"
	117267-D2-438	EA LUMBER - VINYL WRAPPED - .7" X 1.5" X 96" - WATERFORD OAK
	117267-E2-438	EA LUMBER - VINYL WRAPPED - .7" X 2" X 96" - WATERFORD OAK
	117267-G2-438	EA LUMBER - VINYL WRAPPED - .7" X 3" X 96" - WATERFORD OAK
	117267-J2-438	EA LUMBER - VINYL WRAPPED - .7" X 5.5" X 96"- WATERFORD OAK
	117267-R2-438	EA LUMBER - VINYL WRAPPED - .7" X 3" X 96" - WATERFORD OAK
	126339-01-000	SF BOARD - WHEAT - 60" X 72"

FIRE EXTINGUISHER, DETECTORS & WALL CLOCK

KEY	PART NUMBER	U/M DESCRIPTION	VENDOR NO.
	072852-02-000	EA DETECTOR - SMOKE - W/9 VOLT BATTERY - CANADIAN	
	094499-02-000	EA EXTINGUISHER/FIRE - DRY - 1A10BC - CANADIAN	
	094499-01-700	EA BRACKET MTG. W/PLAS. STRAP	294039
	072852-01-000	EA DETECTOR - SMOKE - W/9 VOLT BATTERY - US	
	094499-01-000	EA EXTINGUISHER/FIRE - DRY W/MOUNTING BRACKET	
		FROM: 00-00-00 THRU: 02-24-98	
	094499-01-700	EA BRACKET MTG. W/PLAS. STRAP	294039
	094499-01-701	EA STRAP ONLY (METAL)	320351
	094499-03-000	EA EXTENGUISHER/FIRE - DRY - 10B:C	
		FROM: 02-25-98 THRU: 99-99-99	
	094499-04-000	EA BRACKET - FIRE EXTINGUISHER	
		FROM: 02-25-98 THRU: 99-99-99	
	100793-02-01A	EA CLOCK - WALL - QUARTZ/11" - BRASS	
	125136-01-000	EA CO DETECTOR - GAS - ROUND W/2 SCREWS - 9 VOLT	

INTERIOR FINISH GROUP (CONTINUED)

PANELING & PLASTIC LAMINATE (WHITE GRANITE)

KEY	PART NUMBER	U/M DESCRIPTION
	000846-01-000	SF PLYWOOD - 5/16" X 48" X 96" - CD GRADE
	000846-02-000	SF PLYWOOD/UNDERLAYMENT - 5/16" X 48" X 96"
	000885-84-000	SF PARTICLE BOARD - 3/8" X 48" X 96" - WHITE GRANITE/1 SIDED
	000885-85-000	SF PARTICLE BOARD - 3/8" X 48" X 96" - WHITE GRANITE/2 SIDED
	000885-87-000	SF PARTICLE BOARD - 3/4" X 48" X 96" - WHITE GRANIT/2 SIDED
	074497-36-000	SF PANELING - WHITE GRANITE - 1/8" X 48" X 96"
	074498-40-000	SF LAMINATE - PLASTIC - OFF WHITE - 5' X 8' - INC OF 40 SF (EXTERIOR ENTRTNT.)
	074498-81-000	SF LAMINATE - PLASTIC - ALMOND JAGUARD - 5' X 8' INCR OF 40SF
	080215-12-000	SF PANELING - 2 SIDED - WHITE GRANITE - 4' X 8'
	088272-G1-000	SF PANELING - PEBBLE EMBOSSED - ANTIQUE WHITE - 4' X 7' (WET BATH)
	088272-G2-000	SF PANELING - LA JOLLA/SEAMIST - 4' X 8' (J23)
	088272-H2-000	SF PANELING - TUSCAN MINK - 4' X 7' (J25)
	088272-H4-000	SF PANELING - TRAVIS - 4' X 7'(28 SQ.FT.) (J27)
	088272-H7-000	SF PANELING - CAIRO/SILVERSAGE (J29)
	114129-01-02A	SF LINER - CABINET - .02" X 48" X 96"
	114129-01-01A	SF LINER - CABINET - .02" X 48" X 96" - INCREMENTS OF 32 SF
	126339-01-000	SF BOARD - WHEAT - 60" X 72"

BATT STRIPS & BATT TAPE

KEY	PART NUMBER	U/M DESCRIPTION
	085284-D7-000	FT BATT TAPE - ADHESIVE BACKED - DECORATIVE -LA JOLLA/SEAMIST (J22, J23)
	085284-E7-000	FT BATT TAPE - ADHESIVE BACKED - DECORATIVE/TUSCAN MINK (J24, J25)
	085284-E9-000	FT BATT TAPE - ADHESIVE BACKED - DECORATIVE/TRAVIS MERCURY (J26, J27)
	085284-D7-000	FT BATT TAPE - ADHESIVE BACKED - CAIRO SILVERSAGE (J28, J29)
	085284-F4-000	FT BATT TAPE - ADHESIVE BACKED - DECORATIVE - WHITE GRANITE
	085284-B5-000	FT BATT TAPE - ADHESIVE BACKED - WOODGRAINED - WATERFORD OAK
	079653-13-000	EA BATT STRIP - KERFED - TRAVERTINE WHITE - 8'
	079653-38-000	EA BATT STRIP - KERFED - WHITE GRANITE - 8'
	069733-85-000	EA BATT STRIP - WOODGRAINED - WHITE GRANITE - 8'
	069733-83-000	EA BATT STRIP - WOODGRAINED - WATERFORD OAK - 8'
	088263-E4-000	EA BATT STRIP - DECORATIVE - LAJOLLA/SEAMIST - 8' LONG (J22, J23)
	088263-F2-000	EA BATT STRIP - DECORATIVE - TUSCAN MINK - 8' LENGTHS (J24, J25)
	088263-F4-000	EA BATT STRIP - DECORATIVE - TRAVIS MERCURY - 8' LENGTHS (J26, J27)
	088263-F8-000	EA BATT STRIP - DECORATIVE - CAIRO SILVERSAGE - INC OF 8' (J28, J29)

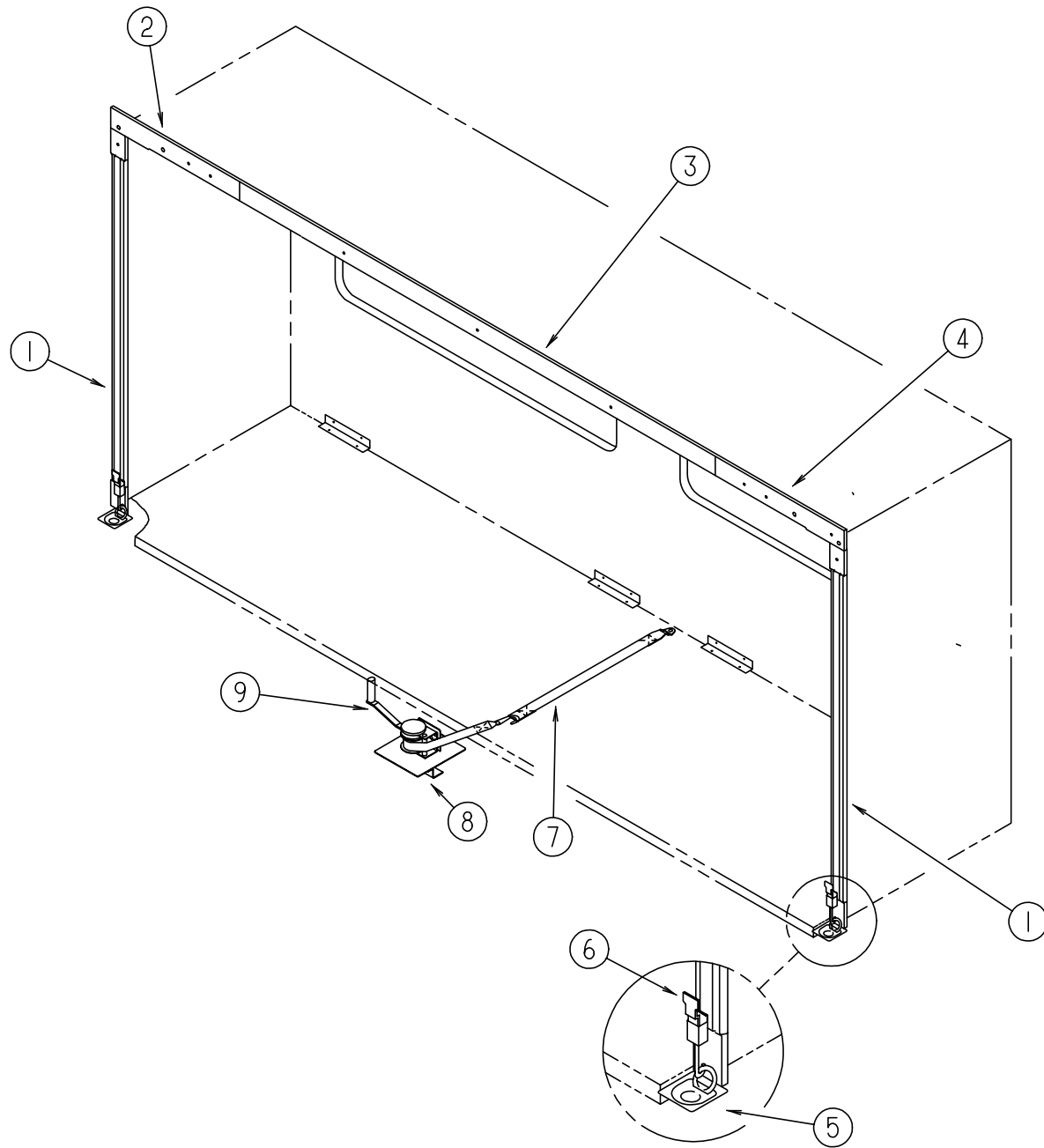
FLOOR COVERINGS

KEY	PART NUMBER	U/M DESCRIPTION
	093486-01-000	SY CARPET - COMPARTMENT - 72" WIDE - DARK GRAY
	096060-A8-000	SY CARPET - BLUE LAGOON (J22, J23)
	096060-99000	SY CARPET - PARCHMENT (J24, J25)
	096060-98-000	SY CARPET - SILVER ASPEN (J26, J27, J28, J29)
	042720-21-000	SY VINYL - FLOOR COVERING - 7' WIDE - MODULATION
	105924-01-F25	EA MAT - FLOOR - 18" X 27" (J22, J23)
	105924-01-F12	EA MAT - FLOOR - 18" X 27" (J24, J25)
	105924-01-F06	EA MAT - FLOOR - 18" X 27" (J26, J27, J28, J29)
	122755-02-01A	EA TILE - RUBBER/ENTRANCE DOOR - 18.5" X 29.3"
	122755-04-01A	EA TILE - RUBBER/ENTRANCE DOOR - 17.7" X 28.5"

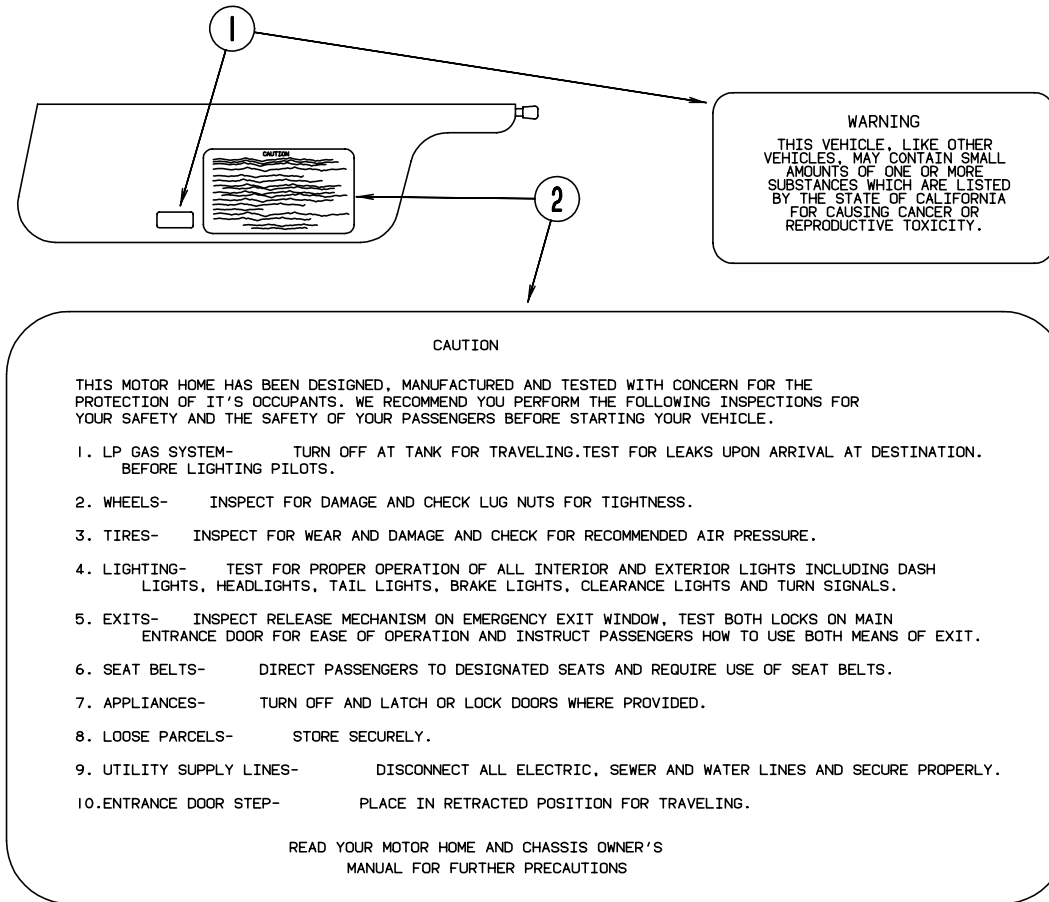
INTERIOR FINISH GROUP (CONTINUED)

SLIDEOUT HARDWARE & MOLDINGS

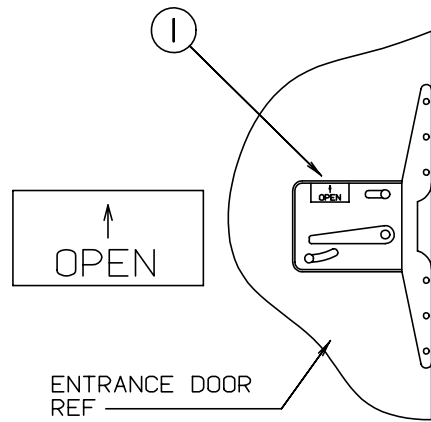
KEY	PART NUMBER	U/M DESCRIPTION
1	116951-01-G35	EA MOLDING (OAK)
1	116951-01-H23	EA MOLDING - WOOD - 3" X 70.5" (WHITE)
2	116968-01-G35	EA TRIM - END/ RIGHT HAND - WOOD - 3.8" X 19.1" (OAK)
2	116968-01-H40	EA TRIM - END/RIGHT HAND - WOOD - 3.8" X 19.1" (WHITE)
3	116967-01-G35	EA TRIM - CENTER - WOOD - 3.8" X 119.7" (OAK)
3	116967-01-H23	EA TRIM - CENTER - WOOD - 3.8" X 119.7" (WHITE)
4	116968-02-G35	EA TRIM - END/ LEFT HAND - WOOD - 3.8" X 19.1" (OAK)
4	116968-02-H40	EA TRIM - END/ LEFT HAND - WOOD - 3.8" X 19.1" (WHITE)
5	116736-01-01A	EA TIEDOWN - DROP/D - ZINC
6	116737-01-01A	EA LATCH - DRAW - ADJUSTABLE - ZINC
7	116101-02-F31	EA STRAP - WINCH
8	116082-03-02B	EA BRACKET - WINCH
9	115767-02-000	EA WINCH - SLIDEOUT



LABELS GROUP

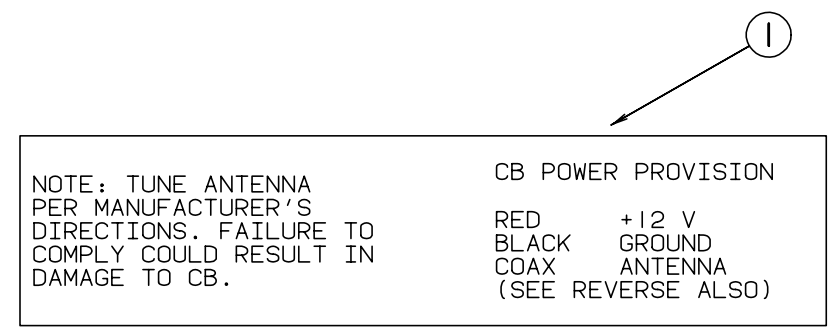


KEY	PART NUMBER	U/M DESCRIPTION
1	099689-01-000	EA LABEL - WARNING - CANCER/TOXICITY
2	056259-01-000	EA LABEL - SAFETY CHECK LIST
	111802-01-000	EA LABEL - CFC WARNING

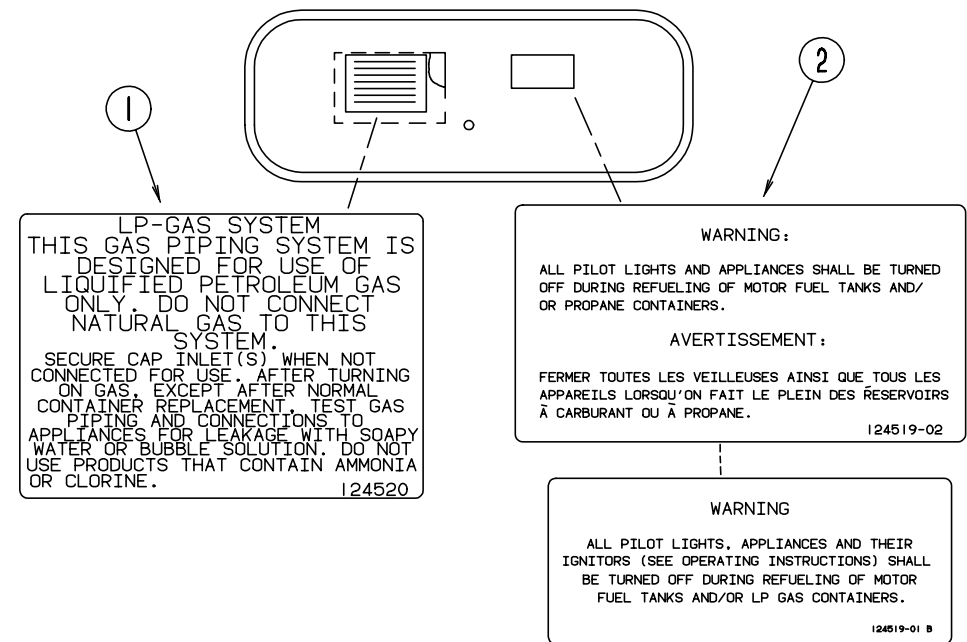


KEY	PART NUMBER	U/M DESCRIPTION
1	040944-01-000	EA LABEL - ENTRANCE DOOR - "OPEN"

LABELS GROUP (CONTINUED)

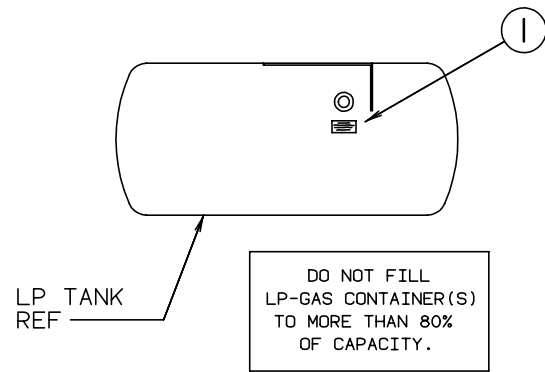


KEY	PART NUMBER	U/M DESCRIPTION
1	104678-01-000	EA LABEL - CB PREP

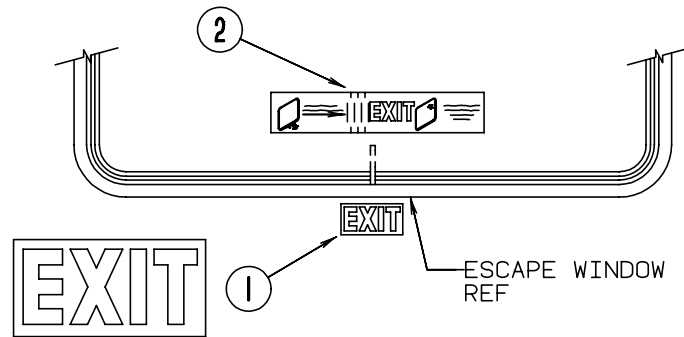
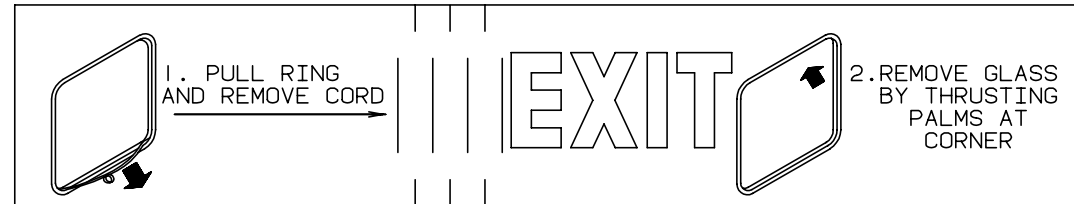


KEY	PART NUMBER	U/M DESCRIPTION
1	124520-01-02A	EA LABEL - LP GAS ONLY
	023769-01-000	EA LABEL - WARNING - LPG - CANADIAN
2	124519-01-02A	EA LABEL - WARNING/REFUELING
2	124519-02-02A	EA LABEL - WARNING/REFUELING - CSA

LABELS GROUP (CONTINUED)



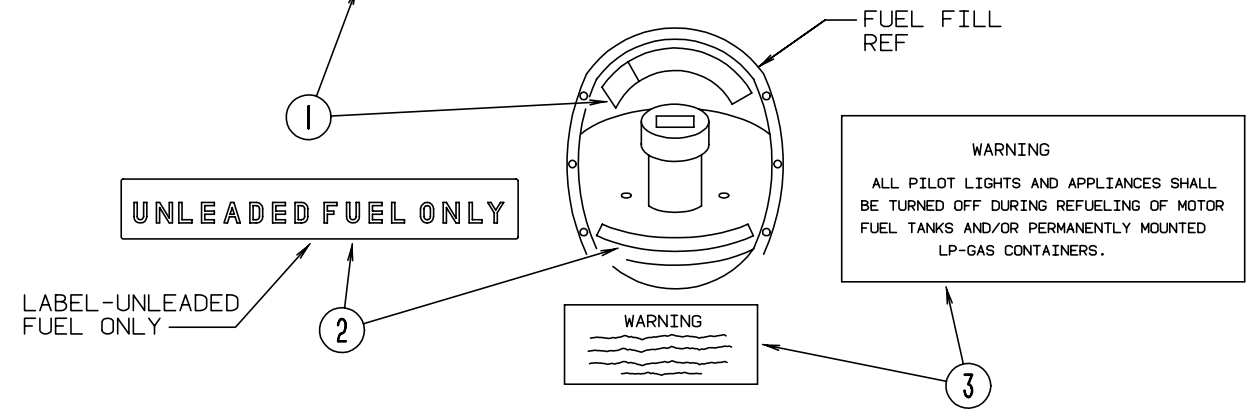
KEY	PART NUMBER	U/M DESCRIPTION
1	079965-01-000	EA LABEL - LPG - 80% CAPACITY



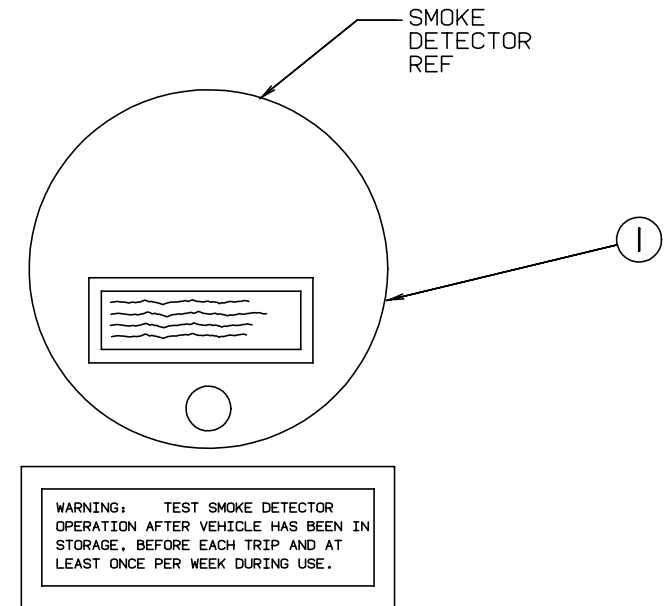
KEY	PART NUMBER	U/M DESCRIPTION
1	107571-01-000	EA LABEL - EXIT/ESCAPE WINDOW
2	039290-01-000	EA LABEL - EXIT WARNING

LABELS GROUP (CONTINUED)

CAUTION	TO HELP AVOID PERSONAL INJURY DURING REMOVAL OF FUEL FILLER CAP, SLOWLY LOOSEN CAP 1/2 TURN TO ALLOW ANY FUEL PRESSURE TO BE RELIEVED BEFORE TURNING CAP FURTHER.
FUEL SPRAY MAY CAUSE PERSONAL INJURY	STOP ADDING FUEL AFTER FIRST SHUTOFF BY AUTOMATIC NOZZLE WHEN TANK IS NEARLY FULL. DO NOT OVERFILL FUEL TANK. SEE OWNERS MANUAL FOR ADDITIONAL INFORMATION.
	PRINTED IN U.S.A. MLC PT NO 15611763

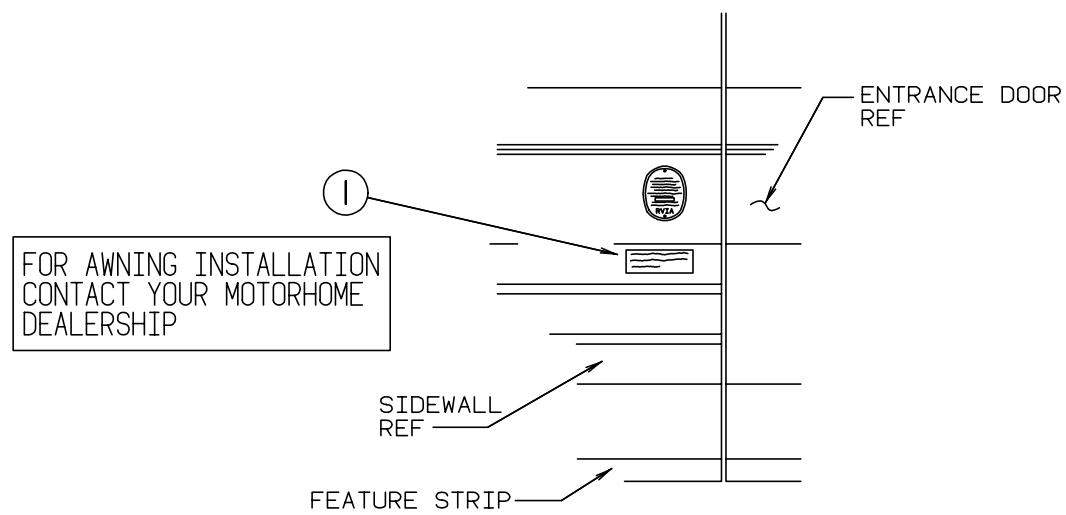


KEY	PART NUMBER	U/M DESCRIPTION
1	087207-05-000	EA LABEL - FUEL CAP REMOVAL
2	062043-01-000	EA LABEL - FUEL - UNLEADED
3	124519-01-02A	EA LABEL - WARNING/REFUELING
3	124519-02-02A	EA LABEL - WARNING/REFUELING - CSA

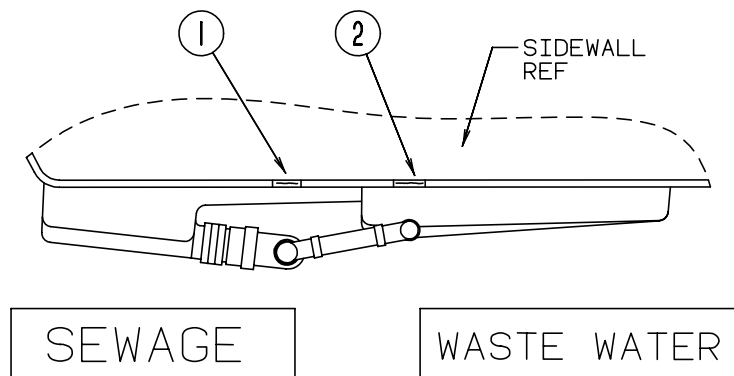


KEY	PART NUMBER	U/M DESCRIPTION
1	077956-01-000	EA LABEL - WARNING - SMOKE DETECTOR

LABELS GROUP (CONTINUED)

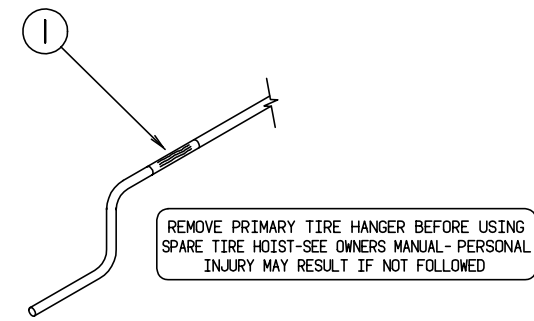


KEY	PART NUMBER	U/M DESCRIPTION
1	099509-01-000	EA LABEL - AWNING INSTALLATION

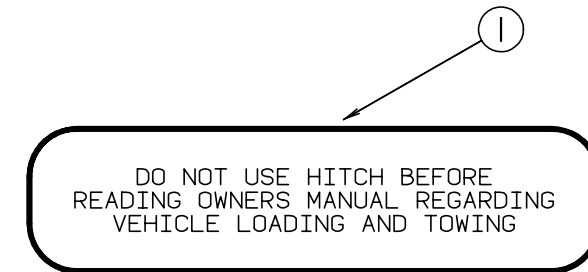


KEY	PART NUMBER	U/M DESCRIPTION
1	006187-01-000	EA LABEL - SEWAGE
2	006188-01-000	EA LABEL - WASTE WATER

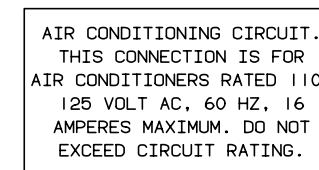
LABELS GROUP (CONTINUED)



KEY	PART NUMBER	U/M DESCRIPTION
1	126024-01-01A	EA LABEL - TIRE HANGER REMOVAL

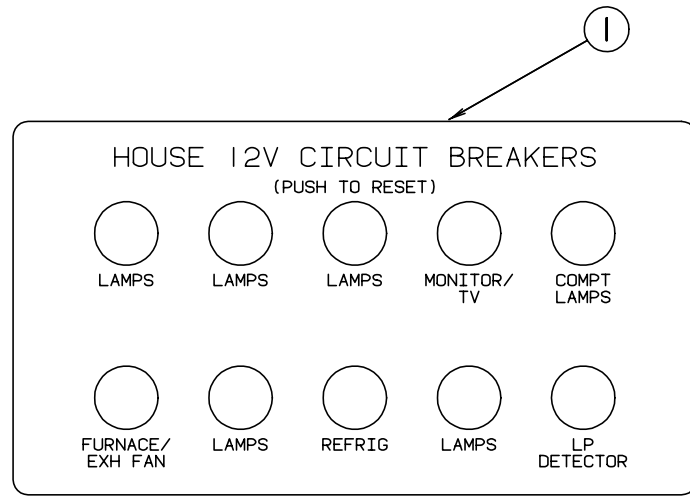


KEY	PART NUMBER	U/M DESCRIPTION
1	111104-01-000	EA LABEL - HITCH - READ MANUAL - WHITE



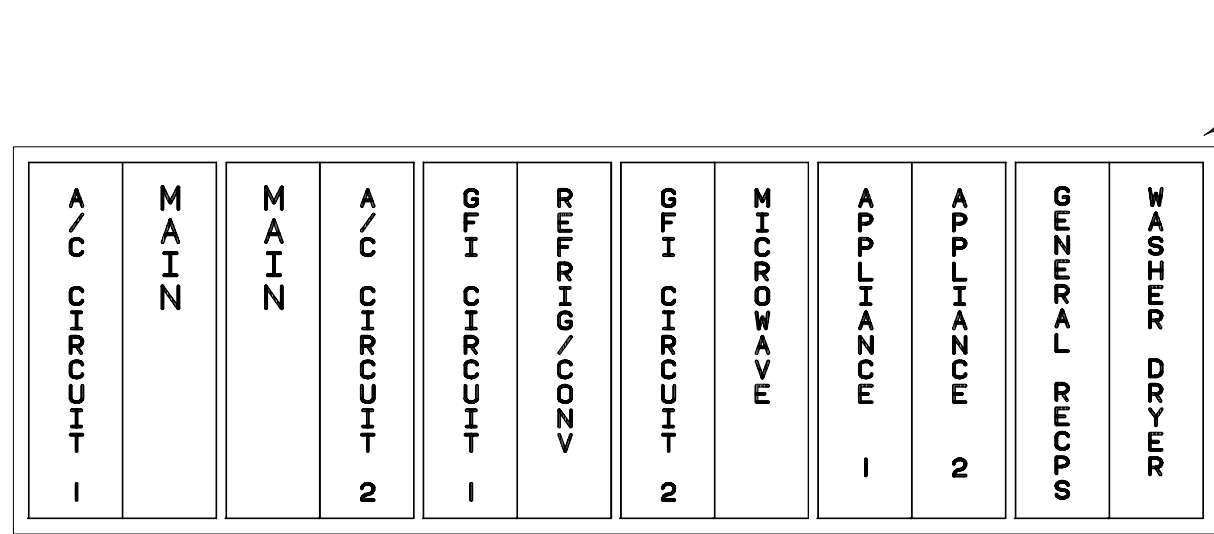
KEY	PART NUMBER	U/M DESCRIPTION
1	091243-01-000	EA LABEL - A/C COVER "AIR CONDITIONING CIRCUIT ETC."

LABELS GROUP (CONTINUED)

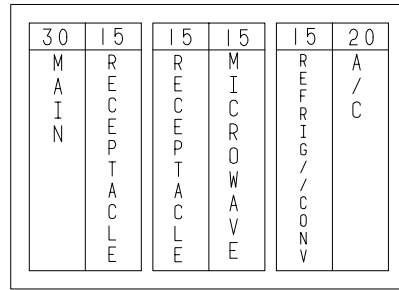


KEY PART NUMBER U/M DESCRIPTION
1 092547-06-000 EA LABEL-CIRCUIT BREAKER

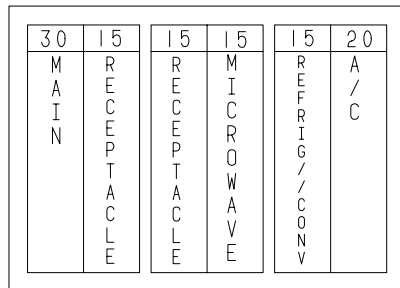
LABELS GROUP (CONTINUED)



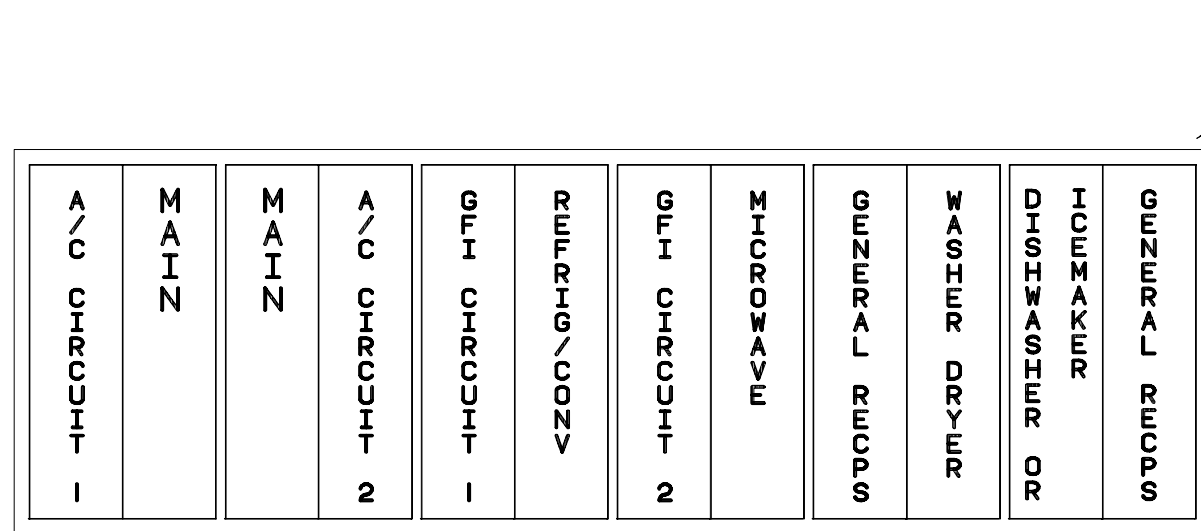
KEY PART NUMBER U/M DESCRIPTION
1 095721-18-000 EA LABEL-CONTROL CENTER, 50 AMP - CSA



KEY PART NUMBER U/M DESCRIPTION
1 095721-10-000 EA LABEL-CONTROL CENTER (30A) CSA

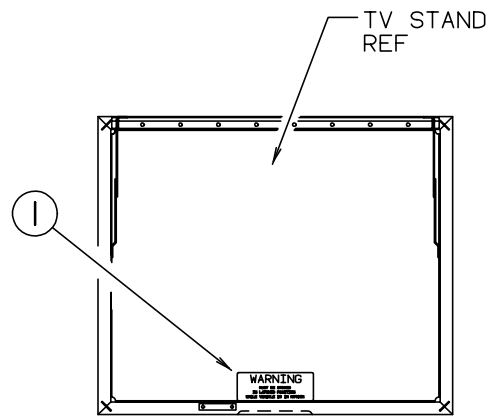


KEY PART NUMBER U/M DESCRIPTION
1 095721-14-000 EA LABEL-CONTROL CENTER (30A)



KEY PART NUMBER U/M DESCRIPTION
1 095721-17-000 EA LABEL-CONTROL CENTER, 50 AMP - US

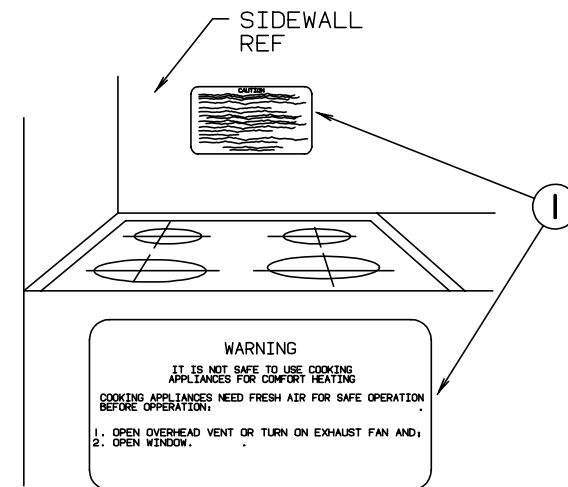
LABELS GROUP (CONTINUED)



WARNING
MUST BE STOWED
IN LATCHED POSITION
WHILE VEHICLE IS IN MOTION

KEY	PART NUMBER	U/M DESCRIPTION
1	079966-01-000	EA LABEL - WARNING - STOWED - MOTION

LABELS GROUP (CONTINUED)

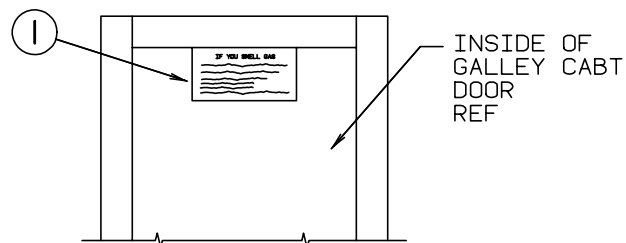


WARNING
IT IS NOT SAFE TO USE COOKING
APPLIANCES FOR COMFORT HEATING
BEFORE OPERATION.
COOKING APPLIANCES NEED FRESH AIR FOR SAFE OPERATION.
1. OPEN OVERHEAD VENT OR TURN ON EXHAUST FAN AND;
2. OPEN WINDOW.

KEY	PART NUMBER	U/M DESCRIPTION
1	050225-01-000	EA LABEL - WARNING - STOVE VENT - US
1	050222-01-000	EA LABEL - WARNING - STOVE VENT - CSA

MISCELLANEOUS LABELS

KEY	PART NUMBER	U/M DESCRIPTION
	087236-01-000	EA LABEL - CABLE - INPUT
	094675-01-000	EA LABEL - EXTERIOR LIGHT - SERVICE
	098379-04-000	EA LABEL - ELECTRICAL BOX - SIDE
	098641-01-000	EA LABEL - FUEL - UNLEADED - DASH
	111537-07-000	EA LABEL - FUSES
	111802-01-000	EA LABEL - CFC WARNING
	113402-01-000	EA LABEL - CAUTION - WATER HEATER EXHAUST
	125306-01-01A	EA LABEL - ELECTRICAL ENTRANCE - 110VOLT 30AMP
	128218-01-01A	EA LABEL - WARNING - ROOF SLIPPERY
	116549-01-000	EA LABEL - WARNING - SLIDEOUT
	111537-05-000	EA LABEL - SLIDEOUT CONTROL

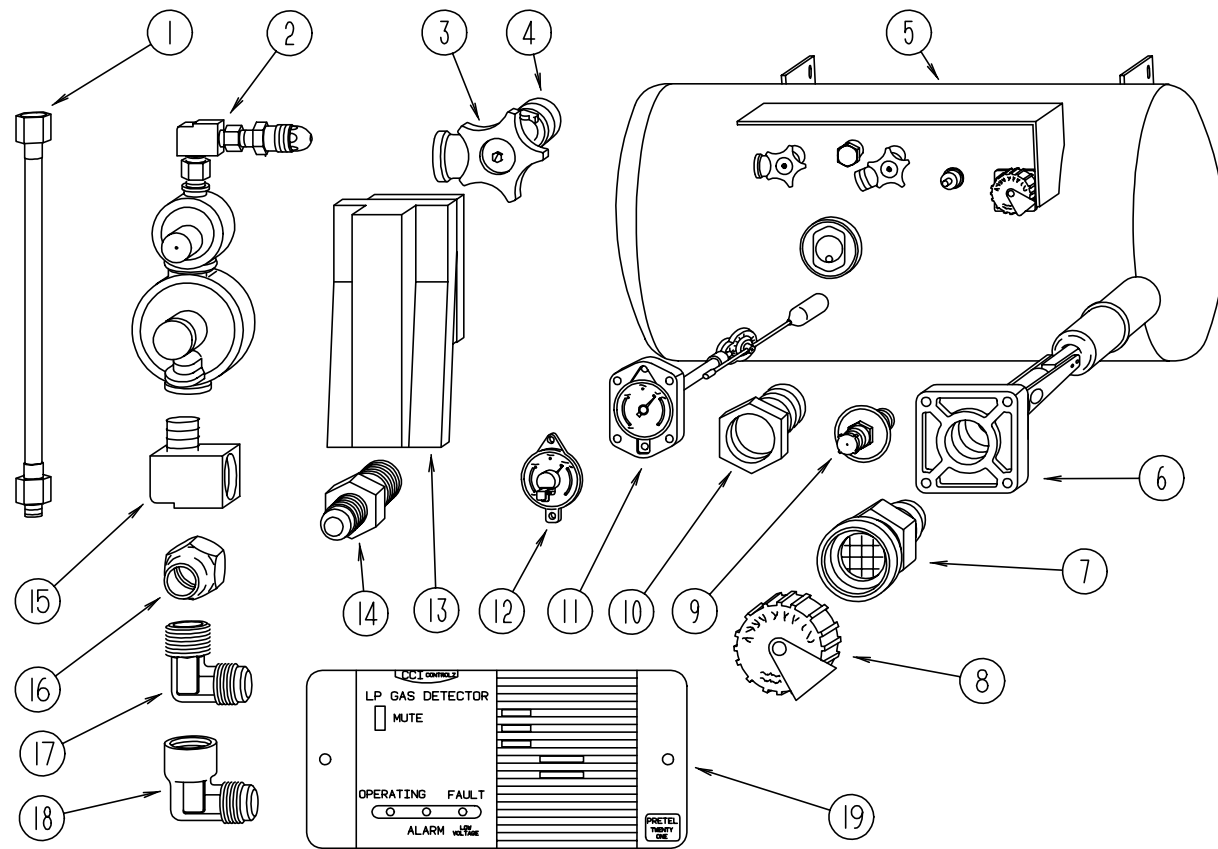


IF YOU SMELL GAS

1. EXTINGUISH ANY OPEN FLAME, PILOT LIGHTS AND ALL SMOKING MATERIALS.
2. SHUT OFF THE GAS SUPPLY AT THE TANK VALVE(OR GAS SUPPLY CONNECTION).
3. OPEN DOORS AND OTHER VENTILATING OPENINGS.
4. DO NOT TOUCH ELECTRICAL SWITCHES.
5. LEAVE THE AREA UNTIL ODOR CLEARS.
6. HAVE THE GAS SYSTEM CHECKED AND LEAKAGE SOURCE CORRECTED BEFORE USING AGAIN.

KEY	PART NUMBER	U/M DESCRIPTION
1	073998-01-000	EA LABEL - LPG ODOR WARNING

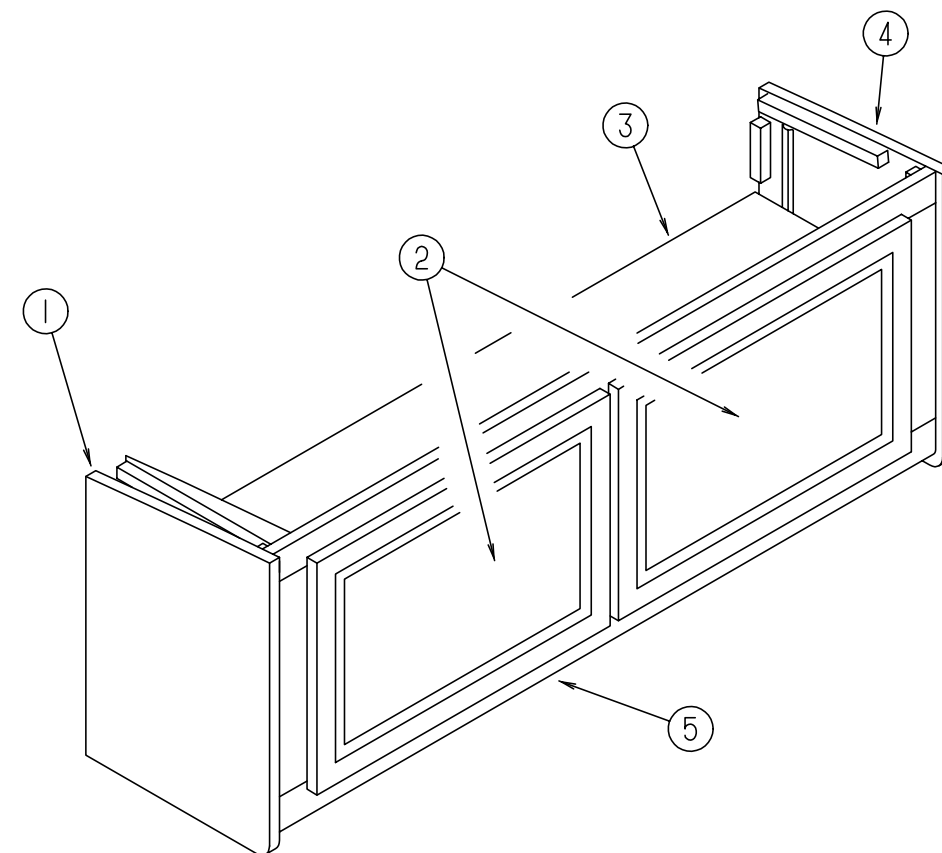
LP GROUP



LP TANK & COMPONENTS

KEY	PART NUMBER	U/M DESCRIPTION	VENDOR NO.
1	045703-01-000	EA HOSE - LP - 3/8"ID X 24" - 3/8"MPT X 1/2"F SWIVEL - U.S.	
1	045703-02-000	EA HOSE - LP - 3/8"ID X 24" - 3/8"MPT X 1/2"F SWIVEL - CANADA	
1	045703-11-000	EA HOSE - LP - 3/8"ID X 36" - 3/8"MPT X 3/8"F SWIVEL - UL/CSA	
2	106150-01-000	EA REGULATOR - TWO STAGE	
3	040421-01-708	EA HANDWHEEL - SERVICE VALVE	G-1015-A
4	040421-01-712	EA VALVE - SERV. W/O VAPOR RELIEF	29000853
5	088253-09-000	EA TANK - LP - 100 LB - 14" DIAMETER X 47" LONG	
6	040421-01-711	EA VALVE - 80% FILL W/AUTO STOP	LLL/TL3
7	040421-01-701	EA VALVE - FILL - SHORT, LP	7547B
8	040421-01-702	EA CAP - FILL VALVE - PLASTIC	G-1014-A
9	040421-01-700	EA VALVE - LIQUID LEVEL - 20%	G-1013
10	040421-01-713	EA VALVE - RELIEF 1" W/SPRING 7"	29000587
11	040421-01-707	EA FLOAT ASM.(SIGHT GAUGE) 14" 14C	
12	040440-02-000	EA TRANSMITTER - DIAL - 0-90 OHM - 2 TERMINAL (POWER & GROUND)	
13	105658-01-000	EA COMPARTMENT - LP REGULATOR	
14	010326-01-000	EA ADAPTER - FLARE - W/CONE GASKET - 3/8"FEMALE X 1/2"MALE	
14	010329-01-000	EA ADAPTER - BRASS - 1/2" F X 1/2" MPT	
14	010323-01-000	EA ADAPTER - BRASS - 3/8"F X 1/2"MPT	
16	010377-02-000	EA NUT - BRASS - 3/8" FLARE - FORGED	
16	010380-02-000	EA NUT - BRASS - 1/2" FLARE - FORGED	
17	010252-01-000	EA ELBOW - BRASS - 90 DEGREE - 3/8"F X 1/2"MPT	
18	010265-01-000	EA ELBOW - BRASS - 90 DEGREE - 3/8"F X 1/2"FPT	
19	103613-03-000	EA DETECTOR - LP GAS - W/O SHUT-OFF VALVE	

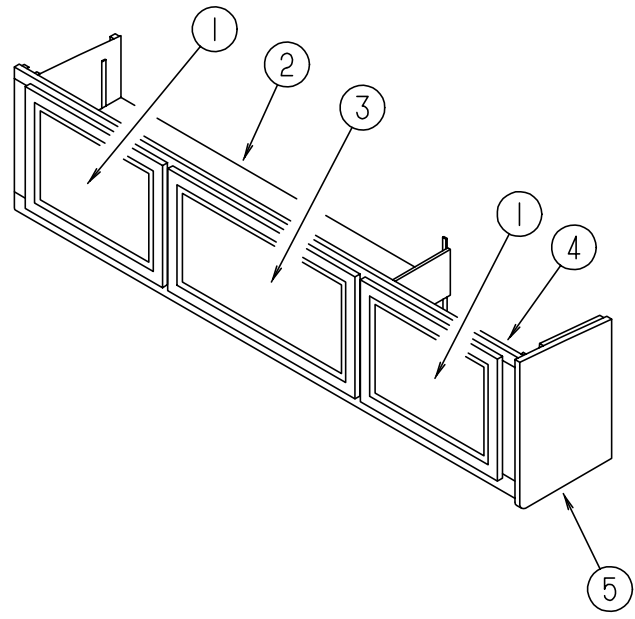
LOUNGE GROUP



LOUNGE OVERHEAD CABINET (PASSENGER SIDE)

KEY	PART NUMBER	U/M DESCRIPTION
1	103128-02-G09	EA END CAP - OVERHEAD CABINET - LEFT HAND (OAK) FROM: 00-00-00 THRU: 10-17-97
1	103128-39-J22	EA END CAP - OVERHEAD CABINET - LEFT HAND (OAK) FROM: 10-18-97 THRU: 99-99-99
1	103128-02-J23	EA END CAP - OVERHEAD CABINET - LEFT HAND (WHITE) FROM: 00-00-00 THRU: 10-17-97
1	103128-39-J23	EA END CAP - OVERHEAD CABINET - LEFT HAND (WHITE) FROM: 10-18-97 THRU: 99-99-99
2	M05992-42-J22	EA DOOR - STRAIGHT CORNER/OGEE EDGE - 14.9" X 21.8" - W/O HARDWARE (OAK)
2	122715-06-01A	EA DOOR - MOLDED VINYL - 14.9" X 21.8" - W/O HARDWARE (WHITE)
3	126308-11-J22	EA SHELF - W/PLASTIC EDGE TRIM (OAK)
3	126308-11-J23	EA SHELF - W/PLASTIC EDGE TRIM (WHITE)
4	103128-01-G09	EA END CAP - OVERHEAD CABINET - RIGHT HAND (OAK)
4	103128-01-J23	EA END CAP - OVERHEAD CABINET - RIGHT HAND (WHITE)
5	126308-01-J22	EA CABINET - OVERHEAD/FRONT/RH - W/O DOORS/HDW - F/TV/VCR (OAK)
5	126308-01-J23	EA CABINET - OVERHEAD/FRONT/RH - W/O DOORS/HDW - F/TV/VCR (WHITE)
5	126308-02-J22	EA CABINET - OVERHEAD/FRONT/RH - W/O DOORS/HDW - F/SOUND SYSTEM)(OAK)
5	126308-02-J23	EA CABINET - OVERHEAD/FRONT/RH - W/O DOORS/HDW - F/SOUND SYSTEM)(WHITE)

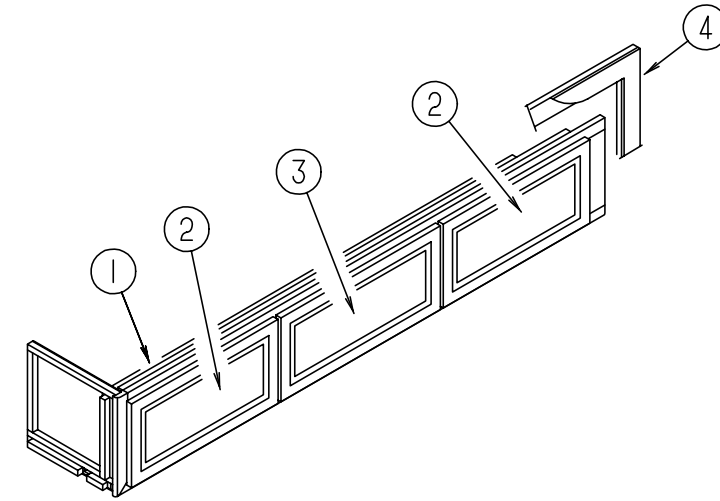
LOUNGE GROUP (CONTINUED)



LOUNGE OVERHEAD CABINET (DRIVER SIDE)

KEY	PART NUMBER	U/M	DESCRIPTION
1	M05992-41-J22	EA	DOOR - STRAIGHT CORNER/OGEE EDGE - 15.7" X 20.4" - W/O HARDWARE (OAK)
1	122715-27-01A	EA	DOOR - MOLDED VINYL - 15.7" X 20.4" - W/O HARDWARE (WHITE)
2	126244-11-J22	EA	SHELF - W/PLASTIC EDGE TRIM (OAK)
2	126244-11-J23	EA	SHELF - W/PLASTIC EDGE TRIM (WHITE)
3	M05992-48-J22	EA	DOOR - STRAIGHT CORNER/OGEE EDGE - 15.7" X 27.9" - W/O HARDWARE (OAK)
3	122715-08-01A	EA	DOOR - MOLDED VINYL - 15.7" X 27.9" - W/O HARDWARE (WHITE)
4	126244-01-J22	EA	CABINET - OVERHEAD/FRONT - LEFT HAND - W/O DOORS/HARDWARE (OAK)
4	126244-01-J23	EA	CABINET - OVERHEAD/FRONT - LEFT HAND - W/O DOORS/HARDWARE (WHITE)
5	103128-01-G09	EA	END CAP - OVERHEAD CABINET - RIGHT HAND (OAK)
5	103128-01-J23	EA	END CAP - OVERHEAD CABINET - RIGHT HAND (WHITE)

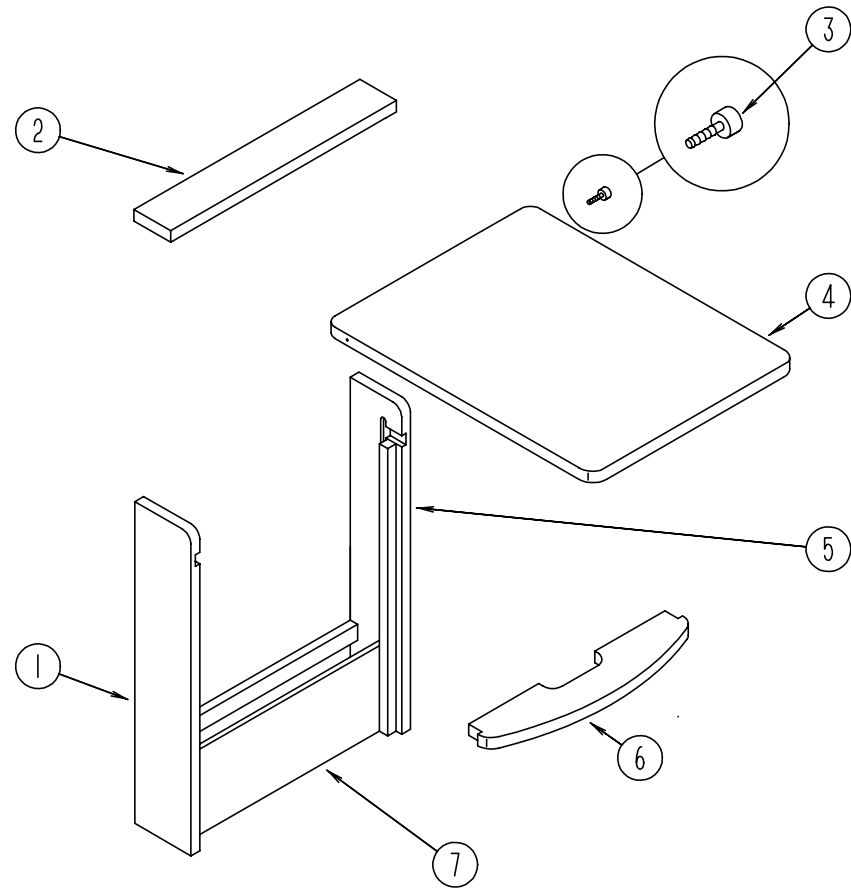
LOUNGE GROUP (CONTINUED)



SLIDEOUT LOUNGE OVERHEAD CABINET (DRIVER SIDE)

KEY	PART NUMBER	U/M	DESCRIPTION
1	126433-01-J22	EA	CABINET - OVERHEAD/COUCH - W/O DOORS/HARDWARE (OAK)
1	126433-01-J23	EA	CABINET - OVERHEAD/COUCH - W/O DOORS/HARDWARE (WHITE)
2	M05992-T5-J22	EA	DOOR - STRAIGHT CORNER/OGEE EDGE - 10.8" X 21.8" - W/O HARDWARE (OAK)
2	122715-89-01A	EA	DOOR - MOLDED VINYL - 10.8" X 21.8" - W/O HARDWARE (WHITE)
3	M05992-T4-J22	EA	DOOR - STRAIGHT CORNER/OGEE EDGE - 10.8" X 23.8" - W/O HARDWARE (OAK)
3	122715-B2-01A	EA	DOOR - MOLDED VINYL - 10.8" X 23.8" - W/O HARDWARE (WHITE)
4	115811-19-J22	EA	OVERLAY - NOVEAU - 7.5" X 23.75" - RIGHT HAND (J22, J23)
4	115811-19-J24	EA	OVERLAY - NOVEAU - 7.5" X 23.75" - RIGHT HAND (J24, J25)
4	115811-19-J26	EA	OVERLAY - NOVEAU - 7.5" X 23.75" - RIGHT HAND (J26, J27)
4	115811-19-J28	EA	OVERLAY - NOVEAU - 7.5" X 23.75" - RIGHT HAND (J28, J29)

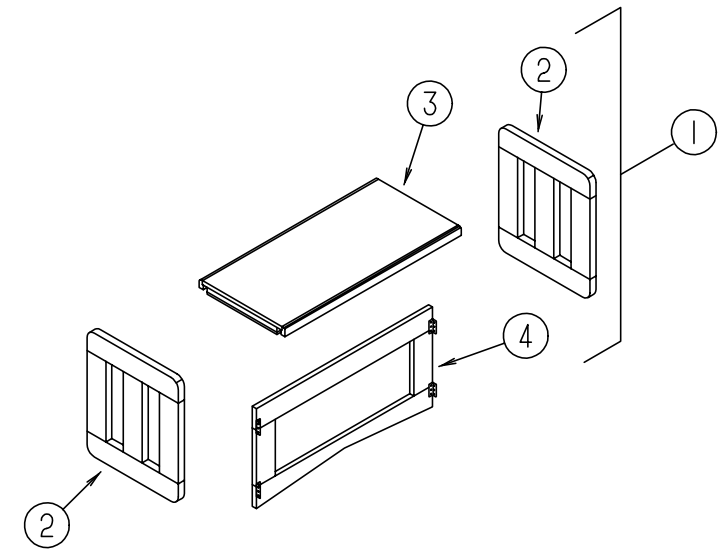
LOUNGE GROUP (CONTINUED)



PULLOUT TABLE

KEY	PART NUMBER	U/M DESCRIPTION
	P19559-03-J22	EA CABINET - W/PULLOUT TABLE (OAK)
	P19559-03-J23	EA CABINET - W/PULLOUT TABLE (WHITE)
1	119559-12-G35	EA END - TABLE - LEFT SIDE - 28.7" X 5.7" (OAK)
1	119559-12-J23	EA END - TABLE - LEFT SIDE - 28.7" X 5.7" (WHITE)
2	119559-22-J22	EA TOP - F/CABINET/PULLOUT TABLE (OAK)
2	119559-22-J23	EA TOP - F/CABINET/PULLOUT TABLE (WHITE)
3	079921-01-000	EA NYLON ROLLER W/ SHAFT
4	119559-25-J22	EA TABLE TOP - PULLOUT (OAK)
4	119559-25-J23	EA TABLE TOP - PULLOUT (WHITE)
5	119559-11-G35	EA END - TABLE - RIGHT SIDE - 28.7" X 5.7" (OAK)
5	119559-11-J23	EA END - TABLE - RIGHT SIDE - 28.7" X 5.7" (WHITE)
6	119559-23-J22	EA SHELF - W/PLASTIC EDGE TRIM (OAK)
6	119559-23-J23	EA SHELF - W/PLASTIC EDGE TRIM (WHITE)
7	119559-24-J22	EA PANEL - PULLOUT TABLE (OAK)
7	119559-24-J23	EA PANEL - PULLOUT TABLE (WHITE)
	080736-01-000	EA PULL - RECESSED - 1.25" X 4" - OAK

LOUNGE GROUP (CONTINUED)



SLIDEOUT TABLE

KEY	PART NUMBER	U/M DESCRIPTION
1	116957-01-G15	EA TABLE - FOLDING/COFFEE - COMPLETE (OAK)
1	116957-01-J23	EA TABLE - FOLDING/COFFEE - COMPLETE (WHITE)
2	116957-15-F31	EA LEG - FOR NEW STYLE TABLE (OAK)
2	116957-15-H23	EA LEG - FOR NEW STYLE TABLE (WHITE)
3	116957-12-G15	EA TABLE TOP - FOLDING (OAK)
3	116957-12-J23	EA TABLE TOP - FOLDING (WHITE)
4	116957-11-F31	EA BRACE - FOLDING TABLE - SOFA/BED (OAK)
4	116957-11-H23	EA BRACE - FOLDING TABLE - SOFA/BED (WHITE)

SEALANTS & FASTENERS GROUP

ADHESIVE AND TAPE SEALERS

KEY	PART NUMBER	U/M DESCRIPTION
	004006-05-700	EA ADHESIVE-NAT. STARCH (5 GAL) 0802
	004020-01-000	QT ADHESIVE - ABS CEMENT - QUART
	004363-01-000	FT TAPE - ADHESIVE FOAM/1 SIDE - 3/16" X 1/2" X 50' - GRAY
	034552-02-000	EA SILICONE - TUBE - 300 ML - W/O NOZZLE - CLEAR ALSO ORDER P.N.#900390-03-000 NOZZLE SEPARATELY
	039518-01-000	EA SILICONE - TUBE - 300 ML - BLACK - W/O NOZZLE ALSO ORDER P.N.#900390-03-000 NOZZLE SEPARATELY
	053766-02-000	EA BEDDING COMPOUND - TUBE - WHITE
	067788-01-000	EA ADHESIVE - SPRAY - 3M - 19.5 AEROSOL CAN
	069640-01-000	FT SEALER - RIBBON - 1/4" DIAMETER X 30'
	069640-02-000	FT SEALER - TAPE - 1/8"THICK X .50"WIDE X 60'
	069640-03-000	FT SEALER - TAPE - 1/8"THICK X .75"WIDE X 60' - BLACK
	069640-09-000	FT SEALER - TAPE - 1/32"THICK X 2.50"WIDE X 80' - GREY
	069640-14-000	FT SEALER - TAPE - 1/16"THICK X 1"WIDE X 100'
	069640-17-000	FT SEALER - TAPE - 1/32" THICK X 1"WIDE X 90'
	069640-18-000	FT SEALER - TAPE - 1/2"THICK X 1/8"WIDE X 60' - BRT/WHITE
	069640-19-000	FT SEALER - TAPE - 3/4" X 1/8" X 60' - BRIGHT WHITE
	069640-21-000	FT SEALER - TAPE - 1/2" X 1/16" X 100' - BRIGHT WHITE
	072889-01-000	EA SEALANT - URETHANE - BLACK - 1/10
	072889-09-000	EA SEALANT - URETHANE - BLACK (TUBE)
	072889-10-000	EA SEALANT - URETHANE (HV) - BRIGHT WHITE
	072889-11-000	EA SEALANT - URETHANE - (TUBE) - GRAY
	072889-12-000	EA SEALANT - URETHANE (LV) BRIGHT WHITE
	076322-01-000	FT TAPE - DOUBLE COATED/ADHESIVE BACK - .025"THK X .75"W X18'
	076322-02-000	FT TAPE - DOUBLE COATED/ADHESIVE BACK - .045"THK X 1"W X 108'
	076322-05-000	FT TAPE - DOUBLE COATED/ADHESIVE BACK - .045"THK X .75"W X 9'
	076322-07-000	FT TAPE - DOUBLE COATED/ADHESIVE BACK - .045"THK X .50"W X 9'
	087211-01-000	GL PROMOTER - ADHESIVE
	088479-01-000	EA TAPE - ALUMINUM - 3"
	091255-02-000	FT SEAL - ADHESIVE BACKED/FOAM - .18" THICK X 1.5" WIDE
	102352-01-000	EA SEALER - PUMPABLE - BLACK
	102352-02-000	EA SEALER - PUMPABLE - CLEAR
	106206-01-000	EA SEALER - PUMPABLE - MANUS 30A - BLACK
	107828-01-000	EA SEALANT - SB - 190 EVERSEAL
	108716-03-000	EA SILICONE - TUBE - BRIGHT WHITE/SELF LEVELING - W/O NOZZLE
	110274-01-000	FT TAPE - DOUBLE SIDED FOAM - .45" X 1"
	112864-01-000	FT SEAL - FOAM/BUTYL COVERED - 3/8"
	112901-02-000	EA ADHESIVE - PLEXUS - 50ML
	118085-02-01A	FT TAPE - FOIL - 1"
	120074-02-01A	EA SEALANT - SILICONE - OFF WHITE
	120534-01-01A	EA TAPE - SCOTCH - 3M - 1/2" FINE LINE
	123244-01-000	FT TAPE - DOUBLE SIDED FOAM 5/64" THICK X .75" WIDE
	123816-01-000	FT TAPE - DOUBLE SIDED - 1"
	123816-02-000	FT TAPE - DOUBLE SIDED - 1/2" X 35 MIL THICK
	123816-03-000	FT TAPE - DOUBLE SIDED - 1/2" X 20 MIL THICK
	900390-01-000	EA TIP - 2 1/2" X 1/8" ORIFICE
	900390-03-000	EA NOZZLE - SILICONE TUBE

SEALANTS & FASTENERS GROUP (CONTINUED)

BOLTS, NUTS & WASHERS

KEY	PART NUMBER	U/M DESCRIPTION
	000C12-05-16B	EA BOLT - HEX - 5/16-18 X 1 - ZINC 5
	000C12-05-12B	EA BOLT - HEX - 5/16-18 X 3/4 - ZINC 5
	000C12-06-16B	EA BOLT - HEX - 3/8-16 X 1 LG - ZINC 5
	000C12-08-24B	EA BOLT - HEX - 1/2-13 X 1.50 - ZINC 5
	000C12-08-16B	EA BOLT - HEX - 1/2-13 X 1.00 - GD5 - ZINC
	000C12-10-24B	EA BOLT - HEX - 5/8-11 X 1.50 - ZINC 5
	000C13-07-48B	EA BOLT - HEX - 7/16-20 X 3 - ZINC 5
	000C26-04-14B	EA BOLT - HEX - SERRATED FLANGE - 1/4-20 X 7/8 - ZINC
	000C26-04-10B	EA BOLT - HEX - SERRATED FLANGE - 1/4-20 X 5/8 - ZINC
	000C26-04-18B	EA BOLT - HEX - SERRATED FLANGE - 1/4-20 X 1 1/8 - ZINC
	000C26-05-16B	EA BOLT - HEX - SERRATED FLANGE - 5/16-18 X 1 - ZINC
	000C26-05-12B	EA BOLT - HEX - SERRATED FLANGE - 5/16-18 X 3/4 - ZINC
	000C26-06-12B	EA BOLT - HEX - SERRATED FLANGE - 3/8-16 X 3/4 - ZINC
	000C26-06-16B	EA BOLT - HEX - SERRATED FLANGE - 3/8-16 X 1 - ZINC
	000C26-08-24B	EA BOLT - HEX - SERRATED FLANGE - 1/2-13 X 1.5 ZINC
	000G45-04-24B	EA BOLT - LAG - 1/4-9 X 1.50 ZINC
	051387-06-000	EA BOLT - CARRIAGE W/O HOLE - 5/16-18 X 9.5 - ZINC
	102333-01-06A	EA BOLT - CARRIAGE - 7/16-14 STAINLESS STEEL CAP
	091274-03-000	EA BOLT-J - 3/8-16 X 12.0
	106166-01-000	EA BOLT/COLLARED HANGER - 8-32 X 1"
	106956-03-000	EA BOLT - HEX TAP - 1/2-12NC X 3 - GRADE 5 - FULL THREAD/ZINC
	000D29-05-00B	EA NUT - 5/16 - 18 UNC - SF/LOCKING - NYLON WASHER INSERT
	000D24-10-00B	EA NUT - HEX - SELF LOCKING - 10-32 ZINC
	000D34-04-00B	EA NUT - HEX - LOCKING - 1/4-20 ZINC
	000D34-06-00B	EA NUT - HEX - LOCKING - 3/8 - 16 GRADE C - ZINC-PREVAILING T
	000D39-04-00B	EA NUT - HEX - LOCKING W/SERRATED FLANGE - 1/4-20 - ZINC
	000D39-05-00B	EA NUT - HEX - LOCKING W/SERRATED FLANGE - 5/16-18 - ZINC
	000D39-06-00B	EA NUT - HEX - LOCKING W/SERRATED FLANGE - 3/8-18 - ZINC
	000D39-07-00B	EA NUT - HEX - LOCKING W/SERRATED FLANGE - 7/16-14 - ZINC
	000D39-08-00B	EA NUT - HEX - LOCKING W/SERRATED FLANGE - 1/2-13 - ZINC
	000D44-07-00B	EA NUT - HEX - SERRATED FLANGE/LOCKING - 7/16-20 - ZINC
	000D46-04-00A	EA NUT - HEX - WELD - 1/4 - 20 - PLAIN
	040921-01-000	EA NUT - SPEED - U TYPE - 10-24 BLACK
	040921-04-000	EA NUT - SPEED - U TYPE - # 8 - .59" LENGTH X .44" WIDTH
	040921-05-000	EA NUT - SPEED - U-TYPE #8 - .67" X .44" WIDE
	040921-09-000	EA NUT - SPEED - U TYPE - # 8
	044364-01-000	EA NUT - SPEED - FLAT - RECTANGULAR - SELF LOCKING/ONE PIECE
	044364-02-000	EA NUT - SPEED - FLAT - ROUND
	000D76-06-00B	EA NUT - HEX FLANGE - 3/8-16
	063253-07-000	EA NUT - J - #8A - .120 - .130 PNL THK
	083163-06-000	EA PUSHNUT - FLAT TYPE 3/8 STUD - FORD ONLY
	000E11-08-00B	EA WASHER - LOCKING - 1/2 MED SPLIT - ZINC
	000E13-14-00B	EA WASHER - FLAT - 1/4 WIDE - ZINC
	000E13-18-00B	EA WASHER - FLAT - 3/8 WIDE - ZINC
	000E13-20-00B	EA WASHER - FLAT - 7/16 WIDE - ZINC
	000E13-21-00B	EA WASHER - FLAT - W/2 NAR - ZINC
	000E13-22-00B	EA WASHER - FLAT - 1/2 WIDE - ZINC
	000E13-26-00B	EA WASHER - FLAT - 5/8 WIDE - ZINC
	058716-02-000	EA WASHER - FLAT NYLON
	107397-01-000	EA WASHER - FENDER - .25" ID X 1" OD
	110794-01-000	EA WASHER - FLAT - 1" ID X 1 3/4' OD
	088787-12-000	EA STUD - WELD - 1/4 - 20 X 1.0 LG - MN
	108067-03-000	EA STUD - WELD - 1/4 - 20 X 1/2 CD

SEALANTS & FASTENERS GROUP (CONTINUED)

SCREWS

KEY	PART NUMBER	U/M DESCRIPTION
	0G3908-08-170	EA SCREW - SF/DR - 8-18 X .50 PPH - BRIGHT WHITE
	0G3908-20-170	EA SCREW - SF/DR - 8-18 X 1.25 PPH - BRIGHT WHITE
	0G3908-24-170	EA SCREW - SF/DR - 8-18 X 1.50 PPH - BRIGHT WHITE
	0G5508-12-260	EA SCREW - SF/DR - 8-18 X .75 PWH - ALLANTE ANTELOPE
	000G11-05-08B	EA SCREW - 5-20 X .50 PPH - ZINC
	000G11-06-10J	EA SCREW - 6-20 X 5/8 PPH - BRASS
	000G11-06-08B	EA SCREW - 6-20 X .50 PPH - ZINC
	000G11-06-06B	EA SCREW - 6-20 X 3/8 PPH - ZINC
	000G11-07-08B	EA SCREW - 7-19 X .50 PPH - ZINC
	000G11-08-08T	EA SCREW - 8-18 X 1/5 PPH - FLUOROCARBON COATING
	000G11-08-08B	EA SCREW - 8-18 X .50 PPH - ZINC
	000G11-08-06B	EA SCREW - 8-18 X 3/8 PPH - ZINC
	000G11-08-20B	EA SCREW - 8-18 X 1.25 PPH - ZINC
	000G11-08-16S	EA SCREW - 8-18 X 1 PPH - OFF WHITE
	000G11-08-12T	EA SCREW - 8-18 X .75 PPH - BLACK
	000G11-08-12P	EA SCREW - 8-18 X .75 PPH - DARK BROWN
	000G11-08-12P	EA SCREW - 8-18 X .75 PPH - DARK BROWN
	000G11-08-12D	EA SCREW - 8-18 X .75 PPH - BLACK
	000G11-08-12B	EA SCREW - 8-18 X .75 PPH - ZINC
	000G11-10-12D	EA SCREW - 10-16 X .75 PPH - BLACK
	000G11-10-40B	EA SCREW - 10-16 X 2 1/2 PPH CAD - 34927-01-000
	000G11-10-16B	EA SCREW - 10-16 X 1 PPH - ZINC
	000G11-10-12S	EA SCREW - 10-16 X .75 PPH - OFF WHITE
	000G12-06-08T	EA SCREW - 6-20 X 1/2 POH - BLACK
	000G13-06-24J	EA SCREW - 6-20 X 1.50 PFH - BRASS
	000G13-06-16J	EA SCREW - 6-20 X 1 PFH - BRASS
	000G13-06-10G	EA SCREW - 6-20 X 5/8 PFH - ANTIQUE BRASS
	000G13-06-08B	EA SCREW - 6-20 X .50 PFH - ZINC
	000G13-07-12B	EA SCREW - 7-19 X .75 PFH - ZINC
	000G18-08-22B	EA SCREW - MACHINE - 8-32 X 1 3/8 PPH - ZINC
	000G19-10-12F	EA SCREW - MACHINE - 10-32 X .75 - PPH - STAINLESS STEEL
	000G19-10-08B	EA SCREW - MACHINE - 10-32 X .50 - PPH - ZINC
	000G19-10-20B	EA SCREW - MACHINE - 10-32 X 1.25 PPH - ZINC
	000G32-10-06B	EA SCREW - 10-32 X 3/8 PPH - ZINC
	000G37-08-089	EA SCREW - 8 X 18 X 1/2 PPH
	000G39-06-08B	EA SCREW - SF/DR - 6-18 X .50 - ZINC
	000G39-06-16T	EA SCREW - SF/DR - 6-20 X 1 PPH - BLACK
	000G39-06-10T	EA SCREW - SF/DR - 6-20 X 5/8 PPH - BLACK
	000G39-06-10T	EA SCREW - SF/DR - 6-20 X 5/8 PPH - BLACK
	000G39-08-08B	EA SCREW - SF/DR - 8-18 X 1.50 PPH - ZINC
	000G39-08-06B	EA SCREW - SF/DR - 8-18 X 3/8 PPH - ZINC
	000G39-08-24S	EA SCREW - SF/DR - 8-18 X 1.50 - OFF WHITE
	000G39-08-24B	EA SCREW - SF/DR - 8-18 X 1 1/2 PPH - ZINC
	000G39-08-16T	EA SCREW - SF/DR - 6-20 X 1 PPH - BLACK
	000G39-08-16R	EA SCREW - SF/DR - 8-18 X 1 PPH - BEIGE
	000G39-08-16B	EA SCREW - SF/DR - 8-18 X 1 PPH - ZINC
	000G39-08-12T	EA SCREW - SF/DR - 8-18 X .75 PPH - BLACK
	000G39-08-12B	EA SCREW - SF/DR - 8-18 X .75 PPH - ZINC
	000G39-08-08T	EA SCREW - SF/DR - 8-18 X 1/2 PPH - BLACK
	000G39-08-08S	EA SCREW - SF/DR - 8-18 X .50 PPH - OFF WHITE
	000G39-10-10B	EA SCREW - SF/DR - 10-16 X .625 - ZINC
	000G39-10-088	EA SCREW - SF/DR - 10-16 X 1/2 PPH - FLEX FLUOROCARBON
	000G39-10-08B	EA SCREW - SF/DR - 10-16 X .50 PPH - ZINC
	000G39-10-48B	EA SCREW - SF/DR - 10-16 X 3 - PPH - ZINC

SEALANTS & FASTENERS GROUP (CONTINUED)

SCREWS (CONTINUED)

KEY	PART NUMBER	U/M DESCRIPTION
	000G39-10-32B	EA SCREW - SF/DR - 10-16 X 2 - PPH - ZINC
	000G39-10-209	EA SCREW - SF/DR - 10-16 X 1 1/4 PPH - FLUOROCARBON SILVER
	000G39-10-20B	EA SCREW - SF/DR - 10-16 X 1.25 PPH - ZINC
	000G39-10-129	EA SCREW - SF/DR - 10-16 X .75 PPH - FLUOROCARBON SILVER
	000G39-10-12R	EA SCREW - SF/DR - 10-16 X .75 PPH - BEIGE
	000G39-10-12D	EA SCREW - SF/DR - 10-16 X .75 PPH - BLACK
	000G39-10-12B	EA SCREW - SF/DR - 10-16 X .75 PPH - ZINC
	000G39-12-12E	EA SCREW - SF/DR - 12-14 X .75 PPH - CHROME
	000G42-04-12B	EA SCREW - SF/DR - 1/4-14 X .75 HWH - ZINC
	000G43-06-24B	EA SCREW - MACHINE - 6-32 X 1.50 - ZINC
	000G46-08-24T	EA SCREW - MACHINE - 8-32 X 1.50 PFH - BLACK
	000G50-04-12B	EA SCREW - MACHINE - 1/4-20 X .75 PPH - ZINC
	000G50-04-08B	EA SCREW - MACHINE - 1/4-20 X .50 PTH - ZINC
	000G52-08-18B	EA SCREW - MACHINE - 8-32 X 1 1/8 PTH - ZINC
	000G54-04-20B	EA SCREW - 1/4-20 X 1.25 PTH - TYPE 23 - ZINC PLATED
	000G55-08-16S	EA SCREW - SF/DR - 8-18 X 1.00 - PWH - OFF WHITE
	000G55-08-12S	EA SCREW - SF/DR - 8-18 X .75 PWH - OFF WHITE
	000G57-05-16J	EA SCREW - 5-20 X 1 PFH - BRASS
	000G60-10-28T	EA SCREW - SF/DR - 10-16 X 1.75 - BLACK
	000G60-10-209	EA SCREW - SF/DR - 10-16 X 1.25 POH
	000G60-10-20B	EA SCREW - SF/DR - 10-16 X 1.25 POH - ZINC
	000G67-08-32B	EA SCREW - 8-15 X 2 PPH - ZINC
	000G67-10-10D	EA SCREW - 10-12 X 5/8 PPH - BLACK - TYPE A
	000G67-10-10B	EA SCREW - 10-12 X 5/8 PPH - ZINC - TYPE A
	000G67-10-08B	EA SCREW - 10-12 X .50 PPH - ZINC
	000G67-10-120	EA SCREW - 10-12 X .75 PPH - TAN
	000G67-10-12P	EA SCREW - 10-12 X .75 - PPH - DARK BROWN
	000G67-10-12B	EA SCREW - 10-12 X .75 PPH - ZINC
	000G67-10-10S	EA SCREW - 10-12 X 5/8 PPH - OFF WHITE
	000G67-10-48B	EA SCREW - 10-12 X 3 PPH - ZINC
	000G67-10-36T	EA SCREW - 10-12 X 2.25 PPH - BLACK
	000G67-10-24B	EA SCREW - 10-12 X 1.25 PPH - ZINC
	000G67-10-16B	EA SCREW - 10-12 X 1 PPH - ZINC
	000G67-10-120	EA SCREW - 10-12 X .75 PPH - TAN
	000G68-06-12S	EA SCREW - 6-18 X 3/4 POH
	000G68-06-10G	EA SCREW - 6-18 X 5/8 POH - ANTIQUE BRASS
	049465-01-000	EA SCREW - 10-16 W/WASHER PTH - DARK BROWN
	049465-03-000	EA SCREW - 10-16 X 1 POH W/WASHER - OFF WHITE
	054434-03-000	EA SCREW - SF/DR - 10-16 X 2 - PWH - ZINC - W/O WINGS
	057671-01-000	EA COVER - SCREW - #8 - PLASTIC - OFF WHITE
	057671-03-000	EA COVER - SCREW - #8 - WILLOW
	057671-15-000	EA COVER - SCREW - BRIGHT WHITE
	075908-01-000	EA SCREW - MACHINE - 10-32 X .56 PTH - EXTERNAL TOOTH - ZINC
	076790-01-000	EA SCREW - 6-20 X 1 1/4 PPH - BLACK
	083554-01-000	EA SCREW - DRYWALL - 8 X 1.25
	083554-04-000	EA SCREW - DRYWALL - 8 X 2.50
	086256-01-000	EA SCREW - SF/DR - 8 X 3/4 HWH LONG
	097974-01-000	EA SCREW - PARTICLE BOARD - 7-9 X 3/4 PPH
	101618-01-000	EA SCREW - 1/4-20 X 3/4 HEX - TAPPING - STALGARD TYPE F
	106477-01-000	EA SCREW - 14 - 10 X 3.00 - PFH

SEALANTS & FASTENERS GROUP (CONTINUED)

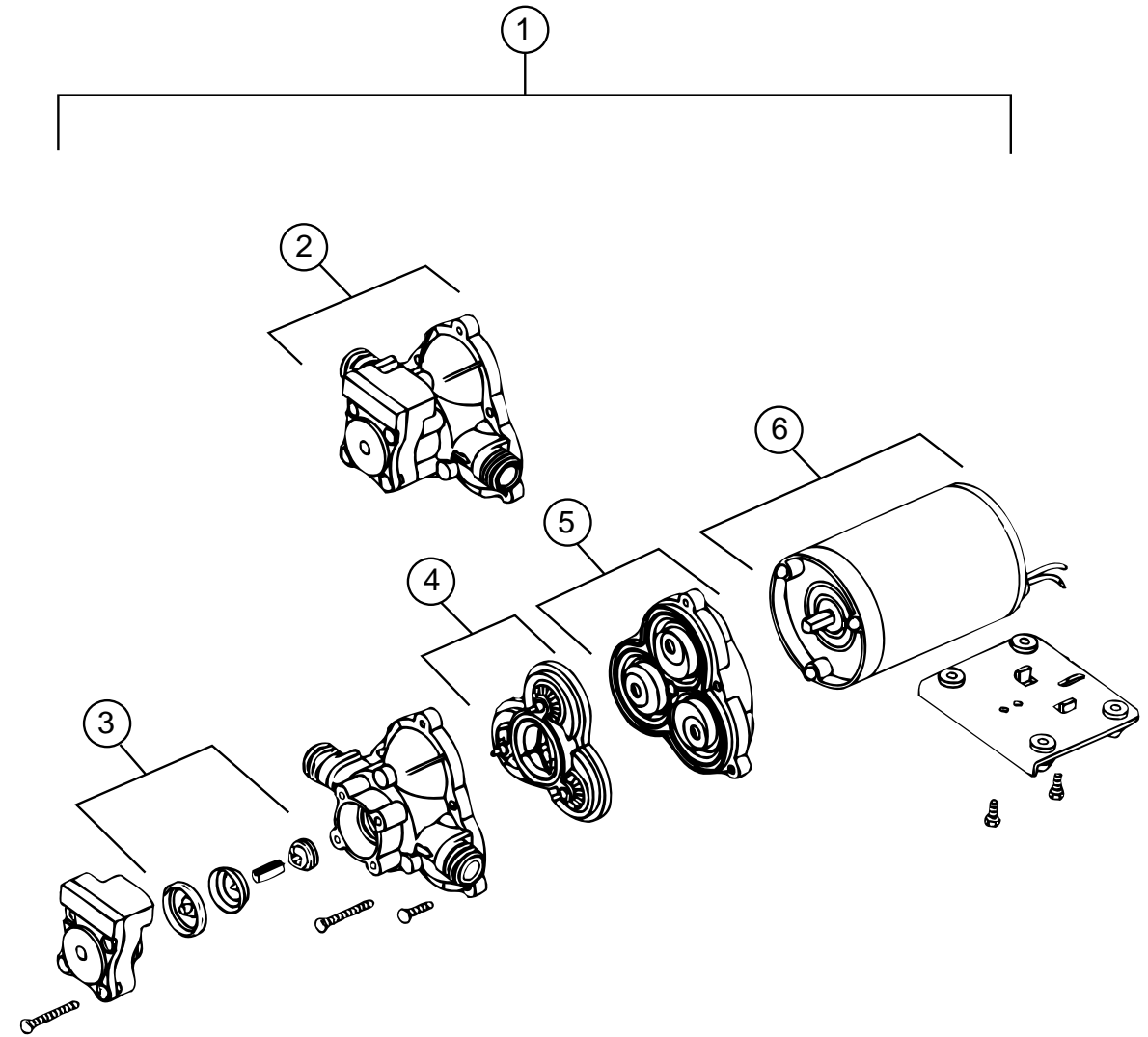
CLAMPS, CLIPS, & GROMMETS

KEY	PART NUMBER	U/M DESCRIPTION
	000F10-04-16B	EA PIN - COTTER - 1/8" X 1" - ZINC
	000F10-06-32B	EA PIN - COTTER - 3/16" X 2" - ZINC
	000H14-04-04A	EA RIVET - MANDREL BLIND - 1/8 X .400
	000H14-06-14R	EA RIVET - MANDREL BLIND - 3/16"
	000H16-04-06R	EA RIVET - POP ALUMINUM - 1/8" X .313 - .375
	000H16-06-10R	EA RIVET - POP ALUMINUM - 3/16 X .501-.625
	007161-01-000	EA CLAMP - HOSE - SPRING TYPE - 1/2"
	010495-01-000	EA CLAMP - CABLE - 9/16"
	010497-01-000	EA CLAMP - CLOSED - 5/8" ID
	010497-03-000	EA CLAMP - CLOSED - 1" ID - CUSHIONED
	010497-04-000	EA CLAMP - CLOSED - 1.62" ID
	010499-01-000	EA CLAMP - CLOSED - 3/8" ID
	062401-01-000	EA CLAMP - HOSE - WORMGEAR - .25" - 1"
	062401-02-000	EA CLAMP - HOSE - WORMGEAR - 1.56" - 2.5"
	062401-04-000	EA CLAMP - HOSE - WORMGEAR - .69" - 1.25"
	062401-06-000	EA CLAMP - HOSE - WORMGEAR - .22" - .62" ID
	083609-01-000	EA CLAMP - WIRE - DUAL - EQUAL DIAMETERS - 5/8"
	083610-01-000	EA CLAMP - WIRE - DUAL - UNEQUAL DIAMETERS - 3/4" & 1 1/4"
	083610-02-000	EA CLAMP - WIRE - DUAL - UNEQUAL DIAMETERS
	016188-05-000	EA GROMMET - L/P LINE - 3/8" HOLE X 1 1/4" LONG - RUBBER
	023942-01-000	EA GROMMET - RUBBER - 2" OD
	071015-11-000	EA GROMMET - 1.00 ID - FITS .12 MATERIAL
	008380-01-000	EA GROMMET - RUBBER - 5/8" HOLE X 1 1/2" DIAMETER - BLACK
	071015-29-000	EA GROMMET - RUBBER - 1/4 ID X 1 1/4 OD W .12 GROOVE - BLK
	071015-30-000	EA GROMMET - RUBBER - .31" ID X .81" OD W/.12" GROOVE - BLK
	088756-01-000	EA GROMMET - WEB - 1 1/8" I.D.
	091952-01-000	EA CLIP - GRIPPER - 1"
	094362-02-000	EA CLIP - XMAS TREE - BINDER HEAD - .9" LONG

MISCELLANEOUS FASTENERS

KEY	PART NUMBER	U/M DESCRIPTION
	008343-01-000	EA TIE - WIRE - 6"
	008343-02-000	EA TIE - WIRE - 14"
	029094-04-000	YD VELCRO TAPE - LOOP - 1" WIDE - BLACK
	029096-03-000	YD VELCRO TAPE - HOOK - 1" WIDE - BLACK
	081211-04-000	EA PLUG - PLASTIC - .46" DIAMETER - BLACK
	081211-05-000	EA PLUG - PLASTIC - .188 DIAMETER - NATURAL
	085774-01-000	FT FASTENER - DUAL HOOK - 1" WIDE - ADHESIVE BACK - BLACK
	085774-02-000	FT FASTENER - DUAL HOOK - 1" WIDE - ADHESIVE BACK - BLACK
	086285-01-000	EA SPACER - NYLON - .5" OD X .257" ID
	088792-02-000	YD VELCRO TAPE - LOOP - .75" - ADHESIVE BACKED - BEIGE
	108046-02-000	EA CABLE TIE - SCREW MOUNT 15"
	110943-02-000	FT FELTSTRIP - 3/8" - ADHESIVE BACK - WHITE
	115361-01-01A	EA PLUG - PLASTIC
	123816-04-000	FT TAPE - DOUBLE SIDED - 6"

WATER & SEWAGE GROUP



WATER PUMP (SHURFLO)

KEY	PART NUMBER	U/M DESCRIPTION	VENDOR NO.
1	098607-01-000	EA PUMP - WATER - W/.5" MPT FITTING - FLOW 2.8 GPM	
2	098607-01-706	EA HOUSING - W/SWITCH ONLY	94-231-20
3	098607-01-705	EA VALVE - CHECK - KIT	94-237-00
4	098607-01-703	EA VALVE KIT	94-232-00
5	098607-01-702	EA DIAPHRAGM/DRIVE ASSEMBLY KIT	94-238-04
6	098607-01-707	EA MOTOR W/BASEPLATE	11-148-04

WATER & SEWAGE GROUP (CONTINUED)

FRESH WATER TANK

KEY	PART NUMBER	U/M DESCRIPTION
	123243-01-000	EA TANK - ACCUMULATOR, 24 OZ
	118645-03-000	EA TANK - WATER - 17 GALLON - W/FITTINGS
	118645-01-000	EA TANK - WATER - 17 GALLON - W/O FITTINGS
	118454-04-000	EA TANK - WATER - 46 GALLON - W/FITTINGS
	118454-01-000	EA TANK - WATER - 46 GALLON - W/O FITTINGS
	042989-03-000	EA FITTING - WATER TANK - SPINWELD - 1 1/4"NPT - PLASTIC
	042989-05-000	EA FITTING - SPINWELD - 1/2" FPT - PLASTIC
	049032-01-000	EA PATCH - SPINWELD - 3/8" - PLASTIC
	039861-01-000	EA SENDING UNIT - W/SCREW - WASHER - WELL NUT & TERMINAL RING
	091208-01-000	EA WASHER - RUBBER - .06" X .75" X .5"
	077954-02-000	EA FILTER - WATER TANK - SCREEN IN TANK

WATER SYSTEM COMPONENTS (FLAIR - IT)

KEY	PART NUMBER	U/M DESCRIPTION
	114427-01-000	EA CAP - 1/2P - 02860
	114427-02-000	EA PLUG - 1/2P - 02863
	114427-03-000	EA NUT - 1/2"Q - #6453
	114428-01-000	EA TEE - 1/2P X 1/2P X 1/2P - 02820
	114428-02-000	EA TEE - SWIVEL - 1/2P X 1/2P X 1/2FPT - 02821
	114428-03-000	EA TEE - 1/2P X 1/2P X 1/2MPT - 02822
	114428-04-000	EA TEE - 1/2P X 1/2P X 1/8FPT - 02834
	114429-01-000	EA ELBOW - 1/2P X 1/2P - 02800
	114429-02-000	EA ELBOW - 1/2P X 1/2MPT - 02803
	114429-03-000	EA ELBOW - SWIVEL - 1/2P X 1/2FPT - 02816
	114429-04-000	EA ELBOW - 1/2P X 3/8MPT - 02810
	114429-05-000	EA ELBOW - 1/2P X 3/4MPT - 02812
	114429-06-000	EA ELBOW - SWIVEL - 1/2P X 3/4FPT - 02811
	114429-07-000	EA ELBOW - 1/2P X 1/2FPT DROPEAR - 02801
	114430-01-000	EA ADAPTER - 1/2P X 1/2P - 02840
	114430-02-000	EA ADAPTER - SWIVEL - 1/2P X 1/2FPT -02873
	114430-03-000	EA ADAPTER - 1/2P X 1/2MPT - 02842
	114430-04-000	EA ADAPTER - 1/2P X 3/8MPT - 02852
	114430-06-000	EA ADAPTER - 1/2P X 3/8FPT - 02851
	114430-08-000	EA ADAPTER - 1/2P X 3/4MPT - 02868
	114431-01-000	EA VALVE - LINE DRAIN 1/2P - 02914
	114431-02-000	EA VALVE - 1/2P - BYPASS - 02910
	114431-03-000	EA VALVE - 1/2P X 1/2P - 02884
	114431-04-000	EA VALVE - STOP - 1/2P X 1/2P - 02880
	114431-05-000	EA VALVE - NEEDLE - COMP 1/8MPTX1/4 - 64858
	114431-06-000	EA VALVE - 3/8P X 3/8P - 02882
	114431-07-000	EA VALVE - 3/8P THREE - WAY - 02900
	114431-08-000	EA STRAIGHT STOP VALVE - 3/8P X 3/8P - 02879

WATER & SEWAGE GROUP (CONTINUED)

WATER SYSTEM COMPONENTS

KEY	PART NUMBER	U/M DESCRIPTION	VENDOR NO.
*	051393-01-000	EA WATER HEATER - GH6-8E - ELECTRONIC IGNITION W/MOTOR AID	
	701069-01-000	EA WATER PURIFICATION SYSTEM	
	701069-03-700	EA CARTRIDGE - WATER FILTER - AC -EVERPURE	9601-11
	010224-01-000	EA ADAPTER - HOSE TO PIPE - 3/8" MPT X 3/8" BARB - BLACK PLASTIC	
	044927-01-000	EA ADAPTER - HOSE TO PIPE - 1 1/4" MPT X 1 1/4" BARB - BLACK PLASTIC	
	118809-02-000	EA ADAPTER - 1/2" MPT X 1/2" BARB - PLASTIC	
	010230-06-000	EA FILL - CITY WATER - W/CHECK VALVE - MPT	
	124188-01-000	FT TUBING - PEX - 1/2" ID X 20' - BLUE	
	124188-02-000	FT TUBING - PEX - 1/2" ID X 20' - RED	
	112176-01-000	FT TUBING - VINYL - REINFORCED - 1/2" ID	
	039800-04-000	FT TUBING - POLYBUTYL - 1/4"OD	
	079381-01-000	FT TUBING - SMOOTH FLEXIBLE - 1 3/8" ID X 20'	
	010219-01-000	EA ELBOW - 1 1/4" MPT X 1 1/4" BARB - WATER FILL - PLASTIC	
	123150-01-000	EA ELBOW - 1/2" FPT X 1/2" BARB - SWIVEL	
	035539-01-000	EA ELBOW - PLASTIC - 3/8 MPT X 3/8 BARB	
	110438-02-000	EA VALVE - CHECK - BRASS - 1/2" MPT X 1/2" MPT	
	113697-01-000	EA CAP - 3/8" FTG	
	101814-01-000	EA COUPLING - FEMALE - 1/2" X 1/2" FPT - GRAY	
	118423-01-000	EA FITTING - BRASS-TEE - 1/4C X 1/4C X 1/4C	
	120868-01-000	EA VALVE - NEEDLE - 1/4" COMPRESSION X 1/4" COMPRESSION	
	111888-01-000	EA FERRULE - PLASTIC - .250 ID X .375 OD	
	111888-02-000	EA INSERT - BRASS - 1/4 COMP	
	124184-01-000	EA SUPPORT - WATER LINE - BEND	

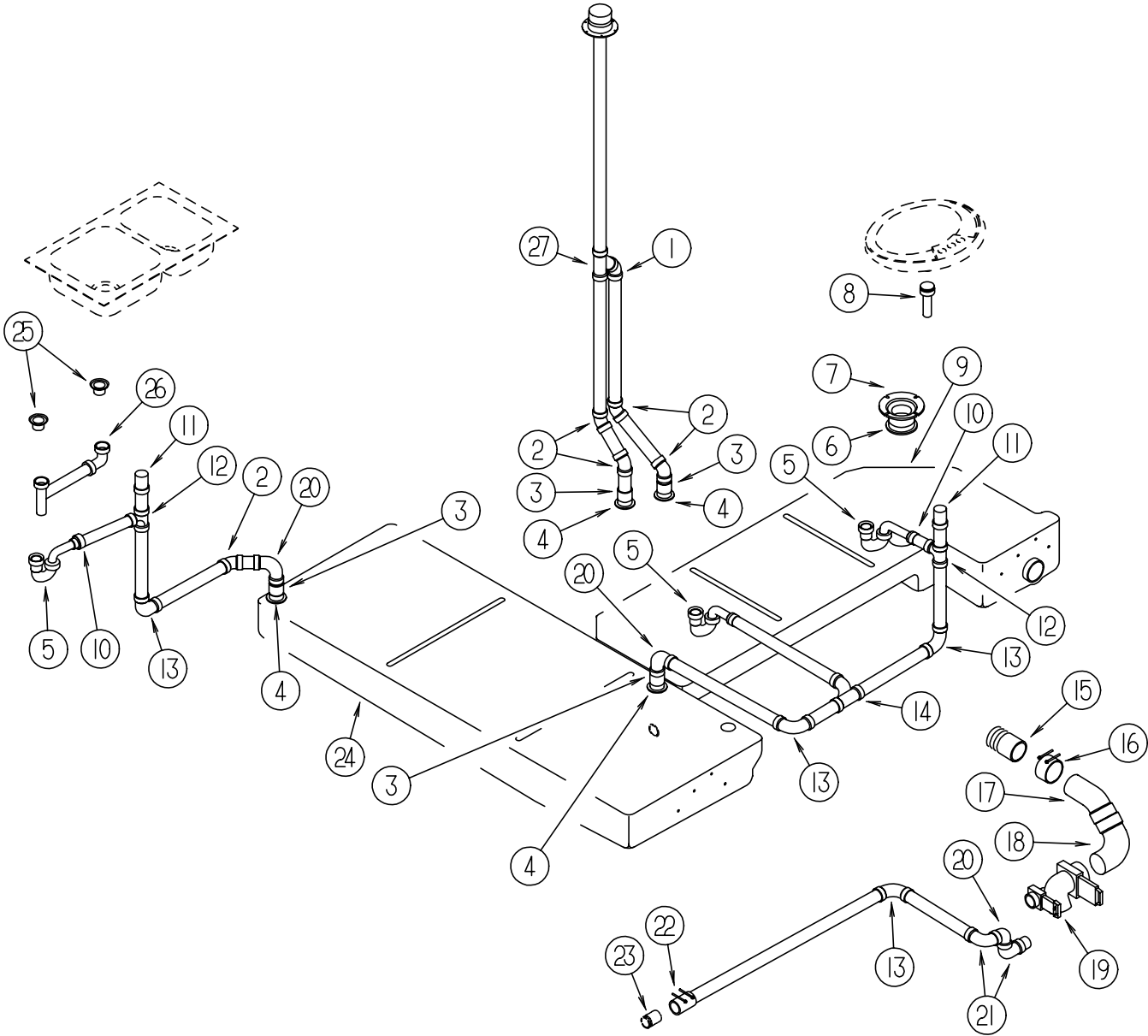
*** COMPONENT PARTS FOUND IN SERVICE PARTS LIBRARY**

EXTERIOR SHOWER COMPONENTS

KEY	PART NUMBER	U/M DESCRIPTION
	103092-01-000	EA SHOWER HEAD - W/ 60" HOSE (US)
	103092-02-000	EA SHOWER HEAD - W/ HOSE (CSA)
	079563-04-01A	EA FAUCET - SHOWER W/ 1/2" MPT X 1.25" LONG INLET PIPE

WATER & SEWAGE GROUP (CONTINUED)

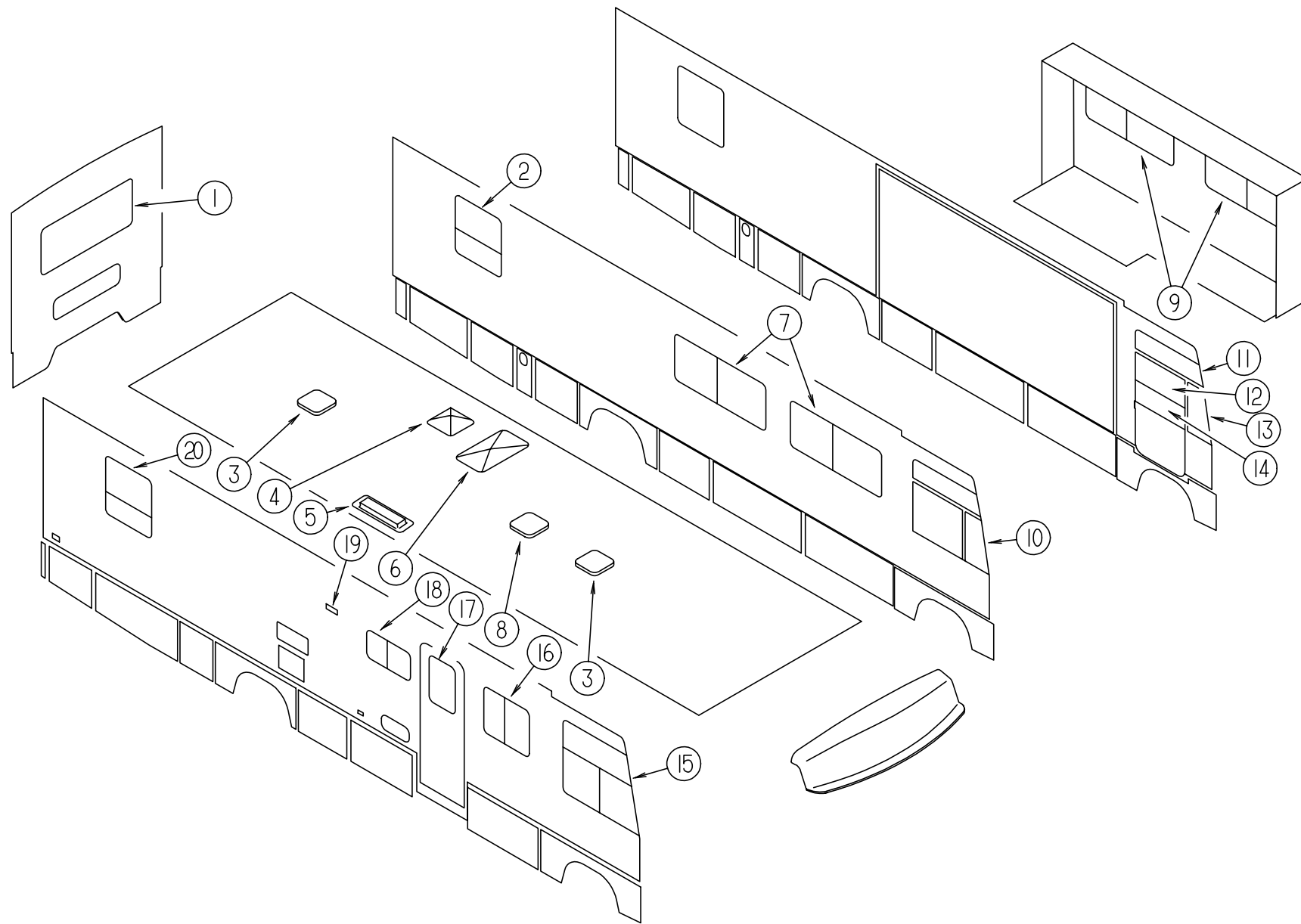
DRAINAGE SYSTEM



KEY	PART NUMBER	U/M	DESCRIPTION
1	010051-01-000	EA	ELBOW - 45 DEGREE - 1 1/2" SPIGOT & HUB - PLASTIC
2	010006-01-000	EA	ELBOW - 45 DEGREE - 1/8 BEND - 1 1/2" HUB X HUB
3	010115-01-000	EA	COUPLING - 1 1/2" HUB X HUB - PLASTIC
4	061607-01-000	EA	GROMMET - HOLDING TANK - 1 1/2" NPS
5	107538-01-000	EA	P-TRAP - 1 1/4 - PLASTIC (US)
5	011071-01-000	EA	P-TRAP - 1 1/2 - PLASTIC (CSA)
6	061607-02-000	EA	GROMMET - HOLDING TANK - 3" NPS
7	116644-01-000	EA	FLANGE - CLOSET - 4" X 3" - SEALAND 345892
8	096927-01-701	EA	TAILPIECE - BATH SINK
9	123055-01-700	EA	TANK - HOLDING - 40 GALLON W/3" OUTLET NIPPLE
10	109571-01-000	EA	ADAPTER - P-TRAP - 1 1/2" P X 1 1/4" MPT
11	079968-01-000	EA	VENT - MECHANICAL TRAP ARM - ANTI-SIPHON - 2" DIA X 7.3"
12	010071-01-000	EA	TEE - SANITARY - 1 1/2" HUB X HUB X HUB
13	010008-01-000	EA	ELBOW - 90 DEGREE - 1/4 BEND - 1 1/2" HUB X HUB
14	031365-02-000	EA	TEE - PLASTIC - 1 1/2" EXT LG TURN
15	010129-03-000	EA	NIPPLE - PLASTIC - 3" X 3" TOE
16	078406-01-000	EA	COUPLER - RUBBER - W/ CLAMPS - 3" X 3"
17	010061-01-000	EA	ELBOW - 45 DEGREE ST - 3" SPIGOT/HUB - PLASTIC
18	041056-01-000	EA	ELBOW - STREET - 1/4" BEND - 3" X 90° XLT
19	070916-01-000	EA	VALVE ASM - DUAL DUMP - W/CAP - 3" X 1 1/2"
	070916-01-700	EA	VALVE ONLY - 3"
	070916-01-701	EA	VALVE ONLY - 1 1/2"
	062415-01-000	EA	SEWER CAP - 3"
20	034250-01-000	EA	ELBOW - 90 DEGREE - LONG TURN - 1/4 BEND - 1 1/2" HUB X HUB
21	033761-01-000	EA	ELBOW - 90 DEGREE STREET - 1/4 BEND - 1 1/2" S X H - PLASTIC
22	089355-01-000	EA	COUPLER - RUBBER - 1 1/2" X 1 1/2"
23	102024-01-000	EA	NIPPLE - PLASTIC - 1.5" X 2.62" TOE
24	127961-01-700	EA	TANK - HOLDING - 54 GALLON W/1.5" OUTLET NIPPLE
25	092303-01-000	EA	STRAINER - SINK
26	011091-02-000	EA	CONTINUOUS WASTE - DOUBLE SINK - 1 1/4" (US)
26	011091-03-000	EA	CONTINUOUS WASTE - DOUBLE SINK - 1 1/4" (CSA)
27	010073-01-000	EA	WYE - 45 DEGREE - 1 1/2" HUB X HUB X HUB - PLASTIC - BLACK
	011069-04-000	EA	TAILPIECE - 1 1/2 X 1 1/4 X 8 - BRASS (SHOWER PAN)
	011069-02-000	EA	TAILPIECE - TUB/ SHOWER - 1 1/2" X 1 1/4" X 4" - BRASS (CSA)
	066436-01-000	EA	NUT - SLIP - TAILPIECE - 1.5"
	130403-01-000	EA	NUT - SLIP - W/WINGS 1 1/2"
	010201-01-000	EA	HOSE - SEWER - 3" ID X 8'
	062416-01-000	EA	ADAPTER - SEWER HOSE TO 3" PIPE

WINDOW, VENT & EXTERIOR DOOR GROUP

WINDOWS & VENTS



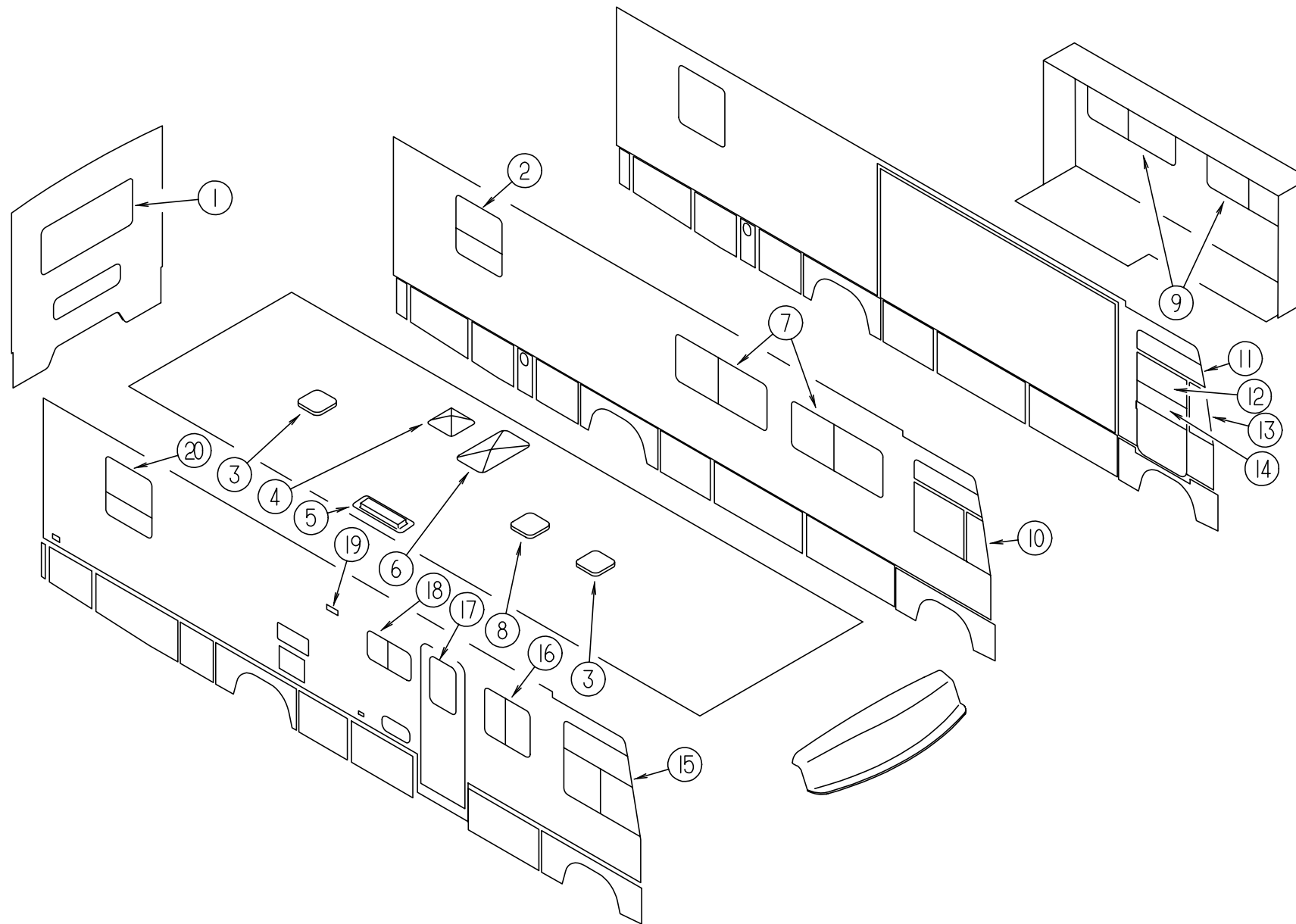
KEY	PART NUMBER	U/M DESCRIPTION
1*	078528-06-E10	EA WINDOW - ESCAPE W/O RETAINER/ TRIM 48.5" X 24.5" (QUEEN BED)
1*	113502-01-01A	EA WINDOW - REAR ESCAPE THERMO - 24.8" X 48.7" (QUEEN BED)
1*	078528-13-F11	EA WINDOW - ESCAPE W/O INSIDE TRIM - 59.8" X 26" (TWIN BEDS)
1*	113733-07-01A	EA WINDOW - STATIONARY THERMOPANE/ EUROPEAN 26.4" X 60" (TWIN BEDS)
2*	112463-03-01A	EA WINDOW - TIPOUT W/ RETAINER RING - 33.3" X 30.2" (QUEEN BED)
2*	112898-16-01A	EA WINDOW - VERTICAL SLIDER - THERMO - 30.2" X 33.2" (QUEEN BED)
2*	112463-05-01A	EA WINDOW - TIPOUT/ ESCAPE W/ RETAINER TRIM - 33.3" X 30.2" (TWIN BEDS)
2*	112898-18-01A	EA WINDOW - VERTICAL SLIDER - THERMO - ESCAPE - 30.2" X 33.2" (TWIN BEDS)
3*	122882-01-01A	EA VENT - ROOF - NONPOWERED
3	122882-07-01A	EA VENT - ROOF - GARNISH 63.5-104.6
4*	122882-02-01A	EA VENT - ROOF - POWERED
4*	122882-03-01A	EA VENT - ROOF - POWERED CSA
4	122882-07-01A	EA VENT - ROOF - GARNISH 63.5-104.6

KEY	PART NUMBER	U/M DESCRIPTION
5	084073-04-000	EA BASE - ROOF VENT - REFRIGERATOR
5	084073-07-000	EA VENT - ROOF - REFRIGERATOR - BRIGHT WHITE - NORCOLD
5	118369-01-02A	EA CAP - REFRIGERATOR ROOF VENT - SIDE/SIDE - BRIGHT WHITE
5	118369-02-02A	EA BASE - REFRIGERATOR ROOF VENT - SIDE/SIDE - BRIGHT WHITE
6	114496-01-02A	EA PANEL - SKYLITE - OUTER
6	122191-01-02A	EA PANEL - SKYLITE - INNER
7*	098647-22-01A	EA WINDOW - DRIVER HORIZONTAL SLIDER - 26.1" X 59.7"
7*	112795-15-01A	EA WINDOW - DRIVERS HORIZONTAL SLIDER THERMO 26 3/8" X 60"
	083558-03-000	EA VENT - PLUMBING PIPE ROOF - W/ COVER - OFF WHITE

* COMPONENT PARTS FOUND IN SERVICE PARTS LIBRARY

WINDOW, VENT & EXTERIOR DOOR GROUP (CONTINUED)

WINDOWS & VENTS (CONTINUED)



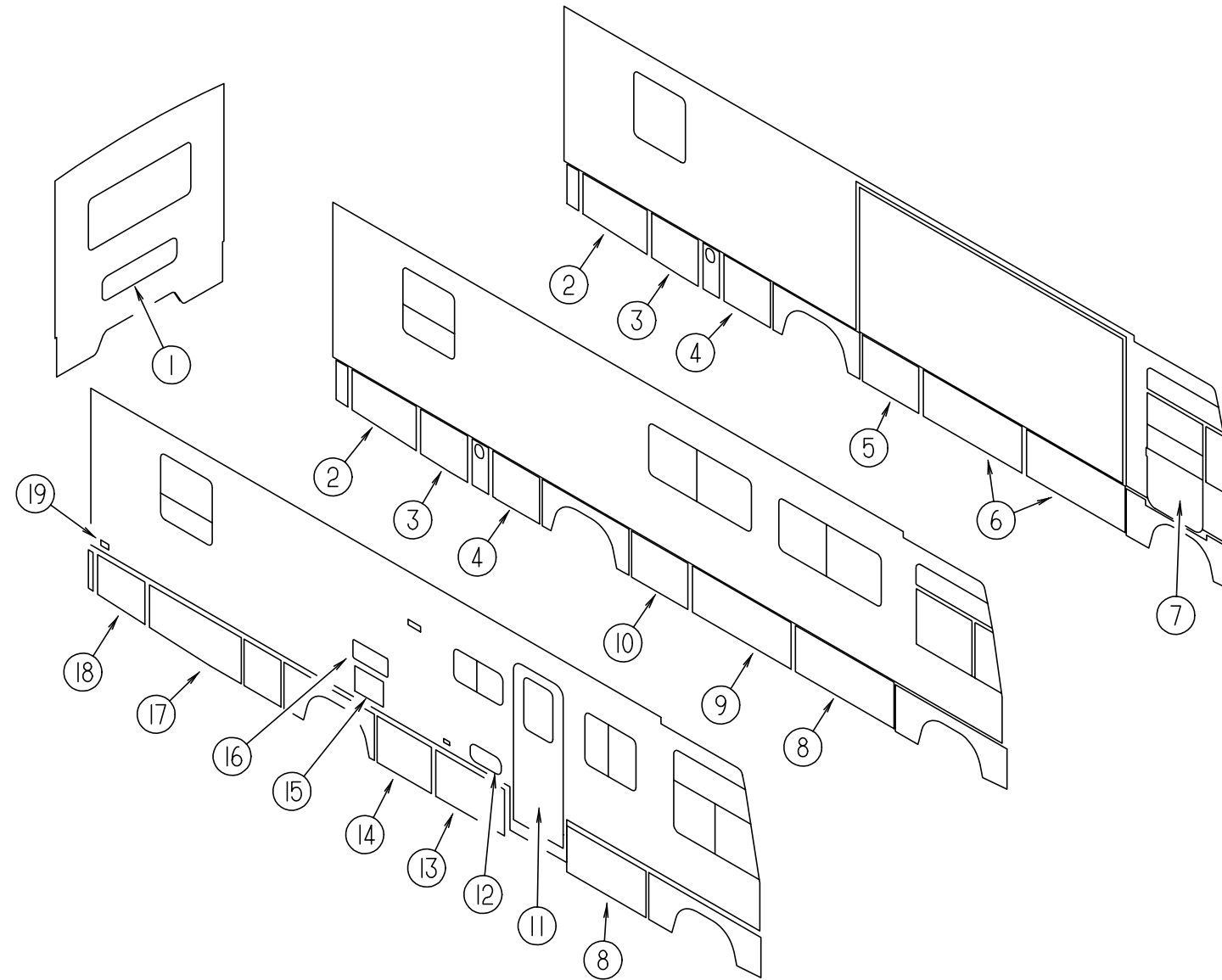
KEY	PART NUMBER	U/M	DESCRIPTION	VENDOR NO.
8*	123780-03-01A	EA	VENTILATOR - ROOF 78-100 MM - WHITE	
9*	098647-47-01A	EA	WINDOW - DRIVER HORIZ SLIDER W/TRIM - TINTED - 23.6" X 57.5"	
9*	112795-54-01A	EA	WINDOW - DRIVER HORIZONTAL SLIDER - THERMO - 23.9" X 57.8"	
10*	125582-02-01A	EA	WINDOW - CAB - DRIVER	
10*	125583-02-01A	EA	WINDOW - DRIVER CAB-3 GLASS THERMO - 42.9"T X 51.2"B X 42.6"H	
11*	125586-01-01A	EA	WINDOW - VISTA	
11*	125600-01-01A	EA	WINDOW - VISTA - THERMOPANE	
12	125581-04-705	EA	GLASS - STATIONARY	106-041547
13*	125584-01-01A	EA	WINDOW - FRONT SLANT - LEFT HAND	
13*	125585-01-01A	EA	WINDOW - FRONT SLANT - THERMO	
14	125581-04-704	EA	GLASS - ROLL-UP	106-041821
15*	125582-01-01A	EA	WINDOW - CAB - PASSENGER	
15*	125583-01-01A	EA	WINDOW - PASS CAB-3 GLASS THERMO - 42.9"T X 51.2"B X 42.6"H	

KEY	PART NUMBER	U/M	DESCRIPTION	VENDOR NO.
16*	098647-25-01A	EA	WINDOW - PASS HORIZ SLIDER W/TRIM - TINTED - 26.1" X 29.6"	
16*	112795-18-01A	EA	WINDOW - PASSENGER HORIZONTAL SLIDER THERMO - 26.4" X 30"	
17*	117053-02-F36	EA	WINDOW - PICTURE - 17" X 26.4"	
17*	113733-01-01A	EA	WINDOW - STATIONARY THERMOPANE - 17" X 26.4"	
18*	098647-33-01A	EA	WINDOW - PASS HORIZ SLIDER W/TRIM - TINTED - 15.7" X 28.5"	
18*	112795-19-01A	EA	WINDOW - PASSENGER HORIZONTAL SLIDER THERMO - 16" X 28.7"	
19	084616-07-000	EA	SHROUD - EXHAUST VENT/RANGE HOOD - BRIGHT WHITE	
19	084878-09-000	EA	VENT - EXHAUST/RANGE HOOD - OFF WHITE	
20*	112463-03-01A	EA	WINDOW - TIPOUT W/ RETAINER TRIM - 33.3" X 30.2"	
20*	112898-16-01A	EA	WINDOW - VERTICAL SLIDER - THERMO - 30.2" X 33.2"	

*** COMPONENT PARTS FOUND IN SERVICE PARTS LIBRARY**

WINDOW, VENT & EXTERIOR DOOR GROUP (CONTINUED)

EXTERIOR DOORS



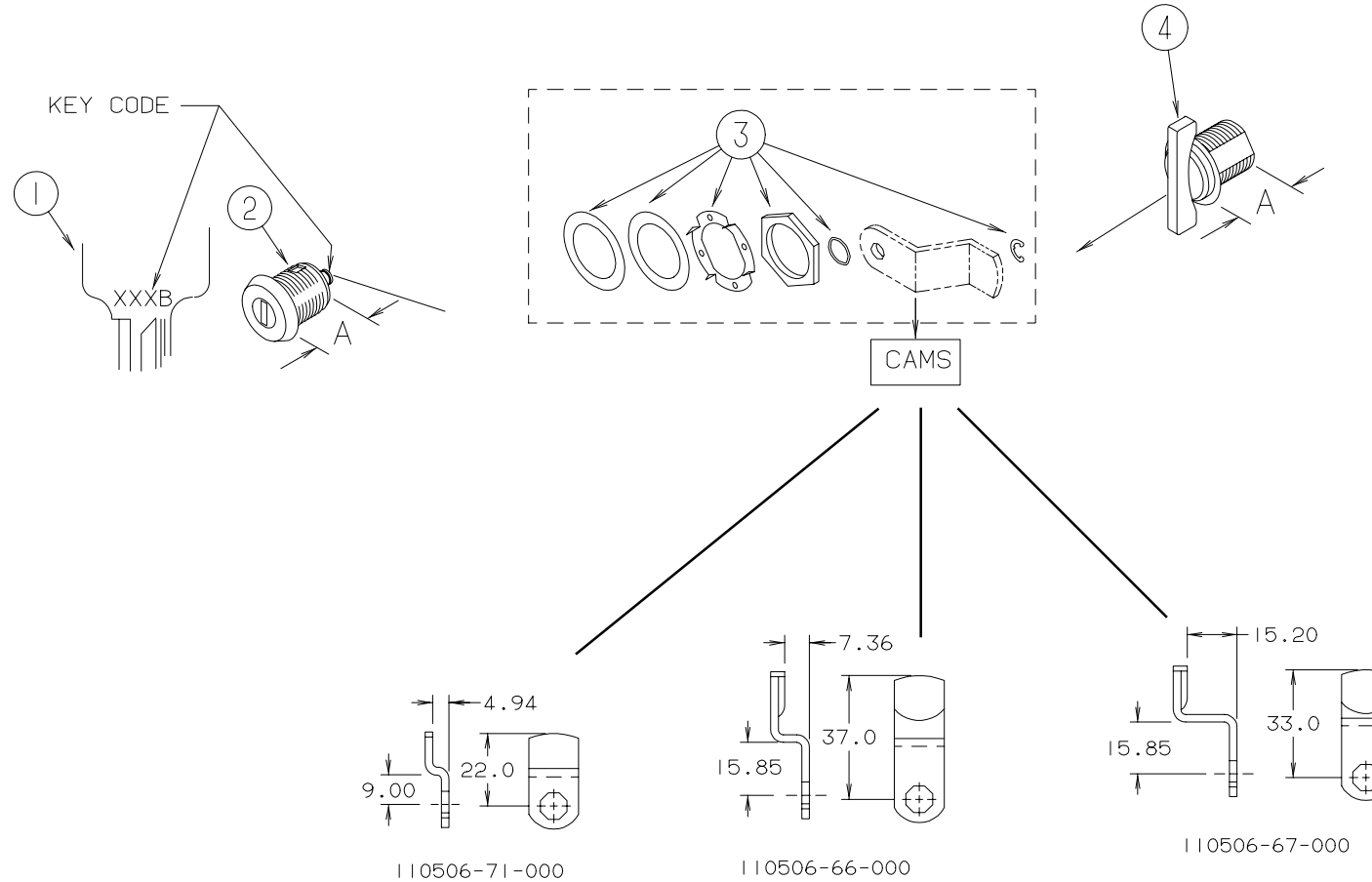
KEY	PART NUMBER	U/M	DESCRIPTION	VENDOR NO.	KEY	PART NUMBER	U/M	DESCRIPTION	VENDOR NO.
1	126944-02-J22	EA	DOOR/STORAGE - W/O HARDWARE - 11.7" X 43.5"		12	126945-01-J22	EA	DOOR - STORAGE - W/O HARDWARE - 8.3" X 18"	
2	122391-16-JA1	EA	VALANCE/DOOR - DRIVER W/O PADDLE LATCH - 22.7" X 39.8" X 20.7"		13	122239-40-JA1	EA	VALANCE/DOOR - W/O PADDLE LATCH/HINGE - 23.7" X 42.5"	
3	122391-51-JA1	EA	VALANCE/DOOR - DRIVER W/O PADDLE LATCH - 23.7" X 29.6" X 22.8"		14	122239-76-JA1	EA	VALANCE/DOOR - W/O PADDLE LATCH/HINGE - 23.7" X 34.1"	
4	122239-77-JA1	EA	VALANCE/DOOR - W/O PADDLE LATCH/HINGE - 23.7" X 29.6"		15	052009-06-000	EA	DOOR - WATER HEATER - BRIGHT WHITE - 18" X 14.6"	
5	122239-80-JA1	EA	VALANCE/DOOR - W/O PADDLE LATCH/HINGE - 23.7" X 35.1"		15	116424-01-000	EA	PROTECTOR - LATCH - WATER HEATER	
6	122239-57-JA1	EA	VALANCE/DOOR - W/O PADDLE LATCH/HINGE - 23.7" X 60"		16	084103-08-000	EA	DOOR - REFRIGERATOR - VENTED - W/O JAMB	
7	125581-04-01A	EA	DOOR - DRIVER - NON-POWER		16	084104-01-700	EA	LOCK - MALE - FASTENER	201-721-010
8	122239-75-JA1	EA	VALANCE/DOOR - W/O PADDLE LATCH/HINGE - 23.7" X 48.7"		16	084104-01-701	EA	LOCK - FEMALE - FASTENER	201-802-010
9	122239-78-JA1	EA	VALANCE/DOOR - W/O PADDLE LATCH/HINGE - 23.7" X 77.5"		16	084104-08-000	EA	JAMB - REFRIGERATOR DOOR	
10	122239-30-JA1	EA	VALANCE/DOOR - W/O PADDLE LATCH/HINGE - 23.7" X 29.2"		16	125481-01-02A	EA	DOOR - REFRIGERATOR VENT (SIDE BY SIDE)	
11	115108-10-H19	EA	DOOR - ENTRY - W/SCREEN DOOR - W/O WINDOW (J22, J23)		17	122391-50-JA1	EA	VALANCE/DOOR - PASS W/O PADDLE LATCH 23.7" X 40.3" X 22.6"	
11	115108-10-J62	EA	DOOR - ENTRY - W/SCREEN DOOR - W/O WINDOW (J24, J25)		18	122391-52-JA1	EA	VALANCE/DOOR - PASS W/O PADDLE LATCH 22.4" X 43.7" X 22.5"	
11	115108-10-J31	EA	DOOR - ENTRY - W/SCREEN DOOR - W/O WINDOW (J26, J27)		19	081240-16-000	EA	DOOR - WATER FILL - LOCKABLE W/O LOCK - 4" X 4 5/8"	
11	115108-10-J28	EA	DOOR - ENTRY - W/SCREEN DOOR - W/O WINDOW (J28, J29)						

WINDOW, VENT & EXTERIOR DOOR GROUP (CONTINUED)

NOTE:

WHEN ORDERING THE LOCK CASE, THE KEY CODE MUST MATCH THE LAST DIGIT OF THE VEHICLE'S SERIAL NUMBER AND PART NUMBER; WHEN ORDERING THE KEYS, THE THIRD DIGIT OF THE KEY CODE MUST MATCH THE LAST DIGIT OF THE VEHICLE'S SERIAL NUMBER AND PART NUMBER

BRIGGS & STRATTON LOCKS & COMPONENTS

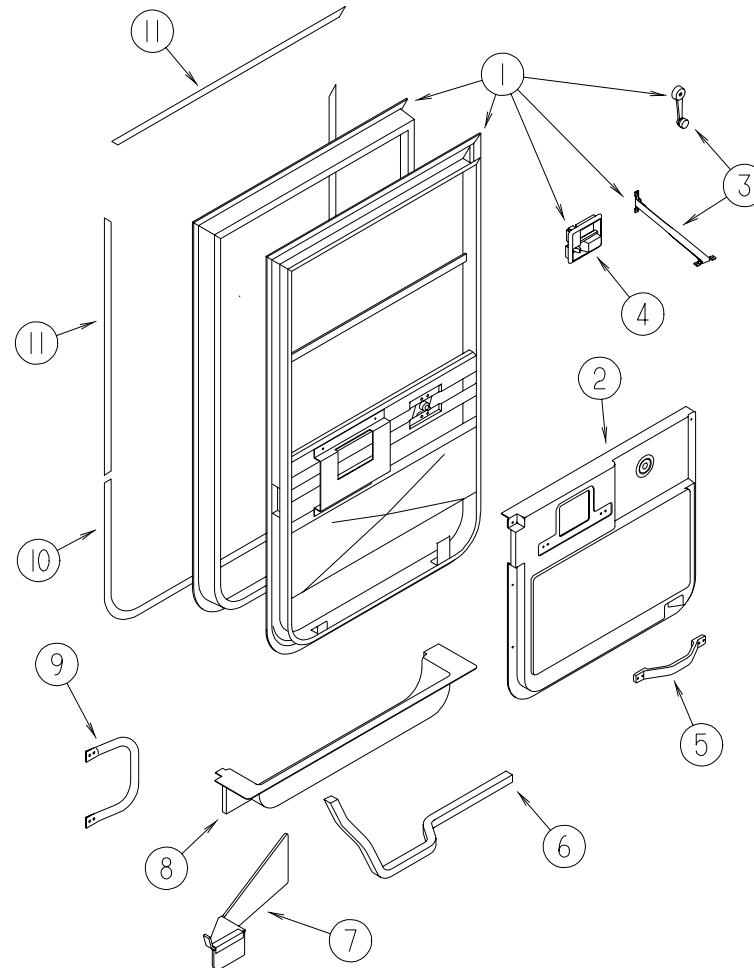


KEY	PART NUMBER	U/M	DESCRIPTION	VENDOR NO.
1	110506-59-000	EA	KEYS - SET OF TWO	596720
2	110506-52-000	EA	CASE - LOCK - A= 17 MM	702370
2	110506-53-000	EA	CASE - LOCK - A= 25 MM	702380
2	110506-54-000	EA	CASE - LOCK - A= 32 MM	703170
1	110506-59-001	EA	KEYS - SET OF TWO	596721
2	110506-52-001	EA	CASE - LOCK - A= 17 MM	702371
2	110506-53-001	EA	CASE - LOCK - A= 25 MM	702381
2	110506-54-001	EA	CASE - LOCK - A= 32 MM	703171
1	110506-59-002	EA	KEYS - SET OF TWO	596722
2	110506-52-002	EA	CASE - LOCK - A= 17 MM	702372
2	110506-53-002	EA	CASE - LOCK - A= 25 MM	702382
2	110506-54-002	EA	CASE - LOCK - A= 32 MM	703172
1	110506-59-003	EA	KEYS - SET OF TWO	596723
2	110506-52-003	EA	CASE - LOCK - A= 17 MM	702373
2	110506-53-003	EA	CASE - LOCK - A= 25 MM	702383
2	110506-54-003	EA	CASE - LOCK - A= 32 MM	703173
1	110506-59-004	EA	KEYS - SET OF TWO	596724
2	110506-52-004	EA	CASE - LOCK - A= 17 MM	702374
2	110506-53-004	EA	CASE - LOCK - A= 25 MM	702384
2	110506-54-004	EA	CASE - LOCK - A= 32 MM	703174
1	110506-59-005	EA	KEYS - SET OF TWO	596725
2	110506-52-005	EA	CASE - LOCK - A= 17 MM	702375
2	110506-53-005	EA	CASE - LOCK - A= 25 MM	702385
2	110506-54-005	EA	CASE - LOCK - A= 32 MM	703175

KEY	PART NUMBER	U/M	DESCRIPTION	VENDOR NO.
1	110506-59-006	EA	KEYS - SET OF TWO	596726
2	110506-52-006	EA	CASE - LOCK - A= 17 MM	702376
2	110506-53-006	EA	CASE - LOCK - A= 25 MM	702386
2	110506-54-006	EA	CASE - LOCK - A= 32 MM	703176
1	110506-59-007	EA	KEYS - SET OF TWO	596727
2	110506-52-007	EA	CASE - LOCK - A= 17 MM	702377
2	110506-53-007	EA	CASE - LOCK - A= 25 MM	702387
2	110506-54-007	EA	CASE - LOCK - A= 32 MM	703177
1	110506-59-008	EA	KEYS - SET OF TWO	596728
2	110506-52-008	EA	CASE - LOCK - A= 17 MM	702378
2	110506-53-008	EA	CASE - LOCK - A= 25 MM	702388
2	110506-54-008	EA	CASE - LOCK - A= 32 MM	703178
1	110506-59-009	EA	KEYS - SET OF TWO	596729
2	110506-52-009	EA	CASE - LOCK - A= 17 MM	702379
2	110506-53-009	EA	CASE - LOCK - A= 25 MM	702389
2	110506-54-009	EA	CASE - LOCK - A= 32 MM	703179
3	110506-40-700	EA	HARDWARE KIT	
4	110506-50-000	EA	CASE - TWIST LOCK - A= 17 MM	596952
4	110506-51-000	EA	CASE - TWIST LOCK - A= 25 MM	596669
	110506-40-000	EA	CLIP-E - LOCK ASM.	93981
	110506-66-000	EA	CAM - LOCK	322282
	110506-67-000	EA	CAM - LOCK	322283
	110506-71-000	EA	CAM - LOCK	322287
	110506-59-701	EA	KEY BLANK - GOLD	

WINDOW, VENT & EXTERIOR DOOR GROUP (CONTINUED)

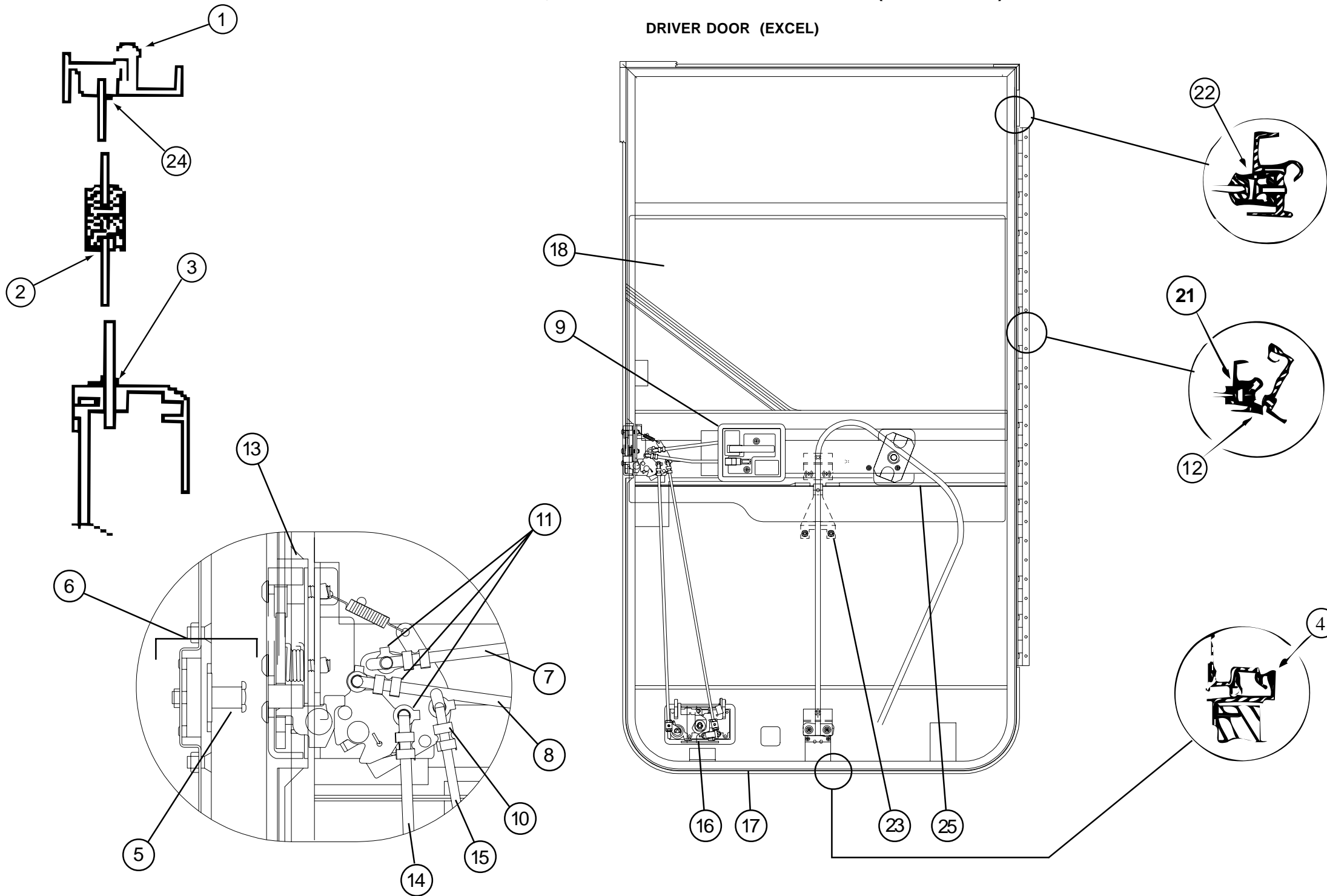
DRIVER DOOR (EXCEL)



KEY	PART NUMBER	U/M DESCRIPTION	VENDOR NO.	KEY	PART NUMBER	U/M DESCRIPTION	VENDOR NO.
1	125581-04-01A	EA DOOR - DRIVER - NON-POWER		8	107818-03-04A	EA TRIM - STEP/DRIVERS DOOR	
2	125899-03-01A	EA PANEL - CAB DOOR - INNER/DRIVER					FROM: 00-00-00 THRU: 02-08-98
3	106469-02-704	EA PARTS BAG (WINDOW HANDLE & CHECK STRAP)	V068-16	8	107818-05-02A	EA TRIM - STEP/DRIVERS DOOR	FROM: 02-09-98 THRU: 99-99-99
	109378-01-000	EA STRAP - CHECK - DRIVER DOOR - 12.8"			102569-02-000	EA MAT - ANTI SLIP - LOWER	
4	106469-04-712	EA HANDLE/DOOR - INNER W/HARDWARE	248-041402	9	108832-02-01A	EA HANDLE - ASSIST - DOOR/DRIVER	
5	110604-01-01A	EA HANDLE - ASSIST - DRIVERS DOOR			126701-01-03A	EA COVER - ASSIST HANDLE - OFF WHITE	
6	063977-14-000	EA STEP - DRIVER DOOR - LEFT HAND		10	109235-01-05A	FT COVER - SCREW - BRIGHT WHITE	
7	128255-01-04B	EA STEP - DRIVER DOOR - BLACK		11	109235-01-01A	FT COVER - SCREW - MAT BLACK	
					P01713-01-000	EA SWITCH - PUSH BUTTON - ELECTRIC STEP	

WINDOW, VENT & EXTERIOR DOOR GROUP (CONTINUED)

DRIVER DOOR (EXCEL)

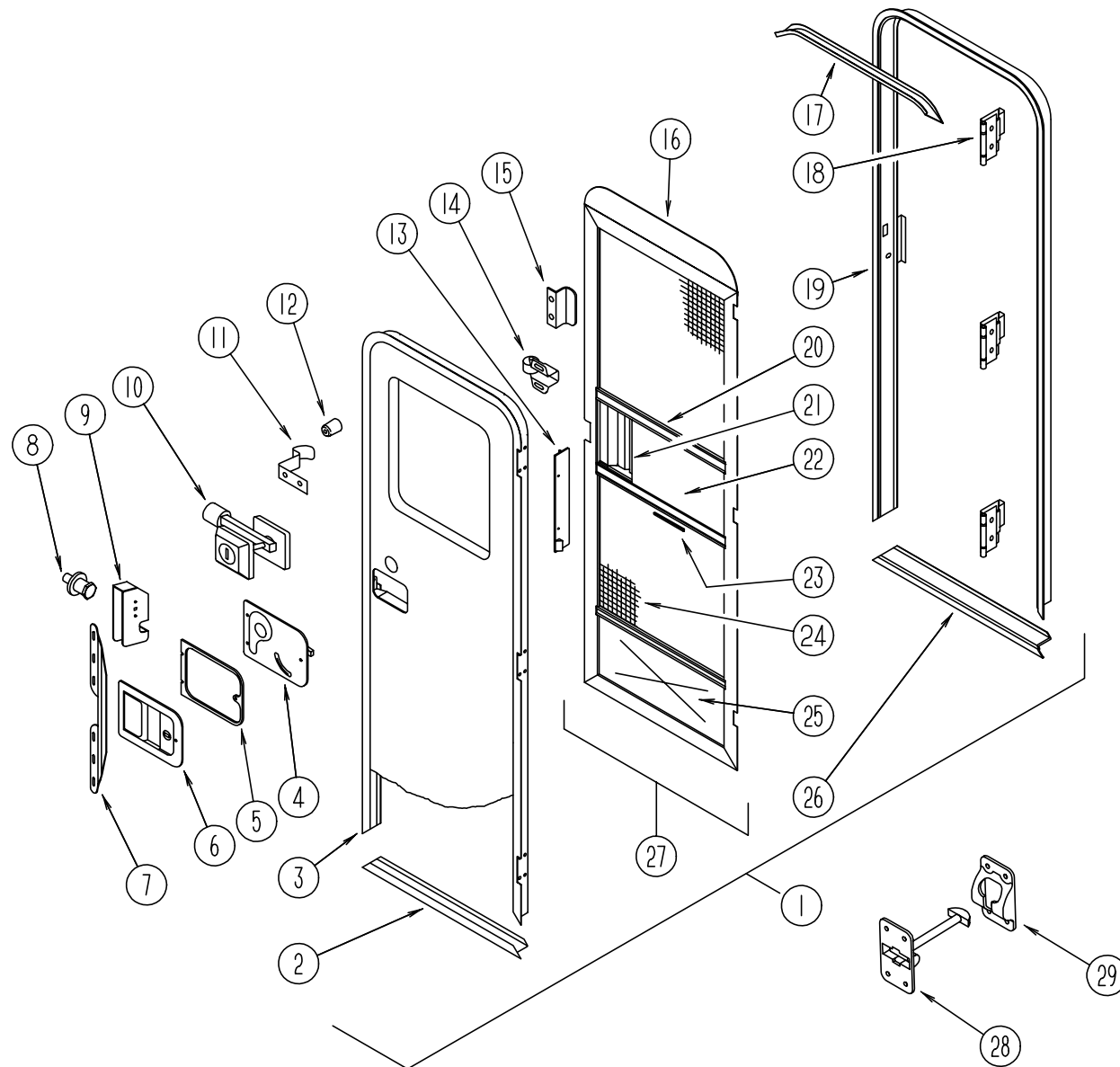


KEY	PART NUMBER	U/M DESCRIPTION	VENDOR NO.
1	106469-01-702	EA DOOR SEAL	122-040984
2	106469-01-705	FT CHANNEL - RUN - SLIDING	122-010850
3	106469-01-709	FT WEATHERSTRIP - FUZZY	171-040630
4	106469-01-723	EA SEAL - BULB ASM. (JAMB)	171-040985
5	106469-04-703	EA BOLT - STRIKER (W/ WASHER)	248-041152
6	106469-04-704	EA NUT ASSEMBLY - CAGED - W/STRIKER	248-041151
7	106469-04-705	EA LATCH ROD - HORIZONTAL	203-041139
8	106469-04-711	EA LOCK ROD - HORIZONTAL	203-041137
9	106469-04-712	EA HANDLE/DOOR - INNER W/HARDWARE	248-041402
10	106469-04-713	EA ROD CLIP L.H.	248-041154
11	106469-04-714	EA ROD CLIP R.H.	248-041153
12	106469-05-702	EA HINGE - 42"	211-041194
13	106469-05-706	EA LATCH - ROTARY - W/LINKAGE	248-041150

KEY	PART NUMBER	U/M DESCRIPTION	VENDOR NO.
14	125581-04-700	EA ROD - LATCH/VERTICAL ADJUST.	203041767
15	125581-04-701	EA ROD - LOCK/VERTICAL ADJUST.	203-041768
16	125581-04-702	EA PADDLE RH-W/COLLAR BLACK TEX	248-041403
17	125581-04-703	EA FRAME - MOUNTING - BLACK	V180-35L
18	125581-04-704	EA GLASS - ROLL-UP	106-041821
19	125581-04-705	EA GLASS - STATIONARY	106-041547
20	125581-04-706	EA FRAME - DOOR - SUB-ASSEMBLY	V180-94L
21	125581-04-707	EA CHANNEL - ROLL UP GLASS	V156-60
22	125581-04-708	EA CHANNEL - STATIONARY GLASS	V156-61
23	125581-04-709	EA REGULATOR - MANUAL	410-08389
24	125581-04-710	EA VINYL - GLAZING	132-041484
25	125581-04-711	EA CHANNEL- GLASS	N135-66
	106469-04-701	EA TUMBLER & KEYS (TRI-MARK)	248-041179
	106469-04-702	EA KEYS (BLANK)	248-041180

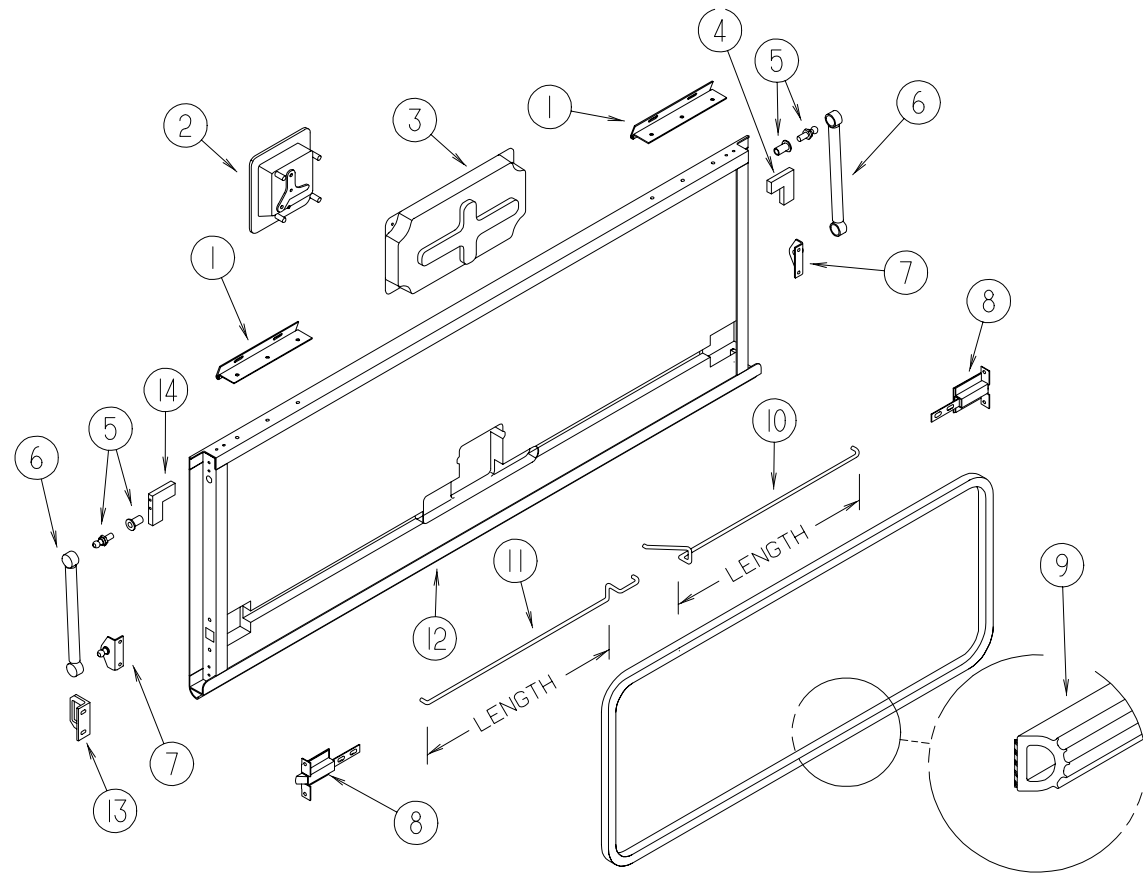
WINDOW, VENT & EXTERIOR DOOR GROUP (CONTINUED)

ENTRY DOOR W/O WINDOW



KEY	PART NUMBER	U/M DESCRIPTION
1	115108-10-H19	EA DOOR - ENTRY - W/SCREEN DOOR - W/O WINDOW (J22, J23)
1	115108-10-J62	EA DOOR - ENTRY - W/SCREEN DOOR - W/O WINDOW (J24, J25)
1	115108-10-J31	EA DOOR - ENTRY - W/SCREEN DOOR - W/O WINDOW (J26, J27)
1	115108-10-J28	EA DOOR - ENTRY - W/SCREEN DOOR - W/O WINDOW (J28, J29)
2	121893-01-01A	EA FRAME - DOOR - ENTRANCE - BOTTOM - BRIGHT WHITE
3	121894-03-01A	EA FRAME - DOOR - ENTRANCE
4	039979-06-000	EA COVER - LATCH PLATE - RIGHT HAND - BLACK TEXTURED
5	096810-01-01A	EA PLATE - LATCH - ENTRY DOOR - BLACK
6	045017-13-000	EA LATCH - ENTRANCE DOOR - BLACK TEXTURED
7	098173-01-04A	EA STIFFENER - ENTRY DOOR - SUPPORTS LATCH/ STRIKE AREA - UNPAINTED
8	039539-01-000	EA STRIKE - LOCK - ENTRY DOOR - ROUND W/ THREADED WASHER
9	039540-01-000	EA LATCH MECHANISM - HOOK - ENTRY DOOR - INTERIOR
	077461-03-000	EA COVER - STRIKE - ENTRY DOOR - 6.5" X 2.5" - WHITE PLASTIC
	039715-01-000	EA NUT-SERT - 1/4" DIAMETER - 20 THREADS (ENTRANCE DOOR HINGE)
	041546-07-000	EA BRACKET - DOOR ANGLE - OFF WHITE
	036618-02-000	EA E-RING - EXTERNAL - 3/16" SHAFT DIAMETER - LYNOR DOOR LOCK
	045017-11-701	EA KEY - BLANK - F1 SERIES
	045017-11-703	EA CYLINDER - LOCK ASM. W/ KEYS
	075671-04-000	FT SEAL - SPONGE - LAZY T SHAPE - W/ ADHESIVE STRIP - .5" WIDE
	086285-05-000	EA SPACER - NYLON - .7" X .56"
10	101145-01-06A	EA DEADBOLT - ENTRY DOOR W/O SECURITY BOLT W/2 KEYS - BLACK
	095229-01-700	EA KEY - BLANK - DEADBOLT
	101145-01-701	EA CYLINDER - LOCK ASM. - W/ KEY
	101147-01-000	EA BOLT - SECURITY - 4.12" BACKSET
11	100412-01-000	EA CATCH - SCREEN DOOR - THUMB CLIP
12	117046-01-000	EA BUMPER - RUBBER - ROUND END
13	079087-03-000	EA STRIKE - SLIDER - SCREEN DOOR - BRIGHT WHITE
14	109403-01-000	EA CATCH - SCREEN DOOR ROLLER
15	050712-06-000	EA HANDLE - SCREEN DOOR - BRIGHT WHITE
16	078595-01-000	EA TOP PLATE - SCREEN DOOR - CURVED TOP - 4.7" X 25.35"
17	044582-44-000	EA CAP - DRIP - ENTRY DOOR - ALUMINUM - BRIGHT WHITE
18	106719-01-05A	EA HINGE - ENTRANCE DOOR - BRIGHT WHITE
18	106719-01-01A	EA HINGE - ENTRANCE DOOR - MILL
	102248-01-000	EA SHIM - DOOR
	116111-02-01A	EA SCREW - TAPTITE - 1/4-20 X 3/8 PPH - ZINC
	118929-01-01A	FT SEAL - PILE - PUSH ON
19	121898-01-01A	EA JAMB - DOOR - ENTRANCE
20	078777-01-000	EA CHANNEL - SLIDE - SCREEN DOOR CENTER SLIDER COVER FROM: 00-00-00 THRU: 02-22-98
20	078777-08-000	FT CHANNEL SLIDER FROM: 02-23-98 THRU: 99-99-99
21	079086-03-000	EA SLIDER - SCREEN DOOR - BRIGHT WHITE
22	016454-01-000	EA INSERT - CENTER - LEATHER GRAIN ALUMINUM - UNPAINTED
	001014-01-013	EA INSERT - CENTER - 10.25" X 16.31" - UNPAINTED
23	002294-01-000	FT SPLINE - SCREENING - .135" X .138"
24	002293-02-000	SF SCREENING - WINDOW/ DOOR - 26"
	075673-01-000	FT SEAL - PILE - ADHESIVE BACK - GRAY
25	078552-03-000	EA KICK PANEL - SCREEN DOOR - LOWER INSERT - UNPAINTED
	078595-01-000	EA TOP PLATE - SCREEN DOOR - CURVED TOP - 4.7" X 25.35"
26	051049-01-000	EA JAMB - BOTTOM - ENTRY DOOR - 25.9" - UNPAINTED
27	121899-01-G04	EA DOOR - SCREEN - W/O HARDWARE
28	104099-01-04A	EA CATCH - DOOR HOLDER - STRIKE - BRIGHT WHITE
29	104099-02-04A	EA CATCH - DOOR HOLDER - RETAINER - BRIGHT WHITE
	115222-02-01A	EA GARNISH - RADIUS - ENTRY DOOR
	009126-03-000	EA HANDLE - ASSIST - BLACK TEXTURED
	120863-06-000	EA BUMPER - RUBBER - 3/4" X 3/8"

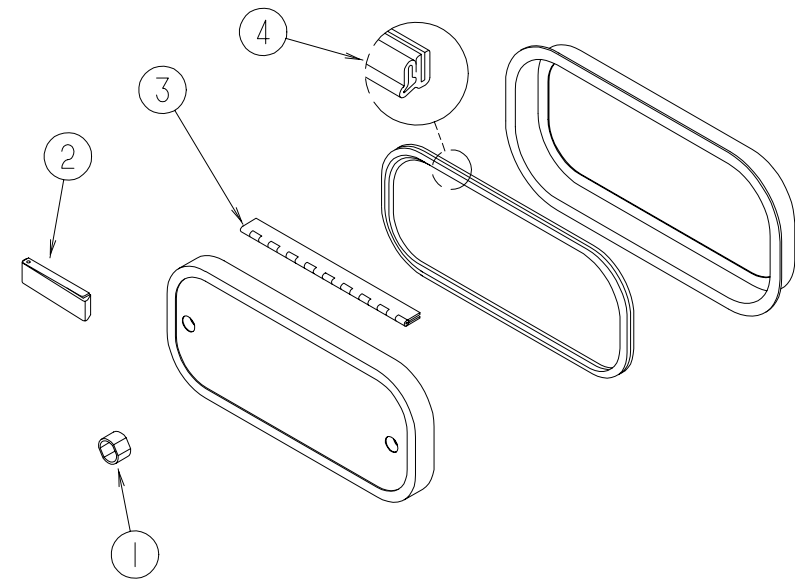
WINDOW, VENT & EXTERIOR DOOR GROUP (CONTINUED)



EXTERIOR DOOR COMPONENTS

KEY	PART NUMBER	U/M DESCRIPTION
1	121755-01-04A	EA HINGE - 6.00 INCH
2	112949-01-04A	EA LATCH - PADDLE W/LOCK - W/O KEY - BLACK
	112949-03-000	EA KEY - TRI-MARK #TM500
3	122277-02-01A	EA COVER - LATCH - BLACK
4	123892-12-02B	EA CORNER STABILIZER W/BALL STUD - LEFT HAND - E-COATED
5	N/A	EA BALL STUD - 10MM BALL - 5/16-18 - STAINLESS STEEL
6	107796-20-000	EA SPRING/GAS - 7" COMPRESSED/10" EXTENDED - 60 LB
7	107796-19-000	EA BRACKET - GAS SPRING
8	121947-01-01A	EA BOLT - SLIDE - LATCH - STEEL
9	107721-07-000	FT SEAL - ACCESS DOOR
10	122269-04-000	EA ROD - LATCH - 15.42"
10	122269-06-000	EA ROD - LATCH - 24.07"
10	122269-12-000	EA ROD - LATCH - 22.28"
10	122269-20-000	EA ROD - LATCH - 2.56"
10	122269-33-000	EA ROD - LATCH - 9.24"
10	122269-35-000	EA ROD - LATCH - 7.09"
10	122269-36-000	EA ROD - LATCH - 12.18"
10	122269-37-000	EA ROD - LATCH - 5.70"
10	122269-65-000	EA ROD - LATCH - 21.06"
11	122268-04-000	EA ROD - LATCH - 15.42"
11	122268-06-000	EA ROD - LATCH - 24.07"
11	122268-12-000	EA ROD - LATCH - 22.28"
11	122268-20-000	EA ROD - LATCH - 2.56"
11	122268-33-000	EA ROD - LATCH - 9.24"
11	122268-35-000	EA ROD - LATCH - 7.09"
11	122268-36-000	EA ROD - LATCH - 12.18"
11	122268-37-000	EA ROD - LATCH - 5.70"
11	122268-65-000	EA ROD - LATCH - 21.06"
12	122613-55-007	EA ROCKER PANEL/EXTRUSION - 192" - BLACK
	122612-55-007	EA U-CHANNEL/EXTRUSION - 192" - BLACK
	122614-55-007	EA H-CHANNEL/EXTRUSION - 192" - BLACK
13	123783-01-01A	EA STRIKER - DOOR - MILL
14	123892-10-02B	EA CORNER STABILIZER W/BALL STUD - RIGHT HAND - E-COATED

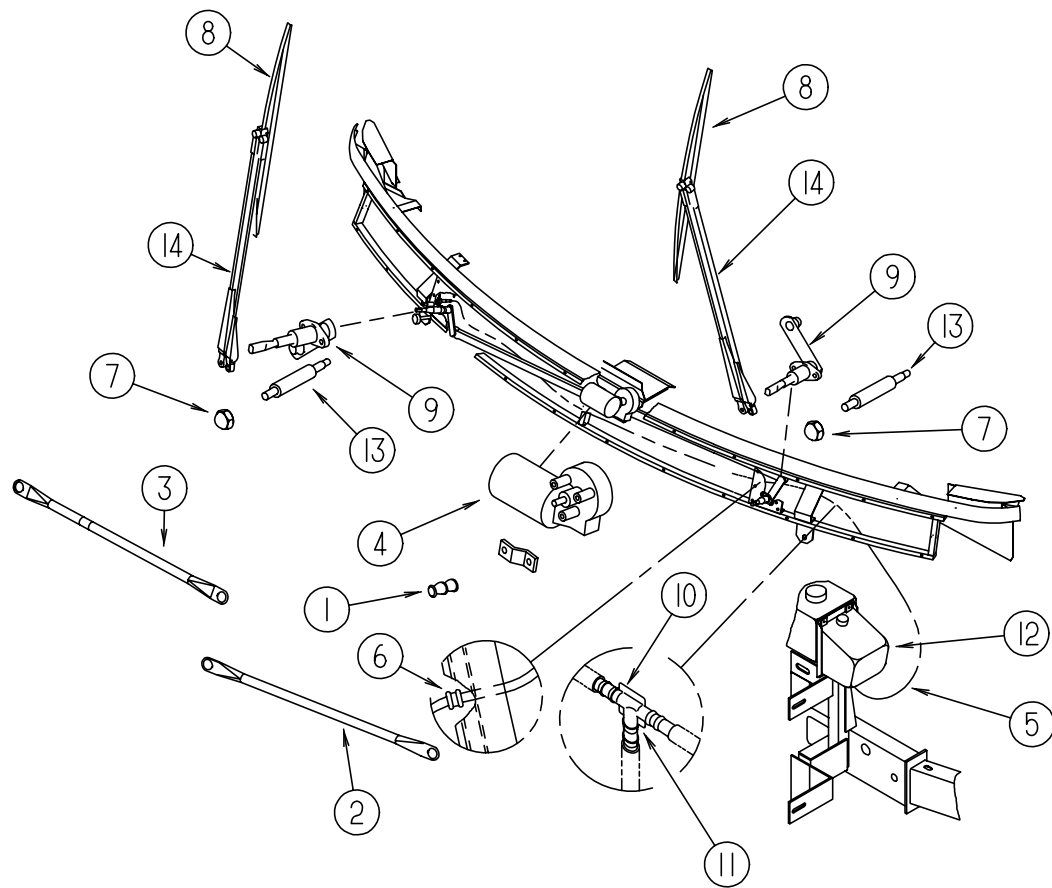
WINDOW, VENT & EXTERIOR DOOR GROUP (CONTINUED)



EXTERIOR DOOR COMPONENTS

KEY	PART NUMBER	U/M DESCRIPTION
1	107997-51-001	EA SPACER - DOOR LOCK - .6" DEEP
	107997-51-002	EA EXTRUDED - SPACER - 16'
2	102768-01-000	EA HOLDER - COMPARTMENT/ENTRY DOOR - METAL - MILL FINISH
3	081801-V3-000	EA HINGE - ALUMINUM - 2" X 96" - BRIGHT WHITE
4	106850-02-000	FT SEAL-E - SPONGE RUBBER - .43" X .75"

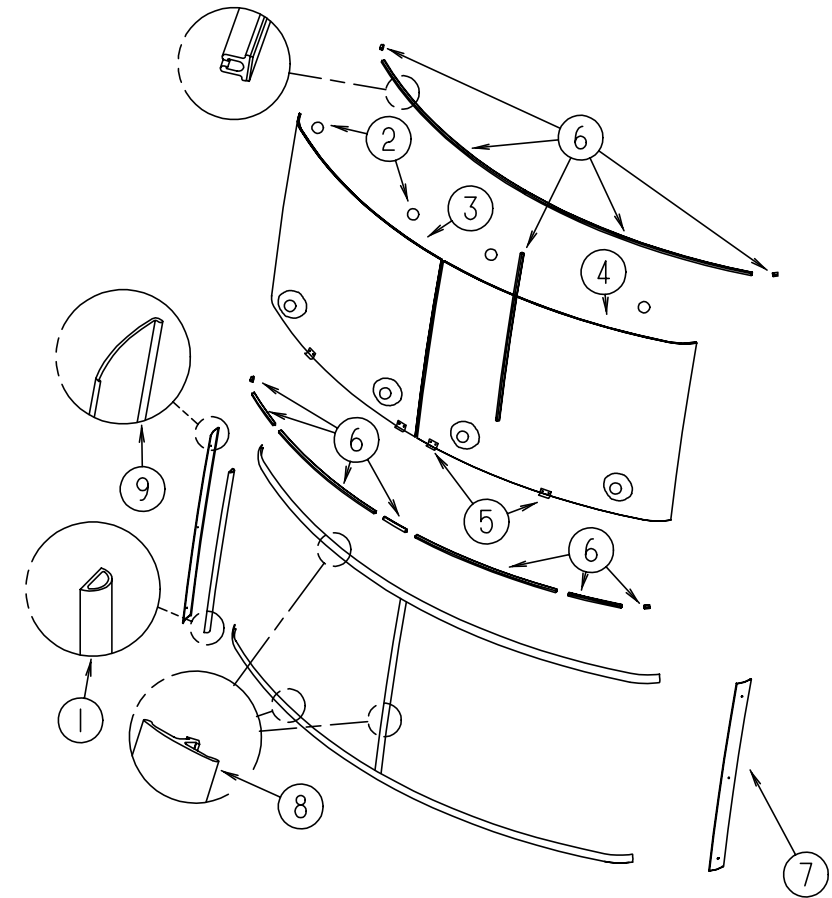
WINDSHIELD & WIPER GROUP



WINDSHIELD WIPER ASM

KEY	PART NUMBER	U/M DESCRIPTION	VENDOR NO.
1	067188-01-000	EA STUD - CRANK - WIPER MOTOR	
	117322-01-000	EA SCREW - 1/4-28 UNFINISHED - 2A - TORX	
2	117770-01-000	EA LINK - CONNECTING - PASSENGER - 24"	
3	117770-02-000	EA LINK - CONNECTING - DRIVER - 24"	
4	104346-04-000	EA MOTOR - WIPER W/INTERNAL BREAKER (GM)	
4	104346-05-000	EA MOTOR - WIPER W/INTERNAL BREAKER - DYNAMIC PARK (FORD)	
	104347-04-000	EA ARM - DRIVE - WIPER MOTOR	
5	045794-01-000	FT HOSE - WASHER - WINDSHIELD - 5/32" ID - BLACK	
6	061603-01-000	EA GROMMET - SNAP - 3/16"ID - 3/8" HOLE - PLASTIC BLACK	
7	077049-02-000	EA NUT - ACORN - 10-32 BLACK/ANODIZED	
8	095964-01-000	EA BLADE - WINDSHIELD WIPER - 24"	
	095964-01-700	EA BLADE - REFILL 24" EA = 1 PAIR	12360
9	096505-09-000	EA SHAFT/PIVOT - WINDSHIELD WIPER	
	096505-02-700	EA DRIVER - KNURLED,(HD) BRL .687	NT721017
	096505-02-701	EA NUT - HEX (HD) W/.687 BARREL	NT721021
	096505-02-702	EA CAP - RUBBER (HD) BARREL .687	CP721084
	096505-02-703	EA CAP - NUT(ACORN) HD W/.687 BRL	51065-40-NT27WC
10	110605-01-000	EA TEE - PLASTIC - BARBED - 1/8" X 1/8" X 3/16"	
11	117765-03-000	EA CONNECTOR - 5/32" - WINDSHIELD WASHER	
12	117766-02-000	EA RESERVOIR/PUMP - WINDSHIELD WASHER	
13	117768-01-000	EA SHAFT - ADAPTER - PANTOGRAPH ARM	
14	117769-01-000	EA ARM - WIPER - PANTOGRAPH - 28"	

WINDSHIELD & WIPER GROUP (CONTINUED)



WINDSHIELD MOLDINGS & GLASS

KEY	PART NUMBER	U/M DESCRIPTION
1	099418-01-000	FT SEAL - D-SECTION/ADHESIVE BACK - .44" X .44"- BLK RUBBER
2	081914-01-000	EA BUMPER - RUBBER - ROUND - .43" DIAMETER
3	124328-01-000	EA WINDSHIELD - PASSENGER - 52" X 41" (CURVED)
4	124328-02-000	EA WINDSHIELD - DRIVERS - 52" X 41" (CURVED)
5	002328-02-000	EA BLOCK - WINDSHIELD - .062" X .5" X .98"
6	127862-01-000	EA CARRIER - REVEAL - WINDSHIELD - 47.2"
7	125384-02-02A	EA TRIM - WINDSHIELD - A-PILLAR - DRIVER - BLACK
7	125384-02-01A	EA TRIM - WINDSHIELD - A-PILLAR - DRIVER - MILL
8	118586-01-000	FT MOLDING - REVEAL - WINDSHIELD
		FROM: 00-00-00 THRU: 09-14-97
8	120533-01-000	FT MOLDING - REVEAL - WINDSHIELD
		FROM: 09-15-97 THRU: 99-99-99
9	125384-01-02A	EA TRIM - WINDSHIELD - A-PILLAR - PASSENGER - BLACK
9	125384-01-01A	EA TRIM - WINDSHIELD - A-PILLAR - PASSENGER - MILL