

# 1998 WKG34WQ

J22 MADISON (BLUE)  
(WATERFORD OAK)

J23 MADISON (BLUE)  
(WHITE GRANITE)

J24 MINK (TAUPE)  
(WATERFORD OAK)

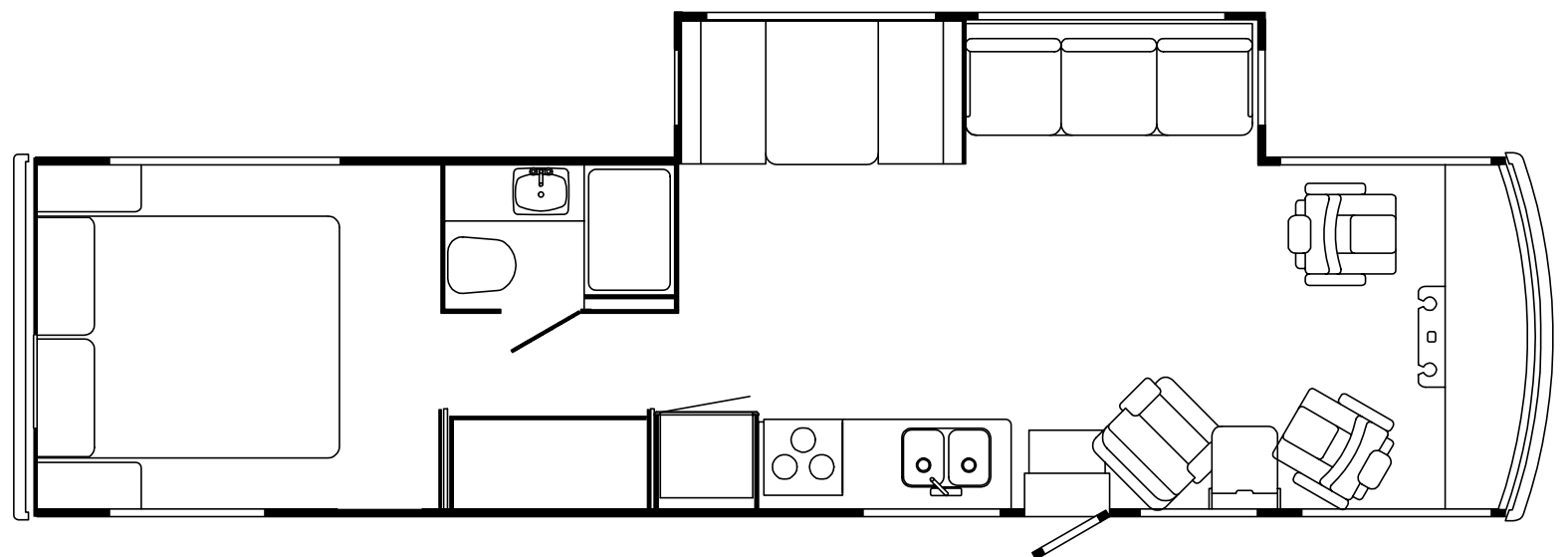
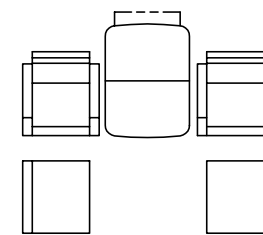
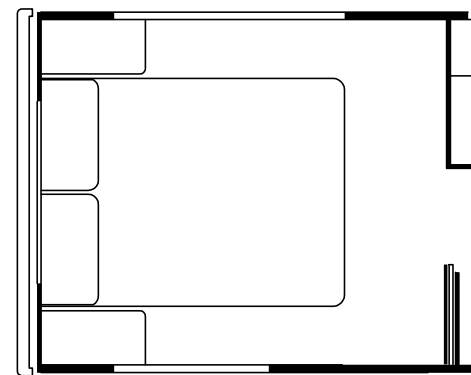
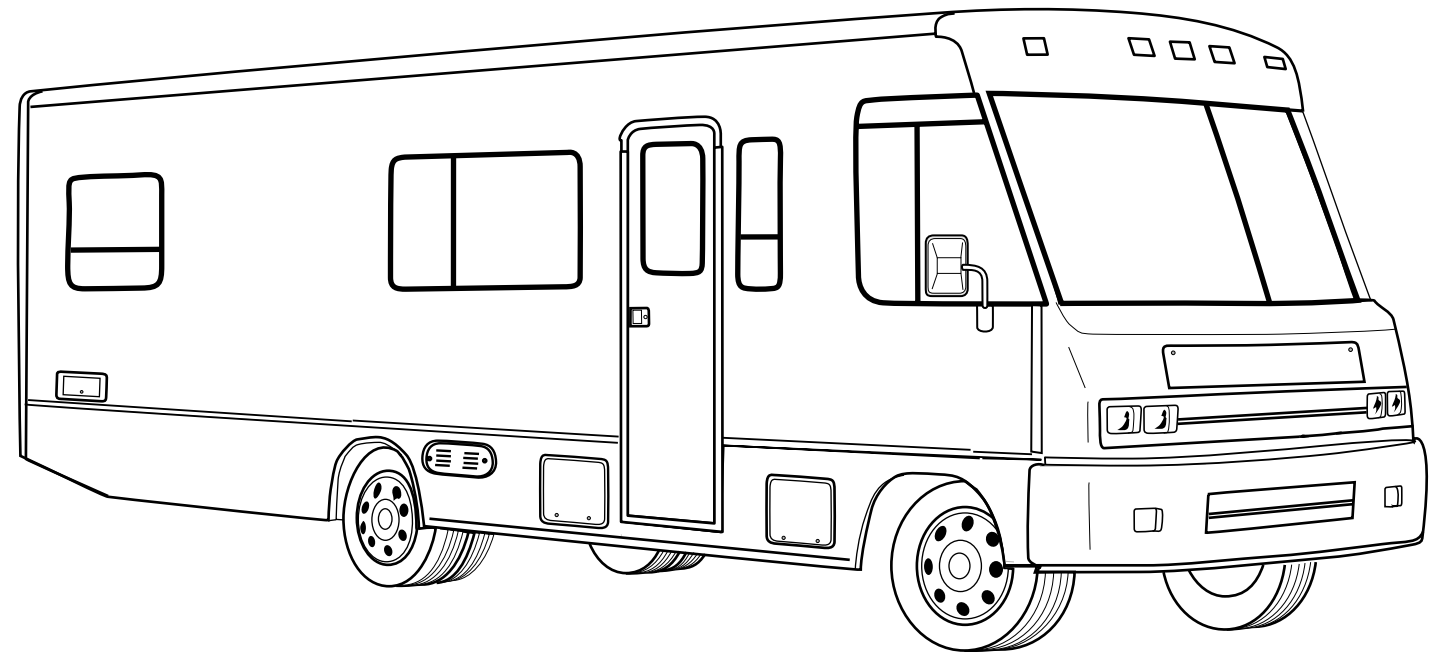
J25 MINK (TAUPE)  
(WHITE GRANITE)

J26 PICASSO (NEUTRAL)  
(WATERFORD OAK)

J27 PICASSO (NEUTRAL)  
(WHITE GRANITE)

J28 SILVERSAGE (GREEN)  
(WATERFORD OAK)

J29 SILVERSAGE (GREEN)  
(WHITE GRANITE)



## ACCESSORIES GROUP

### OPERATOR MANUAL

| KEY | PART NUMBER   | U/M DESCRIPTION  |
|-----|---------------|--|
|     | 054185-H2-000 | EA MANUAL - OPERATOR 98 ADVENTURER - G SERIES  |
|     | 092318-01-000 | EA BINDER - 3 RING - MOTOR HOME MANUAL<br>FROM: 00-00-00 THRU: 01-25-98                                |
|     | 129079-01-01A | EA CASE - VINYL/BLACK - EXPANDABLE ACCORDION SIDES - 7"W X 9"H X 14"L<br>FROM: 01-26-98 THRU: 99-99-99 |
|     | 092319-01-000 | EA POCKET PAGE - 3 RING BINDER - PLASTIC - (50 PER PKG)<br>FROM: 00-00-00 THRU: 02-15-98               |
|     | 125247-01-000 | EA TOP LEVEL - G - 1998  |

## AUDIO VIDEO GROUP

### RADIO SYSTEMS & ANTENNA

| KEY | PART NUMBER   | U/M DESCRIPTION   | VENDOR NO.   |
|-----|---------------|---|--------------|
|     | 125322-02-000 | EA RADIO - AM/FM STEREO - CASSETTE - AUDIOVOX             |              |
|     | 127516-01-000 | EA RADIO - AM/FM STEREO - CD PLAYER - PANASONIC           |              |
|     | 127516-01-700 | EA FACE - REMOVABLE                                       | YEPOFX3114   |
|     | 127516-01-701 | EA TRIM RING  | YGFC025263   |
|     | 127516-01-702 | EA FACTORY HARNESS  | YGAJ02719    |
|     | 127516-01-703 | EA CARRIER F/REMOVEABLE FACE                              | YEFA131290   |
|     | 127264-01-000 | EA RADIO - AM/FM STEREO - CASSETTE - PANASONIC            |              |
|     | 127264-01-700 | EA TRIM RING  | YFC054C044ZB |
|     | 127264-01-701 | EA KNOB - VOLUME  | YFE074C045ZA |
|     | 127264-01-702 | EA KNOB - FADER   | YEFE074C026  |
|     | 127264-01-703 | EA FACTORY HARNESS  | YAJ024C048ZB |
|     | 094097-01-000 | EA SPEAKER - RADIO/TV - W/O GRILLE - 5.25" DIAMETER       |              |
|     | 124883-02-000 | EA SPEAKER - CUBE - W/BRACKET (DELUXE SOUND)              |              |
|     | 124884-01-000 | EA SPEAKER - 6" X 9" - SUB-WOOFER (DELUXE SOUND)          |              |
|     | 124885-01-000 | EA GRILLE - SPEAKER - 6" X 9" - SUB-WOOFER (DELUXE SOUND) |              |
|     | 124881-01-000 | EA AMPLIFIER - AUDIO (DELUXE SOUND)                       |              |
|     | 124882-02-000 | EA WIRE ASSEMBLY - AMPLIFIER                              |              |
|     | 125634-01-02B | EA COVER/PLATE - SPEAKER - E-COAT (DELUXE SOUND)          |              |
|     | 110469-01-000 | EA SPEAKER - 4" X 6" OVAL - COAXIAL                       |              |
|     | 110470-01-01A | EA GRILLE - 4" X 6" OVAL - BLACK                          |              |
|     | 089340-02-000 | EA GRILLE - SPEAKER - 6.5" SQUARE                         |              |
|     | 089340-03-000 | EA SPACER - SPEAKER GRILLE                                |              |

### RADIO & CB ANTENNA

| KEY | PART NUMBER   | U/M DESCRIPTION                            |
|-----|---------------|--|
|     | 123256-01-000 | EA ANTENNA - CB - W/O CABLE                |
|     | 123256-02-000 | EA CABLE - CB COAX                         |
|     | 090944-01-000 | EA ANTENNA - RADIO - 16" RUBBER            |
|     | 108847-01-000 | EA BRACKET - ANTENNA GROUND                |
|     | 109889-04-000 | EA EXTENDER - ANTENNA SHAFT - 3"           |
|     | 077069-02-000 | EA CABLE - ANTENNA/EXTENSION - RADIO - 96" |
|     | 115916-01-01B | EA BRACKET - ANTENNA MOUNT                 |

### REAR MONITOR SYSTEM

| KEY | PART NUMBER   | U/M DESCRIPTION  | VENDOR NO.   |
|-----|---------------|--|--------------|
|     | 093040-09-000 | EA CAMERA - REAR VIEW - W/BRACKET - SONY                         |              |
|     | 093040-10-000 | EA MONITOR - 7" REAR VIEW - W/BRACKET - SONY                     |              |
|     | 093040-10-700 | EA LENS - MONITOR - REAR VIEW F/7"                               | 3-708-537-01 |
|     | 093040-06-000 | EA WIRE ASM - MONITOR - F/NON-PREWired AFTER MARKET INSTALLATION |              |
|     | 096717-03-000 | EA WIRE - REAR MONITOR - AFTER MARKET INSTALLATION               |              |
|     | 093041-01-000 | EA CABLE - MONITOR/ CAMERA - INTERNAL USE - 65.6'                |              |

## AUDIO VIDEO GROUP (CONTINUED)

### TV - VCR SYSTEMS

| KEY | PART NUMBER   | U/M DESCRIPTION                                       | VENDOR NO. |
|-----|---------------|---|------------|
|     | 086231-08-000 | EA TV - 13" COLOR - DC - AUDIOVOX                     |            |
|     | 086231-08-700 | EA REMOTE - UNIVERSAL                                 | 8822325    |
|     | 086231-08-701 | EA ADAPTER - WIRE                                     | 0891436    |
|     | 119120-02-700 | EA REMOTE   | 0994569    |
|     | 126696-01-000 | EA TV - 19" COLOR W/1/8" JACK - UL/CSA                |            |
|     |               | FROM: 00-00-00 THRU: 04-12-98                         |            |
|     | 126696-01-700 | EA REMOTE   | 226725     |
|     | 126696-02-000 | EA TV - 19" COLOR W/1/8" JACK - UL/CSA                |            |
|     |               | FROM: 04-13-98 THRU: 99-99-99                         |            |
|     | 126697-01-000 | EA VCR - VHS/CABLE READY - W/REMOTE - GE              |            |
|     |               | FROM: 00-00-00 THRU: 03-22-98                         |            |
|     | 126697-01-700 | EA REMOTE - F/VCR                                     | 2040R      |
|     | 126697-02-000 | EA VCR - VHS/CABLE READY - W/REMOTE                   |            |
|     |               | FROM: 03-23-98 THRU: 99-99-99                         |            |
|     | 126697-02-700 | EA REMOTE   | 238513     |
|     | 086757-03-000 | EA CONTROL CENTER - SWITCH - VCR/TV                   |            |
|     | 076319-03-000 | FT CABLE - COAXIAL - 75 OHM                           |            |
|     | 076319-09-000 | EA WALLPLATE - CABLE RECEPTACLE - TV - SINGLE - BROWN |            |
|     | 086777-01-000 | EA WALLPLATE - TV CABLE - W/ANTENNA SWITCH - IVORY    |            |
|     | 086777-06-000 | EA WALLPLATE - TV CABLE - ANTENNA/1 OUTPUT - BROWN    |            |
|     | 086756-01-000 | EA SPLITTER - TV - 2 WAY                              |            |
|     | 076319-12-000 | EA CONNECTOR - COAXIAL - ONE PIECE                    |            |
|     | 093214-01-02A | EA GRILLE - SPEAKER - 4" BROWN                        |            |
|     | 098819-01-000 | EA SPEAKER - 4" - 2 WATT - 8 OHM                      |            |
|     | 114870-02-000 | EA PLUG - .14" AUDIO W/LEADS                          |            |
|     | 082136-01-000 | EA NUT - HEX JAM - 3/8 - 32                           |            |
|     | 082134-01-000 | EA ADAPTER - TV - CABLE TO CABLE                      |            |

### SATELLITE DISH

| KEY | PART NUMBER   | U/M DESCRIPTION   |
|-----|---------------|---|
| *   | 120233-01-000 | EA ANTENNA - SATELLITE (DISH & HDW) W/O RECEIVER - MANUAL |
|     | 120233-03-000 | EA CERTIFICATE - SATELLITE RECEIVER DISH                  |

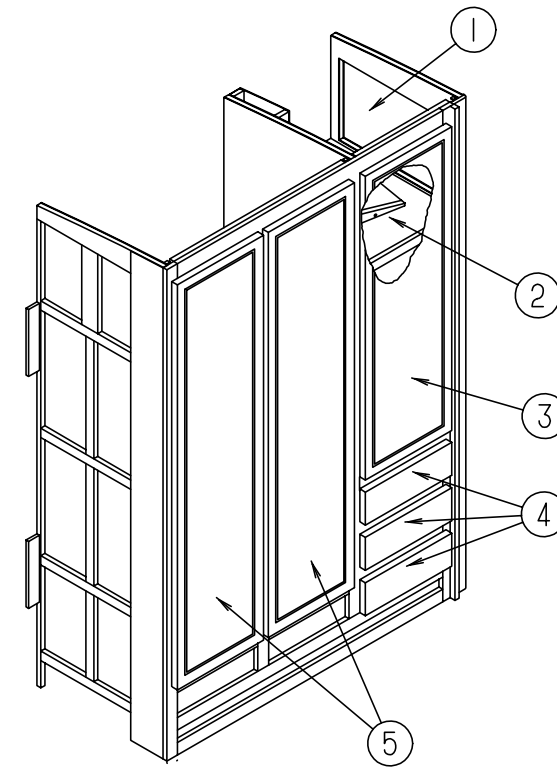
#### \* COMPONENT PARTS FOUND IN SERVICE PARTS LIBRARY

### TV ANTENNA

| KEY | PART NUMBER   | U/M DESCRIPTION                         |
|-----|---------------|---|
| *   | 076319-21-000 | EA ANTENNA-TV - ROOF MOUNT - 3" ROOF    |
|     |               | FROM: 00-00-00 THRU: 12-07-97           |
| *   | 076319-23-000 | EA ANTENNA-TV - ROOF MOUNT - 44.5" MAST |
|     |               | FROM: 12-08-97 THRU: 99-99-99           |
| *   | 076319-25-000 | EA KIT - HARDWARE INTERIOR              |

#### \* COMPONENT PARTS FOUND IN SERVICE PARTS LIBRARY

## BATH GROUP

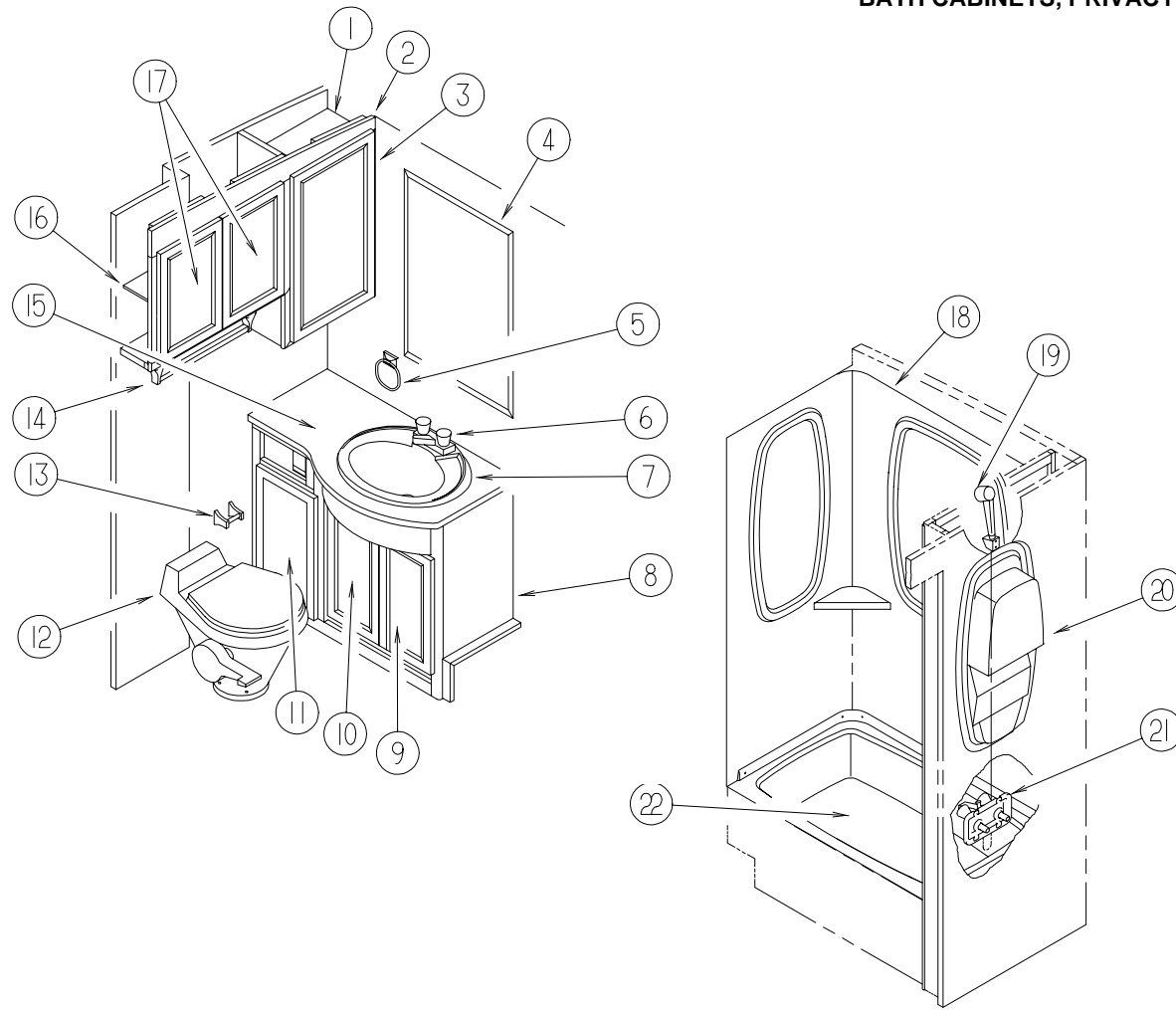


### WARDROBE CABINET

| KEY | PART NUMBER   | U/M DESCRIPTION   |
|-----|---------------|---|
| 1   | M05992-V6-J22 | EA DOOR - STRAIGHT CORNER/OGEE EDGE - 14.3" X 17.9" - W/O HDW (WATERFORD OAK) |
| 1   | 122715-07-01A | EA DOOR - MOLDED VINYL - 14.3" X 21.8" - W/O HDW (WHITE GRANITE)              |
| 2   | 122643-12-H17 | EA WEDGE/SHELF - F/TV (WATERFORD OAK)   |
| 2   | 122643-12-H40 | EA WEDGE/SHELF - F/TV (WHITE GRANITE)   |
| 3   | M05992-L3-J22 | EA DOOR - STRAIGHT CORNER/OGEE EDGE - 16.7" X 48" - W/O HDW (WATERFORD OAK)   |
| 3   | 122715-17-01A | EA DOOR - MOLDED VINYL - 16.7" X 48" - W/O HDW (WHITE GRANITE)                |
| 4   | M05971-L3-H17 | EA DRAWER - OGEE EDGE - 14.4"W X 17.7"D - W/O SLIDES/HARDWARE (WATERFORD OAK) |
| 4   | P10163-CX-H40 | EA DRAWER - SQUARE EDGE - 14.4"W X 17.7"D - W/O SLIDES/HDW (WHITE GRANITE)    |
| 5   | M06803-11-H17 | EA DOOR - MIRROR/MTRD CRNR/OGEE EDGE - 16" X 65.3" - W/O HDW (WATERFORD OAK)  |
| 5   | 122715-15-01A | EA DOOR - MOLDED VINYL - 16.1" X 65.3" - W/O HDW - WHITE GRANITE              |
|     | 042438-01-000 | EA DOWEL - WOOD - CLOTHES ROD - 1" DIAMETER X 4'                              |
|     | 009112-01-000 | EA FLANGE - 1" CLOTHES ROD - OFF WHITE PLASTIC                                |

## BATH GROUP (CONTINUED)

### BATH CABINETS, PRIVACY DOOR & SHOWER COMPONENTS

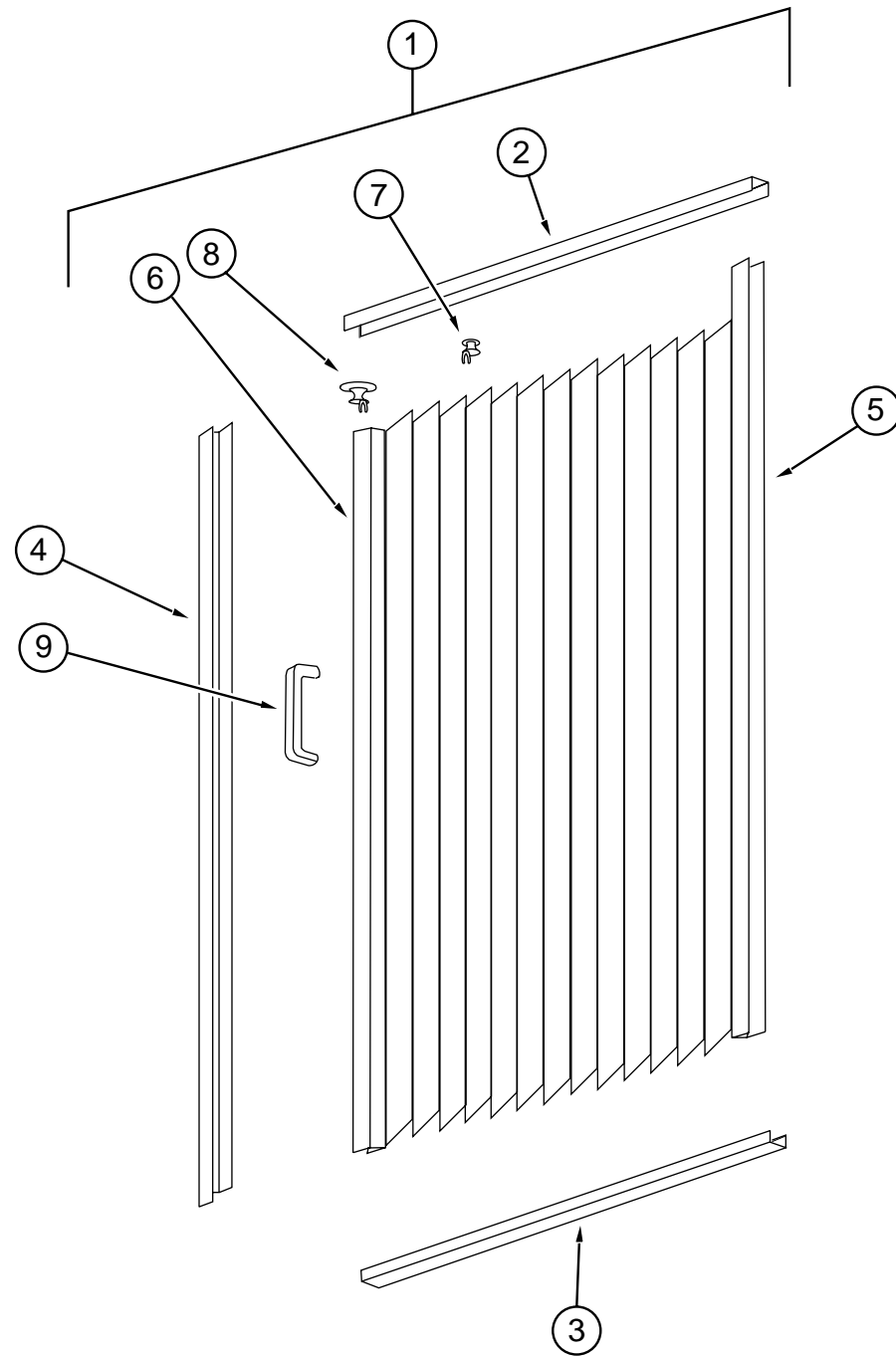


| KEY | PART NUMBER   | U/M | DESCRIPTION  |
|-----|---------------|-----|--|
| 1   | 116188-17-G35 | EA  | SHELF - W/PLASTIC EDGE TRIM (WATERFORD OAK)                                |
| 1   | 116188-17-H40 | EA  | SHELF - W/PLASTIC EDGE TRIM (WHITE GRANITE)                                |
| 2   | P16188-01-G15 | EA  | CABINET - MEDICINE - W/O DOORS/HARDWARE (WATERFORD OAK)                    |
| 2   | P16188-01-H40 | EA  | CABINET - MEDICINE - W/O DOORS/HARDWARE (WHITE GRANITE)                    |
| 3   | M05992-48-J22 | EA  | DOOR - STRAIGHT CORNER/OGEE EDGE - 15.7" X 27.9" - W/O HDW (WATERFORD OAK) |
| 3   | 122715-08-01A | EA  | DOOR - MOLDED VINYL - 15.7" X 27.9" - W/O HARDWARE (WHITE GRANITE)         |
| 4   | 058331-62-000 | EA  | MIRROR - SAFETY GLASS - 21.1" X 38.9"                                      |

| KEY | PART NUMBER   | U/M | DESCRIPTION   | VENDOR NO. |
|-----|---------------|-----|---|------------|
| 5   | 075454-02-000 | EA  | RING - TOWEL - W/MOUNTING HARDWARE - BRASS                                  |            |
| 6   | 075240-06-000 | EA  | FAUCET - LAVATORY/BONE  |            |
|     | 091253-01-000 | EA  | GASKET - FAUCET - LAVATORY/GALLEY   |            |
| 7   | 105921-01-01A | EA  | SINK - LAVATORY - LARGE/OVAL - 17" X 20" PLASTIC/OFF WHITE                  |            |
|     | 106116-01-01A | EA  | STRAINER - SINK - W/STOPPER/TAILPIECE/GASKET & NUT - PLASTIC                |            |
|     | 105218-01-01A | EA  | SPACER - FAUCET/LAVATORY SINK - 2" X 5.9" - ABS PLASTIC                     |            |
| 8   | 125087-02-J22 | EA  | CABINET - LAVATORY - W/COUNTERTOP - W/O DOORS/DRAWERS/HDW (J22)             |            |
| 8   | 125087-02-J23 | EA  | CABINET - LAVATORY - W/COUNTERTOP - W/O DOORS/DRAWERS/HDW (J23,J25,J27,J29) |            |
| 8   | 125087-02-J24 | EA  | CABINET - LAVATORY - W/COUNTERTOP - W/O DOORS/DRAWERS/HDW (J24)             |            |
| 8   | 125087-02-J26 | EA  | CABINET - LAVATORY - W/COUNTERTOP - W/O DOORS/DRAWERS/HDW (J26)             |            |
| 8   | 125087-02-J28 | EA  | CABINET - LAVATORY - W/COUNTERTOP - W/O DOORS/DRAWERS/HDW (J28)             |            |
|     | 125087-11-H17 | EA  | SHELF - W/EDGE MOLDING (UPPER) (WATERFORD OAK)                              |            |
|     | 125087-11-H40 | EA  | SHELF - W/EDGE MOLDING (UPPER) (WHITE GRANITE)                              |            |
|     | 125087-12-H17 | EA  | SHELF - W/EDGE MOLDING (LOWER) (WATERFORD OAK)                              |            |
|     | 125087-12-H40 | EA  | SHELF - W/EDGE MOLDING (LOWER) (WHITE GRANITE)                              |            |
| 9   | M05992-V7-J22 | EA  | DOOR - STRAIGHT CORNER/OGEE EDGE - 11" X 21.8" - W/O HDW (WATERFORD OAK)    |            |
| 9   | 122715-25-01A | EA  | DOOR - MOLDED VINYL - 11" X 21.8" - W/O HDW (WHITE GRANITE)                 |            |
| 10  | M05992-V8-J22 | EA  | DOOR - STRAIGHT CORNER/OGEE EDGE - 11" X 21.8" - W/O HDW (WATERFORD OAK)    |            |
| 10  | 122715-25-01A | EA  | DOOR - MOLDED VINYL - 11" X 21.8" - W/O HDW (WHITE GRANITE)                 |            |
| 11  | 125162-07-J22 | EA  | CABINET - HAMPER - W/O DOORS/HARDWARE (WATERFORD OAK)                       |            |
| 11  | 125162-09-J23 | EA  | CABINET - HAMPER - W/O DOORS/HARDWARE (WHITE GRANITE)                       |            |
| 12* | 085330-06-000 | EA  | TOILET - STANDARD CHINA W/SPRAYER - BONE                                    |            |
| 13  | 075452-02-000 | EA  | HOLDER - TOILET TISSUE - BRASS  |            |
| 14  | 075453-02-000 | EA  | BAR - TOWEL - 18" BRASS   |            |
| 15  | 125087-13-J22 | EA  | COUNTERTOP - LAVATORY (J22)   |            |
| 15  | 125087-13-J23 | EA  | COUNTERTOP - LAVATORY (J23,J25,J27,J29)                                     |            |
| 15  | 125087-13-J24 | EA  | COUNTERTOP - LAVATORY (J24)   |            |
| 15  | 125087-13-J26 | EA  | COUNTERTOP - LAVATORY (J26)   |            |
| 15  | 125087-13-J28 | EA  | COUNTERTOP - LAVATORY (J28)   |            |
| 16  | 116188-12-G35 | EA  | SHELF - W/PLASTIC EDGE TRIM (WATERFORD OAK)                                 |            |
| 16  | 116188-12-H40 | EA  | SHELF - W/PLASTIC EDGE TRIM (WHITE GRANITE)                                 |            |
| 17  | M05992-38-J22 | EA  | DOOR - STRAIGHT CORNER/OGEE EDGE - 12" X 18.7" - W/O HDW (WATERFORD OAK)    |            |
| 17  | 122715-32-01A | EA  | DOOR - MOLDED VINYL - 12" X 18.7" - W/O HDW (WHITE GRANITE)                 |            |
| 18  | 115612-01-01A | EA  | SURROUND - SHOWER - OFF WHITE   |            |
|     | 115793-01-01A | EA  | ANGLE - PLASTIC   |            |
| 19  | 103092-01-000 | EA  | SHOWER HEAD - W/60" HOSE - WHITE  |            |
| 19  | 103092-02-000 | EA  | SHOWER HEAD - W/60" HOSE - CSA  |            |
|     | 103092-01-700 | EA  | BRACKET - F/SHOWER HEAD - CLEAR   | 2328028    |
|     | 011048-03-700 | EA  | BRACKET - F/SHOWER HEAD   | 2328029-I  |
| 20  | 104462-02-01A | EA  | CADDY - SHOWER - OFF WHITE  |            |
| 21  | 075242-04-000 | EA  | FAUCET - TUB/SHOWER - BONE  |            |
|     | 075606-01-000 | EA  | PANEL - FAUCET BACK - SHOWER - 5" X 9" - PLASTIC                            |            |
| 22  | M02630-34-GV0 | EA  | SHOWER PAN - W/SPRING LOADED DRAIN PLUNGER                                  |            |

\* COMPONENT PARTS FOUND IN SERVICE PARTS LIBRARY

**BATH GROUP (CONTINUED)**



**SHOWER DOOR**

| KEY | PART NUMBER   | U/M DESCRIPTION                           |
|-----|---------------|---|
| 1   | 117431-03-01A | EA DOOR - SHOWER PLEATED FABRIC           |
| 2   | 117431-01-700 | EA TRACK - TOP - ALUM. IVORY INSERT - 48" |
| 3   | 117431-01-701 | EA TRACK - BOTTOM - 40 "                  |
| 4   | 117431-01-702 | EA RAIL - SIDE - 67"                      |
| 5   | 117431-01-703 | EA RAIL - STATIONARY - 67"                |
| 6   | 117431-01-704 | EA RAIL - LEAD - 67"                      |
| 7   | 117431-01-705 | EA GLIDE - IVORY - TRAVELER               |
| 8   | 117431-01-706 | EA GLIDE - IVORY LEAD - TRAVELER          |
| 9   | 117431-01-708 | EA HANDLES & SCREWS                       |
|     | 117431-01-707 | EA LATCH                                  |
|     | 117431-03-700 | EA STRAP - VINYL SHOWER                   |

**BATH GROUP (CONTINUED)**

**BATH DOOR**

| KEY | PART NUMBER   | U/M DESCRIPTION   |
|-----|---------------|---|
|     | 121449-09-J22 | EA DOOR - BATH (WATERFORD OAK)                            |
|     | 121449-09-H40 | EA DOOR - BATH (WHITE GRANITE)                            |
|     | 094485-03-01A | EA KNOB - BRASS   |
|     | 121449-12-G04 | EA RACK - TOWEL - BATH DOOR (WATERFORD OAK)               |
|     | 121449-12-H23 | EA RACK - TOWEL - BATH DOOR (WHITE GRANITE)               |
|     | 102089-13-G09 | EA RAIL END - RIGHT HAND/TOWEL RACK - 26" (WATERFORD OAK) |
|     | 102089-13-H40 | EA RAIL END - RIGHT HAND/TOWEL RACK - 26" (WHITE GRANITE) |
|     | 102089-14-G09 | EA RAIL END - LEFT HAND/TOWEL RACK - 26" (WATERFORD OAK)  |
|     | 102089-14-H40 | EA RAIL END - LEFT HAND/TOWEL RACK - 26" (WHITE GRANITE)  |
|     | 100357-01-000 | EA ROD - F/TOWEL BAR - BRASS                              |

**BATH/GALLEY SLIDING DOOR**

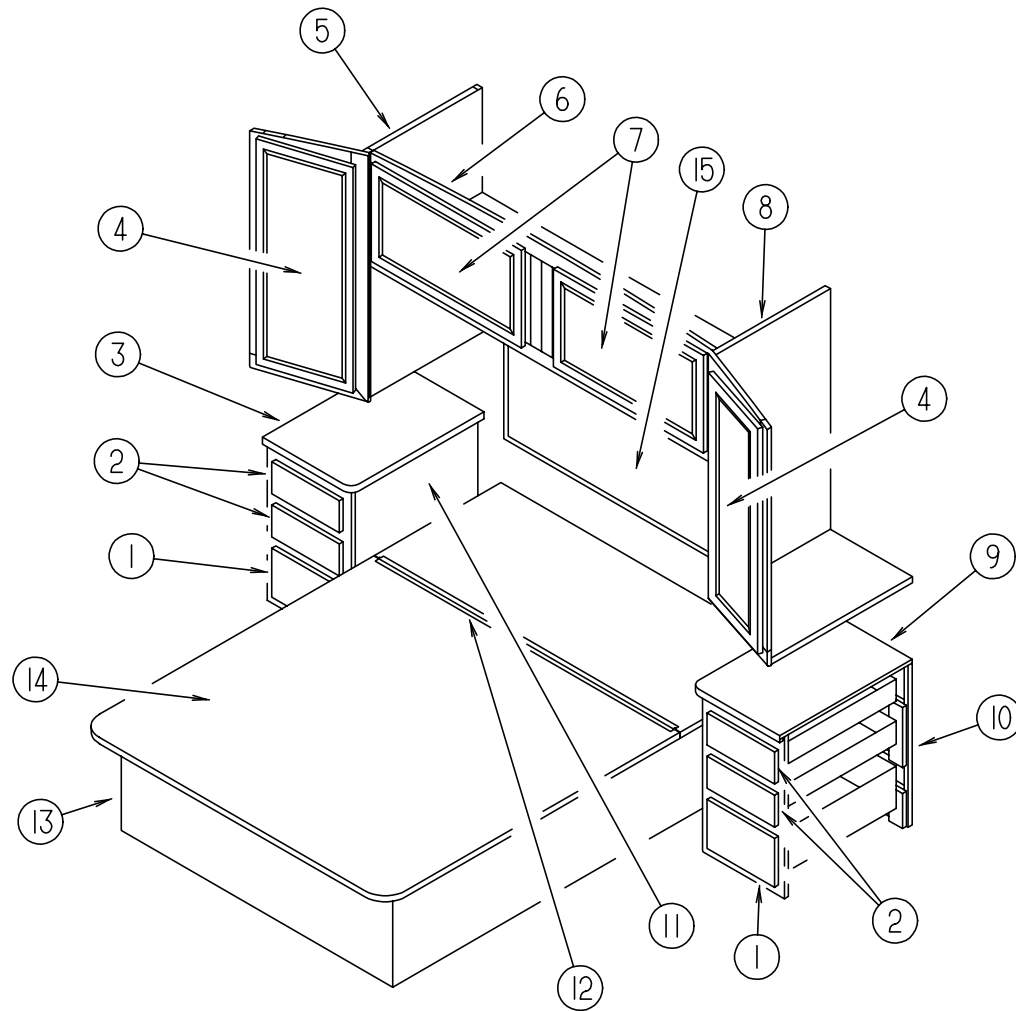
| KEY | PART NUMBER   | U/M DESCRIPTION                                  |
|-----|---------------|--|
|     | 104013-03-G15 | EA DOOR - SLIDING - W/O HARDWARE (WATERFORD OAK) |
|     | 104013-03-H40 | EA DOOR - SLIDING - W/O HARDWARE (WHITE GRANITE) |
|     | 103908-08-G15 | EA HEADER - DOOR - BATH/GALLEY (WATERFORD OAK)   |
|     | 103908-08-J23 | EA HEADER - DOOR - BATH/GALLEY (WHITE GRANITE)   |
|     | 103868-09-01A | EA TRACK - SLIDING DOOR - 64.3" - OFF WHITE      |
|     | 103874-01-000 | EA HANGER - SLIDING DOOR                         |
|     | 064467-01-000 | EA GUIDE - POCKET - SLIDING DOOR - WALL MOUNTED  |
|     | 098410-01-01A | EA PULL - FINGER - BRASS                         |

**BATH/BEDROOM PRIVACY DOOR**

| KEY | PART NUMBER   | U/M DESCRIPTION                                  |
|-----|---------------|--|
|     | M03866-04-G35 | EA DOOR - BI-FOLD - W/O HARDWARE (WATERFORD OAK) |
|     | M03866-04-H23 | EA DOOR - BI-FOLD - W/O HARDWARE (WHITE GRANITE) |
|     | 084451-01-000 | EA CATCH (BIFOLD DOOR) BRASS                     |
|     | 117978-01-01A | EA KNOB - DOOR - BRIGHT BRASS                    |
|     | 092652-01-000 | EA GUIDE WHEEL - DOOR TOP MOUNT                  |
|     | 102920-01-01A | EA HINGE - SPRING LOADED/BRASS                   |
|     | 103908-10-H17 | EA HEADER - DOOR (WATERFORD OAK)                 |
|     | 103908-10-H40 | EA HEADER - DOOR (WHITE GRANITE)                 |

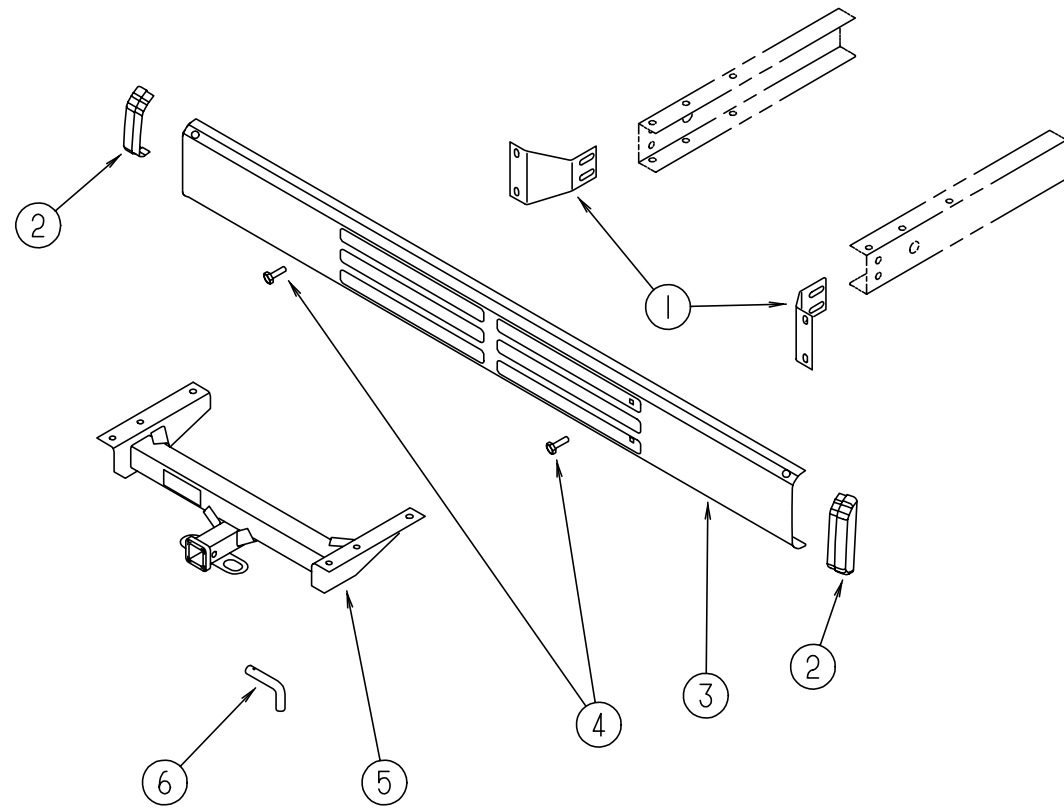
## BEDROOM GROUP

### QUEEN BEDROOM



| KEY | PART NUMBER   | U/M | DESCRIPTION  |
|-----|---------------|-----|--|
| 1   | M05971-W3-H17 | EA  | DRAWER - OGEE EDGE - 11.5"W X 21.6"D - W/O SLIDES/HARDWARE (WATERFORD OAK)       |
| 1   | P10163-CW-J23 | EA  | DRAWER - SQUARE EDGE - 11.5"W X 21.6"D - W/O SLIDES/HARDWARE (WHITE GRANITE)     |
| 2   | M05971-L5-H17 | EA  | DRAWER - OGEE EDGE - 11.5"W X 21.6"D - W/O SLIDES/HARDWARE (WATERFORD OAK)       |
| 2   | P10163-CV-J23 | EA  | DRAWER - SQUARE EDGE - 11.5"W X 21.6"D - W/O SLIDES/HDW (WHITE GRANITE)          |
| 3   | 116193-11-H37 | EA  | COUNTERTOP - NIGHTSTAND (J22)  |
| 3   | 116193-11-J23 | EA  | COUNTERTOP - NIGHTSTAND (J23,J25,J27,J29)  |
| 3   | 116193-11-J24 | EA  | COUNTERTOP - NIGHTSTAND (J24)  |
| 3   | 116193-11-F12 | EA  | COUNTERTOP - NIGHTSTAND (J26,J28)  |
| 4   | M06803-G1-H17 | EA  | DOOR - MIRROR/MTRD CRNR/OGEE EDGE - 14.4" X 36.4" - W/O HARDWARE (WATERFORD OAK) |
| 4   | 122715-34-01A | EA  | DOOR - MOLDED VINYL - 14.3" X 36.4" - W/O HARDWARE (WHITE GRANITE)               |
| 5   | 116142-01-J22 | EA  | CABINET - SHIRT CLOSET/RIGHT HAND - W/O DOOR/HARDWARE (WATERFORD OAK)            |
| 5   | 116142-01-J23 | EA  | CABINET - SHIRT CLOSET/RIGHT HAND- W/O DOOR/HARDWARE (WHITE GRANITE)             |
| 6   | 106523-01-G09 | EA  | CABINET - OVERHEAD/REAR - W/O DOORS/HARDWARE (WATERFORD OAK)                     |
| 6   | 106523-01-J23 | EA  | CABINET - OVERHEAD/REAR - W/O DOORS/HARDWARE (WHITE GRANITE)                     |
| 7   | M05992-48-J22 | EA  | DOOR - STRAIGHT CORNER/OGEE EDGE - 15.7" X 27.9" - W/O HDW (WATERFORD OAK)       |
| 7   | 122715-08-01A | EA  | DOOR - MOLDED VINYL - 15.7" X 27.9" - W/O HARDWARE (WHITE GRANITE)               |
| 8   | 116142-02-J22 | EA  | CABINET - SHIRT CLOSET/LEFT HAND - W/O DOOR/HARDWARE (WATERFORD OAK)             |
| 8   | 116142-02-J23 | EA  | CABINET - SHIRT CLOSET/LEFT HAND - W/O DOOR/HARDWARE (WHITE GRANITE)             |
| 9   | 116193-12-H37 | EA  | COUNTERTOP - NIGHTSTAND (J22)  |
| 9   | 116193-12-J23 | EA  | COUNTERTOP - NIGHTSTAND (J23,J25,J27,J29)  |
| 9   | 116193-12-J24 | EA  | COUNTERTOP - NIGHTSTAND (J24)  |
| 9   | 116193-12-F12 | EA  | COUNTERTOP - NIGHTSTAND (J26,J28)  |
| 10  | 116193-01-J97 | EA  | CABINET/NIGHTSTAND/RH - W/COUNTERTOP - W/O DOORS/DWRS/HDW (J22)                  |
| 10  | 116193-01-J23 | EA  | CABINET/NIGHTSTAND/RH - W/COUNTERTOP - W/O DOORS/DWRS/HDW (J23,J25,J27,J29)      |
| 10  | 116193-01-J24 | EA  | CABINET/NIGHTSTAND/RH - W/COUNTERTOP - W/O DOORS/DWRS/HDW (J24)                  |
| 10  | 116193-01-G15 | EA  | CABINET/NIGHTSTAND/RH - W/COUNTERTOP - W/O DOORS/DWRS/HDW (J26,J28)              |
| 11  | 116193-02-J97 | EA  | CABINET/NIGHTSTAND/LH - W/COUNTERTOP - W/O DOORS/DWRS/HDW (J22)                  |
| 11  | 116193-02-J23 | EA  | CABINET/NIGHTSTAND/LH - W/COUNTERTOP - W/O DOORS/DWRS/HDW (J23,J25,J27,J29)      |
| 11  | 116193-02-J24 | EA  | CABINET/NIGHTSTAND/LH - W/COUNTERTOP - W/O DOORS/DWRS/HDW (J24)                  |
| 11  | 116193-02-G15 | EA  | CABINET/NIGHTSTAND/LH - W/COUNTERTOP - W/O DOORS/DWRS/HDW (J26,J28)              |
| 12  | 041389-25-000 | EA  | HINGE - PIANO - 1.50" X 55"  |
| 13  | P16341-01-G15 | EA  | CABINET - BASE/QUEEN BED (WATERFORD OAK)   |
| 13  | P16341-01-J23 | EA  | CABINET - BASE/QUEEN BED (WHITE GRANITE)   |
| 14  | M07465-02-F11 | EA  | TOP - QUEEN BED - W/O HARDWARE   |
| 15  | 058331-93-000 | EA  | MIRROR - SAFETY GLASS - 27.6" X 63"  |
|     | 127712-01-J22 | EA  | HEADBOARD - CHRISTINA (J22)  |
|     | 127712-01-J23 | EA  | HEADBOARD - CHRISTINA (J23)  |
|     | 127712-01-J24 | EA  | HEADBOARD - CHRISTINA (J24,J25)  |
|     | 127712-01-J26 | EA  | HEADBOARD - CHRISTINA (J26,J27)  |
|     | 127712-01-J29 | EA  | HEADBOARD - CHRISTINA (J28,J29)  |
|     | 109645-02-000 | EA  | BRACKET - FLOOR SUPPORT  |
|     | 057460-02-000 | EA  | STUD BALL - GAS SPRING - .39" - 5/16"-18   |
|     | 057460-04-000 | EA  | SPRING - GAS - BALL STUD STYLE END   |
|     | 089025-01-000 | EA  | SUPPORT-SPRING- TO BED - ANGLE 1.5" X 11.8" LONG - STEEL                         |
|     | 097872-04-000 | EA  | DOWEL - WOOD - 1" DIAMETER X 1.38" LONG  |
|     | 107796-05-000 | EA  | BRACKET - GAS SPRING - FLAT  |
|     | 091952-01-000 | EA  | CLIP - GRIPPER - 1"  |

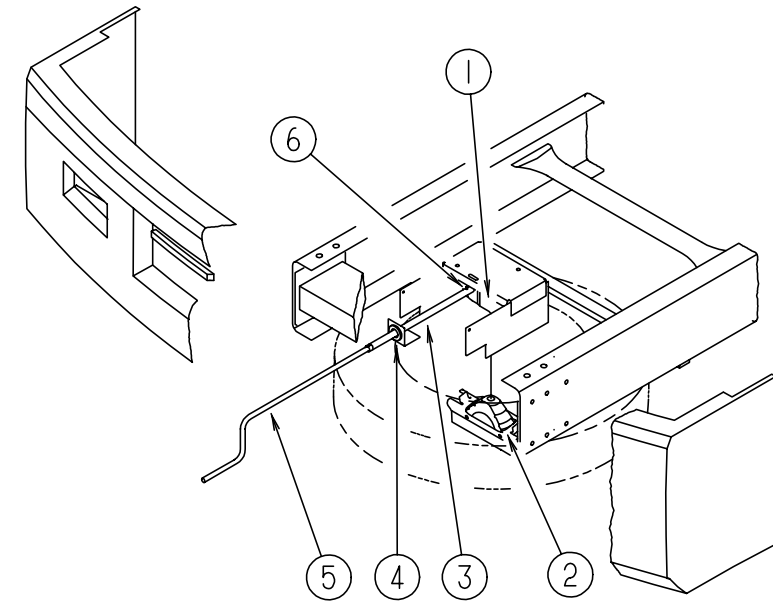
## CHASSIS GROUP



## REAR BUMPER & COMPONENTS

| KEY | PART NUMBER   | U/M | DESCRIPTION                                   |
|-----|---------------|-----|---|
| 1   | 116357-01-02B | EA  | ANGLE - SUPPORT - REAR BUMPER                 |
| 2   | 103228-01-05A | EA  | END CAP - REAR BUMPER - DRIVER/PASSENGER SIDE |
| 3   | 103099-12-02A | EA  | BUMPER - REAR - BRIGHT WHITE                  |
| 4   | 102333-01-05A | EA  | BOLT - 7/16"                                  |
| 5   | 107707-04-000 | EA  | HITCH RECEIVER - BOLT-ON CLASS II             |
| 6   | 034512-01-000 | EA  | PIN - LOCKING - DRAWBAR                       |
|     | 113589-01-000 | EA  | CONNECTOR - PLUG - TRAILER                    |
|     | 113589-02-000 | EA  | CONNECTOR - SOCKET - TRAILER                  |
|     | 113588-02-01B | EA  | BRACKET - CONNECTOR - TRAILER W/O LIP         |
|     | 110277-02-000 | EA  | STRAP   |

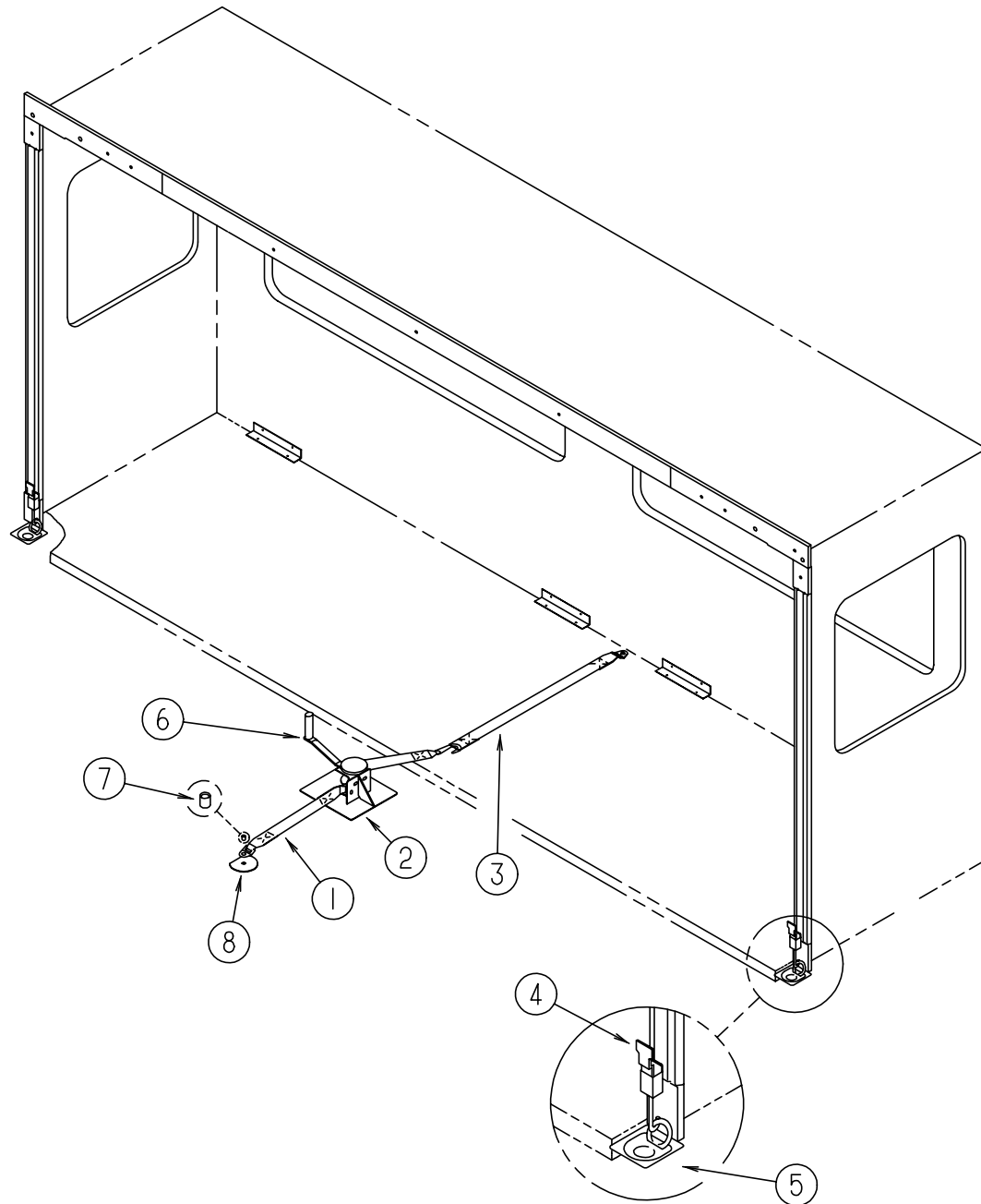
## CHASSIS GROUP (CONTINUED)



## SPARE TIRE & HOIST

| KEY | PART NUMBER   | U/M | DESCRIPTION                           |
|-----|---------------|-----|---------------------------------------|
| 1   | 120877-01-000 | EA  | HOIST - SPARE TIRE - #400 LB          |
| 2   | 120752-01-02B | EA  | SUPPORT - SPARE TIRE                  |
| 3   | 093375-17-000 | EA  | EXTENSION - TIRE HOIST                |
| 4   | 071015-11-000 | EA  | GROMMET - 1.00 ID - FITS .12 MATERIAL |
| 5   | 093376-04-000 | EA  | HANDLE - CRANK - TIRE HOIST           |
| 6   | 113007-04-000 | EA  | PIN - SPRING - .007 X 1.25"           |
|     | 051377-01-000 | EA  | VALVE STEM                            |
|     | 091673-01-000 | EA  | TIRE - 225.70 R19.5 LRF - XZA         |
|     | 080208-04-000 | EA  | WRENCH - LUG - 30MM (1 3/16")         |
|     | 080208-05-000 | EA  | BAR - LEVERAGE - LUG WRENCH 3/4D      |

## CHASSIS GROUP (CONTINUED)



### SLIDEOUT HARDWARE

| KEY | PART NUMBER   | U/M DESCRIPTION                               |
|-----|---------------|---|
| 1   | 116101-01-F31 | EA STRAP - WINCH                              |
| 2   | 116082-01-02B | EA BRACKET - WINCH                            |
| 3   | 116101-02-F31 | EA STRAP - WINCH                              |
| 4   | 116737-01-01A | EA LATCH - DRAW - ADJUSTABLE - ZINC           |
| 5   | 116736-01-01A | EA TIEDOWN - DROP/D - ZINC                    |
| 6   | 115767-02-000 | EA WINCH - SLIDEOUT                           |
| 7   | 116743-01-01A | EA CAP - LUG COVER - THREAD PROTECTOR - BLACK |
| 8   | 057759-01-000 | EA WASHER BRACKET - SEAT BELT - 4" DIAMETER   |
| 8   | 064081-03-000 | EA NUT - WING 3/8-16 - W/WELD NUT             |
|     | 077298-55-003 | EA EXTRUSION - TUBE - .275"                   |

## CHASSIS GROUP (CONTINUED)

### HYDRAULIC SLIDEOUT SYSTEM

| KEY | PART NUMBER   | U/M DESCRIPTION                       | VENDOR NO. |
|-----|---------------|---------------------------------------|------------|
|     | 115767-05-000 | EA SLIDEOUT - HYDRAULIC               |            |
|     | 115767-01-701 | EA CYLINDER-HYD. SLIDE OUT (RAM)      | RAP90007   |
|     | 115767-01-702 | EA HOSE-HYD., 17" F/SLIDE OUT         | RAP90003   |
|     | 115767-01-703 | EA HOSE-HYD., 90" F/SLIDE OUT         | RAP90001   |
|     | 115767-01-704 | EA HOSE-HYD., 146" F/SLIDE OUT        | RAP90004   |
|     | 115767-01-705 | EA HOSE-HYD., 60" F/SLIDE OUT         | RAP4073    |
|     | 115767-01-706 | EA VALVE-SENSOR, F/SLIDE OUT          | RAP90012   |
|     | 115767-01-707 | EA GUIDE-OUTER HOSE                   | RAP90008   |
|     | 115767-01-708 | EA GUIDE-INNER HOSE                   | RAP90009   |
|     | 121665-02-000 | EA SHIM - 1/16 THICK - SLIDE OUT ROOM |            |
|     | 121665-03-000 | EA SHIM - 1/8 THICK                   |            |
|     | 115105-05-01B | EA BRACKET - SLIDEOUT                 |            |
|     | 115105-06-02B | EA BRACKET - SLIDEOUT                 |            |
|     | 116735-02-01B | EA BRACKET - CONTROL VALVE - SLIDEOUT |            |

### WHEEL LINERS - 19.5"

| KEY | PART NUMBER   | U/M DESCRIPTION                  | VENDOR NO. |
|-----|---------------|----------------------------------|------------|
|     | 110435-12-000 | EA LINER - WHEEL - SET/4 - 19.5" |            |
|     | 110435-05-700 | EA CAP - CENTER - POP - OUT      | V22510-POC |
|     | 110435-05-711 | EA COVER - LUG NUT               | V22506-LNC |
|     | 110435-05-712 | EA TOOL INSTALLATION             | V22506-TOL |
|     | 110435-12-700 | EA WHEEL LINER - FRONT WHEEL     | V19580-FWC |
|     | 110435-12-701 | EA WHEEL LINER - REAR WHEEL      | V19580-RWC |
|     | 110435-12-702 | EA JAM NUT - 20MM                | V19580-JNT |

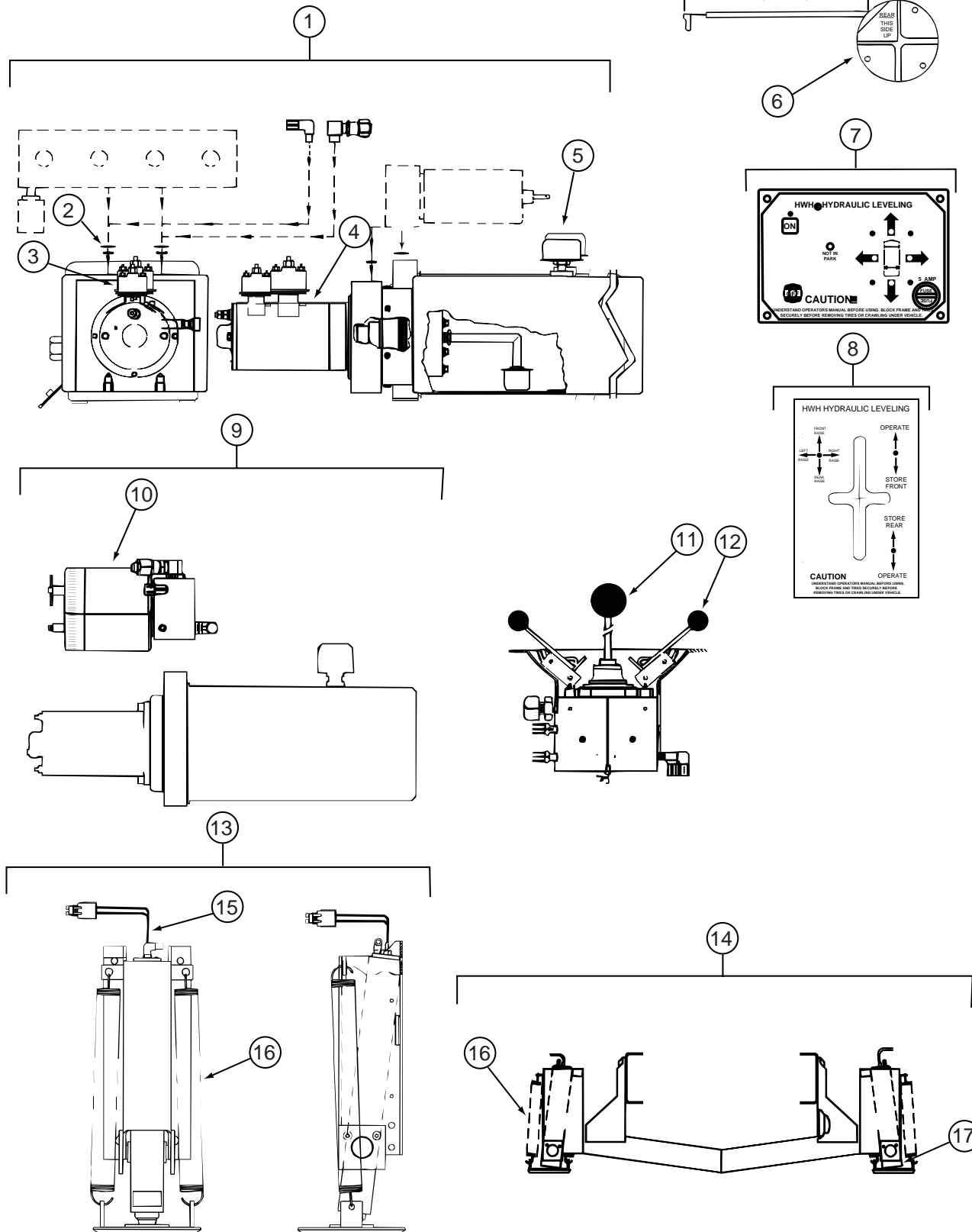
### EXHAUST SYSTEM PARTS

| KEY | PART NUMBER   | U/M DESCRIPTION            |
|-----|---------------|----------------------------|
|     | 053322-22-000 | EA SHIELD - HEAT - EXHAUST |



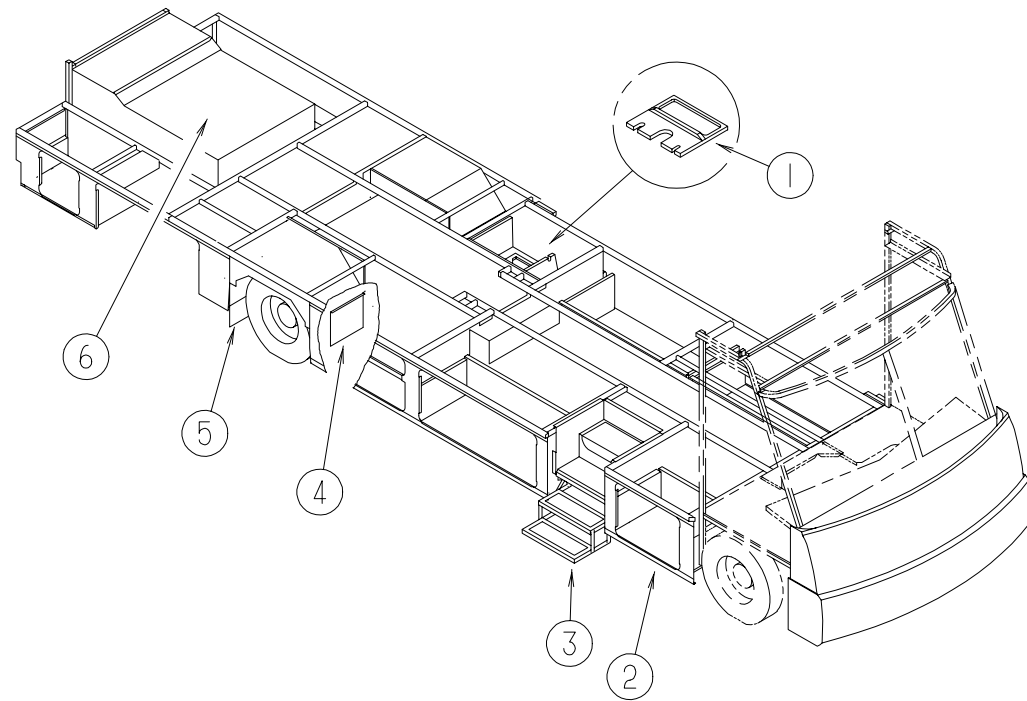
# CHASSIS GROUP (CONTINUED)

## HWH HYDRAULIC LEVELING SYSTEM



| KEY | PART NUMBER   | U/M | DESCRIPTION  | VENDOR NO. |
|-----|---------------|-----|--|------------|
|     | 100532-16-000 | EA  | LEVELING SYSTEM - HYDRAULIC - USED W/SLIDEOUT SYSTEM |            |
| 1   | 100532-12-701 | EA  | PUMP & MOTOR W/TANK 1.7                              | RAP0588    |
| 2   | 100532-03-723 | EA  | O-RING/SEAL KIT                                      | RAP9171    |
| 3   | 100532-09-710 | EA  | SOLENOID - INTERMITTENT DUTY                         | RAP0533    |
| 4   | 115767-01-700 | EA  | MOTOR F/PUMP   | RAP0640    |
| 5   | 100532-03-715 | EA  | CAP - BREATHER W/DIPSTICK                            | RAP7876    |
| 6   | 100532-03-710 | EA  | SENSING UNIT 21' MTA                                 | RAP6798    |
| 7   | 100532-08-703 | EA  | PANEL ASM. - 200 BI-AXIS SYS.                        | RAP9755    |
| 8   | 100532-08-707 | EA  | BEZEL W/GASKET - F/SYSTEM 200                        | RAP9592    |
| 9   | 100532-16-701 | EA  | MANIFOLD ASM. F/SLIDE OUT                            | RAP1716    |
| 10  | 100532-09-704 | EA  | VALVE-PRESSURE SOLENOID                              | RAP0642    |
| 11  | 100532-08-706 | EA  | KNOB-1 3/16" BLACK                                   | RAP9734    |
| 12  | 100532-08-705 | EA  | KNOB-3/4" BLACK - SET OF FOUR                        | RAP1379    |
| 13  | 100532-16-700 | EA  | JACK ASM. 6K - STATIONARY                            | RAP0468    |
| 14  | 100532-16-702 | EA  | JACK ASM. - 12K                                      | RAP0453    |
| 15  | 100532-12-706 | EA  | SWITCH - WARNING/MAGNETIC                            | RAP1008    |
| 16  | 100532-12-707 | EA  | SPRING KIT   | R3847      |
| 17  | 100532-16-703 | EA  | CYLINDER ASSEMBLY - 12K                              | RAP0040    |
|     | 100532-01-714 | EA  | SCREW KIT (LEVELING JACKS)                           | R1280      |
|     | 100532-08-702 | EA  | VALVE - BI-AXIS                                      | RAP9589    |
|     | 100534-16-000 | EA  | BRACKETS-REAR,LEVELING JACKS - HWH AP10858           |            |
|     | 100536-25-000 | EA  | HOSE KIT - LEVELING JACKS                            |            |
|     | 100536-09-701 | EA  | HOSE-HYDRAULIC-60"                                   | RAP4073    |
|     | 100536-10-700 | EA  | HOSE-HYDRAULIC-84"                                   | RAP1412    |
|     | 100536-25-700 | EA  | HOSE-HYDRAULIC-306"                                  | RAP4904    |
|     | 100536-25-701 | EA  | HOSE-HYDRAULIC-312"                                  | RAP5216    |
|     | 100536-27-000 | EA  | HOSE KIT-SLIDEOUT - HWH AP2072                       |            |
|     | 100536-09-700 | EA  | HOSE-HYDRAULIC-324"                                  | AP2464     |
|     | 100536-27-700 | EA  | HOSE-HYDRAULIC-332"                                  | RAP8985    |
|     | 107890-01-000 | EA  | ELBOW - STEEL - 90 D - 1/4 X 37 D - FLARE            |            |
|     | 117183-01-02B | EA  | COVER - SENSOR - LEVELING                            |            |

## CHASSIS GROUP (CONTINUED)

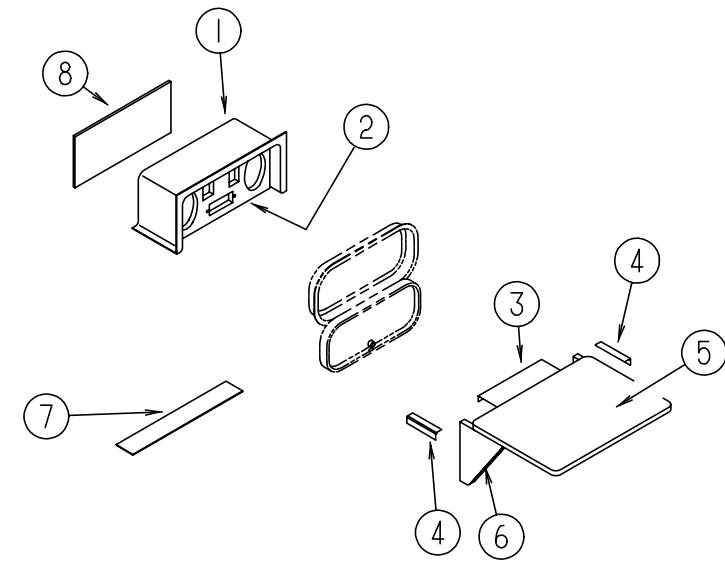


### COMPARTMENTS & TRAYS

| KEY | PART NUMBER   | U/M | DESCRIPTION                                 |
|-----|---------------|-----|---|
| 1   | M06991-05-G38 | EA  | HATCH - W/FOAM                              |
|     | 121175-01-01A | EA  | LATCH - SWELL - BLACK                       |
|     | 105718-03-000 | EA  | SUPPORT                                     |
| 2   | 120867-01-02B | EA  | MOUNT - LP TANK                             |
| 3*  | 094707-01-01A | EA  | STEP - DOUBLE - ELECTRIC - KWIKEE           |
|     | 104452-03-000 | EA  | SUPPORT - STEP                              |
| 4   | 020167-05-000 | EA  | DIRT GUARD - STEEL - 14.9" LONG             |
| 5   | 020167-08-000 | EA  | DIRT GUARD - STEEL - 13.6" LONG             |
|     | 017516-05-000 | EA  | MUD FLAP                                    |
| 6   | 072877-03-000 | EA  | INSULATION - SOUND BARRIER - 1" X 36" X 57" |
|     | 065450-05-000 | EA  | TIEDOWN - BATTERY - 8.4" TUBE               |
|     | 061420-10-000 | EA  | PLUG/PLASTIC - 1.50" DIAMETER - BLACK       |
|     | 119845-01-01A | EA  | PLUG - PLASTIC - BLACK                      |

\* COMPONENT PARTS FOUND IN SERVICE PARTS LIBRARY

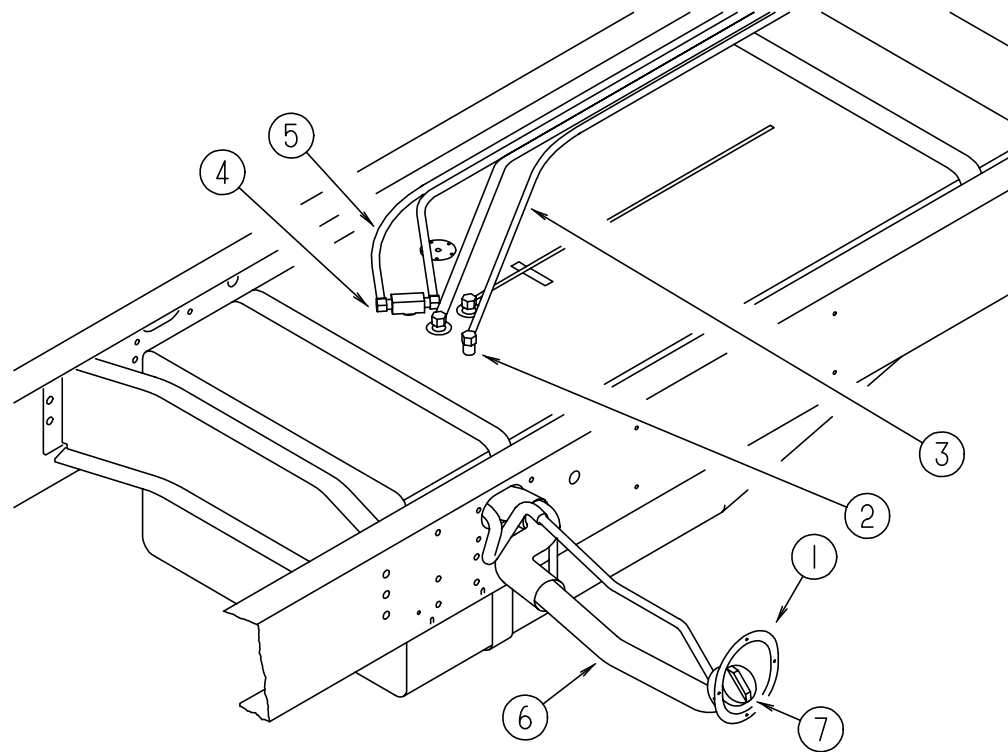
## CHASSIS GROUP (CONTINUED)



### COMPARTMENT (ENTERTAINMENT CENTER)

| KEY | PART NUMBER   | U/M | DESCRIPTION  |
|-----|---------------|-----|--|
| 1   | 124696-01-01A | EA  | BOX - ENTERTAINMENT CENTER                           |
| 2   | 104899-03-H17 | EA  | PLATE - RADIO MOUNTING                               |
| 3   | 105377-01-04A | EA  | BRACKET - TABLE HANGER - BRIGHT WHITE                |
| 4   | 105376-01-03A | EA  | HINGE - CONTINUOUS - 2" X 5.5" - BRIGHT WHITE        |
| 5   | 105230-11-J01 | EA  | SHELF - EXTERIOR ENTERTAINMENT CENTER - W/O HARDWARE |
| 6   | 105230-12-J01 | EA  | SUPPORT - EXTERIOR SHELF                             |
| 7   | 104898-01-02A | EA  | PLATE - PLASTIC BOTTOM - BRIGHT WHITE                |
| 8   | 104898-02-02A | EA  | PLATE - PLASTIC BACK - BRIGHT WHITE                  |

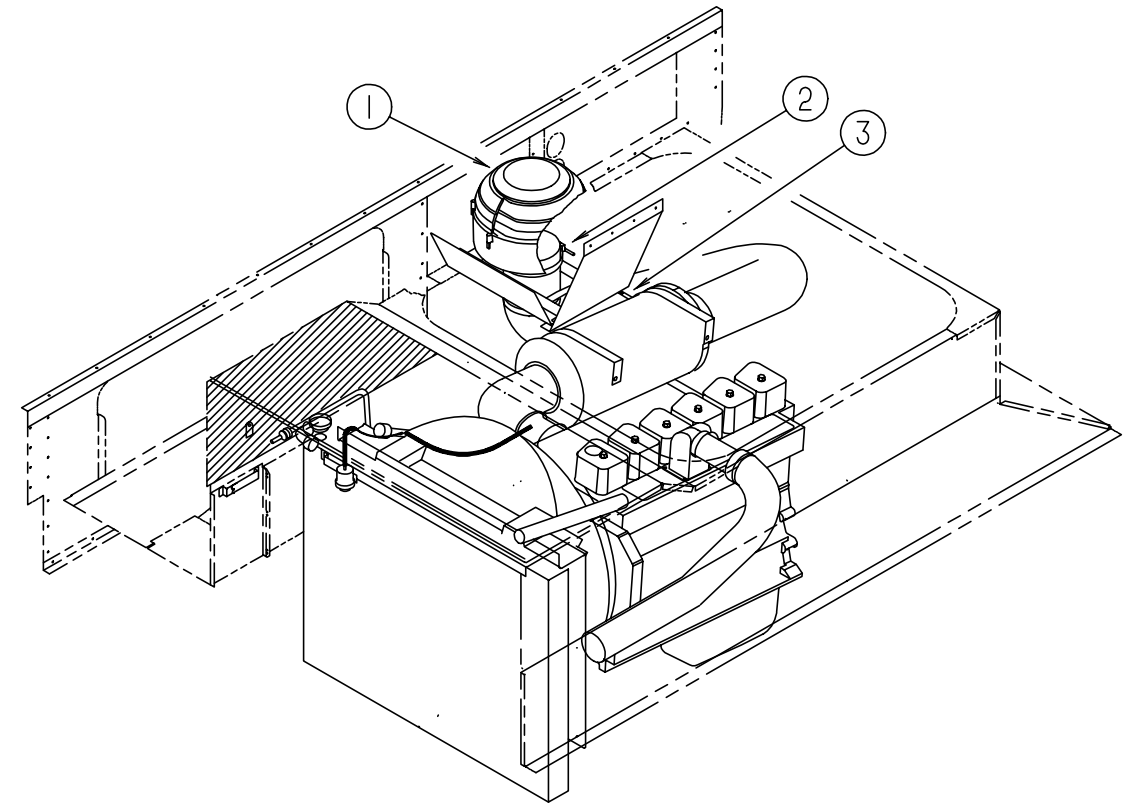
### CHASSIS GROUP (CONTINUED)



**FUEL SYSTEM**

| KEY | PART NUMBER   | U/M | DESCRIPTION                          |
|-----|---------------|-----|--------------------------------------|
| 1   | 095854-01-04A | EA  | SHROUD - FUEL FILL - BRIGHT WHITE    |
|     | 078200-01-000 | EA  | GASKET - FUEL FILL - 3.5"OD X 2"ID   |
| 2   | 114253-01-000 | EA  | ELBOW - 1/4 SINGLE BARB X 1/8 MPT    |
| 2   | 068382-06-000 | EA  | BUSHING - BRASS - 3/8 MPT X 1/8 FPT  |
| 3   | 007063-01-000 | FT  | HOSE - FUEL - 1/4"ID X 1/2"OD        |
| 4   | 114253-02-000 | EA  | ELBOW - 5/16 SINGLE BARB X 1/4 MPT   |
| 5   | 024138-01-000 | FT  | HOSE - FUEL - 5/16" ID               |
| 6   | 117336-01-000 | EA  | NECK ASSEMBLY - FUEL FILL            |
| 7   | 073220-03-000 | EA  | CAP - FUEL FILL - NON LOCK - DIESEL  |
|     | 114254-02-000 | EA  | ADAPTER - 5/16 SINGLE BARB X 1/8 MPT |
|     | 114254-01-000 | EA  | ADAPTER - 1/4 BARB X 1/8 MPT         |
|     | 084884-01-000 | EA  | PLUG - BRASS - 3/8"                  |

### CHASSIS GROUP (CONTINUED)



**PRECLEANER & AIR FILTER**

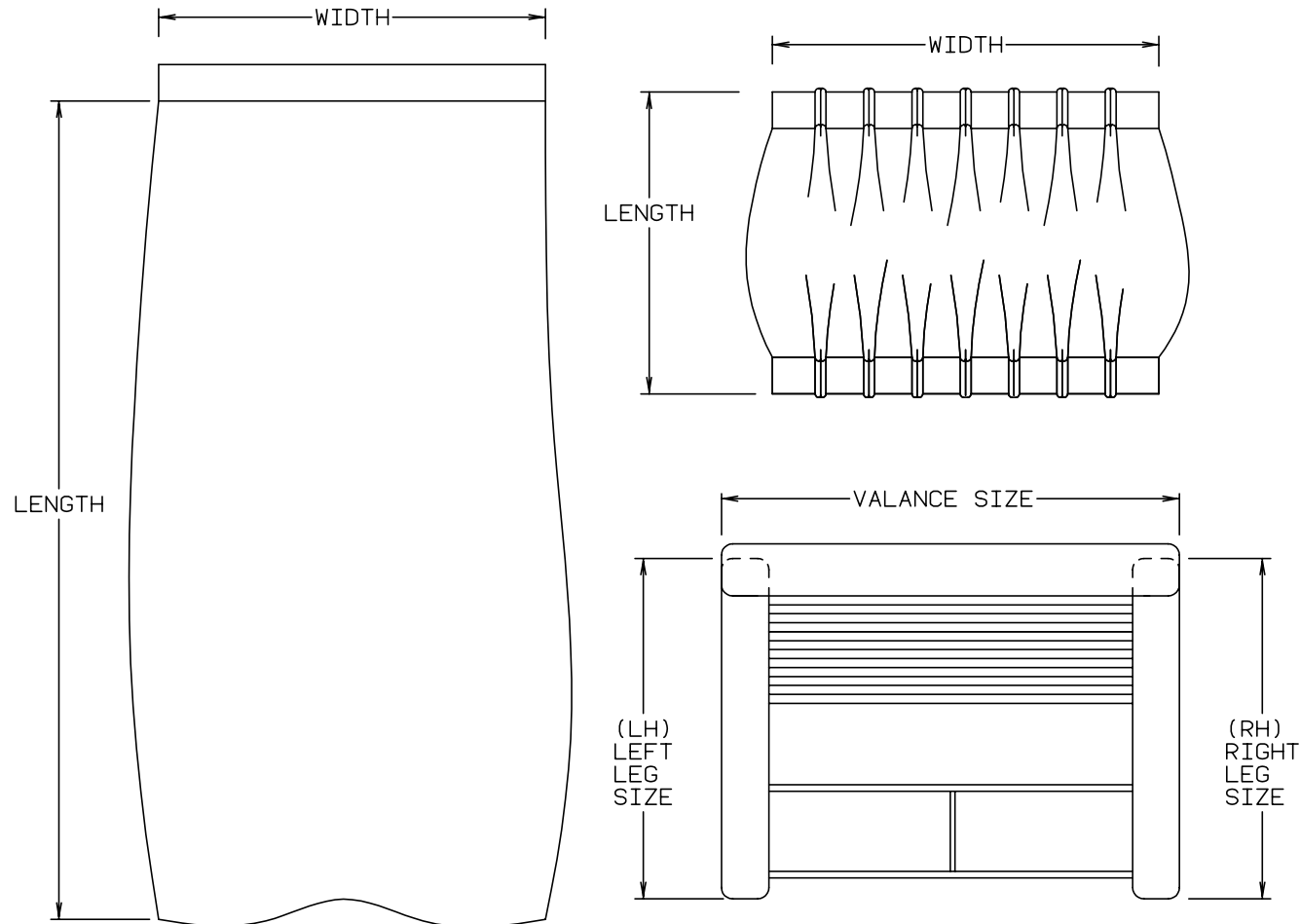
| KEY | PART NUMBER   | U/M | DESCRIPTION   |
|-----|---------------|-----|---|
| 1   | 124856-01-000 | EA  | PRE-CLEANER - ENGINE AIR INTAKE                           |
| 2   | 125083-01-01A | EA  | CLAMP - T BOLT  |
| 3   | 099856-09-000 | EA  | TIEDOWN - STRAP - 1" X 29.1" WEBBING W/3" OVERLAP - BLACK |

## CURTAIN & CUSHION GROUP

### NOTICE

IN ORDER TO ASSIST OUR PARTS SALES DEPT. IN PROVIDING INTERIOR SOFTGOODS ITEMS, PLEASE INCLUDE THE SERIAL NUMBER AND THE COLOR CODE NUMBER FROM THE VEHICLE CERTIFICATION LABEL WHEN ORDERING. THIS LABEL IS LOCATED ON THE LEFT SIDEWALL AT THE END OF THE DASH (A-BODY), OR ON THE DRIVER'S DOOR LATCH PLATE (C-BODY).

AN EXAMPLE OF A COLOR CODE NUMBER IS B07, WHICH DESIGNATES AN OVERALL COLOR SCHEME OF A PARTICULAR UNIT. THE COLOR LISTED AFTER THE ITEM DESCRIPTION ON THE MICROFICHE, INDICATES THE OVERALL UNIT COLOR. ORDER THE ITEM YOU DESIRE ACCORDING TO UNIT COLOR CODE.



NOTE: USE THIS ILLUSTRATION WHEN DETERMINING LENGTH AND WIDTH MEASUREMENTS FOR CURTAINS. YOU WILL NOTE THE WIDTH MEASUREMENT IS TAKEN ON THE TOP OF THE CURTAIN WITH THE CURTAIN FULLY EXTENDED. THE LENGTH MEASUREMENT IS TAKEN FROM TOP TO BOTTOM. LEFT AND RIGHT WINDOW LEGS ARE DETERMINED WHEN FACING THE WINDOW.

## CURTAIN & CUSHION GROUP (CONTINUED)

### ASSIST HANDLE, SEAT BELTS & BUTTONS

| KEY | PART NUMBER   | U/M | DESCRIPTION   |
|-----|---------------|-----|---|
|     | 069178-02-000 | EA  | BRACKET - MOUNTING/ASSIST HANDLE - GRAY                 |
|     | 000C16-07-16B | EA  | BOLT - CARRIAGE - ASSIST HANDLE - 7/16" - 14 X 1"       |
|     | 000D20-07-00B | EA  | NUT - ACORN - ASSIST HANDLE - 7/16 - 14                 |
|     | 053552-02-AA8 | EA  | HANDLE - ASSIST - INTERIOR/ENTRY DOOR - VINYL/OFF WHITE |
|     | 070578-02-J22 | EA  | BUTTON - #30 - VINYL                                    |
|     | 079349-08-J22 | YD  | WELT - VINYL  |
|     | 084415-81-000 | YD  | TRIM - BRAID (J22,J23)                                  |
|     | 084415-98-000 | YD  | TRIM - BRAID (J24,J25)                                  |
|     | 084415-97-000 | YD  | TRIM - BRAID (J26,J27)                                  |
|     | 084415-91-000 | YD  | TRIM - BRAID (J28,J29)                                  |
|     | 079349-04-J22 | YD  | WELT - NARROW (J22,J23)                                 |
|     | 079349-04-J06 | YD  | WELT - NARROW (J24,J25)                                 |
|     | 079349-04-H17 | YD  | WELT - NARROW (J26,J27)                                 |
|     | 079349-04-J50 | YD  | WELT - NARROW (J28,J29)                                 |
|     | 007021-01-000 | EA  | SEAT BELT - 2" X 90" - BLACK                            |
|     | 056271-01-000 | EA  | BELT - SEAT - 2" X 102" - BLACK                         |
|     | 057759-01-000 | EA  | WASHER BRACKET - SEAT BELT - 4" DIAMETER                |

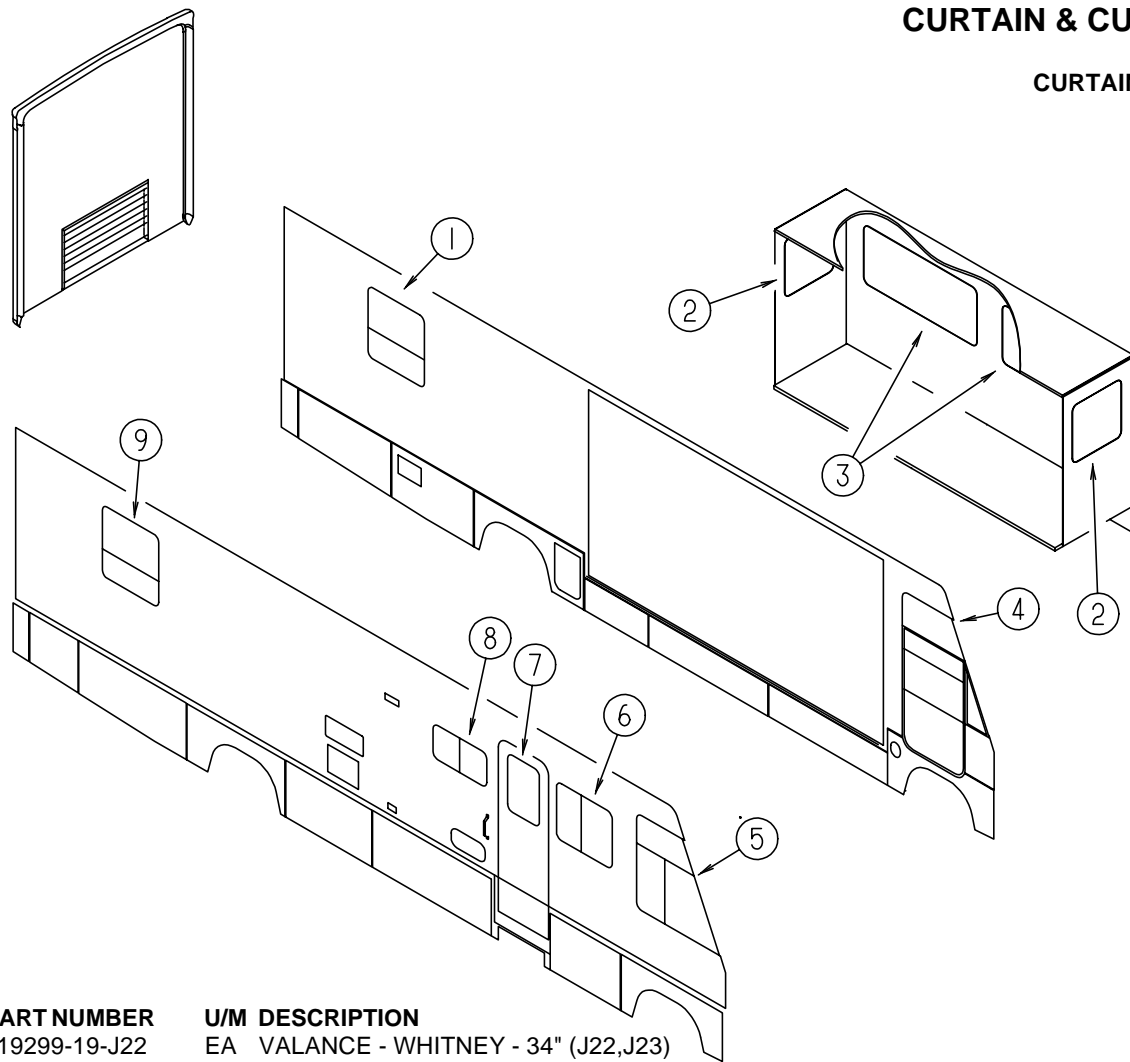
**CURTAIN & CUSHION GROUP (CONTINUED)**

| <b>ADVENTURER FABRICS</b>   |   |   |   |   |
|---|---|---|---|---|
| <b>COLOR CODES</b>  | <b>J22, J23</b>                                 | <b>J24, J25</b>                                 | <b>J26, J27</b>                                 | <b>J28, J29</b>                                 |
| <b>MARKETING COLORS</b>   | <b>MADISON (BLUE)</b>                           | <b>MINK (TAUPE)</b>                             | <b>PICASSO (NEUTRAL)</b>                        | <b>SILVERSAGE (GREEN)</b>                       |
| <b>MAIN<br/>PLAIN ACCENT<br/>PATTERN ACCENT</b>                   | 108446-U3-000<br>108446-W6-000<br>108446-X3-000 | 108446-S3-000<br>108446-S6-000<br>108446-T4-000 | 108446-U2-000<br>108446-G0-000<br>108446-T5-000 | 108446-W5-000<br>108446-W4-000<br>108446-U8-000 |
| <b>BUCKET SEAT</b>  | 108446-X3-000                                   | 108446-T4-000                                   | 108446-T5-000                                   | 108446-U8-000                                   |
| <b>DINETTE</b>  | 108446-U4-000                                   | 108446-S3-000                                   | 108446-U2-000                                   | 108446-W5-000                                   |
| <b>DINETTE PAD</b>  | 108446-X3-000                                   | 108446-T4-000                                   | 108446-T5-000                                   | 108446-U8-000                                   |
| <b>DINETTE<br/>SWIVEL CHAIR</b>                                   | 108446-X3-000                                   | 108446-T4-000                                   | 108446-T5-000                                   | 108446-U8-000                                   |
| <b>SOFA</b>   | 108446-U3-000                                   | 108446-S3-000                                   | 108446-U2-000                                   | 108446-W5-000                                   |
| <b>RECLINER CHAIR</b>   | 108446-X3-000                                   | 108446-T4-000                                   | 108446-T5-000                                   | 108446-U8-000                                   |
| <b>LOUNGE WINDOW<br/>VALANCE</b>                                  | 108446-U3-000                                   | 108446-S3-000                                   | 108446-U2-000                                   | 108446-W5-000                                   |
| <b>LOUNGE WINDOW<br/>LEGS</b>                                     | 108446-X3-000                                   | 108446-T4-000                                   | 108446-T5-000                                   | 108446-U8-000                                   |
| <b>BEDSPREAD MAIN<br/>BEDSPREAD<br/>ACCENT<br/>BEDSPREAD TRIM</b> | 105745-H2-000<br>105745-E3-000<br>084415-81-000 | 105745-G5-000<br>105745-B5-000<br>084415-98-000 | 105745-H3-000<br>105745-E7-000<br>084415-97-000 | 105745-H6-000<br>105745-E7-000<br>084415-91-000 |
| <b>BEDROOM WINDOW<br/>VALANCE</b>                                 | 105745-H2-000                                   | 105745-G5-000                                   | 1105745-H3-000                                  | 105745-H6-000                                   |
| <b>BEDROOM WINDOW<br/>LEGS</b>                                    | 105745-H2-000                                   | 105745-G5-000                                   | 105745-H3-000                                   | 105745-H6-000                                   |
| <b>LOUNGE PILLOW<br/>TRIM BRAID</b>                               | 108446-X3-000<br>084415-81-000                  | 108446-T4-000<br>084415-98-000                  | 108446-T5-000<br>084415-97-000                  | 108446-U8-000<br>084415-91-000                  |
| <b>MAP POCKETS</b>  | 108446-X3-000                                   | 108446-T4-000                                   | 1108446-T5-000                                  | 108446-U8-000                                   |
| <b>FRONT WRAP<br/>AROUND</b>                                      | 072333-85-000                                   | 072333-85-000                                   | 072333-85-000                                   | 072333-85-000                                   |
| <b>CEILING</b>  | 113979-01-01A                                   | 113979-01-01A                                   | 113979-01-01A                                   | 113979-01-01A                                   |

**NOTE: THE FABRIC LISTED FIRST, IN A BLOCK, IS THE LARGEST QUANTITY OF FABRIC USED**

# CURTAIN & CUSHION GROUP (CONTINUED)

## CURTAINS & WINDOW TREATMENT

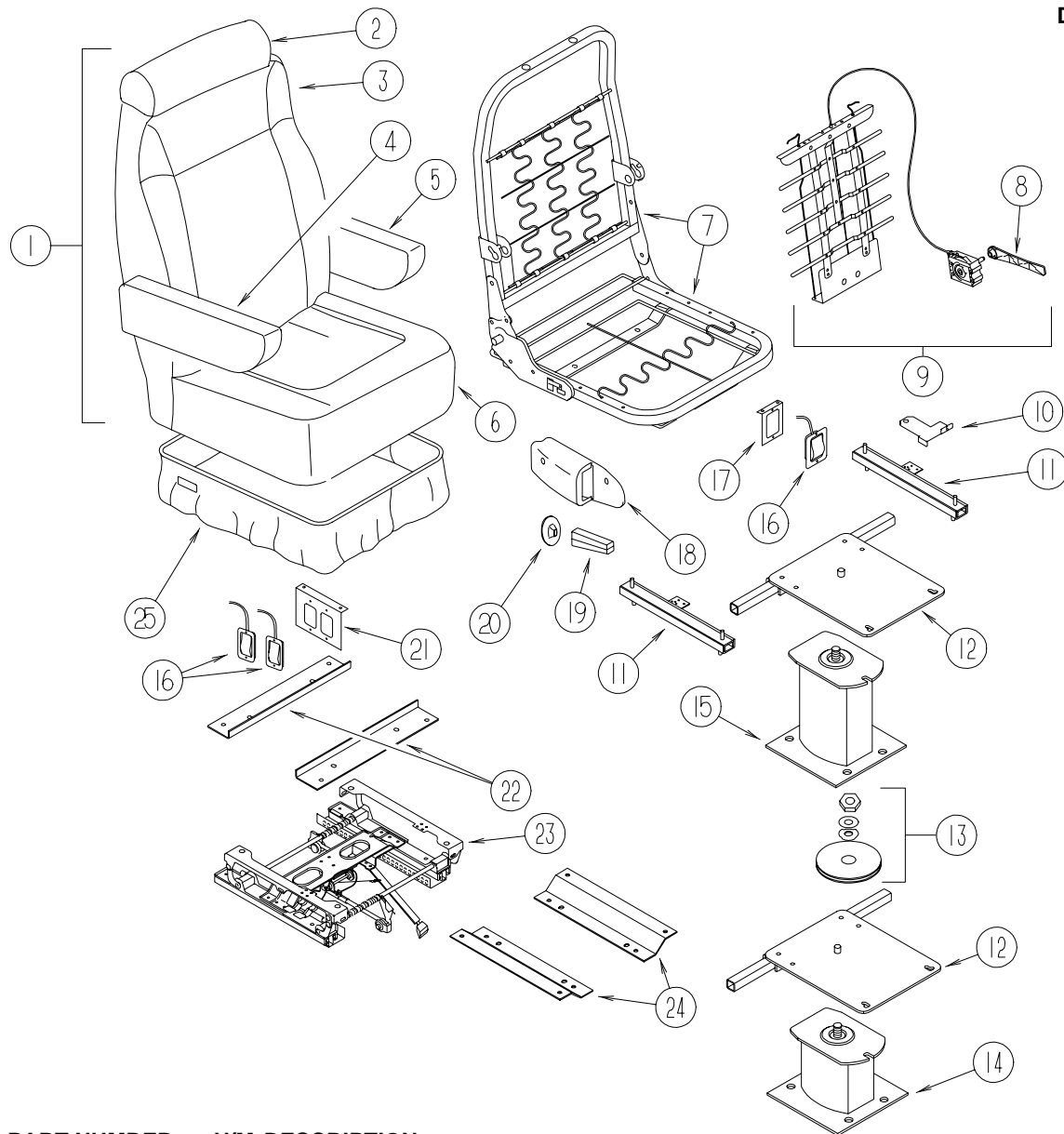


| KEY | PART NUMBER   | U/M | DESCRIPTION   |
|-----|---------------|-----|---|
| 1   | 119299-19-J22 | EA  | VALANCE - WHITNEY - 34" (J22,J23)                         |
| 1   | 119299-19-J24 | EA  | VALANCE - WHITNEY - 34" (J24,J25)                         |
| 1   | 119299-19-J26 | EA  | VALANCE - WHITNEY - 34" (J26,J27)                         |
| 1   | 119299-19-J29 | EA  | VALANCE - WHITNEY - 34" (J28,J29)                         |
| 1   | 123910-15-J22 | EA  | LEG - RIGHT - 34" (J22,J23)                               |
| 1   | 123910-15-J24 | EA  | LEG - RIGHT - 34" (J24,J25)                               |
| 1   | 123910-15-J26 | EA  | LEG - RIGHT - 34" (J26,J27)                               |
| 1   | 123910-15-J28 | EA  | LEG - RIGHT - 34" (J28,J29)                               |
| 1   | 123910-16-J22 | EA  | LEG - LEFT - 34" (J22,J23)                                |
| 1   | 123910-16-J24 | EA  | LEG - LEFT - 34" (J24,J25)                                |
| 1   | 123910-16-J26 | EA  | LEG - LEFT - 34" (J26,J27)                                |
| 1   | 123910-16-J28 | EA  | LEG - LEFT - 34" (J28,J29)                                |
| 1   | 109802-56-J30 | EA  | BLIND - PLEATED - 30" X 37" (J22,J23)                     |
| 1   | 109802-56-J31 | EA  | BLIND - PLEATED - 30" X 37" (J24,J25,J26,J27,J28,J29)     |
| 1   | 111910-58-J30 | EA  | BLIND - DAY/NIGHTER - 31" X 37" (J22,J23)                 |
| 1   | 111910-58-J20 | EA  | BLIND - DAY/NIGHTER - 31" X 37" (J24,J25,J26,J27,J28,J29) |
| 2   | 121410-84-J22 | EA  | VALANCE - MODERATE - 29" (J22,J23)                        |
| 2   | 121410-84-J24 | EA  | VALANCE - MODERATE - 29" (J24,J25)                        |
| 2   | 121410-85-J26 | EA  | VALANCE - MODERATE - 29" (J26,J27)                        |
| 2   | 121410-86-J28 | EA  | VALANCE - MODERATE - 29" (J28,J29)                        |
| 2   | 109802-49-G45 | EA  | BLIND - PLEATED - 26" X 27" (J22,J23)                     |
| 2   | 109802-49-G35 | EA  | BLIND - PLEATED - 26" X 27" (J24,J25,J26,J27,J28,J29)     |
| 2   | 111910-63-J22 | EA  | BLIND - DAY/NIGHTER - 26" X 27" (J22,J23)                 |
| 2   | 111910-63-J24 | EA  | BLIND - DAY/NIGHTER - 26" X 27" (J24,J25,J26,J27,J28,J29) |
| 2   | 127017-47-J22 | EA  | LEG - RIGHT - 23.5" - TAPERED (J22,J23)                   |
| 2   | 127017-47-J24 | EA  | LEG - RIGHT - 23.5" - TAPERED (J24,J25)                   |
| 2   | 127017-43-J26 | EA  | LEG - RIGHT - 23.5" (J26,J27)                             |
| 2   | 127017-41-J28 | EA  | LEG - RIGHT - 23.5" (J28,J29)                             |
| 2   | 127017-48-J22 | EA  | LEG - LEFT - 23.5" - TAPERED (J22,J23)                    |
| 2   | 127017-48-J24 | EA  | LEG - LEFT - 23.5" - TAPERED (J24,J25)                    |
| 2   | 127017-44-J26 | EA  | LEG - LEFT - 23.5" (J26,J27)                              |
| 2   | 127017-42-J28 | EA  | LEG - LEFT - 23.5" (J28,J29)                              |

| KEY | PART NUMBER   | U/M | DESCRIPTION   |
|-----|---------------|-----|---|
| 3   | 121410-20-J22 | EA  | VALANCE - MODERATE - 62.5" (J22,J23)                        |
| 3   | 121410-20-J24 | EA  | VALANCE - MODERATE - 62.5" (J24,J25)                        |
| 3   | 121410-74-J26 | EA  | VALANCE - MODERATE - 62.5" (J26,J27)                        |
| 3   | 121410-65-J28 | EA  | VALANCE - MODERATE - 62.5" (J28,J29)                        |
| 3   | 109802-48-G45 | EA  | BLIND - PLEATED - 59" X 26.5" (J22,J23)                     |
| 3   | 109802-48-G35 | EA  | BLIND - PLEATED - 59" X 26.5" (J24,J25,J26,J27,J28,J29)     |
| 3   | 111910-55-J03 | EA  | BLIND - DAY/NIGHTER - 59" X 26.5" (J22,J23)                 |
| 3   | 111910-55-J31 | EA  | BLIND - DAY/NIGHTER - 59" X 26.5" (J24,J25,J26,J27,J28,J29) |
| 3   | 127017-47-J22 | EA  | LEG - RIGHT - 23.5" - TAPERED (J22,J23)                     |
| 3   | 127017-47-J24 | EA  | LEG - RIGHT - 23.5" - TAPERED (J24,J25)                     |
| 3   | 127017-43-J26 | EA  | LEG - RIGHT - 23.5" (J26,J27)                               |
| 3   | 127017-41-J28 | EA  | LEG - RIGHT - 23.5" (J28,J29)                               |
| 3   | 127017-48-J22 | EA  | LEG - LEFT - 23.5" - TAPERED (J22,J23)                      |
| 3   | 127017-48-J24 | EA  | LEG - LEFT - 23.5" - TAPERED (J24,J25)                      |
| 3   | 127017-44-J26 | EA  | LEG - LEFT - 23.5" (J26,J27)                                |
| 3   | 127017-42-J28 | EA  | LEG - LEFT - 23.5" (J28,J29)                                |
| 4   | 101668-46-E91 | EA  | CURTAIN - LEFT HAND - 48" X 95"                             |
| 5   | 101668-45-E91 | EA  | CURTAIN - RIGHT HAND - 48" X 95"                            |
|     | 073260-42-C18 | EA  | TIEBACK - 6" X 18"  |
|     | 126841-01-000 | EA  | SHADE - PULL - CHARCOAL MESH - 45" X 60"                    |
| 6   | 121410-56-J22 | EA  | VALANCE - MODERATE - 31.5" (J22,J23)                        |
| 6   | 121410-56-J24 | EA  | VALANCE - MODERATE - 31.5" (J24,J25)                        |
| 6   | 121410-72-J26 | EA  | VALANCE - MODERATE - 31.5" (J26,J27)                        |
| 6   | 121410-73-J28 | EA  | VALANCE - MODERATE - 31.5" (J28,J29)                        |
| 6   | 127017-13-J22 | EA  | LEG - RIGHT - 25" (J22,J23)                                 |
| 6   | 127017-13-J24 | EA  | LEG - RIGHT - 25" (J24,J25)                                 |
| 6   | 127017-11-J26 | EA  | LEG - RIGHT - 25" (J26,J27)                                 |
| 6   | 127017-01-J50 | EA  | LEG - RIGHT - 25" (J28,J29)                                 |
| 6   | 127017-14-J22 | EA  | LEG - LEFT - 25" (J22,J23)                                  |
| 6   | 127017-14-J24 | EA  | LEG - LEFT - 25" (J24,J25)                                  |
| 6   | 127017-12-J26 | EA  | LEG - LEFT - 25" (J26,J27)                                  |
| 6   | 127017-02-J50 | EA  | LEG - LEFT - 25" (J28,J29)                                  |
| 6   | 109802-54-J22 | EA  | BLIND - PLEATED - 28" X 28" (J22,J23)                       |
| 6   | 109802-54-J24 | EA  | BLIND - PLEATED - 28" X 28" (J24,J25,J26,J27,J28,J29)       |
| 6   | 111910-20-J03 | EA  | BLIND - DAY/NIGHTER - 28" X 28" (J22,J23)                   |
| 6   | 111910-20-J04 | EA  | BLIND - DAY/NIGHTER - 28" X 28" (J24,J25,J26,J27,J28,J29)   |
| 7   | 121410-91-J22 | EA  | VALANCE - MODERATE - 31.75" (J22,J23)                       |
| 7   | 121410-91-J24 | EA  | VALANCE - MODERATE - 31.75" (J24,J25)                       |
| 7   | 121410-92-J26 | EA  | VALANCE - MODERATE - 31.75" (J26,J27)                       |
| 7   | 121410-93-J28 | EA  | VALANCE - MODERATE - 31.75" (J28,J29)                       |
|     | 084755-57-E07 | EA  | SHADE - PULL - 27.25"                                       |
| 8   | 109041-44-01A | EA  | BLIND - MINI - 30.5" X 18" (J22,J23)                        |
| 8   | 109041-44-02A | EA  | BLIND - MINI - 30.5" X 18" (J24,J25,J26,J27,J28,J29)        |
|     | 109353-04-000 | EA  | CLIP - VALANCE SLAT MOUNTING - CLEAR PLASTIC                |
| 9   | 119299-18-J22 | EA  | VALANCE - WHITNEY - 34" (J22,J23)                           |
| 9   | 119299-18-J24 | EA  | VALANCE - WHITNEY - 34" (J24,J25)                           |
| 9   | 119299-18-J26 | EA  | VALANCE - WHITNEY - 34" (J26,J27)                           |
| 9   | 119299-18-J28 | EA  | VALANCE - WHITNEY - 34" (J28,J29)                           |
| 9   | 127017-09-J22 | EA  | LEG - RIGHT - 34" (J22,J23)                                 |
| 9   | 127017-09-J24 | EA  | LEG - RIGHT - 34" (J24,J25)                                 |
| 9   | 127017-09-J26 | EA  | LEG - RIGHT - 34" (J26,J27)                                 |
| 9   | 127017-09-J28 | EA  | LEG - RIGHT - 34" (J28,J29)                                 |
| 9   | 127017-10-J22 | EA  | LEG - LEFT - 34" (J22,J23)                                  |
| 9   | 127017-10-J24 | EA  | LEG - LEFT - 34" (J24,J25)                                  |
| 9   | 127017-10-J26 | EA  | LEG - LEFT - 34" (J26,J27)                                  |
| 9   | 127017-10-J28 | EA  | LEG - LEFT - 34" (J28,J29)                                  |
| 9   | 109802-56-J30 | EA  | BLIND - PLEATED - 30" X 37" (J22,J23)                       |
| 9   | 109802-56-J31 | EA  | BLIND - PLEATED - 30" X 37" (J24,J25,J26,J27,J28,J29)       |
| 9   | 111910-58-J30 | EA  | BLIND - DAY/NIGHTER - 31" X 37" (J22,J23)                   |
| 9   | 111910-58-J20 | EA  | BLIND - DAY/NIGHTER - 31" X 37" (J24,J25,J26,J27,J28,J29)   |

## CURTAIN & CUSHION GROUP (CONTINUED)

### DRIVER BUCKET SEAT

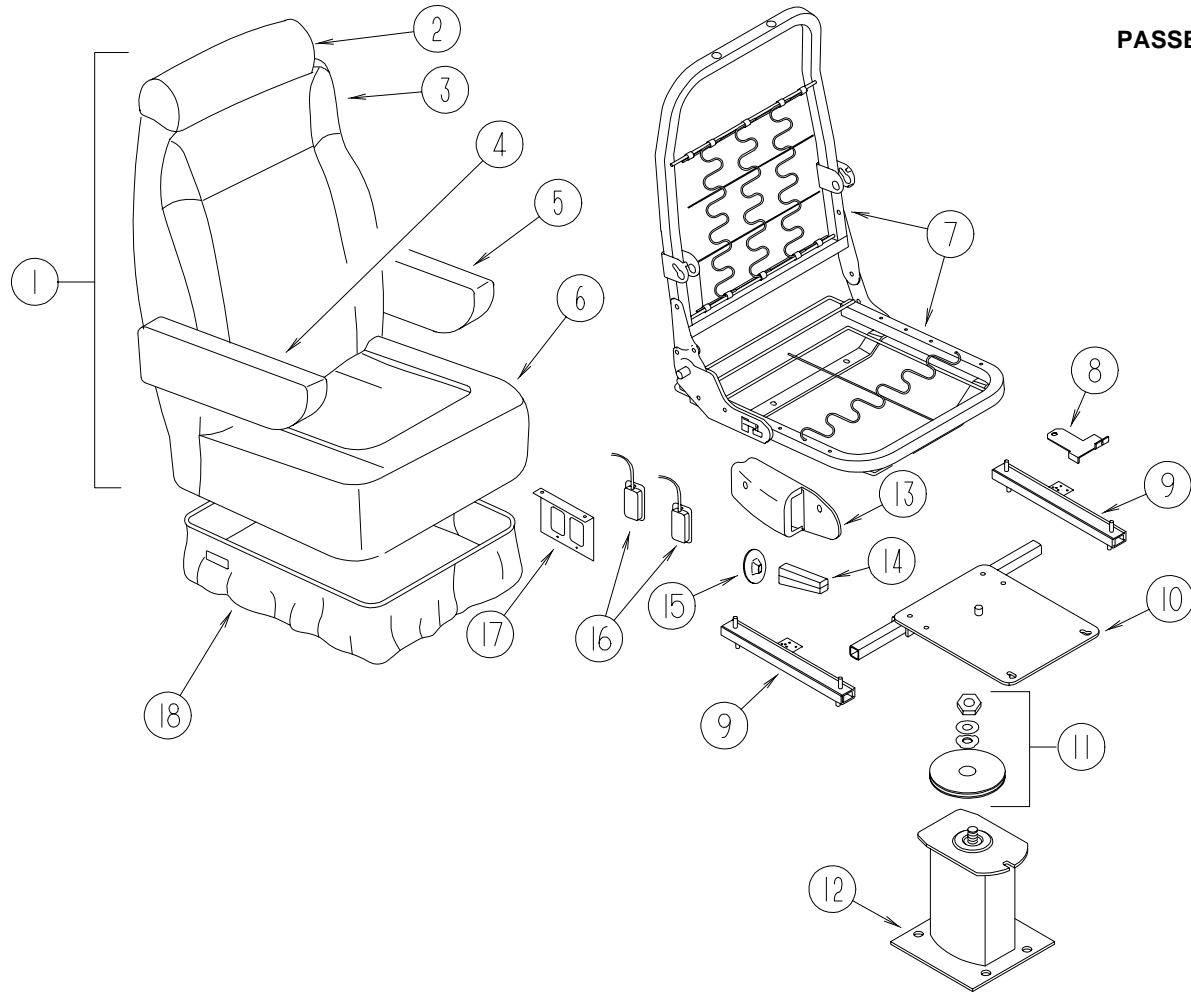


| KEY | PART NUMBER   | U/M DESCRIPTION   |
|-----|---------------|---|
| 1   | 127540-01-J22 | EA SEAT - BUCKET - DRIVER - W/LUMBAR SUPPORT (J22,J23)        |
| 1   | 127540-01-J24 | EA SEAT - BUCKET - DRIVER - W/LUMBAR SUPPORT (J24,J25)        |
| 1   | 127540-01-J26 | EA SEAT - BUCKET - DRIVER - W/LUMBAR SUPPORT (J26,J27)        |
| 1   | 127540-01-J50 | EA SEAT - BUCKET - DRIVER - W/LUMBAR SUPPORT (J28,J29)        |
| 1   | 127540-10-J22 | EA SEAT - BUCKET - DRIVER - W/LUMBAR SUPPORT (LEATHER OPTION) |
| 2   | 119509-01-J22 | EA HEADREST - BUCKET SEAT (J22,J23)                           |
| 2   | 119509-01-J24 | EA HEADREST - BUCKET SEAT (J24,J25)                           |
| 2   | 119509-01-J26 | EA HEADREST - BUCKET SEAT (J26,J27)                           |
| 2   | 119509-01-J50 | EA HEADREST - BUCKET SEAT (J28,J29)                           |
| 2   | 119509-02-J22 | EA HEADREST - BUCKET SEAT (LEATHER OPTION)                    |
| 2   | P19509-01-J22 | EA COVER - HEADREST (J22,J23)                                 |
| 2   | P19509-01-J24 | EA COVER - HEADREST (J24,J25)                                 |
| 2   | P19509-01-J26 | EA COVER - HEADREST (J26,J27)                                 |
| 2   | P19509-01-J50 | EA COVER - HEADREST (J28,J29)                                 |
| 2   | P19509-02-J22 | EA COVER - HEADREST (LEATHER OPTION)                          |
|     | 113977-12-000 | EA INSERT/HEADREST - W/O LOCK                                 |
|     | 113977-13-000 | EA INSERT/HEADREST - W/LOCK                                   |
|     | 114791-03-000 | EA FRAME - HEADREST   |
| 3   | M05962-71-J22 | EA COVER - BACK (J22,J23)                                     |
| 3   | M05962-71-J24 | EA COVER - BACK (J24,J25)                                     |
| 3   | M05962-71-J26 | EA COVER - BACK (J26,J27)                                     |
| 3   | M05962-71-J50 | EA COVER - BACK (J28,J29)                                     |
| 3   | M05962-78-J22 | EA COVER - BACK (LEATHER OPTION)                              |
|     | 089323-01-000 | FT STRIP - POLYENTHYLENE - J-CHANNEL                          |

| KEY | PART NUMBER   | U/M DESCRIPTION   | VENDOR NO.                    |
|-----|---------------|---|-------------------------------|
| 4   | 122780-01-J22 | EA ARMREST - RIGHT HAND (J22,J23)                           |                               |
| 4   | 122780-01-J24 | EA ARMREST - RIGHT HAND (J24,J25)                           |                               |
| 4   | 122780-01-J26 | EA ARMREST - RIGHT HAND (J26,J27)                           |                               |
| 4   | 122780-01-J50 | EA ARMREST - RIGHT HAND (J28,J29)                           |                               |
| 4   | 122780-03-J22 | EA ARMREST - RIGHT HAND (LEATHER OPTION)                    |                               |
| 4   | P22780-01-J22 | EA COVER - ARMREST - RIGHT HAND (J22,J23)                   |                               |
| 4   | P22780-01-J24 | EA COVER - ARMREST - RIGHT HAND (J24,J25)                   |                               |
| 4   | P22780-01-J26 | EA COVER - ARMREST - RIGHT HAND (J26,J27)                   |                               |
| 4   | P22780-01-J50 | EA COVER - ARMREST - RIGHT HAND (J28,J29)                   |                               |
| 4   | P22780-03-J22 | EA COVER - ARMREST - RIGHT HAND (LEATHER OPTION)            |                               |
| 4   | 115617-03-000 | EA ARMREST - W/O COVER - RIGHT HAND                         |                               |
| 5   | 122780-02-J22 | EA ARMREST - LEFT HAND (J22,J23)                            |                               |
| 5   | 122780-02-J24 | EA ARMREST - LEFT HAND (J24,J25)                            |                               |
| 5   | 122780-02-J26 | EA ARMREST - LEFT HAND (J26,J27)                            |                               |
| 5   | 122780-02-J50 | EA ARMREST - LEFT HAND (J28,J29)                            |                               |
| 5   | 122780-04-J22 | EA ARMREST - LEFT HAND (LEATHER OPTION)                     |                               |
| 5   | P22780-02-J22 | EA COVER - ARMREST - LEFT HAND (J22,J23)                    |                               |
| 5   | P22780-02-J24 | EA COVER - ARMREST - LEFT HAND (J24,J25)                    |                               |
| 5   | P22780-02-J26 | EA COVER - ARMREST - LEFT HAND (J26,J27)                    |                               |
| 5   | P22780-02-J50 | EA COVER - ARMREST - LEFT HAND (J28,J29)                    |                               |
| 5   | P22780-04-J22 | EA COVER - ARMREST - LEFT HAND (LEATHER OPTION)             |                               |
| 5   | 115617-04-000 | EA ARMREST - W/O COVER - LEFT HAND                          |                               |
| 6   | M05962-40-J22 | EA COVER - SEAT - WIDE (J22,J23)                            |                               |
| 6   | M05962-40-J24 | EA COVER - SEAT - WIDE (J24,J25)                            |                               |
| 6   | M05962-40-J26 | EA COVER - SEAT - WIDE (J26,J27)                            |                               |
| 6   | M05962-40-J50 | EA COVER - SEAT - WIDE (J28,J29)                            |                               |
| 6   | M05962-79-J22 | EA COVER - SEAT - BUCKET (LEATHER OPTION)                   |                               |
| 7   | 122695-01-01B | EA FRAME - SEAT/BACK  |                               |
| 8   | 122611-02-701 | EA LUMBAR - LEVER   | 412                           |
| 9   | 122611-02-000 | EA LUMBAR - W/LEVER   |                               |
| 10  | 117125-01-02B | EA BRACKET - CABLE MOUNT - ADJUSTER W/LOCK                  |                               |
| 11  | 119952-06-000 | EA SLIDE/SEAT - HEAVY DUTY LOCKING - 4 STUDS                |                               |
|     |               |   | FROM: 00-00-00 THRU: 11-02-97 |
| 11  | 119952-04-000 | EA SLIDE/SEAT - HEAVY DUTY LOCKING - 4 STUDS                |                               |
|     |               |   | FROM: 11-03-97 THRU: 99-99-99 |
|     | 119952-07-000 | EA WIRE - LATCH RELEASE/ROTARY                              |                               |
| 12  | 107921-05-000 | EA PLATE - TOP - W/SEAT BELT BAR                            |                               |
| 13  | 107921-06-000 | EA BEARING KIT - PEDESTAL                                   |                               |
| 14  | 107921-07-000 | EA PEDESTAL BASE - POWER                                    |                               |
| 15  | 107921-01-000 | EA PEDESTAL/FLOOR MOUNTED - W/9.75" EXTENSION               |                               |
|     |               |   | FROM: 00-00-00 THRU: 01-04-98 |
| 15  | 107921-14-000 | EA PEDESTAL/FLOOR MOUNTED - W/5.75" EXTENSION - MANUAL SEAT |                               |
|     |               |   | FROM: 01-05-98 THRU: 99-99-99 |
| 16  | 108049-04-000 | EA CABLE - W/SWITCHES - W/26" MINI LEVER ACTION             |                               |
|     | 108049-02-000 | EA CLIP - CABLE/PEDESTAL                                    |                               |
| 17  | 127159-01-02B | EA BRACKET - SEAT RELEASE - SINGLE REMOTE                   |                               |
| 18  | 080730-09-000 | EA SHIELD - RECLINER HANDLE                                 |                               |
| 19  | 080730-08-000 | EA HANDLE - RECLINER  |                               |
| 20  | 080730-11-000 | EA SHIELD - RUBBER BOOT                                     |                               |
| 21  | 127159-02-02B | EA BRACKET - SEAT RELEASE - DUAL REMOTE                     |                               |
| 22  | 116215-02-000 | EA PLATE - UPPER - 6-WAY MANUAL CONTROL                     |                               |
|     | 007221-01-000 | EA SPACER - SEAT/ADJUSTER                                   |                               |
| 23  | 116215-01-000 | EA PLATE - UPPER PEDESTAL - 6-WAY MANUAL - DRIVER           |                               |
| 24  | 116215-03-000 | EA PLATE - LOWER - 6-WAY MANUAL CONTROL                     |                               |
| 25  | 071126-58-J22 | EA SKIRT - SINGLE 10.5" - W/SEAT BELT SLOT (J22,J23)        |                               |
| 25  | 071126-58-J24 | EA SKIRT - SINGLE 10.5" - W/SEAT BELT SLOT (J24,J25)        |                               |
| 25  | 071126-58-H17 | EA SKIRT - SINGLE 10.5" - W/SEAT BELT SLOT (J26,J27)        |                               |
| 25  | 071126-58-J50 | EA SKIRT - SINGLE 10.5" - W/SEAT BELT SLOT (J28,J29)        |                               |
| 25  | 071126-62-J52 | EA SKIRT - SINGLE 10.5" - W/SEAT BELT SLOT (LEATHER OPTION) |                               |
| 25  | 071126-60-J22 | EA SKIRT - SINGLE 10.5" - 6-WAY MANUAL (J22,J23)            |                               |
| 25  | 071126-60-J24 | EA SKIRT - SINGLE 10.5" - 6 WAY MANUAL (J24,J25)            |                               |
| 25  | 071126-60-J26 | EA SKIRT - SINGLE 10.5" - 6 WAY MANUAL (J26,J27)            |                               |
| 25  | 071126-60-J28 | EA SKIRT - SINGLE 10.5" - 6 WAY MANUAL (J28,J29)            |                               |
| 25  | 071126-67-J22 | EA SKIRT - SINGLE 10.5" - 6 WAY MANUAL (LEATHER OPTION)     |                               |

## CURTAIN & CUSHION GROUP (CONTINUED)

### PASSENGER BUCKET SEAT



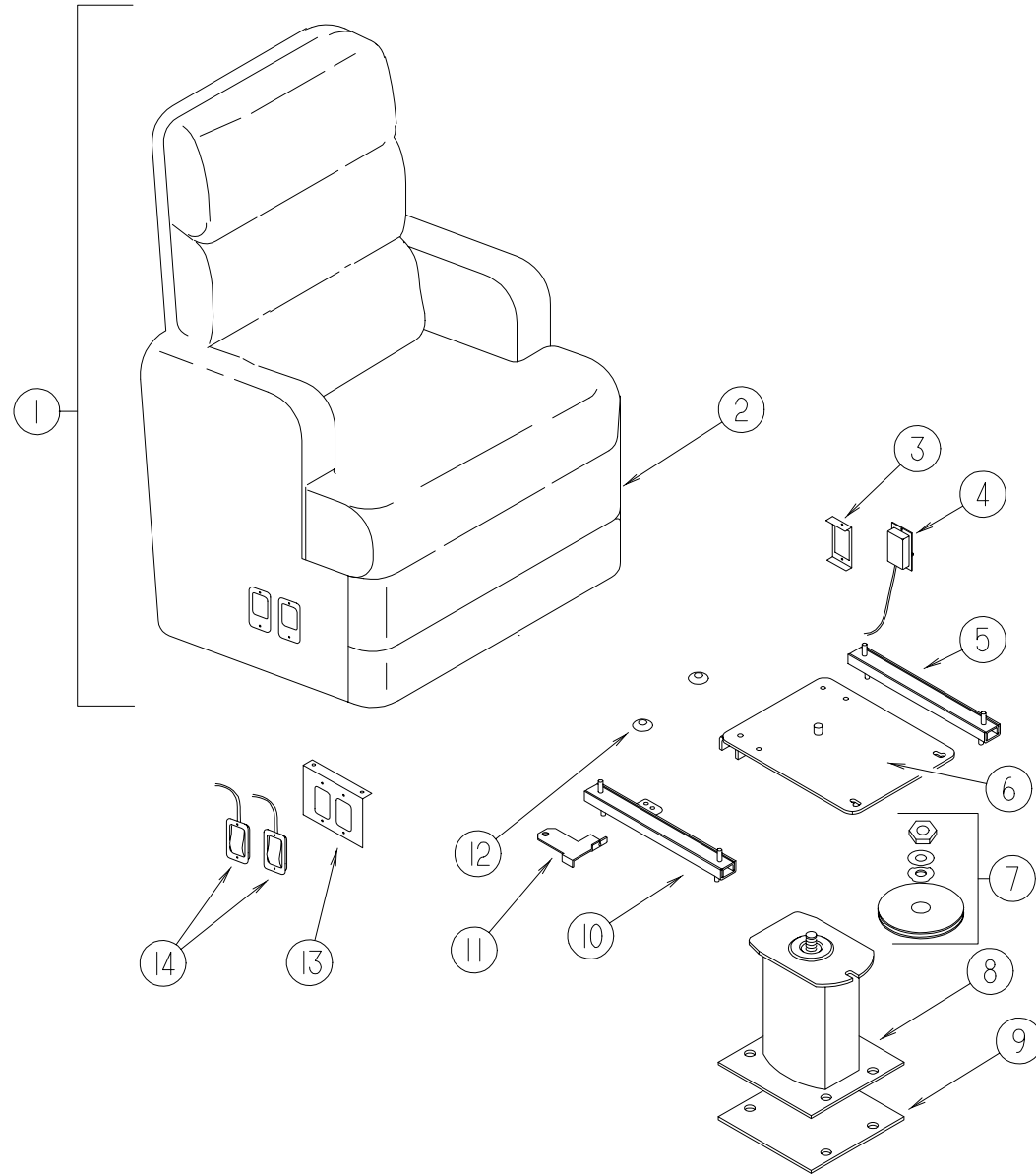
| KEY | PART NUMBER   | U/M | DESCRIPTION                                       |
|-----|---------------|-----|---|
| 1   | 127540-02-J22 | EA  | SEAT - BUCKET - PASSENGER - WIDE (J22,J23)        |
| 1   | 127540-02-J24 | EA  | SEAT - BUCKET - PASSENGER - WIDE (J24,J25)        |
| 1   | 127540-02-J26 | EA  | SEAT - BUCKET - PASSENGER - WIDE (J26,J27)        |
| 1   | 127540-02-J50 | EA  | SEAT - BUCKET - PASSENGER - WIDE (J28,J29)        |
| 1   | 127540-11-J22 | EA  | SEAT - BUCKET - PASSENGER - WIDE (LEATHER OPTION) |
| 2   | 119509-01-J22 | EA  | HEADREST - BUCKET SEAT (J22,J23)                  |
| 2   | 119509-01-J24 | EA  | HEADREST - BUCKET SEAT (J24,J25)                  |
| 2   | 119509-01-J26 | EA  | HEADREST - BUCKET SEAT (J26,J27)                  |
| 2   | 119509-01-J50 | EA  | HEADREST - BUCKET SEAT (J28,J29)                  |
| 2   | 119509-02-J22 | EA  | HEADREST - BUCKET SEAT (LEATHER OPTION)           |
| 2   | P19509-01-J22 | EA  | COVER - HEADREST (J22,J23)                        |
| 2   | P19509-01-J24 | EA  | COVER - HEADREST (J23,J24)                        |
| 2   | P19509-01-J26 | EA  | COVER - HEADREST (J25,J26)                        |
| 2   | P19509-01-J50 | EA  | COVER - HEADREST (J27,J287)                       |
| 2   | P19509-02-J22 | EA  | COVER - HEADREST (LEATHER OPTION)                 |
|     | 113977-12-000 | EA  | INSERT/HEADREST - W/O LOCK                        |
|     | 113977-13-000 | EA  | INSERT/HEADREST - W/LOCK                          |
|     | 114791-03-000 | EA  | FRAME - HEADREST                                  |
| 3   | M05962-71-J22 | EA  | COVER - BACK - WIDE (J22,J23)                     |
| 3   | M05962-71-J24 | EA  | COVER - BACK - WIDE (J24,J25)                     |
| 3   | M05962-71-J26 | EA  | COVER - BACK - WIDE (J26,J27)                     |
| 3   | M05962-71-J50 | EA  | COVER - BACK - WIDE (J28,J29)                     |
| 3   | M05962-78-J22 | EA  | COVER - BACK - BUCKET (LEATHER OPTION)            |
|     | 089323-01-000 | FT  | STRIP - POLYENTHYLENE - J-CHANNEL                 |

| KEY | PART NUMBER   | U/M | DESCRIPTION  |
|-----|---------------|-----|--|
| 4   | 122780-01-J22 | EA  | ARMREST - RIGHT HAND (J22,J23)                           |
| 4   | 122780-01-J24 | EA  | ARMREST - RIGHT HAND (J24,J25)                           |
| 4   | 122780-01-J26 | EA  | ARMREST - RIGHT HAND (J26,J27)                           |
| 4   | 122780-01-J50 | EA  | ARMREST - RIGHT HAND (J28,J29)                           |
| 4   | 122780-03-J22 | EA  | ARMREST - RIGHT HAND (LEATHER OPTION)                    |
| 4   | P22780-01-J22 | EA  | COVER - ARMREST - RIGHT HAND (J22,J23)                   |
| 4   | P22780-01-J24 | EA  | COVER - ARMREST - RIGHT HAND (J24,J25)                   |
| 4   | P22780-01-J26 | EA  | COVER - ARMREST - RIGHT HAND (J26,J27)                   |
| 4   | P22780-01-J50 | EA  | COVER - ARMREST - RIGHT HAND (J28,J29)                   |
| 4   | 115617-03-000 | EA  | ARMREST - W/O COVER - RIGHT HAND                         |
| 5   | 122780-02-J22 | EA  | ARMREST - LEFT HAND (J22,J23)                            |
| 5   | 122780-02-J24 | EA  | ARMREST - LEFT HAND (J24,J25)                            |
| 5   | 122780-02-J26 | EA  | ARMREST - LEFT HAND (J26,J27)                            |
| 5   | 122780-02-J50 | EA  | ARMREST - LEFT HAND (J28,J29)                            |
| 5   | 122780-04-J22 | EA  | ARMREST - LEFT HAND (LEATHER OPTION)                     |
| 5   | P22780-02-J22 | EA  | COVER - ARMREST - LEFT HAND (J22,J23)                    |
| 5   | P22780-02-J24 | EA  | COVER - ARMREST - LEFT HAND (J24,J25)                    |
| 5   | P22780-02-J26 | EA  | COVER - ARMREST - LEFT HAND (J26,J27)                    |
| 5   | P22780-02-J50 | EA  | COVER - ARMREST - LEFT HAND (J28,J29)                    |
| 5   | P22780-04-J22 | EA  | COVER - ARMREST - LEFT HAND (LEATHER OPTION)             |
| 5   | 115617-04-000 | EA  | ARMREST - W/O COVER - LEFT HAND                          |
| 6   | M05962-40-J22 | EA  | COVER - SEAT - WIDE (J22,J23)                            |
| 6   | M05962-40-J24 | EA  | COVER - SEAT - WIDE (J24,J25)                            |
| 6   | M05962-40-J26 | EA  | COVER - SEAT - WIDE (J26,J27)                            |
| 6   | M05962-40-J50 | EA  | COVER - SEAT - WIDE (J28,J29)                            |
| 6   | M05962-79-J22 | EA  | COVER - SEAT - BUCKET (LEATHER OPTION)                   |
| 7   | 122695-01-01B | EA  | FRAME - SEAT/BACK  |
| 8   | 117125-01-02B | EA  | BRACKET - CABLE MOUNT - ADJUSTER W/LOCK                  |
| 9   | 119952-06-000 | EA  | SLIDE/SEAT - HEAVY DUTY LOCKING - 4 STUDS                |
|     |               |     | FROM: 00-00-00 THRU: 11-02-97                            |
| 9   | 119952-04-000 | EA  | SLIDE/SEAT - HEAVY DUTY LOCKING - 4 STUDS                |
|     |               |     | FROM: 11-03-97 THRU: 99-99-99                            |
|     | 119952-07-000 | EA  | WIRE - LATCH RELEASE/ROTARY                              |
| 10  | 107921-05-000 | EA  | PLATE - TOP - W/SEAT BELT BAR                            |
| 11  | 107921-06-000 | EA  | BEARING KIT - PEDESTAL                                   |
| 12  | 107921-01-000 | EA  | PEDESTAL/FLOOR MOUNTED - W/9.75" EXTENSION               |
| 13  | 080730-09-000 | EA  | SHIELD - RECLINER HANDLE                                 |
| 14  | 080730-08-000 | EA  | HANDLE - RECLINER  |
| 15  | 080730-11-000 | EA  | SHIELD - RUBBER BOOT                                     |
| 16  | 108049-04-000 | EA  | CABLE - W/SWITCHES - W/26" MINI LEVER ACTION             |
|     | 108049-02-000 | EA  | CLIP - CABLE/PEDESTAL                                    |
| 17  | 127159-02-02B | EA  | BRACKET - SEAT RELEASE - DUAL REMOTE                     |
| 18  | 071126-58-J22 | EA  | SKIRT - SINGLE 10.5" - W/SEAT BELT SLOT (J22,J23)        |
| 18  | 071126-58-J24 | EA  | SKIRT - SINGLE 10.5" - W/SEAT BELT SLOT (J24,J25)        |
| 18  | 071126-58-H17 | EA  | SKIRT - SINGLE 10.5" - W/SEAT BELT SLOT (J26,J27)        |
| 18  | 071126-58-J50 | EA  | SKIRT - SINGLE 10.5" - W/SEAT BELT SLOT (J28,J29)        |
| 18  | 071126-62-J22 | EA  | SKIRT - SINGLE 10.5" - W/SEAT BELT SLOT (LEATHER OPTION) |



## CURTAIN & CUSHION GROUP (CONTINUED)

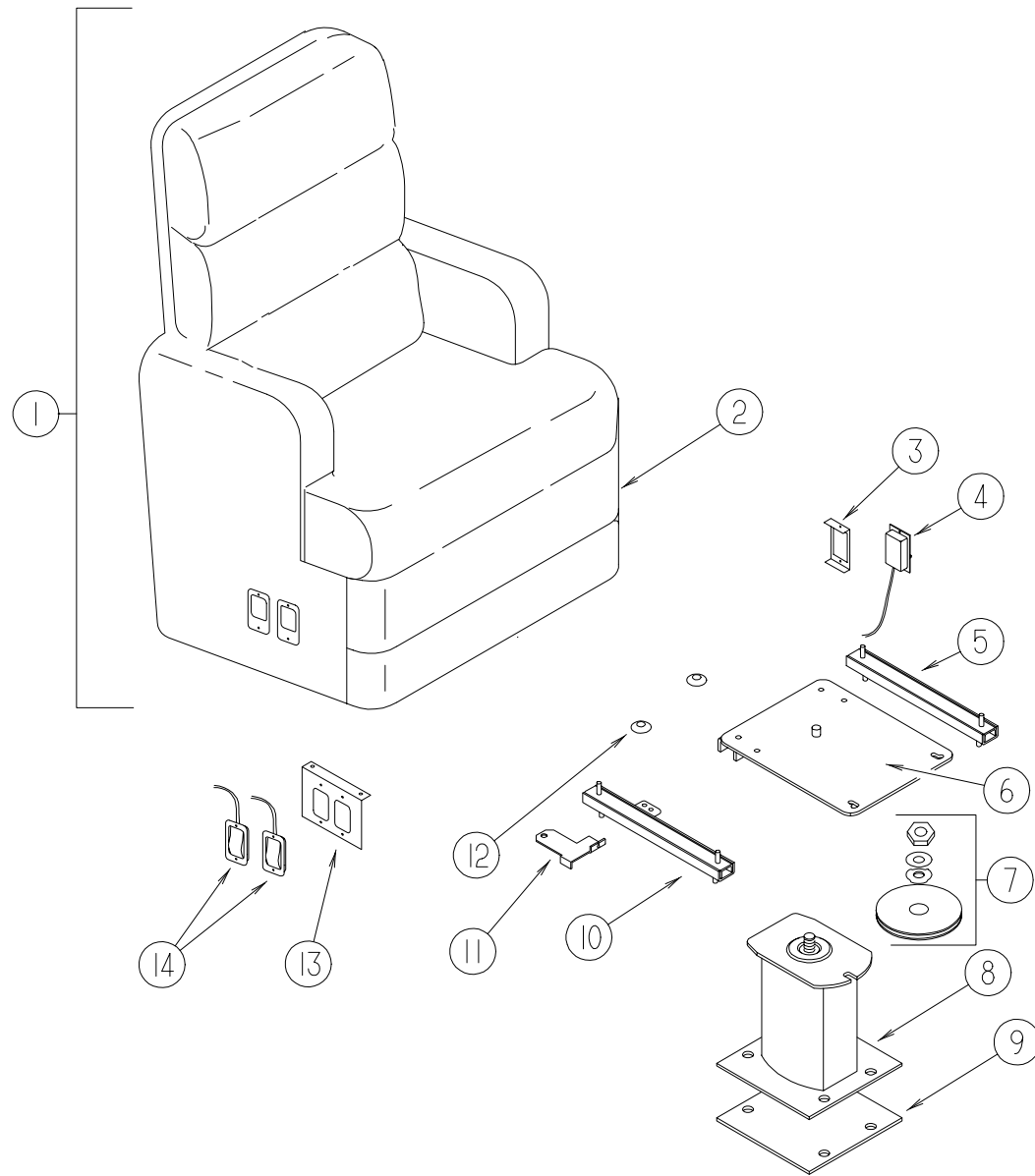
SWIVEL CHAIR (RECLINER) (FROM: 00-00-00 THRU: 11-02-97)



| KEY | PART NUMBER   | U/M | DESCRIPTION  |
|-----|---------------|-----|--|
| 1   | 124067-01-J22 | EA  | CHAIR - RECLINER                                     |
| 1   | 124067-01-J23 | EA  | CHAIR - RECLINER                                     |
| 1   | 124067-01-J24 | EA  | CHAIR - RECLINER                                     |
| 1   | 124067-01-J25 | EA  | CHAIR - RECLINER                                     |
| 1   | 124067-01-J26 | EA  | CHAIR - RECLINER                                     |
| 1   | 124067-01-J27 | EA  | CHAIR - RECLINER                                     |
| 1   | 124067-01-J28 | EA  | CHAIR - RECLINER                                     |
| 1   | 124067-01-J29 | EA  | CHAIR - RECLINER                                     |
| 1   | P24067-01-J22 | EA  | COVER - RECLINER CHAIR (J22,J23)                     |
| 1   | P24067-01-J24 | EA  | COVER - RECLINER CHAIR (J24,J25)                     |
| 1   | P24067-01-J26 | EA  | COVER - RECLINER CHAIR (J26,J27)                     |
| 1   | P24067-01-J28 | EA  | COVER - RECLINER CHAIR (J28,J29)                     |
|     | P18302-27-J22 | EA  | COVER - ARMREST - UNIVERSAL (J22,J23)                |
|     | P18302-27-J24 | EA  | COVER - ARMREST - UNIVERSAL (J24,J25)                |
|     | P18302-27-J26 | EA  | COVER - ARMREST - UNIVERSAL (J26,J27)                |
|     | P18302-27-J28 | EA  | COVER - ARMREST - UNIVERSAL (J28,J29)                |
| 2   | 118539-01-J22 | EA  | SKIRT - RECLINER CHAIR (J22,J23)                     |
| 2   | 118539-01-J24 | EA  | SKIRT - RECLINER CHAIR (J24,J25)                     |
| 2   | 118539-01-J26 | EA  | SKIRT - RECLINER CHAIR (J26,J27)                     |
| 2   | 118539-01-J50 | EA  | SKIRT - RECLINER CHAIR (J28,J29)                     |
| 3   | 127159-01-02B | EA  | BRACKET - SEAT RELEASE - SINGLE REMOTE               |
| 4   | 108049-05-000 | EA  | FRAME - CABLE - REMOTE RECLINE - W/MINI LEVER ACTION |
| 5   | 119952-01-000 | EA  | SLIDE/SEAT - HEAVY DUTY NON LOCKING                  |
| 6   | 107921-08-000 | EA  | TOP PLATE - PEDESTAL - W/O SEAT BELT BAR             |
| 7   | 107921-06-000 | EA  | BEARING KIT - PEDESTAL                               |
| 8   | 107921-01-000 | EA  | PEDESTAL/FLOOR MOUNTED - W/9.75" EXTENSION           |
| 9   | 108445-02-000 | EA  | PLATE/FLOOR MOUNTED - PEDESTAL SEAT                  |
| 10  | 119952-03-000 | EA  | SLIDE/SEAT - HEAVY DUTY LOCKING - 2 STUDS            |
| 11  | 117125-01-02B | EA  | BRACKET - CABLE MOUNT - ADJUSTER W/LOCK              |
| 12  | 007221-01-000 | EA  | SPACER - SEAT/ADJUSTER                               |
| 13  | 127159-02-02B | EA  | BRACKET - SEAT RELEASE - DUAL REMOTE                 |
| 14  | 108049-04-000 | EA  | CABLE - W/SWITCHES - W/26" MINI LEVER ACTION         |
|     | 108049-02-000 | EA  | CLIP - CABLE/PEDESTAL                                |
|     | 057759-01-000 | EA  | WASHER BRACKET - SEAT BELT - 4" DIAMETER             |
|     | 007021-01-000 | EA  | SEAT BELT - 2" X 90" - BLACK                         |

## CURTAIN & CUSHION GROUP (CONTINUED)

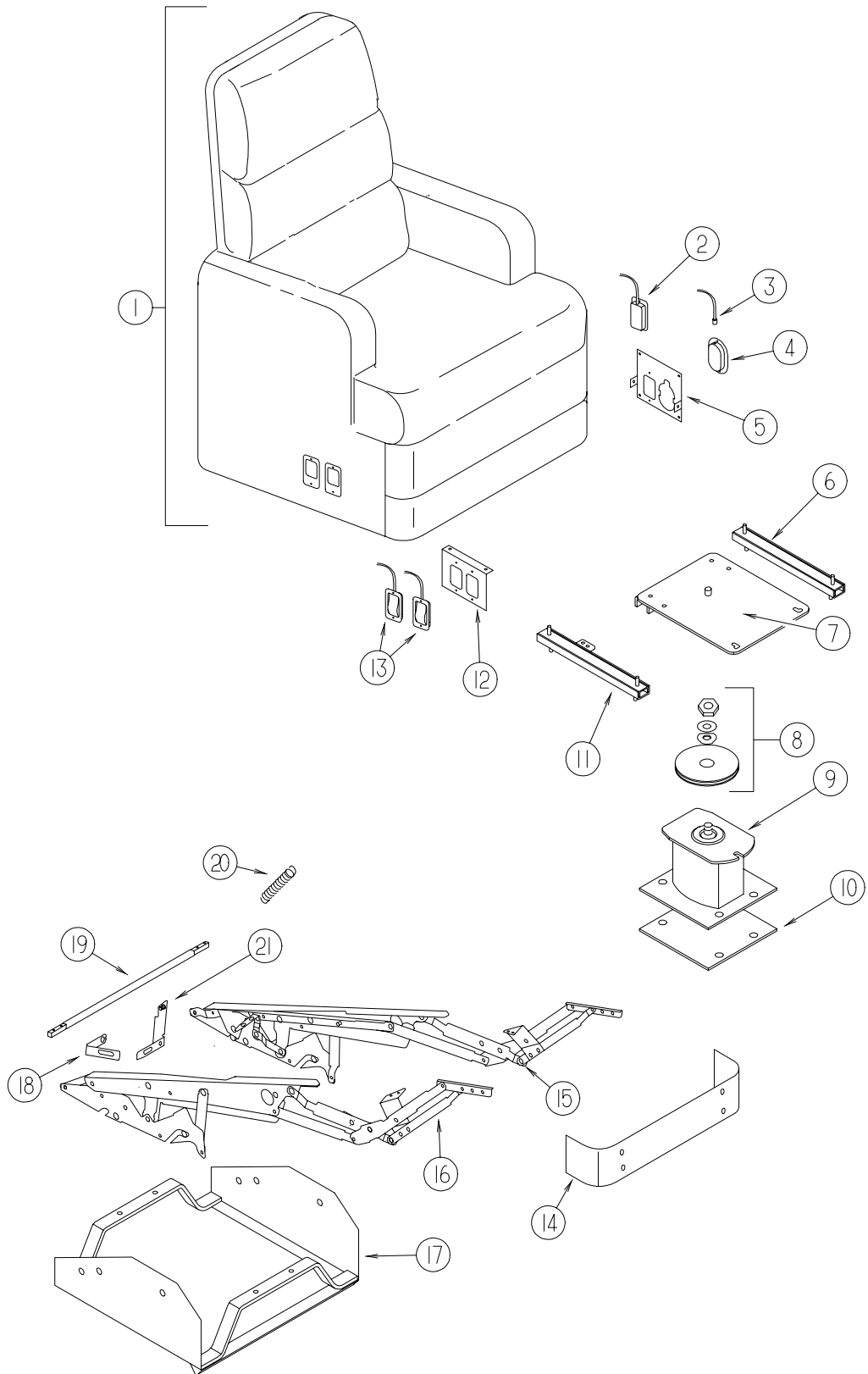
SWIVEL CHAIR (RECLINER) (FROM: 11-03-97 THRU: 01-04-98)



| KEY | PART NUMBER   | U/M | DESCRIPTION  |
|-----|---------------|-----|--|
| 1   | 124067-03-J22 | EA  | CHAIR - RECLINER - W/HEADREST (J22,J23)              |
| 1   | 124067-03-J24 | EA  | CHAIR - RECLINER - W/HEADREST (J24,J25)              |
| 1   | 124067-03-J26 | EA  | CHAIR - RECLINER - W/HEADREST (J26,J27)              |
| 1   | 124067-03-J28 | EA  | CHAIR - RECLINER - W/HEADREST (J28,J29)              |
| 1   | P24067-02-J22 | EA  | COVER - CHAIR - RECLINER/W/HEADREST (J22,J23)        |
| 1   | P24067-02-J24 | EA  | COVER - CHAIR - RECLINER/W/HEADREST (J24,J25)        |
| 1   | P24067-02-J26 | EA  | COVER - CHAIR - RECLINER/W/HEADREST (J26,J27)        |
| 1   | P24067-02-J28 | EA  | COVER - CHAIR - RECLINER/W/HEADREST (J28,J29)        |
|     | P18302-27-J22 | EA  | COVER - ARMREST - UNIVERSAL (J22,J23)                |
|     | P18302-27-J24 | EA  | COVER - ARMREST - UNIVERSAL (J24,J25)                |
|     | P18302-27-J26 | EA  | COVER - ARMREST - UNIVERSAL (J26,J27)                |
|     | P18302-27-J28 | EA  | COVER - ARMREST - UNIVERSAL (J28,J29)                |
| 2   | 118539-01-J22 | EA  | SKIRT - RECLINER CHAIR (J22,J23)                     |
| 2   | 118539-01-J24 | EA  | SKIRT - RECLINER CHAIR (J24,J25)                     |
| 2   | 118539-01-J26 | EA  | SKIRT - RECLINER CHAIR (J26,J27)                     |
| 2   | 118539-01-J28 | EA  | SKIRT - RECLINER CHAIR (J28,J29)                     |
| 3   | 127159-01-02B | EA  | BRACKET - SEAT RELEASE - SINGLE REMOTE               |
| 4   | 108049-05-000 | EA  | FRAME - CABLE - REMOTE RECLINE - W/MINI LEVER ACTION |
| 5   | 119952-01-000 | EA  | SLIDE/SEAT - HEAVY DUTY NON LOCKING                  |
| 6   | 107921-08-000 | EA  | TOP PLATE - PEDESTAL - W/O SEAT BELT BAR             |
| 7   | 107921-06-000 | EA  | BEARING KIT - PEDESTAL                               |
| 8   | 107921-01-000 | EA  | PEDESTAL/FLOOR MOUNTED - W/9.75" EXTENSION           |
| 9   | 108445-02-000 | EA  | PLATE/FLOOR MOUNTED - PEDESTAL SEAT                  |
| 10  | 119952-03-000 | EA  | SLIDE/SEAT - HEAVY DUTY LOCKING - 2 STUDS            |
| 11  | 117125-01-02B | EA  | BRACKET - CABLE MOUNT - ADJUSTER W/LOCK              |
| 12  | 007221-01-000 | EA  | SPACER - SEAT/ADJUSTER                               |
| 13  | 127159-02-02B | EA  | BRACKET - SEAT RELEASE - DUAL REMOTE                 |
| 14  | 108049-04-000 | EA  | CABLE - W/SWITCHES - W/26" MINI LEVER ACTION         |
|     | 108049-02-000 | EA  | CLIP - CABLE/PEDESTAL                                |
|     | 057759-01-000 | EA  | WASHER BRACKET - SEAT BELT - 4" DIAMETER             |
|     | 007021-01-000 | EA  | SEAT BELT - 2" X 90" - BLACK                         |

## CURTAIN & CUSHION GROUP (CONTINUED)

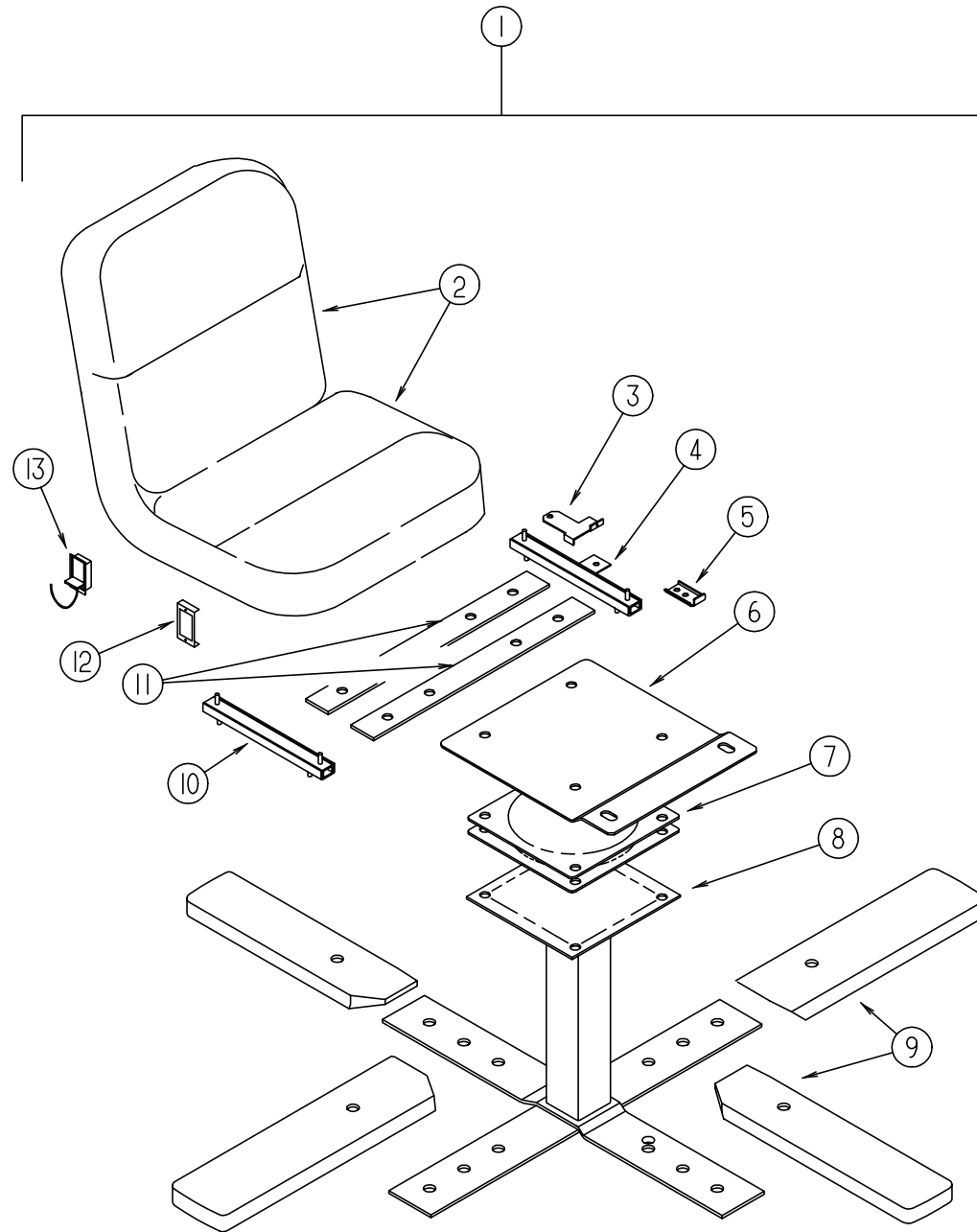
SWIVEL CHAIR (INCLINER) (FROM: 01-05-98 THRU: 99-99-99)



| KEY | PART NUMBER   | U/M | DESCRIPTION  |
|-----|---------------|-----|--|
| 1   | 129348-01-J22 | EA  | CHAIR - INCLINER W/FOOTREST (J22,J23)                    |
| 1   | 129348-01-J24 | EA  | CHAIR - INCLINER W/FOOTREST (J24,J25)                    |
| 1   | 129348-01-J26 | EA  | CHAIR - INCLINER W/FOOTREST (J26,J27)                    |
| 1   | 129348-01-J28 | EA  | CHAIR - INCLINER W/FOOTREST (J28,J29)                    |
| 1   | P29348-01-J22 | EA  | COVER - CHAIR - INCLINER W/FOOTREST (J22,J23)            |
| 1   | P29348-01-J24 | EA  | COVER - CHAIR - INCLINER W/FOOTREST (J24,J25)            |
| 1   | P29348-01-J26 | EA  | COVER - CHAIR - INCLINER W/FOOTREST (J26,J27)            |
| 1   | P29348-01-J28 | EA  | COVER - CHAIR - INCLINER W/FOOTREST (J28,J29)            |
| 2   | 108049-05-000 | EA  | FRAME - CABLE - REMOTE RECLINE - W/MINI LEVER ACTION     |
| 3   | 129148-05-000 | EA  | INCLINER - CABLE - 30"                                   |
| 4   | 129148-06-000 | EA  | INCLINER - LEVER F/CABLE                                 |
| 5   | 129164-01-02B | EA  | BRACKET - SEAT RELEASE - REMOTE                          |
| 6   | 119952-02-000 | EA  | SLIDE/SEAT - HEAVY DUTY NON LOCKING                      |
| 7   | 107921-08-000 | EA  | TOP PLATE - PEDESTAL - W/O SEAT BELT BAR                 |
| 8   | 107921-06-000 | EA  | BEARING KIT - PEDESTAL                                   |
| 9   | 107921-14-000 | EA  | PEDESTAL/FLOOR MOUNTED - W/5.75" EXTENSION - MANUAL SEAT |
| 10  | 108445-02-000 | EA  | PLATE/FLOOR MOUNTED - PEDESTAL SEAT                      |
| 11  | 119952-04-000 | EA  | SLIDE/SEAT - HEAVY DUTY LOCKING - 4 STUDS                |
| 12  | 129162-01-02B | EA  | BRACKET - SEAT RELEASE - REMOTE                          |
| 13  | 108049-04-000 | EA  | CABLE - W/SWITCHES - W/26" MINI LEVER ACTION             |
|     | 108049-02-000 | EA  | CLIP - CABLE/PEDESTAL                                    |
| 14  | 119901-04-000 | EA  | FOOT REST - RECLINER - W/O FOAM/FABRIC                   |
| 15  | 129148-01-000 | EA  | INCLINER - LEFT  |
| 16  | 129148-02-000 | EA  | INCLINER - RIGHT   |
| 17  | 129173-01-02B | EA  | FRAME - INCLINER - E-COATED                              |
|     | 129148-09-000 | EA  | INCLINER - CLIP/HAIRPIN - 1 7/16 X .07                   |
| 18  | 129148-08-000 | EA  | INCLINER - CLIP F/CABLE                                  |
| 19  | 129148-10-000 | EA  | INCLINER TUBE - MODIFIED                                 |
| 20  | 129148-03-000 | EA  | SPRING - INCLINER  |
| 21  | 129148-07-000 | EA  | INCLINER - CABLE F/BREAK RELEASE                         |

# CURTAIN & CUSHION GROUP (CONTINUED)

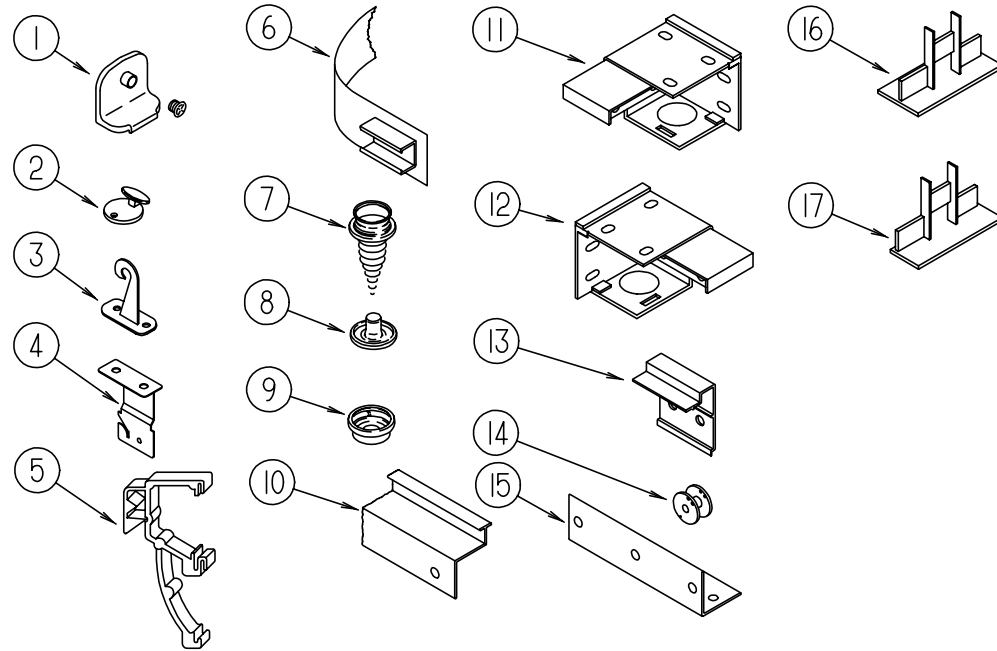
## DINETTE SWIVEL CHAIR ASM



| KEY | PART NUMBER   | U/M | DESCRIPTION                                      |
|-----|---------------|-----|--|
| 1   | 122739-01-J22 | EA  | CHAIR - SWIVEL (J22,J23)                         |
| 1   | 122739-01-J24 | EA  | CHAIR - SWIVEL (J24,J25)                         |
| 1   | 122739-01-J26 | EA  | CHAIR - SWIVEL (J26,J27)                         |
| 1   | 122739-01-J28 | EA  | CHAIR - SWIVEL (J28,J29)                         |
| 2   | P22739-01-J22 | EA  | COVER - BACK/SEAT - SWIVEL CHAIR (J22,J23)       |
| 2   | P22739-01-J24 | EA  | COVER - BACK/SEAT - SWIVEL CHAIR (J24,J25)       |
| 2   | P22739-01-J26 | EA  | COVER - BACK/SEAT - SWIVEL CHAIR (J26,J27)       |
| 2   | P22739-01-J28 | EA  | COVER - BACK/SEAT - SWIVEL CHAIR (J28,J29)       |
| 3   | 117125-01-02B | EA  | BRACKET - CABLE MOUNT - ADJUSTER W/LOCK          |
| 4   | 119952-04-000 | EA  | SLIDE/SEAT - HEAVY DUTY LOCKING - 4 STUDS        |
| 5   | 114889-01-000 | EA  | STOP BAR - UNIVERSAL                             |
| 6   | 119705-11-02B | EA  | PLATE - SEAT                                     |
| 7   | 119105-01-000 | EA  | PLATE - SWIVEL - RETURN-O-MATIC                  |
| 8   | 119705-02-03B | EA  | PEDESTAL   |
| 9   | 116080-02-J40 | EA  | COVER - CHAIR LEG - 9.5" WASHED MAPLE            |
| 9   | 116080-02-G35 | EA  | COVER - CHAIR LEG - 9.5" WATERFORD OAK           |
| 10  | 119952-02-000 | EA  | SLIDE/SEAT - HEAVY DUTY NONLOCKING               |
| 11  | 120109-01-02B | EA  | ADAPTER BRACKET - DINETTE SWIVEL CHAIR           |
| 12  | 097683-03-000 | EA  | BRACKET - REMOTE/SIDE MOUNT - SINGLE             |
| 13  | 108049-04-000 | EA  | CABLE/CONTROL 25.5" SHEATH/28.5" CABLE W/DOG LEG |
|     | 108049-02-000 | EA  | CLIP - CABLE/PEDESTAL                            |

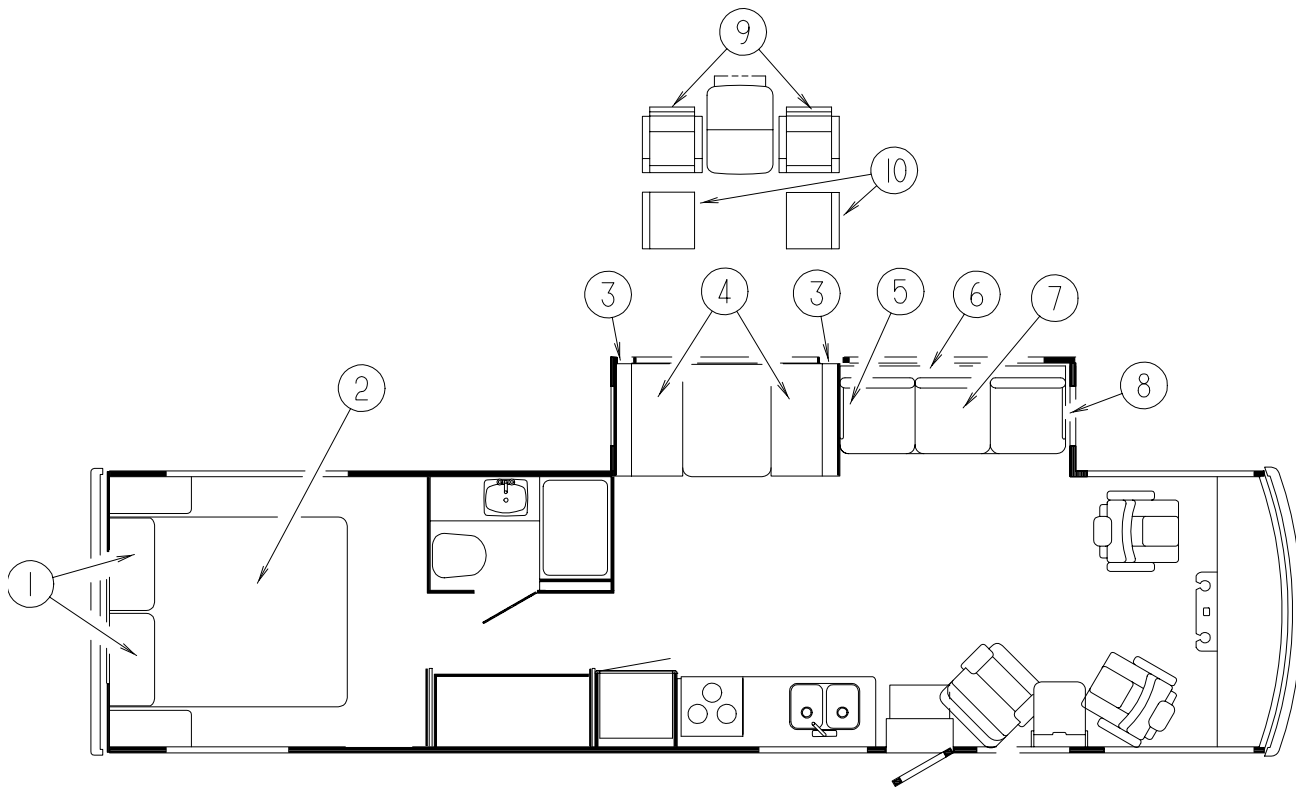
# CURTAIN & CUSHION GROUP (CONTINUED)

## CURTAIN & BLIND HARDWARE



| KEY | PART NUMBER   | U/M | DESCRIPTION   |
|-----|---------------|-----|---|
| 1   | 106544-01-000 | EA  | PULL - SHADE/BRASS                                      |
|     | 106544-01-001 | EA  | SCREW - SHADE/BRASS                                     |
| 2   | 102555-03-000 | EA  | CLEAT - BLIND CORD - MILKY WHITE PLASTIC                |
| 3   | 109441-03-000 | EA  | HOLD DOWN - BLIND (CLOUDY)                              |
| 4   | 084434-01-000 | EA  | BRACKET - MOUNTING - ROLLER SHADE - 1 3/8"              |
|     | 096843-01-000 | EA  | SPRING - REWIND/ROLLER SHADE                            |
| 5   | 109353-04-000 | EA  | CLIP - VALANCE SLAT MOUNTING - CLEAR PLASTIC            |
| 6   | 101031-01-000 | YD  | TAPE - GLIDE/CURTAIN - 4.25" SPACING                    |
| 7   | 029130-01-000 | EA  | SCREW - SNAP SOCKET - #8 PH X 5/8"                      |
| 8   | 029155-01-000 | EA  | CAP - SNAP - 5/32" O.D. OF PIN                          |
|     | 046867-03-000 | EA  | GROMMET - HANDY BUTTON #3                               |
| 9   | 029156-01-000 | EA  | SOCKET - SNAP - 9/16" O.D.                              |
| 10  | 127254-01-02A | EA  | TRACK - CURTAIN/RIGHT HAND - TITANIUM                   |
| 10  | 127254-02-02A | EA  | TRACK - CURTAIN/LEFT HAND - TITANIUM                    |
| 11  | 083170-02-000 | EA  | BRACKET - BLIND - RIGHT SIDE WHEN FACING WINDOW         |
| 12  | 083170-01-000 | EA  | BRACKET - BLIND - LEFT SIDE WHEN FACING WINDOW          |
| 13  | 097565-01-000 | EA  | BRACKET - MOUNTING/PLEATED BLIND                        |
| 14  | 097592-01-000 | EA  | SPOOL - CORD - ELEVATED BLIND HOLDUP - CLEAR PLASTIC    |
| 15  | 105648-01-02A | EA  | BRACE - VALANCE - OFF/WHITE                             |
| 16  | 094907-02-000 | EA  | END CAP - TOP/PLEATED BLIND - PLASTIC - GRAY            |
| 17  | 094907-04-000 | EA  | HARDWARE - END CAP BOTTOM - PULL TYPE (RH & LH)         |
|     | 094907-04-700 | EA  | END CAP-RH BOTTOM BLIND                                 |
|     | 094907-04-701 | EA  | END CAP-LH BOTTOM BLIND                                 |
|     | 088792-02-000 | YD  | VELCRO TAPE - LOOP - .75" - ADHESIVE BACKED - BEIGE     |
|     | 048394-02-000 | YD  | VELCRO TAPE - HOOK - ADHESIVE BACK - .75" WIDE - BEIGE  |
|     | 097591-01-000 | EA  | SPRING - EXTENSION/PLEATED BLIND                        |
|     | 097593-06-000 | FT  | CORD - BLIND - PLEATED - PEWTER (J22,J23)               |
|     | 097593-02-000 | FT  | CORD - BLIND - PLEATED - GRAY (J24,J25,J26,J27,J28,J29) |
|     | 086276-01-000 | EA  | TAPE - DOUBLE SIDED - 1/2"                              |
|     | 094896-02-000 | EA  | GROMMET - CORD/PLEATED BLIND - NYLON - GRAY             |
|     | 097564-04-000 | EA  | HANDLE - KNOB - E-Z LIFT SHADE - NAVY                   |

## CURTAIN & CUSHION GROUP (CONTINUED)



### QUEEN BEDS

| KEY | PART NUMBER   | U/M DESCRIPTION                                 |
|-----|---------------|---|
|     | 127712-01-J22 | EA HEADBOARD - CHRISTINA (J22)                  |
|     | 127712-01-J23 | EA HEADBOARD - CHRISTINA (J23)                  |
|     | 127712-01-J24 | EA HEADBOARD - CHRISTINA (J24,J25)              |
|     | 127712-01-J26 | EA HEADBOARD - CHRISTINA (J26,J27)              |
|     | 127712-01-J29 | EA HEADBOARD - CHRISTINA (J28,J29)              |
| 1   | 119249-01-000 | EA PILLOW - 20" X 33" - QUEEN (J22,J23)         |
| 2   | 119141-17-J22 | EA BEDSPREAD/THROW - 60" X 80" (J22,J23)        |
| 2   | 119141-18-J25 | EA BEDSPREAD/THROW - 60" X 80" (J24,J25)        |
| 2   | 119141-18-J26 | EA BEDSPREAD/THROW - 60" X 80" (J26,J27)        |
| 2   | 119141-18-J28 | EA BEDSPREAD/THROW - 60" X 80" (J28,J29)        |
| 2   | 123015-07-000 | EA MATTRESS - INNERSPRING - 60" X 79.5" (QUEEN) |

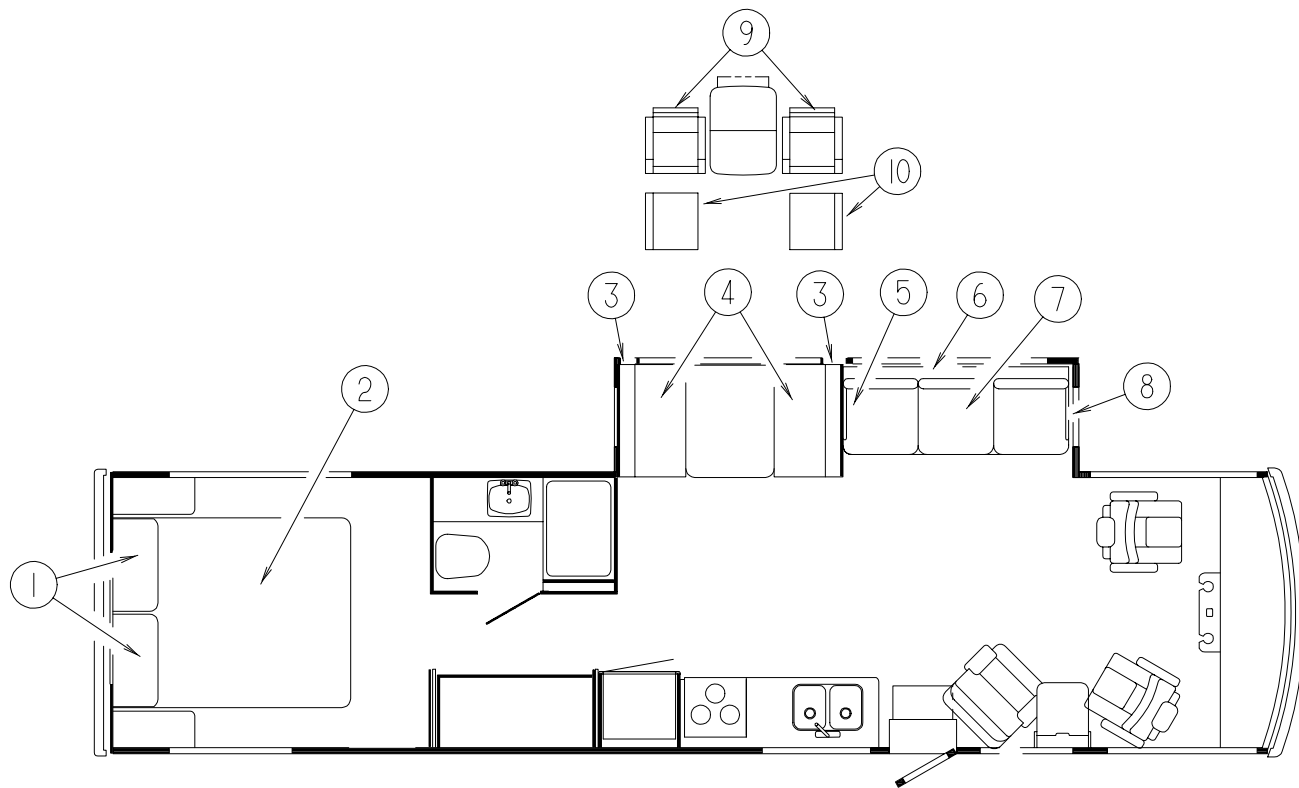
### BEDROOM PILLOWS

| KEY | PART NUMBER   | U/M DESCRIPTION                 |
|-----|---------------|---------------------------------|
|     | 111637-08-J22 | EA PILLOW - 16" X 16" (J22,J23) |
|     | 111637-08-J24 | EA PILLOW - 16" X 16" (J24)     |
|     | 111637-08-J25 | EA PILLOW - 16" X 16" (J25)     |
|     | 111637-08-J26 | EA PILLOW - 16" X 16" (J26,J27) |
|     | 111637-08-J28 | EA PILLOW - 16" X 16" (J28,J29) |

### DINETTE CUSHIONS

| KEY | PART NUMBER   | U/M DESCRIPTION                                |
|-----|---------------|--|
| 3   | 111897-10-J22 | EA CUSHION - BACK - 13.5" X 42" X 5" (J22,J23) |
| 3   | 111897-05-J06 | EA CUSHION - BACK - 13.5" X 42" X 5" (J24,J25) |
| 3   | 111897-05-J26 | EA CUSHION - BACK - 13.5" X 42" X 5" (J26,J27) |
| 3   | 111897-05-J50 | EA CUSHION - BACK - 13.5" X 42" X 5" (J28,J29) |
| 3   | P11897-10-J22 | EA COVER - BACK - 13.5" X 42" X 5" (J22,J23)   |
| 3   | P11897-05-J06 | EA COVER - BACK - 13.5" X 42" X 5" (J24,J25)   |
| 3   | P11897-05-J26 | EA COVER - BACK - 13.5" X 42" X 5" (J26,J27)   |
| 3   | P11897-05-J50 | EA COVER - BACK - 13.5" X 42" X 5" (J28,J29)   |
| 4   | 105603-20-J22 | EA CUSHION - SEAT - 23" X 42" X 5" (J22,J23)   |
| 4   | 105603-15-J06 | EA CUSHION - SEAT - 23" X 42" X 5" (J24,J25)   |
| 4   | 105603-15-J26 | EA CUSHION - SEAT - 23" X 42" X 5" (J26,J27)   |
| 4   | 105603-15-J50 | EA CUSHION - SEAT - 23" X 42" X 5" (J28,J29)   |
| 4   | P05603-20-J22 | EA COVER - SEAT - 23" X 42" X 5" (J22,J23)     |
| 4   | P05603-15-J06 | EA COVER - SEAT - 23" X 42" X 5" (J24,J25)     |
| 4   | P05603-15-J26 | EA COVER - SEAT - 23" X 42" X 5" (J26,J27)     |
| 4   | P05603-15-J50 | EA COVER - SEAT - 23" X 42" X 5" (J28,J29)     |
|     | 078155-01-000 | EA STRAP - SNAP - BACK CUSHION                 |

## CURTAIN & CUSHION GROUP (CONTINUED)



**SOFA BED**

| KEY | PART NUMBER   | U/M | DESCRIPTION   |
|-----|---------------|-----|---|
| 5   | 127840-01-J22 | EA  | PANEL - RIGHT END - SOFA/BED - FABRIC COVERED (J22,J23) |
| 5   | 127840-01-J24 | EA  | PANEL - RIGHT END - SOFA/BED - FABRIC COVERED (J24,J25) |
| 5   | 127840-01-J26 | EA  | PANEL - RIGHT END - SOFA/BED - FABRIC COVERED (J26,J27) |
| 5   | 127840-01-J28 | EA  | PANEL - RIGHT END - SOFA/BED - FABRIC COVERED (J28,J29) |
| 5   | 127562-01-J22 | EA  | ARMREST/REMOVABLE - RIGHT HAND (J22,J23)                |
| 5   | 127562-01-J24 | EA  | ARMREST/REMOVABLE - RIGHT HAND (J24,J25)                |
| 5   | 127562-01-J26 | EA  | ARMREST/REMOVABLE - RIGHT HAND (J26,J27)                |
| 5   | 127562-01-J50 | EA  | ARMREST/REMOVABLE - RIGHT HAND (J28,J29)                |
| 5   | P27562-01-J22 | EA  | COVER - ARMREST - RIGHT (J22,J23)                       |
| 5   | P27562-01-J24 | EA  | COVER - ARMREST - RIGHT (J24,J25)                       |
| 5   | P27562-01-J26 | EA  | COVER - ARMREST - RIGHT (J26,J27)                       |
| 5   | P27562-01-J50 | EA  | COVER - ARMREST - RIGHT (J28,J29)                       |

**SOFA BED (CONTINUED)**

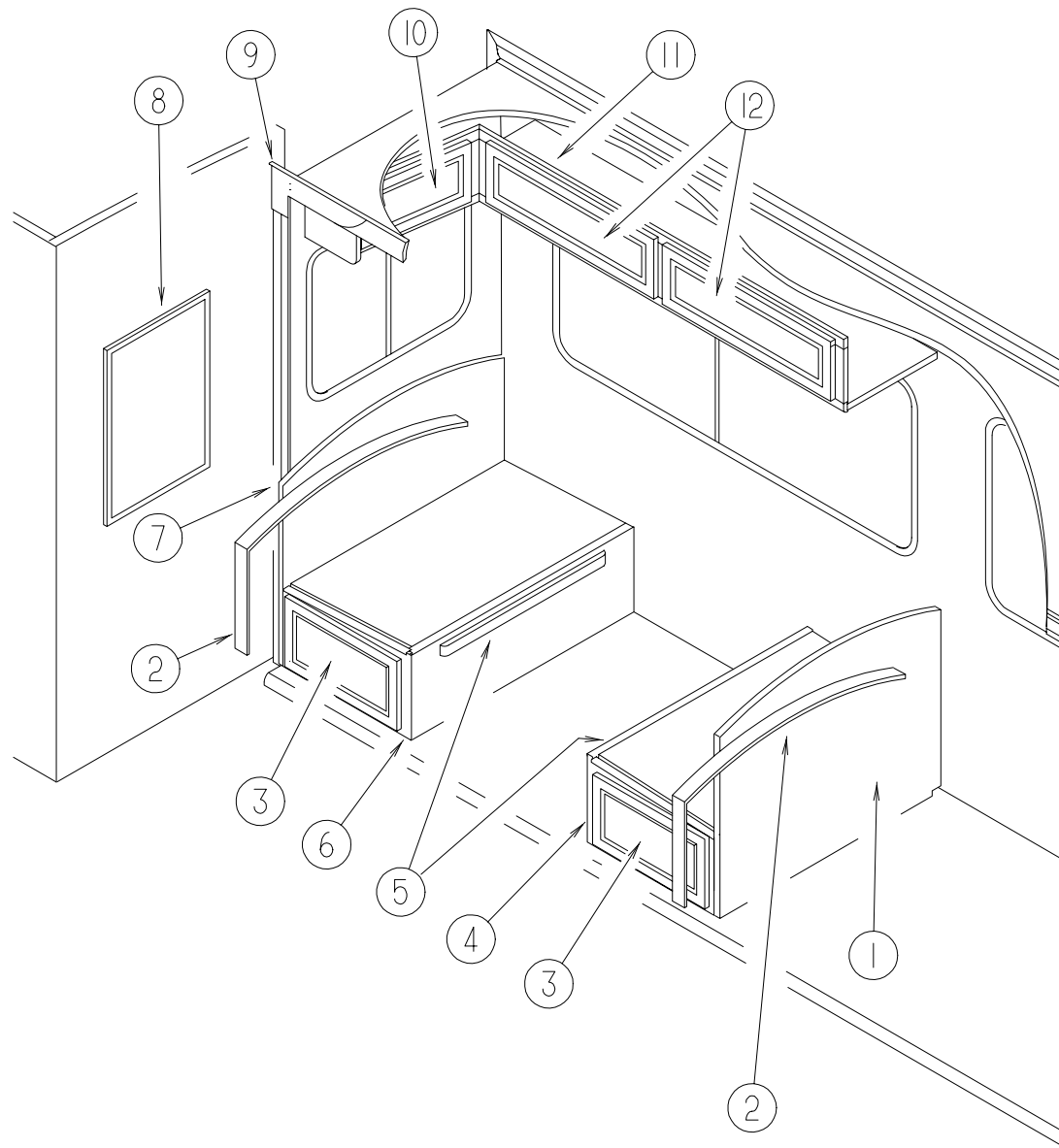
| KEY | PART NUMBER   | U/M | DESCRIPTION  |
|-----|---------------|-----|--|
| 6   | 127561-01-J22 | EA  | BACK - SOFA/BED - 74" (J22,J23)                          |
| 6   | 127561-01-J24 | EA  | BACK - SOFA/BED - 74" (J24,J25)                          |
| 6   | 127561-01-J26 | EA  | BACK - SOFA/BED - 74" (J26,J27)                          |
| 6   | 127561-01-J50 | EA  | BACK - SOFA/BED - 74" (J28,J29)                          |
| 6   | P27561-01-J22 | EA  | COVER - BACK - SOFA/BED - 74" (J22,J23)                  |
| 6   | P27561-01-J24 | EA  | COVER - BACK - SOFA/BED - 74" (J24,J25)                  |
| 6   | P27561-01-J26 | EA  | COVER - BACK - SOFA/BED - 74" (J26,J27)                  |
| 6   | P27561-01-J50 | EA  | COVER - BACK - SOFA/BED - 74" (J28,J29)                  |
| 7   | 127561-02-J22 | EA  | SEAT - SOFA/BED - 74" (J22,J23)                          |
| 7   | 127561-02-J24 | EA  | SEAT - SOFA/BED - 74" (J24,J25)                          |
| 7   | 127561-02-J26 | EA  | SEAT - SOFA/BED - 74" (J26,J27)                          |
| 7   | 127561-02-J50 | EA  | SEAT - SOFA/BED - 74" (J28,J29)                          |
| 7   | P27561-02-J22 | EA  | COVER - SEAT - SOFA/BED - 74" (J22,J23)                  |
| 7   | P27561-02-J24 | EA  | COVER - SEAT - SOFA/BED - 74" (J24,J25)                  |
| 7   | P27561-02-J26 | EA  | COVER - SEAT - SOFA/BED - 74" (J26,J27)                  |
| 7   | P27561-02-J50 | EA  | COVER - SEAT - SOFA/BED - 74" (J28,J29)                  |
| 8   | 127840-02-J22 | EA  | PANEL - LEFT END - SOFA/BED - FABRIC COVERED (J22,J23)   |
| 8   | 127840-02-J24 | EA  | PANEL - LEFT END - SOFA/BED - FABRIC COVERED (J24,J25)   |
| 8   | 127840-02-J26 | EA  | PANEL - LEFT END - SOFA/BED - FABRIC COVERED (J26,J27)   |
| 8   | 127840-02-J28 | EA  | PANEL - LEFT END - SOFA/BED - FABRIC COVERED (J28,J29)   |
| 8   | 127562-02-J22 | EA  | ARMREST/REMOVABLE - LEFT HAND (J22,J23)                  |
| 8   | 127562-02-J24 | EA  | ARMREST/REMOVABLE - LEFT HAND (J24,J25)                  |
| 8   | 127562-02-J26 | EA  | ARMREST/REMOVABLE - LEFT HAND (J26,J27)                  |
| 8   | 127562-02-J50 | EA  | ARMREST/REMOVABLE - LEFT HAND (J28,J29)                  |
| 8   | P27562-02-J22 | EA  | COVER - ARMREST - LEFT (J22,J23)                         |
| 8   | P27562-02-J24 | EA  | COVER - ARMREST - LEFT (J24,J25)                         |
| 8   | P27562-02-J26 | EA  | COVER - ARMREST - LEFT (J26,J27)                         |
| 8   | P27562-02-J50 | EA  | COVER - ARMREST - LEFT (J28,J29)                         |
|     | 127335-07-000 | EA  | FRAME - 8" LEG   |
|     | 120992-14-J22 | EA  | PANEL - FRONT KICK - SOFA/BED - FABRIC COVERED (J22,J23) |
|     | 120992-14-J24 | EA  | PANEL - FRONT KICK - SOFA/BED - FABRIC COVERED (J24,J25) |
|     | 120992-14-J26 | EA  | PANEL - FRONT KICK - SOFA/BED - FABRIC COVERED (J26,J27) |
|     | 120992-14-J28 | EA  | PANEL - FRONT KICK - SOFA/BED - FABRIC COVERED (J28,J29) |
|     | 120992-15-J22 | EA  | PANEL - FRONT KICK - SOFA/BED - FABRIC COVERED (J22,J23) |
|     | 120992-15-J24 | EA  | PANEL - FRONT KICK - SOFA/BED - FABRIC COVERED (J24,J25) |
|     | 120992-15-J26 | EA  | PANEL - FRONT KICK - SOFA/BED - FABRIC COVERED (J26,J27) |
|     | 120992-15-J28 | EA  | PANEL - FRONT KICK - SOFA/BED - FABRIC COVERED (J28,J29) |
|     | 116104-03-02B | EA  | BRACKET - ZEE W/HOLES                                    |
|     | 121906-01-02B | EA  | BRACKET - KICKBOARD - E-COATED                           |
|     | 127335-08-000 | EA  | BRACKET - REMOVABLE ARM/COUCH                            |
|     | 127335-09-000 | EA  | BRACKET - REMOVABLE ARM/CUSHION                          |

**DINETTE OPTION**

| KEY | PART NUMBER   | U/M | DESCRIPTION  |
|-----|---------------|-----|--|
| 9   | 122739-01-J22 | EA  | CHAIR - SWIVEL (J22,J23)                                 |
| 9   | 122739-01-J24 | EA  | CHAIR - SWIVEL (J24,J25)                                 |
| 9   | 122739-01-J26 | EA  | CHAIR - SWIVEL (J26,J27)                                 |
| 9   | 122739-01-J28 | EA  | CHAIR - SWIVEL (J28,J29)                                 |
| 10  | 101604-01-03A | EA  | CHAIR - FOLDING/DINETTE - W/O FABRIC - WATERFORD OAK     |
| 10  | 101604-01-05A | EA  | CHAIR/FOLDING - DINETTE - W/O FABRIC - ANTIQUE WHITE     |
|     | 099717-04-000 | EA  | STRAP - TIE DOWN W/21.3" FEMALE STRAP & 27.2" MALE STRAP |

# DINETTE GROUP

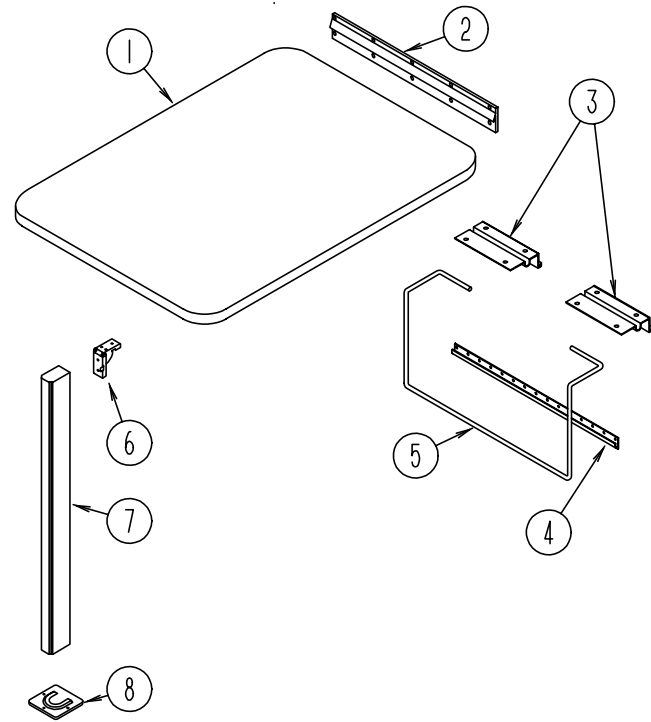
## DINETTE WITH OVERHEAD CABINERY



| KEY | PART NUMBER   | U/M | DESCRIPTION   |
|-----|---------------|-----|---|
| 1   | M07514-01-H17 | EA  | CABINET - SEATBACK/RIGHT HAND - W/O HARDWARE (WATERFORD OAK)              |
| 1   | M07514-01-H23 | EA  | CABINET - SEATBACK/RIGHT HAND - W/O HARDWARE (WHITE GRANITE)              |
| 2   | 104787-08-J22 | EA  | PAD - DINETTE (J22,J23)   |
| 2   | 104787-08-J24 | EA  | PAD - DINETTE (J24,J25)   |
| 2   | 104787-08-J20 | EA  | PAD - DINETTE (J26,J27)   |
| 2   | 104787-08-J50 | EA  | PAD - DINETTE (J28,J29)   |
| 3   | M05971-35-J22 | EA  | DRAWER - OGEE EDGE - 17"W X 21.6"D - W/O SLIDES/HARDWARE (WATERFORD OAK)  |
| 3   | P10163-CS-J23 | EA  | DRAWER - SQUARE EDGE - 17"W X 21.6"D - W/O SLIDES/HDW (WHITE GRANITE)     |
| 4   | M07515-01-G15 | EA  | CABINET - SEATBASE/RIGHT HAND - W/O DRAWER/HARDWARE (WATERFORD OAK)       |
| 4   | M07515-01-J23 | EA  | CABINET - SEATBASE/RIGHT HAND - W/O DRAWER/HARDWARE (WHITE GRANITE)       |
| 5   | 081295-01-G01 | EA  | SUPPORT - BED/DINETTE - 28" LONG (WATERFORD OAK)                          |
| 5   | 081295-01-H40 | EA  | SUPPORT - BED/DINETTE - 28" LONG (WHITE GRANITE)                          |
| 6   | M07515-08-G35 | EA  | CABINET - SEATBASE/LEFT HAND - W/O DRAWER/HARDWARE (WATERFORD OAK)        |
| 6   | M07515-08-J23 | EA  | CABINET - SEATBASE/LEFT HAND - W/O DRAWER/HARDWARE (WHITE GRANITE)        |
| 7   | M07514-08-J22 | EA  | CABINET - SEATBACK/LEFT HAND - W/O HARDWARE (WATERFORD OAK)               |
| 7   | M07514-08-J23 | EA  | CABINET - SEATBACK/LEFT HAND - W/O HARDWARE (WHITE GRANITE)               |
| 8   | 058331-08-000 | EA  | MIRROR - SAFETY GLASS - 24" X 30"   |
| 9   | 115811-20-J22 | EA  | OVERLAY - NOVEAU - 7.5" X 23.75" - LEFT HAND (J22,J23)                    |
| 9   | 115811-20-J24 | EA  | OVERLAY - NOVEAU - 7.5" X 23.75" - LEFT HAND (J24,J25)                    |
| 9   | 115811-20-J26 | EA  | OVERLAY - NOVEAU - 7.5" X 23.75" - LEFT HAND (J26,J27)                    |
| 9   | 115811-20-J28 | EA  | OVERLAY - NOVEAU - 7.5" X 23.75" - LEFT HAND (J28,J29)                    |
| 10  | M05992-99-J22 | EA  | DOOR - MITERED CORNER/OGEE EDGE - 9.8" X 14.5" - W/O HDW (WATERFORD OAK)  |
| 10  | 122715-11-01A | EA  | DOOR - MOLDED VINYL - 9.8" X 14.5" - W/O HDW (WHITE GRANITE)              |
| 11  | 120978-01-J22 | EA  | CABINET - OVERHEAD DINETTE W/END CAP - W/O DOORS/HARDWARE (WATERFORD OAK) |
| 11  | 120978-01-J23 | EA  | CABINET - OVERHEAD/DINETTE W/END CAP - W/O DOORS/HARDWARE (WHITE GRANITE) |
| 12  | M05992-L9-J22 | EA  | DOOR - STRAIGHT CORNER/OGEE EDGE - 10" X 29.5" - W/O HDW (WATERFORD OAK)  |
| 12  | 122715-87-01A | EA  | DOOR - MOLDED VINYL - 10" X 29.5" - W/O HDW - (WHITE GRANITE)             |



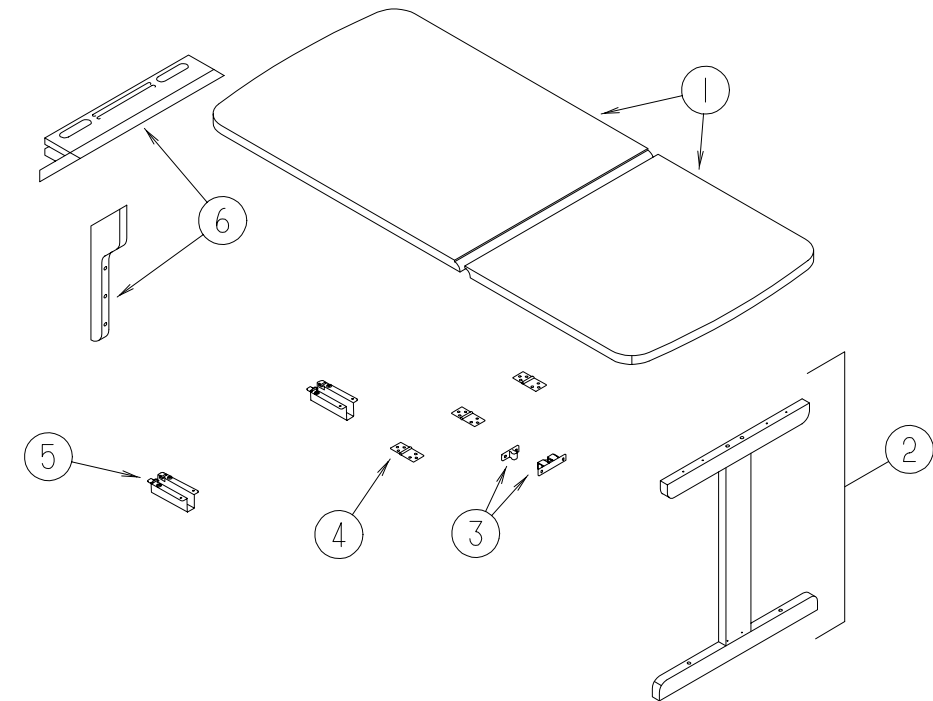
## DINETTE GROUP (CONTINUED)



**DINETTE TABLE**

| KEY | PART NUMBER   | U/M | DESCRIPTION   |
|-----|---------------|-----|---|
| 1   | 127121-20-J22 | EA  | TOP - DINETTE TABLE (J22)                                 |
| 1   | 127121-20-J23 | EA  | TOP - DINETTE TABLE (J23,J25,J27,J29)                     |
| 1   | 127121-20-J24 | EA  | TOP - DINETTE TABLE (J24)                                 |
| 1   | 127121-20-J26 | EA  | TOP - DINETTE TABLE (J26)                                 |
| 1   | 127121-20-J28 | EA  | TOP - DINETTE TABLE (J28)                                 |
| 2   | 053200-12-000 | EA  | BRACKET - TABLE SUPPORT - UPPER WALL MOUNTED - 23.50"     |
| 3   | 088410-02-000 | EA  | BRACKET - LIFT - TABLE MOUNTED                            |
| 4   | 024281-14-000 | EA  | BRACKET - LIFT ROD/LOWER WALL MOUNTED - 22.12"            |
| 5   | 024275-12-000 | EA  | ROD - TABLE LIFT  |
| 6   | 093550-01-000 | EA  | BRACKET - HINGE - MOUNTS TO LEG & TABLE TOP - 1.7" X 2.6" |
| 7   | 092708-06-J01 | EA  | LEG - TABLE - W/O HARDWARE (SALEM CHERRY)                 |
|     | 092707-04-04A | EA  | MOLDING - TABLE LEG - 27" (SALEM CHERRY)                  |
| 7   | 092708-06-H23 | EA  | LEG - TABLE - W/O HARDWARE (WHITE GRANITE)                |
|     | 092707-04-07A | EA  | MOLDING - TABLE LEG - 27" (WHITE GRANITE)                 |
| 8   | 049493-12-000 | EA  | CATCH - TABLE LEG/FLOOR MOUNTED - OFF WHITE               |
|     | 049493-11-700 | EA  | CATCH - TABLE LEG/FLOOR MOUNTED - E COATED                |

## DINETTE GROUP (CONTINUED)

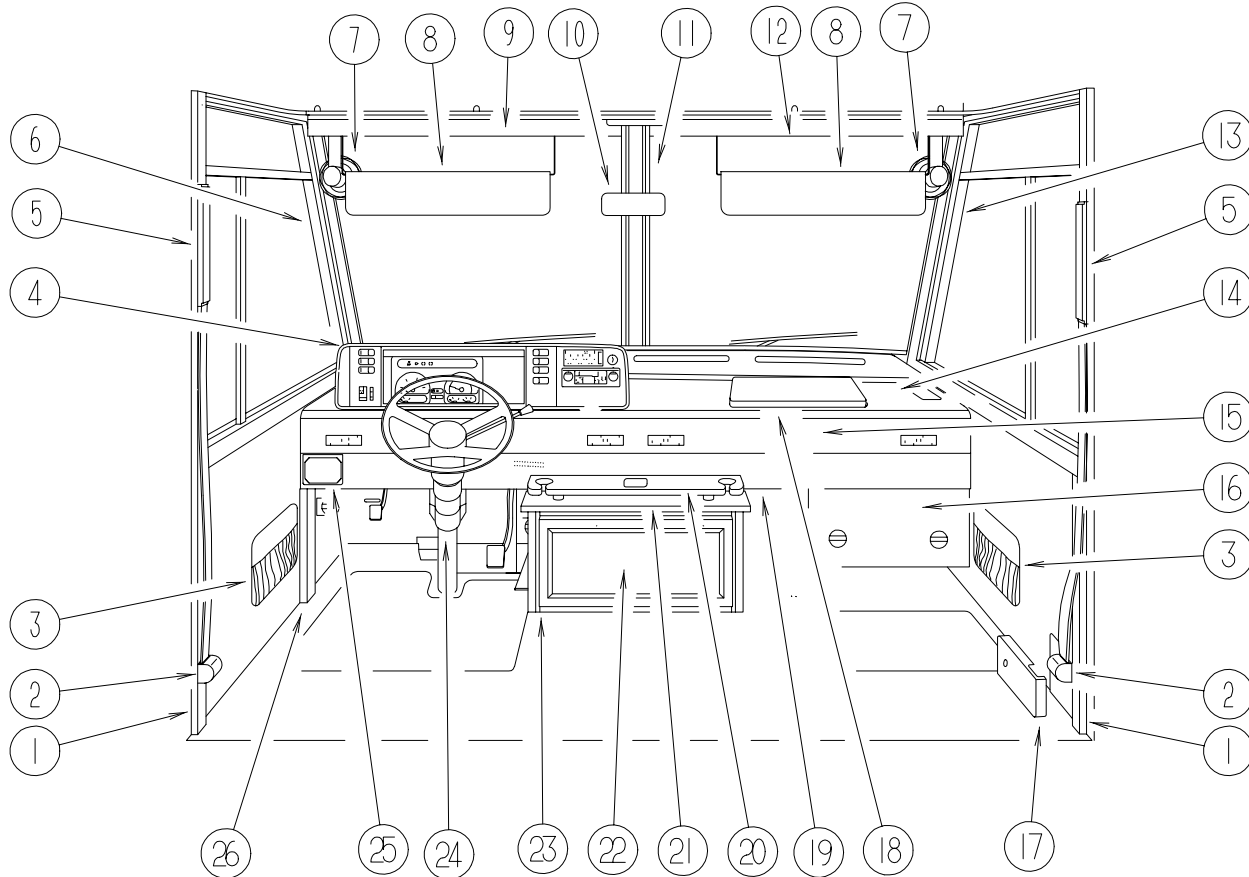


**DINETTE TABLE ASM. W/ DROP LEAF**

| KEY | PART NUMBER   | U/M | DESCRIPTION                                    |
|-----|---------------|-----|--|
| 1   | 120898-27-J22 | EA  | TABLE TOP ONLY (WATERFORD OAK)                 |
| 1   | 120898-27-J23 | EA  | TABLE TOP ONLY (WHITE GRANITE)                 |
| 2   | 120898-24-H17 | EA  | LEG - W/O HARDWARE (WATERFORD OAK)             |
| 2   | 120898-24-H23 | EA  | LEG - W/O HARDWARE (WHITE GRANITE)             |
| 3   | 084451-01-000 | EA  | CATCH - BRASS                                  |
| 4   | 120972-01-01A | EA  | HINGE - TABLE/ DROP LEAF                       |
| 5   | 120973-01-000 | EA  | SUPPORT - TABLE/ DROP LEAF - PAIR              |
| 6   | 120898-25-H07 | EA  | MOUNT - WALL - DROP LEAF TABLE (WATERFORD OAK) |
| 6   | 120898-25-J23 | EA  | MOUNT - WALL - DROP LEAF TABLE (WHITE GRANITE) |

# DRIVERS COMPARTMENT GROUP

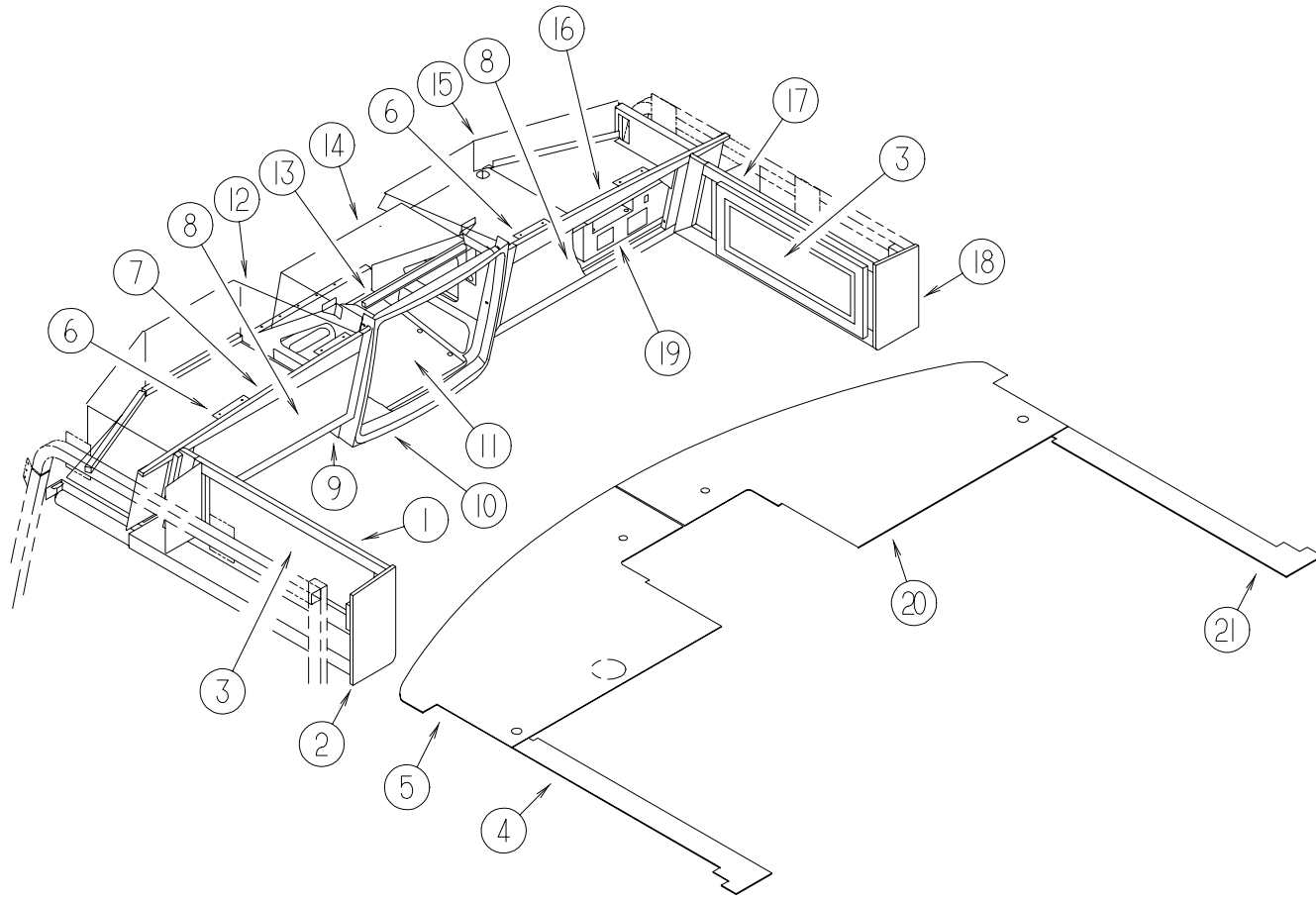
## LOWER DRIVER COMPARTMENT



| KEY | PART NUMBER   | U/M | DESCRIPTION   |
|-----|---------------|-----|---|
| 1   | 024700-51-000 | EA  | COVER - ROLL BAR  |
| 2   | 091990-05-01A | EA  | SEAT BELT/SHOULDER HARNESS - DRIVER/PASSENGER - BLACK             |
|     | 127598-01-01A | EA  | ADJUSTER - SEATBELT - D-LOOP - ADJUSTER                           |
|     | 091990-01-701 | EA  | EXTENDER 9" FOR A8408 3 PT  |
|     | 109146-01-000 | EA  | BOLT - SHOULDER/SEAT BELT   |
|     | 127598-02-000 | EA  | NUT - HEX FLANGE - M10 X 1.5 - CLASS 10                           |
|     | 128444-01-000 | EA  | WASHER - SPRING - CONICAL   |
| 3   | 086120-10-J22 | EA  | PAD - MAP POCKET - 12" X 16" (J22,J23)                            |
| 3   | 086120-10-J24 | EA  | PAD - MAP POCKET - 12" X 16" (J24,J25)                            |
| 3   | 086120-10-J26 | EA  | PAD - MAP POCKET - 12" X 16" (J26,J27)                            |
| 3   | 086120-10-J28 | EA  | PAD - MAP POCKET - 12" X 16" (J28,J29)                            |
| 4   | M05946-55-J22 | EA  | DASH POD  |
| 5   | 127721-01-01A | EA  | COVER - SLIDE - OFF WHITE   |
| 5   | 127798-01-01A | EA  | COVER - SLIDE - INNER - BLACK - 1.5" X 11.4"                      |
| 6   | 125508-02-01A | EA  | TRIM - A-PILLAR - INTERIOR - ANTELOPE                             |
|     | 123045-11-02A | EA  | BACKING - SCREW - ANTELOPE  |
| 7   | 122856-01-01A | EA  | FAN - DEFROSTER - 2 SPEED W/SWIVEL BASE/NON - OSCILATING - CHROME |
| 8   | 123298-02-04A | EA  | SUNVISOR - 10.5" X 28.5"  |
| 9   | 118453-04-01A | EA  | TRIM - WINDSHIELD - INNER/TOP/DRIVER                              |
| 10  | 040714-01-000 | EA  | MIRROR - REAR VIEW/ARM MOUNT & SET SCREW                          |
|     | 067490-01-000 | EA  | BUTTON - MIRROR/REAR VIEW   |
| 11  | 118452-04-01A | EA  | TRIM - WINDSHIELD - CENTER - ANTELOPE                             |
| 12  | 118453-03-01A | EA  | TRIM - WINDSHIELD - INNER/TOP/PASSENGER                           |
| 13  | 125508-01-01A | EA  | TRIM - A-PILLAR - INTERIOR - ANTELOPE                             |
|     | 123045-11-02A | EA  | BACKING - SCREW - ANTELOPE  |
| 14  | P26082-02-000 | EA  | DASH - W/O VINYL - E-COATED                                       |
| 15  | 104354-09-04A | EA  | APPLIQUE - LOWER DASH - GM/FORD                                   |
| 16  | 095757-05-H37 | EA  | COVER - HEATER (J22,J23)  |
| 16  | 095757-05-G16 | EA  | COVER - HEATER (J24,J25)  |
| 16  | 095757-05-G15 | EA  | COVER - HEATER (J26,J27,J28,J29)                                  |
| 17  | 103961-03-01A | EA  | COVER - BRACKET - SEATBELT/OFF WHITE                              |
| 18  | 127692-01-J20 | EA  | TABLE - DASH  |
| 18  | 127597-01-000 | EA  | SLIDE - WORK STATION - DASH                                       |
| 19  | 104354-09-04A | EA  | APPLIQUE - LOWER DASH - GM/FORD                                   |
| 20  | 111759-14-G15 | EA  | TRAY (WATERFORD OAK)  |
| 20  | 111759-14-H40 | EA  | TRAY (WHITE GRANITE)  |
| 21  | 111759-13-G15 | EA  | TOP - BEVERAGE TRAY COMPARTMENT (WATERFORD OAK)                   |
| 21  | 111759-13-J23 | EA  | TOP - BEVERAGE TRAY COMPARTMENT (WHITE GRANITE)                   |
| 22  | M06881-01-J22 | EA  | DRAWER - F/BEVERAGE TRAY (WATERFORD OAK)                          |
| 22  | M06881-01-J23 | EA  | DRAWER - F/BEVERAGE TRAY (WHITE GRANITE)                          |
| 23  | M06880-01-J22 | EA  | CABINET - F/BEVERAGE TRAY (WATERFORD OAK)                         |
| 23  | M06880-01-J23 | EA  | CABINET - F/BEVERAGE TRAY (WHITE GRANITE)                         |
|     | 122717-01-01A | EA  | PAD - NON SKID - 4" DIAMETER ROUND                                |
| 24  | 103498-09-000 | EA  | BOOT - STEERING COLUMN - W/1/2 CIRCLE                             |
|     | 127687-01-02A | EA  | POD - SHIFTER - ANTELOPE  |
| 25  | 112236-02-J22 | EA  | BEZEL - F/SLIDEOUT ROOM CONTROL                                   |
| 26  | 127901-02-01A | EA  | PANEL - TOEKICK/LEFT HAND - ANTELOPE (W/DRIVER DOOR)              |
| 26  | 127901-01-01A | EA  | PANEL - TOEKICK/LEFT HAND - ANTELOPE (W/O DRIVER DOOR)            |

# DRIVERS COMPARTMENT GROUP (CONTINUED)

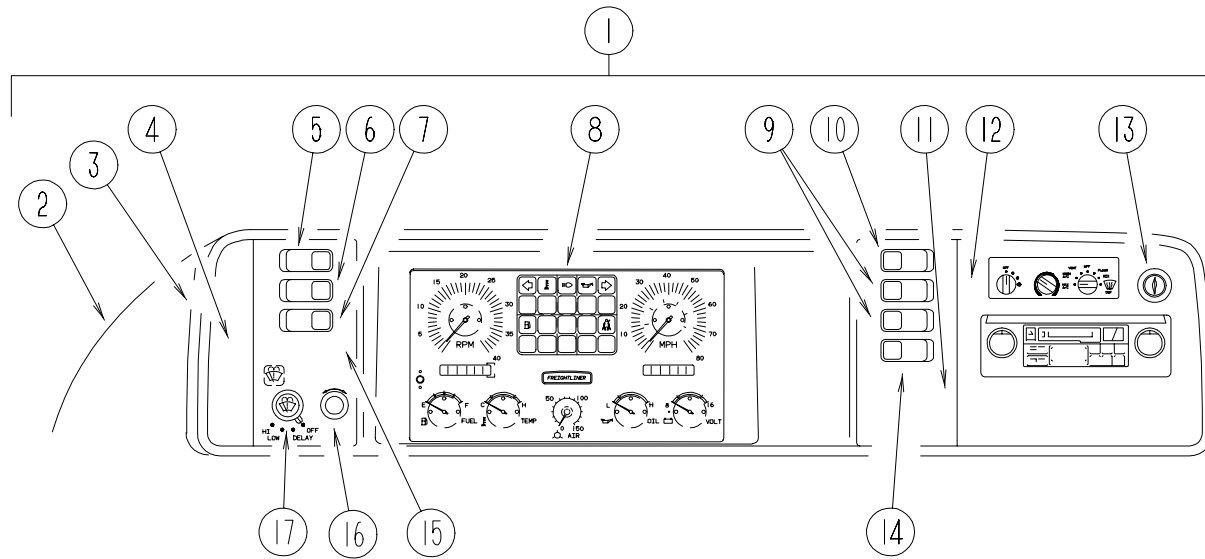
## UPPER DRIVER COMPARTMENT



| KEY | PART NUMBER   | U/M | DESCRIPTION  |
|-----|---------------|-----|--|
| 1   | 126301-02-J22 | EA  | CABINET - OVERHEAD/FRONT/LEFT HAND - W/O DOORS/HARDWARE (WATERFORD OAK)    |
| 1   | 126301-02-J23 | EA  | CABINET - OVERHEAD/FRONT/LEFT HAND - W/O DOORS/HARDWARE (WHITE GRANITE)    |
| 2   | 103128-18-J20 | EA  | END CAP - OVERHEAD CABINET - LEFT HAND (WATERFORD OAK)                     |
| 2   | 103128-18-J23 | EA  | END CAP - OVERHEAD CABINET - LEFT HAND (WHITE GRANITE)                     |
| 3   | M05992-L9-J22 | EA  | DOOR - STRAIGHT CORNER/OGEE EDGE - 10" X 29.5" - W/O HDW (WATERFORD OAK)   |
| 3   | 122715-87-01A | EA  | DOOR - MOLDED VINYL - 10" X 29.5" - W/O HDW (WHITE GRANITE)                |
| 4   | 126443-04-J22 | EA  | PANEL - OVERHEAD/FRONT - LEFT HAND - 5.8" X 38.4"                          |
| 5   | 126440-02-J20 | EA  | PANEL - OVERHEAD/FRONT - BOTTOM/LEFT HAND                                  |
| 6   | 106699-01-01A | EA  | BRACKET - OVERHEAD CABINET/TV  |
| 7   | 126876-02-J20 | EA  | CABINET - OVERHEAD/FRONT - LEFT HAND - W/O DOORS/HARDWARE (WATERFORD OAK)  |
| 7   | 126876-02-J23 | EA  | CABINET - OVERHEAD/FRONT - LEFT HAND - W/O DOORS/HARDWARE (WHITE GRANITE)  |
| 8   | 100708-08-000 | EA  | DOOR - GLASS - TV CABINET - 9.7" X 27" - W/O HARDWARE                      |
|     | 100707-01-000 | EA  | SPACER - GLASS DOOR - .8" DIA - .3" HOLE - PLASTIC                         |
|     | 100710-01-01A | EA  | LOCK - GLASS DOOR/TWIST TYPE - BRASS                                       |
|     | 100711-01-01A | EA  | HINGE - GLASS DOOR   |
| 9   | 126006-02-J20 | EA  | COVER - TV - OVERHEAD/BOTTOM   |
| 10  | 125977-01-02A | EA  | COVER - TV - OVERHEAD/FRONT - ANTELOPE                                     |
| 10  | 126602-02-J22 | EA  | COVER - OVERHEAD/FRONT - W/O TV OPTION                                     |
| 11  | 091261-01-000 | FT  | SLIPNOT - ANTISLIP - 1" WIDE   |
| 12  | 126457-02-J20 | EA  | PANEL - CLOSEOUT - OVERHEAD FRONT - UPPER/LOWER LEFT HAND                  |
| 13  | 114706-04-02B | EA  | SUPPORT - SHELF/TV   |
| 14  | 126854-01-J20 | EA  | PANEL - HEADLINER/TV/TOP   |
| 15  | 126457-01-J20 | EA  | PANEL - CLOSEOUT - OVERHEAD FRONT - UPPER/LOWER RIGHT HAND                 |
| 16  | 126876-01-J20 | EA  | CABINET - OVERHEAD/FRONT - RIGHT HAND - W/O DOORS/HARDWARE (WATERFORD OAK) |
| 16  | 126876-01-J23 | EA  | CABINET - OVERHEAD/FRONT - RIGHT HAND - W/O DOORS/HARDWARE (WHITE GRANITE) |
| 17  | 126358-02-J22 | EA  | CABINET - OVERHEAD/FRONT/RIGHT HAND - W/O DOORS/HARDWARE (WATERFORD OAK)   |
| 17  | 126358-02-J23 | EA  | CABINET - OVERHEAD/FRONT/RIGHT HAND - W/O DOORS/HARDWARE (WHITE GRANITE)   |
| 18  | 103128-17-J20 | EA  | END CAP - OVERHEAD CABINET - RIGHT HAND (WATERFORD OAK)                    |
| 18  | 103128-17-J23 | EA  | END CAP - OVERHEAD CABINET - RIGHT HAND (WHITE GRANITE)                    |
| 19  | 126601-03-J20 | EA  | PANEL - SHELF - VINYL COVERED - W/O INVERTOR CUTOUT                        |
| 19  | 126601-07-J20 | EA  | PANEL - SHELF - VINYL COVERED - W/INVERTOR CUTOUT                          |
| 20  | 126440-01-J20 | EA  | PANEL - OVERHEAD/FRONT - BOTTOM/RIGHT HAND                                 |
| 21  | 126443-03-J22 | EA  | PANEL - OVERHEAD/FRONT - RIGHT HAND - 5.8' X 39.2"                         |

## DRIVERS COMPARTMENT GROUP (CONTINUED)

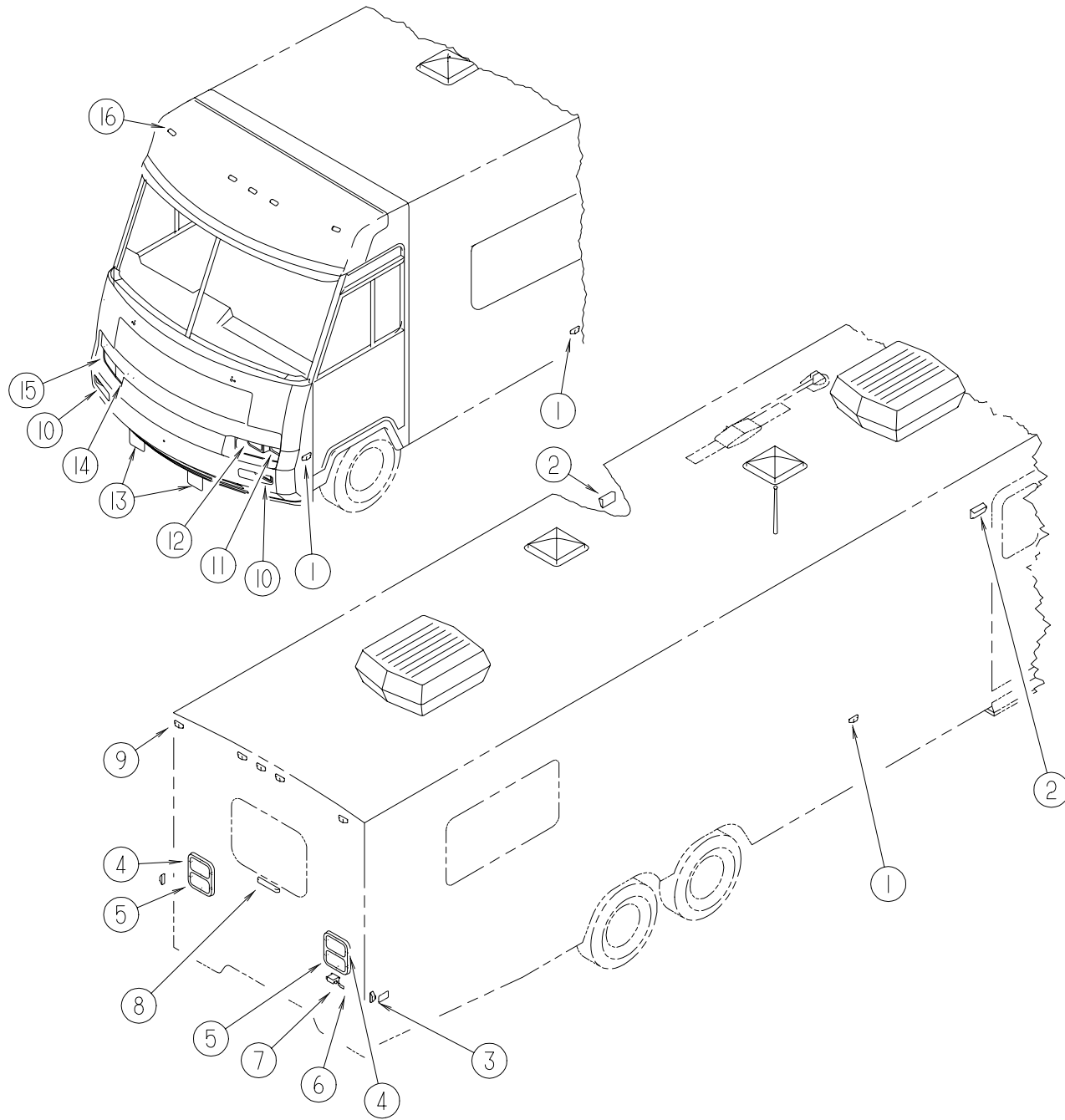
### DASH, GAUGES & SWITCHES (FREIGHTLINER)



| KEY | PART NUMBER   | U/M | DESCRIPTION  |
|-----|---------------|-----|--|
| 1   | M05946-55-J22 | EA  | DASH POD   |
| 2   | 125677-02-J20 | EA  | POD - INSTRUMENT PANEL                                     |
| 3   | 103662-07-01A | EA  | BEZEL - INSTRUMENT PANEL                                   |
| 4   | 104056-01-08A | EA  | APPLIQUE - BEZEL - DRIVER DRESS UP                         |
| 5   | 108357-08-000 | EA  | SWITCH - ROCKER DPDT - ON/NONE/ON - 6 TERMINAL             |
| 5   | 108356-02-01A | EA  | COVER/ACTUATOR SWITCH - 2 ROWS DIMPLES- CONTURA II - BLACK |
| 6   | 108357-09-000 | EA  | SWITCH - ROCKER SPDT - ON/NONE/MOM - 3 TERMINAL            |
| 6   | 108356-02-01A | EA  | COVER/ACTUATOR SWITCH - 2 ROWS DIMPLES- CONTURA II - BLACK |
| 7   | 108357-06-000 | EA  | SWITCH - ROCKER DPDT - MOM/OFF/MOM - 6 TERMINAL            |
| 7   | 108356-02-01A | EA  | COVER/ACTUATOR SWITCH - 2 ROWS DIMPLES- CONTURA II - BLACK |
| 8   | 121868-13-000 | EA  | CLUSTER - INSTRUMENT - METRIC                              |
| 9   | 108357-03-000 | EA  | SWITCH - ROCKER SPDT - ON/OFF/ON - 3 TERMINAL              |
| 9   | 108356-02-01A | EA  | COVER/ACTUATOR SWITCH - 2 ROWS DIMPLES- CONTURA II - BLACK |
| 10  | 108357-10-000 | EA  | SWITCH - ROCKER SPDT - W/LIGHT - MOM/NONE/MOM - 5 TERMINAL |
| 10  | 108356-04-01A | EA  | COVER/ACTUATOR SWITCH - 2 ROWS DIMPLES W/LENS-CONTURAI-BLK |
|     | 096241-03-000 | EA  | SWITCH - BLANK   |
|     | 077942-01-000 | EA  | SWITCH - DUMMY - BLACK                                     |
| 11  | 104056-08-01A | EA  | APPLIQUE - BEZEL - PASSENGER - 6 SWITCH                    |
| 11  | 104056-21-01A | EA  | APPLIQUE - BEZEL - PASSENGER DRESS UP                      |
| 12  | 104056-06-08A | EA  | APPLIQUE - BEZEL - PASSENGER DRESS UP                      |
| 13  | 089294-01-000 | EA  | LIGHTER - CIGARETTE - W/O WIRES                            |
| 14  | 108357-01-000 | EA  | SWITCH - ROCKER SPST - ON/OFF - 2 TERMINAL                 |
| 14  | 108356-02-01A | EA  | COVER/ACTUATOR SWITCH - 2 ROWS DIMPLES- CONTURA II - BLACK |
| 15  | 104056-23-01A | EA  | APPLIQUE - BEZEL - SWEEP - LEFT                            |
|     |               |     | FROM: 00-00-00 THRU: 05-08-98                              |
| 15  | 104056-38-01A | EA  | APPLIQUE - BEZEL - DRIVER                                  |
|     |               |     | FROM: 05-09-98 THRU: 99-99-99                              |
| 16  | 096675-01-000 | EA  | KNOB - HEADLAMP - W/SHAFT                                  |
|     | 096674-01-000 | EA  | NUT - HEADLAMP KNOB - BLACK                                |
| 17  | 091206-04-000 | EA  | MODULE/WIPER CONTROL KIT - DYNAMIC PARK                    |
|     | 106569-11-01A | EA  | VINYL - LAMINATE - ALLANTE ANTELOPE - 1/4" X 21" X 100"    |
|     | 103603-01-000 | EA  | BULB - 12 VOLT - #74 - .12A WEDGE - GE 22-25 USED IN DASH  |
|     | 077031-01-000 | EA  | FILM - BLACK - 1" X 1.75"                                  |
|     | 077031-03-000 | EA  | FILM - WHITE .75" X 1"                                     |

# ELECTRICAL GROUP

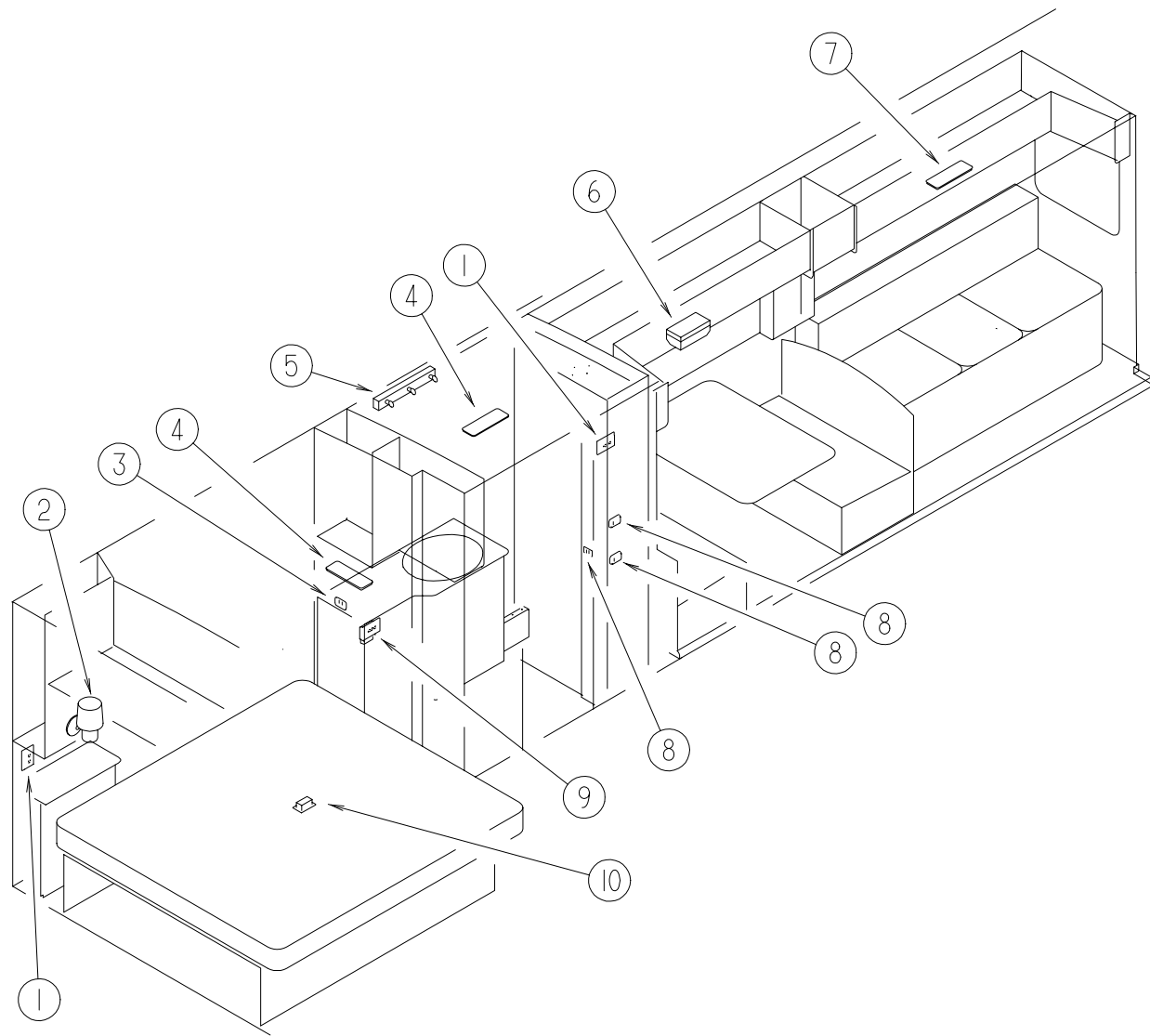
## EXTERIOR LIGHTS



| KEY | PART NUMBER   | U/M | DESCRIPTION   |
|-----|---------------|-----|---|
| 1   | 111102-02-000 | EA  | LENS - MARKER LAMP - AMBER  |
| 1   | 111102-01-000 | EA  | LAMP - MARKER - BASE  |
| 1   | 036196-01-000 | EA  | BULB - 12 VOLT - #194 - .27 AMP - BAYONETTE                             |
| 2   | 097917-01-06A | EA  | LIGHT - PORCH - BRIGHT WHITE  |
| 2   | 008215-01-000 | EA  | BULB - 12 VOLT - #1003 - .94 AMP  |
| 2   | 097917-01-700 | EA  | LENS - LIGHT - CLEAR  |
| 3   | 111102-03-000 | EA  | LENS - MARKER LAMP - RED  |
| 3   | 111102-01-000 | EA  | LAMP - MARKER - BASE  |
| 3   | 036196-01-000 | EA  | BULB - 12 VOLT - #194 - .27 AMP - BAYONETTE                             |
| 4   | 117831-01-000 | EA  | LAMP - STOP/TURN/TAIL/BACKUP - RH                                       |
| 4   | 117831-02-000 | EA  | LAMP - STOP/TURN/TAIL/BACKUP - LH                                       |
|     | 113294-03-000 | EA  | LAMP - PARK/TURN - AMBER - RIGHT HAND                                   |
|     | 113294-04-000 | EA  | LAMP - PARK/TURN - AMBER - LEFT HAND                                    |
|     | 037935-01-000 | EA  | BULB - 12V - #1157 OR #2057 - 2.1 AMP - CLEAR GLASS<br>BRAKE LIGHT BULB |
|     | 037934-01-000 | EA  | BULB - 12V - #1156 - 2.1 AMP CLEAR GLASS<br>BACK UP & TURN SIGNAL BULB  |
| 5   | 126210-01-J20 | EA  | TRIM - TAILLIGHT/DRIVER/PASSENGER - BRIGHT WHITE                        |
| 6   | 066432-03-000 | EA  | BRACKET - LICENSE PLATE   |
| 7   | 066432-02-000 | EA  | LIGHT - LICENSE - BLACK   |
| 8   | 121950-01-000 | EA  | LIGHT - BRAKE - CENTER MOUNT  |
| 9   | 127536-01-000 | EA  | LIGHT - CLEARANCE - RED   |
| 9   | 127536-02-000 | EA  | SOCKET - LIGHT - 194 WEDGE  |
| 9   | 036196-01-000 | EA  | BULB - 12 VOLT - #194 - .27 AMP - BAYONETTE                             |
| 10  | 106688-02-000 | EA  | LIGHT - AMBER TURN SIGNAL (LENS/BACK PAN)                               |
| 11  | 049188-04-000 | EA  | HEADLAMP - DRIVER - HIGH BEAM - HALOGEN                                 |
| 12  | 049186-04-000 | EA  | HEADLAMP - DRIVER - HIGH/LOW - HALOGEN                                  |
| 13  | 124215-01-000 | EA  | FOG LIGHT - RECTANGULAR/ CLEAR LENS                                     |
|     | 125787-03-J30 | EA  | SUPPORT - FOG LIGHT   |
| 14  | 049185-04-000 | EA  | HEADLAMP - PASSENGER - HIGH/LOW - HALOGEN                               |
| 15  | 049187-04-000 | EA  | HEADLAMP - PASSENGER - HIGH BEAM - HALOGEN                              |
|     | 110750-01-000 | EA  | SCREW - HEADLAMP ADJUSTING  |
|     | 049359-01-000 | EA  | SPRING - RETAINER - HEADLAMP - GM #496096                               |
|     | 119157-01-000 | EA  | SOCKET - SINGLE CONTACT   |
|     | 119158-01-000 | EA  | SOCKET - DOUBLE CONTACT   |
| 16  | 102520-01-000 | EA  | LIGHT - CLEARANCE - W/O SOCKET CONNECTIONS - AMBER                      |
| 16  | 036196-01-000 | EA  | BULB - 12 VOLT - #194 - .27 AMP - BAYONETTE                             |
| 16  | 102540-01-000 | EA  | SEAL - SCREW - ROUND - RUBBER   |
| 16  | 102541-01-000 | EA  | GASKET - CLEARANCE LIGHT  |
| 16  | 067789-02-000 | EA  | SOCKET - LAMP   |

## ELECTRICAL GROUP (CONTINUED)

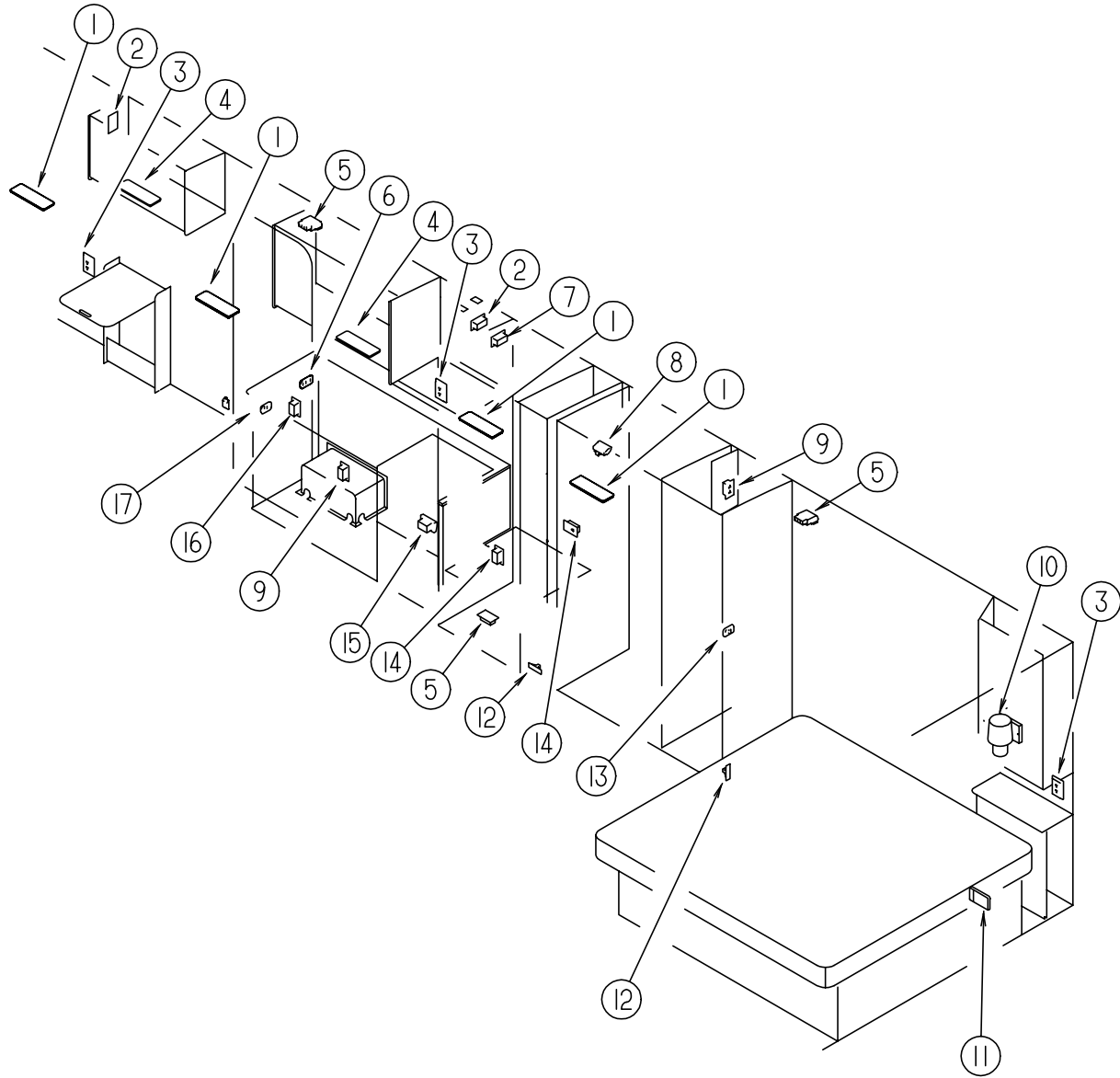
### LIGHTS, RECEPTACLES, & SWITCHES (DRIVER SIDE)



| KEY | PART NUMBER   | U/M | DESCRIPTION   | VENDOR NO. |
|-----|---------------|-----|---|------------|
| 1   | 058708-01-000 | EA  | RECEPTACLE - ELECTRIC - DOUBLE - BROWN                                |            |
| 1   | 058708-02-000 | EA  | RECEPTACLE - ELECTRIC - DOUBLE - IVORY                                |            |
| 1   | 102568-01-GB1 | EA  | SPACER - RECEPTACLE - BETWEEN SIDEWALL & PLATE - WOOD (WATERFORD OAK) |            |
| 1   | 102568-01-H23 | EA  | SPACER - RECEPTACLE - BETWEEN SIDEWALL & PLATE - WOOD (WHITE GRANITE) |            |
| 2   | 065202-24-000 | EA  | LAMP - WALL/BRASS - W/O SHADE   |            |
| 2   | 119257-01-01A | EA  | SHADE - LAMP - POTPOUM  |            |
| 2   | 067479-01-000 | EA  | BULB - 12 VOLT - #1076 - 1.80 AMP                                     |            |
| 3   | 079364-01-000 | EA  | SWITCH - ON/ OFF ROCKER - 2 PRONGS - BROWN - VANITY LAMP              |            |
| 3   | 079364-03-000 | EA  | SWITCH - ON/OFF ROCKER - 3 PRONGS - BROWN - PUMP                      |            |
| 3   | 098351-02-01A | EA  | PLATE - SWITCH - 2 GANG POLISHED BRASS                                |            |
| 3   | 095188-02-01A | EA  | SPACER - SWITCH - 2.3" X 4.1' - PLASTIC - DARK BROWN                  |            |
| 4   | 098024-03-02A | EA  | LIGHT - DOME - 2 BULB WHITE   |            |
| 4   | 008218-01-000 | EA  | BULB - DOME LIGHT - 12 VOLT - NO. 1141                                |            |
| 4   | 098024-01-700 | EA  | LENS - LIGHT  | 807877     |
| 5   | 110235-02-01A | EA  | LIGHT - MAKE UP - 4 BULB PANLESS                                      |            |
| 5   | 081633-01-700 | EA  | BULB - LIGHT - MAKE-UP  | RP1041     |
| 6   | 093575-06-01A | EA  | LIGHT - CEILING - FLUTED  |            |
| 7   | 098024-06-02A | EA  | LIGHT - DOME - 2 BULB - SKYLITE                                       |            |
| 7   | 008218-01-000 | EA  | BULB - DOME LIGHT - 12 VOLT - NO. 1141                                |            |
| 7   | 098024-01-701 | EA  | LENS - OPTI CLEAR - SKYLIGHT  | 809902     |
| 8   | 079364-01-000 | EA  | SWITCH - ON/ OFF ROCKER - 2 PRONGS - BROWN - VANITY LAMP              |            |
| 8   | 079364-03-000 | EA  | SWITCH - ON/OFF ROCKER - 3 PRONGS - BROWN - PUMP                      |            |
| 8   | 098351-02-01A | EA  | PLATE - SWITCH - 2 GANG POLISHED BRASS                                |            |
| 8   | 095188-02-01A | EA  | SPACER - SWITCH - 2.3" X 4.1' - PLASTIC - DARK BROWN                  |            |
| 9   | 084076-02-000 | EA  | RECEPTACLE - GFI - 15 AMP - 125 VOLT - BROWN                          |            |
| 10  | 058707-02-000 | EA  | RECEPTACLE - BLANK - JUNCTION   |            |
|     | 086280-01-000 | EA  | LIGHT - SURFACE MOUNT - 12 VOLT                                       |            |
|     | 086280-01-700 | EA  | BULB - 12V  | ARP1089    |
|     | 087694-01-000 | EA  | LIGHT - WARDROBE/CLOSET - W/SWITCH                                    |            |
|     | 087694-01-700 | EA  | BULB  | GE561      |

## ELECTRICAL GROUP (CONTINUED)

### LIGHTS, RECEPTACLES, & SWITCHES (PASSENGER SIDE)



| KEY | PART NUMBER   | U/M | DESCRIPTION   | VENDOR NO. |
|-----|---------------|-----|---|------------|
| 1   | 098024-03-02A | EA  | LIGHT - DOME - 2 BULB WHITE   |            |
| 1   | 008218-01-000 | EA  | BULB - DOME LIGHT - 12 VOLT - NO. 1141                                |            |
| 1   | 098024-01-700 | EA  | LENS-LIGHT  | 807877     |
| 2   | 058707-02-000 | EA  | RECEPTACLE - BLANK - JUNCTION   |            |
| 3   | 058708-02-000 | EA  | RECEPTACLE - ELECTRIC - DOUBLE - IVORY                                |            |
| 3   | 102568-01-GB1 | EA  | SPACER - RECEPTACLE - BETWEEN SIDEWALL & PLATE - WOOD (WATERFORD OAK) |            |
| 3   | 102568-01-H23 | EA  | SPACER - RECEPTACLE - BETWEEN SIDEWALL & PLATE - WOOD (WHITE GRANITE) |            |
| 4   | 098024-06-02A | EA  | LIGHT - DOME - 2 BULB - SKYLITE                                       |            |
| 4   | 008218-01-000 | EA  | BULB - DOME LIGHT - 12 VOLT - NO. 1141                                |            |
| 4   | 098024-01-701 | EA  | LENS - OPTI CLEAR - SKYLIGHT  | 809902     |
| 5   | 091927-01-000 | EA  | COVER - RECEPTACLE - DOUBLE - IVORY - W/O ROOF A/C OPTION             |            |
| 6   | 098351-05-01A | EA  | PLATE - SWITCH - 3 GANG POLISHED BRASS                                |            |
| 6   | 079364-01-000 | EA  | SWITCH - ON/ OFF ROCKER - 2 PRONGS - BROWN - STEP/CEILING/PORCH       |            |
| 7   | 058708-05-000 | EA  | RECEPTACLE - SINGLE - BROWN - MICROWAVE                               |            |
| 8   | 087694-01-000 | EA  | LIGHT - WARDROBE/CLOSET - W/SWITCH                                    |            |
|     | 087694-01-700 | EA  | BULB  | GE561      |
| 9   | 058708-01-000 | EA  | RECEPTACLE - ELECTRIC - DOUBLE - BROWN                                |            |
| 10  | 065202-24-000 | EA  | LAMP - WALL/BRASS - W/O SHADE   |            |
| 10  | 119257-01-01A | EA  | SHADE - LAMP - POTPOUM  |            |
| 10  | 067479-01-000 | EA  | BULB - 12 VOLT - #1076 - 1.80 AMP                                     |            |
| 11  | 098024-01-03A | EA  | LIGHT - DOME - 1 BULB - WHITE (COMPARTMENTS)                          |            |
| 11  | 008218-01-000 | EA  | BULB - DOME LIGHT - 12VOLT - NO. 1141                                 |            |
| 11  | 098024-01-700 | EA  | LENS-LIGHT  | 807877     |
| 12  | 061424-01-000 | EA  | LIGHT - AISLE - 12 VOLT - RECTANGULAR                                 |            |
| 12  | 008103-01-000 | EA  | BULB - DASH/AISLE LIGHT - #53 - 12 VOLT - .12 AMP                     |            |
| 13  | 079364-01-000 | EA  | SWITCH - ON/ OFF - ROCKER - 2 PRONGS - BROWN                          |            |
| 13  | 079364-03-000 | EA  | SWITCH - ON/OFF ROCKER - 3 PRONGS - BROWN                             |            |
| 13  | 098351-02-01A | EA  | PLATE - SWITCH - 2 GANG POLISHED BRASS                                |            |
| 13  | 095188-01-01A | EA  | SPACER - SWITCH - 2.3" X 3.4" - PLASTIC - DARK BROWN                  |            |
| 14  | 058707-01-000 | EA  | RECEPTACLE-ELECTRIC, SINGLE - BROWN - CONVERTER/REFRIGERATOR          |            |
| 15  | 112822-01-01A | EA  | RECEPTACLE - DUPLEX - IVORY   |            |
| 15  | 112824-01-03A | EA  | COVER - RECEPTACLE - EXTERIOR DUPLEX                                  |            |
| 16  | 084076-02-000 | EA  | RECEPTACLE - GFI - 15 AMP - 125 VOLT - BROWN                          |            |
| 17  | 098351-01-01A | EA  | PLATE - SWITCH - 1 GANG POLISHED BRASS                                |            |
| 17  | 079364-03-000 | EA  | SWITCH - ON/OFF ROCKER - 3 PRONGS - BROWN                             |            |
|     | 086280-01-000 | EA  | LIGHT - SURFACE MOUNT - 12 VOLT                                       |            |
|     | 086280-01-700 | EA  | BULB - 12V  | ARP1089    |

## ELECTRICAL GROUP (CONTINUED)

### CONVERTER & LOAD CENTER

| KEY | PART NUMBER   | U/M | DESCRIPTION  |
|-----|---------------|-----|--|
|     | 083208-02-000 | EA  | CONVERTER - POWER - 45A - 120/12V                          |
|     | 099048-03-000 | EA  | INVERTER - 130 WATT  |
|     | 106071-01-000 | EA  | SWITCH - AUTOMATIC TRANSFER - 30 AMP - MAGNETEK            |
|     | 106071-02-000 | EA  | SWITCH - AUTOMATIC TRANSFER - 50 AMP - MAGNETEK            |
|     | 106071-03-000 | EA  | SWITCH - AUTOMATIC TRANSFER - 50 AMP - TODD                |
|     | 108915-02-000 | EA  | LOAD CENTER - 120/240 VOLT - 100 AMP                       |
|     | 109677-01-000 | EA  | LOAD CENTER - 120 VOLT - 40 AMP                            |
|     | 113132-01-000 | EA  | LOAD CENTER - 120/240 VOLT - 60 AMP                        |
|     | 123058-02-000 | EA  | CONVERTER - 45 AMP - ELECTRONIC - 4 1/8"H X 7"W X 12 3/8"L |

### ELECTRICAL SWITCHES

| KEY | PART NUMBER   | U/M | DESCRIPTION  |
|-----|---------------|-----|--|
|     | 073626-04-000 | EA  | COVER - ELECTRIC - 10.4' X 7.8"                            |
|     | 077942-01-000 | EA  | SWITCH - DUMMY - BLACK                                     |
|     | 079364-01-000 | EA  | SWITCH - ON/OFF ROCKER - 2 TERMINAL - BROWN                |
|     | 079364-02-000 | EA  | SWITCH - ON/OFF ROCKER - 3 TERMINAL - BLACK                |
|     | 079364-03-000 | EA  | SWITCH - ON/OFF ROCKER - 3 TERMINAL - BROWN                |
|     | 079364-04-000 | EA  | SWITCH - ON/OFF ROCKER - 2 TERMINAL - BLACK                |
|     | 093132-01-000 | EA  | SWITCH - ROCKER - 5 TERMINAL - W/ARROWS F/POWER WINDOWS    |
|     | 095188-01-01A | EA  | SPACER - SWITCH - 2.3" X 3.4" - PLASTIC - DARK BROWN       |
|     | 095188-02-01A | EA  | SPACER - SWITCH - 2.3" X 4.1" - PLASTIC - DARK BROWN       |
|     | 098351-01-01A | EA  | PLATE - SWITCH - 1 GANG POLISHED BRASS                     |
|     | 098351-02-01A | EA  | PLATE - SWITCH - 2 GANG POLISHED BRASS                     |
|     | 098351-05-01A | EA  | PLATE - SWITCH - 3 GANG POLISHED BRASS                     |
|     | 098351-09-01A | EA  | PLATE - SWITCH - SPEAKER SELECT - POLISHED BRASS           |
|     | 103473-14-01A | EA  | PLATE - SWITCH - WINDOW - LEFT HAND                        |
|     | 108355-01-000 | EA  | HOUSING - SWITCH   |
|     | 108356-01-01A | EA  | COVER/ACTUATOR SWITCH - 3 GROOVES - CONTURA III - BLACK    |
|     | 108356-01-02A | EA  | COVER/ACTUATOR SWITCH - 3 GROOVES - CONTURA III - TAN      |
|     | 108356-02-01A | EA  | COVER/ACTUATOR SWITCH - 2 ROWS DIMPLES- CONTURA II - BLACK |

### RECEPTACLES

| KEY | PART NUMBER   | U/M | DESCRIPTION   |
|-----|---------------|-----|---|
|     | 058707-01-000 | EA  | RECEPTACLE - ELECTRIC - SINGLE - BROWN                |
|     | 058707-02-000 | EA  | RECEPTACLE - BLANK JUNCTION BOX                       |
|     | 058708-01-000 | EA  | RECEPTACLE - ELECTRIC - DOUBLE - BROWN                |
|     | 058708-02-000 | EA  | RECEPTACLE - ELECTRIC - DOUBLE - IVORY                |
|     | 058708-05-000 | EA  | RECEPTACLE - SINGLE - BROWN                           |
|     | 084076-02-000 | EA  | RECEPTACLE - GFI - 15 AMP - 125 VOLT - BROWN          |
|     | 091927-01-000 | EA  | COVER - RECEPTACLE - DOUBLE - IVORY                   |
|     | 102568-01-GB1 | EA  | SPACER - RECEPTACLE - BETWEEN SIDEWALL & PLATE - WOOD |
|     | 112822-01-01A | EA  | RECEPTACLE - DUPLEX - IVORY                           |
|     | 112824-01-03A | EA  | COVER - RECEPTACLE - EXTERIOR DUPLEX                  |
|     | 115930-02-000 | EA  | INLET - 50 AMP - 240 VOLT - EXTERIOR                  |

## ELECTRICAL GROUP (CONTINUED)

### ELECTRICAL BOXES & CORDS

| KEY | PART NUMBER   | U/M | DESCRIPTION  |
|-----|---------------|-----|--|
|     | 008052-01-000 | EA  | CORD - POWER - 10/3 - 30 AMP - 25' - CANADIAN              |
|     | 008054-01-000 | EA  | CORD - POWER - 10/3 - 30 AMP - 25'                         |
|     | 008289-01-000 | EA  | BOX - ELECTRIC/STEEL - 1/2" & 3/4" KNOCKOUTS - 4" X 4"     |
|     | 008289-02-000 | EA  | BOX - ELECTRIC/STEEL - 1/2" & 3/4" KNOCKOUTS - 4" X 4"-CAN |
|     | 008294-01-000 | EA  | COVER - ELECTRICAL BOX - BLANK/STEEL - 4" X 4" - GRAY      |
|     | 008294-02-000 | EA  | COVER - ELECTRICAL BOX - BLANK STEEL - 4" X 4" - CANADIAN  |
|     | 074890-01-000 | EA  | BOX - EXTENSION/STEEL - OPEN SIDES - 4" X 4" X 1 1/2"      |
|     | 074897-01-000 | EA  | COVER - ELECTRICAL BOX W/HOLES - 4" X 4"                   |
|     | 091910-01-000 | EA  | BOX - ELECTRIC - 3.8" X 3.5" X 1.8" - PLASTIC              |
|     | 091910-02-000 | EA  | BOX - ELECTRIC - 2.2" X 3.5" X 1.7" - PLASTIC              |
|     | 108934-01-000 | EA  | CORD - POWER - 50 AMP - 4 WIRE - 36'                       |
|     | 111509-01-000 | EA  | BOX - ELECTRICAL - E-COATED                                |
|     | 111510-01-000 | EA  | DOOR/ACCESS PANEL - ELECTRICAL BOX                         |
|     | 113096-01-000 | EA  | CORD - POWER - 50 AMP - 4 WIRE - 36' - CSA                 |
|     | 121470-01-000 | EA  | CORD/EXTENSION - 6 FOOT - 16-2 WIRE                        |

### WIRE ASSEMBLIES

| KEY | PART NUMBER   | U/M | DESCRIPTION  |
|-----|---------------|-----|--|
|     | 073328-B4-000 | EA  | CABLE ASSEMBLY - BATTERY - W/TERMINALS                     |
|     | 090986-01-000 | EA  | WIRE ASSEMBLY - ELECTRIC STEP                              |
|     | 096449-02-000 | EA  | WIRE ASSEMBLY - WATER TANK TO MONITOR PANEL                |
|     | 097618-01-000 | EA  | WIRE ASSEMBLY - MONITOR PANEL- W/3 WIRES & ORANGE RESISTOR |
|     | 102636-02-000 | EA  | WIRE ASSEMBLY - CLEARANCE LAMPS                            |
|     | 103330-02-000 | EA  | WIRE ASSEMBLY - OVERHEAD SPEAKERS                          |
|     | 108304-01-000 | EA  | WIRE ASSEMBLY - INSTRUMENT PANEL - AUXILIARY FANS          |
|     | 110256-01-000 | EA  | WIRE ASSEMBLY - INSTRUMENT PANEL - GENERATOR               |
|     | 113639-01-000 | FT  | CABLE - 3/0 AWG STRANDED - RED                             |
|     | 124096-01-000 | EA  | WIRE - INSTRUMENT PANEL - FOG LAMPS                        |
|     | P27264-02-000 | EA  | WIRE ASSEMBLY - RADIO AM/FM CASSETTE                       |
|     | 096717-03-000 | EA  | WIRE ASSEMBLY - REAR MONITOR - AFTER MARKET INSTALLATION   |
|     | 108303-01-000 | EA  | WIRE ASSEMBLY - REAR AUTO HEATER                           |
|     | 126392-01-000 | EA  | WIRE ASSEMBLY - REMOTE MIRRORS                             |

### CIRCUIT BREAKERS & FUSES

| KEY | PART NUMBER   | U/M | DESCRIPTION   |
|-----|---------------|-----|---|
|     | 062037-01-000 | EA  | HOUSING - AUTO FUSE - NATURAL                         |
|     | 062037-02-000 | EA  | HOUSING - AUTO FUSE - GREEN                           |
|     | 062037-03-000 | EA  | HOUSING - AUTO FUSE - BLACK                           |
|     | 062037-04-000 | EA  | HOUSING - AUTO FUSE - BLUE                            |
|     | 062037-06-000 | EA  | HOUSING - AUTO FUSE - BROWN                           |
|     | 062037-05-000 | EA  | HOUSING - AUTO FUSE - GRAY                            |
|     | 062901-02-000 | EA  | FUSE - 05 AMPS - AUTOMOTIVE                           |
|     | 062901-05-000 | EA  | FUSE - 15 AMPS - AUTOMOTIVE                           |
|     | 062901-06-000 | EA  | FUSE - 20 AMPS - AUTOMOTIVE                           |
|     | 062901-07-000 | EA  | FUSE - 25 AMPS - AUTOMOTIVE                           |
|     | 083209-01-000 | EA  | CIRCUIT BREAKER - 15 AMP - 120 VOLT - CANADIAN        |
|     | 083209-02-000 | EA  | CIRCUIT BREAKER - 15/15 AMP - 120 VOLT                |
|     | 083209-03-000 | EA  | CIRCUIT BREAKER - 15/20 AMP - 120 VOLT                |
|     | 083209-04-000 | EA  | CIRCUIT BREAKER - 30 AMP - 120 VOLT                   |
|     | 083209-06-000 | EA  | CIRCUIT BREAKER - 30/15 AMP - 120 VOLT                |
|     | 093654-01-000 | EA  | CIRCUIT BREAKER - 6 AMP - 12 VOLT                     |
|     | 093654-02-000 | EA  | CIRCUIT BREAKER - 15 AMP - 12 VOLT                    |
|     | 093655-03-000 | EA  | CIRCUIT BREAKER - 40 AMP - 12 VOLT                    |
|     | 093674-01-000 | EA  | PLATE - CIRCUIT BREAKER - HOUSE - 8.4" X 4.1" - STEEL |
|     | 106656-01-000 | EA  | FUSE BLOCK - 4 CAVITY - AUTOFUSE                      |
|     | 108669-01-000 | EA  | HOUSING - AUTO FUSE HOLDER                            |
|     | 108916-01-000 | EA  | CIRCUIT BREAKER - 50 AMP - 12 VOLT - 2 POLE           |
|     | 122811-01-000 | EA  | CIRCUIT BREAKER - 20/50/50/20                         |



## ELECTRICAL GROUP (CONTINUED)

### ELECTRICAL CONNECTORS & CONDUIT

| KEY | PART NUMBER   | U/M | DESCRIPTION  |
|-----|---------------|-----|--|
|     | 007954-01-000 | EA  | RECEPTACLE - HOUSING - 6 POSITION                        |
|     | 007956-05-000 | EA  | INSULATOR - SHRINK - .25 ID X 1.50                       |
|     | 008311-01-000 | EA  | CONNECTOR - WIRE NUT - INSULATED - RED                   |
|     | 008312-01-000 | EA  | CONNECTOR - WIRE NUT - INSULATED - BLUE                  |
|     | 008313-01-000 | EA  | CONNECTOR - WIRE NUT - INSULATED - YELLOW                |
|     | 008314-01-000 | EA  | CONNECTOR - WIRE NUT - INSULATED - GRAY                  |
|     | 008326-01-000 | EA  | TERMINAL - RING - 16/14 WIRE - 3/8" STUD                 |
|     | 008328-01-000 | EA  | TERMINAL - RING - 12/10 WIRE - #10 STUD FIT              |
|     | 008331-01-000 | EA  | TERMINAL - RING - TONGUE - #4 WIRE - 3/8" STUD - COPPER  |
|     | 008348-01-000 | EA  | TERMINAL - RING - 3/8" STUD 2 GA. WIRE                   |
|     | 008355-01-000 | EA  | CONNECTOR - CABLE CLAMPING - 3/4"                        |
|     | 008356-01-000 | EA  | CONNECTOR - PLASTIC - 3/8" AVG                           |
|     | 008356-02-000 | EA  | CONNECTOR - PLASTIC - 21/32                              |
|     | 008394-01-000 | FT  | CONDUIT - FLEXIBLE - 1/2"                                |
|     | 035416-04-000 | EA  | TERMINAL - RING - #10 STUD FIT - INSULATED BARREL #16/14 |
|     | 041480-01-000 | EA  | CONNECTOR - STRAIGHT - 1/2' FLEX CONDUIT                 |
|     | 041953-01-000 | FT  | CONDUIT - CONVOLUTE SLIT - .5" ID                        |
|     | 041953-03-000 | FT  | CONDUIT - CONVOLUTE SLIT - 1" ID (CLOTHES ROD COVER)     |
|     | 041953-05-000 | FT  | CONDUIT - CONVOLUTE SOLID - .62" ID                      |
|     | 041953-06-000 | FT  | CONDUIT - CONVOLUTE SLIT - .375" ID                      |
|     | 041953-07-000 | FT  | CONDUIT - CONVOLUTE SLIT - .25" ID                       |
|     | 041953-08-000 | FT  | CONDUIT - CONVOLUTE SLIT - 1.50" ID                      |
|     | 041953-09-000 | FT  | CONDUIT - CONVOLUTE SLIT - .50" ID                       |
|     | 041953-10-000 | FT  | CONDUIT - CONVOLUTE SLIT - .75" ID                       |
|     | 041953-11-000 | FT  | CONDUIT - CONVOLUTE SLIT - 1.06" ID                      |
|     | 041953-12-000 | FT  | CONDUIT - CONVOLUTE NON SLIT - 1.1" ID                   |
|     | 047443-01-000 | EA  | TERMINAL - .250 RECEPTACLE FIT - INSULATED - 16/14 AWG   |
|     | 058028-01-000 | EA  | CONNECTOR - ELECTRICAL PIGTAIL - NYLON - CLEAR           |
|     | 062036-01-000 | EA  | TERMINAL - PACK - CON - 12/10 AWG                        |
|     | 062036-02-000 | EA  | TERMINAL - PACK - CON - 16/14 AWG                        |
|     | 077479-01-000 | EA  | BOOT - BATTERY TERMINAL - DOUBLE CABLE                   |
|     | 077479-02-000 | EA  | BOOT - BATTERY TERMINAL - SINGLE CABLE                   |
|     | 080015-02-000 | EA  | RECEPTACLE - FLAG - .185 - 16/14 GAUGE                   |
|     | 082741-01-000 | EA  | CONNECTOR BODY - 2 CONNECTOR MALE                        |
|     | 085724-01-000 | EA  | SOCKET - DOUBLE CONTACT - TAILLIGHT                      |
|     | 087949-01-000 | EA  | BUSS BAR - 2 POSITION - .6" X 1.5"                       |
|     | 087949-02-000 | EA  | BUSS BAR - 3 POSITION - .6" X 2.4"                       |
|     | 088267-01-000 | EA  | TERMINAL - FEMALE - 1/4                                  |
|     | 088473-01-000 | EA  | HOUSING - PIN - 12 CAVITY (3 ROWS OF 4)                  |
|     | 088473-02-000 | EA  | HOUSING - PIN - 15 CAVITY (3 ROWS OF 5)                  |
|     | 088473-03-000 | EA  | HOUSING - PIN - 9 CAVITY (3 ROWS OF 3)                   |
|     | 088473-05-000 | EA  | HOUSING - PIN - 6 CAVITY IN-LINE                         |
|     | 088473-06-000 | EA  | HOUSING - PIN - 6 CAVITY (2 ROWS OF 3)                   |
|     | 088473-08-000 | EA  | HOUSING - PIN - 4 CAVITY - IN-LINE                       |
|     | 088473-09-000 | EA  | HOUSING - PIN - 3 CAVITY IN-LINE                         |
|     | 088473-10-000 | EA  | HOUSING - PIN - 2 CAVITY - IN LINE                       |
|     | 088474-01-000 | EA  | HOUSING - SOCKET - 12 CAVITY                             |
|     | 088474-02-000 | EA  | HOUSING - SOCKET - 15 CAVITY                             |
|     | 088474-03-000 | EA  | HOUSING - SOCKET - 9 CAVITY                              |
|     | 088474-06-000 | EA  | HOUSING - SOCKET - 6 CAVITY                              |
|     | 088474-07-000 | EA  | HOUSING - SOCKET - 5 CAVITY                              |
|     | 088474-08-000 | EA  | HOUSING - SOCKET - 4 CAVITY                              |
|     | 088474-09-000 | EA  | HOUSING - ELECTRICAL - 3 TERMINAL                        |
|     | 088474-10-000 | EA  | HOUSING - SOCKET - 2 CAVITY                              |
|     | 088475-01-000 | EA  | PIN - CONNECTOR - 14 - 20 AWG                            |
|     | 088475-02-000 | EA  | PIN - CONNECTOR - 10-12 AWG                              |
|     | 088476-01-000 | EA  | TERMINAL - ELECTRICAL                                    |
|     | 088476-02-000 | EA  | SOCKET - CONNECTOR - 12-10 GA - PRE-TIN                  |

## ELECTRICAL GROUP (CONTINUED)

### ELECTRICAL CONNECTORS & CONDUIT (CONTINUED)

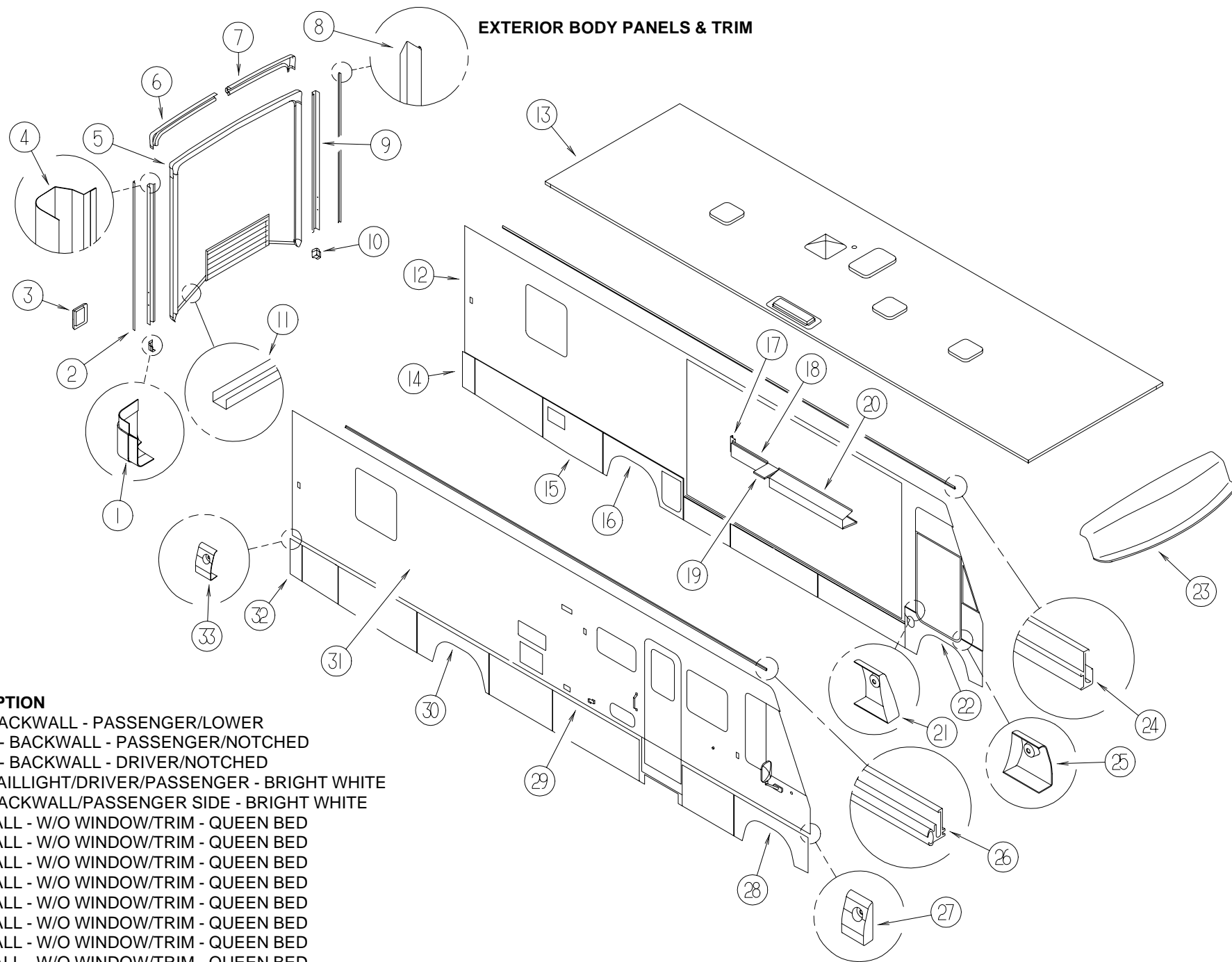
| KEY | PART NUMBER   | U/M | DESCRIPTION  |
|-----|---------------|-----|--|
|     | 092786-03-000 | EA  | BUSS BAR - 6.9" LONG   |
|     | 098260-01-000 | EA  | TERMINAL - MALE - 56 SERIES                                    |
|     | 098261-02-000 | EA  | SOCKET - CONNECTOR - WEATHERPACK                               |
|     | 098262-01-000 | EA  | SEAL - CONNECTOR - WEATHERPACK                                 |
|     | 098264-01-000 | EA  | HOUSING - 2 PIN - WEATHERPACK                                  |
|     | 098265-02-000 | EA  | PIN - CONNECTOR - WEATHERPACK                                  |
|     | 101571-01-000 | EA  | HOUSING - 2 POSITION - MALE                                    |
|     | 103608-01-000 | EA  | SOCKET - WEDGE BASE W/LEADS                                    |
|     | 103987-02-000 | EA  | SEAL - SOLENOID ACCESS   |
|     | 104016-01-000 | EA  | WIRE ASSEMBLY - AUXILIARY FANS                                 |
|     | 104100-01-000 | EA  | HOUSING - 1 POSITION - 75 AMPS                                 |
|     | 104100-03-000 | EA  | TERMINAL - 75 AMP  |
|     | 106006-01-000 | EA  | HOUSING - 1 POSITION - FEMALE                                  |
|     | 116811-01-000 | EA  | TERMINAL - .110 RECEPTACLE - 16-14 AWG                         |
|     | 106655-01-000 | EA  | TERMINAL - FUSE BLOCK - 14-16 AWG                              |
|     | 106655-02-000 | EA  | TERMINAL - FUSE BLOCK - 10-12 AWG                              |
|     | 110178-01-000 | EA  | HOUSING - WIPER MOTOR  |
|     | 112823-01-000 | EA  | SPLICE - REDUCER - 16-14 TO 18-22                              |
|     | 113468-01-000 | EA  | HOUSING - 2 POSITION - FEMALE<br>USED ON WIPER/WASHER WIRE ASM |
|     | 115556-01-000 | EA  | HOUSING - 3 POSITION - FEMALE                                  |
|     | 115556-02-000 | EA  | HOUSING - 2 POSITION - FEMALE                                  |
|     | 115931-02-000 | EA  | COVER - CONNECTOR  |
|     | 115932-02-000 | EA  | CONNECTOR - FEMALE - 50 AMP - 240 VOLT                         |
|     | 125323-01-000 | EA  | HOUSING - 10 POSITION - MALE                                   |
|     | 125323-02-000 | EA  | HOUSING - 8 POSITION - MALE                                    |
|     | 125323-04-000 | EA  | LOCK - SECONDARY 10 POSITION                                   |
|     | 125324-01-000 | EA  | TERMINAL - MALE - METRI-PACK - 150                             |
|     | 125325-01-000 | EA  | SEAL - CAVITY  |

### ELECTRICAL MISCELLANEOUS

| KEY | PART NUMBER   | U/M | DESCRIPTION                                     | VENDOR NO. |
|-----|---------------|-----|---|------------|
|     | 007093-01-000 | EA  | SIGNAL FLASHER                                  |            |
|     | 008188-01-000 | EA  | SOLENOID - 3 POST - BATTERY CHANGE OVER         |            |
|     | 063910-01-000 | EA  | HOUSING - RELAY                                 |            |
|     | 063912-02-000 | EA  | RELAY - CANISTER - SPDT                         |            |
|     | 083172-02-000 | EA  | PANEL-DI-ELECTRIC 110 28X36 - COATED BOTH SIDES |            |
|     | 086233-01-000 | EA  | STUD - ISOLATED - 3/8" X 7/8" LONG              |            |
|     | 086273-01-000 | EA  | RELAY - BATTERY DISCONNECT                      |            |
|     | 115504-01-700 | EA  | PLUG & CABLE - 10 WATT PANEL                    | 600-016    |
|     | 115504-01-000 | EA  | PANEL - SOLAR 10 WATT                           |            |
|     | 115505-01-000 | EA  | LIGHT - MONITOR/SOLAR PANEL - RED LED INDICATOR |            |

# EXTERIOR BODY GROUP

## EXTERIOR BODY PANELS & TRIM

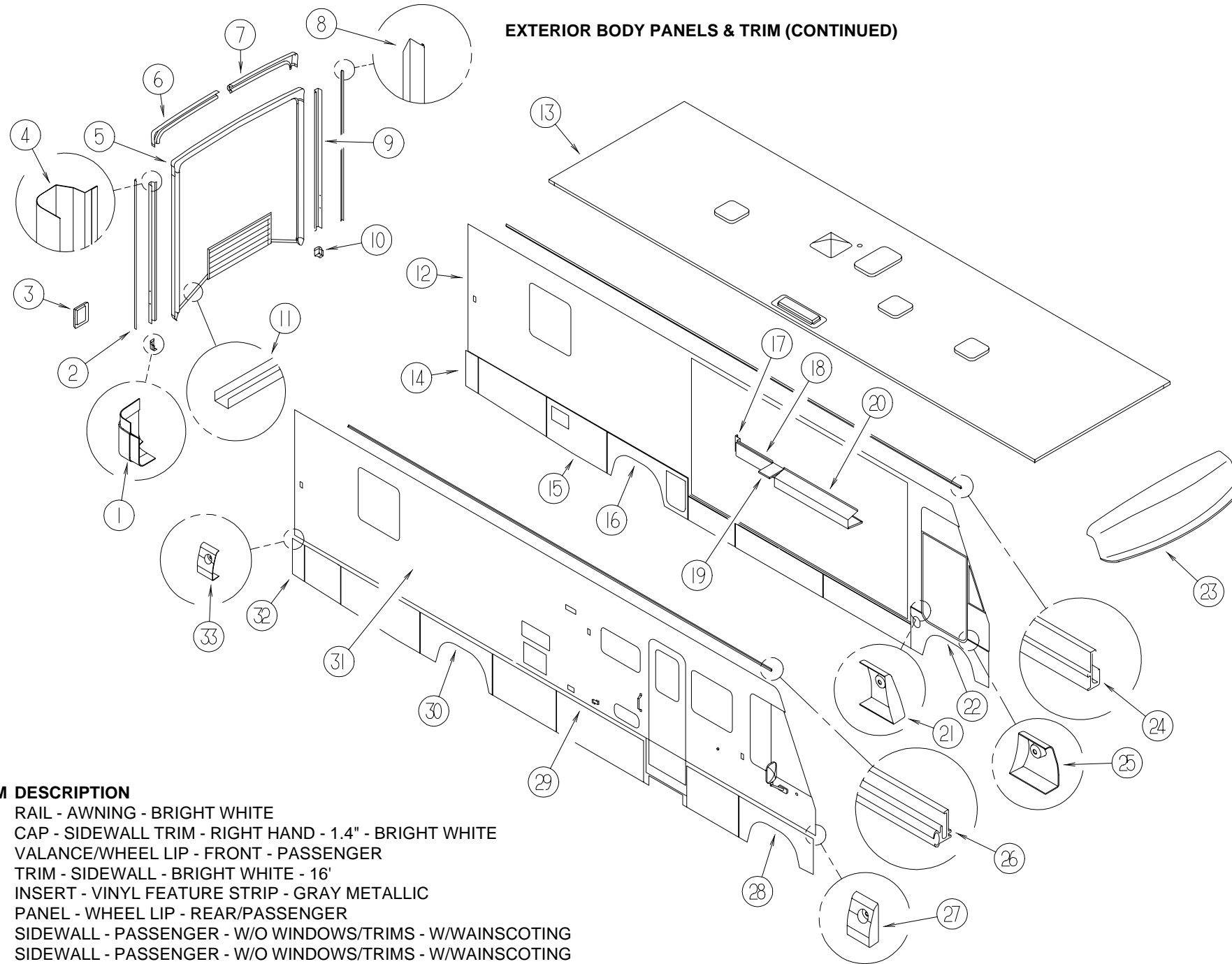


| KEY | PART NUMBER   | U/M DESCRIPTION  |
|-----|---------------|--|
| 1   | 125873-03-01A | EA TRIM - BACKWALL - PASSENGER/LOWER                     |
| 2   | 120548-01-02A | EA TRIM - J - BACKWALL - PASSENGER/NOTCHED               |
| 2   | 120548-02-02A | EA TRIM - J - BACKWALL - DRIVER/NOTCHED                  |
| 3   | 126210-01-J20 | EA TRIM - TAILLIGHT/DRIVER/PASSENGER - BRIGHT WHITE      |
| 4   | 126096-01-12B | EA TRIM - BACKWALL/PASSENGER SIDE - BRIGHT WHITE         |
| 5   | 127067-01-J22 | EA BACKWALL - W/O WINDOW/TRIM - QUEEN BED                |
| 5   | 127067-01-J23 | EA BACKWALL - W/O WINDOW/TRIM - QUEEN BED                |
| 5   | 127067-01-J24 | EA BACKWALL - W/O WINDOW/TRIM - QUEEN BED                |
| 5   | 127067-01-J25 | EA BACKWALL - W/O WINDOW/TRIM - QUEEN BED                |
| 5   | 127067-01-J26 | EA BACKWALL - W/O WINDOW/TRIM - QUEEN BED                |
| 5   | 127067-01-J27 | EA BACKWALL - W/O WINDOW/TRIM - QUEEN BED                |
| 5   | 127067-01-J28 | EA BACKWALL - W/O WINDOW/TRIM - QUEEN BED                |
| 5   | 127067-01-J29 | EA BACKWALL - W/O WINDOW/TRIM - QUEEN BED                |
| 6   | 125690-01-01A | EA TRIM - BACKWALL - TOP/RIGHT HAND                      |
| 7   | 125689-01-01A | EA TRIM - BACKWALL - TOP/LEFT HAND                       |
| 8   | 120548-02-02A | EA TRIM - J - BACKWALL - DRIVER/NOTCHED                  |
| 9   | 126096-02-12B | EA TRIM - BACKWALL/DRIVER SIDE - BRIGHT WHITE            |
| 10  | 125873-04-01A | EA TRIM - BACKWALL - LOWER/DRIVER                        |
| 11  | 105930-06-01A | EA TRIM - BACKWALL - LOWER BRT/WHT                       |
| 12  | M08658-04-J22 | EA SIDEWALL - DRIVER - W/O WINDOWS/TRIMS - W/WAINSCOTING |
| 12  | M08658-04-J23 | EA SIDEWALL - DRIVER - W/O WINDOWS/TRIMS - W/WAINSCOTING |
| 12  | M08658-04-J24 | EA SIDEWALL - DRIVER - W/O WINDOWS/TRIMS - W/WAINSCOTING |
| 12  | M08658-04-J25 | EA SIDEWALL - DRIVER - W/O WINDOWS/TRIMS - W/WAINSCOTING |
| 12  | M08658-04-J26 | EA SIDEWALL - DRIVER - W/O WINDOWS/TRIMS - W/WAINSCOTING |
| 12  | M08658-04-J27 | EA SIDEWALL - DRIVER - W/O WINDOWS/TRIMS - W/WAINSCOTING |
| 12  | M08658-04-J28 | EA SIDEWALL - DRIVER - W/O WINDOWS/TRIMS - W/WAINSCOTING |
| 12  | M08658-04-J29 | EA SIDEWALL - DRIVER - W/O WINDOWS/TRIMS - W/WAINSCOTING |
| 13  | 127066-01-J22 | EA ROOF - W/O LIGHTS/VENTS - W/WIRING                    |

| KEY | PART NUMBER   | U/M DESCRIPTION                                      |
|-----|---------------|--|
| 14  | 122732-18-JA1 | EA VALANCE/PANEL - REAR DRIVER - W/O HARDWARE - 8.9" |
| 15  | 122776-14-JA1 | EA VALANCE/PANEL - W/O HARDWARE - 43.9"              |
| 16  | 125185-01-JA1 | EA PANEL - WHEEL LIP - REAR/DRIVER                   |
| 17  | 116096-01-02B | EA PANEL - CLOSEOUT/SLIDEOUT                         |
| 18  | 116098-01-02B | EA PANEL - CLOSEOUT/SLIDEOUT                         |
| 19  | 124126-01-02B | EA PANEL - CLOSEOUT                                  |
| 20  | 116099-02-02B | EA PANEL - CLOSEOUT/SLIDEOUT                         |
| 21  | 124178-04-01A | EA CAP - TRIM/ DRIVER DOOR (REAR)                    |
| 22  | 125664-07-JA1 | EA VALANCE/WHEEL LIP - FRONT - DRIVER                |
| 23  | 125052-02-J20 | EA CAP - ROOF - W/O LIGHTS/WIRING                    |
| 24  | 120091-02-02A | EA TRIM - ROOF                                       |
| 25  | 124178-03-01A | EA CAP - TRIM/ DRIVER DOOR (FRONT)                   |

## EXTERIOR BODY GROUP (CONTINUED)

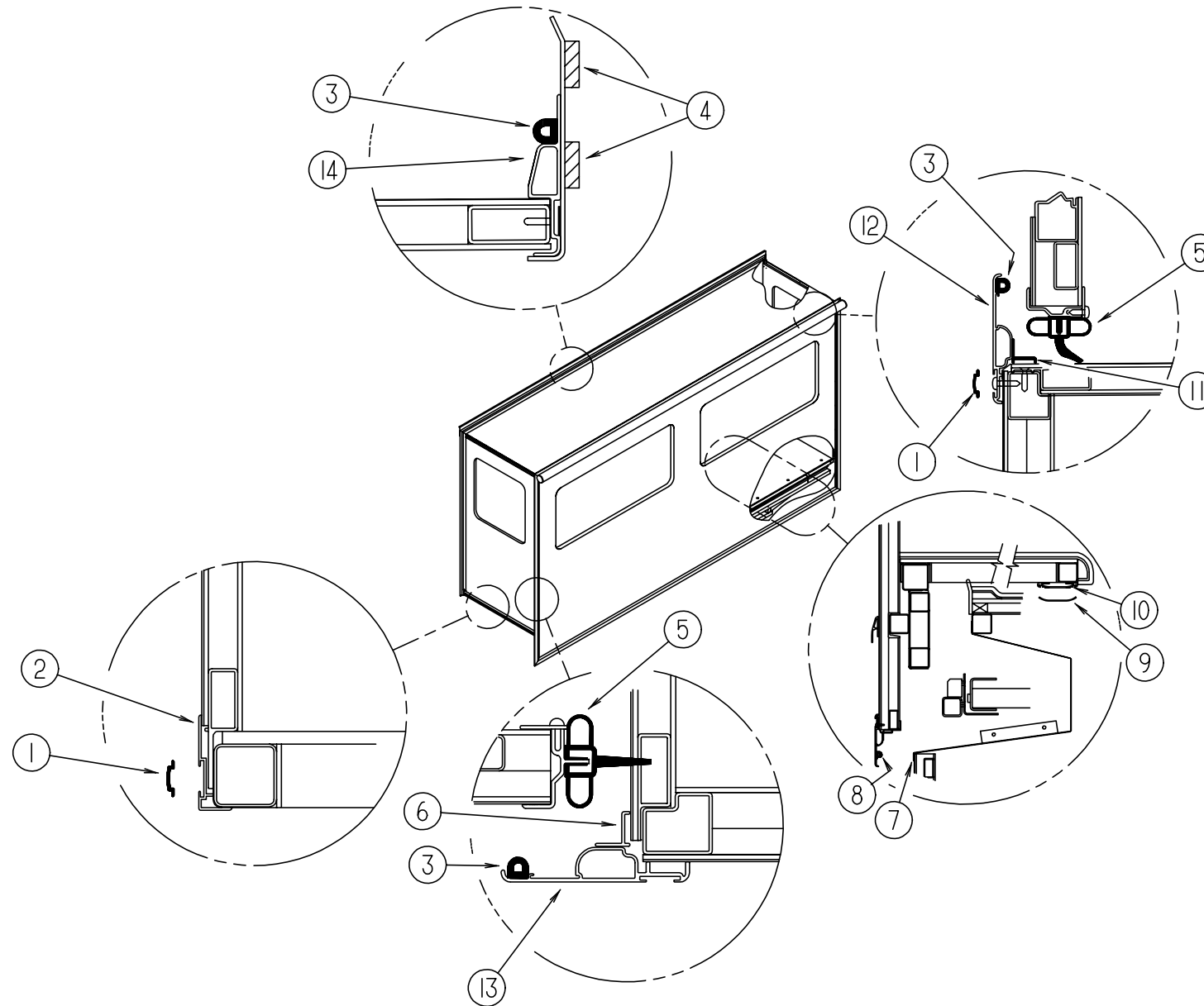
### EXTERIOR BODY PANELS & TRIM (CONTINUED)



| KEY | PART NUMBER   | U/M | DESCRIPTION  |
|-----|---------------|-----|--|
| 26  | 120092-01-02A | EA  | RAIL - AWNING - BRIGHT WHITE                             |
| 27  | 124132-01-01A | EA  | CAP - SIDEWALL TRIM - RIGHT HAND - 1.4" - BRIGHT WHITE   |
| 28  | 125648-05-JA1 | EA  | VALANCE/WHEEL LIP - FRONT - PASSENGER                    |
| 29  | 124176-01-01A | EA  | TRIM - SIDEWALL - BRIGHT WHITE - 16'                     |
| 29  | 105312-01-03A | FT  | INSERT - VINYL FEATURE STRIP - GRAY METALLIC             |
| 30  | 125183-01-JA1 | EA  | PANEL - WHEEL LIP - REAR/PASSENGER                       |
| 31  | M08657-04-J22 | EA  | SIDEWALL - PASSENGER - W/O WINDOWS/TRIMS - W/WAINSCOTING |
| 31  | M08657-04-J23 | EA  | SIDEWALL - PASSENGER - W/O WINDOWS/TRIMS - W/WAINSCOTING |
| 31  | M08657-04-J24 | EA  | SIDEWALL - PASSENGER - W/O WINDOWS/TRIMS - W/WAINSCOTING |
| 31  | M08657-04-J25 | EA  | SIDEWALL - PASSENGER - W/O WINDOWS/TRIMS - W/WAINSCOTING |
| 31  | M08657-04-J26 | EA  | SIDEWALL - PASSENGER - W/O WINDOWS/TRIMS - W/WAINSCOTING |
| 31  | M08657-04-J27 | EA  | SIDEWALL - PASSENGER - W/O WINDOWS/TRIMS - W/WAINSCOTING |
| 31  | M08657-04-J28 | EA  | SIDEWALL - PASSENGER - W/O WINDOWS/TRIMS - W/WAINSCOTING |
| 31  | M08657-04-J29 | EA  | SIDEWALL - PASSENGER - W/O WINDOWS/TRIMS - W/WAINSCOTING |
| 32  | 122732-17-JA1 | EA  | VALANCE/PANEL - REAR PASSENGER - W/O HARDWARE - 10.1"    |
| 33  | 124132-02-01A | EA  | CAP - SIDEWALL TRIM - LEFT HAND - 1.4" - BRIGHT WHITE    |

## EXTERIOR BODY GROUP (CONTINUED)

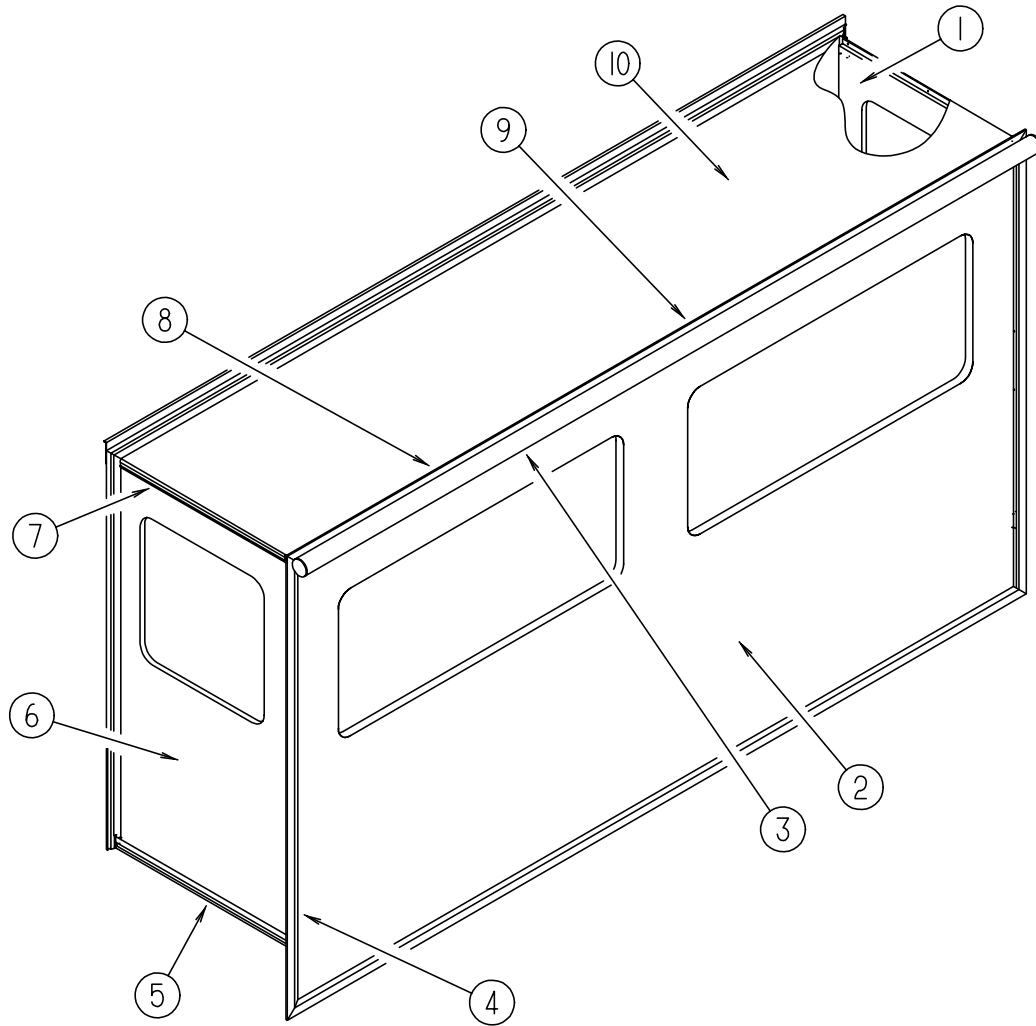
### EXTERIOR SLIDEOUT HARDWARE



| KEY | PART NUMBER   | U/M | DESCRIPTION   |
|-----|---------------|-----|---|
| 1   | 105312-01-03A | FT  | INSERT - VINYL FEATURE STRIP - GRAY METALLIC                |
| 2   | 108688-01-03A | EA  | STRIP - FEATURE - 15'                                       |
| 3   | 099418-01-000 | FT  | D - SECTION SEAL W/ADHESIVE BACK - .44" X .44" - BLK RUBBER |
| 4   | 100128-02-000 | FT  | SEAL - FOAM - ADHESIVE BACK - .37" WIDE X .37" THICK        |
| 5   | 115076-01-000 | FT  | SEAL - SLIDEOUT   |
| 6   | 116933-01-02A | EA  | TRIM/SEAL   |
| 7   | 115075-02-000 | FT  | SEAL - WIPE - .25" X 3.15"                                  |
| 8   | 089275-02-000 | FT  | STRIP - 3/4" X 84" BLACK POLYETHELENE                       |
| 8   | 121283-01-000 | FT  | SEAL - P SHAPED - EPDM FOAM                                 |
| 9   | 115661-01-000 | FT  | POLYETHYLENE - HIGH DENSITY - 1/16" X 3'                    |
| 10  | 115325-01-02A | EA  | RAIL - FLOOR - SLIDEOUT ROOM                                |
| 11  | 116933-02-02A | EA  | TRIM/SEAL - BRIGHT WHITE                                    |
| 12  | 116934-01-02A | EA  | TRIM - SEAL - W/MITERED ENDS B/W                            |
| 13  | 116934-02-02A | EA  | TRIM - SEAL - W/MITERED ENDS B/W                            |
| 14  | 117004-03-03A | EA  | TRIM - SEAL - INNER (TOP)                                   |
|     | 117004-01-03A | EA  | TRIM - SEAL - INNER (FORWARD)                               |
|     | 117004-02-03A | EA  | TRIM - SEAL - INNER (REARWARD)                              |

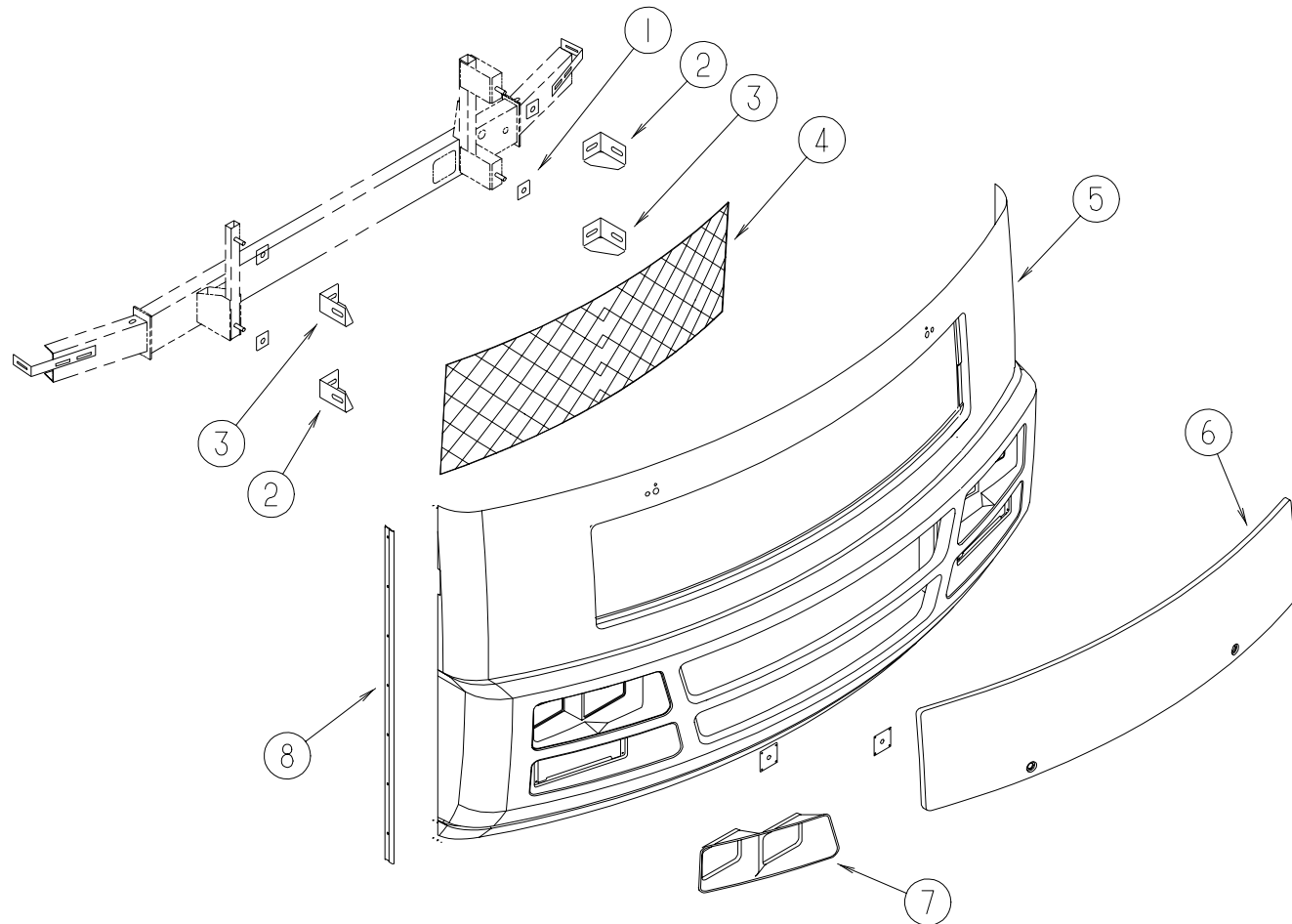
## EXTERIOR BODY GROUP (CONTINUED)

### EXTERIOR SLIDEOUT PANELS & TRIMS



| KEY | PART NUMBER   | U/M | DESCRIPTION                                   |
|-----|---------------|-----|---|
| 1   | 115263-04-H25 | EA  | PANEL - SLIDEOUT/REAR (J22,J23)               |
| 1   | 115263-04-J24 | EA  | PANEL - SLIDEOUT/REAR (J24,J25)               |
| 1   | 115263-04-J26 | EA  | PANEL - SLIDEOUT/REAR (J26,J27)               |
| 1   | 115263-04-J28 | EA  | PANEL - SLIDEOUT/REAR (J28,J29)               |
| 2   | 115264-06-J22 | EA  | PANEL - SLIDEOUT/OUTER                        |
| 2   | 115264-06-J23 | EA  | PANEL - SLIDEOUT/OUTER                        |
| 2   | 115264-06-J24 | EA  | PANEL - SLIDEOUT/OUTER                        |
| 2   | 115264-06-J25 | EA  | PANEL - SLIDEOUT/OUTER                        |
| 2   | 115264-06-J26 | EA  | PANEL - SLIDEOUT/OUTER                        |
| 2   | 115264-06-J27 | EA  | PANEL - SLIDEOUT/OUTER                        |
| 2   | 115264-06-J28 | EA  | PANEL - SLIDEOUT/OUTER                        |
| 2   | 115264-06-J29 | EA  | PANEL - SLIDEOUT/OUTER                        |
| 3   | 122977-06-01A | EA  | AWNING - SLIDEOUT - W/COVER - 160.24"         |
| 4   | 116934-02-02A | EA  | TRIM - SEAL - W/MITERED ENDS - BRIGHT WHITE   |
|     | 105312-01-07A | EA  | INSERT - FEATURE STRIP/VINYL - BRIGHT WHITE   |
|     | 116933-01-02A | EA  | TRIM/SEAL                                     |
| 5   | 105312-01-07A | EA  | INSERT - FEATURE STRIP/VINYL - BRIGHT WHITE   |
| 6   | 115265-04-H25 | EA  | PANEL - SLIDEOUT/FRONT (J22,J23)              |
| 6   | 115265-04-J24 | EA  | PANEL - SLIDEOUT/FRONT (J24,J25)              |
| 6   | 115265-04-J26 | EA  | PANEL - SLIDEOUT/FRONT (J26,J27)              |
| 6   | 115265-04-J28 | EA  | PANEL - SLIDEOUT/FRONT (J28,J29)              |
| 7   | 108688-01-03A | EA  | STRIP - FEATURE - 15'                         |
|     | 105312-01-07A | EA  | INSERT - FEATURE STRIP/VINYL - BRIGHT WHITE   |
| 8   | 117058-01-01A | EA  | TAPE - LOOP - 3/4" WIDE - ADHESIVE BACKED     |
| 9   | 116934-01-02A | EA  | TRIM - SEAL - W/MITERED ENDS - BRIGHT WHITE   |
|     | 105312-01-07A | EA  | INSERT - FEATURE STRIP/VINYL - BRIGHT WHITE   |
|     | 116933-01-02A | EA  | TRIM/SEAL                                     |
| 10  | 115266-02-H23 | EA  | ROOF - SLIDEOUT - W/O VENTS/LIGHTS - W/WIRING |

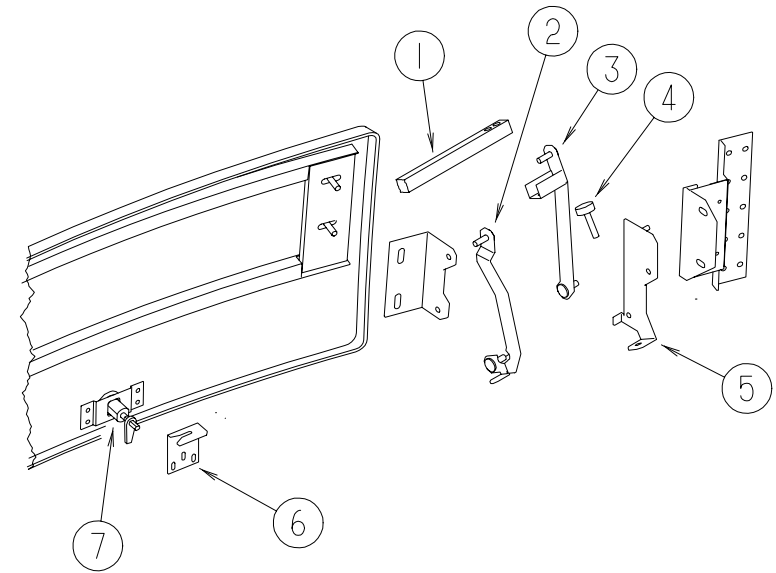
**EXTERIOR BODY GROUP (CONTINUED)**



**FRONT END ASM**

| KEY | PART NUMBER   | U/M DESCRIPTION   |
|-----|---------------|---|
| 1   | 116617-02-02B | EA SPACER - BUMPER  |
| 2   | 117611-02-02B | EA BRACKET - BUMPER - LEFT HAND UPPER/RIGHT HAND LOWER<br>FROM: 00-00-00 THRU: 12-16-97 |
| 2   | 128455-02-02B | EA BRACKET - BUMPER<br>FROM: 12-17-97 THRU: 99-99-99                                    |
| 3   | 117611-01-02B | EA BRACKET - BUMPER - RIGHT HAND UPPER/LEFT HAND LOWER<br>FROM: 00-00-00 THRU: 12-16-97 |
| 3   | 128455-01-02B | EA BRACKET - BUMPER<br>FROM: 12-17-97 THRU: 99-99-99                                    |
| 4   | 115924-18-02A | EA WIRE MESH - F/GRILLE - FLAT BLACK  |
| 5   | 126251-06-J22 | EA PANEL - FRONT/LOWER - W/O NOTCH  |
| 6   | 127075-01-J22 | EA HOOD - FRONT - W/O HARDWARE  |
| 7   | 126252-01-01A | EA BEZEL - HEADLAMP - PASSENGER   |
| 7   | 126252-02-01A | EA BEZEL - HEADLAMP - DRIVER  |
| 7   | 110690-02-D18 | EA PLATE - HEADLAMP - QUAD/LEFT HAND  |
| 7   | 110690-01-D18 | EA PLATE - HEADLAMP - QUAD/RIGHT HAND   |
| 8   | 123680-05-01A | EA TRIM - FIBERGLASS PANEL - BRIGHT WHITE   |
|     | 106730-10-000 | EA PLATE - STUD - F/HOOD  |

**EXTERIOR BODY GROUP (CONTINUED)**

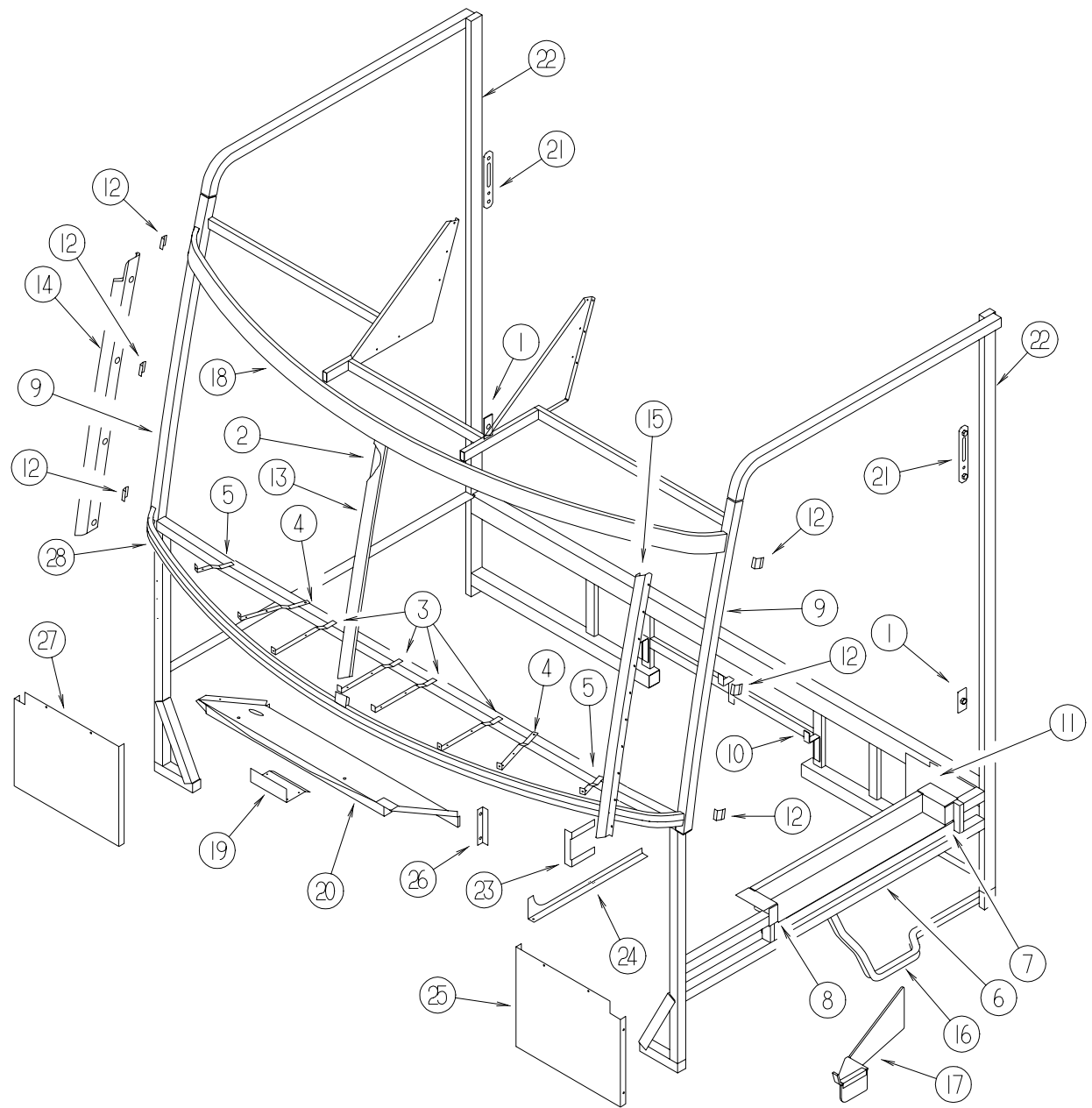


**HOOD ASM**

| KEY | PART NUMBER   | U/M DESCRIPTION                           |
|-----|---------------|---|
| 1   | 105096-10-000 | EA TUBE - HOOD HINGE TIMING W/WELDNUTS    |
| 2   | 127180-03-02B | EA LINK - HINGE - LOWER - HOOD/RIGHT HAND |
| 2   | 127180-04-02B | EA LINK - HINGE - LOWER - HOOD/LEFT HAND  |
| 3   | 127182-01-02B | EA LINK - HINGE - UPPER/RIGHT HAND        |
| 3   | 127182-02-02B | EA LINK - HINGE - UPPER/LEFT HAND         |
| 4   | 058786-01-000 | EA BOLT - ADJUSTING HOOD - W/BLACK PAD    |
| 5   | 127181-03-02B | EA BRACKET - LINK/HINGE - HOOD/RIGHT HAND |
| 5   | 127181-04-02B | EA BRACKET - LINK/HINGE - HOOD/LEFT HAND  |
| 6   | 126352-01-02B | EA LATCH - HOOD - FRONT END               |
| 7   | 102330-02-000 | EA LATCH - VISE ACTION/KEY OPERATED       |

# EXTERIOR BODY GROUP (CONTINUED)

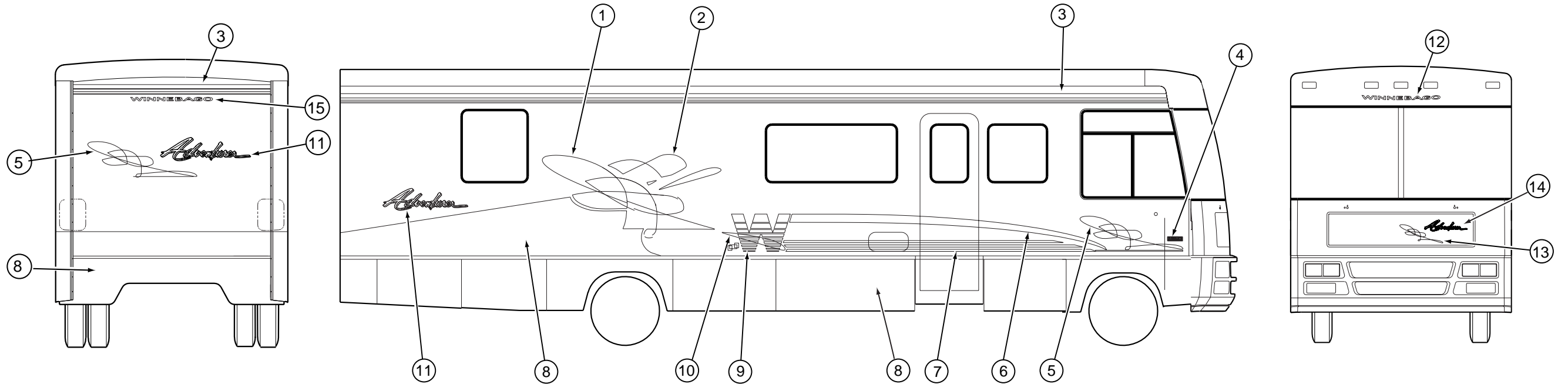
## FRONT END ASM



| KEY | PART NUMBER   | U/M | DESCRIPTION                                     |
|-----|---------------|-----|---|
| 1   | 070579-06-000 | EA  | PLATE - ANCHOR - W/7/16" WELD NUT - 1.5" X 3.3" |
| 1   | 070579-07-000 | EA  | PLATE - ANCHOR - W/O WELD NUT - 1.5" X 3.3"     |
| 2   | 078249-17-000 | EA  | TUBE - SWEPT - CAB FRAME                        |
| 3   | 104797-03-000 | EA  | BRACKET - DEFROSTER                             |
| 4   | 104797-04-000 | EA  | BRACKET - DEFROSTER                             |
| 5   | 104797-05-000 | EA  | BRACKET - DEFROSTER                             |
| 6   | 106746-02-000 | EA  | PANEL - STEPWELL                                |
| 7   | 106747-03-000 | EA  | PANEL - STEPWELL - RIGHT HAND END               |
| 8   | 106747-04-000 | EA  | PANEL - STEPWELL - LEFT HAND END                |
| 9   | 117273-01-01A | EA  | TUBE - SUPPORT - A-PILLAR                       |
| 10  | 117287-01-01B | EA  | BRACKET - MOUNT - CABLE                         |
| 11  | 118592-01-01B | EA  | SHIELD - SPLASH - RIGHT HAND                    |
| 12  | 120363-01-01B | EA  | BRACKET - WINDSHIELD                            |
| 13  | 120840-07-01B | EA  | STRAP - W/HOLES - MILL                          |
| 14  | 121269-05-01B | EA  | FRAME - WINDSHIELD - A-PILLAR - MILL            |
| 15  | 121269-06-01B | EA  | FRAME - WINDSHIELD - A-PILLAR - MILL            |
| 16  | 063977-14-000 | EA  | STEP - DRIVER DOOR - LEFT HAND                  |
| 17  | 128255-01-04B | EA  | STEP - DRIVER DOOR - BLACK                      |
| 18  | 124975-01-01B | EA  | SUPPORT - WINDSHIELD - UPPER - MLL              |
| 19  | 125836-02-01B | EA  | ZEE - WIPER MOTOR - MILL                        |
| 20  | 125837-02-01B | EA  | BRACE - WIPER MOTOR - MILL                      |
| 21  | 127461-02-01B | EA  | PLATE - ANCHOR - SEAT BELT                      |
| 22  | 127874-01-01B | EA  | TUBE - B-PILLAR - MILL                          |
| 23  | 097123-01-000 | EA  | MOUNT - AIR INTAKE - FORD                       |
| 24  | 099102-01-000 | EA  | BRACKET - LINKAGE - THROTTLE                    |
| 25  | 104147-14-000 | EA  | SHIELD/SPLASH - HEADLIGHT                       |
| 26  | 123262-02-02B | EA  | BRACKET ASM - FUSE PANEL - E-CT                 |
| 27  | 121962-02-02B | EA  | SHIELD/SPLASH - HEADLIGHT - E-COATED            |
| 28  | 124974-01-01B | EA  | SUPPORT - WINDSHIELD - LOWER - MLL              |

## EXTERIOR BODY GROUP (CONTINUED)

### DECALS, FILM STRIPES & PAINT



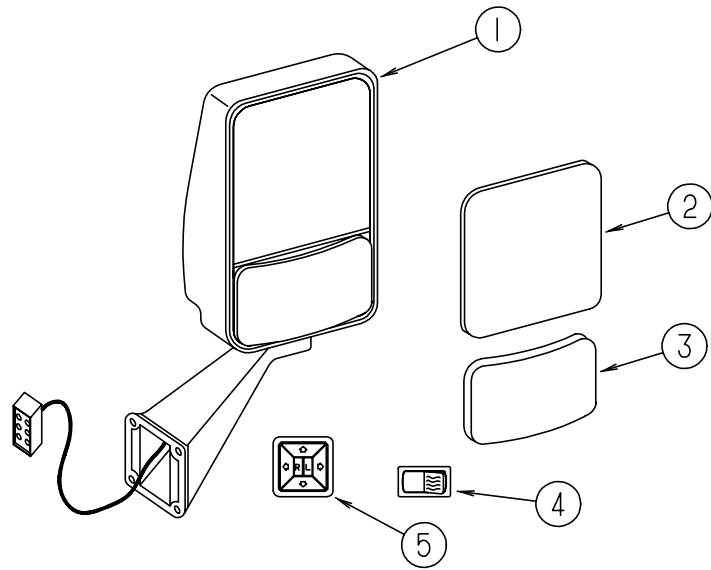
| KEY | PART NUMBER   | U/M | DESCRIPTION                              |
|-----|---------------|-----|--|
| 1   | 125589-01-01A | EA  | DECAL - CHECKSPLASH - RIGHT HAND         |
| 1   | 125589-02-01A | EA  | DECAL - CHECKSPLASH - LEFT HAND          |
| 2   | 125588-01-01A | EA  | DECAL - CHECKSPLASH - TOP/RIGHT HAND     |
| 2   | 125588-02-01A | EA  | DECAL - CHECKSPLASH - TOP/RIGHT HAND     |
| 3   | 094443-53-01A | FT  | FILM - MULTISTRIPE - 4.24"               |
| 4   | 129922-01-01A | EA  | EMBLEM - TRITON V10                      |
| 5   | 125593-01-01A | EA  | DECAL - CHECKSPLASH - SMALL/RIGHT HAND   |
| 5   | 125593-02-01A | EA  | DECAL - CHECKSPLASH - SMALL/LEFT HAND    |
| 6   | 125591-01-01A | EA  | DECAL - TAIL - RIGHT HAND                |
| 6   | 125591-02-01A | EA  | DECAL - TAIL - LEFT HAND                 |
| 7   | 125592-01-01A | EA  | DECAL - STRIPE                           |
| 8   | N/A           |     | PAINT - CHAMPAGNE MET - DUPONT F2997U    |
| 8   | N/A           |     | PAINT - WINTER GREEN MET - DUPONT F8826U |
| 9   | 125595-01-01A | EA  | DECAL - W                                |
| 10  | 125590-01-01A | EA  | DECAL - CHECKSPLASH - FRONT/RIGHT HAND   |
| 10  | 125590-02-01A | EA  | DECAL - CHECKSPLASH - FRONT/LEFT HAND    |
| 11  | 122001-01-03A | EA  | DECAL - LOGO - ADVENTURER                |
| 12  | 125597-01-01A | EA  | DECAL - LOGO - WINNEBAGO/SWEEP #8        |
| 13  | 125594-01-01A | EA  | DECAL - CHECKSPLASH - HOOD               |
| 14  | 122001-02-01A | EA  | DECAL - LOGO - ADVENTURER - SMALL        |
| 15  | 120702-03-02A | EA  | DECAL - LOGO - WINNEBAGO/SMALL           |
|     | 004308-01-000 | EA  | PAINT - BLACK SPRAY                      |
|     | 041561-03-000 | EA  | PAINT - 16 OUNCE SPRAY - OFF WHITE       |

### DUPONT PAINT COLOR CODES

|                      |               |
|----------------------|---------------|
| OFF WHITE            | DUPONT L8723  |
| CHAMPAGNE MET.       | DUPONT F2997U |
| WINTER GREEN MET.    | DUPONT F8826U |
| BRIGHT WHITE         | DUPONT B8951U |
| LIGHT BLAIR BROWN    | DUPONT MM073  |
| PINE GREEN MET.      | DUPONT GM256  |
| LIGHT IVY GREEN MET. | DUPONT YM537  |
| BLUE PEARL           | DUPONT F4576  |
| BAYBERRY MET.        | DUPONT F4577  |



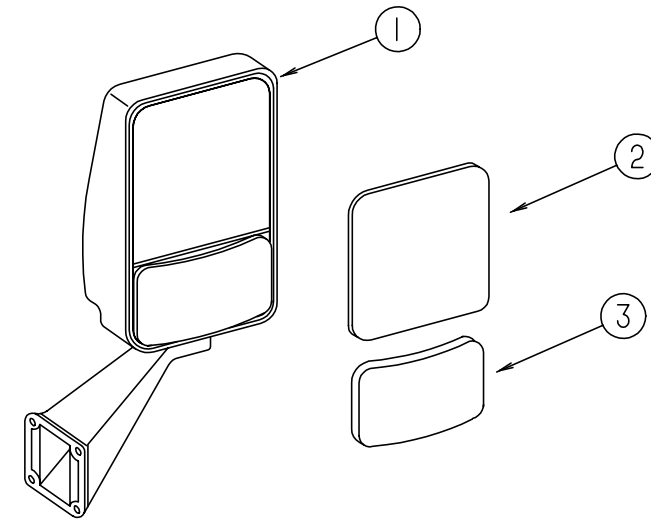
**EXTERIOR BODY GROUP (CONTINUED)**



**EXTERIOR MIRROR OPTION (REMOTE & HEAT)**

| KEY | PART NUMBER   | U/M DESCRIPTION                              | VENDOR NO. |
|-----|---------------|--|------------|
| 1   | 106015-12-01A | EA MIRROR - EXTERIOR REMOTE/HEAT - PASSENGER |            |
| 1   | 106015-13-01A | EA MIRROR - EXTERIOR REMOTE/HEAT - DRIVER    |            |
| 2   | 106015-12-700 | EA MIRROR - FLAT - W/W/O HEAT                | 709448     |
| 3   | 106015-12-701 | EA MIRROR - CONVEX - W/W/O HEAT              | 709449     |
|     | 106015-12-702 | EA SCREW CAP - (BAG OF 4)                    | 748329     |
| 4   | 087695-02-000 | EA SWITCH - HEATER - EXTERIOR MIRROR         |            |
| 5   | 088246-01-000 | EA SWITCH - REMOTE - EXTERIOR - SQUARE PUSH  |            |
|     | 087695-03-000 | EA CONNECTOR - ASSEMBLY                      |            |

**EXTERIOR BODY GROUP (CONTINUED)**



**EXTERIOR MIRROR**

| KEY | PART NUMBER   | U/M DESCRIPTION                                   | VENDOR NO. |
|-----|---------------|---|------------|
| 1   | 106015-14-01A | EA MIRROR - EXTERIOR ADJUSTABLE GLASS - PASSENGER |            |
| 1   | 106015-15-01A | EA MIRROR - EXTERIOR ADJUSTABLE GLASS - DRIVER    |            |
| 2   | 106015-12-700 | EA MIRROR - FLAT - W/W/O HEAT                     | 709448     |
| 3   | 106015-12-701 | EA MIRROR - CONVEX - W/W/O HEAT                   | 709449     |
|     | 106015-12-702 | EA SCREW CAP - (BAG OF 4)                         | 748329     |

## EXTERIOR BODY GROUP (CONTINUED)

### STYROFOAM & FIBERGLASS SHEETING

| KEY | PART NUMBER   | U/M DESCRIPTION   |
|-----|---------------|---|
|     | 002726-01-001 | EA GARNISH - U-CHANNEL - 1.38" X 19' - SERRATED                                   |
|     | 002766-01-001 | EA ANGLE - EXTRUDED - 1" X 1.5" X 17'   |
|     | 076054-U4-000 | EA FIBERGLASS SHEET - 101" X 104" - BRIGHT WHITE<br>FROM: 00-00-00 THRU: 05-22-98 |
|     | 076054-U8-000 | EA FIBERGLASS SHEET - 100" X 105" - BRIGHT WHITE<br>FROM: 05-23-98 THRU: 99-99-99 |
|     | 076054-R9-000 | EA FIBERGLASS SHEET - 38.1" X 70.6" - BRIGHT WHITE                                |
|     | 076054-W6-000 | EA FIBERGLASS SHEET - 79" X 367" - BRIGHT WHITE                                   |
|     | 076054-X9-000 | EA FIBERGLASS SHEET - 22.1" X 70.6" - BRIGHT WHITE                                |
|     | 076054-Y6-000 | EA FIBERGLASS SHEET - 79" X 394" - BRIGHT WHITE                                   |
|     | 077517-62-000 | EA FIBERGLASS - SHEET/SIDEWALL - 48" X 96" - BRIGHT WHITE                         |
|     | 108535-05-702 | EA FIBERGLASS SHEET - FLAT - 110" X 396" BRIGHT WHITE - ROOF                      |
|     | 089297-01-000 | SF PLYWOOD - LUAN - OVERLAY GRADE - 48" X 96"                                     |
|     | 089297-02-000 | SF PLYWOOD - LUAN - OVERLAY GRADE - 48" X 108"                                    |
|     | 092321-01-000 | FT INSULATION-FIBERGLASS W/FOIL BACKING   |
|     | 100619-01-000 | BF FOAM - EXPANDED POLYSTYRENE - 1.34" X 48" X 96"                                |
|     | 100619-02-000 | BF FOAM - EXPANDED POLYSTYRENE - 1.5" X 48" X 96"                                 |
|     | 100619-04-000 | BF FOAM - EXPANDED POLYSTYRENE - .5" X 48" X 96"                                  |
|     | 100619-05-000 | BF FOAM - EXPANDED POLYSTYRENE - .75" X 48" X 96"-1.5 DENSITY                     |
|     | 100619-11-000 | BF FOAM - EXPANDED POLYSTYRENE - 2" X 48" X 96"                                   |
|     | 100619-13-000 | BF FOAM - EXPANDED POLYSTYRENE - .34" X 34.65" X 96"                              |
|     | 100619-16-000 | BF FOAM - EXPANDED POLYSTYRENE - .75" X 48" X 96"-2.0 DENSITY                     |
|     | 105077-08-000 | EA FOAM - PLUG - ROOF CAP   |
|     | 120107-01-000 | EA FOAM - COVE - ROOF - 2.8" X 96" LONG   |
|     | 120107-02-000 | EA FOAM - PLUG - ROOF TUBE - 2.2" X 2.9" X 1.8" LONG                              |
|     | 120107-03-000 | EA FOAM - PLUG - SIDEWALL TUBE - 1.2" X 2.1" X 1.8" LONG                          |
|     | 116942-03-01A | LB ALUMINUM - .7" X 40" X 158"<br>FROM: 00-00-00 THRU: 03-23-98                   |
|     | 125838-01-002 | EA ACRYLIC SHEET - .125 X 1.8" X 2"<br>FROM: 00-00-00 THRU: 03-08-98              |

### EXTERIOR BODY HARDWARE

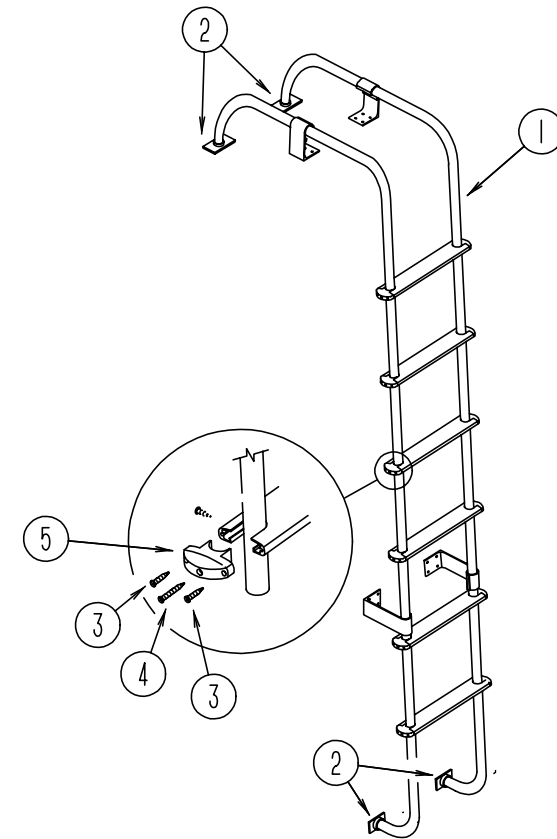
| KEY | PART NUMBER   | U/M DESCRIPTION   |
|-----|---------------|---|
|     | 002726-01-001 | EA GARNISH - U-CHANNEL - 1.38" X 19' - SERRATED - MILL ALUMINUM |
|     | 002766-01-001 | EA ANGLE - EXTRUDED - 1" X 1.5" X 17'                           |
|     | 116942-03-01A | LB ALUMINUM - .7" X 40" X 158"<br>FROM: 00-00-00 THRU: 03-23-98 |
|     | 055278-51-259 | FT TUBING - STEEL - .75" X 1.5" X 12.5' LONG                    |
|     | 058267-01-000 | FT CHANNEL - STEEL - W/ HOLES - SIDEWALL STIFFENER - 2" X 20'   |
|     | 068716-01-001 | EA BRACE - 90 DEGREE L-ANGLE - 192" - EXTRUDED ALUMINUM         |

### EXTERIOR AWNING (A & E)

| KEY | PART NUMBER   | U/M DESCRIPTION   |
|-----|---------------|---|
|     | 113874-08-07A | EA AWNING - W/O HARDWARE - 19'(POLAR BURGUNDY) VINYL  |
| *   | 113874-01-02A | EA HARDWARE KIT - AWNING - W/O STANDOFF BRACKET - BRIGHT WHT                                |
|     | 111037-01-01A | EA SPACER - AWNING - UPPER - BLACK  |
|     | 119496-01-02A | EA SPACER/ZEE - AWNING<br>FROM: 00-00-00 THRU: 04-12-98                                     |
|     | 130320-01-02A | EA BRACKET - AWNING - F/A&E INSTALLATION - BRIGHT WHITE<br>FROM: 04-13-98 THRU: 99-99-99    |
|     | 117058-01-01A | FT TAPE - LOOP - 3/4" WIDE - ADHESIVE BACKED<br>USED WITH CAREFREE AWNING ON SLIDEOUT ROOMS |
|     | 122977-06-01A | EA AWNING - SLIDEOUT - W/COVER - 160.24"  |

\* COMPONENT PARTS FOUND IN SERVICE PARTS LIBRARY

## EXTERIOR BODY GROUP (CONTINUED)

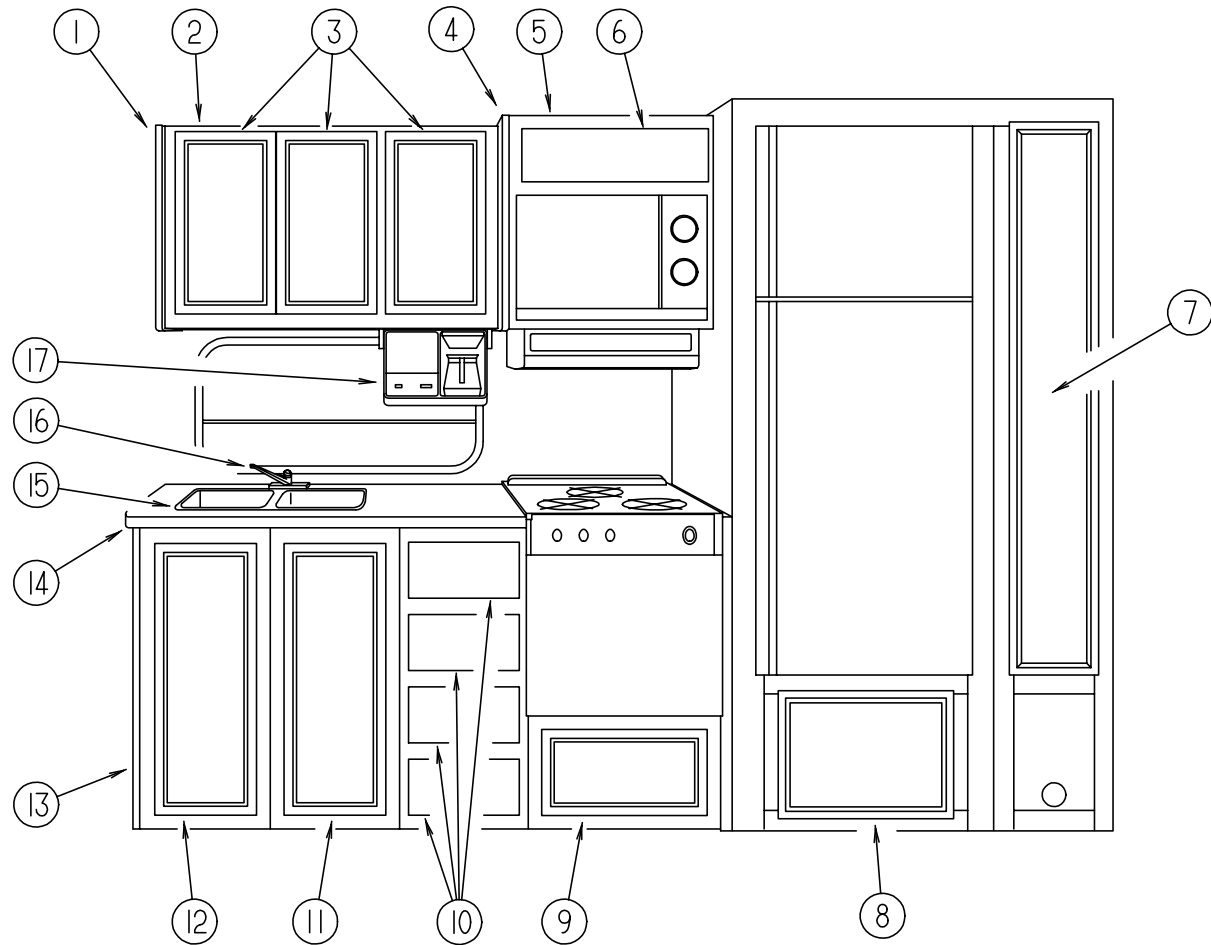


### LADDER

| KEY | PART NUMBER   | U/M DESCRIPTION   |
|-----|---------------|---|
| 1   | 102953-11-F31 | EA LADDER<br>FROM: 00-00-00 THRU: 05-18-98                    |
| 1   | 129639-02-01A | EA LADDER - BRUSHED ALUMINUM<br>FROM: 05-18-98 THRU: 99-99-99 |
| 2   | 067165-01-000 | EA BRACKET - MOUNTING - RACK & LADDER                         |
| 3   | 000G39-06-10T | EA SCREW-SF/ DR - 6 - 20 X 5/8 PPH - BLACK                    |
| 4   | 000G68-10-36T | EA SCREW - 10 - 12 X 2.25 POH BLACK                           |
| 5   | 076980-02-000 | EA END CAP - STEP - BLACK                                     |
|     | 038327-01-000 | EA TAPE - ANTI SLIP - 2" X 60FT                               |
|     | 038327-04-000 | EA TAPE - ANTI SLIP - 12" X 60'                               |
|     | 112384-01-000 | EA SPONGE - BRACKET - RACK & LADDER                           |

# GALLEY GROUP

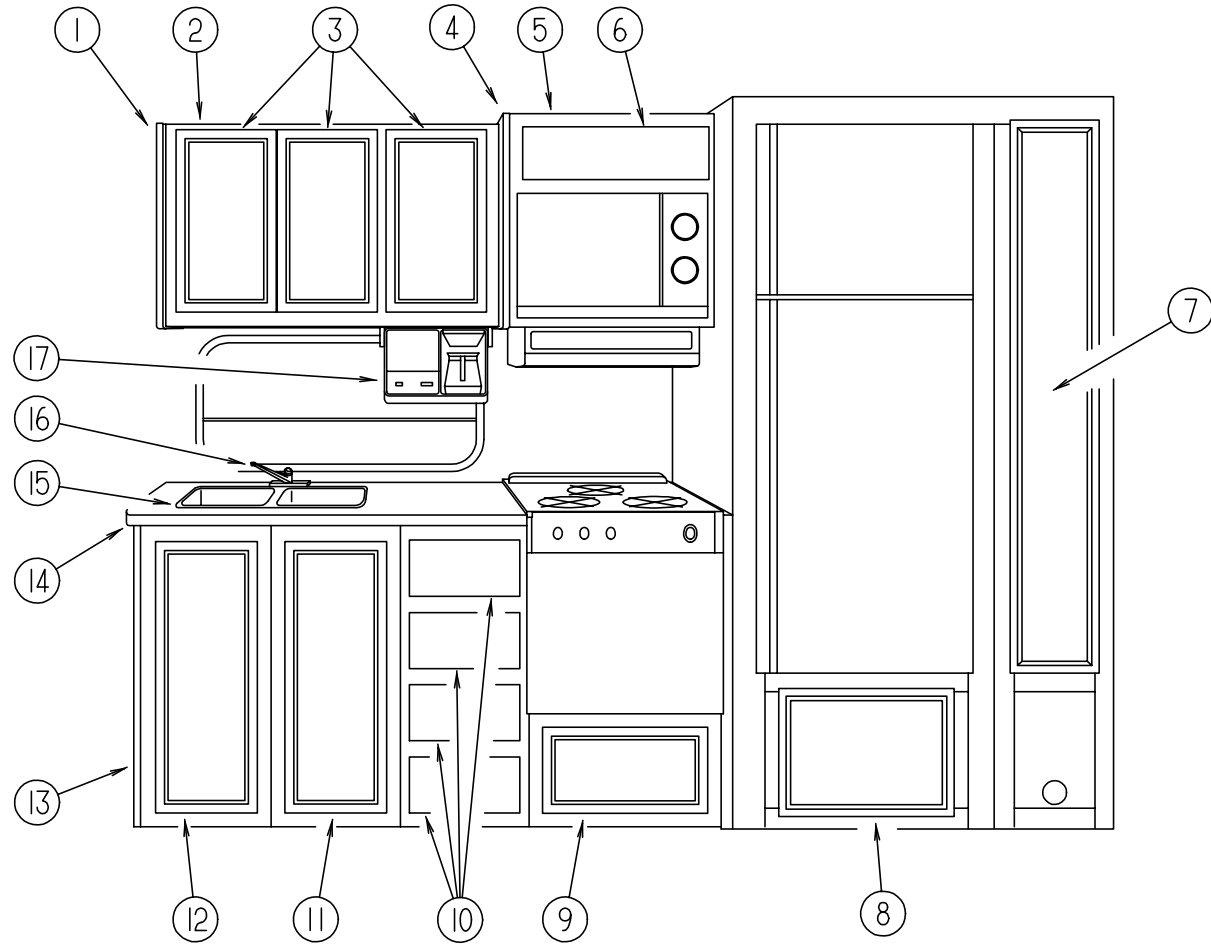
## GALLEY CABINETRY & FIXTURES



| KEY | PART NUMBER   | U/M | DESCRIPTION  |
|-----|---------------|-----|--|
| 1   | 081319-20-G15 | EA  | END CAP - OVERHEAD CABINET (WATERFORD OAK)   |
| 1   | 081319-20-H40 | EA  | END CAP - OVERHEAD CABINET (WHITE GRANITE)   |
| 2   | P22393-01-H17 | EA  | CABINET - OVERHEAD/GALLEY - W/O DOORS/HARDWARE (WATERFORD OAK)                               |
| 2   | P22393-01-H40 | EA  | CABINET - OVERHEAD/GALLEY - W/O DOORS/HARDWARE (WHITE GRANITE)                               |
|     | 122393-11-H17 | EA  | SHELF/LARGE - W/PLASTIC EDGE MOLDING (WATERFORD OAK)   |
|     | 122393-11-H40 | EA  | SHELF/LARGE - W/PLASTIC EDGE MOLDING (WHITE GRANITE)   |
|     | 122393-12-H17 | EA  | SHELF/SMALL - W/PLASTIC EDGE MOLDING (WATERFORD OAK)   |
|     | 122393-12-H40 | EA  | SHELF/SMALL - W/PLASTIC EDGE MOLDING (WHITE GRANITE)   |
| 3   | M05992-14-J22 | EA  | DOOR - STRAIGHT CORNER/OGEE EDGE - 12" X 21.9" - W/O HDW (WATERFORD OAK)                     |
| 3   | 122715-04-01A | EA  | DOOR - MOLDED VINYL - 12" X 21.8" - W/O HDW (WHITE GRANITE)                                  |
| 4   | 103128-34-J22 | EA  | END CAP - OVERHEAD CABINET (WATERFORD OAK)   |
| 4   | 103128-34-J23 | EA  | END CAP - OVERHEAD CABINET (WHITE GRANITE)   |
| 5   | P26057-02-J22 | EA  | CABINET - OVERHEAD/MICROWAVE - W/O DOOR/HARDWARE (WATERFORD OAK)                             |
| 5   | P26057-02-J23 | EA  | CABINET - OVERHEAD/MICROWAVE - W/O DOOR/HARDWARE (WHITE GRANITE)                             |
| 6   | M05992-J9-H17 | EA  | DOOR - STRAIGHT CORNER/OGEE EDGE - 5.1" X 22.4" - W/O HDW (WATERFORD OAK)                    |
| 6   | 122715-43-01A | EA  | DOOR - MOLDED VINYL - 5.1" X 22.4" - W/O HDW (WHITE GRANITE)                                 |
| 7   | M06803-Y9-H17 | EA  | DOOR - MITERED CORNER/OGEE EDGE - 8.5" X 60.7" - W/O HDW (WATERFORD OAK)                     |
| 7   | 122715-24-01A | EA  | DOOR - MOLDED VINYL - 8.5" X 60.7" - W/O HDW (WHITE GRANITE)                                 |
|     | 122325-01-J22 | EA  | CABINET - PANTRY/RIGHT HAND SLIDING - W/O SLIDES/HDW (WATERFORD OAK)                         |
|     | 122325-01-H23 | EA  | CABINET - PANTRY/RIGHT HAND SLIDING - W/O SLIDES/HDW (WHITE GRANITE)                         |
|     | 122360-02-000 | EA  | SLIDE - PANTRY - W/O LOCK - RIGHT/LEFT HAND  |
|     | 122360-03-000 | EA  | SLIDE - PANTRY - W/LOCK - RIGHT HAND   |
|     | 123673-01-01A | EA  | KNOB - PANTRY SLIDE  |
|     | 122325-11-H17 | EA  | SHELF - W/EDGE MOLDING (WATERFORD OAK)   |
|     | 122325-11-H40 | EA  | SHELF - W/EDGE MOLDING (WHITE GRANITE)   |
|     | 118200-01-01A | SF  | MESH - PLASTIC - 1/2 INCH  |
|     | 090329-01-000 | FT  | SEAL/T - REFRIGERATOR CABINET  |
| 8   | M05992-M1-J22 | EA  | DOOR - STRAIGHT CORNER/OGEE EDGE - 13.3" X 27" - W/O HDW (WATERFORD OAK)                     |
| 8   | 122715-31-01A | EA  | DOOR - MOLDED VINYL - 13.3" X 27" - W/O HDW (WHITE GRANITE)                                  |
| 9   | M05971-GW-J22 | EA  | DRAWER - OGEE EDGE - 19.7"W X 11.8"D - W/O SLIDES/HARDWARE (WATERFORD OAK)                   |
| 9   | P10163-HB-J23 | EA  | DRAWER - SQUARE EDGE - 19.7"W X 11.8"D - W/O SLIDES/HDW (WHITE GRANITE)                      |
| 9   | M05971-JS-J22 | EA  | DRAWER - OGEE EDGE - 19.7"W X 11.8"D - W/O SLIDES/HARDWARE (W/O OVEN QTY. 2) (WATERFORD OAK) |
| 9   | P10163-JR-J23 | EA  | DRAWER - SQUARE EDGE - 19.7"W X 11.8"D - W/O SLIDES/HDW (W/O OVEN QTY. 2) (WHITE GRANITE)    |
| 10  | M05971-11-J22 | EA  | DRAWER - OGEE EDGE - 9.9"W X 17.7"D - W/O SLIDES/HARDWARE (WATERFORD OAK)                    |
| 10  | P10163-CR-J23 | EA  | DRAWER - SQUARE EDGE - 9.9"W X 17.7"D - W/O SLIDES/HDW (WHITE GRANITE)                       |
| 11  | M05992-L5-J22 | EA  | DOOR - STRAIGHT CORNER/OGEE EDGE - 13.6" X 27.1" - W/O HDW (WATERFORD OAK)                   |
| 11  | 122715-31-01A | EA  | DOOR - MOLDED VINYL - 13.6" X 27.1" - W/O HDW (WHITE GRANITE)                                |
| 12  | M05992-M1-J22 | EA  | DOOR - STRAIGHT CORNER/OGEE EDGE - 13.6" X 27.1" - W/O HDW (WATERFORD OAK)                   |
| 12  | 122715-31-01A | EA  | DOOR - MOLDED VINYL - 13.6" X 27.1" - W/O HDW (WHITE GRANITE)                                |

## GALLEY GROUP (CONTINUED)

### GALLEY CABINETRY & FIXTURES (CONTINUED)



| KEY | PART NUMBER   | U/M | DESCRIPTION  | VENDOR NO. |
|-----|---------------|-----|--|------------|
| 13  | 127612-01-J22 | EA  | CABINET - GALLEY - W/COUNTERTOP - W/O DOORS/DRAWERS/HDW (W/OVEN) (J22)               |            |
| 13  | 127612-01-J23 | EA  | CABINET - GALLEY - W/COUNTERTOP - W/O DOORS/DRAWERS/HDW (W/OVEN) (J23,J25,J27,J29)   |            |
| 13  | 127612-01-J24 | EA  | CABINET - GALLEY - W/COUNTERTOP - W/O DOORS/DRAWERS/HDW (W/OVEN) (J24)               |            |
| 13  | 127612-01-J26 | EA  | CABINET - GALLEY - W/COUNTERTOP - W/O DOORS/DRAWERS/HDW (W/OVEN) (J26,J28)           |            |
| 13  | 127612-03-J22 | EA  | CABINET - GALLEY - W/COUNTERTOP - W/O DOORS/DRAWERS/HDW (W/O OVEN) (J22)             |            |
| 13  | 127612-03-J23 | EA  | CABINET - GALLEY - W/COUNTERTOP - W/O DOORS/DRAWERS/HDW (W/O OVEN) (J23,J25,J27,J29) |            |
| 13  | 127612-03-J24 | EA  | CABINET - GALLEY - W/COUNTERTOP - W/O DOORS/DRAWERS/HDW (W/O OVEN) (J24)             |            |
| 13  | 127612-03-J26 | EA  | CABINET - GALLEY - W/COUNTERTOP - W/O DOORS/DRAWERS/HDW (W/O OVEN) (J26,J28)         |            |
|     | 127612-12-J22 | EA  | SHELF - W/PLASTIC EDGE TRIM (WATERFORD OAK)  |            |
|     | 127612-12-J23 | EA  | SHELF - W/PLASTIC EDGE TRIM (WHITE GRANITE)  |            |
| 14  | 127612-11-J22 | EA  | COUNTERTOP - GALLEY CABINET (W/OVEN) (J22)   |            |
| 14  | 127612-11-J23 | EA  | COUNTERTOP - GALLEY CABINET (W/OVEN) (J23,J25,J27,J29)                               |            |
| 14  | 127612-11-J24 | EA  | COUNTERTOP - GALLEY CABINET (W/OVEN) (J24)   |            |
| 14  | 127612-11-J26 | EA  | COUNTERTOP - GALLEY CABINET (W/OVEN) (J26,J28)                                       |            |
| 14  | 127612-11-J52 | EA  | COUNTERTOP - GALLEY CABINET (W/O OVEN) (J22)   |            |
| 14  | 127612-11-J23 | EA  | COUNTERTOP - GALLEY CABINET (W/O OVEN) (J23,J25,J27,J29)                             |            |
| 14  | 127612-11-J24 | EA  | COUNTERTOP - GALLEY CABINET (W/O OVEN) (J24)   |            |
| 14  | 127612-11-J26 | EA  | COUNTERTOP - GALLEY CABINET (W/O OVEN) (J26,J28)                                     |            |
|     | 108464-03-E38 | EA  | COVER - SINK - 15" X 11" - LAMINATED BOTH SIDES (J22)                                |            |
|     | 108464-06-J23 | EA  | COVER - SINK - 15" X 11" - LAMINATED BOTH SIDES (J23,J25,J27,J29)                    |            |
|     | 108464-06-J24 | EA  | COVER - SINK - 15" X 11" - LAMINATED BOTH SIDES (J24)                                |            |
|     | 108464-06-J26 | EA  | COVER - SINK - 15" X 11" - LAMINATED BOTH SIDES (J26,J28)                            |            |
|     | 108464-04-E38 | EA  | COVER - SINK - 15" X 15" - LAMINATED BOTH SIDES (J22)                                |            |
|     | 108464-07-J23 | EA  | COVER - SINK - 15" X 15" - LAMINATED BOTH SIDES (J23,J25,J27,J29)                    |            |
|     | 108464-07-J24 | EA  | COVER - SINK - 15" X 15" - LAMINATED BOTH SIDES (J24)                                |            |
|     | 108464-07-J26 | EA  | COVER - SINK - 15" X 15" - LAMINATED BOTH SIDES (J26,J28)                            |            |
| 15  | 110654-01-000 | EA  | SINK - STAINLESS STEEL/DOUBLE BASIN (1 LG-1 SM BASIN)                                |            |
|     | 092303-01-000 | EA  | STRAINER - SINK  |            |
| 16  | 104114-02-01A | EA  | FAUCET - GALLEY - SINGLE CONTROL   |            |
|     | 103635-01-000 | EA  | FAUCET - SINGLE CONTROL (WATER PURIFIER)   |            |
|     | 103635-01-700 | EA  | FITTING KIT, FAUCET REPAIR   | 3071-70    |
|     | 103635-01-701 | EA  | TUBING - PLASTIC   | 3019-20    |
|     | 103635-01-702 | EA  | FAUCET REPAIR KIT  | 3026-46    |
|     | 116610-01-000 | EA  | BUMPER - RUBBER W/STUD   |            |
| 17  | 126019-01-01A | EA  | COFFEE MAKER - OPTIMA - W/BRACKETS   |            |
|     | 126019-01-700 | EA  | GLASS CARAFE   | 172547-00  |
|     | 126019-01-701 | EA  | RESERVOIR - WATER  | 172554     |
|     | 126019-01-702 | EA  | BASKET - FILTER  | 172553-00  |
|     | 126019-01-703 | EA  | HARDWARE - MOUNTING  | 172174-00  |
|     | 127612-16-J22 | EA  | BACKSPLASH - GALLEY COUNTERTOP (J22)   |            |
|     | 127612-16-J23 | EA  | BACKSPLASH - GALLEY COUNTERTOP (J23,J24,J25,J26,J27,J28,J29)                         |            |

## GALLEY GROUP (CONTINUED)

### RANGE W/OVEN

| KEY | PART NUMBER   | U/M DESCRIPTION                                   |
|-----|---------------|---|
| *   | 126023-01-01A | EA RANGE - W/OVEN 22" - 3 BURNER/BLACK GLASS DOOR |

**\* COMPONENT PARTS FOUND IN SERVICE PARTS LIBRARY**

### RANGE TOP

| KEY | PART NUMBER   | U/M DESCRIPTION                            |
|-----|---------------|--|
| *   | 114030-02-01A | EA RANGE - 3 BURNER TOP - W/O OVEN - BLACK |

**\* COMPONENT PARTS FOUND IN SERVICE PARTS LIBRARY**

### RANGE COVER

| KEY | PART NUMBER   | U/M DESCRIPTION                                   |
|-----|---------------|---|
|     | 126022-02-01A | EA COVER - RANGE - BI-FOLD - 22" - BLACK TEXTURED |

### RANGE HOOD

| KEY | PART NUMBER   | U/M DESCRIPTION  |
|-----|---------------|--|
| *   | 100258-17-04A | EA HOOD - RANGE - W/O MONITOR PANEL - W/O HOUR METER/SWITCH - CSA                    |
| *   | 100258-18-03A | EA HOOD - RANGE - W/O MONITOR PANEL - W/HOUR METER/SWITCH - US                       |
| *   | 100258-16-04A | EA HOOD - RANGE - W/O MONITOR PANEL - W/O HOUR METER/SWITCH - US                     |
| *   | 100258-36-01A | EA HOOD - RANGE - W/O MONITOR PANEL - W/HOUR METER/SWITCH - US<br>(USED W/ 7.5 ONAN) |

**\* COMPONENT PARTS FOUND IN SERVICE PARTS LIBRARY**

### REFRIGERATOR

| KEY | PART NUMBER   | U/M DESCRIPTION  |
|-----|---------------|--|
| *   | 121569-01-01A | EA REFRIGERATOR - LARGE DOUBLE DOOR - RIGHT HAND - 2-WAY     |
| *   | 120075-03-01A | EA REFRIGERATOR - LARGE DOUBLE DOOR/RIGHT HAND - 2-WAY W/ICE |
| *   | 118367-01-01A | EA REFRIGERATOR - SIDE BY SIDE DOOR - 2 WAY                  |
|     | 118871-02-01A | EA TRAY - REFRIGERATOR - SIDE/SIDE                           |
|     | 065225-01-000 | EA PLATE - TIEDOWN - REFRIGERATOR                            |
|     | 090195-08-000 | EA BAFFLE - REFRIGERATOR - LOWER                             |
|     | 093369-03-000 | EA STRAP - REFRIGERATOR                                      |
|     | 093646-01-000 | EA BRACKET - TIEDOWN/REFRIGERATOR - RIGHT HAND               |
|     | 093646-02-000 | EA BRACKET - TIEDOWN/REFRIGERATOR - LEFT HAND                |
|     | 054450-01-000 | EA LEVEL - REFRIGERATOR                                      |

**\* COMPONENT PARTS FOUND IN SERVICE PARTS LIBRARY**

### MICROWAVE OVEN

| KEY | PART NUMBER   | U/M DESCRIPTION   |
|-----|---------------|---|
|     | 122753-05-000 | EA OVEN - MICROWAVE - 1 CU. FT. - NON CONVECTION - SHARP - UL |
|     | 122753-02-000 | EA OVEN - MICROWAVE - .9 CU. FT - CONVECTION - SHARP - UL     |
|     | 122753-04-000 | EA OVEN - MICROWAVE - .9 CU FT - CONVECTION - SHARP - CSA     |
|     | 082227-06-000 | EA TRIM - BOTTOM/MICROWAVE - BLACK                            |
|     | 102486-13-01A | EA TRIM - MICROWAVE - VERTICAL - BLACK                        |
|     | 102482-09-H56 | EA FRAME - MICROWAVE  |
|     | 094756-03-G15 | EA BRACKET - ANGLE - W/HOLES                                  |
|     | 122799-01-02B | EA SUPPORT - MICROWAVE  |
|     | 122799-02-02B | EA SUPPORT - MICROWAVE  |

## GENERATOR GROUP

### ONAN GENERATOR, 6.5 KW MARQUIS - US

| KEY | PART NUMBER   | U/M DESCRIPTION                         |
|-----|---------------|---|
|     | 007125-03-000 | EA CLAMP - MUFFLER - 1.5" DIAMETER      |
|     | 007131-01-000 | EA HANGER - TAILPIPE - 6 SLOTS          |
|     | 105559-04-000 | EA GENERATOR - 6.5 KW - LP FUEL - 30/30 |
|     | 106235-01-000 | EA ADAPTOR - GENERATOR EXHAUST          |
|     | 116381-06-000 | EA PIPE - EXHAUST - GENERATOR           |
|     | 065820-09-000 | EA HOSE - HIGH PRESSURE - 28"           |
|     | 114253-04-000 | EA ELBOW - 5/16 SINGLE BARB X 1/8 MPT   |
|     | 116457-01-000 | EA TEE - BRASS - BRANCE 1/4 NPT         |

### ONAN GENERATOR, 6.5 KW MARQUIS - CSA

| KEY | PART NUMBER   | U/M DESCRIPTION                         |
|-----|---------------|---|
|     | 007125-03-000 | EA CLAMP - MUFFLER - 1.5" DIAMETER      |
|     | 105559-04-000 | EA GENERATOR - 6.5 KW - LP FUEL - 30/30 |
|     | 106234-01-000 | EA PIPE - EXHAUST - GENERATOR           |
|     | 106235-01-000 | EA ADAPTOR - GENERATOR EXHAUST          |
|     | 065820-09-000 | EA HOSE - HIGH PRESSURE - 28"           |
|     | 114253-04-000 | EA ELBOW - 5/16 SINGLE BARB X 1/8 MPT   |
|     | 116457-01-000 | EA TEE - BRASS - BRANCE 1/4 NPT         |

### ONAN GENERATOR, 7.5 KW DIESEL

| KEY | PART NUMBER   | U/M DESCRIPTION                       |
|-----|---------------|---------------------------------------|
|     | 007125-03-000 | EA CLAMP - MUFFLER - 1.5" DIAMETER    |
|     | 007131-01-000 | EA HANGER - TAILPIPE - 6 SLOTS        |
|     | 106235-01-000 | EA ADAPTOR - GENERATOR EXHAUST        |
|     | 116381-05-000 | EA PIPE - EXHAUST - GENERATOR         |
|     | 122425-01-000 | EA GENERATOR - DIESEL - 7.5           |
|     | 065820-09-000 | EA HOSE - HIGH PRESSURE - 28"         |
|     | 114253-04-000 | EA ELBOW - 5/16 SINGLE BARB X 1/8 MPT |
|     | 116457-01-000 | EA TEE - BRASS - BRANCE 1/4 NPT       |

## HEATING & AIR CONDITIONING GROUP

### FURNACE-SUBURBAN - 40,000 BTU - SF-422275

| KEY | PART NUMBER   | U/M | DESCRIPTION  |
|-----|---------------|-----|--|
| *   | 098668-22-000 | EA  | FURNACE - 40,000 BTU                                       |
|     | 094600-05-01A | EA  | REGISTER W/O DAMPER-3.6" X 11.3" FACE/2.1" X 9.9" RO-BEIGE |
|     | 094600-06-01A | EA  | REGISTER W/DAMPER-3.6" X 11.3" FACE/2.1" X 9.9" RO-BEIGE   |
|     | 089367-02-000 | EA  | TEE - 4" X 2" X 4"   |
|     | 092776-01-000 | EA  | ADAPTER - DUCT - 2"  |
|     | 098668-14-000 | EA  | GASKET - FIBERGLASS - .5" X 18" X 18"                      |
|     | 117357-02-02B | EA  | TRANSITION - FURNACE                                       |
|     | 115764-01-01A | EA  | THERMOSTAT - FURNACE                                       |
|     | 093614-03-02A | EA  | GRILLE - RETURN AIR - 14" X 8" - BEIGE                     |
|     | 009200-01-000 | EA  | TAPE - FURNACE - 1 1/2"                                    |

#### \* COMPONENT PARTS FOUND IN SERVICE PARTS LIBRARY

### AUTOMOTIVE REAR HEATER SYSTEM

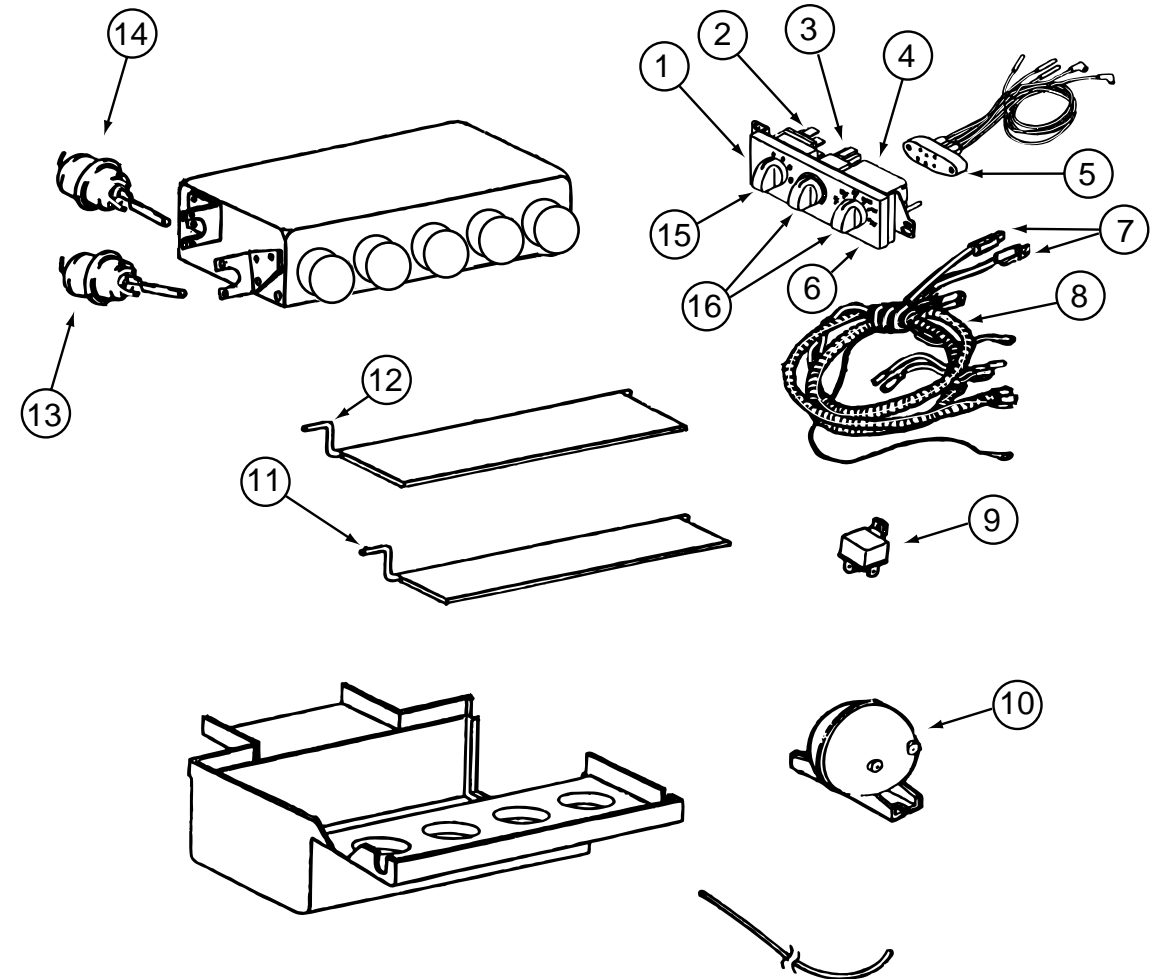
| KEY | PART NUMBER   | U/M | DESCRIPTION   | VENDOR NO. |
|-----|---------------|-----|---|------------|
|     | 084405-01-000 | EA  | HEATER - REAR/DUCTED - W/MOTOR AID                    |            |
|     | 084405-01-700 | EA  | CORE-HEATER   | FT200229   |
|     | 084405-01-701 | EA  | FAN BLADES  | HV029931   |
|     | 084405-01-702 | EA  | MOTOR ASSEMBLY, 12 VOLT                               | RV010348   |
|     | 009198-01-000 | FT  | DUCT - HEAT - FLEXIBLE - 4" ID X 25'                  |            |
|     | 061673-01-000 | EA  | BRACKET - MOTOR AID TUBES - 4" X 1.5" - STEEL         |            |
|     | 009198-01-000 | FT  | DUCT - HEAT - FLEXIBLE - 4" ID X 25'                  |            |
|     | 079059-01-000 | EA  | HOSE - 90 DEGREE - 5/8"ID X 4" X 36"                  |            |
|     | 056464-10-000 | EA  | REGISTER - 4" DIAMETER - PLASTIC - W/O DAMPER - BEIGE |            |

### A/C - ROOF & CEILING ASSEMBLY

| KEY | PART NUMBER   | U/M | DESCRIPTION                                       |
|-----|---------------|-----|---|
| *   | 091225-08-000 | EA  | A/C - ROOF - 13,500 - SUPER MAC - BRIGHT/WHITE    |
| *   | 108892-01-01A | EA  | CEILING ASSEMBLY - A/C DUCTED                     |
|     | 102289-01-000 | EA  | SPRING - SCREW - ROOF A/C GASKET                  |
|     | 110403-01-G09 | EA  | SPACER - RETURN AIR (WATERFORD OAK)               |
|     | 110403-01-G09 | EA  | SPACER - RETURN AIR (WHITE GRANITE)               |
|     | 117238-01-01A | EA  | THERMOSTAT - A/C - FURNACE                        |
|     | 117238-02-01A | EA  | THERMOSTAT - A/C ONLY                             |
|     | 120134-01-02A | EA  | REGISTER - 4" TO 5" IN DIAMETER W/DAMPER          |
|     | 073937-03-000 | EA  | SWITCH - ROTARY- AC - SELECTOR - 3 DECK           |
|     | 088238-02-000 | EA  | COVER - SWITCH - A/C SELECTOR - FRONT TO REAR A/C |

#### \* COMPONENT PARTS FOUND IN SERVICE PARTS LIBRARY

## HEATING & AIR CONDITIONING GROUP (CONTINUED)

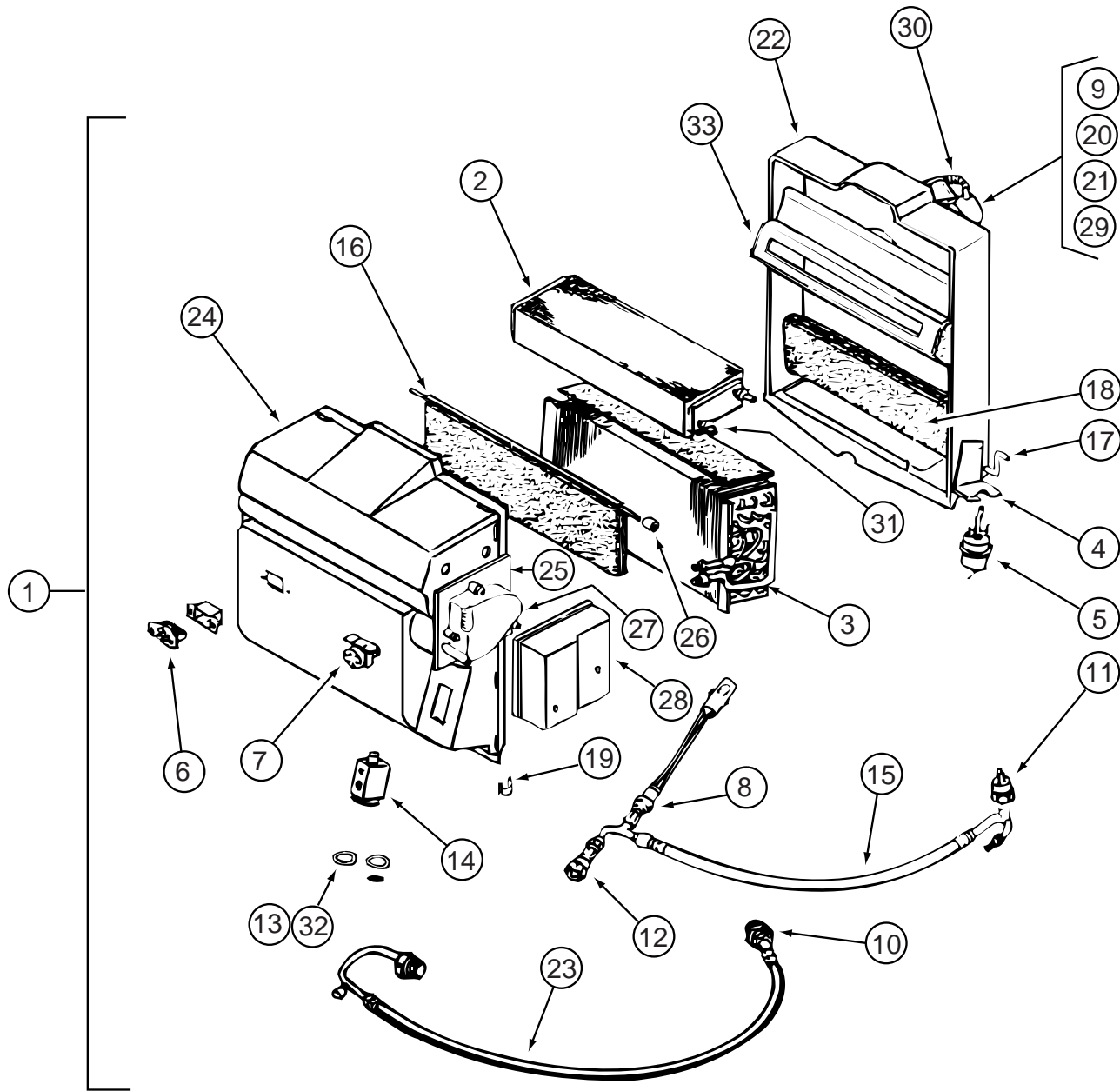


AUTO A/C CONTROL PLENUM - ROTARY

| KEY | PART NUMBER   | U/M | DESCRIPTION                | VENDOR NO. |
|-----|---------------|-----|----------------------------|------------|
|     | 103930-39-000 | EA  | CONTROL/PLENUM - ROTARY    |            |
| 1   | 103930-33-702 | EA  | CONTROL PANEL              | 083-0169   |
| 2   | 103930-33-707 | EA  | SWITCH - BLOWER            | 032-00066  |
| 3   | 103930-33-708 | EA  | SWITCH - POTENTIOMETER     | 032-0184   |
| 4   | 103930-33-709 | EA  | SWITCH - VACUUM            | 032-0183   |
| 5   | 103930-33-703 | EA  | VACUUM HARNESS             | 036-0466   |
| 6   | 103930-33-710 | EA  | DECAL F/CONTROL HEAD       | 058-0102   |
| 7   | 103930-33-705 | EA  | LIGHT BULBS                | 035-0030   |
| 8   | 103930-33-711 | EA  | WIRE HARNESS - MAIN        | 036-0496   |
| 9   | 103930-02-707 | EA  | RELAY - BOSCH W/RESISTER   | 031-0001   |
| 10  | 103930-02-710 | EA  | CANISTER - VACUUM          | 054-0002   |
| 11  | 103930-39-700 | EA  | ROD - DOOR - AC/HEAT       | 073-067    |
| 12  | 103930-39-701 | EA  | ROD - DOOR - AC/DEFROST    | 073-0069   |
| 13  | 103930-02-708 | EA  | MOTOR - VACUUM SERVO - A/C | 030-0025   |
| 14  | 103930-33-701 | EA  | MOTOR - VACUUM - 3 STAGE   | 030-0105   |
| 15  | 103930-33-712 | EA  | KNOB - BLOWER              | 062-00539  |
| 16  | 103930-33-713 | EA  | KNOB                       | 062-00540  |
|     | 103930-39-704 | EA  | SPRING                     | 022-0119   |

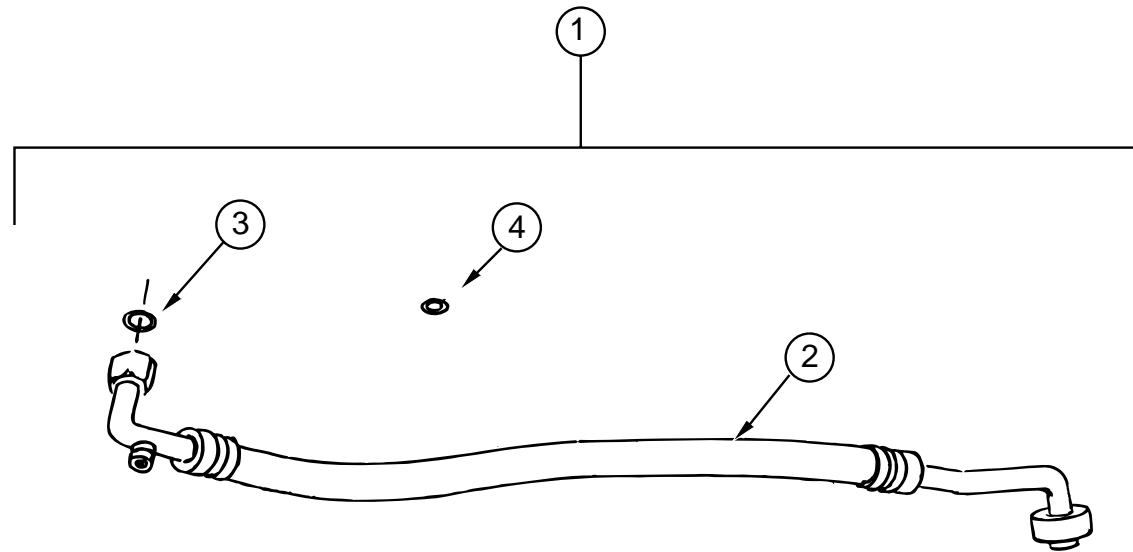
# HEATING & AIR CONDITIONING GROUP (CONTINUED)

## SCS EVAPORATOR/ HEATER



| KEY | PART NUMBER   | U/M | DESCRIPTION   | VENDOR NO. |
|-----|---------------|-----|---|------------|
| 1   | 103930-32-000 | EA  | EVAPORATOR/HEATER - FRTLINER/SPARTAN-SERVO MOTOR CONTROLLED |            |
| 2   | 103930-01-703 | EA  | CORE - HEATER   | 042-0010   |
| 3   | 103930-01-704 | EA  | COIL - EVAPORATOR   | 041-0017   |
| 4   | 103930-01-708 | EA  | BRACKET - VACUUM MOTOR                                      | 070-0113   |
| 5   | 103930-02-708 | EA  | MOTOR - VACUUM SERVO - A/C                                  | 030-0025   |
| 6   | 103930-01-710 | EA  | RESISTOR - FUSED - A/C                                      | 035-0006   |
| 7   | 103930-01-711 | EA  | THERMOSTAT  | 033-0003   |
| 8   | 103930-01-716 | EA  | SWITCH - PRESSURE - FAN                                     | 032-0036   |
| 9   | 103930-01-717 | EA  | WHEEL - BLOWER - CLOCKWISE                                  | 062-0010   |
| 10  | 103930-06-700 | EA  | FITTING - QUICK CONNECT - #8                                | 050-0082   |
| 11  | 103930-12-708 | EA  | SWITCH - BINARY - HI/LOW CUTOUT                             | 032-0048   |
| 12  | 103930-12-709 | EA  | FITTING-QUICK CONNECT                                       | 050-0120   |
| 13  | 103930-17-702 | EA  | O'RING #10  | 045-0127   |
| 14  | 103930-20-700 | EA  | VALVE - EXPANSION - BLOCK - 2 TON                           | 034-0032   |
| 15  | 103930-20-701 | EA  | HOSE ASM #6 EVAPORATOR/DRIER085-0138                        |            |
| 16  | 103930-20-703 | EA  | DOOR - BLEND AIR  | 071-0212   |
| 17  | 103930-20-704 | EA  | ROD - DOOR - RECIRCULATING                                  | 073-0018   |
| 18  | 103930-20-705 | EA  | PANEL - DOOR - RECIRCULATING                                | 071-0213   |
| 19  | 103930-20-706 | EA  | CLIP - RETAINER - CASE ATTACH                               | 022-0057   |
| 20  | 103930-20-707 | EA  | HOUSING - BLOWER  | 062-0145   |
| 21  | 103930-20-708 | EA  | CLIP - MOTOR SHAFT  | 022-0001   |
| 22  | 103930-20-711 | EA  | CASE - BACK - SUB-ASSEMBLY                                  | 062-0147   |
| 23  | 103930-22-700 | EA  | HOSE ASM #10 EVAPORATOR/COMP                                | 085-0141   |
| 24  | 103930-30-700 | EA  | CASE - FRONT  | 062-0542   |
| 25  | 103930-30-701 | EA  | PLATE - MOTOR MOUNT   | 062-0544   |
| 26  | 103930-30-702 | EA  | BUSHING - BLEND AIR DOOR                                    | 062-0168   |
| 27  | 103930-30-703 | EA  | MOTOR - SERVO   | 030-0104   |
| 28  | 103930-30-704 | EA  | COVER - SERVO   | 062-0545   |
| 29  | 103930-30-706 | EA  | MOTOR - BLOWER PM147 W/ADAPTER                              | 030-0109   |
| 30  | 110279-01-703 | EA  | HOSE - VENT F/BLOWER MOTOR                                  | 051-0034   |
| 31  | 110279-01-712 | EA  | FITTING - HEATER  | 050-0076   |
| 32  | 113245-01-707 | EA  | O'RING #8   | 045-0126   |
| 33  | 103930-30-707 | EA  | DIVIDER ASM.  | 086-0061   |

## HEATING & AIR CONDITIONING GROUP (CONTINUED)



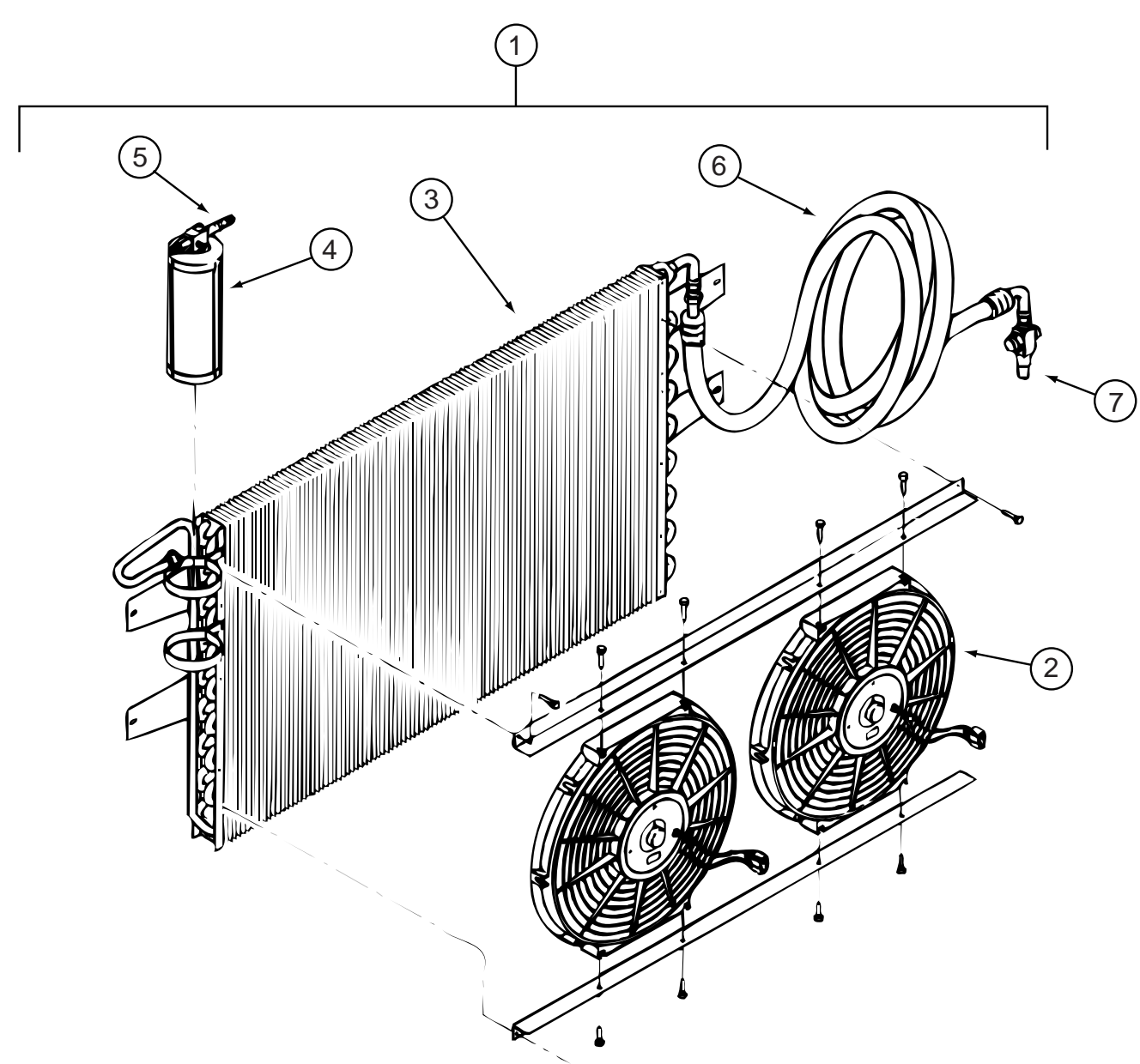
**HOSE KIT**

| KEY | PART NUMBER   | U/M | DESCRIPTION               | VENDOR NO. |
|-----|---------------|-----|---------------------------|------------|
| 1   | 103930-15-000 | EA  | HOSE KIT #12 355" R134A   |            |
| 2   | 103930-15-700 | EA  | HOSE ASM #12 OSHGOSH      | 085-0099   |
| 3   | 103930-15-702 | EA  | O'RING #18                | 045-0152   |
| 3   | 103930-17-702 | EA  | O'RING #10                | 045-0127   |
| 4   | 113245-01-710 | EA  | GASKET, #12               | 045-0128   |
|     | 103930-07-704 | EA  | FITTING-QUICK CONNECT, #8 | 050-0081   |
|     | 103930-13-702 | EA  | VALVE-SERVICE, W/O COMP.  | 050-0152   |

### AUTOMOTIVE HEATER REAR HEATER MISCELLANEOUS PARTS

| KEY | PART NUMBER   | U/M | DESCRIPTION   |
|-----|---------------|-----|---|
|     | 007076-01-000 | EA  | HOSE - FLEXIBLE PVC - 2" ID - INCREMENTS OF 50'           |
|     | 007108-01-000 | FT  | HOSE - HEATER - 5/8" ID - HI-TEMP - FORD                  |
|     | 007281-01-000 | EA  | HOSE - FLEXIBLE PVC - 2.5" ID X 50'                       |
|     | 024990-05-000 | EA  | OUTLET - DEFROSTER - 4" DIAMETER W/SWIVEL DEFLECTORS      |
|     | 056402-05-000 | EA  | BRACKET - HEATER VENT - ROUND W/BEND - BLACK              |
|     | 077075-01-000 | EA  | GASKET - INSTRUMENT PANEL/DEFROSTER PLENUM - .6" X 10.2"  |
|     | 077075-03-000 | EA  | GASKET - INSTRUMENT PANEL/DEFROSTER PLENUM - 1.3" X 10.2" |
|     | 103016-01-000 | EA  | PLENUM - TRANSITION                                       |
|     | 103017-01-000 | EA  | PLENUM - DEFROSTER  |
|     | 103558-01-10A | EA  | VENT - DEFROSTER - 2" X 14.4" X 1.4" - ANTELOPE           |
|     | 103796-01-01A | EA  | LOUVER - A/C  |
|     | 103930-37-000 | EA  | MANUAL - OWNERS - HEATER/A/C                              |
|     | 114802-01-000 | EA  | PUMP - VACUUM - 12V 16"HG                                 |
|     | 103930-23-000 | EA  | VALVE - WATER - 2 PORT                                    |
|     | 077539-01-000 | EA  | BRACKET - MOUNTING/DASH PANEL - L/SHAPED - 2.5"X1"X1.5"   |
|     | 056464-10-000 | EA  | REGISTER - 4" DIAMETER - PLASTIC - W/O DAMPER - BEIGE     |

## HEATING & AIR CONDITIONING GROUP (CONTINUED)

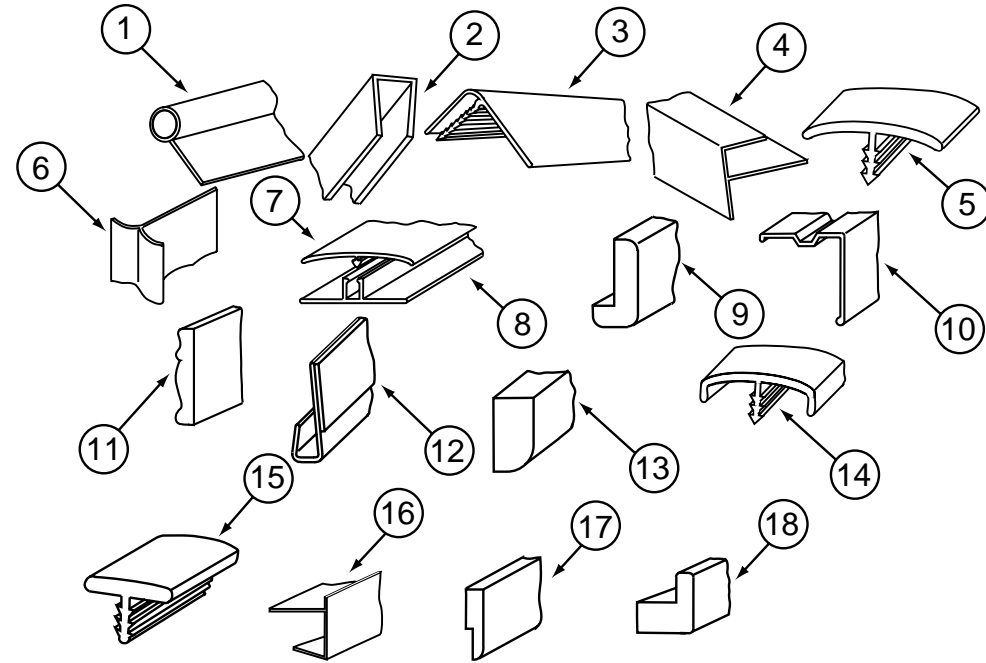


**SCS CONDENSER ASM**

| KEY | PART NUMBER   | U/M | DESCRIPTION                  | VENDOR NO. |
|-----|---------------|-----|------------------------------|------------|
| 1   | 072342-10-000 | EA  | CONDENSER ASM-W/FAN PUSH R13 |            |
| 2   | 072342-08-703 | EA  | FAN BLADE/MOTOR & SHROUD 11" | 062-0097   |
| 3   | 072342-10-700 | EA  | COIL-CONDENSER               | 040-0028   |
| 4   | 072342-10-701 | EA  | RECEIVER DRIER               | 054-0015   |
| 5   | 072342-10-702 | EA  | FITTING-QUICK CONNECT#4 MALE | 050-0148   |
| 6   | 072342-10-703 | EA  | HOSE #8 - CONDENSER/COMP     | 051-0096   |
| 7   | 072342-10-704 | EA  | VALVE-SERVICE #8X8           | 050-0134   |
|     | 072342-10-705 | EA  | HOSE ASSEMBLY W/FITTINGS     | 085-0119   |



**INTERIOR FINISH GROUP**



**INTERIOR TRIM & MOLDINGS**

| KEY | PART NUMBER   | U/M DESCRIPTION  |
|-----|---------------|--|
| 1   | 009767-12-000 | FT WELTING - SIDEWALL/CEILING/CABINET - OFF/WHT                  |
| 2   | 070504-18-000 | FT U-CHANNEL - PLASTIC - .13" X 84" - IVORY                      |
| 2   | 070504-37-000 | FT U-CHANNEL - PLASTIC - .9" X 84" - WATERFORD OAK               |
| 2   | 070504-43-000 | FT U-CHANNEL - PLASTIC - .9" X 96" - BEIGE ILLUSION              |
| 2   | 070504-45-000 | FT U-CHANNEL - PLASTIC - .13" X 72" - WHITE GRANITE              |
| 2   | 070504-03-000 | FT U-CHANNEL - PLASTIC - .9" X 84" - GRADY BROWN                 |
| 2   | 070504-36-000 | FT U-CHANNEL - PLASTIC - .13" X 72" - WATERFORD OAK              |
| 2   | 009778-25-000 | FT U-CHANNEL - 1" - BEIGE ILLUSION                               |
| 2   | 009778-21-000 | FT U-CHANNEL - 1" - WATERFORD OAK                                |
| 3   | 009809-23-000 | EA MOLDING - CORNER - OUTSIDE - 1" X 84" - MODERN IVORY          |
| 4   | 009812-31-000 | EA MOLDING - CORNER - 1/2" W/1/4" CHAN X 84" - BEIGE ILLUSION    |
| 4   | 009812-29-000 | EA MOLDING - CORNER - 1/2" W/1/4" CHAN X 84" - WATERFORD OAK     |
| 5   | 105709-01-000 | FT MOLDING-T - 1" - MODERN IVORY                                 |
| 6   | 022992-11-000 | FT MOLDING - REVERSE COVE - T-SHAPED VINYL - IVORY               |
| 7   | 086229-13-000 | EA BATTEN - 1" X 96" - IVORY                                     |
| 7   | 086229-19-000 | EA BATTEN - 1" X 98.43" - OFF WHITE                              |
| 7   | 086229-20-000 | EA BATTEN - 1" X 96" - BEIGE                                     |
| 8   | 086229-01-000 | EA RETAINER - BATTEN - .75" X 92.3" - ANY COLOR                  |
| 8   | 086229-14-000 | EA RETAINER - 3/4" X 98.43" - ANY COLOR                          |
| 9   | 077840-01-H23 | EA MOLDING - CAP/WALL 8' - WHITE MAPLE                           |
| 9   | 077840-01-G01 | EA MOLDING - WALL CAP - 8' - WATERFORD OAK                       |
| 10  | 093873-01-01A | EA TRIM - CARPET - L-ANGLE 1.1" X 1.3" X 12" - GRAY VINYL        |
| 11  | 100182-10-H40 | EA TRIM - RAIL - WHITE GRANITE                                   |
| 11  | 100182-10-G29 | EA TRIM - RAIL/CHAIR - 8' - WATERFORD OAK                        |
| 12  | 109332-02-02A | FT TRIM-J - W/O ADHESIVE - PICKLED ASH                           |
| 12  | 109332-02-01A | FT TRIM-J - W/O ADHESIVE - BRASS                                 |
| 13  | 100818-01-07A | FT MOLDING - VINYL WRAP - 1.6" X .4" X 84" - WHITE GRANITE       |
| 13  | 100818-01-05A | FT MOLDING - VINYL WRAP - 1.65" X .4" X 84" - WATERFORD OAK      |
| 14  | 104676-02-07A | FT MOLDING-T - 1/2" - DESIGNER BEIGE                             |
| 14  | 104676-02-04A | FT MOLDING-T - 1/2" - WATERFORD OAK                              |
| 14  | 083620-15-000 | FT MOLDING-T - END CAP EDGE - W/EDGE LIP - .75" - BEIGE ILLUSION |
| 14  | 083620-12-000 | FT MOLDING-T - END CAP EDGE - W/EDGE LIP - .75" - WATERFORD OAK  |
| 15  | 104676-01-01A | FT MOLDING-T - 5/16" RIGID GOLD                                  |

**INTERIOR FINISH GROUP (CONTINUED)**

**INTERIOR TRIM & MOLDINGS (CONTINUED)**

| KEY | PART NUMBER   | U/M DESCRIPTION   |
|-----|---------------|---|
| 16  | 103186-01-07A | FT MOLDING - PLASTIC/3/8" U-CHANNEL W/3/4" FACE - BEIGE ILLUSION      |
| 16  | 103186-01-05A | FT MOLDING - PLASTIC - 3/8" U-CHANNEL 3/4" FACE - WATERFORD OAK       |
| 16  | 103186-02-07A | FT MOLDING - PLASTIC/1" U-CHANNEL W/1 3/8" FACE - BEIGE ILLUSION      |
| 16  | 103186-02-05A | FT MOLDING - PLASTIC - 1" U-CHANNEL 1 3/8" FACE - WATERFORD OAK       |
| 17  | 105004-01-07A | EA MOLDING - VINYL WRAPPED - 1" X 96" - WHITE GRANITE                 |
| 17  | 105004-01-05A | EA MOLDING - VINYL WRAPPED - 1" X 96" - WATERFORD OAK                 |
| 18  | 100819-01-07A | EA MOLDING - VINYL WRAP - L-SHAPED - 1.5" X 1.5" X 7' - WHITE GRANITE |
| 18  | 100819-01-05A | FT MOLDING - VINYL WRAP - L-SHAPED - 1.5" X 1.5" X 84" - OAK          |
|     | 076325-43-000 | FT MOLDING - EDGE BAND - .875" X .024" - CLOUD                        |
|     | 076325-46-000 | FT MOLDING - EDGE BAND - 1 5/16" X .030" - CLOUD                      |
|     | 076325-73-000 | FT MOLDING - EDGE BAND - .93" X .024" - OFF WHITE                     |
|     | 076325-40-000 | FT MOLDING - EDGE BAND - .9" X .024" - ALMOND                         |
|     | 076325-67-000 | FT MOLDING - EDGE BAND - .93" X .024" - WATERFORD OAK                 |
|     | 116951-01-H23 | EA MOLDING - WOOD - 3" X 70.5"  |
|     | 116951-01-G35 | EA MOLDING - WOOD - 3" X 70.5"  |

**BATT STRIPS**

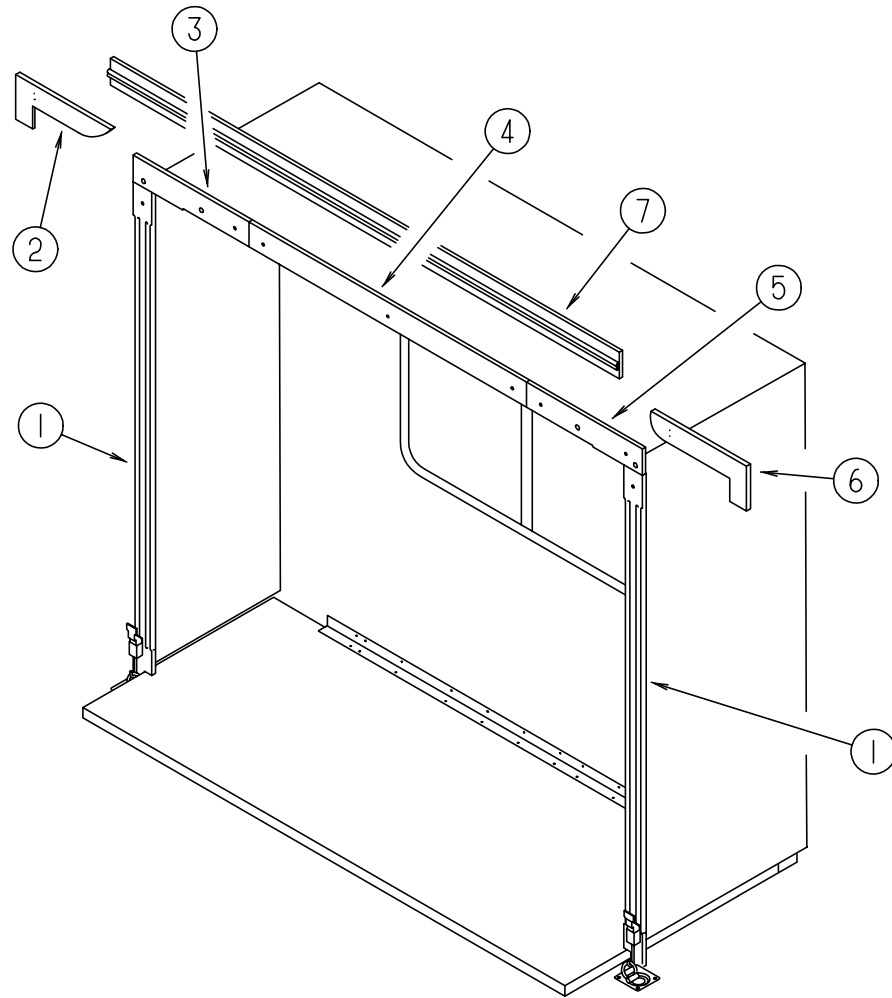
| KEY | PART NUMBER   | U/M DESCRIPTION  |
|-----|---------------|--|
|     | 069733-85-000 | EA BATT STRIP - WOODGRAINED/WHITE GRANITE - 8'                           |
|     | 069733-83-000 | EA BATT STRIP - WOODGRAINED/WATERFORD OAK - 8'                           |
|     | 085284-B5-000 | FT BATT TAPE - ADHESIVE BACKED - WOODGRAINED - WATERFORD OAK             |
|     | 088263-E4-000 | EA BATT STRIP - DECORATIVE - LAJOLLA/SEAMIST - INC OF 8' (J22,J23)       |
|     | 085284-D7-000 | FT BATT TAPE - ADHESIVE BACKED - DECORATIVE - LA JOLLA/SEAMIST (J22,J23) |
|     | 088263-F2-000 | EA BATT STRIP - DECORATIVE - TUSCAN MINK - 8' LENGTHS (J24,J25)          |
|     | 085284-E7-000 | FT BATT TAPE - ADHESIVE BACKED - DECORATIVE/TUSCAN MINK (J24,J25)        |
|     | 088263-F4-000 | EA BATT STRIP - DECORATIVE - TRAVIS MERCURY - 8' (J26,J27)               |
|     | 085284-E9-000 | FT BATT TAPE - ADHESIVE BACKED - DECORATIVE/TRAVIS MERCURY (J26,J27)     |
|     | 088263-F8-000 | EA BATT STRIP - DECORATIVE - CAIRO SILVERSAGE - INC OF 8' (J28,J29)      |
|     | 085284-F4-000 | FT BATT TAPE - ADHESIVE BACKED - CAIRO SILVERSAGE (J28,J29)              |

**CARPET & FLOOR COVERING**

| KEY | PART NUMBER   | U/M DESCRIPTION  |
|-----|---------------|--|
|     | 075233-01-000 | SY PAD - CARPET - 3/8" X 6' ROLL                                   |
|     | 093486-01-000 | SY CARPET - COMPARTMENT - 54" WIDE - DARK GRAY                     |
|     | 096060-A8-000 | SY CARPET - BLUE LAGOON - INCREMENTS OF 4 SQ YDS (J22,J23)         |
|     | 096060-99-000 | SY CARPET - PARCHMENT - INCREMENTS OF 4 SQ. YARDS (J24,J25)        |
|     | 096060-98-000 | SY CARPET - SILVER ASPEN - INCREMENTS OF 4 SQ YD (J26,J27,J28,J29) |
|     | 105924-01-F25 | EA MAT - FLOOR - 18" X 27" (J22,J23)                               |
|     | 105924-01-F12 | EA MAT - FLOOR - 18" X 27" (J24,J25)                               |
|     | 105924-01-F06 | EA MAT - FLOOR - 18" X 27" (J26,J27,J28,J29)                       |
|     | 122755-01-01A | EA TILE - RUBBER/ENTRANCE DOOR - 18.5" X 27.2"                     |
|     | 122755-03-01A | EA TILE - RUBBER/ENTRANCE DOOR - 17.7" X 26.4"                     |

## INTERIOR FINISH GROUP (CONTINUED)

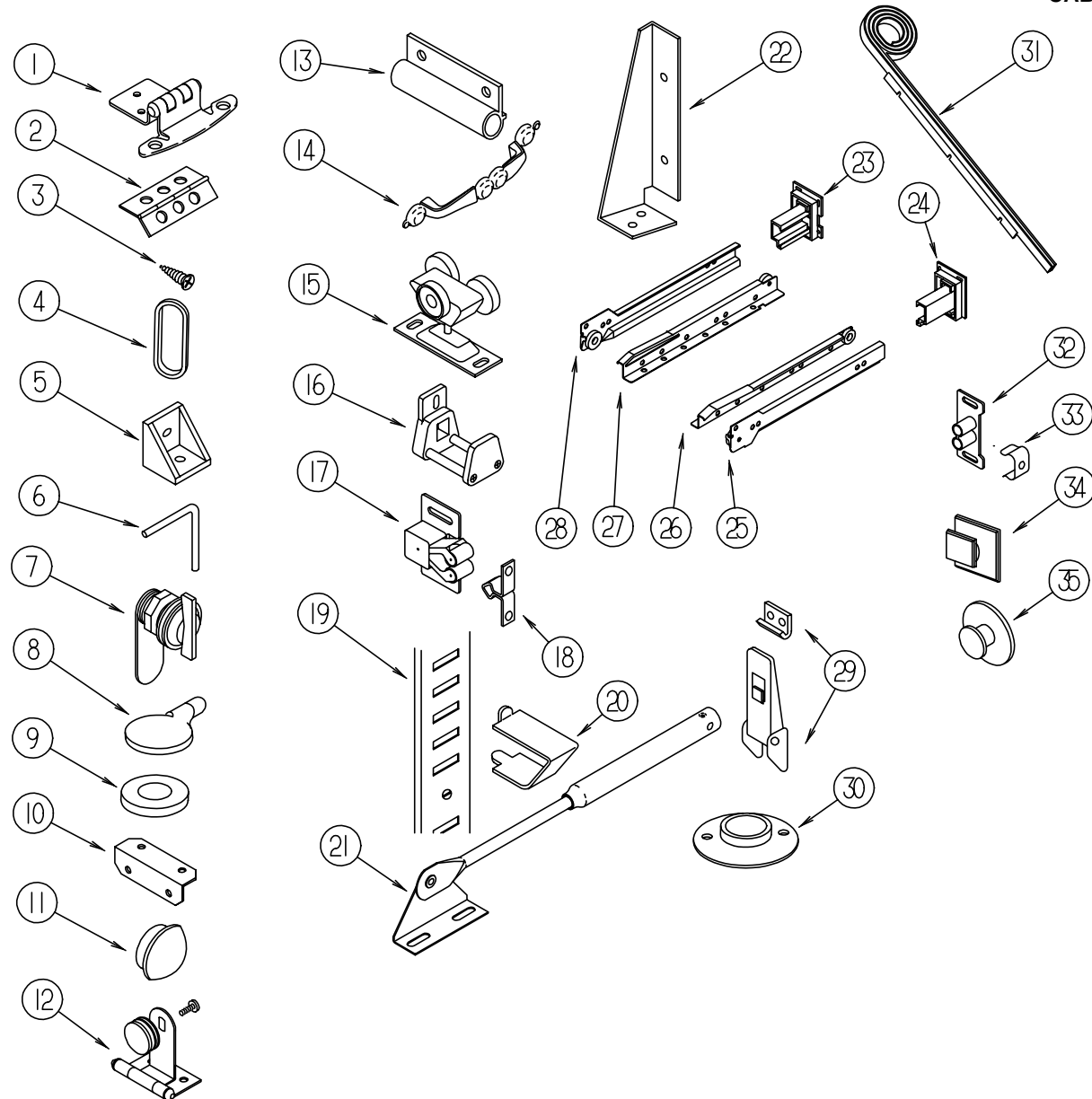
### SLIDEOUT HARDWARE & MOLDINGS



| KEY | PART NUMBER   | U/M | DESCRIPTION   |
|-----|---------------|-----|---|
| 1   | 116951-01-G35 | EA  | MOLDING - WOOD - 3" X 70.5" (WATERFORD OAK)                 |
| 1   | 116951-01-H23 | EA  | MOLDING - WOOD - 3" X 70.5" (WHITE GRANITE)                 |
| 2   | 115811-20-J22 | EA  | OVERLAY - NOVEAU - 7.5" X 23.75" - LEFT HAND (J22,J23)      |
| 2   | 115811-20-J24 | EA  | OVERLAY - NOVEAU - 7.5" X 23.75" - LEFT HAND (J24,J25)      |
| 2   | 115811-20-J26 | EA  | OVERLAY - NOVEAU - 7.5" X 23.75" - LEFT HAND (J26,J27)      |
| 2   | 115811-20-J28 | EA  | OVERLAY - NOVEAU - 7.5" X 23.75" - LEFT HAND (J28,J29)      |
| 3   | 116968-01-G35 | EA  | TRIM - END/RIGHT HAND - WOOD - 3.8" X 19.1" (WATERFORD OAK) |
| 3   | 116968-01-H40 | EA  | TRIM - END/RIGHT HAND - WOOD - 3.8" X 19.1" (WHITE GRANITE) |
| 4   | 116967-01-G35 | EA  | TRIM - CENTER - WOOD - 3.8" X 119.7" (WATERFORD OAK)        |
| 4   | 116967-01-H23 | EA  | TRIM - CENTER - WOOD - 3.8" X 119.7" (WHITE GRANITE)        |
| 5   | 116968-02-G35 | EA  | TRIM - END/ LEFT HAND - WOOD - 3.8" X 19.1" (WATERFORD OAK) |
| 5   | 116968-02-H40 | EA  | TRIM - END/ LEFT HAND - WOOD - 3.8" X 19.1" (WHITE GRANITE) |
| 6   | 115811-19-J22 | EA  | OVERLAY - NOVEAU - 7.5" X 23.75" - RIGHT HAND (J22,J23)     |
| 6   | 115811-19-J24 | EA  | OVERLAY - NOVEAU - 7.5" X 23.75" - RIGHT HAND (J24,J25)     |
| 6   | 115811-19-J26 | EA  | OVERLAY - NOVEAU - 7.5" X 23.75" - RIGHT HAND (J26,J27)     |
| 6   | 115811-19-J28 | EA  | OVERLAY - NOVEAU - 7.5" X 23.75" - RIGHT HAND (J28,J29)     |
| 7   | NOT AVAILABLE |     |   |

# INTERIOR FINISH GROUP (CONTINUED)

## CABINET HARDWARE



| KEY | PART NUMBER   | U/M | DESCRIPTION  |
|-----|---------------|-----|--|
| 1   | 108138-01-000 | EA  | HINGE - CABINET DOOR - BURNISHED BRASS             |
| 2   | 041389-18-000 | EA  | HINGE - PIANO - 1.50 X 482.6 - OFF WHITE           |
| 2   | 041389-25-000 | EA  | HINGE - PIANO - 1.50 X 55                          |
| 2   | 009059-01-000 | EA  | HINGE - DOOR - 2" X 1.4" - BRASS                   |
| 2   | 009059-02-000 | EA  | HINGE - DOOR - 2" X 2.7" - BRASS                   |
| 3   | 000G13-06-10G | EA  | SCREW - 6-20 X 5/8 PFH - ANTIQUE BRASS             |
| 3   | 000G13-06-08G | EA  | SCREW  |
| 4   | 098410-01-01A | EA  | PULL - FINGER - BRASS                              |
| 5   | 065740-01-000 | EA  | BRACE - CABINET/CORNER - PLASTIC                   |
| 6   | 108487-02-01A | EA  | SUPPORT - PROP ROD/OVERHEAD - BLACK                |
| 7   | 100710-01-01A | EA  | LOCK - GLASS DOOR/TWIST TYPE - BRASS               |
|     | 101272-01-000 | EA  | CATCH - GLASS DOOR                                 |
| 8   | 101766-01-000 | EA  | PIN - SUPPORT/GLASS DOOR                           |
| 9   | 100707-01-000 | EA  | SPACER - GLASS DOOR - .8" DIA - .3" HOLE - PLASTIC |
| 10  | 016604-05-000 | EA  | BRACE - CABINET - ANGLE - 2.5" OFF WHITE METAL     |
| 10  | 016604-01-000 | EA  | BRACE - CABINET - ANGLE - 2.5" - UNPAINTED METAL   |
| 11  | 042356-01-000 | EA  | PLUG - BUTTON - MAHOGANY - 3/8" DIAMETER - WOOD    |
| 11  | 074045-11-000 | EA  | PLUG - OAK - 3/8" DIAMETER - WHITE GRANITE         |
| 11  | 074045-01-000 | EA  | PLUG - OAK - 3/8" DIAMETER - OAK                   |

| KEY | PART NUMBER   | U/M | DESCRIPTION  |
|-----|---------------|-----|--|
| 12  | 100711-01-01A | EA  | HINGE - GLASS DOOR                                       |
| 13  | 108486-01-01A | EA  | BRACKET - PROP ROD/OVERHEAD - BLACK                      |
| 14  | 121890-01-01A | EA  | PULL - CABINET - BRASS                                   |
| 15  | 103874-01-000 | EA  | HANGER - SLIDING DOOR                                    |
| 16  | 064467-01-000 | EA  | GUIDE - POCKET - SLIDING DOOR - WALL MOUNTED             |
|     | 076790-01-000 | EA  | SCREW - 6-20 X 1 1/4 PPH - BLACK                         |
| 17  | 093586-06-000 | EA  | CATCH - SPRING - ROLLER                                  |
| 17  | 093586-03-000 | EA  | CATCH - SPRING - ROLLER                                  |
| 18  | 093586-05-000 | EA  | STRIKE - SPRING STEEL                                    |
| 18  | 093586-04-000 | EA  | STRIKE - SPRING STEEL                                    |
| 19  | 098980-01-000 | EA  | PILASTER - ADJUSTABLE SHELF - 18" - WOODGRAIN APPEARANCE |
| 19  | 098980-02-000 | EA  | PILASTER - ADJUSTABLE SHELF - 12" - WOODGRAIN APPEARANCE |
| 19  | 098980-04-000 | EA  | PILASTER - ADJUSTABLE SHELF - 48" - WOODGRAIN APPEARANCE |
| 20  | 098979-01-000 | EA  | CLIP - ADJUSTABLE SHELF                                  |
| 21  | 074493-02-000 | EA  | SUPPORT - PISTON SPRING - CABINET DOOR                   |
| 22  | 116978-01-03B | EA  | GUSSET - SLIDEOUT ROOM - OFF/WHITE                       |
| 23  | 128811-01-01A | EA  | BACKSOCKET - ADJUSTABLE LEFT                             |
| 24  | 128811-02-01A | EA  | BACKSOCKET - ADJUSTABLE RIGHT                            |
| 25  | 128810-02-01A | EA  | SLIDE - DRAWER - 12" - RIGHT CABINET                     |
| 25  | 128810-10-01A | EA  | SLIDE - DRAWER - 16" - RIGHT CABINET                     |
| 25  | 128810-14-01A | EA  | SLIDE - DRAWER - 18" - RIGHT CABINET                     |
| 25  | 128810-18-01A | EA  | SLIDE - DRAWER - 20" - RIGHT CABINET                     |
| 25  | 128810-22-01A | EA  | SLIDE - DRAWER - 22" - RIGHT CABINET                     |
| 25  | 128810-26-01A | EA  | SLIDE - DRAWER - 24" - RIGHT CABINET                     |
| 26  | 128810-04-01A | EA  | SLIDE - DRAWER - 12" - RIGHT DRAWER                      |
| 26  | 128810-12-01A | EA  | SLIDE - DRAWER - 16" - RIGHT DRAWER                      |
| 26  | 128810-16-01A | EA  | SLIDE - DRAWER - 18" - RIGHT DRAWER                      |
| 26  | 128810-20-01A | EA  | SLIDE - DRAWER - 20" - RIGHT DRAWER                      |
| 26  | 128810-24-01A | EA  | SLIDE - DRAWER - 22" - RIGHT DRAWER                      |
| 26  | 128810-28-01A | EA  | SLIDE - DRAWER - 24" - RIGHT DRAWER                      |
| 27  | 128810-03-01A | EA  | SLIDE - DRAWER - 12" - LEFT DRAWER                       |
| 27  | 128810-11-01A | EA  | SLIDE - DRAWER - 16" - LEFT DRAWER                       |
| 27  | 128810-15-01A | EA  | SLIDE - DRAWER - 18" - LEFT DRAWER                       |
| 27  | 128810-19-01A | EA  | SLIDE - DRAWER - 20" - LEFT DRAWER                       |
| 27  | 128810-23-01A | EA  | SLIDE - DRAWER - 22" - LEFT DRAWER                       |
| 27  | 128810-27-01A | EA  | SLIDE - DRAWER - 24" - LEFT DRAWER                       |
| 28  | 128810-01-01A | EA  | SLIDE - DRAWER - 12" - LEFT CABINET                      |
| 28  | 128810-09-01A | EA  | SLIDE - DRAWER - 16" - LEFT CABINET                      |
| 28  | 128810-13-01A | EA  | SLIDE - DRAWER - 18" - LEFT CABINET                      |
| 28  | 128810-17-01A | EA  | SLIDE - DRAWER - 20" - LEFT CABINET                      |
| 28  | 128810-21-01A | EA  | SLIDE - DRAWER - 22" - LEFT CABINET                      |
| 28  | 128810-25-01A | EA  | SLIDE - DRAWER - 24" - LEFT CABINET                      |
| 29  | 116975-01-01A | EA  | LATCH - W/O STRIKE                                       |
| 29  | 042541-05-000 | EA  | STRIKE   |
| 30  | 009112-01-000 | EA  | FLANGE - 1" CLOTHES ROD - OFF WHITE PLASTIC              |
| 31  | 097141-02-700 | EA  | KIT-TRACK TAMBOUR DOOR - W/ONE RIGHT & ONE LEFT TRACK    |
| 32  | 009021-01-000 | EA  | CATCH - GRILLE - NYLON                                   |
| 33  | 009021-02-000 | EA  | STRIKE - SPRING STEEL                                    |
| 34  | 102327-01-01A | EA  | PULL-MIRROR - W/SQUARE HANDLE                            |
| 35  | 125221-01-01A | EA  | PULL - MIRROR - W/ROUND HANDLE                           |
|     | 004354-01-000 | EA  | BUMPER - RUBBER - .5" DIA - BROWN                        |
|     | 042438-01-000 | EA  | DOWEL - WOOD - CLOTHES ROD - 1" DIAMETER X 4'            |
|     | 042438-06-000 | EA  | DOWEL - WOOD - 1.5" X 26" - OAK                          |
|     | 023320-01-000 | EA  | PAD - FELT 3/8" DIAMETER                                 |
|     | 079921-01-000 | EA  | ROLLER - NYLON - W/STEEL SHAFT - BARBED                  |
|     | 084070-03-000 | EA  | POST - END - 2.4" - SHINY BRASS                          |
|     | 084071-23-000 | EA  | ROD - BRASS - 13.12"                                     |
|     | 102194-01-000 | EA  | GUIDE - PLASTIC  |

## INTERIOR FINISH GROUP (CONTINUED)

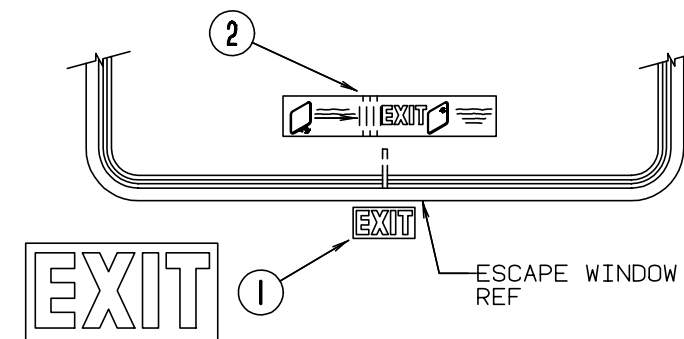
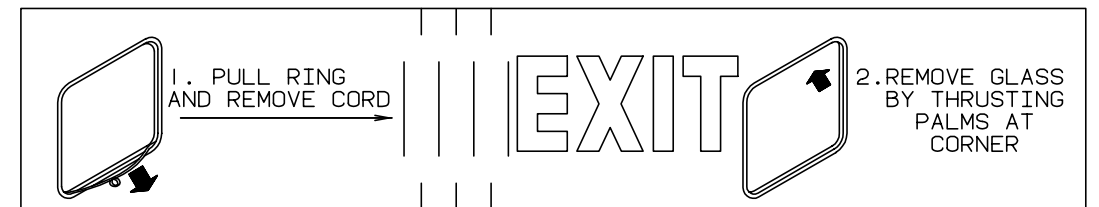
### PANELING, PLASTIC LAMINATE & PARTICLE BOARD

| KEY | PART NUMBER   | U/M | DESCRIPTION  |
|-----|---------------|-----|--|
|     | 000846-01-000 | SF  | PLYWOOD - 5/16" X 48" X 96" - CD GRADE                       |
|     | 000846-02-000 | SF  | PLYWOOD/UNDERLAYMENT - 5/16" X 48" X 96"                     |
|     | 000885-84-000 | SF  | PARTICLE BOARD - 3/8" X 48" X 96" - WHITE GRANITE/1 SIDED    |
|     | 000885-85-000 | SF  | PARTICLE BOARD - 3/8" X 48" X 96" - WHITE GRANITE/2 SIDED    |
|     | 000885-77-000 | SF  | PARTICLE BOARD-3/8" X 48" X 96"-WATERFORD OAK/VINYL 2 SIDE   |
|     | 000885-79-000 | SF  | PARTICLE BOARD-3/4" X 48" X 96"-WATERFORD OAK/VINYL 2 SIDE   |
|     | 057882-05-700 | EA  | TAMBOUR - 48" X 48" SHEET - UNFINISHED - WASHED MAPLE        |
|     | 057882-04-700 | EA  | TAMBOUR - 48" X 48" SHEET - UNFINISHED - WATERFORD OAK       |
|     | 074497-36-000 | SF  | PANELING - WHITE GRANITE - 1/8" X 48" X 96"                  |
|     | 074497-28-000 | SF  | PANELING - WATERFORD OAK - 48" X 96"                         |
|     | 074498-40-000 | SF  | LAMINATE - PLASTIC - OFF WHITE - 5' X 8' - INC OF 40 SF      |
|     | 074498-62-000 | SF  | LAMINATE - PLASTIC - GREY FINESSE - 5' X 8' - INC OF 40SF    |
|     | 074498-81-000 | SF  | LAMINATE - PLASTIC - ALMOND JAGUARD - 5' X 8'                |
|     | 074498-77-000 | SF  | LAMINATE - PLASTIC - ART CABIN - 4' X 8'                     |
|     | 080215-12-000 | SF  | PANELING - 2 SIDED - WHITE GRANITE - 4' X 8'                 |
|     | 080215-10-000 | SF  | PANELING - 2 SIDED - WATERFORD - .2" X 48" X 96"             |
|     | 088272-G1-000 | SF  | PANELING - PEBBLE EMBOSSED - ANTIQUE WHITE - 4' X 7'         |
|     | 088272-G2-000 | SF  | PANELING - LA JOLLA/SEAMIST - 4' X 8' (MAIN WALL) (J22,J23)  |
|     | 088272-H2-000 | SF  | PANELING - TUSCAN MINK - 48" X 84" (MAIN WALL) (J24,J25)     |
|     | 088272-H4-000 | SF  | PANELING - TRAVIS - 4' X 7'(28 SQ.FT.) (MAIN WALL) (J26,J27) |
|     | 088272-H7-000 | SF  | PANELING - CAIRO/SILVERSAGE (MAIN WALL) (J28,J29)            |
|     | 117267-D2-438 | EA  | LUMBER - VINYL WRAPPED - .7" X 1.5" X 96" - WATERFORD OAK    |
|     | 117267-E2-438 | EA  | LUMBER - VINYL WRAPPED - .7" X 2" X 96" - WATERFORD OAK      |
|     | 117267-R2-438 | EA  | LUMBER - VINYL WRAPPED - .7" X 3" X 96" - WATERFORD OAK      |
|     | 117267-J2-438 | EA  | LUMBER - VINYL WRAPPED - .7" X 5.5" X 96" - WATERFORD OAK    |
|     | 126339-01-000 | SF  | BOARD - WHEAT - 60" X 72"                                    |

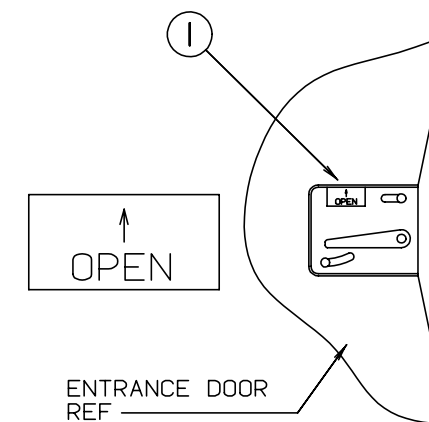
### FIRE EXTINGUISHER, SMOKE DETECTORS & WALL CLOCK

| KEY | PART NUMBER   | U/M | DESCRIPTION   | VENDOR NO. |
|-----|---------------|-----|---|------------|
|     | 072852-01-000 | EA  | DETECTOR - SMOKE - W/9 VOLT BATTERY - US            |            |
|     | 072852-02-000 | EA  | DETECTOR - SMOKE - W/9/VOLT BATTERY - CANADIAN      |            |
|     | 094499-01-000 | EA  | EXTINGUISHER/FIRE - DRY W/MOUNTING BRACKET - 10 B:C |            |
|     | 094499-02-000 | EA  | EXTINGUISHER/FIRE - DRY - 1A10BC - CANADIAN         |            |
|     |               |     | FROM: 00-00-00 THRU: 02-24-98                       |            |
|     | 094499-01-700 | EA  | BRACKET MTG. W/PLAS. STRAP                          | 294039     |
|     |               |     | FROM: 00-00-00 THRU: 02-24-98                       |            |
|     | 094499-03-000 | EA  | EXTINGUISHER/FIRE - DRY - 10B:C - W/O BRACKET       |            |
|     |               |     | FROM: 02-25-98 THRU: 99-99-99                       |            |
|     | 094499-04-000 | EA  | BRACKET - FIRE EXTINGUISHER                         |            |
|     |               |     | FROM: 02-25-98 THRU: 99-99-99                       |            |
|     | 094499-01-701 | EA  | STRAP ONLY (METAL)                                  | 320351     |
|     | 125136-01-000 | EA  | DETECTOR - CO - GAS - MODEL 9L-I                    |            |
|     | 100793-02-01A | EA  | CLOCK - WALL - QUARTZ/11" - BRASS                   |            |

## LABELS GROUP

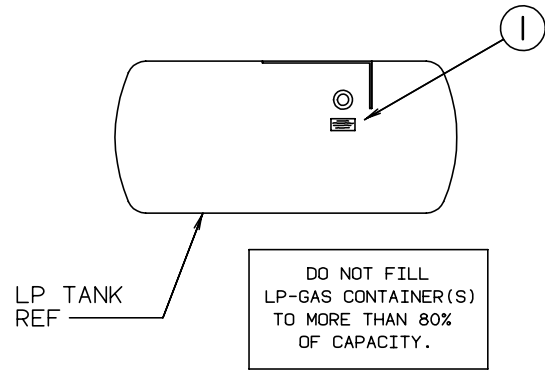


| KEY | PART NUMBER   | U/M | DESCRIPTION                  |
|-----|---------------|-----|------------------------------|
| 1   | 039290-01-000 | EA  | LABEL - WARNING - EXIT       |
| 2   | 107571-01-000 | EA  | LABEL - ESCAPE EXIT - WINDOW |

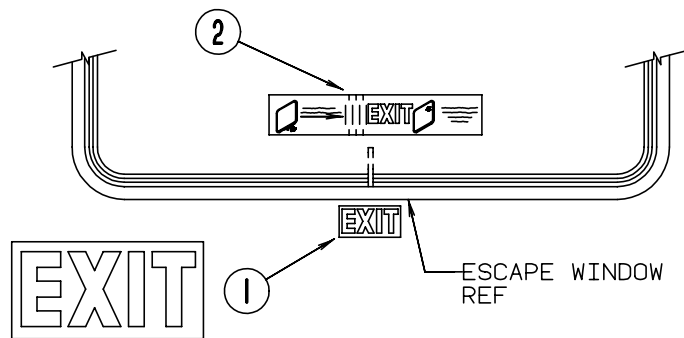
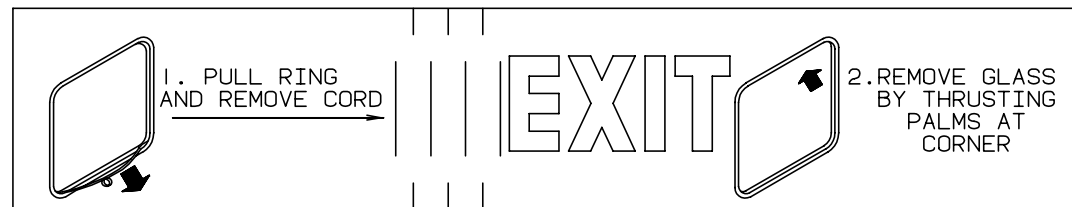


| KEY | PART NUMBER   | U/M | DESCRIPTION                    |
|-----|---------------|-----|--------------------------------|
| 1   | 040944-01-000 | EA  | LABEL - ENTRANCE DOOR - "OPEN" |

**LABELS GROUP (CONTINUED)**



| KEY | PART NUMBER   | U/M DESCRIPTION               |
|-----|---------------|-------------------------------|
| 1   | 079965-01-000 | EA LABEL - LPG - 80% CAPACITY |



| KEY | PART NUMBER   | U/M DESCRIPTION                |
|-----|---------------|--------------------------------|
| 1   | 107571-01-000 | EA LABEL - EXIT/ ESCAPE WINDOW |

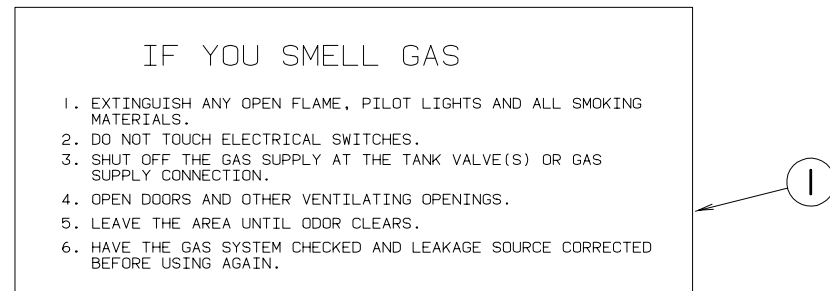
REMOVE PRIMARY TIRE HANGER BEFORE USING SPARE TIRE HOIST-SEE OWNERS MANUAL- PERSONAL INJURY MAY RESULT IF NOT FOLLOWED

| KEY | PART NUMBER   | U/M DESCRIPTION                |
|-----|---------------|--------------------------------|
| 1   | 126024-01-01A | EA LABEL - TIRE HANGER REMOVAL |

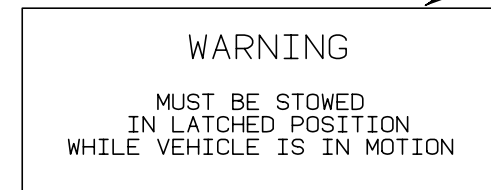


| KEY | PART NUMBER   | U/M DESCRIPTION          |
|-----|---------------|--------------------------|
| 1   | 087236-01-000 | EA LABEL - CABLE - INPUT |

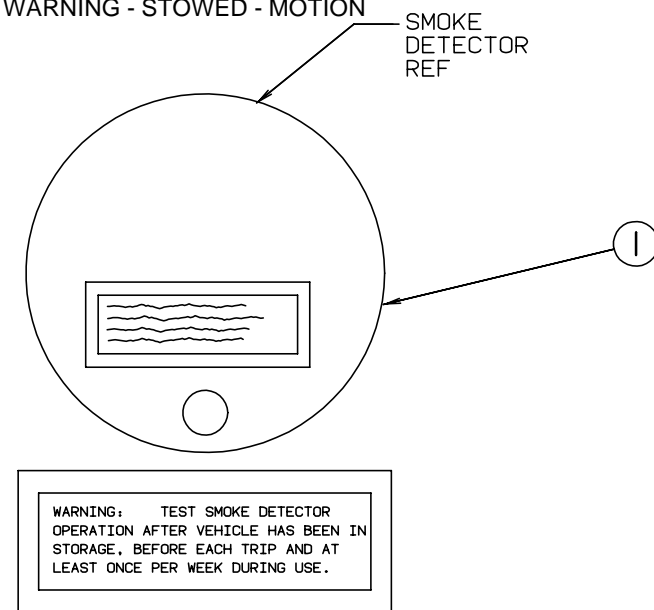
**LABELS GROUP (CONTINUED)**



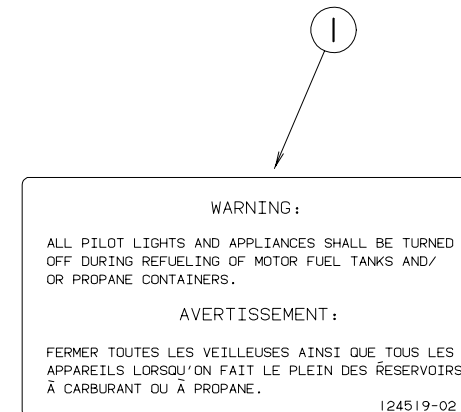
| KEY | PART NUMBER   | U/M DESCRIPTION             |
|-----|---------------|-----------------------------|
| 1   | 073998-01-000 | EA LABEL - LPG ODOR WARNING |



| KEY | PART NUMBER   | U/M DESCRIPTION                      |
|-----|---------------|--------------------------------------|
| 1   | 079966-01-000 | EA LABEL - WARNING - STOWED - MOTION |

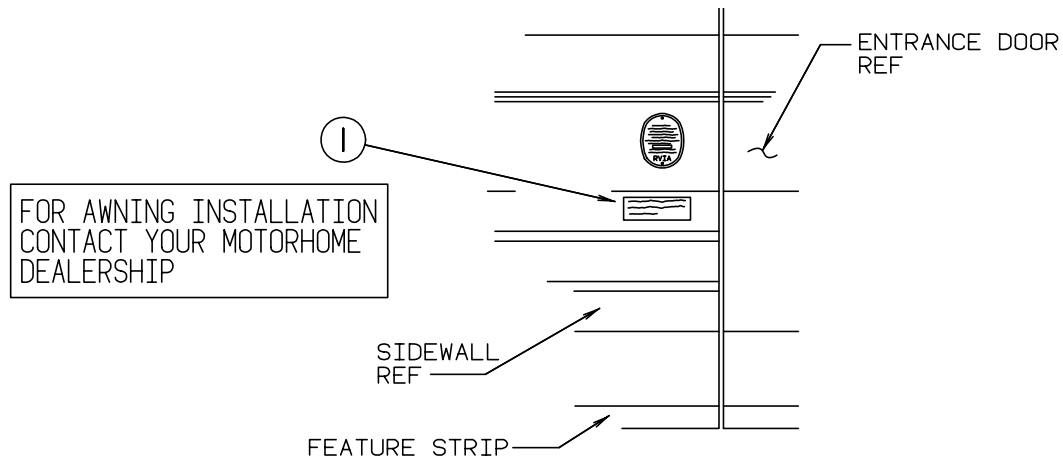


| KEY | PART NUMBER   | U/M DESCRIPTION                     |
|-----|---------------|-------------------------------------|
| 1   | 077956-01-000 | EA LABEL - WARNING - SMOKE DETECTOR |



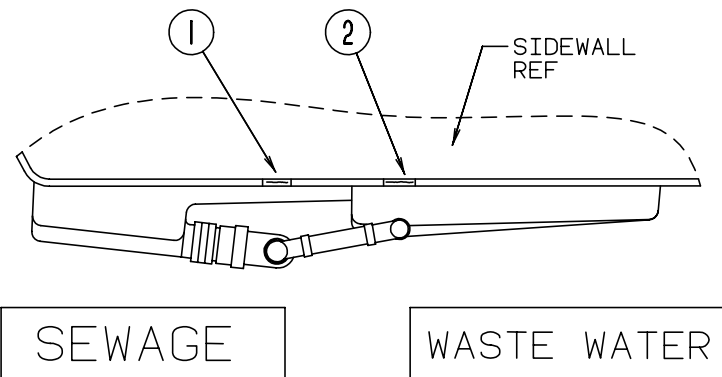
| KEY | PART NUMBER   | U/M DESCRIPTION                    |
|-----|---------------|------------------------------------|
| 1   | 124519-02-02A | EA LABEL - WARNING/REFUELING - CSA |

**LABELS GROUP (CONTINUED)**



FOR AWNING INSTALLATION  
CONTACT YOUR MOTORHOME  
DEALERSHIP

| KEY | PART NUMBER   | U/M DESCRIPTION                |
|-----|---------------|--------------------------------|
| 1   | 099509-01-000 | EA LABEL - AWNING INSTALLATION |



| KEY | PART NUMBER   | U/M DESCRIPTION        |
|-----|---------------|------------------------|
| 1   | 006187-01-000 | EA LABEL - SEWAGE      |
| 2   | 006188-01-000 | EA LABEL - WASTE WATER |

WARNING: CONTAINS "CFC" A SUBSTANCE WHICH HARMS  
PUBLIC HEALTH AND ENVIRONMENT BY DESTROYING  
OZONE IN THE UPPER ATMOSPHERE.

| KEY | PART NUMBER   | U/M DESCRIPTION        |
|-----|---------------|------------------------|
| 1   | 111802-01-000 | EA LABEL - CFC WARNING |

**LABELS GROUP (CONTINUED)**

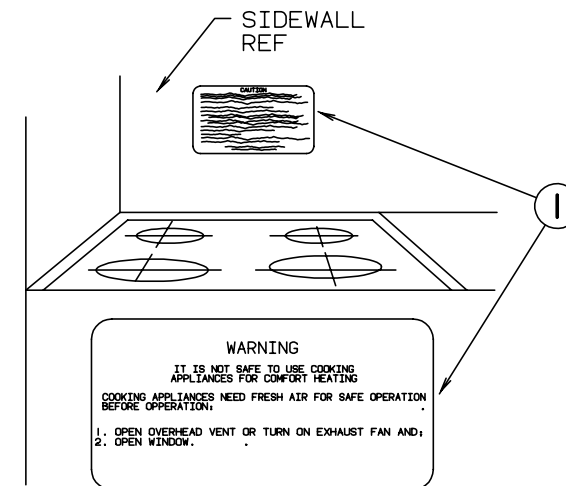
DO NOT USE HITCH BEFORE  
READING OWNERS MANUAL REGARDING  
VEHICLE LOADING AND TOWING

| KEY | PART NUMBER   | U/M DESCRIPTION                |
|-----|---------------|--------------------------------|
| 1   | 111104-01-000 | EA LABEL - HITCH - READ MANUAL |

NOTE: TUNE ANTENNA  
PER MANUFACTURER'S  
DIRECTIONS. FAILURE TO  
COMPLY COULD RESULT IN  
DAMAGE TO CB.

CB POWER PROVISION  
RED +12 V  
BLACK GROUND  
COAX ANTENNA  
(SEE REVERSE ALSO)

| KEY | PART NUMBER   | U/M DESCRIPTION    |
|-----|---------------|--------------------|
| 1   | 104678-01-000 | EA LABEL - CB PREP |



| KEY | PART NUMBER   | U/M DESCRIPTION                       |
|-----|---------------|---------------------------------------|
| 1   | 050225-01-000 | EA LABEL - WARNING - STOVE VENT - US  |
| 1   | 050222-01-000 | EA LABEL - WARNING - STOVE VENT - CSA |

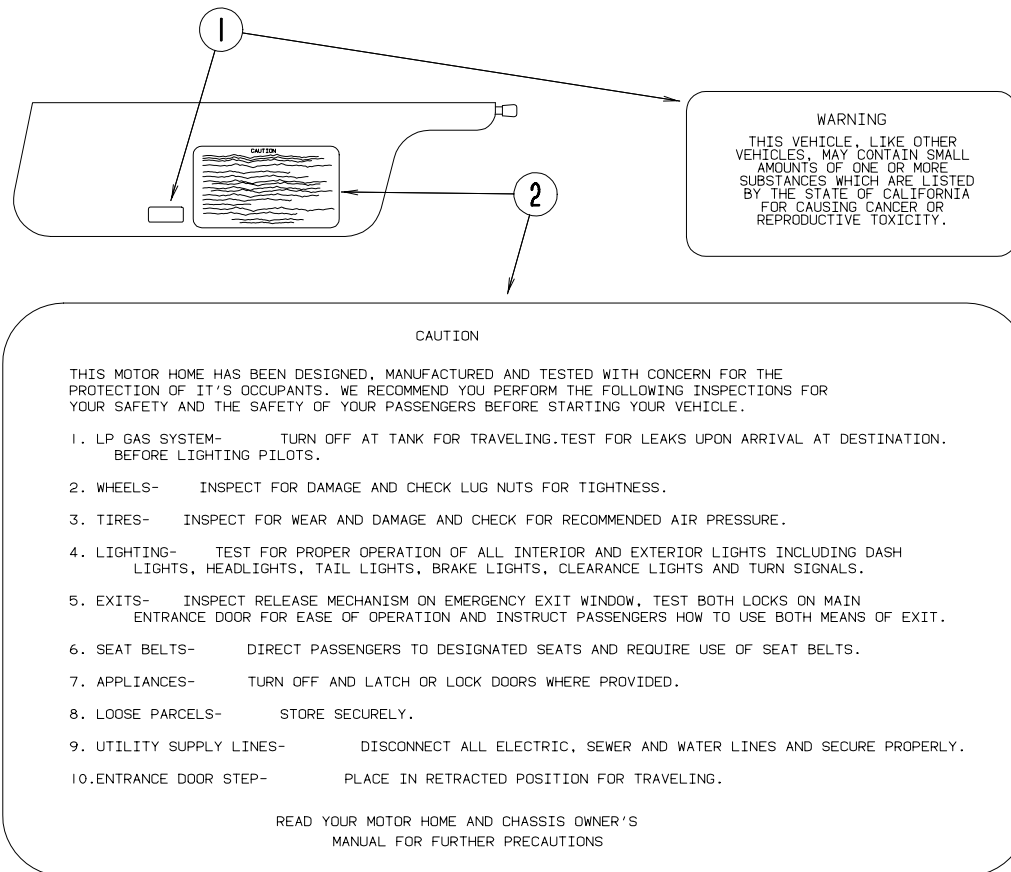
**WARNING**  
ROOF SURFACE MAY BE SLIPPERY  
ESPECIALLY WHERE MOISTURE IS PRESENT  
SLIPPING MAY RESULT IN PERSONAL INJURY.  
128218-01

| KEY | PART NUMBER   | U/M DESCRIPTION                    |
|-----|---------------|------------------------------------|
| 1   | 128218-01-01A | EA LABEL - WARNING - ROOF SLIPPERY |

**LABELS GROUP (CONTINUED)**

LP-GAS SYSTEM  
 THIS GAS PIPING SYSTEM IS DESIGNED FOR USE OF LIQUIFIED PETROLEUM GAS ONLY. DO NOT CONNECT NATURAL GAS TO THIS SYSTEM.  
 SECURE CAP INLET(S) WHEN NOT CONNECTED FOR USE AFTER TURNING ON GAS. EXCEPT AFTER NORMAL CONTAINER REPLACEMENT, TEST GAS PIPING AND CONNECTIONS TO APPLIANCES FOR LEAKAGE WITH SOAPY WATER OR BUBBLE SOLUTION. DO NOT USE PRODUCTS THAT CONTAIN AMMONIA OR CHLORINE.

**KEY PART NUMBER U/M DESCRIPTION**  
 1 124520-01-02A EA LABEL - LP GAS ONLY



**KEY PART NUMBER U/M DESCRIPTION**  
 1 099689-01-000 EA LABEL - WARNING - CANCER/TOXICITY  
 2 056259-01-000 EA LABEL - SAFETY CHECK LIST

**LABELS GROUP (CONTINUED)**

|               |      |      |               |                |                |                |           |             |             |               |              |
|---------------|------|------|---------------|----------------|----------------|----------------|-----------|-------------|-------------|---------------|--------------|
| A/C CIRCUIT 1 | MAIN | MAIN | A/C CIRCUIT 2 | GF I CIRCUIT 1 | GF I CIRCUIT 2 | GF I CIRCUIT 2 | MICROWAVE | APPLIANCE 1 | APPLIANCE 2 | GENERAL REPCS | WASHER DRYER |
|---------------|------|------|---------------|----------------|----------------|----------------|-----------|-------------|-------------|---------------|--------------|

**KEY PART NUMBER U/M DESCRIPTION**  
 1 095721-18-000 EA LABEL - CONTROL CENTER (50A) - CSA

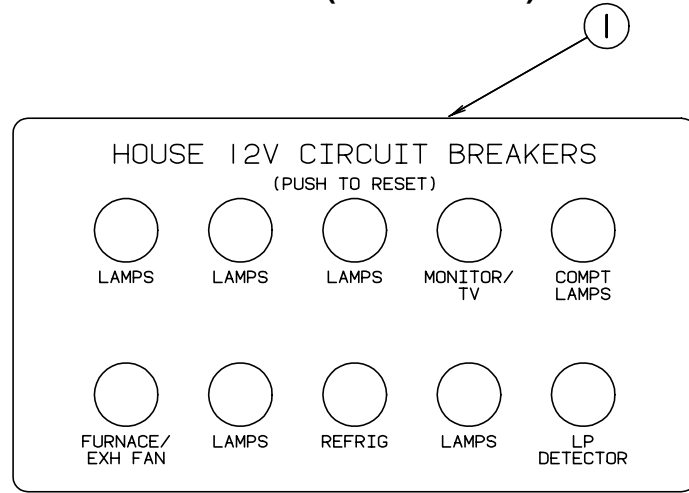
|               |      |      |               |                |                |                |           |               |              |            |           |               |
|---------------|------|------|---------------|----------------|----------------|----------------|-----------|---------------|--------------|------------|-----------|---------------|
| A/C CIRCUIT 1 | MAIN | MAIN | A/C CIRCUIT 2 | GF I CIRCUIT 1 | GF I CIRCUIT 2 | GF I CIRCUIT 2 | MICROWAVE | GENERAL REPCS | WASHER DRYER | DISHWASHER | ICE MAKER | GENERAL REPCS |
|---------------|------|------|---------------|----------------|----------------|----------------|-----------|---------------|--------------|------------|-----------|---------------|

**KEY PART NUMBER U/M DESCRIPTION**  
 1 095721-17-000 EA LABEL-CONTROL CENTER, 50 AMP - US

**MISCELLANEOUS LABELS**

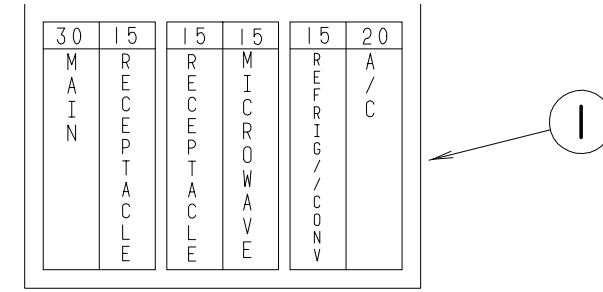
**KEY PART NUMBER U/M DESCRIPTION**  
 023769-01-000 EA LABEL - WARNING - LPG - CANADIAN  
 091243-01-000 EA LABEL - A/C COVER "AIR CONDITIONING CIRCUIT ETC."  
 093237-05-000 EA LABEL - CIRCUIT BREAKER - FRONT - TAG AXLE BRAKES  
 094675-01-000 EA LABEL - EXTERIOR LIGHT SERVICE  
 098379-04-000 EA LABEL - ELECTRICAL BOX - SIDE  
 111537-05-000 EA LABEL - SLIDEOUT CONTROL  
 111537-07-000 EA LABEL - FUSES  
 113402-01-000 EA LABEL - CAUTION - WATER HEATER EXHAUST  
 116549-01-000 EA LABEL - WARNING - SLIDEOUT

**LABELS GROUP (CONTINUED)**

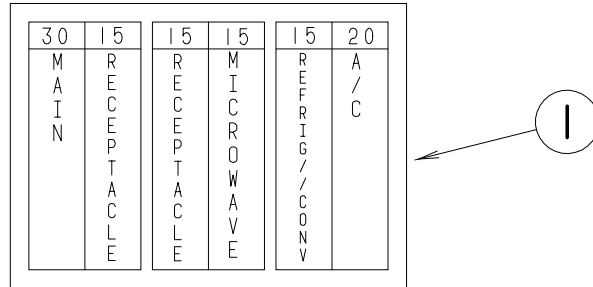


**KEY PART NUMBER U/M DESCRIPTION**  
 1 092547-06-000 EA LABEL-CIRCUIT BREAKER

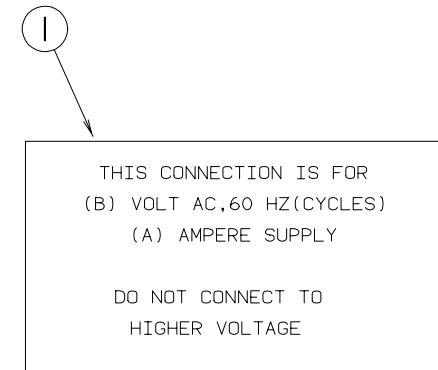
**LABELS GROUP (CONTINUED)**



**KEY PART NUMBER U/M DESCRIPTION**  
 1 095721-14-000 EA LABEL-CONTROL CENTER (30A)



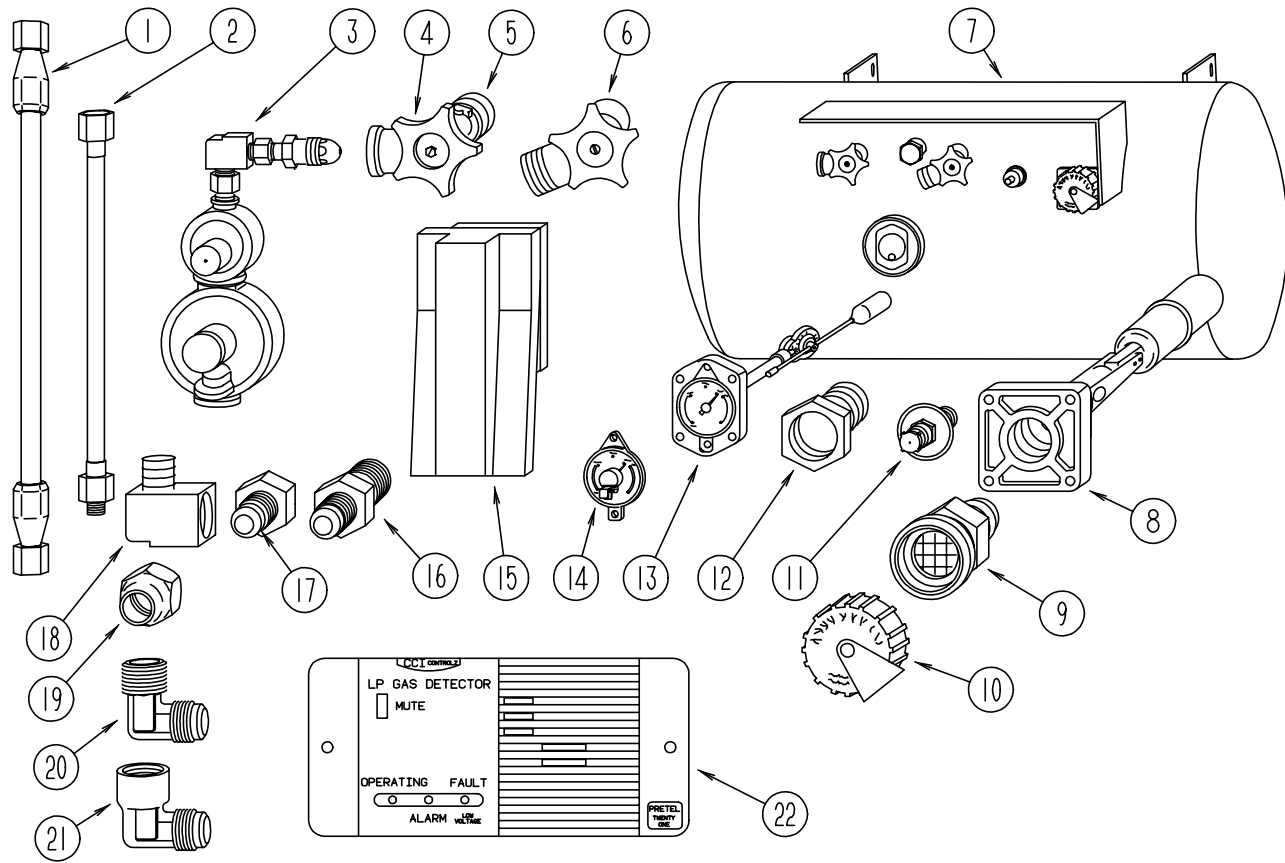
**KEY PART NUMBER U/M DESCRIPTION**  
 1 095721-10-000 EA LABEL-CONTROL CENTER (30A) CSA



**KEY PART NUMBER U/M DESCRIPTION**  
 1 125306-01-01A EA LABEL - ELECTRICAL ENTRANCE - 110VOLT 30AMP



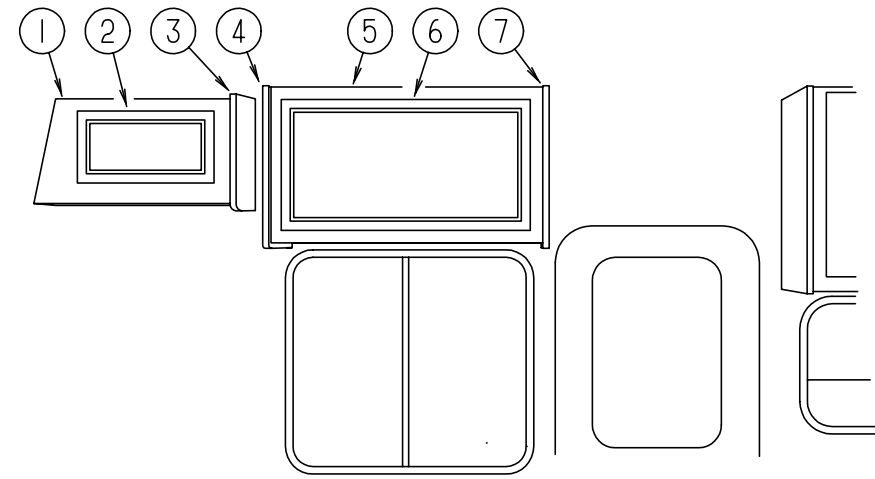
**LP GROUP**



**LP TANK & COMPONENTS**

| KEY | PART NUMBER   | U/M | DESCRIPTION   | VENDOR NO. |
|-----|---------------|-----|---|------------|
| 1   | 045703-11-000 | EA  | HOSE - LP - 3/8"ID X 36" - 3/8"MPT X 3/8"F SWIVEL - UL/CSA  |            |
| 2   | 045703-01-000 | EA  | HOSE - LP - 3/8"ID X 24" - 3/8"MPT X 1/2"F SWIVEL - U.S.    |            |
| 2   | 045703-02-000 | EA  | HOSE - LP - 3/8"ID X 24" - 3/8"MPT X 1/2"F SWIVEL - CANADA  |            |
| 3   | 106150-01-000 | EA  | REGULATOR - TWO STAGE - W/90 DEGREE ELBOW & 3/8" FPT OUTLET |            |
| 4   | 040421-01-708 | EA  | HANDWHEEL - SERVICE VALVE                                   | G-1015-A   |
| 5   | 040421-01-712 | EA  | VALVE - SERV. W/O VAPOR RELIEF                              | 29000853   |
| 6   | 040421-01-710 | EA  | VALVE - SERVICE - LIQUID (GENERATOR)                        | 910145     |
| 7   | 088253-05-000 | EA  | TANK - LP - 130 LB - LIQUID DRAW                            |            |
| 7   | 088253-06-000 | EA  | TANK - LP - 130 LB (DIESEL GEN. OPTION)                     |            |
| 8   | 040421-01-711 | EA  | VALVE - 80% FILL W/AUTO STOP                                | LLL/TL3    |
| 9   | 040421-01-701 | EA  | VALVE - FILL - SHORT, LP                                    | 7547B      |
| 10  | 040421-01-702 | EA  | CAP - FILL VALVE - PLASTIC                                  | G-1014-A   |
| 11  | 040421-01-700 | EA  | VALVE - LIQUID LEVEL - 20%                                  | G-1013     |
| 12  | 040421-01-713 | EA  | VALVE - RELIEF 1" W/SPRING 7"                               | 29000587   |
| 13  | 088253-01-700 | EA  | GAUGE - FLOAT ASSEMBLY - L.P.                               | 16C        |
| 14  | 040440-02-000 | EA  | TRANSMITTER - DIAL - 0-90 OHM -2 TERMINAL (POWER & GROUND)  |            |
| 15  | 105658-01-000 | EA  | COMPARTMENT - LP REGULATOR                                  |            |
| 16  | 010323-01-000 | EA  | ADAPTER - BRASS - 3/8"F X 1/2"MPT                           |            |
| 16  | 010329-01-000 | EA  | ADAPTER - BRASS - 1/2" F X 1/2" MPT                         |            |
| 16  | 010326-01-000 | EA  | ADAPTER - FLARE - W/CONE GASKET - 3/8"FEMALE X 1/2"MALE     |            |
| 17  | 024250-01-000 | EA  | ADAPTER - BRASS - 3/8"F X 1/2"FPT                           |            |
| 18  | 065318-02-000 | EA  | ELBOW - 90 DEGREE - 3/8" MPT TO 3/8" FPT                    |            |
| 19  | 010377-02-000 | EA  | NUT - BRASS - 3/8" FLARE - FORGED                           |            |
| 19  | 010380-02-000 | EA  | NUT - BRASS - 1/2" FLARE - FORGED                           |            |
| 20  | 010252-01-000 | EA  | ELBOW - BRASS - 90 DEGREE - 3/8"F X 1/2"MPT                 |            |
| 21  | 010265-01-000 | EA  | ELBOW - BRASS - 90 DEGREE - 3/8"F X 1/2"FPT                 |            |
| 22  | 103613-03-000 | EA  | DETECTOR - LP GAS - W/O SHUT-OFF VALVE                      |            |
|     | 106871-01-000 | EA  | BUSHING - 1/2 X 1/4 - BLACK                                 |            |
|     | 106846-01-000 | EA  | VALVE - RELIEF (400 - 500 PSI)                              |            |

**LOUNGE GROUP**



**PASSENGER SIDE FRONT OVERHEAD CABINETS**

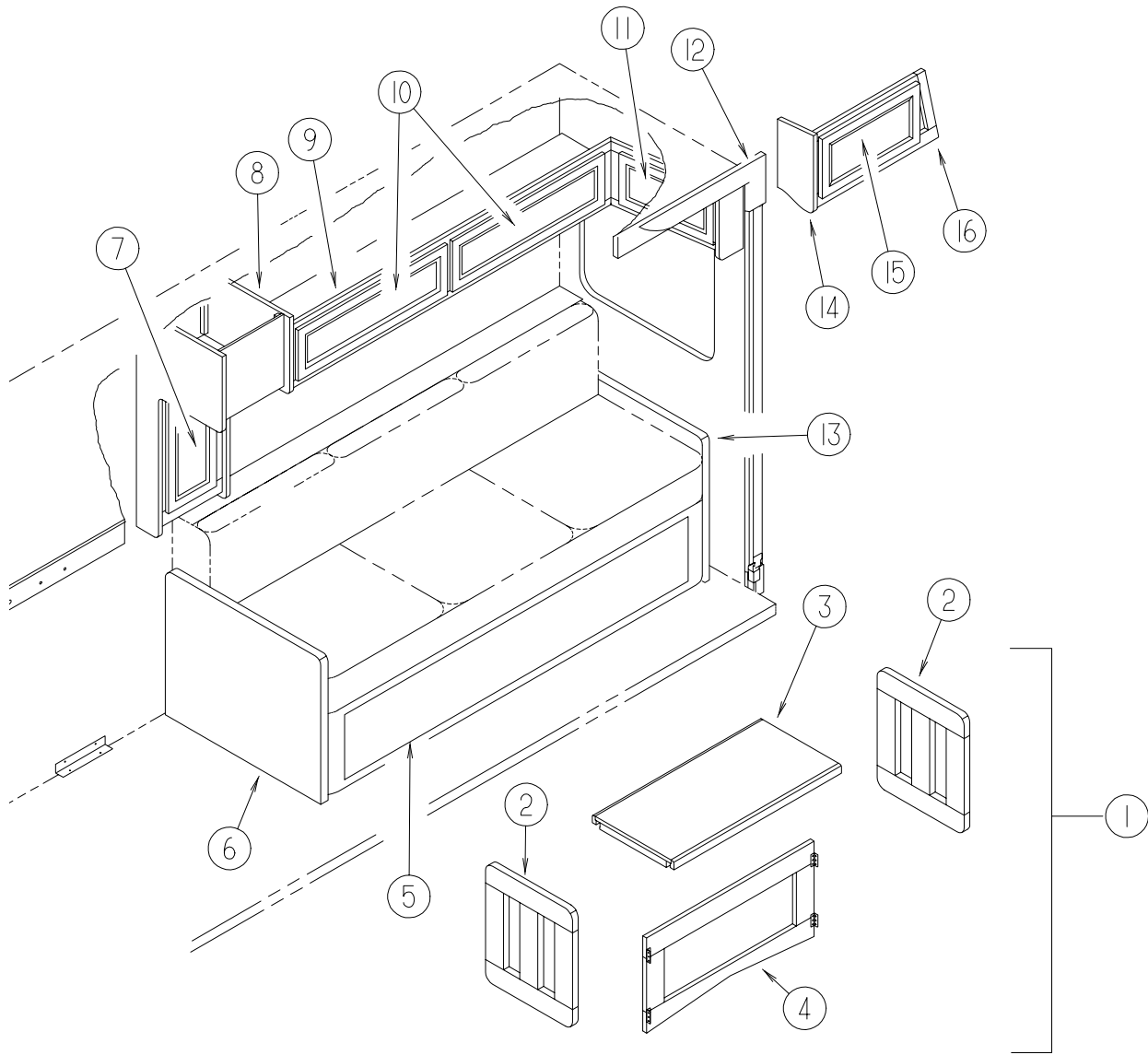
| KEY | PART NUMBER   | U/M | DESCRIPTION   |
|-----|---------------|-----|---|
| 1   | 126358-02-J22 | EA  | CABINET - OVERHEAD/FRONT/RIGHT HAND - W/O DOORS/HARDWARE (WATERFORD OAK)            |
| 1   | 126358-02-J23 | EA  | CABINET - OVERHEAD/FRONT/RIGHT HAND - W/O DOORS/HARDWARE (WHITE GRANITE)            |
| 2   | M05992-L9-J22 | EA  | DOOR - STRAIGHT CORNER/OGEE EDGE - 10" X 29.5" - W/O HDW (WATERFORD OAK)            |
| 2   | 122715-87-01A | EA  | DOOR - MOLDED VINYL - 10" X 29.5" - W/O HDW (WHITE GRANITE)                         |
| 3   | 103128-17-J20 | EA  | END CAP - OVERHEAD CABINET - RIGHT HAND (WATERFORD OAK)                             |
| 3   | 103128-17-J23 | EA  | END CAP - OVERHEAD CABINET - RIGHT HAND (WHITE GRANITE)                             |
| 4   | 103128-07-G15 | EA  | END CAP - OVERHEAD CABINET - LEFT HAND (WATERFORD OAK)                              |
| 4   | 103128-38-G15 | EA  | END CAP - OVERHEAD CABINET - LEFT HAND (WATERFORD OAK)                              |
|     |               |     | FROM: 00-00-00 THRU: 10-17-97   |
| 4   | 103128-07-J23 | EA  | END CAP - OVERHEAD CABINET - LEFT HAND (WHITE GRANITE)                              |
|     |               |     | FROM: 00-00-00 THRU: 10-17-97   |
| 4   | 103128-38-J23 | EA  | END CAP - OVERHEAD CABINET - LEFT HAND (WHITE GRANITE)                              |
|     |               |     | FROM: 10-18-97 THRU: 99-99-99   |
| 5   | M06838-AB-J22 | EA  | CABINET - OVERHEAD - FRONT/RIGHT HAND - W/O DOORS/HARDWARE (WATERFORD OAK)          |
| 5   | M06838-AB-J23 | EA  | CABINET - OVERHEAD - FRONT/RIGHT HAND - W/O DOORS/HARDWARE (WHITE GRANITE)          |
| 5   | 104414-03-J22 | EA  | CABINET - OVERHEAD - FRONT/RIGHT HAND - W/O HARDWARE (WATERFORD OAK) (DELUXE SOUND) |
| 5   | 104414-03-J23 | EA  | CABINET - OVERHEAD - FRONT/RIGHT HAND - W/O HARDWARE (WHITE GRANITE) (DELUXE SOUND) |
|     | 120975-11-G35 | EA  | SHELF - W/PLASTIC EDGE TRIM (WATERFORD OAK)   |
|     | 104312-11-H40 | EA  | SHELF - W/PLASTIC EDGE MOLDING (WHITE GRANITE)                                      |
| 6   | M05992-M0-J22 | EA  | DOOR - STRAIGHT CORNER/OGEE EDGE - 15.5" X 29.5" - W/O HDW (WATERFORD OAK)          |
| 6   | 122715-05-01A | EA  | DOOR - MOLDED VINYL - 15.5" X 29.5" - W/O HDW (WHITE GRANITE)                       |
| 7   | 103128-10-G15 | EA  | END CAP - OVERHEAD CABINET - RIGHT HAND (WATERFORD OAK)                             |
| 7   | 103128-10-J23 | EA  | END CAP - OVERHEAD CABINET - RIGHT HAND (WHITE GRANITE)                             |

**ENTRANCE DOOR STEP**

| KEY | PART NUMBER   | U/M | DESCRIPTION                                 |
|-----|---------------|-----|---|
|     | 120234-04-H47 | EA  | LID - ENTRY STEP (OAK)                      |
|     | 120234-04-H40 | EA  | LID - ENTRY STEP (WHITE)                    |
|     | 122755-03-01A | EA  | TILE - RUBBER/ENTRANCE DOOR - 17.7" X 26.4" |
|     | 101222-01-04A | EA  | BRACKET - CATCH - LID                       |
|     | 116975-01-01A | EA  | LATCH - W/O STRIKE - BLACK - NEW STYLE      |
|     | 116975-02-01A | EA  | KEEPER/STRIKE - BLACK - NEW STYLE           |

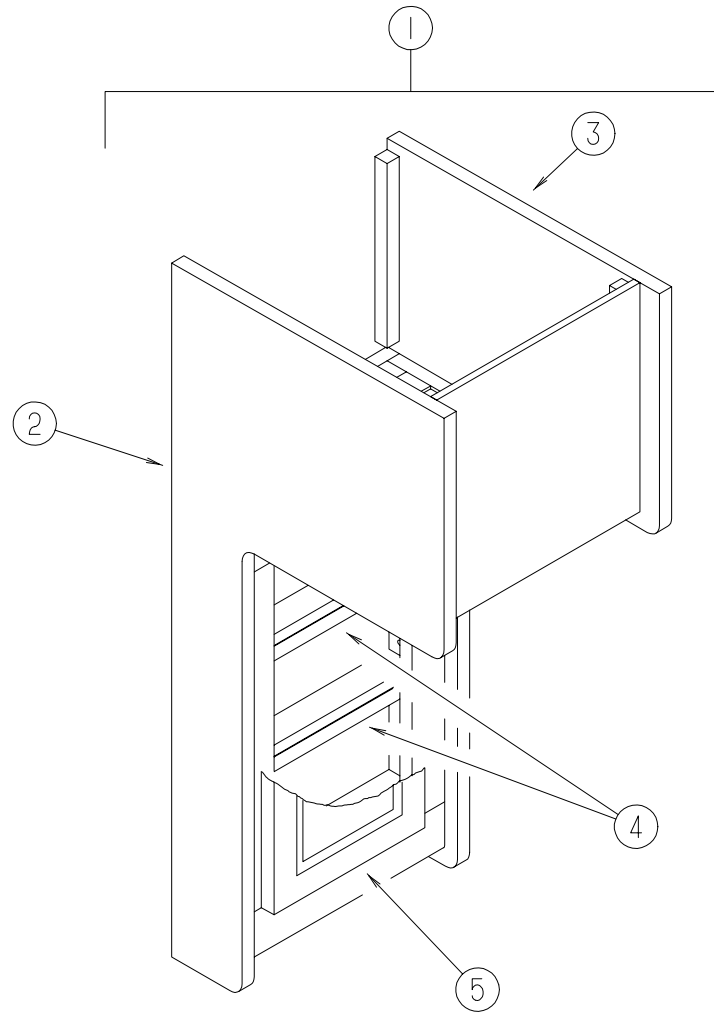
## LOUNGE GROUP (CONTINUED)

### DRIVER SIDE FRONT OVERHEAD CABINET WITH SLIDE OUT OVERHEAD CABINET OPTION



| KEY | PART NUMBER   | U/M | DESCRIPTION   |
|-----|---------------|-----|---|
| 1   | 116957-01-G15 | EA  | TABLE - FOLDING/COFFEE - COMPLETE (WATERFORD OAK)                           |
| 1   | 116957-01-J23 | EA  | TABLE - FOLDING/COFFEE - COMPLETE (WHITE GRANITE)                           |
| 2   | 116957-15-F31 | EA  | LEG ASSEMBLY - FOR NEW STYLE TABLE (WATERFORD OAK)                          |
| 2   | 116957-15-H23 | EA  | LEG ASSEMBLY - FOR NEW STYLE TABLE (WHITE GRANITE)                          |
| 3   | 116957-12-G15 | EA  | TABLE TOP - FOLDING (WATERFORD OAK)   |
| 3   | 116957-12-J23 | EA  | TABLE TOP - FOLDING (WHITE GRANITE)   |
| 4   | 116957-11-F31 | EA  | BRACE ASSEMBLY - FOR NEW STYLE TABLE (WATERFORD OAK)                        |
| 4   | 116957-11-H23 | EA  | BRACE - FOLDING TABLE - SOFA/BED (WHITE GRANITE)                            |
|     | 099856-01-000 | EA  | TIEDOWN - STRAP/TV - W/BUCKLE - 53.1" X 1" - WEBBING - BLK                  |
| 5   | 120992-15-J22 | EA  | PANEL - FRONT KICK - SOFA/BED - FABRIC COVERED (J22,J23)                    |
| 5   | 120992-15-J24 | EA  | PANEL - FRONT KICK - SOFA/BED - FABRIC COVERED (J24,J25)                    |
| 5   | 120992-15-J26 | EA  | PANEL - FRONT KICK - SOFA/BED - FABRIC COVERED (J26,J27)                    |
| 5   | 120992-15-J28 | EA  | PANEL - FRONT KICK - SOFA/BED - FABRIC COVERED (J28,J29)                    |
| 5   | 120992-14-J22 | EA  | PANEL - FRONT KICK - SOFA/BED - FABRIC COVERED (W/DROP TABLE) (J22,J23)     |
| 5   | 120992-14-J24 | EA  | PANEL - FRONT KICK - SOFA/BED - FABRIC COVERED (W/DROP TABLE) (J24,J25)     |
| 5   | 120992-14-J26 | EA  | PANEL - FRONT KICK - SOFA/BED - FABRIC COVERED (W/DROP TABLE) (J26,J27)     |
| 5   | 120992-14-J28 | EA  | PANEL - FRONT KICK - SOFA/BED - FABRIC COVERED (W/DROP TABLE) (J28,J29)     |
| 6   | 127840-01-J22 | EA  | PANEL - RIGHT END - SOFA/BED - FABRIC COVERED (J22,J23)                     |
| 6   | 127840-01-J24 | EA  | PANEL - RIGHT END - SOFA/BED - FABRIC COVERED (J24,J25)                     |
| 6   | 127840-01-J26 | EA  | PANEL - RIGHT END - SOFA/BED - FABRIC COVERED (J26,J27)                     |
| 6   | 127840-01-J28 | EA  | PANEL - RIGHT END - SOFA/BED - FABRIC COVERED (J28,J29)                     |
| 7   | M05992-V9-J22 | EA  | DOOR - STRAIGHT CORNER/OGEE EDGE - 10" X 19.1" - W/O HDW (WATERFORD OAK)    |
| 7   | 122715-03-01A | EA  | DOOR - MOLDED VINYL - 10" X 19" - W/O HARDWARE (WHITE GRANITE)              |
| 8   | 120975-01-G35 | EA  | CABINET - OVERHEAD SPEAKER - W/O DOORS/HARDWARE (WATERFORD OAK)             |
| 8   | 120975-02-J23 | EA  | CABINET - OVERHEAD SPEAKER - W/O DOORS/HARDWARE (WHITE GRANITE)             |
| 9   | 120979-01-G35 | EA  | CABINET - OVERHEAD/FRONT W/END CAP - W/O DR/HDWR - SLIDEOUT (WATERFORD OAK) |
| 9   | 120979-01-H23 | EA  | CABINET - OVERHEAD/FRONT W/END CAP - W/O DR/HDWR - SLIDEOUT (WHITE GRANITE) |
| 10  | M05992-99-J22 | EA  | DOOR - MITERED CORNER/OGEE EDGE - 9.8" X 14.5" - W/O HDW (WATERFORD OAK)    |
| 10  | 122715-11-01A | EA  | DOOR - MOLDED VINYL - 9.8" X 14.5" - W/O HDW (WHITE GRANITE)                |
| 11  | M05992-L9-J22 | EA  | DOOR - STRAIGHT CORNER/OGEE EDGE - 10" X 29.5" - W/O HDW (WATERFORD OAK)    |
| 11  | 122715-87-01A | EA  | DOOR - MOLDED VINYL - 10" X 29.5" - W/O HDW - (WHITE GRANITE)               |
| 12  | 115811-20-J22 | EA  | OVERLAY - NOVEAU - 7.5" X 23.75" - RIGHT HAND (J22,J23)                     |
| 12  | 115811-20-J24 | EA  | OVERLAY - NOVEAU - 7.5" X 23.75" - RIGHT HAND (J24,J25)                     |
| 12  | 115811-20-J26 | EA  | OVERLAY - NOVEAU - 7.5" X 23.75" - RIGHT HAND (J26,J27)                     |
| 12  | 115811-20-J28 | EA  | OVERLAY - NOVEAU - 7.5" X 23.75" - RIGHT HAND (J28,J29)                     |
| 13  | 127840-02-J22 | EA  | PANEL - LEFT END - SOFA/BED - FABRIC COVERED (J22,J23)                      |
| 13  | 127840-02-J24 | EA  | PANEL - LEFT END - SOFA/BED - FABRIC COVERED (J24,J25)                      |
| 13  | 127840-02-J26 | EA  | PANEL - LEFT END - SOFA/BED - FABRIC COVERED (J26,J27)                      |
| 13  | 127840-02-J28 | EA  | PANEL - LEFT END - SOFA/BED - FABRIC COVERED (J28,J29)                      |
| 14  | 103128-18-J20 | EA  | END CAP - OVERHEAD CABINET - LEFT HAND (WATERFORD OAK)                      |
| 14  | 103128-18-J23 | EA  | END CAP - OVERHEAD CABINET - LEFT HAND (WHITE GRANITE)                      |
| 15  | M05992-L9-J22 | EA  | DOOR - STRAIGHT CORNER/OGEE EDGE - 10" X 29.5" - W/O HDW (WATERFORD OAK)    |
| 15  | 122715-87-01A | EA  | DOOR - MOLDED VINYL - 10" X 29.5" - W/O HDW (WHITE GRANITE)                 |
| 16  | 126301-02-J22 | EA  | CABINET - OVERHEAD/FRONT/LEFT HAND - W/O DOORS/HARDWARE (WATERFORD OAK)     |
| 16  | 126301-02-J23 | EA  | CABINET - OVERHEAD/FRONT/LEFT HAND - W/O DOORS/HARDWARE (WHITE GRANITE)     |

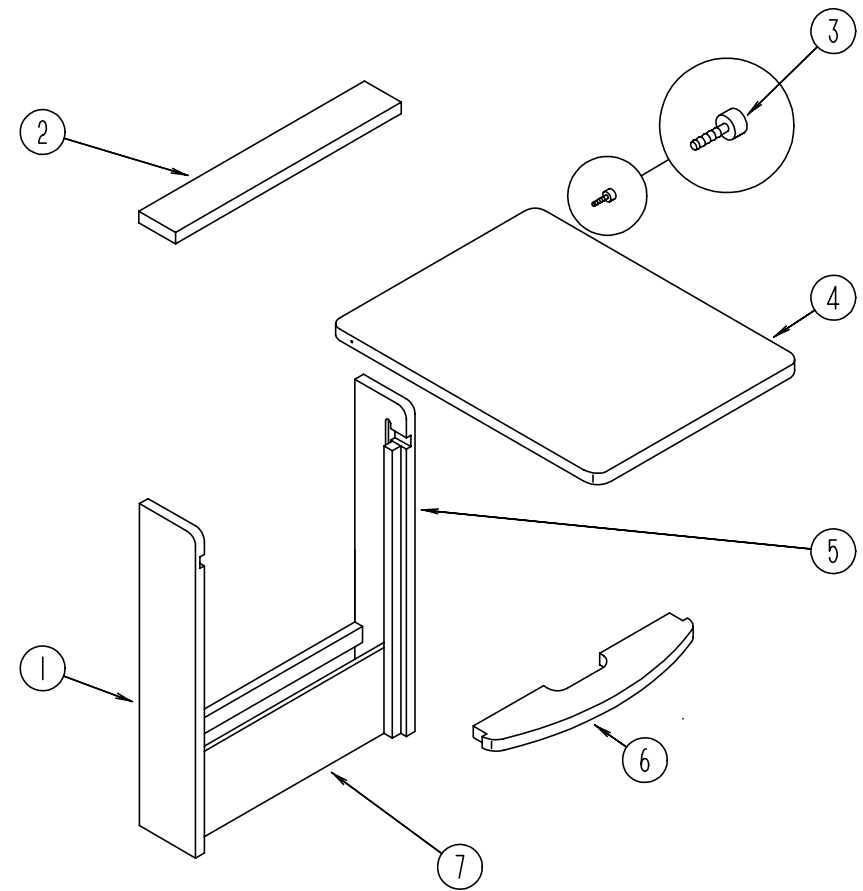
**LOUNGE GROUP (CONTINUED)**



**SPEAKER CABINET**

| KEY | PART NUMBER   | U/M | DESCRIPTION  |
|-----|---------------|-----|--|
| 1   | 120975-01-G35 | EA  | CABINET - OVERHEAD SPEAKER - W/O DOORS/HARDWARE (WATERFORD OAK)          |
| 1   | 120975-02-J23 | EA  | CABINET - OVERHEAD SPEAKER - W/O DOORS/HARDWARE (WHITE GRANITE)          |
| 2   | 120975-13-G35 | EA  | END CAP - OVERHEAD/LEFT HAND (WATERFORD OAK)                             |
| 2   | 120975-13-H23 | EA  | END CAP - OVERHEAD/LEFT HAND (WHITE GRANITE)                             |
| 3   | 120975-14-G35 | EA  | END CAP - OVERHEAD/RIGHT HAND - F/SLIDEOUT (WATERFORD OAK)               |
| 3   | 120975-14-H23 | EA  | END CAP - OVERHEAD/RIGHT HAND - F/SLIDEOUT (WHITE GRANITE)               |
| 4   | 120975-11-G35 | EA  | SHELF - W/PLASTIC EDGE TRIM (WATERFORD OAK)                              |
| 4   | 120975-11-H23 | EA  | SHELF - W/PLASTIC EDGE TRIM (WHITE GRANITE)                              |
| 5   | M05992-V9-J22 | EA  | DOOR - STRAIGHT CORNER/OGEE EDGE - 10" X 19.1" - W/O HDW (WATERFORD OAK) |
| 5   | 122715-03-01A | EA  | DOOR - MOLDED VINYL - 10" X 19" - W/O HARDWARE (WHITE GRANITE)           |

**LOUNGE GROUP (CONTINUED)**



**PULLOUT TABLE**

| KEY | PART NUMBER   | U/M | DESCRIPTION  |
|-----|---------------|-----|--|
|     | P19559-01-G35 | EA  | CABINET - W/PULLOUT TABLE/TOP (WATERFORD OAK)<br>FROM: 00-00-00 THRU: 09-30-97 |
|     | P19559-02-J22 | EA  | CABINET - W/PULLOUT TABLE (WATERFORD OAK)<br>FROM: 09-31-97 THRU: 99-99-99     |
|     | P19559-01-J23 | EA  | CABINET - W/PULLOUT TABLE/TOP (WHITE GRANITE)<br>FROM: 00-00-00 THRU: 09-30-97 |
|     | P19559-02-J23 | EA  | CABINET - W/PULLOUT TABLE (WHITE GRANITE)<br>FROM: 09-31-97 THRU: 99-99-99     |
| 1   | 119559-12-G35 | EA  | CABINET/LEFT SIDE - F/DROP LEAF TABLE - 5.7" X 28.7" (WATERFORD OAK)           |
| 1   | 119559-12-J23 | EA  | CABINET/LEFT SIDE - F/DROP LEAF TABLE - 5.7" X 28.7" (WHITE GRANITE)           |
| 2   | 119559-13-G35 | EA  | TOP - F/CABINET/PULLOUT TABLE (WATERFORD OAK)                                  |
| 2   | 119559-13-J23 | EA  | TOP - F/CABINET/PULLOUT TABLE (WHITE GRANITE)                                  |
| 3   | 079921-01-000 | EA  | ROLLER - NYLON - W/STEEL SHAFT - BARBED  |
| 4   | 119559-17-G35 | EA  | TABLE TOP - PULLOUT (WATERFORD OAK)  |
| 4   | 119559-17-H23 | EA  | TABLE TOP - PULLOUT (WHITE GRANITE)  |
| 5   | 119559-11-G35 | EA  | CABINET/RIGHT SIDE - F/DROP LEAF TABLE - 5.7" X 28.7" (WATERFORD OAK)          |
| 5   | 119559-11-J23 | EA  | CABINET/RIGHT SIDE - F/DROP LEAF TABLE - 5.7" X 28.7" (WHITE GRANITE)          |
| 6   | 119559-14-G35 | EA  | SHELF - SUPPORT F/PULLOUT TABLE (WATERFORD OAK)                                |
| 6   | 119559-14-J23 | EA  | SHELF - SUPPORT F/PULLOUT TABLE (WHITE GRANITE)                                |
| 7   | 119559-15-G35 | EA  | PANEL - BOTTOM F/TABLE CABINET - 18.1" X 6.7" (WATERFORD OAK)                  |
| 7   | 119559-15-J23 | EA  | PANEL - BOTTOM F/TABLE CABINET - 18.1" X 6.7" (WHITE GRANITE)                  |
|     | 080736-01-000 | EA  | PULL - RECESSED - 1.25 X 4" - OAK  |

**SEALANTS & FASTENERS GROUP**

**SCREWS**

| KEY | PART NUMBER   | U/M | DESCRIPTION   |
|-----|---------------|-----|---|
|     | 0G1108-12-170 | EA  | SCREW - 8-18 X .75 PPH - BRIGHT WHITE                 |
|     | 0G1208-12-170 | EA  | SCREW - 8-18 X .75 POH - BRIGHT WHITE                 |
|     | 0G3908-08-170 | EA  | SCREW - SF/DR - 8-18 X .50 PPH - BRIGHT WHITE         |
|     | 0G3908-20-170 | EA  | SCREW - SF/DR - 8-18 X 1.25 PPH - BRIGHT WHITE        |
|     |               |     | FROM: 00-00-00 THRU: 01-25-98                         |
|     | 0G3908-24-170 | EA  | SCREW - SF/DR - 8-18 X 1.50 PPH - BRIGHT WHITE        |
|     | 0G3910-12-170 | EA  | SCREW - SF/DR - 10-16 X .75 PPH - BRIGHT WHITE        |
|     | 0G5508-12-110 | EA  | SCREW - SF/DR-8-18 X .75 PWH                          |
|     | 0G6710-16-230 | EA  | SCREW - 10-12 X 1 PPH                                 |
|     | 000G11-06-10J | EA  | SCREW - 6-20 X 5/8 PPH - BRASS                        |
|     | 000G11-06-10B | EA  | SCREW - 6-20 X 5/8 PPH - ZINC                         |
|     |               |     | FROM: 03-06-98 THRU: 99-99-99                         |
|     | 000G11-06-08B | EA  | SCREW - 6-20 X 1/2 PPH - ZINC                         |
|     | 000G11-06-06B | EA  | SCREW - 6-20 X 3/8 PPH - ZINC                         |
|     | 000G11-07-08B | EA  | SCREW - 7-19 X 1/2 PPH - ZINC                         |
|     | 000G11-08-10B | EA  | SCREW - 8-18 X .50 PPH - ZINC                         |
|     | 000G11-08-08B | EA  | SCREW - 8-18 X 1/2 PPH - ZINC                         |
|     | 000G11-08-06B | EA  | SCREW - 8-18 X 3/8 PPH - ZINC                         |
|     | 000G11-08-20B | EA  | SCREW - 8-18 X 1 1/4 PPH - ZINC                       |
|     | 000G11-08-16S | EA  | SCREW - 8-18 X 1 PPH - OFF WHITE                      |
|     | 000G11-08-12P | EA  | SCREW - 8-18 X 3/4 PPH - DARK BROWN                   |
|     | 000G11-08-12P | EA  | SCREW - 8-18 X 3/4 PPH - DARK BROWN                   |
|     | 000G11-08-12D | EA  | SCREW - 8-18 X 3/4 PPH - BLACK                        |
|     | 000G11-08-12B | EA  | SCREW - 8-18 X 3/4 PPH - ZINC                         |
|     | 000G11-10-12S | EA  | SCREW - 10-16 X 3/4 PPH - OFF WHITE                   |
|     | 000G11-10-12D | EA  | SCREW - 10-16 X 3/4 PPH - BLACK                       |
|     | 000G11-10-16B | EA  | SCREW - 10-16 X 1 PPH - ZINC                          |
|     | 000G12-06-08T | EA  | SCREW - 6-20 X 1/2 POH - BLACK                        |
|     | 000G13-06-10G | EA  | SCREW - 6-20 X 5/8 PFH - ANTIQUE BRASS                |
|     | 000G13-06-08G | EA  | SCREW - 6-20 X .50 PFH - ANTIQUE BRASS                |
|     | 000G13-06-24J | EA  | SCREW - 6-20 X 1 1/2 PFH - BRASS                      |
|     | 000G13-06-16J | EA  | SCREW - 6-20 X 1 PFH - BRASS                          |
|     | 000G13-07-12B | EA  | SCREW - 7-19 X 3/4 PFH - ZINC                         |
|     | 000G13-08-109 | EA  | SCREW - 8-18 X 5/8 PFH                                |
|     | 000G13-08-16B | EA  | SCREW - 8-18 X 1 PFH - ZINC                           |
|     | 000G18-08-22B | EA  | SCREW - MACHINE - 8-32 X 1 3/8 PPH - ZINC             |
|     | 000G19-10-12F | EA  | SCREW - MACHINE - 10-32 X 3/4 PPH - STAINLESS STEEL   |
|     | 000G19-10-08B | EA  | SCREW - MACHINE - 10-32 X 1/2 PPH - ZINC              |
|     | 000G19-10-20B | EA  | SCREW - MACHINE - 10-32 X 1 1/2 PPH - ZINC            |
|     | 000G34-05-12B | EA  | SCREW - HEX HEAD TAPPING - 5/16 X 3/4 LONG            |
|     | 000G39-06-10T | EA  | SCREW - SF/DR - 6-20 X 5/8 PPH - BLACK                |
|     | 000G39-06-10T | EA  | SCREW - SF/DR - 6-20 X 5/8 PPH - BLACK                |
|     | 000G39-08-32B | EA  | SCREW - SF/DR - 8-18 X 2 PPH - ZINC                   |
|     | 000G39-08-24T | EA  | SCREW - SF/DR - 8-18 X 1.50 PPH - BLACK               |
|     | 000G39-08-24B | EA  | SCREW - SF/DR - 8-18 X 1 1/2 PPH - ZINC               |
|     | 000G39-08-16T | EA  | SCREW - SF/DR - 6-20 X 1 PPH - BLACK                  |
|     | 000G39-08-16R | EA  | SCREW - SF/DR - 8-18 X 1 PPH - BEIGE                  |
|     | 000G39-08-16B | EA  | SCREW - SF/DR - 8-18 X 1 PPH - ZINC                   |
|     | 000G39-08-12T | EA  | SCREW - SF/DR - 8-18 X 3/4 PPH - BLACK                |
|     | 000G39-08-12B | EA  | SCREW - SF/DR - 8-18 X 3/4 PPH - ZINC                 |
|     | 000G39-08-08T | EA  | SCREW - SF/DR - 8-18 X 1/2 PPH - BLACK                |
|     | 000G39-08-08S | EA  | SCREW - SF/DR - 8-18 X 1/2 PPH - OFF WHITE            |
|     | 000G39-08-08B | EA  | SCREW - SF/DR - 8-18 X 1/2 PPH - ZINC                 |
|     | 000G39-08-06B | EA  | SCREW - SF/DR - 8-18 X 3/8 PPH - ZINC                 |
|     | 000G39-10-08B | EA  | SCREW - SF/DR - 10-16 X 1/2 PPH - ZINC                |
|     | 000G39-10-129 | EA  | SCREW - SF/DR - 10-16 X 3/4 PPH - FLUOROCARBON SILVER |
|     | 000G39-10-12D | EA  | SCREW - SF/DR - 10-16 X 3/4 PPH - BLACK               |
|     | 000G39-10-12B | EA  | SCREW - SF/DR - 10-16 X 3/4 PPH - ZINC                |
|     | 000G39-10-10B | EA  | SCREW - SF/DR - 10-16 X 5/8 - ZINC                    |
|     | 000G39-10-40D | EA  | SCREW - SF/DR - 10-16 X 2 1/2 PPH - BLACK             |
|     | 000G39-10-32B | EA  | SCREW - SF/DR - 10-16 X 2 - PPH - ZINC                |
|     | 000G39-10-20B | EA  | SCREW - SF/DR - 10-16 X 1 1/4 PPH - ZINC              |

**SEALANTS & FASTENERS GROUP (CONTINUED)**

**SCREWS (CONTINUED)**

| KEY | PART NUMBER   | U/M | DESCRIPTION   |
|-----|---------------|-----|---|
|     | 000G42-04-12B | EA  | SCREW - SF/DR - 1/4-14 X 3/4 HWH - ZINC                   |
|     | 000G42-04-16B | EA  | SCREW - SF/DR - 1/4-14 X 1 HWH - ZINC                     |
|     | 000G50-04-12B | EA  | SCREW - MACHINE - 1/4-20 X 3/4 PPH - ZINC                 |
|     | 000G51-08-08B | EA  | SCREW - 8-18 X 1/2 PTH - ZINC                             |
|     | 000G52-08-18B | EA  | SCREW - MACHINE - 8-32 X 1 1/8 PTH - ZINC                 |
|     | 000G54-04-20B | EA  | SCREW - 1/4-20 X 1.25 PTH - TYPE 23 - ZINC PLATED         |
|     | 000G55-08-12S | EA  | SCREW - SF/DR - 8-18 X 3/4 PWH - OFF WHITE                |
|     | 000G56-12-48B | EA  | SCREW - WOOD - 12-11 X 3 POH - SPECIAL HARDENED           |
|     | 000G57-05-16J | EA  | SCREW - 5-20 X 1 PFH - BRASS                              |
|     | 000G67-08-32B | EA  | SCREW - 8-15 X 2 PPH - ZINC                               |
|     | 000G67-10-08B | EA  | SCREW - 10-12 X 1/2 PPH - ZINC                            |
|     | 000G67-10-36T | EA  | SCREW - 10-12 X 2 1/4 - PPH - BLACK                       |
|     | 000G67-10-24B | EA  | SCREW - 10-12 X 1 1/2 PPH - ZINC                          |
|     | 000G67-10-20D | EA  | SCREW - 10-12 X 1.25 PPH - BLACK                          |
|     | 000G67-10-16B | EA  | SCREW - 10-12 X 1 PPH - ZINC                              |
|     | 000G67-10-12B | EA  | SCREW - 10-12 X 3/4 PPH - ZINC                            |
|     | 000G67-10-10D | EA  | SCREW - 10-12 X 5/8 PPH - BLACK - TYPE A                  |
|     | 000G67-10-10B | EA  | SCREW - 10-12 X 5/8 PPH - ZINC - TYPE A                   |
|     | 000G68-06-10G | EA  | SCREW - 6-18 X 5/8 POH - ANTIQUE BRASS                    |
|     | 000G68-06-12S | EA  | SCREW - 6-18 X 3/4 POH                                    |
|     | 000G68-10-20I | EA  | SCREW - 10-12 X 1 1/4 POH - BLACK                         |
|     | 049465-03-000 | EA  | SCREW - 10-16 X 1 POH W/WASHER - OFF WHITE                |
|     | 049465-17-000 | EA  | SCREW - 10-16 X 1 POH W/WASHER - BRIGHT WHITE             |
|     | 054434-02-000 | EA  | SCREW - SF/DR - 10-16 X 2 - ZINC                          |
|     | 057671-11-000 | EA  | COVER - SCREW - HAMPTON TAN - #8                          |
|     | 057671-15-000 | EA  | COVER - SCREW - BRIGHT WHITE                              |
|     | 075908-01-000 | EA  | SCREW - MACHINE - 10-32 X .56 PTH - EXTERNAL TOOTH - ZINC |
|     | 076790-01-000 | EA  | SCREW - 6-20 X 1 1/4 PPH - BLACK                          |
|     | 083554-01-000 | EA  | SCREW - DRYWALL - 8 X 1.25                                |
|     |               |     | FROM: 00-00-00 THRU: 03-05-98                             |
|     | 086256-01-000 | EA  | SCREW - SF/DR - 8 X 3/4 HWH LONG                          |
|     | 101618-01-000 | EA  | SCREW - 1/4-20 X 3/4 HEX - TAPPING - STALGARD TYPE F      |
|     | 109152-03-000 | EA  | SCREW - 3/8-16 X 2 - FLAT SOC - STAINLESS STEEL - BLACK   |
|     | 112782-08-01A | EA  | SCREW - MOUNTING/PLATE - ZINC                             |
|     |               |     | FROM: 03-20-98 THRU: 99-99-99                             |
|     | 129967-01-01A | EA  | SCREW - MACHINE - 8-32 X 3/4 PH STAINLESS STEEL           |
|     | 130245-01-01A | EA  | SCREW - EUROPEAN M6.3 X 10                                |

**SEALANTS & FASTENERS GROUP (CONTINUED)**

**BOLTS & NUTS**

| KEY | PART NUMBER   | U/M DESCRIPTION   |
|-----|---------------|---|
|     | 0MC53K-12-050 | EA BOLT - HEX - M12 X 1.75 X 050                              |
|     | 0MC54K-14-035 | EA BOLT-HEX M14X2,00X035 10.9 - C-TECH DIN 931,10.9           |
|     | 0MD74K-14-000 | EA NUT - HEX - PREVIOUS TORQUE - M14 X 2                      |
|     | 0MD77K-12-000 | EA NUT - HEX - PREVIOUS TORQUE- M12 X 1.75                    |
|     | 0ME06K-12-300 | EA WASHER - FLAT - 12 ID X 30 OD                              |
|     | 0ME06K-14-280 | EA WASHER - FLAT - 14 ID X 28.00 OD                           |
|     | 000C12-05-16B | EA BOLT - HEX - 5/16-18 X 1 - ZINC 5                          |
|     | 000C12-06-20B | EA BOLT - HEX - 3/8 - 16 X 1 1/4 - ZINC #5                    |
|     | 000C12-06-16B | EA BOLT - HEX - 3/8-16 X 1 LG - ZINC 5                        |
|     | 000C12-08-16B | EA BOLT - HEX - 1/2-13 X 1.00 - GD5 - ZINC                    |
|     | 000C12-08-24B | EA BOLT - HEX - 1/2-13 X 1.50 - ZINC 5                        |
|     | 000C12-10-24B | EA BOLT - HEX - 5/8-11 X 1.50 - ZINC 5                        |
|     | 000C14-06-28B | EA BOLT - HEX - 3/8-16 X 1 3/4 - GRADE 8 - ZINC               |
|     | 000C26-04-18B | EA BOLT - HEX - SERRATED FLANGE - 1/4-20 X 1 1/8 - ZINC       |
|     | 000C26-04-14B | EA BOLT - HEX - SERRATED FLANGE - 1/4-20 X 7/8 - ZINC         |
|     | 000C26-04-10B | EA BOLT - HEX - SERRATED FLANGE - 1/4-20 X 5/8 - ZINC         |
|     | 000C26-05-12B | EA BOLT - HEX - SERRATED FLANGE - 5/16-18 X 3/4 - ZINC        |
|     | 000C26-06-40B | EA BOLT - HEX - SERRATED FLANGE - 3/8-16 X 1 3/4 - ZINC       |
|     | 000C26-06-28B | EA BOLT - HEX - SERRATED FLANGE - 3/8-16 X 1 3/4 - ZINC       |
|     |               | FROM: 00-00-00 THRU: 01-10-98                                 |
|     | 000C26-06-16B | EA BOLT - HEX - SERRATED FLANGE - 3/8-16 X 1 - ZINC           |
|     | 000C26-06-12B | EA BOLT - HEX - SERRATED FLANGE - 3/8-16 X 3/4 - ZINC         |
|     | 000C26-08-24B | EA BOLT - HEX - SERRATED FLANGE - 1/2-13 X 1 1/2 ZINC         |
|     | 000D24-10-00B | EA NUT - HEX - SELF LOCKING - 10-32 ZINC                      |
|     | 000D29-05-00B | EA NUT - HEX - LOCKING W/SERRATED FLANGE-NYLON WASHER INSERT  |
|     | 000D34-06-00B | EA NUT - HEX - LOCKING - 3/8-16 GRADE C - ZINC-PREVAILING     |
|     | 000D39-04-00B | EA NUT - HEX - LOCKING W/SERRATED FLANGE - 1/4-20 - ZINC      |
|     | 000D39-05-00B | EA NUT - HEX - LOCKING W/SERRATED FLANGE - 5/16-18 - ZINC     |
|     | 000D39-06-00B | EA NUT - HEX - LOCKING W/SERRATED FLANGE - 3/8-18 - ZINC      |
|     | 000D39-08-00B | EA NUT - HEX - LOCKING W/SERRATED FLANGE - 1/2-13 - ZINC      |
|     | 000D46-04-00A | EA NUT - HEX - WELD - 1/4-20 - PLAIN                          |
|     | 000E11-08-00B | EA WASHER - LOCKING - 1/2 MED SPLIT - ZINC                    |
|     | 000E13-14-00B | EA WASHER - FLAT - 1/4 WIDE - ZINC                            |
|     | 000E13-18-00B | EA WASHER - FLAT - 3/8 WIDE - ZINC                            |
|     | 000E13-20-00B | EA WASHER - FLAT - 7/16 WIDE - ZINC                           |
|     | 000E13-22-00B | EA WASHER - FLAT - 1/2 WIDE - ZINC                            |
|     | 000E14-10-00B | EA WASHER - LOCKING - #10 EXTERNAL TOOTH - ZINC               |
|     | 000G45-04-24F | EA BOLT - LAG - 1/4" #9 X 1 1/2SS                             |
|     |               | FROM: 00-00-00 THRU: 01-01-98                                 |
|     | 040921-04-000 | EA NUT - SPEED - U TYPE - 8-.59" LENGTH X .44" WIDTH          |
|     | 040921-05-000 | EA NUT - SPEED - U-TYPE - 8-.67" X .44" WIDE                  |
|     | 044364-02-000 | EA NUT - SPEED - FLAT - ROUND                                 |
|     | 051387-06-000 | EA BOLT - CARRIAGE W/O HOLE - 5/16-18 X 9.5 - ZINC            |
|     | 058716-02-000 | EA WASHER - FLAT NYLON  |
|     | 077071-01-000 | EA WASHER - FENDER - 3/16"ID X 1" OD                          |
|     | 087234-01-000 | EA NUT - JACK - 1/4 X 20 THD - MOLLY<br>MOUNTS LICENSE PLATES |
|     | 088787-12-000 | EA STUD - WELD - 1/4 - 20 X 1.0 LG - MN                       |
|     | 102540-02-000 | EA SEAL - SCREW   |
|     | 106956-03-000 | EA BOLT - HEX TAP - 1/2-12NC X 3 - GRADE 5 - FULL THREAD/ZINC |
|     | 107397-01-000 | EA WASHER - FENDER - .25" ID X 1" OD                          |
|     | 108067-03-000 | EA STUD - WELD - 1/4 - 20 X 1/2 CD                            |
|     | 120506-01-01A | EA RIVET - PLASTIC - 3/16 DIAMETER                            |

**SEALANTS & FASTENERS GROUP (CONTINUED)**

**MISCELLANEOUS FASTENERS**

| KEY | PART NUMBER   | U/M DESCRIPTION   |
|-----|---------------|---|
|     | 008343-01-000 | EA TIE - WIRE - 6"  |
|     | 008343-02-000 | EA TIE - WIRE - 14"   |
|     | 008343-03-000 | EA TIE - WIRE - 7 1/2" - BLACK  |
|     | 081211-03-000 | EA PLUG - PLASTIC - .50 DIAMETER - BLACK  |
|     | 085774-01-000 | FT FASTENER - DUAL HOOK - 1" WIDE - ADHESIVE BACK - BLACK<br>USE WITH #08577402000 DUAL HOOK TAPE |
|     | 085774-02-000 | FT FASTENER - DUAL HOOK - 1" WIDE - ADHESIVE BACK - BLACK<br>USE WITH #08577401000 DUAL LOCK TAPE |
|     | 085774-03-000 | FT FASTENER - DUAL HOOK - 1/2" WIDE - ADHESIVE BACK - BLACK                                       |
|     | 085774-04-000 | FT FASTENER - DUAL HOOK - 1/2" WIDE - ADHESIVE BACK - BLACK                                       |
|     | 088792-02-000 | YD VELCRO TAPE - LOOP - 3/4" - ADHESIVE BACKED - BEIGE  |
|     | 108046-01-000 | EA CABLE TIE - SCREW MOUNT 8"   |
|     | 110943-02-000 | FT FELTSTRIP - 3/8" - ADHESIVE BACK - WHITE   |

## SEALANTS & FASTENERS GROUP (CONTINUED)

### ADHESIVE AND TAPE SEALERS

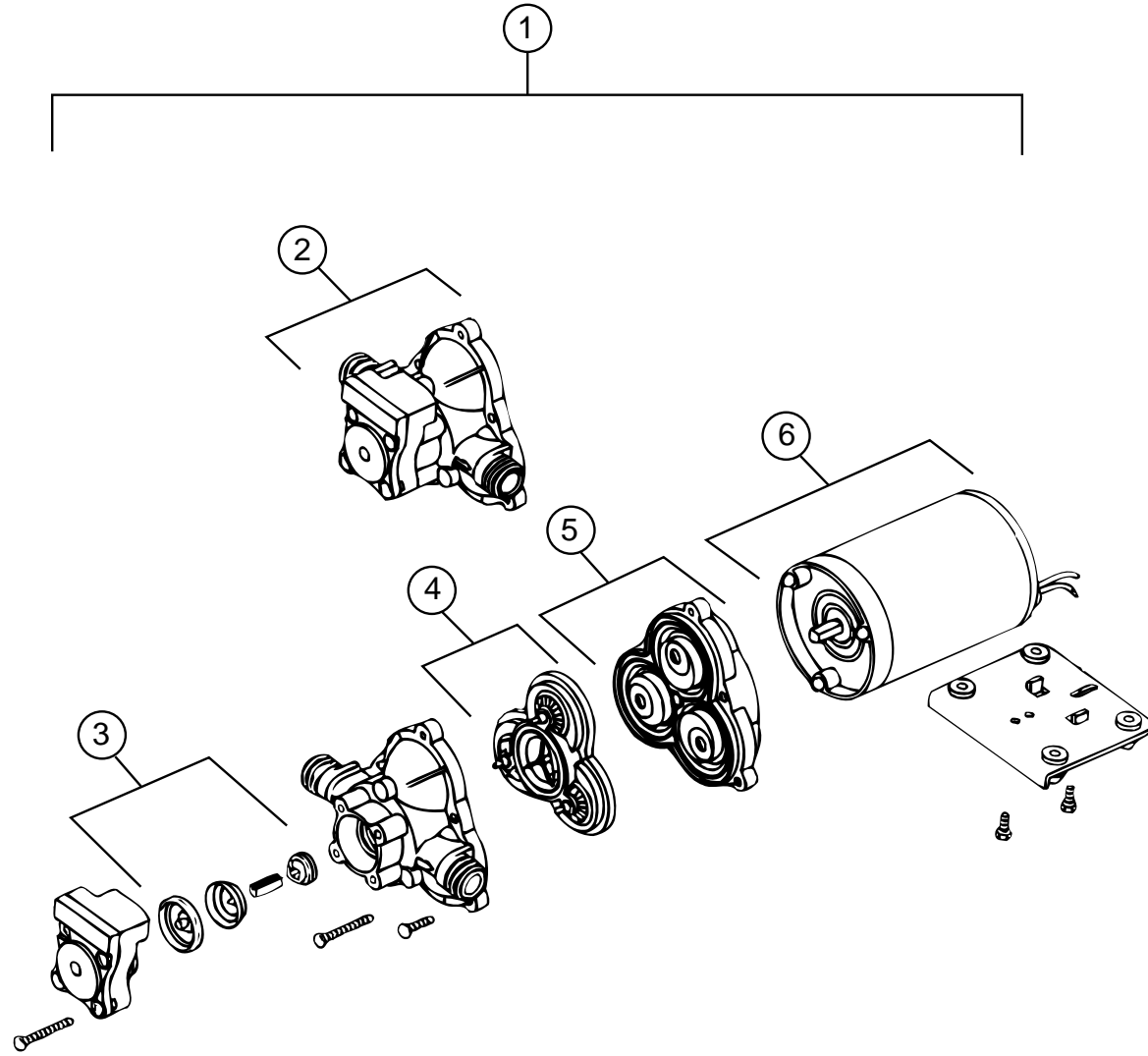
| KEY | PART NUMBER   | U/M | DESCRIPTION  |
|-----|---------------|-----|--|
|     | 004006-05-700 | EA  | ADHESIVE-NAT. STARCH (5 GAL) 0802  |
|     | 034552-02-000 | EA  | SILICONE - TUBE - 300 ML - W/O NOZZLE - CLEAR<br>ALSO ORDER P.N.#900390-03-000 NOZZLE SEPARATELY |
|     | 039518-01-000 | EA  | SILICONE - TUBE - 300 ML - BLACK - W/O NOZZLE<br>ALSO ORDER P.N.#900390-03-000 NOZZLE SEPARATELY |
|     | 053766-02-000 | EA  | BEDDING COMPOUND - TUBE - WHITE  |
|     | 063642-01-000 | FT  | TAPE - ADHESIVE - .4" X 1.5" X 180"  |
|     | 069640-01-000 | FT  | SEALER - RIBBON - 1/4" DIAMETER X 30' - BLACK  |
|     | 069640-03-000 | FT  | SEALER - TAPE - .13"THICK X .75"WIDE X 60' - BLACK   |
|     | 069640-09-000 | FT  | SEALER - TAPE - .032"THICK X 2.50"WIDE X 80' - GREY  |
|     | 069640-15-000 | FT  | SEALER - TAPE - .06"THICK X .38"WIDE X 80' - GREY  |
|     | 069640-18-000 | FT  | SEALER - TAPE - .50"THICK X 1/8"WIDE X 60' - BRIGHT WHITE  |
|     | 069640-19-000 | FT  | SEALER - TAPE - .75"THICK X 1/8"WIDE X 60' - BRIGHT WHITE  |
|     | 072889-09-000 | EA  | SEALANT - URETHANE - BLACK (TUBE)  |
|     | 072889-10-000 | EA  | SEALANT - URETHANE (HV) - BRIGHT WHITE   |
|     | 072889-11-000 | EA  | SEALANT - URETHANE - (TUBE) - GRAY   |
|     | 072889-12-000 | EA  | SEALANT - URETHANE (LV) BRIGHT WHITE   |
|     | 076322-01-000 | FT  | TAPE - DOUBLE COATED/ADHESIVE BACK - .025"THK X .75"W X 18'                                      |
|     | 076322-02-000 | FT  | TAPE - DOUBLE COATED/ADHESIVE BACK - .045"THK X 1"W X 108'                                       |
|     | 076322-03-000 | FT  | TAPE - DOUBLE COATED/ADHESIVE BACK - .045"THK X .50"W X 9'                                       |
|     | 076322-05-000 | FT  | TAPE - DOUBLE COATED/ADHESIVE BACK - .045"THK X .75"W X 9'                                       |
|     | 076322-05-000 | FT  | TAPE - DOUBLE COATED/ADHESIVE BACK - .045"THK X .75"W X 9'                                       |
|     | 076322-06-000 | FT  | TAPE - DOUBLE COATED/ADHESIVE BACK - .045"THK X 1"W X 9'   |
|     | 076322-07-000 | FT  | TAPE - DOUBLE COATED/ADHESIVE BACK - .045"THK X .50"W X 9'                                       |
|     | 076322-07-000 | FT  | TAPE - DOUBLE COATED/ADHESIVE BACK - .045"THK X .50"W X 9'                                       |
|     | 076322-11-000 | FT  | TAPE - DOUBLE COATED/ADHESIVE BACK - .020"THK X 1"W X 9'   |
|     | 087211-01-000 | GL  | PROMOTER - ADHESIVE  |
|     | 088479-01-000 | EA  | TAPE - ALUMINUM - 3"   |
|     | 102352-01-000 | EA  | SEALER - PUMPABLE - BLACK  |
|     | 102352-02-000 | EA  | SEALER - PUMPABLE - CLEAR  |
|     | 106206-01-000 | EA  | SEALER - PUMPABLE - MANUS 30A - BLACK  |
|     | 107828-01-000 | EA  | SEALANT - SB - 190 EVERSEAL  |
|     | 108353-01-000 | FT  | SEAL - FOAM - 5/16" X 1/2" - ADHESIVE BACKED   |
|     | 108716-03-000 | EA  | SILICONE - TUBE - BRIGHT WHITE/SELF LEVELING - W/O NOZZLE  |
|     | 112901-02-000 | EA  | ADHESIVE - PLEXUS - 50ML   |
|     | 118085-02-01A | FT  | TAPE - FOIL - 1"   |
|     | 120074-02-01A | EA  | SEALANT - SILICONE - OFF WHITE   |
|     | 120074-02-02A | EA  | SEALANT - SILICONE - SOFT WHITE  |
|     | 123244-01-000 | FT  | TAPE - DOUBLE SIDED FOAM 5/64" THICK X .75" WIDE   |
|     | 123816-01-000 | FT  | TAPE - DOUBLE SIDED - 1"   |
|     | 123816-02-000 | FT  | TAPE - DOUBLE SIDED - 1/2" X 35 MIL THICK  |
|     | 123816-03-000 | FT  | TAPE - DOUBLE SIDED - 1/2" X 20 MIL THICK  |
|     | 900390-01-000 | EA  | TIP - 2 1/2" X 1/8" ORIFICE  |
|     | 900390-03-000 | EA  | NOZZLE - SILICONE TUBE   |

## SEALANTS & FASTENERS GROUP (CONTINUED)

### CLAMPS, CLIPS, & GROMMETS

| KEY | PART NUMBER   | U/M | DESCRIPTION  |
|-----|---------------|-----|--|
|     | 000F10-04-16B | EA  | PIN - COTTER - 1/8" X 1" - ZINC                          |
|     | 000F10-06-32B | EA  | PIN - COTTER - 3/16" X 2" - ZINC                         |
|     |               |     | FROM: 02-22-98 THRU: 99-99-99                            |
|     | 000H14-04-04A | EA  | RIVET - MANDREL BLIND - 1/8 X .400                       |
|     | 000H16-04-06R | EA  | RIVET - POP ALUMINUM - 1/8 X .313 - .375                 |
|     | 000H16-06-10R | EA  | RIVET - POP ALUMINUM - 3/16 X .501-.625                  |
|     | 007161-01-000 | EA  | CLAMP - HOSE - SPRING TYPE - 1/2"                        |
|     | 008380-01-000 | EA  | GROMMET - RUBBER - 5/8" HOLE X 1 1/2" DIAMETER - BLACK   |
|     | 010495-01-000 | EA  | CLAMP - CABLE - 9/16"                                    |
|     | 010497-01-000 | EA  | CLAMP - CLOSED - 5/8" ID                                 |
|     | 010497-03-000 | EA  | CLAMP - CLOSED - 1" ID - CUSHIONED                       |
|     | 010497-04-000 | EA  | CLAMP - CLOSED - 1.62" ID                                |
|     | 010497-05-000 | EA  | CLAMP - CLOSED - 1/2 ID                                  |
|     | 010499-01-000 | EA  | CLAMP - CLOSED - 3/8 ID                                  |
|     | 016188-05-000 | EA  | GROMMET - L/P LINE - 3/8" HOLE X 1 1/4" LONG - RUBBER    |
|     | 023942-01-000 | EA  | GROMMET - RUBBER - 2" OD                                 |
|     | 062401-01-000 | EA  | CLAMP - HOSE - WORMGEAR - .25" - 1"                      |
|     | 062401-02-000 | EA  | CLAMP - HOSE - WORMGEAR - 1.56" - 2.5"                   |
|     | 062401-04-000 | EA  | CLAMP - HOSE - WORMGEAR - .69" - 1.25"                   |
|     | 062401-05-000 | EA  | CLAMP - HOSE - WORMGEAR - 2" TO 3" ID                    |
|     | 062401-06-000 | EA  | CLAMP - HOSE - WORMGEAR - .22" - .62" ID                 |
|     | 071015-11-000 | EA  | GROMMET - 1.00 ID - FITS .12 MATERIAL                    |
|     | 071015-19-000 | EA  | GROMMET - .38 ID - FITS .06 MATERIAL                     |
|     | 071015-29-000 | EA  | GROMMET - RUBBER - .25 ID X 1.25 OD W .12 GROOVE - BLK   |
|     | 071015-30-000 | EA  | GROMMET - RUBBER - .31" ID X .81" OD W/.12" GROOVE - BLK |
|     | 080734-02-000 | EA  | CLIP - WIRE NYLON  |
|     | 083609-01-000 | EA  | CLAMP - WIRE - DUAL - EQUAL DIAMETERS - 5/8"             |
|     | 083610-01-000 | EA  | CLAMP - WIRE - DUAL - UNEQUAL DIAMETERS - 3/4" & 1 1/4"  |
|     | 083610-02-000 | EA  | CLAMP - WIRE - DUAL - UNEQUAL DIAMETERS - 3/4" & 2"      |
|     | 083610-03-000 | EA  | CLAMP - DUAL WIRE  |
|     | 088756-01-000 | EA  | GROMMET - WEB - 1 1/8 " I.D.                             |
|     | 091952-01-000 | EA  | CLIP - GRIPPER - 1"                                      |
|     | 094362-02-000 | EA  | CLIP - XMAS TREE - BINDER HEAD - .9" LONG                |

## WATER & SEWAGE GROUP



**WATER PUMP (SHURFLOW)**

| KEY | PART NUMBER   | U/M DESCRIPTION                                    | VENDOR NO. |
|-----|---------------|--|------------|
| 1   | 098607-01-000 | EA PUMP - WATER - W/.5" MPT FITTING - FLOW 2.8 GPM |            |
| 2   | 098607-01-706 | EA HOUSING - W/SWITCH ONLY                         | 94-231-20  |
| 3   | 098607-01-705 | EA CHECK VALVE - KIT                               | 94-237-00  |
| 4   | 098607-01-703 | EA VALVE KIT                                       | 94-232-00  |
| 5   | 098607-01-702 | EA DIAPHRAGM/DRIVE ASSEMBLY KIT                    | 94-238-04  |
| 6   | 098607-01-707 | EA MOTOR W/BASEPLATE                               | 94-235-03  |

**FRESH WATER TANK**

| KEY | PART NUMBER   | U/M DESCRIPTION  |
|-----|---------------|--|
|     | 120291-03-000 | EA TANK - WATER - 90 GALLON - W/FITTINGS                 |
|     | 120291-01-000 | EA TANK - WATER - 90 GALLON - W/O FITTINGS               |
|     | 123243-01-000 | EA TANK - ACCUMULATOR - 24 OZ                            |
|     | 042989-03-000 | EA FITTING - WATER TANK - SPINWELD - 1 1/4"NPT - PLASTIC |
|     | 042989-05-000 | EA FITTING - WATER TANK - SPINWELD - 1/2"FPT - PLASTIC   |
|     | 049032-01-000 | EA PATCH - SPINWELD - 3/8" - PLASTIC                     |
|     | 039861-01-000 | EA SENDING UNIT W/SCREW - WASHER                         |
|     | 091208-01-000 | EA WASHER - RUBBER - .06" X .75" X .5"                   |
|     | 077954-02-000 | EA FILTER - WATER TANK - W/SCREEN IN TANK                |

## WATER & SEWAGE GROUP (CONTINUED)

### WATER SYSTEM COMPONENTS (FLAIR-IT)

| KEY | PART NUMBER   | U/M DESCRIPTION  |
|-----|---------------|--|
|     | 114428-01-000 | EA TEE - 1/2"P X 1/2"P X 1/2"P                             |
|     | 114428-02-000 | EA TEE - SWIVEL - 1/2"P X 1/2"P X 1/2"FPT                  |
|     | 114428-03-000 | EA TEE - 1/2"P X 1/2"P X 1/2"MPT                           |
|     | 114429-01-000 | EA ELBOW - 1/2"P X 1/2"P                                   |
|     | 114429-02-000 | EA ELBOW - 1/2"P X 1/2"MPT                                 |
|     | 114429-03-000 | EA ELBOW - SWIVEL - 1/2"P X 1/2"FPT                        |
|     | 114430-02-000 | EA ADAPTER - SWIVEL - 1/2"P X 1/2"FPT                      |
|     | 114430-03-000 | EA ADAPTER - 1/2"P X 1/2"MPT                               |
|     | 114430-06-000 | EA ADAPTER - 1/2"P X 3/8"FPT                               |
|     | 114431-02-000 | EA VALVE - WATER BYPASS - 1/2"P - THREE WAY (WATER HEATER) |
|     | 114431-03-000 | EA VALVE - 90 DEGREE DRAIN - 1/2"P                         |
|     | 114431-04-000 | EA VALVE - "INLINE SHUT-OFF" - 1/2"P                       |

### WATER SYSTEM COMPONENTS

| KEY | PART NUMBER   | U/M DESCRIPTION  | VENDOR NO. |
|-----|---------------|--|------------|
|     | 701069-01-000 | EA WATER PURIFICATION SYSTEM                                       |            |
|     | 701069-03-700 | EA CARTRIDGE RELACEMENT  | 9592-06    |
|     | 079381-01-000 | FT TUBING - SMOOTH FLEXIBLE - 1 3/8"ID X 10'                       |            |
|     | 039800-04-000 | FT TUBING - POLYBUTYL - 1/4"OD                                     |            |
|     | 112176-01-000 | FT TUBING - VINYL - REINFORCED - 1/2" ID                           |            |
|     | 124188-01-000 | FT TUBING - PEX - 1/2" ID X 20' - BLUE                             |            |
|     | 124188-02-000 | FT TUBING - PEX - 1/2" ID X 20' - RED                              |            |
|     | 110438-02-000 | EA VALVE - CHECK - BRASS - 1/2 MPT X 1/2 MPT                       |            |
|     | 010219-01-000 | EA ELBOW - 1 1/4 MPT X 1 1/4 BARB - WATER FILL - PLASTIC           |            |
|     | 123150-01-000 | EA ELBOW - 1/2 FPT X 1/2 BARB - SWIVEL                             |            |
|     | 123152-01-000 | EA ADAPTER - 1/2 FPT X 1/2 BARB - SWIVEL                           |            |
|     | 118051-01-02B | EA BRACKET - FAUCET SUPPORT - E-COAT                               |            |
|     | 113697-01-000 | EA CAP - 3/8 FTG   |            |
|     | 010224-01-000 | EA ADAPTER - HOSE TO PIPE - 3/8 MPT X 3/8 BARB - PLASTIC           |            |
|     | 044927-01-000 | EA ADAPTER - HOSE TO PIPE - 1 1/4 MPT X 1 1/4 BARB - BLACK PLASTIC |            |
|     | 111888-01-000 | EA FERRULE - PLASTIC - .250 ID X .375 OD                           |            |
|     | 111888-02-000 | EA INSERT - BRASS - 1/4 COMP                                       |            |
|     | 118423-01-000 | EA FITTING - BRASS-TEE - 1/4C X 1/4C X 1/4C                        |            |
|     | 120868-01-000 | EA VALVE - NEEDLE - 1/4" COMPRESSION X 1/4" COMPRESSION            |            |
|     | 010230-06-000 | EA FILL - CITY WATER - W/CHECK VALVE - MPT                         |            |

### EXTERIOR SHOWER COMPONENTS

| KEY | PART NUMBER   | U/M DESCRIPTION  |
|-----|---------------|--|
|     | 103092-01-000 | EA SHOWER HEAD - W/ 60" HOSE (US)                        |
|     | 103092-02-000 | EA SHOWER HEAD - W/ HOSE (CSA)                           |
|     | 104044-01-000 | EA BRACKET - SUPPORT - FAUCET                            |
|     | 103092-01-701 | EA BRACKET (FOR SHOWER HEAD) BONE                        |
|     | 075241-05-000 | EA FAUCET/SHOWER - BONE 3/4" MPT X 1.4" LONG INLET PIPES |

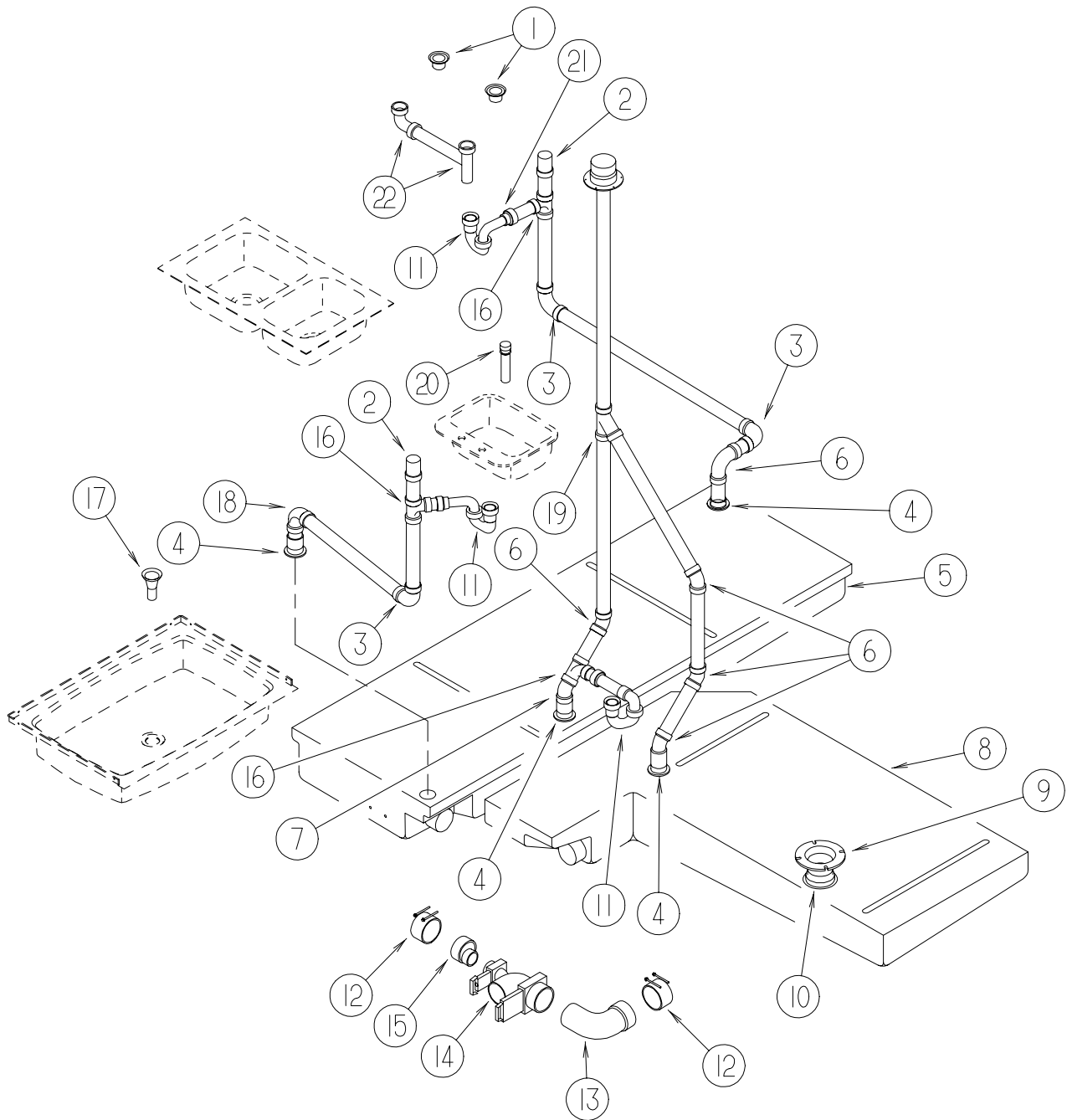
### WATER HEATER G6A-8E ELECTRONIC IGNITION

| KEY | PART NUMBER   | U/M DESCRIPTION                            |
|-----|---------------|--|
| *   | 051391-03-000 | EA WATER HEATER G6A-8E ELECTRONIC IGNITION |

\* COMPONENT PARTS FOUND IN SERVICE PARTS LIBRARY

# WATER & SEWAGE GROUP (CONTINUED)

## DRAINAGE SYSTEM

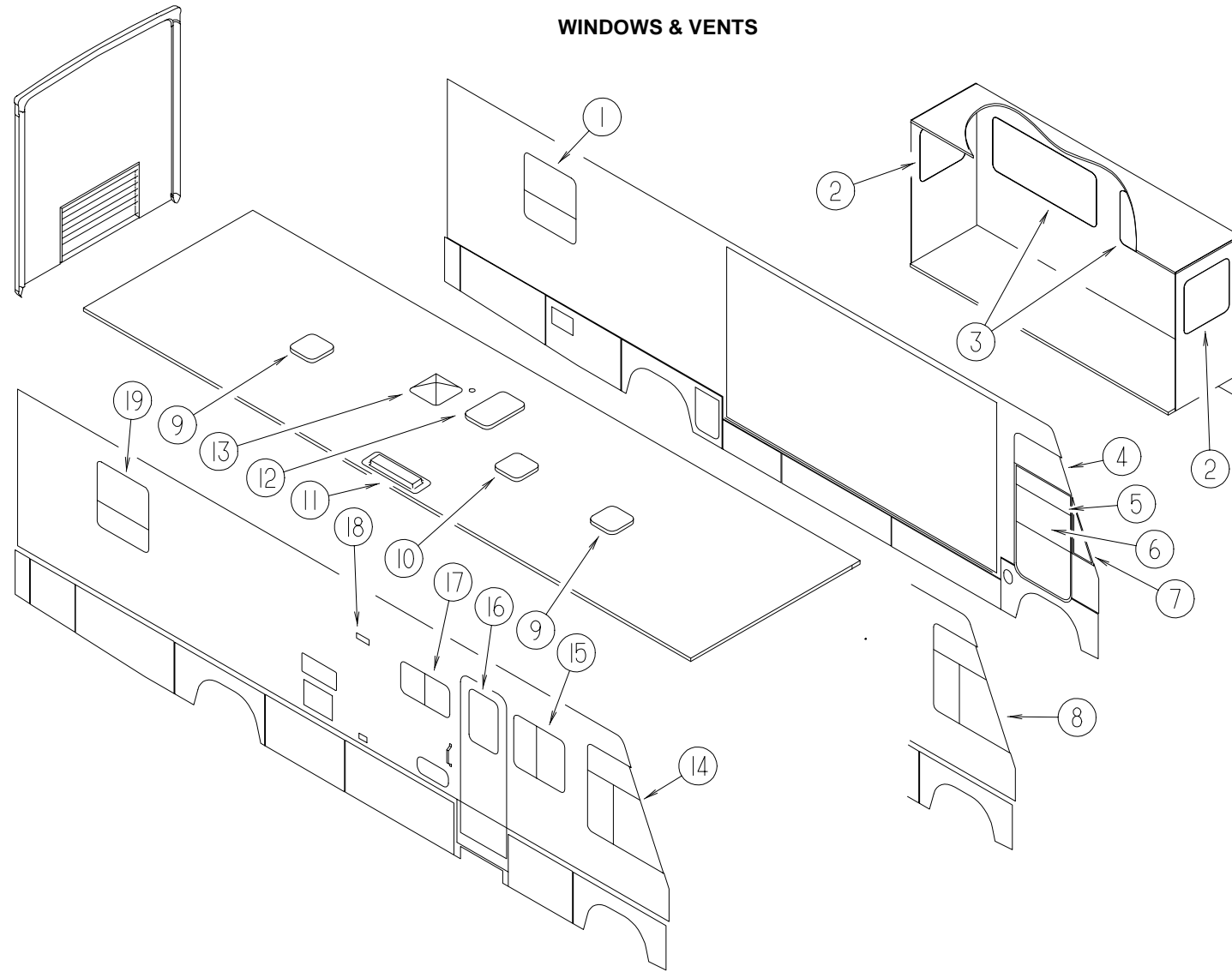


| KEY | PART NUMBER   | U/M | DESCRIPTION  | VENDOR NO. |
|-----|---------------|-----|--|------------|
| 1   | 092303-01-000 | EA  | STRAINER - SINK  |            |
| 2   | 079968-01-000 | EA  | VENT - MECHANICAL/TRAP ARM - ANTI-SIPHON - 2" X 7.3" PLASTIC |            |
| 3   | 010008-01-000 | EA  | ELBOW - 90 DEGREE - 1 1/2" HUB X HUB - PLASTIC               |            |
| 4   | 061607-01-000 | EA  | GROMMET - HOLDING TANK - 1 1/2" NPS                          |            |
|     | 010115-01-000 | EA  | COUPLING - 1 1/2" HUB X HUB - PLASTIC                        |            |
| 5   | 121385-01-700 | EA  | TANK - HOLDING - 53 GALLON W/3" OUTLET NIPPLE                |            |
| 6   | 010006-01-000 | EA  | ELBOW - 45 DEGREE - 1 1/2" HUB X HUB - PLASTIC               |            |
| 7   | 010051-01-000 | EA  | ELBOW - 45 DEGREE - 1 1/2" SPIGOT & HUB - PLASTIC            |            |
| 8   | 124893-01-000 | EA  | TANK - HOLDLING - 48 GALLON                                  |            |
| 9   | 116644-01-000 | EA  | FLANGE - CLOSET - 4" X 3"                                    |            |
| 10  | 061607-02-000 | EA  | GROMMET - HOLDING TANK - 3" NPS                              |            |
| 11  | 107538-01-000 | EA  | P TRAP - PLASTIC - 1 1/4" W/EXTENSION ARM (US)               |            |
| 11  | 011071-01-000 | EA  | P TRAP - PLASTIC - 1 1/2" (CSA) (GALLEY)                     |            |
| 11  | 011066-01-000 | EA  | P TRAP - 1 1/2 - PLASTIC (CSA) (BATH)                        |            |
| 12  | 078406-01-000 | EA  | COUPLER - RUBBER - W/CLAMPS - 3" X 3"                        |            |
| 13  | 041956-01-000 | EA  | ELBOW - STREET - 1/4" BARB X 90 DEGREE X 3 XLT               |            |
| 14  | 070916-01-000 | EA  | VALVE - DUAL DUMP - W/CAP - 3" X 1 1/2"                      |            |
|     | 070916-01-700 | EA  | VALVE ONLY (WASTE) 3"  | T1003BU    |
|     | 070916-01-701 | EA  | VALVE ONLY (WASTE) 1 1/2"                                    | T1001BU    |
|     | 062415-01-000 | EA  | CAP - SEWER - 3" DIAMETER                                    |            |
| 15  | 062422-01-000 | EA  | ADAPTER - OFFSET REDUCER - 3" X 1 1/2" - PLASTIC             |            |
| 16  | 010071-01-000 | EA  | TEE - SANITARY - 1 1/2" HUB X HUB X HUB - PLASTIC            |            |
| 17  | 011069-03-000 | EA  | TAILPIECE - TUB/SHOWER - 1 1/2" X 1 3/4" - PLASTIC (US)      |            |
| 17  | 011069-02-000 | EA  | TAILPIECE - TUB/SHOWER - 1 1/2" X 1 1/4" X 4" - BRASS (CSA)  |            |
|     | 066440-01-000 | EA  | STRAINER - SHOWER DRAIN - W/RUBBER WASHER                    |            |
|     | 066436-01-000 | EA  | NUT - SLIP - TAILPIECE 1.5"                                  |            |
|     | 069735-01-000 | EA  | WASHER - STRAINER TO TAILPIECE - PLASTIC - 1.5"              |            |
| 18  | 034250-01-000 | EA  | ELBOW - 90 DEGREE - LONG TURN - 1 1/2" HUB X HUB - ABS       |            |
| 19  | 010073-01-000 | EA  | WYE - 45 DEGREE - 1 1/2" HUB X HUB X HUB - PLASTIC           |            |
| 20  | 096927-01-701 | EA  | TAILPIECE - DRAIN - LAVATORY                                 | M9802      |
| 21  | 109571-01-000 | EA  | ADAPTER - P TRAP - 1 1/2"P X 1 1/4"MPT                       |            |
| 22  | 011091-02-000 | EA  | WASTE - CONTINUOUS - DOUBLE SINK (US)                        |            |
| 22  | 011091-03-000 | EA  | WASTE - CONTINUOUS - DOUBLE SINK - CSA                       |            |
|     | 010201-01-000 | EA  | HOSE - SEWER - 3" ID X 8'                                    |            |
|     | 062416-01-000 | EA  | ADAPTER - SEWER HOSE TO 3" PIPE                              |            |



## WINDOW, VENT & EXTERIOR DOOR GROUP

### WINDOWS & VENTS



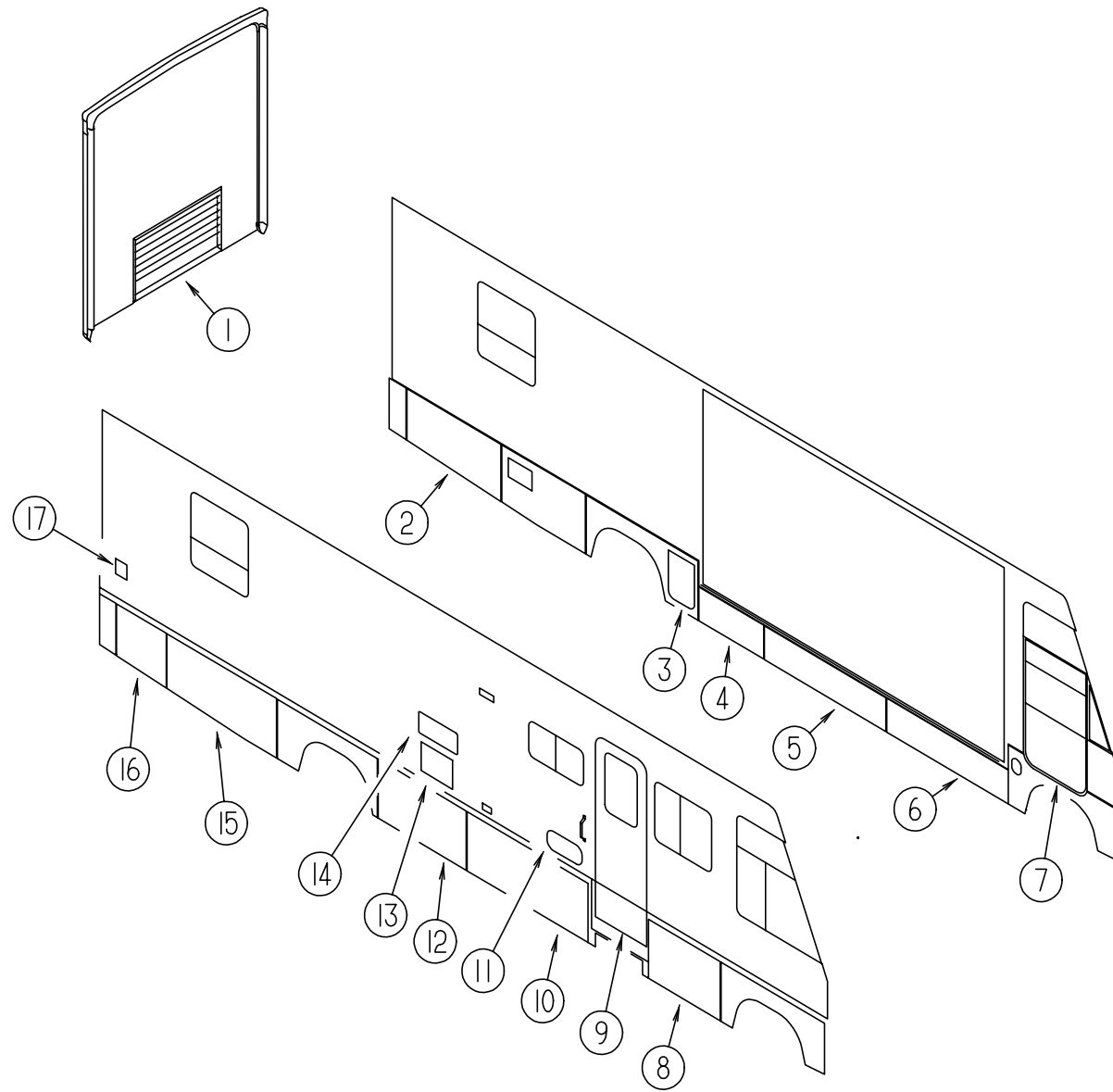
| KEY | PART NUMBER   | U/M | DESCRIPTION   | VENDOR NO. |
|-----|---------------|-----|---|------------|
| 1*  | 112463-03-01A | EA  | WINDOW - TIPOUT W/RETAINER TRIM - 33.3" X 30.2"                   |            |
| 1*  | 112898-16-01A | EA  | WINDOW - VERTICAL SLIDER - THERMO - 30.2" X 33.2"                 |            |
| 2*  | 098647-45-01A | EA  | WINDOW - PASS HORIZONTAL SLIDER W/TRIM - TINTED - 23.6" X 24.5"   |            |
| 3*  | 098647-47-01A | EA  | WINDOW - DRIVER/HORIZONTAL SLIDER W/TRIM - TINTED - 23.6" X 57.5" |            |
| 3*  | 112795-54-01A | EA  | WINDOW - DRIVER/HORIZONTAL SLIDER - THERMO - 23.9" X 57.8"        |            |
| 4*  | 125586-01-01A | EA  | WINDOW - VISTA  |            |
| 4*  | 116000-02-01A | EA  | WINDOW - VISTA - THERMOPANE                                       |            |
| 5   | 106469-02-702 | EA  | GLASS - STATIONARY HORIZONTAL                                     | 106-041104 |
| 6   | 106469-01-704 | EA  | GLASS ASM. - ROLL-UP - W/BRKT                                     | V103-65L   |
| 7*  | 125584-01-01A | EA  | WINDOW - FRONT SLANT - DRIVER                                     |            |
| 7*  | 125585-01-01A | EA  | WINDOW - FRONT SLANT - THERMO                                     |            |
| 8*  | 125582-02-01A | EA  | WINDOW - CAB - DRIVER   |            |
| 8*  | 125583-02-01A | EA  | WINDOW - DRVR CAB - 3 GLASS THERMO - 42.9"T X 51.2"B X 42.6"H     |            |
| 9*  | 122882-01-01A | EA  | VENT - ROOF - NONPOWERED - W/O INSIDE GARNISH                     |            |
| 10* | 123780-03-01A | EA  | VENTILATOR - ROOF/3"-4" - UL/CSA-W/O THERMOSTAT/POWER LIFT        |            |
| 10* | 123780-04-01A | EA  | VENTILATOR - ROOF F/3"-4" - CSA -W/O THERMOSTAT/POWER LIFT        |            |
| 10* | 122882-01-01A | EA  | VENT - ROOF - NONPOWERED - W/O INSIDE GARNISH                     |            |
| 11  | 084073-07-000 | EA  | VENT - ROOF/REFRIGERATOR - BRIGHT WHITE - NORCOLD                 |            |
| 11  | 084073-04-000 | EA  | BASE - ROOF VENT/REFRIGERATOR - BLACK - NORCOLD                   |            |
| 11  | 118369-01-02A | EA  | CAP - REFRIGERATOR ROOF VENT - SIDE/SIDE - BRIGHT WHITE           |            |
| 11  | 118369-02-02A | EA  | BASE - REFRIGERATOR ROOF VENT - SIDE/SIDE - BRIGHT WHITE          |            |

| KEY | PART NUMBER   | U/M | DESCRIPTION   |
|-----|---------------|-----|---|
| 12  | 114496-01-02A | EA  | PANEL - SKYLIGHT - OUTER - 22" X 37"                          |
| 12  | 122191-01-02A | EA  | PANEL - SKYLIGHT - INNER W/LIGHT CUTOUT - 20.7" X 35.4"       |
| 13* | 122882-02-01A | EA  | VENT - ROOF - W/FAN - W/O INSIDE GARNISH - UL                 |
| 13* | 122882-03-01A | EA  | VENT - ROOF - W/FAN - W/O INSIDE GARNISH - CSA                |
| 14* | 125582-01-01A | EA  | WINDOW - CAB - PASSENGER                                      |
| 14* | 125583-01-01A | EA  | WINDOW - PASS CAB - 3 GLASS THERMO - 31.8"T X 51.6"B X 42.6"H |
| 15* | 098644-11-01A | EA  | WINDOW - VERTICAL SLIDER W/TRIM - TINTED - 26.4" X 27"        |
| 15* | 112898-19-01A | EA  | WINDOW - VERTICAL SLIDER - THERMO - 26.4" X 27"               |
| 16* | 117053-02-F36 | EA  | WINDOW - PICTURE - 60% TINTING - 17" X 26.4"                  |
| 16* | 113733-01-01A | EA  | WINDOW - STATIONARY THERMOPANE - 17" X 26.4"                  |
| 17* | 098647-33-01A | EA  | WINDOW - PASS HORIZ SLIDER W/TRIM - TINTED - 15.7" X 28.5"    |
| 17* | 112795-19-01A | EA  | WINDOW - PASSENGER HORIZ SLIDER - THERMO - 16" X 28.7"        |
| 18  | 084616-07-000 | EA  | SHROUD - EXHAUST VENT/RANGE HOOD - BRIGHT WHITE               |
| 18  | 084878-09-000 | EA  | VENT - EXHAUST/RANGE HOOD - OFF WHITE                         |
| 19* | 112463-03-01A | EA  | WINDOW - TIPOUT W/RETAINER TRIM - 33.3" X 30.2"               |
| 19* | 112898-16-01A | EA  | WINDOW - VERTICAL SLIDER - THERMO - 33.2" X 30.2"             |

\* COMPONENT PARTS FOUND IN SERVICE PARTS LIBRARY

# WINDOW, VENT & EXTERIOR DOOR GROUP (CONTINUED)

## EXTERIOR DOORS

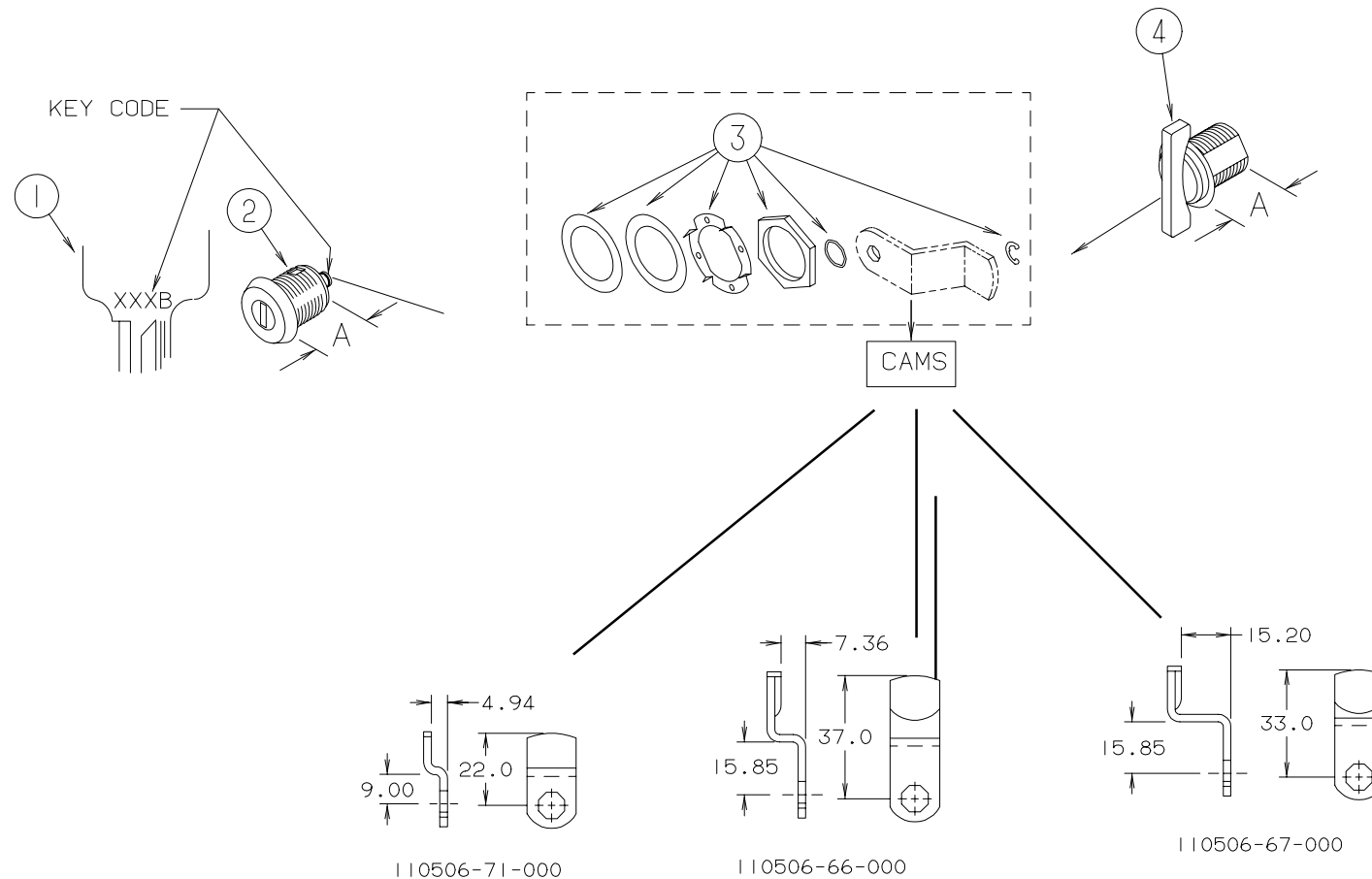


| KEY | PART NUMBER   | U/M | DESCRIPTION  |
|-----|---------------|-----|--|
| 1   | 105546-01-H49 | EA  | DOOR - ENGINE ACCESS   |
| 2   | 122391-41-JA1 | EA  | VALANCE/DOOR - DRIVER W/O PADDLE LATCH 24.8" X 49.5" X 22.4" |
| 3   | 123973-02-JA1 | EA  | DOOR - DRAINAGE  |
| 4   | 122239-52-JA1 | EA  | VALANCE/DOOR - W/O PADDLE LATCH/HINGE - 14.4" X 34.1"        |
| 5   | 122239-51-JA1 | EA  | VALANCE/DOOR - W/O PADDLE LATCH/HINGE - 14.4" X 63.9"        |
| 6   | 122239-55-JA1 | EA  | VALANCE/DOOR - W/O PADDLE LATCH/HINGE - 14.4" X 63.9"        |
| 7   | 125581-04-01A | EA  | DOOR - DRIVER - NON-POWER                                    |
| 8   | 122239-48-JA1 | EA  | VALANCE/DOOR - W/O PADDLE LATCH/HINGE - 25.7" X 37.7"        |
| 9   | 115108-02-H08 | EA  | DOOR - ENTRY - W/SCREEN DOOR - W/O WINDOW (J22,J23)          |
| 9   | 115108-02-J06 | EA  | DOOR - ENTRY - W/SCREEN DOOR - W/O WINDOW (J24,J25)          |
| 9   | 115108-02-J11 | EA  | DOOR - ENTRY - W/SCREEN DOOR - W/O WINDOW (J26,J27)          |
| 9   | 115108-02-J50 | EA  | DOOR - ENTRY - W/SCREEN DOOR - W/O WINDOW (J28,J29)          |
| 10  | 122239-49-JA1 | EA  | VALANCE/DOOR - W/O PADDLE LATCH/HINGE - 25.7" X 63.6"        |
| 11  | 126945-01-J22 | EA  | DOOR/STORAGE - W/O HARDWARE - 18" X 8.3"                     |
| 12  | 122239-50-JA1 | EA  | VALANCE/DOOR - W/O PADDLE LATCH/HINGE - 25.7" X 46.3"        |
| 13  | 052009-06-000 | EA  | DOOR - WATER HEATER - BRIGHT WHITE - 18" X 14.6"             |
|     | 116424-01-000 | EA  | PROTECTOR - LATCH - WATER HEATER                             |
| 14  | 084103-08-000 | EA  | DOOR - VENT/REFRIGERATOR - W/O JAMB - BRIGHT WHITE           |
|     | 084104-01-700 | EA  | LOCK - MALE - FASTENER 201-721-010                           |
|     | 084104-01-701 | EA  | LOCK - FEMALE - FASTENER 201-802-010                         |
| 14  | 084104-08-000 | EA  | JAMB - VENT DOOR/REFRIGERATOR - BRIGHT WHITE                 |
| 14  | 125481-01-02A | EA  | DOOR - REFRIGERATOR VENT (SIDE BY SIDE DOMETIC)              |
| 15  | 122391-39-JA1 | EA  | VALANCE/DOOR - PASS W/O PADDLE LATCH 25.7" X 56.6" X 23.8"   |
| 16  | 122391-40-JA1 | EA  | VALANCE/DOOR - PASS W/O PADDLE LATCH 23.7" X 26.1" X 22.4"   |
| 17  | 081240-16-000 | EA  | DOOR - WATER FILL - LOCKABLE W/O LOCK - 4" X 4 5/8"          |

## WINDOW, VENT & EXTERIOR DOOR GROUP (CONTINUED)

NOTE:  
WHEN ORDERING THE LOCK CASE, THE KEY CODE MUST MATCH THE LAST DIGIT OF THE VEHICLE'S SERIAL NUMBER AND PART NUMBER; WHEN ORDERING THE KEYS, THE THIRD DIGIT OF THE KEY CODE MUST MATCH THE LAST DIGIT OF THE VEHICLE'S SERIAL NUMBER AND PART NUMBER

### BRIGGS & STRATTON LOCKS & COMPONENTS



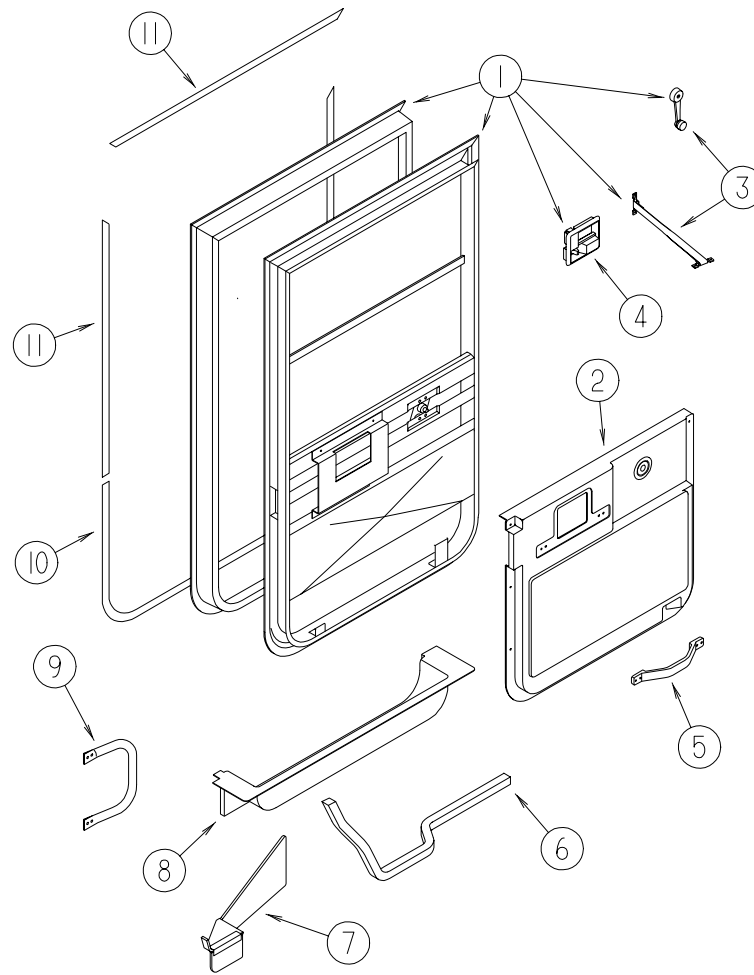
| KEY | PART NUMBER   | U/M | DESCRIPTION            | VENDOR NO. |
|-----|---------------|-----|------------------------|------------|
| 1   | 110506-59-000 | EA  | KEYS - SET OF TWO      | 596720     |
| 2   | 110506-52-000 | EA  | CASE - LOCK - A= 17 MM | 702370     |
| 2   | 110506-53-000 | EA  | CASE - LOCK - A= 25 MM | 702380     |
| 2   | 110506-54-000 | EA  | CASE - LOCK - A= 32 MM | 703170     |
| 1   | 110506-59-001 | EA  | KEYS - SET OF TWO      | 596721     |
| 2   | 110506-52-001 | EA  | CASE - LOCK - A= 17 MM | 702371     |
| 2   | 110506-53-001 | EA  | CASE - LOCK - A= 25 MM | 702381     |
| 2   | 110506-54-001 | EA  | CASE - LOCK - A= 32 MM | 703171     |
| 1   | 110506-59-002 | EA  | KEYS - SET OF TWO      | 596722     |
| 2   | 110506-52-002 | EA  | CASE - LOCK - A= 17 MM | 702372     |
| 2   | 110506-53-002 | EA  | CASE - LOCK - A= 25 MM | 702382     |
| 2   | 110506-54-002 | EA  | CASE - LOCK - A= 32 MM | 703172     |
| 1   | 110506-59-003 | EA  | KEYS - SET OF TWO      | 596723     |
| 2   | 110506-52-003 | EA  | CASE - LOCK - A= 17 MM | 702373     |
| 2   | 110506-53-003 | EA  | CASE - LOCK - A= 25 MM | 702383     |
| 2   | 110506-54-003 | EA  | CASE - LOCK - A= 32 MM | 703173     |
| 1   | 110506-59-004 | EA  | KEYS - SET OF TWO      | 596724     |
| 2   | 110506-52-004 | EA  | CASE - LOCK - A= 17 MM | 702374     |
| 2   | 110506-53-004 | EA  | CASE - LOCK - A= 25 MM | 702384     |
| 2   | 110506-54-004 | EA  | CASE - LOCK - A= 32 MM | 703174     |
| 1   | 110506-59-005 | EA  | KEYS - SET OF TWO      | 596725     |
| 2   | 110506-52-005 | EA  | CASE - LOCK - A= 17 MM | 702375     |
| 2   | 110506-53-005 | EA  | CASE - LOCK - A= 25 MM | 702385     |
| 2   | 110506-54-005 | EA  | CASE - LOCK - A= 32 MM | 703175     |

110506-66-000

| KEY | PART NUMBER   | U/M | DESCRIPTION                  | VENDOR NO. |
|-----|---------------|-----|------------------------------|------------|
| 1   | 110506-59-006 | EA  | KEYS - SET OF TWO            | 596726     |
| 2   | 110506-52-006 | EA  | CASE - LOCK - A= 17 MM       | 702376     |
| 2   | 110506-53-006 | EA  | CASE - LOCK - A= 25 MM       | 702386     |
| 2   | 110506-54-006 | EA  | CASE - LOCK - A= 32 MM       | 703176     |
| 1   | 110506-59-007 | EA  | KEYS - SET OF TWO            | 596727     |
| 2   | 110506-52-007 | EA  | CASE - LOCK - A= 17 MM       | 702377     |
| 2   | 110506-53-007 | EA  | CASE - LOCK - A= 25 MM       | 702387     |
| 2   | 110506-54-007 | EA  | CASE - LOCK - A= 32 MM       | 703177     |
| 1   | 110506-59-008 | EA  | KEYS - SET OF TWO            | 596728     |
| 2   | 110506-52-008 | EA  | CASE - LOCK - A= 17 MM       | 702378     |
| 2   | 110506-53-008 | EA  | CASE - LOCK - A= 25 MM       | 702388     |
| 2   | 110506-54-008 | EA  | CASE - LOCK - A= 32 MM       | 703178     |
| 1   | 110506-59-009 | EA  | KEYS - SET OF TWO            | 596729     |
| 2   | 110506-52-009 | EA  | CASE - LOCK - A= 17 MM       | 702379     |
| 2   | 110506-53-009 | EA  | CASE - LOCK - A= 25 MM       | 702389     |
| 2   | 110506-54-009 | EA  | CASE - LOCK - A= 32 MM       | 703179     |
| 3   | 110506-40-700 | EA  | HARDWARE KIT                 |            |
| 4   | 110506-50-000 | EA  | CASE - TWIST LOCK - A= 17 MM | 596952     |
| 4   | 110506-51-000 | EA  | CASE - TWIST LOCK - A= 25 MM | 596669     |
|     | 110506-40-000 | EA  | CLIP-E - LOCK ASM.           | 93981      |
|     | 110506-66-000 | EA  | CAM - LOCK                   | 322282     |
|     | 110506-67-000 | EA  | CAM - LOCK                   | 322283     |
|     | 110506-71-000 | EA  | CAM - LOCK                   | 322287     |
|     | 110506-59-701 | EA  | KEY BLANK - GOLD             |            |

## WINDOW, VENT & EXTERIOR DOOR GROUP (CONTINUED)

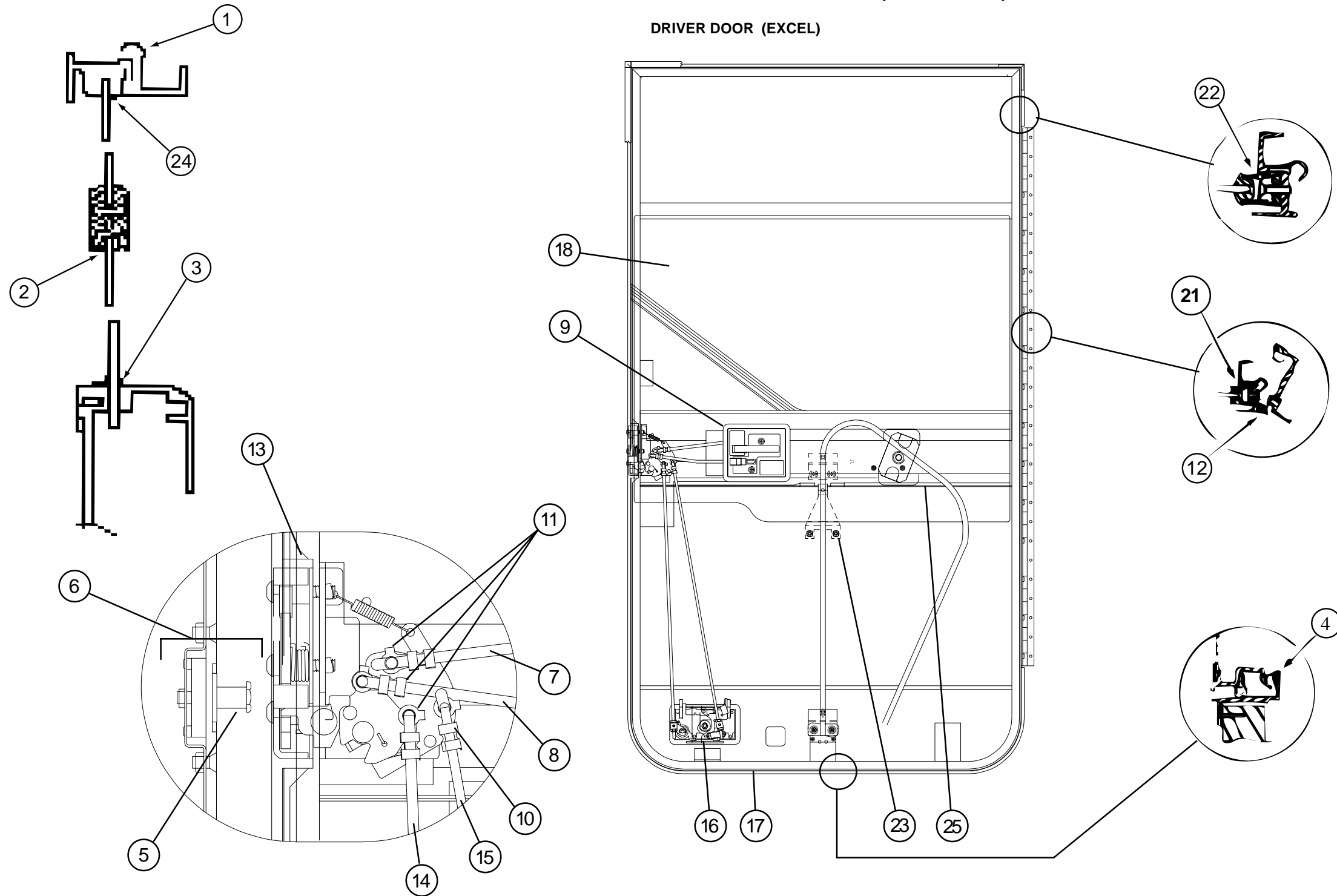
### DRIVER DOOR (EXCEL)



| KEY | PART NUMBER   | U/M | DESCRIPTION                             | VENDOR NO. |
|-----|---------------|-----|---|------------|
| 1   | 125581-04-01A | EA  | DOOR - DRIVER - NON-POWER               |            |
| 2   | 125899-03-01A | EA  | PANEL - CAB DOOR - INNER/DRIVER         |            |
| 3   | 106469-02-704 | EA  | PARTS BAG (WINDOW HANDLE & CHECK STRAP) | V068-16    |
|     | 109378-01-000 | EA  | STRAP - CHECK - DRIVER DOOR - 12.8"     |            |
| 4   | 106469-04-712 | EA  | HANDLE/DOOR - INNER W/HARDWARE          | 248-041402 |
| 5   | 110604-01-01A | EA  | HANDLE - ASSIST - DRIVERS DOOR          |            |
| 6   | 063977-14-000 | EA  | STEP - DRIVER DOOR - LEFT HAND          |            |
| 7   | 128255-01-04B | EA  | STEP - DRIVER DOOR - BLACK              |            |
| 8   | 107818-03-04A | EA  | TRIM - STEP/DRIVERS DOOR                |            |
|     |               |     | FROM: 00-00-00 THRU: 02-08-98           |            |
| 8   | 107818-05-02A | EA  | TRIM - STEP/DRIVERS DOOR                |            |
|     |               |     | FROM: 02-09-98 THRU: 99-99-99           |            |
|     | 102569-02-000 | EA  | MAT - ANTI SLIP - LOWER                 |            |
| 9   | 108832-02-01A | EA  | HANDLE - ASSIST - DOOR/DRIVER           |            |
|     | 126701-01-03A | EA  | COVER - ASSIST HANDLE - OFF WHITE       |            |
| 10  | 109235-01-05A | FT  | COVER - SCREW - BRIGHT WHITE            |            |
| 11  | 109235-01-01A | FT  | COVER - SCREW - MAT BLACK               |            |
|     | P01713-01-000 | EA  | SWITCH - PUSH BUTTON - ELECTRIC STEP    |            |

# WINDOW, VENT & EXTERIOR DOOR GROUP (CONTINUED)

## DRIVER DOOR (EXCEL)

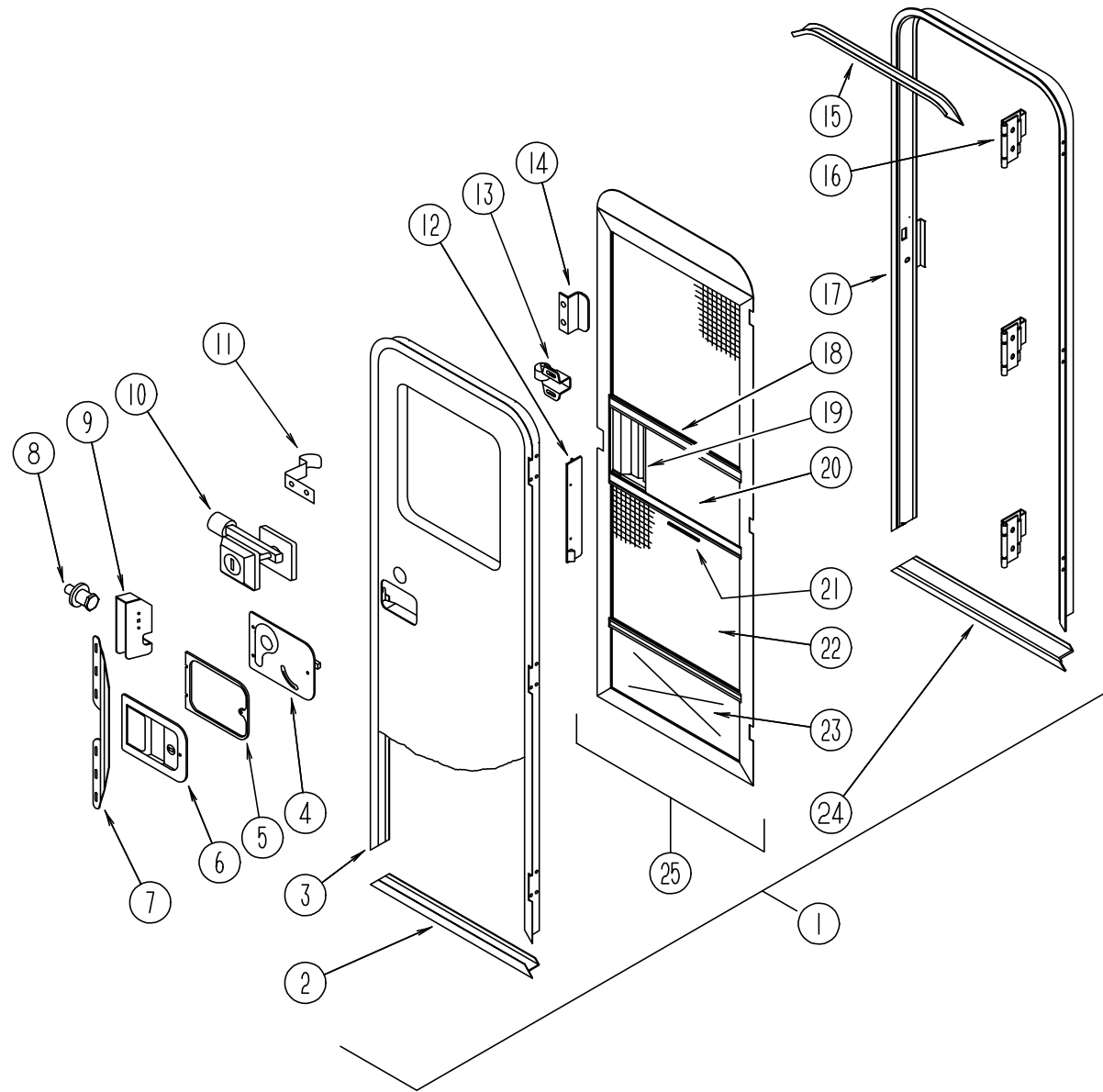


| KEY | PART NUMBER   | U/M | DESCRIPTION                      | VENDOR NO. |
|-----|---------------|-----|----------------------------------|------------|
| 1   | 106469-01-702 | EA  | DOOR SEAL                        | 122-040984 |
| 2   | 106469-01-705 | FT  | CHANNEL - RUN - SLIDING          | 122-010850 |
| 3   | 106469-01-709 | FT  | WEATHERSTRIP - FUZZY             | 171-040630 |
| 4   | 106469-01-723 | EA  | SEAL - BULB ASM. (JAMB)          | 171-040985 |
| 5   | 106469-04-703 | EA  | BOLT - STRIKER (W/ WASHER)       | 248-041152 |
| 6   | 106469-04-704 | EA  | NUT ASSEMBLY - CAGED - W/STRIKER | 248-041151 |
| 7   | 106469-04-705 | EA  | LATCH ROD - HORIZONTAL           | 203-041139 |
| 8   | 106469-04-711 | EA  | LOCK ROD - HORIZONTAL            | 203-041137 |
| 9   | 106469-04-712 | EA  | HANDLE/DOOR - INNER W/HARDWARE   | 248-041402 |
| 10  | 106469-04-713 | EA  | ROD CLIP L.H.                    | 248-041154 |
| 11  | 106469-04-714 | EA  | ROD CLIP R.H.                    | 248-041153 |
| 12  | 106469-05-702 | EA  | HINGE - 42"                      | 211-041194 |
| 13  | 106469-05-706 | EA  | LATCH - ROTARY - W/LINKAGE       | 248-041150 |

| KEY | PART NUMBER   | U/M | DESCRIPTION                  | VENDOR NO. |
|-----|---------------|-----|------------------------------|------------|
| 14  | 125581-04-700 | EA  | ROD - LATCH/VERTICAL ADJUST. | 203041767  |
| 15  | 125581-04-701 | EA  | ROD - LOCK/VERTICAL ADJUST.  | 203-041768 |
| 16  | 125581-04-702 | EA  | PADDLE RH-W/COLLAR BLACK TEX | 248-041403 |
| 17  | 125581-04-703 | EA  | FRAME - MOUNTING - BLACK     | V180-35L   |
| 18  | 125581-04-704 | EA  | GLASS - ROLL-UP              | 106-041821 |
| 19  | 125581-04-705 | EA  | GLASS - STATIONARY           | 106-041547 |
| 20  | 125581-04-706 | EA  | FRAME - DOOR - SUB-ASSEMBLY  | V180-94L   |
| 21  | 125581-04-707 | EA  | CHANNEL - ROLL UP GLASS      | V156-60    |
| 22  | 125581-04-708 | EA  | CHANNEL - STATIONARY GLASS   | V156-61    |
| 23  | 125581-04-709 | EA  | REGULATOR - MANUAL           | 410-08389  |
| 24  | 125581-04-710 | EA  | VINYL - GLAZING              | 132-041484 |
| 25  | 125581-04-711 | EA  | CHANNEL- GLASS               | N135-66    |
|     | 106469-04-701 | EA  | TUMBLER & KEYS (TRI-MARK)    | 248-041179 |
|     | 106469-04-702 | EA  | KEYS (BLANK)                 | 248-041180 |

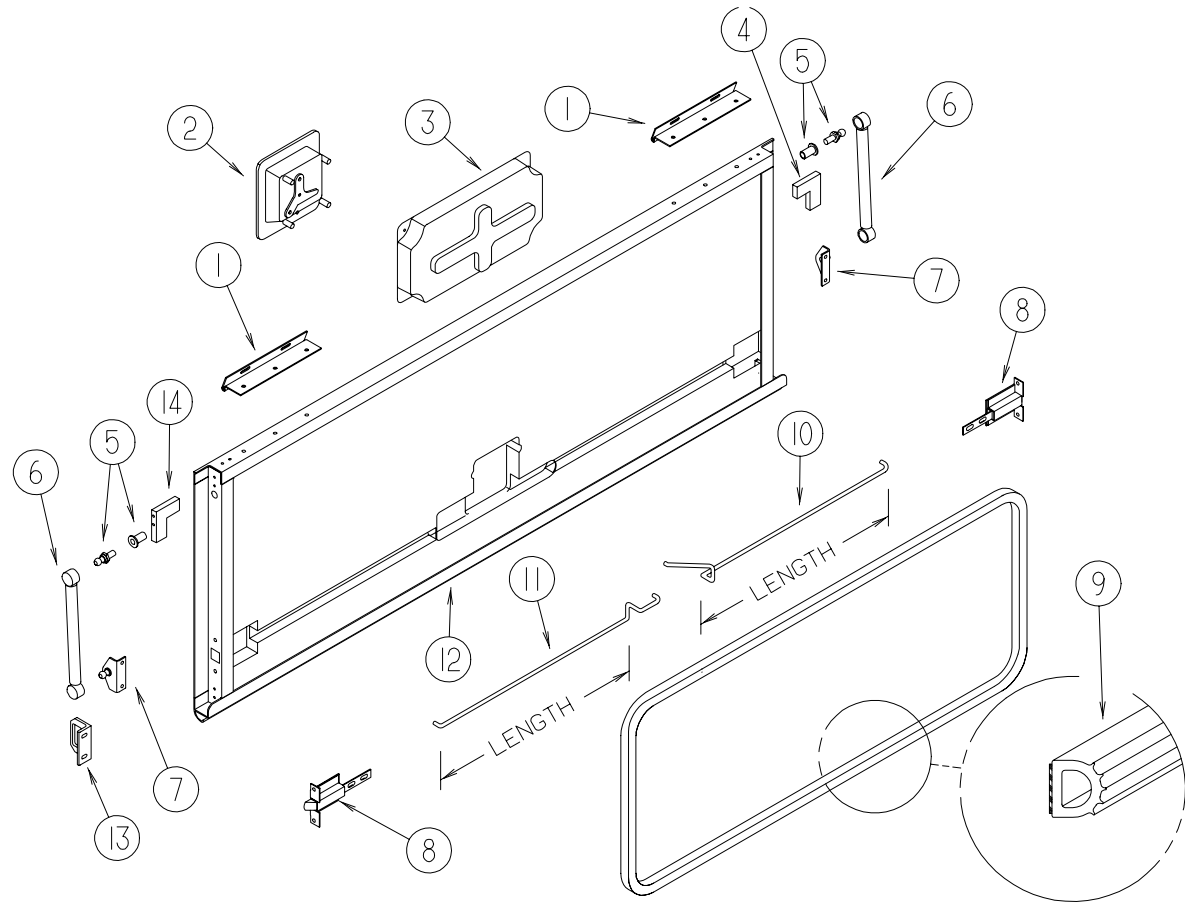
# WINDOW, VENT & EXTERIOR DOOR GROUP (CONTINUED)

## ENTRY DOOR W/O WINDOW



| KEY | PART NUMBER   | U/M | DESCRIPTION  |
|-----|---------------|-----|--|
| 1   | 115108-02-H08 | EA  | DOOR - ENTRY - W/SCREEN DOOR - W/O WINDOW (J22,J23)        |
| 1   | 115108-02-J06 | EA  | DOOR - ENTRY - W/SCREEN DOOR - W/O WINDOW (J24,J25)        |
| 1   | 115108-02-J11 | EA  | DOOR - ENTRY - W/SCREEN DOOR - W/O WINDOW (J26,J27)        |
| 1   | 115108-02-J50 | EA  | DOOR - ENTRY - W/SCREEN DOOR - W/O WINDOW (J28,J29)        |
|     | 041546-07-000 | EA  | BRACKET - DOOR ANGLE                                       |
|     | 115222-02-01A | EA  | GARNISH - RADIUS - ENTRY DOOR - OFF WHITE                  |
| 2   | 121893-01-01A | EA  | FRAME - ENTRY DOOR/BOTTOM - BRIGHT WHITE                   |
| 3   | 121894-03-01A | EA  | FRAME - ENTRY DOOR   |
| 4   | 039979-06-000 | EA  | COVER - LATCH PLATE - RIGHT HAND - BLACK TEXTURED          |
| 5   | 096810-01-01A | EA  | PLATE - LATCH - ENTRY DOOR - BLACK                         |
| 6   | 045017-13-000 | EA  | LATCH - ENTRY DOOR - BLACK TEXTURED                        |
|     | 045017-11-701 | EA  | KEY BLANK  |
| 7   | 098173-01-04A | EA  | STIFFENER - ENTRY DOOR - SUPPORTS LATCH/STRIKE - UNPAINTED |
| 8   | 039539-01-000 | EA  | STRIKE - LOCK - ENTRY DOOR - ROUND W/THREADED WASHER       |
|     | 077461-03-000 | EA  | COVER - STRIKE - ENTRY DOOR - 6.5" X 2.5" - WHITE PLASTIC  |
| 9   | 039540-01-000 | EA  | LATCH MECHANISM - HOOK - ENTRY DOOR - INTERIOR             |
|     | 039715-01-000 | EA  | NUT - SERT - 1/4" DIAMETER - 20 THREADS                    |
|     | 039984-01-000 | EA  | CAP - ROUND - VINYL - .28" ID X .62" LONG - BLACK          |
|     | 040944-01-000 | EA  | LABEL - ENTRANCE DOOR - "OPEN"                             |
| 10  | 101145-01-06A | EA  | DEADBOLT - ENTRY DOOR - BLACK                              |
|     | 095229-01-700 | EA  | KEY ONLY - BLANK   |
|     | 101147-01-000 | EA  | BOLT - SECURITY - 4.12"                                    |
|     | 101145-01-701 | EA  | CYLINDER - LOCK ASM. - W/ KEY                              |
|     | 102524-01-000 | EA  | BUMPER - RUBBER - FLAT - BLACK                             |
| 11  | 100412-01-000 | EA  | CATCH - SCREEN DOOR - THUMB CLIP                           |
| 12  | 079087-03-000 | EA  | STRIKE - SLIDER - SCREEN DOOR - BRIGHT WHITE               |
| 13  | 109403-01-000 | EA  | CATCH - SCREEN DOOR ROLLER                                 |
|     | 063729-04-000 | EA  | RIVNUT - 10-32 UNF - .010-.080                             |
|     | 072893-01-000 | EA  | NUTSERT - M5 X 0 - 8                                       |
|     | 075671-04-000 | FT  | SEAL - SPONGE - LAZY T - W/ADHESIVE STRIP - .5" WIDE       |
|     | 118929-01-01A | FT  | SEAL - PILE - PUSH-ON                                      |
| 14  | 050712-06-000 | EA  | HANDLE - SCREEN DOOR - BRIGHT WHITE                        |
| 15  | 044582-44-000 | EA  | CAP - DRIP - JAMB - BRIGHT WHITE                           |
| 16  | 106719-01-05A | EA  | HINGE - ENTRANCE DOOR                                      |
| 16  | 106719-01-01A | EA  | HINGE - ENTRANCE DOOR - MILL                               |
|     | 116111-02-01A | EA  | SCREW - TAPTITE - 1/4-20 X 3/8 PPH - ZINC                  |
|     | 102248-01-000 | EA  | SHIM - DOOR  |
| 17  | 121898-01-01A | EA  | JAMB - ENTRY DOOR  |
| 18  | 078777-01-000 | EA  | CHANNEL - SLIDER - SCREEN DOOR CENTER SLIDER COVER         |
|     |               |     | FROM: 00-00-00 THRU: 02-22-98                              |
| 18  | 078777-08-000 | FT  | CHANNEL - SLIDER   |
|     |               |     | FROM: 02-23-98 THRU: 99-99-99                              |
| 19  | 079086-03-000 | EA  | SLIDER - SCREEN DOOR - BRIGHT WHITE                        |
|     | 078595-01-000 | EA  | TOP PLATE - SCREEN DOOR - CURVED TOP - 4.7" X 25.35"       |
| 20  | 016454-01-000 | EA  | INSERT - CENTER - LEATHER GRAIN ALUMINUM - UNPAINTED       |
| 21  | 002294-01-000 | FT  | SPLINE - SCREENING - .135" X .138" - BLACK                 |
| 22  | 002293-02-000 | SF  | SCREENING - 26" - CHARCOAL                                 |
| 23  | 078552-03-000 | EA  | KICK PANEL - SCREEN DOOR - LOWER INSERT - UNPAINTED        |
| 24  | 051049-01-000 | EA  | JAMB - BOTTOM - ENTRY DOOR - 25.9" - UNPAINTED             |
|     | 075673-01-000 | FT  | SEAL - PILE - ADHESIVE BACK - GRAY                         |
|     | 075673-05-000 | FT  | SEAL - PILE - ADHESIVE BACK - BLACK                        |
| 25  | 121899-01-G04 | EA  | DOOR - SCREEN - W/O HARDWARE - BRIGHT WHITE                |
|     | 100128-02-000 | FT  | SEAL - SCREEN DOOR   |
|     | 009126-03-000 | EA  | HANDLE - ASSIST - BLACK TEXTURED                           |

**WINDOW, VENT & EXTERIOR DOOR GROUP (CONTINUED)**



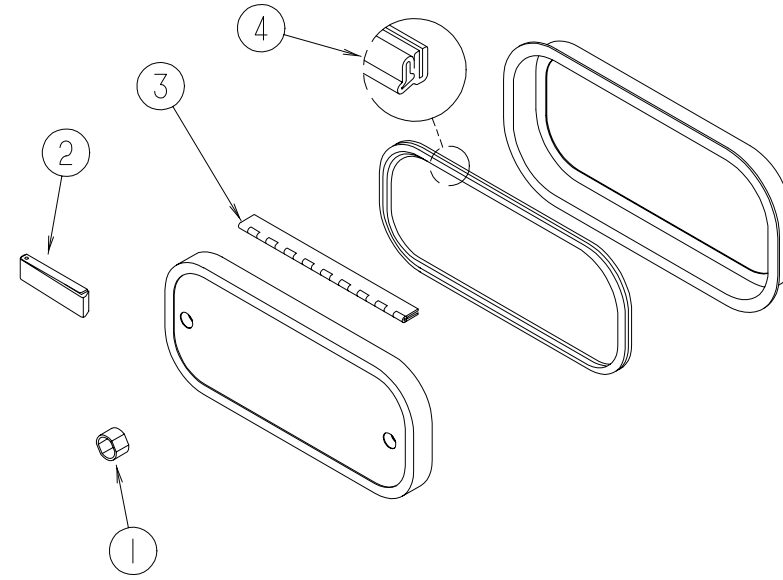
**EXTERIOR DOOR COMPONENTS**

| KEY | PART NUMBER   | U/M | DESCRIPTION  |
|-----|---------------|-----|--|
| 1   | 121755-01-04A | EA  | HINGE - 6.00 INCH                                    |
| 2   | 112949-01-04A | EA  | LATCH - PADDLE W/LOCK - W/O KEY - BLACK              |
|     | 112949-03-000 | EA  | KEY - TRI-MARK #TM500                                |
| 3   | 122277-02-01A | EA  | COVER - LATCH - BLACK                                |
| 4   | 123892-12-02B | EA  | CORNER STABILIZER W/BALL STUD - LEFT HAND - E-COATED |
| 5   | N/A           | EA  | BALL STUD - 10MM BALL - 5/16-18 - STAINLESS STEEL    |
| 6   | 107796-20-000 | EA  | SPRING/GAS - 7" COMPRESSED/10" EXTENDED - 60 LB      |
| 7   | 107796-19-000 | EA  | BRACKET - GAS SPRING                                 |
| 8   | 121947-01-01A | EA  | BOLT - SLIDE - LATCH - STEEL                         |
| 9   | 107721-07-000 | FT  | SEAL - ACCESS DOOR                                   |
| 10  | 122269-04-000 | EA  | ROD - LATCH - 15.42"                                 |
| 10  | 122269-06-000 | EA  | ROD - LATCH - 24.07"                                 |
| 10  | 122269-12-000 | EA  | ROD - LATCH - 22.28"                                 |
| 10  | 122269-20-000 | EA  | ROD - LATCH - 2.56"                                  |
| 10  | 122269-33-000 | EA  | ROD - LATCH - 9.24"                                  |
| 10  | 122269-35-000 | EA  | ROD - LATCH - 7.09"                                  |
| 10  | 122269-36-000 | EA  | ROD - LATCH - 12.18"                                 |
| 10  | 122269-37-000 | EA  | ROD - LATCH - 5.70"                                  |
| 10  | 122269-65-000 | EA  | ROD - LATCH - 21.06"                                 |
| 11  | 122268-04-000 | EA  | ROD - LATCH - 15.42"                                 |
| 11  | 122268-06-000 | EA  | ROD - LATCH - 24.07"                                 |
| 11  | 122268-12-000 | EA  | ROD - LATCH - 22.28"                                 |
| 11  | 122268-20-000 | EA  | ROD - LATCH - 2.56"                                  |
| 11  | 122268-33-000 | EA  | ROD - LATCH - 9.24"                                  |
| 11  | 122268-35-000 | EA  | ROD - LATCH - 7.09"                                  |
| 11  | 122268-36-000 | EA  | ROD - LATCH - 12.18"                                 |
| 11  | 122268-37-000 | EA  | ROD - LATCH - 5.70"                                  |
| 11  | 122268-65-000 | EA  | ROD - LATCH - 21.06"                                 |

**WINDOW, VENT & EXTERIOR DOOR GROUP (CONTINUED)**

**EXTERIOR DOOR COMPONENTS (CONTINUED)**

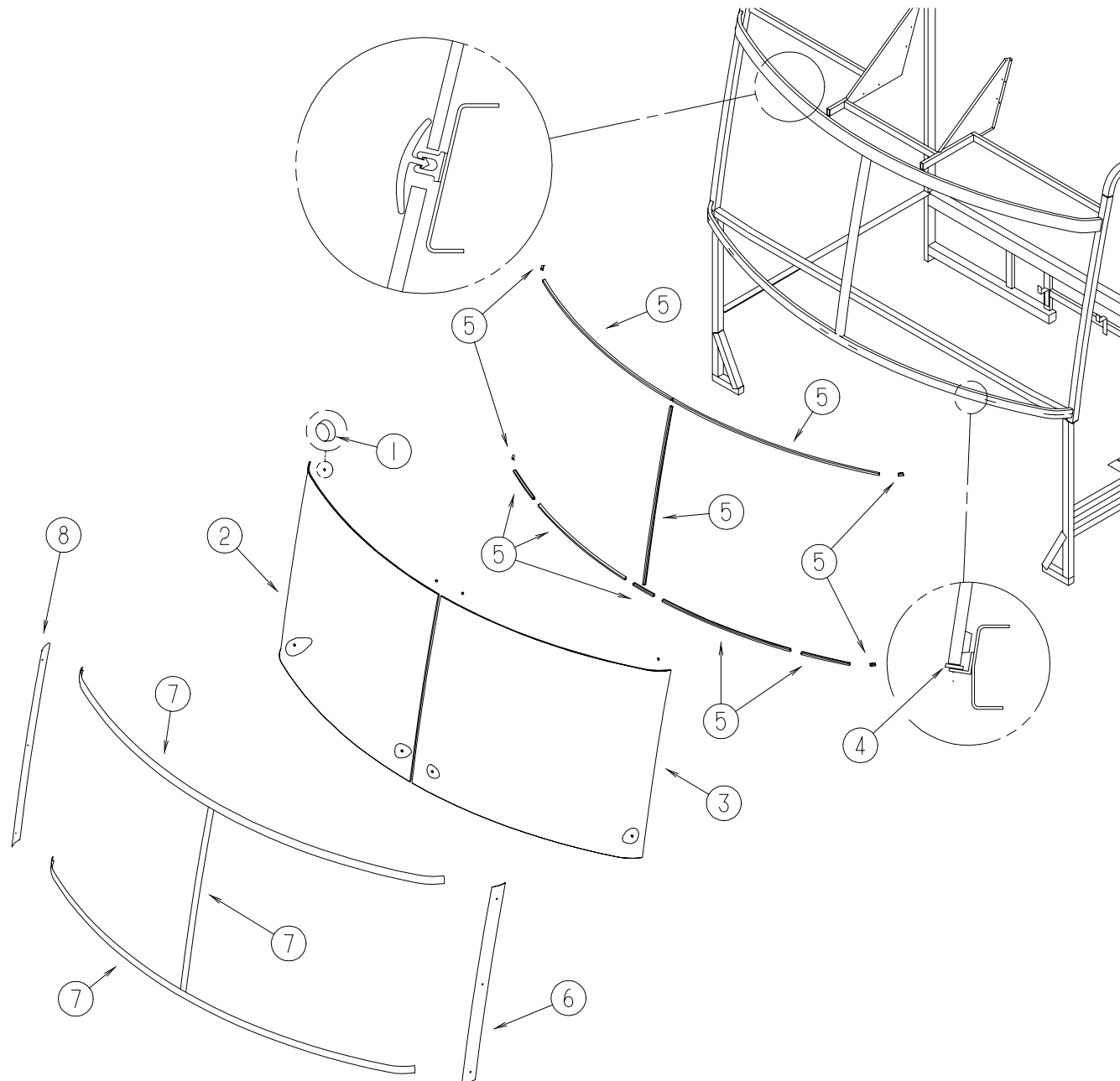
| KEY | PART NUMBER   | U/M | DESCRIPTION   |
|-----|---------------|-----|---|
| 12  | 122613-55-007 | EA  | ROCKER PANEL/EXTRUSION - 192" - BLACK                 |
|     | 122612-55-007 | EA  | U-CHANNEL/EXTRUSION - 192" - BLACK                    |
|     | 122614-55-007 | EA  | H-CHANNEL/EXTRUSION - 192" - BLACK                    |
| 13  | 123783-01-01A | EA  | STRIKER - DOOR - MILL                                 |
| 14  | 123892-10-02B | EA  | CORNER STABILIZER W/BALL STUD - RIGHT HAND - E-COATED |



**EXTERIOR DOOR COMPONENTS**

| KEY | PART NUMBER   | U/M | DESCRIPTION   |
|-----|---------------|-----|---|
| 1   | 107997-51-001 | EA  | SPACER - DOOR LOCK - .6" DEEP                         |
|     | 107997-51-002 | EA  | EXTRUDED - SPACER - 16'                               |
| 2   | 102768-01-000 | EA  | HOLDER - COMPARTMENT/ENTRY DOOR - METAL - MILL FINISH |
| 3   | 081801-V3-000 | EA  | HINGE - ALUMINUM - 2" X 96" - BRIGHT WHITE            |
| 4   | 106850-02-000 | FT  | SEAL-E - SPONGE RUBBER - .43" X .75"                  |

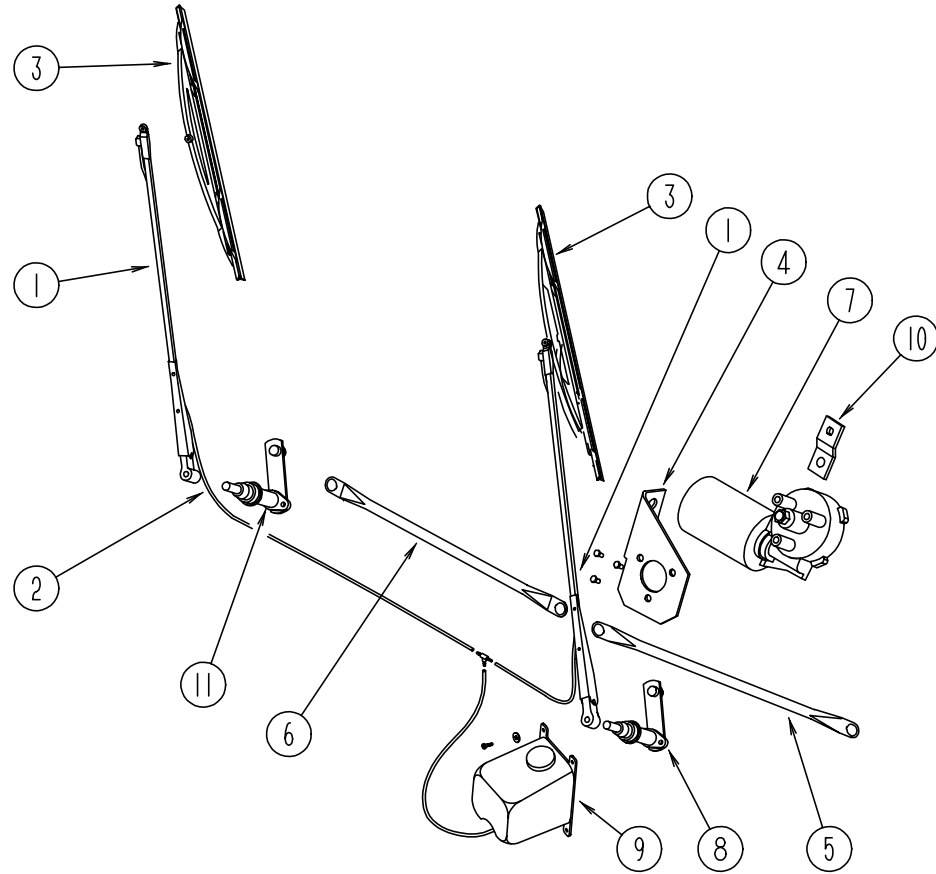
**WINDSHIELD & WIPER GROUP**  
**WINDSHIELD MOLDINGS & GLASS**



| KEY | PART NUMBER   | U/M | DESCRIPTION                                      |
|-----|---------------|-----|--|
| 1   | 081914-01-000 | EA  | BUMPER - RUBBER - ROUND - .43" DIAMETER          |
| 2   | 124328-01-000 | EA  | WINDSHIELD - PASSENGER - 52" X 41" (CURVED)      |
| 3   | 124328-02-000 | EA  | WINDSHIELD - DRIVER - 52" X 41" (CURVED)         |
| 4   | 002328-02-000 | EA  | BLOCK - WINDSHIELD - .062" X .5" X .98"          |
| 5   | 127862-01-000 | EA  | CARRIER - REVEAL - WINDSHIELD - 47.2"            |
| 6   | 125384-02-02A | EA  | TRIM - WINDSHIELD - A-PILLAR - DRIVER - BLACK    |
| 6   | 125384-02-01A | EA  | TRIM - WINDSHIELD - A-PILLAR - DRIVER - MILL     |
| 7   | 120533-01-000 | FT  | MOLDING - REVEAL - WINDSHIELD                    |
| 7   | 118586-01-000 | FT  | MOLDING - REVEAL - WINDSHIELD (CENTER POST)      |
| 8   | 125384-01-02A | EA  | TRIM - WINDSHIELD - A-PILLAR - PASSENGER - BLACK |
| 8   | 125384-01-01A | EA  | TRIM - WINDSHIELD - A-PILLAR - PASSENGER - MILL  |



**WINDSHIELD & WIPER GROUP (CONTINUED)**  
**WINDSHIELD WIPER ASM**



| KEY | PART NUMBER   | U/M DESCRIPTION   | VENDOR NO. |
|-----|---------------|---|------------|
| 1   | 117769-01-000 | EA ARM - WIPER - PANTOGRAPH - 28"                           |            |
| 2   | 045794-01-000 | FT HOSE - WASHER - WINDSHIELD - 5/32" ID - BLACK            |            |
| 3   | 095964-01-000 | EA BLADE - WINDSHIELD WIPER - 24"                           |            |
|     | 095964-01-700 | EA BLADE - REFILL 24" (PAIR)                                |            |
| 4   | 125829-02-02B | EA BRACKET ASM - WIPER MOTOR                                |            |
| 5   | 117770-01-000 | EA LINK - CONNECTING - 24" - CLOSED GROMMET/OPEN GROMMET    |            |
| 6   | 117770-02-000 | EA LINK - CONNECTING - 24" - CLOSED GROMMET/CLOSED GROMMET  |            |
| 7   | 104346-05-000 | EA WIPER MOTOR - W/INTERNAL BREAKER - DYNAMIC PARK          |            |
| 8   | 096505-09-000 | EA SHAFT/PIVOT - WINDSHIELD WIPER                           |            |
| 9   | 117766-02-000 | EA RESERVOIR/PUMP - WINDSHIELD WASHER                       |            |
|     | 110605-01-000 | EA TEE - PLASTIC - BARBED - 1/8" X 1/8" X 3/16"             |            |
| 9   | 117765-03-000 | EA CONNECTOR - 5/32" - WINDSHIELD WASHER                    |            |
| 10  | 104347-01-000 | EA ARM - DRIVE - WIPER MOTOR - 1.54" - W/TAPERED DRIVE HOLE |            |
| 11  | 096505-09-000 | EA SHAFT/PIVOT - WINDSHIELD WIPER                           |            |
|     | 061603-01-000 | EA GROMMET - SNAP - 3/16"ID - 3/8" HOLE - PLASTIC - BLACK   |            |
|     | 067188-01-000 | EA STUD - CRANK - WIPER MOTOR                               |            |
|     | 117322-01-000 | EA SCREW - 1/4-28 UNFINISHED - 2A - TORX                    |            |
|     | 077049-02-000 | EA NUT - ACORN - 10-32 BLACK/ANODIZED                       |            |
|     | 096505-02-700 | EA DRIVER - KNURLED - (HD) BRL .687                         | NT721017   |
|     | 096505-02-701 | EA NUT - HEX (HD) W/.687 BARREL                             | NT721021   |
|     | 096505-02-702 | EA CAP - RUBBER (HD) BARREL .687                            | CP721084   |
|     | 096505-02-703 | EA CAP - NUT (ACORN) HD W/.687 BRL 51065-40                 | NT27WC     |
|     | 117768-01-000 | EA SHAFT - ADAPTER - PANTOGRAPH ARM                         |            |

**WIPER CONTROL KIT**

| KEY | PART NUMBER   | U/M DESCRIPTION                            | VENDOR NO.            |
|-----|---------------|--|-----------------------|
|     | 091206-04-000 | EA MODULE/WIPER CONTROL KIT - DYNAMIC PARK |                       |
|     | 091206-02-700 | EA KNOB - INNER                            | 66C-00019             |
|     | 091206-02-701 | EA KNOB - OUTER                            | 66C-00020             |
|     | 091206-04-700 | EA SWITCH - WIPER CONTROL                  | 66C-00070 OR 250-6623 |
|     | 102362-03-700 | EA MODULE - DYNAMIC WIPER CONTROL          | 66D-00093 OR 250-6625 |